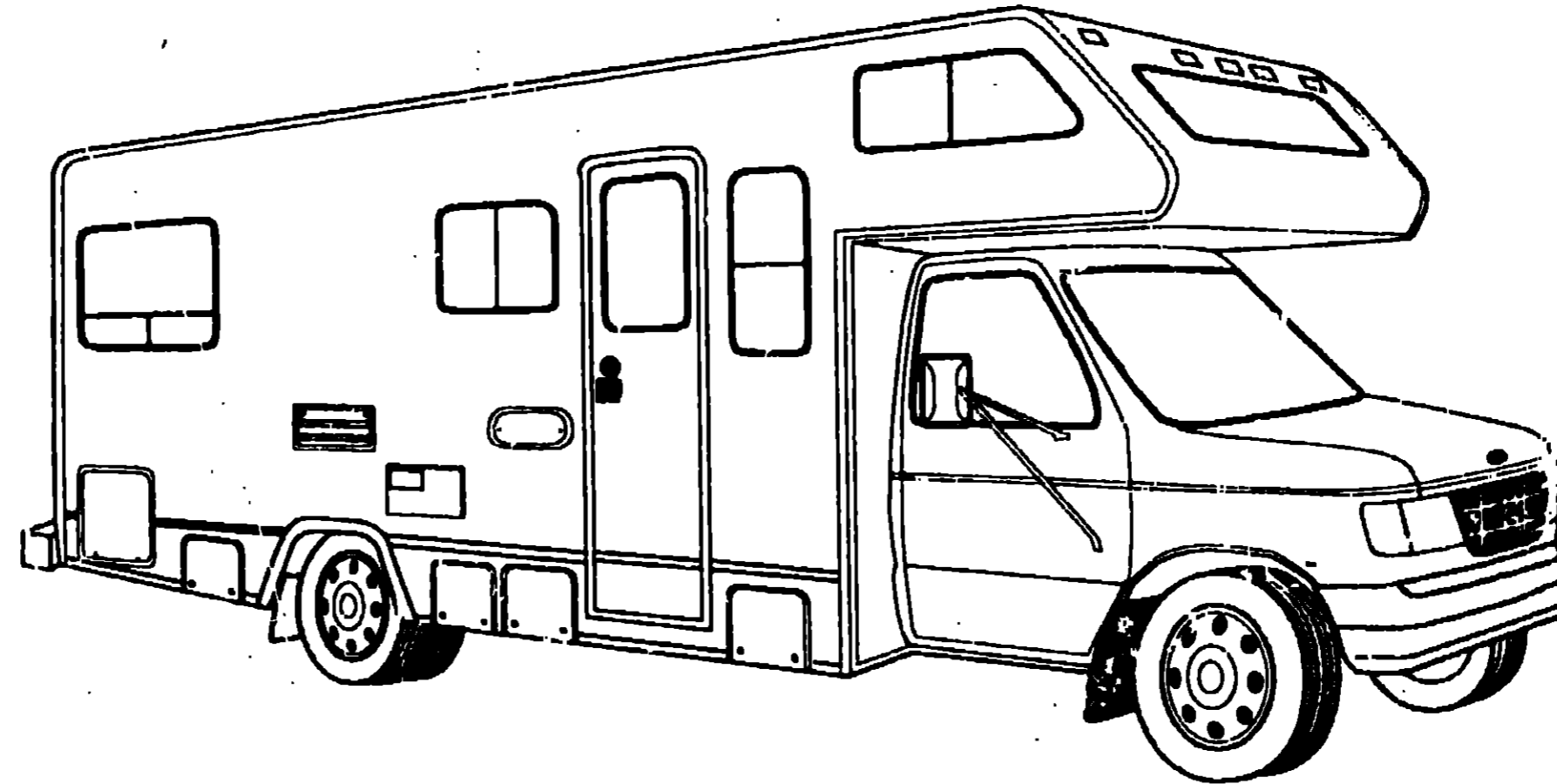
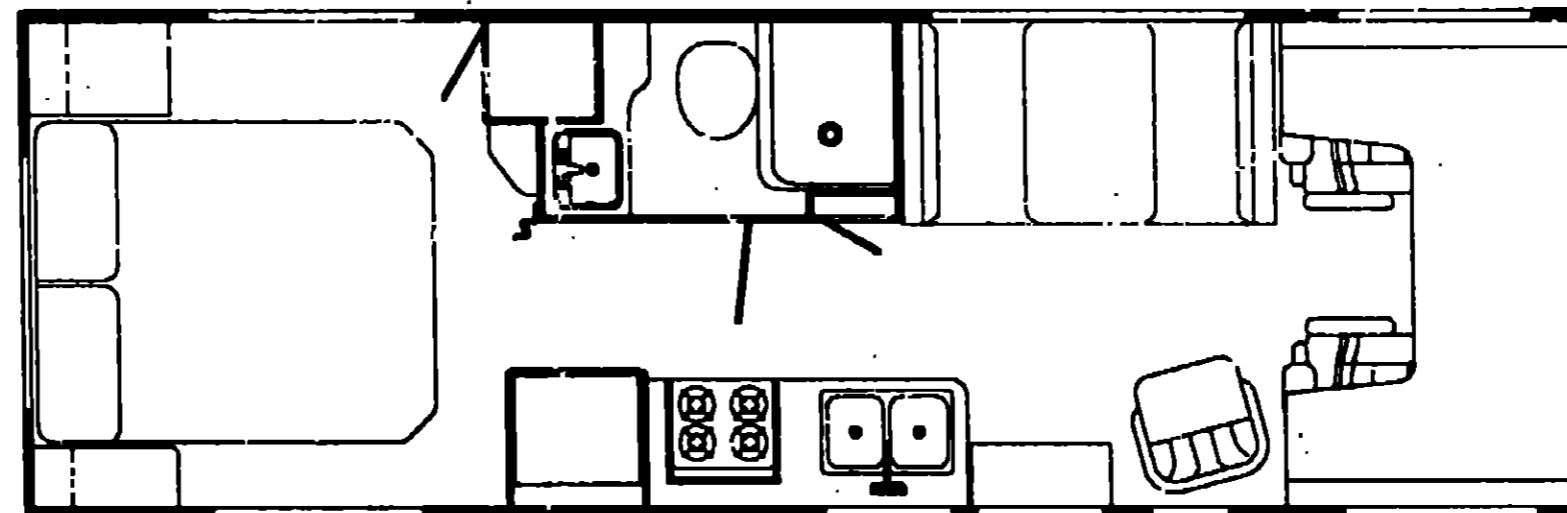
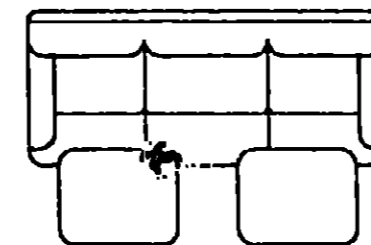
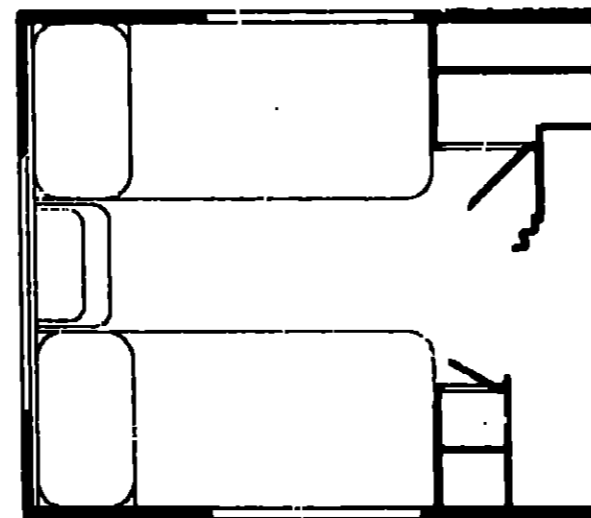


**1993 ITASCA
TABLE OF CONTENTS**

INTRODUCTION	A-01	A-02
ABBREVIATIONS		A-03
ALPHABETICAL INDEX	A-04	A-06
IF527RQ	A-07	E-02
IF527RC	E-03	H-22



**1993
IF527RQ
D29
D31**



A-07

1993 IF527RQ INDEX

FLOOR PLAN	A-07	A-08
ACCESSORIES		A-09
AUDIO VIDEO		A-10
BATH	A-11	A-12
BEDROOM	A-13	A-17
CHASSIS	A-18	A-22
CURTAIN & CUSHION	A-23	B-08
DINETTE	B-09	B-10
DRIVERS COMPARTMENT	B-11	B-12
ELECTRICAL	B-13	B-16
EXTERIOR BODY	B-17	C-02
GALLEY	C-03	C-07
GENERATOR		C-08
HEATING & A/C	C-09	C-10
INTERIOR FINISH	C-11	C-14
LABELS	C-15	C-21
LP		C-22
LOUNGE	C-23	C-24
SEALANTS & FASTENERS	D-01	D-03
WATER & SEWAGE	D-04	D-08
WINDOW, VENT AND EXTERIOR DOOR	D-09	E-02

A-08

ACCESSORIES GROUP

OPERATORS MANUAL

KEY	PART NUMBER	U/M DESCRIPTION
	054185-51-000	EA MANUAL OPERATOR, 1993 SUNDANCER - 500 SERIES
	092318-01-000	EA BINDER-3 RING, MOTOR HOME MANUAL
	092319-01-000	EA POCKET PAGE-3 RING BINDER, PLASTIC
	108272-01-000	DW TOP LEVEL DRAWING NUMBER FOR 1993 C-BODIES

AUDIO VIDEO GROUP

RADIO & ANTENNA COMPONENTS

KEY	PART NUMBER	U/M DESCRIPTION
	106450-01-000	EA RADIO-AM/FM CASSETTE, ELECTRONIC TUNE - FORD - AUDIOVOX FD-CXF
	108137-01-000	EA PLUG-ANTENNA HOLE (FORD)
	089340-02-000	EA GRILLE-SPEAKER, 6 5" SQUARE (OVHD CABINETS)
	089340-03-000	EA SPACER-SPEAKER GRILLE, TAN - MAGNADYNE G514 (OVHD CABINETS)
	094097-01-000	EA SPEAKER-RADIO, W/O GRILLE - 5 25" DIA - AUDIOVOX 110C3030 (OVHD CABINETS)
	087683-01-000	EA RADIO-AM/FM STEREO W/CASSETTE AUDIOVOX 144D1559 (PATIO ENTERTAINMENT)
	090944-01-000	EA ANTENNA-RADIO, 16" RUBBER (PATIO ENTERTAINMENT)
	077069-02-000	EA CABLE-ANTENNA, RADIO - EXTENSION 96' - ARA 6700567
	090862-01-000	EA BRACKET-HAT, ANTENNA - 3.1" X 3.9" - STEEL - BLACK (PATIO ENTERTAINMENT)
	104899-01-004	EA PLATE-RADIO MOUNTING (PATIO ENTERTAINMENT)
	073741-03-000	EA SPEAKER-OVAL, 4" X 6" - AUDIOVOX 110-2074 (PATIO ENTERTAINMENT) FROM 00-00-00 THRU 12-20-92
	110469-01-000	EA SPEAKER-OVAL, COAXIAL - 4" X 6" - MAGNADYNE F45XB-12 (PATIO ENTERTAINMENT) FROM 12-21-92 THRU 99-99-99
	073741-04-000	EA GRILLE-SPEAKER, OVAL - 4" X 6" - AUDIOVOX 136-1157 (PATIO ENTERTAINMENT) FROM 00-00-00 THRU 12-20-92
	110470-01-01A	EA GRILLE-SPEAKER, OVAL - 4" X 6" - BLACK - MAGNADYNE G46W1 (PATIO ENTERTAINMENT) FROM 12-21-92 THRU 99-99-99

TV, VCR SYSTEMS & ANTENNA

KEY	PART NUMBER	U/M DESCRIPTION
	092310-03-000	EA TV-COLOR, 9" - AC/DC - W/SWIVEL - MAGNAVOX RD0945
	092310-02-700	EA REMOTE FOR TV
	098446-03-000	EA VCR-VHS, CABLE READY - REMOTE - MAGNAVOX VR9010 FROM 00-00-00 THRU 10-04-92
	098446-03-700	EA REMOTE FOR MODEL #9010 - 0974588
	098446-04-000	EA VCR-VHS, CABLE READY - REMOTE - MAGNAVOX VR9110 FROM 10-05-92 THRU 05-16-93
	098446-04-700	EA REMOTE FOR MODEL #9110
	098446-05-000	EA VCR-VHS, CABLE READY - REMOTE - MAGNAVOX VR9120 FROM 05-17-93 THRU 99-99-99
	098446-04-700	EA REMOTE FOR MODEL #9110 & #9120
	106433-01-000	EA BRACKET-VCR
	076319-01-000	EA ANTENNA-TV, ROOF MOUNT - 44 5" MAST - RVA W02
	076319-01-700	EA HEAD-ANTENNA, AMPLIFIED - WINEGARD# RVSA UV
	076319-01-701	EA GEAR-ELEVATING, PLASTIC - WINEGARD# 2200046
	076319-01-702	EA SHAFT ASM-ELEVATING, WINEGARD# RVP-400A
	076319-01-703	EA BEARING-NYLON, 5"OD - WINEGARD# 3200656
	076319-01-705	EA GROMMET-NYLON, 7/8"ID - WINEGARD# 3200658
	076319-01-706	EA CRANK-ELEVATING, W/SET SCREW - WINEGARD# 5755100
	076319-01-707	EA SPRING-HANDLE, WINEGARD# 5160800
	076319-01-709	EA PLATE-DIRECTIONAL, FOR HEAD - WINEGARD #3200644
	076319-06-000	EA ADAPTER-CABLE ROOF PLATE, WINEGARD RPJ-1
	082136-01-000	EA ADAPTER-TV, CABLE TO CABLE - WINEGARD F-81M
	082136-01-000	EA NUT-HEX JAM 3/8-32, WINEGARD
	076319-08-000	EA WALLPLATE-CABLE RECEPTACLE, TV - SINGLE - IVORY
	086777-03-000	EA WALLPLATE-TV CABLE, W/ANTENNA - DENNISON 08415
	076319-03-000	FT CABLE-COAXIAL, 75 OHM
	076319-12-000	EA CONNECTOR-COAXIAL - ONE PIECE
	066756-01-000	EA SPLITTER-TV, 2 WAY
	086757-03-000	EA CONTROL, CENTER SWITCH, VCR/TV - MAGNADYNE VCS-6
	086777-04-000	EA PLATE-WALL, ANTENNA/POWER - BROWN

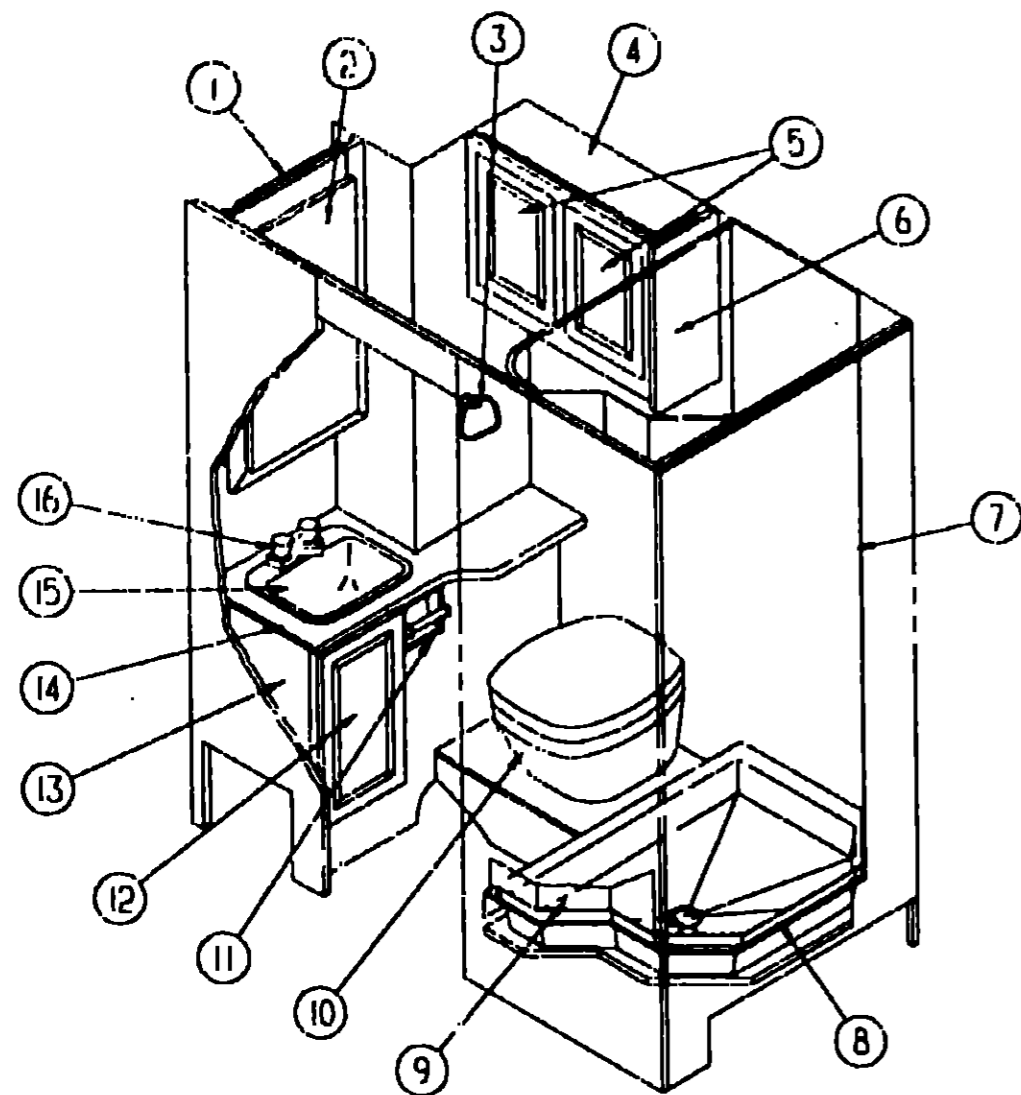
1993 ITASCA TABLE OF CONTENTS

INTRODUCTION	A-01	A-02
ABBREVIATIONS		A-03
ALPHABETICAL INDEX	A-04	A-06
IF527RQ	A-07	E-02
IF527RC	E-03	H-22

1993 IF527RQ INDEX

FLOOR PLAN	A-07	A-08
ACCESSORIES		A-09
AUDIO VIDEO		A-10
BATH	A-11	A-12
BEDROOM	A-13	A-17
CHASSIS	A-18	A-22
CURTAIN & CUSHION	A-23	B-08
DINETTE	B-09	B-10
DRIVERS COMPARTMENT	B-11	B-12
ELECTRICAL	B-13	B-16
EXTERIOR BODY	B-17	C-02
GALLEY	C-03	C-07
GENERATOR		C-08
HEATING & A/C	C-09	C-10
INTERIOR FINISH	C-11	C-14
LABELS	C-15	C-21
LP		C-22
LOUNGE	C-23	C-24
SEALANTS & FASTENERS	D-01	D-03
WATER & SEWAGE	D-04	D-08
WINDOW, VENT AND		
EXTERIOR DOOR	D-09	E-02

BATH GROUP



BATH CABINETS & FIXTURES

KEY	PART NUMBER	U/M DESCRIPTION
1	105350-01-C43	EA CABINET-OVERHEAD, MEDICINE - W/O DOOR
2	P03661-01-D29	EA DOOR-CABINET, W/O HARDWARE - 395 X 750MM
	093446-10-B27	EA MIRROR-WOOD FRAMED
	058331-32-000	EA MIRROR-GLASS, SAFETY - 13 6" X 27 6"
	M03450-11-000	EA TRIM-MIRROR, WOOD - OAK
3	075454-02-000	EA RING-TOWEL, W/MOUNTING HARDWARE - BRASS
4	103129-01-B87	EA CABINET-OVERHEAD, W/O DOORS & HARDWARE
5	P04536-25-D29	EA DOOR-CABINET, W/O HARDWARE - 325 X 450MM
6	104335-05-C43	EA END CAP-CABINET, OVERHEAD
	080507-01-000	EA PANEL-SKYLIGHT, OUTER - PLEXIGLASS - 23 25" X 20 3"
	080508-01-000	EA PANEL-SKYLIGHT, INNER - PLEXIGLASS - 23 25" X 20 3"
7	102803-01-01A	EA SURROUND-SHOWER, LARGE 3 SIDED SECTION - OFF WHITE
	103092-01-000	EA SHOWER HEAD-W/60 IN HOSE (US)
	103092-01-700	EA BRACKET-SHOWER HEAD
	103092-02-000	EA SHOWER HEAD-W/60 IN HOSE (CANADIAN)
	075241-05-000	EA FAUCET-SHOWER, BONE
	075606-01-000	EA PANEL-FAUCET BACK, SHOWER - 5" X 9" - PLASTIC
8	M02673-06-B05	EA PAN-SHOWER, OFF WHITE
	067440-01-000	EA STRAINER-SHOWER, W/RUBBER WASHER
	067735-01-000	EA WASHER-STRAINER TO TAILPIECE PLASTIC, 1 5"
	011069-02-000	EA TAILPIECE-TUB/SHOWER, 1 1/2" X 1 1/4" X 4" - BRASS
	066436-01-000	EA NUT-SLIP, TAILPIECE - 1 5"
	077671-01-000	EA COVER-SCREW, #8 - PLASTIC - OFF WHITE
9	102804-01-01A	EA SURROUND-SHOWER, SMALLER SECTION - OFF WHITE

BATH GROUP (CONTINUED)

BATH CABINETS & FIXTURES (CONTINUED)

KEY	PART NUMBER	U/M DESCRIPTION
10	067487-01-000	EA TOILET-12 3/4" IVORY - HAND FLUSH - THETFORD 150110
	063740-01-700	EA LEVER-WATER, THETFORD 12514
	063740-01-701	EA LEVER-FLUSH THETFORD 12515
	063740-01-706	EA BOLT PACKAGE-CLOSET, THETFORD 12524
	063740-01-710	EA LINK-THETFORD 12513
	063740-01-711	EA SPRING-RETURN LEVER, THETFORD 12523
	063740-01-713	EA SEAL-BALL, VALVE TO RGWL, THETFORD 12502
	063740-01-714	EA VALVE ASM-WATER THETFORD 12492
	063740-01-716	EA SEAT & COVER, THETFORD 15017
	063740-01-717	EA TUBE-FLUSH, TOILET - 12509 THETFORD
	063641-01-000	EA FLANGE-CLOSET, 4" X 3"
11	085278-01-000	EA HOLDER-TOILET TISSUE, RECESSED - BRASS
12	P03702-J0-D29	EA DOOR-CABINET W/O HARDWARE - 305 X 555MM
13	P03126-01-D29	EA CABINET-LAVATORY, W/O DOOR & HARDWARE
13	P03126-01-D31	EA CABINET-LAVATORY W/O DOOR & HARDWARE
14	103126-11-D29	EA COUNTERTOP-CABINET, LAVATORY
14	103126-11-D31	EA COUNTERTOP-CABINET, LAVATORY
15	096927-01-01A	EA SINK-LAVATORY, RECTANGULAR - PLASTIC - BONE
	096927-01-700	EA SINK-STOPPER
	096927-01-701	EA TAILPIECE-SINK
16	075240-06-000	EA FAUCET-LAVATORY, BONE
	091253-01-000	EA GASKET-FAUCET, LAVATORY/GALLEY
	075453-02-000	EA BAR-TOWEL-18" BRASS
	078238-37-B87	EA PANEL-ACCESS, 250 X 445MM

BATH PRIVACY DOOR

KEY	PART NUMBER	U/M DESCRIPTION
	P05398-01-C43	EA DOOR-PRIVACY, BATH
		FROM 00-00-00 THRU 03-14-93
	P05398-03-D29	EA DOOR-PRIVACY BATH
		FROM 03-15-93 THRU 99-99-99
	102089-13-B29	EA WOOD RAIL-TOWEL RACK, RIGHT SIDE - 26"
	102089-14-B29	EA WOOD RAIL-TOWEL RACK, LEFT SIDE - 26"
	100357-01-000	EA ROD-TOWEL, BRASS W/ENDS BENT FOR BACK OF BATH DOOR
	094485-01-01A	EA KNOB-DOOR-POLISHED BRASS
		FROM 00-00-00 THRU 09-23-92
	094485-02-01A	EA KNOB-DOOR-POLISHED BRASS
		FROM 09-24-92 THRU 99-99-99

EXTERIOR SHOWER COMPONENTS

KEY	PART NUMBER	U/M DESCRIPTION
	075241-05-000	EA FAUCET-SHOWER, BONE
	103092-01-000	EA SHOWER HEAD-W/60 IN HOSE (US)
	103092-01-700	EA BRACKET-SHOWER HEAD
	103092-02-000	EA SHOWER HEAD-W/60 IN HOSE (CANADIAN)
	105269-02-000	EA BRACKET-SUPPORT, FAUCET
	091952-02-000	EA CLIP-GRIPPER, 3/4"

**1993 ITASCA
TABLE OF CONTENTS**

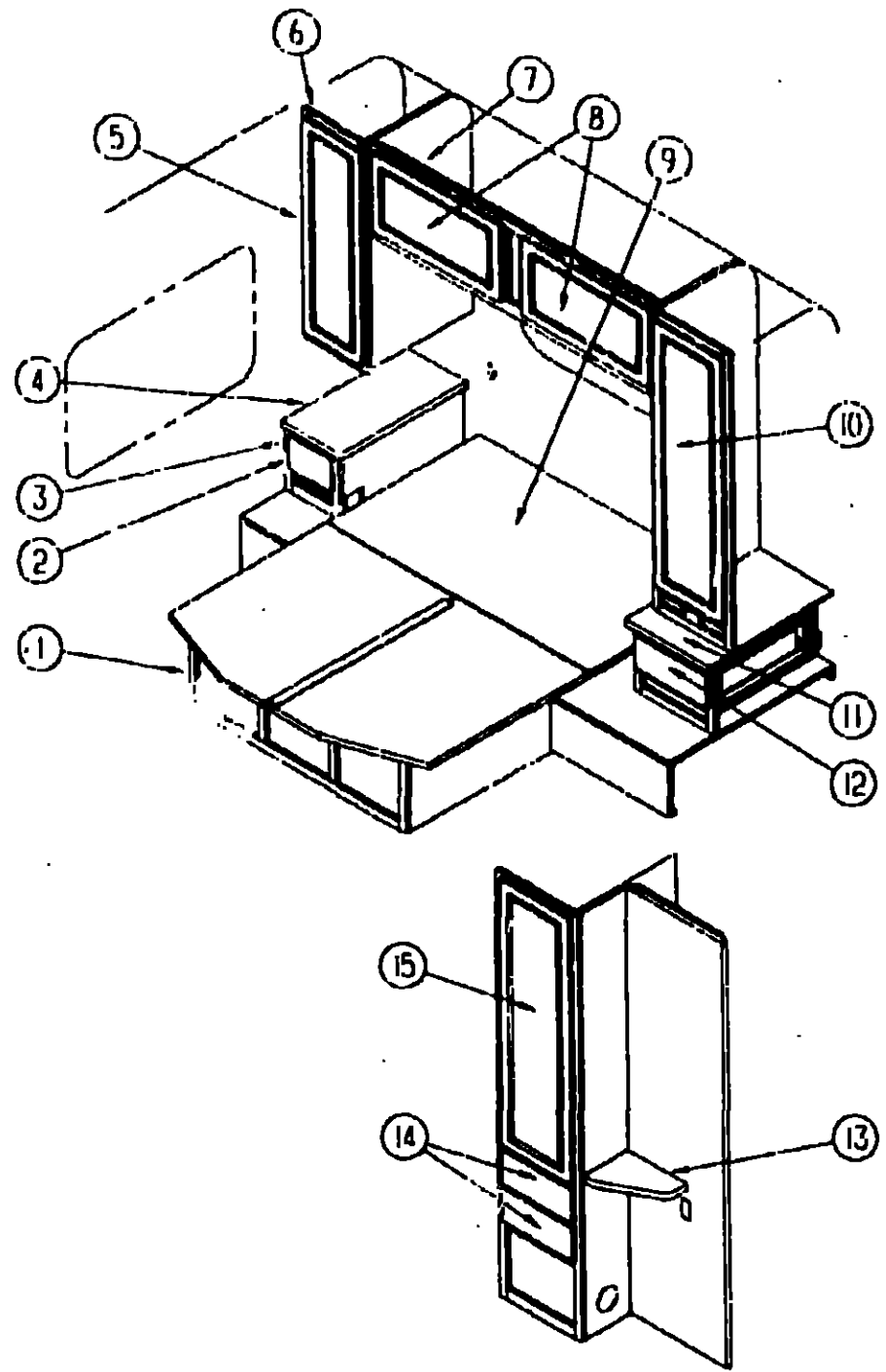
INTRODUCTION	A-01	A-02
ABBREVIATIONS		A-03
ALPHABETICAL INDEX	A-04	A-05
IF527RQ	A-07	E-02
IF527RC	E-03	I-22

1993 IF527RQ INDEX

FLOOR PLAN	A-07	A-08
ACCESSORIES		A-09
AUDIO VIDEO		A-10
BATH	A-11	A-12
BEDROOM	A-13	A-17
CHASSIS	A-18	A-22
CURTAIN & CUSHION	A-23	B-08
DINETTE	B-09	B-10
DRIVERS COMPARTMENT	B-11	B-12
ELECTRICAL	B-13	B-16
EXTERIOR BODY	B-17	C-02
GALLEY	C-03	C-07
GENERATOR		C-08
HEATING & A/C	C-09	C-10
INTERIOR FINISH	C-11	C-14
LABELS	C-15	C-21
LP		C-22
LOUNGE	C-23	C-24
SEALANTS & FASTENERS	D-01	D-03
WATER & SEWAGE	D-04	D-08
WINDOW, VENT AND EXTERIOR DOOR	D-09	E-02

BEDROOM GROUP

QUEEN BEDROOM CABINETS & FOLDING PRIVACY DOOR



KEY	PART NUMBER	U/M	DESCRIPTION
1	P08477-01-D29	EA	CABINET-QUEEN BED
2	P07104-N7-D29	EA	DRAWER-CABINET, W/O HARDWARE
3	P08461-01-D29	EA	CABINET-NIGHTSTAND W/O DOORS & HARDWARE
3	P08461-01-D31	EA	CABINET-NIGHTSTAND, W/O DOORS & HARDWARE
4	108461-11-D29	EA	COUNTERTOP-CABINET, NIGHTSTAND
4	108461-11-D31	EA	COUNTERTOP-CABINET, NIGHTSTAND
5	P03702-J7-D29	EA	DOOR-CABINET, W/O HARDWARE - 305 X 1015MM
6	P05279-01-C43	EA	CABINET SHIRT CLOSET - RIGHT
7	M05780-03-D29	EA	CABINET-OVERHEAD, W/O DOOR & HARDWARE
7	M05780-52-D29	EA	CABINET-OVERHEAD, W/O DOOR & HARDWARE
7	109212-01-D29	EA	CABINET-OVERHEAD, W/O DOOR & HARDWARE - REAR (EUROPEAN EXPORT)
8	M05308-05-D29	EA	DOOR-CABINET, W/O HARDWARE - 400 X 710
	104755-02-000	EA	MIRROR-GLASS, DECORATIVE - 330 X 640MM
	108635-06-01A	EA	MIRROR-GLASS, FLORAL SPREE - 330 X 640MM
8	P03702-J7-D29	EA	DOOR-CABINET, W/O HARDWARE - 400 X 710MM (MIRRORED)
8	P03702-J4-D29	EA	DOOR-CABINET, W/O HARDWARE - 400 X 710MM (WOOD PANEL)
9	M05345-02-000	EA	TOP-QUEEN BED, REAR SIDE
	M05045-01-000	EA	TOP-QUEEN BED, FRONT SIDE
	057205-03-000	EA	ANGLE-SUPPORT, BED - 1" X 1 5" X 74" - METAL - OFF WHITE
	057460-02-000	EA	STUD-BALL, GAS SPRING - 10MM - 5/16" - 18
	107539-01-000	EA	SPRING-GAS, 20" BLADE END - SPRING LIFT SL3-110
	107540-01-000	EA	BRACKET-GAS SPRING, 90 DEGREE ANGLE
	107541-01-000	EA	BRACKET-GAS SPRING, FLAT
	105376-01-02A	EA	HINGE-CONTINUOUS, 2" X 140MM - OFF WHITE
	091261-01-000	FT	SLIPNOT-ANTISLIP, 1" WIDE (100' ROLL)
10	P03702-J2-D29	EA	DOOR-CABINET, W/O HARDWARE - 390 X 1250MM
11	108448-12-D29	EA	COUNTERTOP-CABINET, WARDROBE
11	108448-12-D31	EA	COUNTERTOP-CABINET, WARDROBE
12	P07104-N5-D29	EA	DRAWER-CABINET, W/O HARDWARE
13	103195-01-D29	EA	SHELF-MAKE UP
13	103195-01-D31	EA	SHELF-MAKE UP
14	P07104-E1-D29	EA	DRAWER-CABINET, W/O HARDWARE
	009112-01-000	EA	FLANGE-1" ROD, CLOTHES - PLASTIC - OFF WHITE
	042438-01-000	EA	DOWEL-WOOD, CLOTHES ROD - 1" DIAMETER X 4'
	041953-12-000	EA	CONDUIT-CONVOLITE, NON SLIT 1 1/2" ID
15	P03702-J2-D29	EA	DOOR-CABINET, W/O HARDWARE - 390 X 1250MM
	093446-07-B32	EA	MIRROR-WOOD FRAMED, 13 6" X 47 4" - ABOVE MAKE UP SHELF
	058331-27-000	EA	MIRROR-SAFETY GLASS, 11 8" X 45 7"
	M03450-07-000	EA	TRIM-MIRROR, WOOD - OAK
	094856-07-02A	EA	TRACK-FOLDING DOOR, 24 25" - OFF WHITE
	042488-10-000	EA	DOOR-FOLDING - FABRIC - 37" X 75" - OFF WHITE
	080224-01-703	EA	LATCH & CATCH ASSEMBLY - ALUMINUM
	080224-01-705	EA	CATCH-DOOR JAMB, ALUMINUM

1993 ITASCA TABLE OF CONTENTS

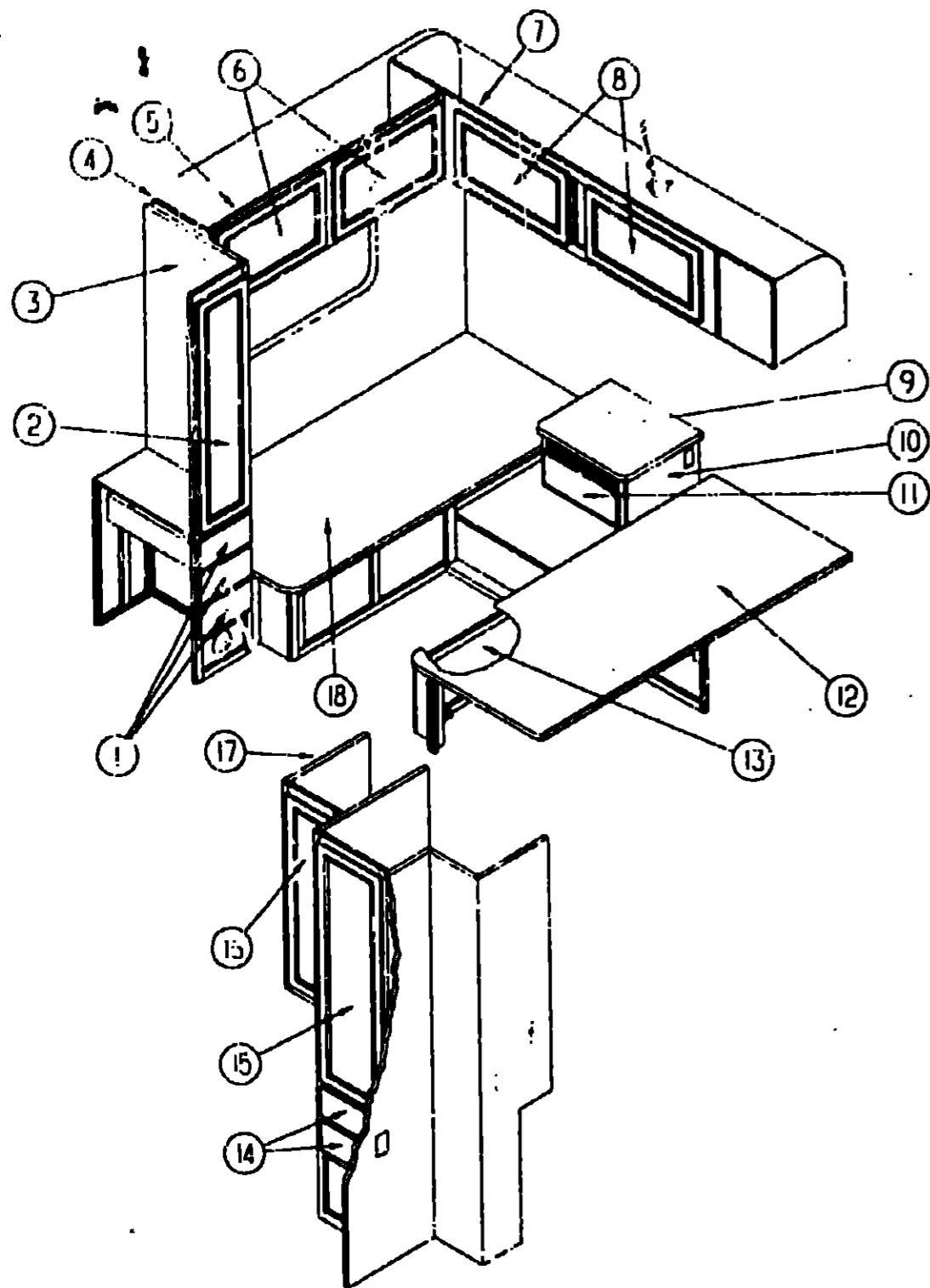
INTRODUCTION	A-01	A-02
ABBREVIATIONS		A-03
ALPHABETICAL INDEX	A-04	A-06
IF527RQ	A-07	E-02
IF527RC	E-03	H-22

1993 IF527RQ INDEX

FLOOR PLAN	A-07	A-08
ACCESSORIES		A-09
AUDIO VIDEO		A-10
BATH	A-11	A-12
BEDROOM	A-13	A-17
CHASSIS	A-18	A-22
CURTAIN & CUSHION	A-23	B-08
DINETTE	B-09	B-10
DRIVERS COMPARTMENT	B-11	B-12
ELECTRICAL	B-13	D-16
EXTERIOR BODY	B-17	C-02
GALLEY	C-03	C-07
GENERATOR		C-08
HEATING & A/C	C-09	C-10
INTERIOR FINISH	C-11	C-14
LABELS	C-15	C-21
LP		C-22
LOUNGE	C-23	C-24
SEALANTS & FASTENERS	D-01	D-03
WATER & SEWAGE	D-04	D-08
WINDOW, VENT AND		
EXTERIOR DOOR	D-09	E-02

BEDROOM GROUP (CONTINUED)

TWIN BEDROOM CABINET, WALL MIRROR & FOLDING PRIVACY DOOR



KEY	PART NUMBER	U/M	DESCRIPTION
1	P07104-E9-D29	EA	DRAWER-CABINET, W/O HARDWARE - 3 USED
2	P03702-J8-D29	EA	DOOR-CABINET, W/O HARDWARE - 305 X 1220MM
3	P07702-01-D29	EA	CABINET-WARDROBE, PASSENGER SIDE - W/O DOORS & HARDWARE
	009112-01-000	EA	FLANGE-1" ROD, CLOTHES - PLASTIC - OFF WHITE
	042438-01-000	EA	DOWEL-WOOD, CLOTHES ROD - 1" DIAMETER X 4'
	041953-12-000	EA	CONDUIT-CONVOLITE, NON SLIT 1 1/2" ID
4	104335-06-C43	EA	END CAP-CABINET, OVERHEAD - LEFT
5	M05780-05-D29	EA	CABINET-OVERHEAD, W/O DOORS & HARDWARE - REAR - RIGHT
5	M05780-05-D31	EA	CABINET-OVERHEAD, W/O DOORS & HARDWARE - REAR - RIGHT
6	P03702-H9-D29	EA	DOOR-CABINET, W/O HARDWARE - 400 X 520MM - 2 USED
	M05780-04-D29	EA	CABINET-OVERHEAD, W/O DOORS & HARDWARE - REAR - LEFT
	M05780-04-D31	EA	CABINET-OVERHEAD, W/O DOORS & HARDWARE - REAR - LEFT
	P03702-J4-D29	EA	DOOR-CABINET, W/O HARDWARE - 400 X 710MM - 1 USED
	104335-07-C43	EA	END CAP-CABINET, OVERHEAD - RIGHT - DRIVER SIDE
7	105292-01-D29	EA	CABINET-OVERHEAD, W/O DOORS & HARDWARE - REAR
7	105292-01-D31	EA	CABINET-OVERHEAD, W/O DOORS & HARDWARE - REAR
8	M05908-05-D29	EA	DOOR-CABINET, W/O HARDWARE - 400 X 710 (MIRRORED)
	104755-02-000	EA	MIRROR-GLASS, DECORATIVE - 330 X 640MM FROM 00-00-00 THRU 08-09-92
	108635-06-01A	EA	MIRROR-GLASS, FLORAL SPREE - 330 X 640MM FROM 00-00-00 THRU 07-19-92 FROM 07-20-92 THRU 08-09-92
8	P03702-J7-D29	EA	DOOR-CABINET, W/O HARDWARE - 400 X 710MM (MIRRORED) FROM 08-10-92 THRU 99-99-99
8	P03702-J4-D29	EA	DOOR-CABINET, W/O HARDWARE - 400 X 710MM (WOOD PANEL)
9	108463-11-D29	EA	COUNTERTOP-CABINET, NIGHTSTAND
9	108463-11-D31	EA	COUNTERTOP-CABINET, NIGHTSTAND
10	P08463-01-D29	EA	CABINET-NIGHTSTAND, W/O DOORS & HARDWARE
10	P08463-01-D31	EA	CABINET-NIGHTSTAND, W/O DOORS & HARDWARE
11	P07104-N3-D29	EA	DRAWER-CABINET, W/O HARDWARE
12	M05844-01-D29	EA	TOP-CABINET, TWIN BED - LEFT
	052859-01-AA8	FT	TRIM-VINYL, W/CORD - BEIGE
	091261-01-000	FT	SLIPNOT-ANTISLIP, 1" WIDE (100' ROLL)
	P08518-01-D29	EA	CABINET-TWIN BED, LEFT
13	P03702-J5-D29	EA	DOOR-CABINET, W/O HARDWARE - 305 X 660MM
14	P07104-E6-F29	EA	DRAWER-CABINET, W/O HARDWARE - 2 USED (DRIVER'S WARDROBE)
15	P03702-J2-D29	EA	DOOR-CABINET, W/O HARDWARE - 390 X 1250MM
	P07701-01-D29	EA	CABINET-WARDROBE, DRIVER SIDE - W/O DOORS & HARDWARE
	009112-01-000	EA	FLANGE-1" ROD, CLOTHES - PLASTIC - OFF WHITE
	042438-01-000	EA	DOWEL-WOOD, CLOTHES ROD - 1" DIAMETER X 4'
	041953-12-000	EA	CONDUIT-CONVOLITE, NON SLIT 1 1/2" ID
16	P03702-H7-D29	EA	DOOR-CABINET, W/O HARDWARE - 305 X 1015MM
17	P05296-01-C43	EA	CABINET-SHIRT CLOSET, W/O DOOR & HARDWARE - DRIVER SIDE
	009112-01-000	EA	FLANGE-1" ROD, CLOTHES - PLASTIC - OFF WHITE
	042438-01-000	EA	DOWEL-WOOD, CLOTHES ROD - 1" DIAMETER X 4'
	041953-12-000	EA	CONDUIT-CONVOLITE, NON SLIT 1 1/2" ID
18	M05844-02-D29	EA	TOP-CABINET, TWIN BED - RIGHT
	052859-01-AA8	FT	TRIM-VINYL, W/CORD - BEIGE
	091261-01-000	FT	SLIPNOT-ANTISLIP, 1" WIDE (100' ROLL)
	P08517-01-D29	EA	CABINET-TWIN BED, RIGHT
	094856-07-02A	EA	TRACK-FOLDING DOOR, 34 25" - OFF WHITE
	042488-10-000	EA	DOOR-FOLDING, FABRIC - 37" X 75" - OFF WHITE
	080224-01-703	EA	LATCH & CATCH ASSEMBLY - ALUMINUM
	080224-01-705	EA	CATCH-DOOR JAMB, ALUMINUM

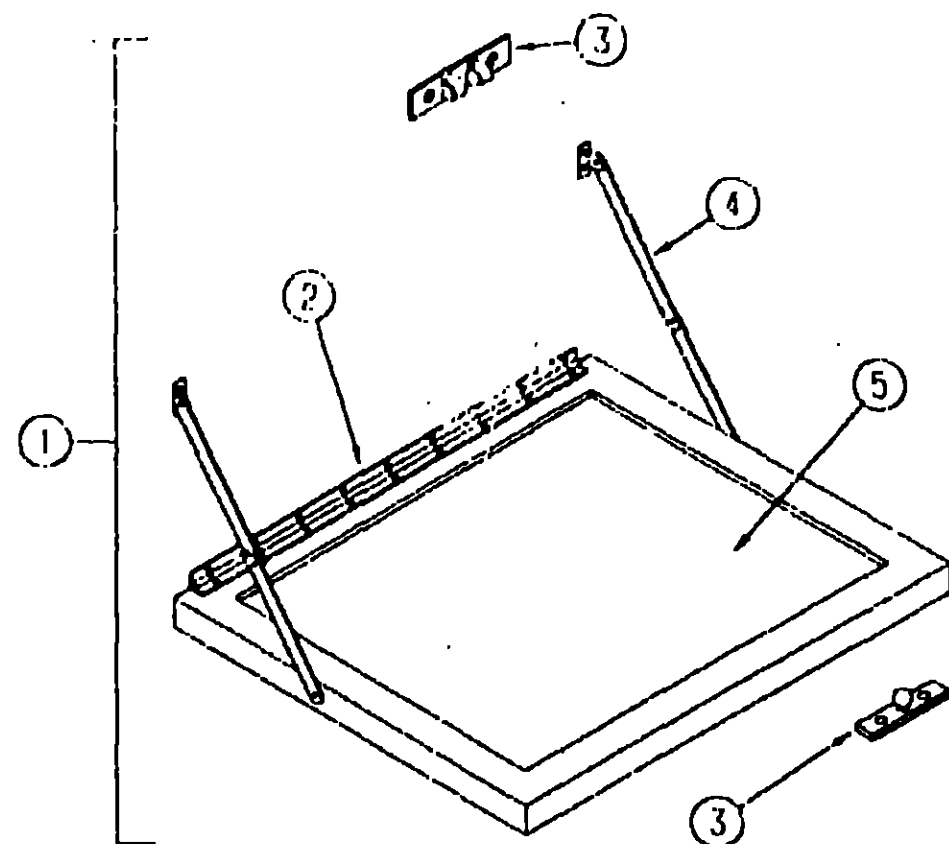
**1993 ITASCA
TABLE OF CONTENTS**

INTRODUCTION	A-01	A-02
ABBREVIATIONS		A-03
ALPHABETICAL INDEX	A-04	A-05
IF527RQ	A-07	E-02
IF527RC	E-03	F-22

1993 IF527RQ INDEX

FLOOR PLAN	A-07	A-08
ACCESSORIES		A-09
AUDIO VIDEO		A-10
BATH	A-11	A-12
BEDROOM	A-13	A-17
CHASSIS	A-18	A-22
CURTAIN & CUSHION	A-23	B-08
DINETTE	B-09	B-10
DRIVER'S COMPARTMENT	B-11	B-12
ELECTRICAL	B-13	B-15
EXTERIOR BODY	B-17	C-02
GALLEY	C-03	C-07
GENERATOR		C-08
HEATING & A/C	C-09	C-10
INTERIOR FINISH	C-11	C-14
LABELS	C-15	C-21
LP		C-22
LOUNGE	C-23	C-24
SEALANTS & FASTENERS	D-01	D-03
WATER & SEWAGE	D-04	D-08
WINDOW VENT AND EXTERIOR DOOR	D-09	E-02

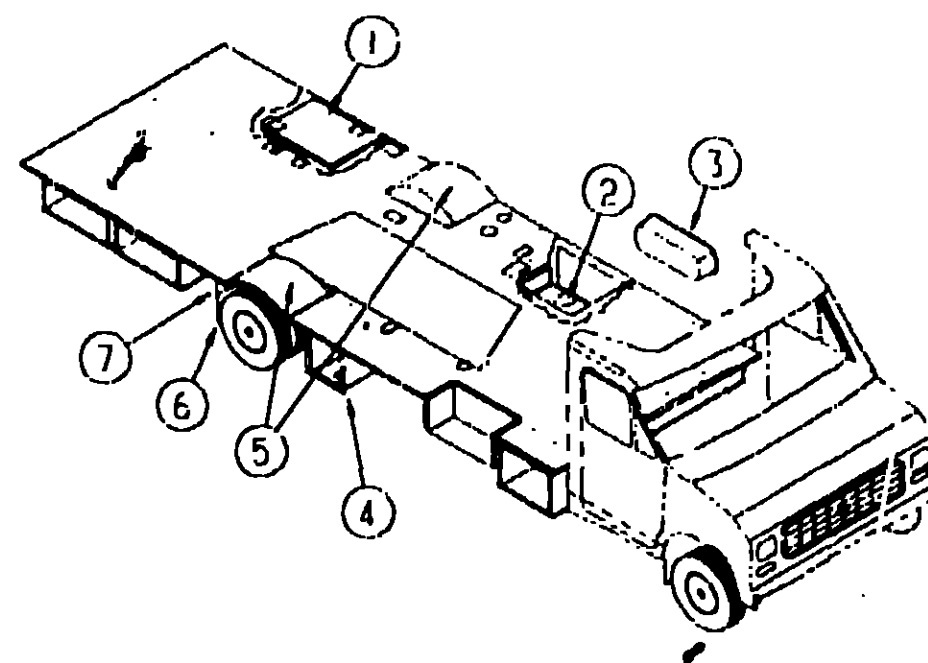
BEDROOM GROUP (CONTINUED)



TV STAND

KEY	PART NUMBER	U/M DESCRIPTION
1	094357-02-B25	EA STAND-TV FOLD DOWN
2	084413-01-000	EA HINGE-CONTINUOUS, W/HOLES
3	084451-01-000	EA CATCH-TV SHELF, BRASS
	084412-01-000	EA SUPPORT-HINGED
5	084356-08-000	EA INSERT-TV STAND, W/SUPPORT HINGE - METAL - OFF WHITE
5	058331-14-000	EA MIRROR-GLASS SAFETY - 14" X 12 7"

CHASSIS GROUP



COMPARTMENTS, PLUGS & SEALS

KEY	PART NUMBER	U/M DESCRIPTION
1	105471-06-000	EA COMPARTMENT-GENERATOR
1	072137-02-000	EA TRAY-STORAGE COMPARTMENT, 27 1/8" WIDE X 21" DEEP
2	103630-01-000	EA DOOR-DRAINAGE COMPARTMENT, 7 9" X 7 6" STEEL
	074470-01-000	EA PIN-PULL, HINGE RELEASE - RIGHT SIDE
	077953-01-000	EA GROMMET-EDGE LINER, FITS 1"
	088270-01-000	FT SEAL-BULB, W/WIRE RIGID U-CHANNEL - 5" - RUBBER - BLACK
3	105208-01-01A	EA COMPARTMENT-EXTERIOR SHOWER PLASTIC - OFF WHITE
4	105203-01-000	EA COMPARTMENT-BATTERY
	084993-01-000	EA STRAP-BATTERY
	056748-01-000	EA PLUG-CAP, 1 5" DIAMETER - BLACK
	061420-01-000	EA PLUG-PLASTIC, 1 75" - BROWN
5	102782-01-000	EA WHEELWELL-PLASTIC
6	017516-01-000	EA FLAP-MUD, 14" X 18" - BLACK
7	045731-04-000	EA GUARD-ROCK, REAR

ENTRY STEPS

KEY	PART NUMBER	U/M DESCRIPTION
	077848-02-000	EA STEP-PULLOUT
	076241-09-000	EA SUPPORT-STEP, ENTRY DOOR
	091176-01-000	EA SUPPORT-BASE, ENTRANCE STEP
	094708-01-01A	EA STEP-ENTRY DOOR, ELECTRIC - SINGLE - KWIKEE 2813
	094707-02-700	EA MOTOR REPLACEMENT KIT
	094707-02-702	EA GEAR KIT
	094707-02-703	EA PARTS KIT (BEARINGS & PINS)
	094707-02-704	EA MOTOR CONNECTOR KIT
	094707-02-705	EA CONTROL UNIT (ORANGE)
	094707-03-700	EA LINKAGE ASM FOR 28 SERIES
	041250-01-000	EA SWITCH-DOOR JAMB, ELECTRIC ENTRY STEP - METAL
	075723-02-000	EA SPACER-SWITCH, W/HOLE - 2" X 9" X 2" - METAL - OFF WHITE

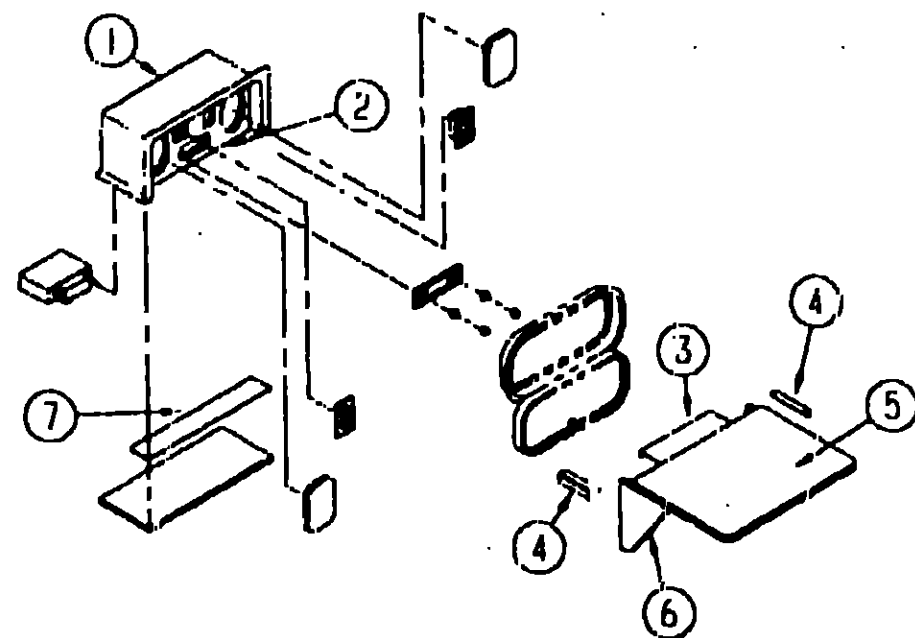
**1993 ITASCA
TABLE OF CONTENTS**

INTRODUCTION	A-01	A-02
ABBREVIATIONS		A-03
ALPHABETICAL INDEX	A-04	A-05
IF527RQ	A-07	E-02
IF527RC	E-07	H-22

1993 IF527RQ INDEX

FLOOR PLAN	A-07	A-08
ACCESSORIES		A-09
AUDIO VIDEO		A-10
BATH	A-11	A-12
BEDROOM	A-13	A-17
CHASSIS	A-18	A-22
CURTAIN & CUSHION	A-23	B-06
DINETTE	B-09	B-10
DRIVERS COMPARTMENT	B-11	B-12
ELECTRICAL	B-13	B-16
EXTERIOR BODY	B-17	C-02
GALLEY	C-03	C-07
GENERATOR		C-08
HEATING & A/C	C-09	C-10
INTERIOR FINISH	C-11	C-14
LABELS	C-15	C-21
LP		C-22
LOUNGE	C-23	C-24
SEALANTS & FASTENERS	D-01	D-03
WATER & SEWAGE	D-04	D-08
WINDOW, VENT AND EXTERIOR DOOR	D-09	E-02

CHASSIS GROUP (CONTINUED)



ENTERTAINMENT COMPARTMENT

KEY	PART NUMBER	U/M DESCRIPTION
1	104897-02-01A	EA BOX ENTERTAINMENT CENTER - OFF WHITE
2	104899-01-D04	EA PLATE RADIO MOUNTING
3	105377-01-01A	EA BRACKET-TABLE HANGER - OFF WHITE
	105377-01-03A	EA BRACKET-TABLE HANGER - MILL
4	105376-01-02A	EA HINGE-CONTINUOUS, 2" X 140MM - OFF WHITE
5	105230-11-D05	EA SHELF-ENTERTAINMENT
6	105230-12-D09	EA SUPPORT-SHELF, ENTERTAINMENT
7	104898-01-01A	EA PLATE-PLASTIC BOTTOM - OFF WHITE

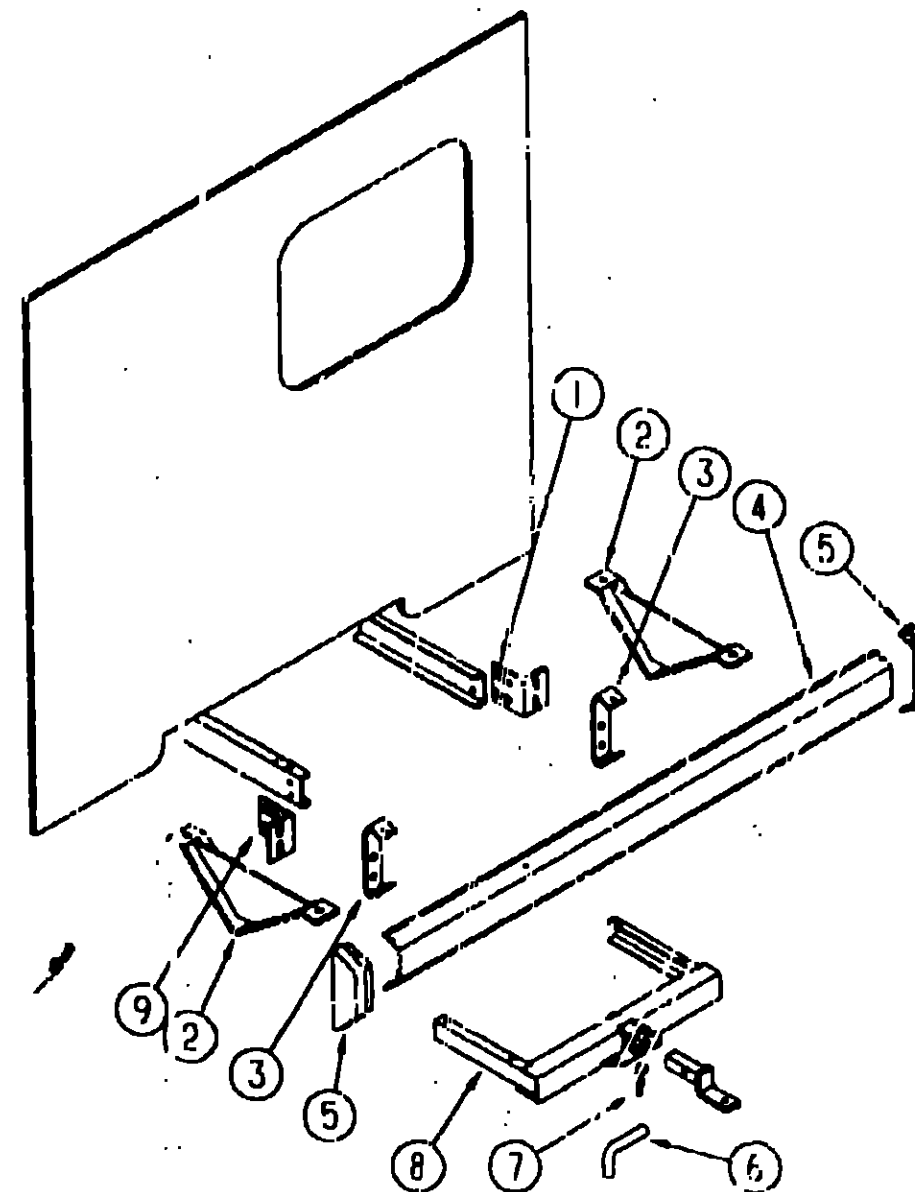
SUSPENSION SYSTEMS

KEY	PART NUMBER	U/M DESCRIPTION
	100332-01-000	EA PLATE-VALVE AIR SPRING (FORD)
	106067-01-000	EA AIRSPRING-4" DIAMETER - TWIN (FORD)
	106067-03-000	EA AIRSPRING-4" DIAMETER - TWIN (FORD) FROM 00-00-00 THRU 08-09-92
	106067-03-700	EA REPAIR KIT-TAPPED PISTON FROM 08-10-92 THRU 99-99-99

DRIVESHAFT & FLARE UNION

KEY	PART NUMBER	U/M DESCRIPTION
	103653-06-000	EA DRIVESHAFT ASM-BALANCED PAIR - 185" WHEELBASE (158) FROM 00-00-00 THRU 03-00-93
	103653-15-000	EA DRIVESHAFT ASM-BALANCED PAIR - 188" WHEELBASE (158) FROM 03-09-93 THRU 99-99-99
	074833-01-000	EA SPACER-BEARING, DRIVESHAFT - 2" X 8" X 5" THICK
	085771-03-000	EA NUT-HEX, FLARE PREV TORQUE - GRADE 6 DRIVE SHAFT
	088498-01-000	EA UNION-INVERTED FLARE, BRASS - 3/16 - 3/8 - 24 THD - BRAKE LINE

CHASSIS GROUP (CONTINUED)



REAR BUMPER, SKID PLATE & TRAILER HITCH

KEY	PART NUMBER	U/M DESCRIPTION
1	105933-01-000	EA BRACKET-BUMPER, REAR
2	083376-01-000	EA PLATE-SKID, 13 2" X 6" X 2" - STEEL
3	078670-02-000	EA BRACKET-BUMPER, REAR - 2" X 8" - BENT ENDS - STEEL BLACK (2 USED)
4	103099-02-02A	EA BUMPER-REAR, OFF WHITE
5	106147-01-01A	EA CAP-END, BUMPER - OFF WHITE
6	077613-01-000	EA DRAWBAR-HITCH, TRAILER TOWING
7	034512-01-000	EA PIN-LOCKING, DRAWBAR
8	034513-01-000	EA PIN-HITCH, 3/16" WIRE
9	077617-02-000	EA HITCH-TRAILER, W/O DRAWBAR - 41 1" WIDE - STEEL - BLACK
	097744-01-000	EA HOUSING-TRAILER PIN, 12"
	097744-02-000	EA HOUSING-TRAILER PIN, 48"
	097745-01-000	EA HOUSING-TRAILER RECP, 12"
	097746-01-000	EA HOUSING CAP-TRAILER PIN
	097745-02-000	EA HOUSING-RECEPTACLE, TRAILER - 48" WIRE LENGTH
10	105933-02-000	EA BRACKET BUMPER, REAR

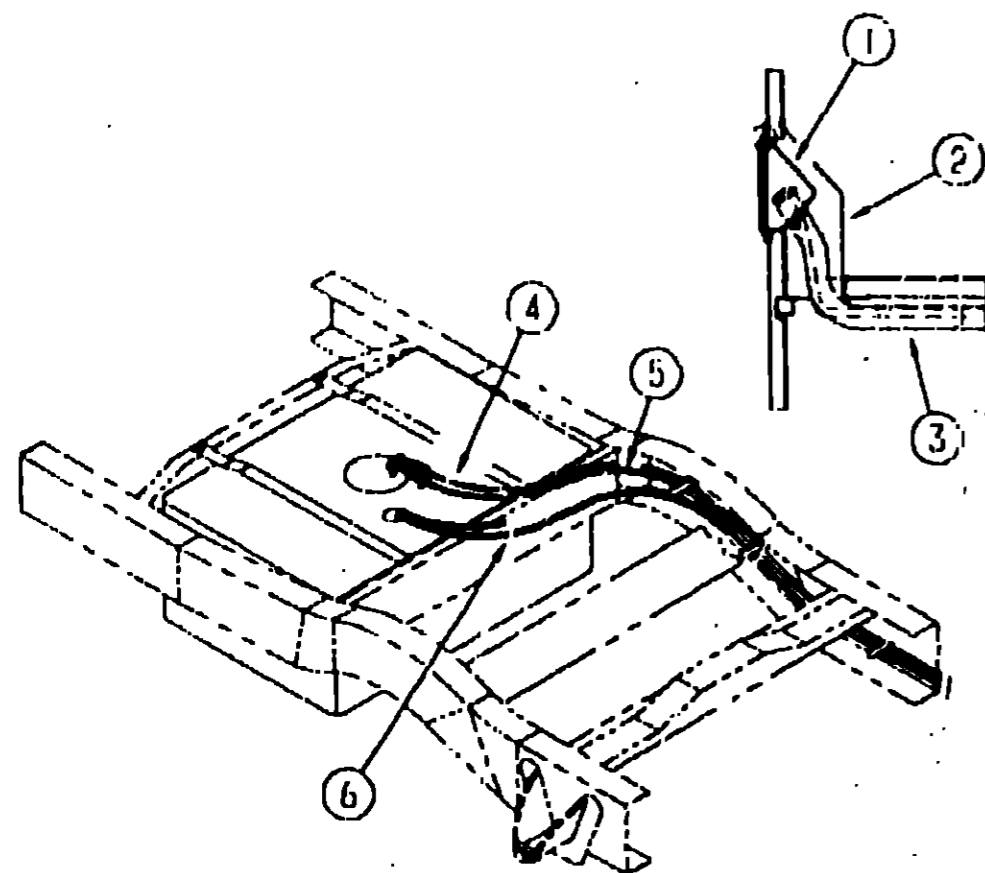
**1993 ITASCA
TABLE OF CONTENTS**

INTRODUCTION	A-01	A-02
ABBREVIATIONS	A-03	A-04
ALPHABETICAL INDEX	A-05	A-06
IF527RQ	A-07	E-02
IF527RC	E-03	E-02

1993 IF527RQ INDEX

FLOOR PLAN	A-07	A-08
ACCESSORIES		A-09
AUDIO VIDEO		A-10
BATH	A-11	A-12
BEDROOM	A-13	A-17
CHASSIS	A-18	A-22
CURTAIN & CUSHION	A-23	B-08
DINETTE	B-09	B-10
DRIVERS COMPARTMENT	B-11	B-12
ELECTRICAL	B-13	B-16
EXTERIOR BODY	B-17	C-02
GALLEY	C-03	C-07
GENERATOR		C-08
HEATING & A/C	C-09	C-10
INTERIOR FINISH	C-11	C-14
LABELS	C-15	C-21
LP		C-22
LOUNGE	C-23	C-24
SEALANTS & FASTENERS	D-01	D-03
WATER & SEWAGE	D-04	D-08
WINDOW, VENT AND EXTERIOR DOOR	D-09	E-02

CHASSIS GROUP (CONTINUED)



FUEL SYSTEM COMPONENTS

KEY	PART NUMBER	U/M	DESCRIPTION
1	095854-01-02A	EA	SHROUD-FUEL FILL, PLASTIC - OFF WHITE
2	078040-04-000	EA	SHROUD FUEL FILL, UPPER - PLASTIC
3	106413-01-000	EA	NECK-FUEL FILL, MAIN - GAS
3	106413-02-000	EA	NECK FUEL FILL, MAIN - DIESEL
4	078200-01-000	EA	GASKET-FUEL FILL, 3 5/8" OD X 2" ID
4	106388-01-000	EA	FUEL LINE ASM-FORD, 5/16 HP
5	106389-01-000	EA	FUEL LINE ASM-FORD, 3/8 HP
	007063-01-000	FT	HOSE-GAS 1/4" ID X 1/2" OD
6	044317-01-000	FT	HOSE-FUEL 3/8" ID

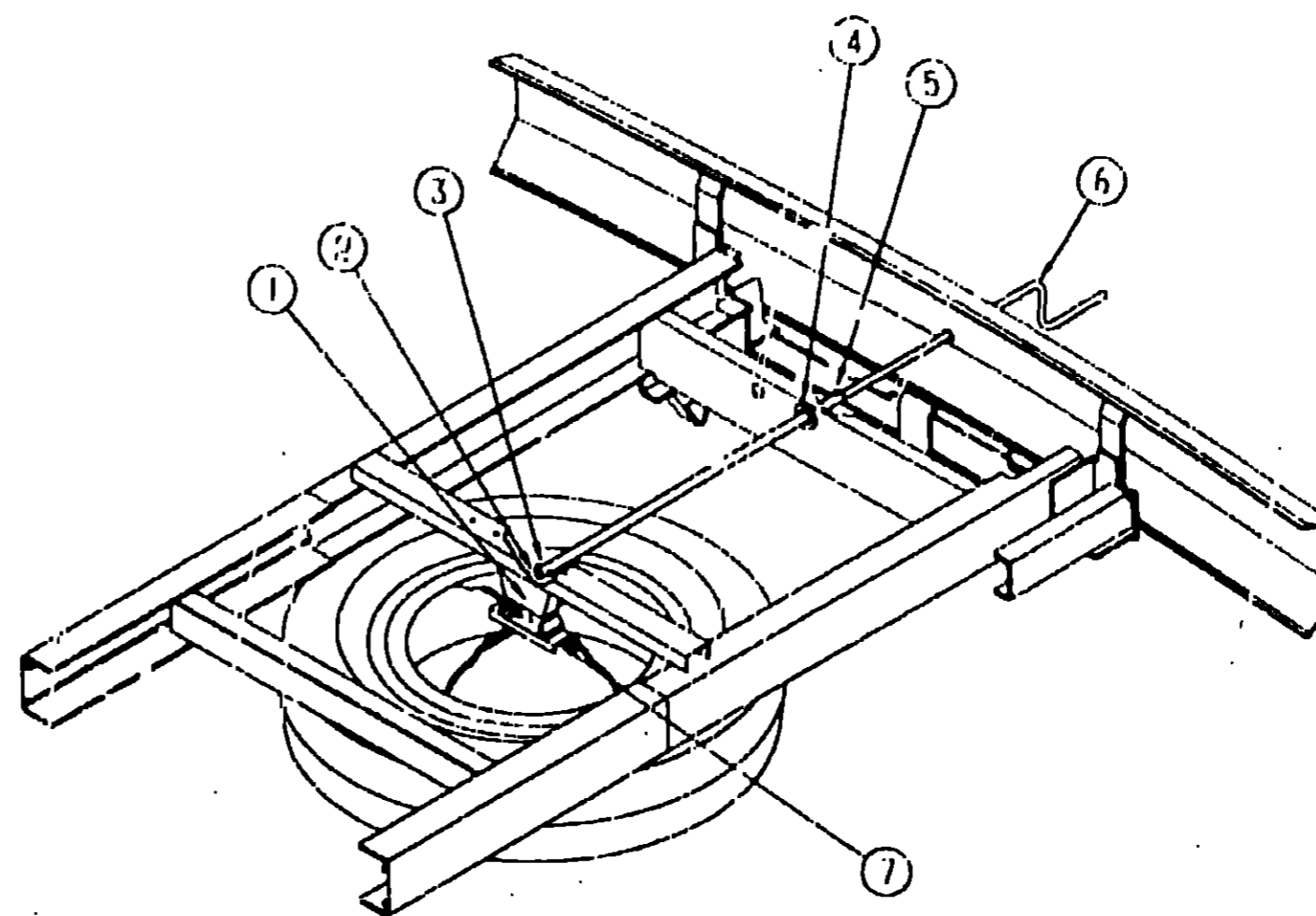
EXHAUST SYSTEM COMPONENTS

KEY	PART NUMBER	U/M	DESCRIPTION
	007125-01-000	EA	CLAMP-MUFFLER, 1 62 DIAMETER
	091182-03-000	EA	SHIELD-HEAT LP
	094918-03-000	EA	CLAMP-EXHAUST, 2 5"
	095753-01-000	EA	PIPE-EXHAUST
	111478-01-000	EA	PIPE-EXHAUST

FROM 00-00-00 THRU 03-08-93

FROM 03-09-93 THRU 99-99-99

CHASSIS GROUP (CONTINUED)



SPARE TIRE HOIST

KEY	PART NUMBER	U/M	DESCRIPTION
1	093267-01-000	EA	HOIST-SPARE TIRE
2	000F10-06-32B	EA	PIN-COTTER, 3/16 X 2 00 ZN
2	093375-01-000	EA	EXTENSION-TIRE HOIST
4	071015-11-000	EA	GROMMET-RUBBER, 1" ID X 1 75" OD W/ 12" GROOVE - BLACK
5	035776-01-000	EA	PIN-ROLL, 125 DIA X 750
6	093376-01-000	EA	HANDLE-CRANK, TIRE HOIST
7	105499-01-000	EA	BRACKET-TIRE HOIST, FOR NEW WIDER TIRE
	083425-08-000	EA	TIRE-LT225/75R16 LRD - MICHELIN XCH4
	083425-09-000	EA	TIRE-LT225/75R16 LRD - MICHELIN XCH4
	083617-03-000	EA	WHEEL-STEEL 16 0X6, ACCURIDE 286 18
	109816-01-000	EA	KNOB-HOLD DOWN, JACK (JACK IS CHASSIS PROVIDED/MOUNTED UNDER HOOD)

FROM 09-14-92 THRU 99-99-99

FROM 00-00-00 THRU 10-05-92

FROM 10-06-92 THRU 99-99-99

WHEEL LINERS & COVERS

KEY	PART NUMBER	U/M	DESCRIPTION
	091209-11-000	EA	LINER-WHEEL, SET 4 E353 - KAPER II (FORD)
	091205-10-700	EA	COVER-AXLE, FRONT - 8 LUG - FORD
	091205-10-701	EA	COVER-AXLE, REAR - 8 LUG - FORD
	091205-10-704	EA	NUT-LUG, W/WASHER - SHORT - KAPER 52
	091209-10-705	EA	COVER-LUG NUT
	091209-11-700	EA	LINER-WHEEL, FRONT - 8 LUG - FORD
	091209-11-701	EA	LINER-WHEEL, REAR - 8 LUG - FORD
	091209-11-702	EA	NUT-LUG, W/WASHER - LONG - KAPER 51
	108068-01-000	EA	COVER-WHEEL, 16" - SET OF 4 - DICOR #SHUB16
	108068-01-700	EA	COVER-WHEEL, 16" - 1 ONLY - SHUB16-1 DICOR

**1993 ITASCA
TABLE OF CONTENTS**

INTRODUCTION	A-07	A-08
ABBREVIATIONS	A-07	A-08
ALPHABETICAL INDEX	A-04	A-05
INDEX	A-07	E-02
INDEX	E-03	F-02

1993 IF527RQ INDEX

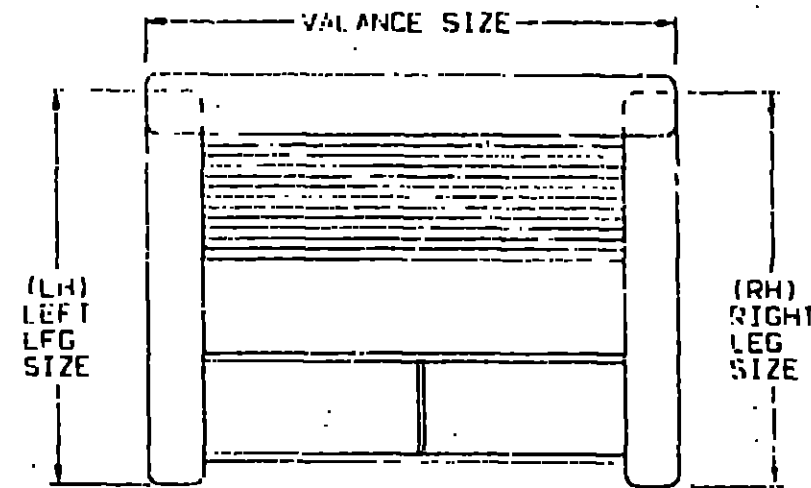
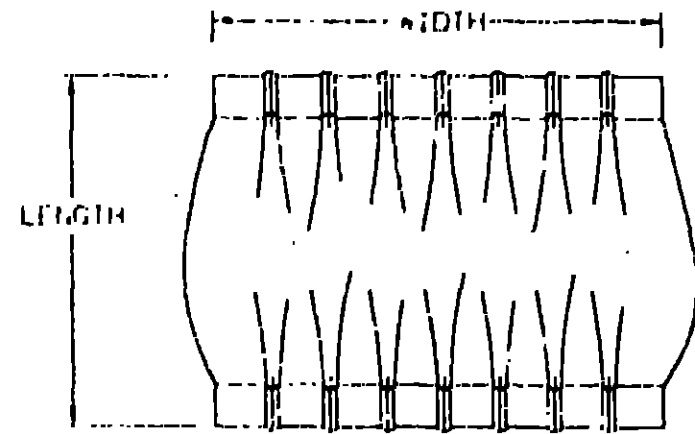
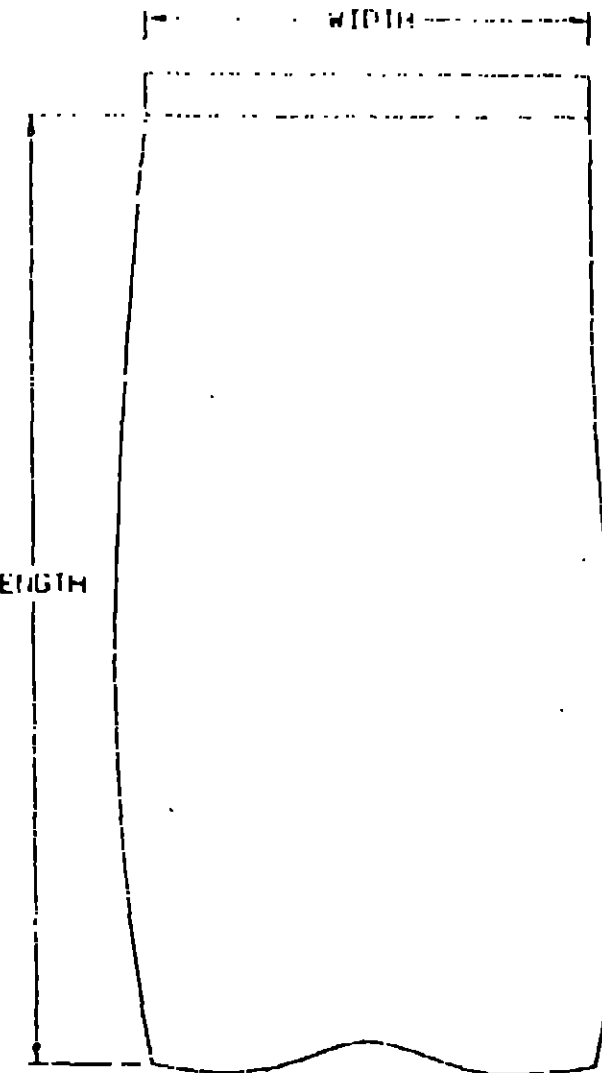
FLOOR PLAN	A-07	A-08
ACCESSORIES		A-09
AUDIO VIDEO		A-10
BATH	A-11	A-12
BEDROOM	A-13	A-17
CHASSIS	A-18	A-22
CURTAIN & CUSHION	A-23	B-08
DINETTE	B-09	B-10
DRIVERS COMPARTMENT	B-11	B-12
ELECTRICAL	B-13	B-16
EXTERIOR BODY	B-17	C-02
GALLEY	C-03	C-07
GENERATOR		C-08
HEATING & A/C	C-09	C-10
INTERIOR FINISH	C-11	C-14
LABELS	C-15	C-21
LP		C-22
LOUNGE	C-23	C-24
SEALANTS & FASTENERS	D-01	D-03
WATER & SEWAGE	D-04	D-08
WINDOW VENT AND		
EXTERIOR DOOR	D-09	E-02

CURTAIN & CUSHION GROUP

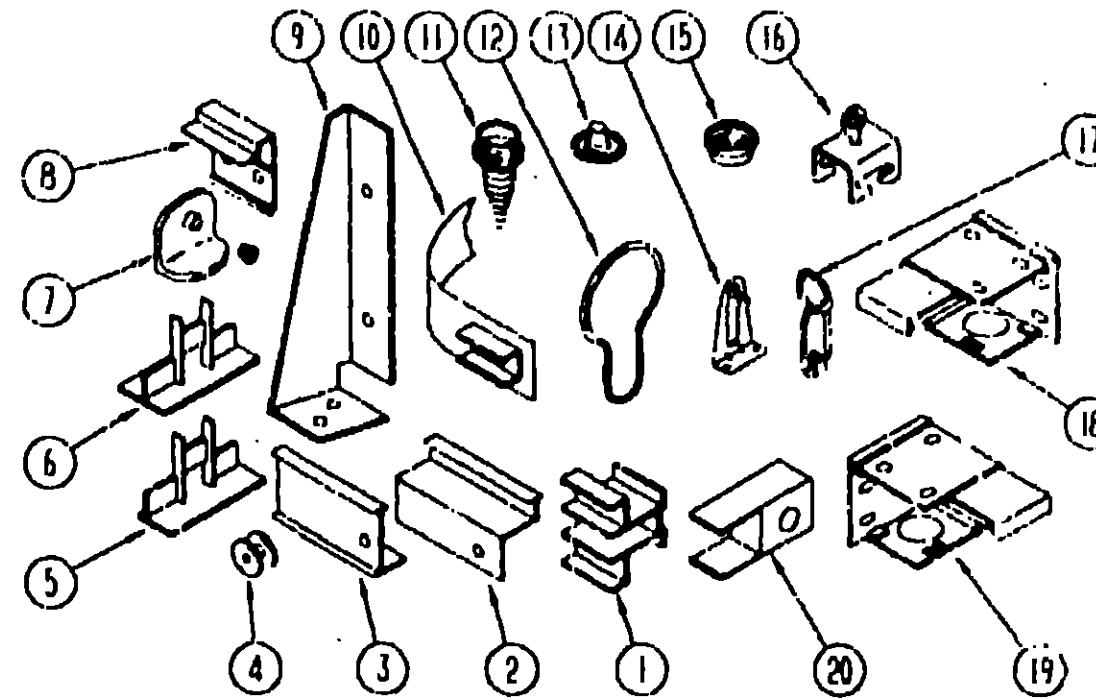
NOTICE

IN ORDER TO ASSIST OUR PARTS SALES DEPT. IN PROVIDING INTERIOR SOFTGOODS ITEMS PLEASE INCLUDE THE SERIAL NUMBER AND THE COLOR CODE NUMBER FROM THE VEHICLE IDENTIFICATION LABEL WHEN ORDERING. THIS LABEL IS LOCATED ON THE LEFT SIDEWALL AT THE END OF THE DASH (A BODY) OR ON THE DRIVER'S DOOR LATCH PLATE (G BODY).

AN EXAMPLE OF A COLOR CODE NUMBER IS B97 WHICH DESIGNATES AN OVERALL COLOR SCHEME OF A PARTICULAR UNIT. THE COLOR LISTED AFTER THE ITEM DESCRIPTION ON THE MICROFICHE INDICATES THE OVERALL UNIT COLOR. ORDER THE ITEM YOU DESIRE ACCORDING TO UNIT COLOR CODE.



CURTAIN & CUSHION GROUP (CONTINUED)



CURTAIN, BLIND HARDWARE & TRACKS

KEY	PART NUMBER	U/M DESCRIPTION
1	101033-03-000	EA TRACK-CURTAIN WALL - WHITE - SHAPCO CT225
2	105450-02-01A	EA TRACK-CURTAIN, 48" LONG - ALUMINUM - OFF WHITE
2	105450-05-01A	EA TRACK-CURTAIN, 77" LONG - ALUMINUM - OFF WHITE
2	105450-06-01A	EA TRACK-CURTAIN, 88" LONG - ALUMINUM - OFF WHITE
2	105450-08-01A	EA TRACK-CURTAIN, 38" LONG - ALUMINUM - OFF WHITE
3	092464-04-01A	EA TRACK-SHOWER - OFF WHITE
3	009700-04-002	EA TRACK L-SHAPED - 105 2" - OFF WHITE
4	097592-01-000	EA SPOOL CORD, ELEVATED BLIND HOLDUP - CLEAR PLASTIC
	097593-02-000	FT CORD BLIND, PLEATED - GRAY
	097593-06-000	FT CORD BLIND, PLEATED - PEWTER
	094096-02-000	EA GROMMET-CORD, PLEATED BLIND - NYLON - GRAY
5	094907-02-000	EA END CAP-TOP, PLEATED BLIND - PLASTIC - GRAY
6	094907-03-000	EA END CAP-BOTTOM, PLEATED BLIND - PLASTIC - GRAY
7	106544-01-000	EA PULL-SHADE, BRASS
	014434-01-000	EA BRACKET MOUNTING, ROLLER SHADE - 13.9"
	084432-06-000	FT SLAT ROLLER SHADE, PLASTIC
	084433-01-700	EA SPRING-REWIND, ROLLER SHADE
8	097565-01-000	EA BRACKET-MOUNTING, PLEATED BLIND
	097591-01-000	EA SPRING-EXTENSION, PLEATED BLIND
9	076827-02-000	EA BRACKET-LEG 2 3/4" X 1 1/8" TRIANGLE - LEFT SIDE
	089522-02-000	EA PANEL LEG TWO-WIDE 31 1/2" LONG - PLASTIC - BLACK
	068716-01-001	EA BRACE-90 DEGREE L-ANGLE 1/2" EXTRUDED ALUMINUM
	075943-01-000	EA BRACE-ANGLE W/HOLES - 1" X 1 1/2" X 20" - ALUMINUM - BEIGE
10	101031-01-000	YD TAPE-GLIDE CURTAIN - 4 25" SPACING
11	029130-01-000	EA SCREW-SNAP SOCKET, 6 PH X 5/8"
12	009136-02-000	EA HANGER-RING, PIN TYPE - CURTAIN - BRASS
13	029155-01-000	EA CAP-SNAP, NICKEL
14	095591-02-000	EA BRACKET-HOLD DOWN, W/PIN - BLIND - METAL
15	029156-01-000	EA SOCKET-SNAP FASTENER, NICKEL
16	009702-01-000	EA END STOP-CURTAIN CARRIER, L ROL
17	009701-01-000	EA CARRIER-CURTAIN, L ROD
18	083170-01-000	EA BRACKET-BLIND, RIGHT SIDE
19	083170-02-000	EA BRACKET-BLIND, LEFT SIDE
20	101033-02-000	EA END CAP-TRACK, CLEAR
	103986-01-000	FT TRIM-VALANCE, U-CHANNEL - 75" WIDE - BRASS
	046867-01-000	EA GROMMET-BRASS, 7/16" ID X 1" OD
	088792-01-000	YD VELCRO-HOOK, 75" WIDE - BEIGE
	083792-02-000	YD VELCRO TAPE-LOOP, ADHESIVE BACK - 75" WIDE - BEIGE
	048394-02-000	YD VELCRO TAPE-HOOK, ADHESIVE BACK - 75" WIDE - BEIGE

1993 ITASCA TABLE OF CONTENTS

INTRODUCTION	A-01	A-02
ABBREVIATIONS	A-01	A-01
ALPHABETICAL INDEX	A-01	A-01
INDEX	A-01	A-01

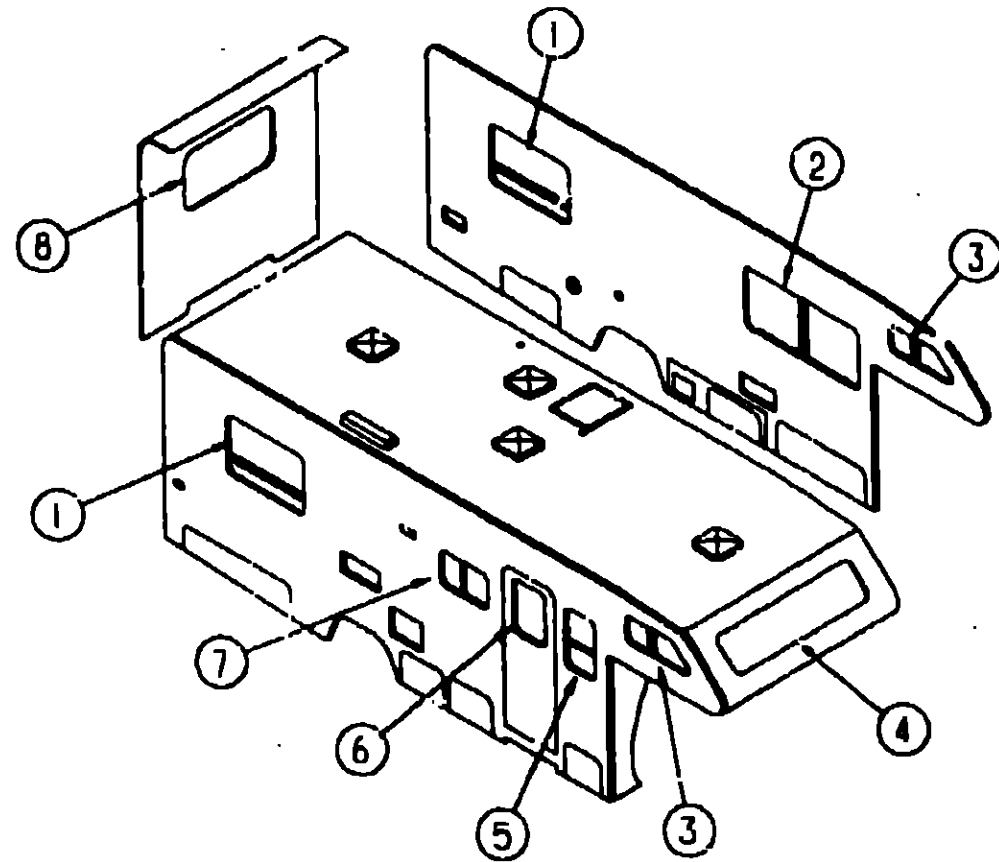
1993 IF-527RQ INDEX

FLOOR PLAN	A-07	A-08
ACCESSORIES	A-09	A-09
APPL. & MISC.	A-10	A-10
BATH	A-11	A-12
BEDROOM	A-13	A-17
CHASSIS	A-18	A-22
CURTAIN & CUSHION	A-23	B-08
DINETTE	B-09	B-10
DRIVERS COMPARTMENT	B-11	B-12
ELECTRICAL	B-13	B-16
EXTERIOR BODY	B-17	C-02
GALLEY	C-03	C-07
GENERATOR	C-08	C-08
HEATING & A/C	C-09	C-10
INTERIOR FINISH	C-11	C-14
LABELS	C-15	C-21
LP	C-22	C-22
LOUNGE	C-23	C-24
SEALANTS & FASTENERS	D-01	D-03
WATER & SEWAGE	D-04	D-08
WINDOW, VENT AND EXTERIOR DOOR	D-09	E-02

NOTE USE THIS ILLUSTRATION WHEN DETERMINING LENGTH AND WIDTH MEASUREMENTS FOR CURTAINS. YOU WILL NOTE THE WIDTH MEASUREMENT IS TAKEN ON THE TOP OF THE CURTAIN WITH THE CURTAIN FULLY EXTENDED. THE LENGTH MEASUREMENT IS TAKEN FROM TOP TO BOTTOM. LEFT AND RIGHT WINDOW LEGS ARE DETERMINED WHEN FACING THE WINDOW.

CURTAIN & CUSHION GROUP (CONTINUED)

CURTAINS & WINDOW TREATMENT



**1993 ITASCA
TABLE OF CONTENTS**

INTRODUCTION	A-01 - A-02
ABBREVIATIONS	A-03
ALPHABETICAL INDEX	A-04 - A-06
IF527RQ	A-07 - E-02
IF527RC	E-03 - H-22

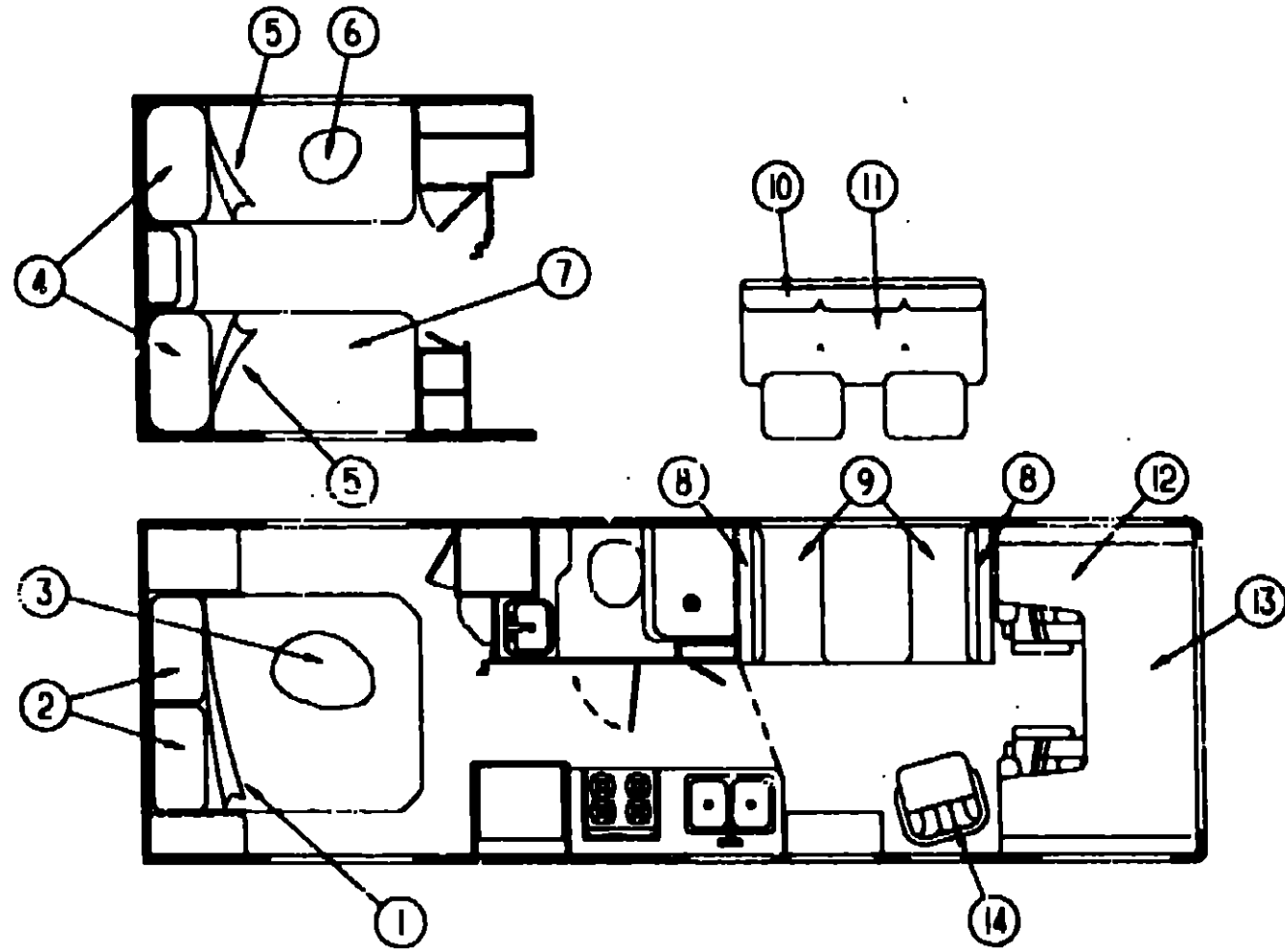
KEY	PART NUMBER	U/M DESCRIPTION
1	104155-05-D29	EA VALANCE-WINDOW, 45" - QUEEN BED
1	104155-05-D31	EA VALANCE-WINDOW, 45" - QUEEN BED
1	104155-11-D29	EA VALANCE-WINDOW, 45" - TWIN BED OPTION
1	104155-11-D31	EA VALANCE-WINDOW, 45" - TWIN BED OPTION
1	100281-93-D29	EA LEG-WINDOW, RIGHT SIDE - 27" - W/HOLE
1	100281-93-D31	EA LEG-WINDOW, RIGHT SIDE - 27" - W/HOLE
1	100281-92-D29	EA LEG-WINDOW, LEFT SIDE - 27" - W/HOLE
1	100281-92-D29	EA LEG-WINDOW, LEFT SIDE - 27" - W/HOLE
1	096335-67-D29	EA BLIND-PLEATED, 39.5" X 35" DROP - QUEEN BED
1	096335-67-D31	EA BLIND-PLEATED, 39.5" X 35" DROP - QUEEN BED
1	096335-63-D29	EA BLIND-PLEATED, 39.5" X 30" DROP - TWIN BED OPTION
1	096335-63-D31	EA BLIND-PLEATED, 39.5" X 30" DROP - TWIN BED OPTION
2	104155-06-D29	EA VALANCE-WINDOW, 65" - W/BRAID TRIM
2	104155-12-D31	EA VALANCE-WINDOW, 65" - W/BRAID TRIM
2	100281-89-D29	EA LEG-WINDOW, RIGHT SIDE - W/BRAID TRIM - 27" - W/O HOLE
2	100281-89-D31	EA LEG-WINDOW, RIGHT SIDE - W/BRAID TRIM - 27" - W/O HOLE
2	100281-90-D29	EA LEG-WINDOW, LEFT SIDE - W/BRAID TRIM - 27" - W/O HOLE
2	100281-90-D31	EA LEG-WINDOW, LEFT SIDE - W/BRAID TRIM - 27" - W/O HOLE
2	096335-59-D29	EA BLIND-PLEATED, 60" X 28.5" DROP
2	096335-59-D31	EA BLIND-PLEATED, 60" X 28.5" DROP
3	097878-48-D29	EA VALANCE-WINDOW, DRIVER - 5.5" X 43" - W/BRASS U-CHANNEL ON BOTTOM
3	097878-36-D31	EA VALANCE-WINDOW, DRIVER - 5.5" X 43" - W/BRASS U-CHANNEL ON BOTTOM
3	097878-47-D29	EA VALANCE-WINDOW, PASS - 5.5" X 43" - W/BRASS U-CHANNEL ON BOTTOM
3	097878-35-D31	EA VALANCE-WINDOW, PASS - 5.5" X 43" - W/BRASS U-CHANNEL ON BOTTOM
3	101034-17-D29	EA CURTAIN-TAPE TOP & BOTTOM, 16" X 25" (2 USED PER WINDOW) FROM 00-00-00 THRU 08-02-92
3	101034-19-D29	EA CURTAIN-TAPE TOP & BOTTOM, 16" X 25" (2 USED PER WINDOW) FROM 08-03-92 THRU 09-13-92
3	101034-28-D29	EA CURTAIN-TAPE TOP & BOTTOM - LEFT SIDE - 16" X 25" (1 USED PER WINDOW) FROM 09-14-92 THRU 99-99-99
3	101034-27-D29	EA CURTAIN-TAPE TOP & BOTTOM - RIGHT SIDE - 16" X 25" (1 USED PER WINDOW) FROM 09-14-92 THRU 99-99-99

4	097878-46-D29	EA VALANCE-WINDOW, 7" X 85.5" - W/BRASS U-CHANNEL ON BOTTOM
4	097878-34-D31	EA VALANCE-WINDOW, 7" X 85.5" - W/BRASS U-CHANNEL ON BOTTOM
4	101034-16-D29	EA CURTAIN-TAPE TOP & BOTTOM, 22" X 45" (2 USED PER WINDOW) FROM 00-00-00 THRU 08-02-92
4	101034-18-D29	EA CURTAIN-TAPE TOP & BOTTOM, 22" X 45" (2 USED PER WINDOW) FROM 08-03-92 THRU 09-13-92
4	101034-25-D29	EA CURTAIN-TAPE TOP & BOTTOM, RIGHT SIDE - 22" X 60" (1 USED PER WINDOW) FROM 09-14-92 THRU 99-99-99
4	101034-26-D29	EA CURTAIN-TAPE TOP & BOTTOM, LEFT SIDE - 22" X 60" (1 USED PER WINDOW) FROM 09-14-92 THRU 99-99-99
5	104155-07-D29	EA VALANCE-WINDOW, 19"
5	104155-13-D31	EA VALANCE-WINDOW, 19"
5	096335-60-D29	EA BLIND-PLEATED, 17.5" X 29.5" DROP
5	096335-60-D31	EA BLIND-PLEATED, 17.5" X 29.5" DROP
6	104155-08-D29	EA VALANCE-WINDOW, 31.25"
6	104155-14-D31	EA VALANCE-WINDOW, 31.25"
6	084755-57-D32	EA SHADE-PULL, 27.25" FROM 00-00-00 THRU 08-16-92
6	084755-57-DA4	EA SHADE-PULL, 27.25" FROM 08-17-92 THRU 01-03-93
6	084755-57-DA5	EA SHADE-PULL, 27.25" FROM 01-04-93 THRU 99-99-99
7	104155-09-D29	EA VALANCE-WINDOW, 28.5"
7	104155-15-D31	EA VALANCE-WINDOW, 28.5"
7	093475-90-05A	EA BLIND-VENETIAN, 27" X 17.5" DROP
8	104155-04-D29	EA VALANCE-WINDOW, 52"
8	104155-04-D31	EA VALANCE-WINDOW, 52"
8	100281-91-D29	EA LEG-WINDOW, RIGHT SIDE - W/O HOLE - 27"
8	100281-91-D31	EA LEG-WINDOW, RIGHT SIDE - W/O HOLE - 27"
8	100281-92-D29	EA LEG-WINDOW, LEFT SIDE - W/O HOLE - 27"
8	100281-92-D31	EA LEG-WINDOW, LEFT SIDE - W/O HOLE - 27"
8	096335-62-D06	EA BLIND-PLEATED, 48" X 30" DROP
8	096335-62-D31	EA BLIND-PLEATED, 48" X 30" DROP
	076892-17-D29	EA CURTAIN-SNAP TOP, WINGWALL PRIVACY - 50" X 72" FROM 00-00-00 THRU 08-02-92
	076892-18-D29	EA CURTAIN-SNAP TOP, WINGWALL PRIVACY - W/LINGING - 50" X 72" FROM 08-03-92 THRU 99-99-99
	101668-05-D29	EA CURTAIN-TAPE TOP, WINDSHIELD PRIVACY - PASSENGER SIDE - 30" X 50" FROM 00-00-00 THRU 07-12-92
	101668-39-D29	EA CURTAIN-TAPE TOP, WINDSHIELD PRIVACY - PASSENGER SIDE - 30" X 50" FROM 07-13-92 THRU 99-99-99
	101668-06-D29	EA CURTAIN-TAPE TOP, WINDSHIELD PRIVACY - DRIVER SIDE - 30" X 50" FROM 00-00-00 THRU 07-12-92
	101668-40-D29	EA CURTAIN-TAPE TOP, WINDSHIELD PRIVACY - DRIVER SIDE - 30" X 50" FROM 07-13-92 THRU 99-99-99
	073260-23-D29	EA TIEBACK-WINDSHIELD PRIVACY CURTAIN, 3" X 18"
	076892-05-B85	EA CURTAIN-SNAP TOP, WINGWALL PRIVACY - 40" X 72" - BEIGE
	084481-19-E88	EA CURTAIN-SHOWER, 69" X 42" (D29)
	084481-19-D05	EA CURTAIN-SHOWER, 69" X 42" (D31)
	073260-54-C30	EA TIEBACK-SHOWER CURTAIN, 3" X 16" (D29)
	073260-54-D36	EA TIEBACK-SHOWER CURTAIN, 3" X 16" (D31)
	057534-01-000	EA TIEBACK/TIEDOWN-BED/CURTAIN, 6" - PLASTIC - CLEAR

1993 IF527RQ INDEX

FLOOR PLAN	A-07 - A-08
ACCESSORIES	A-09
AUDIO VIDEO	A-10
BATH	A-11 - A-12
BEDROOM	A-13 - A-17
CHASSIS	A-18 - A-22
CURTAIN & CUSHION	A-23 - B-08
DINETTE	B-09 - B-10
DRIVERS COMPARTMENT	B-11 - B-12
ELECTRICAL	B-13 - B-16
EXTERIOR BODY	B-17 - C-02
GALLEY	C-03 - C-07
GENERATOR	C-08
HEATING & AC	C-09 - C-10
INTERIOR FINISH	C-11 - C-14
LABELS	C-15 - C-21
LP	C-22
LOUNGE	C-23 - C-24
SEALANTS & FASTENERS	D-01 - D-03
WATER & SEWAGE	D-04 - D-08
WINDOW VENT AND EXTERIOR DOOR	D-09 - E-02

CURTAIN & CUSHION GROUP (CONTINUED)



QUEEN BEDSPREAD, PILLOW & MATTRESS

KEY	PART NUMBER	U/M DESCRIPTION
1	083986-19-D29	EA BEDSPREAD-QUEEN, 60" W/CUT CORNERS
1	083986-19-D31	EA BEDSPREAD-QUEEN, 60" W/CUT CORNERS
	109149-01-D29	EA SKIRT-BEDSPREAD, W/PLEATED CORNERS - 60"
	109149-01-D31	EA SKIRT-BEDSPREAD, W/PLEATED CORNERS - 60"
2	104862-01-D29	EA PILLOW SHAM-W/ACCENT KNOTS
2	104862-01-D31	EA PILLOW SHAM-W/ACCENT KNOTS
3	098176-09-000	EA MATTRESS-INNERSPRING, 60" X 74 5" - SEALY - CUT CORNERS

TWIN BEDSPREAD, PILLOW & MATTRESS

KEY	PART NUMBER	U/M DESCRIPTION
4	104862-01-D29	EA PILLOW SHAM-W/ACCENT KNOTS
4	104862-01-D31	EA PILLOW SHAM-W/ACCENT KNOTS
5	083986-15-D29	EA BEDSPREAD-TWIN, 33" FITTED - LEFT SIDE
5	083986-15-D31	EA BEDSPREAD-TWIN, 33" FITTED - LEFT SIDE
6	098176-01-000	EA MATTRESS-TWIN, 32" X 74"
7	083986-14-D29	EA BEDSPREAD-TWIN, 33" FITTED - RIGHT SIDE
7	083986-14-D31	EA BEDSPREAD-TWIN, 33" FITTED - RIGHT SIDE

THROW PILLOWS

KEY	PART NUMBER	U/M DESCRIPTION
	103669-04-D29	EA PILLOW-THROW, 15" X 15" - W/FRINGE (D29)
	103669-04-C32	EA PILLOW-THROW, 15" X 15" - W/FRINGE (D31)
	108992-01-D29	EA PILLOW-THROW, 14" X 14" - W/SMALL KNOTS
	108992-01-D31	EA PILLOW-THROW, 14" X 14" - W/SMALL KNOTS

DINETTE CUSHIONS

KEY	PART NUMBER	U/M DESCRIPTION
8	108141-01-D29	EA CUSHION-BACKREST, 13 5" X 38" X 5"
8	108141-01-D31	EA CUSHION-BACKREST, 13 5" X 38" X 5"
	P08141-01-D29	EA COVER-CUSHION, BACKREST, 13 5" X 38" X 5"
	P08141-01-D31	EA COVER-CUSHION, BACKREST, 13 5" X 38" X 5"
	078155-01-000	EA STRAP-SNAP, BACKREST CUSHION
9	088927-86-D29	EA CUSHION-SEATBASE, 21" X 38" X 5"
9	088927-86-D31	EA CUSHION-SEATBASE, 21" X 38" X 5"
	M88927-86-D29	EA COVER-CUSHION, SEATBASE, 21" X 38" X 5"
	M88927-86-D31	EA COVER-CUSHION, SEATBASE, 21" X 38" X 5"

COUCH

KEY	PART NUMBER	U/M DESCRIPTION
10	100032-35-D29	EA BACKREST-COUCH, W/ARMRESTS - 66 5"
10	100032-35-D31	EA BACKREST-COUCH, W/ARMRESTS - 66 5"
	P00032-35-D29	EA COVER-BACKREST, W/ARMRESTS - 66 5"
	P00032-35-D31	EA COVER-BACKREST, W/ARMRESTS - 66 5"
	101085-09-000	EA FRAME-BACK, COUCH - 66 5"
11	100032-37-D29	EA SEAT-COUCH, W/O BACKREST - 66 5"
11	100032-37-D31	EA SEAT-COUCH, W/O BACKREST - 66 5"
	P00032-37-D29	EA COVER-SEAT, COUCH - 66 5"
	P00032-37-D31	EA COVER-SEAT, COUCH - 66 5"
	101085-01-000	EA FRAME-SEAT, COUCH - 66 5"
	101085-03-000	EA FRAME-BASE, COUCH - 66 5"

BUNK CUSHIONS

KEY	PART NUMBER	U/M DESCRIPTION
12	105573-10-D29	EA CUSHION-BUNK, REAR - 27" X 23" X 80" X 5"
12	105573-10-D31	EA CUSHION-BUNK, REAR - 27" X 23" X 80" X 5"
	P05573-10-D29	EA COVER-CUSHION, BUNK - REAR - 27" X 23" X 80" X 5"
	P05573-10-D31	EA COVER-CUSHION, BUNK - REAR - 27" X 23" X 80" X 5"
	094658-02-D29	EA HANDLE-OAK, 352MM LONG
13	105573-09-D29	EA CUSHION-BUNK, FRONT - 32 5" X 80" X 5"
13	105573-09-D31	EA CUSHION-BUNK, FRONT - 32 5" X 80" X 5"
	P05573-09-D29	EA COVER-CUSHION, BUNK - FRONT - 32 5" X 80" X 5"
	P05573-09-D31	EA COVER-CUSHION, BUNK - FRONT - 32 5" X 80" X 5"

SWIVEL CHAIR

KEY	PART NUMBER	U/M DESCRIPTION
14	107957-01-D29	EA CHAIR-SWIVEL, W/O PEDESTAL
14	107957-01-D31	EA CHAIR-SWIVEL, W/O PEDESTAL

**1993 ITASCA
TABLE OF CONTENTS**

INTRODUCTION	A-01	A-02
ABBREVIATIONS		A-03
ALPHABETICAL INDEX	A-04	A-06
IF527RQ	A-07	E-02
IF527RC	E-03	H-22

1993 IF527RQ INDEX

FLOOR PLAN	A-07	A-08
ACCESSORIES		A-09
AUDIO VIDEO		A-10
BATH	A-11	A-12
BEDROOM	A-13	A-17
CHASSIS	A-18	A-22
CURTAIN & CUSHION	A-23	B-08
DINETTE	B-09	B-10
DRIVERS COMPARTMENT	B-11	B-12
ELECTRICAL	B-13	B-16
EXTERIOR BODY	B-17	C-02
GALLEY	C-03	C-07
GENERATOR		C-08
HEATING & A/C	C-09	C-10
INTERIOR FINISH	C-11	C-14
LABELS	C-15	C-21
LP		C-22
LOUNGE	C-23	C-24
SEALANTS & FASTENERS	D-01	D-03
WATER & SEWAGE	D-04	D-08
WINDOW, VENT AND EXTERIOR DOOR	D-09	E-02

CURTAIN & CUSHION GROUP (CONTINUED)

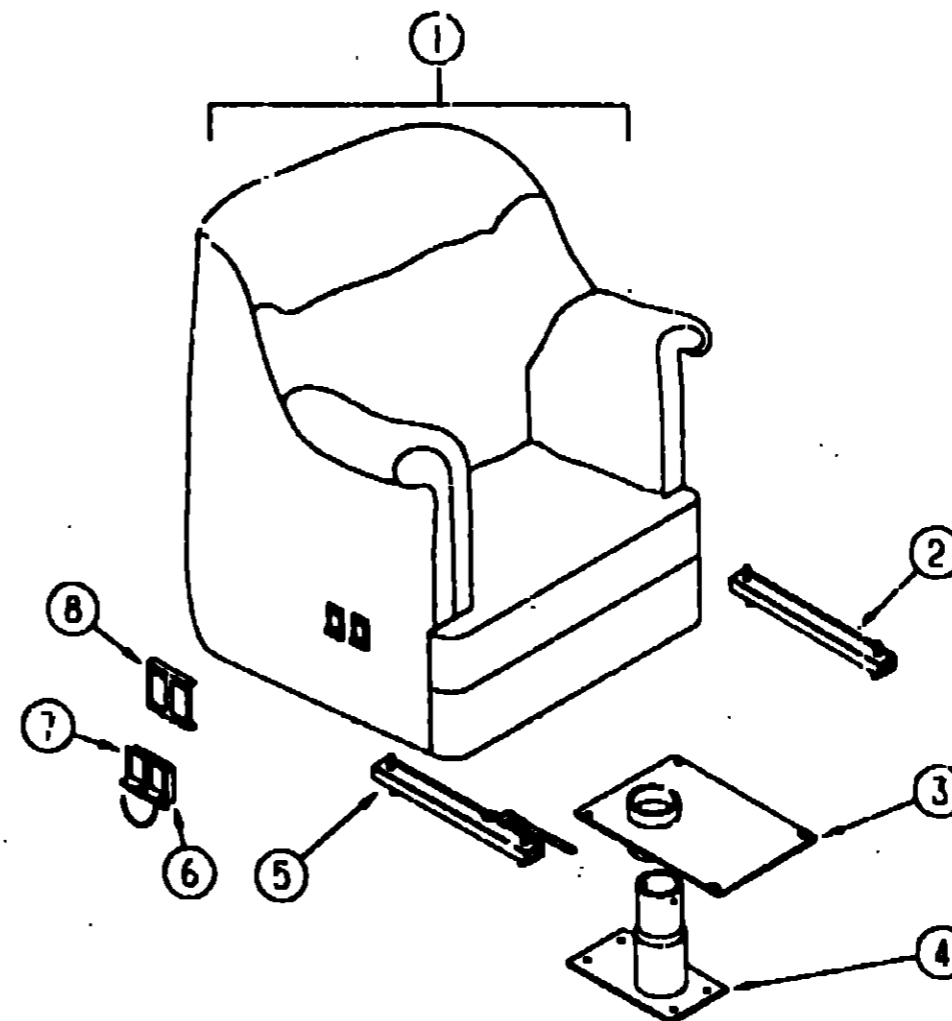
ASSIST HANDLE, BUTTONS & SEATBELTS

KEY	PART NUMBER	U/M	DESCRIPTION
	070578-06-B05	EA	BUTTON ASM-#30, VINYL - OFF WHITE
	070578-01-D27	EA	BUTTON ASM-SCREW STUD, #30 - FABRIC - BLUE (D29)
	070578-01-C03	EA	BUTTON ASM-SCREW STUD, #30 - FABRIC - EGGPLANT (D31)
	079349-04-AA1	YD	WELTING-FABRIC (D29)
	079349-04-C05	YD	WELTING-FABRIC (D31)
	084415-53-000	YD	TRIM-BRAID, CURTAIN - BLUE (D29)
	084415-35-000	YD	TRIM-BRAID, CURTAIN - EGGPLANT (D31)
	057534-01-000	EA	TIEBACK/TIEDOWN-BED/CURTAIN/DOOR, 6" - CLEAR PLASTIC
	053552-02-AA8	EA	HANDLE-ASSIST, INTERIOR - ENTRY DOOR - VINYL - OFF WHITE
	069178-02-000	EA	BRACKET-MOUNTING, ASSIST HANDLE - L ANGLE - W/HOLES - ST
	000C16-07-16B	EA	BOLT-CARRIAGE, ASSIST HANDLE - 7/16" - 14 X 1" ZN
	000D20-07-00B	EA	NUT-ACORN, ASSIST HANDLE - 7/16" X 14 ZN
	007021-01-000	EA	BELT-SEAT, 2" X 90" - BLACK
	057759-01-000	EA	WASHER BRACKET-SEAT BELT, 4" DIAMETER

FABRICS

KEY	PART NUMBER	U/M	DESCRIPTION
	072333-88-000	YD	FABRIC-CURTAIN, 54" WIDE - CHROME
	079680-01-000	YD	FABRIC-VINYL, 54" WIDE - BEIGE
	103907-01-01A	YD	FABRIC-VINYL, 54" WIDE - OFF WHITE
	087272-03-000	YD	FABRIC-DRAPERY LINING, 54" WIDE - IVORY
	068273-71-000	YD	FABRIC-CURTAIN/BEDSPREAD, PLAIN - 54" WIDE - NAVY (D29)
	088273-89-000	YD	FABRIC-CURTAIN/BEDSPREAD, PLAIN - 54" WIDE - LILAC (D31)
	088273-90-000	YD	FABRIC-CURTAIN/BEDSPREAD, PATTERN - 54" WIDE - GRAY/LILAC/CREAM (D31)
	104233-29-000	YD	FABRIC-UPHOLSTERY, PLAIN VELOUR - 54" WIDE - EGGPLANT (D31)
	104233-31-000	YD	FABRIC-UPHOLSTERY, PLAIN VELOUR - 54" WIDE - BLUE (D29)
	105745-21-000	YD	FABRIC-CURTAIN/BEDSPREAD, PATTERN - 54" WIDE - CREAM/GREEN/BLUE (D29)
	108446-02-000	YD	FABRIC-UPHOLSTERY, PATTERN VELOUR - 54" WIDE - EGGPLANT/WINE (D31)
	108446-03-000	YD	FABRIC-UPHOLSTERY, STRIPPED VELOUR - 54" WIDE - EGGPLANT/WINE (D31)
	108446-04-000	YD	FABRIC-UPHOLSTERY, PATTERN VELOUR - 54" WIDE - BLUE (D29)
	108446-05-000	YD	FABRIC-UPHOLSTERY, PLAIN TEXTURED VELOUR - 54" WIDE - BLUE (D29)

CURTAIN & CUSHION GROUP (CONTINUED)



SWIVEL CHAIR

KEY	PART NUMBER	U/M	DESCRIPTION
1	107957-01-D29	EA	CHAIR-SWIVEL, W/O PEDESTAL & SKIRT
1	107957-01-D31	EA	CHAIR-SWIVEL, W/O PEDESTAL & SKIRT
	P07957-01-D29	EA	COVER-CHAIR, SWIVEL
	P07957-01-D31	EA	COVER-CHAIR, SWIVEL
2	069246-06-000	EA	ADJUSTER-SWIVEL CHAIR, MANUAL - FORWARD & BACK
3	107921-08-000	EA	TOP PLATE-W/O SEAT BELT BAR - FLEXSTEEL 2759PDTP
	107921-06-000	EA	BEARING KIT, FLEXSTEEL
4	093481-02-000	EA	BASE-PEDESTAL, W/10" EXTENSION
			FROM 00-00-00 THRU 08-23-92
4	107921-01-000	EA	BASE-PEDESTAL, W/9.75" EXTENSION - FLEXSTEEL 3060 MSPD
			FROM 08-24-92 THRU 99-99-99
5	069246-08-000	EA	ADJUSTER-SWIVEL CHAIR, FORWARD & BACK - SCHROCK
	069246-05-700	EA	SPRING-REMOTE SLIDE ADJUSTER, 9ST-TS-108-5
	069246-05-701	EA	CLIP ONLY-CABLE ASM, SLIDE ADJUSTER
E	108049-01-000	EA	CABLE-SWIVEL, W/SWITCH, 28" - FLEXSTEEL PED 23602
	108049-02-000	EA	CLIP-CABLE, PEDESTAL - FLEXSTEEL 2592-CA
7	089368-04-000	EA	CABLE-SLIDE, W/SWITCH - BUCKET SEAT
B	097683-02-000	EA	BRACKET-MOUNT, REMOTE
	107977-01-D29	EA	SKIRT-CHAIR, SWIVEL
	107977-01-D31	EA	SKIRT-CHAIR, SWIVEL
	007221-01-000	EA	SPACER-SEAT, ADJUSTER - 4 USED PER SWIVEL CHAIR

**1993 ITASCA
TABLE OF CONTENTS**

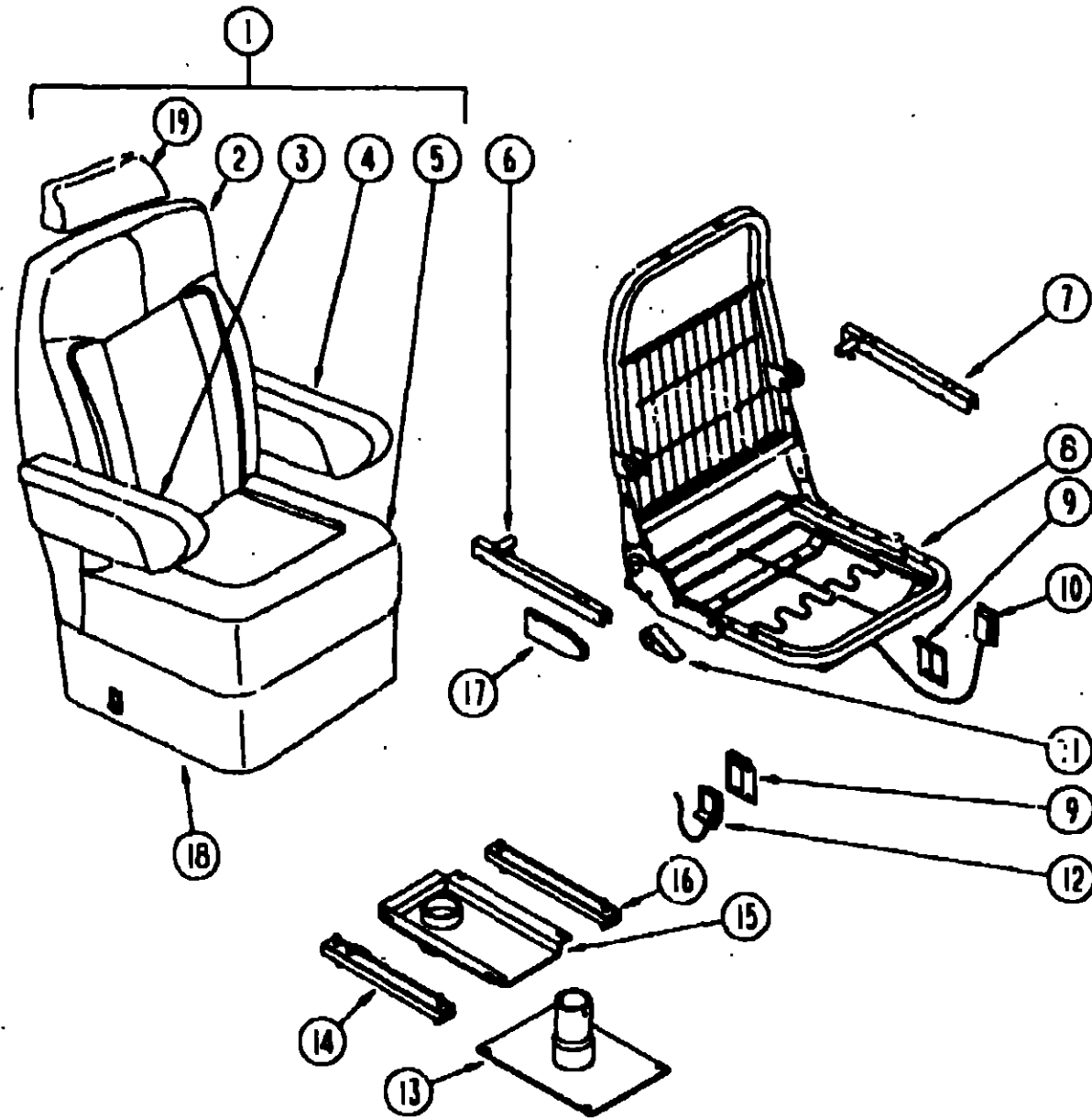
INTRODUCTION	A-01	A-02
ABBREVIATIONS		A-03
ALPHABETICAL INDEX	A-04	A-06
IF527RQ	A-07	E-02
IF527RC	E-03	H-22

1993 IF527RQ INDEX

FLOOR PLAN	A-07	A-08
ACCESSORIES		A-09
AUDIO VIDEO		A-10
BATH	A-11	A-12
BEDROOM	A-13	A-17
CHASSIS	A-18	A-22
CURTAIN & CUSHION	A-23	B-08
DINETTE	B-09	B-10
DRIVERS COMPARTMENT	B-11	B-12
ELECTRICAL	B-13	B-16
EXTERIOR BODY	B-17	C-02
GALLEY	C-03	C-07
GENERATOR		C-08
HEATING & A/C	C-09	C-10
INTERIOR FINISH	C-11	C-14
LABELS	C-15	C-21
LP		C-22
LOUNGE	C-23	C-24
SEALANTS & FASTENERS	D-01	D-03
WATER & SEWAGE	D-04	D-08
WINDOW VENT AND		
EXTERIOR DOOR	D-09	E-02

CURTAIN, CUSHION GROUP (CONTINUED)

BUCKET SEATS



**1993 ITASCA
TABLE OF CONTENTS**

INTRODUCTION	A-01	A-02
ABBREVIATIONS		A-03
ALPHABETICAL INDEX	A-04	A-06
IF527RQ	A-07	E-02
IF527RC	E-03	H-22

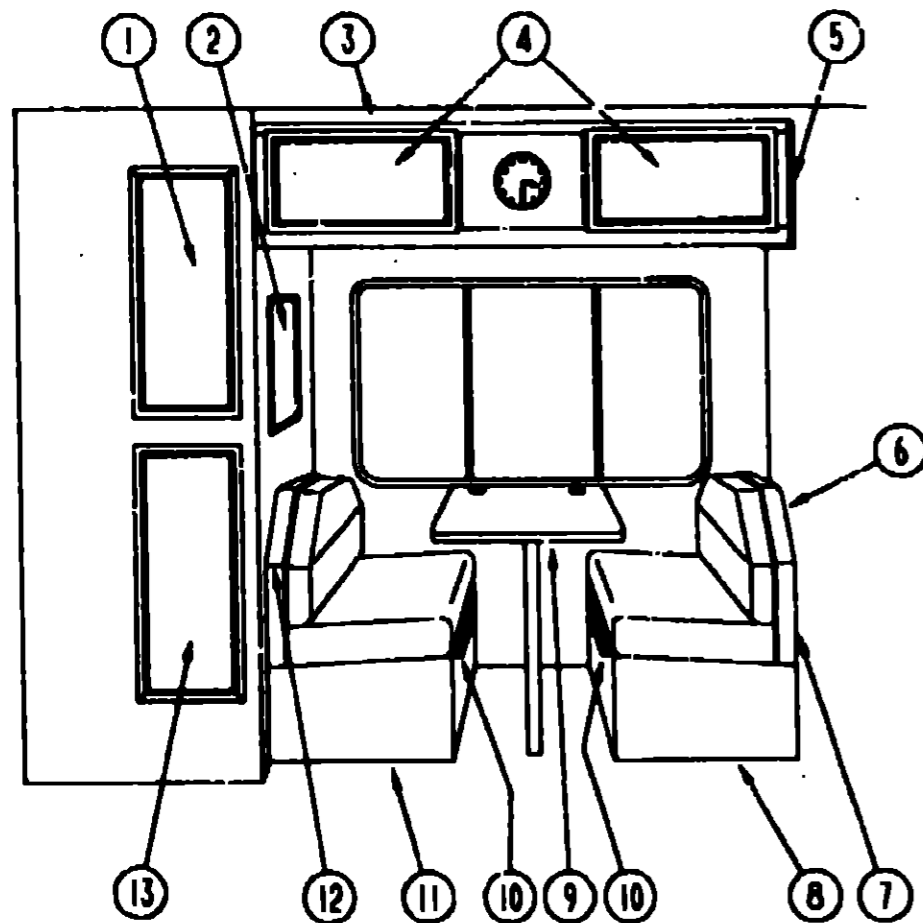
1993 IF527RQ INDEX

FLOOR PLAN	A-07	A-08
ACCESSORIES		A-09
AUDIO VIDEO		A-10
BATH	A-11	A-12
BEDROOM	A-13	A-17
CHASSIS	A-19	A-22
CURTAIN & CUSHION	A-23	B-08
DINETTE	B-09	B-10
DRIVERS COMPARTMENT	B-11	B-12
ELECTRICAL	B-13	B-15
EXTERIOR BODY	B-17	C-02
GALLEY	C-03	C-07
GENERATOR		C-08
HEATING & A/C	C-09	C-10
INTERIOR FINISH	C-11	C-14
LABELS	C-15	C-21
LP		C-22
LOUNGE	C-23	C-24
SEALANTS & FASTENERS	D-01	D-03
WATER & SEWAGE	D-04	D-06
WINDOW, VENT AND EXTERIOR DOOR	D-09	E-02

KEY	PART NUMBER	U/M DESCRIPTION
3	080243-49-C12	EA ARMREST-RIGHT SIDE, BUCKET SEAT (D29)
3	080243-49-D10	EA ARMREST-RIGHT SIDE, BUCKET SEAT (D31)
	M80243-49-C12	EA COVER-ARMREST, RIGHT SIDE (D29)
	M80243-49-D10	EA COVER-ARMREST, RIGHT SIDE (D31)
4	080243-50-C12	EA ARMREST-LEFT SIDE, BUCKET SEAT (D29)
4	080243-50-D10	EA ARMREST-LEFT SIDE, BUCKET SEAT (D31)
	M80243-50-C12	EA COVER-ARMREST, LEFT SIDE (D29)
	M80243-50-D10	EA COVER-ARMREST, LEFT SIDE (D31)
5	M03445-67-D29	EA COVER-SEAT, BUCKET SEAT
5	M03445-67-D31	EA COVER-SEAT, BUCKET SEAT
6	081268-01-000	EA ROD & CHANNEL-ARMREST- RIGHT - METAL
7	081268-02-000	EA ROD & CHANNEL-ARMREST- LEFT - METAL
	081361-01-000	EA ROD-ARMREST- METAL - RIGHT OR LEFT HAND
8	M80906-06-000	EA FRAME-SEAT & BACK & SPRING
8	M80906-07-000	EA FRAME-SEAT & BACK & SPRING - RECLINING
9	097683-03-000	EA BRACKET-REMOTE- SIDE MOUNT - SINGLE
10	089368-04-000	EA SWITCH & CABLE-SLIDE, SHROCK
	101125-01-000	EA RECLINER-SEAT BACK, LEFT HAND REMOTE
		FROM 00-00-00 THRU: 07-31-92
	080730-02-000	EA RECLINER-SEAT BACK, LEFT HAND
		FROM: 08-01-92 THRU 99-99-99
11	080730-03-700	EA HANDLE KIT-RECLINER
	080730-04-000	EA SCREW-RECLINER, HANDLE - KEIPER 300618-07
12	108049-01-000	EA SWITCH & CABLE-SWIVEL, 28" - FLEXSTEEL PED 23602
	108049-02-000	EA CLIP-CABLE, PEDESTAL - FLEXSTEEL 2592-CA
13	069585-41-000	EA PLATE-BASE
		FROM: 00-00-00 THRU 02-21-93
	069585-03-000	EA PEDESTAL-LOWER, W/EXTENSION - 9" X 5" - STEEL
		MOUNTS BETWEEN UPPER PEDESTAL AND BASEPLATE
		FROM 00-00-00 THRU: 02-21-93
13	107921-09-000	EA PEDESTAL-SEAT FORD - W/BASE PLATE, EXTENSION & TOP PLATE
		FLEXSTEEL 3067-PDMB
		FROM 02-22-93 THRU 99-99-99
14	069246-05-000	EA ADJUSTER-SEAT/CHAIR- W/REMOTE - FORWARD & BACK
	069246-05-700	EA SPRING-ADJUSTER- FOR REMOTE
	069246-05-701	EA CLIP-CABLE- FOR REMOTE
15	093401-04-000	EA TOP PLATE-PEDESTAL, BUCKET SEAT - W/O SEATBELT BAR
		FROM: 00-00-00 THRU 02-21-93
15	107921-08-000	EA TOP PLATE-PEDESTAL, BUCKET SEAT - W/O SEATBELT BAR
		FROM 02-22-93 THRU 99-99-99
	107921-06-000	EA KIT-BEARING, FLEXSTEEL
		FROM 02-22-93 THRU 99-99-99
16	069246-02-000	EA ADJUSTER-SEAT/CHAIR- W/O LOCK - FORWARD & BACK
17	089369-08-000	EA SHIELD-CABLE, REMOTE RECLINER - BUCKET SEAT
18	071126-37-D04	EA SKIRT-BUCKET SEAT, 7" SINGLE (D29)
18	071126-37-D31	EA SKIRT-BUCKET SEAT, 7" SINGLE (D31)
19	085268-01-D32	EA HEADREST-BUCKET SEAT (D29)
19	085268-01-D31	EA HEADREST-BUCKET SEAT (D31)
	M85268-01-AA1	EA COVER-HEADREST, BUCKET SEAT (D29)
	M85268-01-C05	EA COVER-HEADREST, BUCKET SEAT (D31)
	081172-01-000	EA TRIM HEADREST, PLASTIC - BLACK
	091313-01-000	EA GROMMET-HEADREST

KEY	PART NUMBER	U/M DESCRIPTION
1	093450-37-D29	EA SEAT-BUCKET, W/O PEDESTALS & SKIRTS
1	093450-37-D31	EA SEAT-BUCKET, W/O PEDESTALS & SKIRTS
1	093450-31-D29	EA SEAT-BUCKET, W/O PEDESTALS & SKIRTS (RECLINING OPTION)
		FROM 00-00-00 THRU 07-31-92
1	093450-31-D31	EA SEAT-BUCKET, W/O PEDESTALS & SKIRTS (RECLINING OPTION)
		FROM: 00-00-00 THRU 07-31-92
1	093450-42-D29	EA SEAT-BUCKET, W/O PEDESTALS & SKIRTS (RECLINING OPTION)
		FROM 08-01-92 THRU 99-99-99
1	093450-42-D31	EA SEAT-BUCKET, W/O PEDESTALS & SKIRTS (RECLINING OPTION)
		FROM 08-01-92 THRU 99-99-99
2	M03445-66-D29	EA COVER-BACK, BUCKET SEAT
2	M03445-66-D31	EA COVER-BACK, BUCKET SEAT

DINETTE GROUP



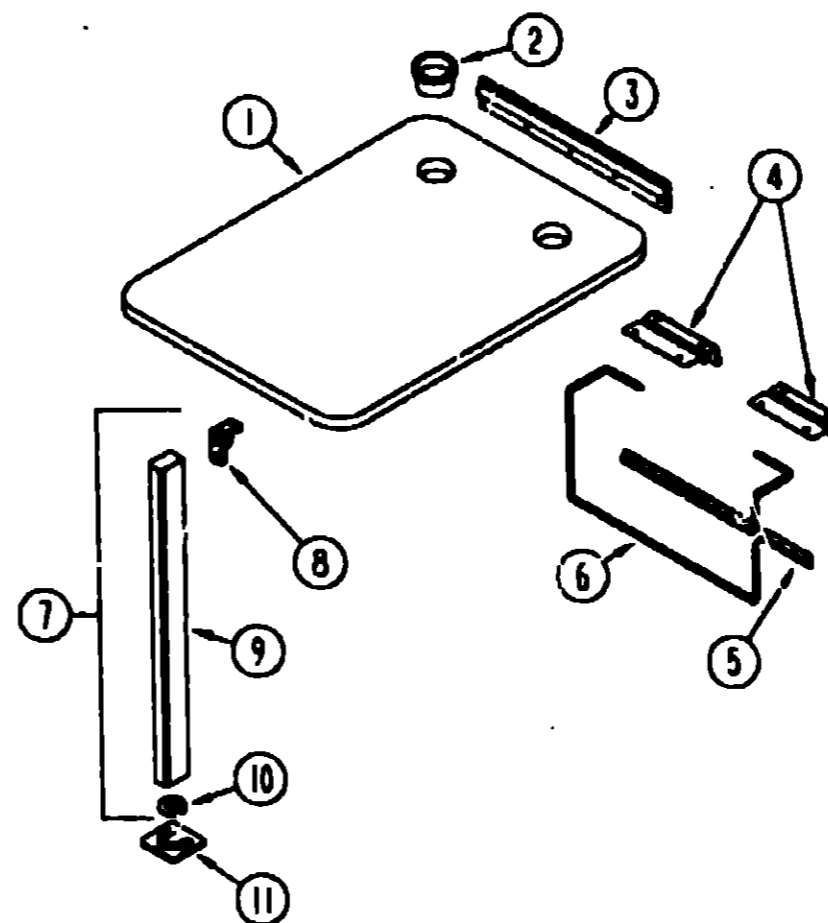
CABINETS, PADS & TABLE

KEY	PART NUMBER	U/M DESCRIPTION
1	P03702-H7-D29	EA DOOR-CABINET, W/O HARDWARE - 305 X 1015 MM
2	058331-01-000	EA MIRROR-SAFETY GLASS, 19" X 26"
	105004-01-02A	EA TRIM-MIRROR, VINYL WRAPED - RAMBLING OAK
3	M05780-02-D29	EA CABINET-OVERHEAD W/O DOOR & HARDWARE
		FROM 00-00-00 THRU 11-09-92
3	M05780-65-D29	EA CABINET-OVERHEAD, W/O DOOR & HARDWARE
		FROM 11-10-92 THRU 99-99-99
3	M05780-02-D31	EA CABINET-OVERHEAD, W/O DOOR & HARDWARE
		FROM 00-00-00 THRU 11-09-92
3	M05780-65-D31	EA CABINET-OVERHEAD, W/O DOOR & HARDWARE
		FROM: 11-10-92 THRU 99-99-99
3	110417-02-D29	EA CABINET-OVERHEAD, W/O DOOR & HARDWARE (EUROPEAN EXPORT)
3	110417-02-D31	EA CABINET-OVERHEAD, W/O DOOR & HARDWARE (EUROPEAN EXPORT)
4	M05908-03-D29	EA DOOR-CABINET, W/O HARDWARE - 400 X 520MM (MIRRORED)
		FROM 00-00-00 THRU 08-09-92
	104755-01-000	EA MIRROR-GLASS, DECORATIVE - 330 X 450MM
		FROM 00-00-00 THRU 07-19-92
	108535-05-01A	EA MIRROR-GLASS, FLORAL SPREE - 330 X 450MM
		FROM 07-20-92 THRU 08-09-92
4	P03702-J2-D29	EA DOOR-CABINET, W/O HARDWARE - 400 X 710MM (MIRRORED)
		FROM 08-10-92 THRU 11-09-92
4	P03702-M4-D29	EA DOOR-CABINET, W/O HARDWARE - 290 X 715MM (MIRRORED)
		FROM 11-10-92 THRU 99-99-99
4	P03702-D2-C31	EA DOOR-CABINET, W/O HARDWARE - 290 X 715MM (WOOD PANEL)
5	104335-06-C43	EA END CAP-CABINET, OVERHEAD
6	104787-01-D32	EA PAD-BACKREST, DINETTE (D29)
6	104787-01-C05	EA PAD-BACKREST, DINETTE (D31)
7	M04174-12-C27	EA CABINET-BACKREST, RIGHT SIDE
8	M04175-12-C27	EA CABINET-SEATBASE, RIGHT SIDE
	103596-11-C27	EA TOP-SEATBASE, WOOD
9	M03475-04-D06	EA TABLE-DINETTE, W/O HARDWARE

DINETTE GROUP (CONTINUED)

CABINETS, PADS & TABLE (CONTINUED)

KEY	PART NUMBER	U/M DESCRIPTION
10	081295-01-AA8	EA SUPPORT-TABLE, MOUNTED TO BOTH SEATBASE CABINETS
11	M04175-16-C43	EA CABINET-SEATBASE, LEFT SIDE
	103596-11-C27	EA TOP-SEATBASE, WOOD
12	104787-02-D29	EA PAD-BACKREST, DINETTE (D29)
12	104787-02-D31	EA PAD-BACKREST, DINETTE (D31)
13	P03702-J3-D29	EA DOOR-CABINET, W/O HARDWARE - 305 X 660MM
	070578-01-B27	EA BUTTON ASM-SCREW STUD, #30 - FABRIC (D29)
	070578-01-C03	EA BUTTON ASM-SCREW STUD, #30 - FABRIC (D31)



DINETTE TABLE

KEY	PART NUMBER	U/M DESCRIPTION
1	M03475-04-D06	EA TABLE-DINETTE, W/O HARDWARE
2	064781-06-000	EA HOLDER-CUP, TWO STEP - OFF WHITE
3	053200-13-000	EA BRACKET-TABLE SUPPORT, UPPER WALL MOUNTED - 18 5" - OFF WHITE
4	088410-02-000	EA BRACKET-LIFT, TABLE MOUNTED - OFF WHITE
5	024281-15-000	EA BRACKET-LIFT ROD, LOWER WALL MOUNTED - 17 12" - OFF WHITE
6	024275-13-000	EA ROD-TABLE LIFT 8" X 18 5" - OFF WHITE
7	092708-06-C11	EA LEG-ASM-TABLE
8	050550-01-000	EA BRACKET-HINGE, MOUNTS TO LEG & TABLE TOP - 1 7" X 2 6"
9	092707-04-01A	EA MOLDING-OAK, REGAL
10	092593-01-04A	EA CATCH-LEG, LEG MOUNTED - ROUND - 1 4" DIA - METAL - BEIGE
11	049493-12-000	EA CATCH-LEG, FLOOR MOUNTED - 2 5" X 2 7" - METAL - OFF WHITE
	049493-11-700	EA CATCH-LEG, FLOOR MOUNTED - 2 5" X 2 7" - METAL - E-COAT

**1993 ITASCA
TABLE OF CONTENTS**

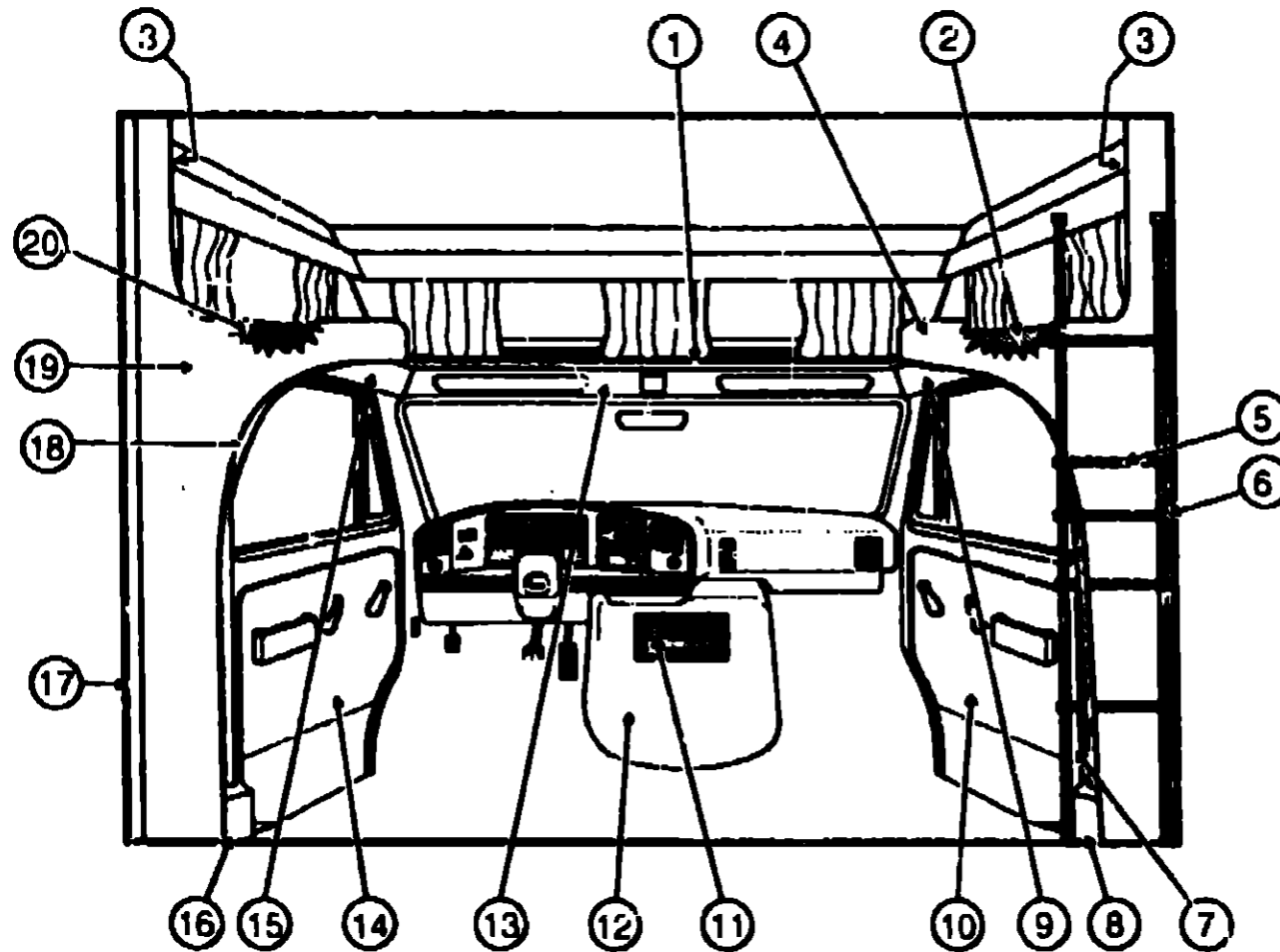
INTRODUCTION	A-01	A-02
ABBREVIATIONS		A-03
ALPHABETICAL INDEX	A-04	A-06
IF527RQ	A-07	E-02
IF527RC	E-03	H-22

1993 IF527RQ INDEX

FLOOR PLAN	A-07	A-08
ACCESSORIES		A-09
AUDIO VIDEO		A-10
BATH	A-11	A-12
BEDROOM	A-13	A-17
CHASSIS	A-18	A-22
CURTAIN & CUSHION	A-23	B-08
DINETTE	B-09	B-10
DRIVERS COMPARTMENT	B-11	B-12
ELECTRICAL	B-13	B-16
EXTERIOR BODY	B-17	C-02
GALLEY	C-03	C-07
GENERATOR		C-08
HEATING & A/C	C-09	C-10
INTERIOR FINISH	C-11	C-14
LABELS	C-15	C-21
LP		C-22
LCUNGE	C-23	C-24
SEALANTS & FASTENERS	D-01	D-03
WATER & SEWAGE	D-04	D-08
WINDOW VENT AND		
EXTERIOR DOOR	D-09	E-02

DRIVERS COMPARTMENT GROUP

DRIVERS COMPARTMENT



KEY	PART NUMBER	U/M DESCRIPTION
6	099858-03-000	EA STRAP ASM-TIEDOWN, BUNK LADDER
7	106446-01-C03	EA TRIM ASM-CAB, B-PILLAR - RIGHT
8	106431-01-01A	EA COVER-SEATBELT RECOIL, RIGHT - OFF WHITE
9	106447-01-C03	EA TRIM ASM-CAB DOOR, UPPER - RIGHT
10	106432-01-D29	EA PANEL-DOOR, INNER - PASSENGER SIDE
10	106432-01-D31	EA PANEL-DOOR, INNER - PASSENGER SIDE
11	1C7134-02-C43	EA TRAY-BEVERAGE, OAK - W/CASSETTE
12	069885-23-C04	EA COVER-MOTOR, W/POCKET (D29)
12	069885-23-D03	EA COVER-MOTOR, W/POCKET (D31)
	046886-03-000	EA ASHTRAY-CHROME, W/COVER
13	106448-01-C03	EA HEADLINER-VINYL COVERED, FRONT - OFF WHITE
14	106432-02-D29	EA PANEL-DOOR, INNER - DRIVER SIDE
14	106432-02-D31	EA PANEL-DOOR, INNER - DRIVER SIDE
15	106447-02-C03	EA TRIM ASM-CAB DOOR, UPPER - LEFT
16	106431-02-01A	EA COVER-SEATBELT RECOIL, LEFT - OFF WHITE
17	082081-20-C52	EA COVER-WINGWALL, 2002MM LONG - VINYL - OFF WHITE
18	106446-02-C03	EA TRIM ASM-CAB, B-PILLAR - RIGHT
19	106440-04-D29	EA WINGWALL ASM-INNER, LEFT (D29)
19	106440-04-D04	EA WINGWALL ASM-INNER, LEFT (D31)
		FROM 00-00-00 THRU 09-05-92
19	109803-01-D29	EA WINGWALL ASM-INNER, UPPER
		FROM: 00-00-00 THRU 09-05-92
19	109803-01-D31	EA WINGWALL ASM-INNER, UPPER
		FROM 09-06-92 THRU 99-99-99
19	109805-04-D29	EA WINGWALL ASM-INNER, RIGHT (D29, D31)
		FROM 09-06-92 THRU 99-99-99
	106445-02-C03	EA TRIM ASM-WINGWALL WRAP, LEFT - BETWEEN CAB STEEL & B PILLAR TRIM
20	109894-01-D29	EA CABINET-HAMPER, FRONT
		FROM: 09-06-92 THRU: 99-99-99
20	109894-01-D31	EA CABINET-HAMPER, FRONT
		FROM: 09-06-92 THRU: 99-99-99

1993 ITASCA TABLE OF CONTENTS

INTRODUCTION	A-01	A-02
ABBREVIATIONS		A-03
ALPHABETICAL INDEX	A-04	A-06
IF527RQ	A-07	E-02
IF527RC	E-03	H-22

KEY	PART NUMBER	U/M DESCRIPTION
1	079803-07-000	EA TRIM-SLEEPERBOARD, INNER - OFF WHITE
1	080742-03-000	FT TRIM-VINYL, SLEEPERBOARD - OFF WHITE
2	108984-01-D29	EA PAD-BUNK, OVERHEAD
2	108984-01-D31	EA PAD-BUNK, OVERHEAD
3	082071-12-C52	EA TRIM-WINGWALL TO SIDEWALL, W/O BUTTONS - VINYL - OFF WHITE
4	106440-03-D29	EA WINGWALL ASM-INNER, RIGHT (D29)
		FROM 00-00-00 THRU 09-05-92
4	106440-03-D04	EA WINGWALL ASM-INNER, RIGHT (D31)
		FROM 00-00-00 THRU 09-05-92
4	109803-01-D29	EA WINGWALL ASM-INNER, UPPER
		FROM 09-06-92 THRU 99-99-99
4	109803-01-D31	EA WINGWALL ASM-INNER, UPPER
		FROM 09-06-92 THRU 99-99-99
4	109805-03-D29	EA WINGWALL ASM-INNER, RIGHT LOWER (D29, D31)
		FROM 09-06-92 THRU 99-99-99
	106445-01-C03	EA TRIM ASM-WINGWALL WRAP, RIGHT - BETWEEN CAB STEEL & B PILLAR TRIM
	109804-01-D29	EA CAP-SLEEPERBOARD, DRIVER/PASSENGER SIDE - 80 X 596MM
		FROM: 09-06-92 THRU: 99-99-99
	109804-01-D31	EA CAP-SLEEPERBOARD, DRIVER/PASSENGER SIDE - 80 X 596MM
		FROM: 09-06-92 THRU: 99-99-99
5	106025-02-01A	EA LADDER-BUNK, BLACK - 1434 MM
	106025-01-700	EA BRACKET SET FOR BUNK LADDER

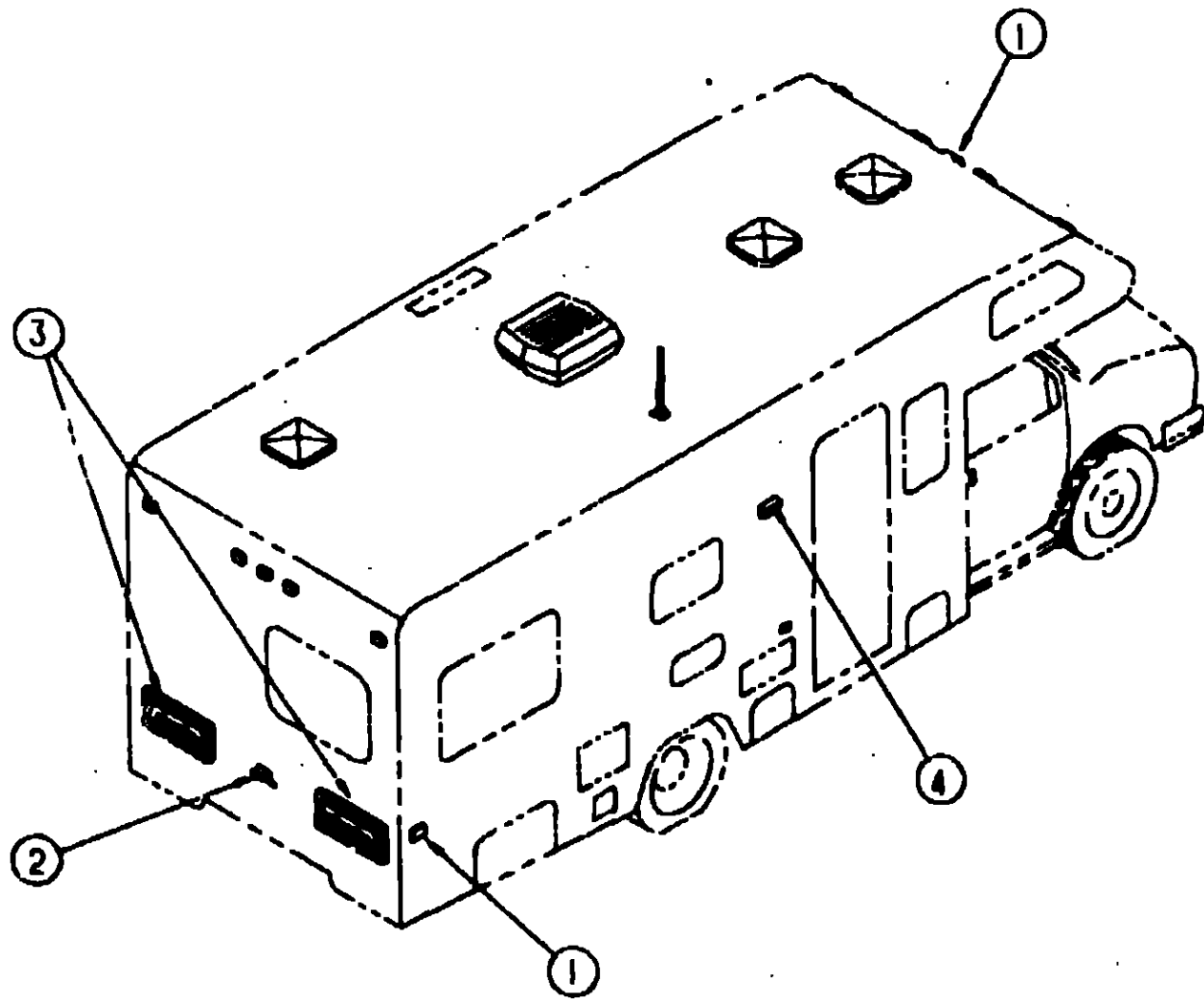
INSTRUMENT CLUSTERS

KEY	PART NUMBER	U/M DESCRIPTION
	094795-03-000	EA CLUSTER-INSTRUMENT PANEL, KILOMETER - FORD F2UF10849BF
		FROM 00-00-00 THRU 01-31-93
	094795-04-000	EA CLUSTER-INSTRUMENT PANEL, KILOMETER - FORD 93 E350
		FROM 02-01-93 THRU 99-99-99
	094795-01-000	EA SPEEDOMETER-KILOMETER (FORD)
	081082-01-000	EA PLAQUE-MOUNTING, BATTERY/FUEL SWITCH - 24" X 14" - BLACK (FORD)
	100138-01-000	EA MODULE-DAYTIME RUNNING LIGHT
	024461-01-000	EA SWITCH-BATT BATT/DUAL/MOM

1993 IF527RQ INDEX

FLOOR PLAN	A-07	A-08
ACCESSORIES		A-09
AUDIO VIDEO		A-10
BATH	A-11	A-12
BEDROOM	A-13	A-17
CHASSIS	A-18	A-22
CURTAIN & CUSHION	A-23	B-08
DINETTE	B-09	B-10
DRIVERS COMPARTMENT	B-11	B-12
ELECTRICAL	B-13	B-16
EXTERIOR BODY	B-17	C-02
GALLEY	C-03	C-07
GENERATOR		C-08
HEATING & A/C	C-09	C-10
INTERIOR FINISH	C-11	C-14
LABELS	C-15	C-21
LP		C-22
LOUNGE	C-23	C-24
SEALANTS & FASTENERS	D-01	D-03
WATER & SEWAGE	D-04	D-08
WINDOW VENT AND EXTERIOR DOOR	D-09	E-02

ELECTRICAL GROUP



EXTERIOR LIGHTS

KEY	PART NUMBER	U/M DESCRIPTION
1	042405-02-000	EA LENS-CLEARANCE/SIDEMARKER LIGHT, W/REFLEX - AMBER
1	042405-03-000	EA BASE-CLEARANCE/SIDEMARKER LIGHT, W/BULB - PLASTIC - WHITE
	1008213-01-000	EA BULB
	091983-01-000	EA GASKET-CLEARANCE/SIDEMARKER LIGHT
	042405-01-000	EA LENS-CLEARANCE/SIDEMARKER LIGHT, W/REFLEX - RED
	042405-03-000	EA BASE-CLEARANCE/SIDEMARKER LIGHT, W/BULB - PLASTIC - WHITE
	008213-01-000	EA BULB
2	066432-01-000	EA LIGHT-LICENSE PLATE W/BRACKET
	066432-03-000	EA BRACKET-LICENSE PLATE LIGHT
3	103545-01-01A	EA TAIL LIGHT ASM-TRIPLE, HORIZONTAL - BARGMAN 30-84-103
	037934-01-000	EA BULB-12V ND1156 2, 10AMP
	037935-01-000	EA BULB-12V ND1157 2, 10AMP
	081638-01-700	EA LENS-TAILLIGHT (RED)
	103545-01-700	EA LENS-BACKUP
4	097917-01-01A	EA LIGHT-PORCH, ENTRY DOOR - OFF WHITE
	008215-01-000	EA BULB
	097917-01-700	EA LENS

ELECTRICAL GROUP (CONTINUED)

INTERIOR LIGHTS & BULBS

KEY	PART NUMBER	U/M DESCRIPTION
	104173-01-01A	EA LIGHT-DESIGNER, BRASS - #81-905 *A W ASPLUND
	104172-01-01A	EA LIGHT-BULLET, BEIGE - #787 SERIES BULB #93 12V
	085280-01-000	EA LIGHT-SURFACE MOUNT, 12V - JENSEN 1236
	0862P0-01-700	EA BULB-12 VOLT, 6 WATT
	078424-02-000	EA LIGHT-FLUORESCENT, 12V DC - 18" - ALMOND
	091937-03-000	EA BULB-FLUORESCENT LIGHT, 12V - THIN LITE 736
	078424-02-701	EA LENS-LIGHT, FLUORESCENT - 18"
	082169-01-000	EA LIGHT-MAKE-UP, 3 BULB - JENSEN X148-158R
	081633-01-700	EA BULB-MAKE UP LIGHT, JENSEN
	098024-01-01A	EA LIGHT-DOME, 1 BULB - US - IVORY
	098024-03-01A	EA LIGHT-DOME, 2 BULB - IVORY
	008218-01-000	EA BULB
	098024-01-700	EA LENS-DOME LIGHT
	086280-01-000	EA LIGHT-SURFACE MOUNT, 12V - JENSEN 1236
	086280-01-700	EA BULB-12 VOLT, 6 WATT

SWITCHES & RECEPTACLES

KEY	PART NUMBER	U/M DESCRIPTION
	079364-01-000	EA SWITCH-ON/OFF ROCKER, 2 PRONGS - BROWN
	079364-03-000	EA SWITCH-ON/OFF ROCKER, 3 PRONGS - BROWN
	095241-07-000	EA SWITCH-ROCKER, DPDT - ON/OFF - BLACK
	108250-02-01A	EA ACTUATOR-SWITCH, DIMPLE II-CARLING VVAZC00 BLA
	108357-08-000	EA SWITCH-ROCKER, DPDT - ON/NONE/ON - CARLING VDD1S00C-0
	098351-01-01A	EA PLATE-SWITCH, 1 GANG - POLISHED BRASS
	098351-02-01A	EA PLATE-SWITCH, 2 GANG - POLISHED BRASS
	098351-05-01A	EA PLATE-SWITCH, 3 GANG - POLISH BRASS - JENSEN
	098351-06-01A	EA PLATE-SWITCH, 2 GANG W/LABEL - JENSEN - POLISHED BRASS
	081994-02-000	EA PLATE-SWITCH, EXTERIOR SHOWER
	095188-01-01A	EA SPACER-SWITCH, 2 3/4" X 3 1/4" - PLASTIC - DARK TOWN
	075723-01-000	EA SPACER-SWITCH, W/O HOLE - 2" X 3" X 1/2" - OFF WHITE
	075723-02-000	EA SPACER-SWITCH, W/HOLE - 2" X 3" X 1/2" - METAL - OFF WHITE FOR ELECTRIC STEP DOOR JAMB SWITCH
	084076-01-000	EA RECEPTACLE-GFI, 15A - 125V - IVORY
	084077-01-000	EA PLATE-COVER, RECEPTACLE - GFI - IVORY
	058707-01-000	EA RECEPTACLE-ELECTRIC, SINGLE - BROWN
	058708-01-000	EA RECEPTACLE-ELECTRIC, DOUBLE - BROWN
	058708-02-000	EA RECEPTACLE-ELECTRIC, DOUBLE - IVORY
	102568-01-R32	EA SPACER-RECEPTACLE, BETWEEN SIDEWALL & PLATE - WOOD
	077734-01-01A	EA EXTENSION-RECEPTACLE, 3 1/2" X 5" X 7" - PLASTIC - IVORY
	124924-02-000	EA RECEPTACLE-POWER CORD, W/PARTIAL PLATE
	075736-02-000	EA COVER-EXTERIOR RECEPTACLE OFF WHITE

CONVERTERS & LOAD CENTER

KEY	PART NUMBER	U/M DESCRIPTION
	083208-01-000	EA CONVERTER-POWER, 32A - 120V/12V - 3W 6332
	092615-01-000	EA CONVERTER-40 AMP, W/CHARGER - B-W 3240JP
	094809-01-000	EA CENTER-LOAD, 240V - 125A - TRIPLECT

1993 ITASCA TABLE OF CONTENTS

INTRODUCTION	A-01	A-02
ABBREVIATIONS		A-03
ALPHABETICAL INDEX	A-04	A-06
IF527RQ	A-07	E-02
IF527HC	E-03	H-22

1993 IF527RQ INDEX

FLOOR PLAN	A-07	A-08
ACCESSORIES		A-09
AUDIO VIDEO		A-10
BATH	A-11	A-12
BEDROOM	A-13	A-17
CHASSIS	A-18	A-22
CURTAIN & CUSHION	A-23	B-05
DINETTE	B-09	B-10
DRIVERS COMPARTMENT	B-11	B-12
ELECTRICAL	B-13	B-16
EXTERIOR BODY	B-17	C-02
GALLEY	C-03	C-07
GENERATOR		C-09
HEATING & A/C	C-09	C-10
INTERIOR FINISH	C-11	C-14
LABELS	C-15	C-21
LP		C-22
LOUNGE	C-23	C-24
SEALANTS & FASTENERS	D-01	D-03
WATER & SEWAGE	D-04	D-08
WINDOW, VENT AND EXTERIOR DOOR	D-09	E-02

ELECTRICAL GROUP (CONTINUED)

SOLENOID, FUSES & CIRCUIT BREAKERS

KEY	PART NUMBER	U/M	DESCRIPTION
	008188-01-000	EA	SOLENOID-3 POST, BATTERY CHANGE OVER
	053910-01-000	EA	HOUSING-RELAY, BOSCH 3 334 485 008
	008235-01-000	EA	FUSE-AUTOMOTIVE, 12V - 15AMP
	062901-02-000	EA	FUSE-5 AMP, AUTOMOTIVE
	062901-05-000	EA	FUSE-15 AMPS, AUTOMOTIVE
	100341-01-000	EA	FUSE HOLDER-IN LINE TYPE - WESCO 8931-92020
	093654-01-000	EA	BREAKER-CIRCUIT, 6 AMP - HOUSE CONTROL PANEL
	093655-01-000	EA	BREAKER-CIRCUIT, 30 AMP - HOUSE CONTROL PANEL
	093655-01-000	EA	BREAKER-CIRCUIT, 25 AMP
	083209-01-000	EA	BREAKER-CIRCUIT, 15 AMP, 120V - BW G-15 - CANADIAN
	083209-03-000	EA	BREAKER-CIRCUIT, 15/20AMP, 120V - BW O-15/20
	083209-04-000	EA	BREAKER-CIRCUIT, 30A - 120V - BW L-30
	083209-05-000	EA	BREAKER-CIRCUIT, 20A - 120V - BW J-20
	083209-06-000	EA	BREAKER-CIRCUIT, 30/15 AMP - 120V - BW D-30/15
	083209-08-000	EA	BREAKER-CIRCUIT, BLANK - BW
	094810-01-000	EA	BREAKER-CIRCUIT, DOUBLE 30 AMP - GE THQL2130
	094811-01-000	EA	BREAKER-CIRCUIT, DOUBLE 20 AMP - GE THQL2120

POWER CORDS & ELECTRIC BOXES

KEY	PART NUMBER	U/M	DESCRIPTION
	008052-01-000	EA	CORD-POWER, 10/3 - 30 AMP - 25' - CANADIAN
	008054-01-000	EA	CORD-POWER, 10/3 - 30 AMP - 25'
	008288-01-000	EA	BOX-PLASTIC ELECTRIC, 3" X 3 1/2"
	008288-02-000	EA	BOX-PLASTIC ELECTRIC, 3 9/4" X 3 13" X 1 81"
	008289-01-000	EA	BOX-ELECTRIC, STEEL - 1/2" AND 3/4" KNOCKOUTS - 4" X 4"
	008289-02-000	EA	BOX-ELECTRIC, 4" X 4" - 1/2" & 3/4" KNOCKOUTS - CANADIAN
	091910-01-000	EA	BOX-ELECTRIC, 3 75" X 3 5" X 1 75" - PLASTIC
	093603-01-000	EA	BOX-ELECTRIC, 4" X 2 1/8" X 2 1/8" - STEEL
	107165-01-01A	EA	BOX-CIRCUIT BREAKER, MOUNTING - BLACK
			FROM 12-06-91 THRU 99-99-99
	58049-01-000	EA	BOX-ELECTRIC SWITCH, 2" X 3" X 2 2/2"
	008254-02-000	EA	COVER-ELECTRICAL BOX, BLANK STEEL - 4" X 4" - CANADIAN
	069238-01-000	EA	COVER-ELECTRICAL BOX, W/HOLE - 4" X 4" - GRAY USED WITH 30 AMP RECEPTACLE

WIRE ASSEMBLIES

KEY	PART NUMBER	U/M	DESCRIPTION
	097618-01-000	EA	WIRE ASM-MONITOR PANEL, W/4 WIRES & BLACK RESISTOR - LVS
	100159-02-000	EA	WIRE ASM-DAYTIME RUNNING LIGHTS, W/FUSE
			FROM 00-00-00 THRU 10-06-91
	106851-01-000	EA	WIRE ASM-DAYTIME RUNNING LIGHTS, W/FUSE
			FROM 10-07-91 THRU 99-99-99
	103328-06-000	EA	WIRE ASM-PUMP, EXTERIOR SHOWER
	105306-01-000	EA	WIRE ASM-MONITOR PANEL ADAPT

ELECTRICAL GROUP (CONTINUED)

CONNECTORS & CONDUIT

KEY	PART NUMBER	U/M	DESCRIPTION
	007940-01-000	EA	RECEPTACLE-SLIDE, 16 TO 12 AWG - FEMALE END
	080015-02-000	EA	RECEPTACLE-FLAG, 185 - 16/14 GA - AMP 3
	080015-03-000	EA	RECEPTACLE-FLAG, 250 - 14/16 GA
	008311-01-000	EA	CONNECTOR-WIRE NUT, INSULATED - RED
	008314-01-000	EA	CONNECTOR-WIRE NUT, INSULATED - GRAY
	098420-01-000	EA	CONNECTOR-SWIVEL, 1/2" FPT X 5/8" TUBE - PLASTIC
	008355-01-000	EA	CONNECTOR-CABLE CLAMPING, 3/4"
	008356-01-000	EA	CONNECTOR-PLASTIC, 3/8" AVG
	041480-01-000	EA	CONNECTOR-STRAIGHT, 1/2" FLEX CONDUIT
	058020-01-000	EA	CONNECTOR-ELECTRICAL PIGTAIL, NYLON - CLEAR
	008326-01-000	EA	TERMINAL-RING, 16/14 WIRE - 3/8" STUD
	008328-01-000	EA	TERMINAL-RING, 12/10 WIRE - #10 STUD FIT
	008331-01-000	EA	TERMINAL-RING, TONGUE - #4 WIRE - 3/8" STUD - COPPER
	008348-01-000	EA	TERMINAL-RING, 3/8" STUD - #2 WIRE
			CONNECTS CABLE TO DISCONNECT RELAY AND BATTERY
	035416-03-000	EA	TERMINAL-RING #10 STUD FIT
	035416-04-000	EA	TERMINAL-RING #10 STUD FIT, INSULATED BARREL #16/14
	047443-01-000	EA	TERMINAL-250 RECEP FIT, INSULATED - 16/14 AWG
	047443-02-000	EA	TERMINAL-250 RECEP FIT, INSULATED - 12/10 AWG
	087949-01-000	EA	BUSS BAR-2 POSITION, 6" X 1 5" - ALUMINUM
	088475-01-000	EA	PIN-CONNECTOR, 14 TO 20 AWG
	088475-02-000	EA	PIN-CONNECTOR, 10 TO 12 AWG
	088473-01-000	EA	PIN-HOUSING, 4 ROWS OF 3
	088473-05-000	EA	PIN-HOUSING, 6 POSITION (SINGLE ROW)
	088473-06-000	EA	PIN-HOUSING, 6 POSITION (TWO ROWS OF THREE)
	088473-09-000	EA	PIN-HOUSING, 3 POSITION (SINGLE ROW)
	088473-10-000	EA	PIN-HOUSING, 2 POSITION
	088473-03-000	EA	HOUSING-PIN, 9 POSITION
	088473-07-000	EA	HOUSING-PIN, 5 CAVITY - AMP 1-480763-0
	088473-08-000	EA	HOUSING-PIN, 4 POSITION
	088474-02-000	EA	HOUSING-SOCKET, 15 POSITION (3 ROWS OF 5)
	088474-03-000	EA	HOUSING-SOCKET, 9-POSITION
	088474-07-000	EA	HOUSING-SOCKET, 5 CAVITY - AMP 1-480764-0
	088474-09-000	EA	HOUSING-SOCKET, 2 POSITION
	088474-10-000	EA	HOUSING-SOCKET, 2 POSITION
	088474-06-000	EA	SOCKET-HOUSING, 6 POSITION (2 ROWS OF THREE)
	088474-08-000	EA	SOCKET-HOUSING, 4 POSITION (SINGLE ROW)
	088474-01-000	EA	SOCKET-CONNECTOR, BRASS - PRE-TIN
	088475-02-000	EA	SOCKET CONNECTOR, 12-10 GA - PHOS BRZ - PRE-TIN
	041953-01-000	FT	CONDUIT-CONVOLUTE SLIT, 5" ID
	041953-03-000	FT	CONDUIT-CONVOLUTE SLIT, 1" ID (CLOTHES ROD COVER)
	041953-06-000	FT	CONDUIT-CONVOLUTE SLIT, 3/5" ID
	041953-07-000	FT	CONDUIT-CONVOLUTE SLIT, 25" ID
	041953-08-000	FT	CONDUIT-CONVOLUTE SLIT, 1 50" ID
	041953-09-000	FT	CONDUIT-CONVOLUTE SLIT, 50" ID
	041953-10-000	FT	CONDUIT-CONVOLUTE SLIT, 75" ID
	041953-11-000	FT	CONDUIT-CONVOLUTE SLIT, 1 06" ID
	041953-12-000	FT	CONDUIT-CONVOLUTE NON SLIT, 1 1" ID

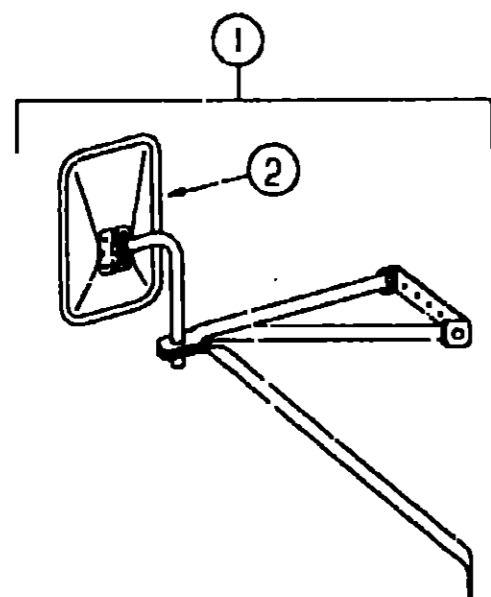
**1993 ITASCA
TABLE OF CONTENTS**

INTRODUCTION	A-01	A-02
ABBREVIATIONS		A-03
ALPHABETICAL INDEX	A-04	A-06
IF527RQ	A-07	E-02
IF527RC	E-03	H-22

1993 IF527RQ INDEX

FLOOR PLAN	A-07	A-08
ACCESSORIES		A-09
AUDIO/VIDEO		A-10
BATH	A-11	A-12
BEDROOM	A-13	A-17
CHASSIS	A-18	A-22
CURTAIN & CUSHION	A-23	B-08
DINETTE	B-09	B-10
DRIVERS COMPARTMENT	B-11	B-12
ELECTRICAL	B-13	B-15
EXTERIOR BODY	B-17	C-02
GALLEY	C-03	C-07
GENERATOR		C-08
HEATING & A/C	C-09	C-10
INTERIOR FINISH	C-11	C-14
LABELS	C-15	C-21
LP		C-22
LOUNGE	C-23	C-24
SEALANTS & FASTENERS	D-01	D-03
WATER & SEWAGE	D-04	D-08
WINDOW VENT AND EXTERIOR DOOR	D-09	E-02

EXTERIOR BODY GROUP



EXTERIOR MIRRORS

KEY	PART NUMBER	U/M DESCRIPTION
1	106860-02-01A	EA MIRROR-STAR HEAD, LOW MOUNT - VELVAC #713157 (FORD)
2	106860-02-700	EA MIRROR HEAD ONLY, DRIVER SIDE - STAR - VELVAC D747283-9
2	106860-02-701	EA MIRROR HEAD ONLY, PASSENGER SIDE - STAR - VELVAC D747284-9
	106860-02-702	EA GLASS-FLAT, VELVAC 702086-8
	106860-01-702	EA HARDWARE PACKAGE, VELVAC 748230
	106860-01-703	EA BRACE-LOWER FORWARD - LEFT SIDE - OFF WHITE VELVAC D7809910
	106860-01-704	EA BRACE-LOWER FORWARD - RIGHT SIDE - OFF WHITE VELVAC D7809920
	105439-01-000	EA MIRROR-CONVEX, STICK ON

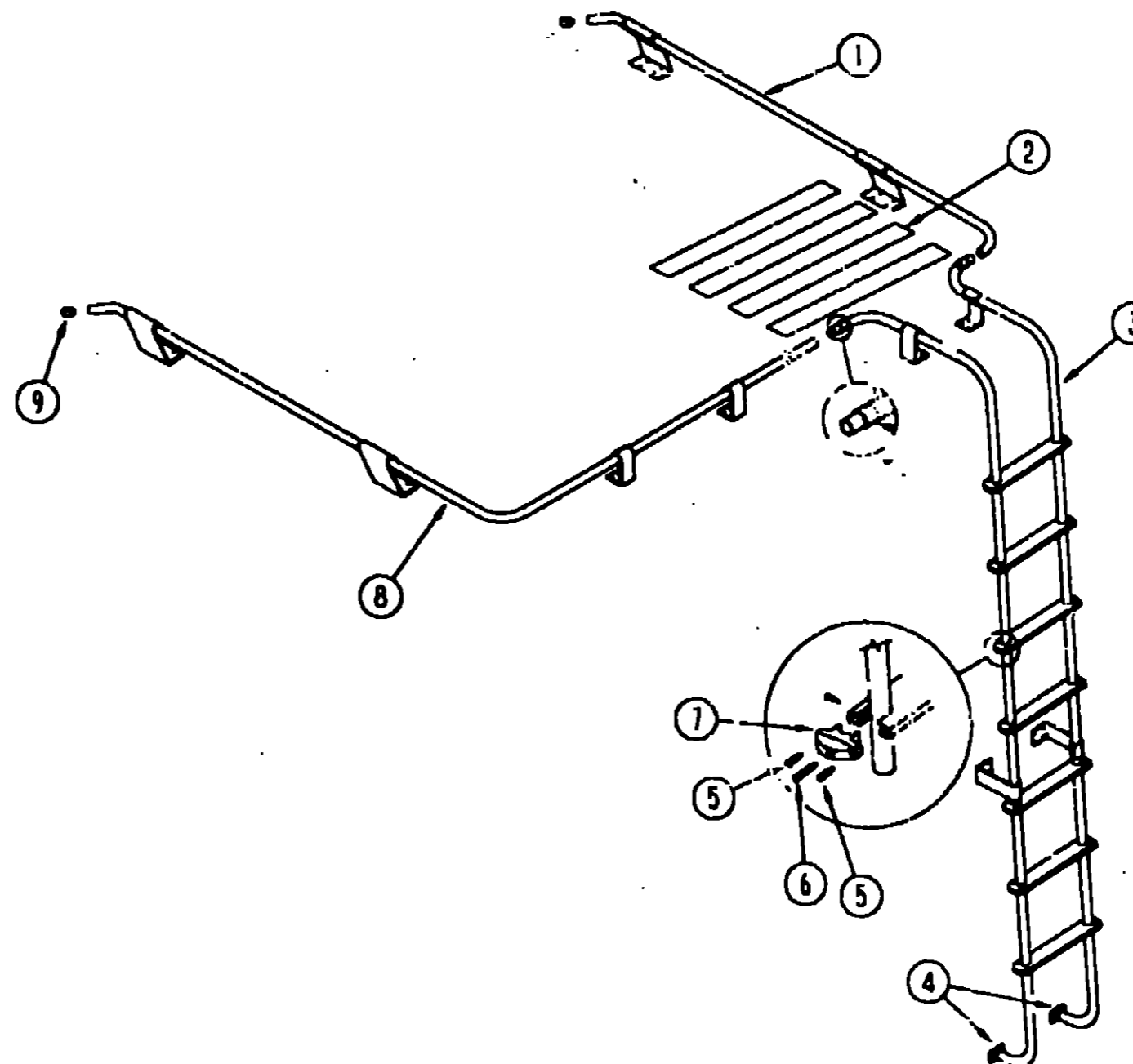
RUNNING BOARDS

KEY	PART NUMBER	U/M DESCRIPTION
	072884-20-000	EA RUNNING BOARD SET-FORD, 39" - KEMBERLY K-7 (STANDARD) FROM 00-00-00 THRU 01-31-93
	072884-27-000	EA RUNNING BOARD SET FORD, 39" - KEMBERLY K-12 (STANDARD) FROM 02-01-93 THRU 99-99-99
	106461-01-000	EA RUNNING BOARD, FORD - RIGHT SIDE - QUALITY COMP
	106461-02-000	EA RUNNING BOARD, FORD - LEFT SIDE - QUALITY COMP
	106461-03-000	EA HARDWARE KIT-RUNNING BOARD - QUALITY COMP
	106461-04-000	EA TRIM-RUNNING BOARD
	106461-05-000	EA STRIP-NON SKID, RUNNING BOARD

ASSIST HANDLE & BUMPER

KEY	PART NUMBER	U/M DESCRIPTION
	009126-02-000	EA HANDLE-ASSIST, ENTRY DOOR - BLACK
	069726-02-000	EA BUMPER-88"DIAMETER X 40", BLACK

EXTERIOR BODY GROUP (CONTINUED)



RACK & LADDER

KEY	PART NUMBER	U/M DESCRIPTION
1	107438-05-C07	EA RACK-PASSENGER SIDE
	069726-02-000	EA BUMPER-88" DIAMETER X 40", BLACK
2	038327-01-000	EA TAPE-ANTI SLIP, 2" X 60"
3	102953-02-C03	EA LADDER
4	067165-01-000	EA MOUNTING BRACKET-LADDER, LOWER
5	000G39-06-10T	EA SCREW-SF/DR, 6-20 X 5/8 PPH - BLACK
6	000G68-10-36T	EA SCREW-10-12 X 2 25 PPH BLACK
7	076980-02-000	EA END CAP-STEP, BLACK
8	107438-09-C03	EA RACK-DRIVER SIDE
9	081114-01-000	EA PLUG-ROUND, RACK & LADDER ENDS - PLASTIC - 1" DIA

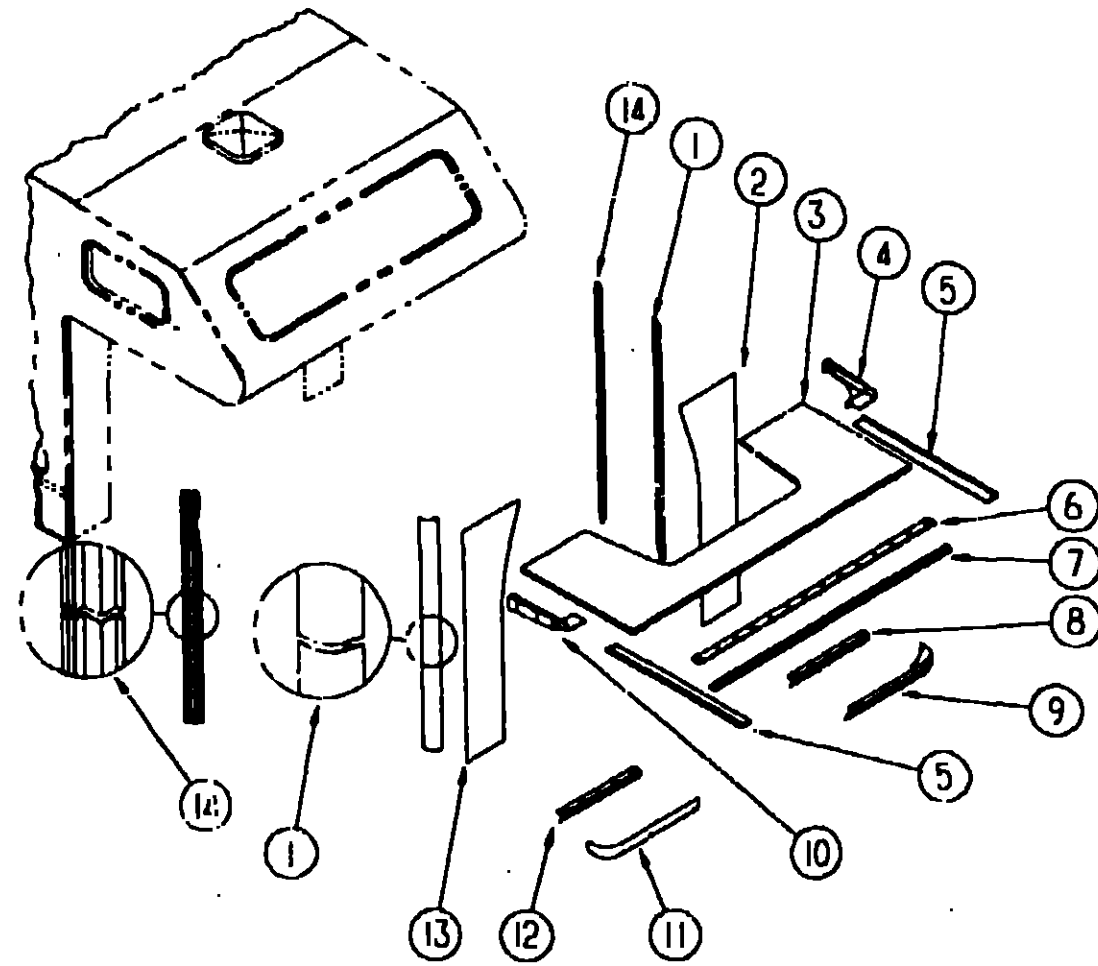
**1993 ITASCA
TABLE OF CONTENTS**

INTRODUCTION	A-01	A-02
ABBREVIATIONS		A-03
ALPHABETICAL INDEX	A-04	A-05
IF527RQ	A-07	E-02
IF527RC	E-03	H-22

1993 IF527RQ INDEX

FLOOR PLAN	A-07	A-08
ACCESSORIES		A-09
AUDIO VIDEO		A-10
BATH	A-11	A-12
BEDROOM	A-13	A-17
CHASSIS	A-18	A-22
CURTAIN & CUSHION	A-23	B-08
DINETTE	B-09	B-10
DRIVERS COMPARTMENT	B-11	B-12
ELECTRICAL	B-13	B-16
EXTERIOR BODY	B-17	C-02
GALLEY	C-03	C-07
GENERATOR		C-08
HEATING & A/C	C-09	C-10
INTERIOR FINISH	C-11	C-14
LABELS	C-15	C-21
LP		C-22
LOUNGE	C-23	C-24
SEALANTS & FASTENERS	D-01	D-03
WATER & SEWAGE	D-04	D-08
WINDOW VENT AND		
EXTERIOR DOOR	D-09	E-02

EXTERIOR BODY GROUP (CONTINUED)



WINGWALLS, SLEEPERBOARD & TRIM

KEY	PART NUMBER	U/M DESCRIPTION
1	108037-01-01A	EA COVER-WINGWALL, CURVED - OFF WHITE FROM: 00-00-00 THRU: 09-05-92
1	108037-02-01A	EA COVER-WINGWALL, CURVED - OFF WHITE FROM: 09-06-92 THRU: 99-99-99
2	108040-04-C52	EA WINGWALL ASM, DRIVER SIDE - W/GUSSET FROM: 00-00-00 THRU: 09-05-92
2	109743-04-D29	EA WINGWALL ASM, DRIVER SIDE - W/GUSSET FROM: 09-06-92 THRU: 99-99-99
3	P06443-01-C53	EA SLEEPERBOARD ASM FROM: 00-00-00 THRU: 09-05-92
3	P09658-01-D29	EA SLEEPERBOARD ASM FROM: 09-06-92 THRU: 99-99-99
4	104444-02-01A	EA COVER-TRIM, WINGWALL - LEFT - OFF WHITE
5	105312-01-01A	FT INSERT-TRIM, VINYL - OFF WHITE
5	096854-01-01A	EA TRIM-CONTOUR, W/O VINYL INSERT - 108" - OFF WHITE
6	100085-03-01A	EA TRIM-SLEEPERBOARD, FLAT - 2'5" X 87'5" - OFF WHITE
7	100086-02-01A	EA TRIM-SLEEPERBOARD, 2' X 90'7" - OFF WHITE
8	106146-01-01A	EA SUPPORT-COVER, WINGWALL - OFF WHITE (FORD)
9	106144-02-C52	EA COVER ASM-WINGWALL, W/SUPPORT - LEFT - OFF WHITE (FORD)
9	106145-02-01A	EA COVER ASM-WINGWALL, W/O SUPPORT - LEFT - OFF WHITE (FORD)
10	104444-01-01A	EA COVER-TRIM, WINGWALL - RIGHT - OFF WHITE
11	106144-01-C52	EA COVER ASM-WINGWALL, W/SUPPORT - RIGHT - OFF WHITE (FORD)
11	106145-01-01A	EA COVER ASM-WINGWALL, W/O SUPPORT - RIGHT - OFF WHITE (FORD)
12	106146-01-01A	EA SUPPORT-COVER, WINGWALL - OFF WHITE (FORD)

EXTERIOR BODY GROUP (CONTINUED)

WINGWALLS, SLEEPERBOARD & TRIM (CONTINUED)

KEY	PART NUMBER	U/M DESCRIPTION
13	108040-03-C52	EA WINGWALL ASM, PASSENGER SIDE - W/GUSSET FROM: 00-00-00 THRU: 09-05-92
13	109743-03-D29	EA WINGWALL ASM, DRIVER SIDE - W/GUSSET FROM: 09-06-92 THRU: 99-99-99
14	105015-01-01A	EA TRIM-WINGWALL, CURVED - OFF WHITE FROM: 00-00-00 THRU: 09-05-92
14	105015-02-01A	EA TRIM-WINGWALL, CURVED - OFF WHITE FROM: 09-06-92 THRU: 99-99-99
	089334-01-000	FT VINYL-EXTERIOR, BETWEEN WINGWALL & CAB SEAL - WHITE

FIBERGLASS, STYHOFOAM & U CHANNEL

KEY	PART NUMBER	U/M DESCRIPTION
	076054-G7-001	EA SHEET-FIBERGLASS, 41" X 324" - OFF WHITE
	076054-I11-000	EA SHEET-FIBERGLASS, 2438 X 2501MM - OFF WHITE
	076054-F3-000	EA SHEET-FIBERGLASS, 2438 X 2438MM - OFF WHITE
	076054-D3-001	EA SHEET-FIBERGLASS, 48" X 96" - OFF WHITE
	077517-24-000	EA SHEET-FIBERGLASS, FLAT - 48" X 96" - OFF WHITE
	083574-02-000	SF STYROFOAM-1'5" X 24" X 90'5"
	083574-03-000	SF STYROFOAM-3/4" X 48" X 96"
	000870-03-000	SF STYROFOAM-1'34" X 48" X 96" - INCREMENTS OF 32 SF
	000870-05-000	SF STYROFOAM-5" X 24" X 96" - INCREMENTS OF 16 SF
	002365-01-001	EA U-CHANNEL, 1" X 18" - SERRATED - MILL FINISHED ALUMINUM
	002754-01-001	EA ANGLE-EXTRUDED, 75" X 75" X 18" - MILL ALUMINUM
	002776-01-001	EA GARNISH-U-CHANNEL, 1'38" X 19" - SERRATED - MILL ALUMINUM
	002779-01-001	EA U-CHANNEL-EXTRUDED, ALUMINUM
	055275-1-259	FT TUBING-STEEL, 75" X 1'5" X 12'5"
	058267-01-000	FT CHANNEL-STEEL, W/HOLES - SIDEWALL STIFFENER - 2" X 20"

**1993 ITASCA
TABLE OF CONTENTS**

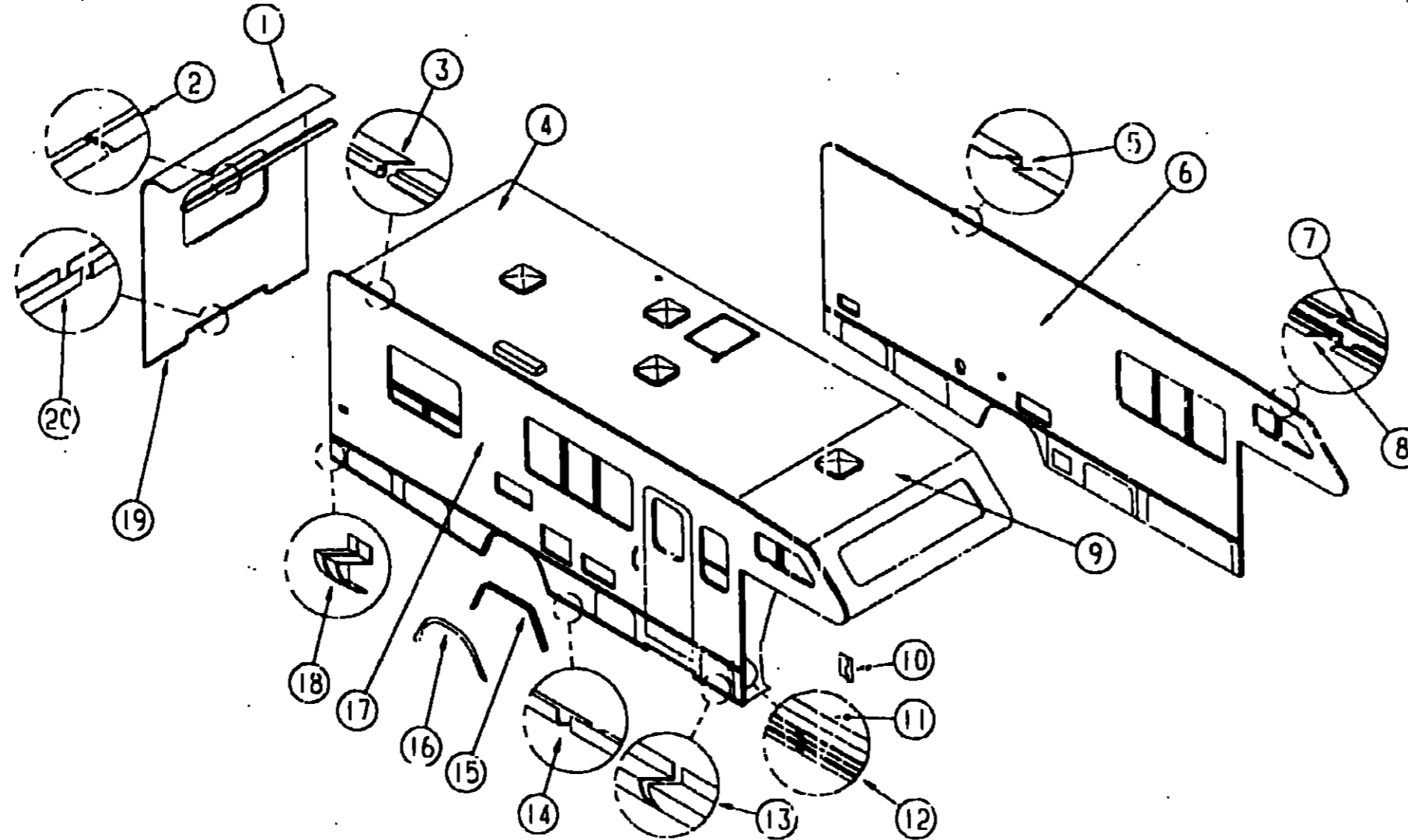
INTRODUCTION	A-01	A-02
ABBREVIATIONS		A-03
ALPHABETICAL INDEX	A-04	A-05
IF527RQ	A-07	E-02
IF527RC	E-03	H-22

1993 IF527RQ INDEX

FLOOR PLAN	A-07	A-08
ACCESSORIES		A-09
AUDIO VIDEO		A-10
BATH	A-11	A-12
BEDROOM	A-13	A-17
CHASSIS	A-18	A-22
CURTAIN & CUSHION	A-23	B-08
DINETTE	B-09	B-10
DRIVERS COMPARTMENT	B-11	B-12
ELECTRICAL	B-13	B-16
EXTERIOR BODY	B-17	C-02
GALLEY	C-03	C-07
GENERATOR		C-08
HEATING & A/C	C-09	C-10
INTERIOR FINISH	C-11	C-14
LABELS	C-15	C-21
LP		C-22
LOUNGE	C-23	C-24
SEALANTS & FASTENERS	D-01	D-03
WATER & SEWAGE	D-04	D-08
WINDOW, VENT AND EXTERIOR DOOR	D-09	E-02

EXTERIOR BODY GROUP (CONTINUED)

EXTERIOR PANELS & TRIM:



1993 ITASCA TABLE OF CONTENTS

INTRODUCTION	A-01	A-02
ABBREVIATIONS		A-03
ALPHABETICAL INDEX	A-04	A-06
IF527RQ	A-07	E-02
IF527RC	E-03	H-22

1993 IF527RQ INDEX

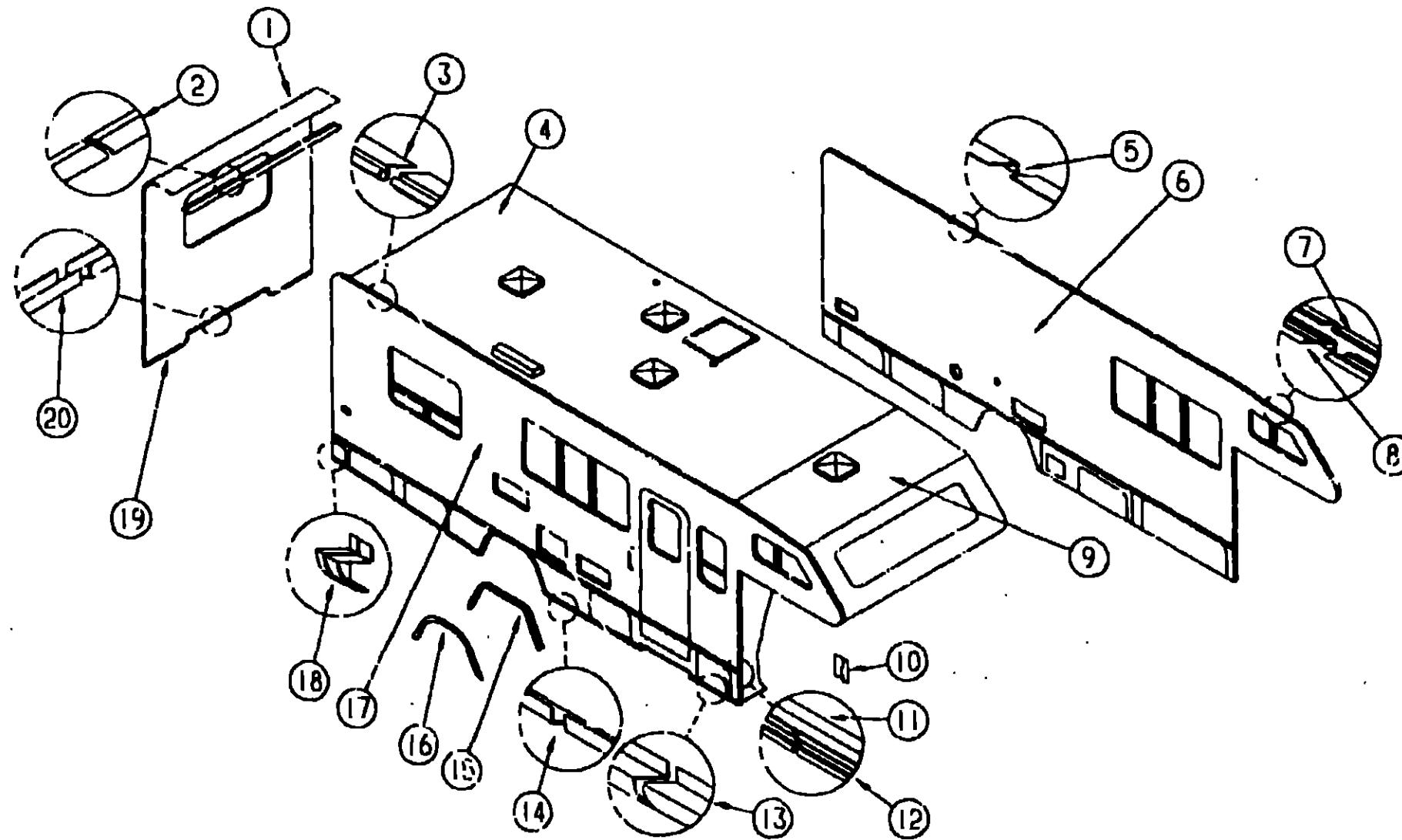
FLOOR PLAN	A-07	A-08
ACCESSORIES		A-09
AUDIO/VIDEO		A-10
BATH	A-11	A-12
BEDROOM	A-13	A-17
CHASSIS	A-18	A-22
CURTAIN & CUSHION	A-23	B-08
DINETTE	B-09	B-10
DRIVERS COMPARTMENT	B-11	B-12
ELECTRICAL	B-13	B-16
EXTERIOR BODY	B-17	C-02
GALLEY	C-03	C-07
GENERATOR		C-08
HEATING & A/C	C-09	C-10
INTERIOR FINISH	C-11	C-14
LABELS	C-15	C-21
LP		C-22
LOUNGE	C-23	C-24
SEALANTS & FASTENERS	D-01	D-03
WATER & SEWAGE	D-04	D-08
WINDOW VENT AND EXTERIOR DOOR	D-09	E-02

KEY	PART NUMBER	U/M DESCRIPTION
1	P08541-01-D29	EA BACKWALL ASM W/BASES
1	P08541-01-D31	EA BACKWALL ASM W/BASES
2	078580-01-000	EA TRIM-ROOF TO BACKWALL
3	100483-01-01A	EA TRIM-CONTOUR, ROOF (AWNING) - 102" - OFF WHITE
	099583-55-001	EA RAIL-AWNING, 102" EA - OFF WHITE
3	100483-02-01A	EA TRIM-CONTOUR, ROOF (AWNING) - 133 8" - OFF WHITE
	099583-55-002	EA RAIL-AWNING, 133 8" EA - OFF WHITE
4	P05035-01-D29	EA ROOF ASM W/BASES
		FROM 00-00-00 THRU 09-05-92
4	P09655-01-D29	EA ROOF ASM W/BASES
		FROM 09-06-92 THRU 99-99-99
5	096864-01-01A	EA TRIM-CONTOUR, ROOF TO SIDEWALL - 120" - OFF WHITE
5	096864-02-01A	EA TRIM-CONTOUR, ROOF TO SIDEWALL - 133 8" - OFF WHITE

KEY	PART NUMBER	U/M DESCRIPTION
6	P08277-01-D29	EA SIDEWALL ASM-DRIVER SIDE
		FROM 00-00-00 THRU 09-05-92
6	P09726-01-D29	EA SIDEWALL ASM-DRIVER SIDE
		FROM 09-06-92 THRU 99-99-99
6	P08277-01-D31	EA SIDEWALL ASM-DRIVER SIDE
		FROM 00-00-00 THRU 09-05-92
6	P09726-01-D31	EA SIDEWALL ASM-DRIVER SIDE
		FROM 09-06-92 THRU 99-99-99
6	M05931-02-D29	EA SIDEWALL ASM-DRIVER SIDE - EUROPEAN EXPORT
6	M05931-02-D31	EA SIDEWALL ASM-DRIVER SIDE - EUROPEAN EXPORT
7	105312-01-01A	FT INSERT-TRIM, VINYL - OFF WHITE
8	096864-01-01A	EA TRIM-CONTOUR, W/O VINYL INSERT - 108" - OFF WHITE
		DRIVER OR PASSENGER - FRONT OVERHEAD CAB SECTION FROM ROOF TO WINGWALL - REAR - BACKWALL TO SIDEWALL VERTICAL SECTION
9	M76177-01-700	EA SECTION-ROOF, OVER CAB TO FIRST ROOF SEAM
10	009731-01-000	EA END CAP-FEATURE STRIP
		FROM 00-00-00 THRU 09-07-92
10	108651-01-01A	EA END CAP-FEATURE STRIP
		FROM 09-08-92 THRU 99-99-99

EXTERIOR BODY GROUP (CONTINUED)

EXTERIOR PANELS & TRIMS (CONTINUED)



1993 ITASCA TABLE OF CONTENTS

INTRODUCTION	A-01	A-02
ABBREVIATIONS		A-03
ALPHABETICAL INDEX	A-04	A-05
IF527RQ	A-07	E-02
IF527RC	E-03	H-22

1993 IF527RQ INDEX

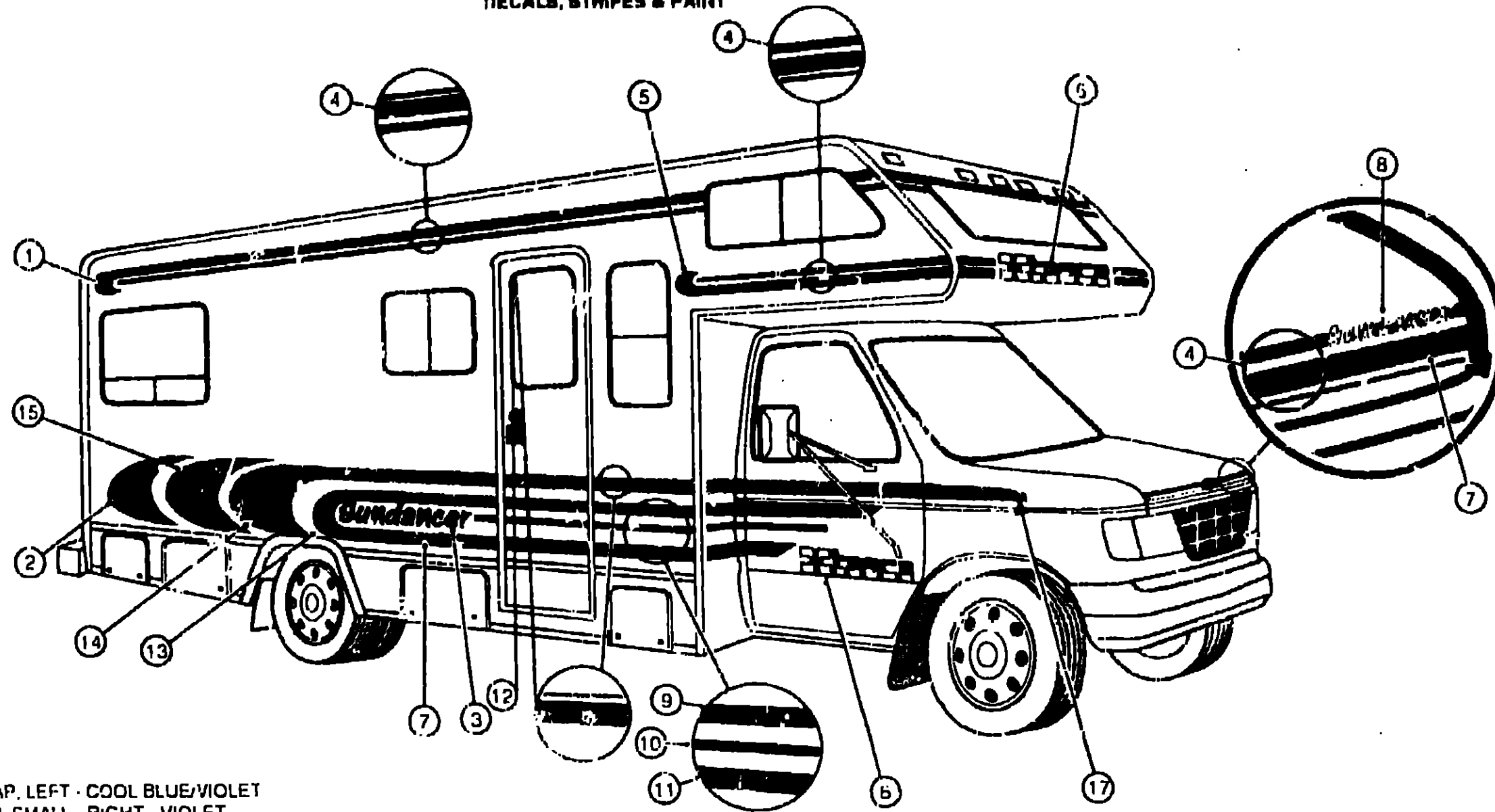
FLOOR PLAN	A-07	A-08
ACCESSORIES		A-09
AUDIO VIDEO		A-10
BATH	A-11	A-12
BEDROOM	A-13	A-17
CHASSIS	A-18	A-22
CURTAIN & CUSHION	A-23	B-08
DINETTE	B-09	B-10
DRIVERS COMPARTMENT	B-11	B-12
ELECTRICAL	B-13	B-15
EXTERIOR BODY	B-17	C-02
GALLEY	C-03	C-07
GENERATOR		C-08
HEATING & A/C	C-09	C-10
INTERIOR FINISH	C-11	C-14
LABELS	C-15	C-21
LP		C-22
LOUNGE	C-23	C-24
SEALANTS & FASTENERS	D-01	D-03
WATER & SEWAGE	D-04	D-08
WINDOW, VENT AND EXTERIOR DOOR	D-09	E-02

KEY	PART NUMBER	U/M DESCRIPTION
11	001030-02-073	EA INSERT-FEATURE STRIP, 17' LONG - OFF WHITE FROM 00-00-00 THRU 09-07-92
11	105312-01-01A	EA INSERT-FEATURE STRIP, 17' LONG - VINYL - OFF WHITE FROM 09-08-92 THRU 99-99-99
12	002444-04-002	EA STRIP-FEATURE W/O INSERT - 15' LONG - OFF WHITE FROM 00-00-00 THRU 09-07-92
12	108608-01-01A	EA STRIP-FEATURE W/O INSERT - 15' LONG - OFF WHITE FROM 09-08-92 THRU 99-99-99
13	104749-55-002	EA PANEL-ROCKER, EXTRUDED - ALUMINUM 5600MM - DARK GRAY
14	091162-55-003	EA TRIM-SIDEWALL, ANGLED - 4877MM - OFF WHITE
15	105100-02-01A	EA TRIM-WHEEL WELL, OFF WHITE
16	105220-01-01A	EA TRIM-WHEELWELL REAR - OFF WHITE

KEY	PART NUMBER	U/M DESCRIPTION
17	P08276-01-D29	EA SIDEWALL ASM-PASSENGER SIDE FROM 00-00-00 THRU 09-05-92
17	P09725-01-D29	EA SIDEWALL ASM-PASSENGER SIDE FROM 09-06-92 THRU 99-99-99
17	P08276-01-D31	EA SIDEWALL ASM-PASSENGER SIDE FROM 00-00-00 THRU 09-05-92
17	P09725-01-D31	EA SIDEWALL ASM-PASSENGER SIDE FROM 09-06-92 THRU 99-99-99
17	M05931-01-D29	EA SIDEWALL ASM-PASSENGER SIDE - EUROPEAN EXPORT
17	M05931-01-D31	EA SIDEWALL ASM-PASSENGER SIDE - EUROPEAN EXPORT
	105025-03-C52	EA TRIM-SIDEWALL, BELOW ENTRY DOOR
18	106106-01-01A	EA CAP-END, ROCKER PANEL - OFF WHITE
	106106-02-01A	EA CAP-END, ROCKER PANEL - OFF WHITE
19	103334-02-01A	EA TRIM-BACKWALL, LOWER - OFF WHITE
	002365-01-001	EA U-CHANNEL, 1" X 18" - SERRATED - MILL FINISHED ALUMINUM
20	103335-02-01A	EA TRIM-BACKWALL, LOWER - OFF WHITE
	002365-01-001	EA U-CHANNEL, 1" X 13" - SERRATED - MILL FINISHED ALUMINUM
	002754-01-001	EA ANGLE-EXTRUDED 75° X 75° X 18" - MILL ALUMINUM
	002726-01-001	EA GARNISH-U-CHANNEL, 1 3/8" X 19" - SERRATED - MILL ALUMINUM
	002779-01-001	EA EXTR-U CHANNEL, 1 7/8" X 19" - RIBBED

EXTERIOR BODY GROUP (CONTINUED)

DECALS, STRIPES & PAINT

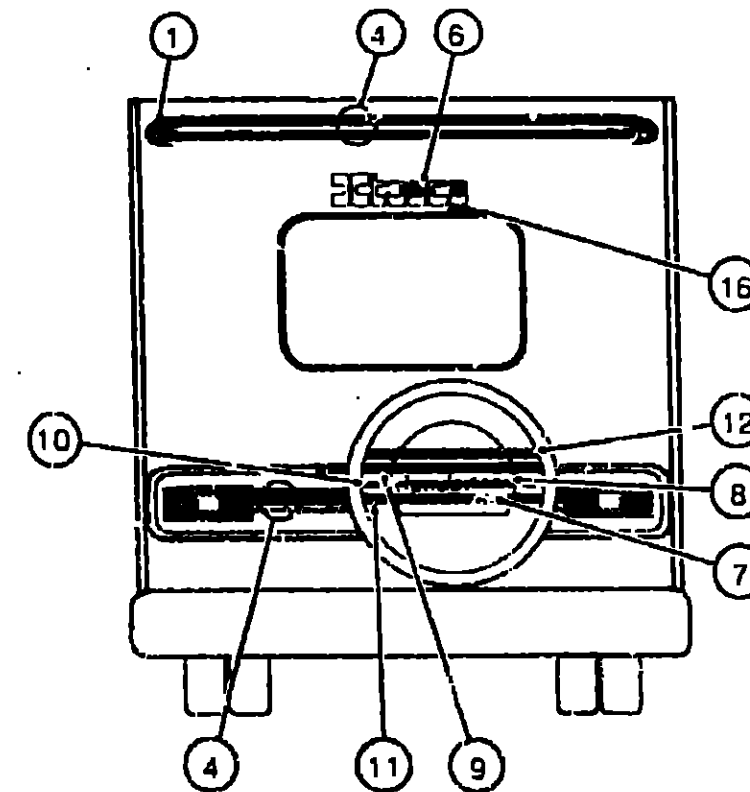


1993 ITASCA TABLE OF CONTENTS

INTRODUCTION	A-01	A-02
ABBREVIATIONS		A-03
ALPHABETICAL INDEX	A-04	A-05
IF527RQ	A-07	E-02
IF527RC	E-03	H-22

1993 IF527RQ INDEX

FLOOR PLAN	A-07	A-08
ACCESSORIES		A-09
AUDIO VIDEO		A-10
BATH	A-11	A-12
BEDROOM	A-13	A-17
CHASSIS	A-18	A-22
CURTAIN & CUSHION	A-23	B-08
DINETTE	B-05	B-10
DRIVERS COMPARTMENT	B-11	B-12
ELECTRICAL	B-13	B-16
EXTERIOR BODY	B-17	C-02
GALLEY	C-03	C-07
GENERATOR		C-08
HEATING & A/C	C-09	C-10
INTERIOR FINISH	C-11	C-14
LABELS	C-15	C-21
LP		C-22
LOUNGE	C-23	C-24
SEALANTS & FASTENERS	D-01	D-03
WATER & SEWAGE	D-04	D-08
WINDOW, VENT AND EXTERIOR DOOR	D-09	E-02

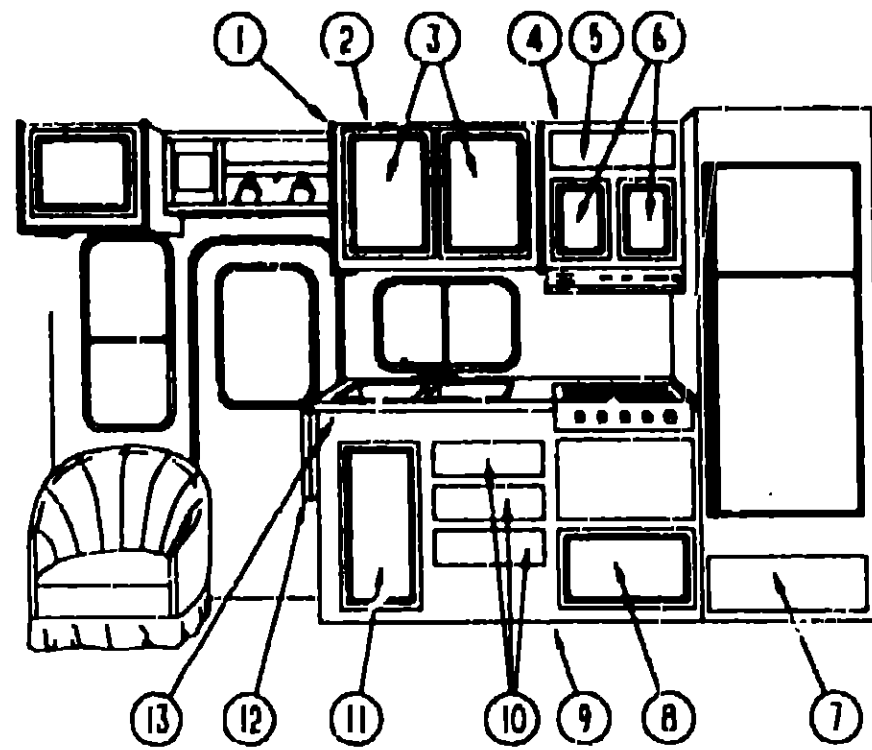


KEY	PART NUMBER	U/M	DESCRIPTION
1	105514-02-02A	EA	DECAL-END CAP, LEFT - COOL BLUE/VIOLET
2	105516-01-02A	EA	DECAL-SWEEP, SMALL - RIGHT - VIOLET
	105516-02-02A	EA	DECAL-SWEEP, SMALL - LEFT - VIOLET
3	105519-01-03A	EA	DECAL-LOGO, LARGE - SUNDANCER - OFF WHITE/VIOLET
4	094443-07-02A	FT	FILM-MULTISTRIPE, 88MM WIDE - COOL BLUE/COOL BLUE/VIOLET
5	105514-01-02A	EA	DECAL-END CAP, RIGHT - COOL BLUE/VIOLET
6	078852-34-000	EA	DECAL-LOGO, ITASCA 5" - VIOLET/OFF WHITE
7	106001-02-02A	EA	DECAL-LOGO, 500 - SMALL - OFF WHITE/VIOLET
8	105519-02-03A	EA	DECAL-LOGO, SMALL - SUNDANCER - OFF WHITE/VIOLET
9	093681-35-05A	FT	FILM - 57MM WIDE - COOL BLUE
10	093681-32-03A	FT	FILM - 25MM WIDE - VIOLET
11	093681-25-03A	FT	FILM - 83MM WIDE - COOL BLUE
12	094423-04-02A	FT	FILM-OVERLAY, MULTISTRIPE - AZTEC SILVER/AZTEC SILVER/VIOLET
13	105515-01-02A	EA	DECAL-RADIUS, RIGHT - COOL BLUE
	105515-02-02A	EA	DECAL-RADIUS, LEFT - COOL BLUE
14	105518-01-02A	EA	DECAL-SWEEP, LARGE - RIGHT - AZTEC SILVER/VIOLET
	105518-02-02A	EA	DECAL-SWEEP, LARGE - LEFT - AZTEC SILVER/VIOLET
15	105517-01-02A	EA	DECAL-SWEEP, MID - RIGHT - COOL BLUE
	105517-02-02A	EA	DECAL-SWEEP, MID - LEFT - COOL BLUE
16	084075-01-000	EA	DECAL-"BY WINNEBAGO INDUSTRIES", BLACK
	041561-03-000	EA	PAINT-LOW BAKE, OFF WHITE
17	108960-01-01A	EA	DECAL-FRONT, RIGHT - AZTEC SILVER/VIOLET
	108960-02-01A	EA	DECAL-FRONT, LEFT - AZTEC SILVER/VIOLET

DUPONT COLOR CODES

VIOLET	G9951
COOL BLUE	G9851
OFF WHITE	L8723
AZTEC SILVER	45406

GALLEY GROUP



CABINETS & FIXTURES

KEY	PART NUMBER	U/M	DESCRIPTION
1	104335-04-C43	EA	END CAP-CABINET, OVERHEAD
2	P02558-01-B87	EA	CABINET-OVERHEAD, W/O DOORS & HARDWARE
3	P03702-H8-D29	EA	DOOR-CABINET, W/O HARDWARE - 380 X 555MM
4	M05780-22-D29	EA	CABINET-OVERHEAD, RANGE
4	M05780-23-D29	EA	CABINET-OVERHEAD, MICROWAVE
	104335-02-C43	EA	END CAP-CABINET, OVERHEAD - LEFT SIDE
5	F00523-AB-D29	EA	DOOR-CABINET, W/O HARDWARE - 180 X 555MM
6	P03702-H6-D29	EA	DOOR-CABINET, W/O HARDWARE - 275 X 365MM
	103251-02-01A	EA	INSERT-ACRYLIC, 19 53" X 16 06" - REFRIGERATOR CABINET - BLACK
	103251-03-01A	EA	INSERT-ACRYLIC, 19 53" X 32 2" - REFRIGERATOR CABINET - BLACK
	103251-04-01A	EA	INSERT-ACRYLIC, 19 53" X 39 2" - REFRIGERATOR CABINET - BLACK
7	P07104-B8-D29	EA	DRAWER-CABINET, W/O HARDWARE - 92 X 520MM
	090329-01-000	FT	SEAL-T, REFRIGERATOR CABINET - 6" WIDE TOP X 2" TAIL
	008380-01-000	EA	GROMMET-RUBBER, 5/8" HOLE X 1 1/2" DIAMETER - BLACK
8	P03702-L3-D29	EA	DOOR-CABINET, W/O HARDWARE - 555 X 380MM
9	M05785-02-D29	EA	CABINET-GALLEY W/O EXTENSION, DOORS & HARDWARE
	092303-01-000	EA	STRAINER-SINK
	104114-01-01A	EA	FAUCET-GALLEY SINGLE CONTROL
	104113-01-000	EA	SINK-DOUBLE, STAINLESS STEEL
	103610-01-C08	EA	COVER-SINK
10	P07104-B5-D29	EA	DRAWER-CABINET, W/O HARDWARE - 412 X 280MM
11	P03702-J1-D29	EA	DOOR-CABINET, W/O HARDWARE - 365 X 680MM
12	080812-04-B87	EA	EXTENSION-GALLEY
	104181-01-01A	EA	SUPPORT-EXTENSION, GALLEY COUNTERTOP
13	107431-11-D06	EA	COUNTERTOP-CABINET, GALLEY
	100081-01-01A	EA	TRAY-SILVERWARE, 9" X 13 3" - PLASTIC - ALMOND - RUBBERMAID

GALLEY GROUP (CONTINUED)

LARGE NORCOLD 682 REFRIGERATOR

KEY	PART NUMBER	U/M	DESCRIPTION
	093646-01-000	EA	BRACKET ASM-TIEDOWN, REFRIGERATOR - RIGHT
	093646-02-000	EA	BRACKET ASM-TIEDOWN, REFRIGERATOR - LEFT
	05-1450-01-000	EA	LEVEL-REFRIGERATOR
	104137-02-01A	EA	REFRIGERATOR-LARGE DOUBLE DOOR 2-WAY - NORCOLD 682 RH BLK
	064473-01-702	EA	ORIFICE-NORCOLD 61452122
	084880-01-715	EA	VALVE-SHUT OFF, MANUAL - NORCOLD# 61697922
	075217-01-734	EA	FUSE-3 AMP, NORCOLD# 61538822
	075217-01-738	EA	SWITCH-HUMIDITY, NORCOLD 61525922
	084880-01-713	EA	CONNECTOR-MALE, INLET FITTING - NORCOLD# 615255
	084880-01-715	EA	VALVE-SHUT OFF, MANUAL - NORCOLD# 61697922
	084880-01-718	EA	VALVE-GAS, NORCOLD 61551822
	084880-01-722	EA	CRISPER COVER - NORCOLD 615641
	084880-01-726	EA	HINGE BRACKET (CENTER HINGE), NORCOLD 61565523
	084880-01-731	EA	HINGE PIN, NORCOLD 61578123
	084880-01-732	EA	LATCH, NORCOLD 61578522
	084880-01-734	EA	BRACKET-HINGE, TOP RIGHT - BOTTOM LEFT - BROWN NORCOLD 61580837
	084880-01-735	EA	HINGE BRACKET, TOP LEFT - BOTTOM RIGHT - BROWN - NORCOLD 61580937
	084880-01-739	EA	END CAP (SPRING CATCH) BROWN - NORCOLD 61593722
	084880-01-740	EA	END CAP (STOP CATCH) - NORCOLD 61593830
	084880-01-744	EA	HINGE PIN SHAFT (CENTER HINGE), NORCOLD 61566723
	084880-01-746	EA	CABLE, NORCOLD 61571522
	084880-01-747	EA	PLUG-HOLE, NORCOLD 61582022
	084880-01-749	EA	HINGE BUSHING - NORCOLD 615807
	084880-01-753	EA	THERMISTER 78" W/CLIP - NORCOLD 61693822
	084880-01-761	EA	END CAP (SPRING CATCH) BLACK 61593730
	084880-02-700	EA	LOWER FLANGE 8663&8683, NORCOLD 61622123
	084880-03-701	EA	COOLING UNIT (HORIZONTAL BURNER) - NORCOLD 61687337
	084880-03-705	EA	BRACKET FOR INTERIOR LIGHT - NORCOLD 61629722
	084880-03-706	EA	LAMP (BULB) - NORCOLD 61628922
	084880-03-707	EA	COVER FOR LAMP OR BULB - NORCOLD 61627922
	088248-01-706	EA	BURNER-HORIZONTAL, NORCOLD 61588122
	088248-01-707	EA	ELECTRODE-SENSOR (HORIZONTAL) NORCOLD# 61573322
	088248-01-708	EA	ELECTRODE-IGNITION, (HORIZONTAL) - NORCOLD# 61573222
	088248-01-709	EA	HEATER-AC, (HORIZONTAL) - NORCOLD# 615627
	094039-01-700	EA	PC BOARD-3-WAY, NORCOLD 61647522
	094039-01-701	EA	EYEBROW-SHELL, 3-WAY - BLACK - PLASTIC - NORCOLD 61669922
	094039-01-703	EA	PLATE-HINGE, LEFT - BROWN - NORCOLD 61631422
	094039-01-704	EA	PLATE-HINGE, BLACK - NORCOLD 61631430
	094039-01-709	EA	PLATE-HINGE TOP RIGHT - LEFT BOTTOM - BROWN - NORCOLD 61631322
	094039-01-710	EA	PLATE-HINGE, BLACK - NORCOLD 61631330
	094039-01-712	EA	DOOR BIN (GRAY) SILVER BORDER - NORCOLD 61564060
	094039-01-713	EA	DOOR GASKET (LOWER) GRAY - NORCOLD 61562030
	094039-01-714	EA	LOWER DOOR LINER (BROWN/WHITE) - NORCOLD# 61561737-B
	094039-01-715	EA	LOWER DOOR LINER (BLACK/WHITE) - NORCOLD 61581738-B
	094039-01-716	EA	LOWER DOOR HANDLE ASSY (BROWN) - NORCOLD# 61649937
	094039-01-717	EA	LOWER DOOR HANDLE ASSY (BLACK) - NORCOLD 61645938
	094039-01-718	EA	MILK BIN (GRAY) W/SILVER TRIM - NORCOLD 61579460
	094039-01-719	EA	DAIRY KEEPER (GRAY) SILVER TRIM - NORCOLD 61580460
	094039-01-720	EA	CAB ASSEMBLY (BROWN FRAME/WHITE LINER) - NORCOLD# 61663237
	094039-01-721	EA	CAB ASSEMBLY (BLACK FRAME/WHITE LINER) - NORCOLD 61663238
	094039-01-722	EA	HOLE PLUG (BLACK) HINGE HOLES - NORCOLD 61582030
	094039-01-723	EA	HINGE BRACKET, TOP RIGHT - BOTTOM LEFT - BLACK - NORCOLD 61580838
	094039-01-724	EA	BRACKET-HINGE, TOP LEFT - BOTTOM RIGHT - BLACK - NORCOLD 61580938
	094039-01-725	EA	HINGE PIN (BLACK) (MALE) - NORCOLD 61578123
	094039-01-726	EA	SHELF-FREEZER EVAPORATOR, NORCOLD 615238
	094039-01-730	EA	HINGE PIN SHAFT (BLACK) CENTER HINGE - NORCOLD 61555730
	094039-01-731	EA	CRISPER (GRAY) SILVER TRIM - NORCOLD 61571360
	094039-01-732	EA	FRONT COVER (BLACK) BOTTOM TRIM - NORCOLD 61622130
	094039-01-733	EA	WIRE SHELF (MIDDLE) - NORCOLD 61563822
	094039-01-734	EA	WIRE SHELF (TOP) W/RISE - NORCOLD 61563722
	094039-01-735	EA	INSIDE DRIP TRAY (WHITE) - NORCOLD 61572830
	094039-01-736	EA	SWITCH-LIGHT, BLACK - NORCOLD 615810

1993 ITASCA TABLE OF CONTENTS

INTRODUCTION	A-01	A-02
ABBREVIATIONS		A-03
ALPHABETICAL INDEX	A-04	A-06
IF527RQ	A-07	E-02
IF527RC	E-03	H-22

1993 IF527RQ INDEX

FLOOR PLAN	A-07	A-08
ACCESSORIES		A-09
AUDIO/VIDEO		A-10
BATH	A-11	A-12
BEDROOM	A-13	A-17
CHASSIS	A-18	A-22
CURTAIN & CUSHION	A-23	B-05
DINETTE	B-09	B-10
DRIVERS COMPARTMENT	B-11	B-12
ELECTRICAL	B-13	B-16
EXTERIOR BODY	B-17	C-03
GALLEY	C-03	C-07
GENERATOR		C-08
HEATING & A/C	C-09	C-10
INTERIOR FINISH	C-11	C-14
LABELS	C-15	C-21
LP		C-22
LOUNGE	C-23	C-24
SEALANTS & FASTENERS	D-01	D-03
WATER & SEWAGE	D-04	D-08
WINDOW, VENT AND EXTERIOR DOOR	D-09	E-02

GALLEY GROUP (CONTINUED)

LARGE NORCOLD 662 REFRIGERATOR (CONTINUED)

KEY	PART NUMBER	U/M	DESCRIPTION
	094039-01-739	EA	SHELF (CUTOUT) - NORCOLD 61646722
	094039-01-742	EA	TRAY FOR CUTOUT SHELF, NORCOLD 61680922
	094039-04-700	EA	PC BOARD-2 WAY, NORCOLD# 61647322
	094039-04-702	EA	POWER SUPPLY (2 WAY) - NORCOLD 61647422
	093646-01-000	EA	BRACKET ASM-TIEDOWN, REFRIGERATOR
	093646-02-000	EA	BRACKET ASM-TIEDOWN, REFRIGERATOR
	054450-01-000	EA	LEVEL-REFRIGERATOR

SMALL NORCOLD 662 REFRIGERATOR

KEY	PART NUMBER	U/M	DESCRIPTION
	104138-02-01A	EA	REFRIGERATOR SMALL DOUBLE DOOR 2-WAY - NORCOLD 662 RH BLK
	075217-01-734	EA	FUSE-3 AMP, NORCOLD 61538622
	075217-01-738	EA	SWITCH-HUMIDITY, NORCOLD 61525922
	084879-03-700	EA	COOLING UNIT - HORIZONTAL BURNER, NORCOLD# 61687237
	084880-01-713	EA	CONNECTOR-MALE, INLET FITTING - NORCOLD# 615256
	084880-01-715	EA	VALVE-SHUT OFF, MANUAL - NORCOLD# 61597922
	084880-01-718	EA	VALVE-GAS, NORCOLD 61551822
	084880-01-722	EA	CRISPER COVER - NORCOLD 615641
	084880-01-726	EA	HINGE BRACKET (CENTER HINGE), NORCOLD 61566523
	084880-01-731	EA	HINGE PIN, NORCOLD 61578123
	084880-01-732	EA	LATCH, NORCOLD 61578522
	084880-01-734	EA	BRACKET-HINGE, TOP RIGHT - BOTTOM LEFT BROWN NORCOLD 61580837
	084880-01-735	EA	HINGE BRACKET, TOP LEFT - BOTTOM RIGHT - BROWN - NORCOLD 61580937
	084880-01-739	EA	END CAP (SPRING CATCH) BROWN - NORCOLD 61593722
	084880-01-740	EA	END CAP (STOP CATCH) - NORCOLD 61593832
	084880-01-746	EA	CABLE, NORCOLD 61571522
	084880-01-747	EA	PLUG-HOLE, NORCOLD 61582022
	084880-01-749	EA	HINGE BUSHING - NORCOLD 615807
	084380-01-753	EA	TIERMISTER 78" W/CLIP - NORCOLD 61593822
	084880-01-761	EA	END CAP (SPRING CATCH) BLACK 61593730
	084080-02-700	EA	LOWER FLANGE 865388663 NORCOLD 61622123
	084880-03-705	EA	BRACKET FOR INTERIOR LIGHT - NORCOLD 61629722
	084880-03-706	EA	LAMP (BULB) - NORCOLD 61628922
	084880-03-707	EA	COVER FOR LAMP OR BULB - NORCOLD 61627922
	088248-01-706	EA	BURNER-HORIZONTAL NORCOLD 61588122
	088248-01-707	EA	ELECTRODE-SENSOR, (HORIZONTAL), NORCOLD# 61573322
	088248-01-708	EA	ELECTRODE-IGNITION, (HORIZONTAL) - NORCOLD# 61573222
	088248-01-709	EA	HEATER-AC, (HORIZONTAL) - NORCOLD# 615627
	088248-01-710	EA	HEATER-DC, (HORIZONTAL) - 3 WAY - NORCOLD# 615628
	094036-01-700	EA	GASKET-LOWER, GRAY - NORCOLD 61567930
	094038-01-701	EA	LINER-DOOR LOWER - BROWN/WHITE - NORCOLD 61581937-B
	094038-01-702	EA	LINER-DOOR, LOWER - BLACK/WHITE - NORCOLD 61581938-B
	094038-01-703	EA	HANDLE-DOOR, LOWER - BROWN - NORCOLD 61650137
	094038-01-704	EA	HANDLE-DOOR, LOWER - BLACK - NORCOLD 61650138
	094038-01-706	EA	CAB ASM-BLK, WHITE LINER - WITH FRAME - NORCOLD 61653138
	094039-01-703	EA	PLATE-HINGE, LEFT - BROWN - NORCOLD 61631422
	094039-01-704	EA	PLATE-HINGE, BLACK - NORCOLD 61631430
	094039-01-709	EA	PLATE-HINGE, TOP RIGHT - LEFT BOTTOM - BROWN - NORCOLD 61631322
	094039-01-710	EA	PLATE-HINGE, BLACK - NORCOLD 61631330
	094039-01-712	EA	DOOR BIN (GRAY) SILVER BORDER - NORCOLD 61584C20
	094039-01-718	EA	MILK BIN (GRAY) W/SILVER TRIM - NORCOLD 61579460
	094039-01-719	EA	DAIRY KEEPER (GRAY) SILVER TR 61580460
	094039-01-722	EA	HOLE PLUG (BLACK) HINGE HOLES - NORCOLD 61582030
	094039-01-723	EA	HINGE BRKT, TOP RIGHT - BOTTOM LEFT - BLACK - NORCOLD 61580838
	094039-01-724	EA	BRACKET-HINGE, TOP LEFT - BOTTOM RIGHT - BLACK - NORCOLD 61580938
	094039-01-725	EA	HINGE PIN (BLACK)(MALE) - NORCOLD 61578130
	094039-01-726	EA	SHELF-FREEZER EVAPORATOR, NORCOLD 615226

GALLEY GROUP (CONTINUED)

SMALL NORCOLD 662 REFRIGERATOR (CONTINUED)

KEY	PART NUMBER	U/M	DESCRIPTION
	094039-01-730	EA	HINGE PIN SHAFT (BLACK) CENTER HINGE - NORCOLD 61565730
	094039-01-732	EA	FRONT COVER (BLACK) BOTTOM TRIM - NORCOLD 61622130
	094039-01-733	EA	WIRE SHELF (MIDDLE) - NORCOLD 61563822
	094039-01-734	EA	WIRE SHELF (TOP) WRISER - NORCOLD 61563722
	094039-01-735	EA	INSIDE DRIP TRAY (WHITE) - NORCOLD 61572630
	094039-01-736	EA	SWITCH-LIGHT, BLACK - NORCOLD 615810
	094039-01-739	EA	SHELF (CUTOUT) - NORCOLD 61646722
	094039-04-700	EA	PC BOARD-2 WAY, NORCOLD# 61647322
	094039-04-701	EA	EYEBROW (SHELL) 2 WAY - NORCOLD 61669822
	094039-04-702	EA	POWER SUPPLY (2 WAY) - NORCOLD 61647422
	093646-01-000	EA	BRACKET ASM-TIEDOWN, REFRIGERATOR
	093646-02-000	EA	BRACKET ASM-TIEDOWN, REFRIGERATOR
	054450-01-000	EA	LEVEL-REFRIGERATOR

RANGE HOODS

KEY	PART NUMBER	U/M	DESCRIPTION
	100258-22-02A	EA	HOOD-RANGE, W/MONITOR PANEL - 22" WIDE - VENTLINE US
	100258-23-02A	EA	HOOD-RANGE, W/MONITOR PANEL - 22" WIDE - VENTLINE CSA
	075470-01-733	EA	SWITCH-ON/MOMENTARY, JENSEN RP1016
	090973-01-700	EA	MOTOR - LVS CA508-1
	090973-01-702	EA	BLADE-FAN LVS VA183-1
	092656-01-701	EA	KNOB-LEVER, CABLE - PLASTIC - BLACK - VENTLINE CC225
	092656-01-702	EA	RESISTOR-WIRE, VENTLINE L7314
	092656-01-709	EA	BULB-912, VENTLINE VA415
	092656-01-710	EA	SOCKET-LIGHT, VENTLINE CB257-2
	096983-01-700	EA	SWITCH-ON/OFF, VENTLINE 108
	096983-01-702	EA	SWITCH-TWO WAY MOMENTARY VENTLINE 112
	096983-01-703	EA	SWITCH-ON/ON - JENSEN 115
	096983-01-707	EA	FILTER-GREASE, 6" X 8" - LVS CC246
	096983-01-708	EA	LENS-LAMP, VENTLINE CC179
	100258-04-701	EA	BEZEL-SWITCH LEVER CABLE TO VENT VENTLINE CC116
	100258-04-702	EA	SWITCH-LEVER W/CABLE - VENTLINE CB547-1
	100258-11-700	EA	CIRCUIT BOARD, VENTLINE 5079-01
	100258-12-700	EA	PANEL ASM, VENTLINE 9076
	100258-10-01A	EA	METER-HOUR, VENTLINE 15"

1993 ITASCA TABLE OF CONTENTS

INTRODUCTION	A-01	A-02
ABBREVIATIONS		A-03
ALPHABETICAL INDEX	A-04	A-06
IF527RQ	A-07	E-02
IF527RC	E-03	H-22

1993 IF527RQ INDEX

FLOOR PLAN	A-07	A-08
ACCESSORIES		A-09
AUDIO/VIDEO		A-10
BATH	A-11	A-12
BEDROOM	A-13	A-17
CHASSIS	A-18	A-22
CURTAIN & CUSHION	A-23	B-C9
DINETTE	B-09	B-10
DRIVERS COMPARTMENT	B-11	B-12
ELECTRICAL	B-13	B-15
EXTERIOR BODY	B-17	C-02
GALLEY	C-03	C-07
GENERATOR		C-08
HEATING & A/C	C-09	C-10
INTERIOR FINISH	C-11	C-14
LABELS	C-15	C-21
LP		C-22
LOUNGE	C-23	C-24
SEALANTS & FASTENERS	D-01	D-03
WATER & SEWAGE	D-04	D-08
WINDOW, VENT AND EXTERIOR DOOR	D-09	E-02

GALLEY GROUP (CONTINUED)

MAGIC CHEF RANGE

KEY	PART NUMBER	U/M	DESCRIPTION
	102022-01-03A	EA	RANGE-16" 4 BURNER BLACK - MAGIC CHEF
	055282-03-705	EA	TRIM-CABINET, LEFT - BLACK - MAGIC CHEF 3608F011-70
	055282-03-707	EA	TRIM-CABINET, RIGHT - BLACK - MAGIC CHEF 3608F012-70
	098507-02-701	EA	INSERT-BURNER (SLOTTED VENT), MAGIC CHEF 7214P015-60
	102020-01-700	EA	SHELF-OVEN, MAGIC CHEF - 7801-P027-60
	102020-01-701	EA	HANDLE-DOOR, MAGIC CHEF - 7701P092-60
	102020-01-702	EA	PANEL-MANIFOLD, MAGIC CHEF 2616F060-70
	102020-01-704	EA	PANEL-DOOR, BLACK - MAGIC CHEF - 2401F075-70
	102020-01-708	EA	BURNER ASSEMBLY-OVEN, MAGIC CHEF 3403W003-45
	102020-01-711	EA	GRATE-TOP, MAGIC CHEF 7518P012-60
	102020-01-712	EA	KNOB-BURNER VALVE, MAGIC CHEF 7733P044-60
	102020-01-713	EA	KNOB-THERMOSTAT, MAGIC CHEF 7731P042-60
	102020-01-714	EA	PILOT-OVEN, MAGIC CHEF 968-143
	102020-01-715	EA	PIPE-MANIFOLD, MAGIC CHEF 7513P095-60
	102020-01-717	EA	THERMOSTAT, MAGIC CHEF 7515P024-60
	102020-01-718	EA	TOP-MAIN, ALMOND - MAGIC CHEF 2001F085-84
	102020-01-719	EA	TOP-MAIN, BLACK - MAGIC CHEF 2001F085-90
	102020-01-720	EA	VALVE-MERCURY CONTROL, MAGIC CHEF 7501P056-60
	102020-01-722	EA	VALVE-TOP BURNER, MAGIC CHEF 7502P095-60
	102020-01-723	EA	PILOT-BURNER, MAGIC CHEF 7505P147-60
	102020-01-724	EA	BUMPER-MAIN TOP, MAGIC CHEF 8003P008-60
	102022-01-702	EA	PIPE-MANIFOLD, MAGIC CHEF 7513P095-60
	102022-01-703	EA	REGULATOR-PRESSURE, MAGIC CHEF 7510P031-60
	102022-01-706	EA	TRIM-LEFT, FLAT - MAGIC CHEF 3608W022-70
	102022-01-707	EA	TRIM-RIGHT, FLAT - MAGIC CHEF 3608W023-70
	055516-03-000	EA	BRACKET-TIEDOWN, RIGHT - RANGE W/OVEN FROM 00-00-00 THRU 01-03-93
	055516-04-000	EA	BRACKET-TIEDOWN, LEFT - RANGE W/OVEN FROM 00-00-00 THRU 01-03-93
	105458-03-000	EA	BRACKET-TIEDOWN, RIGHT - STOVE FROM 01-04-93 THRU 99-99-99
	105458-04-000	EA	BRACKET-TIEDOWN LEFT - STOVE FROM 01-04-93 THRU 99-99-99

MICROWAVE OVEN

KEY	PART NUMBER	U/M	DESCRIPTION
	091269-05-000	EA	OVEN-MICROWAVE, MAGIC CHEF M15E-9PB
	094745-01-01A	EA	TRIM-MICROWAVE, LOWER - BLACK
	094774-03-01A	EA	TRIM-MICROWAVE, EITHER SIDE - 1 5" X 14 8" - METAL - BLACK
	098916-03-01A	EA	BRACE-MICROWAVE CABINET, LEFT - 9 4" X 7 5" - STEEL
	098916-04-01A	EA	BRACE-MICROWAVE CABINET, RIGHT - 9 4" X 7 5" - STEEL
	094750-01-000	EA	BRACKET-MICROWAVE, 90 DEGREE - STEEL FROM 03-04-91 THRU 99-99-99

COFFEE MAKER

KEY	PART NUMBER	U/M	DESCRIPTION
	103799-01-02A	EA	COFFEE MAKER, ALMOND
	104610-01-000	EA	STRAP-COFFEE MAKER

GENERATOR GROUP

4 KW KOHLER GENERATOR

KEY	PART NUMBER	U/M	DESCRIPTION
	105523-01-000	EA	GENERATOR-4KW, LOW PROFILE - KOHLER 4CKM21
	105527-01-000	EA	PIPE-EXHAUST ADAPTER, KOHLER 278524
	105529-01-000	EA	MUFFLER-FRONT EXHAUST, W/O SPARK - KOHLER 278734
	105602-01-000	EA	GASKET-EXHAUST, KOHLER-278320
	105732-01-000	EA	TRAY ASM-GENERATOR
	105526-01-000	EA	ARRESTER-SPARK, KOHLER 278621
	106172-01-000	EA	PIPE-EXHAUST ADAPTER
	007067-01-000	SF	INSULATION-FIBERGLASS - 1" THICK X 4' INCREMENTS OF 4 SF

4 KW ONAN GENERATOR

KEY	PART NUMBER	U/M	DESCRIPTION
	100974-01-000	EA	GENERATOR-4 KW EMERALD PLUS ONAN BGE-FA/261000
	105732-01-000	EA	TRAY ASM-GENERATOR
	079654-05-000	EA	PIPE-EXHAUST, ANGLED - W/FLANGE - 2" ID - ONAN# 154-2539
	081364-01-000	EA	MUFFLER-GENERATOR, W/8 5" LONG TAILPIPE
	086252-01-000	EA	PIPE-EXHAUST, W/2 BOLT HOLE FLANGE
	086494-01-000	EA	BRACKET-EXHAUST, W/DOUBLE BEND
	094059-01-000	EA	SPACER-GENERATOR, ONAN
	078045-01-000	EA	STRAP-SUPPORT, GENERATOR - 4 HOLE
	084365-01-000	EA	STRAP-SUPPORT, GENERATOR - 2 HOLE
	007067-01-000	SF	INSULATION-FIBERGLASS, 1" THICK X 4' INCREMENTS OF 4 SF

1993 ITASC A TABLE OF CONTENTS

INTRODUCTION	A-01	A-02
ABBREVIATIONS		A-03
ALPHABETICAL INDEX	A-04	A-06
IF527RQ	A-07	E-02
IF527RC	E-03	H-22

1993 IF527RQ INDEX

FLOOR PLAN	A-07	A-08
ACCESSORIES		A-09
AUDIO VIDEO		A-10
BATH	A-11	A-12
BEDROOM	A-13	A-17
CHASSIS	A-18	A-22
CURTAIN & CUSHION	A-23	B-08
DINETTE	B-09	B-10
DRIVERS COMPARTMENT	B-11	B-12
ELECTRICAL	B-13	B-16
EXTERIOR BODY	B-17	C-02
GALLEY	C-03	C-07
GENERATOR		C-08
HEATING & A/C	C-09	C-10
INTERIOR FINISH	C-11	C-14
LABELS	C-15	C-21
LP		C-22
LOUNGE	C-23	C-24
SEALANTS & FASTENERS	D-01	D-03
WATER & SEWAGE	D-04	D-08
WINDOW VENT AND		
EXTERIOR DOOR	D-09	E-02

HEATING & AIR CONDITIONING GROUP

FURNACE

KEY	PART NUMBER	U/M DESCRIPTION
	093365-01-000	EA THERMOSTAT-WALL, FURNACE - SUBURBAN 0160902
	094078-01-000	EA FURNACE-30000 BTU - SUBURBAN SF-30
	094654-01-733	EA RELAY TIME DELAY 20&30 BTU; SUBURBAN 231202
	075695-01-709	EA MICRO SWITCH (FOR MODELS 30 & 34S) - SUBURBAN 230509
	090039-01-709	EA GASKET OBSERVATION HOLE - SUBURBAN 070367
	092300-01-704	EA GASKE; -ELECTRODE SUBURBAN 070163
	092300-02-701	EA ORFICE, MAIN BURNER - SUBURBAN 180214
	094668-01-700	EA CABINET FRONT, SUBURBAN 101242
	094668-01-701	EA CABINET ASM, SUBURBAN 101299
	094668-01-702	EA ELECTRODE, SUBURBAN 231740
	094668-01-704	EA VALVE, SUBURBAN 160938
	094668-01-705	EA SWITCH-LIMIT, SUBURBAN 231630
	094668-01-706	EA WHEEL-COMBIUSTION AIR, SUBURBAN 350122
	094668-01-707	EA VENT CAP & EXHAUST TUBE ASM, SUBURBAN 260193
	094668-01-708	EA BLOWER ASM (COMBUSTION AIR), SUBURBAN 390441
	094668-01-709	EA MOTOR ASM -FOR SF-25 SF-30 - SUBURBAN 231706
	094668-01-710	EA BLOWER ASM (ROOM AIR), SUBURBAN 390447
	094668-01-711	EA WHEEL, ROOM AIR - SUBURBAN 350123
	094668-01-712	EA BOARD-MODULE, SUBURBAN 231741
	094668-01-713	EA INTAKE VENT TUBE ASM - SUBURBAN 051044
	094668-02-700	EA BURNER ASM COMPLETE (SF-30/SF35), SUBURBAN 010745
	094668-06-000	EA DOOR-ACCESS, FURNACE - OFF WHITE - SUBURBAN 520574

REAR HEATER

KEY	PART NUMBER	U/M DESCRIPTION
	084405-01-000	EA HEATER ASM-REAR, DUCTED - W/MOTOR A - 1 VANS
	084405-01-700	EA HEATER CORE
	084405-01-701	EA FAN
	084405-01-702	EA MOTOR-12 VOLT ASSY
	087202-01-000	EA SWITCH-4 POSITION, W/KNOB
	098076-01-000	EA DECAL-AUTO AIR & REAR HEATER

HEATING COMPONENTS

KEY	PART NUMBER	U/M DESCRIPTION
	093146-01-000	EA CLAMP-SCREW TYPE - 4"
	069635-02-000	EA CONNECTOR-DUCT- 4" ID - SUBURBAN 050715
	009198-01-000	FT DUCT-HEAT- FLEXIBLE - 4" ID X 25 FT
	093614-01-01A	EA GRILLE-RETURN AIR- FURNACE - 15 6" X 7 6" - BROWN
	079059-13-000	EA HOSE-90 DEGREE- 61"ID X 4" X 48"
	079059-01-000	EA HOSE-90 DEGREE- 5'6"ID X 4" X 30"
	007108-01-000	FT HOSE-HEATER- 5/8" ID - HI-TEMP - FORD ESE-M2D192-A
	056464-05-000	EA REGISTER-PLASTIC W/O DAMPER - 4" DIAMETER - GOLDEN
	009200-01-000	EA TAPE-FURNACE, 1 1/2"
	089367-01-000	EA TEE-4" OD, 7" LONG - METAL
	076776-01-000	EA TEE-BARB, 5/8" X 5/8" X 5/8"
	088753-01-000	FT TUBE-ALUMINIZED STEEL, 5/8" - 18 GAUGE
	008042-01-000	FT TUBING-VINYL, 65" ID

HEATING & AIR CONDITIONING GROUP (CONTINUED)

ROOF A/C

KEY	PART NUMBER	U/M DESCRIPTION
	108889-01-01A	EA A/C-ROOF, 13,500 TSR HO - IVORY - COLEMAN 7333-887
	091225-01-709	EA START RELAY, COLEMAN 1497-4131
	091225-01-710	EA START CAPACITOR, COLEMAN# 1497-0881
	093306-01-701	EA DECAL PACKAGE, LEFT & RIGHT - COLEMAN 6798B3591
	093306-01-712	EA COMPRESSOR, COLEMAN 6707C3579
	105620-01-704	EA COMPRESSOR, RIGHT & LEFT - COLEMAN 1450-2009
	105620-01-706	EA FOOT PACKAGE-COMPRESSOR, 3 PER PACKAGE - COLEMAN 6759-3081
	108889-01-700	EA SHROUD (GREY/GREY) LESS LOGO - COLEMAN 6759-6421
	108889-01-702	EA SHROUD (BUFF/BUFF) LESS LOGO - COLEMAN 6759-5411
	108889-01-703	EA CONDENSER COIL, COLEMAN 1452-1301
	108889-01-704	EA OVERLOAD, (MRA#98693) - COLEMAN 6759-2541
	108889-01-705	EA MOTOR (115, 60HZ), COLEMAN 1468-3049
	108889-01-706	EA IMPELLOR, COLEMAN #472-1041
	108889-01-707	EA RUN CAPACITOR (COMP-25MFD/370) COLEMAN 1499-5061
	108889-01-708	EA FAN CAPACITOR (7 5MFD 370U), COLEMAN 1499-5461
	108889-01-709	EA EVAPORATOR COIL, COLEMAN 1452-1311
	108889-01-710	EA FILLER PAD-CONDITION AIR SEAL, COLEMAN 6759A3971
	108889-01-711	EA GASKET PACKAGE, COLEMAN 6792-3301
	108889-01-712	EA SUCTION LINE REDUCER (3/8 X 1/2), COLEMAN 1215-2161
	108889-01-713	EA SUCTION LINE (3/8OD X .032 WALL), COLEMAN 6792-130
	108889-01-714	EA DISCHARGE LINE ASM, COLEMAN 6792-531
	108889-01-715	EA MOTOR MOUNT & SHAFT SEAL KIT, COLEMAN 6792-3361
	108891-01-01A	EA CEILING ASM-A/C COOL TSR HO, COLEMAN 7330-714 IV
	042204-01-709	EA THERMOSTAT-IN 64 OUT 58, COLEMAN 6701-3401
	073742-01-701	EA SELECTOR SWITCH (5 TERMINAL), COLEMAN 6759-3251
	073742-01-702	EA DECAL COOL ONLY, COLEMAN 6759C3431
	076303-01-707	EA FILTER-6" X 14 3/4" X 1/2", 12 PER PACKAGE - COLEMAN 6703A3151
	081606-01-712	EA CEILING SHROUD (IVORY), COLEMAN 6769-5061
	091225-01-713	EA KNOB (2 PER PACKAGE) COLEMAN 6701-3351
	091225-01-717	EA DECAL (THERMOSTAT) COOL ONLY, COLEMAN 6799A3441
	093766-02-701	EA DECAL-LEFT SIDE, COLEMAN 6799-3971
	108891-01-700	EA SINGLE PARTS PACKAGE (KNOBS & NUTS) COLEMAN 6792-5991
	108891-01-701	EA RETAINER CLIPS FOR FILTER (6 PER PACKAGE) COLEMAN 6799-3141
	102289-01-000	EA SPRING-SCREW, ROOF A/C GASKET - COLEMAN 6757-150
	022756-02-000	EA COVER-PROTECTIVE, 5 5" ENDS X 8 2" - PLASTIC - OFF WHITE
	022756-03-000	EA COVER-A/C - PLASTIC - OFF WHITE
	084077-03-000	EA COVER-BLANK, ROOF A/C - 5 2" X 3 5" - IVORY

A/C-13500 BTU-EUROPE

KEY	PART NUMBER	U/M DESCRIPTION
	092440-01-000	EA A/C-ROOF, 13500 BTU - 220V - 50HZ - COLEMAN# 6713C750
		FROM 00-00-00 THRU 08-31-92
	092441-01-000	EA CEILING ASM-A/C, 220V - 50HZ - COLEMAN# 6712ET16
		FROM 00-00-00 THRU 08-31-92
	108889-02-01A	EA A/C-ROOF, 13500 BTU - 220V - TSR - IVORY - COLEMAN 7373-597
		FROM 09-01-92 THRU 99-99-99
	108891-01-01A	EA CEILING ASM-A/C, COOL - TSR - IVORY - COLEMAN 7330-714
		FROM 09-01-92 THRU 99-99-99
	042204-01-709	EA THERMOSTAT-IN 64 OUT 58, COLEMAN 6701-3401
	073742-01-701	EA SELECTOR SWITCH (5 TERMINAL), COLEMAN 6759-3251
	073742-01-702	EA DECAL COOL ONLY, COLEMAN 6759C3431
	076303-01-707	EA FILTER-6" X 14 3/4" X 1/2", 12 PER PKG - COLEMAN 6703A3151
	081606-01-712	EA CEILING SHROUD (IVORY), COLEMAN 6769-5061
	091225-01-713	EA KNOB (2 PER PACKAGE), COLEMAN 6701-3351
	091225-01-717	EA DECAL (THERMOSTAT) COOL ONLY, COLEMAN 6799A3441
	093766-02-701	EA DECAL-LEFT SIDE, COLEMAN 6799-3971
	108891-01-700	EA SINGLE PARTS PACKAGE (KNOBS & NUTS, COLEMAN 6792-5991
	108891-01-701	EA RETAINER CLIPS FOR FILTER (6 PER PACKAGE), COLEMAN 6799-3141
	102289-01-000	EA SPRING-SCREW, ROOF A/C GASKET - COLEMAN 6757-150
	084077-03-000	EA COVER-BLANK, ROOF A/C - 5 2" X 3 5" - IVORY

**1993 ITASCA
TABLE OF CONTENTS**

INTRODUCTION	A 01	A 02
ABBREVIATIONS		A 03
ALPHABETICAL INDEX	A 04	A 06
IF527RQ	A-07	E 02
IF527RC	E 03	I-27

1993 IF527RQ INDEX

FLOOR PLAN	A-07	A-08
ACCESSORIES		A-09
AUDIO VIDEO		A-10
BATH	A-11	A-12
BEDROOM	A-13	A-17
CHASSIS	A-18	A-27
CURTAIN & CUSHION	A-23	B-08
DINETTE	B-09	B-10
DRIVERS COMPARTMENT	B-11	B-12
ELECTRICAL	B-13	B-16
EXTERIOR BODY	B-17	C-02
GALLEY	C-03	C-07
GENERATOR		C-08
HEATING & A/C	C-09	C-10
INTERIOR FINISH	C-11	C-14
LABELS	C-15	C-21
LP		C-22
LOUNGE	C-23	C-24
SEALANTS & FASTENERS	D-01	D-03
WATER & SEWAGE	D-04	D-08
WINDOW, VENT AND		
EXTERIOR DOOR	D 09	E-02

INTERIOR FINISH GROUP

MOLDINGS & TRIMS

KEY	PART NUMBER	U/M DESCRIPTION
	009767-10-000	FT WELTING-CABINET TO WALL, MAHOGANY
	009767-12-000	FT MOLDING-SIDEWALL TO CEILING/CABINET - WELTING - OFF WHITE
	009809-21-000	EA MOLDING-CORNER, OUTSIDE - 1" - PLASTIC - WOODGRAIN
	009809-23-000	EA MOLDING-CORNER, OUTSIDE - 1" - PLASTIC - IVORY
	009809-24-000	EA MOLDING-CORNER, OUTSIDE - 1" - PLASTIC - THOR PECAN
	009809-25-000	EA MOLDING CORNER, OUTSIDE - 1" - PLASTIC - OFF WHITE
	022592-01-000	FT MOLDING-REVERSE COVE, T-SHAPED - VINYL - WHITE
	022592-11-000	FT MOLDING-REVERSE COVE, T-SHAPED - VINYL - IVORY
	070504-01-000	FT U-CHANNEL-PLASTIC, 065" WIDE - LIGHT BROWN - INC OF 8'
	070504-19-000	FT U-CHANNEL-PLASTIC, 815" WIDE - BROWN - INC OF 8'
	070504-20-000	FT U-CHANNEL-PLASTIC, 815" WIDE - THOR PECAN - INC OF 8'
	070504-23-000	FT U-CHANNEL-PLASTIC, 875" WIDE - COUNTRY FOREST - INC OF 8'
	076325-25-000	FT MOLDING-EDGE BAND, 1 5/16" WIDE - RAMBLING OAK
	076325-34-000	FT MOLDING-EDGE BAND, 1 5/16" WIDE - ORCHID
	076325-35-000	FT MOLDING-EDGE BAND, 875" WIDE - ORCHID
	083620-06-000	FT MOLDING-T, END CAP EDGE - WEDGE LIPS - 75" - REBER BIRCH
	083620-07-000	FT MOLDING-T, END CAP EDGE - WEDGE LIPS - 75" - THOR PECAN
	083620-07-000	FT MOLDING-T, END CAP EDGE - WEDGE LIPS - 75" - THOR PECAN
	083620-09-000	FT MOLDING-T, END CAP EDGE - WEDGE LIPS - 75" - MODERN IVORY
	085284-76-000	FT BATT STRIP-SHOWER, ADHESIVE BACKED - OFF WHITE
	085284-80-000	FT BATT STRIP-DECORATIVE, SWIRLED - ADHESIVE BACKED (D29)
	085284-73-000	FT BATT STRIP-DECORATIVE, TWILIGHT BUBBLES - ADHESIVE BACKED (D31)
	085284-67-000	FT BATT STRIP-WOODGRAIN WINNI OAK - ADHESIVE BACKED
	085746-01-000	FT TRIM-J, CARPET - 1 2" X 5" ANGLE - 10' LONG - PVC - BEIGE
	086229-01-000	EA RETAINER-BATTEN, CEILING - 75" WIDE - 7 6' LONG
	086229-04-000	EA BATTEN-CEILING, 1" WIDE - IVORY - 7 6' LONG
	086229-08-000	EA BATTEN-CEILING 1" WIDE - MODERN IVORY - 7 6' LONG
	088263-71-000	EA BATT STRIP-DECORATIVE, 8' LONG - FAWN
	088263-72-000	EA BATT STRIP-DECORATIVE, SWIRLED - 8' LONG (D29)
	088263-84-000	EA BATT STRIP-DECORATIVE, TWILIGHT BUBBLES - 8' LONG (D31)
	100040-01-000	EA LUMBER-VINYL WRAPPED, 1 5" X 8" - RAMBLING OAK
	100040-01-000	EA LUMBER-VINYL WRAPPED, 1 5" X 8" - RAMBLING OAK
	100040-03-000	EA LUMBER-VINYL WRAPPED, 2" X 8" - RAMBLING OAK
	100040-06-000	EA LUMBER-VINYL WRAPPED, 76 X 2438MM - RAMBLING OAK
	100041-01-000	EA MOLDING-VINYL WRAPPED, 7" X 1 57" X 84 02" - RAMBLING OAK
	100041-02-000	EA MOLDING-VINYL WRAPPED, 7" X 2 5" X 84" - RAMBLING OAK
	100659-01-B25	EA TRIM-FLOOR 72" X 1" X 1/2" - WOOD
	100818-01-02A	EA MOLDING-VINYL WRAPPED, 1 65" X 4" X 7" - RAMBLING OAK
	100818-01-01A	EA MOLDING-VINYL WRAPPED, 1 65" X 4" X 7" - REGAL OAK
	100819-01-01A	EA MOLDING-VINYL WRAPPED, L-SHAPED - 1 5" X 1 5" X 7" - REGAL OAK
	100819-01-02A	EA MOLDING-VINYL WRAPPED, L-SHAPED, 1 5" X 1 5" X 7" - RAMBLING OAK
	105001-01-01A	EA MOLDING-VINYL WRAP, REGAL OAK
	105618-01-01A	FT MOLDING-EDGE, 5/16" WIDE - GOLD W/ADHESIVE
	105709-01-000	FT T-MOLDING-1", MODERN IVORY

INTERIOR FINISH GROUP (CONTINUED)

PANELING, LAMINATES & PLASTIC

KEY	PART NUMBER	U/M DESCRIPTION
	000885-46-000	SF PARTICLE BOARD-3/8" X 48" X 96", 1 SIDE VINYL WOODGRAIN
	000885-55-000	SF PARTICLE BOARD-3/8" X 49" X 97", 1 SIDE VINYL WOODGRAIN
	074497-17-000	SF PANELING-WOODGRAIN, 4' X 8' - INCREMENTS OF 32 SF
	074497-18-000	SF PANELING-CEILING, 4' X 8' - INCREMENTS OF 32 SF
	074497-19-000	SF PANELING-CEILING, 4' X 8' - INCREMENTS OF 32 SF
	074497-20-000	SF PANELING-WOODGRAIN, 4' X 8' - INCREMENTS OF 32 SF
	074498-40-000	SF PANELING-WOODGRAIN, 4' X 8' - INCREMENTS OF 32 SF
	074498-41-000	SF LAMINATE-PLASTIC, 5' X 8' - OFF WHITE - INC OF 40 SF
	074498-42-000	SF LAMINATE-PLASTIC, 5' X 8' - ORCHID MIST (D29, D31)
	074498-43-000	SF LAMINATE-PLASTIC, 5' X 8' - GRAY KALEID (D29)
	074498-46-000	SF LAMINATE-PLASTIC, 5' X 8' - VERDE PATIN (D31)
	083618-02-000	SF PLYWOOD-OAK, 1 SIDE FINISHED - 3/16" X 4' X 8'
	088272-A5-000	SF PANELING-DECORATIVE, TWILIGHT BUBBLES - 4' X 7' - INC OF 20 SF (D31)
	088272-92-000	SF PANELING-DECORATIVE, SWIRLED - 4' X 7' - INC OF 20 SF (D29)
	089297-01-000	SF PLYWOOD-LUAN, OVERLAY GRADE - 7' X 8' - INC OF 32 SF
	089272-98-000	SF PANELING-SHOWER, OFF WHITE - 4' X 7' - INC OF 28 SF FT
	089351-03-000	YD VINYL-CEILING, DIAMOND DESIGN - 54" WIDE
	095143-02-01A	SF PLASTIC-ABS, 20" WIDE ROLL - OFF WHITE
	093743-03-01A	SF PLASTIC-ABS, 10 8" WIDE - OFF WHITE
	095688-01-000	SF VENEER-FLAT LUANA, 48" X 96"
	098531-01-000	SF PLYWOOD-RED OAK, 1/2" - BOOK MATCH/RED OAK
	108358-01-000	SF PLYWOOD-LUAN, GRADE - 2 7MM X 48" X 96"

CARPETING & FLOOR MATS

KEY	PART NUMBER	U/M DESCRIPTION
	096060-52-000	SY CARPET-ROLL 12' WIDE (D29)
	096060-54-000	SY CARPET-ROLL 12' WIDE (D31)
	093486-01-000	SY CARPET-COMPARTMENT 54" WIDE - DARK GRAY
	047034-02-000	SF PLASTIC-CARPET 4 WIDE - CL FAR POLY - MINIMUM ORDER 1 500 SF
	075233-01-000	SY PAD-CARPET 3/8" X 8" ROLL
	081075-04-000	EA MAT-FLOOR ENTRANCE, ITASCA - PLASTICOLOR GRAY
	106884-03-000	EA MAT-FLOOR PASSENGER - "1" - FORD
	106884-04-000	EA MAT-FLOOR DRIVER - "1" - FORD

FIRE EXTINGUISHER, SMOKE DETECTOR & CLOCK

KEY	PART NUMBER	U/M DESCRIPTION
	072852-01-000	EA DETECTOR-SMOKE, W/9 VOLT BATTERY
	072852-02-000	EA DETECTOR-SMOKE, W/9 VOLT BATTERY - CANADIAN
	094499-01-000	EA EXTINGUISHER-FIRE, DRY W/MOUNTING BRACKET - 10 BC
	094499-02-000	EA EXTINGUISHER-FIRE, DRY - 1A10BC - CANADIAN
	094499-01-700	EA BRACKET-MOUNTING, W/PLASTIC STRAP - FIRE EXTINGUISHER
	100793-02-01A	EA CLOCK-WALL, BOLDEN 9988 - ROUND 11"

**1993 ITASCA
TABLE OF CONTENTS**

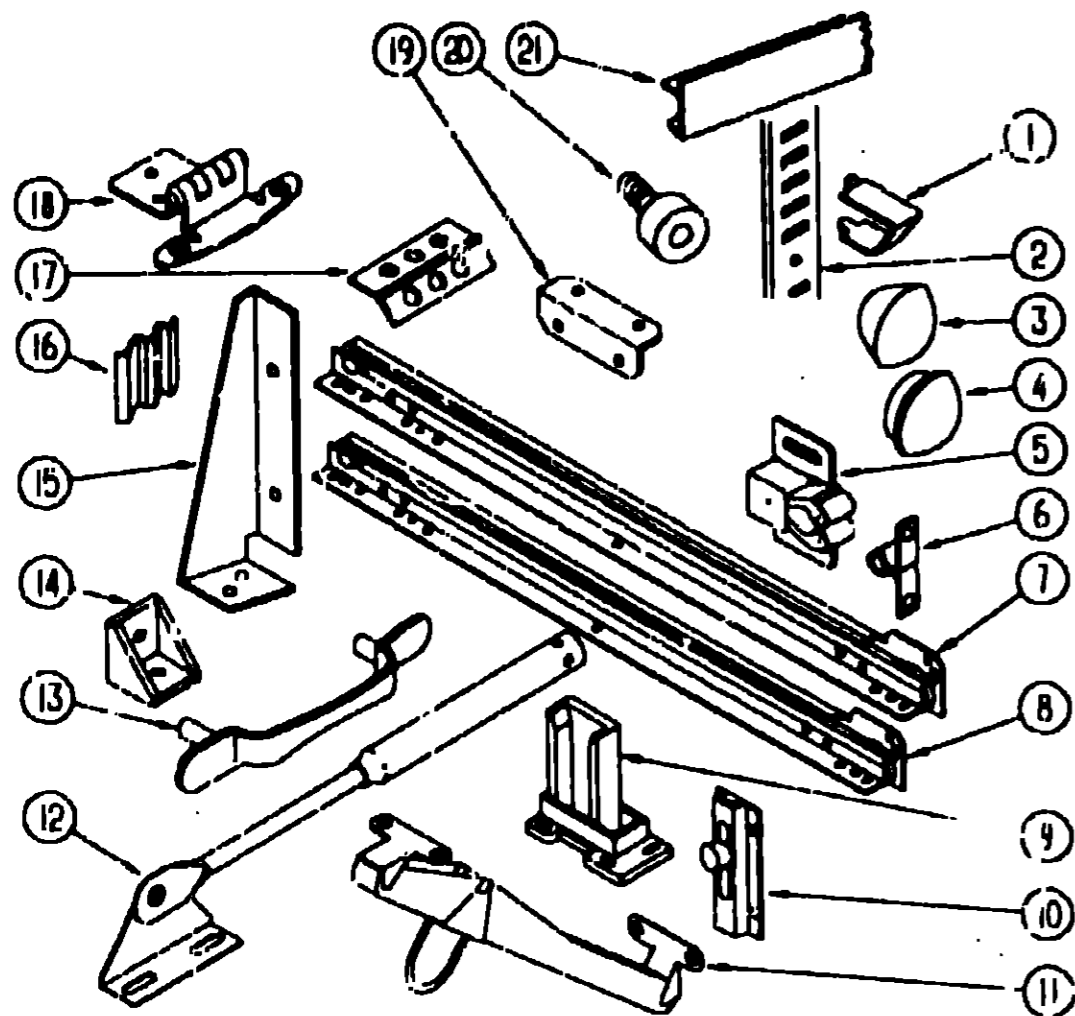
INTRODUCTION:	A 01	A-02
ABBREVIATIONS		A 03
ALPHABETICAL INDEX	A 04	A 06
IF527RQ	A 07	E 02
IF527PC	E-03	H-22

1993 IF527RQ INDEX

FLOOR PLAN	A-07	B-08
ACCESSORIES		A-09
AUDIO VIDEO		A-10
BATH	A-11	A-12
BEDROOM	A-13	A-17
CHASSIS	A-18	A-22
CURTAIN & CUSHION	A-23	B-08
DINETTE	B-09	B-10
DRIVERS COMPARTMENT	B-11	B-12
ELECTRICAL	B-13	B-16
EXTERIOR BODY	B-17	C-07
GALLEY	C-03	C-07
GENERATOR		C-08
HEATING & A/C	C-09	C-10
INTERIOR FINISH	C-11	C-14
LABELS	C-15	C-21
LP		C-22
LOUNGE	C-23	C-24
SEALANTS & FASTENERS	D-01	D-03
WATER & SEWAGE	D-04	D-08
WINDOW VENT AND		
EXTERIOR DOOR	D-09	E-02

INTERIOR FINISH GROUP (CONTINUED)

CABINET & TABLE HARDWARE



KEY	PART NUMBER	U/M DESCRIPTION
B	106913-01-000	EA SLIDE-DRAWER, CABINET MOUNTED - LEFT SIDE - 12"
B	106913-02-000	EA SLIDE-DRAWER, CABINET MOUNTED - RIGHT SIDE - 12"
B	106913-03-000	EA SLIDE-DRAWER, DRAWER MOUNTED - LEFT SIDE - 12"
B	106913-04-000	EA SLIDE-DRAWER, DRAWER MOUNTED - RIGHT SIDE - 12"
B	106913-05-000	EA SLIDE-DRAWER, CABINET MOUNTED - LEFT SIDE - 18"
B	106913-06-000	EA SLIDE-DRAWER, CABINET MOUNTED - RIGHT SIDE - 18"
B	106913-07-000	EA SLIDE-DRAWER, DRAWER MOUNTED - LEFT SIDE - 18"
B	106913-08-000	EA SLIDE-DRAWER, DRAWER MOUNTED - RIGHT SIDE - 18"
B	106913-17-000	EA SLIDE-DRAWER, CABINET MOUNTED - LEFT SIDE - 22"
B	106913-18-000	EA SLIDE-DRAWER, CABINET MOUNTED - RIGHT SIDE - 22"
B	106913-19-000	EA SLIDE-DRAWER, DRAWER MOUNTED - LEFT SIDE - 22"
B	106913-20-000	EA SLIDE-DRAWER, DRAWER MOUNTED - RIGHT SIDE - 22"
9	107030-01-000	EA BACKSOCKET-ADJUSTABLE, LEFT SIDE
9	107030-02-000	EA BACKSOCKET-ADJUSTABLE, RIGHT SIDE
10	061604-01-000	EA SLIDE-BOLT, ANTIQUE BRASS
11	104181-01-01A	EA SUPPORT-LEAF, 5 3/4" - EXTENDS TO 7 5/8" - SAFETY RING - METAL
12	074493-02-000	EA SUPPORT-PISTON SPRING, CABINET DOOR
13	104217-01-000	EA PULL-CABINET, BRASS
14	065740-01-000	EA BRACE-CABINET CORNER, PLASTIC
15	076027-04-000	EA BRACKET-BUNK/BED, 2 9/16" X 1 8/16" TRIANGLE - METAL - OFF WHITE
16	105037-02-000	EA FASTENER-WOOD, CORNER - METAL - 5" X 6"
17	009059-01-000	EA HINGE-DOOR, 2" X 1 4" - BRASS
17	009059-02-000	EA HINGE-DOOR, 2" X 2 7" - BRASS
17	009063-01-000	EA HINGE-CONTINUOUS, 1 1/2" X 72" - UNPAINTED
17	009066-01-000	EA HINGE-CONTINUOUS, W/O HOLES - 1 1/16" X 6" - ALUMINUM
18	108138-01-000	EA HINGE-DOOR, CABINET - BURNISHED BRASS
	000G13-06-08G	EA SCREW-6-20 X 5/8 PPH, ANTIQUE BRASS (HINGE 108138-01-000)
19	016604-01-000	EA BRACE-CABINET, ANGLE - 2 5" - METAL - UNPAINTED
19	016604-03-000	EA BRACE-CABINET, ANGLE - 2 5" - METAL - BEIGE
20	103186-01-01A	EA MOLDING-EDGE, SHELF - 78" WIDE - PLASTIC - RAMBLING OAK
	076790-01-000	EA SCREW, 6-20 X 1 1/4 PPH - BLACK
	004354-01-000	EA BUMPER-RUBBER, 5" DIA - BROWN
	023320-01-000	EA PAD-FELT, 3/8" DIAMETER - BROWN
	009112-01-000	EA FLANGE-1" ROD, CLOTHES - PLASTIC - OFF WHITE
	002766-01-001	EA ANGLE-EXTRUDED, 1" X 1 5/8" X 17" - ALUMINUM

1993 ITASCA TABLE OF CONTENTS

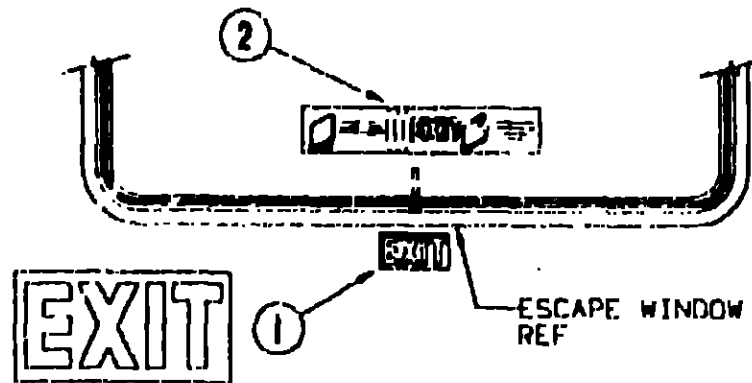
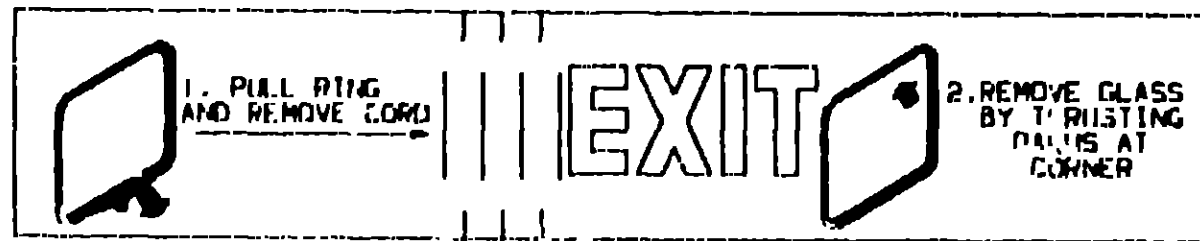
INTRODUCTION	A-01	A-02
ABBREVIATIONS		A-03
ALPHABETICAL INDEX	A-04	A-05
IF527RQ	A-07	F-02
IF527RC	E-03	I-22

1993 IF527RQ INDEX

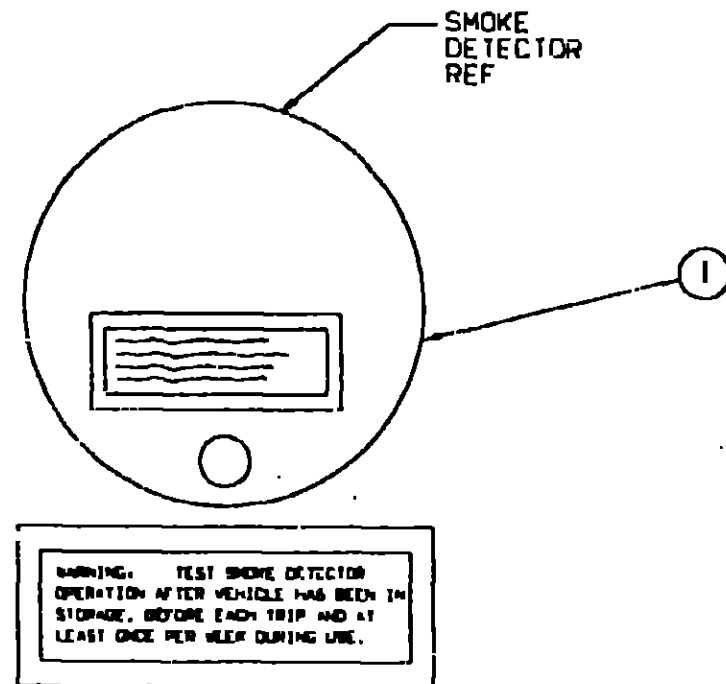
FLOOR PLAN	A-07	A-08
ACCESSORIES		A-09
AUDIO/VIDEO		A-10
BATH	A-11	A-12
BEDROOM	A-13	A-17
CHASSIS	A-18	A-22
CURTAIN & CUSHION	A-23	B-08
DINETTE	B-09	B-10
DRIVERS COMPARTMENT	B-11	B-12
ELECTRICAL	B-13	B-16
EXTERIOR BODY	B-17	C-02
GALLEY	C-03	C-07
GENERATOR		C-08
HEATING & A/C	C-09	C-10
INTERIOR FINISH	C-11	C-14
LABELS	C-15	C-21
LP		C-22
LOUNGE	C-23	C-24
SEALANTS & FASTENERS	D-01	D-03
WATER & SEWAGE	D-04	D-08
WINDOW, VENT AND		
EXTERIOR DOOR	D-09	E-02

KEY	PART NUMBER	U/M DESCRIPTION
1	098979-01-000	EA CLIP-ADJUSTABLE SHELF
2	098980-01-000	EA PILASTER-ADJUSTABLE SHELF, 18" LONG
2	098980-04-000	EA PILASTER-ADJUSTABLE SHELF, 48" LONG
3	042356-01-000	EA PLUG-BUTTON, MAHOGANY, 3/8" DIAMETER - WOOD
4	074045-07-000	EA PLUG-WOOD, 1/2"
5	093586-03-000	EA CATCH-SPRING, ROLLER
6	093536-04-000	EA STRIKE-SPRINGSTEEL
7	101910-03-000	EA SLIDE-DRAWER, CABINET MOUNTED - SET OF 2 - 12" LONG
7	101910-04-000	EA SLIDE-DRAWER, DRAWER MOUNTED - SET OF 2 - 12" LONG

LABEL GROUP

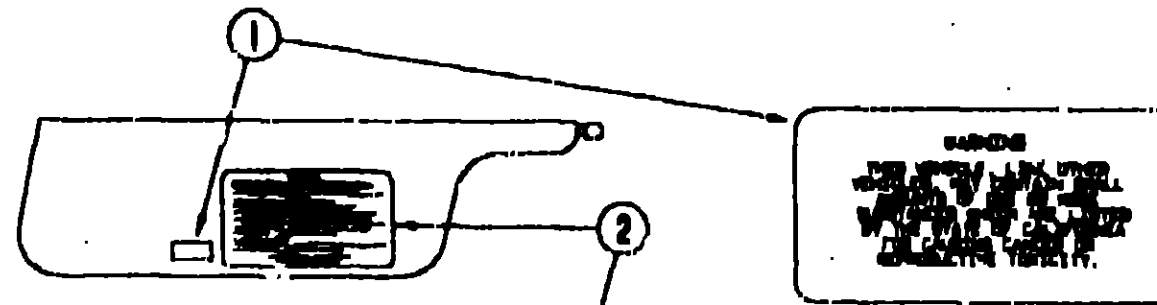


KEY	PART NUMBER	U/M DESCRIPTION
1	039290-01-000	EA LABEL-WARNING, EXIT
2	107571-01-000	EA LABEL-ESCAPE EXIT, WINDOW



KEY	PART NUMBER	U/M DESCRIPTION
1	077956-01-000	EA LABEL-WARNING SMOKE DETECTOR

LABEL GROUP (CONTINUED)



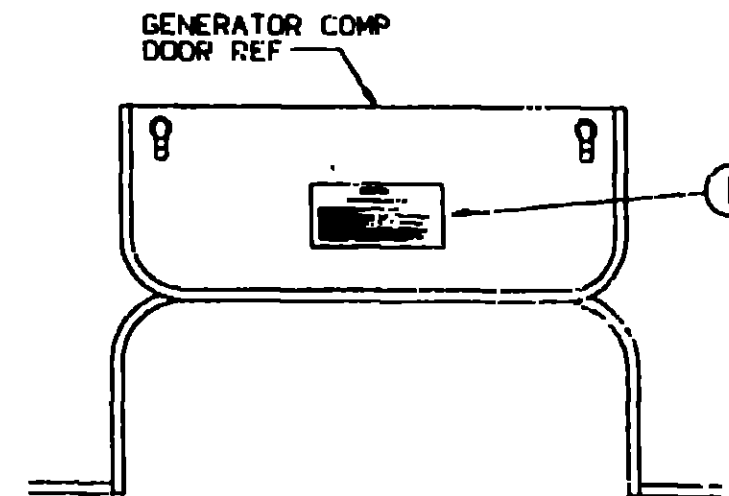
CAUTION

THIS MOTOR HOME HAS BEEN DESIGNED, MANUFACTURED AND TESTED WITH CARE FOR THE PROTECTION OF IT'S OCCUPANTS. WE RECOMMEND YOU PERFORM THE FOLLOWING INSPECTIONS FOR YOUR SAFETY AND THE SAFETY OF YOUR PASSENGERS BEFORE STARTING YOUR VEHICLE.

1. LP GAS SYSTEM- TURN OFF AT TANK FOR TRAVELING. TEST FOR LEAKS UPON ARRIVAL AT DESTINATION. BEFORE LEAVING TRIP.
2. WHEELS- INSPECT FOR DAMAGE AND CHECK LUB RITE FOR TIGHTNESS.
3. TIRES- INSPECT FOR WEAR AND DAMAGE AND CHECK FOR RECOMMENDED AIR PRESSURE.
4. LIGHTING- TEST FOR PROPER OPERATION OF ALL INTERIOR AND EXTERIOR LIGHTS INCLUDING DASH LIGHTS, HEADLIGHTS, TAIL LIGHTS, BRAKE LIGHTS, CLEARANCE LIGHTS AND TURN SIGNALS.
5. EXITS- INSPECT RELEASE MECHANISM ON EMERGENCY EXIT DOORS. TEST BOTH LOCKS ON MAIN ENTRANCE DOOR FOR CASE OF OPERATION AND INSTRUCT PASSENGERS HOW TO USE BOTH ENDS OF EXIT.
6. SEAT BELTS- DIRECT PASSENGERS TO DESIGNATED SEATS AND RECLINE USE OF SEAT BELTS.
7. APPLIANCES- TURN OFF AND LATCH OR LOCK DOORS WHERE PROVIDED.
8. LOOSE PACKS- STOW SECURELY.
9. UTILITY SUPPLY LINES- DISCONNECT ALL ELECTRIC, WATER AND WATER LINES AND STOW PROPERLY.
10. ENTRANCE LOCK STOP- PLACE IN RETRACTED POSITION FOR TRAVELING.

READ YOUR MOTOR HOME AND CHASSIS OWNER'S MANUAL FOR FURTHER PRECAUTIONS

KEY	PART NUMBER	U/M DESCRIPTION
1	099689-01-000	EA LABEL-WARNING, CANCER/TOXICITY
2	056259-01-000	EA LABEL-SAFETY CHECK LIST



WARNING

WHEN ADDING A GENERATOR SET.

HIGH VOLTAGE-USE EXTREME CAUTION WHEN WORKING ON ELECTRICAL COMPONENTS. HAVE ALL ELECTRICAL INSTALLATION PERFORMED BY A QUALIFIED LICENSED ELECTRICIAN-FOLLOW ALL STATE AND LOCAL CODES. ONLY INSTALL GENERATOR SET APPROVED FOR R.V. APPLICATION. HAVE INSTALLED BY QUALIFIED TECHNICIAN. TO AVOID HEAT BUILD-UP AND TO GUARANTEE AN ADEQUATE AIR SUPPLY TO THE GENERATOR COMPARTMENT, FOLLOW INSTALLATION INSTRUCTIONS. GENERATOR EXHAUST GASES ARE TOXIC AND MUST NOT TERMINATE UNDER THE VEHICLE-DISCHARGE EXHAUST AWAY FROM VEHICLE.

KEY	PART NUMBER	U/M DESCRIPTION
1	077510-01-000	EA LABEL-GENERATOR PREP

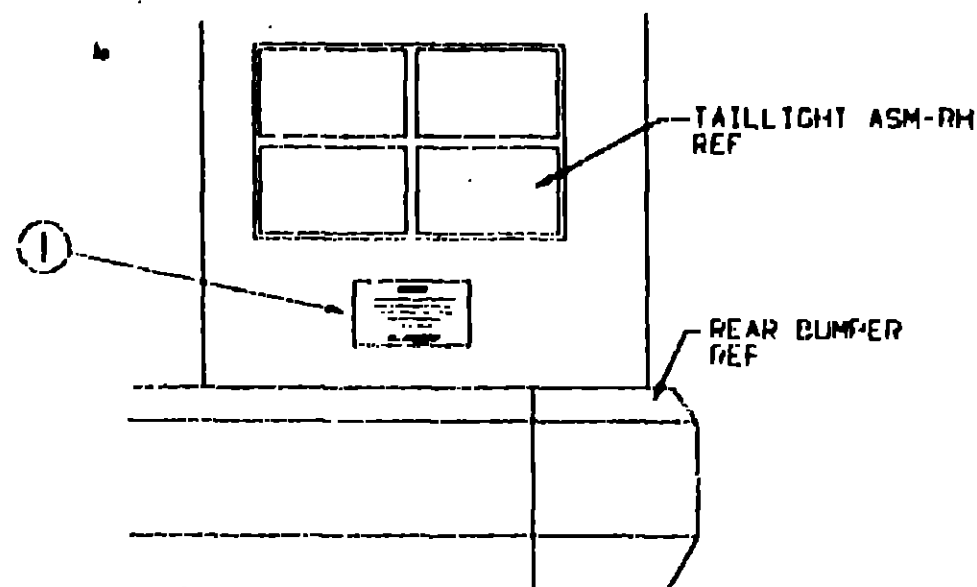
**1993 ITASC 4
TABLE OF CONTENTS**

INTRODUCTION	A 01	A 02
ABBREVIATIONS		A 03
ALPHABETICAL INDEX	A 04	A 05
IF527RQ	A 17	E 02
IF527HC	E 03	H 22

1993 IF527RQ INDEX

FLOOR PLAN	A 07	A 08
ACCESSORIES		A 09
AUDIO VIDEO		A 10
BATH	A-11	A-12
BEDROOM	A-13	A-17
CHASSIS	A 18	A-22
CURTAIN & CUSHION	A-23	B-08
DINETTE	B 09	B 10
DRIVERS COMPARTMENT	B-11	B-12
ELECTRICAL	B-13	B-15
EXTERIOR BODY	B-17	C-02
GALLEY	C-03	C-07
GENERATOR		C-08
HEATING & A/C	C-09	C-10
INTERIOR FINISH	C-11	C-14
LABELS	C-15	C-21
LP		C-22
LOUNGE	C-23	C-24
SEALANTS & FASTENERS	D 01	D-03
WATER & SEWAGE	D-04	D-08
WINDOW VENT AND EXTERIOR DOOR	D-09	E-02

LABEL GROUP (CONTINUED)



TAILLIGHT ASM-RH REF

REAR BUMPER REF

WARNING

DO NOT EXCEED THE VEHICLE WEIGHT RATINGS OR LOADING RECOMMENDATIONS (E.G., GROSS VEHICLE, GROSS AXLE, GROSS COMBINED) OF THE CHASSIS MANUFACTURER OR WINNEBAGO INC.

REFER TO YOUR OWNERS MANUAL, BEFORE LOADING OR TOWING.

KEY PART NUMBER U/M DESCRIPTION
 1 075220-01-000 EA LABEL-WARNING EXTERIOR LOAD

WARNING

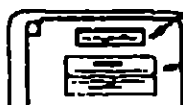
OPEN GASOLINE CAP SLOWLY TO PREVENT SUDDEN RELEASE OF TANK PRESSURE. DO NOT OVERFILL TANK. REPLACE WITH EQUIVALENT CAP ONLY.



UNLEADED FUEL ONLY

WARNING

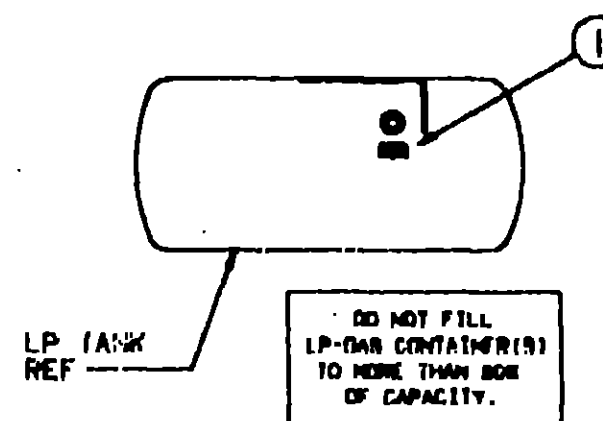
ALL PILOT LIGHTS AND APPLIANCES SHALL BE TURNED OFF DURING REFUELING OF MOTOR FUEL TANKS AND/OR PERMANENTLY HEATED LP-GAS CONTAINERS.



DOOR ASM-FUEL FILL REF

KEY PART NUMBER U/M DESCRIPTION
 1 087207-05-000 EA LABEL-FUEL CAP REMOVAL
 2 052043-01-000 EA LABEL-FUEL, UNLEADED
 3 006040-01-000 EA TAG-GAS REFUELING WARNING
 3 006040-02-000 EA TAG-GAS REFUEL WARNING, CANADIAN

LABEL GROUP (CONTINUED)



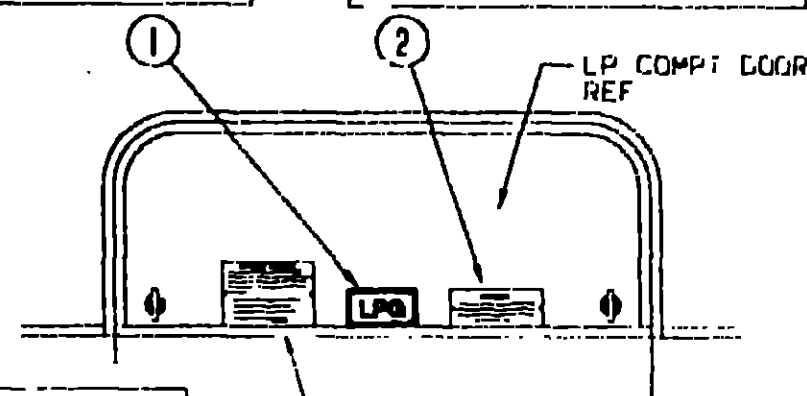
LP TANK REF

KEY PART NUMBER U/M DESCRIPTION
 1 079966-01-000 EA LABEL-LPG 80 CAPACITY

LPG

WARNING

ALL PILOT LIGHTS AND APPLIANCES SHALL BE TURNED OFF DURING REFUELING OF MOTOR FUEL TANKS AND/OR PERMANENTLY HEATED LP-GAS CONTAINERS.



LP COMPT DOOR REF

LP-GAS SYSTEM

THIS GAS PIPING SYSTEM IS DESIGNED FOR USE OF LIQUEFIED PETROLEUM GAS ONLY. DO NOT CONNECT NATURAL GAS TO THIS SYSTEM.

SECURELY CAP INLET(S) WHEN NOT CONNECTED FOR USE. AFTER TURNING ON GAS, EXCEPT AFTER NORMAL CONTAINER REPLACEMENT, TEST GAS PIPING AND CONNECTIONS TO APPLIANCE FOR LEAKAGE WITH SOAPY WATER OR SUABLE SOLUTION. DO NOT USE PRODUCTS THAT CONTAIN AMMONIA OR CHLORINE. P.N. 34531

KEY PART NUMBER U/M DESCRIPTION
 1 074559-01-000 EA DECAL-LOGO, LPG - RED - (CALIF CODE)
 2 006040-01-000 EA TAG-GAS REFUELING WARNING
 2 006040-02-000 EA TAG-GAS REFUEL WARNING, CANADIAN
 3 054531-01-000 EA LABEL-LP GAS ONLY
 3 023769-01-000 EA LABEL-WARNING, LPG - CANADIAN

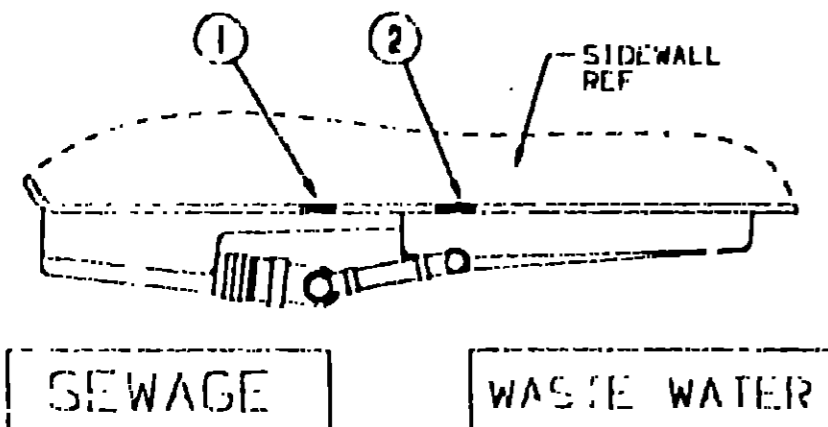
1993 ITASCA TABLE OF CONTENTS

INTRODUCTION	A 01 - A 02
ABBREVIATIONS	A 03
ALPHABETICAL INDEX	A 04 - A 05
IF527RQ	A 07 - E 02
IF527RC	E 03 - H 22

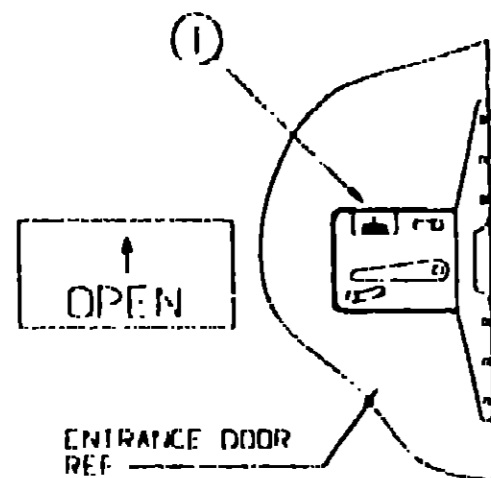
1993 IF527RQ INDEX

FLOOR PLAN	A 07	A 08
ACCESSORIES	A 09	A 10
AUDIO / VCR	A 11	A 12
BATH	A 13	A 17
BEDROOM	A 18	A 22
CHASSIS	A 23	B 08
CURTAIN & CUSHION	B 09	B 10
DINETTE	B 11	B 12
DRIVERS COMPARTMENT	B 13	B 15
ELECTRICAL	B 17	C 02
EXTERIOR BODY	C 03	C 07
GALLEY	C 09	C 10
GENERATOR	C 11	C 14
HEATING & A/C	C 15	C 21
INTERIOR FINISH	C 23	C 24
LABELS	D 01	D 03
LP	D 04	D 08
LOUNGE	D 09	E 02
SEALANTS & FASTENERS		
WATER & SEWAGE		
WINDOW VENT AND EXTERIOR DOOR		

LABEL GROUP (CONTINUED)

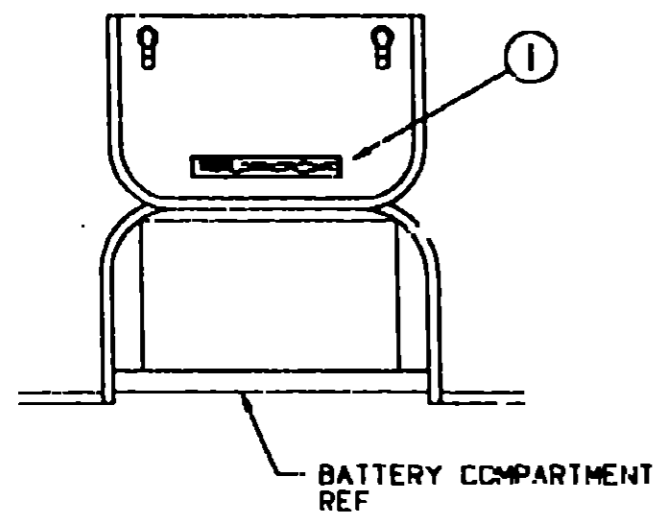


KEY	PART NUMBER	U/M DESCRIPTION
1	076187-01-000	EA LABEL-SEWAGE
2	066188-01-000	EA LABEL-WASTE WATER



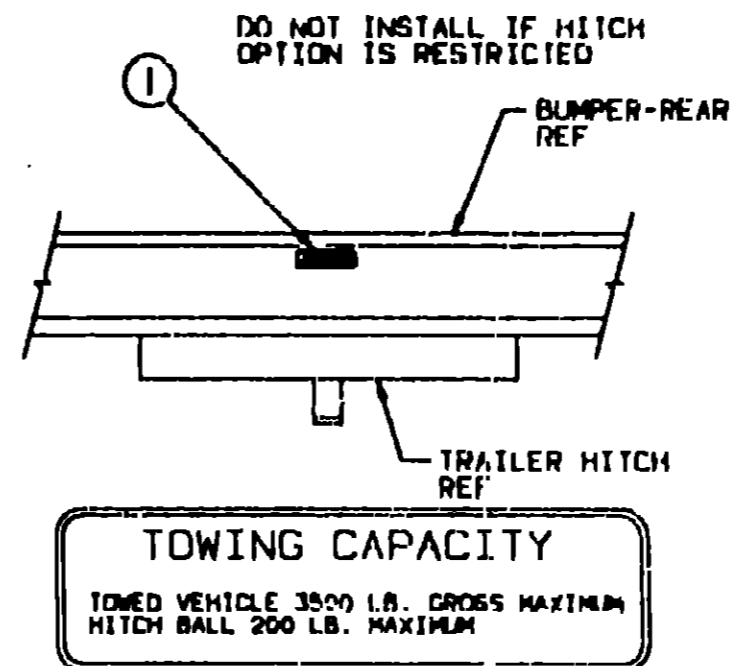
KEY	PART NUMBER	U/M DESCRIPTION
1	040944-01-000	EA LABEL ENTRANCE DOOR 'OPEN'

WARNING DISCONNECT BATTERIES BEFORE CONNECTING EXTERNAL CHARGING EQUIPMENT.



KEY	PART NUMBER	U/M DESCRIPTION
1	065748-01-000	EA LABEL-CAUTION BATTERY CHARGING

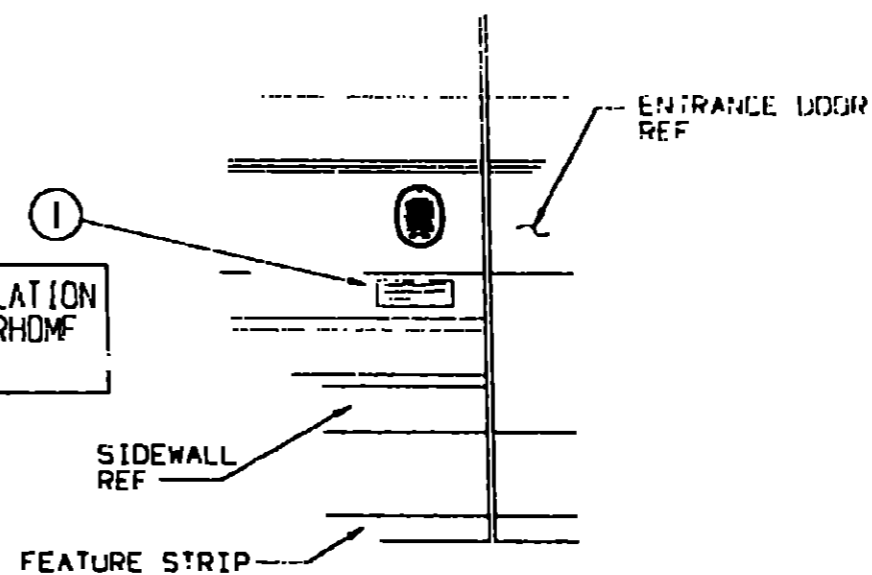
LABEL GROUP (CONTINUED)



KEY	PART NUMBER	U/M DESCRIPTION
1	075721-01-000	EA LABEL-TOWING CAPACITY



FOR AWNING INSTALLATION CONTACT YOUR MOTORHOME DEALER SHIP



KEY	PART NUMBER	U/M DESCRIPTION
1	099509-01-000	EA LABEL-AWNING INSTALLATION

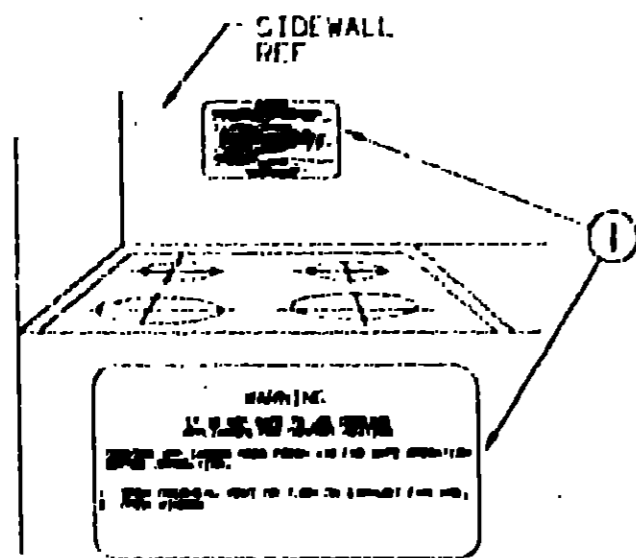
**1993 ITASCA
TABLE OF CONTENTS**

INTRODUCTION	A-01	A-02
ABBREVIATIONS		A-03
ALPHABETICAL INDEX	A-04	A-05
IF52/RQ	A-07	E-02
IF52/HC	F-03	F-02

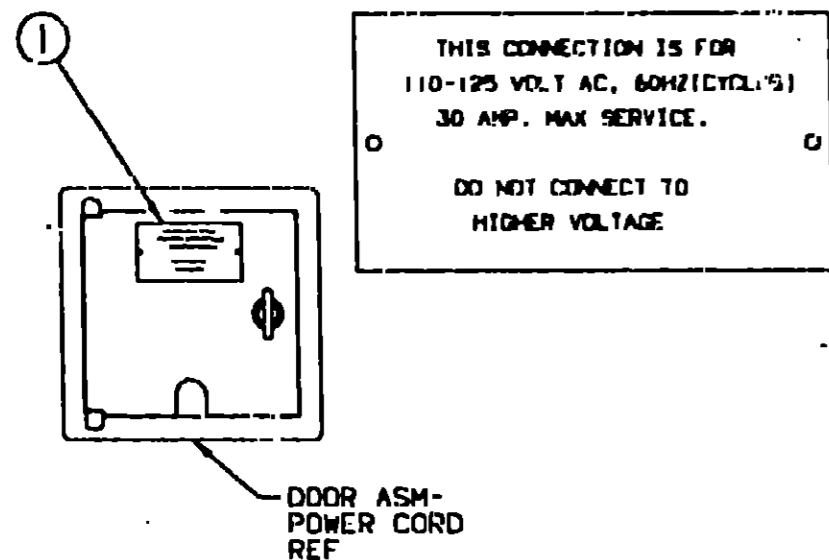
1993 IF527RQ INDEX

FLOOR PLAN	A-07	A-08
ACCESSORIES		A-09
ADD-ONS		A-10
BATH	A-11	A-12
BEDROOM	A-13	A-17
CHASSIS	A-18	A-22
CURTAIN & CUSHION	A-23	B-08
DINETTE	B-09	B-10
DRIVERS COMPARTMENT	B-11	B-12
ELECTRICAL	B-13	B-16
EXTERIOR BODY	B-17	C-02
GALLEY	C-03	C-07
GENERATOR		C-08
HEATING & A/C	C-09	C-10
INTERIOR FINISH	C-11	C-14
LABELS	C-15	C-21
LP		C-22
LOUNGE	C-23	C-24
SEALANTS & FASTENERS	D-01	D-03
WATER & SEWAGE	D-04	D-08
WINDOW VENT AND EXTERIOR DOOR	D-09	E-02

LABEL GROUP (CONTINUED)



KEY	PART NUMBER	U/M DESCRIPTION
1	050225-01-000	EA LABEL-WARNING, STOVE VENT - US
1	050222-01-000	EA LABEL-WARNING, STOVE VENT - CANADIAN

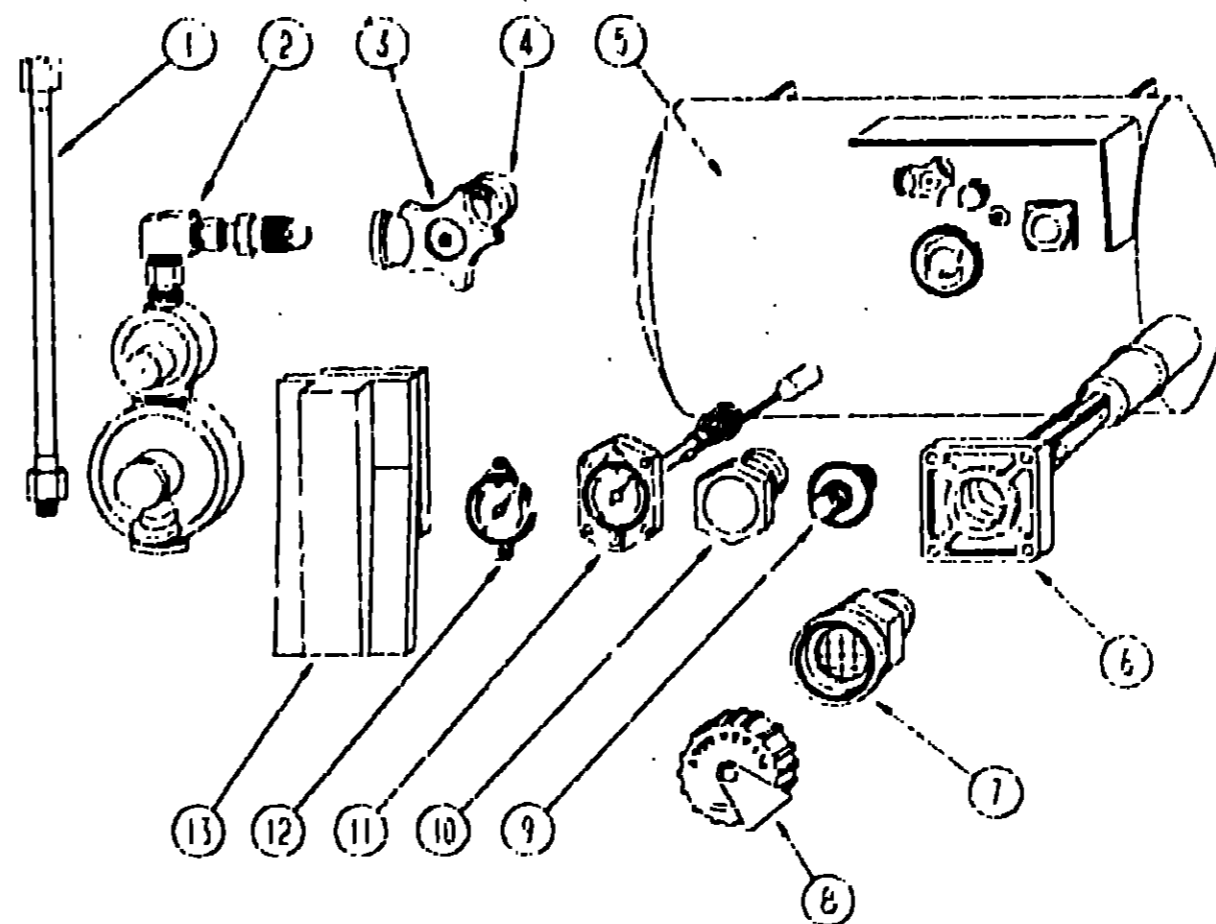


KEY	PART NUMBER	U/M DESCRIPTION
1	006062-01-000	EA TAG-ELECTRIC 110V CONNECTION

MISCELLANEOUS LABELS

KEY	PART NUMBER	U/M DESCRIPTION
	R77005-67-599	EA LABEL-FUEL, "UNLEADED"
	005064-01-000	EA LABEL-SEAT W/O SEATBELT NOT INTENDED FOR USE WHILE COACH IN MOTION
	076054-02-000	EA LABEL-SEAT W/O SEATBELT (CANADIAN)
	035709-01-000	EA LABEL-NO STORAGE
	061417-01-000	EA LABEL-FUEL ON FUEL FILL DOOR
	061606-01-000	EA LABEL-OVERLAY, VEHICLE CERTIFICATION - ADHESIVE BACKED
	073998-01-000	EA LABEL-LPG ODOR WARNING
	097236-01-000	EA LABEL-CABLE, INPUT
	091224-02-000	EA LABEL-TRAILER LIGHTING
	091243-01-000	EA LABEL-A/C COVER, "AIR CONDITIONING CIRCUIT ETC"
	091243-02-000	EA LABEL-COVER, "MICROWAVE CIRCUIT ETC"
	093236-08-000	EA LABEL-CIRCUIT BREAKER
	098641-01-000	EA LABEL-FUEL, UNLEADED - DASH
	104236-01-000	EA LABEL-GENERATOR CIRCUIT

LP GROUP



LP TANK & COMPONENTS

KEY	PART NUMBER	U/M DESCRIPTION
1	045703-01-000	EA HOSE-LP, 3/8" ID X 24' - 3/8 MPT X 1/2" F SWIVEL - U S
1	045703-02-000	EA HOSE-LP, 3/8" ID X 24' - 3/8" MPT X 1/2" F SWIVEL - CANADA
2	106150-01-000	EA REGULATOR-TWO STAGE - M BRASS 293-00
3	040421-01-708	EA HANDWHEEL-SERVICE VALVE, BRUNNER G-1015-A
4	040421-01-712	EA VALVE-SERVICE, W/O VAPOR RELIEF
5	097821-01-000	EA TANK-LP 60 LB BRUNNER - 14" X 30"
6	040421-01-707	EA GAUGE-FLOAT W/VISIBLE DIAL - BRUNNER MA-9 6244-4
7	040421-01-701	EA VALVE-SHORT LP FILLER W/YELLOW CAP - BRUNNER 75478
8	040421-01-702	EA CAP-LP FILLER VALVE, PLASTIC - YELLOW - BRUNNER G-1014-A
9	040421-01-700	EA VALVE-LIQUID LEVEL, 20% LP - BRUNNER G-1013
10	040421-01-713	EA VALVE-VAPOR ONLY - 29000587
11	040421-01-711	EA VALVE-80% W/FLOAT PLATE BOLTS & GASKET - BRUNNER
12	040440-02-000	EA TRANSMITTER-DIAL, 0-50 OHM
13	105658-01-000	EA COMPARTMENT-LP REGULATOR
	365741-01-000	EA GAUGE-DIAPHRAGM PRESSURE - MARSHALLTOWN MFG
	103613-01-000	EA DETECTOR-LP GAS
	010323-01-000	EA ADAPTER-BRASS, 3/8" F X 1/2" MPT
	065742-01-000	EA TEE 3/8" F X 3/8" F X 25FPT - BRASS
	010377-02-000	EA NUT-BRASS, 3/8" FEMALE - FORGED
	010380-01-000	EA NUT-BRASS, 1/2" FEMALE - FORGED
	095624-01-000	EA ELBOW-90 DEGREE, 1/4" FPT X 1/4" FPT - BRASS
	065318-02-000	EA ELBOW-90 DEGREE, 3/8" MPT TO 3/8" FPT
	035340-01-000	EA ELBOW-3/8" MPT X 1/2" F - BRASS
	071391-02-000	EA NIPPLE-HEX, 1/4" PIPE - 3325X4 WEATHERHEAD
	084884-01-000	EA PLUG-BRASS, 3/8"

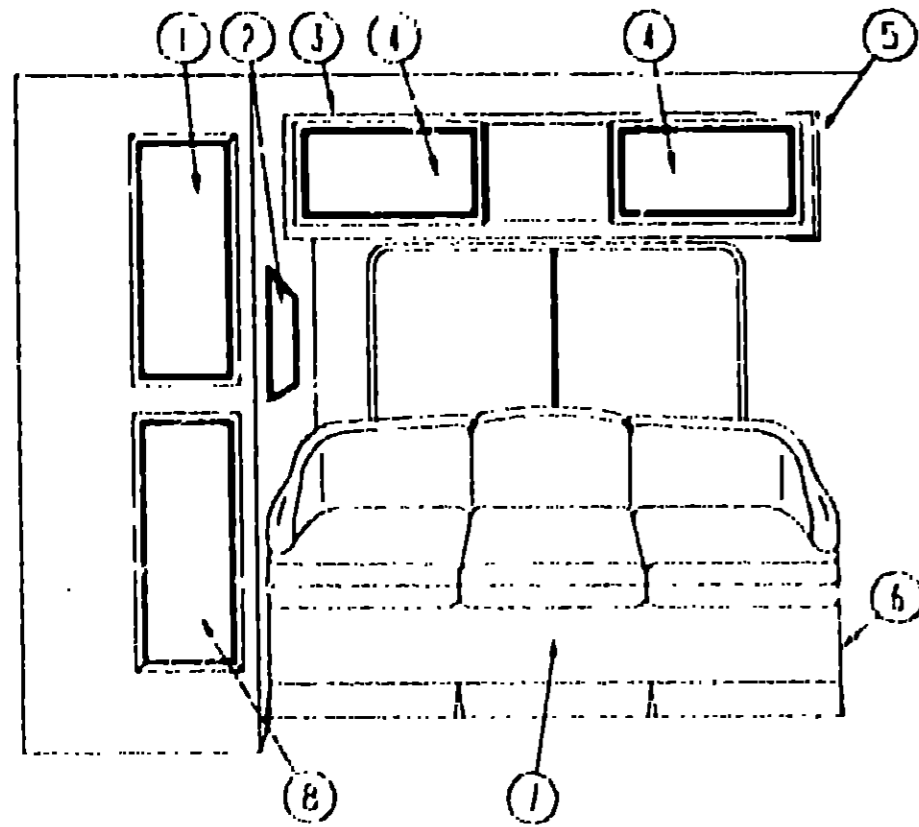
**1993 /TASCA
TABLE OF CONTENTS**

INTRODUCTION	A-01	A-02
ABBREVIATIONS	A-03	A-03
ALPHABETICAL INDEX	A-04	A-06
IF527RQ	A-07	E-02
IF527RC	E-01	E-02

1993 IF527RQ INDEX

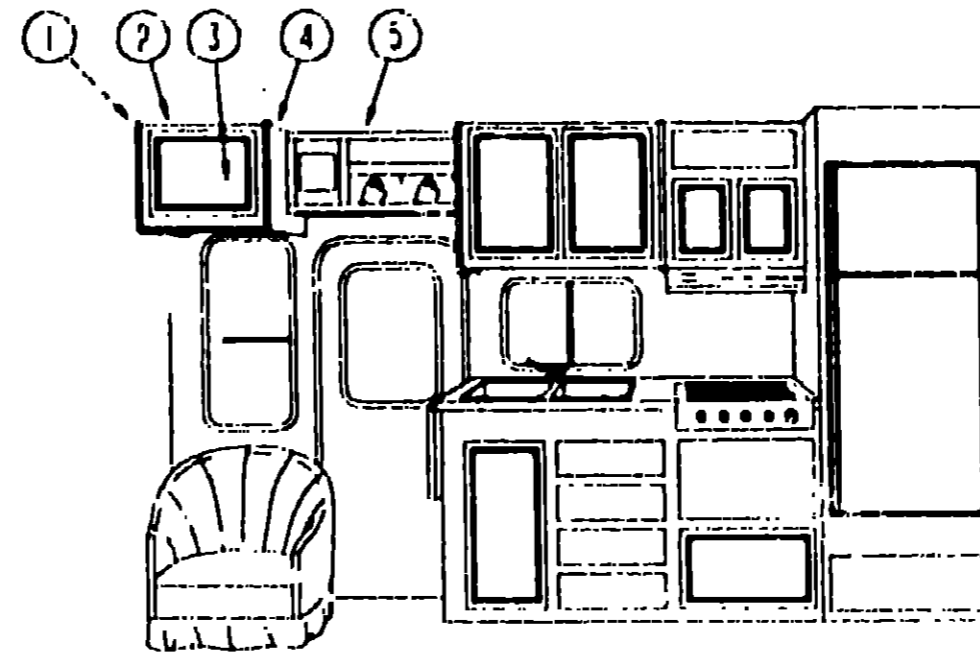
FLOOR PLAN	A-07	A-08
ACCESSORIES	A-09	A-10
ADDITIONAL	A-11	A-11
BATH	A-11	A-12
BEDROOM	A-13	A-17
CHASSIS	A-18	A-22
CURTAIN & CUSHION	A-21	B-06
DINETTE	B-09	B-10
DRIVERS COMPARTMENT	B-11	B-12
ELECTRICAL	B-13	B-15
EXTERIOR BODY	B-17	C-02
GALLEY	C-03	C-07
GENERATOR		C-08
HEATING & A/C	C-09	C-10
INTERIOR FINISH	C-11	C-14
LABELS	C-15	C-21
LP		C-22
LOUNGE	C-23	C-24
SEALANTS & FASTENERS	D-01	D-03
WATER & SEWAGE	D-04	D-08
WINDOW VENT AND		
EXTERIOR DOOR	E-09	E-02

LOUNGE GROUP



COUCH CABINETS

LOUNGE GROUP (CONTINUED)



OVERHEAD CABINETS

**1993 ITASCA
TABLE OF CONTENTS**

INTRODUCTION	A 01	A 02
ABBREVIATIONS		A 03
ALPHABETICAL INDEX	A 04	A 05
IF527RQ	A 07	E 02
IF527RC	E 03	11 22

1993 IF527RQ INDEX

FLOOR PLAN	A 07	A 08
ACCESSORIES		A 09
ADJUSTERS		A 10
BATH	A 11	A 12
BEDROOM	A 13	A 14
CHASSIS	A 19	A 22
CURTAIN & CUSHION	A 23	B 08
DINETTE	B 09	B 10
DRIVERS COMPARTMENT	B 11	B 12
ELECTRICAL	B 13	B 16
EXTERIOR BODY	B 17	C 02
GALLEY	C 03	C 07
GENERATOR		C 09
HEATING & A/C	C 09	C 10
INTERIOR FINISH	C 11	C 14
LABELS	C 15	C 21
LP		C 22
LOUNGE	C 23	C 24
SEALANTS & FASTENERS	D 01	D 03
WATER & SEWAGE	D 04	D 08
WINDOW VENT AND		
EXTERIOR DOOR	D 09	E 02

KEY	PART NUMBER	U/M DESCRIPTION
1	P03702-17-D29	EA DOOR-CABINET W/O HARDWARE - 305 X 1015 MM
2	G58331-01-000	EA MIRROR-SAFETY GLASS 19" X 25"
	105004-01-02A	EA TRIM MIRROR VINYL WRAPPED - RAMBLING OAK
3	M05780-02-D29	EA CABINET-OVERHEAD W/O DOOR & HARDWARE
		FROM 00-00-00 THRU 11-09-92
3	M05780-65-D29	EA CABINET-OVERHEAD W/O DOOR & HARDWARE
		FROM 11-10-92 THRU 99-99-99
3	M05780-02-D31	EA CABINET-OVERHEAD W/O DOOR & HARDWARE
		FROM 00-00-00 THRU 11-09-92
3	M05780-65-D31	EA CABINET-OVERHEAD W/O DOOR & HARDWARE
		FROM 11-10-92 THRU 99-99-99
3	110417-02-D29	EA CABINET-OVERHEAD W/O DOOR & HARDWARE (EUROPEAN EXPORT)
3	110417-02-D31	EA CABINET-OVERHEAD W/O DOOR & HARDWARE (EUROPEAN EXPORT)
4	P03702-M4-D29	EA DOOR-CABINET W/O HARDWARE 27" X 715MM (MIRRORED)
4	P03702-D2-C31	EA DOOR-CABINET W/O HARDWARE - 29C X 715MM (WOOD PANEL)
5	104335-06-C43	EA END CAP-CABINET OVERHEAD
6	M04187-55-D29	EA CABINET-COUCH W/FABRIC
6	M04187-55-D31	EA CABINET-COUCH W/FABRIC
7	M04187-54-D29	EA CABINET-COUCH W/FABRIC
7	M04187-54-D31	EA CABINET-COUCH W/FABRIC
	083125-03-000	EA BRACE-ANGLE COUCH TAN
	083125-05-000	EA BRACE-ANGLE COUCH - 2 5" - BEIGE
	109059-12-D04	EA SUPPORT ASM - COUCH
8	P03702-J3-D29	EA DOOR-CABINET W/O HARDWARE - 305 X 660MM
	081298-01-D29	EA TABLE PEDESTAL W/O HARDWARE & LEG
	035040-03-000	EA BASE-TABLE RAISED - TABLE MOUNTED
	023040-02-000	EA LEG-TABLE 27 5" X 2 25" DIA - CHROME
	041194-01-000	EA BASE-TABLE FLUSH - FLOOR MOUNTED
	012046-01-000	EA CLIP-LEG PEDESTAL - 1 7" X 2 2" - DIA FROM 2" TO 2 5"
	042438-02-000	EA DOWEL-WOOD 2" X 2"
	075840-01-000	EA CORD-BUNGIE 24"

KEY	PART NUMBER	U/M DESCRIPTION
1	104335-07-C43	EA END CAP-CABINET OVERHEAD
1	104335-18-D29	EA END CAP-CABINET OVERHEAD (TV OPTION)
2	M05780-01-D29	EA CABINET-OVERHEAD W/O DOOR & HARDWARE - FRONT - RIGHT
2	M05780-26-D29	EA CABINET-OVERHEAD W/O DOOR & HARDWARE (TV OPTION)
	106452-11-C03	EA SHELF ASM
	061604-01-000	EA SLIDE-BOLT ANGLE BRASS
	101910-03-000	EA SLIDE-DRAWER CABINET MOUNTED - SET OF 2 12" LONG
	101910-04-000	EA SLIDE-DRAWER DRAWER MOUNTED - SET OF 2 12"
3	P03702-M4-D29	EA DOOR-CABINET W/O HARDWARE - 400 X 520MM
4	104335-06-C43	EA END CAP-CABINET OVERHEAD
4	104335-17-C43	EA END CAP-CABINET OVERHEAD (TV OPTION)
5	109305-01-D29	EA CABINET-OVERHEAD ENTRANCE DOOR
5	109305-01-D31	EA CABINET-OVERHEAD ENTRANCE DOOR
	109305-11-D29	EA PANEL-BACK CABINET - FABRIC COVERED
	109305-11-D31	EA PANEL-BACK CABINET - FABRIC COVERED
	105847-04-C05	EA HOLDER-KEY RING
	103130-01-000	EA HOOK-KEY RING BRASS - 1 25"

SEALANTS & FASTENERS GROUP

ADHESIVE & FASTENERS

KEY	PART NUMBER	U/M	DESCRIPTION
	034552-02-000	EA	SILICONE-TUBE, 300 ML - W/O NOZZLE - CLEAR
	034552-06-000	EA	SILICONE-TUBE, 300 ML - W/O NOZZLE - OFF WHITE
	900390-01-000	EA	TIP-2 1/2" X 1/8" ORIFICE
	900390-02-000	EA	TIP-6" LN, 1/16" X 1/4" ORIFICE
	900390-03-000	EA	NOZZLES-#CSL D10
	053766-02-000	EA	BEDDING COMPOUND-TUBE, WHITE SCHNEE# 5522
	053766-06-000	EA	BEDDING COMPOUND-TUBE, CLEAR
	053766-09-000	EA	BEDDING COMPOUND-TUBE GRAY - SCHNEE# 5522
	063642-01-000	FT	TAPE-ADHESIVE, 10 MM X 1 5" WIDE X 180'
	069540-01-000	FT	SEALER-RIBBON, 1/4" DIAMETER - INCREMENTS OF 30'
	069540-02-000	FT	SEALER-RIBBON, 1/2" X 1/8" - INCREMENTS OF 30' OR 60'
	069540-03-000	FT	SEALER-RIBBON, 3/4" X 1/8" - INCREMENTS OF 60'
	069540-10-000	FT	SEALER-RIBBON, 1/32" X 1 1/2" INCREMENTS OF 90'
	069540-11-000	FT	SEALER-TAPE, 3/16" X 3/8", BLACK - MANUS
	069540-12-000	FT	SEALER-TAPE, 1/8" X 1 5" GRAY - MANUS
	069540-14-000	FT	SEALER-TAPE, 1/16" X 1" GRAY - MANUS
	072889-01-000	EA	SEALANT-URETHANE, BLACK - 1/10 - ESSEX 552 2
	075314-02-000	FT	TAPE-CARPET SEAM, HEAT-BOND - 4" WIDE
	076322-01-000	FT	TAPE-FOAM, DOUBLE COATED ADHESIVE BACKED - 75" X 216'
	076322-02-000	FT	TAPE-FOAM, DOUBLE COATED ADHESIVE BACKED - 1" X 108'
	076322-03-000	FT	TAPE-FOAM, DOUBLE COATED ADHESIVE BACKED - 5" X 108'
	077122-05-000	FT	TAPE-FOAM, DOUBLE COATED ADHESIVE BACKED - 025" X 1 5" X 108'
	087211-01-000	GL	PROMOTER-ADHESIVE
	091255-02-000	FT	SEAL-ADHESIVE BACKED FOAM, 18" THICK X 1 5" WIDE
	094401-01-000	EA	SEALER-BODY SEAM SEALER, 3M FLEXICLEAR
	102352-01-000	EA	SEALER-PUMPABLE, BLACK - COLORIMETRIC MS101
	106716-01-000	EA	SILICONE-TUBE, OFF WHITE LEVEL - CSI 510

BOLTS, NUTS & WASHERS

KEY	PART NUMBER	U/M	DESCRIPTION
	000G45-05-16B	EA	BOLT-LAG 5/16" X 1 1/2"
	000G31K-08-020	EA	BOLT-HEX, SER FLANGE - M8 X D20
	000G12-05-16B	EA	BOLT-HEX 5/16-18 X 1 - ZINC 5
	000G12-06-12B	EA	BOLT-HEX-3/8 16X2LG ZN 5
	000G12-07-24B	EA	BOLT-HEX 7/16 14X1 50 ZN 5 MC 90
	000G12-08-24B	EA	BOLT-HEX 1/2-13 X 1 1/2 - ZN 5
	000G12-10-24B	EA	BOLT-HEX 5/8-11 X 1 1/2 ZN - 5
	000G13-07-48B	EA	BOLT-HEX 7/16 - 20 X 3 - ZN 5
	000G18-05-40A	EA	BOLT-ELEV, 5/16"-18 X 2 1/2" PL
	000G18-06-48B	EA	BOLT-ELEV, 3/8-16 X 3 ZN - GDE 5
	000G26-04-10B	EA	BOLT-HEX SER FLG - 1/4-20 X 5/8 ZINC
	000G26-05-12B	EA	BOLT-HEX SER FLG 5/16-18X3/4 ZN
	000D24-10-00B	EA	NUT-HEX, SF/LK - 10-32 ZN
	000D39-04-00B	EA	NUT-HEX, SER FLG LK 1/4 - 20 ZN
	000D39-05-00B	EA	NUT-HEX SER FLG LK - 5/16 - 18 ZN
	000D39-06-00B	EA	NUT-HEX, SER FLG LK - 3/8-16 ZN
	000D39-08-00B	EA	NUT-HEX SER FLG LK - 1/2-13 ZN
	000D44-07-00B	EA	NUT-HEX SER FLG LK - 7/16-20 ZN
	000E11-07-00B	EA	WASHER-LK 7/16 MED SPLIT ZN 05114-01-000
	000E13-14-00B	EA	WASHER-FL 1/4" WIDE ZN
	000E13-17-00B	EA	WASHER-FLARE, 3/8" AR ZN
	000E13-20-00B	EA	WASHER-FL 7/16" WIDE - ZN
	000E13-21-00B	EA	WASHER-FL W/2 NAR ZN
	000E14-10-00B	EA	WASHER-LK, NO 10 EXT TOOTH - ZN
	041322-01-000	EA	WASHER FL 15/32(I) X 2 3/8 OD - FOR SEAT BELT MOUNT
	044533-01-000	EA	WASHER PLASTIC : 3/8"OD - FOR BUTTONS

SEALANTS & FASTENERS GROUP (CONTINUED)

SCREWS

KEY	PART NUMBER	U/M	DESCRIPTION
	000G11-06-10J	EA	SCREW, 6-20 X 5/8 PPH - BRASS
	000G11-07-08B	EA	SCREW, 7-19 X 1/2 PPH - ZN
	000G11-08-06B	EA	SCREW, 8-18 X 3/8 PPH ZN
	000G11-08-08B	EA	SCREW, 8-18 X 1/2 PPH - ZN
	000G11-08-12B	EA	SCREW, 8-18 X 3/4 PPH ZN
	000G11-08-12D	EA	SCREW, 8-18 X 3/4 PPH - BLACK
	000G11-08-12E	EA	SCREW-8-18X 75 PPH - CHROME
	000G11-08-12P	EA	SCREW, 8-18 X 75 PPH - DARK BROWN
	000G11-08-12R	EA	SCREW, 8-18 X 3/4 PPH - BEIGE
	000G11-08-12S	EA	SCREW, 8-18 X 3/4 PPH - OFF WHITE
	000G11-08-12T	EA	SCREW, 8-18 X 3/4 PPH - BLACK
	000G11-08-16S	EA	SCREW, 8-18 X 1 00 PPH - OFF WHITE
	000G11-10-12S	EA	SCREW-10-16X 75 PPH OFF WHT
	000G12-06-08T	EA	SCREW, 6-20 X 50 POH - BLACK
	000G12-08-12R	EA	SCREW, 8-18 X 75OH - BEIGE
	000G12-08-12S	EA	SCREW, 8-18 X 3/4 POH - OFF WHITE
	000G13-06-06B	EA	SCREW, 6-20 X 3/8 PFH ZN
	000G13-06-08B	EA	SCREW, 6-20 X 1/2 PFH ZN
	000G13-06-08G	EA	SCREW, 6-20 X 1/2 PFH - ANTIQUE BRASS
	000G13-06-16J	EA	SCREW, 6-20 X 1 00 PFH - BRASS
	000G13-07-12B	EA	SCREW, 7-19 X 3/4 PFH ZN
	000G13-08-16B	EA	SCREW, 8-18 X 1 PFH - ZN
	000G13-10-12B	EA	SCREW, 10-16 X 3/4 PFH ZN
	000G18-08-16B	EA	SCREW-MACHINE, 8 X 32 X 1, PPH ZN
	000G18-08-22B	EA	SCREW-MACHINE, 8-32 X 1 3/8 PPH ZN
	000G32-10-06B	EA	SCREW-10-32 X 3/8 PPH - ZINC
	000G39-06-08B	EA	SCREW-DR, 6-18 X 1/2 ZN
	000G39-06-10T	EA	SCREW-SF/DR, 6-20 X 5/8 PPH - BLACK
	000G39-06-16T	EA	SCREW-SF/DR, 6-20 X 5/8 PPH - BLACK
	000G39-08-06B	EA	SCREW-SF/DR, 8-18 X 1 PPH - BLACK
	000G39-08-08B	EA	SCREW-SF/DR, 8-18 X 3/8 PPH ZN
	000G39-08-08R	EA	SCREW-SF/DR, 8-18 X 1/2 PPH ZN
	000G39-08-08S	EA	SCREW-SF/DR, 8-18 X 1/2 PPH - BEIGE
	000G39-08-08S	EA	SCREW-SF/DR, 8-18 X 1/2 PPH - OFF WHITE
	000G39-08-12B	EA	SCREW-SF/DR, 8-18 X 3/4 PPH ZN
	000G39-08-16B	EA	SCREW-SF/DR, 8-18 X 1 PPH ZN
	000G39-08-16S	EA	SCREW-SF/DR, 8-18 X 1 00 PPH - OFF WHITE
	000G39-08-24B	EA	SCREW-SF/DR, 8-18 X 1 1/2 PPH ZN
	000G39-10-12D	EA	SCREW-SF/DR, 10-16 X 3/4 PPH - BLACK
	000G39-10-12R	EA	SCREW-SF/DR, 10-16 X 3/4 PPH - BEIGE
	000G39-10-20B	EA	SCREW-SF/DR, 10-16 X 1 1/4 PPH ZN
	000G39-10-32I	EA	SCREW-SF/DR, 10-16 X 2 00 PPH - ZN PLATE-PASS BLACK
	000G39-12-12E	EA	SCREW-SF/DR, 12 - 14 X 3/4 PPH - CHROME
	000G42-04-12B	EA	SCREW-SF/DR, 1/4 - 14 X 3/4 HWH ZN
	000G42-04-16B	EA	SCREW-SF/DR, 1/4-14 X 1 HWH - ZN
	000G50-04-12B	EA	SCREW-MACHINE, 1/4-20 X 3/4 PPH ZN
	000G53-04-06B	EA	SCREW-MACHINE, 1/4-20 X 3/8 PPH ZN - UNDERCUT HEAD
	000G54-04-20B	EA	SCREW, 1/4-20 X 1 1/4 PPH - TYPE 23 - ZINC PLATED
	000G56-12-48B	EA	SCREW-WOOD, 12 - 11 X 3 POH - SPECIAL HARDENED
	000G60-10-28T	EA	SCREW-SF/DR, 10-16 X 1 75 - BLACK
	000G67-10-08B	EA	SCREW, 10-12 X 1/2 PPH ZN
	000G67-10-08R	EA	SCREW, 10-12 X 1/2 PPH - BEIGE - TYPE A
	000G67-10-10B	EA	SCREW, 10-12 X 5/8 PPH ZN - TYPE A
	000G67-10-10D	EA	SCREW, 10-12 X 5/8 PPH - BLACK - TYPE A
	000G67-10-10R	EA	SCREW, 10-12 X 5/8 PPH - TYPE A - BEIGE
	000G67-10-10S	EA	SCREW, 10-12 X 5/8 PPH - OFF WHITE
	000G67-10-12B	EA	SCREW, 10-12 X 3/4 PPH - ZN
	000G67-10-12P	EA	SCREW, 10-12 X 75 PPH - DARK BROWN
	000G67-10-12R	EA	SCREW, 10-12 X 75 PPH - BEIGE
	000G67-10-16B	EA	SCREW, 10-12 X 1 PPH - ZN

1993 ITASCA TABLE OF CONTENTS

INTRODUCTION	A 01	A-02
ABBREVIATIONS		A-03
ALPHABETICAL INDEX	A-04	A-06
IFS27RQ	A-07	E-02
IFS27RC	E 03	H-22

1993 IF527RQ INDEX

FLOOR PLAN	A-07	A-08
ACCESSORIES		A-09
AUDIO VIDEO		A-10
BATH	A-11	A-12
BEDROOM	A-13	A-17
CHASSIS	A-18	A-22
CURTAIN & CUSHION	A-23	B-08
DINETTE	B 09	B 10
DRIVERS COMPARTMENT	B-11	B-12
ELECTRICAL	B-13	B-15
EXTERIOR BODY	B-17	C-02
GALLEY	C-03	C-07
GENERATOR		C-08
HEATING & A/C	C-09	C-10
INTERIOR FINISH	C-11	C-14
LABELS	C-15	C-21
LP		C-22
LOUNGE	C-23	C-24
SEALANTS & FASTENERS	D-01	D-03
WATER & SEWAGE	D 04	D-08
WINDOW, VENT AND		
EXTERIOR DOOR	D 09	E-02

SEALANTS & FASTENERS GROUP (CONTINUED)

SCREWS (CONTINUED)

KEY	PART NUMBER	U/M DESCRIPTION
	000G67-10-16P	EA SCREW, 10-12 X 1 PPH - DARK BROWN
	000G67-10-20D	EA SCREW, 10-12 X 1 1/4 PPH - BLACK
	000G67-10-24B	EA SCREW, 10-12 X 1 1/2 PPH - ZN
	000G67-10-32B	EA SCREW, 10-12 X 2 PPH - ZN
	000G68-06-10G	EA SCREW, 6-18 X 5/8 POH - ANTIQUE BRASS
	000G68-10-36T	EA SCREW, 10-12 X 2 25 POH BLACK
	049465-04-000	EA SCREW, 10-16 X 1 PTH W/WASHER - BEIGE
	074046-01-000	EA SCREW, 8-18 X 1 1/2 PPH, BRONZE
	075908-01-010	EA SCREW-MACHINE, 10-32 X .56 PTH - ZINC EXTERNAL TOOTH
	101289-01-01A	EA SCREW-MACHINE, 8-32 X 4 POH - BRASS - FOR EXTENDED KNOB

CLAMPS, GROMMETS, CLIPS & RIVETS

KEY	PART NUMBER	U/M DESCRIPTION
	000H16-04-06R	EA RIVET-POP, AL 1/8 X 313-375
	007161-01-000	EA CLAMP-HOSE, SPRING TYPE - 1/2"
	010495-01-000	EA CLAMP-CABLE, 9/16"
	010497-01-000	EA CLAMP-CLOSED, 5/8" ID
	010499-01-000	EA CLAMP-CLOSED, 3/8" ID
	016188-05-000	EA GROMMET-LIP LINE, 3/8" HOLE X 1 1/4" LONG - RUBBER
	023942-01-000	EA GROMMET-RUBBER, 2" OD
	062401-01-000	EA CLAMP-HOSE, WORMGEAR 25° - 1"
	062401-02-000	EA CLAMP-HOSE, WORMGEAR 1 56° - 2 5"
	062401-04-000	EA CLAMP-HOSE, WORMGEAR 69° - 1 25"
	062401-06-000	EA CLAMP-HOSE, WORMGEAR 22° - 62"
	069592-02-000	EA RIVET-T. (POP) - 1/4 X 093 - 156
	071015-11-000	EA GROMMET-1 00" ID, FITS 12 MATL - MINOR RUBBER Z-306:
	071015-26-000	EA GROMMET-RUBBER, 1 5" ID X 2 12" OD W/ 06" GROOVE - BLACK
	071015-31-000	EA GROMMET-RUBBER, 69" ID X 1 31" OD W/ 12" GROOVE - BLACK
	075148-02-000	EA CLAMP GROUNDING, BRONZE SCREWS
	077953-01-000	EA GROMMET EDGE LINER FITS 1"
	080734-02-000	EA CLIP-WIRE, NYLON
	082149-01-000	EA STUD-CLINCH, 3/8" X 24 X 1 12 GD5
	083609-01-000	EA CLAMP-WIRE, DUAL, EQUAL - 5/8" DIAMETER
	083610-01-000	EA CLAMP-WIRE, DUAL - UNEQUAL DIAMETERS - 75" & 1 25"
	085774-01-000	FT FASTENER-DUAL, HOOK, 1" WIDE - ADHESIVE BACK - BLACK
	085774-02-000	FT FASTENER-DUAL, LOOP, 1" WIDE - ADHESIVE BACK - BLACK
	087721-01-000	EA SCREW-FLAT HEAD, TAPPING - 1/4" X 1 1/4" LG ZN
	091952-01-000	EA CLIP-GRIPPER 1"
	101447-01-000	EA CLIP-U TYPE, TINNEMAN - HOLDS SHOWER SURROUND TOGETHER

WATER & SEWAGE GROUP

FRESH WATER TANK

KEY	PART NUMBER	U/M DESCRIPTION
	064214 11 000	EA TANK-WATER, W/FITTINGS - 31 GALLON (QUEEN BED)
	064214-07-000	EA TANK-WATER, W/FITTINGS - 36 GALLON - 30" X 24" X 12 7" (TWIN BED)
	077954-02-000	EA FILTER-WATER TANK, SCREEN IN TANK
	042989-03-000	EA FITTING-WATER TANK, SPINWELD - 1 1/4"NPT - PLASTIC - WHITE
	042989-04-000	EA FITTING-WATER TANK, SPINWELD - 3/8" FPT - PLASTIC - WHITE
	042989-05-000	EA FITTING-WATER TANK, SPINWELD - 1/2" FPT - PLASTIC - WHITE
	049032-01-000	EA PATCH-SPINWELD, 3/8" - PLASTIC
	039861-01-000	EA SENDING UNIT, W/SCREW, WASHER, WELL NUT AND TERMINAL RING

WATER SYSTEM

KEY	PART NUMBER	U/M DESCRIPTION
	036522-02-000	EA CAP-BRASS, 1/2" FLARE
	106000-01-000	EA CAP-FEMALE, W/CONE - 50 - KEVCO TC3F
	010224-01-000	EA ADAPTER-HOSE TO PIPE, 3/8" MPT X 3/8" BARB - PLASTIC BLACK
	044927-01-000	EA ADAPTER-HOSE TO PIPE, 1 1/4" MPT X 1 1/4" BARB - GRAY PLASTIC
	052954-01-000	EA ADAPTER-NOSE CONE, 3/8" OR 1/2" TUBING - PLASTIC - GRAY
	079317-01-000	EA ADAPTER-SWIVEL, 1/2" TUBE X 1/2" FPT - PLASTIC - GRAY
	106258-01-000	EA CAP-INSERTABLE, 1/2" FLARE
	106258-02-000	EA CAP-INSERTABLE, 5/8" FLARE
	099417-01-000	EA CONNECTOR-5/8" F X 1/2" MPT, PLASTIC - KEVCO
	101814-01-000	EA COUPLING-FEMALE, 1/2" X 1/2" FPT
	052960-01-000	EA DRAIN VALVE-IN LINE, HEADER - 1/2" F X 1/2" F - GRAY PLASTIC
	052960-03-000	EA DRAIN VALVE-IN LINE, HEADER - 5/8" F X 5/8" F - PLASTIC
	052961-02-000	EA DRAIN VALVE-IN LINE, HEADER - 1/2" MPT X 1/2" F X 1/2" F - PLASTIC
	055290-01-000	EA ELBOW-5/8" F X 1/2" MPT
	052957-02-000	EA ELBOW-MALE, 1/2" F X 1/2" MPT - PLASTIC - GRAY
	057457-01-000	EA ELBOW-UNION, 5/8" X 5/8" FL - WATER
	087659-04-000	EA FILL-WATER CITY, OFF WHITE
	046128-01-000	EA VALVE-DRAIN PLASTIC 1/2" FPT
	065120-01-000	EA ELBOW-SWIVEL, 1/2" FPT X 1/2" FLARE - PLASTIC - GRAY
	052953-01-000	EA NUT-FAUCET 1/2" TUBE X 1/2" FPT - PLASTIC - GRAY
	052952-01-000	EA NUT-PLASTIC, 1/2" F X 1/2" TUBE - GRAY
	052952-02-000	EA NUT-PLASTIC, 5/8" FLARE
	039798-01-000	EA TEE-1/2"MPT X 1/2"MPT X 1/2"MPT, PLASTIC
	052958-01-000	EA TEE- 1/2" F X 1/2" F X 1/2" F, PLASTIC - GRAY
	055291-01-000	EA TEE-PLASTIC, 5/8" F X 5/8" F X 5/8" F
	055293-01-000	EA TEE-PLASTIC, 5/8" F X 1/2" F X 5/8" F
	057973-01-000	EA TEE-PLASTIC, 1/2" F X 1/2" F X 5/8" F - WATER
	057974-01-000	EA TEE-5/8" F X 1/2" F X 1/2" F, PLASTIC
	039800-01-000	FT TUBING-POLYBUTYL, 1/2" OD - INCREMENTS OF 20" - BLACK
	039800-02-000	FT TUBING-POLYBUTYL, 5/8" OD - INCREMENTS OF 20" - BLACK
	079381-01-000	FT TUBING-SMOOTH FLEXIBLE, 1 1/4" ID
	074462-02-000	FT TUBING-VINYL, 3/8" ID - CLEAR

**1993 ITASCA
TABLE OF CONTENTS**

INTRODUCTION	A-01	A-02
ABBREVIATIONS		A-03
ALPHABETICAL INDEX	A-04	A-06
IF527RQ	A-07	E-02
IF527RC	E-03	H-22

1993 IF527RQ INDEX

FLOOR PLAN	A-07	A-08
ACCESSORIES		A-09
AUDIO VIDEO		A-10
BATH	A-11	A-12
BEDROOM	A-13	A-17
CHASSIS	A-18	A-22
CURTAIN & CUSHION	A-23	B-08
CINETTE	B-09	B-10
DRIVER'S COMPARTMENT	B-11	B-12
ELECTRICAL	B-13	B-16
EXTERIOR BODY	B-17	C-02
GALLEY	C-03	C-07
GENERATOR		C-08
HEATING & A/C	C-09	C-10
INTERIOR FINISH	C-11	C-14
LABELS	C-15	C-21
LP		C-22
LOUNGE	C-23	C-24
SEALANTS & FASTENERS	D-01	D-03
WATER & SEWAGE	D-04	D-08
WINDOW VENT AND		
EXTERIOR DOOR	D-09	E-02

WATER & SEWAGE GROUP (CONTINUED)

WATER HEATER W/O MOTOR AID

KEY	PART NUMBER	U/M	DESCRIPTION
	051391-03-000	EA	HEATER-WATER, W/ELECTRIC IGNITION - ATWOOD G6A-3E
	051391-01-700	EA	HINGE KIT-W/CLIP, ATWOOD # 92568 & 92559
	051391-01-704	EA	VALVE-RELIEF, 1/2" FITTING - ATWOOD# 91604
	051391-01-705	EA	FASTENER-CAMLOC, ATWOOD# 92609
	051391-01-706	EA	GRILLE-EXHAUST, ATWOOD# 92787
	051391-01-708	EA	BURNER-MAIN, 3E ONLY - ATWOOD# 92615
	051391-01-710	EA	ORIFICE-MAIN BURNER, ATWOOD# 92742
	051391-01-715	EA	DRAIN PLUG, ATWOOD# 91561
	051391-04-700	EA	TANK-INNER (G6A-3E), FRNT MT - ATWOOD# 91608
	051391-04-701	EA	THERMOSTAT 12 VDC-120 PRESET, ATWOOD# 91470
	051391-04-706	EA	TANK-INNER, G6A-4E & 6E - FRONT MOUNT - ATWOOD# 91641
	051393-01-702	EA	SWITCH-ENERGY CUT-OFF, ATWOOD# 91951
	051393-01-703	EA	THERMOSTAT-REAR MOUNT, ATWOOD# 91952
	051393-01-704	EA	CIRCUIT BOARD-W/BLACK BOX, ATWOOD# 91420
	051393-01-705	EA	ORIFICE HOLDER-ATWOOD# 91925
	051393-01-716	EA	SPARK & PROBE ASM, ATWOOD# 91606
	051393-01-718	EA	VALVE-DUAL SOLENOID, ATWOOD# 91605
	051393-01-721	EA	ECO&THERMOSTAT ASM-FRONT MOUNT, 140 DEGREE - ATWOOD# 91447
	051393-03-700	EA	TANK-INNER (G6A-3E), REAR MT - ATWOOD# 91409
	097967-01-000	EA	SWITCH-WATER HEATER, ATWOOD 91959

WATER HEATER W/MOTOR AID & REAR HEATER

KEY	PART NUMBER	U/M	DESCRIPTION
	051393-01-000	EA	HEATER-WATER-W/MOTOR AID-ATWOOD GH6-3E, GH6-4E OR GH6-6E
	051391-01-700	EA	HINGE KIT-W/CLIP, ATWOOD # 92568 & 92559
	051391-01-704	EA	VALVE-RELIEF, 1/2" FITTING - ATWOOD# 91604
	051391-01-705	EA	FASTENER-CAMLOC, ATWOOD# 92609
	051391-01-706	EA	GRILLE-EXHAUST, ATWOOD# 92787
	051391-01-708	EA	BURNER-MAIN 3E ONLY - ATWOOD# 92615
	051391-01-710	EA	ORIFICE-MAIN BURNER ATWOOD# 92742
	051391-01-714	EA	ELBOW-45 DEGREE 3/8" F X 3/8" MPT - ATWOOD 91044
	051391-01-715	EA	DRAIN PLUG, ATWOOD# 91561
	051391-04-701	EA	THERMOSTAT 12 VDC-120 PRESET, ATWOOD# 91470
	051391-04-704	EA	TANK-INNER, FRONT MOUNT - GH6-4E & 6E - ATWOOD 91642
	051393-01-700	EA	TANK-INNER, 3E FRONT MOUNT - ATWOOD# 91023
	051393-01-702	EA	SWITCH-ENERGY CUT-OFF, ATWOOD# 91951
	051393-01-703	EA	THERMOSTAT-REAR MOUNT, ATWOOD# 91952
	051393-01-704	EA	CIRCUIT BOARD-W/BLACK BOX ATWOOD# 91420
	051393-01-705	EA	ORIFICE HOLDER-ATWOOD# 91925
	051393-01-714	EA	TANK-INNER (GH6-3E) REAR MOUNT - ATWOOD# 91408
	051393-01-716	EA	SPARK & PROBE ASM, ATWOOD# 91606
	051393-01-718	EA	VALVE-DUAL SOLENOID, ATWOOD# 91605
	051393-01-721	EA	ECO&THERMCSTAT ASM-FRONT MOUNT, 140 DEGREE - ATWOOD# 91447
	110438-01-000	EA	VALVE-CHECK, BRASS

WATER & SEWAGE GROUP (CONTINUED)

EUROPEAN EXPORT WATER HEATER

KEY	PART NUMBER	U/M	DESCRIPTION
	111129-01-000	EA	HEATER-WATER, ELECTRIC IGNITION - 220V - ATWOOD 94720 ICH66E
	111129-01-700	EA	WALL SWITCH PACKAGE, ATWOOD 91208
	111129-01-701	EA	PRESSURE/DRAIN VALVE, ATWOOD 91190
	111129-01-702	EA	PRESSURE DRAIN VALVE 3.5 BAR, ATWOOD 91210
	111129-01-703	EA	THERMOSTAT (E0") ECO (B2") KIT, ATWOOD 91191
	111129-01-704	EA	IGNITION BOARD, ATWOOD 91194
	111129-01-705	EA	C/S PRESSURE REGULATOR, W/NO 10 - ATWOOD 91198
	111129-01-706	EA	MAIN BURNER ORFICE W/FITTING, ATWOOD 91017
	111129-01-707	EA	MAIN BURNER KIT, ATWOOD 91204
	111129-01-708	EA	SPARK/PROBE IGNITION KIT, ATWOOD 91196
	111129-01-709	EA	FLUE ASSEMBLY, ATWOOD 91045
	111129-01-710	EA	ACCESS DOOR, W/LOCK - ATWOOD 91203
	111129-01-711	EA	CORNER BRACKETS (SET OF 4), ATWOOD 91928
	111129-01-712	EA	HARDWARE KIT, W/LOCK - ATWOOD 91193
	111129-01-713	EA	TANK INNER ICH6-6E, ATWOOD 91188
	111129-01-714	EA	THERMOSTAT-ELECTRIC, 220V - ATWOOD 91207
	111129-01-715	EA	RELAY, 220 V/12 VDC ATWOOD 91206
	111129-01-716	EA	HEATING ELEMENT 220V - 500WATT, ATWOOD 91081
	111129-01-717	EA	BUSHING, STRAIN RELIEF - 91372

WATER PUMP

KEY	PART NUMBER	U/M	DESCRIPTION
	098607-01-000	EA	PUMP-WATER, W/ 5" MPT FITTING - FLOW 2.8 CPM - UL
	098607-01-700	EA	PUMPHEAD-REPLACEMENT, SHURFLO 94-236-08
	098607-01-701	EA	DRIVE ASM, SHURFLO 94-234-03
	098607-01-702	EA	DIAPHRAGM-KIT, SHURFLO 94-233-10
	098607-01-703	EA	VALVE ASM, SHURFLO 94-232-00
	098607-01-706	EA	SWITCH ASM-COMplete, SHURFLO 94-230-00
	098607-01-705	EA	CHECK VALVE-KIT, SHURFLO 94-237-00
	098607-01-706	EA	SWITCH ASM-COMplete, SHURFLO 94-230-00
	098607-01-707	EA	MOTOR-BASE-PLATE REPLACEMENT SHURFLO 94-234-03

**1993 ITASCA
TABLE OF CONTENTS**

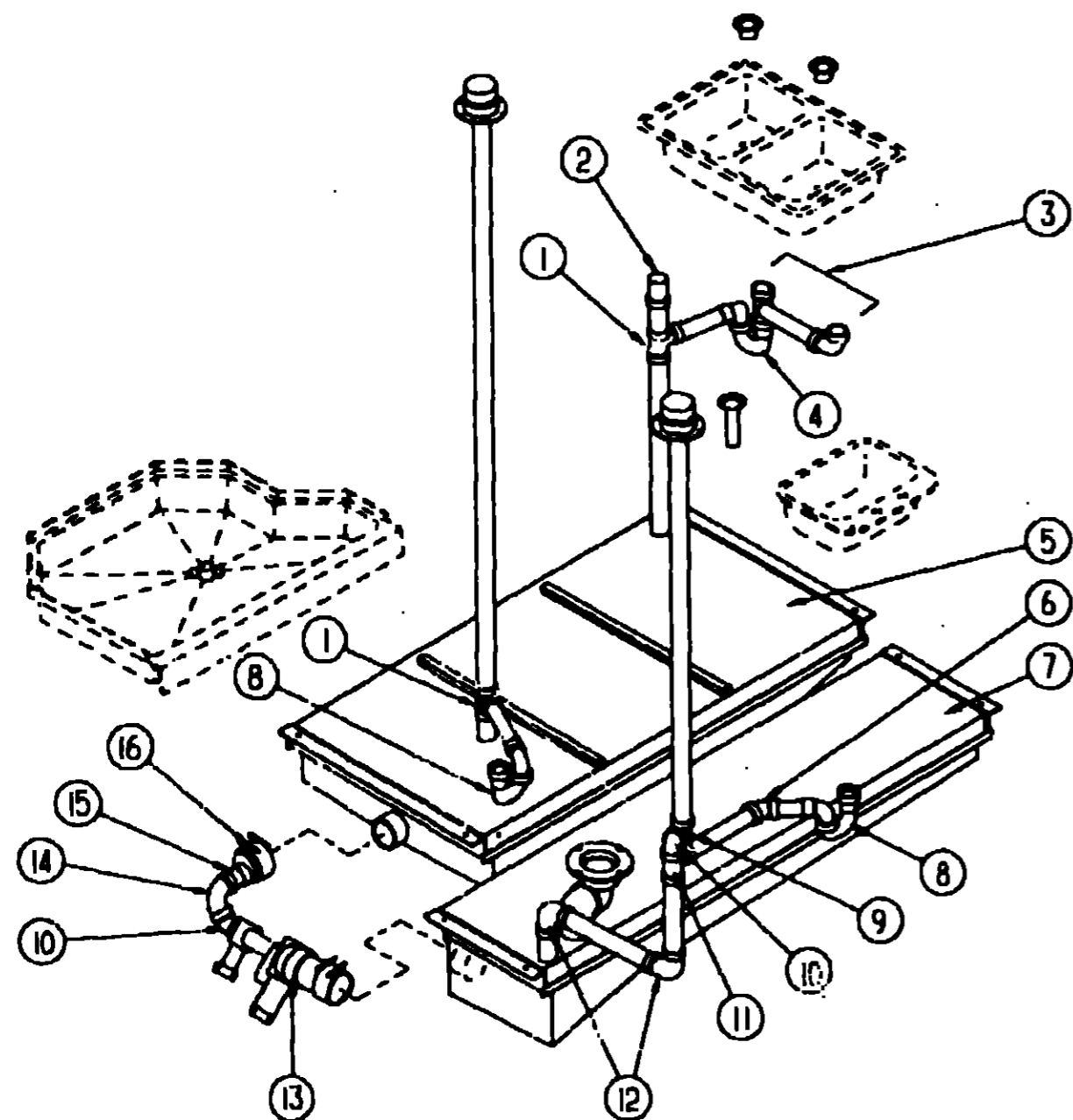
INTRODUCTION	A-01	A-02
ABBREVIATIONS		A-03
ALPHABETICAL INDEX	A-04	A-06
IF527RQ	A-07	E-02
IF527RC	E-03	H-22

1993 IF527RQ INDEX

FLOOR PLAN	A-07	A-08
ACCESSORIES		A-09
AUDIO VIDEO		A-10
BATH	A-11	A-12
BEDROOM	A-13	A-17
CHASSIS	A-18	A-22
CURTAIN & CUSHION	A-23	B-08
DINETTE	B-09	B-10
DRIVERS COMPARTMENT	B-11	B-12
ELECTRICAL	B-13	B-16
EXTERIOR BODY	B-17	C-02
GALLEY	C-03	C-07
GENERATOR		C-08
HEATING & A/C	C-09	C-10
INTERIOR FINISH	C-11	C-14
LABELS	C-15	C-21
LP		C-22
LOUNGE	C-23	C-24
SEALANTS & FASTENERS	D-01	D-03
WATER & SEWAGE	D-04	D-08
WINDOW VENT AND		
EXTERIOR DOOR	D-09	E-02

WATER & SEWAGE GROUP (CONTINUED)

DRAINAGE SYSTEM



KEY	PART NUMBER	U/M	DESCRIPTION
1	010079-01-000	EA	TEE-SANITARY, 1 1/2" X 1 1/2" X 1 1/4" H - PLASTIC - BLACK FROM: 00-00-00 THRU 12-15-92
1	010071-01-000	EA	TEE-SANITARY, 1 1/2" HUB X HUB X HUB - PLASTIC - BLACK FROM: 12-16-92 THRU 99-99-99
2	079968-01-000	EA	VENT-MECH TRAP ARM, ANTI-SIPHON - 2" DIA X 7'3" - PLASTIC
3	011091-02-000	EA	PIPE-DRAIN, W/SEALS - DOUBLE SINK - EXTENDS 9' TO 16" (U.S.)
3	011091-03-000	EA	PIPE-DRAIN, W/SEALS - DOUBLE SINK - EXTENDS 9' TO 16" (CANADIAN) FROM 02-17-92 THRU 99-99-99
	037101-02-000	EA	ELBOW-PLASTIC, 1/4 BEND VENT 1 1/2" HUB (CSA)
	033302-02-000	EA	ADAPTER ASM-STRAINER, 1 1/2" - ABS (CSA)
4	107537-01-000	EA	ADAPTER-P TRAP, 1 1/4" SLIP (US) FROM 00-00-00 THRU 12-15-92
4	109571-01-000	EA	ADAPTER-P TRAP, 1 1/2" P X 1 1/4" MPT FROM 12-16-92 THRU 99-99-99
4	107538-01-000	EA	P TRAP-PLASTIC, 1 1/4" W/EXT ARM (US)
4	053335-01-000	EA	P TRAP-1 1/4" HUB X HUB, U/UNION - CANADIAN FROM 00-00-00 THRU 02-16-92
4	011071-01-000	EA	P TRAP, 1 1/2" - PLASTIC (CSA) FROM 02-17-92 THRU 99-99-99
5	102762-01-000	EA	TANK-HOLDING, 42 GALLON - 57.4" X 8.4" X 29"
6	010000-01-000	EA	ELBOW-45 DEG, 1/8 BEND - 1 1/4" HUB X 1 1/4" B - BLACK PLASTIC
7	102761-01-000	EA	TANK-HOLDING, 28 GALLON - 66.9" X 17.7" X 15.7"
8	107537-01-000	EA	ADAPTER-P TRAP, 1 1/4" SLIP (US)
8	107538-01-000	EA	P TRAP-PLASTIC, 1 1/4" W/EXT ARM (US)
8	011066-03-700	EA	P TRAP-1 1/4" HUB X SLIP JOINT, W/UNION - ABS (CSA)
9	010006-01-000	EA	ELBOW-45 DEG, 1/8 BEND - 1 1/2" HUB X HUB - BLACK PLASTIC
10	010051-01-000	EA	ELBOW-45 DEG BEND, 1 1/2" SPIGOT AND HUB - PLASTIC - BLACK
11	010079-01-000	EA	TEE-SANITARY, 1 1/2" X 1 1/4" X 1 1/4" H - PLASTIC - BLACK FROM 00-00-00 THRU 12-15-92
11	010071-01-000	EA	TEE-SANITARY, 1 1/2" HUB X HUB X HUB - PLASTIC - BLACK FROM 12-16-92 THRU 99-99-99
	010115-01-000	EA	COUPLING-1 1/2" HUB X HUB PLASTIC FROM 12-16-92 THRU 99-99-99
12	010008-01-000	EA	ELBOW-90 DEG, 1/4 BEND - 1 1/2" HUB X HUB - BLACK PLASTIC
13	076916-01-000	EA	VALVE-DUAL DUMP-W/CAP - 3" X 1 1/2" - PLASTIC - BLACK
	062416-01-000	EA	ADAPTER-SEWER HOSE TO 3" PIPE
	010201-01-000	EA	HOSE-SEWER, 3" ID X 8'
14	033751-01-000	EA	ELBOW-TURN, 1/4 BEND X 1.5" HUB X 1.5" SPIGOT - BLK PLASTIC
15	062422-01-000	EA	ADAPTER-OFFSET REDUCER, 3" X 1 1/2" - PLASTIC - BLACK
16	078406-01-000	EA	COUPLER-RUBBER, W/CLAMPS - 3" X 3"
	010061-01-000	EA	ELBOW-45 DEGREE STREET - 1/8 BEND - 3" S X H - PLASTIC
	010121-01-000	EA	BUSHING-REDUCER, 1 1/2" SMOOTH X 1/4" HUB - PLASTIC - BLACK
	061607-01-000	EA	GROMMET-HOLDING TANK, 1 1/2" NPS
	061607-02-000	EA	GROMMET-HOLDING TANK, 3" NPS

1993 ITASCA TABLE OF CONTENTS

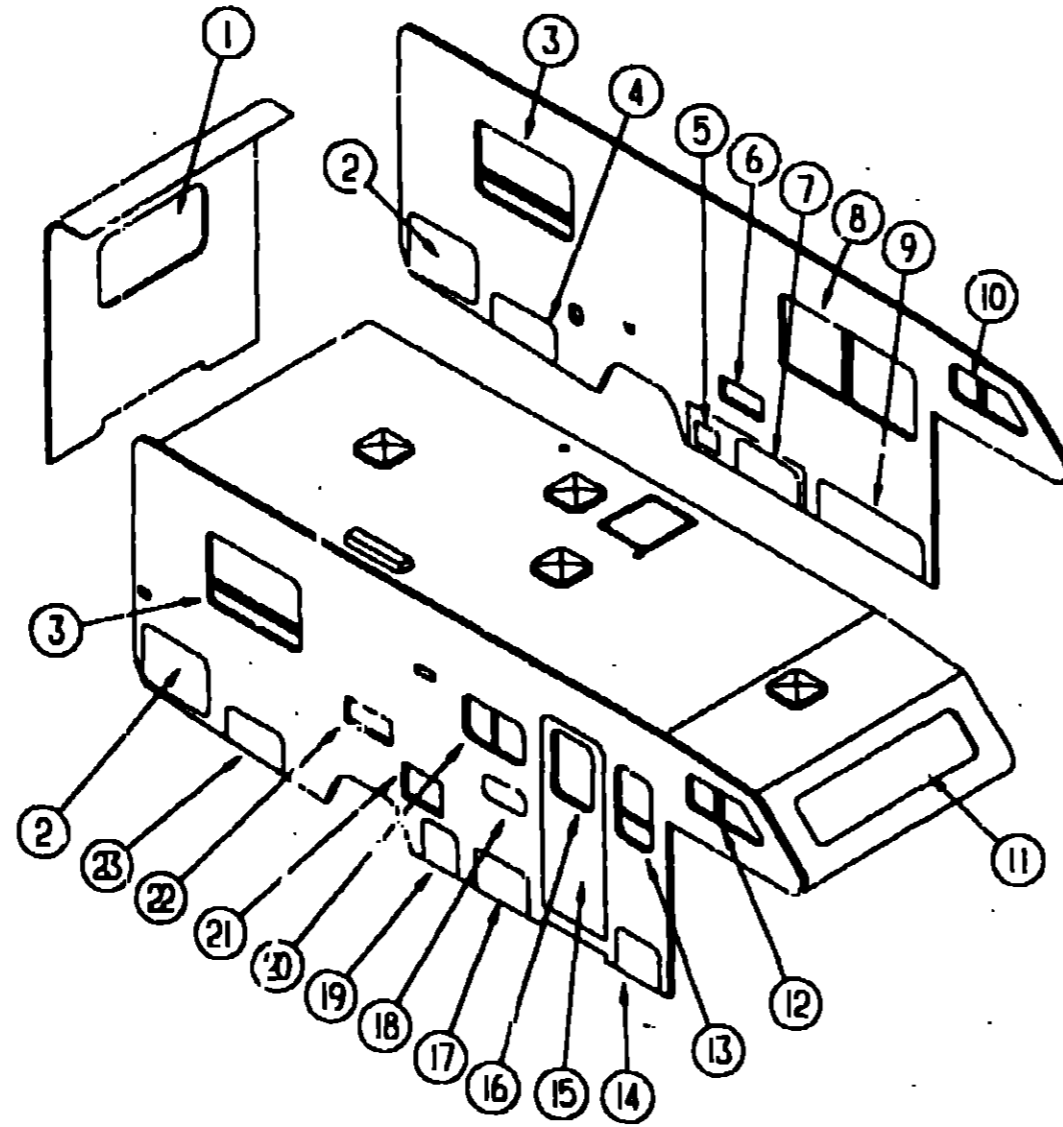
INTRODUCTION	A-01	A-02
ABBREVIATIONS		A-03
ALPHABETICAL INDEX	A-04	A-06
IF527RQ	A-07	E-02
IF527RC	E-03	H-22

1993 IF527RQ INDEX

FLOOR PLAN	A-07	A-06
ACCESSORIES		A-09
AUDIO VIDEO		A-10
BATH	A-11	A-12
BEDROOM	A-13	A-17
CHASSIS	A-18	A-22
CURTAIN & CUSHION	A-23	C-08
DINETTE	B-09	B-10
DRIVERS COMPARTMENT	B-11	B-12
ELECTRICAL	B-13	B-16
EXTERIOR BODY	B-17	C-02
GALLERY	C-03	C-07
GENERATOR		C-08
HEATING & A/C	C-09	C-10
INTERIOR FINISH	C-11	C-14
LABELS	C-15	C-21
LP		C-22
LOUNGE	C-23	C-24
SEALANTS & FASTENERS	D-01	D-03
WATER & SEWAGE	D-04	D-08
WINDOW VENT AND EXTERIOR DOOR	D-09	E-02

WINDOW, VENT & EXTERIOR DOOR GROUP

WINDOWS & DOORS



1993 ITASCA TABLE OF CONTENTS

INTRODUCTION	A-01 - A-02
ABBREVIATIONS	A-03
ALPHABETICAL INDEX	A-04 - A-06
IF527RQ	A-07 - E-02
IF527HC	E-03 - H-22

1993 IF527RQ INDEX

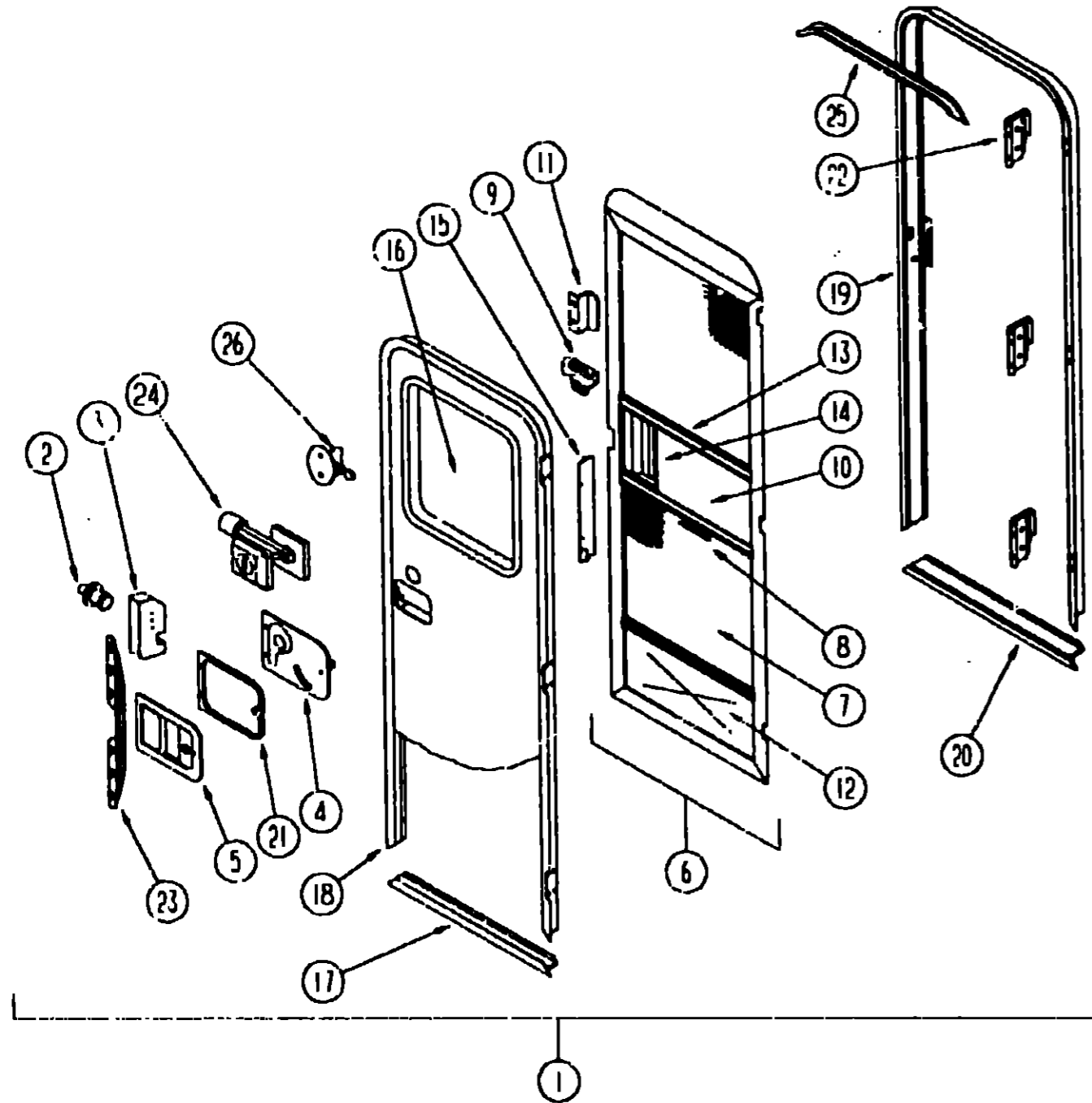
FLOOR PLAN	A-07 - A-08
ACCESSORIES	A-09
AUDIO VIDEO	A-10
BATH	A-11 - A-12
BEDROOM	A-13 - A-17
CHASSIS	A-18 - A-22
CURTAIN & CUSHION	A-23 - B-08
DINETTE	B-09 - B-10
DRIVERS COMPARTMENT	B-11 - B-12
ELECTRICAL	B-13 - B-16
EXTERIOR BODY	B-17 - C-02
GALLEY	C-03 - C-07
GENERATOR	C-08
HEATING & A/C	C-09 - C-10
INTERIOR FINISH	C-11 - C-14
LABELS	C-15 - C-21
LP	C-22
LOUNGE	C-23 - C-24
SEALANTS & FASTENERS	D-01 - D-03
WATER & SEWAGE	D-04 - D-08
WINDOW, VENT AND EXTERIOR DOOR	D-09 - E-02

KEY	PART NUMBER	U/M	DESCRIPTION
1	078528-03-Y12	EA	WINDOW-ESCAPE, 27" X 48" - W/O INSIDE FRAME
2	108271-01-D06	EA	DOOR-COMPARTMENT STORAGE - DRIVER SIDE REAR
3	092235-12-Y12	EA	WINDOW-TIPOUT, SINGLE - W/O INSIDE FRAME
3	111555-04-01A	EA	WINDOW-SLIDING, HORIZONTAL - THERMOPANE - R15 SLD 1037X692 L DRIVER SIDE (EUROPEAN EXCHANGE ONLY)
3	111555-03-01A	EA	WINDOW-SLIDING, HORIZONTAL - THERMOPANE - R15 SLD 1037X692 R PASSENGER SIDE (EUROPEAN EXCHANGE ONLY)
4	105175-13-D29	EA	DOOR ASM-LOWER-REAR
5	088754-01-000	EA	DOOR-POWER CORD, W/HATCH - OFF WHITE
5	105118-02-C05	EA	DOOR-EXTERIOR SHOWER
	005300-01-C52	EA	PANEL ACCESS, SEWER
7	105174-10-D29	EA	DOOR-COMPARTMENT, LOWER - FRONT
8	098647-10-02A	EA	WINDOW-SLIDER, HORIZONTAL - W/INSIDE TRIM - BLACK
8	111555-02-01A	EA	WINDOW-SLIDING, HORIZONTAL - THERMOPANE - R15 SLD 1543X692 L (EUROPEAN EXCHANGE ONLY)
9	105174-03-D29	EA	DOOR-COMPARTMENT, LOWER - FRONT
10	100322-02-700	EA	WINDOW-VENTED, 12" X 35 8" - W/O INSIDE FRAME - EXCEL CH19-DK L
11	103113-01-B05	EA	WINDOW-PICTURE, W/O INSIDE FRAME
12	100322-01-720	EA	WINDOW-VENTED, 12" X 35 8" - W/O INSIDE FRAME - EXCEL CH19-DK R
13	096644-05-01A	EA	WINDOW-SLIDER, RAISED - W/INSIDE FRAME - EXCEL H250-PR
13	111555-07-01A	EA	WINDOW-SLIDING, VERTICAL - THERMOPANE - R23 SLD 387X692 (EUROPEAN EXCHANGE ONLY)

KEY	PART NUMBER	U/M	DESCRIPTION
14	105174-01-D29	EA	DOOR-COMPARTMENT, LOWER - FRONT
15	1001870-63-D29	EA	DOOR-ENTRY, W/WINDOW, SCREEN & JAMB - OFF WHITE
15	M01870-63-D30	EA	DOOR-ENTRY, W/WINDOW, SCREEN & JAMB - OFF WHITE
15	M01870-63-D31	EA	DOOR-ENTRY, W/WINDOW, SCREEN & JAMB - OFF WHITE
16	079733-04-T03	EA	WINDOW-ENTRY DOOR, 17" X 25" - W/O INSIDE FRAME
17	105174-02-D29	EA	DOOR-COMPARTMENT, LOWER - FRONT
18	105118-01-C05	EA	DOOR-EXTERIOR ENTERTAINMENT
19	105174-04-D29	EA	DOOR-COMPARTMENT, LOWER - FRONT
20	092235-11-Y12	EA	WINDOW-TIPOUT, SINGLE - W/O INSIDE FRAME
20	111555-06-01A	EA	WINDOW-SLIDING, HORIZONTAL - THERMOPANE - R15 SLD 642X406 RH21 (EUROPEAN EXCHANGE ONLY)
21	052009-01-000	EA	DOOR-WATER HEATER, OFF WHITE - ATWOOD 5576-27
22	084103-03-000	EA	DOOR-VENT-REFRIGERATOR - OFF WHITE
	064104-03-000	EA	JAMB-DOOR-REFRIGERATOR-OFF WHITE
	084104-01-700	EA	LOCK-MALE, FASTENER - REFRIGERATOR DOOR
	084104-01-701	EA	LOCK-FEMALE, FASTENER - REFRIGERATOR DOOR
23	105175-01-D29	EA	DOOR-COMPARTMENT, LOWER - REAR
	081240-03-000	EA	DOOR-WATER FILL-LOCKABLE-4" X 4 5/8" - OFF WHITE
	078010-03-000	EA	DOOR-FUEL FILL, W/JAMB - OFF WHITE

WINDOW, VENT & EXTERIOR DOOR GROUP (CONTINUED)

ENTRY DOOR



KEY	PART NUMBER	U/M DESCRIPTION
5	045017-11-000	EA LATCH-ENTRY DOOR, MECHANISM W/LOCK & KEY - BLACK
	045017-11-701	EA KEY BLANK
	058025-02-000	EA CLIP-ROLLER LATCH CATCH, SCREEN DOOR
	063729-04-000	EA RIVNUT, 10-32 UNF - 010-080
	072893-01-000	EA NUTSERT-M5 X 0.8
	075671-04-000	FT SEAL-SPONGE, LAZY T SHAPE - W/ADHESIVE STRIPE - 5" WIDE
6	079012-01-U01	EA DOOR-SCREEN
7	002293-02-000	SF SCREENING-WINDOW/DOOR, 26" - CHARCOAL
8	002294-01-000	FT SPLINE-SCREENING, 135" X 138" - BLACK
	002748-01-000	EA CORNER KEY-DOOR
9	109403-01-000	EA CATCH-ASM-SINGLE ROLLER
10	016454-01-000	EA INSERT-CENTER, LEATHER GRAIN ALUMINUM - UNPAINTED
10	001014-01-011	EA INSERT-CENTER, 10 25" X 16 31" - UNPAINTED
11	050712-04-000	EA HANDLE-SCREEN DOOR, ALUMINUM - OFF WHITE
11	050712-05-000	EA HANDLE-SCREEN DOOR, UNPAINTED
12	078552-03-000	EA KICK PANEL-SCREEN DOOR, LOWER INSERT - UNPAINTED
	078595-01-000	EA TOP PLATE-SCREEN DOOR, CURVED TOP - 4 7" X 25 35"
13	078777-01-000	EA CHANNEL-SLIDE, SCREEN DOOR CENTER SLIDER COVER
14	079086-02-000	EA SLIDER-SCREEN DOOR, OFF WHITE
15	079087-02-000	EA STRIKE-SLIDER, W/LIP FOR ELBOW CATCH - 1 5" X 8 6" - OFF WHITE
	009016-01-000	EA CATCH-ELBOW, SPRING LOADED - SCREEN DOOR CATCH
16	079733-04-T03	EA WINDOW-PICTURE, W/O INSIDE FRAME - 17" X 25"
	081914-01-000	EA BUMPER-RUBBER, ROUND - 43" DIAMETER - BLACK
17	089748-01-000	EA FRAME-BOTTOM, ENTRY DOOR - 24 8" LONG - OFF WHITE
	090340-01-000	FT SEAL-FOAM, CLOSED CELL - 1/4" X 1/2" X 50'
18	095276-01-01A	EA FRAME-ENTRY DOOR, W/O BOTTOM - OFF WHITE
19	095277-02-01A	EA JAMB-ENTRY DOOR, W/BOTTOM - 25 9" X 74 5" - OFF WHITE
20	051049-01-000	EA JAMB-BOTTOM, ENTRY DOOR - 25 9" - UNPAINTED
	079207-01-000	EA STRIKER-ROLLER CATCH, WELDED TO DOOR JAMB - 4" X 1 15"
	095278-01-01A	EA JAMB-DOOR, ENTRANCE - 25 9" X 74 6" - UNPAINTED
21	096810-01-01A	EA PLATE-LATCH, ENTRY DOOR - PLASTIC - BLACK
22	097724-01-04A	EA HINGE-ENTRY DOOR, UNPAINTED
23	098173-01-04A	EA STIFFENER-ENTRY DOOR, SUPPORTS LATCH/STRIKE AREA - UNPAINTED
	100128-02-000	FT SEAL-PILE, ADHESIVE BACK - SCREEN DOOR - GRAY
24	101145-01-01A	EA DEADBOLT-ENTRY DOOR, W/2 KEYS W/O BACK SET BOLT OR SCREWS
	095229-01-700	EA KEY BLANK FOR DEADBOLT
	101147-01-000	EA BOLT-SECURITY, 4 12" BACKSET
	102524-01-000	EA BUMPER-RUBBER, FLAT - BLACK
25	044582-02-000	EA CAP-DRIP, ENTRY DOOR - JAMB MOUNTED - ALUMINUM - OFF WHITE
	064075-07-000	FT SEAL-BULB, W/WIRED U CHANNEL - 3" X 5" CHANNEL - BLACK
	075639-19-000	EA GARNISH-RADIUS, ENTRY DOOR - OFF WHITE
	077461-03-000	EA COVER-STRIKE, ENTRY DOOR - 6 5" X 2 5" - PLASTIC - WHITE
	090340-01-000	FT SEAL-FOAM, CLOSED CELL - 1/4" X 1/2" X 50'
	091876-01-000	EA RETAINER-DOOR, 1 9" X 8" - METAL
26	100412-01-000	EA CATCH-SCREEN DOOR, THUMB CLIP W/BLACK PLASTIC CAP
	104692-01-000	FT SEAL-ADHESIVE BACK, 3/4" X 34"
	104999-01-01A	EA CATCH-DOOR HOLDER, STRIKE
	104099-02-01A	EA CATCH-DOOR HOLDER, RETAINER

1993 ITASCA TABLE OF CONTENTS

INTRODUCTION	A-01	A-02
ABBREVIATIONS		A-03
ALPHABETICAL INDEX	A-04	A-06
IF527RQ	A-07	E-02
IF527RC	E-03	H-22

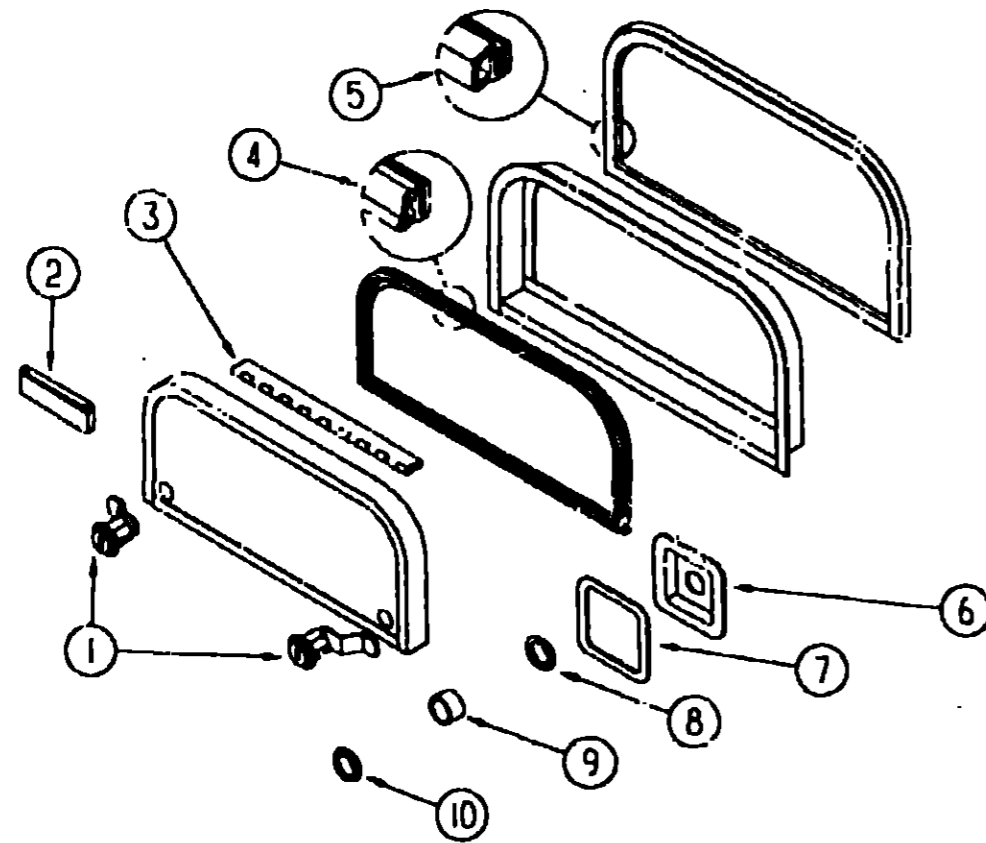
1993 IF527RQ INDEX

FLOOR PLAN	A-07	A-08
ACCESSORIES		A-09
AUDIO VIDEO		A-10
BATH	A-11	A-12
BEDROOM	A-13	A-17
CHASSIS	A-18	A-22
CURTAIN & CUSHION	A-23	B-08
DINETTE	B-09	B-10
DRIVERS COMPARTMENT	B-11	B-12
ELECTRICAL	B-13	B-15
EXTERIOR BODY	B-17	C-02
GALLEY	C-03	C-07
GENERATOR		C-08
HEATING & A/C	C-09	C-10
INTERIOR FINISH	C-11	C-14
LABELS	C-15	C-21
LP		C-22
LOUNGE	C-23	C-24
SEALANTS & FASTENERS	D-01	D-03
WATER & SEWAGE	D-04	D-06
WINDOW VENT AND EXTERIOR DOOR	D-09	E-02

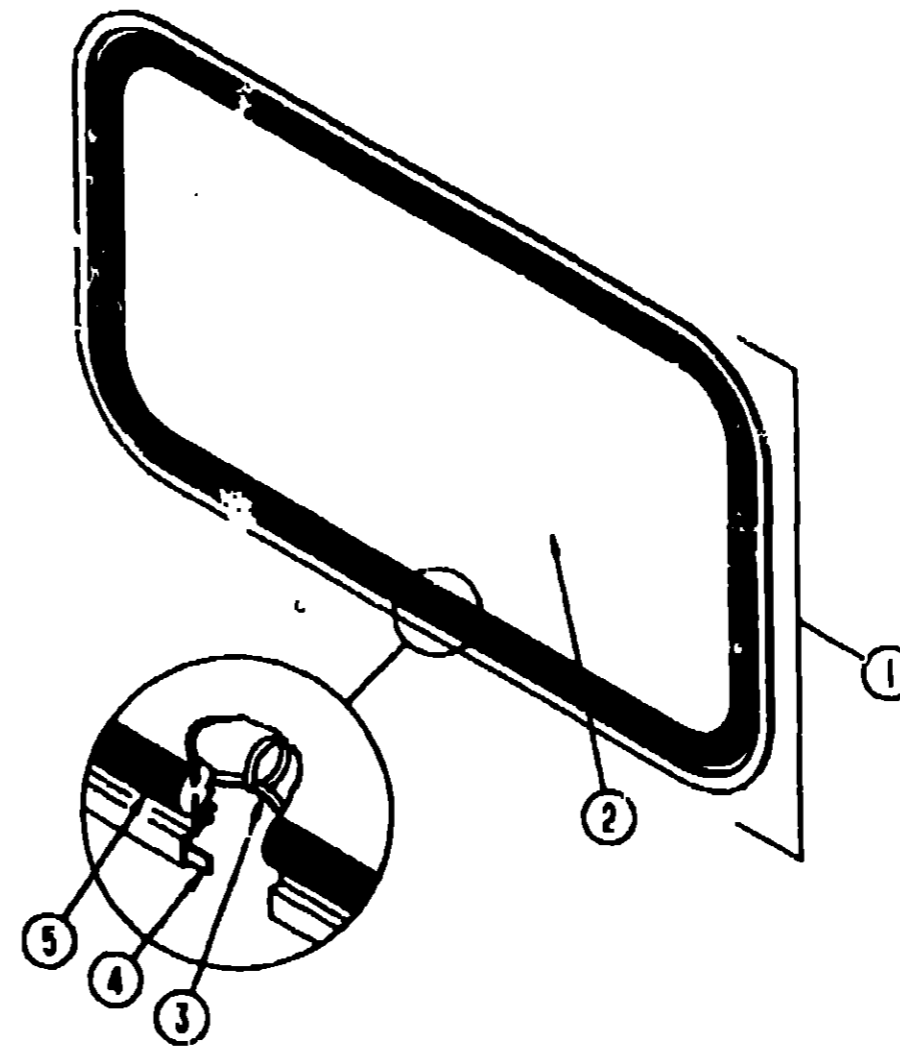
KEY	PART NUMBER	U/M DESCRIPTION
1	M01870-63-D29	EA DOOR-ENTRY W/SCREEN DOOR & JAMB
1	M01870-63-D30	EA DOOR-ENTRY W/SCREEN DOOR & JAMB
1	M01870-63-D31	EA DOOR-ENTRY W/SCREEN DOOR & JAMB
2	039539-01-000	EA STRIKE-LOCK, ENTRY DOOR - ROUND W/THREADED WASHER
3	039540-01-000	EA LATCH MECHANISM-HOOK, ENTRY DOOR - INTERIOR
	039715-01-000	EA NUT-SERT, 1/4" DIAMETER - 20 THREADS
4	039979-04-000	EA COVER-INTERIOR LATCH, W/TRIP ARM - RIGHT - BLACK
	039984-01-000	EA CAP-ROUND, VINYL - 28" ID X 62" LONG - BLACK
	041546-03-000	EA BRACKET-DOOR ANGLE, 5" X 1 9" - BEIGE - METAL

1993 ITASCA
TABLE OF CONTENTS

INTRODUCTION	A-01	A-02
ABBREVIATIONS		A-03
ALPHABETICAL INDEX	A-04	A-06
IF527RQ	A-07	E-02
IF527RC	E-03	H-22



EXTERIOR DOOR COMPONENTS & HOLDERS



BACKWALL ESCAPE WINDOW

1993 IF527RQ INDEX

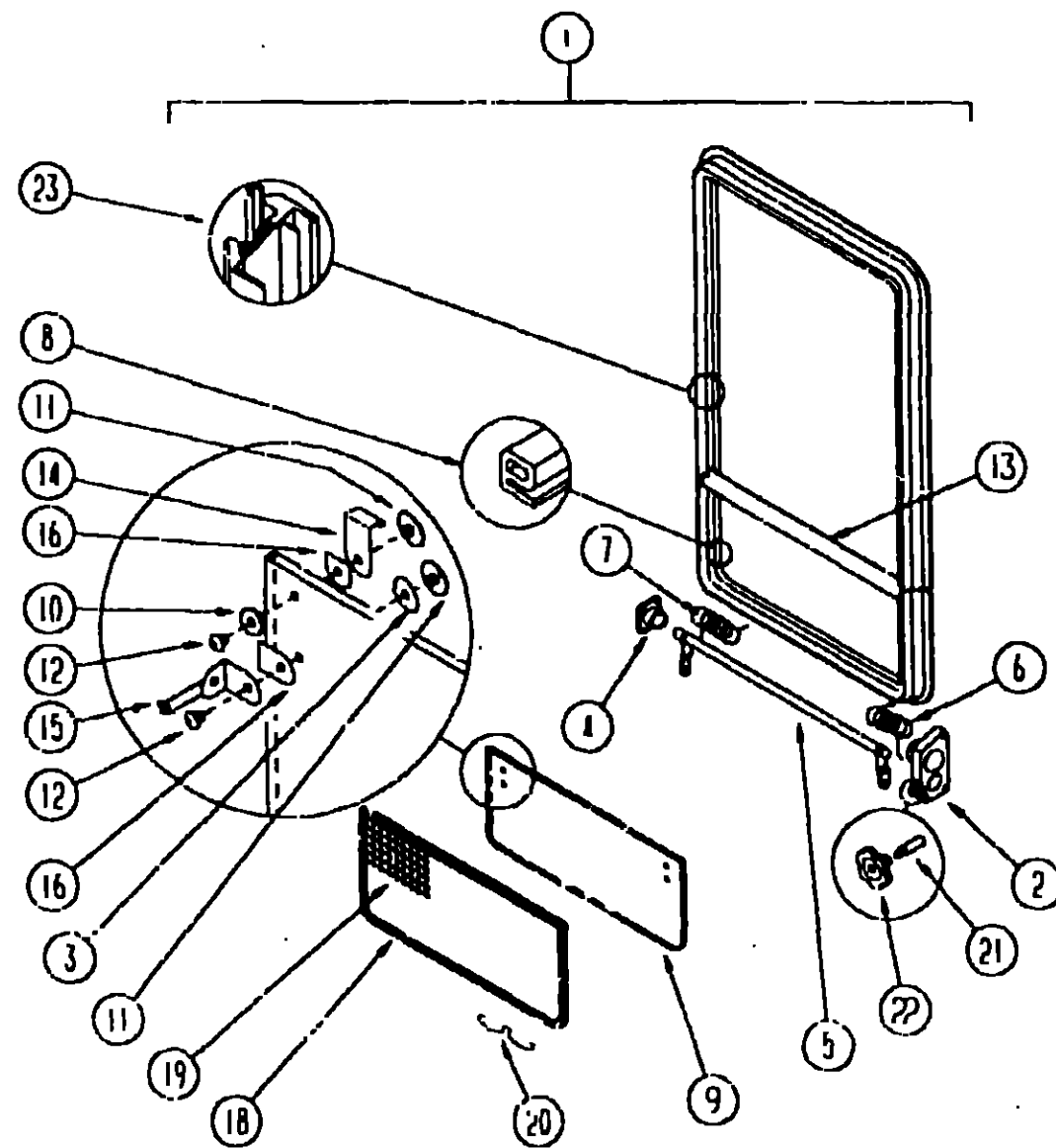
FLOOR PLAN	A-07	A-08
ACCESSORIES		A-09
AUDIO VIDEO		A-10
BATH	A-11	A-12
BEDROOM	A-13	A-17
CHASSIS	A-18	A-22
CURTAIN & CUSHION	A-23	B-08
DINETTE	B-09	B-10
DRIVERS COMPARTMENT	B-11	B-12
ELECTRICAL	B-13	B-15
EXTERIOR BODY	B-17	C-02
GALLEY	C-03	C-07
GENERATOR		C-08
HEATING & A/C	C-09	C-10
INTERIOR FINISH	C-11	C-14
LABELS	C-15	C-21
LP		C-22
LOUNGE	C-23	C-24
SEALANTS & FASTENERS	D-01	D-03
WATER & SEWAGE	D-04	D-08
WINDOW VENT AND EXTERIOR DOOR	D-09	E-02

KEY	PART NUMBER	U/M DESCRIPTION
1	079366-05-000	EA LOCK-KEY TYPE, W/O KEYS - 1 60 OFF SET
	082684-01-700	EA KEY BLANK
1	079927-04-000	EA LOCK-TWIST TYPE, 1 60 OFF SET - ILLINOIS LOCK
2	102768-01-000	EA HOLDER-COMPARTMENT/ENTRY DOOR METAL - MILL FINISH
3	105376-01-02A	EA HINGE-CONTINUOUS, 2" X 140MM - OFF WHITE
	081801-03-000	EA HINGE-CONTINUOUS, 2" X 96" - OFF WHITE
	084413-01-000	EA HINGE-CONTINUOUS, ALUMINUM - 1" X 72" - W/HOLES
4	064075-07-000	FT SEAL-BULB, W/WIRED U CHANNEL - 3" X 5" CHANNEL - BLACK
5	081632-02-000	FT SEAL-BULB, DOOR - W/WIRE CARRIER - 8" WIDE - RUBBER - BLACK
6	097111-01-01A	EA POCKET-LOCK, VALANCE - OFF WHITE
7	098338-01-000	EA GASKET-LOCK POCKET
8	105834-01-000	EA WASHER, 640 X 752 ID SST - HUDSON LOCK
9	107997-51-001	EA EXTR-SPACER, 0015 - 24
10	109833-01-000	EA BEAUTY RING, 670 X 780ID - SST - HUDSON LOCK
	096217-55-001	EA U-CHANNEL, 17 5" - OFF WHITE
	096217-51-001	EA U-CHANNEL, 17 5" - MILL FINISH
	058027-01-000	FT SEAL, D SHAPED - HOLLOW - SPONGE RUBBER - BLACK

KEY	PART NUMBER	U/M DESCRIPTION
	074816-08-000	EA FRAME-WINDOW INSIDE - ESCAPE - OFF WHITE
1	078528-03-Y12	EA WINDOW-ESCAPE, BACKWALL - W/O INSIDE FRAME
2	076337-08-000	EA GLASS-WINDOW, 44 8" X 23 5"
3	002285-01-000	FT FILLER-WEATHER STRIP, RUBBER - BLACK
	077066-01-702	EA RED POLY 005X 500INX150 ROLL
4	069640-10-000	FT SEALER-RIBBON 1/32" X 1 1/2" INCREMENTS OF 90°
5	002282-04-000	EA WEATHERSTRIP-WINDOW, 125" X 109 25" - VULCANIZED - BLACK

WINDOW, VENT & EXTERIOR DOOR GROUP (CONTINUED)

DRIVER & PASSENGER SIDE BEDROOM WINDOW



KEY	PART NUMBER	U/M	DESCRIPTION
	090893-18-02A	EA	FRAME-INSIDE, WINDOW RETAINER - OFF WHITE
1	092235-12-Y12	EA	WINDOW-TIPOUT, W/O INSIDE FRAME
	000H14-06-14R	EA	RIVET-MANDREL BLIND, 3/16"
2	035302-02-000	EA	OPERATOR-TORQUE, TIPOUT WINDOW -
3	068927-03-000	EA	SEAL-WINDOW, RUBBER - ROUND - 80' DIA - BLACK
4	081354-01-000	EA	SLEEVE-TORQUE TUBE, TIPOUT WINDOW - 1 3/4" X 1 2" X 7"
	081649-01-000	EA	RING-SNAP, 7/32 SHAFT DIAMETER
5	083150-12-000	EA	TUBE-TORQUE, TIPOUT WINDOW - W/SPRING & ARM - 22 5" LONG
6	080918-01-000	EA	SPRING-TORQUE TUBE, LEFT
7	080918-02-000	EA	SPRING-TORQUE TUBE, RIGHT
8	084067-02-000	FT	SEAL-E SHAPED, SPONGE - TIPOUT WINDOW - 42" X 38" - BLACK
9	084068-17-000	EA	GLASS-TIPOUT, 9 2" X 24 5"
10	084453-02-000	EA	WASHER- 06" X 5" X 25" - PLASTIC
11	086762-01-000	EA	T NUT-10-32
12	086763-01-000	EA	SCREW-MACH. 10 - 32 X 1/4 PTH
13	087566-04-01A	EA	MULLION-HORIZONTAL, TIPOUT - BLACK
14	089913-01-000	EA	HINGE-TIPOUT WINDOW, BLACK
15	097578-01-000	EA	LINKAGE-TIPOUT WINDOW
	084453-01-000	EA	WASHER- 06" X 5" X .135" - PLASTIC
16	084473-01-000	EA	SEAL-FLAT, W/CENTER HOLE & ADHESIVE SIDE - 8" X 9" - BLACK
	085315-01-000	EA	RIVET-SHOULDER, TIPOUT WINDOW
18	100235-04-807	EA	SCREEN-SINGLE TIPOUT WINDOW
19	080218-03-000	SF	SCREENING-FIBERGLASS, 12" WIDE
20	100168-01-000	EA	CLIP-SPRING, SCREEN
	100240-01-000	FT	SPLINE-SCREEN, T-SHAPED
21	090025-01-000	EA	EXTENSION-CRANK HANDLE, WINDOW - PLASTIC - BEIGE
22	101290-01-01A	EA	KNOB-OPERATOR, TIPOUT WINDOW - W/SPRING & ARM - BRASS
	101289-01-01A	EA	SCREW-MACHINE, 8-32 X 4 POH - BRASS PLATED LEAD
23	069640-11-000	FT	TAPE-SEALER, 3/16" X 3/8" - BLACK

1993 ITASCA TABLE OF CONTENTS

INTRODUCTION	A-01 - A-02
ABBREVIATIONS	A-03
ALPHABETICAL INDEX	A-04 - A-05
IF527RQ	A-07 - E-02
IF527RC	E-03 - H-22

1993 IF527RQ INDEX

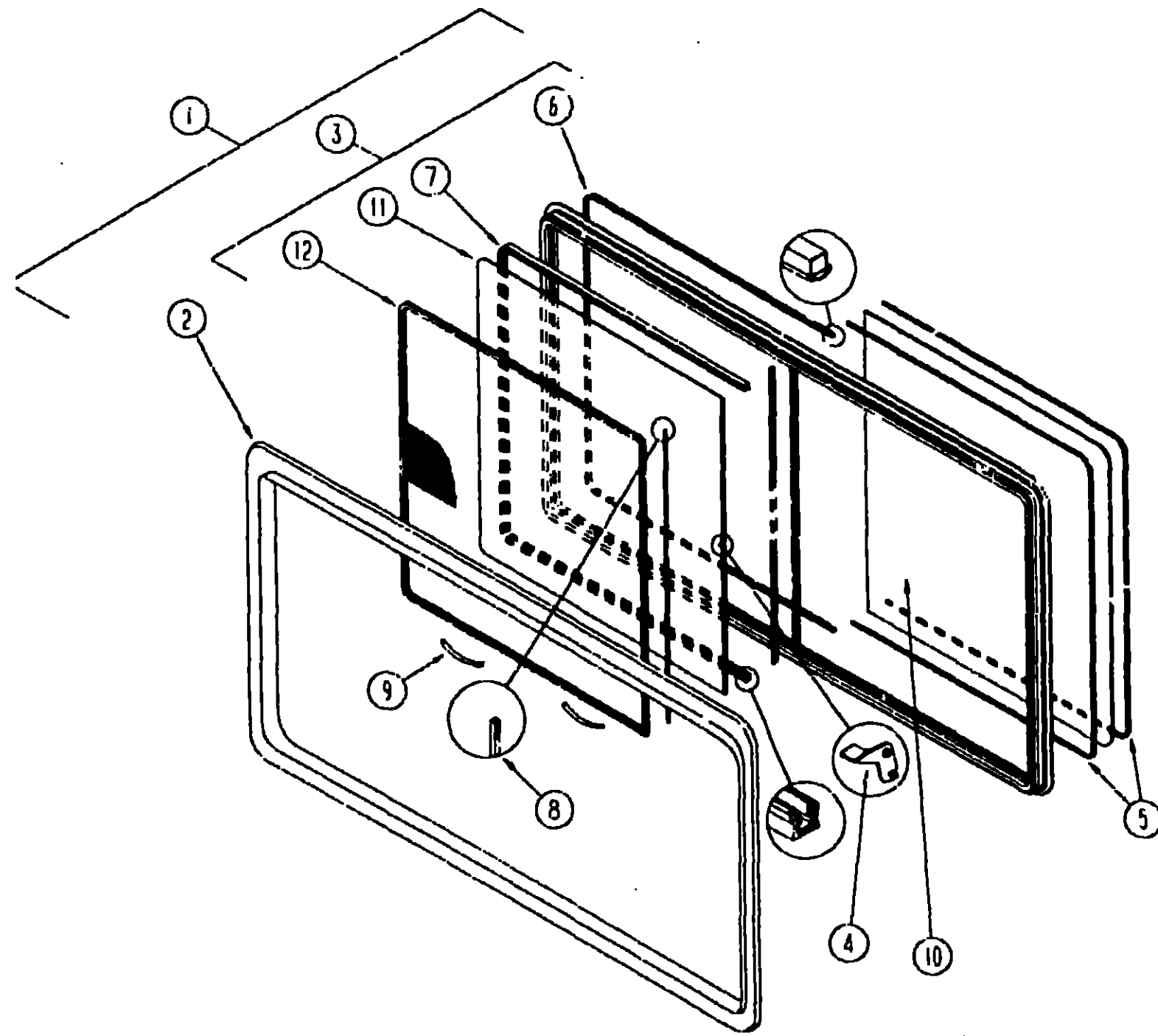
FLOOR PLAN	A-07 - A-08
ACCESSORIES	A-09
AUX. VIDEO	A-10
BATH	A-11 - A-12
BEDROOM	A-13 - A-17
CHASSIS	A-18 - A-22
CURTAIN & CUSHION	A-23 - B-08
DINETTE	B-09 - B-10
DRIVERS COMPARTMENT	B-11 - B-12
ELECTRICAL	B-13 - B-15
EXTERIOR BODY	B-17 - C-02
GALLEY	C-03 - C-07
GENERATOR	C-08
HEATING & A/C	C-09 - C-10
INTERIOR FINISH	C-11 - C-14
LABELS	C-15 - C-21
I.P.	C-22
LOUNGE	C-23 - C-24
SEALANTS & FASTENERS	D-01 - D-03
WATER & SEWAGE	D-04 - D-08
WINDOW VENT AND EXTERIOR DOOR	D-09 - E-02

WINDOW, VENT & EXTERIOR DOOR GROUP (CONTINUED)

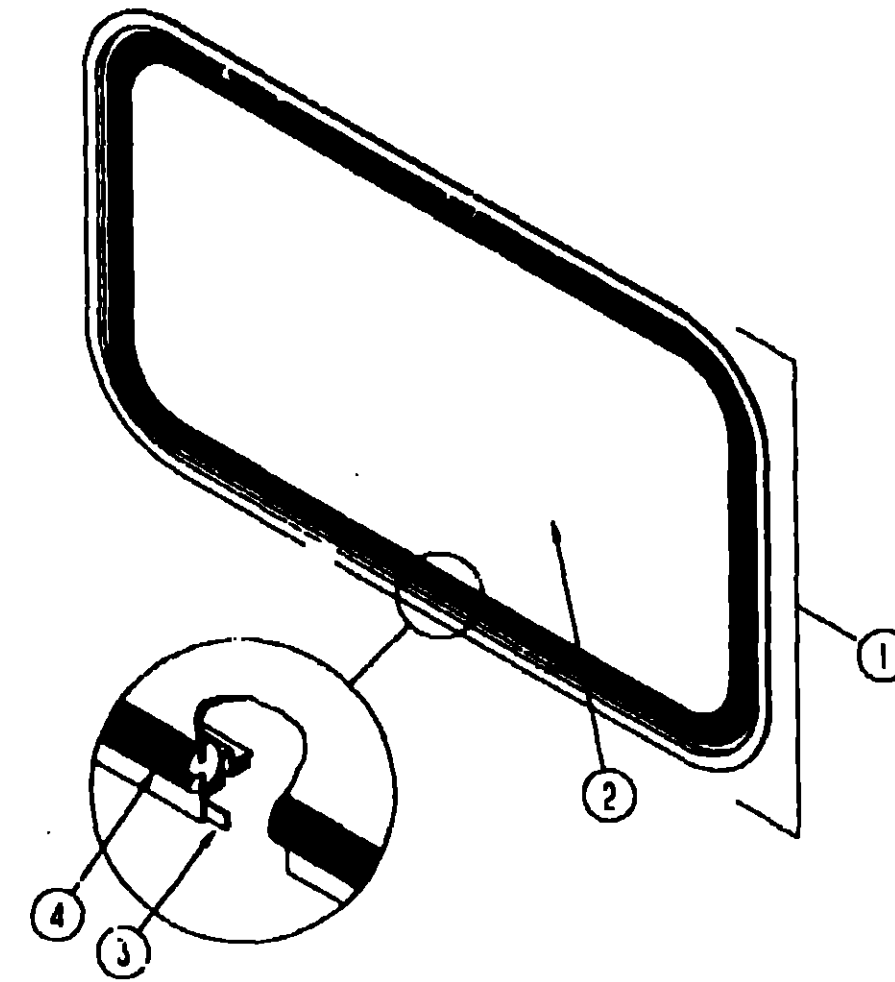
WINDOW, VENT & EXTERIOR DOOR GROUP (CONTINUED)

**1993 ITASCA
TABLE OF CONTENTS**

INTRODUCTION	A-01	A-02
ABBREVIATIONS		A-03
ALPHABETICAL INDEX	A-04	A-05
IF527RQ	A-07	E-02
IF527RC	E-03	H-22



DINETTE OR COUCH SINGLE SLIDING WINDOW



OVERHEAD BUNK FRONT WINDOW

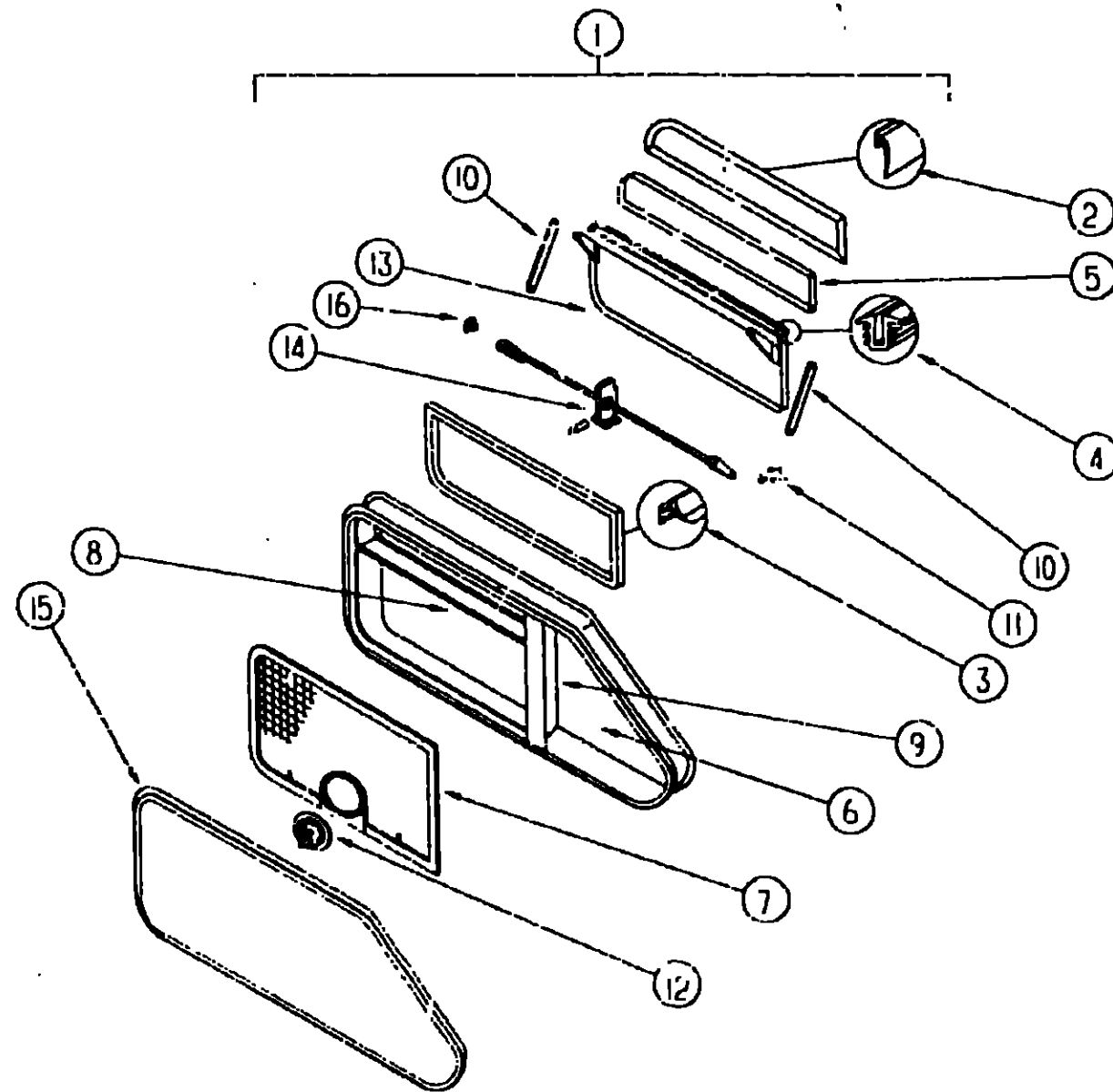
1993 IF527RQ INDEX

FLOOR PLAN	A-07	A-08
ACCESSORIES		A-09
AUDIO VIDEO		A-10
BATH	A-11	A-12
BEDROOM	A-13	A-17
CHASSIS	A-18	A-22
CURTAIN & CUSHION	A-23	B-08
DINETTE	B-09	B-10
DRIVERS COMPARTMENT	B-11	B-12
ELECTRICAL	B-13	B-16
EXTERIOR BODY	B-17	C-02
GALLEY	C-03	C-07
GENERATOR		C-08
HEATING & A/C	C-09	C-10
INTERIOR FINISH	C-11	C-14
LABELS	C-15	C-21
LP		C-22
LOUNGE	C-23	C-24
SEALANTS & FASTENERS	D-01	D-03
WATER & SEWAGE	D-04	D-08
WINDOW VENT AND EXTERIOR DOOR	D-05	E-02

KEY	PART NUMBER	U/M	DESCRIPTION
1	098647-10-02A	EA	WINDOW-SLIDER, HORIZONTAL - W/INSIDE FRAME - BLACK
2	098647-09-704	EA	TRIM-INSIDE (OFF-WHITE) - W024-67 EXCEL-WHITE
3	098647-10-700	EA	WINDOW-SINGLE SLIDER - LEFT (W/O INSIDE FRAME)
4	098644-01-700	EA	LATCH REPAIR KIT
5	098644-01-705	FT	GLAZING STRIP, EXCEL M926-12
6	098644-01-706	FT	WEATHERSTRIP EXCEL 171-010668
7	098514-01-708	FT	CHANNEL-PIERCED RUN EXCEL 122-016543
8	098644-01-710	FT	TRACK-SCREEN SPACER 12" LENGTH - EXCEL M401-31
	098644-01-711	FT	WEATHERSTRIP-SCREEN BLACK - EXCEL 171-016965
9	098644-01-713	EA	SPRING-SCREEN FRAME (CLIP) PLASTIC - BLACK - EXCEL 226-016966
	098644-01-716	FT	PLUG-FILLER, EXCEL 132-014470
	098644-01-717	FT	SPLINE-SCREEN MFG, EXCEL 32-004716
10	098647-09-700	EA	GLASS-STATIONARY - 106-017193 EXCEL
11	098647-09-701	EA	GLASS-SLIDING, W/SASH&LATCH - H024-G9 EXCEL
12	098647-09-705	EA	SCREEN W/SPRING&WEATHERSTRIP - 410-016464 EXCEL

KEY	PART NUMBER	U/M	DESCRIPTION
	067609-33-000	EA	FRAME-INSIDE WINDOW
1	103313-01-805	EA	WINDOW-PICTURE, W/O INSIDE FRAME
2	002101-15-000	EA	GLASS-PICTURE, 11 25" X 58 1" - GRAY
3	069640-11-000	FT	SEALER-TAPE, 3/16" X 3/8" - BLACK
4	099154-01-000	FT	CHANNEL-GLAZING STATIONARY GLASS - 62" X 45" - BLACK

WINDOW, VENT & EXTERIOR DOOR GROUP (CONTINUED)



DRIVER SIDE OVERHEAD BUNK WINDOW

KEY	PART NUMBER	U/M DESCRIPTION
1	100322-02-700	EA WINDOW-VENTED, 12" X 35 8 W/O INSIDE FRAME - EXCEL CH19-DK L
2	098644-01-716	FT PLUG-FILLER, EXCEL 132-014470
3	100322-01-701	FT SEAL-VENT, EXCEL 122-016071
4	100322-01-702	FT WEATHERSTRIP-HORIZONTAL RAIL, EXCEL 132-015975
	100322-01-703	EA STRIP-GLAZING,BUTYL EXCEL 132-010723
	100322-01-704	EA TAPE-BUTYL, EXCEL 154-016083
5	100322-01-705	EA GLASS-STATIONARY SMALL TOP - EXCEL 106-017264
6	100322-01-706	EA GLASS-STATIONARY LARGE FRONT - EXCEL 106-017265
7	100322-01-708	EA SCREEN-DRIVER SIDE, EXCEL 410-017269 L
8	100322-01-712	EA RAIL-HORIZONTAL, EXCEL CH05-19 R OR L
9	100322-01-713	EA BAR-DIVISION, VERTICAL - EXCEL CH19-20 R OR L
10	100322-01-716	EA SUPPORT-TORQUE BAR, CENTER RAIL - EXCEL 130-015980
11	100322-01-715	EA SUPPORT-TORQUE BAR, EXCEL 130-015979 (R)
	100322-01-717	EA E-RING, EXCEL 245-015975
12	100322-01-718	EA HANDLE-DIAL, EXCEL 410-016081
13	100322-01-722	EA GLASS ASM -VENT, LEFT - EXCEL CH19-06L
14	100322-01-723	EA OPERATOR ASM -VENT GLASS, LEFT - EXCEL CH19-15L
15	100322-02-701	EA FRAME-INSIDE, LEFT - WHITE - EXCEL V968-60L
16	100322-01-714	EA SUPPORT-TORQUE BAR, EXCEL 130-015978 (L)
	009439-06-000	EA EXTENSION CRANK HANDLE, WINDOW/ROOF VENT - BLACK
	009439-07-000	EA SCREW, 8-32 X 1 1/4 POH - BLACK

PASSENGER SIDE OVERHEAD BUNK WINDOW

KEY	PART NUMBER	U/M DESCRIPTION
1	100322-01-720	EA WINDOW-VENTED, 12" X 35 8 W/O INSIDE FRAME - EXCEL CH19-DK R
2	098644-01-716	FT PLUG-FILLER, EXCEL 132-014470
3	100322-01-701	FT SEAL-VENT, EXCEL 122-016071
4	100322-01-702	FT WEATHERSTRIP-HORIZONTAL RAIL, EXCEL 132-015975
	100322-01-703	EA STRIP-GLAZING BUTYL, EXCEL 132-010723
	100322-01-704	EA TAPE-BUTYL, EXCEL 154-016083
5	100322-01-705	EA GLASS-STATIONARY SMALL TOP - EXCEL 106-017264
6	100322-01-706	EA GLASS-STATIONARY, LARGE FRONT - EXCEL 106-017265
7	100322-01-709	EA SCREEN-PASSENGER SIDE, EXCEL 410-017270 R
8	100322-01-712	EA RAIL-HORIZONTAL, EXCEL CH05-19 R OR L
9	100322-01-713	EA BAR-DIVISION, VERTICAL - EXCEL CH19-20 R OR L
10	100322-01-716	EA SUPPORT-TORQUE BAR, CENTER RAIL - EXCEL 130-015980
11	100322-01-715	EA SUPPORT-TORQUE BAR, EXCEL 130-015979 (R)
	100322-01-717	EA E-RING, EXCEL 245-015975
12	100322-01-718	EA HANDLE-DIAL, EXCEL 410-016081
13	100322-01-707	EA GLASS-VENT, RIGHT - EXCEL CH19-06R
14	100322-01-711	EA OPERATOR-VENT, SUB ASSEMBLY - EXCEL CH05-15 R OR L
15	100322-01-724	EA FRAME-INSIDE, RIGHT - WHITE - V968-60R EXCEL
16	100322-01-714	EA SUPPORT-TORQUE BAR, EXCEL 130-015978 (L)
	009439-06-000	EA EXTENSION CRANK HANDLE, WINDOW/ROOF VENT - BLACK

1993 ITASCA
TABLE OF CONTENTS

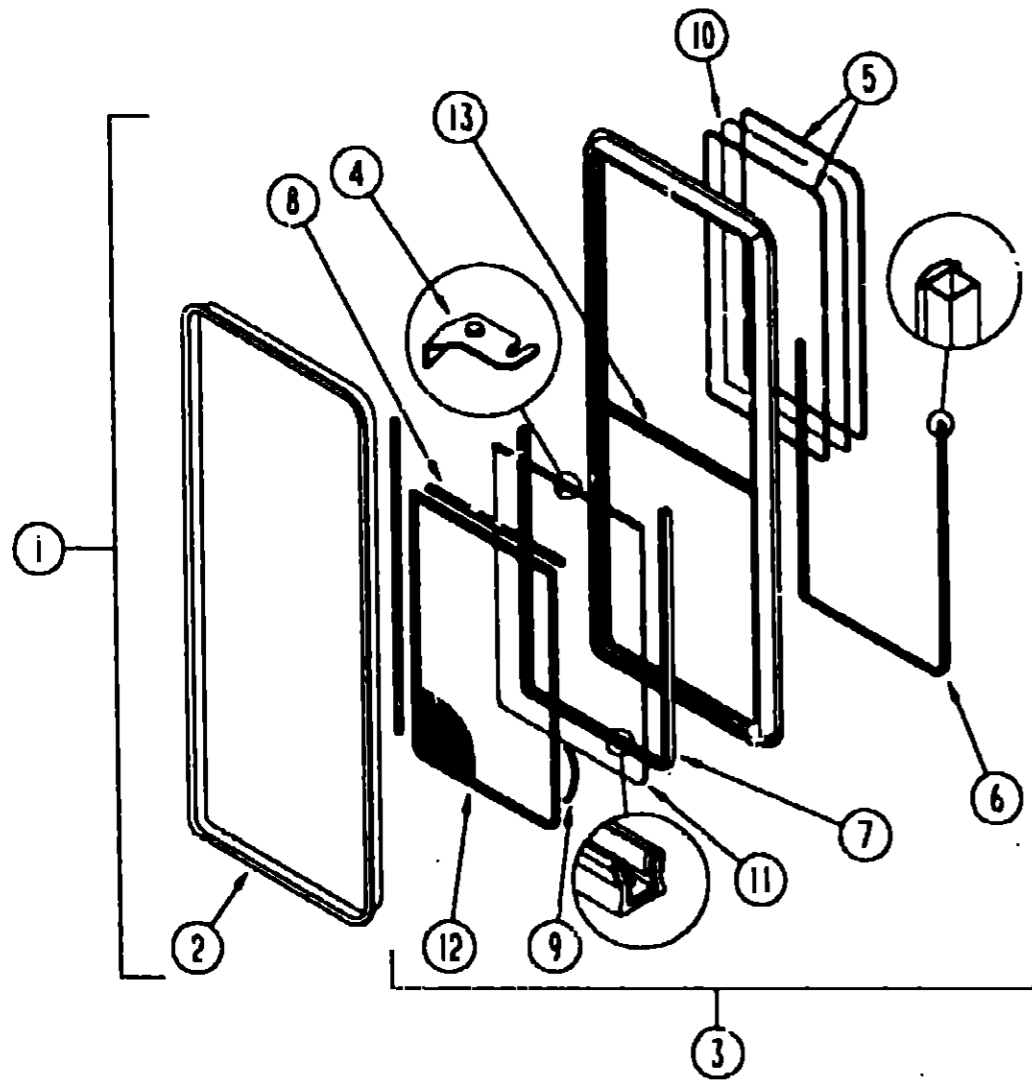
INTRODUCTION	A-01	A-02
ABBREVIATIONS		A-03
ALPHABETICAL INDEX	A-04	A-06
IF527RQ	A-07	E-02
IF527RC	E-03	A-22

1993 IF527RQ INDEX

FLOOR PLAN	A-07	A-08
ACCESSORIES		A-09
AUDIO VIDEO		A-10
BATH	A-11	A-12
BEDROOM	A-13	A-17
CHASSIS	A-18	A-22
CURTAIN & CUSHION	A-23	B-08
DINETTE	B-09	B-10
DRIVERS COMPARTMENT	B-11	B-12
ELECTRICAL	B-13	B-16
EXTERIOR BODY	B-17	C-02
GALLEY	C-03	C-07
GENERATOR		C-08
HEATING & A/C	C-09	C-10
INTERIOR FINISH	C-11	C-14
LABELS	C-15	C-21
LP		C-22
LOUNGE	C-23	C-24
SEALANTS & FASTENERS	D-01	D-03
WATER & SEWAGE	D-04	D-08
WINDOW VENT AND EXTERIOR DOOR	D-09	E-02

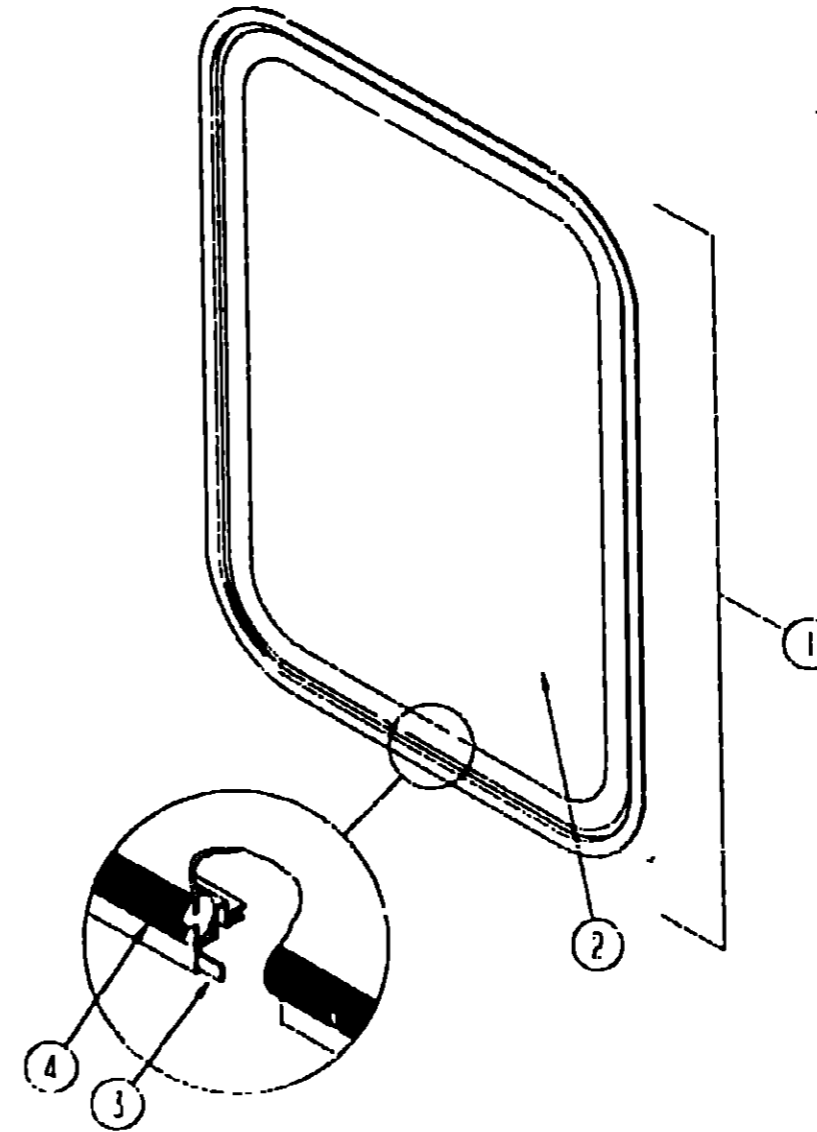
WINDOW, VENT & EXTERIOR DOOR GROUP (CONTINUED)

WINDOW, VENT & EXTERIOR DOOR GROUP (CONTINUED)



PASSENGER SIDE SWIVEL CHAIR WINDOW

KEY	PART NUMBER	U/M DESCRIPTION
1	098644-05-01A	EA WINDOW-SLIDER, VERTICAL W/INSIDE TRIM - EXCEL H250-PR
2	098644-05-700	EA TRIM INSIDE (OFF-WHITE) - EXCEL W250-87
3	098644-05-704	EA WINDOW ASM W/O INSIDE TRIM - EXCEL H250-G2R
4	098644-01-700	EA LATCH-REPAIR KIT, EXCEL BR01-CK
5	098644-01-705	FT GLAZING STRIP, EXCEL M925-12
6	098644-01-706	FT WEATHERSTRIP, EXCEL 171-010658
7	098644-01-708	FT CHANNEL PIERCED RUN EXCEL 122-016543
8	098644-01-710	FT TRACK-SCREEN SPACER, 12" LENGTH - EXCEL M401-31
	098644-01-711	FT WEATHERSTRIP-SCREEN, BLACK - EXCEL 171-016955
9	098644-01-713	EA SPRING-SCREEN FRAME (CLIP) PLASTIC - BLACK
	098644-01-716	FT PLUG-FILLER EXCEL 132-014470
	098644-01-717	FI SPLINE-SCREEN MFG EXCEL 132-004716
10	098644-05-701	EA STATIONARY GLASS EXCEL 106-018013
11	098644-05-702	EA SLIDE ASM EXCEL B938-G9
12	098644-05-703	EA SCREEN ASM EXCEL 410-016478



ENTRY DOOR WINDOW

KEY	PART NUMBER	U/M DESCRIPTION
	067509-32-000	EA FRAME-WINDOW ENTRY DOOR - OFF WHITE
1	079733-04-T03	EA WINDOW-PICTURE, W/O INSIDE FRAME - 17" X 25"
2	002181-05-000	EA GLASS-PICTURE WINDOW 115" X 16 25" X 24"
3	069640-11-000	FT SEALER-TAPE, 3/16"X3/8" BLACK
4	087561-01-000	FT SEAL-GLASS EXTERIOR - 5" WIDE - VINYL - BLACK

1993 ITASCA
TABLE OF CONTENTS

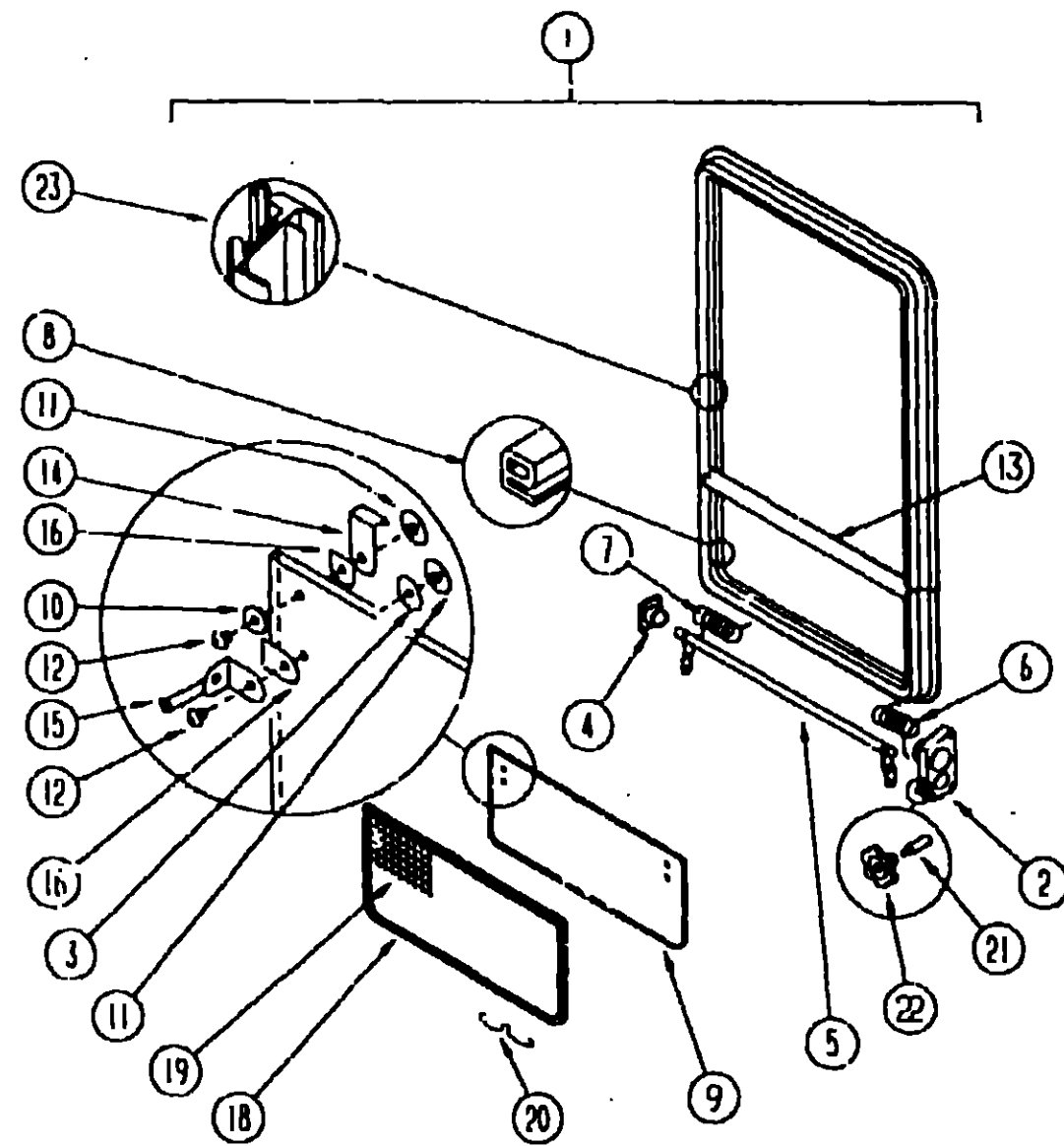
INTRODUCTION	A 01 - A 02
ABBREVIATIONS	A 03
ALPHABETICAL INDEX	A 04 - A 05
IF527RQ	A 07 - E 02
IF527PC	E 03 - H 22

1993 IF527RQ INDEX

FLOOR PLAN	A 07 - A 08
ACCESSORIES	A 09
ALCOHOL	A 10
BATH	A 11 - A 12
BEDROOM	A 13 - A 17
CHASSIS	A 18 - A 22
CURTAIN & CUSHION	A 23 - B 06
DINETTE	B 09 - B 10
DRIVERS COMPARTMENT	B 11 - B 12
ELECTRICAL	B 13 - B 16
EXTERIOR BODY	B 17 - C 02
GALLEY	C 03 - C 07
GENERATOR	C 08
HEATING & A/C	C 09 - C 10
INTERIOR FINISH	C 11 - C 14
LABELS	C 15 - C 21
	C 22
LOUNGE	C 23 - C 24
SEALANTS & FASTENERS	D 01 - D 03
WATER & SEWAGE	D 04 - D 08
WINDOW VENT AND	
EXTERIOR DOOR	D 09 - E 02

WINDOW, VENT & EXTERIOR DOOR GROUP (CONTINUED)

GALLEY WINDOW



KEY	PART NUMBER	U/M	DESCRIPTION
	090893-17-02A	EA	FRAME-INSIDE, WINDOW RETAINER - OFF WHITE
1	092235-11-Y12	EA	WINDOW-TIPOUT, SINGLE - W/O INSIDE FRAME
	000H14-06-14R	EA	RIVET-MANDREL BLIND, 3/16"
2	035302-02-000	EA	OPERATOR-TORQUE, TIPOUT WINDG.W -
3	068927-03-000	EA	SEAL-WINDOW, RUBBER - ROUND - 80° DIA - BLACK
4	081354-01-000	EA	SLEEVE-TORQUE TUBE, TIPOUT WINDOW - 1 3/4" X 1 1/2" X 7'
	081649-01-000	EA	RING-SNAP, 7/32 SHAFT DIAMETER
5	083150-10-000	EA	TUBE-TORQUE, TIPOUT WINDOW - W/SPRING & ARM - 22 5/8" LONG
6	080918-01-000	EA	SPRING-TORQUE TUBE, LEFT
7	080518-02-000	EA	SPRING-TORQUE TUBE, RIGHT
8	084067-02-000	FT	SEAL-E SHAPED, SPONGE - TIPOUT WINDOW - 42" X 38"-BLACK
9	084068-15-000	EA	GLASS-TIPOUT, 9 2/3" X 24 5/8"
10	084453-02-000	EA	WASHER-06" X 5" X 25" - PLASTIC
11	086762-01-000	EA	T NUT-10-32
12	086763-01-000	EA	SCREW-MACH, 10 - 32 X 1 1/4 PTH
13	087566-02-01A	EA	MULLION-HORIZONTAL, TIPOUT - BLACK
14	089913-01-000	EA	HINGE-TIPOUT WINDOW, BLACK
15	097578-01-000	EA	LINK-5-TIPOUT WINDOW
16	084453-01-000	EA	WASHER-06" X 5" X 135" - PLASTIC
17	085315-01-000	EA	SEAL-FLAT, W/CENTER HOLE & ADHESIVE SIDE - 8" X 9" - BLK
18	100235-02-000	EA	RIVET-SHOULDER, TIPOUT WINDOW
19	080218-03-000	SF	SCREENING-FIBERGLASS, 12" WIDE
20	100168-01-000	EA	CRANK SPRING SCREEN
	100240-01-000	FT	SPRING-SCREEN, T-SHAPED
21	009439-06-000	EA	EXTENSION-CRANK HANDLE, WINDOW/ROOF VENT - BLACK
22	009439-05-000	EA	KNOB-OPERATOR, TIPOUT WINDOW - W/SPRING & ARM
	009439-07-000	EA	SCREW, 6-32 X 1 1/4 POH - BLACK
23	069640-11-000	FT	TAPE-SEALER 3 1/2" X 3 1/2" - BLACK

1993 ITASCA TABLE OF CONTENTS

INTRODUCTION	A 01 - A 02
ABBREVIATIONS	A 03
ALPHABETICAL INDEX	A 04 - A 06
IF527RQ	A 07 - F 02
IF527RC	E 03 - F 02

1993 IF527RQ INDEX

FLOOR PLAN	A 07 - A 08
ACCESSORIES	A 09
ADD ON VIDEO	A 10
BATH	A-11 - A-12
BEDROOM	A 13 - A 17
CHASSIS	A 18 - A 22
CURTAIN & CUSHION	A 23 - B 08
DINETTE	B-09 - B 10
DRIVERS COMPARTMENT	B-11 - B 12
ELECTRICAL	B 13 - B 16
EXTERIOR BODY	B-17 - C 02
GALLEY	C 03 - C 07
GENERATOR	C 08
HEATING & A/C	C-09 - C 10
INTERIOR FINISH	C-11 - C-14
LABELS	C 15 - C 21
LP	C 22
LOUNGE	C-23 - C 24
SEALANTS & FASTENERS	D 01 - D 03
WATER & SEWAGE	D 04 - D 08
WINDOW, VENT AND EXTERIOR DOOR	D 09 - E 02

WINDOW, VENT & EXTERIOR DOOR GROUP (CONTINUED)

FANTASTIC ROOF VENTILATOR

KEY	PART NUMBER	U/M DESCRIPTION
	0A4079 03 000	EA VENT CEILING POWERED EXHAUST - OFF WHITE - FANTASTIC VENT
	0A4079 01-700	EA VENT COVER - FANTASTIC 1020-19
	0A4079 01-703	EA CRANK EXTERIOR FANTASTIC 1069-09
	0A4079 01-704	EA BLADE FAN FANTASTIC 1079-00
	0A4079 01-735	EA MOTOR FANTASTIC 1080-00
	0A4079 01-705	EA PLUG-12 VOLT, FANTASTIC 1090
	0A4079 01-707	EA SWITCH SAFETY FANTASTIC 1120-00
	0A4079 01-709	EA SWITCH ON & OFF MAIN POWER - FANTASTIC 1100-00
	0A4079 01-711	EA MOLDING MOTOR MOUNT - PLASTIC - FANTASTIC
	0A4079 01-712	EA GARNISH INTERIOR FINISH 1 7/8" WIDE - OFF WHITE

POWERED ROOF VENT

KEY	PART NUMBER	U/M DESCRIPTION
	009439 01-000	EA CRANK HANDLE ROOF VENT
	009439 04 000	EA SCREW 8-32 X 1 1/4" PCH
	009439 02-000	EA KNOB ROOF VENT MILL
	009439 03 000	EA EXTENSION-CRANK HANDLE ROOF VENT - 9" - MILL
	050394 01-Y12	EA VENT ROOF POWERED
		FROM 00-00-00 THRU 10-04-92
	055218 01-000	EA COVER ROOF VENT, PLASTIC
	002825 01 000	EA WEATHER STRIP-ROOF VENT GRAY
	008195 01-000	EA SWITCH-ROOF VENT PUSH BUTT CN 12V
	008343 01 000	EA TIE WIRE 6"
	008386 01 000	EA GROMMET-SNAP 3/8"
	009440 01 000	EA GEAR/ARM-VENT COVER LIFT
	015911 01-000	EA TRACK LIFT ARM SLIDE - ROOF VENT
	048648 01-000	EA MOTOR ROOF VENT, 1 8" SHAFT - 12V - JENSEN
	048649 01 000	EA FAN-ROOF VENT 6 BLADES - 6" - JENSEN
	052639 01 001	EA HINGE VENT COVER 16"
	052639 01 200	EA HINGE-EXTRUSION ROOF VENT 7"
	051603 01 000	EA GROMMET SNAP 3/16" ID - 3/8" HOLE - PLASTIC - BLACK
	078785 01-Y12	EA SCREEN ROOF VENT POWERED
	002291 02-000	SF SCREENING ROOF VENT/WINDOW 16" - BLACK
	002298 02-000	FT SPLINE-VENT/WINDOW SCREEN 128 DIAMETER BLACK
	110051 03 01A	EA VENT ROOF POWERED - 2" ROOF - JENSEN 7757
		FROM 10-05-92 THRU 99-99-99
	048648 01 000	EA MOTOR-12V NONVENTED 1-8" SHAFT
	048649 01 000	EA FAN PLASTIC 5" - 6 BLADED
	054470 01-700	EA COVER ROOF VENT JENSEN 7291
	110051 01 701	EA GARNISH W/SCREEN & FRAME 2" JENSEN 29-800-01
	110051 01-702	EA HAND CRANK & OPERATOR ASM JENSEN RP 10000B
	110051 01 703	EA HANDLE CRANK, JENSEN RP1031-B

WINDOW, VENT & EXTERIOR DOOR GROUP (CONTINUED)

NONPOWERED ROOF VENT

KEY	PART NUMBER	U/M DESCRIPTION
	009439 01-000	EA CRANK HANDLE-ROOF VENT
	009439 04-000	EA SCREW 8-32 X 1 1/4" PCH
	009439 02-000	EA KNOB-ROOF VENT MILL
	009439 03-000	EA EXTENSION-CRANK HANDLE ROOF VENT - 9" - MILL
	009439 04-000	EA SCREW 8-32 X 1 1/4" PCH
	050395 01-Y12	EA VENT-ROOF NONPOWERED
		FROM 00-00-00 THRU 10-04-92
	055218 01-000	EA COVER-ROOF VENT, PLASTIC
	002825 01-000	EA WEATHER STRIP-ROOF VENT GRAY
	009440 01-000	EA GEAR/ARM-VENT COVER LIFT
	015911 01-000	EA TRACK-LIFT ARM SLIDE - ROOF VENT
	052639 01-001	EA HINGE-VENT COVER 16"
	052639 01-200	EA HINGE-EXTRUSION ROOF VENT 7"
	078786 01-Y12	EA SCREEN-ROOF VENT NON POWERED - WHITE
	002291 02-000	SF SCREENING-ROOF VENT/WINDOW 16" - BLACK
	002298 02-000	FT SPLINE-VENT/WINDOW SCREEN 128 DIAMETER - BLACK
	110051 01-01A	EA VENT-ROOF, NONPOWERED - 2" ROOF - JENSEN 7724
		FROM 10-05-92 THRU 99-99-99
	064470 01-700	EA COVER ROOF VENT, JENSEN 7291
	110051 01-701	EA GARNISH W/SCREEN & FRAME 2", JENSEN 29-800-01
	110051 01-702	EA HAND CRANK & OPERATOR ASM, JENSEN RP-1000B
	110051 01-703	EA HANDLE CRANK, JENSEN RP-1031-B

VENTS, SHROUDS & ROOF COVERS

KEY	PART NUMBER	U/M DESCRIPTION
	083556 03-000	EA VENT-PLUMBING PIPE ROOF W/COVER - OFF WHITE
	063752 01-000	EA SHROUD-RANGE, 18 5" X 20 6" X 16 2" - METAL - OFF WHITE
	084616 01-000	EA SHROUD-RANGE HOOD VENT PLASTIC - OFF WHITE
	084878 09-000	EA VENT-RANGE HOOD, SHORT - LVS
	084073 03-000	EA COVER-ROOF VENT, REFRIGERATOR - OFF WHITE - NORCOLD
	084073 04 000	EA BASE-ROOF VENT REFRIGERATOR - BLACK - NORCOLD

**1993 ITASCA
TABLE OF CONTENTS**

INTRODUCTION	A-01	A-02
ABBREVIATIONS		A-03
ALPHABETICAL INDEX	A-04	A-06
IF527RQ	A-07	E-02
IF527RC	E-03	E-22

1993 IF527RQ INDEX

FLOOR PLAN	A-07	A-08
ACCESSORIES		A-09
AUDIO VIDEO		A-10
BATH	A-11	A-12
BEDROOM	A-13	A-17
CHASSIS	A-18	A-22
CURTAIN & CUSHION	A-23	B-08
DINETTE	B-09	B-10
DRIVERS COMPARTMENT	B-11	B-12
ELECTRICAL	B-13	B-16
EXTERIOR BODY	B-17	C-02
GALLEY	C-03	C-07
GENERATOR		C-08
HEATING & AC	C-09	C-10
INTERIOR FINISH	C-11	C-14
LABELS	C-15	C-21
LP		C-22
LOUNGE	C-23	C-24
SEALANTS & FASTENERS	D-01	D-03
WATER & SEWAGE	D-04	D-08
WINDOW, VENT AND EXTERIOR DOOR	D-09	E-02