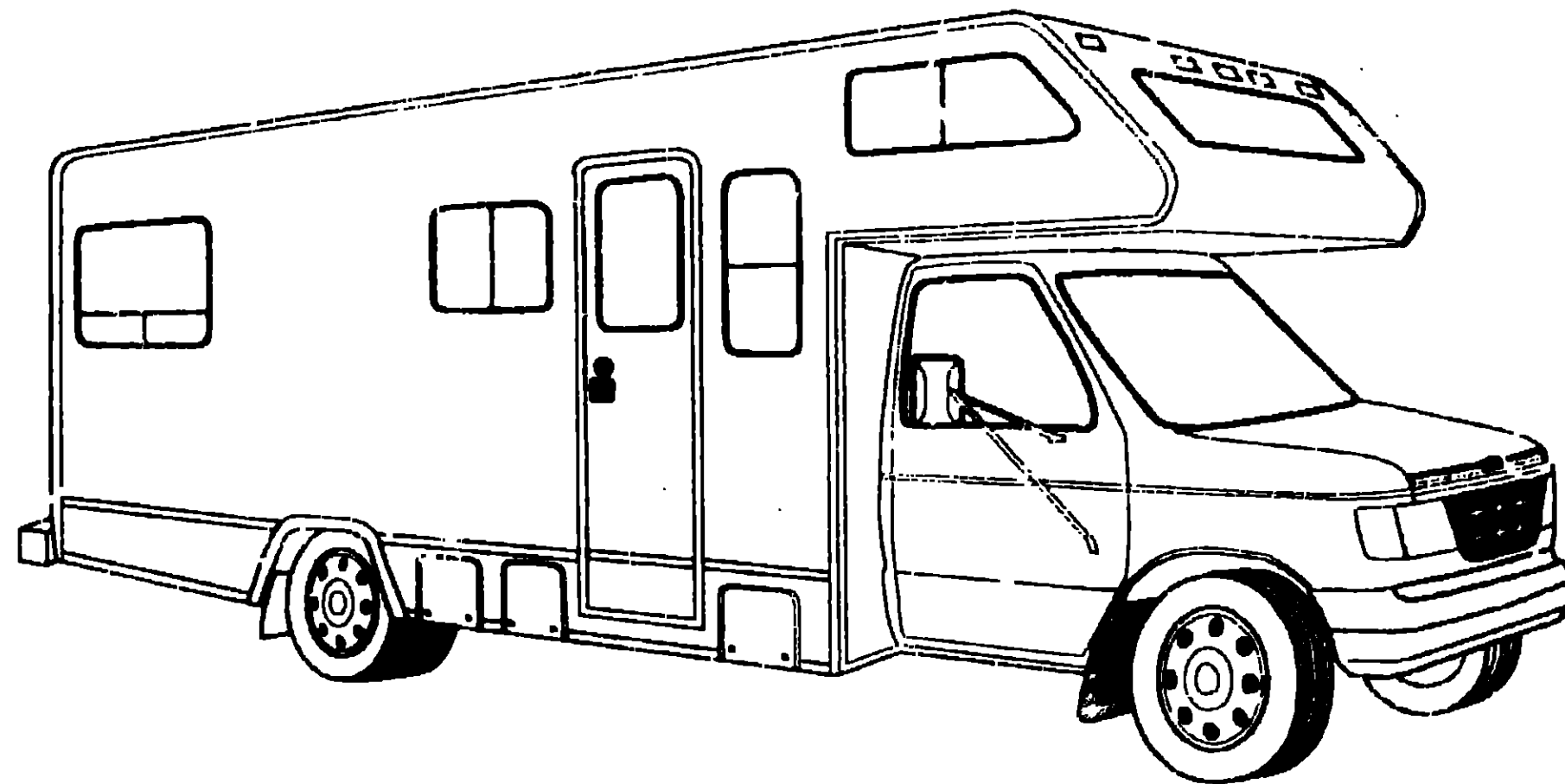
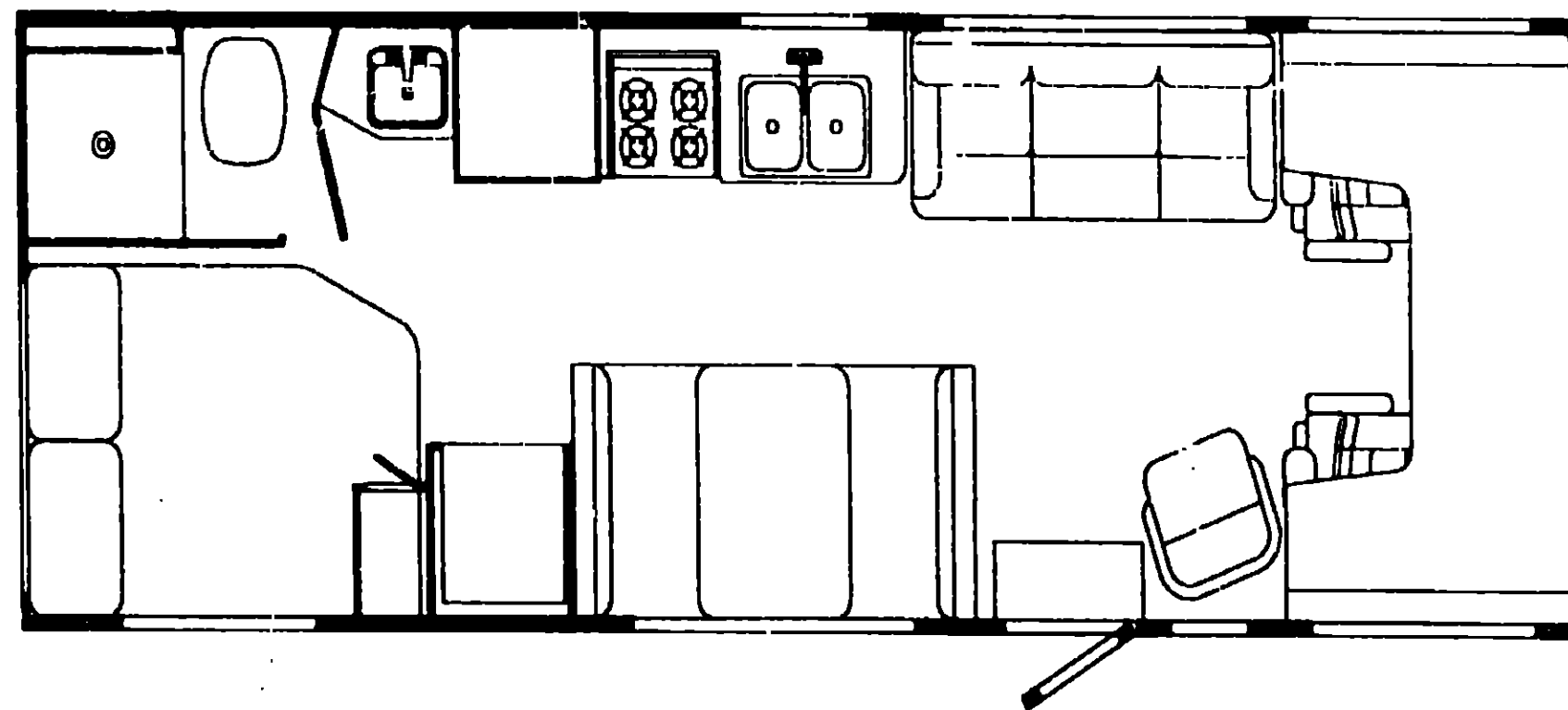


1993 IF527RC D29 D31



1993 ITASCA TABLE OF CONTENTS

INTRODUCTION	A-01	A-02
ABBREVIATIONS		A-03
ALPHABETICAL INDEX	A-04	A-05
IF527RD	A-07	E-02
IF527RC	E-03	H-22



1993 IF527RC INDEX

FLOOR PLAN	E-03	E-04
ACCESSORIES		F-05
AUDIO VIDEO		F-08
BATH	E-07	E-08
BEDROOM	E-09	E-10
CHASSIS	E-11	E-15
CURTAIN & CUSHION	E-15	F-02
DINETTE	F-03	F-04
DRIVERS COMPARTMENT	F-05	F-06
ELECTRICAL	F-07	F-10
EXTERIOR BODY	F-11	F-20
GALLEY	F-21	G-01
GENERATOR		G-02
HEATING & AC	G-03	G-04
INTERIOR FINISH	G-05	G-08
LABELS	G-09	G-15
LP		G-16
LOUNGE	G-17	G-18
SEALANTS & FASTENERS	G-19	G-21
WATER & SEWAGE	G-22	H-02
WINDOW, VENT AND EXTERIOR DOOR	H-03	H-21

ACCESSORIES GROUP

OPERATORS MANUAL

KEY	PART NUMBER	U/M DESCRIPTION
	054185-51-000	EA MANUAL-OPERATOR, 1993 SUNDANCER - 500 SERIES
	092318-01-000	EA BINDER-3 RING MOTOR HOME MANUAL
	092319-01-000	EA POCKET PAGE-3 RING BINDER, PLASTIC
	108272-01-000	DW TOP LEVEL DRAWING NUMBER FOR 1993 C-BODIES

AUDIO VIDEO GROUP

RADIO & ANTENNA COMPONENTS

KEY	PART NUMBER	U/M DESCRIPTION
	106450-01-000	EA RADIO-AM/FM CASSETTE, ELECTRONIC TUNE - FORD - AUDIOVOX FD-CXF
	108137-01-000	EA PLUG-ANTENNA HOLE (FORD)
	089340-02-000	EA GRILLE-SPEAKER, 6 5" SQUARE (OVHD CABINETS)
	089340-03-000	EA SPACER-SPEAKER GRILLE, TAN - MAGNADYNE G514 (OVHD CABINETS)
	094097-01-000	EA SPEAKER-RADIO, W/O GRILLE - 5 25" DIA - AUDIOVOX 110C3030 (OVHD CABINETS)
	087683-01-000	EA RADIO-AM/FM STEREO W/CASSETTE AUDIOVOX 144D1559 (PATIO ENTERTAINMENT)
	090944-01-000	EA ANTENNA-RADIO, 16" RUBBER (PATIO ENTERTAINMENT)
	077069-02-000	EA CABLE-ANTENNA, RADIO - EXTENSION 96" - ARA 6700667
	090862-01-000	EA BRACKET-HAT, ANTENNA - 3 1" X 3 9" - STEEL - BLACK (PATIO ENTERTAINMENT)
	104899-01-004	EA PLATE-RADIO MOUNTING (PATIO ENTERTAINMENT)
	073741-03-000	EA SPEAKER-OVAL, 4" X 6" - AUDIOVOX 110-2074 (PATIO ENTERTAINMENT) FROM 00-00-00 THRU 12-20-92
	110469-01-000	EA SPEAKER-OVAL, COAXIAL - 4" X 6" - MAGNADYNE F46XB-12 (PATIO ENTERTAINMENT) FROM 12-21-92 THRU 99-99-99
	073741-04-000	EA GRILLE-SPEAKER, OVAL - 4" X 6" - AUDIOVOX 136-1157 (PATIO ENTERTAINMENT) FROM 00-00-00 THRU 12-20-92
	110470-01-01A	EA GRILLE-SPEAKER, OVAL - 4" X 6" - BLACK - MAGNADYNE G46WI (PATIO ENTERTAINMENT) FROM 12-21-92 THRU 99-99-99

TV, VCR SYSTEMS & ANTENNA

KEY	PART NUMBER	U/M DESCRIPTION
	092310-03-000	EA TV-COLOR, 9" - AC/DC - W/SWIVEL - MAGNAVOX RDO945
	092310-02-700	EA REMOTE FOR TV
	098446-03-000	EA VCR-VHS, CABLE READY - REMOTE - MAGNAVOX VR9010 FROM 00-00-00 THRU 10-04-92
	098446-03-700	EA REMOTE FOR MODEL #9010 - 0974588
	098446-04-000	EA VCR-VHS CABLE READY - REMOTE - MAGNAVOX VR9110 FROM 10-05-92 THRU 05-16-93
	098446-04-700	EA REMOTE FOR MODEL #9110
	098446-05-000	EA VCR-VHS, CABLE READY - REMOTE - MAGNAVOX VR9120 FROM 05-17-93 THRU 99-99-99
	098446-04-700	EA REMOTE FOR MODEL #9110 & #9120
	106433-01-000	EA BRACKET-VCR
	076319-01-000	EA ANTENNA-TV, ROOF MOUNT - 44 5" MAST - RVA W02
	076319-01-700	EA HEAD-ANTENNA AMPLIFIED - WINEGARD# RVSA UV
	076319-01-701	EA GEAR-ELEVATING, PLASTIC - WINEGARD# 2200046
	076319-01-702	EA SHAFT ASM-ELEVATING, WINEGARD# RVP-400A
	076319-01-703	EA BEARING-NYLON, 5"OD - WINEGARD# 3200656
	076319-01-705	EA GROMMET-NYLON, 7/8"ID - WINEGARD# 3200658
	076319-01-706	EA CRANK-ELEVATING, W/SET SCREW - WINEGARD# 5755100
	076319-01-707	EA SPRING-HANDLE, WINEGARD# 5160800
	076319-01-709	EA PLATE-DIRECTIONAL, FOR HEAD - WINEGARD #3200644
	076319-06-000	EA ADAPTER-CABLE ROOF PLATE, WINEGARD RPJ-1
	082134-01-000	EA ADAPTER-TV, CABLE TO CABLE - WINEGARD F-81M
	082136-01-000	EA NUT-HEX JAM 3/8-32, WINEGARD
	076319-08-000	EA WALLPLATE-CABLE RECEPTACLE, TV - SINGLE - IVORY
	086777-03-000	EA WALLPLATE-TV CABLE, W/ANTENNA SWITCH - IVORY
	108046-01-000	EA CABLE TIE-SCREW MOUNT, 8" - DENNISON 08415
	076319-03-000	FT CABLE-COAXIAL, 75 OHM
	076319-12-000	EA CONNECTOR-COAXIAL - ONE PIECE
	086756-01-000	EA SPLITTER-TV, 2 WAY
	086757-03-000	EA CONTROL CENTER-SWITCH, VCR/TV - MAGNADYNE VCS-6
	086777-04-000	EA PLATE-WALL, ANTENNA/POWER - BROWN

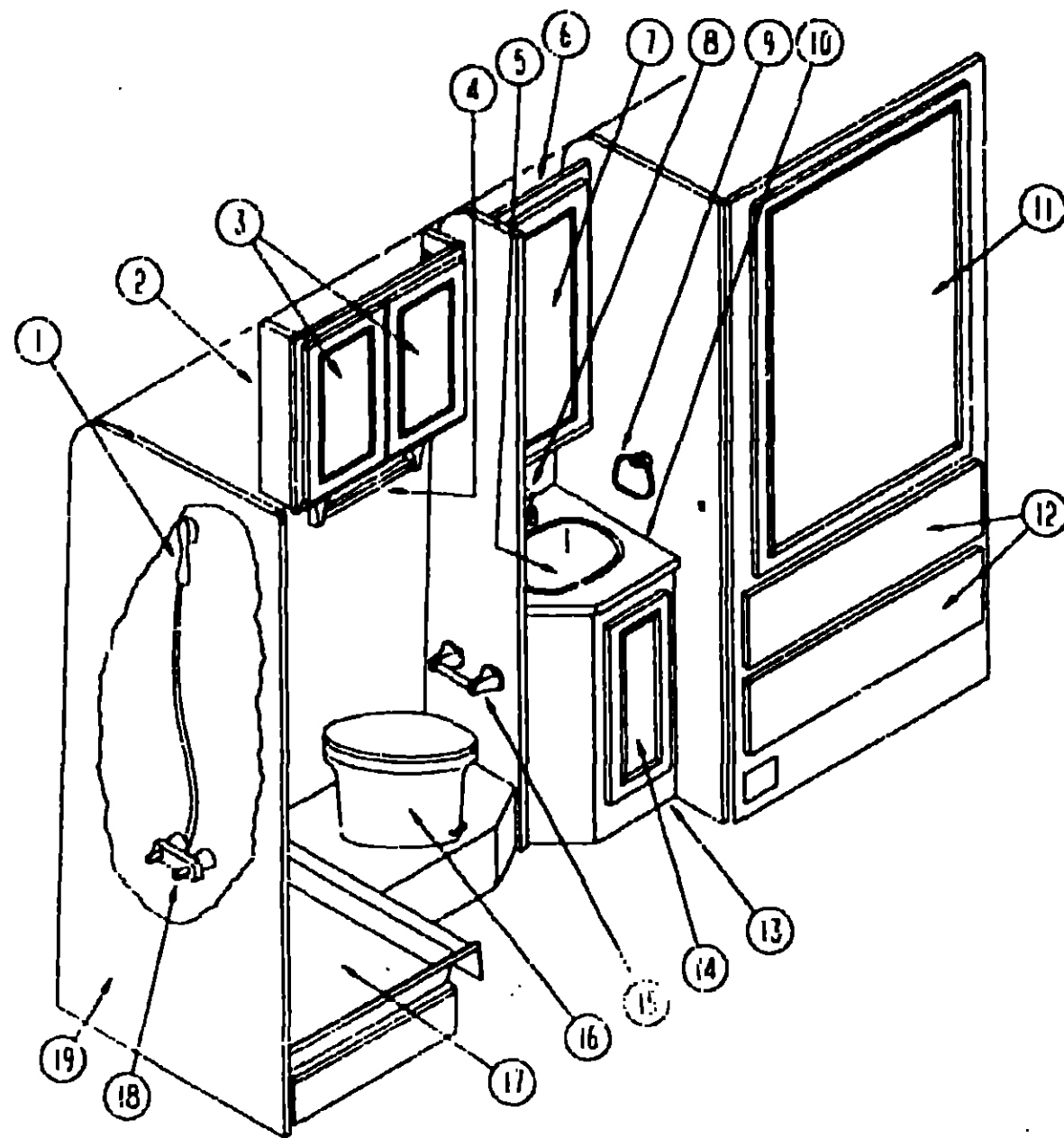
1993 ITASCA TABLE OF CONTENTS

INTRODUCTION	A 01	A-02
ABBREVIATIONS		A-03
ALPHABETICAL INDEX	A-04	A-05
IF527RC	A-07	E-02
IF527RC	E-03	H-22

1993 IF527RC INDEX

FLOOR PLAN	E-03	E-04
ACCESSORIES		E-05
AUDIO VIDEO		E-06
BATH	E-07	E-08
BEDROOM	E-09	E-10
CABINETS	E-11	E-15
CURTAIN & CUSHION	E-15	F-02
DINETTE	F-03	F-04
DRIVERS COMPARTMENT	F-05	F-06
ELECTRICAL	F-07	F-10
EXTERIOR BODY	F-11	F-20
GALLEY	F-21	G-01
GENERATOR		G-02
HEATING & A/C	G-03	G-04
INTERIOR FINISH	G-05	G-08
LABELS	G-09	G-15
LP		G-16
LOUNGE	G-17	G-18
SEALANTS & FASTENERS	G-19	G-21
WATER & SEWAGE	G-22	H-02
WINDOW, VENT AND EXTERIOR DOOR	H-03	H-21

BATH GROUP



BATH & SHOWER CABINETS & FIXTURES

KEY	PART NUMBER	U/M DESCRIPTION
1	103092-01-000	EA SHOWER HEAD-W/60 IN HOSE
	103092-01-700	EA BRACKET-SHOWER HEAD-
2	P05767-01-C43	EA CABINET-OVERHEAD, W/O DOORS & HARDWARE
3	P04536-18-C43	EA DOOR-CABINET, W/O HARDWARE - 285 X 500MM
4	075453-02-000	EA BAR-TOWEL, 18" BRASS
5	096927-01-01A	EA SINK-LAVATORY, RECTANGULAR - PLASTIC - BONE
	096927-01-700	EA SINK-STOPPER
	096927-01-701	EA TAILPIECE-SINK
6	102821-01-C43	EA CABINET-MEDICINE, W/O DOOR & HARDWARE
7	102326-02-000	EA DOOR-MIRROR, 500 X 750MM
	102327-01-01A	EA FULL-DOOR, SQUARE
8	075240-06-000	EA FAUCET-LAVATORY-BONE
9	075454-02-000	EA RING-TOWEL-W/MOUNTING HARDWARE - BRASS
10	105643-11-D29	EA COUNTERTOP-CABINET, LAVATORY
10	105643-11-D31	EA COUNTERTOP-CABINET, LAVATORY
11	P04536-14-D38	EA DOOR-CABINET, W/O HARDWARE - 525 X 1220MM
12	P07104-M3-D29	EA DRAWER-CABINET, W/O HARDWARE (2 USED)

BATH GROUP (CONTINUED)

BATH & SHOWER CABINETS & FIXTURES (CONTINUED)

KEY	PART NUMBER	U/M DESCRIPTION
13	M05684-01-D29	EA CABINET-LAVATORY, W/O DOOR & HARDWARE - US
13	M05684-01-D31	EA CABINET-LAVATORY, W/O DOOR & HARDWARE - US
13	M05684-02-D29	EA CABINET-LAVATORY, W/O DOOR & HARDWARE - CSA
		FROM 00-00-00 THRU 03-07-93
13	M05684-01-D29	EA CABINET-LAVATORY, W/O DOOR & HARDWARE - CSA
		FROM 03-08-93 THRU 99-99-99
13	M05684-02-D31	EA CABINET-LAVATORY, W/O DOOR & HARDWARE - CSA
		FROM 00-00-00 THRU 03-07-93
13	M05684-01-D31	EA CABINET-LAVATORY, W/O DOOR & HARDWARE - CSA
		FROM 03-08-93 THRU 99-99-99
14	P03702-K4-D29	EA DOOR-CABINET W/O HARDWARE - 340 X 555MM
15	075452-02-000	EA HOLDER-TOILET TISSUE BRASS
16	067487-01-000	EA TOILET-12 3/4" IVORY - HAND FLUSH - THETFORD 150110
	063740-01-700	EA LEVER-WATER, THETFORD 12514
	063740-01-701	EA LEVER-FLUSH, THETFORD 12515
	063740-01-706	EA BOLT PACKAGE-CLOSET, THETFORD 12524
	063740-01-710	EA LINK-THETFORD 12513
	063740-01-711	EA SPRING-RETURN LEVER, THETFORD 12523
	063740-01-713	EA SEAL-BALL VALVE TO BOWL, THETFORD 12502
	063740-01-714	EA VALVE ASM-WATER, THETFORD 12492
	063740-01-716	EA SEAT & COVER, THETFORD 15017
	063740-01-717	EA TUBE-FLUSH, TOILET - 12509 THETFORD
	024676-01-000	EA FLANGE-CLOSET, TOILET - 4" X 3" - RED - US
	024676-02-000	EA FLANGE-CLOSET, TOILET - 4" X 3" - RED - CSA
17	M02429-06-000	EA PAN-SHOWER, OFF WHITE
	066436-01-000	EA NUT-SLIP, TAILPIECE - 1 5"
	066440-01-000	EA STRAINER-SHOWER, W/RUBBER WASHER
	069735-01-000	EA WASHER-STRAINER TO TAILPIECE PLASTIC - 1 5"
	011069-02-000	EA TAILPIECE-TUB/SHOWER, 1 1/2" X 1 1/4" X 4" - BRASS
	066436-01-000	EA NUT-SLIP, TAILPIECE - 1 5"
18	075241-05-000	EA FAUCET-SHOWER BONE
	075606-01-000	EA PANEL FAUCET BACK SHOWER 5" X 5" PLASTIC
	057671-01-000	EA COVER-SCREW #8 - PLASTIC - OFF WHITE
19	102046-01-01A	EA SURROUND-SHOWER, THREE SIDED - OFF WHITE

BATH PRIVACY DOOR

KEY	PART NUMBER	U/M DESCRIPTION
	P05398-01-C43	EA DOOR-PRIVACY, BATH
		FROM 00-00-00 THRU 03-21-93
	P05398-03-D29	EA DOOR-PRIVACY, BATH
		FROM 03-22-93 THRU 99-99-99
	102089-13-B29	EA WOOD RAIL-TOWEL RACK, RIGHT SIDE - 26"
	102089-14-B29	EA WOOD RAIL-TOWEL RACK, LEFT SIDE - 25"
	100357-01-000	EA ROD-TOWEL, BRASS W/ENDS BENT FOR BACK OF BATH DOOR
	094485-01-01A	EA KNOB-DOOR-POLISHED BRASS
		FROM 00-00-00 THRU 09-23-92
	094485-02-01A	EA KNOB-DOOR-POLISHED BRASS
		FROM 09-24-92 THRU 99-99-99

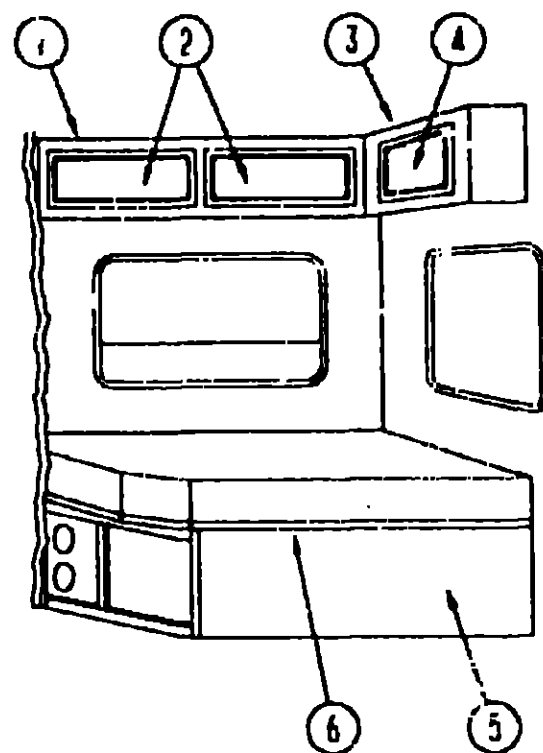
1993 ITASCA TABLE OF CONTENTS

INTRODUCTION	A-01	A-02
ABBREVIATIONS		A-03
ALPHABETICAL INDEX	A-04	A-06
IF527RD	A-07	E-02
IF527RC	E-03	H-22

1993 IF527RC INDEX

FLOOR PLAN	E-03	E-04
ACCESSORIES		E-05
AUDIO VIDEO		F-06
BATH	E-07	E-08
BEDROOM	E-09	E-10
CHASSIS	E-11	E-15
CURTAIN & CUSHION	E-16	F-02
DINETTE	F-03	F-04
DRIVERS COMPARTMENT	F-05	F-06
ELECTRICAL	F-07	F-10
EXTERIOR BODY	F-11	F-20
GALLEY	F-21	G-01
GENERATOR		G-02
HEATING & A/C	G-03	G-04
INTERIOR FINISH	G-05	G-08
LABELS	G-09	G-15
LP		G-15
LOUNGE	G-17	G-18
SEALANTS & FASTENERS	G-19	G-21
WATER & SEWAGE	G-22	H-02
WINDOW VENT AND		
EXTERIOR DOOR	H-03	H-21

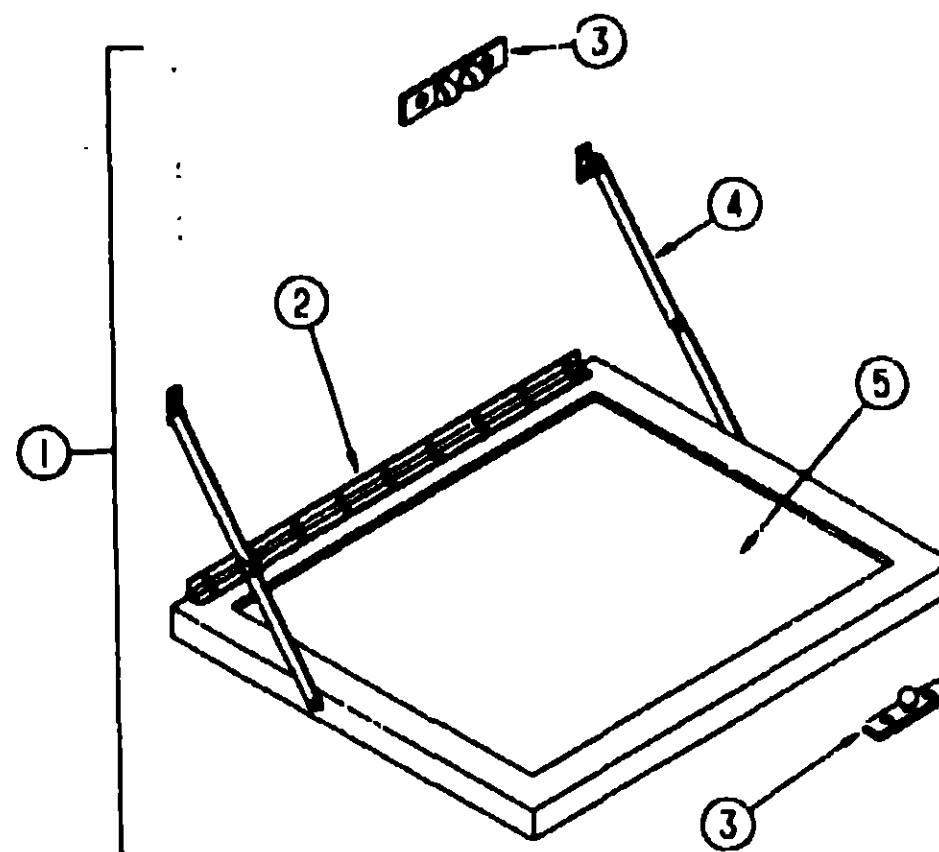
BEDROOM GROUP



BEDROOM CABINETS

KEY	PART NUMBER	U/M DESCRIPTION
1	MC5780-16-D29	EA CABINET-OVERHEAD, W/O DOORS & HARDWARE - RIGHT REAR
2	P03702-J4-D29	EA DOOR-CABINET, W/O HARDWARE - 400 X 710MM
3	M05780-19-D29	EA CABINET-OVERHEAD, W/O DOORS & HARDWARE - REAR
3	M05780-19-D31	EA CABINET-OVERHEAD, W/O DOORS & HARDWARE - REAR
3	MG6813-19-D29	EA CABINET-OVERHEAD, W/O DOORS & HARDWARE - REAR (EUROPEAN EXPORT)
3	MD6813-19-D31	EA CABINET-OVERHEAD, W/O DOORS & HARDWARE - REAR (EUROPEAN EXPORT)
4	P03702-J7-D29	EA DOOR-CABINET, W/O HARDWARE - 400 X 710MM (MIRRORED)
4	P03702-J4-D29	EA DOOR-CABINET, W/O HARDWARE - 400 X 710MM (WOOD PANEL)
5	P08557-01-D29	EA CABINET-DOUBLE BED
	106233-01-C52	EA DIVIDER-CABINET, DOUBLE BED
6	M05689-04-000	EA TOP-DOUBLE BED, DRIVER SIDE
	M05689-03-D06	EA TOP-DOUBLE BED, PASSENGER SIDE
	089076-03-000	EA SUPPORT-BED, H-CHANNEL - 1 96" X 72 7" - ALUMINUM - BEIGE
	057460-02-000	EA BALL STUD-10MM BALL, 5/16 - 18 - GAS SPRING
	057460-03-000	EA SAFETY CLIP-WIREFORM TYPE, GAS SPRING
	057460-04-000	EA SPRING-GAS

BEDROOM GROUP (CONTINUED)



TV STAND

KEY	PART NUMBER	U/M DESCRIPTION
1	084357-02-B25	EA STAND-TV, FOLD DOWN
2	084413-01-000	EA HINGE-CONTINUOUS, W/HOLES
3	084451-01-000	EA CATCH-TV SHELF, BRASS
4	084412-01-000	EA SUPPORT-HINGED
5	084356-08-000	EA INSERT-TV STAND, W/SUPPORT HINGE - METAL - OFF WHITE
	058331-14-000	EA MIRROR-GLASS, SAFETY - 14" X 12 7"

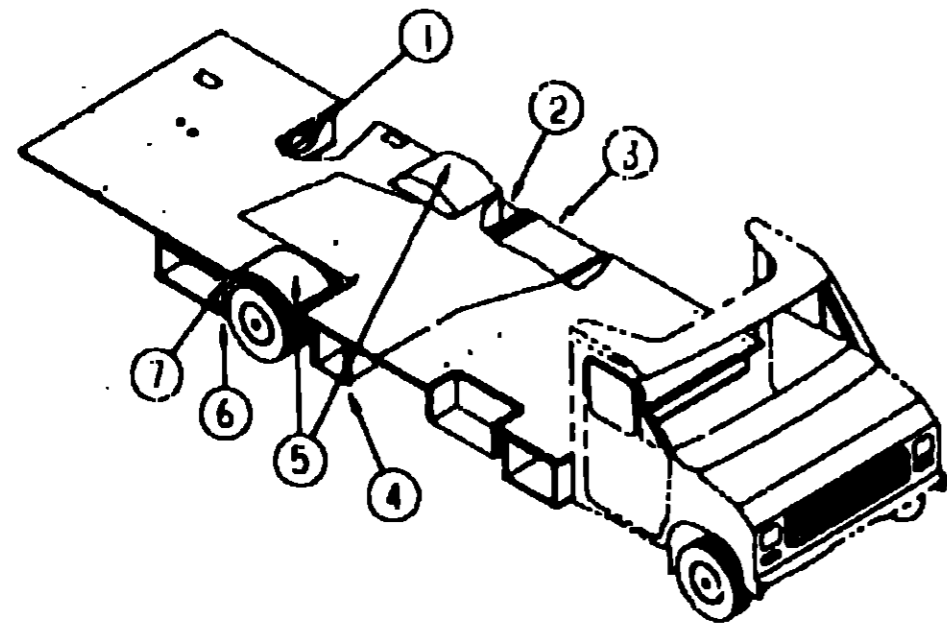
**1993 ITASCA
TABLE OF CONTENTS**

INTRODUCTION	A-01	A-02
ABBREVIATIONS		A-03
ALPHABETICAL INDEX	A-04	A-06
IF527RQ	A-07	E-02
IF527RC	E-03	H-22

1993 IF527RC INDEX

FLOOR PLAN	E-03	E-04
ACCESSORIES		E-05
AUDIO/VIDEO		E-06
BATH	E-07	E-08
BEDROOM	E-09	E-10
CHASSIS	E-11	E-15
CURTAIN & CUSHION	E-16	F-02
DINETTE	F-03	F-04
DRIVERS COMPARTMENT	F-05	F-06
ELECTRICAL	F-07	F-10
EXTERIOR BODY	F-11	F-20
GALLEY	F-21	G-01
GENERATOR		G-02
HEATING & A/C	G-03	G-04
INTERIOR FINISH	G-05	G-08
LABELS	G-09	G-15
LP		G-16
LOUNGE	G-17	G-18
SEALANTS & FASTENERS	G-19	G-21
WATER & SEWAGE	G-22	H-02
WINDOW, VENT AND EXTERIOR DOOR	H-03	H-21

CHASSIS GROUP



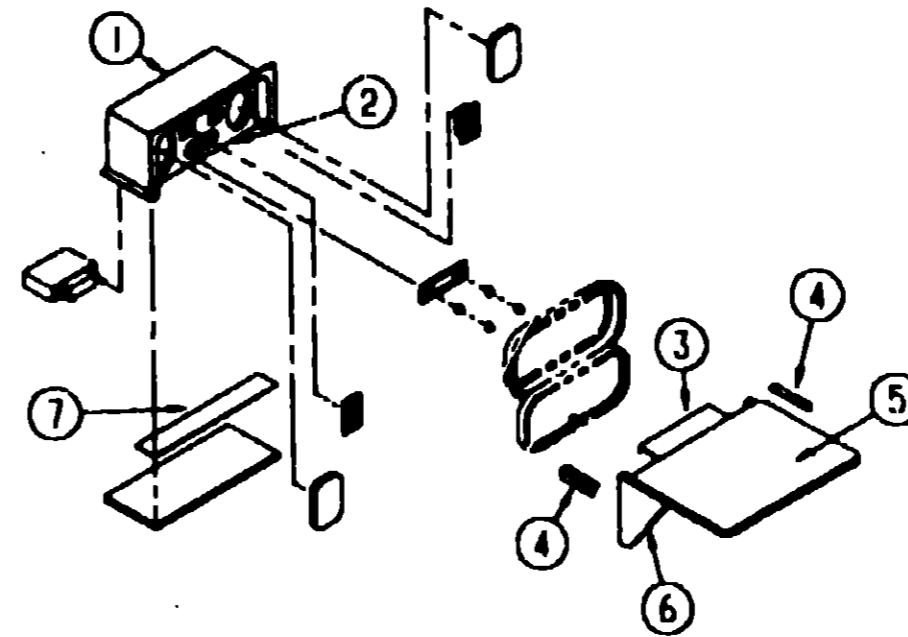
COMPARTMENTS, PLUGS & SEALS

KEY	PART NUMBER	U/M DESCRIPTION
1	103639-01-000	EA DOOR-DRAINAGE COMPARTMENT, 7 9" X 7 5" - STEEL
	074470-01-000	EA PIN-PULL, HINGE RELEASE - RIGHT SIDE
2	102979-01-000	EA BOX-POWER CORD
3	105471-05-000	EA COMPARTMENT-GENERATOR
3	078137-02-000	EA TRAY-STORAGE COMPARTMENT, 27 18" WIDE X 21" DEEP
4	105203-01-000	EA COMPARTMENT-BATTERY
	084993-01-000	EA STRAP BATTERY
	084993-02-000	EA STRAP ASM -BATTERY
	065450-05-000	EA TIEDOWN-BATTERY, 8 4" TUBE
	077479-02-000	EA BOOT-BATTERY TERMINAL, SINGLE CABLE
	056748-01-000	EA PLUG-CAP, 1 5" DIAMETER - BLACK
	058027-01-000	FT SEAL, D SHAPED - HOLLOW - SPONGE RUBBER - BLACK
	061420-01-000	EA PLUG-PLASTIC, 1 75" - BROWN
	077953-01-000	EA GROMMET-EDGE LINER, FITS 1"
	088270-01-000	FT SEAL-GULB, W/WIRE RIGID U-CHANNEL - 5" - RUBBER - BLACK
5	102782-01-000	EA WHEELWELL-PLASTIC
6	017516-01-000	EA FLAP-MUD, 14" X 18" - BLACK
7	045731-01-000	EA GUARD-ROCK REAR

ENTRY STEPS

KEY	PART NUMBER	U/M DESCRIPTION
	077848-02-000	EA STEP-PULLOUT
	076241-09-000	EA SUPPORT-STEP, ENTRY DOOR
	091176-01-000	EA SUPPORT-BASE, ENTRANCE STEP
	094708-01-01A	EA STEP-ENTRY DOOR, ELECTRIC - SINGLE - KWIKEE 28"3
	094707-02-700	EA MOTOR REPLACEMENT KIT
	094707-02-702	EA GEAR KIT
	094707-02-703	EA PARTS KIT (BEARINGS & PINS)
	094707-02-704	EA MOTOR CONNECTOR KIT
	094707-02-705	EA CONTROL UNIT (ORANGE)
	094707-03-700	EA LINKAGE ASM FOR 28 SERIES
	041250-01-000	EA SWITCH-DOOR JAMB, ELECTRIC ENTRY STEP - METAL
	075723-02-000	EA SPACER-SWITCH, W/HOLE - 2" X 9" X 2" - METAL - OFF WHITE

CHASSIS GROUP (CONTINUED)



ENTERTAINMENT COMPARTMENT

KEY	PART NUMBER	U/M DESCRIPTION
1	104897-02-01A	EA BOX-ENTERTAINMENT CENTER, OFF WHITE
2	104899-01-004	EA PLATE-RADIO MOUNTING
3	105377-01-01A	EA BRACKET-TABLE HANGER, OFF WHITE
	105377-01-03A	EA BRACKET-TABLE HANGER, MILL
4	105376-01-02A	EA HINGE-CONTINUOUS 2" X 140MM - OFF WHITE
5	105230-11-005	EA SHELF-ENTERTAINMENT
6	105230-12-009	EA SUPPORT-SHELF, ENTERTAINMENT
7	104898-01-01A	EA PLATE-PLASTIC BOTTOM OFF WHITE

SUSPENSION SYSTEMS

KEY	PART NUMBER	U/M DESCRIPTION
	100332-01-000	EA PLATE-VALVE, AIR SPRING (FORD)
	106067-01-000	EA AIRSPRING-4" DIAMETER TWIN (FORD)
	106067-03-000	EA AIRSPRING-4" DIAMETER TWIN (FORD)
	106067-03-700	EA REPAIR KIT FOR TAPPED PISTON

DRIVESHAFT & FLARE UNION

KEY	PART NUMBER	U/M DESCRIPTION
	103653-06-000	EA DRIVESHAFT ASM-BALANCED PAIR - 188" WHEELBASE (158)
	103653-15-000	EA DRIVESHAFT ASM-BALANCED PAIR - 188" WHEELBASE (158)
	074833-01-000	EA SPACER-BEARING, DRIVESHAFT - 2" X 8" X 5" THICK
	085771-03-000	EA NUT-HEX, FL PREV TORQUE - GRADE G DRIVER SHAFT
	088498-01-000	EA UNION-INVERTED FLARE, BRASS - 3/16 - 3/8 - 24 THD - BRAKE LINE

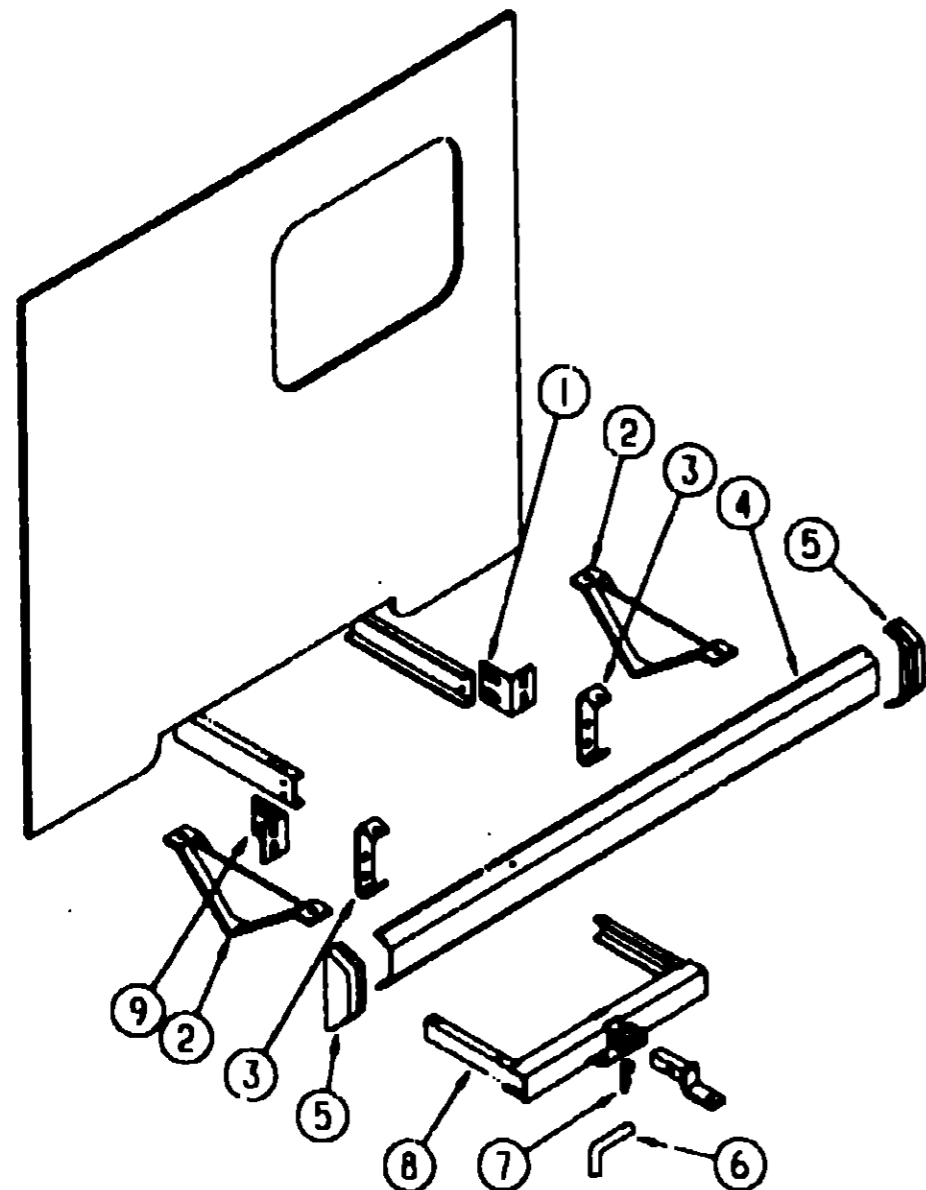
**1993 ITASCA
TABLE OF CONTENTS**

INTRODUCTION	A 01 - A 02
ABBREVIATIONS	A 03
ALPHABETICAL INDEX	A 04 - A 05
IF527RC	A 07 - E 02
IF527RC	E 03 - H 22

1993 IF527RC INDEX

FLOOR PLAN	E 03 - E 04
ACCESSORIES	F 05
AUDIO VIDEO	F 16
BATH	E 07 - E 08
BEDROOM	E 09 - E 10
CHASSIS	E 11 - E 15
CURTAIN & CUSHION	E 15 - F 02
DINETTE	F 03 - F 04
DRIVERS COMPARTMENT	F 05 - F 06
ELECTRICAL	F 07 - F 10
EXTERIOR BODY	F 11 - F 20
GALLEY	F 21 - G 01
GENERATOR	G 02
HEATING & A/C	G 03 - G 04
INTERIOR FINISH	G 05 - G 08
LABELS	G 09 - G 15
LP	G 15
LOUNGE	G 17 - G 18
SEALANTS & FASTENERS	G 19 - G 21
WATER & SEWAGE	G 22 - H 02
WINDOW, VENT AND EXTERIOR DOOR	H 03 - H 21

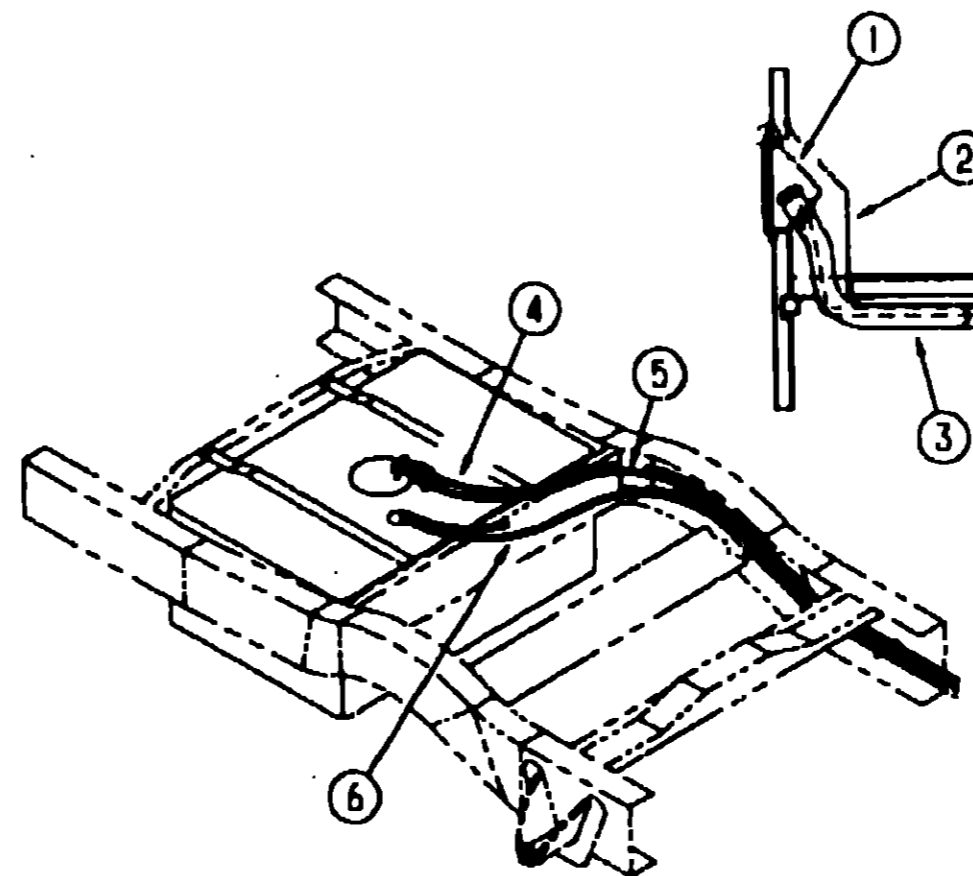
CHASSIS GROUP (CONTINUED)



REAR BUMPER, SKID PLATE & TRAILER HITCH

KEY	PART NUMBER	U/M	DESCRIPTION
1	105933-01-000	EA	BRACKET-BUMPER, REAR
2	083376-01-000	EA	PLATE-SKID, 13 2" X 6" X 2" - STEEL
3	078670-02-000	EA	BRACKET-BUMPER, REAR - 2" X 8" - BENT ENDS - STEEL BLACK (2 USED)
4	103099-02-02A	EA	BUMPER-REAR, OFF WHITE
5	106147-01-01A	EA	CAP-END, BUMPER - OFF WHITE
6	034512-01-000	EA	PIN-LOCKING, DRAWBAR
7	034513-01-000	EA	PIN-HITCH, 3/16" WIRE
8	077517-02-000	EA	HITCH-TRAILER, W/O DRAWBAR - 41 1" WIDE - STEEL - BLACK
	077513-01-000	EA	DRAWBAR-HITCH, TRAILER TOWING
	097744-01-000	EA	HOUSING-TRAILER PIN, 12"
	097744-02-000	EA	HOUSING-TRAILER PIN, 48"
	097745-01-000	EA	HOUSING-TRAILER RECP, 12"
	097746-01-000	EA	HOUSING CAP-TRAILER PIN
	097745-02-000	EA	HOUSING-RECEPTACLE, TRAILER - 48" WIRE LENGTH
9	105933-02-000	EA	BRACKET-BUMPER, REAR

CHASSIS GROUP (CONTINUED)



FUEL SYSTEM COMPONENTS

KEY	PART NUMBER	U/M	DESCRIPTION
1	095854-01-02A	EA	SHROUD-FUEL FILL, PLASTIC - OFF WHITE
2	078040-06-000	EA	SHROUD-FUEL FILL UPPER - PLASTIC
3	106413-01-000	EA	NECK-FUEL FILL, MAIN - GAS
3	106413-02-000	EA	NECK-FUEL FILL, MAIN - DIESEL
4	078200-01-000	EA	GASKET-FUEL FILL, 3.5"OD X 2"ID
4	106389-01-000	EA	FUEL LINE ASM-FORD, 3/8 HP
5	106388-01-000	EA	FUEL LINE ASM-FORD, 5/16 HP
	007063-01-000	FT	HOSE-GAS 1/4"ID X 1/2"OD
6	044317-01-000	FT	HOSE-FUEL, 3/8" ID

EXHAUST SYSTEM COMPONENTS

KEY	PART NUMBER	U/M	DESCRIPTION
	091182-03-000	EA	HEAT SHIELD
	094718-03-000	EA	CLAMP-EXHAUST, 2 5"
	096753-04-000	EA	PIPE-EXHAUST
	111478-01-000	EA	PIPE-EXHAUST

FROM 00-00-00 THRU 03-08-93

FROM 03-09-93 THRU 99-99-99

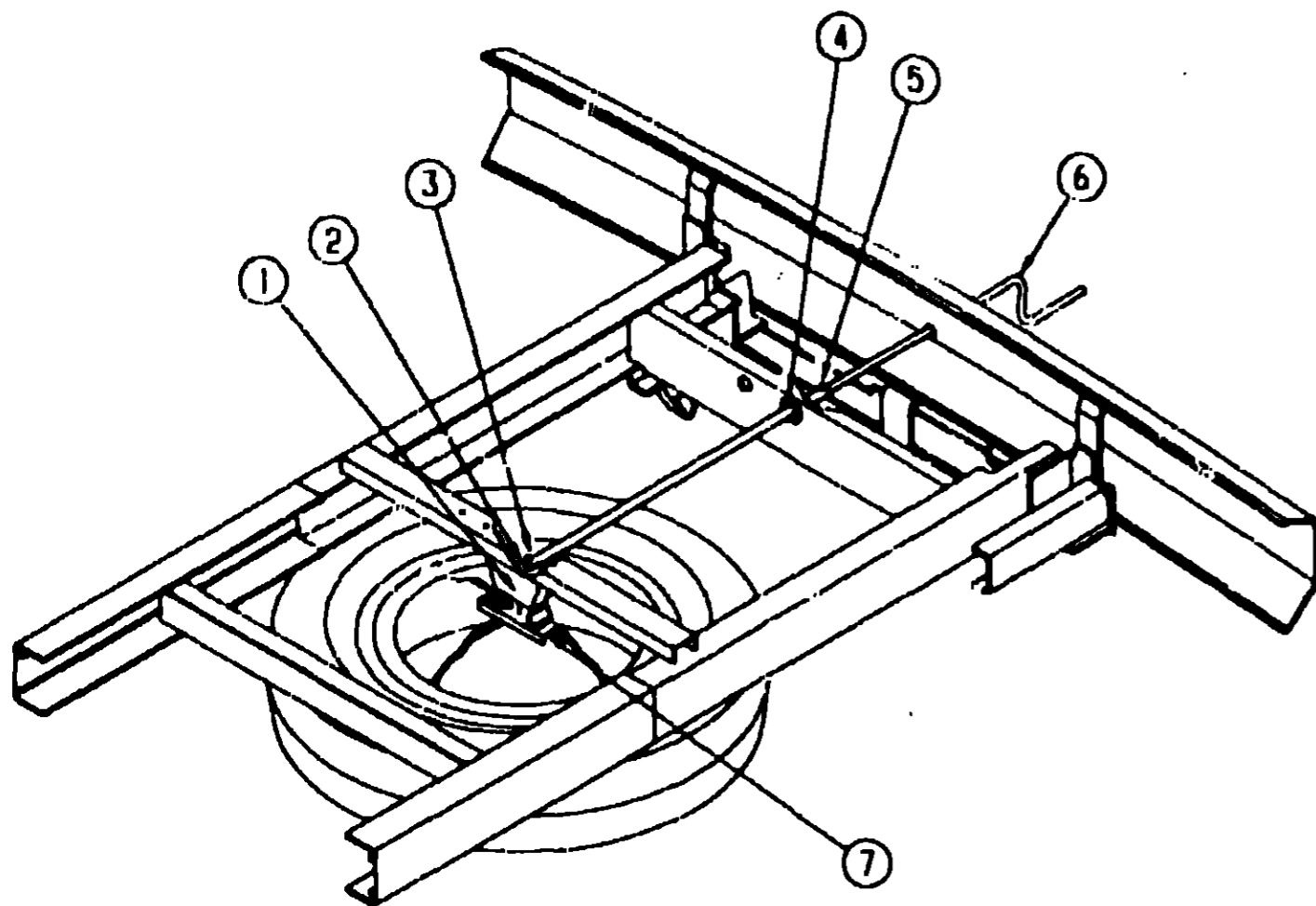
**1993 ITASCA
TABLE OF CONTENTS**

INTRODUCTION	A-01	A-02
ABBREVIATIONS		A-03
ALPHABETICAL INDEX	A-04	A-05
IF527RQ	A-07	E-02
IF527RC	E-03	H-22

1993 IF527RC INDEX

FLOOR PLAN	E-03	E-04
ACCESSORIES		E-05
AUDIO VIDEO		E-06
BATH	E-07	E-08
BEDROOM	E-09	E-10
CHASSIS	E-11	E-15
CURTAIN & CUSHION	E-16	F-02
DINETTE	F-03	F-04
DRIVERS COMPARTMENT	F-05	F-05
ELECTRICAL	F-07	F-10
EXTERIOR BODY	F-11	F-20
GALLEY	F-21	G-01
GENERATOR		G-02
HEATING & A/C	G-03	G-04
INTERIOR FINISH	G-05	G-08
LABELS	G-09	G-15
LP		G-16
LOUNGE	G-17	G-18
SEALANTS & FASTENERS	G-19	G-21
WATER & SEWAGE	G-22	H-02
WINDOW, VENT AND EXTERIOR DOOR	H-03	H-21

CHASSIS GROUP (CONTINUED)



SPARE TIRE HOIST

KEY	PART NUMBER	U/M	DESCRIPTION
1	093267-01-000	EA	HOIST-SPARE TIRE
2	000F10-06-32B	EA	PIN-COTTER 3/16 X 2.00 ZN
3	093375-04-000	EA	EXTENSION-TIRE HOIST
4	071015-11-000	EA	GROMMET-RUBBER, 1" ID X 1.75" OD W/ 12" GROOVE BLACK
5	035776-01-000	EA	PIN-ROLL, 125 DIA X 750
6	093376-01-000	EA	HANDLE-CRANK, TIRE HOIST
7	105499-01-000	EA	BRACKET-TIRE HOIST ADJUSTS FOR NEW WIDER TIRE
			FROM 10-06-92 THRU 99-99-99
	083425-08-000	EA	TIRE-LT225/75R16 LRD - MICHELIN XCH4
			FROM 00-00-00 THRU 10-05-92
	083425-09-000	EA	TIRE-LT225/75R16 LRD - MICHELIN XCH4 ORBLT
			FROM 10-06-92 THRU 99-99-99
	083617-03-000	EA	WHEEL-STEEL 16 0X6, ACCURIDE 28618
	109816-01-000	EA	KNOB-HOLD DOWN, JACK (JACK IS CHASSIS PROVIDED & MOUNTED UNDER THE HOOD)

WHEEL LINERS & COVERS

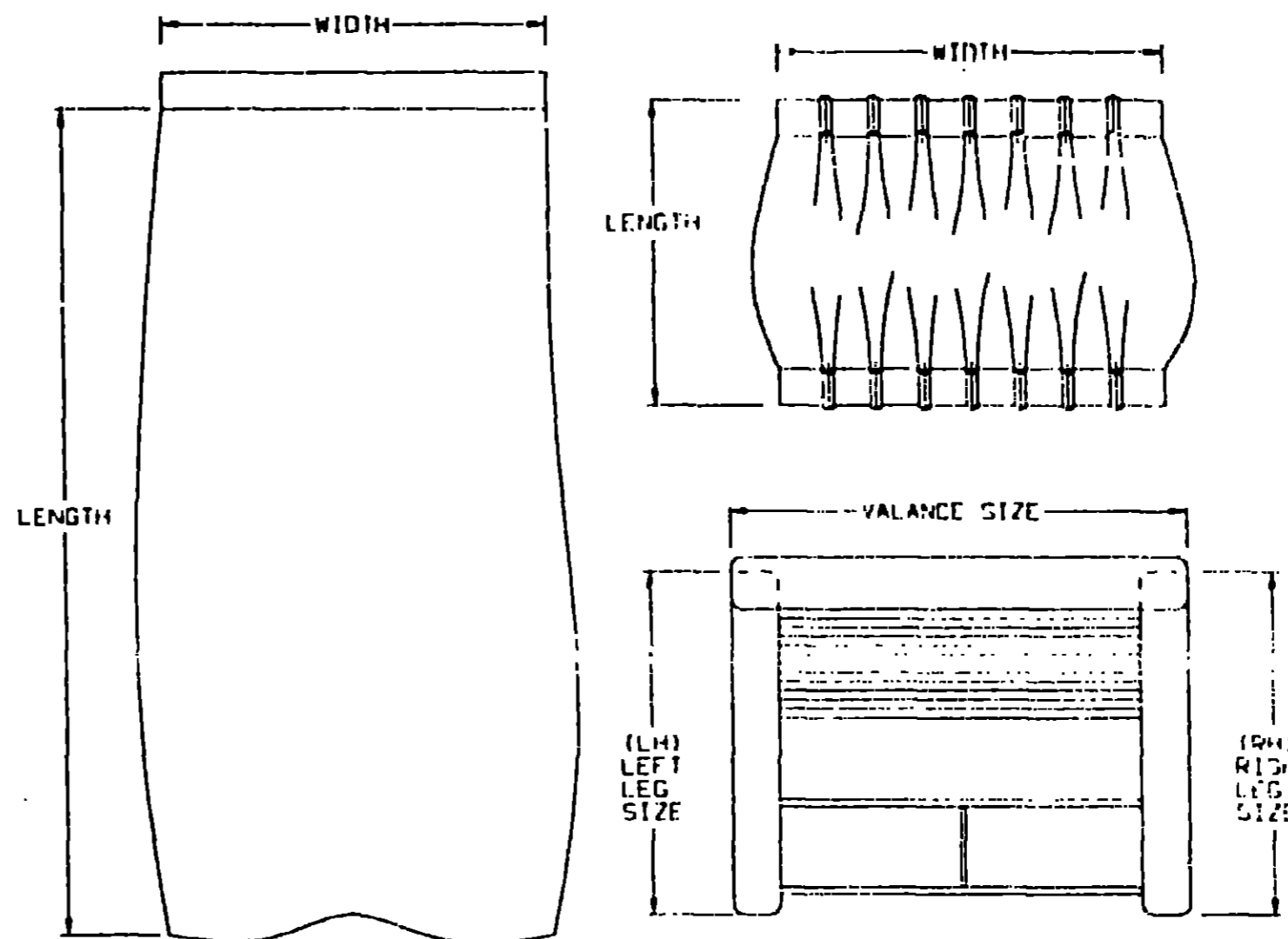
KEY	PART NUMBER	U/M	DESCRIPTION
	091209-11-000	EA	LINER-WHEEL, SET 4 E350-KAPER II (FORD)
	091209-10-700	EA	COVER-AXLE, FRONT - 8 LUG - FORD
	091209-10-701	EA	COVER-AXLE, REAR - 8 LUG - FORD
	091209-10-704	EA	NUT-LUG, W/WASHER - SHORT - KAPER 52
	091209-10-705	EA	COVER-LUG NUT
	091209-11-700	EA	LINER-WHEEL, FRONT - 8 LUG - FORD
	091209-11-701	EA	LINER-WHEEL, REAR - 8 LUG - FORD
	091209-11-702	EA	NUT-LUG, W/WASHER - LONG - KAPER 51
	108068-01-000	EA	COVER-WHEEL, 16" - SET OF 4 - DICOR #SHUB16
	108768-01-700	EA	COVER-WHEEL, 16" - 1 ONLY - SHUB16-1 DICOR

CURTAIN & CUSHION GROUP

NOTICE

IN ORDER TO ASSIST OUR PARTS SALES DEPT. IN PROVIDING INTERIOR SOFTGOODS ITEMS PLEASE INCLUDE THE SERIAL NUMBER AND THE COLOR CODE NUMBER FROM THE VEHICLE CERTIFICATION LABEL WHEN ORDERING. THIS LABEL IS LOCATED ON THE LEFT SIDEWALL AT THE END OF THE DASH (A-BODY), OR ON THE DRIVER'S DOOR LATCH PLATE (C-BODY).

AN EXAMPLE OF A COLOR CODE NUMBER IS D07 WHICH DESIGNATES AN OVERALL COLOR SCHEME OF A PARTICULAR UNIT. THE COLOR LISTED AFTER THE ITEM DESCRIPTION ON THE MICROFICHE, INDICATES THE OVERALL UNIT COLOR. ORDER THE ITEM YOU DESIRE ACCORDING TO UNIT COLOR CODE.



NOTE: USE THIS ILLUSTRATION WHEN DETERMINING LENGTH AND WIDTH MEASUREMENTS FOR CURTAINS. YOU WILL NOTE THE WIDTH MEASUREMENT IS TAKEN ON THE TOP OF THE CURTAIN WITH THE CURTAIN FULLY EXTENDED. THE LENGTH MEASUREMENT IS TAKEN FROM TOP TO BOTTOM. LEFT AND RIGHT WINDOW LEGS ARE DETERMINED WHEN FACING THE WINDOW.

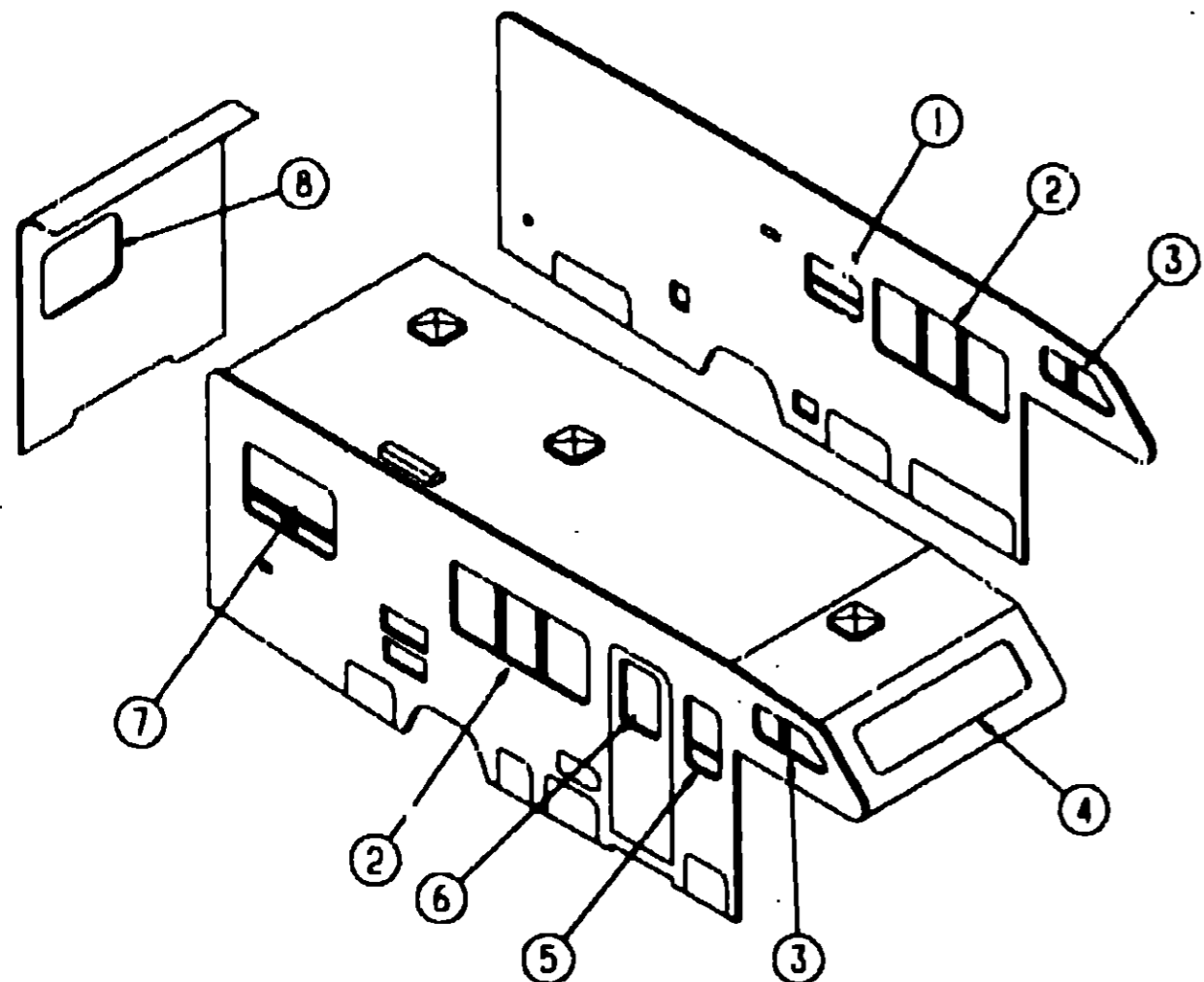
1993 ITASCA TABLE OF CONTENTS

INTRODUCTION	A 01	A 02
ABBREVIATIONS		A 03
ALPHABETICAL INDEX	A 04	A 05
IF527RC	A 07	F 02
IF527RC	E 01	H 22

1993 IF527RC INDEX

FLOOR PLAN	F 03	E 04
ACCESSORIES		F 05
AND VENT		F 06
BATH	E 07	E 08
BEDROOM	E 09	E 10
CHASSIS	E 11	E 15
CURTAIN & CUSHION	E 16	F 02
DINETTE	F 03	F 04
DRIVERS COMPARTMENT	F 05	F 06
ELECTRICAL	F 07	F 10
EXTERIOR BODY	F 11	F 20
GALLEY	F 21	G 01
GENERATOR		G 02
HEATING & A/C	G 03	G 04
INTERIOR FINISH	G 05	G 08
LABELS	G 09	G 15
LP		G 16
LOUNGE	G 17	G 18
SEALANTS & FASTENERS	G 19	G 21
WATER & SEWAGE	G 22	H 02
WINDOW, VENT AND		
EXTERIOR DOOR	H 03	H 21

CURTAIN & CUSHION GROUP



CURTAINS & WINDOW TREATMENT

KEY	PART NUMBER	U/M DESCRIPTION
1	104155-04-D29	EA VALANCE-WINDOW 28 5"
1	104155-15-D31	EA VALANCE-WINDOW 28 5"
1	093475-90-05A	EA BLIND-VENETIAN, 27" X 17 5" DROP
2	104155-06-D29	EA VALANCE-WINDOW, 65" - W/BRAID TRIM
2	104155-12-D31	EA VALANCE-WINDOW, 65" - W/BRAID TRIM
2	100281-89-D29	EA LEG-WINDOW, RIGHT SIDE - W/BRAID TRIM - 27" - W/O HOLE
2	100281-89-D31	EA LEG-WINDOW, RIGHT SIDE - W/BRAID TRIM - 27" - W/O HOLE
2	100281-90-D29	EA LEG-WINDOW, LEFT SIDE - W/BRAID TRIM - 27" - W/O HOLE
2	100281-90-D31	EA LEG-WINDOW, LEFT SIDE - W/BRAID TRIM - 27" - W/O HOLE
2	095335-59-D29	EA BLIND-PLEATED, 60" X 28 5" DROP
2	095335-59-D31	EA BLIND-PLEATED, 60" X 28 5" DROP
3	097878-46-D29	EA VALANCE-WINDOW, DRIVER - 5 5" X 43" - W/BRASS U-CHANNEL ON BOTTOM
3	097878-36-D31	EA VALANCE-WINDOW DRIVER - 5 5" X 43" - W/BRASS U-CHANNEL ON BOTTOM
3	097878-47-D29	EA VALANCE-WINDOW PASS - 5 5" X 43" - W/BRASS U-CHANNEL ON BOTTOM
3	097878-35-D31	EA VALANCE-WINDOW PASS - 5 5" X 43" - W/BRASS U-CHANNEL ON BOTTOM
3	101034-17-D29	EA CURTAIN-TAPE TOP & BOTTOM, 16" X 25" (2 USED PER WINDOW) FROM 00-00-00 THRU 08-02-92
3	101034-19-D29	EA CURTAIN-TAPE TOP & BOTTOM, 16" X 25" (2 USED PER WINDOW) FROM 08-03-92 THRU 09-13-92
3	101034-28-D29	EA CURTAIN-TAPE TOP & BOTTOM - LEFT SIDE - 16" X 25" (1 USED PER WINDOW) FROM 09-14-92 THRU 99-99-99
3	101034-27-D29	EA CURTAIN-TAPE TOP & BOTTOM - RIGHT SIDE - 16" X 25" (1 USED PER WINDOW) FROM 09-14-92 THRU 99-99-99

CURTAIN & CUSHION GROUP (CONTINUED)

CURTAINS & WINDOW TREATMENT (CONTINUED)

KEY	PART NUMBER	U/M DESCRIPTION
4	097878-46-D29	EA VALANCE-WINDOW 7" X 85 5" - W/BRASS U-CHANNEL ON BOTTOM
4	097878-34-D31	EA VALANCE-WINDOW 7" X 85 5" - W/BRASS U-CHANNEL ON BOTTOM
4	101034-15-D29	EA CURTAIN-TAPE TOP & BOTTOM 22" X 45" (2 USED PER WINDOW) FROM 00-00-00 THRU 08-02-92
4	101034-18-D29	EA CURTAIN-TAPE TOP & BOTTOM 22" X 45" (2 USED PER WINDOW) FROM 08-03-92 THRU 09-13-92
4	101034-25-D29	EA CURTAIN-TAPE TOP & BOTTOM RIGHT SIDE - 22" X 60" (1 USED PER WINDOW) FROM 09-14-92 THRU 99-99-99
4	101034-26-D29	EA CURTAIN-TAPE TOP & BOTTOM LEFT SIDE - 22" X 60" (1 USED PER WINDOW) FROM 09-14-92 THRU 99-99-99
5	104155-07-D29	EA VALANCE-WINDOW, 19"
5	104155-13-D31	EA VALANCE-WINDOW, 19"
5	095335-60-D29	EA BLIND-PLEATED, 17 5" X 29 5" DROP
5	095335-60-D31	EA BLIND-PLEATED, 17 5" X 29 5" DROP
6	104155-08-D29	EA VALANCE-WINDOW, 31 25"
6	104155-14-D31	EA VALANCE-WINDOW, 31 25"
6	084755-57-D32	EA SHADE-PULL 27 25" FROM 00-00-00 THRU 08-15-92
6	084755-57-DA4	EA SHADE-PULL 27 25" FROM 08-17-92 THRU 01-03-93
6	084755-57-DA5	EA SHADE-PULL 27 25" FROM 01-04-93 THRU 99-99-99
7	104155-11-D29	EA VALANCE-WINDOW, 45"
7	104155-11-D31	EA VALANCE-WINDOW, 45"
7	100281-93-D29	EA LEG-WINDOW, RIGHT SIDE - 27" - W/HOLE
7	100281-93-D31	EA LEG-WINDOW, RIGHT SIDE - 27" - W/HOLE
7	100281-92-D29	EA LEG-WINDOW, LEFT SIDE - 27" - W/HOLE
7	100281-92-D29	EA LEG-WINDOW, LEFT SIDE - 27" - W/HOLE
7	095335-63-D29	EA BLIND-PLEATED, 39 5" X 30" DROP
7	095335-63-D31	EA BLIND-PLEATED, 39 5" X 30" DROP
8	104155-10-D29	EA VALANCE-WINDOW 41"
8	104155-10-D31	EA VALANCE-WINDOW 41"
8	100281-91-D29	EA LEG-WINDOW, RIGHT SIDE - W/O HOLE - 27"
8	100281-91-D31	EA LEG-WINDOW, RIGHT SIDE - W/O HOLE - 27"
8	100281-92-D29	EA LEG-WINDOW, LEFT SIDE - W/O HOLE - 27"
8	100281-92-D31	EA LEG-WINDOW, LEFT SIDE - W/O HOLE - 27"
8	095335-54-D29	EA BLIND-PLEATED, 37" X 30" DROP
8	095335-54-D31	EA BLIND-PLEATED, 37" X 30" DROP
8	101588-20-D29	EA CURTAIN-TAPE TOP, BEDROOM PRIVACY - 70" X 60" FROM 00-00-00 THRU 08-02-92
8	101588-36-D29	EA CURTAIN-TAPE TOP, BEDROOM PRIVACY - 70" X 60" FROM 08-03-92 THRU 99-99-99
8	073260-59-D29	EA TIEBACK-BEDROOM PRIVACY CURTAIN, 4" X 15"
8	075892-17-D29	EA CURTAIN-SNAP TOP, WINGWALL PRIVACY - 50" X 72" FROM 00-00-00 THRU 08-02-92
8	076892-18-D29	EA CURTAIN-SNAP TOP, WINGWALL PRIVACY - W/LINGING - 50" X 72" FROM 08-03-92 THRU 99-99-99
8	101568-05-D29	EA CURTAIN-TAPE TOP, WINDSHIELD PRIVACY - PASSENGER SIDE - 30" X 50" FROM 00-00-00 THRU 07-12-92
8	101568-39-D29	EA CURTAIN-TAPE TOP, WINDSHIELD PRIVACY - PASSENGER SIDE - 30" X 50" FROM 07-13-92 THRU 99-99-99
8	101568-06-D29	EA CURTAIN-TAPE TOP, WINDSHIELD PRIVACY - DRIVER SIDE - 30" X 50" FROM 00-00-00 THRU 07-12-92
8	101568-40-D29	EA CURTAIN-TAPE TOP, WINDSHIELD PRIVACY - DRIVER SIDE - 30" X 50" FROM 07-13-92 THRU 99-99-99
8	073260-23-D29	EA TIEBACK-WINDSHIELD PRIVACY CURTAIN, 3" X 18"
8	076892-06-B85	EA CURTAIN-SNAP TOP, WINGWALL PRIVACY - 40" X 72" - BEIGE
8	084481-24-C24	EA CURTAIN-SHOWER, 72" X 42" (D29)
8	084481-24-D05	EA CURTAIN-SHOWER, 72" X 42" (D31)
8	073260-54-C30	EA TIEBACK-SHOWER CURTAIN, 3" X 16" (D29)
8	073260-54-D36	EA TIEBACK-SHOWER CURTAIN, 3" X 16" (D31)
8	057534-01-000	EA TIEBACK/TIEDOWN-BED/CURTAIN, 6" - PLASTIC - CLEAR

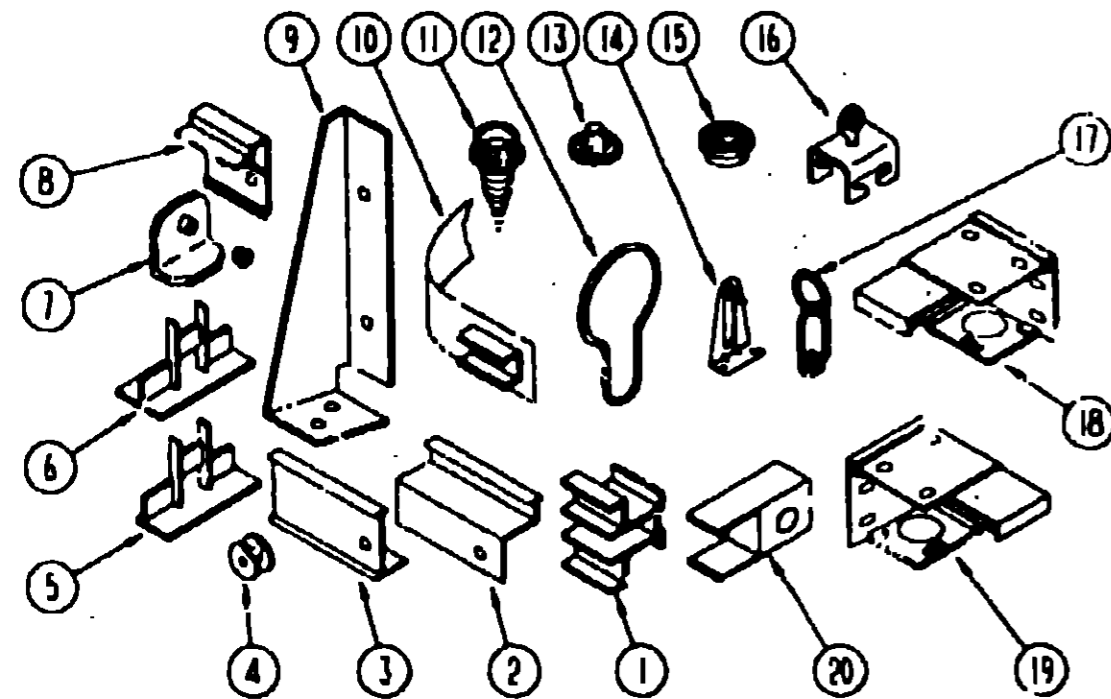
**1993 ITASCA
TABLE OF CONTENTS**

INTRODUCTION	A-01	A-02
ABBREVIATIONS		A-03
ALPHABETICAL INDEX	A-04	A-05
IF527RC	A-07	E-02
IF527RC	E-03	H-22

1993 IF527RC INDEX

FLOOR PLAN	E-03	E-04
ACCESSORIES		E-05
ADDITIONAL		E-06
BATH	E-07	F-09
BEDROOM	E-09	E-10
CHASSIS	E-11	E-15
CURTAIN & CUSHION	E-15	F-02
DINETTE	F-03	F-04
DRIVERS COMPARTMENT	F-05	F-06
ELECTRICAL	F-07	F-10
EXTERIOR BODY	F-11	F-20
GALLEY	F-21	G-01
GENERATOR		G-02
HEATING & A/C	G-03	G-04
INTERIOR FINISH	G-05	G-08
LABELS	G-09	G-15
LP		G-15
LOUNGE	G-17	G-18
SEALANTS & FASTENERS	G-19	G-21
WATER & SEWAGE	G-22	H-02
WINDOW, VENT AND EXTERIOR DOOR	H-03	H-21

CURTAIN & CUSHION GROUP (CONTINUED)



CURTAIN, BLIND HARDWARE & TRACKS

KEY	PART NUMBER	U/M DESCRIPTION
1	101033-03-000	EA TRACK-CURTAIN, WALL - WHITE SHAPCO CT225
2	105450-02-01A	EA TRACK-CURTAIN 48" LONG - ALUMINUM - OFF WHITE
2	105450-04-01A	EA TRACK-CURTAIN 56" LONG - ALUMINUM - OFF WHITE
2	105450-05-01A	EA TRACK-CURTAIN 75" LONG - ALUMINUM - OFF WHITE
2	105450-06-01A	EA TRACK-CURTAIN 89" LONG - ALUMINUM - OFF WHITE
2	105450-08-01A	EA TRACK-CURTAIN 38" LONG - ALUMINUM - OFF WHITE
3	092464-05-01A	EA TRACK-SHOWER - OFF WHITE
3	009700-04-001	EA TRACK, L-SHAPED - 192" LONG - OFF WHITE
3	009700-04-002	EA TRACK, L-SHAPED - 195 2" - OFF WHITE
4	097592-01-000	EA SPOOL-CORD ELEVATED BLIND HOLDUP - CLEAR PLASTIC
	097593-02-000	FT CORD-BLIND, PLEATED - GRAY
	097593-05-000	FT CORD-BLIND PLEATED - PEWTER
	094896-02-000	EA GROMMET-CORD, PLEATED BLIND - NYLON - GRAY
5	094907-02-000	EA ENDCAP-TOP, PLEATED BLIND - PLASTIC - GRAY
6	094907-03-000	EA ENDCAP-BOTTOM, PLEATED BLIND - PLASTIC - GRAY
	105544-01-000	EA PULL SHADE, BRASS
	081434-01-000	EA BRACKET-MOUNTING, ROLLER SHADE - 1 3/8"
	084432-06-000	FT SLAT-ROLLER SHADE - PLASTIC
	084433-01-700	EA SPRING-REWIND, ROLLER SHADE

CURTAIN & CUSHION GROUP (CONTINUED)

CURTAIN, BLIND HARDWARE & TRACKS (CONTINUED)

KEY	PART NUMBER	U/M DESCRIPTION
8	097565-01-000	EA BRACKET-MOUNTING PLEATED BLIND
	097591-01-000	EA SPRING-EXTENSION, PLEATED BLIND
9	079827-02-000	EA BRACKET-LEG, 2 5/8" X 1 8" TRIANGLE - LEFT SIDE
	085522-02-000	EA PANEL-LEG, TWO SIDE 31 5" LONG - PLASTIC - BLACK
	068716-01-001	EA BRACE-90 DEGREE L-ANGLE, 192" - EXTRUDED ALUMINUM
	075913-01-000	EA BRACE-ANGLE, W/HOLES - 1" X 1 5" X 20" - ALUMINUM - BEIGE
10	101031-01-000	YD TAPE-GLIDE CURTAIN - 4 25" SPACING
11	025130-01-000	EA SCREW-SNAP SOCKET 8 PH X 5/8"
12	009136-02-000	EA HANGER-RING, PIN TYPE - CURTAIN - BRASS
13	029155-01-000	EA CAP-SNAP, NICKEL
14	095591-02-000	EA BRACKET-HOLD DOWN, W/PIN - BLIND - METAL
15	029155-01-000	EA SOCKET-SNAP FASTENER NICKEL
16	009702-01-000	EA END STOP-CURTAIN CARRIER, L ROD
17	009701-01-000	EA CARRIER-CURTAIN, L ROD
18	7731-01-000	EA BRACKET-BLIND, RIGHT SIDE
19	083170-02-000	EA BRACKET-BLIND LEFT SIDE
20	101033-02-000	EA END CAP-TRACK CLEAR
	103986-01-000	FT TRIM-VALANCE, U-CHANNEL - 75" WIDE - BRASS
	746867-01-000	EA GROMMET-BRASS, 7/16" ID X 1" OD
	098792-01-000	YD VELCRO-HOOK, 75" WIDE - BEIGE
	088792-02-000	YD VELCRO TAPE-LOOP, ADHESIVE BACKED - 75" WIDE - BEIGE
	048394-02-000	YD VELCRO TAPE-HOOK, ADHESIVE BACK - 75" WIDE - BEIGE

ASSIST HANDLE, BUTTONS & SEATBELTS

KEY	PART NUMBER	U/M DESCRIPTION
	070578-06-B05	EA BUTTON ASM-#30, VINYL - OFF WHITE
	070578-01-B27	EA BUTTON ASM-SCREW STUD, #30 - FABRIC - BLUE (D29)
	070578-01-C03	EA BUTTON ASM-SCREW STUD, #30 - FABRIC - EGGPLANT (D31)
	079349-04-AA1	YD WELTING-FABRIC (D29)
	079349-04-C05	YD WELTING-FABRIC (D31)
	084415-52-000	YD TRIM-BRAID CURTAIN - BLUE (D29)
	084415-35-000	YD TRIM-BRAID CURTAIN - EGGPLANT (D31)
	057534-01-000	EA TIEBACK/TIEDOWN-BED CURTAIN DOOR 5" - CLEAR PLASTIC
	053552-02-AA8	EA HANDLE-ASSIST INTERIOR - ENTRY DOOR - VINYL - OFF WHITE
	069178-02-000	EA BRACKET-MOUNTING ASSIST HANDLE - L ANGLE - W/HOLES - ST
	000015-07-16B	EA BOLT-CARRIAGE ASSIST HANDLE - 7/16" - 14 X 1" ZN
	000020-07-00B	EA NUT-ACORN ASSIST HANDLE - 7/16" X 14 ZN
	007021-01-000	EA BELT-SEAT 2" X 90" - BLACK
	057759-01-000	EA WASHER BRACKET-SEAT BELT 4" DIAMETER

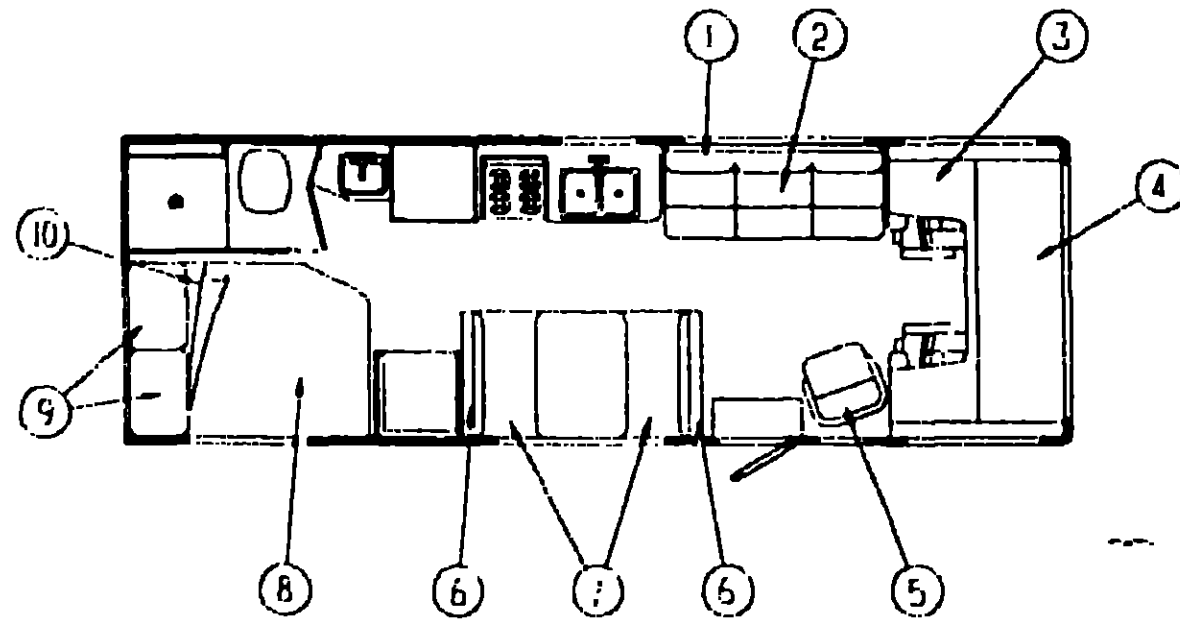
**1993 ITASCA
TABLE OF CONTENTS**

INTRODUCTION	A 01	A 02
ABBREVIATIONS	A 03	A 03
ALPHABETICAL INDEX	A 04	A 05
IF527RC	A 07	E 02
IF527RC	F 01	F 22

1993 IF527RC INDEX

FLOOR PLAN	E 03	E 04
ACCESSORIES	E 05	E 05
ADD-ON VIDEO	E 06	E 06
BATH	E 07	E 08
BEDROOM	E 09	E 10
CHASSIS	E 11	E 15
CURTAIN & CUSHION	E 16	F 02
D-NETTE	F 03	F 04
DRIVERS COMPARTMENT	F 05	F 06
ELECTRICAL	F 07	F 10
EXTERIOR BODY	F 11	F 20
GALLEY	F 21	G 01
GENERATOR	G 02	G 02
HEATING & A/C	G 03	G 04
INTERIOR FINISH	G 05	G 08
LABELS	G 09	G 15
LP	G 16	G 16
LOUNGE	G 17	G 18
SEALANTS & FASTENERS	G 19	G 21
WATER & SEWAGE	G 22	H 02
WINDOW VENT AND EXTERIOR DOOR	H 03	H 21

CURTAIN & CUSHION GROUP (CONTINUED)



COUCH

KEY	PART NUMBER	U/M DESCRIPTION
1	100032-35-D29	EA BACKREST-COUCH W/ARMRESTS - 65 5"
1	100032-35-D31	EA BACKREST-COUCH W/ARMRESTS - 65 5"
	P00032-35-D29	EA COVER-BACKREST W/ARMRESTS - 65 5"
	P00032-35-D31	EA COVER-BACKREST W/ARMRESTS - 65 5"
	101085-09-000	EA FRAME-BACK COUCH - 65 5"
2	100032-37-D29	EA SEAT-COUCH W/O BACKREST - 65 5"
2	100032-37-D31	EA SEAT-COUCH W/O BACKREST - 65 5"
	P00032-37-D29	EA COVER-SEAT COUCH - 65 5"
	P00032-37-D31	EA COVER-SEAT COUCH - 65 5"
	101085-01-000	EA FRAME-SEAT COUCH - 65 5"
	101085-03-000	EA FRAME-BASE COUCH - 65 5"

BUNK CUSHIONS

KEY	PART NUMBER	U/M DESCRIPTION
3	105573-10-D29	EA CUSHION-BUNK REAR - 27" X 23" X 80" X 5"
3	105573-10-D31	EA CUSHION-BUNK REAR - 27" X 23" X 80" X 5"
	P05573-10-D29	EA COVER-CUSHION BUNK - REAR - 27" X 23" X 80" X 5"
	P05573-10-D31	EA COVER-CUSHION BUNK - REAR - 27" X 23" X 80" X 5"
	094658-02-D29	EA HANDLE-OAK 352MM LONG
4	105573-09-D29	EA CUSHION-BUNK FRONT - 32 5" X 80" X 5"
4	105573-09-D31	EA CUSHION-BUNK FRONT - 32 5" X 80" X 5"
	P05573-09-D29	EA COVER-CUSHION BUNK - FRONT - 32 5" X 80" X 5"
	P05573-09-D31	EA COVER-CUSHION BUNK - FRONT - 32 5" X 80" X 5"

SWIVEL CHAIR

KEY	PART NUMBER	U/M DESCRIPTION
5	107957-01-D29	EA CHAIR-SWIVEL W/O PEDESTAL
5	107957-01-D31	EA CHAIR-SWIVEL W/O PEDESTAL

DINETTE CUSHIONS

KEY	PART NUMBER	U/M DESCRIPTION
6	108141-01-D29	EA CUSHION-BACKREST, 13 5" X 38" X 5"
6	108141-01-D31	EA CUSHION-BACKREST, 13 5" X 38" X 5"
	P08141-01-D29	EA COVER-CUSHION, BACKREST, 13 5" X 38" X 5"
	P08141-01-D31	EA COVER-CUSHION, BACKREST, 13 5" X 38" X 5"
	078155-01-000	EA STRAP-SNAP, BACKREST CUSHION
7	C88927-87-D29	EA CUSHION-SEATBASE, 23" X 38" X 5"
7	C88927-87-D31	EA CUSHION-SEATBASE, 23" X 38" X 5"
	M88927-87-D29	EA COVER-CUSHION, SEATBASE, 23" X 38" X 5"
	M88927-87-D31	EA COVER-CUSHION, SEATBASE, 23" X 38" X 5"

DOUBLE BEDSPREAD, PILLOW & MATTRESS

KEY	PART NUMBER	U/M DESCRIPTION
8	083986-05-D29	EA BEDSPREAD-DOUBLE, 54" W/LEFT CUT CORNER
8	083986-05-D31	EA BEDSPREAD-DOUBLE, 54" W/LEFT CUT CORNER
9	104862-01-D29	EA PILLOW SHAM-W/ACCENT KNOTS
9	104862-01-D31	EA PILLOW SHAM-W/ACCENT KNOTS
10	098176-06-000	EA MATTRESS-INNERSPRING, 53" X 74 5" - SEALY - CUT CORNER

THROW PILLOWS

KEY	PART NUMBER	U/M DESCRIPTION
	103659-04-D29	EA PILLOW-THROW, 15" X 15" - W/FRINGE (D29)
	103659-04-C32	EA PILLOW-THROW, 15" X 15" - W/FRINGE (D31)
	108992-01-D29	EA PILLOW-THROW, 14" X 14" - W/SMALL KNOTS
	108992-01-D31	EA PILLOW-THROW, 14" X 14" - W/SMALL KNOTS

**1993 ITASCA
TABLE OF CONTENTS**

INTRODUCTION	A 01	A 02
ABBREVIATIONS	A 03	A 03
ALPHABETICAL INDEX	A 04	A 05
IF527RC	A 07	E 02
IF527RC	E 03	H 22

1993 IF527RC INDEX

FLOOR PLAN	E 01	E 04
ACCESSORIES		F 05
ADD-ONS		F 06
BATH	F 07	F 08
BEDROOM	F 09	F 10
CHASSIS	E 11	E 15
CURTAIN & CUSHION	E 16	F 02
DINETTE	F 03	F 04
DRIVERS COMPARTMENT	F 05	F 06
ELECTRICAL	F 07	F 10
EXTERIOR BODY	F 11	F 20
GALLEY	F 21	G 01
GENERATOR		G 02
HEATING & A/C	G 03	G 04
INTERIOR FINISH	G 05	G 08
LABELS	G 09	G 15
LP		G 16
LOUNGE	G 17	G 18
SEALANTS & FASTENERS	G 19	G 21
WATER & SEWAGE	G 22	H 02
WINDOW, VENT AND		
EXTERIOR DOOR	H 03	H 21

CURTAIN & CUSHION GROUP (CONTINUED)

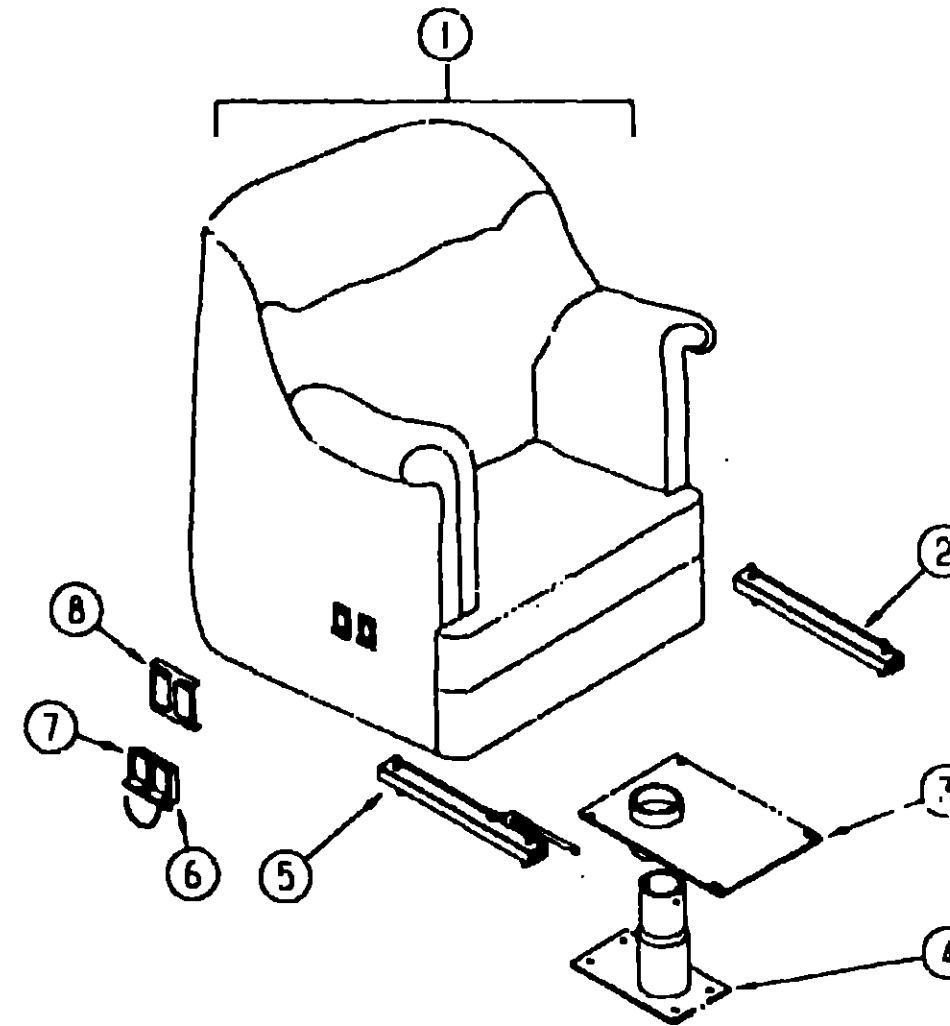
FABRICS

KEY	PART NUMBER	U/M DESCRIPTION
	072333 88 000	YD FABRIC-CURTAIN, 54" WIDE - CHROME
	079680 01 000	YD FABRIC-VINYL, 54" WIDE - BEIGE
	103977 01 01A	YD FABRIC-VINYL, 54" WIDE - OFF WHITE
	087272 03 000	YD FABRIC-DRAPEY Lining, 54" WIDE - IVORY
	068273 71 000	YD FABRIC-CURTAIN/BEDSPREAD, PLAIN - 54" WIDE - NAVY (D29)
	068273 89 000	YD FABRIC-CURTAIN/BEDSPREAD, PLAIN - 54" WIDE - LILAC (D31)
	088273 90 000	YD FABRIC-CURTAIN/BEDSPREAD, PATTERN - 54" WIDE - GRAY/LILAC/CREAM (D31)
	104233 27 000	YD FABRIC-UPHOLSTERY, PLAIN VELOUR - 54" WIDE - EGGPLANT (D31)
	104233 31 000	YD FABRIC-UPHOLSTERY, PLAIN VELOUR - 54" WIDE - BLUE (D29)
	105745 71 000	YD FABRIC-CURTAIN/BEDSPREAD, PATTERN - 54" WIDE - CREAM/GREEN/BLUE (D29)
	108446 02 000	YD FABRIC-UPHOLSTERY, PATTERN VELOUR - 54" WIDE - EGGPLANT/WINE (D31)
	108446 03 000	YD FABRIC-UPHOLSTERY, STRIPPED VELOUR - 54" WIDE - EGGPLANT/WINE (D31)
	108446 04 000	YD FABRIC-UPHOLSTERY, PATTERN VELOUR - 54" WIDE - BLUE (D24)
	108446 05 000	YD FABRIC-UPHOLSTERY, PLAIN TEXTURED VELOUR - 54" WIDE - BLUE (D29)

CURTAIN & CUSHION GROUP (CONTINUED)

**1993 ITASCA
TABLE OF CONTENTS**

INTRODUCTION	A 01	A 02
ABBREVIATIONS		A 03
ALPHABETICAL INDEX	A 04	A 05
IF527RC	A 07	E 02
IF527RC	F 03	H 22



SWIVEL CHAIR

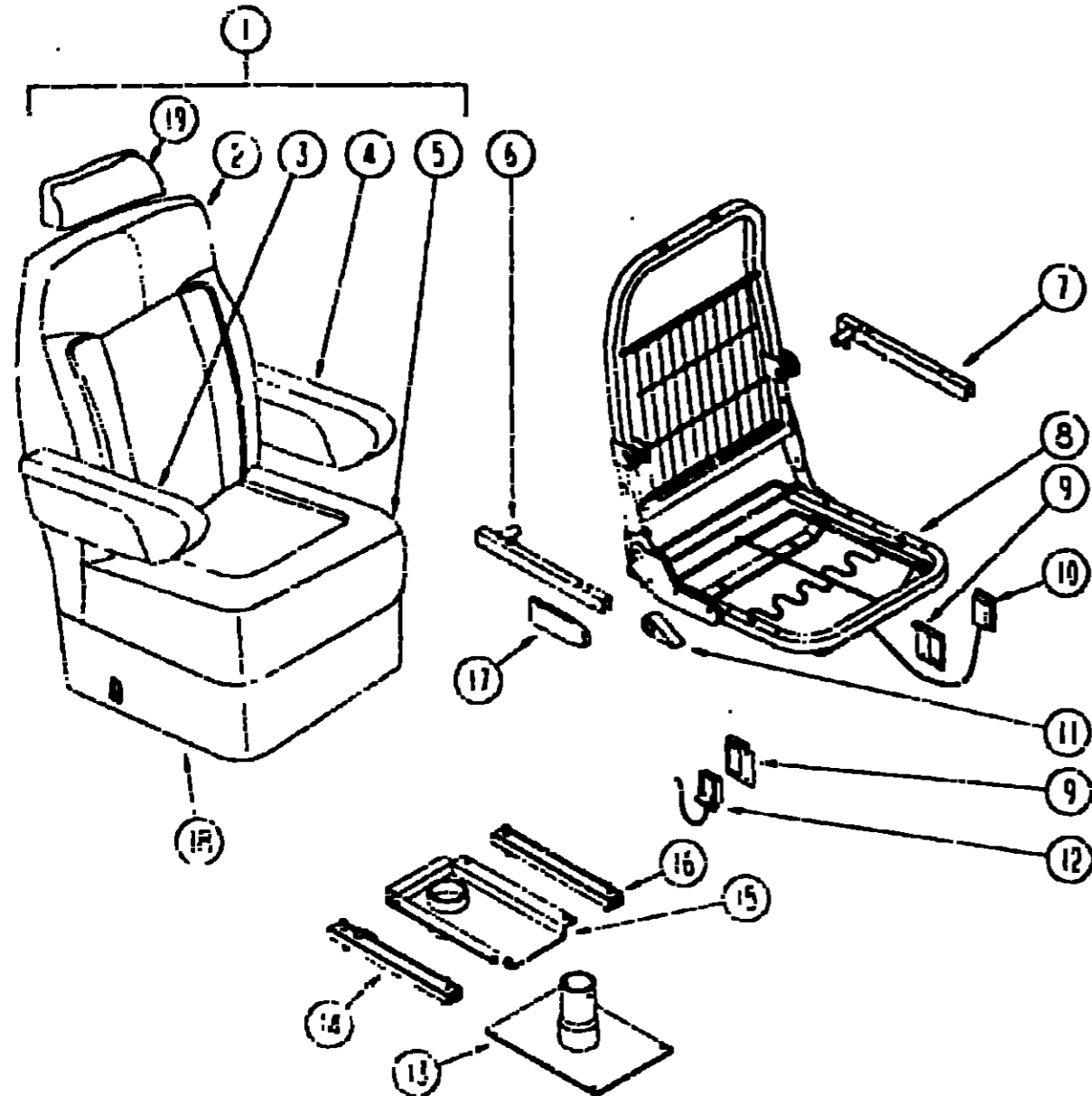
KEY	PART NUMBER	U/M DESCRIPTION
1	107557-01-D29	EA CHAIR-SWIVEL, W/O PEDESTAL & SKIRT
1	107957-01-D31	EA CHAIR-SWIVEL, W/O PEDESTAL & SKIRT
	P07957-01-D29	EA COVER-CHAIR SWIVEL
	P07957-01-D31	EA COVER-CHAIR SWIVEL
2	069246-06-000	EA ADJUSTER-SWIVEL CHAIR, MANUAL - FORWARD & BACK
3	107521-08-000	EA TOP PLATE, W/O SEAT BELT BAR - FLEXSTEEL 2759PDT
	107921-06-000	EA BEARING KIT, FLEXSTEEL
4	093481-02-000	EA BASE-PEDESTAL, W/10" EXTENSION
		FROM 00-00-00 THRU 08-23-92
4	107921-01-000	EA BASE-PEDESTAL, W/9 75" EXTENSION - FLEXSTEEL 3060 MSPD
		FROM 08-24-92 THRU 09-99-99
5	069246-08-000	EA ADJUSTER-SWIVEL CHAIR, FORWARD & BACK - SCHROCK
	069246-05-700	EA SPRING-REMOTE SLIDE ADJUSTER, GST TS 108-5
	069246-05-701	EA CLIP ONLY CABLE ASM, SLIDE ADJUSTER
6	108049-01-000	EA CABLE-SWIVEL, W/SWITCH 28" - FLEXSTEEL PED 23F02
	108049-02-000	EA CLIP-CABLE PEDESTAL - FLEXSTEEL 2592-CA
7	089068-04-000	EA CABLE-SLIDE, W/SWITCH - BUCKET SEAT
8	097833-02-000	EA BRACKET MOUNT REMOTE
	107977-01-D29	EA SKIRT-CHAIR, SWIVEL
	107977-01-D31	EA SKIRT-CHAIR, SWIVEL
	307221-01-000	EA SPACER-SEAT, ADJUSTER - 4 USED PER SWIVEL CHAIR

1993 IF527RC INDEX

FLOOR PLAN	E 03	F 04
ACCESSORIES		F 05
ADJUSTERS		F 06
BATH	E 07	E 08
BEDROOM	E 09	E 10
CHASSIS	E 11	F 15
CURTAIN & CUSHION	F 16	F 02
DINETTE	F 03	F 04
DRIVERS COMPARTMENT	F 05	F 05
ELECTRICAL	F 07	F 10
EXTERIOR BODY	F 11	F 20
GALLEY	F 21	G 01
GENERATOR		G 02
HEATING & A/C	G 03	G 04
INTERIOR FINISH	G 05	G 08
LABELS	G 09	G 15
LP		G 16
LOUNGE	G 17	G 18
SEALANTS & FASTENERS	G 19	G 21
WATER & SEWAGE	G 22	H 12
WINDOW VENT AND		
EXTERIOR DOOR	H 03	H 21

CURTAIN & CUSHION GROUP (CONTINUED)

BUCKET SEATS



KEY	PART NUMBER	U/M DESCRIPTION
3	080243-49-C12	EA ARMREST-RIGHT SIDE, BUCKET SEAT (D29)
3	080243-49-D10	EA ARMREST-RIGHT SIDE, BUCKET SEAT (D31)
	M80243-49-C12	EA COVER-ARMREST, RIGHT SIDE (D29)
	M80243-49-D10	EA COVER-ARMREST, RIGHT SIDE (D31)
4	080243-50-C12	EA ARMREST-LEFT SIDE, BUCKET SEAT (D29)
4	080243-50-D10	EA ARMREST-LEFT SIDE, BUCKET SEAT (D31)
	M80243-50-C12	EA COVER-ARMREST, LEFT SIDE (D29)
	M80243-50-D10	EA COVER-ARMREST, LEFT SIDE (D31)
5	M03445-67-D29	EA COVER-SEAT, BUCKET SEAT
5	M03445-67-D31	EA COVER-SEAT, BUCKET SEAT
6	081268-01-000	EA ROD & CHANNEL-ARMREST- RIGHT - METAL
7	081268-02-000	EA ROD & CHANNEL-ARMREST- LEFT - METAL
	081361-01-000	EA ROD-ARMREST- METAL - RIGHT SIDE, LEFT HAND
8	M80906-06-000	EA FRAME-SEAT & BACK & SPRING
8	M80906-07-000	EA FRAME-SEAT & BACK & SPRING - RECLINING
9	097683-03-000	EA BRACKET-REMOTE- SIDE MOUNT - SINGLE
11	089368-04-000	EA SWITCH & CABLE-SLIDE, SHROCK
	101125-01-000	EA RECLINER-SEAT BACK, LEFT HAND REMOTE
		FROM 00-00-00 THRU 07-31-92
	080730-02-000	EA RECLINER-SEAT BACK, LEFT HAND
		FROM 08-01-92 THRU 99-99-99
11	080730-03-700	EA HANDLE KIT-RECLINER
	080730-04-000	EA SCREW-RECLINER, HANDLE - KEIPER 300618-07
12	108049-01-000	EA SWITCH & CABLE-SWIVEL, 28" - FLXSTEEL PED 23602
	108049-02-000	EA CLIP-CABLE PEDESTAL - FLEXSTEEL 2592-CA
13	069585-41-000	EA PLATE-BASE
		FROM 00-00-00 THRU 02-21-93
	069585-03-000	EA PEDESTAL-LOWER W/EXTENSION - 9" X 5" - STEEL
		MOUNTS BETWEEN UPPER PEDESTAL AND BASEPLATE
		FROM 00-00-00 THRU 02-21-93
13	107921-03-000	EA PEDESTAL ASM SEAT FORWARD W/BASE PLATE EXTENSION & TOP PLATE
		FLEXSTEEL 3067 PDMB
		FROM 02-22-93 THRU 99-99-99
14	069246-05-000	EA ADJUSTER-SEAT/CHAIR- W/REMOTE - FORWARD & BACK
	069246-05-700	EA SPRING-ADJUSTER- FOR REMOTE
	069246-05-701	EA CLIP-CABLE- FOR REMOTE
15	093481-04-000	EA TOP PLATE-PEDESTAL BUCKET SEAT - W/O SEATBELT BAR
		FROM 00-00-00 THRU 02-21-93
15	107921-00-000	EA TOP PLATE PEDESTAL BUCKET SEAT - W/O SEATBELT BAR
		FROM 02-22-93 THRU 99-99-99
16	069246-02-000	EA ADJUSTER-SEAT/CHAIR- W/O LOCK - FORWARD & BACK
17	089369-08-000	EA SHIELD-CABLE REMOTE RECLINER - BUCKET SEAT
18	071126-37-D04	EA SKIRT-BUCKET SEAT, 7" SINGLE (D29)
18	071126-37-D31	EA SKIRT-BUCKET SEAT, 7" SINGLE (D31)
19	085268-01-D32	EA HEADREST-BUCKET SEAT (D29)
19	055268-01-D33	EA HEADREST-BUCKET SEAT (D31)
	M85268-01-AA1	EA COVER-HEADREST BUCKET SEAT (D29)
	M85268-01-L05	EA COVER-HEADREST BUCKET SEAT (D31)
	091172-01-000	EA TRIM HEADREST PLASTIC - BLACK
	091313-01-000	EA GRAMMET-HEADREST

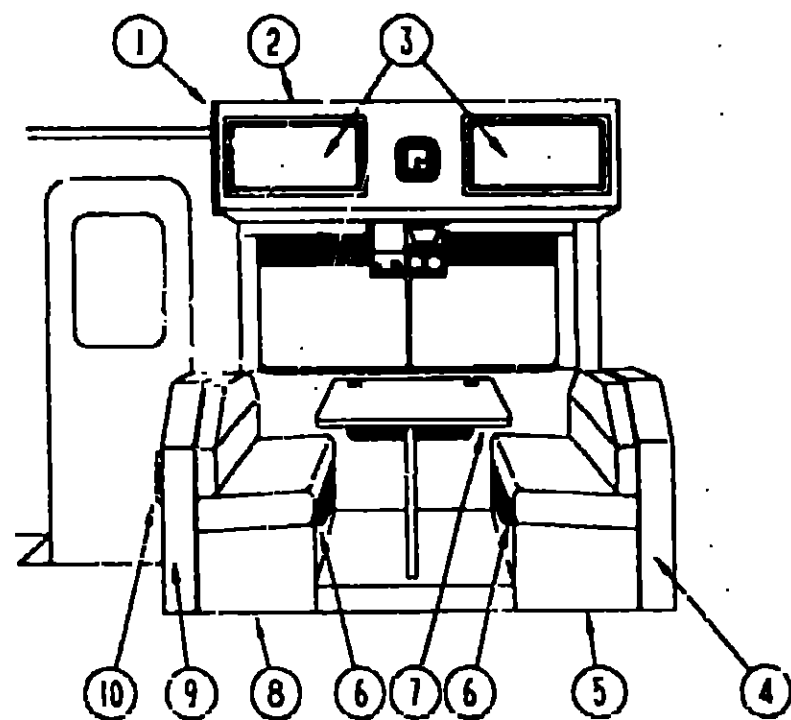
1993 ITASCA TABLE OF CONTENTS

INTRODUCTION	A-01 - A-02
ABBREVIATIONS	A-03
ALPHABETICAL INDEX	A-04 - A-05
IF527RC	A-07 - E-02
IF527RC	E-03 - H-22

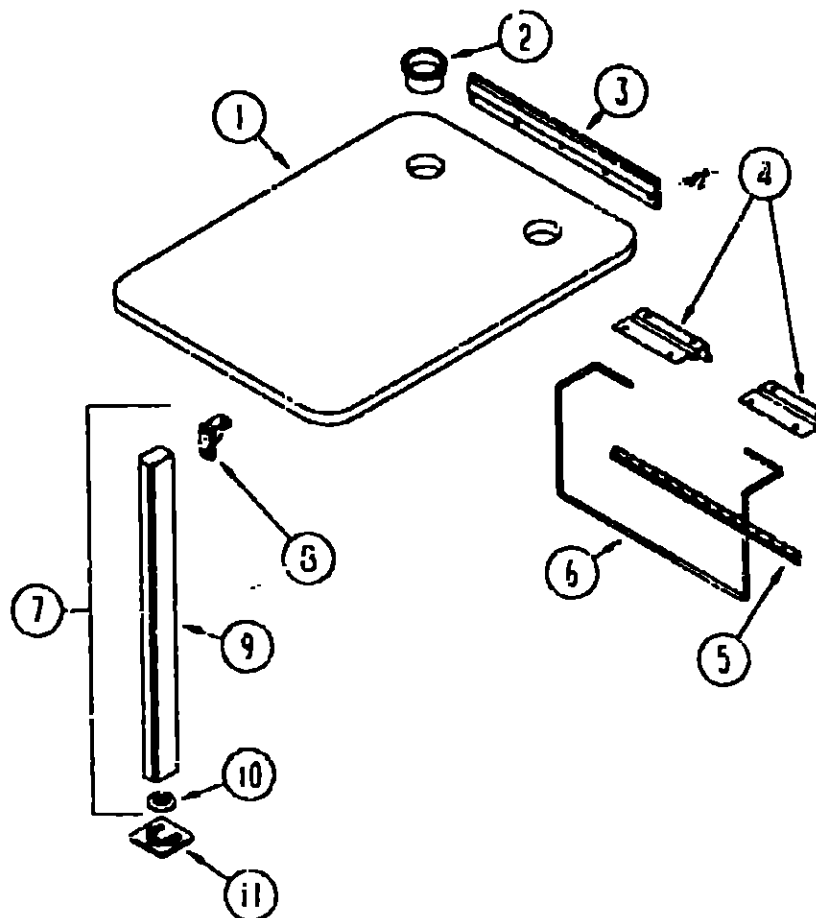
1993 IF527RC INDEX

FLOOR PLAN	E-03 - E-04
ACCESSORIES	E-05
AUDIO VIDEO	E-06
BATH	E-07 - E-08
BEDROOM	E-09 - E-10
CHASSIS	E-11 - E-15
CURTAIN & CUSHION	E-16 - F-02
DINETTE	F-03 - F-04
DRIVER'S COMPARTMENT	F-05 - F-06
ELECTRICAL	F-07 - F-10
EXTERIOR BODY	F-11 - F-20
GALLEY	F-21 - G-01
GENERATOR	G-02
HEATING & A/C	G-03 - G-04
INTERIOR FINISH	G-05 - G-08
LABELS	G-09 - G-15
LIP	G-16
LUNGE	G-17 - G-18
METALS & FASTENERS	G-19 - G-21
WATER & SEWAGE	G-22 - H-02
WINDOW VENT AND EXTERIOR DOOR	H-03 - H-21

DINETTE GROUP



DINETTE GROUP (CONTINUED)



**1993 ITASCA
TABLE OF CONTENTS**

INTRODUCTION	A-01	A-02
ABBREVIATIONS		A-03
ALPHABETICAL INDEX	A-04	A-06
IF527RQ	A-07	E-02
IF527RC	E-03	H-22

CABINETS, PAIRS & TABLE

KEY	PART NUMBER	U/M	DESCRIPTION
1	104325-07-C43	EA	END CAP-CABINET, OVERHEAD
2	M05780-17-D29	EA	CABINET-OVERHEAD W/O DOORS & HARDWARE FROM 00-00-00 THRU 11-22-92
2	M05780-63-D29	EA	CABINET-OVERHEAD, W/O DOORS & HARDWARE FROM 11-23-92 THRU 99-99-99
2	M05780-17-D31	EA	CABINET-OVERHEAD W/O DOORS & HARDWARE FROM 00-00-00 THRU 11-22-92
2	M05780-63-D31	EA	CABINET-OVERHEAD W/O DOORS & HARDWARE FROM 11-23-92 THRU 99-99-99
3	P03702-M4-D29	EA	DOOR-CABINET W/O HARDWARE - 400 X 715MM
	0585J1-47-000	EA	MIRROR-GLASS SAFETY - 552 X 384MM FROM 00-00-00 THRU 11-24-92
4	M04174-21-C43	EA	CABINET-BACKREST, RIGHT SIDE
	104787-01-D32	EA	PAD-BACKREST (D29)
	104787-01-C05	EA	PAD-BACKREST (D31)
5	M04175-21-C43	EA	CABINET-SEATBASE, RIGHT SIDE
	081518-07-227	EA	TOP-SEATBASE, RIGHT SIDE
6	081255-01-AA8	EA	SUPPORT-TABLE, DINETTE - 712MM LONG
7	M92743-12-D29	EA	TABLE-DINETTE, W/O HARDWARE
8	M04175-22-C43	EA	CABINET SEATBASE, LEFT SIDE
	103596-11-C27	EA	TOP-SEATBASE, LEFT SIDE
9	M04174-22-C43	EA	CABINET-BACKREST, LEFT SIDE
	104787-02-D31	EA	PAD-BACKREST (D29)
	104787-02-D07	EA	PAD-BACKREST (D31)
10	091257-05-000	EA	HANDLE-ASSIST, WOOD - MOUNTED TO BACK OF DINETTE

DINETTE TABLE

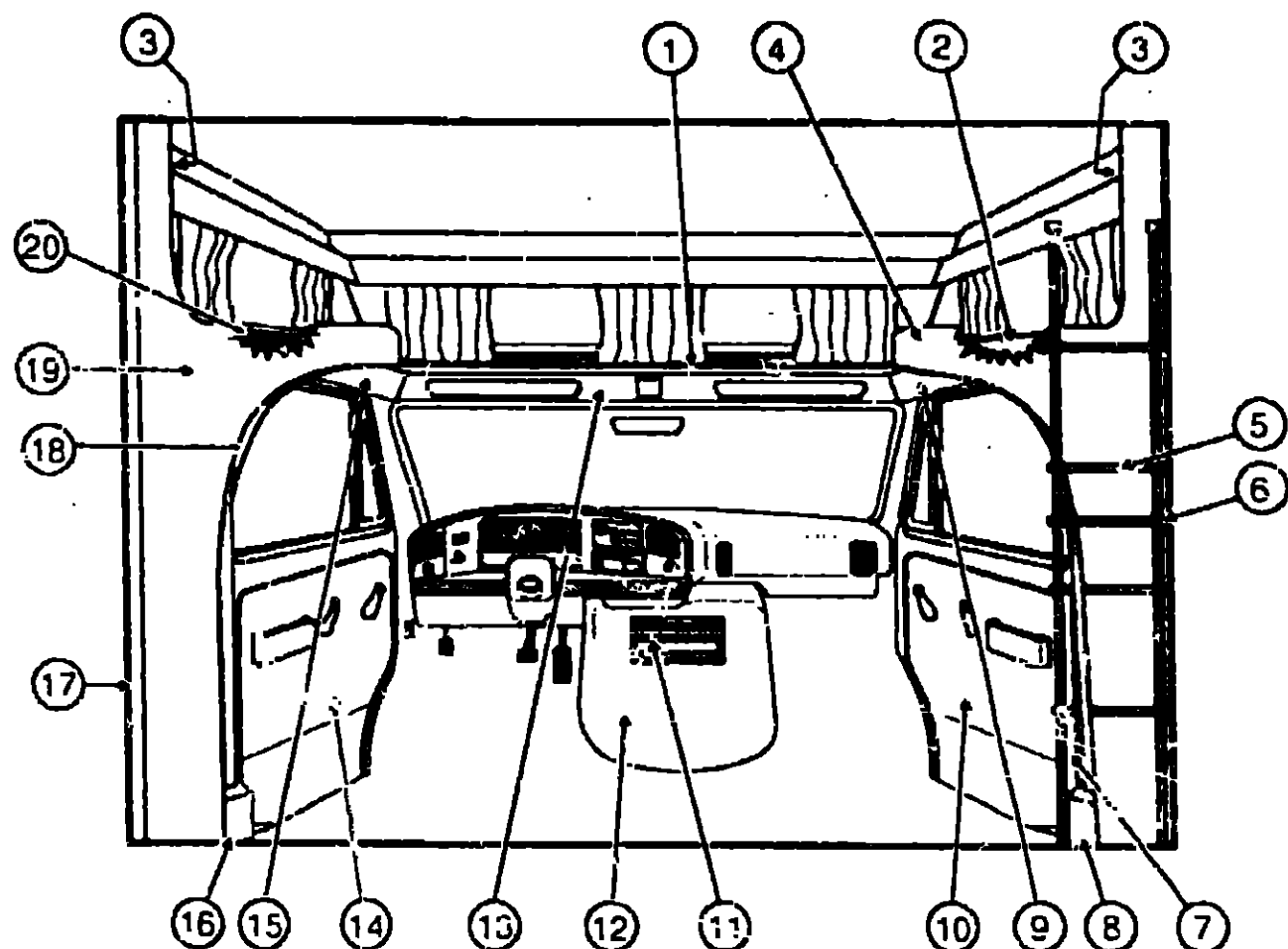
KEY	PART NUMBER	U/M	DESCRIPTION
1	M92743-12-D29	EA	TABLE-DINETTE, W/O HARDWARE
2	054781-06-000	EA	HOLDER-CUP, TWO STEP - OFF WHITE
3	053200-12-000	EA	BRACKET-TABLE SUPPORT, UPPERWALL MOUNTED - 21 1/2" - OFF WHITE
4	088410-02-000	EA	BRACKET-LIFT, TABLE MOUNTED - OFF WHITE
5	024281-14-000	EA	BRACKET-LIFT ROD, LOWERWALL MOUNTED - 22 1/2" - OFF WHITE
6	024275-12-000	EA	ROD-TABLE LIFT, OFF WHITE
7	092708-06-D81	EA	LEG ASM-TABLE
8	093550-01-000	EA	BRACKET-HINGE, MOUNTS TO LEG & TABLE TOP - 17" X 26"
9	092707-04-02A	EA	MOLDING-OAK PAMBLING
10	092593-01-05A	EA	CATCH-LEG, LEG MOUNTED - ROUND - 1 1/4" DIA - METAL - OFF WHITE
11	049493-12-000	EA	CATCH-LEG FLOOR MOUNTED - 2 5/8" X 2 7/8" - METAL - OFF WHITE
	049493-11-700	EA	CATCH-LEG FLOOR MOUNTED - 2 5/8" X 2 7/8" - METAL - E-COAT

1993 IF527RC INDEX

FLOOR PLAN	E-03	E-04
ACCESSORIES		E-05
ADD-ONS		E-13
BATH	E-07	E-08
BEDROOM	E-09	E-10
CHASSIS	E-11	E-15
CURTAIN & CUSHION	E-16	F-02
DINETTE	F-03	F-04
DRIVERS COMPARTMENT	F-05	F-06
ELECTRICAL	F-07	F-10
EXTERIOR BODY	F-11	F-20
GALLEY	F-21	G-01
GENERATOR		G-02
HEATING & A/C	G-03	G-04
INTERIOR FINISH	G-05	G-08
LABELS	G-09	G-15
LP		G-16
LOUNGE	G-17	G-18
SEALANTS & FASTENERS	G-19	G-21
WATER & SEWAGE	G-22	H-02
WINDOW VENT AND		
EXTERIOR DOOR	H-03	H-21

DRIVERS COMPARTMENT GROUP

DRIVERS COMPARTMENT



KEY	PART NUMBER	U/M DESCRIPTION
6	099856-03-000	EA STRAP ASM-TIEDOWN, BUNK LADDER
7	106445-01-C03	EA TRIM ASM-CAB, B-PILLAR - RIGHT
8	106431-01-01A	EA COVER-SEATBELT RECOIL, RIGHT - OFF WHITE
9	105447-01-C03	EA TRIM ASM-CAB DOOR, UPPER - RIGHT
10	106432-01-D29	EA PANEL-DOOR, INNER - PASSENGER SIDE
10	106432-01-D31	EA PANEL-DOOR, INNER - PASSENGER SIDE
11	107134-02-C43	EA TRAY-BEVERAGE, OAK - W/CASSETTE
12	069885-23-C04	EA COVER-MOTOR, W/POCKET (D29)
12	069885-23-D03	EA COVER-MOTOR, W/POCKET (D31)
	046886-03-000	EA ASHTRAY-CHROME, W/COVER
13	106448-01-C03	EA HEADLINER-VINYL COVERED, FRONT - OFF WHITE
14	106432-02-D29	EA PANEL-DOOR, INNER - DRIVER SIDE
14	106432-02-D31	EA PANEL-DOOR, INNER - DRIVER SIDE
15	106447-02-C03	EA TRIM ASM-CAB DOOR, UPPER - LEFT
16	106431-02-01A	EA COVER-SEATBELT RECOIL, LEFT - OFF WHITE
17	082381-20-C52	EA COVER-WINGWALL, 2002MM LGNG - VINYL - OFF WHITE
18	106446-02-C03	EA TRIM-CAB, B-PILLAR - RIGHT
19	106440-04-D29	EA WINGWALL ASM-INNER, LEFT (D29)
19	106440-04-D04	EA WINGWALL ASM-INNER, LEFT (D31)
19	109803-01-D29	EA WINGWALL ASM-INNER, UPPER
19	109803-01-D31	EA WINGWALL ASM-INNER, UPPER
19	109805-04-D29	EA WINGWALL ASM-INNER, RIGHT (D29, D31)
	105445-02-C03	EA TRIM ASM-WINGWALL WRAP, LEFT - BETWEEN CAB STEEL & B PILLAR TRIM
20	109894-01-D29	EA CABINET-HAMPER, FRONT
20	109894-01-D31	EA CABINET-HAMPER, FRONT (D07)

1993 ITASCA TABLE OF CONTENTS

INTRODUCTION	A-01	A-02
ABBREVIATIONS		A-03
ALPHABETICAL INDEX	A-04	A-05
IF527RO	A-07	E-02
IF527RC	E-03	H-22

1993 IF527RC INDEX

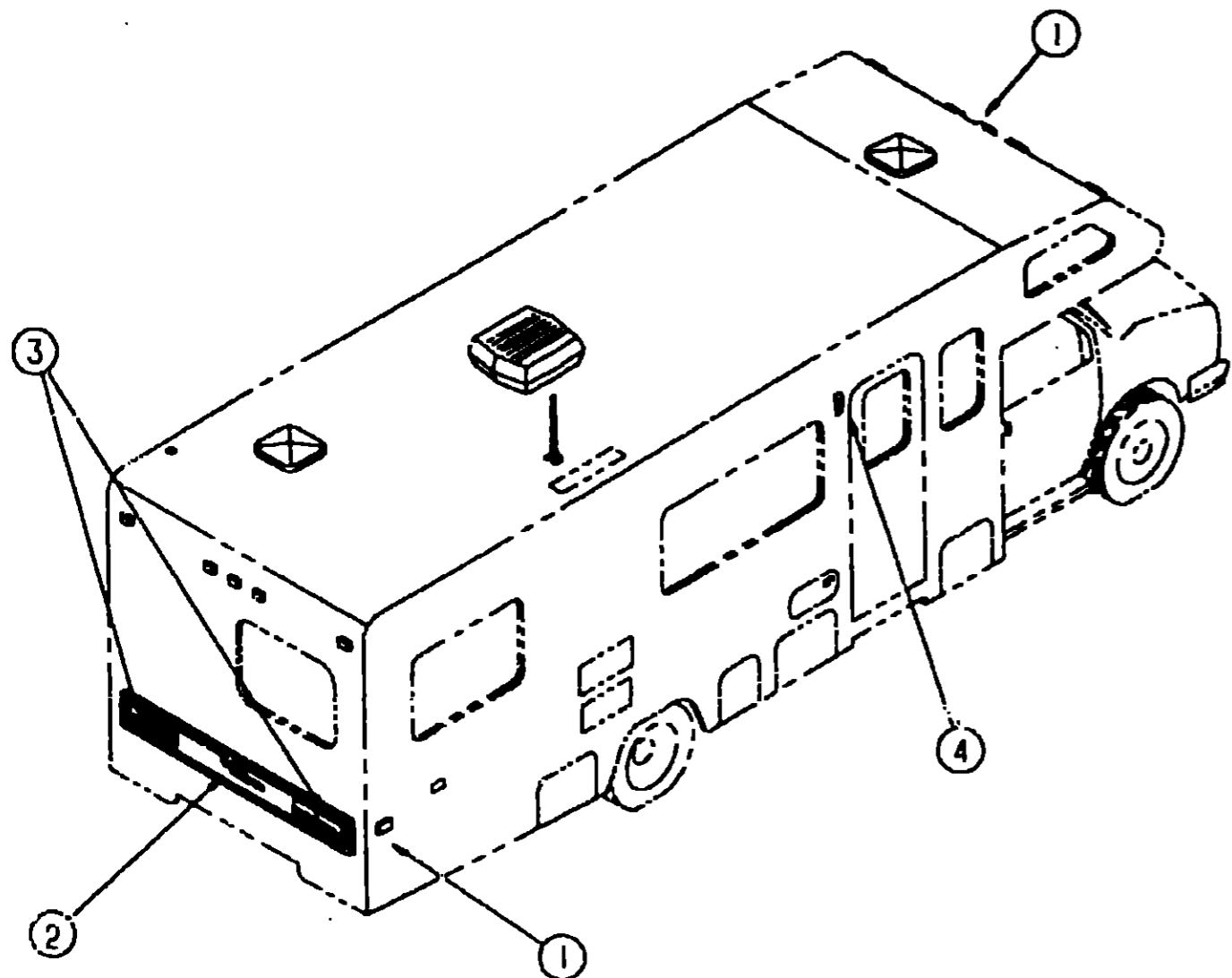
FLOOR PLAN	E-03	E-04
ACCESSORIES		E-05
ADD-ON W/DEC		E-06
BATH	E-07	E-08
BEDROOM	E-09	E-10
CHASSIS	E-11	E-15
CURTAIN & CUSHION	E-16	F-02
CINETTE	F-03	F-04
DRIVERS COMPARTMENT	F-05	F-06
ELECTRICAL	F-07	F-10
EXTERIOR BODY	F-11	F-20
GALLEY	F-21	G-01
GENERATOR		G-02
HEATING & A/C	G-03	G-04
INTERIOR FINISH	G-05	G-08
LABELS	G-09	G-15
LF		G-16
LOUNGE	G-17	G-18
SEALANTS & FASTENERS	G-19	G-21
WATER & SEWAGE	G-22	H-02
WINDOW VENT AND EXTERIOR DOOR	H-03	H-21

INSTRUMENT CLUSTERS

KEY	PART NUMBER	U/M DESCRIPTION
	094795-03-000	EA CLUSTER-INSTRUMENT PANEL KILOMETER FORD F20F10849BF
	094795-04-000	EA CLUSTER-INSTRUMENT PANEL KILOMETER - FORD 93 E350
	094795-01-000	EA SPEEDOMETER-KILOMETER (FORD)
	081082-01-000	EA PLAQUE-MOUNTING, BATTERY/FUEL SWITCH - 2 4" X 1 4" - BLK (FORD)
	100133-01-000	EA MODULE-DAYTIME RUNNING LIGHT
	024451-01-000	EA SWITCH-BATTERY BATT/DUAL-MCM

KEY	PART NUMBER	U/M DESCRIPTION
1	079803-07-000	EA TRIM-SLEEPERBOARD INNER - OFF WHITE
1	080742-03-000	FT TRIM-VINYL SLEEPER BOARD - OFF WHITE
2	108984-01-D29	EA PAD ASM-BUNK OVERHEAD
2	108984-01-D31	EA PAD ASM-BUNK OVERHEAD
3	082071-12-C52	EA TRIM-WINGWALL TO SIDEWALL W/O BUTTONS - VINYL - OFF WHITE
4	105440-03-D29	EA WINGWALL ASM-INNER, RIGHT (D29)
4	105440-03-D04	EA WINGWALL ASM-INNER, RIGHT (D31)
4	109803-01-D29	EA WINGWALL ASM-INNER, UPPER
4	109803-01-D31	EA WINGWALL ASM-INNER, UPPER
4	109805-03-D29	EA WINGWALL ASM-INNER, RIGHT LOWER (D29, D31)
4	109804-01-D29	EA CAP-SLEEPERBOARD DRIVER/PASSENGER SIDE - 80 X 596MM
4	109804-01-D07	EA CAP-SLEEPERBOARD DRIVER/PASSENGER SIDE - 80 X 596MM
4	109804-01-D38	EA CAP-SLEEPERBOARD DRIVER/PASSENGER SIDE - 80 X 596MM
5	105445-01-C03	EA TRIM ASM-WINGWALL WRAP, RIGHT - BETWEEN CAB STEEL & B PILLAR TRIM
5	107025-02-01A	EA LADDER-BUNK BLACK - 1434MM
5	106025-01-700	EA BRACKET SET FOR BUNK LADDER

ELECTRICAL GROUP



EXTERIOR LIGHTS

KEY	PART NUMBER	U/M DESCRIPTION
1	042405-02-000	EA LENS-CLEARANCE/SIDEMARKER LIGHT, W/REFLEX - AMBER
1	042405-03-000	EA BASE-CLEARANCE/SIDEMARKER LIGHT W/BULB - PLASTIC - WHITE
1	008213-01-000	EA BULB
	091953-01-000	EA GASKET-CLEARANCE/SIDEMARKER LIGHT
	042405-01-000	EA LENS-CLEARANCE/SIDEMARKER LIGHT, W/REFLEX - RED
	042405-03-000	EA BASE-CLEARANCE/SIDEMARKER LIGHT W/BULB - PLASTIC - WHITE
	008213-01-000	EA BULB
2	056472-01-000	EA LIGHT-LICENSE PLATE, W/BACKET
	056432-03-000	EA BRACKET-LICENSE PLATE LIGHT
3	07545-01-01A	EA TAIL LIGHT ASM-TRIPLE, HORIZONTAL - BARGMAN 30-84-103
	037934-01-000	EA BULB-12V NG1156 2 10AMP
	037935-01-000	EA BULB-12V NG1157 2 10AMP
	091579-01-700	EA LENS-TAILLIGHT (RED)
	103545-01-700	EA LENS-BACKUP
4	097917-01-01A	EA LIGHT FOR CH ENTRY DOOR OFF WHITE
	008215-01-000	EA BULB
	097917-01-700	EA LENS

ELECTRICAL GROUP (CONTINUED)

INTERIOR LIGHTS & BULBS

KEY	PART NUMBER	U/M DESCRIPTION
	104173-01-01A	EA LIGHT-DESIGNER, BRASS - #81-905 *A W ASPLUND
	104172-01-01A	EA LIGHT-BULLET, BEIGE - #787 SERIES - BULB #93 12V
	086280-01-000	EA LIGHT-SURFACE MOUNT, 12V - JENSEN 1236
	086280-01-700	EA BULB-12 VOLT, 6 WATT
	078424-02-000	EA LIGHT-FLUORESCENT, 12V DC - 18" - ALMOND
	091937-03-000	EA BULB-FLUORESCENT LIGHT, 12V - THIN LITE 736
	078424-02-701	EA LENS-LIGHT, FLUORESCENT - 18"
	082169-01-000	EA LIGHT-MAKE-UP, 3 BULB - JENSEN X148-16BR
	081633-01-700	EA BULB-MAKE UP LIGHT, JENSEN
	098024-01-01A	EA LIGHT-DOME, 1 BULB - US - IVORY
	098024-03-01A	EA LIGHT-DOME 2 BULB - IVORY
	008218-01-000	EA BULB
	098024-01-700	EA LENS-DOME LIGHT

SWITCHES & RECFPTACLES

KEY	PART NUMBER	U/M DESCRIPTION
	079364-01-000	EA SWITCH-ON/OFF ROCKER, 2 PRONGS - BROWN
	079364-03-000	EA SWITCH-ON/OFF ROCKER, 3 PRONGS - BROWN
	096241-07-000	EA SWITCH-ROCKER, DPDT - ON/ON - PLACK
	108356-02-01A	EA ACTUATOR-SWITCH, DIMPLE II-CARLING VVAZC00 BLA
	108357-08-000	EA SWITCH-ROCKER, DPDT - ON/NONE/ON - CARLING VDD1500C-0
	098351-01-01A	EA PLATE-SWITCH, 1 GANG - POLISHED BRASS
	098351-02-01A	EA PLATE-SWITCH, 2 GANG - POLISHED BRASS
	098351-05-01A	EA PLATE-SWITCH, 3 GANG - POLISH BRASS - JENSEN
	050351-06-01A	EA PLATE-SWITCH, 2 GANG W/LABEL - JENSEN - POLISHED BRASS
	081994-02-000	EA PLATE-SWITCH, EXTERIOR SHOWER
	095188-01-01A	EA SPACER-SWITCH, 2 3" X 3 4" - PLASTIC - DARK BROWN
	095188-02-01A	EA SPACER-SWITCH, 2 3" X 4 1" - PLASTIC - DARK BROWN
	075723-01-000	EA SPACER-SWITCH, W/O HOLE - 2" X 9" X 2" - METAL - OFF WHITE
	075723-02-000	EA SPACER-SWITCH W/HOLE - 2" X 9" X 2" - METAL - OFF WHITE FOR ELECTRIC STEP DOOR JAMB SWITCH
	084076-01-000	EA RECEPTACLE-GFI, 15A - 125V - IVORY
	084076-02-000	EA RECEPTACLE-GFI, 15A - 125V - BROWN
	084077-01-000	EA PLATE-COVER, RECEPTACLE - GFI - IVORY
	084077-02-000	EA PLATE-COVER, RECEPTACLE - GFI - BROWN
	058707-01-000	EA RECEPTACLE-ELECTRIC, SINGLE - BROWN
	058708-01-000	EA RECEPTACLE-ELECTRIC, DOUBLE - BROWN
	058708-02-000	EA RECEPTACLE-ELECTRIC, DOUBLE - IVORY
	102568-01-B10	EA SPACER-RECEPTACLE, BETWEEN SIDEWALL & PLATE - WOOD
	097734-01-01A	EA EXTENSION-RECEPTACLE, 3 2" X 5" X 7" - PLASTIC - IVORY
	024924-02-000	EA RECEPTACLE-POWER CORD W/PARTIAL PLATE
	075736-02-000	EA COVER-EXTERIOR RECEPTACLE, OFF WHITE

CONVERTERS & LOAD CENTER

KEY	PART NUMBER	U/M DESCRIPTION
	083208-01-000	EA CONVERTER-POWER, 32A - 120V/12V - BW 6332
	092515-01-000	EA CONVERTER-40 AMP W/CHARGER - B-W 324COP

1993 ITASCA TABLE OF CONTENTS

INTRODUCTION	A-01	A-02
ABBREVIATIONS		A-03
ALPHABETICAL INDEX	A-04	A-05
IF527RQ	A-07	E-02
IF527RC	E-03	H-22

1993 IF527RC INDEX

FLOOR PLAN	E-01	E-04
ACCESSORIES		E-05
AUDIO VIDEO		E-06
BATH	E-07	E-08
BEDROOM	E-09	E-10
CHASSIS	E-11	E-15
CURTAIN & CUSHION	E-15	F-02
DINETTE	F-03	F-04
DRIVERS COMPARTMENT	F-05	F-06
ELECTRICAL	F-07	F-10
EXTERIOR BODY	F-11	F-20
GALLEY	F-21	G-01
GENERATOR		G-02
HEATING & A/C	G-03	G-04
INTERIOR FINISH	G-05	G-08
LABELS	G-09	G-15
LP		G-16
LOUNGE	G-17	G-18
SEALANTS & FASTENERS	G-19	G-21
WATER & SEWAGE	G-22	H-02
WINDOW VENT AND EXTERIOR DOOR	H-03	H-21

ELECTRICAL GROUP (CONTINUED)

SOLENOID, FUSES & CIRCUIT BREAKERS

KEY	PART NUMBER	U/M	DESCRIPTION
	008188-01-000	EA	SOLENOID-3 POST. BATTERY CHANGE OVER
	053910-01-000	EA	HOUSING-RELAY, BOSCH 3 334 485 008
	008235-01-000	EA	FUSE-AUTOMOTIVE, 12V - 15AMP
	062901-02-000	EA	FUSE-5 AMP, AUTOMOTIVE
	062901-05-000	EA	FUSE-15 AMPS, AUTOMOTIVE
	100341-01-000	EA	FUSE HOLDER-IN LINE TYPE - WESCO 8931-92020
	093654-01-000	EA	BREAKER-CIRCUIT, 6 AMP - HOUSE CONTROL PANEL
	093655-02-000	EA	BREAKER-CIRCUIT, 30 AMP - HOUSE CONTROL PANEL
	093655-01-000	EA	BREAKER-CIRCUIT, 25 AMP
	083209-01-000	EA	BREAKER-CIRCUIT, 15 AMP, 120V - BW G-15 - CANADIAN
	083209-03-000	EA	BREAKER-CIRCUIT, 15/20AMP, 120V - BW D-15/20
	083209-04-000	EA	BREAKER-CIRCUIT, 30A - 120V - BW L-30
	083209-05-000	EA	BREAKER-CIRCUIT, 20A - 120V - BW J-20
	083209-06-000	EA	BREAKER-CIRCUIT, 30/15 AMP - 120V - BW D-30/15

POWER CORDS & ELECTRIC BOXES

KEY	PART NUMBER	U/M	DESCRIPTION
	008052-01-000	EA	CORD-POWER, 10/3 - 30 AMP - 25' - CANADIAN
	008054-01-000	EA	CORD-POWER, 10/3 - 30 AMP - 25'
	008288-01-000	EA	BOX-PLASTIC ELECTRIC, 3" X 3 1/2"
	008288-02-000	EA	BOX-PLASTIC ELECTRIC, 3 9/16" X 3 13/16" X 1 81/64"
	008289-01-000	EA	BOX-ELECTRIC, STEEL - 1/2" AND 3/4" KNOCKOUTS - 4" X 4"
	008289-02-000	EA	BOX-ELECTRIC, 4" X 4" - 1/2" & 3/4" KNOCKOUTS - CANADIAN
	091910-01-000	EA	BOX-ELECTRIC, 3 7/8" X 3 5/8" X 1 7/8" - PLASTIC
	093503-01-000	EA	BOX-ELECTRIC 4" X 2 1/8" X 2 1/8" - STEEL
	107165-01-01A	EA	BOX-CIRCUIT BREAKER, MOUNTING - BLACK
			FROM 12-06-91 THRU 99-99-99
	058049-01-000	EA	BOX-ELECTRIC SWITCH 2" X 3" X 2 25"
	008294-01-000	EA	COVER ELECTRICAL BOX BLANK STEEL - 4" X 4" GRAY
	008294-02-000	EA	COVER ELECTRICAL BOX BLANK STEEL - 4" X 4" CANADIAN
	051238-01-000	EA	COVER ELECTRICAL BOX WHOLE 4" X 4" GRAY USED WITH 30 AMP RECEPTACLE

WIRE ASSEMBLIES

KEY	PART NUMBER	U/M	DESCRIPTION
	097618-01-000	EA	WIRE ASM-MONITOR PANEL, W/4 WIRES & BLACK RESISTOR - 1VS
	106851-01-000	EA	WIRE ASM-DAYTIME RUNNING LIGHTS W/FUSE
	103328-06-000	EA	WIRE ASM-PUMP EXTERIOR SHOWER
	105305-01-000	EA	WIRE ASM-MONITOR PANEL ADAPT

ELECTRICAL GROUP (CONTINUED)

CONNECTORS & CONDUIT

KEY	PART NUMBER	U/M	DESCRIPTION
	007940-01-000	EA	RECEPTACLE-SLIDE, 16 TO 12 AWG - FEMALE END
	080015-02-000	EA	RECEPTACLE-FLAG, .185 - 16/14 GA - AMP 3
	080015-03-000	EA	RECEPTACLE-FLAG, 250 - 14/16 GA
	008311-01-000	EA	CONNECTOR-WIRE NUT, INSULATED - RED
	008314-01-000	EA	CONNECTOR-WIRE NUT, INSULATED - GRAY
	098420-01-000	EA	CONNECTOR-SWIVEL, 1/2" FPT X 5/8" TUBE - PLASTIC
	008355-01-000	EA	CONNECTOR-CABLE CLAMPING, 3/4"
	008356-01-000	EA	CONNECTOR-PLASTIC, 3/8" AVG
	041480-01-000	EA	CONNECTOR-STRAIGHT, 1/2" FLEX CONDUIT
	058028-01-000	EA	CONNECTOR-ELECTRICAL PIGTAIL, NYLON - CLEAR
	008326-01-000	EA	TERMINAL-RING, 16/14 WIRE - 3/8" STUD
	008328-01-000	EA	TERMINAL-RING, 12/10 WIRE - #10 STUD FIT
	008331-01-000	EA	TERMINAL-RING-TONGUE - #4 WIRE - 3/8" STUD - COPPER
	008348-01-000	EA	TERMINAL-RING, 3/8" STUD - #2 WIRE CONNECTS CABLE TO DISCONNECT RELAY AND BATTERY
	035416-03-000	EA	TERMINAL-RING #10 STUD FIT
	035416-04-000	EA	TERMINAL-RING #10 STUD FIT, INSULATED BARREL #16/14
	047443-01-000	EA	TERMINAL-250 RECFP FIT, INSULATED - 16/14 AWG
	047443-02-000	EA	TERMINAL-250 RECFP FIT, INSULATED - 12/10 AWG
	087949-01-000	EA	BUSS BAR-2 POSITION, 5" X 1 5/8" - ALUMINUM
	088475-01-000	EA	PIN-CONNECTOR, 14 TO 20 AWG
	088475-02-000	EA	PIN-CONNECTOR, 10 TO 12 AWG
	088473-01-000	EA	PIN-HOUSING, 4 ROWS OF 3
	088473-05-000	EA	PIN-HOUSING, 6 POSITION (SINGLE ROW)
	088473-06-000	EA	PIN-HOUSING, 6 POSITION (TWO ROWS OF THREE)
	088473-09-000	EA	PIN-HOUSING, 3 POSITION (SINGLE ROW)
	088473-10-000	EA	PIN-HOUSING, 2 POSITION
	088473-03-000	EA	HOUSING-PIN, 9 POSITION
	088473-07-000	EA	HOUSING-PIN, 5 CAVITY - AMP 1-480763-0
	088473-08-000	EA	HOUSING-PIN, 4 POSITION
	088474-02-000	EA	HOUSING-SOCKET, 15 POSITION (3 ROWS OF 5)
	088474-03-000	EA	HOUSING-SOCKET, 9 POSITION
	088474-07-000	EA	HOUSING-SOCKET, 5 CAVITY - AMP 1-480763-0
	088474-09-000	EA	HOUSING-SOCKET, 3 POSITION
	088474-10-000	EA	HOUSING-SOCKET, 2 POSITION
	088474-06-000	EA	SOCKET-HOUSING, 6 POSITION (2 ROWS OF THREE)
	088474-08-000	EA	SOCKET-HOUSING, 4 POSITION (SINGLE ROW)
	088476-01-000	EA	SOCKET-CONNECTOR BRASS - PRE-TIN
	088476-02-000	EA	SOCKET-CONNECTOR 12-10 GA - PHOS BRZ - PRE-TIN
	041953-01-000	FT	CONDUIT-CONVOLUTE, SLIT - 5" ID
	041953-03-000	FT	CONDUIT-CONVOLUTE, SLIT - 1" ID (CLOTHES ROD COVER)
	041953-06-000	FT	CONDUIT-CONVOLUTE, SLIT - 3/5" ID
	041953-07-000	FT	CONDUIT-CONVOLUTE, SLIT - 25" ID
	041953-08-000	FT	CONDUIT-CONVOLUTE, SLIT, 1 50" ID
	041953-09-000	FT	CONDUIT-CONVOLUTE, SLIT - 50" ID
	041953-10-000	FT	CONDUIT-CONVOLUTE, SLIT - 75" ID
	041953-11-000	FT	CONDUIT-CONVOLUTE, SLIT - 1 06" ID
	041953-12-000	FT	CONDUIT-CONVOLUTE NON SLIT - 1 1" ID

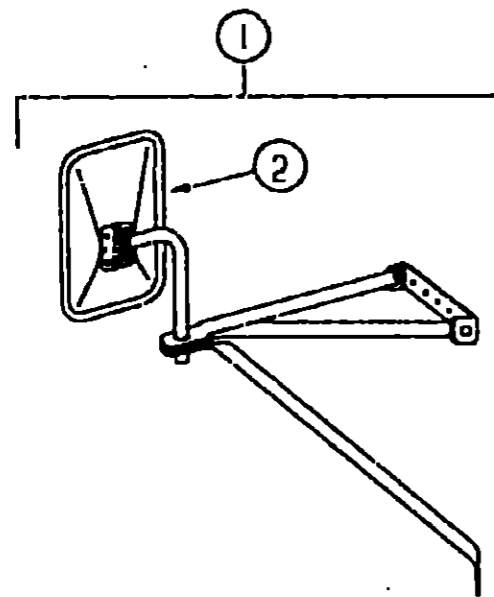
**1993 ITASCA
TABLE OF CONTENTS**

INTRODUCTION	A-01	A-02
ABBREVIATIONS		A-03
ALPHABETICAL INDEX	A-04	A-05
IF527RQ	A-07	E-02
IF527RC	E-03	H-22

1993 IF527RC INDEX

FLOOR PLAN	E-03	E-04
ACCESSORIES		E-05
AUDIO VIDEO		E-06
BATH	F-07	E-08
BEDROOM	E-09	E-10
CHASSIS	E-11	E-15
CURTAIN & CUSHION	E-15	F-02
DINETTE	F-03	F-04
DRIVERS COMPARTMENT	F-05	F-05
ELECTRICAL	F-07	F-10
EXTERIOR BODY	F-11	F-20
GALLEY	F-21	G-01
GENERATOR		G-02
HEATING & A/C	G-03	G-04
INTERIOR FINISH	G-05	G-08
LABELS	G-09	G-15
LP		G-15
LOUNGE	G-17	G-18
SEALANTS & FASTENERS	G-19	G-21
WATER & SEWAGE	G-22	H-02
WINDOW, VENT AND EXTERIOR DOOR	H-03	H-21

EXTERIOR BODY GROUP



EXTERIOR MIRRORS

KEY	PART NUMBER	U/M DESCRIPTION
1	106860-02-01A	EA MIRROR-STAR HEAD, LOW MOUNT - VELVAC #713157 (FORD)
2	106860-02-700	EA MIRROR HEAD ONLY, DRIVER SIDE - STAR - VELVAC D747283-9
2	106860-02-701	EA MIRROR HEAD ONLY, PASSENGER SIDE - STAR - VELVAC D747284-9
	106860-02-702	EA GLASS-FLAT, VELVAC 702086-8
	106860-01-702	EA HARDWARE PACKAGE, VELVAC 748230
	106860-01-703	EA BRACE LOWER FORWARD - LEFT SIDE - OFF WHITE VELVAC D7809910
	106860-01-704	EA BRACE LOWER FORWARD - RIGHT SIDE - OFF WHITE VELVAC D7809920
	105439-01-000	EA MIRROR-CONVEX, STICK ON

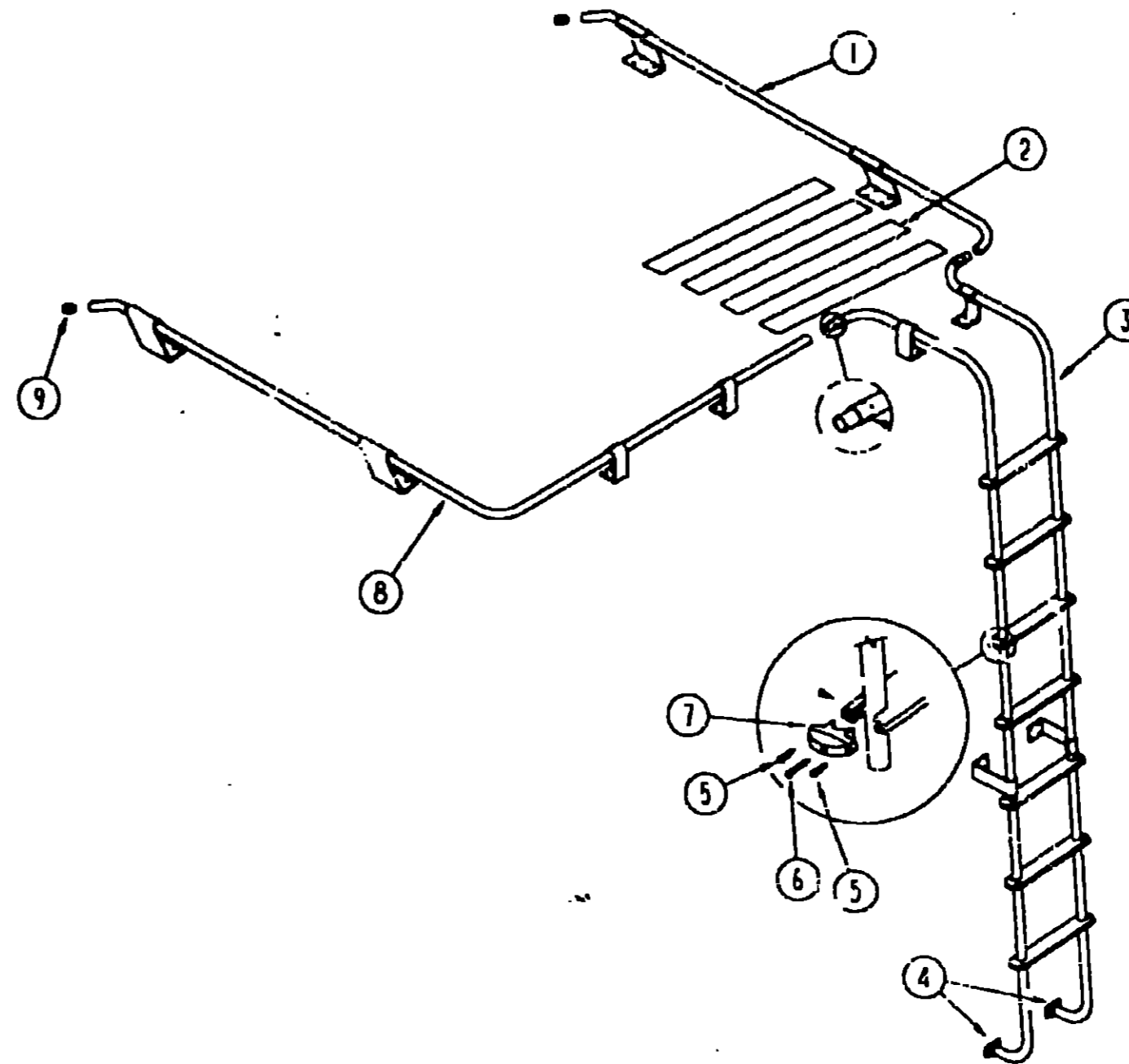
RUNNING BOARDS

KEY	PART NUMBER	U/M DESCRIPTION
	072884-20-000	EA RUNNING BOARD SET-FORD 39" - KEMBERLY K-7 (STANDARD) FROM 00-00-00 THRU 01-31-93
	072884-27-000	EA RUNNING BOARD SET-FORD 39" - KEMBERLY K-12 (STANDARD) FROM 02-01-93 THRU 99-99-99
	105461-01-000	EA RUNNING BOARD, FORD - RIGHT SIDE - QUALITY COMP
	105461-02-000	EA RUNNING BOARD, FORD - LEFT SIDE - QUALITY COMP
	105461-03-000	EA HARDWARE KIT-RUNNING BOARD - QUALITY COMP
	105461-04-000	EA TRIM-RUNNING BOARD
	105461-05-000	EA STRIP-NON SKID RUNNING BOARD

ASSIST HANDLE & BUMPER

KEY	PART NUMBER	U/M DESCRIPTION
	009126-02-000	EA HANDLE-ASSIST, ENTRY DOOR - BLACK
	059726-02-000	EA BUMPER, 88" DIAMETER X 40", BLACK

EXTERIOR BODY GROUP (CONTINUED)



RACK & LADDER

KEY	PART NUMBER	U/M DESCRIPTION
1	107438-05-C07	EA RACK-PASSENGER SIDE
	069726-02-000	EA BUMPER, 88" DIAMETER X 40" BLACK
2	038327-01-000	EA TAPE-ANTI SLIP, 2" X 60"
3	102953-02-C03	EA LADDER
4	067165-01-000	EA MOUNTING BRACKET-LADDER, LOWER
5	000G39-06-10T	EA SCREW-SF/DR, 6-20 X 5/8 PPH - BLACK
6	000G68-10-36T	EA SCREW-10-12 X 2 25 PPH BLACK
7	076980-02-000	EA END CAP-STEP, BLACK
8	107438-09-C03	EA RACK-DRIVER SIDE
9	081114-01-000	EA PLUG-ROUND, RACK & LADDER ENDS - PLASTIC - 1" DIA

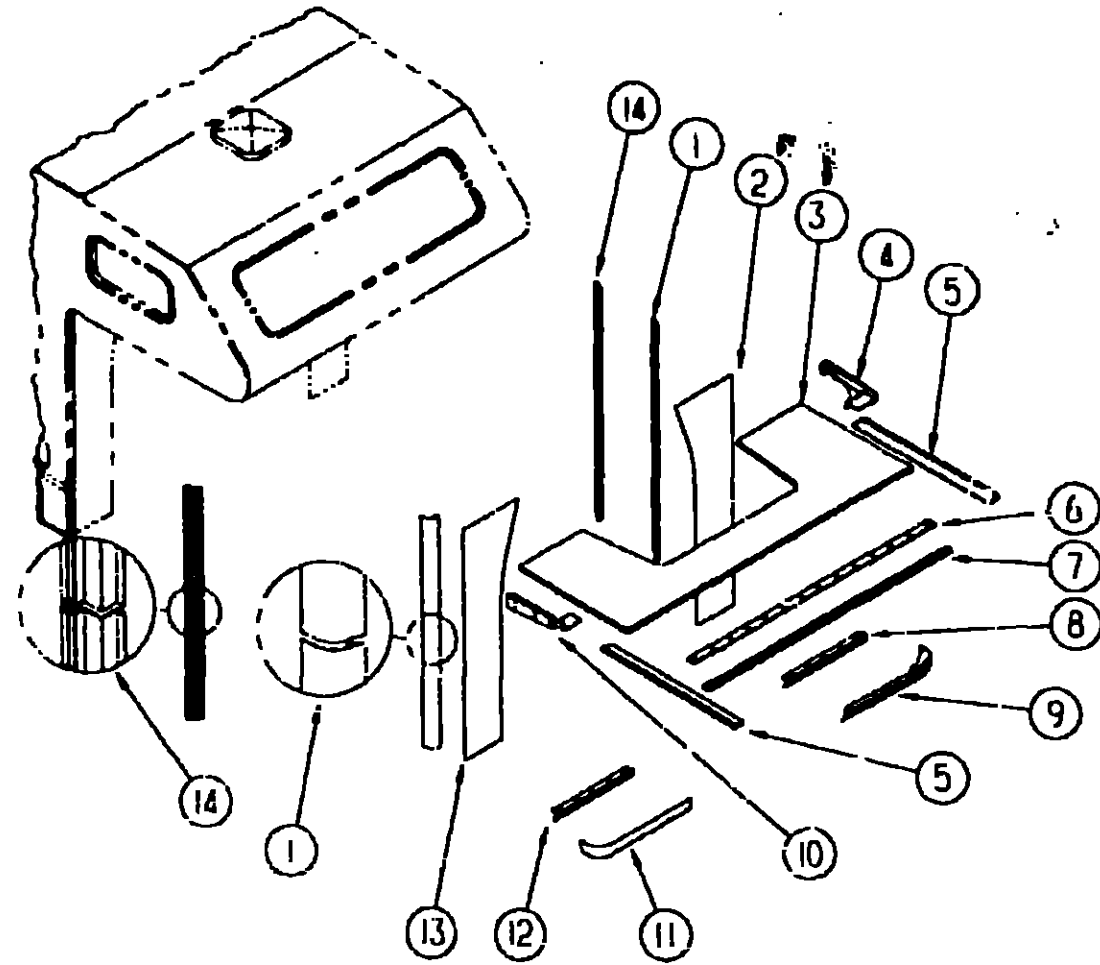
1993 ITASCA TABLE OF CONTENTS

INTRODUCTION	A-01	A-02
ABBREVIATIONS		A-03
ALPHABETICAL INDEX	A-04	A-05
IF527RO	A-07	E-02
IF527RC	E-03	H-22

1993 IF527RC INDEX

FLOOR PLAN	F-03	E-04
ACCESSORIES		E-05
ADD'N MODEL		F-06
BATH	E-07	E-08
BEDROOM	E-09	E-10
CHASSIS	E-11	E-15
CURTAIN & CUSHION	E-16	F-02
DINETTE	F-03	F-04
DRIVERS COMPARTMENT	F-05	F-06
ELECTRICAL	F-07	F-10
EXTERIOR BODY	F-11	F-20
GALLEY	F-21	G-01
GENERATOR		G-02
HEATING & A/C	G-03	G-04
INTERIOR FINISH	G-05	G-08
LABELS	G-09	G-15
LP		G-16
LOUNGE	G-17	G-19
SEALANTS & FASTENERS	G-19	G-21
WATER & SEWAGE	G-22	H-02
WINDOW VENT AND EXTERIOR DOOR	H-03	H-21

EXTERIOR BODY GROUP (CONTINUED)



WINGWALLS, SLEEPERBOARD & TRIM

KEY	PART NUMBER	U/M DESCRIPTION
1	108037-01-01A	EA COVER-WINGWALL CURVED - OFF WHITE FROM: 00-00-00 THRU: 09-05-92
1	108037-02-01A	EA COVER-WINGWALL CURVED - OFF WHITE FROM: 09-06-92 THRU: 99-99-99
2	108040-04-C52	EA WINGWALL ASM DRIVER SIDE - W/GUSSET FROM: 00-00-00 THRU: 09-05-92
2	109743-04-D29	EA WINGWALL ASM DRIVER SIDE - W/GUSSET FROM: 09-06-92 THRU: 99-99-99
3	P06443-01-C03	EA SLEEPERBOARD ASM FROM: 00-00-00 THRU: 09-05-92
3	P09558-01-D29	EA SLEEPERBOARD ASM FROM: 09-06-92 THRU: 99-99-99
4	104444-02-01A	EA COVER-TRIM WINGWALL - LEFT - OFF WHITE
5	105312-01-01A	FT INSERT-TRIM VINYL - OFF WHITE
5	095854-01-01A	EA TRIM CONTOUR, W/O VINYL INSERT 108" - OFF WHITE
6	100085-03-01A	EA TRIM-SLEEPERBOARD, FLAT - 2 5" X 87 5" - OFF WHITE
7	100086-02-01A	EA TRIM-SLEEPERBOARD, 2" X 90 7" - OFF WHITE
8	105146-01-01A	EA SUPPORT-COVER WINGWALL - OFF WHITE (FORD)
9	106144-02-C52	EA COVER ASM WINGWALL W/SUPPORT - LEFT - OFF WHITE (FORD)
9	106145-02-01A	EA COVER-ASM-WINGWALL, W/O SUPPORT - LEFT - OFF WHITE (FORD)
10	104444-01-01A	EA COVER-TRIM WINGWALL - RIGHT - OFF WHITE
11	106144-01-C52	EA COVER ASM WINGWALL W/SUPPORT - RIGHT - OFF WHITE (FORD)
11	106145-01-01A	EA COVER ASM-WINGWALL, W/O SUPPORT - RIGHT - OFF WHITE (FORD)
12	105146-01-01A	EA SUPPORT-COVER WINGWALL - OFF WHITE (FORD)

EXTERIOR BODY GROUP (CONTINUED)

WINGWALLS, SLEEPERBOARD & TRIM (CONTINUED)

KEY	PART NUMBER	U/M DESCRIPTION
13	108040-03-C52	EA WINGWALL ASM, PASSENGER SIDE - W/GUSSET FROM: 00-00-00 THRU: 09-05-92
13	109743-03-D29	EA WINGWALL ASM, DRIVER SIDE - W/GUSSET FROM: 09-06-92 THRU: 99-99-99
14	105015-01-01A	EA TRIM-WINGWALL, CURVED - OFF WHITE FROM: 00-00-00 THRU: 09-05-92
14	105015-02-01A	EA TRIM-WINGWALL, CURVED - OFF WHITE FROM: 09-06-92 THRU: 99-99-99
	089334-01-000	FT VINYL-EXTERIOR, BETWEEN WINGWALL & CAB SEAL - WHITE

FIBERGLASS, STYROFOAM & U CHANNEL

KEY	PART NUMBER	U/M DESCRIPTION
	076054-G7-001	EA SHEET-FIBERGLASS, 41" X 324" - OFF WHITE
	076054-H1-000	EA SHEET-FIBERGLASS, 2438 X 2591MM - OFF WHITE
	076054-F3-000	EA SHEET-FIBERGLASS, 2438 X 2438MM - OFF WHITE
	076054-D3-001	EA SHEET-FIBERGLASS, 48" X 96" - OFF WHITE
	077517-24-000	F2 SHEET-FIBERGLASS, FLAT - 48" X 96" - OFF WHITE
	083574-02-000	SF STYROFOAM-1 5" X 24" X 90 5"
	083574-03-000	SF STYROFOAM-3/4" X 48" X 96"
	000870-03-000	SF STYROFOAM-1 34" X 48" X 96" - INCREMENTS OF 32 SF
	000870-05-000	SF STYROFOAM-5" X 24" X 96", INCREMENTS OF 16 SF
	002365-01-001	EA U-CHANNEL, 1" X 18" - SERRATED - MILL FINISHED ALUMINUM
	002754-01-001	EA ANGLE-EXTRUDED, 75" X 75" X 18" - MILL ALUMINUM
	002726-01-001	EA GARNISH-U-CHANNEL 1 38" X 19" - SERRATED - MILL ALUMINUM
	002779-01-001	EA U-CHANNEL-EXTRUDED, ALUMINUM
	055278-5; 259	FT TUBING-STEEL, 75" X 1 5" X 12 5"
	058267-01-000	FT CHANNEL-STEEL, W/HOLES - SIDEWALL STIFFENER - 2" X 20"

**1993 ITASCA
TABLE OF CONTENTS**

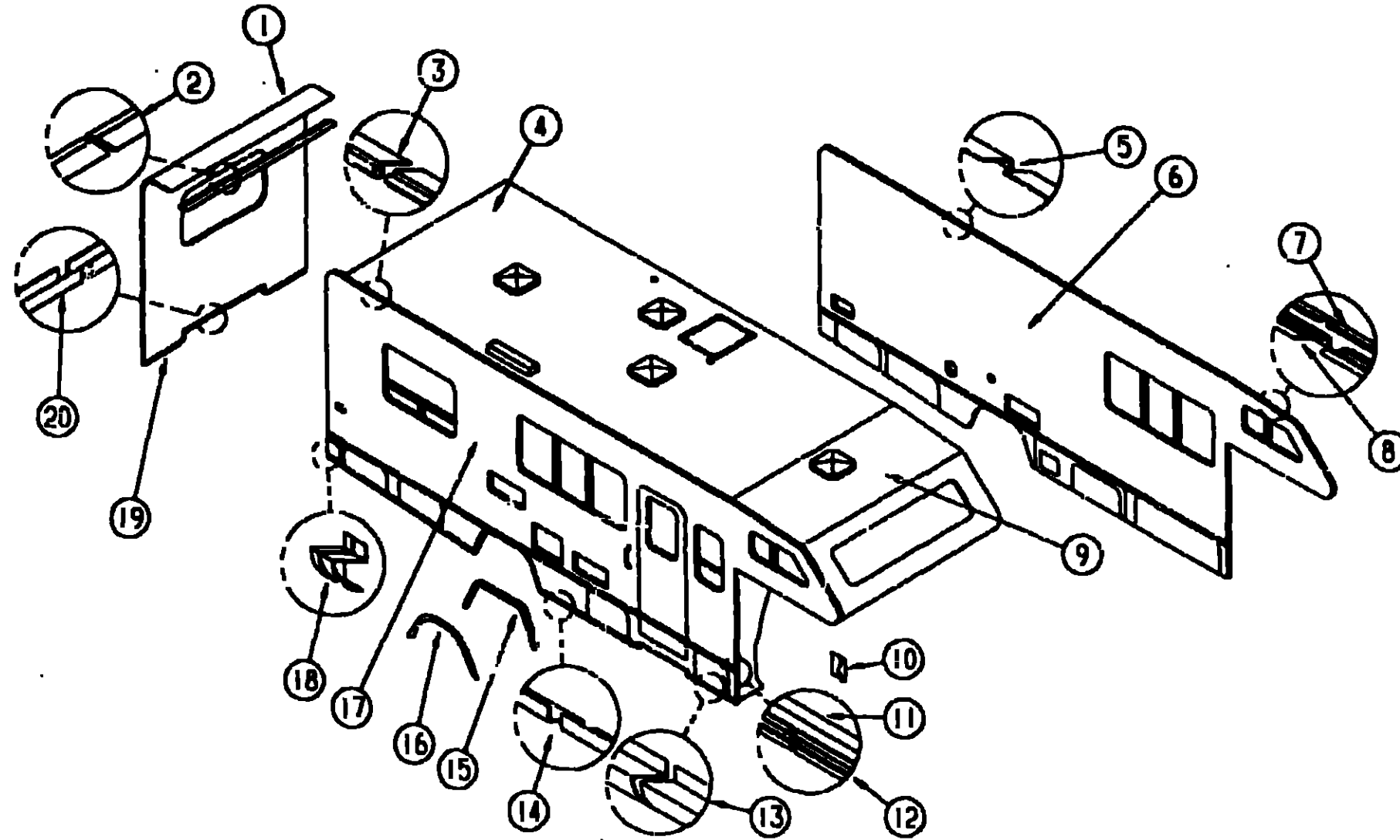
INTRODUCTION	A-01	A-02
ABBREVIATIONS		A-03
ALPHABETICAL INDEX	A-04	A-06
IF527RQ	A-07	E-02
IF527RC	E-03	H-22

1993 IF527RC INDEX

FLOOR PLAN	E-03	E-04
ACCESSORIES		E-05
AUDIO VIDEO		E-06
BATH	E-07	E-08
BEDROOM	E-09	E-10
CHASSIS	E-11	E-15
CURTAIN & CUSHION	F-15	F-02
DINETTE	F-03	F-04
DRIVERS COMPARTMENT	F-05	F-06
ELECTRICAL	F-07	F-10
EXTERIOR BODY	F-11	F-20
GALLEY	F-21	G-01
GENERATOR		G-02
HEATING & A/C	G-03	G-04
INTERIOR FINISH	G-05	G-08
LABELS	G-09	G-15
LP		G-15
LOUNGE	G-17	G-19
SEALANTS & FASTENERS	G-19	G-21
WATER & SEWAGE	G-22	H-02
WINDOW VENT AND EXTERIOR DOOR	H-03	H-21

EXTERIOR BODY GROUP (CONTINUED)

EXTERIOR PANELS & TRIMS



1993 ITASCA TABLE OF CONTENTS

INTRODUCTION	A 01 - A 02
ABBREVIATIONS	A 03
ALPHABETICAL INDEX	A 04 - A 05
IF527RQ	A 07 - E 02
IF527RC	E 03 - H 22

1993 IF527RC INDEX

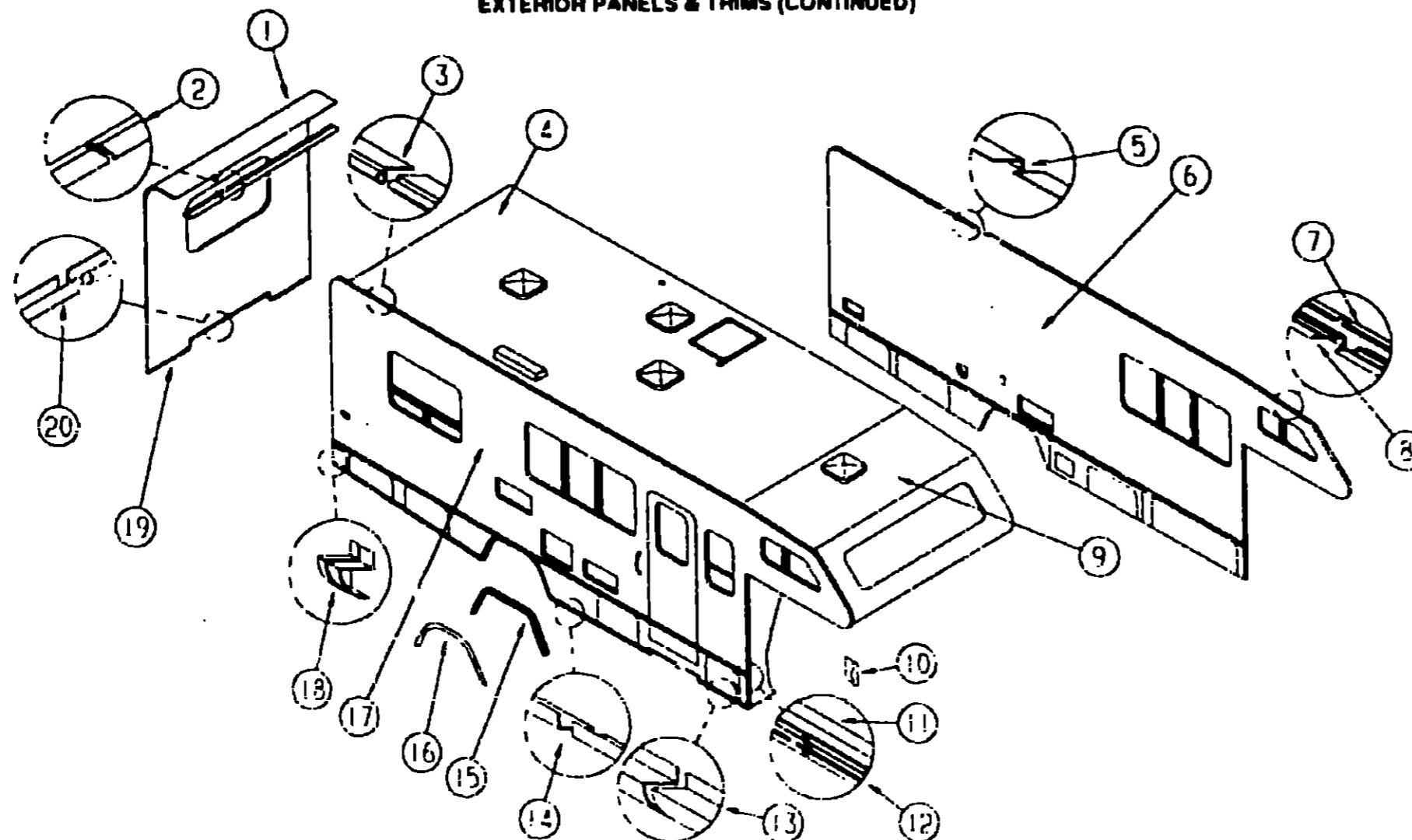
FLOOR PLAN	F 03 - F 04
ALCOHOL LOCKS	F 05
ALCOHOL LOCK	F 06
BATH	F 07 - F 08
BEDROOM	F 09 - F 10
CHASSIS	F 11 - F 15
CURTAIN & CUSHION	F 16 - F 22
DINETTE	F 23 - F 24
DRIVERS COMPARTMENT	F 25 - F 26
ELECTRICAL	F 27 - F 30
EXTERIOR BODY	F 31 - F 39
GALLEY	F 40 - F 41
GENERATOR	F 42
HEATING & A/C	G 03 - G 04
INTERIOR FINISH	G 05 - G 08
LABELS	G 09 - G 15
LP	G 16
LOUNGE	G 17 - G 18
SEALANTS & FASTENERS	G 19 - G 21
WATER & SEWAGE	G 22 - H 02
WINDOW VENT AND EXTERIOR DOOR	H 03 - H 22

KEY	PART NUMBER	U/M DESCRIPTION
1	P08609-01-D29	EA BACKWALL ASM W/BASES
1	PC8609-01-D31	EA BACKWALL ASM W/BASES
2	070550-01-000	EA TRIM ROOF TO BACKWALL
3	100483-01-01A	EA TRIM-CONTOUR ROOF (AWNING) 120" - OFF WHITE
	099583-55-001	EA RAIL-AWNING 120" EA - OFF WHITE
3	100483-02-01A	EA TRIM-CONTOUR ROOF (AWNING) 133.8" - OFF WHITE
	099583-55-002	EA RAIL-AWNING 133.8" EA - OFF WHITE
4	P08680-01-D29	EA ROOF ASM W/BASES
		FROM 00-00-00 THRU 09-05-92
4	P05680-01-D29	EA ROOF ASM W/BASES
		FROM 09-05-92 THRU 99-99-99
5	095854-01-01A	EA TRIM-CONTOUR ROOF TO SIDEWALL - 120" - OFF WHITE
5	095854-02-01A	EA TRIM-CONTOUR ROOF TO SIDEWALL - 133.8" - OFF WHITE
5	P05333-01-D29	EA SIDEWALL ASM-DRIVER SIDE
		FROM 00-00-00 THRU 09-05-92
6	P09728-01-D29	EA SIDEWALL ASM-DRIVER SIDE
		FROM 09-06-92 THRU 99-99-99
6	P05333-01-D31	EA SIDEWALL ASM-DRIVER SIDE
		FROM 00-00-00 THRU 09-05-92
6	P09729-01-D31	EA SIDEWALL ASM-DRIVER SIDE
		FROM 09-06-92 THRU 99-99-99

KEY	PART NUMBER	U/M DESCRIPTION
7	105312-01-01A	FT INSERT-TRIM VINYL - OFF WHITE
8	095854-01-01A	EA TRIM-CONTOUR W/O VINYL INSERT - 108" - OFF WHITE DRIVER OR PASSENGER - FRONT OVERHEAD CAB SECTION FROM ROOF TO WINGWALL - REAR - BACKWALL TO SIDEWALL VERTICAL SECTION
9	M76177-01-700	EA SECTION ROOF, OVER CAB TO FIRST ROOF SEAM
10	009731-01-000	EA END CAP FEATURE STRIP
10	108651-01-01A	EA END CAP-FEATURE STRIP
		FROM 00-00-00 THRU 09-07-92
11	001030-02-003	EA INSERT FEATURE STRIP 17" LONG - OFF WHITE
		FROM 09-08-92 THRU 99-99-99
11	105312-01-01A	EA INSERT FEATURE STRIP 17" LONG - VINYL - OFF WHITE
		FROM 00-00-00 THRU 09-07-92
12	002444-04-002	EA STRIP-FEATURE W/O INSERT - 15" LONG - OFF WHITE
		FROM 09-08-92 THRU 99-99-99
12	108698-01-01A	EA STRIP-FEATURE W/O INSERT - 15" LONG - OFF WHITE
		FROM 00-00-00 THRU 09-07-92
		FROM 09-08-92 THRU 99-99-99
13	104749-55-002	EA PANEL-ROCKER, EXTRUDED - ALUMINUM - 5500MM - DARK GRAY
14	091152-55-003	EA TRIM-SIDEWALL ANGLE - 487MM - OFF WHITE
15	105100-02-01A	EA TRIM-WHEELWELL OFF WHITE
15	105220-01-01A	EA TRIM-WHEELWELL REAR OFF WHITE

EXTERIOR BODY GROUP (CONTINUED)

EXTERIOR PANELS & TRIMS (CONTINUED)



1993 ITASCA TABLE OF CONTENTS

INTRODUCTION	A-01	A-02
ABBREVIATIONS	A-03	A-03
ALPHABETICAL INDEX	A-04	A-06
IF527RG	A-07	E-02
IF527RC	E-03	H-22

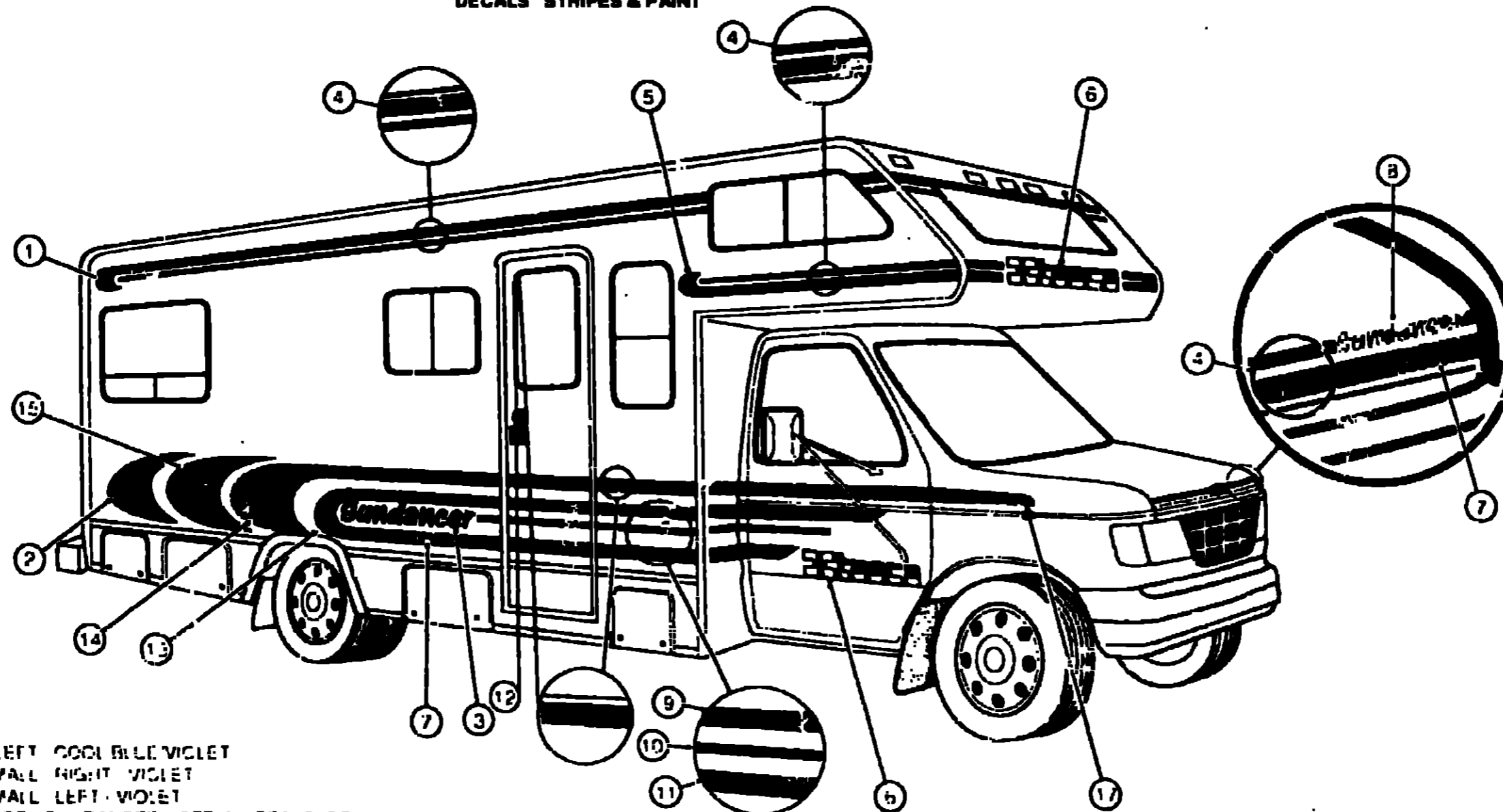
1993 IF527RC INDEX

FLOOR PLAN	E-03	E-04
ACCESSORIES		F-15
ALUMINUM		F-16
BATH	F-07	F-08
BEDROOM	F-09	F-10
CHASSIS	F-11	F-15
CURTAIN & CUSHION	F-16	F-02
CIGARETTE	F-03	F-04
DRIVERS COMPARTMENT	F-05	F-06
ELECTRICAL	F-07	F-10
EXTERIOR BODY	F-11	F-20
GALLEY	F-21	G-01
GENERATOR		G-02
HEATING & A/C	G-03	G-04
INTERIOR FINISH	G-05	G-08
LABELS	G-09	G-15
LP		G-15
LOUNGE	G-17	G-18
SEALANTS & FASTENERS	G-19	G-21
WATER & SEWAGE	G-22	H-02
WINDOW VENT AND EXTERIOR DOOR	H-03	H-21

KEY	PART NUMBER	U/M DESCRIPTION
17	F08510-01-029	EA SIDEWALL ASM-PASSENGER SIDE FROM 00-00-00 THRU 09-05-92
17	F09727-01-029	EA SIDEWALL ASM-PASSENGER SIDE FROM 09-05-92 THRU 99-99-99
17	F08510-01-031	EA SIDEWALL ASM-PASSENGER SIDE FROM 00-00-00 THRU 09-05-92
17	F09727-01-031	EA SIDEWALL ASM-PASSENGER SIDE FROM 09-05-92 THRU 99-99-99
	105025-04-052	EA TRIM SIDEWALL BELOW ENTRY DOOR
18	106106-01-01A	EA CAP END ROCKER PANEL - OFF WHITE
18	106106-02-01A	EA CAP END ROCKER PANEL - OFF WHITE
19	105334-02-01A	EA TRIM BACKWALL LOWER - OFF WHITE
	001361-01-001	EA U CHANNEL 1" X 1 1/2" SERRATED - MILL FINISHED ALUMINUM
20	103335-02-01A	EA TRIM BACKWALL LOWER - OFF WHITE
	002365-01-001	EA U CHANNEL 1" X 1 1/2" SERRATED - MILL FINISHED ALUMINUM
	002754-01-001	EA ANGLE EXTRUDED 75° X 75° X 1 1/2" - MILL ALUMINUM
	002725-01-001	EA GARNISH U CHANNEL 1 3/8" X 1 1/2" - SERRATED - MILL ALUMINUM
	002779-01-001	EA EXTR U CHANNEL 1 7/8" X 1 1/2" - RIBBED

EXTERIOR BODY GROUP (CONTINUED)

DECALS STRIPES & PAINT



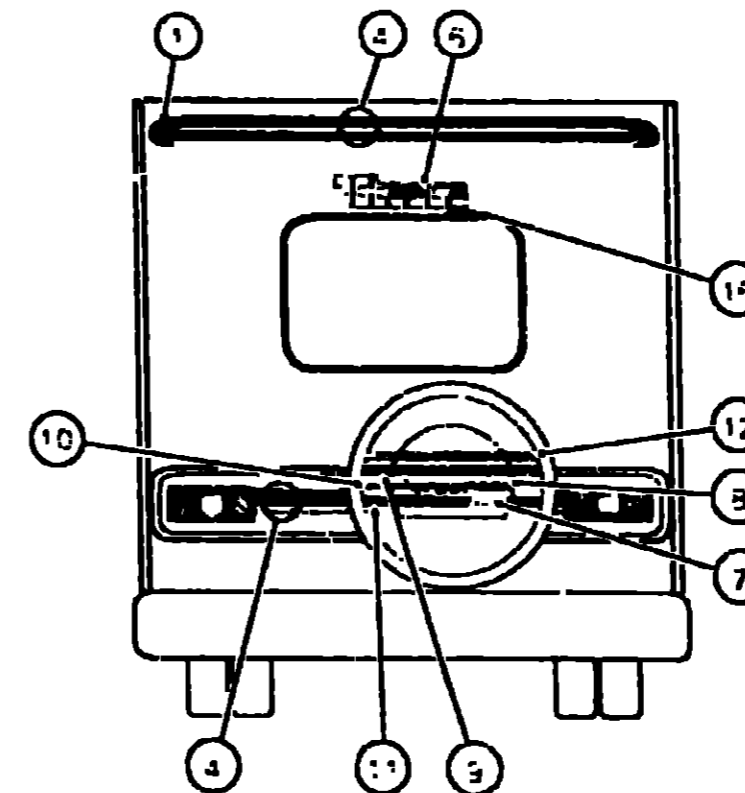
1993 ITASCA TABLE OF CONTENTS

INTRODUCTION	A 01 - A 02
ABBREVIATIONS	A 03
ALPHABETICAL INDEX	A 04 - A 06
IF527RC	A 07 - E 02
IF5279C	E 03 - H 22

1993 IF527RC INDEX

FLOOR PLAN	E 03 - E 04
APPLIANCE SCHEDULES	E 05
AVOIDANCE	E 06
BATH	E 07 - E 08
BEDROOM	E 09 - E 10
CHASSIS	E 11 - E 15
CURTAIN & CUSHION	E 16 - E 22
DINETTE	F 03 - F 04
DRIVERS COMPARTMENT	F 05 - F 06
ELECTRICAL	F 07 - F 10
EXTERIOR BODY	F 11 - F 26
HALLWAY	F 27 - G 01
GENERATOR	G 02
HEATING & A/C	G 03 - G 04
INTERIOR FINISH	G 05 - G 08
LABELS	G 09 - G 16
LP	G 17
LOUNGE	G 17 - G 18
SEALANTS & FASTENERS	G 19 - G 21
WATER & SEWAGE	G 22 - H 02
WINDOW VENT AND EXTERIOR DOOR	H 03 - H 21

KEY	PART NUMBER	U/M	DESCRIPTION
1	105514-02-02A	EA	DECAL END CAP LEFT COOL BLUE/VIOLET
2	105516-01-02A	EA	DECAL SWEEP SMALL RIGHT VIOLET
	105515-02-02A	EA	DECAL SWEEP SMALL LEFT VIOLET
3	105519-01-03A	EA	DECAL LOGO LARGE SUNDANCER OFF WHITE/VIOLET
4	054443-07-02A	FT	FILM MULTISTRIPE 85MM WIDE COOL BLUE/COOL BLUE/VIOLET
5	105514-01-02A	EA	DECAL END CAP RIGHT COOL BLUE/VIOLET
6	0728F2-34-000	EA	DECAL LOGO ITASCA 5" VIOLET/OFF WHITE
7	105517-02-02A	EA	DECAL LOGO EGO SMALL OFF WHITE/VIOLET
8	105519-02-03A	EA	DECAL LOGO SMALL SUNDANCER OFF WHITE/VIOLET
9	093081-35-05A	FT	FILM 57MM WIDE COOL BLUE
10	093081-32-03A	FT	FILM 25MM WIDE VIOLET
11	093081-25-07A	FT	FILM 83MM WIDE COOL BLUE
12	094423-04-02A	FT	FILM OVERLAY MULTISTRIPE AZTEC SILVER/AZTEC SILVER/VIOLET
13	105515-01-02A	EA	DECAL RADIUS RIGHT COOL BLUE
	105515-02-02A	EA	DECAL RADIUS LEFT COOL BLUE
14	105519-01-02A	EA	DECAL SWEEP LARGE RIGHT AZTEC SILVER/VIOLET
	105518-02-02A	EA	DECAL SWEEP LARGE LEFT AZTEC SILVER/VIOLET
15	105517-01-02A	EA	DECAL SWEEP MD RIGHT COOL BLUE
	105517-02-02A	EA	DECAL SWEEP MD LEFT COOL BLUE
16	084075-01-000	EA	DECAL "BY WINNEBAGO INDUSTRIES" BLACK
	041561-03-000	EA	PAINT LOWBACK OFF WHITE
17	105519-01-01A	EA	DECAL FRONT RIGHT AZTEC SILVER/VIOLET
	105519-02-01A	EA	DECAL FRONT LEFT AZTEC SILVER/VIOLET

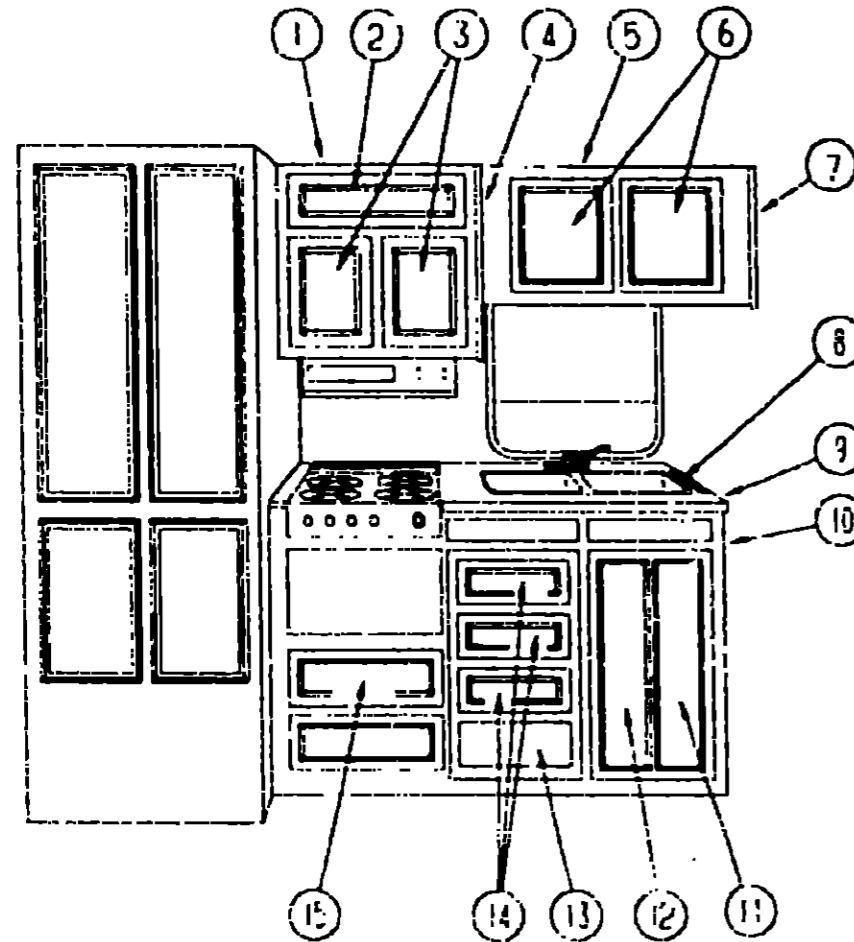


DUPONT COLOR CODES

VIOLET	02551
COOL BLUE	02651
OFF WHITE	18773
AZTEC SILVER	45405

GALLEY GROUP

CABINETS & FIXTURES



KEY	PART NUMBER	U/M	DESCRIPTION
1	M05780-24-D29	EA	CABINET-OVERHEAD, RANGE - W/O DOORS & HARDWARE
1	M05780-25-D29	EA	CABINET-OVERHEAD, MICROWAVE - W/O DOORS & HARDWARE
2	P00521-A8-D29	EA	DOOR-CABINET, W/O HARDWARE - 160 X 555MM
3	P03702-H5-D29	EA	DOOR-CABINET, W/O HARDWARE - 275 X 355MM
4	104335-01-C43	EA	END CAP-CABINET, OVERHEAD
5	P05770-01-C43	EA	CABINET-OVERHEAD, SINK - W/O DOORS & HARDWARE
6	P03702-K1-D29	EA	DOOR-CABINET, W/O HARDWARE - 365 X 555MM
7	104335-03-C43	EA	END CAP-CABINET, OVERHEAD
8	098335-02-D29	EA	RAIL-GALLEY, 22 2" LONG
8	098335-02-D31	EA	RAIL-GALLEY, 22 2" LONG
9	107575-11-D06	EA	COUNTERTOP-CABINET, GALLEY (D29 D31)
10	M05783-G2-D29	EA	CABINET-GALLEY, W/O DOORS & HARDWARE
10	M05783-G2-D31	EA	CABINET-GALLEY, W/O DOORS & HARDWARE
11	P03702-K0-D29	EA	DOOR-CABINET, W/O HARDWARE - 230 X 575MM
12	P03702-K1-D29	EA	DOOR-CABINET, W/O HARDWARE - 230 X 575MM
13	F07104-D2-D29	EA	DRAWER-CABINET, W/O HARDWARE
14	F07104-C9-D29	EA	DRAWER-CABINET, W/O HARDWARE
15	F07104-D5-D29	EA	DRAWER-CABINET, W/O HARDWARE
	103251-02-01A	EA	INSERT-ACRYLIC, 19 53" X 15 06" - REFRIGERATOR CABINET - BLACK
	103251-03-01A	EA	INSERT-ACRYLIC, 19 53" X 32 2" - REFRIGERATOR CABINET - BLACK
	103251-04-01A	EA	INSERT-ACRYLIC, 19 53" X 39 2" - REFRIGERATOR CABINET - BLACK
	008380-01-000	EA	GROMMET-RUBBER 5/8" HOLE X 1 1/2" DIAMETER - BLACK
	090329-01-000	FT	SEAL-T-REFRIGERATOR CABINET - 6" WIDE TOP X 2" TAIL
	092303-01-000	EA	STRAINER-SINK
	104114-01-01A	EA	FAUCET GALLEY, SINGLE CONTROL
	104113-01-000	EA	SINK DOUBLE, STAINLESS STEEL
	103510-01-C08	EA	COVER-SINK (D29, D31)
	100081-01-01A	EA	TRAY-SILVERWARE 9" X 13 3" PLASTIC ALMOND RUBBERPAD

1993 ITASCA TABLE OF CONTENTS

INTRODUCTION	A-01	A-02
ABBREVIATIONS		A-03
ALPHABETICAL INDEX	A-04	A-06
IF527RG	A-07	E-02
IF527RC	E-03	- 22

1993 IF527RC INDEX

FLOOR PLAN	F-03	F-04
APPLIANCE	F-05	F-05
BATH	F-07	F-07
BEFORE ROOM	F-09	F-10
CHASSIS	F-11	F-15
CURTAIN & WINDOW	F-16	F-17
COFFEE	F-04	F-04
DRIVERS COMPARTMENT	F-05	F-05
ELECTRICAL	F-07	F-10
EXTERIOR BODY	F-11	F-20
GALLEY	F-21	F-21
GENERATOR	F-03	F-02
HEATING & A/C	F-03	F-03
INTERIOR FINISH	F-05	F-16
LABELS	F-05	F-16
LP	F-05	F-16
LOUNGE	F-07	F-16
SEALANTS & FASTENERS	F-19	F-21
WATER & SEWAGE	F-22	F-22
WINDOW VENT AND EXTERIOR DOOR	F-03	F-03

GALLEY GROUP (CONTINUED)

LARGE NORCOLD 682 REFRIGERATOR

KEY	PART NUMBER	U/M	DESCRIPTION
	093646-01-000	EA	BRACKET ASM-TIEDOWN REFRIGERATOR - RIGHT
	093646-02-000	EA	BRACKET ASM-TIEDOWN REFRIGERATOR - LEFT
	054450-01-000	EA	LEVEL-REFRIGERATOR
	104137-02-01A	EA	REFRIGERATOR-LARGE DOUBLE DOOR 2-WAY - NORCOLD 682 RH BLK
	064473-01-702	EA	ORIFICE-NORCOLD 61452122
	084880-01-715	EA	VALVE-SHUT OFF, MANUAL - NORCOLD# 61597922
	075217-01-734	EA	FUSE-3 AMP, NORCOLD# 61538822
	075217-01-735	EA	SWITCH HUMIDITY NORCOLD 61525922
	084880-01-713	EA	CONNECTOR-MALE INLET FITTING - NORCOLD# 615255
	084880-01-715	EA	VALVE-SHUT OFF, MANUAL - NORCOLD# 61597922
	084880-01-718	EA	VALVE-GAS NORCOLD 61551822
	084880-01-722	EA	CRISPER COVER - NORCOLD 615641
	084880-01-726	EA	HINGE BRACKET (CENTER HINGE) NORCOLD 61565523
	084880-01-731	EA	HINGE PIN NORCOLD 61578123
	084880-01-732	EA	LATCH NORCOLD 61578522
	084880-01-734	EA	BRACKET HINGE TOP RIGHT - BOTTOM LEFT - BROWN - NORCOLD 61580837
	084880-01-735	EA	HINGE BRACKET TOP LEFT - BOTTOM RIGHT - BROWN - NORCOLD 61580937
	084880-01-739	EA	END CAP (SPRING CATCH) BROWN - NORCOLD 61593722
	084880-01-740	EA	END CAP (STOP CATCH) NORCOLD 61593830
	084880-01-744	EA	HINGE PIN SHAFT (CENTER HINGE) NORCOLD 61566723
	084880-01-746	EA	CABLE NORCOLD 61571522
	084880-01-747	EA	PLUG-HOLE NORCOLD 61582022
	084880-01-749	EA	HINGE BUSHING - NORCOLD 615807
	084880-01-753	EA	THERMISTER 78" W/CLIP - NORCOLD 61593822
	084880-01-751	EA	END CAP (SPRING CATCH) BLACK 61593730
	084880-02-700	EA	LOWER FLANGE 86538583 NORCOLD 61572123
	084880-03-701	EA	COOLING UNIT (HORIZONTAL BURNER) - NORCOLD 61587337
	084880-03-705	EA	BRACKET FOR INTERIOR LIGHT - NORCOLD 61529722
	084880-03-706	EA	LAMP (BULB) NORCOLD 61528922
	084880-03-707	EA	COVER FOR LAMP OR BULB - NORCOLD 61527922
	088248-01-707	EA	BURNER-HORIZONTAL NORCOLD 61588122
	088248-01-709	EA	ELECTRODE SENSOR (HORIZONTAL) NORCOLD# 61573322
	088248-01-708	EA	ELECTRODE IGNITION (HORIZONTAL) NORCOLD# 61573222
	088248-01-704	EA	HEATER AC (HORIZONTAL) NORCOLD# 615627
	094039-01-702	EA	PC BOARD-3 WAY - NORCOLD# 61647322
	094039-01-703	EA	EYEBROW SHELL 3 WAY BLACK PLASTIC - NORCOLD 61569922
	094039-01-705	EA	PLATE HINGE LEFT - BROWN - NORCOLD 61531422
	094039-01-704	EA	PLATE HINGE BLACK - NORCOLD 61531430
	094039-01-706	EA	PLATE HINGE TOP RIGHT - LEFT BOTTOM - BROWN - NORCOLD 61531322
	094039-01-710	EA	PLATE HINGE BLACK - NORCOLD 61531330
	094039-01-712	EA	DOOR BIN (GRAY) SILVER BORDER - NORCOLD 61554050
	094039-01-714	EA	DOOR GASKET (LOWER) GRAY - NORCOLD 61558030
	094039-01-715	EA	LOWER DOOR LINER (BROWN/WHITE) - NORCOLD# 61581737-B
	094039-01-716	EA	LOWER DOOR LINER (BLACK/WHITE) - NORCOLD 61581738-B
	094039-01-717	EA	LOWER DOOR HANDLE ASSY (BROWN) - NORCOLD# 61649937
	094039-01-718	EA	LOWER DOOR HANDLE ASSY (BLACK) - NORCOLD 61649938
	094039-01-719	EA	MILK BIN (GRAY) W SILVER TRIM - NORCOLD 61579460
	094039-01-720	EA	DAIRY KEEPER (GRAY) SILVER TRIM - NORCOLD 61580460
	094039-01-721	EA	CAB ASSEMBLY (BROWN FRAME, WHITE LINER) - NORCOLD# 61563237
	094039-01-722	EA	CAB ASSEMBLY (BLACK FRAME/WHITE LINER) - NORCOLD 61563238
	094039-01-723	EA	HOLE PLUG (BLACK) HINGE HOLES - NORCOLD 61582030
	094039-01-724	EA	HINGE BRACKET TOP RIGHT - BOTTOM LEFT - BLACK - NORCOLD 61580838
	094039-01-725	EA	BRACKET HINGE TOP LEFT - BOTTOM RIGHT - BLACK - NORCOLD 61580938
	094039-01-726	EA	HINGE PIN (BLACK) (MALE) - NORCOLD 61578130
	094039-01-727	EA	SHELF-FREEZER EVAPORATOR - NORCOLD 615236
	094039-01-728	EA	HINGE BRKT TOP RIGHT - BOTTOM LEFT - BLACK - NORCOLD 61580838
	094039-01-729	EA	CRISPER (GRAY) SILVER TRIM - NORCOLD 61571350
	094039-01-730	EA	FRONT COVER (BLACK) BOTTOM TRIM - NORCOLD 61622130
	094039-01-731	EA	WIRE SHELF (MIDDLE) - NORCOLD 61563622
	094039-01-732	EA	WIRE SHELF (TOP) W/ RISER - NORCOLD 61563722
	094039-01-733	EA	INSIDE DR. TRAY (WHITE) - NORCOLD 61572830
	094039-01-734	EA	SWITCH-LIGHT BLACK - NORCOLD 615810

GALLEY GROUP (CONTINUED)

LARGE NORCOLD 682 REFRIGERATOR (CONTINUED)

KEY	PART NUMBER	U/M	DESCRIPTION
	094039-01-739	EA	SHELF (CUTOUT) - NORCOLD 61646722
	094039-01-742	EA	TRAY-FOR CUTOUT SHELF, NORCOLD 61660922
	094039-04-703	EA	PC BOARD-2 WAY, NORCOLD# 61647322
	094039-04-702	EA	POWER SUPPLY (2 WAY) - NORCOLD 61647422
	093646-01-000	EA	BRACKET ASM-TIEDOWN, REFRIGERATOR
	093646-02-000	EA	BRACKET ASM-TIEDOWN, REFRIGERATOR
	054450-01-000	EA	LEVEL-REFRIGERATOR

KEY	PART NUMBER	U/M	DESCRIPTION
	104138-02-01A	EA	REFRIGERATOR-SMALL DOUBLE DOOR 2 WAY - NORCOLD 662 RH BLK
	075217-01-734	EA	FUSE-3 AMP, NORCOLD 61538822
	075217-01-735	EA	SWITCH-HUMIDITY, NORCOLD 61525922
	084879-03-700	EA	COOLING UNIT - HORIZONTAL BURNER - NORCOLD# 61587237
	084880-01-713	EA	CONNECTOR-MALE, INLET FITTING - NORCOLD# 615255
	084880-01-715	EA	VALVE-SHUT OFF, MANUAL - NORCOLD# 61597922
	084880-01-718	EA	VALVE-GAS, NORCOLD 61551822
	084880-01-722	EA	CRISPER COVER - NORCOLD 615641
	084880-01-726	EA	HINGE BRACKET (CENTER HINGE) NORCOLD 61566523
	084880-01-731	EA	HINGE PIN, NORCOLD 61578123
	084880-01-732	EA	LATCH, NORCOLD 61578522
	084880-01-734	EA	BRACKET-HINGE TOP RIGHT - BOTTOM LEFT - BROWN - NORCOLD 61580837
	084880-01-735	EA	HINGE BRACKET TOP LEFT - BOTTOM RIGHT - BROWN - NORCOLD 61580937
	084880-01-739	EA	END CAP (SPRING CATCH) BROWN - NORCOLD 61593722
	084880-01-740	EA	END CAP (STOP CATCH) - NORCOLD 61593830
	084880-01-746	EA	CABLE NORCOLD 61571522
	084880-01-747	EA	PLUG-HOLE, NORCOLD 61582022
	084880-01-749	EA	HINGE BUSHING - NORCOLD 615807
	084880-01-753	EA	THERMISTER 78" W/CLIP - NORCOLD 61593822
	084880-01-751	EA	END CAP (SPRING CATCH) BLACK 61593730
	084880-02-700	EA	LOWER FLANGE 86538583 NORCOLD 61572123
	084880-03-705	EA	BRACKET FOR INTERIOR LIGHT - NORCOLD 61529722
	084880-03-706	EA	LAMP (BULB) - NORCOLD 61528922
	084880-03-707	EA	COVER FOR LAMP OR BULB - NORCOLD 61527922
	088248-01-705	EA	BURNER-HORIZONTAL NORCOLD 61588122
	088248-01-707	EA	ELECTRODE-SENSOR (HORIZONTAL) NORCOLD# 61573322
	088248-01-708	EA	ELECTRODE IGNITION (HORIZONTAL) - NORCOLD# 61573222
	088248-01-709	EA	HEATER AC (HORIZONTAL) - NORCOLD# 615627
	088248-01-710	EA	HEATER DC (HORIZONTAL) - 3 WAY - NORCOLD# 615628
	094038-01-700	EA	GASKET LOWER GRAY - NORCOLD 61567930
	094038-01-701	EA	LINER-DOOR, LOWER - BROWN/WHITE - NORCOLD 61581937-B
	094038-01-702	EA	LINER-DOOR, LOWER - BLACK/WHITE - NORCOLD 61581938-B
	094038-01-703	EA	HANDLE-DOOR LOWER - BROWN - NORCOLD 61550137
	094038-01-704	EA	HANDLE-DOOR LOWER - BLACK - NORCOLD 61550138
	094038-01-706	EA	CAB ASM BLK WHITE LINER WITH FRAME - NORCOLD 61563138
	094039-01-703	EA	PLATE HINGE LEFT - BROWN - NORCOLD 61531422
	094039-01-704	EA	PLATE HINGE BLACK - NORCOLD 61531430
	094039-01-709	EA	PLATE HINGE TOP RIGHT - LEFT BOTTOM - BROWN - NORCOLD 61531322
	094039-01-710	EA	PLATE HINGE BLACK - NORCOLD 61531330
	094039-01-712	EA	DOOR BIN (GRAY) SILVER BORDER - NORCOLD 61554050
	094039-01-718	EA	MILK BIN (GRAY) W/SILVER TRIM - NORCOLD 61579460
	094039-01-719	EA	DAIRY KEEPER (GRAY) SILVER TRAY - NORCOLD 61580460
	094039-01-722	EA	HOLE PLUG (BLACK) HINGE HOLES - NORCOLD 61582030
	094039-01-723	EA	HINGE BRKT TOP RIGHT - BOTTOM LEFT - BLACK - NORCOLD 61580838
	094039-01-724	EA	BRACKET-HINGE TOP LEFT - BOTTOM RIGHT - BLACK - NORCOLD 61580938
	094039-01-725	EA	HINGE PIN (BLACK) (MALE) - NORCOLD 61578130
	094039-01-726	EA	SHELF-FREEZER EVAPORATOR - NORCOLD 615236

SMALL NORCOLD 662 REFRIGERATOR

**1993 ITASCA
TABLE OF CONTENTS**

INTRODUCTION	A-01	A-02
ABBREVIATIONS		A-03
ALPHABETICAL INDEX	A-04	A-06
IF527RC	A-07	E-02
IF527RC	E-03	H-22

1993 IF527RC INDEX

FLOOR PLAN	E-03	E-04
ACCESSORIES	E-05	E-05
AUTOMATIC		E-06
BATH	E-07	E-08
BEDROOM	E-09	E-10
CHASSIS	E-11	E-15
CURTAIN & CUSHION	E-16	E-22
DINETTE	E-02	E-04
DRIVERS COMPARTMENT	E-05	E-05
ELECTRICAL	E-07	E-10
EXTERIOR BODY	E-11	E-20
GALLEY	E-21	E-01
GENERATOR		E-02
HEATING & A/C	E-03	E-04
INTERIOR FINISH	E-05	E-08
LABELS	E-09	E-15
LP		E-16
LOUNGE	E-17	E-15
SEALANTS & FASTENERS	E-19	E-21
WATER & SEWAGE	E-20	H-02
WINDOW VENT AND EXTERIOR DOOR	H-03	H-21

GALLEY GROUP (CONTINUED)

SMALL NORCOLD 612 REFRIGERATOR (CONTINUED)

KEY	PART NUMBER	U/M	DESCRIPTION
	094039-01-730	EA	HINGE PIN SHIRT (BLACK) CENTER HINGE - NORCOLD 61565730
	094039-01-732	EA	FRONT COVER (BLACK) BOTTOM TRIM - NORCOLD 61622130
	094039-01-733	EA	WARE SHELF (MIDDLE) - NORCOLD 61565822
	094039-01-734	EA	WARE SHELF (TOP) W/ RISER - NORCOLD 61563722
	094039-01-735	EA	INSIDE DRIP TRAY (WHITE) - NORCOLD 61572830
	094039-01-736	EA	SWITCH LIGHT BLACK - NORCOLD 615810
	094039-01-737	EA	SHELF (OUTLET) - NORCOLD 61647322
	094039-04-700	EA	PC BOARD 2 WAY - NORCOLD 61647322
	094039-04-701	EA	EYEBROW (SHELL) 2 WAY - NORCOLD 61563822
	094039-04-702	EA	POWER SUPPLY (2 WAY) - NORCOLD 61647322
	094039-01-000	EA	BRACKET ASM TIEDOWN REFRIGERATOR
	094039-02-000	EA	BRACKET ASM TIEDOWN REFRIGERATOR
	094039-01-000	EA	LEVEL REFRIGERATOR

RANGE HOODS

KEY	PART NUMBER	U/M	DESCRIPTION
	100255-22-02A	EA	HOOD RANGE W/MONITOR PANEL - 22" WIDE - VENTLINE US
	100255-23-02A	EA	HOOD RANGE W/MONITOR PANEL - 22" WIDE - VENTLINE CSA
	074470-01-708	EA	SWITCH ON MOMENTARY JENSEN RP1016
	024973-01-700	EA	MOTOR - LVS CAS08 1
	024973-01-702	EA	BLADE FAN LVS VA183 1
	024974-01-701	EA	KNOB LEVER CABLE PLASTIC - BLACK - VENTLINE CC255
	024975-01-702	EA	RES STOP WIRE VENTLINE L7314
	024976-01-704	EA	BULB 912 VENTLINE VA415
	024976-01-710	EA	SOCKET LIGHT VENTLINE CB267 2
	024978-01-700	EA	SWITCH ON/OFF VENTLINE 108
	024978-01-702	EA	SWITCH TWO WAY MOMENTARY VENTLINE 112
	024978-01-703	EA	SWITCH ON/OFF - JENSEN 115
	024978-01-707	EA	FILTER GREASE 6" X 8" - LVS 02246
	100258-01-714	EA	PIRE LAMP VENTLINE 02179
	100258-04-711	EA	LEVER SW/TWO WAY CABLE TO VENT VENTLINE 11115
	100258-04-702	EA	SWITCH LEVER W/ CABLE VENTLINE CB547 1
	100258-11-700	EA	CIRCUIT BOARD VENTLINE 8079 01
	100258-12-700	EA	PANEL ASM VENTLINE 8075
	100258-10-71A	EA	METER HOUR VENTLINE 153

MAGIC CHEF RANGE

KEY	PART NUMBER	U/M	DESCRIPTION
	102022-01-03A	EA	RANGE 16" 4 BURNER BLACK - MAGIC CHEF
	055282-03-701	EA	TRIM CABINET LEFT - BLACK - MAGIC CHEF 3608F011 70
	055282-03-702	EA	TRIM CABINET RIGHT - BLACK - MAGIC CHEF 3608F012-70
	090507-02-701	EA	INSERT-BURNER (SLOTTED VENT) - MAGIC CHEF 7214P015-60
	102020-01-700	EA	SHELF OVEN - MAGIC CHEF 7801 P027 60
	102020-01-701	EA	HANDLE DOOR - MAGIC CHEF 7701P092 60
	102020-01-702	EA	PANEL MAIN FOLD - MAGIC CHEF 1616F080 70
	102020-01-704	EA	PANEL DOOR BLACK - MAGIC CHEF 2401F075 70
	102020-01-706	EA	BURNER ASSEMBLY OVEN - MAGIC CHEF 3403W003 45
	102020-01-711	EA	GRATE TOP - MAGIC CHEF 7518P012 60
	102020-01-712	EA	KNOB BURNER VALVE - MAGIC CHEF 7733P044-60

GENERATOR GROUP

4 KW KOHLER GENERATOR

KEY	PART NUMBER	U/M	DESCRIPTION
	105323-01-000	EA	GENERATOR 4KW LOW PROFILE KOHLER 4CKM21
	105525-01-000	EA	ARRESTER-SPARK KOHLER 278521
	105529-01-000	EA	MUFFLER-FRONT EXHAUST, W/O SPARK KOHLER 278734
	105732-01-000	EA	TRAY ASM-GENERATOR
	105172-01-000	EA	PIPE-EXHAUST ADAPTER
	007067-01-000	SF	INSULATION-FIBERGLASS 1" THICK X 4' - INCREMENTS OF 4 SF
	007125-01-000	EA	CLAMP-MUFFLER 1 5/2 DIAMETER

4 KW ONAN GENERATOR

KEY	PART NUMBER	U/M	DESCRIPTION
	100974-01-000	EA	GENERATOR 4 KW EMERALD PLUS ONAN BGE-FA26100G
	105732-01-000	EA	TRAY ASM-GENERATOR
	081364-01-000	EA	MUFFLER-GENERATOR W/ 5' LONG TAILPIPE
	086252-01-000	EA	PIPE EXHAUST W/2 BOLT HOLE FLANGE
	085494-01-000	EA	BRACKET-EXHAUST W/DOUBLE BEND
	094059-01-000	EA	SPACER GENERATOR ONAN
	007125-01-000	EA	CLAMP-MUFFLER 1 5/2 DIAMETER
	007125-04-000	EA	CLAMP-MUFFLER - 1 1/2 DIA

4 KW ONAN GENERATOR EUROPEAN EXPORT

KEY	PART NUMBER	U/M	DESCRIPTION
	100974-04-000	EA	GENERATOR 4 KW EMERALD PLUS - ONAN BGE FN29236 G
	079554-05-000	EA	PIPE EXHAUST, ANGLED - W/FLANGE - 2" ID - ONAN 154-2510
	081364-01-000	EA	MUFFLER GENERATOR W/ 5' LONG TAILPIPE
	086252-01-000	EA	PIPE-EXHAUST, W/2 BOLT HOLE FLANGE
	085494-01-000	EA	BRACKET-EXHAUST, W/DOUBLE BEND
	094059-01-000	EA	SPACER-GENERATOR ONAN
	105732-01-000	EA	TRAY ASM-GENERATOR
	007067-01-000	SF	INSULATION-FIBERGLASS 1" THICK X 4' - INCREMENTS OF 4 SF
	007125-01-000	EA	CLAMP MUFFLER 1 5/2 DIAMETER
	007125-04-000	EA	CLAMP MUFFLER 1 1/2 DIA
	008401-01-000	EA	STRAP-CONDUIT 3/4" 1 HOLE - GALVANIZED STEEL

**1993 ITAS (A)
TABLE OF CONTENTS**

INTRODUCTION	A-01	A-02
ABBREVIATIONS		A-03
ALPHABETICAL INDEX	A-04	A-05
IF527RC	A-07	E-02
IF527RC	E-03	H-22

1993 IF527RC INDEX

FLOOR PLAN	E-03	E-04
ACCESSORIES		F-05
ALCOHOL		E-06
BATH	E-07	E-08
BEDROOM	F-09	F-10
CHASSIS	E-11	E-15
CURTAIN & CUSHION	E-16	F-02
DINETTE	F-03	F-04
DRIVERS COMPARTMENT	F-05	F-05
ELECTRICAL	F-07	F-10
EXTERIOR BODY	E-11	F-20
GALLEY	F-21	G-01
GENERATOR		G-02
HEATING & A/C	G-03	G-04
INTERIOR FINISH	G-05	G-03
LABELS	G-09	G-15
LP		G-16
LOUNGE	G-17	G-18
SEALANTS & FASTENERS	G-19	G-21
WATER & SEWAGE	G-22	H-02
WINDOW VENT AND EXTERIOR DOOR	H-03	H-21

HEATING & AIR CONDITIONING GROUP

HEATING & AIR CONDITIONING GROUP (CONTINUED)

FURNACE

KEY	PART NUMBER	U/M DESCRIPTION
	093365-01-000	EA THERMOSTAT-WALL FURNACE - SUBURBAN 0160002
	094068-03-000	EA FURNACE-30000 BTU - SUBURBAN SF-30
	095534-01-733	EA RELAY TIME DELAY 20X30 BTU SUBURBAN 731202
	095695-01-709	EA MICRO SWITCH (FOR MODELS 30 & 345) - SUBURBAN 200509
	095039-01-709	EA GASKET OBSERVATION HOLE - SUBURBAN 070357
	092200-01-704	EA GASKET-ELECTRODE SUBURBAN 070163
	092300-02-701	EA OFFICE MAIN BURNER SUBURBAN 100214
	094654-01-700	EA CABINET FRONT SUBURBAN 101242
	094658-01-701	EA CABINET ASM SUBURBAN 101299
	098658-01-702	EA ELECTRODE SUBURBAN 231740
	099058-01-704	EA VALVE SUBURBAN 160438
	095063-01-705	EA SWITCH-LIMIT SUBURBAN 231630
	094658-01-706	EA WHEEL-COMBUSTION AIR SUBURBAN 350122
	094658-01-707	EA VENT CAP & EXHAUST TUBE ASM SUBURBAN 260193
	094658-01-708	EA BLOWER ASM (COMBUSTION AIR) SUBURBAN 350441
	094658-01-709	EA MOTOR ASM FOR SF-25 SF-30 SUBURBAN 231703
	094658-01-710	EA BLOWER ASM (ROOM AIR) SUBURBAN 350440
	094658-01-711	EA WHEEL ROOM AIR - SUBURBAN 350123
	094658-01-712	EA BOARD MODULE SUBURBAN 231741
	094658-01-713	EA INTAKE VENT TUBE ASM SUBURBAN 051014
	094658-02-700	EA BURNER ASM COMPLETE (SF 30 SF15) SUBURBAN 010745
	094658-03-000	EA DOOR ACCESS FURNACE OFF WHITE - SUBURBAN 529574

REAR HEATER

KEY	PART NUMBER	U/M DESCRIPTION
	084405-01-000	EA HEATER ASM-REAR DUCTED - W/MOTOR AND EVANS
	084405-01-700	EA HEATER CORE
	084405-01-701	EA FAN
	084405-01-702	EA MOTOR-12 VOLT
	084405-01-000	EA SWITCH 4 POSITION W/ KNOB
	084405-01-000	EA DECAL AUTO AIR REAR HEATER

HEATING COMPONENTS

KEY	PART NUMBER	U/M DESCRIPTION
	023146-01-000	EA CLAMP SCREW TYPE 4"
	065636-02-000	EA CONNECTOR DUCT 4" ID SUBURBAN 050715
	099198-01-000	FT DUCT-HEAT-FLEXIBLE 4" ID X 25' L
	092777-01-000	EA ADAPTER-DUCT 4"
	093614-01-01A	EA GRILLE-RETURN AIR FURNACE 14 5/8" X 7 5/8" - BROWN
	079059-13-000	EA HOSE-90 DEGREE 6 1/4" ID X 4" X 48"
	079059-01-000	EA HOSE-90 DEGREE 5 8/10" ID X 4" X 36"
	007108-01-000	FT HOSE-HEATER 5 5/8" ID - HI-TEMP - FORD ESE M2D192-A
	065454-05-000	EA REGISTER-PLASTIC W/O DAMPER - 4" DIAMETER - GOLDEN
	003200-01-000	EA TAPE FURNACE 1 1/2"
	085357-01-000	EA TEE-4" OD 7" LONG - METAL
	098753-01-000	FT TUBE-ALUMINIZED STEEL 5 3/8" 18 GAUGE
	008042-01-000	FT TUBING-VINYL 55" ID

ROOF A/C

KEY	PART NUMBER	U/M DESCRIPTION
	108889-01-01A	EA A/C-ROOF 13500 TSR HO - IVORY - COLEMAN 7330 687
	091225-01-709	EA START RELAY COLEMAN 1497 4131
	091225-01-710	EA START CAPACITOR COLEMAN# 1497 0681
	093306-01-701	EA DECAL PACKAGE LEFT & RIGHT - COLEMAN 6798B3591
	093306-01-712	EA COMPRESSOR COLEMAN 670703579
	105620-01-704	EA COMPRESSOR RIGHT & LEFT - COLEMAN 1450 2009
	105620-01-705	EA FOOT PACKAGE COMPRESSOR 3 PER PACKAGE - COLEMAN 6759-3081
	108889-01-700	EA SHROUD (GRAY/GRAY) LESS LOGO - COLEMAN 6759 6421
	108889-01-702	EA SHROUD (BUFF-BUFF) LESS LOGO COLEMAN 6759 6411
	108889-01-703	EA CONDENSER COIL COLEMAN 1452 1301
	109889-01-704	EA OVERLOAD (MRA#56693 COLEMAN 6759 3541
	109889-01-705	EA MOTOR (115 50HZ) COLEMAN 1468-3049
	108889-01-706	EA IMPELLOR COLEMAN 1472-1041
	108889-01-707	EA RUN CAPACITOR (COMP 25MFD/370) COLEMAN 1459 5061
	108889-01-708	EA FAN CAPACITOR (75MFD/370) COLEMAN 1459 5051
	108889-01-709	EA EVAPORATOR COIL COLEMAN 1452 1311
	108889-01-710	EA FILTER PAD CONDITION AIR SEAL COLEMAN 6759A3971
	108659-01-711	EA GASKET PACKAGE COLEMAN 6752 3001
	108889-01-712	EA SUCTION LINE REDUCER (3/8 X 1/2) COLEMAN 1735 2161
	108889-01-713	EA SUCTION LINE (3/8 O.D X .032 WALL) COLEMAN 6792-139
	108889-01-714	EA DISCHARGE LINE ASM COLEMAN 6752 531
	108889-01-715	EA MOTOR MOUNT & SHAFT SEAL KIT COLEMAN 6752 3351
	108891-01-01A	EA CEILING ASM-A/C COOL TSR HO COLEMAN 7330 714 IV
	042204-01-709	EA THERMOSTAT IN/64 OUT 58 COLEMAN 6701 3401
	073742-01-701	EA SELECTOR SWITCH (5 TERMINAL) COLEMAN 6759-3251
	073742-01-702	EA DECAL COOL ONLY COLEMAN 6759C3431
	076303-01-707	EA FILTER-6" X 14 3/4" X 1/2" 12 PER PACKAGE COLEMAN 6703A3151
	081606-01-712	EA CEILING SHROUD (IVORY) COLEMAN 6759-5051
	091225-01-713	EA KNOB (2 PER PACKAGE) COLEMAN 6701-3351
	091225-01-717	EA DECAL (THERMOSTAT) COOL ONLY COLEMAN 6799A3441
	093766-02-701	EA DECAL LEFT SIDE COLEMAN 6799-3971
	108659-01-700	EA SINGLE PARTS PACKAGE (KNOBS & NUTS) COLEMAN 6752-5991
	108659-01-701	EA RETAINER CLIPS FOR FILTER (6 PER PACKAGE) COLEMAN 6799-3141
	102289-01-000	EA SPRING-SCREW ROOF A/C GASKET - COLEMAN 6757-150
	084077-03-000	EA COVER-BLANK ROOF A/C - 52" X 35" - IVORY

A/C-13500 BTU-EUROPE

KEY	PART NUMBER	U/M DESCRIPTION
	092440-01-000	EA A/C-ROOF 13500 BTU - 220V - 50HZ COLEMAN# 67130750 FROM 00-00-00 THRU 08-31-92
	092441-01-000	EA CEILING ASM A/C 220V - 50HZ COLEMAN# 6712E115 FROM 00-00-00 THRU 08-31-92
	108889-02-01A	EA A/C ROOF 13500 BTU - 220V TSR IVORY - COLEMAN 7373 597 FROM 09-01-92 THRU 09-99-99
	108891-01-01A	EA CEILING ASM-A/C COOL - TSR - IVORY - COLEMAN 7330 714 FROM 09-01-92 THRU 09-99-99
	042204-01-709	EA THERMOSTAT IN/64 OUT 58 COLEMAN 6701 3401
	073742-01-701	EA SELECTOR SWITCH (5 TERMINAL) COLEMAN 6759-3251
	073742-01-702	EA DECAL COOL ONLY COLEMAN 6759C3431
	076303-01-707	EA FILTER-6" X 14 3/4" X 1/2" 12 PER PKG - COLEMAN 6703A3151
	091606-01-712	EA CEILING SHROUD (IVORY) COLEMAN 6759-5051
	091225-01-713	EA KNOB (2 PER PACKAGE) COLEMAN 6701-3351
	091225-01-717	EA DECAL (THERMOSTAT) COOL ONLY COLEMAN 6799A3441
	093766-02-701	EA DECAL LEFT SIDE COLEMAN 6799-3971
	108891-01-700	EA SINGLE PARTS PACKAGE (KNOBS & NUTS) COLEMAN 6752-5991
	108891-01-701	EA RETAINER CLIPS FOR FILTER (6 PER PACKAGE) COLEMAN 6799-3141
	102289-01-000	EA SPRING-SCREW ROOF A/C GASKET - COLEMAN 6757-150
	084077-03-000	EA COVER-BLANK ROOF A/C - 52" X 35" - IVORY

1993 ITASCA TABLE OF CONTENTS

INTRODUCTION	A-1	A-2
ABBREVIATIONS	A-3	A-3
ALPHABETICAL INDEX	A-4	A-6
IF527RC	A-7	B-2
IF527AC	E-1	F-22

1993 IF527RC INDEX

FLOOR PLAN	F-1	F-24
ACCESSORIES	F-25	F-26
ALUMINUM	F-27	F-28
BATH	F-29	F-30
BEDROOM	F-31	F-32
CHASSIS	F-33	F-34
CURTAIN & CUSHION	F-35	F-36
DINETTE	F-37	F-38
DRIVERS COMPARTMENT	F-39	F-40
ELECTRICAL	F-41	F-42
EXTERIOR BODY	F-43	F-44
GALLEY	F-45	F-46
GENERATOR	F-47	F-48
HEATING & A/C	F-49	F-50
INTERIOR FINISH	F-51	F-52
LABELS	F-53	F-54
LP	F-55	F-56
LOUNGE	F-57	F-58
SEALANTS & FASTENERS	F-59	F-60
WATER & SEWAGE	F-61	F-62
WINDOW VENT AND EXTERIOR DOOR	F-63	F-64

INTERIOR FINISH GROUP

MOLDINGS & TRIMS

KEY	PART NUMBER	U/M DESCRIPTION
	009757-10-000	FT WELTING-CABINET TO WALL MAHOGANY
	009767-12-000	FT MOLDING-SIDEWALL TO CEILING/CABINET - WELTING - OFF WHITE
	009809-21-000	EA MOLDING CORNER OUTSIDE - 1" PLASTIC - WOODGRAIN
	009809-23-000	EA MOLDING CORNER OUTSIDE - 1" PLASTIC - IVORY
	009809-24-000	EA MOLDING CORNER OUTSIDE - 1" PLASTIC - THOR PECAN
	009871-25-000	EA MOLDING CORNER OUTSIDE - 1" PLASTIC - OFF WHITE
	009812-22-000	EA MOLDING CORNER OUTSIDE - 5" X 7" PLASTIC - BROWN
	022392-01-000	FT MOLDING REVERSE COVE T-SHAPED - VINYL - WHITE
	022592-11-000	FT MOLDING REVERSE COVE T-SHAPED - VINYL - IVORY
	070504-01-000	FT U CHANNEL PLASTIC 665" WIDE - LIGHT BROWN - INC OF 5'
	070504-19-000	FT U CHANNEL PLASTIC 815" WIDE - BROWN - INC OF 8'
	070504-20-000	FT U CHANNEL PLASTIC 815" WIDE - THOR PECAN - INC OF 8'
	070504-23-000	FT U CHANNEL PLASTIC 875" WIDE - COUNTRY FOREST - INC OF 8'
	075325-25-000	FT MOLDING EDGE BAND 1 5/16" WIDE - RAMBLING OAK
	075325-34-000	FT MOLDING EDGE BAND 1 5/16" WIDE - GROUND
	075325-35-000	FT MOLDING EDGE BAND 8/5" WIDE - GROUND
	083570-07-000	FT MOLDING T END CAP EDGE - WEDGE LIPS - 75" THOR PECAN
	083570-07-000	FT MOLDING T END CAP EDGE - WEDGE LIPS - 75" THOR PECAN
	083570-09-000	FT MOLDING T END CAP EDGE - WEDGE LIPS - 75" MODERN IVORY
	085284-70-000	FT BATT STRIP SHOWER ADHESIVE BACKED - OFF WHITE
	085284-70-000	FT BATT STRIP DECORATIVE SWIRLED - ADHESIVE BACKED (D29)
	085284-73-000	FT BATT STRIP DECORATIVE TWILIGHT BUBBLES - ADHESIVE BACKED (D31)
	085284-87-000	FT BATT STRIP WOODGRAIN WITH OAK - ADHESIVE BACKED
	085745-01-000	FT TRIM CARPET 12" X 5" ANGLE - 10' LONG - PVC BEIGE
	085229-01-000	EA RETAINER BATTEN CEILING - 75" WIDE - 7'6" LONG
	085229-04-000	EA BATTEN CEILING 1" WIDE - IVORY - 7'6" LONG
	085229-08-000	EA BATTEN CEILING 1" WIDE - MODERN IVORY - 7'6" LONG
	085253-71-000	EA BATT STRIP DECORATIVE SWIRLED - 8' LONG - FAWN
	085253-84-000	EA BATT STRIP DECORATIVE TWILIGHT BUBBLES - 8' LONG (D31)
	100040-01-000	EA LUMBER VINYL WRAPPED 1 5/8" X 8" - RAMBLING OAK
	100040-01-000	EA LUMBER VINYL WRAPPED 1 5/8" X 8" - RAMBLING OAK
	100040-01-000	EA LUMBER VINYL WRAPPED 1 5/8" X 8" - RAMBLING OAK
	100040-01-000	EA LUMBER VINYL WRAPPED 7/8" X 2438MM - RAMBLING OAK
	100041-01-000	EA MOLDING VINYL WRAPPED 7" X 1 5/8" X 84 02" - RAMBLING OAK
	100041-02-000	EA MOLDING VINYL WRAPPED 7" X 2 5/8" X 84" - RAMBLING OAK
	100519-01-825	EA TRIM FLOOR 1/2" X 1 1/2" X 1/2" - WOOD
	100518-01-02A	EA MOLDING VINYL WRAPPED 1 65" X 4" X 7" - RAMBLING OAK
	100518-01-01A	EA MOLDING VINYL WRAPPED 1 65" X 4" X 7" - REGAL OAK
	100519-01-01A	EA MOLDING VINYL WRAPPED L-SHAPED - 1 5" X 1 5" X 7" - RAMBLING OAK
	100519-01-02A	EA MOLDING VINYL WRAPPED L-SHAPED - 1 5" X 1 5" X 7" - RAMBLING OAK
	100524-01-01A	EA MOLDING VINYL WRAP REGAL OAK
	105618-01-01A	FT MOLDING EDGE 5/16" W ADHESIVE - GOLD
	105709-11-000	FT T MOLDING-1" MODERN IVORY

INTERIOR FINISH GROUP (CONTINUED)

PANELING, LAMINATES & PLASTIC

KEY	PART NUMBER	U/M DESCRIPTION
	000885-45-000	SF PARTICLE BOARD 3/8" X 48" X 96" 1 SIDE VINYL WOODGRAIN
	000885-55-000	SF PARTICLE BOARD 3/8" X 49" X 97" 1 SIDE VINYL WOODGRAIN
	074497-17-000	SF PANELING WOODGRAIN 4' X 8' - INCREMENTS OF 32 SF
	074497-18-000	SF PANELING CEILING 4' X 8' - INCREMENTS OF 32 SF
	074497-19-000	SF PANELING CEILING 4' X 8' - INCREMENTS OF 32 SF
	074497-20-000	SF PANELING WOODGRAIN 4' X 8' - INCREMENTS OF 32 SF
	074497-21-000	SF PANELING WOODGRAIN 4' X 8' - INCREMENTS OF 32 SF
	074498-41-000	SF LAMINATE PLASTIC 5' X 8' - ORCHID MIST (D29 D31)
	074498-42-000	SF LAMINATE PLASTIC 5' X 8' - GRAY KALEID (D29)
	074498-43-000	SF LAMINATE PLASTIC 5' X 8' - VERDE PATIN (D31)
	074498-45-000	SF LAMINATE PLASTIC 5' X 8' - TAUPE (ENTERTAINMENT CENTER)
	083518-02-000	SF PLYWOOD-OAK 1 SIDE FINISHED - 3/16" X 4' X 8'
	088272-A5-000	SF PANELING-DECORATIVE TWILIGHT BUBBLES - 4' X 7' - INC OF 28 SF (D31)
	088272-92-000	SF PANELING-DECORATIVE SWIRLED - 4' X 7' - INC OF 28 SF (D29)
	089277-01-000	SF PLYWOOD-LUAN OVERLAY GRADE - 4' X 8' - INC OF 32 SF
	089277-98-000	SF PANELING SHOWER OFF WHITE - 4' X 7' - INC OF 28 SQ FT
	089351-03-000	VD VINYL CEILING DIAMOND DESIGN - 54" WIDE
	093743-02-01A	SF PLASTIC-ABS 20" WIDE ROLL - OFF WHITE
	093743-03-01A	SF PLASTIC-ABS 10 8" WIDE - OFF WHITE
	095688-01-000	SF VENTILER-FLAT LUANA 48" X 96"
	098531-01-000	SF PLYWOOD-RED OAK 1/2" - BOOK MATCH/RED OAK
	108358-01-000	SF PLYWOOD-LUAN GRADE - 2 7/8" X 48" X 96"

CARPETING & FLOOR MATS

KEY	PART NUMBER	U/M DESCRIPTION
	095050-52-000	SY CARPET ROLL 12' WIDE (D29)
	095050-54-000	SY CARPET ROLL 12' WIDE (D31)
	093485-01-000	SY CARPET COMPARTMENT 54" WIDE - DARK GRAY
	047034-02-000	SF PLASTIC CARPET 4' WIDE - CLEAR POLY - MINIMUM ORDER 1 500 SF
	075238-01-000	SY PAD CARPET 3-8" X 5' ROLL
	101075-04-000	EA MAT FLOOR ENTRANCE ITASCA - PLASTIC COLOR GRAY
	105884-03-000	EA MAT FLOOR PASSENGER 1" - FORD
	105884-04-000	EA MAT FLOOR DRIVER 1" - FORD

FIRE EXTINGUISHER, SMOKE DETECTOR & CLOCK

KEY	PART NUMBER	U/M DESCRIPTION
	072852-01-000	EA DETECTOR-SMOKE W/9 VOLT BATTERY
	072852-02-000	EA DETECTOR-SMOKE W/9 VOLT BATTERY - CANADIAN
	094499-01-000	EA EXTINGUISHER-FIRE DRY W/MOUNTING BRACKET - 10 BC
	094499-02-000	EA EXTINGUISHER-FIRE DRY - 1A10BC - CANADIAN
	094499-01-700	EA BRACKET-MOUNTING W-PLASTIC STRAP - FIRE EXTINGUISHER
	100793-02-01A	EA CLOCK-WALL GOLDEN 9988 - ROUND 11"

**1993 ITASCA
TABLE OF CONTENTS**

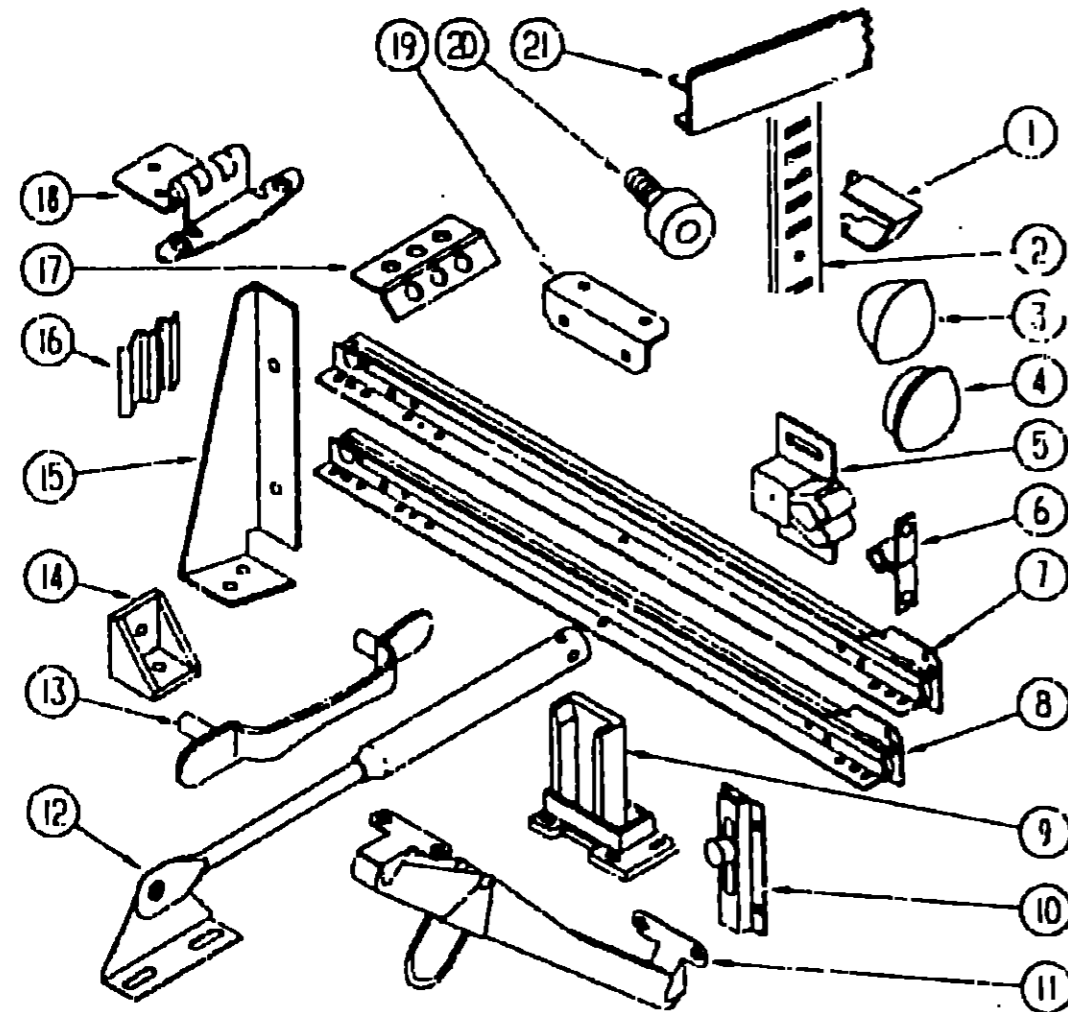
INTRODUCTION	A 01	A 02
ABBREVIATIONS		A 03
ALPHABETICAL INDEX	A 04	A 05
IF527RC	A 07	E 02
IF527RC	E 03	H 22

1993 IF527RC INDEX

FLOOR PLAN	E 03	E 04
ACCESSORIES		F 05
AUTO VTEC		F 06
BATH	E 07	E 08
BEDROOM	E 09	F 10
CHASSIS	E 11	F 15
CURTAIN & CUSHION	E 16	F 07
DINETTE	F 03	F 04
DRIVERS COMPARTMENT	F 05	F 06
ELECTRICAL	F 07	F 10
EXTERIOR BODY	F 11	F 20
GALLEY	F 21	G 01
GENERATOR		G 02
HEATING & A/C	G 03	G 04
INTERIOR FINISH	G 05	G 08
LABELS	G 09	G 15
LP		G 16
LOUNGE	G 17	G 18
SEALANTS & FASTENERS	G 19	G 21
WATER & SEWAGE	G 22	H 02
WINDOW VENT AND		
EXTERIOR DOOR	H 03	H 21

INTERIOR FINISH GROUP (CONTINUED)

CABINET & TABLE HARDWARE



KEY	PART NUMBER	U/M DESCRIPTION
6	106913-05-000	EA SLIDE DRAWER, CABINET MOUNTED - LEFT SIDE - 15"
6	106913-06-000	EA SLIDE DRAWER, CABINET MOUNTED - LEFT SIDE - 16"
6	106913-07-000	EA SLIDE DRAWER, DRAWER MOUNTED - LEFT SIDE - 18"
6	106913-09-000	EA SLIDE DRAWER, DRAWER MOUNTED - RIGHT SIDE - 18"
6	106913-09-000	EA SLIDE DRAWER, CABINET MOUNTED - LEFT SIDE - 16"
6	106913-10-000	EA SLIDE DRAWER, CABINET MOUNTED - RIGHT SIDE - 15"
6	106913-11-000	EA SLIDE DRAWER, DRAWER MOUNTED - LEFT SIDE - 15"
6	106913-12-000	EA SLIDE DRAWER, DRAWER MOUNTED - RIGHT SIDE - 15"
5	107030-01-000	EA BACK-SOCKET-ADJUSTABLE LEFT SIDE
9	107030-02-000	EA BACK-SOCKET-ADJUSTABLE RIGHT SIDE
10	061604-01-000	EA SLIDE BOLT ANTIQUE BRASS
11	104191-01-01A	EA SUPPORT-LEAF 5 3/4" - EXTENDS TO 7 5/8" - SAFETY RING - METAL
12	074493-02-000	EA SUPPORT-PISTON SPRING CABINET DOOR
13	104217-01-000	EA PULL CABINET BRASS
14	065740-01-500	EA BRACK. CABINET CORNER PLASTIC
15	075827-04-000	EA BRACKET BUNKBED 2 5/8" X 1 1/8" TRIANGLE METAL - OFF WHITE
16	105037-02-000	EA FASTENER WOOD CORNER METAL - 5" X 6"
17	007059-01-000	EA HINGE-DOOR 2" X 1 1/4" - BRASS
17	007059-02-000	EA HINGE-DOOR 2" X 2 7/8" - BRASS
17	007053-01-000	EA HINGE CONTINUOUS 1 1/2" X 72" - UNPAINTED
17	009056-01-000	EA HINGE-CONTINUOUS W/O HOLES - 1 1/16" X 6" - ALUMINUM
18	108139-01-000	EA HINGE-DOOR CABINET BRUSHED BRASS
	000613-05-09G	EA SCREW 6 20 X 5/8 PPH ANTIQUE BRASS (HINGE 108139 01-000)
19	016504-01-000	EA BRACE CABINET ANGLE - 2 5/8" - METAL - UNPAINTED
19	016604-03-000	EA BRACE CABINET ANGLE - 2 5/8" - METAL - BEIGE
20	102327-01-01A	EA PULL MIRROR SQUARE
21	068254-01-000	EA CATCH-MAGNETIC 1 8" X 7"
22	103257-01-000	EA STOP-DOOR
23	103185-01-02A	FT MOLDING EDGE SHELF - 78" WIDE PLASTIC - REGAL OAK
	075730-01-000	EA SCREW 6 20 X 1 1/4 PPH - BLACK
	004354-01-000	EA BUMPER RUBBER 5" DIA - BROWN
	023320-01-000	EA PAD FELT 3 8" DIAMETER - BROWN
	009112-01-000	EA FLANGE 1" ROD CLOTHES - PLASTIC - OFF WHITE
	002755-01-001	EA ANGLE-EXTRUDED 1" X 1 1/2" X 1/2" ALUMINUM
	103130-01-000	EA HOOK CUP BRASS 1 25"
	042438-01-500	EA DOWEL-WOOD CLOTHES ROD - 1" DIAMETER X 4
	094362-02-500	EA CLIP CHRISTMAS TREE FLAT HEAD - 5" X 35"

1993 ITASCA TABLE OF CONTENTS

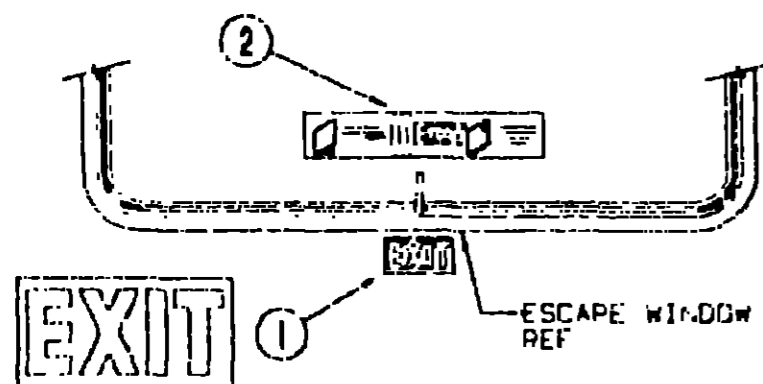
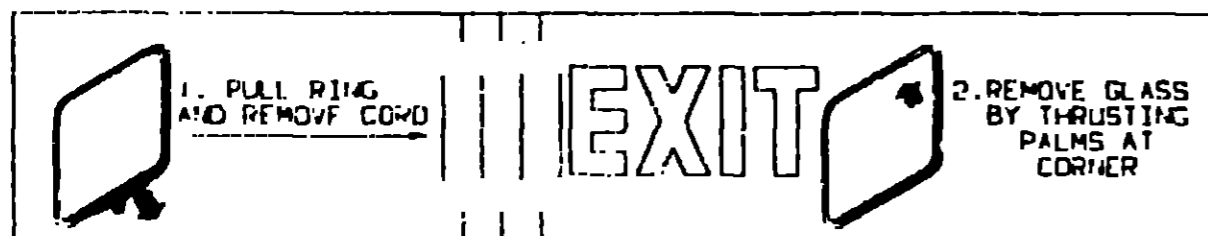
INTRODUCTION	A-01	A-02
ABBREVIATIONS		A-03
ALPHABETICAL INDEX	A-04	A-05
IF527RC	A-07	E-02
IF527RC	E-03	H-22

1993 IF527RC INDEX

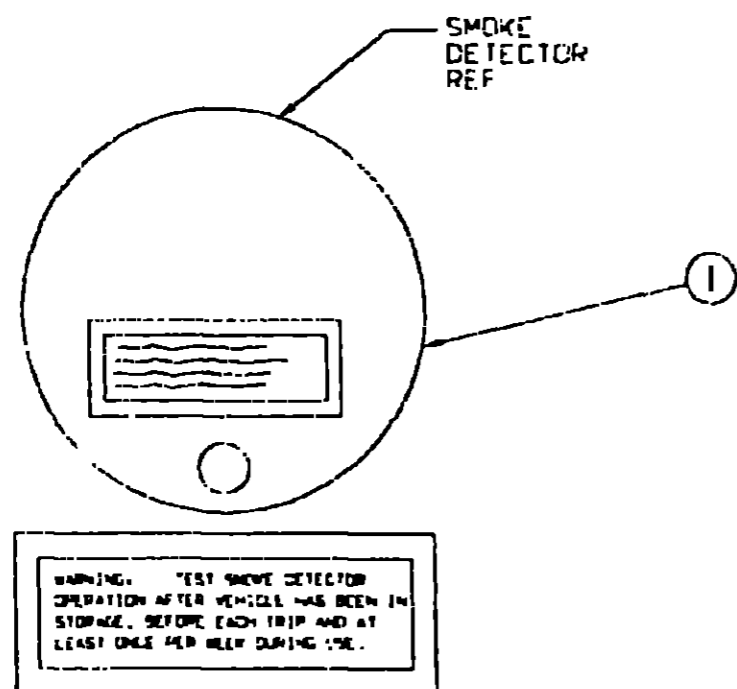
FLOOR PLAN	E-01	E-04
ACCESSORIES		E-05
AUDIO VIDEO		F-01
BATH	E-07	E-08
BEDROOM	E-09	E-10
CHASSIS	E-11	E-15
CURTAIN & CUSHION	E-15	F-02
DINETTE	F-03	F-04
DRIVERS COMPARTMENT	F-05	F-06
ELECTRICAL	F-07	F-10
EXTERIOR BODY	F-11	F-20
GALLEY	F-21	G-01
GENERATOR		G-02
HEATING & A/C	G-03	G-04
INTERIOR FINISH	G-05	G-08
LABELS	G-09	G-15
LP		G-16
LOUNGE	G-17	G-18
SEALANTS & FASTENERS	G-19	G-21
WATER & SEWAGE	G-22	H-02
WINDOW VENT AND EXTERIOR DOOR	H-03	H-21

KEY	PART NUMBER	U/M DESCRIPTION
1	028979-01-000	EA CLIP-ADJUSTABLE SHELF
2	019960-01-000	EA PLASTER-ADJUSTABLE SHELF 16" LONG
2	028960-04-000	EA PLASTER-ADJUSTABLE SHELF 48" LONG
3	042356-01-000	EA PLUG BUTTON MAHOGANY 3/8" DIAMETER WOOD
4	074045-07-000	EA PLUG WOOD 1/2"
5	093556-03-000	EA CATCH-SPRING ROLLER
6	093556-04-000	EA STRIKE-SPRING STEEL
7	101910-03-000	EA SLIDE DRAWER CABINET MOUNTED - SET OF 2 - 12" LONG
7	101910-04-000	EA SLIDE DRAWER DRAWER MOUNTED - SET OF 2 - 12" LONG

LABELS GROUP

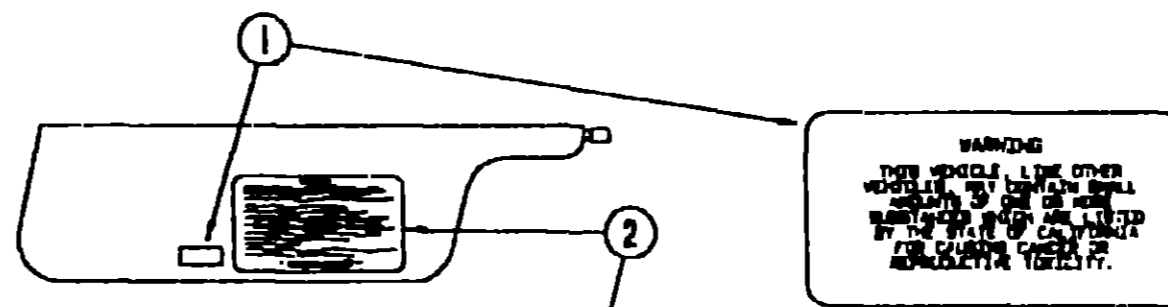


KEY	PART NUMBER	U/M DESCRIPTION
1	039290-01 000	EA LABEL WARNING EXIT
2	197571-01 000	EA LABEL ESCAPE EXIT WINDOW



KEY	PART NUMBER	U/M DESCRIPTION
1	077955-01-000	EA LABEL-WARNING SMOKE DETECTOR

LABELS GROUP (CONTINUED)



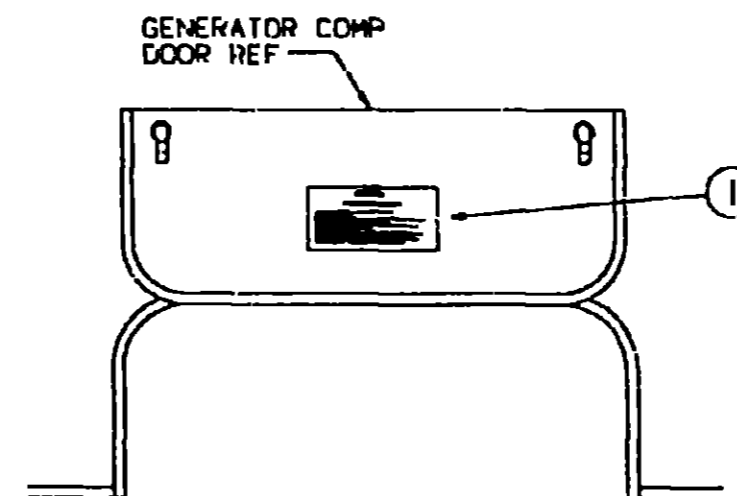
CAUTION

THIS MOTOR HOME HAS BEEN DESIGNED, MANUFACTURED AND TESTED WITH CONCERN FOR THE PROTECTION OF ITS OCCUPANTS. WE REQUEST YOU PERFORM THE FOLLOWING CHECKLISTS FOR YOUR SAFETY AND THE SAFETY OF YOUR PASSENGERS BEFORE STARTING YOUR VEHICLE.

1. LP GAS SYSTEM- TURN OFF AT TIME FOR TRAVELING. TEST FOR LEAKS UPON ARRIVAL AT DESTINATION. BEFORE LIGHTING PILOTS.
2. WHEELS- INSPECT FOR DAMAGE AND CHECK LUB NUTS FOR TIGHTNESS.
3. TIRES- INSPECT FOR WEAR AND DAMAGE AND CHECK FOR RECOMMENDED AIR PRESSURE.
4. LIGHTING- TEST FOR PROPER OPERATION OF ALL INTERIOR AND EXTERIOR LIGHTS INCLUDING DASH LIGHTS, HEADLIGHTS, TAIL LIGHTS, BRAKE LIGHTS, CLEARANCE LIGHTS AND TURN SIGNALS.
5. EXITS- INSPECT RELEASE MECHANISM ON EMERGENCY EXIT WINDOW. TEST BUILT LOCKS ON MAIN ENTRANCE DOOR FOR EASE OF OPERATION AND INSTRUCT PASSENGERS HOW TO USE BOTH MEANS OF EXIT.
6. SEAT BELTS- DIRECT PASSENGERS TO DESIGNATED SEATS AND REGULATE USE OF SEAT BELTS.
7. APPLIANCES- TURN OFF AND LATCH OR LOCK COOKS WHERE PROVIDED.
8. LOOSE PARCELS- STORE SECURELY.
9. UTILITY SUPPLY LINES- DISCONNECT ALL ELECTRIC, SEWER AND WATER LINES AND SECURE PROPERLY.
10. ENTRANCE / REAR STEP- PLACE IN RETRACTED POSITION FOR TRAVELING.

READ YOUR MOTOR HOME AND CHASSIS OWNER'S MANUAL FOR FURTHER PRECAUTIONS.

KEY	PART NUMBER	U/M DESCRIPTION
1	095589-01 000	EA LABEL-WARNING CANCER/TOX-CITY
2	055259 01 000	EA LABEL SAFETY CHECK LIST



WARNING

WHEN ADDING A GENERATOR SET,

HIGH VOLTAGE-LIKE EXTREME CAUTION WHEN WORKING ON ELECTRICAL COMPONENTS. HAVE ALL ELECTRICAL INSTALLATION PERFORMED BY A QUALIFIED LICENSED ELECTRICIAN-FOLLOW ALL STATE AND LOCAL CODES. ONLY INSTALL GENERATOR SET APPROVED FOR R.V. APPLICATION. HAVE INSTALLED BY QUALIFIED TECHNICIAN. TO AVOID HEAT BUILD-UP AND TO ASSURE AN ADEQUATE AIR SUPPLY TO THE GENERATOR COMPARTMENT, FOLLOW INSTALLATION INSTRUCTIONS. GENERATOR EXHAUST COOLANT BASES ARE TOXIC AND MUST NOT TEMPERATE WITH THE VEHICLE-DISCHARGE EXHAUST AWAY FROM VEHICLE.

KEY	PART NUMBER	U/M DESCRIPTION
1	077510-01-000	EA LABEL GENERATOR PREP

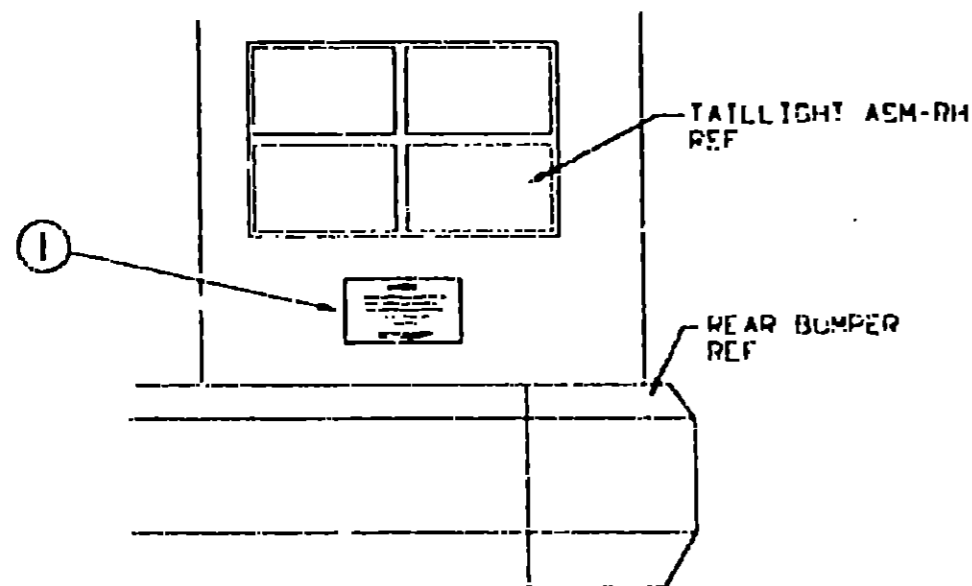
**1993 ITASCA
TABLE OF CONTENTS**

INTRODUCTION	A 01	A 02
ABBREVIATIONS		A 03
ALPHABETICAL INDEX	A 04	A 05
IF527RD	A 07	E 02
IF527RC	E-03	I 22

1993 IF527RC INDEX

FLOOR PLAN	E-03	E-04
ACCESSORIES		E-05
AUDIO VIDEO		E-15
BATH	E-07	E-08
BEDROOM	E-09	E-10
CHASSIS	E-11	E-15
CURTAIN & CUSHION	E-15	F-02
DINETTE	F-03	F-04
DRIVERS COMPARTMENT	F-05	F-06
ELECTRICAL	F-07	F-10
EXTERIOR BODY	F-11	F-20
GALLEY	F-21	G-01
GENERATOR		G-02
HEATING & AC	G-03	G-04
INTERIOR FINISH	G-05	G-08
LABELS	G-09	G-15
LP		G-16
LOUNGE	G-17	G-18
SEALANTS & FASTENERS	G-19	G-21
WATER & SEWAGE	G-22	H-02
WINDOW VENT AND EXTERIOR DOOR	H-03	H-21

LABELS GROUP (CONTINUED)

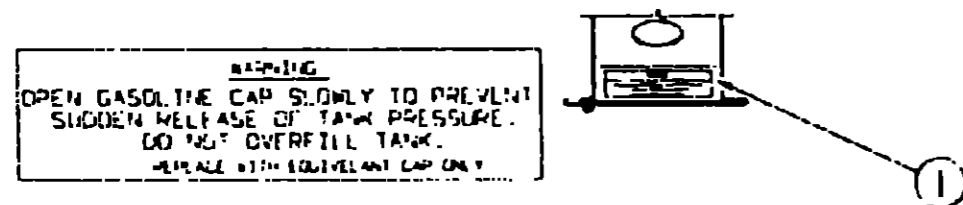


WARNING

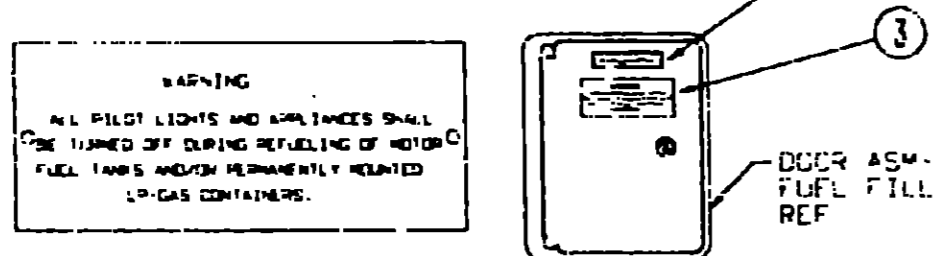
DO NOT EXCEED THE VEHICLE WEIGHT RATINGS OR LOADING RECOMMENDATIONS (E.G., GROSS VEHICLE, GROSS AXLE, GROSS COMBINED) OF THE CHASSIS MANUFACTURER OR WINNEBAGO INC.

REFER TO YOUR OWNERS MANUAL, BEFORE LOADING OR TOWING.

KEY PART NUMBER U/M DESCRIPTION
 1 075220-01-000 EA LABEL-WARNING EXTERIOR LOAD

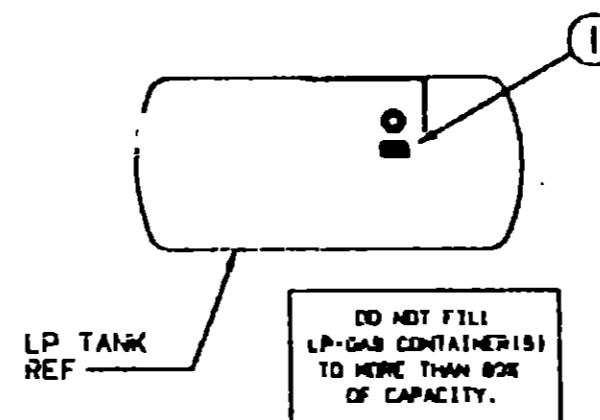


UNLEADED FUEL ONLY

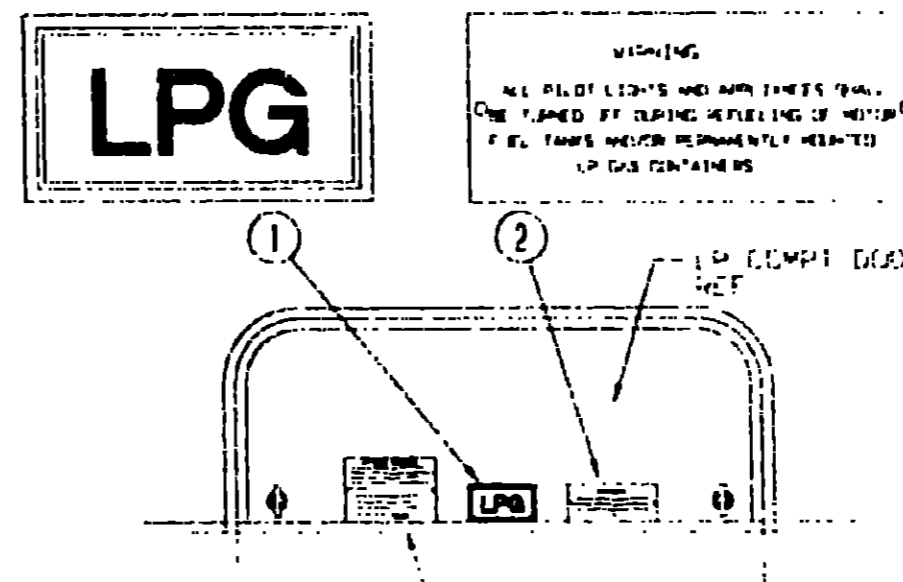


KEY PART NUMBER U/M DESCRIPTION
 1 087207-05-000 EA LABEL-FUEL CAP REMOVAL
 2 062043-01-000 EA LABEL-FUEL UNLEADED
 3 006040-01-000 EA TAG GAS REFUELING WARNING
 3 006040-02-000 EA TAG-GAS REFUEL WARNING CANADIAN

LABELS GROUP (CONTINUED)



KEY PART NUMBER U/M DESCRIPTION
 1 075955-01-000 EA LABEL LPG 80% CAPACITY



LP-GAS SYSTEM

THIS GAS PIPING SYSTEM IS DESIGNED FOR USE OF LIQUEFIED PETROLEUM GAS ONLY. DO NOT CONNECT NATURAL GAS TO THIS SYSTEM.

SECURELY CAP INLET(S) WHEN NOT CONNECTED FOR USE. AFTER TURNING ON GAS, CHECK AFTER NORMAL CONTAINER REPLACEMENT. TEST GAS PIPING AND CONNECTIONS TO APPLIANCE FOR LEAKAGE WITH SOAPY WATER OR BUBBLE SOLUTION. DO NOT USE PRODUCTS THAT CONTAIN AMMONIA OR CHLORINE.

P/N 04531

KEY PART NUMBER U/M DESCRIPTION
 1 074559-01-000 EA DECAL LOGO LPG - RED (CALIF CODE)
 2 006040-01-000 EA TAG GAS REFUELING WARNING
 2 006040-02-000 EA TAG-GAS REFUEL WARNING CANADIAN
 3 054531-01-000 EA LABEL-LP GAS ONLY
 3 023759-01-000 EA LABEL-WARNING, LPG - CANADIAN

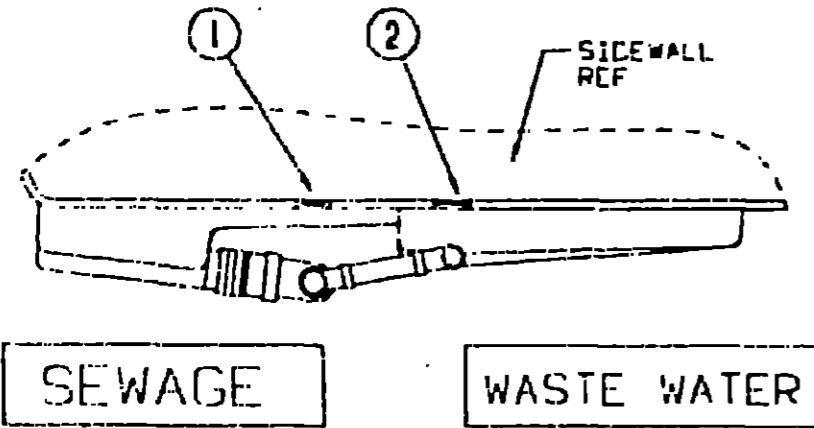
1993 ITASCA TABLE OF CONTENTS

INTRODUCTION	A 01	A 02
ABBREVIATIONS		A 03
ALPHABETICAL INDEX	A 04	A 06
IF527RC	A 07	E 02
IF527RC	E 03	H 22

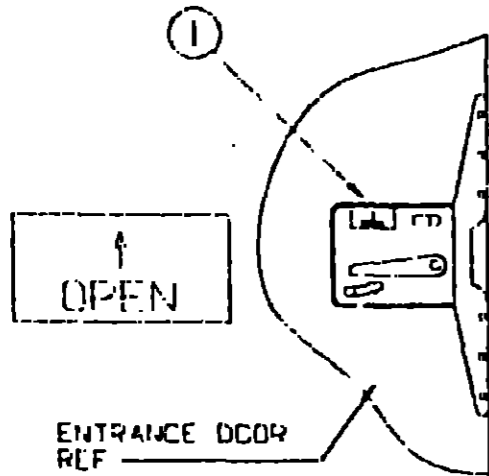
1993 IF527RC INDEX

FLOOR PLAN	E 03	F 04
APPLIANCE		F 05
BATH	F 07	F 08
BEDROOM	F 09	F 10
CHASSIS	F 11	F 15
CURTAIN & CUSHION	F 16	F 02
DIAPHRAGM	F 03	F 04
DRIVERS COMPARTMENT	F 05	F 06
ELECTRICAL	F 07	F 11
EXTERIOR BODY	F 11	F 20
GALLEY	F 21	G 01
GENERATOR		G 02
HEATING & AC	G 03	G 04
INTERIOR FINISH	G 05	G 06
LABELS	G 09	G 15
LP		G 16
LOUNGE	G 17	G 18
SEALANTS & FASTENERS	G 19	G 21
WATER & SEWAGE	G 22	H 02
WINDOW VENT AND EXTERIOR DOOR	H 03	H 21

LABELS GROUP (CONTINUED)

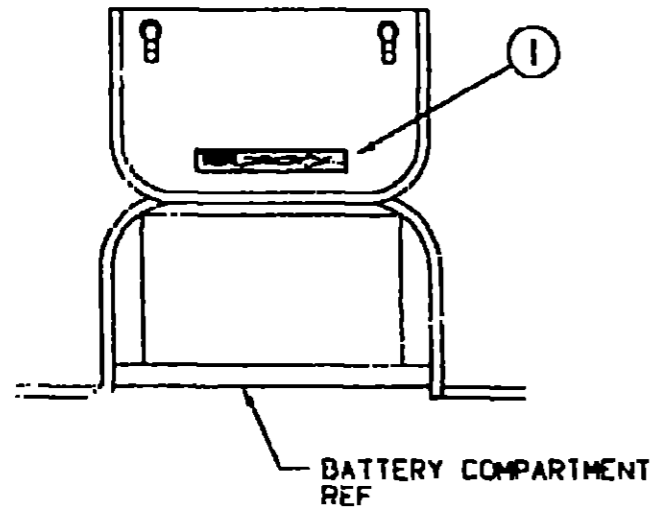


KEY	PART NUMBER	U/M DESCRIPTION
1	0061R7 01 000	EA LABEL SEWAGE
2	0061R8 01 000	EA LABEL WASTE WATER



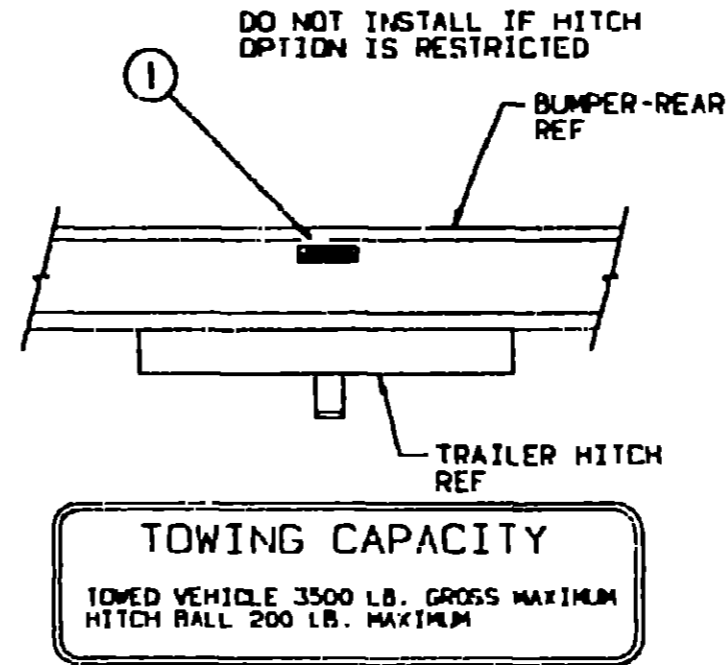
KEY	PART NUMBER	U/M DESCRIPTION
1	040344-01-000	EA LABEL-ENTRANCE DOOR OPEN

WARNING DISCONNECT BATTERIES BEFORE CONNECTING EXTERNAL CHARGING EQUIPMENT.



KEY	PART NUMBER	U/M DESCRIPTION
1	065748 01-000	EA LABEL-CAUTION, BATTERY CHARGING

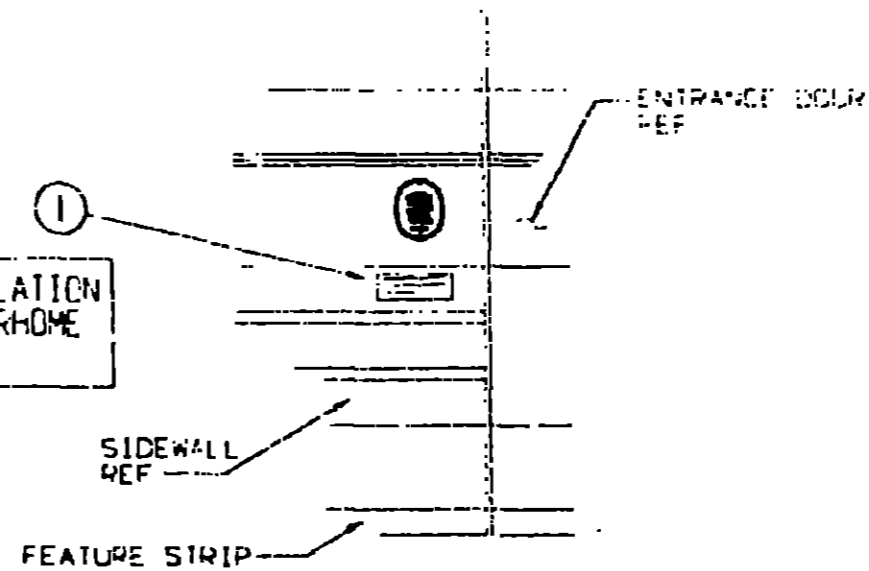
LABELS GROUP (CONTINUED)



KEY	PART NUMBER	U/M DESCRIPTION
1	075221-01 000	EA LABEL-TOWING CAPACITY



FOR AWNING INSTALLATION CONTACT YOUR MOTORHOME DEALERSHIP



KEY	PART NUMBER	U/M DESCRIPTION
1	099509-01-000	EA LABEL-AWNING INSTALLATION

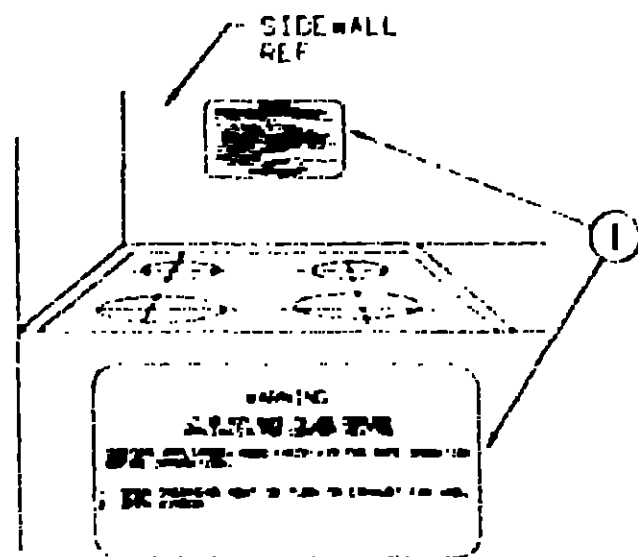
1993 ITASCA TABLE OF CONTENTS

INTRODUCTION	A-01	A-02
ABBREVIATIONS		A-03
ALPHABETICAL INDEX	A-04	A-05
IF527RC	A-07	F-02
IF527RC	F-03	F-22

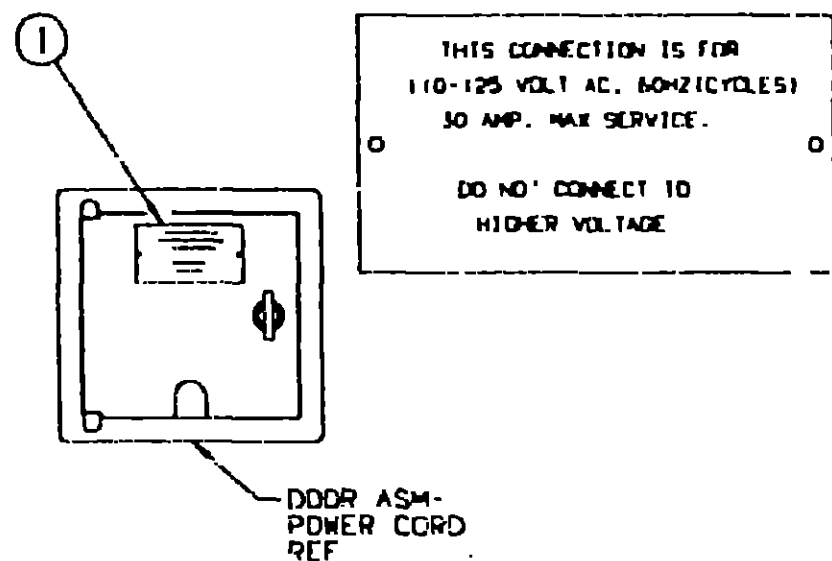
1993 IF527RC INDEX

FLOOR PLAN	F-03	F-04
AUXILIARIES		F-05
AUXILIARY		F-06
BATH	F-07	F-08
BEDROOM	F-09	F-10
CHASSIS	F-11	F-15
CURTAIN & CUSHION	F-16	F-02
DINETTE	F-03	F-04
DRIVERS COMPARTMENT	F-05	F-06
ELECTRICAL	F-07	F-10
EXTERIOR BODY	F-11	F-20
GALLEY	F-21	G-01
GENERATOR		G-02
HEATING & A/C	G-03	G-04
INTERIOR FINISH	G-05	G-08
LABELS	G-09	G-15
LP		G-15
LOUNGE	G-17	G-18
SEALANTS & FASTENERS	G-19	G-21
WATER & SEWAGE	G-22	H-02
WINDOW VENT AND EXTERIOR DOOR	H-03	H-21

LABELS GROUP (CONTINUED)



KEY	PART NUMBER	U/M DESCRIPTION
1	05025 01 000	EA LABEL WARNING STOVE VENT US
1	05022 01 000	EA LABEL WARNING STOVE VENT CANADIAN

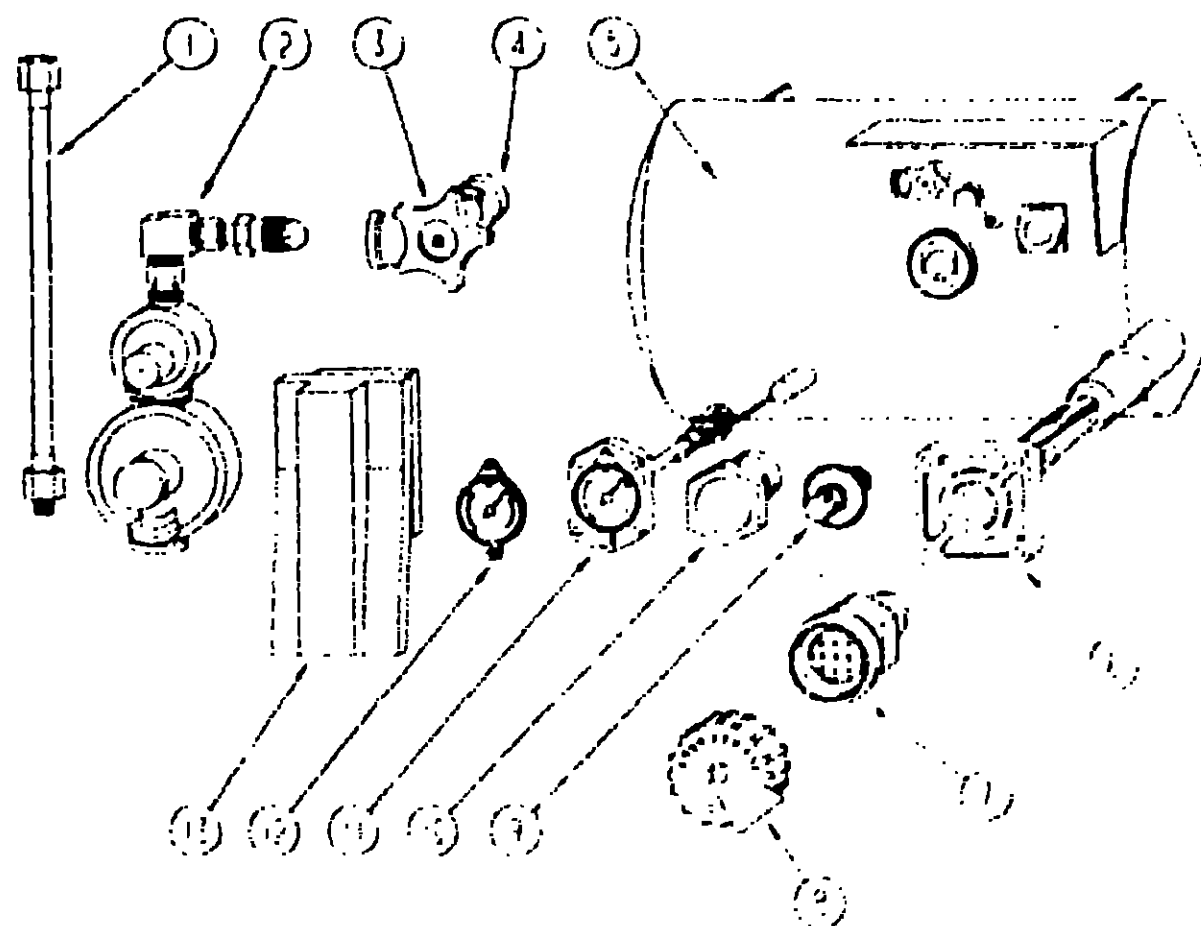


KEY	PART NUMBER	U/M DESCRIPTION
1	06562-01-000	EA TAG ELECTRIC 110V CONNECTION

MISCELLANEOUS LABELS

KEY	PART NUMBER	U/M DESCRIPTION
	H77005 87 899	EA LABEL FUEL UNLEADED - RNO 7700587899
	006064 01 000	EA LABEL SEAT W/O SEATBELT NOT INTENDED FOR USE WHILE COACH IN MOTION
	006064 02 000	EA LABEL SEAT W/O SEATBELT (CANADIAN)
	035709 01 000	EA LABEL NO STORAGE
	061417 01 000	EA LABEL FUEL ON FUEL FILL DOOR
	061506 01 000	EA LABEL OVERLAY VEHICLE CERTIFICATION ADHESIVE BACKED
	073956 01 000	EA LABEL LPG ODOR WARNING
	087236-01-000	EA LABEL CABLE INPUT
	091224-02-000	EA LABEL-TRAILER LIGHTING
	091243 01 000	EA LABEL-AC COVER, AIR CONDITIONING CIRCUIT ETC
	091243-02-000	EA LABEL COVER MICROWAVE CIRCUIT ETC
	093236 02 000	EA LABEL CIRCUIT BREAKER
	098641 01 000	EA LABEL-FUEL UNLEADED - DASH
	104236 01 000	EA LABEL-GENERATOR CIRCUIT

LP GROUP



LP TANK & COMPONENTS

KEY	PART NUMBER	U/M DESCRIPTION
1	045703 01 000	EA HOSE LP 5/8" ID X 24' 3/4" MPT X 1/2" SWELL 100
1	045703 02 000	EA HOSE LP 5/8" ID X 24' 3/4" MPT X 1/2" SWELL CANADA
2	306150 01 000	EA REGULATOR TWO STAGE BRASS 200 PSI
3	040421 1 708	EA HANDWHEEL SERVICE VALVE 80% W/ CAT PLATE
4	040421 01 712	EA VALVE SERVICE W/O VAPOR RELIEF
5	09789 01 000	EA TANK LP 60 LB BRUNNEN 14" X 30"
6	040421 01 707	EA GAUGE FLOAT W/ VISIBLE DIAL BRUNNEN MA 300 30 4
7	040421 01 701	EA VALVE SHORT LP ROLLER W/ FLEET W/ CAP BRUNNEN 100479
8	040421 01 702	EA CAP LP ROLLER VALVE PLASTIC YELLOW BRUNNEN 1014 4
9	040421 01 700	EA VALVE LIQUID LEVEL 200 PSI BRUNNEN 1013
10	040421 01 710	EA VALVE VAPOR ONLY 200 PSI 100477
11	040421 01 711	EA VALVE 80% W/ CAT PLATE BOLT & GASKET BRUNNEN
12	040440 02 000	EA TRANSMITTER DIAL 0 TO 60 MM
13	105558 01 000	EA COMPARTMENT LP REGULATOR
	065741 01 000	EA GAUGE DIAPHRAGM PRESSURE MARSHALL TO W/ VFS
	106613 01 000	EA DETECTOR LP GAS
	0 0323 01 000	EA ADAPTER BRASS 3/8 F X 1/2 MPT
	045742 01 000	EA TEE 3/8 X 3/8 X 25 FPT BRASS
	010377 02 000	EA NUT BRASS 3/8 FEMALE FORGED
	010380 01 000	EA NUT BRASS 1/2" FEMALE FORGED
	095624 01 000	EA ELBOW 90 DEGREE 1 1/4" FPT X 1 1/4" FPT BRASS
	055318 02 000	EA ELBOW 90 DEGREE 3/8" MPT TO 1/2" FPT
	035340-01-000	EA ELBOW-3/8" MPT X 1/2" F BRASS
	071391-02-000	EA NIPPLE HEX 1/4 PIPE - 3325X4 WEATHERHEAD
	084884 01-000	EA PLUG BRASS 3/8"

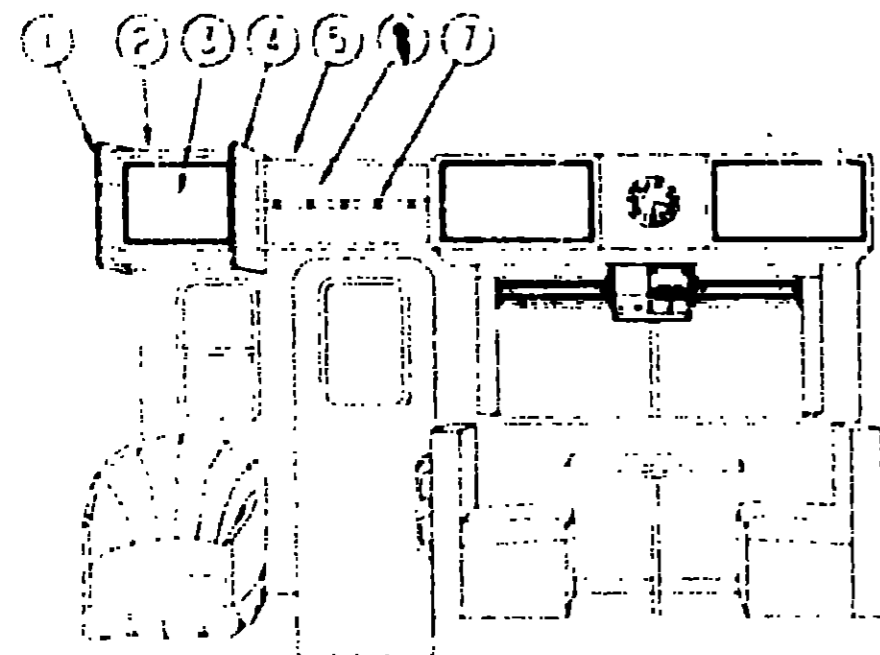
1993 ITASCA TABLE OF CONTENTS

INTRODUCTION	A-01	A-02
ABBREVIATIONS	A-03	A-04
ALPHABETICAL INDEX	A-04	A-05
INDEXING	A-07	B-02
PROGRAM	F-03	F-04

1993 IF527RC INDEX

INTRODUCTION	F-03	F-04
ABBREVIATIONS	F-03	F-04
ALPHABETICAL INDEX	F-04	F-05
INDEXING	F-07	F-08
PROGRAM	F-09	F-10
CONTROLS & SWITCHES	F-10	F-11
ENGINE	F-13	F-14
DRIVE SHAFT & TRANSMISSION	F-15	F-16
ELECTRICAL	F-17	F-18
EXHAUST SYSTEM	F-19	F-20
GALLERY	F-21	F-22
GENERATOR	F-23	F-24
HEATING & A/C	F-25	F-26
INTERIOR FINISH	F-27	F-28
LABELS	F-29	F-30
LP	F-31	F-32
LOUNGE	F-33	F-34
SEALANTS & FASTENERS	F-35	F-36
WATER & SEWAGE	F-37	F-38
WINDOW VENTS AND EXTERIOR DOOR	F-39	F-40

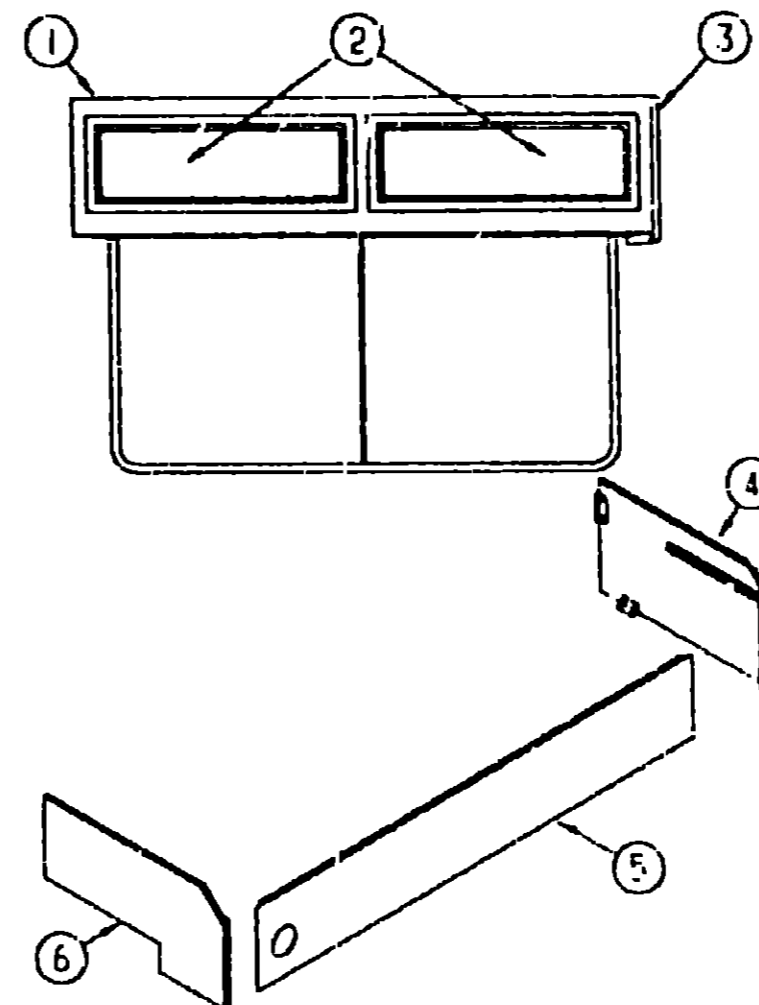
LOUNGE GROUP



OVERHEAD CABINETS

KEY	PART NUMBER	U/M	DESCRIPTION
1	104197-01-D29	EA	END CAP CABINET OVERHEAD
1	104197-14-D29	EA	END CAP CABINET OVERHEAD (TV OPTION)
1	M04187-11-D29	EA	CABINET OVERHEAD W/DOOR & HARDWARE (FRONT BEARING)
2	M04187-14-D29	EA	CABINET OVERHEAD W/DOOR & HARDWARE (TV OPTION)
	104450-11-D29	EA	SHELF ASM
	061604-01-000	EA	SLIDE BOLT ANGLE BRASS
	101910-03-000	EA	SLIDE DRAWER CABINET MOUNTED (SET OF 2 - 12" LONG)
	101410-04-000	EA	SLIDE DRAWER DRAWER MOUNTED (SET OF 2 - 12")
3	F03702-19-D29	EA	DOOR CABINET W/O HARDWARE 400 X 710MM
4	104335-06-D43	EA	END CAP CABINET OVERHEAD
4	104335-17-D43	EA	END CAP CABINET OVERHEAD (TV OPTION)
5	105005-01-D29	EA	CABINET OVERHEAD ENTRANCE DOOR
5	105005-01-D31	EA	CABINET OVERHEAD ENTRANCE DOOR
6	105005-11-D29	EA	PANEL BACK CABINET - FABRIC COVERED
6	105005-11-D31	EA	PANEL BACK CABINET - FABRIC COVERED
7	105847-04-D05	EA	HOLDER KEY RING
	103130-01-000	EA	HOCK KEY RING BRASS - 1.25"

LOUNGE GROUP (CONTINUED)



DRIVER SIDE LOUNGE CABINETS

KEY	PART NUMBER	U/M	DESCRIPTION
1	M04187-14-D29	EA	CABINET OVERHEAD W/DOOR & HARDWARE
1	M04187-14-D31	EA	CABINET OVERHEAD W/DOOR & HARDWARE
1	M04187-14-D29	EA	CABINET OVERHEAD W/DOOR & HARDWARE (FRONT BEARING)
1	M04187-14-D31	EA	CABINET OVERHEAD W/DOOR & HARDWARE (EUROPEAN EXPORT)
2	F03702-17-D29	EA	DOOR CABINET W/O HARDWARE 400 X 710MM (V BRONED)
2	F03702-14-D29	EA	DOOR CABINET W/O HARDWARE 400 X 710MM (WOOD PANEL)
3	104335-06-D43	EA	END CAP CABINET OVERHEAD
4	M04187-58-D09	EA	CABINET COUCH W/FABRIC - LEFT SIDE
4	M04187-58-D31	EA	CABINET COUCH W/FABRIC - LEFT SIDE
5	M04187-57-D29	EA	CABINET COUCH W/FABRIC - CENTER SIDE
5	M04187-57-D31	EA	CABINET COUCH W/FABRIC - CENTER SIDE
7	M04187-59-D29	EA	CABINET COUCH W/FABRIC - RIGHT SIDE
5	M04187-59-D31	EA	CABINET COUCH W/FABRIC - RIGHT SIDE
	103513-12-B05	EA	SUPPORT ASM COUCH
	082525-02-000	EA	BRACE COUCH FLOOR MOUNT ANGLE 3" LONG METAL
	083125-03-000	EA	BRACE COUCH TAN

1993 ITASCA TABLE OF CONTENTS

INTRODUCTION	A-01	A-02
ABBREVIATIONS		A-03
ALPHABETICAL INDEX	A-04	A-05
IF52/RC	A-07	E-02
IF52/RC	E-03	F-22

1993 IF527RC INDEX

FLOOR PLAN	F-01	F-04
WATER & SEWAGE	F-05	F-06
AIR CONDITIONING		F-07
BATH	F-08	F-08
BEDROOM	F-09	F-10
CHAIRS	F-11	F-15
CURTAINS & CUSHIONS	F-16	F-22
DINETTE	F-03	F-04
DRIVERS COMPARTMENT	F-05	F-06
ELECTRICAL	F-07	F-10
EXTERIOR BODY	F-11	F-20
GALLEY	F-21	F-21
GENERATOR		F-02
HEATING & A/C	G-03	G-04
INTERIOR FINISH	G-05	G-08
LABELS	G-09	G-15
LP		G-16
LOUNGE	G-17	G-18
SEALANTS & FASTENERS	G-19	G-21
WATER & SEWAGE	G-22	F-02
WINDOW VENT AND EXTERIOR DOOR	H-03	H-21

SEALANTS & FASTENERS GROUP

ADHESIVE & FASTENERS

KEY	PART NUMBER	U/M	DESCRIPTION
	013552 02 000	EA	SILICONE TUBE 300 ML W/O NOZZLE CLEAR
	054452 02 000	EA	SILICONE TUBE 300 ML W/O NOZZLE OFF WHITE
	055350 01 000	EA	TR-2 12" X 1/8" CORE TAPE
	055370 02 000	EA	TR-40 1/8" X 1/4" CORE TAPE
	055390 02 000	EA	NOZZLES FOR S/D
	055755 02 000	EA	BONDING COMPOUND TUBE WHITE SCHNEIDER # 5522
	055765 02 000	EA	BONDING COMPOUND TUBE CLEAR
	055780 02 000	EA	BONDING COMPOUND TUBE GRAY SCHNEIDER # 5522
	055842 01 000	ET	TAPE ADHESIVE 18 MM X 12.5" WIDE X 180
	055843 01 000	ET	SEALER RIBBON 1.4" WIDE PER INCREMENTS OF 50
	055844 02 000	ET	SEALER RIBBON 1.7" X 17" INCREMENTS OF 50 GR/100
	055845 03 000	ET	SEALER RIBBON 3.4" X 16" INCREMENTS OF 50
	055846 01 000	ET	SEALER RIBBON 1.02" X 11.2" INCREMENTS OF 50
	055847 01 000	ET	SEALER TAPE 1.6" X 12" GRAY MANUS
	055848 01 000	ET	SEALER TAPE 1.8" X 12" GRAY MANUS
	055849 01 000	EA	SEALANT TUBE 1/2" DIA. BLACK 1400 PESSEY 5000
	055850 02 000	ET	TAPE TAPE 1.4" WIDE 1/4" THICK 4' WIDE
	055851 01 000	ET	TAPE FOAM DOUBLE COATED ADHESIVE BACKED 1/2" X 25'
	055852 02 000	ET	TAPE FOAM DOUBLE COATED ADHESIVE BACKED 1" X 10'
	055853 03 000	ET	TAPE FOAM DOUBLE COATED ADHESIVE BACKED 5/8" X 10'
	055854 01 000	ET	TAPE FOAM DOUBLE COATED ADHESIVE BACKED 1/2" X 15' X 15'
	055855 02 000	ET	HEAT ADHESIVE BACKED FOAM 1/8" THICK X 12" WIDE
	055856 01 000	EA	SEALER BODY SLAM SEALER 3M FLY CLEAN
	055857 01 000	EA	SEALER PUMPABLE BLACK THERMOPLASTIC MOLD
	055858 01 000	EA	SILICONE TUBE OFF WHITE LEVEL 100 510

BOLTS, NUTS & WASHERS

KEY	PART NUMBER	U/M	DESCRIPTION
	000038 04 000	EA	BOLT HEX 1/4" X 3/4" ZN
	000039 04 000	EA	BOLT HEX 1/4" X 5/8" ZN
	000040 04 000	EA	BOLT HEX 5/16" X 3/4" ZN
	000041 04 000	EA	BOLT HEX 5/16" X 1/2" ZN
	000042 07 145	EA	BOLT HEX 7/16" X 1/2" ZN
	000043 06 245	EA	BOLT HEX 7/16" X 3/4" ZN
	000044 07 245	EA	BOLT HEX 7/16" X 1/2" ZN
	000045 06 49A	EA	BOLT HEX 7/16" X 3/4" ZN
	000046 06 49B	EA	BOLT HEX 3/8" X 3/4" ZN
	000047 04 10B	EA	BOLT HEX SERR FLK 1/4" X 3/8" ZN
	000048 06 12B	EA	BOLT HEX SERR FLK 5/16" X 1/2" ZN
	000049 06 000	EA	BOLT CARTRIDGE W/O HOLE 1/4" X 1/2" X 1/2" ZN
	000050 01 000	EA	NUT HEX FLK 1/4" X 3/8" ZN
	000051 04 000	EA	NUT HEX FLK 1/4" X 1/2" ZN
	000052 04 000	EA	NUT HEX FLK 5/16" X 1/2" ZN
	000053 06 000	EA	NUT HEX FLK 3/8" X 1/2" ZN
	000054 06 000	EA	NUT HEX FLK 1/2" X 1/2" ZN
	000055 07 000	EA	NUT HEX FLK 1/2" X 3/4" ZN
	000056 07 000	EA	NUT HEX FLK 7/16" X 1/2" ZN
	000057 02 000	EA	NUT SPEED FLAT ROUND
	000058 11 07 000	EA	WASHER LK 7/16" W/D SPAC ZN 05114 01 000
	000059 13 14 000	EA	WASHER FL 1/4" WIDE ZN
	000060 13 17 000	EA	WASHER FLAKE 3/8" AN ZN
	000061 13 20 000	EA	WASHER FL 7/16" WIDE ZN
	000062 13 21 000	EA	WASHER FL W/D NAR ZN
	000063 14 10 000	EA	WASHER LK NO 10 EXT TOOTH ZN
	041322 01 000	EA	WASHER FL 15/32" X 2 3/8" OD FOR SEAT BELT MOUNT
	044533 01 000	EA	WASHER PLASTIC 1 3/8" OD FOR PUTTONS

SEALANTS & FASTENERS GROUP (CONTINUED)

SCREWS

KEY	PART NUMBER	U/M	DESCRIPTION
	000064 05 100	EA	SCREW 5.20 X 5.8 PPH BRASS
	000065 07 08B	EA	SCREW 7.15 X 1.2 PPH ZN
	000066 08 08B	EA	SCREW 8.18 X 1.2 PPH ZN
	000067 08 08B	EA	SCREW 8.18 X 1.2 PPH ZN
	000068 08 10B	EA	SCREW 8.18 X 5.8 PPH ZN
	000069 08 12B	EA	SCREW 8.18 X 3.4 PPH ZN
	000070 08 10D	EA	SCREW 8.18 X 3.4 PPH BLACK
	000071 08 12E	EA	SCREW 8.18 X 2.5 PPH OFF WHITE
	000072 08 12F	EA	SCREW 8.18 X 2.5 PPH DARK BROWN
	000073 08 12G	EA	SCREW 8.18 X 3.4 PPH BEIGE
	000074 08 12H	EA	SCREW 8.18 X 3.4 PPH OFF WHITE
	000075 08 12I	EA	SCREW 8.18 X 3.4 PPH BLACK
	000076 08 16B	EA	SCREW 8.18 X 100 PPH OFF WHITE
	000077 12 02	EA	SCREW 10.20 X 2.5 PPH OFF WHITE
	000078 08 10D	EA	SCREW 8.18 X 2.5 PPH BLACK
	000079 08 10E	EA	SCREW 8.18 X 2.5 PPH OFF WHITE
	000080 08 10F	EA	SCREW 8.18 X 3.4 PPH BLACK
	000081 08 10G	EA	SCREW 8.18 X 3.4 PPH BEIGE
	000082 08 10H	EA	SCREW 8.18 X 3.4 PPH DARK BROWN
	000083 08 10I	EA	SCREW 8.18 X 3.4 PPH OFF WHITE
	000084 08 10J	EA	SCREW 8.18 X 3.4 PPH BRASS
	000085 08 12B	EA	SCREW 7.15 X 3.4 PPH ZN
	000086 08 12B	EA	SCREW 7.15 X 3.4 PPH ZN
	000087 10 12B	EA	SCREW 10.20 X 3.4 PPH ZN
	000088 08 16B	EA	SCREW MACHINE 8.18 X 3.4 PPH ZN
	000089 08 20B	EA	SCREW MACHINE 8.18 X 3.4 PPH ZN
	000090 10 08A	EA	SCREW 10.20 X 1.2 PPH ZN
	000091 10 08B	EA	SCREW 10.20 X 1.2 PPH ZN
	000092 10 10A	EA	SCREW 10.20 X 1.2 PPH BLACK
	000093 10 10B	EA	SCREW 10.20 X 1.2 PPH BLACK
	000094 10 10C	EA	SCREW 10.20 X 1.2 PPH BRASS
	000095 10 10D	EA	SCREW 10.20 X 1.2 PPH OFF WHITE
	000096 10 10E	EA	SCREW 10.20 X 1.2 PPH DARK BROWN
	000097 10 10F	EA	SCREW 10.20 X 1.2 PPH OFF WHITE
	000098 10 10G	EA	SCREW 10.20 X 1.2 PPH BRASS
	000099 10 10H	EA	SCREW 10.20 X 1.2 PPH OFF WHITE
	000100 10 10I	EA	SCREW 10.20 X 1.2 PPH BRASS
	000101 10 10J	EA	SCREW 10.20 X 1.2 PPH BRASS
	000102 10 10K	EA	SCREW 10.20 X 1.2 PPH BRASS
	000103 10 10L	EA	SCREW 10.20 X 1.2 PPH BRASS
	000104 10 10M	EA	SCREW 10.20 X 1.2 PPH BRASS
	000105 10 10N	EA	SCREW 10.20 X 1.2 PPH BRASS
	000106 10 10O	EA	SCREW 10.20 X 1.2 PPH BRASS
	000107 10 10P	EA	SCREW 10.20 X 1.2 PPH BRASS
	000108 10 10Q	EA	SCREW 10.20 X 1.2 PPH BRASS
	000109 10 10R	EA	SCREW 10.20 X 1.2 PPH BRASS
	000110 10 10S	EA	SCREW 10.20 X 1.2 PPH BRASS
	000111 10 10T	EA	SCREW 10.20 X 1.2 PPH BRASS
	000112 10 10U	EA	SCREW 10.20 X 1.2 PPH BRASS
	000113 10 10V	EA	SCREW 10.20 X 1.2 PPH BRASS
	000114 10 10W	EA	SCREW 10.20 X 1.2 PPH BRASS
	000115 10 10X	EA	SCREW 10.20 X 1.2 PPH BRASS
	000116 10 10Y	EA	SCREW 10.20 X 1.2 PPH BRASS
	000117 10 10Z	EA	SCREW 10.20 X 1.2 PPH BRASS

1993 ITASCA TABLE OF CONTENTS

SECTION	PAGE	PAGE
INTRODUCTION	A-01	A-02
ASSEMBLY INDEX	A-03	A-04
ALPHABETICAL INDEX	A-05	A-06
INDEX	A-07	A-08
PERMISSION	P-01	P-02

1993 IF527RC INDEX

SECTION	PAGE	PAGE
INTRODUCTION	I-01	I-02
ASSEMBLY INDEX	I-03	I-04
ALPHABETICAL INDEX	I-05	I-06
INDEX	I-07	I-08
PERMISSION	P-01	P-02
PERMISSION	P-03	P-04
PERMISSION	P-05	P-06
PERMISSION	P-07	P-08
PERMISSION	P-09	P-10
PERMISSION	P-11	P-12
PERMISSION	P-13	P-14
PERMISSION	P-15	P-16
PERMISSION	P-17	P-18
PERMISSION	P-19	P-20
PERMISSION	P-21	P-22
PERMISSION	P-23	P-24
PERMISSION	P-25	P-26
PERMISSION	P-27	P-28
PERMISSION	P-29	P-30
PERMISSION	P-31	P-32
PERMISSION	P-33	P-34
PERMISSION	P-35	P-36
PERMISSION	P-37	P-38
PERMISSION	P-39	P-40
PERMISSION	P-41	P-42
PERMISSION	P-43	P-44
PERMISSION	P-45	P-46
PERMISSION	P-47	P-48
PERMISSION	P-49	P-50

SEALANTS & FASTENERS GROUP (CONTINUED)

SCREWS (CONTINUED)

KEY	PART NUMBER	U/M DESCRIPTION
	000567 10 10P	EA SCREW 10 12 X 1 1/4 PPH DARK BROWN
	000567 10 20D	EA SCREW 10 12 X 1 1/4 PPH BLACK
	000567 10 24B	EA SCREW 10 12 X 1 1/2 PPH ZN
	000567 10 30B	EA SCREW 10 12 X 2 PPH ZN
	000568 06 10P	EA SCREW 6 18 X 5/8 PPH ANTIQUE BRASS
	000568 10 30T	EA SCREW 10 12 X 2 25 PPH BLACK
	000569 04 00P	EA SCREW 10 16 X 1 PPH W WASH ER BEIGE
	000569 01 00D	EA SCREW 6 18 X 1 1/2 PPH BRONZE
	000569 01 00G	EA SCREW 10 12 X 3/4 PPH ZINC EXTERNAL TOOTH
	000569 01 01A	EA SCREW MACHINE 6 32 X 4 PPH BRASS - TORX EXTENDED KNUR
	000569 01 00H	EA SCREW FLAT HEAD TAPPING 1 1/4" X 1 1/8" LG ZN

CLAMPS, GROMMETS, CLIPS, RING HOLDERS & RIVETS

KEY	PART NUMBER	U/M DESCRIPTION
	000116 04 00R	EA RIVET POP AL 1 1/8 X 3/16 3/16
	000161 01 10D	EA CLAMP HOSE SPRING TYPE 1 2"
	010455 01 00D	EA CLAMP CABLE 9 16"
	010457 01 00D	EA CLAMP CLOSED 5/8" ID
	010459 01 00D	EA CLAMP CLOSED 3/8" ID
	010458 03 00D	EA GROMMET L P LINE 3/8" HOLE X 2 1/2" LONG RUBBER
	010458 05 00D	EA GROMMET L P LINE 3/8" HOLE X 1 1/4" LONG RUBBER
	020942 01 00D	EA GROMMET RUBBER 2" OD
	022401 01 00D	EA CLAMP HOSE WORM GEAR 25" 1"
	022401 02 00D	EA CLAMP HOSE WORM GEAR 15 1/2" 2 5/8"
	022401 04 00D	EA CLAMP HOSE WORM GEAR 22" 1 25"
	022401 05 00D	EA CLAMP HOSE WORM GEAR 22" 1 2"
	022401 06 00D	EA HOLDER RING 3/8" DIAMETER METAL
	022401 07 00D	EA HOLDER RING 1 1/8" DIAMETER METAL
	022401 08 00D	EA RIVET (POFF) 1 1/8" OD 1/8"
	022401 09 00D	EA RIVET (POFF) 1 1/8" OD 1/8"
	022401 10 00D	EA RIVET (POFF) 1 1/8" OD 1/8"
	022401 11 00D	EA RIVET (POFF) 1 1/8" OD 1/8"
	022401 12 00D	EA RIVET (POFF) 1 1/8" OD 1/8"
	022401 13 00D	EA RIVET (POFF) 1 1/8" OD 1/8"
	022401 14 00D	EA RIVET (POFF) 1 1/8" OD 1/8"
	022401 15 00D	EA RIVET (POFF) 1 1/8" OD 1/8"
	022401 16 00D	EA RIVET (POFF) 1 1/8" OD 1/8"
	022401 17 00D	EA RIVET (POFF) 1 1/8" OD 1/8"
	022401 18 00D	EA RIVET (POFF) 1 1/8" OD 1/8"
	022401 19 00D	EA RIVET (POFF) 1 1/8" OD 1/8"
	022401 20 00D	EA RIVET (POFF) 1 1/8" OD 1/8"
	022401 21 00D	EA RIVET (POFF) 1 1/8" OD 1/8"
	022401 22 00D	EA RIVET (POFF) 1 1/8" OD 1/8"
	022401 23 00D	EA RIVET (POFF) 1 1/8" OD 1/8"
	022401 24 00D	EA RIVET (POFF) 1 1/8" OD 1/8"
	022401 25 00D	EA RIVET (POFF) 1 1/8" OD 1/8"
	022401 26 00D	EA RIVET (POFF) 1 1/8" OD 1/8"
	022401 27 00D	EA RIVET (POFF) 1 1/8" OD 1/8"
	022401 28 00D	EA RIVET (POFF) 1 1/8" OD 1/8"
	022401 29 00D	EA RIVET (POFF) 1 1/8" OD 1/8"
	022401 30 00D	EA RIVET (POFF) 1 1/8" OD 1/8"
	022401 31 00D	EA RIVET (POFF) 1 1/8" OD 1/8"
	022401 32 00D	EA RIVET (POFF) 1 1/8" OD 1/8"
	022401 33 00D	EA RIVET (POFF) 1 1/8" OD 1/8"
	022401 34 00D	EA RIVET (POFF) 1 1/8" OD 1/8"
	022401 35 00D	EA RIVET (POFF) 1 1/8" OD 1/8"
	022401 36 00D	EA RIVET (POFF) 1 1/8" OD 1/8"
	022401 37 00D	EA RIVET (POFF) 1 1/8" OD 1/8"
	022401 38 00D	EA RIVET (POFF) 1 1/8" OD 1/8"
	022401 39 00D	EA RIVET (POFF) 1 1/8" OD 1/8"
	022401 40 00D	EA RIVET (POFF) 1 1/8" OD 1/8"
	022401 41 00D	EA RIVET (POFF) 1 1/8" OD 1/8"
	022401 42 00D	EA RIVET (POFF) 1 1/8" OD 1/8"
	022401 43 00D	EA RIVET (POFF) 1 1/8" OD 1/8"
	022401 44 00D	EA RIVET (POFF) 1 1/8" OD 1/8"
	022401 45 00D	EA RIVET (POFF) 1 1/8" OD 1/8"
	022401 46 00D	EA RIVET (POFF) 1 1/8" OD 1/8"
	022401 47 00D	EA RIVET (POFF) 1 1/8" OD 1/8"
	022401 48 00D	EA RIVET (POFF) 1 1/8" OD 1/8"
	022401 49 00D	EA RIVET (POFF) 1 1/8" OD 1/8"
	022401 50 00D	EA RIVET (POFF) 1 1/8" OD 1/8"
	022401 51 00D	EA RIVET (POFF) 1 1/8" OD 1/8"
	022401 52 00D	EA RIVET (POFF) 1 1/8" OD 1/8"
	022401 53 00D	EA RIVET (POFF) 1 1/8" OD 1/8"
	022401 54 00D	EA RIVET (POFF) 1 1/8" OD 1/8"
	022401 55 00D	EA RIVET (POFF) 1 1/8" OD 1/8"
	022401 56 00D	EA RIVET (POFF) 1 1/8" OD 1/8"
	022401 57 00D	EA RIVET (POFF) 1 1/8" OD 1/8"
	022401 58 00D	EA RIVET (POFF) 1 1/8" OD 1/8"
	022401 59 00D	EA RIVET (POFF) 1 1/8" OD 1/8"
	022401 60 00D	EA RIVET (POFF) 1 1/8" OD 1/8"
	022401 61 00D	EA RIVET (POFF) 1 1/8" OD 1/8"
	022401 62 00D	EA RIVET (POFF) 1 1/8" OD 1/8"
	022401 63 00D	EA RIVET (POFF) 1 1/8" OD 1/8"
	022401 64 00D	EA RIVET (POFF) 1 1/8" OD 1/8"
	022401 65 00D	EA RIVET (POFF) 1 1/8" OD 1/8"
	022401 66 00D	EA RIVET (POFF) 1 1/8" OD 1/8"
	022401 67 00D	EA RIVET (POFF) 1 1/8" OD 1/8"
	022401 68 00D	EA RIVET (POFF) 1 1/8" OD 1/8"
	022401 69 00D	EA RIVET (POFF) 1 1/8" OD 1/8"
	022401 70 00D	EA RIVET (POFF) 1 1/8" OD 1/8"
	022401 71 00D	EA RIVET (POFF) 1 1/8" OD 1/8"
	022401 72 00D	EA RIVET (POFF) 1 1/8" OD 1/8"
	022401 73 00D	EA RIVET (POFF) 1 1/8" OD 1/8"
	022401 74 00D	EA RIVET (POFF) 1 1/8" OD 1/8"
	022401 75 00D	EA RIVET (POFF) 1 1/8" OD 1/8"
	022401 76 00D	EA RIVET (POFF) 1 1/8" OD 1/8"
	022401 77 00D	EA RIVET (POFF) 1 1/8" OD 1/8"
	022401 78 00D	EA RIVET (POFF) 1 1/8" OD 1/8"
	022401 79 00D	EA RIVET (POFF) 1 1/8" OD 1/8"
	022401 80 00D	EA RIVET (POFF) 1 1/8" OD 1/8"
	022401 81 00D	EA RIVET (POFF) 1 1/8" OD 1/8"
	022401 82 00D	EA RIVET (POFF) 1 1/8" OD 1/8"
	022401 83 00D	EA RIVET (POFF) 1 1/8" OD 1/8"
	022401 84 00D	EA RIVET (POFF) 1 1/8" OD 1/8"
	022401 85 00D	EA RIVET (POFF) 1 1/8" OD 1/8"
	022401 86 00D	EA RIVET (POFF) 1 1/8" OD 1/8"
	022401 87 00D	EA RIVET (POFF) 1 1/8" OD 1/8"
	022401 88 00D	EA RIVET (POFF) 1 1/8" OD 1/8"
	022401 89 00D	EA RIVET (POFF) 1 1/8" OD 1/8"
	022401 90 00D	EA RIVET (POFF) 1 1/8" OD 1/8"
	022401 91 00D	EA RIVET (POFF) 1 1/8" OD 1/8"
	022401 92 00D	EA RIVET (POFF) 1 1/8" OD 1/8"
	022401 93 00D	EA RIVET (POFF) 1 1/8" OD 1/8"
	022401 94 00D	EA RIVET (POFF) 1 1/8" OD 1/8"
	022401 95 00D	EA RIVET (POFF) 1 1/8" OD 1/8"
	022401 96 00D	EA RIVET (POFF) 1 1/8" OD 1/8"
	022401 97 00D	EA RIVET (POFF) 1 1/8" OD 1/8"
	022401 98 00D	EA RIVET (POFF) 1 1/8" OD 1/8"
	022401 99 00D	EA RIVET (POFF) 1 1/8" OD 1/8"
	022401 100 00D	EA RIVET (POFF) 1 1/8" OD 1/8"

WATER & SEWAGE GROUP

FRESH WATER TANK

1993 ITASCA
TABLE OF CONTENTS

INTRODUCTION	A-01	A-10
ABBREVIATIONS	A-01	A-01
ALPHABETIC INDEX	A-01	A-01
REVISED	A-01	A-01
FIGURES	B-01	B-02

KEY	PART NUMBER	U/M DESCRIPTION
	054214 08 00D	EA TANK WATER W FITTINGS 31 GALLON
	077554 02 00D	EA FILTER WATER TANK SCREEN IN TANK
	042589 03 00D	EA FITTING WATER TANK SPINWELD - 1 1/4" NPT PLASTIC WHITE
	042589 04 00D	EA FITTING WATER TANK SPINWELD - 3/4" NPT PLASTIC WHITE
	042589 05 00D	EA FITTING WATER TANK SPINWELD - 1/2" NPT PLASTIC WHITE
	042589 01 00D	EA PATCH SPINWELD 3/4" PLASTIC
	039551 01 00D	EA SENDING UNIT WASCREW WASHER WELL NUT AND TERMINAL RING

WATER SYSTEM

KEY	PART NUMBER	U/M DESCRIPTION
	036522 02 00D	EA CAP BRASS 1/2" FLARE
	105000 01 00D	EA CAP FEMALE WAGON 50 KEVLOC TUBE
	010224 01 00D	EA ADAPTER HOSE TO PIPE 3/8" NPT X 3/8" BARB PLASTIC BLACK
	044927 01 00D	EA ADAPTER HOSE TO PIPE 1 1/4" NPT X 1 1/4" BARB BLACK PLASTIC
	052314 01 00D	EA ADAPTER HOSE TO PIPE 3/8" NPT X 1/2" TUBING PLASTIC GRAY
	075317 01 00D	EA ADAPTER SWIVEL 1/2" TUBE X 1/2" NPT PLASTIC GRAY
	105258 01 00D	EA CAP INSERTABLE 1/2" FLARE
	052313 01 00D	EA CONNECTOR 1 1/2" X 3/8" NPT PLASTIC GRAY
	052317 01 00D	EA CONNECTOR 5/8" X 1/2" NPT PLASTIC KEVLOC
	101814 01 00D	EA COUPLER FEMALE 1/2" X 1/2" NPT
	052319 01 00D	EA DRAIN VALVE IN LINE HEADER 1 1/2" X 1 1/2" GRAY PLAS
	052319 02 00D	EA DRAIN VALVE IN LINE HEADER 5/8" X 5/8" GRAY PLAS
	052319 03 00D	EA ELBOW MALE 1 1/2" X 1 1/2" NPT PLASTIC GRAY
	052319 04 00D	EA ELBOW WATER CITY 3/8" WHITE
	052319 05 00D	EA VALVE DRAIN PLASTIC 1 1/2" NPT
	052319 06 00D	EA ELBOW SWIVEL 1 1/2" NPT X 1 1/2" FLARE PLASTIC GRAY
	052319 07 00D	EA NUT PLASTIC 1 1/2" X 1 1/2" TUBE GRAY
	052319 08 00D	EA NUT PLASTIC 5/8" FLARE
	052319 09 00D	EA TEE 1 1/2" NPT X 1 1/2" NPT X 1 1/2" NPT PLASTIC
	052319 10 00D	EA TEE 1 1/2" X 1 1/2" X 1 1/2" PLASTIC GRAY
	052319 11 00D	EA TEE 1 1/2" X 1 1/2" X 1 1/2" PLASTIC GRAY
	052319 12 00D	EA TEE PLASTIC 3/8" X 3/8" X 3/8"
	052319 13 00D	EA TEE PLASTIC 1/2" X 1/2" X 1/2"
	052319 14 00D	EA TEE 5/8" X 5/8" X 5/8" PLASTIC
	074453 02 00D	EA TEE 4 WAY 1 1/2" FLARE X 1 1/2" NPT PLASTIC GRAY
	074453 03 00D	EA TEE 4 WAY 1 1/2" FLARE X 1 1/2" NPT
	034500 01 00D	FT TUBING POLY BUTYLENE 1/2" OD INCREMENTS OF 10" BLACK
	034500 02 00D	FT TUBING POLY BUTYLENE 1/2" OD INCREMENTS OF 10" BLACK
	074452 01 00D	FT TUBING SMOOTH FLEXIBLE 1 1/4" ID
	074452 02 00D	FT TUBING SMOOTH FLEXIBLE 1 1/4" ID

1993 IF527RC INDEX

INTRODUCTION	F-01	F-04
ABBREVIATIONS	F-01	F-01
ALPHABETIC INDEX	F-01	F-01
REVISED	F-01	F-01
FIGURES	G-01	G-02
GENERAL INFORMATION	G-01	G-02
DRAWINGS	F-01	F-01
OPERATION & MAINTENANCE	F-01	F-01
DIAGNOSIS	F-01	F-01
DIAGNOSIS COMPARTMENT	F-01	F-01
FLUIDS	F-01	F-01
ENTERIC BODY	F-01	F-01
GALLERY	F-01	F-01
GENERATION	F-01	F-01
HEATING & A/C	F-01	F-01
INTERIOR FINISH	F-01	F-01
LABELS	F-01	F-01
LIST	F-01	F-01
LUNGE	F-01	F-01
SEALANTS & FASTENERS	F-01	F-01
WATER & SEWAGE	F-01	F-01
WINDOW VENT AND	F-01	F-01
EXTERIOR DOOR	F-01	F-01

WATER & SEWAGE GROUP (CONTINUED)

WATER HEATER W/O MOTOR AID

KEY	PART NUMBER	U/M	DESCRIPTION
	051391 01 700	EA	HEATER WATER W/ELECTRIC IGNITION - ATWOOD 65A BE
	051391 01 701	EA	KNIFE KIT W/CLIP ATWOOD# 92568 & 92569
	051391 01 704	EA	VALVE RELIEF 1/2" FITTING ATWOOD# 91604
	051391 01 705	EA	FASTENER CAMLOCK ATWOOD# 92509
	051391 01 706	EA	GRILLE EXHAUST ATWOOD# 92787
	051391 01 709	EA	BURNER MAIN BE ONLY ATWOOD# 92615
	051391 01 710	EA	GRILLE MAIN BURNER ATWOOD# 92742
	051391 01 711	EA	DRAIN PLUG ATWOOD# 91651
	051391 04 700	EA	TANK INNER (GASE) FRONT MOUNT ATWOOD# 91608
	051391 04 701	EA	THERMOSTAT 12 VDC 120 PRESET ATWOOD# 91470
	051391 04 705	EA	TANK INNER (GASE) FRONT MOUNT ATWOOD# 91641
	051391 01 702	EA	SWITCH ENERGY CUT OFF ATWOOD# 91551
	051391 01 703	EA	THERMOSTAT REAR MOUNT ATWOOD# 91552
	051391 01 704	EA	CONTROL BOARD W/BLACK BOX ATWOOD# 91120
	051391 01 705	EA	GRILLE HOLDER ATWOOD# 91525
	051391 01 716	EA	SPARK & PROBE ASM ATWOOD# 91505
	051391 01 718	EA	VALVE DUAL SOLENOID ATWOOD# 91605
	051391 01 721	EA	ECONOMIZER THERMOSTAT ASM FRONT MOUNT 140 DEGREE ATWOOD# 91447
	051391 01 709	EA	TANK INNER (GASE) REAR MOUNT ATWOOD# 91609
	051391 01 710	EA	SWITCH WATER HEATER ATWOOD 91553

WATER HEATER W/MOTOR AID & REAR HEATER

KEY	PART NUMBER	U/M	DESCRIPTION
	051391 01 600	EA	HEATER WATER W/MOTOR AID ATWOOD 65A BE (GASE) OR 65A BE
	051391 01 701	EA	KNIFE KIT W/CLIP ATWOOD# 92568 & 92569
	051391 01 704	EA	VALVE RELIEF 1/2" FITTING ATWOOD# 91604
	051391 01 705	EA	FASTENER CAMLOCK ATWOOD# 92509
	051391 01 706	EA	GRILLE EXHAUST ATWOOD# 92787
	051391 01 709	EA	BURNER MAIN BE ONLY ATWOOD# 92615
	051391 01 710	EA	GRILLE MAIN BURNER ATWOOD# 92742
	051391 01 711	EA	DRAIN PLUG ATWOOD# 91651
	051391 04 700	EA	THERMOSTAT 12 VDC 120 PRESET ATWOOD# 91470
	051391 04 705	EA	TANK INNER FRONT MOUNT (GASE) BE ATWOOD 91642
	051391 01 702	EA	TANK INNER BE FRONT MOUNT ATWOOD# 91608
	051391 01 703	EA	SWITCH ENERGY CUT OFF ATWOOD# 91551
	051391 01 704	EA	THERMOSTAT REAR MOUNT ATWOOD# 91552
	051391 01 705	EA	CONTROL BOARD W/BLACK BOX ATWOOD# 91120
	051391 01 716	EA	GRILLE HOLDER ATWOOD# 91525
	051391 01 714	EA	TANK INNER (GASE) REAR MOUNT ATWOOD# 91609
	051391 01 716	EA	SPARK & PROBE ASM ATWOOD# 91505
	051391 01 718	EA	VALVE DUAL SOLENOID ATWOOD# 91605
	051391 01 721	EA	ECONOMIZER THERMOSTAT ASM FRONT MOUNT 140 DEGREE ATWOOD# 91447

WATER & SEWAGE GROUP (CONTINUED)

WATER PUMP

KEY	PART NUMBER	U/M	DESCRIPTION
	056607 01 600	EA	PUMP WATER W/5/8" FITTING FLOW 2.8 GPM 1/2"
	056607 01 750	EA	PUMP HEAD REPLACEMENT
	056607 01 701	EA	DRIVE ASSEMBLY
	056607 01 702	EA	DIAPHRAGM KIT
	056607 01 703	EA	VALVE ASSEMBLY
	056607 01 704	EA	HOUSING UPPER
	056607 01 705	EA	CLICK VALVE KIT
	056607 01 714	EA	UPPER HOUSING SWITCH KIT
	056607 01 707	EA	MOTOR BASE PLATE REPLACEMENT

**1993 ITASCA
TABLE OF CONTENTS**

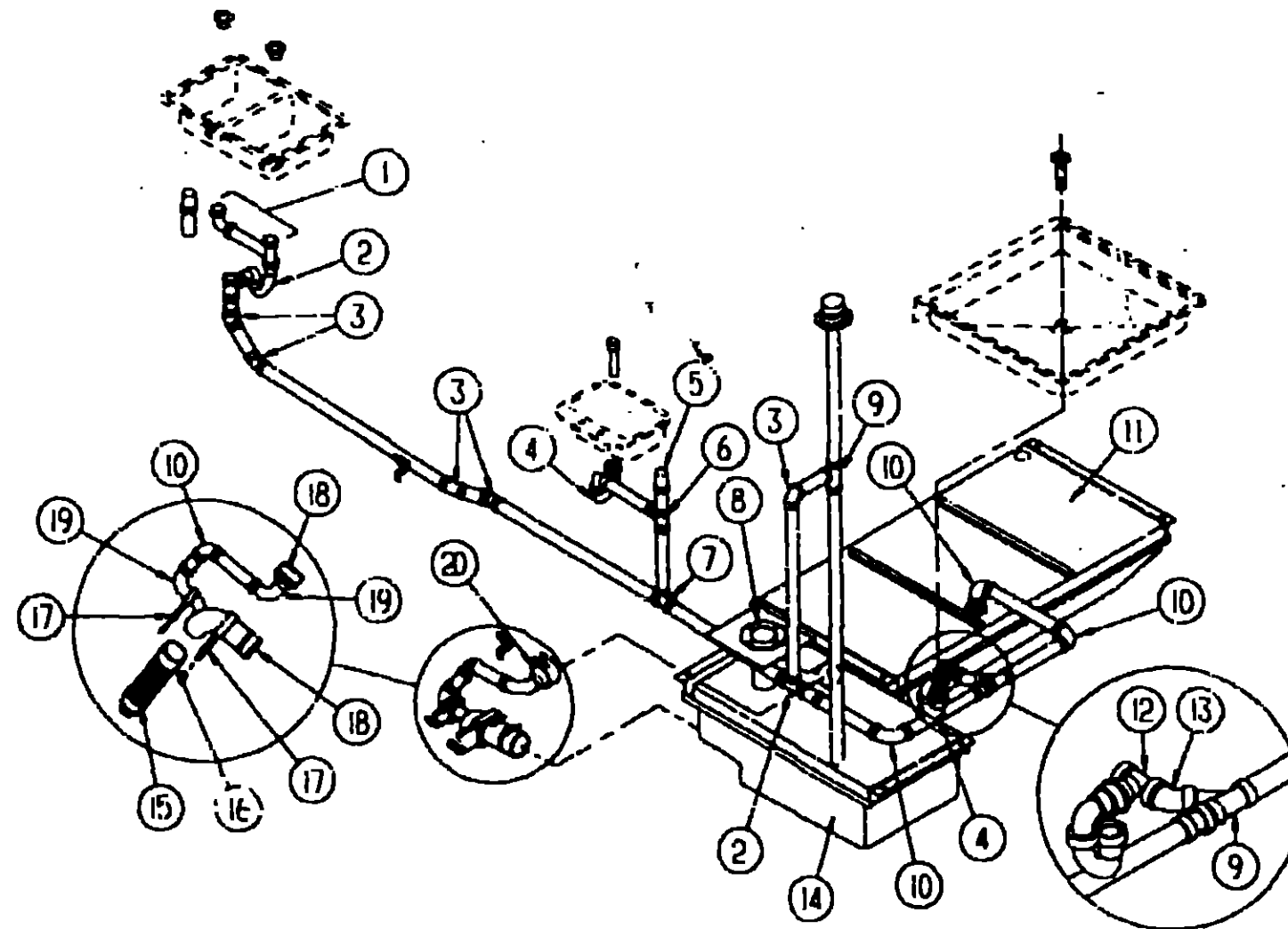
INTRODUCTION	A 01	A 02
ABBREVIATIONS		A 03
ALPHABETICAL INDEX	A 04	A 06
IF527RC	A 07	E 02
IF527RC	E 03	F 02

1993 IF527RC INDEX

FRIGERIAN	F 01	F 04
APPLIANCES		F 05
APPLIANCES		F 06
BATH	F 07	F 08
REAR PORCH	F 09	F 10
CHIMNEY	F 11	F 12
CLOSET	F 13	F 14
CONVERTIBLE	F 15	F 16
CONVERTIBLE	F 17	F 18
CONVERTIBLE	F 19	F 20
CONVERTIBLE	F 21	F 22
CONVERTIBLE	F 23	F 24
CONVERTIBLE	F 25	F 26
CONVERTIBLE	F 27	F 28
CONVERTIBLE	F 29	F 30
CONVERTIBLE	F 31	F 32
CONVERTIBLE	F 33	F 34
CONVERTIBLE	F 35	F 36
CONVERTIBLE	F 37	F 38
CONVERTIBLE	F 39	F 40
CONVERTIBLE	F 41	F 42
CONVERTIBLE	F 43	F 44
CONVERTIBLE	F 45	F 46
CONVERTIBLE	F 47	F 48
CONVERTIBLE	F 49	F 50
CONVERTIBLE	F 51	F 52
CONVERTIBLE	F 53	F 54
CONVERTIBLE	F 55	F 56
CONVERTIBLE	F 57	F 58
CONVERTIBLE	F 59	F 60
CONVERTIBLE	F 61	F 62
CONVERTIBLE	F 63	F 64
CONVERTIBLE	F 65	F 66
CONVERTIBLE	F 67	F 68
CONVERTIBLE	F 69	F 70
CONVERTIBLE	F 71	F 72
CONVERTIBLE	F 73	F 74
CONVERTIBLE	F 75	F 76
CONVERTIBLE	F 77	F 78
CONVERTIBLE	F 79	F 80
CONVERTIBLE	F 81	F 82
CONVERTIBLE	F 83	F 84
CONVERTIBLE	F 85	F 86
CONVERTIBLE	F 87	F 88
CONVERTIBLE	F 89	F 90
CONVERTIBLE	F 91	F 92
CONVERTIBLE	F 93	F 94
CONVERTIBLE	F 95	F 96
CONVERTIBLE	F 97	F 98
CONVERTIBLE	F 99	F 100

WATER & SEWAGE GROUP (CONTINUED)

DRAINAGE SYSTEM



1993 ITASCA TABLE OF CONTENTS

INTRODUCTION	A-01 - A-02
ABBREVIATIONS	A-03
ALPHABETICAL INDEX	A-04 - A-06
IF527RO	A-07 - E-02
IF527RC	E-03 - H-22

1993 IF527RC INDEX

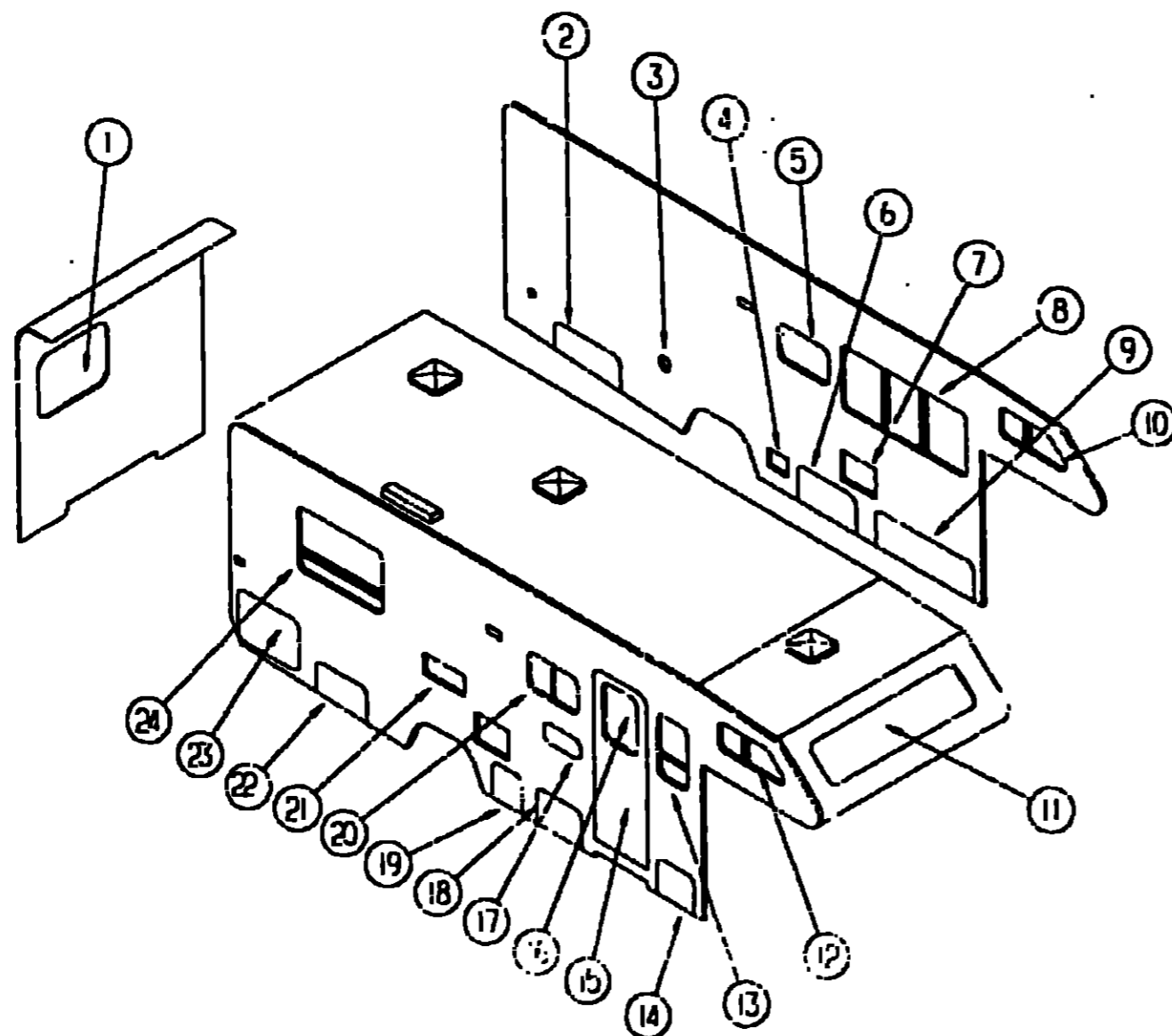
FLOOR PLAN	E-03 - E-04
ACCESSORIES	E-05
AUDIO VIDEO	E-06
BATH	E-07 - E-08
BEDROOM	E-09 - E-10
CHASSIS	E-11 - E-15
CURTAIN & CUSHION	E-16 - F-02
DINETTE	F-03 - F-04
DRIVERS COMPARTMENT	F-05 - F-06
ELECTRICAL	F-07 - F-10
EXTERIOR BODY	F-11 - F-20
GALLEY	F-21 - G-01
GENERATOR	G-02
HEATING & A/C	G-03 - G-04
INTERIOR FINISH	G-05 - G-08
LABELS	G-09 - G-15
LP	G-16
LOUNGE	G-17 - G-18
SEALANTS & FASTENERS	G-19 - G-21
WATER & SEWAGE	G-22 - H-02
WINDOW VENT AND EXTERIOR DOOR	H-03 - H-21

KEY	PART NUMBER	U/M DESCRIPTION
1	011091-02-000	EA PIPE DRAIN W/SEALS - DOUBLE SINK - EXTENDS 9" TO 16"
1	011071-01-000	EA P TRAP 1 1/2" PLASTIC (CSA)
2	107537-01-000	EA ADAPTER P TRAP 1 1/4" SLIP (US)
2	107539-01-000	EA P TRAP PLASTIC 1 1/4" W EXT ARM (US)
2	011071-01-000	EA P TRAP 1 1/2" PLASTIC (CSA)
3	010096-01-000	EA ELBOW 45 DEG 1/8 BEND - 1 1/2" HUB X HUB - BLACK PLASTIC
4	107537-01-000	EA ADAPTER P TRAP 1 1/4" SLIP (US)
4	107538-01-000	EA P TRAP PLASTIC 1 1/4" W EXTENDED ARM (US)
4	011065-03-700	EA P TRAP 1 1/4" HUB X SLIP JOINT W/UNION ABS (CSA)
5	079998-01-000	EA VENT MECH TRAP ARM ANTI-SIPHON - 2" DIA X 7 3/4" - PLASTIC
6	010079-01-000	EA TEE-SANITARY 1 1/2" X 1 1/2" X 1 1/4" H - PLASTIC - BLACK
7	010071-01-000	EA TEE-SANITARY 1 1/2" HUB X HUB X HUB - PLASTIC - BLACK
8	061607-02-000	EA GROMMET HOLDING TANK 3" NPS
9	010073-01-000	EA W/F 45 DEGREE 1 1/2" HUB X HUB X HUB - PLASTIC - BLACK

KEY	PART NUMBER	U/M DESCRIPTION
10	010008-01-000	EA ELBOW-90 DEG. 1/4 BEND - 1 1/2" HUB X HUB - BLACK PLASTIC
10	061607-01-000	EA GROMMET-HOLDING TANK 1 1/2" NPS
11	102762-03-000	EA TANK-HOLDING, 42 GALLON - 57 1/4" X 44 1/4" X 29"
12	010079-01-000	EA TEE-SANITARY, 1 1/2" X 1 1/2" X 1 1/4" H - PLASTIC - BLACK
	010123-01-000	EA BUSHING, 2" X 1 1/2" HUB - PLASTIC
13	010051-01-000	EA ELBOW-45 DEG BEND, 1 1/2" SPIGOT AND HUB - PLASTIC - BLACK
14	104763-02-000	EA TANK-HOLDING, 32 GALLON
15	010201-01-000	EA HOSE-SEWER, 3" ID X 8'
16	052416-01-000	EA ADAPTER-SEWER HOSE TO 3" PIPE
17	070916-01-000	EA VALVE-DUAL DUMP, W/CAP - 3" X 1 1/2" - PLASTIC - BLACK
18	078406-01-000	EA COUPLER-RUBBER W/CLAMPS - 3" X 3"
19	033761-01-000	EA EI BOW-TURN, 1/4 BEND X 1 5/8" SPIGOT - BLK PLASTIC
20	052422-01-000	EA ADAPTER-OFFSET REDUCER, 3" X 1 1/2" - PLASTIC - BLACK
	034250-01-000	EA ELBOW-90 DEGREE, LONG TURN - 1 1/2" HUB X HUB - ABS

WINDOW, VENT & EXTERIOR DOOR GROUP

WINDOWS & DOORS



1993 ITASCA TABLE OF CONTENTS

INTRODUCTION	A-01 - A-02
ABBREVIATIONS	A-03
ALPHABETICAL INDEX	A-04 - A-05
IF527RO	A-07 - E-02
IF527RC	E-03 - H-22

1993 IF527RC INDEX

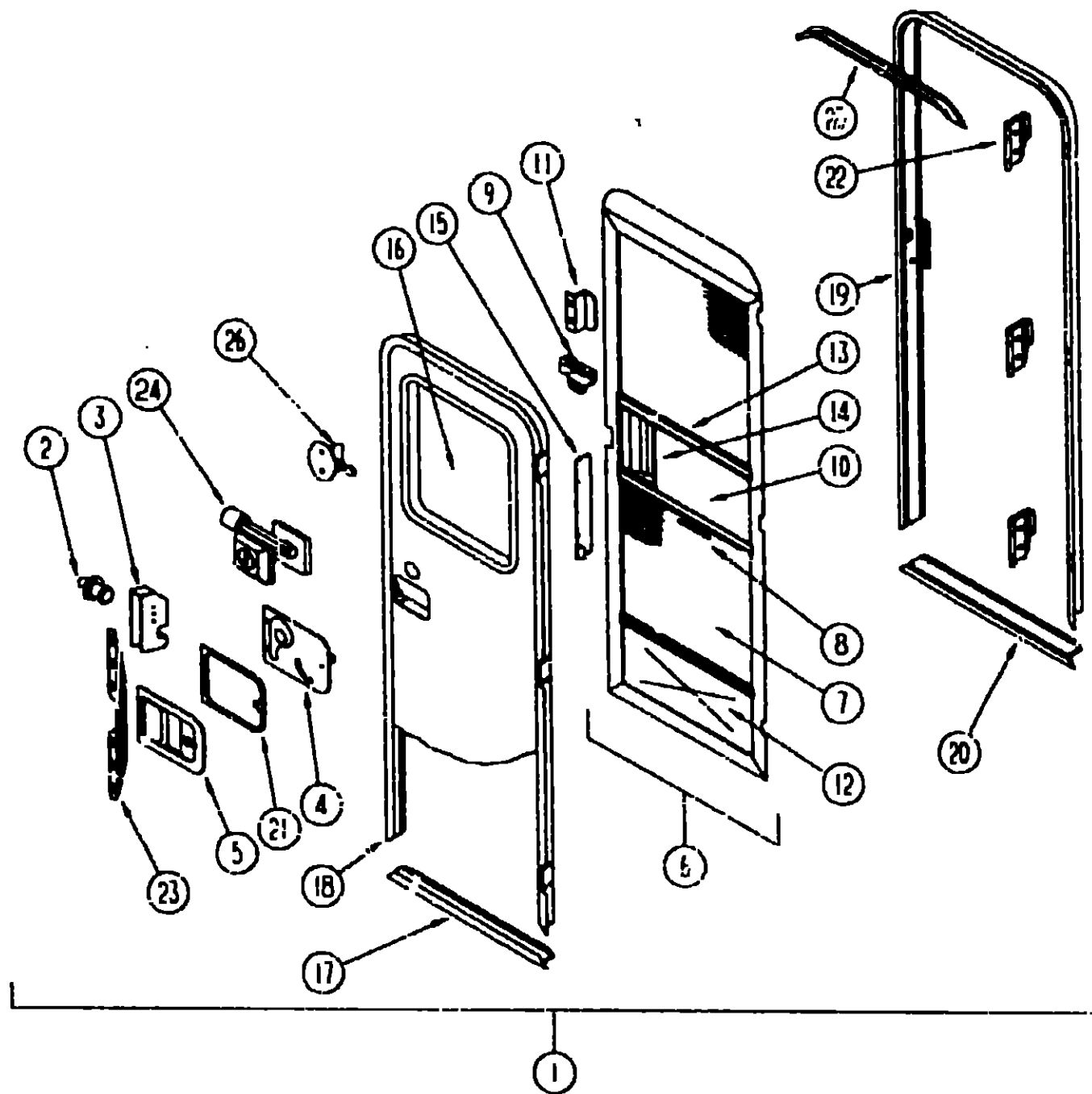
FLOOR PLAN	E-03 - E-04
ACCESSORIES	F-05
ADDONS	F-06
BATH	E-07 - E-08
BEDROOM	E-09 - E-10
CHASSIS	E-11 - E-15
CURTAIN & CUSHION	E-16 - F-02
DINETTE	F-03 - F-04
DRIVERS COMPARTMENT	F-05 - F-06
ELECTRICAL	F-07 - F-10
EXTERIOR BODY	F-11 - F-20
GALLEY	F-21 - G-01
GENERATOR	G-02
HEATING & A/C	G-03 - G-04
INTERIOR FINISH	G-05 - G-06
LABELS	G-09 - G-15
LP	G-16
LOUNGE	G-17 - G-19
SEALANTS & FASTENERS	G-19 - G-21
WATER & SEWAGE	G-22 - H-02
WINDOW VENT AND EXTERIOR DOOR	H-03 - H-21

KEY	PART NUMBER	U/M	DESCRIPTION
1	078528-04-C05	EA	WINDOW-ESCAPE 27" X 38" - W/O INSIDE FRAME
2	105175-05-D29	EA	DOOR-COMPARTMENT, STORAGE - DRIVER SIDE REAR
3	105118-02-C05	EA	DOOR-EXTERIOR SHOWER
4	089754-01-000	EA	DOOR-POWER CORD WATCH - OFF WHITE
5	092235-11-Y12	EA	WINDOW-TIPOUT SINGLE - W/O INSIDE FRAME
6	105174-05-D29	EA	DOOR-COMPARTMENT LOWER - FRONT
7	052009-11-000	EA	DOOR-WATER HEATER OFF WHITE - ATWOOD 5576-27
8	058547-10-02A	EA	WINDOW-SLIDER HORIZONTAL - W/INSIDE TRIM - BLACK
9	105174-03-D29	EA	DOOR-COMPARTMENT LOWER - FRONT
10	100322-01-700	EA	WINDOW VENTED, 12" X 35 8" - W/O INSIDE FRAME EXCEL CH19-DK L
11	103313-01-505	EA	WINDOW-PICTURE, W/O INSIDE FRAME
12	100322-01-720	EA	WINDOW-VENTED 12" X 35 8" - W/O INSIDE FRAME EXCEL CH19-DK R
13	098544-05-01A	EA	WINDOW-SLIDER RAISED - W/INSIDE FRAME - EXCEL H250 PR

KEY	PART NUMBER	U/M	DESCRIPTION
14	105174-01-D29	EA	DOOR-COMPARTMENT LOWER - FRONT
15	M01870-53-D29	EA	DOOR-ENTRY, W/WINDOW SCREEN & JAMB - OFF WHITE
15	M01870-53-D31	EA	DOOR-ENTRY W/WINDOW SCREEN & JAMB - OFF WHITE
16	079733-04-T03	EA	WINDOW-ENTRY DOOR 17" X 25" - W/O INSIDE FRAME
17	105118-01-C05	EA	DOOR-EXTERIOR ENTERTAINMENT
18	105174-02-D29	EA	DOOR-COMPARTMENT, LOWER - FRONT
19	105174-04-D29	EA	DOOR-COMPARTMENT LOWER - FRONT
20	048647-09-02A	EA	WINDOW-SLIDER HORIZONTAL - W/INSIDE TRIM - BLACK
21	084103-03-000	EA	DOOR-VENT REFRIGERATOR - OFF WHITE
	084104-03-000	EA	JAMB-DOOR-REFRIGERATOR-OFF WHITE
	084104-01-700	EA	LOCK-MALE FASTENER - REFRIGERATOR DOOR
	084104-01-701	EA	LOCK-FEMALE FASTENER - REFRIGERATOR DOOR
22	105175-05-D29	EA	DOOR-COMPARTMENT LOWER - REAR
23	108271-02-D05	EA	DOOR-COMPARTMENT STORAGE - RADIUS
24	092235-12-Y12	EA	WINDOW-TIPOUT - SINGLE - W/O INSIDE FRAME
	081240-03-000	EA	DOOR-WATER FILL-LOCKABLE-4" X 4 5/8" - OFF WHITE
	078010-03-000	EA	DOOR-FUEL FILL, W/JAMB - OFF WHITE

WINDOW, VENT & EXTERIOR DOOR GROUP (CONTINUED)

ENTRY DOOR



KEY	PART NUMBER	U/M DESCRIPTION
5	045017-11-000	EA LATCH-ENTRY DOOR, MECHANISM W/LOCK & KEY - BLACK
	045017-11-701	EA KEY BLANK
	058025-02-000	EA CLIP-ROLLER LATCH CATCH SCREEN DOOR
	053729-04-000	EA RIVNUT, 10-32 UNF - 010-080
	072893-01-000	EA NUTSERT-M5 X 0.8
6	075671-04-000	FT SEAL-SPONGE, LAZY T SHAPE - W/ADHESIVE STRIPE - 5' WIDE
	079012-01-001	EA DOOR-SCREEN
7	002293-02-000	SF SCREENING-WINDOW/DOOR, 26" - CHARCOAL
8	002294-01-000	FT SPLINE-SCREENING, 135" X 138" - BLACK
	002748-01-000	EA CORNER KEY-DOOR
9	109403-01-000	FA CATCH-ASM-SINGLE ROLLER
10	016454-01-000	FA INSERT-CENTER, LEATHER GRAIN ALUMINUM - UNPAINTED
10	001014-01-013	IA INSERT-CENTER, 10 25" X 16 31" - UNPAINTED
11	050712-04-000	EA HANDLE-SCREEN DOOR, ALUMINUM - OFF WHITE
11	050712-05-000	EA HANDLE-SCREEN DOOR, UNPAINTED
12	078552-03-000	EA KICK PANEL-SCREEN DOOR, LOWER INSERT - UNPAINTED
	078595-01-000	EA TOP PLATE SCREEN DOOR, CURVED TOP - 4 7" X 25 35"
13	078777-01-000	EA CHANNEL-SLIDE, SCREEN DOOR CENTER SLIDER COVER
14	075086-02-000	EA SLIDER-SCREEN DOOR, OFF WHITE
15	079087-02-000	EA STRIKE-SLIDER, W/LIP FOR ELBOW CATCH - 1 5" X 8 6" - OFF WHITE
	009016-01-000	EA CATCH-ELBOW, SPRING LOADED - SCREEN DOOR CATCH
16	079733-04-T03	EA WINDOW-PICTURE, W/O INSIDE FRAME - 17" X 25"
	081914-01-000	FA BUMPER-RUBBER ROUND - 43" DIAMETER - BLACK
17	089748-01-000	EA FRAME BOTTOM ENTRY DOOR - 24 2" LONG - OFF WHITE
	090340-01-000	FT SEAL-FOAM, CLOSED CELL - 1 4" X 1 2" X 50"
18	095276-01-01A	EA FRAME-ENTRY DOOR, W/O BOTTOM - OFF WHITE
19	095277-02-01A	EA JAMB-ENTRY DOOR W-BOTTOM - 25 9" X 74 5" - OFF WHITE
20	051049-01-000	EA JAMB-BOTTOM ENTRY DOOR - 25 9" - UNPAINTED
	079207-01-000	EA STRIKER-ROLLER CATCH, WELDED TO DOOR JAMB - 4" X 1 15"
	095278-01-01A	EA JAMB-DOOR ENTRANCE - 25 9" X 74 6" - UNPAINTED
21	096310-01-01A	EA PLATE LATCH ENTRY DOOR - PLASTIC - BLACK
22	097724-01-04A	EA HINGE-ENTRY DOOR UNPAINTED
23	098173-01-04A	EA STIFFENER-ENTRY DOOR SUPPORTS LATCH/STRIKE AREA - UNPAINTED
	100128-02-000	FT SEAL-PILE, ADHESIVE BACK - SCREEN DOOR - GRAY
24	101145-01-01A	EA DEADBOLT-ENTRY DOOR W-2 KEYS W/O BACK SET BOLT OR SCREWS
	095229-01-700	EA KEY BLANK FOR DEADBOLT
	101147-01-000	EA BOLT SECURITY 4 12" BACKSET
	102524-01-000	EA BUMPER-RUBBER FLAT - BLACK
25	044582-02-000	EA CAP-DRIP ENTRY DOOR - JAMB MOUNTED ALUMINUM - OFF WHITE
	054075-07-000	FT SEAL-BULB W/WIRED CHANNEL - 3" X 5" CHANNEL - BLACK
	075639-19-000	EA GARNISH RADIUS ENTRY DOOR - OFF WHITE
	077461-03-000	EA COVER-STRIKE ENTRY DOOR - 6 5" X 2 5" - PLASTIC - WHITE
	090340-01-000	FT SEAL-FOAM, CLOSED CELL - 1 4" X 1 2" X 50"
	091876-01-000	EA RETAINER DOOR, 1 9" X 8" - METAL
26	100412-01-000	EA CATCH SCREEN DOOR THUMB CLIP W/BLACK PLASTIC CAP
	104592-01-000	FT SEAL-ADHESIVE BACK 3 4" X 34"
	104099-01-01A	EA CATCH-DOOR HOLDER STRIKE
	104099-02-01A	EA CATCH-DOOR HOLDER, RETAINER

KEY	PART NUMBER	U/M DESCRIPTION
1	M01870-63-D29	EA DOOR-ENTRY W SCREEN DOOR & JAMB
1	M01870-63-D31	EA DOOR-ENTRY W SCREEN DOOR & JAMB
2	039539-01-000	EA STRIKE-LOCK ENTRY DOOR - ROUND W/THREADED WASHER
3	039540-01-000	EA LATCH MECHANISM-HOOK, ENTRY DOOR - INTERIOR
	039715-01-000	EA NUT-SERT, 1/4" DIAMETER 20 THREADS
4	C39979-04-000	EA COVER-INTERIOR LATCH W/TRIP ARM - RIGHT - BLACK
	039984-01-000	EA CAP-ROUND VINYL - 28" ID X 62" LONG - BLACK
	041546-03-000	EA BRACKET-DOOR ANGLE, 5" X 1 9" - BEIGE - METAL

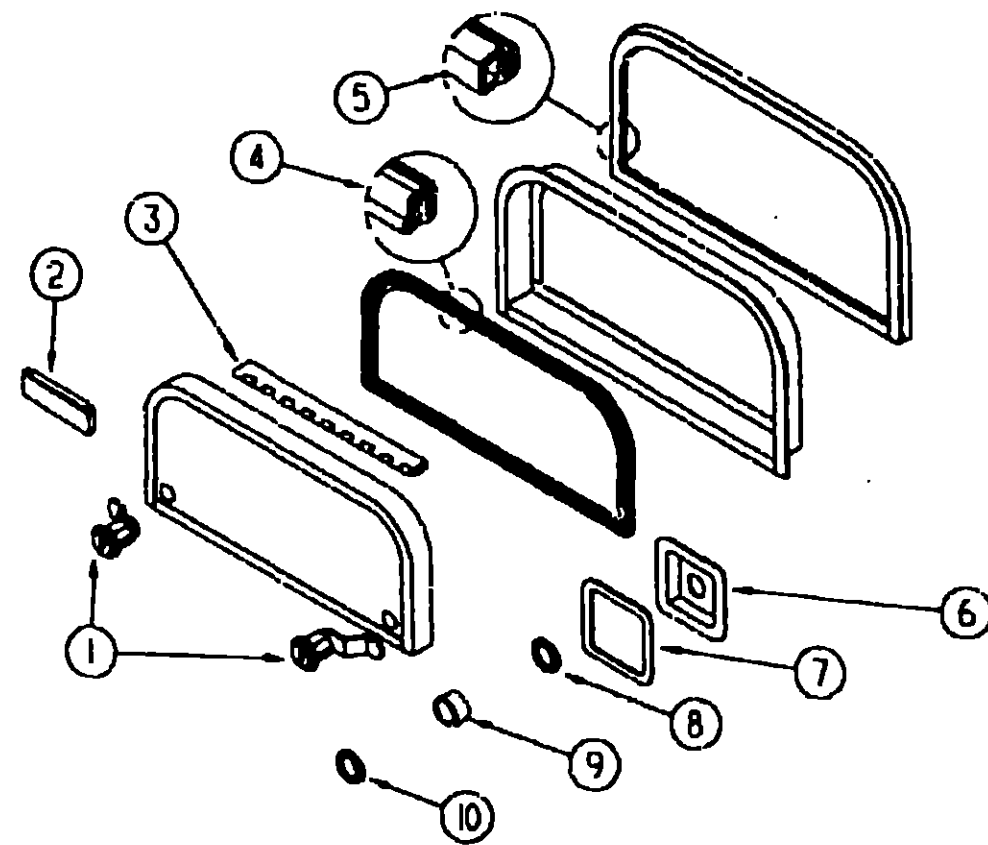
1993 ITASCA TABLE OF CONTENTS

INTRODUCTION	A-01	A-02
ABBREVIATIONS		A-03
ALPHABETICAL INDEX	A-04	A-06
IF527RQ	A-07	E-02
IF527RC	E-03	H-22

1993 IF527RC INDEX

FLOOR PLAN	E-03	F-04
ACCESSORIES		E-05
AUDIO/VIDEO		F-16
BATH	E-07	F-08
BEDROOM	E-09	F-10
CHASSIS	E-11	F-15
CURTAIN & CUSHION	E-16	F-02
INETTE	F-03	F-04
DRIVERS COMPARTMENT	F-05	F-06
ELECTRICAL	F-07	F-10
EXTERIOR BODY	F-11	F-20
GALLEY	F-21	G-01
GENERATOR		G-02
HEATING & A/C	G-03	G-04
INTERIOR FINISH	G-05	G-08
LABELS	G-09	G-15
LP		G-16
LOUNGE	G-17	G-19
SEALANTS & FASTENERS	G-19	G-21
WATER & SEWAGE	G-22	H-02
WINDOW VENT AND EXTERIOR DOOR	H-03	H-21

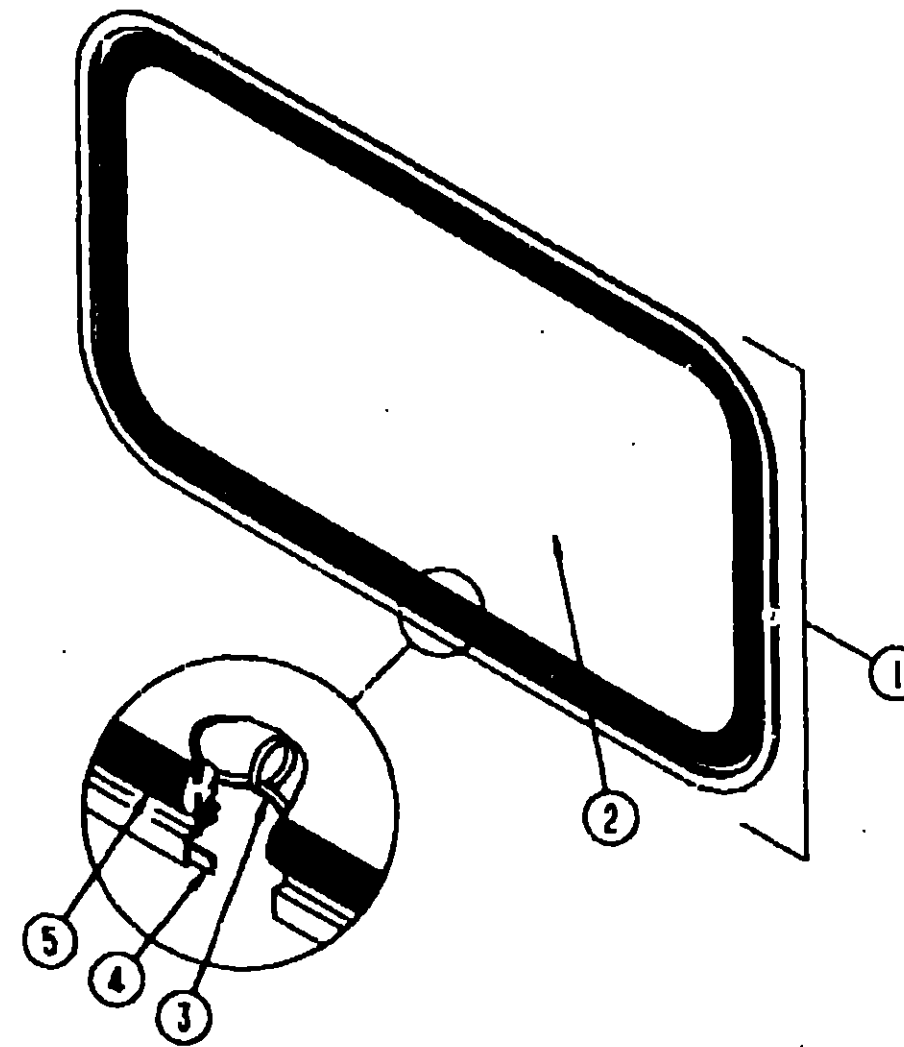
WINDOW, VENT & EXTERIOR DOOR GROUP (CONTINUED)



EXTERIOR DOOR COMPONENTS & HOLDERS

KEY	PART NUMBER	U/M DESCRIPTION
1	079366-05-000	EA LOCK KEY TYPE W/O KEYS - 1 60 OFF SET
	082584-01-700	EA KEY BLANK
1	079927-04-000	EA LOCK-TWIST TYPE 1 60 OFF SET - ILLINOIS LOCK
2	102768-01-000	EA HOLDER-COMPARTMENT/ENTRY DOOR, METAL - MILL FINISH
3	105376-01-02A	EA HINGE-CONTINUOUS 2" X 140MM - OFF WHITE
	031801-02-000	EA HINGE-CONTINUOUS 2" X 95" OFF WHITE
	084413-01-000	EA HINGE-CONTINUOUS ALUMINUM - 1" X 72" - W/HOLES
4	054075-07-000	FT SEAL-BULB W/WIRED U CHANNEL - 3" X 5" CHANNEL - BLACK
5	081532-02-000	FT SEAL-BULB DOOR - W/WIRE CARRIER - 8" WIDE - RUBBER - BLACK
6	097111-01-01A	EA POCKET-LOCK, VALANCE - OFF WHITE
7	099338-01-000	EA GASKET-LOCK POCKET
8	109834-01-000	EA WASHER, 640 X 752 ID SST - HUDSON LOCK
9	107397-51-001	EA EXTR-SPACER 0015 - 24
10	109833-01-000	EA BEAUTY RING, 570 X 780ID - SST - HUDSON LOCK
	056217-55-001	EA U-CHANNEL 17 5" - OFF WHITE
	056217-55-002	EA U-CHANNEL 17 5" - DARK GRAY
	058927-01-000	FT SEAL, D SHAPED - HOLLOW - SPONGE RUBBER - BLACK

WINDOW, VENT & EXTERIOR DOOR GROUP (CONTINUED)



BACKWALL ESCAPE WINDOW

KEY	PART NUMBER	U/M DESCRIPTION
	074816-09-000	EA FRAME-WINDOW INSIDE - ESCAPE - OFF WHITE
1	078528-04-005	EA WINDOW-ESCAPE, BACKWALL - W/D INSIDE FRAME
2	075337-09-000	EA GLASS-WINDOW, 44 8" X 23 5"
3	002285-01-000	FT FILLER-WEATHER STRIP, RUBBER - BLACK
	077066-01-702	EA RED POLY 005 X 500 IN X150 ROLL
4	069640-10-000	FT SEALER-RIBBON 1/32" X 1 1/2" INCREMENTS OF 60'
5	002282-04-000	EA WEATHERSTRIP-WINDOW, 125" X 109 25" - VULCANIZED - BLACK

1993 ITASCA
TABLE OF CONTENTS

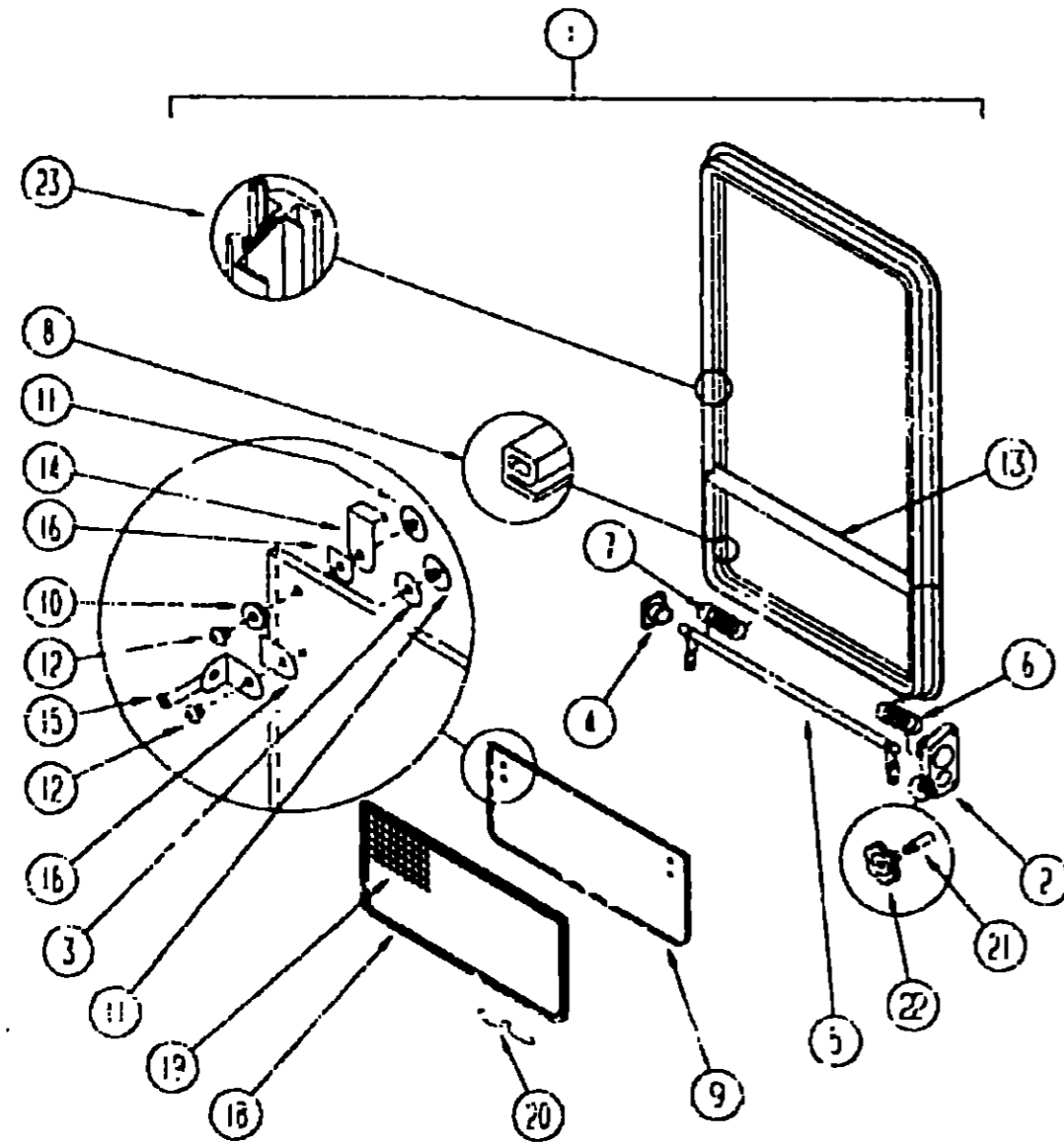
INTRODUCTION	A-01	A-02
ABBREVIATIONS		A-03
ALPHABETICAL INDEX	A-04	A-05
IF527RC	A-07	E-02
IF527RC	E-03	H-22

1993 IF527RC INDEX

FLOOR PLAN	E-03	E-04
ACCESSORIES		F-05
AUDIO/VIDEO		F-06
BATH	F-07	F-08
BEDROOM	F-09	F-10
CHASSIS	E-11	E-15
CURTAIN & CUSHION	E-16	F-02
DINETTE	F-03	F-04
DRIVERS COMPARTMENT	F-05	F-06
ELECTRICAL	F-07	F-10
EXTERIOR BODY	F-11	F-20
GALLEY	F-21	G-01
GENERATOR		G-02
HEATING & A/C	G-03	G-04
INTERIOR FINISH	G-05	G-08
LABELS	G-09	G-15
LP		G-16
LOUNGE	G-17	G-18
SEALANTS & FASTENERS	G-19	G-21
WATER & SEWAGE	G-22	H-02
WINDOW VENT AND EXTERIOR DOOR	H-03	H-21

WINDOW, VENT & EXTERIOR DOOR GROUP (CONTINUED)

PASSENGER SIDE BEDROOM WINDOW



KEY	PART NUMBER	U/M	DESCRIPTION
	090893-18-02A	EA	FRAME-INSIDE, WINDOW RETAINER - OFF WHITE
1	092235-12-Y12	EA	WINDOW-TIPOUT, W/O INSIDE FRAME
	000H14-06-14R	EA	RIVET-MANDREL BLIND 3/16"
2	035302-02-000	EA	OPERATOR-TORQUE, TIPOUT WINDOW -
3	058927-03-000	EA	SEAL-WINDOW, RUBBER - ROUND - 80° DIA - BLACK
4	081354-01-000	EA	SLEEVE-TORQUE TUBE, TIPOUT WINDOW - 1 3/4" X 1 7/8" X .7"
	081649-01-000	EA	RING-SNAP, 7/32 SHAFT DIAMETER
5	083150-12-000	EA	TUBE-TORQUE, TIPOUT WINDOW - W/SPRING & ARM - 22 5/8" LONG
6	080918-01-000	EA	SPRING-TORQUE TUBE, LEFT
7	080918-02-000	EA	SPRING-TORQUE TUBE, RIGHT
8	084057-02-000	FT	SEAL-E SHAPED, SPONGE - TIPOUT WINDOW - 42" X 38" - BLACK
9	084068-17-000	EA	GLASS-TIPOUT, 9 2/4" X 24 5/8"
10	084453-02-000	EA	WASHER-.06" X 5" X 25" - PLASTIC
11	086762-01-000	EA	T NUT-10-32
12	096763-01-000	EA	SCREW-MACH, 10 - 32 X 1/4 PTH
13	067566-04-01A	EA	MULLIGN-HORIZOTAL TIPOUT - BLACK
14	085913-01-000	EA	HINGE-TIPOUT WINDOW BLACK
15	097578-01-000	EA	LINKAGE-TIPOUT WINDOW
	084453-01-000	EA	WASHER-.06" X 5" X 135" - PLASTIC
15	084473-01-000	EA	SEAL-FLAT, W/CENTER HOLE & ADHESIVE SIDE - 8" X 9" - BLACK
	085315-01-000	EA	RIVET-SHOULDER, TIPOUT WINDOW
18	080218-03-000	SF	SCREENING-FIBERGLASS 12" WIDE
20	100168-01-030	EA	CLIP-SPRING, SCREEN
	100240-01-000	FT	SPLINE-SCREEN, T-SHAPED
21	090025-01-000	EA	EXTENSION-CRANK HANDLE, WINDOW - PLASTIC - BEIGE
22	101230-01-01A	EA	KNOB-OPERATOR TIPOUT WINDOW - W/SPRING & ARM - BRASS
	101299-01-01A	EA	SCREW-MACHINE, 8-32 X 4 PCH - BRASS PLATED LEAD
23	059640-11-000	FT	TAPE-SEALER 3/16" X 3/8" - BLACK

1993 ITASCA TABLE OF CONTENTS

INTRODUCTION	A-01	A-02
ABBREVIATIONS		A-03
ALPHABETICAL INDEX	A-04	A-05
IF527RC	A-07	E-02
	E-03	H-22

1993 IF527RC INDEX

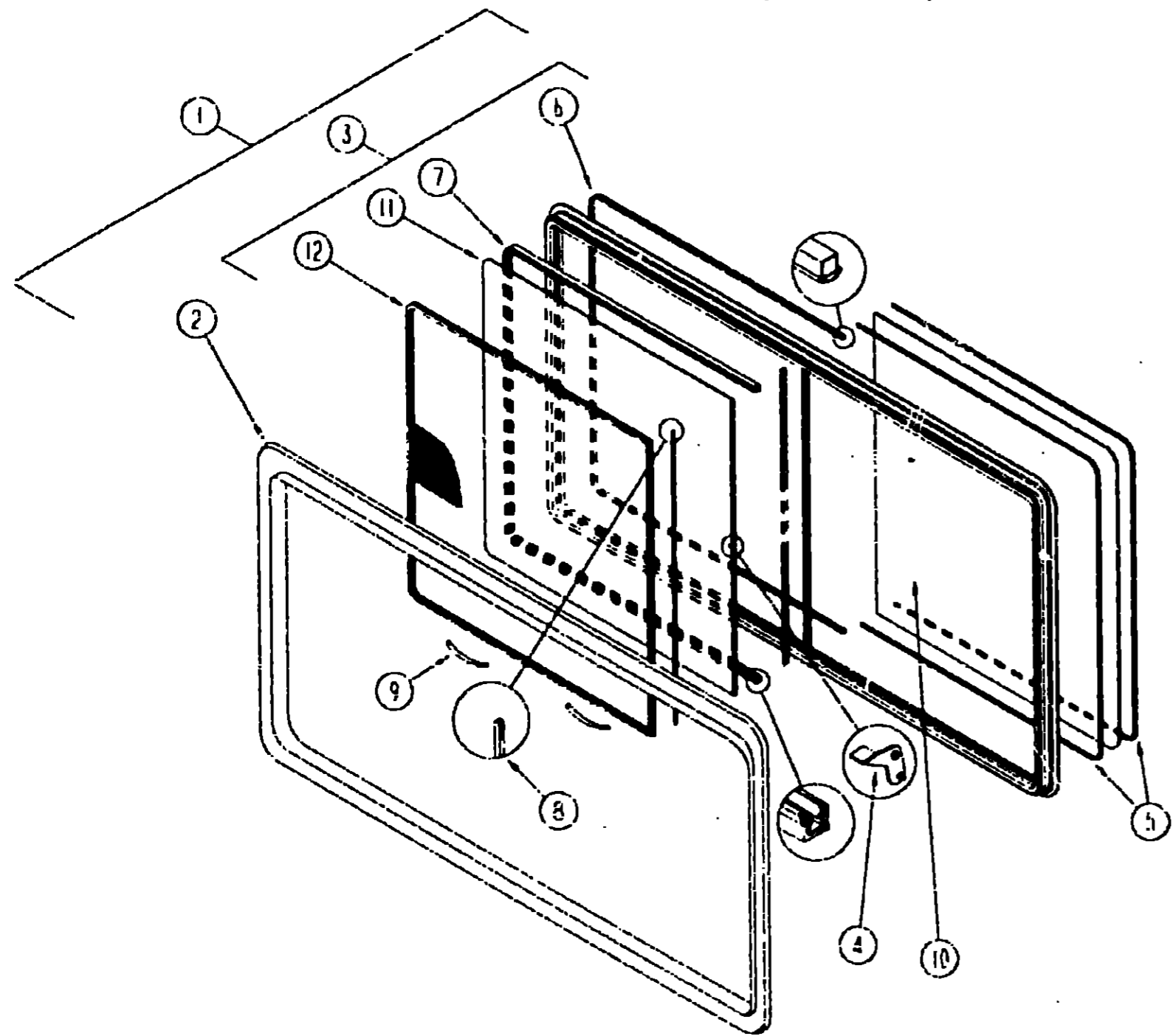
FLOOR PLAN	E-03	E-04
ACCESSORIES		E-05
ADD-ON DEC.		E-06
BATH	E-07	E-08
BEDROOM	E-09	E-10
CHASSIS	E-11	E-15
CURTAIN & CUSHION	E-15	F-02
DINETTE	F-03	F-04
DRIVERS COMPARTMENT	F-05	F-06
ELECTRICAL	F-07	F-10
EXTERIOR BODY	F-11	F-20
GALLEY	F-21	G-01
GENERATOR		G-02
HEATING & A/C	G-03	G-04
INTERIOR FINISH	G-05	G-08
LABELS	G-09	G-15
LP		G-15
LOUNGE	G-17	G-18
SEALANTS & FASTENERS	G-19	G-21
WATER & SEWAGE	G-22	H-02
WINDOW VENT AND EXTERIOR DOOR	H-03	H-21

WINDOW, VENT & EXTERIOR DOOR GROUP (CONTINUED)

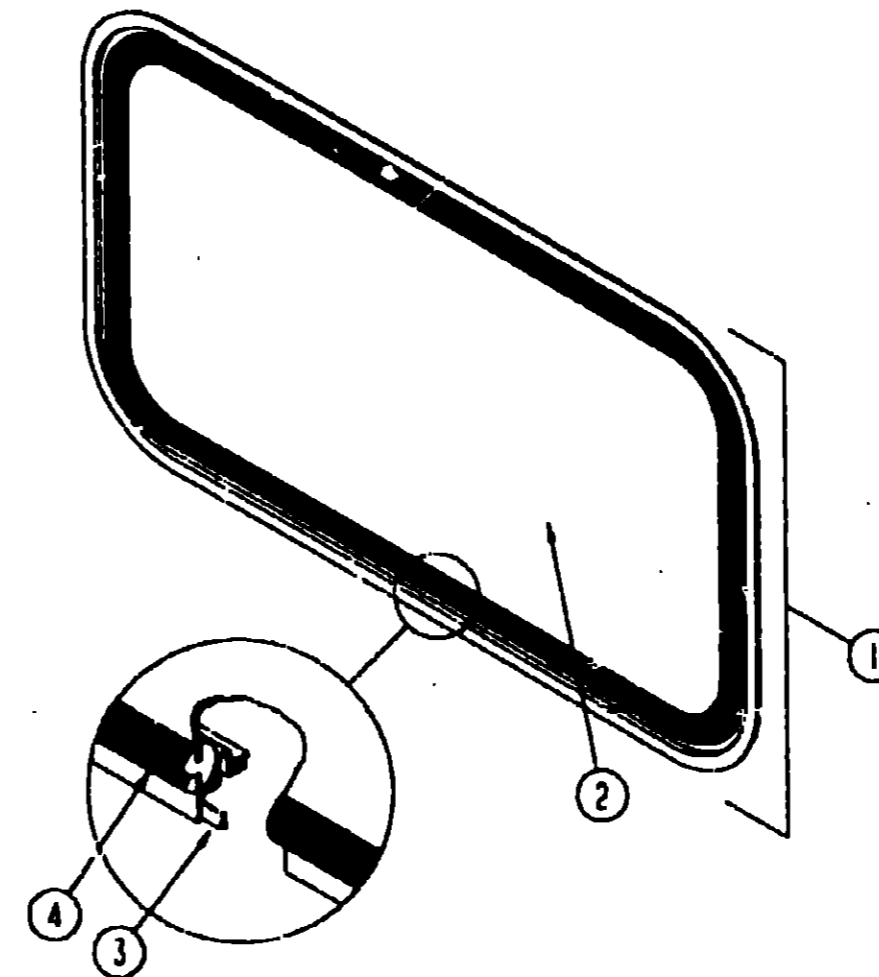
WINDOW, VENT & EXTERIOR DOOR GROUP (CONTINUED)

1993 ITASCA
TABLE OF CONTENTS

INTRODUCTION	A-01	A-02
ABBREVIATIONS	A-03	A-03
ALPHABETICAL INDEX	A-04	A-05
IF527RC	A-07	E-02
IF527RC	E-03	H-22



DRIVER SIDE COUCH SINGLE SLIDING WINDOW



OVERHEAD BUNK FRONT WINDOW

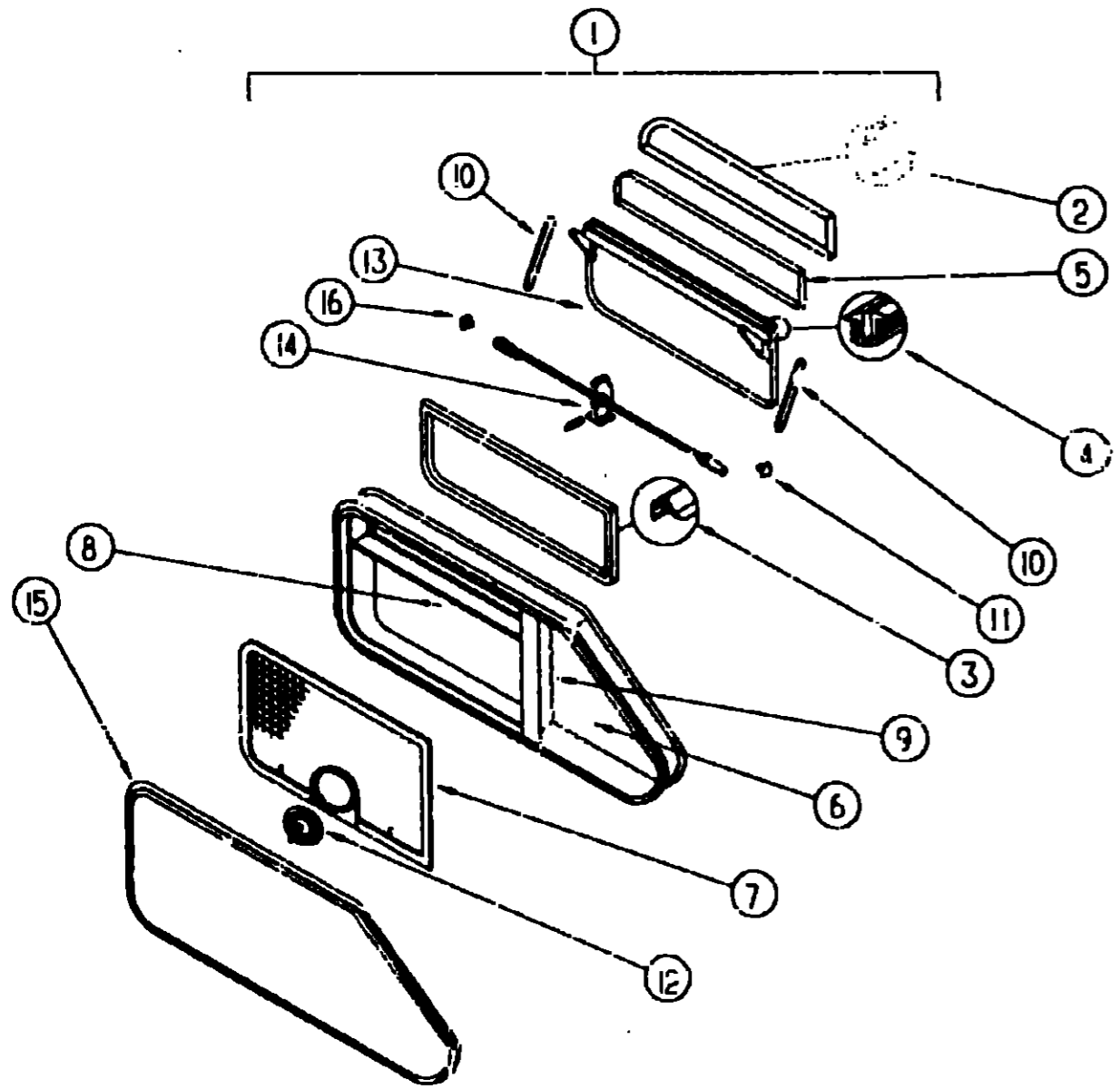
1993 IF527RC INDEX

FLOOR PLAN	E-03	E-04
ACCESSORIES		E-05
AUDIO VIDEO		E-05
BATH	E-07	E-08
BEDROOM	E-09	E-10
CHASSIS	E-11	F-15
CURTAIN & CUSHION	E-15	F-02
DINETTE	F-03	F-04
DRIVERS COMPARTMENT	F-05	F-06
ELECTRICAL	F-07	F-10
EXTERIOR BODY	F-11	F-20
GALLEY	F-21	G-01
GENERATOR		G-02
HEATING & A/C	G-03	G-04
INTERIOR FINISH	G-05	G-08
LABELS	G-09	H-15
LIFT		H-16
LOUNGE	G-17	G-18
SEALANTS & FASTENERS	G-19	G-21
WATER & SEWAGE	G-22	H-02
WINDOW VENT AND EXTERIOR DOOR	H-03	H-21

KEY	PART NUMBER	U/M	DESCRIPTION
1	096647-10-02A	EA	WINDOW-SLIDER HORIZONTAL - W/INSIDE FRAME - BLACK
2	096647-09-704	EA	TRIM INSIDE (OFF WHITE) - W024 67 EXCEL WHITE
3	096647-10-700	EA	WINDOW-SINGLE SLIDER - LEFT (W/O INSIDE FRAME)
4	098644-01-700	EA	LATCH REPAIR KIT
5	096644-01-705	FT	GLAZING STRIP EXCEL M026-12
6	096644-01-706	FT	WEATHERSTRIP EXCEL 171-010568
7	096644-01-708	FT	CHANNEL PIERCED RUN EXCEL 122-016543
8	096644-01-710	FT	TRACK-SCREEN SPACER 12' LENGTH - EXCEL M401 31
	096644-01-711	FT	WEATHERSTRIP SCREEN BLACK - EXCEL 171-010565
9	096644-01-713	EA	SPRING-SCREEN FRAME (CLIP) PLASTIC - BLACK - EXCEL 225 016956
	098644-01-716	FT	PLUG FILLER EXCEL 132-014470
	096644-01-717	FT	SPLINE SCREEN MFG EXCEL 32-004716
10	096647-09-700	EA	GLASS-STATIONARY - 106 017193 EXCEL
11	096647-09-701	EA	GLASS-SLIDING W/SASH LATCH - M024-G9 EXCEL
12	096647-09-705	EA	SCREEN W/SPRING&WEATHERSTRIP - 410-010454 EXCEL

KEY	PART NUMBER	U/M	DESCRIPTION
	067609-33-000	EA	FRAME INSIDE WINDOW
1	103313-01-B05	EA	WINDOW-PICTURE W/O INSIDE FRAME
2	002191-15-000	EA	GLASS-PICTURE 11 5" X 58 1" - GRAY
3	055640-11-000	FT	SEALER-TAPE 3/16" X 3/8" - BLACK
4	093154-01-000	FT	CHANNEL-GLAZING STATIONARY GLASS - 52" X 45" - BLACK

WINDOW, VENT & EXTERIOR DOOR GROUP (CONTINUED)



DRIVER SIDE OVERHEAD BUNK WINDOW

KEY	PART NUMBER	U/M DESCRIPTION
1	100322-02-700	EA WINDOW-VENTED 12" X 35 3/8 W/O INSIDE FRAME - EXCEL CH19 DK L
2	098544-01-715	FT PLUG-FILLER, EXCEL 132-014470
3	100322-01-701	FT SEAL-VENT, EXCEL 122-015071
4	100322-01-702	FT WEATHERSTRIP-HORIZONTAL RAIL EXCEL 132-015975
	100322-01-703	EA STRIP-GLAZING BUTYL EXCEL 132-010723
	100322-01-704	EA TAPE-BUTYL, EXCEL 154-015083
5	100322-01-705	EA GLASS-STATIONARY SMALL TOP - EXCEL 105-017254
5	100322-01-706	EA GLASS-STATIONARY LARGE FRONT - EXCEL 105-017255
7	100322-01-708	EA SCREEN DRIVER SIDE, EXCEL 410-017259 L
8	100322-01-712	EA RAIL-HORIZONTAL EXCEL CH05 19 R OR L
9	100322-01-713	EA BAR-DIVISION VERTICAL - EXCEL CH19-20 R OR L
10	100322-01-716	EA SUPPORT-TORQUE BAR CENTER RAIL - EXCEL 130-015980
11	100322-01-715	EA SUPPORT-TORQUE BAR EXCEL 130-015979 (R)
	100322-01-717	EA E-RING EXCEL 245-015975
12	100322-01-718	EA HANDLE-DIAL EXCEL 410-015081
13	100322-01-722	EA GLASS ASM-VENT LEFT - EXCEL CH19-05L
14	100322-01-723	EA OPERATOR ASM VENT GLASS LEFT - EXCEL CH19-15L
15	100322-02-701	EA FRAME-INSIDE LEFT - WHITE - EXCEL V958-50L
16	100322-01-714	EA SUPPORT-TORQUE BAR EXCEL 130-015978 (L)
	009439-05-000	EA EXTENSION-CRANK HANDLE WINDOW/ROOF VENT - BLACK
	009439-07-000	EA SCREW 8-32 X 1 1/4 FGH - BLACK

PASSENGER SIDE OVERHEAD BUNK WINDOW

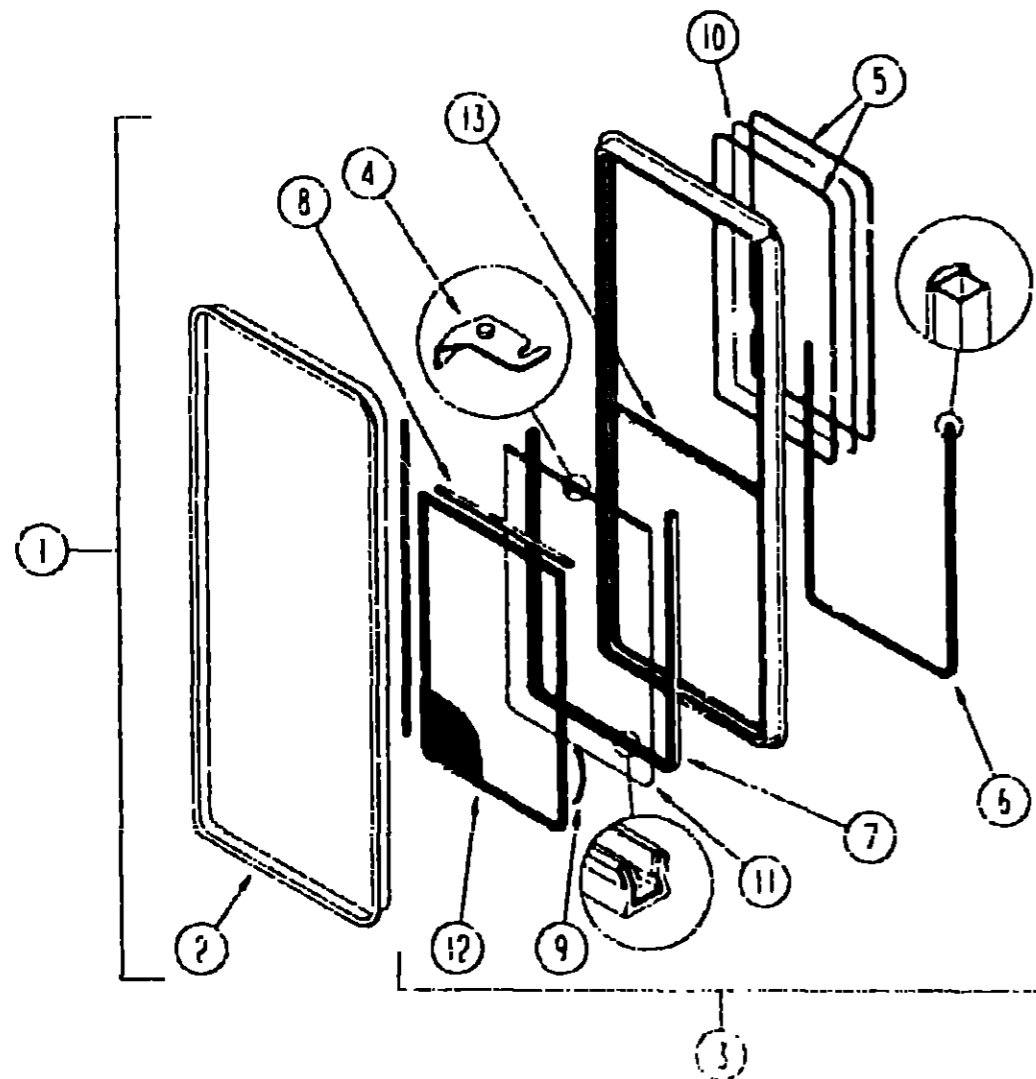
KEY	PART NUMBER	U/M DESCRIPTION
1	100322-01-720	EA WINDOW-VENTED 12" X 35 3/8 W/O INSIDE FRAME EXCEL CH19-06 R
2	098544-01-716	FT PLUG-FILLER, EXCEL 132-014470
3	100322-01-701	FT SEAL-VENT EXCEL 122-015071
4	100322-01-702	FT WEATHERSTRIP HORIZONTAL RAIL EXCEL 132-015975
	100322-01-703	EA STRIP-GLAZING BUTYL EXCEL 132-010723
	100322-01-704	EA TAPE-BUTYL EXCEL 154-015083
5	100322-01-705	EA GLASS-STATIONARY SMALL TOP EXCEL 105-017254
6	100322-01-706	EA GLASS-STATIONARY LARGE FRONT EXCEL 105-017255
7	100322-01-709	EA SCREEN PASSENGER SIDE EXCEL 410-017270 R
8	100322-01-712	EA RAIL-HORIZONTAL EXCEL CH05 19 R OR L
9	100322-01-713	EA BAR-DIVISION VERTICAL EXCEL CH19-20 R OR L
10	100322-01-716	EA SUPPORT-TORQUE BAR CENTER RAIL EXCEL 130-015980
11	100322-01-715	EA SUPPORT-TORQUE BAR EXCEL 130-015979 (R)
	100322-01-717	EA E-RING, EXCEL 245-015975
12	100322-01-718	EA HANDLE-DIAL EXCEL 410-015081
13	100322-01-707	EA GLASS-VENT RIGHT - EXCEL CH19-06R
14	100322-01-711	EA OPERATOR-VENT SUB ASSEMBLY - EXCEL CH05 15 R OR L
15	100322-01-724	EA FRAME-INSIDE RIGHT - WHITE V958-60R EXCEL
16	100322-01-714	EA SUPPORT-TORQUE BAR EXCEL 130-015978 (L)
	009439-05-000	EA EXTENSION-CRANK HANDLE WINDOW/ROOF VENT BLACK

1993 ITASCA
TABLE OF CONTENTS

INTRODUCTION	A-01	A-02
ABBREVIATIONS		A-03
ALPHABETICAL INDEX	A-04 -	A-05
IF527RC	A-07 -	E-02
IF527RC	E-03 -	H-22

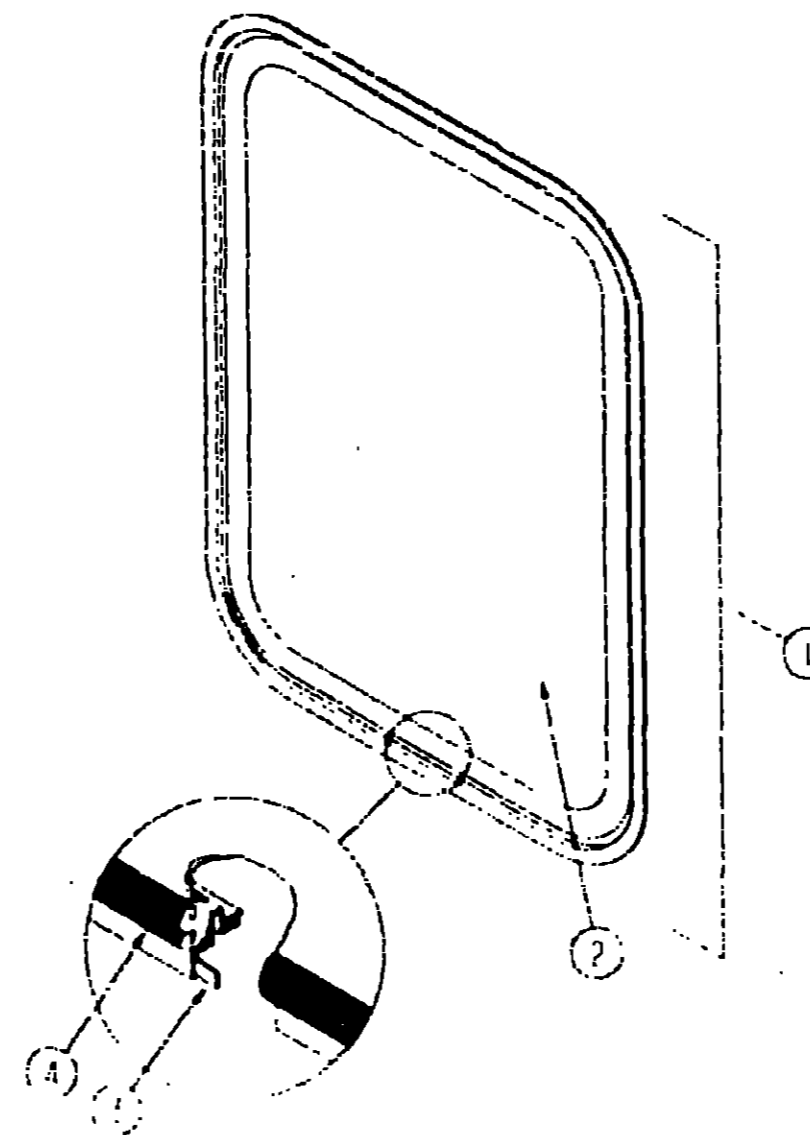
1993 IF527RC INDEX

FLOOR PLAN	E-03	E-04
ACCESSORIES		E-05
AUXILIARY		F-01
BATH	E-07	E-08
BEDROOM	E-09	E-10
CHASSIS	E-11	E-15
CURTAIN & CUSHION	E-16	F-02
DINETTE	F-03	F-04
DRIVERS COMPARTMENT	F-05	F-06
ELECTRICAL	F-07	F-10
EXTERIOR BODY	F-11	F-20
GALLEY	F-21	G-01
GENERATOR		G-02
HEATING & A/C	G-03	G-04
INTERIOR FINISH	G-05	G-08
LABELS	G-09	G-15
LP		G-16
LOUNGE	G-17	G-18
SEALANTS & FASTENERS	G-19	G-21
WATER & SEWAGE	G-22	H-02
WINDOW VENT AND EXTERIOR DOOR	H-03	H-21



PASSENGER SIDE SWIVEL CHAIR WINDOW

KEY	PART NUMBER	U/M	DESCRIPTION
1	098644-05-01A	EA	WINDOW-SLIDER VERTICAL W/INSIDE TRIM - EXCEL M250-FR
2	098644-05-700	EA	TRIM-INSIDE (OFF-WHITE) - EXCEL W-50-57
3	098644-05-704	EA	WINDOW ASM W/O INSIDE TRIM - EXCEL H250-G2H
4	098644-01-700	EA	LATCH REPAIR KIT - EXCEL B80-CK
5	098644-01-705	FT	GLAZING STRIP - EXCEL M925-12
6	098644-01-706	FT	WEATHERSTRIP - EXCEL 171-010628
7	098644-01-709	FT	CHANNEL-PIECED RUN - EXCEL 122-015543
8	098644-01-710	FT	TRACK-SCREEN SPACER 12" LENGTH - EXCEL M401-31
	098644-01-711	FT	WEATHERSTRIP-SCREEN BLACK - EXCEL 171-010605
9	098644-01-713	EA	SPRING-SCREEN FRAME (CLIP) PLASTIC - BLACK
	098644-01-715	FT	PLUG-FILLER - EXCEL 132-014470
	098644-01-717	FT	SPRINE-SCREEN MFG - EXCEL 132-004715
10	098644-05-701	EA	STATIONARY GLASS - EXCEL 106-018013
11	098644-05-702	EA	SLIDE ASM - EXCEL 7938-G9
12	098644-05-703	EA	SCREEN ASM - EXCEL 410-015476



ENTRY DOOR WINDOW

KEY	PART NUMBER	U/M	DESCRIPTION
	067809-02-000	EA	FRAME WINDOW ENTRY DOOR - OFF-WHITE
1	079733-04-T03	EA	WINDOW PICTURE W/O INSIDE FRAME - 17" X 25"
2	002181-06-000	EA	GLASS PICTURE WINDOW - 115" X 16.25" X 24"
3	069640-11-000	FT	SEALANT TAPE 3/16"
4	087561-01-000	FT	SEAL VINYL EXTERIOR

1993 ITASCA
TABLE OF CONTENTS

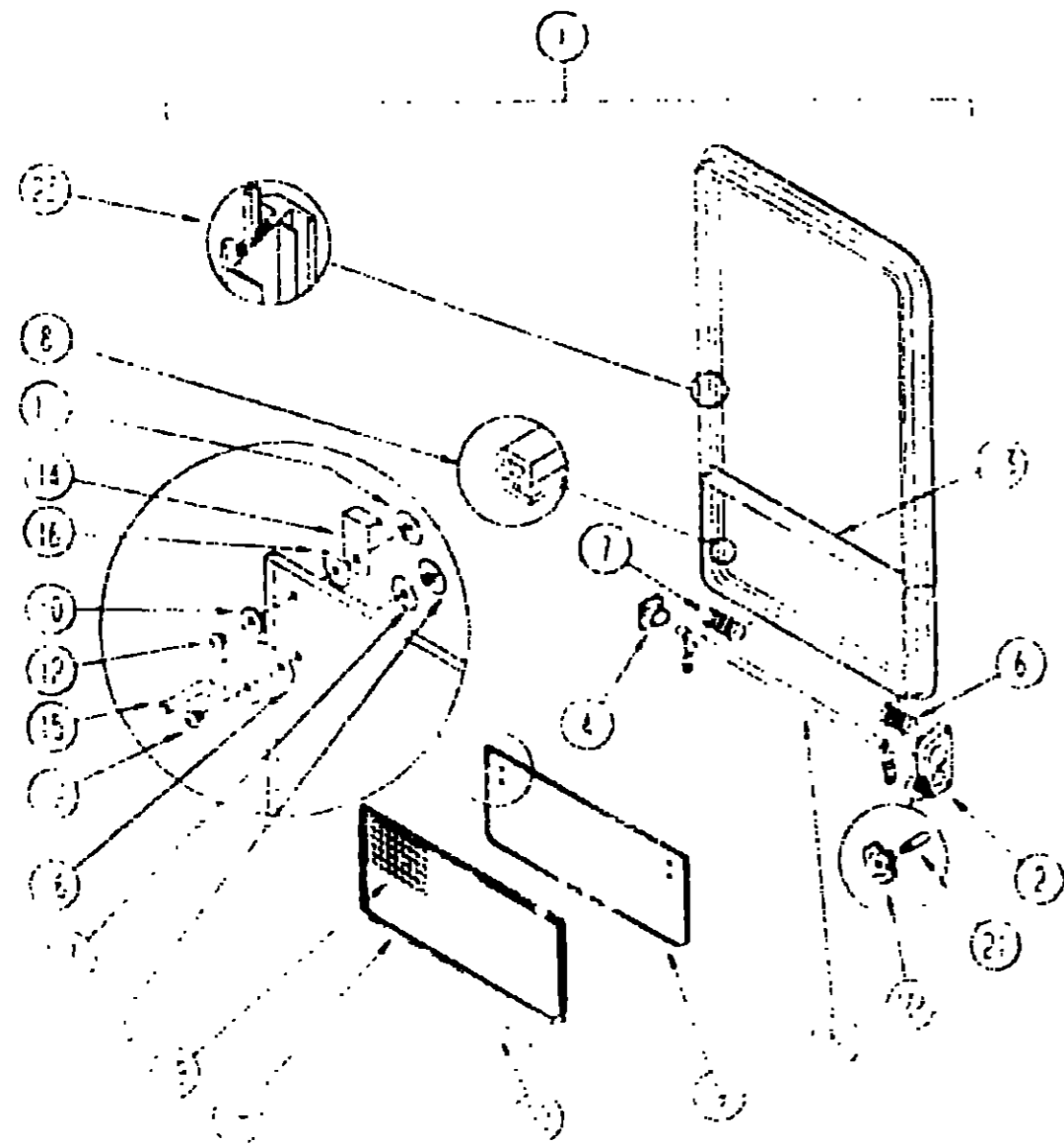
INTRODUCTION	A-01	A-02
ABBREVIATIONS		A-03
ALPHABETICAL INDEX	A-04	A-05
IF527RC	A-07	E-02
IF527RC	E-03	M-22

1993 IF527RC INDEX

FLOOR PLAN	E-03	E-04
MAINTENANCE		E-05
ALPHABETICAL INDEX		E-06
BATH	E-07	E-08
BEDROOM	E-09	E-10
CHASSIS	E-11	E-12
CURTAIN & SLIDER	E-13	E-14
UNIT	E-15	E-16
TRAVELER'S APPOINTMENT	E-17	E-18
ELECTRICAL	E-19	E-20
EXTERIOR BODY	E-21	E-22
GALLEY	E-23	E-24
GENERATOR	E-25	E-26
HEATING & A/C	E-27	E-28
INTERIOR FINISH	E-29	E-30
LABELS	E-31	E-32
LP	E-33	E-34
LOUNGE	E-35	E-36
SEALANTS & FASTENERS	E-37	E-38
WATER & SEWAGE	E-39	E-40
WINDOW VENT AND EXTERIOR DOOR	E-41	E-42

WINDOW, VENT & EXTERIOR DOOR GROUP (CONTINUED)

JALLEY WINDOW



KEY	PART NUMBER	U/M DESCRIPTION
1	076853 17 000	EA FRAME INSIDE WINDOW RETAINER OFF WHITE
1	032235 11 010	EA WINDOW TPOUT SINGLE W/O INSIDE FRAME
2	005114 05 14R	EA RIVET MANDREL BLIND 3/16"
2	035332 32 000	EA OPERATOR TORQUE TPOUT WINDOW
3	058527 03 000	EA SEAL WINDOW RUBBER ROUND 80" DIA BLACK
4	010154 01 000	EA SLEEVE TORQUE TUBE TPOUT WINDOW 1 1/2" X 1 1/2" X 7"
4	011549 01 000	EA RING SNAP 7/32 SHAFI DIAMETER
5	013153 10 000	EA TUBE TORQUE TPOUT WINDOW W SPRING 3 ARM 22 1/2" LONG
6	055915 01 000	EA SPRING TORQUE TUBE LEFT
7	050415 02 000	EA SPRING TORQUE TUBE RIGHT
8	084057 12 000	FT SEAL E SHAPED SPRING TPOUT WINDOW 42" X 38" BLACK
9	084058 15 000	EA GLASS TPOUT 32" X 24 1/2"
10	084453 02 000	EA WASHER 1/2" X 5/8" 1/4" PLATED
11	085752 01 000	EA NUT 1/2"
12	085753 01 000	EA SCREW MACHINE 1/2" X 1 1/4"
13	087555 02 000	EA MOUNTING BRACKET TPOUT WINDOW BLACK
14	085913 01 000	EA HINGE TPOUT WINDOW BLACK
15	037578 01 000	EA LINKAGE TPOUT WINDOW
15	084453 01 000	EA WASHER 1/2" X 5/8" 1/4" PLATED
15	084471 01 000	EA SEAL FLAT W CENTER HOLE & ADHESIVE SIDE 5/8" X 3" BLK
15	055915 01 000	EA RIVET SHOULDER TPOUT WINDOW
18	107235 12 000	EA SCREEN SINGLE TPOUT WINDOW
19	080218 03 000	FT SCREENING FIBERGLASS 1/2" WIDE
20	100158 01 000	EA SPRING SCREEN
20	100240 01 000	FT SPRING SCREEN 1 SHAPED
21	100439 02 000	EA EXTENSION CRANK HANDLE W/O W/ 1/2" DIA BLANK
22	100439 03 000	EA KNOB OPERATOR TPOUT WINDOW W SPRING 3 ARM
22	100439 07 000	EA SCREW 3/32" X 1 1/4" BLK
23	100440 11 000	FT TAPE TAPE 3/8" X 1/2" BLACK

1993 ITASCA
TABLE OF CONTENTS

INTRODUCTION	A-01	A-12
ABBREVIATIONS		A-03
ALPHABETICAL INDEX	A-04	A-06
IF527RC	A-07	E-02
IF527RC	E-03	H-22

1993 IF527RC INDEX

FLOOR PLAN	E-03	E-04
ACCESSORIES		E-05
AIR UNIT		E-07
BATH	E-07	E-08
BEDROOM	E-09	E-10
CHASSIS	E-11	E-15
CURTAINS & TUBS	E-15	E-16
COFFEE	E-03	E-04
DRYERS & DISHWASHER	E-03	E-06
ELECTRICAL	E-07	E-10
EXTERIOR BODY	E-11	E-20
GALLEY	E-01	G-01
GENERATOR		G-02
HEATING & AC	G-03	G-04
INTERIOR BODY	G-05	G-08
LABELS	G-09	G-15
LP		G-15
LOUNGE	G-17	G-18
SEALANTS & FASTENERS	H-19	H-21
WATER & SEWAGE	H-22	H-02
WINDOW VENT AND EXTERIOR DOOR	H-17	H-21

WINDOW, VENT & EXTERIOR DOOR GROUP (CONTINUED)

WINDOW, VENT & EXTERIOR DOOR GROUP (CONTINUED)

FANTASTIC ROOF VENTILATOR

KEY	PART NUMBER	U/M DESCRIPTION
	084079-03-00C	EA VENT-CEILING POWERED EXHAUST - OFF WHITE - FANTASTIC VENT
	084079-01-700	EA VENT COVER - FANTASTIC 1020 19
	084079-01-703	EA CRANK-EXTERIOR FANTASTIC 1060-09
	084079-01-704	EA BLADE-FAN FANTASTIC 1070-00
	084079-01-705	EA MOTOR FANTASTIC 1080 00
	084079-01-706	EA PLUG-12 VOLT FANTASTIC 1090
	084079-01-707	EA SWITCH SAFETY FANTASTIC 1120 00
	084079-01-709	EA SWITCH ON & OFF MAIN POWER FANTASTIC 1100 00
	084079-01-711	EA H-MOLDING MOTOR MOUNT - PLASTIC - FANTASTIC
	084079-01-712	EA GARNISH INT FIN 17/8 - OFF WHITE

1993 ITASCA
TABLE OF CONTENTS

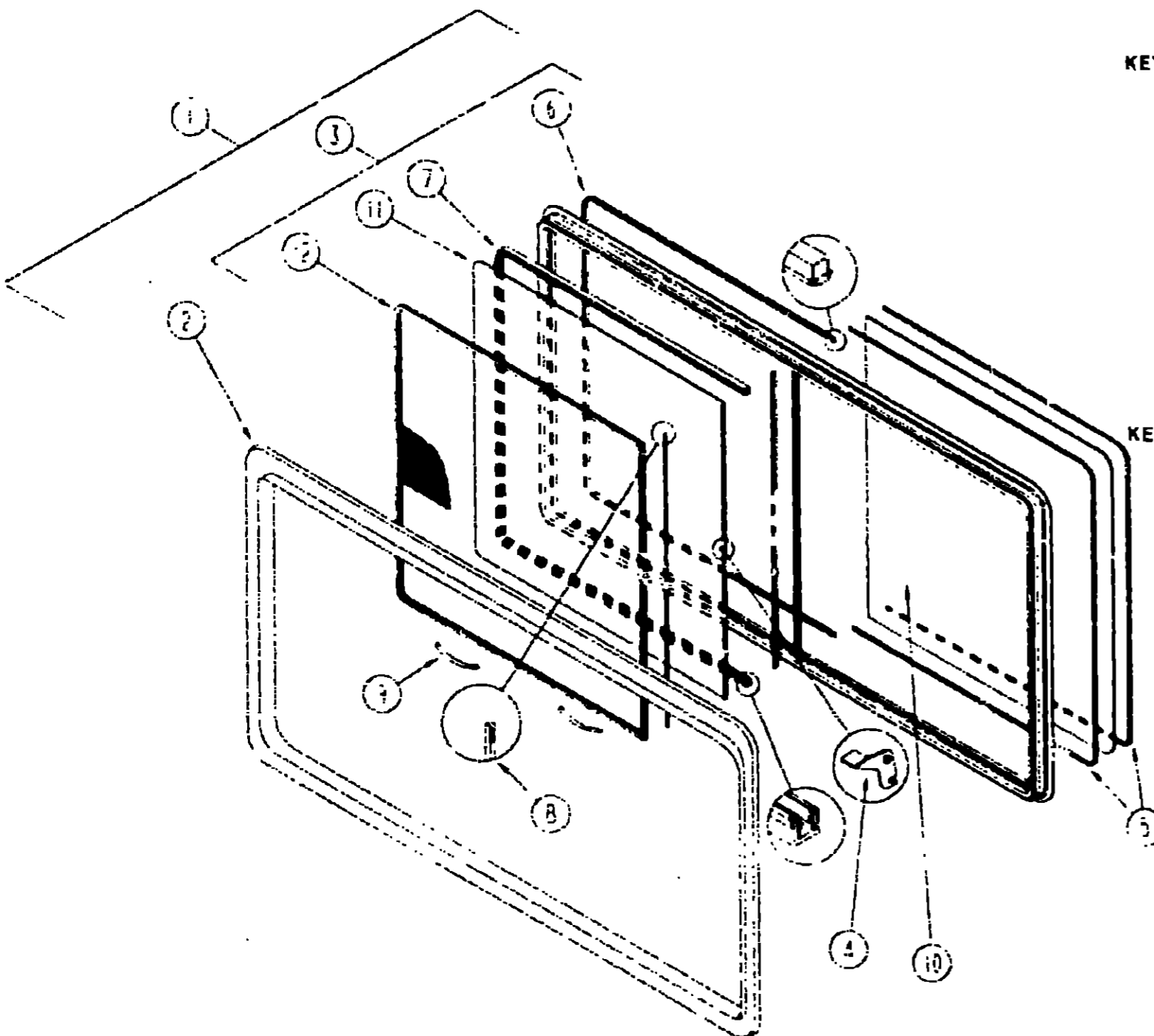
INTRODUCTION	A-01	A-12
ABBREVIATIONS		A-13
ALPHABETICAL INDEX	A-04	A-25
F527RC	A-07	B-02
F527RC	B-03	B-22

POWERED ROOF VENT

KEY	PART NUMBER	U/M DESCRIPTION
	009439-01-000	EA CRANK HANDLE ROOF VENT
	009439-04-000	EA SCREW 5-32 X 1 1/4" PH
	009439-02-000	EA KNOB-ROOF VENT MILL
	009439-03-000	EA EXTENSION CRANK HANDLE ROOF VENT - 3" MILL
	009394-01-712	EA VENT ROOF POWERED
		FROM 00-00-00 THRU 10-04-92
	055218-01-000	EA COVER-ROOF VENT PLASTIC
	002825-01-000	EA WEATHER STRIP-ROOF VENT GRAY
	008195-01-000	EA SWITCH-ROOF VENT PUSH BUTTON 12V
	008343-01-000	EA TIE-WIRE 5"
	008366-01-000	EA GROMMET-SNAP 3/8"
	009440-01-000	FA GEAR/ARM-VENT COVER LIFT
	015911-01-000	EA TRACK LIFT ARM SLIDE - ROOF VENT
	046648-01-000	EA MOTOR ROOF VENT 1/8" SHAFT - 12V - JENSEN
	046649-01-000	EA FAN ROOF VENT 5 BLADES - 5" - JENSEN
	052639-01-001	EA HINGE VENT COVER 15"
	052639-01-200	EA HINGE EXTRUSION ROOF VENT 7"
	081703-01-000	EA GROMMET SNAP 3/16" ID 3/8" HOLE PLASTIC BLACK
	075755-01-710	EA SCREEN ROOF VENT POWERED
	002291-02-000	SF SCREENING ROOF VENT WINDOW 15" - BLACK
	002295-02-000	FT SPLINE-VENT-WINDOW SCREEN 128 DIAMETER BLACK
	11-03-01A	EA VENT ROOF POWERED - 2" ROOF - JENSEN 7757
		FROM 10-05-92 THRU 09-99-99
	048648-01-000	EA MOTOR 12V NONVENTED 1/8" SHAFT
	048649-01-000	EA FAN-PLASTIC 5" 5 BLADED
	054470-01-700	EA COVER ROOF VENT JENSEN 7291
	110051-01-701	EA GARNISH W/SCREEN & FRAME 2" JENSEN 29 600-01
	110051-01-702	EA HAND CRANK & OPERATOR ASM JENSEN RP-10000B
	110051-01-703	EA HANDLE CRANK JENSEN RP1031-B

1993 IF527RC INDEX

FLOOR PLAN	E-03	E-04
ACCESSORIES		E-05
ADD'N VES		E-05
BATH	E-07	E-08
BEDROOM	E-09	E-10
CHASSIS	E-11	E-15
CURTAIN & CUSHION	E-15	F-02
DINETTE	F-03	F-04
DRIVERS COMPARTMENT	F-05	F-06
ELECTRICAL	F-07	F-10
EXTERIOR BODY	F-11	F-20
GALLEY	F-21	G-01
GENERATOR		G-02
HEATING & A/C	G-03	G-04
INTERIOR FINISH	G-05	G-08
LABELS	G-09	G-15
LP		G-16
LOUNGE	G-17	G-18
SEALANTS & FASTENERS	G-19	G-21
WATER & SEWAGE	G-22	H-02
WINDOW VENT		H-02
EXTERIOR DOOR	H-03	H-21



PASSENGER SIDE DINETTE WINDOW

KEY	PART NUMBER	U/M DESCRIPTION
1	099547-09-02A	EA WINDOW SLIDER HORIZONTAL - W/INSIDE FRAME - BLACK
2	099547-09-704	EA TRIM INSIDE (OFF WHITE) - W/029 47 EXCEL - WHITE
3	099547-09-703	EA WINDOW SINGLE SLIDER - LEFT W/0 INSIDE FRAME
4	099544-01-700	EA LATCH REPAIR KIT
5	099544-01-705	FT GLAZING STRIP EXCEL 171-010558
6	099544-01-706	FT WEATHERSTRIP EXCEL 171-010558
7	099544-01-708	FT CHANNEL FIRED RUN EXCEL 122-015543
8	099544-01-710	FT TRACK-SCREEN SPACER 12 LENGTH - EXCEL 1401-31
	099544-01-711	FT WEATHERSTRIP-SCREEN BLACK EXCEL 171-015555
9	099544-01-713	EA SPRING SCREEN FRAME (CLIP) PLASTIC - BLACK - EXCEL 225 016255
	099544-01-715	FT PLUG-FILLER EXCEL 132-014470
	099544-01-717	FT SPLINE-SCREEN MFG EXCEL 32 004716
10	099547-09-700	EA GLASS-STATICARY - 105-017153 EXCEL
11	099547-09-701	EA GLASS SLIDING W/SASH & LATCH - 1024-09 EXCEL
12	099547-09-705	EA SCREEN W/SPRING & WEATHERSTRIP - 410-016454 EXCEL

WINDOW, VENT & EXTERIOR DOOR GROUP (CONTINUED)

NONPOWERED ROOF VENT

KEY	PART NUMBER	U/M	DESCRIPTION
	009439-01-000	EA	CRANK HANDLE ROOF VENT
	009439-02-000	EA	SCREW 1/2 X 1 1/4" PCW
	009439-03-000	EA	KNOB ROOF VENT MILL
	009439-04-000	EA	EXTENSION CRANK HANDLE ROOF VENT - 3" - WALL
	009439-04-000	EA	SCREWS 3/8 X 1 1/4" PCW
	000395-01-Y12	EA	VENT ROOF NONPOWERED
FROM 00-00-00 THRU 10-04-92			
	055218-01-000	EA	COVER ROOF VENT PLASTIC
	002925-01-000	EA	WEATHER STRIP ROOF VENT GRAY
	009440-01-000	EA	GEAR ARM VENT COVER LIFT
	015911-01-000	EA	TRACK LIFT ARM SLIDE - ROOF VENT
	052639-01-001	EA	HINGE VENT COVER 15"
	052539-01-200	EA	HINGE EXTRUSION ROOF VENT 7"
	078716-01-Y12	EA	SCREEN ROOF VENT NON POWERED - WHITE
	002291-02-000	SE	SCREENING ROOF VENT WINDOW 15" - BLACK
	002298-02-000	FT	SPLINE VENT WINDOW SCREEN 1 1/8" DIAMETER - BLACK
	110051-01-01A	EA	VENT ROOF NONPOWERED 2" R. IF - JENSEN 7724
FROM 10-05-92 THRU 99-99-99			
	064470-01-700	EA	COVER ROOF VENT JENSEN 7231
	110051-01-701	EA	GARNISH W-SCREEN & FRAME 2" JENSEN 29-000-01
	110051-01-702	EA	HAND CRANK & OPERATOR ASM JENSEN RP-100CB
	110051-01-703	EA	HANDLE CRANK JENSEN RP-1031-B

VENTS, SHROUDS & ROOF COVERS

KEY	PART NUMBER	U/M	DESCRIPTION
	083558-03-000	EA	VENT PLUMBING PIPE ROOF W/COVER OFF WHITE
	083752-01-000	EA	SHROUD RANGE 18 5/8" X 20 6/8" X 18 2/8" METAL - OFF WHITE
	084616-01-000	EA	SHROUD RANGE HOOD VENT PLASTIC - OFF WHITE
	084878-09-000	EA	VENT RANGE HOOD SHORT - LVS
	084073-03-000	EA	COVER ROOF VENT REFRIGERATOR OFF WHITE NORCOLD
	084073-04-000	EA	BASE ROOF VENT REFRIGERATOR - BLACK - NORCOLD

1993 ITASCA
TABLE OF CONTENTS

INTRODUCTION	A-01	A-02
ABBREVIATIONS		A-03
ALPHABETICAL INDEX	A-04	A-05
IF527RC	A-07	E-02
IF527RC	E-03	H-02

1993 IF527RC INDEX

FLOOR PLAN	F-03	F-04
ACCESSORIES		F-05
AUDIO VIDEO		F-06
BATH	F-07	F-08
BEDROOM	F-09	F-10
CHASSIS	F-11	F-15
CURTAIN & CUSHION	F-16	F-02
DINETTE	F-01	F-04
DRIVERS COMPARTMENT	F-05	F-06
ELECTRICAL	F-07	F-10
EXTERIOR BODY	F-11	F-20
GALLEY	F-21	G-01
GENERATOR		G-02
HEATING & A/C	G-03	G-04
INTERIOR FINISH	G-05	G-08
LABELS	G-09	G-15
LP		G-16
LOUNGE	G-17	G-18
SEALANTS & FASTENERS	G-19	G-21
WATER & SEWAGE	G-22	H-02
WINDOW VENT AND		
EXTERIOR DOOR	H-03	H-02