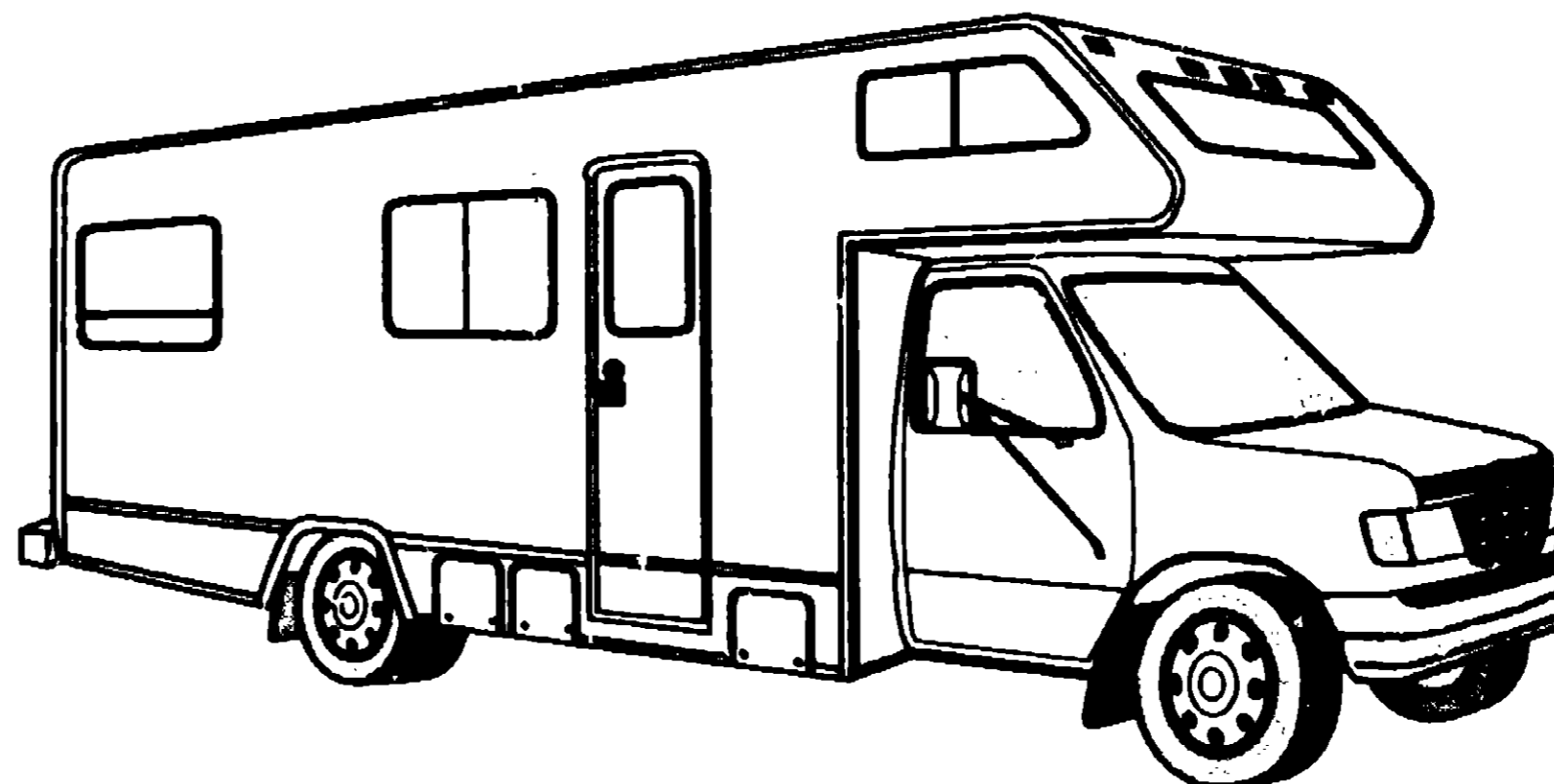
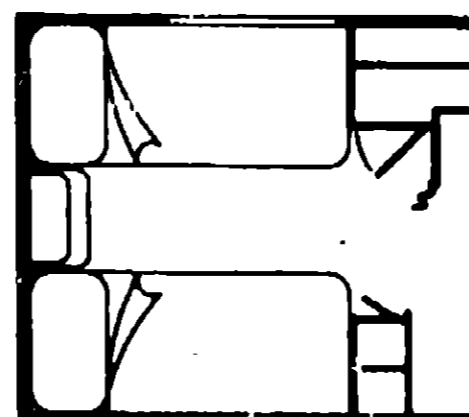
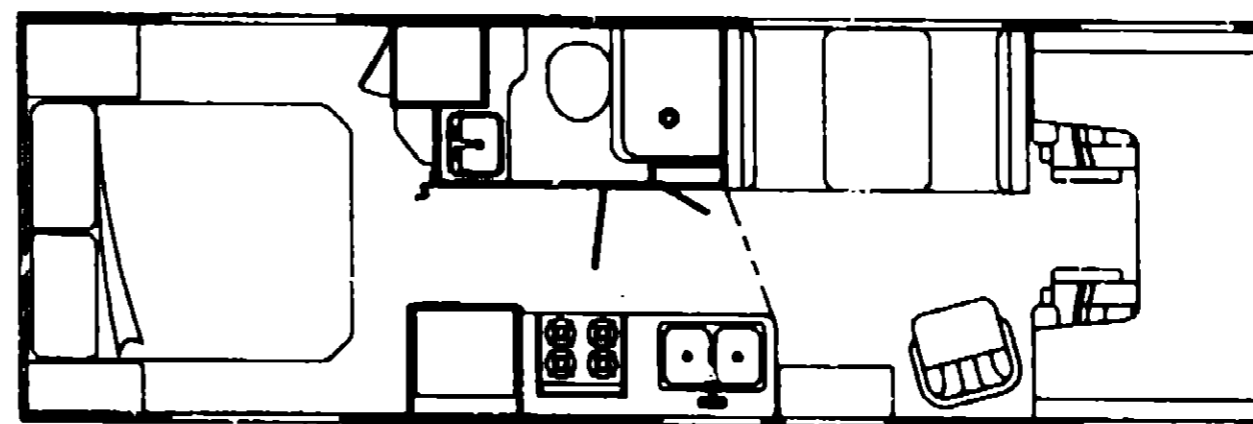
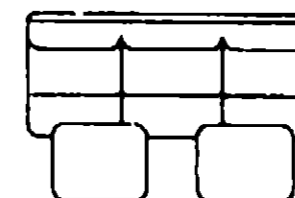


**1993 ITASCA  
TABLE OF CONTENTS**

INTRODUCTION	A-01 - A-02
ABBREVIATIONS	A-03
ALPHABETICAL INDEX	A-04 - A-06
IF427TQ	A-07 - D-18
IF427RC	D-19 - H-08
IF428RQ	H-09 - K-24



**1993  
IF427RQ  
D27  
D28**



**1993 IF427RQ INDEX**

FLOOR PLAN	A-07 - A-08
ACCESSORIES	A-09
AUDIO VIDEO	A-10
BATH	A-11 - A-12
BEDROOM	A-13 - A-14
CHASSIS	A-15 - A-18
CURTAIN & CUSHION	A-19 - B-04
DINETTE	B-05 - B-06
DRIVERS COMPARTMENT	B-07 - B-08
ELECTRICAL	B-09 - B-12
EXTERIOR BODY	B-13 - B-20
GALLEY	B-21 - B-24
GENERATOR	C-01
HEATING & AC	C-02 - C-04
INTERIOR FINISH	C-05 - C-08
LABELS	C-09 - C-16
LP	C-17
LOUNGE	C-18 - C-19
SEALANTS & FASTENERS	C-20 - C-22
WATER & SEWAGE	C-23 - D-02
WINDOW, VENT AND EXTERIOR DOOR	D-03 - D-18

## ACCESSORIES GROUP

### OPERATORS MANUAL

KEY	PART NUMBER	U/M DESCRIPTION
	064185-50-000	EA MANUAL-OPERATOR, 1993 BUNDANCER
	082318-01-000	EA BINDER-3 RING, MOTOR HOME MANUAL
	082319-01-000	EA PAGE-POCKET, 3 RING BINDER - PLASTIC
	108272-01-000	DW TOP LEVEL DRAWING - 1993 C-BODY

## AUDIO VIDEO GROUP

### RADIO SYSTEM & ANTENNA

KEY	PART NUMBER	U/M DESCRIPTION
	108430-01-000	EA RADIO-AM/FM CASSETTE, ELECTRONIC TUNE - FORD - AUDIOVOX FD-CXF
	108137-01-000	EA PLUG-ANTENNA HOLE (FORD)
	089340-02-000	EA GRILLE-SPEAKER, 6.5" SQUARE (OVHD CABINETS)
	069340-03-000	EA SPACER-SPEAKER GRILLE, TAN - MAGNADYNE G514 (OVHD CABINETS)
	094007-01-000	EA SPEAKER-RADIO, W/O GRILLE - 5.25" DIA - AUDIOVOX 110C3030 (OVHD CABINETS)
	087683-01-000	EA RADIO-AM/FM STEREO W/CASSETTE AUDIOVOX 144D1559 (PATIO ENTERTAINMENT)
	090944-01-000	EA ANTENNA-RADIO, 18" RUBBER (PATIO ENTERTAINMENT)
	077069-02-000	EA CABLE-ANTENNA, RADIO - EXTENSION 98" - ARA 8700867
	090882-01-000	EA BRACKET-HAT, ANTENNA - 3.1" X 3.9" - STEEL - BLACK (PATIO ENTERTAINMENT)
	104899-01-004	EA PLATE-RADIO MOUNTING (PATIO ENTERTAINMENT)
	073741-03-000	EA SPEAKER-OVAL, 4" X 6" - AUDIOVOX 110-2074 (PATIO ENTERTAINMENT) FROM: 00-00-00 THRU: 12-20-92
	110469-01-000	EA SPEAKER-OVAL, 4" X 6" - MAGNADYNE F46XB-12 (PATIO ENTERTAINMENT) FROM: 12-21-92 THRU: 99-99-99
	073741-04-000	EA GRILLE-SPEAKER, OVAL - 4" X 6" - AUDIOVOX 136-1157 (PATIO ENTERTAINMENT) FROM: 00-00-00 THRU: 12-20-92
	110470-01-01A	EA GRILLE-SPEAKER, OVAL - 4" X 6" - BLACK - MAGNADYNE G46W1 (PATIO ENTERTAINMENT) FROM: 12-21-92 THRU: 99-99-99

### TV, VCR SYSTEMS & ANTENNA

KEY	PART NUMBER	U/M DESCRIPTION
	092310-03-000	EA TV-COLOR, 9" - AC/DC - W/SWIVEL - MAGNAVOX RDO945
	092310-02-700	EA REMOTE FOR TV
	098446-03-000	EA VCR-VHS, CABLE READY - REMOTE - MAGNAVOX VR9010 FROM: 00-00-00 THRU: 10-04-92
	098446-03-700	EA REMOTE FOR MODEL #9010 - 0974588
	098446-04-000	EA VCR-VHS, CABLE READY - REMOTE - MAGNAVOX VR9110 FROM: 10-05-92 THRU: 99-99-99
	098446-04-700	EA REMOTE FOR MODEL #9110
	106433-01-000	EA BRACKET-VCR
	076319-01-000	EA ANTENNA-TV, ROOF MOUNT - 44.5" MAST - RVA W02
	076319-01-700	EA HEAD-ANTENNA, AMPLIFIED - WINEGARD# RVSA U/V
	076319-01-701	EA GEAR-ELEVATING, PLASTIC - WINEGARD# 2200046
	076319-01-702	EA SHAFT ASM-ELEVATING, WINEGARD# RVP-400A
	076319-01-703	EA BEARING-NYLON, .5"OD - WINEGARD# 3200858
	076319-01-705	EA GROMMET-NYLON, 7/8"ID - WINEGARD# 3200658
	076319-01-706	EA CRANK-ELEVATING, W/SET SCREW - WINEGARD# 5755100
	076319-01-707	EA SPRING-HANDLE, WINEGARD# 5180800
	076319-01-709	EA PLATE-DIRECTIONAL, FOR HEAD - WINEGARD #3200644
	076319-08-000	EA ADAPTER-CABLE ROOF PLATE, WINEGARD RPJ-1
	082134-01-000	EA ADAPTER-TV, CABLE TO CABLE - WINEGARD F-81M
	082138-01-000	EA NUT-HEX JAM 3/8-32, WINEGARD
	076319-08-000	EA WALLPLATE-CABLE RECEPTACLE, TV - SINGLE - IVORY
	085777-03-000	EA WALLPLATE-TV CABLE, W/ANTENNA SWITCH - IVORY
	076319-03-000	EA CABLE TIE-SCREW MOUNT 8" DENNISON 08415
	076319-12-000	FT CABLE-COAXIAL, 75 OHM
	086756-01-000	EA CONNECTOR-COAXIAL - ONE PIECE
	086757-03-000	EA SPLITTER-TV, 2 WAY
	086777-04-000	EA CONTROL CENTER-SWITCH, VCR/TV - MAGNADYNE VCS-6
	086777-06-000	EA PLATE-WALL, ANTENNA/POWER - BROWN FROM: 00-00-00 THRU: 04-14-93
		EA PLATE-WALL, ANTENNA/POWER - BROWN - WINEGARD RV-0931 FROM: 04-15-93 THRU: 99-99-99

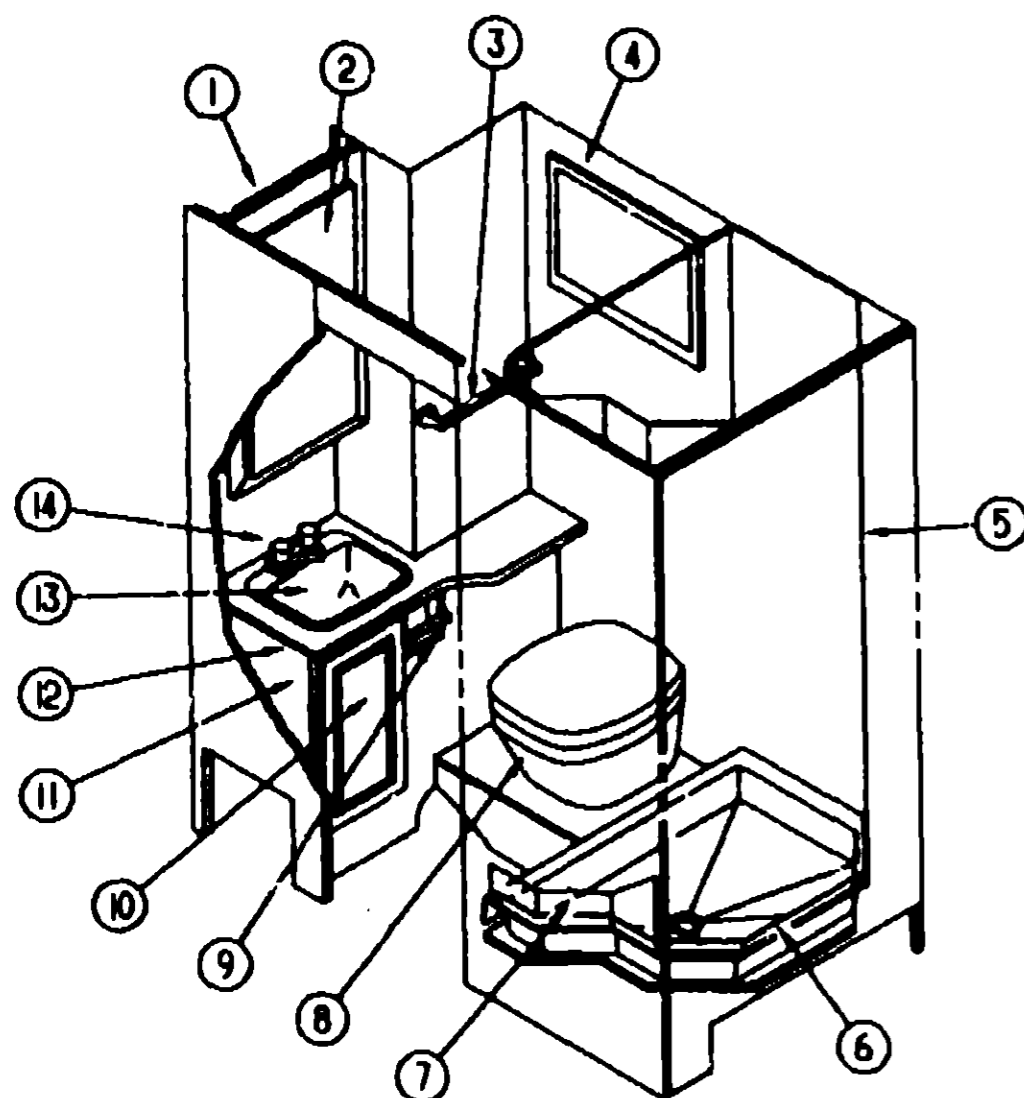
## 1993 ITASCA TABLE OF CONTENTS

INTRODUCTION	A-01 -	A-02
ABBREVIATIONS		A-03
ALPHABETICAL INDEX	A-04 -	A-06
IF427RQ	A-07 -	D-18
IF427RC	D-19 -	H-08
IF428RQ	H-09 -	K-24

## 1993 IF427RQ INDEX

FLOOR PLAN	A-07 -	A-08
ACCESSORIES		A-09
AUDIO VIDEO		A-10
BATH	A-11 -	A-12
BEDROOM	A-13 -	A-14
CHASSIS	A-15 -	A-18
CURTAIN & CUSHION	A-19 -	B-04
DINETTE	B-05 -	B-06
DRIVERS COMPARTMENT	B-07 -	B-08
ELECTRICAL	B-09 -	B-12
EXTERIOR BODY	B-13 -	B-20
GALLEY	B-21 -	B-24
GENERATOR		C-01
HEATING & A/C	C-02 -	C-04
INTERIOR FINISH	C-05 -	C-08
LABELS	C-09 -	C-16
LP		C-17
LOUNGE	C-18 -	C-19
SEALANTS & FASTENERS	C-20 -	C-22
WATER & SEWAGE	C-23 -	D-02
WINDOW, VENT AND EXTERIOR DOOR	D-03 -	D-18

## BATH GROUP



BATH CABINETS & FIXTURES

KEY	PART NUMBER	U/M DESCRIPTION
1	105360-01-C03	EA CABINET-MEDICINE, W/O DOOR & HARDWARE
2	P03061-01-C03	EA DOOR-CABINET, MEDICINE - W/O HARDWARE - 395 X 750MM
	058331-32-000	EA MIRROR-GLASS, SAFETY - 13.6" X 27.6"
	M03450-11-000	EA TRIM-MIRROR, WOOD - OAK
3	075453-02-000	EA BAR-TOWEL, 18" BRASS
4	063446-10-B05	EA MIRROR-WALL, WOOD FRAMED
5	102803-01-01A	EA SURROUND-SHOWER, LARGE 3 SIDED SECTION - OFF WHITE
6	M02673-06-B05	EA PAN-SHOWER, OFF WHITE
	069436-01-000	EA NUT-SLIP, TAILPIECE - 1.5"
	066440-01-000	EA STRAINER-SHOWER, W/RUBBER WASHER
	069736-01-000	EA WASHER-STRAINER TO TAILPIECE PLASTIC, 1.5"
	011069-02-000	EA TAILPIECE-TUB/SHOWER, 1 1/2" X 1 1/4" X 4" - BRASS
	057671-01-000	EA COVER-SCREW, #8 - PLASTIC - OFF WHITE
7	102804-01-01A	EA SURROUND-SHOWER, SMALLER SECTION - OFF WHITE
8	067467-01-000	EA TOILET-12.37", IVORY - HAND FLUSH - THETFORD 150110
	063740-01-700	EA LEVER-WATER, THETFORD 12514
	063740-01-701	EA LEVER-FLUSH, THETFORD 12515
	06J740-01-706	EA BOLT PACKAGE-CLOSED, THETFORD 12524
	063740-01-710	EA LINK-THETFORD 12513
	063740-01-711	EA SPRING-RETURN LEVER, THETFORD 12523
	063740-01-713	EA SEAL-BALL VALVE TO BOWL, THETFORD 12502
	063740-01-714	EA VALVE ASM-WATER, THETFORD 12462
	063740-01-716	EA SEAT & COVER, THETFORD 15017
	063740-01-717	EA TUBE-FLUSH, TOILET-12609 THETFORD
	063841-01-000	EA FLANGE-CLOSET, 4" X 3"

## BATH GROUP (CONTINUED)

### BATH CABINETS & FIXTURES (CONTINUED)

KEY	PART NUMBER	U/M DESCRIPTION
9	075452-02-000	EA HOLDER-TOILET TISSUE, BRASS
10	P05223-01-C03	EA DOOR-CABINET, W/O HARDWARE - 306 X 555MM
11	P03126-01-D05	EA CABINET-LAVATORY, W/O DOOR & HARDWARE (D27)
11	P03126-01-D04	EA CABINET-LAVATORY, W/O DOOR & HARDWARE (D28)
12	103126-11-D05	EA COUNTERTOP-CABINET, LAVATORY (D27)
12	103126-11-D04	EA COUNTERTOP-CABINET, LAVATORY (D28)
13	096927-01-01A	EA SINK-LAVATORY, RECTANGULAR - PLASTIC - BONE
	096927-01-700	EA SINK-STOPPER
	096927-01-701	EA TAILPIECE-SINK
14	075240-08-000	EA FAUCET-LAVATORY, BONE
	091253-01-000	EA GASKET-FAUCET, LAVATORY/GALLEY
	103092-01-000	EA HEAD-SHOWER, W/60 IN HOSE (US & CANADIAN)
	075241-05-000	EA FAUCET-SHOWER, BONE
	075806-01-000	EA PANEL-BACK, SHOWER FAUCET - 5" X 9" - PLASTIC
	075454-02-000	EA RING-TOWEL, W/MOUNTING HARDWARE - BRASS
	078238-37-B85	EA PANEL-ACCESS, 50 X 445MM - SHOWER PLATFORM
	091208-01-000	EA WASHER-RUBBER, .06" X .75" X .5"
	090508-01-000	EA PANEL-SKYLITE, INNER - PLEXIGLASS - 23.25" X 20.3"
	080507-01-000	EA PANEL-SKYLIGHT, OUTER - PLEXIGLASS - 23.25" X 20.3"

### BATH PRIVACY DOOR

KEY	PART NUMBER	U/M DESCRIPTION
	105394-01-01A	EA JAMB-DOOR, EXTRUDED PLASTIC - 7' LONG - OAK
	M87868-09-C03	EA DOOR-PRIVACY, BATH - W/O HARDWARE
		FROM: 00-00-00 THRU: 02-21-93
	M87868-17-D04	EA DOOR-PRIVACY, BATH - W/O HARDWARE
		FROM: 02-22-93 THRU: 99-99-99
	094485-01-01A	EA KNOB-DOOR-POLISHED BRASS
		FROM: 00-00-00 THRU: 09-23-92
	094485-02-01A	EA KNOB-DOOR-POLISHED BRASS
		FROM: 09-24-92 THRU: 99-99-99

### EXTERIOR SHOWER

KEY	PART NUMBER	U/M DESCRIPTION
	103092-01-000	EA HEAD-SHOWER, W/60 IN HOSE (US & CANADIAN)
	103092-01-700	EA BRACKET-SHOWER HEAD
	075241-05-000	EA FAUCET-SHOWER, BONE
	105269-02-000	EA BRACKET-SUPPORT, FAUCET
	091952-02-000	EA CLIP-GRIPPER, 3/4"

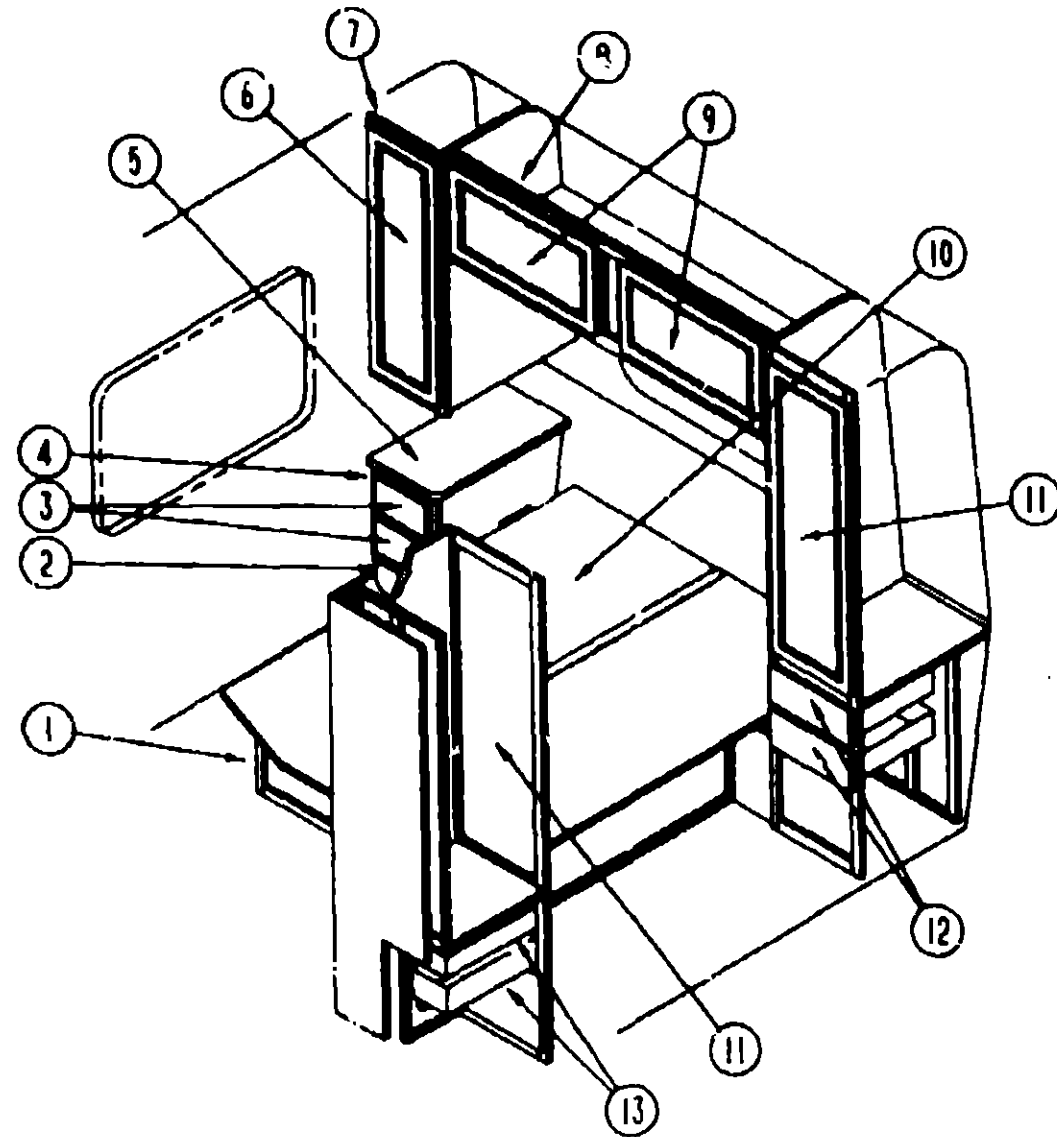
## 1993 ITASCA TABLE OF CONTENTS:

INTRODUCTION	A-01 - A-02
ABBREVIATIONS	A-03
ALPHABETICAL INDEX	A-04 - A-08
IF427RQ	A-07 - C-18
IF427RC	U-19 - H-08
IF428RQ	H-09 - K-24

## 1993 IF427RQ INDEX

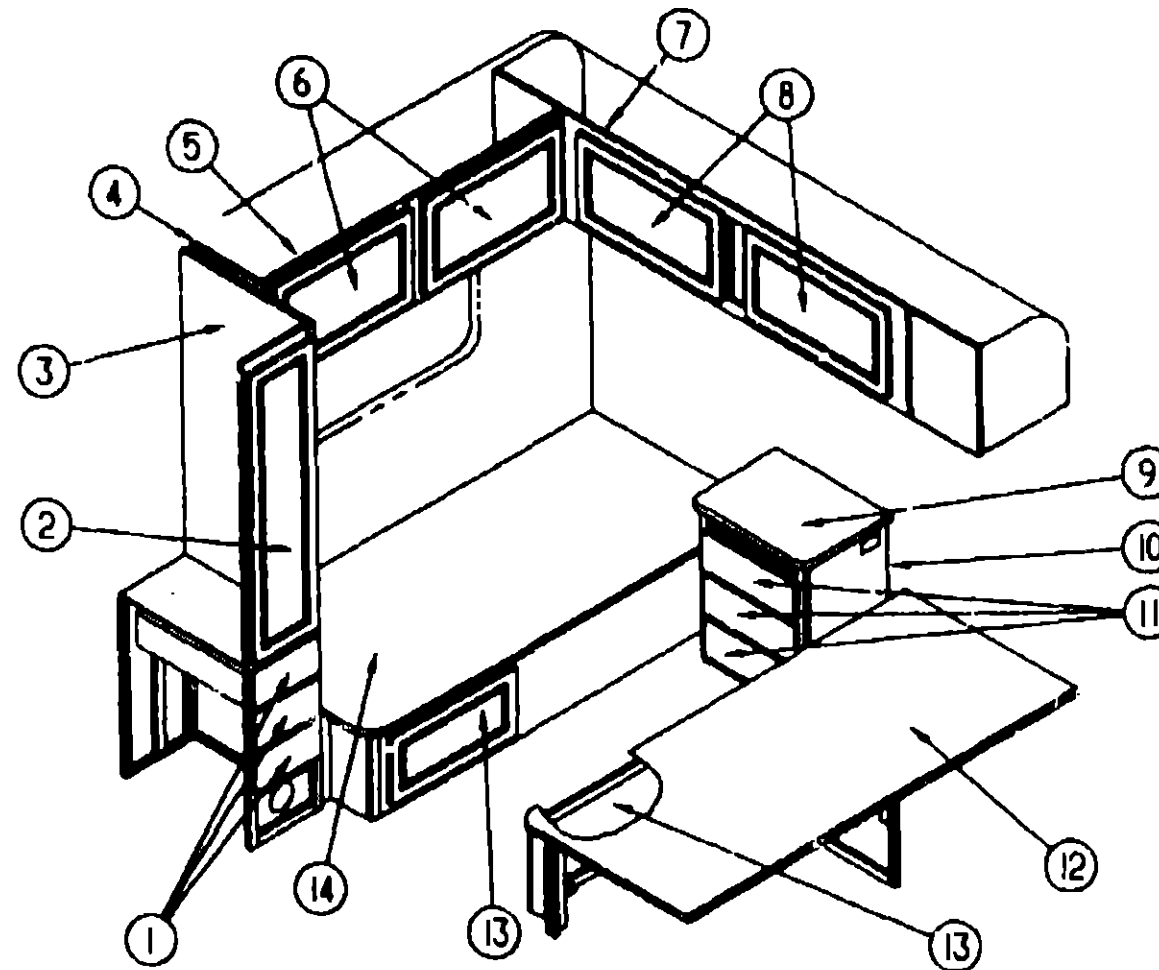
FLOOR PLAN	A-07 - A-08
ACCESSORIES	A-09
AUDIO VIDEO	A-10
BATH	A-11 - A-12
BEDROOM	A-13 - A-14
CHASSIS	A-15 - A-18
CURTAIN & CUSHION	A-19 - B-04
DINETTE	B-05 - B-06
DRIVERS COMPARTMENT	B-07 - B-08
ELECTRICAL	B-09 - B-12
EXTERIOR BODY	B-13 - B-20
GALLEY	B-21 - B-24
GENERATOR	C-01
HEATING & A/C	C-02 - C-04
INTERIOR FINISH	C-05 - C-08
LABELS	C-09 - C-16
LP	C-17
LOUNGE	C-18 - C-19
SEALANTS & FASTENERS	C-20 - C-22
WATER & SEWAGE	C-23 - D-02
WINDOW, VENT AND EXTERIOR DOOR	D-03 - D-18

**BEDROOM GROUP**



**QUEEN BEDROOM CABINETS & FOLDING PRIVACY DOOR**

**3BEDROOM GROUP (CONTINUED)**



**TWIN BEDROOM CABINETS & FOLDING PRIVACY DOOR**

**1993 ITASCA  
TABLE OF CONTENTS**

INTRODUCTION	A-01 -	A-02
ABBREVIATIONS		A-03
ALPHABETICAL INDEX	A-04 -	A-06
IF427RQ	A-07 -	D-18
IF427RC	D-19 -	H-08
IF428FQ	H-09 -	K-24

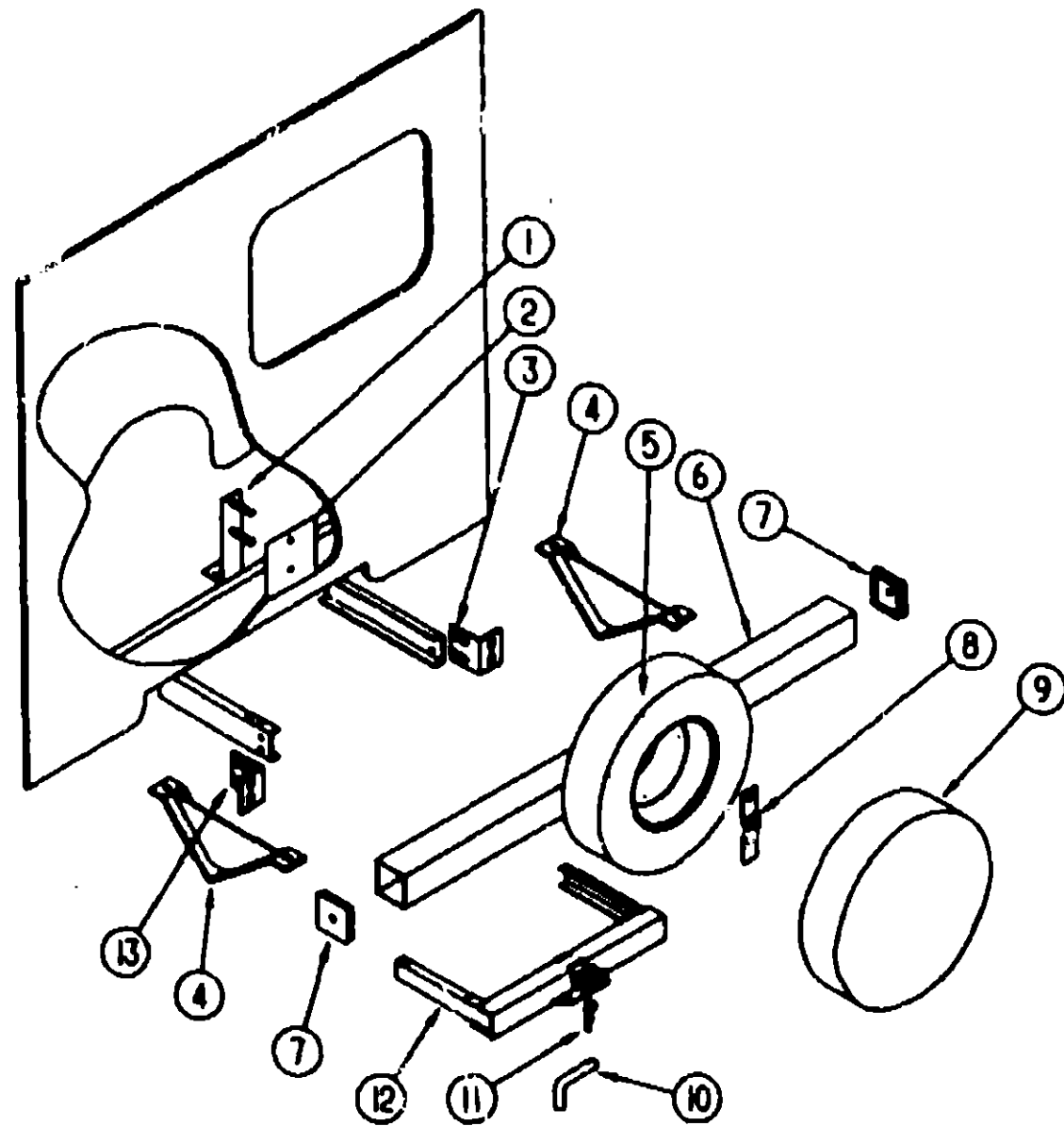
**1993 IF427RQ INDEX**

FLOOR PLAN	A-07 -	A-08
ACCESSORIES		A-09
AUDIO VIDEO		A-10
BATH	A-11 -	A-12
BEDROOM	A-13 -	A-14
CHASSIS	A-15 -	A-18
CURTAIN & CUSHION	A-19 -	B-04
DINETTE	B-05 -	B-08
DRIVERS COMPARTMENT	B-07 -	B-08
ELECTRICAL	B-09 -	B-12
EXTERIOR BODY	B-13 -	B-20
GALLEY	B-21 -	B-24
GENERATOR		C-01
HEATING & A/C	C-02 -	C-04
INTERIOR FINISH	C-05 -	C-08
LABELS	C-09 -	C-16
LP		C-17
LOUNGE	C-18 -	C-19
SEALANTS & FASTENERS	C-20 -	C-22
WATER & SEWAGE	C-23 -	D-02
WINDOW, VENT AND EXTERIOR DOOR	D-03 -	D-16

KEY	PART NUMBER	U/M DESCRIPTION
1	P07104-E9-D04	EA DRAWER-CABINET, W/O HARDWARE - 268 X 500MM
	P07104-E6-D04	EA DRAWER-CABINET, W/O HARDWARE - 354 X 536MM (DRIVER'S WARDROBE)
2	P05223-47-D04	EA DOOR-CABINET, W/O HARDWARE - 305 X 1220MM
3	P07702-01-D04	EA CABINET-WARDROBE, W/O DOORS & HARDWARE
	P07701-01-D04	EA CABINET-WARDROBE, W/O DOORS & HARDWARE (DRIVERS SIDE)
4	104335-06-C03	EA END CAP-CABINET, OVERHEAD
	104335-07-C03	EA END CAP-CABINET, OVERHEAD (DRIVER SIDE)
5	M05778-05-D27	EA CABINET-OVERHEAD, PASSENGER SIDE REAR (D27)
	M05778-05-D04	EA CABINET-OVERHEAD, PASSENGER SIDE REAR (D28)
	M05778-06-D27	EA CABINET-OVERHEAD, DRIVER SIDE REAR (D27)
	M05778-06-D04	EA CABINET-OVERHEAD, DRIVER SIDE REAR (D28)
6	P05223-43-D04	EA DOOR-CABINET, W/O HARDWARE - 400 X 520MM
7	M05778-07-D27	EA CABINET-OVERHEAD, REAR (D27)
	M05778-07-D04	EA CABINET-OVERHEAD, REAR (D28)
	105292-01-D27	EA CABINET-OVERHEAD, REAR (EUROPEAN EXPORT) (D27)
	105292-01-D04	EA CABINET-OVERHEAD, REAR (EUROPEAN EXPORT) (D28)
8	P05223-45-D04	EA DOOR-CABINET, W/O HARDWARE - 400 X 710MM (WOOD PANEL)
	P05223-42-D04	EA DOOR-CABINET, W/O HARDWARE - 400 X 710MM (MIRROR PANEL)
9	107703-11-D05	EA COUNTERTOP-CABINET, NIGHTSTAND (D27)
	107703-11-D04	EA COUNTERTOP-CABINET, NIGHTSTAND (D28)
10	107703-01-D05	EA CABINET-NIGHTSTAND, W/O DOOR & HARDWARE (D27)
	107703-01-D04	EA CABINET-NIGHTSTAND, W/O DOOR & HARDWARE (D28)
11	P07104-F2-D04	EA DRAWER-CABINET, W/O HARDWARE - 422 X 245MM
12	M05138-04-000	EA TOP-CABINET, LEFT SIDE TWIN BED
	P05287-01-C03	EA CABINET-TWIN BED, LEFT SIDE
13	P05223-02-C03	EA DOOR-CABINET, W/O HARDWARE - 305 X 680MM
14	M05138-03-000	EA TOP-CABINET, RIGHT SIDE TWIN BED
	P05288-01-C03	EA CABINET-TWIN BED, RIGHT SIDE
	042488-10-000	EA DOOR-FOLDING, FABRIC - 37" X 75" - OFF WHITE
	080224-01-703	EA LATCH & CATCH, FOLDING DOOR
	080224-01-705	EA CATCH (ONLY), JAMB MOUNTED - FOLDING DOOR

KEY	PART NUMBER	U/M DESCRIPTION
1	P05308-01-C03	EA CABINET-QUEEN BED BOTTOM
2	P07104-E5-D04	EA DRAWER-CABINET, W/O HARDWARE
3	P07104-E4-D04	EA DRAWER-CABINET, W/O HARDWARE
4	107895-01-D05	EA CABINET-NIGHTSTAND, W/O DOOR & HARDWARE (D27)
	107895-01-D04	EA CABINET-NIGHTSTAND, W/O DOOR & HARDWARE (D28)
5	107895-11-D05	EA COUNTERTOP-CABINET, NIGHTSTAND (D27)
	107895-11-D04	EA COUNTERTOP-CABINET, NIGHTSTAND (D28)
6	P05223-49-D04	EA DOOR-CABINET, W/O HARDWARE - 305 X 1015
7	P05279-01-C03	EA CABINET-SHIRT CLOSET - RIGHT
8	109212-01-D08	EA CABINET-OVERHEAD, REAR
9	P05223-45-D04	EA DOOR-CABINET, W/O HARDWARE - 400 X 710MM (WOOD PANEL)
	P05223-42-D04	EA DOOR-CABINET, W/O HARDWARE - 400 X 710MM (MIRROR PANEL)
10	M05831-02-C03	EA TOP-CABINET, QUEEN BED - PASSENGER SIDE
	M05831-01-C03	EA TOP-CABINET, QUEEN BED - DRIVER SIDE
	103725-02-000	EA PROP-BED, AUTO CAM-115/B
	067205-03-000	EA ANGLE-SUPPORT, BED - 1" X 1.5" X 74" - METAL - OFF WHITE
11	P05223-64-D04	EA DOOR-CABINET, W/O HARDWARE - 390 X 1250MM
12	P07104-E1-D04	EA DRAWER-CABINET, W/O HARDWARE
13	P07104-E1-D04	EA DRAWER-CABINET, W/O HARDWARE
	058331-27-000	EA MIRROR-SAFETY GLASS, 11.8" X 45.7"
	042488-10-000	EA DOOR-FOLDING - FABRIC - 37" X 75" - OFF WHITE
	080224-01-703	EA LATCH & CATCH, FOLDING DOOR
	080224-01-705	EA CATCH (ONLY), JAMB MOUNTED - FOLDING DOOR
	078238-37-885	EA PANEL-ACCESS, 250 X 445

### CHASSIS GROUP



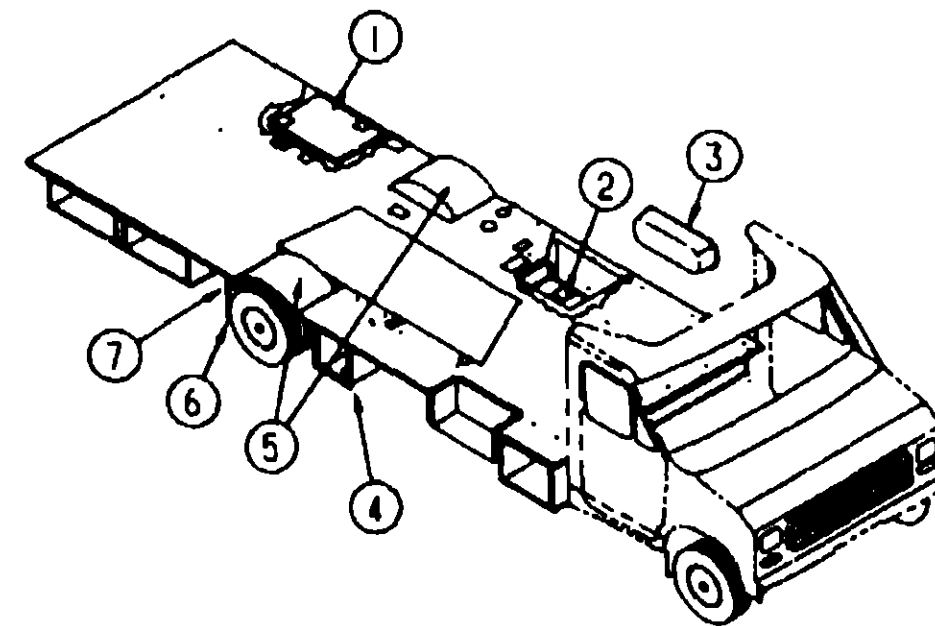
REAR BUMPER, HITCH & SPARE TIRE CARRIER

KEY	PART NUMBER	U/M DESCRIPTION
1	105209-06-C52	EA BRACKET ASM-SPARE TIRE
2	105208-01-000	EA PLATE-SPARE TIRE
3	104420-01-010	EA SUPPORT-ANGLE, BUMPER REAR - RIGHT
4	083378-01-000	EA PLATE-SKID, 13.2" X 6" X 2" - STEEL
5	070917-04-000	EA TIRE-LT 215 - 85R16 LRD - 4RS - FIRESTONE (273265)
5	083425-08-000	EA TIRE-LT225/75R16 LRD, MICHELIN XCH4
5	083425-09-000	EA TIRE-LT225/75R16 LRD, MICHELIN XCH4 FROM: 00-00-00 THRU: 10-05-92
5	083617-03-000	EA WHEEL-STEEL, 16.0X8 - ACCURIDE 28818
	051377-01-000	EA STEM-VALVE, TR 500
	077030-02-000	EA EXTENSION-VALVE STEM, 1.25"
	085012-03-000	EA EXTENSION-VALVE STEM, DUAL WHEEL
	112358-01-000	EA WRENCH-LUG, 7/8 - L-SHAPE (CHASSIS PROVIDED EARLIER) FROM: 05-10-93 THRU: 99-99-99
6	103422-02-01A	EA BUMPER-SQUARE, ALUMINUM-OFF WHITE
7	099779-01-000	EA CAP-BUMPER, RUBBER - 4" X 4" - BLACK
8	105631-02-000	EA RETAINER ASM-SPARE TIRE
9	104408-08-D27	EA COVER-TIRE, 32" BUNDANCER - SILKSCREENED - OFF WHITE
10	034612-01-000	EA PIN-LOCKING, DRAWBAR
11	034613-01-000	EA PIN-HITCH, 3/16" WIRE

### CHASSIS GROUP (CONTINUED)

#### REAR BUMPER, HITCH & SPARE TIRE CARRIER (CONTINUED)

KEY	PART NUMBER	U/M DESCRIPTION
12	077617-02-000	EA HITCH-TRAILER, WO DRAWBAR - 41.1" WIDE - STEEL - BLACK
13	104420-01-000	EA SUPPORT-ANGLE, BUMPER REAR - LEFT
	097744-01-000	EA HOUSING-TRAILER PIN, 12"
	097744-02-000	EA HOUSING-TRAILER PIN, 48"
	097746-01-000	EA HOUSING CAP-TRAILER PIN
	097745-01-000	EA HOUSING-RECEPTACLE, TRAILER - 12" WIRE LENGTH
	097745-02-000	EA HOUSING-RECEPTACLE, TRAILER - 48" WIRE LENGTH



#### COMPARTMENTS, PLUGS & SEALS

KEY	PART NUMBER	U/M DESCRIPTION
1	105471-06-000	EA COMPARTMENT-GENERATOR
2	103639-01-000	EA DOOR-DRAINAGE COMPARTMENT, 7.9" X 7.6" - STEEL
	074470-01-000	EA PIN-PULL, HINGE RELEASE - RIGHT SIDE
	077953-01-000	EA GROMMET-EDGE LINER, FITS 1"
	088270-01-000	FT SEAL-BULB, W/WIRE RIGID IJ-CHANNEL - 5" - RUBBER - BLACK
3	106208-01-01A	EA COMPARTMENT-EXTERIOR SHOWER, PLASTIC - OFF WHITE
	064089-01-700	EA FLAP-MUD, FRONT - SET OF 2 - RUBBER - BLACK
4	105203-01-000	EA COMPARTMENT-BATTERY
	084993-01-000	EA STRAP-BATTERY, 1100MM LONG
	084993-02-000	EA STRAP-BATTERY, 1400MM LONG
	056746-01-000	EA PLUG-CAP, 1.5" DIAMETER - BLACK
	056746-01-000	EA PLUG-CAP, 1" DIAMETER
	081420-01-000	EA PLUG-PLASTIC, 1.75" - BROWN
5	102782-01-000	EA WHEELWELL-PLASTIC
6	017516-01-000	EA FLAP-MUD, 14" X 18" - BLACK
7	045731-04-000	EA GUARD-ROCK, REAR

#### ENTRY STEPS

KEY	PART NUMBER	U/M DESCRIPTION
	077848-02-000	EA STEP-PULLOUT
	078241-09-000	EA SUPPORT-STEP, ENTRY DOOR
	091178-01-000	EA SUPPORT-BASE, ENTRANCE STEP

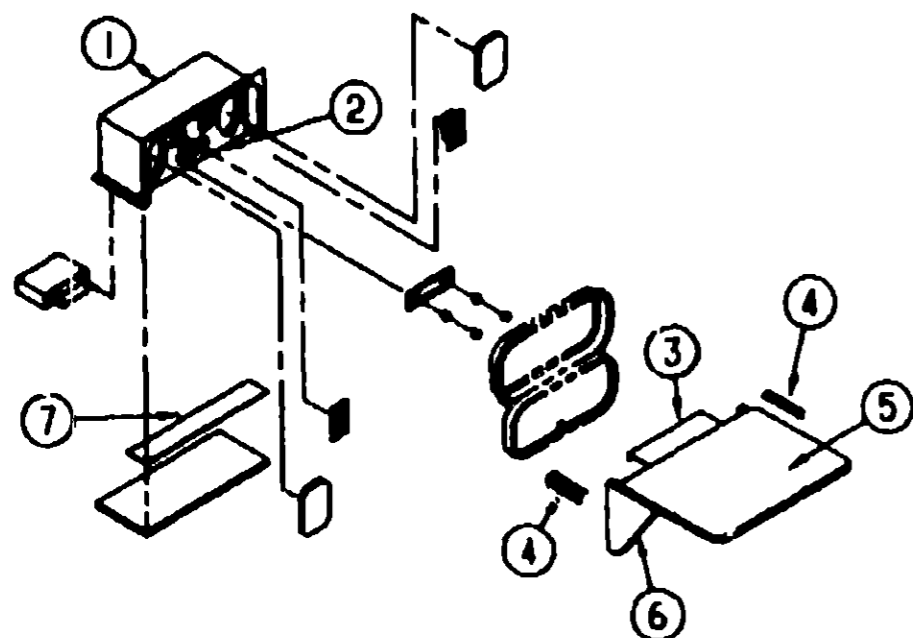
### 1993 ITASCA TABLE OF CONTENTS

INTRODUCTION	A-01 - A-02
ABBREVIATIONS	A-03
ALPHABETICAL INDEX	A-04 - A-08
IF427RQ	A-07 - D-18
IF427RC	D-19 - H-08
IF428RQ	H-09 - K-24

### 1993 IF427RQ INDEX

FLOOR PLAN	A-07 - A-08
ACCESSORIES	A-06
AUDIO VIDEO	A-10
BATH	A-11 - A-12
BEDROOM	A-13 - A-14
CHASSIS	A-15 - A-18
CURTAIN & CUSHION	A-19 - B-04
DINETTE	B-05 - B-06
DRIVERS COMPARTMENT	B-07 - B-08
ELECTRICAL	B-09 - B-12
EXTERIOR BODY	B-13 - B-20
GALLEY	B-21 - B-24
GENERATOR	C-01
HEATING & A/C	C-02 - C-04
INTERIOR FINISH	C-05 - C-08
LABELS	C-09 - C-16
LP	C-17
LOUNGE	C-18 - C-19
SEALANTS & FASTENERS	C-20 - C-22
WATER & SEWAGE	C-23 - D-02
WINDSHIELD VENT AND	
EXTERIOR DOOR	D-03 - D-18

**CHASSIS GROUP (CONTINUED)**



**ENTERTAINMENT COMPARTMENT**

KEY	PART NUMBER	U/M	DESCRIPTION
1	104897-02-01A	EA	BOX-ENTERTAINMENT CENTER - OFF WHITE
2	104898-01-004	EA	PLATE-RADIO MOUNTING
3	105377-01-01A	EA	BRACKET-TABLE HANGER - OFF WHITE
	105377-01-03A	EA	BRACKET-TABLE HANGER - MILL
4	105378-01-02A	EA	HINGE-CONTINUOUS, 2" X 140MM - OFF WHITE
5	105230-11-005	EA	SHELF ASM.
6	105230-12-009	EA	SUPPORT ASM.
7	104898-01-01A	EA	PLATE-PLASTIC BOTTOM - OFF WHITE

**EXHAUST SYSTEM COMPONENTS**

KEY	PART NUMBER	U/M	DESCRIPTION
	007125-01-000	EA	CLAMP-MUFFLER, 1.62 DIAMETER
	091182-03-000	EA	SHIELD-HEAT, LP
	094918-03-000	EA	CLAMP-EXHAUST, 2.5"
	094912-06-000	EA	CLAMP-EXHAUST, 3" - HEAVY DUTY
	098753-04-000	EA	PIPE-EXHAUST
	111478-01-000	EA	PIPE-EXHAUST

FROM: 00-00-00 THRU: 03-08-93

FROM: 03-09-93 THRU: 99-99-99

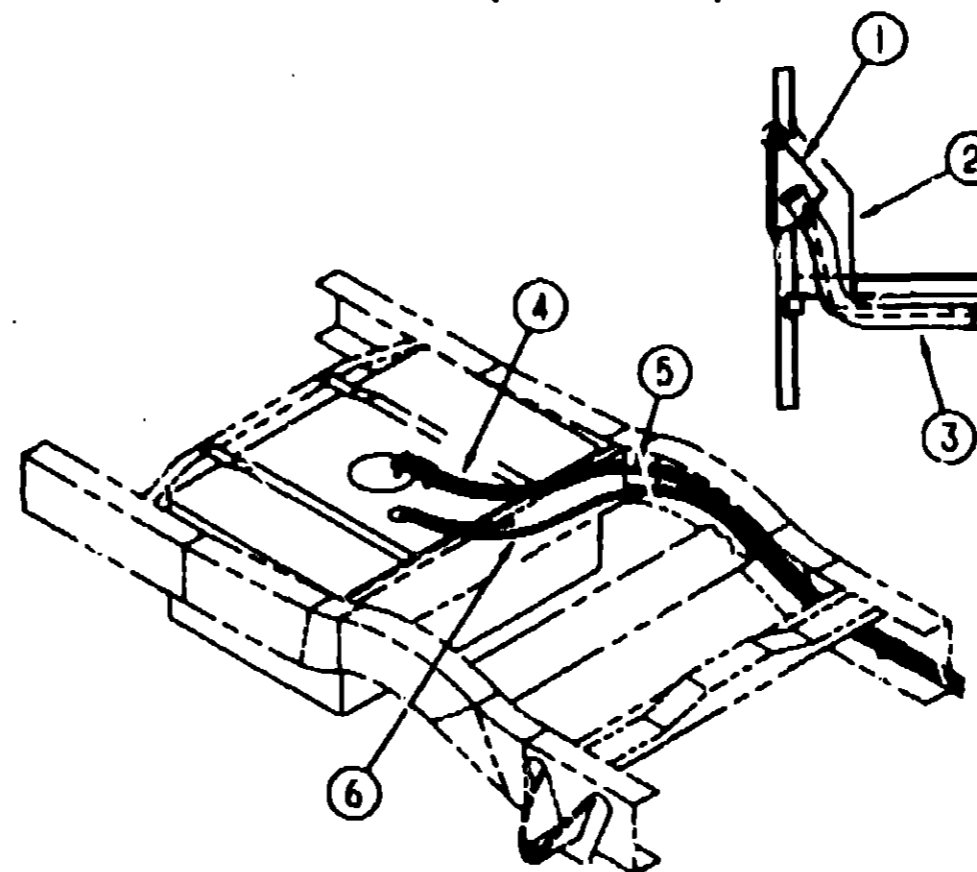
FROM: 00-00-00 THRU: 03-08-93

FROM: 03-09-93 THRU: 99-99-99

**DRIVESHAFT & FLARE UNION**

KEY	PART NUMBER	U/M	DESCRIPTION
	103853-08-000	EA	DRIVESHAFT ASM-BALANCED PAIR - 188" WHEELBASE (158)
	103853-15-000	EA	DRIVESHAFT ASM-BALANCED PAIR - 188" WHEELBASE (158)
	074833-01-000	EA	SPACER-BEARING, DRIVESHAFT - 2" X 0" X .5" THICK
	085771-03-000	EA	NUT-HEX, FL. PREV. TORQUE - GRADE G DRIVER SHAFT
	089488-01-000	EA	UNION-INVERTED FLARE, BRASS - 3/16 - 3/8 - 24 THD - BRAKE LINE

**CHASSIS GROUP (CONTINUED)**



**FUEL SYSTEM COMPONENTS**

KEY	PART NUMBER	U/M	DESCRIPTION
1	095854-01-02A	EA	SHROUD-FUEL FILL, PLASTIC - OFF WHITE
2	078040-04-000	EA	SHROUD-FUEL FILL, UPPER - PLASTIC
3	106413-01-000	EA	NECK-FUEL FILL, MAIN - GAS
3	106413-02-000	EA	NECK-FUEL FILL, MAIN - DIESEL
	078200-01-000	EA	GASKET-FUEL FILL, 3.5"OD X 27D
4	106389-01-000	EA	FUEL LINE ASM-FORD, 5/16 HP
5	106388-01-000	EA	FUEL LINE ASM-FORD, 3/8 HP
	007063-01-000	FT	HOSE-GAS 1/4"ID X 1/2"OD
6	044317-01-000	FT	HOSE-FUEL, 3/8" ID
	024142-01-000	EA	TEE-BARB, 3/16" - PLASTIC

**WHEEL LINERS, COVERS & LUG WRENCH**

KEY	PART NUMBER	U/M	DESCRIPTION
	091209-11-000	EA	LINER-WHEEL, SET 4 E350-KAPER II (FORD)
	091209-10-700	EA	COVER-AXLE, FRONT - 8 LUG - FORD
	091209-10-701	EA	COVER-AXLE, REAR - 8 LUG - FORD
	091209-10-704	EA	NUT-LUG, W/WASHER - SHORT - KAPER 52
	091209-10-705	EA	COVER-LUG NUT
	091209-11-700	EA	LINER-WHEEL, FRONT - 8 LUG - FORD
	091209-11-701	EA	LINER-WHEEL, REAR - 8 LUG - FORD
	091209-11-702	EA	NUT-LUG, W/WASHER - LONG - KAPER 51
	108068-01-000	EA	COVER-WHEEL, 16" - SET OF 4 - MICOR #SHUB16
	108068-01-700	EA	COVER-WHEEL, 16" - 1 ONLY - SHUB16-1 MICOR

**1993 ITASCA  
TABLE OF CONTENTS**

INTRODUCTION	A-01 - A-02
ABBREVIATIONS	A-03
ALPHABETICAL INDEX	A-04 - A-08
IF427RQ	A-07 - D-18
IF427RC	D-19 - H-08
IF428RQ	H-09 - K-24

**1993 IF427RQ INDEX**

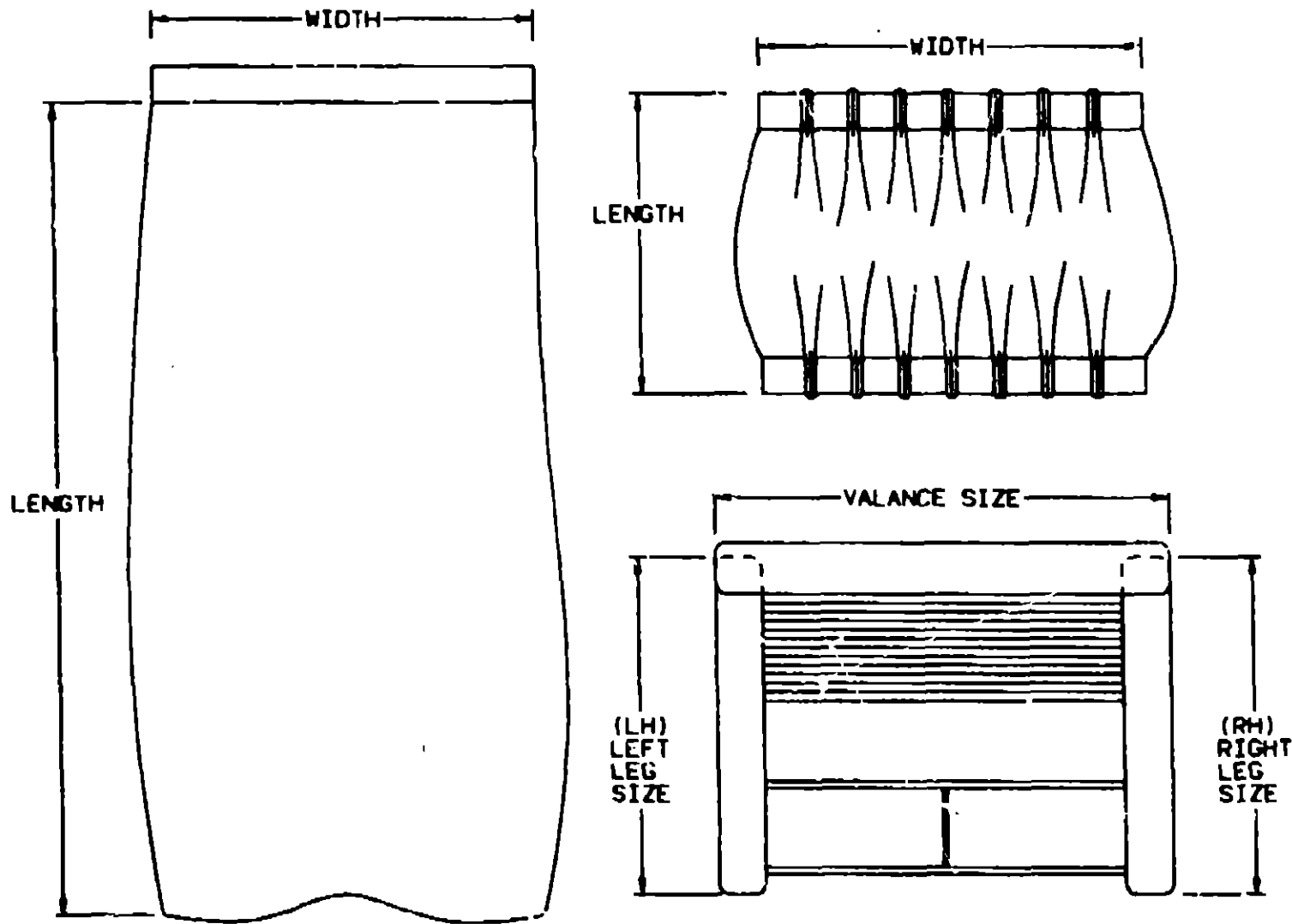
FLOOR PLAN	A-07 - A-08
ACCESSORIES	A-09
AUDIO VIDEO	A-10
BATH	A-11 - A-12
BEDROOM	A-13 - A-14
CHASSIS	A-15 - A-18
CURTAIN & CUSHION	A-19 - B-04
DINETTE	B-05 - B-06
DRIVERS COMPARTMENT	B-07 - B-08
ELECTRICAL	B-09 - B-12
EXTERIOR BODY	B-13 - B-20
GALLEY	B-21 - B-24
GENERATOR	C-01
HEATING & AC	C-02 - C-04
INTERIOR FINISH	C-05 - C-08
LABELS	C-09 - C-16
LP	C-17
LOUNGE	C-18 - C-19
SEALANTS & FASTENERS	C-20 - C-22
WATER & SEWAGE	C-23 - D-02
WINDOW, VENT AND EXTERIOR DOOR	D-03 - D-18

## CURTAIN & CUSHION GROUP

### NOTICE

IN ORDER TO ASSIST OUR PARTS SALES DEPT. IN PROVIDING INTERIOR SOFTWARE ITEMS, PLEASE INCLUDE THE SERIAL NUMBER AND THE COLOR CODE NUMBER FROM THE VEHICLE CERTIFICATION LABEL WHEN ORDERING. THIS LABEL IS LOCATED ON THE LEFT SIDEWALL AT THE END OF THE DASH (A-BODY), OR ON THE DRIVER'S DOOR LATCH PLATE (C-BODY).

AN EXAMPLE OF A COLOR CODE NUMBER IS B07, WHICH DESIGNATES AN OVERALL COLOR SCHEME OF A PARTICULAR UNIT. THE COLOR LISTED AFTER THE ITEM DESCRIPTION ON THE MICROFICHE, INDICATES THE OVERALL UNIT COLOR. ORDER THE ITEM YOU DESIRE ACCORDING TO UNIT COLOR CODE.



NOTE: USE THIS ILLUSTRATION WHEN DETERMINING LENGTH AND WIDTH MEASUREMENTS FOR CURTAINS. YOU WILL NOTE THE WIDTH MEASUREMENT IS TAKEN ON THE TOP OF THE CURTAIN WITH THE CURTAIN FULLY EXTENDED. THE LENGTH MEASUREMENT IS TAKEN FROM TOP TO BOTTOM. LEFT AND RIGHT WINDOW LEGS ARE DETERMINED WHEN FACING THE WINDOW.

## CURTAIN & CUSHION GROUP (CONTINUED)

### FABRICS

KEY	PART NUMBER	U/M	DESCRIPTION
	072333-04-000	YD	FABRIC-CURTAIN, 54" WIDE - TOAST
	103907-01-01A	YD	FABRIC-VINYL, 54" WIDE - OFF WHITE
	087272-01-000	YD	FABRIC-DRAPEY LINING, 48" WIDE - IVORY
	087272-03-000	YD	FABRIC-DRAPEY LINING, 54" WIDE - IVORY
	088273-72-000	YD	FABRIC-CURTAIN/BEDSPREAD, PLAIN - 54" WIDE - NAVY (D27)
	088273-66-000	YD	FABRIC-CURTAIN/BEDSPREAD, PLAIN - 54" WIDE - LILAC (D28)
	105745-18-000	YD	FABRIC-CURTAIN/BEDSPREAD, PATTERN - 54" WIDE - CREAM/GREEN/BLUE (D27)
	105745-19-000	YD	FABRIC-CURTAIN/BEDSPREAD, PATTERN - 54" WIDE - CREAM/GREEN/BLUE (D28)
	104233-74-000	YD	FABRIC-UPHOLSTERY, PLAIN VELOUR - 54" WIDE - BROWN (D27)
	104233-30-000	YD	FABRIC-UPHOLSTERY, PLAIN VELOUR - 54" WIDE - TEAL (D28)
	104233-85-000	YD	FABRIC-UPHOLSTERY, WEAVER PATTERN - 54" WIDE - PINK/GRAY/CREAM (D27)
	104233-83-000	YD	FABRIC-UPHOLSTERY, PATTERN VELOUR - 54" WIDE - PINK/TEAL (D28)
	098003-82-000	YD	FABRIC-UPHOLSTERY, STRIPPED WEAVE - 54" WIDE - BEIGE/GRAY/MULTI (D27)
	108446-11-000	YD	FABRIC-UPHOLSTERY, WOVEN LINES - 54" WIDE - TEAL/BLACK (D28)
	104233-84-000	YD	FABRIC-UPHOLSTERY, VELOUR - 54" WIDE - TEAL/MULTI-COLOR DASHES (D28)

### ASSIST HANDLE & SEATBELTS

KEY	PART NUMBER	U/M	DESCRIPTION
	078349-04-009	YD	WELTING-FABRIC (D27)
	078349-04-028	YD	WELTING-FABRIC (D28)
	057534-01-000	EA	TIEBACK/TIEDOWN-BED/CURTAIN/DOOR, 6" - CLEAR PLASTIC
	053552-02-AA8	EA	HANDLE-ASSIST, INTERIOR - ENTRY DOOR - VINYL - OFF WHITE
	069178-02-000	EA	BRACKET-MOUNTING, ASSIST HANDLE - L ANGLE - W/HOLES
	000C16-07-16B	EA	BOLT-CARRIAGE, ASSIST HANDLE - 7/16" - 14 X 1" ZN
	000D20-07-00B	EA	NUT-ACORN, ASSIST HANDLE - 7/16" X 14 ZN
	057759-01-000	EA	WASHER BRACKET-SEAT BELT, 4" DIAMETER
	007021-01-000	EA	BELT-SEAT, 2" X 50" - BLACK

## 1993 ITASCA TABLE OF CONTENTS

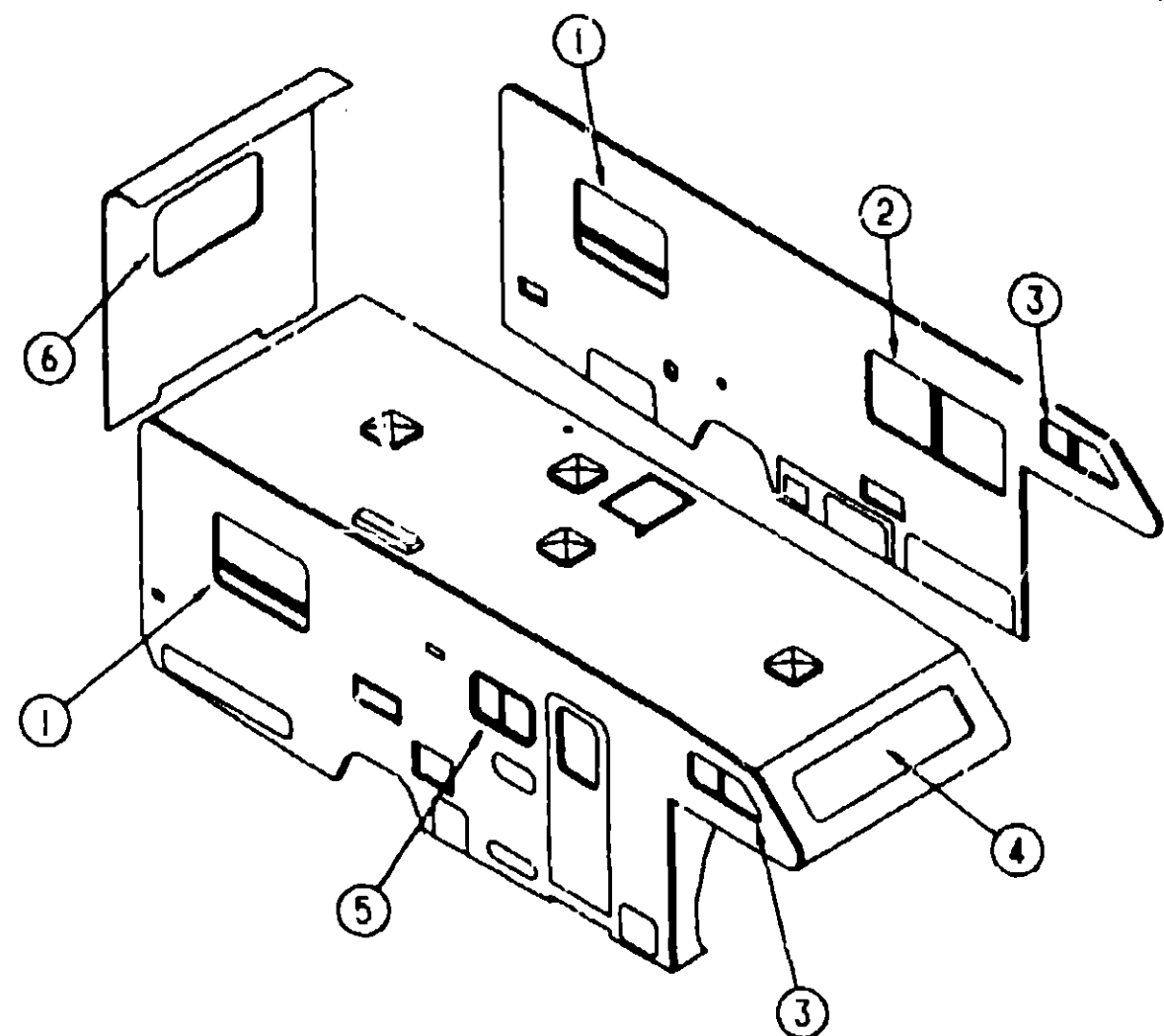
INTRODUCTION	A-01 - A-02
ABBREVIATIONS	A-03
ALPHABETICAL INDEX	A-04 - A-08
IF427Q	A-07 - D-18
IF427PC	D-19 - H-08
IF428RQ	H-09 - K-24

## 1993 IF427RQ INDEX

FLOOR PLAN	A-07 - A-08
ACCESSORIES	A-09
AUDIO VIDEO	A-10
BATH	A-11 - A-12
BEDROOM	A-13 - A-14
CHASSIS	A-15 - A-18
CURTAIN & CUSHION	A-19 - B-04
DINETTE	B-05 - B-08
DRIVER'S COMPARTMENT	B-07 - B-08
ELECTRICAL	B-09 - B-12
EXTERIOR BODY	B-13 - B-20
GALLERY	B-21 - B-24
GENERATOR	C-01
HEATING & A/C	C-02 - C-04
INTERIOR FINISH	C-05 - C-08
LABELS	C-09 - C-18
LP	C-17
LOUNGE	C-18 - C-19
SEALANTS & FASTENERS	C-20 - C-22
WATER & SEWAGE	C-23 - D-02
WINDOW, VENT AND	
EXTERIOR DOOR	D-03 - D-18

**CURTAIN & CUSHION GROUP (CONTINUED)**

**CURTAINS & WINDOW TREATMENT**



KEY	PART NUMBER	U/M DESCRIPTION
4	101034-15-D27	EA CURTAIN-DARTED TAPE TOP & BOTTOM, 2 USED - 21" X 45" FROM: 00-00-00 THRU: 09-13-92
4	101034-20-D27	EA CURTAIN-DARTED TAPE TOP & BOTTOM, RIGHT - 21" X 60" FROM: 09-14-92 THRU: 99-99-99
4	101034-21-D27	EA CURTAIN-DARTED TAPE TOP & BOTTOM, LEFT - 21" X 60" FROM: 09-14-92 THRU: 99-99-99
4	101034-15-D28	EA CURTAIN-DARTED TAPE TOP & BOTTOM, 2 USED - 21" X 45" FROM: 00-00-00 THRU: 09-13-92
4	101034-20-D28	EA CURTAIN-DARTED TAPE TOP & BOTTOM, RIGHT - 21" X 60" FROM: 09-14-92 THRU: 99-99-99
4	101034-21-D28	EA CURTAIN-DARTED TAPE TOP & BOTTOM, LEFT - 21" X 60" FROM: 09-14-92 THRU: 99-99-99
5	109353-03-01A	EA SLATS-BLIND, 27" - GLOSS FAWN (D27)
5	109353-03-02A	EA SLATS-BLIND, 27" - PURE SILVER (D28)
5	109353-04-000	EA CLIP-VALANCE, SLAT MOUNTING - CLEAR PLASTIC - PAIR
5	093475-32-15A	EA BLIND-MINI, 27" X 18.5" DROP - GLOSS FAWN (D27)
5	093475-32-16A	EA BLIND-MINI, 27" X 18.5" DROP - PURE SILVER (D28)
6	107976-06-D27	EA VALANCE-WINDOW, 52"
6	107976-06-D28	EA VALANCE-WINDOW, 52"
6	104157-01-C05	EA LEG-CURTAIN, 27" - RIGHT (D27)
6	104157-01-C04	EA LEG-CURTAIN, 27" - RIGHT (D28)
6	104157-02-C05	EA LEG-CURTAIN, 27" - LEFT (D27)
6	104157-02-C04	EA LEG-CURTAIN, 27" - LEFT (D28)
6	093475-68-06A	EA BLIND-MINI, 48" X 27" DROP - GLASS FAWN (D27)
6	093475-68-07A	EA BLIND-MINI, 48" X 27" DROP - PURE SILVER (D28)
6	073260-52-D27	EA TIEBACK-CURTAIN, 3" X 15" - GATHERED
6	073260-52-D28	EA TIEBACK-CURTAIN, 3" X 15" - GATHERED
6	084481-19-B85	EA CURTAIN-SHOWER, 69" X 42" (D27)
6	084481-19-B86	EA CURTAIN-SHOWER, 69" X 42" (D28)
6	073260-54-C09	EA TIEBACK-CURTAIN, SHOWER - 3" X 16" (D27)
6	073260-54-C10	EA TIEBACK-CURTAIN, SHOWER - 3" X 16" (D28)
6	101668-37-D27	EA CURTAIN-TAPE TOP, PASSENGER WINDSHIELD PRIVACY - 30" X 50" FROM: 00-00-00 THRU: 07-12-92
6	101668-39-D27	EA CURTAIN-TAPE TOP, PASSENGER WINDSHIELD PRIVACY - 35" X 50" FROM: 07-13-92 THRU: 99-99-99
6	101668-37-D28	EA CURTAIN-TAPE TOP, PASSENGER WINDSHIELD PRIVACY - 30" X 50" FROM: 00-00-00 THRU: 07-12-92
6	101668-39-D28	EA CURTAIN-TAPE TOP, PASSENGER WINDSHIELD PRIVACY - 35" X 50" FROM: 07-13-92 THRU: 99-99-99
6	101668-38-D27	EA CURTAIN-TAPE TOP, DRIVER WINDSHIELD PRIVACY - 30" X 50" FROM: 00-00-00 THRU: 07-12-92
6	101668-40-D27	EA CURTAIN-TAPE TOP, DRIVER WINDSHIELD PRIVACY - 35" X 50" FROM: 07-13-92 THRU: 99-99-99
6	101668-38-D28	EA CURTAIN-TAPE TOP, DRIVER WINDSHIELD PRIVACY - 30" X 50" FROM: 00-00-00 THRU: 07-12-92
6	101668-40-D28	EA CURTAIN-TAPE TOP, DRIVER WINDSHIELD PRIVACY - 35" X 50" FROM: 07-13-92 THRU: 99-99-99
6	073260-23-D27	EA TIEBACK-CURTAIN, WINDSHIELD PRIVACY - 3" X 18" (D27)
6	073260-23-D28	EA TIEBACK-CURTAIN, WINDSHIELD PRIVACY - 3" X 18" (D28)
6	075892-18-D27	EA CURTAIN-SNAP TOP, BUNK PRIVACY - 50" X 72"
6	075892-18-D28	EA CURTAIN-SNAP TOP, BUNK PRIVACY - 50" X 72"
6	057534-01-000	EA TIEBACK/TIEDOWN-BED/CURTAIN/DOOR, 6" - PLASTIC - CLEAR

**1993 ITASCA  
TABLE OF CONTENTS**

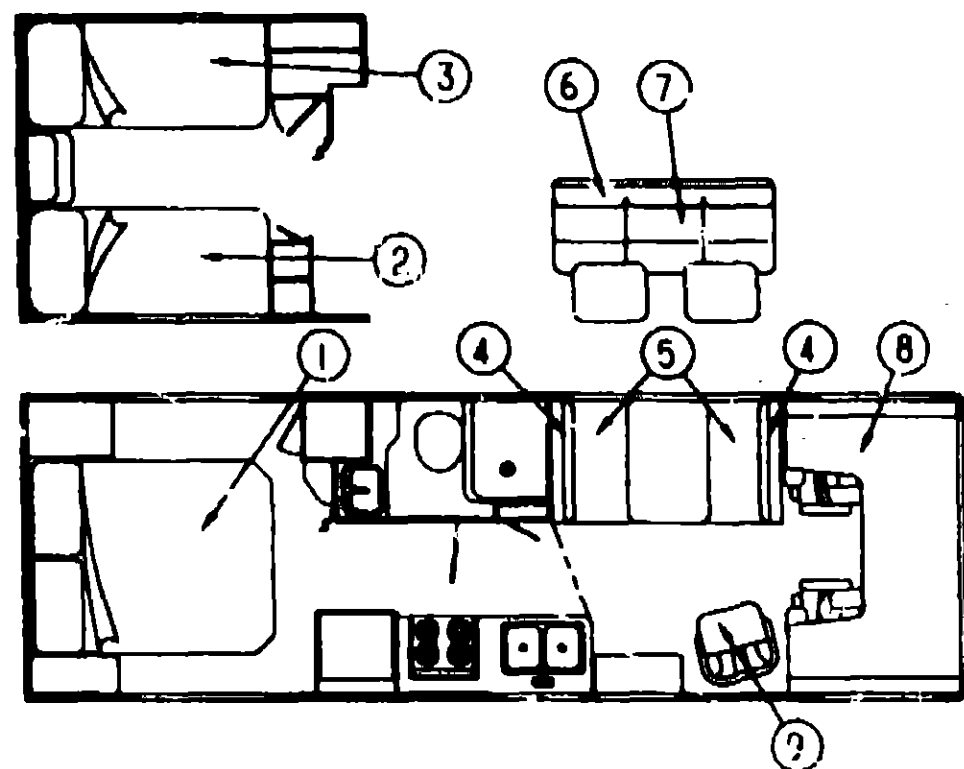
INTRODUCTION	A-01 - A-02
ABBREVIATIONS	A-03
ALPHABETICAL INDEX	A-04 - A-06
IF427RQ	A-07 - D-18
IF427RC	D-19 - H-08
IF428RQ	H-09 - K-24

**1993 IF427RQ INDEX**

FLOOR PLAN	A-07 - A-08
ACCESSORIES	A-09
AUDIO VIDEO	A-10
BATH	A-11 - A-12
BEDROOM	A-13 - A-14
CHASSIS	A-15 - A-18
CURTAIN & CUSHION	A-19 - B-01
DINETTE	B-05 - B-08
DRIVERS COMPARTMENT	B-07 - B-08
ELECTRICAL	B-09 - B-12
EXTERIOR BODY	B-13 - B-20
GALLEY	B-21 - B-24
GENERATOR	C-01
HEATING & AC	C-02 - C-04
INTERIOR FINISH	C-05 - C-08
LABELS	C-09 - C-16
LP	C-17
LOUNGE	C-18 - C-19
SEALANTS & FASTENERS	C-20 - C-22
WATER & SEWAGE	C-23 - D-02
WINDOW, VENT AND EXTERIOR DOOR	D-03 - D-18



**CURTAIN & CUSHION GROUP (CONTINUED)**



**DINETTE CUSHIONS**

KEY	PART NUMBER	U/M	DESCRIPTION
4	108141-01-D27	EA	CUSHION-BACKREST, 13.5" X 38" X 5"
4	108141-01-D28	EA	CUSHION-BACKREST, 13.5" X 36" X 5"
	P00141-01-D27	EA	COVER-CUSHION, BACKREST - 13.5" X 38" X 5"
	P08141-01-D28	EA	COVER-CUSHION, BACKREST - 13.5" X 36" X 5"
	078155-01-000	EA	STRAP-SNAP, BACKREST CUSHION
5	088927-86-D27	EA	CUSHION-SEATBASE, 21" X 38" X 5"
5	088927-86-D28	EA	CUSHION-SEATBASE, 21" X 36" X 5"
	M88927-86-D27	EA	COVER-CUSHION, SEATBASE - 21" X 38" X 5"
	M88927-86-D28	EA	COVER-CUSHION, SEATBASE - 21" X 36" X 5"

**COUCH**

KEY	PART NUMBER	U/M	DESCRIPTION
6	100032-44-D27	EA	BACKREST-COUCH, W/ARMRESTS - 66.5"
6	100032-44-D28	EA	BACKREST-COUCH, W/ARMRESTS - 66.5"
	P00032-44-D27	EA	COVER-BACKREST, W/ARMRESTS - 66.5"
	P00032-44-D28	EA	COVER-BACKREST, W/ARMRESTS - 66.5"
	101085-03-000	EA	FRAME-BACK, COUCH - 66.5"
7	100032-37-D27	EA	SEAT-COUCH, W/O BACKREST - 66.5"
7	100032-37-D28	EA	SEAT-COUCH, W/O BACKREST - 66.5"
	P00032-37-D27	EA	COVER-SEAT, COUCH - 66.5"
	P00032-37-D28	EA	COVER-SEAT, COUCH - 66.5"
	101085-01-000	EA	FRAME-SEAT, COUCH - 66.5"
	101085-03-000	EA	FRAME-BASE, COUCH - 66.5"

**QUEEN BEDSPREAD, PILLOW & MATTRESS**

KEY	PART NUMBER	U/M	DESCRIPTION
1	083986-19-D27	EA	BEDSPREAD-QUEEN, 80" W/CUT CORNERS
1	083986-19-D28	EA	BEDSPREAD-QUEEN, 80" W/CUT CORNERS
	104585-02-D27	EA	SHAM-PILLOW, W/FLANGE
	104585-02-D28	EA	SHAM-PILLOW, W/FLANGE
	101123-05-000	EA	MATTRESS-FOAM, 59" X 74" - CUT CORNERS
	P01123-05-000	EA	COVER-MATTRESS, FOAM - 59" X 74" - CUT CORNERS

**TWIN BEDSPREAD, PILLOW & MATTRESS**

KEY	PART NUMBER	U/M	DESCRIPTION
2	083986-14-D27	EA	BEDSPREAD-TWIN, 33" FITTED - RIGHT SIDE
2	083986-14-D28	EA	BEDSPREAD-TWIN, 33" FITTED - RIGHT SIDE
3	083986-15-D27	EA	BEDSPREAD-TWIN, 33" FITTED - LEFT SIDE
3	083986-15-D28	EA	BEDSPREAD-TWIN, 33" FITTED - LEFT SIDE
	104585-02-D27	EA	SHAM-PILLOW, W/FLANGE
	104585-02-D28	EA	SHAM-PILLOW, W/FLANGE
	101123-02-000	EA	MATTRESS-FOAM, 32" X 74" - CUT CORNERS
	P01123-02-000	EA	COVER-MATTRESS, FOAM - 32" X 74" - CUT CORNERS

**THROW PILLOWS**

KEY	PART NUMBER	U/M	DESCRIPTION
	103889-06-D27	EA	PILLOW-THROW, 15" X 15"
	103889-06-D28	EA	PILLOW-THROW, 15" X 15"

**BUNK CUSHIONS**

KEY	PART NUMBER	U/M	DESCRIPTION
8	105573-10-D27	EA	CUSHION-BUNK, REAR - 27" X 23" X 80" X 5"
8	105573-08-D28	EA	CUSHION-BUNK, REAR - 27" X 23" X 80" X 5"
	P05573-10-D27	EA	COVER-CUSHION, BUNK - REAR - 27" X 23" X 80" X 5"
	P05573-08-D28	EA	COVER-CUSHION, BUNK - REAR - 27" X 23" X 80" X 5"
8	105573-09-D27	EA	CUSHION-BUNK, FRONT - 32.5" X 19" X 5"
8	105573-07-D28	EA	CUSHION-BUNK, FRONT - 32.5" X 19" X 5"
	P05573-09-D27	EA	COVER-CUSHION, BUNK - FRONT - 32.5" X 80" X 5"
	P05573-07-D28	EA	COVER-CUSHION, BUNK - FRONT - 32.5" X 80" X 5"

**SWIVEL CHAIR**

KEY	PART NUMBER	U/M	DESCRIPTION
9	107957-01-D27	EA	CHAIR-SWIVEL, W/O PEDESTAL & SKIRT
9	107957-01-D28	EA	CHAIR-SWIVEL, W/O PEDESTAL & SKIRT

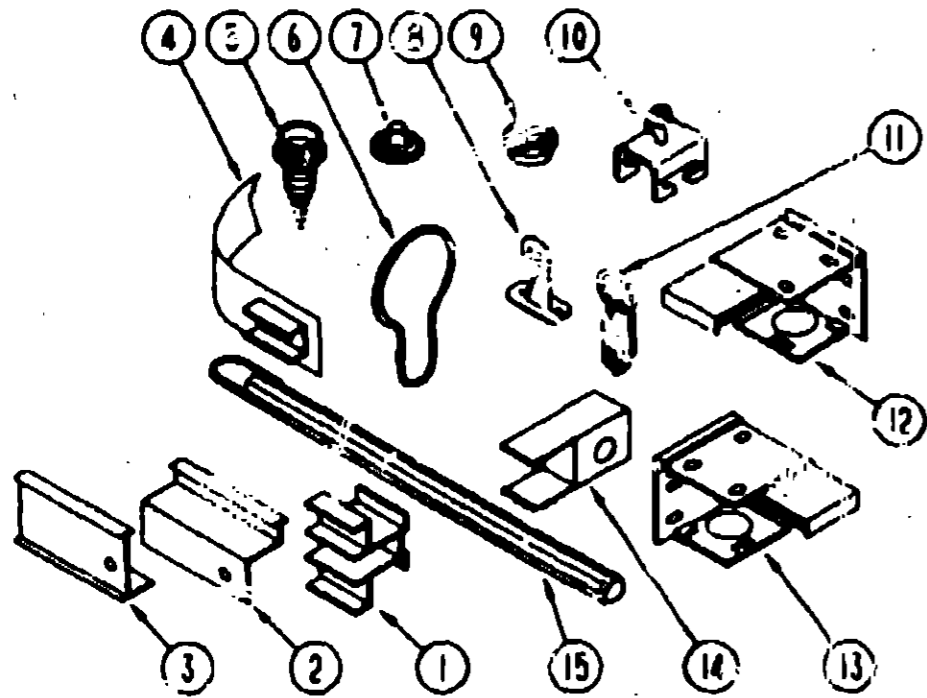
**1993 ITASCA TABLE OF CONTENTS**

INTRODUCTION	A-01 - A-02
ABBREVIATIONS	A-03
ALPHABETICAL INDEX	A-04 - A-06
IF427RQ	A-07 - D-18
IF427RC	D-19 - H-08
IF428RQ	H-09 - K-24

**1993 IF427RQ INDEX**

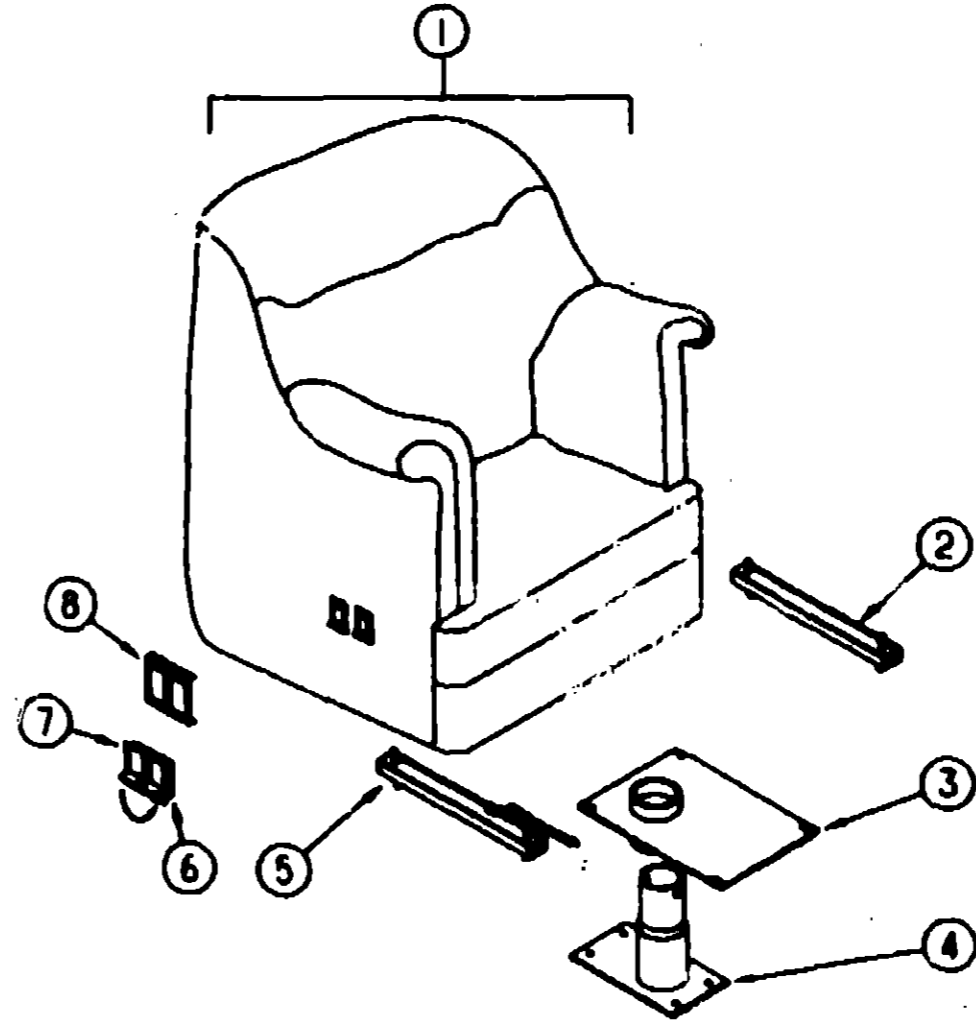
FLOOR PLAN	A-07 - A-08
ACCESSORIES	A-09
AUDIO VIDEO	A-10
BATH	A-11 - A-12
BEDROOM	A-13 - A-14
CHASSIS	A-15 - A-18
CURTAIN & CUSHION	A-19 - B-04
DINETTE	B-05 - B-06
DRIVERS COMPARTMENT	B-07 - B-08
ELECTRICAL	B-09 - B-12
EXTERIOR BODY	B-13 - B-20
GALLEY	B-21 - B-24
GENERATOR	C-01
HEATING & A/C	C-02 - C-04
INTERIOR FINISH	C-05 - C-08
LABELS	C-09 - C-18
L.P.	C-17
LOUNGE	C-18 - C-19
SEALANTS & FASTENERS	C-20 - C-22
WATER & SEWAGE	C-23 - D-02
WINDOW, VENT AND EXTERIOR DOOR	D-03 - D-18

**CURTAIN & CUSHION GROUP (CONTINUED)**



**CURTAIN & BLIND HARDWARE**

**CURTAIN & CUSHION GROUP (CONTINUED)**



**SWIVEL CHAIR**

**1993 ITASCA  
TABLE OF CONTENTS**

INTRODUCTION	A-01 -	A-02
ABBREVIATIONS		A-03
ALPHABETICAL INDEX	A-04 -	A-08
IF427RQ	A-07 -	D-18
IF427RC	D-19 -	H-08
IF428RQ	H-09 -	K-24

**1993 IF427RQ INDEX**

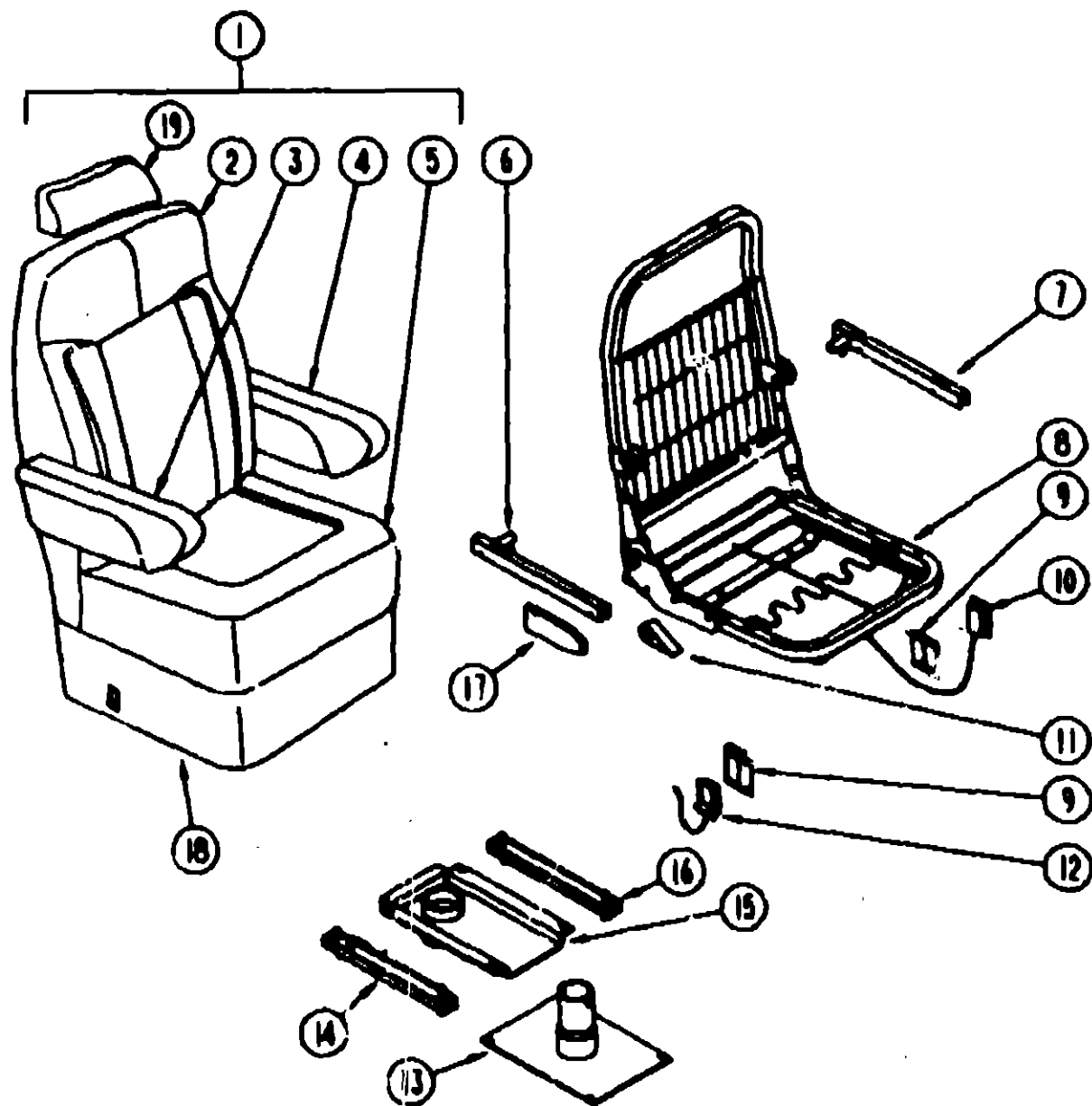
FLOOR PLAN	A-07 -	A-08
ACCESSORIES		A-09
AUDIO VIDEO		A-10
BATH	A-11 -	A-12
BEDROOM	A-13 -	A-14
CHASSIS	A-15 -	A-18
CURTAIN & CUSHION	A-19 -	B-04
DINETTE	B-05 -	B-08
DRIVERS COMPARTMENT	B-07 -	B-09
ELECTRICAL	B-09 -	B-12
EXTERIOR BODY	B-13 -	B-20
GALLEY	B-21 -	B-24
GENERATOR		C-01
HEATING & AC	C-02 -	C-04
INTERIOR FINISH	C-05 -	C-08
LABELS	C-09 -	C-16
LP		C-17
LOUNGE	C-18 -	C-19
SEALANTS & FASTENERS	C-20 -	C-22
WATER & SEWAGE	C-23 -	D-02
WINDOW, VENT AND EXTERIOR DOOR	D-03 -	D-18

KEY	PART NUMBER	U/M	DESCRIPTION
1	101033-03-000	FT	TRACK-WALL, WHITE - CT22S - SHAPCO
2	106460-08-01A	EA	TRACK-CURTAIN, OFF WHITE
3	082484-01-01A	EA	TRACK-CURTAIN, OFF WHITE
4	101031-01-000	YD	TAPE-GLIDE, CURTAIN - 4.25" SPACING
5	029130-01-000	EA	SCREW-SNAP SOCKET, 8 PH X 5/8"
6	009136-02-000	EA	HANGER-RING, PIN TYPE - CURTAIN - BRASS
7	029155-01-000	EA	CAP-SNAP, NICKEL
8	106591-02-000	EA	BRACKET-HOLD DOWN, W/PLATE - BLIND METAL
			FROM: 00-00-00 THRU: 07-19-92
9	109441-01-000	EA	HOLD DOWN-BLIND, HOOK
			FROM: 07-20-92 THRU: 99-99-99
9	029156-01-000	EA	SOCKET-SNAP FASTENER, NICKEL
10	009702-01-000	EA	END STOP-CURTAIN CARRIER, L ROD
11	009701-01-000	EA	CARRIER-CURTAIN, L ROD
12	083170-01-000	EA	BRACKET-BLIND, RIGHT SIDE
13	083170-02-000	EA	BRACKET-BLIND, LEFT SIDE
14	101033-02-000	EA	END CAP-TRACK, CLEAR
15	083475-01-700	EA	WAND-BLIND, W/METAL CLIP - 8" LONG
	083475-01-701	EA	FND CAP-BLIND, W/STUD
	040887-01-000	EA	W/OMET-BRASS, 7/16" ID X 1" OD
	048394-02-000	YD	VELCRO TAPE-HOOK, ADHESIVE BACK - .75" WIDE - BEIGE
	089716-01-001	EA	BRACE-90 DEGREE L-ANGLE, 192" - EXTRUDED ALUMINUM
	075943-01-000	EA	BRACE-ANGLE, W/HOLES - 1" X 1.5" X 20" - ALUMINUM - BEIGE
	075943-02-000	EA	BRACE-ANGLE, W/HOLES - 1" X 1.5" X 14" - ALUMINUM - BEIGE
	089792-01-000	YD	VELCRO-HOOK, .75" WIDE - BEIGE
	089792-02-000	YD	VELCRO TAPE-LOOP, ADHESIVE BACKED - .75" WIDE - BEIGE

KEY	PART NUMBER	U/M	DESCRIPTION
1	107957-01-727	EA	CHAIR-SWIVEL, W/O PEDESTAL & SKIRT
1	107957-01-D28	EA	CHAIR-SWIVEL, W/O PEDESTAL & SKIRT
	P07957-01-D27	EA	COVER-CHAIR, SWIVEL
	P07957-01-D28	EA	COVER-CHAIR, SWIVEL
2	089246-08-000	EA	ADJUSTER-SWIVEL CHAIR, MANUAL - FORWARD & BACK
3	107921-08-000	EA	TOP PLATE-W/O SEAT BELT BAR - FLEXSTEEL 2759PDTF
	107921-08-000	EA	BEARING KIT, FLEXSTEEL
4	083481-02-000	EA	BASE PEDESTAL, W/10" EXTENSION
			FROM: 00-00-00 THRU: 08-23-92
4	107921-01-000	EA	BASE-PEDESTAL, W/R 75" EXTENSION - FLEXSTEEL 3080 MSPD
			FROM: 08-24-92 THRU: 99-99-99
5	089246-08-000	EA	ADJUSTER-SWIVEL CHAIR, FORWARD & BACK - SCHROCK
	089246-05-700	EA	SPRING-REMOTE SLIDE ADJUSTER, WST-TS-108-5
	089246-05-701	EA	CLIP ONLY-CABLE ASM., SLIDE ADJUSTER
6	108049-01-000	EA	CABLE-SWIVEL, W/SWITCH, 28" - FLEXSTEEL PED 23802
	108049-02-000	EA	CLIP-CABLE, PEDESTAL - FLEXSTEEL 2592-CA
7	089388-04-000	EA	CABLE-SLIDE, W/SWITCH - BUCKET SEAT
8	097983-02-000	EA	BRACKET-MOUNT, REMOTE
	107977-01-D27	EA	SKIRT-CHAIR, SWIVEL
	107977-01-D28	EA	SKIRT-CHAIR, SWIVEL
	007221-01-000	EA	SPACER-SEAT, ADJUSTER - 4 USED PER SWIVEL CHAIR

**CURTAIN & CUSHION GROUP (CONTINUED)**

**BUCKET SEATS**



**1993 ITASCA  
TABLE OF CONTENTS**

INTRODUCTION	A-01 -	A-02
ABBREVIATIONS		A-03
ALPHABETICAL INDEX	A-04 -	A-08
IF427RQ	A-07 -	D-18
IF427RC	D-19 -	H-08
IF428RQ	H-09 -	K-24

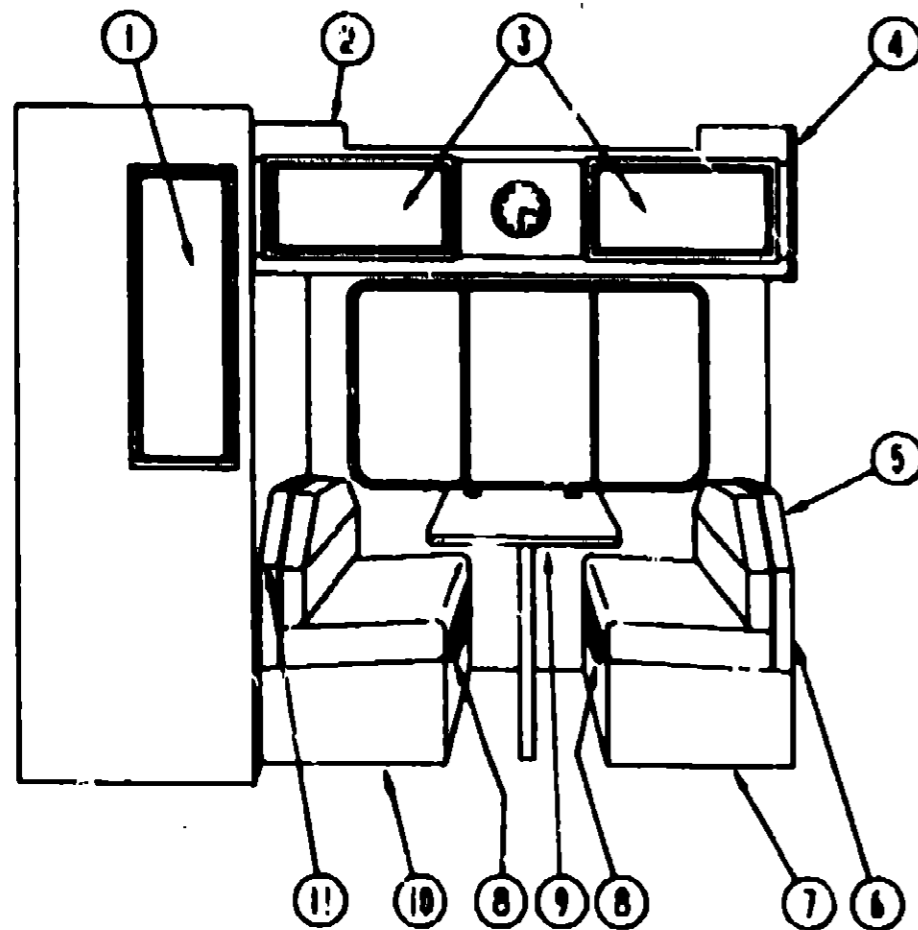
**1993 IF427RQ INDEX**

FLOOR PLAN	A-07 -	A-08
ACCESSORIES		A-09
AUDIO VIDEO		A-10
BATH	A-11 -	A-12
BEDROOM	A-13 -	A-14
CHASSIS	A-15 -	A-18
CURTAIN & CUSHION	A-19 -	B-04
DINETTE	B-05 -	B-08
DRIVERS COMPARTMENT	B-07 -	B-08
ELECTRICAL	B-09 -	B-12
EXTERIOR BODY	B-13 -	B-20
GALLEY	B-21 -	B-24
GENERATOR		C-01
HEATING & A/C	C-02 -	C-04
INTERIOR FINISH	C-05 -	C-08
LABELS	C-09 -	C-16
LP		C-17
LOUNGE	C-18 -	C-19
SEALANTS & FASTENERS	C-20 -	C-22
WATER & SEWAGE	C-23 -	D-02
WINDOW, VENT AND EXTERIOR DOOR	D-03 -	D-18

KEY	PART NUMBER	U/M DESCRIPTION
3	080243-49-D27	EA ARMREST-RIGHT SIDE, BUCKET SEAT
3	080243-49-D28	EA ARMREST-RIGHT SIDE, BUCKET SEAT
	M80243-49-D27	EA COVER-ARMREST, RIGHT SIDE
	M80243-49-D28	EA COVER-ARMREST, RIGHT SIDE
4	080243-50-D27	EA ARMREST-LEFT SIDE, BUCKET SEAT
4	080243-50-D28	EA ARMREST-LEFT SIDE, BUCKET SEAT
	M80243-50-D27	EA COVER-ARMREST, LEFT SIDE
	M80243-50-D28	EA COVER-ARMREST, LEFT SIDE
5	M03445-67-D27	EA COVER-SEAT, BUCKET SEAT
5	M03445-67-D28	EA COVER-SEAT, BUCKET SEAT
6	081288-01-000	EA ROD & CHANNEL-ARMREST-RIGHT-METAL
7	081288-02-000	EA ROD & CHANNEL-ARMREST-LEFT-METAL
	081361-01-000	EA ROD-ARMREST-METAL-RIGHT OR LEFT HAND
8	M80908-08-000	EA FRAME-SEAT & BACK, 3 SPRING
8	M80908-05-000	EA FRAME-SEAT & BACK, 3 SPRING-RECLINING
9	097883-03-000	EA BRACKET-REMOTE-SIDE MOUNT-SINGLE
10	080730-04-000	EA SWITCH & CABLE-SLIDE, SHROCK
	101125-01-000	EA RECLINER-SEAT BACK, LEFT HAND REMOTE
		FROM: 00-00-00 THRU: 08-21-92
	080730-02-000	EA RECLINER-SEAT BACK, LEFT HAND
		FROM: 08-22-92 THRU: 99-99-99
11	080730-03-700	EA HANDLE KIT-RECLINER
	080730-04-000	EA SCREW-RECLINER, HANDLE - KEIPER 300618-07
12	108049-01-000	EA SWITCH & CABLE-SWIVEL, 28° - FLEXSTEEL PED 23802
	108049-02-000	EA CLIP-CABLE, PEDESTAL - FLEXSTEEL 2592-CA
13	089596-41-000	EA PLATE-BASE
		FROM: 00-00-00 THRU: 02-21-93
	089685-03-000	EA PEDESTAL-LOWER, W/EXTENSION - 9" X 5" - STEEL
		MOUNTS BETWEEN UPPER PEDESTAL AND BASEPLATE
		FROM: 00-00-00 THRU: 02-21-93
13	107921-09-000	EA PEDESTAL-SEAT, FORD - W/BASE PLATE, EXTENSION & TOP PLATE
		FLEXSTEEL 3087-PDM8
		FROM: 02-22-93 THRU: 99-99-99
14	089248-06-000	EA ADJUSTER-SEAT/CHAIR-W/REMOTE - FORWARD & BACK
	089248-06-700	EA SPRING-ADJUSTER-FOR REMOTE
	089248-06-701	EA CLIP-CABLE-FOR REMOTE
15	093481-04-000	EA TOP PLATE-PEDESTAL, BUCKET SEAT - W/O SEATBELT BAR
		FROM: 00-00-00 THRU: 02-21-93
15	107921-08-000	EA TOP PLATE-PEDESTAL, BUCKET SEAT - W/O SEATBELT BAR
		FROM 02-22-93 THRU: 99-99-99
	107921-06-000	EA KIT-BEARING, FLEXSTEEL
		FROM: 02-22-93 THRU: 99-99-99
16	089248-02-000	EA ADJUSTER-SEAT/CHAIR-W/O LOCK - FORWARD & BACK
17	089388-08-000	EA SHIELD-CABLE, REMOTE RECLINER - BUCKET SEAT
18	071128-37-D27	EA SKIRT-BUCKET SEAT, 7" SINGLE
18	071128-37-D28	EA SKIRT-BUCKET SEAT, 7" SINGLE
19	085288-01-D08	EA HEADREST-BUCKET SEAT (D27)
19	085288-01-D35	EA HEADREST-BUCKET SEAT (D28)
	M85288-01-D08	EA COVER-HEADREST, BUCKET SEAT (D27)
	M85288-01-D35	EA COVER-HEADREST, BUCKET SEAT (D28)
19	085288-03-D08	EA HEADREST-BUCKET SEAT - RECLINING SEAT - MONOGRAM (D27)
19	085288-03-D28	EA HEADREST-BUCKET SEAT - RECLINING SEAT - MONOGRAM (D28)
	M85288-03-D08	EA COVER-HEADREST, BUCKET SEAT - RECLINING SEAT - MONOGRAM (D27)
	M85288-03-D28	EA COVER-HEADREST, BUCKET SEAT - RECLINING SEAT - MONOGRAM (D28)
	081172-01-000	EA TRIM-HEADREST, PLASTIC - BLACK
	081313-01-000	EA GROMMET-HEADREST

KEY	PART NUMBER	U/M DESCRIPTION
1	083450-37-D27	EA SEAT-BUCKET, W/O PEDESTALS & SKIRTS
1	083450-37-D28	EA SEAT-BUCKET, W/O PEDESTALS & SKIRTS
1	083450-31-D27	EA SEAT-BUCKET, W/O PEDESTALS & SKIRTS (RECLINING OPTION)
		FROM: 00-00-00 THRU: 08-21-92
1	083450-31-D28	EA SEAT-BUCKET, W/O PEDESTALS & SKIRTS (RECLINING OPTION)
		FROM: 00-00-00 THRU: 08-21-92
1	083450-42-D27	EA SEAT-BUCKET, W/O PEDESTALS & SKIRTS (RECLINING OPTION)
		FROM: 08-22-92 THRU: 99-99-99
1	083450-42-D28	EA SEAT-BUCKET, W/O PEDESTALS & SKIRTS (RECLINING OPTION)
		FROM: 08-22-92 THRU: 99-99-99
2	M03445-68-D27	EA COVER-BACK, BUCKET SEAT
2	M03445-68-D28	EA COVER-BACK, BUCKET SEAT

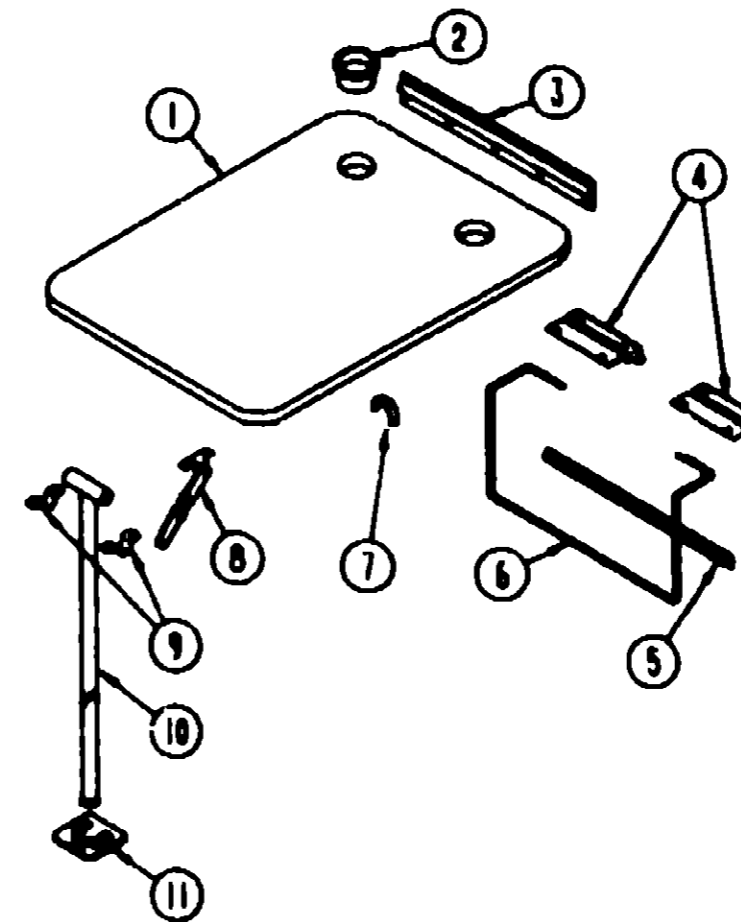
### DINETTE GROUP



CABINETS & TABLE

KEY	PART NUMBER	U/M	DESCRIPTION
1	P06223-47-D04	EA	DOOR-CABINET, W/O HARDWARE - 305 X 1220MM
2	110417-01-D27	EA	CABINET-OVERHEAD, DINETTE - W/O DOORS & HARDWARE FROM: 00-00-00 THRU: 04-18-93
2	110417-02-D27	EA	CABINET-OVERHEAD, DINETTE - W/O DOORS & HARDWARE FROM: 04-19-93 THRU: 99-99-99
2	110417-01-D28	EA	CABINET-OVERHEAD, DINETTE - W/O DOORS & HARDWARE FROM: 00-00-00 THRU: 04-18-93
2	110417-02-D28	EA	CABINET-OVERHEAD, DINETTE - W/O DOORS & HARDWARE FROM: 04-19-93 THRU: 99-99-99
3	P06223-70-D04	EA	DOOR-CABINET, W/O HARDWARE - 400 X 715MM (MIRRORED)
3	P06223-71-D04	EA	DOOR-CABINET, W/O HARDWARE - 400 X 715MM (WOOD PANEL)
4	104936-07-C03	EA	END CAP-CABINET, OVERHEAD
6	104787-01-D09	EA	PAD-BACKREST (D27)
6	104787-01-D11	EA	PAD-BACKREST (D28)
8	M04174-12-C07	EA	CABINET-BACKREST, RIGHT
7	M04175-12-C07	EA	CABINET-BACKREST, LEFT
8	081518-01-B27	EA	TOP-SEAT, CABINET - DINETTE
8	081296-01-A08	EA	SUPPORT-BED, DINETTE
9	M81299-08-D05	EA	TABLE-DINETTE, W/O HARDWARE (D27)
9	M81299-08-D04	EA	TABLE-DINETTE, W/O HARDWARE (D28)
10	M04175-16-C03	EA	CABINET-BASE, LEFT
11	104787-02-D27	EA	PAD-BACKREST
11	104787-02-D28	EA	PAD-BACKREST

### DINETTE GROUP (CONTINUED)



DINETTE TABLE & HARDWARE

KEY	PART NUMBER	U/M	DESCRIPTION
1	M81299-08-D05	EA	TABLE-DINETTE, W/O HARDWARE (D27)
1	M81299-08-D04	EA	TABLE-DINETTE, W/O HARDWARE (D28)
2	084781-06-000	EA	HOLDER-CUP, TWO STEP - OFF WHITE
3	053200-13-000	EA	BRACKET-TABLE SUPPORT, UPPER WALL MOUNTED - 18.5" - OFF WHITE
4	088410-02-000	EA	BRACKET-LIFT, TABLE MOUNTED - OFF WHITE
5	024281-15-000	EA	BRACKET-LIFT F.O.D, LOWER WALL MOUNTED - 17.12" - OFF WHITE
6	024275-13-000	EA	ROD-TABLE LIFT, 8" X 18.5" - OFF WHITE
7	024283-01-000	EA	CLIP-LEG, 1" - 1.125" OD - BLACK
8	024282-01-000	EA	BRACE-TABLE LEG, HINGED
9	084050-05-000	EA	CLAMP-SADDLE, LEG HINGE - OFF WHITE
10	024276-23-000	EA	LEG-TABLE, METAL - OFF WHITE
11	048483-11-700	EA	CATCH-LEG-FLOOR MOUNTED - 2.5' X 2.7" - METAL - E-COAT

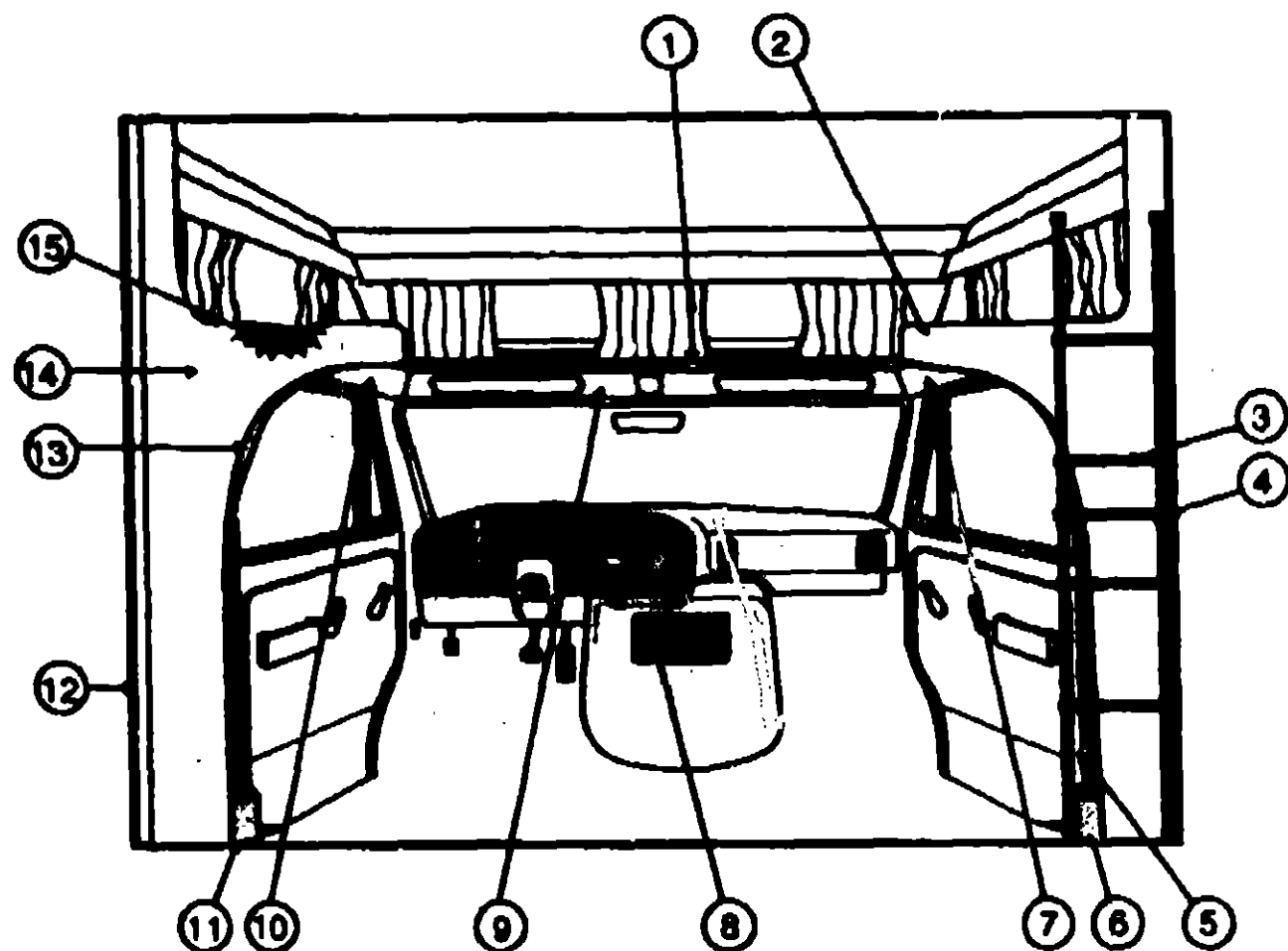
### 1993 ITASCA TABLE OF CONTENTS

INTRODUCTION	A-01 -	A-02
ABBREVIATIONS		A-03
ALPHABETICAL INDEX	A-04 -	A-08
IF427RQ	A-07 -	D-18
IF427RC	D-19 -	H-08
IF428RQ	H-09 -	K-24

### 1993 IF427RQ INDEX

FLOOR PLAN	A-07 -	A-08
ACCESSORIES		A-09
AUDIO VIDEO		A-10
BATH	A-11 -	A-12
BEDROOM	A-13 -	A-14
CHASSIS	A-15 -	A-18
CURTAIN & CUSHION	A-19 -	B-04
DINETTE	B-05 -	B-08
DRIVERS COMPARTMENT	B-07 -	B-08
ELECTRICAL	B-09 -	B-12
EXTERIOR BODY	B-13 -	B-20
GALLEY	B-21 -	B-24
GENERATOR		C-01
HEATING & A/C	C-02 -	C-04
INTERIOR FINISH	C-05 -	C-08
LABELS	C-09 -	C-16
LP		C-17
LOUNGE	C-18 -	C-19
SEALANTS & FASTENERS	C-20 -	C-22
WATER & SEWAGE	C-23 -	D-02
WINDOW, VENT AND		
EXTERIOR DOOR	D-03 -	D-18

**DRIVERS COMPARTMENT**



**DRIVERS COMPARTMENT**

KEY	PART NUMBER	U/M DESCRIPTION
1	108444-01-01A	EA TRIM-SLEEPERBOARD, INNER - OFF WHITE FROM: 00-00-00 THRU: 09-05-92
1	079800-07-000	EA TRIM-SLEEPERBOARD, INNER - OFF WHITE FROM: 09-06-92 THRU: 99-99-99
1	080742-03-000	FT TRIM-VINYL, SLEEPER BOARD - OFF WHITE
2	108440-03-D27	EA WINGWALL ASM-INNER, RIGHT FROM: 00-00-00 THRU: 09-05-92
2	108440-03-D28	EA WINGWALL ASM-INNER, RIGHT FROM: 00-00-00 THRU: 09-05-92
2	108803-01-D27	EA WINGWALL ASM-INNER, UPPER FROM: 09-06-92 THRU: 99-99-99
2	108803-01-D28	EA WINGWALL ASM-INNER, UPPER FROM: 09-06-92 THRU: 99-99-99
2	108805-03-D27	EA WINGWALL ASM-INNER, RIGHT LOWER FROM: 09-06-92 THRU: 99-99-99
2	108805-03-D28	EA WINGWALL ASM-INNER, RIGHT LOWER FROM: 09-06-92 THRU: 99-99-99
	108445-01-C52	EA TRIM ASM-WINGWALL WRAP, RIGHT - BETWEEN CAB STEEL & B PILLAR TRIM
	108804-01-D27	EA CAP-SLEEPERBOARD, DRIVER/PASSENGER SIDE - 80 X 599MM FROM: 09-06-92 THRU: 99-99-99
	108804-01-D28	EA CAP-SLEEPERBOARD, DRIVER/PASSENGER SIDE - 80 X 599MM FROM: 09-06-92 THRU: 99-99-99

**DRIVERS COMPARTMENT (CONTINUED)**

**DRIVERS COMPARTMENT (CONTINUED)**

KEY	PART NUMBER	U/M DESCRIPTION
3	108025-02-01A	EA LADDER-BUNK, BLACK - 1434 MM
	108025-01-700	EA BRACKET SET FOR BUNK LADDER
4	090858-03-000	EA STRAP ASM-TIEDOWN, BUNK LADDER
5	108448-01-C52	EA TRIM ASM-CAB, B-PILLAR - RIGHT
6	108431-01-01A	EA COVER-SEATBELT RECOIL, RIGHT - OFF WHITE
7	108447-01-C52	EA TRIM ASM-CAB DOOR, UPPER - RIGHT
8	108899-01-D04	EA TRAY-BEVERAGE, OAK
9	108448-01-C52	EA HEADLINER-VINYL COVERED, FRONT - OFF WHITE
10	108447-02-C52	EA TRIM ASM-CAB DOOR, UPPER - LEFT
11	108431-02-01A	EA COVER-SEATBELT RECOIL, LEFT - OFF WHITE
12	082081-20-C03	EA COVER-WINGWALL, 2002MM LONG - VINYL - OFF WHITE
13	108448-02-C52	EA TRIM ASM-CAB, B-PILLAR - RIGHT
14	108440-04-D27	EA WINGWALL ASM-INNER, LEFT FROM: 00-00-00 THRU: 09-05-92
14	108440-04-D28	EA WINGWALL ASM-INNER, LEFT FROM: 00-00-00 THRU: 09-05-92
14	108803-01-D27	EA WINGWALL ASM-INNER, UPPER FROM: 09-06-92 THRU: 99-99-99
14	108803-01-D28	EA WINGWALL ASM-INNER, UPPER FROM: 09-06-92 THRU: 99-99-99
14	108805-04-D27	EA WINGWALL ASM-INNER, RIGHT FROM: 09-06-92 THRU: 99-99-99
14	108805-04-D28	EA WINGWALL ASM-INNER, RIGHT FROM: 09-06-92 THRU: 99-99-99
	108445-02-C52	EA TRIM ASM-WINGWALL WRAP, LEFT - BETWEEN CAB STEEL & B PILLAR TRIM
15	108894-01-D27	EA CABINET-HAMPER, FRONT FROM: 09-06-92 THRU: 99-99-99
15	108894-01-D28	EA CABINET-HAMPER, FRONT FROM: 09-06-92 THRU: 99-99-99

**INSTRUMENT CLUSTERS**

KEY	PART NUMBER	U/M DESCRIPTION
	094795-03-000	EA CLUSTER-INSTRUMENT PANEL, KILOMETER - FORD F2UF108498F FROM: 00-00-00 THRU: 01-31-93
	094795-04-000	EA CLUSTER-INSTRUMENT PANEL, KILOMETER - FORD 93 E350 FROM: 02-01-93 THRU: 99-99-99
	094795-01-000	EA SPEEDOMETER-KILOMETER (FORD)
	081082-01-000	EA PLAQUE-MOUNTING, BATTERY/FUEL SWITCH - 2.4" X 1.4" - BLK (FORD)
	100157-01-000	EA MODULE-DAYTIME RUNNING LIGHT
	024481-01-000	EA SWITCH-BATTERY, BATT/DUAL/MOM

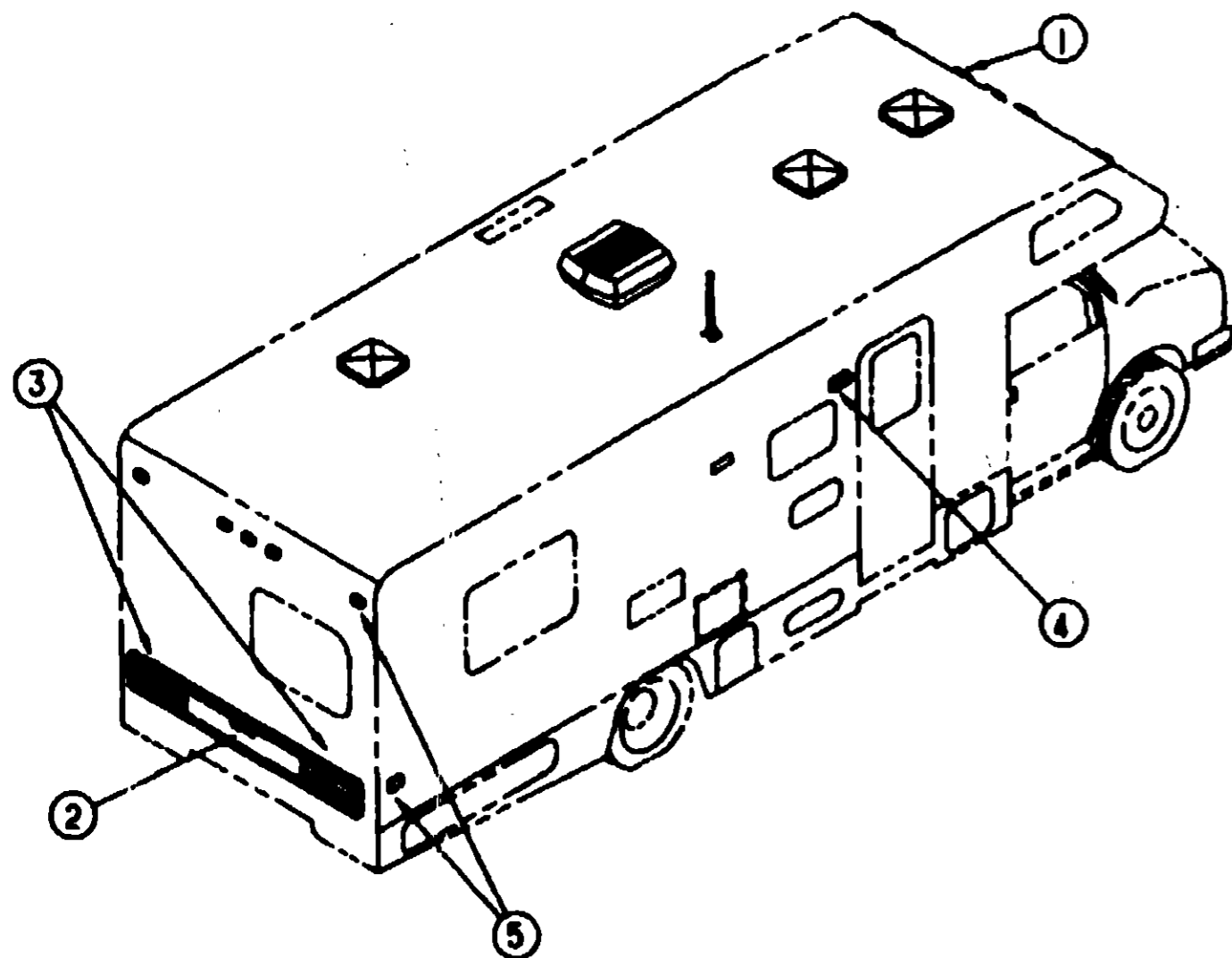
**1993 ITASCA  
TABLE OF CONTENTS**

INTRODUCTION	A-01 - A-02
ABBREVIATIONS	A-03
ALPHABETICAL INDEX	A-04 - A-08
IF427RQ	A-07 - D-18
IF427RC	D-19 - H-08
IF428RQ	H-09 - K-24

**1993 IF427RQ INDEX**

FLOOR PLAN	A-07 - A-08
ACCESSORIES	A-09
AUDIO VIDEO	A-10
BATH	A-11 - A-12
BEDROOM	A-13 - A-14
CHASSIS	A-15 - A-18
CURTAIN & CUSHION	A-19 - B-04
DINETTE	B-05 - B-08
DRIVERS COMPARTMENT	B-07 - B-09
ELECTRICAL	B-09 - B-12
EXTERIOR BODY	B-13 - B-20
GALLEY	B-21 - B-24
GENERATOR	C-01
HEATING & A/C	C-02 - C-04
INTERIOR FINISH	C-05 - C-08
LABELS	C-09 - C-16
LP	C-17
LOUNGE	C-18 - C-19
SEALANTS & FASTENERS	C-20 - C-22
WATER & SEWAGE	C-23 - D-02
WINDOW, VENT AND EXTERIOR DOOR	D-03 - D-18

## ELECTRICAL GROUP



### EXTERIOR LIGHTS

KEY	PART NUMBER	U/M	DESCRIPTION
1	091913-01-001	EA	GASKET-CLEARANCE/SIDEMARKER LIGHT
1	042405-02-010	EA	LENS-CLEARANCE/SIDEMARKER LIGHT, W/REFLEX - AMBER
1	042405-03-000	EA	BASE-CLEARANCE/SIDEMARKER LIGHT, WBULB - PLASTIC - WHITE FROM: 00-00-00 THRU: 05-16-93
1	111102-01-000	EA	BASE-CLEARANCE/SIDEMARKER LIGHT, WBULB - PLASTIC FROM: 05-17-93 THRU: 99-99-99
	008213-01-000	EA	BULB-12 V, NO. 57 - 24 AMP
2	088432-01-000	EA	LIGHT-LICENSE PLATE, WBRACKET
	088432-03-000	EA	BRACKET-LIGHT, LICENSE PLATE
3	081638-01-000	EA	TAILLIGHT-DOUBLE, WBLACK TRIM - DRIVER & PASS SIDE
	037834-01-000	EA	BULB# 1186 (BACK UP & TURN SIGNAL)
	037836-01-000	EA	BULB# 2067 OR 1187 (BRAKE LIGHT)
3	081638-01-700	EA	LENS-TAILLIGHT, RED
3	081638-01-701	EA	LENS-TAILLIGHT, WBACKUP
	103358-01-01A	EA	POU-TAILLIGHT, OFF WHITE
4	087917-01-01A	EA	LIGHT-PORCH, ENTRY DOOR - OFF WHITE
4	008216-01-000	EA	BULB-12V-#1003, .84 AMP
4	087917-01-700	EA	LENS-LIGHT, PORCH
6	081683-01-000	EA	GASKET-CLEARANCE/SIDEMARKER LIGHT
6	048408-01-000	EA	LENS-CLEARANCE/SIDEMARKER LIGHT, W/REFLEX - RED
6	048408-03-000	EA	BASE-CLEARANCE/SIDEMARKER LIGHT, WBULB - PLASTIC - WHITE
	008213-01-000	EA	BULB-12 V, NO. 57 - 24 AMP

## ELECTRICAL GROUP (CONTINUED)

### INTERIOR LIGHTS

KEY	PART NUMBER	U/M	DESCRIPTION
	008103-01-000	EA	BULB-DASH/VAISLE LIGHT, #53 - 12 V - .12 AMP
	088024-01-01A	EA	LIGHT-DOME, 1 BULB - US - IVORY
	008216-01-000	EA	BULB-DOME LIGHT, 12V - NUMBER 1141
	088024-01-700	EA	LENS-DOME LIGHT
	088024-03-01A	EA	LIGHT-DOME, 2 BULB - IVORY
	008216-01-000	EA	BULB-DOME LIGHT, 12V - NUMBER 1141
	088024-01-700	EA	LENS-DOME LIGHT

### SWITCHES & RECEPTACLES

KEY	PART NUMBER	U/M	DESCRIPTION
	075723-01-000	EA	BLOCK-SWITCH, SPACER W/O HOLE
	097734-01-01A	EA	EXTENSION-RECEPTACLE, 3.2" X 5" X .7" - PLASTIC - IVORY
	075736-02-000	EA	COVER-EXTERNAL RECEPTACLE, OFF WHITE
	007940-01-000	EA	RECEPTACLE-SLIDE, 18 TO 12 AWG - FEMALE END
	024824-02-000	EA	RECEPTACLE-POWER CORD, W/PARTIAL PLATE
	068707-01-000	EA	RECEPTACLE-ELECTRIC, SINGLE - BROWN
	068708-01-000	EA	RECEPTACLE-ELECTRIC, DOUBLE - BROWN
	068708-02-000	EA	RECEPTACLE-ELECTRIC, DOUBLE - IVORY
	080015-02-000	EA	RECEPTACLE-FLAG, .185 - 18/14 GA - AMP 3
	080015-03-000	EA	RECEPTACLE-FLAG, .250 - 14/16 GA
	084076-01-000	EA	RECEPTACLE-GFI, 15A - 125V - IVORY
	085188-01-01A	EA	SPACER-SWITCH, 2.3" X 3.4" - PLASTIC - DARK BROWN
	102568-01-832	EA	SPACER-RECEPTACLE, BETWEEN SIDEWALL & PLATE - WOOD
	079384-01-000	EA	SWITCH-ON/OFF ROCKER, 2 PRONGS - BROWN
	108355-01-000	EA	HOUSING-SWITCH, CARLING VCH
	108357-08-000	EA	SWITCH-ROCKER, DPDT ON/NONE/ON - VDD1800C-0
	108358-02-01A	EA	ACTUATOR-SWITCH, DIMPLE II - CARLING VVAZC00 BLA
	084077-01-000	EA	PLATE-COVER, RECEPTACLE - GFI - IVORY
	088351-01-01A	EA	PLATE-SWITCH, 1 GANG - POLISHED BRASS
	088351-08-01A	EA	PLATE-SWITCH, 2 GANG W/LABEL - JENSEN - POLISHED BRASS

### CONTROL CENTER & CONVERTER

KEY	PART NUMBER	U/M	DESCRIPTION
	094809-01-000	EA	CENTER-LOAD, 240V - 125A - TPL412CT
	083208-01-000	EA	CONVERTER-POWER, 32A - 120V/12V - BW 6332
	082615-01-000	EA	CONVERTER-40 AMP, WCHARGER - B-W 32400P

### WIRING ASSEMBLIES

KEY	PART NUMBER	U/M	DESCRIPTION
	103328-08-000	EA	WIRE ASM-PUMP-EXTERNAL SHOWER
	108851-01-000	EA	WIRE ASM-DAYTIME RUNNING LIGHTS-W/FUSE

## 1993 ITASCA TABLE OF CONTENTS

INTRODUCTION	A-01	A-02
ABBREVIATIONS		A-03
ALPHABETICAL INDEX	A-04	A-08
IF427RQ	A-07	D-18
IF427RC	D-19	H-08
IF428RQ	H-09	K-24

## 1993 IF427RQ INDEX

FLOOR PLAN	A-07	A-08
ACCESSORIES		A-09
AUDIO VIDEO		A-10
BATH	A-11	A-12
BEDROOM	A-13	A-14
CHASSIS	A-15	A-18
CURTAIN & CUSHION	A-19	B-04
DINETTE	B-05	B-08
DRIVERS COMPARTMENT	B-07	B-08
ELECTRICAL	B-09	B-12
EXTERIOR BODY	B-13	B-20
GALLEY	B-21	B-24
GENERATOR		C-01
HEATING & A/C	C-02	C-04
INTERIOR FINISH	C-05	C-08
LABELS	C-09	C-16
LP		C-17
LOUNGE	C-18	C-19
SEALANTS & FASTENERS	C-20	C-22
WATER & SEWAGE	C-23	D-08
WINDOW, VENT AND EXTERIOR DOOR	D-03	D-18

## ELECTRICAL GROUP (CONTINUED)

### FUSES & CIRCUIT BREAKERS

KEY	PART NUMBER	U/M	DESCRIPTION
	082901-08-000	EA	FUSE-6 AMP-AUTOMOTIVE
	082901-06-000	EA	FUSE-16 AMP-AUTOMOTIVE
	082901-01-000	EA	FUSE-16 AMP-AUTOMOTIVE-12V
	100341-01-000	EA	FUSE HOLDER-IN LINE TYPE
	107185-01-01A	EA	BOX-CIRCUIT BREAKER MOUNT-BLACK
	083854-01-000	EA	BREAKER-CIRCUIT, 6 AMP - HOUSE CONTROL PANEL
	083208-01-000	EA	BREAKER-CIRCUIT, 15 AMP - 120V - BW G-15(CANADIAN)
	083208-03-000	EA	BREAKER-CIRCUIT, 15 AMP - 120V - BW - 0-15/20
	084811-01-000	EA	BREAKER-CIRCUIT, DOUBLE 20 AMP - GE THQL2120
	083208-05-000	EA	BREAKER-CIRCUIT, 20A - 120V - BW J-20
	083208-06-000	EA	BREAKER-CIRCUIT, 30/15 AMP - 120V - BW D-30/15
	083855-02-000	EA	BREAKER-CIRCUIT, 30 AMP - HOUSE CONTROL PANEL
	084810-01-000	EA	BREAKER-CIRCUIT, DOUBLE 30 AMP - GE THQL2130
	083208-04-000	EA	BREAKER-CIRCUIT, 30A, 120V - BW L-30
	083208-08-000	EA	BREAKER-CIRCUIT, BLANK - BW

### ELECTRIC BOXES & POWER CORDS

KEY	PART NUMBER	U/M	DESCRIPTION
	08288-01-000	EA	BOX-PLASTIC ELECTRIC, 3.94" X 3.13" X 1.81"
	08289-01-000	EA	BOX-ELECTRIC, STEEL - 1/2" AND 3/4" KNOCKOUTS - 4" X 4"
	08288-02-000	EA	BOX-ELECTRIC, 4" X 4" - 1/2" & 3/4" KNOCKOUTS - CANADIAN
	068040-01-000	EA	BOX-ELECTRIC SWITCH, 2" X 3" X 2.25"
	091910-01-000	EA	BOX-ELECTRIC, 3.75" X 3.5" X 1.75" - PLASTIC
	091910-02-000	EA	BOX-ELECTRIC, 57 X 38MM - PLASTIC
	083803-01-000	EA	BOX-ELECTRIC, STEEL - 4" X 2 1/8" X 2 1/8"
	087948-01-000	EA	BUSS BAR-2 POSITION, 8" X 1.5" - ALUMINUM
	088064-01-000	EA	CORD-POWER, 10/3 - 30 AMP - 25'
	088062-01-000	EA	CORD-POWER, 10/3 - 30 AMP - 25' - CANADIAN
	089238-01-000	EA	COVER-ELECTRICAL BOX, WHOLE - 4" X 4" - GRAY - USED W/30 AMP RECEPTACLE
	088494-02-000	EA	COVER-ELECTRICAL BOX, BLANK STEEL - 4" X 4" - CANADIAN
	088188-01-000	EA	SOLENOID-1 POST, BATTERY CHANGE OVER

### CONDUIT

KEY	PART NUMBER	U/M	DESCRIPTION
	041863-01-000	FT	CONDUIT-CONVOLUTE SLIT - .5" ID
	041863-03-000	FT	CONDUIT-CONVOLUTE SLIT - 1" ID (CLOTHES ROD COVER)
	041863-06-000	FT	CONDUIT-CONVOLUTE SLIT - .375" ID
	041863-07-000	FT	CONDUIT-CONVOLUTE SLIT - .25" ID
	041863-08-000	FT	CONDUIT-CONVOLUTE SLIT - 1.50" ID
	041863-09-000	FT	CONDUIT-CONVOLUTE SLIT - .50" ID
	041863-10-000	FT	CONDUIT-CONVOLUTE SLIT - .75" ID
	041863-11-000	FT	CONDUIT-CONVOLUTE SLIT - 1.08" ID
	041863-12-000	FT	CONDUIT-CONVOLUTE NON SLIT - 1.1" ID

## ELECTRICAL GROUP (CONTINUED)

### CONNECTORS, HOUSINGS, & TERMINALS

KEY	PART NUMBER	U/M	DESCRIPTION
	088355-01-000	EA	CONNECTOR-CABLE CLAMPING, 3/4"
	058028-01-000	EA	CONNECTOR-ELECTRICAL PIGTAIL, NYLON - CLEAR
	088475-01-000	EA	CONNECTOR-PIN, 14 TO 20 AWG
	088475-02-000	EA	CONNECTOR-PIN, 10 TO 12 AWG
	088356-01-000	EA	CONNECTOR-PLASTIC, 3/8" AVG
	088476-01-000	EA	CONNECTOR-SOCKET, BRASS - PRE-TIN
	088476-02-000	EA	CONNECTOR-SOCKET, 12-10 GA - PHOS. BRZ - PRE-TIN
	088420-01-000	EA	CONNECTOR-SWIVEL, 1/2" FPT X 5/8" TUBE - PLASTIC
	088311-01-000	EA	CONNECTOR-WIRE NUT, INSULATED - RED
	088314-01-000	EA	CONNECTOR-WIRE NUT, INSULATED - GRAY
	083910-01-000	EA	HOUSING-RELAY, BOSCH 3 334 495 008
	088473-01-000	EA	HOUSING-PIN, 4 ROWS OF 3
	088473-03-000	EA	HOUSING-PIN, 9 POSITION
	088473-05-000	EA	HOUSING-PIN, 6 POSITION (SINGLE ROW)
	088473-06-000	EA	HOUSING-PIN, 6 POSITION (TWO ROWS OF THREE)
	088473-07-000	EA	HOUSING-PIN, 5 CAVITY AMP 1-480783-0
	088473-08-000	EA	HOUSING-PIN, 4 POSITION
	088473-09-000	EA	HOUSING-PIN, 3 POSITION (SINGLE ROW)
	088473-10-000	EA	HOUSING-PIN, 2 POSITION
	088474-03-000	EA	HOUSING-SOCKET, 9 POSITION
	088474-08-000	EA	HOUSING-SOCKET, 6 POSITION (2 ROWS OF THREE)
	088474-07-000	EA	HOUSING-SOCKET, 5 CAVITY AMP 1-480784-0
	088474-08-000	EA	HOUSING-SOCKET, 4 POSITION (SINGLE ROW)
	088474-09-000	EA	HOUSING-SOCKET, 3 POSITION
	088474-10-000	EA	HOUSING-SOCKET, 2 POSITION
	088328-01-000	EA	TERMINAL-RING, 18/14 WIRE - 3/8" STUD
	088328-01-000	EA	TERMINAL-RING, 12/10 WIRE - #10 STUD FIT
	088331-01-000	EA	TERMINAL-RING, TONGUE - #4 WIRE - 3/8" STUD - COPPER
	088348-01-000	EA	TERMINAL-RING, 3/8" STUD - #2 WIRE CONNECTS CABLE TO DISCONNECT RELAY AND BATTERY
	035418-04-000	EA	TERMINAL-RING #10 STUD FIT, INSULATED BARREL #18/14
	047443-01-000	EA	TERMINAL-250 RECEPTACLE FIT, INSULATED - 18/14 AWG
	047443-02-000	EA	TERMINAL-250 RECEPTACLE FIT, INSULATED - 12/10 AWG

## 1993 ITASCA TABLE OF CONTENTS

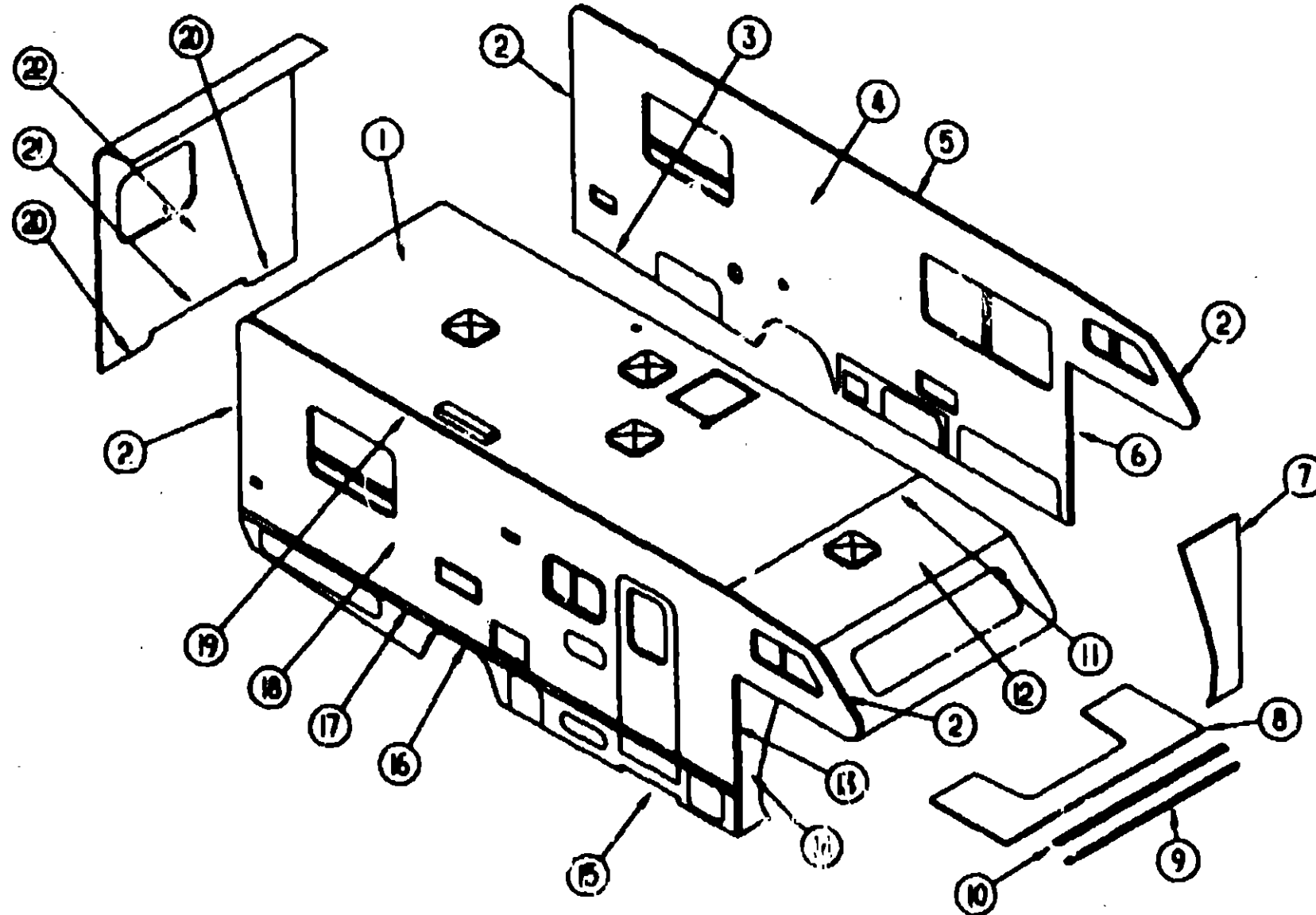
INTRODUCTION	A-01	A-02
ABBREVIATIONS		A-03
ALPHABETICAL INDEX	A-04	A-08
IF427RQ	A-07	D-18
IF427RC	D-19	H-08
IF428RQ	H-09	K-24

## 1993 IF427RQ INDEX

FLOOR PLAN	A-07	A-08
ACCESSORIES		A-09
AUDIO VIDEO		A-10
BATH	A-11	A-12
BEDROOM	A-13	A-14
CHASSIS	A-15	A-18
CURTAIN & CUSHION	A-16	B-04
DINETTE	B-05	B-08
UPPER COMPARTMENT	B-07	B-09
ELECTRICAL	B-09	B-12
EXTERIOR BODY	B-13	B-20
GALLEY	B-21	B-24
GENERATOR		C-01
HEATING & A/C	C-02	C-04
INTERIOR FINISH	C-05	C-08
LABELS	C-09	C-15
LP		C-17
LOUNGE	C-18	C-19
SEALANTS & FASTENERS	C-20	C-22
WATER & SEWAGE	C-23	D-02
WINDOW, VENT AND EXTERIOR DOOR	D-03	D-18

# EXTERIOR BODY GROUP

## EXTERIOR BODY PANELS



# 1993 ITASCA TABLE OF CONTENTS

INTRODUCTION	A-01 - A-02
ABBREVIATIONS	A-03
ALPHABETICAL INDEX	A-04 - A-06
IF427RQ	A-07 - D-18
IF427RC	D-19 - H-08
IF428RQ	H-09 - K-24

# 1993 IF427RQ INDEX

FLOOR PLAN	A-07 - A-08
ACCESSORIES	A-09
AUDIO VIDEO	A-10
BATH	A-11 - A-12
BEDROOM	A-13 - A-14
CHASSIS	A-15 - A-18
CURTAIN & CUSHION	A-19 - B-04
DINETTE	B-05 - B-08
DRIVERS COMPARTMENT	B-07 - B-08
ELECTRICAL	B-09 - B-12
EXTERIOR BODY	B-13 - B-20
GALLEY	B-21 - B-24
GENERATOR	C-01
HEATING & A/C	C-02 - C-04
INTERIOR FINISH	C-05 - C-08
LABELS	C-09 - C-18
LP	C-17
LOUNGE	C-18 - C-19
SEALANTS & FASTENERS	C-20 - C-22
WATER & SEWAGE	C-23 - D-02
WINDOW, VENT AND EXTERIOR DOOR	D-03 - D-18

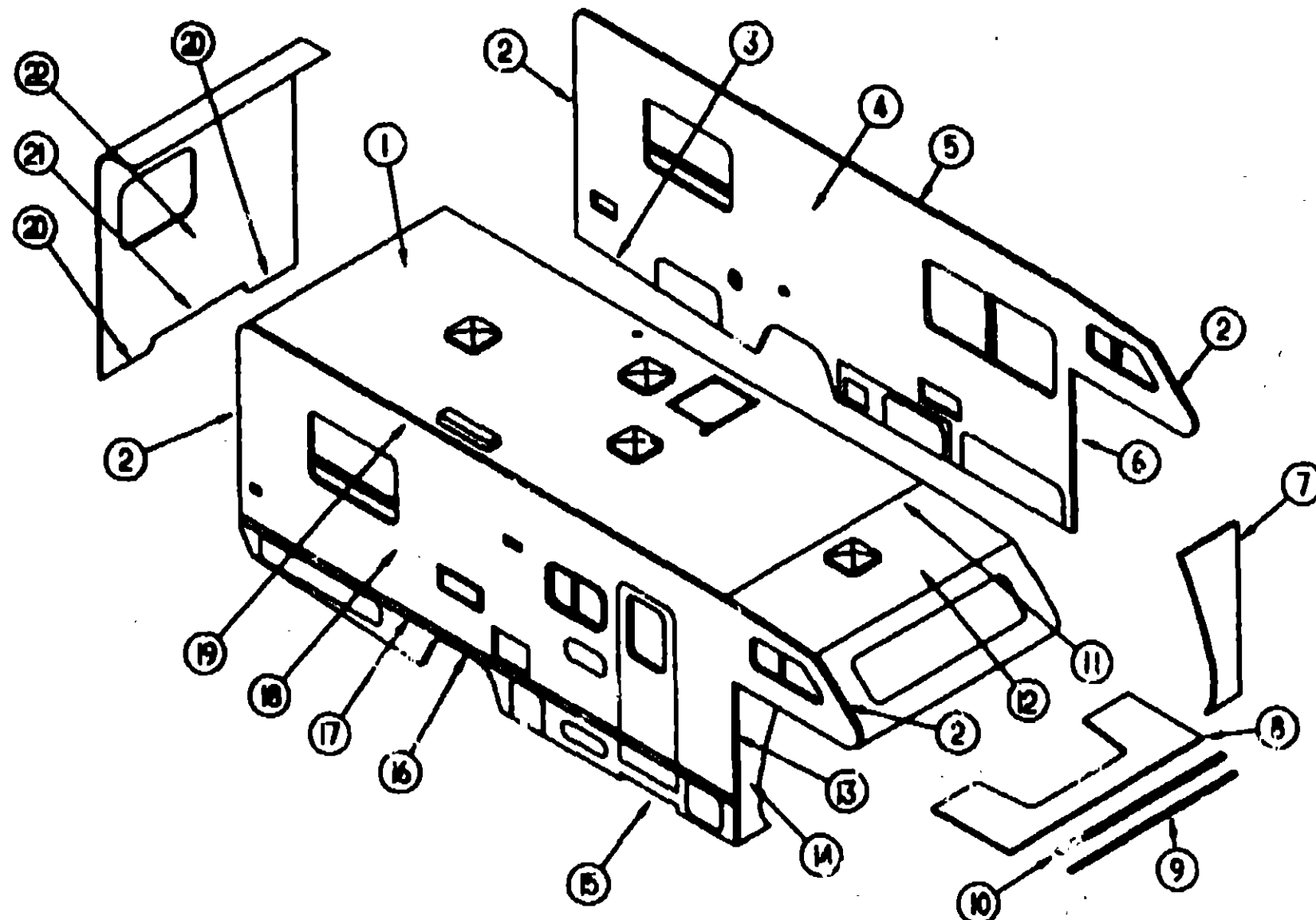
KEY	PART NUMBER	U/M	DESCRIPTION	
1	P05035-02-D27	EA	ROOF ASM WBASES	
1	P08855-02-D27	EA	ROOF 1SM WBASES	FROM: 00-00-00 THRU: 09-05-92
2	08885-01-01A	EA	TRIM-CONTOUR, W/O VINYL INSERT - 108" - OFF WHITE	
2	105312-01-01A	FT	INSERT-TRIM, VINYL - OFF WHITE	FROM: 09-08-92 THRU: 99-99-99
3	088072-55-001	EA	U-CHANNEL, EXTRUDED - 487MM LONG - OFF WHITE	
4	P08808-01-D27	EA	SIDEWALL-DRIVER SIDE, W/O WINDOW & DOORS	
4	P08857-01-D27	EA	SIDEWALL-DRIVER SIDE, W/O WINDOW & DOORS	FROM: 00-00-00 THRU: 09-08-92
4	P08808-01-D28	EA	SIDEWALL-DRIVER SIDE, W/O WINDOW & DOORS	FROM: 09-08-92 THRU: 99-99-99
4	P08857-01-D28	EA	SIDEWALL-DRIVER SIDE, W/O WINDOW & DOORS	FROM: 00-00-00 THRU: 09-05-92
5	08884-01-01A	EA	TRIM-CONTOUR, ROOF TO SIDEWALL - DR OR PASS - 120"	
6	084875-54-004	EA	STEEL-ANGLE, ROOF JOINT - 548MM LONG - OFF WHITE	
6	104479-04-01A	EA	TRIM-CONTOUR, FRONT - DRIVER - OFF WHITE	FROM: 01-00-00 THRU: 09-05-92
6	104479-05-01A	EA	TRIM-CONTOUR, FRONT - DRIVER - OFF WHITE	FROM: 09-08-92 THRU: 99-99-99
7	108438-04-C03	EA	WINGWALL-DRIVER, W/O SUBSET	FROM: 00-00-00 THRU: 09-05-92
7	108889-04-D04	EA	WINGWALL-DRIVER SIDE	FROM: 09-08-92 THRU: 99-99-99

KEY	PART NUMBER	U/M	DESCRIPTION	
8	088334-01-000	FT	VINYL-EXTERIOR, BETWEEN WINGWALL & CAB SEAL - WHITE	
8	P08443-01-C03	EA	SLEEPERBOARD ASM	FROM: 00-00-00 THRU: 09-05-92
8	P08857-01-D29	EA	SLEEPERBOARD ASM	FROM: 09-08-92 THRU: 99-99-99
9	100085-02-01A	EA	TRIM-SLEEPERBOARD, 2" X 90.5" - OFF WHITE	
10	100085-03-01A	EA	TRIM-SLEEPERBOARD, FLAT - 2.5" X 87.5" - OFF WHITE	
11	078540-01-000	EA	TRIM-ROOF TO FRONT CAP	
12	M78177-01-700	EA	CAP-FRONT, OVERHEAD CAB TO FIRST BEAM OF ROOF	
13	104479-03-01A	EA	TRIM-CONTOUR, FRONT - DRIVER - OFF WHITE	FROM: 00-00-00 THRU: 09-05-92
13	104479-05-01A	EA	TRIM-CONTOUR, FRONT - DRIVER - OFF WHITE	FROM: 09-08-92 THRU: 99-99-99
14	108438-03-C03	EA	WINGWALL-PASSENGER SIDE	FROM: 00-00-00 THRU: 09-05-92
14	108850-03-D04	EA	WINGWALL-PASSENGER SIDE	FROM: 09-08-92 THRU: 99-99-99
15	088334-01-000	FT	VINYL-EXTERIOR-BETWEEN WINGWALL & CAB SEAL - WHITE	
16	101125-05-D14	EA	TRIM-SIDEWALL, BELOW ENTRY DOOR	
16	106100-02-01A	EA	TRIM-WHEELWELL, DRIVER & PASSENGER SIDE - OFF WHITE	



EXTERIOR BODY GROUP (CONTINUED)

EXTERIOR BODY PANELS (CONTINUED)



1993 ITASCA  
TABLE OF CONTENTS

INTRODUCTION	A-01 - A-02
ABBREVIATIONS	A-03
ALPHABETICAL INDEX	A-04 - A-06
IF427RQ	A-07 - D-18
IF427RC	D-19 - H-08
IF428RQ	H-09 - K-24

1993 IF427RQ INDEX

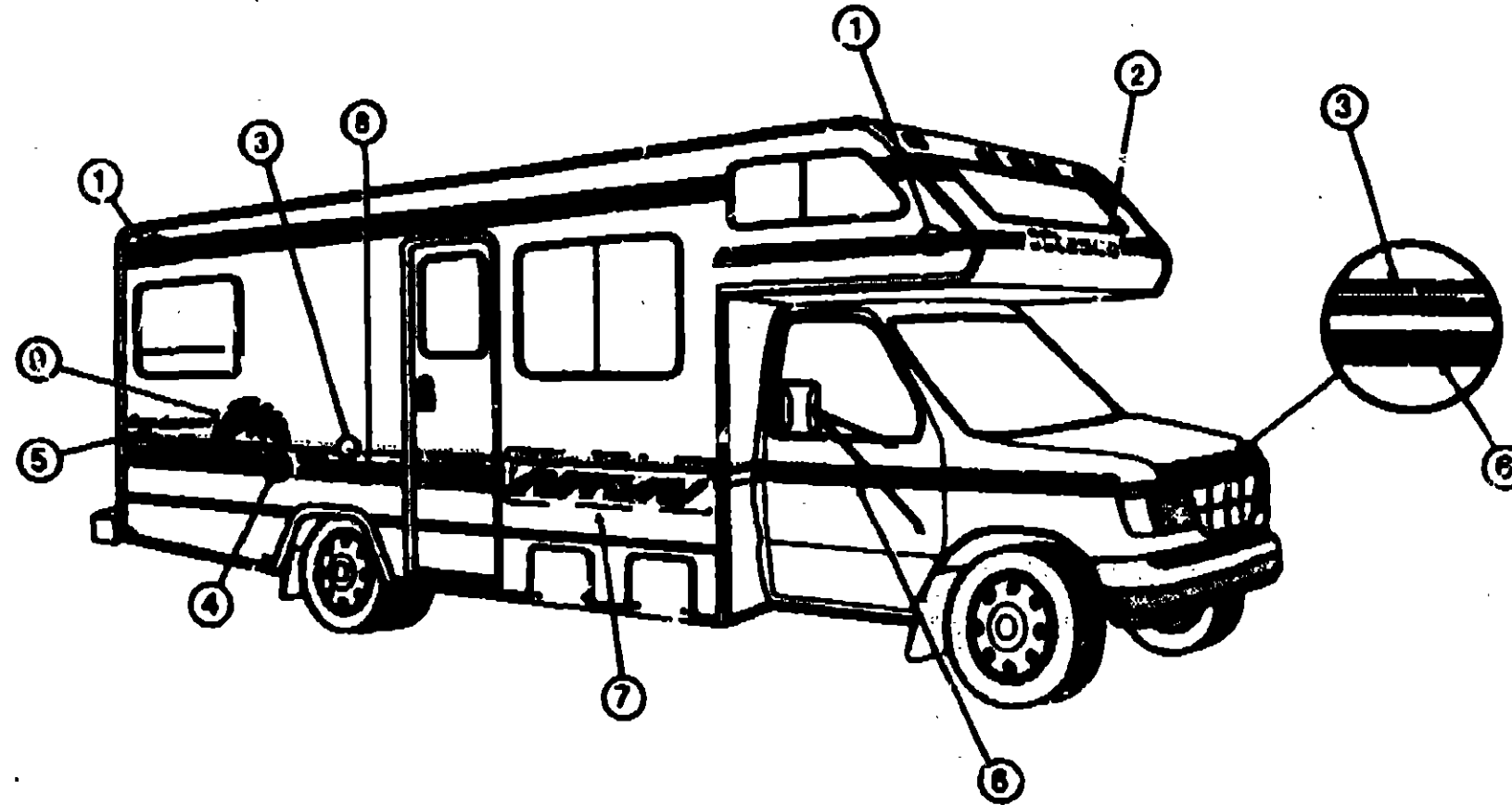
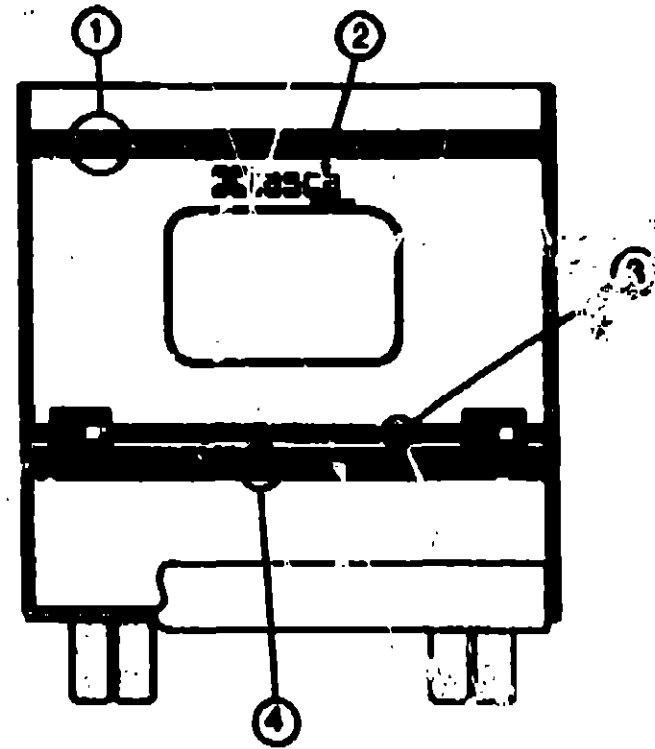
FLOOR PLAN	A-07 - A-08
ACCESSORIES	A-09
AUDIO VIDEO	A-10
BATH	A-11 - A-12
BEDROOM	A-13 - A-14
CHASSIS	A-15 - A-18
CURTAIN & CUSHION	A-19 - B-04
DINETTE	B-05 - B-06
DRIVERS COMPARTMENT	B-07 - B-08
ELECTRICAL	B-09 - B-12
EXTERIOR BODY	B-13 - B-20
GALLEY	B-21 - B-24
GENERATOR	C-01
HEATING & A/C	C-02 - C-04
INTERIOR FINISH	C-05 - C-08
LABELS	C-09 - C-16
LP	C-17
LOUNGE	C-18 - C-19
SEALANTS & FASTENERS	C-20 - C-22
WATER & SEWAGE	C-23 - D-02
WINDOW, VENT AND EXTERIOR DOOR	D-03 - D-18

KEY	PART NUMBER	U/M DESCRIPTION
17	009731-01-000	EA END CAP-FEATURE STRIP FROM: 00-00-00 THRU: 09-07-92
17	108851-01-01A	EA END CAP-FEATURE STRIP FROM: 09-08-92 THRU: 99-99-99
17	001030-02-003	EA INSERT-FEATURE STRIP, 17' LONG - OFF WHITE FROM: 00-00-00 THRU: 09-07-92
17	106312-01-01A	EA INSERT-FEATURE STRIP, 17' LONG - VINYL - OFF WHITE FROM: 09-08-92 THRU: 99-99-99
17	002444-04-002	EA STRIP-FEATURE, W/O INSERT - 15' LONG - OFF WHITE FROM: 00-00-00 THRU: 09-07-92
17	108858-01-01A	EA STRIP-FEATURE, W/O INSERT - 15' LONG - OFF WHITE FROM: 09-08-92 THRU: 99-99-99
18	P08807-01-D27	EA SIDEWALL-PASSENGER SIDE, W/O WINDOWS & DOORS FROM: 00-00-00 THRU: 09-05-92
18	P08858-01-D27	EA SIDEWALL-PASSENGER SIDE, W/O WINDOWS & DOORS FROM: 09-06-92 THRU: 99-99-99
18	P08807-01-D28	EA SIDEWALL-PASSENGER SIDE, W/O WINDOWS & DOORS FROM: 00-00-00 THRU: 09-05-92
18	P08858-01-D28	EA SIDEWALL-PASSENGER SIDE, W/O WINDOWS & DOORS FROM: 09-06-92 THRU: 99-99-99
18	100489-01-01A	EA TRIM-CONTOUR, ROOF TO SIDEWALL (AWNING) - OFF WHITE
	008883-85-001	EA RAIL-AWNING, 10' LONG - OFF WHITE

KEY	PART NUMBER	U/M DESCRIPTION
20	103334-02-01A	EA TRIM-BACKWALL, LOWER - OFF WHITE
21	103335-02-01A	EA TRIM-BACKWALL, LOWER - OFF WHITE
22	F06217-02-D27	EA BACKWALL ASM
22	F06217-02-D28	EA BACKWALL ASM
	012385-01-001	EA U-CHANNEL - 1" X 18" - SERRATED - MILL FINISHED ALUMINUM
	002728-01-001	EA U-CHANNEL, GARNISH - 1.38" X 18" - SERRATED - MILL ALUMINUM
	002754-01-001	EA ANGLE-EXTRUDED, .75" X .75" X 18" - MILL ALUMINUM

EXTERIOR BODY GROUP (CONTINUED)

DECALS, STRIPES & PAINT



1993 ITASCA  
TABLE OF CONTENTS

INTRODUCTION	A-01 -	A-02
ABBREVIATIONS		A-03
ALPHABETICAL INDEX	A-04 -	A-08
IF427RQ	A-07 -	D-18
IF427RC	D-19 -	H-08
IF428RQ	H-09 -	K-24

KEY	PART NUMBER	QTY	DESCRIPTION
1	084449-18-01A	FT	MULTISTRIPE, 108MM WIDE - 3 LINES - ORANGE/BLUE/TURQUOISE
2	078882-32-000	EA	DECAL-LOGO, ITASCA - 5" - BLUE/TURQUOISE
	084075-01-000	EA	DECAL-"BY WINNEBAGO INDUSTRIES", BLACK
3	105781-11-01A	FT	MULTISTRIPE, 80.8MM WIDE - 2 LINES - ORANGE/ORANGE FROM: 00-00-00 THRU: 08-16-92
3	105781-11-03A	FT	MULTISTRIPE, 80.8MM WIDE - 2 LINES - TURQUOISE/ORANGE FROM: 08-17-92 THRU: 99-99-99
4	105781-12-01A	FT	MULTISTRIPE, 171.5MM WIDE - 2 LINES - BLUE/TURQUOISE
5	108519-01-02A	EA	DECAL-LOGO, SUNDANCER, LARGE - TURQUOISE/BLUE
6	107386-06-01A	FT	STRIPE, 9.5MM WIDE - TURQUOISE
7	107262-01-01A	EA	DECAL-TECHNIFADE, PASSENGER SIDE - BLUE/TEAL/TURQUOISE
7	107262-02-01A	EA	DECAL-TECHNIFADE, DRIVER SIDE - BLUE/TEAL/TURQUOISE
8	078882-31-000	EA	DECAL-LOGO, ITASCA - 5" - OFF WHITE/TURQUOISE
8	107663-01-01A	EA	DECAL-SUN, PASSENGER SIDE - ORANGE
8	107663-02-01A	EA	DECAL-SUN, DRIVER SIDE - ORANGE
9	041881-03-000	EA	PAINT-LOW BAKE, OFF WHITE
	044488-03-000	EA	PAINT-LOW BAKE, BEIGE

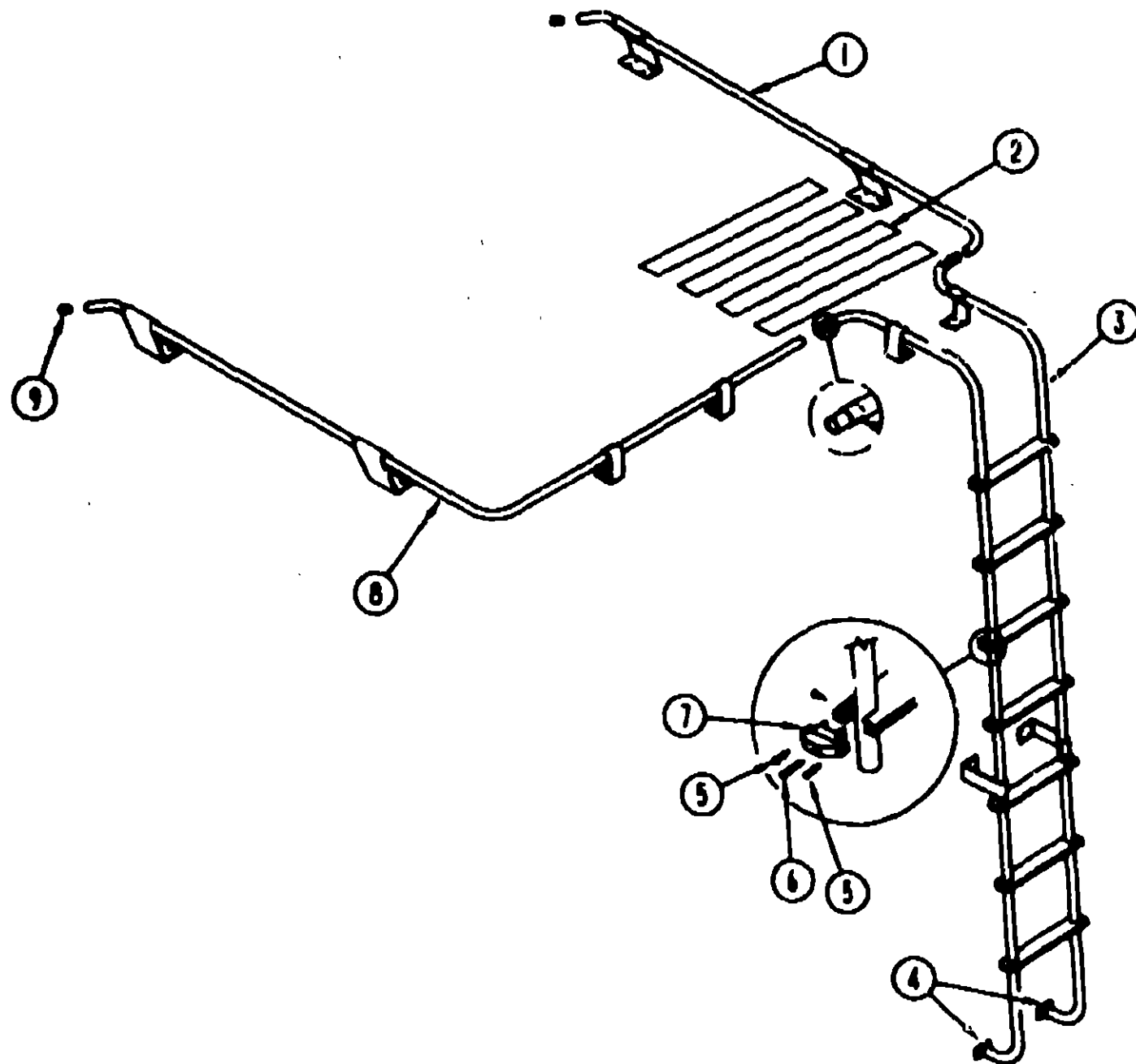
DUPONT COLOR CODES

TROPICAL BLUE	G8841
CARIBBEAN TEAL	G8836
BURNING ORANGE	G8863
OFF WHITE	L8722A
BEIGE	L8728A

1993 IF427RQ INDEX

FLOOR PLAN	A-07 -	A-08
ACCESSORIES		A-09
AUDIO VIDEO		A-10
BATH	A-11 -	A-12
BEDROOM	A-13 -	A-14
CHASSIS	A-15 -	A-18
CURTAIN & CUSHION	A-19 -	B-04
DINETTE	B-05 -	B-06
DRIVERS COMPARTMENT	B-07 -	B-08
ELECTRICAL	B-09 -	B-12
EXTERIOR BODY	B-13 -	B-20
GALLEY	B-21 -	B-24
GENERATOR		C-01
HEATING & AC	C-02 -	C-04
INTERIOR FINISH	C-05 -	C-08
LABELS	C-09 -	C-16
LP		C-17
LOUNGE	C-18 -	C-19
SEALANTS & FASTENERS	C-20 -	C-22
WATER & SEWAGE	C-23 -	D-02
WINDOW, VENT AND EXTERIOR DOOR	D-03 -	D-18

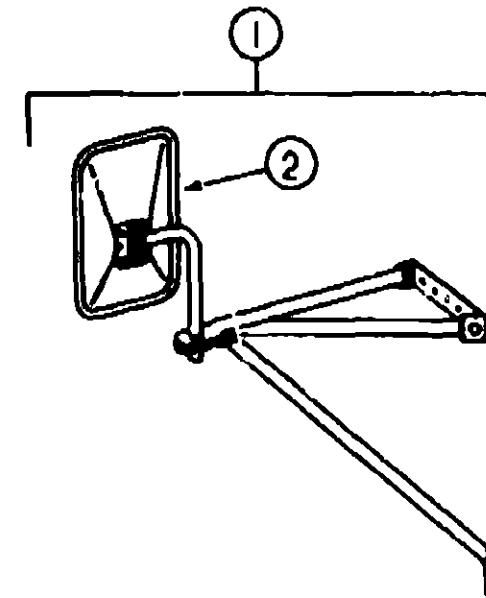
**EXTERIOR BODY GROUP (CONTINUED)**



**RACK & LADDER**

KEY	PART NUMBER	U/M	DESCRIPTION
1	107438-05-007	EA	RACK ASM-PASSENGER SIDE
	088728-02-000	EA	BUMPER-.88"DIA X .40" BLACK
2	038327-01-000	EA	TAPE-ANTI SLIP-.2" X 60"
3	102963-02-003	EA	LADDER ASM
4	087185-01-000	EA	MOUNTING BRACKET-LADDER-LOWER
5	000338-08-10T	EA	SCREW-BF/DR-8-20 X 5/8 PPH - BLACK
6	000338-10-38T	EA	SCREW-10-12 X 2.25 POH BLACK
7	078880-02-000	EA	END CAP-STEP- BLACK
8	107438-09-003	EA	RACK ASM-DRIVER SIDE
9	081114-01-000	EA	PLUG-ROUND- RACK & LADDER ENDS - PLASTIC - 1" DIA.

**EXTERIOR BODY GROUP (CONTINUED)**



**EXTERIOR MIRRORS**

KEY	PART NUMBER	U/M	DESCRIPTION
1	1C8880-01-01A	EA	MIRROR-EXTERIOR, HEAD LOW MOUNT - OFF WHITE
2	108880-01-700	EA	HEAD-MIRROR, EXTERIOR
	108880-01-701	EA	ARM
	108880-01-703	EA	BRACE LOWER FORWARD - DRIVER
	108880-01-704	EA	BRACE LOWER FORWARD - PASSENGER
	108880-01-702	EA	HARDWARE PACKAGE

**RUNNING BOARDS**

KEY	PART NUMBER	U/M	DESCRIPTION
	072884-20-000	EA	RUNNING BOARD SET-FORD, 39" - KEMBERLY K-7 (STANDARD) FROM: 00-00-00 THRU: 01-31-93
	072884-27-000	EA	RUNNING BOARD SET-FORD, 39" - KEMBERLY K-12 (STANDARD) FROM: 02-01-93 THRU: 99-99-99
	101396-01-000	EA	BOARD-RUNNING, FORD - PASSENGER SIDE (JAPAN EXPORT ONLY)
	101396-02-000	EA	BOARD-RUNNING, FORD - DRIVER SIDE (JAPAN EXPORT ONLY)
	101396-03-000	EA	KIT-HARDWARE, FORD (JAPAN EXPORT ONLY)

**FIBERGLASS & STYROFOAM**

KEY	PART NUMBER	U/M	DESCRIPTION
	077517-24-000	EA	SHEET-FIBERGLASS, FLAT - 43' X 96" - OFF WHITE
	078064-H1-000	EA	SHEET-FIBERGLASS, 2438 X 2591MM - OFF WHITE
	078064-F3-000	EA	SHEET-FIBERGLASS, 2438 X 2438MM - OFF WHITE
	000870-03-000	SF	STYROFOAM-1.34 X 48" X 96"
	000870-06-000	SF	STYROFOAM-.5" X 24" X 96"
	083574-01-000	SF	STYROFOAM-DOW TYPE SM - 1.5" X 24" X 85.25"
	083574-02-000	SF	STYROFOAM-DOW TYPE SM - 1.5" X 24" X 80.5"
	083574-03-000	SF	STYROFOAM-3/4" X 48" X 96"

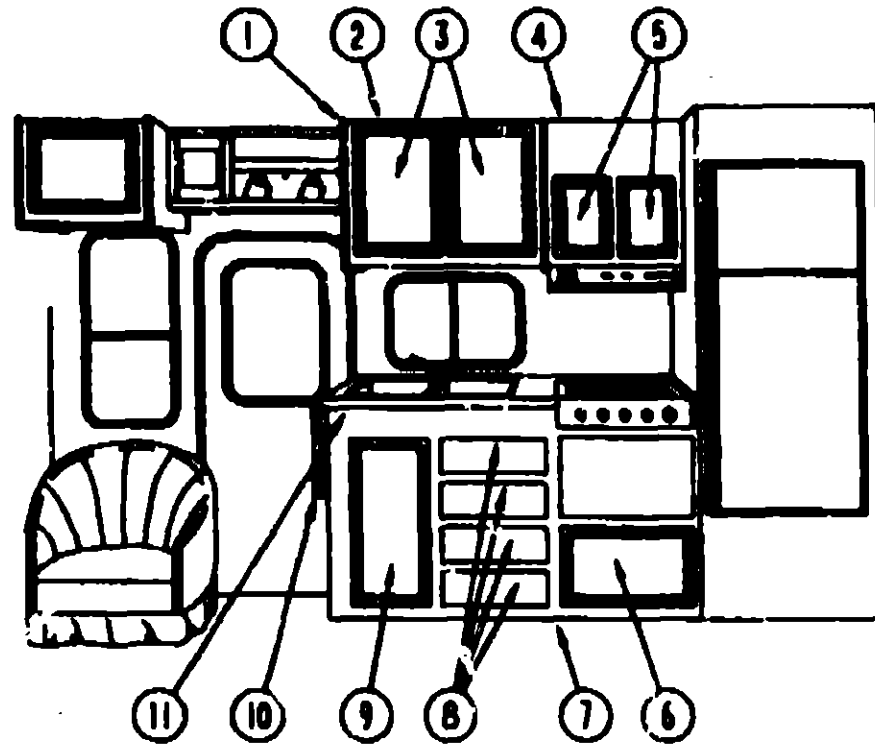
**1993 ITASCA  
TABLE OF CONTENTS**

INTRODUCTION	A-01 -	A-02
ABBREVIATIONS		A-03
ALPHABETICAL INDEX	A-04 -	A-08
IF427RQ	A-07 -	D-18
IF427RC	D-10 -	H-C8
IF428RQ	H-06 -	K-24

**1993 IF427RQ INDEX**

FLOOR PLAN	A-07 -	A-08
ACCESSORIES		A-09
AUDIO VIDEO		A-10
BATH	A-11 -	A-12
BEDROOM	A-13 -	A-14
CHASSIS	A-15 -	A-18
CURTAIN & CUSHION	A-19 -	B-04
DINETTE	B-05 -	B-08
DRIVERS COMPARTMENT	B-07 -	B-08
ELECTRICAL	B-09 -	B-12
EXTERIOR BODY	B-13 -	B-20
GALLEY	B-21 -	B-24
GENERATOR		C-01
HEATING & A/C	C-02 -	C-04
INTERIOR FINISH	C-05 -	C-08
LABELS	C-09 -	C-16
LP		C-17
LOUNGE	C-18 -	C-19
SEALANTS & FASTENERS	C-20 -	C-22
WATER & SEWAGE	C-23 -	D-02
WINDOW, VENT AND EXTERIOR DOOR	D-03 -	D-18

## GALLEY GROUP



GALLEY CABINETS & FIXTURES

KEY	PART NUMBER	U/M	DESCRIPTION
1	104335-04-C52	EA	END CAP-CABINET, OVERHEAD
2	P02558-01-B05	EA	CABINET-OVERHEAD, W/O DOORS OR HARDWARE
3	P05223-53-D04	EA	DOOR-CABINET, W/O HARDWARE - 380 X 555MM
4	M05778-48-D04	EA	CABINET-OVERHEAD, RANGE - W/O DOORS & HARDWARE
4	M05778-48-D04	EA	CABINET-OVERHEAD, MICROWAVE - W/O HARDWARE
	108981-14-D04	EA	END CAP-CABINET, OVERHEAD
5	P05223-40-D04	EA	DOOR-CABINET, W/O HARDWARE - 275 X 385MM
	090329-01-000	FT	SEAL-T, REFRIGERATOR CABINET - 8" WIDE TOP X 2" TAIL
6	P05223-03-C03	EA	DOOR-CABINET, W/O HARDWARE - 555 X 380MM
7	M05785-01-D05	EA	CABINET-GALLEY, W/O DOORS & HARDWARE (D27)
7	M05786-01-D04	EA	CABINET-GALLEY, W/O DOORS & HARDWARE (D28)
	092303-01-000	EA	STRAINER-SINK
	103243-01-000	EA	FAUCET-GALLEY, DUAL CONTROL - 8" CENTERSET
	104113-01-000	EA	SINK-88T, DOUBLE
	103610-01-D09	EA	COVER-SINK (D27)
	103610-01-D32	EA	COVER-SINK (D28)
8	P07104-85-D04	EA	DRAWER-CABINET, W/O HARDWARE - 412 X 286MM
9	P05223-08-L03	EA	DOOR-CABINET, W/O HARDWARE - 365 X 680MM
10	080812-04-D09	EA	EXTENSION-COUNTERTOP, GALLEY (D27)
10	080812-04-D32	EA	EXTENSION-COUNTERTOP, GALLEY (D28)
	104181-01-01A	EA	SUPPORT-EXTENSION, GALLEY COUNTERTOP
11	107431-11-D06	EA	COUNTERTOP-CABINET, GALLEY (D27)
11	107431-11-D04	EA	COUNTERTOP-CABINET, GALLEY (D28)
	008380-01-000	EA	GROMMET-RUBBER- 5/8" HOLE X 1 1/2" DIAMETER - BLACK

## GALLEY GROUP (CONTINUED)

### RANGE HOOD

KEY	PART NUMBER	U/M	DESCRIPTION
	100258-18-01A	EA	HOOD-RANGE, W/O MONITOR PANEL - VENTLINE - US TC85008NAD (STANDARD)
	100258-17-01A	EA	HOOD-RANGE, W/O MONITOR PANEL-VENTLINE-CSA-TC85008NAC (CANADIAN)
	100258-18-01A	EA	HOOD-RANGE, W/O MONITOR PANEL-VENTLINE-US-TPS6007NAD (W/GENERATOR OPTION)
	090973-01-700	EA	MOTOR, LVS CA508-1
	090973-01-702	EA	BLADE-FAN, LVS VA183-1
	092598-01-709	EA	BULB-91z, VENTLINE VA415
	092696-01-710	EA	SOCKET-LIGHT, VENTLINE CB267-2
	096983-01-700	EA	SWITCH-ON/OFF, VENTLINE 108
	096983-01-702	EA	SWITCH-TWO WAY MOMENTARY, VENTLINE 112
	096983-01-707	EA	FILTER-GREASE, 8" X 8" - LVS CC248
	096983-01-708	EA	LENS-LAMP, VENTLINE CC179
	100258-01-700	EA	HOOD NOSE LABEL
	100258-10-01A	EA	METER-HOUR, VENTLINE 150
	083752-01-600	EA	SHROUD-RANGE, 18.5" X 20.6" X 16.2" - METAL - OFF WHITE

### RANGE

KEY	PART NUMBER	U/M	DESCRIPTION
	055516-03-000	EA	BRACKET-TIEDOWN, RANGE W/OVEN - RIGHT FROM: 00-00-00 THRU: 01-03-93
	106458-03-000	EA	BRACKET-TIEDOWN, STOVE - RIGHT FROM: 01-04-93 THRU: 01-09-99
	055516-04-000	EA	BRACKET-TIEDOWN, RANGE W/OVEN - LEFT FROM: 00-00-00 THRU: 01-03-93
	106458-04-000	EA	BRACKET-TIEDOWN, STOVE - LEFT FROM: 01-04-93 THRU: 01-09-99
	102022-01-02A	EA	RANGE-18", 4 BURNER - MAGIC CHEF BT18RA-4Z
	055282-03-705	EA	TRIM-CABINET, LEFT - BLACK - MAGIC CHEF 3608F011-70
	055282-03-707	EA	TRIM-CABINET, RIGHT - BLACK - MAGIC CHEF 3608F012-70
	098507-02-701	EA	INSERT-BURNER (SLOTTED VENT), MAGIC CHEF 7214P015-80
	102020-01-700	EA	SHELF-OVEN, MAGIC CHEF - 7801-P027-80
	102020-01-701	EA	HANDLE-DOOR, MAGIC CHEF - 7701P092-80
	102020-01-702	EA	PANEL-MANIFOLD, MAGIC CHEF 2518F080-70
	102020-01-704	EA	PANEL-DOOR, BLACK - MAGIC CHEF - 2401F075-70
	102020-01-708	EA	BURNER ASSEMBLY-OVEN, MAGIC CHEF 3403W003-45
	102020-01-711	EA	GRATE-TOP, MAGIC CHEF 7518P012-80
	102020-01-712	EA	KNOB-BURNER VALVE, MAGIC CHEF 733P044-80
	102020-01-713	EA	KNOB-THERMOSTAT, MAGIC CHEF 7731P042-80
	102020-01-714	EA	PILOT-OVEN, MAGIC CHEF 888-143
	102020-01-715	EA	PIPE-MANIFOLD, MAGIC CHEF 7513P095-80
	102020-01-717	EA	THERMOSTAT, MAGIC CHEF 7515P024-80
	102020-01-718	EA	TOP-MAIN, ALMOND - MAGIC CHEF 2001F085-84
	102020-01-720	EA	VALVE-MERCURY CONTROL, MAGIC CHEF 7501P056-80
	102020-01-722	EA	VALVE-TOP BURNER, MAGIC CHEF 7502P096-80
	102020-01-723	EA	PILOT-BURNER, MAGIC CHEF 7505P147-80
	102020-01-724	EA	BUMPER-MAIN TOP, MAGIC CHEF 8003P008-80
	102022-01-702	EA	PIPE-MANIFOLD, MAGIC CHEF 7513P098-80
	102022-01-703	EA	REGULATOR-PRESSURE, MAGIC CHEF 7510P031-80
	102022-01-706	EA	TRIM-LEFT, FLAT - MAGIC CHEF 3608W022-70
	102022-01-707	EA	TRIM-RIGHT, FLAT - MAGIC CHEF 3608W023-70

## 1993 ITASCA TABLE OF CONTENTS

INTRODUCTION	A-01 - A-02
ABBREVIATIONS	A-03
ALPHABETICAL INDEX	A-04 - A-08
IF427RQ	A-07 - D-18
IF427RC	D-19 - H-08
IF428RQ	H-09 - K-24

## 1993 IF427RQ INDEX

FLOOR PLAN	A-07 - A-08
ACCESSORIES	A-09
AUDIO VIDEO	A-10
BATH	A-11 - A-12
BEDROOM	A-13 - A-14
CHASSIS	A-15 - A-18
CURTAIN & CUSHION	A-19 - B-04
DINETTE	B-05 - B-06
DRIVERS COMPARTMENT	B-07 - B-08
ELECTRICAL	B-09 - B-12
EXTERIOR BODY	B-13 - B-20
GALLEY	B-21 - B-24
GENERATOR	C-01
HEATING & A/C	C-02 - C-04
INTERIOR FINISH	C-05 - C-08
LABELS	C-09 - C-18
LP	C-17
LOUNGE	C-18 - C-19
SEALANTS & FASTENERS	C-20 - C-22
WATER & SEWAGE	C-23 - D-02
WINDOW, VENT AND EXTERIOR DOOR	D-03 - D-18

**GALLEY GROUP (CONTINUED)**

**MONITOR PANEL**

KEY	PART NUMBER	U/M	DESCRIPTION
	102705-04-01A	EA	MONITOR PANEL, W/PLUG - FOR 2 TANKS & WATER HEATER - LVS
	102705-02-01A	EA	MONITOR PANEL, W/PLUG - FOR 2 TANKS - LVS
	097817-01-702	EA	SWITCH-1/WAY, ALMOND - LVS 107
	097817-01-703	EA	CIRCUIT BOARD - LVS 5075-01
	102705-01-700	EA	SWITCH-ON-ON, ALMOND - 110-01
	097818-01-000	EA	WIRE ASM-MONITOR PANEL, W/4 WIRES & BLACK RESISTOR - LVS

**MICROWAVE & COFFEE MAKER**

KEY	PART NUMBER	U/M	DESCRIPTION
	091286-04-000	EA	OVEN-MICROWAVE, MAGIC CHEF M15-B FROM: 00-00-00 THRU: 07-19-92
	091289-03-000	EA	OVEN-MICROWAVE, MAGIC CHEFDM15-58 FROM: 07-20-92 THRU: 09-09-99
	094745-01-01A	EA	TRIM-MICROWAVE, LOWER - BLACK
	094774-03-01A	EA	TRIM-MICROWAVE, EITHER SIL - 1.5" X 14.8" - METAL - BLACK
	098916-03-01A	EA	BRACE-MICROWAVE CABINET, LEFT - 9.4" X 7.5" - STEEL
	098916-04-01A	EA	BRACE-MICROWAVE CABINET, RIGHT - 9.4" X 7.5" - STEEL
	094750-01-000	EA	BRACKET-MICROWAVE, 90 DEGREE - STEEL
	103799-01-01A	EA	MAKER-COFFEE, ALMOND FROM: 00-00-00 THRU: 07-05-92
	103799-01-02A	EA	MAKER-COFFEE, GRAY - W/GLASS POT FROM: 07-06-92 THRU: 09-09-99
	104810-01-000	EA	STRAP ASM-COFFEE MAKER

**REFRIGERATOR**

KEY	PART NUMBER	U/M	DESCRIPTION
	093846-01-000	EA	BRACKET-TIEDOWN, REFRIGERATOR
	093846-02-000	EA	BRACKET-TIEDOWN, REFRIGERATOR
	054480-01-000	EA	LEVEL-REFRIGERATOR
	104138-04-01A	EA	REFRIGERATOR, SMALL DOUBLE DOOR - 2-WAY - NORCOLD 8162 RH BL
	075217-01-734	EA	FUSE-3 AMP, NORCOLD 81538822
	075217-01-738	EA	SWITCH-HUMIDITY, NORCOLD 81525922
	084879-03-700	EA	COOLING UNIT - HORIZONTAL BURNER, NORCOLD 81687237
	084880-01-713	EA	CONNECTOR-MALE, INLET FITTING - NORCOLD 815256
	084880-01-715	EA	VALVE-SHUT OFF, MANUAL - NORCOLD 81697922
	084880-01-718	EA	VALVE-GAS, NORCOLD 81551822
	084880-01-722	EA	CRISPER COVER - NORCOLD 815641
	084880-01-726	EA	HINGE BRACKET (CTR HINGE), NORCOLD 81586523
	084880-01-731	EA	HINGE PIN, NORCOLD 81578123
	084880-01-732	EA	LATCH, NORCOLD 81576522
	084880-01-734	EA	BRACKET-HINGE, TOP RH - BOTTOM LH - BROWN NORCOLD 81580837
	084880-01-735	EA	HINGE BRKT, TOP LH-BTM RH BRN - NORCOLD 81580937
	084880-01-739	EA	END CAP (SPRING CATCH) BRN - NORCOLD 81593722
	084880-01-740	EA	END CAP (STOP CATCH), NORCOLD 81593830
	084880-01-746	EA	CABLE, NORCOLD 81571522
	084880-01-747	EA	PLUG-HOLE, NORCOLD 81582022
	084880-01-749	EA	HINGE BUSHING - NORCOLD 815807
	084880-01-753	EA	THERMISTER 78" - NORCOLD 81693822
	084880-01-761	EA	END CAP (SPRING CATCH) BLACK 81593730
	084880-02-700	EA	LOWER FLANGE 89938883, NORCOLD 81622123
	084880-03-705	EA	BRACKET-INTERIOR LIGHT, NORCOLD 81629722
	084880-03-706	EA	LAMP (BULB) - NORCOLD 81628822

**GALLEY GROUP (CONTINUED)**

**REFRIGERATOR (CONTINUED)**

KEY	PART NUMBER	U/M	DESCRIPTION
	084880-03-707	EA	COVER FLAMP OR BULB - NORCOLD 81627822
	088248-01-706	EA	BURNER-HORIZONTAL, NORCOLD 81538122
	088248-01-707	EA	ELECTRODE-SENSOR, (HORIZONTAL), NORCOLD 81573322
	088248-01-708	EA	ELECTRODE-IGNITION, (HORIZONTAL) - NORCOLD 81573222
	088248-01-709	EA	HEATER-AC, (HORIZONTAL) - NORCOLD 815827
	088248-01-710	EA	HEATER-DC, (HORIZONTAL) - 3 WAY - NORCOLD 815828
	084038-01-700	EA	GASKET-LOWER, GRAY - NORCOLD 81587930
	084038-01-701	EA	LINER-DOOR, LOWER - BROWN/WHITE - NORCOLD 81681937-B
	084038-01-702	EA	LINER-DOOR, LOWER - BLACK/WHITE - NORCOLD 81581938-B
	084038-01-703	EA	HANDLE-DOOR, LOWER - BROWN - NORCOLD 81660137
	084030-01-704	EA	HANDLE-DOOR, LOWER - BLACK - NORCOLD 81660138
	084038-01-706	EA	CAB ASM-BLK, WHITE LINER - WITH FRAME - NORCOLD 81663133
	084039-01-703	EA	PLATE-HINGE, LH - BROWN - NORCOLD 81631422
	084039-01-704	EA	PLATE-HINGE, BLACK - NORCOLD 81631430
	084039-01-709	EA	PLATE-HINGE, TOP RH - LH BOTTOM - BROWN - NORCOLD 81631322
	084039-01-710	EA	PLATE-HINGE, BLACK - NORCOLD 81631330
	084039-01-712	EA	DOOR BIN(GRAY)SILVER BORDER - NORCOLD 81564060
	084039-01-718	EA	MILK BIN (GRAY)WSILVER TRIM - NORCOLD 81579460
	084039-01-719	EA	DAIRY KEEPER (GRAY)SILVER TRIM, NORCOLD 81580480
	084039-01-722	EA	HOLE PLUG (BLK) HINGE HOLES - NORCOLD 81582030
	084038-01-723	EA	HINGE BRKT, TOP RH-BTM LH BLK - NORCOLD 81580838
	084039-01-724	EA	BRACKET-HINGE, TOP LH - BOTTOM RH - BLK - NORCOLD 81580938
	084039-01-725	EA	HINGE PIN (BLACK)(MALE) - NORCOLD 81578130
	084039-01-726	EA	SHELF-FREEZER EVAPORATOR, NORCOLD 815238
	084039-01-730	EA	HINGE PIN SHAFT(BLK) CTR HGE - NORCOLD 81568730
	084039-01-732	EA	FRONT COVER(BLK) BTM TRIM - NORCOLD 81622130
	084039-01-733	EA	WIRE SHELF (MIDDLE) - NORCOLD 81583822
	084039-01-734	EA	WIRE SHELF (TOP) W/FRIBER - NORCOLD 81563722
	084039-01-735	EA	INSIDE DRIP TRAY (WHITE), NORCOLD 81572830
	084039-01-736	EA	SWITCH-LIGHT, BLACK - NORCOLD 815810
	084039-01-739	EA	SHELF (CUTOUT), NORCOLD 81648722
	084039-04-700	EA	PC BOARD-2 WAY, NORCOLD 81647322
	084039-04-701	EA	EYEBROW (SHELL) 2 WAY - NORCOLD 81660822
	034039-04-702	EA	POWER SUPPLY (2 WAY) - NORCOLD 81647422

**1993 ITASCA  
TABLE OF CONTENTS**

INTRODUCTION	A-01	A-02
ABBREVIATIONS		A-03
ALPHABETICAL INDEX	A-04	A-05
IF427RQ	A-07	D-18
IF427RC	D-19	H-08
IF428RQ	H-09	K-24

**1993 IF427RQ INDEX**

FLOOR PLAN	A-07	A-08
ACCESSORIES		A-09
AUDIO VIDEO		A-10
BATH	A-11	A-12
BEDROOM	A-13	A-14
CHASSIS	A-15	A-18
CURTAIN & CUSHION	A-19	P-04
DINETTE	B-05	B-06
DRIVERS COMPARTMENT	B-07	B-08
ELECTRICAL	B-09	B-12
EXTERIOR BODY	B-13	B-20
GALLEY	B-21	B-24
GENERATOR		C-01
HEATING & A/C	C-02	C-04
INTERIOR FINISH	C-05	C-08
LABELS	C-09	C-16
LP		C-17
LOUNGE	C-18	C-19
SEALANTS & FASTENERS	C-20	C-22
WATER & SEWAGE	C-23	E-02
WINDOW, VENT AND EXTERIOR DOOR	D-03	D-18

## GENERATOR GROUP

### 4.0 KW LOW PROFILE KOHLER GENERATOR

KEY	PART NUMBER	U/M	DESCRIPTION
	106623-01-000	EA	GENERATOR-4.0KW LOW PROFILE, KOHLER 4CKM21
	007087-01-000	SF	INSULATION-FIBERGLASS, 1" THICK X 4" INCREMENTS OF 4 SF
	106628-01-000	EA	ARRESTER-SPARK, KOHLER 278821
	106627-01-000	EA	PIPE-EXHAUST ADAPTER, KOHLER 278524
	106629-01-000	EA	MUFFLER-FRONT EXHAUST, W/O SPARK-KOHLER 278734
	106602-01-000	EA	GASKET-EXHAUST, KOHLER-278320
	106732-01-000	EA	TRAY ASM-GENERATOR
	106172-01-000	EA	PIPE-EXHAUST ADAPTER

### 4.0 KW ONAN EMERALD GENERATOR

KEY	PART NUMBER	U/M	DESCRIPTION
	100374-01-000	EA	GENERATOR-4.0KW EMERALD PLUS, ONAN BGE-FA/26100G
	105732-01-000	EA	TRAY ASM-GENERATOR
	079654-05-000	EA	PIPE-EXHAUST, ANGLED-W/FLANGE-2" ID-ONAN# 154-2539
	081364-01-000	EA	MUFFLER-GENERATOR, W/R 5" LONG TAILPIPE
	086252-01-000	EA	PIPE-EXHAUST, W/2 BOLT HOLE FLANGE
	086194-01-000	EA	BRACKET-EXHAUST, W/DOUBLE BEND
	094059-01-000	EA	SPACER-GENERATOR, ONAN
	078045-01-000	EA	STRAP-SUPPORT, GENERATOR-4 HOLE
	084365-01-000	EA	STRAP-SUPPORT, GENERATOR-2 HOLE
	093511-01-000	EA	VAPOR KIT-LP-GENERATOR (EXPORT OPTION ONLY)

## HEATING & AIR CONDITIONING GROUP

### FURNACE

KEY	PART NUMBER	U/M	DESCRIPTION
	098668-06-000	EA	FURNACE-30000 BTU-SUBURBAN SF-30
	098634-01-733	EA	RELAY-TIME DELAY 30000 BTU, SUBURBAN 231202
	075885-01-709	EA	MICRO SWITCH (FOR MODELS 30 & 34S), SUBURBAN 230509
	030039-01-709	EA	GASKET-OBSERVATION HOLE COVER 070367
	092300-01-704	EA	GASKET-ELECTRODE, SUBURBAN 070163
	092300-02-701	EA	ORIFICE, MAIN BURNER, SUBURBAN 180214
	098668-01-700	EA	CABINET FRONT, SUBURBAN 101242
	098668-01-701	EA	CABINET ASM, SUBURBAN 101299
	098668-01-702	EA	ELECTRODE, SUBURBAN 231742
	098668-01-704	EA	VALVE, SUBURBAN 110908
	098668-01-705	EA	SWITCH-LIMIT, SUBURBAN 231000
	098668-01-708	EA	WHEEL-COMBUSTION AIR, SUBURBAN 350122
	098668-01-707	EA	VENT CAP & EXHAUST TUBE ASM, SUBURBAN 260193
	098668-01-708	EA	BLOWER ASM (COMBUSTION AIR), SUBURBAN 390441
	098668-01-709	EA	MOTOR ASM, FOR SF-25, SF-30 - SUBURBAN 231706
	098668-01-710	EA	BLOWER ASM (ROOM AIR), SUBURBAN 390440
	098668-01-711	EA	WHEEL-ROOM AIR, SUBURBAN 350123
	098668-01-712	EA	BOARD-MODULE, SUBURBAN 231741
	098668-01-713	EA	INTAKE VENT TUBE ASM, SUBURBAN 051044
	098668-02-700	EA	BURNER ASM COMPLETE (SF-30/SF35), SUBURBAN 010745
	059634-01-720	EA	ORIFICE-MAIN BURNER, SUBURBAN 0190222
	098668-01-700	EA	MOTOR ASM-SF-35, SUBURBAN 231707
	098668-06-000	EA	DOOR-ACCESS, FURNACE, OFF WHITE - SUBURBAN 520574
	093365-01-000	EA	THERMOSTAT-WALL, FURNACE - SUBURBAN 0160902

### HEATING COMPONENTS

KEY	PART NUMBER	U/M	DESCRIPTION
	023146-01-000	EA	CLAMP-SCREW TYPE, 4"
	069636-02-000	EA	CONNECTOR-DUCT, 4" ID - SUBURBAN 050715
	009198-01-000	FT	DUCT-HEAT, FLEXIBLE, 4" ID X 25 FT
	000614-01-01A	EA	GRILLE-RETURN AIR, FURNACE - 15.6" X 7.6", BROWN
	079059-01-000	EA	HOSE-90 DEGREE, 5/8" ID X 4" X 36"
	079059-13-000	EA	HOSE-90 DEGREE, 5/8" ID X 4" X 48"
	007108-01-000	FT	HOSE-HEATER, 5/8" ID - HI-TEMP - FORD ESE-M2D192-A
	056464-05-000	EA	REGISTER-PLASTIC, W/O DAMPER - 4" DIAMETER - GOLDEN
	009200-01-000	EA	TAPE-FURNACE, 1 1/2"
	089367-01-000	EA	TEE-4" OD, 7" LONG - METAL
	088753-01-000	FT	TUBE-ALUMINIZED STEEL, 5/8" - 18 GAUGE
	008042-01-000	FT	TUBING-VINYL, .65" ID

## 1993 ITASCA TABLE OF CONTENTS

INTRODUCTION	A-01 -	A-02
ABBREVIATIONS		A-03
ALPHABETICAL INDEX	A-04 -	A-06
IF427RO	A-07 -	D-18
IF427FC	D-19 -	H-08
IF428RO	H-09 -	K-24

## 1993 IF427RO INDEX

FLOOR PLAN	A-07 -	A-08
ACCESSORIES		A-09
AUDIO VIDEO		A-10
BATH	A-11 -	A-12
BEDROOM	A-13 -	A-14
CHASSIS	A-15 -	A-18
CURTAIN & CUSHION	A-19 -	B-04
DINETTE	B-05 -	B-06
DRIVERS COMPARTMENT	B-07 -	B-08
ELECTRICAL	B-09 -	B-12
EXTERIOR BODY	B-13 -	B-20
GALLEY	B-21 -	B-24
GENERATOR		C-01
HEATING & A/C	C-02 -	C-04
INTERIOR FINISH	C-05 -	C-08
LABELS	C-09 -	C-16
LP		C-17
LOUNGE	C-18 -	C-19
SEALANTS & FASTENERS	C-20 -	C-22
WATER & SEWAGE	C-23 -	D-02
WINDOW, VENT AND EXTERIOR DOOR	D-03 -	D-18

**HEATING & AIR CONDITIONING GROUP (CONTINUED)**

**REAR HEATER**

KEY	PART NUMBER	U/M DESCRIPTION
	084408-01-000	EA HEATER ASM-REAR, DUCTED, W/MOTOR AND, EVANS
	084408-01-700	EA HEATER CORE, FT200229
	084408-01-701	EA FAN, HV028831
	084408-01-702	EA MOTOR-12 VOLT ASSY, R0200180
	087202-01-000	EA SWITCH-4 POSITION, W/KNOB
	088078-01-000	EA DECAL-AUTO AIR & REAR HEATER

**ROOF A/C**

KEY	PART NUMBER	U/M DESCRIPTION
	108889-01-01A	EA A/C-ROOF, 13,500 TSR HO - IVORY - COLEMAN 7333-887
	091225-01-709	EA START RELAY, COLEMAN 1497-4131
	091225-01-710	EA START CAPACITOR, COLEMAN 1497-0881
	093308-01-701	EA DECAL PACKAGE, LEFT & RIGHT - COLEMAN 679883591
	093308-01-712	EA COMPRESSOR, COLEMAN 8707C3579
	105620-01-704	EA COMPRESSOR, RIGHT & LEFT - COLEMAN 1450-2009
	105620-01-706	EA FOOT PACKAGE-COMPRESSOR, 3 PER PACKAGE - COLEMAN 6759-3081
	108889-01-700	EA SHROUD (GREY/GREY) LESS LOGO - COLEMAN 8759-6421
	108889-01-702	EA SHROUD (BUFF/BUFF) LESS LOGO - COLEMAN 8759-6411
	108889-01-703	EA CONDENSER COIL, COLEMAN 1452-1301
	108889-01-704	EA OVERLOAD, MRA088883, COLEMAN 8759-3541
	108889-01-705	EA MOTOR (115, 60HZ), COLEMAN 1499-3049
	108889-01-706	EA IMPELLOR, COLEMAN 1472-1041
	108889-01-707	EA RUN CAPACITOR (COMP-25MFD/370), COLEMAN 1499-5661
	108889-01-708	EA FAN CAPACITOR (7.5MFD/370U), COLEMAN 1499-5461
	108889-01-709	EA EVAPORATOR COIL, COLEMAN 1452-1311
	108889-01-710	EA FILLER PAD-CONDITION AIR SEAL, COLEMAN 6759A3671
	108889-01-711	EA GASKET PACKAGE, COLEMAN 6792-3301
	108889-01-712	EA SUCTION LINE REDUCER (3/8 X 1/2), COLEMAN 1215-2161
	108889-01-713	EA SUCTION LINE (3/8OD X .032 WALL), COLEMAN 6792-130
	108889-01-714	EA DISCHARGE LINE ASM, COLEMAN 6792-531
	108889-01-715	EA MOTOR MOUNT & SHAFT SEAL KIT, COLEMAN 6792-3361
	108891-01-01A	EA CEILING ASM-A/C COOL TSR HO, COLEMAN 7330-714 IV
	042204-01-709	EA THERMOSTAT-IN 64 OUT 58, COLEMAN 6701-3401
	073742-01-701	EA SELECTOR SWITCH (5 TERMINAL), COLEMAN 6759-3251
	073742-01-702	EA DECAL COOL ONLY, COLEMAN 6759C3431
	076303-01-707	EA FILTER-6" X 14 3/4" X 1/2", 12 PER PACKAGE - COLEMAN 6703A3151
	081606-01-712	EA CEILING SHROUD (IVORY), COLEMAN 8759-5061
	091225-01-713	EA KNOB (2 PER PACKAGE), COLEMAN 6701-3351
	091225-01-717	EA DECAL (THERMOSTAT) COOL ONLY, COLEMAN 6799A3441
	093766-02-701	EA DECAL-LEFT SIDE, COLEMAN 6799-3971
	108891-01-700	EA SINGLE PARTS PACKAGE (KNOBS & NUTS), COLEMAN 6792-5991
	108891-01-701	EA RETAINER CLIPS FOR FILTER (6 PER PACKAGE), COLEMAN 6799-3141
	102289-01-000	EA SPRING-SCREW, ROOF A/C GASKET - COLEMAN 6757-150
	084077-03-000	EA COVER-BLANK, ROOF A/C - 5 2" X 3 5" - IVORY

**HEATING & AIR CONDITIONING GROUP (CONTINUED)**

**A/C-13500 BTU-EUROPE**

KEY	PART NUMBER	U/M DESCRIPTION
	082140-01-000	EA A/C-ROOF, 13600 BTU - 220V - 50HZ - COLEMAN 6713C760 FROM: 00-00-00 THRU: 08-31-92
	082441-01-000	EA CEILING ASM-A/C, 220V - 50HZ - COLEMAN 6712ET16 FROM: 00-00-00 THRU: 08-31-92
	108889-02-01A	EA A/C-ROOF, 13600 BTU - 220V - TSR - IVORY - COLEMAN 7373-897 FROM: 09-01-92 THRU: 99-99-99
	108891-01-01A	EA CEILING ASM-A/C, COOL - TSR - IVORY - COLEMAN 7330-714 FROM: 09-01-92 THRU: 99-99-99
	042204-01-709	EA THERMOSTAT-IN 64 OUT 58, COLEMAN 6701-3401
	073742-01-701	EA SELECTOR SWITCH (5 TERMINAL), COLEMAN 6759-3251
	073742-01-702	EA DECAL COOL ONLY, COLEMAN 6759C3431
	076303-01-707	EA FILTER-6" X 14 3/4" X 1/2", 12 PER PKG - COLEMAN 6703A3151
	081606-01-712	EA CEILING SHROUD (IVORY), COLEMAN 8759-5061
	091225-01-713	EA KNOB (2 PER PACKAGE), COLEMAN 6701-3351
	091225-01-717	EA DECAL (THERMOSTAT) COOL ONLY, COLEMAN 6799A3441
	093766-02-701	EA DECAL-LEFT SIDE, COLEMAN 6799-3971
	108891-01-700	EA SINGLE PARTS PACKAGE (KNOBS & NUTS), COLEMAN 6792-5991
	108891-01-701	EA RETAINER CLIPS FOR FILTER (6 PER PACKAGE), COLEMAN 6799-3141
	102289-01-000	EA SPRING-SCREW, ROOF A/C GASKET - COLEMAN 6757-150
	084077-03-000	EA COVER-BLANK, ROOF A/C - 5 2" X 3 5" - IVORY

**1993 ITASCA  
TABLE OF CONTENTS**

INTRODUCTION	A-01	A-02
ABBREVIATIONS		A-03
ALPHABETICAL INDEX	A-04	A-08
IF427RQ	A-07	D-18
IF427RC	D-19	H-08
IF428RQ	H-09	K-24

**1993 IF427RQ INDEX**

FLOOR PLAN	A-07	A-08
ACCESSORIES		A-09
AUDIO VIDEO		A-10
BATH	A-11	A-12
BEDROOM	A-13	A-14
CHASSIS	A-15	A-18
CURTAIN & CUSHION	A-19	B-04
DINETTE	B-05	B-06
DRIVERS COMPARTMENT	B-07	B-08
ELECTRICAL	B-09	B-12
EXTERIOR BODY	B-13	B-20
GALLEY	B-21	EI-24
GENERATOR		C-01
HEATING & A/C	C-02	C-04
INTERIOR FINISH	C-05	C-08
LABELS	C-09	C-16
L.P.		C-17
LOUNGE	C-18	C-19
SEALANTS & FASTENERS	C-20	C-22
WATER & SEWAGE	C-23	D-02
WINDOW, VENT AND EXTERIOR DOOR	D-03	D-18

**INTERIOR FINISH GROUP**

**MOLDINGS & TRIMS**

KEY	PART NUMBER	U/M DESCRIPTION
	008767-12-000	FT MOLDING-SIDEWALL TO CEILING/CABINET - WELTING - OFF WHITE
	008778-11-000	EA U-CHANNEL-PLASTIC, 1" WIDE X 8" LONG - IVORY
	008808-21-000	EA MOLDING-CORNER, OUTSIDE - 1" - PLASTIC - WOODGRAIN
	008808-23-000	EA MOLDING-CORNER, OUTSIDE - 1" - PLASTIC - IVORY
	008808-24-000	EA MOLDING-CORNER, OUTSIDE - 1" - PLASTIC - THOR PECAN
	008808-25-000	EA MOLDING CORNER, OUTSIDE - 1" - PLASTIC - OFF WHITE
	008812-25-000	EA MOLDING CORNER, OUTSIDE - 5" - PLASTIC - PECAN
	022982-01-000	FT MOLDING REVERSE COVE, T-SHAPED - VINYL - WHITE
	022982-11-000	FT MOLDING REVERSE COVE, T-SHAPED - VINYL - IVORY
	070804-20-000	FT U-CHANNEL-PLASTIC, 815" WIDE - THOR PECAN - INC. OF 8"
	078325-18-000	FT MOLDING-EDGE BAND, 1 5/16" WIDE - WOODGRAIN - REGAL OAK
	078325-37-000	FT MOLDING-EDGE BAND, 1138MM WIDE (D27)
	078325-38-000	FT MOLDING-EDGE BAND, 1138MM WIDE (D28)
	078325-39-000	FT MOLDING-EDGE BAND, 1527MM WIDE (D27)
	078325-40-000	FT MOLDING-EDGE BAND, 1527MM WIDE (D28)
	083820-07-000	FT MOLDING-T, END CAP EDGE - WEDGE LIPS - 75" - THOR PECAN
	083820-09-000	FT MOLDING-T, END CAP EDGE - WEDGE LIPS - 75" - MODERN IVORY
	085284-51-000	FT BATT STRIP-DECORATIVE, MAIN WALL - ADHESIVE BACKED (D27)
	085284-56-000	FT BATT STRIP-DECORATIVE, MAIN WALL - ADHESIVE BACKED (D28)
	085284-52-000	FT BATT STRIP-DECORATIVE, BATH/GALLEY WALL - ADHESIVE BACKED (D27)
	085284-55-000	FT BATT STRIP-DECORATIVE, BATH/GALLEY WALL - ADHESIVE BACKED (D28)
	085284-59-000	FT BATT STRIP-DECORATIVE, CEILING - ADHESIVE BACKED - FAWN
	085284-88-000	FT BATT STRIP-DECORATIVE, PLAIN - ADHESIVE BACKED - FOREST OAK
	085746-01-000	FT TRIM-J, CARPET - 1.2" X 5" ANGLE - 10' LONG - PVC - BEIGE
	088229-01-000	EA RETAINER-BATTEN, CEILING - .75" WIDE - 7.8' LONG
	088733-79-000	EA BATT STRIP-WOODGRAIN, 8' LONG - FOREST OAK
	088263-71-000	EA BATT STRIP-CEILING, 8' LONG - TROWELL WORK FAWN
	088263-63-000	EA BATT STRIP-DECORATIVE, PLAIN - MAIN WALL - 8' LONG (D27)
	088263-67-000	EA BATT STRIP-DECORATIVE, PLAIN - MAIN WALL - 8' LONG (D28)
	088263-64-000	EA BATT STRIP-DECORATIVE, W/FLOWERS - BATH/GALLEY WALL - 8' LONG (D27)
	088263-68-000	EA BATT STRIP-DECORATIVE, W/FLOWERS - BATH/GALLEY WALL - 8' LONG (D28)
	088263-78-000	EA BATT STRIP-DECORATIVE, SHOWER - ANTIQUE WHITE - 8' LONG (D28)
	092330-02-438	EA LUMBER-VINYL WRAPPED, .7" X 1.5" X 9" - WOODGRAIN
	092330-03-000	EA LUMBER-VINYL WRAPPED, 2" X 96" - WOODGRAIN - REGAL OAK
	092330-05-000	EA LUMBER-VINYL WRAPPED, 2.9" X 96" - WOODGRAIN - REGAL OAK
	092331-D2-134	EA MOLDING-VINYL WRAPPED, .7" X 1.57" X 84" - WOODGRAIN
	092331-F2-134	EA MOLDING-VINYL WRAPPED, .7" X 2.5" X 7" - WOODGRAIN
	092331-F2-438	EA MOLDING-VINYL WRAPPED, .7" X 2.5" X 96" - WOODGRAIN
	104676-01-01A	FT MOLDING-T, 5/16" RIGID - GOLD
	105004-01-01A	EA MOLDING-VINYL WRAP, 1" X 8" - REGAL OAK
	105709-01-000	FT MOLDING-T, 1" - PLASTIC - MODERN IVORY
	100040-01-000	EA LUMBER-VINYL WRAPPED, .7" X 1.5" X 8" - RAMBLING OAK
	100040-03-000	EA LUMBER-VINYL WRAPPED, .7" X 2" X 8" - RAMBLING OAK
	100041-02-000	EA MOLDING-VINYL WRAPPED, .7" X 2.5" X 84" - RAMBLING OAK
	100659-01-825	EA TRIM-FLOOR, 72" X 1" X 1/2" - WOOD

**INTERIOR FINISH GROUP (CONTINUED)**

**PANELING, LAMINATES & PLASTIC**

KEY	PART NUMBER	U/M DESCRIPTION
	074467-19-000	SF PANELING-CEILING, 4' X 8' - INCREMENTS OF 32 SF
	074467-20-000	SF PANELING-WOODGRAIN, 4' X 8' - INCREMENTS OF 32 SF
	074468-24-000	SF LAMINATE-PLASTIC, 5' X 8' - REG. OAK
	074468-48-000	SF LAMINATE-PLASTIC, 5' X 8' - TAUPE MATRIX (D27)
	074468-45-000	SF LAMINATE-PLASTIC, 5' X 8' - FAVORITE MIX (D28)
	088272-88-000	SF PANELING-BATH/SHOWER, 4' X 7' - ANTIQUE WHITE
	088272-85-000	SF PANELING-BATH/GALLEY, 4' X 7' - KEW GARDEN (D27)
	088272-89-000	SF PANELING-BATH/GALLEY, 4' X 7' - GLOFIA PASTEL (D28)
	088272-84-000	SF PANELING-MAIN, 4' X 7' - BOMBAY (D27)
	088272-89-000	SF PANELING-MAIN, 4' X 7' - POMPEII (D28)
	088297-01-000	SF PLYWOOD-LUAN, OVERLAY GRADE - 4' X 8'
	093743-02-01A	SF PLASTIC-ABS, 20" WIDE ROLL - OFF WHITE
	093743-03-01A	SF PLASTIC-ABS, 10.8" WIDE - OFF WHITE
	098531-01-000	SF PLYWOOD-RED OAK, 1/2"

**CARPETING & FLOOR MATS**

KEY	PART NUMBER	U/M DESCRIPTION
	096060-33-000	SY CARPET-ROLL 12' WIDE - LIGHT BROWN (D27)
	098080-42-000	SY CARPET-ROLL 12' WIDE - SPECIAL TEAL (D28)
	093488-01-000	SY CARPET-COMPARTMENT, 54" WIDE - DARK GRAY
	102895-05-000	YD TAPE-CARPET BIND, TEAL (D28)
	102895-10-000	YD TAPE-CARPET BIND, FAWN (D27)
	047034-02-000	SF PLASTIC-CARPET, 4' WIDE - CLEAR POLY
	075233-01-000	SY PAD-CARPET, 3/8" X 8' ROLL
	040089-01-000	EA MAT-FLOOR, WITASCA LOGO - 10.5' X 26" - RUBBER - BLACK FROM: 00-00-00 THRU: 04-25-93
	081075-04-000	EA MAT-FLOOR, WITASCA LOGO - 10.5' X 26" - RUBBER - GRAY FROM: 04-26-93 THRU: 99-99-99
	106884-03-000	EA MAT-FLOOR, FRONT - RH - T - FORD
	106884-04-000	EA MAT-FLOOR, FRONT - LH - T - FORD

**FIRE EXTINGUISHER, SMOKE DETECTOR & CLOCK**

KEY	PART NUMBER	U/M DESCRIPTION
	072852-01-000	EA DETECTOR-SMOKE, W/9 VOLT BATTERY
	072852-02-000	EA DETECTOR-SMOKE, W/9 VOLT BATTERY (CANADIAN)
	094499-01-000	EA EXTINGUISHER-FIRE, DRY W/MOUNTING BRACKET - 10 BC
	094499-02-000	EA EXTINGUISHER-FIRE, DRY - 1A10BC - CANADIAN
	094499-01-700	EA BRACKET-MOUNTING, W/PLASTIC STRAP - FIRE EXTINGUISHER
	104764-01-01A	EA CLOCK-WALL, SPARTUS FROM: 00-00-00 THRU: 04-18-93
	100793-02-01A	EA CLOCK-WALL, BOLDEN - ROUND 11" FROM: 04-19-93 THRU: 99-99-99

**1993 ITASCA  
TABLE OF CONTENTS**

INTRODUCTION	A-01	A-02
ABBREVIATIONS		A-03
ALPHABETICAL INDEX	A-04	A-05
IF427RQ	A-07	D-18
IF427RC	D-19	H-08
IF428RQ	H-09	K-24

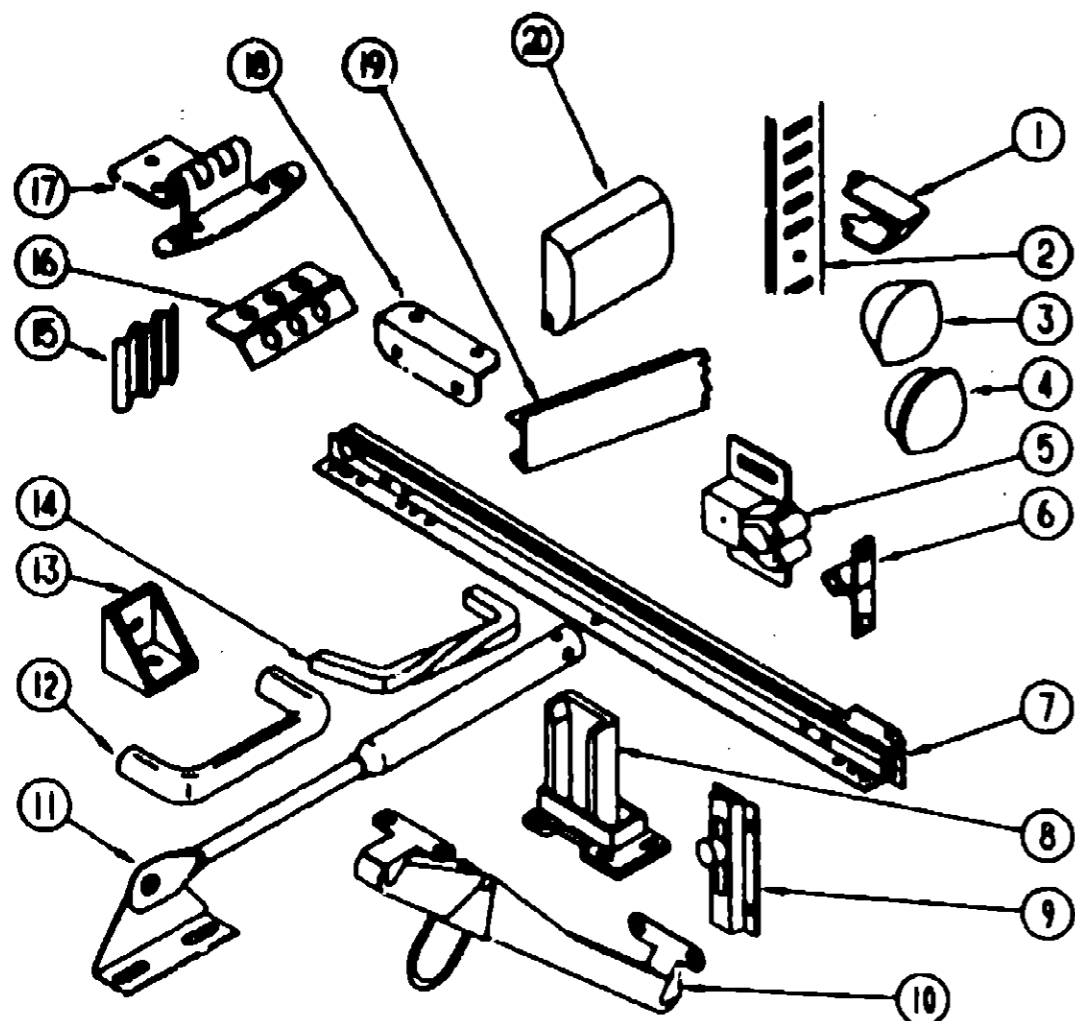
**1993 IF427RQ INDEX**

FLOOR PLAN	A-07	A-08
ACCESSORIES		A-09
AUDIO VIDEO		A-10
BATH	A-11	A-12
BEDROOM	A-13	A-14
CHASSIS	A-15	A-16
CURTAIN & CUSHION	A-19	B-04
DINETTE	B-05	B-06
DRIVERS COMPARTMENT	B-07	B-08
ELECTRICAL	B-09	B-12
EXTERIOR BODY	B-13	B-20
GALLEY	B-21	B-24
GENERATOR		C-01
HEATING & A/C	C-02	C-04
INTERIOR FINISH	C-05	C-03
LABELS	C-09	C-16
LP		C-17
LOUNGE	C-18	C-11
SEALANTS & FASTENERS	C-20	C-22
WATER & SEWAGE	C-23	D-02
WINDOW, VENT AND EXTERIOR DOOR	D-03	D-18



# INTERIOR FINISH GROUP (CONTINUED)

## CABINET & TABLE HARDWARE



KEY	PART NUMBER	U/M	DESCRIPTION
7	109913-01-000	EA	SLIDE-DRAWER, CABINET MOUNTED - LEFT SIDE - 12"
7	109913-02-000	EA	SLIDE-DRAWER, CABINET MOUNTED - RIGHT SIDE - 12"
7	109913-03-000	EA	SLIDE-DRAWER, DRAWER MOUNTED - LEFT SIDE - 12"
7	109913-04-000	EA	SLIDE-DRAWER, DRAWER MOUNTED - RIGHT SIDE - 12"
7	109913-05-000	EA	SLIDE-DRAWER, CABINET MOUNTED - LEFT SIDE - 18"
7	109913-06-000	EA	SLIDE-DRAWER, CABINET MOUNTED - RIGHT SIDE - 18"
7	109913-07-000	EA	SLIDE-DRAWER, DRAWER MOUNTED - LEFT SIDE - 18"
7	109913-08-000	EA	SLIDE-DRAWER, DRAWER MOUNTED - RIGHT SIDE - 18"
7	109913-17-000	EA	SLIDE-DRAWER, CABINET MOUNTED - LEFT SIDE - 22"
7	109913-18-000	EA	SLIDE-DRAWER, CABINET MOUNTED - RIGHT SIDE - 22"
7	109913-19-000	EA	SLIDE-DRAWER, DRAWER MOUNTED - LEFT SIDE - 22"
7	109913-20-000	EA	SLIDE-DRAWER, DRAWER MOUNTED - RIGHT SIDE - 22"
8	107030-01-000	EA	BACKSOCKET-ADJUSTABLE, LEFT SIDE
8	107030-02-000	EA	BACKSOCKET-ADJUSTABLE, RIGHT SIDE
9	081804-01-000	EA	SLIDE-BOLT, ANTIQUE BRASS
10	104181-01-01A	EA	SUPPORT-LEAF, 5.3" - EXTENDS TO 7.5" - SAFETY RING - METAL
11	074493-02-000	EA	SUPPORT-PISTON SPRING, CABINET DOOR
12	109747-01-000	EA	PULL-CABINET, ANTIQUE BRASS
			FROM: 02-05-93 THRU: 99-99-99
13	085740-01-000	EA	BRACE-CABINET CORNER, PLASTIC
14	098645-01-000	EA	PULL-CABINET, BRASS - TWIST - 1.1" X 3.4"
			FROM: 00-00-00 THRU: 02-04-93
15	105037-02-000	EA	FASTENER-WOOD, CORNER - METAL - .5" X .6"
16	009059-01-000	EA	HINGE-DOOR, 2" X 1.4" - BRASS
16	009059-02-000	EA	HINGE-DOOR, 2" X 2.7" - BRASS
16	009063-01-000	EA	HINGE-CONTINUOUS, 1 1/2" X 72" - UNPAINTED
16	009066-01-000	EA	HINGE-CONTINUOUS, W/O HOLES - 1 1/16" X 6" - ALUMINUM
17	108138-01-000	EA	HINGE-DOOR, CABINET - BURNISHED BRASS
	000G13-06-08G	EA	SCREW-6-20 X 5/8 PFH, ANTIQUE BRASS (HINGE 108138-01-000)
18	016604-01-000	EA	BRACE-CABINET, ANGLE - 2.5" - METAL - UNPAINTED
18	016604-03-000	EA	BRACE-CABINET, ANGLE - 2.5" - METAL - BEIGE
19	103186-01-02A	FT	MOLDING-SHELF EDGE, PLASTIC - REGAL OAK
20	105227-02-01A	EA	MOLDING-DOOR RAIL, T-SLOT
	078790-01-000	EA	SCREW, 6-20 X 1 1/4 PPH - BLACK
	004354-01-000	EA	BUMPER-RUBBER, .5" DIA - BROWN
	023320-01-000	EA	PAD-FELT, 3/8" DIAMETER - BROWN
	009112-01-000	EA	FLANGE-1" ROD, CLOTHES - PLASTIC - OFF WHITE
	002765-01-001	EA	ANGLE-EXTRUDED, 1" X 1.5" X 17" - ALUMINUM

KEY	PART NUMBER	U/M	DESCRIPTION
1	098979-01-000	EA	CLIP-ADJUSTABLE SHELF
2	098980-01-000	EA	PILASTER-ADJUSTABLE SHELF, 18" LONG
2	098980-04-000	EA	PILASTER-ADJUSTABLE SHELF, 48" LONG
3	042356-01-000	EA	PLUG-BUTTON, MAHOGANY - 3/8" DIAMETER - WOOD
4	074045-07-000	EA	PLUG-WOOD, 1/2"
5	093586-01-000	EA	CATCH-SPRING, ROLLER
6	093585-04-000	EA	STRIKE-SPRING STEEL

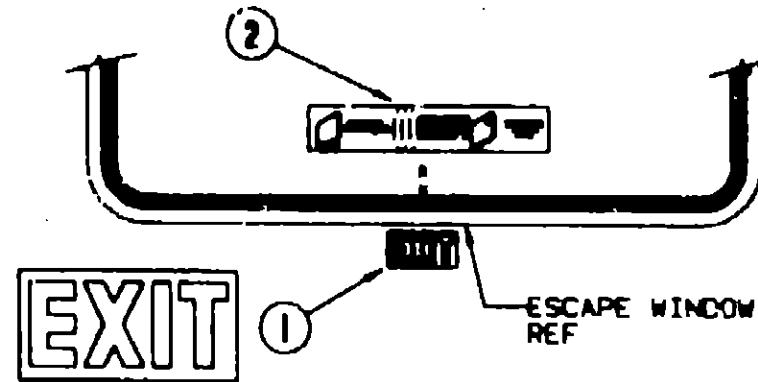
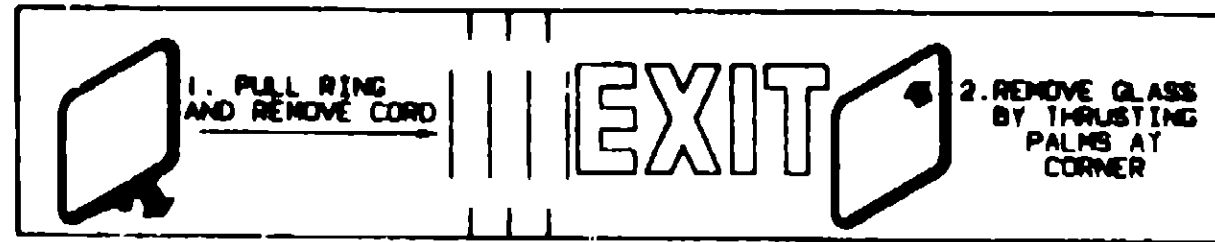
## 1993 ITABCA TABLE OF CONTENTS

INTRODUCTION	A-01	A-02
ABBREVIATIONS		A-03
ALPHABETICAL INDEX	A-04	A-08
IF427RQ	A-07	D-18
IF427RC	D-19	H-08
IF428RQ	H-09	K-24

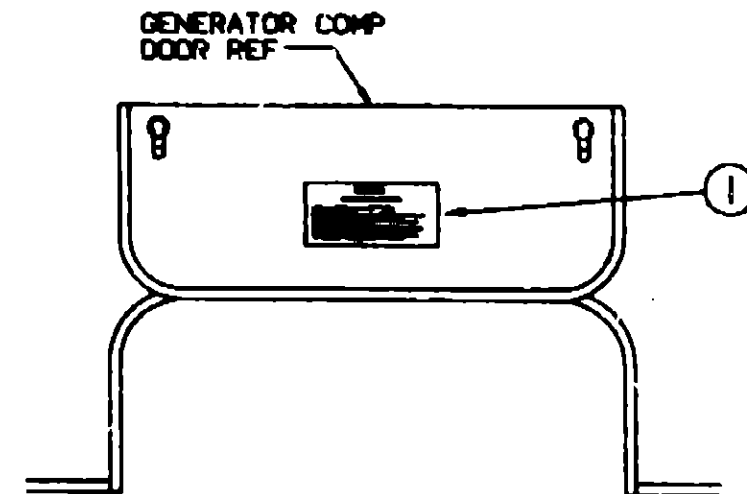
## 1993 IF427RQ INDEX

FLOOR PLAN	A-07	A-08
ACCESSORIES		A-09
AUDIO VIDEO		A-10
BATH	A-11	A-12
BEDROOM	A-13	A-14
CHASSIS	A-15	A-18
CURTAIN & CUSHION	A-19	B-04
DINETTE	B-05	B-08
DRIVERS COMPARTMENT	B-07	B-08
ELECTRICAL	B-09	B-12
EXTERIOR BODY	B-13	B-20
GALLEY	B-21	B-24
GENERATOR		C-01
HEATING & A/C	C-02	C-04
INTERIOR FINISH	C-05	C-08
LABELS	C-09	C-16
LP		C-17
LOUNGE	C-18	C-19
SEALANTS & FASTENERS	C-20	C-22
WATER & SEWAGE	C-23	D-02
WINDOW, VENT AND EXTERIOR DOOR	D-03	D-18

**LABELS GROUP**



KEY	PART NUMBER	U/M DESCRIPTION
1	039290-01-000	EA LABEL-WARNING-EXIT
2	107571-01-000	EA LABEL-EXIT-ESCAPE WINDOW



**WARNING**

**WHEN ACTIVATING A GENERATOR SET:**

WHEN VEHICLE USE EXTREME CAUTION WHEN WORKING ON ELECTRICAL COMPONENTS.

HAVE ALL ELECTRICAL INSTALLATION PERFORMED BY A QUALIFIED LICENSED ELECTRICIAN-FOLLOW ALL STATE AND LOCAL CODES.

ONLY ORIGINAL GENERATOR SET APPROVED FOR R.V. APPLICATIONS HAVE BEEN INSTALLED BY QUALIFIED TECHNICIAN.

TO AVOID HEAT BUILD-UP AND TO ASSURE AN ADEQUATE AIR SUPPLY TO THE GENERATOR COMPARTMENT, FOLLOW INSTALLATION INSTRUCTIONS.

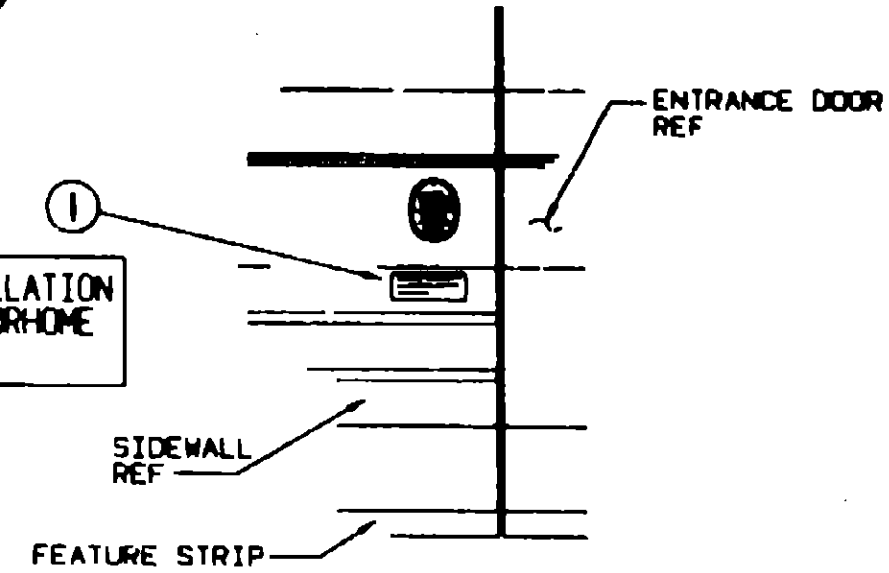
GENERATOR SHOULD BE COVERED WITH A COVER AND MUST NOT REMAIN UNDER THE VEHICLE-GENERATOR EXHAUST MUST BE FROM VEHICLE.

KEY	PART NUMBER	U/M DESCRIPTION
1	077510-01-000	EA LABEL-GENERATOR PREP

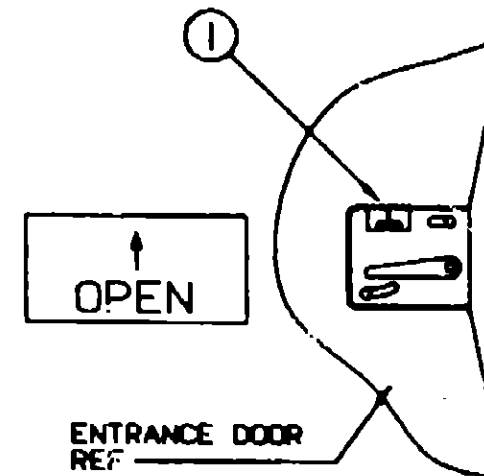
**LABELS GROUP (CONTINUED)**



FOR AWNING INSTALLATION CONTACT YOUR MOTORHOME DEALERSHIP



KEY	PART NUMBER	U/M DESCRIPTION
1	099509-01-000	EA LABEL-AWNING INSTALLATION



KEY	PART NUMBER	U/M DESCRIPTION
1	040944-01-000	EA LABEL-ENTRANCE DOOR, "OPEN"

**1993 ITASCA TABLE OF CONTENTS**

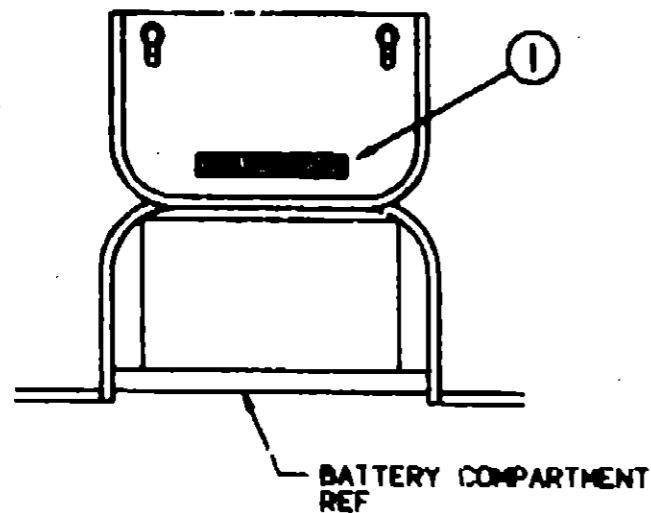
INTRODUCTION	A-01	A-02
ABBREVIATIONS		A-03
ALPHABETICAL INDEX	A-04	A-05
IF427RQ	A-07	D-18
IF427RC	D-19	H-08
IF428RQ	H-09	K-24

**1993 IF427RQ INDEX**

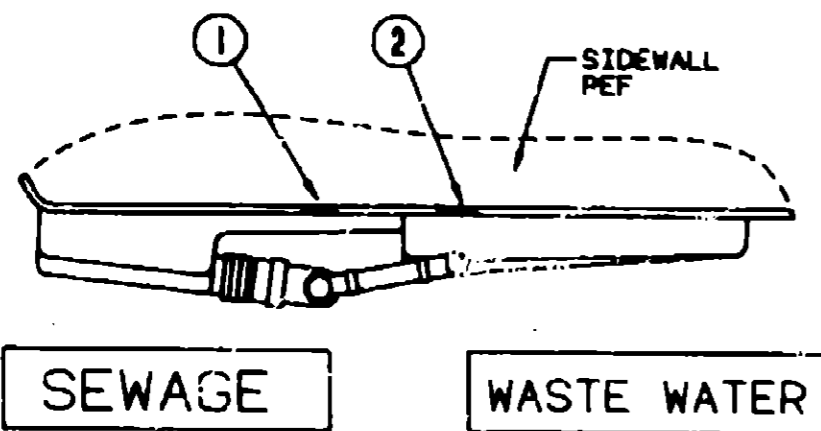
FLOOR PLAN	A-07	A-08
ACCESSORIES		A-09
AUDIO VIDEO		A-10
BATH	A-11	A-12
BEDROOM	A-13	A-14
CHASSIS	A-15	A-18
CURTAIN & CUSHION	A-19	B-04
DINETTE	B-05	B-06
DRIVERS COMPARTMENT	B-07	B-08
ELECTRICAL	B-09	B-12
EXTERIOR BODY	B-13	B-20
GALLEY	B-21	B-24
GENERATOR		C-01
HEATING & A/C	C-02	C-04
INTERIOR FINISH	C-05	C-08
LABELS	C-09	C-16
LP		C-17
LOUNGE	C-18	C-19
SEALANTS & FASTENERS	C-20	C-22
WATER & SEWAGE	C-23	D-02
WINDOW, VENT AND EXTERIOR DOOR	D-03	D-18

**LABELS GROUP (CONTINUED)**

**WARNING** DISCONNECT BATTERIES BEFORE  
CONNECTING EXTERNAL CHARGING EQUIPMENT.

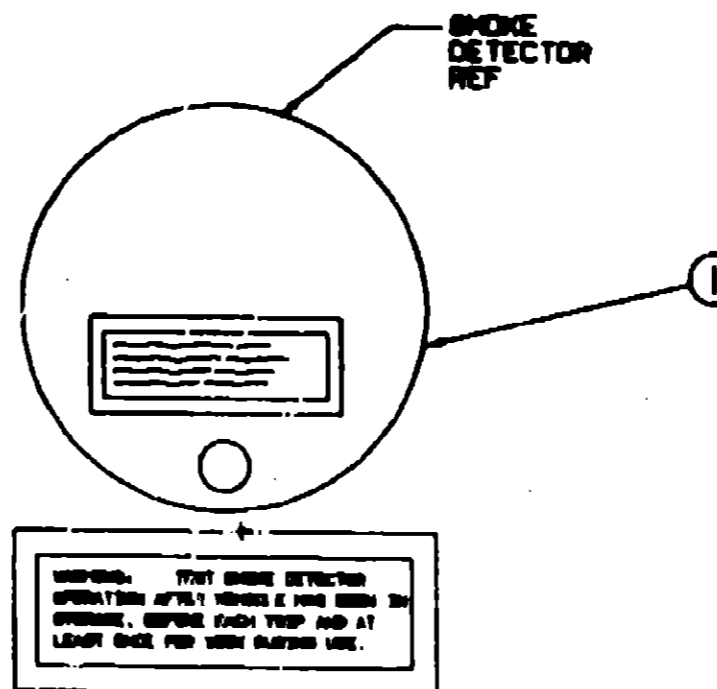


**KEY PART NUMBER U/M DESCRIPTION**  
1 065745-01-000 EA LABEL-CAUTION-BATTERY CHARGING

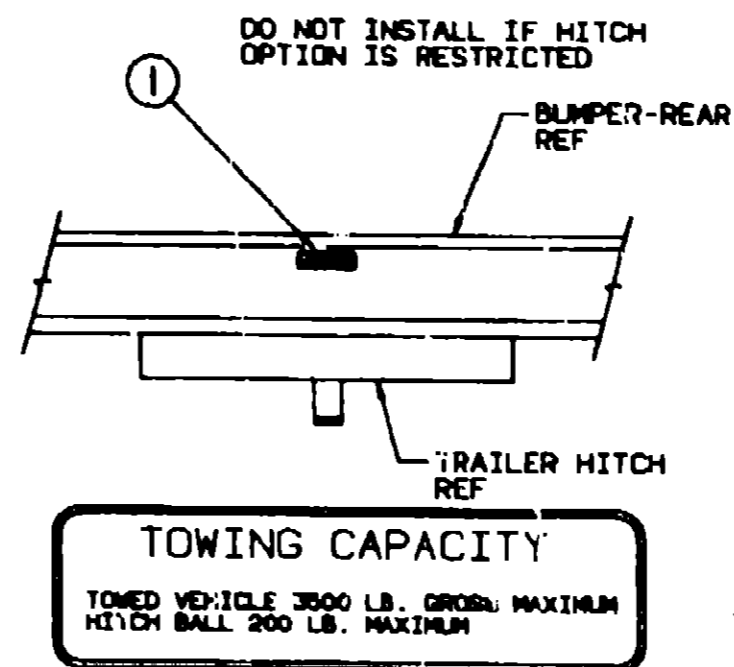


**KEY PART NUMBER U/M DESCRIPTION**  
1 006187-01-000 EA LABEL-SEWAGE  
2 006188-01-000 EA LABEL-WASTE WATER

**LABELS GROUP (CONTINUED)**



**KEY PART NUMBER U/M DESCRIPTION**  
1 077956-01-000 EA LABEL-WARNING-SMOKE DETECTOR



**KEY PART NUMBER U/M DESCRIPTION**  
1 075221-01-000 EA LABEL-TOWING CAPACITY

**1993 ITASCA  
TABLE OF CONTENTS**

INTRODUCTION	A-01 - A-02
ABBREVIATIONS	A-03
ALPHABETICAL INDEX	A-04 - A-06
IF427RQ	A-07 - D-18
IF427RC	D-19 - H-08
IF428RQ	H-09 - K-24

**1993 IF427RQ INDEX**

FLOOR PLAN	A-07 - A-08
ACCESSORIES	A-09
AUDIO VIDEO	A-10
BATH	A-11 - A-12
BEDROOM	A-13 - A-14
CHASSIS	A-15 - A-18
CURTAIN & CUSHION	A-19 - B-04
DINETTE	B-05 - B-06
DRIVERS COMPARTMENT	B-07 - B-08
ELECTRICAL	B-09 - B-12
EXTERIOR BODY	B-13 - B-20
GALLEY	B-21 - B-24
GENERATOR	C-01
HEATING & A/C	C-02 - C-04
INTERIOR FINISH	C-05 - C-08
LABELS	C-09 - C-15
LP	C-17
LOUNGE	C-18 - C-19
SEALANTS & FASTENERS	C-20 - C-22
WATER & SEWAGE	C-23 - D-02
WINDOW, VENT AND	
EXTERIOR DOOR	D-03 - D-18

**LABELS GROUP (CONTINUED)**

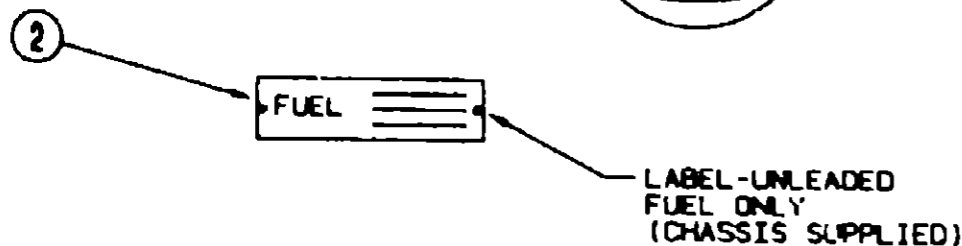
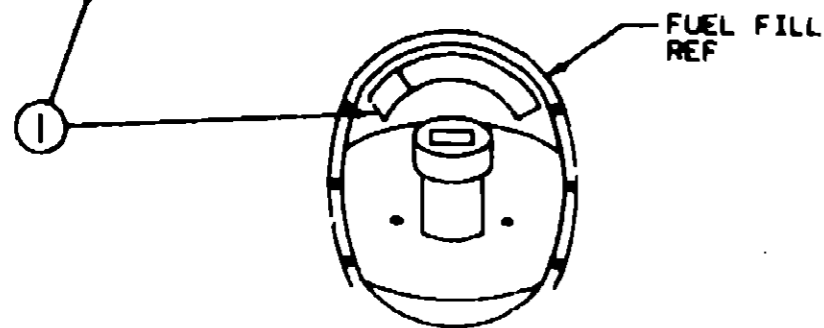
**CAUTION**  
**FUEL SPRAY MAY CAUSE PERSONAL INJURY**

TO HELP AVOID PERSONAL INJURY DURING REMOVAL OF FUEL FILLER CAP, SLOWLY LOOSEN CAP 1/2 TURN TO ALLOW ANY FUEL PRESSURE TO BE RELIEVED BEFORE TURNING CAP FURTHER.

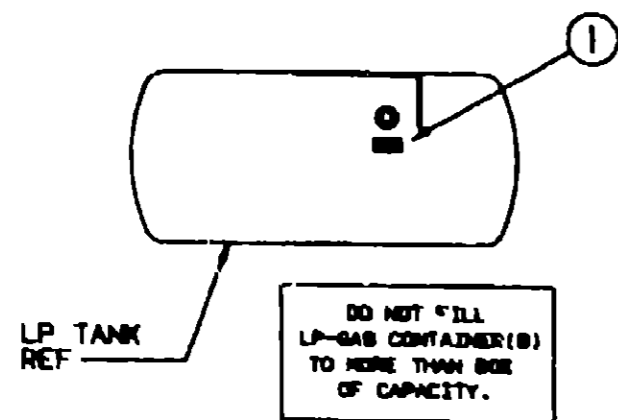
STOP ADDING FUEL AFTER FIRST SHUTOFF BY AUTOMATIC NOZZLE WHEN TANK IS NEARLY FULL. DO NOT OVERFILL FUEL TANK.

SEE OWNERS MANUAL FOR ADDITIONAL INFORMATION.

MADE IN U.S.A. P.L.C. PT. NO. 19611763

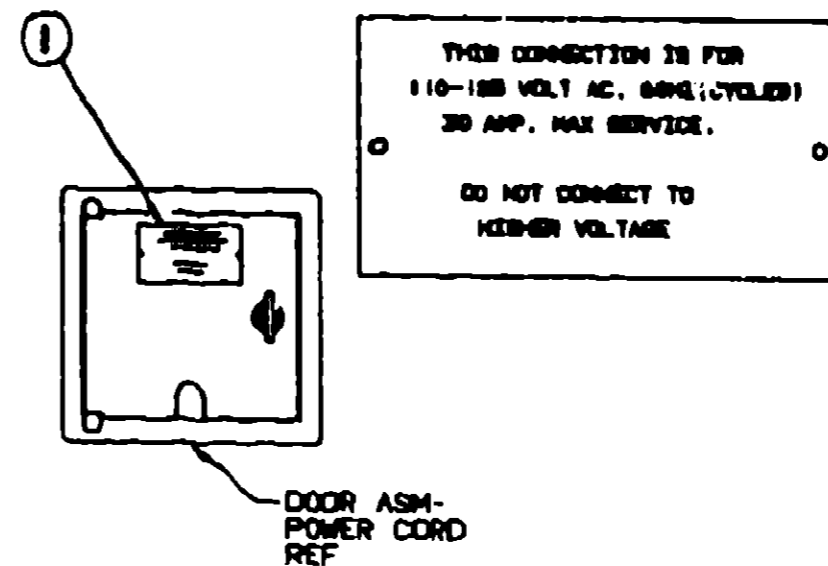


KEY PART NUMBER	U/M DESCRIPTION
1 067207-05-000	EA LABEL-GAS OVERFILL
2 062043-01-000	EA LABEL-FUEL-UNLEADED

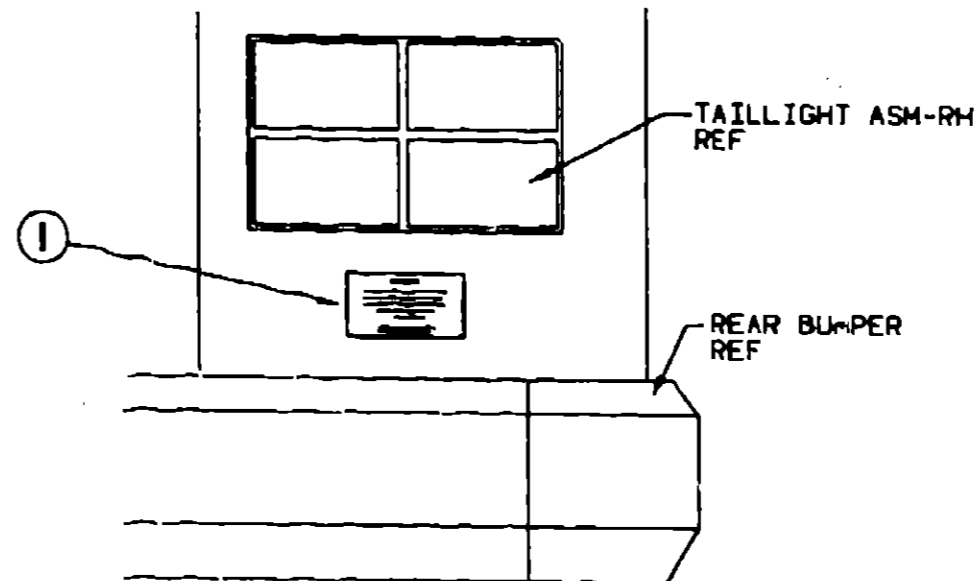


KEY PART NUMBER	U/M DESCRIPTION
1 054531-01-000	EA LABEL-LP GAS ONLY

**LABELS GROUP (CONTINUED)**



KEY PART NUMBER	U/M DESCRIPTION
1 006082-01-000	EA TAG-ELECTRIC-110V CONNECTION



**WARNING**

DO NOT EXCEED THE VEHICLE WEIGHT RATINGS OR LOADING RECOMMENDATIONS (E.G., GROSS VEHICLE, GROSS AXLE, GROSS COMBINED) OF THE CHASSIS MANUFACTURER OR WINNEBAGO INC.

REFER TO YOUR OWNERS MANUAL, BEFORE LOADING OR TOWING.

KEY PART NUMBER	U/M DESCRIPTION
1 075220-01-000	EA LABEL-WARNING-EXTERIOR LOAD

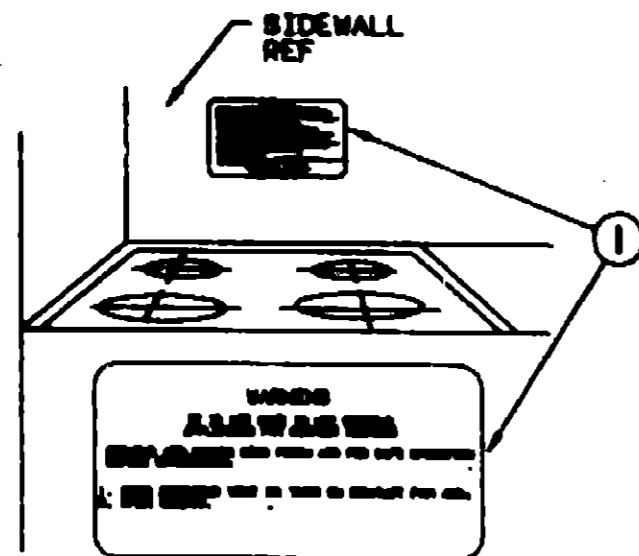
**1993 ITASCA TABLE OF CONTENTS**

INTRODUCTION	A-01 - A-02
ABBREVIATIONS	A-03
ALPHABETICAL INDEX	A-04 - A-06
IF427RQ	A-07 - D-18
IF427RC	D-19 - H-08
IF428RQ	H-09 - K-24

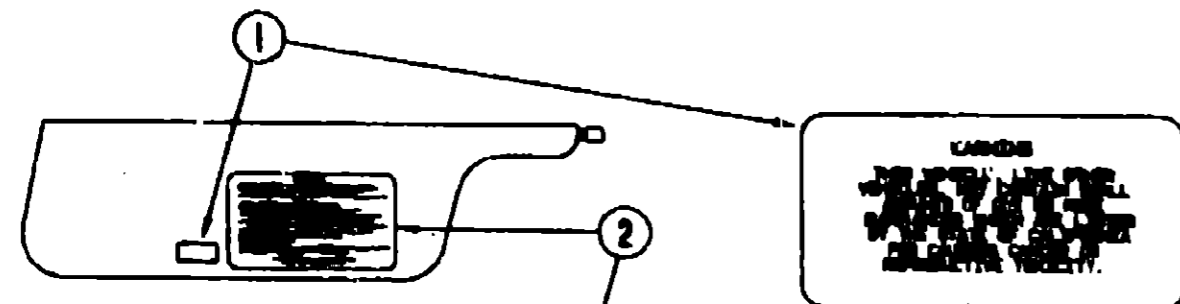
**1993 IF427RQ INDEX**

FLOOR PLAN	A-07 - A-08
ACCESSORIES	A-09
AUDIO VIDEO	A-10
BATH	A-11 - A-12
BEDROOM	A-13 - A-14
CHASSIS	A-15 - A-18
CURTAIN & CUSHION	A-19 - B-04
DINETTE	B-05 - B-06
DRIVERS COMPARTMENT	B-07 - B-08
ELECTRICAL	B-09 - B-12
EXTERIOR BODY	B-13 - B-20
GALLEY	B-21 - B-24
GENERATOR	C-01
HEATING & A/C	C-02 - C-04
INTERIOR FINISH	C-05 - C-08
LABELS	C-09 - C-16
LP	C-17
LOUNGE	C-18 - C-19
SEALANTS & FASTENERS	C-20 - C-22
WATER & SEWAGE	C-23 - D-02
WINDOW, VENT AND EXTERIOR DOOR	D-03 - D-18

**LABELS GROUP (CONTINUED)**



KEY	PART NUMBER	U/M DESCRIPTION
1	050225-01-000	EA LABEL-WARNING-STOVE VENT - US



**CAUTION**

THIS HOPER HOME HAS BEEN DESIGNED, MANUFACTURED AND TESTED WITH CARE FOR THE PROTECTION OF IT'S OCCUPANTS. WE RECOMMEND YOU PERFORM THE FOLLOWING INSPECTIONS FOR YOUR SAFETY AND THE SAFETY OF YOUR PASSENGERS BEFORE STARTING YOUR VEHICLE.

1. LP GAS SYSTEM- TURN OFF AT TANK FOR TRAVELING. TEST FOR LEAKS UPON ARRIVAL AT DESTINATION. BEFORE LIGHTING PILOTS.
2. WHEELS- INSPECT FOR DAMAGE AND CHECK LUB OILS FOR TIGHTNESS.
3. TIRES- INSPECT FOR WEAR AND DAMAGE AND CHECK FOR RECOMMENDED AIR PRESSURE.
4. LIGHTS- TEST FOR PROPER OPERATION OF ALL INTERIOR AND EXTERIOR LIGHTS INCLUDING DASH LIGHTS, HEADLIGHTS, TAIL LIGHTS, BRAKE LIGHTS, CLEARANCE LIGHTS AND TURN SIGNALS.
5. EXITS- INSPECT RELEASE MECHANISM ON EMERGENCY EXIT DEVICES. TEST BOTH LOCKS ON MAIN ENTRANCE DOOR FOR EASE OF OPERATION AND INSTRUCT PASSENGERS HOW TO USE BOTH MEANS OF EXIT.
6. SEAT BELTS- INSTRUCT PASSENGERS TO OBSERVE SEATS AND RECLINE USE OF SEAT BELTS.
7. APPLIANCES- TURN OFF AND LATCH OR LOCK DEVICES WHERE PROVIDED.
8. LUBE PACKS- OILS SECURELY.
9. UTILITY SUPPLY LINES- RECONNECT ALL ELECTRIC, GASE AND WATER LINES AND SECURE PROPERLY.
10. SWIRLERS BEER DISP- PLACE IN RETRACTED POSITION FOR TRAVELING.

READ THIS HOPER HOME AND CHECKS OWNER'S MANUAL FOR FURTHER PRECAUTIONS

KEY	PART NUMBER	U/M DESCRIPTION
1	000000-01-000	EA LABEL-WARNING-CANCER/TOXICITY
2	050250-01-000	EA LABEL-SAFETY CHECK LIST

**LABELS GROUP (CONTINUED)**

**MISCELLANEOUS LABELS**

KEY	PART NUMBER	U/M DESCRIPTION
	104236-01-000	EA LABEL-GENERATOR CIRCUIT
	000084-01-000	EA LABEL-BEAT W/O SEATBELT, (US)
	000084-02-000	EA LABEL-BEAT W/O SEATBELT (CRA) NOT INTENDED FOR USE WHILE COACH IN MOTION
	087207-08-000	EA LABEL-GAS OVERFILL, WARNING
	091224-02-000	EA LABEL-TRAILER LIGHTING
	091243-01-000	EA LABEL-A/C COVER, "AIR CONDITIONING CIRCUIT, ETC."
	091243-02-000	EA LABEL-COVER, "MICROWAVE CIRCUIT, ETC."
	093236-08-000	EA LABEL-CIRCUIT BREAKER
	090841-01-000	EA LABEL-FUEL, UNLEADED - DASH
	074559-01-000	EA DECAL-LOGO, LPG - RED - (CALIF CODE)
	073998-01-000	EA LABEL-LPG ODOR WARNING
	087236-01-000	EA LABEL-CABLE, INPUT
	061417-01-000	EA LABEL-FUEL ON FUEL FILL DOOR
	006040-01-000	EA TAG-GAS REFUELING WARNING-US
	006040-02-000	EA TAG GAS REFUEL WARNING-CANADIAN

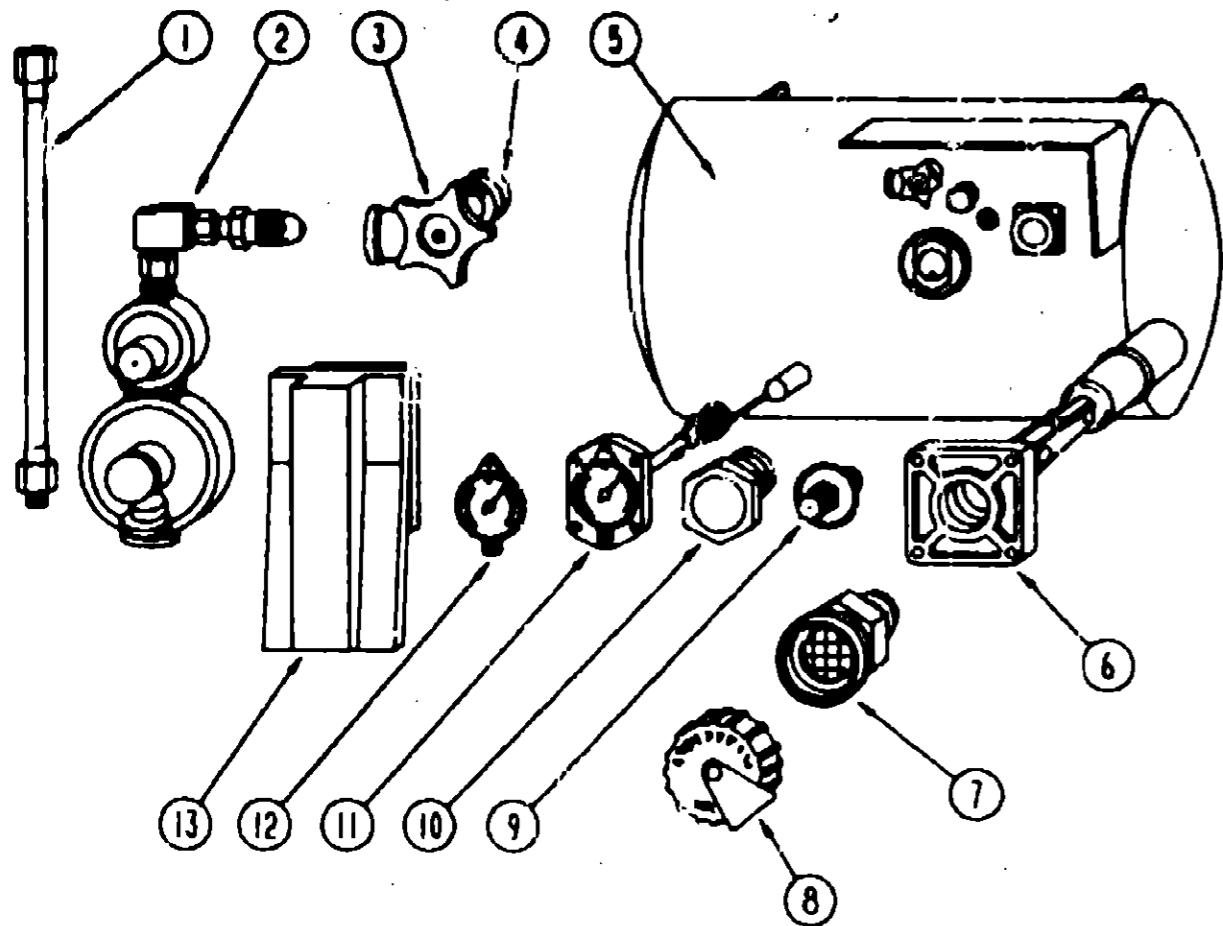
**1993 ITASCA  
TABLE OF CONTENTS**

INTRODUCTION	A-01	A-02
ABBREVIATIONS		A-03
ALPHABETICAL INDEX	A-04	A-06
IF427RQ	A-07	D-18
IF427RC	D-19	H-08
IF428RQ	H-09	K-24

**1993 IF427RQ INDEX**

FLOOR PLAN	A-07	A-08
ACCESSORIES		A-09
AUDIO VIDEO		A-10
BATH	A-11	A-12
BEDROOM	A-13	A-14
CHASSIS	A-15	A-18
CURTAIN & CUSHION	A-19	B-04
DINETTE	B-05	B-06
DRIVERS COMPARTMENT	B-07	B-08
ELECTRICAL	B-09	B-12
EXTERIOR BODY	B-13	B-20
GALLEY	B-21	B-24
GENERATOR		C-01
HEATING & A/C	C-02	C-04
INTERIOR FINISH	C-05	C-08
LABELS	C-09	C-16
LP		C-17
LOUNGE	C-18	C-19
SEALANTS & FASTENERS	C-20	C-22
WATER & SEWAGE	C-23	D-02
WINDOW, VENT AND EXTERIOR DOOR	D-03	D-18

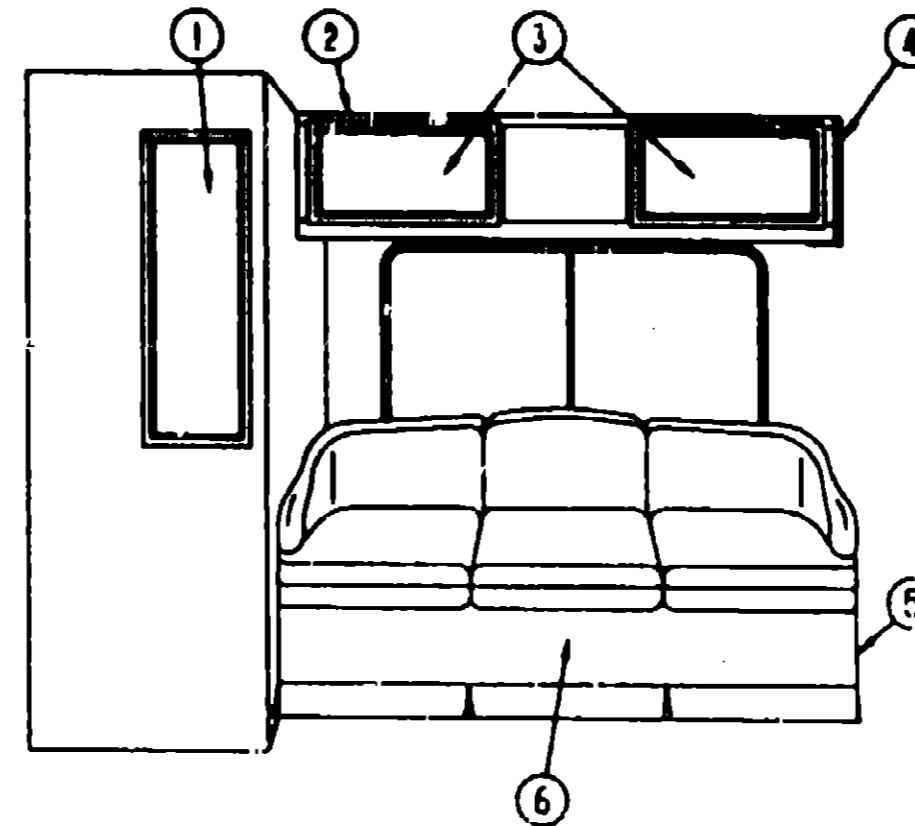
**LP GROUP**



**LP SYSTEM**

KEY	PART NUMBER	U/M DESCRIPTION
1	045703-01-000	EA HOSE-LP - 3/8" ID X 24" - 3/8 MPT X 1/2 F SWIVEL - U.S.
1	045703-02-000	EA HOSE-LP - 3/8" ID X 24" - 3/8 MPT X 1/2 F SWIVEL - CANADA
2	106150-01-000	EA REGULATOR-TWO STAGE, M'BRASS 293-00
2	040421-01-708	EA HANDWHEEL-SERVICE VALVE - BRUNNER G-1015-A
4	040421-01-712	EA VALVE-SERVICE W/O VAPOR RELIEF - 29000853
5	080450-01-000	EA TANK-LP, 42 LB - 13" DIAMETER X 24" LONG
6	040421-01-711	EA VALVE-80% W/FLOAT - PLATE - BOLTS & GASKET - BRUNNER
7	040421-01-701	EA VALVE-SHORT LP FILLER W/YELLOW CAP - BRUNNER 75476
8	040421-01-702	EA CAP-LP FILLER VALVE - PLASTIC - YELLOW - BRUNNER G-1014-A
9	040421-01-700	EA VALVE-LIQUID LEVEL - 20% LP - BRUNNER G-1013
10	040421-01-713	EA VALVE-VAPOR ONLY - 29000587
11	074142-01-700	EA FLOAT GAUGE-SCREW ON-MACHINE 13C-SCR
12	040421-01-705	EA DIAL-LP TANK VOLUME - VISIBLE FACE (5-1789) - BRUNNER MA-8 ROCHESTER
13	105658-01-000	EA COMPARTMENT-LP REGULATOR
	010323-01-000	EA ADAPTER-BRASS - 3/8" X 1/2" MPT
	010285-01-000	EA CROSS - 3/8" X 3/8" X 3/8" X 1/2" FPT - BRASS
	010377-02-700	EA NUT-BRASS - 3/8" FEMALE - FORGED
	010329-01-000	EA ADAPTER-BRASS-1/2" X 1/2" MPT
	065318-02-000	EA ELBOW-90 DEGREE - 3/8" MPT TO 3/8" FPT
	035340-01-000	EA ELBOW - 3/8" MPT X 1/2" F - BRASS
	081642-01-000	EA TEE - 1/2" MPT X 1/2" FL X 3/8" FL - BRASS
	095624-01-000	EA ELBOW-90 DEGREE - 1/4" FPT X 1/4" FPT - BRASS
	071391-02-000	EA NIPPLE-HEX, 1/4" PIPE - 3325X4 WEATHERHEAD
	008042-01-000	FT TUBING-VINYL, 65" ID
	103613-01-000	EA DETECTOR-LEAK, LP GAS

**LOUNGE GROUP**



**DRIVER SIDE LOUNGE CABINETS**

KEY	PART NUMBER	U/M DESCRIPTION
1	P05223-47-D04	EA DOOR-CABINET, W/O HARDWARE - 305 X 1220MM
2	110417-01-D27	EA CABINET-OVERHEAD, LOUNGE - W/O DOORS & HARDWARE FROM: 00-00-00 THRU: 04-18-93
2	110417-02-D27	EA CABINET-OVERHEAD, LOUNGE - W/O DOORS & HARDWARE FROM: 04-19-93 THRU: 99-99-99
2	110417-01-D28	EA CABINET-OVERHEAD, LOUNGE - W/O DOORS & HARDWARE FROM: 00-00-00 THRU: 04-18-93
2	110417-02-D28	EA CABINET-OVERHEAD, LOUNGE - W/O DOORS & HARDWARE FROM: 04-19-93 THRU: 99-99-99
3	P05223-70-D04	EA DOOR-CABINET, W/O HARDWARE - 400 X 715MM (MIRRORED)
3	P05223-71-D04	EA DOOR-CABINET, W/O HARDWARE - 400 X 715MM (WOOD PANEL)
4	104335-06-C03	EA END CAP-CABINET, OVERHEAD
5	M04187-55-D27	EA CABINET-COUCH, W/FABRIC
5	M04187-55-D28	EA CABINET-COUCH, W/FABRIC
6	M04187-54-D27	EA CABINET-COUCH, W/FABRIC
6	M04187-54-D28	EA CABINET-COUCH, W/FABRIC
	082525-01-000	EA BRACE-COUCH, FLOOR MOUNT - ANGLE 3' LONG - METAL
	083125-03-000	EA BRACE-ANGLE, COUCH - TAN - 2.5"
	083125-05-000	EA BRACE-ANGLE, COUCH - BEIGE - 2.5"
	109058-12-D04	EA SUPPORT-COUCH
	105947-01-000	EA BRACKET-HOLD DOWN, COUCH (CANADIAN OPTION)

**DRIVER SIDE LOUNGE TABLE**

KEY	PART NUMBER	U/M DESCRIPTION
	081298-01-D05	EA TABLE-PEDESTAL, W/O HARDWARE (D27)
	081298-01-D04	EA TABLE-PEDESTAL, W/O HARDWARE (D28)
	009040-02-000	EA LEG-TABLE, 27.5" X 2.25" DIA - CHROME
	041194-01-000	EA BASE-TABLE-FLUSH - FLOOR MOUNTED
	062048-01-000	EA CLIP-LEG-PEDESTAL - 1.7" X 2.2" - DIA. FROM 2" TO 2.5"

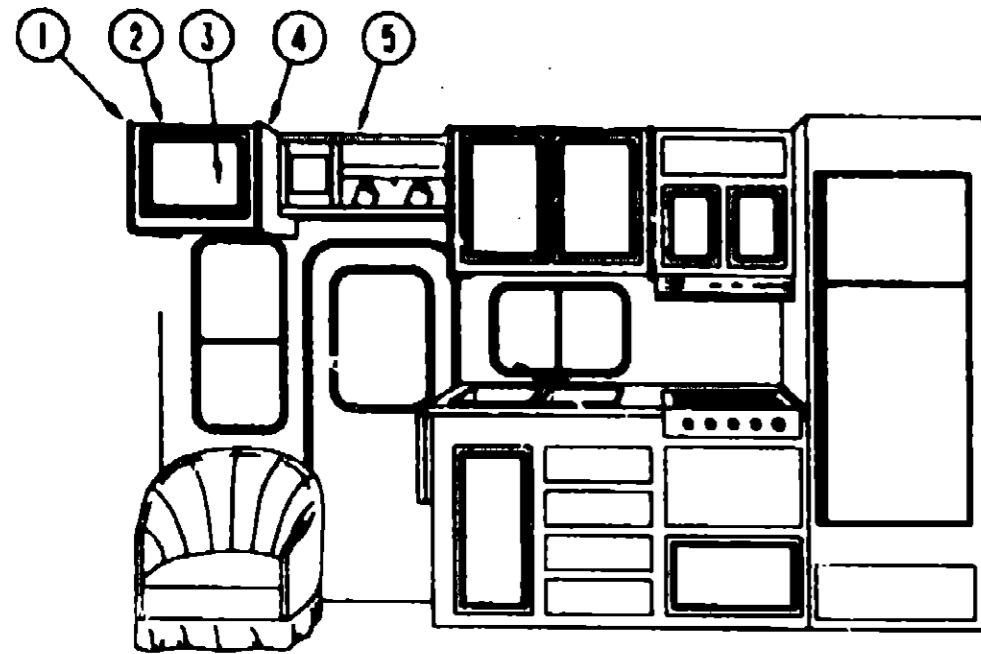
**1993 ITASCA  
TABLE OF CONTENTS**

INTRODUCTION	A-01 - A-02
ABBREVIATIONS	A-03
ALPHABETICAL INDEX	A-04 - A-08
IF427RQ	A-07 - D-18
IF427RC	D-19 - H-08
IF423RQ	H-09 - K-24

**1993 IF427RQ INDEX**

FLOOR PLAN	A-07 - A-08
ACCESSORIES	A-09
AUDIO VIDEO	A-10
BATH	A-11 - A-12
BEDROOM	A-13 - A-14
CHASSIS	A-15 - A-18
CURTAIN & CUSHION	A-19 - B-04
DINETTE	B-05 - B-06
DRIVERS COMPARTMENT	B-07 - B-08
ELECTRICAL	B-09 - B-12
EXTERIOR BODY	B-13 - B-20
GALLEY	B-21 - B-24
GENERATOR	C-01
HEATING & A/C	C-02 - C-04
INTERIOR FINISH	C-05 - C-08
LABELS	C-09 - C-16
LP	C-17
LOUNGE	C-18 - C-19
SEALANTS & FASTENERS	C-20 - C-22
WATER & SEWAGE	C-23 - D-02
WINDOW, VENT AND EXTERIOR DOOR	D-03 - D-18

## LOUNGE GROUP



PASSENGER SIDE LOUNGE CABINETS

KEY	PART NUMBER	U/M	DESCRIPTION
1	104335-07-C03	EA	END CAP-CABINET, OVERHEAD
1	104335-18-C03	EA	END CAP-CABINET, OVERHEAD (TV OPTION)
2	M05778-01-D04	EA	CABINET-OVERHEAD, W/O DOOR & HARDWARE
2	M05778-26-D04	EA	CABINET-OVERHEAD, W/O DOOR & HARDWARE (TV OPTION)
	106452-11-C03	EA	SH-ELF-CABINET, TV - W/O HARDWARE
	061604-01-000	EA	SLIDE-BOLT-ANTIQUE BRASS
3	P05223-43-D04	EA	DOOR-CABINET, W/O HARDWARE 400 X 520MM
4	104335-06-C03	EA	END CAP-CABINET, OVERHEAD
4	104335-17-C03	EA	END CAP-CABINET, OVERHEAD (TV OPTION)
5	105847-05-D27	EA	KEY RING HOLDER
	103130-01-000	EA	HOOK-CUP-BRASS - 1.25"

## SEALANTS & FASTENERS GROUP

### ADHESIVE & FASTENERS

KEY	PART NUMBER	U/M	DESCRIPTION
	034662-02-000	EA	SILICONE-TUBE, 300 ML - W/O NOZZLE - CLEAR
	034662-08-000	EA	SILICONE-TUBE, 300 ML - W/O NOZZLE - OFF WHITE
	900390-01-000	EA	TIP-2 1/2" X 1/8" ORIFICE
	900390-02-000	EA	TIP-8"LN, 1/16" X 1/4" ORIFICE
	900390-03-000	EA	NOZZLES-#CSL D10
	002707-02-000	FT	TAPE-SEALER, 6/16" X 1/2"
	063768-02-000	EA	BEDDING COMPOUND-TUBE, WHITE SCHNEE# 5522
	053768-08-000	EA	BEDDING COMPOUND-TUBE, CLEAR
	053768-08-000	EA	BEDDING COMPOUND-TUBE, GRAY - SCHNEE# 5522
	063642-01-000	FT	TAPE-ADHESIVE, 10 MM X 1.5" WIDE X 180'
	069640-01-000	FT	SEALER-RIBBON, 1/4" DIAMETER
	069640-02-000	FT	SEALER-RIBBON, 1/2" X 1/8"
	069640-03-000	FT	SEALER-RIBBON, 5/16" X 1/8"
	069640-06-000	FT	SEALER-RIBBON, 3/4" X 1/8"
	069640-10-000	FT	SEALER-RIBBON, 1/2" X 1 1/2"
	069640-11-000	FT	SEALER-TAPE, 3/16" X 3/8", BLACK - MANUS
	069640-12-000	FT	SEALER-TAPE, 1/8" X 1.5" GRAY - MANUS
	069640-14-000	FT	SEALER-TAPE, 1/16" X 1" GRAY - MANUS
	072689-01-000	EA	SEALANT-URETHANE, BLACK - 1/10 - ESSEX 552.2
	076314-02-000	FT	TAPE-CARPET SEAM, HEAT-BOND - 4" WIDE
	076322-01-000	FT	TAPE-FOAM, DOUBLE COATED ADHESIVE BACKED - .75" X 216'
	076322-02-000	FT	TAPE-FOAM, DOUBLE COATED ADHESIVE BACKED - 1" X 108'
	076322-03-000	FT	TAPE-FOAM, DOUBLE COATED ADHESIVE BACKED - .5" X 108'
	076322-05-000	FT	TAPE-FOAM, DOUBLE COATED ADHESIVE BACKED - .025" X 1.5" X 108'
	087211-01-000	GL	PROMOTER-ADHESIVE
	091255-02-000	FT	SEAL-ADHESIVE BACKED FOAM, .18" THICK X 1.5" WIDE
	094401-01-000	EA	SEALER-BODY SEAM SEALER, 3M FLEXICLEAR
	102352-01-000	EA	SEALER-PUMPABLE, BLACK - COLORIMETRIC MS101
	108716-01-000	EA	SILICONE-TUBE, OFF WHITE LEVEL - CSL 510

### BOLTS, NUTS & WASHERS

KEY	PART NUMBER	U/M	DESCRIPTION
	000G45-05-16B	EA	BOLT-LAG 5/16 - 9 X 1 ZN
	0MC31K-08-020	EA	BOLT-HEX, SER FLANGE - M8 X 020
	000C12-05-15B	EA	BOLT-HEX, 5/16-18 X 1 - ZINC 5
	000C12-05-32B	EA	BOLT-HEX-3/8-16X2LG.ZN 5
	000C12-07-24B	EA	BOLT-HEX, 7/16-14X1.50.ZN 5 MC-90
	000C12-03-24B	EA	BOLT-HEX, 1/2-13 X 1 1/2 - ZN 5
	000C12-10-24B	EA	BOLT-HEX, 5/8-11 X 1 1/2 ZN - 5
	000C13-07-48B	EA	BOLT-HEX, 7/16 - 20 X 3 - ZN 5
	000C18-05-40A	EA	BOLT-ELEV, 5/16"-18 X 2 1/2" PL
	000C18-06-48B	EA	BOLT-ELEV, 3/8-16 X 3 ZN - GDE 5
	000C26-04-10B	EA	BOLT-HEX, SER FLG - 1/4-20 X 5/8 ZINC
	000C26-05-12B	EA	BOLT-HEX-SER FLG 5/16-18X3/4 ZN
	000D24-10-00B	EA	NUT-HEX, SF/LK - 10-32 ZN
	000D29-09-00B	EA	NUT-HEX, SF/LK - 9/16 - 12 ZN
	000D39-04-00B	EA	NUT-HEX, SER FLG LK 1/4 - 20 ZN
	000D39-05-00B	EA	NUT-HEX, SER FLG LK - 5/16 - 18 ZN
	000D39-06-00B	EA	NUT-HEX, SER FLG LK - 3/8-16 ZN
	000D39-08-00B	EA	NUT-HEX, SER FLG LK - 1/2-13 ZN
	000D44-07-00B	EA	NUT-HEX, SER FLG LK - 7/16-20 ZN
	000E11-07-00B	EA	WASHER-LK, 7/16 MED SPLIT ZN 05114-01-000
	000E13-14-00B	EA	WASHER-FL, 1/4" WIDE ZN
	000E13-17-00B	EA	WASHER-FLARE, 3/8" AP ZN
	000E13-20-00B	EA	WASHER-FL, 7/16" WIDE - ZN
	000E13-21-00B	EA	WASHER-FL, W/2 NAR ZN
	000E14-10-00B	EA	WASHER-LK, NO 10 EXT TOOTH - ZN
	041322-01-000	EA	WASHER-FL, 15.32ID X 2.38 OD - FOR SEAT BELT MOUNT
	044533-01-000	EA	WASHER-PLASTIC 1.1/8"OD - FOR BUTTONS

## 1993 ITASCA TABLE OF CONTENTS

INTRODUCTION	A-01 -	A-02
ABBREVIATIONS		A-03
ALPHABETICAL INDEX	A-04 -	A-06
IF427RQ	A-07 -	D-18
IF427RC	D-19 -	H-08
IF428RQ	H-09 -	K-24

## 1993 IF427RQ INDEX

FLOOR PLAN	A-07 -	A-08
ACCESSORIES		A-09
AUDIO VIDEO		A-10
BATH	A-11 -	A-12
BEDROOM	A-13 -	A-14
CHASSIS	A-15 -	A-18
CURTAIN & CUSHION	A-19 -	B-04
DINETTE	B-05 -	B-06
DRIVERS COMPARTMENT	B-07 -	B-08
ELECTRICAL	B-09 -	B-12
EXTERIOR BODY	B-13 -	B-20
GALLEY	B-21 -	B-24
GENERATOR		C-01
HEATING & A/C	C-02 -	C-04
INTERIOR FINISH	C-05 -	C-08
LABELS	C-09 -	C-16
LP		C-17
LOUNGE	C-18 -	C-19
SEALANTS & FASTENERS	C-20 -	C-22
WATER & SEWAGE	C-23 -	D-02
WINDOW, VENT AND		
EXTERIOR DOOR	D-03 -	D-18

**SEALANTS & FASTENERS GROUP (CONTINUED)**

**SCREWS**

KEY	PART NUMBER	U/M	DESCRIPTION
	000G11-08-10J	EA	SCREW, 6-20 X 5/8 PPH - BRASS
	000G11-07-08B	EA	SCREW, 7-19 X 1/2 PPH - ZN
	000G11-08-09B	EA	SCREW, 8-18 X 3/8 PPH ZN
	000G11-08-01B	EA	SCREW, 8-18 X 1/2 PPH - ZN
	000G11-08-12B	EA	SCREW, 8-18 X 3/4 PPH ZN
	000G11-08-12J	EA	SCREW, 8-18 X 3/4 PPH - BLACK
	000G11-08-12L	EA	SCREW, 8-18 X .75 PPH - CHROME
	000G11-08-12F	EA	SCREW, 8-18 X .75 PPH - DARK BROWN
	000G11-08-12R	EA	SCREW, 8-18 X 3/4 PPH - BEIGE
	000G11-08-12S	EA	SCREW, 8-18 X 3/4 PPH - OFF WHITE
	000G11-08-12T	EA	SCREW, 8-18 X 3/4 PPH - BLACK
	000G11-08-16S	EA	SCREW, 8-18 X 1.00 PPH - OFF WHITE
	000G11-10-12S	EA	SCREW, 10-16 X .75 PPH - OFF WHITE
	000G11-10-40B	EA	SCREW, 10-16 X 2 1/2 PPH - OFF WHITE
	000G12-08-08T	EA	SCREW, 6-20 X .50 POH - BLACK
	000G12-08-12R	EA	SCREW, 8-18 X .75OH - BEIGE
	000G12-08-12S	EA	SCREW, 8-18 X 3/4 POH - OFF WHITE
	000G13-08-08B	EA	SCREW, 6-20 X 3/8 PFH ZN
	000G13-08-08B	EA	SCREW, 6-20 X 1/2 PFH ZN
	000G13-08-08G	EA	SCREW, 6-20 X 1/2 PFH - ANTIQUE BRASS
	000G13-08-16J	EA	SCREW, 6-20 X 1.00 PFH - BRASS
	000G13-08-24J	EA	SCREW, 6-20 X 1.50 PFH - BRASS
	000G13-07-12J	EA	SCREW, 7-19 X 3/4 PFH ZN
	000G13-08-16B	EA	SCREW, 8-18 X 1 PFH - ZN
	000G13-10-12B	EA	SCREW, 10-16 X 3/4 PFH ZN
	000G18-08-16B	EA	SCREW-MACHINE, 8 X 32 X 1, PPH ZN
	000G18-08-22B	EA	SCREW-MACHINE, 8-32 X 1 3/8 PPH ZN
	000G32-10-06B	EA	SCREW-10-32 X 3/8" - PPH - ZINC
	000G39-08-08B	EA	SCREW-DR, 6-18 X 1/2 ZN
	000G39-08-10T	EA	SCREW-SF/DR, 6-20 X 5/8 PPH - BLACK
	000G39-08-10T	EA	SCREW-SF/DR, 6-20 X 5/8 PPH - BLACK
	000G39-08-16T	EA	SCREW-SF/DR, 6-20 X 1 PPH - BLACK
	000G39-08-06B	EA	SCREW-SF/DR, 8-18 X 3/8 PPH ZN
	000G39-08-08B	EA	SCREW-SF/DR, 8-18 X 1/2 PPH ZN
	000G39-08-08F	EA	SCREW-SF/DR, 8-18 X 1/2 PPH - BEIGE
	000G39-08-08S	EA	SCREW-SF/DR, 8-18 X 1/2 PPH - OFF WHITE
	000G39-08-12B	EA	SCREW-SF/DR, 8-18 X 3/4 PPH ZN
	000G39-08-16B	EA	SCREW-SF/DR, 8-18 X 1 PPH ZN
	000G39-08-16S	EA	SCREW-SF/DR, 8-18 X 1.00 PPH, OFF WHITE
	000G39-08-24B	EA	SCREW-SF/DR, 8-18 X 1 1/2 PPH ZN
	000G39-10-12J	EA	SCREW-SF/DR, 10-16 X 3/4 PPH - SILVER
	000G39-10-12D	EA	SCREW-SF/DR, 10-16 X 3/4 PPH - BLACK
	000G39-10-12R	EA	SCREW-SF/DR, 10-16 X 3/4 PPH - BEIGE
	000G39-10-20B	EA	SCREW-SF/DR, 10-16 X 1 1/4 PPH ZN
	000G39-10-12B	EA	SCREW-SF/DR, 10-16 X 2.00 PPH - ZN
	000G39-10-32I	EA	SCREW-SF/DR, 10-16 X 2.00 PPH - ZN PLATE-PASS BLACK
	000G39-12-12E	EA	SCREW-SF/DR, 12 - 14 X 3/4 PPH - CHROME
	000G42-04-12B	EA	SCREW-SF/DR, 1/4 - 14 X 3/4 HWH ZN
	000G42-04-16I	EA	SCREW-SF/DR, 1/4-14 X 1 HWH - ZN
	000G50-04-12B	EA	SCREW-MACHINE, 1/4-20 X 3/4 PPH ZN
	000G53-04-06B	EA	SCREW-MACHINE, 1/4-20 X 3/8 PPH ZN - UNDERCUT HEAD
	000G54-04-20B	EA	SCREW, 1/4-20 X 1 1/4 PTH - TYPE 23 - ZINC PLATED
	000G56-12-48B	EA	SCREW-WOOD, 12 - 11 X 3 POH - SPECIAL HARDENED
	000G80-10-28T	EA	SCREW-SF/DR, 10-16 X 1.75 - BLACK
	000G87-10-08B	EA	SCREW, 10-12 X 1/2 PPH ZN
	000G87-10-08R	EA	SCREW, 10-12 X 1/2 PPH - BEIGE - TYPE A
	000G87-10-10B	EA	SCREW, 10-12 X 5/8 PPH ZN - TYPE A
	000G87-10-10D	EA	SCREW, 10-12 X 5/8 PPH - BLACK - TYPE A
	000G87-10-10R	EA	SCREW, 10-12 X 5/8 PPH - TYPE A - BEIGE
	000G87-10-10S	EA	SCREW, 10-12 X 5/8" - PPH - OFF WHITE

**SEALANTS & FASTENERS GROUP (CONTINUED)**

**SCREWS (CONTINUED)**

KEY	PART NUMBER	U/M	DESCRIPTION
	000G87-10-120	EA	SCREW, 10-12 X 3/4" PPH - TAN
	000G87-10-12B	EA	SCREW, 10-12 X 3/4" PPH - ZN
	000G87-10-12P	EA	SCREW, 10-12 X .75" - PPH - DARK BROWN
	000G87-10-12R	EA	SCREW, 10-12 X .75 PPH - BEIGE
	000G87-10-16B	EA	SCREW, 10-12 X 1 PPH - ZN
	000G87-10-16P	EA	SCREW, 10-12 X 1 PPH - DARK BROWN
	000G87-10-20D	EA	SCREW, 10-12 X 1 1/4 PPH - BLACK
	000G87-10-24B	EA	SCREW, 10-12 X 1 1/2 PPH - ZN
	000G87-10-32B	EA	SCREW, 10-12 X 2 PPH - ZN
	000G88-08-10G	EA	SCREW, 8-18 X 5/8 POH - ANTIQUE BRASS
	000G88-10-38T	EA	SCREW-10-12 X 2.25 POH BLACK
	049465-04-000	EA	SCREW, 10-16 X 1 PTH W/WASHER - BEIGE
	074046-01-000	EA	SCREW, 8-18 X 1 1/2 PFH, BRONZE
	075908-01-000	EA	SCREW-MACHINE, 10-32 X .56 PTH - ZINC EXTERNAL TOOTH
	101289-01-01A	EA	SCREW-MACHINE, 8-32 X 4 - POH - BRASS - FOR EXTENDED KNOB

**CLAMPS, GROMMETS, CLIPS & RIVETS**

KEY	PART NUMBER	U/M	DESCRIPTION
	000H16-04-06R	EA	RIVET-POP, AL 1/8 X .313-.375
	007161-01-000	EA	CLAMP-HOSE, SPRING TYPE - 1/2"
	010495-01-000	EA	CLAMP-CABLE, 9/16"
	010497-01-000	EA	CLAMP-CLOSED, 5/8" ID
	010499-01-000	EA	CLAMP-CLOSED, 3/8" ID
	016188-05-000	EA	GROMMET-L/P LINE, 3/8" HOLE X 1 1/4" LONG - RUBBER
	023942-01-000	EA	GROMMET-RUBBER, 2" OD
	062401-01-000	EA	CLAMP-HOSE, WORMGEAR .25" - 1"
	062401-02-000	EA	CLAMP-HOSE, WORMGEAR, 1.58" - 2.5"
	062401-04-000	EA	CLAMP-HOSE, WORMGEAR .69" - 1.25"
	062401-06-000	EA	CLAMP-HOSE, WORMGEAR .22" - .62"
	069592-02-000	EA	RIVET-T, (POP) - 1/4 X .093 - .156
	071015-11-000	EA	GROMMET-1.00" ID, FITS .12" MATL - MINOR RUBBER Z-3065
	071015-26-000	EA	GROMMET-RUBBER, 1.5" ID X 2.12" OD W/.06" GROOVE - BLACK
	071015-31-000	EA	GROMMET-RUBBER, .69" ID X 1.31" OD W/.12" GROOVE - BLACK
	075148-02-000	EA	CLAMP-GROUNDING, BRONZE SCREWS
	077953-01-000	EA	GROMMET-EDGE LINER, FITS 1"
	080734-02-000	EA	CLIP-WIRE, NYLON
	082149-01-000	EA	STUD-CLINCH, 3/8" X 24 X 1.12 GD5
	083609-01-000	EA	CLAMP-WIRE, DUAL EQUAL - 5/8" DIAMETER
	093610-01-000	EA	CLAMP-WIRE, DUAL - UNEQUAL DIAMETERS - .75" & 1.25"
	085774-01-000	FT	FASTENER-DUAL HOOK, 1" WIDE - ADHESIVE BACK - BLACK
	085774-02-000	FT	FASTENER-DUAL LOOP, 1" WIDE - ADHESIVE BACK - BLACK
	087721-01-000	EA	SCREW-FLAT HEAD, TAPPING - 1/4" X 1 1/4" LG ZN
	091952-01-000	EA	CLIP-GRIPPER, 1"
	101447-01-000	EA	CLIP-U TYPE, TINNEMAN - HOLDS SHOWER SURROUND TOGETHER

**1993 ITASCA  
TABLE OF CONTENTS**

INTRODUCTION	A-01 - A-02
ABBREVIATIONS	A-03
ALPHABETICAL INDEX	A-04 - A-06
IF427RQ	A-07 - D-18
IF427FC	D-19 - H-08
IF422RQ	H-09 - K-24

**1993 IF427RQ INDEX**

FLOOR PLAN	A-07 - A-08
ACCESSORIES	A-09
AUDIO VIDEO	A-10
BATH	A-11 - A-12
BEDROOM	A-13 - A-14
CHASSIS	A-15 - A-18
CURTAIN & CUSHION	A-19 - B-01
DINETTE	B-05 - B-06
DRIVERS COMPARTMENT	B-07 - B-08
ELECTRICAL	B-09 - B-12
EXTERIOR BODY	B-13 - B-20
GALLEY	B-21 - B-24
GENERATOR	C-01
HEATING & A/C	C-02 - C-04
INTERIOR FINISH	C-05 - C-08
LABELS	C-09 - C-16
LP	C-17
LOUNGE	C-18 - C-19
SEALANTS & FASTENERS	C-20 - C-22
WATER & SEWAGE	C-23 - D-02
WINDOW, VENT AND EXTERIOR DOOR	D-03 - D-18



## WATER & SEWAGE GROUP

### FRESH WATER TANK & WATER SYSTEM

KEY	PART NUMBER	U/M	DESCRIPTION
	084214-07-000	EA	TANK-WATER, W/FITTINGS, 31 GALLON, 30" X 24" X 12.7"
	077954-02-000	EA	FILTER-WATER TANK, SCREEN IN TANK
	042989-03-000	EA	FITTING-WATER TANK, SPINWELD - 1 1/4" NPT, PLASTIC, WHITE
	042989-04-000	EA	FITTING-WATER TANK, SPINWELD - 3/8" FPT, PLASTIC, WHITE
	042989-06-000	EA	FITTING-WATER TANK, SPINWELD - 1/2" FPT, PLASTIC, WHITE
	048032-01-000	EA	PATCH-SPINWELD, 3/8" - PLASTIC
	039981-01-000	EA	SENDING UNIT, W/SCREW - WASHER - WELL NUT AND TERMINAL RING
	038522-02-000	EA	CAP-MASS, 1/2" FLARE
	108000-01-000	EA	CAP-FEMALE, W/CONE - LC - KEVCO TC3F
	010224-01-000	EA	ADAPTER-HOSE TO PIPE, 3/8" MPT X 3/8" BARB - PLASTIC BLACK
	044827-01-000	EA	ADAPTER-HOSE TO PIPE, 1 1/4" MPT X 1 1/4" BARB - BLACK PLASTIC
	052954-01-000	EA	ADAPTER-HOSE CONE, 3/8" OR 1/2" TUBING - PLASTIC, GRAY
	079317-01-000	EA	ADAPTER-3MVEL, 1/2" TUBE X 1/2" FPT - PLASTIC, GRAY
	106258-01-000	EA	CAP-INSERTABLE, 1/2" FLARE
	096417-01-000	EA	CONNECTOR-5/8" F X 1/2" MPT PLASTIC, KEVCO
	101814-01-000	EA	COUPLING-FEMALE, 1/2" X 1/2" FPT
	052980-01-000	EA	DRAIN VALVE-IN LINE HEADER, 1/2" F X 1/2" F, GRAY PLAS
	052980-03-000	EA	DRAIN VALVE-IN LINE HEADER, 5/8" F X 5/8" F, PLASTIC
	052981-02-000	EA	DRAIN VALVE-IN LINE HEADER, 1/2" MPT X 1/2" F X 1/2" F - PLASTIC
	055290-01-000	EA	ELBOW-5/8" F X 1/2" MPT
	052957-02-000	EA	ELBOW-MALE, 1/2" F X 1/2" MPT - PLASTIC, GRAY
	081659-04-000	EA	FILL-WATER CITY, OFF WHITE
			FROM: 00-00-00 THRU: 05-16-93
	087659-01-700	EA	FILL-WATER STRAP & CAP ONLY, V322-00
	110615-01-01A	EA	FILL-WATER CITY, OFF WHITE
			FROM: 05-17-93 THRU: 99-99-99
	046128-01-000	EA	VALVE-DRAIN PLASTIC, 1/2" FPT
	065120-01-000	EA	ELBOW-SWIVEL, 1/2" FPT X 1/2" FLARE - PLASTIC - GRAY
	052953-01-000	EA	NUT-FAUCET, 1/2" TUBE X 1/2" FPT - PLASTIC - GRAY
	052952-01-000	EA	NUT-PLASTIC, 1/2" F X 1/2" TUBE - GRAY
	052952-02-000	EA	NUT-PLASTIC, 5/8" FLARE
	039798-01-000	EA	TEE-1/2" MPT X 1/2" MPT X 1/2" MPT, PLASTIC
	052958-01-000	EA	TEE-1/2" F X 1/2" F X 1/2" F, PLASTIC - GRAY
	055291-01-000	EA	TEE-PLASTIC, 5/8" F X 5/8" F X 5/8" F
	055293-01-000	EA	TEE-PLASTIC, 5/8" F X 1/2" F X 5/8" F
	057973-01-000	EA	TEE-PLASTIC, 1/2" F X 1/2" F X 5/8" F, WATER
	057974-01-000	EA	TEE 5/8" F X 1/2" F X 1/2" F, PLASTIC
	039800-01-000	FT	TUBING-POLYBUTYL, 1/2" OD - INCREMENTS OF 20' - BLACK
	039800-02-000	FT	TUBING-POLYBUTYL, 5/8" OD - INCREMENTS OF 20' - BLACK
	079381-01-000	FT	TUBING-SMOOTH, FLEXIBLE 1 1/4" ID - INCREMENTS OF 20'
	071462-02-000	FT	TUBING-VINYL, 3/8" ID - CLEAR - INCREMENTS OF 20'

### WATER PUMP

KEY	PART NUMBER	U/M	DESCRIPTION
	098607-01-000	EA	PUMP-WATER, W/5" MPT FITTING - SHURFLO 2.8 GPM, UL
	098607-01-700	EA	PUMPHEAD-REPLACEMENT - 94-236-08
	098607-01-701	EA	DRIVE ASSEMBLY - 94-234-03
	098607-01-702	EA	DIAPHRAGM KIT - 94-233-10
	098607-01-703	EA	VALVE ASSEMBLY - 94-232-00
	098607-01-704	EA	HOUSING-UPPER - 94-231-01
	098607-01-705	EA	CHECK VALVE KIT - 94-237-00
	098607-01-706	EA	UPPER HOUSING/SWITCH KIT - 94-231-20
	098607-01-707	EA	MOTORBASEPLATE REPLACEMENT - 94-235-03

### WATER HEATER W/O MOTOR AID

KEY	PART NUMBER	U/M	DESCRIPTION
	051391-03-000	EA	HEATER-WATER, WELECTRIC IGNITION - ATWOOD G6A-3E
	051391-01-700	EA	HINGE KIT W/CLIP, ATWOOD 92568 & 92559
	051391-01-704	EA	VALVE-RELIEF, 1/2" FITTING - ATWOOD 91604

## WATER & SEWAGE GROUP (CONTINUED)

### WATER HEATER W/O MOTOR AID (CONTINUED)

KEY	PART NUMBER	U/M	DESCRIPTION
	051391-01-705	EA	FASTENER-CAMLOC, ATWOOD 92609
	051391-01-708	EA	GRILLE-EXHAUST, ATWOOD 92787
	051391-01-708	EA	BURNER-MAIN, 3E ONLY - ATWOOD 92615
	051391-01-710	EA	ORIFICE-MAIN BURNER, ATWOOD 92742
	051391-01-715	EA	DRAIN PLUG, ATWOOD 91561
	051391-04-700	EA	TANK-INNER (G6A-3E), FRONT MOUNT - ATWOOD 91608
	051391-04-701	EA	THERMOSTAT 12 VDC-120 PRESET, ATWOOD 91470
	051391-04-706	EA	TANK-INNER, G6A-4E & 6E - FRONT MOUNT - ATWOOD 91641
	051393-01-702	EA	SWITCH-ENERGY CUT-OFF, ATWOOD 91951
	051393-01-703	EA	THERMOSTAT-REAR MOUNT, ATWOOD 91952
	051393-01-704	EA	CIRCUIT BOARD-W/BLACK BOX, ATWOOD 91420
	051393-01-705	EA	ORIFICE HOLDER-ATWOOD 91925
	051393-01-716	EA	SPARK & PROBE ASM, ATWOOD 91606
	051393-01-718	EA	VALVE-DUAL SOLENOID, ATWOOD 91605
	051393-01-721	EA	ECO&THERMOSTAT ASM-FRONT MOUNT, 140 DEGREE - ATWOOD 91447
	051393-03-700	EA	TANK-INNER (G6A-3E), REAR MT - ATWOOD 91409
	097967-01-000	EA	SWITCH-WATER HEATER, ATWOOD 91959

### WATER HEATER W/MOTOR AID & REAR HEATER

KEY	PART NUMBER	U/M	DESCRIPTION
	051393-01-000	EA	HEATER-WATER-W/MOTOR AID-ATWOOD GH6-3E, GH6-4E, OR GH6-6E
	051391-01-700	EA	HINGE KIT-W/CLIP, ATWOOD 92568 & 92559
	051391-01-704	EA	VALVE-RELIEF, 1/2" FITTING - ATWOOD 91604
	051391-01-705	EA	FASTENER-CAMLOC, ATWOOD 92609
	051391-01-706	EA	GRILLE-EXHAUST, ATWOOD 92787
	051391-01-708	EA	BURNER-MAIN, 3E ONLY - ATWOOD 92615
	051391-01-710	EA	ORIFICE-MAIN BURNER, ATWOOD 92742
	051391-01-714	EA	ELBOW-45 DEGREE, 3/8" F X 3/8" MPT - ATWOOD 91044
	051391-01-711	EA	DRAIN PLUG, ATWOOD 91561
	051391-04-701	EA	THERMOSTAT 12 VDC-120 PRESET, ATWOOD 91470
	051391-04-704	EA	TANK-INNER, FRONT MOUNT - GH6-4E & 6E - ATWOOD 91642
	051393-03-700	EA	TANK-INNER, 3E FRONT MOUNT - ATWOOD 91023
	051393-01-702	EA	SWITCH-ENERGY CUT-OFF, ATWOOD 91951

### STANDARD WATER HEATER

KEY	PART NUMBER	U/M	DESCRIPTION
	051391-01-000	EA	HEATER-WATER, ATWOOD G6A-3
	051391-01-700	EA	HINGE KIT-W/CLIP, ATWOOD 92568 & 92559
	051391-01-702	EA	TANK-INNER, G6A-2E - 3E - 6E - WATER HEATER, ATWOOD 91412
	051391-01-704	EA	VALVE-RELIEF, 1/2" FITTING - ATWOOD 91604
	051391-01-705	EA	FASTENER-CAMLOC, ATWOOD 92609
	051391-01-706	EA	GRILLE-EXHAUST, ATWOOD 92787
	051391-01-708	EA	BURNER-MAIN, 3E ONLY - ATWOOD 92615
	051391-01-709	EA	PILOT ASM-W/THERMOCOUPLER & TUBE, 91603 ATWOOD 91214
	051391-01-710	EA	ORIFICE-MAIN BURNER, ATWOOD 92742
	051391-01-711	EA	ELBOW-ORIFICE, MAIN BURNER - 92741 ATWOOD
	051391-01-712	EA	THERMOSTAT-3/8" NPT INLET, 91601 ATWOOD 91043
	051391-01-714	EA	ELBOW-45 DEGREE, 3/8" F X 3/8" MPT - ATWOOD 91044
	051391-01-715	EA	DRAIN PLUG, ATWOOD 91561

### EXTERIOR SHOWER

KEY	PART NUMBER	U/M	DESCRIPTION
	103092-01-000	EA	HEAD-SHOWER, W/60 IN HOSE (US & CANADIAN)
	103092-01-700	EA	BRACKET-SHOWER HEAD
	075241-05-000	EA	FAUCET-SHOWER, BONE
	105269-02-000	F	BRACKET-SUPPORT, FAUCET
	091952-02-000	EA	CLIP-GRIPPER, 3/4"

## 1993 ITASCA TABLE OF CONTENTS

INTRODUCTION	A-01	A-02
ABBREVIATIONS		A-03
ALPHABETICAL INDEX	A-04	A-06
IF427RQ	A-07	D-18
IF427RC	D-19	H-18
IF427RG	H-09	K-24

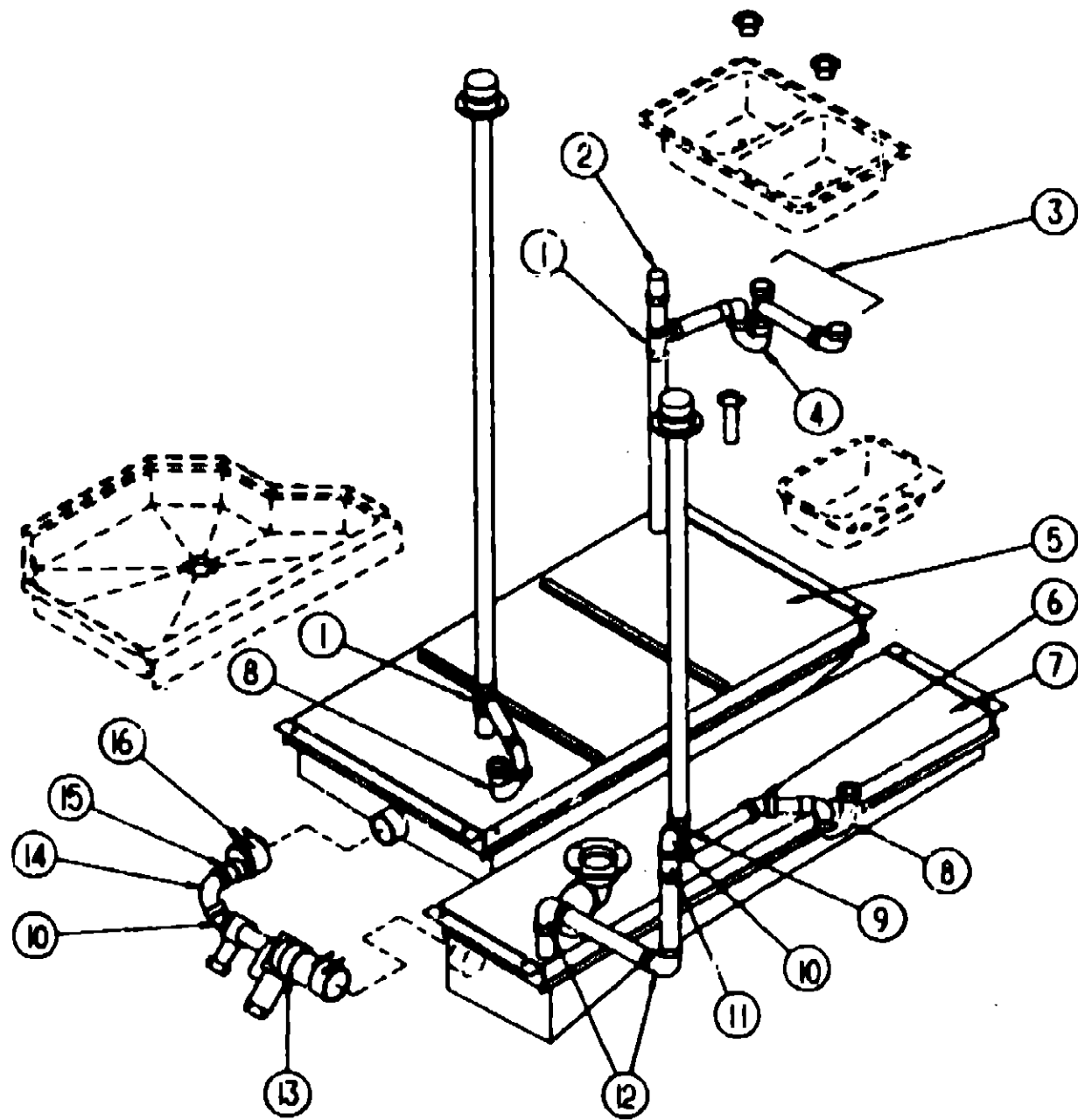
## 1993 IF427RQ INDEX

FLOOR PLAN	A-07	A-08
ACCESSORIES		A-09
AUDIO VIDEO		A-10
BATH	A-11	A-12
BEDROOM	A-13	A-14
CHASSIS	A-15	A-18
CURTAIN & CUSHION	A-19	B-01
DINETTE	B-05	B-06
DRIVERS COMPARTMENT	B-07	E-08
ELECTRICAL	B-09	B-12
EXTERIOR BODY	B-13	B-20
GALLEY	B-21	B-24
GENERATOR		C-01
HEATING & A/C	C-02	C-04
INTERIOR FINISH	C-05	C-08
LABELS	C-09	C-16
LP		C-17
LOUNGE	C-18	C-19
SEALANTS & FASTENERS	C-20	C-22
WATER & SEWAGE	C-23	D-02
WINDOW, VENT AND EXTERIOR DOOR	D-03	D-18

# WATER & SEWAGE GROUP (CONTINUED)

## DRAINAGE SYSTEM

KEY	PART NUMBER	U/M	DESCRIPTION
1	010079-01-000	EA	TEE-SANITARY, 1 1/2" X 1 1/2" X 1 1/4" H - PLASTIC - BLACK FROM: 00-00-00 THRU: 12-15-92
1	010071-01-000	EA	TEE-SANITARY, 1 1/2" HUB X HUB X HUB - PLASTIC - BLACK FROM: 12-16-92 THRU: 99-99-99
2	079968-01-000	EA	VENT-MECH. TRAP ARM, ANTI-SIPHON - 2" DIA X 7 3/4" - PLASTIC
3	011091-02-000	EA	PIPE-DRAIN, W/SEALS - DOUBLE SINK - EXTENDS 9" TO 16" (U.S.)
3	011091-03-000	EA	PIPE-DRAIN, W/SEALS - DOUBLE SINK - EXTENDS 9" TO 16" (CANADIAN) FROM: 12-17-92 THRU: 99-99-99
	037101-02-000	EA	ELBOW-PLASTIC, 1/4 BEND VENT 1 1/2" HUB (CSA)
	033302-02-000	EA	ADAPTER ASM-STRAINER, 1 1/2" - ABS (CSA)
4	107537-01-000	EA	ADAPTER-P TRAP, 1 1/4" SLIP (US) FROM: 00-00-00 THRU: 12-15-92
4	107571-01-000	EA	ADAPTER-P TRAP, 1 1/2" P X 1 1/4" MPT FROM: 12-16-92 THRU: 99-99-99
4	107538-01-000	EA	P TRAP-PLASTIC, 1 1/4" W/EXTENDED ARM (US)
4	053335-01-000	EA	P TRAP-1 1/4" HUB X HUB, W/UNION - CANADIAN FROM: 00-00-00 THRU: 02-16-92
4	011071-01-000	EA	P TRAP, 1 1/2" - PLASTIC (CSA) FROM: 12-17-92 THRU: 99-99-99
5	102762-01-000	EA	TANK-HOLDING, 42 GALLON - 57.4" X 8.4" X 29"
6	010000-01-000	EA	ELBOW-45 DEG, 1/8 BEND - 1 1/4" HUB X HUB - BLACK PLASTIC
7	102761-01-000	EA	TANK-HOLDING, 28 GALLON - 66.9" X 17.7" X 15.7"
8	107537-01-000	EA	ADAPTER-P TRAP, 1 1/4" SLIP (US)
8	107538-01-000	EA	P TRAP-PLASTIC, 1 1/4" W/EXT ARM (US)
8	011066-03-700	EA	P TRAP-1 1/4" HUB X SLIP JOINT, W/UNION - ABS (CSA)
9	010006-01-000	EA	ELBOW-45 DEG, 1/8 BEND - 1 1/2" HUB X HUB - BLACK PLASTIC
10	010051-01-000	EA	ELBOW-45 DEG BEND, 1 1/2" SPIGOT AND HUB - PLASTIC - BLACK
11	010079-01-000	EA	TEE-SANITARY, 1 1/2" X 1 1/2" X 1 1/4" H - PLASTIC - BLACK FROM: 00-00-00 THRU: 12-15-92
11	010071-01-000	EA	TEE-SANITARY, 1 1/2" HUB X HUB X HUB - PLASTIC - BLACK FROM: 12-16-92 THRU: 99-99-99
	010115-01-000	EA	COUPLING-1 1/2" HUB X HUB, PLASTIC FROM: 12-16-92 THRU: 99-99-99
12	010006-01-000	EA	ELBOW-90 DEG, 1/4 BEND - 1 1/2" HUB X HUB - BLACK PLASTIC
13	070916-01-000	EA	VALVE-DUAL DUMP-W/CAP - 3" X 1 1/2" - PLASTIC - BLACK
	062416-01-000	EA	ADAPTER-SEWER HOSE TO 3" PIPE
	010201-01-000	EA	HOSE-SEWER, 3" ID X 8'
14	033761-01-000	EA	ELBOW-TURN, 1/4 BEND X 1.5" HUB X 1.5" SPIGOT - BLK PLASTIC
15	062422-01-000	EA	ADAPTER-OFFSET REDUCER, 3" X 1 1/2" - PLASTIC - BLACK
16	078406-01-000	EA	COUPLER-RUBBER, W/CLAMPS - 3" X 3"
	010061-01-000	EA	ELBOW-45 DEGREE, STREET - 1/8 BEND - 3" S X H - PLASTIC
	010121-01-000	EA	BUSHING-REDUCER, 1 1/2" SMOOTH X 1/4" HUB - PLASTIC - BLACK
	061807-01-000	EA	GROMMET-HOLDING TANK, 1 1/2" NPS
	061607-02-000	EA	GROMMET-HOLDING TANK, 3" NPS



## 1993 ITASICA TABLE OF CONTENTS

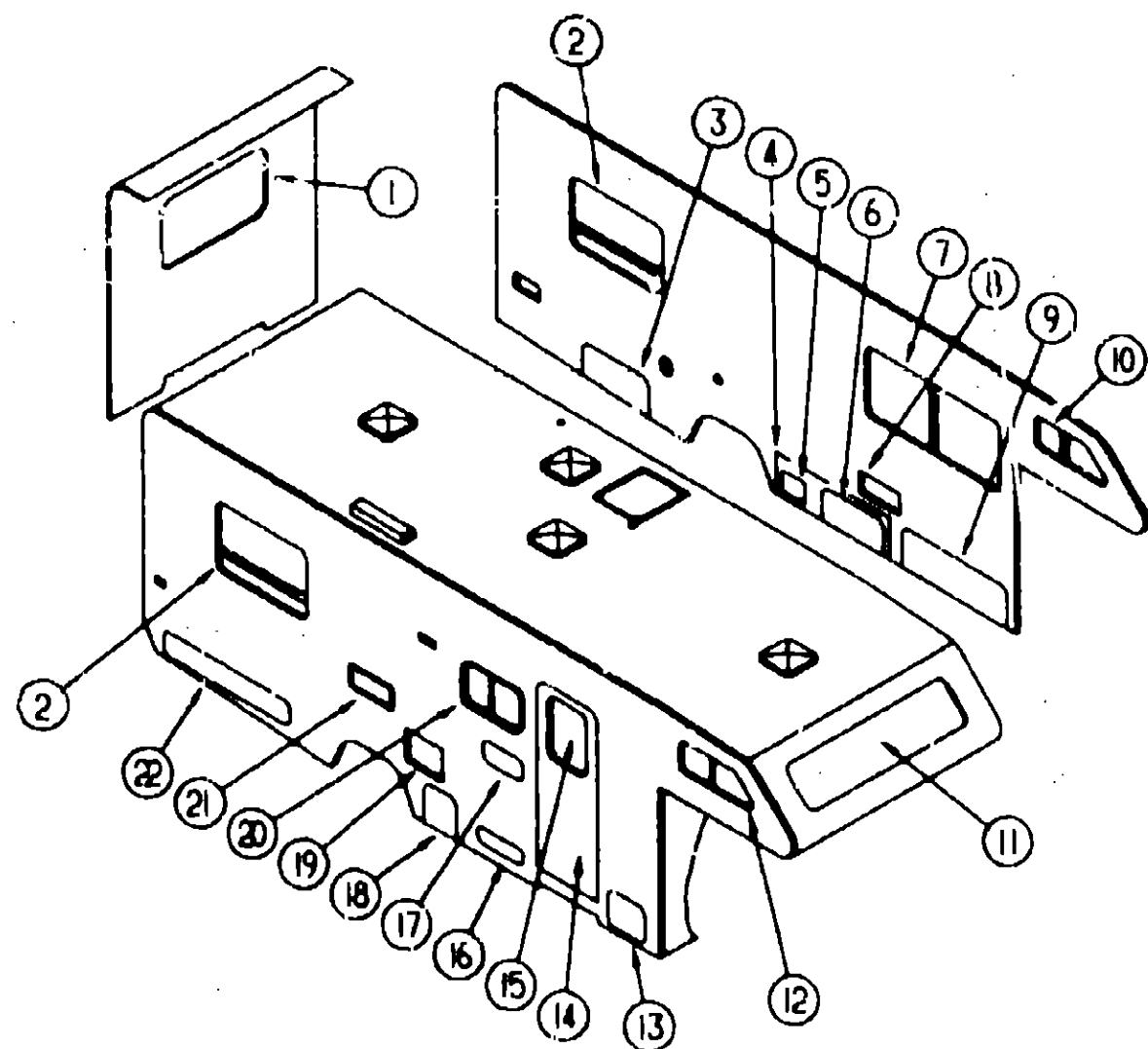
INTRODUCTION	A-01	A-02
ABBREVIATIONS		A-03
ALPHABETICAL INDEX	A-01	A-06
IF427RO	A-07	D-18
IF427RC	D-19	H-08
IF428RO	H-09	K-24

## 1993 IF427RO INDEX

FLOOR PLAN	A-07	A-08
ACCESSORIES		A-09
AUDIO VIDEO		A-10
BATH	A-11	A-12
BEDROOM	A-13	A-14
CHASSIS	A-15	A-18
CURTAIN & CUSHION	A-19	B-04
DINETTE	B-05	B-08
DRIVERS COMPARTMENT	B-07	B-10
ELECTRICAL	B-09	B-12
EXTERIOR BODY	B-13	B-20
GALLEY	B-21	B-24
GENERATOR		C-01
HEATING & A/C	C-02	C-04
INTERIOR FINISH	C-05	C-08
LABELS	C-09	C-16
LP		C-17
LOUNGE	C-18	C-19
SEALANTS & FASTENERS	C-20	C-22
WATER & SEWAGE	C-23	D-02
WINDOW, VENT AND EXTERIOR DOOR	D-03	D-18

# WINDOW, VENT & EXTERIOR DOOR GROUP

## WINDOWS & DOORS



KEY	PART NUMBER	U/M	DESCRIPTION
1	078528-03-Y12	EA	WINDOW-ESCAPE, W/O INSIDE FRAME - 27" X 48"
2	012236-12-Y12	EA	WINDOW-SINGLE TIPOUT, W/O INSIDE FRAME
3	101997-21-D04	EA	DOOR-COMPARTMENT, LOWER - REAR
4	P15300-03-D04	EA	PANEL - SEWER ACCESS
5	088704-01-000	EA	DOOR-POWER CORD - WHATCH - OFF WHITE
6	106987-01-C05	EA	DOOR-COMPARTMENT, LOWER - FRONT
7	093847-10-021	EA	WINDOW-HORIZONTAL SLIDER, WINSIDE FRAME
8	105118-02-C05	EA	DOOR-COMPARTMENT, EXTERIOR SHOWER
9	101987-26-D04	EA	DOOR-COMPARTMENT, LOWER - FRONT
10	098648-06-01A	EA	WINDOW-SLANTED SLIDER, WINSIDE FRAME - DRIVER FROM: 00-00-00 THRU: 07-12-92
10	098647-19-01A	EA	WINDOW-SLIDER, WINSIDE FRAME - DRIVER FROM: 07-13-92 THRU: 99-99-99
11	103313-01-B05	EA	WINDOW-PICTURE, W/O INSIDE FRAME
12	098648-05-01A	EA	WINDOW-SLANTED SLIDER, WINSIDE FRAME - PASSENGER FROM: 00-00-00 THRU: 07-12-92
12	098647-18-01A	EA	WINDOW-SLIDER, WINSIDE FRAME - PASSENGER FROM: 07-13-92 THRU: 99-99-99
13	106987-24-D04	EA	DOOR-COMPARTMENT, LOWER - FRONT
14	M01870-32-D27	EA	DOOR-ENTRY, W/WINDOW, SCREEN & JAMB - OFF WHITE
14	M01870-32-D28	EA	DOOR-ENTRY, W/WINDOW, SCREEN & JAMB - OFF WHITE
15	079733-07-AA8	EA	WINDOW-ENTRY DOOR, W/O INSIDE FRAME - 17" X 25" - FROSTED GLASS
16	078720-02-T15	EA	DOOR-COMPARTMENT, LP - 16.9" X 5.4" - ALUMINUM - OFF WHITE
	009003-01-000	EA	LOCK-TWIST TYPE, W/CLIP
17	105118-01-C05	EA	DOOR-COMPARTMENT ENTERTAINMENT
18	105174-04-C03	EA	DOOR-COMPARTMENT, LOWER - FRONT
19	062009-01-000	EA	DOOR-WATER HEATER - OFF WHITE - ATWOOD 5576-27
20	098647-06-02A	EA	WINDOW-HORIZONTAL SLIDER, WINSIDE FRAME
21	084103-03-000	EA	DOOR-REFRIGERATOR, VENTED - OFF WHITE
	084104-03-000	EA	JAMB-DOOR, REFRIGERATOR - OFF WHITE
	084104-01-700	EA	LOCK-MALE, FASTENER - REFRIGERATOR DOOR
	084104-01-701	EA	LOCK-FEMALE, FASTENER - REFRIGERATOR DOOR
22	106987-25-D04	EA	DOOR-COMPARTMENT, STORAGE
	081240-03-000	EA	DOOR-WATER FILL-LOCKABLE-4" X 4 5/8" - OFF WHITE
	082684-01-700	EA	KEY-SINGLE

## 1993 ITASCA TABLE OF CONTENTS

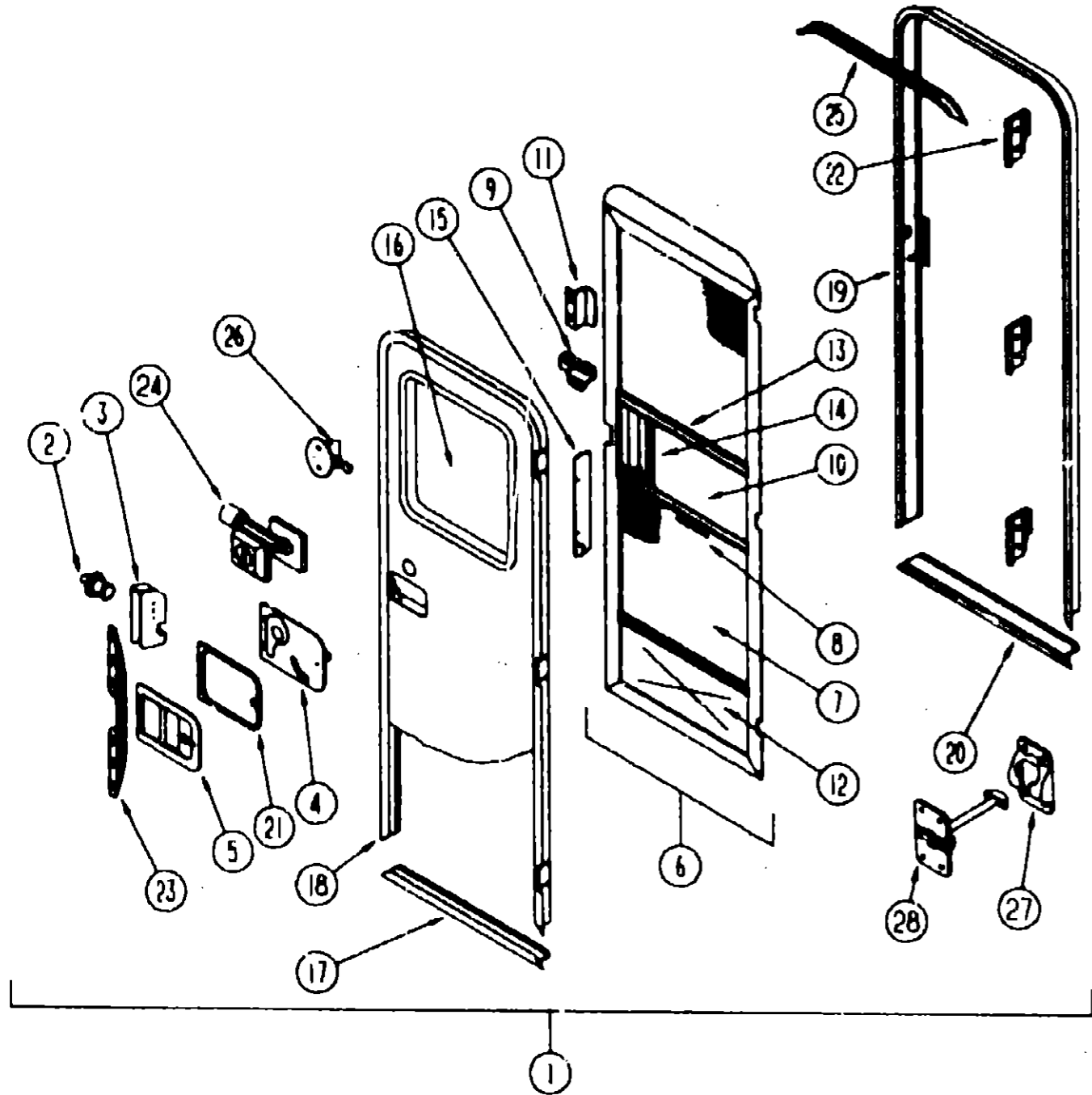
INTRODUCTION	A-01 - A-02
ABBREVIATIONS	A-03
ALPHABETICAL INDEX	A-04 - A-06
IF427RQ	A-07 - D-18
IF427RC	D-19 - H-08
IF428RQ	H-09 - K-24

## 1993 IF427RQ INDEX

FLOOR PLAN	A-07 - A-08
ACCESSORIES	A-09
AUDIO VIDEO	A-10
BATH	A-11 - A-12
BEDROOM	A-13 - A-14
CHASSIS	A-15 - A-18
CURTAIN & CUSHION	A-19 - B-04
DINETTE	B-05 - B-06
DRIVERS COMPARTMENT	B-07 - B-08
ELECTRICAL	B-09 - B-12
EXTERIOR BODY	B-13 - B-20
GALLEY	B-21 - B-24
GENERATOR	C-01
HEATING & AC	C-02 - C-04
INTERIOR FINISH	C-05 - C-08
LABELS	C-09 - C-16
LP	C-17
LOUNGE	C-18 - C-19
SEALANTS & FASTENERS	C-20 - C-22
WATER & SEWAGE	C-23 - D-02
WINDOW, VENT AND EXTERIOR DOOR	D-03 - D-18

# WINDOW, VENT & EXTERIOR DOOR GROUP (CONTINUED)

## ENTRY DOOR



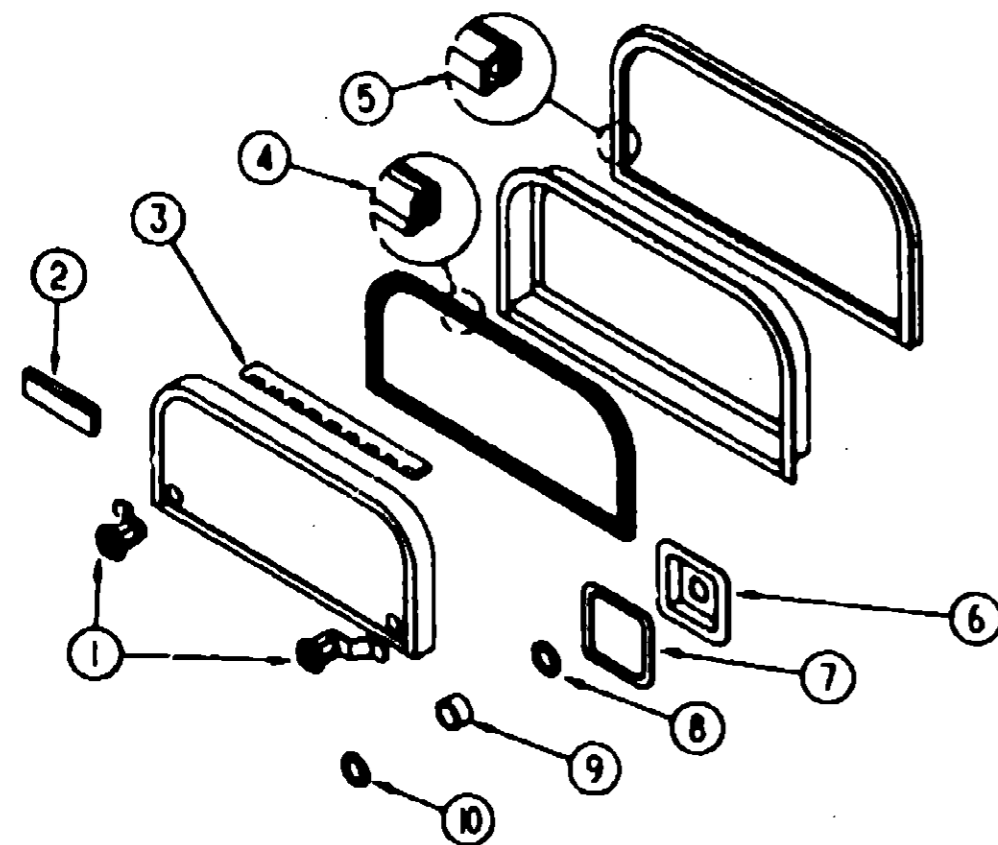
KEY	PART NUMBER	U/M	DESCRIPTION
1	M01870-32-D27	EA	DOOR-ENTRY, W/WINDOW- SCREEN & JAMB - OFF WHITE
1	M01870-32-D28	EA	DOOR-ENTRY, W/WINDOW- SCREEN & JAMB - OFF WHITE
2	039539-01-000	EA	STRIKE-LOCK, ENTRY DOOR - ROUND/THREADED WASHER
3	039540-01-000	EA	LATCH MECHANISM-HOOK, ENTRY DOOR - INTERIOR
	039715-01-000	EA	NUT-SERT, 1/4" DIAMETER - 20 THREADS
4	039979-04-000	EA	COVER-INTERIOR LATCH, W/TRIP ARM - RIGHT - BLACK
	039984-01-000	EA	CAP-ROUND, VINYL - .28" ID X .62" LONG - BLACK
	041546-03-000	EA	BRACKET-DOOR ANGLE, 5" X 1.9" - BEIGE - METAL
5	045017-11-000	EA	LATCH-ENTRY DOOR, MECHANISM W/LOCK & KEY - BLACK
	045017-11-701	EA	KEY-BLANK, ROUND TOP - SILVER - TRI/MARK
	056748-01-000	EA	PLUG-CAP, 1.5" DIAMETER
	058025-02-000	EA	CUP-ROLLER, LATCH CATCH - SCREEN DOOR
	063729-04-000	EA	RIVNUT, 10-32 UNF - 010-080
	072893-01-000	EA	NUTSERT-M5 X 0.8
	075671-04-000	FT	SEAL-SPONGE, LAZY T SHAPE - W/ADHESIVE STRIPE - 5" WIDE
6	079012-01-L01	EA	DOOR-SCREEN
7	002293-02-000	SF	SCREENING-WINDOW/DOOR, 26" - CHARCOAL
8	002294-01-000	FT	SPLINE-SCREENING, .135" X .138" - BLACK
	002748-01-000	EA	CORNER KEY-DOOR
9	109403-01-000	EA	CATCH-SINGLE ROLLER, SCREEN DOOR
10	001014-01-013	EA	INSERT-CENTER, 10.25" X 16.31" - UNPAINTED
11	050712-04-000	EA	HANDLE-SCREEN DOOR, ALUMINUM - OFF WHITE
11	050712-05-000	EA	HANDLE-SCREEN DOOR, UNPAINTED
12	078552-03-000	EA	INSERT-SCREEN DOOR, LOWER - MILL
	078595-01-000	EA	PLATE-SCREEN DOOR
13	078777-01-000	EA	CHANNEL-SLIDE, SCREEN DOOR CENTER SLIDER COVER - 17.4"
14	079026-02-000	EA	SLIDER-SCREEN DOOR, OFF WHITE
15	079087-02-000	EA	STRIKE-SLIDER, W/LIP FOR ELBOW CATCH - 1.5" X 8.6"
16	087809-32-000	EA	FRAME-WINDOW, ENTRY DOOR - OFF WHITE
16	079733-07-AA8	EA	WINDOW-ENTRY DOOR, 17" X 25" - FROSTED GLASS
16	050216-02-000	FT	SPLINE-GLASS, EXTERIOR - VINYL - .19" - BLACK
16	072181-07-000	EA	GLASS-WINDOW, 18.2" X 16.25" X 24" - FROSTED
16	087561-01-000	FT	SEAL-GLASS, EXTERIOR - 5" WIDE - VINYL - BLACK
	081914-01-000	EA	BUMPER-RUBBER, ROUND - .43" DIAMETER - BLACK
17	089748-01-000	EA	FRAME-DOOR, ENTRANCE - BOTTOM - OFF WHITE
	090340-01-000	FT	SEAL-FOAM, CLOSED CELL - 1/4" X 1/2" X 50'
18	095276-01-01A	EA	FRAME-DOOR, ENTRANCE - TOP & SIDES - OFF WHITE
19	095277-02-01A	EA	JAMB-ENTRY DOOR, 25.9" X 74.5" W/BOTTOM - OFF WHITE
	095278-01-01A	EA	JAMB-DOOR, ENTRANCE - 25.9" X 74.6" - UNPAINTED
20	051049-01-000	EA	JAMB-DOOR, ENTRANCE - BOTTOM - 25.9" - UNPAINTED
	079207-01-000	EA	STRIKER-ROLLER CATCH, WELDED TO DOOR JAMB - 4" X 1.15"
21	086810-01-01A	EA	PLATE-LATCH, ENTRY DOOR - PLASTIC - BLACK
22	087724-01-04A	EA	HINGE-ENTRY DOOR, UNPAINTED
23	098173-01-04A	EA	STIFFENER-ENTRY DOOR, SUPPORTS LATCH/STRIKE
	100128-02-000	FT	SEAL-PILE, ADHESIVE BACK - SCREEN DOOR - GRAY
24	101145-01-01A	EA	DEADBOLT-ENTRY DOOR, W/2 KEYS W/O BOLT OR SCREWS
	095229-01-700	EA	KEY BLANK
	101147-01-000	EA	BOLT-SECURITY, 4.12" BACKSET
	102524-01-000	EA	BUMPER-RUBBER, FLAT - BLACK
25	044582-02-000	EA	CAP-DRIP, DOOR JAMB MOUNTED - OFF WHITE
	075839-19-000	EA	GARNISH-ENTRANCE DOOR, OFF WHITE
26	100412-01-003	EA	CATCH-SCREEN DOOR, THUMB CLIP W/BLACK PLASTIC CAP
	077461-03-000	EA	COVER-STRIKE, ENTRY DOOR - 6.5" X 2.5" - PLASTIC - WHITE
27	104099-02-01A	EA	CATCH-DOOR HOLDER, RETAINER - PLASTIC - OFF WHITE
28	104099-01-01A	EA	CATCH-DOOR HOLDER, STRIKE - PLASTIC - OFF WHITE
	009128-02-000	EA	HANDLE-ASSIST-ENTRY DOOR - BLACK

## 1993 ITASCA TABLE OF CONTENTS

INTRODUCTION	A-01	A-02
ABBREVIATIONS		A-03
ALPHABETICAL INDEX	A-04	A-06
IF427RQ	A-07	D-18
IF427RC	D-19	H-08
IF428RQ	H-09	K-24

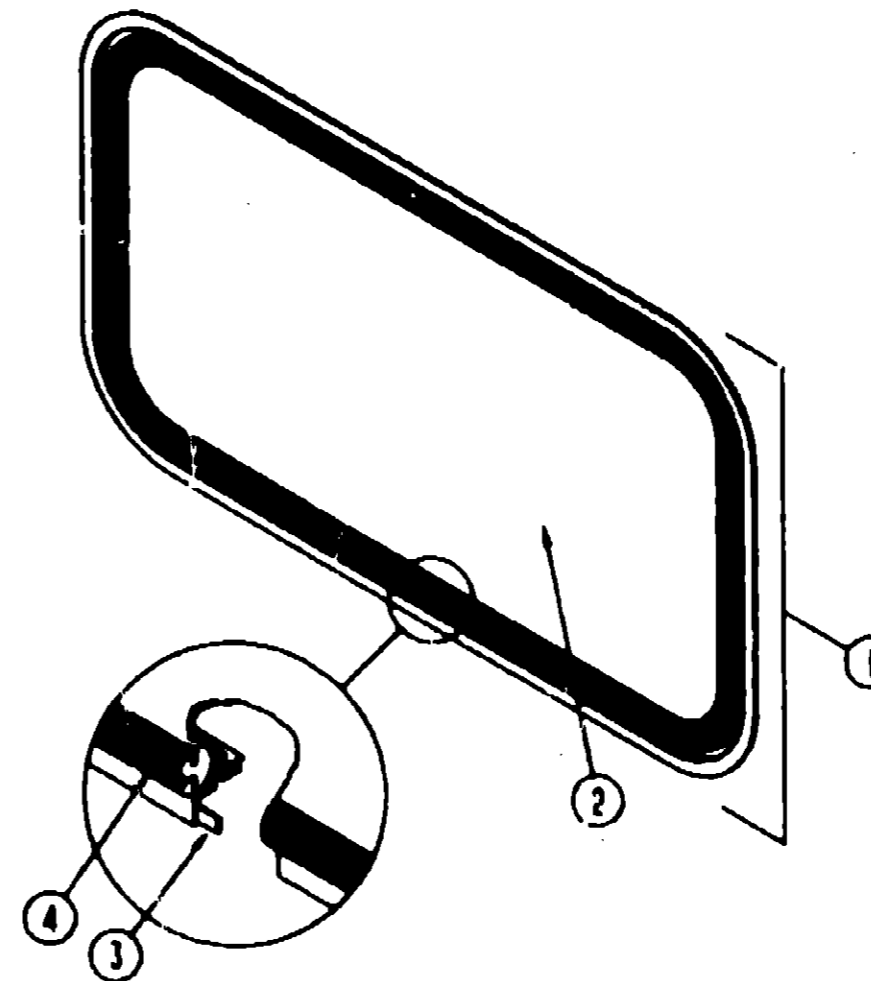
## 1993 IF427RQ INDEX

FLOOR PLAN	A-07	A-08
ACCESSORIES		A-09
AUDIO VIDEO		A-10
BATH	A-11	A-12
BEDROOM	A-13	A-14
CHASSIS	A-15	A-18
CURTAIN & CUSHION	A-19	B-04
DINETTE	B-05	B-08
DRIVERS COMPARTMENT	B-07	B-08
ELECTRICAL	B-09	B-12
EXTERIOR BODY	B-13	B-20
GALLEY	B-21	B-24
GENERATOR		C-01
HEATING & A/C	C-02	C-04
INTERIOR FINISH	C-05	C-08
LABELS	C-09	C-16
LP		C-17
LOUNGE	C-18	C-19
SEALANTS & FASTENERS	C-20	C-22
WATER & SEWAGE	C-23	D-02
WINDOW, VENT AND EXTERIOR DOOR	D-03	D-18



EXTERIOR DOORS

KEY	PART NUMBER	U/M	DESCRIPTION
1	079386-04-000	EA	LOCK-DOOR, KEY TYPE W/O KEYS - 1.9 OFF SET (ENTERTAINMENT & EXTERIOR SHOWER DOORS ONLY)
1	079386-05-000	EA	LOCK-DOOR, KEY TYPE W/O KEYS - 1.80 OFF SET
	082884-01-700	EA	KEY-BLANK
	079927-04-000	EA	LOCK-DOOR, TWIST TYPE - 1.80 OFF SET
2	102768-01-000	EA	HOLDER-COMPARTMENT/ENTRY DOOR, METAL - MILL FINISH
3	081801-02-000	EA	HINGE-PIANO, CONTINUOUS - 2" X 98" OFF WHITE
	008065-01-000	EA	HINGE-CONTINUOUS, 1 1/2" X 98" - UNPAINTED
	034007-40-000	EA	HINGE-CONTINUOUS, 1 1/2" X 98" - ALUMINUM - OFF WHITE
4	084075-07-000	FT	SEAL-BULB, W/WIRED U-CHANNEL - 3" X 5" CHANNEL - BLACK
5	081832-02-000	FT	SEAL-BULB, DOOR - W/WIRE CARRIER - 8" WIDE - RUBBER - BLACK
	090340-01-000	FT	SEAL-FOAM, CLOSED CELL - 1/4" X 1/2" X 50'
	104882-01-000	FT	SEAL-ADHESIVE BACK, 3/4" X 34"
6	097111-01-C1A	EA	POCKET-LOCK, VALANCE - OFF WHITE
7	098338-01-000	EA	GASKET-LOCK POCKET
8	109834-01-000	EA	WASHER, .840X.752ID SST - HUDSON LOCK
9	107997-51-001	EA	SPACER-EXTRUDED, 0015 - 24
10	109833-01-000	EA	RING-BEAUTY, .870 X .780ID - SST - HUDSON LOCK
	098217-55-001	EA	U-CHANNEL, 17.5' LONG - OFF WHITE
	091878-01-000	EA	RETAINER-DOOR, 1.9" X 8" - METAL



OVERHEAD BUNK FRONT WINDOW

KEY	PART NUMBER	U/M	DESCRIPTION
	087609-33-000	EA	FRAME-INSIDE, WINDOW
1	103313-01-805	EA	WINDOW-PICTURE, W/O INSIDE FRAME
2	002181-15-000	EA	GLASS-PICTURE, 11.25" X 58.1" - GRAY
3	089640-11-000	FT	SEALER-TAPE, 3/16" X 3/8" - BLACK
4	099154-01-000	FT	CHANNEL-GLAZING, STATIONARY GLASS - 62" X .45" - BLACK

1993 ITASCA  
TABLE OF CONTENTS

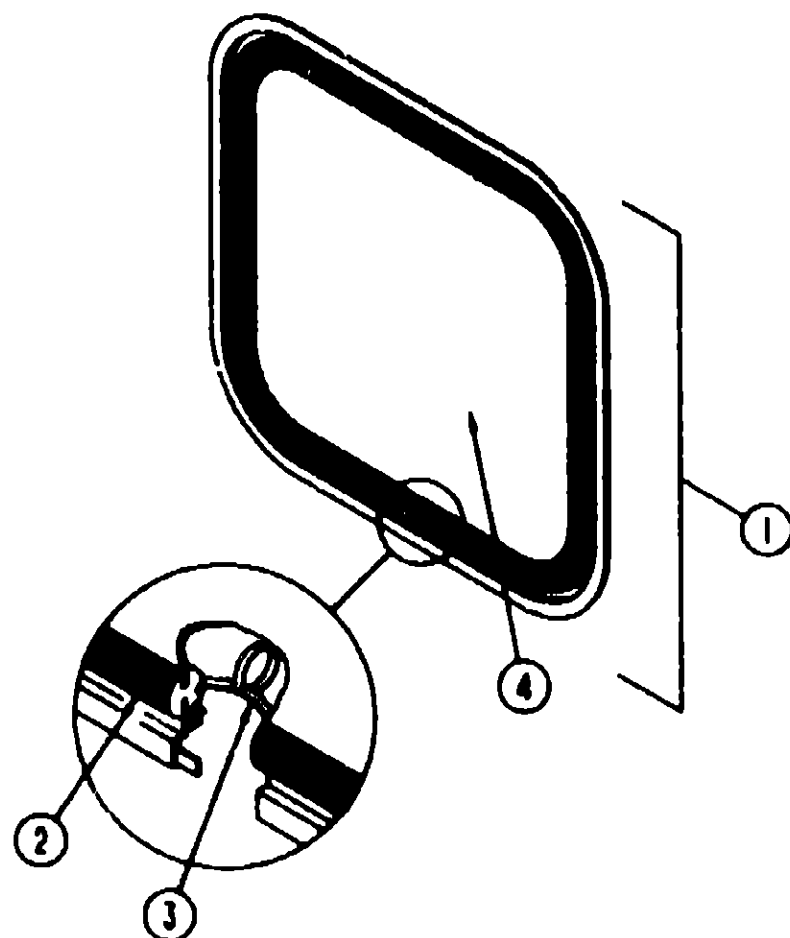
INTRODUCTION	A-01 -	A-02
ABBREVIATIONS		A-03
ALPHABETICAL INDEX	A-04 -	A-08
IF427RQ	A-07 -	D-18
IF427RC	D-19 -	H-08
IF428RQ	H-09 -	K-24

1993 IF427RQ INDEX

FLOOR PLAN	A-07 -	A-08
ACCESSORIES		A-09
AUDIO VIDEO		A-10
BATH	A-11 -	A-12
BEDROOM	A-13 -	A-14
CHASSIS	A-15 -	A-18
CURTAIN & CUSHION	A-19 -	B-04
DINETTE	B-05 -	B-06
DRIVERS COMPARTMENT	B-07 -	B-08
ELECTRICAL	B-09 -	B-12
EXTERIOR BODY	B-13 -	B-20
GALLEY	B-21 -	B-24
GENERATOR		C-01
HEATING & A/C	C-02 -	C-04
INTERIOR FINISH	C-05 -	C-08
LABELS	C-09 -	C-16
LP		C-17
LOUNGE	C-18 -	C-19
SEALANTS & FASTENERS	C-20 -	C-22
WATER & SEWAGE	C-23 -	D-02
WINDOW, VENT AND EXTERIOR DOOR	D-03 -	D-18

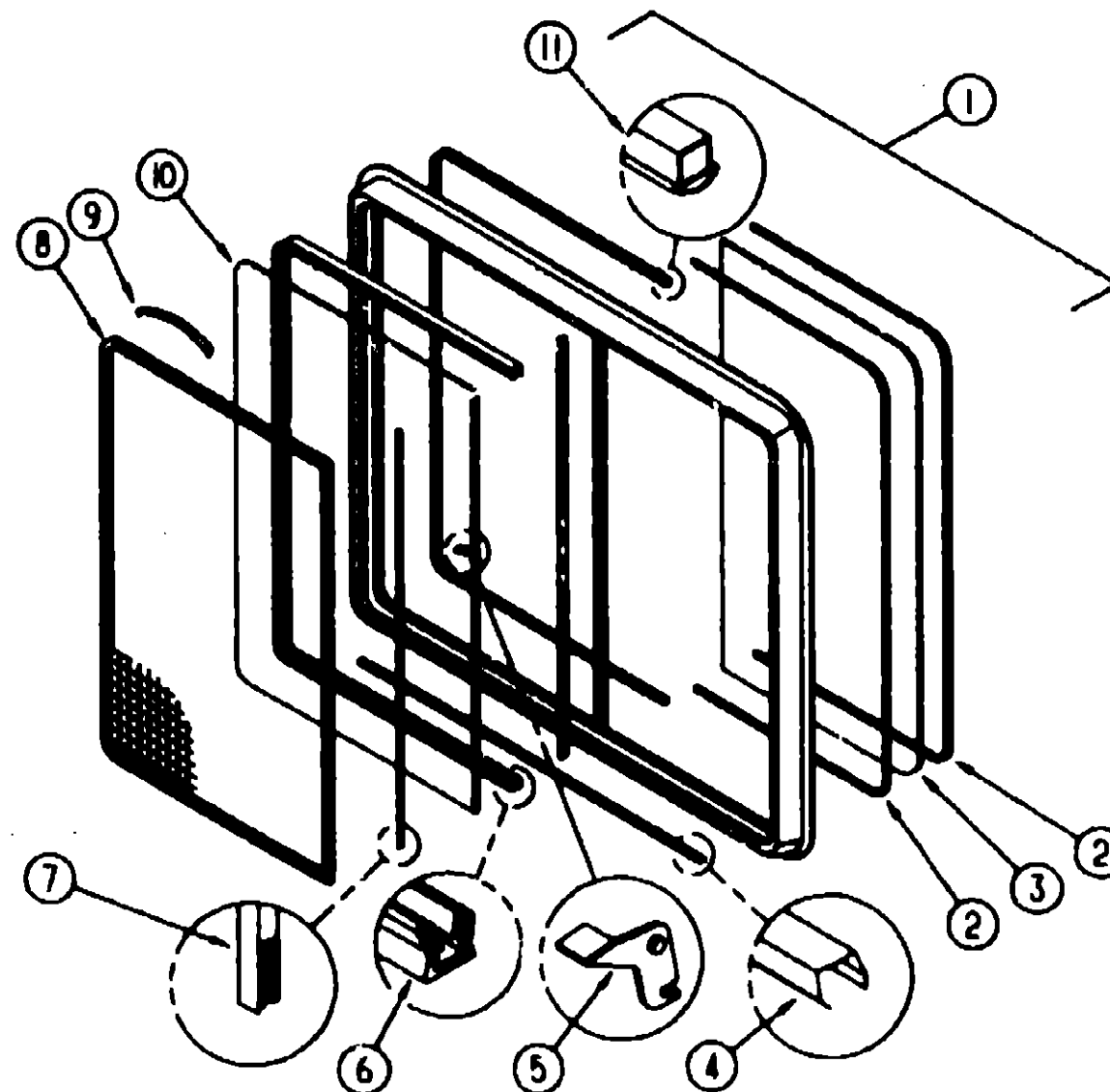
1983 ITASCA  
TABLE OF CONTENTS

INTRODUCTION	A-01 - A-02
ABBREVIATIONS	A-03
ALPHABETICAL INDEX	A-04 - A-08
IF427RQ	A-07 - D-18
IF427RC	D-19 - H-08
IF428RQ	H-09 - K-24



BACKWALL ESCAPE WINDOW

KEY	PART NUMBER	U/M	DESCRIPTION
	074816-08-000	EA	FRAME-INSIDE, ESCAPE - OFF WHITE
1	078628-03-Y12	EA	WINDOW-ESCAPE, REAR - 27" X 48"
2	002282-08-000	EA	WEATHERSTRIP, 125" X 133.25" - BLACK
	077085-01-702	EA	TAPE ASM-ESCAPE, WINDOW
3	002285-01-000	FT	FILLER-WEATHER STRIP, RUBBER - BLACK
4	078337-08-000	EA	GLASS-WINDOW, ESCAPE - 44.8" X 23.5"



DINETTE OR COUCH SINGLE SLIDING WINDOW

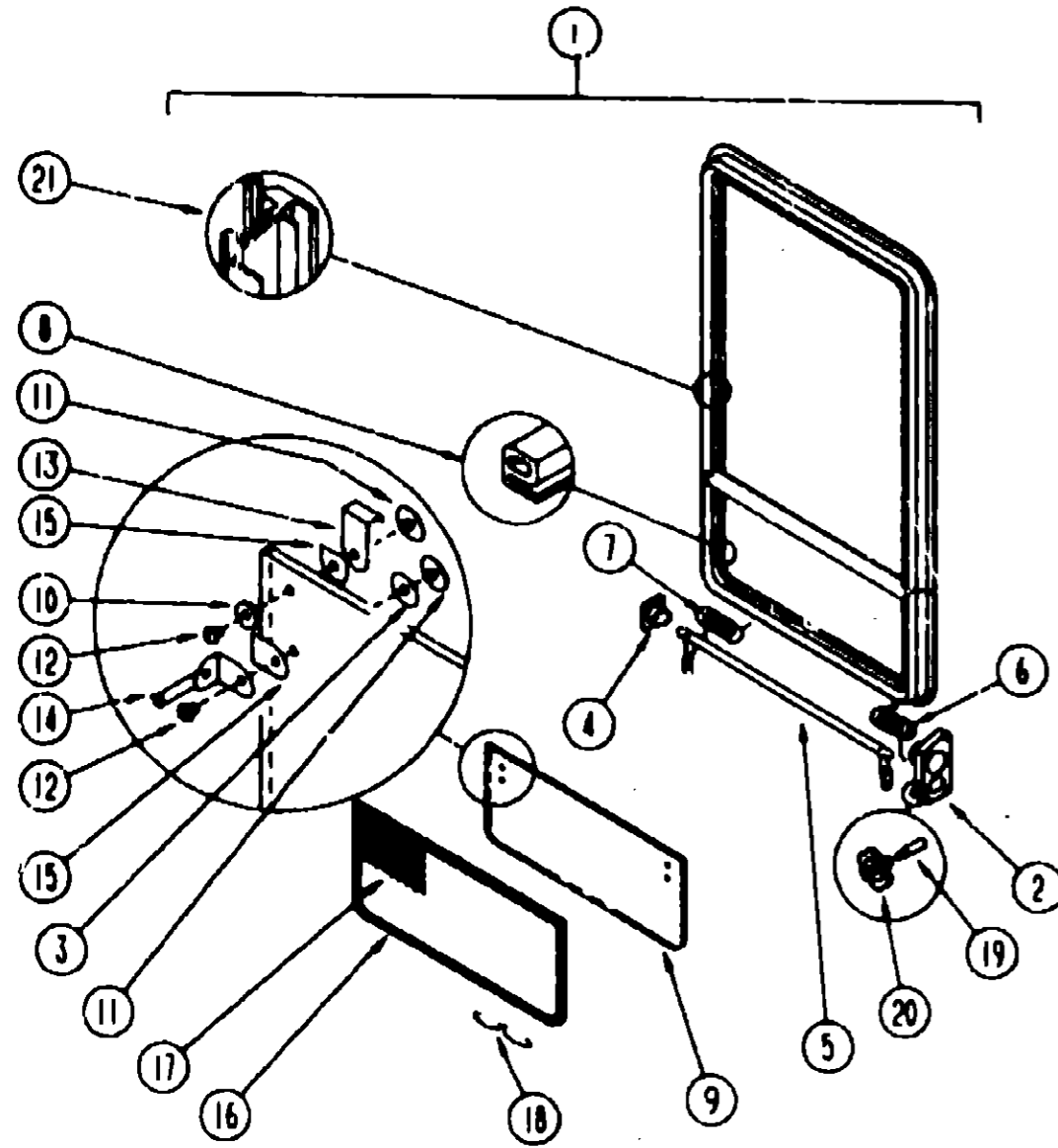
KEY	PART NUMBER	U/M	DESCRIPTION
	098647-10-02A	EA	WINDOW-HORIZONTAL SLIDER, W/INSIDE FRAME
	098647-09-704	EA	FRAME-INSIDE, OFF-WHITE - W024-67 EXCEL-WHITE
1	098647-10-700	EA	WINDOW-HORIZONTAL SLIDER, W/O INSIDE FRAME - BLACK
2	098644-01-705	FT	GLAZING STRIP, EXCEL M928-12
3	098647-09-700	EA	GLASS-STATIONARY - 106-017193 EXCEL
4	098644-01-710	FT	TRACK-SCREEN SPACER 12" LENGTH - EXCEL M401-31
5	098644-01-700	EA	LATCH REPAIR KIT
6	098644-01-708	FT	CHANNEL-PIERCED RUN EXCEL 122-018543
7	098644-01-711	FT	WEATHERSTRIP-SCREEN BLACK - EXCEL 171-016985
8	098647-09-705	EA	SCREEN W/SPRING&WEATHERSTRIP - 410-014484 EXCEL
9	098644-01-713	EA	SPRING-SCREEN FRAME (CLIP) PLASTIC - BLACK - EXCEL 228-016966
	098644-01-715	FT	PLUG-FILLER, EXCEL 132-014470
	098644-01-717	FT	SPLINE-SCREEN MFG, EXCEL 32-004718
10	098647-09-701	EA	GLASS-SLIDING, W/SLASH&LATCH - M024-09 EXCEL
11	098644-01-708	FT	WEATHERSTRIP, EXCEL 171-010888

1993 IF427RQ INDEX

FLOOR PLAN	A-07 - A-08
ACCESSORIES	A-09
AUDIO VIDEO	A-10
BATH	A-11 - A-12
BEDROOM	A-13 - A-14
CHASSIS	A-15 - A-18
CURTAIN & CUSHION	A-19 - B-04
DINETTE	B-05 - B-08
DRIVERS COMPARTMENT	B-07 - B-08
ELECTRICAL	B-09 - B-12
EXTERIOR BODY	B-13 - B-20
GALLEY	B-21 - B-24
GENERATOR	C-01
HEATING & A/C	C-02 - C-04
INTERIOR FINISH	C-05 - C-08
LABELS	C-09 - C-18
LP	C-17
LOUNGE	C-18 - C-19
SEALANTS & FASTENERS	C-20 - C-22
WATER & SEWAGE	C-23 - D-02
WINDOW, VENT AND EXTERIOR DOOR	D-03 - D-18

# WINDOW, VENT & EXTERIOR DOOR GROUP (CONTINUED)

## BEDROOM TIPOUT WINDOW



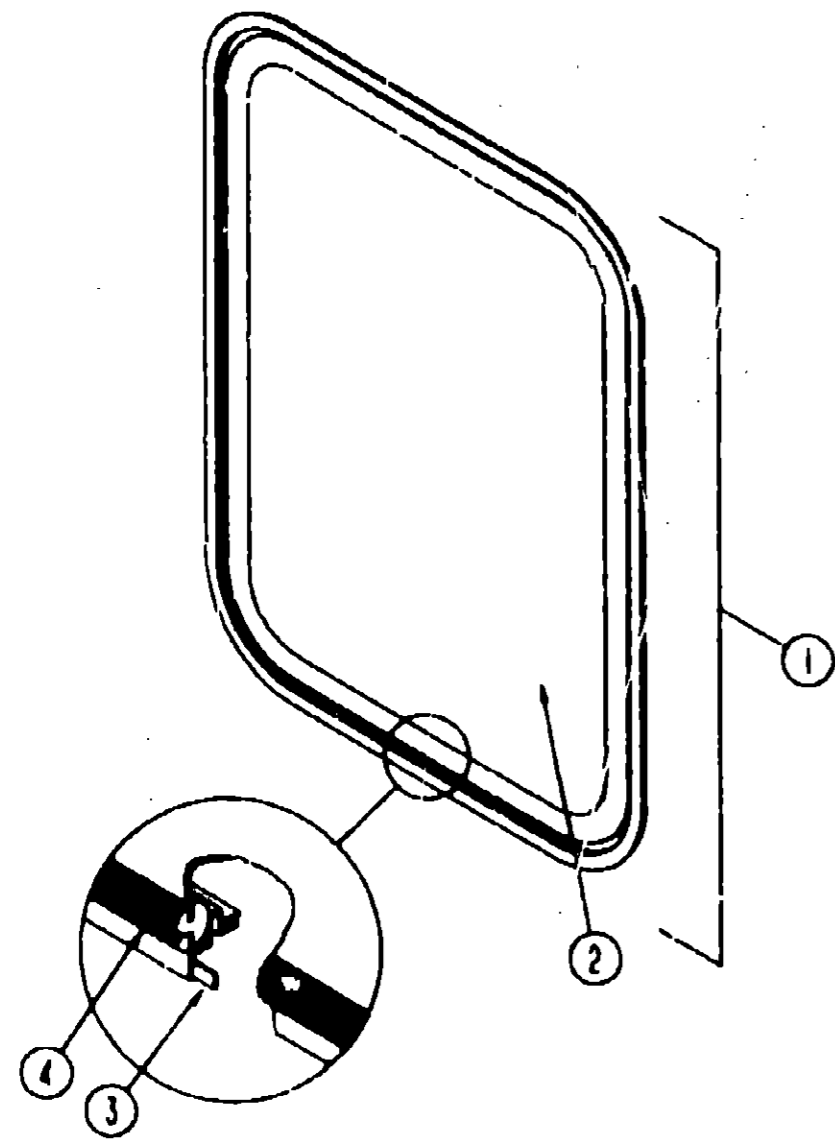
KEY	PART NUMBER	UOM	DESCRIPTION
	080893-18-02A	EA	FRAME-INSIDE, WINDOW RETAINER - OFF WHITE
1	092235-12-Y12	EA	WINDOW-SINGLE TIPOUT, W/O INSIDE FRAME - BLACK
	000H14-08-14R	EA	RIVET-MANDREL, BLIND - 3/16"
2	035302-02-000	EA	OPERATOR-TORQUE, TIPOUT WINDOW - LEFT
3	088927-03-000	EA	SEAL-WINDOW, RUBBER - ROUND - .80" DIA. - BLACK
4	081354-01-000	EA	SLEEVE-TORQUE TUBE, TIPOUT WINDOW - 1.3" X 1.2" X .7"
	081848-01-000	EA	RING-SNAP, 7/32 SHAFT DIAMETER
5	083150-12-000	EA	TUBE ASM-TORQUE, WINDOW
6	080918-01-000	EA	SPRING-TORQUE TUBE, LEFT
7	080918-02-000	EA	SPRING-TORQUE TUBE, RIGHT
8	084087-02-000	FT	SEAL-E SHAPED, SPONGE - TIPOUT WINDOW - .42" X .38" - BLACK
9	084088-17-000	EA	GLASS-TIPOUT, 9.2" X 28"
10	084453-02-000	EA	WASHER, .08" X .5" X .25" - PLASTIC
11	086782-01-000	EA	T NUT, 10-32
12	086783-01-000	EA	SCREW-MACHINE, 10 - 32 X 1/4 PTH
13	089913-01-000	EA	HINGE-TIPOUT WINDOW, BLACK
14	097578-01-000	EA	LINKAGE-TIPOUT WINDOW
	084453-01-000	EA	WASHER, .06" X .5" X .135" - PLASTIC
15	084473-01-000	EA	SEAL-FLAT, W/CENTER HOLE & ADHESIVE SIDE - .8" X .9" - BLK
	085315-01-000	EA	RIVET-SHOULDER, TIPOUT WINDOW
16	100235-04-B07	EA	SCREEN-SINGLE, TIPOUT WINDOW
17	080218-03-000	SF	SCREENING-FIBERGLASS, 12" WIDE
18	100188-01-000	EA	CLIP-SPRING, SCREEN
	100240-01-000	FT	SPLINE-SCREEN, T-SHAPED
19	009439-06-000	EA	EXTENSION-CRANK HANDLE, WINDOW/ROOF VENT - BLACK
20	009439-05-000	EA	KNOB-OPERATOR, TIPOUT WINDOW - W/SPRING & ARM
	009439-07-000	EA	SCREW, 8-32 X 1 1/4 POH - BLACK
21	089840-11-000	FT	TAPE-SEALER, 3/16" X 3/8" - BLACK

## 1993 ITASCA TABLE OF CONTENTS

INTRODUCTION	A-01	A-02
ABBREVIATIONS		A-03
ALPHABETICAL INDEX	A-04	A-08
IF427RQ	A-07	D-18
IF427RC	D-19	H-08
IF428RQ	H-09	K-24

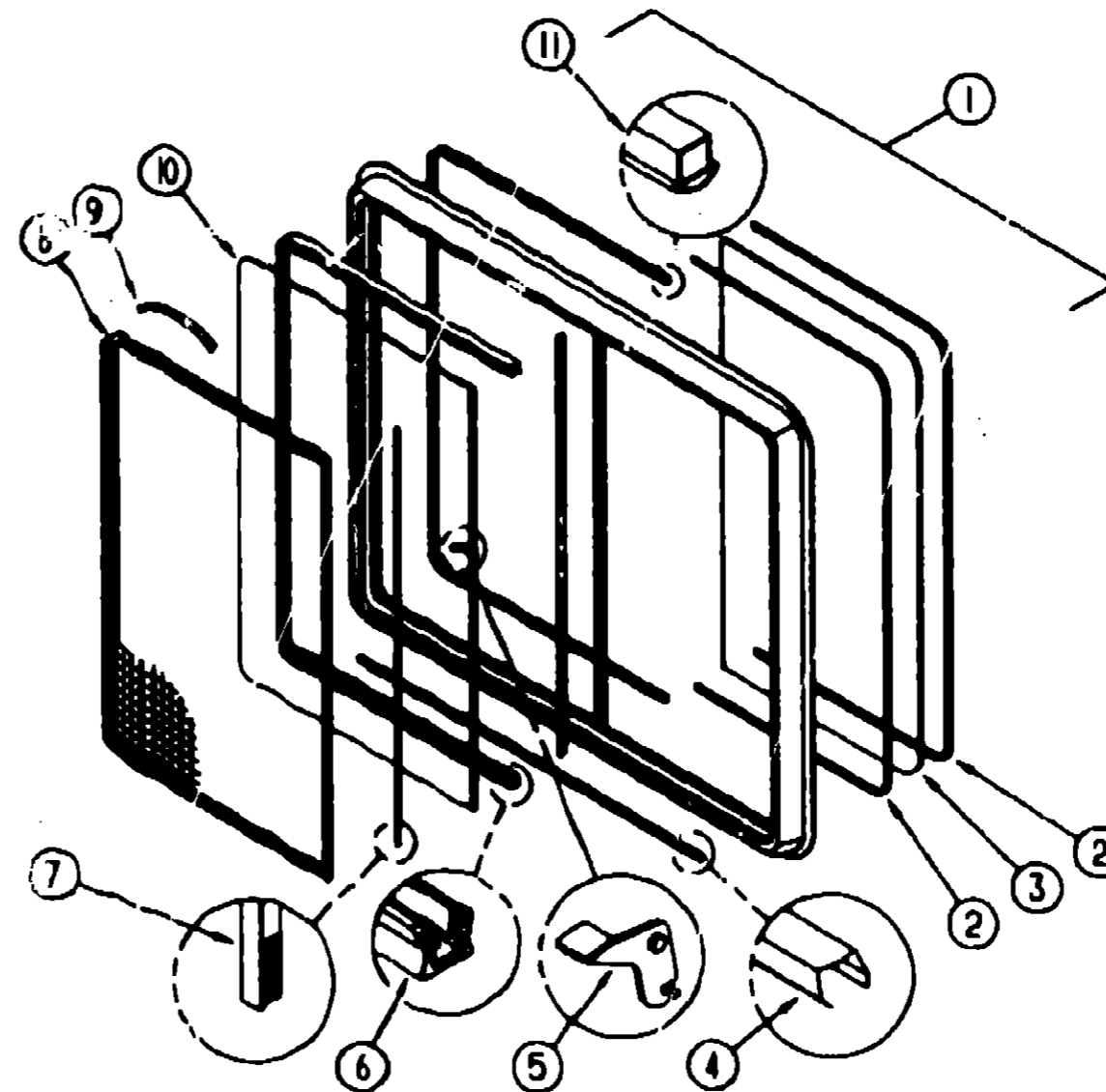
## 1993 IF427RQ INDEX

FLOOR PLAN	A-07	A-08
ACCESSORIES		A-09
AUDIO VIDEO		A-10
BATH	A-11	A-12
BEDROOM	A-13	A-14
CHASSIS	A-15	A-18
CURTAIN & CUSHION	A-19	B-04
DINETTE	B-05	B-08
DRIVERS COMPARTMENT	B-07	B-08
ELECTRICAL	B-09	B-12
EXTERIOR BODY	B-13	B-20
GALLEY	B-21	B-24
GENERATOR		C-01
HEATING & AC	C-02	C-04
INTERIOR FINISH	C-05	C-08
LABELS	C-09	C-16
LP		C-17
LOUNGE	C-18	C-19
SEALANTS & FASTENERS	C-20	C-22
WATER & SEWAGE	C-23	D-02
WINDOW, VENT AND EXTERIOR DOOR	D-03	D-18



ENTRY DOOR WINDOW

KEY	PART NUMBER	U/M	DESCRIPTION
1	079733-07-AAB	EA	WINDOW-ENTRY DOOR, 17" X 25" - FROSTED GLASS
2	002181-07-000	EA	GLASS-WINDOW, .1875" X 18.25" X 24" - FROSTED
3	050216-02-000	FT	SPLINE-GLASS, EXTERIOR - VINYL - .19" - BLACK
4	087561-01-000	FT	SEAL-GLASS, EXTERIOR - .5" WIDE - VINYL - BLACK



GALLEY SLIDING WINDOW

KEY	PART NUMBER	U/M	DESCRIPTION
	098647-06-02A	EA	WINDOW-HORIZONTAL SLIDER, W/INSIDE FRAME - OFF WHITE
	098647-11-705	EA	FRAME-INSIDE, W/24-87 EXCEL - WHITE
1	098647-06-705	EA	WINDOW-HORIZONTAL SLIDER, W/O INSIDE FRAME - LEFT - OFF WHITE
2	098644-01-705	FT	GLAZING STRIP, EXCEL M926-12
3	098647-06-700	EA	GLASS-STATIONARY - 106-016921 EXCEL
4	098644-01-710	FT	TRACK-SCREEN SPACER 12" LENGTH - EXCEL M401-31
5	098644-01-700	EA	LATCH REPAIR KIT
6	098644-01-708	FT	CHANNEL-PIERCED RUN EXCEL 122-018543
7	098644-01-711	FT	WEATHERSTRIP-SCREEN BLACK - EXCEL 171-018965
8	098647-06-703	EA	SCREEN W/SPRING&WEATHERSTRIP - 410-016477 EXCEL
9	098644-01-713	EA	SPRING-SCREEN FRAME (CLIP) PLASTIC - BLACK - EXCEL 228-018886
	098644-01-718	FT	PLUG-FILLER, EXCEL 132-014470
	098644-01-717	FT	SPLINE-SCREEN MFG, EXCEL 32-004716
10	098647-06-702	EA	GLASS-SLIDING, W/3/8" LATCH - 410-016477 EXCEL
11	098644-01-708	FT	WEATHERSTRIP, EXCEL 171-018965

1993 ITASCA  
TABLE OF CONTENTS

INTRODUCTION	A-01 - A-02
ABBREVIATIONS	A-03
ALPHABETICAL INDEX	A-04 - A-06
IF427RQ	A-07 - D-18
IF427RC	D-19 - H-08
IF428RQ	H-09 - K-24

1993 IF427RC INDEX

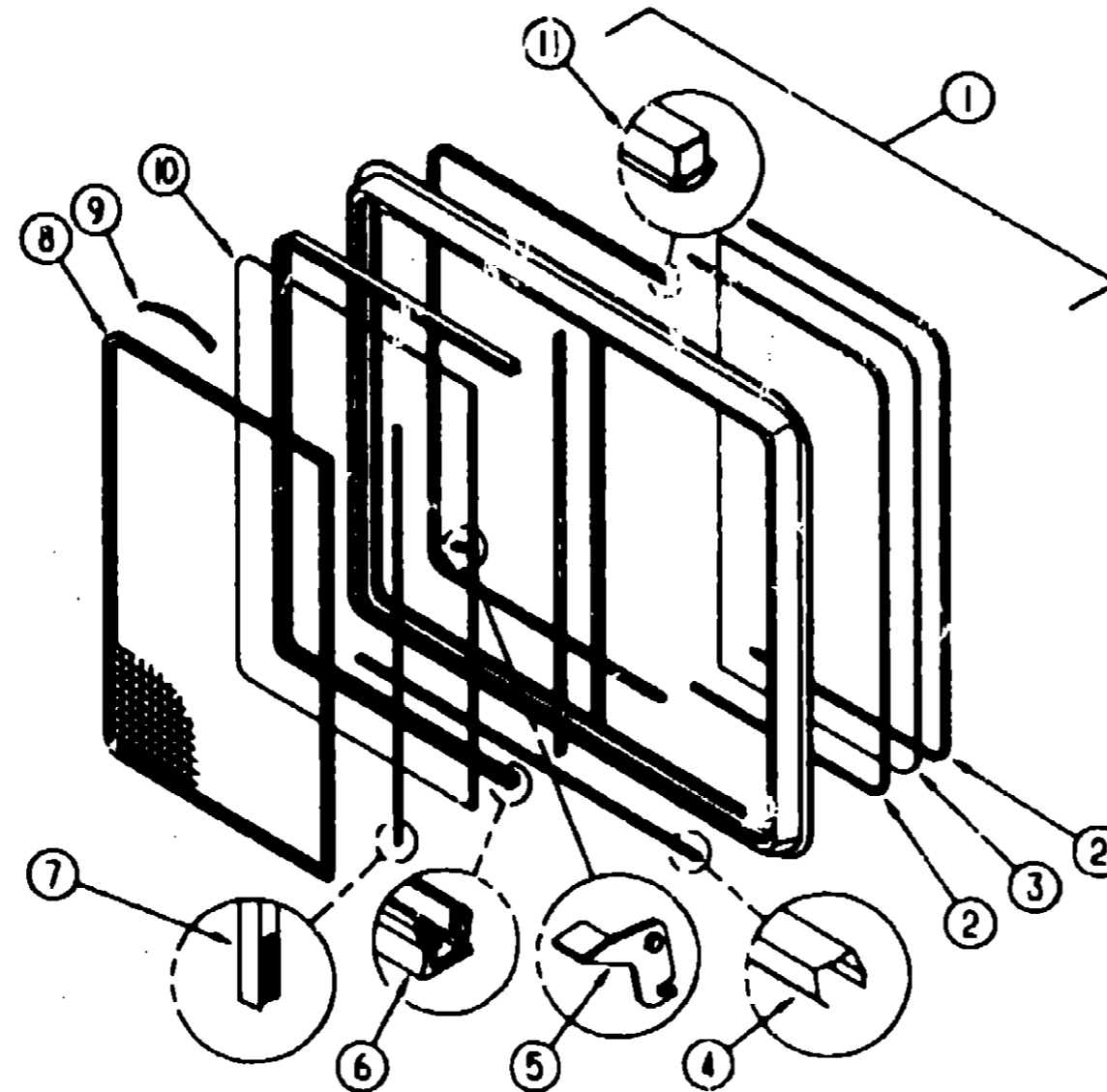
FLOOR PLAN	A-07 - A-08
ACCESSORIES	A-09
AUDIO VIDEO	A-10
BATH	A-11 - A-12
BEDROOM	A-13 - A-14
CHASSIS	A-15 - A-18
CURTAIN & CUSHION	A-19 - B-04
DINETTE	B-05 - B-06
DRIVERS COMPARTMENT	B-07 - B-08
ELECTRICAL	B-09 - B-12
EXTERIOR BODY	B-13 - B-20
GALLEY	B-21 - B-24
GENERATOR	C-01
HEATING & A/C	C-02 - C-04
INTERIOR FINISH	C-05 - C-08
LABELS	C-09 - C-16
LP	C-17
LOUNGE	C-18 - C-19
SEALANTS & FASTENERS	C-20 - C-22
WATER & SEWAGE	C-23 - D-02
WINDOW, VENT AND EXTERIOR DOOR	D-03 - D-18



WINDOW, VENT & EXTERIOR DOOR GROUP (CONTINUED)

1993 ITASCA  
TABLE OF CONTENTS

INTRODUCTION	A-01 -	A-02
ABBREVIATIONS		A-03
ALPHABETICAL INDEX	A-04 -	A-06
IF427RQ	A-07 -	D-18
IF427RC	D-19 -	H-08
IF428RQ	H-09 -	K-24



OVERHEAD BUNK SLANTED SLIDER  
FROM: 00-00-00 THRU: 07-12-02

OVERHEAD BUNK SLIDER WINDOW  
FROM: 07-13-02 THRU: 00-00-00

KEY	PART NUMBER	U/M	DESCRIPTION
	000046-05-01A	EA	WINDOW-SLANTED SLIDER, WINSIDE FRAME - PASSENGER SIDE
	000046-08-01A	EA	WINDOW-SLANTED SLIDER, WINSIDE FRAME - DRIVER SIDE
	000046-01-707	EA	FRAME-INSIDE, PASSENGER - OFF WHITE
	000046-02-702	EA	FRAME-INSIDE, DRIVER - OFF WHITE
2	000044-01-706	FT	GLAZING STRIP, EXCEL M926-12
3	000046-05-700	EA	GLASS-STATIONARY - 100-015205 EXCEL
4	000044-01-710	FT	TRACK-SCREEN SPACER 12' LENGTH - EXCEL M401-31
5	000044-01-700	EA	LATCH REPAIR KIT
6	000044-01-708	FT	CHANNEL-PIERCED RUN EXCEL 122-016543
7	000044-01-711	FT	WEATHERSTRIP-SCREEN BLACK - EXCEL 171-010085
8	000046-01-704	EA	SCREEN W/SPRING&WEATHERSTRIP - 410-016475 EXCEL
9	000044-01-713	EA	SPRING-SCREEN FRAME (CLIP) PLASTIC - BLACK - EXCEL 226-010000
	000044-01-718	FT	PLUG-FILLER, EXCEL 132-014470
	000044-01-717	FT	SPLINE-SCREEN MFG, EXCEL 32-004718
10	000046-05-701	EA	GLASS-SLIDING, W/ASH&LATCH - 0048-00 EXCEL
11	000044-01-708	FT	WEATHERSTRIP, EXCEL 171-010088

KEY	PART NUMBER	U/M	DESCRIPTION
	000047-18-01A	EA	WINDOW-SLIDING, WINSIDE FRAME - PASSENGER SIDE - EXCEL B951-PRR
	000047-19-01A	EA	WINDOW-SLIDING, WINSIDE FRAME - DRIVER SIDE - EXCEL B951-PRL
	000047-18-700	EA	FRAME-WINDOW, INSIDE - WHITE - EXCEL V051-67
1	000047-18-702	EA	WINDOW-SLIDING, W/O INSIDE FRAME - PASSENGER SIDE - EXCEL B951-G2R
1	000047-19-700	EA	WINDOW-SLIDING, W/O INSIDE FRAME - DRIVER SIDE - EXCEL B951-G2R
2	000044-01-706	FT	GLAZING STRIP, EXCEL M926-12
3	000047-18-701	EA	GLASS-STATIONARY, EXCEL 100011829
4	000044-01-710	FT	TRACK-SCREEN SPACER 12' LENGTH - EXCEL M401-31
5	000044-01-700	EA	LATCH REPAIR KIT
6	000044-01-708	FT	CHANNEL-PIERCED RUN EXCEL 122-016543
7	000044-01-711	FT	WEATHERSTRIP-SCREEN BLACK - EXCEL 171-010085
8	000046-03-705	EA	SCREEN W/SPRING&WEATHERSTRIP - 410016475 EXCEL
9	000044-01-713	EA	SPRING-SCREEN FRAME (CLIP) PLASTIC - BLACK - EXCEL 226-010000
	000044-01-718	FT	PLUG-FILLER, EXCEL 132-014470
	000044-01-717	FT	SPLINE-SCREEN MFG, EXCEL 32-004718
10	000046-01-702	EA	GLASS-SLIDING, W/ASH & LOCK - EXCEL B948-00
11	000044-01-708	FT	WEATHERSTRIP, EXCEL 171-010088

1993 IF427RQ INDEX

FLOOR PLAN	A-07 -	A-08
ACCESSORIES		A-09
AUDIO VIDEO		A-10
BATH	A-11 -	A-12
BEDROOM	A-13 -	A-14
CHASSIS	A-15 -	A-18
CURTAIN & CUSHION	A-19 -	B-04
DINETTE	B-05 -	B-06
DRIVERS COMPARTMENT	B-07 -	B-08
ELECTRICAL	B-09 -	B-12
EXTERIOR BODY	B-13 -	B-20
GALLEY	B-21 -	B-24
GENERATOR		C-01
HEATING & A/C	C-02 -	C-04
INTERIOR FINISH	C-05 -	C-08
LABELS	C-09 -	C-16
LP		C-17
LOUNGE	C-18 -	C-19
SEALANTS & FASTENERS	C-20 -	C-22
WATER & SEWAGE	C-23 -	D-02
WINDOW, VENT AND EXTERIOR DOOR	D-03 -	D-18

**WINDOW, VENT & EXTERIOR DOOR GROUP (CONTINUED)**

**POWERED ROOF VENT**

KEY	PART NUMBER	U/M	DESCRIPTION
	009439-01-000	EA	CRANK HANDLE-ROOF VENT
	009439-04-000	EA	SCREW 8-32 X 1 1/4" POH
	009439-02-011	EA	KNOB-ROOF VENT MILL
	009439-03-011	EA	EXTENSION-CRANK HANDLE ROOF VENT - 9" - MILL
	080394-01-Y12	EA	VENT-ROOF POWERED
FROM: 00-00-00 THRU: 10-04-92			
	055218-01-000	EA	COVER-ROOF VENT, PLASTIC
	002825-01-000	EA	WEATHER STRIP-ROOF VENT GRAY
	008195-01-000	EA	SWITCH-ROOF VENT PUSH BUTTON 12V
	008343-01-000	EA	TIE-WIRE 8"
	008388-01-000	EA	GROMMET-SNAP 3/8"
	009440-01-000	EA	GEAR/ARM-VENT COVER LIFT
	015911-01-000	EA	TRACK-LIFT ARM SLIDE - ROOF VENT
	048848-01-000	EA	MOTOR-ROOF VENT 1/8 SHAFT - 12V - JENSEN
	048849-01-000	EA	FAN-ROOF VENT 6 BLADES - 6" - JENSEN
	052839-01-001	EA	HINGE-VENT COVER 16"
	052839-01-200	EA	HINGE-EXTRUSION ROOF VENT 7"
	081803-01-000	EA	GROMMET-SNAP 3/16"ID - 3/8" HOLE - PLASTIC - BLACK
	078785-01-Y12	EA	SCREEN-ROOF VENT POWERED
	002291-02-000	SF	SCREENING-ROOF VENT/WINDOW 18" - BLACK
	002298-02-000	FT	SPLINE-VENT/WINDOW SCREEN 128 DIAMETER - BLACK
	110051-03-01A	EA	VENT-ROOF, POWERED - 2" ROOF - JENSEN 7757
FROM: 10-05-92 THRU: 99-99-99			
	048848-01-000	EA	MOTOR-12V NONVENTED 1/8 SFT
	048849-01-000	EA	FAN-PLASTIC, 6" - 6 BLADED
	084470-01-700	EA	COVER ROOF VENT, JENSEN 7291
	110051-01-701	EA	GARNISH W/SCREEN & FRAME 2", JENSEN 29-800-01
	110051-01-702	EA	HAND CRANK & OPERATOR ASM., JENSEN RP-10000B
	110051-01-703	EA	HANDLE CRANK, JENSEN RP1031-B

**NONPOWERED ROOF VENT**

KEY	PART NUMBER	U/M	DESCRIPTION
	009439-01-000	EA	CRANK HANDLE-ROOF VENT
	009439-04-000	EA	SCREW 8-32 X 1 1/4" POH
	009439-02-000	EA	KNOB-ROOF VENT MILL
	009439-03-000	EA	EXTENSION-CRANK HANDLE ROOF VENT - 9" - MILL
	009439-04-000	EA	SCREW 8-32 X 1 1/4" POH
	090385-01-Y12	EA	VENT-ROOF NONPOWERED
FROM: 00-00-00 THRU: 10-04-92			
	055218-01-000	EA	COVER-ROOF VENT, PLASTIC
	002825-01-000	EA	WEATHER STRIP-ROOF VENT GRAY
	009440-01-000	EA	GEAR/ARM-VENT COVER LIFT
	015911-01-000	EA	TRACK-LIFT ARM SLIDE - ROOF VENT
	052839-01-001	EA	HINGE-VENT COVER 16"
	052839-01-200	EA	HINGE-EXTRUSION ROOF VENT 7"
	078785-01-Y12	EA	SCREEN-ROOF VENT NON POWERED - WHITE
	002291-02-000	SF	SCREENING-ROOF VENT/WINDOW 18" - BLACK
	002298-02-000	FT	SPLINE-VENT/WINDOW SCREEN 128 DIAMETER - BLACK
	110051-01-01A	EA	VENT-ROOF, NONPOWERED - 2" ROOF - JENSEN 7724
FROM: 10-05-92 THRU: 99-99-99			
	084470-01-700	EA	COVER ROOF VENT, JENSEN 7291
	110051-01-701	EA	GARNISH W/SCREEN & FRAME 2", JENSEN 29-800-01
	110051-01-702	EA	HAND CRANK & OPERATOR ASM., JENSEN RP-10000B
	110051-01-703	EA	HANDLE CRANK, JENSEN RP-1031-B

**WINDOW, VENT & EXTERIOR DOOR GROUP (CONTINUED)**

**VENTS, SHROUDS AND ROOF COVERS**

KEY	PART NUMBER	U/M	DESCRIPTION
	084073-04-000	EA	BASE-VENT, REFRIGERATOR - ROOF - NORCOLD - OFF WHITE
	084073-03-000	EA	CAP-VENT, REFRIGERATOR - ROOF - NORCOLD - BLACK
	084878-09-000	EA	VENT-RANGE HOOD, SHORT - LVS
	083752-01-000	EA	SHROUD-RANGE - 18.5" X 20.8" X 18.2" - METAL - OFF WHITE
	084818-01-000	EA	SHROUD-RANGE HOOD VENT, OFF WHITE
	083558-03-000	EA	VENT-PLUMBING PIPE ROOF WCOVER - OFF WHITE
	080508-01-000	EA	PANEL-SKYLIGHT, INNER - PLEXIGLASS - 23.25" X 20.3"
	080507-01-000	EA	PANEL-SKYLIGHT, OUTER - PLEXIGLASS - 23.25" X 20.3"

**1993 ITASCA  
TABLE OF CONTENTS**

INTRODUCTION	A-01	A-02
ABBREVIATIONS		A-03
ALPHABETICAL INDEX	A-04	A-08
IF427RQ	A-07	D-18
IF427RC	D-19	H-08
IF428RQ	H-09	K-24

**1993 IF427RQ INDEX**

FLOOR PLAN	A-07	A-08
ACCESSORIES		A-09
AUDIO VIDEO		A-10
BATH	A-11	A-12
BEDROOM	A-13	A-14
CHASSIS	A-15	A-18
CURTAIN & CUSHION	A-19	B-04
DINETTE	B-05	B-08
DRIVERS COMPARTMENT	B-07	B-08
ELECTRICAL	B-09	B-12
EXTERIOR BODY	B-13	B-20
GALLEY	B-21	B-24
GENERATOR		C-01
HEATING & A/C	C-02	C-04
INTERIOR FINISH	C-05	C-08
LABELS	C-09	C-16
LP		C-17
LOUNGE	C-18	C-19
SEALANTS & FASTENERS	C-20	C-22
WATER & SEWAGE	C-23	D-02
WINDOW, VENT AND EXTERIOR DOOR	D-03	D-18