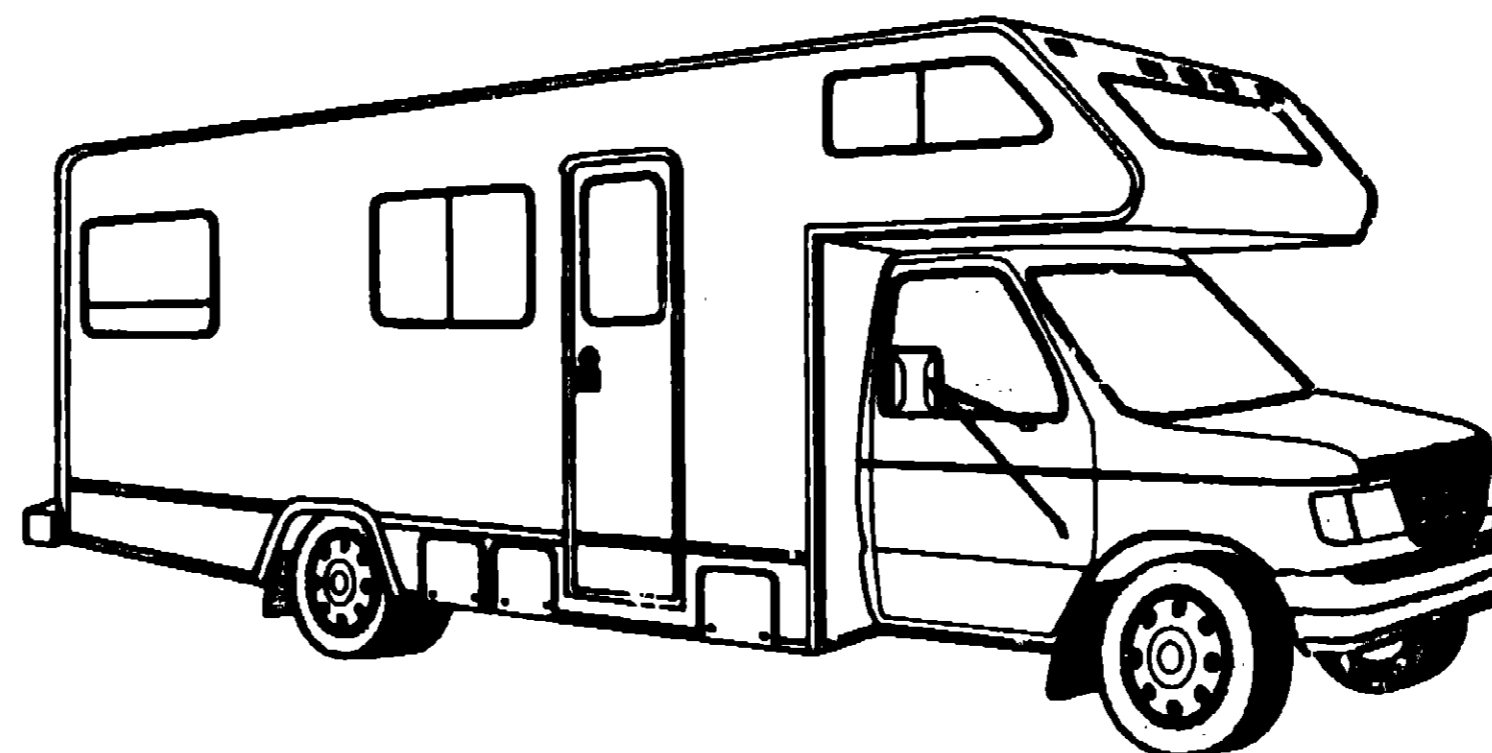
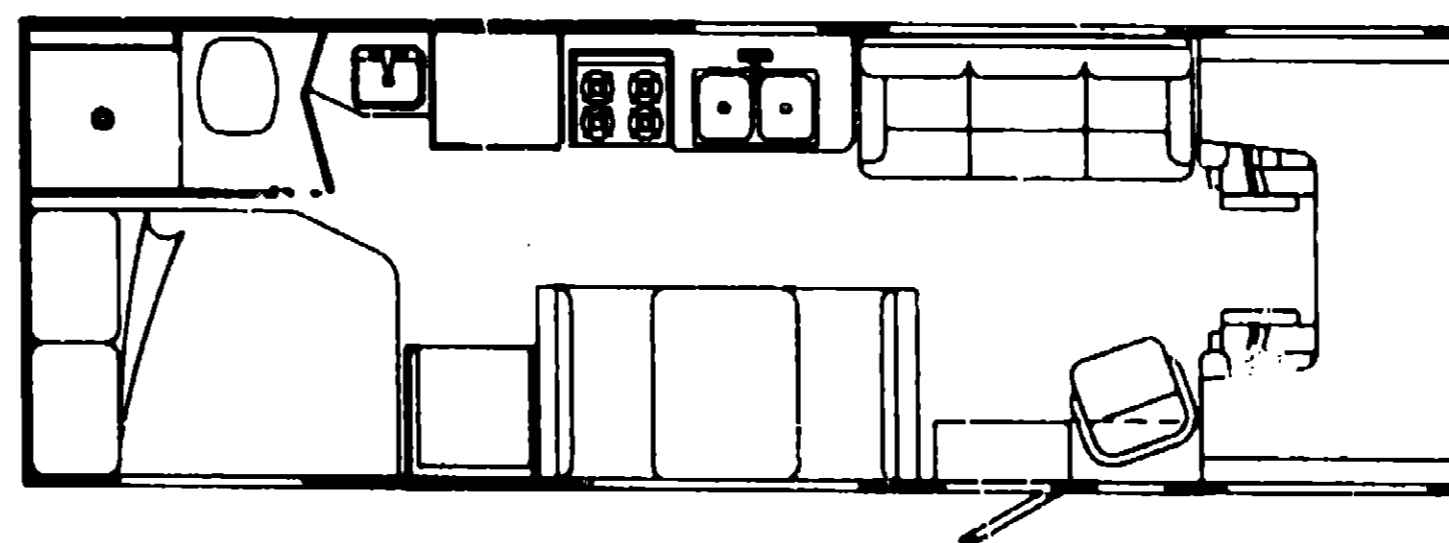


**1993 ITASCA  
TABLE OF CONTENTS**

INTRODUCTION	A-01 -	A-02
ABBREVIATIONS		A-03
ALPHABETICAL INDEX	A-04 -	A-06
IF427RQ	A-07 -	D-18
IF427RC	D-19 -	H-08
IF428RQ	H-09 -	K-24



**1993  
IF427RC  
D27  
D28**



**1993 IF427RC INDEX**

FLOOR PLAN	D-19 -	D-20
ACCESSORIES		D-21
AUDIO VIDEO		D-22
BATH	D-23 -	D-24
BEDROOM		E-01
CHASSIS	E-02 -	E-06
CURTAIN & CUSHION	E-07 -	E-16
DINETTE	E-17 -	E-18
DRIVERS COMPARTMENT	E-19 -	E-20
ELECTRICAL	E-21 -	E-24
EXTERIOR BODY	F-01 -	F-08
GALLEY	F-09 -	F-12
GENERATOR		F-13
HEATING & AC	F-14 -	F-16
INTERIOR FINISH	F-17 -	F-20
LABELS	F-21 -	G-04
I.P.		G-06
LOUNGE	G-06 -	G-07
SEALANTS & FASTENERS	G-08 -	G-10
WATER & SEWAGE	G-11 -	G-14
WINDOW, VENT AND EXTERIOR DOOR	G-15 -	H-07

## ACCESSORIES GROUP

### OPERATORS MANUAL

KEY	PART NUMBER	U/M	DESCRIPTION
	054185-50-000	EA	MANUAL-OPERATOR, 1993 SUNDANCER
	092318-01-000	EA	BINDER-3 RING, MOTOR HOME MANUAL
	092319-01-000	EA	PAGE-POCKET, 3 RING BINDER - PLASTIC
	108272-01-000	DW	TOP LEVEL DRAWING - 1993 C-BODY

## AUDIO VIDEO GROUP

### RADIO SYSTEM & ANTENNA

KEY	PART NUMBER	U/M	DESCRIPTION
	108460-01-000	EA	RADIO-AM/FM CASSETTE, ELECTRONIC TUNE - FORD - AUDIOVOX FD-CXF
	108137-01-000	EA	PLUG-ANTENNA HOLE (FORD)
	090340-02-000	EA	GRILLE-SPEAKER, 8.5" SQUARE (OVHD CABINETS)
	090340-03-000	EA	SPACER-SPEAKER GRILLE, TAN - MAGNADYNE Q514 (OVHD CABINETS)
	094097-01-000	EA	SPEAKER-RADIO, W/O GRILLE - 5 25" DIA - AUDIOVOX 1110C3030 (OVHD CABINETS)
	097883-01-000	EA	RADIO-AM/FM STEREO W/CASSETTE AUDIOVOX 144D1558 (PATIO ENTERTAINMENT)
	090944-01-000	EA	ANTENNA-RADIO, 18" RUBBER (PATIO ENTERTAINMENT)
	077069-02-000	EA	CABLE-ANTENNA, RADIO - EXTENSION 98" - ARA 6700867
	090862-01-000	EA	BRACKET-HAT, ANTENNA - 3.1" X 3.9" - STEEL - BLACK (PATIO ENTERTAINMENT)
	104899-01-004	EA	PLATE-RADIO MOUNTING (PATIO ENTERTAINMENT)
	073741-03-000	EA	SPEAKER-OVAL, 4" X 6" - AUDIOVOX 110-2074 (PATIO ENTERTAINMENT) FROM: 00-00-00 THRU: 12-20-92
	110469-01-000	EA	SPEAKER-OVAL, 4" X 6" - MAGNADYNE F46XB-12 (PATIO ENTERTAINMENT) FROM: 12-21-92 THRU: 99-99-99
	073741-04-000	EA	GRILLE-SPEAKER, OVAL - 4" X 6" - AUDIOVOX 136-1157 (PATIO ENTERTAINMENT) FROM: 00-00-00 THRU: 12-20-92
	110470-01-01A	EA	GRILLE-SPEAKER, OVAL - 4" X 6" - BLACK - MAGNADYNE G48W (PATIO ENTERTAINMENT) FROM: 12-21-92 THRU: 99-99-99

### TV, VCR SYSTEMS & ANTENNA

KEY	PART NUMBER	U/M	DESCRIPTION
	092310-03-000	EA	TV-COLOR, 9" - AC/DC - W/SWIVEL - MAGNAVOX RDO945
	092310-02-700	EA	REMOTE FOR TV
	098446-03-000	EA	VCR-VHS, CABLE READY - REMOTE - MAGNAVOX VR9010 FROM: 00-00-00 THRU: 10-04-92
	098440-03-700	EA	REMOTE FOR MODEL #9010 - 0974588
	098446-04-000	EA	VCR-VHS, CABLE READY - REMOTE - MAGNAVOX VR9110 FROM: 10-05-92 THRU: 06-06-93
	098446-04-700	EA	REMOTE FOR MODEL #9110
	098446-05-000	EA	VCR-VHS, CABLE READY - REMOTE - MAGNAVOX VR9120 FROM: 06-07-93 THRU: 99-99-99
	098446-04-700	EA	REMOTE FOR MODEL #9110 & #9120
	108433-01-000	EA	BRACKET-VCR
	076319-01-000	EA	ANTENNA-TV, ROOF MOUNT - 44.5" MAST - RVA W02
	076319-01-700	EA	HEAD-ANTENNA, AMPLIFIED - WINEGARD# RVSA U/V
	076319-01-701	EA	GEAR-ELEVATING, PLASTIC - WINEGARD# 2200046
	076319-01-702	EA	SHAFT ASM-ELEVATING, WINEGARD# RVP-400A
	076319-01-703	EA	BEARING-NYLON, 5"OD - WINEGARD# 3200656
	076319-01-705	EA	GROMMET-NYLON, 7/8"TD - WINEGARD# 3200658
	076319-01-706	EA	CRANK-ELEVATING, W/SET SCREW - WINEGARD# 5755100
	076319-01-707	EA	SPRING-HANDLE, WINEGARD# 5160800
	076319-01-709	EA	PLATE-DIRECTIONAL, FOR HEAD - WINEGARD# 3200644
	076319-06-000	EA	ADAPTER-CABLE ROOF PLATE, WINEGARD RPJ-1
	082134-01-000	EA	ADAPTER-TV, CABLE TO CABLE - WINEGARD F-81M
	076319-08-000	EA	NUT-HEX JAM 3/8-32, WINEGARD
	076319-08-000	EA	WALLPLATE-CABLE RECEPTACLE, TV - SINGLE - IVORY
	076319-08-000	EA	WALLPLATE-CABLE RECEPTACLE, TV - SINGLE - BROWN
	088777-03-000	EA	WALLPLATE-TV CABLE, W/ANTENNA SWITCH - IVORY
	108046-01-000	EA	CABLE TIE-SCREW MOUNT, 8" - DENNISON 08415
	076319-03-000	FT	CABLE-COAXIAL, 75 OHM
	076319-12-000	EA	CONNECTOR-COAXIAL - ONE PIECE
	088758-01-000	EA	SPLITTER-TV, 2 WAY
	088757-03-000	EA	CONTROL CENTER-SWITCH, VCR/TV - MAGNADYNE VCS-8
	088777-04-000	EA	PLATE-WALL, ANTENNA/POWER - BROWN FROM: 00-00-00 THRU: 04-14-93
	088777-08-000	EA	PLATE-WALL, ANTENNA/POWER - BROWN - WINEGARD RV-0831 FROM: 04-15-93 THRU: 99-99-99

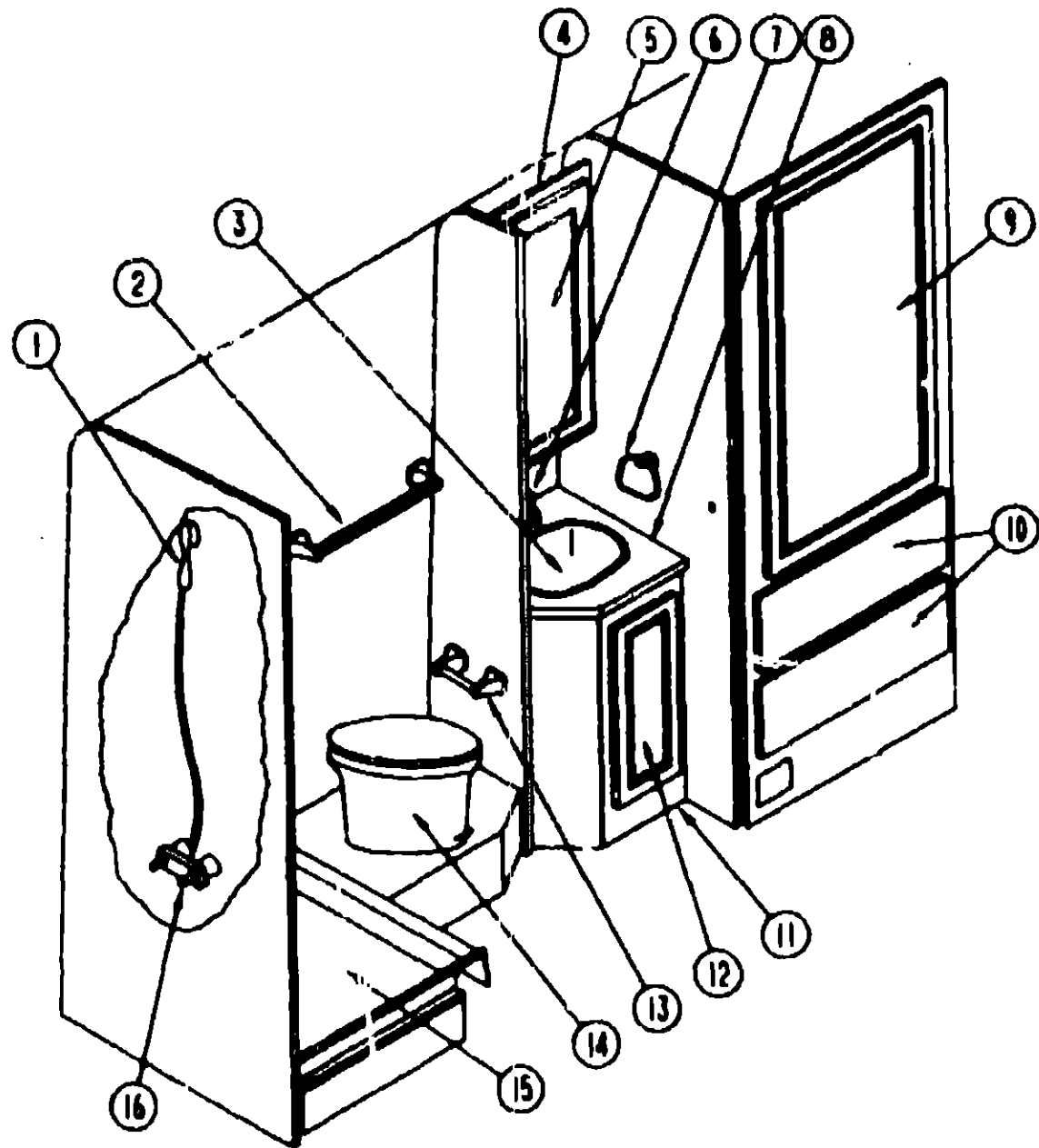
## 1993 ITASCA TABLE OF CONTENTS

INTRODUCTION	A-01	A-02
ABBREVIATIONS		A-03
ALPHABETICAL INDEX	A-04	A-08
IF427RQ	A-07	D-18
IF427RC	D-19	H-08
IF428RQ	H-09	K-24

## 1993 IF427RC INDEX

FLOOR PLAN	D-19	D-20
ACCESSORIES		D-21
AUDIO VIDEO		D-22
BATH	D-23	D-24
BEDROOM		E-01
CHASSIS	E-02	E-06
CURTAIN & CUSHION	E-07	E-18
DINETTE	E-17	E-18
DRIVERS COMPARTMENT	E-19	E-20
ELECTRICAL	E-21	E-24
EXTERIOR BODY	F-01	F-08
GALLEY	F-09	F-12
GENERATOR		F-13
HEATING & A/C	F-14	F-16
INTERIOR FINISH	F-17	F-20
LABELS	F-21	G-04
LP		G-06
LOUNGE	G-08	G-07
SEALANTS & FASTENERS	G-08	G-10
WATER & SEWAGE	G-11	G-14
WINDOW, VENT AND EXTERIOR DOOR	G-15	H-07

**BATH GROUP**



**BATHROOM CABINETS & FIXTURES**

KEY	PART NUMBER	U/M DESCRIPTION
1	103092-01-000	EA HEAD-SHOWER, W/60 IN HOSE
	103092-01-700	EA BRACKET-SHOWER HEAD
2	075453-02-000	EA BAR-TOWEL, 18" BRASS
3	098927-01-01A	EA SINK-LAVATORY, RECTANGULAR - PLASTIC - BONE
	098927-01-700	EA SINK-STOPPER
	098927-01-701	EA TAILPIECE-SINK
4	102821-02-C52	EA CABINET-MEDICINE, W/O DOOR & HARDWARE
5	P05223-01-C03	EA DOOR-CABINET, MIRRORED - W/O HARDWARE - 395 X 750MM
	068331-32-000	EA MIRROR-GLASS, SAFETY - 13.8" X 27.6"
	M03460-11-000	EA TRIM-MIRROR, WOOD - OAK
	003448-10-B05	EA MIRROR-WOOD FRAMED
6	075240-06-000	EA FAUCET-LAVATORY, BONE
7	075454-02-000	EA RING-TOWEL, W/MOUNTING HARDWARE - BRASS
8	105643-11-D05	EA COUNTERTOP-CABINET, LAVATORY (D27)
	105643-11-D04	EA COUNTERTOP-CABINET, LAVATORY (D28)
9	P05223-06-D04	EA DOOR-CABINET, W/O HARDWARE - 525 X 1220MM
10	P07104-M3-D04	EA DRAWER-CABINET, W/O HARDWARE
	009112-11-000	EA FLANGE-1" ROD, CLOTHES - PLASTIC - OFF WHITE
	042438-01-000	EA DOWEL-WOOD, CLOTHES ROD - 1" X 4" LONG

**BATH GROUP (CONTINUED)**

**BATHROOM CABINETS & FIXTURES (CONTINUED)**

KEY	PART NUMBER	U/M DESCRIPTION
11	M05684-01-D05	EA CABINET-LAVATORY, W/O DOOR & HARDWARE (D27)
	M05684-01-D04	EA CABINET-LAVATORY, W/O DOOR & HARDWARE (D28)
12	P05223-04-C03	EA DOOR-CABINET, W/O HARDWARE - 385 X 555 MM
13	075452-02-000	EA HOLDER-TOILET TISSUE, BRASS
14	087487-01-000	EA TOILET-12.37", IVORY - HAND FLUSH - THETFORD 150110
	083740-01-700	EA LEVER-WATER, THETFORD 12514
	083740-01-701	EA LEVER-FLUSH, THETFORD 12515
	083740-01-706	EA BOLT PACKAGE-CLOSET, THETFORD 12524
	083740-01-710	EA LINK-THETFORD 12513
	083740-01-711	EA SPRING-RETURN LEVER, THETFORD 12523
	083740-01-713	EA SEAL-BALL VALVE TO BOWL, THETFORD 12502
	083740-01-714	EA VALVE ASM-WATER, THETFORD 12492
	083740-01-718	EA SEAT & COVER, THETFORD 15017
	083740-01-717	EA TUBE-FLUSH, TOILET-12509 THETFORD
	024676-01-000	EA FLANGE-CLOSET, TOILET - 4" X 3" - RED - US
	024676-02-000	EA FLANGE-CLOSET, TOILET - 4" X 3" - RED - USA
15	M02479-06-000	EA PAN-SHOWER, OFF WHITE
	086436-01-000	EA NUT-SLIP, TAILPIECE - 1.5"
	086440-01-000	EA STRAINER-SHOWER, W/RUBBER WASHER
	089735-01-000	EA WASHER-STRAINER TO TAILPIECE, PLASTIC - 1.5"
	011069-01-000	EA TAILPIECE-TUB/SHOWER, 1 1/2" X 1 1/4" X 4" - BRASS
	086436-01-000	EA NUT-SLIP, TAILPIECE - 1.5"
16	075241-05-000	EA FAUCET-SHOWER, BONE
	075208-01-000	EA PANEL-FAUCET BACK, SHOWER - 5" X 8" - PLASTIC
	057871-01-000	EA COVER-SCREW, #8 - PLASTIC - OFF WHITE

**BATH PRIVACY DOOR**

KEY	PART NUMBER	U/M DESCRIPTION
	105394-01-01A	EA JAMB-DOOR, EXTRUDED PLASTIC - 7" LONG - OAK
	M87888-09-C03	EA DOOR-PRIVACY, BATH - W/O HARDWARE
		FROM: 00-00-00 THRU: 03-21-93
	M87888-17-D04	EA DOOR-PRIVACY, BATH - W/O HARDWARE
		FROM: 03-22-93 THRU: 99-99-99
	094485-01-01A	EA KNOB-DOOR-POLISHED BRASS
		FROM: 00-00-00 THRU: 09-23-92
	094485-02-01A	EA KNOB-DOOR-POLISHED BRASS
		FROM: 09-24-92 THRU: 99-99-99

**EXTERIOR SHOWER**

KEY	PART NUMBER	U/M DESCRIPTION
	103092-01-000	EA HEAD-SHOWER, W/60 IN HOSE (US & CANADIAN)
	075241-05-000	EA FAUCET-SHOWER, BONE
	105269-02-000	EA BRACKET-SUPPORT, FAUCET
	093527-02-000	EA BRACKET-SUPPORT/SHOWER HEAD
	091952-02-000	EA CLIP-GRIPPER, 3/4"

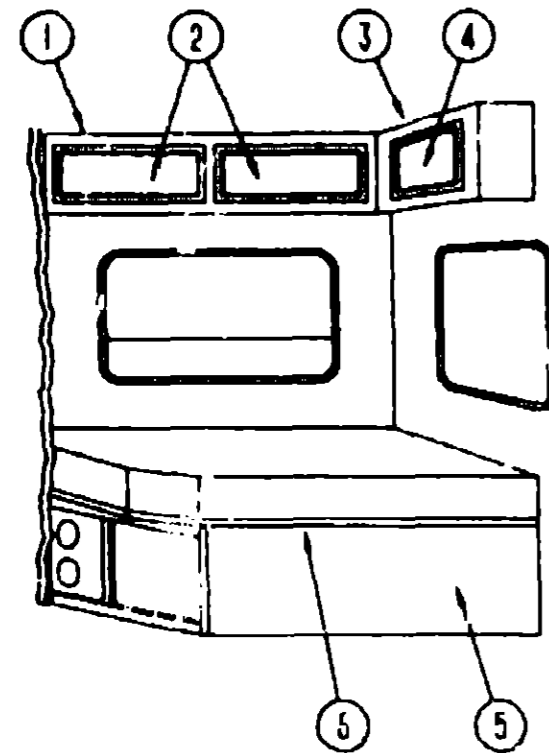
**1993 ITASCA  
TABLE OF CONTENTS**

INTRODUCTION	A-01 - A-02
ABBREVIATIONS	A-03
ALPHABETICAL INDEX	A-04 - A-08
IF427RQ	A-07 - D-18
IF427RC	D-19 - H-08
IF428RQ	H-09 - K-24

**1993 IF427RC INDEX**

FLOOR PLAN	D-19 - D-20
ACCESSORIES	D-21
AUDIO VIDEO	D-22
BATH	D-23 - D-24
BEDROOM	E-01
CHASSIS	E-02 - E-04
CURTAIN & CUSHION	E-07 - E-16
DINETTE	E-17 - E-18
DRIVERS COMPARTMENT	E-19 - E-20
ELECTRICAL	E-21 - E-24
EXTERIOR BODY	F-01 - F-08
GALLEY	F-09 - F-12
GENERATOR	F-13
HEATING & A/C	F-14 - F-16
INTERIOR FINISH	F-17 - F-20
LABELS	F-21 - G-04
LP	G-05
LOUNGE	G-06 - G-07
SEALANTS & FASTENERS	G-08 - G-10
WATER & SEWAGE	G-11 - G-14
WINDOW, VENT AND EXTERIOR DOOR	G-15 - H-07

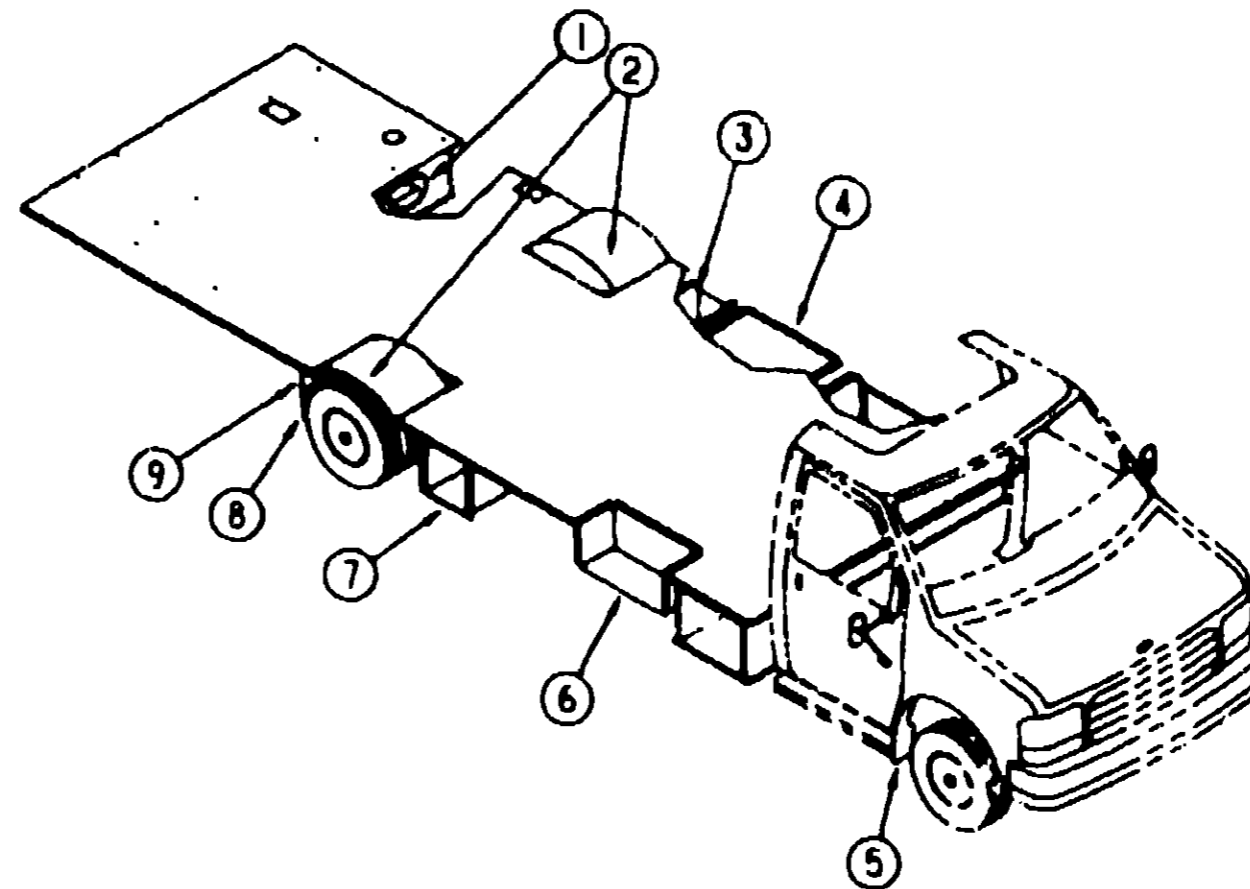
## BEDROOM GROUP



### DOUBLE BEDROOM

KEY	PART NUMBER	U/M DESCRIPTION
1	M05778-16-004	EA CABINET-OVERHEAD, REAR
2	P05223-42-004	EA DOOR-CABINET, W/O HARDWARE - 400 X 710MM
3	M05778-19-027	EA CABINET-OVERHEAD, REAR
3	M05778-19-028	EA CABINET-OVERHEAD, REAR
3	M06811-19-027	EA CABINET-OVERHEAD, REAR (EXPORT OPTION)
3	M06811-19-028	EA CABINET-OVERHEAD, REAR (EXPORT OPTION)
4	P05223-45-004	EA DOOR-CABINET, W/O HARDWARE - 400 X 710MM (MIRRORED)
4	P05223-42-004	EA DOOR-CABINET, W/O HARDWARE - 400 X 710MM (WOOD PANEL)
5	P05802-01-C52	EA CABINET-DOUBLE BED, W/O CABINET TOPS
6	M05889-02-000	EA TOP-CABINET, DOUBLE BED - DRIVER SIDE
	M05889-01-C52	EA TOP-CABINET, DOUBLE BED - PASSENGER SIDE
	069076-03-000	EA SUPPORT-BED, H-CHANNEL - 1.96" X 72.7" - ALUMINUM - BEIGE
	057480-02-000	EA STUD-BALL, GAS SPRING - 10MM - 5/16" - 18
	057480-03-000	EA CLIP-SAFETY, WIREFORM TYPE - GAS SPRING
	057480-04-000	EA SPRING-GAS

## CHASSIS GROUP



### COMPARTMENTS, PLUGS & SEALS

KEY	PART NUMBER	U/M DESCRIPTION
1	103639-01-000	EA DOOR-DRAINAGE COMPARTMENT, 7.9" X 7.6" - STEEL
	074470-01-000	EA PIN-PULL, HINGE RELEASE - RIGHT SIDE
2	102782-01-000	EA WHEELWELL-PLASTIC
3	102979-01-000	EA BOX-POWER CORD
4	105471-05-000	EA COMPARTMENT-GENERATOR
4	078137-02-000	EA TRAY-COMPARTMENT, 27.18" WIDE X 21" DEEP
	056748-01-000	EA PLUG-CAP, 1.5" DIAMETER - BLACK
	058027-01-000	FT SEAL, D SHAPED - HOLLOW - SPONGE RUBBER - BLACK
	061420-01-000	EA PLUG-PLASTIC, 1.72" - BROWN
	077953-01-000	EA GROMMET-EDGE LINER, FITS 1"
	068270-01-000	FT SEAL-BULB, W/WIRE RIGID U-CHANNEL - .5" - RUBBER - BLACK
5	064089-01-700	EA FLAP-MUD, FRONT - SET OF 2 RUBBER - BLACK
6	077848-02-000	EA STEP-PULLOUT
	076241-09-000	EA SUPPORT-STEP, ENTRY DOOR
	091176-01-000	EA SUPPORT-BASE, ENTRANCE STEP
7	105203-01-000	EA COMPARTMENT-BATTERY
	084993-01-000	EA STRAP-BATTERY
	084993-02-000	EA STRAP ASM.-BATTERY
	065450-05-000	EA TIEDOWN-BATTERY, 8.4" TUBE
	077479-02-000	EA FOOT-BATTERY TERMINAL, SINGLE CABLE
8	017516-01-000	EA FLAP-MUD, 14" X 18" - BLACK - REAR
9	045731-04-000	EA GUARD-ROCK, REAR

FROM: 00-00-00 THRU: 02-01-93

FROM: 02-02-93 THRU: 99-99-99

## 1993 ITASCA TABLE OF CONTENTS

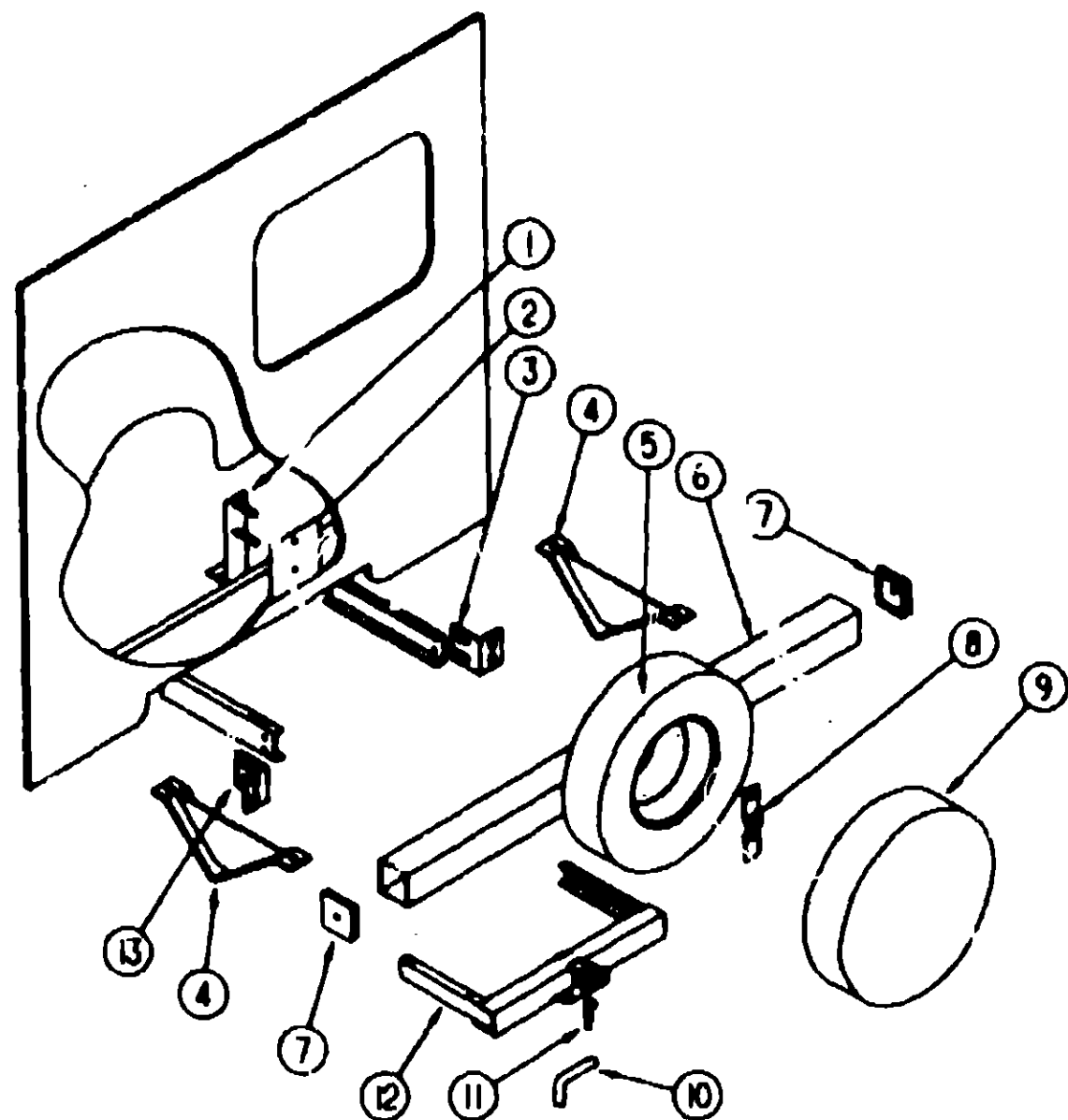
INTRODUCTION	A-01 - A-02
ABBREVIATIONS	A-03
ALPHABETICAL INDEX	A-04 - A-06
IF427RQ	A-07 - D-18
IF427RC	D-19 - H-08
IF428RQ	H-09 - K-24

### 1993 IF427RC INDEX

FLOOR PLAN	D-19 - D-20
ACCESSORIES	D-21
AUDIO VIDEO	D-22
BATH	D-23 - D-24
BEDROOM	E-01
CHASSIS	E-02 - E-06
CURTAIN & CUSHION	E-07 - E-16
DINETTE	E-17 - E-18
DRIVERS COMPARTMENT	E-19 - E-20
ELECTRICAL	E-21 - E-24
EXTERIOR BODY	F-01 - F-08
GALLEY	F-09 - F-12
GENERATOR	F-13
HEATING & A/C	F-14 - F-16
INTERIOR FINISH	F-17 - F-20
LABELS	F-21 - G-04
LP	G-05
LOUNGE	G-06 - G-07
SEALANTS & FASTENERS	G-08 - G-10
WATER & SEWAGE	G-11 - G-14
WINDOW, VENT AND EXTERIOR DOOR	G-15 - H-07

## CHASSIS GROUP (CONTINUED)

### REAR BUMPER, HITCH & SPARE TIRE CARRIER



KEY	PART NUMBER	UOM	DESCRIPTION
1	105208-05-C52	EA	BRACKET ASM-SPARE TIRE
2	105208-01-000	EA	PLATE-SPARE TIRE
3	104420-01-070	EA	SUPPORT-ANGLE, BUMPER REAR-RIGHT
4	083378-01-000	EA	PLATE-SKID, 13.2" X 6" X 2" - STEEL
5	070917-04-000	EA	TIRE-LT 215 - 85R16 LRD - 4RS - FIRESTONE (273295)
5	083425-08-000	EA	TIRE-LT225/75R16 LRD, MICHELIN XCH4 FROM: 00-00-00 THRU 10-05-92
5	083425-09-000	EA	TIRE-LT225/75R16 LRD, MICHELIN XCH4 FROM: 10-08-92 THRU 99-99-99
5	083817-03-000	EA	WHEEL-STEEL, 16 OX8 - ACCURIDE 20818
	051377-01-000	EA	STEM-VALVE, TR 500
	077030-02-000	EA	EXTENSION-VALVE STEM, 1.25"
	095012-03-000	EA	EXTENSION-VALVE STEM, DUAL WHEEL
	112358-01-000	EA	WRENCH-LUG, 7/8" L-SHAFT (CHASSIS PROVIDED EARLIER) FROM: 05-10-93 THRU 99-99-99
	109816-01-000	EA	KNOB-HOLD DOWN, JACK (JACK COMES W/CHASSIS & IS LOCATED UNDER HOOD)
6	103422-02-01A	EA	BUMPER-SQUARE, ALUMINUM-OFF WHITE
7	038779-01-000	EA	CAP-BUMPER, RUBBER - 4" X 4" - BLACK
8	105531-02-000	EA	RETAINER ASM-SPARE TIRE
9	104408-06-D27	EA	COVER-TIRE, 32" SUNDANCER - SILKSCREENED - OFF WHITE
10	034512-01-030	EA	PIN-LOCKING, DRAWBAR
11	034513-01-000	EA	PIN-HITCH, 3/16" WIRE
12	077617-02-000	EA	HITCH-TRAILER, W/O DRAWBAR - 41.1" WIDE - STEEL - BLACK
13	104420-02-000	EA	SUPPORT-ANGLE, BUMPER REAR-LEFT
	097744-01-C00	EA	HOUSING-TRAILER PIN, 12"
	097744-02-000	EA	HOUSING-TRAILER PIN-48"
	097746-01-000	EA	HOUSING CAP-TRAILER PIN
	097745-01-000	EA	HOUSING-TRAILER RECEPTACLE-12"
	097745-02-000	EA	HOUSING-RECEPTACLE, TRAILER - 48" WIRE LENGTH

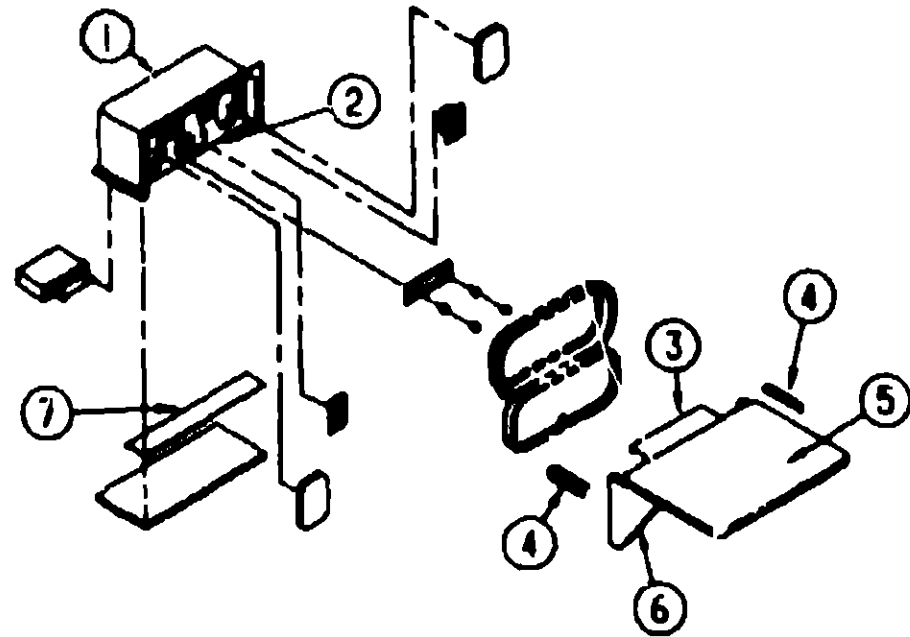
## 1993 ITASCA TABLE OF CONTENTS

INTRODUCTION	A-01	A-02
ABBREVIATIONS		A-03
ALPHABETICAL INDEX	A-04	A-05
IF427RC	A-07	L-18
IF477RC	D-19	H-08
IF428RC	H-09	K-24

## 1993 IF427RC INDEX

FLOOR PLAN	D-19	D-20
ACCESSORIES		D-21
AUDIO VIDEO		D-22
BATH	D-23	D-24
BEDROOM		E-01
CHASSIS	E-02	E-06
CURTAIN & CUSHION	E-07	E-16
DINETTE	E-17	E-18
DRIVERS COMPARTMENT	E-19	E-20
ELECTRICAL	E-21	E-24
EXTERIOR BODY	F-01	F-08
GALLEY	F-06	F-12
GENERATOR		F-13
HEATING & A/C	F-14	F-18
INTERIOR FINISH	F-17	F-20
LABELS	F-21	G-04
LP		G-05
LOUNGE	G-06	G-07
SEALANTS & FASTENERS	G-08	G-10
WATER & SEWAGE	G-11	G-14
WINDOW, VENT AND EXTERIOR DOOR	G-15	H-07

**CHASSIS GROUP (CONTINUED)**



**ENTERTAINMENT COMPARTMENT**

KEY	PART NUMBER	U/M	DESCRIPTION
1	104897-01-01A	EA	BOX-ENTERTAINMENT CENTER, OFF WHITE
2	104699-01-004	EA	PLATE-RADIO MOUNTING
3	105377-01-01A	EA	BRACKET-TABLE HANGER - OFF WHITE
	105377-01-03A	EA	BRACKET-TABLE HANGER - MILL
4	105378-01-02A	EA	HINGE-CONTINUOUS, 2" X 140MM - OFF WHITE
5	105230-11-005	EA	SHELF ASM.
6	105230-12-009	EA	SUPPORT ASM.
7	104898-01-01A	EA	PLATE-PLASTIC BOTTOM, OFF WHITE

**EXHAUST SYSTEM COMPONENTS**

KEY	PART NUMBER	U/M	DESCRIPTION
	007125-01-000	EA	CLAMP-MUFFLER, 1.62 DIAMETER
	091182-03-000	EA	SEMIWELD-HEAT, LP
	094918-03-000	EA	CLAMP-EXHAUST, 2.5"
	098753-04-000	EA	PIPE-EXHAUST
	111478-01-000	EA	PIPE-EXHAUST

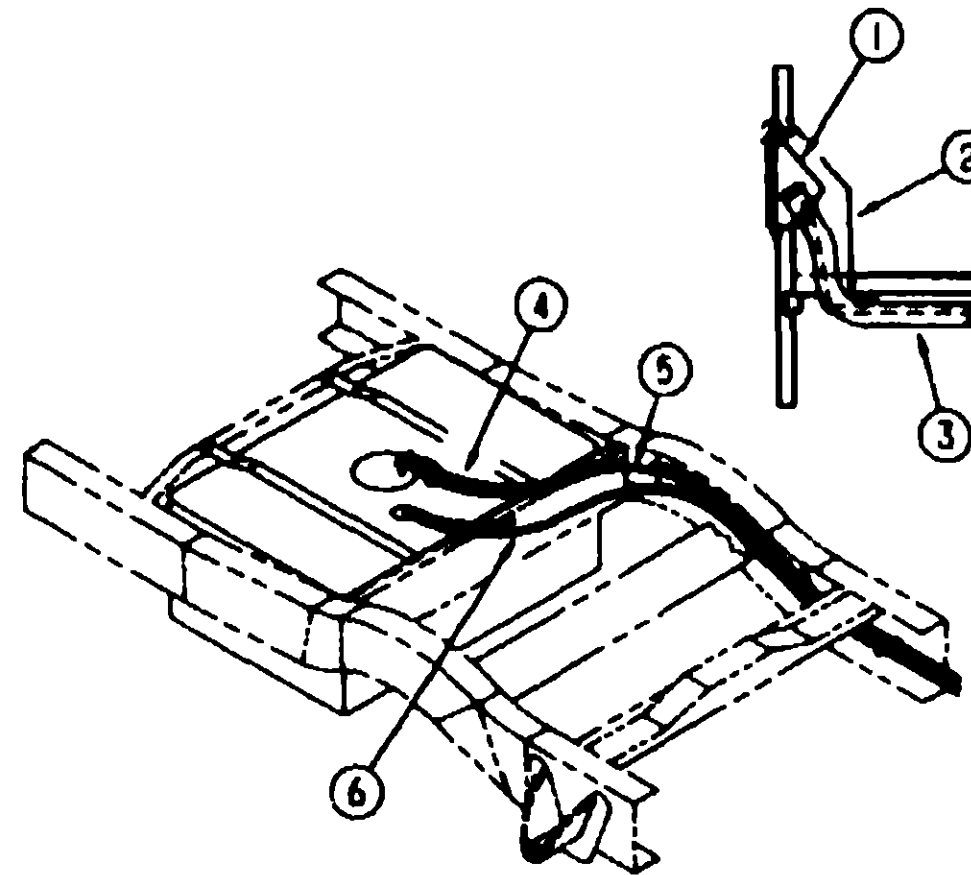
FROM: 00-00-00 THRU: 03-09-93

FROM: 03-09-93 THRU: 99-99-99

**DRIVESHAFT & FLARE UNION**

KEY	PART NUMBER	U/M	DESCRIPTION
	103863-08-000	EA	DRIVESHAFT ASM-BALANCED PAIR - 188" WHEELBASE (158) FROM: 00-00-00 THRU: 03-18-93
	103863-15-000	EA	DRIVESHAFT ASM-BALANCED PAIR - 188" WHEELBASE (158) FROM: 03-09-93 THRU: 99-99-99
	074833-01-000	EA	SPACER-BEARING, DRIVESHAFT - 2" X 8" X .5" THICK
	085771-03-000	EA	NUT-HEX FL. PREV. TORQUE - GRADE 3 DRIVER SHAFT
	088489-01-000	EA	UNION-INVERTED FLARE, BRASS - 3/16 - 3/8 - 24 THD - BRAKE LINE

**CHASSIS GROUP (CONTINUED)**



**FUEL SYSTEM COMPONENTS**

KEY	PART NUMBER	U/M	DESCRIPTION
1	095854-01-02A	EA	SHROUD-FUEL FILL, PLASTIC - OFF WHITE
2	078040-06-000	EA	SHROUD-FUEL FILL, UPPER - PLASTIC
3	106413-01-000	EA	NECK-FUEL FILL, MAIN - GAS
	106413-02-000	EA	NECK-FUEL FILL, MAIN - DIESEL
	078200-01-000	EA	GASKET-FUEL FILL, 3.5"OD X 2"ID
4	106389-01-000	EA	FUEL LINE ASM-FORD, 3/8 HP
5	106388-01-000	EA	FUEL LINE ASM-FORD, 5/16 HP
	007063-01-000	FT	HOSE-GAS 1/4"ID X 1/2"OD
6	044317-01-000	FT	HOSE-FUEL, 3/8" ID

**WHEEL LINERS & COVERS**

KEY	PART NUMBER	U/M	DESCRIPTION
	091209-11-000	EA	LINER-WHEEL, SET 4 E350-KAPER II (FORD)
	091209-10-700	EA	COVER-AXLE, FRONT - 8 LUG - FORD
	091209-10-701	EA	COVER-AXLE, REAR - 8 LUG - FORD
	091209-10-704	EA	NUT-LUG, W/WASHER - SHORT - KAPER 52
	091209-10-705	EA	COVER-LUG NUT
	091209-11-700	EA	LINER-WHEEL, FRONT - 8 LUG - FORD
	091209-11-701	EA	LINER-WHEEL, REAR - 8 LUG - FORD
	091209-11-702	EA	NUT-LUG, W/WASHER - LONG - KAPER 51
	108060-01-000	EA	COVER-WHEEL, 16" - SET OF 4 - DICOR #SHUB16
	108060-01-700	EA	COVER-WHEEL, 16" - 1 ONLY - SHUB16-1 DICOR

**1993 ITASCA  
TABLE OF CONTENTS**

INTRODUCTION	A-01 - A-02
ABBREVIATIONS	A-03
ALPHABETICAL INDEX	A-04 - A-08
IF427RO	A-07 - D-18
IF427RC	D-19 - H-08
IF428RO	H-09 - K-24

**1993 IF427RC INDEX**

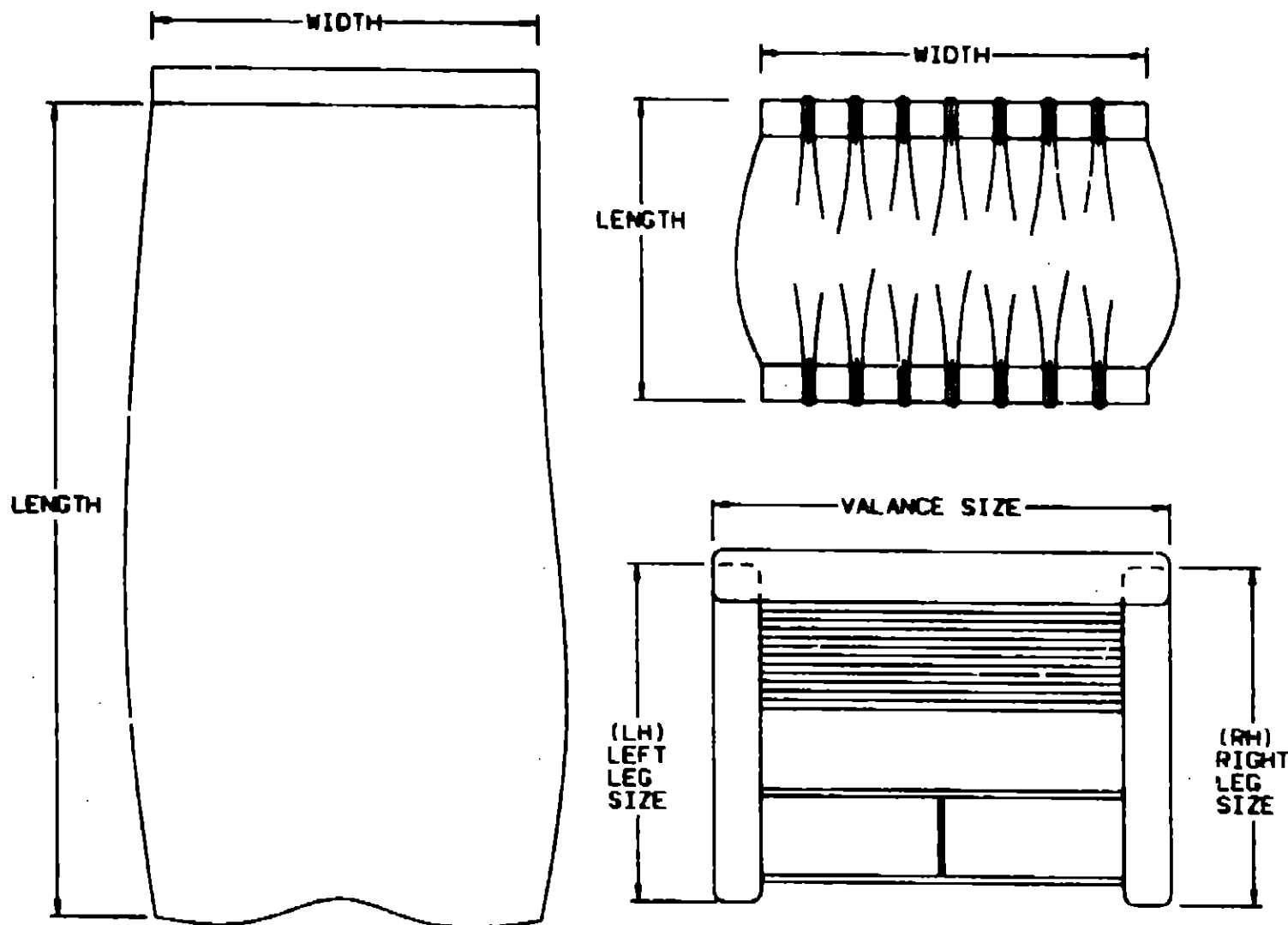
FLOOR PLAN	D-19 - D-20
ACCESSORIES	D-21
AUDIO VIDEO	D-22
BATH	D-23 - D-24
BEDROOM	E-01
CHASSIS	E-02 - E-08
CURTAIN & CUSHION	E-07 - E-16
DINETTE	E-17 - E-18
DRIVERS COMPARTMENT	E-19 - E-20
ELECTRICAL	E-21 - E-24
EXTERIOR BODY	F-01 - F-08
GALLEY	F-09 - F-12
GENERATOR	F-13
HEATING & A/C	F-14 - F-16
INTERIOR FINISH	F-17 - F-20
LABELS	F-21 - G-04
LP	G-05
LOUNGE	G-06 - G-07
SEALANTS & FASTENERS	G-08 - G-10
WATER & SEWAGE	G-11 - G-14
WINDOW, VENT AND EXTERIOR DOOR	G-15 - H-07

## CURTAIN & CUSHION GROUP

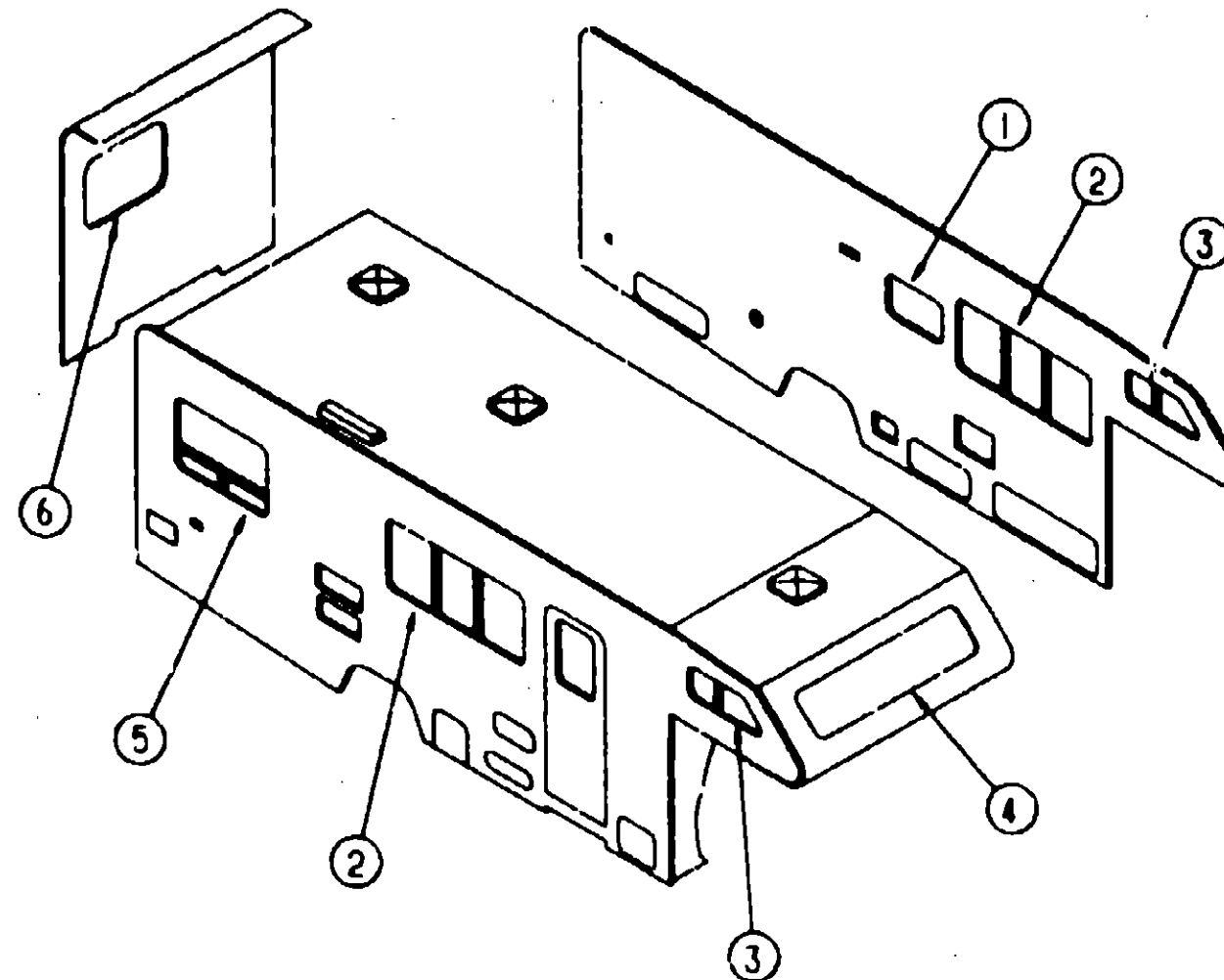
### NOTICE

IN ORDER TO ASSIST OUR PARTS SALES DEPT. IN PROVIDING INTERIOR SOFTWARE ITEMS, PLEASE INCLUDE THE SERIAL NUMBER AND THE COLOR CODE NUMBER FROM THE VEHICLE CERTIFICATION LABEL WHEN ORDERING. THIS LABEL IS LOCATED ON THE LEFT SIDEWALL AT THE END OF THE DASH (A-BODY), OR ON THE DRIVER'S DOOR LATCH PLATE (C-BODY).

AN EXAMPLE OF A COLOR CODE NUMBER IS B07, WHICH DESIGNATES AN OVERALL COLOR SCHEME OF A PARTICULAR UNIT. THE COLOR LISTED AFTER THE ITEM DESCRIPTION ON THE MICROFICHE, INDICATES THE OVERALL UNIT COLOR. ORDER THE ITEM YOU DESIRE ACCORDING TO UNIT COLOR CODE.



## CURTAIN & CUSHION GROUP (CONTINUED)



### 1993 ITASCA TABLE OF CONTENTS

INTRODUCTION	A-01	A-02
ABBREVIATIONS		A-03
ALPHABETICAL INDEX	A-04	A-06
IF427RQ	A-07	D-18
IF427RC	D-19	H-08
IF428RQ	H-09	K-24

### CURTAINS & WINDOW TREATMENT

KEY	PART NUMBER	U/M	DESCRIPTION
1	109353-03-01A	EA	SLATS-BLIND, 27" - GLOSS FAWN (D27)
1	109353-03-02A	EA	SLATS-BLIND, 27" - PURE SILVER (D28)
1	109353-04-000	EA	CLIP-VALANCE, SLAT MOUNTING - CLEAR PLASTIC - PAIR
1	093475-32-15A	EA	BLIND-MINI, 27" X 18.5" DROP - GLOSS FAWN (D27)
1	093475-32-16A	EA	BLIND-MINI, 27" X 18.5" DROP - PURE SILVER (D28)
2	107976-01-D27	EA	VALANCE-WINDOW, 65"
2	107976-01-D28	EA	VALANCE-WINDOW, 65"
2	109041-01-01A	EA	BLIND-MINI, 62" X 28.5" - GLOSS FAWN (D27)
2	109041-01-02A	EA	BLIND-MINI, 62" X 28.5" - PURE SILVER (D28)
3	101034-14-D27	EA	CURTAIN-DARTED TAPE TOP & BOTTOM, 16" X 28" FROM: 00-00-00 THRU: 09-13-92
3	101034-22-D27	EA	CURTAIN-DARTED TAPE TOP & BOTTOM, RIGHT - 16" X 28" FROM: 09-14-92 THRU: 99-99-99
3	101034-23-D27	EA	CURTAIN-DARTED TAPE TOP & BOTTOM, LEFT - 16" X 28" FROM: 09-14-92 THRU: 99-99-99
3	101034-14-D28	EA	CURTAIN-DARTED TAPE TOP & BOTTOM, 16" X 28" FROM: 00-00-00 THRU: 09-13-92
3	101034-22-D28	EA	CURTAIN-DARTED TAPE TOP & BOTTOM, RIGHT - 16" X 28" FROM: 09-14-92 THRU: 99-99-99
3	101034-23-D28	EA	CURTAIN-DARTED TAPE TOP & BOTTOM, LEFT - 16" X 28" FROM: 09-14-92 THRU: 99-99-99

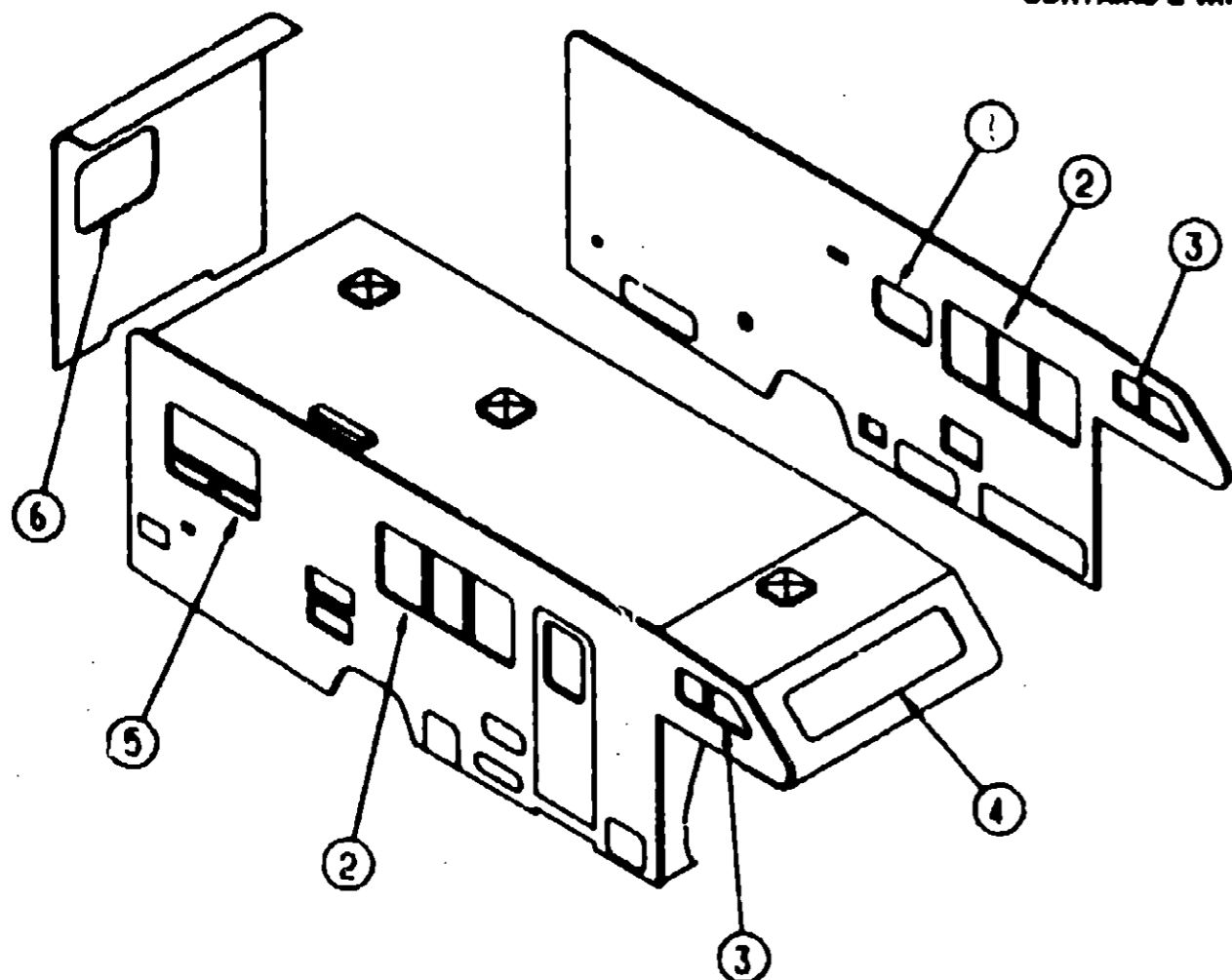
### 1993 IF427RC INDEX

FLOOR PLAN	D-19	D-20
ACCESSORIES		D-21
AUDIO VIDEO		D-22
BATH	D-23	D-24
BEDROOM		E-01
CHASSIS	E-02	E-06
CURTAIN & CUSHION	E-07	E-16
DINETTE	E-17	E-18
DRIVERS COMPARTMENT	E-19	E-20
ELECTRICAL	E-21	E-24
EXTERIOR BODY	F-01	F-08
GALLEY	F-09	F-12
GENERATOR		F-13
HEATING & A/C	F-14	F-16
INTERIOR FINISH	F-17	F-20
LABELS	F-21	G-04
LP		G-05
LOUNGE	G-06	G-07
SEALANTS & FASTENERS	G-08	G-10
WATER & SEWAGE	G-11	G-14
WINDOW, VENT AND		
EXTERIOR DOOR	G-15	H-07

NOTE: USE THIS ILLUSTRATION WHEN DETERMINING LENGTH AND WIDTH MEASUREMENTS FOR CURTAINS. YOU WILL NOTE THE WIDTH MEASUREMENT IS TAKEN ON THE TOP OF THE CURTAIN WITH THE CURTAIN FULLY EXTENDED. THE LENGTH MEASUREMENT IS TAKEN FROM TOP TO BOTTOM. LEFT AND RIGHT WINDOW LEGS ARE DETERMINED WHEN FACING THE WINDOW.

# CURTAIN & CUSHION GROUP (CONTINUED)

## CURTAINS & WINDOW TREATMENT (CONTINUED)



KEY	PART NUMBER	U/M	DESCRIPTION
6	107978-04-D27	EA	VALANCE-WINDOW, 41"
6	107978-04-D28	EA	VALANCE-WINDOW, 41"
6	104157-01-C06	EA	LEG-CURTAIN, 27" - RIGHT (D27)
6	104157-01-C04	EA	LEG-CURTAIN, 27" - RIGHT (D28)
6	104157-02-C06	EA	LEG-CURTAIN, 27" - LEFT (D27)
6	104157-02-C04	EA	LEG-CURTAIN, 27" - LEFT (D28)
6	083475-78-04A	EA	BLIND-MINI, 38" X 28" DROP - GLASS FAWN (D27)
6	083475-78-05A	EA	BLIND-MINI, 38" X 28" DROP - PURE SILVER (D28)
6	073280-52-D27	EA	TIEBACK-CURTAIN, 3" X 15" - GATHERED
6	073280-52-D28	EA	TIEBACK-CURTAIN, 3" X 15" - GATHERED
	084481-19-B86	EA	CURTAIN-SHOWER, 69" X 42" (D27)
	084481-19-B85	EA	CURTAIN-SHOWER, 69" X 42" (D28)
	073280-54-C09	EA	TIEBACK-CURTAIN, SHOWER - 3" X 18" (D27)
	073280-54-C10	EA	TIEBACK-CURTAIN, SHOWER - 3" X 18" (D28)
	101668-37-D27	EA	CURTAIN-TAPE TOP, PASSENGER WINDSHIELD PRIVACY - 30" X 50" FROM: 00-00-00 THRU: 07-12-92
	101668-39-D27	EA	CURTAIN-TAPE TOP, PASSENGER WINDSHIELD PRIVACY - 35" X 50" FROM: 07-13-92 THRU: 99-99-99
	101668-37-D28	EA	CURTAIN-TAPE TOP, PASSENGER WINDSHIELD PRIVACY - 30" X 50" FROM: 00-00-00 THRU: 07-12-92
	101668-39-D28	EA	CURTAIN-TAPE TOP, PASSENGER WINDSHIELD PRIVACY - 35" X 50" FROM: 07-13-92 THRU: 99-99-99
	101668-38-D27	EA	CURTAIN-TAPE TOP, DRIVER WINDSHIELD PRIVACY - 30" X 50" FROM: 00-00-00 THRU: 07-12-92
	101668-40-D27	EA	CURTAIN-TAPE TOP, DRIVER WINDSHIELD PRIVACY - 35" X 50" FROM: 07-13-92 THRU: 99-99-99
	101668-38-D28	EA	CURTAIN-TAPE TOP, DRIVER WINDSHIELD PRIVACY - 30" X 50" FROM: 00-00-00 THRU: 07-12-92
	101668-40-D28	EA	CURTAIN-TAPE TOP, DRIVER WINDSHIELD PRIVACY - 35" X 50" FROM: 07-13-92 THRU: 99-99-99
	073280-23-D27	EA	TIEBACK-CURTAIN, WINDSHIELD PRIVACY - 3" X 18" (D27)
	073280-23-D28	EA	TIEBACK-CURTAIN, WINDSHIELD PRIVACY - 3" X 18" (D28)
	101668-36-D27	EA	CURTAIN-TAPE TOP, BEDROOM PRIVACY - 70" X 60"
	101668-36-D28	EA	CURTAIN-TAPE TOP, BEDROOM PRIVACY - 70" X 60"
	073280-59-D27	EA	TIEBACK-CURTAIN, BEDROOM PRIVACY - 4" X 15"
	073280-59-D28	EA	TIEBACK-CURTAIN, BEDROOM PRIVACY - 4" X 15"
	076892-18-D27	EA	CURTAIN-SNAP TOP, BUNK PRIVACY - 50" X 72"
	076892-18-D28	EA	CURTAIN-SNAP TOP, BUNK PRIVACY - 50" X 72"
	057524-01-000	EA	TIEBACK/TIEDOWN-BED-CURTAIN/DOOR, 6" - PLASTIC - CLEAR

## 1993 ITASCA TABLE OF CONTENTS

INTRODUCTION	A-01 - A-02
ABBREVIATIONS	A-03
ALPHABETICAL INDEX	A-04 - A-06
IF427RO	A-07 - D-18
IF427RC	D-19 - H-08
IF428RO	H-09 - K-24

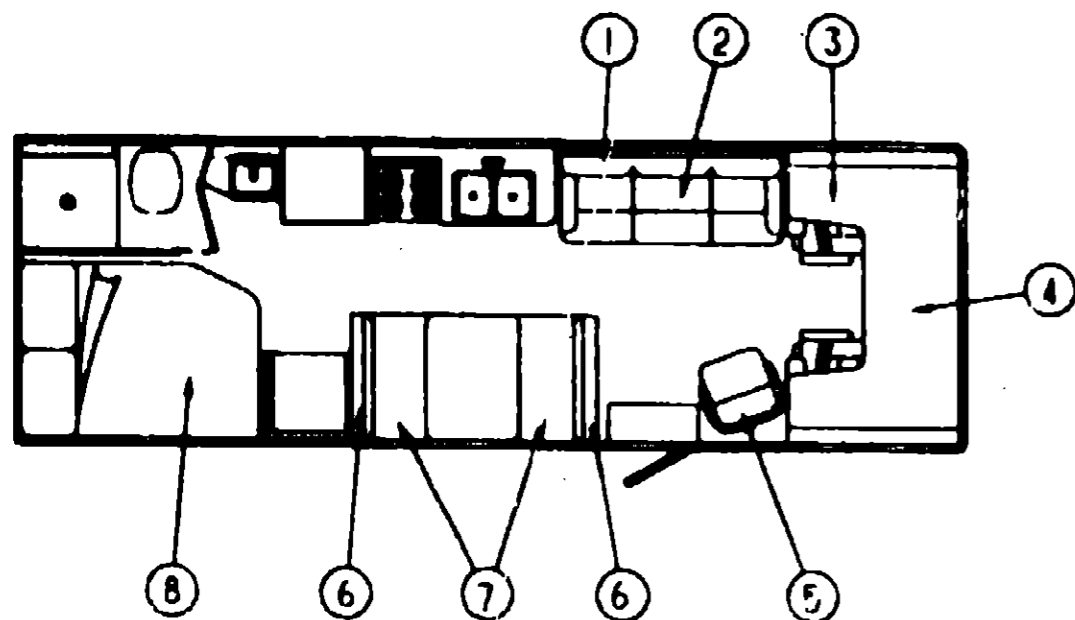
KEY	PART NUMBER	U/M	DESCRIPTION
4	101034-15-D27	EA	CURTAIN-DARTED TAPE TOP & BOTTOM, 21" X 45" FROM: 00-00-00 THRU: 09-13-92
4	101034-20-D27	EA	CURTAIN-DARTED TAPE TOP & BOTTOM, RIGHT - 21" X 50" FROM: 09-14-92 THRU: 99-99-99
4	101034-21-D27	EA	CURTAIN-DARTED TAPE TOP & BOTTOM, LEFT - 21" X 50" FROM: 09-14-92 THRU: 99-99-99
4	101034-15-D28	EA	CURTAIN-DARTED TAPE TOP & BOTTOM, 21" X 45" FROM: 00-00-00 THRU: 09-13-92
4	101034-20-D28	EA	CURTAIN-DARTED TAPE TOP & BOTTOM, RIGHT - 21" X 50" FROM: 09-14-92 THRU: 99-99-99
4	101034-21-D28	EA	CURTAIN-DARTED TAPE TOP & BOTTOM, LEFT - 21" X 50" FROM: 09-14-92 THRU: 99-99-99
5	107978-05-D27	EA	VALANCE-WINDOW, 45"
5	107978-05-D28	EA	VALANCE-WINDOW, 45"
5	104157-01-C06	EA	LEG-CURTAIN, 27" - RIGHT (D27)
5	104157-01-C04	EA	LEG-CURTAIN, 27" - RIGHT (D28)
5	104157-02-C06	EA	LEG-CURTAIN, 27" - LEFT (D27)
5	104157-02-C04	EA	LEG-CURTAIN, 27" - LEFT (D28)
5	083475-99-01A	EA	BLIND-MINI, 41" X 28.5" DROP - GLOSS FAWN (D27)
5	083475-99-02A	EA	BLIND-MINI, 41" X 28.5" DROP - PURE SILVER (D28)
5	073280-52-D27	EA	TIEBACK-CURTAIN, 3" X 15" - GATHERED
5	073280-52-D28	EA	TIEBACK-CURTAIN, 3" X 15" - GATHERED

## 1993 IF427RC INDEX

FLOOR PLAN	D-19 - D-20
ACCESSORIES	D-21
AUDIO VIDEO	D-22
BATH	D-23 - D-24
BEDROOM	E-01
CHASSIS	E-02 - E-06
CURTAIN & CUSHION	E-07 - E-16
DINETTE	E-17 - E-18
DRIVERS COMPARTMENT	E-19 - E-20
ELECTRICAL	E-21 - E-24
EXTERIOR BODY	F-01 - F-08
GALLEY	F-09 - F-12
GENERATOR	F-13
HEATING & A/C	F-14 - F-16
INTERIOR FINISH	F-17 - F-20
LABELS	F-21 - G-04
LP	G-05
LOUNGE	G-06 - G-07
SEALANTS & FASTENERS	G-08 - G-10
WATER & SEWAGE	G-11 - G-14
WINDOW, VENT AND EXTERIOR DOOR	G-15 - H-07



**CURTAIN & CUSHION GROUP (CONTINUED)**



**COUCH**

KEY	PART NUMBER	U/M DESCRIPTION
1	100032-44-D27	EA BACKREST-COUCH, W/ARMRESTS - 66.5"
1	100032-44-D28	EA BACKREST-COUCH, W/ARMRESTS - 66.5"
	P00032-44-D27	EA COVER-BACKREST, W/ARMRESTS - 66.5"
	P00032-44-D28	EA COVER-BACKREST, W/ARMRESTS - 66.5"
	101085-08-000	EA FRAME-BACK, COUCH - 66.5"
2	100032-37-D27	EA SEAT-COUCH, W/O BACKREST - 66.5"
2	100032-37-D28	EA SEAT-COUCH, W/O BACKREST - 66.5"
	P00032-37-D27	EA COVER-SEAT, COUCH - 66.5"
	P00032-37-D28	EA COVER-SEAT, COUCH - 66.5"
	101085-01-000	EA FRAME-SEAT, COUCH - 66.5"
	101085-03-000	EA FRAME-BASE, COUCH - 66.5"

**BUNK CUSHIONS**

KEY	PART NUMBER	U/M DESCRIPTION
3	106573-10-D27	EA CUSHION-BUNK, REAR - 27" X 23" X 80" X 5"
3	106573-08-D28	EA CUSHION-BUNK, REAR - 27" X 23" X 80" X 5"
	P05573-10-D27	EA COVER-CUSHION, BUNK - REAR - 27" X 23" X 80" X 5"
	P05573-08-D28	EA COVER-CUSHION, BUNK - REAR - 27" X 23" X 80" X 5"
4	106573-09-D27	EA CUSHION-BUNK, FRONT - 32.5" X 80" X 5"
4	106573-07-D28	EA CUSHION-BUNK, FRONT - 32.5" X 80" X 5"
	P05573-09-D27	EA COVER-CUSHION, BUNK - FRONT - 32.5" X 80" X 5"
	P05573-07-D28	EA COVER-CUSHION, BUNK - FRONT - 32.5" X 80" X 5"

**SWIVEL CHAIR**

KEY	PART NUMBER	U/M DESCRIPTION
5	107857-01-D27	EA CHAIR-SWIVEL, W/O PEDESTAL & SKIRT
5	107857-01-D28	EA CHAIR-SWIVEL, W/O PEDESTAL & SKIRT

**THROW PILLOW**

KEY	PART NUMBER	U/M DESCRIPTION
	103889-08-D27	EA PILLOW-THROW, 15" X 15"
	103889-08-D28	EA PILLOW-THROW, 15" X 15"

FROM: 00-00-00 THRU: 07-12-82

FROM: 00-00-00 THRU: 07-12-92

**CURTAIN & CUSHION GROUP (CONTINUED)**

**DINETTE CUSHIONS**

KEY	PART NUMBER	U/M DESCRIPTION
6	108141-01-D27	EA CUSHION-BACKREST, 13.5" X 38" X 5"
6	108141-01-D28	EA CUSHION-BACKREST, 13.5" X 38" X 5"
	P08141-01-D27	EA COVER-CUSHION, BACKREST - 13.5" X 38" X 5"
	P08141-01-D28	EA COVER-CUSHION, BACKREST - 13.5" X 38" X 5"
	078155-01-000	EA STRAP-SNAP, BACKREST CUSHION
7	088827-87-D27	EA CUSHION-SEATBASE, 23" X 38" X 5"
7	088827-87-D28	EA CUSHION-SEATBASE, 21 1/3" X 38" X 5"
	M08827-87-D27	EA COVER-CUSHION, SEATBASE - 23" X 38" X 5"
	M08827-87-D28	EA COVER-CUSHION, SEATBASE - 23" X 38" X 5"

**DOUBLE BEDSPREAD, PILLOW & MATTRESS**

KEY	PART NUMBER	U/M DESCRIPTION
8	083988-05-D27	EA BEDSPREAD-DOUBLE, 54" - LEFT CUT CORNERS
8	083988-05-D28	EA BEDSPREAD-DOUBLE, 54" - LEFT CUT CORNERS
	104585-02-D27	EA SHAM-PILLOW, W/FLANGE
	104585-02-D28	EA SHAM-PILLOW, W/FLANGE
	101123-03-000	EA MATTRESS-FOAM, 53" X 74" - W/CUT CORNER
	P01123-03-000	EA COVER-MATTRESS, FOAM, 53" X 74" - W/CUT CORNER

**FABRICS**

KEY	PART NUMBER	U/M DESCRIPTION
	072333-94-000	YD FABRIC-CURTAIN, 54" WIDE - TOAST
	103807-01-01A	YD FABRIC-VINYL, 54" WIDE - OFF WHITE
	087272-01-000	YD FABRIC-DRAPERY LINING, 48" WIDE - IVORY
	087272-03-000	YD FABRIC-DRAPERY LINING, 54" WIDE - IVORY
	088273-72-000	YD FABRIC-CURTAIN/BEDSPREAD, PLAIN - 54" WIDE - NAVY (D27)
	088273-66-000	YD FABRIC-CURTAIN/BEDSPREAD, PLAIN - 54" WIDE - LILAC (D28)
	105745-18-000	YD FABRIC-CURTAIN/BEDSPREAD, PATTERN - 54" WIDE - CREAM/GREEN/BLUE (D27)
	105745-19-000	YD FABRIC-CURTAIN/BEDSPREAD, PATTERN - 54" WIDE - CREAM/GREEN/BLUE (D28)
	104233-74-000	YD FABRIC-UPHOLSTERY, PLAIN VELOUR - 54" WIDE - BROWN (D27)
	104233-30-000	YD FABRIC-UPHOLSTERY, PLAIN VELOUR - 54" WIDE - TEAL (D28)
	104233-85-000	YD FABRIC-UPHOLSTERY, WEAVED PATTERN - 54" WIDE - PINK/GRAY/CREAM (D27)
	104233-83-000	YD FABRIC-UPHOLSTERY, PATTERN VELOUR - 54" WIDE - PINK/TEAL (D28)
	098008-82-000	YD FABRIC-UPHOLSTERY, STRIPPED WEAVE - 54" WIDE - BEIGE/GRAY/MULTI (D27)
	108448-11-000	YD FABRIC-UPHOLSTERY, WOVEN LINES - 54" WIDE - TEAL/BLACK (D28)
	104233-84-000	YD FABRIC-UPHOLSTERY, VELOUR - 54" WIDE - TEAL/MULTI-COLOR DASHES (D28)

**ASSIST HANDLE & SEATBELTS**

KEY	PART NUMBER	U/M DESCRIPTION
	079348-04-008	YD WELTING-FABRIC (D27)
	079348-04-D28	YD WELTING-FABRIC (D28)
	057534-01-000	EA TIEBACK/TIEDOWN-BED/CURTAIN/DOOR, 6" - CLEAR PLASTIC
	053552-02-AA8	EA HANDLE-ASSIST, INTERIOR - ENTRY DOOR - VINYL - OFF WHITE
	080178-02-000	EA BRACKET-MOUNTING, ASSIST HANDLE - L ANGLE - WHOLE
	000C16-07-168	EA BOLT-CARRIAGE, ASSIST HANDLE - 7/16" - 14 X 1" ZN
	000C20-07-008	EA NUT-ACORN, ASSIST HANDLE - 7/16" X 14 ZN
	057759-01-000	EA WASHER BRACKET-SEAT BELT, 4" DIAMETER
	007021-01-000	EA BELT-SEAT, 2" X 90" - BLACK

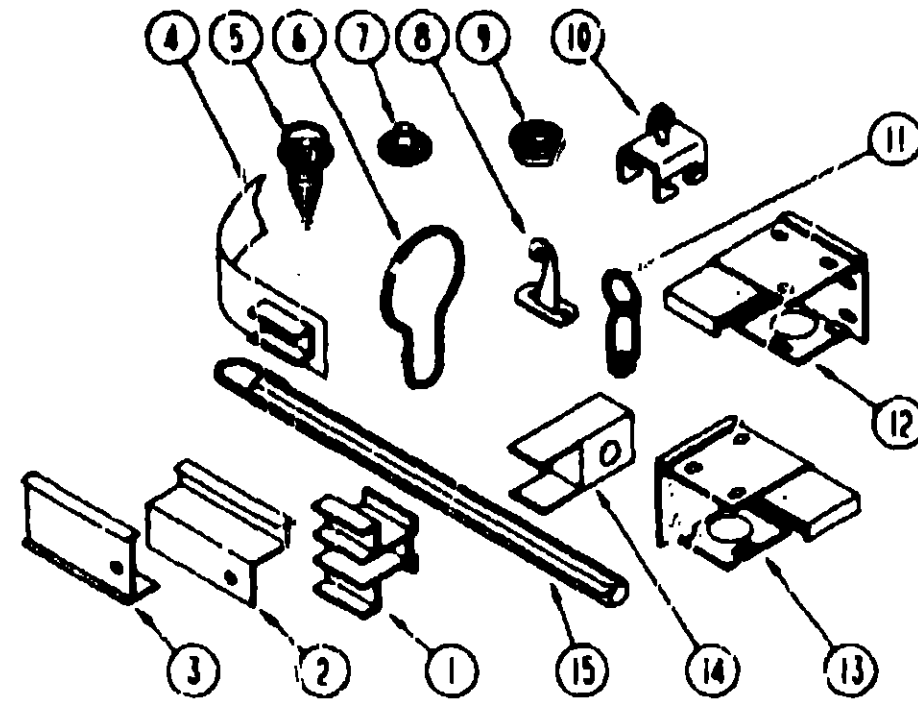
**1993 ITASCA TABLE OF CONTENTS**

INTRODUCTION	A-01 - A-02
ABBREVIATIONS	A-03
ALPHABETICAL INDEX	A-04 - A-08
IF427RC	A-07 - D-18
IF427RC	D-18 - H-08
IF428RC	H-09 - K-24

**1993 IF427RC INDEX**

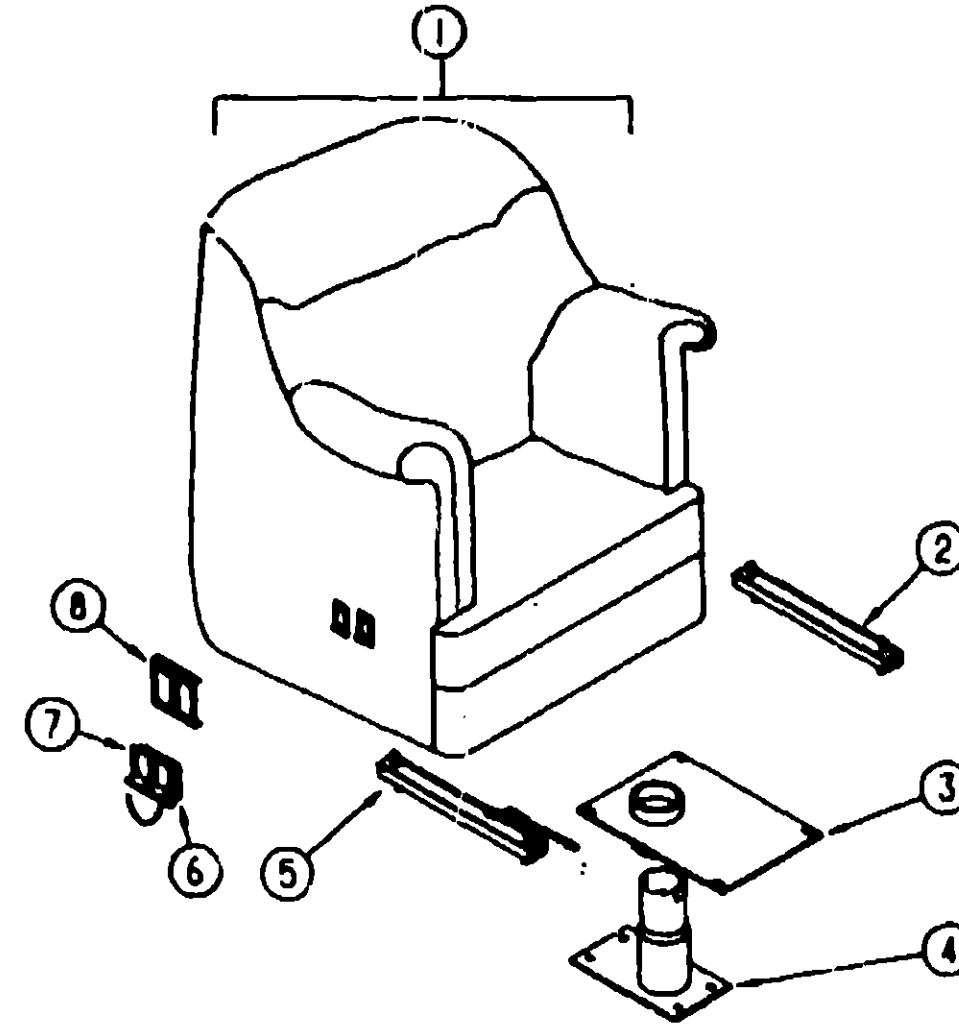
FLOOR PLAN	D-19 - D-20
ACCESSORIES	D-21
AUDIO VIDEO	D-22
BATH	D-23 - D-24
BEDROOM	E-01
CHASSIS	E-02 - E-06
CURTAIN & CUSHION	E-07 - E-16
DINETTE	E-17 - E-18
DRIVERS COMPARTMENT	E-19 - E-20
ELECTRICAL	E-21 - E-24
EXTERIOR BODY	F-01 - F-08
GALLEY	F-09 - F-12
GENERATOR	F-13
HEATING & A/C	F-14 - F-16
INTERIOR FINISH	F-17 - F-20
LABELS	F-21 - G-04
LP	G-05
LOUNGE	G-06 - G-07
SEALANTS & FASTENERS	G-08 - G-10
WATER & SEWAGE	G-11 - G-14
WINDOW, VENT AND EXTERIOR DOOR	G-15 - H-07

**CURTAIN & CUSHION GROUP (CONTINUED)**



**CURTAIN & BLIND HARDWARE**

**CURTAIN & CUSHION GROUP (CONTINUED)**



**SWIVEL CHAIR**

**1993 ITASCA  
TABLE OF CONTENTS**

INTRODUCTION	A-01 -	A-02
ABBREVIATIONS		A-03
ALPHABETICAL INDEX	A-04 -	A-08
IF427RO	A-07 -	D-18
IF427RC	D-19 -	H-08
IF428RO	H-09 -	K-24

**1993 IF427PC INDEX**

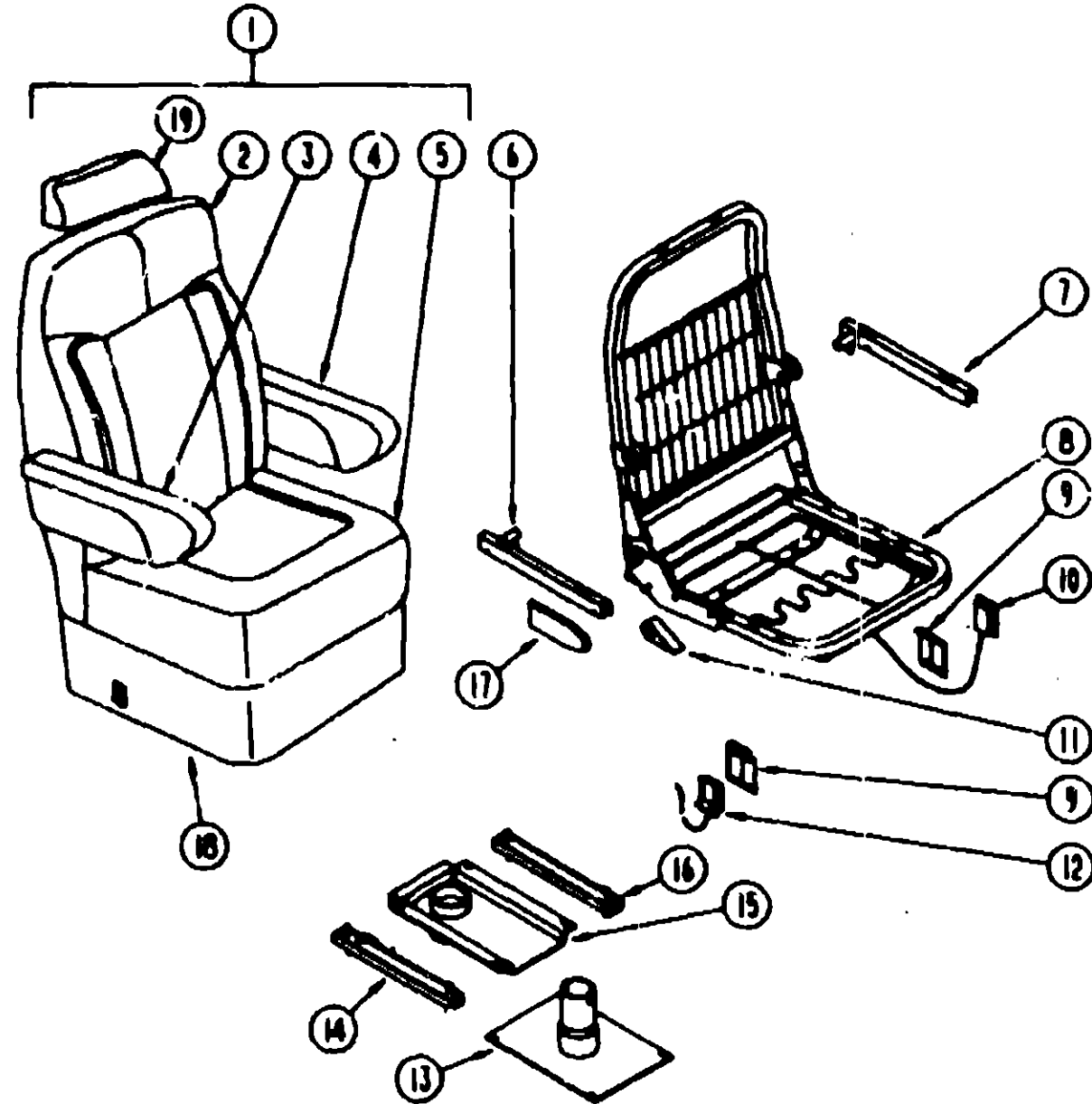
FLOOR PLAN	D-19 -	D-20
ACCESSORIES		D-21
AUDIO VIDEO		D-22
BATH	D-23 -	D-24
BEDROOM		E-01
CHASSIS	E-02 -	E-08
CURTAIN & CUSHION	E-07 -	E-16
DINETTE	E-17 -	E-18
DRIVER'S COMPARTMENT	E-19 -	E-20
ELECTRICAL	E-21 -	E-24
EXTERIOR BODY	F-01 -	F-08
GALLEY	F-09 -	F-12
GENERATOR		F-13
HEATING & A/C	F-14 -	F-16
INTERIOR FINISH	F-17 -	F-20
LABELS	F-21 -	G-04
LP		G-05
LOUNGE	G-06 -	G-07
SEALANTS & FASTENERS	G-08 -	G-10
WATER & SEWAGE	G-11 -	G-14
WINDOW, VENT AND EXTERIOR DOOR	G-15 -	H-07

KEY	PART NUMBER	U/M	DESCRIPTION
1	101033-03-000	FT	TRACK-WALL, WHITE - CT225 - SHAPCO
2	105450-04-01A	EA	TRACK-CURTAIN, 58" LONG - OFF WHITE
2	105450-06-01A	EA	TRACK-CURTAIN, 68" LONG - OFF WHITE
2	105450-07-01A	EA	TRACK-CURTAIN, 41.3" LONG - OFF WHITE
3	008700-04-001	EA	TRACK-CURTAIN, L-SHAPED - 192" LONG - OFF WHITE
3	082484-05-01A	EA	TRACK-CURTAIN, SHOWER - OFF WHITE
4	101031-01-300	YD	TAPE-GLIDE, CURTAIN - 4.25" SPACING
5	029130-01-000	EA	SCREW-SNAP SOCKET, 8 PH X 5/8"
6	008138-02-000	EA	HANGER-RING, PIN TYPE - CURTAIN - BRASS
7	029155-01-000	EA	CAP-SNAP, NICKEL
	085591-02-000	EA	BRACKET-HOLD DOWN, W/PIN - BLIND - METAL
			FROM: 00-00-00 THRU: 07-19-92
8	109441-01-000	EA	HOLD DOWN-BLIND, HOOK
			FROM: 07-20-92 THRU: 99-99-99
9	029156-01-000	EA	SOCKET-SNAP FASTENER, NICKEL
10	008702-01-000	EA	END STOP-CURTAIN CARRIER, L ROD
11	008701-01-000	EA	CARRIER-CURTAIN, L ROD
12	083170-01-000	EA	BRACKET-BLIND, RIGHT SIDE
13	083170-02-000	EA	BRACKET-BLIND, LEFT SIDE
14	101033-02-000	EA	END CAP-TRACK, CLEAR
15	083475-01-700	EA	WAND-BLIND, W/METAL CLIP - 8" LONG
	083475-01-701	EA	END CAP-BLIND, W/STUD
	048887-01-000	EA	GROMMET-BRASS, 7/16" ID X 1" OD
	048384-02-000	YD	VELCRO TAPE-HOOK, ADHESIVE BACK - .75" WIDE - BEIGE
	068716-01-001	EA	BRACE-90 DEGREE L-ANGLE, 182" - EXTRUDED ALUMINUM
	078943-01-000	EA	BRACE-ANGLE, W/HOLES - 1" X 1.5" X 20" - ALUMINUM - BEIGE
	078943-02-000	EA	BRACE-ANGLE, W/HOLES - 1" X 1.5" X 14" - ALUMINUM - BEIGE
	088782-01-000	YD	VELCRO-HOOK, .75" WIDE - BEIGE
	088782-02-000	YD	VELCRO TAPE-LOOP, ADHESIVE BACKED - .75" WIDE - BEIGE

KEY	PART NUMBER	U/M	DESCRIPTION
1	107957-01-D27	EA	CHAIR-SWIVEL, W/O PEDESTAL & SKIRT
1	107957-01-D28	EA	CHAIR-SWIVEL, W/O PEDESTAL & SKIRT
	P07957-01-D27	EA	COVER-CHAIR, SWIVEL
	P07957-01-D28	EA	COVER-CHAIR, SWIVEL
2	069246-06-000	EA	ADJUSTER-SWIVEL CHAIR, MANUAL - FORWARD & BACK
3	107921-08-000	EA	TOP PLATE-W/O SEAT BELT BAR - FLEXSTEEL 2750PDP
	107921-08-000	EA	BEARING KIT, FLEXSTEEL
4	083481-02-000	EA	BASE-PEDESTAL, W/10" EXTENSION
			FROM: 00-00-00 THRU: 08-23-92
4	107921-01-000	EA	BASE-PEDESTAL, W/9.75" EXTENSION - FLEXSTEEL 3080 MSPD
			FROM: 08-24-92 THRU: 99-99-99
	093482-01-000	EA	SHROUD-PEDESTAL, 13" - PLASTIC - BLACK
			FROM: 00-00-00 THRU: 08-23-92
5	089246-08-000	EA	ADJUSTER-SWIVEL CHAIR, FORWARD & BACK - SCHROCK
	089246-05-700	EA	SPRING-REMOTE SLIDE ADJUSTER, 9ST-TS-102-5
	089246-05-701	EA	CLIP ONLY-CABLE ASM., SLIDE ADJUSTER
6	108049-01-000	EA	CABLE-SWIVEL, W/SWITCH, 28" - FLEXSTEEL PED 23502
	108049-02-000	EA	CLIP-CABLE, PEDESTAL - FLEXSTEEL 2592-CA
7	089388-04-000	EA	CABLE-SLIDE, W/SWITCH - BUCKET SEAT
8	087683-02-000	EA	BRACKET-MOUNT, REMOTE
	107977-01-D27	EA	SKIRT-CHAIR, SWIVEL
	107977-01-D28	EA	SKIRT-CHAIR, SWIVEL
	007221-01-000	EA	SPACER-SEAT, ADJUSTER - 4 USED PER SWIVEL CHAIR

**CURTAIN & CUSHION GROUP (CONTINUED)**

**BUCKET SEATS**



**1993 ITASCA  
TABLE OF CONTENTS**

INTRODUCTION	A-01 -	A-02
ABBREVIATIONS		A-03
ALPHABETICAL INDEX	A-04 -	A-08
IF427RO	A-07 -	D-18
IF427RC	D-19 -	H-08
IF426FIQ	H-09 -	K-24

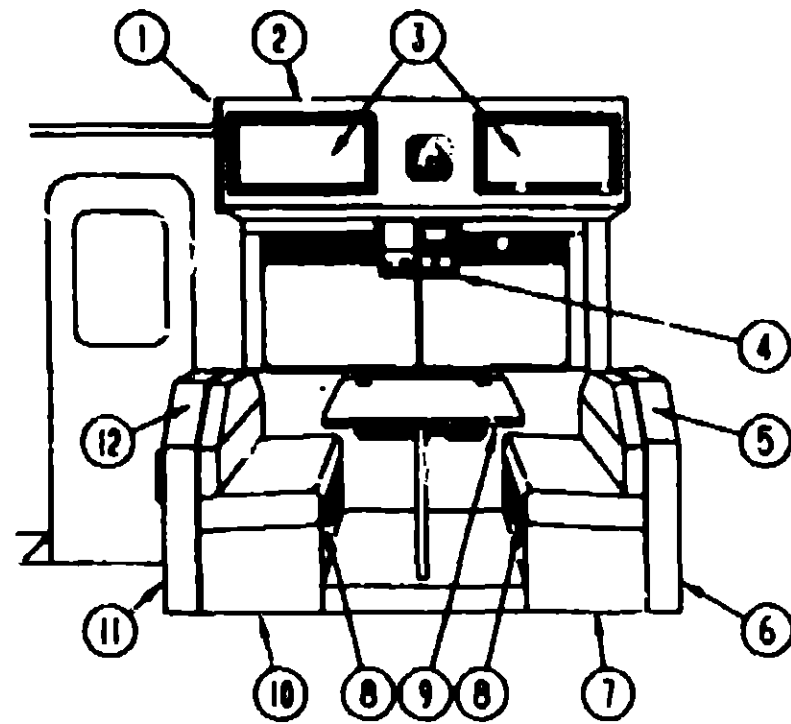
KEY	PART NUMBER	U/M DESCRIPTION
3	080243-49-D27	EA ARMREST-RIGHT SIDE, BUCKET SEAT
3	080243-49-D28	EA ARMREST-RIGHT SIDE, BUCKET SEAT
	M80243-49-D27	EA COVER-ARMREST, RIGHT SIDE
	M80243-49-D28	EA COVER-ARMREST, RIGHT SIDE
4	080243-50-D27	EA ARMREST-LEFT SIDE, BUCKET SEAT
4	080243-50-D28	EA ARMREST-LEFT SIDE, BUCKET SEAT
	M80243-50-D27	EA COVER-ARMREST, LEFT SIDE
	M80243-50-D28	EA COVER-ARMREST, LEFT SIDE
5	M03445-87-D27	EA COVER-SEAT, BUCKET SEAT
5	M03445-87-D28	EA COVER-SEAT, BUCKET SEAT
6	081288-01-000	EA ROD & CHANNEL-ARMREST- RIGHT - METAL
7	081288-02-000	EA ROD & CHANNEL-ARMREST- LEFT - METAL
	081351-01-000	EA ROD-ARMREST- METAL - RIGHT OR LEFT HAND
8	M80908-08-000	EA FRAME-SEAT & BACK & SPRING
8	M80908-05-000	EA FRAME-SEAT & BACK & SPRING - RECLINING
9	097883-03-000	EA BRACKET-REMOTE- SIDE MOUNT - SINGLE
10	089388-04-000	EA SWITCH & CABLE-SLIDE, SHROCK
	101125-01-000	EA RECLINER-SEAT BACK, LEFT HAND REMOTE
		FROM: 00-00-00 THRU: 08-21-92
	080730-02-000	EA RECLINER-SEAT BACK, LEFT HAND
		FROM: 08-22-92 THRU: 99-99-99
11	080730-03-700	EA HANDLE KIT-RECLINER
	080730-04-000	EA SCREW-RECLINER, HANDLE - KEIPER 300618-07
12	108049-01-000	EA SWITCH & C/ABLE-SWIVEL 28" - FLEXSTEEL PED 23602
	108049-02-000	EA CLIP-CABLE, PEDESTAL - FLEXSTEEL 2592-CA
13	089585-41-000	EA PLATE-BASE
		FROM: 00-00-00 THRU: 02-21-93
	089585-03-000	EA PEDESTAL-LOWER, W/EXTENSION - 8" X 5" - STEEL
		MOUNTS BETWEEN UPPER PEDESTAL AND BASEPLATE
		FROM: 00-00-00 THRU: 02-21-93
13	107921-09-000	EA PEDESTAL-SEAT, FORD - W/BASE PLATE, EXTENSION & TOP PLATE
		FLEXSTEEL 3067-PDM/3
		FROM: 02-22-93 THRU: 99-99-99
14	069246-05-000	EA ADJUSTER-SEAT/CHAIR- W/REMOTE - FORWARD & BACK
	069246-05-700	EA SPRING-ADJUSTER- FOR REMOTE
	069246-05-701	EA CLIP-CABLE- FOR REMOTE
15	093481-04-000	EA TOP PLATE-PEDESTAL, BUCKET SEAT - W/O SEATBELT BAR
		FROM: 00-00-00 THRU: 02-21-93
15	107921-08-000	EA TOP PLATE-PEDESTAL, BUCKET SEAT - W/O SEATBELT BAR
		FROM: 02-22-93 THRU: 99-99-99
	107921-06-000	EA KIT-BEARING, FLEXSTEEL
		FROM: 02-22-93 THRU: 99-99-99
16	069246-02-000	EA ADJUSTER-SEAT/CHAIR- W/O LOCK - FORWARD & BACK
17	089389-08-000	EA SHIELD-CABLE, REMOTE RECLINER - BUCKET SEAT
18	071126-37-D27	EA SKIRT-BUCKET SEAT, 7" SINGLE
18	071126-37-D28	EA SKIRT-BUCKET SEAT, 7" SINGLE
19	085288-01-D09	EA HEADREST-BUCKET SEAT (D27)
19	085288-01-D35	EA HEADREST-BUCKET SEAT (D28)
	M85288-01-D09	EA COVER-HEADREST, BUCKET SEAT (D27)
	M85288-01-D35	EA COVER-HEADREST, BUCKET SEAT (D28)
19	085288-03-D09	EA HEADREST-BUCKET SEAT - RECLINING SEAT - MONOGRAM (D27)
19	085288-03-D28	EA HEADREST-BUCKET SEAT - RECLINING SEAT - MONOGRAM (D28)
	M85288-03-D09	EA COVER-HEADREST, BUCKET SEAT - RECLINING SEAT - MONOGRAM (D27)
	M85288-03-D28	EA COVER-HEADREST, BUCKET SEAT - RECLINING SEAT - MONOGRAM (D28)
	081172-01-000	EA TRIM-HEADREST, PLASTIC - BLACK
	091313-01-000	EA GROMMET-HEADREST

**1993 IF427RC INDEX**

FLOOR PLAN	D-19 -	D-20
ACCESSORIES		D-21
AUDIO VIDEO		D-22
BATH	D-23 -	D-24
BEDROOM		E-01
CHASSIS	E-02 -	E-05
CURTAIN & CUSHION	E-07 -	E-16
DINETTE	E-17 -	E-18
DRIVERS COMPARTMENT	E-19 -	E-20
ELECTRICAL	E-21 -	E-24
EXTERIOR BODY	F-01 -	F-08
GALLEY	F-09 -	F-12
GENERATOR		F-13
HEATING & A/C	F-14 -	F-16
INTERIOR FINISH	F-17 -	F-20
LABELS	F-21 -	G-04
LP		G-05
LOUNGE	G-06 -	G-07
SEALANTS & FASTENERS	G-08 -	G-10
WATER & SEWAGE	G-11 -	G-14
WINDOW, VENT AND EXTERIOR DOOR	G-15 -	H-07

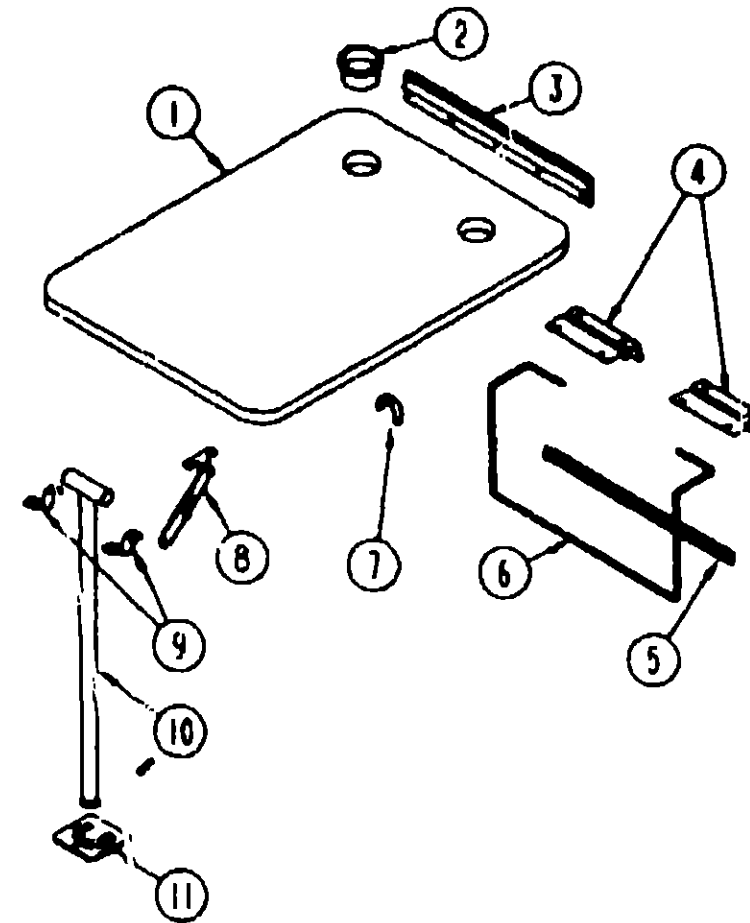
KEY	PART NUMBER	U/M DESCRIPTION
1	083450-37-D27	EA SEAT-BUCKET, W/O PEDESTALS & SKIRTS
1	083450-37-D28	EA SEAT-BUCKET, W/O PEDESTALS & SKIRTS
1	083450-31-D27	EA SEAT-BUCKET, W/O PEDESTALS & SKIRTS (RECLINING OPTION)
		FROM: 00-00-00 THRU: 06-21-92
1	083450-31-D28	EA SEAT-BUCKET, W/O PEDESTALS & SKIRTS (RECLINING OPTION)
		FROM: 00-00-00 THRU: 06-21-92
1	083450-42-D27	EA SEAT-BUCKET, W/O PEDESTALS & SKIRTS (RECLINING OPTION)
		FROM: 06-22-92 THRU: 99-99-99
1	083450-42-D28	EA SEAT-BUCKET, W/O PEDESTALS & SKIRTS (RECLINING OPTION)
		FROM: 06-22-92 THRU: 99-99-99
2	M03445-88-D27	EA COVER-BACK, BUCKET SEAT
2	M03445-88-D28	EA COVER-BACK, BUCKET SEAT

## DINETTE GROUP



CABINETS & TABLE

## DINETTE GROUP (CONTINUED)



DINETTE TABLE & HARDWARE

## 1993 ITASCA TABLE OF CONTENTS

INTRODUCTION	A-01 - A-02
ABBREVIATIONS	A-03
ALPHABETICAL INDEX	A-04 - A-08
IF427RO	A-07 - D-18
IF427RC	D-19 - H-08
IF428RO	H-09 - K-24

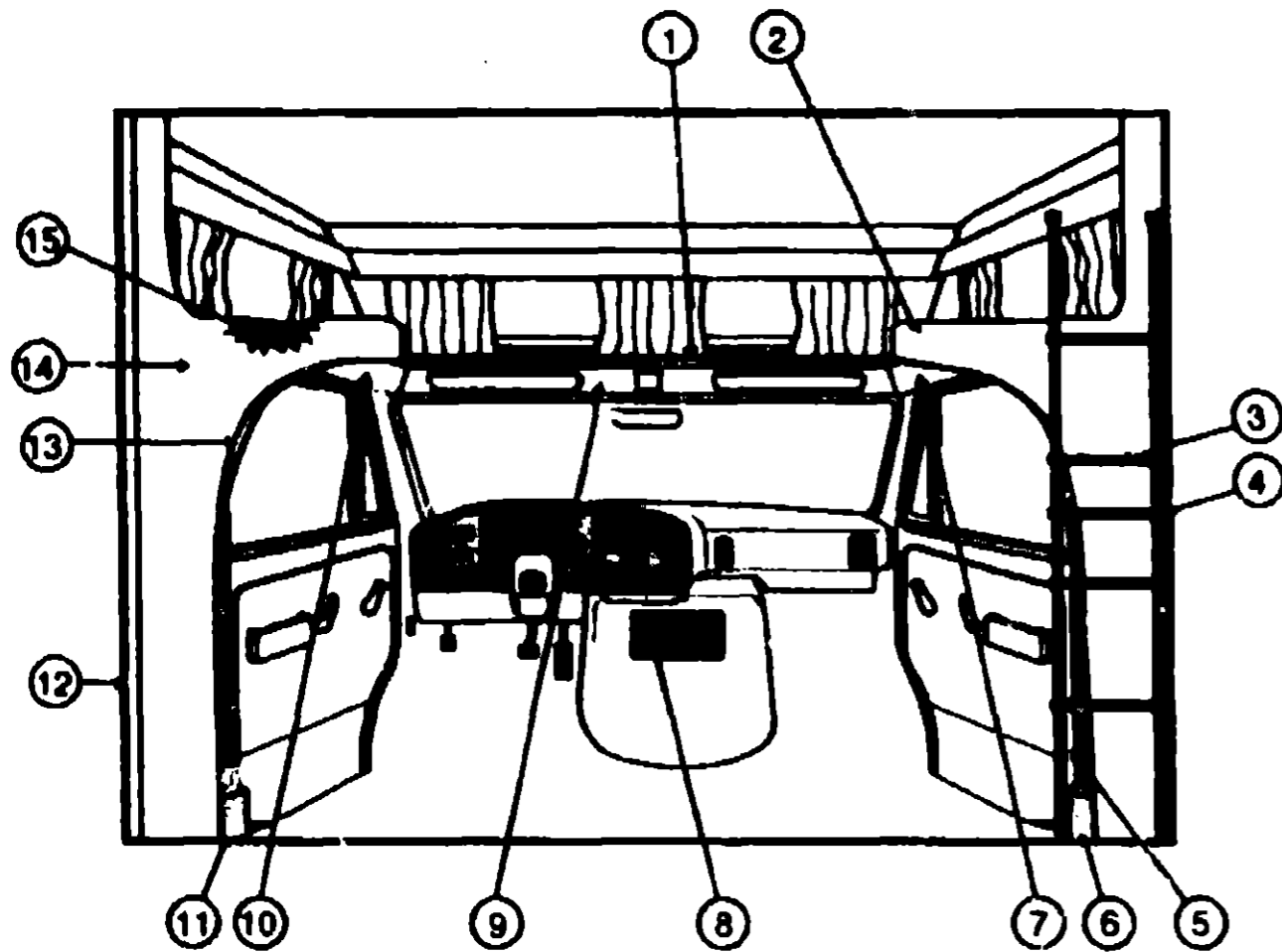
## 1993 IF427RC INDEX

FLOOR PLAN	D-19 - D-20
ACCESSORIES	D-21
AUDIO VIDEO	D-22
BATH	D-23 - D-24
BEDROOM	E-01
CHASSIS	E-02 - E-06
CURTAIN & CUSHION	E-07 - E-16
DINETTE	E-17 - E-18
DRIVERS COMPARTMENT	E-19 - E-20
ELECTRICAL	E-21 - E-24
EXTERIOR BODY	F-01 - F-08
GALLEY	F-09 - F-12
GENERATOR	F-13
HEATING & A/C	F-14 - F-16
INTERIOR FINISH	F-17 - F-20
LABELS	F-21 - G-04
LP	G-05
LOUNGE	G-06 - G-07
SEALANTS & FASTENERS	G-08 - G-10
WATER & SEWAGE	G-11 - G-14
WINDOW, VENT AND EXTERIOR DOOR	G-15 - H-07

KEY	PART NUMBER	U/M	DESCRIPTION
1	104335-07-CS2	EA	END CAP-CABINET, OVERHEAD FROM: 00-00-00 THRU: 11-22-92
1	104335-07-C03	EA	END CAP-CABINET, OVERHEAD FROM: 11-23-92 THRU: 99-99-99
2	M05778-17-D27	EA	CABINET-OVERHEAD, DINETTE - W/O DOORS & HARDWARE FROM: 00-00-00 THRU: 11-22-92
2	M05778-63-D27	EA	CABINET-OVERHEAD, DINETTE - W/O DOORS & HARDWARE FROM: 11-23-92 THRU: 99-99-99
2	M05778-17-D28	EA	CABINET-OVERHEAD, DINETTE - W/O DOORS & HARDWARE FROM: 00-00-00 THRU: 11-22-92
2	M05778-63-D28	EA	CABINET-OVERHEAD, DINETTE - W/O DOORS & HARDWARE FROM: 11-23-92 THRU: 99-99-99
3	P05223-42-D04	EA	DOOR-CABINET, W/O HARDWARE - 400 X 710MM FROM: 00-00-00 THRU: 11-22-92
3	P05223-70-D04	EA	DOOR-CABINET, W/O HARDWARE - 290 X 715MM FROM: 11-23-92 THRU: 99-99-99
4	103789-01-02A	EA	MAKER-COFFEE, GRAY - W/GLASS POT
	104610-01-000	EA	STRAP ASM-COFFEE MAKER
5	104787-01-C09	EA	PAD-BACKREST (D27)
5	104787-01-D11	EA	PAD-BACKREST (D28)
6	M04174-21-CS2	EA	CABINET-BACKREST, RIGHT
7	M04175-21-CS2	EA	CABINET-SEATBASE, RIGHT
	103588-11-C27	EA	TOP-SEAT
8	081205-01-AAB	EA	SUPPORT-BED, DINETTE
9	M81299-08-D05	EA	TABLE-DINETTE, W/O HARDWARE (D27)
9	M81299-08-D04	EA	TABLE-DINETTE, W/O HARDWARE (D28)
10	M04175-22-CS2	EA	CABINET-SEATBASE, LEFT
	103588-11-C27	EA	TOP-SEAT
11	M04174-22-CS2	EA	CABINET-BACKREST, LEFT
12	104787-02-D27	EA	PAD-BACKREST
12	104787-02-C28	EA	PAD-BACKREST

KEY	PART NUMBER	U/M	DESCRIPTION
1	M81299-08-D05	EA	TABLE-DINETTE, W/O HARDWARE (D27)
1	M81299-08-D04	EA	TABLE-DINETTE, W/O HARDWARE (D28)
2	064791-06-000	EA	HOLDER-CUP, TWO STEP - OFF WHITE
3	053200-13-000	EA	BRACKET-TABLE SUPPORT, UPPER WALL MOUNTED - 18.5" - OFF WHITE
4	088410-02-000	EA	BRACKET-LIFT, TABLE MOUNTED - OFF WHITE
5	024281-15-000	EA	BRACKET-LIFT ROD, LOWER WALL MOUNTED - 17.12" - OFF WHITE
6	024275-13-000	EA	ROD-TABLE LIFT, 8" X 18.5" - OFF WHITE
7	024283-01-000	EA	CLIP-LEG, 1" - 1.125" OD - BLACK
8	024282-01-000	EA	BRACE-TABLE LEG, HINGED
9	064050-05-000	EA	CLAMP-SADDLE, LEG HINGE - OFF WHITE
10	024276-23-000	EA	LEG-TABLE, METAL - OFF WHITE
11	049493-11-700	EA	CATCH-LEG-FLOOR MOUNTED - 2.5" X 2.7" - METAL - E-COAT

**DRIVERS COMPARTMENT**



**DRIVERS COMPARTMENT**

KEY	PART NUMBER	U/M DESCRIPTION
1	106444-01-01A	EA TRIM-SLEEPERBOARD, INNER - OFF WHITE FROM: 00-00-00 THRU: 09-05-92
1	079800-07-000	EA TRIM-SLEEPERBOARD, INNER - OFF WHITE FROM: 09-06-92 THRU: 99-99-99
1	080742-03-000	FT TRIM-VINYL, SLEEPER BOARD - OFF WHITE
2	106440-03-D27	EA WINGWALL ASM-INNER, RIGHT FROM: 00-00-00 THRU: 09-05-92
2	106440-03-D28	EA WINGWALL ASM-INNER, RIGHT FROM: 00-00-00 THRU: 09-05-92
2	109803-01-D27	EA WINGWALL ASM-INNER, UPPER FROM: 09-06-92 THRU: 99-99-99
2	109803-01-D28	EA WINGWALL ASM-INNER, UPPER FROM: 09-06-92 THRU: 99-99-99
2	109805-03-D27	EA WINGWALL ASM-INNER, RIGHT LOWER FROM: 09-06-92 THRU: 99-99-99
2	109805-03-D28	EA WINGWALL ASM-INNER, RIGHT LOWER FROM: 09-06-92 THRU: 99-99-99
	106445-01-C52	EA TRIM ASM-WINGWALL WRAP, RIGHT - BETWEEN CAB STEEL & B PILLAR TRIM
	109804-01-D27	EA CAP-SLEEPERBOARD, DRIVER/PASSENGER SIDE - 80 X 596MM FROM: 09-06-92 THRU: 99-99-99
	109804-01-D28	EA CAP-SLEEPERBOARD, DRIVER/PASSENGER SIDE - 80 X 596MM FROM: 09-06-92 THRU: 99-99-99

**DRIVERS COMPARTMENT (CONTINUED)**

**DRIVERS COMPARTMENT (CONTINUED)**

KEY	PART NUMBER	U/M DESCRIPTION
3	108025-02-01A	EA LADDER-BUNK, BLACK - 1434 MM
	108025-01-700	EA BRACKET SET FOR BUNK LADDER
4	099858-03-000	EA STRAP ASM-TIEDOWN, BUNK LADDER
5	108448-01-C52	EA TRIM ASM-CAB, B-PILLAR - RIGHT
6	108431-01-01A	EA COVER-SEATBELT RECOIL, RIGHT - OFF WHITE
7	108447-01-C52	EA TRIM ASM-CAB DOOR, UPPER - RIGHT
8	108889-01-D04	EA TRAY-BEVERAGE, OAK
9	108448-01-C52	EA HEADLINER-VINYL COVERED, FRONT - OFF WHITE
10	108447-02-C52	EA TRIM ASM-CAB DOOR, UPPER - LEFT
11	108431-02-01A	EA COVER-SEATBELT RECOIL, LEFT - OFF WHITE
12	082081-20-C03	EA COVER-WINGWALL, 2002MM LONG - VINYL - OFF WHITE
13	108448-02-C52	EA TRIM ASM-CAB, B-PILLAR - RIGHT
14	108440-04-D27	EA WINGWALL ASM-INNER, LEFT FROM: 00-00-00 THRU: 09-05-92
14	108440-04-D28	EA WINGWALL ASM-INNER, LEFT FROM: 00-00-00 THRU: 09-05-92
14	109803-01-D27	EA WINGWALL ASM-INNER, UPPER FROM: 09-06-92 THRU: 99-99-99
14	109803-01-D28	EA WINGWALL ASM-INNER, UPPER FROM: 09-06-92 THRU: 99-99-99
14	109805-04-D27	EA WINGWALL ASM-INNER, RIGHT FROM: 09-06-92 THRU: 99-99-99
14	109805-04-D28	EA WINGWALL ASM-INNER, RIGHT FROM: 09-06-92 THRU: 99-99-99
	106445-02-C52	EA TRIM ASM-WINGWALL WRAP, LEFT - BETWEEN CAB STEEL & B PILLAR TRIM
15	109894-01-D27	EA CABINET-HAMPER, FRONT FROM: 09-06-92 THRU: 99-99-99
15	109894-01-D28	EA CABINET-HAMPER, FRONT FROM: 09-06-92 THRU: 99-99-99

**INSTRUMENT CLUSTERS**

KEY	PART NUMBER	U/M DESCRIPTION
	094795-03-000	EA CLUSTER-INSTRUMENT PANEL, KILOMETER - FORD F2UF108498F FROM: 00-00-00 THRU: 01-31-93
	094795-04-000	EA CLUSTER-INSTRUMENT PANEL, KILOMETER - FORD 93 E350 FROM: 02-01-93 THRU: 99-99-99
	094795-01-000	EA SPEEDOMETER-KILOMETER (FORD)
	081082-C1-000	EA PLAQUE-MOUNTING, BATTERY/FUEL SWITCH - 2.4" X 1.4" - BLK (FORD)
	100138-01-000	EA MODULE-DAYTIME RUNNING LIGHT
	024461-01-000	EA SWITCH-BATTERY, BATT/DUAL/MOM

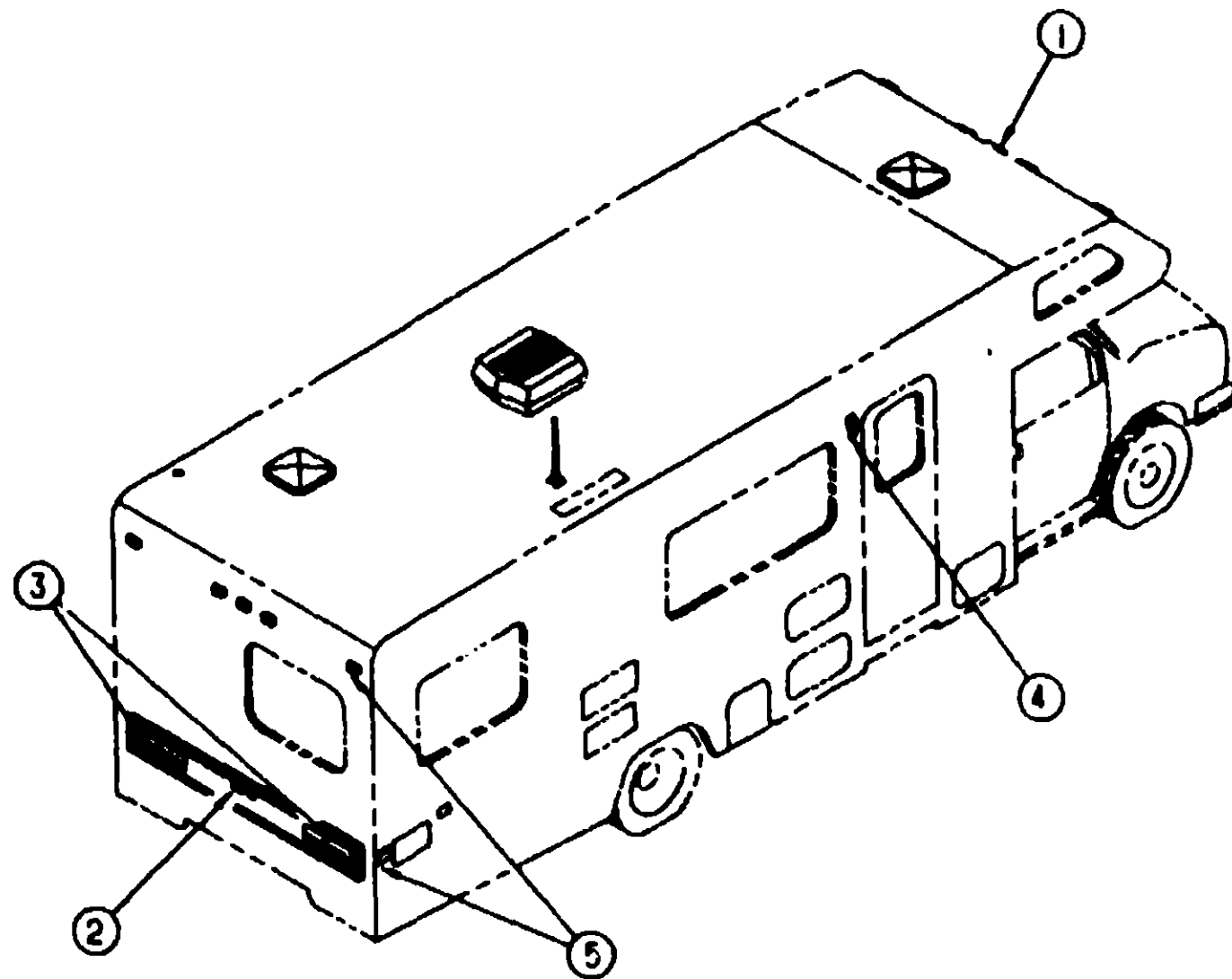
**1993 ITASCA  
TABLE OF CONTENTS**

INTRODUCTION	A-01 - A-02
ABBREVIATIONS	A-03
ALPHABETICAL INDEX	A-04 - A-08
IF427RO	A-07 - D-18
IF427RC	D-19 - H-08
IF428RO	H-09 - K-24

**1993 IF427RC INDEX**

FLOOR PLAN	D-19 - D-20
ACCESSORIES	D-21
AUDIO VIDEO	D-22
BATH	D-23 - D-24
BEDROOM	E-01
CHASSIS	E-02 - E-08
CURTAIN & CUSHION	E-07 - E-16
DINETTE	E-17 - E-18
DRIVERS COMPARTMENT	E-19 - E-20
ELECTRICAL	E-21 - E-24
EXTERIOR BODY	F-01 - F-08
GALLEY	F-09 - F-12
GENERATOR	F-13
HEATING & AC	F-14 - F-16
INTERIOR FINISH	F-17 - F-20
LABELS	F-21 - G-04
LP	G-05
LOUNGE	G-06 - G-07
SEALANTS & FASTENERS	G-08 - G-10
WATER & SEWAGE	G-11 - G-14
WINDOW, VENT AND EXTERIOR DOOR	G-15 - H-07

## ELECTRICAL GROUP



EXTERIOR LIGHTS

KEY	PART NUMBER	U/M DESCRIPTION
1	091983-01-000	EA GASKET-CLEARANCE/SIDEMARKER LIGHT
1	042405-02-000	EA LENS-CLEARANCE/SIDEMARKER LIGHT, W/REFLEX - AMBER
1	042405-03-000	EA BASE-CLEARANCE/SIDEMARKER LIGHT, W/BULB - PLASTIC - WHITE
1	111102-01-000	EA BASE-CLEARANCE/SIDEMARKER LIGHT, W/BULB - PLASTIC FROM: 00-00-00 THRU: 05-16-93 FROM: 05-17-93 THRU: 99-99-99
2	008213-01-000	EA BULB-12 V, NO. 57 - .24 AMP
2	086432-01-000	EA LIGHT-LICENSE PLATE, W/BRACKET
2	086432-03-000	EA BRACKET-LIGHT, LICENSE PLATE
3	081638-01-000	EA TAILLIGHT-DOUBLE, W/BLACK TRIM - DRIVER & PASS SIDE
3	037934-01-000	EA BULB# 1156 (BACK UP & TURN SIGNAL)
3	037935-01-000	EA BULB# 2067 OR 1157 (BRAKE LIGHT)
3	081638-01-700	EA LENS-TAILLIGHT, RED
3	081638-01-701	EA LENS-TAILLIGHT, W/BACKUP
4	103355-01-01A	EA POD-TAILLIGHT, OFF WHITE
4	097917-01-01A	EA LIGHT-PORCH, ENTRY DOOR - OFF WHITE
4	008215-01-000	EA BULB-12V-#1003, .94 AMP
4	097917-01-700	EA LENS-LIGHT, PORCH
5	091983-01-000	EA GASKET-CLEARANCE/SIDEMARKER LIGHT
5	042405-01-000	EA LENS-CLEARANCE/SIDEMARKER LIGHT, W/REFLEX - RED
5	042405-03-000	EA BASE-CLEARANCE/SIDEMARKER LIGHT, W/BULB - PLASTIC - WHITE
5	008213-01-000	EA BULB-12 V, NO. 57 - .24 AMP

## ELECTRICAL GROUP (CONTINUED)

### INTERIOR LIGHTS

KEY	PART NUMBER	U/M DESCRIPTION
	081424-01-000	EA LIGHT-aisle, 12V - RECTANGULAR
	008103-01-000	EA BULB-DASH/AISLE LIGHT, #53 - 12 V - 12 AMP
	098024-01-01A	EA LIGHT-DOME, 1 BULB - US - IVORY
	008218-01-000	EA BULB-DOME LIGHT 12V - NUMBER 1141
	098024-01-700	EA LENS-DOME LIGHT
	098024-01-01A	EA LIGHT-DOME, 2 BULB - IVORY
	008218-01-000	EA BULB-DOME LIGHT, 12V - NUMBER 1141
	098024-01-700	EA LENS-DOME LIGHT

### SWITCHES & RECEPTACLES

KEY	PART NUMBER	U/M DESCRIPTION
	075723-01-000	EA BLOCK-SWITCH, SPACER W/O HOLE
	097734-01-01A	EA EXTENSION-RECEPTACLE, 3.2" X 5" X .7" - PLASTIC - IVORY
	097734-01-02A	EA EXTENSION-RECEPTACLE, 3.2" X 5" X .7" - PLASTIC - BROWN
	075736-02-000	EA COVER-EXTERIOR RECEPTACLE, OFF WHITE
	007940-01-000	EA RECEPTACLE-SLIDE, 18 TO 12 AWG - FEMALE END
	024824-02-000	EA RECEPTACLE-POWER CORD, W/PARTIAL PLATE
	058707-01-000	EA RECEPTACLE-ELECTRIC, SINGLE - BROWN
	058708-01-000	EA RECEPTACLE-ELECTRIC, DOUBLE - BROWN
	058708-02-000	EA RECEPTACLE-ELECTRIC, DOUBLE - IVORY
	080015-02-000	EA RECEPTACLE-FLAG, 1R5 - 18/14 GA - AMP 3
	080015-03-000	EA RECEPTACLE-FLAG, 250 - 14/16 GA
	084076-01-000	EA RECEPTACLE-GFI, 15A - 125V - IVORY
	084076-02-000	EA RECEPTACLE-GFI, 15A - 125V - BROWN
	095188-01-01A	EA SPACER-SWITCH, 2.3" X 3.4" - PLASTIC - DARK BROWN
	102568-01-832	EA SPACER-RECEPTACLE, BETWEEN SIDEWALL & PLATE - WOOD
	079364-01-000	EA SWITCH-ON/OFF ROCKER, 2 PRONGS - BROWN
	079364-03-000	EA SWITCH-ON/OFF ROCKER, 3 PRONGS - BROWN
	108355-01-000	EA HOUSING-SWITCH, CARLING VCH
	108357-08-000	EA SWITCH-ROCKER, DPDT ON/NO/E/ON - VDD1S00C-0
	108356-02-01A	EA ACTUATOR-SWITCH, DIMPLE II - CARLING VVAZC00 BLA
	084077-01-000	EA PLATE-COVER, RECEPTACLE - GFI - IVORY
	098351-01-01A	EA PLATE-SWITCH, 1 GANG - POLISHED BRASS
	098351-06-01A	EA PLATE-SWITCH, 2 GANG W/LABEL - JENSEN - POLISHED BRASS

### POWER CONVERTER

KEY	PART NUMBER	U/M DESCRIPTION
	083208-01-000	EA CONVERTER-POWER, 32A - 120V/12V - BW 6332

### WIRING ASSEMBLIES

KEY	PART NUMBER	U/M DESCRIPTION
	103328-08-000	EA WIRE ASM-PUMP, EXTERIOR SHOWER
	108851-01-000	EA WIRE ASM-DAYTIME RUNNING LIGHTS, W/FUSE

## 1993 ITASCA TABLE OF CONTENTS

INTRODUCTION	A-01 -	A-02
ABBREVIATIONS		A-03
ALPHABETICAL INDEX	A-04 -	A-08
IF427RO	A-07 -	D-1E
IF427RC	D-1D -	H-08
IF428RO	H-09 -	K-24

## 1993 IF427RC INDEX

FLOOR PLAN	D-19 -	D-20
ACCESSORIES		D-21
AUDIO VIDEO		D-22
BATH	D-23 -	D-24
BEDROOM		E-01
CHASSIS	E-02 -	E-06
CURTAIN & CUSHION	E-07 -	F-16
DINETTE	F-17 -	E-18
DRIVERS COMPARTMENT	E-19 -	E-20
ELECTRICAL	E-21 -	E-24
EXTERIOR BODY	F-01 -	F-08
GALLEY	F-09 -	F-12
GENERATOR		F-13
HEATING & A/C	F-14 -	F-16
INTERIOR FINISH	F-17 -	F-20
LABELS	F-21 -	G-04
LP		G-05
LOUNGE	G-06 -	G-07
SEALANTS & FASTENERS	G-08 -	G-10
WATER & SEWAGE	G-11 -	G-14
WINDOW, VENT AND EXTERIOR DOOR	G-15 -	H-07

**ELECTRICAL GROUP (CONTINUED)**

**FUSES & CIRCUIT BREAKERS**

KEY	PART NUMBER	U/M	DESCRIPTION
	082801-02-000	EA	FUSE-5 AMP-AUTOMOTIVE
	082801-05-000	EA	FUSE-15 AMP-AUTOMOTIVE
	082835-01-000	EA	FUSE-15 AMP-AUTOMOTIVE-12V
	100341-C1-000	EA	FUSE HOLDER-IN LINE TYPE
	107185-01-01A	EA	BOX-CIRCUIT BREAKER MOUNT-BLACK
	083854-01-000	EA	BREAKER-CIRCUIT, 6 AMP - HOUSE CONTROL PANEL
	083209-01-000	EA	BREAKER-CIRCUIT, 15 AMP - 120V - BW G-15(CANADIAN)
	083209-03-000	EA	BREAKER-CIRCUIT, 15/20AMP - 120V - BW - 0-15/20
	083209-04-000	EA	BREAKER-CIRCUIT, 30A, 120V - BW L-30
	083209-05-000	EA	BREAKER-CIRCUIT, 20A - 120V - BW J-20
	083209-06-000	EA	BREAKER-CIRCUIT, 30/15 AMP - 120V - BW D-30/15
	083855-02-000	EA	BREAKER-CIRCUIT, 30 AMP - HOUSE CONTROL PANEL

**ELECTRIC BOXES, COVERS & POWER CORDS**

KEY	PART NUMBER	U/M	DESCRIPTION
	008288-01-000	EA	BOX-PLASTIC ELECTRIC, 3.94" X 3.13" X 1.81"
	008289-01-000	EA	BOX-ELECTRIC, STEEL - 1/2" AND 3/4" KNOCKOUTS - 4" X 4"
	007289-02-000	EA	BOX-ELECTRICAL, 4" X 4" - 1/2" & 3/4" KNOCKOUTS - CANADIAN
	058048-01-000	EA	BOX-ELECTRIC SWITCH, 2" X 3" X 2.25"
	091810-01-000	EA	BOX-ELECTRIC, 3.75" X 3.5" X 1.75" - PLASTIC
	091810-02-000	EA	BOX-ELECTRIC, 57 X 88MM - PLASTIC
	083803-01-000	EA	BOX-ELECTRIC, STEEL - 4" X 2 1/8" X 2 1/8"
	073828-04-000	EA	COVER-ELECTRIC, 10.4" X 7.8" - PLASTIC - BEIGE
	087949-01-000	EA	BUSS BAR-2 POSITION, .6" X 1.5" - ALUMINUM
	008054-01-000	EA	CORD-POWER, 10/3 - 30 AMP - 25'
	008052-01-000	EA	CORD-POWER, 10/3 - 30 AMP - 25' - CANADIAN
	069238-01-000	EA	COVER-ELECTRICAL BOX, WHOLE - 4" X 4" - GRAY - USED W/30 AMP RECEPTACLE
	008284-02-000	EA	COVER-ELECTRICAL BOX, BLANK STEEL - 4" X 4" - CANADIAN
	008188-01-000	EA	SOLENOID-3 POST, BATTERY CHANGE OVER

**CONDUIT**

KEY	PART NUMBER	U/M	DESCRIPTION
	041953-01-000	FT	CONDUIT-CONVOLUTE SLIT - .5" ID
	041953-03-000	FT	CONDUIT-CONVOLUTE SLIT - 1" ID (CLOTHES ROD COVER)
	041953-05-000	FT	CONDUIT-CONVOLUTE SLIT - .375" ID
	041953-07-000	FT	CONDUIT-CONVOLUTE SLIT - .25" ID
	041953-08-000	FT	CONDUIT-CONVOLUTE SLIT - 1.50" ID
	041953-09-000	FT	CONDUIT-CONVOLUTE SLIT - .50" ID
	041953-10-000	FT	CONDUIT-CONVOLUTE SLIT - .75" ID
	041953-11-000	FT	CONDUIT-CONVOLUTE SLIT - 1.06" ID
	041953-12-000	FT	CONDUIT-CONVOLUTE NON SLIT - 1.1" ID

**ELECTRICAL GROUP (CONTINUED)**

**CONNECTORS, HOUSINGS, & TERMINALS**

KEY	PART NUMBER	U/M	DESCRIPTION
	008355-01-000	EA	CONNECTOR-CABLE CLAMPING, 3/4"
	058028-01-000	EA	CONNECTOR-ELECTRICAL PIGTAIL, NYLON - CLEAR
	088475-01-000	EA	CONNECTOR-PIN, 14 TO 20 AWG
	088475-02-000	EA	CONNECTOR-PIN, 10 TO 12 AWG
	008356-01-000	EA	CONNECTOR-PLASTIC, 3/8" AVG
	088476-01-000	EA	CONNECTOR-SOCKET, BRASS - PRE-TIN
	088476-02-000	EA	CONNECTOR-SOCKET, 12-10 GA - PHOS. BRZ - PRE-TIN
	088420-01-000	EA	CONNECTOR-SWIVEL, 1/2" FPT X 5/8" TUBE - PLASTIC
	008311-01-000	EA	CONNECTOR-WIRE NUT, INSULATED - RED
	008314-01-000	EA	CONNECTOR-WIRE NUT, INSULATED - GRAY
	083910-01-000	EA	HOUSING-RELAY, BOSCH 3 334 485 008
	088473-01-000	EA	HOUSING-PIN, 4 ROWS OF 3
	088473-03-000	EA	HOUSING-PIN, 9 POSITION
	088473-05-000	EA	HOUSING-PIN, 6 POSITION (SINGLE ROW)
	088473-06-000	EA	HOUSING-PIN, 6 POSITION (TWO ROWS OF THREE)
	088473-07-000	EA	HOUSING-PIN, 5 CAVITY AMP 1-480763-0
	088473-08-000	EA	HOUSING-PIN, 4 POSITION
	088473-09-000	EA	HOUSING-PIN, 3 POSITION (SINGLE ROW)
	088473-10-000	EA	HOUSING-PIN, 2 POSITION
	088474-03-000	EA	HOUSING-SOCKET, 9 POSITION
	088474-06-000	EA	HOUSING-SOCKET, 6 POSITION (2 ROWS OF THREE)
	088474-07-000	EA	HOUSING-SOCKET, 5 CAVITY AMP 1-480764-0
	088474-08-000	EA	HOUSING-SOCKET, 4 POSITION (SINGLE ROW)
	088474-09-000	EA	HOUSING-SOCKET, 3 POSITION
	088474-10-000	EA	HOUSING-SOCKET, 2 POSITION
	008326-01-000	EA	TERMINAL-RING, 16/14 WIRE - 3/8" STUD
	008328-01-000	EA	TERMINAL-RING, 12/10 WIRE - #10 STUD FIT
	008331-01-000	EA	TERMINAL-RING, TONGUE - #4 WIRE - 3/8" STUD - COPPER
	008348-01-000	EA	TERMINAL-RING, 3/8" STUD - #2 WIRE
	035416-04-000	EA	TERMINAL-RING #10 STUD FIT, INSULATED BARREL #16/14
	047443-01-000	EA	TERMINAL-250 RECEPTACLE FIT, INSULATED - 16/14 AWG
	047443-02-000	EA	TERMINAL-250 RECEPTACLE FIT, INSULATED - 12/10 AWG
	090971-01-000	EA	SPLICE-CABLE, 110V
	090971-02-000	EA	SPLICE-CABLE, 110V - TAP

**1993 ITASCA  
TABLE OF CONTENTS**

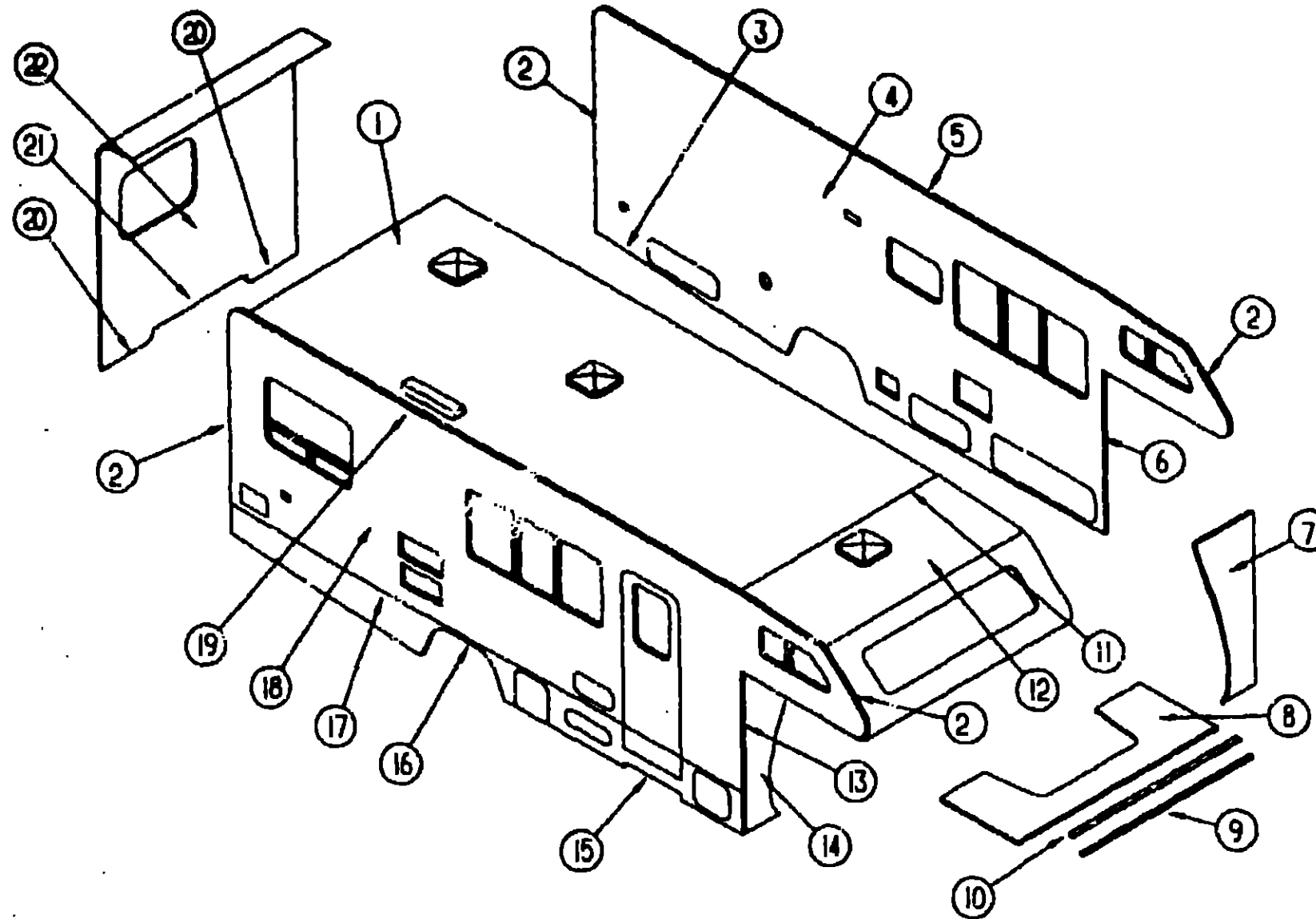
INTRODUCTION	A-01	A-02
ABBREVIATIONS		A-03
ALPHABETICAL INDEX	A-04	A-08
IF427RC	A-07	D-18
IF427RC	D-19	H-08
IF428RC	H-09	K-24

**1993 IF427RC INDEX**

FLOOR PLAN	D-19	D-20
ACCESSORIES		D-21
AUDIO VIDEO		D-22
BATH	D-23	D-24
BEDROOM		E-01
CHASSIS	E-02	E-05
CURTAIN & CUSHION	E-07	E-16
DINETTE	E-17	E-18
DRIVERS COMPARTMENT	E-19	E-20
ELECTRICAL	E-21	E-24
EXTERIOR BODY	F-01	F-08
GALLEY	F-09	F-12
GENERATOR		F-13
HEATING & AC	F-14	F-16
INTERIOR FINISH	F-17	F-20
LABELS	F-21	G-04
LP		G-05
LOUNGE	G-06	G-07
SEALANTS & FASTENERS	G-08	G-10
WATER & SEWAGE	G-11	G-14
WINDOW, VENT AND EXTERIOR DOOR	G-15	H-07

# EXTERIOR BODY GROUP

## EXTERIOR BODY PANELS



## 1993 ITASCA TABLE OF CONTENTS

INTRODUCTION	A-01 - A-02
ABBREVIATIONS	A-03
ALPHABETICAL INDEX	A-04 - A-06
IF427RO	A-07 - D-18
IF427RC	D-19 - H-08
IF428RO	H-09 - K-24

## 1993 IF427RC INDEX

FLOOR PLAN	D-19 - D-20
ACCESSORIES	D-21
AUDIO VIDEO	D-22
BATH	D-23 - D-24
BEDROOM	E-01
CHASSIS	E-02 - F-06
CURTAIN & CUSHION	E-07 - E-16
DINETTE	E-17 - E-18
DRIVERS COMPARTMENT	E-19 - E-20
ELECTRICAL	E-21 - E-24
EXTERIOR BODY	F-01 - F-08
GALLEY	F-09 - F-12
GENERATOR	F-13
HEATING & A/C	F-14 - F-16
INTERIOR FINISH	F-17 - F-20
LABELS	F-21 - G-04
LP	G-05
LOUNGE	G-06 - G-07
SEALANTS & FASTENERS	G-08 - G-10
WATER & SEWAGE	G-11 - G-14
WINDOW, VENT AND EXTERIOR DOOR	G-15 - H-07

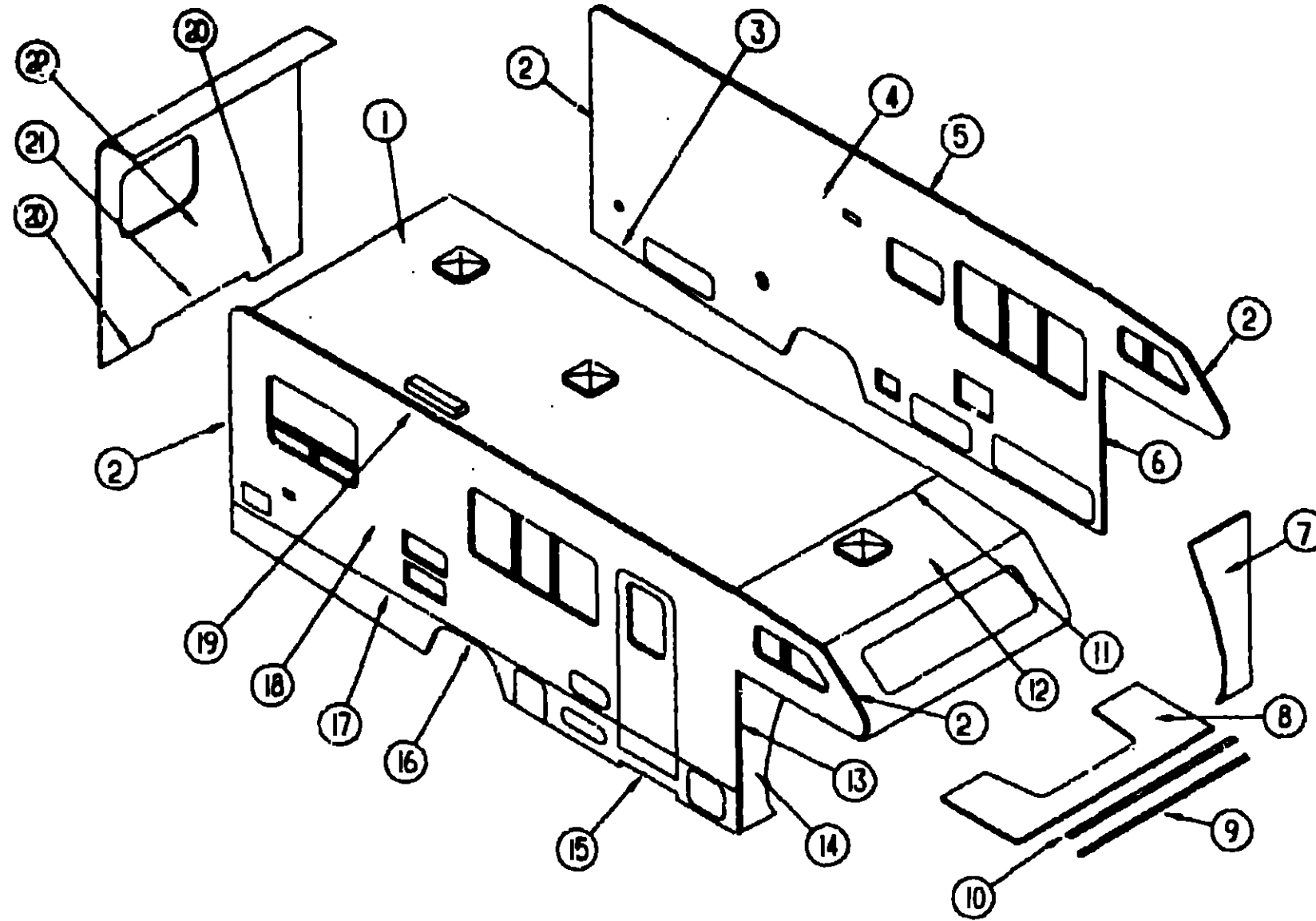
KEY	PART NUMBER	U/M	DESCRIPTION
1	P08880-02-D27	EA	ROOF ASM W/BASES FROM: 00-00-00 THRU: 09-05-92
1	P09680-02-D27	EA	ROOF ASM W/BASES FROM: 09-06-92 THRU: 99-99-99
2	096854-01-01A	EA	TRIM-CONTOUR- W/O VINYL INSERT - 109" - OFF WHITE
2	105312-01-01A	FT	INSERT-TRIM, VINYL - OFF WHITE
3	098072-55-001	EA	U-CHANNEL, EXTRUDED - 4877MM LONG - OFF WHITE
3	098072-55-002	EA	U-CHANNEL, EXTRUDED - 2900MM LONG - OFF WHITE
4	P08910-01-D27	EA	SIDEWALL-DRIVER SIDE, W/O WINDOW & DOORS FROM: 00-00-00 THRU: 09-05-92
4	P09722-01-D27	EA	SIDEWALL-DRIVER SIDE, W/O WINDOW & DOORS FROM: 09-06-92 THRU: 99-99-99
4	P08910-01-D28	EA	SIDEWALL-DRIVER SIDE, W/O WINDOW & DOORS FROM: 00-00-00 THRU: 09-05-92
4	P09722-01-D28	EA	SIDEWALL-DRIVER SIDE, W/O WINDOW & DOORS FROM: 09-06-92 THRU: 99-99-99
5	096854-01-01A	EA	TRIM-CONTOUR, ROOF TO SIDEWALL - DR OR PASS - 120"
	064675-54-003	EA	STEEL-ANGLE, ROOF JOINT - 1220MM LONG - OFF WHITE

KEY	PART NUMBER	U/M	DESCRIPTION
6	104479-04-01A	EA	TRIM-CONTOUR, FRONT - DRIVER - OFF WHITE FROM: 00-00-00 THRU: 09-05-92
6	104479-06-01A	EA	TRIM-CONTOUR, FRONT - DRIVER - OFF WHITE FROM: 09-05-92 THRU: 99-99-99
7	106438-04-C03	EA	WINGWALL-DRIVER, W/GUSSET FROM: 00-00-00 THRU: 09-05-92
7	109659-04-D04	EA	WINGWALL-DRIVER SIDE FROM: 09-06-92 THRU: 99-99-99
	089334-01-000	FT	VINYL-EXTERIOR, BETWEEN WINGWALL & CAB SEAL - WHITE
8	P06443-01-C03	EA	SLEEPERBOARD ASSEMBLY FROM: 00-00-00 THRU: 09-05-92
0	P09658-01-D29	EA	SLEEPERBOARD ASM FROM: 09-06-92 THRU: 99-99-99
9	100086-02-01A	EA	TRIM-SLEEPERBOARD, 2" X 90 7" - OFF WHITE
10	100085-03-01A	EA	TRIM-SLEEPERBOARD, FLAT - 2 5" X 07 5" - OFF WHITE
11	078580-01-000	EA	TRIM-ROOF TO FRONT CAP



## EXTERIOR BODY GROUP (CONTINUED)

### EXTERIOR BODY PANELS (CONTINUED)



## 1993 ITASCA TABLE OF CONTENTS

INTRODUCTION	A-01 - A-02
ABBREVIATIONS	A-03
ALPHABETICAL INDEX	A-04 - A-06
IF427RO	A-07 - D-18
IF427RC	D-19 - H-08
IF427RG	H-09 - K-24

### 1993 IF427RC INDEX

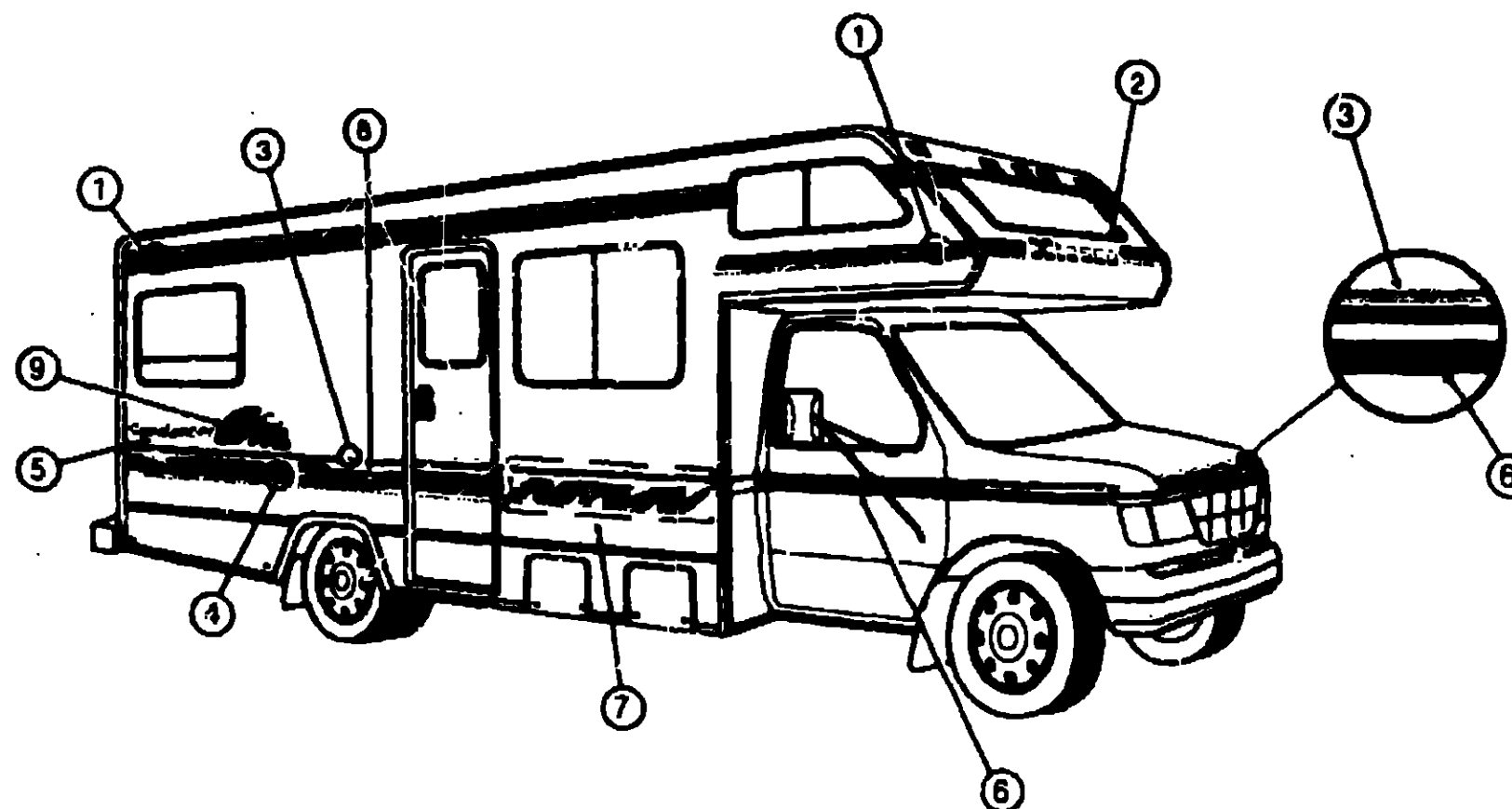
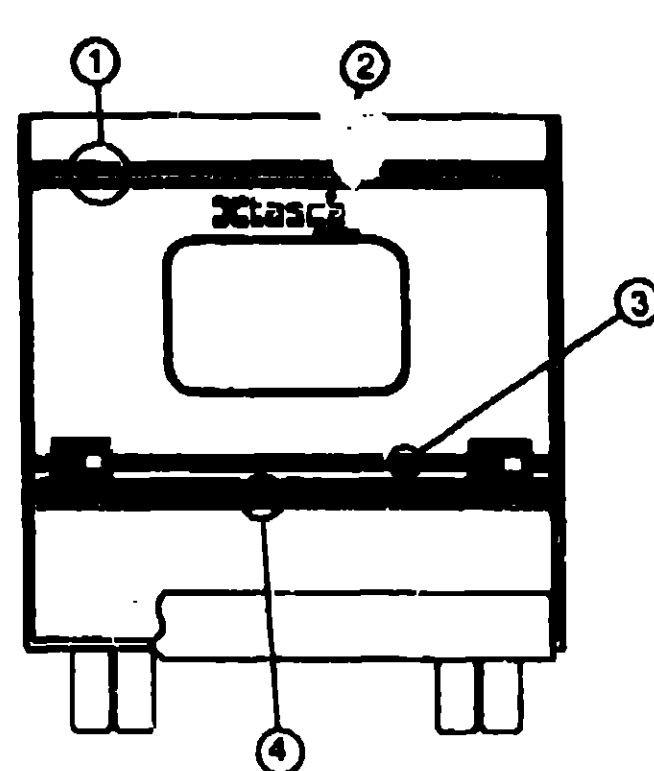
FLOOR PLAN	D-19 - D-20
ACCESSORIES	D-21
AUDIO VIDEO	D-22
BATH	D-23 - D-24
BEDROOM	E-01
CHASSIS	E-02 - E-06
CURTAIN & CUSHION	E-07 - E-16
DINETTE	E-17 - E-18
DRIVERS COMPARTMENT	E-19 - E-20
ELECTRICAL	E-21 - E-24
EXTERIOR BODY	F-01 - F-08
GALLEY	F-09 - F-12
GENERATOR	F-13
HEATING & A/C	F-14 - F-16
INTERIOR FINISH	F-17 - F-20
LABELS	F-21 - G-04
LP	G-05
LOUNGE	G-06 - G-07
SEALANTS & FASTENERS	G-08 - G-10
WATER & SEWAGE	G-11 - G-14
WINDOW, VENT AND EXTERIOR DOOR	G-15 - H-07

KEY	PART NUMBER	U/M DESCRIPTION
12	M72177-01-700	EA CAP-FRONT, OVERHEAD CAB TO FIRST SEAM OF ROOF
13	104479-03-01A	EA TRIM-CONTOUR, FRONT - DRIVER - OFF WHITE
13	104479-05-01A	FA TRIM-CONTOUR, FRONT - DRIVER - OFF WHITE FROM: 00-00-00 THRU 09-05-92
14	106438-03-C03	EA WINGWALL-PASSENGER SIDE FROM: 09-06-92 THRU: 99-99-99
14	109659-03-D04	EA WINGWALL-PASSENGER SIDE FROM: 00-00-00 THRU: 09-05-92
	089334-01-000	FT VINYL-EXTERIOR- BETWEEN WINGWALL & CAB SEAL. - WHITE
15	105025-06-D04	EA TRIM-SIDEWALL, BELOW ENTRY DOOR
16	105100-02-01A	EA TRIM-WHEELWELL, DRIVER & PASSENGER SIDE - OFF WHITE
17	001030-02-003	EA INSERT-FEATURE STRIP, 17' LONG - OFF WHITE FROM: 00-00-00 THRU 09-07-92
17	105312-01-01A	EA INSERT-FEATURE STRIP, 17' LONG - VINYL - OFF WHITE FROM: 09-08-92 THRU: 99-99-99
17	002444-04-002	EA STRIP-FEATURE, W/O INSERT - 15' LONG - OFF WHITE FROM: 00-00-00 THRU: 09-07-92
17	108588-01-01A	FA STRIP-FEATURE, W/O INSERT - 15' LONG - OFF WHITE FROM: 09-08-92 THRU 99-99-99
	002731-01-000	EA END CAP-FEATURE STRIP FROM: 00-00-00 THRU 09-07-92
	108651-01-01A	EA END CAP-FEATURE STRIP FROM: 09-08-92 THRU: 99-99-99

KEY	PART NUMBER	U/M DESCRIPTION
18	P08509-01-D27	EA SIDEWALL-PASSENGER SIDE, W/O WINDOWS & DOORS FROM: 00-00-00 THRU 09-05-92
18	P09721-01-D27	EA SIDEWALL-PASSENGER SIDE, W/O WINDOWS & DOORS FROM: 09-06-92 THRU 99-99-99
18	P08909-01-D28	EA SIDEWALL-PASSENGER SIDE, W/O WINDOWS & DOORS FROM: 00-00-00 THRU 09-05-92
18	P09721-01-D28	EA SIDEWALL-PASSENGER SIDE, W/O WINDOWS & DOORS FROM: 09-06-92 THRU 99-99-99
19	100483-01-01A	EA TRIM-CONTOUR, ROOF TO SIDEWALL (AWNING) - OFF WHITE
	099583-55-C01	EA RAIL-AWNING, 10' LONG - OFF WHITE
20	103334-02-01A	EA TRIM-BACKWALL, LOWER - OFF WHITE
21	103335-02-01A	EA TRIM-BACKWALL, LOWER - OFF WHITE
22	M05699-01-D27	EA BACKWALL ASM
22	M05699-01-D28	EA BACKWALL ASM
	002365-01-001	EA U-CHANNEL- 1" X 1 1/2" - SERRATED - MILL FINISHED ALUMINUM
	002726-01-001	EA U-CHANNEL-GARNISH - 1 3/8" X 1 1/2" - SERRATED - MILL ALUMINUM
	002754-01-001	EA ANGLE-EXTRUDED, 75° X .75" X 1 1/2" - MILL ALUMINUM

**EXTERIOR BODY GROUP (CONTINUED)**

**DECALS, STRIPES & PAINT**



**1993 ITASCA  
TABLE OF CONTENTS**

INTRODUCTION	A-01 -	A-02
ABBREVIATIONS		A-03
ALPHABETICAL INDEX	A-04 -	A-06
IF427RQ	A-07 -	D-18
IF427RC	D-19 -	H-08
IF428RQ	H-09 -	K-24

KEY	PART NUMBER	U/M	DESCRIPTION
1	094443-16-01A	FT	MULTISTRIPE, 108MM WIDE - 3 LINES - ORANGE/BLUE/TURQUOISE
2	078852-32-000	EA	DECAL-LOGO, ITASCA - 5" - BLUE/TURQUOISE
	084075-01-000	EA	DECAL-"BY WINNEBAGO INDUSTRIES", BLACK
3	105781-11-01A	FT	MULTISTRIPE, 50 8MM WIDE - 2 LINES - ORANGE/ORANGE FROM: 00-00-00 THRU 08-16-92
3	105781-11-03A	FT	MULTISTRIPE, 50 8MM WIDE - 2 LINES - TURQUOISE/ORANGE FROM: 08-17-92 THRU 99-99-99
4	105781-12-01A	FT	MULTISTRIPE, 171.5MM WIDE - 2 LINES - BLUE/TURQUOISE
5	105519-01-02A	EA	DECAL-LOGO, SUNDANCER, LARGE - TURQUOISE/BLUE
6	107385-05-01A	FT	STRIPE, 9.5MM WIDE - TURQUOISE
7	107552-01-01A	EA	DECAL-TECHNIFADE, PASSENGER SIDE - BLUE/TEAL/TURQUOISE
7	107552-02-01A	EA	DECAL-TECHNIFADE, DRIVER SIDE - BLUE/TEAL/TURQUOISE
8	078852-31-000	EA	DECAL-LOGO, ITASCA - 5" - OFF WHITE/TURQUOISE
9	107553-01-01A	EA	DECAL-SUN, PASSENGER SIDE - ORANGE
9	107553-02-01A	EA	DECAL-SUN, DRIVER SIDE - ORANGE
	041561-02-000	EA	PAINT-LOW BAKE, 16 OZ SPRAY CAN - OFF WHITE
	044486-03-000	EA	PAINT-LOW BAKE, 16 OZ SPRAY CAN - BEIGE

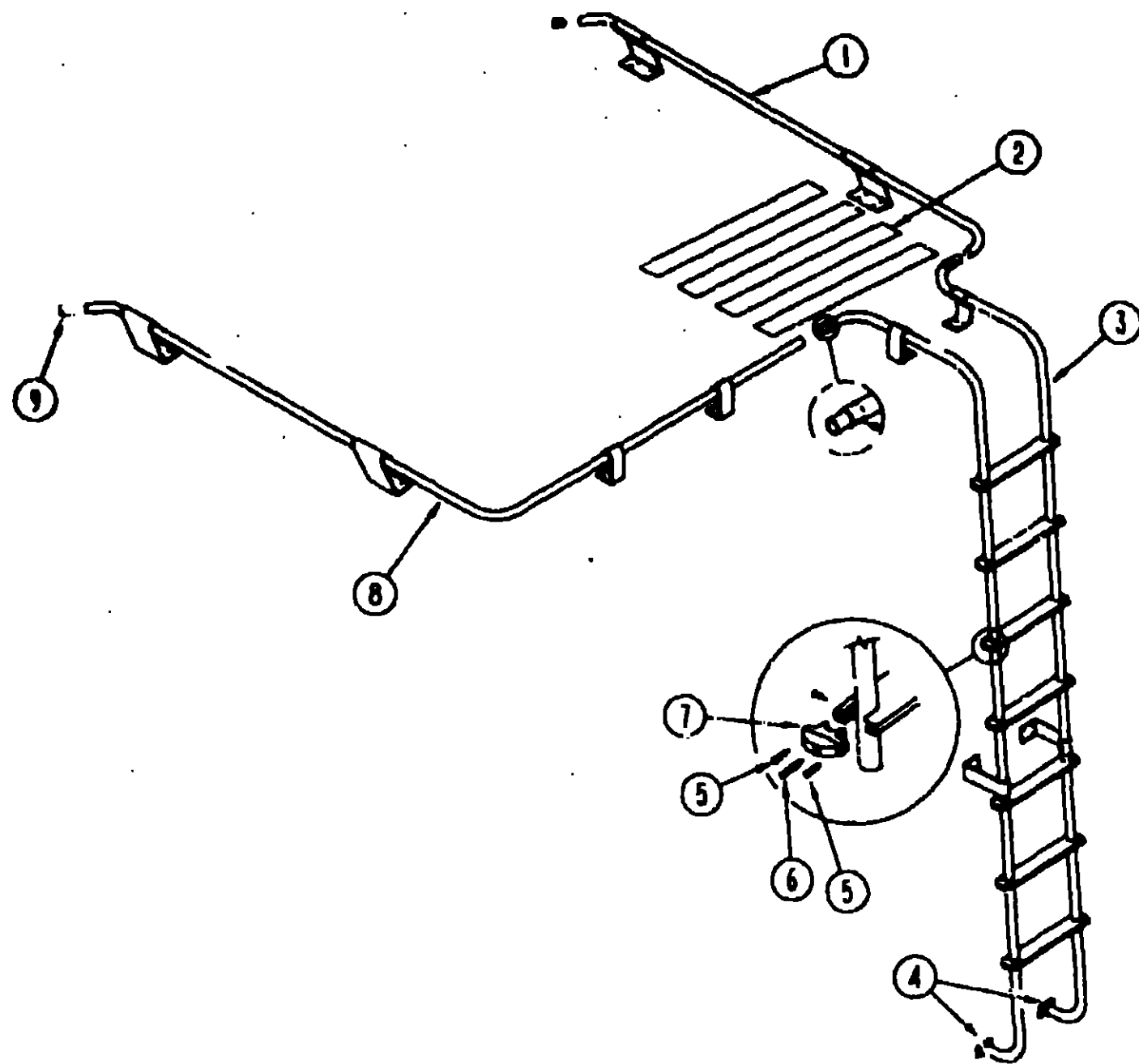
**DUPONT COLOR CODES**

TROPICAL BLUE	G9841
CARRIBEAN TEAL	G9835
BURNT ORANGE	G9953
OFF WHITE	L8723A
BEIGE	L8729A

**1993 IF427RC INDEX**

FLOOR PLAN	D-19 -	D-20
ACCESSORIES		D-21
AUDIO VIDEO		D-22
BATH	D-23 -	D-24
BEDROOM		E-01
CHASSIS	E-02 -	E-06
CURTAIN & CUSHION	E-07 -	E-16
DINETTE	E-17 -	E-18
DRIVERS COMPARTMENT	E-19 -	E-20
ELECTRICAL	E-21 -	E-24
EXTERIOR BODY	F-01 -	F-08
GALLEY	F-09 -	F-12
GENERATOR		F-13
HEATING & A/C	F-14 -	F-16
INTERIOR FINISH	F-17 -	F-20
LABELS	F-21 -	G-04
LP		G-05
LOUNGE	G-06 -	G-07
SEALANTS & FASTENERS	G-08 -	G-10
WATER & SEWAGE	G-11 -	G-14
WINDOW, VENT AND EXTERIOR DOOR	G-15 -	H-07

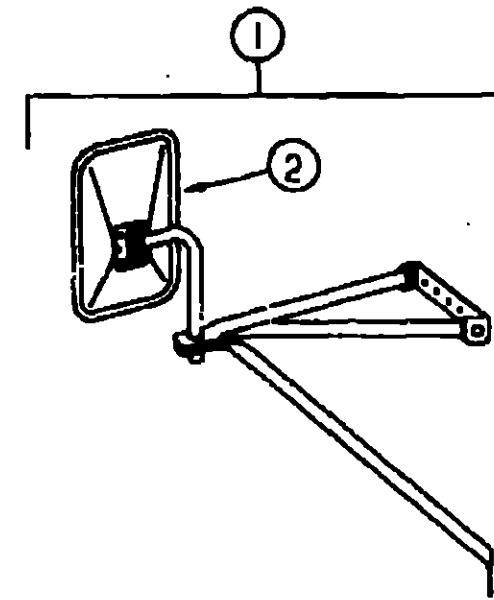
**EXTERIOR BODY GROUP (CONTINUED)**



**RACK & LADDER**

KEY	PART NUMBER	U/M DESCRIPTION
1	107438-05-C07	EA RACK-LUGGAGE, PASSENGER SIDE
	069726-02-000	EA BUMPER-88" DIA X 40" BLACK
2	038327-01-000	EA TAPL-ANTI SLIP- 2' X 60"
3	102953-02-C03	EA LADDER ASM
4	067185-01-000	EA MOUNTING BRACKET-LADDER- LOWER
5	000G39-06-10T	EA SCREW-SF/DR- 6-20 X 5/8 PPH - BLACK
6	000G68-10-36T	EA SCREW 10-12 X 2.25 PPH BLACK
7	076980-02-000	EA END CAP-STEP- BLACK
8	107438-01-C03	EA RACK-LUGGAGE, DRIVER SIDE
9	081111-01-000	EA PLUG-ROUND- RACK & LADDER ENDS - PLASTIC - 1" DIA

**EXTERIOR BODY GROUP (CONTINUED)**



**EXTERIOR MIRRORS**

KEY	PART NUMBER	U/M DESCRIPTION
1	106860-01-01A	EA MIRROR-EXTERIOR, HEAD LOW MOUNT - OFF WHITE
2	106860-01-700	EA HEAD-MIRROR, EXTERIOR
	106860-01-701	EA ARM
	106860-01-703	EA BRACE LOWER FORWARD - DRIVER
	106860-01-704	EA BRACE LOWER FORWARD - PASSENGER
	106860-01-702	EA HARDWARE PACKAGE
	006043-01-000	EA MIRROR-EXTERIOR CONVEX, ADHESIVE BACKED

**RUNNING BOARDS**

KEY	PART NUMBER	U/M DESCRIPTION
	072884-20-000	EA RUNNING BOARD SET-FORD, 39" - KEMBERLY K-7 (STANDARD) FROM 00-00-00 THRU 01-31-93
	072884-27-000	EA RUNNING BOARD SET-FORD, 39" - KEMBERLY K-12 (STANDARD) FROM 02-01-93 THRU 99-99-99
	101396-01-000	EA BOARD-RUNNING, FORD - PASSENGER SIDE (JAPAN EXPORT ONLY)
	101396-02-000	EA BOARD-RUNNING, FORD - DRIVER SIDE (JAPAN EXPORT ONLY)
	101396-03-000	EA KIT-HARDWARE, FORD (JAPAN EXPORT ONLY)

**FIBERGLASS & STYROFOAM**

KEY	PART NUMBER	U/M DESCRIPTION
	077517-24-000	EA SHEET-FIBERGLASS, FLAT - 48" X 96" - OFF WHITE
	076054-H1-000	EA SHEET-FIBERGLASS, 2438 X 2591MM - OFF WHITE
	076054-F3-000	EA SHEET-FIBERGLASS, 2438 X 2438MM - OFF WHITE
	000670-03-000	SF STYROFOAM-1 3/4 X 48" X 96" - INCREMENTS OF 32 SF
	000870-05-000	SF STYROFOAM- 5" X 24" X 96" - INCREMENTS OF 16 SF
	083574-02-000	SF STYROFOAM-DOW TYPE SM - 1 5/8" X 24" X 90 5/8"
	083574-03-000	SF STYROFOAM-3/4" X 48" X 96" - INCREMENTS OF 32 SF

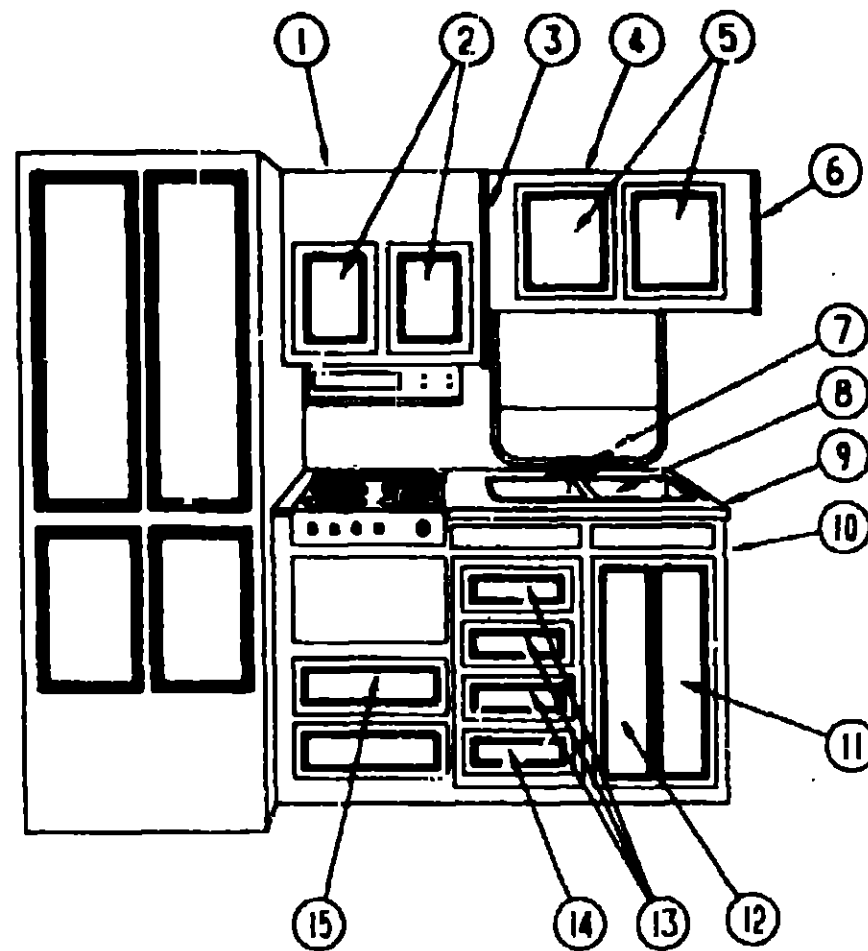
**1993 ITASCA  
TABLE OF CONTENTS**

INTRODUCTION	A-01 - A-02
ABBREVIATIONS	A-03
ALPHABETICAL INDEX	A-04 - A-06
IF427RQ	A-07 - D-18
IF427RC	D-19 - H-08
IF428RQ	H-09 - K-24

**1993 IF427RC INDEX**

FLOOR PLAN	D-19 - D-20
ACCESSORIES	D-21
AUDIO VIDEO	D-22
BATH	D-23 - D-24
BEDROOM	E-01
CHASSIS	E-02 - E-06
CURTAIN & CUSHION	E-07 - E-16
DINETTE	E-17 - E-18
DRIVERS COMPARTMENT	E-19 - E-20
ELECTRICAL	E-21 - E-24
EXTERIOR BODY	F-01 - F-08
GALLEY	F-09 - F-12
GENERATOR	F-13
HEATING & A/C	F-14 - F-16
INTERIOR FINISH	F-17 - F-20
LABELS	F-21 - G-04
LP	G-05
LOUNGE	G-06 - G-07
SEALANTS & FASTENERS	G-08 - G-10
WATER & SEWAGE	G-11 - G-14
WINDOW, VENT AND EXTERIOR DOOR	G-15 - H-07

### GALLEY GROUP



GALLEY CABINETS & FIXTURES

KEY	PART NUMBER	U/M	DESCRIPTION
1	M0577B-24-D04	EA	CABINET-OVERHEAD, RANGE - W/O DOORS & HARDWARE
1	M0577B-25-D04	EA	CABINET-OVERHEAD, MICROWAVE - W/O HARDWARE
2	P05223-40-D04	EA	DOOR-CABINET, W/O HARDWARE - 275 X 365MM
3	108961-15-D04	EA	END CAP-CABINET, OVERHEAD
4	P05770-01-C52	EA	CABINET-OVERHEAD, W/O DOORS OR HARDWARE
5	P05223-56-D04	EA	DOOR-CABINET, W/O HARDWARE - 365 X 555MM
6	104335-01-C52	EA	END CAP-CABINET, OVERHEAD
7	103243-01-000	EA	FAUCET-GALLEY, DUAL CONTROL - 8" CENTERSET
8	104113-01-000	EA	SINK-SST, DOUBLE
	092303-01-000	EA	STRAINER-SINK
	103610-01-D32	EA	COVER-SINK (D04)
9	107575-11-D05	EA	COUNTERTOP-CABINET, GALLEY (D27)
9	107575-11-D04	EA	COUNTERTOP-CABINET, GALLEY (D28)
10	M05783-01-D05	EA	CABINET-GALLEY, W/O DOORS & HARDWARE (D27)
10	M05783-01-D04	EA	CABINET-GALLEY, W/O DOORS & HARDWARE (D28)
	103610-01-D09	EA	COVER-SINK (D27)
	103610-01-D32	EA	COVER-SINK (D28)
11	P05223-34-C03	EA	DOOR-CABINET, W/O HARDWARE - 230 X 675MM
12	P05223-22-C03	EA	DOOR-CABINET, W/O HARDWARE - 230 X 675MM
13	P07104-C9-D04	EA	DRAWER-CABINET, W/O HARDWARE - 3 USED
14	P07104-D2-D04	EA	DRAWER-CABINET, W/O HARDWARE
15	P07104-D5-D04	EA	DRAWER-CABINET, W/O HARDWARE
	090329-01-000	FT	SEAL-T, REFRIGERATOR CABINET - 6" WIDE TOP X 2" TAIL
	008380-01-000	EA	GROMMET-RUBBER, 5/8" HOLE X 1 1/2" DIAMETER - BLACK

### GALLEY GROUP (CONTINUED)

#### RANGE HOOD

KEY	PART NUMBER	U/M	DESCRIPTION
	100258-18-01A	EA	HOOD-RANGE, W/O MONITOR PANEL - VENTLINE - US TCS5008NAC (STANDARD)
	100258-17-01A	EA	HOOD-RANGE, W/O MONITOR PANEL-VENTLINE-CSA-TCS5008NAC (CANADIAN)
	100258-18-01A	EA	HOOD-RANGE, W/O MONITOR PANEL-VENTLINE-US-TPSS007NAD (WGENERATOR OPTION)
	090973-01-700	EA	MOTOR, LVS CA508-1
	090973-01-702	EA	BLADE-FAN, LVS VA183-1
	092696-01-709	EA	BULB-B12, VENTLINE VA415
	092696-01-710	EA	SOCKET-LIGHT, VENTLINE CB267-2
	096983-01-700	EA	SWITCH-ON/OFF, VENTLINE 108
	096983-01-702	EA	SWITCH-TWO WAY MOMENTARY, VENTLINE 112
	096983-01-707	EA	FILTER-GREASE, 8" X 8" - LVS CC246
	096983-01-708	EA	LENS-LAMP, VENTLINE CC179
	100258-01-700	EA	HOOD NOSE LABEL
	100258-10-01A	EA	METER-HOUR, VENTLINE 150
	063752-01-000	EA	SHROUD-RANGE, 18 5" X 20.6" X 16 2" - METAL - OFF WHITE

#### RANGE

KEY	PART NUMBER	U/M	DESCRIPTION
	055516-03-000	EA	BRACKET-TIEDOWN, RANGE WOVEN - RIGHT FROM: 00-00-00 THRU: 01-03-93
	105458-03-000	EA	BRACKET-TIEDOWN, STOVE - RIGHT FROM: 01-04-93 THRU: 99-99-99
	055516-04-000	EA	BRACKET-TIEDOWN, RANGE WOVEN - LEFT FROM: 00-00-00 THRU: 01-03-93
	105458-04-000	EA	BRACKET-TIEDOWN, STOVE - LEFT FROM: 01-04-93 THRU: 99-99-99
	102022-01-02A	EA	RANGE-16", 4 BURNER - MAGIC CHEF BT16RA-4Z
	055282-03-705	EA	TRIM-CABINET, LEFT - BLACK - MAGIC CHEF 3608F011-70
	055282-03-707	EA	TRIM-CABINET, RIGHT - BLACK - MAGIC CHEF 3608F012-70
	038507-02-701	EA	INSERT-BURNER (SLOTTED VENT), MAGIC CHEF 7214P015-60
	102020-01-700	EA	SHELF-OVEN, MAGIC CHEF - 7801-P027-50
	102020-01-701	EA	HANDLE-DOOR, MAGIC CHEF - 7701P092-50
	102020-01-702	EA	PANEL-MANIFOLD, MAGIC CHEF 2616F080-70
	102020-01-704	EA	PANEL-DOOR, BLACK - MAGIC CHEF - 2401F075-70
	102020-01-708	EA	BURNER ASSEMBLY-OVEN, MAGIC CHEF 3403W003-45
	102020-01-711	EA	GRATE-TOP, MAGIC CHEF 7518P012-60
	102020-01-712	EA	KNOB-BURNER VALVE, MAGIC CHEF 7733P044-60
	102020-01-713	EA	KNOB-THERMOSTAT, MAGIC CHEF 7731P042-60
	102020-01-714	EA	PILOT-OVEN, MAGIC CHEF 968-143
	102020-01-715	EA	PIPE-MANIFOLD, MAGIC CHEF 7513P095-60
	102020-01-717	EA	THERMOSTAT, MAGIC CHEF 7515P024-60
	102020-01-718	EA	TOP-MAIN, ALMOND - MAGIC CHEF 2001F085-84
	102020-01-720	EA	VALVE-MERCURY CONTROL, MAGIC CHEF 7501P055-60
	102020-01-722	EA	VALVE-TOP BURNER, MAGIC CHEF 7502P095-60
	102020-01-723	EA	PILOT-BURNER, MAGIC CHEF 7505P147-60
	102020-01-724	EA	BUMPER-MAIN TOP, MAGIC CHEF 8003P008-60
	102022-01-702	EA	PIPE-MANIFOLD, MAGIC CHEF 7513P095-60
	102022-01-703	EA	REGULATOR-PRESSURE MAGIC CHEF 7510P031-60
	102022-01-705	EA	TRIM-LEFT, FLAT - MAGIC CHEF 3608W022-70
	102022-01-707	EA	TRIM-RIGHT, FLAT - MAGIC CHEF 3608W023-70

### 1993 ITASCA TABLE OF CONTENTS

INTRODUCTION	A-01 - A-02
ABBREVIATIONS	A-03
ALPHABETICAL INDEX	A-04 - A-05
IF427RQ	A-07 - D-18
IF427RC	D-19 - H-08
IF428RQ	H-09 - K-24

### 1993 IF427RC INDEX

FLOOR PLAN	D-19 - D-20
ACCESSORIES	D-21
AUDIO VIDEO	D-22
BATH	D-23 - D-24
BEDROOM	E-01
CHASSIS	E-02 - E-05
CURTAIN & CUSHION	E-07 - E-16
DINETTE	E-17 - E-18
DRIVERS COMPARTMENT	E-19 - E-20
ELECTRICAL	E-21 - E-24
EXTERIOR BODY	F-01 - F-08
GALLEY	F-09 - F-12
GENERATOR	F-13
HEATING & A/C	F-14 - F-16
INTERIOR FINISH	F-17 - F-20
LABELS	F-21 - G-04
LP	G-05
LOUNGE	G-06 - G-07
SEALANTS & FASTENERS	G-08 - G-10
WATER & SEWAGE	G-11 - G-14
WINDOW, VENT AND EXTERIOR DOOR	G-15 - H-07

**GALLEY GROUP (CONTINUED)**

**MONITOR PANEL**

KEY	PART NUMBER	U/M	DESCRIPTION
	102785-04-01A	EA	MONITOR PANEL W/PLUG - FOR 2 TANKS & WATER HEATER - LVS
	102785-02-01A	EA	MONITOR PANEL W/PLUG - FOR 2 TANKS - LVS
	097817-01-702	EA	SWITCH-1/WAY, ALMOND - LVS 107
	097817-01-703	EA	CIRCUIT BOARD - LVS 5073-01
	102785-01-700	EA	SWITCH-ON-ON, ALMOND - 110-01
	097818-01-000	EA	WIRE ASM-MONITOR PANEL, W/4 WIRES & BLACK RESISTOR - LVS

**MICROWAVE & COFFEE MAKER**

KEY	PART NUMBER	U/M	DESCRIPTION
	091289-06-000	EA	OVEN-MICROWAVE, MAGIC CHEFDM15-5B
	094745-01-01A	EA	TRIM-MICROWAVE, LOWER - BLACK
	094774-03-01A	EA	TRIM-MICROWAVE, EITHER SIDE - 1.5' X 14.8" - METAL - BLACK
	098916-03-01A	EA	BRACE-MICROWAVE CABINET, LEFT - 9.4' X 7.5" - STEEL
	098916-04-01A	EA	BRACE-MICROWAVE CABINET, RIGHT - 9.4' X 7.5" - STEEL
	094750-01-000	EA	BRACKET-MICROWAVE, 90 DEGREE - STEEL
	103799-01-02A	EA	MAKER-COFFEE, GRAY W/GLASS POT
	104610-01-000	EA	STRAP ASM-COFFEE MAKER

**REFRIGERATOR**

KEY	PART NUMBER	U/M	DESCRIPTION
	093646-01-000	EA	BRACKET-TIEDOWN, REFRIGERATOR
	093646-02-000	EA	BRACKET-TIEDOWN, REFRIGERATOR
	054450-01-000	EA	LEVEL-REFRIGERATOR
	104138-04-01A	EA	REFRIGERATOR, SMALL DOUBLE DOOR - 2-WAY - NORCOLD 6162 RH BL
	075217-01-734	EA	FUSE-3 AMP, NORCOLD 61539822
	075217-01-738	EA	SWITCH-HUMIDITY, NORCOLD 61525922
	084879-03-700	EA	COOLING UNIT - HORIZONTAL BURNER, NORCOLD 61587237
	084880-01-713	EA	CONNECTOR-MALE, INLET FITTING - NORCOLD 615256
	084880-01-715	EA	VALVE-SHUT OFF, MANUAL - NORCOLD 61697922
	084880-01-718	EA	VALVE-GAS, NORCOLD 61551822
	084880-01-722	EA	CRISPER COVER - NORCOLD 615641
	084880-01-726	EA	HINGE BRACKET (CTR HINGE), NORCOLD 61586523
	084880-01-731	EA	HINGE PIN, NORCOLD 61578123
	084880-01-732	EA	LATCH, NORCOLD 61578522
	084880-01-734	EA	BRACKET-HINGE, TOP RH - BOTTOM LH - BROWN NORCOLD 61580837
	084880-01-735	EA	HINGE BRKT TOP LH-BTM RH BRN - NORCOLD 61580937
	084880-01-739	EA	END CAP (SPRING CATCH) BRN - NORCOLD 61593722
	084880-01-740	EA	END CAP (STOP CATCH), NORCOLD 61593830
	084880-01-746	EA	CABLE, NORCOLD 61571522
	084880-01-747	EA	PLUG-HOLE, NORCOLD 61582022
	084880-01-749	EA	HINGE BUSHING - NORCOLD 615807
	084880-01-753	EA	THERMISTOR 78° - NORCOLD 61693822
	084880-01-761	EA	END CAP (SPRING CATCH) BLACK 61593730
	084880-02-700	EA	LOWER FLANGE 8663&8683, NORCOLD 61622123
	084880-03-705	EA	BRACKET-INTERIOR LIGHT, NORCOLD 61629722
	084880-03-706	EA	LAMP (BULB) - NORCOLD 61629922

**GALLEY GROUP (CONTINUED)**

**REFRIGERATOR (CONTINUED)**

KEY	PART NUMBER	U/M	DESCRIPTION
	084880-03-707	EA	COVER FLAMP OR BULB - NORCOLD 61627922
	088248-01-708	EA	BURNER-HORIZONTAL, NORCOLD 61588122
	088248-01-707	EA	ELECTRODE-SENSOR, (HORIZONTAL), NORCOLD 61573322
	088248-01-706	EA	ELECTRODE-IGNITION, (HORIZONTAL) - NORCOLD 61573222
	088248-01-709	EA	HEATER-AC, (HORIZONTAL) - NORCOLD 615627
	088248-01-710	EA	HEATER-DC, (HORIZONTAL) - 3 WAY - NORCOLD 615828
	094038-01-700	EA	GASKET-LOWER, GRAY - NORCOLD 61567930
	094038-01-701	EA	LINER-DOOR, LOWER - BROWN/WHITE - NORCOLD 61581937-B
	094038-01-702	EA	LINER-DOOR, LOWER - BLACK/WHITE - NORCOLD 61531938-B
	094038-01-703	EA	HANDLE-DOOR, LOWER - BROWN - NORCOLD 61660137
	094038-01-704	EA	HANDLE-DOOR, LOWER - BLACK - NORCOLD 61650138
	094038-01-706	EA	CAB ASM-BLK, WHITE LINER - WITH FRAME - NORCOLD 61863138
	094039-01-703	EA	PLATE-HINGE, LH - BROWN - NORCOLD 61631422
	094039-01-704	EA	PLATE-HINGE, BLACK - NORCOLD 61631430
	094039-01-709	EA	PLATE-HINGE, TOP RH - LH BOTTOM - BROWN - NORCOLD 61631322
	094039-01-710	EA	PLATE-HINGE, BLACK - NORCOLD 61631330
	094039-01-712	EA	DOOR BIN (GRAY) SILVER BORDER - NORCOLD 61564060
	094039-01-718	EA	MILK BIN (GRAY) W/SILVER TRIM - NORCOLD 61579460
	094039-01-719	EA	DAIRY KEEPER (GRAY) SILVER TRIM, NORCOLD 61580460
	094039-01-722	EA	HOLE (1.03) (BLK) HINGE HOLES - NORCOLD 61582030
	094039-01-723	EA	HINGE BRKT, TOP RH-BTM LH BLK - NORCOLD 61580838
	094039-01-724	EA	BRACKET-HINGE, TOP LH - BOTTOM RH - BLK - NORCOLD 61580938
	094039-01-725	EA	HINGE PIN (BLACK)(MALE) - NORCOLD 61578130
	094039-01-726	EA	SHELF-FREEZER EVAPORATOR, NORCOLD 615236
	094039-01-730	EA	HINGE PIN SHAFT(BLK) CTR HGE - NORCOLD 61564730
	094039-01-732	EA	FRONT COVER(BLK) BTM TRIM - NORCOLD 61622130
	094039-01-733	EA	WIRE SHELF (MIDDLE) - NORCOLD 61563822
	094039-01-734	EA	WIRE SHELF (TOP) WRISER - NORCOLD 61563722
	094039-01-735	EA	INSIDE DRIP TRAY (WHITE), NORCOLD 61572630
	094039-01-736	EA	SWITCH-LIGHT, BLACK - NORCOLD 615810
	094039-01-739	EA	SHELF (CUTOUT), NORCOLD 61646722
	094039-04-700	EA	PC BOARD-2 WAY, NORCOLD 61647322
	094039-04-701	EA	EYEBROW (SHELL) 2 WAY - NORCOLD 61669822
	094039-04-702	EA	POWER SUPPLY (2 WAY) - NORCOLD 61647422

**1993 ITASCA  
TABLE OF CONTENTS**

INTRODUCTION	A-01 - A-02
ABBREVIATIONS	A-03
ALPHABETICAL INDEX	A-04 - A-06
IF427RQ	A-07 - D-18
IF427RC	D-19 - H-08
IF428RQ	H-09 - K-24

**1993 IF427RC INDEX**

FLOOR PLAN	D-19 - D-20
ACCESSORIES	D-21
AUDIO VIDEO	D-22
BATH	D-23 - D-24
BEDROOM	E-01
CHASSIS	E-02 - E-06
CURTAIN & CUSHION	E-07 - E-16
DINETTE	E-17 - E-18
DRIVERS COMPARTMENT	E-19 - E-20
ELECTRICAL	E-21 - E-24
EXTERIOR BODY	F-01 - F-08
GALLEY	F-09 - F-12
GENERATOR	F-13
HEATING & A/C	F-14 - F-16
INTERIOR FINISH	F-17 - F-20
LABELS	F-21 - G-04
LP	G-05
LOUNGE	G-06 - G-07
SEALANTS & FASTENERS	G-08 - G-10
WATER & SEWAGE	G-11 - G-14
WINDOW, VENT AND EXTERIOR DOOR	G-15 - H-07

## GENERATOR GROUP

### 4.0 KW LOW PROFILE KOHLER GENERATOR

KEY	PART NUMBER	U/M	DESCRIPTION
	105523-01-000	EA	GENERATOR-4KW LOW PROFILE, KOHLER 4CKM21
	007067-01-000	SF	INSULATION-FIBERGLASS, 1" THICK X 4" INCREMENTS OF 4 SF
	105528-01-000	EA	ARRESTER-SPARK, KOHLER 278621
	105529-01-000	EA	MUFFLER-FRONT EXHAUST, W/O SPARK-KOHLER 278734
	105732-01-000	EA	TRAY ASM-GENERATOR
	108172-01-000	EA	PIPE-EXHAUST ADAPTER
	086494-01-000	EA	BRACKET-EXHAUST, W/DOUBLE BEND
	007125-04-000	EA	CLAMP-MUFFLER, 1.1" DIA

### 4.0 KW ONAN EMERALD GENERATOR

KEY	PART NUMBER	U/M	DESCRIPTION
	100974-01-000	EA	GENERATOR-4.0KW EMERALD PLUS, ONAN BGE-FA/26100G
	105732-01-000	EA	TRAY ASM-GENERATOR
	081364-01-000	EA	MUFFLER-GENERATOR, W/8 5" LONG TAILPIPE
	086252-01-000	EA	PIPE-EXHAUST, W/2 BOLT HOLE FLANGE
	086494-01-000	EA	BRACKET-EXHAUST, W/DOUBLE BEND
	094059-01-000	EA	SPACER-GENERATOR, ONAN
	007067-01-000	SF	INSULATION-FIBERGLASS, 1" THICK X 4" INCREMENTS OF 4 SF
	007125-04-000	EA	CLAMP-MUFFLER, 1 1/2" DIA.

## HEATING & AIR CONDITIONING GROUP

### FURNACE

KEY	PART NUMBER	U/M	DESCRIPTION
	098668-06-000	EA	FURNACE-30000 BTU-SUBURBAN SF-30 FROM: 00-00-00 THRU: 05-30-93
	059834-01-733	EA	RELAY-TIME DELAY 20&30 BTU, SUBURBAN 231202
	075695-01-709	EA	MICRO SWITCH (FOR MODELS 30 & 34S), SUBURBAN 230509
	090039-01-709	EA	GASKET-OBSERVATION HOLE COVER, SUBURBAN 070367
	092300-01-704	EA	GASKET-ELECTRODE, SUBURBAN 070163
	092300-02-701	EA	ORIFICE, MAIN BURNER, SUBURBAN 180214
	098668-01-700	EA	CABINET FRONT, SUBURBAN 101242
	098668-01-701	EA	CAS:NET ASM, SUBURBAN 101299
	098668-01-702	EA	ELECTRODE, SUBURBAN 231740
	098668-01-704	EA	VALVE, SUBURBAN 160938
	098668-01-705	EA	SWITCH-LIMIT, SUBURBAN 231630
	098668-01-706	EA	WHEEL-COMBUSTION AIR, SUBURBAN 350122
	098668-01-707	EA	VENT CAP & EXHAUST TUBE ASM, SUBURBAN 260193
	098668-01-708	EA	BLOWER ASM (COMBUSTION AIR), SUBURBAN 390441
	098668-01-709	EA	MOTOR ASM, FOR SF-25, SF-30 - SUBURBAN 231705
	098668-01-710	EA	BLOWER ASM (ROOM AIR), SUBURBAN 390440
	098668-01-711	EA	WHEEL-ROOM AIR, SUBURBAN 350123
	098668-01-712	EA	BOARD-MODULE, SUBURBAN 231741
	098668-01-713	EA	INTAKE VENT TUBE ASM, SUBURBAN 051044
	098368-02-700	EA	BURNER ASM COMPLETE (SF-30/SF35), SUBURBAN 010745
	065634-01-720	EA	ORIFICE-MAIN BURNER, SUBURBAN 0180222
	098668-03-700	EA	MOTOR ASM-SF-35, SUBURBAN 231707
	098668-06-000	EA	DOOR-ACCESS, FURNACE, OFF WHITE - SUBURBAN 520574
	093365-01-000	EA	THERMOSTAT-WALL, FURNACE - SUBURBAN 0160902
	098668-20-000	EA	FURNACE-30000 BTU, SUBURBAN SF-30 227 FROM: 05-31-93 THRU: 99-99-99

### HEATING COMPONENTS

KEY	PART NUMBER	U/M	DESCRIPTION
	023146-01-000	EA	CLAMP-SCREW TYPE, 4"
	065436-02-000	EA	CONNECTOR-DUCT, 4" ID - SUBURBAN 050715
	001198-01-000	FT	DUCT-HEAT, FLEXIBLE, 4" ID X 25 FT
	093614-01-01A	EA	GRILLE-RETURN AIR, FURNACE - 15 6" X 7.6", BROWN
	079059-01-000	EA	HOSE-90 DEGREE, 5/8" ID X 4" X 35"
	079059-03-000	EA	HOSE-90 DEGREE, 1" ID X 4" X 18"
	007108-01-000	FT	HOSE-HEATER, 5/8" ID - HI-TEMP - FORD ESE-M2D192-A
	056464-05-000	EA	REGISTER-PLASTIC, W/O DAMPER - 4" DIAMETER - GOLDEN
	009200-01-000	EA	TAPE-FURNACE, 1 1/2"
	098753-01-000	FT	TUBE-ALUMINIZED STEEL, 5/8" - 18 GAUGE
	008042-01-000	FT	TUBING-VINYL, .65" ID

## 1993 ITASCA TABLE OF CONTENTS

INTRODUCTION	A-01 - A-02
ABBREVIATIONS	A-03
ALPHABETICAL INDEX	A-04 - A-06
IF427RO	A-07 - D-18
IF427RC	D-19 - H-08
IF428RO	H-09 - K-24

## 1993 IF427FC INDEX

FLOOR PLAN	D-19 - D-20
ACCESSORIES	D-21
AUDIO VIDEO	D-22
BATH	D-23 - D-24
BEDROOM	E-01
CHASSIS	E-02 - E-06
CURTAIN & CUSHION	E-07 - E-16
DINETTE	E-17 - E-18
DRIVERS COMPARTMENT	E-19 - E-20
ELECTRICAL	E-21 - E-24
EXTERIOR BODY	F-01 - F-08
GALLEY	F-09 - F-12
GENERATOR	F-13
HEATING & A/C	F-14 - F-16
INTERIOR FINISH	F-17 - F-20
LABELS	F-21 - G-04
LP	G-05
LOUNGE	G-06 - G-07
SEALANTS & FASTENERS	G-08 - G-10
WATER & SEWAGE	G-11 - G-14
WINDOW, VENT AND EXTERIOR DOOR	G-15 - H-07

**HEATING & AIR CONDITIONING GROUP (CONTINUED)**

**REAR HEATER**

KEY	PART NUMBER	U/M	DESCRIPTION
	084405-01-000	EA	HEATER ASM-REAR, DUCTED, W/MOTOR A/D, EVANS
	084405-01-700	EA	HEATER CORE, FT200229
	084405-01-701	EA	FAN, HV029931
	084405-01-702	EA	MOTOR-12 VOLT ASSY, R02001B0
	087202-01-000	EA	SWITCH-4 POSITION, W/MKNOB
	088078-01-000	EA	DECAL-AUTO AIR & REAR HEATER

**ROOF A/C**

KEY	PART NUMBER	U/M	DESCRIPTION
	108889-01-01A	EA	A/C-ROOF, 13,500 TSR HO - IVORY - COLEMAN 7333-887
	091225-01-709	EA	START RELAY, COLEMAN 1497-4131
	091225-01-710	EA	START CAPACITOR, COLEMAN# 1497-0881
	093306-01-701	EA	DECAL PACKAGE, LEFT & RIGHT - COLEMAN 679863591
	093306-01-712	EA	COMPRESSOR, COLEMAN 6707C3579
	105620-01-704	EA	COMPRESSOR, RIGHT & LEFT - COLEMAN 1450-2009
	105620-01-706	EA	FOOT PACKAGE-COMPRESSOR, 3 PER PACKAGE - COLEMAN 6759-3061
	108889-01-700	EA	SHROUD (GREY/GREY) LESS LOGO - COLEMAN 6759-6421
	108889-01-702	EA	SHROUD (BUFF/BUFF) LESS LOGO - COLEMAN 6759-6411
	108889-01-703	EA	CONDENSER COIL, COLEMAN 1452-1301
	108889-01-704	EA	OVERLOAD, MRA#98893, COLEMAN 6759-3541
	108889-01-705	EA	MOTOR (115, 60HZ), COLEMAN 1468-3049
	108889-01-706	EA	IMPELLOR, COLEMAN 1472-1041
	108889-01-707	EA	RUN CAPACITOR (COMP-25MFD/370), COLEMAN 1499-5661
	108889-01-708	EA	FAN CAPACITOR (7.5MFD/370U), COLEMAN 1499-5461
	108889-01-709	EA	EVAPORATOR COIL, COLEMAN 1452-1311
	108889-01-710	EA	FILLER PAD-CONDITION AIR SEAL, COLEMAN 6759A3971
	108889-01-711	EA	GASKET PACKAGE, COLEMAN 6792-3301
	108889-01-712	EA	SUCTION LINE REDUCER (3/8 X 1/2), COLEMAN 1215-2161
	108889-01-713	EA	SUCTION LINE (3/8OD X 0.32 WALL), COLEMAN 6792-130
	108889-01-714	EA	DISCHARGE LINE ASM., COLEMAN 6792-531
	108889-01-715	EA	MOTOR MOUNT & SHAFT SEAL KIT, COLEMAN 6792-3361
	108891-01-01A	EA	CEILING ASM-A/C COOL TSR HO, COLEMAN 7330-714 IV
	042204-01-709	EA	THERMOSTAT-IN 64 OUT 58, COLEMAN 6701-3401
	073742-01-701	EA	SELECTOR SWITCH (5 TERMINAL), COLEMAN 6759-3251
	073742-01-702	EA	DECAL COOL ONLY, COLEMAN 6759C3431
	076303-01-707	EA	FILTER-6" X 14 3/4" X 1/2", 12 PER PACKAGE - COLEMAN 6703A3151
	081606-01-712	EA	CEILING SHROUD (IVORY), COLEMAN 6769-5061
	091225-01-713	EA	KNOB (2 PER PACKAGE), COLEMAN 6701-3351
	091225-01-717	EA	DECAL (THERMOSTAT) COOL ONLY, COLEMAN 6799A3441
	093766-02-701	EA	DECAL-LEFT SIDE, COLEMAN 6799-3971
	108891-01-700	EA	SINGLE PARTS PACKAGE (KNOBS & NUTS), COLEMAN 6792-5991
	108891-01-701	EA	RETAINER CLIPS FOR FILTER (6 PER PACKAGE), COLEMAN 6799-3141
	102289-01-000	EA	SPRING-SCREW, ROOF A/C GASKET - COLEMAN 6757-150
	022756-03-000	EA	COVER-BLANK, ROOF A/C - PLASTIC - OFF WHITE
	022756-02-000	EA	COVER-PROTECTIVE, 5.5" ENDS X 8 2" - PLASTIC - OFF WHITE

**HEATING & AIR CONDITIONING GROUP (CONTINUED)**

**A/C-13500 BTU-EUROPE**

KEY	PART NUMBER	U/M	DESCRIPTION
	082440-01-000	EA	A/C-ROOF, 13500 BTU - 220V - 50HZ - COLEMAN# 6713C750 FROM: 00-00-00 THRU: 08-31-92
	092441-01-000	EA	CEILING ASM-A/C, 220V - 50HZ - COLEMAN# 6712ET16 FROM: 00-00-00 THRU: 08-31-92
	108889-02-01A	EA	A/C-ROOF, 13500 BTU - 220V - TSR - IVORY - COLEMAN 7373-597 FROM: 09-01-92 THRU: 99-99-99
	108891-01-01A	EA	CEILING ASM-A/C, COOL - TSR - IVORY - COLEMAN 7330-714 FROM: 09-01-92 THRU: 99-99-99
	042204-01-709	EA	THERMOSTAT-IN 64 OUT 58, COLEMAN 6701-3401
	073742-01-701	EA	SELECTOR SWITCH (5 TERMINAL), COLEMAN 6759-3251
	073742-01-702	EA	DECAL COOL ONLY, COLEMAN 6759C3431
	076303-01-707	EA	FILTER-6" X 14 3/4" X 1/2", 12 PER PKG - COLEMAN 6703A3151
	081606-01-712	EA	CEILING SHROUD (IVORY), COLEMAN 6769-5061
	091225-01-713	EA	KNOB (2 PER PACKAGE), COLEMAN 6701-3351
	091225-01-717	EA	DECAL (THERMOSTAT) COOL ONLY, COLEMAN 6799A3441
	093766-02-701	EA	DECAL-LEFT SIDE, COLEMAN 6799-3971
	108891-01-700	EA	SINGLE PARTS PACKAGE (KNOBS & NUTS), COLEMAN 6792-5991
	108891-01-701	EA	RETAINER CLIPS FOR FILTER (6 PER PACKAGE), COLEMAN 6799-3141
	102289-01-000	EA	SPRING-SCREW, ROOF A/C GASKET - COLEMAN 6757-150
	022756-03-000	EA	COVER-BLANK, ROOF A/C - PLASTIC - OFF WHITE
	022756-02-000	EA	COVER-PROTECTIVE, 5.5" ENDS X 8 2" - PLASTIC - OFF WHITE

**1993 ITASCA  
TABLE OF CONTENTS**

INTRODUCTION	A-01 -	A-02
ABBREVIATIONS		A-03
ALPHABETICAL INDEX	A-04 -	A-06
IF427RC	A-07 -	D-18
IF427RC	D-19 -	H-08
IF428RC	H-09 -	K-24

**1993 IF427RC INDEX**

FLOOR PLAN	D-19 -	D-20
ACCESSORIES		D-21
AUDIO VIDEO		D-22
BATH	D-23 -	D-24
BEDROOM		E-01
CHASSIS	E-02 -	E-06
CURTAIN & CUSHION	E-07 -	E-16
DINETTE	E-17 -	E-18
DRIVERS COMPARTMENT	E-19 -	E-20
ELECTRICAL	E-21 -	E-24
EXTERIOR BODY	F-01 -	F-06
GALLEY	F-09 -	F-12
GENERATOR		F-13
HEATING & A/C	F-14 -	F-16
INTERIOR FINISH	F-17 -	F-20
LABELS	F-21 -	G-04
LP		G-05
LOUNGE	G-06 -	G-07
SEALANTS & FASTENERS	G-08 -	G-10
WATER & SEWAGE	G-11 -	G-14
WINDOW, VENT AND EXTERIOR DOOR	G-15 -	H-07

**INTERIOR FINISH GROUP**

**MOLDINGS & TRIMS**

KEY	PART NUMBER	U/M	DESCRIPTION
	008787-12-000	FT	MOLDING-SIDEWALL TO CEILING/CABINET - WELTING - OFF WHITE
	008778-11-000	EA	U-CHANNEL-PLASTIC, 1" WIDE X 8" LONG - IVORY
	008800-21-000	EA	MOLDING-CORNER, OUTSIDE - 1" - PLASTIC - WOODGRAIN
	008808-23-000	EA	MOLDING-CORNER, OUTSIDE - 1" - PLASTIC - IVORY
	008809-24-000	EA	MOLDING-CORNER, OUTSIDE - 1" - PLASTIC - THOR PECAN
	008809-25-000	EA	MOLDING-CORNER, OUTSIDE - 1" - PLASTIC - OFF WHITE
	008812-25-000	EA	MOLDING-CORNER, OUTSIDE - .5" - PLASTIC - PECAN
	022982-01-000	FT	MOLDING-REVERSE COVE, T-SHAPED - VINYL - WHITE
	022982-11-000	FT	MOLDING-REVERSE COVE, T-SHAPED - VINYL - IVORY
	070504-01-000	FT	U-CHANNEL-PLASTIC, .065" WIDE - LIGHT BROWN - INC. OF 8"
	070504-20-000	FT	U-CHANNEL-PLASTIC, .015" WIDE - THOR PECAN - INC. OF 8"
	076325-16-000	FT	MOLDING-EDGE BAND, 1 5/16" WIDE - WOODGRAIN - REGAL OAK
	076325-37-000	FT	MOLDING-EDGE BAND, 1136MM WIDE (D27)
	076325-38-000	FT	MOLDING-EDGE BAND, 1136MM WIDE (D28)
	076325-39-000	FT	MOLDING-EDGE BAND, 1527MM WIDE (D27)
	076325-40-000	FT	MOLDING-EDGE BAND, 1527MM WIDE (D28)
	083620-07-000	FT	MOLDING-T, END CAP EDGE - WEDGE LIPS - .75" - THOR PECAN
	083620-09-000	FT	MOLDING-T, END CAP EDGE - WEDGE LIPS - .75" - MODERN IVORY
	085284-51-000	FT	BATT STRIP-DECORATIVE, MAIN WALL - ADHESIVE BACKED (D27)
	085284-56-000	FT	BATT STRIP-DECORATIVE, MAIN WALL - ADHESIVE BACKED (D28)
	085284-52-000	FT	BATT STRIP-DECORATIVE, BATH/GALLEY WALL - ADHESIVE BACKED (D27)
	085284-55-000	FT	BATT STRIP-DECORATIVE, BATH/GALLEY WALL - ADHESIVE BACKED (D28)
	085284-59-000	FT	BATT STRIP-DECORATIVE, CEILING - ADHESIVE BACKED - FAWN
	085284-66-000	FT	BATT STRIP-DECORATIVE, PLAIN - ADHESIVE BACKED - FOREST OAK
	085746-01-000	FT	TRIM-J, CARPET - 1 2" X 5" ANGLE - 10' LONG - PVC - BEIGE
	088229-01-000	EA	RETAINER-BATTEN, CEILING - .75" WIDE - 7.6' EA
	088733-79-000	EA	BATT STRIP-WOODGRAIN, 8' LONG - FOREST OAK
	088263-71-000	EA	BATT STRIP-CEILING, 8' LONG - TROWELL WORK FAWN
	088263-63-000	EA	BATT STRIP-DECORATIVE, PLAIN - MAIN WALL - 8' LONG (D27)
	088263-67-000	EA	BATT STRIP-DECORATIVE, PLAIN - MAIN WALL - 8' LONG (D28)
	088263-64-000	EA	BATT STRIP-DECORATIVE, W/FLOWERS - BATH/GALLEY WALL - 8' LONG (D27)
	088263-68-000	EA	BATT STRIP-DECORATIVE, W/FLOWERS - BATH/GALLEY WALL - 8' LONG (D28)
	088263-78-000	EA	BATT STRIP-DECORATIVE, SHOWER - ANTIQUE WHITE - 8' LONG (D28)
	092330-D2-438	EA	LUMBER-VINYL WRAPPED, .7" X 1 5" X 9" - WOODGRAIN
	092330-03-000	EA	LUMBER-VINYL WRAPPED, 2" X 96" - WOODGRAIN - REGAL OAK
	092330-05-000	EA	LUMBER-VINYL WRAPPED, 2.9" X 96" - WOODGRAIN - REGAL OAK
	092331-D2-134	EA	MOLDING-VINYL WRAPPED, .7" X 1 57" X 84" - WOODGRAIN
	092331-F2-134	EA	MOLDING-VINYL WRAPPED, .7" X 2 5" X 7" - WOODGRAIN
	092331-F2-438	EA	MOLDING-VINYL WRAPPED, .7" X 2 5" X 96" - WOODGRAIN
	104676-01-01A	FT	MOLDING-T, 5/16" RIGID - GOLD
	105034-01-01A	EA	MOLDING-VINYL WRAP, 1" X 8" - REGAL OAK
	105709-01-01A	FT	MOLDING-T, 1" - PLASTIC - MODERN IVORY
	100340-01-000	EA	LUMBER-VINYL WRAPPED, .7" X 1 5" X 8" - RAMBLING OAK
	100040-03-000	EA	LUMBER-VINYL WRAPPED, .7" X 2" X 8" - RAMBLING OAK
	100041-02-000	EA	MOLDING-VINYL WRAPPED, .7" X 2.5" X 84" - RAMBLING OAK
	100659-01-B25	EA	TRIM-FLOOR, 72" X 1" X 1/2" - WOOD

**INTERIOR FINISH GROUP (CONTINUED)**

**PANELING, LAMINATES & PLASTIC**

KEY	PART NUMBER	U/M	DESCRIPTION
	074487-19-000	SF	PANELING-CEILING, 4' X 8' - INCREMENTS OF 32 SF
	074487-20-000	SF	PANELING-WOODGRAIN, 4' X 8' - INCREMENTS OF 32 SF
	074488-24-000	SF	LAMINATE-PLASTIC, 5' X 8' - REGAL OAK
	074488-46-000	SF	LAMINATE-PLASTIC, 5' X 8' - TAUPE MATRIX (D27)
	074488-45-000	SF	LAMINATE-PLASTIC, 5' X 8' - FAVORITE MIX (D28)
	088272-98-000	SF	PANELING-BATH/SHOWER, 4' X 7' - ANTIQUE WHITE
	088272-85-000	SF	PANELING-BATH/GALLEY, 4' X 7' - KEW GARDEN (D27)
	088272-88-000	SF	PANELING-BATH/GALLEY, 4' X 7' - GLORIA PASTEL (D28)
	088272-84-000	SF	PANELING-MAIN, 4' X 7' - BOMBAY (D27)
	088272-89-000	SF	PANELING-MAIN, 4' X 7' - POMPEII (D28)
	089297-01-000	SF	PLYWOOD-LUAN, OVERLAY GRADE - 4' X 8'
	093743-02-01A	SF	PLASTIC-ABS, 20" WIDE ROLL - OFF WHITE
	093743-03-01A	SF	PLASTIC-ABS, 10 8" WIDE - OFF WHITE
	098531-01-000	SF	PLYWOOD-RED OAK, 1/2"

**CARPETING & FLOOR MATS**

KEY	PART NUMBER	U/M	DESCRIPTION
	096060-33-000	SY	CARPET-ROLL 12' WIDE - LIGHT BROWN (D27)
	096060-42-000	SY	CARPET-ROLL 12' WIDE - SPECIAL TEAL (D28)
	093486-01-000	SY	CARPET-COMPARTMENT, 54" WIDE - DARK GRAY
	102695-05-000	YD	TAPE-CARPET BIND, TEAL (D28)
	102695-10-000	YD	TAPE-CARPET BIND, FAWN (D27)
	047034-02-000	SF	PLASTIC-CARPET, 4" WIDE - CLEAR POLY
	075233-01-000	SY	PAD-CARPET, 3/8" X 6' ROLL
	040069-01-000	EA	MAT-FLOOR, W/ITASCA LOGO - 10 5" X 26" - RUBBER - BLACK FROM: 00-00-00 THRU 04-25-93
	081075-04-000	EA	MAT-FLOOR, W/ITASCA LOGO - 10 5" X 26" - RUBBER - GRAY FROM: 04-26-93 THRU: 99-99-99
	106864-03-000	EA	MAT-FLOOR, FRONT - RH - 7" - FORD
	106864-01-000	EA	MAT-FLOOR, FRONT - LH - 7" - FORD

**FIRE EXTINGUISHER, SMOKE DETECTOR & CLOCK**

KEY	PART NUMBER	U/M	DESCRIPTION
	072852-01-000	EA	DETECTOR-SMOKE, W/9 VOLT BATTERY
	072852-02-000	EA	DETECTOR-SMOKE, W/9 VOLT BATTERY (CANADIAN)
	094499-01-000	EA	EXTINGUISHER-FIRE, DRY W/MOUNTING BRACKET - 10 BC
	094499-02-000	EA	EXTINGUISHER-FIRE, DRY - 1A10BC - CANADIAN
	094499-01-700	EA	BRACKET-MOUNTING, W/PLASTIC STRAP - FIRE EXTINGUISHER
	104764-01-01A	EA	CLOCK-WALL, SPARTUS FROM 00-00-00 THRU: 04-18-93
	100793-02-01A	EA	CLOCK-WALL, BOLDEN - ROUND 11" FROM: 04-19-93 THRU: 99-99-99

**1993 ITASCA  
TABLE OF CONTENTS**

INTRODUCTION	A-01	A-02
ABBREVIATIONS		A-03
ALPHABETICAL INDEX	A-04	A-08
IF427RQ	A-07	D-10
IF427RC	D-19	H-08
IF428RQ	H-09	K-24

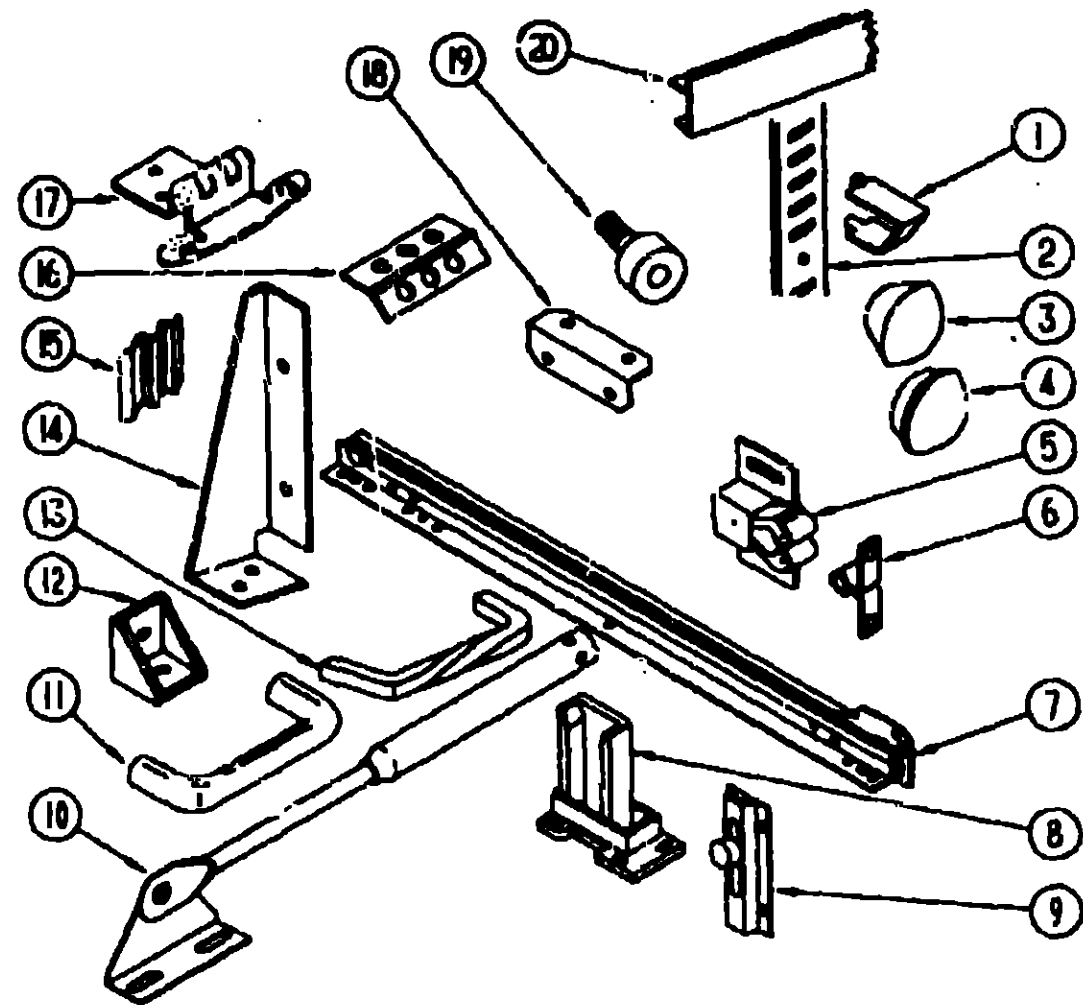
**1993 IF427RC INDEX**

FLOOR PLAN	D-19	D-20
ACCESSORIES		D-21
AUDIO VIDEO		D-22
BATH	D-23	D-24
BEDROOM		E-01
CHASSIS	E-02	E-06
CURTAIN & CUSHION	E-07	E-16
DINETTE	E-17	E-18
DRIVERS COMPARTMENT	E-19	E-20
ELECTRICAL	E-21	E-24
EXTERIOR BODY	F-01	F-08
GALLEY	F-09	F-12
GENERATOR		F-13
HEATING & A/C	F-14	F-16
INTERIOR FINISH	F-17	F-20
LABELS	F-21	G-04
LP		G-05
LOUNGE	G-06	G-07
SEALANTS & FASTENERS	G-09	G-10
WATER & SEWAGE	G-11	G-14
WINDOW, VENT AND EXTERIOR DOOR	G-15	H-07



## INTERIOR FINISH GROUP (CONTINUED)

### CABINET & TABLE HARDWARE



KEY	PART NUMBER	U/M DESCRIPTION
7	106913-01-000	EA SLIDE-DRAWER, CABINET MOUNTED - LEFT SIDE - 12"
7	106913-02-000	EA SLIDE-DRAWER, CABINET MOUNTED - RIGHT SIDE - 12"
7	106913-03-000	EA SLIDE-DRAWER, DRAWER MOUNTED - LEFT SIDE - 12"
7	106913-04-000	EA SLIDE-DRAWER, DRAWER MOUNTED - RIGHT SIDE - 12"
7	106913-05-000	EA SLIDE-DRAWER, CABINET MOUNTED - LEFT SIDE - 18"
7	106913-06-000	EA SLIDE-DRAWER, CABINET MOUNTED - RIGHT SIDE - 18"
7	106913-07-000	EA SLIDE-DRAWER, DRAWER MOUNTED - LEFT SIDE - 18"
7	106913-08-000	EA SLIDE-DRAWER, DRAWER MOUNTED - RIGHT SIDE - 18"
7	106913-09-000	EA SLIDE-DRAWER, CABINET MOUNTED - LEFT SIDE - 16"
7	106913-10-000	EA SLIDE-DRAWER, CABINET MOUNTED - RIGHT SIDE - 16"
7	106913-11-000	EA SLIDE-DRAWER, DRAWER MOUNTED - LEFT SIDE - 16"
7	106913-12-000	EA SLIDE-DRAWER, DRAWER MOUNTED - RIGHT SIDE - 16"
8	107037-01-000	EA BACKSOCKET-ADJUSTABLE, LEFT SIDE
8	107037-02-000	EA BACKSOCKET-ADJUSTABLE, RIGHT SIDE
9	061604-01-000	EA SLIDE-BOLT, ANTIQUE BRASS
10	074493-02-000	EA SUPPORT-PISTON SPRING, CABINET DOOR
11	105747-01-000	EA PULL-CABINET, ANTIQUE BRASS
		FROM: 02-05-93 THRU: 99-99-99
12	065740-01-000	EA BRACE-CABINET CORNER, PLASTIC
13	096645-01-000	EA PULL-CABINET, BRASS - TWIST - 1.1" X 3.4"
		FROM: 00-00-00 THRU: 02-04-93
14	076827-04-000	EA BRACKET-BUNK/BED, 2.9" X 1.8" TRIANGLE - METAL - OFF WHITE
15	105037-02-000	EA FASTENER-WOOD, CORNER - METAL - .5" X .6"
16	009059-01-000	EA HINGE-DOOR, 2" X 1.4" - BRASS
16	009059-02-000	EA HINGE-DOOR, 2" X 2.7" - BRASS
16	009063-01-000	EA HINGE-CONTINUOUS, 1 1/2" X 72" - UNPAINTED
16	009066-01-000	EA HINGE-CONTINUOUS, W/O HOLES - 1 1/16" X 6" - ALUMINUM
17	108138-01-000	EA HINGE-DOOR, CABINET - BURNISHED BRASS
	000313-06-08G	EA SCREW-6-20 X 5/8 PFH, ANTIQUE BRASS (HINGE 108138-01-000)
18	016604-01-000	EA BRACE-CABINET, ANGLE - 2.5" - METAL - UNPAINTED
18	016604-03-000	EA BRACE-CABINET, ANGLE - 2.5" - METAL - BEIGE
19	079921-01-000	EA ROLLER-NYLON, W/SHAFT
20	103186-01-02A	FT MOLDING-SHELF EDGE, PLASTIC - REGAL OAK
	076790-01-000	EA SCREW, 6-20 X 1 1/4 PPH - BLACK
	004354-01-000	EA BUMPER-RUBBER, .5" DIA - BROWN
	023320-01-000	EA PAD-FELT, 3/8" DIAMETER - BROWN
	009112-01-000	EA FLANGE-1" ROD, CLOTHES - PLASTIC - OFF WHITE
	002766-01-001	EA ANGLE-EXTRUDED, 1" X 1.5" X 17" - ALUMINUM

### 1993 ITASCA TABLE OF CONTENTS

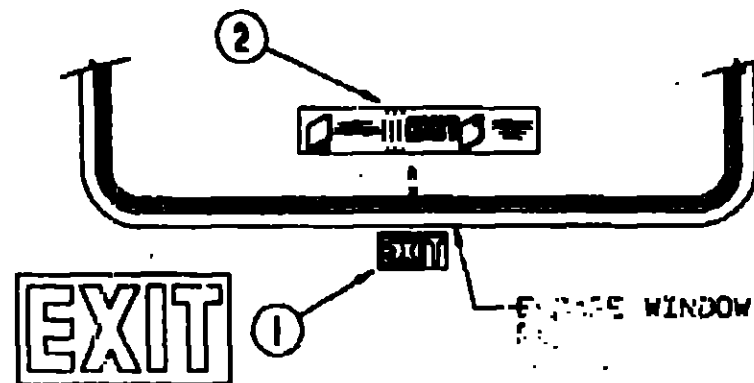
INTRODUCTION	A-01 - A-02
ABBREVIATIONS	A-03
ALPHABETICAL INDEX	A-04 - A-06
IF427RO	A-07 - D-18
IF427RC	D-19 - H-08
IF428RO	H-09 - K-24

### 1993 IF427RC INDEX

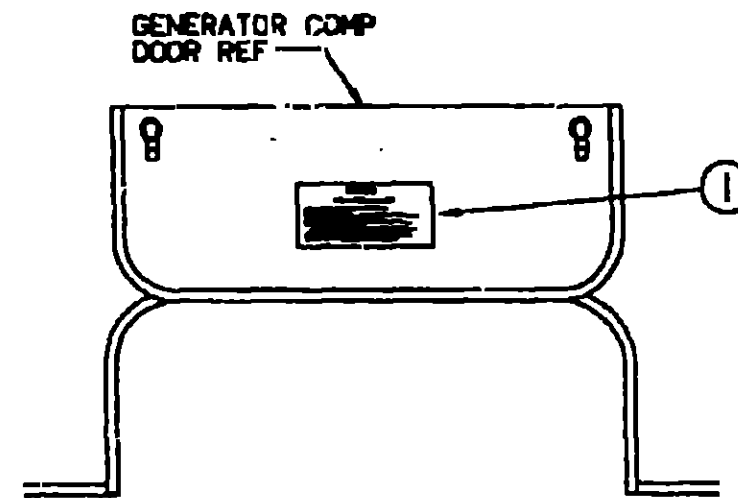
FLOOR PLAN	D-19 - D-20
ACCESSORIES	D-21
AUDIO VIDEO	D-22
BATH	D-23 - D-24
BEDROOM	E-01
CHASSIS	E-02 - E-03
CURTAIN & CUSHION	E-07 - E-16
DINETTE	E-17 - E-18
DRIVERS COMPARTMENT	E-19 - E-20
ELECTRICAL	E-21 - E-24
EXTERIOR BODY	F-01 - F-08
GALLEY	F-09 - F-12
GENERATOR	F-13
HEATING & A/C	F-14 - F-16
INTERIOR FINISH	F-17 - F-20
LABELS	F-21 - G-04
LP	G-05
LOUNGE	G-06 - G-07
SEALANTS & FASTENERS	G-08 - G-10
WATER & SEWAGE	G-11 - G-14
WINDOW, VENT AND EXTERIOR DOOR	G-15 - H-07

KEY	PART NUMBER	U/M DESCRIPTION
1	000979-01-000	EA CLIP-ADJUSTABLE SHELF
2	098980-01-000	EA PILASTER-ADJUSTABLE SHELF, 18" LONG
2	098980-04-000	EA PILASTER-ADJUSTABLE SHELF, 48" LONG
3	042356-01-000	EA PLUG-BUTTON, MAHOGANY - 3/8" DIAMETER - WOOD
4	074045-07-000	EA PLUG-WOOD, 1/2"
5	093586-03-000	EA CATCH-SPRING, ROLLER
6	093586-04-000	EA STRIKE-SPRING STEEL

**LABELS GROUP**



KEY	PART NUMBER	U/M DESCRIPTION
1	039290-01-000	EA LABEL-WARNING-EXIT
2	107511-01-000	EA LABEL-EXIT-ESCAPE WINDOW



**WARNING**

**WHEN ADDING A GENERATOR SET:**

HIGH VOLTAGE-USE EXTREME CAUTION WHEN WORKING ON ELECTRICAL COMPONENTS.

HAVE ALL ELECTRICAL INSTALLATION PERFORMED BY A QUALIFIED LICENSED ELECTRICIAN-FOLLOW ALL STATE AND LOCAL CODES.

ONLY INSTALL GENERATOR SET APPROVED FOR R.V. APPLICATION. HAVE INSTALLED BY QUALIFIED TECHNICIAN.

TO AVOID HEAT BUILD-UP AND TO GUARANTEE AN ADEQUATE AIR SUPPLY TO THE GENERATOR COMPARTMENT, FOLLOW INSTALLATION INSTRUCTIONS.

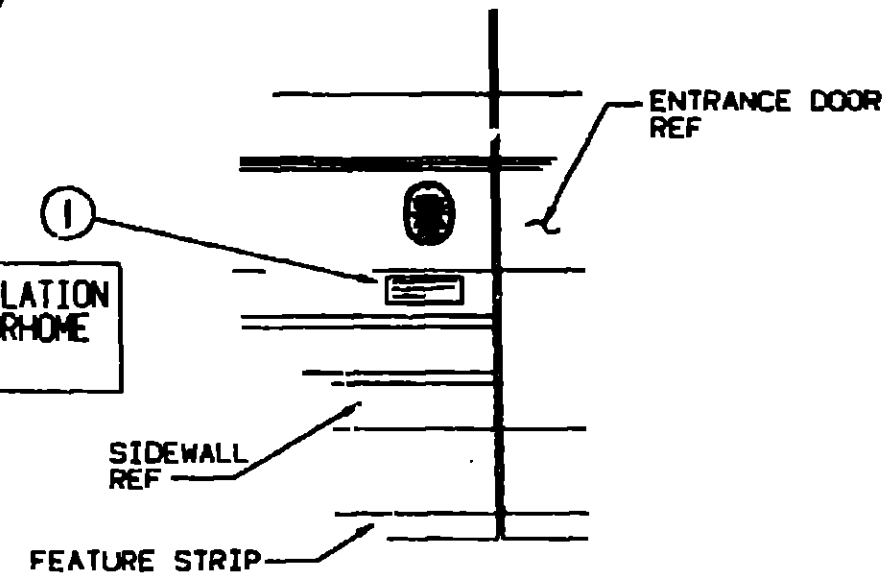
GENERATOR EXHAUST EXHAUSTS ARE TOXIC AND MUST NOT TERMINATE UNDER THE VEHICLE-EXHAUSTS EXHAUST AWAY FROM VEHICLE.

KEY	PART NUMBER	U/M DESCRIPTION
1	077510-01-000	EA LABEL-GENERATOR PREP

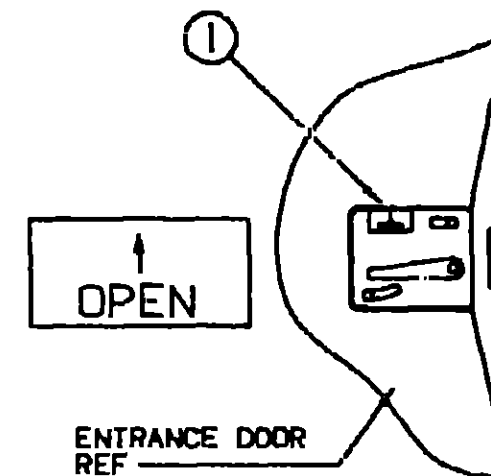
**LABELS GROUP (CONTINUED)**



FOR AWNING INSTALLATION CONTACT YOUR MOTORHOME DEALERSHIP



KEY	PART NUMBER	U/M DESCRIPTION
1	099509-01-000	EA LABEL-AWNING INSTALLATION



KEY	PART NUMBER	U/M DESCRIPTION
1	040944-01-000	EA LABEL-ENTRANCE DOOR, "OPEN"

**1993 ITASCA TABLE OF CONTENTS**

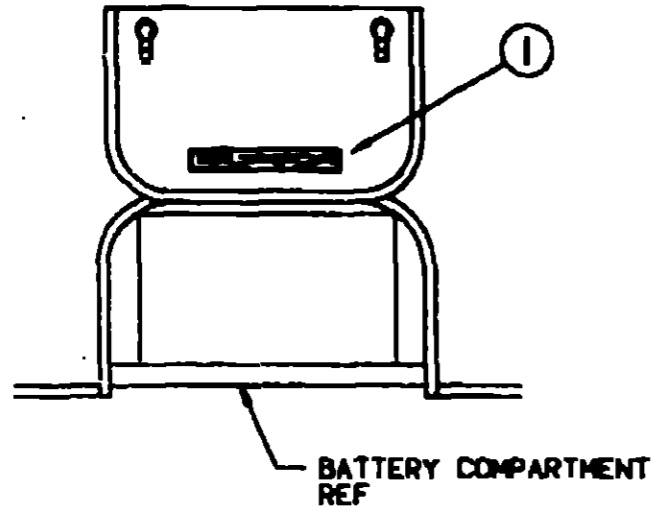
INTRODUCTION	A-01 - A-02
ABBREVIATIONS	A-03
ALPHABETICAL INDEX	A-04 - A-06
IF427RQ	A-07 - D-18
IF427RC	D-19 - H-08
IF428RQ	H-09 - K-24

**1993 IF427RC INDEX**

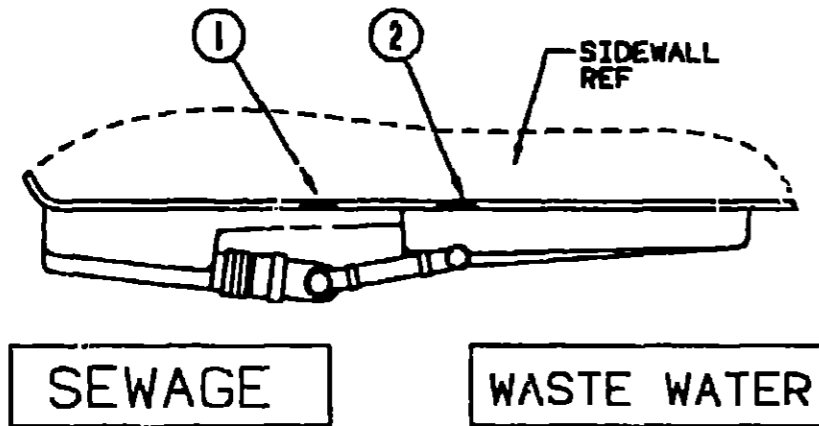
FLOOR PLAN	D-19 - D-20
ACCESSORIES	D-21
AUDIO VIDEO	D-22
BATH	D-23 - D-24
BEDROOM	E-01
CHASSIS	E-02 - E-06
CURTAIN & CUSHION	E-07 - E-16
DINETTE	E-17 - E-18
DRIVERS COMPARTMENT	E-19 - E-20
ELECTRICAL	E-21 - E-24
EXTERIOR BODY	F-01 - F-08
GALLEY	F-09 - F-12
GENERATOR	F-13
HEATING & A/C	F-14 - F-16
INTERIOR FINISH	F-17 - F-20
LABELS	F-21 - G-04
LP	G-05
LOUNGE	G-06 - G-07
SEALANTS & FASTENERS	G-08 - G-10
WATER & SEWAGE	G-11 - G-14
WINDOW, VENT AND EXTERIOR DOOR	G-15 - H-07

**LABELS GROUP (CONTINUED)**

**WARNING** DISCONNECT BATTERIES BEFORE CONNECTING EXTERNAL CHARGING EQUIPMENT.

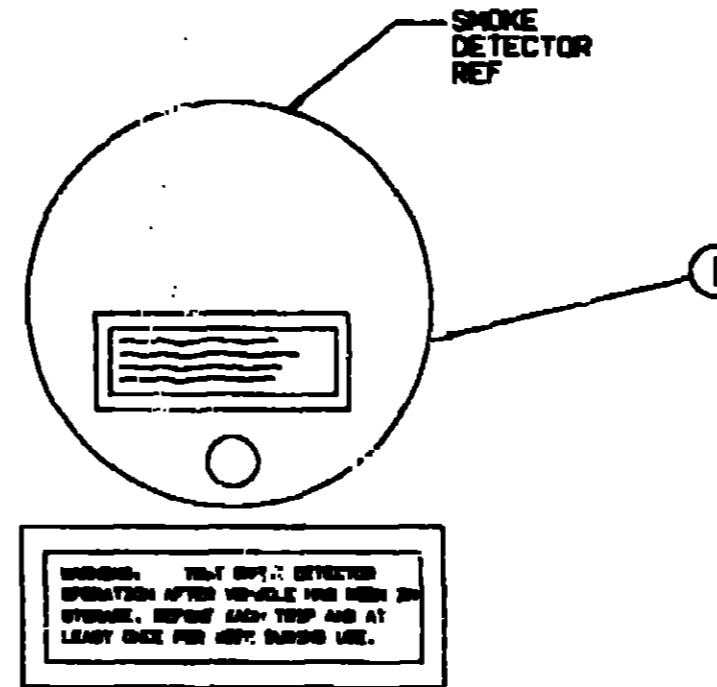


**KEY PART NUMBER U/M DESCRIPTION**  
 1 065748-01-000 EA LABEL-CAUTION-BATTERY CHARGING

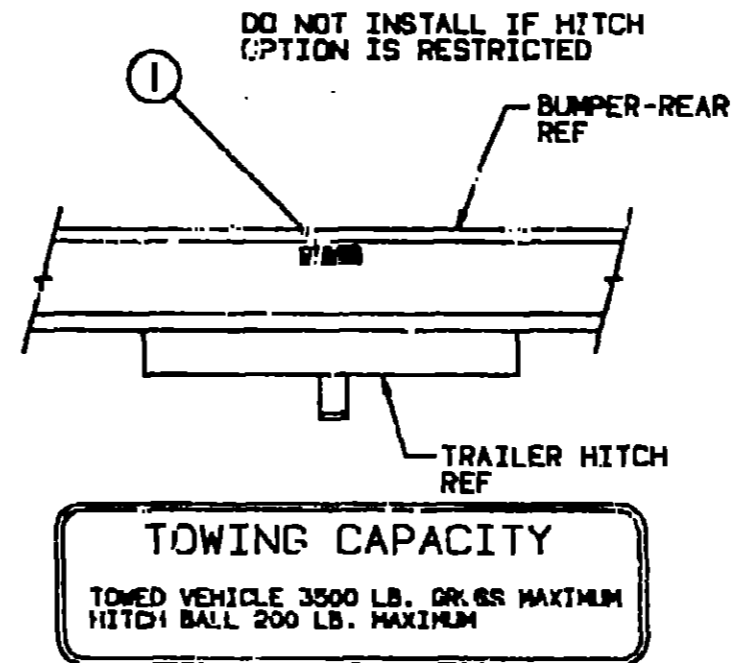


**KEY PART NUMBER U/M DESCRIPTION**  
 1 006187-01-000 EA LABEL-SEWAGE  
 2 006188-01-000 EA LABEL-WASTE WATER

**LABELS GROUP (CONTINUED)**



**KEY PART NUMBER U/M DESCRIPTION**  
 1 077956-01-000 EA LABEL-WARNING-SMOKE DETECTOR



**KEY PART NUMBER U/M DESCRIPTION**  
 1 075221-01-000 EA LABEL-TOWING CAPACITY

**1993 ITASCA TABLE OF CONTENTS**

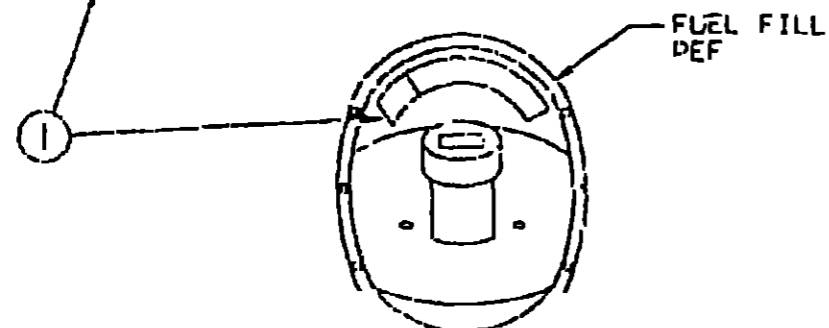
INTRODUCTION	A-01 - A-02
ABBREVIATIONS	A-03
ALPHABETICAL INDEX	A-04 - A-06
IF427RO	A-07 - D-18
IF427RC	D-19 - H-08
IF426RQ	H-09 - K-24

**1993 IF427RC INDEX**

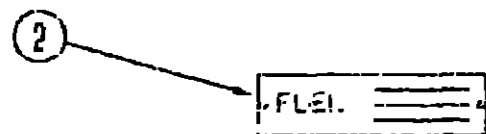
FLOOR PLAN	D-19 - D-20
ACCESSORIES	D-21
AUDIO VIDEO	D-22
BATH	D-23 - D-24
BEDROOM	E-01
CHASSIS	E-02 - E-06
CURTAIN & CUSHION	E-07 - E-16
DINETTE	E-17 - E-18
DRIVERS COMPARTMENT	E-19 - E-20
ELECTRICAL	E-21 - E-24
EXTERIOR BODY	F-01 - F-08
GALLEY	F-09 - F-12
GENERATOR	F-13
HEATING & A/C	F-14 - F-16
INTERIOR FINISH	F-17 - F-20
LABELS	F-21 - G-04
LP	G-05
LOUNGE	G-06 - G-07
SEALANTS & FASTENERS	G-08 - G-10
WATER & SEWAGE	G-11 - G-14
WINDOW, VENT AND EXTERIOR DOOR	G-15 - H-07

**LABELS GROUP (CONTINUED)**

<b>CAUTION</b>	TO HELP AVOID PERSONAL INJURY DURING REMOVAL OF FUEL FILLER CAP, SLOWLY LOOSEN CAP 1/2 TURN TO ALLOW ANY FUEL PRESSURE TO BE RELIEVED BEFORE TURNING CAP FURTHER.
<b>FUEL SPRAY MAY CAUSE PERSONAL INJURY</b>	STOP ADDING FUEL AFTER FIRST SHUTOFF BY AUTOMATIC NOZZLE WHEN TANK IS NEARLY FULL. DO NOT OVERFILL FUEL TANK. SEE OWNERS MANUAL FOR ADDITIONAL INFORMATION.
	PRINTED IN U.S.A. <span style="float: right;">M.C. P1 NO 15611763</span>

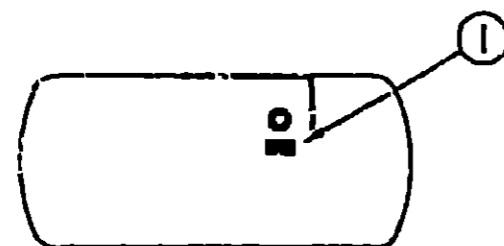


FUEL FILL DEF



LABEL-UNLEADED FUEL ONLY (CHASSIS SUPPLIED)

KEY	PART NUMBER	U/M DESCRIPTION
1	087207-05-000	EA LABEL-FUEL CAP REMOVAL
2	062043-01-000	EA LABEL-FUEL-UNLEADED

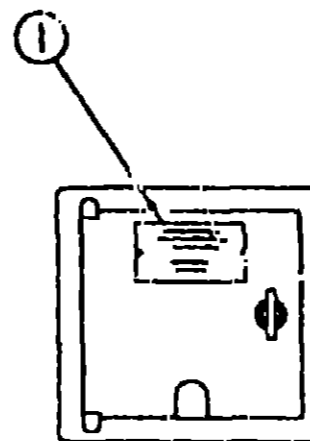


LP TANK REF

DO NOT FILL LP-GAS CONTAINER(S) TO MORE THAN 80% OF CAPACITY.

KEY	PART NUMBER	U/M DESCRIPTION
1	054531-01-000	EA LABEL-LP GAS ONLY

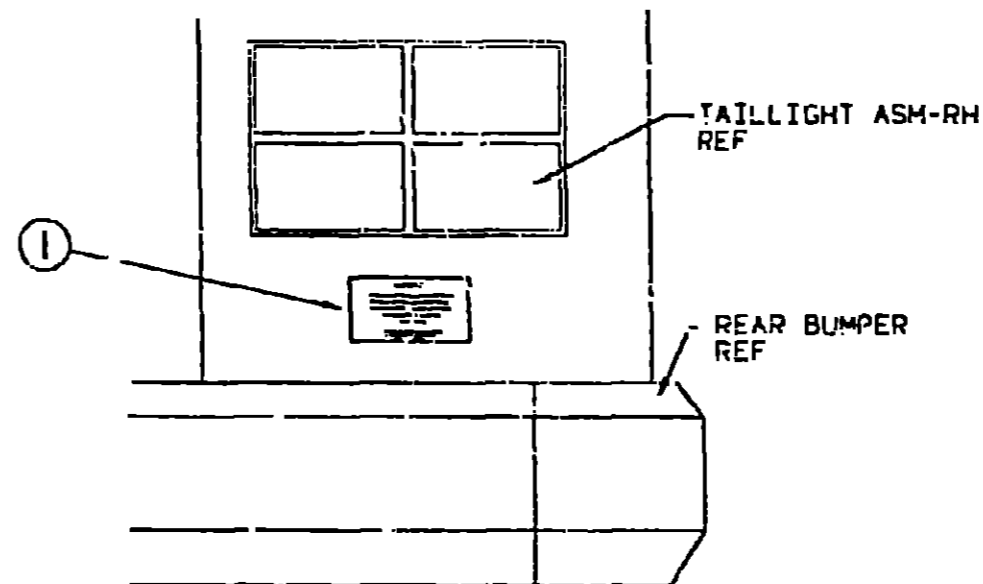
**LABELS GROUP (CONTINUED)**



THIS CONNECTION IS FOR 110-120 VOLT AC, 60HZ(CYCLES) 30 AMP. MAX SERVICE.  
  
DO NOT CONNECT TO HIGHER VOLTAGE

DOOR ASM-POWER CORD RES

KEY	PART NUMBER	U/M DESCRIPTION
1	006052-01-000	EA TAG-ELECTRIC-110V CONNECTION



TAILLIGHT ASM-RH REF

REAR BUMPER REF

**WARNING**

DO NOT EXCEED THE VEHICLE WEIGHT RATINGS OR LOADING RECOMMENDATIONS (E.G., GROSS VEHICLE, GROSS AXLE, GROSS COMB. WD) OF THE CHASSIS MANUFACTURER'S:

WINNEBAGO INC.

REFER TO YOUR OWNERS MANUAL, BEFORE LOADING OR TOWING.

KEY	PART NUMBER	U/M DESCRIPTION
1	075220-01-000	EA LABEL-WARNING-EXTERIOR LOAD

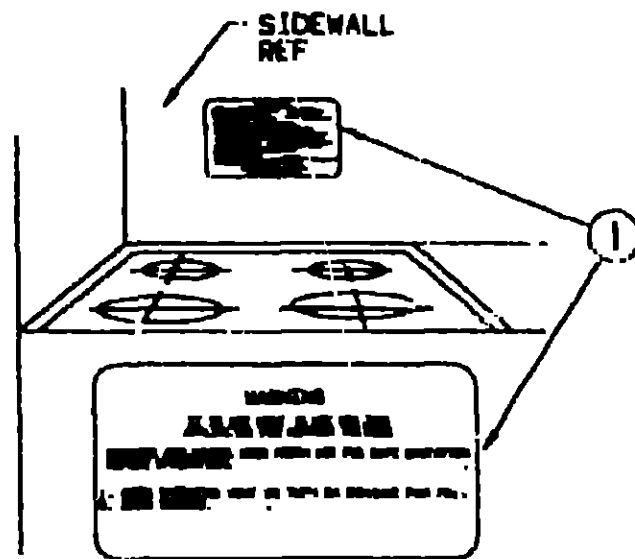
**1993 ITASCA TABLE OF CONTENTS**

INTRODUCTION	A-01 - A-02
ABBREVIATIONS	A-03
ALPHABETICAL INDEX	A-04 - A-06
IF427RO	A-J7 - D-18
IF427RC	D-19 - H-08
IF428RO	H-09 - K-24

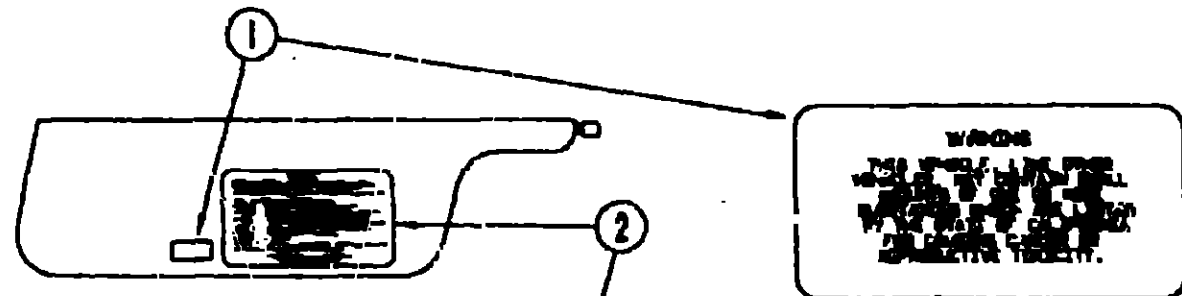
**1993 IF427RC INDEX**

FLOOR PLAN	D-19 - D-20
ACCESSORIES	D-21
AUDIO VIDEO	D-22
BATH	D-23 - D-24
BEDROOM	E-01
CHASSIS	E-02 - E-06
CURTAIN & CUSHION	E-07 - E-16
DINETTE	E-17 - E-18
DRIVERS COMPARTMENT	E-19 - E-20
ELECTRICAL	E-21 - E-24
EXTERIOR BODY	F-01 - F-08
GALLEY	F-09 - F-12
GENERATOR	F-13
HEATING & A/C	F-14 - F-16
INTERIOR FINISH	F-17 - F-20
LABELS	F-21 - G-04
LP	G-05
LOUNGE	G-06 - G-07
SEALANTS & FASTENERS	G-08 - G-10
WATER & SEWAGE	G-11 - G-14
WINDOW, VENT AND EXTERIOR DOOR	G-15 - H-07

**LABELS GROUP (CONTINUED)**



KEY	PART NUMBER	U/M DESCRIPTION
1	050225-01-000	EA LABEL-WARNING-STOVE VENT - US



**CAUTION**

THIS WEVER HOME HAS BEEN ENGINEERED, MANUFACTURED AND TESTED WITH CONSIDERATION FOR THE PROTECTION OF IT'S OCCUPANTS. WE REQUEST YOU PERFORM THE FOLLOWING INSPECTIONS FOR YOUR SAFETY AND THE SAFETY OF YOUR PASSENGERS BEFORE STARTING YOUR VEHICLE.

- UP GAS SYSTEM-** TURN OFF AT TANK FOR TRAVELING. TEST FOR LEAKS UPON ARRIVAL AT DESTINATION. BEFORE LIGHTING PILOTS.
- WHEELS-** INSPECT FOR DAMAGE AND CHECK TIRE WAYS FOR TIGHTNESS.
- TIRES-** INSPECT FOR WEAR AND DAMAGE AND CHECK FOR RECOMMENDED AIR PRESSURE.
- LIGHTS-** TEST FOR PROPER OPERATION OF ALL INTERIOR AND EXTERIOR LIGHTS INCLUDING BRAKE LIGHTS, HEADLIGHTS, TAIL LIGHTS, BRAKE LIGHTS, FLASHERS, LICENSE LIGHTS AND TURN SIGNALS.
- EXITS-** INSPECT RELEASE MECHANISM ON EMERGENCY EXIT (IF APPLICABLE). TEST BOTH LEVER OR PULL/TURN OPERATOR FOR EASE OF OPERATION AND INSTRUCT PASSENGERS HOW TO USE BOTH MEANS OF EXIT.
- SEAT BELTS-** INSTRUCT PASSENGERS TO SEATED PROPERLY AND WEAR USE OF SEAT BELTS.
- APPLIANCES-** TURN OFF AND LOCKS OR LIDS CLOSED WHEN PROVIDED.
- LOOSE PARTS-** STAKE SECURELY.
- UTILITIES SUPPLY LINES-** RECONNECT ALL ELECTRIC, SEWER AND WATER LINES AND CHECK PROPERLY.
- WINDSHIELD WIPER SWP-** PLACE IN RETRACTED POSITION FOR TRAVELING.

READ YOUR WEVER HOME AND CHASSIS OWNER'S MANUAL FOR FURTHER PRECAUTIONS

KEY	PART NUMBER	U/M DESCRIPTION
1	090680-01-000	EA LABEL-WARNING-CANCER/TOXICITY
2	056259-01-000	EA LABEL-SAFETY CHECK LIST

**LABELS GROUP (CONTINUED)**

**MISCELLANEOUS LABELS**

KEY	PART NUMBER	U/M DESCRIPTION
	104236-01-000	EA LABEL-GENERATOR CIRCUIT
	006064-01-000	EA LABEL-SEAT W/O SEATBELT. (US)
	006064-02-000	EA LABEL-SEAT W/O SEATBELT (CSA) NOT INTENDED FOR USE WHILE COACH IN MOTION
	091224-02-000	EA LABEL-TRAILER LIGHTING
	091243-01-000	EA LABEL-A/C COVER. "AIR CONDITIONING CIRCUIT ETC"
	091243-02-000	EA LABEL-COVER. "MICROWAVE CIRCUIT. ETC"
	090236-08-000	EA LABEL-CIRCUIT BREAKER
	090041-01-000	EA LABEL-FUEL, UNLEADED - DASH
	090076-01-000	EA DECAL-AUTO AIR & REAR HEATER
	087207-06-000	EA LABEL-GAS OVERFILL WARNING
	074559-01-000	EA DECAL-LOGO, LPG - RED - (CALIF CODE)
	073998-01-000	EA LABEL-LPG ODOR WARNING
	087236-01-000	EA LABEL-CABLE, INPUT
	061417-01-000	EA LABEL-FUEL ON FUEL FILL DOOR
	000040-01-000	EA TAG-GAS REFUELING WARNING-US
	005040-02-000	EA TAG-GAS REFUEL WARNING-CANADIAN

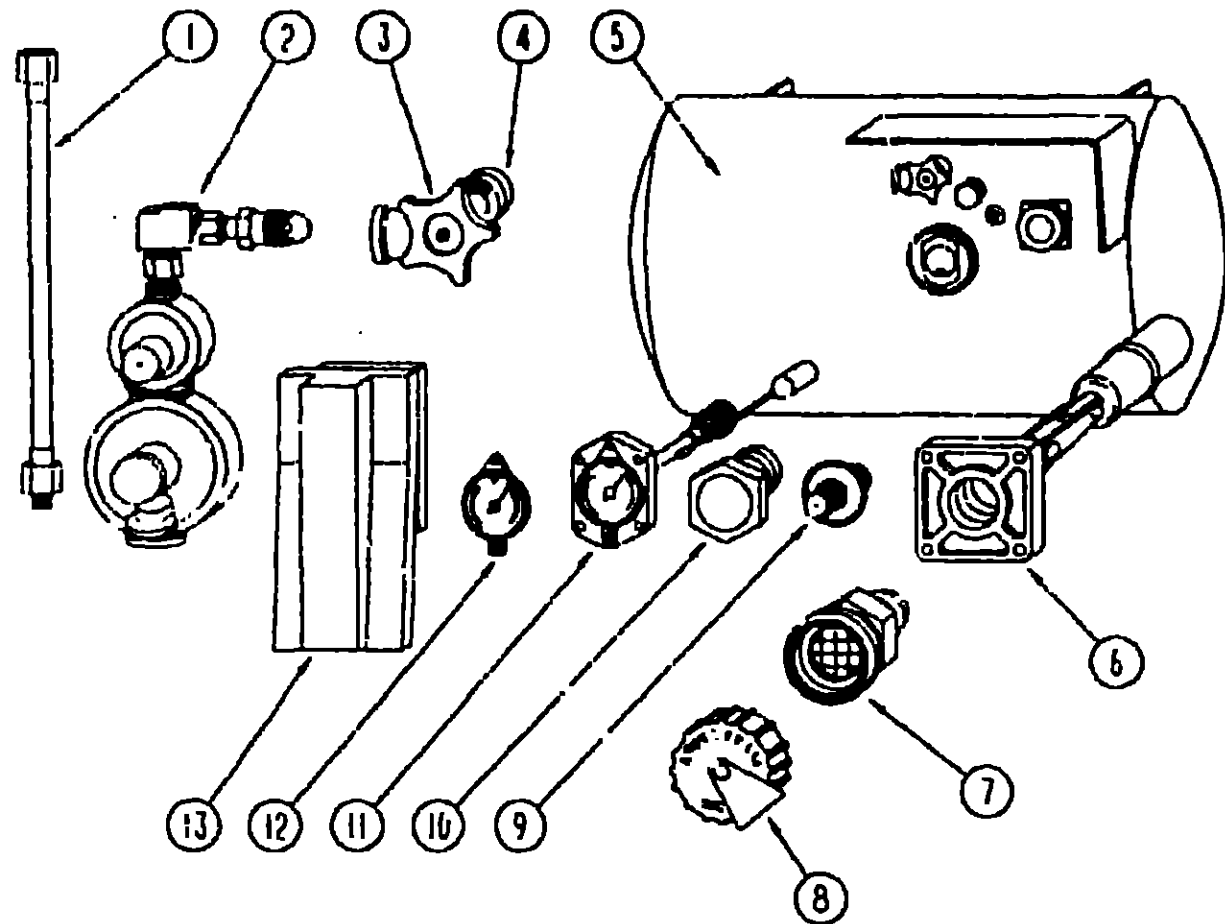
**1993 ITASCA  
TABLE OF CONTENTS**

INTRODUCTION	A-01	A-02
ABBREVIATIONS		A-03
ALPHABETICAL INDEX	A-04	A-06
IF427RO	A-07	D-18
IF427RC	D-19	H-08
IF428RO	H-09	K-24

**1993 IF427RC INDEX**

FLOOR PLAN	D-19	D-20
ACCESSORIES		D-21
AUDIO VIDEO		D-22
BATH	D-23	D-24
BEDROOM		E-01
CHASSIS	E-02	E-06
CURTAIN & CUSHION	E-07	E-16
DINETTE	E-17	E-18
DRIVERS COMPARTMENT	E-19	E-20
ELECTRICAL	E-21	E-24
EXTERIOR BODY	F-01	F-08
GALLEY	F-09	F-12
GENERATOR		F-13
HEATING & A/C	F-14	F-16
INTERIOR FINISH	F-17	F-20
LABELS	F-21	G-04
LP		G-05
LOUNGE	G-06	G-07
SEALANTS & FASTENERS	G-08	G-10
WATER & SEWAGE	G-11	G-14
WINDOW, VENT AND EXTERIOR DOOR	G-15	H-07

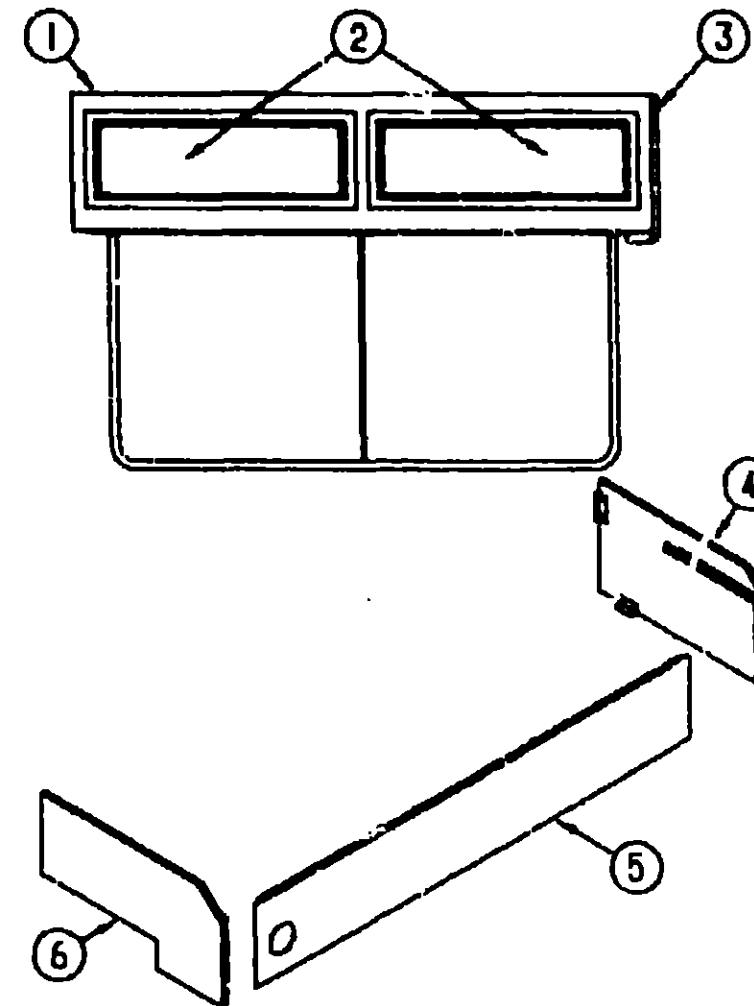
**LP GROUP**



**LP SYSTEM**

KEY	PART NUMBER	U/M	DESCRIPTION
1	045703-01-000	EA	HOSE-LP - 3/8" ID X 24" - 3/8 MPT X 1/2 F SWIVEL - U.S
1	045703-02-000	EA	HOSE-LP - 3/8" ID X 24" - 3/8" MPT X 1/2" F SWIVEL - CANADA
2	105150-01-000	EA	REGULATOR-TWO STAGE, M'BRASS 293-00
3	040421-01-708	EA	HANDWHEEL-SERVICE VALVE - BRUNNER G-1015-A
4	040421-01-712	EA	VALVE-SERVICE W/O VAPOR RELIEF - 29000853
5	080450-01-000	EA	TANK-LP, 42 LB - 13" DIA X 2 1/2" LONG
6	040421-01-711	EA	VALVE-80% W/FLOAT - PLATE - BOLTS & GASKET - BRUNNER
7	040421-01-701	EA	VALVE-SHORT LP FILLER W/YELLOW CAP - BRUNNER 75478
8	040421-01-702	EA	CAP-LP FILLER VALVE - PLASTIC - YELLOW - BRUNNER G-1014-A
9	040421-01-700	EA	VALVE-LIQUID LEVEL - 20% LP - BRUNNER G-1013
10	040421-01-713	EA	VALVE-VAPOR ONLY - 29000587
11	074142-01-700	EA	FLOAT GAUGE-SCREW ON-MACHINE 13C-SCR
12	040421-01-705	EA	DIAL-LP TANK VOLUME - VISIBLE FACE (5-1789) - BRUNNER MA-8 ROCHESTER
13	105658-01-000	EA	COMPARTMENT-LP REGULATOR
	010323-01-000	EA	ADAPTER-BRASS - 3/8" F X 1/2" MPT
	010285-01-000	EA	CROSS - 3/8" F X 3/8" F X 3/8" F X 1/2" FPT - BRASS
	010377-02-000	EA	NUT-BRASS - 3/8 FEMALE - FORGED
	010380-02-000	EA	NUT-BRASS - 1/2 FEMALE - FORGED
	010329-01-000	EA	ADAPTER-BRASS-1/2" F X 1/2" MPT
	065318-02-000	EA	ELBOW-90 DEGREE - 3/8" MPT TO 3/8" FPT
	035340-01-000	EA	ELBOW - 3/8" MPT X 1/2" F - BRASS
	081642-01-000	EA	TEE - 1/2" MPT X 1/2" FL X 3/8" FL - BRASS
	095624-01-000	EA	ELBOW-90 DEGREE - 1/4" FPT X 1/4" FPT - BRASS
	071391-02-000	EA	NIPPLE-HEX, 1/4 PIPE - 3325X4 WEATHERHEAD
	008042-01-000	FT	TURNING-VINYL, .65" ID
	103613-01-000	EA	DETECTOR-LEAK, LP GAS

**LOUNGE GROUP**



**DRIVER SIDE LOUNGE CABINETS**

KEY	PART NUMBER	U/M	DESCRIPTION
1	M05773-18-D27	EA	CABINET-OVERHEAD, LOUNGE - W/O DOORS & HARDWARE
1	M05778-18-D28	EA	CABINET-OVERHEAD, LOUNGE - W/O DOORS & HARDWARE
1	M06811-18-D27	EA	CABINET-OVERHEAD, LOUNGE - W/O DOORS & HARDWARE (EUROPEAN EXPORT)
1	M06811-18-D28	EA	CABINET-OVERHEAD, LOUNGE - W/O DOORS & HARDWARE (EUROPEAN EXPORT)
2	P05223-45-D04	EA	DOOR-CABINET, W/O HARDWARE - 400 X 710MM (MIRRORED)
2	P05223-42-D04	EA	DOOR-CABINET, W/O HARDWARE - 400 X 710MM (WOOD PANEL)
3	104335-06-C52	EA	END CAP-CABINET, OVERHEAD
4	M04187-58-D27	EA	CABINET-COUCH, END SECTION - W/FABRIC
4	M04187-58-D28	EA	CABINET-COUCH, END SECTION - W/FABRIC
5	M04187-57-D27	EA	CABINET-COUCH, FACE - W/FABRIC
5	M04187-57-D28	EA	CABINET-COUCH, FACE - W/FABRIC
6	M04187-59-D27	EA	CABINET-COUCH, END SECTION - W/FABRIC
6	M04187-59-D28	EA	CABINET-COUCH, END SECTION - W/FABRIC
	083125-03-000	EA	BRACE-ANGLE, COUCH - TAN - 2.5"
	083125-05-000	EA	BRACE-ANGLE, COUCH - BEIGE - 2.5"
	105947-01-000	EA	BRACKET-HOLD DOWN, COUCH (CANADIAN OPTION)

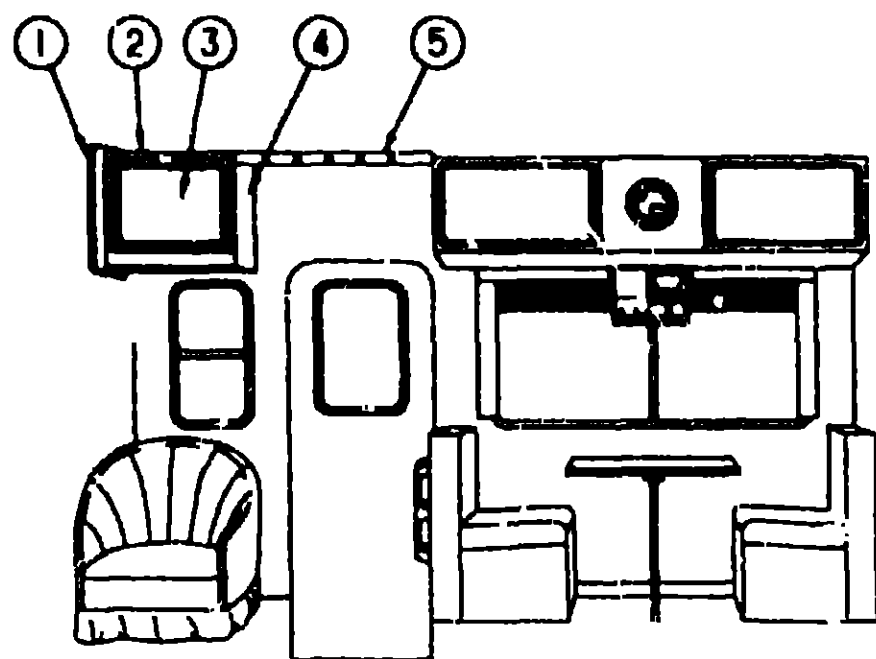
**1993 ITASCA  
TABLE OF CONTENTS**

INTRODUCTION	A-01 -	A-02
ABBREVIATIONS		A-03
ALPHABETICAL INDEX	A-04 -	A-06
IF427RQ	A-07 -	D-18
IF427RC	D-19 -	H-08
IF428RQ	H-09 -	K-24

**1993 IF427RC INDEX**

FLOOR PLAN	D-19 -	D-20
ACCESSORIES		D-21
AUDIO VIDEO		D-22
BATH	D-23 -	D-24
BEDROOM		E-01
CHASSIS	E-02 -	E-06
CURTAIN & CUSHION	E-07 -	E-16
DINETTE	E-17 -	E-18
DRIVERS COMPARTMENT	E-19 -	E-20
ELECTRICAL	E-21 -	E-24
EXTERIOR BODY	F-01 -	F-08
GALLEY	F-09 -	F-12
GENERATOR		F-13
HEATING & A/C	F-14 -	F-16
INTERIOR FINISH	F-17 -	F-20
LABELS	F-21 -	G-04
LP		G-05
LOUNGE	G-06 -	G-07
SEALANTS & FASTENERS	G-08 -	G-10
WATER & SEWAGE	G-11 -	G-14
WINDOW, VENT AND EXTERIOR DOOR	G-15 -	H-07

**LOUNGE GROUP (CONTINUED)**



**PASSENGER SIDE LOUNGE CABINETS**

KEY	PART NUMBER	U/M	DESCRIPTION
1	104335-07-C03	EA	END CAP-CABINET, OVERHEAD
1	104335-18-C03	EA	END CAP-CABINET, OVERHEAD (TV OPTION)
2	M011-01-D04	EA	CABINET-OVERHEAD, W/O DOOR & HARDWARE
2	M0577B-26-D04	EA	CABINET-OVERHEAD, W/O DOOR & HARDWARE (TV OPTION)
	106452-11-C03	EA	SHELF-CABINET, TV
	061604-01-000	EA	SLIDE-BOLT-ANTIQUE BRASS
3	P05223-43-D04	EA	DOOR-CABINET, W/O HARDWARE 400 X 520MM
4	104335-06-C03	EA	END CAP-CABINET, OVERHEAD
4	104335-17-C03	EA	END CAP-CABINET, OVERHEAD (TV OPTION)
5	105847-08-D07	EA	KEY RING HOLDER
	103130-01-000	EA	HOOK-CUP-BRASS - 1.25"

**SEALANTS & FASTENERS GROUP**

**ADHESIVE & FASTENERS**

KEY	PART NUMBER	U/M	DESCRIPTION
	034552-02-000	EA	SILICONE-TUBE, 300 ML - W/O NOZZLE - CLEAR
	034552-06-000	EA	SILICONE-TUBE, 300 ML - W/O NOZZLE - OFF WHITE
	900390-01-000	EA	TIP-2 1/2" X 1/8" ORIFICE
	900390-02-000	EA	TIP-6"LN, 1/16" X 1/4" ORIFICE
	900390-03-000	EA	NOZZLES-#CSL D10
	002707-02-000	FT	TAPE-SEALER, 6/16" X 1/2"
	053766-02-000	EA	BEDDING COMPOUND-TUBE, WHITE SCHNEE# 5522
	053766-06-000	EA	BEDDING COMPOUND-TUBE, CLEAR
	053766-08-000	EA	BEDDING COMPOUND-TUBE, GRAY - SCHNEE# 5522
	063642-01-000	FT	TAPE-ADHESIVE, 10 MM X 1.5" WIDE X 180'
	069640-01-000	FT	SEALER-RIBBON, 1/4" DIAMETER
	069640-02-000	FT	SEALER-RIBBON, 1/2" X 1/8"
	069640-03-000	FT	SEALER-RIBBON, 5/16" X 1/8"
	069640-06-000	FT	SEALER-RIBBON, 3/4" X 1/8"
	069640-10-000	FT	SEALER-RIBBON, 1/32" X 1 1/2"
	069640-11-000	FT	SEALER-TAPE, 3/16" X 3/8", BLACK - MANUS
	069640-12-000	FT	SEALER-TAPE, 1/8" X 1 5" GRAY - MANUS
	069640-14-000	FT	SEALER-TAPE, 1/16" X 1" GRAY - MANUS
	072889-01-000	EA	SEALANT-URETHANE, BLACK - 1/10 - ESSEX 552.2
	076314-02-000	FT	TAPE-CARPET SEAM, HEAT-BOND - 4" WIDE
	076322-01-000	FT	TAPE-FOAM, DOUBLE COATED ADHESIVE BACKED - .75" X 216'
	076322-02-000	FT	TAPE-FOAM, DOUBLE COATED ADHESIVE BACKED - 1" X 108'
	076322-03-000	FT	TAPE-FOAM, DOUBLE COATED ADHESIVE BACKED - 5" X 108'
	076322-05-000	FT	TAPE-FOAM, DOUBLE COATED ADHESIVE BACKED - .025" X 1 5" X 108'
	087211-01-000	GL	PROMOTER-ADHESIVE
	091255-02-000	FT	SEAL-ADHESIVE BACKED FOAM, .18" THICK X 1.5" WIDE
	094401-01-000	EA	SEALER-BODY SEAM SEALER, 3M FLEXICLEAR
	102352-01-000	EA	SEALER-PUMPABLE, BLACK - COLORIMETRIC MS101
	108716-01-000	EA	SILICONE-TUBE, OFF WHITE LEVEL - CSL 510

**BOLTS, NUTS & WASHERS**

KEY	PART NUMBER	U/M	DESCRIPTION
	000G45-05-16B	EA	BOLT-LAG 5/16 - 9 X 1 ZN
	0MC31K-08-020	EA	BOLT-HEX, SER FLANGE - M8 X 020
	000C12-05-16B	EA	BOLT-HEX, 5/16-18 X 1 - ZINC 5
	000C12-05-32B	EA	BOLT-HEX-3/8-16X2LG,ZN 5
	000C12-07-24B	EA	BOLT-HEX,7/16-14X1.50,ZN 5 MC-30
	000C12-08-24B	EA	BOLT-HEX, 1/2-13 X 1 1/2 - ZN 5
	000C12-10-24B	EA	BOLT-HEX, 5/8-11 X 1 1/2 ZN - 5
	000C13-07-48B	EA	BOLT-HEX, 7/16 - 20 X 3 - ZN 5
	000C18-05-40A	EA	BOLT-ELEV, 5/16"-18 X 2 1/2" PL
	000C18-06-48B	EA	BOLT-ELEV, 3/8-18 X 3 ZN - GDE 5
	000C26-04-10B	EA	BOLT-HEX, SER FLG - 1/4-20 X 5/8 ZINC
	000C26-05-12B	EA	BOLT-HEX-SER FLG 5/16-18X3/4 ZN
	051387-06-000	EA	BOLT-CARRIAGE, W/O HOLE - 5/16 - 18 X 9 5 - ZINC
	000D24-10-00B	EA	NUT-HEX, SF/LK - 10-32 ZN
	000D29-09-00B	EA	NUT-HEX, SF/LK - 9/16 - 12 ZN
	000D39-04-00B	EA	NUT-HEX, SER FLG LK 1/4 - 20 ZN
	000D39-05-00B	EA	NUT-HEX, SER FLG LK - 5/16 - 18 ZN
	000D39-06-00B	EA	NUT-HEX, SER FLG LK - 3/8-16 ZN
	000D39-08-00B	EA	NUT-HEX, SER FLG LK - 1/2-13 ZN
	000D44-07-00B	EA	NUT-HEX, SER FLG LK - 7/16-20 ZN
	044364-02-000	EA	NUT-SPEED, FLAT - ROUND
	000E11-07-00B	EA	WASHER-LK, 7/16 MED SPLIT ZN 05114-01-000
	000E13-14-00B	EA	WASHER-FL, 1/4" WIDE ZN
	000E13-17-00B	EA	WASHER-FLARE, 3/8" AR ZN
	000E13-20-00B	EA	WASHER-FL, 7/16" WIDE - ZN
	000E13-21-00B	EA	WASHER-FL, W/2 NAR ZN
	000E14-10-00B	EA	WASHER-LK, NO 10 EXT TOOTH - ZN
	041322-01-000	EA	WASHER-FL, 15/32ID X 2 3/8 OD - FOR SEAT BELT MOUNT
	044533-01-000	EA	WASHER-PLASTIC, 1 3/8"OD - FOR BUTTONS

**1993 ITASCA TABLE OF CONTENTS**

INTRODUCTION	A-01 - A-02
ABBREVIATIONS	A-03
ALPHABETICAL INDEX	A-04 - A-06
IF427	A-07 - D-18
IF42	D-19 - H-08
IF41	H-09 - K-24

**1993 IF427RC INDEX**

FLOOR PLAN	D-19 - D-20
ACCESSORIES	D-21
AUDIO VIDEO	D-22
BATH	D-23 - D-24
BEDROOM	E-01
CHASSIS	E-02 - E-06
CURTAIN & CUSHION	E-07 - E-16
DINETTE	E-17 - E-18
DRIVERS COMPARTMENT	E-19 - E-20
ELECTRICAL	E-21 - E-24
EXTERIOR BODY	F-01 - F-08
GALLEY	F-09 - F-12
GENERATOR	F-13
HEATING & A/C	F-14 - F-16
INTERIOR FINISH	F-17 - F-20
LABELS	F-21 - G-04
LP	G-05
LOUNGE	G-06 - G-07
SEALANTS & FASTENERS	G-08 - G-10
WATER & SEWAGE	G-11 - G-14
WINDOW, VENT AND EXTERIOR DOOR	G-15 - H-07

**SEALANTS & FASTENERS GROUP (CONTINUED)**

**SCREWS**

KEY	PART NUMBER	U/M DESCRIPTION
	000G11-06-10J	EA SCREW, 8-20 X 5/8 PPH - BRASS
	000G11-07-08B	EA SCREW, 7-19 X 1/2 PPH - ZN
	000G11-08-06B	EA SCREW, 8-18 X 3/8 PPH ZN
	000G11-08-08B	EA SCREW, 8-18 X 1/2 PPH - ZN
	000G11-08-12B	EA SCREW, 8-18 X 3/4 PPH ZN
	000G11-08-12D	EA SCREW, 8-18 X 3/4 PPH - BLACK
	000G11-08-12E	EA SCREW, 8-18 X .75 PPH - CHROME
	000G11-08-12F	EA SCREW, 8-18 X .75 PPH - DARK BROWN
	000G11-08-12R	EA SCREW, 8-18 X 3/4 PPH - BEIGE
	000G11-08-12S	EA SCREW, 8-18 X 3/4 PPH - OFF WHITE
	000G11-08-12T	EA SCREW, 8-18 X 3/4 PPH - BLACK
	000G11-08-16S	EA SCREW, 8-18 X 1.00 PPH - OFF WHITE
	000G11-10-12S	EA SCREW, 10-16 X .75 PPH - OFF WHITE
	000G11-10-40B	EA SCREW, 10-16 X 2 1/2 PPH - OFF WHITE
	000G12-03-09T	EA SCREW, 6-20 X .50 POH - BLACK
	000G12-08-12R	EA SCREW, 8-18 X .75OH - BEIGE
	000G12-08-12S	EA SCREW, 8-18 X 3/4 POH - OFF WHITE
	000G13-06-06B	EA SCREW, 6-20 X 3/8 PPH ZN
	000G13-06-08B	EA SCREW, 6-20 X 1/2 PPH ZN
	000G13-06-08G	EA SCREW, 6-20 X 1/2 PPH - ANTIQUE BRASS
	000G13-06-15J	EA SCREW, 6-20 X 1.00 PPH - BRASS
	000G13-06-24J	EA SCREW, 6-20 X 1.50 PPH - BRASS
	000G13-07-12B	EA SCREW, 7-19 X 3/4 PPH ZN
	000G13-08-16B	EA SCREW, 8-18 X 1 PPH - ZN
	000G13-10-12B	EA SCREW, 10-16 X 3/4 PPH ZN
	000G18-08-16B	EA SCREW-MACHINE, 8 X 32 X 1 PPH ZN
	000G18-08-22B	EA SCREW-MACHINE, 8-32 X 1 3/8 PPH ZN
	000G32-10-06B	EA SCREW-10-32 X 3/8" - PPH - ZINC
	000G39-06-06B	EA SCREW-SF/DR, 6-18 X 1/2 ZN
	000G39-06-10T	EA SCREW-SF/DR, 6-20 X 5/8 PPH - BLACK
	000G39-06-10T	EA SCREW-SF/DR, 6-20 X 5/8 PPH - BLACK
	000G39-06-16T	EA SCREW-SF/DR, 6-20 X 1 PPH - BLACK
	000G39-08-06B	EA SCREW-SF/DR, 8-18 X 3/8 PPH ZN
	000G39-08-08B	EA SCREW-SF/DR, 8-18 X 1/2 PPH ZN
	000G39-08-08R	EA SCREW-SF/DR, 8-18 X 1/2 PPH - BEIGE
	000G39-08-08S	EA SCREW-SF/DR, 8-18 X 1/2 PPH - OFF WHITE
	000G39-08-12B	EA SCREW-SF/DR, 8-18 X 3/4 PPH ZN
	000G39-08-16B	EA SCREW-SF/DR, 8-18 X 1 PPH ZN
	000G39-08-16S	EA SCREW-SF/DR, 8-18 X 1.00 PPH, OFF WHITE
	000G39-08-24B	EA SCREW-SF/DR, 8-18 X 1 1/2 PPH ZN
	000G39-10-12S	EA SCREW-SF/DR, 10-16 X 3/4 PPH - SILVER
	000G39-10-12D	EA SCREW-SF/DR, 10-16 X 3/4 PPH - BLACK
	000G39-10-12R	EA SCREW-SF/DR, 10-16 X 3/4 PPH - BEIGE
	000G39-10-20B	EA SCREW-SF/DR, 10-16 X 1 1/4 PPH ZN
	000G39-10-32B	EA SCREW-SF/DR, 10-16 X 2.00 PPH - ZN
	000G39-10-32I	EA SCREW-SF/DR, 10-16 X 2.00 PPH - ZN PLATE-PASS BLACK
	000G39-12-12E	EA SCREW-SF/DR, 12 - 14 X 3/4 PPH - CHROME
	000G42-04-12B	EA SCREW-SF/DR, 1/4 - 14 X 3/4 HWH ZN
	000G42-04-16B	EA SCREW-SF/DR, 1/4-14 X 1 HWH - ZN
	000G50-04-12B	EA SCREW-MACHINE, 1/4-20 X 3/4 PPH ZN
	000G53-04-06B	EA SCREW-MACHINE, 1/4-20 X 3/8 PPH ZN - UNDERCUT HEAD
	000G54-04-20B	EA SCREW, 1/4-20 X 1 1/4 PTH - TYPE 23 - ZINC PLATED
	000G56-12-48B	EA SCREW-WOOD, 12 - 11 X 3 POH - SPECIAL HARDENED
	000G60-10-28T	EA SCREW-SF/DR, 10-16 X 1.75 - BLACK
	000G67-10-08B	EA SCREW, 10-12 X 1/2 PPH ZN
	000G67-10-08R	EA SCREW, 10-12 X 1/2 PPH - BEIGE - TYPE A
	000G67-10-10B	EA SCREW, 10-12 X 5/8 PPH 7N - TYPE A
	000G67-10-10D	EA SCREW, 10-12 X 5/8 PPH - BLACK - TYPE A
	000G67-10-10R	EA SCREW, 10-12 X 5/8 PPH - TYPE A - BEIGE
	000G67-10-10S	EA SCREW, 10-12 X 5/8" - PPH - OFF WHITE
	000G67-10-12D	EA SCREW, 10-12 X 3/4 PPH - TAN
	000G67-10-12B	EA SCREW, 10-12 X 3/4 PPH - ZN

**SEALANTS & FASTENERS GROUP (CONTINUED)**

**SCREWS (CONTINUED)**

KEY	PART NUMBER	U/M DESCRIPTION
	000G67-10-12P	EA SCREW, 10-12 X .75" - PPH - DARK BROWN
	000G67-10-12R	EA SCREW, 10-12 X .75 PPH - BEIGE
	000G67-10-16B	EA SCREW, 10-12 X 1 PPH - 7N
	000G67-10-16P	EA SCREW, 10-12 X 1 PPH - DARK BROWN
	000G67-10-20D	EA SCREW, 10-12 X 1 1/4 PPH - BLACK
	000G67-10-24B	EA SCREW, 10-12 X 1 1/2 PPH - ZN
	000G67-10-32B	EA SCREW, 10-12 X 2 PPH - ZN
	000G68-06-10G	EA SCREW, 6-18 X 5/8 POH - ANTIQUE BRASS
	000G68-10-36T	EA SCREW, 10-12 X 2 25 POH BLACK
	049465-04-000	EA SCREW, 10-16 X 1 PTH W/WASHER - BEIGE
	074046-01-000	EA SCREW, 3-13 X 1 1/2 PPH, BRONZE
	075903-01-000	EA SCREW-MACHINE, 10-32 X .56 PTH - ZINC EXTERNAL TOOTH
	087721-01-000	EA SCREW-FLAT HEAD, TAPPING - 1/4" X 1 1/4" LG ZN
	101289-01-01A	EA SCREW-MACHINE, 8-32 X 4 - POH - BRASS - FOR EXTENDED KNOB

**CLAMPS, GROMMETS, CLIPS, HOLDERS & RIVETS**

KEY	PART NUMBER	U/M DESCRIPTION
	000H16-04-06R	EA RIVET-POP, AL 1/8 X 313-375
	007161-01-000	EA CLAMP-HOSE, SPRING TYPE - 1/2"
	010495-01-000	EA CLAMP-CABLE, 9/16"
	010497-01-000	EA CLAMP-CLOSED, 5/8" ID
	010499-01-000	EA CLAMP-CLOSED, 3/8" ID
	016188-03-000	EA GROMMET-L/P LINE, 3/8" HOLE X 2 1/2" LONG - RUBBER
	016180-05-000	EA GROMMET-L/P LINE, 3/8" HOLE X 1 1/4" LONG - RUBBER
	023942-01-000	EA GROMMET-RUBBER, 2" OD
	056134-01-000	EA HOLDER-RING, 3 6" DIAMETER - METAL
	056134-02-000	EA HOLDER-RING, 1 8" DIAMETER - METAL
	062401-01-000	EA CLAMP-HOSE, WORMGEAR 25" - 1"
	062401-02-000	EA CLAMP-HOSE, WORMGEAR, 1.56" - 2.5"
	062401-04-000	EA CLAMP-HOSE, WORMGEAR .89" - 1.25"
	062401-05-000	EA CLAMP-HOSE, WORMGEAR 2.2" - .62"
	069592-02-000	EA RIVET-T, (POP) - 1/4 X .093 - 15G
	071015-11-000	EA GROMMET-1.00" ID, FITS .12 MATL - MINOR RUBBER Z-3065
	071015-26-000	EA GROMMET-RUBBER, 1 5" ID X 2.12" OD W/ .06" GROOVE - BLACK
	071015-31-000	EA GROMMET-RUBBER, 69" ID X 1 31" OD W/ .12" GROOVE - BLACK
	075148-02-000	EA CLAMP-GROUNDING, BRONZE SCREWS
	077953-01-000	EA GROMMET-EDGE LINER, FITS 1"
	080734-02-000	EA CLIP-WIRE, NYLON
	082149-01-000	EA STUD-CLINCH, 3/8" X 24 X 1 12 GD5
	083509-01-000	EA CLAMP-WIRE, DUAL EQUAL - 5/8" DIAMETER
	083610-01-000	EA CLAMP-WIRE, DUAL - UNEQUAL DIAMETERS - .75" & 1.25"
	085774-01-000	FT FASTENER-DUAL HOOK, 1" WIDE - ADHESIVE BACK - BLACK
	085774-02-000	FT FASTENER-DUAL LOOP, 1" WIDE - ADHESIVE BACK - BLACK
	091952-01-000	EA CLIP-GRIPPER, 1"
	101447-01-000	EA CLIP-U TYPE, TINNEMAN - HOLDS SHOWER SURROUND TOGETHER

**1993 ITASCA  
TABLE OF CONTENTS**

INTRODUCTION	A-01	A-02
ABBREVIATIONS		A-03
ALPHABETICAL INDEX	A-04	A-06
IF427RC	A-07	D-10
IF427RC	D-19	H-08
IF428RC	H-09	K-24

**1993 IF427RC INDEX**

FLOOR PLAN	D-19	D-20
ACCESSORIES		D-21
AUDIO VIDEO		D-22
BATH	D-23	D-24
BEDROOM		E-01
CHASSIS	E-02	E-06
CURTAIN & CUSHION	E-07	E-16
DINETTE	E-17	E-18
DRIVERS COMPARTMENT	E-19	E-20
ELECTRICAL	E-21	E-24
EXTERIOR BODY	F-01	F-08
GALLEY	F-09	F-12
GENERATOR		F-13
HEATING & A/C	F-14	F-16
INTERIOR FINISH	F-17	F-20
LABELS	F-21	G-04
LP		G-05
LOUNGE	G-06	G-07
SEALANTS & FASTENERS	G-08	G-10
WATER & SEWAGE	G-11	G-14
WINDOW, VENT AND EXTERIOR DOOR	G-15	H-07



**WATER & SEWAGE GROUP**

**FRESH WATER TANK & WATER SYSTEM**

KEY	PART NUMBER	U/M DESCRIPTION
	064214-01-000	EA TANK-WATER, W/FITTINGS - 31 GALLON
	077254-02-000	EA FILTER-WATER TANK, SCREEN IN TANK
	042989-03-000	EA FITTING-WATER TANK, SPINWELD - 1 1/4"NPT - PLASTIC - WHITE
	042989-04-000	EA FITTING-WATER TANK, SPINWELD - 3/8" FPT - PLASTIC - WHITE
	042989-05-000	EA FITTING-WATER TANK, SPINWELD - 1/2" FPT - PLASTIC - WHITE
	049032-01-000	EA PATCH-SPINWELD, 3/8" - PLASTIC
	039861-01-000	EA SENDING UNIT, W/SCREW - WASHER- WELL NUT AND TERMINAL RING
	036522-02-000	EA CAP-BRASS, 1/2" FLARE
	106000-01-000	EA CAP-FEMALE, W/CONE 50 KEVCO TC3F
	010224-01-000	EA ADAPTER-HOSE TO PIPE, 3/8" MPT X 3/8" BARB - PLASTIC BLACK
	044927-01-000	EA ADAPTER-HOSE TO PIPE, 1 1/4"MPT X 1 1/4"BARB-BLACK PLASTIC
	052954-01-000	EA ADAPTER-NOSE CONE, 3/8" OR 1/2" TUBING - PLASTIC - GRAY
	079317-01-000	EA ADAPTER-SWIVEL, 1/2" TUBE X 1/2" FPT - PLASTIC - GRAY
	106258-01-000	EA CAP-INSERTABLE, 1/2" FLARE
	052953-03-000	EA CONNECTOR, 1/2" F X 3/8" MPT - PLASTIC - GRAY
	098417-01-000	EA CONNECTOR-5/8" F X 1/2" MPT, PLASTIC - KEVCO
	101914-01-000	EA COUPLING-FEMALE, 1/2" X 1/2" FPT
	052960-01-000	EA DRAIN VALVE-IN LINE HEADER, 1/2" F X 1/2" F - GRAY PLAS
	052957-02-000	EA ELBOW-MALE, 1/2" F X 1/2" MPT - PLASTIC - GRAY
	055293-01-000	EA ELBOW-5/8" F X 1/2" MPT - PLASTIC - GRAY
	087659-04-000	EA FILL-WATER CITY, OFF WHITE
		FROM 00-00-00 THRU 05-16-93
	087659-01-700	EA FILL-WATER STRAP & CAP ONLY, V322-00
	110915-01-01A	EA FILL-WATER CITY, OFF WHITE
		FROM 05-17-93 THRU 99-99-99
	046128-01-000	EA VALVE-DRAIN, PLASTIC - 1/2" FPT
	065120-01-000	EA ELBOW-SWIVEL 1/2" FPT X 1/2" FLARE - PLASTIC - GRAY
	052952-01-000	EA NUT-PLASTIC, 1/2" F X 1/2" TUBE - GRAY
	052952-02-000	EA NUT-PLASTIC, 5/8" FLARE
	039798-01-000	EA TEE-1/2" MPT X 1/2" MPT X 1/2" MPT, PLASTIC
	052958-01-000	EA TEE-1/2" F X 1/2" F X 1/2" F, PLASTIC - GRAY
	052955-01-000	EA TEE-1/2" F X 1/2" F X 1/2" MPT, PLASTIC - GRAY
	052955-01-000	EA TEE-1/2" F X 1/2" MPT X 1/2" F, PLASTIC - GRAY
	055291-01-000	EA TEE-PLASTIC, 5/8" F X 5/8" F X 5/8" F
	055293-01-000	EA TEE-PLASTIC, 5/8" F X 1/2" F X 5/8" F
	057974-01-000	EA TEE-5/8" F X 1/2" F X 1/2" F, PLASTIC
	074463-02-000	EA TEE-4 WAY, 1/2" FLARE X 1/2" MPT - PLASTIC - GRAY
	074463-03-000	EA TEE-4 WAY, 1/2" FLARE X 1/2" MPT
	039800-01-000	FT TUBING-POLYBUTYL, 1/2" OD - INCREMENTS OF 20" - BLACK
	039800-02-000	FT TUBING-POLYBUTYL, 5/8" OD - INCREMENTS OF 20" - BLACK
	079381-01-000	FT TUBING-SMOOTH, FLEXIBLE 1 1/4" ID
	074462-02-000	FT TUBING-VINYL, 3/8" ID - CLEAR

**EXTERIOR SHOWER**

KEY	PART NUMBER	U/M DESCRIPTION
	103092-01-000	EA HEAD-SHOWER, W/60 IN HOSE (US & CANADIAN)
	103092-01-700	EA BRACKET-SHOWER HEAD
	075241-05-000	EA FAUCET-SHOWER, BONE
	105269-02-000	EA BRACKET-SUPPORT, FAUCET
	091952-02-000	EA CLIP-GRIPPER, 3/4"

**WATER PUMP**

KEY	PART NUMBER	U/M DESCRIPTION
	098807-01-000	EA PUMP-WATER, W/5" MPT FITTING - SHURFLO 2 @ GPM . UL
	098807-01-700	EA PUMPHHEAD-REPLACEMENT - 94-235-08
	098527-01-701	EA DRIVE ASSEMBLY - 94-234-03
	093807-01-702	EA DIAPHRAGM KIT - 94-233-10
	098807-01-703	EA VALVE ASSEMBLY - 94-232-00
	098807-01-704	EA HOUSING-UPPER - 94-231-01
	098807-01-705	EA CHECK VALVE KIT - 94-237-00

**WATER & SEWAGE GROUP (CONTINUED)**

**WATER PUMP (CONTINUED)**

KEY	PART NUMBER	U/M DESCRIPTION
	098807-01-706	EA UPPER HOUSING/SWITCH KIT - 94-231-20
	098807-01-707	EA MOTOR/BASEPLATE REPLACEMENT - 94-235-03

**WATER HEATER W/O MOTOR AID**

KEY	PART NUMBER	U/M DESCRIPTION
	051391-03-000	EA HEATER-WATER, W/ELECTRIC IGNITION - ATWOOD G6A-3E
	051391-01-700	EA HINGE KIT-W/CLIP, ATWOOD 92568 & 92559
	051391-01-704	EA VALVE-RELIEF, 1/2" FITTING - ATWOOD 91604
	051391-01-705	EA FASTENER-CAMLOC, ATWOOD 92609
	051391-01-706	EA GRILLE-EXHAUST, ATWOOD 92787
	051391-01-708	EA BURNER-MAIN, 3E ONLY - ATWOOD 92615
	051391-01-710	EA ORIFICE-MAIN BURNER, ATWOOD 92742
	051391-01-715	EA DRAIN PLUG, ATWOOD 91561
	051391-04-700	EA TANK-INNER (G6A-3E), FRONT MOUNT - ATWOOD 91608
	051391-04-701	EA THERMOSTAT 12 VDC-120 PRESET, ATWOOD 91470
	051331-04-706	EA TANK-INNER, G6A-4E & 6E - FRONT MOUNT - ATWOOD 91641
	051393-01-702	EA SWITCH-ENERGY CUT-OFF, ATWOOD 91951
	051393-01-703	EA THERMOSTAT-REAR MOUNT, ATWOOD 91952
	051293-01-704	EA CIRCUIT BOARD-W/BLACK BOX, ATWOOD 91420
	051333-01-705	EA ORIFICE HOLDER-ATWOOD 91925
	051393-01-716	EA SPARK & PROBE ASM, ATWOOD 91606
	051393-01-718	EA VALVE-DUAL SOLENOID, ATWOOD 91605
	051393-01-721	EA ECO&THERMOSTAT ASM-FRONT MOUNT, 140 DEG F - ATWOOD 91447
	051393-03-700	EA TANK-INNER (G6A-3E), REAR MT - ATWOOD 91409
	097967-01-000	EA SWITCH-WATER HEATER, ATWOOD 91759

**WATER HEATER W/MOTOR AID & REAR HEATER**

KEY	PART NUMBER	U/M DESCRIPTION
	051393-01-000	EA HEATER-WATER-W/MOTOR AID-ATWOOD G6H-3E, G6H-4E, OR G6H-6E
	051391-01-700	EA HINGE KIT-W/CLIP, ATWOOD 92568 & 92559
	051391-01-704	EA VALVE-RELIEF, 1/2" FITTING - ATWOOD 91604
	051391-01-705	EA FASTENER-CAMLOC, ATWOOD 92609
	051391-01-706	EA GRILLE-EXHAUST, ATWOOD 92787
	051391-01-706	EA BURNER-MAIN, 3E ONLY - ATWOOD 92615
	051391-01-710	EA ORIFICE-MAIN BURNER, ATWOOD 92742
	051391-01-714	EA ELBOW-45 DEGREE, 3/8" F X 3/8" MPT - ATWOOD 91044
	051391-01-715	EA DRAIN PLUG, ATWOOD 91561
	051391-04-701	EA THERMOSTAT 12 VDC-120 PRESET, ATWOOD 91470
	051391-04-704	EA TANK-INNER, FRONT MOUNT - G6H-4E & 6E - ATWOOD 91642
	051393-01-700	EA TANK-INNER, 3E FRONT MOUNT - ATWOOD 91023
	051393-01-702	EA SWITCH-ENERGY CUT-OFF, ATWOOD 91951

**STANDARD WATER HEATER**

KEY	PART NUMBER	U/M DESCRIPTION
	051391-01-000	EA HEATER-WATER, ATWOOD G6A-3
	051391-01-700	EA HINGE KIT-W/CLIP, ATWOOD 92568 & 92559
	051391-01-702	EA TANK-INNER, G6A-2E - 3E - 6E - WATER HEATER, ATWOOD 91412
	051391-01-704	EA VALVE-RELIEF, 1/2" FITTING - ATWOOD 91604
	051391-01-705	EA FASTENER-CAMLOC, ATWOOD 92609
	051391-01-706	EA GRILLE-EXHAUST, ATWOOD 92787
	051391-01-708	EA BURNER-MAIN, 3E ONLY - ATWOOD 92615
	051391-01-709	EA PILOT ASM-W/THERMOCOUPLER & TUBE, 91603 ATWOOD 91214
	051391-01-710	EA ORIFICE-MAIN BURNER, ATWOOD 92742
	051391-01-711	EA ELBOW-ORIFICE, MAIN BURNER - 92741 ATWOOD
	051391-01-712	EA THERMOSTAT-3/8" NPT INLET, 91801 ATWOOD 91043
	051391-01-714	EA ELBOW-45 DEGREE, 3/8" F X 3/8" MPT - ATWOOD 91044
	051391-01-715	EA DRAIN PLUG, ATWOOD 91561

**1993 ITASCA  
TABLE OF CONTENTS**

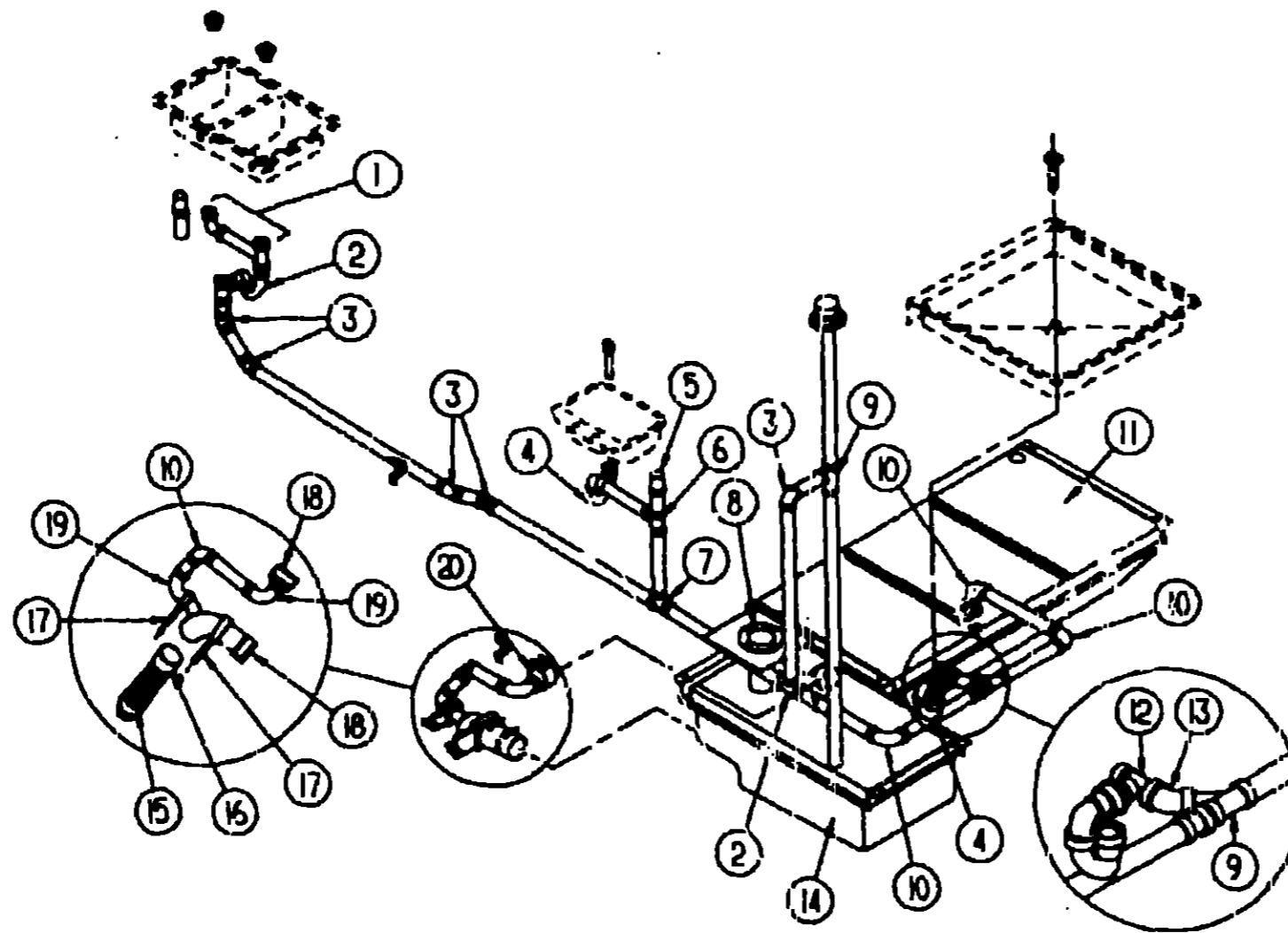
INTRODUCTION	A-01	A-02
ABBREVIATIONS		A-03
ALPHABETICAL INDEX	A-04	A-05
IF427RC	A-07	D-18
IF427RC	D-19	H-06
IF428RD	H-09	K-24

**1993 IF427RC INDEX**

FLOOR PLAN	D-19	D-20
ACCESSORIES		D-21
AUDIO VIDEO		D-22
BATH	D-23	D-24
BEDROOM		E-01
CHASSIS	E-02	E-06
CURTAIN & CUSHION	E-07	E-16
DINETTE	E-17	E-18
DRIVERS COMPARTMENT	E-19	E-20
ELECTRICAL	E-21	E-24
EXTERIOR BODY	F-01	F-08
GALLEY	F-09	F-12
GENERATOR		F-13
HEATING & A/C	F-14	F-16
INTERIOR FINISH	F-17	F-20
LABELS	F-21	G-04
LP		G-05
LOUNGE	G-06	G-07
SEALANTS & FASTENERS	G-08	G-10
WATER & SEWAGE	G-11	G-14
WINDOW, VENT AND EXTERIOR DOOR	G-15	H-07

**WATER & SEWAGE GROUP (CONTINUED)**

**DRAINAGE SYSTEM**



**1993 ITASCA  
TABLE OF CONTENTS**

INTRODUCTION	A-01 -	A-02
ABBREVIATIONS		A-03
ALPHABETICAL INDEX	A-04 -	A-06
IF427RO	A-07 -	D-18
IF427RC	D-19 -	H-08
IF428RO	H-09 -	K-24

**1993 IF427RC INDEX**

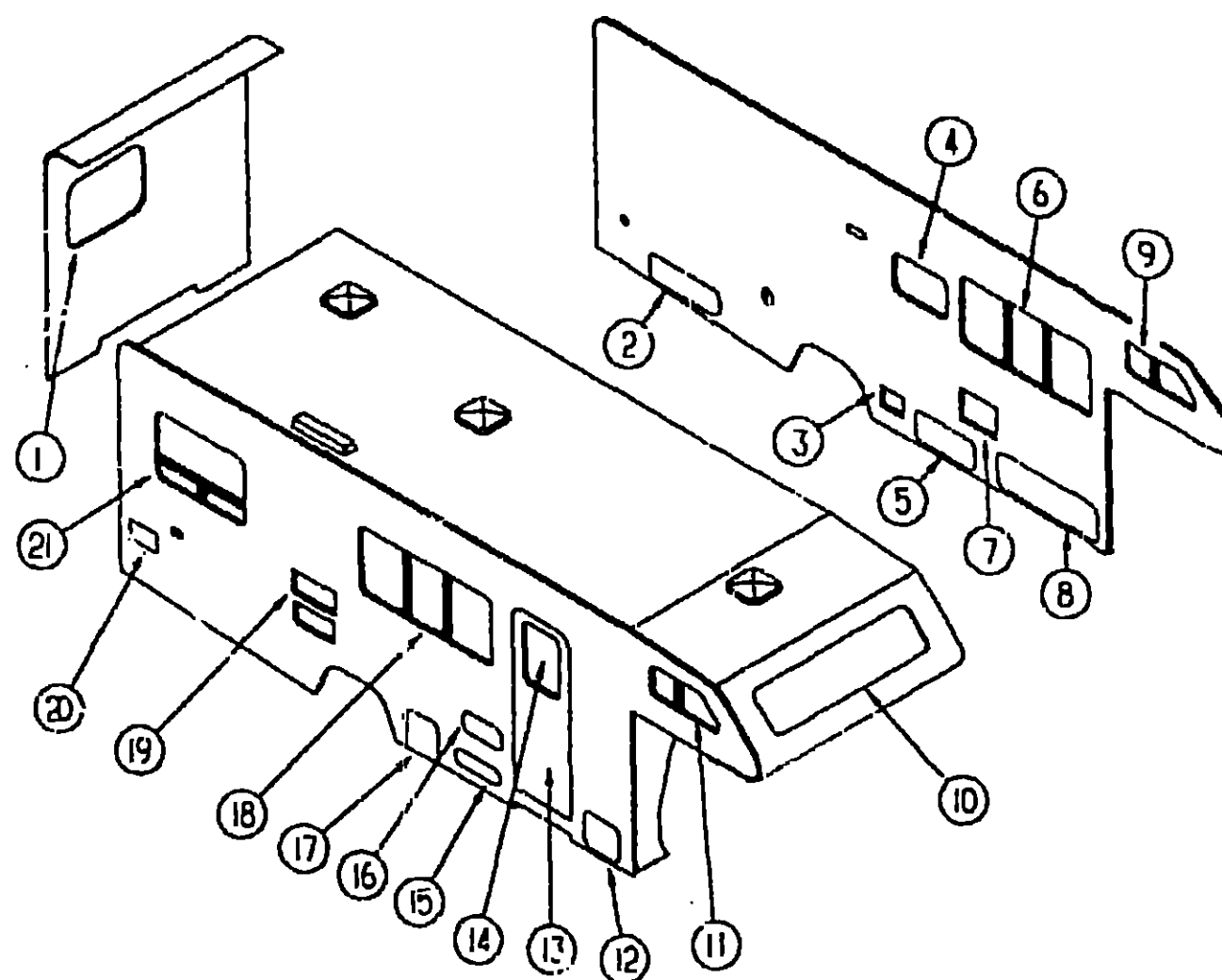
FLOOR PLAN	D-19 -	D-20
ACCESSORIES		D-21
AUDIO VIDEO		D-22
BATH	D-23 -	D-24
BEDROOM		E-01
CHASSIS	E-02 -	E-06
CURTAIN & CUSHION	E-07 -	E-13
DINETTE	E-17 -	E-18
DIVERS COMPARTMENT	E-19 -	E-20
ELECTRICAL	E-21 -	E-24
EXTERIOR BODY	F-01 -	F-08
GALLEY	F-09 -	F-12
GENERATOR		F-13
HEATING & A/C	F-14 -	F-16
INTERIOR FINISH	F-17 -	F-20
LABELS	F-21 -	G-04
LP		G-05
LOUNGE	G-06 -	G-07
SEALANTS & FASTENERS	G-08 -	G-10
WATER & SEWAGE	G-11 -	G-14
WINDOW, VENT AND EXTERIOR DOOR	G-15 -	H-07

KEY	PART NUMBER	U/M DESCRIPTION
1	011091-02-000	EA PIPE-DRAIN, W/SEALS - DOUBLE SINK - EXTENDS 9" TO 16"
1	011071-01-000	EA P TRAP, 1 1/2" - PLASTIC (CSA)
2	107537-01-000	EA ADAPTER-P TRAP, 1 1/4" SLIP (US)
2	107538-01-000	EA P TRAP-PLASTIC, 1 1/4" W/EXT ARM (US)
2	011071-01-000	EA P TRAP-1 1/2" - PLASTIC (CSA)
3	010006-01-000	EA ELBOW-45 DEG, 1/8 BEND - 1 1/2" HUB X HUB - BLACK PLASTIC
4	107537-01-000	EA ADAPTER-P TRAP, 1 1/4" SLIP (US)
4	107538-01-000	EA P TRAP-PLASTIC, 1 1/4" W/EXT ARM (US)
4	011066-03-700	EA P TRAP-1 1/4" HUB X SLIP JOINT, W/UNION - ABS (CSA)
5	079968-01-000	EA VENT-MECH TRAP ARM, ANTI-SIPHON - 2" DIA X 7 3/4" - PLASTIC
6	010079-01-000	EA TEE-SANITARY, 1 1/2" X 1 1/2" X 1 1/4" H - PLASTIC - BLACK
7	010071-01-000	EA TEE-SANITARY, 1 1/2" HUB X HUB X HUB - PLASTIC - BLACK
8	061607-02-000	EA GROMMET-HOLDING TANK, 3" NPS
9	010073-01-000	EA WYE-45 DEGREE, 1 1/2" HUB X HUB X HUB - PLASTIC - BLACK

KEY	PART NUMBER	U/M DESCRIPTION
10	010008-01-000	EA ELBOW-90 DEG, 1/4 BEND - 1 1/2" HUB X HUB - BLACK PLASTIC
11	102762-03-000	EA TANK-HOLDING, 42 GALLON - 57 1/4" X 8 1/4" X 29"
	061607-01-000	EA GROMMET-HOLDING TANK, 1 1/2" NPS
12	010079-01-000	EA TEE-SANITARY, 1 1/2" X 1 1/2" X 1 1/4" H - PLASTIC - BLACK
	010123-01-000	EA BUSHING, 2" X 1 1/2" HUB - PLASTIC
13	010051-01-000	EA ELBOW-45 DEG BEND, 1 1/2" SPIGOT AND HUB - PLASTIC - BLACK
14	104763-02-000	EA TANK-HOLDING, 32 GALLON
15	010201-01-000	EA HOSE-SEWER, 3" ID X 6'
16	062416-01-000	EA ADAPTER-SEWER HOSE TO 3" PIPE
17	070916-01-000	EA VALVE-DUAL DUMP, W/CAP - 3" X 1 1/2" - PLASTIC - BLACK
18	078406-01-000	EA COUPLER-RUBBER, W/CLAMPS - 2" X 3"
19	033761-01-000	EA ELBOW-TURN, 1/4 BEND X 1 5/8" HUB X 1 5/8" SPIGOT - BLK PLASTIC
20	062422-01-000	EA ADAPTER-OFFSET REDUCER, 3" X 1 1/2" - PLASTIC - BLACK
	034250-01-000	EA ELBOW-90 DEGREE, LONG TURN - 1 1/2" HUB X HUB - ABS

# WINDOW, VENT & EXTERIOR DOOR GROUP

## WINDOWS & DOORS



### 1993 ITASCA TABLE OF CONTENTS

INTRODUCTION	A-01 - A-02
ABBREVIATIONS	A-03
ALPHABETICAL INDEX	A-04 - A-06
IF427RQ	A-07 - D-18
IF427RC	D-19 - H-08
IF428RQ	H-09 - K-24

### 1993 IF427RC INDEX

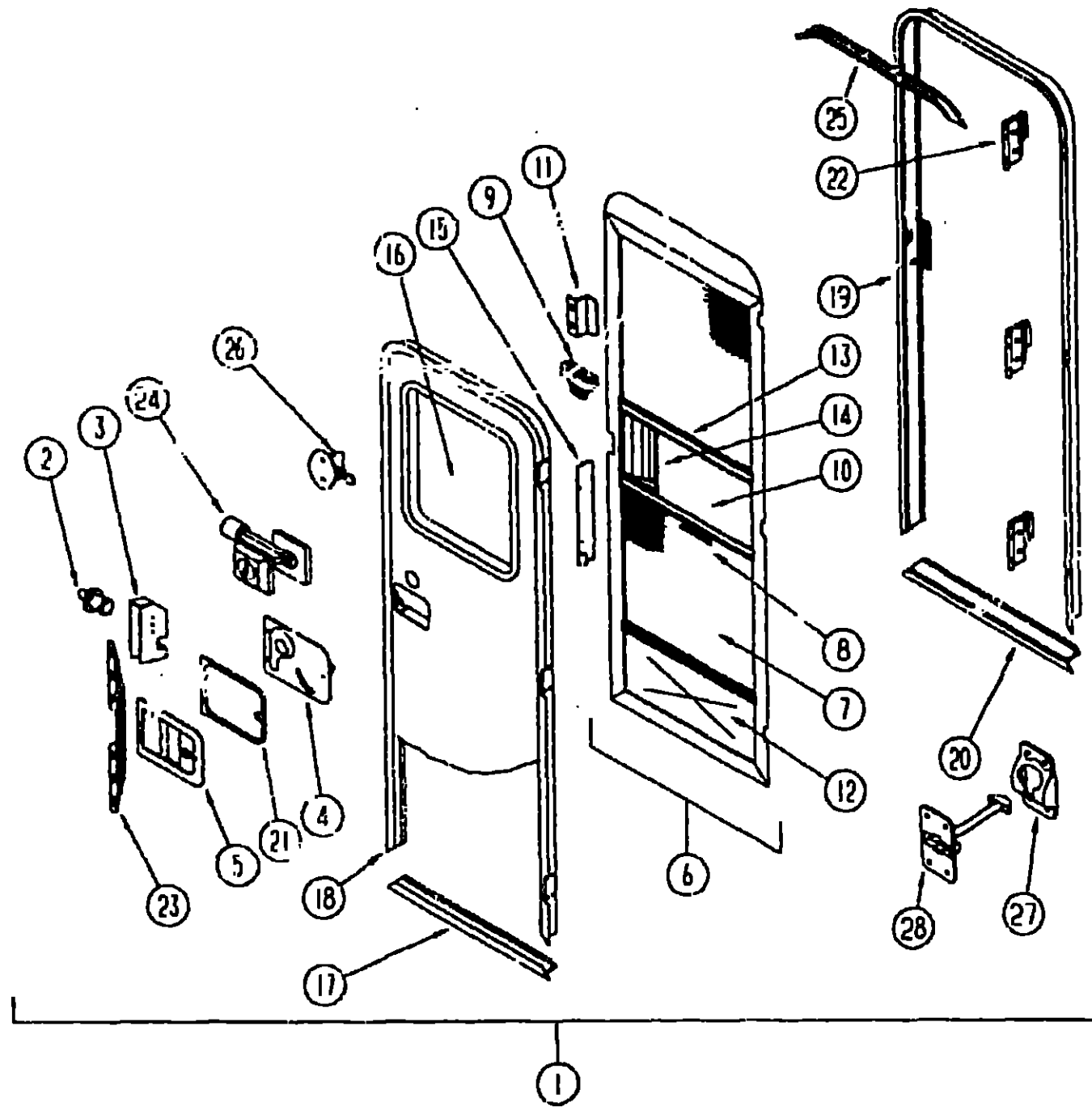
FLOOR PLAN	D-19 - D-20
ACCESSORIES	D-21
AUDIO VIDEO	D-22
BATH	D-23 - D-24
BEDROOM	E-01
CHASSIS	E-02 - E-06
CURTAIN & CUSHION	E-07 - E-16
DINETTE	E-17 - E-18
DRIVERS COMPARTMENT	E-19 - E-20
ELECTRICAL	E-21 - E-24
EXTERIOR BODY	F-01 - F-08
GALLEY	F-09 - F-12
GENERATOR	F-13
HEATING & A/C	F-14 - F-16
INTERIOR FINISH	F-17 - F-20
LABELS	F-21 - G-04
LP	G-05
LOUNGE	G-06 - G-07
SEALANTS & FASTENERS	G-08 - G-10
WATER & SEWAGE	G-11 - G-14
WINDOW, VENT AND EXTERIOR DOOR	G-15 - H-07

KEY	PART NUMBER	U/M	DESCRIPTION
1	078528-04-C05	EA	WINDOW-ESCAPE, W/O INSIDE FRAME
2	106987-22-D04	EA	DOOR-COMPARTMENT, STORAGE
3	088794-01-000	EA	DOOR-POWER CORD - W/HATCH - OFF WHITE
4	098647-07-02A	EA	WINDOW-HORIZONTAL SLIDER, W/INSIDE FRAME
5	106987-21-D04	EA	DOOR-COMPARTMENT, LOWER - REAR
5	098647-10-02A	EA	WINDOW-HORIZONTAL SLIDER, W/INSIDE FRAME
7	052009-01-000	EA	DOOR-WATER HEATER - OFF WHITE - ATWOOD 5576-27
8	106987-26-D04	EA	DOOR-COMPARTMENT, LOWER - FRONT
9	098647-19-01A	EA	WINDOW-SLIDER, W/INSIDE FRAME - DRIVER
10	103313-01-005	EA	WINDOW-PICTURE, W/O INSIDE FRAME
11	098647-18-01A	EA	WINDOW-SLIDER, W/INSIDE FRAME - PASSENGER

KEY	PART NUMBER	U/M	DESCRIPTION
12	106987-24-D04	EA	DOOR-COMPARTMENT, LOWER - FRONT
13	M01870-32-D27	EA	DOOR-ENTRY, W/WINDOW, SCREEN & JAMB - OFF WHITE
13	M01870-32-D28	EA	DOOR-ENTRY, W/WINDOW, SCREEN & JAMB - OFF WHITE
14	079733-07-AAB	EA	WINDOW-ENTRY DOOR, W/O INSIDE FRAME - 17" X 25" - FROSTED GLASS
15	078720-02-T15	EA	DOOR-COMPARTMENT, LP - 16.9" X 5.4" - ALUMINUM - OFF WHITE
	009003-01-000	EA	LOCK-TWIST TYPE, W/CLIP
16	105118-01-C05	EA	DOOR-COMPARTMENT, ENTERTAINMENT
17	105174-04-C03	EA	DOOR-COMPARTMENT, LOWER - FRONT
18	098647-09-02A	EA	WINDOW-HORIZONTAL SLIDER, W/INSIDE FRAME
19	084103-03-000	EA	DOOR-REFRIGERATOR, VENTED - OFF WHITE
	084104-03-000	EA	JAMB-DOOR, REFRIGERATOR - OFF WHITE
	084104-01-700	EA	LOCK-MALE, FASTENER - REFRIGERATOR DOOR
	084104-01-701	EA	LOCK-FEMALE, FASTENER - REFRIGERATOR DOOR
20	079573-07-C03	EA	DOOR-COMPARTMENT, STORAGE - 12" X 27"
21	092235-12-Y12	EA	WINDOW-SINGLE TIPOUT, W/O INSIDE FRAME
	081240-03-000	EA	DOOR-WATER FILL-LOCKABLE-4" X 4 5/8" - OFF WHITE
	082684-01-700	EA	KEY SINGLE

## WINDOW, VENT & EXTERIOR DOOR GROUP (CONTINUED)

### ENTRY DOOR



KEY	PART NUMBER	U/M	DESCRIPTION
1	M01870-32-D27	EA	DOOR-ENTRY, W/WINDOW- SCREEN & JAMB - OFF WHITE
1	M01870-32-D28	EA	DOOR-ENTRY, W/WINDOW- SCREEN & JAMB - OFF WHITE
2	039539-01-000	EA	STRIKE-LOCK, ENTRY DOOR - ROUND/THREADED WASHER
3	039540-01-000	EA	LATCH MECHANISM-HOOK, ENTRY DOOR - INTERIOR
	039715-01-000	EA	NUT-SERT, 1/4" DIAMETER - 20 THREADS
4	039975-04-000	EA	COVER-INTERIOR LATCH, W/TRIP ARM - RIGHT - BLACK
	039984-01-000	EA	CAP-ROUND, VINYL - 28" ID X 62" LONG - BLACK
	041546-03-000	EA	BRACKET-DOOR ANGLE, 5" X 1 9" - BEIGE - METAL
5	045017-11-000	EA	LATCH-ENTRY DOOR, MECHANISM W/LOCK & KEY - BLACK
	045017-11-701	EA	KEY-BLANK, ROUND TOP - SILVER - TRIM/MARK
	056748-01-000	EA	LUG-CAP, 1 5" DIAMETER
	058025-02-000	EA	CLIP-ROLLER, LATCH CATCH - SCREEN DOOR
	063729-04-000	EA	HIVNUT, 10-32 UNF - 010-080
	072893-01-000	EA	NUTSERT-M5 X 0.8
	075671-04-000	FT	SEAL-SPONGE, LAZY T SHAPE - W/ADHESIVE STRIPE - 5" WIDE
6	079012-01-U01	EA	DOOR-SCREEN
7	002293-02-000	SF	SCREENING-WINDOW/DOOR, 26" - CHARCOAL
8	002294-01-000	FT	SPLINE-SCREENING, .135" X 138" - BLACK
	002748-01-000	EA	CORNER KEY-DOOR
9	109403-01-000	EA	CATCH-SINGLE ROLLER, SCREEN DOOR
10	001014-01-013	EA	INSERT-CENTER, 10 25" X 16 31" - UNPAINTED
11	050712-04-000	EA	HANDLE-SCREEN DOOR, ALUMINUM - OFF WHITE
11	050712-05-000	EA	HANDLE-SCREEN DOOR, UNPAINTED
12	075552-03-000	EA	INSERT-SCREEN DOOR, LOWER - MILL
	076595-01-000	EA	PLATE-SCREEN DOOR
13	078777-01-000	EA	CHANNEL-SLIDE, SCREEN DOOR CENTER SLIDER COVER - 17.4"
14	079086-02-000	EA	SLIDER-SCREEN DOOR, OFF WHITE
15	079087-02-000	EA	STRIKE-SLIDER, W/LIP FOR ELBOW CATCH - 1 5" X 3 6"
16	067609-32-000	EA	FRAME-WINDOW, ENTRY DOOR - OFF WHITE
16	079733-07-AA9	EA	WINDOW-ENTRY DOOR, 17" X 25" - FROSTED GLASS
16	050216-02-000	FT	SPLINE-GLASS, EXTERIOR - VINYL - 19" - BLACK
16	002181-07-000	EA	GLASS-WINDOW, 10 2" X 16 25" X 24" - FROSTED
16	087561-01-000	FT	SEAL-GLASS, EXTERIOR - 5" WIDE - VINYL - BLACK
	081914-01-000	EA	BUMPER-RUBBER, ROUND - .43" DIAMETER - BLACK
17	089748-01-000	EA	FRAME-DOOR, ENTRANCE - BOTTOM - OFF WHITE
	090340-01-000	FT	SEAL-FOAM, CLOSED CELL - 1/4" X 1/2" X 50"
18	095276-01-01A	EA	FRAME-DOOR, ENTRANCE - TOP & SIDES - OFF WHITE
19	095277-02-01A	EA	JAMB-ENTRY DOOR, 25 9" X 74 5" W/BOTTOM - OFF WHITE
	095278-01-01A	EA	JAMB-DOOR, ENTRANCE - 25 9" X 74 6" - UNPAINTED
20	051049-01-000	EA	JAMB-DOOR, ENTRANCE - BOTTOM - 25 9" - UNPAINTED
	079207-01-000	EA	STRIKER-ROLLER CATCH, WELDED TO DOOR JAMB - 4" X 1.15"
21	096810-01-01A	EA	PLATE-LATCH, ENTRY DOOR - PLASTIC - BLACK
22	097724-01-04A	EA	HINGE-ENTRY DOOR, UNPAINTED
23	098173-01-04A	EA	STIFFENER-ENTRY DOOR, SUPPORTS LATCH/STRIKE
	100120-02-000	FT	SEAL-PILE, ADHESIVE BACK - SCREEN DOOR - GRAY
24	101145-01-01A	EA	DEADBOLT-ENTRY DOOR, W/2 KEYS W/O BOLT OR SCREWS
	095229-01-700	EA	KEY BLANK
	101147-01-000	EA	BOLT-SECURITY, 4.12" BACKSET
	102524-01-000	EA	BUMPER-RUBBER, FLAT - BLACK
25	044582-02-000	EA	CAP-DRIP, DOOR JAMB MOUNTED - OFF WHITE
	075639-19-000	EA	GARNISH-ENTRANCE DOOR, OFF WHITE
25	103412-01-000	EA	CATCH-SCREEN DOOR, THUMB CLIP W/BLACK PLASTIC CAP
	077461-03-000	EA	COVER-STRIKE, ENTRY DOOR - 6 5" X 2 5" - PLASTIC - WHITE
27	104039-02-01A	EA	CATCH-DOOR HOLDER, RETAINER - PLASTIC - OFF WHITE
28	104099-01-01A	EA	CATCH-DOOR HOLDER, STRIKE - PLASTIC - OFF WHITE
	003126-02-000	EA	HANDLE-ASSIST-ENTRY DOOR - BLACK

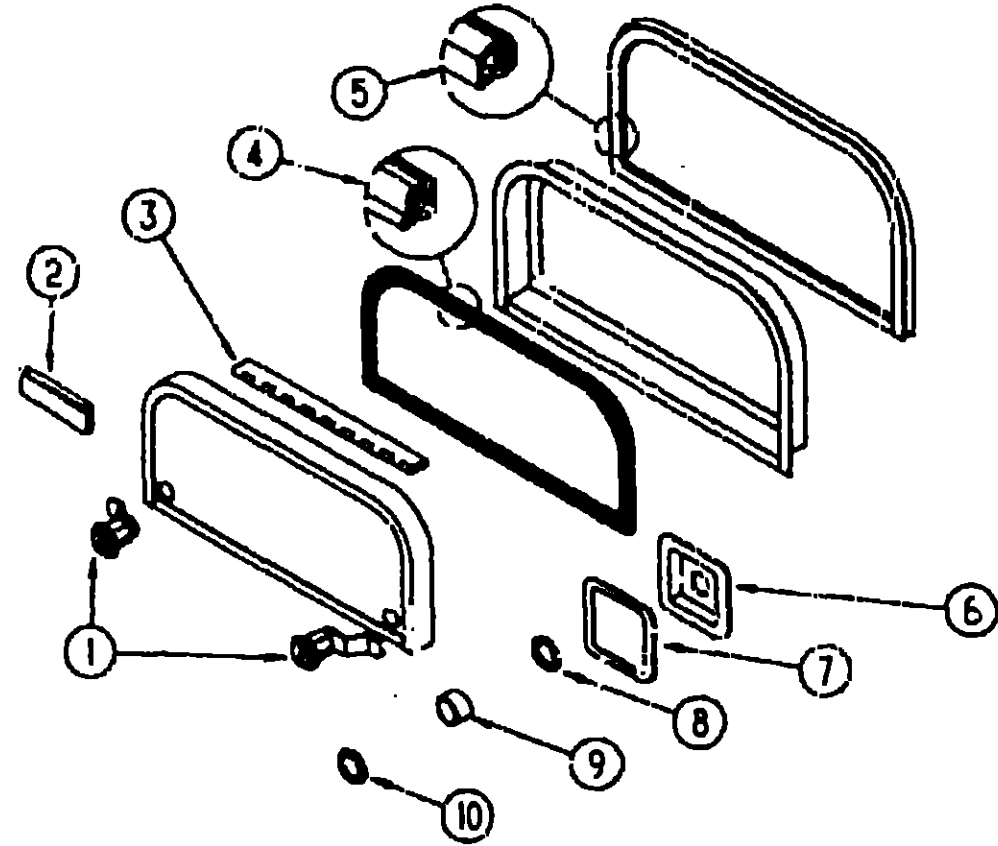
## 1993 ITASCA TABLE OF CONTENTS

INTRODUCTION	A-01 -	A-02
ABBREVIATIONS		A-03
ALPHABETICAL INDEX	A-04 -	A-06
IF427RC	A-07 -	D-18
IF427RC	D-19 -	H-08
IF428RD	H-09 -	K-24

## 1993 IF427RC INDEX

FLOOR PLAN	D-19 -	D-20
ACCESSORIES		D-21
AUDIO VIDEO		D-22
BATH	D-23 -	D-24
BEDROOM		E-01
CHASSIS	E-02 -	E-06
CURTAIN & CUSHION	E-07 -	E-16
DINETTE	E-17 -	E-18
DRIVERS COMPARTMENT	E-19 -	E-20
ELECTRICAL	E-21 -	E-24
EXTERIOR BODY	F-01 -	F-08
GALLEY	F-09 -	F-12
GENERATOR		F-13
HEATING & A/C	F-14 -	F-16
INTERIOR FINISH	F-17 -	F-20
LABELS	F-21 -	G-04
LF		G-05
LOUNGE	G-06 -	G-07
SEALANTS & FASTENERS	G-08 -	G-10
WATER & SEWAGE	G-11 -	G-14
WINDOW, VENT AND EXTERIOR DOOR	G-15 -	H-07

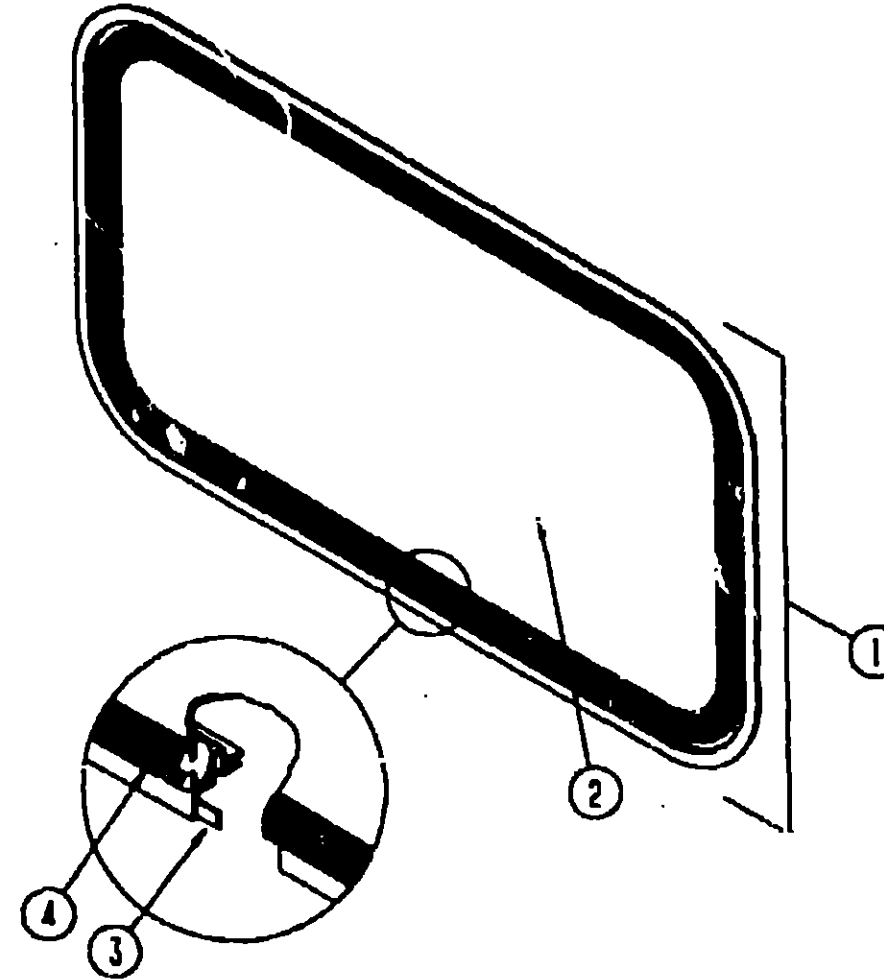
**WINDOW, VENT & EXTERIOR DOOR GROUP (CONTINUED)**



**EXTERIOR DOORS**

KEY	PART NUMBER	U/M	DESCRIPTION
1	079366-04-000	EA	LOCK-DOOR, KEY TYPE W/O KEYS - 1.9 OFF SET (ENTERTAINMENT & EXTERIOR SHOWER DOORS ONLY)
1	079366-05-000	EA	LOCK-DOOR, KEY TYPE W/O KEYS - 1.60 OFF SET
	082684-01-700	EA	KEY - BLANK
	079927-04-000	EA	LOCK-DOOR, TV, 1ST TYPE - 1.60 OFF SET
2	102769-01-000	EA	HOLDER-COMPARTMENT/ENTRY DOOR, METAL - MILL FINISH
3	081801-02-000	EA	HINGE-PIANO, CONTINUOUS - 2' X 96" OFF WHITE
	009063-01-000	EA	HINGE-CONTINUOUS, 1 1/2' X 96" - UNPAINTED
	034007-40-000	EA	HINGE-CONTINUOUS, 1 1/2' X 96" - ALUMINUM - OFF WHITE
4	064075-07-000	FT	SEAL-BULB, W/WIRED U-CHANNEL - .3" X .5" CHANNEL - BLACK
5	081632-02-000	FT	SEAL-BULB, DOOR - W/WIRE CARRIER - .8" WIDE - RUBBER - BLACK
	090340-01-000	FT	SEAL-FOAM, CLOSED CELL - 1/4" X 1/2" X 50'
	104692-01-000	FT	SEAL-ADHESIVE BACK, 3/4" X 34"
6	097111-01-01A	EA	POCKET-LOCK, VALANCE - OFF WHITE
7	098338-01-000	EA	GASKET-LOCK POCKET
8	109834-01-000	EA	WASHER, .640X.752ID SST - HUDSON LOCK
9	107997-51-001	EA	SPACER-EXTRUDED, DØ15 - 24
10	109833-01-000	EA	RING-BEAUTY, .670 X .790ID - SST - HUDSON LOCK
	096217-55-001	EA	U-CHANNEL, 17.5' LONG - OFF WHITE
	061876-01-000	EA	RETAINER-DOOR, 1.9' X .8" - METAL

**WINDOW, VENT & EXTERIOR DOOR GROUP (CONTINUED)**



**OVERHEAD BUNK FRONT WINDOW**

KEY	PART NUMBER	U/M	DESCRIPTION
	067609-33-000	EA	FRAME-INSIDE, WINDOW
1	103313-01-B05	EA	WINDOW-PICTURE, W/O INSIDE FRAME
2	002181-15-000	EA	GLASS-PICTURE, 11.25" X 58.1" - GRAY
3	069640-11-000	FT	SEALER-TAPE, 3/16" X 3/8" - BLACK
4	099154-01-000	FT	CHANNEL-GLAZING, STATIONARY GLASS - .62" X .45" - BLACK

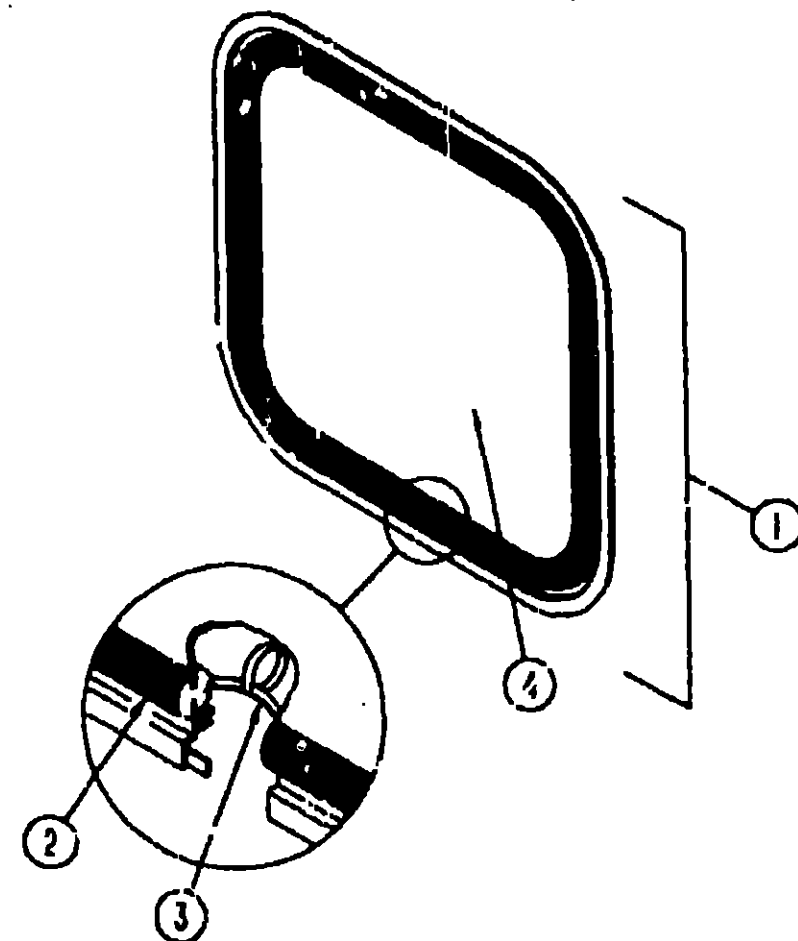
**1993 ITASCA  
TABLE OF CONTENTS**

INTRODUCTION	A-01 - A-02
ABBREVIATIONS	A-03
ALPHABETICAL INDEX	A-04 - A-06
IF427RO	A-07 - D-18
IF427RC	D-19 - H-08
IF428RO	H-09 - K-24

**1993 IF427RC INDEX**

FLOOR PLAN	D-19 - D-20
ACCESSORIES	D-21
AUDIO VIDEO	D-22
BATH	D-23 - D-24
BEDROOM	E-01
CHASSIS	E-02 - E-06
CURTAIN & CUSHION	E-07 - E-16
DINETTE	E-17 - E-18
DRIVERS COMPARTMENT	E-19 - E-20
ELECTRICAL	E-21 - E-24
EXTERIOR BODY	F-01 - F-08
GALLEY	F-09 - F-12
GENERATOR	F-13
HEATING & A/C	F-14 - F-16
INTERIOR FINISH	F-17 - F-20
LABELS	F-21 - G-04
LP	G-05
LOUNGE	G-06 - G-07
SEALANTS & FASTENERS	G-08 - G-10
WATER & SEWAGE	G-11 - G-14
WINDOW, VENT AND EXTERIOR DOOR	G-15 - H-07

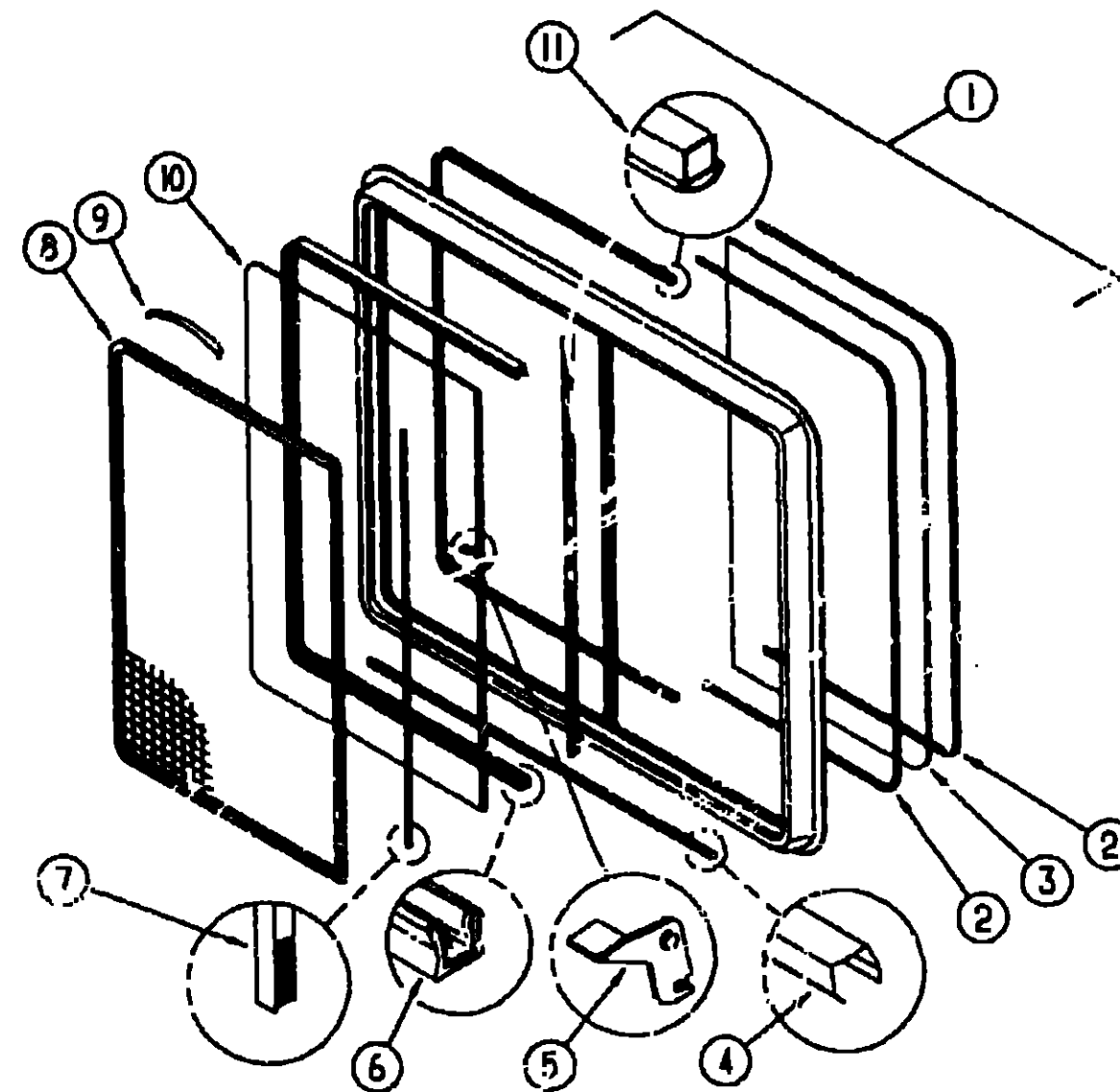
WINDOW, VENT & EXTERIOR DOOR GROUP (CONTINUED)



BACKWALL ESCAPE WINDOW

KEY	PART NUMBER	U/M DESCRIPTION
	074816-09-000	EA FRAME-INSIDE, ESCAPE - OFF WHITE
1	078528-04-C05	EA WINDOW-ESCAPE, REAR - 27" X 48"
2	002282-04-000	EA WEATHERSTRIP, 125" X 109.25" - BLACK
	077066-01-702	EA TAPE ASM-ESCAPE, WINDOW
3	002285-01-000	FT FILLER-WEATHER STRIP, RUBBER - BLACK
4	076337-09-000	EA GLASS-WINDOW, ESCAPE - 832.6 X 597.6MM

WINDOW, VENT & EXTERIOR DOOR GROUP (CONTINUED)



COUCH SINGLE SLIDING WINDOW

KEY	PART NUMBER	U/M DESCRIPTION
	090647-10-02A	EA WINDOW-HORIZONTAL SLIDER, W/INSIDE FRAME
	090647-09-704	EA FRAME-INSIDE, OFF-WHITE - W024-67 EXCEL-WHITE
1	090647-10-700	EA WINDOW-HORIZONTAL SLIDER, W/O INSIDE FRAME - BLACK
2	090644-01-705	FT GLAZING STRIP, EXCE - M926-12
3	090647-09-700	EA GLASS-STATIONARY - 106-017193 EXCEL
4	090644-01-710	FT TRACK-SCREEN SPACER 12" LENGTH - EXCEL M401-31
5	090644-01-700	EA LATCH REPAIR KIT
6	090644-01-708	FT CHANNEL-PIERCED RUN EXCEL 122-016543
7	090644-01-711	FT WEATHERSTRIP-SCREEN BLACK - EXCEL 171-016965
8	090647-09-705	EA SCREEN W/SPRING&WEATHERSTRIP - 410-016464 EXCEL
9	090644-01-713	EA SPRING-SCREEN FRAME (CLIP) PLASTIC - BLACK - EXCEL 226-016965
	090644-01-716	FT PLUG-FILLER, EXCEL 132-014470
	090644-01-717	FT SPLINE-SCREEN MFG, EXCEL 32-004716
10	090647-09-701	EA GLASS-SLIDING, W/SASH&LATCH - H024-G9 EXCEL
11	090644-01-706	FT WEATHERSTRIP, EXCEL 171-010688

1993 ITASCA  
TABLE OF CONTENTS

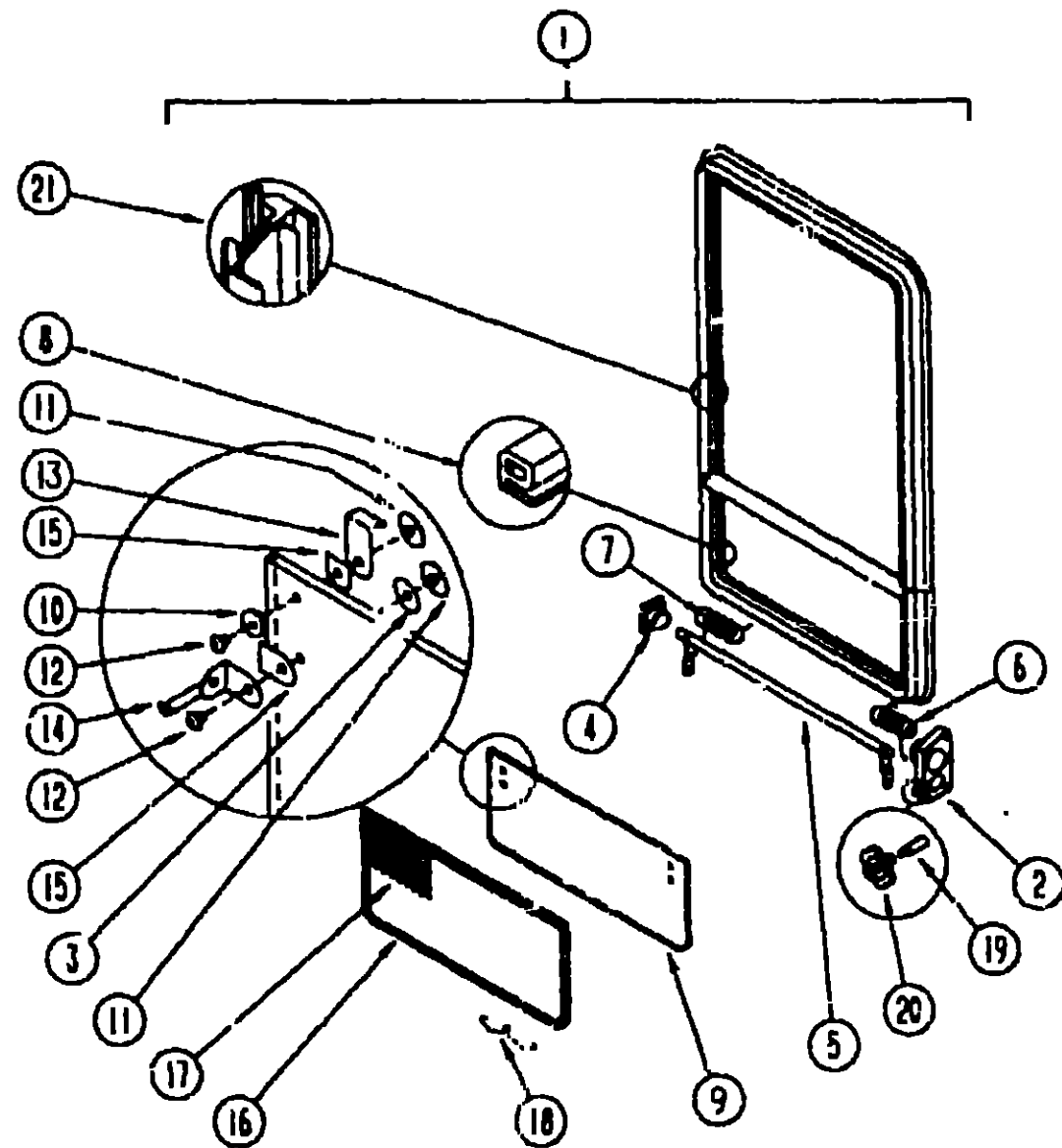
INTRODUCTION	A-01 - A-02
ABBREVIATIONS	A-03
ALPHABETICAL INDEX	A-04 - A-06
IF427RQ	A-07 - D-18
IF427RC	D-19 - H-08
IF428RQ	H-09 - K-24

1993 IF427RC INDEX

FLOOR PLAN	D-19 - D-20
ACCESSORIES	D-21
AUDIO VIDEO	D-22
BATH	D-23 - D-24
BEDROOM	E-01
CHASSIS	E-02 - E-06
CURTAIN & CUSHION	E-07 - E-16
DINETTE	E-17 - E-18
DRIVERS COMPARTMENT	E-19 - E-20
ELECTRICAL	E-21 - E-24
EXTERIOR BODY	F-01 - F-08
GALLEY	F-09 - F-12
GENERATOR	F-13
HEATING & A/C	F-14 - F-16
INTERIOR FINISH	F-17 - F-20
LABELS	F-21 - G-04
LP	G-05
LOUNGE	G-06 - G-07
SEALANTS & FASTENERS	G-08 - G-10
WATER & SEWAGE	G-11 - G-14
WINDOW, VENT AND EXTERIOR DOOR	G-15 - H-07

# WINDOW, VENT & EXTERIOR DOOR GROUP (CONTINUED)

## BEDROOM TIPOUT WINDOW



KEY	PART NUMBER	U/M	DESCRIPTION
	090893-19-J2A	EA	FRAME-INSIDE, WINDOW RETAINER - OFF WHITE
1	092235-12-Y12	EA	WINDOW-SINGLE TIPOUT, W/O INSIDE FRAME - BLACK
	000H14-06-14R	EA	RIVET-MANDREL, BLIND - 3/16"
2	005302-02-000	EA	OPERATOR-TORQUE, TIPOUT WINDOW - LEFT
3	068927-03-000	EA	SEAL-WINDOW, RUBBER - ROUND - .80" DIA. - BLACK
4	081354-01-000	EA	SLEEVE-TORQUE TUBE, TIPOUT WINDOW - 1.3" X 1.2" X .7"
	081649-01-000	EA	RING-SNAP, 7/32 SHAFT DIAMETER
5	083150-12-000	EA	TUBE ASM-TORQUE, WINDOW
6	080918-01-000	EA	SPRING-TORQUE TUBE, LEFT
7	080918-02-000	EA	SPRING-TORQUE TUBE, RIGHT
8	084067-02-000	FT	SEAL-E SHAPED, SPONGE - TIPOUT WINDOW - .42" X .38" - BLACK
9	084068-17-000	EA	GLASS-TIPOUT, 9.2" X 26"
10	084453-02-000	EA	WASHER, .06" X .5" X .25" - PLASTIC
11	086762-01-000	EA	T NUT, 10-32
12	086763-01-000	EA	SCREW-MACHINE, 10 - 32 X 1/4 PTH
13	089913-01-000	EA	HINGE-TIPOUT WINDOW, BLACK
14	097578-01-000	EA	LINKAGE-TIPOUT WINDOW
	084453-01-000	EA	WASHER, .06" X .5" X .135" - PLASTIC
15	084473-01-000	EA	SEAL-FLAT, W/CENTER HOLE & ADHESIVE SIDE - .8" X .9" - BLK
	085315-01-000	EA	RIVET-SHOULDER, TIPOUT WINDOW
16	100235-04-E07	EA	SCREEN-SINGLE, TIPOUT WINDOW
17	080218-03-000	SF	SCREENING-FIBERGLASS, 12" WIDE
18	100168-01-000	EA	CLIP-SPRING, SCREEN
	100240-01-000	FT	SPLINE-SCREEN, T-SHAPED
19	009439-06-000	EA	EXTENSION-CRANK HANDLE, WINDOW/ROOF VENT - BLACK
20	009439-05-000	EA	KNOB-OPERATOR, TIPOUT WINDOW - W/SPRING & ARM
	009439-07-000	EA	SCREW, 8-32 X 1 1/4 PCH - BLACK
21	059640-11-000	FT	TAPE-SEALER, 3/16" X 3/8" - BLACK

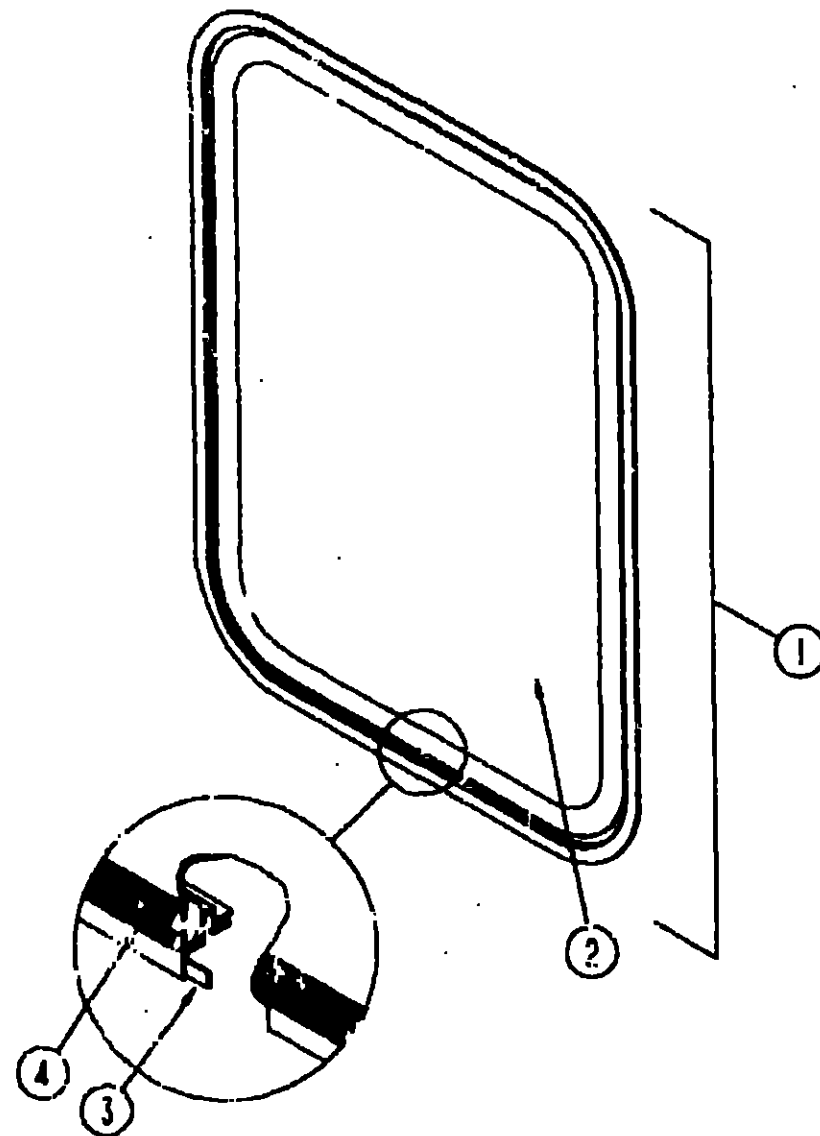
## 1993 ITASCA TABLE OF CONTENTS

INTRODUCTION	A-01	A-02
ABBREVIATIONS		A-03
ALPHABETICAL INDEX	A-04	A-06
IF427RQ	A-07	D-18
IF427RC	D-19	H-08
IF428RQ	H-09	K-24

## 1993 IF427RC INDEX

FLOOR PLAN	D-19	D-20
ACCESSORIES		D-21
AUDIO VIDEO		D-22
BATH	D-23	D-24
BEDROOM		E-01
CHASSIS	E-02	E-03
CURTAIN & CUSHION	E-07	E-15
DINETTE	E-17	E-18
DRIVERS COMPARTMENT	E-19	E-20
ELECTRICAL	E-21	E-24
EXTERIOR BODY	F-01	F-08
GALLEY	F-09	F-12
GENERATOR		F-13
HEATING & A/C	F-14	F-16
INTERIOR FINISH	F-17	F-20
LABELS	F-21	G-04
LP		G-05
LOUNGE	G-06	G-07
SEALANTS & FASTENERS	G-08	G-10
WATER & SEWAGE	G-11	G-14
WINDOW, VENT AND EXTERIOR DOOR	G-15	H-07

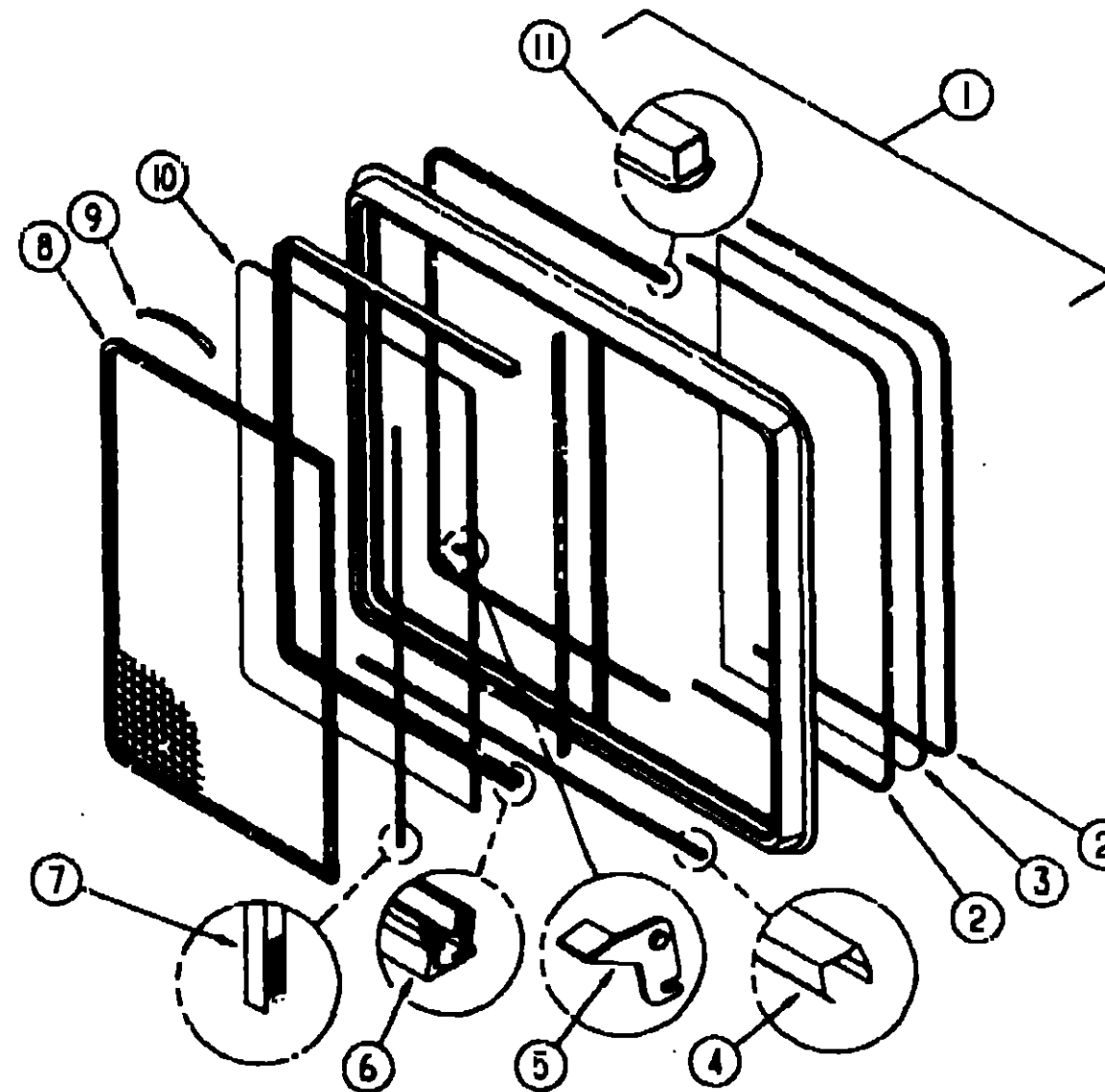
WINDOW, VENT & EXTERIOR DOOR GROUP (CONTINUED)



ENTRY DOOR WINDOW

KEY	PART NUMBER	U/M	DESCRIPTION
1	072733-07-AA8	EA	WINDOW-ENTRY DOOR, 1' X 25" - FROSTED GLASS
2	002181-07-000	EA	GLASS-WINDOW, .182" X 10'25" X 24" - FROSTED
3	050216-02-000	FT	SPLINE-GLASS, EXTERIOR - VINYL - .19" - BLACK
4	087561-01-000	FT	SEAL-GLASS, EXTERIOR - .5" WIDE - VINYL - BLACK

WINDOW, VENT & EXTERIOR DOOR GROUP (CONTINUED)



GALLEY SLIDING WINDOW

KEY	PART NUMBER	U/M	DESCRIPTION
	098647-07-02A	EA	WINDOW-HORIZONTAL SLIDER, W/INSIDE FRAME - OFF WHITE
	098647-06-706	EA	FRAME-INSIDE, W024-S7 EXCEL - WHITE
1	098647-07-700	EA	WINDOW-HORIZONTAL SLIDER, W/O INSIDE FRAME - LEFT - OFF WHITE
2	092544-01-705	FT	GLAZING STRIP, EXCEL M926-12
3	098647-06-700	EA	GLASS-STATIONARY - 106-016921 EXCEL
4	098644-01-710	FT	TRACK-SCREEN SPACER 12' LENGTH - EXCEL M401-31
5	098644-01-700	EA	LATCH REPAIR KIT
6	098644-01-708	FT	CHANNEL-PIERCED RUN EXCEL 122-016543
7	098644-01-711	FT	WEATHERSTRIP-SCREEN BLACK - EXCEL 171-016965
8	098647-05-703	EA	SCREEN W/SPRING&WEATHERSTRIP - 410-016477 EXCEL
9	098644-01-713	EA	SPRING-SCREEN FRAME (CLIP) PLASTIC - BLACK - EXCEL 226-016966
	098644-01-716	FT	PLUG-FILLER, EXCEL 132-014470
	098644-01-717	FT	SPLINE-SCREEN MFG, EXCEL 32-004716
10	098647-02-702	EA	GLASS-SLIDING, W/SASH&LATCH - 410-016477 EXCEL
11	098644-01-706	FT	WEATHERSTRIP, EXCEL 171-010860

1993 ITASCA  
TABLE OF CONTENTS

INTRODUCTION	A-01 -	A-02
ABBREVIATIONS		A-03
ALPHABETICAL INDEX	A-04 -	A-06
IF427RQ	A-07 -	D-18
IF427RC	D-19 -	H-08
IF428RO	H-09 -	K-24

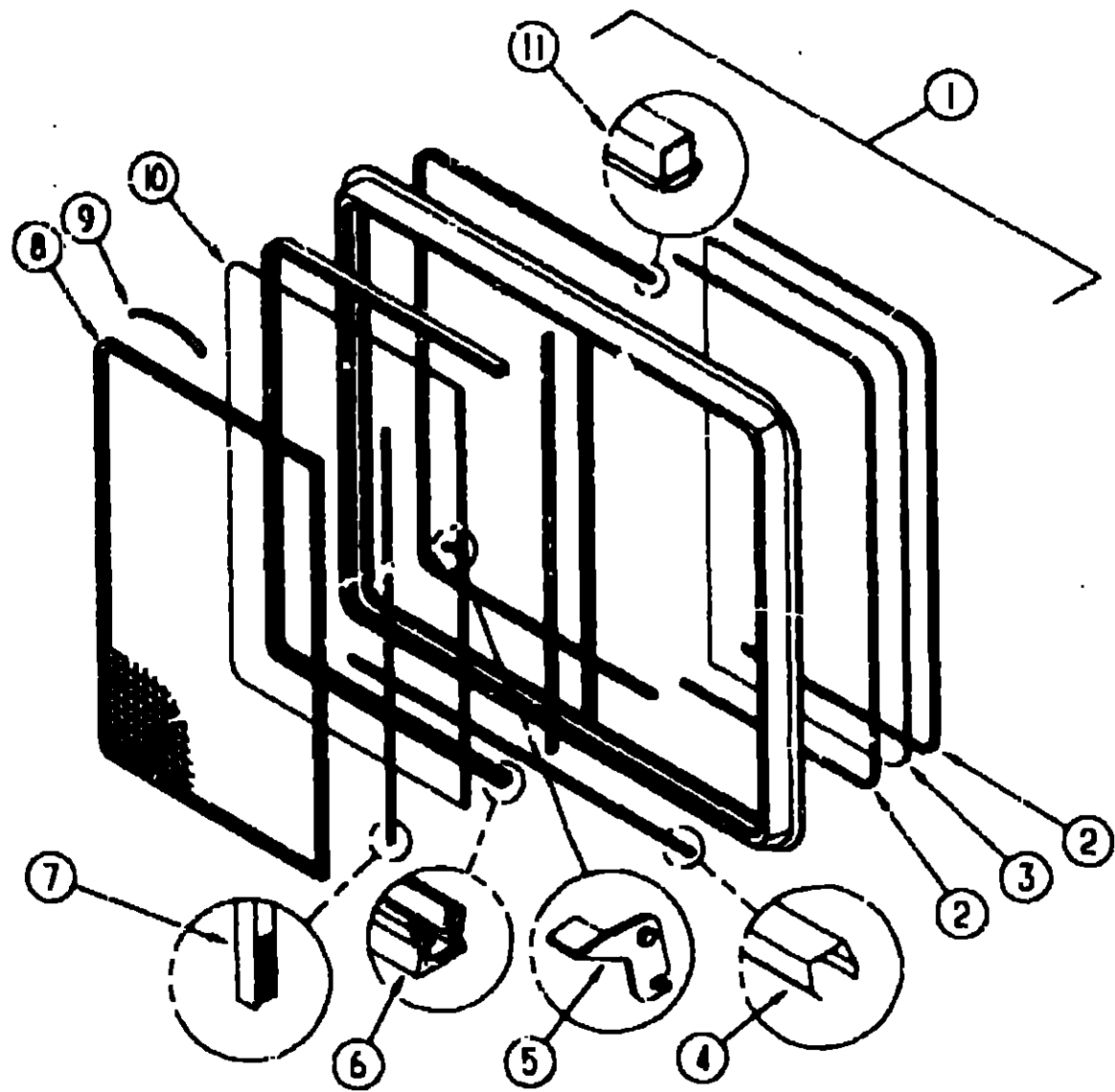
1993 IF427RC INDEX

FLOOR PLAN	D-19 -	D-20
ACCESSORIES		D-21
AUDIO VIDEO		D-22
BATH	D-23 -	D-24
BEDROOM		E-01
CHASSIS	E-02 -	E-06
CURTAIN & CUSHION	E-07 -	E-15
DINETTE	E-17 -	E-18
DRIVERS COMPARTMENT	E-19 -	E-20
ELECTRICAL	E-21 -	E-24
EXTERIOR BODY	F-01 -	F-08
GALLEY	F-09 -	F-12
GENERATOR		F-13
HEATING & A/C	F-14 -	F-16
INTERIOR FINISH	F-17 -	F-20
LABELS	F-21 -	G-04
LP		G-05
LOUNGE	G-06 -	G-07
SEALANTS & FASTENERS	G-08 -	G-10
WATER & SEWAGE	G-11 -	G-14
WINDOW, VENT AND EXTERIOR DOOR	G-15 -	H-07



# WINDOW, VENT & EXTERIOR DOOR GROUP (CONTINUED)

## OVERHEAD BUNK SLIDING WINDOWS



KEY	PART NUMBER	U/M	DESCRIPTION
	098647-18-01A	EA	WINDOW-SLIDING, WINSIDE FRAME - PASSENGER SIDE - EXCEL B951-PRR
	098647-19-01A	EA	WINDOW-SLIDING, WINSIDE FRAME - DRIVER SIDE - EXCEL B951-PRL
	098647-18-700	EA	FRAME-WINDOW, INSIDE - WHITE - EXCEL V951-57
1	098647-18-702	EA	WINDOW-SLIDING, W/O INSIDE FRAME - PASSENGER SIDE - EXCEL B951-G2R
1	098647-19-700	EA	WINDOW-SLIDING, W/O INSIDE FRAME - DRIVER SIDE - EXCEL B951-G2R
2	098644-01-705	FT	GLAZING STRIP, EXCEL M926-12
3	098647-18-701	EA	GLASS-STATIONARY, EXCEL 106011829
4	098644-01-710	FT	TRACK-SCREEN SPACER 12" LENGTH - EXCEL M401-31
5	098644-01-700	EA	LATCH REPAIR KIT
6	098644-01-708	FT	CHANNEL-PIERCED RUN EXCEL 122-016543
7	098644-01-711	FT	WEATHERSTRIP-SCREEN BLACK - EXCEL 171-016965
8	098646-03-705	EA	SCREEN W/SPRING&WEATHERSTRIP - 410016475 EXCEL
9	098644-01-713	EA	SPRING-SCREEN FRAME (CLIP) PLASTIC - BLACK - EXCEL 226-016966
	098644-01-716	FT	PLUG-FILLER, EXCEL 132-014470
	098644-01-717	FT	SPLINE SCREEN MFG. EXCEL 32-004716
10	098646-01-702	EA	GLASS-SLIDING, W/SASH & LOCK - EXCEL B948-G9
11	098644-01-706	FT	WEATHERSTRIP, EXCEL 171-010668

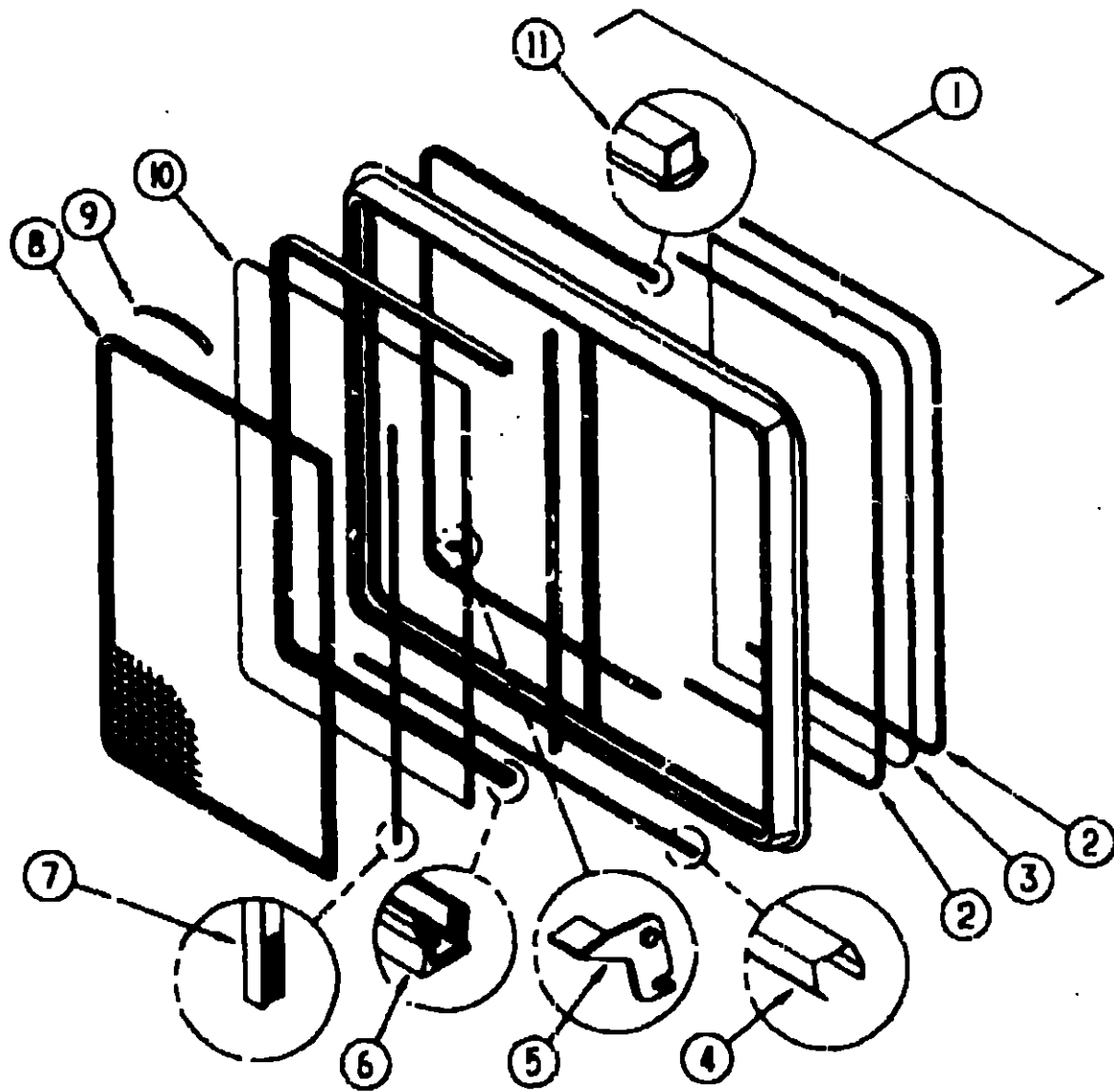
## 1993 ITASCA TABLE OF CONTENTS

INTRODUCTION	A-01 - A-02
ABBREVIATIONS	A-03
ALPHABETICAL INDEX	A-04 - A-06
IF427RQ	A-07 - D-18
IF427RC	D-19 - H-08
IF428RQ	H-09 - K-24

## 1993 IF427RC INDEX

FLOOR PLAN	D-19 - D-20
ACCESSORIES	D-21
AUDIO VIDEO	D-22
BATH	D-23 - D-24
BEDROOM	E-01
CHASSIS	E-02 - E-06
CURTAIN & CUSHION	E-07 - E-16
DINETTE	E-17 - E-18
DRIVERS COMPARTMENT	E-19 - E-20
ELECTRICAL	E-21 - E-24
EXTERIOR BODY	F-01 - F-08
GALLEY	F-09 - F-12
GENERATOR	F-13
HEATING & A/C	F-14 - F-16
INTERIOR FINISH	F-17 - F-20
LABELS	F-21 - G-04
LP	G-05
LOUNGE	G-06 - G-07
SEALANTS & FASTENERS	G-08 - G-10
WATER & SEWAGE	G-11 - G-14
WINDOW, VENT AND EXTERIOR DOOR	G-15 - H-07

**WINDOW, VENT & EXTERIOR DOOR GROUP (CONTINUED)**



**DINETTE SINGLE SLIDING WINDOW**

KEY	PART NUMBER	U/M	DESCRIPTION
	098647-09-02A	EA	WINDOW-HORIZONTAL SLIDER, W/INSIDE FRAME
	098647-09-704	EA	FRAME-INSIDE, OFF-WHITE - W024-67 EXCEL-WHITE
1	098647-09-703	EA	WINDOW-HORIZONTAL SLIDER, W/O INSIDE FRAME - BLACK
2	098644-01-705	FT	GLAZING STRIP, EXCEL M925-12
3	098647-09-700	EA	GLASS-STATIONARY - 106-017193 EXCEL
4	098644-01-710	FT	TRACK-SCREEN SPACER 12' LENGTH - EXCEL M401-31
5	098644-01-700	EA	LATCH REPAIR KIT
6	098644-01-708	FT	CHANNEL-PIERCED RUN EXCEL 122-016543
7	098644-01-711	FT	WEATHERSTRIP-SCREEN (BLACK) - EXCEL 171-016965
8	098647-09-705	EA	SCREEN W/SPRING&WEATHERSTRIP - 410-016464 EXCEL
9	098644-01-713	EA	SPRING-SCREEN FRAME (CLIP) PLASTIC - BLACK - EXCEL 226-016966
	098644-01-716	FT	PLUG-FILLER, EXCEL 132-014470
	098644-01-717	FT	SPLINE-SCREEN MFG, EXCEL 32-004716
10	098647-09-701	EA	GLASS-SLIDING, W/SASH&LATCH - H024-G9 EXCEL
11	098644-01-709	FT	WEATHERSTRIP, EXCEL 171-010888

**WINDOW, VENT & EXTERIOR DOOR GROUP (CONTINUED)**

**POWERED ROOF VENT**

KEY	PART NUMBER	U/M	DESCRIPTION
	009439-01-000	EA	CRANK HANDLE-ROOF VENT
	009439-04-000	EA	SCREW 8-32 X 1 1/4" POH
	009439-02-000	EA	KNOB-ROOF VENT MILL
	009439-03-000	EA	EXTENSION-CRANK HANDLE ROOF VENT - .9" - MILL
	090394-01-Y12	EA	VENT-ROOF POWERED
FROM: 00-00-00 THRU: 10-04-92			
	055218-01-000	EA	COVER-ROOF VENT, PLASTIC
	002825-01-000	EA	WEATHER STRIP-ROOF VENT GRAY
	008195-01-000	EA	SWITCH-ROOF VENT PUSH BUTTON 12V
	008343-01-000	EA	TIE-WIRE 6"
	008386-01-000	EA	GROMMET-SNAP 3/8"
	009440-01-000	EA	GEAR/ARM-VENT COVER LIFT
	015911-01-000	EA	TRACK-LIFT ARM SLIDE - ROOF VENT
	048648-01-000	EA	MOTOR-ROOF VENT 1/8 SH.VFT - 12V - JENSEN
	048649-01-000	EA	FAN-ROOF VENT 6 BLADES - 6" - JENSEN
	052639-01-001	EA	HINGE-VENT COVER 16"
	052639-01-200	EA	HINGE-EXTRUSION ROOF VENT 7"
	061603-01-000	EA	GROMMET-SNAP 3/16"ID - 3/8" HOLE - PLASTIC - BLACK
	078785-01-Y12	EA	SCREEN-ROOF VENT POWERED
	002291-02-000	SF	SCREENING-ROOF VENT/WINDOW 16" - BLACK
	002298-02-000	FT	SPLINE-VENT/WINDOW SCREEN 128 DIAMETER - BLACK
	110051-03-01A	EA	VENT-ROOF, POWERED - 2" ROOF - JENSEN 7757
FROM: 10-05-92 THRU: 99-99-99			
	110051-05-01A	EA	VENT-ROOF, POWERED - 2" ROOF - JENSEN C7757 (CANADIAN)
FROM: 10-05-92 THRU: 99-99-99			
	048648-01-000	EA	MOTOR-12V NONVENTED 1/8 SFT
	048649-01-000	EA	FAN-PLASTIC, 6" - 6 BLADED
	064470-01-700	EA	COVER-ROOF VENT, JENSEN 7291
	110051-01-701	EA	GARNISH W/SCREEN & FRAME 2", JENSEN 29-800-01
	110051-01-702	EA	HAND CRANK & OPERATOR ASM, JENSEN RP-10000B
	110051-01-703	EA	HANDLE CRANK, JENSEN RP1031-B

**NON-POWERED ROOF VENT**

KEY	PART NUMBER	U/M	DESCRIPTION
	009439-01-000	EA	CRANK HANDLE-ROOF VENT
	009439-04-000	EA	SCREW 8-32 X 1 1/4" POH
	009439-02-000	EA	KNOB-ROOF VENT MILL
	009439-03-000	EA	EXTENSION-CRANK HANDLE ROOF VENT - .9" - MILL
	009439-04-000	EA	SCREW 8-32 X 1 1/4" POH
	090395-01-Y12	EA	VENT-ROOF NONPOWERED
FROM: 00-00-00 THRU: 10-04-92			
	055218-01-000	EA	COVER-ROOF VENT, PLASTIC
	002825-01-000	EA	WEATHER STRIP-ROOF VENT GRAY
	009440-01-000	EA	GEAR/ARM-VENT COVER LIFT
	015911-01-000	EA	TRACK-LIFT ARM SLIDE - ROOF VENT
	052639-01-001	EA	HINGE-VENT COVER 16"
	052639-01-200	EA	HINGE-EXTRUSION ROOF VENT 7"
	078785-01-Y12	EA	SCREEN-ROOF VENT NON POWERED - WHITE
	002291-02-000	SF	SCREENING-ROOF VENT/WINDOW 16" - BLACK
	002298-02-000	FT	SPLINE-VENT/WINDOW SCREEN 128 DIAMETER - BLACK
	110051-01-01A	EA	VENT-ROOF, NONPOWERED - 2" ROOF - JENSEN 7724
FROM: 10-05-92 THRU: 99-99-99			
	064470-01-700	EA	COVER ROOF VENT, JENSEN 7291
	110051-01-701	EA	GARNISH W/SCREEN & FRAME 2", JENSEN 29-800-01
	110051-01-702	EA	HAND CRANK & OPERATOR ASM, JENSEN RP-10000B
	110051-01-703	EA	HANDLE CRANK, JENSEN RP-1031-B

**1993 ITASCA  
TABLE OF CONTENTS**

INTRODUCTION	A-01 - A-02
ABBREVIATIONS	A-03
ALPHABETICAL INDEX	A-04 - A-06
IF427RQ	A-07 - D-18
IF427RC	D-19 - H-08
IF428RQ	H-09 - K-24

**1993 IF427RC INDEX**

FLOOR PLAN	D-19 - D-20
ACCESSORIES	D-21
AUDIO VIDEO	D-22
BATH	D-23 - D-24
BEDROOM	E-01
CHASSIS	E-02 - E-06
CURTAIN & CUSHION	E-07 - E-16
DINETTE	E-17 - E-18
DRIVERS COMPARTMENT	E-19 - E-20
ELECTRICAL	E-21 - E-24
EXTERIOR BODY	F-01 - F-08
GALLEY	F-09 - F-12
GENERATOR	F-13
HEATING & A/C	F-14 - F-16
INTERIOR FINISH	F-17 - F-20
LABELS	F-21 - G-04
LP	G-05
LOUNGE	G-06 - G-07
SEALANTS & FASTENERS	G-08 - G-10
WATER & SEWAGE	G-11 - G-14
WINDOW, VENT AND EXTERIOR DOOR	G-15 - H-07

# WINDOW, VENT & EXTERIOR DOOR GROUP (CONTINUED)

## VENTS, SHROUDS AND ROOF COVERS

KEY	PART NUMBER	UNIT DESCRIPTION
	084073-04-000	EA BASE-VENT. REFRIGERATOR - ROOF - NORCOLD - OFF WHITE
	084073-03-000	EA CAP-VENT. REFRIGERATOR - ROOF - NORCOLD - BLACK
	082528-02-01A	EA VENT-RANGE HOOD, EXTERIOR - W/DOOR - OFF WHITE
	083558-03-000	EA VENT-PLUMBING PIPE ROOF W/COVER - OFF WHITE
	080608-01-000	EA PANEL-SKYLITE, INNER - PLEXIGLASS - 23.25" X 20.3"
	080607-01-000	EA PANEL-SKYLIGHT, OUTER - PLEXIGLASS - 23.25" X 20.3"

## 1993 ITASCA TABLE OF CONTENTS

INTRODUCTION	A-01 - A-02
ABBREVIATIONS	A-03
ALPHABETICAL INDEX	A-04 - A-06
IF427RQ	A-07 - D-18
IF427RC	D-19 - H-08
IF428RQ	H-09 - K-24

## 1993 IF427RC INDEX

FLOOR PLAN	D-19 - D-20
ACCESSORIES	D-21
AUDIO VIDEO	D-22
BATH	D-23 - D-24
BEDROOM	E-01
CHASSIS	E-02 - E-06
CURTAIN & CUSHION	E-07 - E-16
DINETTE	E-17 - E-18
DRIVERS COMPARTMENT	E-19 - E-20
ELECTRICAL	E-21 - E-24
EXTERIOR BODY	F-01 - F-08
GALLEY	F-09 - F-12
GENERATOR	F-13
HEATING & A/C	F-14 - F-16
INTERIOR FINISH	F-17 - F-20
LABELS	F-21 - G-04
LP	G-05
LOUNGE	G-06 - G-07
SEALANTS & FASTENERS	G-08 - G-10
WATER & SEWAGE	G-11 - G-14
WINDOW, VENT AND EXTERIOR DOOR	G-15 - H-07