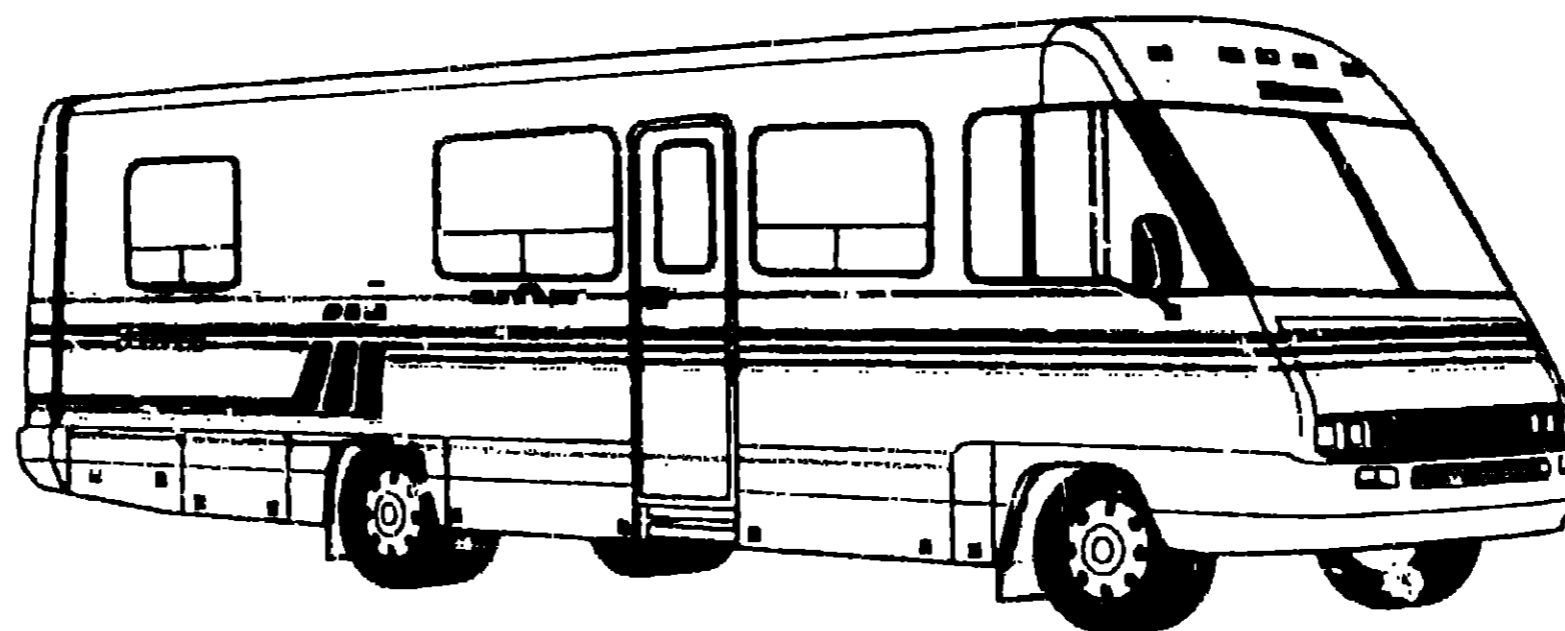
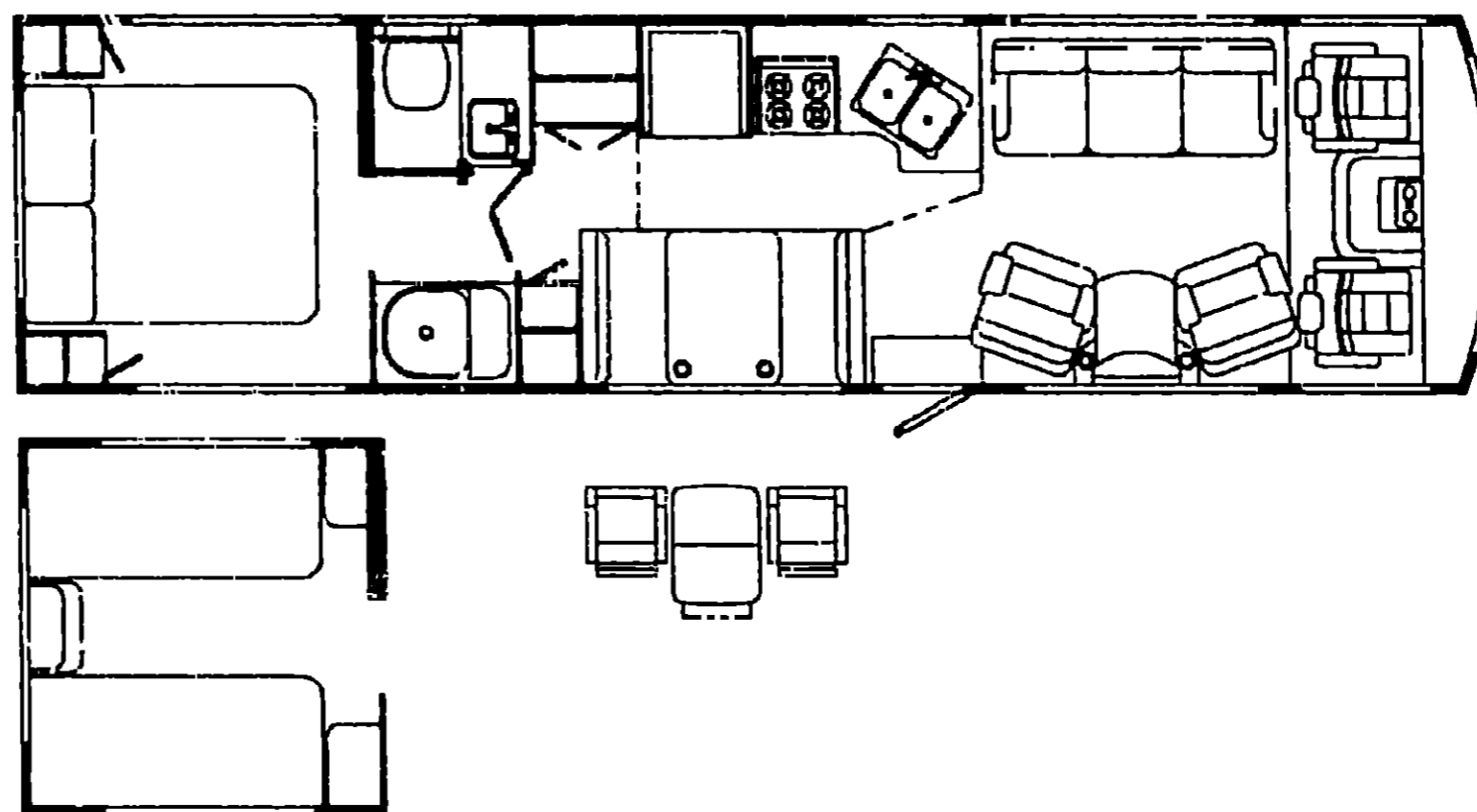


**1993 ITASCA
TABLE OF CONTENTS**

| | | |
|--------------------|--------|------|
| INTRODUCTION | A-01 - | A-02 |
| ABBREVIATIONS | | A-03 |
| ALPHABETICAL INDEX | A-04 - | A-06 |
| ICN32RQ | A-07 - | G-02 |
| ICN34RQ | G-03 - | L-16 |



**1993
ICN34RQ
D38
D40**



1993 ICN34RQ INDEX

| | | |
|-----------------------------------|--------|------|
| FLOOR PLAN | G-03 - | G-04 |
| ACCESSORIES | | G-05 |
| AUDIO VIDEO | G-06 - | G-08 |
| BATH | G-09 - | G-12 |
| BEDROOM | G-13 - | G-16 |
| CHASSIS | G-17 - | H-08 |
| CURTAIN & CUSHION | H-09 - | H-20 |
| DINETTE | H-21 - | H-24 |
| DRIVERS COMPARTMENT | I-01 - | I-06 |
| ELECTRICAL | I-07 - | I-12 |
| EXTERIOR BODY | I-13 - | I-22 |
| GALLEY | I-23 - | J-06 |
| GENERATOR | J-07 - | J-08 |
| HEATING & AC | J-09 - | J-12 |
| INTERIOR FINISH | J-13 - | J-16 |
| LABELS | J-17 - | J-24 |
| LP | K-01 - | K-02 |
| LOUNGE | K-03 - | K-04 |
| SEALANTS & FASTENERS | K-05 - | K-08 |
| WATER & SEWAGE | K-09 - | K-14 |
| WINDOW, VENT AND EXTERIOR DOOR | K-15 - | L-14 |
| WINDSHIELD & WIPER | L-15 - | L-16 |

**ACCESSORIES GROUP
VACUUM CLEANER & ACCESSORIES**

| KEY | PART NUMBER | U/M DESCRIPTION |
|-----|---------------|--|
| | 108186-01-000 | EA VACUUM CLEANER-BUILT IN |
| | 108186-02-300 | EA VACUUM CLEANING TOOL SET-W/30' HOSE |
| | 092304-01-700 | EA BAGS-VACUUM CLEANER, 6 IN BAG - #HP-4908 |
| | 092304-02-000 | EA TOOLS-CLEANING SET, VACUUM CLEANER - VACUFLO #HP-6346 |
| | 092304-02-700 | EA BRUSH-HAND POWER, VACUUM CLEANER - VACUFLO #HP-6970 |
| | 092304-02-701 | EA TOOL-DUSTING, VACUUM CLEANER, VACUFLO #HP 1142 |
| | 092304-02-702 | EA TOOL-RUG, VACUUM CLEANER - VACUFLO #HP 4982 |
| | 092304-02-703 | EA TOOL-CREVICE, VACUUM CLEANER - VACUFLO #HP 1141 |
| | 092304-02-704 | EA MOTOR-VACUUM CLEANER, VACUFLO #HP-5098 |
| | 092304-02-705 | EA HOSE-VACUUM-20' #4988-20 |
| | 092304-02-706 | EA ADAPTER-HOSE #4976 |
| | 092304-02-707 | EA TOOL-UPHOLSTERY #1139 |
| | 092304-02-708 | EA WAND #4978 |

OWNERS MANUAL

| KEY | PART NUMBER | U/M DESCRIPTION |
|-----|---------------|---|
| | 054185-54-000 | EA MANUAL, OPERATOR 93 SUNFLYER |
| | 092318-01-000 | EA BINDER-3 RING, MOTOR HOME MANUAL |
| | 092319-01-000 | EA POCKET PAGE-3 RING BINDER, PLASTIC |
| | 108112-01-000 | EA 1993 N-SERIES TOP LEVEL DRAWING NUMBER |

**AUDIO VIDEO GROUP
RADIO SYSTEM AND COMPONENTS**

| KEY | PART NUMBER | U/M DESCRIPTION |
|-----|---------------|--|
| | 097460-02-000 | EA RADIO-AM/FM STEREO/CASSETTE, SONY XR-4147 |
| | 097459-01-000 | EA RADIO-AM/FM STEREO, CASSETTE - AUDIOVOX IM-DXA FROM: 00-00-00 THRU: 01-31-93 |
| | 110267-02-000 | EA RADIO-AM/FM STEREO AUDIOVOX IM-300 FROM: 02-01-93 THRU: 99-99-99 |
| | 103698-01-000 | EA RADIO-AM/FM, STEREO CASSETTE - ADVANTZ AE8000A3 |
| | 097683-01-000 | EA RADIO-AM/FM STEREO W/CASSETTE AVOX 144D1559 |
| | 110469-01-000 | EA SPEAKER-4" X 6" - OVAL AUDIOVOX 110-2074 FROM: 00-00-00 THRU: 12-20-92 |
| | 110470-01-01A | EA GRILLE-SPEAKER, 4" X 6" - OVAL AUDIOVOX 136-1157 FROM: 00-00-00 THRU: 12-20-92 |
| | 089340-02-000 | EA GRILLE-SPEAKER, 6 1/2" SQUARE |
| | 094097-01-000 | EA SPEAKER-RADIO, W/O GRILLE - 5 25" DIA - AUDIOVOX 110C3630 |
| | 100014-01-000 | EA TRAY-RADIO, SONY - STEEL |
| | 090862-01-000 | EA BRACKET-HAT, ANTENNA - 3 1/2" X 3 9" - STEEL - BLACK FROM: 00-00-00 THRU: 11-30-92 |
| | 100847-01-000 | EA BRACKET-ANTENNA GROUND FROM: 12-01-92 THRU: 99-99-99 |
| | 097620-03-000 | EA MOUNTING KIT-RADIO, SONY - XR-300 INCLUDES CLIPS, SCREWS & PLASTIC BRACKET |
| | 077059-02-000 | EA CABLE-ANTENNA, RADIO - EXTENSION 96" - ARA 6700667 |
| | 097621-02-000 | EA MOUNTING KIT-RADIO, AUDIOVOX WMK-AB02 |
| | 097622-01-000 | EA HARNESS-ADAPTOR, RADIO OUTPUT - AUDIOVOX 112B-1959 |
| | 099998-01-000 | EA BRACKET-RADIO, AUDIOVOX - 6.4" X 9.3" - STEEL |
| | 090944-01-000 | EA ANTENNA-RADIO, 16" RUBBER |
| | 103698-02-000 | EA WIRE ASM-9 PIN, ADVANTZ 8000HRN |
| | 108847-01-000 | EA BRACKET-ANTENNA, GROUND |

TV ANTENNA

| KEY | PART NUMBER | U/M DESCRIPTION |
|-----|---------------|---|
| | 076319-01-000 | EA ANTENNA-TV, ROOF MOUNT - 44 5' MAST - RYA WL2 |
| | 082134-01-000 | EA ADAPTER-TV, CABLE TO CABLE - WINEGARD F-81M |
| | 082136-01-000 | EA NUT-HEX JAM 3/8-32, WINEGARD |
| | 076319-01-700 | EA HEAD-ANTENNA, AMPLIFIED - WINEGARD# RVSA UV |
| | 076319-01-701 | EA GEAR-ELEVATING, PLASTIC - WINEGARD# 2200046 |
| | 076319-01-702 | EA SHAFT ASM-ELEVATING, WINEGARD# RVP-400A |
| | 076319-01-703 | EA BEARING-NYLON, 5"OD - WINEGARD# 3200656 |
| | 076319-01-705 | EA GROMMET-NYLON, 7/8"ID - WINEGARD# 3200529 |
| | 076319-01-706 | EA CRANK-ELEVATING, W/SET SCREW - WINEGARD# 5755100 |
| | 076319-01-707 | EA SPRING-HANDLE, WINEGARD# 5160800 |
| | 076319-01-709 | EA PLATE-DIRECTIONAL, FOR HEAD - WINEGARD #3200544 |
| | 076319-05-000 | EA ADAPTOR-CABLE ROOF PLATE, WINEGARD RPJ-1 |
| | 076319-08-000 | EA WALLPLATE-CABLE RECEPTACLE, TV - SINGLE - IVORY |
| | 086756-01-000 | EA SPLITTER-TV, 2 WAY |
| | 086777-01-000 | EA WALLPLATE-TV CABLE, W/ANTENNA SWITCH - IVORY |
| | 086777-03-000 | EA PLATE-WALL, CABLE - W/TV ANTENNA SWITCH & BOOSTER - IVORY FROM: 00-00-00 THRU: 04-14-93 |
| | 086777-05-000 | EA PLATE-WALL, ANTENNA 1 OUTPUT IVORY WINEGARD RY-0921 FROM: 04-15-93 THRU: 99-99-99 |

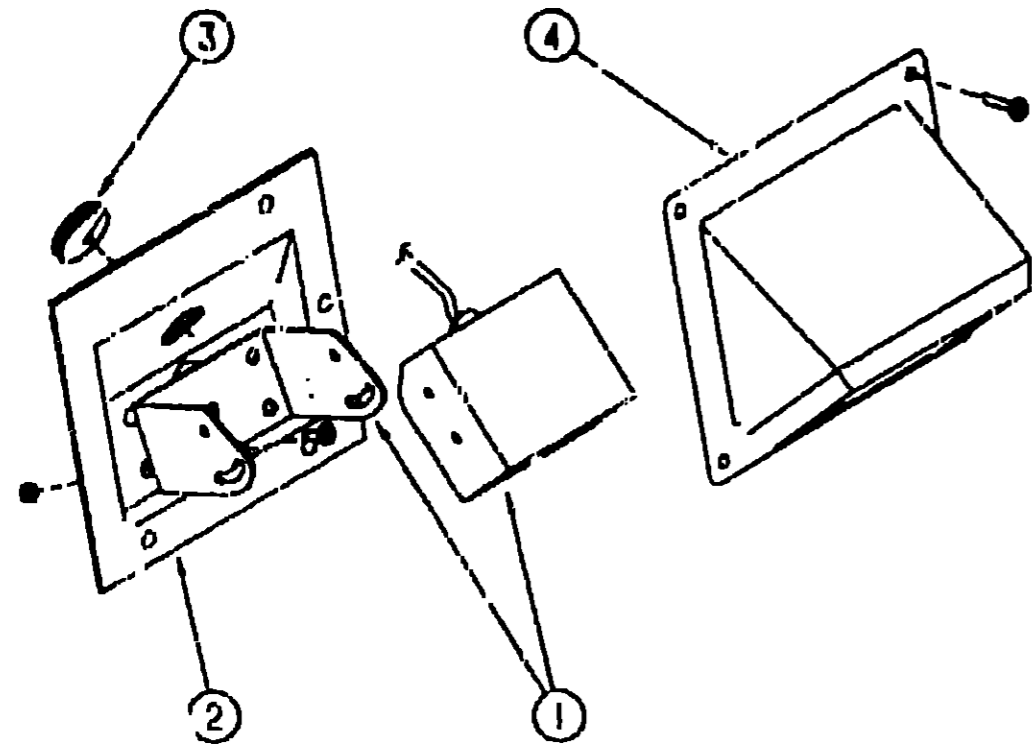
**1993 ITASCA
TABLE OF CONTENTS**

| | | |
|--------------------|------|------|
| INTRODUCTION | A-01 | A-02 |
| ABBREVIATIONS | | A-03 |
| ALPHABETICAL INDEX | A-04 | A-C6 |
| ICN32HQ | A-07 | G-02 |
| ICN34RQ | G-03 | L-16 |

1993 ICN34RQ INDEX

| | | |
|-----------------------------------|------|------|
| FLOOR PLAN | G-03 | G-04 |
| ACCESSORIES | | G-05 |
| AUDIO VIDEO | G-06 | G-08 |
| BATH | G-09 | G-12 |
| BEDROOM | G-13 | G-16 |
| CHASSIS | G-17 | H-08 |
| CURTAIN & CUSHION | H-09 | H-20 |
| DINETTE | H-21 | H-24 |
| DRIVERS COMPARTMENT | I-01 | I-06 |
| ELECTRICAL | I-07 | I-12 |
| EXTERIOR BODY | I-13 | I-22 |
| GALLEY | I-23 | J-06 |
| GENERATOR | J-07 | J-09 |
| HEATING & A/C | J-09 | J-12 |
| INTERIOR FINISH | J-13 | J-16 |
| LABELS | J-17 | J-24 |
| LP | K-01 | K-02 |
| LOUNGE | K-03 | K-04 |
| SEALANTS & FASTENERS | K-05 | K-08 |
| WATER & SEWAGE | K-09 | K-14 |
| WINDOW, VENT AND EXTERIOR DOOR | | |
| WINDSHIELD & WIPER | K-15 | L-14 |
| | L-15 | L-16 |

AUDIO VIDEO GROUP (CONTINUED)



REAR VIEW MONITOR

| KEY | PART NUMBER | U/M DESCRIPTION |
|-----|---------------|--|
| 1 | 093040-05-000 | EA TELEVISION SYSTEM-REAR VIEW 7" SONY YM-RVF7AM |
| | 093041-01-000 | EA CABLE-MONITOR/CAMERA, INTERNAL USE |
| | 093041-02-000 | EA CABLE-MONITOR/CAMERA - EXTERNAL USE |
| | 108885-01-000 | EA WIRE ASM-IP, REAR MONITOR - (CHEVY) |
| 2 | 102813-01-01A | EA SHROUD-CAMERA, INNER - 7" X 5 5" - PLASTIC |
| 3 | 071015-29-000 | EA GROMMET |
| 4 | 102814-01-03A | EA SHROUD-CAMERA, OUTER - OFF WHITE |
| | 095040-03-000 | EA WIRE-MONITOR, REAR VIEW TELEVISION - SONY SM-HRN1 |
| | 036717-03-000 | EA WIRE ASM-REAR MONITOR, UPPER |
| | 093040-06-000 | EA WIRE ASM-MONITOR SONY SM-HRN7 |

**AUDIO VIDEO GROUP (CONTINUED)
TV AND VCR SWITCHING SYSTEM**

| KEY | PART NUMBER | U/M DESCRIPTION |
|-----|---------------|---|
| | 086757-03-000 | EA CONTROL CENTER-SWITCH, VCR/TV - MAGNADYNE VCS-6 |
| | 098446-03-000 | EA VCR-VHS CABLE READY-REMOTE MAGNAVOX VR9010 FROM: 00-00-00 THRU: 10-04-92 |
| | 098446-03-700 | EA REMOTE F/MODEL #6110 |
| | 098446-04-000 | EA VCR-VHS CABLE READY-REMOTE MAGNAVOX VR9110 FROM: 10-05-92 THRU: 99-99-99 |
| | 098446-04-700 | EA REMOTE F/MODEL #6110 |
| | 098447-03-000 | EA TV-13", COLOR W/REMOTE - U.S. - MAGNAVOX RR1337 |
| | 098447-03-700 | EA REMOTE-MAGNAVOX #RR1337W & RR1330W |
| | 098447-04-000 | EA TV-13", COLOR W/REMOTE - CANADIAN - MAGNAVOX RR1330W |
| | 098447-03-700 | EA REMOTE-MAGNAVOX #RR1337W & RR1330W |
| | 099030-01-000 | EA WIRE-SPEAKER, TV |
| | 098447-03-000 | EA TV-13", COLOR W/REMOTE - U.S. - MAGNAVOX RR1337 |
| | 098447-03-700 | EA REMOTE-MAGNAVOX #RR1337W & RR1330W |
| | 098447-04-000 | EA TV-13", COLOR W/REMOTE - CANADIAN - MAGNAVOX RR1330W |
| | 098447-03-700 | EA REMOTE-MAGNAVOX #RR1337W & RR1330W |
| | 098819-01-000 | EA SPEAKER-2 WATT, 8 OHM - 4" |
| | 093214-01-02A | EA GRILL-SPEAKER, 4" BROWN |
| | 076319-03-000 | FT CABLE-COAXIAL, 75 OHM |
| | 076319-12-000 | EA CONNECTOR-COAXIAL, ONE PIECE |
| | 086756-01-000 | EA SPLITTER-TV, 2 WAY |
| | 099717-01-000 | EA TIEDOWN-TV, STRAP ON FEMALE END IS 22 8" LONG |
| | 099717-02-000 | EA TIEDOWN-TV, STRAP ON FEMALE END IS 28 7" LONG |
| | 076319-09-000 | EA WALLPLATE-CABLE RECEPTACLE, TV - SINGLE - BROWN |

CB ANTENNA

| KEY | PART NUMBER | U/M DESCRIPTION |
|-----|---------------|-----------------------------|
| | 105248-01-000 | EA ANTENNA-CB, ADVANCE 8604 |

TELEPHONE COMPONENTS

| KEY | PART NUMBER | U/M DESCRIPTION |
|-----|---------------|--|
| | 093901-01-000 | EA HOUSING-TELEPHONE AMP 554171-1 |
| | 093254-01-000 | EA PLATE-TELEPHONE & TV EXTERIOR HOOK UP - METAL |
| | 093253-01-02A | EA PLATE-WALL, TELEPHONE - BROWN - LEVITON 40249 |

**1993 ITASCA
TABLE OF CONTENTS**

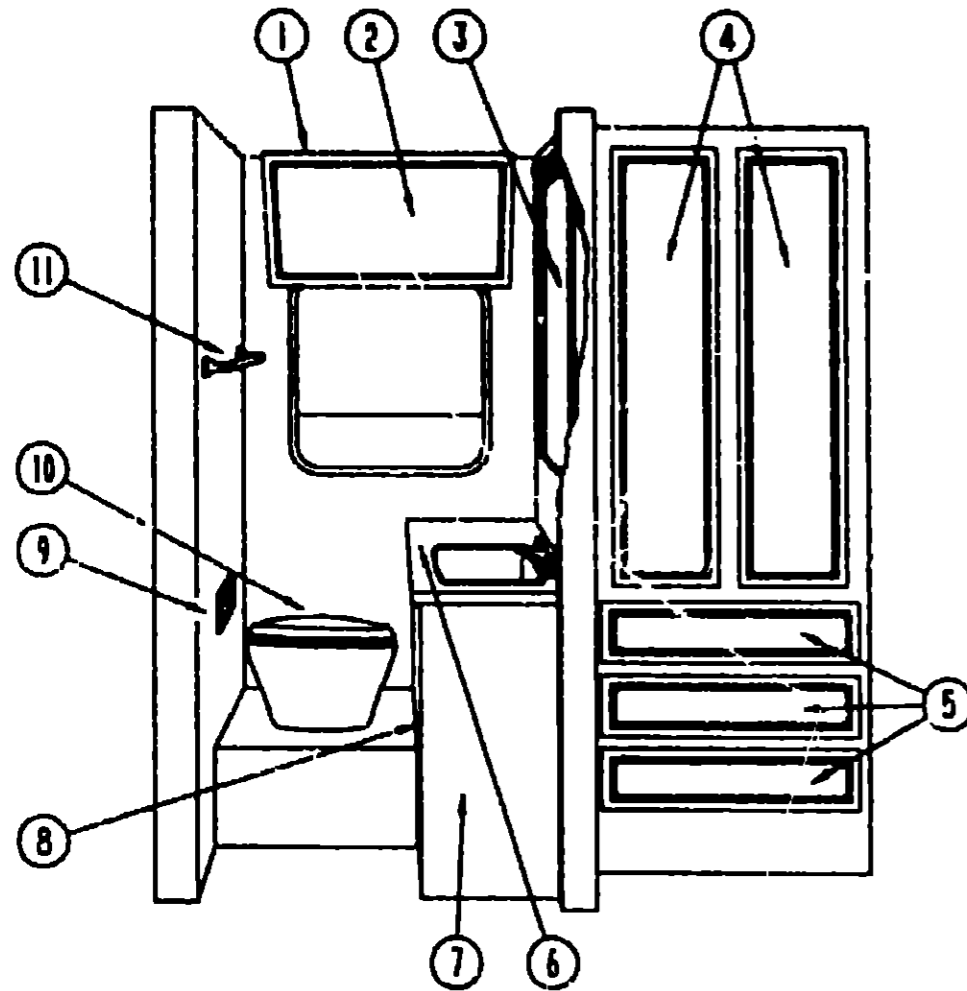
| | |
|--------------------|-------------|
| INTRODUCTION | A-01 - A-02 |
| ABBREVIATIONS | A-03 |
| ALPHABETICAL INDEX | A-04 - A-06 |
| ICN32RQ | A-07 - G-02 |
| ICN34RQ | G-03 - L-16 |

1993 ICN34RQ INDEX

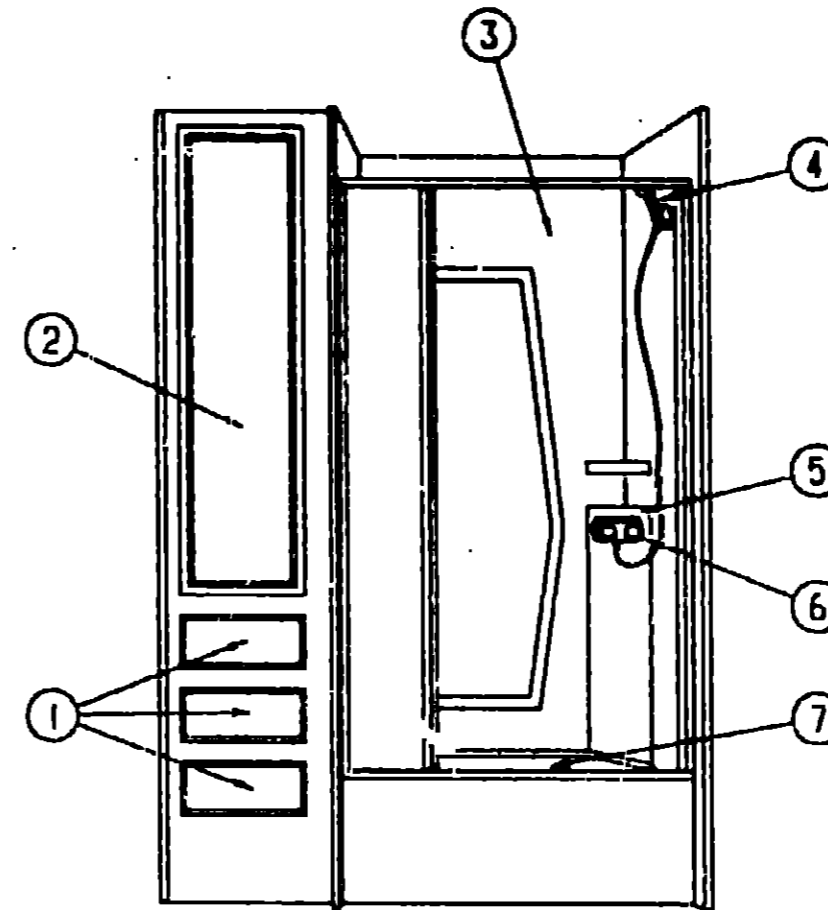
| | |
|----------------------|-------------|
| FLOOR PLAN | G-03 - G-04 |
| ACCESSORIES | G-05 |
| AUDIO VIDEO | G-06 - G-08 |
| BATH | G-09 - G-12 |
| BEDROOM | G-13 - G-16 |
| CHASSIS | G-17 - H-08 |
| CURTAIN & CUSHION | H-09 - H-20 |
| DINETTE | H-21 - H-24 |
| DRIVERS COMPARTMENT | I-01 - I-06 |
| ELECTRICAL | I-07 - I-12 |
| EXTERIOR BODY | I-13 - I-22 |
| GALLEY | I-23 - J-06 |
| GENERATOR | J-07 - J-08 |
| HEATING & A/C | J-09 - J-12 |
| INTERIOR FINISH | J-13 - J-15 |
| LABELS | J-17 - J-24 |
| LP | K-01 - K-02 |
| LOUNGE | K-03 - K-04 |
| SEALANTS & FASTENERS | K-05 - K-08 |
| WATER & SEWAGE | K-09 - K-14 |
| WINDOW, VENT AND | |
| EXTERIOR DECOR | K-15 - L-14 |
| WINDSHIELD & WIPER | L-15 - L-16 |

BATH GROUP

BATH GROUP (CONTINUED)



BATH CABINET - DRIVER SIDE



BATH CABINET-PASSENGER SIDE

1993 ITASCA TABLE OF CONTENTS

| | | |
|--------------------|--------|------|
| INTRODUCTION | A-01 - | A-02 |
| ABBREVIATIONS | | A-03 |
| ALPHABETICAL INDEX | A-04 - | A-08 |
| ICN32RD | A-07 - | G-02 |
| ICN34RQ | Q-03 - | L-16 |

1993 ICN34RQ INDEX

| | | |
|----------------------|--------|------|
| FLOOR PLAN | G-03 - | G-04 |
| ACCESSORIES | | G-05 |
| AUDIO VIDEO | G-06 - | G-08 |
| BATH | G-09 - | G-12 |
| BEDROOM | G-13 - | G-16 |
| CHASSIS | G-17 - | H-08 |
| CURTAIN & CUSHION | H-09 - | H-20 |
| DINETTE | H-21 - | H-24 |
| DRIVERS COMPARTMENT | I-01 - | I-06 |
| ELECTRICAL | I-07 - | I-12 |
| EXTERIOR BODY | I-13 - | I-22 |
| GALLEY | I-23 - | J-06 |
| GENERATOR | J-07 - | J-08 |
| HEATING & A/C | J-09 - | J-12 |
| INTERIOR FINISH | J-13 - | J-16 |
| LABELS | J-17 - | J-24 |
| LP | K-01 - | K-02 |
| LOUNGE | K-03 - | K-04 |
| SEALANTS & FASTENERS | K-05 - | K-08 |
| WATER & SEWAGE | K-09 - | K-14 |
| WINDOW, VENT AND | | |
| EXTERIOR DOOR | K-15 - | L-14 |
| WINDSHIELD & WIPER | L-15 - | L-16 |

| KEY | PART NUMBER | U/M DESCRIPTION |
|-----|---------------|--|
| 1 | M04165-79-D38 | EA CABINET-OVERHEAD, W/O DOOR OR HARDWARE |
| 2 | P04536-23-D38 | EA DOOR-CABINET, W/O HARDWARE - 255MM X 750MM |
| 3 | 093446-03-B25 | EA MIRROR ASM |
| 4 | P04536-17-D38 | EA DOOR-CABINET, W/O HARDWARE - 305MM X 1220MM |
| 5 | P07104-K0-D38 | EA DRAWER-CABINET, W/O HARDWARE |
| 6 | 107252-11-C31 | EA COUNTERTOP-CABINET, LAVATORY (D38) |
| 6 | 107252-11-C11 | EA COUNTERTOP-CABINET, LAVATORY (D40) |
| 7 | M05754-03-D38 | EA CABINET-LAVATORY, W/O DOORS OR HARDWARE (CANADIAN) FROM: 00-00-00 THRU: 03-07-93 |
| 7 | M05754-04-D38 | EA CABINET-LAVATORY, W/O DOORS OR HARDWARE (CANADIAN) FROM: 03-08-93 THRU: 99-99-99 |
| 7 | M05754-04-D38 | EA CABINET-LAVATORY, W/O DOORS OR HARDWARE (US) |
| 8 | P03702-C6-C31 | EA DOOR-CABINET, W/O HARDWARE - 305 X 555 |
| 9 | 085278-01-000 | EA HOLDER-PAPER, RECESSED - BRASS |
| 10 | 064076-02-000 | EA TOILET-STARLITE, LOW - IVORY THET W/O WATERSAVER |
| 10 | 085330-04-000 | EA TOILET-CHINA, SHORTY W/SPRAY - TRAVELER 510 |
| 11 | 075453-02-000 | EA BAR-TOWEL, 18" BRASS |
| | 075454-02-000 | EA RING-TOWEL, W/MOUNTING HARDWARE - BRASS |
| | 104174-01-000 | EA HOOK-ROBE, TWIN |

| KEY | PART NUMBER | U/M DESCRIPTION |
|-----|---------------|---|
| 1 | P07104-J8-D38 | EA DRAWER-CABINET, W/O HARDWARE |
| 2 | P04536-17-D38 | EA DOOR-CABINET, W/O HARDWARE - 305MM X 1220MM |
| | 041953-03-000 | FT CONDUIT-CONVOLUTED SLIT, 1" ID (CLOTHES ROD COVER) |
| | 009112-01-000 | EA FLANGE-1" ROD, CLOTHES - PLASTIC - OFF WHITE |
| | 042438-01-000 | EA DOWEL-WOOD, CLOTHES ROD - 1" DIAMETER X 4" |
| | 101532-01-01A | EA TOP CAP-SHOWER, 35" X 23" X 9" - PLASTIC - OFF WHITE |
| 3 | 101530-01-01A | EA SURROUND-SHOWER, 59" X 24 8" - PLASTIC - OFF WHITE |
| 3 | 101531-01-01A | EA SURROUND-SHOWER, TWO SIDED - PLASTIC - OFF WHITE |
| 4 | 103092-01-000 | EA SHOWER HEAD-W/60" HOSE |
| 4 | 103092-02-000 | EA SHOWER HEAD-W/HOSE - CANADIAN |
| | 103092-01-700 | EA BRACKET-F/SHOWER HEAD |
| 5 | 075606-01-000 | EA PANEL-FAUCET BACK, SHOWER - 5" X 9" - PLASTIC |
| 6 | 075241-05-000 | EA FAUCET-SHOWER, BONE |
| 6 | 075241-04-000 | EA FAUCET-SHOWER, BRASS |
| 7 | M02630-16-B07 | EA PAN-SHOWER, W/STRAINER |
| | 069735-01-000 | EA WASHER-STRAINER TO TAILPIECE PLASTIC, 1 5" |
| | 066436-01-000 | EA NUT-SLIP, TAILPIECE - 1 5" |
| | 057671-01-000 | EA COVER-SCREW, #8 - PLASTIC - OFF WHITE |

BATH GROUP (CONTINUED)
BATH DOOR & COMPONENTS

| KEY | PART NUMBER | U/M DESCRIPTION |
|-----|---------------|---|
| | MS 888-12-C31 | EA DOOR-CABINET, BATH |
| | 107A20-01-01A | EA HINGE-DOOR, SPRING LOADED - BRASS |
| | 037358-02-000 | EA HINGE-2 IN-BRASS |
| | 033170-06-01A | EA HEADER-DOOR, BATH - TAN |
| | 084485-01-01A | EA KNOB-DOOR, POLISHED BRASS |
| | | FROM 00-00-00 THRU: 09-23-92 |
| | 004485-02-01A | EA KNOB-DOOR, BRASS - INTERTEK YDLC20 |
| | | FROM: 09-24-92 THRU: 99-99-99 |
| | 100357-01-000 | EA ROD-TOWEL BRASS WENDS BENT FOR BACK OF BATH DOOR |
| | 102089-13-B29 | EA MOUNT-ROD, RIGHT SIDE - FOR TOWEL RODS - 26" LONG - WOOD |
| | 102089-14-B29 | EA MOUNT-ROD, LEFT SIDE - FOR TOWEL RODS - 26" LONG - WOOD |

BIFOLD DOOR & COMPONENTS

| KEY | PART NUMBER | U/M DESCRIPTION |
|-----|---------------|---|
| | P06862-02-D38 | EA DOOR-CABINET, BIFOLD |
| | M03866-03-C31 | EA DOOR-BIFOLD, W/HARDWARE - 13 2' X 75' - WOOD |
| | 092552-01-000 | EA GUIDE WHEEL-DOOR, TOP MOUNT |
| | 093832-01-01A | EA KNOB-DOOR, BRIGHT BRASS |
| | 102920-01-01A | EA HINGE-DOOR, SPRING LOADED - BRASS |
| | 009059-01-000 | EA HINGE-2" BRASS |
| | 009059-02-000 | EA HINGE-2" BRASS |

SHOWER DOOR & COMPONENTS

| KEY | PART NUMBER | U/M DESCRIPTION |
|-----|---------------|--|
| | 092574-03-01A | EA DOOR-SHOWER, HINGED PANEL - COASTAL |
| | 093250-05-C31 | EA HEADER ASM-DOOR, SHOWER |
| | 093950-01-02A | EA TRIM-THRESHOLD, SHOWER - TAN |
| | 092574-01-703 | EA PULL-DOOR, GOLD - COASTAL 8149G |

| KEY | PART NUMBER | U/M DESCRIPTION |
|-----|---------------|--|
| | 085330-04-000 | EA TOILET-CHINA, SHORTY W/SPRAY - TRAVELER 510 |
| | 085330-01-701 | EA KIT-VACUUM BREAKER, SEALAND# 385318085 |
| | 085330-01-702 | EA TUBE-FLUSH, SEALAND# 385315902 |
| | 085330-01-703 | EA RING & HALF CLAMPS ASM-BONE, SEALAND# 385310048 |
| | 085330-01-704 | EA TEFLON & RUBBER SEAL, SEALAND# 385316140 |
| | 085330-01-708 | EA BALL, SHAFT, & CARTRIDGE, SEALAND# 385318162 |
| | 085330-01-707 | EA CARTRIDGE-SPRING, SEALAND# 381236036 |
| | 085330-01-710 | EA PLUG-DRAIN, & CAP - W/SEAL - SEALAND# 385316142 |
| | 085330-01-713 | EA SHROUD-BONE, SEALAND# 390340124 |
| | 085330-01-714 | EA SEAL-FLANGE, FLOOR - SEALAND# 390343892 |
| | 085330-01-716 | EA FLANGE-FLOOR, 3" MPT - SEALAND# 390346056 |
| | 085330-01-717 | EA BOLT MOUNTING PACKAGE-SEALAND# 385310064 |
| | 085330-01-718 | EA SEAL-BASE & MOUNTING HARDWARE SEALAND# 385310053 |
| | 085330-04-700 | EA BREAKER-VACUUM, FOR HANDSPRAY - SEALAND# 230325 |
| | 085330-04-702 | EA LEVER-FLUSH, SEALAND# 340825 |
| | 085330-04-703 | EA COVER ASM PEDAL, SEALAND# 310118 |
| | 085330-04-704 | EA BASE ASM-BONE, SEALAND# 310124 |
| | 085330-04-705 | EA COVER ASM-PEDAL, SEALAND# 310109 |
| | 085330-04-706 | EA BREAKER-VACUUM, W/HAND SPRAY - SEALAND# 385319055 |
| | 085330-04-707 | EA SEAT ASM, BONE - SEALAND #340816 |

TOILET & COMPONENTS

| KEY | PART NUMBER | U/M DESCRIPTION |
|-----|---------------|--|
| | 054076-02-000 | EA TOILET-STARLITE, LOW - IVORY - THET W/O WATERSAVER |
| | 039341-02-700 | EA COVER-SEAT, TOILET - IVORY 037151 THETFORD NEW |
| | 039341-02-703 | EA PLUG-HOLE, IVORY - THETFORD 03895-10 |
| | 039341-02-704 | EA SEAT & COVER SET, THETFORD 08855 SL & SH NEWSTYLE |
| | 039341-02-705 | EA MOUNTING PACKAGE, THETFORD 08975 A M |
| | 039341-02-707 | EA PIN-HINGE, TOILET 12986 THETFORD |
| | 054076-01-701 | EA MECHANISM-FLUSHING, THETFORD, 14622 IVORY STARLIGHT |
| | 067487-01-701 | EA WATER SAVER PACKAGE-THETFORD 08993 |
| | 067487-01-702 | EA CLAMP-THETFORD 03752 |

LAVATORY SINK & FAUCETS

| KEY | PART NUMBER | U/M DESCRIPTION |
|-----|---------------|--|
| | 075240-05-000 | EA FAUCET-LAVATORY, BRASS |
| | 075240-06-000 | EA FAUCET-LAVATORY, BONE |
| | 091253-01-000 | EA GASSET-FAUCET, LAVATORY/GALLEY |
| | 096927-01-01A | EA SINK-LAVATORY, RECTANGULAR - PLASTIC - BONE |
| | 096927-01-700 | EA SINK-STOPPER |
| | 096927-01-701 | EA TAILPIECE-SINK |

SKYLIGHT

| KEY | PART NUMBER | U/M DESCRIPTION |
|-----|---------------|---|
| | 077902-01-000 | EA COLLAR-SKYLITE |
| | 060310-01-000 | EA COVER-SKYLITE, OUTER - 15 25" X 22 25" - PLASTIC |
| | 081171-01-000 | EA TRIM-SKYLITE, OUTER - MILL FINISHED |

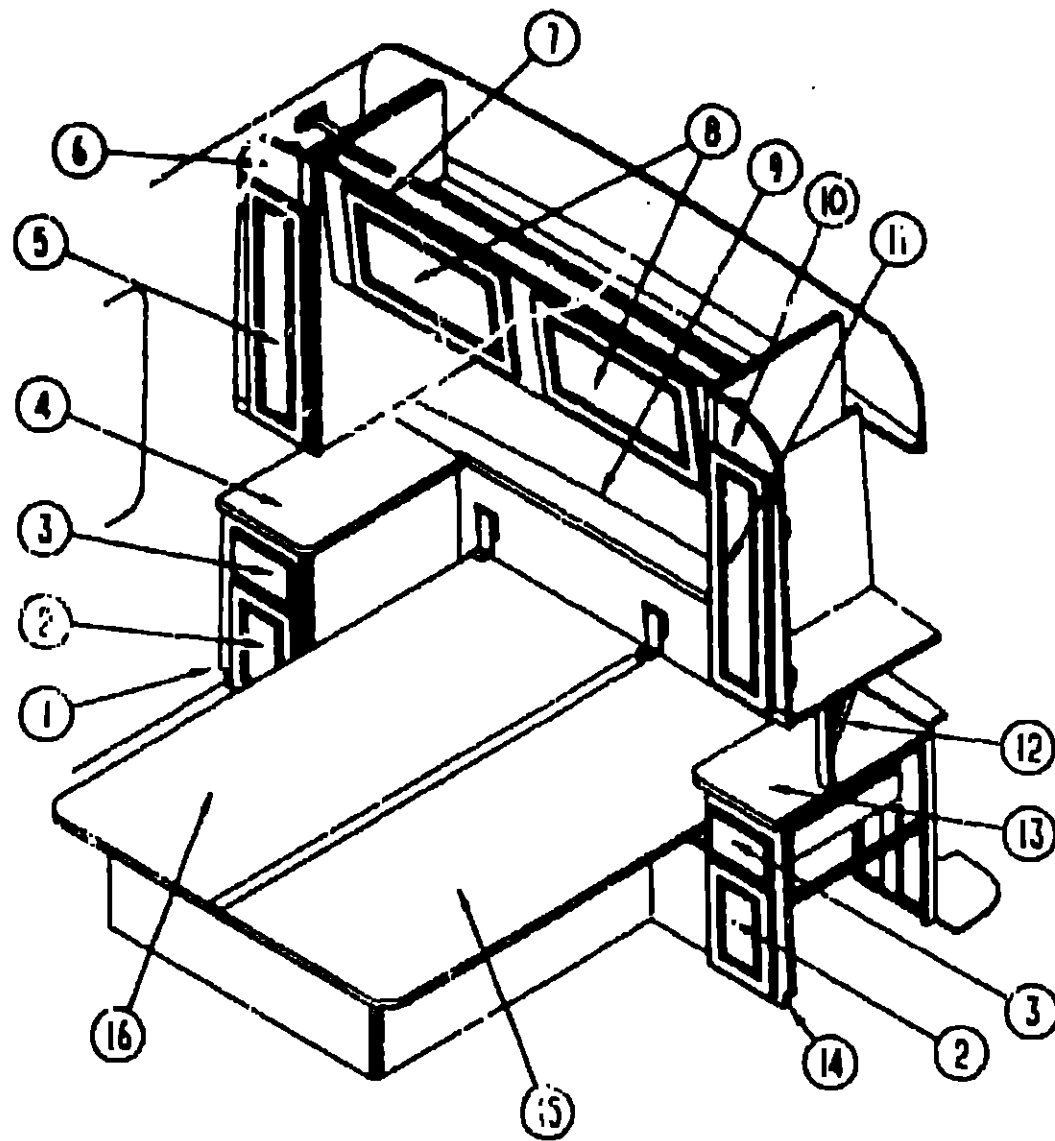
1993 ITASCA
TABLE OF CONTENTS

| | | |
|--------------------|--------|------|
| INTRODUCTION | A-01 - | A-02 |
| ABBREVIATIONS | | A-03 |
| ALPHABETICAL INDEX | A-04 - | A-06 |
| ICN32RQ | A-07 - | G-02 |
| ICN34RQ | G-03 - | L-16 |

1993 ICN34RQ INDEX

| | | |
|----------------------|--------|------|
| FLOOR PLAN | G-03 - | G-04 |
| ACCESSORIES | | G-05 |
| AUDIO VIDEO | G-06 - | G-08 |
| BATH | G-09 - | G-12 |
| BEDROOM | G-13 - | G-16 |
| CHASSIS | G-17 - | H-08 |
| CURTAIN & CUSHION | H-09 - | H-20 |
| DINETTE | H-21 - | H-24 |
| DRIVERS COMPARTMENT | I-01 - | I-06 |
| ELECTRICAL | I-07 - | I-12 |
| EXTERIOR BODY | I-13 - | I-22 |
| GALLEY | I-23 - | J-06 |
| GENERATOR | J-07 - | J-08 |
| HEATING & P.V. | J-09 - | J-12 |
| INTERIOR FINISH | J-13 - | J-16 |
| LABELS | J-17 - | J-24 |
| LIFT | K-01 - | K-02 |
| LUGNAGE | K-03 - | K-04 |
| SEALANTS & FASTENERS | K-05 - | K-08 |
| WATER & SEWAGE | K-09 - | K-14 |
| WINDOW, VENT & D | | |
| EXTERIOR DOORS | K-15 - | L-14 |
| WINDSHIELD & WIPER | L-15 - | L-16 |

BEDROOM GROUP

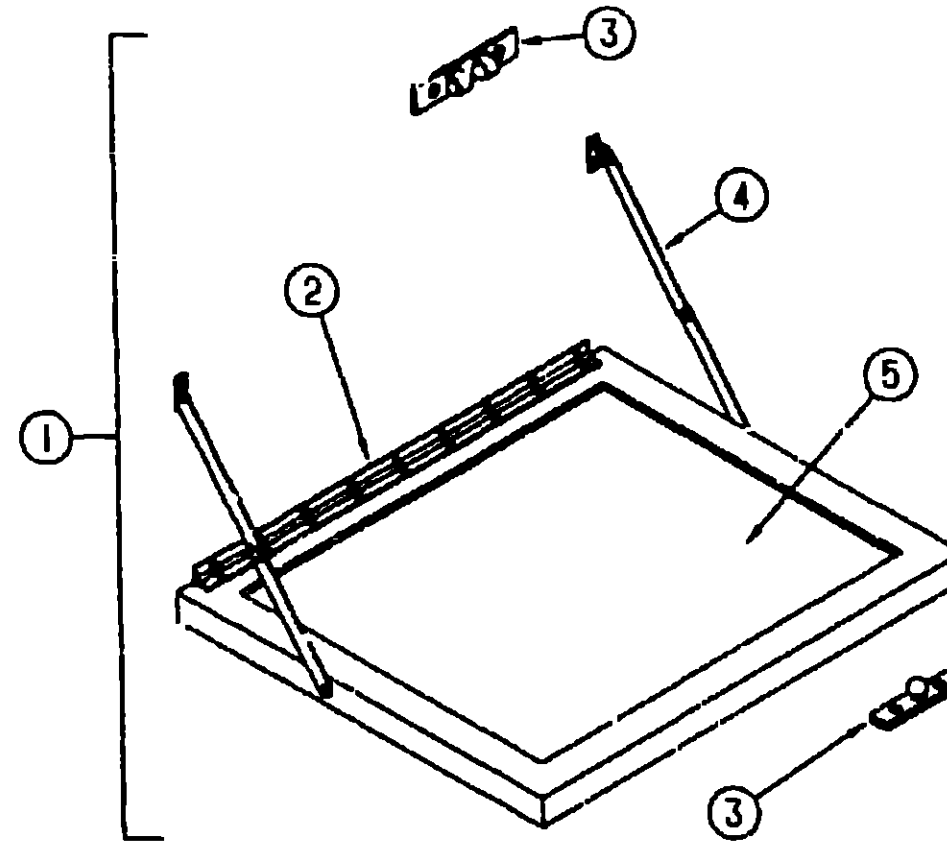


QUEEN BED CABINETRY AND COMPONENTS

| KEY | PART NUMBER | U/M DESCRIPTION |
|-----|---------------|---|
| 1 | M05831-01-D38 | EA CABINET-NIGHTSTAND, PASSENGER SIDE (D38) |
| 1 | M05831-01-D39 | EA CABINET-NIGHTSTAND, PASSENGER SIDE (D40) |
| 2 | P03702-E3-C31 | EA DOOR-W/O HARDWARE - 250 X 370 MM |
| 3 | P07104-K2-D38 | EA DRAWER-W/O HARDWARE |
| 4 | 108054-12-D38 | EA COUNTERTOP-NIGHTSTAND, PASSENGER SIDE (D38) |
| 4 | 108054-12-D17 | EA COUNTERTOP-NIGHTSTAND, PASSENGER SIDE (D40) |
| 5 | P03702-C8-C31 | EA DOOR-W/O HARDWARE - 250 X 850 MM |
| 6 | 104508-01-C31 | EA CABINET-SHIRT CLOSET, PASSENGER SIDE - W/O DOORS OR HARDWARE |
| | 041953-03-000 | FT CONDUIT-CONVOLUTED SLIT, 1" ID (CLOTHES ROD COVER) |
| | 009112-01-000 | EA FLANGE-1" ROD, CLOTHES - PLASTIC - OFF WHITE |
| | 042438-01-000 | EA DOWEL-WOOD, CLOTHES ROD - 1" DIAMETER X 4' |
| 7 | M04165-47-C31 | EA CABINET-OVERHEAD, BACKWALL - W/O DOORS OR HARDWARE |
| | 092082-02-01A | EA SHELF-CABINET, BACKWALL OVERHEAD |
| 8 | P03702-E2-C31 | EA DOOR-W/O HARDWARE, 390MM X 650MM |
| | 105085-01-000 | EA MIRROR-GLASS, DECORATIVE |
| 9 | 092525-02-C12 | EA COUNTERTOP-BACKWALL (D38) |
| 9 | 092525-02-C11 | EA COUNTERTOP-BACKWALL (D40) |
| | 094791-01-B29 | EA TRIM-COUNTERTOP - 1.5' X 4.25' - WOOD - RIGHT SIDE |
| | 094791-02-B29 | EA TRIM-COUNTERTOP - 1.5' X 4.25' - WOOD - LEFT SIDE |
| 10 | 104509-01-C31 | EA CABINET-SHIRT CLOSET, DRIVER SIDE - W/O DOORS OR HARDWARE |
| 11 | P03701-E6-C11 | EA DOOR-W/O HARDWARE, 250MM X 850 MM |
| 12 | 104512-01-C31 | EA CABINET-RADIO, NIGHTSTAND |
| 13 | 108053-12-D38 | EA COUNTERTOP-NIGHTSTAND, DRIVER SIDE (D38) |
| 13 | 108053-12-D17 | EA COUNTERTOP-NIGHTSTAND, DRIVER SIDE (D40) |
| 14 | M05832-01-D38 | EA CABINET-NIGHTSTAND, DRIVER SIDE (D38) |
| 14 | M05832-01-D39 | EA CABINET-NIGHTSTAND, DRIVER SIDE (D40) |

QUEEN BED CABINETRY AND COMPONENTS (CONTINUED)

| KEY | PART NUMBER | U/M DESCRIPTION |
|-----|---------------|---|
| 14 | M05832-02-D38 | EA CABINET-NIGHTSTAND, DRIVER SIDE - CANADIAN (D38) FROM 00-00-00 THRU: 09-16-92 |
| 14 | M05832-02-D39 | EA CABINET-NIGHTSTAND, DRIVER SIDE - CANADIAN (D40) FROM 00-00-00 THRU 09-16-92 |
| 14 | M05832-01-D38 | EA CABINET-NIGHTSTAND, DRIVER SIDE - CANADIAN (D38) FROM 09-17-92 THRU 99-99-99 |
| 14 | M05832-01-D39 | EA CABINET-NIGHTSTAND, DRIVER SIDE - CANADIAN (D40) FROM 09-17-92 THRU 99-99-99 |
| 15 | M05185-02-C31 | EA CABINET ASM-QUEEN BED TOP, DRIVER SIDE FROM 00-00-00 THRU 01-05-93 |
| 15 | M05185-04-D38 | EA CABINET ASM-QUEEN BED TOP, DRIVER SIDE FROM 01-06-93 THRU 99-99-99 |
| 16 | M05185-01-C31 | EA CABINET ASM-QUEEN BED TOP, PASSENGER SIDE FROM 00-00-00 THRU 01-05-93 |
| 16 | M05185-03-D38 | EA CABINET ASM-QUEEN BED TOP, PASSENGER SIDE FROM 01-05-93 THRU 99-99-99 |
| | P04434-01-D38 | EA CABINET-QUEEN BED |
| | 107540-01-000 | EA BRACKET-90 DEGREE, GAS SPRING SPRING L SL58RP1 FROM 01-05-93 THRU 99-99-99 |
| | 089024-01-000 | EA SUPPORT-SPRING, TO FLOOR - 5 9" WIDE BASE X 7" HIGH - STEEL FROM 00-00-00 THRU 01-05-93 |
| | 107541-01-000 | EA BRACKET-FLAT, GAS SPRING SPRING L SL40P1 FROM 01-05-93 THRU 99-99-99 |
| | 089075-03-000 | EA SUPPORT-BED, H-CHANNEL - 1 96" X 72 7" - ALUMINUM - BEIGE |



TV STAND

| KEY | PART NUMBER | U/M DESCRIPTION |
|-----|---------------|---|
| 1 | 084357-01-B29 | EA TV STAND ASSEMBLY |
| 2 | 084413-01-000 | EA HINGE-CONTINUOUS, W/WHOLE |
| 3 | 084451-01-000 | EA CATCH-TV SHELF, BRASS |
| 4 | 084412-01-000 | EA SUPPORT-HINGED |
| 5 | 084356-07-000 | EA INSERT-TV STAND, W/SUPPORT HINGE - METAL - TAN |
| 5 | 058331-10-000 | EA MIRROR-GLASS, SAFETY - 14" X 17" |

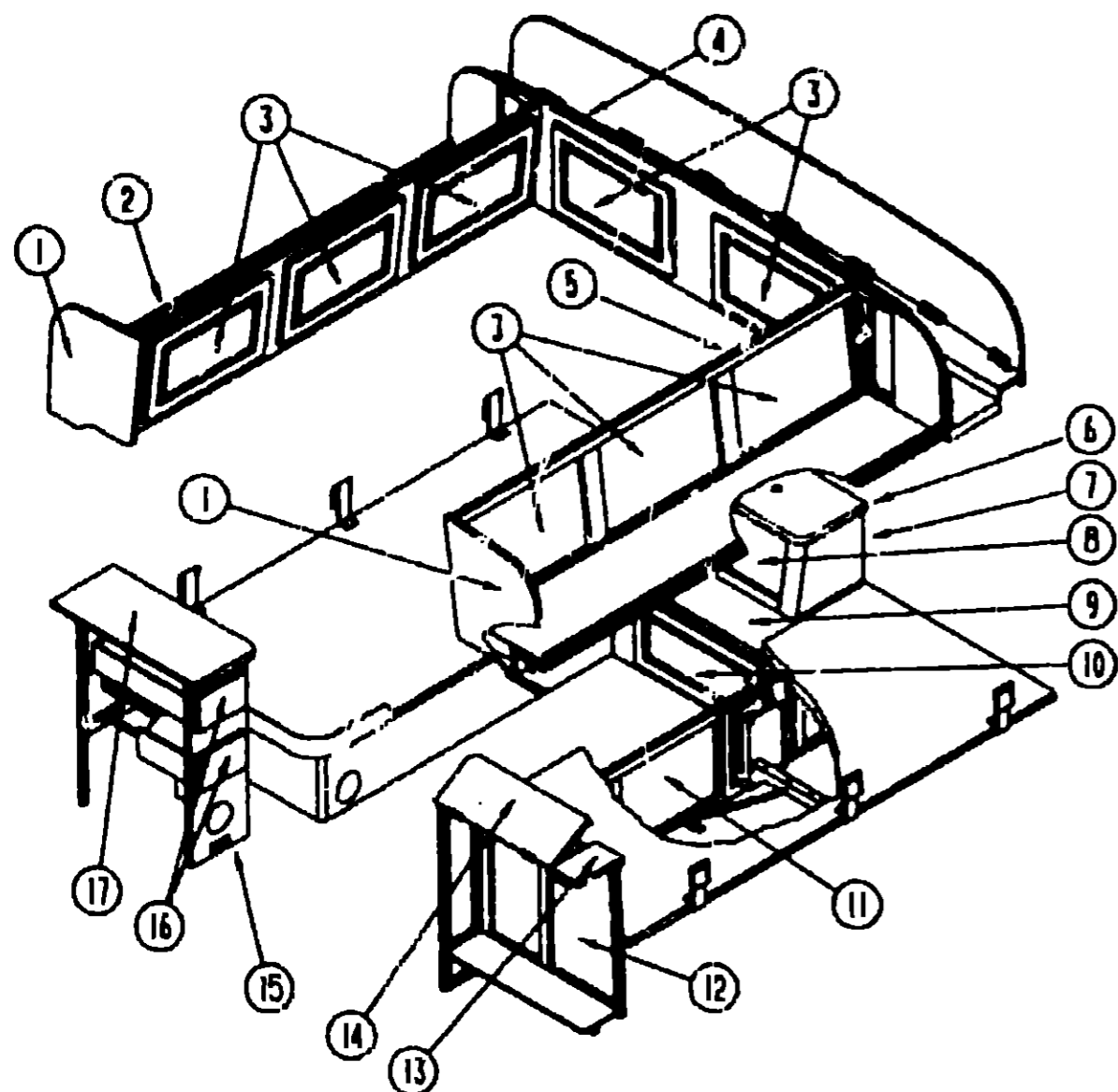
**1993 ITASCA
TABLE OF CONTENTS**

| | |
|--------------------|-------------|
| INTRODUCTION | A-01 - A-02 |
| ABBREVIATIONS | A-03 |
| ALPHABETICAL INDEX | A-04 - A-06 |
| ICN34RQ | A-07 - G-02 |
| ICN34RQ | G-03 - L-16 |

1993 ICN34RQ INDEX

| | |
|----------------------|-------------|
| FLOOR PLAN | G-03 - G-04 |
| ACCESSORIES | G-05 |
| AUDIO VIDEO | G-06 - G-08 |
| BATH | G-09 - G-12 |
| BEDROOM | G-13 - G-16 |
| CHASSIS | G-17 - H-08 |
| CURTAIN & CUSHION | H-09 - H-20 |
| DINETTE | H-21 - H-24 |
| DRIVERS COMPARTMENT | I-01 - I-06 |
| ELECTRICAL | I-07 - I-12 |
| EXTERIOR BODY | I-13 - I-22 |
| GALLEY | I-23 - J-06 |
| GENERATOR | J-07 - J-08 |
| HEATING & A/C | J-09 - J-12 |
| INTERIOR FINISH | J-13 - J-16 |
| TAGELS | J-17 - J-24 |
| LP | K-01 - K-02 |
| LOUNGE | K-03 - K-04 |
| SEALANTS & FASTENERS | K-05 - K-08 |
| WATER & SEWAGE | K-09 - K-14 |
| WINDOW, VENT AND | |
| EXTERIOR DOOR | K-15 - L-14 |
| WINDSHIELD & W/PER | L-15 - L-16 |

BEDROOM GROUP (CONTINUED)
TWIN BED CABINETS AND COMPONENTS



| KEY | PART NUMBER | UNIT DESCRIPTION |
|-----|---------------|---|
| 1 | 105729-04-D38 | EA END CAP-CABINET, OVERHEAD - FRONT |
| 2 | M04165-66-D38 | EA CABINET-OVERHEAD, PASSENGER SIDE - W/O DOORS OR HARDWARE |
| 3 | P03702-C5-C31 | EA DOOR-W/O HARDWARE - 340 X 555 MM |
| 4 | M04165-48-C31 | EA CABINET-OVERHEAD, BACKWALL - W/O DOORS OR HARDWARE |
| 5 | M04165-69-D38 | EA CABINET-OVERHEAD, DRIVER SIDE - W/O DOORS OR HARDWARE |
| 6 | 108052-11-D38 | EA COUNTERTOP-NIGHTSTAND, UPPER |
| 6 | 108052-11-D40 | EA COUNTERTOP-NIGHTSTAND, UPPER |
| 7 | 108052-01-D38 | EA CABINET-NIGHTSTAND, W/O DOORS OR HARDWARE |
| 7 | 108052-01-D40 | EA CABINET-NIGHTSTAND, W/O DOORS OR HARDWARE |
| 8 | 108052-14-D15 | EA DOOR-TAMBOUR, W/O HARDWARE - 11 8" X 15" |
| 9 | 108052-12-D38 | EA COUNTERTOP-NIGHTSTAND, LOWER |
| 9 | 108052-12-D40 | EA COUNTERTOP-NIGHTSTAND, LOWER |
| 10 | P07104-K6-D38 | EA DRAWER-W/O HARDWARE |
| 11 | P03702-C2-C31 | EA DOOR-W/O HARDWARE, 325MM X 450MM |
| | M03864-01-D00 | EA CABINET-TWIN BED TOP, DRIVER SIDE - W/O DOORS OR HARDWARE |
| | M93231-01-D38 | EA CABINET-TWIN BED TOP, DRIVER SIDE - W/O DOORS OR HARDWARE |
| | M05835-01-D38 | EA CABINET-TWIN BED TOP, PASSENGER SIDE - W/O DOORS OR HARDWARE |
| | M05836-01-D15 | EA CABINET-TWIN BED TOP, PASSENGER SIDE - W/O DOORS OR HARDWARE |
| 12 | P07241-01-C31 | EA CABINET-CLOTHES HAMPER, W/O HARDWARE OR FLIP-UP TOP (D38) |
| 12 | P07241-01-D40 | EA CABINET-CLOTHES HAMPER, W/O HARDWARE OR FLIP-UP TOP (D40) |
| 13 | 107241-11-C31 | EA COUNTERTOP-HAMPER, STATIONARY (D38) |
| 13 | 107241-11-D40 | EA COUNTERTOP-HAMPER, STATIONARY (D40) |
| 14 | 107241-12-C31 | EA TOP-HAMPER, FLIP-UP - W/HINGE (D38) |
| 14 | 107241-12-D40 | EA TOP-HAMPER, FLIP-UP - W/HINGE (D40) |
| 15 | 108055-01-D38 | EA CABINET-NIGHTSTAND, W/O DOORS, HARDWARE OR COUNTERTOP |
| 15 | 108055-01-D40 | EA CABINET-NIGHTSTAND, W/O DOORS, HARDWARE OR COUNTERTOP |
| 16 | P07104-K4-D38 | EA DRAWER-W/O HARDWARE |
| 17 | 108055-11-D38 | EA COUNTERTOP-NIGHTSTAND |
| 17 | 108055-11-D40 | EA COUNTERTOP-NIGHTSTAND |
| | 092525-02-C12 | EA COUNTERTOP-BACKWALL (D38) |
| | 092525-02-D40 | EA COUNTERTOP-BACKWALL (D40) |
| | 094791-01-B29 | EA TRIM-COUNTERTOP - 1 5" X 4 25" - WOOD - RIGHT SIDE |
| | 094791-02-B29 | EA TRIM-COUNTERTOP - 1 5" X 4 25" - WOOD - LEFT SIDE |

1993 ITASCA
TABLE OF CONTENTS

| | |
|--------------------|-------------|
| INTRODUCTION | A-01 - A-02 |
| ABBREVIATIONS | A-03 |
| ALPHABETICAL INDEX | A-04 - A-09 |
| ICN32RQ | A-07 - G-02 |
| ICN34RQ | G-03 - L-16 |

1993 ICN34RQ INDEX

| | |
|----------------------|-------------|
| FLOOR PLAN | G-03 - G-04 |
| ACCESSORIES | G-05 |
| AUDIO VIDEO | G-06 - G-08 |
| BATH | G-09 - G-12 |
| BEDROOM | G-13 - G-16 |
| CHASSIS | G-17 - H-08 |
| CURTAIN & CUSHION | H-09 - H-20 |
| DINETTE | H-21 - H-24 |
| DRIVERS COMPARTMENT | I-01 - I-05 |
| ELECTRICAL | I-07 - I-12 |
| EXTERIOR BODY | I-13 - I-22 |
| GALLEY | I-23 - J-06 |
| GENERATOR | J-07 - J-08 |
| HEATING & A/C | J-09 - J-12 |
| INTERIOR FINISH | J-13 - J-16 |
| LABELS | J-17 - J-24 |
| LP | K-01 - K-02 |
| LOUNGE | K-03 - K-04 |
| SEALANTS & FASTENERS | K-05 - K-08 |
| WATER & SEWAGE | K-09 - K-14 |
| WINDOW, VENT AND | |
| EXTERIOR DOOR | K-15 - L-14 |
| WINDSHIELD & WIPER | L-15 - L-16 |

CHASSIS GROUP

JETRIDE SUSPENSION W/PARK & LEVEL - FORD

| KEY | PART NUMBER | U/M DESCRIPTION |
|-----|---------------|--|
| | 031045-05-000 | EA ADAPTER-1/4" ID BARB X 1/8" MPT |
| | 071374-04-000 | EA FITTING-BULKHEAD, 1/8" X 1/8" FNPT |
| | 090436-18-000 | EA MOUNT-AIRSPRING, UPPER DRIVER - JET# 40375 |
| | 090436-19-000 | EA MOUNT-AIRSPRING, UPPER PASSENGER - JET# 40376 |
| | 090436-20-000 | EA MOUNT-SPRING/AXLE, LOWER DRIVER - JET# 40373 |
| | 090436-21-000 | EA MOUNT-SPRING/AXLE, LOWER PASSENGER - JET# 40374 |
| | 090436-22-000 | EA U-BOLT, 1-14 X 4" X 14" - W/NUTS - JET# 40351 |
| | 090436-23-000 | EA SPRING-LEAF, SEMI - FORD - JET# 40361 |
| | 090436-25-000 | EA U-BOLT, 1-14 X 4" X 15" - W/NUTS - JET# 40352 |
| | 090436-26-000 | EA BAR-STABILIZER, REAR - JET# 40358 |
| | 090436-28-000 | EA SHIELD-HEAT, FUEL TANK - JET# 40360 |
| | 090436-29-000 | EA BRACKET-BRAKE HOSE/FRAME, JET# 40362 |
| | 090436-30-000 | EA BRACKET-BRAKE HOSE/CALIPER, JET# 40364 |
| | 090436-31-000 | EA BAR-TRACK, W/BOLTS & BRKTS - JET# 40356 |
| | 090436-34-000 | EA WIRING-ELECTRONIC, JET #60712 |
| | 090436-35-000 | EA COMPRESSOR-TANK, W/O WIRING - JET# 60703 |
| | 090436-40-000 | EA FILTER-AIR INTAKE, COMPRESSOR |
| | 091250-03-000 | EA BUSHING-SWAY BAR, 1.75" CUT - HELLWIG# PB 732 |
| | 090436-15-704 | EA AIR SPRING (AIR BAG ONLY) - SINGLE - JET #50752 |

JETRIDE SUSPENSION W/PARK & LEVEL - CHEVY (FROM: 00-00-00 THRU: 10-01-92)

| KEY | PART NUMBER | U/M DESCRIPTION |
|-----|---------------|--|
| | 031045-05-000 | EA ADAPTER-1/4" ID BARB X 1/8" MPT |
| | 071374-04-000 | EA FITTING-BULKHEAD, 1/8" X 1/8" FNPT |
| | 090436-10-000 | EA MOUNT-SPRING/AXLE, LOWER DRIVER - JET# 373 |
| | 090436-11-000 | EA MOUNT-SPRING/AXLE, LOWER PASSENGER - JET# 374 |
| | 090436-12-000 | EA U-BOLT-FOREWARD, STRAIGHT - 7/8" - JET# 351 |
| | 090436-13-000 | EA U-BOLT-REARWARD, BENT - 7/8" - JET# 351-1 |
| | 090436-14-000 | EA BAR-TRACK, W/PIVOT BOLTS & BRACKET - JET# 356-1 |
| | 090436-34-000 | EA WIRING-ELECTRONIC, JET #60712 |
| | 090436-35-000 | EA COMPRESSOR-TANK, W/O WIRING - JET# 60703 |
| | 090436-36-000 | EA MOUNT-SPRING, LH - UPPER ELT - CHEVY - JET# 60750 |
| | 090436-37-000 | EA MOUNT-SPRING, RH - UPPER ELT - CHEVY - JET# 60751 |
| | 090436-38-000 | EA SPRING-LEAF, 7 SEMI - 1600GVW - JET AR-P30-16 |
| | 090436-40-000 | EA FILTER-AIR INTAKE, COMPRESSOR |
| | 091250-01-000 | EA BUSHING-SWAY BAR, 1.25" CUT - HELLWIG# PB 731 |
| | 091250-02-000 | EA BUSHING-SWAY BAR, 1.25" UNCUT - HELLWIG# PB 734 |
| | 091250-03-000 | EA BUSHING-SWAY BAR, 1.75" CUT - HELLWIG# PB 732 |
| | 090436-15-704 | EA AIR SPRING (AIR BAG ONLY) - SINGLE - JET #50752 |

JETRIDE SUSPENSION W/PARK & LEVEL - CHEVY (FROM: 10-02-92 THRU: 99-99-99)

| KEY | PART NUMBER | U/M DESCRIPTION |
|-----|---------------|--|
| | 031045-05-000 | EA ADAPTER-1/4" ID BARB X 1/8" MPT |
| | 071374-04-000 | EA FITTING-BULKHEAD, 1/8" X 1/8" FNPT |
| | 090436-10-000 | EA MOUNT-SPRING/AXLE, LOWER DRIVER - JET# 373 |
| | 090436-12-000 | EA U-BOLT-FOREWARD, STRAIGHT - 7/8" - JET# 351 |
| | 090436-13-000 | EA U-BOLT-REARWARD, BENT - 7/8" - JET# 351-1 |
| | 090436-34-000 | EA WIRING-ELECTRONIC, JET #60712 |
| | 090436-35-000 | EA COMPRESSOR-TANK, W/O WIRING - JET# 60703 |
| | 090436-40-000 | EA FILTER-AIR INTAKE, COMPRESSOR |
| | 090436-41-000 | EA SPRING-93" P30 14/1600 JET 51793 |
| | M90436-41-000 | EA SPRING-LEAF, SEMI 16,000 GVW JET AR-P30-16(93) |
| | 090436-46-000 | EA MOUNT-SPRG/AXLE CHEV RH LOWER JET 51755 |
| | 090436-47-000 | EA BAR-TRACK, W/PIVOT BOLTS JET 55765 |
| | 090436-50-000 | EA MOUNT-SPRG, LH UPPER ELECTRIC JET 51750 |
| | 090436-51-000 | EA MOUNT-SPRG, RH UPPER ELECTRIC JET 51751 |
| | 090436-52-000 | EA BRACKET-TRACK BAR, STD JET 51354 3.25 |
| | 091250-01-000 | EA BUSHING-SWAY BAR, 1.25" CUT - HELLWIG# PB 731 |
| | 091250-02-000 | EA BUSHING-SWAY BAR, 1.25" UNCUT - HELLWIG# PE 734 |
| | 091250-03-000 | EA BUSHING-SWAY BAR, 1.75" CUT - HELLWIG# PB 732 |
| | 110114-01-000 | EA PLATE-BEEFUP, JET RIDE |
| | 110115-01-000 | EA PLATE-BEEFUP, JET RIDE |
| | 090436-15-704 | EA AIR SPRING (AIR BAG ONLY) - SINGLE - JET #50752 |

CHASSIS GROUP (CONTINUED)

FORD TIRE & WHEEL

| KEY | PART NUMBER | U/M DESCRIPTION |
|-----|---------------|--|
| | 051377-03-000 | EA STEM-VALVE, TRO 600HP |
| | 051377-05-000 | EA VALVE STEM ASM-VS938 |
| | C33425-05-000 | EA TIRE-MICHELIN, LT235/85R16 LRE - XPS RIB |
| | 095853-01-000 | EA WHEEL-STEEL, 16" X 6K - EBTZ - 1015 - A - ACCURIDE 28375-12 FORD #EBTZ-1015-A |

CHEVY TIRE

| KEY | PART NUMBER | U/M DESCRIPTION |
|-----|---------------|----------------------------------|
| | 007324-04-000 | EA TIRE-8R19 5 LRD, MICHELIN XZA |
| | 051377-01-000 | EA STEM-VALVE, TR 500 |

WHEEL COVERS - FORD

| KEY | PART NUMBER | U/M DESCRIPTION |
|-----|---------------|--|
| | 098532-01-000 | EA COVER-WHEEL, FORD - 16" - SET OF 4 - DICOR SH-SD-16 |
| | 098532-01-700 | EA COVER-LUG NUT, FORD - CHROME - DICOR SP-FM-CLN |
| | 098532-01-701 | EA COVER-WHEEL, FORD - 16" |
| | 077030-02-000 | EA EXTENSION-VALVE STEM, 1.25" |
| | 095012-03-000 | EA EXTENSION-VALVE STEM, DUAL WHEEL |
| | 095012-04-000 | EA STABILIZER-VALVE EXTENSION DICOR AG-STA-2 |

WHEEL COVERS - CHEVY

| KEY | PART NUMBER | U/M DESCRIPTION |
|-----|---------------|--|
| | 109443-01-000 | EA WHEEL-COVER 4/SET 19.5 W/HDW DICOR SHAG95 |
| | 109443-01-700 | EA WHEEL-COVER 19.5 SHAG95 L ONLY DICOR |
| | 109443-01-701 | EA SET-BRACKET, 1 FRONT WHEEL SHAG95-FBS DICOR |
| | 109443-01-702 | EA SET-BRACKET, 1 REAR WHEEL SHAG95-RBS DICOR |
| | 109443-01-703 | EA CAP-CENTER, HUB - DICOR SP-AUCAP |

STAINLESS STEEL WHEEL LINERS - 16" - FORD

| KEY | PART NUMBER | U/M DESCRIPTION |
|-----|---------------|---|
| | 091209-05-000 | EA WHEEL LINER SET W/FRONT HUB COVER 16" SET OF 4 SET OF 4 = (2)FRONTS - (2)REARS |
| | 091209-08-700 | EA LINER-WHEEL, 16" FRONT W/AXLE COVER - 10 LUG - FORD |
| | 091209-08-701 | EA LINER-WHEEL, 16" REAR - 10 LUG - FORD |
| | 091209-08-702 | EA COVER-AXLE, 16" REAR - FORD |
| | 091209-01-704 | EA COVER-LUG NUT |

STAINLESS STEEL WHEEL LINERS - 19.5" - CHEVY

| KEY | PART NUMBER | U/M DESCRIPTION |
|-----|---------------|---|
| | 077030-02-000 | EA EXTENSION-VALVE STEM, 1.25" |
| | 091209-01-000 | EA LINER-WHEEL, 19.5" - SET - SET OF 4 - KAPER 1954-10N |
| | 091209-01-700 | EA LINER-WHEEL, 19.5" FRONT - 10 LUG - CHEVY P-30 |
| | 091209-01-701 | EA LINER-WHEEL, 19.5" REAR - 10 LUG - CHEVY P-30 |
| | 091209-01-702 | EA COVER-AXLE, 19.5" FRONT - 10 LUG - CHEVY P-30 |
| | 091209-01-703 | EA COVER-AXLE, 19.5" REAR - 10 LUG - CHEVY P-30 |
| | 091209-01-704 | EA COVER-LUG NUT |
| | 095012-03-000 | EA EXTENSION-VALVE STEM, DUAL WHEEL |
| | 095012-04-000 | EA STABILIZER-VALVE EXTENSION DICOR AG-STA-2 |

1993 ITASCA

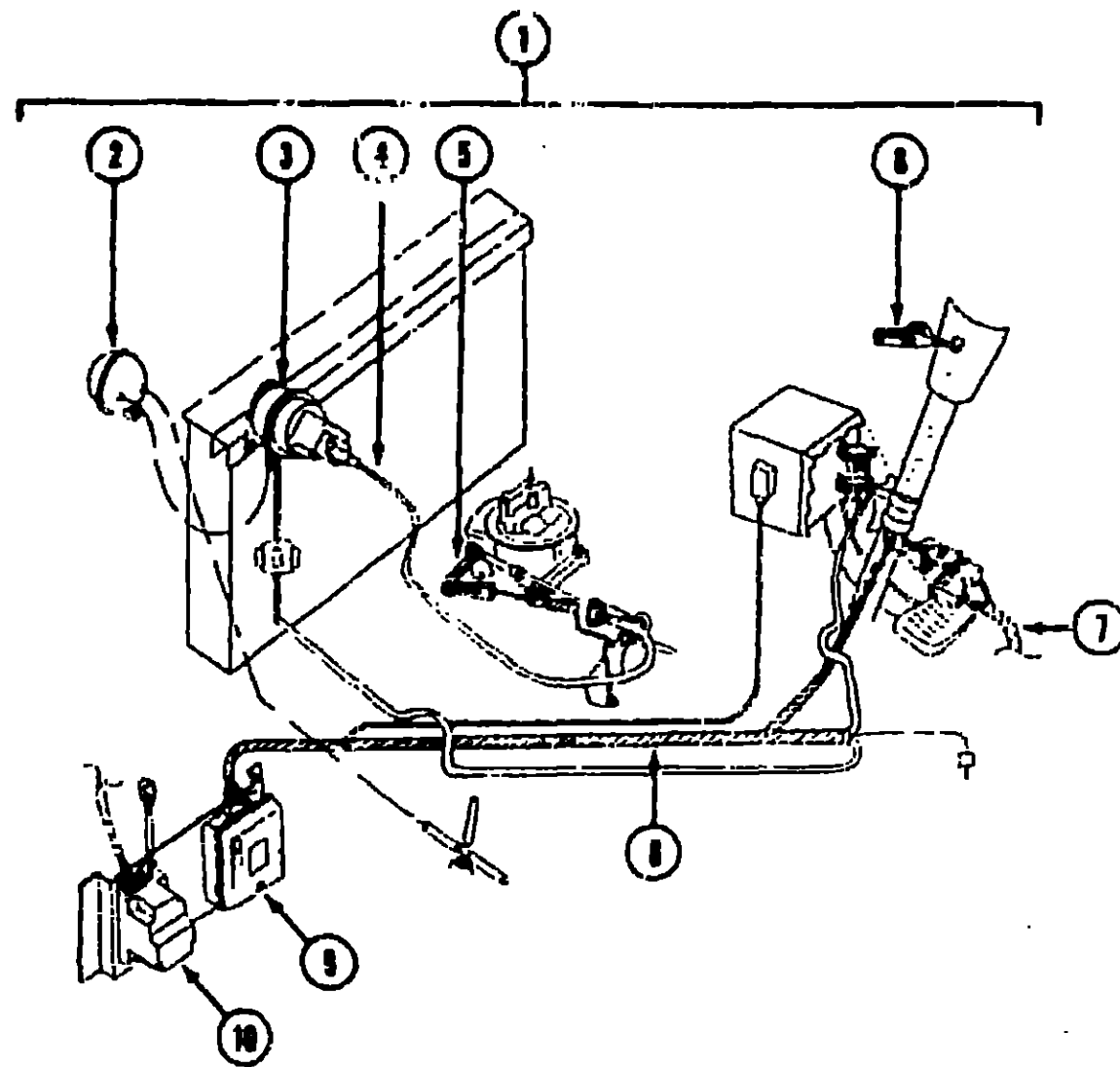
TABLE OF CONTENTS

| | | |
|--------------------|--------|------|
| INTRODUCTION | A-01 - | A-C2 |
| ABBREVIATIONS | | A-03 |
| ALPHABETICAL INDEX | A-04 - | A-06 |
| ICN32RQ | A-07 - | G-02 |
| ICN34RQ | G-03 - | L-16 |

1993 ICN34RQ INDEX

| | | |
|----------------------|--------|------|
| FLOOR PLAN | G-03 - | G-04 |
| ACCESSORIES | | G-05 |
| AUDIO VIDEO | G-06 - | G-08 |
| BATH | G-09 - | G-12 |
| BEDROOM | G-13 - | G-16 |
| CHASSIS | G-17 - | H-08 |
| CURTAIN & CUSHION | H-09 - | H-20 |
| DINETTE | H-21 - | H-24 |
| DRIVERS COMPARTMENT | I-01 - | I-06 |
| ELECTRICAL | I-07 - | I-12 |
| EXTERIOR BODY | I-13 - | I-22 |
| GALLEY | I-23 - | J-06 |
| GENERATOR | J-07 - | J-08 |
| HEATING & A/C | J-09 - | J-12 |
| INTERIOR FINISH | J-13 - | J-16 |
| LABELS | J-17 - | J-24 |
| LP | K-01 - | K-02 |
| LOUNGE | K-03 - | K-04 |
| SEALANTS & FASTENERS | K-05 - | K-08 |
| WATER & SEWAGE | K-09 - | K-14 |
| WINDOW, VENT AND | | |
| EXTERIOR DOOR | K-15 - | L-14 |
| WINDSHIELD & WIPER | L-15 - | L-16 |

CHASSIS GROUP (CONTINUED)



SPEED CONTROL (CHEVY)

| KEY | PART NUMBER | U/M DESCRIPTION |
|-----|---------------|--|
| 1 | 102362-01-000 | EA SPEED CONTROL, DANA 59L-111010-B FROM: 00-00-00 THRU: 09-22-92 |
| 1 | 102362-04-000 | EA SPEED CONTROL, DANA 59L-111022-B FROM: 09-23-92 THRU: 99-99-99 |
| 2 | 094369-01-705 | EA VACUUM RESERVOIR, DANA 59C-02249 |
| 3 | 094369-01-706 | EA SERVO-DANA 53D-11116-R |
| 4 | 102362-01-700 | EA CABLE ONLY-REPLACEMENT, DANA 59C-03001 |
| 5 | 102362-01-706 | EA THROTTLE STUD, DANA 59A-02979 |
| 6 | 102362-01-707 | EA CONTROL SWITCH & LEVER ASM, DANA 53D-08X63-F |
| 7 | 102362-01-703 | EA HARNESS ASM-PIVOT SWITCH TO WIPER, DANA 59C-02973 |
| 8 | 102362-01-704 | EA HARNESS ASM-MAIN WIRING, DANA 59D-02975 |
| 9 | 102362-01-701 | EA REGULATOR ASM-ELECTRONIC, DANA 57C-08X13-R |
| 10 | 102362-01-702 | EA WIPER CONTROL MODULE, DANA 66D-00061 |
| | 094863-01-704 | EA HOUSING-4 PIN, DANA 59C-02291 |
| | 102362-01-705 | EA THROTTLE RETAINER CLIP, DANA 59A-02621 |

CHASSIS GROUP (CONTINUED)

DRIVESHAFT - CHEVY

| KEY | PART NUMBER | U/M DESCRIPTION |
|-----|---------------|---|
| | 074833-01-000 | EA SPACER-BEARING, DRIVESHAFT - 2" X 8" X .5" THICK - |
| | 074833-04-000 | EA SPACER-BEARING, DRIVESHAFT - 8" X 2" - STEEL |
| | 075302-09-000 | EA DRIVESHAFT ASM-1/0KEY/YOKE, 50" |
| | 075302-25-000 | EA DRIVESHAFT ASM-BAL PR-20/21 CHEV 220'SS RR 91 |
| | 088497-02-000 | EA NUT-INVERTED FLARE, 1/4" |
| | 085771-03-000 | EA NUT-HEX, FLARE PREV. TORQUE - GRADE G DRIVER SHAFT |
| | 107212-01-000 | EA CROSSMEMBER-BEARING SUPPORT |

DRIVESHAFT - FORD (CHASSIS SUPPLIED AFTER: 02-14-93)

| KEY | PART NUMBER | U/M DESCRIPTION |
|-----|---------------|---|
| | 095511-02-000 | EA DRIVESHAFT-FRONT, FORD 220'WB DANA 1410 SERIES FROM: 00-00-00 THRU: 02-14-93 |
| | 074833-01-000 | EA SPACER-BEARING, DRIVESHAFT - 2" X 8" X .5" THICK FROM 00-00-00 THRU: 02-14-93 |
| | 085771-03-000 | EA NUT-HEX, FL PREV TORQUE - GRADE G DRIVER SHAFT FROM 00-00-00 THRU 02-14-93 |

MISCELLANEOUS COMPONENTS

| KEY | PART NUMBER | U/M DESCRIPTION |
|-----|---------------|-----------------------------------|
| | 020167-03-000 | EA DIRT GUARD-STEEL, FOR MUD-FLAP |
| | 017516-01-000 | EA FLAP-MUD, 14" X 18" - BLACK |
| | 080208-01-000 | EA LUG WRENCH, 1 05X1 00 |
| | 080208-02-000 | EA LEVERAGE BAR-LUG WRENCH |
| | MD4019-01-000 | EA BRIDGE-WHEELWELL, E-COATED |
| | 093300-01-000 | EA BOX-TOOL, W/TRAY - 16" X 7.5" |

RADIATOR OVERFLOW COMPONENTS

| KEY | PART NUMBER | U/M DESCRIPTION |
|-----|---------------|---|
| | 096630-01-000 | EA BOTTLE-OVERFLOW, RADIATOR - GM 14042454 |
| | 099100-01-000 | EA CAP-BOTTLE, OVERFLOW - GM 14054390 |
| | 076310-01-000 | EA SHEET-RUBBER, RADIATOR BAFFLE - 12" X 15" X 62" - BLACK |
| | 110934-01-000 | EA CONNECTOR-PLASTIC, BARB 5/16 KEVCO TC 7055 - FORD FROM 01-06-93 THRU 99-99-99 |

1993 ITASCA

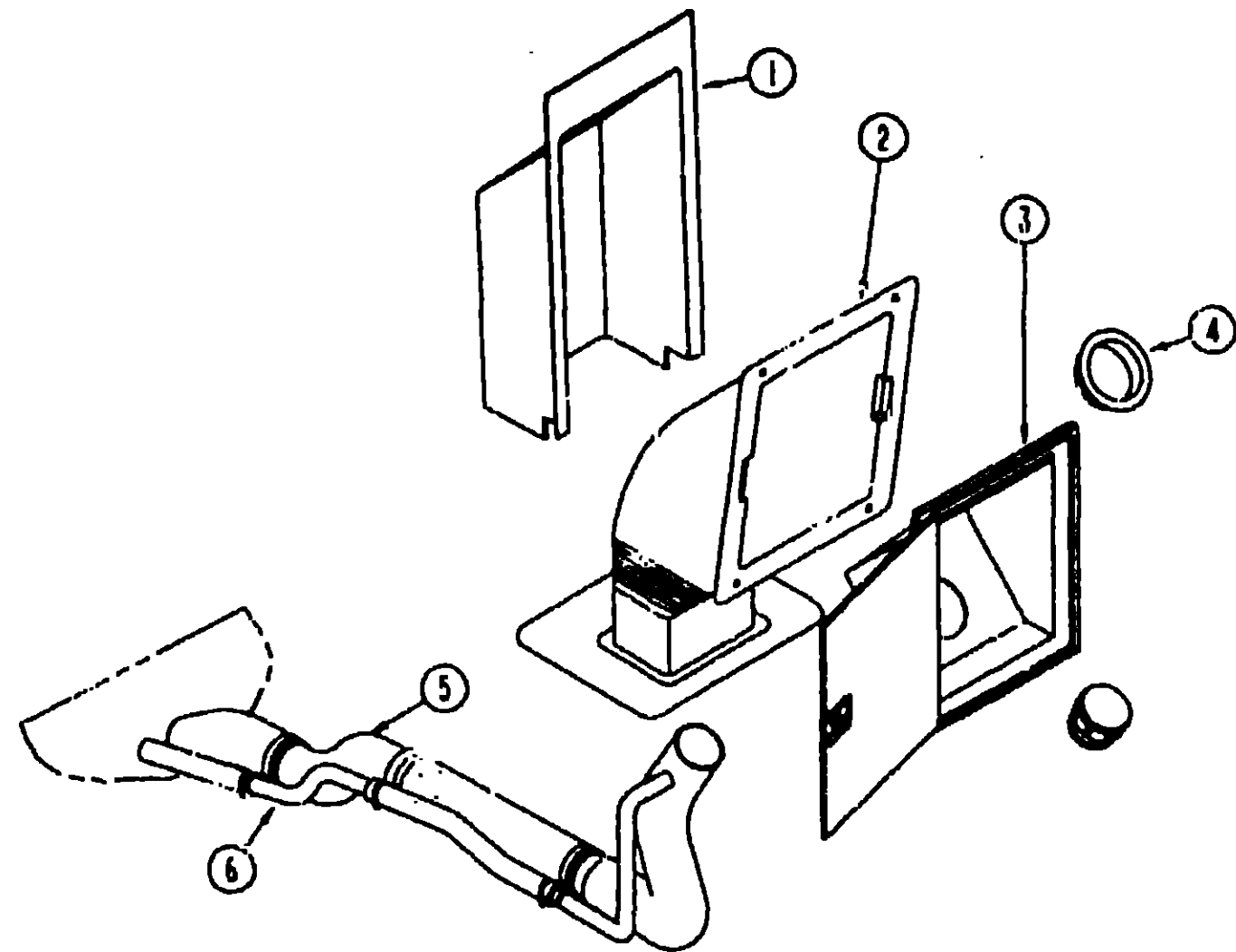
TABLE OF CONTENTS

| | |
|--------------------|-------------|
| INTRODUCTION | A-01 - A-02 |
| ABBREVIATIONS | A-03 |
| ALPHABETICAL INDEX | A-04 - A-06 |
| ICN32RQ | A-07 - Q-02 |
| ICN34RQ | G-01 - L-16 |

1993 ICN34RQ INDEX

| | |
|----------------------|-------------|
| FLOOR PLAN | G-03 - G-04 |
| ACCESSORIES | G-05 |
| AUDIO VIDEO | G-06 - G-08 |
| BATH | G-09 - G-12 |
| BEDROOM | G-13 - G-16 |
| CHASSIS | G-17 - H-08 |
| CURTAIN & CUSHION | H-09 - H-20 |
| DINETTE | H-21 - H-24 |
| DRIVERS COMPARTMENT | I-01 - I-06 |
| ELECTRICAL | I-07 - I-12 |
| EXTERIOR BODY | I-13 - I-22 |
| GALLEY | I-23 - J-06 |
| GENERATOR | J-07 - J-08 |
| HEATING & A/C | J-09 - J-12 |
| INTERIOR FINISH | J-13 - J-16 |
| LAPELS | J-17 - J-24 |
| LP | K-01 - K-02 |
| LOUNGE | K-03 - K-04 |
| SEALANTS & FASTENERS | K-05 - K-08 |
| WATER & SEWAGE | K-09 - K-14 |
| WINDOW, VENT AND | |
| EXTERIOR DOOR | K-15 - L-14 |
| WINDSHIELD & WIPER | L-15 - L-16 |

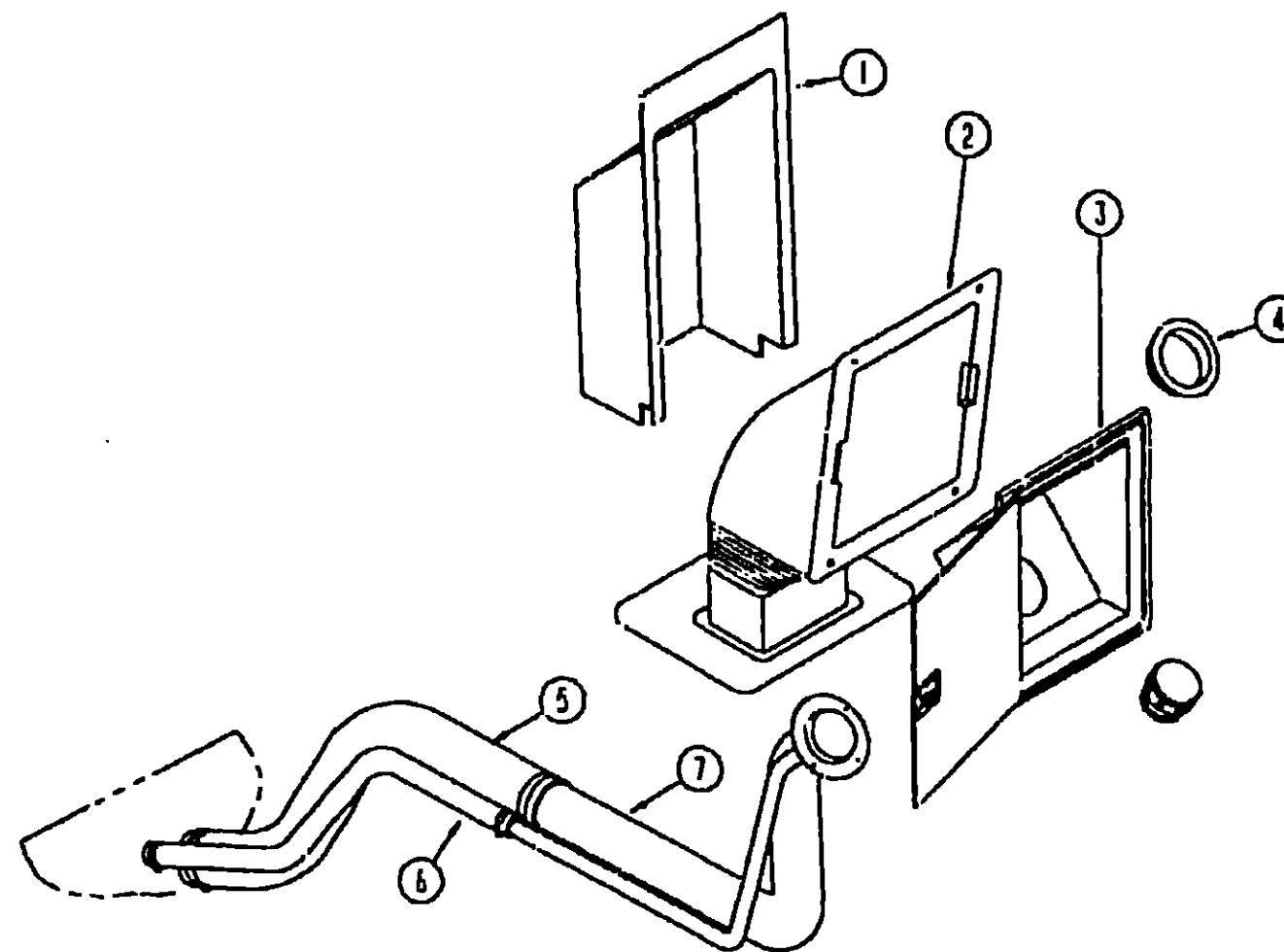
CHASSIS GROUP (CONTINUED)



FUEL FILL COMPONENTS - CHEVY

| KEY | PART NUMBER | U/M DESCRIPTION |
|-----|---------------|---|
| 1 | 072447-04-000 | EA SHROUD-FUEL FILL, UPPER - PLASTIC |
| 2 | 083578-01-000 | EA BOOT-FUEL FILL, RUBBER |
| 3 | 078010-03-000 | EA DOOR-FUEL FILL, W/JAMB - OFF WHITE |
| 4 | 078200-01-000 | EA GASKET-FUEL FILL, 3.5"OD X 2"ID |
| 5 | 098805-01-000 | EA PIPE-FUEL, FUEL FILL - 11.4" LONG |
| 6 | 098804-01-000 | EA PIPE-VENT, FUEL FILL - 12" LONG |
| | 074800-18-000 | EA TUBE-EXTENSION, MAIN FUEL |
| | 092810-03-000 | EA SHROUD-FUEL FILL, LOWER - 18.1" - GALVANIZED STEEL |
| | 084235-01-000 | EA SUPPORT-FLANGE, FUEL FILL BOOT - 6.9" X 9.2" - PLASTIC |
| | 007063-01-000 | FT HOSE-GAS 1/4"ID X 1/2"OD |
| | 024139-01-000 | FT HOSE-FUEL, 5/16" ID |
| | 074800-18-000 | EA TUBE-EXTENSION, MAIN FUEL |
| | 075486-01-000 | EA UNION-INVERTED FLARE TUBE, 1/4" |
| | 098758-02-000 | EA FUEL LINE ASM-RETURN, 5/16" X 508" LONG |
| | 098759-02-000 | EA FUEL LINE ASM-SUPPLY, 3/8" X 508" LONG |
| | 098779-01-000 | EA COUPLER-FUEL LINE M14X1.5-6H GM 15550219 |
| | 098779-02-000 | EA COUPLER-FUEL LINE M16X1.5-6H |
| | 024142-01-000 | EA TEE-BARB, 3/16" - PLASTIC |
| | 084884-01-000 | EA PLUG-BRASS, 3/8" |

CHASSIS GROUP (CONTINUED)



FUEL NECK & HOSE - FORD

| KEY | PART NUMBER | U/M DESCRIPTION |
|-----|---------------|--|
| 1 | 072447-01-000 | EA SHROUD-FUEL FILL, UPPER - PLASTIC |
| 2 | 083578-01-000 | EA BOOT-FUEL FILL, RUBBER |
| 3 | 078010-03-000 | EA DOOR-FUEL FILL, W/JAMB - OFF WHITE |
| 4 | 078200-01-000 | EA GASKET-FUEL FILL, 3.5"OD X 2"ID |
| 5 | 095604-01-000 | EA HOSE-FUEL FILL, FORMED 2" ID |
| 6 | 066732-01-000 | FT HOSE-FUEL FILL, .62" ID |
| 7 | 095606-01-000 | EA NECK-FUEL FILL, W/CHECK VALVE - L-SHAPED - 18.2" LONG |
| | 074800-18-000 | EA TUBE-EXTENSION, MAIN FUEL |
| | 095893-01-000 | EA FUEL LINE-PLASTIC, TO FUEL FILTER (CHASSIS SUPPLIED AFTER THIS DATE) FROM: 00-00-00 THRU: 02-14-93 |
| | 095894-03-000 | EA FUEL LINE-PLASTIC, RETURN LINE (CHASSIS SUPPLIED AFTER THIS DATE) FROM: 00-00-00 THRU: 02-14-93 |
| | 084235-01-000 | EA SUPPORT-FLANGE, FUEL FILL BOOT - 6.9" X 9.2" - PLASTIC |
| | 007063-01-000 | FT HOSE-GAS 1/4"ID X 1/2"OD |
| | 080081-01-000 | EA STRAP-MOUNTING, FUEL LINE - 2" X 32" |
| | 084884-01-000 | EA PLUG-BRASS, 3/8" |
| | 093810-03-000 | EA SHROUD-FUEL FILL, LOWER - 18.1" - GALVANIZED STEEL |

**1993 ITASCA
TABLE OF CONTENTS**

| | | |
|--------------------|--------|------|
| INTRODUCTION | A-01 - | A-02 |
| ABBREVIATIONS | | A-03 |
| ALPHABETICAL INDEX | A-04 - | A-06 |
| ICN32RQ | A-07 - | G-02 |
| ICN34RQ | G-03 - | L-16 |

1993 ICN34RQ INDEX

| | | |
|----------------------|--------|------|
| FLOOR PLAN | G-03 - | G-04 |
| ACCESSORIES | | G-05 |
| AUDIO VIDEO | G-06 - | G-08 |
| BATH | G-09 - | G-12 |
| BEDROOM | G-13 - | G-16 |
| CHASSIS | G-17 - | H-08 |
| CURTAIN & CUSHION | H-09 - | H-20 |
| DINETTE | H-21 - | H-24 |
| DRIVERS COMPARTMENT | I-01 - | I-06 |
| ELECTRICAL | I-07 - | I-12 |
| EXTERIOR BODY | I-13 - | I-22 |
| GALLEY | I-23 - | J-06 |
| GENERATOR | J-07 - | J-08 |
| HEATING & A/C | J-09 - | J-12 |
| INTERIOR FINISH | J-13 - | J-16 |
| LABELS | J-17 - | J-24 |
| LP | K-01 - | K-02 |
| LOUNGE | K-03 - | K-04 |
| SEALANTS & FASTENERS | K-05 - | K-08 |
| WATER & SEWAGE | K-09 - | K-14 |
| WINDOW, VENT AND | | |
| EXTERIOR DOOR | K-15 - | L-14 |
| WINDSHIELD & WIPER | L-15 - | L-16 |

CHASSIS GROUP (CONTINUED)
HYDRAULIC LEVELING JACKS - CHEVY

| KEY | PART NUMBER | U/M DESCRIPTION |
|-----|---------------|---|
| | 100532-01-000 | EA LEVELING SYSTEM-HYDRAULIC, HWH# AP7371 FROM: 00-00-00 THRU: 05-30-92 |
| | 089339-01-700 | EA JACK-HYDRAULIC, HWH #AP7002 |
| | 100532-01-700 | EA VALVE FOR MANUAL LEVEL W/DELUXE - HWH# RAP4973 |
| | 100533-04-000 | EA BRACKETS-FRONT LEVELING JACK, HWH# AP7392 |
| | 100534-05-000 | EA BRACKETS-REAR LEVELING JACKS, HWH AP6656 |
| | 100535-02-000 | EA BRACKET-PUMP, LEVELING JACK, HWH P6282 |
| | 100536-02-000 | F HOSE KIT-LEVELING JACK, AP 7373 HWH CONTAINS: (FRONTS-87"X116")(REARS-306"X336")(PRESSURE & RETURN-42"X48") |
| | 100532-01-700 | EA VALVE FOR MANUAL LEVEL W/DELUXE - HWH# RAP4973 |
| | 100532-01-702 | EA LIGHT PANEL-W/PC BOARD RAP6901 |
| | 100532-01-703 | EA LEVEL SENSOR W/13" LEAD RAP6849 |
| | 100532-01-704 | EA SWITCH-MERCURY, 9000# JACK RAP7328 |
| | 100532-01-705 | EA SPRING KIT-9000# JACK R1171 |
| | 100532-01-706 | EA ACTIVATOR KIT-9000# JACK RAP7028 |
| | 100532-01-707 | EA ROLLER BRG KIT-9000# JACK R2527 |
| | 100532-01-708 | EA SOLENOID KIT-INTERMITTENT RAP4985 |
| | 100532-01-709 | EA PUMP/RESERVOIR ASM-MONARCH RAP4931 |
| | 100532-01-710 | EA SOLENOID KIT W/CLAMP RAPS147 |
| | 100532-03-710 | EA SENSING UNIT-21" MTA RAP6798 |
| | 100532-01-000 | EA LEVELING SYSTEM-HYDRAULIC HWH# AP7371 FROM: 10-01-92 THRU: 99-99-99 |
| | 089339-01-700 | EA JACK-HYDRAULIC, HWH #AP7002 |
| | 100533-04-000 | EA BRACKETS-FRONT LEVELING JACK, HWH# AP7392 |
| | 100534-09-000 | EA BRACKETS-REAR, LEVELING JACK, HWH AP0216 FROM: 00-00-00 THRU: 05-03-93 |
| | 100534-10-000 | EA BRACKETS-REAR, LEVELING JACKS HWH AP0506 FROM: 05-04-93 THRU: 99-99-99 |
| | 100535-02-000 | EA BRACKET-PUMP, LEVELING JACK, HWH P6282 |
| | 100536-02-000 | EA HOSE KIT-LEVELING JACK, AP 7373 HWH CONTAINS: (FRONTS-87"X116")(REARS-306"X336")(PRESSURE & RETURN-42"X48") |
| | 100532-01-700 | EA VALVE FOR MANUAL LEVEL W/DELUXE - HWH# RAP4973 |
| | 100532-01-702 | EA LIGHT PANEL-W/PC BOARD RAP6901 |
| | 100532-01-703 | EA LEVEL SENSOR W/13" LEAD RAP6349 |
| | 100532-01-704 | EA SWITCH-MERCURY, 9000# JACK RAP7328 |
| | 100532-01-705 | EA SPRING KIT-9000# JACK R1171 |
| | 100532-01-706 | EA ACTIVATOR KIT-9000# JACK RAP7028 |
| | 100532-01-707 | EA ROLLER BRG KIT-9000# JACK R2527 |
| | 100532-01-708 | EA SOLENOID KIT-INTERMITTENT RAP4985 |
| | 100532-01-709 | EA PUMP/RESERVOIR ASM-MONARCH RAP4931 |
| | 100532-01-710 | EA SOLENOID KIT W/CLAMP RAPS147 |
| | 100532-03-710 | EA SENSING UNIT-21" MTA RAP6798 |

HYDRAULIC LEVELING JACKS - FORD

| KEY | PART NUMBER | U/M DESCRIPTION |
|-----|---------------|---|
| | 100532-01-000 | EA LEVELING SYSTEM-HYDRAULIC, HWH# AP7371 |
| | 089339-01-700 | EA JACK-HYDRAULIC, HWH #AP7002 |
| | 100533-03-000 | EA BRACKETS-FRONT LEVELING JACK, HWH AP7391 |
| | 100534-06-000 | EA BRACKETS-REAR LEVELING JACK, HWH AP6957 |
| | 100535-02-000 | EA BRACKET-PUMP, LEVELING JACK, HWH P6282 |
| | 100536-02-000 | EA HOSE KIT-LEVELING JACK, AP 7373 HWH CONTAINS: (FRONTS-87"X116")(REARS-306"X336")(PRESSURE & RETURN-42"X48") |
| | 100532-01-700 | EA VALVE FOR MANUAL LEVEL W/DELUXE - HWH# RAP4973 |
| | 100532-01-702 | EA LIGHT PANEL-W/PC BOARD RAP6901 |
| | 100532-01-703 | EA LEVEL SENSOR W/13" LEAD RAP6849 |
| | 100532-01-704 | EA SWITCH-MERCURY, 9000# JACK RAP7328 |
| | 100532-01-705 | EA SPRING KIT-9000# JACK R1171 |
| | 100532-01-706 | EA ACTIVATOR KIT-9000# JACK RAP7028 |
| | 100532-01-707 | EA ROLLER BRG KIT-9000# JACK R2527 |
| | 100532-01-708 | EA SOLENOID KIT-INTERMITTENT RAP4985 |
| | 100532-01-709 | EA PUMP/RESERVOIR ASM-MONARCH RAP4931 |
| | 100532-01-710 | EA SOLENOID KIT W/CLAMP RAPS147 |
| | 100532-03-710 | EA SENSING UNIT-21" MTA RAP6798 |

CHASSIS GROUP (CONTINUED)
ENTRY STEP BOX & DRIVER DOOR STEP

| KEY | PART NUMBER | U/M DESCRIPTION |
|-----|---------------|--|
| | M92055-01-000 | EA PANEL-ACCESS, STEP WELL - WHINKE |
| | 08E412-04-000 | EA TRIM-STEPBOX, ENTRY DOOR - 28 7" - EXTR ALUMINUM - BEIGE |
| | 092892-02-01A | EA LINER-STEP BOX, ENTRY DOOR - 33.9" X 5" - PLASTIC - BLACK |
| | 088254-01-000 | EA CATCH-MAGNETIC, 1 B" X .7" |
| | 005005-01-000 | EA HINGE-CONTINUOUS, 1 1/2" X 72" |
| | 092645-01-000 | EA PULL-CABINET, BRASS - RIBBON |
| | 063977-08-000 | EA STEP-DRIVER DOOR - BLACK |

ELECTRIC ENTRY STEP

| KEY | PART NUMBER | U/M DESCRIPTION |
|-----|---------------|---|
| | 094707-01-01A | EA STEP-DOUBLE, ELECTRIC - KWIKEE 3218 |
| | 041250-01-000 | EA SWITCH-PUSH BUTTON, IN DOOR JAMB - METAL - CHROME |
| | 094707-02-700 | EA MOTOR REPLACEMENT KIT - MODELS 32 & 28 - KWIKEE 9520 |
| | 094707-02-701 | EA LINKAGE ASM - MODEL 32 - KWIKEE 9523 |
| | 094707-02-702 | EA GEAR KIT - KWIKEE 9525 |
| | 094707-02-703 | EA PARTS KIT, (BEARINGS & PINS) - KWIKEE 9530 |
| | 094707-02-704 | EA CONNECTOR KIT-MOTOR, KWIKEE 9537 |
| | 094707-02-705 | EA CONTROL UNIT, (ORANGE) - KWIKEE 9513 |
| | 075723-02-000 | EA SPACER-SWITCH, WHOLE - 2" X .9" X 2" - METAL - OFF WHITE FOR ELECTRIC STEP DOOR JAMB SWITCH |

BATTERY/GENERATOR TRAYS & COMPONENTS

| KEY | PART NUMBER | U/M DESCRIPTION |
|-----|---------------|--|
| | 093895-01-000 | EA TRAY-BATTERY, HOUSE - W/GUIDE & LATCH STRIKE |
| | 090604-03-000 | EA TRAY-BATTERY, AUTO - W/TWO HEX NUTS - CHEVY |
| | 090504-04-000 | EA TRAY-BATTERY, AUTO - W/TWO HEX NUTS - FORD |
| | 093885-02-000 | EA PLATE-TRAY BATTERY - 4 B" X 8.7" - STEEL |
| | 074994-01-000 | EA GUIDE-TRACK, BATTERY TRAY |
| | 065450-05-000 | EA BRACKET-BATTERY, TIE DOWN - 8.4" TUBE - CHEVY |
| | 087475-02-000 | EA BRACKET-BATTERY, TIE DOWN - 13.5" X 13" - FORD |
| | 093718-01-000 | EA PLATE-STRIKE, BATTERY/STORAGE COMPARTMENT |
| | 094657-01-000 | EA TRAY-GENERATOR, 22.5" X 30.4" X 6.9" |
| | 094657-02-000 | EA TRAY-GENERATOR, 22.5" X 30.4" X 6.9" W/ANGLE & NUTS |

PARK BRAKE BRACKETS & CABLE

| KEY | PART NUMBER | U/M DESCRIPTION |
|-----|---------------|--|
| | 096351-01-000 | EA CABLE-BRAKE, PARK - FORD - (CHASSIS SUPPLIED AFTER THIS DATE) FROM: 00-00-00 THRU: 09-01-92 |
| | 088498-01-000 | EA UNION-INVERTED FLARE, BRASS - 3/16 - 3/8 - 24 THD - BRAKE LINE |
| | 095501-01-000 | EA BRACKET-BRAKE, L-ANGLE W/GUSSET - STEEL - FORD MOUNTS BRAKE CABLE & SUPPORTS HOOD RELEASE CABLE FROM: 00-00-00 THRU: 07-21-92 |
| | 095501-02-000 | EA BRACKET-BRAKE, L-ANGLE W/GUSSET - STEEL - FORD MOUNTS BRAKE CABLE & SUPPORTS HOOD RELEASE CABLE FROM: 07-22-92 THRU: 99-99-99 |
| | 103125-02-000 | EA BRACKET-BRAKE, PARK - L-ANGLE - STEEL - BLACK - CHEVY MOUNTS BRAKE CABLE & SUPPORTS HOOD RELEASE CABLE |

FRONT SHOCKS

| KEY | PART NUMBER | U/M DESCRIPTION |
|-----|---------------|--|
| | 104993-01-000 | EA SHOCK ABSORBER-GAS, P30 FRONT - BILSTEIN B46-1173 |

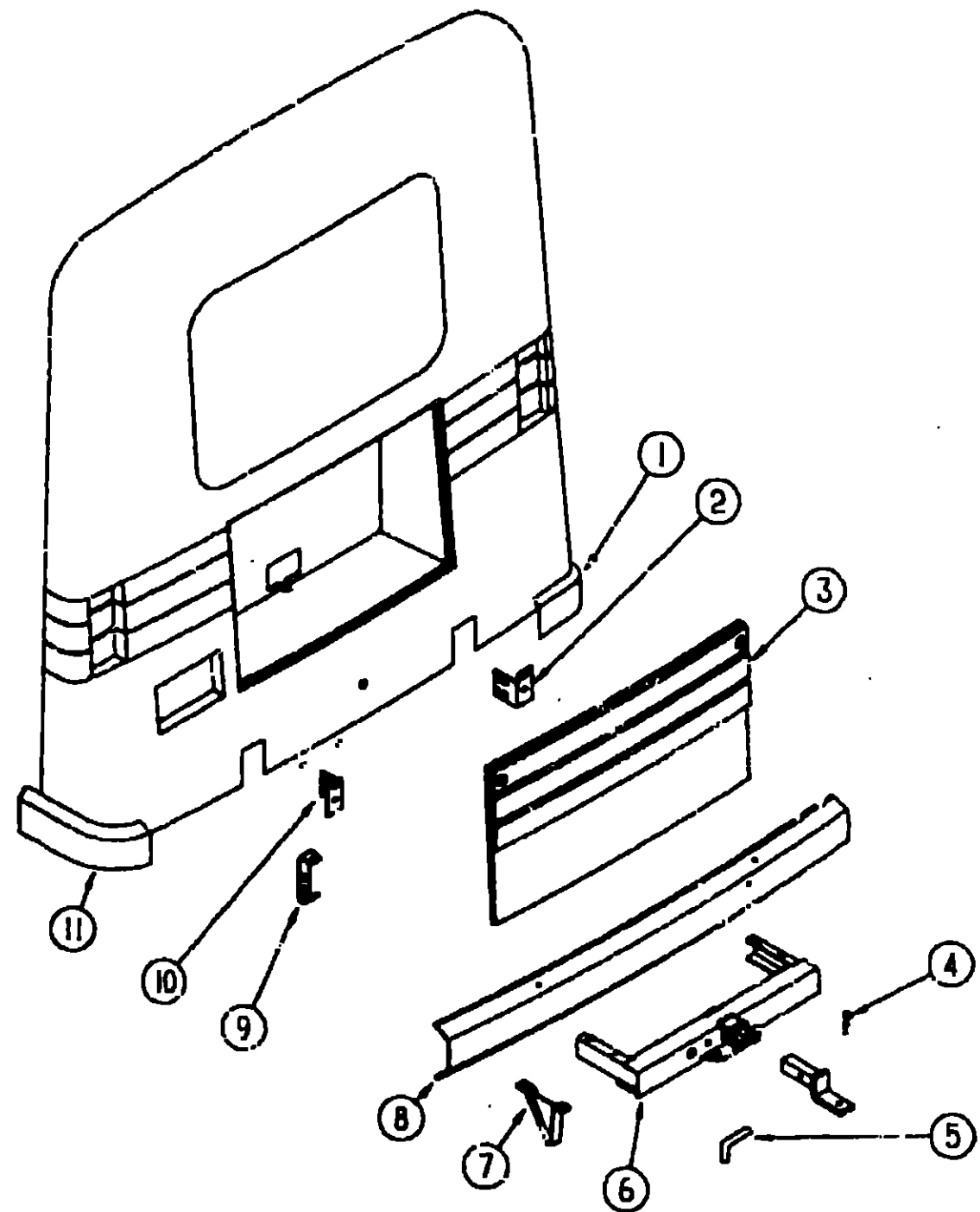
1993 ITASCA
TABLE OF CONTENTS

| | | |
|--------------------|------|------|
| INTRODUCTION | A-01 | A-02 |
| ABBREVIATIONS | | A-03 |
| ALPHABETICAL INDEX | A-04 | A-05 |
| ICN32RQ | A-07 | G-02 |
| ICN34RQ | G-03 | L-16 |

1993 ICN34RQ INDEX

| | | |
|----------------------|------|------|
| FLOOR PLAN | G-03 | G-04 |
| ACCESSORIES | | G-05 |
| AUDIO VIDEO | G-06 | G-08 |
| BATH | G-09 | G-12 |
| BEDROOM | G-13 | G-16 |
| CHASSIS | G-17 | H-03 |
| CURTAIN & CUSHION | H-09 | H-20 |
| DINETTE | H-21 | H-24 |
| DRIVERS COMPARTMENT | I-01 | I-06 |
| ELECTRICAL | I-07 | I-12 |
| EXTERIOR BODY | I-13 | I-22 |
| GALLEY | I-23 | J-05 |
| GENERATOR | J-07 | J-08 |
| HEATING & A/C | J-09 | J-12 |
| INTERIOR FINISH | J-13 | J-16 |
| LABELS | J-17 | J-24 |
| LP | K-01 | K-02 |
| LOUNGE | K-03 | K-04 |
| SEALANTS & FASTENERS | K-05 | K-08 |
| WATER & SEWAGE | K-09 | K-14 |
| WINDOW, VENT AND | | |
| EXTERIOR DOOR | K-15 | L-14 |
| WINDSHIELD & WIPER | L-15 | L-16 |

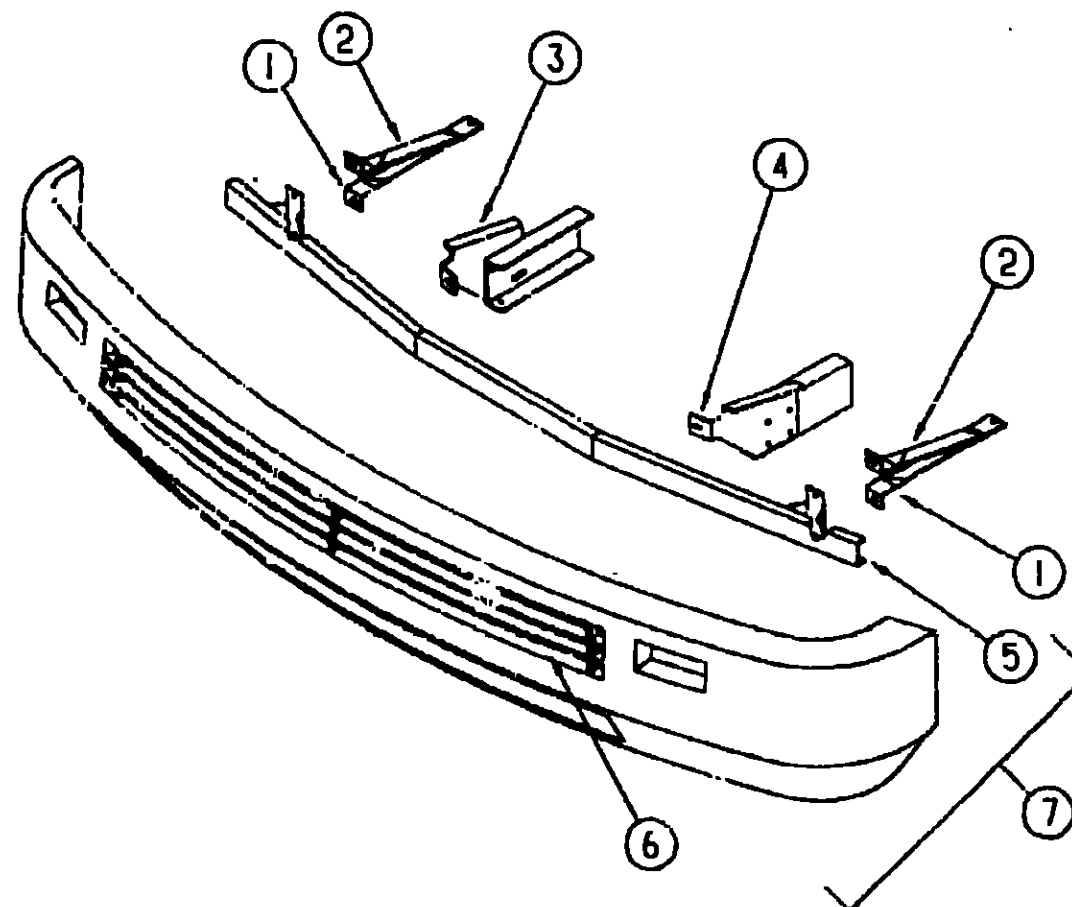
CHASSIS GROUP (CONTINUED)



REAR BUMPER, END CAP & TRAILER HITCH

| KEY | PART NUMBER | U/M DESCRIPTION |
|-----|---------------|--|
| 1 | 092551-01-01A | EA END CAP-REAR BUMPER |
| 2 | 076558-01-000 | EA ANGLE SUPPORT-REAR BUMPER |
| 3 | 097198-01-AE6 | EA DOOR PANEL-REAR |
| | 056747-01-000 | EA PLUG-CAP, .75" DIAMETER |
| | 061420-05-000 | EA PLUG-PLASTIC, 1.8" DIAMETER |
| 4 | 034513-01-000 | EA PIN-HITCH, 3/16" WIRE |
| 5 | 034512-01-000 | EA PIN-LOCKING, DRAWBAR |
| 6 | 077617-04-000 | EA HITCH W/O DRAWBAR |
| 7 | 093048-01-000 | EA PLATE-SKID, REAR BUMPER |
| 8 | 077851-08-000 | EA BUMPER-REAR, OFF WHITE |
| 8 | 077851-06-000 | EA BUMPER-REAR, UNFINISHED |
| | 093000-01-000 | EA CHANNEL-BUMPER, STEEL |
| 9 | 077855-01-000 | EA BRACKET-REAR BUMPER |
| 10 | 076558-02-000 | EA SUPPORT-ANGLE, REAR BUMPER |
| | 093385-01-000 | EA BRACKET-LICENSE PLATE |
| 11 | 092251-02-01A | EA CAP-END, REAR BUMPER |
| | 061107-01-000 | EA BRACKET-BUMPER PIN |
| | 097744-02-000 | EA HOUSING-TRAILER PIN, 45" |
| | 097746-01-000 | EA HOUSING CAP-TRAILER PIN |
| | 097745-02-000 | EA HOUSING-RECEPTACLE, TRAILER - 48" WIRE LENGTH |

CHASSIS GROUP (CONTINUED)



FRONT BUMPER

| KEY | PART NUMBER | U/M DESCRIPTION |
|-----|---------------|---|
| 1 | 093275-01-000 | EA BRACE-BUMPER, LOWER - 2" X 16 3/4" - BLACK |
| 2 | 095034-01-000 | EA BRACE-BUMPER, UPPER - 2" X 16 3/4" - BLACK |
| 3 | 109046-01-000 | EA SUPPORT-BUMPER, EXTENSION - RIGHT |
| 4 | 109046-02-000 | EA SUPPORT-BUMPER, EXTENSION - LEFT |
| 5 | 093000-01-000 | EA CHANNEL ASM.-STEEL BUMPER |
| 6 | 093005-01-D38 | EA GRILLE-2 BAR, BLACK |
| 7 | M93846-01-D38 | EA PANEL-BUMPER, W/GRILLE & LIGHTS |
| | P07579-01-000 | EA PLATE-BACKING, WE-COAT |

FROM 03-01-93 THRU 06-10-93

TIRE HOIST COMPONENTS

| KEY | PART NUMBER | U/M DESCRIPTION |
|-----|---------------|------------------------------------|
| | 093267-01-000 | EA HOIST-SPARE TIRE DEUER MFG6L201 |
| | 093375-01-000 | EA EXTENSION-TIRE HOIST |
| | 105499-01-000 | EA BRACKET-TIRE HOIST |
| | 093376-01-000 | EA HANDLE-CRANK, TIRE HOIST |

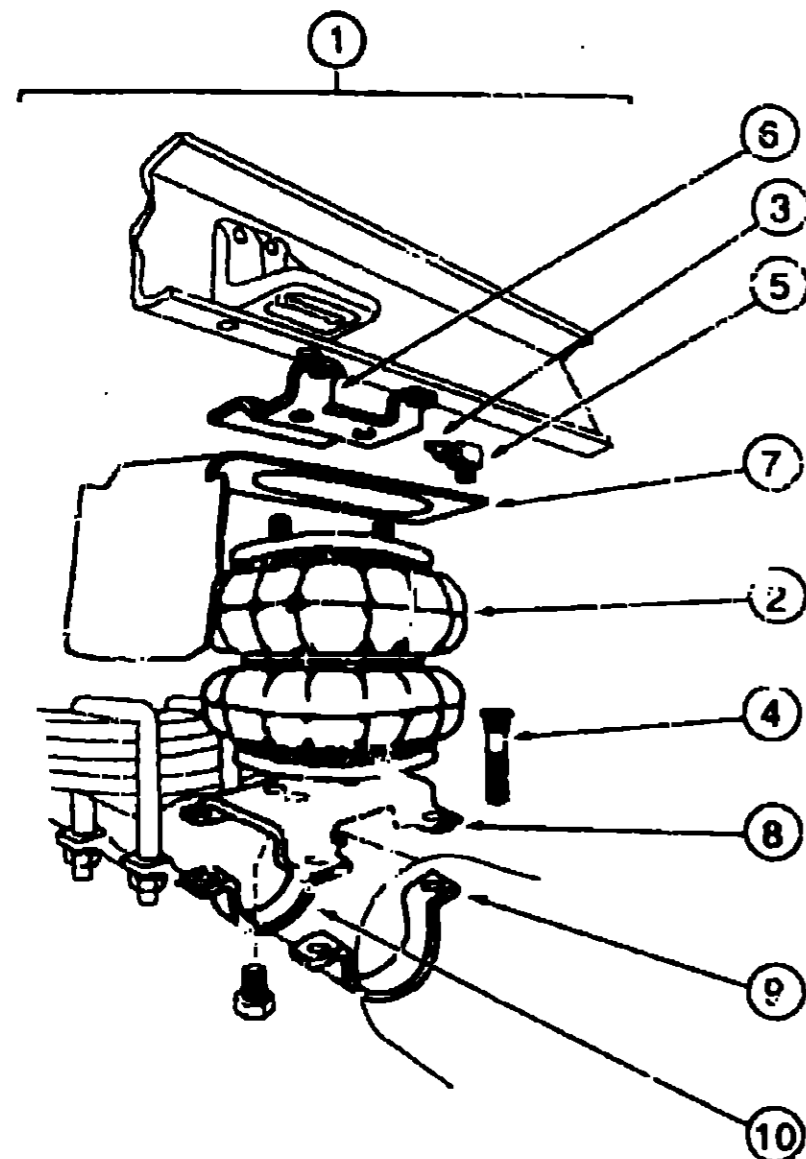
**1993 ITASCA
TABLE OF CONTENTS**

| | | |
|--------------------|--------|------|
| INTRODUCTION | A-01 - | A-02 |
| ABBREVIATIONS | | A-03 |
| ALPHABETICAL INDEX | A-04 - | A-06 |
| ICN32RQ | A-07 - | G-02 |
| ICN34RQ | G-03 - | L-16 |

1993 ICN34RQ INDEX

| | | |
|----------------------|--------|------|
| FLOOR PLAN | G-03 - | G-04 |
| ACCESSORIES | | G-05 |
| AUDIO VIDEO | G-06 - | G-08 |
| BATH | G-09 - | G-12 |
| BEDROOM | G-13 - | G-16 |
| CHASSIS | G-17 - | H-08 |
| CURTAIN & CUSHION | H-09 - | H-20 |
| DINETTE | H-21 - | H-24 |
| DRIVERS COMPARTMENT | I-01 - | I-06 |
| ELECTRICAL | I-07 - | I-12 |
| EXTERIOR BODY | I-13 - | I-22 |
| GALLEY | I-23 - | J-05 |
| GENERATOR | J-07 - | J-08 |
| HEATING & A/C | J-09 - | J-12 |
| INTERIOR FINISH | J-13 - | J-16 |
| LABELS | J-17 - | J-24 |
| LP | K-01 - | K-02 |
| LOUNGE | K-03 - | K-04 |
| SEALANTS & FASTENERS | K-05 - | K-08 |
| WATER & SEWAGE | K-09 - | K-14 |
| WINDOW, VENT AND | | |
| EXTERIOR DOOR | K-15 - | L-14 |
| WINDSHIELD & WIPER | L-15 - | L-16 |

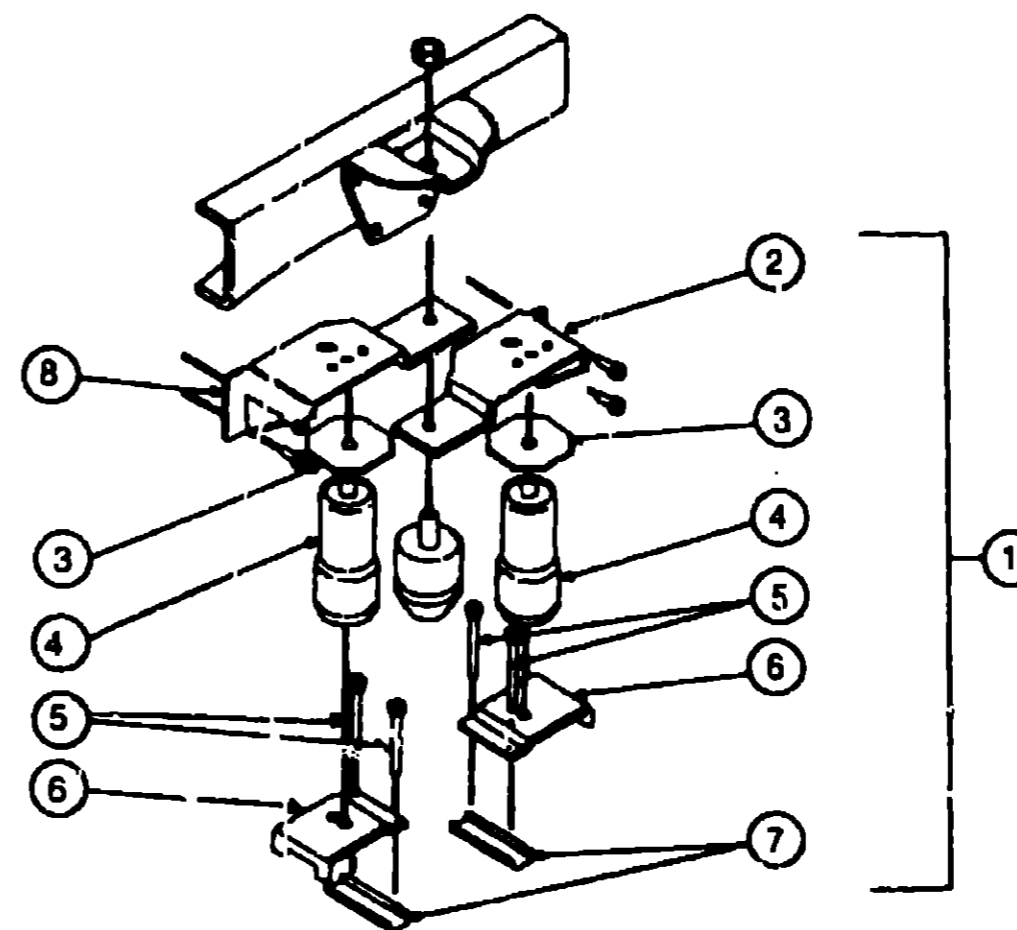
CHASSIS GROUP (CONTINUED)



REAR AXLE AIRSPRINGS
FROM: 00-00-00 THRU: 10-01-92

| KEY | PART NUMBER | U/M | DESCRIPTION |
|-----|---------------|-----|---|
| 1 | 084086-01-000 | EA | AIRSPRING-BELLOWS, REAR AXLE - FIRESTONE# MHA224 |
| 2 | 084086-01-700 | EA | AIR BAG-ONLY, FIRESTONE# W21-760-0335 |
| 3 | 084086-01-701 | EA | TUBING-DOT 1/4" X 18" - FIRESTONE# 21-0938 |
| 4 | 084086-01-702 | EA | BOLT-RIBBED NECK, 3/8" X 2 5" FIRESTONE# 21-0829 |
| | 084086-01-703 | EA | INFLATING VALVE-DOT 1/4" TUBING, FIRESTONE# 21-0931 |
| 5 | 084086-01-704 | EA | ELBOW CONNECTOR, FIRESTONE# 21-0935 |
| | 084086-01-705 | EA | TUBING PROTECTORS, FIRESTONE# 21-0899 |
| 6 | 084086-01-706 | EA | BRACKET-UPPER TO FRAME, FIRESTONE# 21-0150 |
| | 084086-01-708 | EA | AIRLINE SERVICE KIT, FIRESTONE# W21-760-2012 |
| | 084086-01-709 | EA | HEAT SHIELD, FIRESTONE# 21-1004 |
| | 084086-01-710 | EA | BOLT PACKAGE, FIRESTONE 2135823002 |
| 7 | 084086-01-711 | EA | HEAT SHIELD-224 DOS SYSTEM, FIRESTONE 21-5042 |
| 8 | 084086-01-707 | EA | BRACKET-LOWER, TOP - PASSENGER SIDE - FIRESTONE# 21-1162 |
| 9 | 084086-01-712 | EA | BRACKET-LOWER, TOP - DRIVER SIDE - FIRESTONE 21-5037 |
| | 084086-01-713 | EA | AXLE STRAP BRACKET, AXLE TUBE - 3 USED - FIRESTONE 21-1163 |
| 10 | 084086-01-714 | EA | AXLE STRAP BRACKET, DIFFERENTIAL - 1 USED - FIRESTONE 21-5038 |
| | 084086-03-000 | EA | BRACKET-AXLE, FIRESTONE #W21-760-2044 |

CHASSIS GROUP (CONTINUED)



REAR AXLE AIRSPRINGS
FROM: 10-02-92 THRU: 99-99-99

| KEY | PART NUMBER | U/M | DESCRIPTION |
|-----|---------------|-----|---|
| 1 | 084086-05-000 | EA | AIRSPRING-RIDE RITE KIT W217602075 |
| 2 | 084086-01-701 | EA | TUBING-DOT 1/4" X 18" - FIRESTONE 21-0938 |
| 3 | 084086-05-707 | EA | SUPPORT PLATE 5099 |
| 4 | 084086-05-700 | EA | BELLOWS ONLY (AIR BAG) 7012 |
| 5 | 084086-05-705 | EA | CARRIAGE BOLT 3/8" 16X4 1/2" 21-0899 |
| 6 | 084086-05-703 | EA | LOWER BRACKET 5098 |
| 7 | 084086-05-704 | EA | BRACKET CLAMP 5086 |
| 8 | 084086-05-702 | EA | UPPER BRACKET "B" 5096 |
| | 084086-05-701 | EA | UPPER BRACKET "A" 5097 |
| | 084086-05-706 | EA | INFLATION VALVE 3032 |

1993 ITASCA
TABLE OF CONTENTS

| | |
|--------------------|-------------|
| INTRODUCTION | A-01 - A-02 |
| ABBREVIATIONS | A-03 |
| ALPHABETICAL INDEX | A-04 - A-06 |
| ICN32RQ | A-07 - G-02 |
| ICN34RQ | G-03 - L-16 |

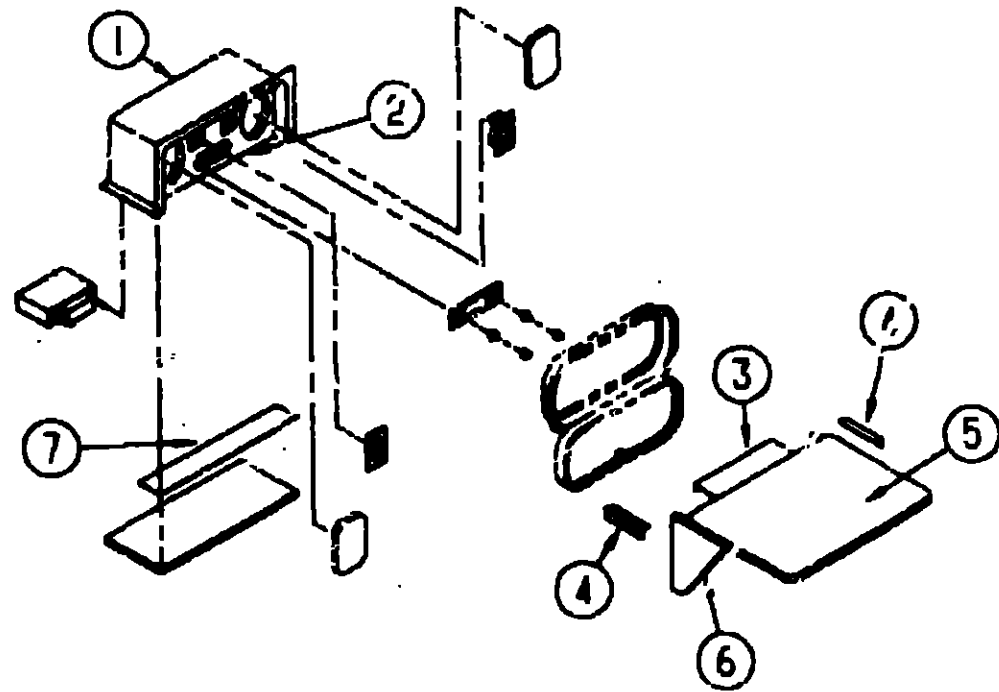
1993 ICN34RQ INDEX

| | |
|---------------------|-------------|
| FLOOR PLAN | G-03 - G-04 |
| ACCESSORIES | G-05 |
| AUDIO VIDEO | G-06 - G-08 |
| BATH | G-09 - G-12 |
| BEDROOM | G-13 - G-16 |
| CHASSIS | G-17 - H-08 |
| CURTAIN & CUSHION | H-09 - H-20 |
| DINETTE | H-21 - H-24 |
| DRIVERS COMPARTMENT | I-01 - I-06 |
| ELECTRICAL | I-07 - I-12 |
| EXTERIOR BODY | I-13 - I-22 |
| GALLEY | I-23 - J-06 |
| GENERATOR | J-07 - J-08 |
| HEATING & A/C | J-09 - J-12 |
| INTERIOR FINISH | J-13 - J-16 |
| LABELS | J-17 - J-24 |
| LP | K-01 - K-02 |
| LOUNGE | K-03 - K-04 |
| SEWANTS & FASTENERS | K-05 - K-08 |
| WATER & SEWAGE | K-09 - K-14 |
| WINDOW, VENT AND | |
| EXTERIOR DOOR | K-15 - L-14 |
| WINDSHIELD & WIPER | L-15 - L-16 |

CHASSIS GROUP (CONTINUED)

COMPARTMENTS

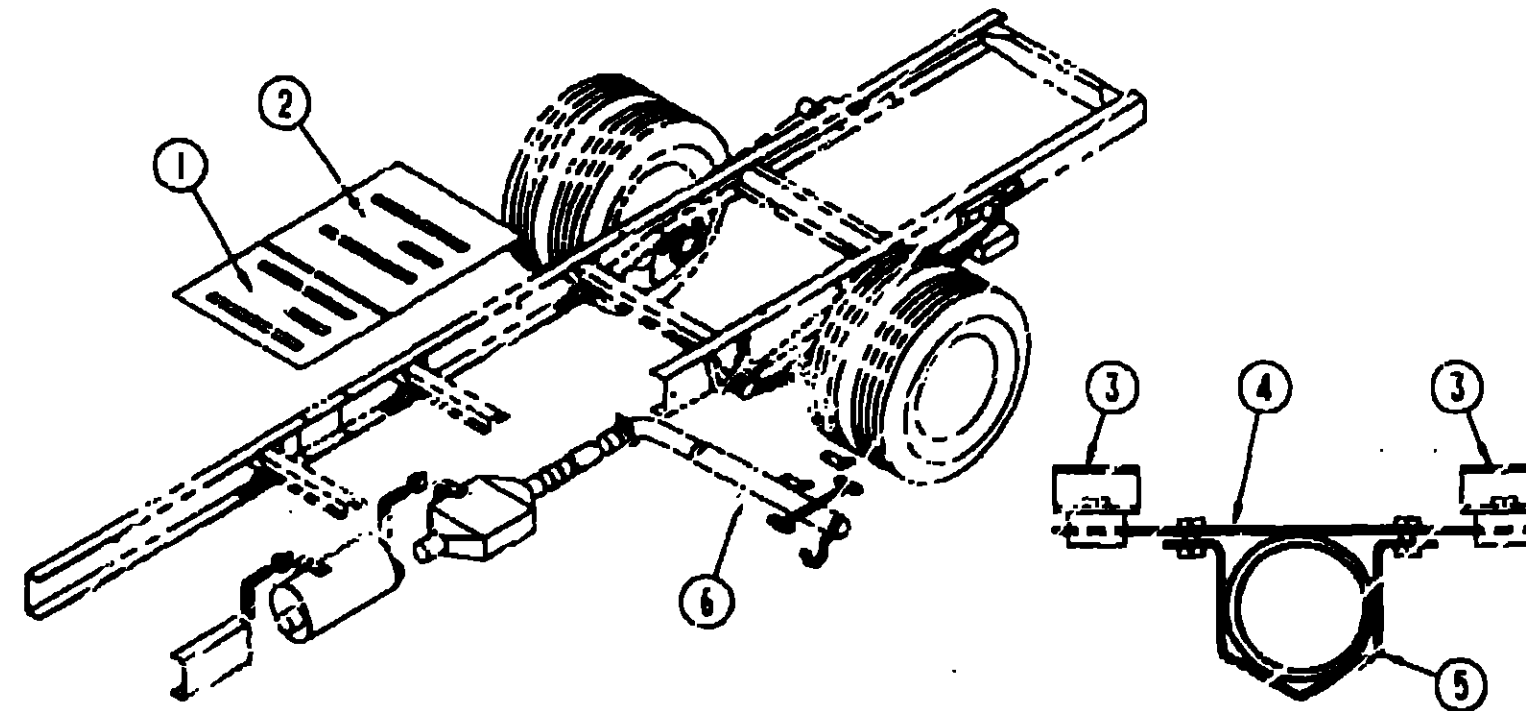
| KEY | PART NUMBER | U/M | DESCRIPTION |
|-----|---------------|-----|---|
| | 102690-01-000 | EA | HATCH-COMPARTMENT, SEWER HOSE - STEEL |
| | 092263-01-000 | EA | PANEL-COMPARTMENT, FURNACE W/EXHAUST HOLES - 14" X 14.6" |
| | 092264-06-000 | EA | PANEL-COMPARTMENT, STORAGE/FURNACE - 45.9" X 24.5" - GALVANIZED |
| | 019834-07-000 | EA | COMPARTMENT-HOLDING TANK, 63" X 27.9" - GALVANIZED STEEL |
| | 074470-01-000 | EA | PIN-PULL, HINGE RELEASE - RH |
| | 074470-02-000 | EA | PIN-PULL, HINGE RELEASE - LH |
| | 096361-02-000 | EA | PANEL-COMPARTMENT, STORAGE - 24.3" X 75.3" - GALVANIZED STEEL |
| | 096361-10-000 | EA | PANEL-STORAGE, FRONT |
| | 095915-05-000 | EA | COVER-BOTTOM CORNER, COMPARTMENT - 6.8" X 3.9" - GALVANIZED STEEL |
| | 095915-06-000 | EA | COVER-BOTTOM CORNER, COMPARTMENT - 6.8" X 3.9" - GALVANIZED STEEL |
| | 095939-02-000 | EA | COVER-TOP CORNER, COMPARTMENT - 4.1" X 2" - GALVANIZED STEEL |
| | 096765-01-000 | EA | RAIL-DRAWER, 3.1" HIGH X 2.1" WIDE X 20.5" LONG - PLASTIC |



EXTERIOR ENTERTAINMENT CENTER

| KEY | PART NUMBER | U/M | DESCRIPTION |
|-----|---------------|-----|------------------------------------|
| 1 | 104597-01-01A | EA | BOX-ENTERTAINMENT CENTER, O/W |
| 2 | 104899-01-C05 | EA | PLATE-RADIO MOUNTING |
| 3 | 105377-01-01A | EA | BRACKET-TABLE HANGER, O/W |
| 4 | 105376-01-02A | EA | HINGE-CONTINUOUS, 2" X 140MM - O/W |
| 5 | 105230-01-D38 | EA | SHELF ASM-EXTERIOR TV (D38) |
| 5 | 105230-01-D40 | EA | SHELF ASM-EXTERIOR TV (D40) |
| | 105230-11-C25 | EA | SHELF |
| 6 | 105230-12-D09 | EA | SUPPORT ASM |
| 7 | 104898-01-01A | EA | PLATE-PLASTIC BOTTOM, O/W |

CHASSIS GROUP (CONTINUED)



CHEVY EXHAUST COMPONENTS

| KEY | PART NUMBER | U/M | DESCRIPTION |
|-----|---------------|-----|--|
| 1 | 101574-01-000 | EA | SHIELD-HEAT, EXHAUST - 19.7" X 28.9" |
| 2 | 101544-02-000 | EA | SHIELD-HEAT, EXHAUST - 30" X 28.9" |
| 3 | 093522-02-000 | EA | BRACKET-EXHAUST, UPPER |
| 4 | 095527-04-000 | EA | BRACKET-EXHAUST, UPPER |
| 5 | 095723-02-000 | EA | BRACKET-EXHAUST, LOWER - STRAIGHT - W/NUTS |
| 6 | 095599-01-000 | EA | PIPE-EXHAUST, W/BENDS - 36.8" LONG |
| | 095190-01-000 | EA | HANGER-EXHAUST, 4" X 1.4" |
| | 096054-01-000 | EA | SUPPORT-EXHAUST PIPE - W/BENDS |
| | 096087-02-000 | EA | BRACKET-STRAP, EXHAUST PIPE - W/CENTER BENT LIP - 13" X 5" |
| | 053322-17-000 | EA | SHIELD-HEAT, EXHAUST - 43.3" X 7" |

1993 ITASCA TABLE OF CONTENTS

| | | |
|--------------------|--------|------|
| INTRODUCTION | A-01 - | A-02 |
| ABBREVIATIONS | | A-03 |
| ALPHABETICAL INDEX | A-04 - | A-06 |
| ICN32RQ | A-07 - | G-02 |
| ICN34RQ | G-03 - | L-16 |

1993 ICN34RQ INDEX

| | | |
|----------------------|--------|------|
| FLOOR PLAN | G-03 - | G-04 |
| ACCESSORIES | | G-05 |
| AUDIO VIDEO | G-06 - | G-08 |
| BATH | G-09 - | G-12 |
| BEDROOM | G-13 - | G-16 |
| CHASSIS | G-17 - | H-09 |
| CURTAIN & CUSHION | H-09 - | H-20 |
| DINETTE | H-21 - | H-24 |
| DRIVERS COMPARTMENT | I-01 - | I-06 |
| ELECTRICAL | I-07 - | I-12 |
| EXTERIOR BODY | I-13 - | I-22 |
| GALLEY | I-23 - | J-06 |
| GENERATOR | J-07 - | J-08 |
| HEATING & A/C | J-09 - | J-12 |
| INTERIOR FINISH | J-13 - | J-16 |
| LABELS | J-17 - | J-24 |
| LP | K-01 - | K-02 |
| LOUNGE | K-03 - | K-04 |
| SEALANTS & FASTENERS | K-05 - | K-08 |
| WATER & SEWAGE | K-09 - | K-14 |
| WINDOW, VENT AND | | |
| EXTERIOR DOOR | K-15 - | L-14 |
| WINDSHIELD & WIPER | L-15 - | L-16 |

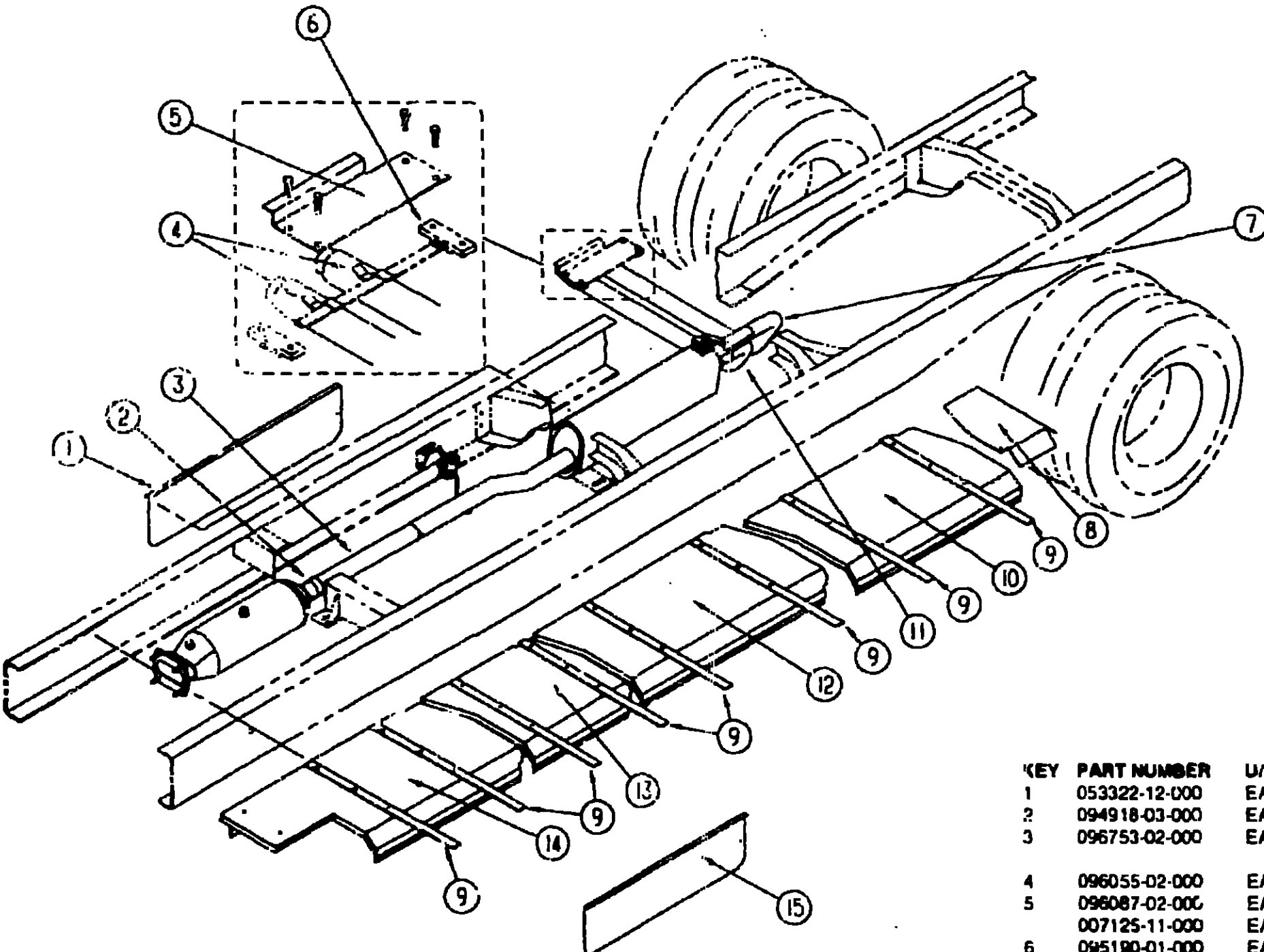
CHASSIS GROUP (CONTINUED)
FORD EXHAUST COMPONENTS

1993 ITASCA
TABLE OF CONTENTS

| | | |
|--------------------|--------|------|
| INTRODUCTION | A-01 - | A-02 |
| ABBREVIATIONS | | A-03 |
| ALPHABETICAL INDEX | A-04 - | A-06 |
| ICN32RQ | A-07 - | G-02 |
| ICN34RQ | G-03 - | L-16 |

1993 ICN34RQ INDEX

| | | |
|----------------------|--------|------|
| FLOOR PLAN | G-03 - | G-04 |
| ACCESSORIES | | G-05 |
| AUDIO VIDEO | G-06 - | G-08 |
| BATH | G-09 - | G-12 |
| BEDROOM | G-13 - | G-16 |
| CHASSIS | G-17 - | H-08 |
| CURTAIN & CUSHION | H-09 - | H-20 |
| DINETTE | H-21 - | H-24 |
| DRIVERS COMPARTMENT | I-01 - | I-06 |
| ELECTRICAL | I-07 - | I-12 |
| EXTERIOR BODY | I-13 - | I-22 |
| GALLEY | I-23 - | J-06 |
| GENERATOR | J-07 - | J-08 |
| HEATING & A/C | J-09 - | J-12 |
| INTERIOR FINISH | J-13 - | J-16 |
| LABELS | J-17 - | J-24 |
| LP | K-01 - | K-02 |
| LOUNGE | K-03 - | K-04 |
| SEALANTS & FASTENERS | K-05 - | K-08 |
| WATER & SEWAGE | K-09 - | K-14 |
| WINDOW, VENT AND | | |
| EXTERIOR DOOR | K-15 - | L-14 |
| WINDSHIELD & WIPER | L-15 - | L-16 |



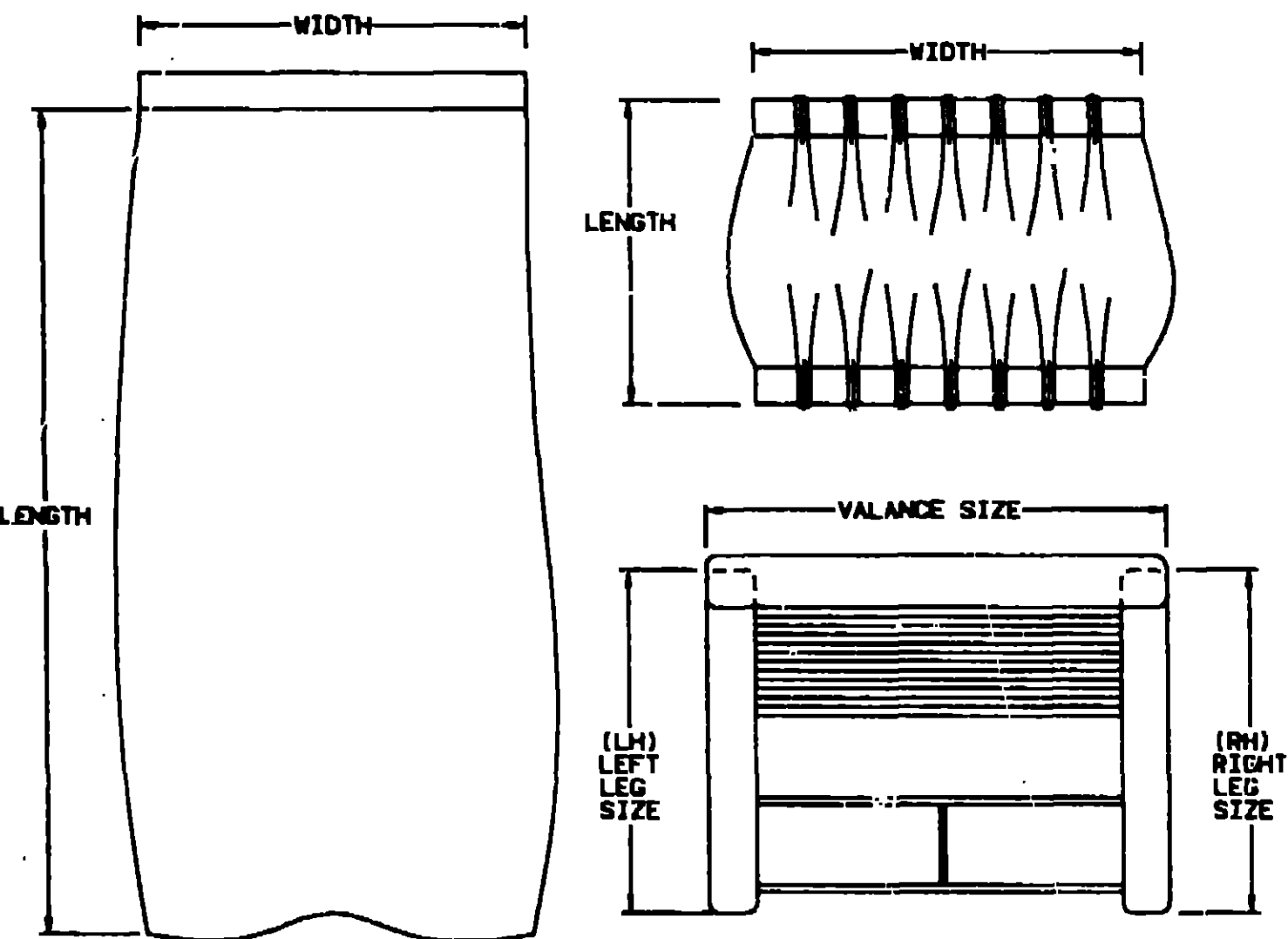
| KEY | PART NUMBER | U/M DESCRIPTION |
|------|---------------|--|
| 1 | 053322-12-000 | EA SHIELD-HEAT EXHAUST, 32" X 9" - STEEL |
| 2 | 094918-03-000 | EA CLAMP-EXHAUST PIPE, 2.5" |
| 3 | 096753-02-000 | EA PIPE-EXHAUST, FORD - 2.5" X 14.8" (CHASSIS SUPPLIED AFTER THIS DATE) FROM: 03-00-00 THRU: 02-14-93 |
| 4 | 096055-02-000 | EA SUPPORT-EXHAUST PIPE, 1" X 1.5 8" |
| 5 | 096087-02-000 | EA BRACKET-STRAP, EXHAUST PIPE - 5.5" X 13" - W/NUTS |
| | 007125-11-000 | EA CLAMP-MUFFLER, 2.75" DIAMETER - FORD |
| 6 | 095190-01-000 | EA HANGER-EXHAUST, 4" X 1.4" |
| 7 | 100600-02-000 | EA PIPE-EXHAUST, TAIL - REAR - FORD (CHASSIS SUPPLIED AFTER THIS DATE) FROM: 00-00-00 THRU: 02-14-93 |
| | 007125-06-000 | EA CLAMP-MUFFLER, 2.00" DIAMETER - FORD |
| 8 | 095430-01-000 | EA SHIELD-EXHAUST, REAR - 14" X 19.1" - FROM EDGE TO BEND |
| 9 | 098443-03-000 | EA SUPPORT-SHIELD, EXHAUST - 1.5" X 29.2" - STEEL - PRIMED |
| 10 | 098795-02-000 | EA SHIELD-EXHAUST, 15.67" X 35.39" |
| 11 | 100601-02-000 | EA PIPE-EXHAUST, TAIL - FRONT - FORD (CHASSIS SUPPLIED AFTER THIS DATE) FROM: 00-00-00 THRU: 02-14-93 |
| | 007125-06-000 | EA CLAMP-MUFFLER, 2.00" DIAMETER - FORD |
| 12 | 098795-03-000 | EA SHIELD-EXHAUST - GALVANIZED STEEL |
| 13 | 098795-07-000 | EA SHIELD-EXHAUST - GALVANIZED STEEL FROM: 02-15-93 THRU: 99-99-99 |
| 14 | 098796-02-000 | EA SHIELD-EXHAUST, CONVERTOR FROM: 00-00-00 THRU: 02-14-03 |
| 14 | 098796-01-000 | EA SHIELD-EXHAUST, CONVERTOR FROM: 02-15-93 THRU: 99-99-99 |
| H-07 | 15 | 053322-17-000 EA SHIELD-HEAT, EXHAUST - 43.3" X 7" - STEEL |

CURTAIN & CUSHION GROUP

NOTICE

IN ORDER TO ASSIST OUR PARTS SALES DEPT. IN PROVIDING INTERIOR SOFTGOODS ITEMS, PLEASE INCLUDE THE SERIAL NUMBER AND THE COLOR CODE NUMBER FROM THE VEHICLE CERTIFICATION LABEL WHEN ORDERING. THIS LABEL IS LOCATED ON THE LEFT SIDEWALL AT THE END OF THE DASH (A-BODY), OR ON THE DRIVER'S DOOR LATCH PLATE (C-BODY).

AN EXAMPLE OF A COLOR CODE NUMBER IS B07, WHICH DESIGNATES AN OVERALL COLOR SCHEME OF A PARTICULAR UNIT. THE COLOR LISTED AFTER THE ITEM DESCRIPTION ON THE MICROFICHE, INDICATES THE OVERALL UNIT COLOR. ORDER THE ITEM YOU DESIRE ACCORDING TO UNIT COLOR CODE.



NOTE: USE THIS ILLUSTRATION WHEN DETERMINING LENGTH AND WIDTH MEASUREMENTS FOR CURTAINS. YOU WILL NOTE THE WIDTH MEASUREMENT IS TAKEN ON THE TOP OF THE CURTAIN WITH THE CURTAIN FULLY EXTENDED. THE LENGTH MEASUREMENT IS TAKEN FROM TOP TO BOTTOM. LEFT AND RIGHT WINDOW LEGS ARE DETERMINED WHEN FACING THE WINDOW.

CURTAIN & CUSHION GROUP (CONTINUED)

FABRICS AND TRIMS

| KEY | PART NUMBER | U/M DESCRIPTION |
|-----|---------------|---|
| | 087272-01-000 | YD FABRIC-LINING, CURTAIN - 48" WIDE - IVORY FROM: 00-00-00 THRU: 09-30-92 |
| | 087272-03-000 | YD FABRIC-LINING, CURTAIN - 54" IVORY FROM: 10-01-92 THRU: 99-99-99 |
| | 072333-86-000 | YD FABRIC-CURTAIN, TEXTURED FLAIN - 54" - CHROME |
| | 072333-96-000 | YD FABRIC-DRAPERY, GALAXY ANTIQUE WHITE |
| | 088273-71-000 | YD FABRIC-CURTAIN/BEDSPREAD, ACCENT - 54" IMDE (D38) |
| | 088273-87-000 | YD FABRIC-CURTAIN/BEDSPREAD, ACCENT - 54" WIDE (D40) |
| | 105745-31-000 | YD FABRIC-BEDSPREAD, MAIN (D38) |
| | 088273-90-000 | YD FABRIC-BEDSPREAD, MAIN (D40) |
| | 104233-31-000 | YD FABRIC-UPHOLSTERY/CURTAIN, ACCENT VELOUR - 54" (D38) |
| | 104233-29-000 | YD FABRIC-UPHOLSTERY/CURTAIN, ACCENT VELOUR - 54" (D40) |
| | 108446-04-000 | YD FABRIC-UPHOLSTERY, MAIN (D38) |
| | 108446-02-000 | YD FABRIC-UPHOLSTERY, MAIN (D40) |
| | 108446-05-000 | YD FABRIC-UPHOLSTERY, ACCENT (D38) |
| | 108446-03-000 | YD FABRIC-UPHOLSTERY, ACCENT (D40) |
| | 108446-09-000 | YD FABRIC-UPHOLSTERY, ACCENT (D38) |
| | 076796-02-000 | YD VINYL-FOAMBACK, 42" WIDE - LIGHT SLATE GRAY |
| | 079680-07-000 | YD FABRIC-VINYL, 54" WIDE - BEIGE |
| | 039351-03-000 | YD VINYL-CEILING, DIAMOND DESIGN - 54" WIDE |
| | 103907-01-01A | YD FABRIC-VINYL, 54" WIDE - OFF WHITE FROM: 00-00-00 THRU: 03-21-93 |
| | 106569-01-01A | YD VINYL-LAMINATE, MADRID - OFF WHITE FROM: 03-22-93 THRU: 99-99-99 |
| | 079349-01-AA1 | YD WELTING-FABRIC (D38) |
| | 079349-01-C03 | YD WELTING-FABRIC (D40) |
| | 079349-04-D12 | YD WELT-NARROW, ACCENT (D38) |
| | 084415-34-000 | YD TRIM-BRAID, STEEL BLUE (D38) |
| | 084415-35-000 | YD TRIM-BRAID, EGGPLANT (D40) |
| | 084415-53-000 | YD TRIM-BRAID, CORD - BLUE (D38) |
| | 070578-04-D38 | EA BUTTON-SCREW STUD, #30 (D38) |
| | 070578-04-C32 | EA BUTTON-SCREW STUD, #30 (D40) |

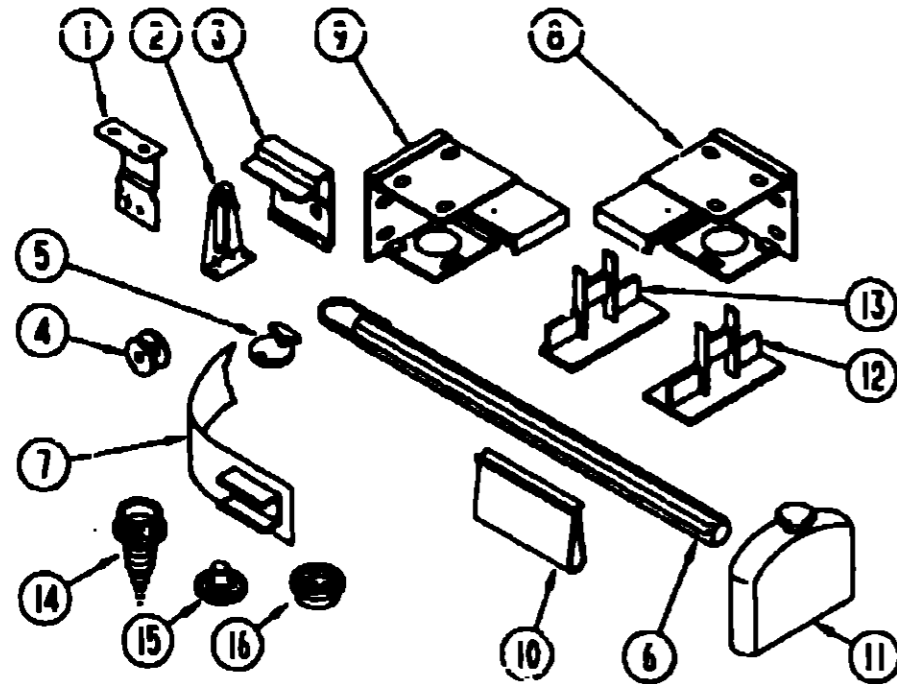
1993 ITASCA TABLE OF CONTENTS

| | | |
|--------------------|--------|------|
| INTRODUCTION | A-01 - | A-02 |
| ABBREVIATIONS | | A-03 |
| ALPHABETICAL INDEX | A-04 - | A-06 |
| ICN32RQ | A-07 - | G-02 |
| ICN34RQ | G-03 - | L-16 |

1993 ICN34RQ INDEX

| | | |
|----------------------|--------|------|
| FLOOR PLAN | G-03 - | G-04 |
| ACCESSORIES | | G-05 |
| AUDIO VIDEO | G-06 - | G-08 |
| BATH | G-09 - | G-12 |
| BEDROOM | G-13 - | G-16 |
| CHASSIS | G-17 - | H-08 |
| CURTAIN & CUSHION | H-09 - | H-20 |
| DINETTE | H-21 - | H-24 |
| DRIVERS COMPARTMENT | I-01 - | I-06 |
| ELECTRICAL | I-07 - | I-12 |
| EXTERIOR BODY | I-13 - | I-22 |
| GALLEY | I-23 - | J-06 |
| GENERATOR | J-07 - | J-08 |
| HEATING & A/C | J-09 - | J-12 |
| INTERIOR FINISH | J-13 - | J-16 |
| LABELS | J-17 - | J-24 |
| LP | K-01 - | K-02 |
| LOUNGE | K-03 - | K-04 |
| SEALANTS & FASTENERS | K-05 - | K-08 |
| WATER & SEWAGE | K-09 - | K-14 |
| WINDOW, VENT AND | | |
| EXTERIOR DOOR | K-15 - | L-14 |
| WINDSHIELD & WIPER | L-15 - | L-16 |

CURTAIN & CUSHION GROUP (CONTINUED)



CURTAIN HARDWARE

| KEY | PART NUMBER | U/M DESCRIPTION |
|-----|---------------|--|
| 1 | 084434-01-000 | EA BRACKET-MOUNTING, ROLLER SHADE - 1 3/8" |
| 2 | 095591-02-000 | EA BRACKET-HOLD DOWN, W/PIN - BLIND - METAL FROM: 00-00-00 THRU: 07-19-92 |
| 2 | 109441-01-000 | EA HOLD DOWN-BLIND, HOOK FROM: 07-20-92 THRU: 99-99-99 |
| 3 | 097565-01-000 | EA BRACKET-MOUNTING, PLEATED BLIND |
| 4 | 097592-01-000 | EA SPOOL-CORD, ELEVATED BLIND HOLDUP - CLEAR PLASTIC |
| 5 | 102555-01-000 | EA CLEAT-CORD, BLIND - OFF WHITE |
| 6 | 093475-01-700 | EA WAND-BLIND, W/METAL CLIP - 8" LONG |
| 7 | 101031-01-000 | YD TAPE-GLIDE, CURTAIN - 4.25" SPACING |
| 8 | 083170-01-000 | EA BRACKET-BLIND, RIGHT SIDE |
| 9 | 083170-02-000 | EA BRACKET-BLIND, LEFT SIDE |
| 10 | 106541-01-000 | EA PULL SHADE, BRASS |
| 11 | 093475-01-701 | EA END CAP-BLIND, W/STUD |
| 12 | 094907-03-000 | EA END CAP BOTTOM, PLEATED BLIND - PLASTIC - GRAY |
| 13 | 094907-02-000 | EA END CAP TOP, PLEATED BLIND - PLASTIC - GRAY |
| 14 | 029130-01-000 | EA SCREW-SNAP SOCKET, 8 PH X 5/8" |
| 15 | 029155-01-000 | EA CAP-SNAP, 5/32" O.D. OF PIN |
| 16 | 029156-01-000 | EA SOCKET-SNAP, 9/16" O.D. |
| | 105325-02-01A | EA TRACK-CURTAIN, WRAPAROUND - DRIVER - OFF WHITE |
| | 105325-01-01A | EA TRACK-CURTAIN, WRAPAROUND - PASSENGER - OFF WHITE |
| | 103996-01-000 | FT TRIM-VALANCE, U-CHANNEL - .75" WIDE - BRASS |
| | 095587-01-000 | EA TACK-STRIP, .5" X 625' ROLL |
| | 075943-01-000 | EA BRACE-VALANCE, 1" X 1.5" X 20" - ALUMINUM - BEIGE |
| | 075943-09-000 | EA BRACE-VALANCE, 8" - OFF WHITE |
| | 088716-01-001 | EA BRACE-90 DEGREE L-ANGLE, 192" - EXTRUDED ALUMINUM |
| | 048394-02-000 | YD VELCRO TAPE-HOOK, ADHESIVE BACK - .75" WIDE - BEIGE |

CURTAIN & CUSHION GROUP (CONTINUED)
CURTAIN HARDWARE (CONTINUED)

| KEY | PART NUMBER | U/M DESCRIPTION |
|-----|---------------|---|
| | 088792-02-000 | YD VELCRO-3/4" LOOP, ADHESIVE |
| | 046867-01-000 | EA GROMMET-BRASS - 7/16" ID X 1" OD |
| | 084432-06-000 | EA SLAT-SHADE, PLASTIC |
| | 096843-01-000 | EA SPRING-REWIND, ROLLER SHADE |
| | 089916-01-000 | EA MOUNT-WINDOW LEG, 23.75" - ALUMINUM - BLACK |
| | 089522-02-000 | EA PANEL-LEG, TWO SIDED - 31.5" - PLASTIC - BLACK |
| | 097565-01-000 | EA MOUNTING BRACKET CLIPS |
| | 097591-01-000 | EA SPRING-EXTENSION, PLEATED BLIND |
| | 097593-02-000 | FT CORD-BLIND, PLEATED - GRAY |
| | 097593-06-000 | EA CORD-BLIND, PLEATED - PEWTER |
| | 094896-02-000 | EA GROMMET-CORD, PLEATED BLIND - NYLON - GRAY |

ASSIST HANDLE

| KEY | PART NUMBER | U/M DESCRIPTION |
|-----|---------------|--|
| | 053552-02-AA8 | EA HANDLE-ASSIST, INTERIOR - ENTRY DOOR VINYL |
| | 046867-01-000 | EA GROMMET-BRASS - 7/16" ID X 1" OD |
| | 069178-02-000 | EA BRACKET-MOUNTING, ASSIST HANDLE |
| | 000C16-07-178 | EA BOLT-CARRIAGE, ASSIST HANDLE - 7/16" - 14 X 1" ZN |
| | 000D20-07-008 | EA NUT-ACORN, ASSIST HANDLE - 7/16" X 14 ZN |

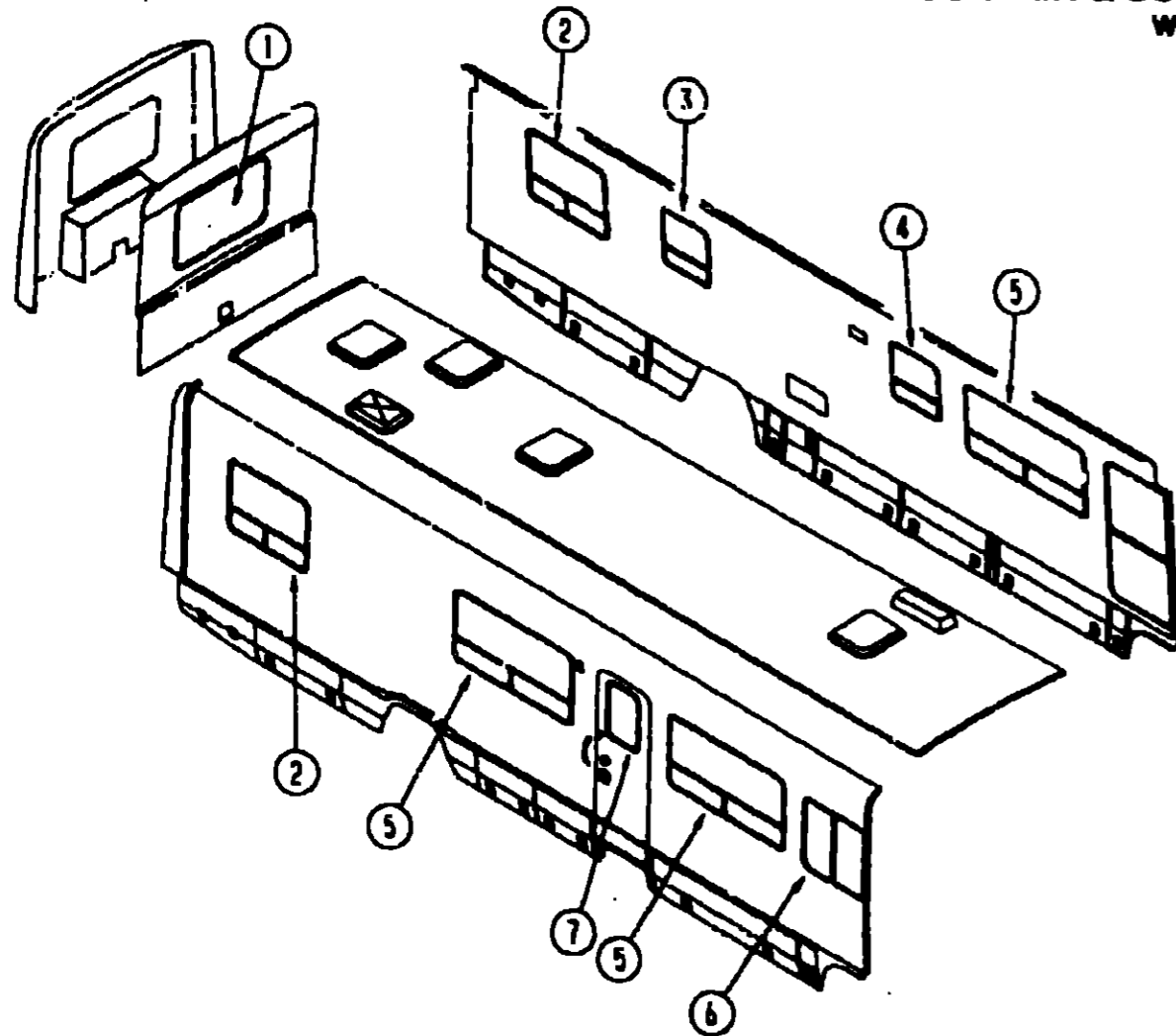
1993 ITASCA
TABLE OF CONTENTS

| | | |
|--------------------|--------|------|
| INTRODUCTION | A-01 - | A-02 |
| ABBREVIATIONS | | A-03 |
| ALPHABETICAL INDEX | A-04 - | A-06 |
| ICN32RQ | A-07 - | G-02 |
| ICN34RQ | G-03 - | L-16 |

1993 ICN34RQ INDEX

| | | |
|----------------------|--------|------|
| FLOOR PLAN | G-03 - | G-04 |
| ACCESSORIES | | G-05 |
| AUDIO VIDEO | G-06 - | G-08 |
| BATH | G-09 - | G-12 |
| BEDROOM | G-13 - | G-16 |
| CHASSIS | G-17 - | H-08 |
| CURTAIN & CUSHION | H-09 - | H-20 |
| DINETTE | H-21 - | H-24 |
| DRIVERS COMPARTMENT | I-01 - | I-06 |
| ELECTRICAL | I-07 - | I-12 |
| EXTERIOR BODY | I-13 - | I-22 |
| GALLEY | I-23 - | J-06 |
| GENERATOR | J-07 - | J-08 |
| HEATING & A/C | J-09 - | J-12 |
| INTERIOR FINISH | J-13 - | J-16 |
| LABELS | J-17 - | J-24 |
| LP | K-01 - | K-02 |
| LOUNGE | K-03 - | K-04 |
| SEALANTS & FASTENERS | K-05 - | K-08 |
| WATER & SEWAGE | K-09 - | K-14 |
| WINDOW, VENT AND | | |
| EXTERIOR BODY | K-15 - | L-14 |
| WINDSHIELD & WIPE | L-15 - | L-16 |

CURTAIN & CUSHION GROUP (CONTINUED)
WINDOW TREATMENT



| KEY | PART NUMBER | U/M DESCRIPTION | |
|-----|---------------|--|-------------------------------|
| 2 | 096803-13-D38 | EA BLIND-DAY/NIGHTER, 39.5" X 33" DROP | |
| 2 | 096803-13-D40 | EA BLIND-DAY/NIGHTER, 39.5" X 33" DROP | |
| 3 | 100281-58-D38 | EA LEG-RH, W/U-BRASS & HOLE 27" (D38) | |
| 3 | 100281-58-C54 | EA LEG-RH, W/U-BRASS & HOLE 27" (D40) | |
| 3 | 100281-59-D38 | EA LEG-LH, W/U-BRASS - W/O HOLE - 27" (D38) | |
| 3 | 100281-59-C54 | EA LEG-LH, W/U-BRASS - W/O HOLE - 27" (D40) | |
| 3 | 109041-03-02A | EA BLIND-MINI, 13.5" X 11" DROP | |
| 4 | 093475-85-07A | EA BLIND-MINI, 28" X 22.5" DROP | |
| 5 | 100281-61-D38 | EA LEG-RH, W/KNOTTED ROPE & HOLE (D38) | |
| 5 | 100281-61-C32 | EA LEG-RH, W/KNOTTED ROPE & HOLE (D40) | |
| 5 | 100281-62-D38 | EA LEG-LH, W/KNOTTED ROPE & HOLE (D38) | |
| 5 | 100281-62-C32 | EA LEG-LH, W/KNOTTED ROPE & HOLE (D40) | |
| 5 | 096335-53-D40 | EA BLIND-PLEATED, 57.5" X 31.5" (D38) | |
| 5 | 096335-53-C12 | EA BLIND-PLEATED, 57.5" X 31.5" (D40) | |
| 6 | 101688-21-C81 | EA CURTAIN-38" X 78", TAPE TOP - FRONT WRAP AROUND | |
| 7 | 084755-57-D32 | EA SHADE-PULL, 27.25" - NO TRIM | FROM: 00-00-00 THRU: 08-16-92 |
| 7 | 084755-57-DA4 | EA SHADE-PULL, 27.25" - NO TRIM | FROM: 08-17-92 THRU: 01-03-93 |
| 7 | 084755-57-DA5 | EA SHADE-PULL, 27.25" - NO TRIM | FROM: 01-04-93 THRU: 99-99-99 |

TIEBACKS

| KEY | PART NUMBER | U/M DESCRIPTION |
|-----|---------------|---|
| | 057534-01-000 | EA TIEBACK/TIEDOWN-BED/CURTAIN/DOOR, 6" - PLASTIC - CLEAR |
| | 073260-42-C17 | EA TIEBACK-CURTAIN, 6" X 18" |

**1993 ITASCA
TABLE OF CONTENTS**

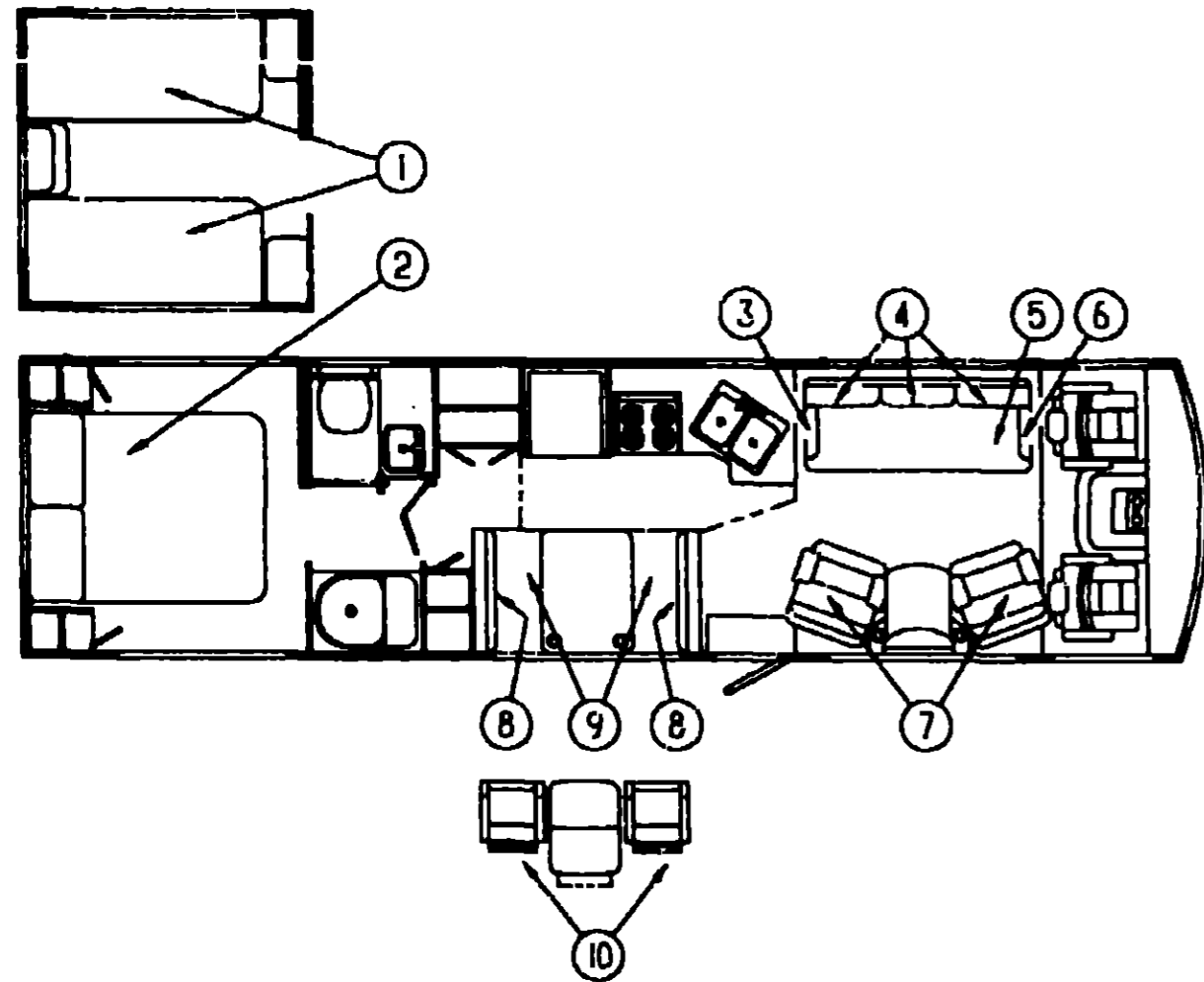
| | |
|--------------------|-------------|
| INTRODUCTION | A-01 - A-02 |
| ABBREVIATIONS | A-03 |
| ALPHABETICAL INDEX | A-04 - A-06 |
| ICN32RQ | A-07 - G-02 |
| ICN34RQ | G-03 - L-16 |

| KEY | PART NUMBER | U/M DESCRIPTION | |
|-----|---------------|--|-------------------------------|
| 1 | 104155-03-C38 | EA VALANCE-TIFFANY, 12" X 51" (D38) | |
| 1 | 104155-03-D40 | EA VALANCE-TIFFANY, 12" X 51" (D40) | FROM: 00-00-00 THRU: 04-25-93 |
| 1 | 104155-03-DA1 | EA VALANCE-TIFFANY, 12" X 51" (D40) | FROM: 04-26-93 THRU: 99-99-99 |
| 1 | 100281-69-D38 | EA LEG-W/FABRIC TRIM, RH - 31.5" (D38) | |
| 1 | 100281-69-D40 | EA LEG-W/FABRIC TRIM, RH - 31.5" (D40) | FROM: 00-00-00 THRU: 04-25-93 |
| 1 | 100281-69-DA1 | EA LEG-W/FABRIC TRIM, RH - 31.5" (D40) | FROM: 04-26-93 THRU: 99-99-99 |
| 1 | 100281-70-D38 | EA LEG-W/FABRIC TRIM, LH - 31.5" (D38) | |
| 1 | 100281-70-D40 | EA LEG-W/FABRIC TRIM, LH - 31.5" (D40) | FROM: 00-00-00 THRU: 04-25-93 |
| 1 | 100281-70-DA1 | EA LEG-W/FABRIC TRIM, LH - 31.5" (D40) | FROM: 04-26-93 THRU: 99-99-99 |
| 1 | 096803-15-D38 | EA BLIND-DAY/NIGHTER, 45.5" X 32" DROP | |
| 1 | 096803-15-D40 | EA BLIND-DAY/NIGHTER, 45.5" X 32" DROP | |
| 2 | 104155-05-D29 | EA VALANCE-TIFFANY, 9" X 45" (D38) | |
| 2 | 104155-05-D31 | EA VALANCE-TIFFANY, 9" X 45" (D40) | |
| 2 | 104155-02-D29 | EA VALANCE-TIFFANY, 45" (D38) | |
| 2 | 104155-02-D31 | EA VALANCE-TIFFANY, 45" (D40) | FROM: 00-00-00 THRU: 04-25-93 |
| 2 | 104155-02-DA1 | EA VALANCE-TIFFANY, 45" (D40) | FROM: 04-26-93 THRU: 99-99-99 |
| 2 | 100281-71-D38 | EA LEG-W/FABRIC TRIM, RH - 31.5" (D38) | |
| 2 | 100281-71-D40 | EA LEG-W/FABRIC TRIM, RH - 31.5" (D40) | FROM: 00-00-00 THRU: 04-25-93 |
| 2 | 100281-71-DA1 | EA LEG-W/FABRIC TRIM, RH - 31.5" (D40) | FROM: 04-26-93 THRU: 99-99-99 |
| 2 | 100281-72-D38 | EA LEG-W/FABRIC TRIM, LH - 31.5" (D38) | |
| 2 | 100281-72-D40 | EA LEG-W/FABRIC TRIM, LH - 31.5" (D40) | FROM: 00-00-00 THRU: 04-25-93 |
| 2 | 100281-72-DA1 | EA LEG-W/FABRIC TRIM, LH - 31.5" (D40) | FROM: 04-26-93 THRU: 99-99-99 |

1993 ICN34RQ INDEX

| | |
|----------------------|-------------|
| FLOOR PLAN | G-03 - G-04 |
| ACCESSORIES | G-05 |
| AUDIO VIDEO | G-06 - G-08 |
| BATH | G-09 - G-12 |
| BEDROOM | G-13 - G-16 |
| CHASSIS | G-17 - H-08 |
| CURTAIN & CUSHION | H-09 - H-20 |
| DINETTE | H-21 - H-24 |
| DRIVERS COMPARTMENT | I-01 - I-06 |
| ELECTRICAL | I-07 - I-12 |
| EXTERIOR BODY | I-13 - I-22 |
| GALLEY | I-23 - J-06 |
| GENERATOR | J-07 - J-08 |
| HEATING & A/C | J-09 - J-12 |
| INTERIOR FINISH | J-13 - J-16 |
| LABELS | J-17 - J-24 |
| LP | K-01 - K-02 |
| LOUNGE | K-03 - K-04 |
| SEALANTS & FASTENERS | K-05 - K-08 |
| WATER & SEWAGE | K-09 - K-14 |
| WINDOW, VENT AND | |
| EXTERIOR DOOR | K-15 - L-14 |
| WINDSHIELD & WIPER | L-15 - L-16 |

CURTAIN & CUSHION GROUP (CONTINUED)



DRIVERS SIDE COUCH

| KEY | PART NUMBER | U/M | DESCRIPTION | |
|-----|---------------|-----|---|-------------------------------|
| 3 | 104706-01-D38 | EA | ARMREST-SOFA, ROUNDED - LH | |
| 3 | 104706-01-D40 | EA | ARMREST-SOFA, ROUNDED - RH | |
| | P04706-01-D38 | EA | COVER-ARMREST, SOFA, ROUNDED - RH | |
| | P04706-01-D40 | EA | COVER-ARMREST, SOFA, ROUNDED - RH | |
| 4 | 104655-01-D38 | EA | CUSHION-CLUB SOFA BACK | |
| 4 | 104655-01-D40 | EA | CUSHION-CLUB SOFA BACK | |
| | P04655-01-D38 | EA | COVER-CLUB SOFA BACK | |
| | P04655-01-D40 | EA | COVER-CLUB SOFA BACK | |
| 5 | 104705-01-D38 | EA | CUSHION-70° SOLID SOFA SEAT | |
| | | | | FROM 00-00-00 THRU: 09-13-92 |
| 5 | 104705-C1-D40 | EA | CUSHION-70° SOLID SOFA SEAT | |
| | | | | FROM: 00-00-00 THRU: 09-13-92 |
| | P04705-01-D38 | EA | COVER-70° SOLID SOFA SEAT | |
| | P04705-01-D40 | EA | COVER-70° SOLID SOFA SEAT | |
| 5 | 104705-03-D38 | EA | CUSHION-70° SOLID SOFA SEAT | |
| | | | | FROM: 09-14-92 THRU: 99-99-99 |
| 5 | 104705-03-D40 | EA | CUSHION-70° SOLID SOFA SEAT | |
| | | | | FROM 09-14-92 THRU: 99-99-99 |
| | P04705-03-D38 | EA | COVER-70° SOLID SOFA SEAT | |
| | P04705-03-D40 | EA | COVER-70° SOLID SOFA SEAT | |
| 6 | 104706-02-D38 | EA | ARMREST-SOFA, ROUNDED - LH | |
| 6 | 104706-02-D40 | EA | ARMREST-SOFA, ROUNDED - LH | |
| | P04706-02-D38 | EA | COVER-ARMREST, SOFA - ROUNDED - LH | |
| | P04706-02-D40 | EA | COVER-ARMREST, SOFA - ROUNDED - LH | |
| | 105433-01-000 | EA | FRAME-COUCH | |
| | 102872-01-000 | EA | STRIKE-COUCH, W/ROD - 4.5" - STEEL - CANADIAN | |
| | 102874-01-000 | EA | CATCH-COUCH, W/BACKET & SPRING - STEEL - CANADIAN | |

**1993 ITASCA
TABLE OF CONTENTS**

| | | |
|--------------------|--------|------|
| INTRODUCTION | A-01 - | A-02 |
| ABBREVIATIONS | | A-03 |
| ALPHABETICAL INDEX | A-04 - | A-06 |
| ICN32RQ | A-07 - | G-02 |
| ICN34RQ | G-03 - | L-16 |

TWIN BEDSPREADS & MATTRESS

| KEY | PART NUMBER | U/M | DESCRIPTION |
|-----|---------------|-----|--|
| 1 | 083986-14-D29 | EA | BEDSPREAD-FITTED, 33" X 75" - RIGHT SIDE (D38) |
| 1 | 083986-14-D31 | EA | BEDSPREAD-FITTED, 33" X 75" - RIGHT SIDE (D40) |
| 1 | 083986-15-D29 | EA | BEDSPREAD-FITTED, 33" X 75" - LEFT SIDE (D38) |
| 1 | 083986-15-D31 | EA | BEDSPREAD-FITTED, 33" X 75" - LEFT SIDE (D40) |
| | 098176-01-000 | EA | MATTRESS-TWIN, 32" X 74" |

QUEEN BEDSPREADS & MATTRESS

| KEY | PART NUMBER | U/M | DESCRIPTION |
|-----|---------------|-----|---|
| 2 | 104843-04-D38 | EA | BEDSPREAD-FITTED, 60" - W/7" BOX PLEAT (D38) |
| 2 | 104843-04-D40 | EA | BEDSPREAD-FITTED, 60" - W/7" BOX PLEAT (D40) |
| | | | FROM: 00-00-00 THRU: 04-25-93 |
| 2 | 104843-04-DA1 | EA | BEDSPREAD-FITTED, 60" - W/7" BOX PLEAT (D40) |
| | | | FROM: 04-26-93 THRU: 99-99-99 |
| | 098176-04-000 | EA | MATTRESS-QUEEN, INNERSPRING - 59" X 74" - SEALY |

PILLOWS & SHAMS

| KEY | PART NUMBER | U/M | DESCRIPTION |
|-----|---------------|-----|----------------------------------|
| | 104862-01-D29 | EA | PILLOW SHAM-W/ACCENT KNOTS (D38) |
| | 104862-01-DA1 | EA | PILLOW SHAM-W/ACCENT KNOTS (D40) |

ACCENT PILLOWS

| KEY | PART NUMBER | U/M | DESCRIPTION |
|-----|---------------|-----|--------------------------------|
| | 108992-01-D29 | EA | PILLOW-14" X 14" W/KNOTS (D38) |
| | 108992-01-D31 | EA | PILLOW-14" X 14" W/KNOTS (D40) |
| | | | FROM: 00-00-00 THRU: 04-25-93 |
| | 108992-01-DA1 | EA | PILLOW-14" X 14" W/KNOTS (D40) |
| | | | FROM: 04-26-93 THRU: 99-99-99 |
| | 103869-04-D29 | EA | PILLOW-15" X 15" THROW (D38) |
| | 103869-04-C32 | EA | PILLOW-15" X 15" THROW (D40) |

SWIVEL CHAIR

| KEY | PART NUMBER | U/M | DESCRIPTION |
|-----|---------------|-----|-------------------------|
| 7 | 101178-03-D38 | EA | CHAIR ASM-ROCKER/SWIVEL |
| 7 | 101178-03-D40 | EA | CHAIR ASM-ROCKER/SWIVEL |

DINETTE BACKREST CUSHIONS

| KEY | PART NUMBER | U/M | DESCRIPTION |
|-----|---------------|-----|--|
| 8 | 104141-01-D29 | EA | CUSHION-BACKREST, 13.5" X 38" X 5" (D38) |
| 8 | 104141-01-D31 | EA | CUSHION-BACKREST, 13.5" X 38" X 5" (D40) |
| | P04141-01-D29 | EA | COVER-BACKREST, 13.5" X 38" X 5" (D38) |
| | P04141-01-D31 | EA | COVER-BACKREST, 13.5" X 38" X 5" (D40) |
| | 078155-01-000 | EA | STRAP-SNAP, BACKREST CUSHION |

DINETTE SEAT CUSHIONS

| KEY | PART NUMBER | U/M | DESCRIPTION |
|-----|---------------|-----|--|
| 9 | 088927-86-D29 | EA | CUSHION-DINETTE SEAT, 21" X 38" X 5" (D38) |
| 9 | 088927-86-D31 | EA | CUSHION-DINETTE SEAT, 21" X 38" X 5" (D40) |
| | M88927-86-D29 | EA | COVER-CUSHION, DINETTE SEAT - 21" X 38" X 5" (D38) |
| | M88927-86-D31 | EA | COVER-CUSHION, DINETTE SEAT - 21" X 38" X 5" (D40) |

CHROME-CRAFT CHAIRS

| KEY | PART NUMBER | U/M | DESCRIPTION |
|-----|---------------|-----|---------------------------|
| 10 | 109379-02-D38 | EA | CHAIR ASM-CHROME-CRAFT II |
| 10 | 109379-02-D40 | EA | CHAIR ASM-CHROME-CRAFT II |

BUNK CUSHION

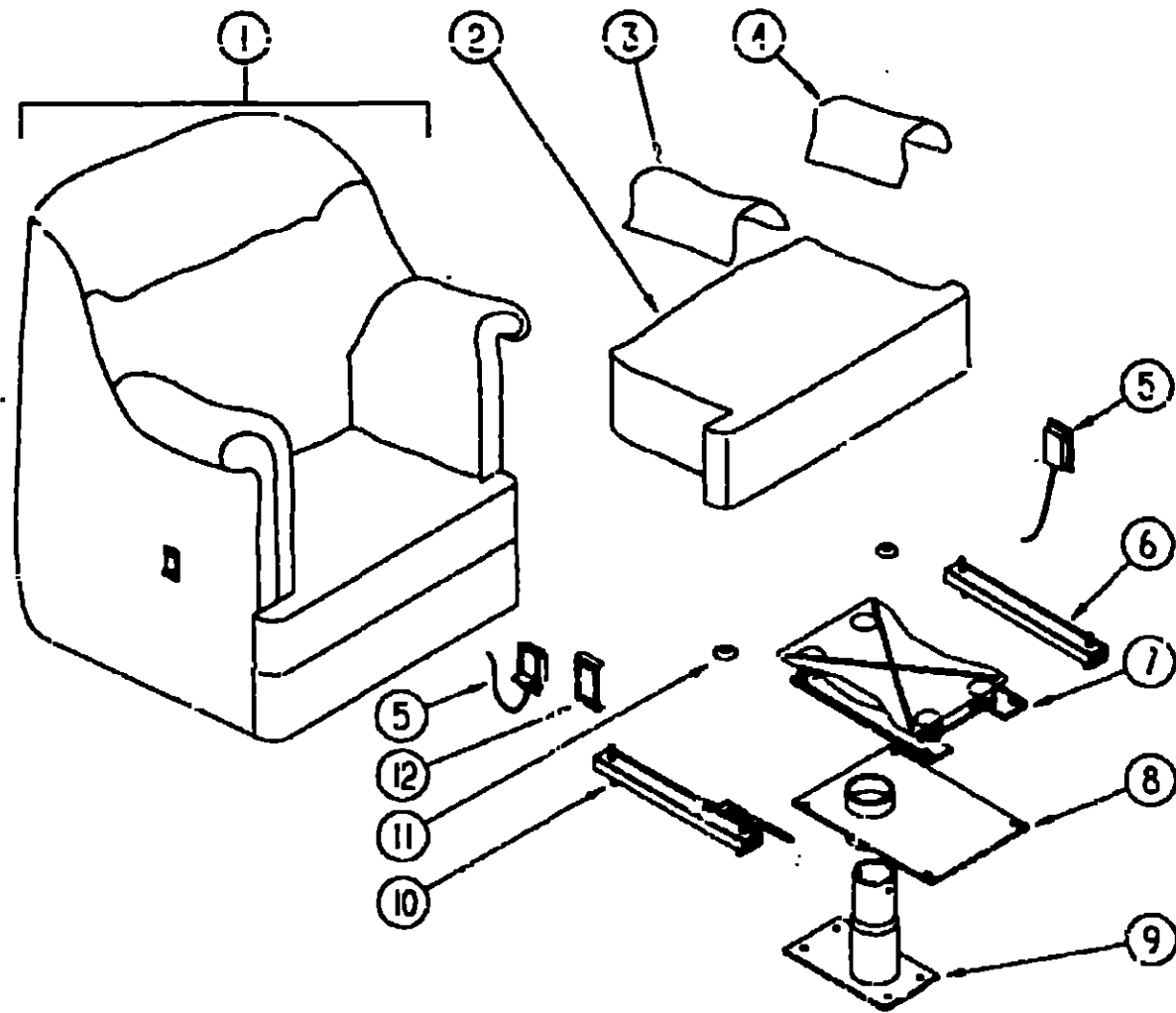
| KEY | PART NUMBER | U/M | DESCRIPTION |
|-----|---------------|-----|--------------------------------------|
| | 079145-05-000 | EA | CUSHION-BUNK, 30" X 73" X 4" |
| | M79145-05-000 | EA | COVER-CUSHION, BUNK - 30" X 73" X 4" |

1993 ICN34RQ INDEX

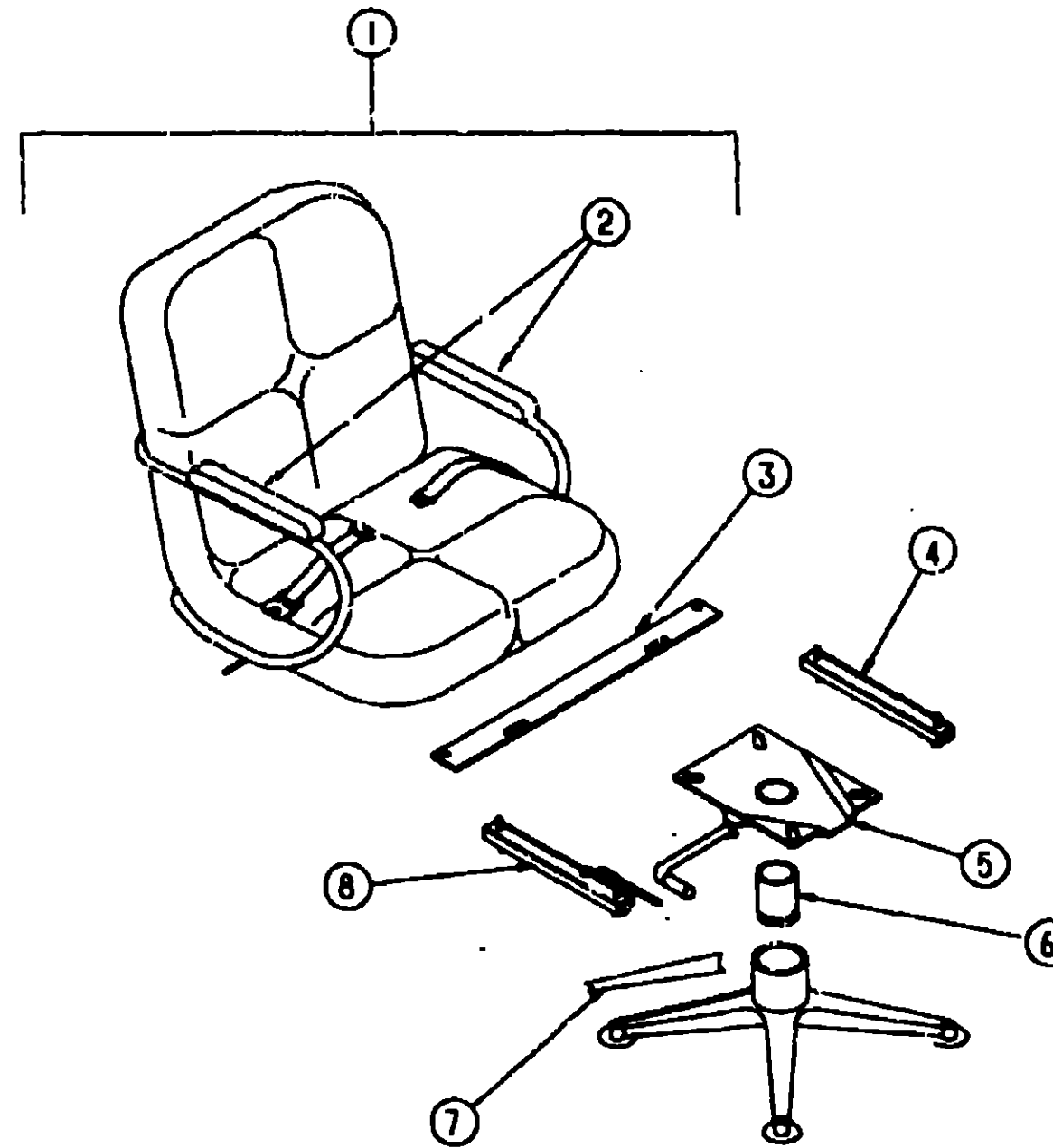
| | | |
|----------------------|--------|------|
| FLOOR PLAN | G-03 - | G-04 |
| ACCESSORIES | | G-05 |
| AUDIO VIDEO | G-06 - | G-08 |
| BATH | G-09 - | G-12 |
| BEDROOM | G-13 - | G-16 |
| CHASSIS | G-17 - | H-08 |
| CURTAIN & CUSHION | H-09 - | H-20 |
| DINETTE | H-21 - | H-24 |
| DRIVERS COMPARTMENT | I-01 - | I-06 |
| ELECTRICAL | I-07 - | I-12 |
| EXTERIOR BODY | I-13 - | I-22 |
| GALLEY | I-23 - | J-06 |
| GENERATOR | J-07 - | J-08 |
| HEATING & A/C | J-09 - | J-12 |
| INTERIOR FINISH | J-13 - | J-16 |
| LABELS | J-17 - | J-24 |
| LP | K-01 - | K-02 |
| LOUNGE | K-03 - | K-04 |
| SEALANTS & FASTENERS | K-05 - | K-08 |
| WATER & SEWAGE | K-09 - | K-14 |
| WINDOW, VENT AND | | |
| EXTERIOR DOOR | K-15 - | L-14 |
| WINDSHIELD & WIPER | L-15 - | L-16 |

CURTAIN & CUSHION GROUP (CONTINUED)

CURTAIN & CUSHION GROUP (CONTINUED)



PASSENGER SIDE SWIVEL CHAIR



CHROME CRAFT CHAIR

**1993 ITASCA
TABLE OF CONTENTS**

| | | |
|--------------------|--------|------|
| INTRODUCTION | A-01 - | A-02 |
| ABBREVIATIONS | | A-03 |
| ALPHABETICAL INDEX | A-04 - | A-06 |
| ICN32RQ | A-07 - | G-02 |
| ICN34RQ | G-03 - | L-16 |

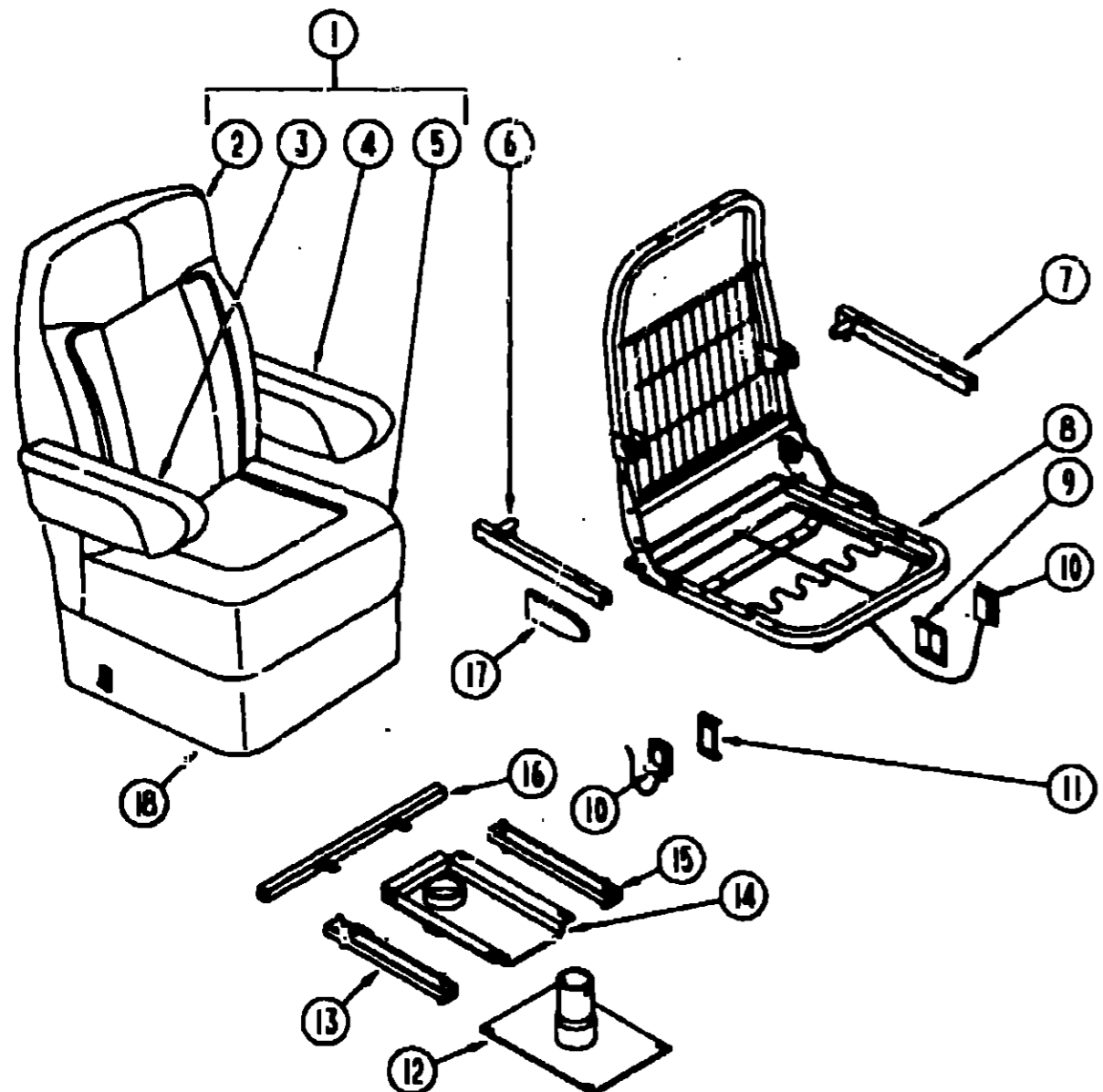
1993 ICN34RQ INDEX

| | | |
|--------------------------------|--------|------|
| FLOOR PLAN | G-03 - | G-04 |
| ACCESSORIES | | G-05 |
| AUDIO VIDEO | G-06 - | G-08 |
| BATH | G-09 - | G-12 |
| BEDROOM | G-13 - | G-16 |
| CHASSIS | G-17 - | H-08 |
| CURTAIN & CUSHION | H-09 - | H-20 |
| DINETTE | H-21 - | H-24 |
| DRIVERS COMPARTMENT | I-01 - | I-06 |
| ELECTRICAL | I-07 - | I-12 |
| EXTERIOR BODY | I-13 - | I-22 |
| GALLEY | I-23 - | J-06 |
| GENERATOR | J-07 - | J-08 |
| HEATING & A/C | J-09 - | J-12 |
| INTERIOR FINISH | J-13 - | J-16 |
| LABELS | J-17 - | J-24 |
| LP | K-01 - | K-02 |
| LOUNGE | K-03 - | K-04 |
| SEALANTS & FASTENERS | K-05 - | K-08 |
| WATER & SEWAGE | K-09 - | K-14 |
| WINDOW, VENT AND EXTERIOR DOOR | K-15 - | L-14 |
| WINDSHIELD & WIPER | L-15 - | L-16 |

| KEY | PART NUMBER | U/M DESCRIPTION |
|-----|---------------|--|
| 1 | 108140-01-D38 | EA CHAIR-ROCKER/SWIVEL |
| 1 | 108140-01-D40 | EA CHAIR-ROCKER/SWIVEL |
| | P03140-01-D38 | EA COVER-CHAIR, ROCKER/SWIVEL |
| | 108140-01-D40 | EA COVER-CHAIR, ROCKER/SWIVEL |
| 2 | 108140-10-D38 | EA SEAT-ROCKER/SWIVEL |
| 2 | 108140-10-D40 | EA SEAT-ROCKER/SWIVEL |
| | P08140-10-D38 | EA COVER-SEAT, ROCKER/SWIVEL |
| | P08140-10-D40 | EA COVER-SEAT, ROCKER/SWIVEL |
| 3 | P01178-27-D38 | EA COVER-ROCKER ARM CAP, RH |
| 3 | P01178-27-D40 | EA COVER-ROCKER ARM CAP, RH |
| 4 | P01178-28-D38 | EA COVER-ROCKER ARM CAP, LH |
| 4 | P01178-28-D40 | EA COVER-ROCKER ARM CAP, LH |
| 5 | 009368-04-000 | EA CABLE-SWIVEL/SLIDE, W/SWITCH |
| 6 | 069246-06-000 | EA ADJUSTER-SWIVEL CHAIR, MANUAL - FORWARD & BACK |
| 7 | 101187-01-000 | EA ROCKER BOX-CHAIR, SWIVEL |
| 8 | 107921-08-000 | EA TOP PLATE-W/O SEAT BELT BAR, FLEXSTEEL 2759PDTP |
| | 107921-06-000 | EA BEARING KIT-PEDESTAL, FLEXSTEEL |
| 9 | 107921-02-000 | EA PEDESTAL ASM-SEAT 6-1/2 IN. FLEXSTEEL 3059 MSPD |
| 9 | 108049-01-000 | EA CABLE-28", FLEXSTEEL - PEDESTAL 23602 |
| 9 | 108049-02-000 | EA CABLE-PEDESTAL CLIP 2592-CA |
| 10 | 069246-07-000 | EA ADJUSTER-SWIVEL CHAIR, W/LOCKING ARM - FORWARD & BACK |
| | 069246-05-700 | EA SPRING-ADJUSTER, FOR REMOTE |
| | 069246-05-000 | EA ADJUSTER-SEAT/CHAIR, W/REMOTE - FORWARD & BACK |
| | 069246-05-701 | EA CLIP-CABLE, FOR REMOTE |
| 11 | 007221-01-000 | EA SPACER-SEAT, ADJUSTER |
| 12 | 097583-03-000 | EA BRACKET-REMOTE, SIDE MOUNT - SINGLE |

| KEY | PART NUMBER | U/M DESCRIPTION |
|-----|---------------|---|
| 1 | 109379-02-D38 | EA CHAIR ASM-CHROME CRAFT II |
| | 105799-06-000 | EA CHAIR-CHROME CRAFT |
| 1 | 109379-02-D40 | EA CHAIR ASM-CHROME CRAFT II |
| | 105799-01-000 | EA CHAIR-CHROME CRAFT, W/O CASTOR |
| | 105799-01-004 | EA BOLT - SEAT - CHAIR #723634-1 |
| 2 | 105799-01-700 | EA WOOD ARM PADS FOR C57-855-BN |
| 3 | 069705-02-000 | EA BAR - SEAT BELT - 2.5" X 12.75" |
| 4 | 069246-06-000 | EA ADJUSTER - SWIVEL CHAIR - MANUAL - FORWARD & BACK |
| 5 | 105799-01-001 | EA TOP PLATE - SWIVEL CHAIR |
| 5 | 088245-03-000 | EA TOP PLATE - SWIVEL W/O TILT - W/LOCK |
| 6 | 105799-01-002 | EA UPRIGHT - CHAIR |
| 6 | 105799-01-006 | EA STEM UPRIGHT - LOCKOUT |
| 7 | 105799-01-003 | EA LEG-WOOD COVER BASE(CHAIR) |
| 8 | 069246-07-000 | EA ADJUSTER - SWIVEL CHAIR - W/LOCKING ARM - FORWARD & BACK |

CURTAIN & CUSHION GROUP (CONTINUED)
DRIVER & PASSENGER BUCKET SEATS



| KEY | PART NUMBER | U/M DESCRIPTION |
|-----|---------------|--|
| 5 | M03445-07-D38 | EA COVER-SEAT, CONCORD |
| 5 | M03445-07-D40 | EA COVER-SEAT, CONCORD |
| 5 | M03445-36-D38 | EA COVER-SEAT, CONQUEST |
| 5 | M03445-36-D40 | EA COVER-SEAT, CONQUEST |
| 6 | 081268-01-000 | EA ROD & CHANNEL-ARMREST, RIGHT - METAL |
| 7 | 081268-02-000 | EA ROD & CHANNEL-ARMREST, LEFT - METAL |
| | 081361-01-000 | EA ROD-ARMREST, METAL - RIGHT OR LEFT HAND |
| 8 | M80906-07-000 | EA FRAME ASM-SEAT & BACK & SPRING |
| | 080730-02-000 | EA RECLINER-SEAT BACK, LEFT HAND |
| | 080730-03-000 | EA HANDLE-RECLINER |
| | 080730-03-700 | EA HANDLE KIT-RECLINER |
| | 080730-04-000 | EA SCREW-RECLINER, HANDLE KEIPER 300618-07 |
| 9 | 097683-03-000 | EA BRACKET-REMOTE, SIDE MOUNT - SINGLE |
| 10 | 089368-04-000 | FA CABLE-SWIVEL, W/SWITCH - BUCKET SEAT |
| 11 | 097683-03-000 | EA BRACKET-REMOTE, SIDE MOUNT - SINGLE |
| 12 | 107921-01-000 | EA PEDESTAL ASM-SEAT 9-3/4 IN, FLEXSTEEL 3060 MSPD |
| 13 | 059246-05-000 | EA ADJUSTER-SEAT/CHAIR, W/REMOTE - FORWARD & BACK |
| | 069246-05-700 | EA SPRING-ADJUSTER, FOR REMOTE |
| | 069246-05-701 | EA CLIP-CABLE, FOR REMOTE |
| 14 | 107921-05-000 | EA TOP PLATE - FLEXSTEEL |
| | 107921-06-000 | EA BEARING KIT-PEDESTAL, FLEXSTEEL |
| 15 | 069246-02-000 | EA ADJUSTER-BUCKET SEAT W/O LOCK, FORWARD AND BACK |
| 16 | 069705-02-000 | EA BAR-SEAT BELT, 2.5" X 12.75" |
| 17 | 089368-08-000 | EA SHIELD-CABLE, REMOTE RECLINER - BUCKET SEAT |
| | 069246-05-000 | EA ADJUSTER-SEAT/CHAIR, W/LOCK |
| | 108049-02-000 | EA CABLE-PEDESTAL CLIP |
| 18 | 071126-36-D12 | EA SKIRT-BUCKET SEAT (D38) |
| 18 | 071126-36-D10 | EA SKIRT-BUCKET SEAT (C40) |

DRIVERS POWERED SEAT

| KEY | PART NUMBER | U/M DESCRIPTION |
|-----|---------------|--|
| | 071126-26-AE6 | EA SKIRT ASM-POWER SEAT (D38) |
| | 071126-26-D40 | EA SKIRT ASM-POWER SEAT (D40) |
| | 081373-03-000 | EA SEAT-POWER, 6 WAY DELCO RV620 |
| | 081373-01-700 | EA BRACKET-L CONTROL SWITCH - H-171 |
| | 081373-02-700 | EA ESCUTCHEON & SWITCH ASM PKG 22063234 |
| | 081373-02-701 | EA HARNESS ASM L.H. PKG 22063235 |
| | 081373-02-702 | EA HARNESS ASM R.H. PKG 20063235 |
| | 081373-02-703 | EA HORIZONTAL ADJUSTER MOTOR PKG. 22063237 |
| | 081373-02-704 | EA VERTICAL ADJUSTER MOTOR PKG 22063238 |
| | 107921-03-000 | EA PLATE-SUB, FLOOR MOUNTED PEDESTAL - W/3.75" EXTENSION |
| | 107921-07-000 | EA PEDESTAL-POWER SEAT, 4.5" - FLEXSTEEL 3058LB |
| | 107921-05-000 | EA TOP PLATE, FLEXSTEEL |
| | 107921-06-000 | EA BEARING KIT-PEDESTAL, FLEXSTEEL |

1993 ITASCA

TABLE OF CONTENTS

| | |
|--------------------|-------------|
| INTRODUCTION | A-01 - A-02 |
| ABBREVIATIONS | A-03 |
| ALPHABETICAL INDEX | A-04 - A-06 |
| ICN32RQ | A-07 - G-02 |
| ICN34RQ | G-03 - L-16 |

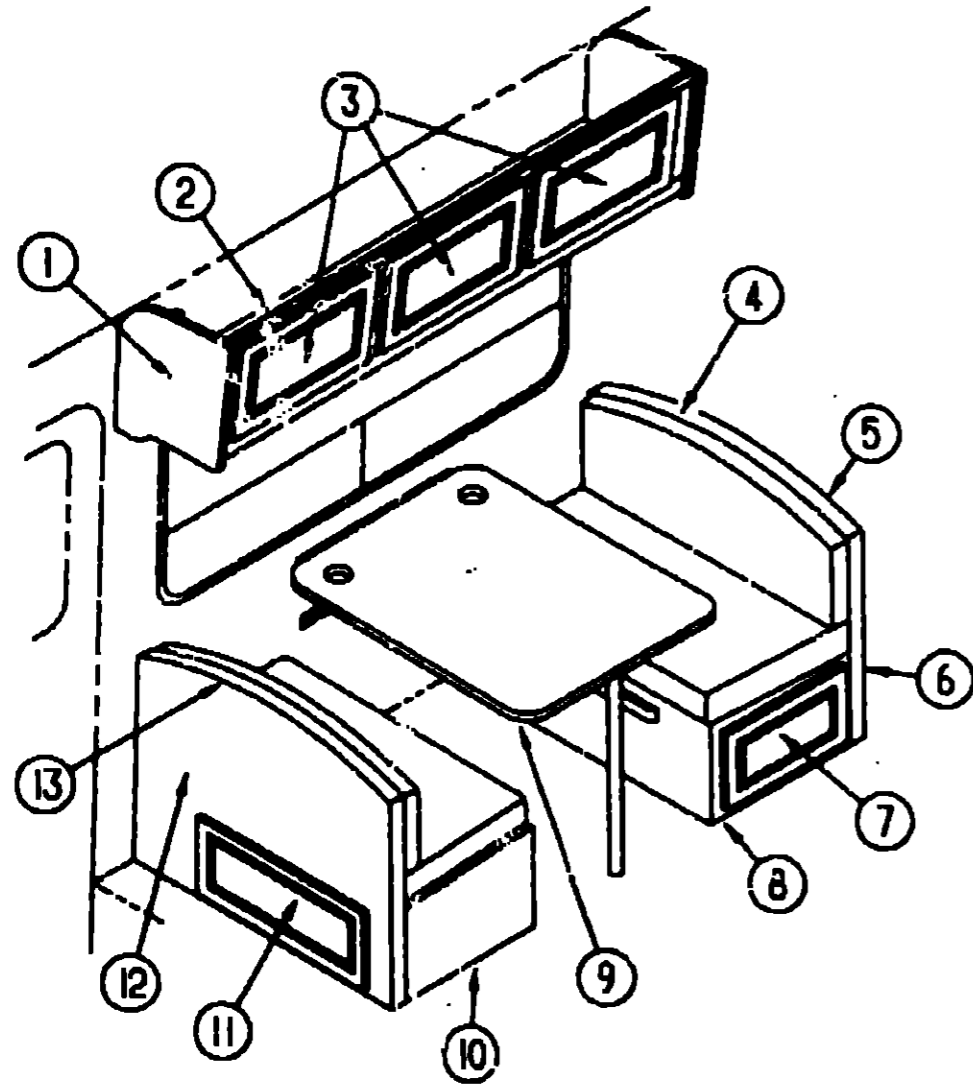
1993 ICN34RQ INDEX

| | |
|----------------------|-------------|
| FLOOR PLAN | G-03 - G-04 |
| ACCESSORIES | G-05 |
| AUDIO VIDEO | G-06 - G-08 |
| BATH | G-09 - G-12 |
| BEDROOM | G-13 - G-16 |
| CHASSIS | G-17 - H-09 |
| CURTAIN & CUSHION | H-09 - H-20 |
| DINETTE | H-21 - H-24 |
| DRIVERS COMPARTMENT | I-01 - I-06 |
| ELECTRICAL | I-07 - I-12 |
| EXTERIOR BODY | I-13 - I-22 |
| GALLEY | I-23 - J-06 |
| GENERATOR | J-07 - J-08 |
| HEATING & A/C | J-09 - J-12 |
| INTERIOR FINISH | J-13 - J-16 |
| LABELS | J-17 - J-24 |
| LP | K-01 - K-02 |
| LOUNGE | K-03 - K-04 |
| SEALANTS & FASTENERS | K-05 - K-08 |
| WATER & SEWAGE | K-09 - K-14 |
| WINDOW, VENT AND | |
| EXTERIOR DOOR | K-15 - L-14 |
| WINDSHIELD & WIPER | L-15 - L-16 |

| KEY | PART NUMBER | U/M DESCRIPTION | |
|-----|---------------|---------------------------------|-------------------------------|
| 1 | 101171-08-D38 | EA BUCKET SEAT-CONQUEST | FROM: 00-00-00 THRU: 10-04-92 |
| 1 | 101171-08-D40 | EA BUCKET SEAT-CONQUEST | FROM: 00-00-00 THRU: 10-04-92 |
| 1 | 110159-01-D38 | EA BUCKET SEAT-CONCORD | FROM: 10-05-92 THRU: 99-99-99 |
| 1 | 110159-01-D40 | EA BUCKET SEAT-CONCORD | FROM: 10-05-92 THRU: 99-99-99 |
| 2 | M03445-43-D38 | EA COVER-BACK, CONCORD/CONQUEST | |
| 2 | M03445-43-D40 | EA COVER-BACK, CONCORD/CONQUEST | |
| 3 | 080243-49-C12 | EA ARMREST-RH (D38) | |
| 3 | 080243-49-D10 | EA ARMREST-RH (D40) | |
| | M80243-49-C12 | EA COVER-ARMREST, RH (D38) | |
| | M80243-49-D10 | EA COVER-ARMREST, RH (D40) | |
| 4 | 080243-50-C12 | EA ARMREST-LH (D38) | |
| 4 | 080243-50-D10 | EA ARMREST-LH (D40) | |
| | M80243-50-C12 | EA COVER-ARMREST, LH (D38) | |
| | M80243-50-D10 | EA COVER-ARMREST, LH (D40) | |

DINETTE GROUP

OVERHEAD CABINET & PADS



| KEY | PART NUMBER | U/M DESCRIPTION |
|-----|---------------|---|
| 1 | 103918-07-D38 | EA CAP ASM-END, OVERHEAD |
| 2 | M0165-76-D38 | EA CABINET-OVERHEAD, PASSENGER SIDE |
| 3 | P03702-C5-C31 | EA DOOR-W/O HARDWARE, 340MM X 555MM |
| 4 | 104787-04-D38 | EA PAD ASM-DINETTE |
| 4 | 104787-04-D40 | EA PAD ASM-DINETTE |
| 5 | M04069-26-D38 | EA CABINET-BACKREST, RIGHT - W/O DOORS OR HARDWARE |
| 6 | 098433-02-D38 | EA PAD ASM-DINETTE |
| 6 | 098433-02-D40 | EA PAD ASM-DINETTE |
| 7 | P07104-H5-D38 | EA DRAWER-W/O HARDWARE |
| 8 | M04070-26-D38 | EA CABINET-SEATBASE, RIGHT - W/O DOORS, HARDWARE OR SEAT PADS |
| 9 | M02115-09-C12 | EA TABLE-DINETTE |
| 10 | M04070-25-D38 | EA CABINET-SEATBASE, LEFT - W/O DOORS, HARDWARE OR SEAT PADS |
| 11 | P03701-L8-D38 | EA DOOR-W/O HARDWARE, 255MM X 640MM |
| 12 | M04069-25-D38 | EA CABINET-BACKREST, LEFT - W/O DOORS OR HARDWARE |
| 13 | 104787-01-D32 | EA PAD ASM-DINETTE (D38) |
| 13 | 104787-01-C05 | EA PAD ASM-DINETTE (D40) |
| | 081518-08-C11 | EA SEAT-DINETTE, ANGLED |
| | 081265-01-AA8 | EA SUPPORT-BED, DINETTE |
| | 070578-02-X19 | EA BUTTON-SNAP TOP, VINYL COVERED |

DINETTE GROUP (CONTINUED)

| KEY | PART NUMBER | U/M DESCRIPTION |
|-----|---------------|---|
| | P02786-02-B29 | EA HANDRAIL-W/O MOUNTING BRACKETS, 26" - WOOD |
| | 042438-06-000 | EA DOWEL-WOOD, 1.5" X 26" - OAK |
| | 102753-01-01A | EA BRACKET-MOUNTING, HANDRAIL - BRASS |
| | | FROM: 00-00-00 THRU: 03-14-93 |
| | 099682-01-01A | EA BRACKET-MOUNTING, HANDRAIL - BRASS |
| | | FROM: 03-15-93 THRU: 99-99-99 |

CABINET-HANDRAIL

| KEY | PART NUMBER | U/M DESCRIPTION |
|-----|---------------|---|
| | 102296-01-B29 | EA CABINET-HANDRAIL, ENTRY STEP - USED WITH PULLOUT DINETTE TABLE |

EXTERIOR ENTERTAINMENT CENTER CABINET

| KEY | PART NUMBER | U/M DESCRIPTION |
|-----|---------------|---|
| | 108779-01-D38 | EA CABINET-ENTERTAINMENT CENTER (USED W/DINETTE TABLE OPTION) |

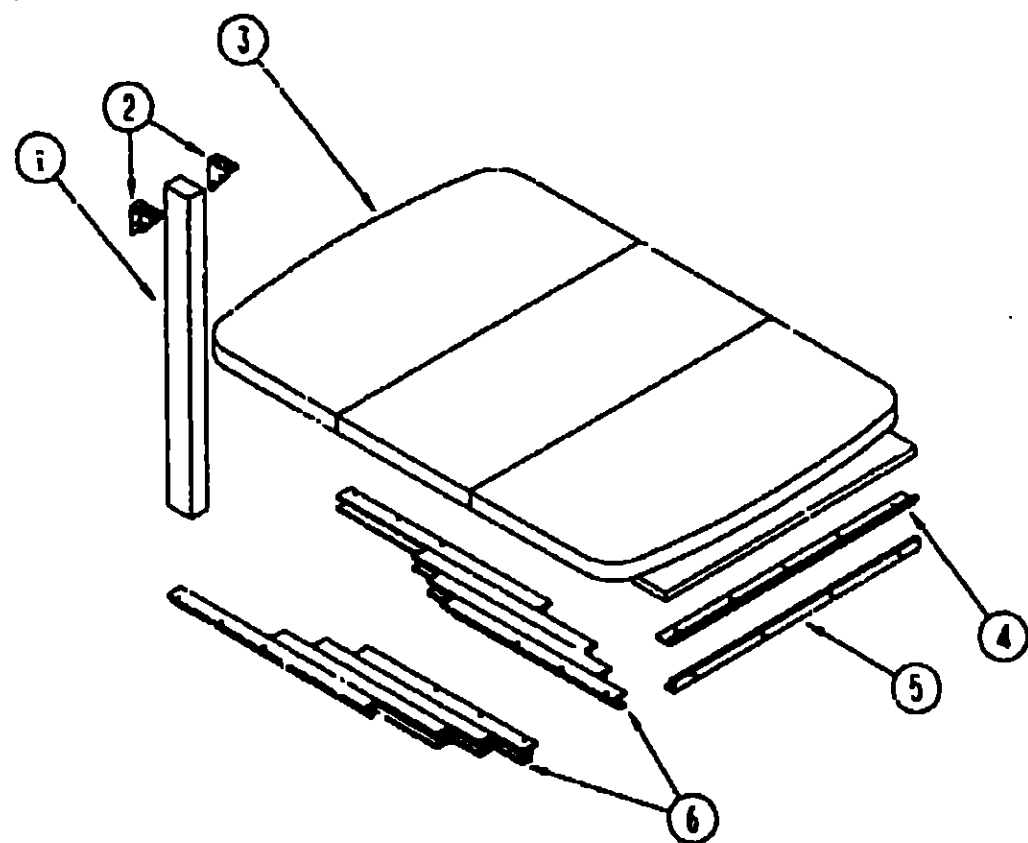
1993 ITASCA TABLE OF CONTENTS

| | | |
|--------------------|--------|------|
| INTRODUCTION | A-01 - | A-02 |
| ABBREVIATIONS | | A-03 |
| ALPHABETICAL INDEX | A-04 - | A-06 |
| ICN32RQ | A-07 - | G-02 |
| ICN34RQ | G-03 - | L-16 |

1993 ICN34RQ INDEX

| | | |
|----------------------|--------|------|
| FLOOR PLAN | G-03 - | G-04 |
| ACCESSORIES | | G-05 |
| AUDIO VIDEO | G-06 - | G-08 |
| BATH | G-09 - | G-12 |
| BEDROOM | G-13 - | G-16 |
| CHASSIS | G-17 - | H-08 |
| CURTAIN & CUSHION | H-09 - | H-20 |
| DINETTE | H-21 - | H-24 |
| DRIVERS COMPARTMENT | I-01 - | I-06 |
| ELECTRICAL | I-07 - | I-12 |
| EXTERIOR BODY | I-13 - | I-22 |
| GALLEY | I-23 - | J-06 |
| GENERATOR | I-07 - | J-08 |
| HEATING & A/C | J-09 - | J-12 |
| INTERIOR FINISH | J-13 - | J-15 |
| LABELS | J-17 - | J-24 |
| LP | K-01 - | K-02 |
| LOUNGE | K-03 - | K-04 |
| SEALANTS & FASTENERS | K-05 - | K-08 |
| WATER & SEWAGE | K-09 - | K-14 |
| WINDOW, VENT AND | | |
| EXTERIOR DOOR | K-15 - | L-14 |
| WINDSHIELD & WIPER | L-15 - | L-16 |

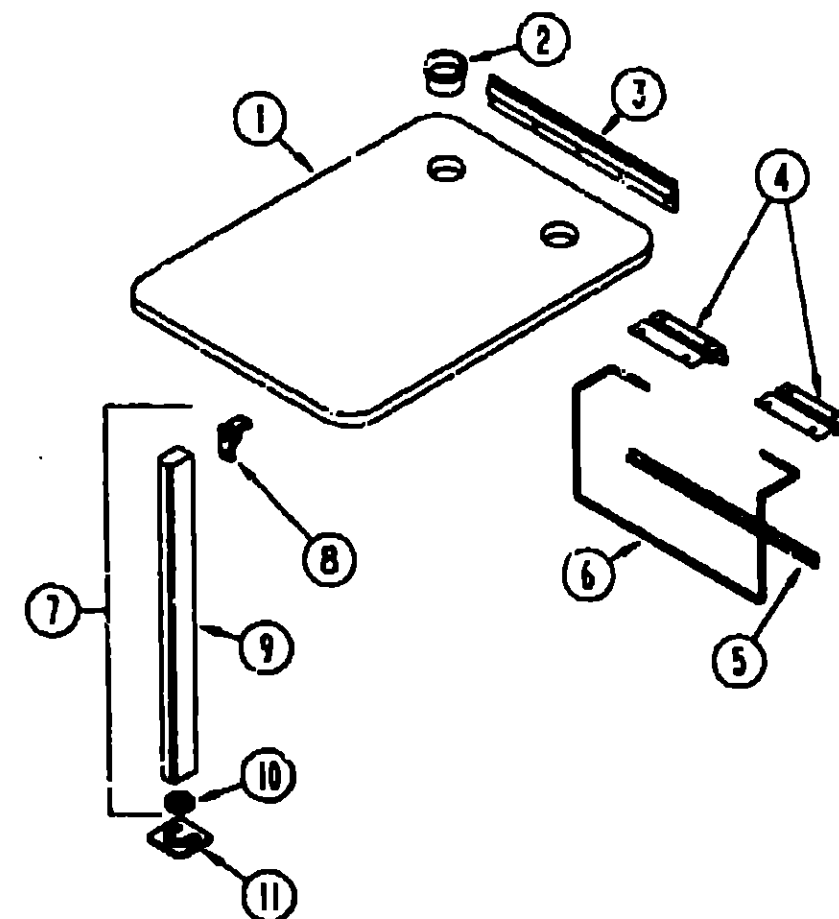
DINETTE GROUP (CONTINUED)



PULLOUT DINETTE TABLE & COMPONENTS

| KEY | PART NUMBER | U/M DESCRIPTION | |
|-----|---------------|---|-------------------------------|
| 1 | 092708-10-D35 | EA LEG ASM-TABLE | |
| | 092707-08-01A | EA MOLDING-OAK, RAMBLING | |
| 2 | 102810-01-02A | EA BRACE-LEG, TABLE - O/W | |
| | 102810-01-03A | EA BRACE-LEG, TABLE - MILL | |
| 3 | P02056-06-C31 | EA TABLE ASM-PULLOUT DINETTE, 564MM WIDE | |
| | 009050-02-000 | EA LEVELER-TABLE TOP, FEMALE & MALE ENDS W/4 SCREWS - PLASTIC | |
| | 102194-01-000 | EA GUIDE-PLASTIC | |
| 4 | 102201-02-02A | EA SUPPORT-HINGE CATCH, WALL MOUNTED - OFF WHITE | |
| 5 | 102200-02-02A | EA SUPPORT-HINGE LOCK, WALL MOUNTED - OFF WHITE | |
| 6 | 009210-01-000 | EA SLIDE-TABLE, 19" TO 50" - METAL | FROM: 00-00-00 THRU: 11-30-92 |
| 6 | 108490-01-000 | EA SLIDE-TABLE, 19" LONG | FROM: 12-01-92 THRU: 03-21-93 |
| 6 | 110749-01-000 | EA SLIDE-TABLE, 19 3/4" LONG | FROM: 03-22-93 THRU: 99-99-99 |

DINETTE GROUP (CONTINUED)



DINETTE TABLE & COMPONENTS

| KEY | PART NUMBER | U/M DESCRIPTION |
|-----|---------------|--|
| 1 | M02115-09-C12 | EA TABLE-DINETTE |
| | 004354-01-000 | EA RUBBER BUMPER-BROWN |
| 2 | 064781-06-000 | EA HOLDER-CUP, TWO STEP - OFF WHITE |
| 3 | 053200-13-000 | EA SUPPORT-TABLE, 18.50" O/W |
| 4 | 088410-02-000 | EA HANGER-TABLE, OFF WHITE |
| 5 | 024281-15-000 | EA BRACKET-TABLE LIFT, 17.12" O/W |
| | 002929-01-001 | EA EXTR-BRACKET, TABLE |
| 6 | 024275-13-000 | EA ROD-TABLE LIFT, O/W |
| 7 | 092708-07-D15 | EA LEG ASM-TABLE |
| 8 | 093550-01-000 | EA BRACKET-HINGE, MOUNTS TO LEG & TABLE TOP - 1.7" X 2.6" |
| 9 | 092707-05-02A | EA MOLDING-OAK, REGAL |
| 10 | 092593-01-04A | EA CATCH-LEG, LEG MOUNTED - ROUND - 1.4" DIA - METAL - BEIGE |
| 11 | 049493-12-000 | EA CATCH-TABLE LEG, O/W |
| | 049493-11-700 | EA CATCH-LEG, FLOOR MOUNTED - 2.5" X 2.7" - METAL - E-COAT |

**1993 ITASCA
TABLE OF CONTENTS**

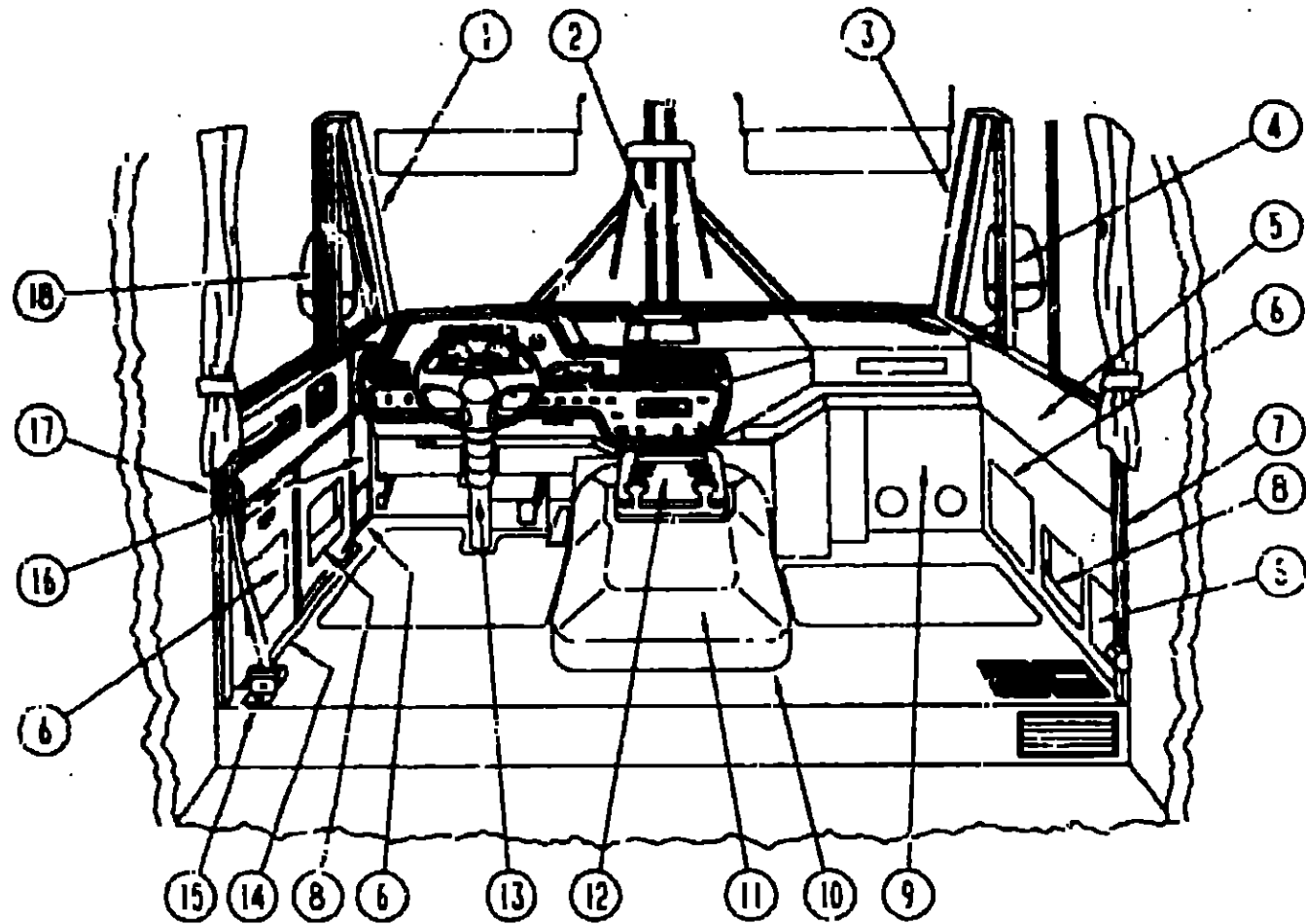
| | | |
|--------------------|--------|------|
| INTRODUCTION | A-01 - | A-02 |
| ABBREVIATIONS | | A-03 |
| ALPHABETICAL INDEX | A-04 - | A-06 |
| ICN32RQ | G-07 - | G-07 |
| ICN34RQ | G-03 - | L-15 |

1993 ICN34RQ INDEX

| | | |
|----------------------|--------|------|
| FLOOR PLAN | G-03 - | G-04 |
| ACCESSORIES | | G-05 |
| AUDIO VIDEO | G-06 - | G-08 |
| BATH | G-09 - | G-12 |
| BEDROOM | G-13 - | G-16 |
| CHASSIS | G-17 - | H-08 |
| CURTAIN & CUSHION | H-09 - | H-20 |
| DINETTE | H-21 - | H-24 |
| DRIVERS COMPARTMENT | I-01 - | I-06 |
| ELECTRICAL | I-07 - | I-12 |
| EXTERIOR BODY | I-13 - | I-22 |
| GALLEY | I-23 - | J-06 |
| GENERATOR | J-07 - | J-08 |
| HEATING & A/C | J-09 - | J-12 |
| INTERIOR FINISH | J-13 - | J-16 |
| LABELS | J-17 - | J-24 |
| LP | K-01 - | K-02 |
| LOUNGE | K-03 - | K-04 |
| SEALANTS & FASTENERS | K-05 - | K-08 |
| WATER & SEWAGE | K-09 - | K-14 |
| WINDOW, VENT AND | | |
| EXTERIOR DOOR | K-15 - | L-14 |
| WINDSHIELD & WIPER | L-15 - | L-16 |

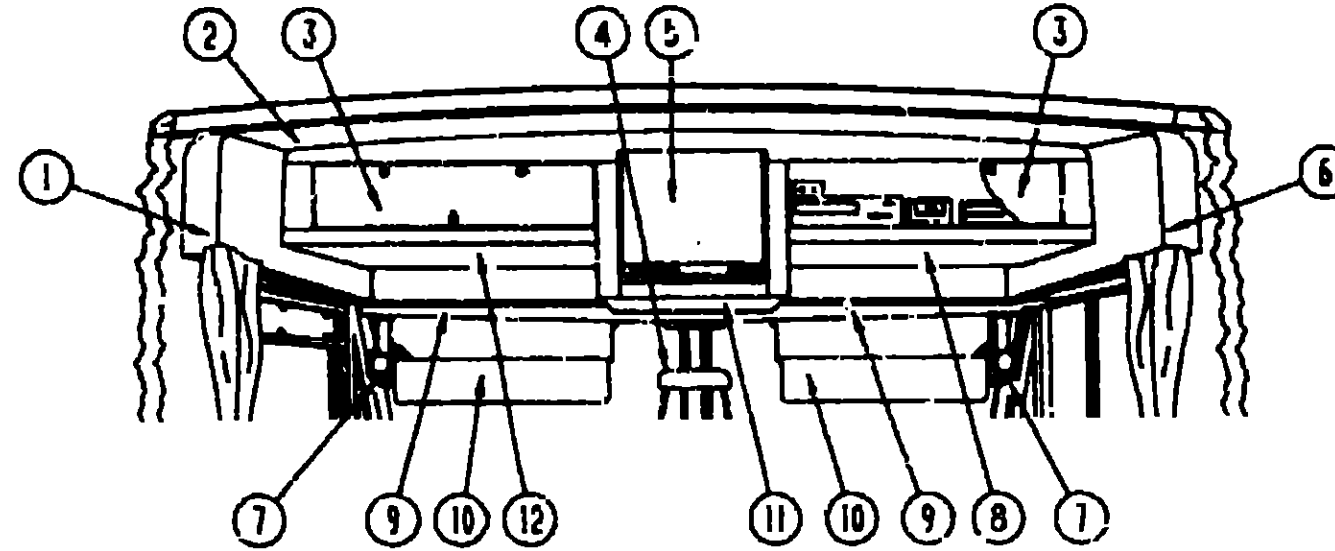
DRIVERS COMPARTMENT GROUP

LOWER DRIVERS COMPARTMENT (CONTINUED)



LOWER DRIVERS COMPARTMENT

| KEY | PART NUMBER | U/M DESCRIPTION | |
|-----|---------------|--|-------------------------------|
| 13 | 103498-06-000 | EA BOOT-COLUMN, UNIVERSAL | FROM: 00-00-00 THRU: 01-31-93 |
| 13 | 103498-07-000 | EA BOOT-COLUMN, UNIVERSAL | FROM: 02-31-93 THRU: 99-99-99 |
| | 080752-17-000 | EA WHEEL-STEERING, 3 SPOKES W/2 THUMB HOLD BUTTONS | |
| | 080752-06-000 | EA HUB-ADAPTER, STEERING WHEEL | |
| | 080752-08-000 | EA SCREW-CUSTOM STEERING WHEEL | |
| 14 | 097875-01-01A | EA THRESHOLD-CAB DOOR, 2 9" X 24 6" - ALUMINUM - BLACK | |
| 15 | 091990-03-01A | EA SEAT BELT-3 POINT, BLACK INTERTEX A8406-C | |
| | 091990-01-01A | EA SEAT BELT-SHOULDER HARNESS - DRIVERS/PASSENGERS - BLACK | |
| | 091990-02-01A | EA BRACKET-SEAT BELT, DRIVERS - FLOOR MOUNT | |
| | 109146-01-000 | EA BOLT-SHOULDER, SEAT BELT | |
| | 091990-01-700 | EA COVER-BOLT, SEATBELT - BLACK | |
| | R77030-53-447 | EA WASHER-FLAT 11.3ID X 21.0OD RNO #R7703053447 | |
| 16 | 092583-02-02A | EA PANEL-KICK, LOWER DRIVER SIDE - GRAY | |
| 17 | 097239-01-01A | EA COVER-B PILLAR, DR - 58" X 2.2" - PLASTIC - OFF WHITE | |
| 18 | 092585-02-02A | EA COVER-HINGE PILLAR, DRIVER - PLASTIC - GRAY | |



UPPER DRIVERS COMPARTMENT

| KEY | PART NUMBER | U/M DESCRIPTION |
|-----|---------------|--|
| 1 | 092471-04-01A | EA TRIM-OVERHEAD, DRIVER SIDE UPPER - PLASTIC - OFF WHITE |
| 2 | 100898-01-B29 | EA FACE-CABINET, OVERHEAD - TV - W/O HARDWARE |
| 3 | 100708-03-000 | EA DOOR-GLASS, W/O HARDWARE |
| 4 | 040714-01-000 | EA MIRROR-REAR VIEW, W/ARM MOUNT & SET SCREW - GM # 911722 |
| 5 | P03702-C9-C31 | EA DOOR-CABINET, CENTER OVERHEAD - W/O HARDWARE - 365MM X 410MM |
| 6 | 092471-03-01A | EA TRIM-OVERHEAD, PASS SIDE UPPER - PLASTIC - OFF WHITE |
| 7 | 036420-02-000 | EA FAN-DEFROSTER, 2 SPEED - 6" DIAMETER |
| 8 | P00957-01-907 | EA SHELF-CABINET BASE, PASSENGER SIDE |
| | 108486-01-01A | EA BRACKET-PROP ROD, OVHD - BLACK |
| | 108487-02-01A | EA SUPPORT-PROP ROD, OVHD - BLACK |
| | 100622-01-01A | EA BRACKET-CABINET, TV - 9" X 1.5" - METAL - OFF WHITE |
| 9 | 093884-01-700 | EA HEADLINER-FRONT, OVER WINDSHIELD & ACROSS FRONT - PLASTIC |
| | 100518-01-01A | EA RETAINER-HEADLINER, 18.9" X 1 3" - METAL - OFF WHITE |
| 10 | 082285-13-C11 | EA SUNVISOR ASM - W/POCKET |
| | 007211-01-000 | EA HINGE-SUNVISOR, 25.5" X 1.5" - METAL |
| | 074012-01-000 | EA CLIP-SUNVISOR, SQUARE - PINCH ON |
| | 102377-01-000 | EA BRACKET-SUNVISOR, 1 PIECE - STEEL |
| | 100423-01-01A | EA PLATE-MOUNT, SUNVISOR - TRIANGLE SHAPED - PLASTIC - OFF WHITE |
| 11 | 100954-01-000 | EA SHELF-TV, STEEL |
| | 101150-01-000 | EA SUPPORT-SHELF, TV - PASSENGER SIDE - STEEL |
| | 101150-02-000 | EA SUPPORT-SHELF, TV - DRIVER SIDE - STEEL |
| 12 | P00957-02-907 | EA SHELF-CABINET BASE, DRIVER SIDE |

1993 ITASCA TABLE OF CONTENTS

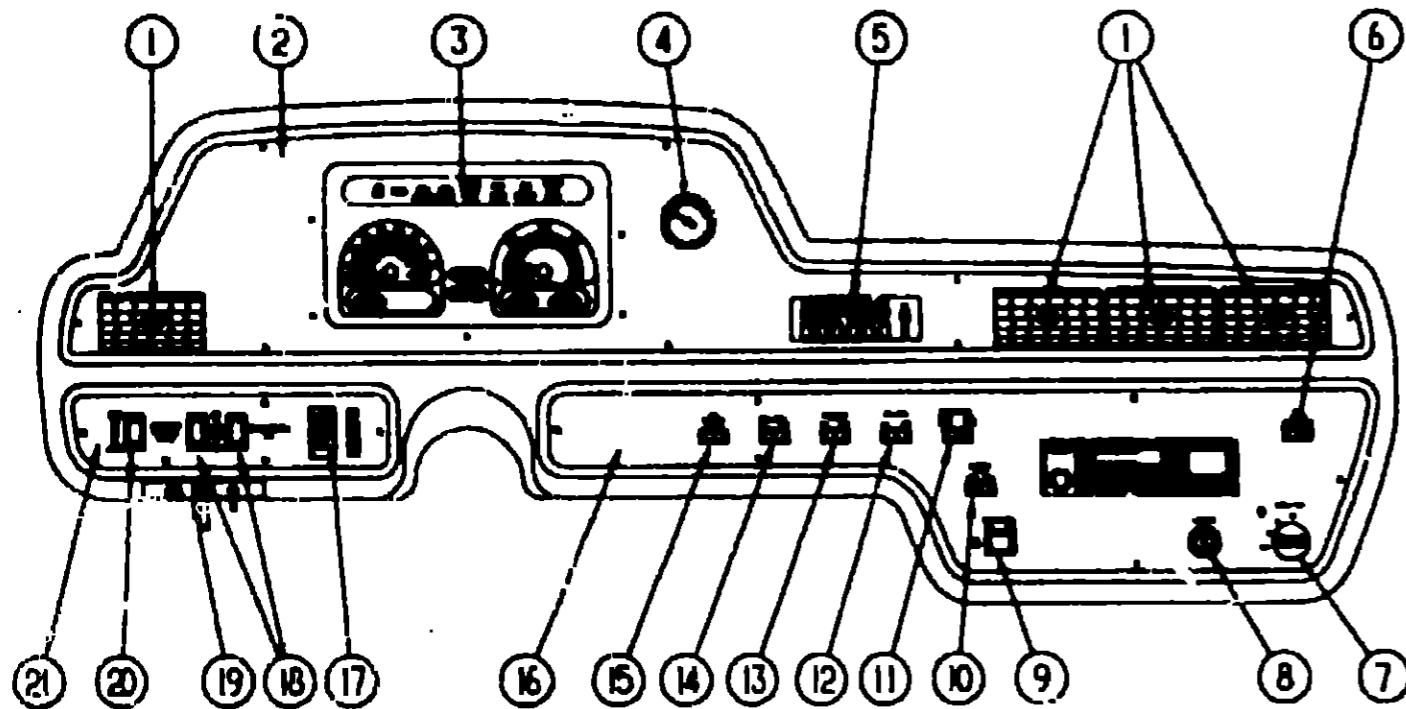
| | |
|--------------------|-------------|
| INTRODUCTION | A-01 - A-02 |
| ABBREVIATIONS | A-03 |
| ALPHABETICAL INDEX | A-04 - A-06 |
| ICN32RQ | A-07 - G-02 |
| ICN34RQ | G-03 - L-16 |

1993 ICN34RQ INDEX

| | |
|--------------------------------|-------------|
| FLOOR PLAN | G-03 - G-04 |
| ACCESSORIES | G-05 |
| AUDIO VIDEO | G-06 - G-08 |
| BATH | G-09 - G-12 |
| BEDROOM | G-13 - G-16 |
| CHASSIS | G-17 - H-08 |
| CURTAIN & CUSHION | H-09 - H-20 |
| DINETTE | H-21 - H-24 |
| DRIVERS COMPARTMENT | I-01 - I-06 |
| ELECTRICAL | I-07 - I-12 |
| EXTERIOR BODY | I-13 - I-22 |
| GALLEY | I-23 - J-06 |
| GENERATOR | J-07 - J-08 |
| HEATING & A/C | J-09 - J-12 |
| INTERIOR FINISH | J-13 - J-16 |
| LABELS | J-17 - J-24 |
| LP | K-01 - K-02 |
| LOUNGE | K-03 - K-04 |
| SEALANTS & FASTENERS | K-05 - K-08 |
| WATER & SEWAGE | K-09 - K-14 |
| WINDOW, VENT AND EXTERIOR DOOR | K-15 - L-14 |
| WINDSHIELD & VIPER | L-15 - L-16 |

| KEY | PART NUMBER | U/M DESCRIPTION |
|-----|---------------|--|
| 1 | 092584-02-02A | EA COVER-A PILLAR, DRIVER - PLASTIC - GRAY |
| 2 | 077114-08-000 | EA COVER-CENTER PILLAR, WINDSHIELD - PLASTIC - GRAY |
| | 077114-02-000 | EA COVER-CENTER PILLAR, WINDSHIELD - PLASTIC - GRAY - UNCLUT |
| 3 | 092584-01-02A | EA COVER-A PILLAR, PASSENGER - PLASTIC - GRAY |
| 4 | 092585-01-02A | EA COVER-HINGE PILLAR, PASSENGER - PLASTIC - GRAY |
| 5 | 092582-01-02A | EA PANEL-KICK, LOWER PASSENGER - PLASTIC - GRAY |
| | 097308-01-02A | EA COVER-MAP POCKET, PLASTIC - GRAY |
| 6 | 093195-01-AE6 | EA PAD-DOOR (D38) |
| | 093195-01-C32 | EA PAD-DOOR (D40) |
| 7 | 097240-01-01A | EA COVER-B PILLAR, PASS - 58" X 2.1" - PLASTIC - OFF WHITE |
| 8 | 092583-02-02A | EA PANEL-KICK, LOWER DRIVER - PLASTIC - GRAY |
| 9 | 095757-01-D38 | EA COVER ASM-HEATER |
| | 095757-01-D40 | EA COVER ASM-HEATER |
| 10 | 092406-01-000 | EA TRIM-MOTOR COVER, ALUMINUM |
| | 039623-01-000 | FT SEAL-MOTOR COVER, RUBBER BULB TYPE - BLACK |
| 11 | 097552-01-000 | EA COVER-MOTOR, W/O CARPET |
| | 075564-01-000 | EA BRACKET-MOUNTING, MOTOR COVER |
| | 092406-01-000 | EA TRIM-MOTOR COVER, ALUMINUM |
| | 039623-01-000 | FT SEAL-MOTOR COVER, RUBBER BULB TYPE - BLACK |
| 12 | 099132-01-B29 | EA TRAY ASM-BEVERAGE |
| | 098911-01-01A | EA INSERT-BEVERAGE TRAY, 2 2" X 10.8" |

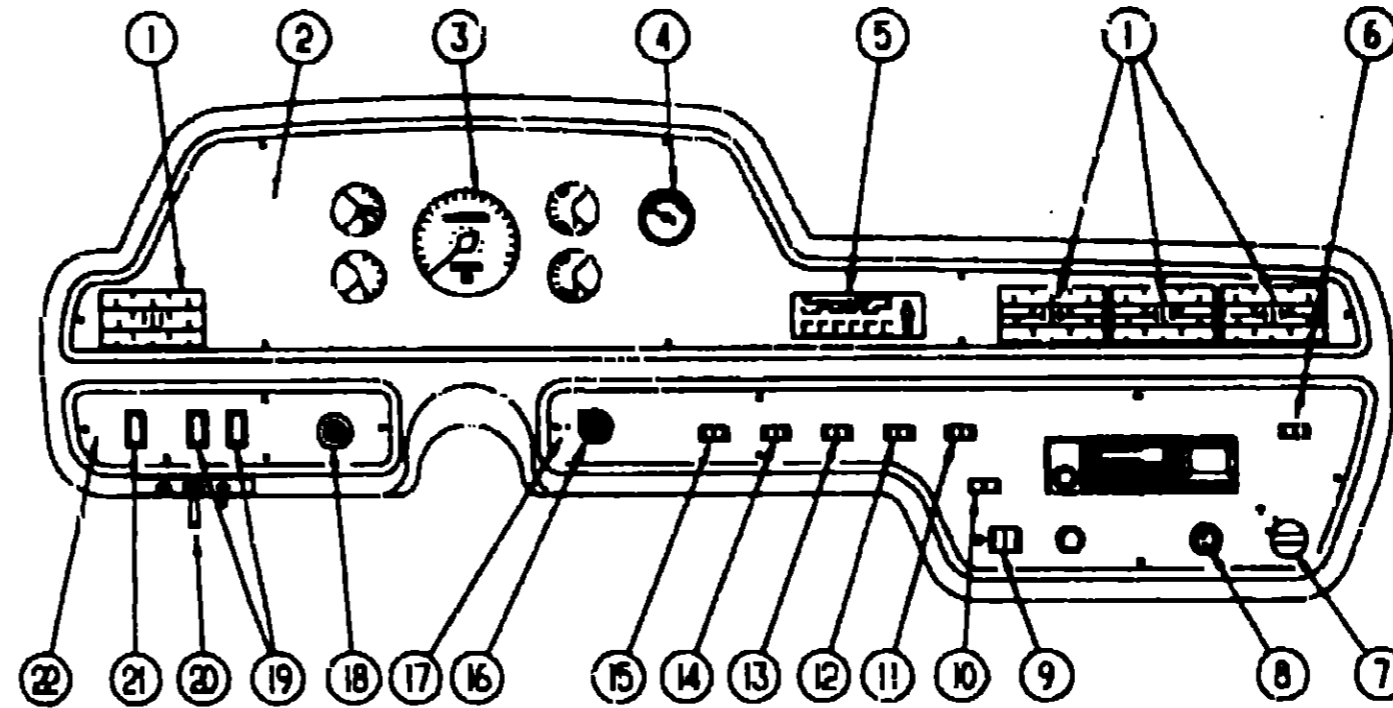
DRIVERS COMPARTMENT GROUP (CONTINUED)



DASH SWITCHES, GAUGES & COMPONENTS (CHEVY)

| KEY | PART NUMBER | U/M DESCRIPTION |
|-----|---------------|--|
| 1 | 076783-02-000 | EA LOUVER-ADJUSTABLE VENT, AIR CONDITIONING |
| 2 | 100602-06-01A | EA BEZEL-INSTRUMENT PANEL, UPPER - CHEVY |
| | 100602-08-02A | EA APPLIQUE-BEZEL INSTRUMENT PANEL - SUNFLYER |
| 3 | NOTE | EA INSTRUMENT CLUSTER-GAS, (US) CHASSIS SUPPLIED |
| | 094796-05-000 | EA INSTRUMENT CLUSTER-GAS, CANADIAN - CHEVY |
| 4 | 024460-04-000 | EA VACUUM GAUGE |
| 5 | 103930-02-700 | EA CONTROL PANEL-AIR CONDITIONING/HEAT |
| 6 | 097372-01-01A | EA SWITCH-MAP LIGHT |
| 7 | 090979-01-000 | EA PLUG-INSTRUMENT PANEL, 45° DIA |
| 7 | 087202-02-000 | EA SWITCH-REAR AUTO HEATER |
| 7 | 090977-01-000 | EA KNOB-REAR AUTO HEATER SWITCH |
| 8 | 089294-01-000 | EA LIGHTER-CIGARETTE |
| 9 | 086272-02-000 | EA SWITCH-BATTERY DISCONNECT |
| 9 | 081087-01-000 | EA LIGHT-INDICATOR, JENSEN |
| 10 | 097372-05-01A | EA SWITCH-DUAL BATTERY |
| 11 | 097372-08-01A | EA SWITCH-RADIO POWER |
| 12 | 097372-06-01A | EA SWITCH-BLANK |
| 13 | 097372-03-01A | EA SWITCH-AUXILIARY FANS |
| 14 | 097372-06-01A | EA SWITCH-BLANK |
| 15 | 097372-07-01A | EA SWITCH-COURTESY BLINKERS |
| 16 | 101024-04-01A | EA INSTRUMENT PANEL, LOWER RIGHT - CHEVY |
| | 101024-05-01A | EA APPLIQUE-INSTRUMENT PANEL, LOWER RIGHT - CHEVY |
| 17 | NOTE | EA SWITCH-HEADLAMP (CHASSIS SUPPLIED) |
| 16 | 097372-04-01A | EA LEVEL SWITCH-AIR RIDE, LEFT OR RIGHT |
| 19 | 051057-04-000 | EA SEARCHLIGHT SWITCH |
| 20 | 097372-08-01A | EA AIR RIDE MODE SWITCH |
| 21 | 101025-06-01A | EA BEZEL-INSTRUMENT PANEL, LOWER LEFT - CHEVY |
| | 101025-10-01A | EA APPLIQUE-BEZEL, INSTRUMENT PANEL - LOWER LEFT - CHEVY |

DRIVERS COMPARTMENT GROUP (CONTINUED)



DASH SWITCHES, GAUGES & COMPONENTS (FORD)

| KEY | PART NUMBER | U/M DESCRIPTION |
|-----|---------------|---|
| 1 | 076783-02-000 | EA LOUVER-ADJUSTABLE VENT, AIR CONDITIONING |
| 2 | 100602-06-01A | EA BEZEL-INSTRUMENT PANEL, UPPER - NO APPLIQUE - (FORD) |
| | 100672-09-02A | EA APPLIQUE-BEZEL, INSTRUMENT PANEL - SUNFLYER - (FORD) |
| 3 | 094794-02-000 | EA CLUSTER-INSTRUMENT, KILOMETER - FORD F0U5-10849-BB FROM: 00-00-00 THRU 09-20-92 |
| 3 | 094794-03-000 | EA CLUSTER-INSTRUMENT, KILOMETER - FORD E9TZ-17255-B FROM: 09-21-92 THRU: 99-99-99 |
| 3 | 094796-05-000 | EA CLUSTER-INSTRUMENT PANEL, KILOMETERS - GAS - GM #16156355 |
| 4 | 024460-04-000 | EA VACUUM GAUGE |
| 5 | 103930-02-700 | EA CONTROL PANEL-AIR CONDITIONING/HEAT |
| 6 | 097372-01-01A | EA MAP LIGHT SWITCH |
| 7 | 087202-02-000 | EA SWITCH-W/O KNOB, 4 POSITION |
| | 090977-01-000 | EA KNOB-SWITCH, ROTARY |
| 8 | 089294-01-000 | EA CIGARETTE LIGHTER |
| 9 | 086272-02-000 | EA AUXILIARY BATTERY DISCONNECT SWITCH |
| 10 | 097372-05-01A | EA BATTERY MODE SWITCH |
| 11 | 097372-08-01A | EA RADIO POWER SWITCH |
| 12 | 097372-01-01A | EA AIR HORN SWITCH |
| 13 | 097372-03-01A | EA AUXILIARY DEFROST FAN SWITCH |
| 14 | 097372-01-01A | EA FOG LIGHT SWITCH |
| 15 | NONE | EA OVERDRIVE CANCEL SWITCH (CHASSIS SUPPLIED) |
| 16 | 091206-02-000 | EA WINDSHIELD WIPER/WASHER SWITCH |
| 17 | 101024-04-01A | EA BEZEL-INSTRUMENT PANEL, LOWER RIGHT - (FORD & CHEVY) |
| | 101024-06-01A | EA APPLIQUE-BEZEL, INSTRUMENT PANEL, LOWER RIGHT - (FORD & CHEVY) |
| 18 | 096675-01-000 | EA HEADLIGHT SWITCH |
| 19 | 097372-04-01A | EA LEVEL SWITCH-AIR RIDE, LEFT OR RIGHT |
| 20 | 051057-04-000 | EA SEARCHLIGHT SWITCH |
| 21 | 097372-06-01A | EA AIR RIDE MODE SWITCH |
| 22 | 101025-05-01A | EA BEZEL-INSTRUMENT PANEL, LOWER LEFT - FORD |
| | 101025-08-01A | EA APPLIQUE-BEZEL, INSTRUMENT PANEL, LOWER LEFT - FORD |

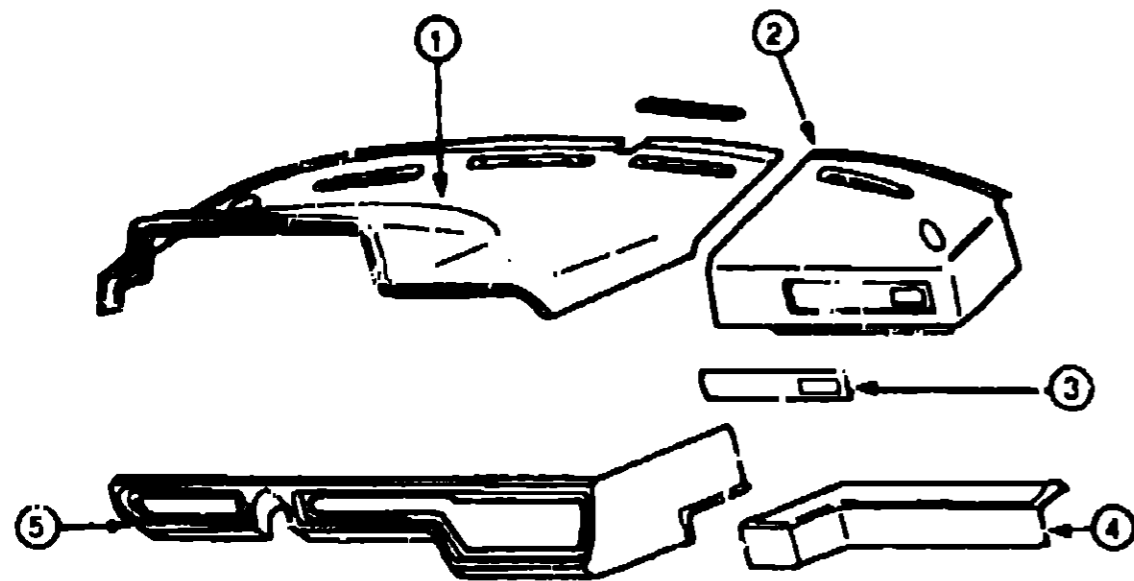
**1993 ITASCA
TABLE OF CONTENTS**

| | | |
|--------------------|--------|------|
| INTRODUCTION | A-01 - | A-02 |
| ABBREVIATIONS | | A-03 |
| ALPHABETICAL INDEX | A-04 - | A-07 |
| ICN32RQ | A-07 - | G-02 |
| ICN34RQ | G-03 - | L-16 |

1993 ICN34RQ INDEX

| | | |
|-----------------------------------|--------|------|
| FLOOR PLAN | G-03 - | G-04 |
| ACCESSORIES | | G-05 |
| AUDIO VIDEO | G-06 - | G-08 |
| BATH | G-09 - | G-12 |
| BEDROOM | G-13 - | G-16 |
| CHASSIS | G-17 - | H-08 |
| CURTAIN & CUSHION | H-09 - | H-20 |
| DINETTE | H-21 - | H-24 |
| DRIVERS COMPARTMENT | I-01 - | I-06 |
| ELECTRICAL | I-07 - | I-12 |
| EXTERIOR BODY | I-13 - | I-22 |
| GALLEY | I-23 - | J-06 |
| GENERATOR | J-07 - | J-08 |
| HEATING & A/C | J-09 - | J-12 |
| INTERIOR FINISH | J-13 - | J-16 |
| LABELS | J-17 - | J-24 |
| LP | K-01 - | K-02 |
| LOUNGE | K-03 - | K-04 |
| SEALANTS & FASTENERS | K-05 - | K-06 |
| WATER & SEWAGE | K-09 - | K-14 |
| WINDOW, VENT AND EXTERIOR DOOR | K-15 - | L-14 |
| WINDSHIELD & WIPER | L-15 - | L-16 |

DRIVERS COMPARTMENT GROUP (CONTINUED)



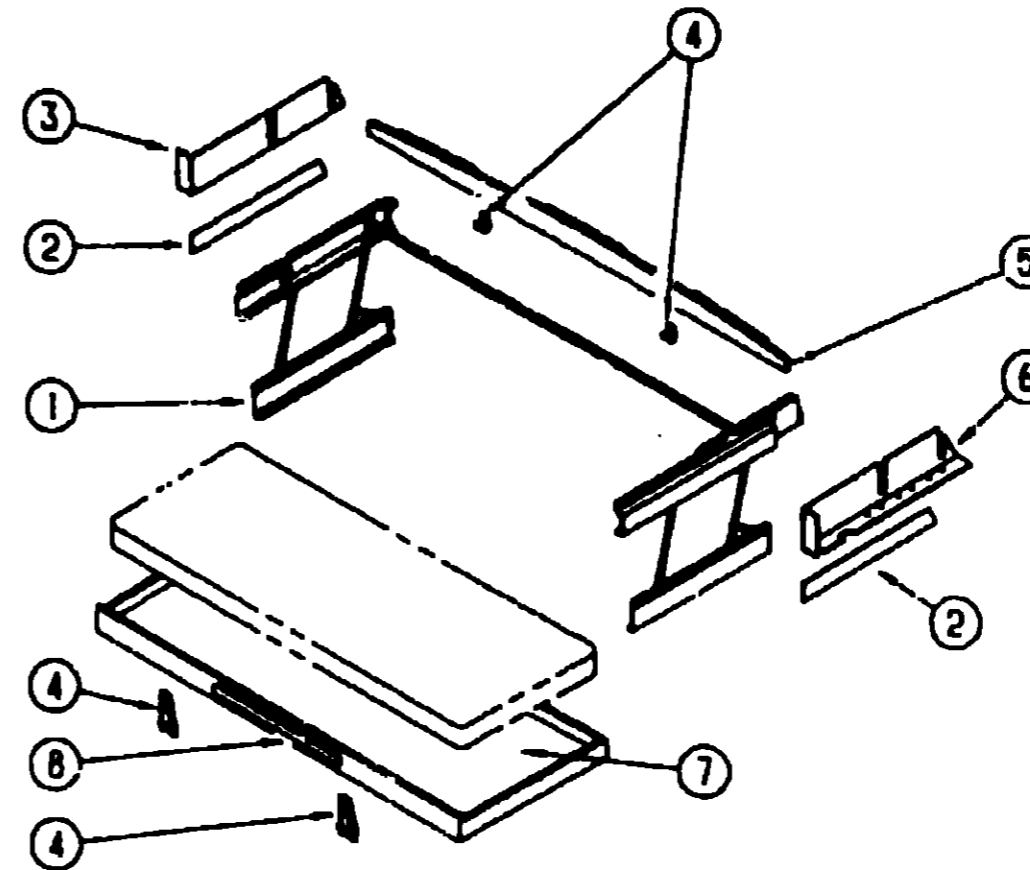
DASH & INSTRUMENT PANELS

| KEY | PART NUMBER | U/M DESCRIPTION |
|-----|---------------|---|
| 1 | 102122-02-B29 | EA TOP-PADDED DASH, DRIVER - VINYL - GRAY |
| 2 | 085252-02-Y33 | EA TOP-PADDED DASH, PASSENGER SIDE - VINYL - GRAY |
| 3 | 076797-04-000 | EA INSTRUMENT PANEL, RIGHT - MATTE |
| | 076797-05-000 | EA APPLIQUE-INSTRUMENT PANEL, RIGHT |
| 4 | 076734-04-000 | EA TRAY-INSTRUMENT PANEL, RIGHT - PLASTIC - GRAY |
| 5 | 101055-01-02A | EA DASH-INSTRUMENT PANEL LOWER LEFT - GRAY |
| | 076867-01-000 | EA BRACKET-"V" LIPPED, 3.5" X 1" - STEEL - W/O SCREW HOLE |
| | 076867-02-000 | EA BRACKET-"V" LIPPED, 8.4" X 1" - STEEL - W/SCREW HOLE |
| | 076872-01-000 | EA BRACKET-"V" LIPPED, 2.7" X 1" - STEEL - W/O SCREW HOLE |

DASH COMPONENTS

| KEY | PART NUMBER | U/M DESCRIPTION |
|-----|---------------|---|
| | 100138-01-000 | EA MODULE-DAYTIME RUNNING LIGHT |
| | 076788-01-000 | EA SOCKET-MINI BAYONET LAMP, DASH |
| | 076788-02-000 | EA CYLINDER-CARDBOARD, LAMP |
| | 076788-03-000 | EA LAMP PLATE-RECTANGULAR, W/ADHESIVE TAB |
| | 076788-04-000 | EA LAMP PLATE-DIAMOND SHAPED |
| | 077031-02-000 | EA FILM-AMBER, 1" X 1.75" |
| | 077031-01-000 | EA FILM-BLACK, 1" X 1.75" |
| | 079382-01-000 | EA SCREW-SOCKET, 8-18 X 1" - BLACK |
| | 008235-01-000 | EA FUSE-AUTOMOTIVE, 12V - 15AMP |
| | 062901-02-000 | EA FUSE-5 AMPS, AUTOMOTIVE |
| | 062901-05-000 | EA FUSE-15 AMPS, AUTOMOTIVE |
| | 062901-07-000 | EA FUSE-AUTOMOTIVE, 25 AMPS |

DRIVERS COMPARTMENT GROUP (CONTINUED)



FRONT BUNK-SINGLE

| KEY | PART NUMBER | U/M DESCRIPTION |
|-----|---------------|---|
| 1 | 076760-02-000 | EA BUNK HARDWARE-COMPLETE |
| | 076750-02-700 | EA SPRING-GAS-BUNK HARDWARE |
| 2 | 092472-02-01A | EA TRIM-SIDE, LOWER DRIVER OR PASSENGER - 15.5" - W/HOLES - OFF WHITE |
| 3 | 092471-02-01A | EA TRIM-SIDE, UPPER DRIVER - 33.25" - PLASTIC - OFF WHITE |
| 4 | 042541-04-000 | EA LATCH-W/STRIKE - BRASS |
| | 042541-05-000 | EA STRIKE-LATCH, BRASS - 2 USED |
| 5 | M93055-01-Y12 | EA BOARD-BUNK, TRIM - CEILING MOUNTED - 7.1" X 78.9" |
| | 093884-01-700 | EA HEADLINER-FRONT, OVER WINDSHIELD & ACROSS FRONT - PLASTIC |
| 6 | 092471-01-01A | EA TRIM-SIDE, UPPER PASSENGER - 33.25" - PLASTIC - OFF WHITE |
| 7 | 081717-04-Y12 | EA BED-BUNK, FRONT |
| 8 | 094658-01-B25 | EA HANDLE-BUNK, OAK |

**1993 ITASCA
TABLE OF CONTENTS**

| | |
|--------------------|-------------|
| INTRODUCTION | A-01 - A-02 |
| ABBREVIATIONS | A-03 |
| ALPHABETICAL INDEX | A-04 - A-08 |
| ICN32RQ | A-07 - G-02 |
| ICN34RQ | G-03 - L-18 |

1993 ICN34RQ INDEX

| | |
|--------------------------------|-------------|
| FLOOR PLAN | G-03 - G-04 |
| ACCESSORIES | G-05 |
| AUDIO VIDEO | G-06 - G-08 |
| BATH | G-09 - G-12 |
| BEDROOM | G-13 - G-16 |
| CHASSIS | G-17 - H-08 |
| CURTAIN & CUSHION | H-09 - H-20 |
| DINETTE | H-21 - H-24 |
| DRIVERS COMPARTMENT | I-01 - I-06 |
| ELECTRICAL | I-07 - I-12 |
| EXTERIOR BODY | I-13 - I-22 |
| GALLEY | I-23 - J-06 |
| GENERATOR | J-07 - J-08 |
| HEATING & A/C | J-09 - J-12 |
| INTERIOR FINISH | J-13 - J-16 |
| LABELS | J-17 - J-24 |
| LP | K-01 - K-02 |
| LOUNGE | K-03 - K-04 |
| SEALANTS & FASTENERS | K-05 - K-08 |
| WATER & SEWAGE | K-09 - K-14 |
| WINDOW, VENT AND EXTERIOR DOOR | K-15 - L-14 |
| WINDSHIELD & WIPER | L-15 - L-18 |

**ELECTRICAL GROUP
SWITCH, PLATES & RECEPTACLES**

| KEY | PART NUMBER | U/M | DESCRIPTION |
|-----|---------------|-----|--|
| | 088707-01-000 | EA | RECEPTACLE-ELECTRIC, SINGLE - BROWN |
| | 088707-02-000 | EA | RECEPTACLE-BLANK, JUNCTION - WIRECON WDJ208H |
| | 088708-01-000 | EA | RECEPTACLE-ELECTRIC, DOUBLE - BROWN |
| | 088708-02-000 | EA | RECEPTACLE-ELECTRIC, DOUBLE - IVORY |
| | 024824-02-000 | EA | RECEPTACLE-POWER CORD, W/PARTIAL PLATE |
| | 007940-01-000 | EA | RECEPTACLE-SLIDE, 16 TO 12 AWG - FEMALE END |
| | 084076-02-000 | EA | RECEPTACLE-GFI, 15A - 125V - BROWN |
| | 080015-02-000 | EA | RECEPTACLE-FLAG, 185 - 18/14 GA - AMP 3 |
| | 080015-01-000 | EA | RECEPTACLE-FLAG, 25 - 22/13 GA |
| | 084077-02-000 | EA | PLATE-COVER, RECEPTACLE - GFI - BROWN |
| | 087734-01-02A | EA | EXTENSION-RECEPTACLE, 3 2" X 5" X 7" - PLASTIC - BROWN |
| | 091927-01-000 | EA | COVER-RECEPTACLE, DOUBLE - IVORY |
| | 102588-01-032 | EA | SPACER-RECEPTACLE, BETWEEN SIDEWALL & PLATE - WOOD |
| | 081994-02-000 | EA | PLATE-SWITCH, EXTERIOR SHOWER |
| | 098351-01-01A | EA | PLATE-SWITCH, 1 GANG - POLISHED BRASS |
| | 098351-03-01A | EA | PLATE-SWITCH, 3 GANG - POLISHED BRASS |
| | 098351-04-01A | EA | PLATE-SWITCH, GENERATOR/DOOR LOCK - POLISHED BRASS - JENSEN FROM: 00-00-00 THRU: 12-13-92 |
| | 098351-07-01A | EA | PLATE-SWITCH, GEN SW - POLISHED BRASS - JENSEN FROM: 12-14-92 THRU: 99-99-99 |
| | 098351-05-01A | EA | PLATE-SWITCH, 3 GANG - POLISHED BRASS - JENSEN |
| | 095188-01-01A | EA | SPACER-SWITCH, 2.3" X 3.4" - PLASTIC - DARK BROWN |
| | 095188-02-01A | EA | SPACER-SWITCH, 2.3" X 4.1" - PLASTIC - DARK BROWN |
| | 079364-01-020 | EA | SWITCH-ON/OFF ROCKER, 2 PRONGS - BROWN |
| | 079364-03-000 | EA | SWITCH-ON/OFF ROCKER, 3 PRONGS - BROWN |
| | 056264-01-000 | EA | SWITCH-LEAF ACTUATOR, CABINET DOOR JAMU |
| | 086241-07-000 | EA | SWITCH-ROCKER, DPDT - ON/VON - BLACK FROM: 00-00-00 THRU: 06-14-92 |
| | 108357-08-000 | EA | SWITCH-ROCKER, DPDT ON/NONE/ON - CARLING VDD1500C-0 FROM: 06-15-92 THRU: 99-99-99 |
| | 108356-02-01A | EA | COVER-SWITCH W/DIMPLES, CARLING VVAZC00 |
| | 096241-03-000 | EA | SWITCH-BLANK FROM: 00-00-00 THRU: 12-13-92 |
| | 108357-10-000 | EA | SWITCH-ROCKER, SPDT MOM/OFF/MOM - CARLING VBD11600-0 FROM: 12-14-92 THRU: 99-99-99 |
| | 108355-01-000 | EA | HOUSING-SWITCH CARLING VCH FROM: 12-14-92 THRU: 99-99-99 |
| | 108356-05-01A | EA | COVER-GEN SET SWITCH W/GROOVES & LENS, CARLING VVLGCXX-XWB FROM: 12-14-92 THRU: 99-99-99 |

ELECTRICAL SERVICE DOORS (UNDER HOOD)

| KEY | PART NUMBER | U/M | DESCRIPTION |
|-----|---------------|-----|--|
| | 103756-01-000 | EA | DOOR-ELECTRICAL BOX |
| | 098196-01-000 | EA | LATCH-1/4 TURN, T-SAR |
| | 103873-01-000 | EA | SEAL-ELECTRICAL BOX/BULKHEAD ALFA III(215)X(215) |
| | 103987-01-000 | EA | SEAL-SOLENOID ACCESS |

WIRE HARNESS ASSEMBLIES

| KEY | PART NUMBER | U/M | DESCRIPTION |
|-----|---------------|-----|---|
| | 092845-01-000 | EA | WIRE ASSEMBLY-DRIVER DOOR CONTROL PANEL, DOOR |
| | 092845-03-000 | EA | WIRE ASSEMBLY-INSTRUMENT PANEL, DOOR |
| | 092880-01-000 | EA | WIRE-INSTRUMENT PANEL, REMOTE MIRROR |
| | 097618-01-000 | EA | WIRE ASSEMBLY-MONITOR PANEL, W/3 WIRES & ORANGE RESISTOR-LVS ORANGE RESISTOR W/3 (ORANGE-GREEN-BLUE) WIRES |
| | 100158-06-000 | EA | WIRE ASSEMBLY-DAYTIME RUNNING LIGHTS, W/FUSE |
| | 101137-01-000 | EA | WIRE ASSEMBLY-INSTRUMENT PANEL, AIR RIDE LIGHTS |
| | 101619-01-000 | EA | WIRE ASSEMBLY-INSTRUMENT PANEL, AIR RIDE CONTROL |
| | 108029-01-000 | EA | WIRE ASSEMBLY-POWER DRIVER SEAT |
| | 108030-01-000 | EA | WIRE ASSEMBLY-FOG LAMP/AIR HORN |

**ELECTRICAL GROUP (CONTINUED)
ELECTRICAL CONNECTORS**

| KEY | PART NUMBER | U/M | DESCRIPTION |
|-----|---------------|-----|---|
| | 008326-01-000 | EA | TERMINAL-RING, 16/14 WIRE - 3/8" STUD |
| | 008328-01-000 | EA | TERMINAL-RING, 12/10 WIRE - #10 STUD FIT |
| | 008331-01-000 | EA | TERMINAL-RING, TONGUE - #4 WIRE - 3/8" STUD - COPPER |
| | 008346-01-000 | EA | TERMINAL-RING, 3/8" STUD - #2 WIRE |
| | 035416-04-000 | EA | TERMINAL-RING #10 STUD FIT, INSULATED - JARFEL #18/14 |
| | 047443-01-000 | EA | TERMINAL-.250 RECEPT. FIT, INSULATED - 16/14 AWG |
| | 047443-02-000 | EA | TERMINAL-.250 RECEPT. FIT, INSULATED - 12/10 AWG |
| | 062036-02-000 | EA | TERMINAL-PACK-COR, 16/14 AWG |
| | 079378-01-000 | EA | TERMINAL-WEDGE BASE, 18 AWG |
| | 104100-01-000 | EA | HOUSING-1 POSITION, 75 AMP AMP 53884-1 |
| | 106006-01-000 | EA | HOUSING-1 POSITION, FEMALE - PACKARD 12015952 |
| | 108311-01-000 | EA | CONNECTOR-WIRE NUT, INSULATED - RED |
| | 008312-01-000 | EA | CONNECTOR-WIRE NUT, INSULATED - BLUE |
| | 008314-01-000 | EA | CONNECTOR-WIRE NUT, INSULATED - GRAY |
| | 008355-01-000 | EA | CONNECTOR-CABLE CLAMPING, 3/4" |
| | 008356-01-000 | EA | CONNECTOR-PLASTIC, 3/8" AVG |
| | 008398-01-000 | EA | CONNECTOR-1/2" X 90 DEGREE, FLEX CONDUIT - UL AND CSA |
| | 041480-01-000 | EA | CONNECTOR-STRAIGHT, 1/2" FLEX CONDUIT |
| | 058028-01-000 | EA | CONNECTOR-ELECTRICAL PIGTAIL, NYLON - CLEAR |
| | 088476-01-000 | EA | SOCKET-CONNECTOR |
| | 088475-02-000 | EA | SOCKET-CONNECTOR 12-10 GA |
| | 067789-03-000 | EA | SOCKET-LIGHT, W/6" BROWN/WHITE LEAD |
| | 088475-01-000 | EA | PIN-CONNECTOR |
| | 098475-02-000 | EA | PIN-CONNECTOR |
| | 082740-01-000 | EA | CONNECTOR-PLASTIC BODY-2 MALE SPADES |
| | 082741-01-000 | EA | CONNECTOR BODY-2 CNCT MALE SERV ELEC 2P-FYL |
| | 088475-01-000 | EA | PIN-CONNECTOR, 14 TO 20 AWG |
| | 088475-02-000 | EA | PIN-CONNECTOR, 10 TO 12 AWG |
| | 088476-01-000 | EA | SOCKET-CONNECTOR, BRASS - PRE-TIN |
| | 088476-02-000 | EA | SOCKET-CONNECTOR, 12-10 GA - PHOS. BRZ - PRE-TIN |
| | 104100-01-000 | EA | HOUSING-1 POSITION, 75 AMP AMP 53884-1 |
| | 102006-01-000 | EA | HOUSING-1 POSITION, FEMALE - PACKARD 12015952 |
| | 062037-01-000 | EA | HOUSING-AUTO FUSE, NATURAL |
| | 062037-02-000 | EA | HOUSING-AUTO FUSE, GREEN |
| | 062037-03-000 | EA | HOUSING-AUTO FUSE, BLACK |
| | 062037-04-000 | EA | HOUSING-AUTO FUSE, BLUE |
| | 062037-05-000 | EA | HOUSING-AUTO FUSE, GRAY |
| | 062037-06-000 | EA | HOUSING-AUTO FUSE, BROWN |
| | 063910-01-000 | EA | HOUSING-RELAY, BOSCH 3 334 485 008 |
| | 088473-01-000 | EA | HOUSING-PIN, 12 CAVITY - AMP 1-480708-0 |
| | 088473-03-000 | EA | HOUSING-PIN, 9 CAVITY - AMP 1-480706-0 |
| | 088473-05-000 | EA | HOUSING-PIN, 6 CAVITY - AMP 640585-1 |
| | 088473-06-000 | EA | HOUSING-PIN, 6 CAVITY - AMP 1-480704-0 |
| | 088473-08-000 | EA | HOUSING-PIN, 4 CAVITY - AMP 1-480702-0 |
| | 089473-09-000 | EA | HOUSING-PIN, 3 CAVITY - AMP 1-480700-0 |
| | 086473-10-000 | EA | HOUSING-PIN, 2 CAVITY - AMP 1-480698-0 |
| | 088474-01-000 | EA | HOUSING-SOCKET, 12 CAVITY - AMP 1-480709-0 |
| | 088474-02-000 | EA | HOUSING-SOCKET, 12 CAVITY - AMP 1-480711-0 |
| | 088474-03-000 | EA | HOUSING-SOCKET, 9 CAVITY - AMP 1-480707-0 |
| | 088474-06-000 | EA | HOUSING-SOCKET, 6 CAVITY - AMP 1-480705-0 |
| | 088474-08-000 | EA | HOUSING-SOCKET, 4 CAVITY - AMP 1-480703-0 |
| | 089474-09-000 | EA | HOUSING-SOCKET, 3 CAVITY - AMP 1-480701-0 |
| | 086474-10-000 | EA | HOUSING-SOCKET, 2 CAVITY - AMP 1-480699-0 |
| | 108669-01-000 | EA | HOUSING-AUTO FUSE HOLDER PACKARD 12010105 |
| | 100690-01-000 | EA | HOUSING-5 PIN, WEATHER PACK |
| | 101571-01-000 | EA | HOUSING-2 POSITION, MALE |
| | 101751-01-000 | EA | HOUSING-1 PIN, WEATHER PACK |
| | 101751-02-000 | EA | HOUSING-1 PIN, WEATHER PACK |
| | 082109-01-000 | EA | HOUSING-CONNECTOR, PACKARD |
| | 110178-01-000 | EA | HOUSING-WIPER MOTOR UT6237440-EC25WJ FROM: 12-14-92 THRU: 99-99-99 |

**1993 ITASCA
TABLE OF CONTENTS**

| | | |
|--------------------|------|------|
| INTRODUCTION | A-01 | A-02 |
| ABBREVIATIONS | | A-03 |
| ALPHABETICAL INDEX | A-04 | A-13 |
| ICN32RQ | A-07 | G-02 |
| ICN34RQ | G-03 | L-18 |

1993 ICN34RQ INDEX

| | | |
|----------------------|------|------|
| FLOOR PLAN | G-03 | G-04 |
| ACCESSORIES | | G-05 |
| AUDIO VIDEO | G-06 | G-08 |
| BATH | G-09 | G-12 |
| BEDROOM | G-13 | G-16 |
| CHASSIS | G-17 | H-08 |
| CURTAIN & CUSHION | H-09 | H-20 |
| DINETTE | H-21 | H-24 |
| DRIVERS COMPARTMENT | I-01 | I-06 |
| ELECTRICAL | I-07 | I-12 |
| EXTERIOR BODY | I-13 | I-22 |
| GALLEY | I-23 | J-06 |
| GENERATOR | J-07 | J-08 |
| HEATING & A/C | J-09 | J-12 |
| INTERIOR FINISH | J-13 | J-18 |
| LABELS | J-17 | J-24 |
| LP | K-01 | K-02 |
| LOUNGE | K-03 | K-04 |
| SEALANTS & FASTENERS | K-05 | K-08 |
| WATER & SEWAGE | K-09 | K-14 |
| WINDOW, VENT AND | | |
| EXTERIOR DOOR | K-15 | L-14 |
| WINDSHIELD & WIPE | L-15 | L-18 |

ELECTRICAL GROUP (CONTINUED)

MISCELLANEOUS ELECTRICAL COMPONENTS

| KEY | PART NUMBER | U/M DESCRIPTION |
|-----|---------------|---|
| | 109171-01-000 | EA CONVERTER-40 AMP ELECTRONIC MAGNETEK 7240X |
| | 084809-01-000 | EA LOAD CENTER-240V - 12SA - TPL412CT |
| | 109677-01-000 | EA LOAD CENTER-120V, 40A WESCO TT120FLONM |
| | 036198-01-000 | EA BULB-12V, #134 - .27AMP - BAYONETTE |
| | 087479-01-000 | EA BULB-12V, NUMBER: 1076 |
| | 087789-02-000 | EA SOCKET-LAMP |
| | 077000-01-000 | EA SOCKET ASM-W/8" PIGTAIL LEADS |
| | 007942-01-000 | EA TAB-WIRE, 18 TO 14 AWG |
| | 007949-01-000 | EA TAB-HOUSING, 1 POSITION |
| | 073328-84-000 | EA CABLE ASSEMBLY-BATTERY, W/TERMINALS |
| | 088751-01-000 | FT CABLE-BATTERY, 1/0 AWG, STRANDED, RED |
| | 077479-01-000 | EA BOOT-BATTERY TERMINAL, DOUBLE CABLE |
| | 077479-02-000 | EA BOOT-BATTERY TERMINAL, SINGLE CABLE |
| | 041953-01-000 | FT CONDUIT-CONVOLUTE SLIT, .57" ID |
| | 041953-03-000 | FT CONDUIT-CONVOLUTE SLIT, 1" ID (CLOTHES ROD COVER) |
| | 041953-05-000 | FT CONDUIT-CONVOLUTE SOLID, .62" ID |
| | 041953-06-000 | FT CONDUIT-CONVOLUTE, SLIT .375" ID |
| | 041953-07-000 | FT CONDUIT-CONVOLUTE, SLIT - .25" ID |
| | 041953-08-000 | FT CONDUIT-CONVOLUTE, SLIT, 1.50" ID |
| | 041953-09-000 | FT CONDUIT-CONVOLUTE, SLIT .50" ID |
| | 041953-10-000 | FT CONDUIT-CONVOLUTE, SLIT - .75" ID |
| | 041953-12-000 | FT CONDUIT-CONVOLUTE, NON SLIT 1.1" ID |
| | 008288-02-000 | EA BOX-ELECTRIC, PLASTIC - 3.94' X 3.13' X 1.81' FROM: 00-00-00 THRU: 10-25-92 |
| | 008289-01-000 | EA BOX-ELECTRIC, STEEL - 1/2" AND 3/4" KNOCKOUTS - 4" X 4" |
| | 008289-02-000 | EA BOX-ELECTRIC, 4" X 4" - 1/2" & 3/4" KNOCKOUTS - CANADIAN |
| | 058049-01-000 | EA BOX-ELECTRIC SWITCH, 2" X 3" X 2.25" |
| | 074890-01-000 | EA BOX-EXTENSION, STEEL - OPEN SIDES - 4" X 4" X 1/2" |
| | 093257-01-000 | EA BOX-ELECTRICAL, CIRCUIT BREAKER |
| | 091213-01-000 | EA BOX-CIRCUIT BREAKER- W/KNOCKOUTS - 5 3/4" X 11 8/8" X 2 5/8" |
| | 091910-01-000 | EA BOX-ELECTRIC, 3.75" X 3.5" X 1.75" - PLASTIC |
| | 091910-02-000 | EA BOX-ELECTRICAL, PLASTIC - 57 X 88MM FROM: 11-06-92 THRU: 99-99-99 |
| | 008288-01-000 | EA BOX-PLASTIC ELECTRIC, 3" X 3 1/2" |
| | 092492-06-000 | EA SEAL-ELECTRICAL BOX ALFA III (195X267) |
| | 074897-01-000 | EA COVER-ELECTRIC BOX, 1 LARGE & 2 SMALL HOLES - 4" X 4" |
| | 075736-02-000 | EA COVER-EXTERIOR RECEPTACLE, OFF WHITE |
| | 069138-01-000 | EA COVER-ELECTRICAL BOX, WHOLE - 4" X 4" - GRAY - USED /30 AMP RECEPTACLE |
| | 008254-01-000 | EA COVER-ELECTRICAL BOX, BLANK/STEEL - 4" X 4" - GRAY |
| | 008294-02-000 | EA COVER-ELECTRICAL BOX, BLANK STEEL - 4" X 4" - CANADIAN |
| | 054250-04-000 | EA COVER-ANGLED, W/O HOLE - 3 6/8" X 4 5/8" - PLASTIC - OFF WHITE |
| | P03751-01-000 | EA PLATE-ELECTRICAL ACCESS |
| | 092786-02-000 | EA BUSS BAR-3 3/8" LONG |
| | 092786-02-000 | EA BUSS BAR-6.9" LONG |
| | 087949-01-000 | EA BUSS BAR-2 POSITION |
| | 087949-03-000 | EA BUSS BAR-4 POSITION |
| | 104100-03-000 | EA TERMINAL-75 AMP AMP 53680-4 LOOSE |
| | 106655-01-000 | EA TERMINAL-FUSE BLOCK, 14-16AWG PACKARD 12020321 |
| | 100341-01-000 | EA FUSE HOLDER IN LINE TYPE, WESCO 9931-92020 |
| | 008752-01-000 | EA CORD-POWER, 10/3 - 30 AMP - 25' - CANADIAN |
| | 008054-01-000 | EA CORD-POWER, 10/3 - 30 AMP - 25' |
| | 008054-02-000 | EA CORD-POWER, 10/3 - 30 AMP - 33' |
| | 092965-01-000 | EA BRACKET-POWER CORD |
| | 063912-02-000 | EA RELAY-CANISTER, SPDT W/RESIST |
| | 008188-01-000 | EA SOLENOID-3 POST, BATTERY CHANGE OVER |
| | 007093-01-000 | EA FLASHER-SIGNAL STAT |
| | 086233-01-000 | EA STUD ISOLATED, 3/8" X 7/8" LONG |

ELECTRICAL GROUP (CONTINUED)

INTERIOR LIGHTS

| KEY | PART NUMBER | U/M DESCRIPTION |
|-----|---------------|--|
| | 065202-18-000 | EA LAMP-WALL, BRASS |
| | 035201-09-000 | EA SHADE-LAMP, FABRIC - PARCHMENT |
| | 065202-17-000 | EA LAMP-WALL, BRASS |
| | 065201-10-000 | EA SHADE-LAMP, FABRIC - TABLE - #900LPSP |
| | 082686-11-000 | EA LAMP-TABLE, BRASS |
| | 082686-12-000 | EA LAMP-TABLE, BRASS - CANADIAN |
| | 083978-01-000 | EA WASHER-MOUNTING, LAMP |
| | 093575-02-01A | EA LIGHT-CEILING - GLASS & BRASS - US |
| | 093575-03-01A | EA LIGHT-CEILING, RECTANGULAR - GLASS & BRASS - CANADIAN |
| | 008218-01-000 | EA BULB |
| | 077026-01-000 | EA LENS-COURTESY LIGHT, CLEAR |
| | 091937-04-000 | EA LIGHT-FLUORESCENT, 12 W/30 WATT - 20 7/8" LONG - THIN LITE |
| | 091937-05-700 | EA BULB FLOURESCENT 12" |
| | 091937-05-000 | EA LIGHT-FLUORESCENT, 12W/16 WATT - 15" LONG - THIN LITE 732 |
| | 091937-05-700 | EA BULB FLOURESCENT 12" |
| | 098024-01-G1A | EA LIGHT-DOME, 1 BULB - US - IVORY |
| | 008218-01-000 | EA BULB-DOME LIGHT, 12V - NUMBER 1141 |
| | 098024-01-700 | EA LENS-DOME LIGHT |
| | 061424-01-000 | EA LIGHT-AISLE, 12V - RECTANGULAR |
| | 008103-01-000 | EA BULB-DASH/AISLE LIGHT, #53 - 12 V - 12 AMP |
| | 087694-01-000 | EA LIGHT-WARDROBE/CLOSET, W/SWITCH |
| | 087694-01-700 | EA BULB GE561 |
| | 087694-02-000 | EA LIGHT-WARDROBE/CLOSET, W/SWITCH WIRE |
| | 087694-01-700 | EA BULB GE561 |
| | 090353-18-000 | EA LIGHT-READING, DOUBLE - BLACK |
| | 036196-01-000 | EA BULB |
| | 082169-01-000 | EA LIGHT-MAKE-UP, 3 BULB - JENSEN X148-16BR FROM: 00-00-00 THRU: 12-13-92 |
| | 081633-01-700 | EA BULB-MAKE UP LIGHT, JENSEN |
| | 110235-01-01A | EA LIGHT-MAKE UP, 3 BULB PANLESS PD PD200-621 BRASS FROM: 12-14-92 THRU: 99-99-99 |
| | 081633-01-700 | EA BULB-MAKE UP LIGHT, JENSEN |
| | 007309-01-000 | EA LIGHT-STEP WELL, ROUND - 12V |
| | 066280-01-000 | EA LIGHT-SURFACE MOUNT, 12V - JENSEN 1236 |
| | 085280-01-700 | EA BULB |

CIRCUIT BREAKERS

| KEY | PART NUMBER | U/M DESCRIPTION |
|-----|---------------|---|
| | 108567-01-000 | EA CIRCUIT BREAKER-40A, 12V - FASCO 17414053 |
| | 083209-01-000 | EA CIRCUIT BREAKER-15 AMP, 120V - BW G-15 - CANADIAN |
| | 083209-03-000 | EA CIRCUIT BREAKER-15/20AMP, 120V - BW 0-15/20 |
| | 083209-04-000 | EA CIRCUIT BREAKER-30AMP, 120V - BW L-30 |
| | 083209-05-000 | EA CIRCUIT BREAKER-20A, 120V - BW J-20 |
| | 083209-06-000 | EA CIRCUIT BREAKER-30/15 AMP, 120V - BW D-30/15 |
| | 083209-07-000 | EA CIRCUIT BREAKER-20/20 AMP, 120V - BW K-20/20 |
| | 093554-01-000 | EA CIRCUIT BREAKER-6A, 12V - USD 17406-4E12A2A |
| | 093554-02-000 | EA CIRCUIT BREAKER-15A, 12V - USD 17415-4E12A2A |
| | 093555-01-000 | EA CIRCUIT BREAKER-25A, 12V - USD 17425-4E03A2A |
| | 093555-02-000 | EA CIRCUIT BREAKER-30A, 12V - USD 17430-4E03A2A |
| | 093555-03-000 | EA CIRCUIT BREAKER-40A, 12V - USD 17440-4E03A2A |
| | 094810-01-000 | EA CIRCUIT BREAKER-30A, 120V - GE THQL2130 |
| | 094811-01-000 | EA CIRCUIT BREAKER-20/20A, 120V - GE THQL2120 |
| | 044466-03-000 | EA CIRCUIT BREAKER W/MOUNT-25A, 12V - FASCO 1711-2518 |
| | 097611-01-000 | EA CIRCUIT BREAKER-10A, 12V - VB3-A10-F57 |
| | 093674-01-000 | EA PLATE-CIRCUIT BREAKER, HOUSE - 8.4" X 4.1" - STEEL |
| | 044466-03-000 | EA CIRCUIT BREAKER W/MOUNT-25A, 12V - FASCO 1711-2518 |
| | 097611-01-000 | EA CIRCUIT BREAKER-10A, 12V - VB3-A10-F57 |
| | 092941-01-000 | EA CABLE ASM-CIRCUIT BREAKER, POWER SEAT |
| | 103991-02-000 | EA WIRE ASM-CIRCUIT BREAKER, POWER |

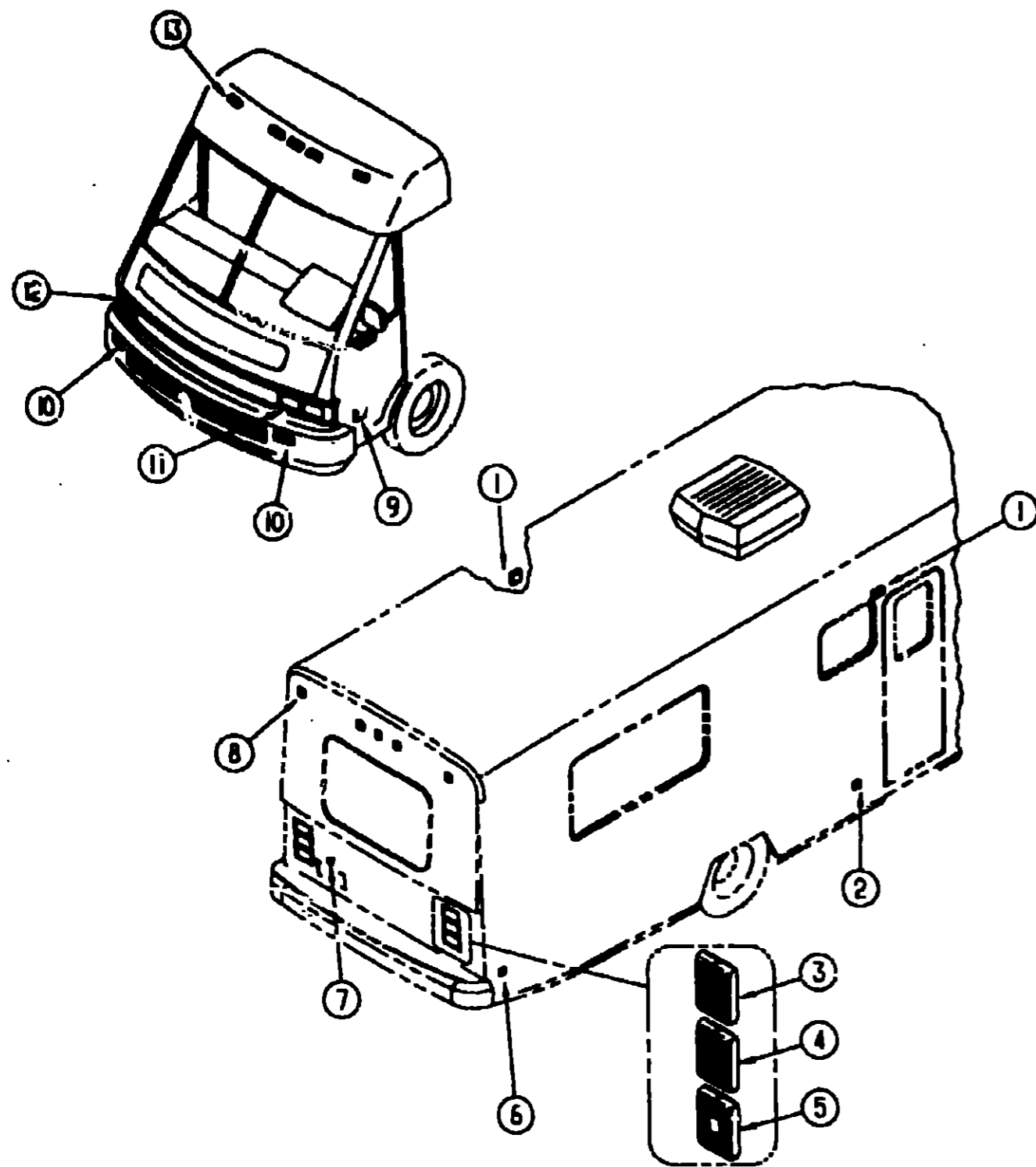
**1993 ITASCA
TABLE OF CONTENTS**

| | | |
|--------------------|--------|------|
| INTRODUCTION | A-01 - | A-02 |
| ABBREVIATIONS | | A-03 |
| ALPHABETICAL INDEX | A-04 - | A-08 |
| ICN32RQ | A-07 - | G-02 |
| ICN34RQ | G-03 - | L-16 |

1993 ICN34RQ INDEX

| | | |
|----------------------|--------|------|
| FLOOR PLAN | G-03 - | G-04 |
| ACCESSORIES | | G-05 |
| AUDIO VIDEO | G-06 - | G-08 |
| BATH | G-09 - | G-12 |
| BEDROOM | G-13 - | G-16 |
| CHASSIS | G-17 - | H-08 |
| CURTAIN & CUSHION | H-09 - | H-20 |
| DINETTE | H-21 - | H-24 |
| DRIVERS COMPARTMENT | I-01 - | I-06 |
| ELECTRICAL | I-07 - | I-12 |
| EXTERIOR BODY | I-13 - | I-22 |
| GALLEY | I-23 - | J-06 |
| GENERATOR | J-07 - | J-08 |
| HEATING & A/C | J-09 - | J-12 |
| INTERIOR FINISH | J-13 - | J-16 |
| LABELS | J-17 - | J-24 |
| LP | K-01 | K-02 |
| LOUNGE | K-03 - | K-04 |
| SEALANTS & FASTENERS | K-05 - | K-08 |
| WATER & SEWAGE | K-09 - | K-14 |
| WINDOW, VENT AND | | |
| EXTERIOR DOOR | K-15 - | L-14 |
| WINDSHIELD & WIPER | L-15 - | L-16 |

ELECTRICAL GROUP (CONTINUED)



EXTERIOR LIGHTS

| KEY | PART NUMBER | U/M DESCRIPTION |
|-----|---------------|---|
| 1 | 097917-01-01A | EA LIGHT-PORCH, ENTRY DOOR - OFF WHITE |
| | 008215-01-00C | EA BULB-12V, #1003 - .94AMP |
| | 097917-01-700 | EA LENS-LIGHT, PORCH |
| 2 | 042405-03-000 | EA BASE-CLEARANCE/SIDEMARKER LIGHT W/BULB - PLASTIC - WHITE |
| | 042405-02-000 | EA LENS-CLEARANCE/SIDEMARKER LIGHT, W/REFLEX - RED |
| | 091983-01-000 | EA GASKET-CLEARANCE/SIDEMARKER LIGHT |
| 3 | 089297-01-000 | EA LIGHT-TURN, W/RED LENS |
| | 037935-01-000 | EA BULB-#1157 - 12 V - 2.1 AMP |
| 4 | 069292-01-000 | EA LIGHT-TURN, W/AMBER LENS |
| | 037935-01-000 | EA BULB-12V, #1157 OR #2057 - 2.1 AMP - CLEAR GLASS |
| | 076345-02-000 | EA SOCKET-PARK/TURN LAMP |

ELECTRICAL GROUP (CONTINUED)
EXTERIOR LIGHTS (CONTINUED)

| KEY | PART NUMBER | U/M DESCRIPTION |
|-----|---------------|---|
| 5 | 086200-01-000 | EA LIGHT-BACKUP, W/RED & CLEAR LENS |
| | 037934-01-000 | EA BULB-12V, #1158 - 2.1 AMP - CLEAR GLASS |
| | 085008-04-000 | EA WIRE ASM-TAILLIGHT EXTEND |
| 6 | 042405-01-000 | EA LENS-CLEARANCE/SIDEMARKER LIGHT, W/REFLEX - RED |
| | 042405-03-000 | EA BASE-CLEARANCE/SIDEMARKER LIGHT W/BULB - PLASTIC - WHITE |
| | 008213-01-000 | EA BULB |
| | 091983-01-000 | EA GASKET-CLEARANCE/SIDEMARKER LIGHT |
| 7 | 007309-01-000 | EA LIGHT-LICENSE PLATE |
| | 093385-01-000 | EA BRACKET-LICENSE PLATE |
| 8 | 102570-02-000 | EA LIGHT-CLEARANCE, W/O SOCKET CONNECTIONS - RED |
| | 067783-02-000 | EA SOCKET |
| | 063474-01-000 | EA HOUSING-SOCKET, 3 CAVITY - AMP 1-480701-0SOCKET |
| | 088476-01-000 | EA SOCKET-CONNECTOR, BRASS - PRE-TIN |
| | 102541-01-000 | EA GASKET-CLEARANCE LIGHT |
| | 036196-01-000 | EA BULB-12V - #129- 27AMP |
| | 102540-01-000 | EA SEAL-SCREW, ROUND - RUBBER |
| 9 | 089362-01-000 | EA LIGHT-SIDE MARKER, AMBER LENSE & BASE |
| | 067789-03-000 | EA SOCKET |
| | 008103-01-000 | EA BULB-DASH/AISLE LIGHT, #53 - 12 V - .12 AMP |
| 10 | 076345-01-000 | EA LENS-PARK/TURN LAMP, 2.7" X 8" |
| | 076345-02-000 | EA SOCKET-PARK/TURN LAMP |
| | 037936-01-000 | EA BULB-12V, #1157A - 12 V - 2.1 AMP - AMBER GLASS |
| 11 | 049188-01-000 | EA HEADLAMP CAPSULE-DRIVER, HIGH BEAM - W/UNPAINTED RING |
| 11 | 049186-01-000 | EA HEADLAMP CAPSULE-DRIVER, HIGH/LOW BEAM - W/UNPAINTED RING |
| 12 | 049187-01-000 | EA HEADLAMP CAPSULE-PASS, HIGH BEAM - W/UNPAINTED RING |
| 12 | 049185-01-000 | EA HEADLAMP CAPSULE-PASS, HIGH/LOW BEAM - W/O UNPAINTED RING |
| | 111783-01-01A | EA BRACKET-HEADLAMP, QUAD - RH - MILL |
| | 110783-02-01A | EA BRACKET-HEADLAMP, QUAD - LH - MILL |
| | 050030-02-000 | EA HOUSING-HEADLAMP WIRING, HIGH BEAM |
| | 063749-01-000 | EA HOUSING-HEADLAMP WIRING, LOW BEAM |
| | 049359-01-000 | EA SPRING-RETAINER, HEADLAMP - GM 496096 |
| | 073302-01-000 | EA SCREW-ADJUSTING, HEADLAMP |
| | 110750-01-000 | EA SCREW-ADJ-HEADLAMP ADJUSTING TYPAN B62258-1428 |
| | 074048-01-000 | EA INSERT-KNURLED, BRASS - #8 - 32 (FOR HEADLAMP SCREWS) |
| | 096674-01-030 | EA NUT-HEADLAMP, BLACK |
| 13 | 081250-01-000 | EA LIGHT-FRONT CLEARANCE, AMBER - LENS AND BASE ONLY |
| | 091983-01-000 | EA GASKET-CLEARANCE/SIDEMARKER LIGHT |
| | 081250-01-700 | EA LENS-LIGHT-CLEARANCE |
| | 036196-01-000 | EA BULB-12V - #129- 27AMP |
| | 087201-01-000 | EA LIGHT-HALF ROUND, DUMP VALVE - 1" X 1.7" - PLASTIC - BLACK |
| | 007309-01-000 | EA LIGHT-STEP WELL - 12V |

SPOTLIGHT

| KEY | PART NUMBER | U/M DESCRIPTION |
|-----|---------------|--|
| | 051057-02-000 | EA SEARCHLIGHT-POWER DRIVEN, SPARTON |
| | 051057-01-700 | EA PANEL ASM-SWITCH, AUX - A010043 |
| | 051057-01-702 | EA SWITCH-JOY, W/HOUSING - C030029-01 |
| | 051057-01-703 | EA SWITCH-TOGGLE, ON/OFF - A610003-01 |
| | 051057-01-704 | EA SWITCH-MICRO, SPARTON B610001-01 |
| | 051057-01-705 | EA BULB-SEARCHLIGHT, SPARTON C-8491 |
| | 051057-01-705 | EA BASE-MOTOR, W/GEAR ASM - SPARTON B10052 |

FOG LIGHTS

| KEY | PART NUMBER | U/M DESCRIPTION |
|-----|---------------|--|
| | 088747-03-000 | EA LAMP-FOG, CLEAR LENS - PER LUX 550 SERIES |
| | 088747-03-700 | EA COVER-LIGHT, FOG - PER LUX 050-005835 |
| | 088747-03-701 | EA BEZEL-LIGHT, FOG - PER LUX 050-005001 |

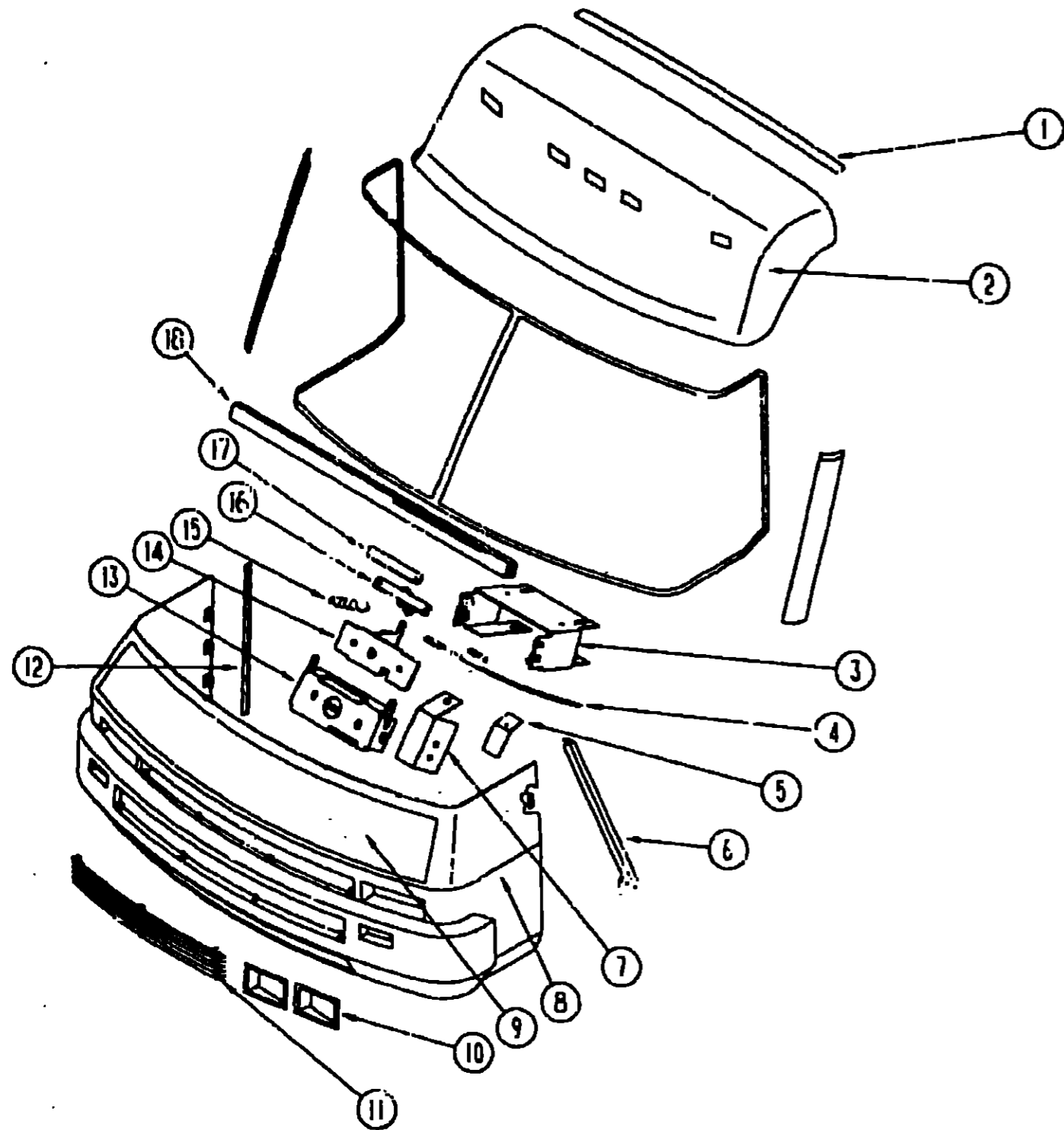
1993 ITASCA
TABLE OF CONTENTS

| | |
|--------------------|-------------|
| INTRODUCTION | A-01 - A-02 |
| ABBREVIATIONS | A-03 |
| ALPHABETICAL INDEX | A-04 - A-06 |
| ICN34RQ | A-07 - G-02 |
| ICN34RQ | G-03 - L-16 |

1993 ICN34RQ INDEX

| | |
|----------------------|-------------|
| FLOOR PLAN | G-03 - G-04 |
| ACCESSORIES | G-05 |
| AUDIO VIDEO | G-06 - G-08 |
| BATH | G-09 - G-12 |
| BEDROOM | G-13 - G-16 |
| CHAIR | G-17 - H-08 |
| CURTAIN & CUSHION | H-09 - H-20 |
| MINETTE | H-21 - H-24 |
| DRIVERS COMPARTMENT | I-01 - I-06 |
| ELECTRICAL | I-07 - I-12 |
| EXTERIOR BODY | I-13 - I-22 |
| GALLEY | I-23 - J-06 |
| GENERATOR | J-07 - J-08 |
| HEATING & A/C | J-09 - J-12 |
| INTERIOR FINISH | J-13 - J-15 |
| LABELS | J-17 - J-24 |
| LP | K-01 - K-02 |
| LOUNGE | K-03 - K-04 |
| SEALANTS & FASTENERS | K-05 - K-08 |
| WATER & SEWAGE | K-09 - K-14 |
| WINDOW, VENT AND | |
| EXTERIOR DOOR | K-15 - L-14 |
| WINDSHIELD & WIPER | L-15 - L-16 |

**EXTERIOR BODY GROUP
FRONT END COMPONENTS**



| KEY | PART NUMBER | U/M DESCRIPTION |
|-----|---------------|--|
| | 109836-01-000 | EA STRAP-FENDER, FRONT W/30 DEGREE BEND - 12.8" X 1.5" - ST - 2 USED |
| | 099835-02-000 | EA STRAP-FENDER, FRONT W/30 DEGREE BEND - 12.8" X 1.5" - ST - 2 USED |
| | 093357-02-000 | EA BRACKET ASM-HOOD, BUMPER - LOWER |
| | 076696-01-000 | EA BRACKET-HINGE MOUNTING, HOOD |
| | 078710-02-000 | EA BRACKET-LATCH, INCLUDED WITH HOOD |
| | 085496-05-010 | EA HINGE-HOOD, UPPER PASSENGER |
| | 085496-06-000 | EA HINGE-HOOD, UPPER DRIVER |
| | 093851-01-Y35 | EA HINGE-HOOD, PASSENGER |
| | 093851-02-Y35 | EA HINGE-HOOD, DRIVER |
| | 093227-01-01A | EA HINGE-HOOD, LOWER - PASSENGER |
| | 093227-02-01A | EA HINGE-HOOD, LOWER - DRIVER |
| | 077252-01-000 | EA PIN-HINGE |
| | 058786-01-000 | EA BOLT-HOOD ADJUSTING |
| | 058786-02-000 | EA BOLT-ADJUSTING, HOOD - W/BLACK PAD - 5/16" #18 X 1.25" |
| | 076772-01-000 | EA CLIP-SPEED, TUBE TYPE |
| | 077049-01-000 | EA NUT-ACORN, 10-32 ALUMINUM |
| | 093295-02-000 | EA BRACKET-LATCH, HOOD |
| | 093284-02-000 | EA BRACE-LATCH, HOOD - 25.7" X 1" - L ANGLE - STEEL |
| | 077048-01-000 | EA SHAFT-ADAPTOR, WINDSHIELD PANTOGRAPH ARM |
| | 086235-02-000 | EA BEARING-SNAPIN, 3/16" ID X 3/16" |
| | 095094-01-000 | EA NUT-ACORN, 1/4" - 20 ALUMINUM |
| 10 | 091839-02-01A | EA BEZEL-HEADLAMP, DRIVER - BLACK |
| | 091839-01-01A | EA BEZEL-HEADLAMP, PASSENGER - BLACK |
| | 110690-01-D18 | EA PLATE-HEADLAMP, QUAD - RH |
| | | FROM: 01-22-93 THRU: 99-99-99 |
| | 110690-02-D18 | EA PLATE-HEADLAMP, QUAD - LH |
| | | FROM: 01-22-93 THRU: 99-99-99 |
| | 110692-01-01A | EA PLATE-HEADLAMP, QUAD - NOTCHED FOR BRACKET - RH - MILL |
| | 110692-02-01A | EA PLATE-HEADLAMP, QUAD - NOTCHED FOR BRACKET - LH - MILL |
| | 110691-01-01A | EA BRACKET-SPRING, HEADLAMP - MILL |
| 11 | 093004-01-D38 | EA GRILLE-5 BAR |
| | 093171-02-000 | EA BRACKET-GRILLE, UPPER |
| 12 | 096204-01-02A | EA TRIM-SEAM, FRONT END TO SIDEWALLS |
| 13 | 073336-02-000 | EA BRACKET-MOUNTING, LATCH |
| 14 | R77007-51-429 | EA BRACKET-HOOD RELEASE |
| 15 | R77006-38-499 | EA SPRING-CABLE, HOOD LATCH |
| 16 | R77007-01-950 | EA PIN-LOCKING, V/SRING - HOOD LATCH - RNO 7700701950 |
| 17 | R77006-68-172 | EA PLATE-SPACER |
| 18 | 109047-02-000 | EA CROSSMEMBER-CENTER, U-CHANNEL STEEL |
| | 109031-01-000 | EA SUPPORT-LATCH, HOOD - RH |
| | 109092-01-000 | EA SUPPORT-LATCH, HOOD - LH |
| | 088694-01-000 | EA TUBE-SUPPORT, FRONT END - 36" X 4" - STEEL |
| | 002754-01-001 | EA ANGLE-EXTRUDED, .75" X .75" X 18" - MILL ALUMINUM |
| | 104449-01-000 | EA SUPPORT-WINDSHIELD |

**1993 ITASCA
TABLE OF CONTENTS**

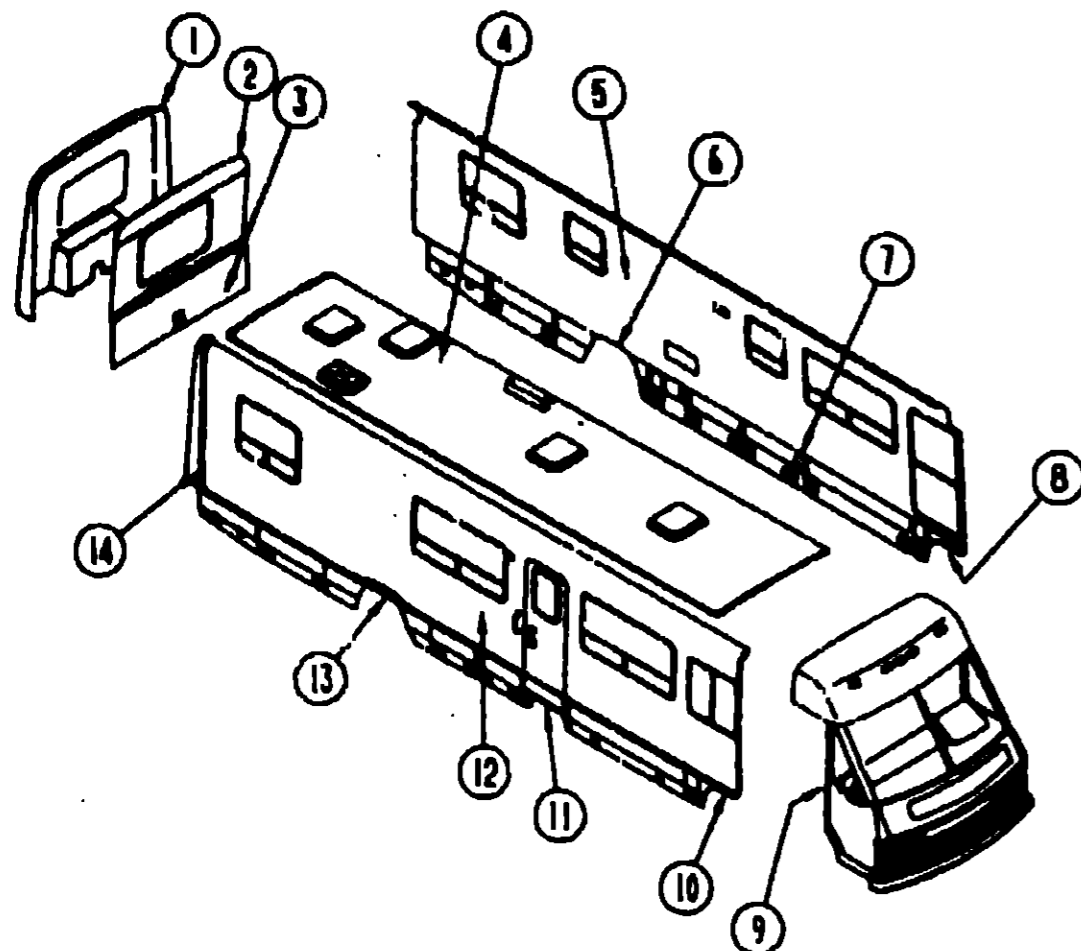
| | |
|--------------------|-------------|
| INTRODUCTION | A-01 - A-02 |
| ABBREVIATIONS | A-03 |
| ALPHABETICAL INDEX | A-04 - A-06 |
| ICN32RQ | A-07 - G-02 |
| ICN34RQ | G-03 - L-16 |

1993 ICN34RQ INDEX

| | |
|----------------------|-------------|
| FLOOR PLAN | G-03 - G-04 |
| ACCESSORIES | G-05 |
| AUDIO VIDEO | G-06 - G-08 |
| BATH | G-09 - G-12 |
| BEDROOM | G-13 - G-16 |
| CHASSIS | G-17 - H-08 |
| CURTAIN & CUSHION | H-09 - H-20 |
| DINETTE | H-21 - H-24 |
| DRIVERS COMPARTMENT | I-01 - I-06 |
| ELECTRICAL | I-07 - I-12 |
| EXTERIOR BODY | I-13 - I-22 |
| GALLEY | I-23 - J-06 |
| GENERATOR | J-07 - J-08 |
| HEATING & A/C | J-09 - J-12 |
| INTERIOR FINISH | J-13 - J-16 |
| LABELS | J-17 - J-24 |
| LP | K-01 - K-02 |
| LOUNGE | K-03 - K-04 |
| SEALANTS & FASTENERS | K-05 - K-08 |
| WATER & SEWAGE | K-09 - K-14 |
| WINDOW, VENT AND | |
| EXTERIOR DOOR | K-15 - L-14 |
| WINDSHIELD & WIPER | L-15 - L-16 |

| KEY | PART NUMBER | U/M DESCRIPTION |
|-----|---------------|---|
| 1 | 106253-06-01A | EA TRIM-ROOF TO FRONT CAP |
| 2 | M02959-07-AE6 | EA CAP-ROOF, FRONT - W/LIGHTS - OFF WHITE |
| 3 | 093295-02-000 | EA BRACKET-LATCH, HOOD - 3 SIDED - 2 1" X 5 5" X 2 1" |
| 4 | 102087-01-000 | EA CABLE ASM-HOOD RELEASE |
| | 010497-08-000 | EA CLAMP-CLOSED, .125" |
| 5 | 102515-01-000 | EA BRACKET-HOOD RELEASE CABLE |
| 6 | 093284-02-000 | EA BRACE-LATCH, HOOD - 25.7" X 1" - L ANGLE - STEEL |
| 7 | 077407-01-000 | EA BRACKET-HOOD RELEASE CABLE |
| 8 | M01115-21-D38 | EA FRONT END-FIBERGLASS, OFF WHITE - W/O HOOD OR HINGES |
| 9 | M92678-01-Y33 | EA PANEL-HOOD, W/BRACKETS ONLY - OFF WHITE |
| | 058833-01-000 | EA BRACKET-PROP ROD |
| | 062628-01-000 | EA CLIP-PROP ROD |
| | 094060-02-000 | EA ROD ASM-PROP, HOOD |
| | 068927-01-000 | EA GROMMET RUBBER - PROP ROD |
| | 076697-01-000 | EA PLATE-TAPPING, 1.4" X 2.9" - METAL |

EXTERIOR BODY GROUP (CONTINUED)



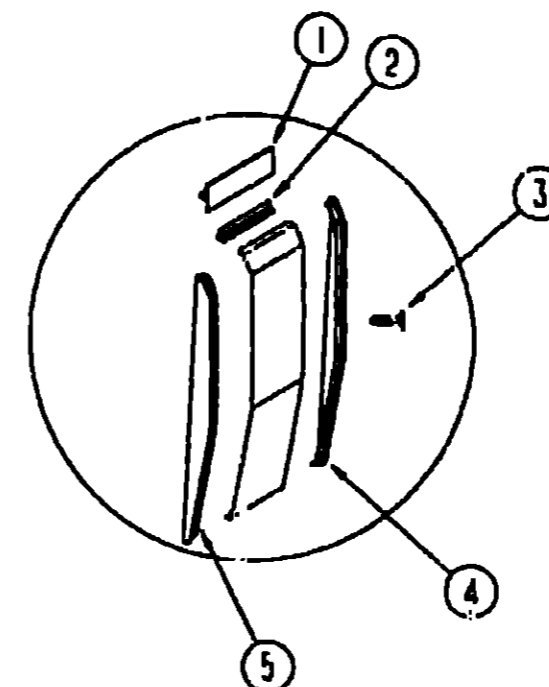
EXTERIOR BODY PANELS AND TRIM

| KEY | PART NUMBER | U/M DESCRIPTION |
|-----|---------------|--|
| 1 | M03491-20-D38 | EA REAR CAP-FIBERGLASS, O/W - CHEV |
| 1 | M03491-22-D38 | EA REAR CAP-FIBERGLASS, O/W - FORD |
| 1 | M03491-21-D38 | EA REAR CAP-FIBERGLASS, O/W - CHEV W/TV CUTOUT |
| 1 | M03491-23-D38 | EA REAR CAP-FIBERGLASS, O/W - FORD W/TV CUTOUT |
| 2 | 092732-01-D38 | EA BACKWALL ASM-UPPER |
| 2 | 092732-01-D40 | EA BACKWALL ASM-UPPER |
| 3 | 092526-05-B29 | EA BACKWALL-LOWER, W/O WINDOWS OR DOORS |
| 4 | P04665-01-D15 | EA ROOF-W/O VENTS OR CUTOUTS |
| | 077001-01-000 | EA ANGLE-MOUNTING, ROOF PANEL - V ANGLE - 3' X 2.4' X 1.5' |
| 5 | P08784-01-D38 | EA SIDEWALL ASM-LEFT |
| 5 | P08784-01-D40 | EA SIDEWALL ASM-LEFT |
| 6 | 093245-10-Y35 | EA PANEL-WHEEL LIP, REAR - DRIVER SIDE - OFF WHITE |
| | 094345-02-01A | EA TRIM-WHEELWELL, MILL FINISH - 21.3' LONG |
| | 095071-01-000 | EA WHEELWELL-REAR, DRIVER OR PASSENGER - PLASTIC |
| 7 | 093022-07-Y35 | EA PANEL-VALANCE, 5.15' |
| 8 | 099585-02-01A | EA PANEL-WHEEL LIP, DRIVER SIDE - FRONT - PLASTIC - OFF WHITE |
| 9 | 092041-03-01A | EA TRIM-FRONT TO SIDEWALL, O/W |
| | 091985-01-01A | EA INSERT-TRIM, 65" WIDE - VINYL - OFF WHITE |
| 10 | 099585-01-01A | EA PANEL-WHEEL LIP, PASSENGER SIDE - FRONT - PLASTIC - OFF WHITE |
| 11 | 092894-01-01A | EA VALANCE-STEP, PLASTIC - OFF WHITE |
| | 077381-01-000 | EA PLATE-PIVOT |
| | 085455-01-000 | EA BRACKET-PIVOT PLATE MOUNTING |
| | 085455-02-000 | EA BRACKET-PIVOT PLATE MOUNTING |
| 12 | M05649-12-D38 | EA SIDEWALL ASM-RIGHT |
| 12 | M05649-12-D40 | EA SIDEWALL ASM-RIGHT |
| | 095023-01-000 | EA SUPPORT-VALANCE, 10.6' X 10.6' |

EXTERIOR BODY GROUP (CONTINUED)

EXTERIOR BODY PANELS AND TRIM (CONTINUED)

| KEY | PART NUMBER | U/M DESCRIPTION |
|-----|---------------|--|
| 13 | 093245-08-Y35 | EA PANEL-WHEEL LIP, REAR - PASSENGER SIDE - OFF WHITE |
| | 094345-02-01A | EA TRIM-WHEELWELL, MILL FINISH - 21.3' LONG |
| | 095023-03-000 | EA SUPPORT-VALANCE, 16' X 15' |
| | 095071-01-000 | EA WHEELWELL-REAR, DRIVER OR PASSENGER - PLASTIC |
| | 076024-01-000 | EA SHROUD-WHEELWELL |
| 14 | 092041-01-02A | EA TRIM-REAR CAP TO SIDEWALL, 18' X 83' - ALUMINUM - OFF WHITE |
| | 091985-01-01A | FT INSERT-TRIM, 65" WIDE - VINYL - OFF WHITE |
| | 055278-01-001 | FT TUBING-STEEL, .75" X 1.5" X 286' |
| | 002726-01-001 | EA GARNISH-U-CHANNEL, 1.38" X 19' - SERRATED - MILL ALUMINUM |



VALANCE PANELS & COMPONENTS

| KEY | PART NUMBER | U/M DESCRIPTION |
|-----|---------------|--|
| 1 | 092301-01-01A | FT MOLDING-VALANCE TO SIDEWALL - 1 3/4" WIDE - VINYL - OFF WHITE |
| 2 | 003066-01-000 | EA HINGE-ALUMINUM - NO HOLES - 1 1/16" X 6" - UNPAINTED |
| 3 | 094362-02-000 | EA CLIP-CHRISTMAS TREE - FLAT HEAD |
| 4 | 092690-01-01A | EA END CAP-VALANCE, REAR ON DRIVER SIDE, FRONT ON PASSENGER SIDE - O/W |
| 5 | 092690-02-01A | EA END CAP-VALANCE, FRONT ON DRIVER SIDE, REAR ON PASSENGER SIDE - O/W |
| | 094355-01-01A | EA RETAINER-VALANCE - 75.8" - OFF WHITE |
| | 092550-01-01A | EA PLUG-PLASTIC - W/FLUSH TYPE HEAD - 1/4" - WHITE |
| | 100152-01-000 | EA BRACKET-VALANCE SPACER - ADJUSTER |

SKINS, PANELS AND STYROFOAM

| KEY | PART NUMBER | U/M DESCRIPTION |
|-----|---------------|--|
| | 077517-52-000 | EA SHEET-FIBERGLASS, 29.69' X 27.88' - OFF WHITE |
| | 076054-F6-000 | EA FIBERGLASS SHEET 2115' X 9302' - OFF WHITE |
| | 083574-03-000 | SF STYROFOAM-3/4" X 48" X 96" |
| | 044487-01-001 | EA ALUMINUM SHEET-.019" X 96" X 360" - MILL FINISH |
| | 044487-01-002 | EA ALUMINUM SHEET-.019" X 96" X 432" - MILL FINISH |
| | 000870-03-000 | SF STYROFOAM 1.34" X 48" X 96" - INCREMENTS OF 32 SF |
| | 083574-03-000 | SF STYROFOAM-3/4" X 48" X 96" |
| | 000870-05-000 | SF STYROFOAM-.5" X 24" X 96" - INCREMENTS OF 16 SF |
| | 092321-01-000 | FT INSULATION-FIBERGLASS, W/ALUMINUM FOIL |
| | 055747-01-000 | SF INSULATION-MICROFOAM, .5" |

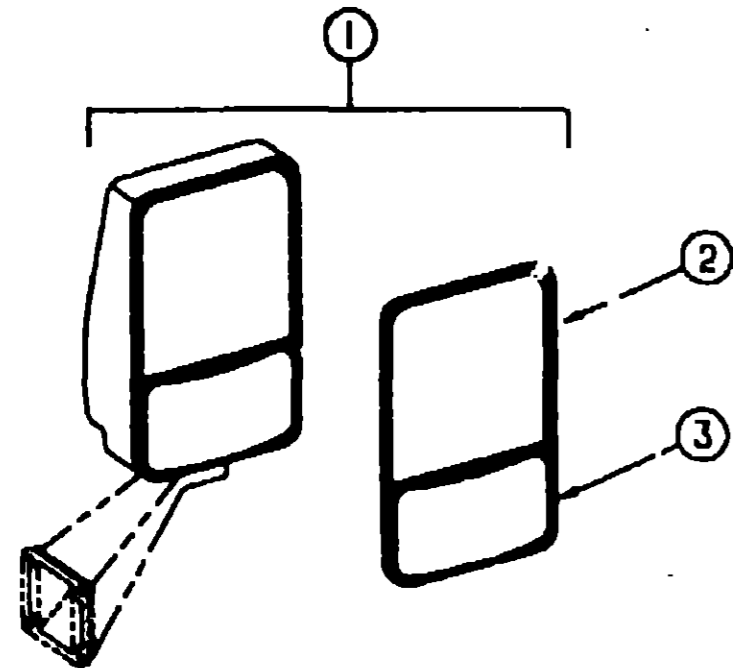
**1993 ITASCA
TABLE OF CONTENTS**

| | | |
|--------------------|------|------|
| INTRODUCTION | A-01 | A-02 |
| ABBREVIATIONS | | A-03 |
| ALPHABETICAL INDEX | A-04 | A-06 |
| ICN32RQ | A-07 | G-02 |
| ICN34RQ | G-03 | L-16 |

1993 ICN34RQ INDEX

| | | |
|----------------------|------|------|
| FLOOR PLAN | G-03 | G-04 |
| ACCESSORIES | | G-05 |
| AUDIO VIDEO | G-06 | G-08 |
| BATH | G-09 | G-12 |
| BEDROOM | G-13 | G-16 |
| CHASSIS | G-17 | H-08 |
| CURTAIN & CUSHION | H-09 | H-20 |
| DINETTE | H-21 | H-24 |
| DRIVERS COMPARTMENT | I-01 | I-06 |
| ELECTRICAL | I-07 | I-12 |
| EXTERIOR BODY | I-13 | I-22 |
| GALLEY | I-23 | J-06 |
| GENERATOR | J-07 | J-08 |
| HEATING & A/C | J-09 | J-12 |
| INTERIOR FINISH | J-13 | J-16 |
| LABELS | J-17 | J-24 |
| LP | K-01 | K-02 |
| LOUNGE | K-03 | K-04 |
| SEALANTS & FASTENERS | K-05 | K-08 |
| WATER & SEWAGE | K-09 | K-14 |
| WINDOW, VENT AND | | |
| EXTERIOR DOOR | K-15 | L-14 |
| WINDSHIELD & WIPER | L-15 | L-16 |

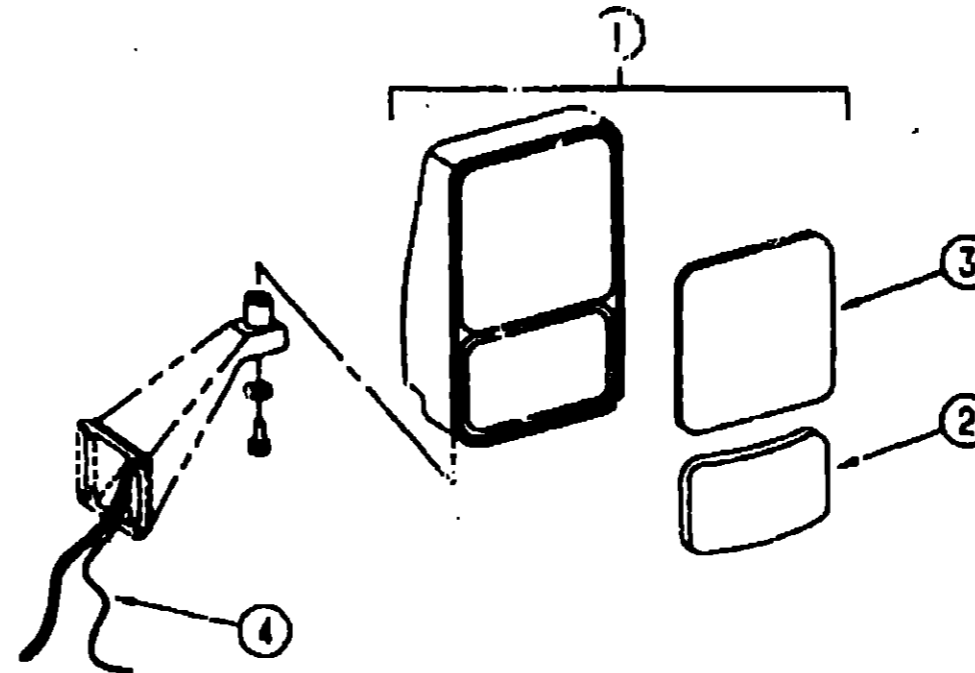
EXTERIOR BODY GROUP (CONTINUED)



EXTERIOR MIRRORS

| KEY | PART NUMBER | U/M DESCRIPTION |
|-----|---------------|---|
| 1 | 106015-01-01A | EA MIRROR-COMPLETE, PASSENGER |
| 1 | 106015-02-01A | EA MIRROR-COMPLETE, DRIVER |
| 2 | 106015-01-700 | EA GLASS-FLAT, W/BEZEL |
| 3 | 106015-02-701 | EA GLASS-CONVEX, W/BEZEL - PASSENGER |
| 3 | 106015-01-702 | EA GLASS-CONVEX, W/BEZEL - DRIVER |
| | 106015-01-702 | EA CONVEX REPL L.S. BEZEL & HOUSING 709089-8 KIT CONTAINS: BEZEL - CONVEX GLASS - FLAT GLASS FOR CURRENT AND OLD STYLE MIRROR |

EXTERIOR BODY GROUP (CONTINUED)



EXTERIOR MIRRORS WITH HEAT & REMOTE

| KEY | PART NUMBER | U/M DESCRIPTION |
|-----|---------------|---|
| 1 | 106015-05-01A | EA MIRROR-REMOTE HEAT, PRE-WIRED - PASSENGER |
| 1 | 106015-06-01A | EA MIRROR-REMOTE HEAT, PRE-WIRED - DRIVER |
| 2 | 086261-01-702 | EA GLASS-FLAT, W/BEZEL |
| 3 | 086261-01-703 | EA GLASS-CONVEX, PASSENGER |
| 3 | 086261-02-700 | EA GLASS-CONVEX - DRIVER |
| 4 | 092880-01-000 | EA WIRE-INSTRUMENT PANEL, REMOTE MIRROR |
| | 093145-01-000 | EA SLEEVE-WIRE, 10' LONG - PLASTIC - BLACK - GM #15590724 |
| | 088246-01-000 | EA SWITCH-REMOTE-EXTERIOR MIRROR-SQUARE PUSH |
| | 087695-01-000 | EA SWITCH-HEATER-EXTERIOR MIRROR |
| | 085261-02-701 | EA KIT-EXT. MIRROR, W/BEZEL, FLAT & CONVEX GLASS - DRIVER KIT INCLUDES: BEZEL - CONVEX GLASS - HEATED FLAT GLASS FOR CURRENT AND OLD STYLE MIRROR |

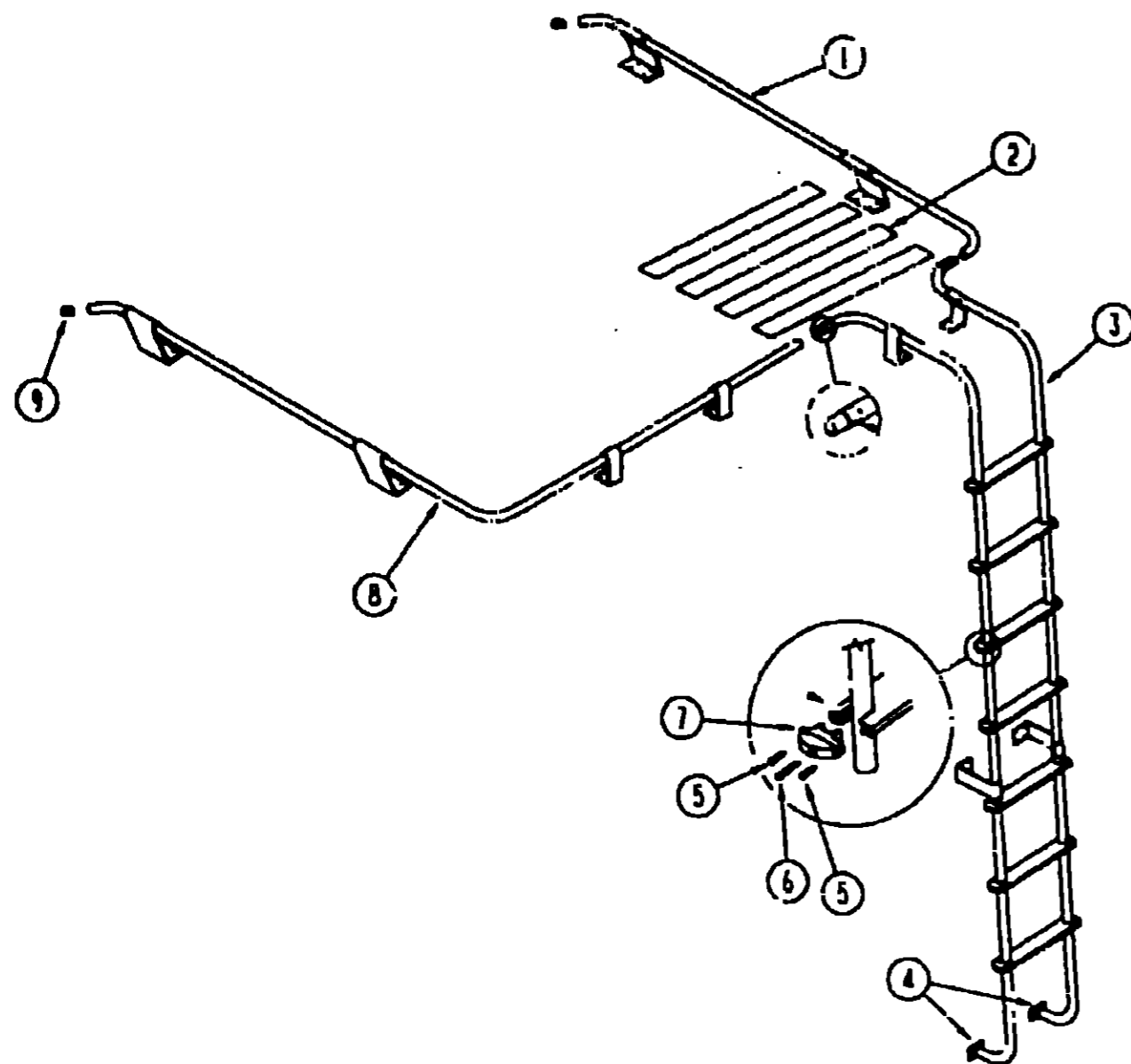
**1993 ITASCA
TABLE OF CONTENTS**

| | | |
|--------------------|--------|------|
| INTRODUCTION | A-01 - | A-02 |
| ABBREVIATIONS | | A-03 |
| ALPHABETICAL INDEX | A-04 - | A-06 |
| ICN32RQ | A-07 - | G-02 |
| ICN34RQ | G-03 - | L-16 |

1993 ICN34RQ INDEX

| | | |
|----------------------|--------|------|
| FLOOR PLAN | G-03 - | G-04 |
| ACCESSORIES | | G-05 |
| AUDIO VIDEO | G-06 - | G-08 |
| BATH | G-09 - | G-12 |
| BEDROOM | G-13 - | G-16 |
| CHASSIS | G-17 - | H-08 |
| CURTAIN & CUSHION | H-09 - | H-20 |
| DINETTE | H-21 - | H-24 |
| DRIVERS COMPARTMENT | I-01 - | I-06 |
| ELECTRICAL | I-07 - | I-12 |
| EXTERIOR BODY | I-13 - | I-22 |
| GALLEY | I-23 - | J-06 |
| GENERATOR | J-07 - | J-08 |
| HEATING & A/C | J-09 - | J-12 |
| INTERIOR FINISH | J-13 - | J-16 |
| LABELS | J-17 - | J-24 |
| LP | K-01 | K-02 |
| LOUNGE | K-03 - | K-04 |
| SEALANTS & FASTENERS | K-05 - | K-08 |
| WATER & SEWAGE | K-09 - | K-14 |
| WINDOW, VENT AND | | |
| EXTERIOR DOOR | K-15 - | L-14 |
| WINDSHIELD & WIPER | L-15 - | L-16 |

EXTERIOR BODY GROUP (CONTINUED)



LUGGAGE RACK & LADDER

| KEY | PART NUMBER | U/M DESCRIPTION |
|-----|---------------|--|
| 1 | 107438-12-C31 | EA RACK-LUGGAGE, PASSENGER |
| 2 | 038327-01-000 | EA TPE-ANTI SLIP, 2' X 60' |
| 3 | 097220-01-AE6 | EA LADDER-ONE PIECE |
| 4 | 067165-01-000 | EA MOUNTING BRACKET-LADDER, LOWER |
| 5 | 000G39-06-10T | EA SCREW-SF/DR, 6-20 X 5/8 PPH - BLACK |
| 6 | 000G68-10-36T | EA SCREW-10-12 X 2.25 POH BLACK |
| 7 | 076980-02-000 | EA END CAP-STEP, BLACK |
| 8 | 107438-13-C31 | EA RACK-LUGGAGE, PASSENGER |
| 9 | 081114-01-000 | EA PLUG-ROUND, RACK & LADDER ENDS - PLASTIC - 1" DIA |
| | 069726-02-000 | EA BUMPER-.88" DIAMETER X .40", BLACK |

EXTERIOR BODY GROUP (CONTINUED)

CHROME ROOF AIR HORN

| KEY | PART NUMBER | U/M DESCRIPTION |
|-----|---------------|--|
| | 077497-06-000 | EA HORN-AIR, CHROME - TWIN - HADLEY 977AW |
| | 077497-01-701 | EA SWITCH-COMPRESSOR, HADLEY 13940-S |
| | 077497-01-702 | EA SWITCH-TOGGLE, W/WIRE - HADLEY 12942-S |
| | 081407-01-000 | EA PLATE-MOUNTING, AIR HORN |
| | 102540-02-000 | EA SEAL-SCREW GRUMEN 90017 |
| | 077497-02-000 | EA HOSE-AUXILIARY AIR HORN, MIDLAND 891D 50' COILED HOSE, AIR CHUCK, NEEDLE, NOZZLE & CARRIER |
| | 078239-01-000 | EA PLATE-LABEL, AIR HORN |
| | 077497-03-000 | EA FITTING KIT-HOSE, AUXILIARY AIR HORN PRESSURE GAUGE & HOSE FITTINGS |
| | 077497-01-710 | EA GAUGE-AIR PRESSURE 14212S |
| | 077497-05-000 | EA COMPRESSOR/TANK/SOLENOID KIT, HADLEY 852EB |
| | 077497-01-700 | EA SOLENOID-AIR TANK, HADLEY 748NS |
| | 077497-01-703 | EA TANK-AIR, HADLEY 751-N |
| | 077497-01-704 | EA COMPRESSOR W/SWITCH, HADLEY 852EC |
| | 077497-01-706 | EA VALVE & HEAD REPAIR, HADLEY H00852HV |
| | 077497-01-707 | EA BELT & SCREW COVER FOR COMPRESSOR, HADLEY H00852BR |
| | 077497-01-708 | EA FILTER & MOUNTING HARDWARE FOR COMPRESSOR, HADLEY H00852FM |
| | 077497-01-709 | EA PLUNGER & SPRING FOR SOLENOID, HADLEY H136215 |
| | 081404-01-000 | EA BRACKET-MOUNTING, COMPRESSOR - L SHAPED - 4" X 7.5" - ST |
| | 093392-01-000 | EA BRACKET-TANK, AIRHORN |
| | 071390-04-000 | FT TUBING-AIR BRAKE, 1/4" OD - BLACK - NT10004-BK WEATHERHEAD |

FROM: 02-17-93 THRU: 99-99-99

SQUEEGEE

| KEY | PART NUMBER | U/M DESCRIPTION |
|-----|---------------|--|
| | 091952-02-000 | EA CLIP-GRIPPER, 3/4" |
| | 091955-01-700 | EA HEAD-SQUEEGEE |
| | 091955-02-000 | EA SQUEEGEE-EXTEND HANDLE |
| | 093527-01-000 | EA BRACKET-SQUEEGEE, L ANGLE - 2.5" X 1.5" |

**1993 ITASCA
TABLE OF CONTENTS**

| | | |
|--------------------|--------|------|
| INTRODUCTION | A-01 - | A-02 |
| ABBREVIATIONS | | A-03 |
| ALPHABETICAL INDEX | A-04 - | A-08 |
| ICN32RQ | A-07 - | G-02 |
| ICN34RQ | G-02 - | L-18 |

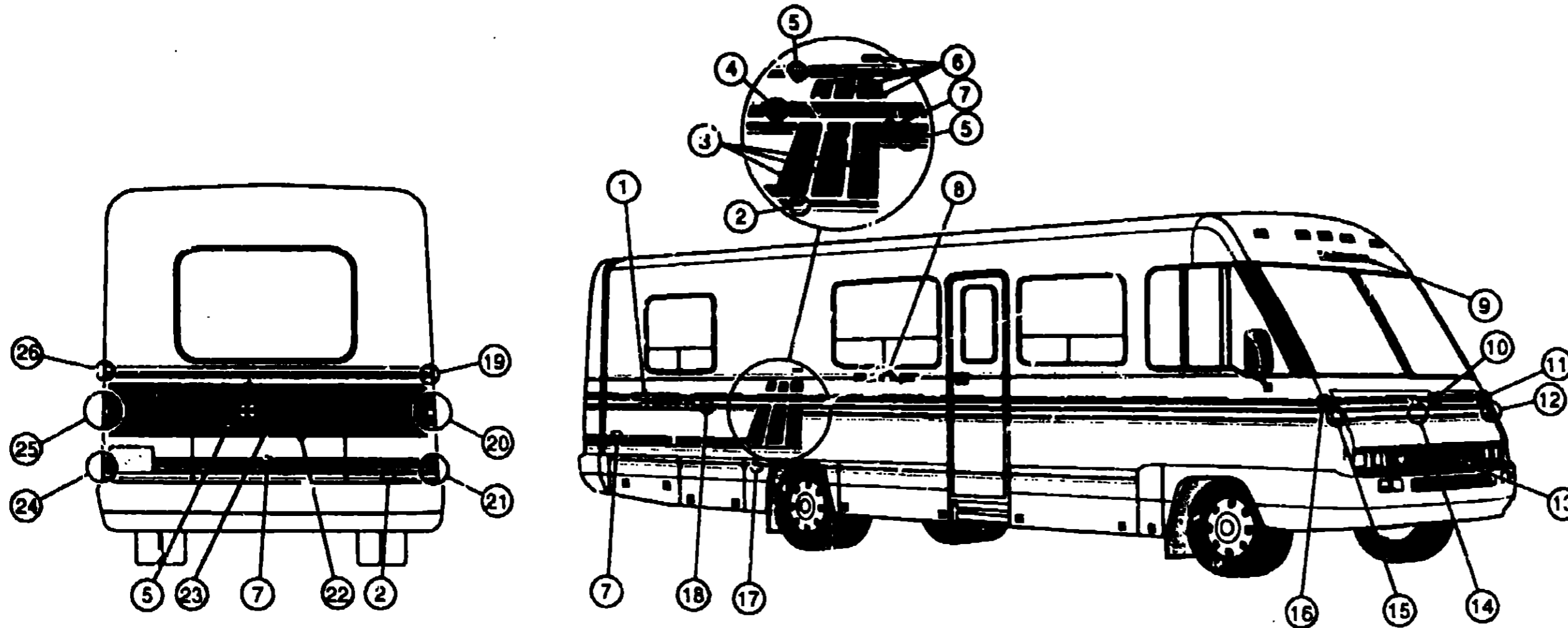
1993 ICN34RQ INDEX

| | | |
|----------------------|--------|------|
| FLOOR PLAN | G-03 - | G-04 |
| ACCESSORIES | | G-05 |
| AUDIO VIDEO | G-06 - | G-08 |
| BATH | G-09 - | G-12 |
| BEDROOM | G-13 - | G-15 |
| CHASSIS | G-17 - | H-08 |
| CURTAIN & CUSHION | H-09 - | H-20 |
| DINETTE | H-21 - | H-24 |
| DRIVERS COMPARTMENT | I-01 - | I-06 |
| ELECTRICAL | I-07 - | I-12 |
| EXTERIOR BODY | I-13 - | I-22 |
| GALLEY | I-23 - | J-0C |
| GENERATOR | J-07 - | J-08 |
| HEATING & A/C | J-09 - | J-12 |
| INTERIOR FINISH | J-13 - | J-16 |
| LABELS | J-17 - | J-24 |
| LP | K-01 - | K-02 |
| LOUNGE | K-03 - | K-04 |
| SEALANTS & FASTENERS | K-05 - | K-08 |
| WATER & SEWAGE | K-09 - | K-14 |
| WINDOW, VENT AND | | |
| EXTERIOR DOOR | K-15 - | L-14 |
| WINDSHIELD & WIPER | L-15 - | L-18 |

EXTERIOR BODY GROUP (CONTINUED)
DECALS & PAINT

1993 ITASCA
TABLE OF CONTENTS

| | | |
|--------------------|--------|------|
| INTRODUCTION | A-01 - | A-02 |
| ABBREVIATIONS | | A-03 |
| ALPHABETICAL INDEX | A-04 - | A-06 |
| ICN32RQ | A-07 - | G-02 |
| ICN34RQ | G-03 - | L-16 |



1993 ICN34RQ INDEX

| | | |
|----------------------|--------|------|
| FLOOR PLAN | G-03 - | G-04 |
| ACCESSORIES | | G-05 |
| AUDIO VIDEO | G-06 - | G-08 |
| BATH | G-09 - | G-12 |
| BEDROOM | G-13 - | G-16 |
| CHASSIS | G-17 - | H-08 |
| CURTAIN & CUSHION | H-09 - | H-20 |
| DINETTE | H-21 - | H-24 |
| DRIVERS COMPARTMENT | I-01 - | I-06 |
| ELECTRICAL | I-07 - | I-12 |
| EXTERIOR BODY | I-13 - | I-22 |
| GALLEY | I-23 - | J-06 |
| GENERATOR | J-07 - | J-08 |
| HEATING & A/C | J-09 - | J-12 |
| INTERIOR FINISH | J-13 - | J-16 |
| LABELS | J-17 - | J-24 |
| LP | K-01 - | K-02 |
| LOUNGE | K-03 - | K-04 |
| SEALANTS & FASTENERS | K-05 - | K-08 |
| WATER & SEWAGE | K-09 - | K-14 |
| WINDOW, VENT AND | | |
| EXTERIOR DOOR | K-15 - | L-14 |
| WINDSHIELD & WIPER | L-15 - | L-16 |

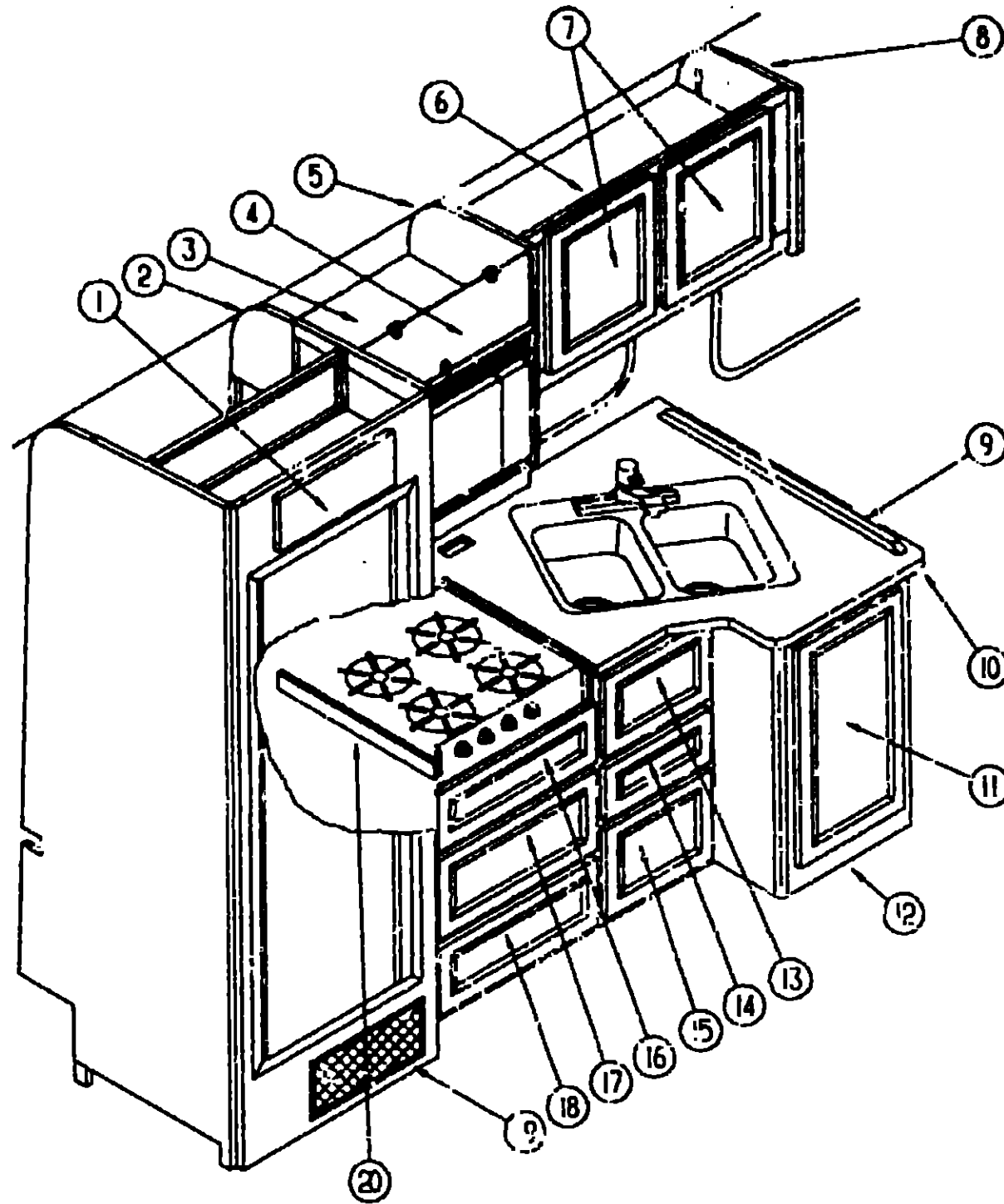
| KEY | PART NUMBER | U/M DESCRIPTION |
|-----|---------------|---|
| 1 | 078852-33-000 | EA DECAL-LOGO, ITASCA 6.5MM - OFF WHITE/LT RUTILE |
| 2 | 093680-33-03A | FT FILM-MULTISTRIPE, 38MM - BAY TURQUOISE/BAY TURQUOISE (D38) |
| 2 | 093680-33-04A | FT FILM-MULTISTRIPE, 38MM - GREYSTONE/GREYSTONE (D40) |
| 3 | 104200-01-03A | EA DECAL-SIDE, LOWER RH - LT RUTILE |
| 3 | 104200-02-03A | EA DECAL-SIDE, LOWER LH - LT RUTILE |
| 4 | 094443-02-03A | FT FILM-MULTISTRIPE, 95MM - DELFT BLUE/DELFT BLUE/LT RUTILE (D38) |
| 4 | 094443-02-04A | FT FILM-MULTISTRIPE, 95MM - ROSE MIST/LT RUTILE (D40) |
| 5 | 093680-34-01A | FT FILM-MULTISTRIPE, 70MM - BAY TURQUOISE/BAY TURQUOISE (D38) |
| 5 | 093680-34-02A | FT FILM-MULTISTRIPE, 70MM - GREYSTONE/GREYSTONE (D40) |
| 6 | 104199-01-03A | EA DECAL-SIDE, UPPER RH - LT RUTILE |
| 6 | 104199-02-03A | EA DECAL-SIDE, UPPER LH - LT RUTILE |
| 7 | 093681-29-05A | FT FILM-51MM, LIGHT RUTILE |
| 8 | 093793-03-03A | EA DECAL-SUNFLYER, BAY TURQUOISE/DELFT BLUE (D38) |
| 8 | 093793-03-04A | EA DECAL-SUNFLYER, ROSE MIST/LT RUTILE (D40) |
| 9 | 093789-02-05A | EA DECAL-LOGO, ITASCA - DELFT BLUE/BAY TURQUOISE (D38) |
| 9 | 093789-02-06A | EA DECAL-LOGO, ITASCA - LT RUTILE/ROSE MIST (D40) |
| 10 | 104192-01-03A | EA DECAL-HOOD, UPPER - DELFT BLUE/LT RUTILE (D38) |
| 10 | 104192-01-04A | EA DECAL-HOOD, UPPER - ROSE MIST/LT RUTILE (D40) |
| 11 | 104194-02-03A | EA DECAL-FENDER, FRONT - UPPER LH - DELFT BLUE/LT RUTILE (D38) |
| 11 | 104194-02-04A | EA DECAL-FENDER, FRONT - UPPER LH - ROSE MIST/LT RUTILE (D40) |
| 12 | 104195-02-03A | EA DECAL-FENDER, FRT - LOWER LH - LT RUTILE/BAY TURQUOISE (D38) |
| 12 | 104195-02-04A | EA DECAL-FENDER, FRT - LOWER LH - LT RUTILE/GREYSTONE (D40) |
| 13 | 093790-01-01A | EA DECAL-LOGO, "I" - 3 DIMENSIONAL - FRONT GRILLE |
| 14 | 104193-01-03A | EA DECAL-HOOD, LOWER - LT RUTILE/BAY TURQUOISE (D38) |
| 14 | 104193-01-04A | EA DECAL-HOOD, LOWER - LT RUTILE/GREYSTONE (D40) |

| KEY | PART NUMBER | U/M DESCRIPTION |
|-----|---------------|--|
| 15 | 104195-01-03A | EA DECAL-FENDER, FRT - LOWER RH - LT RUTILE/BAY TURQUOISE (D38) |
| 15 | 104195-01-04A | EA DECAL-FENDER, FRT - LOWER RH - LT RUTILE/GREYSTONE (D40) |
| 16 | 104194-01-03A | EA DECAL-FENDER, FRONT - UPPER RH - DELFT BLUE/LT RUTILE (D38) |
| 16 | 104194-01-04A | EA DECAL-FENDER, FRONT - UPPER RH - ROSE MIST/LT RUTILE (D40) |
| 17 | 093680-33-05A | FT FILM-MULTISTRIPE, 38MM - DELFT BLUE/DELFT BLUE (D38) |
| 17 | 093680-33-06A | FT FILM-MULTISTRIPE, 38MM - ROSEMIST/ROSEMIST (D40) |
| 18 | 093680-31-05A | FT FILM-MULTISTRIPE, 95MM - DELFT BLUE/DELFT BLUE (D38) |
| 18 | 093680-31-06A | FT FILM-MULTISTRIPE, 95MM - ROSEMIST/ROSEMIST (D40) |
| 19 | 104196-01-01A | EA DECAL-CORNER, REAR - UPPER RH - BAY TURQUOISE (D38) |
| 19 | 104196-01-02A | EA DECAL-CORNER, REAR - UPPER RH - GREYSTONE (D40) |
| 20 | 104197-01-03A | EA DECAL-CORNER, REAR - RH - DELFT BLUE/LT RUTILE (D38) |
| 20 | 104197-01-04A | EA DECAL-CORNER, REAR - RH - ROSE MIST/LT RUTILE (D40) |
| 21 | 104198-01-03A | EA DECAL-CORNER, RR - LOWER - RH - LT RUTILE/BAY TURQUOISE (D38) |
| 21 | 104198-01-04A | EA DECAL-CORNER, RR - LOWER - RH - LT RUTILE/GREYSTONE (D40) |
| 22 | 064075-01-000 | EA DECAL-"BY WINNEBAGO INDUSTRIES", BLACK |
| 23 | 093791-01-01A | EA DECAL-LOGO, "ITASCA" - RAISED LETTERS - REAR CAP |
| 24 | 104198-02-03A | EA DECAL-CORNER, RR - LOWER - LH - LT RUTILE/BAY TURQUOISE (D38) |
| 24 | 104198-02-04A | EA DECAL-CORNER, RR - LOWER - LH - LT RUTILE/GREYSTONE (D40) |
| 25 | 104197-02-03A | EA DECAL-CORNER, REAR - LH - DELFT BLUE/LT RUTILE (D38) |
| 25 | 104197-02-04A | EA DECAL-CORNER, REAR - LH - ROSE MIST/LT RUTILE (D40) |
| 26 | 104196-02-01A | EA DECAL-CORNER, REAR - UPPER - LH - BAY TURQUOISE (D38) |
| 26 | 104196-02-02A | EA DECAL-CORNER, REAR - UPPER - LH - GREYSTONE (D40) |

DUPONT COLOR CODES

| | |
|---------------|--------|
| GRAYSTONE | K9458 |
| LIGHT RUTILE | G9859K |
| DELFT BLUE | K9460 |
| BAY TURQUOISE | C9837 |
| ROSE MIST | C9850 |
| GREYSTONE | K9455 |
| OFF WHITE | L8723 |

GALLEY GROUP
GALLEY CABINETS & COMPONENTS



| KEY | PART NUMBER | U/M | DESCRIPTION |
|-----|--------------------------------|-----|--|
| 1 | P03702-D1-C31 010329-01-000 | EA | DOOR REFRIGERATOR, 182MM X 408MM |
| 2 | F04009-01-C31 | EA | SEAL-T, REFRIGERATOR CABINET - 6" WADE TOP X 2" TAIL |
| 3 | P09300-03-D38 102483-09-D38 | EA | CAP ASM-END, OVERHEAD - W/SHIELD |
| | | EA | CABINET-OVERHEAD, W/O DOORS OR HARDWARE - MICROWAVE |
| | | EA | SHELF ASM-MICROWAVE |
| | | | FROM: 07-00-00 THRU 10-13-92 |
| | | | FROM: 10-14-92 THRU: 99-99-99 |
| | 102483-04-C31 | EA | SHELF ASM-MICROWAVE |
| 4 | 100708-03-000 | EA | DOOR-GLASS, OVERHEAD - W/O HARDWARE - 6 3" X 27" |
| 5 | P04009-03-C31 | EA | CAP ASM-END, OVERHEAD - W/SHIELD |
| 6 | 104469-01-C31 | EA | CABINET-OVERHEAD, W/O DOORS OR HARDWARE |
| 7 | P03702-H3-D38 | EA | DOOR-W/O HARDWARE, 365MM X 410MM |
| 8 | 099092-02-B29 | EA | END CAP-CABINET, OVERHEAD - FRONT |
| 9 | 018335-01-C12 | EA | RAIL-GALLEY, 800MM |
| 10 | 107773-12-D15 | EA | COUNTERTOP-GALLEY |
| 11 | P03702-D3-C31 | EA | DOOR-W/O HARDWARE, 365MM X 680MM |
| 12 | M05824-01-D38 | EA | CABINET-GALLEY/HOT PLATE |
| 12 | M05824-02-D38 | EA | CABINET-GALLEY/HOT PLATE - CANADIAN |
| 12 | M05824-02-D38 | EA | CABINET-GALLEY/BLK OVEN |
| 13 | P03702-E7-C31 | EA | DOOR-W/O HARDWARE, 365MM X 275MM |
| 14 | P07104-G2-D38 | EA | DRAWER-W/O HARDWARE |
| 15 | P07104-G0-D38 | EA | DRAWER-W/O HARDWARE |
| 16 | P07104-F8-D38 | EA | DRAWER-W/O HARDWARE |
| 17 | P07104-F9-D38 | EA | DRAWER-W/O HARDWARE |
| 18 | P03702-H0-D38 | EA | DOOR-W/O HARDWARE, 155MM X 544MM |
| 19 | M02516-B1-C31 | EA | DOOR-FURNACE, W/MESH INSERT |
| 20 | 107773-16-D38 | EA | COUNTERTOP-GALLEY, 21 6" X 2" |
| | 107773-13-D38 | EA | TOE KICK-CABINET-GALLEY |
| | 107773-14-D38 | EA | TOE KICK-CABINET-GALLEY |
| | 107773-15-D38 | EA | TOE KICK-CABINET-GALLEY |
| | 091267-01-000 | EA | FAUCET-GALLEY, SINGLE W/SPRAY - MOEN 7651 |
| | 104113-01-000 | EA | SINK-STAINLESS STEEL, DOUBLE |
| | 092303-01-000 | EA | STRAINER-SINK |

1993 ITASCA
TABLE OF CONTENTS

| | |
|--------------------|-------------|
| INTRODUCTION | A-01 - A-02 |
| ABBREVIATIONS | A-03 |
| ALPHABETICAL INDEX | A-04 - A-06 |
| ICN32RO | A-07 - G-02 |
| ICN34RO | G-03 - L-16 |

1993 ICN34RO INDEX

| | |
|----------------------|-------------|
| FLOOR PLAN | G-03 - G-04 |
| ACCESSORIES | G-05 |
| AUDIO VIDEO | G-06 - G-08 |
| BATH | G-09 - G-12 |
| BEDROOM | G-13 - G-16 |
| CHASSIS | G-17 - H-08 |
| CURTAIN & CUSHION | H-09 - H-20 |
| DINETTE | H-21 - H-24 |
| DRIVERS COMPARTMENT | I-01 - I-06 |
| ELECTRICAL | I-07 - I-12 |
| EXTERIOR BODY | I-13 - I-22 |
| GALLEY | I-23 - J-06 |
| GENERATOR | J-07 - J-08 |
| HEATING & A/C | J-09 - J-12 |
| INTERIOR FINISH | J-13 - J-16 |
| LABELS | J-17 - J-24 |
| LP | K-01 - K-02 |
| LOUNGE | K-03 - K-04 |
| SEALANTS & FASTENERS | K-05 - K-08 |
| WATER & SEWAGE | K-09 - K-14 |
| WINDOW, VENT AND | |
| EXTERIOR DOOR | K-15 - L-14 |
| WINDSHIELD & WIPER | L-15 - L-16 |

GALLEY GROUP (CONTINUED)
RANGE WOVEN

| KEY PART NUMBER | U/M DESCRIPTION |
|-----------------|---|
| 107246-01-01A | EA RANGE-WOVEN, BLACK - ATWOOD R-2136BG |
| 101593-01-703 | EA KNOB-BURNER, WEDGEWOOD 53000 |
| 106689-01-701 | EA SPARK-IGNITOR ASM HIGH OUTPUT 53078 |
| 106689-01-702 | EA PIEZO PUSH BUTTON 52279 |
| 106689-01-703 | EA VALVE-HIGH OUTPUT 53047 |
| 106689-01-704 | EA REGULATOR W/EXTREME PRESSURE 52154 |
| 106689-01-705 | EA VALVE-BURNER 52123 |
| 107246-01-700 | EA RANGE TOP (BLACK) 53083 |
| 107246-01-701 | EA GRATE 53050 |
| 107246-01-702 | EA MANIFOLD COVER 55072 |
| 107246-01-703 | EA THERMOSTAT 52122 |
| 107246-01-704 | EA RACK-OVEN 51069 |
| 107246-01-705 | EA BURNER-OVEN 52018 |
| 107246-01-706 | EA PILOT ASSEMBLY, OVEN 52242 |
| 107246-01-707 | EA VALVE-SAFETY 51177 |
| 107246-01-708 | EA SHELF, OVEN BOTTOM 51657 |
| 107246-01-709 | EA TRIM, BOTTOM BLACK 53526D |
| 107323-01-702 | EA TRIM LEFT 53023 |
| 107323-01-703 | EA TRIM RIGHT 53024 |
| 107323-01-705 | EA TRIM VENT 53525 |
| 107323-01-707 | EA INSERT BLACKGLASS-W/O HOLE 53426 |
| 107323-01-708 | EA HANDLE ROD-W/HOLE 53085 |
| 107323-01-710 | EA GRATE CLIP 53501 |
| 107323-01-711 | EA RUBBER GRATE CUSHION 53008 |
| 107323-01-713 | EA BLACKGLASS INSERT-W/HOLE 53426 |
| 107323-01-714 | EA HANDLE FOR W/HOLE GLASS 51112 |
| 106936-07-01A | EA BRACKET-TIEDOWN, STOVE - FRT - BLK |
| 106936-07-02A | EA BRACKET-TIE DOWN, STOVE - FRT - MILL |
| 106937-05-01A | EA BRACKET-TIEDWN, STOVE - REAR - BLK |
| 106937-05-02A | EA BRACKET-TIEDWN, STOVE - REAR - MILL |
| 107109-11-01A | EA BRACKET-TIEDOWN, OVEN - FRT - BLK |
| 107109-12-01A | EA BRACKET-TIEDOWN, OVEN - REAR - BLK |
| 105904-01-D19 | EA COVER ASM-STOVE, W/COUNTERTOP |
| 106693-02-01A | EA COVER-FLUSH MOUNT, THIN TOP - ATWOOD 53455 |

RANGE TOP

| KEY PART NUMBER | U/M DESCRIPTION |
|-----------------|---|
| 106689-01-01A | EA TOP-RANGE, 3 BURNER - BLACK - ATWOOD 53764 |
| 101593-01-703 | EA KNOB-BURNER, WEDGEWOOD 53000 |
| 106689-01-700 | EA MANIFOLD COVER 3 BURNER 53074 |
| 106689-01-701 | EA SPARK-IGNITOR ASM, HIGH OUTPUT 53078 |
| 106689-01-702 | EA PIEZO PUSH BUTTON 52279 |
| 106689-01-703 | EA VALVE-HIGH OUTPUT 53047 |
| 106689-01-704 | EA REGULATOR W/EXTREME PRESSURE 52154 |
| 106689-01-705 | EA VALVE-BURNER 52123 |
| 106689-01-706 | EA TRIM, RIGHT HAND TOP & SIDE - BLK 53020 |
| 106689-01-707 | EA TRIM, LEFT HAND TOP & SIDE - BLK 53015 |
| 107246-01-700 | EA RANGE TOP (BLACK) 53083 |
| 107246-01-701 | EA GRATE 53050 |
| 107323-01-705 | EA TRIM VENT 53525 |
| 107323-01-710 | EA GRATE CLIP 53301 |
| 107323-01-711 | EA RUBBER GRATE CUSHION 53008 |
| 102842-02-000 | EA BRACKET-BAFFLE, 22.1" X 2.5" - STEEL |
| M05904-01-D19 | EA COVER ASM-STOVE, W/COUNTERTOP |
| 106693-02-01A | EA COVER-FLUSH MOUNT, THIN TOP - ATWOOD 53455 |

GALLEY GROUP (CONTINUED)
CANADIAN RANGE HOOD

| KEY PART NUMBER | U/M DESCRIPTION |
|-----------------|---|
| 100258-23-01A | EA HOOD-RANGE 22W W/MONITOR PANEL - CSA TMS5012SAC FROM: 00-00-00 THRU: 08-15-92 |
| 075470-01-703 | EA SWITCH-ON/MOMENTARY, JENSEN RP1016 |
| 090973-01-700 | EA MOTOR - LVS CA508-1 |
| 090973-01-702 | EA BLADE-FAN, LVS VA183-1 |
| 092696-01-701 | EA KNOB-LEVER, CABLE - PLASTIC - BLACK - VENTLINE CC225 |
| 092696-01-702 | EA RESISTOR-WIRE, VENTLINE L7314 |
| 092696-01-709 | EA BULB-912, VENTLINE VA415 |
| 092696-01-710 | EA SOCKET-LIGHT, VENTLINE CB267-2 |
| 096983-01-700 | EA SWITCH-ON/OFF, VENTLINE 108 |
| 096983-01-702 | EA SWITCH-TWO WAY MOMENTARY, VENTLINE 112 |
| 096983-01-703 | EA SWITCH-ON/OFF - JENSEN 115 |
| 096983-01-707 | EA FILTER-GREASE, 8" X 8" - LVS CC246 |
| 092696-02-701 | EA LENS-LAMP, LVS CC179 |
| 100258-04-701 | EA BEZEL-SWITCH LEVER, CABLE TO VENT - VENTLINE CC116 |
| 100258-04-702 | EA SWITCH-LEVER, W/CABLE - VENTLINE CB547-1 |
| 100258-10-700 | EA METER-HOUR, VENTLINE 150 |
| 100258-11-700 | EA CIRCUIT BOARD 5079-01 |
| 100258-12-700 | EA PANEL ASM 9076 |
| 100258-23-02A | EA HOOD-RANGE 22W W/MONITOR PANEL - CSA FROM: 08-16-92 THRU: 99-99-99 |
| 075470-01-703 | EA SWITCH-ON/MOMENTARY, JENSEN RP1016 |
| 090973-01-700 | EA MOTOR - LVS CA508-1 |
| 090973-01-702 | EA BLADE-FAN, LVS VA183-1 |
| 092696-01-701 | EA KNOB-LEVER, CABLE - PLASTIC - BLACK - VENTLINE CC225 |
| 092696-01-702 | EA RESISTOR-WIRE, VENTLINE L7314 |
| 092696-01-709 | EA BULB-912, VENTLINE VA415 |
| 092696-01-710 | EA SOCKET-LIGHT, VENTLINE CB267-2 |
| 096983-01-700 | EA SWITCH-ON/OFF, VENTLINE 108 |
| 096983-01-702 | EA SWITCH-TWO WAY MOMENTARY, VENTLINE 112 |
| 096983-01-703 | EA SWITCH-ON/OFF - JENSEN 115 |
| 096983-01-707 | EA FILTER-GREASE, 8" X 8" - LVS CC246 |
| 092696-02-701 | EA LENS-LAMP, LVS CC179 |
| 100258-04-701 | EA BEZEL-SWITCH LEVER, CABLE TO VENT - VENTLINE CC116 |
| 100258-04-702 | EA SWITCH-LEVER, W/CABLE - VENTLINE CB547-1 |
| 100258-10-700 | EA METER-HOUR, VENTLINE 150 |
| 100258-11-700 | EA CIRCUIT BOARD 5079-01 |
| 100258-12-700 | EA PANEL ASM 9076 |

1993 ITASCA
TABLE OF CONTENTS

| | | |
|--------------------|------|------|
| INTRODUCTION | A-01 | A-02 |
| ABBREVIATIONS | | A-03 |
| ALPHABETICAL INDEX | A-04 | A-06 |
| ICN32RQ | A-07 | G-02 |
| ICN34RQ | G-03 | L-16 |

1993 ICN34RQ INDEX

| | | |
|----------------------|------|------|
| FLOOR PLAN | G-03 | G-04 |
| ACCESSORIES | | G-05 |
| AUDIO VIDEO | G-06 | G-08 |
| BATH | G-09 | G-12 |
| BEDROOM | G-13 | G-16 |
| CHASSIS | G-17 | H-08 |
| CURTAIN & CUSHION | H-09 | H-20 |
| DINETTE | H-21 | H-24 |
| DRIVERS COMPARTMENT | I-01 | I-06 |
| ELECTRICAL | I-07 | I-12 |
| EXTERIOR BODY | I-13 | I-22 |
| GALLEY | I-23 | J-06 |
| GENERATOR | J-07 | J-08 |
| HEATING & A/C | J-09 | J-12 |
| INTERIOR FINISH | J-13 | J-16 |
| LABELS | J-17 | J-24 |
| LP | K-01 | K-02 |
| LOUNGE | K-03 | K-04 |
| SEALANTS & FASTENERS | K-05 | K-08 |
| WATER & SEWAGE | K-09 | K-14 |
| WINDOW, VENT AND | | |
| EXTERIOR DOOR | K-15 | L-14 |
| WINDSHIELD & WIPER | L-15 | L-16 |

GALLEY GROUP (CONTINUED)
REFRIGERATOR - LARGE DOUBLE DOOR

| KEY | PART NUMBER | U/M DESCRIPTION |
|-----|---------------|--|
| | 104137-03-01A | EA REFRIGERATOR-2 WAY, LARGE DOUBLE DOOR - NORCOLD 682 LH BLK |
| | 064473-01-702 | EA ORIFICE-NORCOLD #61452122 |
| | 084880-01-715 | EA VALVE-SHUT OFF, MANUAL - NORCOLD #61697922 |
| | 075217-01-734 | EA FUSE-3 AMP, NORCOLD #61538822 |
| | 075217-01-738 | EA SWITCH-HUMIDITY, NORCOLD #61525922 |
| | 094880-01-713 | EA CONNECTOR-MALE, INLET FITTING - NORCOLD #615256 |
| | 084880-01-715 | EA VALVE-SHUT OFF, MANUAL - NORCOLD #61697922 |
| | 084880-01-718 | EA VALVE-GAS, NORCOLD #61551822 |
| | 084880-01-722 | EA CRISPER COVER - NORCOLD #615641 |
| | 084880-01-726 | EA HINGE BRACKET (CENTER HINGE) NORCOLD #61566523 |
| | 084880-01-731 | EA HINGE PIN, NORCOLD #61578123 |
| | 064880-01-732 | EA LATCH, NORCOLD #61578522 |
| | 084880-01-734 | EA BRACKET-HINGE, TOP RH - BOTTOM LH - BROWN NORCOLD #61580837 |
| | 084880-01-735 | EA HINGE BRACKET, TOP LH - BOTTOM RH BROWN - NORCOLD #61580937 |
| | 084880-01-739 | EA END CAP (SPRING CATCH) BROWN #61593722 |
| | 084880-01-740 | EA END CAP (STOP CATCH) #61593830 |
| | 084880-01-744 | EA HINGE PIN SHAFT (CENTER HINGE) NORCOLD #61566723 |
| | 084880-01-746 | EA CABLE, NORCOLD #61571522 |
| | 084880-01-747 | EA PLUG-HOLE, NORCOLD #61582022 |
| | 084880-01-749 | EA HINGE BUSHING - NORCOLD #615807 |
| | 084880-01-753 | EA THERMISTER 78° - NORCOLD #61693822 |
| | 084880-01-761 | EA END CAP (SPRING CATCH) BLACK #61593730 |
| | 084880-02-700 | EA LOWER FLANGE #663ʗ, NORCOLD #61622123 |
| | 084880-03-701 | EA COOLING UNIT (HORIZONTAL BURNER) - NORCOLD #61687337 |
| | 084880-03-705 | EA BRACKET FLINT, REFRIGERATOR LIGHT - NORCOLD #61629722 |
| | 084880-03-706 | EA LAMP (BULB) - NORCOLD #61628922 |
| | 084880-03-707 | EA COVER FLAMP OR BULB - NORCOLD #61627922 |
| | 088248-01-706 | EA BURNER-HORIZONTAL, NORCOLD #61588122 |
| | 088248-01-707 | EA ELECTRODE-SENSOR, (HORIZONTAL), NORCOLD #61573322 |
| | 088248-01-708 | EA ELECTRODE-IGNITION, (HORIZONTAL) - NORCOLD #61573222 |
| | 088248-01-709 | EA HEATER-AC, (HORIZONTAL) - NORCOLD #615627 |
| | 094039-01-700 | EA PC BOARD-3-WAY, NORCOLD #61647522 |
| | 094039-01-701 | EA EYEBROW-SHELL, 3-WAY - BLACK - PLASTIC - NORCOLD #61669922 |
| | 094039-01-703 | EA PLATE-HINGE, LH - BROWN - NORCOLD #61631422 |
| | 094039-01-704 | EA PLATE-HINGE, BLACK - NORCOLD #61631430 |
| | 094039-01-709 | EA PLATE-HINGE, TOP RH - LH BOTTOM - BROWN - NORCOLD #61631322 |
| | 094039-01-710 | EA PLATE-HINGE, BLACK - NORCOLD #61631330 |
| | 094039-01-712 | EA DOOR BIN-GRAY W/SILVER BORDER - NORCOLD #61564060 |
| | 094039-01-713 | EA DOOR GASKET-LOWER, GRAY - NORCOLD #61568030 |
| | 094039-01-714 | EA LOWER DOOR LINER (BROWN/WHITE) - NORCOLD #61581737-B |
| | 094039-01-715 | EA LOWER DOOR LINER (BLACK/WHITE) - NORCOLD #61581738-B |
| | 094039-01-716 | EA LOWER DOOR HANDLE ASM (BROWN) - NORCOLD #61649937 |
| | 094039-01-717 | EA LOWER DOOR HANDLE ASM (BLACK) - NORCOLD #61649938 |
| | 094039-01-718 | EA MILK BIN-GRAY W/SILVER TRIM - NORCOLD #61579460 |
| | 094039-01-719 | EA DAIRY KEEPER-GRAY W/SILVER TRIM #61580460 |
| | 094039-01-720 | EA CAB ASSEMBLY (BROWN FRAME/WHITE LINER) - NORCOLD #61663237 |
| | 094039-01-721 | EA CAB ASM (BLACK FRAME WHITE LINER) - NORCOLD #61663238 |
| | 094039-01-722 | EA HOLE PLUG (BLACK) HINGE HOLES - NORCOLD #61582030 |
| | 094039-01-723 | EA HINGE BRACKET, TOP RH - BOTTOM LH - BLACK - NORCOLD #61580838 |
| | 094039-01-724 | EA BRACKET-HINGE, TOP LH - BOTTOM RH - BLACK - NORCOLD #61580938 |
| | 094039-01-725 | EA HINGE PIN (BLACK) (MALE) - NORCOLD #61578130 |
| | 094039-01-726 | EA SHELF-FREEZER EVAPORATOR, NORCOLD #615236 |
| | 094039-01-730 | EA HINGE PIN SHAFT (BLACK) CENTER HINGE - NORCOLD #61566730 |
| | 094039-01-731 | EA CRISPER-GRAY W/SILVER TRIM - NORCOLD #61571360 |
| | 094039-01-732 | EA FRONT COVER (BLACK) BOTTOM TRIM - NORCOLD #61622130 |
| | 094039-01-733 | EA WIRE SHELF (MIDDLE) - NORCOLD #61563822 |
| | 094039-01-734 | EA WIRE SHELF (TOP) W/FISER - NORCOLD #61563722 |
| | 094039-01-735 | EA INSIDE DRIP TRAY (WHITE) # 61572830 |
| | 094039-01-736 | EA SWITCH-LIGHT, BLACK - NORCOLD #615810 |
| | 081211-04-000 | EA PLUG-PLASTIC, .46" DIAMETER - BLACK |
| | 081211-05-000 | EA PLUG-PLASTIC, .188 DIA - NATURAL |

GALLEY GROUP (CONTINUED)
REFRIGERATOR - LARGE DOUBLE DOOR (CONTINUED)

| KEY | PART NUMBER | U/M DESCRIPTION |
|-----|---------------|---|
| | 094039-01-739 | EA SHELF (CUTOUT) #61646722 |
| | 094039-01-742 | EA TRAY-F/CUTOUT SHELF, NORCOLD #61650922 |
| | 094039-04-700 | EA PC BOARD-2 WAY, NORCOLD #61647322 |
| | 094039-04-702 | EA POWER SUPPLY (2 WAY) - NORCOLD #61647422 |
| | 054450-01-000 | EA LEVEL-REFRIGERATOR |

MICROWAVE OVEN

| KEY | PART NUMBER | U/M DESCRIPTION |
|-----|---------------|--|
| | 102479-02-000 | EA OVEN-MICROWAVE, PANASONIC NN6500 |
| | 102479-01-000 | EA OVEN-MICROWAVE, CONVECTION - PANASONIC NN8500 |
| | 102479-01-700 | EA COOKBOOK |
| | 102456-02-000 | EA BAFFLE ASM-MICROWAVE |
| | | FROM: 00-00-00 THRU: 01-31-93 |
| | 102456-07-000 | EA BAFFLE ASM-MICROWAVE |
| | | FROM: 02-01-93 THRU: 99-99-99 |
| | 102458-02-000 | EA SUPPORT ASM-BOTTOM, MICROWAVE |
| | | FROM: 00-00-00 THRU: 01-31-93 |
| | 102452-01-000 | EA STRAP-MICROWAVE, 13.1" X 2" - STEEL |
| | 102472-03-C17 | EA FRAME-MICROWAVE |
| | 102486-06-01A | EA TRIM-MICROWAVE, VERTICAL - METAL - BLACK |
| | 102486-07-01A | EA TRIM-MICROWAVE, VERTICAL - METAL - BLACK |
| | 022755-01-000 | EA SHIELD CONTROL PANEL 7.75" X 9" - PLASTIC - BLACK |

MISCELLANEOUS GALLEY COMPONENTS

| KEY | PART NUMBER | U/M DESCRIPTION |
|-----|---------------|--|
| | 104230-01-000 | EA MAKER-COFFEE, THERMAL CARAFE - SPACEMAKER PLUS |
| | 104230-01-700 | EA CARAFE POT ONLY-CREAM SRC40 |
| | 093605-01-01A | EA RACK-TOWEL, WIRE - ALMOND |
| | 103445-01-01A | EA HOLDER-PAPER TOWEL - PLASTIC - ALMOND |
| | 100081-01-01A | EA TRAY-SILVERWARE, 9" X 13 3/4" - PLASTIC - ALMOND - RUBBERMAID |
| | 108464-01-D15 | EA COVER-SINK, 386MM X 282MM - RIGHT |
| | 108464-02-D15 | EA COVER-SINK, 386MM X 282MM - LEFT |
| | 093238-01-Y12 | EA HOLDER-KNIFE, COUNTERTOP - OAK |
| | 093282-01-000 | EA BONNET-KNIFE HOLDER, UNDER COUNTER - METAL |

**1993 ITASCA
TABLE OF CONTENTS**

| | | |
|--------------------|------|------|
| INTRODUCTION | A-01 | A-02 |
| ABBREVIATIONS | | A-03 |
| ALPHABETICAL INDEX | A-04 | A-06 |
| ICN32RQ | A-07 | G-02 |
| ICN34RQ | G-03 | L-16 |

1993 ICN34RQ INDEX

| | | |
|----------------------|------|------|
| FLOOR PLAN | G-03 | G-04 |
| ACCESSORIES | | G-05 |
| AUDIO VIDEO | G-06 | G-08 |
| BATH | G-09 | G-12 |
| BEDROOM | G-13 | G-16 |
| CHASSIS | G-17 | H-08 |
| CURTAIN & CUSHION | H-09 | H-20 |
| DINETTE | H-21 | H-24 |
| DRIVERS COMPARTMENT | I-01 | I-06 |
| ELECTRICAL | I-07 | I-12 |
| EXTERIOR BODY | I-13 | I-22 |
| GALLEY | I-23 | J-06 |
| GENERATOR | J-07 | J-08 |
| HEATING & A/C | J-09 | J-12 |
| INTERIOR FINISH | J-13 | J-16 |
| LABELS | J-17 | J-24 |
| LP | K-01 | K-02 |
| LOUNGE | K-03 | K-04 |
| SEALANTS & FASTENERS | K-05 | K-08 |
| WATER & SEWAGE | K-09 | K-14 |
| WINDOW, VENT AND | | |
| EXTERIOR DOOR | K-15 | L-14 |
| WINDSHIELD & WIPER | L-15 | L-16 |

GENERATOR GROUP

GENERATOR-ONAN, 4 KW

| KEY | PART NUMBER | U/M DESCRIPTION |
|---------------|---------------|--|
| | 100974-04-000 | EA GENERATOR-4.0KW EMERALD PLUS FN29236G - ONAN TRAY #403-2218 |
| | 007125-03-000 | EA CLAMP-MUFFLER - 1.5" DIA |
| | 007125-04-000 | EA CLAMP-MUFFLER, 1.1" DIA |
| | 081364-03-000 | EA MUFFLER-GENERATOR, ONAN |
| | 094059-01-000 | EA SPACER-GENERATOR, ONAN |
| | 105958-01-000 | EA PIPE-EXHAUST, GENERATOR |
| | 007131-01-000 | EA HANGER-TAILPIPE, 6 SLOTS |
| | 024976-01-000 | EA SWITCH-GENERATOR, W/O CIRCUIT BOARD |
| | | FROM: 00-00-00 THRU: 12-13-92 |
| 108357-10-000 | EA | SWTCH-ROCKER, SPDT MOM/OFF/MOM CARLING V8D11608-0 |
| | | FROM: 12-14-92 THRU: 99-99-99 |
| 108357-10-000 | EA | COVER-GEN SET SWITCH W/GROOVES & LENS CARLING VVLGCXX |
| | | FROM: 12-14-92 THRU: 99-99-99 |

GENERATOR-ONAN, 4 KW - US

| KEY | PART NUMBER | U/M DESCRIPTION |
|---------------|---------------|---|
| | 100974-01-000 | EA GENERATOR-4.0KW EMERALD PLUS, ONAN BGE-FA/26100G |
| | 007125-03-000 | EA CLAMP-MUFFLER - 1.5" DIA |
| | 007125-04-000 | EA CLAMP-MUFFLER, 1.1" DIA |
| | 079654-05-000 | EA PIPE-EXHAUST, ANGLED - W/FLANGE - 2" ID - ONAN# 154-2539 |
| | 081364-03-000 | EA MUFFLER-GENERATOR, ONAN |
| | 094059-01-000 | EA SPACER-GENERATOR, ONAN |
| | 105958-01-000 | EA PIPE-EXHAUST, GENERATOR |
| | 007131-01-000 | EA HANGER-TAILPIPE, 6 SLOTS |
| | 024976-01-000 | EA SWITCH-GENERATOR, W/O CIRCUIT BOARD |
| | | FROM: 00-00-00 THRU: 12-13-92 |
| 108357-10-000 | EA | SWITCH-ROCKER, SPDT MOM/OFF/MOM CARLING V8D11608-0 |
| | | FROM: 12-14-92 THRU: 99-99-99 |
| 108357-10-000 | EA | COVER-GEN SET SWITCH W/GROOVES & LENS CARLING VVLGCXX |
| | | FROM: 12-14-92 THRU: 99-99-99 |

GENERATOR-ONAN, 5.5 KW - US

| KEY | PART NUMBER | U/M DESCRIPTION |
|---------------|---------------|--|
| | 100975-01-000 | EA GENERATOR-5.5KW EMERALD PLUS, NHE-FA/26100G - ONAN TRAY #403-2218 |
| | 007125-03-000 | EA CLAMP-MUFFLER - 1.5" DIA |
| | 007125-04-000 | EA CLAMP-MUFFLER, 1.1" DIA |
| | 079654-05-000 | EA PIPE-EXHAUST, ANGLED - W/FLANGE - 2" ID - ONAN# 154-2539 |
| | 081364-03-000 | EA MUFFLER-GENERATOR, ONAN |
| | 094059-01-000 | EA SPACER-GENERATOR, ONAN |
| | 105958-01-000 | EA PIPE-EXHAUST, GENERATOR |
| | 007131-01-000 | EA HANGER-TAILPIPE, 6 SLOTS |
| | 024976-01-000 | EA SWITCH-GENERATOR, W/O CIRCUIT BOARD |
| | | FROM: 00-00-00 THRU: 12-13-92 |
| 108357-10-000 | EA | SWTCH-ROCKER, SPDT MOM/OFF/MOM CARLING V8D11608-0 |
| | | FROM: 12-14-92 THRU: 99-99-99 |
| 108357-10-000 | EA | COVER-GEN SET SWITCH W/GROOVES & LENS CARLING VVLGCXX |

GENERATOR-KOHLER, 7 KW - US

| KEY | PART NUMBER | U/M DESCRIPTION |
|---------------|---------------|---|
| | 105525-01-000 | EA GENERATOR-7.0KW - LOW PROFILE - KOHLER 7CKM21 |
| | 007125-03-000 | EA CLAMP-MUFFLER - 1.5" DIA |
| | 007125-04-000 | EA CLAMP-MUFFLER, 1.1" DIA |
| | 094059-01-000 | EA SPACER-GENERATOR, ONAN |
| | 105526-01-000 | EA ARRESTER-SPARK, KOHLER 278621 |
| | 105527-02-000 | EA PIPE-EXHAUST ADAPTER, KOHLER-278979 |
| | 105528-01-000 | EA MUFFLER-RR EL EXH W/O SPARK KOHLER 278735 |
| | 105602-01-000 | EA GASKET-EXHAUST, KOHLER-278320 |
| | 105958-01-000 | EA PIPE-EXHAUST, GENERATOR |
| | 007131-01-000 | EA HANGER-TAILPIPE, 6 SLOTS |
| | 024976-01-000 | EA SWITCH-GENERATOR, W/O CIRCUIT BOARD |
| | | FROM: 00-00-00 THRU: 12-13-92 |
| 108357-10-000 | EA | SWTCH-ROCKER, SPDT MOM/OFF/MOM CARLING V8D11608-0 |
| | | FROM: 12-14-92 THRU: 99-99-99 |
| 108357-10-000 | EA | COVER-GEN SET SWITCH W/GROOVES & LENS CARLING VVLGCXX |
| | | FROM: 12-14-92 THRU: 99-99-99 |

GENERATOR GROUP (CONTINUED)

GENERATOR-ONAN, 5.0 KW - EXPORT

| KEY | PART NUMBER | U/M DESCRIPTION |
|---------------|---------------|---|
| | 100975-03-000 | EA GENERATOR-5.0 KW EMERALD PLUS - NHE-FN29236G - ONAN TRAY #403-2218 |
| | 007125-03-000 | EA CLAMP-MUFFLER - 1.5" DIA |
| | 007125-04-000 | EA CLAMP-MUFFLER, 1.1" DIA |
| | 081364-03-000 | EA MUFFLER-GENERATOR, ONAN |
| | 094059-01-000 | EA SPACER-GENERATOR, ONAN |
| | 105958-01-000 | EA PIPE-EXHAUST, GENERATOR |
| | 007131-01-000 | EA HANGER-TAILPIPE, 6 SLOTS |
| | 024976-01-000 | EA SWITCH-GENERATOR, W/O CIRCUIT BOARD |
| | | FROM: 00-00-00 THRU: 12-13-92 |
| 108357-10-000 | EA | SWTCH-ROCKER, SPDT MOM/OFF/MOM CARLING V8D11608-0 |
| | | FROM: 12-14-92 THRU: 99-99-99 |
| 108357-10-000 | EA | COVER-GEN SET SWITCH W/GROOVES & LENS CARLING VVLGCXX |
| | | FROM: 12-14-92 THRU: 99-99-99 |

GENERATOR-KOHLER, 5 KW

| KEY | PART NUMBER | U/M DESCRIPTION |
|---------------|---------------|---|
| | 105524-01-000 | EA GENERATOR 5KW LOW PROFILE KOHLER 5CKM21 |
| | 007125-03-000 | EA CLAMP-MUFFLER - 1.5" DIA |
| | 007125-04-000 | EA CLAMP-MUFFLER, 1.1" DIA |
| | 105526-01-000 | EA ARRESTER-SPARK, KOHLER 278621 |
| | 105527-01-000 | EA PIPE-EXHAUST ADAPTER, KOHLER 278524 |
| | 105528-01-000 | EA MUFFLER-RR EL EXH W/O SPARK KOHLER 278735 |
| | 105602-01-000 | EA GASKET-EXHAUST, KOHLER-278320 |
| | 105958-01-000 | EA PIPE-EXHAUST, GENERATOR |
| | 007067-01-000 | SF INSULATION-FIBERGLASS, 1" THICK X 4 - INCREMENTS OF 4 SF |
| | 007131-01-000 | EA HANGER-TAILPIPE, 6 SLOTS |
| | 024976-01-000 | EA SWITCH-GENERATOR, W/O CIRCUIT BOARD |
| | | FROM: 00-00-00 THRU: 12-13-92 |
| 108357-10-000 | EA | SWTCH-ROCKER, SPDT MOM/OFF/MOM CARLING V8D11608-0 |
| | | FROM: 12-14-92 THRU: 99-99-99 |
| 108357-10-000 | EA | COVER-GEN SET SWITCH W/GROOVES & LENS CARLING VVLGCXX |
| | | FROM: 12-14-92 THRU: 99-99-99 |

GENERATOR-ONAN, 5.0 KW

| KEY | PART NUMBER | U/M DESCRIPTION |
|---------------|---------------|--|
| | 109303-01-000 | EA GENERATOR-5KW EMERALD PLUS ONAN - ONAN TRAY #403-2727 |
| | 007125-03-000 | EA CLAMP-MUFFLER - 1.5" DIA |
| | 007125-04-000 | EA CLAMP-MUFFLER, 1.1" DIA |
| | 079654-05-000 | EA PIPE-EXHAUST ANGLED - W/FLANGE - 2" ID - ONAN# 154-2539 |
| | 081364-03-000 | EA MUFFLER-GENERATOR, ONAN |
| | 094059-01-000 | EA SPACER-GENERATOR, ONAN |
| | 106602-01-000 | EA PIPE-EXHAUST, GENERATOR |
| | 106607-01-000 | EA ANGLE-SUPPORT, EXHAUST |
| | 007131-01-000 | EA HANGER-TAILPIPE, 6 SLOTS |
| | 024976-01-000 | EA SWITCH-GENERATOR, W/O CIRCUIT BOARD |
| | | FROM: 00-00-00 THRU: 12-13-92 |
| 108357-10-000 | EA | SWTCH-ROCKER, SPDT MOM/OFF/MOM CARLING V8D11608-0 |
| | | FROM: 12-14-92 THRU: 99-99-99 |
| 108357-10-000 | EA | COVER-GEN SET SWITCH W/GROOVES & LENS CARLING VVLGCXX |
| | | FROM: 12-14-92 THRU: 99-99-99 |

1993 ITASCA

TABLE OF CONTENTS

| | |
|--------------------|-------------|
| INTRODUCTION | A-01 - A-02 |
| ABBREVIATIONS | A-03 |
| ALPHABETICAL INDEX | A-04 - A-06 |
| ICN32RQ | A-07 - G-02 |
| ICN34RQ | G-03 - L-16 |

1993 ICN34RQ INDEX

| | |
|----------------------|-------------|
| FLOOR PLAN | G-03 - G-04 |
| ACCESSORIES | G-05 |
| AUDIO VIDEO | G-06 - G-08 |
| BATH | G-09 - G-12 |
| BEDROOM | G-13 - G-16 |
| CHASSIS | G-17 - H-08 |
| CURTAIN & CUSHION | H-09 - H-20 |
| DINETTE | H-21 - H-24 |
| DRIVERS COMPARTMENT | I-01 - I-06 |
| ELECTRICAL | I-07 - I-12 |
| EXTERIOR BODY | I-13 - I-22 |
| GALLEY | I-23 - J-06 |
| GENERATOR | J-07 - J-08 |
| HEATING & A/C | J-09 - J-12 |
| INTERIOR FINISH | J-13 - J-16 |
| LABELS | J-17 - J-24 |
| LP | K-01 - K-02 |
| LOUNGE | K-03 - K-04 |
| SEALANTS & FASTENERS | K-05 - K-08 |
| WATER & SEWAGE | K-09 - K-14 |
| WINDOW, VENT AND | |
| EXTERIOR DOOR | K-15 - L-14 |
| WINDSHIELD & WIPER | L-15 - L-16 |

HEATING & AIR CONDITIONING GROUP (CONTINUED)

ROOF A/C-2 UNITS - 11000/13500 BTU

Table with columns: KEY PART NUMBER, U/M DESCRIPTION. Rows include AC-roof units, start relays, capacitors, compressors, condenser coils, and various filters.

HEATING & AIR CONDITIONING GROUP (CONTINUED)

CEILING A/C

Table with columns: KEY PART NUMBER, U/M DESCRIPTION. Rows include ceiling A/C units, thermostats, selector switches, and decal cool only units.

ROOF A/C-13500 BTU

Table with columns: KEY PART NUMBER, U/M DESCRIPTION. Rows include roof A/C units, ceiling A/C units, and various components like compressors and capacitors.

1993 ITASCA TABLE OF CONTENTS

Table of contents for 1993 ITASCA, listing sections like Introduction, Abbreviations, Alphabetical Index, and ICN32RQ.

1993 ICN34RQ INDEX

Index for 1993 ICN34RQ, listing various vehicle components like Floor Plan, Accessories, Audio Video, and Electrical.

INTERIOR FINISH GROUP

PANELING AND LAMINATES

| KEY | PART NUMBER | U/M DESCRIPTION |
|-----|---------------|---|
| | 074493-34-000 | SF LAMINATE-PLASTIC, 5' X 8' - RAMBLING OAK |
| | 074493-41-000 | SF LAMINATE-PLASTIC ORCHID MIST - GALLEY/DINETTE |
| | 074498-42-000 | SF LAMINATE-PLASTIC, GRAY KALEIDESCOP - BATH/BEDROOM (D38) |
| | 074498-43-000 | SF LAMINATE-PLASTIC, VERDE PATINA - BATH/BEDROOM (D40) |
| | 093743-01-02A | SF PLASTIC-ABS, 11.5" WIDE ROLL - OFF WHITE |
| | 088272-29-000 | SF PANELING-SHOWER, OFF WHITE - 4' X 7' |
| | 088272-92-000 | SF PANELING-DECORATIVE, SWIRLED - 4' X 7' - MAIN WALL (D38) |
| | 088272-A5-000 | SF PANELING-BUBBLE, TWILIGHT - 4' X 7' - MAIN WALL (D40) |
| | 074497-21-000 | SF PANELING-WOODGRAIN, 4' X 8' |
| | 076773-09-000 | SF PANELING-WINNI OAK, 2 SIDED - 48" X 96" |
| | 088272-98-000 | SF PANELING-SHOWER, OFF WHITE - 4' X 7' |
| | 095688-01-000 | SF VENEER-FLAT LUAN - 48" X 96" |
| | 089297-01-000 | SF PLYWOOD-LUAN, OVERLAY GRADE - 4' X 8' |
| | 083618-02-000 | SF PLYWOOD-OAK, 1 SIDE FINISHED - 3/16" X 4' X 8' |

BATT STRIPS

| KEY | PART NUMBER | U/M DESCRIPTION |
|-----|---------------|---|
| | 085284-60-000 | FT BATT STRIP-DECORATIVE, SWIRLED - ADHESIVE BACKED (D38) |
| | 085284-73-000 | FT BATT STRIP-BUBBLES TWILIGHT, ADHESIVE BACKED (D40) |
| | 088263-72-000 | EA BATT STRIP-DECORATIVE, SWIRLED - MAIN WALL (D38) |
| | 088263-84-000 | EA BATT STRIP BUBBLES, TWILIGHT - MAIN WALL (D40) |
| | 088263-78-000 | EA BATT STRIP-SHOWER, 8' - OFF WHITE |
| | 085284-67-000 | FT STRIP-TAPE, WINNI OAK |
| | 086229-01-000 | EA RETAINER-BATTEN, CEILING - .75" WIDE - 7.6' |
| | 086229-04-000 | EA BATTEN-CEILING, 1" WIDE - IVORY - 7.6' |
| | 086229-07-000 | EA RETAINER-3/4", 1780MM LONG |
| | 086229-08-000 | EA BATTEN-1" CEILING, MODERN IVORY - 1780MM LONG |

FLOOR MATS

| KEY | PART NUMBER | U/M DESCRIPTION |
|-----|---------------|---|
| | 081075-02-000 | EA MAT-FLOOR, ENTRANCE DOOR - W/ITASCA LOGO - 10.2' X 26" |
| | 081201-02-000 | EA MAT-FLOOR, DRIVER - W/ITASCA LOGO - 14" X 24" |
| | 081202-02-000 | EA MAT-FLOOR, PASSENGER - W/ITASCA LOGO - 14" X 24" |

INTERIOR FINISH GROUP (CONTINUED)

MOLDINGS AND TRIMS

| KEY | PART NUMBER | U/M DESCRIPTION |
|-----|---------------|--|
| | 009812-22-000 | EA MOLDING-CORNER, OUTSIDE - .5" X 7' - PLASTIC - BROWN |
| | 029757-12-000 | FT MOLDING-SIDEWALL TO CEILING/CABINET - MOUNTING - OFF WHITE |
| | 022992-11-000 | FT MOLDING-REVERSE COVE, T-SHAPED - VINYL - IVORY |
| | 042357-15-000 | EA MOLDING-CORNER, RADIUS - 1.5" X 7' - PLASTIC - WOODGRAIN |
| | 042357-17-000 | EA MOLDING-CORNER, RADIUS - 1.5" X 7' - PLASTIC - WOODGRAIN |
| | 076325-25-000 | FT MOLDING-EDGE BAND, 1 5/16" WIDE - RAMBLING OAK |
| | 076325-34-000 | FT MOLDING-EDGE BAND, 1 5/16" WIDE |
| | 077840-01-B27 | EA MOLDING-WALL CAP, 1.4" X 8' LONG - L-SHAPED WOOD |
| | 078323-06-B25 | EA MOLDING-WALL CAP, LIPS BOTH SIDES - WOOD - 6.6' LONG |
| | 081294-02-000 | EA MOLDING-SHELF, NOTCHED WOOD - 8' LONG |
| | 080176-04-000 | EA CAP-TOP, RADIUS CORNER MOLDING - PLASTIC - BROWN |
| | 081521-02-007 | EA MOUNT-METAL MOLDING, FOR RADIUS CORNER MOLDING - 1.25" |
| | 083620-07-000 | FT MOLDING-T, END CAP EDGE - WEDGE LIPS - .75" - THOR PECAN |
| | 100041-A2-038 | EA MOLDING-VINYL WRAPPED, 766MM - RAMBLING OAK |
| | 100041-02-000 | EA MOLDING-VINYL WRAPPED, .7" X 2.5" X 84" - RAMBLING OAK |
| | 100818-01-02A | EA MOLDING-VINYL WRAPPED, 1.65" X 4" X 7' - RAMBLING OAK |
| | 100819-01-02A | EA MOLDING-VINYL WRAPPED, L-SHAPED, 1.5" X 1.5" X 7' - OAK |
| | 102219-01-01A | EA COVER-SPLICE, COVE TRIM - 1.5" X 3" - PLASTIC - OFF WHITE |
| | 099571-01-01A | EA TRIM-COVE, INTERIOR - 2.5" X 12" - PLASTIC - OFF WHITE W/2 LIPS FOR MOUNTING BETWEEN CEILING & SIDEWALLS |
| | 100040-01-000 | EA LUMBER-VINYL WRAPPED, 7" X 1.5" X 8' - RAMBLING OAK |
| | 100040-03-000 | EA LUMBER-VINYL WRAPPED, .71" X 2" X 8' - RAMBLING OAK |
| | 100040-06-000 | EA LUMBER-VINYL WRAPPED, RAMBLING OAK |
| | 105709-01-000 | FT T-MOLDING-1", MODERN IVORY |
| | 070504-01-000 | FT U-CHANNEL-PLASTIC, .055" WIDE - LIGHT BROWN - 8' |
| | 070504-19-000 | FT U-CHANNEL-PLASTIC, .815" WIDE - BROWN - 8' |
| | 070504-20-000 | FT U-CHANNEL-PLASTIC, .815" WIDE - THOR PECAN - 8' |
| | 009778-12-000 | FT U CHANNEL-PLASTIC, 1" WIDE X 8" INCREMENTS - WOODGRAIN |
| | 070504-23-000 | FT EXTRUSION-U CHANNEL, .875" WIDE - COUNTRY FOREST |
| | 072368-02-000 | EA TRIM-VINYL, EDGE - BLACK |

FLOOR COVERINGS & COMPONENTS

| KEY | PART NUMBER | U/M DESCRIPTION |
|-----|---------------|--|
| | 092308-03-01A | SF TILE-FLOORING, WOOD PARQUET - 12" X 12" |
| | 093486-01-000 | SY CARPET-COMPARTMENT, 54" WIDE - DARK GRAY |
| | 096060-52-000 | SY CARPET-NORWEIGIAN BLUE - 12" WIDE - (D38) |
| | 096060-54-000 | SY CARPET-WOOD ASH - 12" WIDE - (D40) |
| | 075233-01-000 | SY PAD-CARPET, 3/8" X 6' ROLL |
| | 047034-02-000 | SF PLASTIC-CARPET, 4"WIDE - CLEAR POLY |

MISCELLANEOUS

| KEY | PART NUMBER | U/M DESCRIPTION |
|-----|---------------|--|
| | 072852-01-000 | EA DETECTOR-SMOKE, W/9 VOLT BATTERY |
| | 072852-02-000 | EA DETECTOR-SMOKE, W/9 VOLT BATTERY - CANADIAN |
| | 094499-01-000 | EA EXTINGUISHER-FIRE, DRY W/MOUNTING BRACKET - 10 BC |
| | 094499-02-000 | EA EXTINGUISHER-FIRE, DRY - 1A10BC - CANADIAN |
| | 094499-01-700 | EA BRACKET-MOUNTING, W/PLASTIC STRAP - FIRE EXTINGUISHER |
| | 100793-02-01A | EA CLOCK-WALL, 11" DIAMETER - BOLDEN 9988 |

FROM 12-14-92 THRU: 99-99-99

1993 ITASCA

TABLE OF CONTENTS

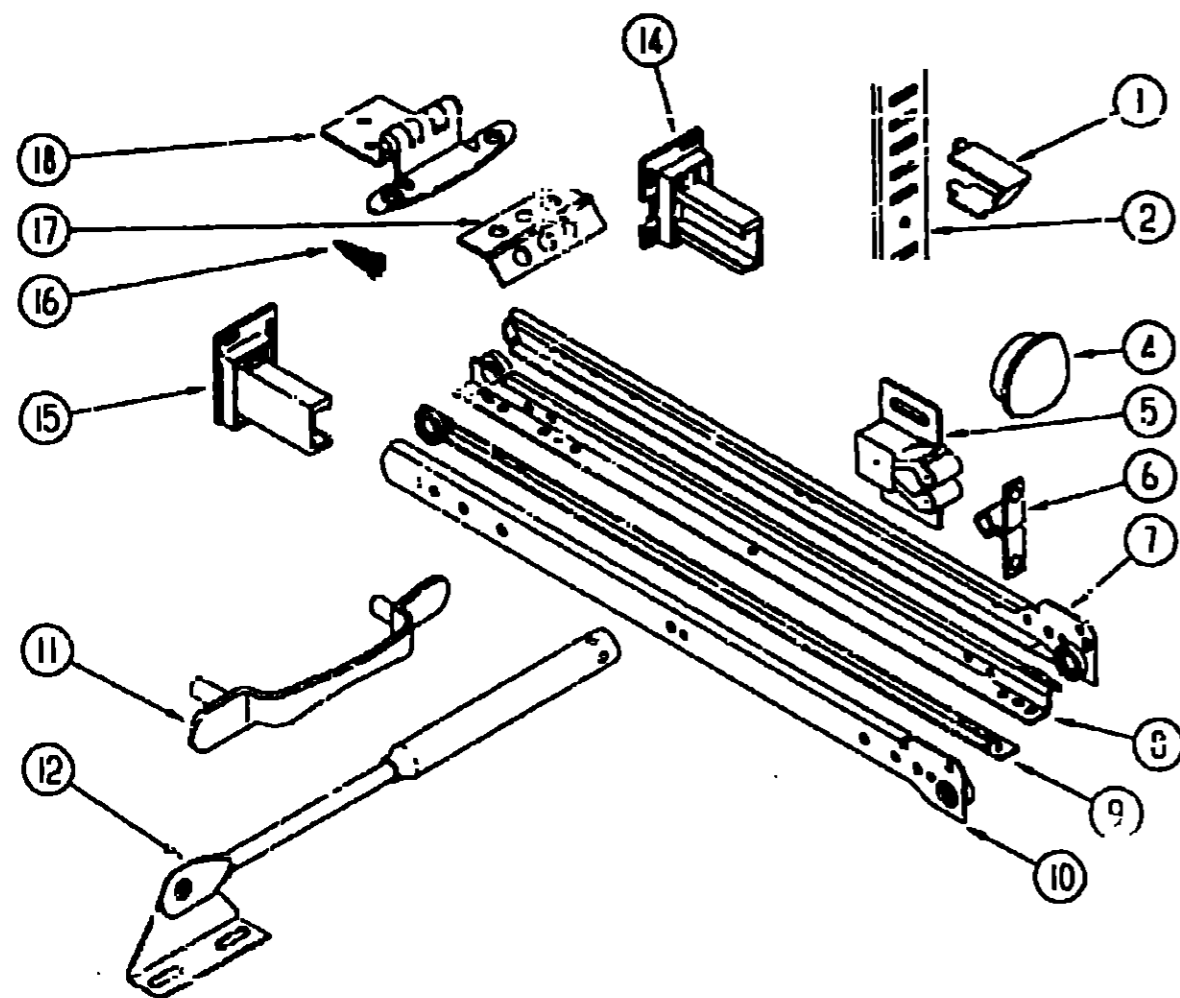
| | | |
|--------------------|--------|------|
| INTRODUCTION | A-01 - | A-02 |
| ABBREVIATIONS | | A-03 |
| ALPHABETICAL INDEX | A-04 - | A-06 |
| ICN32RQ | A-07 - | G-02 |
| ICN34RQ | G-03 - | L-16 |

1993 ICN34RQ INDEX

| | | |
|----------------------|--------|------|
| FLOOR PLAN | G-13 - | G-04 |
| ACCESSORIES | | G-05 |
| AUDIO VIDEO | G-06 - | G-08 |
| BATH | G-09 - | G-12 |
| BEDROOM | G-13 - | G-16 |
| CHASSIS | G-17 - | H-08 |
| CURTAIN & CUSHION | H-09 - | H-20 |
| DINETTE | H-21 - | H-24 |
| DRIVERS COMPARTMENT | I-01 - | I-06 |
| ELECTRICAL | I-07 - | I-12 |
| EXTERIOR BODY | I-13 - | I-22 |
| GALLEY | I-23 - | J-08 |
| GENERATOR | J-07 - | J-08 |
| HEATING & A/C | J-09 - | J-12 |
| INTERIOR FINISH | J-13 - | J-16 |
| LABELS | J-17 - | J-21 |
| LP | K-01 - | K-02 |
| LOUNGE | K-03 - | K-04 |
| SEALANTS & FASTENERS | K-05 - | K-09 |
| WATER & SEWAGE | K-09 - | K-14 |
| WINDOW, VENT AND | | |
| EXTERIOR DOOR | K-15 - | L-14 |
| WINDSHIELD & WIPER | L-15 - | L-16 |

INTERIOR FINISH GROUP (CONTINUED)

CABINET HARDWARE



| KEY | PART NUMBER | U/M DESCRIPTION |
|-----|---------------|--|
| 16 | 000G13-06-10G | EA SCREW-6-20 X 5/8 PFH, ANTIQUE BRASS |
| 16 | 000G13-05-08G | EA SCREW-6-20 X 5/8 PFH, ANTIQUE BRASS |
| 17 | 009059-01-000 | EA HINGE-CABINET DOOR, 2" X 1.4" - BRASS |
| 17 | 009059-02-000 | EA HINGE-CABINET DOOR, 2" X 2.7" - BRASS |
| 18 | 108139-01-000 | EA HINGE-CABINET DOOR, BURNISHED BRASS |
| | 002766-01-000 | EA ANGLE-EXTRUDED, 1" X 1.5" X 17" - ALUMINUM |
| | 097141-C2-700 | EA KIT-TRACK, TAMBOUR DOOR - W/ONE RIGHT & ONE LEFT TRACK |
| | 004354-01-000 | EA BUMPER-RUBBER, 5" DIA - BROWN |
| | 009021-C1-000 | EA CATCH-GRILL, NYLON |
| | 009063-01-000 | EA HINGE-CONTINUOUS, 1 1/2" X 72" - UNPAINTED |
| | 009066-J1-000 | EA HINGE-CONTINUOUS, W/O HOLES - 1 1/16" X 6" - ALUMINUM |
| | 042541-04-000 | EA LATCH-BRASS, W/O STRIKE - HASP TYPE - BRASS |
| | 076790-01-000 | EA SCREW, 6-20 X 1 1/4 PPH - BLACK |
| | 097242-02-000 | EA FASTENER-WOOD, .5" X .7" - METAL |
| | 088199-02-Y12 | EA HINGE-BED, TOP LIFT - METAL - BEIGE |
| | 088254-01-000 | EA CATCH-MAGNETIC, 1.8" X .7" |
| | 094658-01-Y12 | EA HANDLE-BUNK, 2" X 27" - WOOD - OAK |
| | 098979-01-000 | EA CLIP-ADJUSTABLE SHELF |
| | 105G37-02-000 | EA FASTENER-WOOD, CORNER - METAL - 5" X .6" |
| | 103130-01-000 | EA HOOK-CUP, BRASS - 1.25" |
| | 072369-19-000 | EA MESH-EXPANDED, 15.5" X 6.5" - BRONZE |
| | 023320-01-000 | EA PAD-FELT, 3/8" DIAMETER - BROWN |
| | 101447-01-000 | EA CLIP-U TYPE, TANNERMAN |
| | 084071-05-000 | EA ROD-BRASS, 15" LONG |
| | 016604-01-000 | EA BRACE-CABINET, ANGLED METAL - 2.5" - UNPAINTED |
| | 016604-03-000 | EA BRACE-CABINET ANGLE, 2.5" - BEIGE |
| | 101272-01-000 | EA CATCH-OVERHEAD GLASS DOOR |
| | 100711-01-01A | EA HINGE-DOOR, GLASS |
| | 100710-01-01A | EA LOCK-GLASS DOOR, TWIST TYPE - BRASS |
| | 101766-01-000 | EA PIN-SUPPORT, GLASS DOOR |
| | 100707-01-000 | EA SPACER-DOOR, GLASS - .8" DIA - 3" HOLE - PLASTIC |
| | 065740-01-000 | EA BRACE-CABINET CORNER, PLASTIC |
| | 083125-03-000 | EA BRACE-COUCH, TAN |
| | 100622-01-01A | EA BRACKET-CABINET, TV - 9" X 1.5" - METAL - OFF WHITE |
| | 075943-02-000 | EA BRACE-ANGLE, W/HOLES - 1" X 1.5" X 14" - ALUMINUM - BEIGE |
| | 068716-01-001 | EA BRACE-90 DEGREE ANGLE, 192" - EXTRUDED ALUMINUM |
| | 009018-01-000 | EA CATCH-SCREEN DOOR ROLLER |
| | 088254-01-000 | EA CATCH-MAGNETIC, 1.8" X .7" |
| | 079921-01-000 | EA ROLLER-NYLON, W/STEEL SHAFT - BARBED |
| | 080736-01-000 | EA PULL-RECESSED, 1.25" X 4" - OAK |
| | 091261-01-000 | FT BACKING-NON SKID, 1" WIDE (100" ROLL) |
| | 084412-01-000 | EA SUPPORT-HINGED |
| | 084451-01-000 | EA CATCH-TV SHELF, BRASS |
| | 105376-01-02A | EA HINGE-CONTINUOUS, 2" X 140MM - C/W |
| | 057205-10-000 | EA SUPPORT-BUNK, REAR 20 00 - O/W |
| | 057450-02-000 | EA STUD-BALL, GAS SPRING - 10MM - 5/16" - 18 |
| | 057460-04-000 | EA SPRING-GAS |
| | 089024-01-000 | EA SUPPORT-SPRING, TO FLOOR - 5.9" WIDE BASE X 7" HIGH - STEEL |
| | | FROM: 00-00-00 THRU: 01-05-93 |
| | 107540-01-000 | EA BRACKET-90 DEG, GAS SPRING |
| | | FROM: 01-05-93 THRU: 99-99-99 |
| | 107541-01-000 | EA BRACKET-FLAT, GAS SPRING |
| | | FROM: 01-06-93 THRU: 99-99-99 |
| | 107539-01-000 | EA SPRING-GAS, 20" BLADE END - SPRING LIFT SL3-110 |
| | | FROM: 01-06-93 THRU: 99-99-99 |
| | 089025-01-000 | EA SUPPORT-SPRING, TO BED - ANGLE 1 5" X 11.9" LONG - STEEL |
| | 083276-01-000 | EA BRACE-GAS PROP ROD, FLOOR MOUNT |

1993 ITASCA TABLE OF CONTENTS

| | |
|--------------------|-------------|
| INTRODUCTION | A-01 - A-02 |
| ABBREVIATIONS | A-03 |
| ALPHABETICAL INDEX | A-04 - A-06 |
| ICN32RQ | A-07 - G-02 |
| ICN34RQ | G-03 - L-16 |

1993 ICN34RQ INDEX

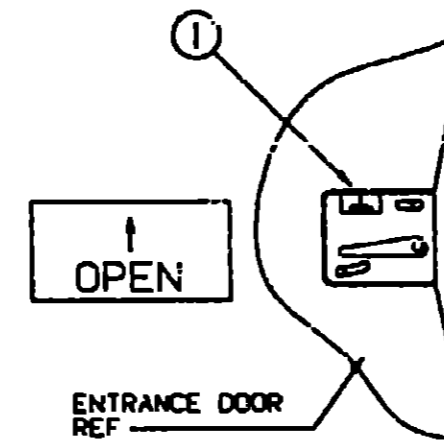
| | |
|----------------------|-------------|
| FLOOR PLAN | G-03 - G-04 |
| ACCESSORIES | G-05 |
| AUDIO VIDEO | G-06 - G-08 |
| BATH | G-09 - G-12 |
| BEDROOM | G-13 - G-16 |
| CHASSIS | G-17 - H-08 |
| CURTAIN & CUSHION | H-09 - H-20 |
| DINETTE | H-21 - H-24 |
| DRIVERS COMPARTMENT | I-01 - I-06 |
| ELECTRICAL | I-07 - I-12 |
| EXTERIOR BODY | I-13 - I-22 |
| GALLEY | I-23 - J-06 |
| GENERATOR | J-07 - J-08 |
| HEATING & A/C | J-09 - J-12 |
| INTERIOR FINISH | J-13 - J-16 |
| LABELS | J-17 - J-24 |
| LP | K-01 - K-02 |
| LOUNGE | K-03 - K-04 |
| SEALANTS & FASTENERS | K-05 - K-08 |
| WATER & SEWAGE | K-09 - K-14 |
| WINDOW, VENT AND | |
| EXTERIOR DOOR | K-15 - L-14 |
| WINDSHIELD & WIPER | L-15 - L-16 |

| KEY | PART NUMBER | U/M DESCRIPTION |
|-----|---------------|---|
| 1 | 098979-01-000 | EA CLIP-ADJUSTABLE SHELF |
| 2 | 098980-02-000 | EA PILASTER-ADJUSTABLE SHELF, 12" LONG |
| 2 | 098980-03-000 | EA PILASTER-ADJUSTABLE SHELF, 9" LONG |
| 4 | 074045-01-000 | EA PLUG-OAK, 1/2" DIAMETER |
| 5 | 093586-03-000 | EA CATCH-SPRING, ROLLER |
| 6 | 093586-04-000 | EA STRIKE-SPRING STEEL |
| 7 | 106913-02-000 | EA SLIDE-DRAWER, CABINET MOUNT - RIGHT SIDE - 12" |
| 7 | 106913-06-000 | EA SLIDE-DRAWER, CABINET MOUNT - RIGHT SIDE - 16" |
| 7 | 106913-26-000 | EA SLIDE-DRAWER, CABINET MOUNT - RIGHT SIDE - 20" |
| 7 | 106913-18-000 | EA SLIDE-DRAWER, CABINET MOUNT - RIGHT SIDE - 22" |
| 8 | 106913-04-000 | EA SLIDE-DRAWER MOUNT - RIGHT SIDE - 12" |
| 8 | 106913-08-000 | EA SLIDE-DRAWER MOUNT - RIGHT SIDE - 18" |
| 8 | 106913-28-000 | EA SLIDE-DRAWER MOUNT - RIGHT SIDE - 20" |
| 8 | 106913-20-000 | EA SLIDE-DRAWER MOUNT - RIGHT SIDE - 22" |
| 9 | 106913-03-000 | EA SLIDE-DRAWER MOUNT - LEFT SIDE - 12" |
| 9 | 106913-07-000 | EA SLIDE-DRAWER MOUNT - LEFT SIDE - 18" |
| 9 | 105913-27-000 | EA SLIDE-DRAWER MOUNT - LEFT SIDE - 20" |
| 9 | 105913-19-000 | EA SLIDE-DRAWER MOUNT - LEFT SIDE - 22" |
| 10 | 106913-01-000 | EA SLIDE-DRAWER, CABINET MOUNT - LEFT SIDE - 12" |
| 10 | 106913-05-000 | EA SLIDE-DRAWER, CABINET MOUNT - LEFT SIDE - 18" |
| 10 | 106913-25-000 | EA SLIDE-DRAWER, CABINET MOUNT - LEFT SIDE - 20" |
| 10 | 106913-17-000 | EA SLIDE-DRAWER, CABINET MOUNT - LEFT SIDE - 22" |
| 11 | 100273-01-000 | EA FULL-CABINET, ANTIQUE BRASS |
| 12 | 074483-02-000 | EA SUPPORT-OVERHEAD DOOR, SPRUNG |
| 14 | 107030-02-000 | EA BACKSOCKET-ADJUSTABLE, RIGHT SIDE |
| 15 | 107030-01-000 | EA BACKSOCKET-ADJUSTABLE, LEFT SIDE |

**I LABELS GROUP
MISCELLANEOUS LABELS**

| KEY | PART NUMBER | U/M DESCRIPTION |
|-----|---------------|---|
| | 093236-04-000 | EA LABEL-CIRCUIT BREAKER |
| | 092547-04-000 | EA LABEL-CIRCUIT BREAKER |
| | 093236-09-000 | EA LABEL-CIRCUIT BREAKER FRONT |
| | 095721-01-000 | EA LABEL-CONTROL CENTER - FRONT - W/SWITCH LOCATIONS |
| | 095721-10-000 | EA LABEL-CONTROL CENTER (30A) - CANADIAN |
| | 098379-03-000 | EA LABEL-ELECTRICAL BOX, FRONT |
| | 098379-04-000 | EA LABEL-ELECTRICAL BOX, SIDE |
| | 091243-01-000 | EA LABEL-A/C COVER - CANADIAN EXPORT |
| | 096506-01-000 | EA LABEL-COMPARTMENT NOT SEALED |
| | 087236-01-000 | EA LABEL-CABLE INPUT |
| | 087236-02-000 | EA LABEL-TV, OUTLET |
| | 006031-01-000 | EA LABEL-POTABLE WATER ONLY |
| | 079966-01-000 | EA LABEL-WARNING, STOWED, MOTION |
| | 090342-01-000 | EA LABEL-VAPOR RELIEF |
| | 094575-01-000 | EA LABEL-EXTERIOR LIGHT, SERVICE |
| | 050225-01-000 | EA LABEL-WARNING, STOVE VENT - US |
| | 050222-01-000 | EA LABEL-WARNING, STOVE VENT - CANADIAN |
| | 006064-01-000 | EA LABEL-SEAT W/O SEATBELT "NOT INTENDED FOR USE WHILE COACH IN ACTION" |
| | 006064-02-000 | EA LABEL-SEAT-W/O SEAT BELT - CANADIAN |
| | 091224-02-000 | EA LABEL-TRAILER LIGHTING |
| | 104678-01-000 | EA LABEL-C3 PHEP |
| | 035709-01-000 | EA LABEL-NO STORAGE |
| | 061606-01-000 | EA LABEL-OVERLAY, VEHICLE CERTIFICATION - ADHESIVE BACKED |
| | 111104-01-000 | EA LABEL-HITCH, READ MANUAL |
| | 098641-01-000 | EA LABEL-FUEL, UNLEADED DASH |
| | 102267-01-000 | EA LABEL-NO OCCUPANCY, US |

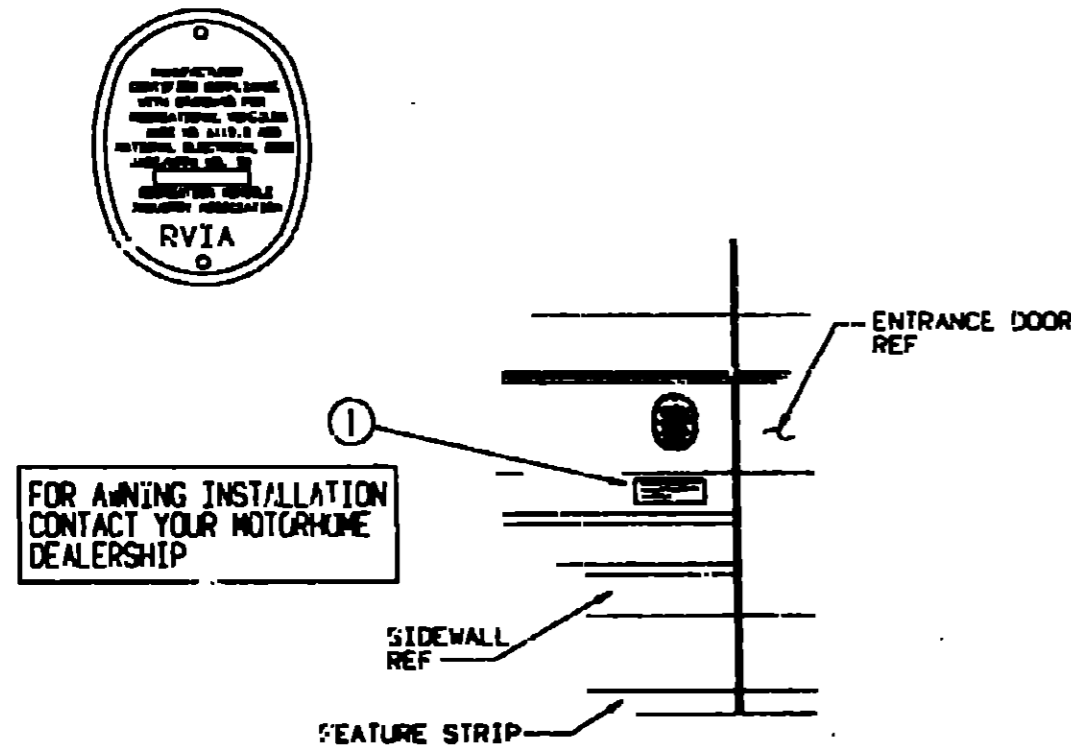
LABELS GROUP (CONTINUED)



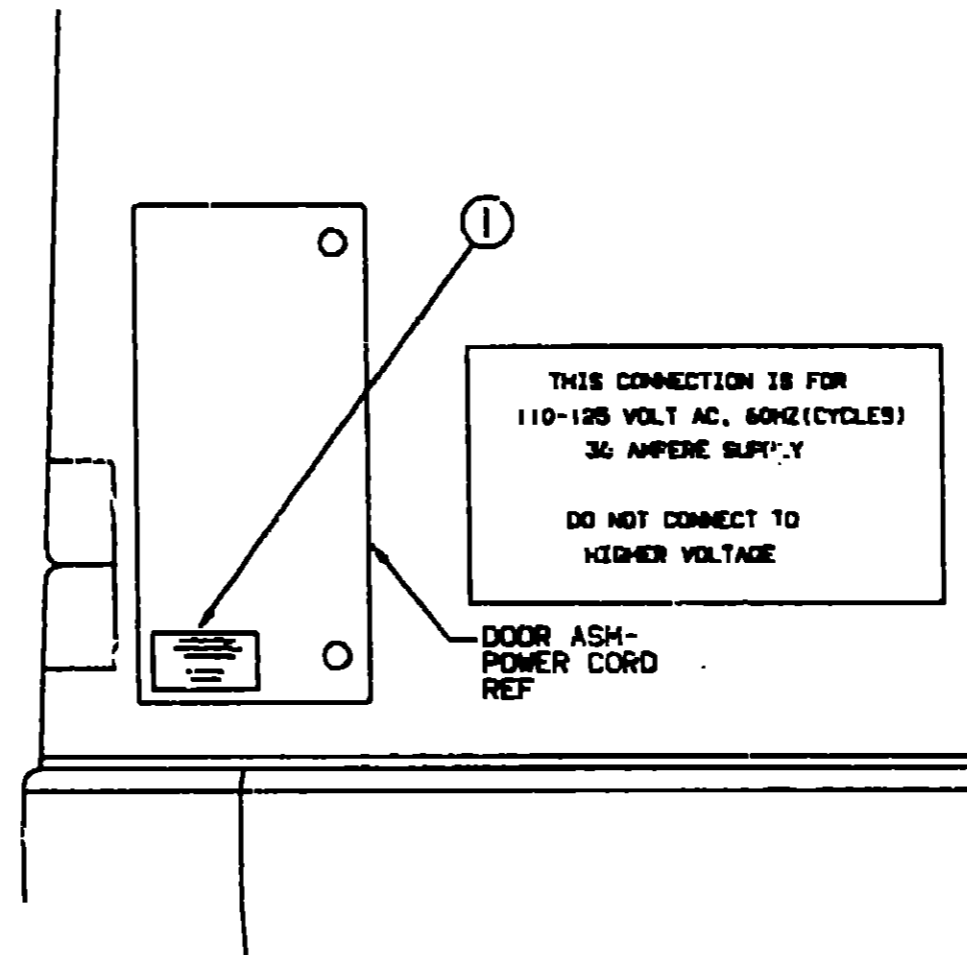
| KEY | PART NUMBER | U/M DESCRIPTION |
|-----|---------------|--------------------------------|
| 1 | 040944-01-000 | EA LABEL-ENTRANCE DOOR, "OPEN" |

**1993 ITASCA
TABLE OF CONTENTS**

| | | |
|--------------------|--------|------|
| INTRODUCTION | A-01 - | A-02 |
| ABBREVIATIONS | | A-03 |
| ALPHABETICAL INDEX | A-04 - | A-06 |
| ICN32RQ | A-07 - | G-02 |
| ICN34RQ | G-03 - | L-16 |



| KEY | PART NUMBER | U/M DESCRIPTION |
|-----|---------------|----------------------------------|
| 1 | 006062-01-000 | EA TAG-ELECTRIC, 110V CONNECTION |

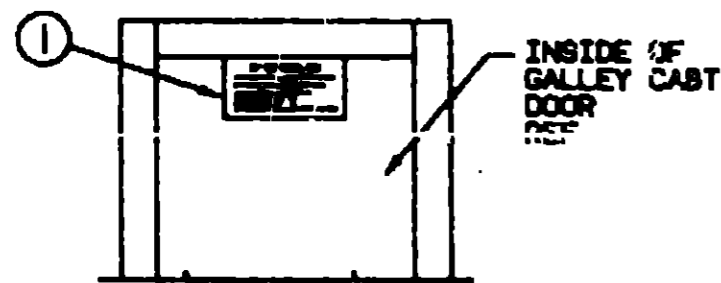


1993 ICN34RQ INDEX

| | | |
|----------------------|--------|------|
| FLOOR PLAN | G-03 - | G-04 |
| ACCESSORIES | | G-05 |
| AUDIO VIDEO | G-06 - | G-08 |
| BATH | G-09 - | G-12 |
| BEDROOM | G-13 - | G-16 |
| CHASSIS | G-17 - | H-08 |
| CURTAIN & CUSHION | H-09 - | H-20 |
| DINETTE | H-21 - | H-24 |
| DRIVERS COMPARTMENT | I-01 - | I-06 |
| ELECTRICAL | I-07 - | I-12 |
| EXTERIOR BODY | I-13 - | I-22 |
| GALLEY | I-23 - | J-06 |
| GENERATOR | J-07 - | J-08 |
| HEATING & A/C | J-09 - | J-12 |
| INTERIOR FINISH | J-13 - | J-16 |
| LABELS | J-17 - | J-24 |
| LP | K-01 - | K-02 |
| LOUNGE | K-03 - | K-04 |
| SEALANTS & FASTENERS | K-05 - | K-08 |
| WATER & SEWAGE | K-09 - | K-14 |
| WINDOW, VENT AND | | |
| EXTERIOR DOOR | K-15 - | L-14 |
| WINDSHIELD & WIPER | L-15 - | L-16 |

| KEY | PART NUMBER | U/M DESCRIPTION |
|-----|---------------|------------------------------|
| 1 | 099509-01-000 | EA LABEL-AWNING INSTALLATION |

LABELS GROUP (CONTINUED)



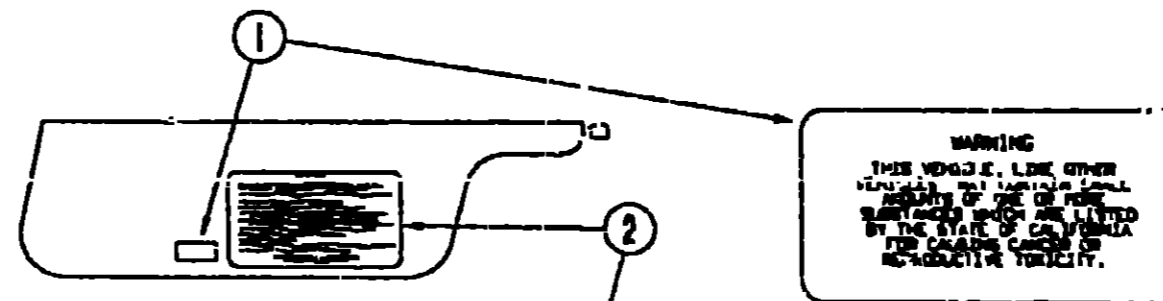
INSIDE OF
GALLEY CABT
DOOR
REF

IF YOU SMELL GAS

1. RETURN ANY OPEN FLAME, PILOT LIGHTS AND ALL BURNING APPLIANCES.
2. TURN OFF THE GAS SUPPLY AT THE TANK VALVE OR GAS SUPPLY CONNECTION.
3. OPEN DOORS AND OTHER VENTILATING DEVICES.
4. DO NOT TOUCH ELECTRICAL SWITCHES.
5. LEAVE THE AREA UNTIL GAS CLEAR.
6. HAVE THE GAS SYSTEM CHECKED AND LEAKAGE SOURCE CORRECTED BEFORE USING AGAIN.

| KEY | PART NUMBER | U/M DESCRIPTION |
|-----|---------------|---------------------------|
| 1 | 073998-01-000 | EA LABEL-LPG ODOR WARNING |

LABELS GROUP (CONTINUED)



WARNING
THIS VEHICLE, LIKE OTHER VEHICLES, MAY CONTAIN SMALL AMOUNTS OF LEAD OR OTHER SUBSTANCES WHICH ARE LISTED BY THE STATE OF CALIFORNIA AS BEING CAUSAL AGENTS OF REPRODUCTIVE TOXICITY.

CAUTION

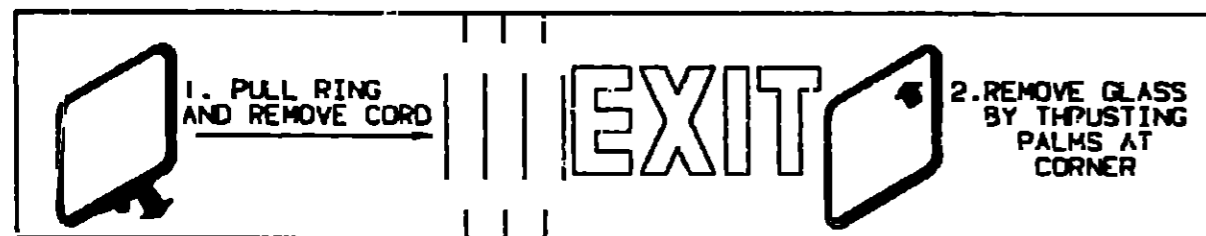
THIS MOTOR HOME HAS BEEN DESIGNED, MANUFACTURED AND TESTED WITH CONCERN FOR THE PROTECTION OF IT'S OCCUPANTS. WE RECOMMEND YOU PERFORM THE FOLLOWING INSPECTIONS FOR YOUR SAFETY AND THE SAFETY OF YOUR PASSENGERS BEFORE STARTING YOUR VEHICLE.

1. LP GAS SYSTEM- TURN OFF AT TANK FOR TRAVELING, TEST FOR LEAKS UPON ARRIVAL AT DESTINATION, BEFORE LIGHTING PILOTS.
2. WHEELS- INSPECT FOR DAMAGE AND CHECK LUG NUTS FOR TIGHTNESS.
3. TIRES- INSPECT FOR WEAR AND DAMAGE AND CHECK FOR RECOMMENDED AIR PRESSURE.
4. LIGHTING- TEST FOR PROPER OPERATION OF ALL INTERIOR AND EXTERIOR LIGHTS INCLUDING DASH LIGHTS, HEADLIGHTS, TAIL LIGHTS, BRAKE LIGHTS, CLEARANCE LIGHTS AND TURN SIGNALS.
5. EXITS- INSPECT RELEASE MECHANISM ON EMERGENCY EXIT WINDOWS, TEST BOTH LOCKS ON MAIN ENTRANCE DOOR FOR EASE OF OPERATION AND INSTRUCT PASSENGERS HOW TO USE BOTH MEANS OF EXIT.
6. SEAT BELTS- DIRECT PASSENGERS TO DESIGNATED SEATS AND REQUIRE USE OF SEAT BELTS.
7. APPLIANCES- TURN OFF AND LATCH OR LOCK DOORS WHERE PROVIDED.
8. LOOSE PARCELS- STORE SECURELY.
9. UTILITY SUPPLY LINES- DISCONNECT ALL ELECTRIC, SEWER AND WATER LINES AND SECURE PROPERLY.
10. ENTRANCE DOOR STEP- PLACE IN RETRACTED POSITION FOR TRAVELING.

READ YOUR MOTOR HOME AND OWNER'S MANUAL FOR FURTHER PRECAUTIONS

**1993 ITASCA
TABLE OF CONTENTS**

| | |
|--------------------|-------------|
| INTRODUCTION | A-01 - A-02 |
| ABBREVIATIONS | A-03 |
| ALPHABETICAL INDEX | A-04 - A-06 |
| ICN32RQ | A-07 - G-02 |
| ICN34RQ | G-03 - L-16 |

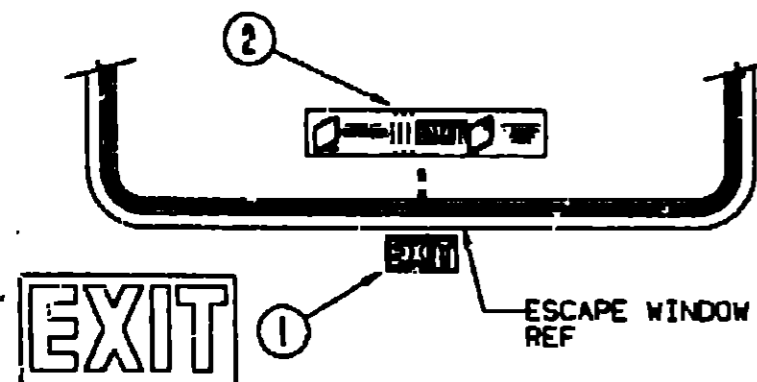


1. PULL RING
AND REMOVE CORD

EXIT

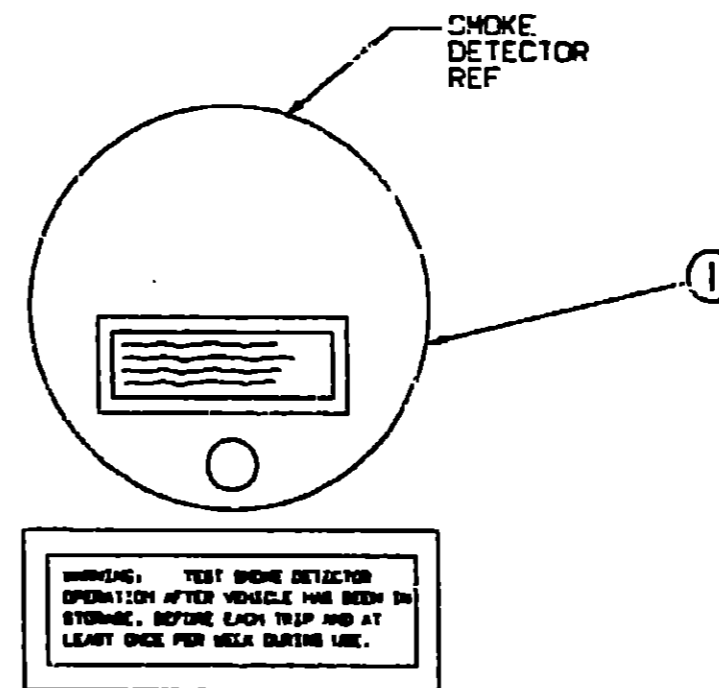
2. REMOVE GLASS
BY THUSTING
PALMS AT
CORNER

| KEY | PART NUMBER | U/M DESCRIPTION |
|-----|---------------|-----------------------------------|
| 1 | 099689-01-000 | EA LABEL-WARNING, CANCER/TOXICITY |
| 2 | 056259-01-000 | EA LABEL-SAFETY CHECK LIST |



EXIT

ESCAPE WINDOW
REF



SMOKE
DETECTOR
REF

WARNING: TEST SMOKE DETECTOR OPERATION AFTER VEHICLE HAS BEEN IN STORAGE, BEFORE EACH TRIP AND AT LEAST ONCE PER WEEK DURING USE.

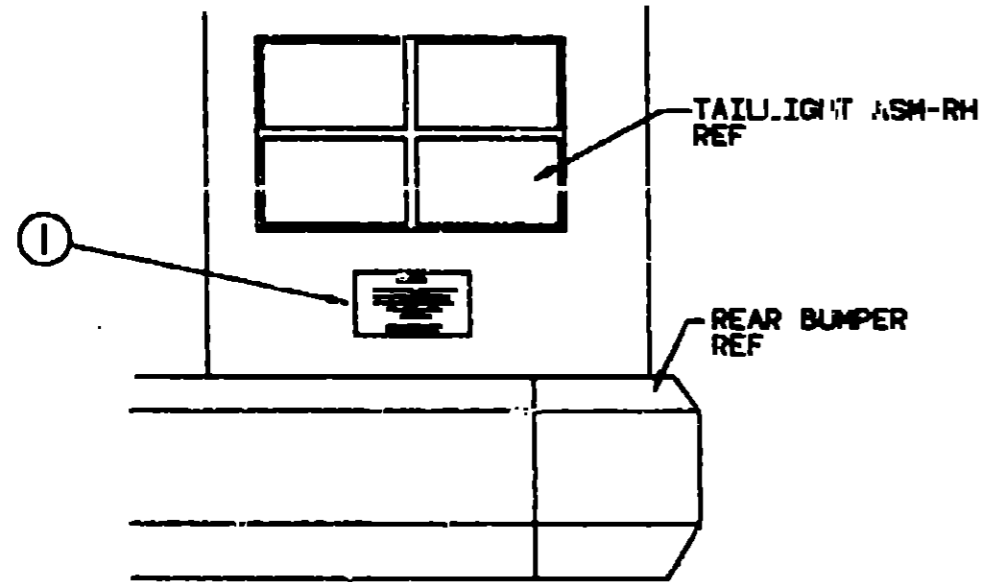
| KEY | PART NUMBER | U/M DESCRIPTION |
|-----|---------------|----------------------------------|
| 1 | 077956-01-000 | EA LABEL-WARNING, SMOKE DETECTOR |

1993 ICN34RQ INDEX

| | |
|--------------------------------|-------------|
| FLOOR PLAN | G-03 - G-04 |
| ACCESSORIES | G-05 |
| AUDIO VIDEO | G-06 - G-08 |
| BATH | G-09 - G-12 |
| BEDROOM | G-13 - G-16 |
| CHASSIS | G-17 - H-08 |
| CURTAIN & CUSHION | H-09 - H-20 |
| DINETTE | H-21 - H-24 |
| DRIVERS COMPARTMENT | I-01 - I-06 |
| ELECTRICAL | I-07 - I-12 |
| EXTERIOR BODY | I-13 - I-22 |
| GALLEY | I-23 - J-06 |
| GENERATOR | J-07 - J-08 |
| HEATING & A/C | J-09 - J-12 |
| INTERIOR FINISH | J-13 - J-16 |
| LABELS | J-17 - J-24 |
| LP | K-01 - K-02 |
| LOUNGE | K-03 - K-04 |
| SEALANTS & FASTENERS | K-05 - K-08 |
| WATER & SEWAGE | K-09 - K-14 |
| WINDOW, VENT AND EXTERIOR DOOR | K-15 - L-14 |
| WINDSHIELD & WIPER | L-15 - L-16 |

| KEY | PART NUMBER | U/M DESCRIPTION |
|-----|---------------|-----------------------------|
| 1 | 107571-01-000 | EA LABEL-EXIT/ESCAPE WINDOW |
| 2 | 030290-01-000 | EA LABEL-WARNING-EXIT |

LABELS GROUP (CONTINUED)

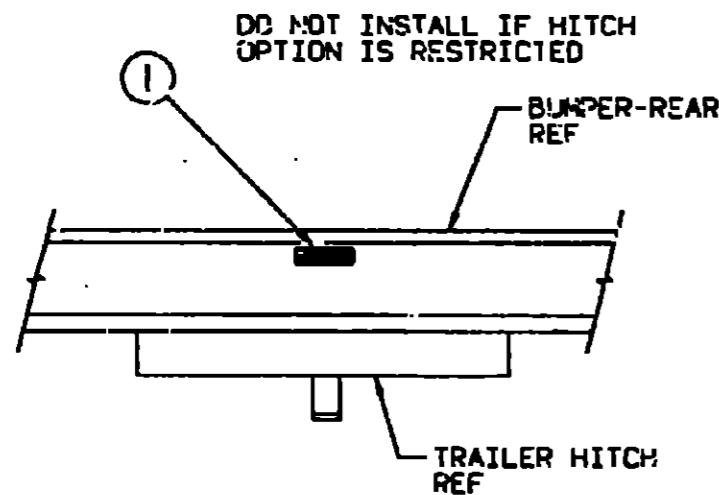


WARNING

DO NOT EXCEED THE VEHICLE WEIGHT RATINGS OR LOADING RECOMMENDATIONS (E.G., GROSS VEHICLE, GROSS AXLE, GROSS COMBINED) OF THE CHASSIS MANUFACTURER OR WINNEBAGO INC.

REFER TO YOUR OWNERS MANUAL, BEFORE LOADING OR TOWING.

KEY PART NUMBER 075220-01-000 **U/M DESCRIPTION** EA LABEL-WARNING, EXTERIOR LOAD
FROM: 00-00-00 THRU: 08-31-92



TOWING CAPACITY

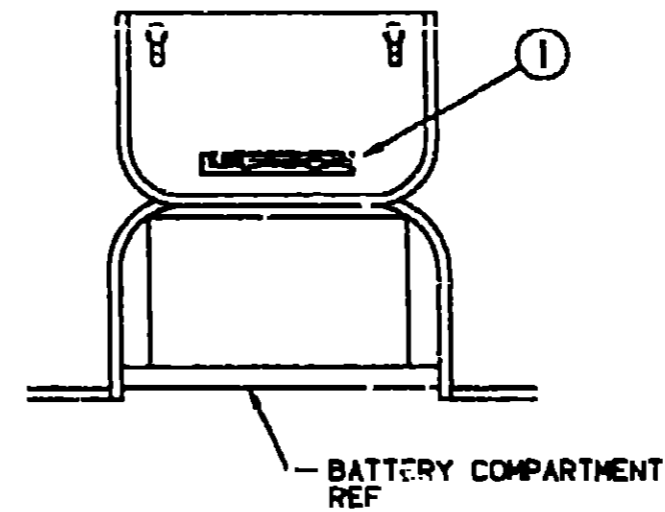
TOWED VEHICLE 3500 LB. GROSS MAXIMUM
HITCH BALL 200 LB. MAXIMUM

KEY PART NUMBER 075221-03-000 **U/M DESCRIPTION** EA LABEL-TRAILER HITCH

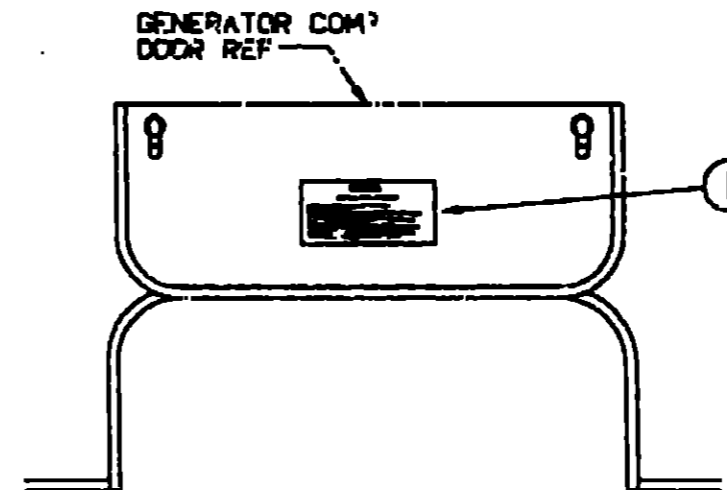
FROM: 00-00-00 THRU: 03-07-93

LABELS GROUP (CONTINUED)

WARNING DISCONNECT BATTERIES BEFORE CONNECTING EXTERNAL CHARGING EQUIPMENT.



KEY PART NUMBER 1 065748-01-000 **U/M DESCRIPTION** EA LABEL-CAUTION, BATTERY CHARGING



WARNING

WHEN ADDING A GENERATOR SET:

HIGH VOLTAGE-USE EXTREME CAUTION WHEN WORKING ON ELECTRICAL COMPONENTS.
HAVE ALL ELECTRICAL INSTALLATION PERFORMED BY A QUALIFIED LICENSED ELECTRICIAN-FOLLOW ALL STATE AND LOCAL CODES.
ONLY INSTALL GENERATOR SET APPROVED FOR R.V. APPLICATION. HAVE INSTALLED BY QUALIFIED TECHNICIAN.
TO AVOID HEAT BUILD-UP AND TO SUPPLY AN ADEQUATE AIR SUPPLY TO THE GENERATOR CYCLE, FOLLOW INSTALLATION INSTRUCTIONS.
GENERATOR BARGE EQUIPMENT BASED ON TORQUE AND MUST NOT INTERFERE UNDER THE VEHICLE-DESIGNATED EQUIPMENT AREA FROM VEHICLE.

KEY PART NUMBER 1 077510-01-000 **U/M DESCRIPTION** EA LABEL-GENERATOR PREP

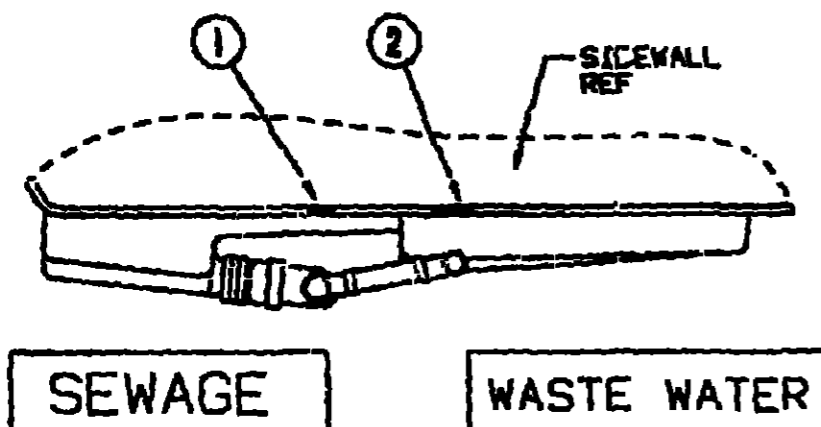
**1993 ITASCA
TABLE OF CONTENTS**

| | | |
|--------------------|--------|------|
| INTRODUCTION | A-01 - | A-02 |
| ABBREVIATIONS | | A-03 |
| ALPHABETICAL INDEX | A-04 - | A-05 |
| ICN32RQ | A-07 - | G-02 |
| ICN34RQ | G-03 - | L-16 |

1993 ICN34RQ INDEX

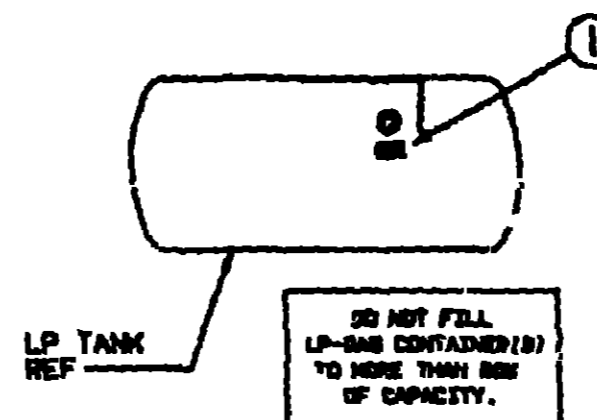
| | | |
|----------------------|--------|------|
| FLOOR PLAN | G-03 - | G-04 |
| ACCESSORIES | | G-05 |
| AUDIO VIDEO | G-06 - | G-08 |
| BATH | G-09 - | G-12 |
| BEDROOM | G-13 - | G-16 |
| CHASSIS | G-17 - | H-08 |
| CURTAIN & CUSHION | H-09 - | H-20 |
| DINETTE | H-21 - | H-24 |
| DRIVERS COMPARTMENT | I-01 - | I-06 |
| ELECTRICAL | I-07 - | I-12 |
| EXTERIOR BODY | I-13 - | I-22 |
| GALLEY | I-23 - | J-06 |
| GENERATOR | J-07 - | J-08 |
| HEATING & AC | J-09 - | J-12 |
| INTERIOR FINISH | J-13 - | J-16 |
| LABELS | J-17 - | J-24 |
| LP | K-01 - | K-02 |
| LOUNGE | K-03 - | K-04 |
| SEALANTS & FASTENERS | K-05 - | K-08 |
| WATER & SEWAGE | K-09 - | K-14 |
| WINDOW, VENT AND | | |
| EXTERIOR DOOR | K-15 - | L-14 |
| WINDSHIELD & WIPER | L-15 - | L-16 |

LABELS GROUP (CONTINUED)



| KEY | PART NUMBER | U/M DESCRIPTION |
|-----|---------------|----------------------|
| 1 | 006187-01-000 | EA LABEL-SEWAGE |
| 2 | 006188-01-000 | EA LABEL-WASTE WATER |

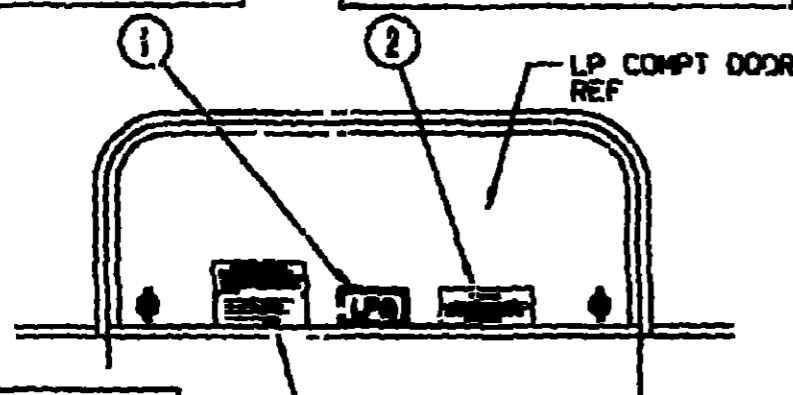
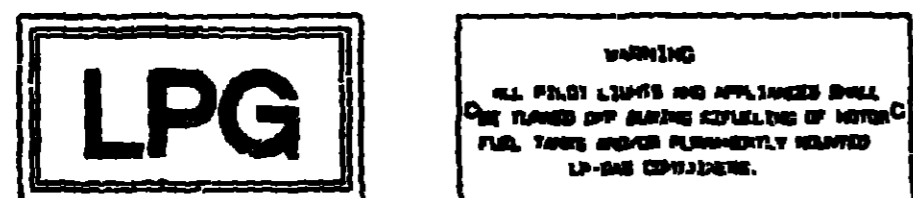
LABELS GROUP (CONTINUED)



| KEY | PART NUMBER | U/M DESCRIPTION |
|-----|---------------|---------------------------|
| 1 | 078965-01-000 | EA LABEL-LPG 80% CAPACITY |

**1993 ITASCA
TABLE OF CONTENTS**

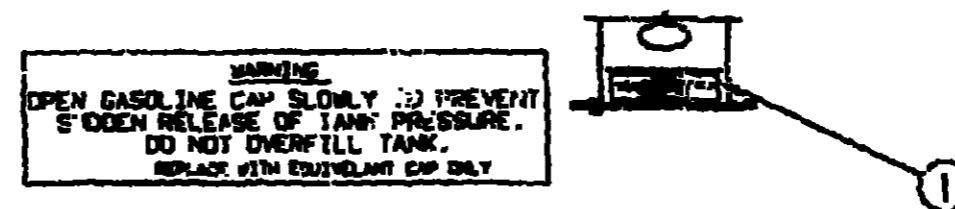
| | | |
|-----------------|--------|------|
| INTRODUCTION | A-01 - | A-02 |
| ABBREVIATIONS | | A-03 |
| ALP LABEL INDEX | A-04 - | A-06 |
| ICN32RD | A-07 - | G-02 |
| ICN34RD | G-03 - | L-16 |



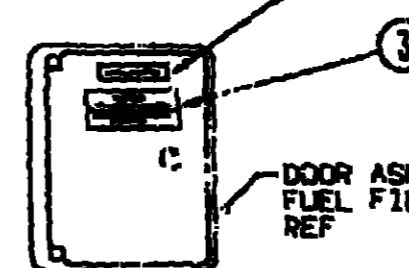
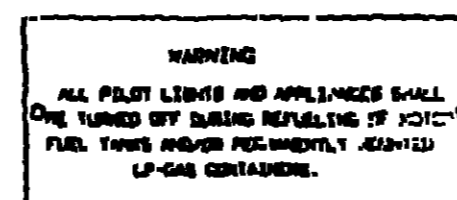
LP-GAS SYSTEM
THIS GAS PIPING SYSTEM IS DESIGNED FOR USE OF LIQUEFIED PETROLEUM GAS ONLY. DO NOT CONNECT NATURAL GAS TO THIS SYSTEM.

SECURELY CAP INLET(S) WHEN NOT CONNECTED FOR USE. AFTER TURNING ON GAS, CHECK AFTER NORMAL CONTAINER REPLACEMENT. TEST GAS PIPING AND CONNECTIONS TO APPLIANCE FOR LEAKAGE WITH SOAPY WATER OR BUBBLE SOLUTION. DO NOT USE PRODUCTS THAT CONTAIN AMMONIA OR CHLORINE.
P.N. 24531

| KEY | PART NUMBER | U/M DESCRIPTION |
|-----|---------------|---|
| 1 | 074553-01-000 | EA DECAL-LOGO, LPG - RED - (CALIF CODE) |
| 2 | 006040-01-000 | EA TAG-GAS REFUELING WARNING |
| 2 | 006040-02-000 | EA TAG-GAS REFUEL WARNING, CANADIAN |
| 3 | 054531-01-000 | EA LABEL-LP GAS ONLY |
| 3 | 023768-01-000 | EA LABEL-WARNING, LPG - CANADIAN |



UNLEADED FUEL ONLY



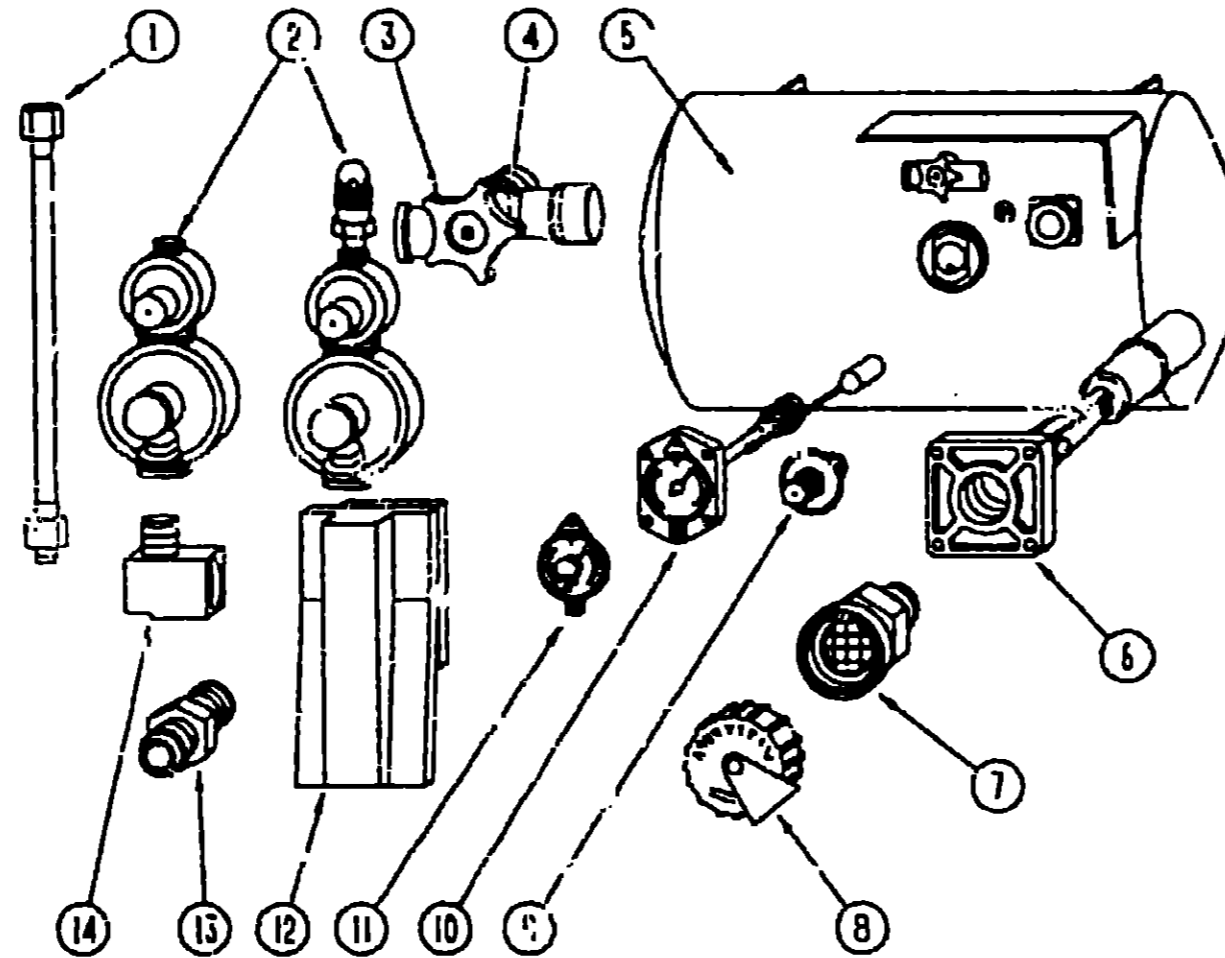
| KEY | PART NUMBER | U/M DESCRIPTION |
|-----|---------------|-------------------------------------|
| 1 | 087207-05-000 | EA LABEL-FUEL CAP REMOVAL |
| 2 | 082043-01-000 | EA LABEL-FUEL UNLEADED |
| 3 | 006040-01-000 | EA TAG-GAS REFUELING WARNING |
| 3 | 006040-02-000 | EA TAG-GAS REFUEL WARNING, CANADIAN |

FROM: 00-00-00 THRU: 08-10-92

1993 ICN34RD INDEX

| | | |
|--------------------------------|--------|------|
| FLOOR PLAN | G-03 - | G-04 |
| ACCESSORIES | | G-05 |
| AUDIO VIDEO | G-06 - | G-08 |
| BATH | G-07 - | G-12 |
| BEDROOM | G-13 - | G-16 |
| CURTAIN & CUSHION | G-17 - | H-08 |
| CHASSIS | H-09 - | H-20 |
| DINETTE | H-21 - | H-24 |
| DRIVERS COMPARTMENT | I-01 - | I-08 |
| ELECTRICAL | I-07 - | I-12 |
| EXTERIOR BODY | I-13 - | I-22 |
| GALLEY | I-23 - | J-06 |
| GENERATOR | J-07 - | J-08 |
| HEATING & A/C | J-09 - | J-12 |
| INTERIOR FINISH | J-13 - | J-18 |
| LABELS | J-17 - | J-24 |
| LP | K-01 - | K-02 |
| LOUNGE | K-03 - | K-04 |
| SEALANTS & FASTENERS | K-05 - | K-08 |
| WATER & SEWAGE | K-09 - | K-14 |
| WINDOW, VENT AND EXTERIOR DOOR | K-15 - | L-14 |
| WINDSHIELD & WIPER | L-15 - | L-16 |

**LP GROUP
LP TANK & COMPONENTS**



**1993 ITASCA
TABLE OF CONTENTS**

| | | |
|--------------------|------|------|
| INTRODUCTION | A-01 | A-02 |
| ABBREVIATIONS | | A-03 |
| ALPHABETICAL INDEX | A-04 | A-06 |
| ICN32RQ | A-07 | G-02 |
| ICN34RQ | G-03 | L-16 |

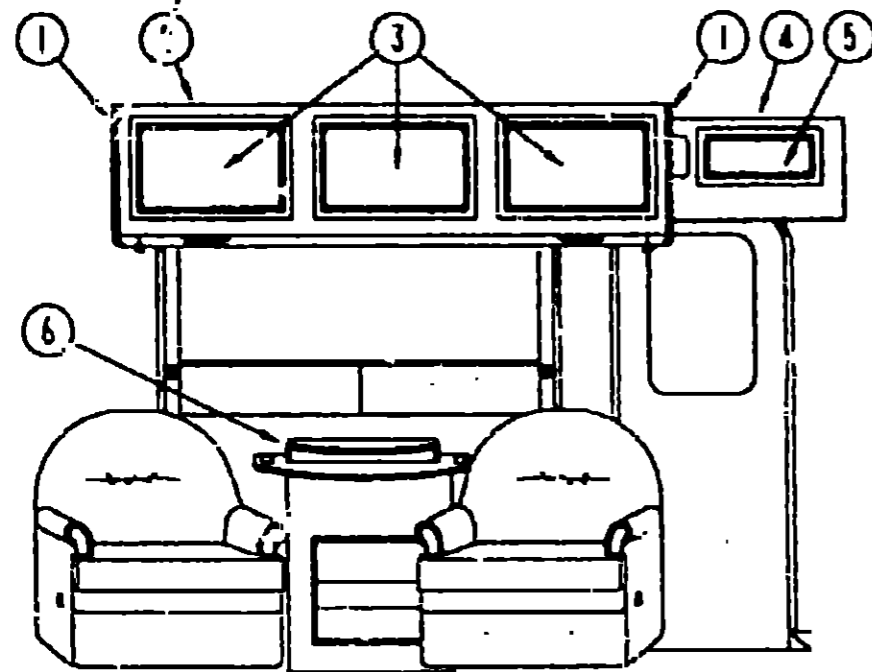
1993 ICN34RQ INDEX

| | | |
|----------------------|------|------|
| FLOOR PLAN | G-03 | G-04 |
| ACCESSORIES | | G-05 |
| AUDIO VIDEO | G-06 | G-08 |
| BATH | G-09 | G-12 |
| BEDROOM | G-13 | G-16 |
| CHASSIS | G-17 | H-08 |
| CURTAIN & CUSHION | H-09 | H-20 |
| DINETTE | H-21 | H-24 |
| DRIVERS COMPARTMENT | I-01 | I-06 |
| ELECTRICAL | I-07 | I-12 |
| EXTERIOR BODY | I-13 | I-22 |
| GALLEY | I-23 | J-06 |
| GENERATOR | J-07 | J-08 |
| HEATING & A/C | J-09 | J-12 |
| INTERIOR FINISH | J-13 | J-16 |
| LABELS | J-17 | J-24 |
| LP | K-01 | K-02 |
| LOUNGE | K-03 | K-04 |
| SEALANTS & FASTENERS | K-05 | K-08 |
| WATER & SEWAGE | K-09 | K-14 |
| WINDOW, VENT AND | | |
| EXTERIOR DOOR | K-15 | L-14 |
| WINDSHIELD & WIPER | L-15 | L-16 |

| KEY | PART NUMBER | U/M DESCRIPTION |
|-----|---------------|--|
| 1 | 045703-01-000 | EA HOSE-LP, 3/8" ID X 24' US - 3/8" MPT X 1/2" F SWIVEL |
| 1 | 045703-02-000 | EA HOSE-LP, 3/8" ID X 24' - 3/8" MPT X 1/2" F SWIVEL - CANADA |
| 2 | 106150-01-000 | EA REGULATOR-LPG, TWO STAGE |
| 2 | 106150-02-000 | EA REGULATOR-LPG, TWO STAGE - US & CANAD. - N - USED W/GENERATOR |
| 3 | 040421-01-708 | EA HANDWHEEL-VAPOR RELIEF VALVE, BRUNNER G-1015-A |
| 4 | 040421-01-712 | EA VALVE-SERVICE W/O VAPOR RELIEF, 29000853 |
| 4 | 040421-01-713 | EA VALVE-VAPOR ONLY, 29000587 |
| 5 | 091970-01-000 | EA TANK-LP, 80 LBS - 20" X 24" |
| 6 | 040421-01-711 | EA VALVE-80% W/FLOAT, PLATE, BOLTS & GASKET - BRUNNER |
| 7 | 040421-01-701 | EA VALVE-SHORT LP FILLER W/YELLOW CAP - BRUNNER 75478 |
| 8 | 040421-01-702 | EA CAP-LP FILLER VALVE, PLASTIC - YELLOW - BRUNNER G-1014-A |
| 9 | 040421-01-700 | EA GAUGE-LIQUID LEVEL, 20% LP - BRUNNER G-1013 |
| 10 | 040421-01-706 | EA DIAL-LP TANK VOLUME, VISIBLE FACE (5-17E9) BRUNNER MA-8 ROCHESTER |
| 10 | 091970-01-700 | EA FLOAT ASM F/20" DIA TANK 20C |
| 11 | 040440-02-000 | EA TRANSMITTER-DIAL, 90 OHM |
| 12 | 106658-01-000 | EA COVER-COMPARTMENT - LP REGULATOR - BLACK |
| 13 | 010323-01-000 | EA ADAPTER-BRASS, 3/8" F X 1/2" MPT |
| 14 | 085318-02-000 | EA ELBOW-90 DEGREE, 3/8" MPT TO 3/8" FPT |

| KEY | PART NUMBER | U/M DESCRIPTION |
|-----|---------------|---|
| | 103613-01-000 | EA DETECTOR-LP GAS |
| | 010265-01-000 | EA ELBOW-90 DEGREE, 3/8" FPT TO 1/2" FPT - BRASS |
| | 010285-01-000 | EA CROSS, 3/8" F X 3/8" F X 3/8" F X 1/2" FPT - BRASS |
| | 010377-02-000 | EA NUT-BRASS, 3/8" FEMALE - FORGED |
| | 010380-02-000 | EA NUT-BRASS, 1/2" FEMALE - FORGED |
| | 016188-03-000 | EA GROMMET-GAS LINE, FLOOR - 3/8" HOLE X 2 1/8" DIAMETER RUBBER |
| | 081642-01-000 | EA TEE, 1/2" MPT X 1/2" FL X 3/8" FL - BRASS |
| | 075148-02-000 | EA CLAMP-ROUNDING, BRONZE SCREWS |
| | 010326-01-000 | EA ADAPTER-FLARE, W/CONE GASKET 3/8" FEMALE FL X 1/2" MALE FL |
| | 065741-01-000 | EA GAUGE-DIAPHRAGM PRESSURE - MARSHALLTOWN MFG |
| | 065742-01-000 | EA TEE, .38" F X .38" F X .25" FPT - BRASS |
| | 071391-02-000 | EA NIPPLE-HEX, .25" PIPE |
| | 008042-01-000 | FT TUBING-VINYL, .65" ID |
| | 095624-01-000 | EA ELBOW-90 DEGREE, 1/4" FPT TO 3/4" FPT - BRASS |
| | 010329-01-000 | EA ADAPTER-BRASS, 1/2" F X 1/2" MPT |
| | 024250-01-000 | EA ADAPTER-BRASS, 3/8" F X 1/2" MPT |
| | 093380-01-000 | EA COUPLER, 1/2" TO 3/8" BLACK PIPE |

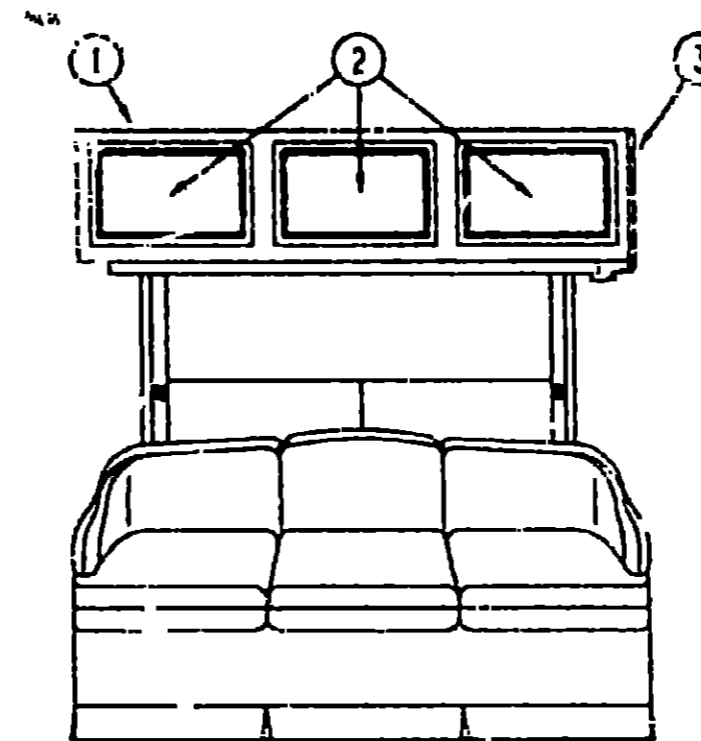
LOUNGE GROUP



OVERHEAD CABINET & COMPONENTS

| KEY | PART NUMBER | U/M | DESCRIPTION |
|-----|---------------|-----|---|
| 1 | 103918-07-D38 | EA | END CAP-CABINET, OVERHEAD |
| 2 | M04165-75-D38 | EA | CABINET-OVERHEAD, LOUNGE - W/O DOORS OR HARDWARE |
| 3 | P03702-C5-C31 | EA | DOOR-W/O HARDWARE, 340MM X 555MM |
| 4 | M04165-57-C31 | EA | CABINET-OVERHEAD, ENTRANCE DOOR - W/O DOORS OR HARDWARE |
| 5 | P03702-D6-C31 | EA | DOOR-CABINET, W/O HARDWARE - 275MM X 710 MM |
| 6 | 096928-02-D40 | EA | TABLE ASM-PULLOUT |
| | 102201-02-01A | EA | SUPPORT-HINGE CATCH, TABLE MOUNTED - BEIGE |
| | 102200-02-02A | EA | SUPPORT-HINGE LOCK, OFF WHITE |
| | 082525-01-000 | EA | BRACE-FLOOR MOUNT - ANGLE 3" LONG - METAL |
| | 102297-01-000 | EA | TUBE-SUPPORT, .75" X .75" X 39.4" - STEEL |
| | 079789-01-000 | EA | SUPPORT-TABLE, PULLOUT - METAL - BEIGE |
| | 079749-S1-001 | EA | SUPPORT-TABLE, EXTRUSION 192" |
| | 096928-11-B38 | EA | TOP-TABLE, PULLOUT - W/HANDLE - 27 3" X 20.4" |
| | 097208-02-B27 | EA | RACK-MAGAZINE |
| | 084071-05-000 | EA | ROD-BRASS, 382MM LONG |
| | 090329-01-000 | EA | SEAL-CABINET |

LOUNGE GROUP (CONTINUED)



DRIVER SIDE CABINETS

| KEY | PART NUMBER | U/M | DESCRIPTION |
|-----|---------------|-----|--|
| 1 | M04165-77-D38 | EA | CABINET-OVERHEAD, LOUNGE - W/O DOORS OR HARDWARE |
| 2 | P03702-C5-C31 | EA | DOOR-W/O HARDWARE, 340MM X 555MM |
| 3 | 103918-07-D38 | EA | CAP ASM-END, OVERHEAD |

1993 ITASCA TABLE OF CONTENTS

| | | |
|--------------------|--------|------|
| INTRODUCTION | A-01 - | A-02 |
| ABBREVIATIONS | | A-03 |
| ALPHABETICAL INDEX | A-04 - | A-06 |
| ICN32RQ | A-07 - | G-02 |
| ICN34RQ | G-03 - | L-16 |

1993 ICN34RQ INDEX

| | | |
|----------------------|--------|------|
| FLOOR PLAN | G-03 - | G-04 |
| ACCESSORIES | | G-06 |
| AUDIO VIDEO | G-06 - | G-08 |
| BATH | G-09 - | G-12 |
| BEDROOM | G-13 - | G-16 |
| CHASSIS | G-17 - | H-08 |
| CURTAIN & CUSHION | H-09 - | H-20 |
| DINETTE | H-21 - | H-24 |
| DRIVERS COMPARTMENT | I-01 - | I-06 |
| ELECTRICAL | I-07 - | I-12 |
| EXTERIOR BODY | I-13 - | I-22 |
| GALLEY | I-23 - | J-06 |
| GENERATOR | J-07 - | J-08 |
| HEATING & A/C | J-09 - | J-12 |
| INTERIOR FINISH | J-13 - | J-16 |
| LABELS | J-17 - | J-24 |
| LP | K-01 - | K-02 |
| LOUNGE | K-03 - | K-04 |
| SEALANTS & FASTENERS | K-05 - | K-08 |
| WATER & SEWAGE | K-09 - | K-14 |
| WINDOW, VENT AND | | |
| EXTERIOR DOOR | K-15 - | L-14 |
| WINDSHIELD & WIPER | L-15 - | L-16 |

SEALANTS & FASTENERS GROUP
ADHESIVES AND SEALERS

| KEY | PART NUMBER | U/M DESCRIPTION |
|-----|---------------|--|
| | 102352-01-000 | EA SEALER-PUMPABLE, BLACK - COLOR/ETRIC MS101 |
| | 072888-01-000 | EA SEALANT-URETHANE, BLACK - 1/10 - ESSEX 552.2 |
| | 004020-01-000 | QT ADHESIVE-ABS CEMENT, QUART |
| | 087211-01-000 | 3L PROMOTER-ADHESIVE |
| | 029094-04-000 | YD VELCRO TAPE-LOOP, 1" WIDE - BLACK |
| | 029094-06-000 | YD TAPE-LOOP, 2.0 WIDE, BLACK VELCRO LOOP |
| | 029096-03-000 | YD VELCRO TAPE-HOOK, 1" WIDE - BLACK |
| | 085774-01-000 | FT FASTENER-DUAL HOOK, 1" WIDE - ADHESIVE BACK - BLACK |
| | 085774-02-000 | FT FASTENER-DUAL LOOP, 1" WIDE - ADHESIVE BACK - BLACK |
| | 091255-02-000 | FT SEAL-ADHESIVE BACKED FOAM, .18" THICK X 1.5" WIDE |
| | 069640-01-000 | FT SEALER-RIBBON, 1/4" DIAMETER - INCREMENTS OF 30" |
| | 069640-02-000 | FT SEALER-RIBBON, 1/2" X 1/8" - INCREMENTS OF 30" OR 60" |
| | 069640-03-000 | FT SEALER-RIBBON, 3/4" X 1/8" - INCREMENTS OF 60" |
| | 069640-07-000 | FT SEALER-RIBBON, 2" X 3/32" - INCREMENTS OF 30" OR 45" |
| | 069640-09-000 | FT SEALER-RIBBON, 1/32" X 2 1/2" - INCREMENTS OF 80" |
| | 069640-11-000 | FT SEALER-TAPE, 3/16" X 3/8", BLACK - MANUS |
| | 002707-02-000 | FT SEALER-TAPE, 5/16" X 1/2", INCREMENTS OF 50" FROM 03-02-92 THRU 99-09-99 |
| | 069640-12-000 | FT SEALER-TAPE, 1/8" X 1 5/8" GRAY MANUS FROM 00-00-00 THRU 09-27-92 |
| | 069640-14-000 | FT SEALER-TAPE, 1/16" X 1" GRAY MANUS FROM 09-22-92 THRU 99-99-99 |
| | 069640-13-000 | FT SEALER-TAPE, 3/32" X 2" BLACK MANUS FROM 09-08-92 THRU 99-99-99 |
| | 076322-01-000 | FT TAPE-FOAM, DOUBLE COATED ADHESIVE BACKED - 75" X 2 1/8" |
| | 076322-02-000 | FT TAPE-FOAM, DOUBLE COATED ADHESIVE BACKED - 1" X 108" |
| | 076322-03-000 | FT TAPE-FOAM, DOUBLE COATED ADHESIVE BACKED - 5" X 108" |
| | 004363-01-000 | FT TAPE-ADHESIVE FOAM, 1 SIDE - 3/16" X 1/2" X 50" - GRAY |
| | 088244-01-000 | FT TAPE-FOAM, VINYL COATED - 2" WIDE - INCREMENTS OF 108 FT |
| | 053071-01-000 | FT TAPE-BONDING, DOUBLE SIDED - 1/64" X 2" |
| | 109215-01-000 | FT TAPE-SHIELD 1" PEERLESS Y8671-1" FROM 08-10-92 THRU 99-99-99 |
| | 034552-02-000 | EA SILICONE-TUBE, 300 ML - CLEAR |
| | 034552-06-000 | EA SILICONE-TUBE, 300 ML - OFF WHITE |
| | 100716-01-000 | EA SILICONE-TUBE, OFF WHITE LEVEL - CSL 510 |
| | 053766-02-000 | EA BEDDING COMPOUND-TUBE, WHITE SCHNEE# 5522 |
| | 900390-01-000 | EA TIP-2 1/2" X 1/8" ORIFICE ELLSWORTH#TS279 |
| | 900390-03-000 | EA NOZZLES-#CSL D10 |

GROMMETS

| KEY | PART NUMBER | U/M DESCRIPTION |
|-----|---------------|--|
| | 071015-13-000 | EA GROMMET-RUBBER, .62" ID X 1" OD W/ .09" GROOVE - BLACK |
| | 071015-29-000 | EA GROMMET-RUBBER, .25" ID X 1.25" OD W/ .12" GROOVE - BLACK |
| | 077953-01-000 | EA GROMMET-EDGE LINER, FITS 1" |
| | 016188-03-000 | EA GROMMET-L/P LINE, 3/8" HOLE X 2 1/2" LONG - RUBBER |
| | 099637-01-000 | EA GROMMET-RUBBER, .37" X .94" DIAMETER - BLACK |
| | 023942-01-000 | EA GROMMET RUBBER, 2" OD |
| | 071015-31-000 | EA GROMMET-RUBBER, .69" ID X 1.31" OD W/ .12" GROOVE - BLACK |
| | 016188-05-000 | EA GROMMET-L/P LINE, 3/8" HOLE X 1 1/4" LONG - RUBBER |

SEALANTS & FASTENERS GROUP (CONTINUED)
NUTS AND RIVETS

| KEY | PART NUMBER | U/M DESCRIPTION |
|-----|---------------|--|
| | 000D14-05-00B | EA NUT-HEX, 5/16-18 - ZN 5 |
| | 000D24-10-00B | EA NUT-HEX, SF/LK - 10-32 ZN |
| | 000D34-05-00B | EA NUT-HEX, LK - 3/8 - 18 GRADE C ZN - PREVAILING TORQUE |
| | 000D39-04-00B | EA NUT-HEX, SER FLG LK 1/4 - 20 ZN |
| | 000D39-05-00B | EA NUT-HEX, SER FLG LK - 5/16 - 18 ZN |
| | 000D39-06-00B | EA NUT-HEX, SER FLG LK - 3/8-16 ZN |
| | 000D39-08-00B | EA NUT-HEX, SER FLG LK - 1/2-13 ZN |
| | 000D44-07-00B | EA NUT-HEX, SER FLG LK - 7/16-20 ZN |
| | 040921-03-000 | EA NUT-SPEED, U TYPE - NO 10 |
| | 040921-04-000 | EA NUT-SPEED, U TYPE - NO. 8 - 59' LENGTH X 44' WIDTH |
| | 044364-02-000 | EA NUT-SPEED, FLAT - ROUND |
| | 063253-07-000 | EA NUT-J, #8A 120- 130 PNL THK |
| | 095094-01-000 | EA NUT-ACORN, 1/4 - 20 ALUMINUM |
| | 000H16-04-06R | EA RIVET-POP, AL 1/8 X 313- 375 |
| | 069592-02-000 | EA RIVET-T, (POP) - 1/4 X 093 - 155 |

BOLTS

| KEY | PART NUMBER | U/M DESCRIPTION |
|-----|---------------|---|
| | 000C12-04-12A | EA BOLT-HEX, 1/4-20 X 75 - PLAIN 5 |
| | 000C12-05-12B | EA BOLT-HEX-5/16-18X3/4 ZN 5 |
| | 000C12-05-24B | EA BOLT-HEX-5/16-18X1 1/2 ZN 5 |
| | 000C12-05-16B | EA BOLT-HEX, 5/16-18 X 1 - ZINC 5 |
| | 000C12-06-32B | EA BOLT-HEX-3/8-16X2LG, ZN 5 |
| | 000C12-06-20B | EA BOLT-HEX-3/8-16X1 1/4 ZN 5 |
| | 000C12-07-20B | EA BOLT-HEX, 7/16 - 14 X 1 1/4" - ZN 5 |
| | 000C12-08-24B | EA BOLT-HEX, 1/2-13 X 1 1/2 - ZN 5 |
| | 000C12-10-24B | EA BOLT-HEX, 5/8-11 X 1 1/2 ZN - 5 |
| | 000C13-07-48B | EA BOLT-HEX, 7/16 - 20 X 3 - ZN 5 |
| | 000C14-06-32B | EA BOLT-HEX, 3/8-16X2 00 GD 8 ZN |
| | 000C18-05-40A | EA BOLT-ELEV, 5/16"-18 X 2 1/2" PL |
| | 000C26-04-10B | EA BOLT-HEX, SER FLG - 1/4-20 X 5/8 ZINC |
| | 000C26-05-12B | EA BOLT-HEX-SER FLG 5/16-18X3/4 ZN |
| | 000C26-05-20B | EA BOLT-HEX, SER FLG 5/16 - 18 X 1 1/4 ZINC |
| | 000C26-06-28B | EA BOLT-HEX-SER FLG 3/8-16X13/4 ZN |
| | 102333-01-02A | EA BOLT-CARRIAGE, 7/16 - 14 SS. CAP - O/W - BUMPER BOLT |
| | 051387-06-000 | EA BOLT-CARRIAGE, W/O HOLE - 5/16-18 X 3 5 ZN |

WASHERS

| KEY | PART NUMBER | U/M DESCRIPTION |
|-----|---------------|---|
| | 000E11-05-00B | EA WASHER-LK-5/16 MED SPLIT ZN 05110-01-000 |
| | 000E13-11-00E | EA WASHER-FL, 3/16" WIDE - ZN |
| | 000E13-14-00E | EA WASHER-FL, 1/4" WIDE ZN |
| | 000E13-17-00E | EA WASHER-FLARE, 3/8" AR ZN |
| | 000E13-20-00B | EA WASHER-FL, 7/16" WIDE - ZN |
| | 000E14-10-00B | EA WASHER-LK - NO 10 EXT TOOTH - ZN |
| | 000E13-01-000 | EA WASHER-PLASTIC, 1 3/8" OD - FOR BUTTONS |

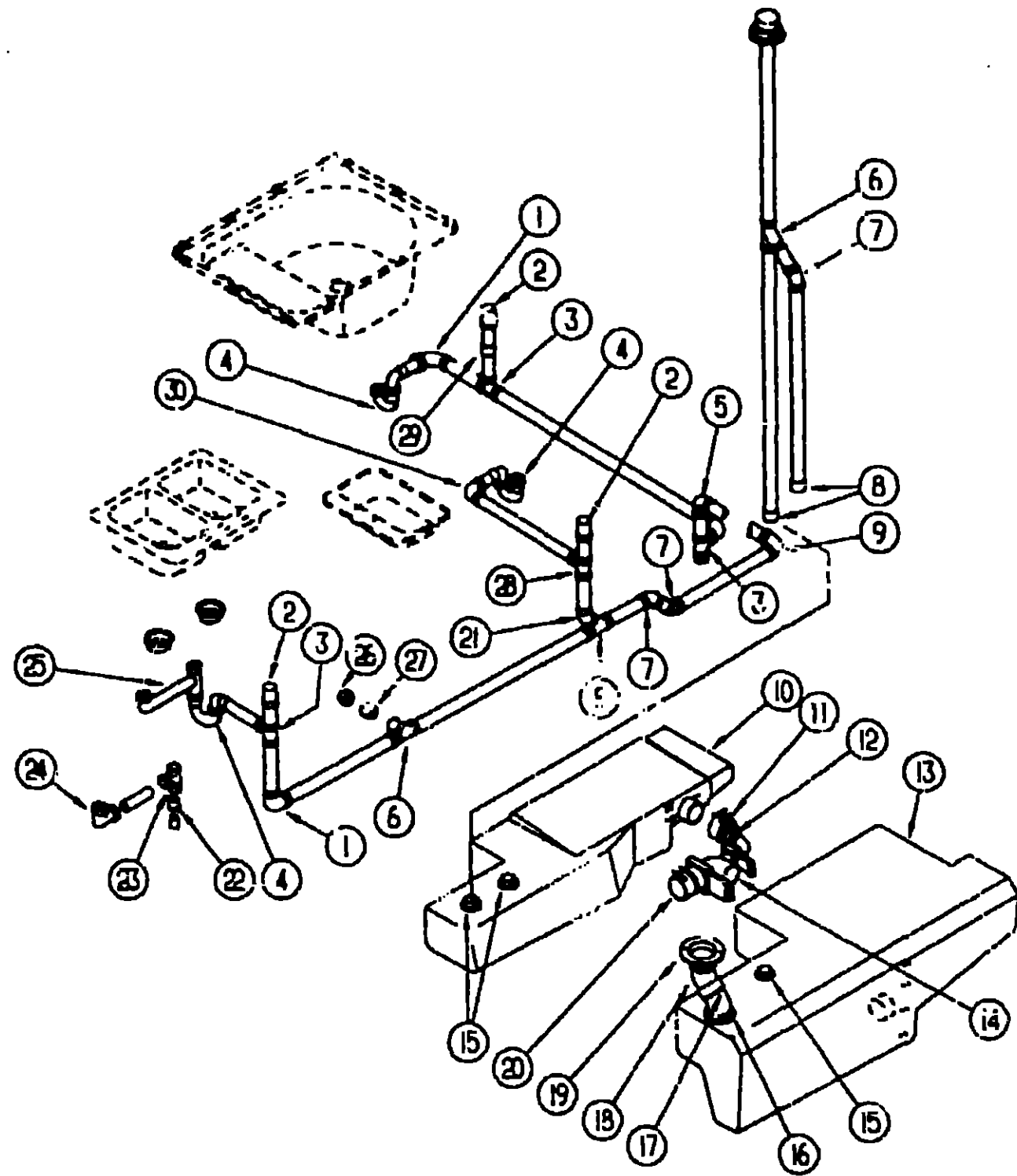
**1993 ITASCA
TABLE OF CONTENTS**

| | | |
|--------------------|--------|------|
| INTRODUCTION | A-01 - | A-02 |
| ABBREVIATIONS | | A-03 |
| ALPHABETICAL INDEX | A-04 - | A-06 |
| ICN32RQ | A-07 - | G-02 |
| ICN34RQ | G-03 - | L-16 |

1993 ICN34RQ INDEX

| | | |
|----------------------|--------|------|
| FLOOR PLAN | G-03 - | G-04 |
| ACCESSORIES | | G-05 |
| AUDIO VIDEO | G-05 - | G-08 |
| BATH | G-09 - | G-12 |
| BEDROOM | G-13 - | G-16 |
| CHASSIS | G-17 - | H-08 |
| CURTAIN & CUSHION | H-09 - | H-20 |
| DINETTE | H-21 - | H-24 |
| DRIVERS COMPARTMENT | I-01 - | I-06 |
| ELECTRICAL | I-07 - | I-12 |
| EXTERIOR BODY | I-13 - | I-22 |
| GALLEY | I-23 - | J-06 |
| GENERATOR | J-07 - | J-08 |
| HEATING & A/C | J-09 - | J-12 |
| INTERIOR FINISH | J-13 - | J-16 |
| LABELS | J-17 - | J-24 |
| LP | K-01 - | K-02 |
| LOUNGE | K-03 - | K-04 |
| SEALANTS & FASTENERS | K-05 - | K-08 |
| WATER & SEWAGE | K-09 - | K-14 |
| WINDOW, VENT AND | | |
| EXTERIOR DOOR | K-15 - | L-14 |
| WINDSHIELD & WIPER | L-15 - | L-16 |

**WATER & SEWAGE GROUP
DRAINAGE SYSTEM**



| KEY | PART NUMBER | U/M DESCRIPTION |
|-----|---------------|---|
| 1 | 010008-01-000 | EA ELBOW-90 DEG, 1/4 BEND - 1 1/2" HUB X HUB - BLACK PLASTIC |
| 2 | 079968-01-000 | EA VENT-MECH. TRAP ARM, ANTI-SIPHON - 2" DIA X 7.3' - PLASTIC |
| 3 | 010071-01-000 | EA TEE-SANITARY, 1 1/2" HUB X HUB X HUB - PLASTIC - BLACK |
| 4 | 107537-01-000 | EA P-TRAP ADAPTER-1 1/4" SLIP |
| | | FROM 00-00-00 THRU 08-02-92 |
| 4 | 107538-01-000 | EA P-TRAP-PLASTIC, 1 1/4" W/EXT ARM |
| | | FROM 08-04-92 THRU 99-99-99 |
| 4 | 011066-03-700 | EA KIT-P-TRAP, 1 1/2" X 1 1/4" P-TRAP - W/1 1/2" TO 1 1/4" REDUCER - CANADIAN |
| | 109571-01-000 | EA ADAPTER-P-TRAP, 1 1/2" P X 1 1/4" MPT |
| | 105218-01-01A | EA SPACER-SINK |
| 5 | 010051-01-000 | EA ELBOW-45 DEG BEND, 1 1/2" SPIGOT AND HUB - PLASTIC - BLACK |
| 6 | 010073-01-000 | EA WYE-45 DEGREE, 1 1/2" HUB X HUB X HUB - PLASTIC - BLACK |
| 7 | 010006-01-000 | EA ELBOW-45 DEG, 1/8 BEND - 1 1/2" HUB X HUB - BLACK PLASTIC |
| 8 | 062401-02-000 | EA CLAMP-HOSE, WORMGEAR - 1 5/8" - 2 5" |
| 9 | 033761-01-000 | EA ELBOW-TURN, 1/4 BEND X 1.5" HUB X 1 5" SPIGOT - BLK PLASTIC |
| 10 | 101786-01-000 | EA TANK-HOLDING, W/O GROMMETS - 30 GAL - 59 9" X 25 8" X 8.7" |
| | 039861-01-000 | EA SENDING UNIT-W/SCREW, WASHER, WELL NUT & TERMINAL RING |
| 11 | 078406-01-000 | EA COUPLER-RUBBER, W/CLAMPS - 3" X 3" |
| 12 | 089355-01-000 | EA COUPLER-RUBBER, 1 1/2" X 1 1/2" |
| | 010201-01-000 | EA HOSE-SEWER, 3" ID X 8' |
| | 062416-01-000 | EA ADAPTER-SEWER HOSE TO 3" PIPE |
| | 089330-01-000 | EA ADAPTER-SEWER HOSE TO DUMP VALVE - PLASTIC - BLACK |
| | 062401-09-000 | EA CLAMP-HOSE, WORMGEAR - 2 8" - 3 7/8" |
| | 062422-01-000 | EA ADAPTER-OFFSET REDUCER, 3" X 1 1/2" - PLASTIC - BLACK |
| 13 | 101787-01-000 | EA TANK-HOLDING, W/O GROMMETS - 37 GAL - 59 9" X 24.6" X 9.5" |
| | 039861-01-000 | EA SENDING UNIT-W/SCREW, WASHER, WELL NUT & TERMINAL RING |
| 14 | 031126-01-000 | EA ELBOW-1/4 BEND, 3 X 90 XLT - PLASTIC - BLACK |
| 15 | 061607-01-000 | EA GROMMET-HOLDING TANK, 1 1/2" NPS |
| 16 | 061607-02-000 | EA GROMMET-HOLDING TANK, 3" NPS |
| 17 | 010024-01-000 | EA ELBOW-PLASTIC, 1/8 BD - 3 X 45 - H X H |
| 18 | 010061-01-000 | EA ELBOW-45 DEGREE, STREET - 1/8 BEND - 3" S X H - PLASTIC |
| 19 | 063641-01-000 | EA FLANGE-TOILET, 4" X 3" - US |
| 19 | 063641-02-000 | EA FLANGE-TOILET, 4" X 3" - CANADIAN |
| 20 | 070916-01-000 | EA VALVE-DUAL DUMP, W/CAP - 3" X 1 1/2" - PLASTIC - BLACK |
| | 070916-01-700 | EA VALVE ONLY, 3" |
| | 070916-01-701 | EA VALVE ONLY, 1 1/2" |
| 21 | 034250-01-000 | EA ELBOW-90 DEGREE, LONG TURN - 1 1/2" HUB X HUB - ABS |
| 22 | 010121-01-000 | EA BUSHING-REDUCER, 1 1/2" SMOOTH X 1 1/4" HUB - BLACK PLASTIC |
| 23 | 010072-01-000 | EA TEE-SANITARY, 1 1/2" H X 1 1/4" H X 1 1/2" H - PLASTIC |
| 24 | 011071-01-000 | EA TRAP-P, 1 1/2" - PLASTIC - CANADIAN |
| 25 | 011091-02-000 | EA PIPE-DRAIN, DOUBLE SINK - BAFFLE TEE - 1 1/2" - US |
| | | ONE PIPE W/TEE TO DRAIN BOTH SIDES OF SINK |
| 25 | 011091-03-000 | EA PIPE-DRAIN, W/SEALS - DOUBLE SINK - EXTENDS 3" TO 16" - CANADIAN |
| 26 | 010166-01-000 | EA PLUG-THREADED, 1 1/4" DIAMETER - PLASTIC - BLACK |
| 27 | 010122-01-000 | EA BUSHING-REDUCER, 1 1/2" SMTH X 1 1/4" THD - PLASTIC - BLACK |
| 28 | 010079-01-000 | EA TEE-SANITARY, 1 1/2" X 1 1/2" X 1 1/4" H - PLASTIC - BLACK |
| 29 | 010115-01-000 | EA COUPLING-1 1/2" HUB X HUB, PLASTIC |
| 30 | 031111-01-000 | EA ELBOW-90 DEGREE, 1/4 BEND - 1 1/4" - PLASTIC |
| | 039681-01-000 | EA COUPLING, 1 1/4" - PLASTIC |

**1993 ITASCA
TABLE OF CONTENTS**

| | | |
|--------------------|--------|------|
| INTRODUCTION | A-01 - | A-02 |
| ABBREVIATIONS | | A-03 |
| ALPHABETICAL INDEX | A-04 - | A-06 |
| ICN32RQ | A-07 - | G-02 |
| ICN34RQ | G-03 - | L-16 |

1993 ICN34RQ INDEX

| | | |
|----------------------|--------|------|
| FLOOR PLAN | G-03 - | G-04 |
| ACCESSORIES | | G-05 |
| AUDIO VIDEO | G-06 - | G-08 |
| BATH | G-09 - | G-12 |
| BEDROOM | G-13 - | G-16 |
| CHASSIS | G-17 - | H-06 |
| CURTAIN & CUSHION | H-09 - | H-20 |
| DINETTE | H-21 - | H-24 |
| DRIVERS COMPARTMENT | I-01 - | I-06 |
| ELECTRICAL | I-07 - | I-12 |
| EXTERIOR BODY | I-13 - | I-22 |
| GALLEY | I-23 - | J-06 |
| GENERATOR | J-07 - | J-08 |
| HEATING & A/C | J-09 - | J-12 |
| INTERIOR FINISH | J-13 - | J-16 |
| LABELS | J-17 - | J-24 |
| LP | K-01 - | K-02 |
| LOUNGE | K-03 - | K-04 |
| SEALANTS & FASTENERS | K-05 - | K-08 |
| WATER & SEWAGE | K-09 - | K-14 |
| WINDOW, VENT AND | | |
| EXTERIOR DOOR | K-15 - | L-14 |
| WINDSHIELD & WIPER | L-15 - | L-16 |

WATER & SEWAGE GROUP (CONTINUED)
FRESH WATER TANK - 40 GALLON

| KEY | PART NUMBER | U/M DESCRIPTION |
|-----|---------------|---|
| | 078252-10-000 | EA TANK-WATER, 40 GALLON - W/FITTINGS - 10' X 24' X 46.5" - QUEEN BED |
| | 039861-01-000 | EA SENDING UNIT-W/SCREW, WASHER, WELL NUT & TERMINAL RING |
| | 010224-01-000 | EA ADAPTER-HOSE TO PIPE, 3/8" MPT X 3/8" BARB - BLACK PLASTIC |
| | 042989-03-000 | EA FITTING-WATER TANK, SPINWELD - 1 1/4"NPT - PLASTIC - WHITE |
| | 042989-04-000 | EA FITTING-WATER TANK, SPINWELD - 3/8" FPT - PLASTIC - WHITE |
| | 042989-05-000 | EA FITTING-WATER TANK, SPINWELD - 1/2" FPT - PLASTIC - WHITE |
| | 042989-06-000 | EA FITTING-SPINWELD, PLASTIC - 3/4 FPT |
| | 077954-02-000 | EA FILTER-WATER TANK, SCREEN IN TANK |
| | 096449-01-000 | EA WIRE ASSEMBLY-WATER TANK TO MONITOR PANEL |
| | 098417-01-000 | EA CONNECTOR-5/8" F X 1/2" MPT, PLASTIC - KEYCO |
| | 052960-01-000 | EA DRAIN VALVE-IN LINE, HEADER - 1/2" F X 1/2" F - GRAY PLAS |
| | 057457-01-000 | EA ELBOW-UNION, 1/2" X 1/2" FL - WATER |
| | 057457-02-000 | EA ELBOW-UNION, 5/8" X 5/8" FL - WATER |
| | 052957-04-000 | EA ELBOW-5/8" F X 3/4" MPT |
| | 010219-01-000 | EA ELBOW-1 1/4" MPT X 1 1/4" BARB |
| | 035539-01-000 | EA ELBOW-3/8" MPT X 3/8" BARB |
| | 052952-01-000 | EA NUT-PLASTIC, 1/2" F X 1/2" TUBE - GRAY |

FRESH WATER TANK - 40 GALLON

| KEY | PART NUMBER | U/M DESCRIPTION |
|-----|---------------|--|
| | 078252-11-000 | EA TANK-WATER, 40 GALLON - W/FITTINGS - 10' X 24' X 46.5" - TWIN BED |
| | 039861-01-000 | EA SENDING UNIT-W/SCREW, WASHER, WELL NUT & TERMINAL RING |
| | 010224-01-000 | EA ADAPTER-HOSE TO PIPE, 3/8" MPT X 3/8" BARB - BLACK PLASTIC |
| | 042989-03-000 | EA FITTING-WATER TANK, SPINWELD - 1 1/4"NPT - PLASTIC - WHITE |
| | 042989-04-000 | EA FITTING-WATER TANK, SPINWELD - 3/8" FPT - PLASTIC - WHITE |
| | 042989-05-000 | EA FITTING-WATER TANK, SPINWELD - 1/2" FPT - PLASTIC - WHITE |
| | 042989-06-000 | EA FITTING-SPINWELD, PLASTIC - 3/4 FPT |
| | 077954-02-000 | EA FILTER-WATER TANK, SCREEN IN TANK |
| | 096449-01-000 | EA WIRE ASSEMBLY-WATER TANK TO MONITOR PANEL |
| | 098417-01-000 | EA CONNECTOR-5/8" F X 1/2" MPT, PLASTIC - KEYCO |
| | 052960-01-000 | EA DRAIN VALVE-IN LINE, HEADER - 1/2" F X 1/2" F - GRAY PLAS |
| | 057457-01-000 | EA ELBOW-UNION, 1/2" X 1/2" FL - WATER |
| | 057457-02-000 | EA ELBOW-UNION, 5/8" X 5/8" FL - WATER |
| | 052957-04-000 | EA ELBOW-5/8" F X 3/4" MPT |
| | 010219-01-000 | EA ELBOW-1 1/4" MPT X 1 1/4" BARB |
| | 035539-01-000 | EA ELBOW-3/8" MPT X 3/8" BARB |
| | 052952-01-000 | EA NUT-PLASTIC, 1/2" F X 1/2" TUBE - GRAY |
| | 044927-01-000 | EA ADAPTER-HOSE TO PIPE, 1 1/4" MPT X 1 1/4" BARB-BLACK PLASTIC |
| | 052957-02-000 | EA ELBOW-MALE, 1/2" F X 1/2" MPT - PLASTIC - GRAY |
| | 052960-03-000 | EA DRAIN VALVE-IN LINE, HEADER - 5/8" F X 5/8" F - PLASTIC |

WATER & SEWAGE GROUP (CONTINUED)
WATER HEATER W/MOTOR AID AND REAR HEATER

| KEY | PART NUMBER | U/M DESCRIPTION |
|-----|---------------|---|
| | 051393-01-000 | EA WATER HEATER-W/MOTOR AID, PILOTLESS IGNITION ATWOOD G6A-3E, G6A-4E OR G6A-6E |
| | 051391-01-700 | EA HINGE KIT-W/CLIP, ATWOOD #92568 & #92559 |
| | 051391-01-704 | EA VALVE-RELIEF, 1/2" FITTING - ATWOOD #91604 |
| | 051391-01-705 | EA FASTENER-CAMLOC, ATWOOD #92609 |
| | 051391-01-706 | EA GRILLE-EXHAUST, ATWOOD #92787 |
| | 051391-01-708 | EA BURNER-MAIN, 3E ONLY - ATWOOD #92615 |
| | 051391-01-710 | EA ORIFICE-MAIN BURNER, ATWOOD #92742 |
| | 051391-C1-714 | EA DRAIN PLUG, ATWOOD #91551 |
| | 051391-01-715 | EA THERMOSTAT 12 VDC-120 PRESET, ATWOOD #91470 |
| | 051391-04-701 | EA TANK-INNER, FRONT MOUNT - G6A-4E & 6E - ATWOOD 91642 |
| | 051391-04-704 | EA TANK-INNER, 3E FRONT MOUNT - ATWOOD #91023 |
| | 051393-01-700 | EA SWITCH-WATER HEATER, REMOTE W/LIGHT - ATWOOD 91959 |
| | 097967-01-000 | EA SWITCH-ENERGY CUT-OFF, ATWOOD #91951 |
| | 051393-01-702 | EA THERMOSTAT-REAR MOUNT, ATWOOD #91952 |
| | 051393-01-703 | EA CIRCUIT BOARD-W/BLACK BOX, ATWOOD #91420 |
| | 051393-01-704 | EA ORIFICE HOLDER-ATWOOD #91925 |
| | 051393-01-705 | EA SPARK & PROBE ASM, ATWOOD #91605 |
| | 051393-01-714 | EA VALVE-DUAL SOLENOID, ATWOOD #91605 |
| | 051393-01-716 | EA ECO&THERMOSTAT ASM-FRONT MOUNT, 140 DEGREE - ATWOOD #91447 |
| | 051393-01-718 | EA CIRCUIT BOARD-SPADE TERMINAL #93967 - ELECTRIC IGNITION |
| | 051393-01-721 | EA ELECTRODE-SINGLE SPADE CONNECTOR #93868 - SPARK PROBE |
| | 051393-01-724 | |
| | 051393-01-725 | |

WATER HEATER

| KEY | PART NUMBER | U/M DESCRIPTION |
|-----|---------------|---|
| | 051391-03-000 | EA HEATER-WATER, W/ELECTRIC IGNITION - ATWOOD G6A-3E |
| | 051391-01-700 | EA HINGE KIT-W/CLIP, ATWOOD #92568 & #92559 |
| | 051391-01-704 | EA VALVE-RELIEF, 1/2" FITTING - ATWOOD #91604 |
| | 051391-01-705 | EA FASTENER-CAMLOC, ATWOOD #92609 |
| | 051391-01-706 | EA GRILLE-EXHAUST, ATWOOD #92787 |
| | 051391-01-708 | EA BURNER-MAIN, 3E ONLY - ATWOOD #92615 |
| | 051391-C1-710 | EA ORIFICE-MAIN BURNER, ATWOOD #92742 |
| | 051391-01-714 | EA DRAIN PLUG, ATWOOD #91551 |
| | 051391-04-701 | EA TANK-INNER (G6A-3E), FRNT MT - ATWOOD #91603 |
| | 051391-04-704 | EA TANK-INNER, G6A-4E & 6E - FRONT MOUNT - ATWOOD #91641 |
| | 097967-01-000 | EA SWITCH-WATER HEATER, REMOTE W/LIGHT - ATWOOD #91959 |
| | 051393-01-702 | EA SWITCH-ENERGY CUT-OFF, ATWOOD #91951 |
| | 051393-01-703 | EA THERMOSTAT-REAR MOUNT, ATWOOD #91952 |
| | 051393-01-704 | EA CIRCUIT BOARD-W/BLACK BOX, ATWOOD #91420 |
| | 051393-01-705 | EA ORIFICE HOLDER-ATWOOD #91925 |
| | 051393-01-716 | EA SPARK & PROBE ASM, ATWOOD #91605 |
| | 051393-01-718 | EA VALVE-DUAL SOLENOID, ATWOOD #91605 |
| | 051393-01-721 | EA ECO&THERMOSTAT ASM-FRONT MOUNT, 140 DEGREE - ATWOOD #91447 |
| | 051393-03-700 | EA CIRCUIT BOARD-SPADE TERMINAL #93967 - ELECTRIC IGNITION |
| | 051393-01-724 | EA ELECTRODE-SINGLE SPADE CONNECTOR #93868 - SPARK PROBE |
| | 051393-01-725 | |

1993 ITASCA
TABLE OF CONTENTS

| | | |
|--------------------|------|------|
| INTRODUCTION | A-01 | A-02 |
| ABBREVIATIONS | | A-03 |
| ALPHABETICAL INDEX | A-04 | A-06 |
| ICN32RQ | A-07 | G-02 |
| ICN34RQ | G-03 | L-16 |

1993 ICN34RQ INDEX

| | | |
|----------------------|------|--------|
| FLOOR PLAN | G-03 | - G-04 |
| ACCESSORIES | | G-05 |
| AUDIO VIDEO | G-06 | - G-08 |
| BATH | G-09 | - G-12 |
| BEDROOM | G-13 | - G-16 |
| CHASSIS | G-17 | - H-08 |
| CURTAIN & CUSHION | H-09 | - H-20 |
| DINETTE | H-21 | - H-24 |
| DRIVERS COMPARTMENT | I-01 | - I-05 |
| ELECTRICAL | I-07 | - I-12 |
| EXTERIOR BODY | I-13 | - I-22 |
| GALLEY | I-23 | - J-06 |
| GENERATOR | J-07 | - J-08 |
| HEATING & A/C | J-09 | - J-12 |
| INTERIOR FINISH | J-13 | - J-16 |
| LABELS | J-17 | - J-24 |
| LIP | K-01 | - K-02 |
| LOUNGE | K-03 | - K-04 |
| SEALANTS & FASTENERS | K-05 | - K-08 |
| WATER & SEWAGE | K-09 | - K-14 |
| WINDOW, VENT AND | | |
| EXTERIOR DOOR | K-15 | - L-14 |
| WINDSHIELD & WIPER | L-15 | - L-16 |

WATER & SEWAGE GROUP (CONTINUED)

WATER SYSTEM

| KEY | PART NUMBER | U/M DESCRIPTION |
|-----|---------------|--|
| | 10555-01-01A | EA PLATE-COVER, WATER LINE |
| | 087859-04-000 | EA FILL-WATER, CITY - OFF WHITE |
| | 010230-05-000 | EA FILL-CITY-WATER, SURF. SILVER - BRASS 324-00 FROM: 00-00-00 THRU: 09-27-92 |
| | 096305-01-000 | EA COVER-WATER CENTER, 19' X 18 2' X 20 7' - GALVANIZED STEEL |
| | 052959-02-000 | EA CONNECTOR, 1/2" F X 1/2" MPT - PLASTIC - GRAY |
| | 093207-03-01A | EA BRACKET-VACUUM BREAKER, WATER CENTER - OFF WHITE FROM: 09-23-92 THRU: 99-99-99 |
| | 079381-01-000 | FT TUBING-SMOOTH FLEXIBLE, 1 1/4" ID X 20' |
| | 074462-02-000 | FT TUBING-VINYL 3/8" ID - CLEAR |
| | 035800-01-000 | FT TUBING-POLYBUTYL, 1/2" OD - INCREMENTS OF 20' - BLACK |
| | 039800-02-000 | FT TUBING-POLYBUTYL, 5/8" OD - INCREMENTS OF 20' - BLACK |
| | 055290-01-000 | EA ELBOW-5/8" F X 1/2" MPT |
| | 057457-01-000 | EA ELBOW-UNION, 1/2" X 1/2" FLARE |
| | 052957-01-000 | EA ELBOW-PLASTIC, 1/2" F X 3/8" MPT |
| | 052957-02-000 | EA ELBOW-MALE, 1/2" F X 1/2" MPT - PLASTIC - GRAY |
| | 055120-01-000 | EA ELBOW-SWIVEL, 1/2" FPT X 1/2" FLARE - PLASTIC - GRAY |
| | 039808-03-000 | EA ELBOW-PLAS, 1/2MPT X 1/2MPT KEVCO 17295 |
| | 055290-01-000 | EA ELBOW-5/8" F X 1/2" MPT |
| | 052952-01-000 | EA NUT-PLASTIC, 1/2" F X 1/2" TUBE - GRAY |
| | 052952-02-000 | EA NUT-PLASTIC, 5/8" FLARE |
| | 052953-01-000 | EA NUT-FAUCET, 1/2" TUBE X 1/2" FPT - PLASTIC - GRAY |
| | 052958-01-000 | EA TEE, 1/2" F X 1/2" F X 1/2" F - PLASTIC - GRAY |
| | 057973-01-000 | EA TEE-PLASTIC, 1/2" F X 1/2" F X 5/8" F - WATER |
| | 052955-03-000 | EA TEE-5/8" F X 5/8" F X 1/2" MPT - PLASTIC |
| | 052956-01-000 | EA TEE-1/2" F X 1/2" MPT X 1/2" F - PLASTIC |
| | 039798-01-000 | EA TEE-1/2" MPT X 1/2" MPT X 1/2" MPT, PLASTIC |
| | 093217-01-000 | EA TEE-SWIVEL, 1/2" - PLASTIC |
| | 077054-01-000 | EA VALVE-PLASTIC, 1/2" M X 1/2" M - 1/4" COMP |
| | 046128-01-000 | EA VALVE-DRAIN, PLASTIC - 1/2" FPT |
| | 052960-01-000 | EA DRAIN VALVE-IN LINE, HEADER - 1/2" F X 1/2" F - GRAY PLAS |
| | 052954-01-000 | EA ADAPTER-NOSE CONE, 3/8" OR 1/2" TUBING - PLASTIC - GRAY |
| | 079317-01-000 | EA ADAPTER-SWIVEL, 1/2" TUBE X 1/2" FPT - PLASTIC - GRAY |
| | 101814-01-000 | EA COUPLING-FEMALE, 1/2" X 1/2" FPT |
| | 091208-01-000 | EA WASHER-RUBBER, 05" X .75" X 5" |
| | 106256-01-000 | EA CAP-INSERTABLE, 1/2" FLARE |

| KEY | PART NUMBER | U/M DESCRIPTION |
|-----|---------------|--|
| | 087200-01-000 | EA FILTER-WATER PURIFICATION, EVERPURE QC2-AC |
| | 087200-02-000 | EA CARTRIDGE-WATER FILTER, AC - EVERPURE 9601-11 |
| | 701069-01-000 | EA WATER PURIFICATION SYSTEM 9252 |
| | 701069-01-700 | EA DIVERITER-ANTI-FREEZE, EVERPURE 3000-17 |
| | 701069-03-700 | EA CARTRIDGE-WATER FILTER, AC EVERPURE 9501-11 |

WATER PUMPS

| KEY | PART NUMBER | U/M DESCRIPTION |
|-----|---------------|--|
| | 098607-01-000 | EA PUMP-WATER, W/ 5" MPT FITTING - FLOW 2.8 GPM - UL |
| | 098607-01-700 | EA PUMPH:AD-REPLACEMENT, SHURFLO# 94-236-03 |
| | 098607-01-701 | EA DRIVE ASM, SHURFLO# 94-234-03 |
| | 098607-01-702 | EA DIAPHRAGM-KIT, SHURFLO# 94-233-10 |
| | 098607-01-703 | EA VALVE ASM, SHURFLO# 94-232-00 |
| | 098607-01-706 | EA SWITCH ASM-COMPLETE, SHURFLO# 94-230-00 |
| | 098607-01-705 | EA CHECK VALVE-KIT, SHURFLO# 94-237-00 |
| | 098607-01-705 | EA SWITCH ASM-COMPLETE, SHURFLO# 94-230-00 |
| | 098607-01-707 | EA MOTOR/BASEPLATE REPLACEMENT, SHURFLO# 94-234-03 |

WATER BYPASS SYSTEM

| KEY | PART NUMBER | U/M DESCRIPTION |
|-----|---------------|--|
| | 099729-01-000 | EA BYPASS KIT-WATER HEATER, COMPLETE W/VALVE & TUBING |
| | 099729-01-700 | EA VALVE ONLY CHECK - PLASTIC RVK-100 |
| | 103759-01-000 | EA BRACKET-BYPASS, WATER HEATER FROM: 10-19-92 THRU: 99-99-99 |
| | 110438-01-000 | EA VALVE-CHECK, BRASS G784 FROM: 11-23-92 THRU: 99-99-99 |
| | 099729-02-000 | EA BYPASS KIT-WATER HEATER, COMPLETE W/VALVE & TUBING - CANADIAN |
| | 099729-02-700 | EA VALVE ONLY CHECK - BRASS RVC-4 - CANADIAN |

EXTERIOR SHOWER AND COMPONENTS

| KEY | PART NUMBER | U/M DESCRIPTION |
|-----|---------------|--------------------------------------|
| | 103092-01-000 | EA SHOWERHEAD, W/60" HOSE |
| | 103092-02-000 | EA SHOWERHEAD, W/60" HOSE - CANADIAN |
| | 075241-04-000 | EA FAUCET-SHOWER, BRASS |
| | 075241-05-000 | EA FAUCET-SHOWER, BONE - CANADIAN |
| | 079317-01-000 | EA ADAPTER-SWIVEL, 1/2" X 1/2" |

GARDEN HOSE

| KEY | PART NUMBER | U/M DESCRIPTION |
|-----|---------------|--|
| | 091270-01-000 | EA HOSE-5/8", ON REEL - WATER - NON TOXIC - 50' - TORO |
| | 105284-01-000 | EA COUPLER-QUICK HOSE END GILMORE #09QC |

**1993 ITASCA
TABLE OF CONTENTS**

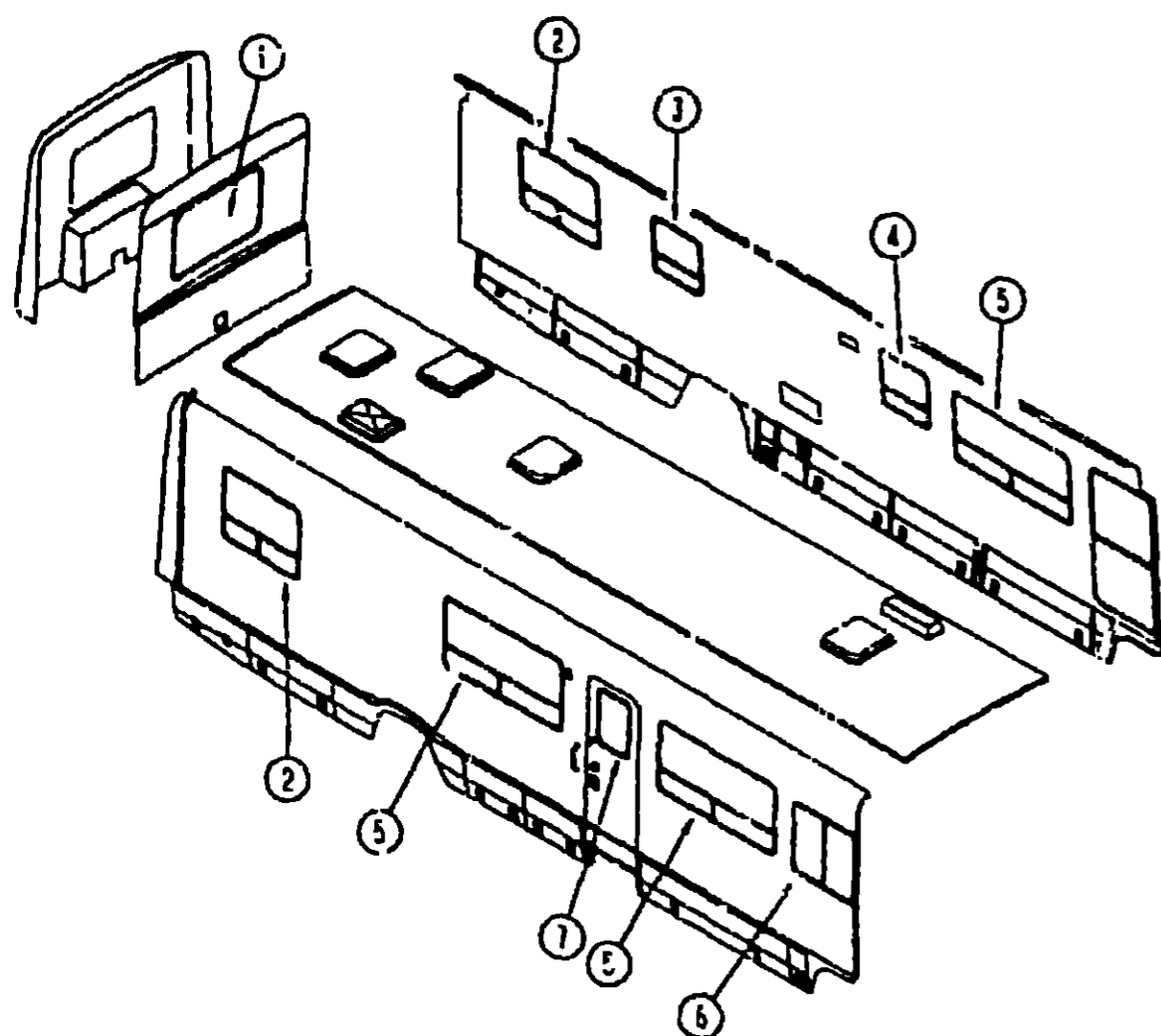
| | | |
|--------------------|--------|------|
| INTRODUCTION | A-01 - | A-02 |
| ABBREVIATIONS | | A-03 |
| ALPHABETICAL INDEX | A-04 - | A-06 |
| ICN32RQ | A-07 - | G-02 |
| ICN34RQ | G-03 - | L-16 |

1993 ICN34RQ INDEX

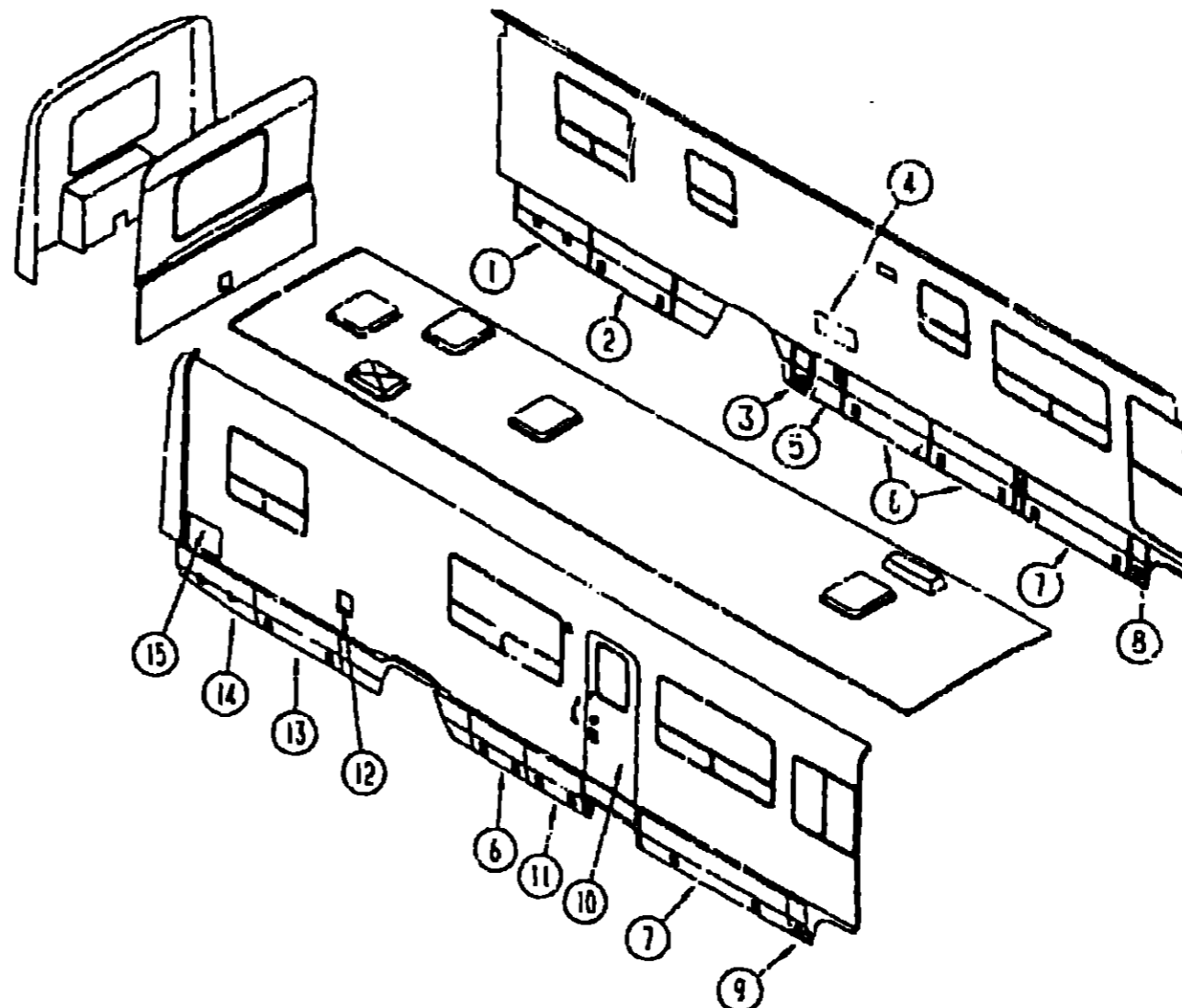
| | | |
|----------------------|--------|------|
| FLOOR PLAN | G-03 - | G-04 |
| ACCESSORIES | | G-05 |
| AUDIO VIDEO | G-06 - | G-08 |
| BATH | G-09 - | G-12 |
| BEDROOM | G-13 - | G-16 |
| CHASSIS | G-17 - | H-08 |
| CURTAIN & CUSHION | H-09 - | H-20 |
| DINETTE | H-21 - | H-24 |
| DRIVERS COMPARTMENT | I-01 - | I-06 |
| ELECTRICAL | I-07 - | I-12 |
| EXTERIOR BODY | I-13 - | I-22 |
| GALLEY | I-23 - | J-06 |
| GENERATOR | J-07 - | J-08 |
| HEATING & A/C | J-09 - | J-12 |
| INTERIOR FINISH | J-13 - | J-16 |
| LABELS | J-17 - | J-24 |
| LP | K-01 - | K-02 |
| LOUNGE | K-03 - | K-04 |
| SEALANTS & FASTENERS | K-05 - | K-08 |
| WATER & SEWAGE | K-09 - | K-14 |
| WINDOW, VENT AND | | |
| EXTERIOR DOOR | K-15 - | L-14 |
| WINDSHIELD WIPER | L-15 - | L-16 |

WINDOW, VENT & EXTERIOR DOOR GROUP

WINDOW, VENT & EXTERIOR DOOR GROUP (CONTINUED)



WINDOWS



EXTERIOR DOORS

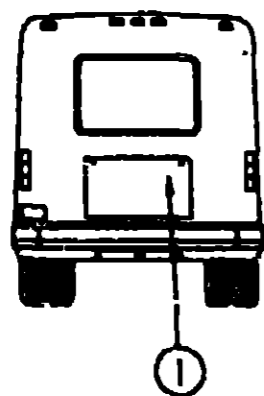
**1993 ITASCA
TABLE OF CONTENTS**

| | | |
|--------------------|--------|------|
| INTRODUCTION | A-01 - | A-02 |
| ABBREVIATIONS | | A-03 |
| ALPHABETICAL INDEX | A-04 - | A-06 |
| ICN32RQ | A-07 - | G-02 |
| ICN34RQ | G-03 - | L-16 |

1993 ICN34RQ INDEX

| | | |
|--------------------------------|--------|------|
| FLOOR PLAN | G-03 - | G-04 |
| ACCESSORIES | | G-05 |
| AUDIO VIDEO | G-06 - | G-08 |
| BATH | G-09 - | G-12 |
| BEDROOM | G-13 - | G-16 |
| CHASSIS | G-17 - | H-08 |
| CURTAIN & CUSHION | H-09 - | H-20 |
| DINETTE | H-21 - | H-24 |
| DRIVERS COMPARTMENT | I-01 - | I-06 |
| ELECTRICAL | I-07 - | I-12 |
| EXTERIOR BODY | I-13 - | I-22 |
| GALLEY | I-23 - | J-06 |
| GENERATOR | J-07 - | J-08 |
| HEATING & A/C | J-09 - | J-12 |
| INTERIOR FINISH | J-13 - | J-16 |
| LABELS | J-17 - | J-24 |
| LP | K-01 - | K-02 |
| LOUNGE | K-03 - | K-04 |
| SEALANTS & FASTENERS | K-05 - | K-08 |
| WATER & SEWAGE | K-09 - | K-14 |
| WINDOW, VENT AND EXTERIOR DOOR | K-15 - | L-14 |
| WINDSHIELD & WIPER | L-15 - | L-16 |

| KEY | PART NUMBER | U/M DESCRIPTION |
|-----|---------------|---|
| 1 | 087965-04-Y12 | EA WINDOW-ESCAPE, W/O INSIDE FRAME - 30.2" X 46.8" |
| 2 | 092235-13-Y12 | EA WINDOW-TIPOUT, W/O INSIDE FRAME |
| 3 | 092235-10-Y12 | EA WINDOW-TIPOUT, W/O INSIDE FRAME - 15.8" X 25.5" |
| 4 | 092235-09-Y12 | EA WINDOW-TIPOUT, W/O INSIDE FRAME - 25.5" X 25.4" |
| 5 | 092234-03-Y12 | EA WINDOW-TIPOUT, DOUBLE - W/O INSIDE FRAME - 31.5" X 60.9" |
| 6 | 104696-01-705 | EA WINDOW-SINGLE SLIDER, W/O INSIDE FRAME - EXCEL H328-A2R |
| 7 | 079733-04-T03 | EA WINDOW-PICTURE, W/O INSIDE FRAME - 17" X 25" |

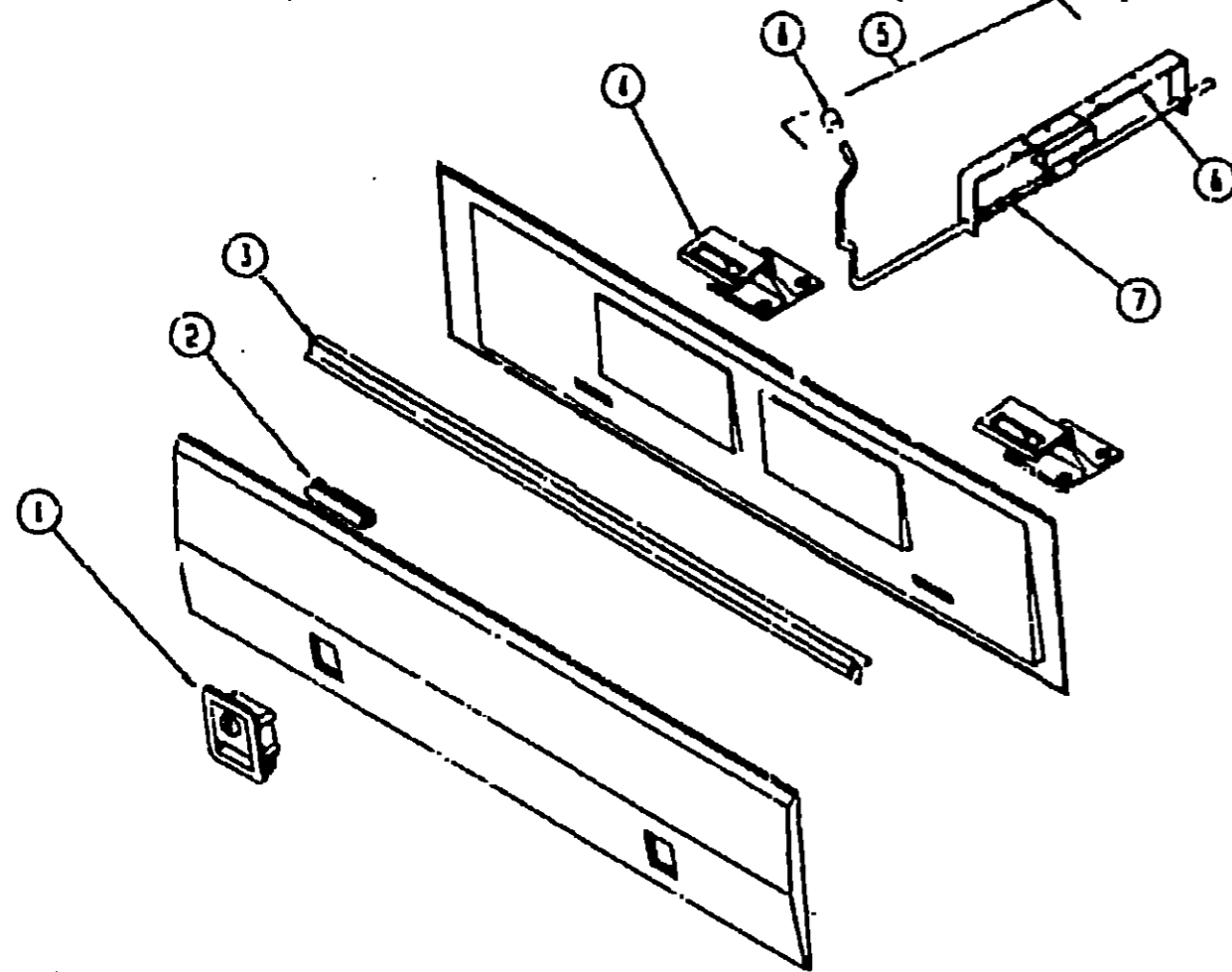


EXTERIOR BACKWALL DOORS

| KEY | PART NUMBER | U/M DESCRIPTION |
|-----|---------------|--|
| 1 | 097198-01-AE6 | EA DOOR-STORAGE/TRUNK, 21.2" X 39.2" - OFF WHITE |
| | 093142-01-01A | EA HINGE-DOOR, TRUNK - O/W |
| | 009426-02-000 | EA HATCH-DOOR, POWER CORD - OFF WHITE |

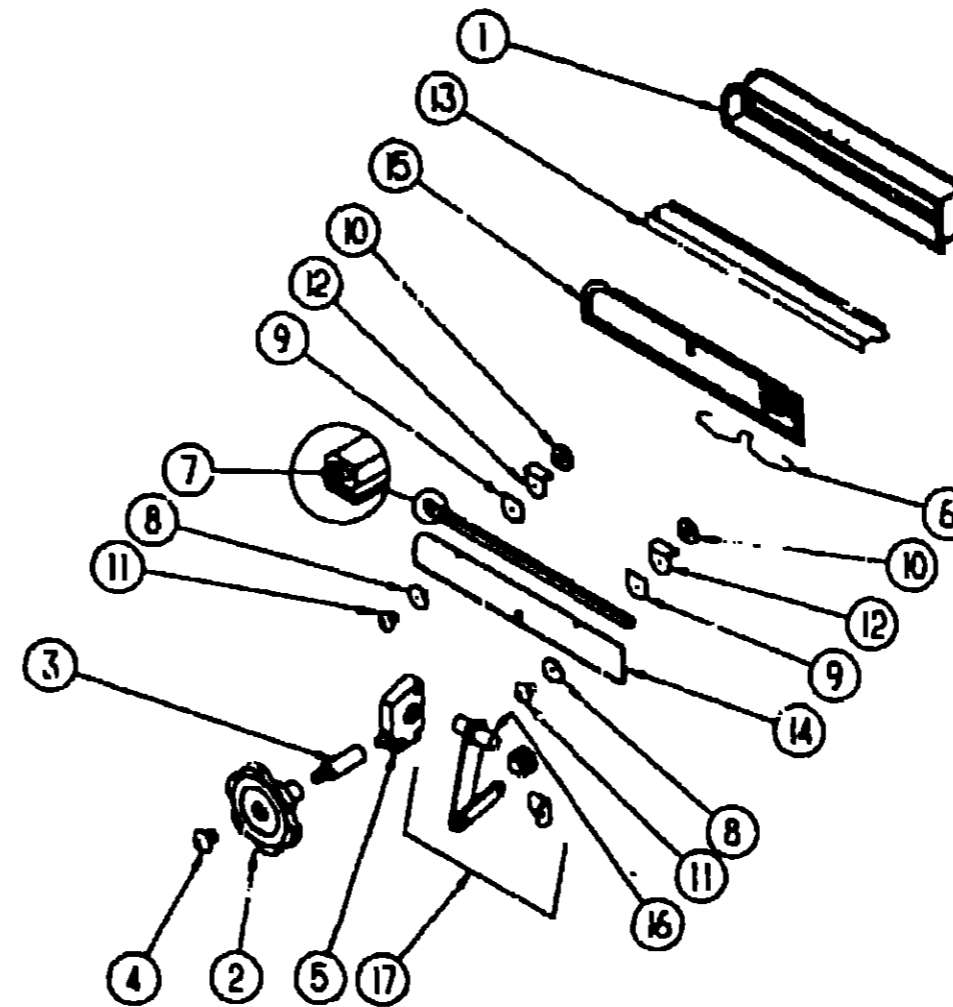
| KEY | PART NUMBER | U/M DESCRIPTION |
|-----|---------------|--|
| 1 | 092F31-02-Y35 | EA DOOR-STORAGE/GENERATOR, W/LATCHES - 40" TAPERED - OFF WHITE |
| 2 | 092482-08-AE6 | EA DOOR-STORAGE/SEWAGE TANK, W/LATCHES - 19.4" X 43.7" - OFF WHITE |
| 3 | 092482-03-Y33 | EA DOOR-STORAGE/RATTER, W/LATCHES - 19.4" X 9.5 |
| 4 | 091240-03-000 | EA DOOR-STORAGE/WATER CENTER, W/LATCHES - 19.4" X 9.5 |
| | 084103-03-000 | EA DOOR-REFRIGERATOR, VENTED W/O JAMB - OFF WHITE |
| | 084104-01-700 | EA LOCK-MALE, FASTENER - REFRIGERATOR DOOR |
| | 084104-01-701 | EA LOCK-FEMALE, FASTENER - REFRIGERATOR DOOR |
| | 084104-03-000 | EA JAMB-DOOR, VENTED REFRIGERATOR - OFF WHITE |
| | 091870-01-000 | EA RETAINER-DOOR, 1.9" X 8" - METAL |
| 5 | 093029-06-AE6 | EA DOOR-FURNACE VENT, 19.4" X 15.8" |
| 6 | 092482-04-Y33 | EA DOOR-STORAGE, W/LATCHES - 19.4" X 29.5" - OFF WHITE |
| 7 | 092482-01-Y35 | EA DOOR-STORAGE, W/LATCHES - 19.4" X 76.3" - OFF WHITE |
| 8 | MC5032-02-AE6 | EA DOOR-STORAGE/BATTERY, W/LATCHES - 19.4" X 9.0 - OFF WHITE |
| 9 | M05032-01-AE6 | EA DOOR-STORAGE/BATTERY, W/LATCHES - 19.4" X 9.6 - OFF WHITE |
| 10 | M01870-50-D38 | EA DOOR-ENTRY, W/JAMB AND SCREEN DOOR |
| 10 | M01870-50-D40 | EA DOOR-ENTRY, W/JAMB AND SCREEN DOOR |
| 11 | 092482-05-Y35 | EA DOOR-LP, W/LATCHES - 19.4" X 29.5" - OFF WHITE |
| 12 | 078010-03-010 | EA DOOR-FUEL FILL W/JAMB - OFF WHITE |
| 13 | 092482-02-Y33 | EA DOOR-STORAGE/SEWAGE TANK, W/LATCHES - 19.4" X 43.7" - OFF WHITE |
| 14 | 092631-01-Y33 | EA DOOR-STORAGE, W/LATCHES - 40" TAPERED - OFF WHITE |
| 15 | 052009-01-000 | EA DOOR-WATER HEATER, ATWOOD 5576-27 - OFF WHITE |
| | 105118-01-C05 | EA DOOR-ENTERTAINMENT CENTER, 17.8" X 8.8" - OFF WHITE |
| | 064075-07-000 | FT SEAL-BULB, W/WIRE U CHANNEL - .3" X .5" CHANNEL - BLACK |
| | 079308-04-000 | EA LOCK-DOOR, KEY TYPE W/O KEYS - 1.9 OFF SET |
| | 082684-01-700 | EA KEY-DOOR LOCK |
| | 081801-02-000 | EA HINGE-2" X 96", OFF WHITE |
| | 107997-51-001 | EA SPACER-.66" X .6", ALUMINUM |
| | 109830-01-000 | EA BEAUTY RING-.67" X .78" ID, STAINLESS STEEL |
| | 109834-01-000 | EA WASHER-.64" X .752" ID, STAINLESS STEEL |
| | 081801-02-000 | EA HINGE-2" X 96", OFF WHITE |

WINDOW, VENT & EXTERIOR DOOR GROUP (CONTINUED)



COMPARTMENT DOOR HARDWARE & SEALS

WINDOW, VENT & EXTERIOR DOOR GROUP (CONTINUED)



DRIVER DOOR UPPER TIPOUT WINDOW

**1993 ITASCA
TABLE OF CONTENTS**

| | | |
|--------------------|--------|------|
| INTRODUCTION | A-01 - | A-02 |
| ABBREVIATIONS | | A-03 |
| ALPHABETICAL INDEX | A-04 - | A-06 |
| ICN32RQ | A-07 - | G-02 |
| ICN34RQ | G-03 - | L-16 |

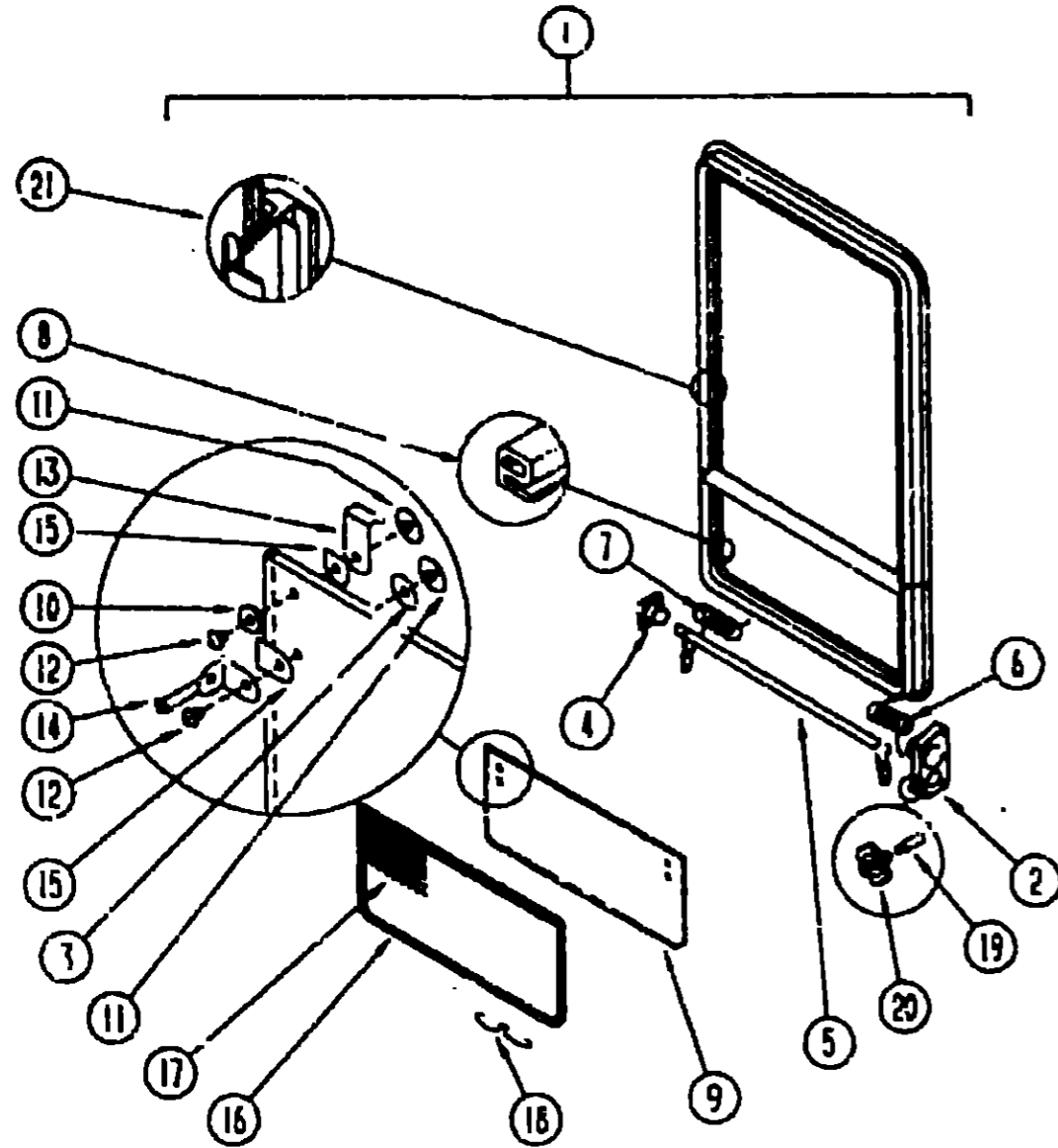
1993 ICN34RQ INDEX

| | | |
|----------------------|--------|------|
| FLOOR PLAN | G-03 - | G-04 |
| ACCESSORIES | | G-05 |
| AUDIO VIDEO | G-06 - | G-08 |
| BATH | G-09 - | G-12 |
| BEDROOM | G-13 - | G-16 |
| CHASSIS | G-17 - | H-08 |
| CURTAIN & CUSHION | H-09 - | H-20 |
| DINETTE | H-21 - | H-24 |
| DRIVERS COMPARTMENT | I-01 - | I-06 |
| ELECTRICAL | I-07 - | I-12 |
| EXTERIOR BODY | I-13 - | I-22 |
| GALLEY | I-23 - | J-06 |
| GENERATOR | J-07 - | J-08 |
| HEATING & A/C | J-09 - | J-12 |
| INTERIOR FINISH | J-13 - | J-16 |
| LABELS | J-17 - | J-24 |
| LP | K-01 - | K-02 |
| LOUNGE | K-03 - | K-04 |
| SEALANTS & FASTENERS | K-05 - | K-08 |
| WATER & SEWAGE | K-09 - | K-14 |
| WINDOW, VENT AND | | |
| EXTERIOR DOOR | K-15 - | L-14 |
| WINDSHIELD & WIPER | L-15 - | L-16 |

| KEY | PART NUMBER | U/M DESCRIPTION |
|-----|---------------|---|
| 1 | 085730-11-000 | EA LATCH-PADDLE, W/KEY LOCK - PLASTIC - OFF WHITE |
| | 082684-01-700 | EA KEY-COMPARTMENT DOOR LOCK, BH024 |
| | 077408-02-000 | EA LOCK-KEY TYPE |
| 1 | 085730-14-000 | EA LATCH-PADDLE, W/O KEY LOCK - PLASTIC - OFF WHITE |
| | 079927-03-000 | EA LOCK-TWIST TYPE |
| 2 | 103157-01-000 | FT SEAL-BULB, W/WIRE RIGID U-CHANNEL - 1" WIDE - RUBBER - BLACK |
| 3 | 092357-01-02A | EA HINGE-COMPARTMENT DOOR, 76" - OFF WHITE |
| | 092357-02-02A | EA HINGE-COMPARTMENT DOOR, 43.5" - OFF WHITE |
| | 009065-01-000 | EA HINGE-ALUMINUM, 1 1/2" WIDE X 96" - UNPAINTED |
| | 034007-40-000 | EA HINGE-PIANO, 1 1/2" WIDE X 96" - ALUMINUM - OFF WHITE |
| | 093030-01-000 | EA HINGE-CONTINUOUS, 2" WIDE X 96" - ALUMINUM |
| 4 | 093061-01-02A | EA STRIKER-DOOR, LUGGAGE, BLACK |
| 4 | 094387-02-000 | EA STRIKER-DOOR, GENERATOR - W/BEND 2.5" WIDE - STEEL - BLACK |
| | | FROM: 00-00-00 THRU: 12-13-92 |
| 4 | 094387-03-000 | EA STRIKER-DOOR, GENERATOR |
| | | FROM: 12-14-92 THRU: 99-99-99 |
| | 094798-01-000 | EA SUPPORT-L ANGLE, DOOR STRIKER - 1.25" X 31.7" LONG - STEEL |
| | 093718-01-000 | EA PLATE-STRIKE, COMPARTMENT - 3.4" X 2.5" FLAT - STEEL - BLK |
| 5 | 092644-02-Y12 | EA PROP ROD-COMPARTMENT DOOR, W/SPRING & BRACKET |
| 6 | 092639-01-000 | EA BRACKET-DOOR PROP |
| 7 | 092469-01-000 | EA SPRING-4020-050 COMP |
| 8 | 039984-01-000 | EA CAP-ROUND, VINYL - .28" ID X .82" LONG - BLACK |
| | 081914-01-000 | EA BUMPER-RUBBER, ROUND - .43" DIAMETER - BLACK |
| | 094376-02-000 | EA ROD-PROP (GENERATOR/LP) |
| | 094376-01-000 | EA ROD-PROP (HOLDING TANK) |
| | 090340-01-000 | FT SEAL-FOAM, CLOSED CELL - 1/4" X 1/2" X 50" |
| | 004363-01-000 | FT TAPE-ADHESIVE FOAM, ONE SIDE - 3/16" X 1/2" X 50" - GRAY |
| | 100128-01-000 | FT SEAL-PILE, ADHESIVE BACK - GRAY |
| | 081113-01-000 | EA BUSHING-FLANGE, PLASTIC - WHITE |
| | 093325-01-L1A | FT TRIM-EDGE, C-TYPE - WIRE CARRIER - .35" X .24" - VINYL |
| | 076767-02-000 | EA CABLE-1/16" X 16.5", STAINLESS STEEL |
| | R77030-33-009 | EA NUT-WASHER |
| | 104682-01-000 | FT SEAL-3/4" X 3/4", ADHESIVE BACK |
| | 088329-01-000 | EA CLIP-SPRING, 3/8" - METAL |

| KEY | PART NUMBER | U/M DESCRIPTION |
|-----|---------------|--|
| 1 | 092974-01-Y12 | EA WINDOW ASM - UPPER TIPOUT - 4.5" X 27.9" GLASS - OVHD BUNK ONLY |
| 2 | 009439-05-000 | EA KNOB-CRANK, TIPOUT WINDOW - METAL - BLACK |
| 3 | 009439-06-000 | EA EXTENSION-CRANK KNOB, .9" - METAL - BLACK |
| 4 | 009439-07-000 | EA SCREW-8 32 X 1 1/4 PH - BLACK |
| 5 | 035302-01-000 | EA OPERATOR-TORQUE, TIPOUT WINDOW |
| 6 | 081243-02-000 | EA CLIP-SCREEN, PLASTIC - BLACK |
| | 081649-01-000 | EA RING-SNAP, 7/32 SHAFT DIAMETER |
| 7 | 084067-02-000 | FT SEAL-E SHAPED, SPONGE - TIPOUT WINDOW - .42" X .38" - BLACK |
| | 084453-01-000 | EA WASHER-.06" X .5" X .135" - PLASTIC |
| 8 | 084453-02-000 | EA WASHER-.06" X .5" X .25" - PLASTIC |
| 9 | 084473-01-000 | EA SEAL-FLAT, W/CENTER HOLE & ADHESIVE SIDE - 8" X 9" - BLK |
| | 085315-01-000 | EA RIVET-SHOULDER, TIPOUT WINDOW |
| 10 | 086762-01-000 | EA T NUT 10-32 |
| 11 | 086763-01-000 | EA SCREW-MACH, 10 - 32 X 1/4 PTH |
| 12 | 089913-01-000 | EA HINGE-TIPOUT WINDOW, BLACK |
| 13 | 092628-01-01A | EA MULLION-WINDOW, DOOR - BLACK |
| 14 | 092970-01-000 | EA GLASS-TIPOUT, 4.5" X 27.9" |
| 15 | 095954-01-Y12 | EA SCREEN-SINGLE TIPOUT, 1 RADIUS CORNER - 6" X 29.2" |
| | 002291-02-000 | FT SCREENING-ROOF VENT/WINDOW, 16" - BLACK |
| | 100240-01-000 | FT SPLINE-SCREEN, T-SHAPED |
| 16 | 098254-01-000 | EA TUBE ASM-TORQUE |
| 17 | 097578-02-000 | EA LINKAGE ASM-TIPOUT |

WINDOW, VENT & EXTERIOR DOOR GROUP (CONTINUED)
DRIVER SIDE AND PASSENGER SIDE BEDROOM WINDOWS



| KEY | PART NUMBER | U/M | DESCRIPTION |
|-----|---------------|-----|--|
| 1 | 090893-03-02A | EA | FRAME-INSIDE, WINDOW RETAINER - OFF WHITE |
| 1 | 092235-03-Y12 | EA | WINDOW-SINGLE TIPOUT, W/O INSIDE FRAME - BLACK |
| | 000H14-06-14R | EA | RIVET-MANDREL, BLIND - 3/16" |
| 2 | 035302-02-000 | EA | OPERATOR-TORQUE, TIPOUT WINDOW - LEFT |
| 3 | 068927-03-000 | EA | SEAL-WINDOW, RUBBER - ROUND - 80° DIA. - BLACK |
| 4 | 081354-01-000 | EA | SLEEVE-TORQUE TUBE, TIP OUT WINDOW - 1.3" X 1.2" X .7" |
| | 081649-01-000 | EA | RING-SNAP, 7/32 SHAFT DIAMETER |
| 5 | 083150-11-000 | EA | TUBE ASM-TORQUE, WINDOW |
| 6 | 080918-01-000 | EA | SPRING-TORQUE TUBE, LEFT |
| 7 | 080918-02-000 | EA | SPRING-TORQUE TUBE, RIGHT |
| 8 | 084067-02-000 | FT | SEAL-E SHAPED, SPONGE - TIPOUT WINDOW - 42" X 38" - BLACK FROM 00-00-00 THRU 04-04-93 |
| 8 | 084067-03-000 | FT | SEAL-E SHAPED, SPONGE - TIPOUT WINDOW - 42" X 38" - BLACK FROM 04-05-93 THRU 99-99-99 |
| 9 | 084068-16-000 | EA | GLASS-TIPOUT, 9 2" X 25" |
| 10 | 084453-02-000 | EA | WASHER, .06" X .5" X 25" - PLASTIC |
| 11 | 086762-01-000 | EA | T NUT, 10-32 |
| 12 | 086763-01-000 | EA | SCREW-MACHINE, 10 - 32 X 1/4 PTH |
| 13 | 089913-01-000 | EA | HINGE-TIPOUT WINDOW, BLACK |
| 14 | 097578-01-000 | EA | LINKAGE-TIPOUT WINDOW |
| | 084453-01-000 | EA | WASHER, .06" X .5" X .135" - PLASTIC |
| 15 | 044473-01-000 | EA | SEAL-FLAT, W/CENTER HOLE & ADHESIVE SIDE - 8" X 9" - BLK |
| | 085315-01-000 | EA | RIVET-SHOULDER, TIPOUT WINDOW |
| 16 | 100235-03-807 | EA | SCREEN-SINGLE, TIPOUT WINDOW |
| 17 | 080218-03-000 | SF | SCREENING-FIBERGLASS, 12" WIDE |
| 18 | 100168-01-000 | EA | CLIP-SPRING, SCREEN |
| | 100240-01-000 | FT | SPLINE-SCREEN, T-SHAPED |
| 19 | 009439-06-000 | EA | EXTENSION-CRANK HANDLE, WINDOW/ROOF VENT - BLACK |
| 20 | 009439-05-000 | EA | KNOB-OPERATOR, TIPOUT WINDOW - W/SPRING & ARM |
| | 009439-07-000 | EA | SCREW, 8-32 X 1 1/4 PCH - BLACK |
| 21 | 069640-11-000 | FT | TAPE-SEALER, 3/16" X 3/8" - BLACK |

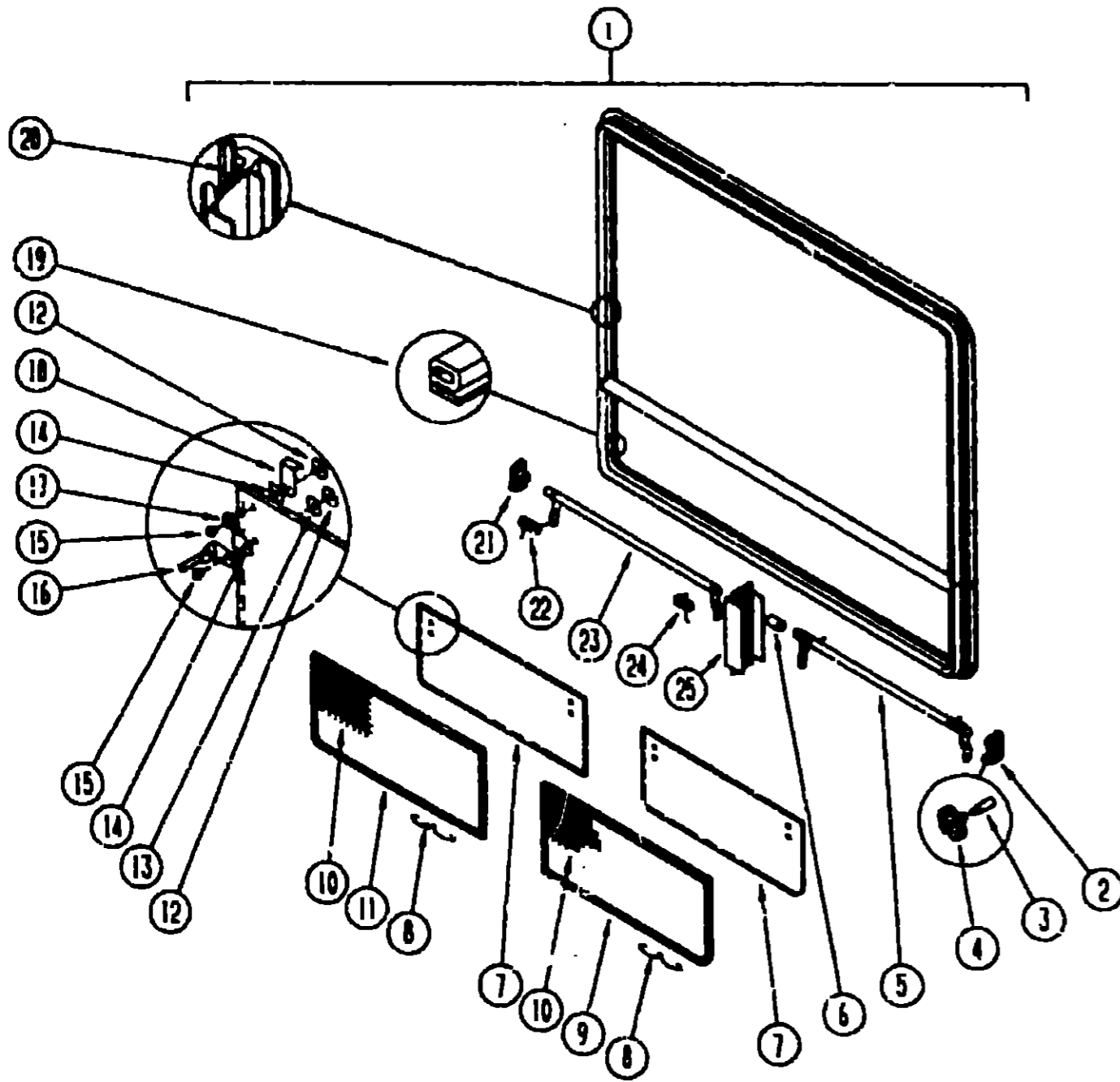
1993 ITASCA
TABLE OF CONTENTS

| | | |
|--------------------|--------|------|
| INTRODUCTION | A-01 - | A-02 |
| ABBREVIATIONS | | A-03 |
| ALPHABETICAL INDEX | A-04 - | A-06 |
| ICN32RQ | A-07 - | G-02 |
| ICN34RQ | G-03 - | L-16 |

1993 ICN34RQ INDEX

| | | |
|----------------------|--------|------|
| FLOOR PLAN | G-03 - | G-04 |
| ACCESSORIES | | G-05 |
| AUDIO VIDEO | G-06 - | G-08 |
| BATH | G-09 - | G-12 |
| BEDROOM | G-13 - | G-16 |
| CHASSIS | G-17 - | H-08 |
| CURTAIN & CUSHION | H-09 - | H-20 |
| DINETTE | H-21 - | H-24 |
| DRIVERS COMPARTMENT | I-01 - | I-06 |
| ELECTRICAL | I-07 - | I-12 |
| EXTERIOR BODY | I-13 - | I-22 |
| GALLEY | I-23 - | J-06 |
| GENERATOR | J-07 - | J-08 |
| HEATING & A/C | J-09 - | J-12 |
| INTERIOR FINISH | J-13 - | J-15 |
| LABELS | J-17 - | J-24 |
| LP | K-01 - | K-02 |
| LOUNGE | K-03 - | K-04 |
| SEALANTS & FASTENERS | K-05 - | K-08 |
| WATER & SEWAGE | K-09 - | K-14 |
| WINDOW, VENT AND | | |
| EXTERIOR DOOR | K-15 - | L-14 |
| WINDSHIELD & WIPER | L-15 - | L-16 |

WINDOW, VENT & EXTERIOR DOOR GROUP (CONTINUED)
DINETTE & DRIVER SIDE LOUNGE WINDOWS



| KEY | PART NUMBER | U/M DESCRIPTION |
|-----|---------------|--|
| | 090893-09-02A | EA FRAME-WINDOW, INSIDE - 31.4" X 60.9" - OFF WHITE |
| 1 | 092234-03-Y12 | EA WINDOW-TIPOUT, DOUBLE - W/O INSIDE FRAME - 31.5" X 60.9" |
| | 000G39-06-15T | EA SCREW-SF/DR, 6-20 X 1 PPH - BLACK |
| | 000H14-06-14R | EA RIVET-MANDREL BLIND, 3/16" |
| 2 | 035302-02-000 | EA OPERATOR-TORQUE, TIPOUT WINDOW LEFT - FRONT DR SIDE - REAR PASS SIDE |
| 3 | 090025-01-000 | EA EXTENSION-WINDOW CONTROL |
| 4 | 101290-01-01A | EA KNOB-OPERATOR, TIPOUT WINDOW - BRASS |
| 5 | 083227-08-000 | EA TUBE-TORQUE, WINDOW - RIGHT |
| 6 | 088916-51-001 | EA TUBE-EXTRUDED .62"ID X .635"OD X 1.2" LONG - ALUMINUM |
| 7 | 084068-22-000 | EA GLASS-TIPOUT, 9.2" X 29.9" |
| 8 | 101158-01-000 | EA CLIP-SPRING, SCREEN |
| 9 | 100234-05-807 | EA SCREEN-DOUBLE TIPOUT WINDOW, REAR DR SIDE/FRONT PASS SIDE |
| 10 | 080218-03-000 | SF SCREEN-FIBERGLASS, 12" WIDE |
| | 100240-01-000 | FT SPLINE-SCREEN, T-SHAPED |
| | 031377-01-700 | EA ADHESIVE-CYANOACRYLATE, 10 GRAM TUBE |
| 11 | 100234-06-807 | EA SCREEN-DOUBLE TIPOUT WINDOW, FRONT DR SIDE/REAR PASS SIDE |
| 12 | 086762-01-000 | EA T NUT 10-32 |
| 13 | 068927-03-000 | EA SEAL-WINDOW, RUBBER - ROUND - .80" DIA - BLACK |
| 14 | 084473-01-000 | EA SEAL-FLAT, W/CENTER HOLE & ADHESIVE SIDE - .8" X .9" - BLK |
| 15 | 086763-01-000 | EA SCREW-MACH, 10 - 32 X 1/4" - IN |
| 16 | 097578-01-000 | EA LINKAGE-TIPOUT WINDOW |
| | 084453-01-000 | EA WASHER-.060 X .50 X .135 - PLASTIC |
| | 085315-01-000 | EA RIVET-SHOULDER, TIPOUT WINDOW |
| | 081649-01-000 | EA RING-SNAP, 7/32 SHAFT DIAMETER |
| | 101289-01-01A | EA SCREW-MACHINE, 8-32 X 4 - PDH - BRASS - FOR EXTENDED KNOB |
| 17 | 084453-02-000 | EA WASHER-.060 X .50 X .135 - PLASTIC |
| 18 | 099913-01-000 | EA HINGE-TIPOUT WINDOW, BLACK |
| 19 | 084067-02-000 | FT SEAL-E SHAPED, SPONGE - TIPOUT WINDOW - .42" X .38" - BLACK FROM 00-00-00 THRU. 04-04-93 |
| 19 | 084067-03-000 | FT SEAL-E, SPONGE RUBBER - 10.6 X 8.6MM FROM 04-05-93 THRU. 99-99-99 |
| 20 | 099154-01-000 | FT CHANNEL-GLAZING, STATIONARY GLASS - .62" X .45" - BLACK |
| 21 | 035302-01-000 | EA OPERATOR-TORQUE, TIPOUT WINDOW - RIGHT - REAR ON DRIVER SIDE - FRONT ON PASSENGER SIDE |
| | 038886-01-000 | EA TAPE-BUTYL, .31" X .31" X 148" LONG |
| 22 | 080918-02-000 | EA SPRING-TORQUE TUBE, LEFT |
| 23 | 083228-08-000 | EA TUBE-TORQUE, WINDOW - LEFT |
| 24 | 080918-01-000 | EA SPRING-TORQUE TUBE, RIGHT |
| 25 | 088803-01-01A | EA MULLION-VERTICAL, 9.5" LONG - ALUMINUM - BLACK |

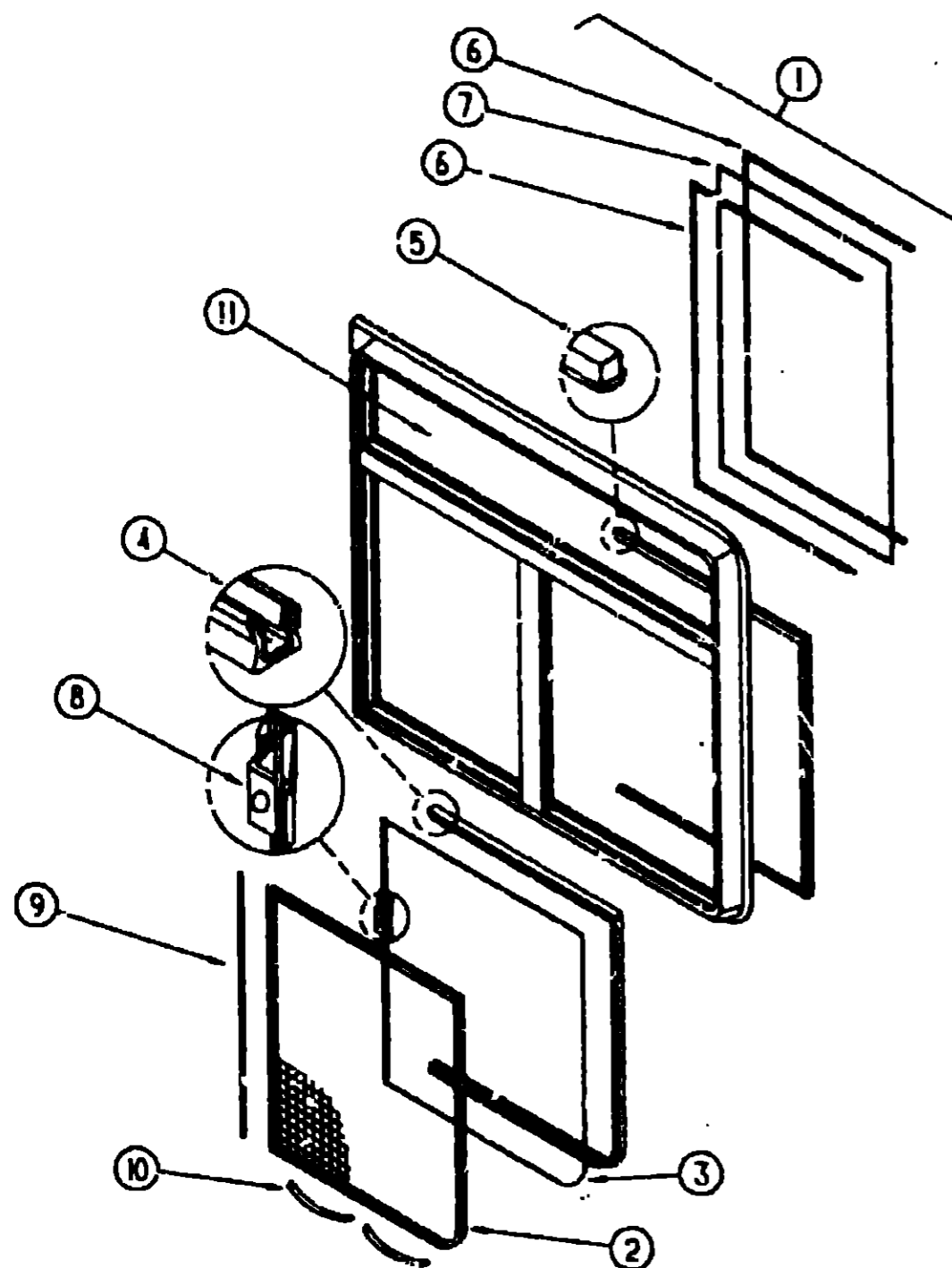
1993 ITASCA
TABLE OF CONTENTS

| | | |
|--------------------|------|------|
| INTRODUCTION | A-01 | A-02 |
| ABBREVIATIONS | | A-03 |
| ALPHABETICAL INDEX | A-04 | A-06 |
| ICN32RD | A-07 | G-02 |
| ICN34RD | G-03 | L-16 |

1993 ICN34RD INDEX

| | | |
|----------------------|------|------|
| FLOOR PLAN | G-03 | G-04 |
| ACCESSORIES | | G-05 |
| AUDIO VIDEO | G-06 | G-08 |
| BATH | G-09 | G-12 |
| BEDROOM | G-13 | G-15 |
| CHASSIS | G-17 | H-08 |
| CURTAIN & CUSHION | H-09 | H-20 |
| DINETTE | H-21 | H-24 |
| DRIVERS COMPARTMENT | I-01 | I-06 |
| ELECTRICAL | I-07 | I-12 |
| EXTERIOR BODY | I-13 | I-22 |
| GALLEY | I-23 | J-06 |
| GENERATOR | J-07 | J-08 |
| HEATING & A/C | J-09 | J-12 |
| INTERIOR FINISH | J-13 | J-16 |
| LABELS | J-17 | J-24 |
| LP | K-01 | K-02 |
| LOUNGE | K-03 | K-04 |
| SEALANTS & FASTENERS | K-05 | K-08 |
| WATER & SEWAGE | K-09 | K-14 |
| WINDOW, VENT AND | | |
| EXTERIOR DOOR | K-15 | L-14 |
| WINDSHIELD & W/PER | L-15 | L-16 |

WINDOW, VENT & EXTERIOR DOOR GROUP (CONTINUED)
PASSENGER SIDE SLIDING CAB WINDOW



| KEY | PART NUMBER | UOM | DESCRIPTION |
|-----|---------------|-----|---|
| 1 | 104685-01-01A | EA | WINDOW-SINGLE SLIDER, W/INSIDE FRAME - EXCEL H325-AS-P |
| | 104685-01-703 | EA | WINDOW-SINGLE SLIDER, W/O INSIDE FRAME - EXCEL H328-A2R |
| | 104685-01-700 | EA | FRAME-INSIDE, BLACK - EXCEL H328-38A7B |
| 2 | 104685-01-704 | EA | SCREEN ASSEMBLY-WINDOW |
| 3 | 104685-01-703 | EA | GLASS-SLIDING, W/SASH & LATCH - EXCEL H328-ASR |
| 4 | 096544-01-708 | FT | CHANNEL-RUN, PIERCED - GLASS - EXCEL 122-016543 |
| 5 | 096544-01-706 | FT | WEATHERSTRIP-GLASS - EXCEL 171-010668 |
| 6 | 096544-01-705 | FT | GLAZING STRIP - EXCEL M926-12 |
| 7 | 104685-01-707 | EA | GLASS-STATIONARY, FRONT - EXCEL 106-017958 |
| 8 | 096544-01-700 | EA | LATCH REPAIR KIT-BLACK, EXCEL B801-CK |
| 9 | 096544-01-711 | FT | WEATHERSTRIP-SCREEN, BLACK - EXCEL 171-016965 |
| 10 | 096544-01-713 | EA | CLIPS-SCREEN, METAL - BLACK - EXCEL 225-016966 |
| 11 | 104685-01-701 | EA | GLASS-STATIONARY, UPPER - EXCEL 106-017957 |
| | 096544-01-716 | FT | PLUG-FILLER, EXCEL 132-014470 |
| | 096544-01-717 | FT | SPLINE-SCREEN, EXCEL 132-004716 |
| | 104685-02-01A | EA | SPACER-SLIDER WINDOW, BLACK - EXCEL H328-25-R |

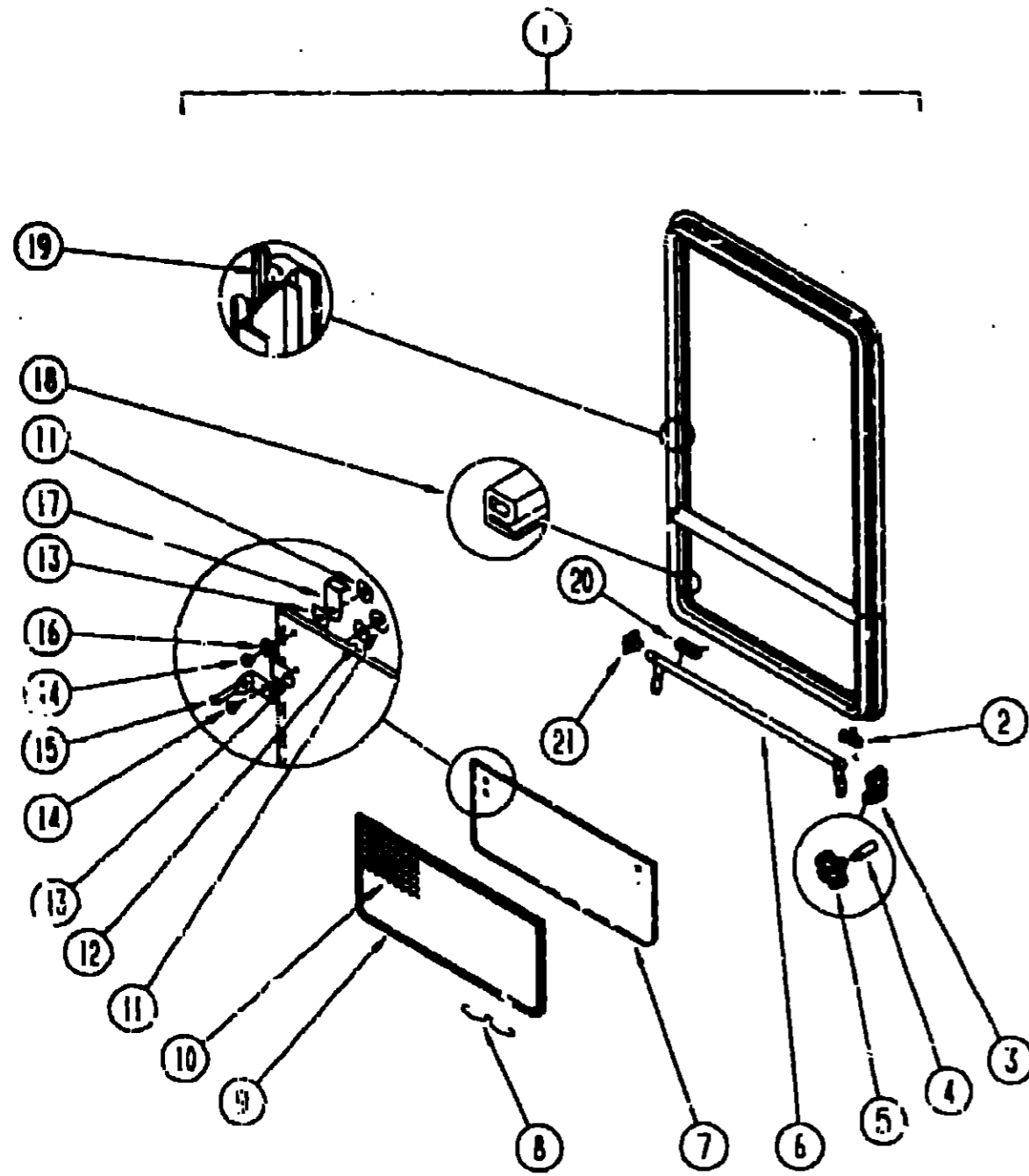
1993 ITASCA
TABLE OF CONTENTS

| | | |
|--------------------|--------|------|
| INTRODUCTION | A-01 - | A-02 |
| ABBREVIATIONS | | A-03 |
| ALPHABETICAL INDEX | A-04 - | A-06 |
| ICN32RQ | A-07 - | G-02 |
| ICN34RQ | G-03 - | L-16 |

1993 ICN34RQ INDEX

| | | |
|----------------------|--------|------|
| FLOOR PLAN | G-03 - | G-04 |
| ACCESSORIES | | G-05 |
| AUDIO VIDEO | G-06 - | G-08 |
| BATH | G-09 - | G-12 |
| BEDROOM | G-13 - | G-16 |
| CHASSIS | G-17 - | H-08 |
| CURTAINS & CUSHION | H-09 - | H-20 |
| DINETTE | H-21 - | H-24 |
| DRIVERS COMPARTMENT | I-01 - | I-06 |
| ELECTRICAL | I-07 - | I-12 |
| EXTERIOR BODY | I-13 - | I-22 |
| GALLEY | I-23 - | J-06 |
| GENERATOR | J-07 - | J-08 |
| HEATING & A/C | J-09 - | J-12 |
| INTERIOR FINISH | J-13 - | J-16 |
| LABELS | J-17 - | J-24 |
| LP | K-01 - | K-02 |
| LOUNGE | K-03 - | K-04 |
| SEALANTS & FASTENERS | K-05 - | K-08 |
| WATER & SEWAGE | K-09 - | K-14 |
| WINDOW, VENT AND | | |
| EXTERIOR DOOR | K-15 - | L-14 |
| WINDSHIELD & WIPER | L-15 - | L-16 |

WINDOW, VENT & EXTERIOR DOOR GROUP (CONTINUED)



GALLEY WINDOW

| KEY | PART NUMBER | U/M DESCRIPTION |
|-----|---------------|--|
| 12 | 068927-03-000 | EA SEAL-WINDOW, RUBBER - ROUND - .80" DIA. - BLACK |
| 13 | 084473-01-000 | EA SEAL-FLAT, W/CENTER HOLE & ADHESIVE SIDE - 8" X 9" - BLK |
| 14 | 096763-01-000 | EA SCREW-MACH, 10 - 32 X 1/4 PTH |
| 15 | 097578-01-000 | EA LINKAGE-TIPOUT WINDOW |
| | 081649-01-000 | EA RING - SNAP, 7/32 SHAFT DIA. |
| | 084453-01-000 | EA WASHER-.060 X .50 X .135 - PLASTIC |
| | 025315-01-000 | EA RIVET-SHOULDER, TIPOUT WINDOW |
| 16 | 084453-02-000 | EA WASHER-.060 X .50 X .250 - PLASTIC |
| 17 | 089313-01-000 | EA HINGE-TIPOUT WINDOW, BLACK |
| 18 | 084057-02-000 | FT SEAL-E SHAPED, SPONGE - TIPOUT WINDOW - .42" X .38"-BLACK |
| | | FROM: 00-00-00 THRU: 04-04-93 |
| 18 | 084057-03-000 | FT SEAL-E, SPONGE RUBBER - 10.6 X 8.6MM |
| | | FROM: 04-05-93 THRU: 99-99-99 |
| 19 | 099154-01-000 | FT CHANNEL-GLAZING, STATIONARY GLASS - 62" X 45" - BLACK |
| 20 | 080918-02-000 | EA SPRING-TORQUE TUBE, LEFT |
| 21 | 081354-01-000 | EA SLEEVE-TORQUE TUBE, TIPOUT WINDOW - 1.3" X 1.2" X .7" |

GALLEY WINDOW (CONTINUED)

| KEY | PART NUMBER | U/M DESCRIPTION |
|-----|---------------|--|
| | 090893-15-02A | EA FRAME-WINDOW, INSIDE - 25.5" X 15.9" - OFF WHITE |
| 1 | 092235-10-Y12 | EA WINDOW-TIPOUT, W/O INSIDE FRAME - 15.8" X 25.5" |
| | 000G39-06-16T | EA SCREW-SF/DR, 6-20 X 1 PPH - BLACK |
| 2 | 080918-01-000 | EA SPRING-TORQUE TUBE, RIGHT |
| 3 | 035302-02-000 | EA OPERATOR-TORQUE, TIPOUT WINDOW |
| | | LEFT - FRONT DR SIDE - REAR PASS SIDE |
| 4 | 090025-01-000 | EA EXTENSION-WINDOW CONTROL |
| 5 | 101290-01-01A | EA KNOB-OPERATOR, TIPOUT WINDOW - BRASS |
| | 101289-01-01A | EA SCREW-MACHINE, 8-32 X 4 - POH - BRASS - FOR EXTENDED KNOB |
| 6 | 083150-09-000 | EA TUBE ASM. - TORQUE, TIPOUT WINDOW - W/SPRING & ARM - 13.1" LONG |
| 7 | 084068-14-000 | EA GLASS-TIPOUT, 9" X 15" |
| 8 | 100168-01-000 | EA CLIP-SPRING, SCREEN |
| 9 | 100235-01-807 | EA SCREEN-SINGLE TIPOUT WINDOW |
| 10 | 080218-03-000 | SF SCREEN-FIBERGLASS, 12" WIDE |
| | 100240-01-000 | FT SPLINE-SCREEN, T-SHAPED |
| 11 | 086762-01-000 | EA T NUT 10-32 |
| 12 | 068927-03-000 | EA SEAL-WINDOW, RUBBER - ROUND - .80" DIA. - BLACK |
| 13 | 084473-01-000 | EA SEAL-FLAT, W/CENTER HOLE & ADHESIVE SIDE - 8" X 9" - BLK |
| 14 | 096763-01-000 | EA SCREW-MACH, 10 - 32 X 1/4 PTH |
| 15 | 097578-01-000 | EA LINKAGE-TIPOUT WINDOW |
| | 081649-01-000 | EA RING - SNAP, 7/32 SHAFT DIA. |
| | 084453-01-000 | EA WASHER-.060 X .50 X .135 - PLASTIC |
| | 085315-01-000 | EA RIVET-SHOULDER, TIPOUT WINDOW |
| 16 | 084453-02-000 | EA WASHER-.060 X .50 X .250 - PLASTIC |
| 17 | 089313-01-000 | EA HINGE-TIPOUT WINDOW, BLACK |
| 18 | 084057-02-000 | FT SEAL-E SHAPED, SPONGE - TIPOUT WINDOW - .42" X .38"-BLACK |
| | | FROM: 00-00-00 THRU: 04-04-93 |
| 18 | 084057-03-000 | FT SEAL-E, SPONGE RUBBER - 10.6 X 8.6MM |
| | | FROM: 04-05-93 THRU: 99-99-99 |
| 19 | 099154-01-000 | FT CHANNEL-GLAZING, STATIONARY GLASS - 62" X 45" - BLACK |
| 20 | 080918-02-000 | EA SPRING-TORQUE TUBE, LEFT |
| 21 | 081354-01-000 | EA SLEEVE-TORQUE TUBE, TIPOUT WINDOW - 1.3" X 1.2" X .7" |

BATH WINDOW

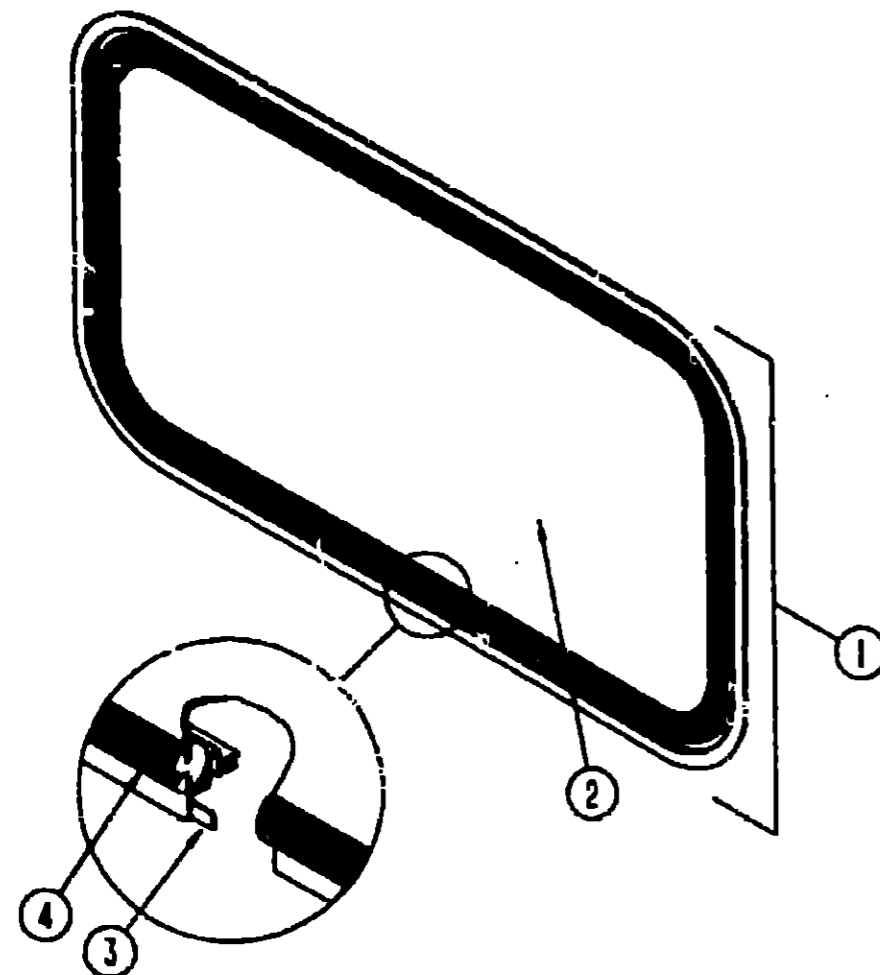
1993 ITASCA
TABLE OF CONTENTS

| | |
|--------------------|-------------|
| INTRODUCTION | A-01 - A-02 |
| ABBREVIATIONS | A-03 |
| ALPHABETICAL INDEX | A-04 - A-06 |
| ICN32RO | A-07 - G-02 |
| ICN34RO | G-03 - L-15 |

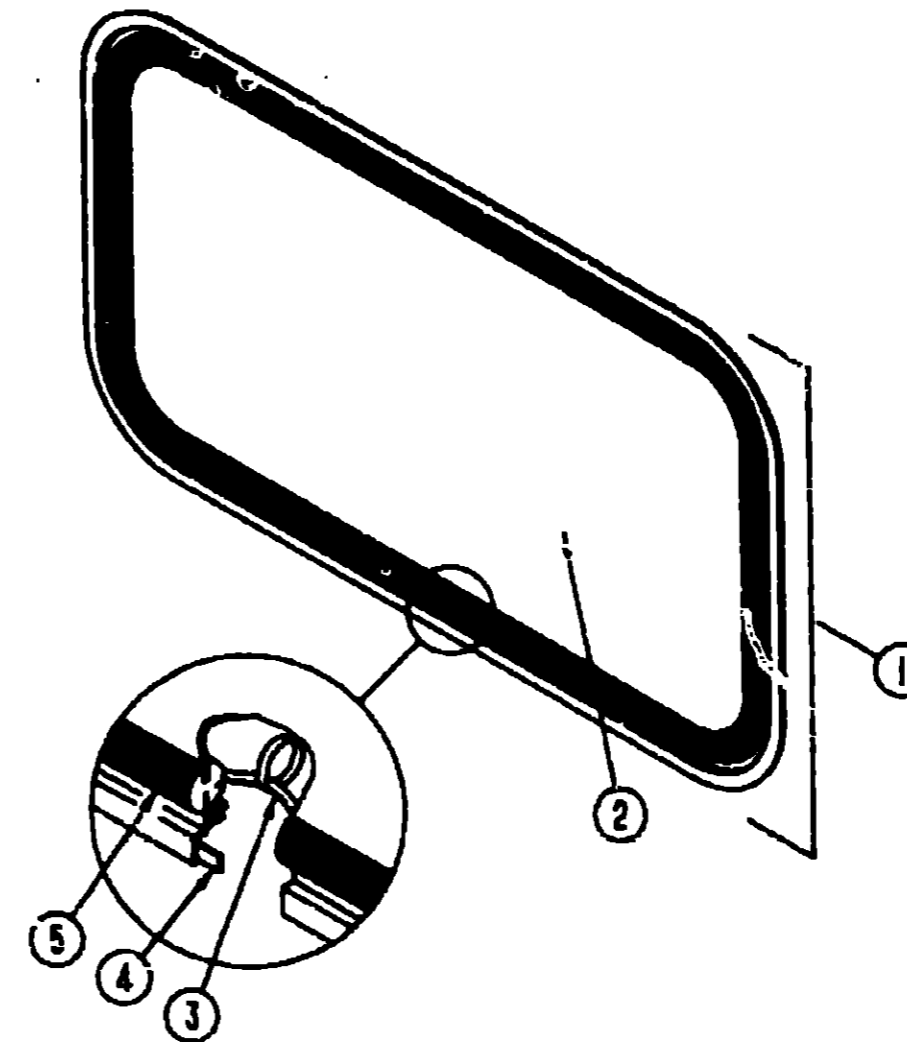
1993 ICN34RO INDEX

| | |
|----------------------|-------------|
| FLOOR PLAN | G-03 - G-04 |
| ACCESSORIES | G-05 |
| AUDIO VIDEO | G-06 - G-08 |
| BATH | G-09 - G-12 |
| BEDROOM | G-13 - G-16 |
| CHASSIS | G-17 - H-08 |
| CURTAIN & CUSHION | H-09 - H-20 |
| DINETTE | H-21 - H-24 |
| DRIVERS COMPARTMENT | I-01 - I-06 |
| ELECTRICAL | I-07 - I-12 |
| EXTERIOR BODY | I-13 - I-22 |
| GALLEY | I-23 - J-06 |
| GENERATOR | J-07 - J-08 |
| HEATING & A/C | J-09 - J-12 |
| INTERIOR FINISH | J-13 - J-16 |
| LABELS | J-17 - J-24 |
| LP | K-01 - K-02 |
| LOUNGE | K-03 - K-04 |
| SEALANTS & FASTENERS | K-05 - K-08 |
| WATER & SEWAGE | K-09 - K-14 |
| WINDOW, VENT AND | |
| EXTERIOR DOOR | K-15 - L-14 |
| WINDSHIELD & WIPER | L-15 - L-19 |

| KEY | PART NUMBER | U/M DESCRIPTION |
|-----|---------------|---|
| | 090893-02-02A | EA FRAME-WINDOW, INSIDE - 25.3" X 25.5" - OFF WHITE |
| 1 | 092235-09-Y12 | EA WINDOW-TIPOUT, W/O INSIDE FRAME - 25.5" X 25.4" |
| | 000G39-06-16T | EA SCREW-SF/DR, 6-20 X 1 PPH - BLACK |
| 2 | 080918-01-000 | EA SPRING-TORQUE TUBE, RIGHT |
| 3 | 035302-02-000 | EA OPERATOR-TORQUE, TIPOUT WINDOW |
| | | LEFT - FRONT DR SIDE - REAR PASS SIDE |
| 4 | 090439-06-000 | EA EXTENSION-CRANK HANDLE, WINDOW/RC OF VENT - .9" - BLACK |
| 5 | 090439-05-000 | EA KNOB-OPERATOR, TIPOUT WINDOW - BLACK |
| | 009439-07-000 | EA SCREW, 8-32 X 1 1/4 POH - BLACK |
| 6 | 083150-10-000 | EA TUBE-TORQUE, TIPOUT WINDOW - W/SPRING & ARM - 22.5" LONG |
| 7 | 084068-15-000 | EA GLASS-TIPOUT, 9" X 24.5" |
| 8 | 100168-01-000 | EA CLIP-SPRING, SCREEN |
| 9 | 100235-02-807 | EA SCREEN-SINGLE TIPOUT WINDOW |
| 10 | 080218-03-000 | SF SCREEN-FIBERGLASS, 12" WIDE |
| | 100240-01-000 | FT SPLINE-SCREEN, T-SHAPED |
| 11 | 086762-01-000 | EA T NUT 10-32 |



ENTRY DOOR WINDOW



BACKWALL ESCAPE WINDOW

1993 ITASCA
TABLE OF CONTENTS

| | | |
|--------------------|--------|------|
| INTRODUCTION | A-01 - | A-02 |
| ABBREVIATIONS | | A-03 |
| ALPHABETICAL INDEX | A-04 - | A-06 |
| ICN32RQ | A-07 - | G-02 |
| ICN34RQ | G-03 - | L-16 |

1993 ICN34RQ INDEX

| | | |
|----------------------|--------|------|
| FLOOR PLAN | G-03 - | G-04 |
| ACCESSORIES | | G-05 |
| AUDIO VIDEO | G-06 - | G-08 |
| BATH | G-09 - | G-12 |
| BEDROOM | G-13 - | G-16 |
| CHASSIS | G-17 - | H-08 |
| CURTAIN & CUSHION | H-09 - | H-20 |
| DINETTE | H-21 - | H-24 |
| DRIVERS COMPARTMENT | I-01 - | I-06 |
| ELECTRICAL | I-07 - | I-12 |
| EXTERIOR BODY | I-13 - | I-22 |
| GALLEY | I-23 - | J-06 |
| GENERATOR | J-07 - | J-08 |
| HEATING & A/C | J-09 - | J-12 |
| INTERIOR FINISH | J-13 - | J-16 |
| LABELS | J-17 - | J-24 |
| LP | K-01 - | K-02 |
| LOUNGE | K-03 - | K-04 |
| SEALANTS & FASTENERS | K-05 - | K-08 |
| WATER & SEWAGE | K-09 - | K-14 |
| WINDOW, VENT AND | | |
| EXTERIOR DOOR | K-15 - | L-14 |
| WINDSHIELD & WIPER | L-15 - | L-16 |

| KEY | PART NUMBER | U/M DESCRIPTION |
|-----|---------------|---|
| 1 | 079733-04-T03 | EA WINDOW-ENTRY DOOR, 17" X 25" |
| 2 | 002181-06-000 | EA GLASS-WINDOW, 18 1/2" X 16 25" X 24" |
| 3 | 069640-11-000 | FT SEAL-TAPE, 3/16 X 3/8 - BLACK |
| 4 | 087561-01-000 | FT SEAL-GLASS, EXTERIOR - VINYL - BLACK |
| | 057609-32-000 | EA FRAME-WINDOW, INSIDE PICTURE - OFF WHITE |

| KEY | PART NUMBER | U/M DESCRIPTION |
|-----|---------------|---|
| 1 | 037935-04-Y12 | EA WINDOW-ESCAPE, W/O INSIDE FRAME - 30 2" X 46 8" |
| | 075550-08-000 | EA FRAME-WINDOW, INSIDE - OFF WHITE |
| 2 | 076337-06-000 | EA GLASS-ESCAPE, - 44 8" X 28" - |
| 3 | 002285-01-000 | FT FILLER-WEATHER STRIP, RUBBER - BLACK |
| 4 | 069640-07-000 | FT SEALER-RIBBON, 2" X 3/32" - INCREMENTS OF 30" |
| 5 | 002282-07-000 | EA LEATHERSTRIP-WINDOW, RUBBER - 125" X 142 75" - BLACK |
| | 077066-01-702 | FT TAPE ASM-ESCAPE WINDOW |

WINDOW, VENT & EXTERIOR DOOR GROUP (CONTINUED)
POWERED ROOF VENT

| KEY | PART NUMBER | U/M DESCRIPTION |
|-----|---------------|--|
| | 090363-01-Y12 | EA VENT-ROOF, POWERED W/O SCREEN FROM: 00-00-00 THRU: 10-04-92 |
| | 002825-01-000 | EA WEATHER STRIP-ROOF VENT, GRAY |
| | 006195-01-000 | EA SWTCH-ROOF VENT, PUSH BUTTON, 12V |
| | 008286-01-000 | EA GROMMET-SNAP, 3/8" |
| | 009440-01-000 | EA GEAR/ARM-VENT COVER, LIFT |
| | 015911-01-000 | EA TRACK-LIFT ARM, SLIDE - ROOF VENT |
| | 048648-01-000 | EA MOTOR-ROOF VENT, 1/8 SHAFT - 12V |
| | 048649-01-000 | EA FAN-ROOF VENT, 6 BLADES - 6" |
| | 055218-01-000 | EA COVER-ROOF VENT |
| | 061603-01-000 | EA GROMMET-SNAP, 3/16 ID - 3/8 HOLE - PLASTIC - BLACK |
| | 052639-01-200 | EA HINGE-EXTRUSION, ROOF VENT 7" |
| | 052639-01-001 | EA HINGE-VENT COVER, 192" |
| | 078785-01-Y12 | EA SCREEN-ROOF VENT, POWERED |
| | 002291-02-000 | SF SCREENING-ROOF VENT/WINDOW, 16" - BLACK |
| | 002298-02-000 | FT SPLINE-VENT/WINDOW SCREEN, .128 DIAMETER - BLACK |
| | 009439-01-000 | EA CRANK HANDLE-ROOF VENT |
| | 009439-03-000 | EA EXTENSION-CRANK HANDLE, ROOF VENT - 9" |
| | 009439-05-000 | EA KNOB-CRANK, WINDOW AND ROOF VENT - BLACK |
| | 009439-07-000 | EA SCREW-8-32X1 1/4 POH, BLACK |
| | 110051-03-01A | EA VENT-ROOF, POWERED - 2" ROOF - JENSEN 7757 WHE FROM: 10-05-92 THRU: 99-99-99 |
| | 048648-01-000 | EA MOTOR-ROOF VENT, 1/8 SHAFT - 12V - JENSEN |
| | 048649-01-000 | EA FAN-ROOF VENT, 6 BLADES - 6" - JENSEN |
| | 064470-01-700 | EA COVER-ROOF VENT, JENSEN 7291 |
| | 110051-01-701 | EA GARNISH W/SCREEN & FRAME-2", JENSEN 29-800-01 FITS 1" AND 2" THICK ROOFS |
| | 110051-01-702 | EA LIFT ASM-VENT LID W/O CRANK, JENSEN RP-1000B |
| | 110051-01-703 | EA CRANK HANDLE-ROOF VENT, JENSEN RP-1031-B |
| | 009439-05-000 | EA KNOB-CRANK, WINDOW AND ROOF VENT - BLACK - DECO 718128 |
| | 009439-06-000 | EA EXTENSION-CRANK HANDLE, WINDOW/ROOF VENT - 9" - BLACK |
| | 009439-07-000 | EA SCREW, 8-32 X 1 1/4 POH - BLACK |

NON POWERED ROOF VENT

| KEY | PART NUMBER | U/M DESCRIPTION |
|-----|---------------|---|
| | 090392-01-Y12 | EA VENT-ROOF, NON POWERED FROM: 00-00-00 THRU: 10-04-92 |
| | 002825-01-000 | EA WEATHER STRIP-ROOF VENT, GRAY |
| | 009440-01-000 | EA GEAR/ARM-VENT COVER, LIFT |
| | 015911-01-000 | EA TRACK-LIFT ARM, SLIDE - ROOF VENT |
| | 055218-01-000 | EA COVER-ROOF VENT |
| | 052639-01-001 | EA HINGE-VENT COVER, 192" |
| | 009439-01-000 | EA CRANK HANDLE-ROOF VENT |
| | 009439-03-000 | EA EXTENSION-CRANK HANDLE, ROOF VENT - 9" |
| | 078786-01-Y12 | EA SCREEN-ROOF VENT, NON POWERED |
| | 002291-02-000 | SF SCREENING-ROOF VENT/WINDOW, 16" - BLACK |
| | 002298-02-000 | FT SPLINE-VENT/WINDOW SCREEN, .128 DIAMETER - BLACK |
| | 009439-05-000 | EA KNOB-CRANK, WINDOW AND ROOF VENT - BLACK |
| | 009439-07-000 | EA SCREW-8-32X1 1/4 POH, BLACK |
| | 110051-01-01A | EA VENT-ROOF, NONPOWERED - 2" ROOF - JENSEN 7724 WHE FROM: 10-05-92 THRU: 99-99-99 |
| | 064470-01-700 | EA COVER-ROOF VENT, JENSEN 7291 |
| | 110051-01-701 | EA GARNISH W/SCREEN & FRAME-2", JENSEN 29-800-01 FITS 1" AND 2" THICK ROOFS |
| | 110051-01-702 | EA LIFT ASM-VENT LID W/O CRANK, JENSEN RP-1000B |
| | 110051-01-703 | EA CRANK HANDLE-ROOF VENT, JENSEN RP-1031-B |
| | 009439-05-000 | EA KNOB-CRANK, WINDOW AND ROOF VENT - BLACK - DECO 718128 |
| | 009439-06-000 | EA EXTENSION-CRANK HANDLE, WINDOW/ROOF VENT - 9" - BLACK |
| | 009439-07-000 | EA SCREW, 8-32 X 1 1/4 POH - BLACK |

WINDOW, VENT & EXTERIOR DOOR GROUP (CONTINUED)
VENTILATOR FAN - U.S.

| KEY | PART NUMBER | U/M DESCRIPTION |
|-----|---------------|---|
| | 084079-08-000 | EA VENT-EXHAUST, POWERED - OFF WHITE - FANTASTIC VENT |
| | 084079-01-700 | EA VENT COVER - FANTASTIC 1020-19 |
| | 084079-01-701 | EA SCREEN ASM WHITE - FANTASTIC 1030-80 |
| | 084079-01-702 | EA CRANK-EXTERIOR, FANTASTIC 1060-09 |
| | 084079-01-704 | EA BLADE-FAN, FANTASTIC 1070-00 |
| | 084079-01-705 | EA MOTOR, FANTASTIC 1080-00 |
| | 084079-01-707 | EA SWITCH-SAFETY, FANTASTIC 1120-00 |
| | 084079-01-709 | EA SWITCH-ON & OFF, MAIN POWER - FANTASTIC 1100-00 |
| | 084079-01-711 | EA H-MOLDING, MOTOR MOUNT - PLASTIC - FANTASTIC |
| | 084079-01-712 | EA GARNISH-INTERIOR, 1 7/8" - OFF WHITE |

VENTILATOR FAN - CANADIAN

| KEY | PART NUMBER | U/M DESCRIPTION |
|-----|---------------|--|
| | 084079-09-000 | EA VENT-CEILING, EXH - PWR - O/W CSA #014000-2 |
| | 084079-01-700 | EA VENT COVER - FANTASTIC 1020-19 |
| | 084079-01-701 | EA SCREEN ASM WHITE - FANTASTIC 1030-80 |
| | 084079-01-703 | EA CRANK-EXTERIOR, FANTASTIC 1060-09 |
| | 084079-01-704 | EA BLADE-FAN, FANTASTIC 1070-00 |
| | 084079-01-705 | EA MOTOR, FANTASTIC 1080-00 |
| | 084079-01-707 | EA SWITCH-SAFETY, FANTASTIC 1120-00 |
| | 084079-01-709 | EA SWITCH-ON & OFF, MAIN POWER - FANTASTIC 1100-00 |
| | 084079-01-711 | EA H-MOLDING, MOTOR MOUNT - PLASTIC - FANTASTIC |
| | 084079-01-712 | EA GARNISH-INTERIOR, 1 7/8" - OFF WHITE |

1992

TABLE OF CONTENTS

| | | |
|--------------------|--------|------|
| INTRODUCTION | A-01 - | A-02 |
| ABBREVIATIONS | | A-03 |
| ALPHABETICAL INDEX | A-04 - | A-06 |
| ICN32RQ | A-07 - | G-02 |
| ICN34RQ | G-03 - | L-16 |

1993 ICN34RQ INDEX

| | | |
|----------------------|--------|------|
| FLOOR PLAN | G-03 - | G-04 |
| ACCESSORIES | | G-05 |
| AUDIO VIDEO | G-06 - | G-08 |
| BATH | G-09 - | G-12 |
| BEDROOM | G-13 - | G-16 |
| CHASSIS | G-17 - | H-08 |
| CURTAIN & CUSHION | H-09 - | H-20 |
| DINETTE | H-21 - | H-24 |
| DRIVERS COMPARTMENT | I-01 - | I-06 |
| ELECTRICAL | I-07 - | I-12 |
| EXTERIOR BODY | I-13 - | I-22 |
| GALLEY | I-23 - | J-06 |
| GENERATOR | J-07 - | J-08 |
| HEATING & A/C | J-09 - | J-12 |
| INTERIOR FINISH | J-13 - | J-18 |
| LABELS | J-17 - | J-24 |
| LP | K-01 - | K-02 |
| LOUNGE | K-03 - | K-04 |
| SEALANTS & FASTENERS | K-05 - | K-08 |
| WATER & SEWAGE | K-09 - | K-14 |
| WINDOW, VENT AND | | |
| EXTERIOR DOOR | K-15 - | L-14 |
| WINDSHIELD & WIPER | L-15 - | L-16 |

WINDOW, VENT & EXTERIOR DOOR GROUP (CONTINUED)

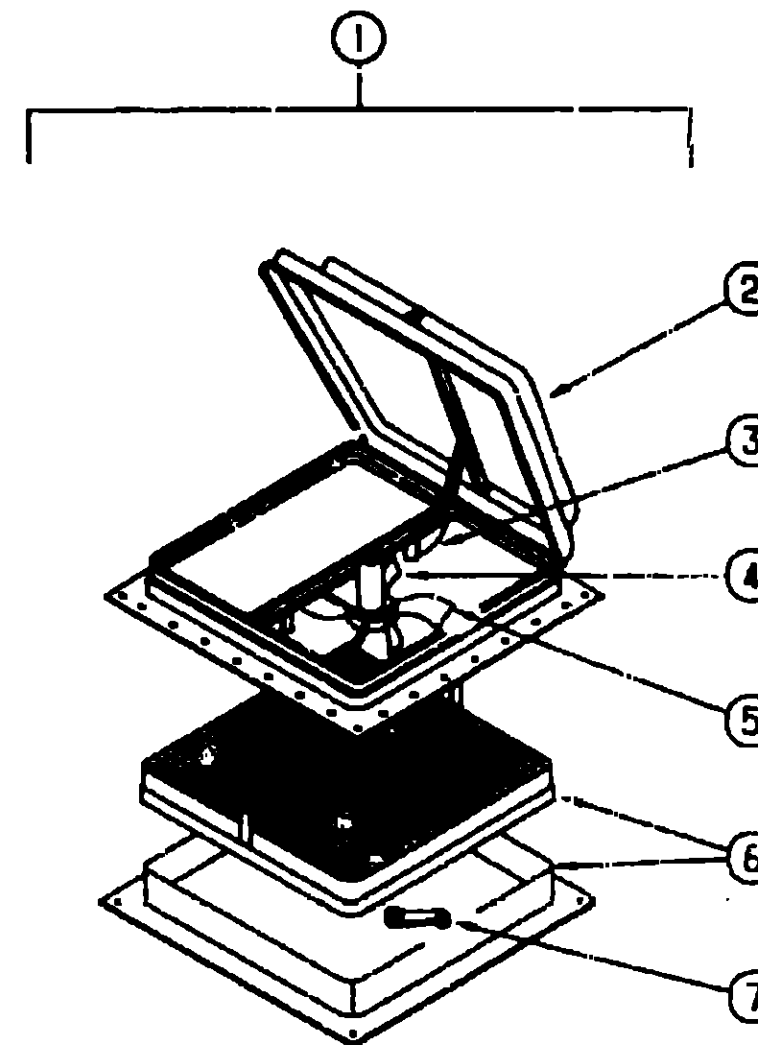
RANGE HOOD VENT

| KEY | PART NUMBER | U/M DESCRIPTION |
|-----|---------------|--|
| | 062698-02-01A | EA VENT-RANGE HOOD, EXTERIOR - W/DOOR - OFF WHITE |
| | 062698-02-700 | EA FASTENER-PUSH, EXTERIOR RANGE HOOD VENT - VE430 |
| | 062698-02-701 | EA CLAMP-CONDUIT, EXTERIOR RANGE HOOD VENT - VB334 |

ROOF VENTS

| KEY | PART NUMBER | U/M DESCRIPTION |
|-----|---------------|--|
| | 083558-03-000 | EA VENT-PLUMBING PIPE ROOF, W/COVER - OFF WHITE |
| | 084073-03-000 | EA COVER-ROOF VENT, NORCOLD REFRIGERATOR - OFF WHITE |
| | 084073-04-000 | EA BASE-ROOF VENT, NORCOLD REFRIGERATOR - BLACK |

WINDOW, VENT & EXTERIOR DOOR GROUP (CONTINUED)



POWERED ROOF VENT - JENSEN - CANADIAN

| KEY | PART NUMBER | U/M DESCRIPTION |
|-----|---------------|---|
| 1 | 064469-08-000 | EA VENT-ROOF, POWERED - 14" X 14" - 12V - JENSEN C-727 - CSA FROM: 00-00-00 THRU: 10-04-92 |
| 1 | 110051-05-01A | EA VENT-ROOF, POWERED - 2' ROOF - CSA - JENSEN C7757 WHE FROM: 10-05-92 THRU: 99-99-99 |
| 2 | 064469-03-702 | EA COVER-ROOF VENT, WHITE - JENSEN 290-WH FROM: 00-00-00 THRU: 10-04-92 |
| 2 | 064470-01-700 | EA COVER-ROOF VENT, JENSEN 7291 FROM: 10-05-92 THRU: 99-99-99 |
| 3 | 064469-03-706 | EA LIFT MECHANISM FROM: 00-00-00 THRU: 10-04-92 |
| 3 | 110051-01-702 | EA LIFT ASM-VENT LID W/O CRANK, JENSEN RP-10008 FROM: 10-05-92 THRU: 99-99-99 |
| 4 | 048648-01-000 | EA MOTOR-ROOF VENT, 1/8 SHAFT - 12V |
| 5 | 048645-01-000 | EA FAN-ROOF VENT, 6 BLADES - 5" |
| 6 | 110051-01-701 | EA GARNISH W/SCREEN & FRAME-2', JENSEN J9-800-01 |
| 7 | 009439-01-000 | EA CRANK HANDLE-ROOF VENT FROM: 00-00-00 THRU: 10-04-92 |
| | 009439-04-000 | EA SCREW 8-32 X 1 1/4" POH FROM: 00-00-00 THRU: 10-04-92 |
| | 009439-03-000 | EA EXTENSION-CRANK HANDLE ROOF VENT - 9" - MILL FROM: 00-00-00 THRU: 10-04-92 |
| | 110051-01-703 | EA CRANK HANDLE-ROOF VENT, JENSEN RP-1031-B FROM: 10-05-92 THRU: 99-99-99 |

1993 ITASCA

TABLE OF CONTENTS

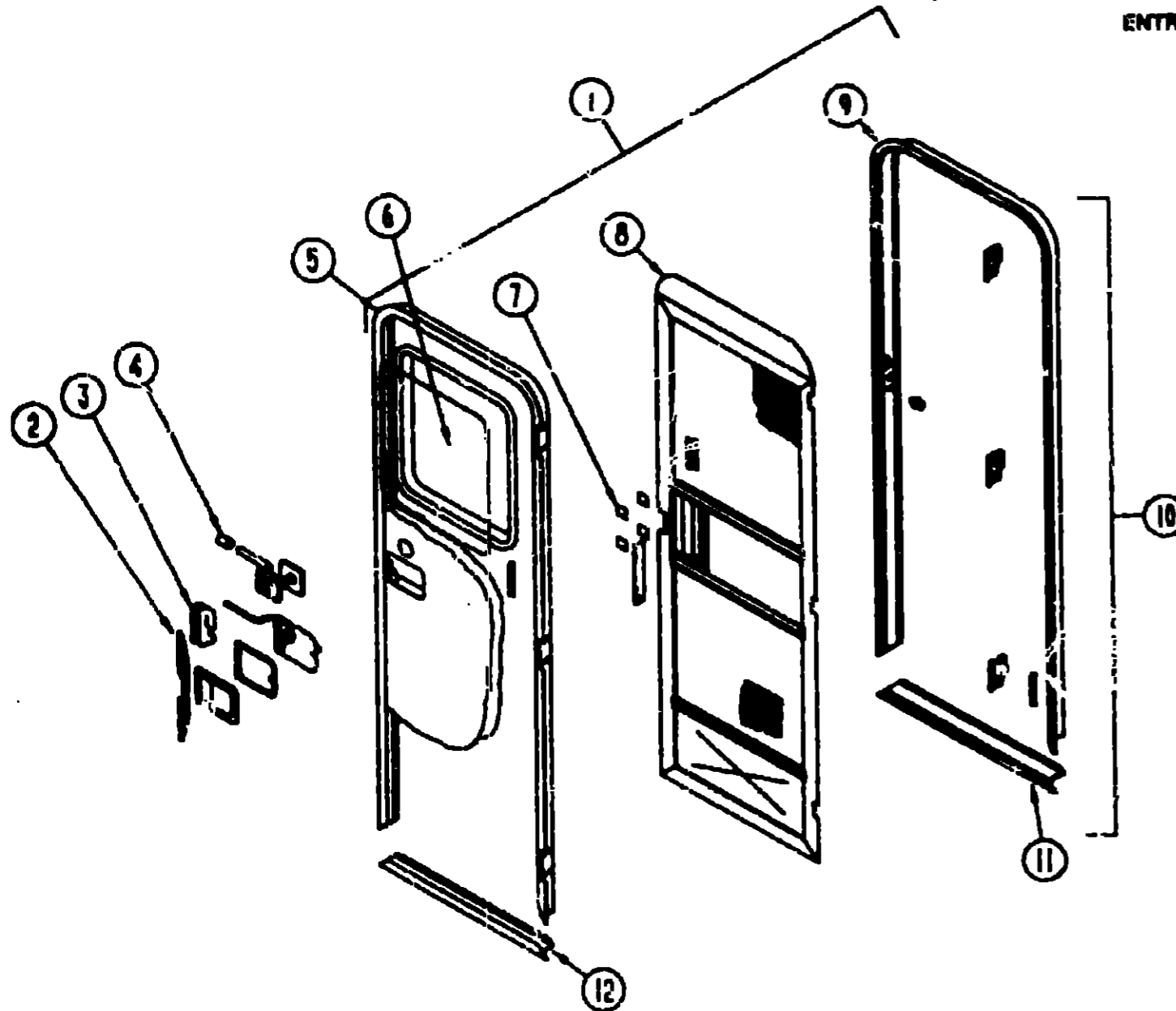
| | | |
|--------------------|--------|------|
| INTRODUCTION | A-01 - | A-02 |
| ABBREVIATIONS | | A-03 |
| ALPHABETICAL INDEX | A-04 - | A-06 |
| ICN32RQ | A-07 - | G-02 |
| ICN34RQ | G-03 - | L-16 |

1993 ICN34RQ INDEX

| | | |
|----------------------|--------|------|
| FLOOR PLAN | G-03 - | G-04 |
| ACCESSORIES | | G-05 |
| AUDIO VIDEO | G-05 - | G-08 |
| BATH | G-09 - | G-12 |
| BEDROOM | G-13 - | G-16 |
| CHASSIS | G-17 - | H-08 |
| CURTAIN & CUSHION | H-09 - | H-20 |
| DINETTE | H-21 - | H-24 |
| DRIVER'S COMPARTMENT | I-01 - | I-06 |
| ELECTRICAL | I-07 - | I-12 |
| EXTERIOR BODY | I-13 - | I-22 |
| GALLEY | I-23 - | J-06 |
| GENERATOR | J-07 - | J-08 |
| HEATING & A/C | J-09 - | J-12 |
| INTERIOR FINISH | J-13 - | J-16 |
| LABELS | J-17 - | J-24 |
| LIFT | K-01 - | K-02 |
| LOUNGE | K-03 - | K-04 |
| SEALS & FASTENERS | K-05 - | K-08 |
| WATER & SEWAGE | K-09 - | K-14 |
| WINDOW, VENT AND | | |
| EXTERIOR DOOR | K-15 - | L-14 |
| WINDSHIELD & WIPER | L-15 - | L-16 |

WINDOW, VENT & EXTERIOR DOOR GROUP (CONTINUED)

ENTRANCE DOOR



| KEY | PART NUMBER | U/M DESCRIPTION |
|-----|---------------|---|
| | 039800-03-000 | FT TUBING-FOLYBUTYLENE, 3/8" OD |
| | 039979-04-000 | EA COVER-INTERIOR LATCH, W/TRIP ARM - RIGHT - BLACK |
| | 081914-01-000 | EA BUMPER-RUBBER, ROUND - BLACK |
| | 102524-01-000 | EA BUMPER-RUBBER, FLAT - BLACK |
| 5 | 095276-01-01A | EA FRAME-ENTRY DOOR, W/O BOTTOM - OFF WHITE |
| 6 | 079733-04-TC3 | EA WINDOW-PICTURE, W/O INSIDE FRAME - 17" X 25" |
| | 067609-32-000 | EA FRAME-WINDOW, INSIDE PICTURE - OFF WHITE |
| | 002161-06-000 | EA GLASS-PICTURE WINDOW, .115" X 16.25" X 24" |
| | 087561-01-000 | FT SPLINE-GLASS, EXTERIOR - VINYL - BLACK |
| | 063729-04-000 | EA RIVNUT, 10-32 UNF - .0 J-.080 |
| | 072893-01-000 | EA NUTSERT-M5 X 0, 8 |
| | 075671-04-000 | FT SEAL-SPCNGE, LAZY T SHAPE - W/ADHESIVE STRIPE - .5" WIDE |
| | 075673-01-000 | FT SEAL-PILE, ADHESIVE BACK - GRAY |
| | 075908-01-000 | EA SCREW-MACH-10-32X.56PTH(SEMS) |
| | 093145-01-000 | EA SLEEVE-WIRE |
| | 093146-01-000 | EA GROMMET-WIRE, DOOR |
| | 093673-02-01A | EA MOLDING-BODY, ENTRANCE DOOR |
| | 093673-01-01A | FT TRIM-ENTRANCE DOOR, 1.3" WIDE - OFF WHITE |
| 7 | 109403-01-000 | EA CATCH-SCREEN DOOR ROLLER |
| | 058025-02-000 | EA CLIP-ROLLER LATCH CATCH |
| | 009016-01-000 | EA CATCH-ELBOW, SPRING LOADED - SCREEN DOOR CATCH |
| | 079087-02-000 | EA STRIKE-SLIDER, W/LIP FOR ELBOW CATCH - 1.5" X 8.6" - OFF WHITE |
| | 100412-01-000 | EA CATCH-SCREEN DOOR |
| 8 | 079012-01-U01 | EA DOOR ASM-SCREEN |
| | 002293-02-000 | SF SCREENING-WINDOW/DOOR, 26" - CHARCOAL |
| | 002294-01-000 | FT SPLINE-SCREENING, .135" X .136" - BLACK |
| | 002748-01-000 | EA CORNER KEY-DOOR |
| | 016454-01-000 | EA INSERT-SCREEN DOOR, CENTER - LEATHER GRAIN ALUMINUM - BEIGE |
| | 001014-01-013 | EA INSERT-CENTER, .024" X 10.25" X 16.31" - UNPAINTED ALUMINUM |
| | 050712-04-000 | EA HANDLE-SCREEN DOOR, ALUMINUM - OFF WHITE |
| | 078552-03-000 | EA KICK PANEL-SCREEN DOOR, LOWER INSERT - UNPAINTED |
| | 078595-01-000 | EA TOP PLATE-SCREEN DOOR, CURVED TOP - 4.7" X 25.35" |
| | 078777-01-000 | EA CHANNEL-SLIDE, SCREEN DOOR CENTER SLIDER COVER |
| | 079086-02-000 | EA SLIDER-SCREEN DOOR, OFF WHITE |
| | 100128-02-000 | FT SEAL-PILE, ADHESIVE BACK - SCREEN DOOR - GRAY |
| 9 | 095278-01-01A | EA JAMB-DOOR, ENTRANCE - UNPAINTED |
| 10 | 095277-02-01A | EA JAMB-DOOR, ENTRANCE - W/BOTTOM & ROLLER CATCH STRIKER |
| 11 | 051049-01-000 | EA JAMB-DOOR, ENTRANCE BOTTOM - BEIGE |
| | 079207-01-000 | EA STRIKER-ROLLER CATCH, WELDED TO DOOR JAMB - 4" X 1.15" |
| | 097724-01-04A | EA HINGE-ENTRY DOOR, UNPAINTED |
| 12 | 089748-01-000 | EA FRAME-BOTTOM ENTRY DOOR, OFF WHITE |
| | 050340-01-000 | FT SEAL-FOAM, CLOSED CELL - 1/4" X 1/2" X 50" |
| | 021968-03-000 | FT TAPE-ADHESIVE, .04" X 1" WIDE |
| | 102585-01-01A | EA GARNISH-ENTRANCE DOOR, O/W |
| | 044582-02-000 | EA CAP-DRIP, ENTRY DOOR, ALUMINUM, OFF WHITE |
| | 100312-01-000 | EA SWITCH-DOOR JAMB, ELECTRIC ENTRY STEP |
| | 041546-06-000 | EA BRACKET - DOOR ANGLE - OFF WHITE |
| | 025774-01-000 | FT FASTENER - DUAL LOCK, 1" WIDE |
| | 065774-02-000 | FT FASTENER - DUAL LOCK, 1" WIDE |
| | 104099-01-01A | EA CATCH-DOOR HOLDER, STRIKE |
| | 104099-02-01A | EA CATCH-DOOR HOLDER, STRIKER |

ENTRY DOOR STRIKE COVER & ASSIST HANDLE

| KEY | PART NUMBER | U/M DESCRIPTION |
|-----|---------------|---|
| | 077461-03-000 | EA COVER-STRIKE, ENTRY DOOR - 6.5" X 2.5" - PLASTIC - OFF WHITE |
| | 009126-02-000 | EA HANDLE-ASSIST, ENTRY DOOR - BLACK |

1993 ITASCA
TABLE OF CONTENTS

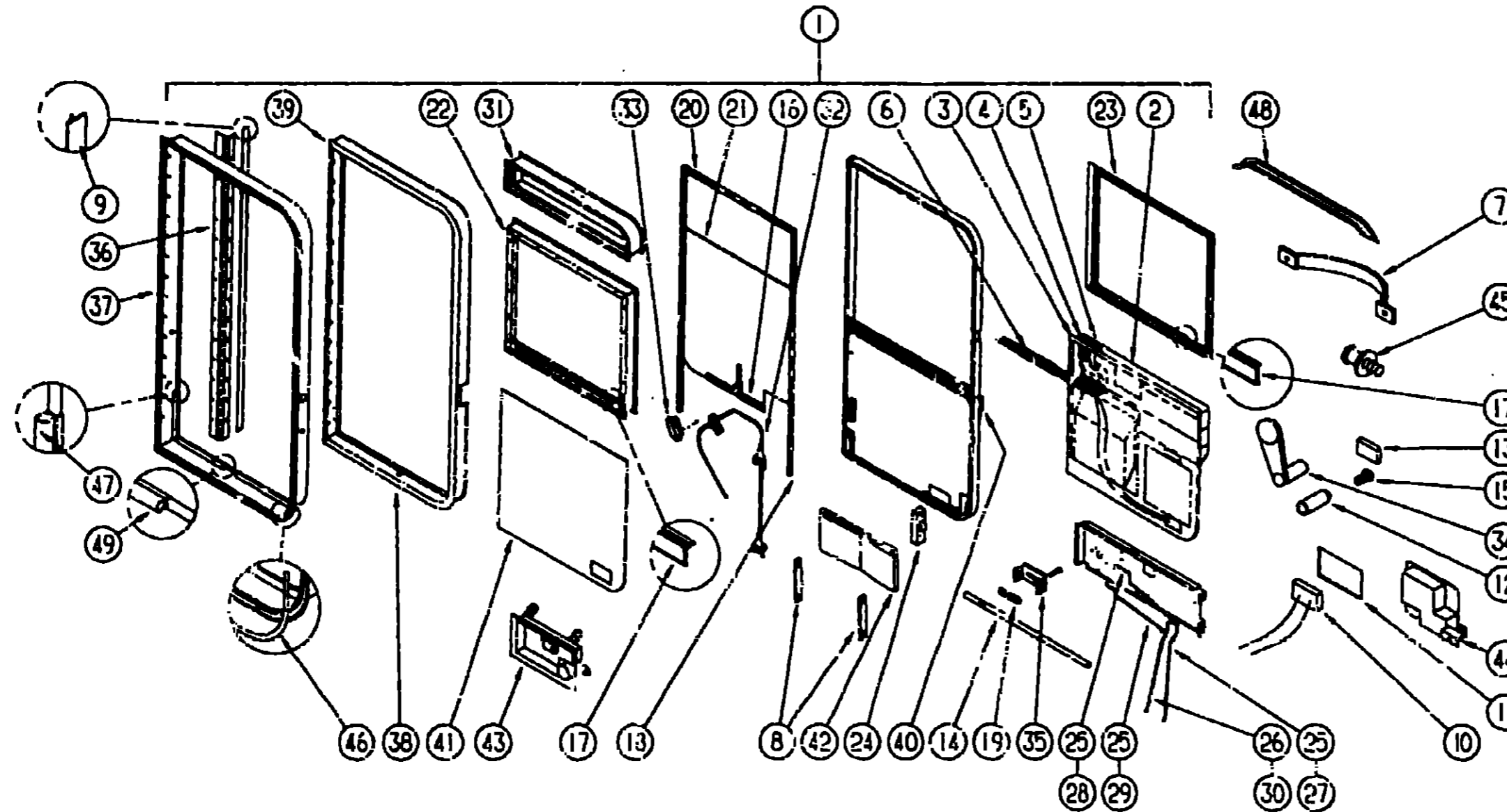
| | |
|--------------------|-------------|
| INTRODUCTION | A-01 - A-02 |
| ABBREVIATIONS | A-03 |
| ALPHABETICAL INDEX | A-04 - A-06 |
| ICN32RQ | A-07 - G-02 |
| ICN34RQ | G-03 - L-16 |

1993 ICN34RQ INDEX

| | |
|--------------------------------|-------------|
| FLOOR PLAN | G-03 - G-04 |
| ACCESSORIES | G-05 |
| AUDIO VIDEO | G-06 - G-08 |
| BATH | G-09 - G-12 |
| BEDROOM | G-13 - G-16 |
| CHASSIS | G-17 - H-08 |
| CURTAIN & CUSHION | H-09 - H-20 |
| DINETTE | H-21 - H-24 |
| DRIVERS COMPARTMENT | I-01 - I-06 |
| ELECTRICAL | I-07 - I-12 |
| EXTERIOR BODY | I-13 - I-22 |
| GALLEY | I-23 - J-06 |
| GENERATOR | J-07 - J-08 |
| HEATING & A/C | J-09 - J-12 |
| INTERIOR FINISH | J-13 - J-16 |
| LABELS | J-17 - J-24 |
| LP | K-01 - K-02 |
| LOUNGE | K-03 - K-04 |
| SEALANTS & FASTENERS | K-05 - K-08 |
| WATER & SEWAGE | K-09 - K-14 |
| WINDOW, VENT AND EXTERIOR DOOR | K-15 - L-14 |
| WINDSHIELD & WIPER | L-15 - L-16 |

| KEY | PART NUMBER | U/M DESCRIPTION |
|-----|---------------|---|
| 1 | M01870-50-D38 | EA DOOR-ENTRY, W/JAMB AND SCREEN DOOR |
| 1 | M01870-50-D40 | EA DOOR-ENTRY, W/JAMB AND SCREEN DOOR |
| | 076054-D3-001 | EA SHEET-FIBERGLASS, 4' X 8' - OFF WHITE - FILON |
| | 092981-01-C11 | SF PANEL-DOOR |
| | 000G11-08-12S | EA SCREW, 8-18 X 3/4 PPH - OFF WHITE |
| | 000G39-08-08R | EA SCREW-SF/DR-8-18X1/2 PPH |
| | 000G53-04-06B | EA SCREW-MACH-1/4-20X3/8 PPH 2N |
| | 000G54-04-20B | EA SCREW-1/4-20X1 1/4 PTH TYP 23 |
| 2 | 098173-01-04A | EA STIFFENER-ENTRY DOOR, SUPPORTS LATCH/STRIKE AREA - OFF WHITE |
| 3 | 045017-11-000 | EA LATCH-PADDLE, MECHANISM W/LOCK CYLINDER & KEY - BLACK |
| | 045017-11-701 | EA KEY BLANK, F1 SERIES |
| | 036539-01-000 | EA STRIKE-ENTRANCE DOOR LOCK |
| | 039540-01-000 | EA LATCH MECHANISM-HOOK, ENTRY DOOR - INTERIOR |
| | 096810-01-01A | EA PLATE-LATCH ENTRANCE DOOR - PLASTIC - BLACK |
| | 077461-03-000 | EA COVER-BRACKET, STRIKE, OFF WHITE |
| | 041546-03-000 | EA BRACKET-DOOR ANGLE, 5" X 1 9" - BEIGE - METAL |
| | 039540-01-701 | EA KEY-MASTER-ATWOOD-DOOR-LOCK |
| | 039715-01-000 | EA NUT-SERT, 1/4" DIAMETER - 20 THREADS |
| | 093086-02-02A | EA GARNISH-RADIUS, ENTRY DOOR - 1 5" WIDE CHANNEL - OFF WHITE |
| | 036084-01-000 | EA CAP-ROUND DEADBOLT, VINYL - 29" ID X 62" LONG - BLACK |
| | 057806-01-000 | EA PLUG-TAPERED, FOR DEADBOLT - PLASTIC - 9/4" DIAMETER - RED |
| | 038738-01-000 | EA DEADBOLT-ROUND, J SHAPED - INTERIOR USE ONLY |
| 4 | 101145-01-01A | EA DEADBOLT-ENTRY DOOR, BLACK |
| | 095229-01-700 | EA KEY ONLY-BLANK |
| | 101147-01-000 | EA BOLT-SECURITY, 4 1/2" BACKSET |
| | 102248-01-000 | EA SHIM-DOOR |

WINDOW, VENT & EXTERIOR DOOR GROUP (CONTINUED)
DRIVERS DOOR & COMPONENTS



1993 ITASCA
TABLE OF CONTENTS

| | | |
|--------------------|--------|------|
| INTRODUCTION | A-01 - | A-02 |
| ABBREVIATIONS | | A-03 |
| ALPHABETICAL INDEX | A-04 - | A-06 |
| ICN32RO | A-07 - | G-02 |
| ICN34RQ | G-03 - | L-16 |

1993 ICN34RQ INDEX

| | | |
|----------------------|--------|------|
| FLOOR PLAN | G-03 - | G-04 |
| ACCESSORIES | | G-05 |
| AUDIO VIDEO | G-05 - | G-08 |
| BATH | G-09 - | G-12 |
| BEDROOM | G-13 - | G-16 |
| CHASSIS | G-17 - | H-08 |
| CURTAIN & CUSHION | H-09 - | H-20 |
| DINETTE | H-21 - | H-24 |
| DRIVERS COMPARTMENT | I-01 - | I-06 |
| ELECTRICAL | I-07 - | I-12 |
| EXTERIOR BODY | I-13 - | I-22 |
| GALLEY | I-23 - | J-06 |
| GENERATOR | J-07 - | J-08 |
| HEATING & A/C | J-09 - | J-12 |
| INTERIOR FINISH | J-13 - | J-16 |
| LABELS | J-17 - | J-24 |
| LP | K-01 - | K-02 |
| LOUNGE | K-03 - | K-04 |
| SEALANTS & FASTENERS | K-05 - | K-08 |
| WATER & SEWAGE | K-09 - | K-14 |
| WINDOW, VENT AND | | |
| EXTERIOR DOOR | K-15 - | L-14 |
| WINDSHIELD & WIPER | L-15 - | L-16 |

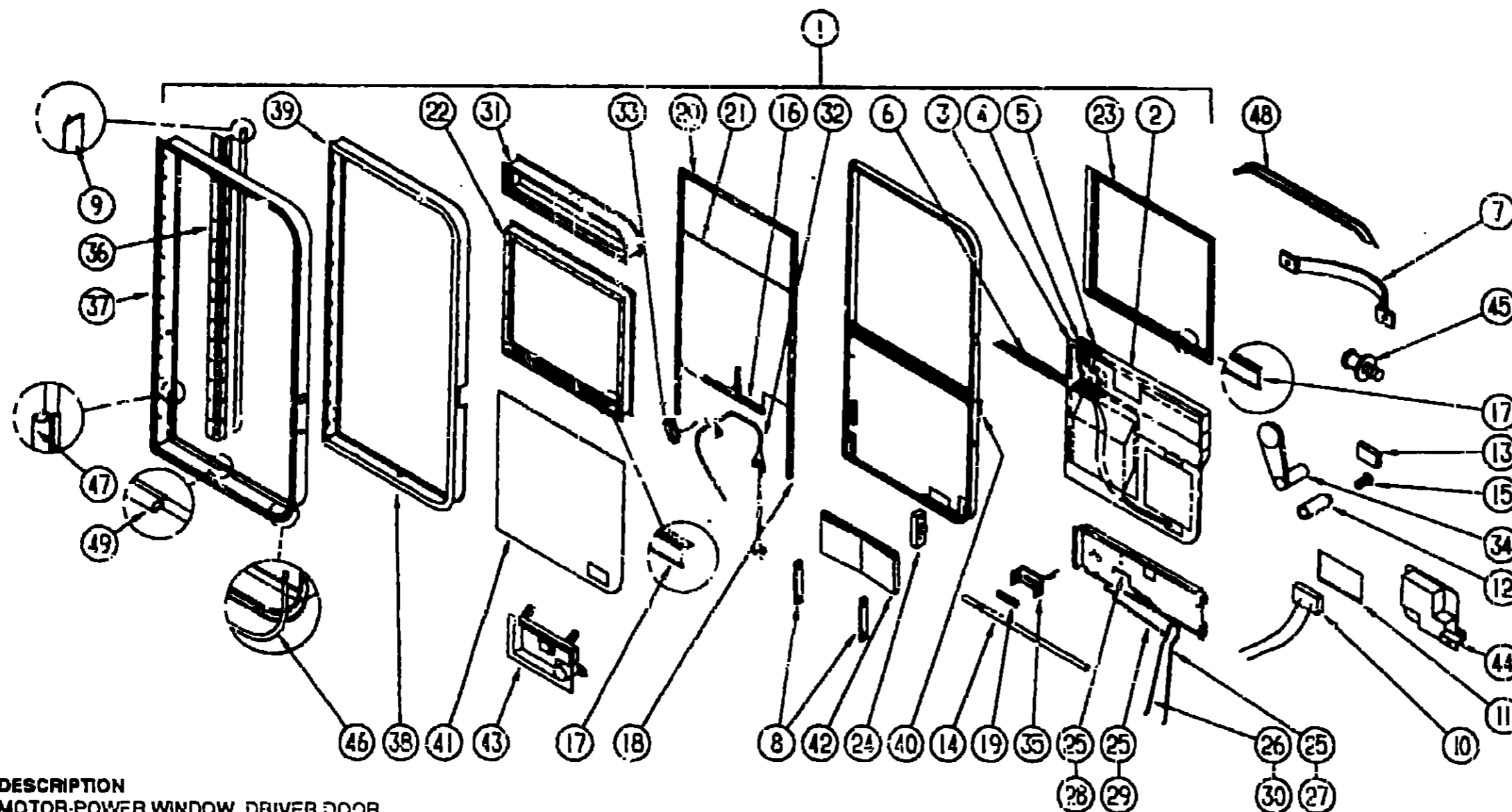
| KEY | PART NUMBER | U/M DESCRIPTION |
|-----|----------------|--|
| 1 | M197016-01-AE6 | EA DOOR-DRIVER, W/TIPOUT - NON POWERED - USE WITH CVHD BUNK ONLY |
| 1 | M37816-02-AE6 | EA DOOR-DRIVER, W/O TIPOUT - NON POWERED |
| 1 | M37016-03-AE6 | EA DOOR-DRIVER, W/TIPOUT - POWERED - USE WITH CVHD BUNK ONLY |
| 1 | M97816-04-AE6 | EA DOOR-DRIVER, W/O TIPOUT - POWERED |
| 2 | M97748-01-02A | EA PANEL DOOR, INTERIOR - PLASTIC - GRAY |
| | 097308-01-02A | EA COVER-MAP POCKET, GRAY |
| 2 | 087695-01-000 | EA SWITCH-HEATER, EXTERIOR MIRROR |
| 4 | 028246-01-000 | EA SWITCH-REMOTE, EXT. MIRROR - SQUARE PUSH - VELVAC 7471290 |
| 5 | 093132-01-000 | EA SWITCH-ROCKER, 5 TERMINAL W/ARROW GRAPHICS - TORRIX 1737 |
| 6 | 093144-01-000 | EA CONDUIT-WIRE, GM# 15592046 |
| | 093146-01-000 | EA GROMMET-WIRE, 1.7" X 3.1" - OVAL SHAPED - PLASTIC - BLK |
| 7 | 061400-16-000 | EA STRAP-ASSIST, 12" - BLACK W/BLACK SCREW COVERS |
| | 063729-01-000 | EA RIVNUT, 1/4 X 20 UNC - .030 - 125 |
| 8 | 064219-01-000 | EA RETAINER-CHECK STRAP, DRIVER DOOR |
| 9 | 075671-01-000 | FT SEAL-SPONGE, LAZY T SHAPE - WEATHERSTRIP |
| 10 | 077000-01-000 | EA SOCKET ASM-W/8" PIGTAIL LEADS |
| 11 | 077025-01-000 | EA LENS-COURTESY LIGHT, CLEAR |
| | 080734-02-000 | EA CLIP-WIRE, NYLON |
| 12 | 081903-02-000 | EA SHAFT-MOUNTING, KNOB |
| 13 | 081905-02-000 | EA KNOB-SLIDE BOLT, BLACK |
| 14 | 081906-02-000 | EA BOLT-SLIDE |
| | 088939-03-000 | EA BEARING-SNAP IN, 38"ID - TYPE 7 - NYLINER 6L1-FF |
| 15 | 081908-01-000 | EA SCREW-MACHINE, 8-32 X .52 W/NYLOCK |
| 16 | 081911-01-000 | FT TAPE-GLASS SETTING, 1/16" X 1.5" |
| 17 | 081912-02-000 | EA WEATHERSTRIP-RIGID |

| KEY | PART NUMBER | U/M DESCRIPTION |
|-----|---------------|---|
| 18 | 082240-03-000 | EA CHANNEL-GLASS RUN, BLACK |
| 19 | 096284-01-000 | EA SPRING-COMPRESSION, .44" LONG X .35"OD |
| 20 | 089454-02-000 | EA CHANNEL-GLASS RUN, TOP - BLACK |
| | 090340-01-000 | FT SEAL-FOAM, CLOSED CELL - 1/4" X 1/2" X .50" |
| 21 | 092446-02-000 | EA GLASS-DOOR, ROLL UP - 27.5" X 26.3" |
| 22 | 092752-01-Y10 | EA FRAME-WINDOW, INNER - 23.6" X 28" |
| 23 | 092753-01-Y10 | EA FRAME-WINDOW, OUTER |
| 24 | 092927-04-000 | EA LATCH-DRIVER DOOR, MECHANISM |
| 25 | 092927-05-000 | EA CLIP-ROD END - RIGHT |
| 26 | 092927-06-000 | EA CLIP-ROD END - LEFT |
| 27 | 092928-01-000 | EA ROD-LOCK, OUTSIDE |
| 28 | 092928-03-000 | EA ROD-RELEASE, INSIDE |
| 29 | 092928-04-000 | EA ROD-LOCK, INSIDE |
| 30 | 092928-05-000 | EA ROD-RELEASE, OUTSIDE - 19.9" LONG |
| 31 | 053043-01-Y12 | EA WINDOW ASM.-UPPER STATIONARY - 4.6" X 28" GLASS |
| | 092997-01-000 | EA GLASS-STATIONARY, 4.6" X 28" |
| | 051243-02-000 | EA CLIP-SCREEN, PLASTIC - BLACK |
| 31 | 092974-01-Y12 | EA WINDOW ASM.-UPPER TIPOUT - 4.5" X 27.9" GLASS - CVHD BUNK ONLY |
| | 082970-01-000 | EA GLASS-TIPOUT, 4.5" X 27.9" |
| | 095954-01-Y12 | EA SCREEN-SINGLE TIPOUT, 1 RADIUS CORNER - 6" X 29.2" |
| | 092628-01-01A | EA MULLION-WINDOW, CAB DOOR - 30" LONG - ALUMINUM - BLACK |
| | 081910-02-000 | EA CHANNEL-WINDOW, TRI-PILE - .4" INSTALLED X 10" - BLACK |
| 32 | 083634-01-000 | EA REGULATOR-WINDOW, DRIVER - NON POWERED |
| 32 | 103392-03-000 | EA REGULATOR-POWER WINDOW, W/O LEADS |
| | 108380-02-000 | EA WIRE ASM-WINDOW MOTOR ADAPT |

WINDOW, VENT & EXTERIOR DOOR GROUP (CONTINUED)
DRIVERS DOOR & COMPONENTS (CONTINUED)

1993 TASCA
TABLE OF CONTENTS

| | | |
|--------------------|--------|------|
| INTRODUCTION | A-01 - | A-02 |
| ABBREVIATIONS | | A-03 |
| ALPHABETICAL INDEX | A-04 - | A-06 |
| ICN32RQ | A-07 - | G-02 |
| ICN34RQ | G-03 - | L-16 |



DRIVERS DOOR UPPER STATIONARY WINDOW

| KEY | PART NUMBER | U/M | DESCRIPTION |
|-----|---------------|-----|--|
| 33 | 092996-01-710 | EA | MOTOR-POWER WINDOW, DRIVER DOOR |
| 34 | 094575-01-000 | EA | CRANK-HAND, GLASS LIFT |
| 35 | 096809-01-000 | EA | BRACKET-DEADBOLT |
| 36 | 097207-01-03A | EA | HINGE-CONTINUOUS, OFF WHITE |
| 37 | 097278-01-AE6 | EA | JAMB-DOOR |
| | 097315-01-01A | EA | INSERT-DOOR JAMB |
| 38 | 097279-01-02A | EA | FRAME-DOOR, REAR OUTER - OFF WHITE |
| 39 | 097280-01-02A | EA | FRAME-DOOR, FRONT OUTER - OFF WHITE |
| | 055276-01-001 | FT | TUBING-STEEL, .75" X 1.5" X 288" |
| 40 | 097367-01-000 | EA | BRACKET-SUPPORT, DOOR LOCK |
| 41 | 077517-52-000 | EA | FIBERGLASS-SHEET, 29.7" X 27.9" - OFF WHITE - FLAT |
| 42 | 098030-01-000 | EA | STRAP-CHECK, DRIVER DOOR - BLACK |
| 43 | 102235-01-01A | EA | LATCH-OUTSIDE, DRIVER DOOR - BLACK |
| | 045017-11-701 | EA | BLANK KEY |
| | 108678-01-000 | EA | GASKET-LATCH |
| 44 | 102237-01-01A | EA | LATCH-INSIDE, DRIVER DOOR - BLACK |
| 45 | 092927-03-000 | EA | STRIKER-ROUND, JAMB MOUNTED - TRIMARK 10335-16 |
| | 093899-02-000 | EA | PLATE-STRIKER BOLT |
| 46 | 097315-01-01A | FT | TRIM-INSERT, DRIVER DOOR - .43" WIDE - VINYL - OFF WHITE |
| 47 | 091832-01-000 | FT | SEAL-BULB, W/WIRE CARRIER - DOOR - .8" WIDE - RUBBER |
| 48 | 064184-05-000 | EA | CAP-DRIP, DRIVER DOOR - OFF WHITE |
| 49 | 064075-07-000 | FT | SEAL-BULB, W/WIRED U CHANNEL - .3" X .5" CHANNEL - BLACK |
| | 103413-01-01A | EA | GARNISH-DRIVERS DOOR, OFF WHITE |
| | 063686-12-000 | EA | HANDLE-ASSIST, DRIVER DOOR - METAL - OFF WHITE |
| | 100028-01-000 | FT | TAPE-ADHESIVE, .031" X .75" WIDE |
| | 091968-03-000 | FT | TAPE-ADHESIVE, .04" X 1" WIDE |

| KEY | PART NUMBER | U/M | DESCRIPTION |
|-----|---------------|-----|---|
| | 093043-01-Y12 | EA | WINDOW-UPPER STATIONARY, 4 6" X 28" |
| | 092997-01-000 | EA | GLASS-STATIONARY, POWER WINDOW - 4.5" X 28" |
| | 092628-01-01A | EA | MULLION-WINDOW, DOOR - BLACK |
| | 079370-04-000 | EA | COVER-SCREW, WINDOW - VINYL - BLACK |
| | 081910-02-000 | EA | CHANNEL-WINDOW |
| | 084067-02-000 | FT | SEAL-E SHAPED, SPONGE - TIPOUT WINDOW - 4" X 4" - BLACK |
| | 068927-03-000 | EA | SEAL-WINDOW, RUBBER - ROUND - 80" DIA. - BLACK |
| | 084453-02-000 | EA | WASHER- 060 X 50 X 250 - PLASTIC |
| | 084473-01-000 | EA | SEAL-RUBBER, TIPOUT WINDOW |
| | 086762-01-000 | EA | T NUT 10-32 |
| | 068938-03-000 | EA | BEARING- 35"ID, SNAP IN |

1993 ICN34RQ INDEX

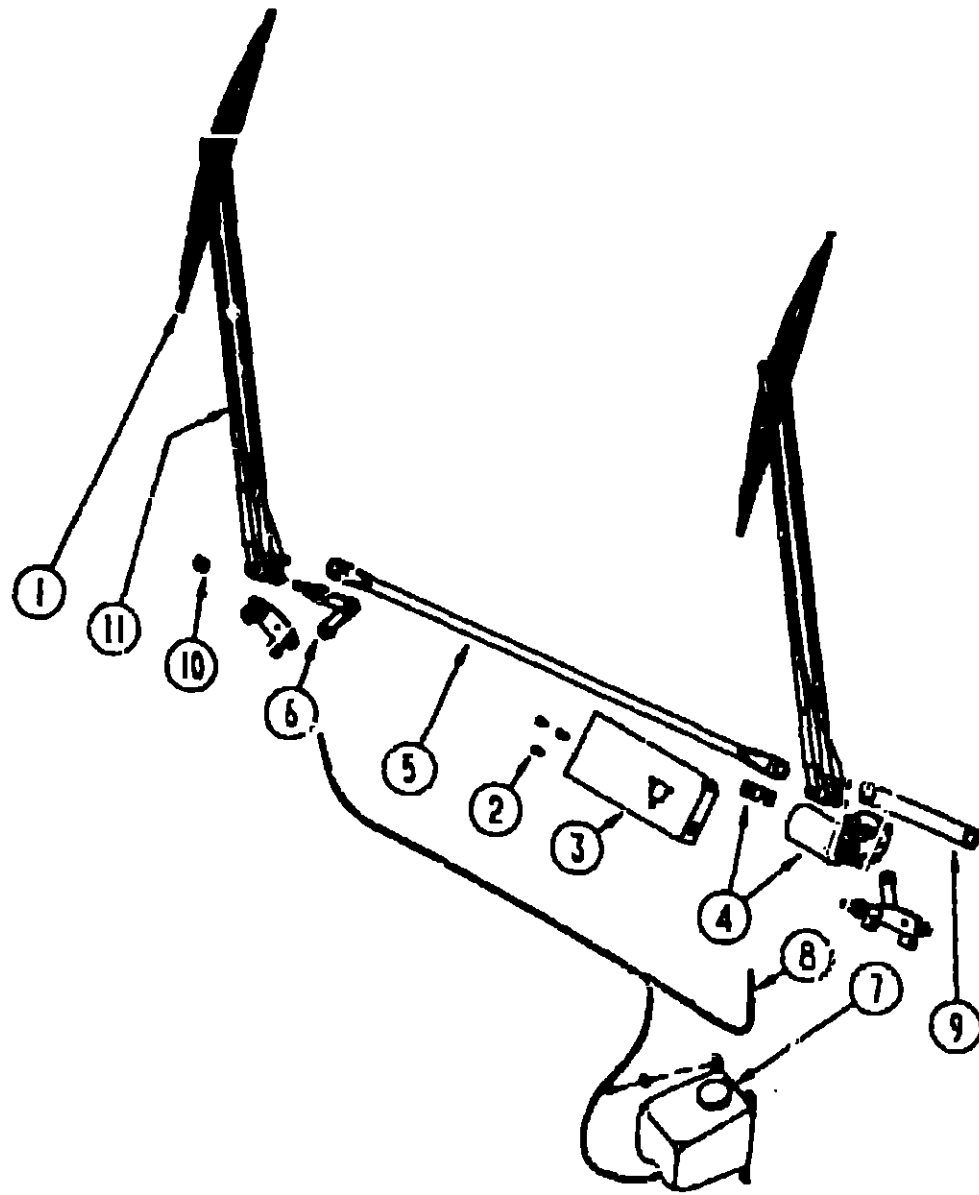
| | | |
|----------------------|--------|------|
| FLOOR PLAN | G-03 - | G-04 |
| ACCESSORIES | | G-05 |
| AUDIO VIDEO | G-06 - | G-08 |
| BATH | G-09 - | G-12 |
| BEDROOM | G-13 - | G-16 |
| CHASSIS | G-17 - | H-08 |
| CURTAIN & CUSHION | H-09 - | H-20 |
| DINETTE | H-21 - | H-24 |
| DRIVERS COMPARTMENT | I-01 - | I-06 |
| ELECTRICAL | I-07 - | I-12 |
| EXTERIOR BODY | I-13 - | I-22 |
| GALLEY | I-23 - | J-06 |
| GENERATOR | J-07 - | J-08 |
| HEATING & A/C | J-09 - | J-12 |
| INTERIOR FINISH | J-13 - | J-16 |
| LABELS | J-17 - | J-24 |
| LP | K-01 - | K-02 |
| LOUNGE | K-03 - | K-04 |
| SEALANTS & FASTENERS | K-05 - | K-08 |
| WATER & SEWAGE | K-09 - | K-14 |
| WINDOW, VENT AND | | |
| EXTERIOR DOOR | K-15 - | L-14 |
| WINDSHIELD & WIPER | L-15 - | L-16 |

WINDSHIELD & WIPER GROUP

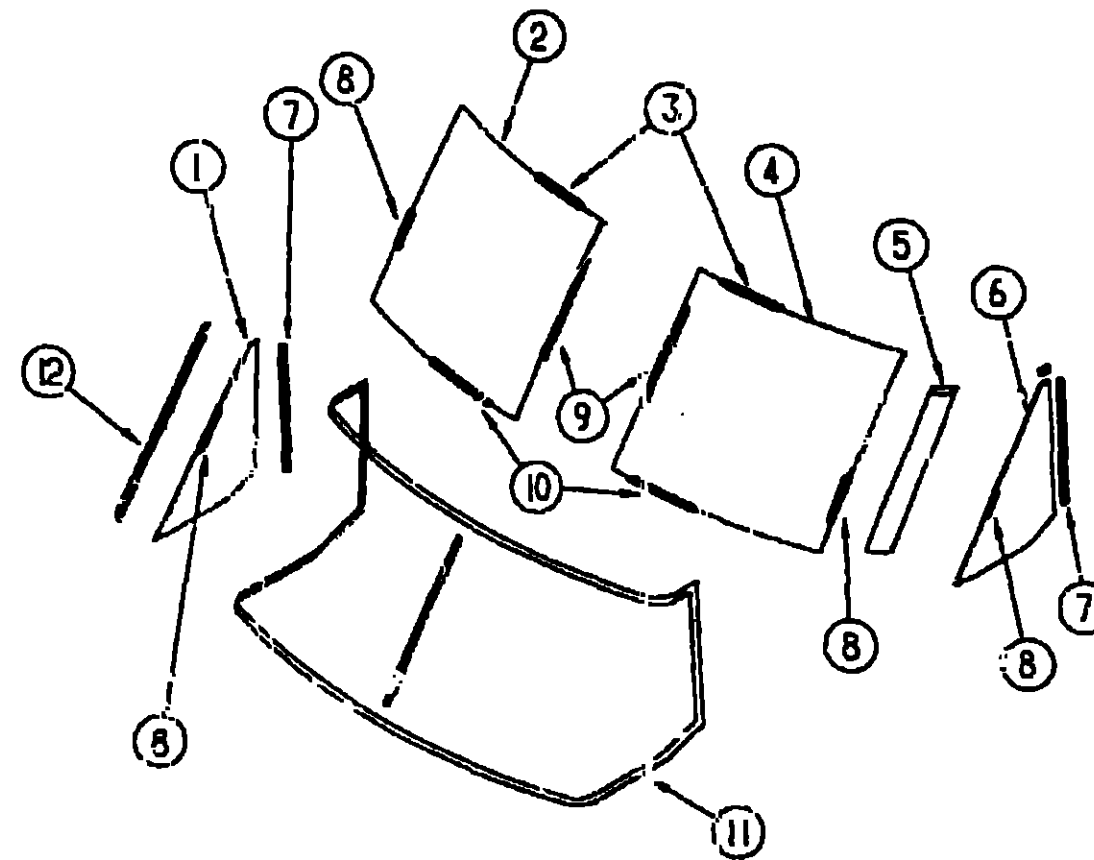
WINDSHIELD & WIPER GROUP (CONTINUED)

**1993 ITASCA
TABLE OF CONTENTS**

| | | |
|--------------------|--------|------|
| INTRODUCTION | A-01 - | A-02 |
| ABBREVIATIONS | | A-03 |
| ALPHABETICAL INDEX | A-04 - | A-06 |
| ICN32RQ | A-07 - | G-02 |
| ICN34RO | G-03 - | L-16 |



WIPER COMPONENTS



WINDSHIELDS, TRIMS & MOLDINGS

1993 ICN34RQ INDEX

| | | |
|--------------------------------|--------|------|
| FLOOR PLAN | G-03 - | G-04 |
| ACCESSORIES | | G-05 |
| AUDIO VIDEO | G-06 - | G-08 |
| BATH | G-09 - | G-12 |
| BEDROOM | G-13 - | G-16 |
| CHASSIS | G-17 - | H-08 |
| CURTAIN & CUSHION | H-09 - | H-20 |
| DINETTE | H-21 - | H-24 |
| DRIVERS COMPARTMENT | I-01 - | I-06 |
| ELECTRICAL | I-07 - | I-12 |
| EXTERIOR BODY | I-13 - | I-22 |
| GALLEY | I-23 - | J-06 |
| GENERATOR | J-07 - | J-08 |
| HEATING & A/C | J-09 - | J-12 |
| INTERIOR FINISH | J-13 - | J-16 |
| LABELS | J-17 - | J-24 |
| LP | K-01 - | K-02 |
| LOUNGE | K-03 - | K-04 |
| SEALANTS & FASTENERS | K-05 - | K-08 |
| WATER & SEWAGE | K-09 - | K-14 |
| WINDOW, VENT AND EXTERIOR DOOR | K-15 - | L-14 |
| WINDSHIELD & WIPER | L-15 - | L-16 |

| KEY | PART NUMBER | U/M | DESCRIPTION |
|-----|---------------|-----|---|
| 1 | 095964-01-000 | EA | BLADE ASM -WIPER, 24" |
| | 095964-01-700 | EA | BLADE-REFILL, WIPER - PAIR - 24" |
| 2 | 096526-01-000 | EA | SCREW-HEX, 1/4 - 28 UNF |
| 3 | 092334-01-000 | EA | BRACKET-WIPER, MOTOR |
| 4 | 104346-01-000 | EA | MOTOR ASM., W/DRIVE ARM |
| | 104347-02-000 | EA | ARM DRIVE WIPER MOTOR |
| | 067188-01-000 | EA | STUD-CRANK WIPER |
| 5 | 067192-01-000 | EA | LINK-CONNECTING, W/BLACK BUSHING - 37.85" |
| 6 | 096505-01-000 | EA | PIVOT & SHAFT ASM-WIPER, WINDSHIELD - 50393-23-SH27WC |
| | | | FROM: 00-00-00 THRU: 04-21-93 |
| 6 | 096505-04-000 | EA | PIVOT SHAFT ASM 62373-20-SH25VJ |
| | | | FROM: 04-22-93 THRU: 99-99-99 |
| 7 | 056000-02-000 | EA | WASHER-WINDSHIELD, BOTTLE & PUMP |
| | 056000-01-700 | FT | VACUUM HOSE 7.64 - 5/32 |
| 8 | 045794-01-000 | FT | HOSE-WASHING, WINDSHIELD - 5/2" ID - BLACK |
| 9 | 067193-02-000 | EA | LINK-CONNECTING, W/BLACK BUSHING - 9.2" |
| 10 | 077049-01-000 | EA | NUT-ACORN, 10-32 ALUMIN |
| 11 | 095563-01-000 | EA | ARM-WIPER, PANTOGRAPH - 28" |
| | 096931-01-700 | EA | HOSE FAMPPEL BLADES |
| | 096931-01-701 | EA | NOZZLE HAFOWAIRE KIT |
| | 077048-01-000 | EA | SHAFT-ADAPTER, WINDSHIELD PANTOGRAPH ARM |

| KEY | PART NUMBER | U/M | DESCRIPTION |
|-----|---------------|-----|---|
| 1 | 091953-05-000 | EA | GLASS-CORNER VENT, PASSENGER |
| 2 | 091215-03-000 | EA | GLASS-WINDSHIELD, PASSENGER |
| 3 | 110268-07-000 | EA | WINDSHIELD CARRIER - 42.1" |
| 4 | 091215-04-000 | EA | GLASS-WINDSHIELD, DRIVER |
| 5 | 091901-02-000 | EA | TRIM-APILLAR, DRIVER - BLACK |
| 6 | 091953-06-000 | EA | GLASS-CORNER VENT, DRIVER |
| 7 | 106113-01-000 | EA | CARRIER-REVEAL, CORNER VENT |
| 8 | 098788-06-000 | EA | CHANNEL-RIGID, WINDSHIELD |
| 9 | 102935-04-000 | EA | WINDSHIELD CARRIER - 40.1" |
| | | | FROM: 00-00-00 THRU: 12-06-92 |
| 9 | 110268-05-000 | EA | WINDSHIELD CARRIER - 40.1" |
| | | | FROM: 12-07-92 THRU: 99-99-99 |
| 10 | 110268-08-000 | EA | WINDSHIELD CARRIER - 43.3" |
| 11 | 102936-01-000 | EA | MOLDING-REVEAL, WINDSHIELD - SURROUNDS BOTH WINDSHIELDS |
| 12 | 091901-01-000 | EA | TRIM-APILLAR, PASSENGER - BLACK |
| | 001914-01-000 | EA | BUMPER-RUBBER, ROUND - .43" DIAMETER - BLACK |
| | 075710-04-000 | EA | FRAME-WINDSHIELD, INNER - CENTER |
| | 091929-01-000 | EA | FRAME-WINDSHIELD, UPPER |
| | 091959-02-000 | EA | FRAME-WINDSHIELD, LOWER |
| | 091969-01-000 | EA | FRAME-WINDSHIELD, LOWER - INNER - PASSENGER |
| | 091969-02-000 | EA | FRAME-WINDSHIELD, LOWER - INNER - DRIVER |
| | 104449-01-000 | EA | SUPPORT-WINDSHIELD |