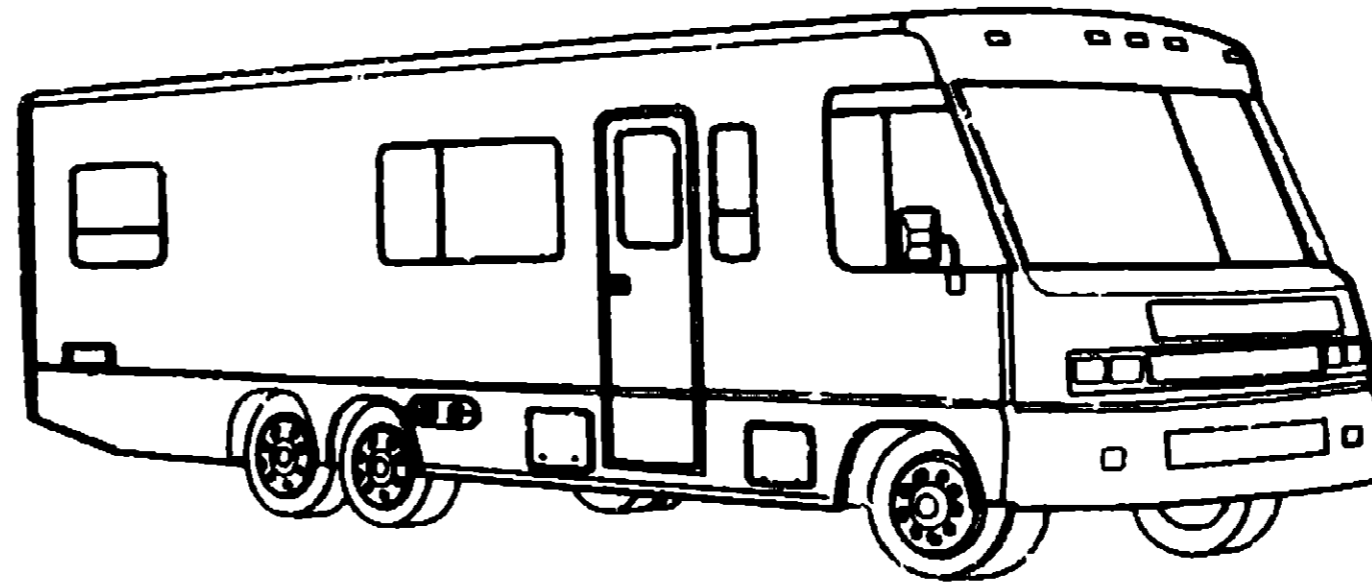


**1993 ITASCA
TABLE OF CONTENTS**

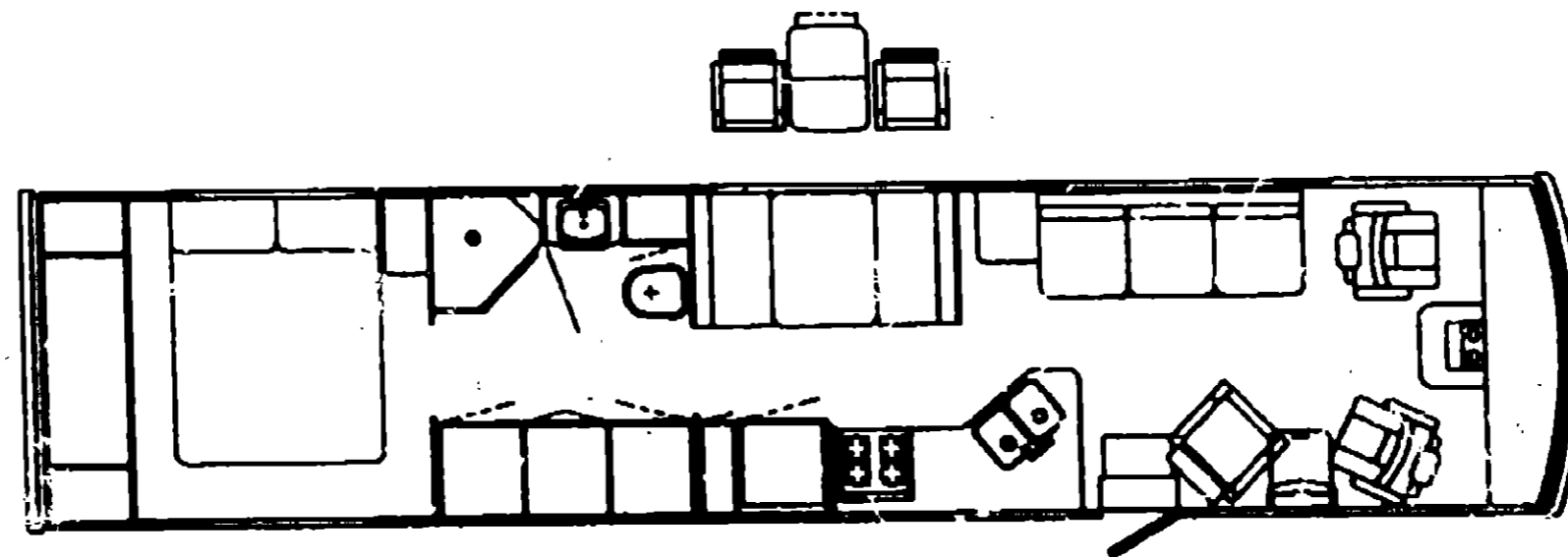
INTRODUCTION	A-01 - A-02
ABBREVIATIONS	A-03
ALPHABETICAL INDEX	A-04 - A-08
ICG37RW	A-07 - E-14
IKG34RQ	E-15 - I-14



**1993
ICG37RW
D35
D36**

1993 ICG37RW INDEX

FLOOR PLAN	A-07 - A-08
ACCESSORIES	A-09
AUDIO VIDEO	A-10 - A-11
BATH	A-12 - A-14
BEDROOM	A-15 - A-16
CHASSIS	A-17 - B-08
CURTAIN & CUSHION	B-09 - E-18
DINETTE	B-19 - B-22
DRIVERS COMPARTMENT	B-23 - C-02
ELECTRICAL	C-03 - C-08
EXTERIOR BODY	C-09 - C-16
GALLEY	C-17 - C-20
GENERATOR	C-21 - C-22
HEATING & A/C	C-23 - D-02
INTERIOR FINISH	D-03 - D-06
LABELS	D-07 - D-14
LP	D-15
LOUNGE	D-16 - D-19
SEALANTS & FASTENERS	D-19 - D-21
WATER & SEWAGE	D-22 - E-01
WINDOW, VENT & EXTERIOR DOOR	E-02 - E-12
WINDSHIELD & WIPER	E-13 - E-14



ACCESSORIES GROUP

OPERATOR MANUAL

KEY	PART NUMBER	U/M DESCRIPTION
	054185-03-000	EA MANUAL - OPERATOR 93 SUNCRUISER
	082318-01-000	EA BINDER-3 RING - MOTOR HOME MANUAL
	082318-01-000	EA POCKET PAGE - 3 RING BINDER - PLASTIC
	108783-01-000	EA TOP LEVEL DRAWING NUMBER

AUDIO VIDEO GROUP

RADIO SYSTEMS & ANTENNA

KEY	PART NUMBER	U/M DESCRIPTION
	077089-02-000	EA CABLE - ANTENNA - RADIO - EXTENSION 98" - ARA 6700867
	073741-03-000	EA SPEAKER - OVAL - 4" X 6" - BLACK FROM: 00-00-00 THRU: 12-20-82
	110489-01-000	EA SPEAKER - OVAL - 4" X 6" - BLACK FROM: 12-21-82 THRU: 99-99-99
	073741-04-000	EA GRILLE - SPEAKER - OVAL - 4" X 6" - BLACK FROM: 00-00-00 THRU: 12-20-82
	110470-01-01A	EA GRILLE - SPEAKER - OVAL - 4" X 6" - BLACK FROM: 12-21-82 THRU: 99-99-99
	081059-02-000	EA WIRE ASM - 8-PIN - RADIO - AUDIOVOX 112B-1751
	104089-C1-000	EA RADIO - AM/FM STEREO - CASSETTE DIN AUDIOVOX IM-DXF FROM: 00-00-00 THRU: 03-10-83
	110287-01-000	EA RADIO - AM/FM STEREO - AUDIOVOX IM-200 FROM: 03-11-83 THRU: 99-99-99
	105248-01-000	EA ANTENNA - CEI - ADVANCE 8804
	097821-02-000	EA MOUNTING KIT - RADIO - AUDIOVOX WMAK - AB02 FROM: 00-00-00 THRU: 11-30-82
	090852-01-000	EA BRACKET - HAT - ANTENNA - 3.1" X 3.9" - STEEL - BLACK - FORD

REAR MONITOR SYSTEM

KEY	PART NUMBER	U/M DESCRIPTION
	105248-01-000	EA TELEVISION SYSTEM - REAR VIEW - AUDIOVOX A06 10
	092881-01-000	EA WIRE - INSTRUMENT PANEL - REAR VIEW MONITOR
	105304-01-000	EA WIRE A/V - REAR MONITOR - UPPER

PATIO ENTERTAINMENT CENTER

KEY	PART NUMBER	U/M DESCRIPTION
	073741-03-000	EA SPEAKER - OVAL - 4" X 6" - BLACK FROM: 00-00-00 THRU: 12-20-82
	110489-01-000	EA SPEAKER - OVAL - 4" X 6" - BLACK FROM: 12-21-82 THRU: 99-99-99
	073741-04-000	EA GRILLE - SPEAKER - OVAL - 4" X 6" - BLACK FROM: 00-00-00 THRU: 12-20-82
	110470-01-01A	EA GRILLE - SPEAKER - OVAL - 4" X 6" - BLACK FROM: 12-21-82 THRU: 99-99-99
	077089-02-000	EA CABLE - ANTENNA - RADIO - EXTENSION 98" - ARA 6700867
	087883-01-000	EA RADIO - AM/FM STEREO W/CASSETTE AUDIOVOX 144D1589
	090844-01-000	EA ANTENNA - RADIO - 16" RUBBER

1993 ITABCA TABLE OF CONTENTS

INTRODUCTION	A-01 - A-02
ABBREVIATIONS	A-03
ALPHABETICAL INDEX	A-04 - A-06
ICG37RW	A-07 - E-14
IKG34RO	E-15 - I-14

1993 ICG37RW INDEX

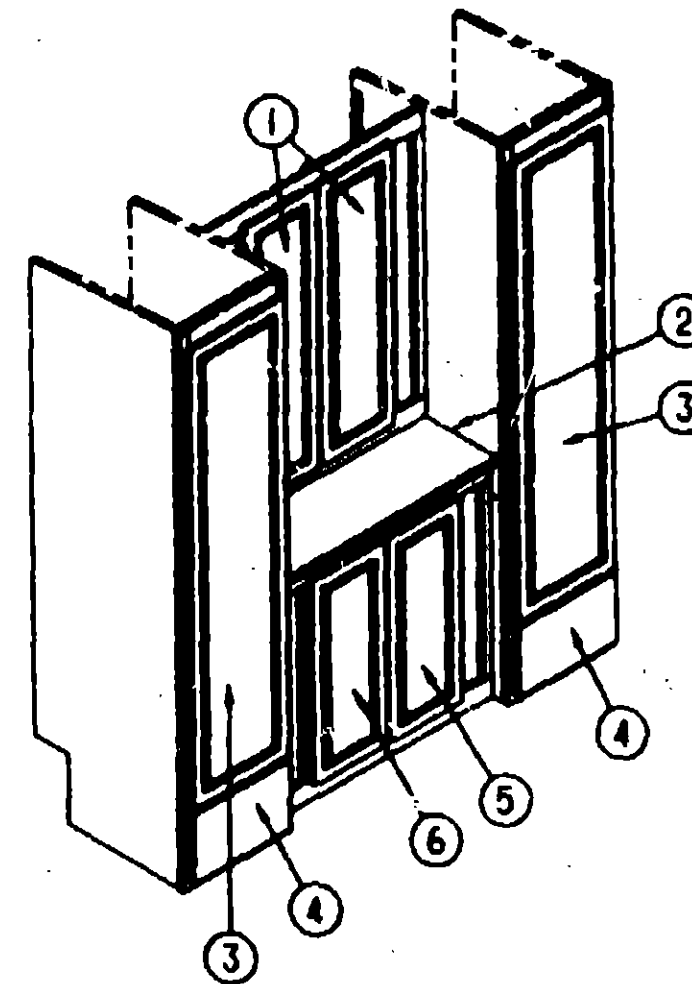
FLOOR PLAN	A-07 - A-08
ACCESSORIES	A-09
AUDIO VIDEO	A-10 - A-11
BATH	A-12 - A-14
BEDROOM	A-15 - A-16
CHASSIS	A-17 - B-08
CURTAIN & CUSHION	B-09 - B-18
DINETTE	B-19 - B-22
DRIVERS COMPARTMENT	B-23 - C-02
ELECTRICAL	C-03 - C-08
EXTERIOR BODY	C-09 - C-16
GALLEY	C-17 - C-20
GENERATOR	C-21 - C-22
HEATING & AC	C-23 - D-02
INTERIOR FINISH	D-03 - D-08
LABELS	D-07 - D-14
LP	D-15
LOUNGE	D-16 - D-18
SEALANTS & FASTENERS	D-19 - D-21
WATER & SEWAGE	D-22 - E-01
WINDOW, VENT & EXTERIOR DOOR	E-02 - E-12
WINDSHIELD & WIPER	E-13 - E-14

AUDIO VIDEO GROUP (CONTINUED)

TV - VCR SYSTEMS & ANTENNA

KEY	PART NUMBER	U/M	DESCRIPTION
	082134-01-000	EA	ADAPTER - TV - CABLE TO CABLE - WINEGARD F-61M
	088788-01-000	EA	SPLITTER - TV - 2 WAY
	078919-03-000	FT	CABLE - COAXIAL - 75 OHM
	078919-12-000	EA	CONNECTOR - COAXIAL - ONE PIECE
	088787-03-000	EA	CONTROL CENTER - SWITCH - VCR/TV - MAGNADYNE VCS 5
	088777-03-000	EA	PLATE - WALL - CABLE - W/TV ANTENNA SWITCH & BOOSTER - IVORY
	088448-03-030	EA	VCR - VHS CABLE READY - REMOTE - MAGNAVOX VR9C10 FROM: 00-00-00 THRU: 10-31-82
	088448-03-700	EA	REMOTE F/MODEL #9010
	088448-04-000	EA	VCR - VHS - CABLE READY - REMOTE - MAGNAVOX V119110 FROM: 10-05-82 THRU: 89-89-89
	018448-04-700	EA	REMOTE F/MODEL #9110
	088447-03-000	EA	TV - 13" - COLOR WIREMOUNT - U.S. - MAGNAVOX RR1337
	088447-04-000	EA	TV - 13" - COLOR WIREMOUNT - CANADIAN - MAGNAVOX RR1330W
	088447-05-700	EA	REMOTE FOR TV-13"
	088919-01-000	EA	SPEAKER - 2 WATT - 8 OHM - 4"
	088214-01-02A	EA	GRILL - SPEAKER, 4" BROWN
	088717-02-000	EA	TIEDOWN - TV - STRAP ON FEMALE END IS 20.7" LONG
	088717-01-000	EA	TIEDOWN - TV - STRAP ON FEMALE END IS 22.8" LONG
	088210-02-000	EA	TV - COLOR - 8" - AC/DC - WIREMOUNT - MAGNAVOX R00945
	088210-02-700	EA	REMOTE F/TV 0822334
	078919-01-030	EA	ANTENNA - TV - ROOF MOUNT - 44.5" MAST RVA W02
	078919-01-700	EA	HEAD - ANTENNA - AMPLIFIED - WINEGARD RVSA L1V
	078919-01-701	EA	GEAR - ELEVATING - PLASTIC - WINEGARD 2200048
	078919-01-702	EA	SHAFT ASM - ELEVATING - WINEGARD RVP-400A
	078919-01-703	EA	BEARING - NYLON - 5"OD - WINEGARD 3200856
	078919-01-70C	EA	GRYMMET - NYLON - 7/8"ID - WINEGARD 3200858
	078919-01-70B	EA	CRANK - ELEVATING - W/SET SCREW 5755100
	078919-01-707	EA	SPRING - HANDLE - WINEGARD 5190800
	078919-01-708	EA	PLATE - DIRECTIONAL - FOR HEAD - WINEGARD 3200844
	078919-C1-708	EA	CRANK - ELEVATING - W/SET SCREW - WINEGARD 5755100
	078919-08-000	EA	WALLPLATE - CABLE RECEPTACLE - TV - SINGLE - IVORY
	078919-09-000	EA	WALLPLATE - CABLE RECEPTACLE - TV - SINGLE - BROWN
	082138-01-000	EA	NUT - HEX JAM 3/8-32 WINEGARD
	088777-01-000	EA	WALLPLATE - TV CABLE - W/ANTENNA SWITCH - IVORY
	088777-03-000	EA	WALLPLATE - TV CABLE - W/TV ANTENNA SWITCH & BOOSTER - IVORY
	088787-03-000	EA	CONTROL CENTER - SWITCH - VCR/TV - MAGNADYNE VCS-6

BATH GROUP



WARDROBE CABINET

KEY	PART NUMBER	U/M	DESCRIPTION
1	P04538-07-D35	EA	DOOR ASM. - W/O HARDWARE
2	109184-15-D12	EA	COUNTERTOP ASM. (D35)
2	109184-15-D36	EA	COUNTERTOP ASM.
3	P04538-15-D35	EA	DOOR ASM. - W/O HARDWARE
4	P07104-T8-D35	EA	DRAWER ASM. - W/O HARDWARE
5	P03702-L8-D35	EA	DOOR ASM - W/O HARDWARE
6	P03702-M2-D35	EA	DOOR ASM - W/O HARDWARE

1983 ITASCA TABLE OF CONTENTS

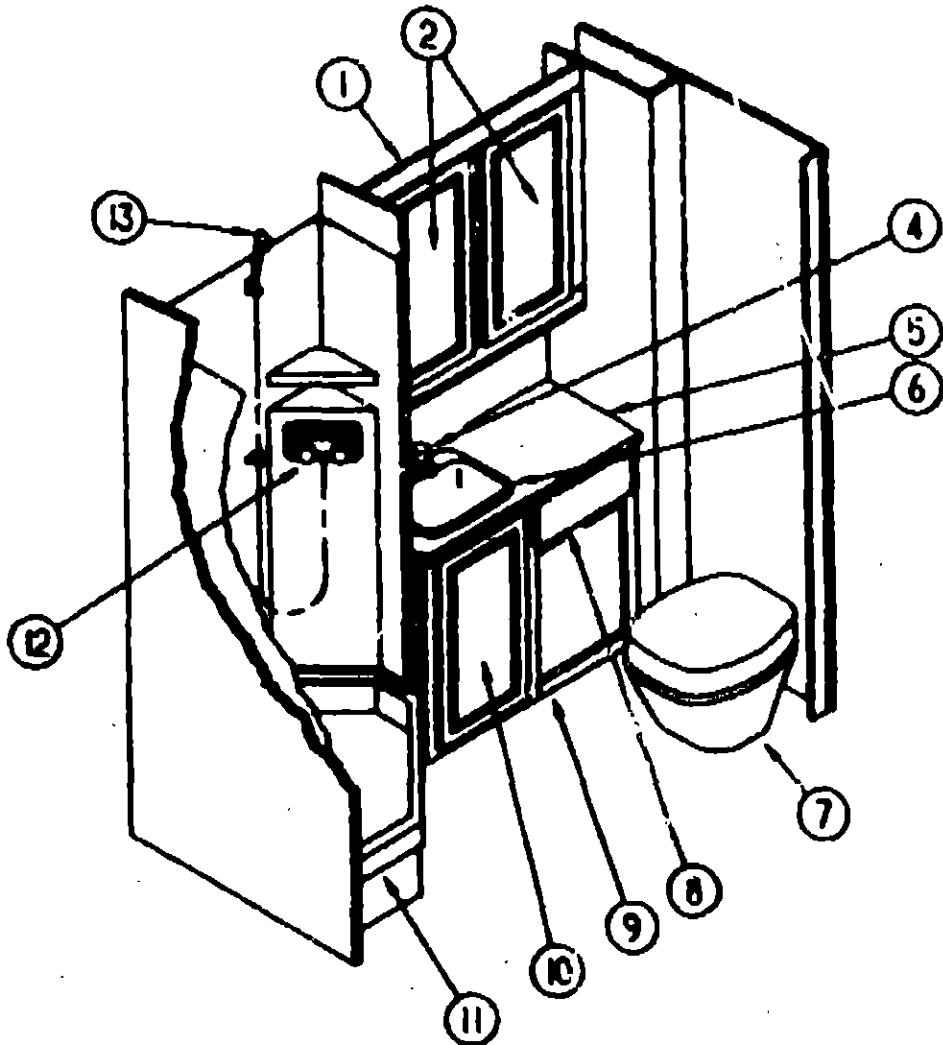
INTRODUCTION	A-01 - A-08
ABBREVIATIONS	A-09
ALPHABETICAL INDEX	A-04 - A-08
ICG37RW	A-07 - E-14
ICG34RO	E-15 - I-14

1983 ICG37RW INDEX

FLOOR PLAN	A-07 - A-08
ACCESSORIES	A-09
AUDIO VIDEO	A-10 - A-11
BATH	A-12 - A-14
BEDROOM	A-15 - A-16
CHASSIS	A-17 - B-08
CURTAIN & CUSHION	B-09 - B-18
URINETTE	B-19 - B-22
DRIVERS COMPARTMENT	B-23 - C-02
ELECTRICAL	C-03 - C-08
EXTERIOR BODY	C-09 - C-16
GALLEY	C-17 - C-20
GENERATOR	C-21 - C-22
HEATING & AC	C-23 - D-02
INTERIOR FINISH	D-03 - D-08
LABELS	D-07 - D-14
LP	D-15
LOUNGE	D-16 - D-18
SEALANTS & FASTENERS	D-19 - D-21
WATER & SEWAGE	D-22 - E-01
WINDOW, VENT &	
EXTERIOR EXHAUST	E-02 - E-12
WINDSHIELD & WIPER	E-13 - E-14

BATH GROUP (CONTINUED)

BATH CABINETS, PRIVACY DOOR & SHOWER COMPONENTS



KEY	PART NUMBER	U/M	DESCRIPTION
1	P10191-01-036	EA	CABINET ASM - MEDICINE
2	P04671-29-036	EA	DOOR ASM - W/O HARDWARE
4	075241-08-000	EA	FAUCET - LAVATORY - BONE
5	102132-11-012	EA	COUNTERTOP ASM (036)
5	M05670-57-036	EA	COUNTERTOP ASM
	075464-02-000	EA	RING - TOWEL - W/MOUNTING HARDWARE - BRASS
	075463-02-000	EA	BAR - TOWEL - 18" - BRASS
6	096927-01-01A	EA	SINK - LAVATORY - RECTANGULAR - PLASTIC - BONE
	096927-01-700	EA	SINK STOPPER
	096927-01-701	EA	TAILPIECE - SINK
7	039341-03-000	EA	TOILET - STARLITE - HIGH - THETFORD PARCHMENT
	039341-02-703	EA	PLUG - HOLE - IVORY
	039341-02-705	EA	MOUNTING PACKAGE
	039341-02-707	EA	FIN - HINGE - TOILET
	029341-03-700	EA	COVER - TOILET - PARCHMENT
	039341-03-701	EA	RING - SEAT - TOILET - PARCHMENT
	084076-01-701	EA	MECHANISM - FLUSHING
8	P07104-50-036	EA	DRAWER ASM - W/O HARDWARE
9	P06082-01-036	EA	CABINET ASM - LAVATORY
10	P03702-18-036	EA	DOOR ASM - W/O HARDWARE
	104013-05-036	EA	BATH DOOR ASM - SLIDING (BEDROOM)
	104013-02-036	EA	BATH DOOR ASM - SLIDING (GALLEY)
	103674-01-000	EA	HANGER - SLIDING DOOR
	103978-03-C27	EA	HEADER - SLIDING DOOR
	084467-01-000	EA	GUIDE - POCKET - SLIDING DOOR - WALL MOUNTED
	075492-02-000	EA	HOLDER - TOILET TISSUE - BRASS
	107878-01-01A	EA	DOOR ASM - SHOWER
	089318-01-701	FT	VINYL SWEEP
	082574-01-704	EA	SCREW - GOLD - #8 3/8
	082574-01-705	EA	MAGNETIC STRIP - 58.9"
	082574-01-707	EA	PIVOT BUSHING
	082574-01-708	EA	PULL - DOOR - GOLD
	082574-01-701	EA	BRACKETS - TOWEL BAR - W/STUDS
	107878-01-702	EA	TOWEL BAR
11	M02830-23-018	EA	SHOWER PAN ASM
	089440-01-000	EA	STRAINER W/RUBBER WASHER
	011038-04-000	EA	TAILPIECE - 1 1/2 X 1 1/4 X 8 - BRASS (SHOWER PAN)
	089735-01-000	EA	WASHER - STRAINER TO TAILPIECE PLASTIC - 1.5"
	089438-01-000	EA	NUT - SLIP - TAILPIECE - 1.5"
12	075241-08-000	EA	FAUCET - SHOWER - BONE
	075808-01-000	EA	PANEL - FAUCET BACK - SHOWER - 5" X 9" - PLASTIC
	104044-01-000	EA	BRACKET - SUPPORT - FAUCET
13	103082-01-000	EA	SHOWER HEAD - W/O HOSE (US)
13	103082-02-000	EA	SHOWER HEAD - W/HOSE (CSA)
	103082-01-700	EA	BRACKET (FOR SHOWER HEAD)
	107848-01-01A	EA	ENCLOSURE - SHOWER OFF WHITE
	107848-01-01A	EA	CAP - SHOWER - OFF WHITE
	061871-01-000	EA	COVER - SCREW - #8 - PLASTIC - OFF WHITE

1988 ITASCA TABLE OF CONTENTS

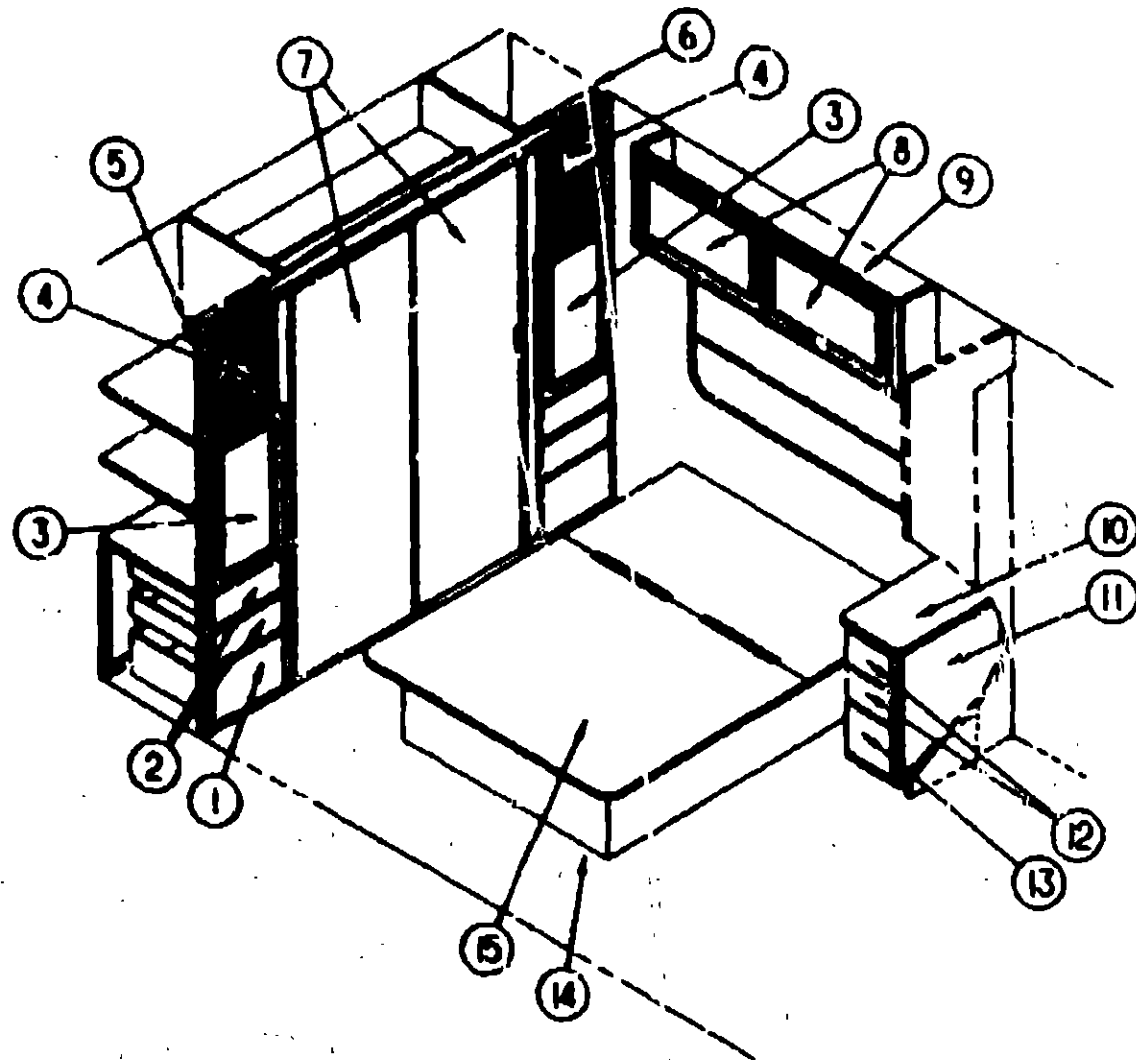
INTRODUCTION	A-01 - A-02
ABBREVIATIONS	A-03
ALPHABETICAL INDEX	A-04 - A-08
ICG37RW	A-07 - E-14
ICG341Q	E-15 - I-14

1988 ICG37RW INDEX

FLOOR PLAN	A-07 - A-09
ACCESSORIES	A-09
AUDIO VIDEO	A-10 - A-11
BATH	A-12 - A-14
BEDROOM	A-15 - A-18
CHASSIS	A-17 - B-48
CURTAIN & CURTAIN	B-09 - B-18
DINETTE	B-19 - B-22
DRIVERS COMPARTMENT	B-23 - C-02
ELECTRICAL	C-03 - C-08
EXTERIOR BODY	C-09 - C-16
GALLEY	C-17 - C-20
GENERATOR	C-21 - C-22
HEATING & AC	C-23 - D-02
INTERIOR FINISH	D-03 - D-06
LABELS	D-07 - D-14
LP	D-15
LOUNGE	D-16 - D-18
SEALANTS & FASTENERS	D-19 - D-21
WATER & SEWAGE	D-22 - E-01
WINDOW, VENT &	
EXTERIOR DOOR	E-02 - E-12
WINDSHIELD & WIPER	E-13 - E-14

BEDROOM GROUP

QUEEN BED



KEY	PART NUMBER	UNIT DESCRIPTION
1	P07104-63-D36	EA DRAWER ASM. - W/O HARDWARE
2	P07104-65-D36	EA DRAWER ASM. - W/O HARDWARE
3	P03702-81-D36	EA DOOR ASM. - W/O HARDWARE
4	057882-04-000	S' DOOR - TAMBOUR
	M07191-01-000	EA HANDLE - DOOR - TAMBOUR
5	087141-01-000	EA TRACK - SPIRAL - TAMBOUR DOOR - RIGHT
6	087141-02-000	EA TRACK - SPIRAL - TAMBOUR DOOR - LEFT
	087141-02-700	EA TRACK - SPIRAL KIT (1) LEFT & (1) RIGHT
7	058331-81-000	EA MIRROR - GLASS - SAFETY - WARDROBE DOOR
7	107388-02-01A	EA STILE - DOOR W/PULL
7	107387-02-01A	EA RAIL - DOOR - BY-PASS
7	107388-02-01A	EA TRACK - BOTTOM - BY-PASS
7	107389-02-01A	EA TRACK - TOP - BY-PASS
7	107390-01-000	EA HANGER - CORNER CONNECTION
7	107391-01-000	EA GUIDE - BOTTOM - BY-PASS
7	107392-01-000	EA STRAP - RETAINER - BY-PASS DOOR - PLASTIC
8	P13702-05-D36	EA DOOR ASM. - W/O HARDWARE
9	M02180-26-D36	EA CABINET ASM. - OVERHEAD
10	104639-12-012	EA COUNTERTOP ASM. (D36)
10	104639-12-038	EA COUNTERTOP ASM.
11	104639-02-035	EA CABINET ASM. - NIGHTSTAND
11	104639-02-038	EA CABINET ASM. - NIGHTSTAND
12	P07104-73-D36	EA DRAWER ASM. - W/O HARDWARE - UPPER
13	P07104-75-D36	EA DRAWER ASM. - W/O HARDWARE - LOWER
14	P09475-01-D36	EA CABINET ASM. - BED
	107535-01-000	EA SPRING - GAS - 20" BLADE END - SPRING LIFT
	107541-01-000	EA BRACKET - FLAT - GAS SPRING
	008083-01-000	EA HINGE - CONT - STL 1 1/2 X 72
	091281-01-000	FT BACKING - NON-SKID - 12"X100"
15	M05805-32-D12	EA TOP ASM. - BED - QUEEN

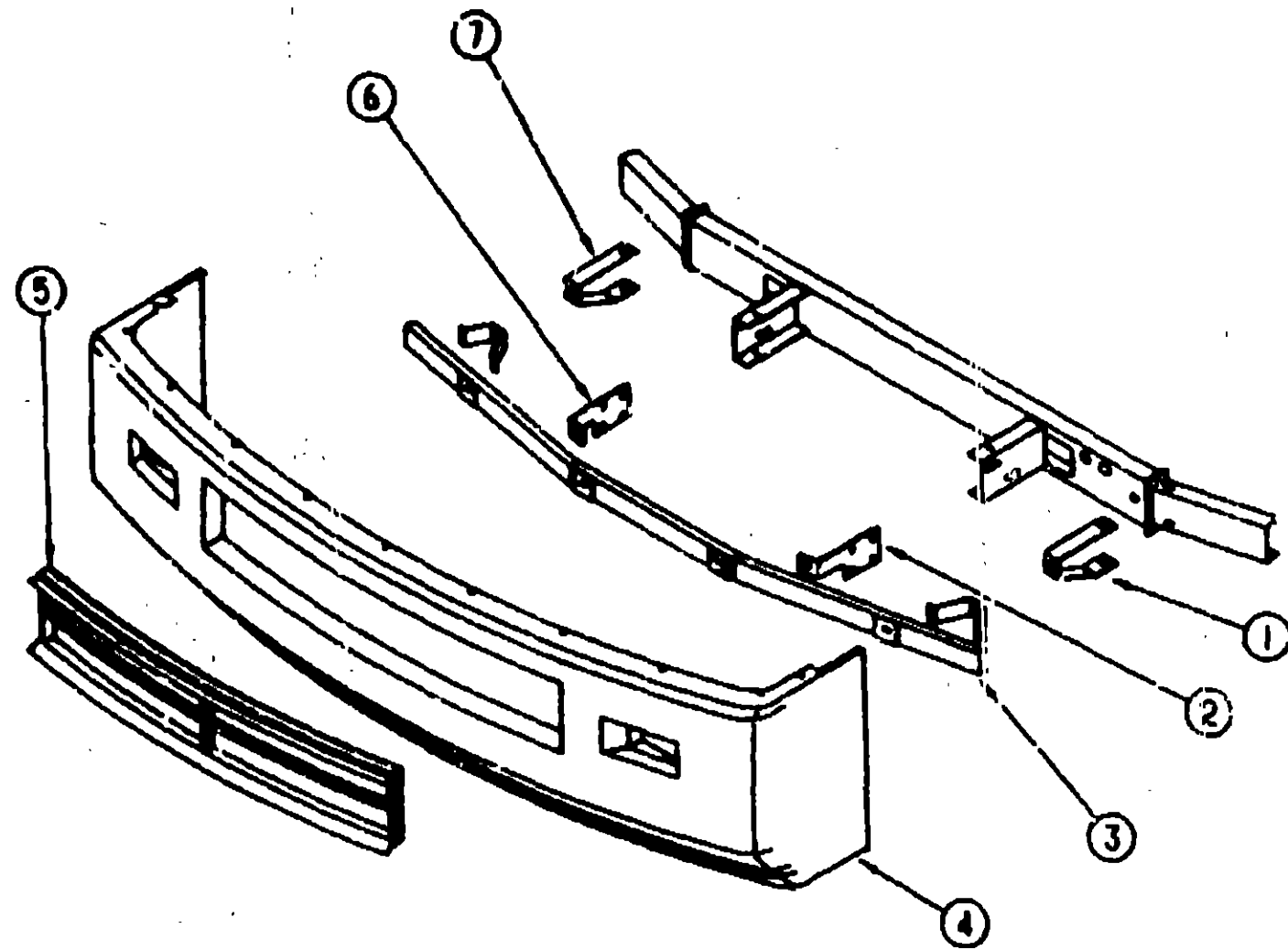
1983 ITABCA TABLE OF CONTENTS

INTRODUCTION	A-01 - A-02
ABBREVIATIONS	A-03
ALPHABETICAL INDEX	A-04 - A-05
ICG37RW	A-07 - E-14
W023490	E-15 - I-14

1983 ICG37RW INDEX

FLOOR PLAN	A-07 - A-08
ACCESSORIES	A-09
AUDIO VIDEO	A-10 - A-11
BATH	A-12 - A-14
BEDROOM	A-15 - A-18
CHASSIS	A-17 - B-08
CURTAIN & CUSHION	B-09 - B-18
DINETTE	B-19 - B-22
DRIVERS COMPARTMENT	B-23 - C-02
ELECTRICAL	C-03 - C-08
EXTERIOR BODY	C-09 - C-16
GALLEY	C-17 - C-20
GENERATOR	C-21 - C-22
HEATING & A/C	C-23 - D-02
INTERIOR FINISH	D-03 - D-08
LABELS	D-07 - D-14
LP	D-15
LOUNGE	D-16 - D-18
SEALANTS & FASTENERS	D-19 - D-21
WATER & SEWAGE	D-22 - E-01
WINDOW, VENT & EXTERIOR DOOR	E-02 - E-12
WINDSHIELD & WIPER	E-13 - E-14

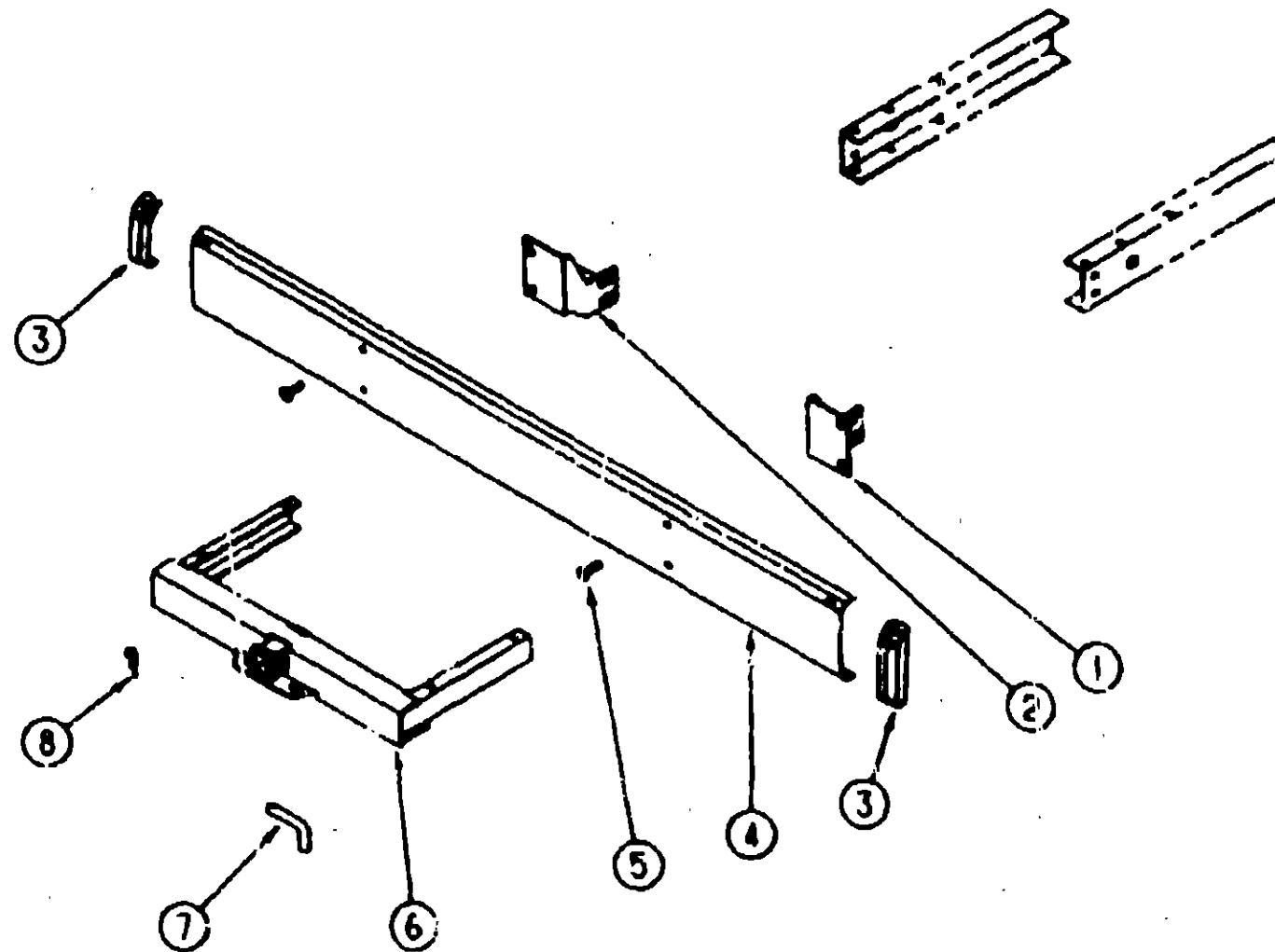
CHASSIS GROUP



FRONT BUMPER

KEY	PART NUMBER	U/M	DESCRIPTION
1	103611-01-000	EA	BRACE - BUMPER - FRONT
2	086140-04-000	EA	SUPPORT - FRONT BUMPER - DRIVER SIDE - 0.1" X 4" - STEEL
3	103612-01-000	EA	CHANNEL ASM - BUMPER
4	104881-01-012	EA	BUMPER PANEL ASM - FRONT
6	104318-02-C07	EA	GRILL ASM.
8	086140-03-000	EA	SUPPORT - FRONT BUMPER - PASSENGER SIDE - 0.1" X 4" - STEEL
7	103487-01-000	EA	BRACE - BUMPER - FRONT
	103086-01-08A	EA	TRIM - BUMPER END CAP - DRIVER/PASSENGER SIDE

CHASSIS GROUP (CONTINUED)



REAR BUMPER

KEY	PART NUMBER	U/M	DESCRIPTION
1	104418-01-000	EA	ANGLE - SUPPORT - BUMPER REAR
2	104418-02-000	EA	ANGLE - SUPPORT - BUMPER REAR
3	103228-01-03A	EA	END CAP - BUMPER REAR - ASH GRAY
4	103086-01-04A	EA	REAR BUMPER - BUFF
5	102333-01-02A	EA	BOLT - 7/16"
6	077817-01-000	EA	HITCH ASM.
7	034613-01-000	EA	PIN
8	034613-01-000	EA	PIN - 3/16" WIRE

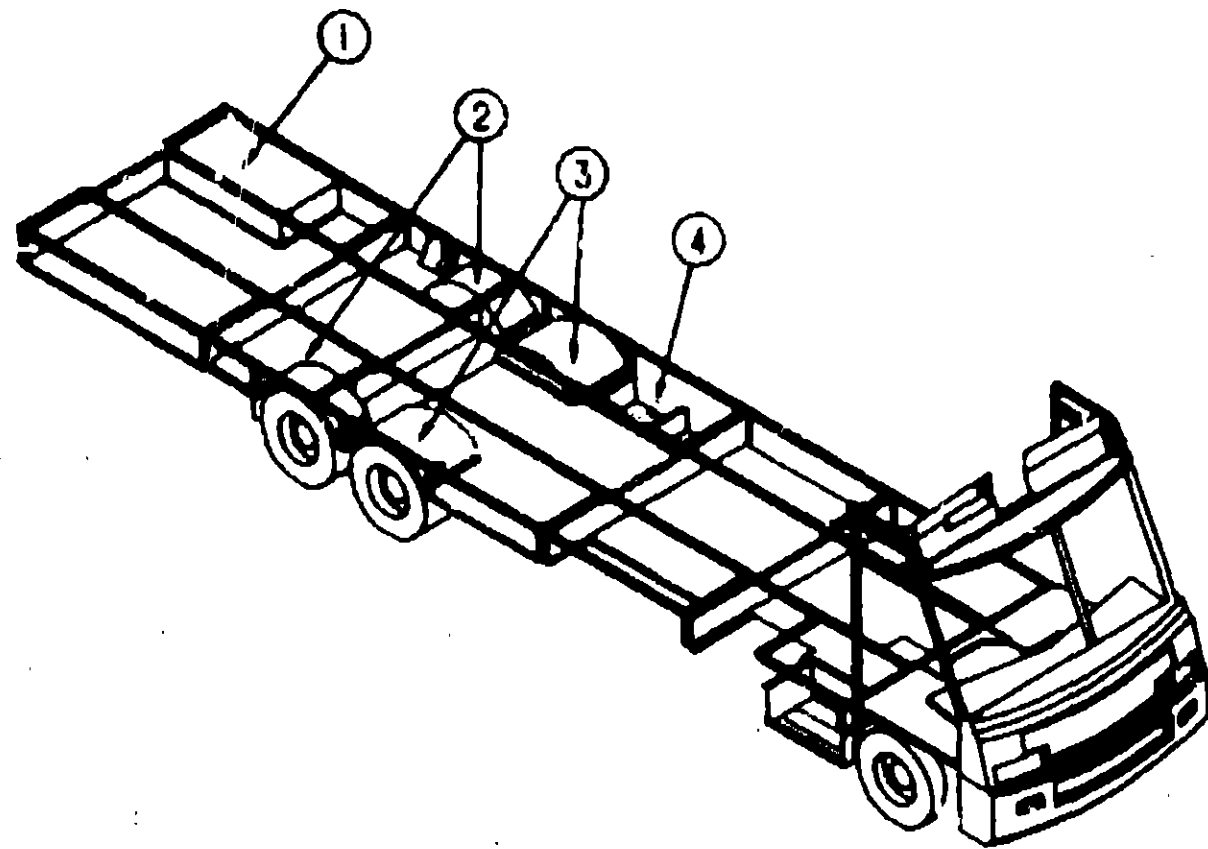
**1993 ITASCA
TABLE OF CONTENTS**

INTRODUCTION	A-01 - A-02
ABBREVIATIONS	A-03
ALPHABETICAL INDEX	A-04 - A-08
ICG37RW	A-07 - E-14
IKG34RQ	E-15 - I-14

1993 ICG37RW INDEX

FLOOR PLAN	A-07 - A-08
ACCESSORIES	A-09
AUDIO VIDEO	A-10 - A-11
BATH	A-12 - A-14
BEDROOM	A-15 - A-16
CHASSIS	A-17 - B-08
CURTAIN & CUSHION	B-09 - B-18
DINETTE	B-19 - B-22
DRIVERS COMPARTMENT	B-23 - C-02
ELECTRICAL	C-03 - C-16
EXTERIOR BODY	C-09 - C-16
GALLEY	C-17 - C-20
GENERATOR	C-21 - C-22
HEATING & AC	C-23 - D-02
INTERIOR FINISH	D-03 - D-06
LABELS	D-07 - D-14
LP	D-15
LOUNGE	D-16 - D-18
MOUNTS & FASTENERS	D-19 - D-21
WATER & SEWAGE	D-22 - E-01
WINDOW, VENT &	
EXTERIOR DOOR	E-02 - E-12
WINDSHIELD & WIPER	E-13 - E-14

CHASSIS GROUP (CONTINUED)



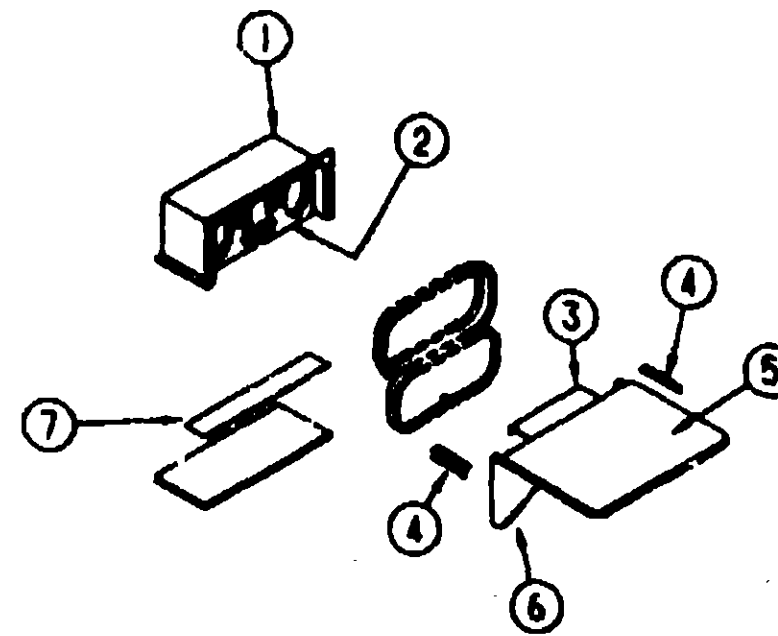
COMPARTMENTS & TRAYS

KEY	PART NUMBER	U/M DESCRIPTION
1	094857-02-000	EA TRAY - GENERATOR - 22.5" X 30.4" X 6.9" W/ANGLE & NUTS
2	065374-02-000	EA WHEELWELL - PLASTIC (TAG AXLE)
3	065374-01-000	EA WHEELWELL - PLASTIC
	080187-05-000	EA DIRT GUARD
4	714742-01-007	EA STORAGE COMPARTMENT ASM.
	064857-01-000	EA HATCH - COMPARTMENT - SEWER HOSE - 6"
	082857-03-000	EA CAP - TWIST HATCH - SEWER HOSE - 4" ID - BEIGE
	082857-04-000	EA CHAIN - TWIST CAP - 9"
	082857-08-01A	EA NET - CARGO
	085480-08-000	EA TIEDOWN-BATTERY - 8.4" TUBE

STEP ASSEMBLIES

KEY	PART NUMBER	U/M DESCRIPTION	
	084707-01-01A	EA STEP - DOUBLE - ELECTRIC	KYRKEE 3218
	041350-01-000	EA SWITCH - PUSH BUTTON - IN DOOR JAMB - METAL - CHROME	
	084707-02-700	EA MOTOR REPLACEMENT KIT - MODELS 32 & 28	KYRKEE 9520
	084707-02-701	EA LINKAGE ASM - MODEL 32	KYRKEE 9523
	084707-02-702	EA GEAR KIT	KYRKEE 9525
	084707-02-703	EA PARTS KIT - (BEARINGS & PINS)	KYRKEE 9530
	084707-02-704	EA CONNECTOR KIT - MOTOR	KYRKEE 4537
	084707-02-705	EA CONTROL UNIT - (ORANGE)	KYRKEE 6513
	98813-01-000	EA SWITCH - DOOR JAMB - ELECTRIC ENTRY STEP - METAL	
	077848-01-000	EA STEP - PULLOUT - W/BRACKETS - BLACK	

CHASSIS GROUP (CONTINUED)



COMPARTMENT (ENTERTAINMENT CENTER)

KEY	PART NUMBER	U/M DESCRIPTION
1	104897-01-01A	EA BOX - ENTERTAINMENT CENTER - OFF WHITE (US)
1	104897-03-01A	EA BOX - ENTERTAINMENT CENTER - OFF WHITE (CSA)
2	104899-01-004	EA PLATE - RADIO MOUNTING
3	106377-01-01A	EA BRACKET - TABLE HANGER OFF WHITE
4	105376-01-02A	EA HINGE - CONTINUED - 2"X14MM OFF WHITE
5	105230-11-005	EA SHELF ASM.
6	105230-12-009	EA SUPPORT ASM.
	105230-01-009	EA SHELF & SUPPORT ASM.
7	104898-01-01A	EA PLATE - PLASTIC BOTTOM - OFF WHITE (CSA)
7	104898-02-01A	EA PLATE - PLASTIC BOTTOM - OFF WHITE (US)

**1993 ITASCA
TABLE OF CONTENTS**

INTRODUCTION	A-01 - A-02
ABBREVIATIONS	A-03
ALPHABETICAL INDEX	A-04 - A-08
ICG37RW	A-07 - E-14
ICG34RO	E-15 - I-14

1993 ICG37RW INDEX

FLOOR PLAN	A-07 - A-08
ACCESSORIES	A-09
AUDIO VIDEO	A-10 - A-11
BATH	A-12 - A-14
BEDROOM	A-15 - A-16
CHASSIS	A-17 - B-08
CURTAIN & CUSHION	B-09 - B-18
DINETTE	B-19 - B-22
DRIVERS COMPARTMENT	B-23 - C-02
ELECTRICAL	C-03 - C-08
EXTERIOR BODY	C-09 - C-16
GALLEY	C-17 - C-20
GENERATOR	C-21 - C-22
HEATING & A/C	C-23 - D-02
INTERIOR FINISH	D-03 - D-08
LABELS	D-07 - D-14
LP	D-15
LOUNGE	D-16 - D-18
SEALANTS & FASTENERS	D-19 - D-21
WATER & SEWAGE	D-22 - E-01
WINDOW, VENT &	
EXTERIOR DOOR	E-02 - E-12
WINDSHIELD & WIPER	E-13 - E-14

CHASSIS GROUP (CONTINUED)

HENSCHEN TAG AXLE INSTALLATION (FORD) (FROM: 08-08-68 THRU: 03-27-74)

CHASSIS GROUP (CONTINUED)

HENSCHEN TAG AXLE INSTALLATION (CHEVY) (FROM: 08-08-68 THRU: 10-01-82)

**1989 ITASCA
TABLE OF CONTENTS**

INTRODUCTION	A-01 - A-02
ABBREVIATIONS	A-03
ALPHABETICAL INDEX	A-04 - A-06
ICG37RW	A-07 - E-14
IKG34RQ	E-15 - I-14

1989 ICG37RW INDEX

FLOOR PLAN	A-07 - A-08
ACCESSORIES	A-09
AUDIO VIDEO	A-10 - A-11
BATH	A-12 - A-14
BEDROOM	A-15 - A-18
CHAIRS	A-17 - B-08
CLITTAIN & CUSHION	B-09 - B-18
DISETTE	B-19 - B-22
DRIVER'S COMPARTMENT	B-23 - C-02
ELECTRICAL	C-03 - C-05
EXTERIOR BODY	C-06 - C-10
GALLEY	C-11 - C-20
GENERATOR	C-21 - C-22
HEATING & AC	C-23 - D-02
INTERIOR FURN	D-03 - D-08
LABELS	D-07 - D-14
LP	D-15
LOUNGE	D-16 - D-18
SEALANTS & FASTENERS	D-19 - D-21
WATER & SEWAGE	D-22 - E-01
WINDOW, VENT &	
EXTERIOR DOOR	E-02 - E-12
WINDSHIELD & WIPER	E-13 - E-14

KEY	PART NUMBER	USE DESCRIPTION	OVERHILL 8055
	071375-02-000	EA TANK - AIR - TAG AXLE SUSPENSION	OVERHILL 8055
	071375-03-000	EA ISOLATOR - MOUNTING - AIR TANK	OVERHILL 1088
	071387-04-000	EA ELBOW - MALE - BRAKE TUBE 3/8 X 1/4 - 1489X4 WEATHERHEAD	
	071387-05-000	EA TEE - MALE BRANCH - 1/4" X 1/4" TUBE	
	071389-02-000	FT TUBING - AIR BRAKE - 3/8" OD - RED - NT10008 - WEATHERHEAD	
	071389-03-000	FT TUBING - AIR BRAKE - 1/4" OD - BLACK - NT10004 - WEATHERHEAD	
	071389-04-000	EA PLUG - HEX HEAD - 1/4 NPT - BRASS - 3152X4 WEATHERHEAD	
	085754-01-000	EA VALVE - HEIGHT CONTROL - PASSENGER SIDE W/O LINKAGE	HENSCHEN 0820046
	085754-02-000	EA VALVE - HEIGHT CONTROL - DRIVER SIDE W/O LINKAGE	HENSCHEN 0820047
	085754-04-000	EA PIVOT - LINK MTG - FORD/OSH KOSH	HENSCHEN 5820084
	085754-07-000	EA LINK - VALVE CONTROL - 7" WBOLT	HENSCHEN 0820021-7
	083788-02-000	EA SWITCH - "LOW AIR" - NABSON SP-17B-30F	
	085754-01-000	EA ADAPTER - 1/4 FPT X 1/4 MPT - BRASS - WEATHERHEAD	
	085773-01-000	EA VALVE - DRAIN - AIR TANK - 1/4 MPT - WCABLE - WEATHERHEAD	
	088241-01-000	EA VALVE - AIR - 1/4 MPT - TIRE STEM - SCHRADER 1488E - 6	
	088438-02-000	EA AXLE - TAG - FORD	HENSCHEN 5820088
	085780-01-700	EA MAGNET KIT - OVAL	HENSCHEN M - 130
	085780-01-701	EA SHOE & LININGS - FOR 1 BRAKE - SL-111	
	085780-01-706	EA GREASE SEAL	HENSCHEN 0270015
	085780-01-708	EA BRAKE - RIGHT HAND - 12 X 2	HENSCHEN 3180014
	085780-01-709	EA BRAKE - LEFT HAND - 12 X 2	HENSCHEN 3180015
	085780-01-723	EA MAGNET KIT - ROUND	HENSCHEN M - 115
	085780-01-724	EA ARM - LEVELOR - MAGNETIC - RIGHT HAND	HENSCHEN 055829
	085780-01-725	EA ARM - LEVELOR - MAGNETIC - LEFT HAND	HENSCHEN 055830
	044288-01-700	EA BEARING - WHEEL - INNER - JOHN DEERE & FORD TAG AXLE 170050	
	084888-02-701	EA BEARING - WHEEL - OUTER - JOHN DEERE & FORD TAG AXLE 0170052	
	084888-02-704	EA COVER - DUST - WZERK - JOHN DEERE & FORD TAG AXLE 3620030	
	088438-02-700	EA HUB & DRUM WRACES - DRIVER & PASSENGER SIDE - FORD 3180805	
	088438-04-000	EA SUSPENSION - TAG - FORD	HENSCHEN 5820084
	085780-01-712	EA BUSHING - SPRING	HENSCHEN 5803-023
	085780-01-713	EA CROSSMEMBER	HENSCHEN 8800-148
	085780-01-714	EA TRANSVERSE ROD	HENSCHEN 5001-004
	085780-01-715	EA BUSHING - TRANSVERSE ROD	HENSCHEN 7572-102
	085780-01-718	EA PIN - STRADDLE	HENSCHEN 5808-001
	085780-01-719	EA NUT - SPRING STIRRUP	HENSCHEN 88110-130
	085780-01-720	EA STIRRUP-SPRING	HENSCHEN 8800-079
	085780-01-721	EA BRACKET - FRAME MOUNTING - RIGHT	HENSCHEN 8800-047R
	085780-01-722	EA BRACKET - FRAME MOUNTING - LEFT	HENSCHEN 8800-047L
	088438-04-700	EA BELLOW - AIR SPRING - TAG SUSPENSION	HENSCHEN 0820058

KEY	PART NUMBER	USE DESCRIPTION	OVERHILL 8055
	071375-02-000	EA TANK - AIR - TAG AXLE SUSPENSION	OVERHILL 8055
	071375-03-000	EA ISOLATOR - MOUNTING - AIR TANK	OVERHILL 1088
	071387-04-000	EA ELBOW-MALE - BRAKE TUBE 3/8 X 1/4 - 1489X4 WEATHERHEAD	
	071387-05-000	EA ELBOW-MALE - BRAKE TUBE 1/4 X 1/4 - 1489X4 WEATHERHEAD	
	071389-02-000	EA TEE - MALE BRANCH - 1/4" X 1/4" TUBE	
	071389-03-000	FT TUBING - AIR BRAKE - 3/8" OD - RED - NT10008-RD WEATHERHEAD	
	071389-04-000	FT TUBING - AIR BRAKE - 1/4" OD - BLACK - NT10004-BK WEATHERHEAD	
	071389-09-000	EA PLUG - HEX HEAD - 1/4 NPT - BRASS - 3152X4 WEATHERHEAD	
	085750-02-000	EA AXLE - TAG - TORSIONRUBBER SUSPENSION - W/SURE LUBE	HENSCHEN 7300080
	085750-01-700	EA MAGNET KIT - OVAL	HENSCHEN M - 130
	085750-01-701	EA SHOE & LININGS - FOR 1 BRAKE - SL-111	
	085750-01-703	EA INNER BEARING CONE	HENSCHEN 0170012
	085750-01-706	EA GREASE SEAL	HENSCHEN 0270015
	085750-01-708	EA BRAKE - RIGHT HAND - 12 X 2	HENSCHEN 3180014
	085750-01-709	EA BRAKE - LEFT HAND - 12 X 2	HENSCHEN 3180015
	085750-01-723	EA MAGNET KIT - ROUND	HENSCHEN M - 115
	085750-01-724	EA ARM - LEVELOR - MAGNETIC - RIGHT ROUND	HENSCHEN 055829
	085750-01-725	EA ARM - LEVELOR - MAGNETIC - LEFT ROUND	HENSCHEN 055830
	085780-02-700	EA HUB & DRUM WRACES - SURELUBE	HENSCHEN 3180542
	085780-02-701	EA OUTER BEARING CONE - SURELUBE	HENSCHEN 0170018
	085780-02-702	EA COVER - DUST - WZERK - SURELUBE	HENSCHEN 0800088
	085751-01-000	EA SHOCK - ABSORBER - TAG AXLE	HENSCHEN 0220003
	085752-01-000	EA SUSPENSION-AIR - P-30 SUPERIDE	HENSCHEN 3480084
	085750-01-711	EA SPRING - AIR	HENSCHEN 8003-011
	085750-01-712	EA BUSHING - SPRING	HENSCHEN 5803-023
	085750-01-713	EA CROSSMEMBER	HENSCHEN 8800-148
	085750-01-714	EA TRANSVERSE ROD	HENSCHEN 5001-004
	085750-01-715	EA BUSHING - TRANSVERSE ROD	HENSCHEN 7572-102
	085750-01-718	EA PIN-STRADDLE	HENSCHEN 5808-001
	085750-01-717	EA BEAM - AIR SPRING	HENSCHEN 8800-147
	085750-01-719	EA NUT - SPRING STIRRUP	HENSCHEN 88110-130
	085750-01-720	EA STIRRUP-SPRING	HENSCHEN 8800-079
	085750-01-721	EA BRACKET - FRAME MOUNTING - RIGHT	HENSCHEN 8800-047R
	085750-01-722	EA BRACKET - FRAME MOUNTING - LEFT	HENSCHEN 8800-047L
	085754-01-000	EA VALVE - HEIGHT CONTROL - PASSENGER SIDE W/O LINKAGE	HENSCHEN 0820046
	085754-02-000	EA VALVE - HEIGHT CONTROL - DRIVER SIDE W/O LINKAGE	HENSCHEN 0820047
	085754-03-000	EA PIVOT - LINK MTG - CHEVY	HENSCHEN 5820083
	085754-05-000	EA LINK - VALVE CONTROL - 7" WBOLT	HENSCHEN 0820021-7
	085754-01-000	EA SWITCH - "LOW AIR"	HENSCHEN 510880-00
	085788-01-000	EA ADAPTER - 1/4 FPT X 1/4 MPT - BRASS - WEATHERHEAD	
	085772-01-000	EA WASHER - CONICAL SPRING - 5/8 - TAG AXLE MOUNT	
	085773-01-000	EA VALVE - DRAIN - AIR TANK - 1/4 MPT - WCABLE - WEATHERHEAD	
	088241-01-000	EA VALVE - AIR - 1/4 MPT - TIRE STEM - SCHRADER 1488E - 6	
	104883-01-000	EA SHOCK ABSORBER - GAS - P30 FRONT - BILSTEIN 848-1173	

CHASSIS GROUP (CONTINUED)

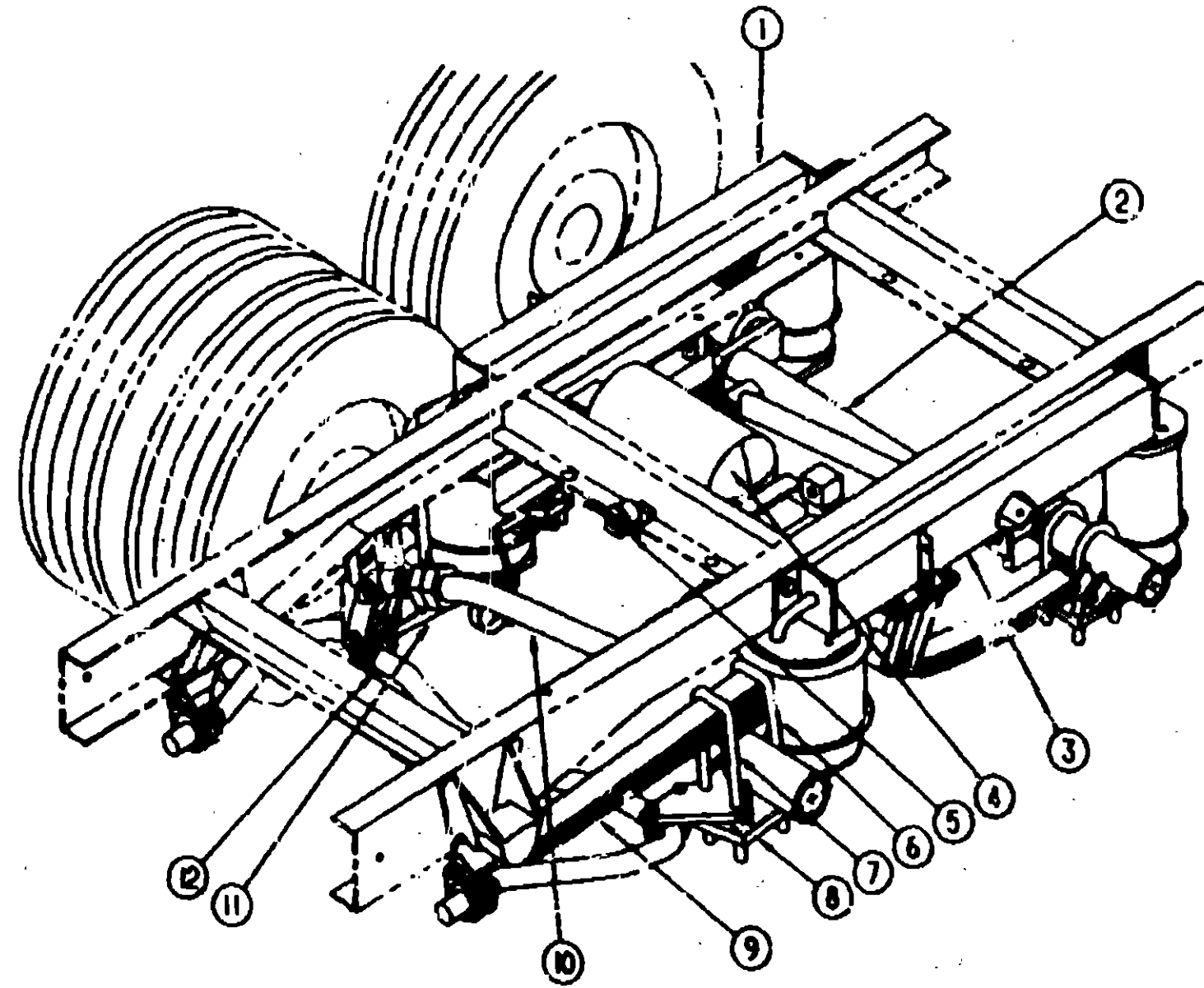
HYDRAULIC LEVELING SYSTEM & GAS SHOCKS (CHEVY)

KEY	PART NUMBER	UWS DESCRIPTION	HWH PART NUMBER
	100532-02-000	EA LEVELING SYSTEM - HYDRAULIC	HWH AP8158
	088338-01-700	EA JACK - HYDRAULIC	HWH 8AP7002
	100532-11-700	EA VALVE FOR MANUAL LEVEL W/DELUXE	HWH 8AP4873
	100532-01-702	EA LEVEL SENSOR W/13" LEAD	RAP6849
	100532-01-704	EA SWITCH - MERCURY-8K JACK	RAP7328
	100532-01-706	EA SPRING KIT - 8K JACK	R1171
	100532-01-708	EA ACTVATOR KIT - 8K JACK	RAP7028
	100532-01-707	EA ROLLER BRG KIT - 8K JACK	R2527
	100532-01-710	EA SOLENOID KIT - INTERMITTENT	RAP4885
	100532-01-711	EA SOLENOID KIT W/CLAMP	RAP3147
	100532-02-700	EA 8K JACK ASM	RAP7184
	100532-02-701	EA SPRING KIT - 8K JACK	R3824
	100532-02-702	EA ACTVATOR KIT - 8K JACK	RAP7082
	100532-02-703	EA WARNING SWITCH KIT - 8K JACK	RAP7328
	100532-02-704	EA ACTVATOR CABLE - 8K JACK	RAP7194
	100532-02-705	EA PUMP/RESERVOIR ASM - MONARCH	RAP8178
	100532-03-710	EA SENSING UNIT 21" MTA	RAP6788
	100532-05-000	EA BRACKETS - FRONT - LEVELING JACKS	HWH AP7107
	110070-01-000	EA BRACKETS - REAR - LEVELING JACKS	
	100532-10-000	EA HOSE KIT	HWH 8AP0012
		CONTAINS: (FRONTS - 80" & 116" - (REARS - 324" & 354") - (PRESSURE & RETURN - BOTH 84")	
	104623-01-000	EA SHOCK ABSORBER - GAS - P30 FRONT - BILSTEIN B45-1173	

HYDRAULIC LEVELING SYSTEM (FORD)

KEY	PART NUMBER	UWS DESCRIPTION	HWH PART NUMBER
	100532-02-000	EA LEVELING SYSTEM - HYDRAULIC	HWH AP8158
	088338-01-700	EA JACK - HYDRAULIC	HWH 8AP7002
	100532-01-700	EA VALVE FOR MANUAL LEVEL W/DELUXE	HWH 8AP4873
	100532-01-703	EA LEVEL SENSOR W/13" LEAD	RAP6849
	100532-01-704	EA SWITCH - MERCURY-8K JACK	RAP7328
	100532-01-706	EA SPRING KIT - 8K JACK	R1171
	100532-01-708	EA ACTVATOR KIT - 8K JACK	RAP7028
	100532-01-707	EA ROLLER BRG KIT - 8K JACK	R2527
	100532-01-709	EA SOLENOID KIT - INTERMITTENT	RAP4885
	100532-01-710	EA SOLENOID KIT W/CLAMP	RAP3147
	100532-02-700	EA 8K JACK ASM	RAP7184
	100532-02-701	EA SPRING KIT - 8K JACK	R3824
	100532-02-702	EA ACTVATOR KIT - 8K JACK	RAP7082
	100532-02-703	EA WARNING SWITCH KIT - 8K JACK	RAP7328
	100532-02-704	EA ACTVATOR CABLE - 8K JACK	RAP7194
	100532-02-705	EA PUMP/RESERVOIR ASM - MONARCH	RAP8178
	100532-03-710	EA SENSING UNIT 21" MTA	RAP6788
	100532-05-000	EA BRACKETS - FRONT LEVELING JACK	HWH AP7180
	100532-05-000	EA BRACKETS - REAR LEVELING JACKS	HWH AP7384
		FROM: 00-00-00 THRU: 03-30-83	
	100532-10-000	EA HOSE KIT	HWH 8AP0012
		FROM: 03-17-83 THRU: 09-09-89	

CHASSIS GROUP (CONTINUED)



CHEVY JET AIR TAG AXLE (FROM: 10-02-82 THRU: 09-09-89)

KEY	PART NUMBER	UWS DESCRIPTION	HWH PART NUMBER
1	080438-45-000	EA MOUNT - SPRING - TAG RH UPPER	JET 88751
2	080438-43-000	EA AXLE - TAG - OFFSET	JET 88802
3	080438-53-000	EA MOUNT - SPRING - LH UP TAG MOUNTING	JET 88880
4	080438-35-000	EA COMPRESSOR & TANK - W/O WIRING	JET 80769
	080438-40-000	EA FILTER - AIR INTAKE - COMPRESSOR	
5	086788-01-000	EA SWITCH - "LOW AIR"	
6	080438-13-000	EA U-BOLT - REARWARD - BENT - 7/8"	JET 351-1
7	080438-12-000	EA U-BOLT - FORWARD - STRAIGHT - 7/8"	JET 351
8	080438-10-000	EA MOUNT - SPRING/AXLE - LOWER DRIVER	JET 8173
9	080438-41-000	EA SPRING	JET 81789
10	080438-47-000	EA BAR - TRACK - W/PIVOT BOLTS	JET 81788
11	080438-46-000	EA MOUNT - SPRING/AXLE - RH LOWER	JET 81788 88 C
	080438-82-000	EA BRACKET - TRACK BAR - STD	JET 81384 3.25
	081250-03-000	EA BUSHING - SPRAY BAR - 1.75" CUT	HELLMUTH PB 722
	080438-49-000	EA WIRING ASM - TAG - W/O PARTICVL	JET 88788
	110045-02-000	EA WIRING ASM - CHASSIS (JET TAG)	
	086788-01-000	EA LIGHT - WARNING - "LOW AIR"	
	086788-02-000	EA BRACE CONTROL	

TERMINAL 8880
FOR INTERIOR INSTALLATION ONLY - REPLACES THE -01- SYSTEM
SOME REWIRING WILL BE NEEDED WHEN REPLACING THE 01 SYSTEM

1989 ITASCA
TABLE OF CONTENTS

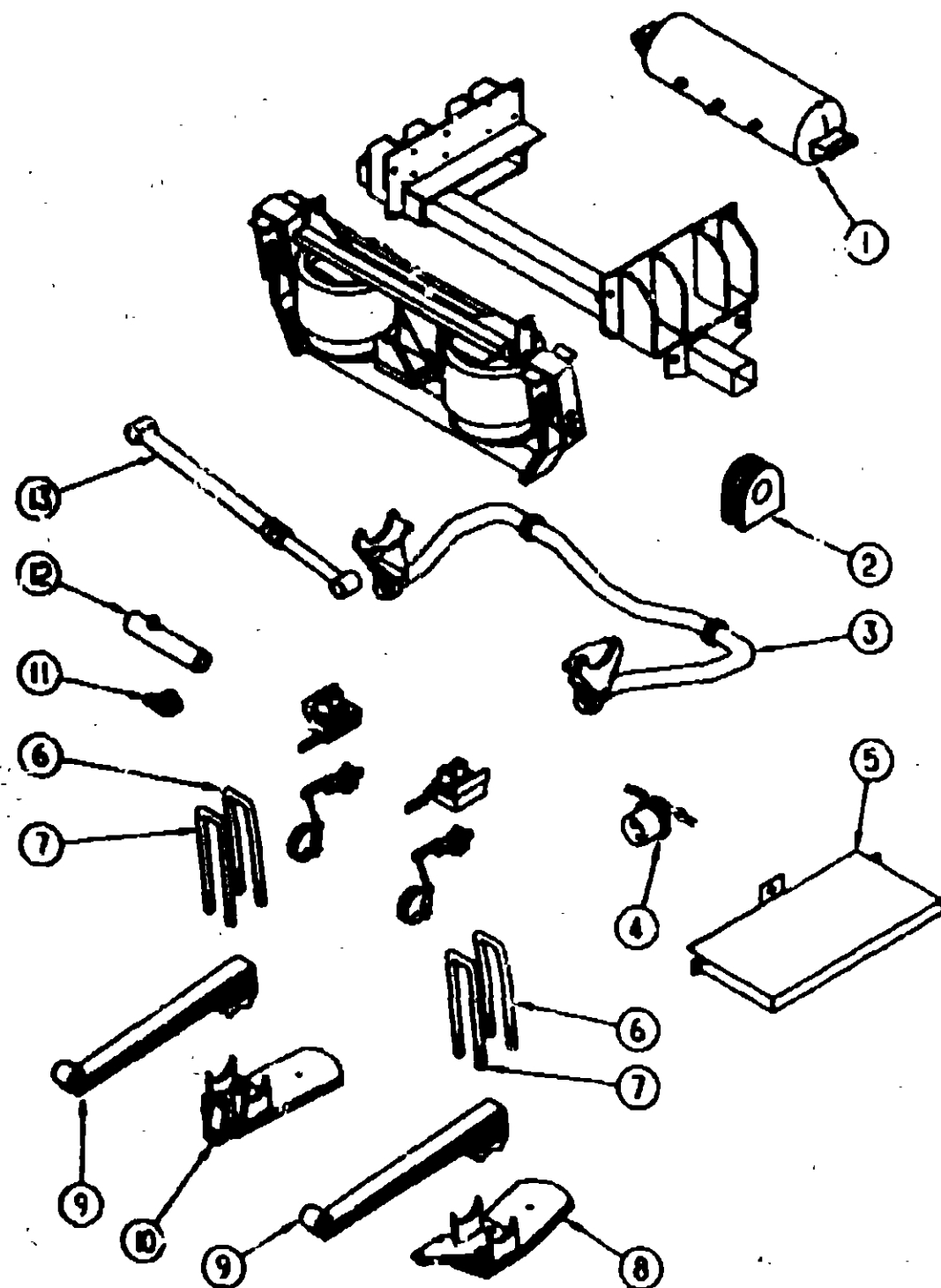
INTRODUCTION	A-01 - A-02
ABBREVIATIONS	A-03
ALPHABETICAL INDEX	A-04 - A-08
ICG37RW	A-07 - E-14
WGS&RO	E-15 - I-14

1989 ICG37RW INDEX

FLOOR PLAN	A-07 - A-08
ACCESSORIES	A-09
AUDIO VIDEO	A-10 - A-11
BATH	A-12 - A-14
BEDROOM	A-15 - A-18
CHASSIS	A-17 - B-08
CURTAIN & CUSHION	B-09 - B-16
DINETTE	B-19 - B-22
DRIVERS COMPARTMENT	B-23 - C-02
ELECTRICAL	C-03 - C-08
EXTERIOR BODY	C-09 - C-16
GALLEY	C-17 - C-20
GENERATOR	C-21 - C-22
HEATING & AC	C-23 - D-02
INTERIOR FRESH	D-03 - D-08
LABELS	D-07 - D-14
LP	D-15
LOUNGE	D-16 - D-18
SEALANTS & FASTENERS	D-19 - D-21
WATER & SEWAGE	D-22 - E-01
WINDOW, YENT &	
EXTERIOR D'COR	E-02 - E-03
WINDSHIELD & WIPER	E-13 - E-14

CHASSIS GROUP (CONTINUED)

FORD JET AIR TAG AXLE (FRIC: 83-88-82 THRU: 88-88-89)



KEY	PART NUMBER	U/M	DESCRIPTION
1	080438-35-000	EA	COMPRESSOR - TANK - W/O WIRING
	080438-40-000	EA	FILTER - AIR INTAKE - COMPRESSOR
2	091280-03-000	EA	BUSHING - SWAY BAR - 1.75" CUT
3	080438-28-000	EA	BAR - STABILIZER - REAR
4	085758-01-000	EA	SWITCH - "LOW AIR"
5	080438-28-000	EA	SHIELD-HEAT - FUEL TANK
6	080438-25-000	EA	U-BOLT - 1-14 X 4" X 15" - WINUTS
7	080438-22-000	EA	U-BOLT - 1-14 X 4" X 14" - WINUTS
8	080438-80-000	EA	MOUNT - SPRG - TAG LH UPPER
9	080438-23-000	EA	SPRING - LEAF - SEMI
10	080438-85-000	EA	MOUNT-SPRING - TAG - RIGHT UPPER
11	080438-29-000	EA	BRACKET - BRAKE HOSE/FRAME
12	080438-30-000	EA	BRACKET - BRAKE HOSE/CALIPER
13	080438-31-000	EA	BAR - TRACK - W/BOLTS & BRACKETS
	080438-48-000	EA	WIRING ASM - TAG - W/O PARKLEVEL
	080438-64-000	EA	AXLE - TAG - OFFSET
	110045-02-000	EA	WIRE ASM - CHASSIS (JET TAG)
	085759-01-000	EA	LIGHT - WARNING - "LOW AIR"
	085753-02-000	EA	BRAKE CONTROL

JET 80708

HELLWAG® PB 732

JET 40368

JET 40380

JET 40362

JET 4C351

JET 85750

JET 40361

JET 85858

JET 40382

JET 40384

JET 40355

JET 55783

JET 85802 M&G

TEKONSHA 8030

FOR INTERIOR INSTALLATION ONLY - REPLACES THE -01- SYSTEM
SOME REWIRING WILL BE NEEDED WHEN REPLACING THE 01 SYSTEM

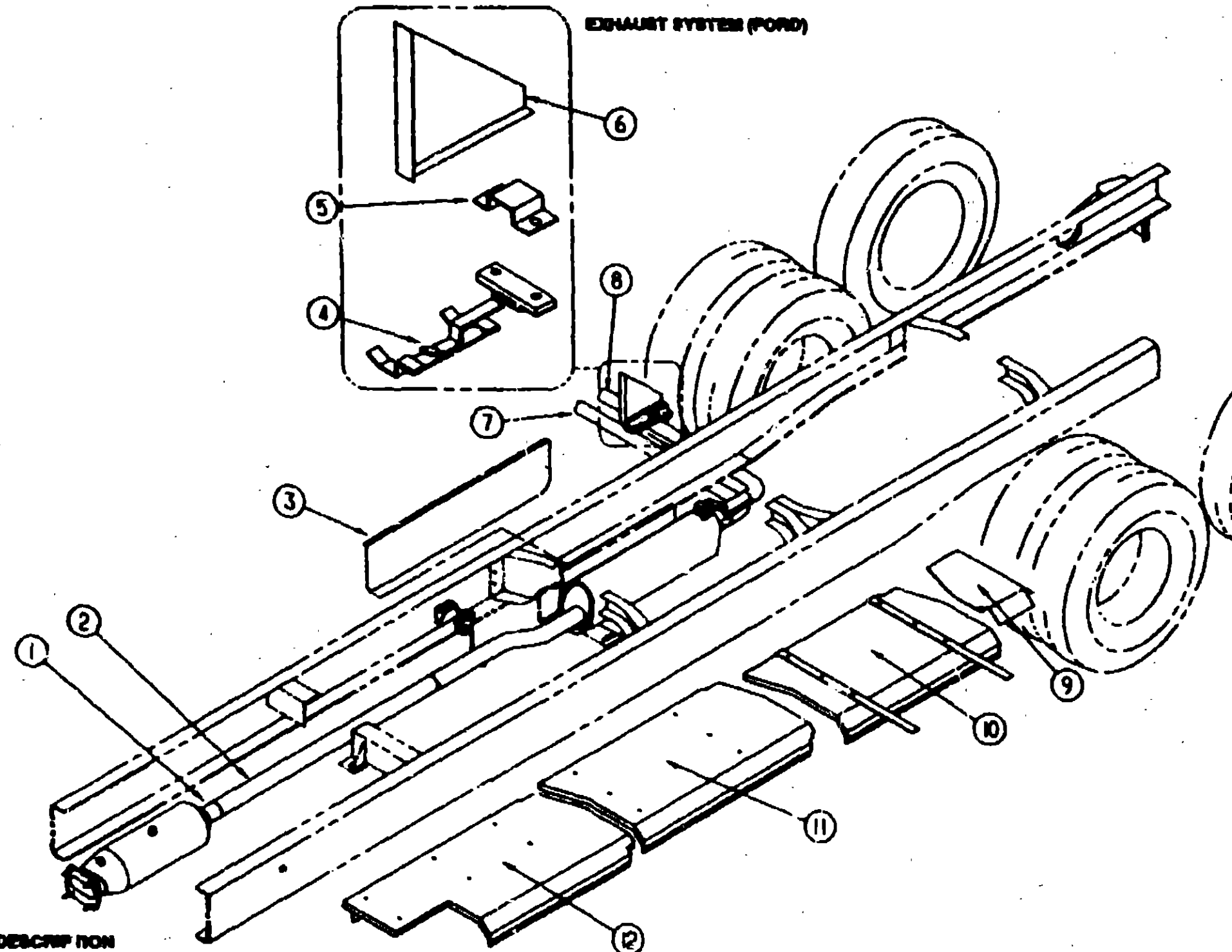
**1988 ITASCA
TABLE OF CONTENTS**

INTRODUCTION	A-01 - A-02
ABBREVIATIONS	A-08
ALPHABETICAL INDEX	A-04 - A-06
ICG37RW	A-07 - E-14
IKG34RQ	E-15 - I-14

1988 ICG37RW INDEX

FLOOR PLAN	A-07 - A-08
ACCESSORIES	A-09
AUDIO VIDEO	A-10 - A-11
BATH	A-12 - A-14
BEDROOM	A-15 - A-16
CHASSIS	A-17 - B-08
CURTAIN/ & CUSHION	B-09 - B-18
DINETTE	B-19 - B-22
DRIVER'S COMPARTMENT	B-23 - C-02
ELECTRICAL	C-03 - C-08
EXTERIOR BODY	C-09 - C-16
GALLEY	C-17 - C-20
GENERATOR	C-21 - C-22
HEATING & A/C	C-23 - D-02
INTERIOR FINISH	D-03 - D-08
LABELS	D-07 - D-15
LP	D-17
LOUNGE	D-18 - D-18
SEALANTS & FASTENERS	D-19 - D-21
WATER & SEWAGE	D-22 - E-01
WINDOW, VENT & EXTERIOR DOOR	E-02 - E-12
WINDSHIELD & WIPER	E-13 - E-14

CHASSIS GROUP (CONTINUED)



1993 TABCA
TABLE OF CONTENTS

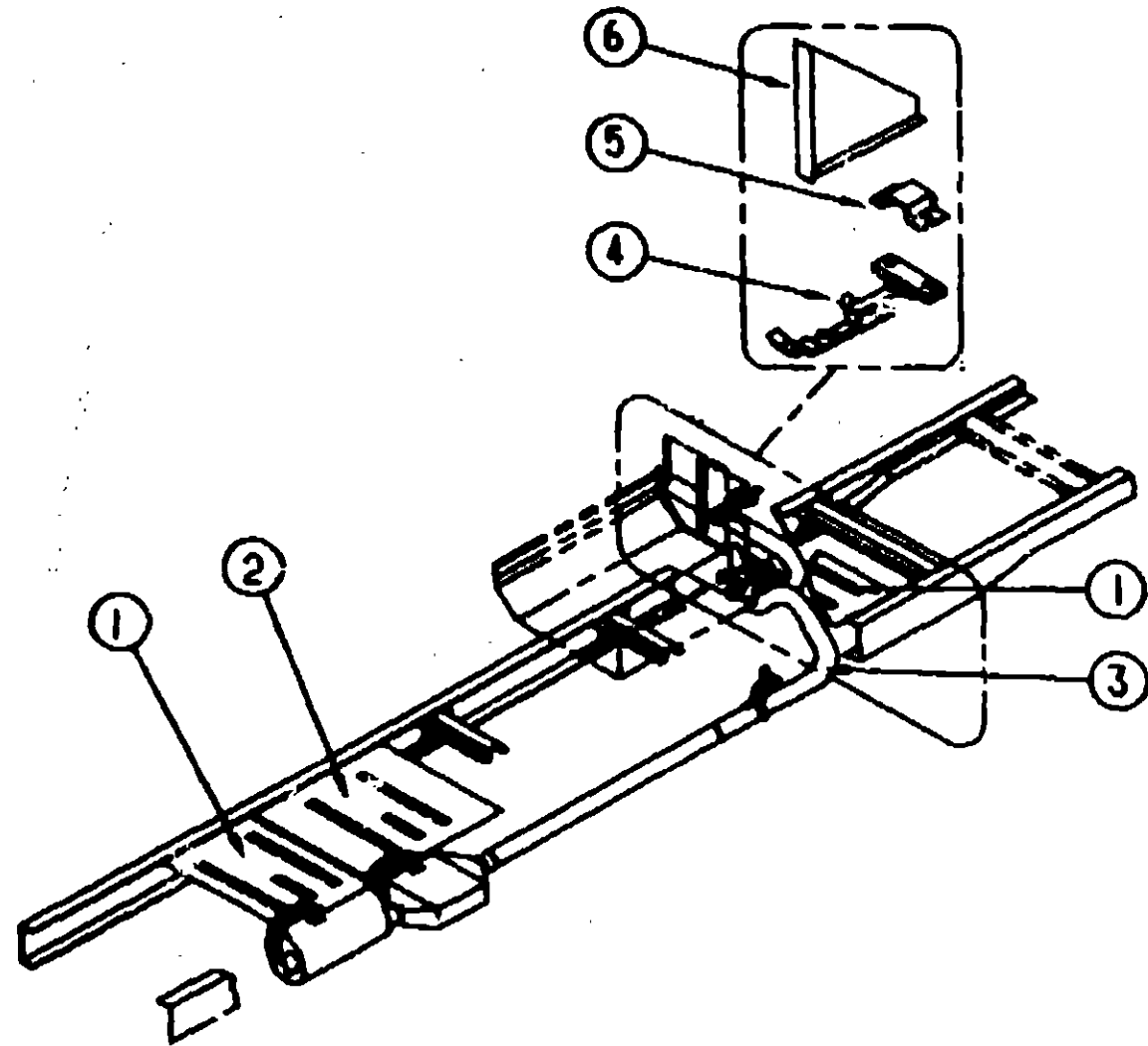
INTRODUCTION	A-01 - A-02
ABBREVIATIONS	A-03
ALPHABETICAL INDEX	A-04 - A-08
ICG37RW	A-07 - E-14
ICG34RD	E-15 - I-15

1993 ICG37RW INDEX

FLOOR PLAN	A-07 - A-08
ACCESSORIES	A-09
AUDIO VIDEO	A-10 - A-11
BATH	A-12 - A-14
BEDROOM	A-15 - A-16
CHASSIS	A-17 - B-08
CURTAIN & CUSHION	B-09 - B-18
DINETTE	B-19 - B-22
DRIVERS COMPARTMENT	B-23 - C-02
ELECTRICAL	C-03 - C-08
EXTERIOR BODY	C-09 - C-16
GALLEY	C-17 - C-20
GENERATOR	C-21 - C-22
HEATING & AC	C-23 - D-02
INTERIOR FINISH	D-03 - D-08
LABELS	D-07 - D-14
LP	D-15
LOUNGE	D-16 - D-18
SEALANTS & FASTENERS	D-19 - D-21
WATER & SEWAGE	D-22 - E-01
WINDOW, VENT &	
EXTERIOR DOOR	E-02 - E-12
WINDSHIELD WIPER	E-13 - E-14

KEY	PART NUMBER	UAS DESCRIPTION
1	084918-03-000	EA CLAMP - EXHAUST PIPE - 2.5"
2	086763-03-000	EA PIPE - EXHAUST - OFFSET - 15.2" LONG - 2.5" ID
3	102778-01-000	EA SHIELD - HEAT - LP
4	107887-01-000	EA HANGER ASM - EXHAUST
	080055-02-030	EA SUPPORT - EXHAUST PIPE - 1" X 15.8"
	007125-07-000	EA CLAMP - MUFFLER - 2.5" DIAMETER
5	085190-01-000	EA HANGER - EXHAUST - 4" X 1.4"
6	086307-04-000	EA SUPPORT ASM - EXHAUST
7	102117-03-000	EA HANGER ASM - TAILPIPE
	007125-11-000	EA CLAMP - MUFFLER - 2.75" DIAMETER
8	107786-01-000	EA TAIL PIPE - EXHAUST
9	107755-02-000	EA TAIL PIPE - EXHAUST
10	082430-01-000	EA SHIELD - EXHAUST - REAR - 14" X 19.1" - FROM EDGE TO BEND
11	086766-02-000	EA SHIELD - EXHAUST - GALVANIZED STEEL
12	086766-02-000	EA SHIELD - EXHAUST - CONVERTER
12	086766-07-000	EA SHIELD - EXHAUST - CONVERTER
		FROM: 00-00-00 THRU: 02-14-93
		FROM: 02-15-93 THRU: 99-99-99
	088034-01-000	EA SUPPORT - EXHAUST PIPE - BENT - 2.8" X .8" - STEEL
	088449-03-070	EA SUPPORT - SHIELD - EXHAUST - 1.5" X 29.2" - STEEL - PRIMED

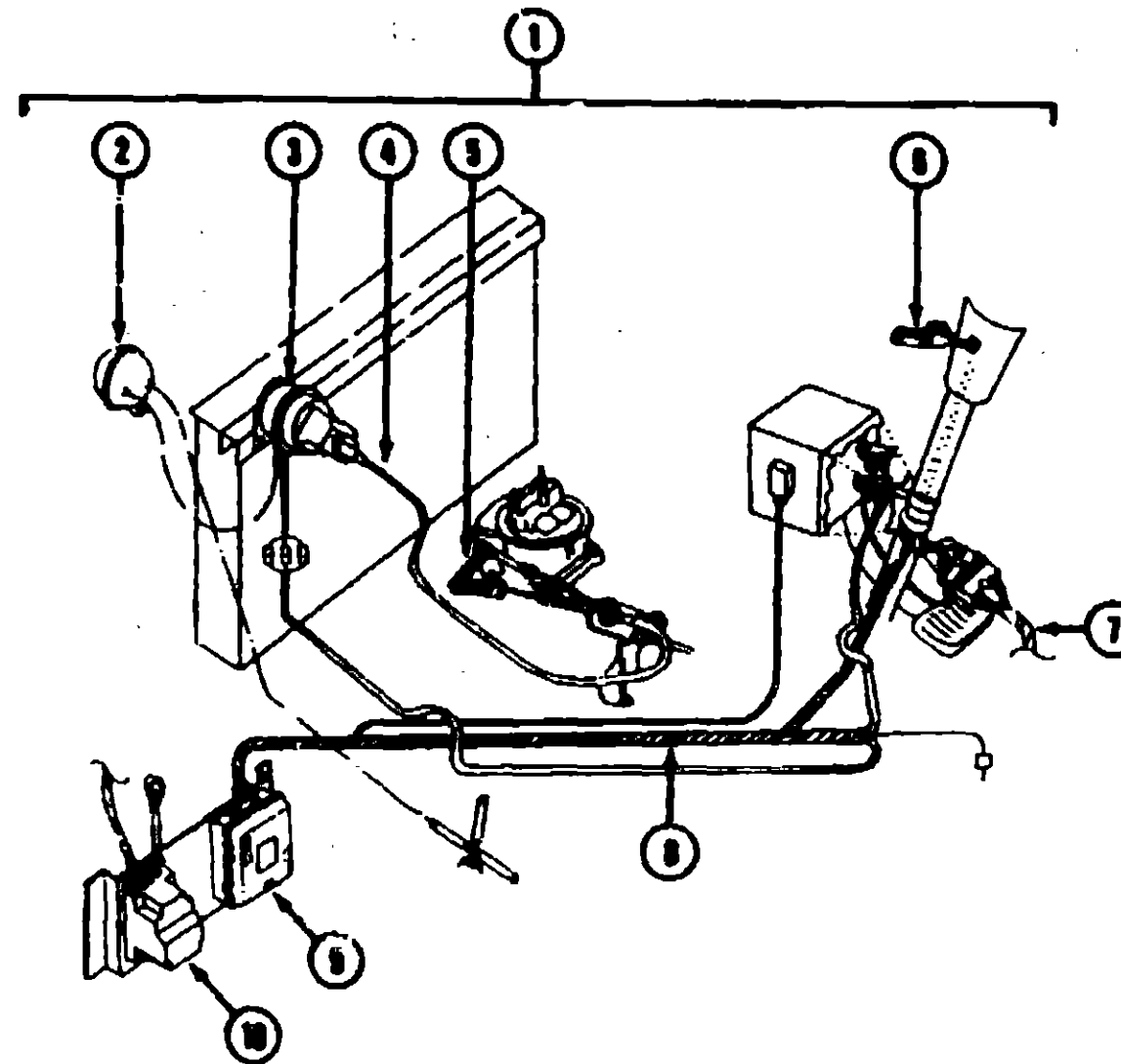
CHASSIS GROUP (CONTINUED)



EXHAUST SYSTEM (CHEVY)

KEY	PART NUMBER	U/M DESCRIPTION
1	101544-01-000	EA SHIELD - HEAT - EXHAUST - 19.7' X 28.9' - STEEL
2	101544-02-000	EA SHIELD - HEAT - EXHAUST - 30' X 28.9' - STEEL
3	107784-01-000	EA PIPE - EXHAUST - TAIL
	084918-01-000	EA CLAMP - EXHAUST - 3"
4	107887-01-000	EA HANGER ASM - EXHAUST
5	085180-01-000	EA HANGER - EXHAUST - 4" X 1.4"
6	102117-02-000	EA HANGER ASM - TAILPIPE

CHASSIS GROUP (CONTINUED)



SPEED CONTROL (CHEVY)

KEY	PART NUMBER	U/M DESCRIPTION	
1	102362-04-000	EA SPEED CONTROL	DANA 50L-111022-B
2	084389-01-705	EA VACUUM RESERVOIR	DANA 50C-02249
3	084389-01-708	EA SERVO	DANA 53D-11118-R
4	102362-01-700	EA SERVO CABLE	DANA 50C-03001
5	102362-01-706	EA THROTTLE STUD	DANA 50A-02879
6	102362-01-707	EA SWITCH & LEVER - CONTROL	DANA 53D-08083-F
7	102362-01-703	EA HARNESS - PIVOT SW TO WIPER CONTROL	DANA 50C-02873
8	102362-01-704	EA HARNESS - MAIN WIRING	DANA 50D-02875
9	102362-01-701	EA REGULATOR - ELECTRONIC	DANA 57C-08X13-R
10	081800-01-702	EA WIPER CONTROL MODULE	DANA 68C-00061
	084883-01-704	EA HOUSING - 4 PIN	DANA 50C-02281
	102362-01-705	EA CLIP - THROTTLE RETAINER	DANA 50A-02821

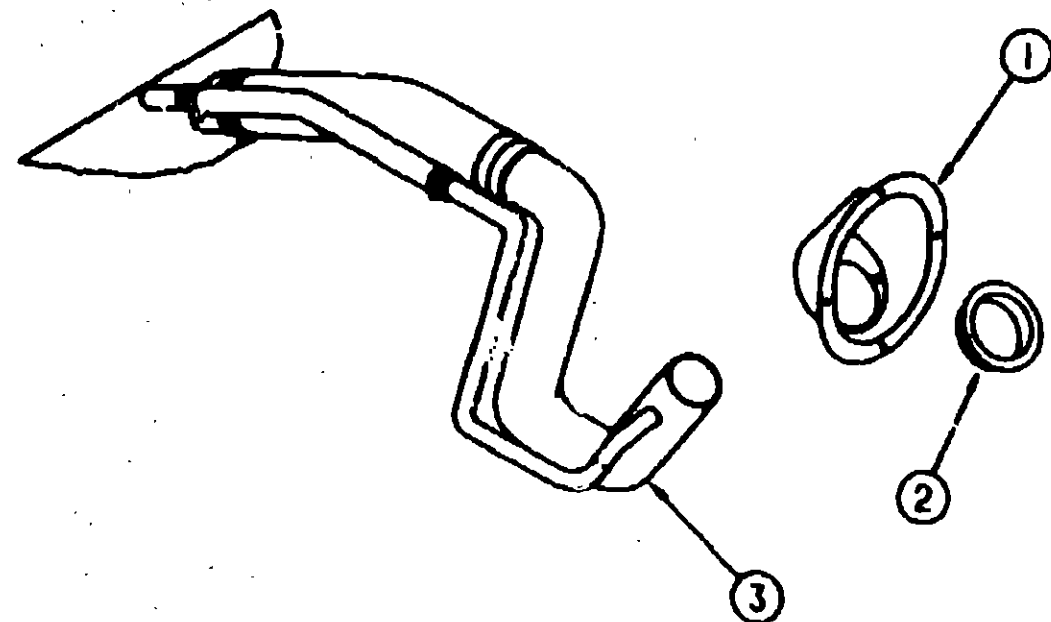
**1983 ITASCA
TABLE OF CONTENTS**

INTRODUCTION	A-01 - A-02
ABBREVIATIONS	A-03
ALPHABETICAL INDEX	A-04 - A-08
ICG37RW	A-07 - E-14
HG04RQ	E-15 - I-14

1983 ICG37RW INDEX

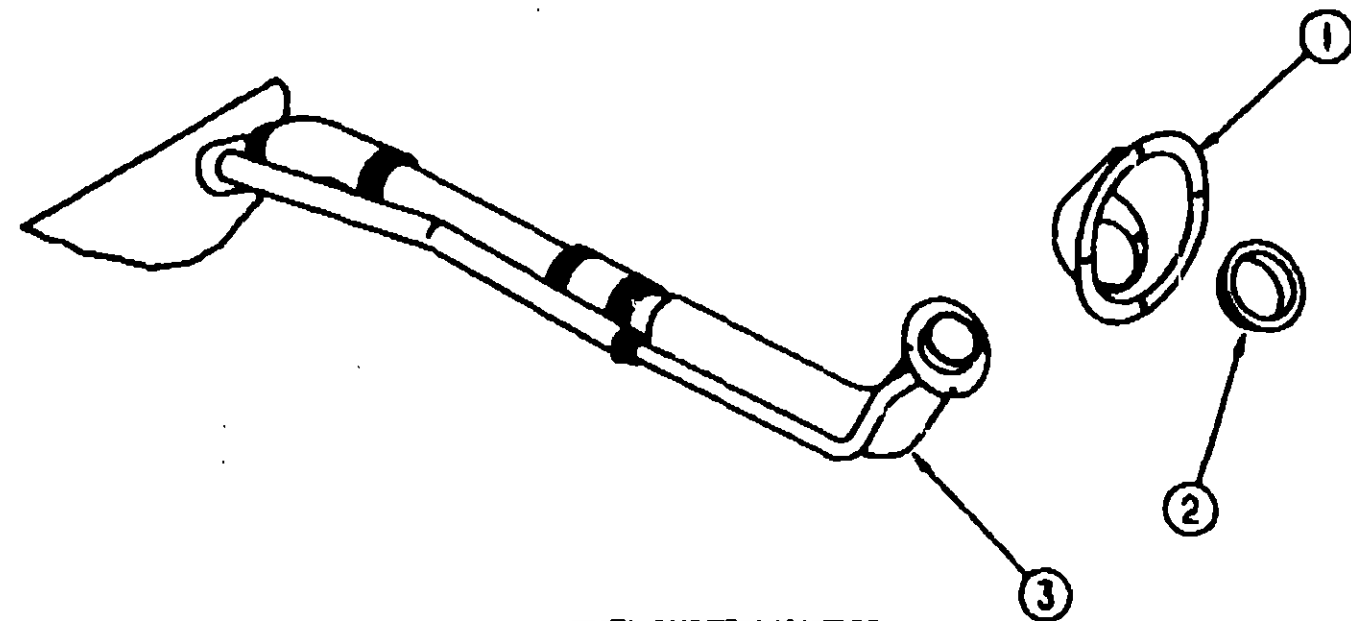
FLOOR PLAN	A-07 - A-08
ACCESSORIES	A-09
AUDIO VIDEO	A-10 - A-11
BATH	A-12 - A-14
BEDROOM	A-15 - A-16
CHASSIS	A-17 - B-08
CURTAIN & CUSHION	B-09 - B-18
L'INETTE	B-19 - B-22
DRIVERS COMPARTMENT	B-23 - C-02
ELECTRICAL	C-03 - C-08
EXTERIOR BODY	C-09 - C-16
GALLEY	C-17 - C-20
GENERATOR	C-21 - C-22
HEATING & AC	C-23 - D-02
INTERIOR FINISH	D-03 - D-08
LABELS	D-07 - D-14
LP	D-15
LOUNGE	D-16 - D-18
SEALANTS & FASTENERS	D-19 - D-21
WATER & SEWAGE	D-22 - E-01
WINDOW VENT & EXTERIOR DOOR	E-02 - E-12
WINDSHIELD & WIPER	E-13 - E-14

CHASSIS GROUP (CONTINUED)



FUEL SYSTEM (FORD)

KEY	PART NUMBER	UM DESCRIPTION
1	108851-01-04A	EA SHROUD - FUEL FILL - ASH GRAY
2	076880-01-000	EA GASKET - FUEL FILL - 3.5"OD X 2"ID
3	088807-01-000	EA NECK ASM - FUEL FILL
	007083-01-000	FT HOSE - GAS 1/4"ID X 1/2"OD
	076488-01-000	EA UNION - INVERTED FLARE TUBE - 1/4"
	076487-01-000	EA NUT - INVERTED FLARE - 1/4"
	084884-01-000	EA PLUG - BRASS - 3/8
	088884-05-000	EA LINE ASM - FORD - PLASTIC
	104882-02-000	EA PANEL ASM - FUEL FILL



FUEL SYSTEM (CHEVY)

KEY	PART NUMBER	UM DESCRIPTION
1	108851-01-04A	EA SHROUD - FUEL FILL - ASH GRAY
2	076880-01-000	EA GASKET - FUEL FILL - 3.5"OD X 2"ID
3	087288-02-000	EA NECK ASM - FUEL FILL
	007083-01-000	FT HOSE - GAS 1/4"ID X 1/2"OD
	076488-01-000	EA UNION - INVERTED FLARE TUBE - 1/4"
	076487-01-000	EA NUT - INVERTED FLARE - 1/4"
	084884-01-000	EA PLUG - BRASS - 3/8
	074800-18-000	EA TUBE - EXTENSION - MAIN FUEL
	104882-02-000	EA PANEL ASM - FUEL FILL

CHASSIS GROUP (CONTINUED)

TIRE, WHEEL LINER & WHEEL HARDWARE (FORD)

KEY	PART NUMBER	UM DESCRIPTION
	091209-08-000	EA WHEEL LINER SET W/FRONT HUB COVER 16" (SET OF 4)
	091209-08-700	EA LINER - WHEEL - 16" FRONT W/AXLE COVER - 10 LUG
	091209-06-000	EA LINER - WHEEL - W/INTEGRATED FRONT AXLE COVER - TAG - 16"
	091209-08-701	EA LINER - WHEEL - 16" REAR - 10 LUG
	091209-08-702	EA COVER - AXLE - 16" REAR
	091209-01-704	EA COVER - LUG NUT LUG NUT COVER - NO SHOULDER OR FLANGE AT BASE
	085012-03-010	EA EXTENSION - VALVE STEM - DUAL WHEEL
	085012-04-000	EA STABILIZER - VALVE EXTENSION
	M00080-48-000	EA FORD TIRE & WHEEL
	351377-05-000	EA VALVE STEM ASM - V8838
	083425-05-000	EA TIRE - MICHELIN - LT235/85R16 LRE - XPS RIB
	085853-01-000	EA WHEEL - STEEL - 16"X 6K - ESTZ - 1015 - A FROM: 00-00-00 THRU: 08-01-83
	08853-02-000	EA WHEEL - STEEL - 16"X6K - FZTA - 1015 - NA FROM: 08-02-83 THRU: 09-09-89
	08852-01-000	EA COVER - WHEEL - FORD - 16" - SET OF 4
	088532-02-000	EA COVER - WHEEL - 16" FORD - SET OF 2 - TAG - 16"
	088532-01-701	EA COVER - WHEEL - 16"
	088532-01-700	EA COVER - LUG NUT - CHROME
	091209-10-704	EA JAM NUT

TIRE, WHEEL LINER & WHEEL HARDWARE (CHEVY)

KEY	PART NUMBER	UM DESCRIPTION
	091209-01-000	EA LINER - WHEEL - 19.5" - SST - SET OF 4 - KAPER 1954-10N
	091209-02-000	EA LINER - WHEEL - 19.5" - SST - SET OF 2 - KAPER 1952R-10N
	091209-01-700	EA LINER - WHEEL - 19.5" FRONT - 10 LUG - CHEVY P-30
	091209-01-701	EA LINER - WHEEL - 19.5" REAR - 10 LUG - CHEVY P-30
	091209-01-702	EA COVER - AXLE - 19.5" FRONT - 10 LUG - CHEVY P-30
	091209-01-703	EA COVER - AXLE - 19.5" REAR - 10 LUG - CHEVY P-30
	091209-01-704	EA COVER - LUG NUT
	077030-02-000	EA EXTENSION - VALVE STEM - 1.25"
	085012-03-000	EA EXTENSION - VALVE STEM - DUAL WHEEL
	085012-04-000	EA STABILIZER - VALVE EXTENSION
	109443-01-000	EA WHEEL COVER 4/SET 19.5 W/HDW
	109443-02-000	EA WHEEL COVER 2/SET 19.5 W/HDW DICOR SHAGS/RAS
	109443-01-700	EA WHEEL COVER 19.5 SHAGS ONLY DICOR
	109443-01-701	EA SET - BRACKET - 1 FRONT WHEEL SHAGS-RBS DICOR
	109443-01-702	EA SET - BRACKET - 1 REAR WHEEL SHAGS-RBS DICOR
	109443-01-703	EA CAP - CENTER - HUB - DICOR 3P-AUCAP
	M00080-38-000	EA TIRE & VALVE STEM RIM PROVIDED BY CHASSIS SUPPLIER
	007324-04-000	EA TIRE - 8R19.5 LRD - MICHELIN XZA
	051377-01-000	EA STEM - VALVE - TR 900
	091209-10-704	EA JAM NUT

**1988 ITASCA
TABLE OF CONTENTS**

INTRODUCTION	A-01 - A-02
ABBREVIATIONS	A-03
ALPHABETICAL INDEX	A-04 - A-06
ICG37RW	A-07 - E-14
ICG34RD	E-15 - I-14

1988 ICG37RW INDEX

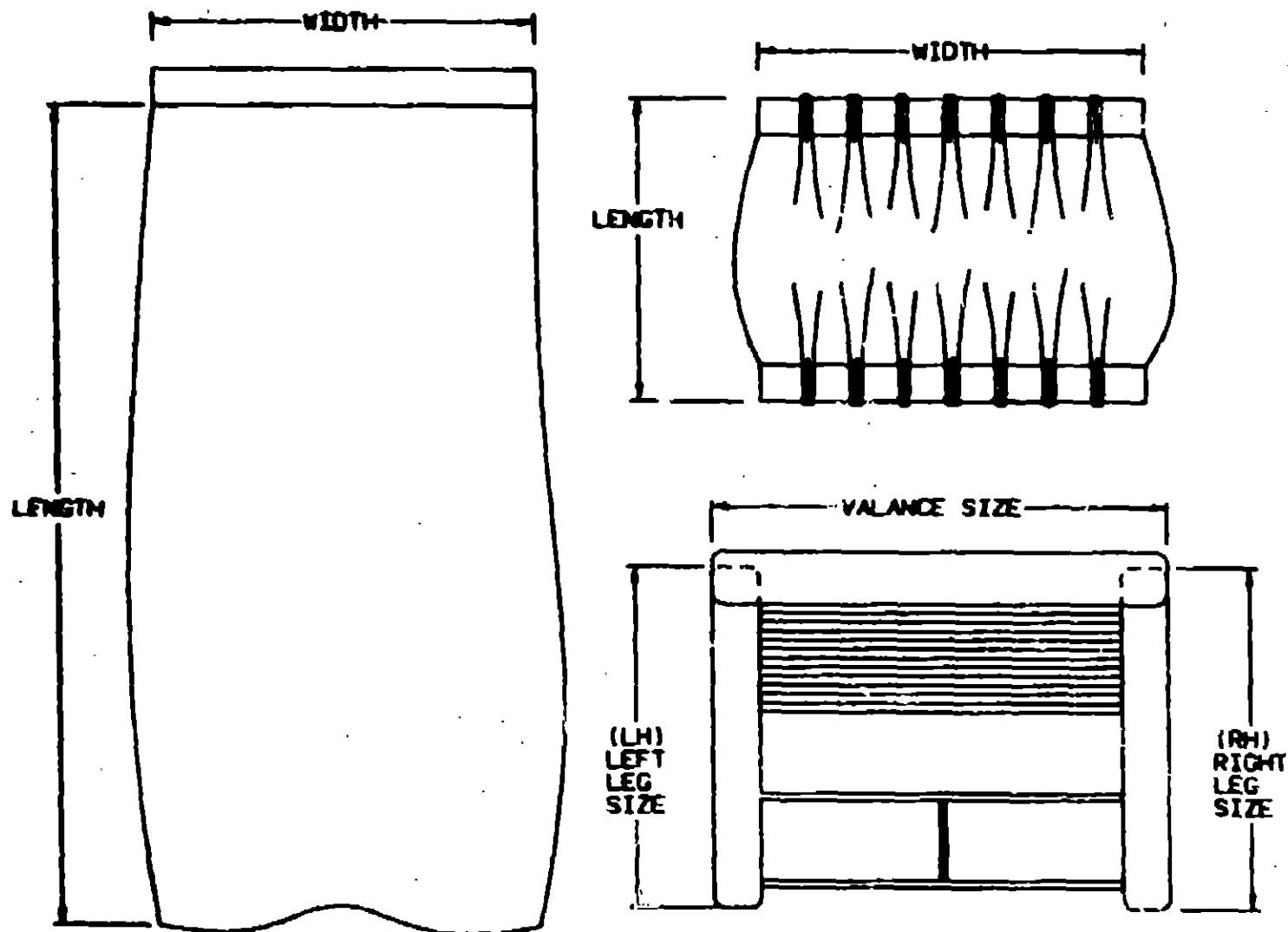
FLOOR PLAN	A-07 - A-08
ACCESSORIES	A-09
AUDIO VIDEO	A-10 - A-11
BATH	A-12 - A-14
BED ROOM	A-15 - A-16
CHASSIS	A-17 - B-08
CURTAIN & CUSHION	B-09 - B-18
DINETTE	B-19 - B-22
DRIVERS COMPARTMENT	B-23 - C-02
ELECTRICAL	C-03 - C-08
EXTERIOR BODY	C-09 - C-16
GALLEY	C-17 - C-20
GENERATOR	C-21 - C-22
HEATING & AC	C-23 - D-02
INTERIOR FINISH	D-03 - D-08
LABELS	D-07 - D-14
LIP	D-15
LOUNGE	D-16 - D-18
SEALANTS & FASTENERS	D-19 - D-21
WATER & SEWAGE	D-22 - E-01
WINDOW, VENT & EXTERIOR DOOR	E-02 - E-12
WINDSHIELD & WIPER	E-13 - E-14

CURTAIN & CUSHION GROUP

NOTICE

IN ORDER TO ASSIST CUR PARTS SALES DEPT. IN PROVIDING INTERIOR SOFTGOODS ITEMS, PLEASE INCLUDE THE SERIAL NUMBER AND THE COLOR CODE NUMBER FROM THE VEHICLE CERTIFICATION LABEL WHEN ORDERING. THIS LABEL IS LOCATED ON THE LEFT SIDEWALL AT THE END OF THE DASH (A-BODY), OR ON THE DRIVER'S DOOR LATCH PLATE (C-BODY).

AN EXAMPLE OF A COLOR CODE NUMBER IS B07, WHICH DESIGNATES AN OVERALL COLOR SCHEME OF A PARTICULAR UNIT. THE COLOR LISTED AFTER THE ITEM DESCRIPTION ON THE MICROFICHE, INDICATES THE OVERALL UNIT COLOR. ORDER THE ITEM YOU DESIRE ACCORDING TO UNIT COLOR CODE.



NOTE: USE THIS ILLUSTRATION WHEN DETERMINING LENGTH AND WIDTH MEASUREMENTS FOR CURTAINS. YOU WILL NOTE THE WIDTH MEASUREMENT IS TAKEN ON THE TOP OF THE CURTAIN WITH THE CURTAIN FULLY EXTENDED. THE LENGTH MEASUREMENT IS TAKEN FROM TOP TO BOTTOM. LEFT AND RIGHT WINDOW LEGS ARE DETERMINED WHEN FACING THE WINDOW.

CURTAIN & CUSHION GROUP (CONTINUED)

FABRIC & TRIMS

KEY	PART NUMBER	UNIT DESCRIPTION
	072333-02-000	YD FABRIC - CURTAIN - 54" WIDE - BEIGE
	072333-08-000	YD FABRIC - DRAPERY - GALAXY ANTIQUE
	075244-08-000	YD FABRIC - VINYL - SHOWER CURTAIN - 72" WIDE - TEAL (D35)
	075244-07-000	YD FABRIC - VINYL - SHOWER CURTAIN - 72" WIDE - EGGPLANT (D138)
	080351-03-000	YD VINYL - CEILING - DIAMOND DESIGN - 54" WIDE
	103907-01-01A	YD FABRIC - VINYL - 54" WIDE - OFF WHITE
	103907-01-02A	YD VINYL - EXPANDED MADRID GRAY - 28 OZ. 54" X FULL
	078080-07-000	YD FABRIC - VINYL - 54" WIDE - BEIGE
	078349-01-804	YD WELT ASM - ACCENT (D35)
	078349-01-038	YD WELT ASM - ACCENT
	078349-01-028	YD WELT ASM - NARROW - ACCENT (D35)
	078349-04-038	YD WELT ASM - NARROW - ACCENT
	105745-19-000	YD FABRIC - BEDSPREAD - MAIN - JILLIAN - WOODROSE (D35)
	105745-22-000	YD FABRIC - BEDSPREAD - MAIN - PRINCETON - 25 MOONSTONE (D35)
	088273-05-000	YD FABRIC - BEDSPREAD - ACCENT - MECHELLE - GREEN MIST (D35)
	105745-13-000	YD FABRIC - BEDSPREAD - ACCENT - MECHELLE - BEHRY (D35)
	104233-30-000	YD FABRIC - UPHOLSTERY - PLAIN ACCENT (BUCKET SEAT) (D35)
	104233-80-000	YD FABRIC - UPHOLSTERY - PLAIN ACCENT (BUCKET SEAT) (D38)
	104233-84-000	YD FABRIC - UPHOLSTERY - PATTERN ACCENT (MAP POCKET) (D35)
	104233-88-000	YD FABRIC - UPHOLSTERY - PATTERN ACCENT (MAP POCKET) (D38)
	104233-83-000	YD FABRIC - UPHOLSTERY - MAIN (DINETTE SEAT) (D35)
	088008-05-000	YD FABRIC - UPHOLSTERY - MAIN (DINETTE SEAT) (D38)
	057834-01-000	EA THEBACK/TIEDOWN - BEDCURTAIN/DOOR - 6" - PLASTIC - CLEAR
	087272-01-000	YD DRAPERY LINING - 48" - IVORY
		FROM: 00-00-00 THRU: 09-30-82
	087272-03-000	YD DRAPERY LINING - 54" - IVORY - ROCKLAND MILLS
		FROM: 10-01-82 THRU: 09-09-89
	084415-45-000	YD BRAID TRIM - CURTAIN - TEAL (D35)
	084415-49-000	YD BRAID TRIM - CURTAIN - PLUM (D3E)

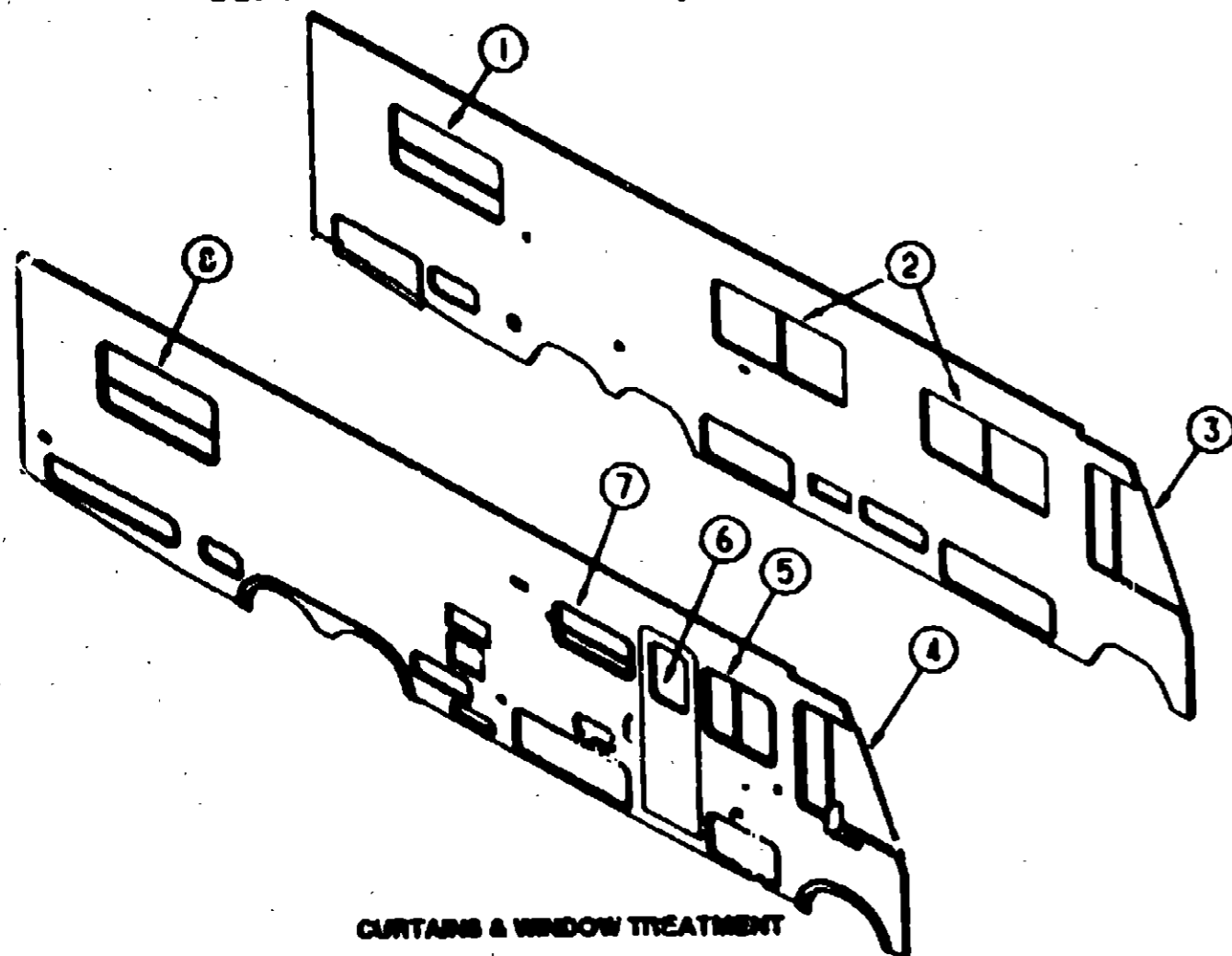
1983 ITASCA TABLE OF CONTENTS

INTRODUCTION	A-01 - A-02
ABBREVIATIONS	A-03
ALPHABETICAL INDEX	A-04 - A-06
ICG37RW	A-07 - E-14
KG34RQ	E-15 - I-14

1983 ICG37RW INDEX

FLOOR PLAN	A-07 - A-08
ACCESSORIES	A-09
AUDIO VIDEO	A-10 - A-11
BATH	A-12 - A-14
BEDROOM	A-15 - A-16
CHASSIS	A-17 - B-08
CURTAIN & CUSHION	B-09 - B-18
DINETTE	B-19 - B-22
DRIVERS COMPARTMENT	B-23 - C-02
ELECTRICAL	C-03 - C-08
EXTERIOR BODY	C-09 - C-16
GALLEY	C-17 - C-20
GENERATOR	C-21 - C-22
HEATING & AC	C-23 - D-02
INTERIOR FINISH	D-03 - D-06
LABELS	D-07 - D-14
LP	D-15
LOUNGE	D-16 - D-18
SEALANTS & FASTENERS	D-19 - D-21
WATER & SEWAGE	D-22 - E-01
WINDOW, VENT &	
EXTERIOR DOOR	E-02 - E-12
WINDSHIELD & WIPER	E-13 - E-14

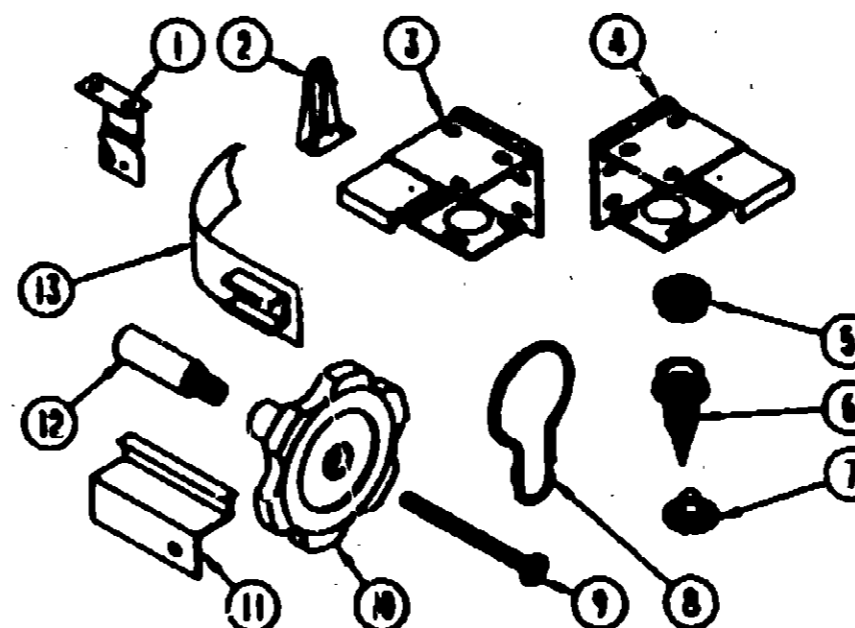
CURTAIN & CUSHION GROUP (CONTINUED)



CURTAINS & WINDOW TREATMENT

KEY	PART NUMBER	UOM DESCRIPTION
1	107788-08-036	EA VALANCE ASM - 52" TWIST
1	107788-08-036	EA VALANCE ASM - 52" TWIST
1	088475-86-01A	EA BLIND - MINI - 47.5" X 29" DROP
1	100881-82-036	EA LEG - RIGHT - 31.5" - PLAIN - W/O HOLE
1	100881-82-036	EA LEG - RIGHT - 31.5" - PLAIN - W/O HOLE
1	100881-83-036	EA LEG - LEFT - 31.5" - PLAIN - W/O HOLE
1	100881-83-036	EA LEG - LEFT - 31.5" - PLAIN - W/O HOLE
1	100881-84-036	EA LEG - 31.5" - W/O HOLE - PLYWOOD
1	100881-84-036	EA LEG - 31.5" - W/O HOLE - PLYWOOD
2	108808-01-03A	EA BLIND - WOVEN WOOD - 64"X31" (D36)
2	108808-08-04A	EA BLIND - WOVEN WOOD - 64"X31" (D36)
2	104821-30-036	EA VALANCE ASM - 65" SPIRIT
3	101888-35-012	EA CURTAIN ASM - 48"X80" - DRIVER SIDE - TAPE TOP (D36)
3	101888-35-036	EA CURTAIN ASM - 48"X80" - DRIVER SIDE - TAPE TOP
4	101888-34-012	EA CURTAIN ASM - 48"X80" - PASSENGER SIDE - TAPE TOP (D36)
4	101888-34-036	EA CURTAIN ASM - 48"X80" - PASSENGER SIDE - TAPE TOP
4	072880-43-010	EA TIEBACK ASM - 6"X15" (D36)
4	072880-43-036	EA TIEBACK ASM - 6"X15"
5	108808-02-03A	EA BLIND - WOVEN WOOD - 34"X31" (D36)
5	108808-04-04A	EA BLIND - WOVEN WOOD - 34"X31" (D36)
5	104821-31-036	EA VALANCE ASM - 35" SPIRIT
6	088475-87-04A	EA PULL SHADE ASM - 27.25"
7	088475-88-04A	EA MINI BLIND - 38"X18.5" DROP
8	107788-08-036	EA VALANCE ASM - 52" TWIST
8	107788-08-036	EA VALANCE ASM - 52" TWIST
8	108841-08-01A	EA BLIND - MINI - 47.5" X 34" DROP
8	100881-17-036	EA LEG - RIGHT - 31.5" - PLAIN - W/O HOLE
8	100881-17-036	EA LEG - RIGHT - 31.5" - PLAIN - W/O HOLE
8	100881-18-036	EA LEG - LEFT - 31.5" - PLAIN - W/O HOLE
8	100881-18-036	EA LEG - LEFT - 31.5" - PLAIN - W/O HOLE
8	100881-19-036	EA LEG - 31.5" - W/O HOLE - PLYWOOD
8	100881-19-036	EA LEG - 31.5" - W/O HOLE - PLYWOOD
8	084481-35-036	EA CURTAIN ASM - SHOWER - 67" X 38"
8	084481-35-036	EA CURTAIN ASM - SHOWER - 67" X 38"

CURTAIN & CUSHION GROUP (CONTINUED)



CURTAIN & BLIND HARDWARE

KEY	PART NUMBER	UOM DESCRIPTION
1	084434-01-000	EA BRACKET - MOUNTING - ROLLER SHADE - 1 3/8"
	088843-01-000	EA SPRING - REWIND - ROLLER SHADE
	108544-01-030	EA SHADE PULL - BRASS
	087253-01-000	EA SHADE PULL - PLASTIC - CLEAR
2	088881-02-000	EA BRACKET - HOLD DOWN - W/PIN - BLIND - METAL
		FROM: 00-00-00 THRU: 07-19-82
	108441-01-000	EA HOLD DOWN - BLIND, HOOK
		FRG: 07-20-82 THRU: 88-88-88
3	083170-01-000	EA BRACKET - BLIND - LEFT SIDE
4	083170-02-000	EA BRACKET - BLIND - RIGHT SIDE
5	029198-01-000	EA SOCKET - SNAP - R1/8" O.D
6	029130-01-000	EA SCREW - SNAP SOCKET - 9 PH X 5/8"
7	029155-01-000	EA CAP - SNAP - 5/32" O.D. OF PIN
8	009138-02-000	EA HANGER - RING - PIN TYPE - CURTAIN - BRASS
	038175-01-000	EA ROD - CAFE - CURTAIN - EXTENDS 48" TO 84"
	038175-02-000	EA BRACKET - CURTAIN ROD - EXTENDING CAFE
	038175-05-000	EA BRACKET - CURTAIN ROD - CENTER CAFE
	048887-01-000	EA GROMMET - BRASS - 7/16" ID X 1" OD
9	008438-07-000	EA SCREW - 8-32 X 1 1/4 PH - BLACK
10	008438-05-000	EA WINDOW KNOB - BLACK
11	105324-02-01A	EA TRACK - WRAPAROUND CURTAIN - OFF WHITE (PASSENGER SIDE)
11	105324-03-01A	EA TRACK - WRAPAROUND CURTAIN - OFF WHITE (DRIVER SIDE)
12	008438-08-000	EA EXTENSION - WINDOW CONTROL
	048384-02-000	YD VELCRO TAPE - HOOK - ADHESIVE BACK - .75" WIDE - BEIGE
	088782-02-000	YC VELCRO TAPE - LOOP - ADHESIVE BACKED - .75" WIDE - BEIGE
	088718-01-001	EA BRACKET - 90 DEGREE L-ANGLE - 1/2" - EXTRUDED ALUMINUM
	075843-01-000	EA BRACKET - ANGLE - WHOLE - 1" X 1.5" X 20" - ALUMINUM - BEIGE
	084432-05-000	FT SLAT - ROLLER SHADE - PLASTIC
13	101031-01-000	YD TAPE - GLIDE - CURTAIN - 4.25" SPACING
	102075-08-01A	EA SHOWER ROD
	008112-01-000	EA FLANGE - SHOWER ROD
	083475-01-700	EA WAND - BLIND - W/METAL CLIP - 6" LONG

ASSIST HANDLE & BUTTONS

KEY	PART NUMBER	UOM DESCRIPTION
	088178-02-000	EA BRACKET - MOUNTING - ASSIST HANDLE - L ANGLE - WHOLE
	000C18-07-188	EA BOLT - CARRIAGE - ASSIST HANDLE - 7/16" - 14 X 1" ZN
	000080-07-008	EA NUT - ACORN - ASSIST HANDLE - 7/16" X 14 ZN
	063582-02-AAS	EA HANDLE - ASSIST - INTERIOR - ENTRY DOOR - VINYL - OFF WHITE
	070578-04-Y08	EA BUTTON - SNAP TOP - 830 - VINYL - BEIGE

**1988 ITASCA
TABLE OF CONTENTS**

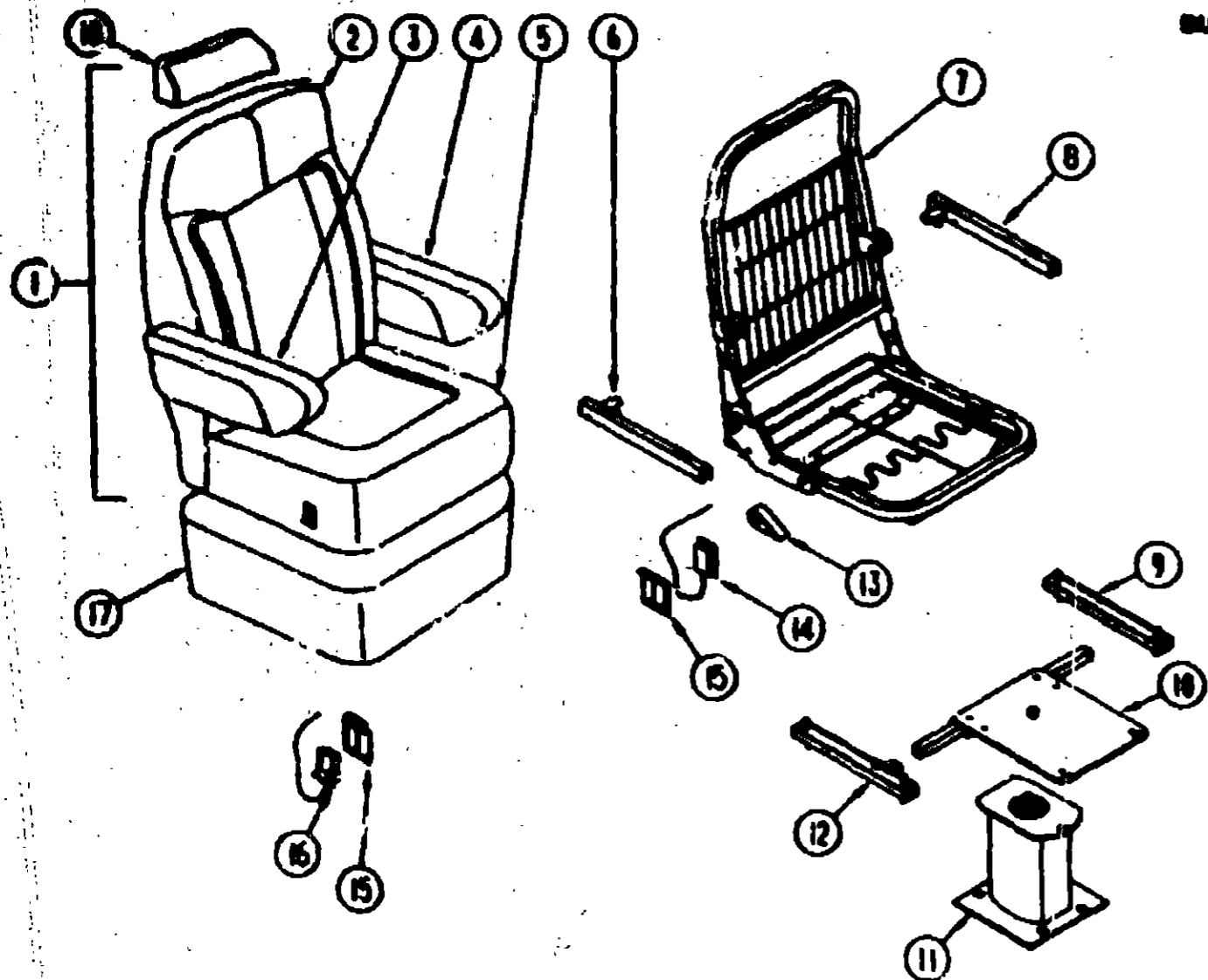
INTRODUCTION	A-01 - A-02
ABBREVIATIONS	A-03
ALPHABETICAL INDEX	A-04 - A-08
ICG37RW	A-07 - E-14
ICG34RO	E-15 - I-14

1988 ICG37RW INDEX

FLOOR PLAN	A-07 - A-08
ACCESSORIES	A-09
AUDIO VIDEO	A-10 - A-11
BATH	A-12 - A-14
BEDROOM	A-15 - A-16
CHAIRS	A-17 - B-08
CURTAIN & CUSHION	B-09 - E-18
DINETTE	B-19 - D-22
DRIVERS COMPARTMENT	B-23 - C-02
ELECTRICAL	C-03 - C-08
EXTERIOR BODY	C-09 - C-18
GALLEY	C-17 - C-20
GENERATOR	C-21 - C-22
HEATING & A/C	C-23 - D-02
INTERIOR FINISH	D-03 - D-06
LABELS	D-07 - D-14
LP	D-15
LOUNGE	D-16 - D-18
SEALANTS & FASTENERS	D-19 - D-21
WATER & SEWAGE	D-22 - E-01
WINDOW, VENT & EXTERIOR DOOR	E-02 - E-12
WINDSHIELD & WIPER	E-13 - E-14

CURTAIN & CUSHION GROUP (CONTINUED)

BUCKET SEAT



KEY	PART NUMBER	UOM DESCRIPTION
8	081288-01-000	EA ROD & CHANNEL - ARMREST - RIGHT - METAL
7	M80908-05-C70	EA FRAME - SEAT - BACK & SPRING
		FROM: 00-00-00 THRU: 08-21-82
7	M80906-07-000	EA FRAME - SEAT - BACK & SPRING
		FROM: 08-22-82 THRU: 99-99-99
8	081288-02-000	EA ROD & CHANNEL - ARMREST - LEFT - METAL
9	088248-02-000	EA ADJUSTER - W/PO LOCK - FORWARD & BACK
10	107821-05-000	EA TOP PLATE - PEDESTAL - W/SEATBELT BAR
11	107821-01-000	EA SUB PLATE - FLOOR MOUNTED PEDESTAL - W/1.75" EXTENSION
	107821-08-000	EA BEARING KIT - PEDESTAL
12	088248-05-000	EA ADJUSTER - W/LOCK - FORWARD & BACK
	077248-05-700	EA SPRING - ADJUSTER - FOR REMOTE
	088248-05-701	EA CLIP - CABLE - FOR REMOTE
13	080730-03-700	EA HANDLE KIT - RECLINER
	080730-04-000	EA SCREW - RECLINER HANDLE
	088388-08-000	EA SHIELD - CABLE - REMOTE RECLINER
14	088388-04-000	EA CABLE - SWIVEL/SLIDE - W/ SWITCH
15	087883-03-000	EA BRACKET - REMOTE - SIDE MOUNT - SINGLE
16	108048-01-000	EA CABLE - 3/8" - FLEXSTEEL PED
	108048-02-000	EA CABLE CLIP
17	071128-38-038	EA SHORT ASM - SINGLE - 10.5" - W/SLIT
17	071128-38-038	EA SHORT ASM - SINGLE - 10.5" - W/SLIT
18	088388-01-038	EA HEADREST ASM.
18	088388-01-038	EA HEADREST ASM.
18	088388-03-038	EA HEADREST ASM. - WINDOWGRAM
18	M85288-01-038	EA COVER ASM. - HEADREST
18	M85288-01-038	EA COVER ASM. - HEADREST
18	M85288-03-038	EA COVER ASM. - HEADREST - WINDOWGRAM

**1988 ITANCA
TABLE OF CONTENTS**

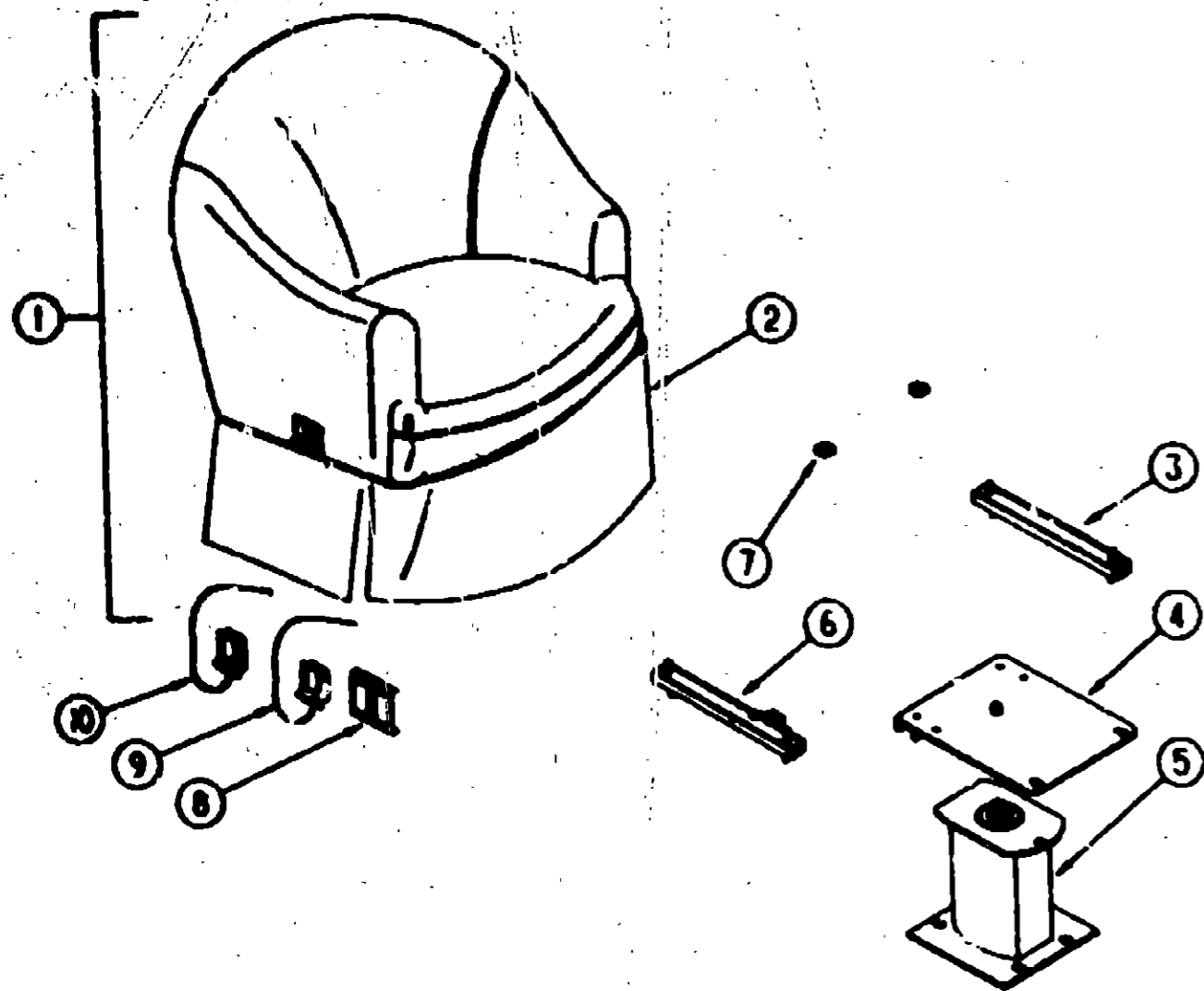
INTRODUCTION	A-01 - A-02
ABBREVIATIONS	A-03
ALPHABETICAL INDEX	A-04 - A-06
ICG37RW	A-07 - E-14
ICG37RO	E-15 - F-14

1988 ICG37RW INDEX

FLOOR PLAN	A-07 - A-08
ACCESSORIES	A-09
AUDIO VIDEO	A-10 - A-11
BATH	A-12 - A-14
BEFOREM	A-15 - A-16
CHASSIS	A-17 - B-08
CURTAIN & CUSHION	B-09 - B-18
DINETTE	B-19 - B-22
DRIVERS COMPARTMENT	B-23 - C-02
ELECTRICAL	C-03 - C-04
EXTERIOR BODY	C-05 - C-16
GALLEY	C-17 - C-20
GENERATOR	C-21 - C-22
HEATING & A/C	C-23 - D-02
INTERIOR FINISH	D-03 - D-06
LABELS	D-07 - D-14
LP	D-15
LOUNGE	D-16 - D-18
SEALANTS & FASTENERS	D-19 - D-21
WATER & SEWAGE	D-22 - E-01
WINDOW, VENT & EXTERIOR DOOR	E-02 - E-12
WINDSHIELD & WIPER	E-13 - E-14

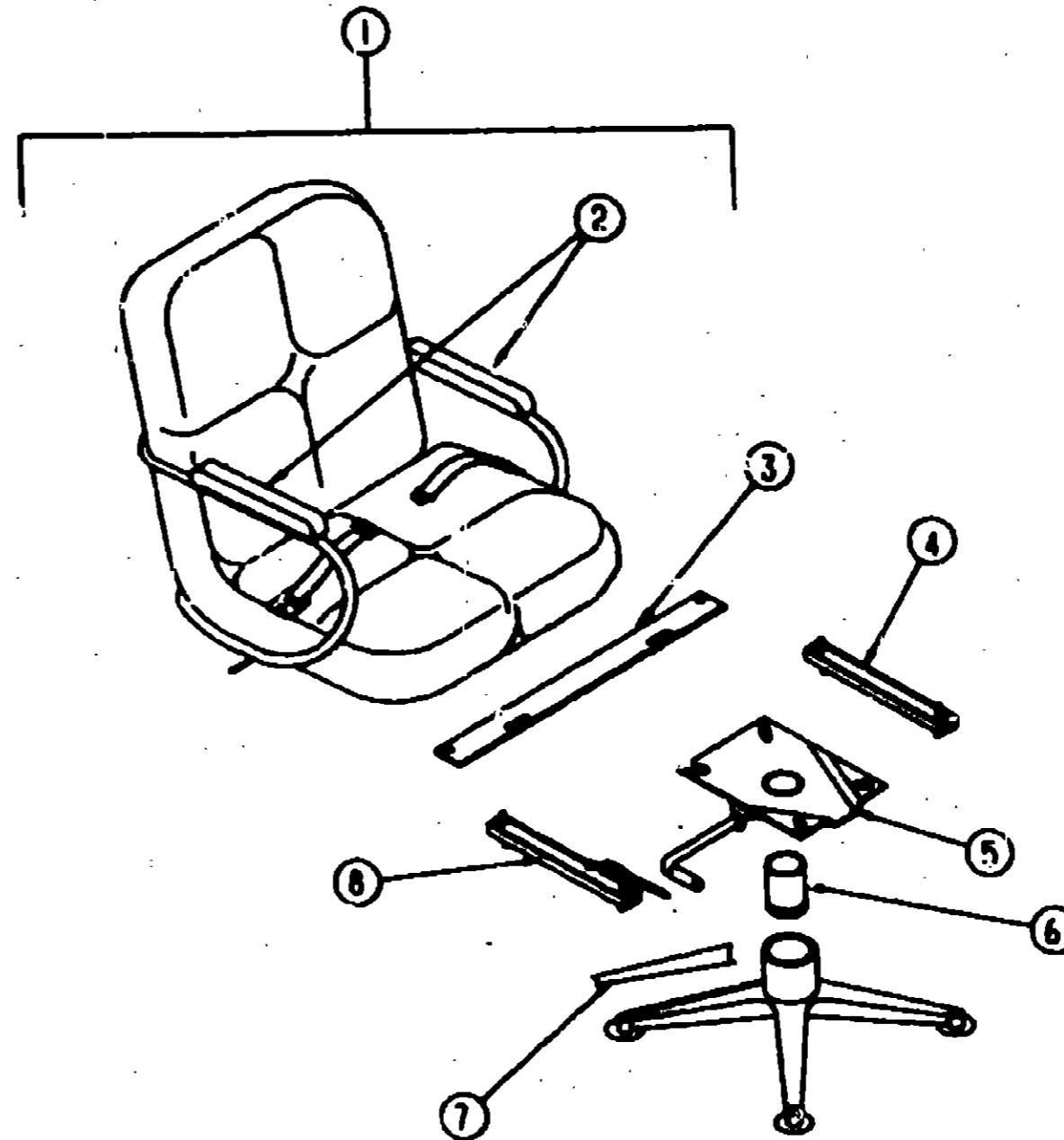
KEY	PART NUMBER	UOM DESCRIPTION
1	188480-35-038	EA SEAT - ROYALE - W/HEAD & ARMREST (REMOTE RECLINE) FROM: 00-00-00 THRU: 08-21-82
1	188480-31-038	EA SEAT - ROYALE - W/HEAD & ARMREST (REMOTE RECLINE) FROM: 00-00-00 THRU: 08-21-82
1	188480-30-038	EA SEAT - ROYALE - W/HEAD & ARMREST (MANUAL RECLINE) FROM: 08-22-82 THRU: 99-99-99
1	188480-42-038	EA SEAT - ROYALE - W/HEAD & ARMREST (MANUAL RECLINE) FROM: 08-22-82 THRU: 99-99-99
2	188445-82-038	EA COVER ASM. - BACK - ROYALE
2	188445-88-038	EA COVER ASM. - BACK - ROYALE
3	188445-49-011	EA ARMREST ASM. - RIGHT HAND (L38)
3	188445-49-038	EA ARMREST ASM. - RIGHT HAND
3	188445-49-011	EA COVER ASM. - ARM - RIGHT HAND (D38)
3	188445-49-038	EA COVER ASM. - ARM - RIGHT HAND
4	188445-50-011	EA ARMREST ASM. - LEFT HAND (D38)
4	188445-50-038	EA ARMREST ASM. - LEFT HAND
4	188445-50-011	EA COVER ASM. - ARM - LEFT HAND (D38)
4	188445-50-038	EA COVER ASM. - ARM - LEFT HAND
5	188445-89-038	EA COVER ASM. - SEAT
6	188445-87-038	EA COVER ASM. - SEAT

CURTAIN & CUSHION GROUP (CONTINUED)



SWIVEL CHAIR

CURTAIN & CUSHION GROUP (CONTINUED)



CHROME CRAFT CHAIR

**1988 ITASCA
TABLE OF CONTENTS**

INTRODUCTION	A-01 - A-02
ABBREVIATIONS	A-03
ALPHABETICAL INDEX	A-04 - A-05
ICG37RW	A-07 - E-14
IK234RC	E-15 - I-14

1988 ICG37RW INDEX

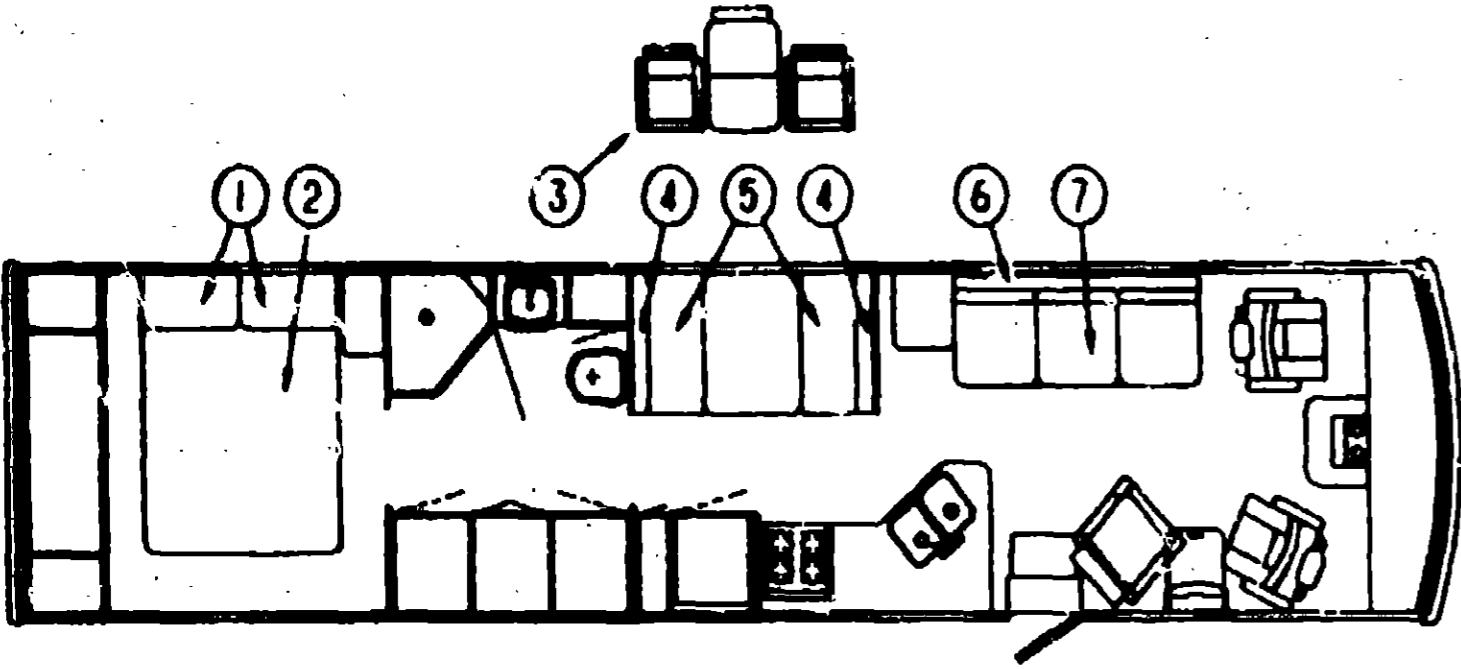
FLOOR PLAN	A-07 - A-08
ACCESSORIES	A-09
AUDIO VIDEO	A-10 - A-11
BATH	A-12 - A-14
BEDROOM	A-15 - A-18
CHASSIS	B-17 - B-08
CURTAIN & CUSHION	C-09 - B-18
FINETTE	C-19 - B-22
DRIVERS COMPARTMENT	C-23 - C-02
ELECTRICAL	C-03 - C-08
EXTERNAL BODY	C-09 - C-16
GALLERY	C-17 - C-20
GENERATOR	C-21 - C-22
HEATING & AIR	C-23 - D-02
INTER CRI FINES	D-03 - D-08
LABELS	D-07 - D-14
LP	D-15
LOUNGE	D-16 - D-18
SEALANTS & FASTENERS	D-19 - D-21
WATER & SEWAGE	D-22 - E-01
WINDOW, VENT &	
EXTERIOR DOOR	E-02 - E-12
WINDSHIELD & WIPER	E-13 - E-14

KEY	PART NUMBER	UIM DESCRIPTION
1	108379-02-035	EA CHAIR - FAN RECLINER
1	108379-02-036	EA CHAIR - FAN RECLINER
1	108379-02-035	EA COVER ARM - FAN RECLINER
1	108379-02-036	EA COVER ARM - FAN RECLINER
2	085187-05-035	EA SHIRT ASM.
2	085187-05-036	EA SHIRT ASM.
3	088246-02-000	EA ADJUSTER - SWIVEL CHAIR - FORWARD & BACK
4	105799-01-000	EA TOP PLATE - PEDESTAL - W/O SEATBELT BAR
5	105799-01-000	EA SUB PLATE - FLOOR MOUNTED PEDESTAL - W/O 75" EXTENSION
6	105799-01-000	EA BEARING KIT - PEDESTAL
6	088246-03-000	EA ADJUSTER - SWIVEL CHAIR - W/LOCKING ARM - FORWARD & BACK
6	088246-03-000	EA SPRING - ADJUSTER - FOR REMOTE
6	088246-03-000	EA CLIP - CABLE - FOR REMOTE
7	087221-01-000	EA SPACER - SEAT - ADJUSTER (4 USED)
8	088246-02-000	EA BRACKET - REMOTE - SIDE MOUNT
8	108049-01-000	EA CABLE - 21" - FLOOR/PEDESTAL
8	108049-02-000	EA CLIP - PEDESTAL CABLE
10	088246-04-000	EA CABLE - SWIVEL/JOE - W/SWITCH
	087799-01-000	EA WASHER BRACKET - SEAT BELT - 4" DIAMETER
	007021-01-000	EA SEAT BELT - 2" X 10' - BLACK

KEY	PART NUMBER	UIM DESCRIPTION
1	108379-02-035	EA CHAIR ASM - CHROME CRAFT II
1	108379-02-036	EA CHAIR ASM - CHROME CRAFT II
	105799-13-000	EA CHAIR ASM - CHROME CRAFT W/O FABRIC (D35)
	105799-14-000	EA CHAIR ASM - CHROME CRAFT W/O FABRIC (D36)
	105799-01-004	EA BOLT - SEAT - CHAIR #723634-1
2	105799-01-700	EA WOOD ARM PADS FOR C67-886-BN
3	088246-02-000	EA BAR - SEAT BELT - 2.5" X 12.75"
4	088246-06-000	EA ADJUSTER - SWIVEL CHAIR - MANUAL - FORWARD & BACK
5	105799-01-001	EA TOP PLATE - SWIVEL CHAIR
5	088246-03-000	EA TOP PLATE - SWIVEL W/O TILT - W/LOCK
6	105799-01-002	EA UPRIGHT - CHAIR
6	105799-01-008	EA STEM UPRIGHT - LOCKOUT
7	105799-01-003	EA LEG WOOD COVER BASE(CHAIR)
8	088246-07-000	EA ADJUSTER - SWIVEL CHAIR - W/LOCKING ARM - FORWARD & BACK

FROM: 00-00-00 THRU: 02-14-83
 FROM: 02-15-83 THRU: 99-99-99
 FROM: 00-00-00 THRU: 02-14-83
 FROM: 02-15-83 THRU: 99-99-99

CURTAIN & CUSHION GROUP (CONTINUED)



QUEEN BED

KEY	PART NUMBER	U/M DESCRIPTION
1	08197-08-036	EA PILLOW SHAM COVER - W/FRUFFLE
1	08197-13-036	EA PILLOW SHAM COVER - W/FRUFFLE
2	09178-04-000	EA MATTRESS - QUEEN - INNERSPRING - 50" X 74" - SEALY
2	J68371-24-036	EA BEDSPREAD - 90" FITTED - W/8" RUFFLE
2	108109-08-036	EA BEDSPREAD - 80" FITTED - W/8" RUFFLE
	104338-01-036	EA PILLOW ASM - 15" X 15" W/FRUFFLE (D35)
	104338-04-136	EA PILLOW ASM - 15" X 15" W/FRUFFLE

DINETTE OPTION

KEY	PART NUMBER	U/M DESCRIPTION
2	108879-02-036	EA CHAIR ASM - CHROME CRAFT II
3	108879-02-036	EA CHAIR ASM - CHROME CRAFT II

DINETTE CUSHIONS

KEY	PART NUMBER	U/M DESCRIPTION
4	104148-C1-036	EA CUSHION - FAN VICTORIAN - W/STRAP-13.5"X38"X5"
4	104148-01-036	EA CUSHION - FAN VICTORIAN - W/STRAP-13.5"X38"X5"
4	P04148-01-036	EA COVER - VICTORIAN TUCK BACK - W/STRAP
4	P04148-01-036	EA COVER - VICTORIAN TUCK BACK - W/STRAP
6	088827-87-036	EA CUSHION - 23"X38"X5" - DINETTE SEAT (D35)
5	088827-87-808	EA CUSHION - 23"X38"X5" - DINETTE SEAT (D35)
5	M88827-87-036	EA COVER - 23"X38"X5" - DINETTE SEAT (D36)
6	M88827-87-808	EA COVER - 23"X38"X5" - DINETTE SEAT (D36)

SOFA BED

KEY	PART NUMBER	U/M DESCRIPTION	
6	101175-04-036	EA CUSHION - FAN - SOFA BACK - WARM - RIGHT HAND	
6	101175-04-036	EA CUSHION - FAN - SOFA BACK - WARM - RIGHT HAND	
6	P01175-04-036	EA COVER - FAN - SOFA BACK - WARM - RIGHT HAND	
6	101175-05-036	EA CUSHION - FAN - SOFA BACK - WARM - LEFT HAND	
6	101175-05-036	EA CUSHION - FAN - SOFA BACK - WARM - LEFT HAND	
6	P01175-05-036	EA COVER - FAN - SOFA BACK - WARM - LEFT HAND	
6	P01175-05-136	EA COVER - FAN - SOFA BACK - WARM - LEFT HAND	
6	101175-07-036	EA CUSHION - FAN - SOFA BACK - CENTER	
6	101175-07-036	EA CUSHION - FAN - SOFA BACK - CENTER	
6	P01175-08-036	EA COVER - FAN - SOFA BACK - CENTER	
6	P01175-08-036	EA COVER - FAN - SOFA BACK - CENTER	
7	088007-05-036	EA SOFA BED - SEAT - W/SIGHT	
7	088007-05-036	EA SOFA BED - SEAT - W/SIGHT	FROM: 00-00-00 THRU: 09-13-82
7	088007-05-036	EA SOFA BED - SEAT - W/SIGHT	FROM: 00-00-00 THRU: 09-13-82
7	088007-05-036	EA SOFA BED - SEAT - W/SIGHT	FROM: 09-14-82 THRU: 09-09-99
7	088007-06-036	EA SOFA BED - SEAT - W/SIGHT	FROM: 09-14-82 THRU: 09-09-99
7	M88007-05-036	EA COVER - SOFA BED - SEAT - W/SIGHT	FROM: 09-14-82 THRU: 09-09-99
7	M88007-05-036	EA COVER - SOFA BED - SEAT - W/SIGHT	FROM: 00-00-00 THRU: 09-13-82
7	M88007-05-036	EA COVER - SOFA BED - SEAT - W/SIGHT	FROM: 00-00-00 THRU: 09-13-82
7	M88007-06-036	EA COVER - SOFA BED - SEAT - W/SIGHT	FROM: 09-14-82 THRU: 09-09-99
7	M88007-06-036	EA COVER - SOFA BED - SEAT - W/SIGHT	FROM: 09-14-82 THRU: 09-09-99
	103889-08-036	EA PILLOW ASM - 15" X 15" THROW (D36)	
	103889-10-036	EA PILLOW ASM - 15" X 15" THROW	
	078388-01-000	EA FRAME - COUCH	

**1988 ITASCA
TABLE OF CONTENTS**

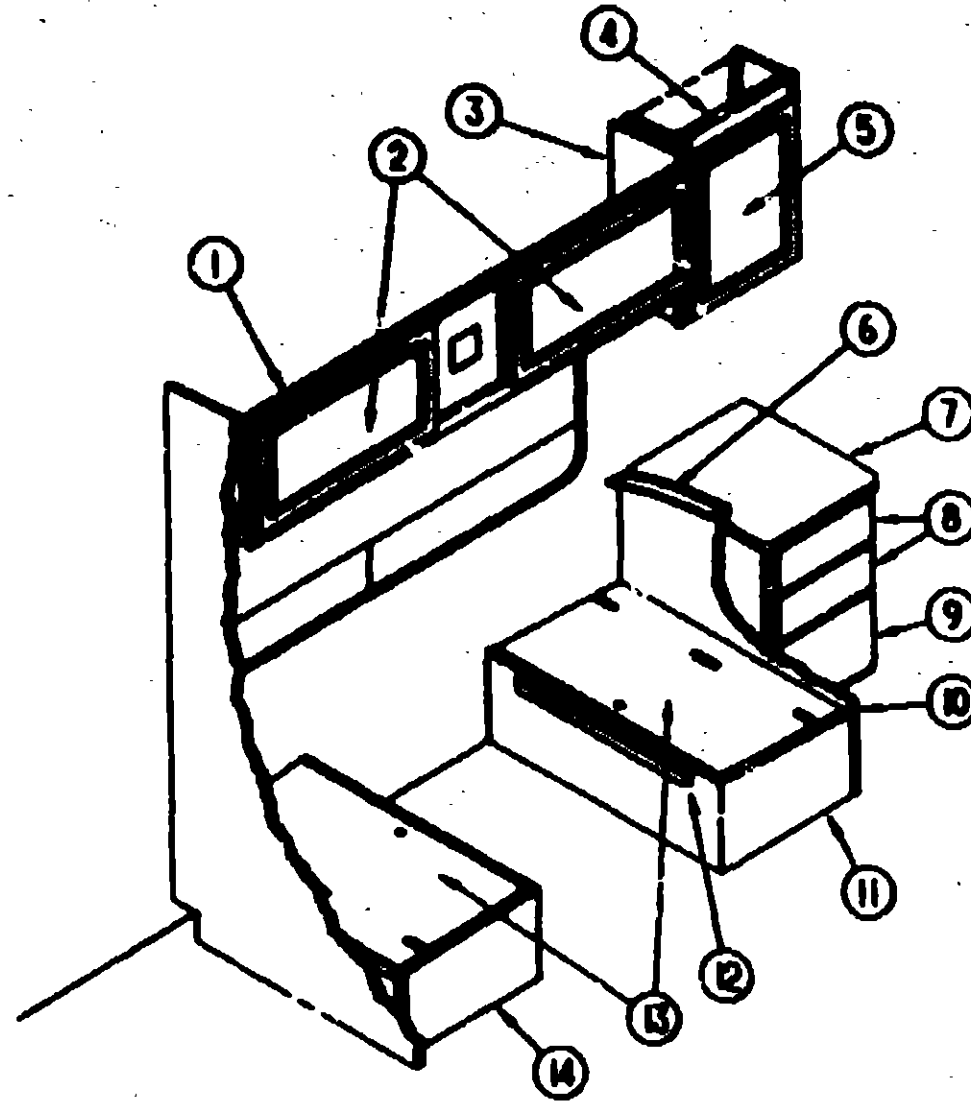
INTRODUCTION	A-01 - A-02
ABBREVIATIONS	A-03
ALPHABETICAL INDEX	A-04 - A-05
ICG37RW	A-07 - E-14
IK334RQ	E-15 - F-14

1988 ICG37RW INDEX

FLOOR PLAN	A-07 - A-08
ACCESSORIES	A-09
AUDIO VIDEO	A-10 - A-11
BATH	A-12 - A-14
BEDROOM	A-15 - A-16
CHASSIS	A-17 - B-08
CURTAIN & CUSHION	B-09 - B-18
DINETTE	B-19 - B-22
DRIVERS COMPARTMENT	B-23 - C-02
ELECTRICAL	C-03 - C-08
EXTERIOR BODY	C-09 - C-16
GALLEY	C-17 - C-20
GENERATOR	C-21 - C-22
HEATING & A/C	C-23 - D-02
INTERIOR FINISH	D-03 - D-08
LABELS	D-07 - D-14
LP	D-15
LOUNGE	D-16 - D-18
SEALANTS & FASTENERS	D-19 - D-21
WATER & SEWAGE	D-22 - E-01
WINDOW, VENT &	
EXTERIOR DOOR	E-02 - E-12
WINDSHIELD & WIPER	E-13 - E-14

DINETTE GROUP

DINETTE & OVERHEAD CABINETRY



KEY	PART NUMBER	UOM	DESCRIPTION
1	MD5180-39-088	EA	CABINET - DINETTE OVERHEAD
1	MD5180-39-088	FA	CABINET - DINETTE OVERHEAD
2	P03702-A5-086	EA	DOOR ASM - W/O HARDWARE
3	108128-02-C27	EA	END CAP ASM - RIGHT HAND
4	108083-01-086	EA	CABINET ASM - HUTCH
4	108083-01-086	EA	CABINET ASM - HUTCH
5	P03702-L4-086	EA	DOOR ASM - W/O HARDWARE
6	104787-01-C11	EA	PAD ASM - DINETTE (DS)
6	104787-01-088	EA	PAD ASM - DINETTE
	108084-01-086	EA	CABINET ASM - ICE MAKER
	108084-01-088	EA	CABINET ASM - ICE MAKER
7	108084-11-D12	EA	COUNTERTOP ASM (ICE MAKER) (DS)
7	108084-11-088	EA	COUNTERTOP ASM (ICE MAKER)
	P08101-01-086	EA	CABINET ASM - LOUNGE
	P08101-01-088	EA	CABINET ASM - LOUNGE
7	108101-11-D12	EA	COUNTERTOP ASM (LOUNGE) (DS)
7	108101-11-088	EA	COUNTERTOP ASM (LOUNGE)
8	P07104-F8-086	EA	DRAINER ASM - W/O HARDWARE
9	P07104-F8-088	EA	DRAINER ASM - W/O HARDWARE
10	MD4174-61-086	FA	CABINET - SEATBACK - RIGHT HAND
11	MD4175-62-086	EA	CABINET - SEATBASE - RIGHT HAND
12	081286-01-A48	EA	SUPPORT - BED - DINETTE
13	081518-01-827	EA	SEAT-TOP - DINETTE - PLYWOOD
14	MD4175-34-086	EA	CABINET - SEATBASE - LEFT HAND

ICE MAKER (DOMETIC)

KEY	PART NUMBER	UOM	DESCRIPTION
	076788-01-000	EA	ICE MAKER - BLACK GLASS - U-LINE DOMETIC
	076788-01-700	EA	DOOR FRAME
	076788-01-701	EA	HANDLE
	076788-01-702	EA	OUTER DOOR PANEL
	076788-01-703	EA	NAME PLATE
	076788-01-704	EA	PIVOT HINGE & TOP SCREW
	076788-01-705	EA	PIVOT HINGE BOTTOM
	076788-01-706	EA	GRILLE C VINYL COATED
	076788-01-707	EA	WATER LINE CONNECTION
	076788-01-708	EA	CHAIN & LOCK PIN
	076788-01-709	EA	TRIM KIT
	076788-01-711	EA	MOTOR
	076788-01-713	EA	SWITCH - MICRO
	076788-01-715	EA	SWITCH - S.P. D.T.
	076788-01-716	EA	SOLENOID VALVE
	076788-01-719	EA	CONTROL
	076788-01-722	EA	WATER LINE COMN
	076788-01-725	EA	RELAY - TECUMSEH
	076788-01-728	EA	DOOR GASKET
			DOMETIC 229
			DOMETIC 230
			DOMETIC 233
			DOMETIC 501
			DOMETIC 215
			DOMETIC 236
			DOMETIC 325
			DOMETIC 406
			DOMETIC 41348-2
			DOMETIC 322
			DOMETIC 102
			DOMETIC 108 & 110
			DOMETIC 110
			DOMETIC 430
			DOMETIC 4648
			DOMETIC 405
			DOMETIC 410
			DOMETIC 231

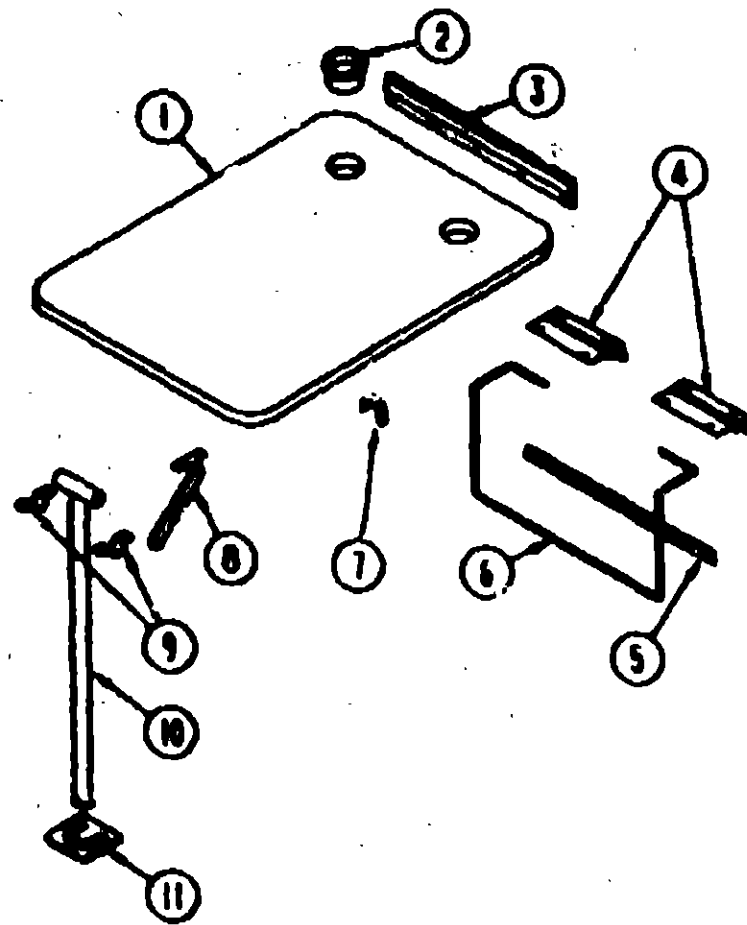
1988 ITASCA TABLE OF CONTENTS

INTRODUCTION	A-01 - A-02
ABBREVIATIONS	A-03
ALPHABETICAL INDEX	A-04 - A-08
ICG37RW	A-07 - E-14
IC234RQ	E-15 - I-14

1988 ICG37RW INDEX

FLOOR PLAN	A-17 - A-28
ACCESSORIES	A-29
AUDIO VIDEO	A-10 - A-11
BATH	A-12 - A-14
BEDROOM	A-15 - A-16
CHASSIS	A-17 - B-08
CURTAIN & CUSHION	B-09 - B-18
DINETTE	B-19 - B-22
DRIVERS COMPARTMENT	B-23 - C-02
ELECTRICAL	C-03 - C-06
EXTERIOR BODY	C-09 - C-16
GALLEY	C-17 - C-20
GENERATOR	C-21 - C-22
HEATING & AC	C-23 - D-02
INTERIOR FINISH	D-03 - D-08
LABELS	D-07 - D-14
LP	D-15
LOUNGE	D-16 - D-18
SEALANTS & FASTENERS	D-19 - D-21
WATER & SEWAGE	D-22 - E-01
WINDOW, VENT &	
EXTERIOR DOOR	E-02 - E-12
WINDSHIELD & WIPER	E-13 - E-14

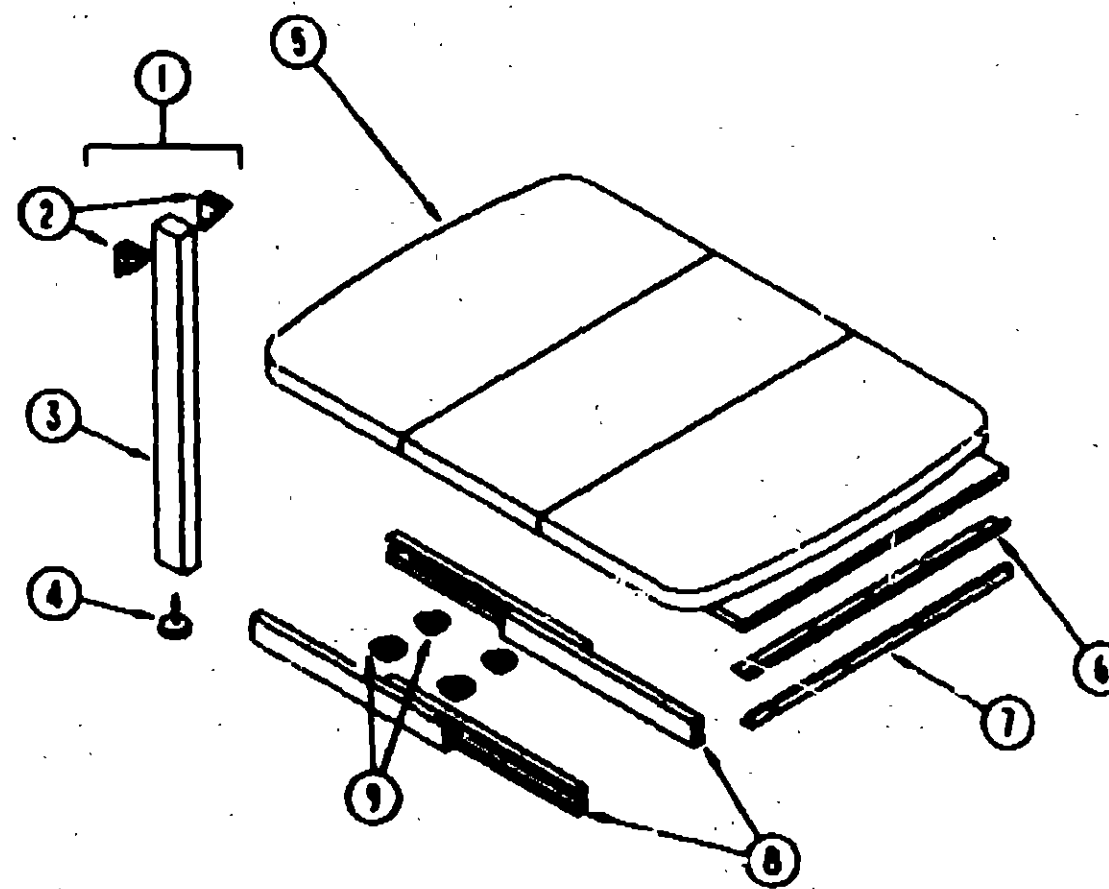
DINETTE GROUP (CONTINUED)



DINETTE TABLE ASSM.

KEY	PART NUMBER	USE DESCRIPTION
1	802115-08-032	EA DINETTE TABLE (D35)
1	802115-08-035	EA DINETTE TABLE
7	084781-08-000	EA CLIP HOLDER - 2 STEP
3	082809-12-000	EA BRACKET - TABLE SUPPORT - UPPER WALL MOUNTED - 23.5" - OFF WHITE
4	088410-08-000	EA BRACKET - TABLE MOUNTED - OFF WHITE
5	084281-14-000	EA BRACKET - LIFT ROD - LOWER WALL MOUNTED - 22.12" - OFF WHITE
8	084275-12-000	EA ROD - TABLE LIFT - 8" X 23.5" - OFF WHITE
7	084783-01-000	EA CLIP - LEG - 1" - 1.125" OD - BLACK
8	084883-01-000	EA BRACE - TABLE LEG - HINGED
8	084883-05-000	EA CLAMP - SADDLE - LEG HINGE - OFF WHITE
10	084278-23-000	EA TABLE LEG - METAL - OFF WHITE
11	084783-11-700	EA LEG CATCH - FLOOR MOUNTED - 2.5" X 2.7" - METAL - E-COAT

DINETTE GROUP (CONTINUED)



DINETTE TABLE ASSM.

KEY	PART NUMBER	USE DESCRIPTION
1	012708-10-035	EA LEG ALUM - TABLE
2	102810-01-02A	EA BRACE - TABLE LEG - OFF WHITE
3	082707-08-01A	EA LEG MOUNTING - RAMBLING OAK
4	102184-01-000	EA GUIDE - PLASTIC
5	PO1088-08-035	EA TABLE ASSM - WIDROP LEAF
6	102201-02-02A	EA SUPPORT - HINGE CATCH - OFF WHITE
7	102200-02-02A	EA SUPPORT - HINGE LOCK - OFF WHITE
8	102210-01-000	EA SLIDE - TABLE - 18" TO 30" - METAL
8	108480-01-000	EA SLIDE - TABLE - 19 LONG
8	110748-01-000	EA SLIDE - TABLE - 19 3/4 LONG
9	008160-02-000	EA LEVELER - TABLE TOP - FEMALE & MALE ENDS W/4 SCREWS - PLASTIC

**1983 ITASCA
TABLE OF CONTENTS**

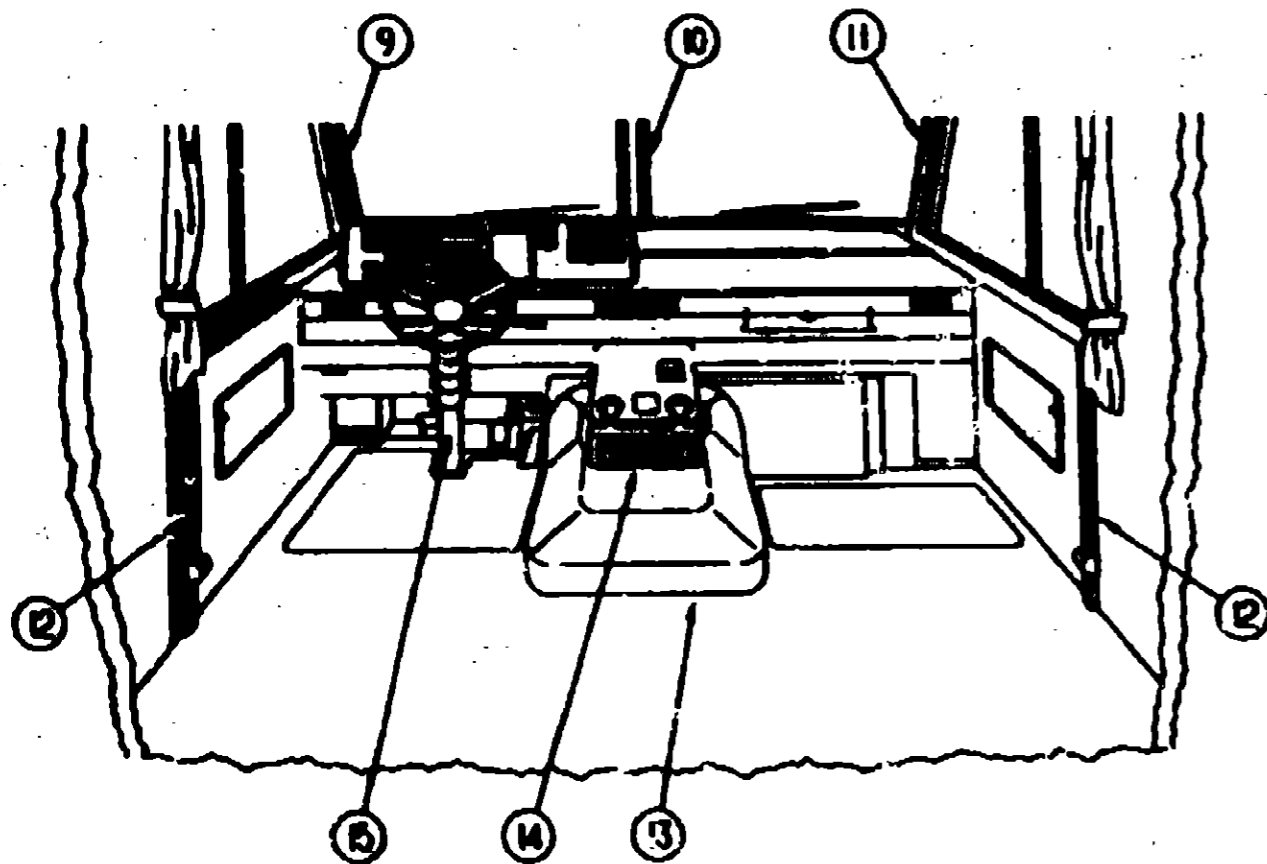
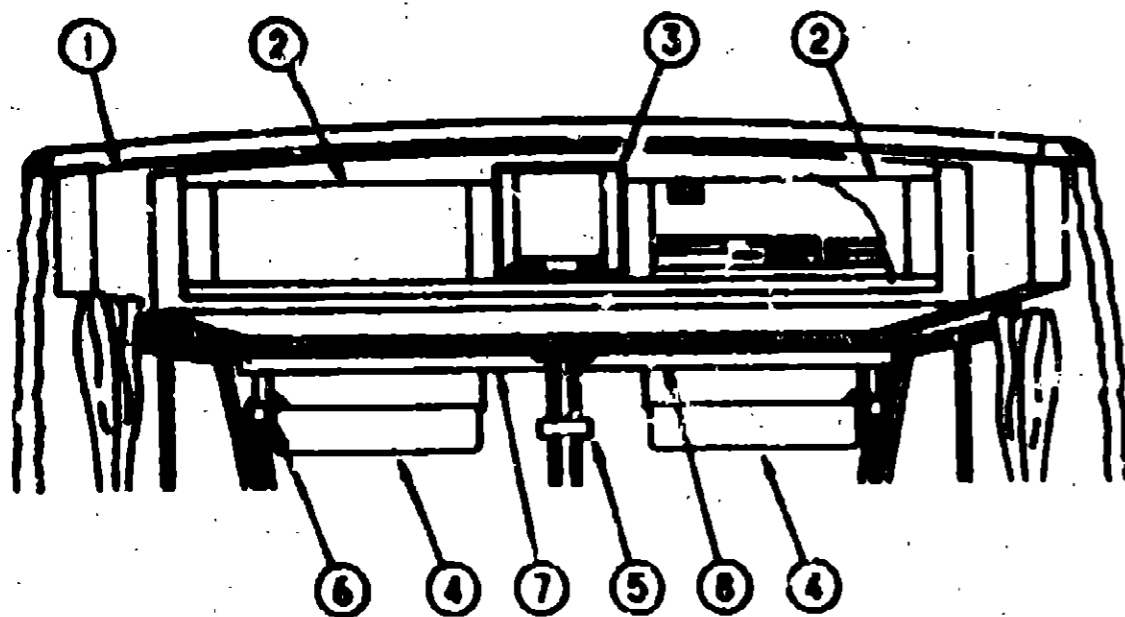
INTRODUCTION	A-01 - A-02
ABBREVIATIONS	A-03
ALPHABETICAL INDEX	A-04 - A-08
IC837RW	A-07 - E-14
IC838Q	E-15 - I-14

1983 IC837RW INDEX

FLOOR PLAN	A-07 - A-08
ACCESSORIES	A-09
AUDIO VIDEO	A-10 - A-11
BATH	A-12 - A-14
BEDROOM	A-15 - A-16
CHASSIS	A-17 - B-08
CURTAIN & CURTAIN	B-09 - B-18
DINETTE	B-19 - B-22
DRIVERS COMPARTMENT	B-23 - C-02
ELECTRICAL	C-03 - C-08
EXTERIOR BODY	C-09 - C-16
GALLEY	C-17 - C-20
GENERATOR	C-21 - C-22
HEATING & AC	C-23 - D-02
INTERIOR FINISH	D-03 - D-08
LABELS	D-07 - D-14
LP	D-15
LOUNGE	D-16 - D-18
SEALANTS & FASTENERS	D-19 - D-21
WATER & SEWAGE	D-22 - E-01
WINDOW, VENT &	
EXTERIOR DOOR	E-02 - E-12
WINDSHIELD & WIPER	E-13 - E-14

DRIVERS COMPARTMENT GROUP

UPPER & LOWER LOWER COMPARTMENT



KEY	PART NUMBER	USE DESCRIPTION
1	M0888-01-C27	EA CABINET ASM - FACE - OVD - (WTV)
1	M0888-02-C27	EA CABINET ASM - FACE - OVD - (WTV)
2	100708-08-000	EA DOOR - GLASS - TV CABINET 248 X 722
	100710-01-01A	EA LOCK - GLASS DOOR - TWIST TYPE - BRASS
	100711-01-01A	EA HINGE - DOOR - GLASS
	101282-01-01A	EA BRACKET - CATCH - LD - BEIGE
	101272-01-000	EA CATCH - DOOR - GLASS
	101788-01-000	EA PIN - SUPPORT - GLASS DOOR
	100707-01-000	EA SPACE - DOOR - GLASS - 3/8 DIA - 3/8 HOLE - PLASTIC
3	108811-01-085	EA CABINET ASM - FRAME - TV
4	082885-18-012	EA SUPPORTOR ASM
	007211-01-000	EA HINGE - SUPPORTOR - 26.5 X 1.5 - METAL
	074012-01-000	EA CLIP - SUPPORTOR - SQUARE - PINCH ON
	102377-01-000	EA BRACKET SUPPORTOR - 1 PIECE - STEEL
	048878-03-000	EA ASHTRAY - CHROME - 1/2 COVER
	024700-44-000	EA COVER - SIDEWALL ROLL BAR - OFF WHITE 53"
	024700-46-000	EA COVER - SIDEWALL ROLL BAR - OFF WHITE 21.2"
	103881-01-01A	EA COVER - BRACKET - SEATBELT - OFF WHITE
	R77030-63-447	EA FLAT WASHER
5	040714-01-000	EA MIRROR - REAR VIEW - W/WRM MOUNT & SET SCREW
	075710-01-000	EA FRAME - WINDSHIELD - CENTER DIVIDER - INSR
	077882-03-000	EA HEADER WINDSHIELD END - RIGHT
	077882-04-000	EA HEADER WINDSHIELD END - LEFT
	077882-05-000	EA HEADER WINDSHIELD - CENTER
6	038430-02-000	EA FAN - DEFROSTER - 2 SPEED - 6" DIAMETER
7	078679-10-000	EA TRIM - WINDSHIELD - UPPER INNER - LH LIGHT GRAY
8	078679-09-000	EA TRIM - WINDSHIELD - UPPER INNER - RH LIGHT GRAY
9	103831-04-02A	EA INTERIOR COVER - A-PILLAR - LEFT HAND - GRAY
10	079785-10-000	EA TRIM-WINDSHIELD, CENTER, LIGHT GRAY
11	103831-03-02A	EA INTERIOR COVER - A-PILLAR - RIGHT HAND - GRAY
12	081820-01-01A	EA SEAT BELT & SHOULDER HARNESS - DRIVER/PASSENGER SIDE
	108146-01-000	EA BOLT - SHOULDER - SEAT BELT
		FROM: 07-30-82 THRU: 08-08-88
13	087582-01-000	EA MOTOR COVER - W/O CARPET
	089408-01-000	EA TRIM - MOTOR COVER - ALUMINUM
	075884-01-000	EA BRACKET - MOUNTING - MOTOR COVER
	036823-01-000	FT SEAL - MOTOR COVER - RUBBER BULB TYPE - BLACK
14	107854-01-085	EA BEVERAGE TRAY ASM
	MD4082-01-829	EA DOWEL - WOOD - STAINED - 1" X 1.75" (BEVERAGE TRAY)
	P07854-12-035	EA TRAY ASM - W/STAIN
	P07854-13-035	EA SIDE W/STAIN
15	103488-04-000	EA BOOT - COLUMN - CHEVY
		FROM: 00-00-00 THRU: 08-05-82
15	103488-08-000	EA BOOT - COLUMN - UNIVERSAL
		FROM: 08-05-82 THRU: 08-08-88
	100828-02-000	EA SHELF ASM - TV
	100876-02-000	EA STAND - VCR
	101180-01-000	EA SUPPORT - SHELF - TV - PASSENGER SIDE - STEEL
	101180-02-000	EA SUPPORT - SHELF - TV - DRIVER SIDE - STEEL
	103040-01-C05	EA PANEL - LINER - OVERHEAD TV - W/O TV
	103040-03-C05	EA PANEL - LINER - OVERHEAD TV - W/TV
	P08077-01-C05	EA SHELF - BASE - CABINET - LEFT HAND - VINYL
	P08077-02-C05	EA SHELF - BASE - CABINET - RIGHT HAND - VINYL
	P04415-01-C05	EA SHELF ASM - TV CABINET - VINYL
	101487-22-D12	EA PANEL ASM - END CAP - UPPER RIGHT HAND - TV
	101487-23-D12	EA PANEL ASM - END CAP - UPPER LEFT HAND - TV
	101488-07-C07	EA PANEL ASM - END CAP - BOTTOM RIGHT HAND
	101488-08-C07	EA PANEL ASM - END CAP - BOTTOM LEFT HAND
	108889-01-01A	EA BRACKET - CABINET - OVERHEAD TV - OFF WHITE
	104888-03-C12	EA PANEL - SIDE - OVERHEAD TV - RIGHT HAND
	104888-04-C12	EA PANEL - SIDE - OVERHEAD TV - LEFT HAND

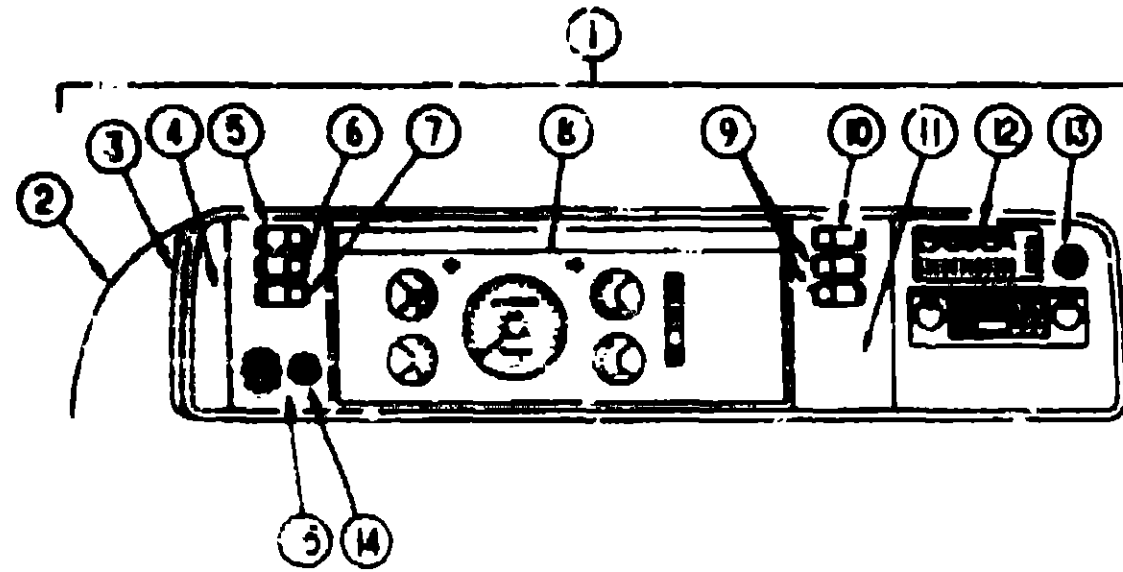
1988 ITASCA TABLE OF CONTENTS

INTRODUCTION	A-01 - A-02
ABBREVIATIONS	A-03 - A-03
ALPHABETICAL INDEX	A-04 - A-28
10837RW	A-27 - E-14
10834FD	E-15 - I-14

1988 10837RW INDEX

FLOOR PLAN	A-07 - A-08
ACCESSORIES	A-09
AUDIO VIDEO	A-10 - A-11
BATH	A-12 - A-14
BEDROOM	A-15 - A-18
CHASSIS	A-17 - B-08
CURTAIN & CUSHION	B-09 - B-18
DINETTE	B-19 - B-22
DRIVERS COMPARTMENT	B-23 - C-02
ELECTRICAL	C-03 - C-08
EXTERIOR BODY	C-09 - C-16
GALLEY	C-17 - C-20
GENERATOR	C-21 - C-22
HEATING & AC	C-23 - C-27
INTERIOR FURN	D-01 - D-04
LABELS	D-07 - D-14
LP	D-15
LOUNGE	D-16 - D-18
SEALANTS & FASTENERS	D-19 - D-21
WATER & SEWAGE	D-22 - E-01
WINDOW, VENT & EXTERIOR DOOR	E-02 - E-12
WINDSHIELD & WIPER	E-13 - E-14

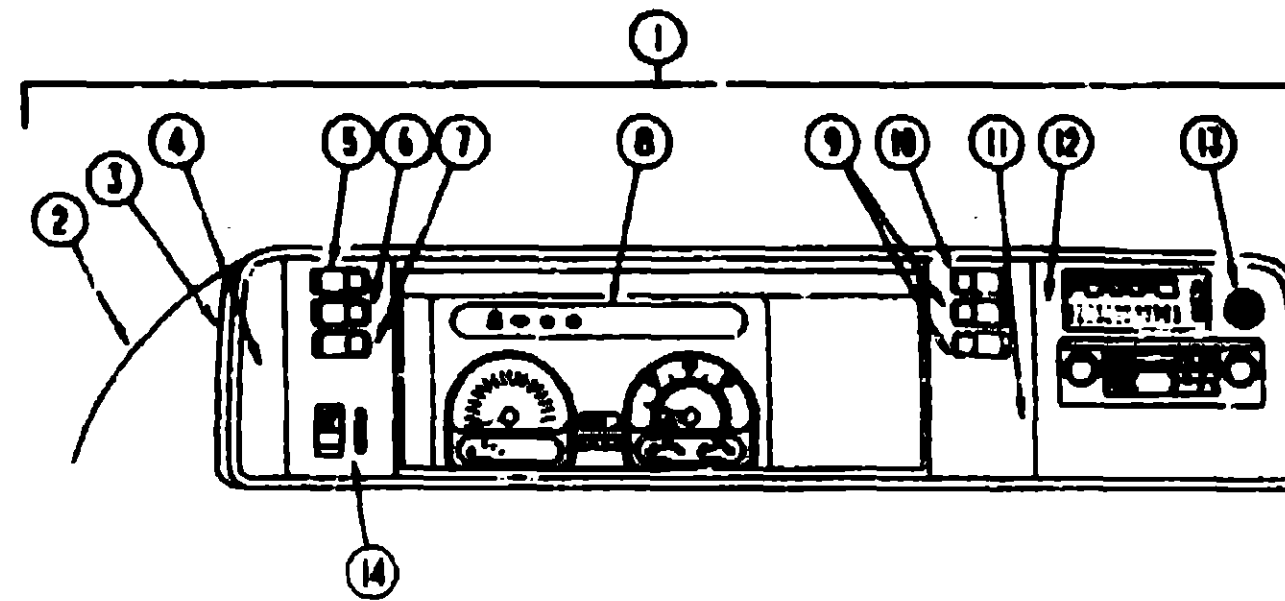
DRIVERS COMPARTMENT GROUP (CONTINUED)



DASH, GAUGES & SWITCHES (FORD)

KEY	PART NUMBER	U/M DESCRIPTION
1	M05848-06-035	EA DASH POD ASM.
2	103886-01-02A	EA POD - INSTRUMENT PANEL - GRAY
3	103882-02-01A	EA BEZEL - INSTRUMENT PANEL
4	104056-01-03A	EA APPLIQUE - BEZEL - LEFT - DRESS UP
5	108357-05-000	EA SWITCH - ROCKER - SPDT ON/NONE/ON
6	108357-01-000	EA SWITCH - ROCKER - SPDT ON/OFF/MOM
7	108357-06-000	EA SWITCH - ROCKER - SPDT MOM/OFF/MOM
8	084784-03-000	EA CLUSTER - INSTRUMENT - KILOMETER (CSA)
9	108357-03-000	EA SWITCH - ROCKER - SPDT ON/OFF/ON
10	108357-10-000	EA SWITCH - ROCKER - SPDT MOM/OFF/MOM
11	104056-05-01A	EA APPLIQUE - BEZEL SWITCH RIGHT - 3 SW FROM: 00-00-00 THRU: 12-13-92
11	104056-04-01A	EA APPLIQUE - BEZEL - SWITCH RIGHT - BLANK FROM: 00-00-00 THRU: 12-13-92
11	104056-21-01A	EA APPLIQUE - BEZEL - SWITCH RIGHT FROM: 12-14-92 THRU: 99-99-99
12	104056-06-03A	EA APPLIQUE - BEZEL - RIGHT DRESS UP
13	088294-01-000	EA LIGHTER ASM. - CIGARETTE
14	088575-01-000	EA KNOB - HEADLAMP - W/SHIRT
15	104056-03-01A	EA APPLIQUE - BEZEL - SWITCH LEFT
	PC3817-01-000	EA DASH ASM - LOWER - W/O VINYL
	108589-02-02A	EA PADDED VINYL - LAMINATE MADRID - GRAY - 1/4"X16"X96" - 2LB
	100136-01-000	EA MODULE - DAYTIME RUNNING LIGHT
	077031-01-000	EA FILM - BLACK - 1" X 1.75"
	077031-03-000	EA FILM - WHITE .75" X 1"
	103812-02-02A	EA TRIM - DASH - LOWER - FORD - GRAY
	104354-01-02A	EA APPLIQUE - LOWER DASH

DRIVERS COMPARTMENT GROUP (CONTINUED)



DASH, GAUGES & SWITCHES (CHEVY)

KEY	PART NUMBER	U/M DESCRIPTION
1	M05848-04-735	EA DASH POD ASM.
2	103886-01-02A	EA POD - INSTRUMENT PANEL - GRAY
3	103882-01-01A	EA BEZEL - INSTRUMENT PANEL
4	104056-01-03A	EA APPLIQUE - BEZEL - LEFT - DRESS UP
5	108357-05-000	EA SWITCH - ROCKER - SPDT ON/NONE/ON
6	108357-01-000	EA SWITCH - ROCKER - SPDT ON/OFF/MOM
7	108357-06-000	EA SWITCH - ROCKER - SPDT MOM/OFF/MOM
8	084784-03-000	EA CLUSTER - INSTRUMENT PANEL - KILOMETERS - GAS (CSA)
9	108357-03-000	EA SWITCH - ROCKER - SPDT ON/OFF/ON
10	108357-10-000	EA SWITCH - ROCKER - SPDT MOM/OFF/MOM
11	104056-05-01A	EA APPLIQUE - BEZEL SWITCH RIGHT - 3 SW FROM: 00-00-00 THRU: 12-13-92
11	104056-04-01A	EA APPLIQUE - BEZEL - SWITCH RIGHT - BLANK FROM: 00-00-00 THRU: 12-13-92
11	104056-21-01A	EA APPLIQUE - BEZEL - SWITCH RIGHT FROM: 12-14-92 THRU: 99-99-99
12	104056-06-03A	EA APPLIQUE - BEZEL - RIGHT DRESS UP
13	088294-01-000	EA LIGHTER ASM. - CIGARETTE
14	104056-02-01A	EA APPLIQUE - BEZEL - SWITCH LEFT
	PC3817-01-000	EA DASH ASM - LOWER - W/O VINYL
	108589-02-01A	EA PADDED VINYL - LAMINATE MADRID - OFF WHITE - 1/4"X16"X96" - 2LB
	100136-01-000	EA MODULE - DAYTIME RUNNING LIGHT
	077031-01-000	EA FILM - BLACK - 1" X 1.75"
	077031-03-000	EA FILM - WHITE .75" X 1"
	103812-01-02A	EA TRIM - DASH - LOWER - GM - GRAY
	104354-01-02A	EA APPLIQUE - LOWER DASH

**1993 ITASCA
TABLE OF CONTENTS**

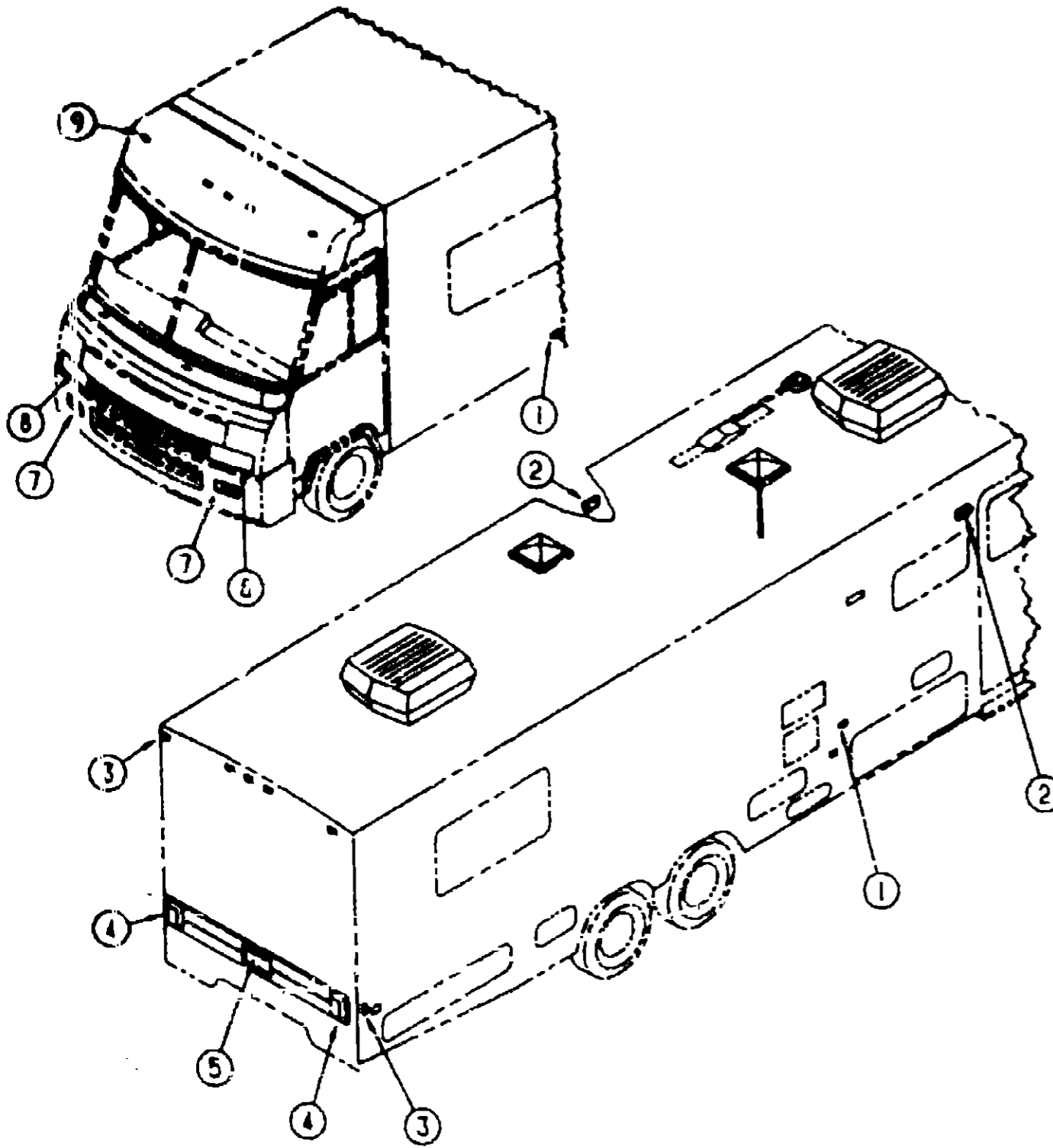
INTRODUCTION	A-01 - A-02
ABBREVIATIONS	A-03
ALPHABETICAL INDEX	A-04 - A-08
ICG37RW	A-07 - E-14
IKG34RQ	E-15 - I-14

1993 ICG37RW INDEX

FLOOR PLAN	A-07 - A-08
ACCESSORIES	A-09
AUDIO VIDEO	A-10 - A-11
BATH	A-12 - A-13
BEDROOM	A-15 - A-16
CHASSIS	A-17 - B-02
CURTAIN & CUSHION	B-09 - B-18
DINETTE	B-19 - B-22
DRIVERS COMPARTMENT	E-23 - C-02
ELECTRICAL	C-03 - C-08
EXTERIOR BODY	C-09 - C-16
GALLEY	C-17 - C-20
GENERATOR	C-21 - C-22
HEATING & AC	C-23 - D-02
INTERIOR FINISH	D-03 - D-06
LABELS	D-07 - D-14
LP	D-15
LOUNGE	D-16 - D-18
SEALANTS & FASTENERS	D-19 - D-21
WATER & SEWAGE	D-22 - E-01
WINDOW, VENT & EXTERIOR DOOR	E-02 - E-12
WINDSHIELD & WIPER	E-13 - E-14

ELECTRICAL GROUP

EXTERIOR LIGHTS



KEY	PART NUMBER	U/M DESCRIPTION
1	08848-02-000	EA LIGHT-CLEARANCE - AMBER
2	037817-01-00A 00C218-01-000	EA LIGHT - PORCH - ENTRY DOOR - GRAY
2	087817-01-700	EA BULB
2	087817-01-700	EA LENS - LIGHT - PORCH
3	C47848-01-000	EA LIGHT - CLEARANCE - RED
4	081838-01-000	EA TAIL LIGHT - DOUBLE - W/BLACK TRIM - DRIVER & PASSENGER SIDE
4	081838-01-700	EA LENS - TAIL LIGHT - RED
4	081838-01-701	EA LENS - TAIL LIGHT - W/BACKUP
4	037834-01-000	EA BULB #1158 (BACK UP & TURN SIGNAL)
4	037836-01-000	EA BULB #2057 OR #1157 (BRAKE LIGHT)
5	088432-02-000	EA LIGHT ASM. - LICENSE PLATE
5	088432-03-000	EA BRACKET - LICENSE PLATE
6	049185-02-000	EA HEADLAMP CAPSULE - DRIVER SIDE - HIGH/LOW BEAM - W/BLACK RETAINER
6	049188-02-000	EA HEADLAMP CAPSULE - DRIVER SIDE - HIGH BEAM - W/BLACK RETAINER
7	084801-01-000	EA LAMP-PARK/TURN, GM # 918668 (BULB #2057)
8	049187-02-000	EA HEADLAMP CAPSULE - PASSENGER SIDE - HIGH BEAM - W/BLACK RETAINER
8	049185-02-000	EA HEADLAMP CAPSULE - PASSENGER SIDE - HIGH/LOW BEAM - W/BLACK RETAINER
8	050030-02-000	EA HOUSING - HEADLAMP WIRING - HIGH BEAM
8	083749-01-000	EA HOUSING - HEADLAMP WIRING - LOW BEAM
8	048359-01-000	EA SPRING - RETAINER - HEADLAMP
8	073308-01-000	EA SCREW - ADJUSTING - HEADLAMP
8	088874-01-000	EA NUT - HEADLAMP - BLACK
9	102520-01-000	EA CLEARANCE LIGHT ASM. - CLEARANCE - W/O SOCKET CONNECTIONS - AMBER
9	076198-01-000	EA BULB
9	087789-02-000	EA SOCKET ASM.
9	102540-01-000	EA SEAL - SCREW - ROUND - RUBBER
9	102541-01-000	EA GASKET - CLEARANCE LIGHT

INTERIOR LIGHTS

KEY	PART NUMBER	U/M DESCRIPTION
	098024-01-01A	EA DOME LIGHT - 1 BULB - US - IVORY
	098024-03-01A	EA DOME LIGHT - 2 BULB - IVORY
	008218-01-700	EA BULB - DOME LIGHT
	088024-01-700	EA LENS - DOME LIGHT
	061424-01-000	EA LIGHT - AISLE - 12V - RECTANGULAR
	008103-01-000	EA BULB - AISLE
	065202-17-000	EA LAMP - WALL - BRASS - US
	065202-18-000	EA LAMP - WALL - BRASS - CSA
	083978-01-000	EA WASHER - MOUNTING - LAMP
	065201-09-000	EA SHADE - LAMP - FABRIC - PARCHMENT
	082169-01-000	EA LIGHT - MAKE-UP - 3 BULB
	110235-01-01A	EA LIGHT - MAKE UP - 3 BULB - PANLESS
	091633-01-700	EA BULB - MAKE-UP
	086280-01-000	EA LIGHT - SURFACE MOUNT - 12V - JENSEN 1236
	086280-01-700	EA BULB - SURFACE MOUNT - 12 VOLT - 5 WATT
	067694-01-000	EA LIGHT - WARDROBE/CLOSET - W/SWITCH
	087594-01-700	EA BULB - GE561 - WARDROBE/CLOSET

FROM: 09-00-93 THRU: 12-13-92

FROM: 12-14-92 THRU: 99-99-99

1988 ITASCA TABLE OF CONTENTS

INTRODUCTION	A-01 - A-02
ABBREVIATIONS	A-03
ALPHABETICAL INDEX	A-04 - A-08
ICG37RW	A-07 - E-14
IKG34RQ	E-15 - I-14

1993 ICG37RW INDEX

FLOOR PLAN	A-07 - A-08
ACCESSORIES	A-09
AUDIO VIDEO	A-10 - A-11
BATH	A-12 - A-14
BEDROOM	A-15 - A-16
CHASSIS	A-17 - B-08
CURTAIN & CUSHION	B-09 - B-18
DINETTE	B-19 - B-22
DRIVERS COMPARTMENT	B-23 - C-02
ELECTRICAL	C-03 - C-06
EXTERIOR BODY	C-09 - C-16
GALLERY	C-17 - C-20
GENERATOR	C-21 - C-22
HEATING & A/C	C-23 - D-02
INTERIOR FINISH	D-03 - D-05
LABELS	D-07 - D-14
LP	D-15
LOUNGE	D-16 - D-18
SEALANTS & FASTENERS	D-19 - D-21
WATER & SEWAGE	D-22 - E-01
WINDOW, VENT &	
EXTERIOR DOOR	E-02 - E-12
WINDSHIELD & WIPER	E-13 - E-14

ELECTRICAL GROUP (CONTINUED)

ELECTRIC COMPONENTS

KEY	PART NUMBER	U/M	DESCRIPTION
	007928-01-000	EA	FLASHER - SIGNAL - STAT
	007942-01-000	EA	TAB - WIRE - 18 TO 14 AWG
	008188-01-000	EA	SOLENOID - 3 POST - BATTERY CHANGE OVER
	008188-01-01A	EA	SPACER - SWITCH - 2.3" X 3.4" - PLASTIC - DARK BROWN
	008228-01-000	EA	TERMINAL - RING - 16/14 WIRE - 3/8" STUD
	008228-01-000	EA	TERMINAL - RING - 12/10 WIRE - #10 STUD FIT
	008231-01-000	EA	TERMINAL - RING - TONGUE - #4 WIRE - 3/8" STUD - COPPER
	008248-01-000	EA	TERMINAL - RING - 3/8" STUD - #2 WIRE
	008418-04-000	EA	TERMINAL - RING - #10 STUD FITTING - INSULATED BARREL #16/14
	047443-01-000	EA	TERMINAL - 250 RECEPTACLE FITTING - INSULATED - 16/14 AWG
	047443-02-000	EA	TERMINAL - 250 RECEPTACLE FITTING - INSULATED - 12/10 AWG
	063238-02-000	EA	TERMINAL - BACK - CONNECTOR - 16/14 AWG
	104100-03-000	EA	TERMINAL - 75 AMP AMP 53880-4 LOOSE
	108823-01-000	EA	BULB - 12V NO 74 T-12A WEDGE GE 22-25 OR EQUIV.
	008218-01-000	EA	BULB - 12V - #1003 - 94AMP
	008218-01-000	EA	BULB - DOME LIGHT - 12V - NUMBER 1141
	036198-01-000	EA	BULB - 12V - #134 - 17AMP - BAYONETTE
	067479-01-000	EA	BULB - 12V - NUMBER 1075
	067788-02-000	EA	SOCKET - LAMP
	103808-01-000	EA	SOCKET - WEDGE BASE W/LEADS - UKL 2344-6 OR EQUIV
	075723-01-000	EA	BLOCK - SWITCH - SPACER W/O HOLE
	065188-01-01A	EA	SPACER - SWITCH - 2.3" X 3.4" - PLASTIC - DARK BROWN
	065188-02-01A	EA	SPACER - SWITCH - 2.3" X 4.1" - PLASTIC - DARK BROWN
	075723-02-000	EA	SPACER - SWITCH - W/HOLE - 2" X 3" X 2" - METAL - OFF WHITE FOR ELECTRIC STEP DOOR JAMB SWITCH
	077479-01-000	EA	BOOT - BATTERY TERMINAL - DOUBLE CABLE
	077479-02-000	EA	BOOT - BATTERY TERMINAL - SINGLE CABLE
	068239-01-000	EA	STUD - ISOLATED - 3/8" X 1/8" LONG
	068273-01-000	EA	RELAY - BATTERY DISCONNECT
	067948-01-000	EA	BUSS BAR - 2 POSITION - 5" X 1/2" - ALUMINUM
	067948-02-000	EA	BUSS BAR - 3 POS - 30 WIV
	090971-01-000	EA	SPlice - CABLE - 110V
	100341-01-000	EA	FITSE HOLDER - IN LINE TYPE - WESCO 5931-92020
	102588-01-810	EA	SPACER - RECEPTACLE - BETWEEN SIDE WALL & PLATE - WOOD
	082482-06-000	EA	SEAL - ELECTRICAL BOX
	103873-01-000	EA	SEAL - ELECTRICAL BOX/BULKHEAD ALPHA (215X215)
	103887-01-000	EA	SEAL - SOLENOID ACCESS

CONVERTER & LOAD CENTER

KEY	PART NUMBER	U/M	DESCRIPTION
	064809-01-000	EA	LOAD CENTER - 240 V - 125A - TPLM1207
	068877-01-000	EA	LOAD CENTER - 120V - 40A WESCO TT120-FLGNM
	063806-02-000	EA	CONVERTER - POWER - 45A - 120V/12V - BW 8545
	068048-01-000	EA	INVERTER - 100 WATT

ELECTRICAL GROUP (CONTINUED)

ELECTRICAL HOUSINGS

KEY	PART NUMBER	U/M	DESCRIPTION
	068473-01-000	EA	PIN HOUSING - 4 ROWS OF 3
	068473-02-000	EA	PIN HOUSING - 15 POSITION
	068473-03-000	EA	PIN HOUSING - 9 POSITION
	068473-05-000	EA	PIN HOUSING - 8 POSITION (SINGLE ROW)
	068473-06-000	EA	PIN HOUSING - 8 POSITION (TWO ROWS OF THREE)
	068473-08-000	EA	PIN HOUSING - 4 POSITION
	068473-09-000	EA	PIN HOUSING - 3 POSITION (SINGLE ROW)
	068473-10-000	EA	PIN HOUSING - 2 POSITION
	068474-01-000	EA	HOUSING - SOCKET - 12 POSITIONS
	068474-02-000	EA	HOUSING - SOCKET - 15 POSITION (3 ROWS OF 5)
	068474-03-000	EA	HOUSING - SOCKET - 9 POSITION
	068474-05-000	EA	HOUSING - SOCKET - 6 POSITION (2 ROWS OF THREE)
	068474-07-000	EA	HOUSING - SOCKET - 5 CAVITY AMP 1-480764-0
	068474-08-000	EA	HOUSING - SOCKET - 4 POSITION (SINGLE ROW)
	068474-09-000	EA	HOUSING - SOCKET - 3 POSITION
	068474-10-000	EA	HOUSING - SOCKET - 2 POSITION
	063910-01-000	EA	HOUSING - RELAY - BOSCH 3 334 485 008
	050030-02-000	EA	HOUSING - HEADLAMP WIRING - HIGH BEAM
	101571-01-000	EA	HOUSING - 2 POSITION - MALE
	104100-01-000	EA	HOUSING - 1 POSITION - 75 AMP AMP 53884-1
	106206-01-000	EA	HOUSING - 1 POSITION - FEMALE - PACKARD 12015952
	106355-01-000	EA	HOUSING - SWITCH
	068473-02-000	EA	PIN HOUSING - 15 POSITION
	007949-01-000	EA	TAB - HOUSING - 1 POSITION

**1993 ITASCA
TABLE OF CONTENTS**

INTRODUCTION	A-01 - A-02
ABBREVIATIONS	A-03
ALPHABETICAL INDEX	A-04 - A-06
ICG37RW	A-07 - E-14
IKG34RQ	E-15 - I-14

1993 ICG37RW INDEX

FLOOR PLAN	A-07 - A-08
ACCESSORIES	A-09
AUDIO VIDEO	A-10 - A-11
BATH	A-12 - A-14
BEDROOM	A-15 - A-16
CHASSIS	A-17 - B-08
CURTAIN & CUSHION	B-09 - B-18
DINETTE	B-19 - B-22
DRIVERS COMPARTMENT	B-23 - C-02
ELECTRICAL	C-03 - C-08
EXTERIOR BODY	C-09 - C-16
GALLEY	C-17 - C-20
GENERATOR	C-21 - C-22
HEATING & AC	C-23 - D-02
INTERIOR FINISH	D-03 - D-06
LABELS	D-07 - D-14
LP	D-15
LOUNGE	D-16 - D-18
SEALANTS & FASTENERS	D-19 - D-21
WATER & SEWAGE	D-22 - E-01
WINDOW, VENT & EXTERIOR DOOR	E-02 - E-12
WINDSHIELD & WIPER	E-13 - E-14

ELECTRICAL GROUP (CONTINUED)

SWITCHES, RECEPTACLES & COVERS

KEY	PART NUMBER	U/M DESCRIPTION
	06841-00-000	EA SWITCH - BLANK
	07884-01-000	EA SWITCH - ON/OFF ROCKER - 2 PRONGS - BROWN
	07885-00-000	EA SWITCH - ON/OFF - ROCKER - 3 PRONGS - BROWN
	10887-00-000	EA SWITCH - ROCKER - DPDT/ON/OFF/ON - CARLING VDD1900C-0
	06774-01-01A	EA EXTENSION - RECEPTACLE - 3.2" X 5" X .7" - PLASTIC - IVORY
	06881-01-01A	EA PLATE - SWITCH - 1 GANG - POLISHED BRASS
	06881-02-01A	EA PLATE - SWITCH - 2 GANG - POLISHED BRASS
	06881-04-01A	EA PLATE - SWITCH - GENERATOR/DOOR LOCK - POLISH BRASS - JENSEN
	06881-06-01A	EA PLATE - SWITCH - 3 GANG - POLISH BRASS - JENSEN
	06015-02-000	EA RECEPTACLE - FLAG - .185 - 18/14 GA - AMP 3
	064078-02-000	EA RECEPTACLE - GFI - 15A - 125V - BROWN
	068707-01-000	EA RECEPTACLE - ELECTRIC - SINGLE - BROWN
	068708-01-000	EA RECEPTACLE - ELECTRIC - DOUBLE - BROWN
	068708-02-000	EA RECEPTACLE - ELECTRIC - DOUBLE - IVORY
	007840-01-000	EA RECEPTACLE - SLIDE - 18 TO 12 AWG - FEMALE END
	024824-02-000	EA RECEPTACLE - POWER CORD - W/PARTIAL PLATE
	075738-02-000	EA COVER - EXTERIOR RECEPTACLE - OFF WHITE
	068238-01-000	EA COVER - SWITCH - AC SELECTOR - FRONT TO REAR AC
	068238-02-000	EA COVER - SWITCH - AC SELECTOR FOR FRONT OR REAR

ELECTRICAL WIRING & BOXES

KEY	PART NUMBER	U/M DESCRIPTION
	008062-01-000	EA CORD - POWER - 10/3 - 30 AMP - 25' - CANADIAN
	008064-01-000	EA CORD - POWER - 10/3 - 30 AMP - 25'
	008288-01-000	EA BOX - PLASTIC ELECTRIC - 3" X 3 1/2"
	008288-02-C/C	EA BOX - ELECTRIC - PLASTIC - 3.94" X 3.13" X 1.81"
	008288-01-000	EA BOX - ELECTRIC - STEEL - 1/2" AND 3/4" KNOCKOUTS - 4" X 4"
	008288-02-000	EA BOX - ELECTRICAL - 4" X 4" - 1/2" & 3/4" KNOCKOUTS - CANADIAN
	074880-01-000	EA BOX - EXTENSION - STEEL - OPEN SIDES - 4" X 4" X 1 1/2"
	068048-01-000	EA BOX - ELECTRIC SWITCH - 2" X 3" X 2.25"
	061827-01-000	EA BOX - ELECTRIC - 3.75" X 3.5" X 1.75" - PLASTIC
	008284-01-000	EA COVER - RECEPTACLE - DOUBLE - IVORY
	008284-01-000	EA COVER - ELECTRICAL BOX - BLANK/STEEL - 4" X 4" - GRAY
	008284-02-000	EA COVER - ELECTRICAL BOX - BLANK STEEL - 4" X 4" - CANADIAN
	074887-01-000	EA COVER - ELECTRIC BOX - 1 LARGE & 2 SMALL HOLES - 4" X 4"
	068238-01-000	EA COVER - ELECTRICAL BOX - WHOLE - 4" X 4" - GRAY USED WITH 30 AMP RECEPTACLE
	064077-02-000	EA PLATE - COVER - RECEPTACLE - GFI - BROWN
	104016-01-000	EA WIRE ASM. - AUX FANS
	102838-01-000	EA WIRE ASM. - CLEARANCE LAMPS
	064831-08-000	EA WIRE ASM. - AC COMPRESSOR ADAPTER - SCS 036-0054
	P03784-02-000	EA WIRE ASM. - HEADLAMP(FORD)
	P03784-01-000	EA WIRE ASM. - HEADLAMP(GM)
	068751-01-000	FT CABLE - BATTERY - 1/0 AWG - STRANDED - RED
	073538-84-000	EA CABLE ASSEMBLY - BATTERY - W/TERMINALS

ELECTRICAL GROUP (CONTINUED)

ELECTRICAL CONNECTORS & CONDUIT

KEY	PART NUMBER	U/M DESCRIPTION
	041883-01-000	FT CONDUIT - CONVOLUTE - SLIT - .570
	041883-02-000	FT CONDUIT - CONVOLUTE - SLIT - 1" ID (CLOTHES ROD COVER)
	041883-03-000	FT CONDUIT - CONVOLUTE - SOLID - .82" ID
	041883-04-000	FT CONDUIT - CONVOLUTE - SLIT .375" ID
	041883-05-000	FT CONDUIT - CONVOLUTE - SLIT - .25" ID
	041883-06-000	FT CONDUIT - CONVOLUTE - SLIT - 1.50" ID
	041883-07-000	FT CONDUIT - CONVOLUTE - SLIT .50" ID
	041883-08-000	FT CONDUIT - CONVOLUTE - SLIT .75" ID
	041883-09-000	FT CONDUIT - CONVOLUTE - SLIT - 1.00" ID
	041883-10-000	FT CONDUIT - CONVOLUTE - NON SLIT 1.1" ID
	041883-11-000	FT CONDUIT - CONVOLUTE - NON SLIT 1.1" ID
	041883-12-000	EA CONNECTOR - WIRE NUT - INSULATED - RED
	008311-01-000	EA CONNECTOR - WIRE NUT - INSULATED - BLUE
	C08312-01-000	EA CONNECTOR - WIRE NUT - INSULATED - GRAY
	008314-01-000	EA CONNECTOR - WIRE NUT - INSULATED - GRAY
	008355-01-000	EA CONNECTOR - CABLE CLAMPING - 3/4"
	008356-01-000	EA CONNECTOR - PLASTIC - 3/8" AVG
	058028-01-000	EA CONNECTOR - ELECTRICAL PIGTAIL - NYLON - CLEAR
	041480-01-000	EA CONNECTOR - STRAIGHT - 1/2" FLEX CONDUIT
	062740-01-000	EA CONNECTOR - PLASTIC BODY - FOR 2 MALE SPADES
	062740-01-000	EA CONNECTOR - PLASTIC BODY - FOR 2 MALE SPADES
	068475-01-000	EA PIN-CONNECTOR - 14 TO 20 AWG KEY
	068475-01-000	EA PIN-CONNECTOR - 14 TO 20 AWG
	068475-01-000	EA SOCKET - CONNECTOR - BRASS - PRE - TIN
	068475-02-000	EA SOCKET - CONNECTOR - 12-10 GA - PHOS. BRZ - PRE - TIN
	068475-01-000	EA SOCKET - CONNECTOR - BRASS - PRE - TIN
	068475-02-000	EA SOCKET - CONNECTOR - 12-10 GA - PHOS. BRZ - PRE - TIN

CIRCUIT BREAKERS & FUSES

KEY	PART NUMBER	U/M DESCRIPTION
	067511-01-000	EA CIRCUIT BREAKER - 6AMP - ATC - BLACK
	093854-01-000	EA CIRCUIT BREAKER - 6 AMP - HOUSE CONTROL PANEL
	093854-02-000	EA CIRCUIT BREAKER - 15 AMP
	093855-01-000	EA CIRCUIT BREAKER - 25 AMP
	093855-02-000	EA CIRCUIT BREAKER - 30 AMP - HOUSE CONTROL PANEL
	093855-03-000	EA CIRCUIT BREAKER - 40 AMP USD 17440-4E03A2A
	094810-01-000	EA CIRCUIT BREAKER - DOUBLE 30 AMP - GE THOL2130
	094811-01-000	EA CIRCUIT BREAKER - DOUBLE 20 AMP - GE THOL2120
	062901-02-000	EA CIRCUIT BREAKER - 15/15AMP - 120V - BW H - 15/15
	062901-03-000	EA CIRCUIT BREAKER - 15/20AMP - 120V - BW - 0-15/20
	062901-04-000	EA CIRCUIT BREAKER - 30A - 120V - BW L - 30
	062901-05-000	EA CIRCUIT BREAKER - 30/15 AMP - 120V - BW D - 30/15
	062901-06-000	EA CIRCUIT BREAKER - 20/20A - 120V - BW K - 20/20
	062901-07-000	EA CIRCUIT BREAKER - BLANK - BW
	062901-02-000	EA FUSE - 5 AMP - AUTOMOTIVE
	062901-05-000	EA FUSE - 15 AMPS - AUTOMOTIVE
	062901-07-000	EA FUSE - AUTOMOTIVE - 25 AMPS
	062037-01-000	EA HOUSING - AUTO FUSE - NATURAL
	062037-02-000	EA HOUSING - AUTO FUSE - GREEN
	062037-03-000	EA HOUSING - AUTO FUSE - BLACK
	062037-04-000	EA HOUSING - AUTO FUSE - BLUE
	062037-05-000	EA HOUSING - AUTO FUSE - GRAY
	062037-06-000	EA HOUSING - AUTO FUSE - BROWN

**1993 ITASCA
TABLE OF CONTENTS**

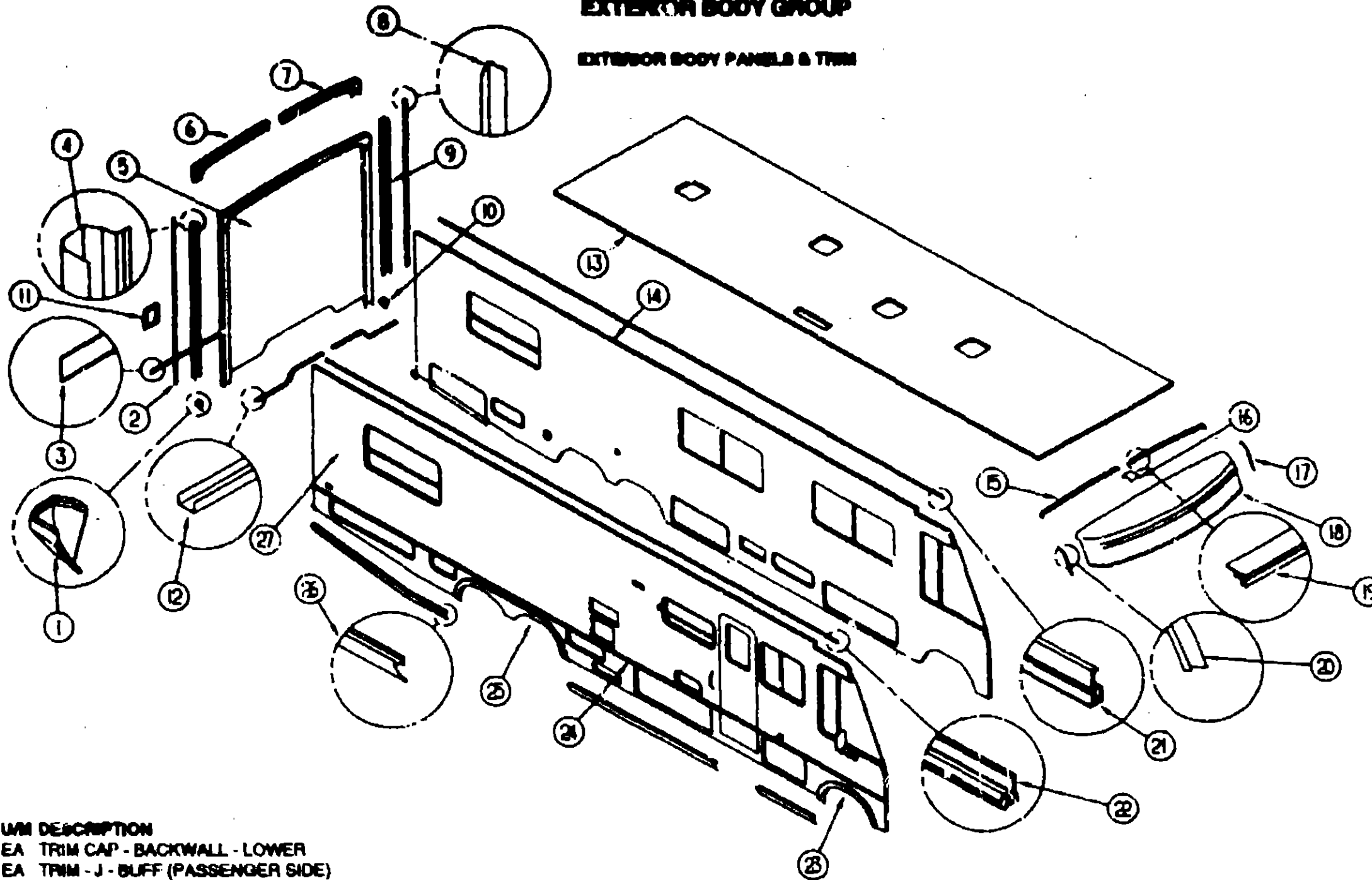
INTRODUCTION	A-01 - A-02
ABBREVIATIONS	A-03
ALPHABETICAL INDEX	A-04 - A-08
ICG37RW	A-07 - E-14
ICG34RQ	E-15 - F-14

1993 ICG37RW INDEX

FLOOR PLAN	A-07 - A-08
ACCESSORIES	A-09
AUDIO VIDEO	A-10 - A-11
BATH	A-12 - A-14
BEDROOM	A-15 - A-16
CHASSIS	A-17 - B-08
CURTAIN & CUSHION	B-08 - B-18
DINETTE	B-18 - B-22
DRIVERS COMPARTMENT	B-23 - C-02
ELECTRICAL	C-03 - C-08
EXTERIOR BODY	C-09 - C-18
GALLEY	C-17 - C-20
GENERATOR	C-21 - C-22
HEATING & AC	C-23 - D-02
INTERIOR FINISH	D-03 - D-08
LABELS	D-07 - D-14
I.P	D-15
LOUNGE	D-16 - D-18
SEALANTS & FASTENERS	D-19 - D-21
WATER & SEWAGE	D-22 - E-01
WINDOW, VENT & EXTERIOR DOOR	E-02 - E-12
WINDSHIELD & WIPER	E-13 - E-14

EXTERIOR BODY GROUP

EXTERIOR BODY PANELS & TRIM



1983 ITASCA TABLE OF CONTENTS

INTRODUCTION	A-01 - A-02
ABBREVIATIONS	A-03
ALPHABETICAL INDEX	A-04 - A-06
ICG37RW	A-07 - E-14
IKG34RQ	E-15 - I-14

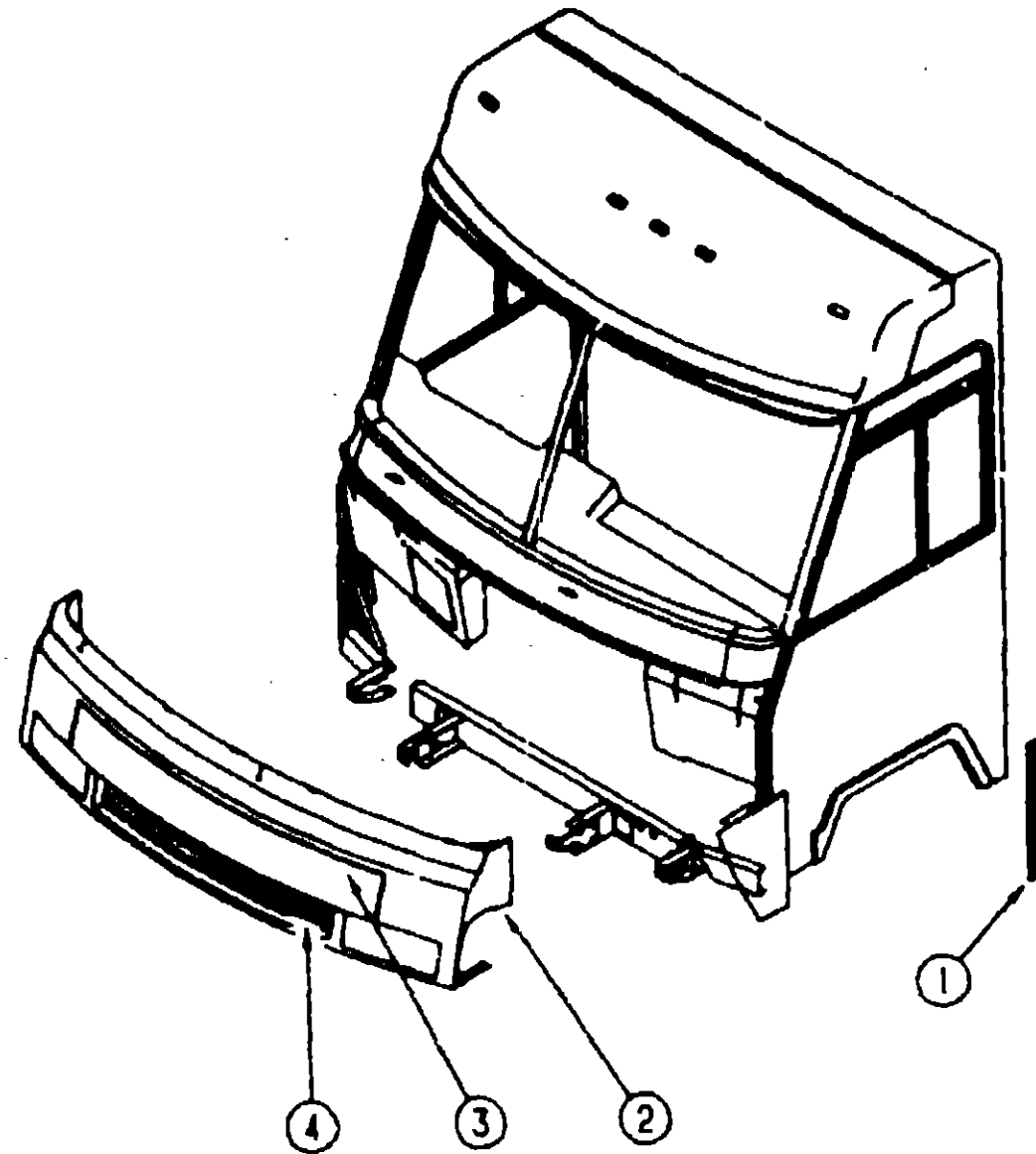
1983 ICG37RW INDEX

FLOOR PLAN	A-07 - A-08
ACCESSORIES	A-09
AUDIO VIDEO	A-10 - A-11
BATH	A-12 - A-14
BEDROOM	A-15 - A-16
CHASSIS	A-17 - B-08
CURTAIN & CUSHION	B-09 - B-18
DINETTE	B-19 - B-22
DRIVERS COMPARTMENT	B-23 - C-02
ELECTRICAL	C-03 - C-08
EXTERIOR BODY	C-09 - C-16
GALLEY	C-17 - C-20
GENERATOR	C-21 - C-22
HEATING & AC	C-23 - D-02
INTERIOR FINISH	D-03 - D-08
LABELS	D-07 - D-14
LP	D-15
LOUNGE	D-16 - D-18
SEALANTS & FASTENERS	D-19 - D-21
WATER & SEWAGE	D-22 - E-01
WINDOW, VENT & EXTERIOR DOOR	E-02 - E-12
WINDSHIELD & WIPER	E-13 - E-14

KEY	PART NUMBER	U/M DESCRIPTION
1	106167-03-01A	EA TRIM CAP - BACKWALL - LOWER
2	104033-03-03A	EA TRIM - J - BUFF (PASSENGER SIDE)
3	097873-01-04A	EA MOLDING - PLASTIC - ASH GRAY
4	103688-03-04A	EA TRIM - BACKWALL - SIDE - ASH GRAY (PASSENGER SIDE)
5	M05191-13-D35	EA BACKWALL ASM - QUEEN BED (CHEVY)
5	M05191-13-D36	EA BACKWALL ASM - QUEEN BED (CHEVY)
6	M05192-11-D35	EA BACKWALL ASM - QUEEN BED (FORD)
6	M05192-11-D36	EA BACKWALL ASM - QUEEN BED (FORD)
7	103688-01-03A	EA TRIM - BACKWALL - TOP - ASH GRAY (PASSENGER SIDE)
7	103688-01-03A	EA TRIM - BACKWALL - TOP - ASH GRAY (DRIVER SIDE)
8	104033-04-03A	EA TRIM - J - ASH GRAY (DRIVER SIDE)
9	103688-04-04A	EA TRIM - BACKWALL - SIDE - ASH GRAY (DRIVER SIDE)
10	106167-04-01A	EA TRIM CAP - BACKWALL - LOWER
11	106125-01-D35	EA TRIM POD ASM - BACKWALL
12	080408-17-000	EA TRIM - BACKWALL - LOWER LEFT OR RIGHT SIDE - ASH GRAY
13	P08888-01-D35	EA ROOF ASM
14	M05919-02-D35	EA SIDEWALL ASM - QUEEN BED (DRIVER SIDE)
14	M05919-02-D36	EA SIDEWALL ASM - QUEEN BED (DRIVER SIDE)
15	103816-02-04A	EA TRIM - FRONT CAP/ROOF - ASH GRAY (PASSENGER SIDE)
16	086784-03-000	EA CAP - JOINT - ASH GRAY
17	103816-04-03A	EA TRIM - FRONT CAP/SOW - ASH GRAY (DRIVER SIDE)
18	103785-01-03A	EA CAP ASM - FRONT - ASH GRAY
19	103816-03-04A	EA TRIM - FRONT CAP/ROOF - LH ASH GRAY
20	103816-01-03A	EA TRIM - FRONT CAP/SOW - RH ASH GRAY
21	103801-01-03A	EA TRIM - ROOF - ASH GRAY
22	103802-01-03A	EA RAIL - AWNING - ASH GRAY

KEY	PART NUMBER	U/M DESCRIPTION
23	104068-01-03A	EA TRIM - WHEELWELL - FRONT - PASSENGER SIDE
	104068-02-03A	EA TRIM - WHEELWELL - FRONT - DRIVER SIDE
24	059576-05-020	EA FEATURE STRIP - WHOLES - OFF WHITE
		FROM: 00-00-00 THRU: 03-28-83
24	108279-01-01A	EA FEATURE STRIP - WHOLES - OFF WHITE
		FROM: 03-29-83 THRU: 99-99-99
	001030-02-003	EA INSERT - FEATURE STRIP - 17" LONG - OFF WHITE
		FROM: 00-00-00 THRU: 03-28-83
	105312-01-06A	FT INSERT - FEATURE STRIP - PEARL FAWN
		FROM: 03-29-83 THRU: 99-99-99
	006731-01-000	EA END CAP - FEATURE STRIP
		FROM: 00-00-00 THRU: 03-28-83
	108651-01-01A	EA END CAP - FEATURE STRIP
		FROM: 03-29-83 THRU: 99-99-99
25	108845-01-02A	EA TRIM - WHEELWELL - REAR - ASH GRAY (DRIVER OR PASSENGER SIDE)
26	079407-05-004	EA ROCKER PANEL 192"
27	M05918-02-D35	EA SIDEWALL ASM - QUEEN BED (PASSENGER SIDE)
27	M05918-02-D36	EA SIDEWALL ASM - QUEEN BED (PASSENGER SIDE)

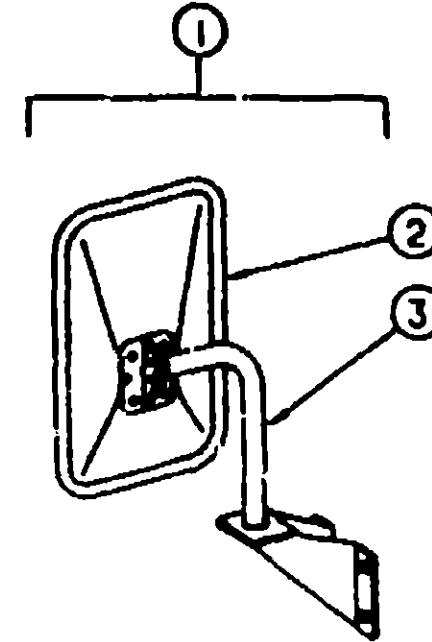
EXTERIOR BODY GROUP (CONTINUED)



FRONT END ASM

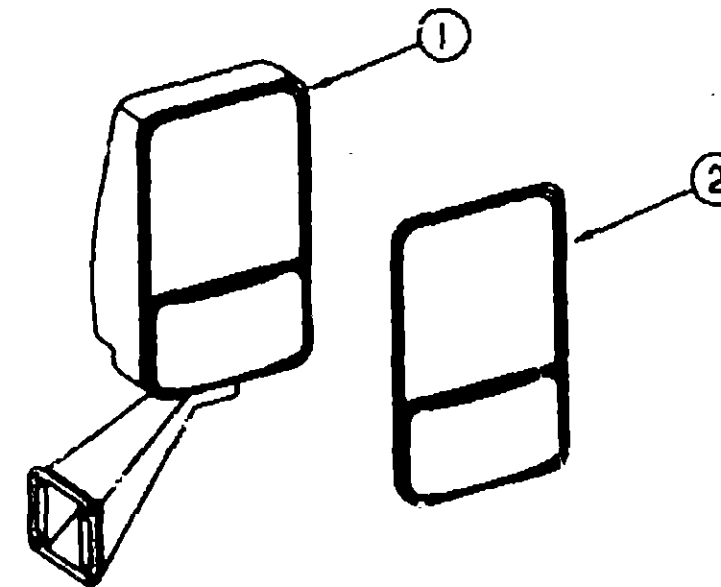
KEY	PART NUMBER	U/M DESCRIPTION
1	08822-22-000	EA TRIM - FIBERGLASS - ASH GRAY
2	104082-01-03A	EA PANEL - FRONT - LOWER - ASH GRAY
3	104046-01-036	EA PANEL ASM. - HOOD - ASH GRAY
4	104318-01-007	EA GRILLE ASM. - MESH - FACIA
	088788-01-000	EA BOLT - ADJUSTING - HOOD - W/BLACK PAD - 5/16" #18 X 2"
	088788-02-000	EA BOLT - ADJUSTING - HOOD - W/BLACK PAD - 5/16" #18 X 1.25"
	104682-C2-000	EA LINK ASM. - HINGE - HOOD - OUTER
	104684-03-000	EA BRACKET ASM. - HOOD HINGE BODY - PASSENGER SIDE
	104684-04-000	EA BRACKET ASM. - HOOD HINGE BODY - DRIVER SIDE
	108930-02-000	EA LATCH - SINGLE HOLE - VISE ACTION
	108086-01-000	EA LINK ASM. - HINGE - HOOD - INNER - PASSENGER SIDE
	108086-02-000	EA LINK ASM. - HINGE - HOOD - INNER - DRIVER SIDE
	108086-01-000	EA TUBE - TITANIUM - HOOD HINGE

EXTERIOR BODY GROUP (CONTINUED)



EXTERIOR MIRRORS

KEY	PART NUMBER	U/M DESCRIPTION
1	105076-01-702	EA MIRROR ASM. - DRIVER & PASSENGER SIDE
2	105076-01-703	EA MIRROR HEAD ONLY - DRIVER & PASSENGER SIDE
3	105076-01-704	EA ARM - DRIVER & PASSENGER SIDE
	105439-01-000	EA MIRROR - AUX - CONVEX STICK-ON
	049347-01-700	EA MIRROR - FLAT GLASS



EXTERIOR MIRROR OPTION

KEY	PART NUMBER	U/M DESCRIPTION
1	108015-09-01A	EA MIRROR ASM - PASSENGER SIDE
1	108015-10-01A	EA MIRROR ASM - DRIVER SIDE
2	108015-01-703	EA MIRROR KIT (BEZEL W/MIRRORS) PASSENGER SIDE
2	108015-02-702	EA MIRROR KIT (BEZEL W/MIRRORS) DRIVER SIDE

**1989 ITABCA
TABLE OF CONTENTS**

INTRODUCTION	A-01 - A-02
ABBREVIATIONS	A-03
ALPHABETICAL INDEX	A-04 - A-06
ICG37RW	A-07 - E-14
ICG490	E-15 - E-14

1989 ICG37RW INDEX

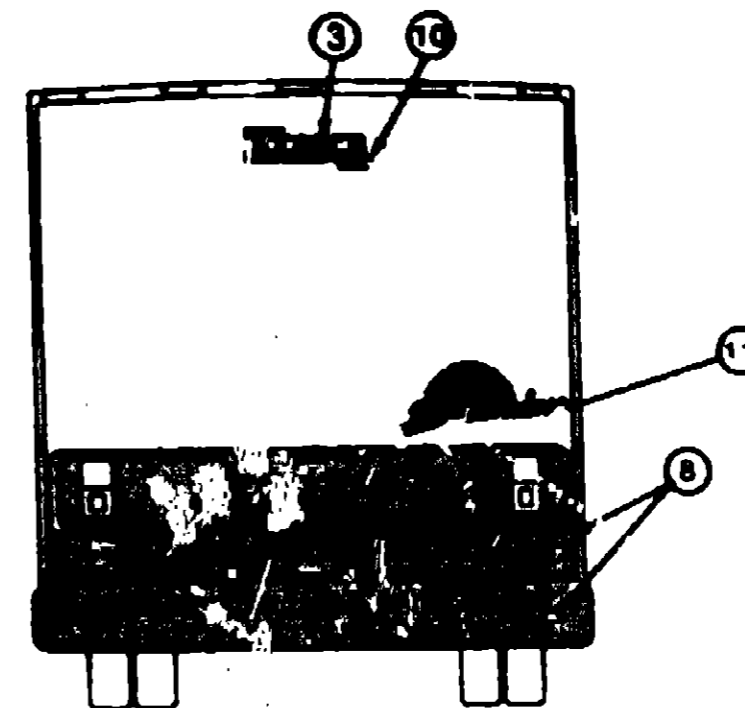
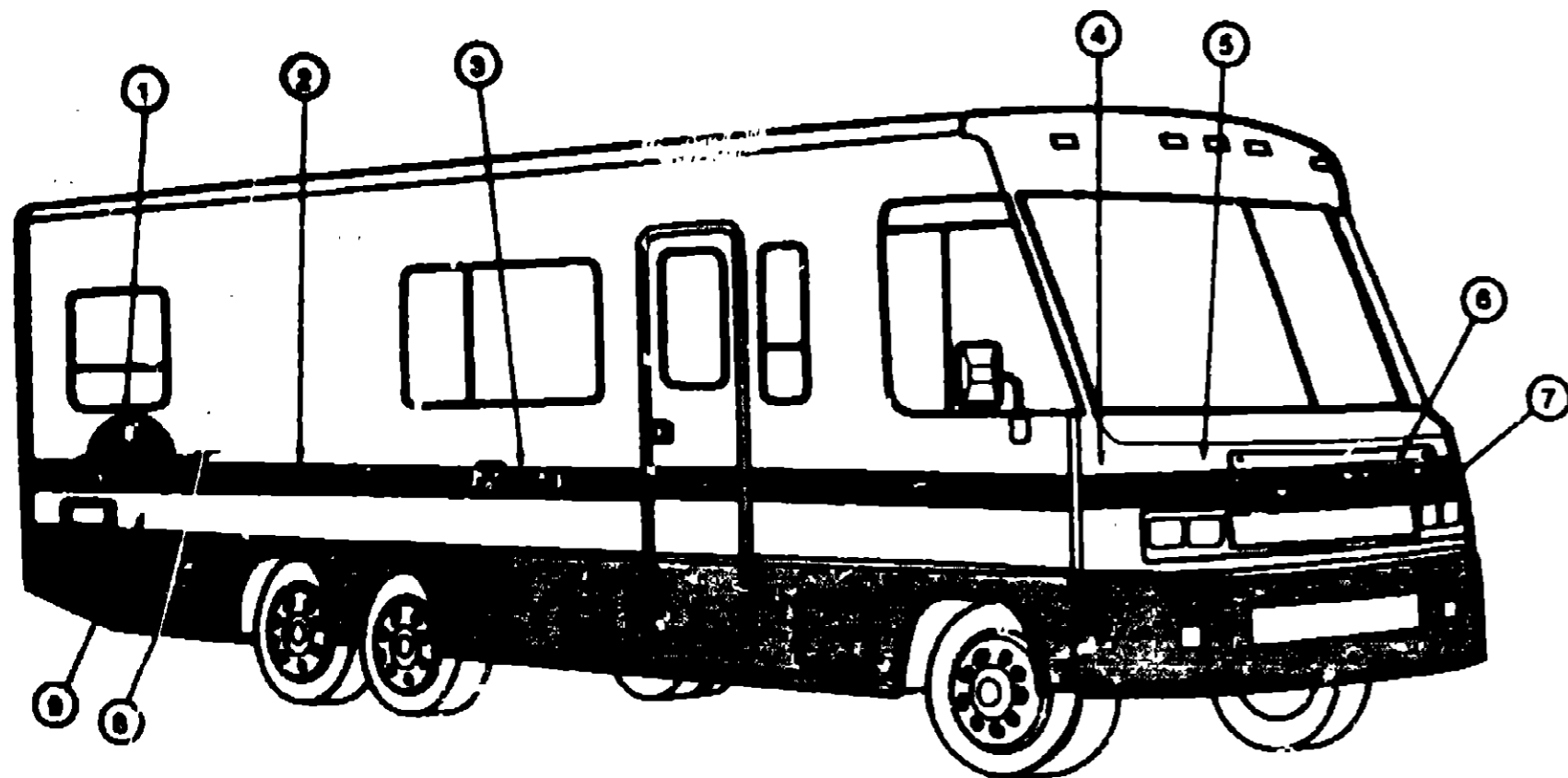
FLOOR PLAN	A-07 - A-08
ACCESSORIES	A-09
AUDIO VIDEO	A-10 - A-11
BATH	A-12 - A-14
BEDROOM	A-15 - A-16
CHASSIS	A-17 - B-08
CURTAIN & CUSHION	B-09 - B-18
DINETTE	B-19 - B-22
DRIVERS COMPARTMENT	B-23 - C-07
ELECTRICAL	C-08 - C-09
EXTERIOR BODY	C-09 - C-16
GALLEY	C-17 - C-20
GENERATOR	C-21 - C-22
HEATING & AC	C-23 - D-02
INTERIOR FINISH	D-03 - D-06
LABELS	D-07 - D-14
LP	D-15
LOUNGE	D-16 - D-18
SEALANTS & FASTENERS	D-19 - D-21
WATER & SEWAGE	D-22 - E-01
WINDOW, VENT & EXTERIOR DOOR	E-02 - E-12
WINDSHIELD & WIPER	E-13 - E-14

EXTERIOR BODY GROUP (CONTINUED)

DECALS, FILM STRIPES & PAINT

1988 ITASCA TABLE OF CONTENTS

INTRODUCTION	A-01 - A-02
ABBREVIATIONS	A-03
ALPHABETICAL INDEX	A-04 - A-06
ICG37RW	A-07 - E-14
REGARD	E-15 - F-14



1988 ICG37RW INDEX

FLOOR PLAN	A-07 - A-08
ACCESSORIES	A-09
AUDIO VIDEO	A-10 - A-11
BATH	A-12 - A-14
BEDROOM	A-15 - A-16
CHASSIS	A-17 - B-08
CURTAIN & CUSHION	B-09 - B-18
DINETTE	B-19 - E-22
DRIVERS COMPARTMENT	B-23 - C-02
ELECTRICAL	C-03 - C-08
EXTERIOR BODY	C-09 - C-16
GALLEY	C-17 - C-20
GENERATOR	C-21 - C-22
HEATING & A/C	C-23 - D-02
INTERIOR FINISH	D-03 - D-08
LABELS	D-07 - D-14
LP	D-15
LOUNGE	D-16 - D-18
SEALANTS / FASTENERS	D-19 - D-21
WATER & SEWAGE	D-22 - E-01
WINDOW, VENT & EXTERIOR DOOR	E-02 - E-12
WINDSHIELD & WIPER	E-13 - E-14

KEY	PART NUMBER	U/M	DESCRIPTION
1	108222-01-01A	EA	DECAL - SUNCRUISER - LARGE
2	094422-03-01A	FT	FILM - OVERLAY - MULTISTRIPE 139
3	078852-34-000	EA	DECAL - LOGO - ITASCA 8.50
4	108224-01-01A	EA	DECAL - CORNER - RH
5	108223-01-01A	EA	DECAL - HOOD
6	078852-25-000	EA	DECAL - LOGO - ITASCA 5.50
7	108224-02-01A	EA	DECAL - CORNER - LH
8	N/P		PAINT - GREY METALLIC (DUPONT H9283U)
9	107385-05-02A	FT	FILM - 0.6MM X 180FT
10	084075-01-000	EA	DECAL - "BY WINNEBAGO INDUSTRIES" - BLACK
11	108222-02-01A	EA	DECAL - SUNCRUISER - SMALL

DUPONT PAINT COLOR CODES

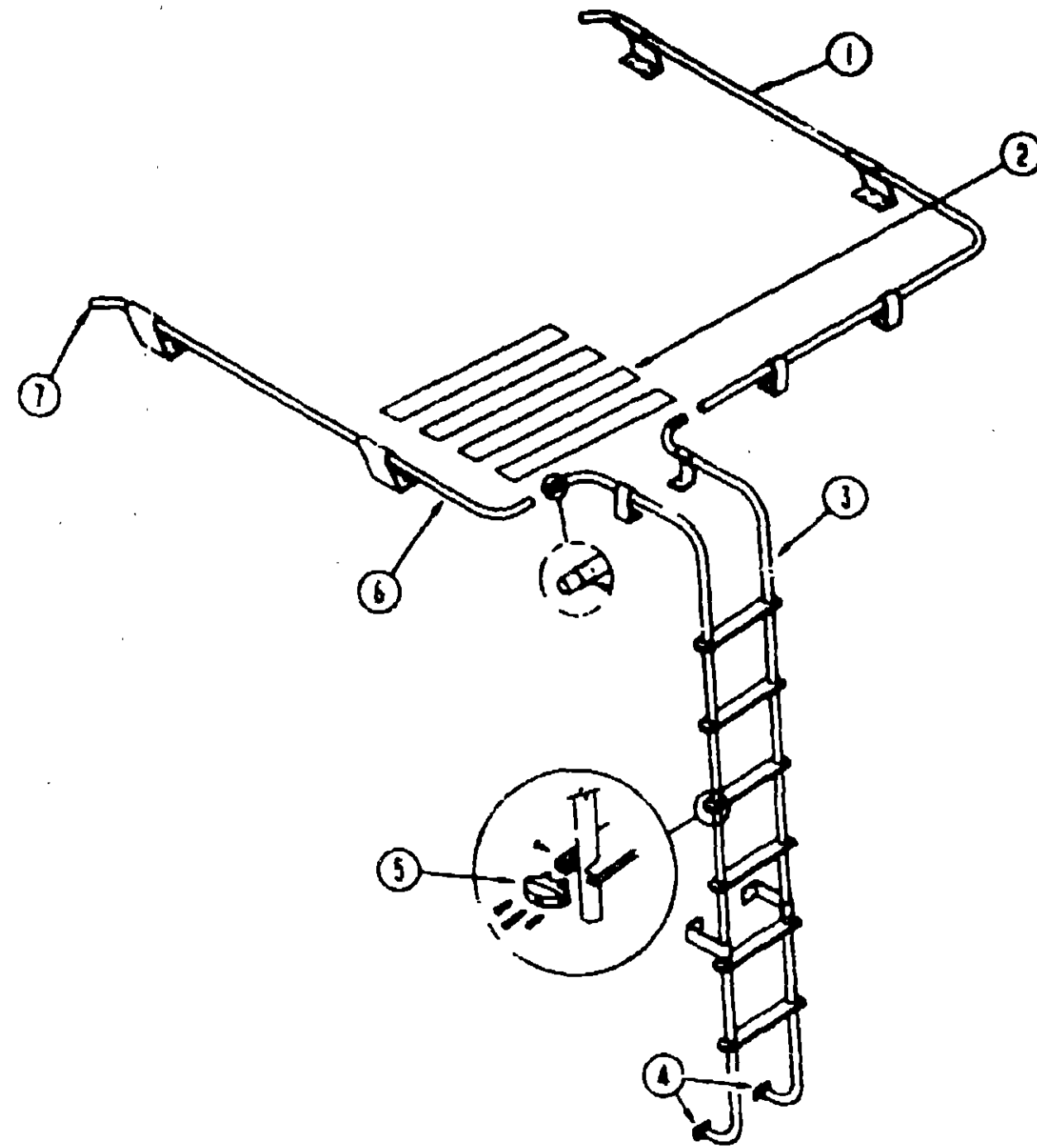
SEAMST BLUE METALLIC	G0846
ASH GRAY	L8730
FIESTA RED	G4838
GREY METALLIC	H9283U

EXTERIOR BODY GROUP (CONTINUED)

STRUCTURE & FIBERGLASS SHEETS

KEY	PART NUMBER	UOM	DESCRIPTION
	08874-08-000	SF	STYROFOAM - 3 1/2" X 4 1/2" X 1/4"
	08876-08-000	SF	STYROFOAM - 9" X 24" X 3/8" (13 SF)
	08878-08-000	SF	STYROFOAM - 1.34" X 48" X 3/8" (32 SF)
	08874-08-000	SF	STYROFOAM - DOW TYPE 88 - 1.5" X 24" X 80.5" (15 SF)
	07884-J1-C00	EA	FIBERGLASS SHEET 2438 X 2438 - ASH GRAY
	077617-00-00	EA	SHEET - FIBERGLASS - FLAT - 48" X 96" - ASH GRAY
	07884-J5-000	EA	FIBERGLASS SHEET 2180 X 9785 - ASH GRAY
	086747-01-000	SF	INSULATION - MICROFOAM - .5"

EXTERIOR BODY GROUP (CONTINUED)



RACK & LADDER

KEY	PART NUMBER	UOM	DESCRIPTION
1	107438-05-C07	EA	RACK ASM. (PASSENGER SIDE)
2	038327-02-000	FT	TAPE - ANTI SLIP - 2" X 80FT
3	102953-03-C07	EA	LADDER ASM
4	067166-01-C00	EA	MOUNTING BRACKET - LADDER - LOWER
5	076780-02-000	EA	END CAP - STEP - BLACK
6	107438-06-C07	EA	RACK ASM. (DRIVER SIDE)
7	087114-01-000	EA	PLUG - ROUND - RACK & LADDER ENDS - PLASTIC - 1" DIA.

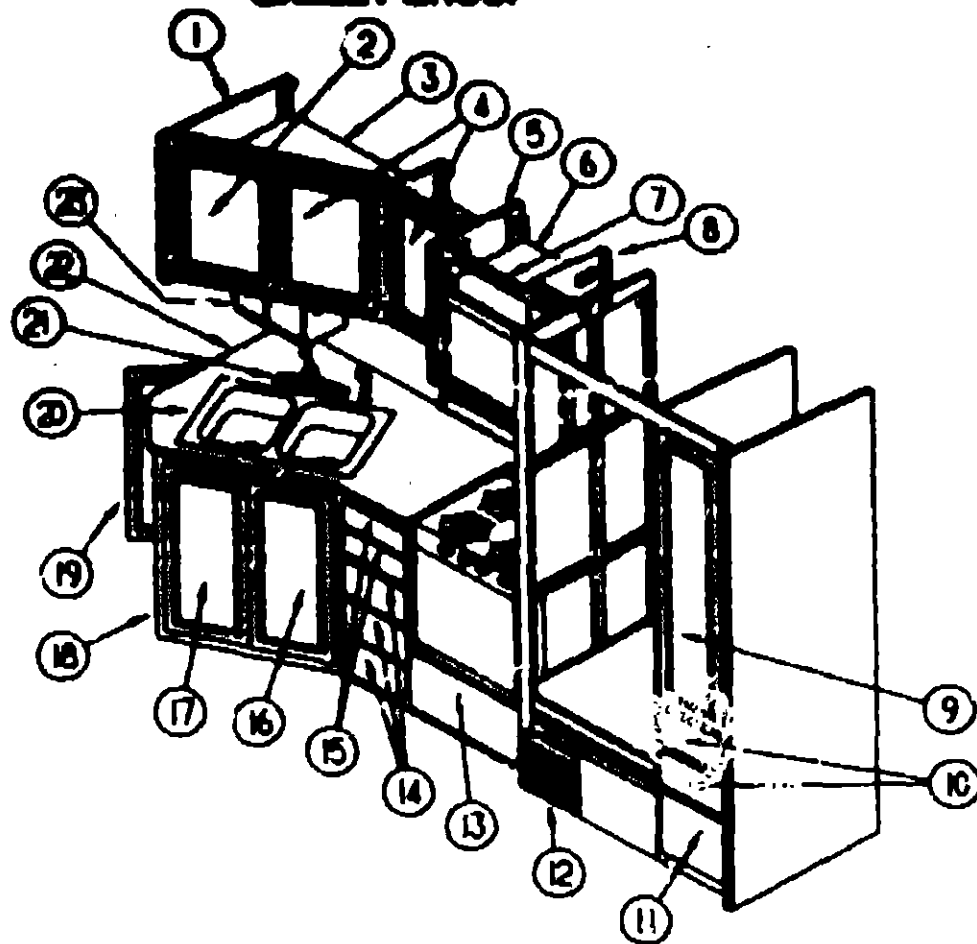
**1988 ITASCA
TABLE OF CONTENTS**

INTRODUCTION	A-01 - A-02
ABBREVIATIONS	A-03
ALPHABETICAL INDEX	A-04 - A-08
ICG37RW	A-07 - E-14
WQ349D	E-15 - I-14

1988 ICG37RW INDEX

FLOOR PLAN	A-07 - A-08
ACCESSORIES	A-09
AUDIO VIDEO	A-10 - A-11
BATH	A-12 - A-14
BEDROOM	A-15 - A-16
CHASSIS	A-17 - B-08
CURTAIN & CUSHION	B-09 - B-18
DINETTE	B-19 - B-22
DRIVERS COMPARTMENT	B-23 - C-02
ELECTRICAL	C-03 - C-08
EXTERIOR BODY	C-09 - C-16
GALLEY	C-17 - C-20
GENERATOR	C-21 - C-22
HEATING & AC	C-23 - D-02
INTERIOR FINISH	D-03 - D-06
LABELS	D-07 - D-14
LP	D-15
LOUNGE	D-16 - D-18
SEALANTS & FASTENERS	D-19 - D-21
WATER & SEWAGE	D-22 - E-01
WINDOW, VENT &	
EXTERIOR DOOR	E-02 - E-12
WINDSHIELD & WIPER	E-13 - E-14

GALLEY GROUP



GALLEY CABINETRY & FIXTURES

GALLEY GROUP (CONTINUED)

REFRIGERATOR (MORCOLD 6182)

**1988 ITASCA
TABLE OF CONTENTS**

INTRODUCTION	A-01 - A-02
ABBREVIATIONS	A-08
ALPHABETICAL INDEX	A-04 - A-08
ICG37RW	A-07 - E-14
WQ34PW	E-15 - I-14

KEY	PART NUMBER	UOM DESCRIPTION	
	104137-08-01A	EA REFRIGERATOR - LARGE DEL. DOOR 2-WAY	61438822
	080048-01-030	EA BRACKET ASM - TIEDOWN - REFRIGERATOR	61620822
	080048-02-000	EA BRACKET ASM - TIEDOWN - REFRIGERATOR	614822
	075217-01-734	EA FUSE - 3 AMP	61551822
	075217-01-738	EA SWITCH - HUMIDITY	615041
	084880-01-705	EA ORIFICE	61578872
	084880-01-718	EA VALVE - GAS	61683310
	084880-01-722	EA CRISPER COVER	61571522
	084880-01-732	EA LATCH	616807
	084880-01-740	EA END CAP (STOP CATCH)	61683272
	084880-01-748	EA CABLE	61583730
	084880-01-749	EA HINGE BUSHING	616807
	084880-01-753	EA THERMISTOR 78"	61683272
	084880-01-781	EA END CAP (SPRING CATCH) BLACK	61583730
	084880-03-701	EA COOLING UNIT (HORIZ BURNER)	61687337
	084880-03-732	EA HINGE PIN TOP/STM FEMALE	61580830
	088248-01-709	EA HEATER - AC (HORIZONTAL)	615827
	088248-01-710	EA HEATER - DC (HORIZONTAL) 3 WAY	615828
	084039-01-702	EA GASKET (GRAY) UPPER	61587C30
	084039-01-704	EA PLATE - HINGE - BLACK	61631330
	084039-01-708	EA UPPER DOOR LINER (WHITE) BLACK	61581838-B
	084039-01-709	EA HANDLE - DOOR - UPPER - BLACK	61650038
	084039-01-710	EA PLATE - HINGE - BLACK	61631330
	084039-01-713	EA DOOR GASKET (LOWER) GRAY	61588030
	084039-01-715	EA LOWER DOOR LINER (BLACK/WHITE)	61581738-B
	084039-01-717	EA LOWER DOOR HANDLE ASSY (BLACK)	61648838
	084039-01-722	EA HOLE PLOG (BLACK) HINGE HOLES	61582030
	084039-01-723	EA HINGE BRACKET - TOP RH - BOTTOM LH - BLACK	61580838
	084039-01-724	EA HINGE BRACKET - TOP LH - BOTTOM RH - BLACK	61580838
	084039-01-725	EA HINGE PIN (BLACK) (MALE)	61578130
	084039-01-730	EA HINGE PIN SHAFT (BLACK) CENTER HINGE	61588730
	084039-01-732	EA FRONT COVER (BLACK) BOTTOM TRIM	61622130
	084039-01-733	EA WIRE SHELF (MIDDLE)	61583922
	084039-01-735	EA INSIDE COMP TRAY (WHITE)	61572830
	084039-01-739	EA SHELF (CUTOUT)	61646722
	084039-04-700	EA PC BOARD - 2 WAY	1647322
	084039-04-702	EA POWER SUPPLY (2 WAY)	61647422
	104137-02-700	EA MODULE - CONTROL - CHANNEL	61717037
	104137-08-700	EA EYEBROW SHELL (2-WAY)	61728822
	104137-06-701	EA HANDLE - UPPER DOOR W/DECAL	61686722
	104137-06-702	EA RACK - JUICE (WHITE)	61580525
	104137-06-703	EA BIN - DOOR SHELF (WHITE)	61584025
	104137-06-705	EA HANDLE - LOWER DOOR W/DECAL	61688822
	104137-06-706	EA WIRE SHELF (SHORT)	61718222
	104137-06-707	EA CRISPER (WHITE)	61571325
	104137-06-708	EA FOAMED CAB ASM (BLACK W/WHITE)	61725138
	104137-06-709	EA VALVE SHUT - OFF - MANUAL ASM	61684822
	104137-06-710	EA PRESSURE TAP	61584422
	104137-06-711	EA FUSE 5 AMP	61611622
	104137-06-712	EA FITTING - GAS TUBE CONNECTION	61682722
	104137-06-713	EA ORIFICE GASKET	61475122
	104137-06-714	EA BURNER ASSEMBLY (5-SLOT)	61705222
	104137-06-715	EA SPARK/SENSE ELECTRODE (SINGLE)	61682222

1988 ICG37RW INDEX

FLOOR PLAN	A-07 - A-08
ACCESSORIES	A-09
AUDIO VIDEO	A-10 - A-11
BATH	A-12 - A-14
BEDROOM	A-15 - A-16
CHASSIS	A-17 - B-08
CURTAIN & CUSHION	B-08 - B-18
DINETTE	B-19 - B-22
DRIVERS COMPARTMENT	B-23 - C-02
ELECTRICAL	C-03 - C-08
EXTERIOR BODY	C-09 - C-16
GALLEY	C-17 - C-20
GENERATOR	C-21 - C-22
HEATING & A/C	C-23 - D-02
INTERIOR FINISH	D-03 - D-06
LABELS	D-07 - D-14
LP	D-15
LOUNGE	D-15 - D-18
SEALANTS & FASTENERS	D-19 - D-21
WATER & SEWAGE	D-22 - E-01
WINDOW, VENT &	
EXTERIOR DOOR	E-02 - E-12
WINDSHIELD & WIPER	E-13 - E-14

KEY	PART NUMBER	UOM DESCRIPTION	
1	108055-11-035	EA END CAP ASM - OVERHEAD	
2	P03702-82-D-1	EA DOOR ASM - W/O HARDWARE	
3	P08055-01-035	EA CABINET ASM - OVERHEAD - GALLEY	
4	P03702-87-D35	EA DOOR ASM - W/O HARDWARE	
5	081380-14-825	EA END CAP ASM - OVERHEAD	
6	M05019-81-D35	EA CABINET ASM - MICROWAVE - OVERHEAD	
7	P03702-E8-D35	EA DOOR ASM - W/O HARDWARE	
8	104432-01-C27	EA CABINET ASM - AC SWITCH	
9	P03702-89-D35	EA DOOR ASM - W/O HARDWARE	
10	P07104-83-D35	EA DRAWER ASM - W/O HARDWARE	
11	P07104-R4-D35	EA DRAWER ASM - W/O HARDWARE	
12	080814-02-01A	EA GRILL - RETURN AIR - BRY/WH	
13	P07104-87-D35	EA DRAWER ASM - W/O HARDWARE	
14	P07104-83-D35	EA DRAWER ASM - W/O HARDWARE	
15	P07104-81-D35	EA DRAWER ASM - W/O HARDWARE	
16	P03702-M2-D35	EA DOOR ASM - W/O HARDWARE	
17	P03702-L9-D35	EA DOOR ASM - W/O HARDWARE	
18	M08872-02-D35	EA GALLEY CABINET ASM.	
18	M08872-02-D38	EA GALLEY CABINET ASM.	
18	P03702-M3-D35	EA DOOR ASM - W/O HARDWARE	
20	104113-01-000	EA SINK - STAINLESS STEEL - DOUBLE	
	088303-01-000	EA STRAINER - SINK	
21	104114-01-01A	EA FAUCET - GALLEY - SINGLE CONTROL	
	103836-01-000	EA FAUCET - SINGLE CONTROL - EVERPURE 541/5 00	
22	108009-14-012	EA COUNTERTOP ASM. (D35)	
22	108009-14-088	EA COUNTERTOP ASM	
	108814-01-000	EA BOARD - CUTTING	
	108810-01-082	EA COVER ASM - SINK (D35)	
	108810-01-088	EA COVER ASM - SINK	
23	108789-01-0PA	EA COFFEE MAKER GRAY	
	104810-01-000	EA STRAP ASM - COFFEE MAKER	
	108445-01-01A	EA HOLDER - PAPER TOWEL - PLASTIC - ALMOND	
	080880-01-000	EA REFRIGERATOR CABINET - 6" WIDE TOP X 2" TAIL	

FROM: 00-00-00 THRU: 06-08-83

FROM: 06-07-83 THRU: 88-88-83

GALLEY GROUP (CONTINUED)

WEDGWOOD RANGE - 4 BURNER (BLACK) 21"

KEY	PART NUMBER	U/M	DESCRIPTION	
	107320-01-01A	EA	RANGE - 21" 4 - BURNER BLACK	
	107314-01-01A	EA	RANGE COVER - 2-POLE 21" BLACK	
	101888-01-708	EA	KNOB - BURNER	53000
	108888-01-701	EA	SPARK - IGNITOR ASM - HIGH OUTPUT	53078
	108888-01-702	EA	PIEZO PUSH BUTTON	52278
	108888-01-708	EA	VALVE - HIGH OUTPUT	53047
	108888-01-704	EA	REGULATOR W/EXTREME PRESSURE	52154
	108888-01-705	EA	VALVE - BURNER	52123
	107248-01-700	EA	RANGE TOP (BLACK)	53083
	107248-01-701	EA	GRATE	53080
	107323-01-700	EA	RANGE TOP	53513
	107323-01-702	EA	TRIM LEFT	53023
	107323-01-703	EA	TRIM RIGHT	53024
	107323-01-704	EA	MANFOLD COVER	53558
	107323-01-706	EA	TRIM VENT	53525
	107323-01-708	EA	TRIM BOTTOM	53528
	107323-01-707	EA	INSERT BLACKGLASS - W/O HOLE	53428
	107323-1/1-708	EA	HANDLE ROD - W/O HOLE	53085
	107323-01-709	EA	HANDLE END CAP - W/O HOLES	53424
	107323-01-710	EA	GRATE CUP	53301
	107323-01-711	EA	RUBBER GRATE CUSHION	53008
	107248-01-703	EA	THERMOSTAT ROBERT SHAW	52122
	107323-01-713	EA	BLACKGLASS INSERT - WHOLE	53428
	107323-01-714	EA	HANDLE FOR WHOLE GLASS	51112

MICROWAVE OVEN

KEY	PART NUMBER	U/M	DESCRIPTION
	081288-08-000	EA	OVEN - MICROWAVE
	088918-03-01A	EA	BRACE - MICROWAVE CABINET - LEFT - 9.4" X 7.5" - STEEL
	088918-04-01A	EA	BRACE - MICROWAVE CABINET - RIGHT - 9.4" X 7.5" - STEEL
	084745-01-01A	EA	TRIM - MICROWAVE - LOWER - BLACK
	084774-03-01A	EA	TRIM - MICROWAVE - EITHER SIDE - 1.5" X 14.8" - METAL - BLACK
	084750-01-000	EA	BRACKET - MICROWAVE - 90 DEGREE - STEEL
	084758-02-01A	EA	BRACKET - MICROWAVE - 6.1" LONG X 3.9" WIDE - STEEL - TAN

GALLEY GROUP (CONTINUED)

RANGE HOOD , W/O HOUR METER - VENTLINE (CANADIAN)

KEY	PART NUMBER	U/M	DESCRIPTION	
	100258-17-01A	EA	HOOD - RANGE 22W - W/O MONITOR PANEL	
	080373-01-700	EA	MOTOR - LVS	CA508-1
	080873-01-702	EA	BLADE - FAN - LVS	VA183-1
	082888-01-708	EA	BULB - 912	VA415
	082888-01-710	EA	SOCKET - LIGHT	CB257-2
	086883-01-700	EA	SWITCH - ON/OFF	108
	086883-01-702	EA	SWITCH - TWO WAY MOMENTARY	112
	086883-01-707	EA	FILTER - GREASE - 8" X 8" - LVS	CC246
	082888-02-701	EA	LENS - LAMP	CC179
	100258-01-700	EA	HOOD NOSE LABEL	CC428

RANGE HOOD , W/O HOUR METER - VENTLINE (USA)

KEY	PART NUMBER	U/M	DESCRIPTION	
	100258-16-01A	EA	HOOD - RANGE W/O MONITOR PANEL	
	080873-01-700	EA	MOTOR - LVS	CA508-1
	080873-01-702	EA	BLADE - FAN - LVS	VA183-1
	082888-01-708	EA	BULB - 912	VA415
	082888-01-710	EA	SOCKET - LIGHT	CB257-2
	086883-01-700	EA	SWITCH - ON/OFF	108
	086883-01-702	EA	SWITCH - TWO WAY MOMENTARY	112
	086883-01-707	EA	FILTER - GREASE - 8" X 8" - LVS	CC246
	082888-02-701	EA	LENS - LAMP	CC179
	100258-01-700	EA	HOOD NOSE LABEL	CC428

RANGE HOOD , W/HOUR METER - VENTLINE (USA)

KEY	PART NUMBER	U/M	DESCRIPTION	
	100258-18-01A	EA	HOOD - RANGE 22W W/O MONITOR PANEL	
	080873-01-700	EA	MOTOR - LVS	CA508-1
	080873-01-702	EA	BLADE - FAN - LVS	VA183-1
	082888-01-708	EA	BULB - 912	VA415
	082888-01-710	EA	SOCKET - LIGHT	CB257-2
	086883-01-700	EA	SWITCH - ON/OFF	108
	086883-01-702	EA	SWITCH - TWO WAY MOMENTARY	112
	086883-01-707	EA	FILTER - GREASE - 8" X 8" - LVS	CC246
	082888-02-701	EA	LENS - LAMP	CC179
	100258-01-700	EA	HOOD NOSE LABEL	CC428
	100258-10-01A	EA	METER - HOUR	150

MONITOR PANEL (2 WATER TANKS & WATER HEATER)

KEY	PART NUMBER	U/M	DESCRIPTION
	102785-04-01A	EA	PANEL - MONITOR - W/PLUG - FOR 2 TANKS & WATER HEATER - LVS

**1988 ITASCA
TABLE OF CONTENTS**

INTRODUCTION	A-01 - A-02
ABBREVIATIONS	A-03
ALPHABETICAL INDEX	A-04 - A-08
ICG37RW	A-07 - E-14
ICG34RW	E-15 - I-14

1988 ICG37RW INDEX

FLOOR PLAN	A-07 - A-08
ACCESSORIES	A-09
AUDIO VIDEO	A-10 - A-11
BATH	A-12 - A-14
BEDROOM	A-15 - A-16
CHASSIS	A-17 - B-08
CURTAIN & CUSHION	B-09 - B-18
DINETTE	B-19 - B-22
DRIVERS COMPARTMENT	B-23 - C-02
ELECTRICAL	C-03 - C-08
EXTERIOR BODY	C-09 - C-16
GALLEY	C-17 - C-30
GENERATOR	C-21 - C-22
HEATING & AC	C-23 - D-02
INTERIOR FINISH	D-03 - D-08
LABELS	D-07 - D-14
LP	D-15
LOUNGE	D-16 - D-18
SEALANTS & FASTENERS	D-19 - D-21
WATER & SEWAGE	D-22 - E-01
WINDOW, VENT & EXTERIOR DOOR	E-02 - E-12
WINDSHIELD & WIPER	E-13 - E-14

GENERATOR GROUP

ONAN GENERATOR, 4.0 KW EMERALD PLUS (S&S-PARTS) (EXPORT)

KEY	PART NUMBER	U/M DESCRIPTION
	100874-01-000	EA GENERATOR - 4.0 KW EMERALD PLUS
	100858-03-000	EA PIPE - EXHAUST - GENERATOR
	024876-01-000	EA SWITCH - GENERATOR - W/O CIRCUIT BOARD
	007125-03-000	EA CLAMP - MUFFLER - 1.5" DIA
	007125-04-000	EA CLAMP - MUFFLER - 1.1" DIA
	078854-05-000	EA PIPE - EXHAUST - ANGLED - W/FLANGE - 2" ID - ONAN# 154-2539
	082272-01-000	EA MUFFLER
	094059-01-000	EA SPACER

ONAN GENERATOR, 4.0 KW EMERALD PLUS (CANADA) (ONAN BERGE-PARTS)

KEY	PART NUMBER	U/M DESCRIPTION
	100874-01-000	EA GENERATOR - 4.0 KW EMERALD PLUS
	100858-03-000	EA PIPE - EXHAUST - GENERATOR
	024876-01-000	EA SWITCH - GENERATOR - W/O CIRCUIT BOARD
	007125-03-000	EA CLAMP - MUFFLER - 1.5" DIA
	007125-04-000	EA CLAMP - MUFFLER - 1.1" DIA
	078854-05-000	EA PIPE - EXHAUST - ANGLED - W/FLANGE - 2" ID - ONAN# 154-2539
	082272-01-000	EA MUFFLER
	094059-01-000	EA SPACER

KOHLER GENERATOR - 5.0 KW LOW PROFILE (US, C&A) (7C1021)

KEY	PART NUMBER	U/M DESCRIPTION
	105524-01-000	EA GENERATOR - 5.0 KW LOW PROFILE
	105528-01-000	EA ARRESTER - SPARK
	105527-02-000	EA PIPE - EXHAUST ADAPTER
	105530-01-000	EA MUFFLER - SIDE EXHAUST W/O SPARK
	105902-01-000	EA GASKET - EXHAUST
	105958-03-000	EA PIPE - EXHAUST - GENERATOR
	024876-01-000	EA SWITCH - GENERATOR - W/O CIRCUIT BOARD
	007125-03-000	EA CLAMP - MUFFLER - 1.5" DIA
	007125-04-000	EA CLAMP - MUFFLER - 1.1" DIA

GENERATOR GROUP (CONTINUED)

ONAN GENERATOR, 6.5 KW EMERALD PLUS (S&S-PARTS)

KEY	PART NUMBER	U/M DESCRIPTION
	100874-01-000	EA GENERATOR - 6.5 KW EMERALD PLUS
	100858-03-000	EA PIPE - EXHAUST - GENERATOR
	024876-01-000	EA SWITCH - GENERATOR - W/O CIRCUIT BOARD
	007125-03-000	EA CLAMP - MUFFLER - 1.5" DIA
	007125-04-000	EA CLAMP - MUFFLER - 1.1" DIA
	078854-05-000	EA PIPE - EXHAUST - ANGLED - W/FLANGE - 2" ID - ONAN# 154-2539
	082272-01-000	EA MUFFLER
	094059-01-000	EA SPACER

KOHLER GENERATOR, 7.0 KW LOW PROFILE (US, C&A) (7C1021)

KEY	PART NUMBER	U/M DESCRIPTION
	105525-01-000	EA GENERATOR - 7.0 KW - LOW PROFILE
	105528-01-000	EA ARRESTER - SPARK
	105527-02-000	EA PIPE - EXHAUST ADAPTER
	105530-01-000	EA MUFFLER - SIDE EXHAUST W/O SPARK
	105902-01-000	EA GASKET - EXHAUST
	105958-03-000	EA PIPE - EXHAUST - GENERATOR
	024876-01-000	EA SWITCH - GENERATOR - W/O CIRCUIT BOARD
	007125-03-000	EA CLAMP - MUFFLER - 1.5" DIA
	007125-04-000	EA CLAMP - MUFFLER - 1.1" DIA

1988 ITASCA TABLE OF CONTENTS

INTRODUCTION	A-01 - A-02
ABBREVIATIONS	A-03
ALPHABETICAL INDEX	A-04 - A-08
ICG37RW	A-07 - E-14
W034HO	E-15 - F-14

1989 ICG37RW INDEX

FLOOR PLAN	A-07 - A-08
ACCESSORIES	A-09
AUDIO VIDEO	A-10 - A-11
BATH	A-12 - A-14
BEDROOM	A-15 - A-16
CHASSIS	A-17 - B-08
CURTAIN & CUSHION	B-09 - B-18
DINETTE	B-19 - B-22
DRIVERS COMPARTMENT	B-23 - C-02
ELECTRICAL	C-03 - C-08
EXTERIOR BODY	C-09 - C-16
GALLEY	C-17 - C-20
GENERATOR	C-21 - C-22
HEATING & AC	C-23 - D-02
INTERIOR FINISH	D-03 - D-08
LABELS	D-07 - D-14
LP	D-15
LOUNGE	D-16 - D-18
SEALANTS & FASTENERS	D-19 - D-21
WATER & SEWAGE	D-22 - E-01
WINDOW, VENT &	
EXTERIOR DOOR	E-02 - E-12
WINDSHIELD & WIPER	E-13 - E-14

HEATING & AIR CONDITIONING GROUP

AUTOMOTIVE AIR CONDITIONING

KEY	PART NUMBER	UNIT DESCRIPTION	SCS CODE
	02200-01-000	EA SHIELD - AC - 3/8" X 3 1/2" - STEEL	
	02700-01-000	EA HOSE - FLEXIBLE PVC - 2" ID - 8'	
	02701-01-000	EA HOSE - FLEXIBLE PVC - 2 1/2" ID X 8' - ATCORLEX A-111-205	
	02800-01-000	EA OUTLET - DEFROSTER - W/WRIVEL - 2IN BLACK	
	02700-01-000	EA BRACKET - HEATER VENT - ROUND - W/WRIVEL - BLACK	
	07700-01-000	EA GASKET - INSTRUMENT PANEL TO DEFROSTER PLENUM - 6" X 11.5"	
	07700-01-000	EA GASKET - INSTRUMENT PANEL TO DEFROSTER PLENUM - SPL	
	02401-01-000	EA WIRE ASSEMBLY - AC COMPRESSOR ADAPTER	SCS 038-0054
	10200-01-000	EA PLENUM - TRANSITION	
	10201-01-000	EA PLENUM - DEFROSTER	
	10200-01-000	EA VENT - DEFROSTER - ABS - GRAY	
	102700-01-01A	EA LOUVER ASM - AC CARRY PROD - BLACK	
	02400-01-000	EA CLAMP - ROD - 3/16" - MOTIVEAIR	SCS 00814431
	02200-01-000	EA BRACKET - BOWDEN CABLE MOUNTING	ARA 0408417
	10200-01-000	EA EVAPORATOR/HEATER ASSEMBLY	SCS 060-0041
	02400-01-000	EA O-RING - #4 - MOTIVEAIR	SCS 20014981
	10200-01-000	EA ROD - AIR BLEND DOOR	SCS 073-0017
	10200-01-000	EA PANEL - DOOR - FOR AIR BLEND	SCS 071-0123
	10200-01-000	EA GASKET - DOOR - FOR AIR BLEND	SCS 045-0080
	10200-01-000	EA COIL - HEATER	SCS 042-0010
	10200-01-000	EA VALVE - EXPANSION BLOCK	SCS 034-0019
	10200-01-000	EA GASKET - O-RING - #8	SCS 045-0011
	10200-01-000	EA GASKET - O-RING - #10	SCS 045-0012
	10200-01-000	EA BRACKET - VACUUM MOTOR	SCS 070-0113
	10200-01-000	EA RESISTOR - FUSED	SCS 035-0006
	10200-01-000	EA THERMOSTAT	SCS 033-0019
	10200-01-000	EA GASKET - O-RING	SCS 045-0010
	10200-01-000	EA FITTING - QUICK CONNECT - #4	SCS 050-0003
	10200-01-000	EA FITTING - SERVICE VALVE - #10	SCS 050-0031
	10200-01-000	EA SWITCH - BINARY	SCS 032-0030
	10200-01-000	EA SWITCH - PRESSURE - FAN	SCS 032-0029
	10200-01-000	EA WHEEL - CLOCK - W/SE	SCS 052-0010
	10200-01-000	EA HOSE #8	SCS 051-0038
	10200-01-000	EA HOSE - #10	SCS 051-0017
	10200-01-000	EA MOTOR	SCS 030-0004
	10200-01-000	EA GASKET O-RING #12	SCS 045-0062
	10200-01-000	EA CONTROL PLENUM SET	SCS 023-00037
	10200-01-000	EA PANEL - CONTROL	SCS 032-0016
	10200-01-000	EA VALVE - CONTROL HEAD	SCS 034-0015
	10200-01-000	EA DECAL - WINNEBAGO "N"	SCS 058-0007
	10200-01-000	EA HARNESS - WIRE CONTROL	SCS 036-0048
	10200-01-000	EA HARNESS - VACUUM CONTROL	SCS 036-0049
	10200-01-000	EA CABLE - CONTROL - BOWDEN	SCS 074-0011
	10200-01-000	EA CUPE - CABLE - CONTROL	SCS 022-0017
	10200-01-000	EA RELAY	SCS 031-0001
	10200-01-000	EA MOTOR - VACUUM SERVO - AC	SCS 030-0002
	10200-01-000	EA CANISTER - VACUUM	SCS 064-0002
	10200-01-000	EA VALVE - WATER	SCS 034-0114
	10200-01-000	EA MANUAL - OWNERS - HEATER - AC	SCS 057-0048

HEATING & AIR CONDITIONING GROUP (CONTINUED)

FURNACE & REAR HEATER SYSTEMS

KEY	PART NUMBER	UNIT DESCRIPTION	SCS CODE
	02700-01-000	FT HOSE - HEATER - 3/4" ID - H-TEMP - FORD BSE - MEDYRE-A	
	01000-01-000	EA TEE - PLAS - BARB 3/8" OR 1/2" HOSE	
	02100-01-000	EA BRACKET - MOTOR AND TUBES - 4" X 1.5" - STEEL	
	02700-01-000	FT TUBE - ALUMINIZED STEEL - 5/8" - 16 GAUGE	
	02700-01-000	EA HOSE - FLEXIBLE PVC - 2" ID (50')	
	02400-01-000	EA OUTLET - DEFROSTER W/WRIVEL 2" BLACK	
	02100-01-000	FT DUCT - HEAT - FLEXIBLE - 4" ID X 25 FT	
	02100-01-000	EA TAPE - FURNACE - 1 1/2"	
	02148-01-000	EA CLAMP - SCREW TYPE - 4"	
	02400-01-000	EA REGISTER - PLASTIC W/O DAMPER - 4" DIAMETER - GOLDEN	
	07800-01-000	EA HOSE - 90 DEGREE - 5/8" ID X 4" X 36"	
	02400-01-000	EA HEATER ASM - REAR - DUCTED - W/MOTOR AND	EVANS
	02400-01-000	EA HEATER CORE	EVANS FT2002B
	02400-01-000	EA FAN BLADES	E/ANS HY02001
	02400-01-000	EA MOTOR ASM-12 V	EVANS 20148
	021673-01-000	EA BRACKET - MOTOR AND TUBES - 4" X 1.5" - STEEL	
	07800-01-000	EA HOSE - 90 DEGREE - 5/8" ID X 4" X 36"	
	07800-01-000	EA HOSE - 90 DEGREE - 5/8" ID X 4" X 36"	
	02400-01-000	EA REGISTER - HEAT - W/O DAMPER - 3.6" X 11.2" - BROWN	
	02400-01-000	EA REGISTER - HEAT - W/DAMPER - 3.6" X 11.2" - BROWN	
	02100-01-000	EA FURNACE - 40000 BTU	SUBURBAN SF-40
	07400-01-000	EA RELAY - TIME DELAY	SUBURBAN 230825
	02300-01-000	EA THERMOSTAT - WALL - FURNACE	SUBURBAN 010002
	02100-01-000	EA CABINET FRONT	SUBURBAN 101242
	02100-01-000	EA SWITCH - LIMIT	SUBURBAN 231830
	02100-01-000	EA VENT CAP & EXHAUST TUBE ASM	SUBURBAN 200193
	02100-01-000	EA BLOWER ASM (COMBUSTION AIR)	SUBURBAN 300441
	02100-01-000	EA BOARD - MODULE	SUBURBAN 231741
	02100-01-000	EA INTAKE VENT TUBE ASM	051044
	02100-01-000	EA GAS VALVE (WHITE ROGERS)	161070
	02100-01-000	EA OFFICE - MAIN BURNER SF-42F	180216
	02100-01-000	EA BURNER ASM COMP (SF-42F)	010799
	02100-01-000	EA MOTOR ASM COMP (SF-42F)	232212
	02100-01-000	EA SWITCH - SAIL (ASM) (SF-42F)	232216
	02100-01-000	EA DIMMER ASM ROOM AIR (SF-42F)	300003
	02100-01-000	EA WHEEL - ROOM AIR (SF-42F)	390129
	02100-01-000	EA LIMIT SWITCH (SF-42F)	232231
	02100-01-000	EA GASKET - FIBERGLASS - 5" X 16.37" X 17.56"	SUBURBAN 370377
	02100-01-000	EA GASKET - FIBERGLASS - 5" X 18" X 18"	SUBURBAN 070076
	02100-01-000	EA DOOR - ACCESS - FURNACE - BUFF	SUBURBAN 5207328U
	02100-01-000	EA THERMOSTAT - WALL - FURNACE	SUBURBAN 010002
	10100-01-000	EA MICROSWITCH GASKET	SUBURBAN 230877
	02100-01-000	EA GRILL - RETURN AIR - BROWN	

1988 ITASCA TABLE OF CONTENTS

INTRODUCTION	A-01 - A-02
ABBREVIATIONS	A-03
ALPHABETICAL INDEX	A-04 - A-05
INDEX	A-07 - E-14
INDEX	E-15 - E-14

1983 ICG37RW INDEX

FLOOR PLAN	A-07 - A-08
ACCESSORIES	A-08
AUDIO VIDEO	A-10 - A-11
BATH	A-12 - A-14
BEDROOM	A-15 - A-18
CHASSIS	A-17 - B-08
CURTAIN & CUSHION	B-09 - B-16
DNETTE	C-09 - B-22
DRIVERS COMPARTMENT	B-23 - C-02
ELECTRICAL	C-03 - C-09
EXTERIOR BODY	C-09 - C-18
GALLEY	C-17 - C-20
GENERATOR	C-21 - C-22
HEATING & A/C	C-23 - D-02
INTERIOR FINISH	D-03 - D-06
LABELS	D-07 - D-14
LP	D-15
LOUNGE	D-16 - D-18
SEALANTS & FASTENERS	D-19 - D-21
WATER & SEWAGE	D-22 - E-11
WINDOW, VENT & EXTERIOR DOOR	E-02 - E-12
WINDSHIELD & WIPER	E-13 - E-14

HEATING & AIR CONDITIONING GROUP (CONTINUED)

COLEMAN ROOF AIR 13,800 BTU (EUROPEAN)

KEY	PART NUMBER	UOM DESCRIPTION	
	108891-01-01A	EA AC-ROOF, 13,800 T8R 220 IVORY	7373-587
	108891-01-01A	EA CEILING ASM-AC COOL T8R HO	7330-714 IV
	042204-01-708	EA THERMOSTAT - IN 64 OUT 58	6701-3401
	088808-01-702	EA LOUVER	6703A5191
	073742-01-701	EA SELECTOR SWITCH (5 TERMINAL)	6758-3251
	073742-01-702	EA DECAL COOL ONLY	6758C3431
	078808-01-707	EA FILTER-6" X 14 3/4" X 1/2" (12 PER PKG)	6703A3151
	081808-01-712	EA CEILING SHROUD (IVORY)	6788-5081
	091225-01-713	EA KNOB (2 PER PACKAGE)	6701-3351
	091225-01-717	EA DECAL (THERMOSTAT) COOL ONLY	6788A3441
	088788-02-701	EA DECAL - LEFT SIDE	6788-3871
	108891-01-700	EA SINGLE PARTS PKG (KNOBS & NUTS)	6782-5891
	108891-01-701	EA RETAINER CLIPS FILTER (6 PER PKG)	6788-3141
	102289-01-000	EA SPRING-SCREW, ROOF AC GASKET	6757-150
	088808-02-02A	EA COVER-BLANK, ROOF AC - 5.1" X 5.1" - PLASTIC - COF WHITE	

COLEMAN ROOF AIR 13,800 BTU (US, CSA)

KEY	PART NUMBER	UOM DESCRIPTION	
	108890-01-02A	EA AC-ROOF - 13,800 T8R HO GRAY	7332-882
	091225-01-708	EA START RELAY	1487-4131
	091225-01-710	EA START CAPACITOR	1487-08C1
	073742-01-701	EA DECAL PKG - LEFT & RIGHT	6788-33591
	088808-01-712	EA COMPRESSOR	6707C3579
	108890-01-704	EA COMPRESSOR - RH & LH	1450-200J
	108890-01-708	EA FOOT HTG-COMPRESSOR (3 PER PACKAGE)	6758-3081
	108890-01-700	EA SHROUD (GREY/GREY)LESS LOGO	6758-5121
	108890-01-703	EA CONDENSER COIL	1452-1301
	108890-01-704	EA OVERLOAD (MIRAM08893)	6758-3541
	108890-01-705	EA MOTOR (115 - 60HZ)	1488-3048
	108890-01-706	EA IMPELLOR	1472-1041
	108890-01-707	EA RUN CAPACITOR (COMP-25MFD/370)	1489-5881
	108890-01-708	EA FAN CAPACITOR (7.5MFD/370U)	1489-5481
	108890-01-709	EA EVAPORATOR COIL	1452-1311
	108890-01-710	EA FILTER PAD - COND AIR SEAL	6758A3871
	108890-01-711	EA GASKET PACKAGE	6782-3301
	108890-01-712	EA SUCTION LINE REDUCER (3/8X1/2)	1215-2161
	108890-01-713	EA SUCTION LINE (3/8 OD X.032 WALL)	6782-130
	108890-01-714	EA DISCHARGE LINE ASSY	6782-531
	108890-01-715	EA MOTOR MOUNT & SHAFT SEAL KIT	6782-3381
	108891-01-01A	EA CEILING ASM-AC COOL T8R HO	7330-714 IV
	042204-01-708	EA THERMOSTAT - IN 64 OUT 58	6701-3401
	073742-01-701	EA SELECTOR SWITCH (5 TERMINAL)	6758-3251
	073742-01-702	EA DECAL COOL ONLY	6758C3431
	078808-01-707	EA FILTER-6" X 14 3/4" X 1/2" (12 PER PACKAGE)	6703A3151
	081808-01-712	EA CEILING SHROUD (IVORY)	6788-5081
	091225-01-713	EA KNOB (2 PER PACKAGE)	6701-3351
	091225-01-717	EA DECAL (THERMOSTAT) COOL ONLY	6788A3441
	088788-02-701	EA DECAL - LEFT SIDE	6788-3871
	108891-01-700	EA SINGLE PARTS PKG (KNOBS & NUTS)	6782-5891
	108891-01-701	EA RETAINER CLIPS FILTER (6 PER PACKAGE)	6788-3141
	102289-01-000	EA SPRING - SCREW - ROOF AC GASKET	6757-150

HEATING & AIR CONDITIONING GROUP (CONTINUED)

COLEMAN ROOF AIR 11,800 BTU (US, CSA) (FROM: 88-88-83 THRU: 88-88-88)

KEY	PART NUMBER	UOM DESCRIPTION	
	108890-01-03A	EA AC - ROOF - 11,000BTU - GRAY	67878802
	037848-01-714	EA PACKAGE - GASKET	6788-3881
	078808-01-712	EA MOTOR	6707A3119
	091225-01-708	EA START RELAY	1487-4131
	088808-01-701	EA DECAL PKG - LEFT & RIGHT	678833591
	088808-01-707	EA START CAPACITOR, 47 - 58 MFD - 250	62803421
	083783-01-703	EA IMPELLOR - 7" DIA X 2.8" WIDE	6758-3271
	083783-01-704	EA CAPACITOR - FAN	1488-3481
	083783-01-708	EA CONDENSER COIL	1452-1251
	083783-01-712	EA FAN BLADE - CONDENSER	6733-3221
	083783-03-700	EA SHROUD (BEIGE/CHARCOAL)	6758-4881
	108890-01-700	EA COMPRESSOR (TEC.8AK144AT-02L)	6757-3879
	108890-01-701	EA COMPRESSOR RUN CAPACITOR	6748-4881
	108890-01-702	EA EVAPORATOR COIL	1452-1382
	108890-01-703	EA OVERLOAD (CRA2718-250)	
	108890-01-700	EA SHROUD (GREY/GREY)LESS LOGO	6758-6421

COLEMAN ROOF AIR 11,800 BTU (US, CSA) (FROM: 88-21-82 THRU: 88-88-88)

KEY	PART NUMBER	UOM DESCRIPTION	
	108890-01-02A	EA AC - ROOF - 11,600 T8R HO - GRAY	7332-882
	108891-01-01A	EA CEILING ASM - AC COOL T8R HO	7330-714 IV
	042204-01-708	EA THERMOSTAT - IN 64 OUT 58	6701-3401
	073742-01-701	EA SELECTOR SWITCH (5 TERMINAL)	6758-3251
	073742-01-702	EA DECAL COOL ONLY	6758C3431
	078808-01-707	EA FILTER - 6" X 14 3/4" X 1/2" - 12 PER PACKAGE	6703A3151
	081808-01-712	EA CEILING SHROUD (IVORY)	6788-5081
	091225-01-713	EA KNOB (2 PER PACKAGE)	6701-3351
	091225-01-717	EA DECAL (THERMOSTAT) COOL ONLY	6788A3441
	088788-02-701	EA DECAL - LEFT SIDE	6788-3871
	108891-01-700	EA SINGLE PARTS PACKAGE (KNOBS & NUTS)	6782-5891
	108891-01-701	EA RETAINER CLIPS FILTER (6 PER PACKAGE)	6788-3141
	102289-01-000	EA SPRING - SCREW - ROOF AC GASKET	6757-150

**1983 ITASCA
TABLE OF CONTENTS**

INTRODUCTION	A-01 - A-02
ABBREVIATIONS	A-03
ALPHABETICAL INDEX	A-04 - A-08
ICG37RW	A-07 - E-14
IKG34RO	E-15 - I-14

1983 ICG37RW INDEX

FLOOR PLAN	A-07 - A-08
ACCESSORIES	A-09
AUDIO VIDEO	A-10 - A-11
BATH	A-12 - A-14
BEDROOM	A-15 - A-16
CHASSIS	A-17 - B-08
CURTAIN & CUSHION	B-09 - B-18
DINETTE	B-19 - B-22
DRIVERS COMPARTMENT	B-23 - C-02
ELECTRICAL	C-03 - C-08
EXTERIOR BODY	C-09 - C-16
GALLEY	C-17 - C-20
GENERATOR	C-21 - C-22
HEATING & AC	C-23 - D-02
INTERIOR FINISH	D-03 - D-08
LABELS	D-07 - D-14
LP	D-15
LOUNGE	D-16 - D-18
SEALANTS & FASTENERS	D-19 - D-21
WATER & SEWAGE	D-22 - E-01
WINDOW, VENT &	
EXTERIOR DOOR	E-02 - E-12
WINDSHIELD & WIPER	E-13 - E-14

INTERIOR FINISH GROUP

INTERIOR TRIM, BATT STRIPS & MOLDINGS

KEY	PART NUMBER	U/M DESCRIPTION
	008767-10-000	FT WELTING - CABINET TO WALL - MAHOGANY
	008767-12-000	FT MOLDING - SPOEWALL TO CEILING/CABINET - WELTING - OFF WHITE
	008776-12-000	FT U CHANNEL - PLASTIC - 1" WIDE X 8" - WOODGRAIN
	008809-21-000	EA MOLDING - CORNER - OUTSIDE - 1" - PLASTIC - WOODGRAIN
	008809-25-000	EA MOLDING - CORNER - OUTSIDE - 1" - PLASTIC - OFF WHITE
	008812-22-000	EA MOLDING - CORNER - OUTSIDE - .5" X 7" - PLASTIC - BROWN
	008812-24-000	EA MOLDING - PLASTIC - OUTSIDE CORNER - .50" - IVORY
	022882-11-000	FT MOLDING - REVERSE COVE - T-SHAPED - VINYL - IVORY
	026733-80-000	EA BATT STRIP - WOODGRAIN - 8" EA - WINI OAK
	070804-01-000	FT U-CHANNEL - PLASTIC - .085" WIDE - LIGHT BROWN - 8"
	070804-19-000	FT U-CHANNEL - PLASTIC - .815" WIDE - BROWN - 8"
	070804-21-000	FT U-CHANNEL - PLASTIC - .735" WIDE - COUNTRY FOREST - 8"
	070804-23-000	FT EXTRUSION - U CHANNEL - .875 - COUNTRY FOREST
	072388-02-000	EA TRIM - VINYL - EDGE - BLACK
	074348-01-000	EA RAILING - OAK - 72" EA - UNFINISHED
	076325-25-000	FT MOLDING - EDGE BAND - 1.518" WIDE - RAMBLING OAK
	076325-31-000	FT MOLDING - EDGE BAND - RAMBLING OAK - .23 X .024 X 600"
	076325-37-000	FT MOLDING - EDGE BAND - 1135 - 1-5/16X .030X600
	076325-38-000	FT MOLDING - EDGE BAND - 1527 - 1-5/16X .030X600 (D35)
	076325-40-000	FT MOLDING - EDGE BAND - 1527 - .875 X .024X600 (D35)
	076823-05-825	EA MOLDING - WALL CAP - LIPS BOTH SIDES - WOOD - 8.6" LONG
	076811-05-C07	EA PANEL - TRIM - HEADER - LOWER
	082820-07-000	FT MOLDING - T - END CAP EDGE - WEDGE LIPS - .75" - THOR PECAN
	083384-65-000	FT BATT STRIP - TAPE - GLORIA - PASTEL DECOR (BATHROOM & GALLEY) (D35)
	083384-75-000	FT BATT STRIP - TAPE - MONIQUE - BLUE STONE (BATHROOM & GALLEY) (D35)
	083384-85-000	FT BATT STRIP - TAPE - POMPEII - PASTEL DECOR (MAIN WALL) (D35)
	083384-74-000	FT BATT STRIP - TAPE - BARCELONA - BLUE STONE (MAIN WALL) (D35)
	083384-67-000	FT STRIP - TAPE - 541 WINI OAK - PLUSWOOD
	083229-01-000	EA RETAINER - BATTEN - CEILING - .75" WIDE - 7.6" EA
	083229-04-000	EA BATTEN - CEILING - 1" WIDE - IVORY - 7.6" EA
	083283-67-000	EA BATT - STRIP - POMPEII - PASTEL DECOR (MAIN WALL) (D35)
	083283-68-000	EA BATT - STRIP - BARCELONA - BLUE STONE (MAIN WALL) (D35)
	083283-69-000	EA BATT - STRIP - GLORIA - PASTEL DECOR (BATHROOM & GALLEY) (D35)
	083283-85-000	EA BATT - STRIP - MONIQUE - BLUE STONE (BATHROOM & GALLEY) (D35)
	083873-01-01A	EA TRIM - CARPET - L - ANGLE - 1.1" X 1.3" X 12" - VINYL - GRAY
	100040-01-000	EA LUMBER - VINYL WRAPPED - 1.5" X 8" - 788 RAMBLN OAK
	100040-03-000	EA LUMBER - VINYL WRAPPED - 2" X 8" - 788 RAMBLN OAK
	100040-08-000	EA LUMBER - VINYL WRAPPED - 3" X 8" - RAMBLN OAK
	100040-07-000	EA LUMBER - VINYL WRAPPED (ALL AROUND) 3" X 8" - RAMBLN OAK
	100041-01-000	EA MOLDING - VINYL WRAPPED - .7" X 1.57" X 84.02" - RAMBLING OAK
	100041-02-000	EA MOLDING - VINYL WRAPPED - .7" X 2.5" X 84" - RAMBLING OAK
	100182-10-829	EA TRIM - CHAIR RAIL - WALL - 2.5" X 6" EA - WOOD
	104008-01-C05	EA LID - ENTRANCE STEP
	101220-02-01A	EA TRIM-LID - ENTRY STEP - 14.5" - ALUMINUM - BEIGE FROM: 00-00-00 THRU: 03-14-92
	101221-02-01A	EA TRIM-LID - ENTRY STEP - 26.8" - ALUMINUM - BEIGE FROM: 00-00-00 THRU: 03-14-92
	108004-01-02A	EA MOLDING - VINYL WRAP - RAMBLING OAK
	106706-01-000	FT T-MOLDING - 1" - MODERN IVORY

INTERIOR FINISH GROUP (CONTINUED)

PANELING, PLASTIC LAMINATE & CARPET

KEY	PART NUMBER	U/M DESCRIPTION
	074487-21-000	SF PANELING - WOODGRAIN - WINI OAK - 4' X 8' (32 SF)
	074488-34-000	SF LAMINATE - PLASTIC - 5' X 8' - RAMBLING OAK (40 SF)
	074488-45-000	SF LAMINATE - PLASTIC - 5' X 8' (40 SF) (D35)
	074488-42-000	SF LAMINATE - PLASTIC - 5' X 8' (40 SF) (D35)
	083618-02-000	SF PLYWOOD - OAK - 1 SIDE FINISHED - 3/16" X 4' X 8' (32 SF)
	088272-88-000	SF PANELING - GLORIA PASTEL (BATH & GALLEY) (D35)
	088272-A6-000	SF PANELING - MONIQUE - BLUE STONE (BATH & GALLEY) (D35)
	088272-89-000	SF PANELING - POMPEII - PASTEL (BEDROOM & DINETTE) (D35)
	088272-A7-000	SF PANELING - BARCELONA - BLUE STONE (BEDROOM & DINETTE) (D35)
	088272-98-000	SF PANELING - SHOWER - OFF WHITE - 4' X 7' (28 SF)
	088297-01-000	SF PLYWOOD - LUAN - OVERLAY GRADE - 4' X 8' (32 SF)
	088351-03-000	YD VINYL - CEILING - DIAMOND DESIGN - 54" WIDE
	085888-01-000	SF VENEER - FLAT LUANA 48 X 96
	075233-01-000	SY PAD - CARPET - 3/8" X 6" ROLL
	086080-42-000	SY CARPET - 12' ROLL - TEAL (MINIMUM 4 SY) (D35)
	086080-21-000	SY CARPET - 12' ROLL - PALE ORCHID (MINIMUM 4 SY) (D35)
	093486-01-000	SY CARPET - COMPARTMENT - 54" WIDE - DARK GRAY
	047034-02-000	SF PLASTIC - CARPET - 4" WIDE - CLEAR POLY
	088531-01-000	SF PLYWOOD - RED OAK - 1/2"
	105824-01-D11	EA MAT - FLOOR 18X27 (D35)
	105824-01-C25	EA MAT - FLOOR 18X27 (D36)

FIRE EXTINGUISHER, SMOKE DETECTOR & WALL CLOCK

KEY	PART NUMBER	U/M DESCRIPTION
	072852-01-000	EA DETECTOR - SMOKE - W/9 VOLT BATTERY
	072852-02-000	EA DETECTOR - SMOKE - W/9 VOLT BATTERY - CANADIAN
	094489-01-000	EA EXTINGUISHER - FIRE - DRY W/MOUNTING BRACKET - 10 BC
	094489-01-700	EA BRACKET - MOUNTING - W/PLASTIC STRAP - FIRE EXTINGUISHER
	094489-02-000	EA EXTINGUISHER - FIRE - DRY - 1A10BC - CANADIAN
	101333-01-000	EA BACKPLATE - CLOCK - 6" X 6" - PLASTIC - BLACK
	100793-02-01A	EA CLOCK-WALL - 11" DIAMETER - BOLDEN 9000 FROM: 00-00-00 THRU: 04-20-93 FROM: 04-21-93 THRU: 99-99-99

**1993 ITASCA
TABLE OF CONTENTS**

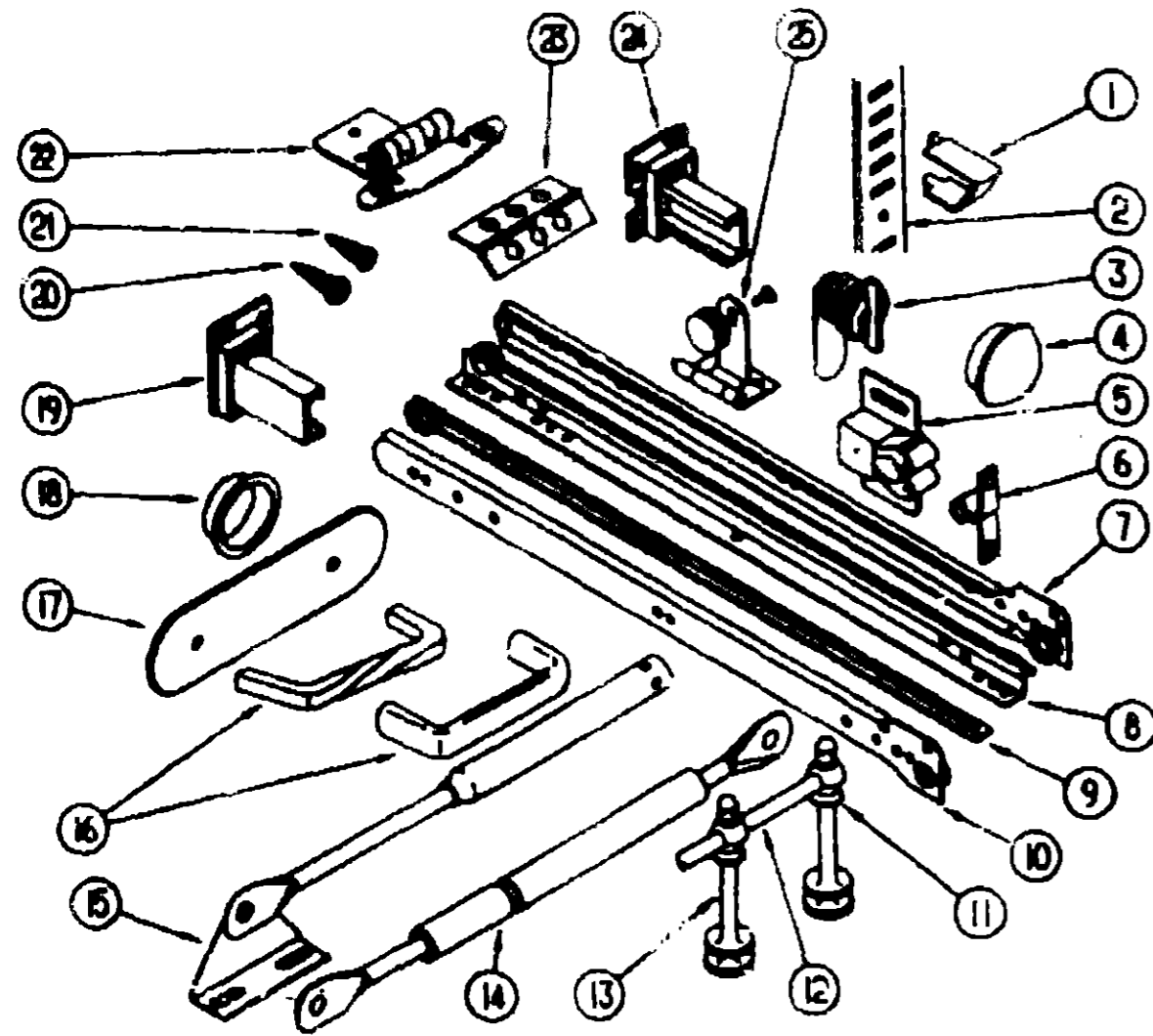
INTRODUCTION	A-01 - A-02
ABBREVIATIONS	A-03
ALPHABETICAL INDEX	A-04 - A-06
ICG37RW	A-07 - E-14
IKG349Q	E-15 - I-14

1993 ICG37RW INDEX

FLOOR PLAN	A-07 - A-08
ACCESSORIES	A-09
AUDIO VIDEO	A-10 - A-11
BATH	A-12 - A-14
BEDROOM	A-15 - A-16
CHASSIS	A-17 - B-08
CURTAIN & CUSHION	B-09 - B-18
DINETTE	B-19 - B-22
DRIVERS COMPARTMENT	B-23 - C-02
ELECTRICAL	C-03 - C-08
EXTERIOR BODY	C-09 - C-16
GALLEY	C-17 - C-20
GENERATOR	C-21 - C-22
HEATING & AC	C-23 - D-02
INTERIOR FINISH	D-03 - D-08
LABELS	D-07 - D-14
LP	D-15
LOUNGE	D-16 - D-18
SEALANTS & FASTENERS	D-19 - D-21
WATER & SEWAGE	D-22 - E-01
WINDOW, VENT &	
EXTERIOR DOOR	E-02 - E-12
WINDSHIELD & WIPER	E-13 - E-14

INTERIOR FINISH GROUP (CONTINUED)

CABINET HARDWARE



1983 ITASCA
TABLE OF CONTENTS

INTRODUCTION	A-01 - A-02
ABBREVIATIONS	A-03
ALPHABETICAL INDEX	A-04 - A-08
ICG37RW	A-07 - E-14
IKG34RO	E-15 - I-14

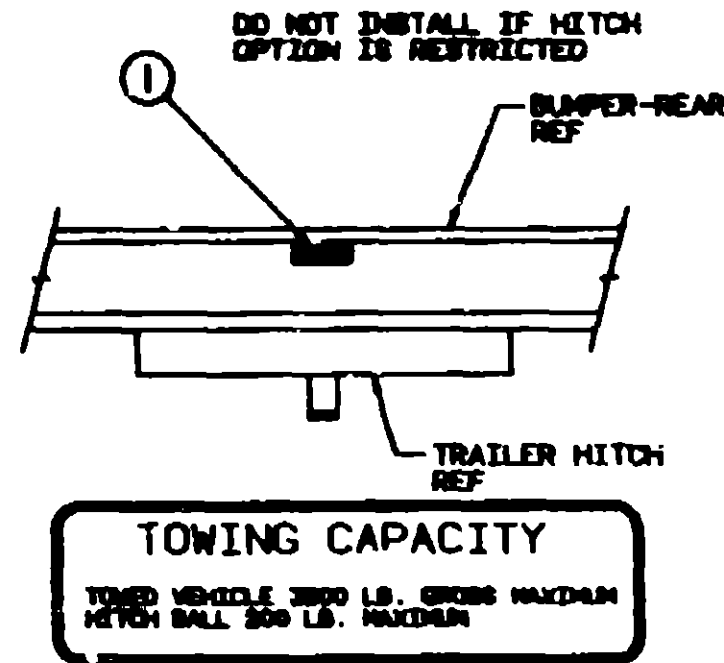
KEY	PART NUMBER	U/M	DESCRIPTION
8	108913-04-000	EA	SLIDE - DRAWER - 12" - RIGHT SIDE
8	108913-08-000	EA	SLIDE - DRAWER - 18" - RIGHT SIDE
8	108913-20-000	EA	SLIDE - DRAWER - 22" - RIGHT SIDE
8	108913-24-000	EA	SLIDE - DRAWER - 24" - RIGHT SIDE
8	108913-03-000	EA	SLIDE - DRAWER - 12" - LEFT SIDE
8	108913-07-000	EA	SLIDE - DRAWER - 18" - LEFT SIDE
8	108913-18-000	EA	SLIDE - DRAWER - 22" - LEFT SIDE
8	108913-23-000	EA	SLIDE - DRAWER - 24" - LEFT SIDE
10	108913-01-000	EA	SLIDE - DRAWER - 12" - CABINET - LEFT SIDE
10	108913-05-000	EA	SLIDE - DRAWER - 18" - CABINET - LEFT SIDE
10	108913-17-000	EA	SLIDE - DRAWER - 22" - CABINET - LEFT SIDE
10	108913-21-000	EA	SLIDE - DRAWER - 24" - CABINET - LEFT SIDE
11	084070-02-000	EA	POST - END - 2.4" - BRASS
12	084071-04-000	EA	ROD - BRASS - 11.9"
12	084071-15-000	EA	ROD - BRASS - 8.27"
13	084070-01-000	EA	POST - CENTER - 2.4" - BRASS
14	107539-01-000	EA	SPRING - GAS - 20" BLADE END - SPRING LIFT
15	074493-02-000	EA	SUPPORT - PISTON SPRING - CABINET DOOR
16	098645-01-000	EA	PULL - CABINET - BRASS - TWIST - 1.1" X 3.4"
			FROM: 00-00-00 THRU: 02-04-83
16	108747-01-000	EA	PULL - CABINET - BRASS
			FROM: 02-05-83 THRU: 99-99-99
17	081376-01-000	EA	BACKPLATE - DOOR PULL - OVAL - BRASS - .8" X 4.25"
18	088410-01-01A	EA	PULL - FINGER - OVAL - BRASS
19	107030-01-000	EA	BACK SOCKET - LEFT SIDE
20	000688-08-10G	EA	SCREW - 6-18 X 5/8" - PHILLIP OVAL HEAD - ANTIQUE BRASS
21	000613-08-08G	EA	SCREW - 6-20 X 5" - PHILLIP FLAT HEAD - ANTIQUE BRASS
22	108138-01-000	EA	HINGE - DOOR - CABINET - BURNISHED BRASS
23	009059-02-000	EA	HINGE - DOOR - 2" X 2 7/8" - BRASS
24	107030-02-000	EA	BACK SOCKET - RIGHT SIDE
25	100711-01-01A	EA	HINGE - DOOR - GLASS
	105037-02-000	EA	FASTENER - WOOD - CORNER - METAL - .5" X .6"
	P02788-04-D12	EA	HANDRAIL ASM - ENTRANCE DOOR
	090882-01-01A	EA	BRACKET - MOUNTING - HAND RAIL - BRASS
	009083-01-000	EA	HINGE - CONTINUOUS - 1 1/2" X 72" - UNPAINTED
	009086-01-000	EA	HINGE - ALUMINUM - NO HOLES - 1 1/16" X 6" - UNPAINTED
	103130-01-000	EA	HOOK - CUP - BRASS - 1.25"
	103888-03-01A	EA	TRACK - DOOR - 1250 - OFF WHITE
	105847-08-C05	EA	KEY RING HOLDER
	004354-01-000	EA	BUMPER - RUBBER - .5" DIA - BROWN
	018804-03-000	EA	BRACE - CABINET - ANGLE - 2.5" - METAL - BEIGE
	023320-01-000	EA	PAD - FELT - 3/8" DIAMETER - BROWN
	068336-02-000	EA	LATCH - SHOWER/BATH DOOR - W/O LOCK - PLASTIC - BROWN
	085740-01-000	EA	BRACE - CABINET CORNER - PLASTIC
	076790-01-000	EA	SCREW - 6-20 X 1 1/4 PPH - BLACK
	079921-01-000	EA	ROLLER - NYLON - W/STEEL SHAFT - BARBED
	R77008-13-488	EA	GUIDE - BOLT
	009112-01-000	EA	FLANGE - 1" ROD - CLOTHES - PLASTIC - OFF WHITE
	042439-01-000	EA	DOWEL - WOOD - CLOTHES ROD - 1" DIAMETER X 4"
	042438-08-000	EA	DOWEL - WOOD - 1.5" X 28" - OAK
	101222-01-01A	EA	BRACKET - CATCH - LID - BEIGE
	101788-01-000	EA	PIN - SUPPORT - GLASS DOOR
	108838-01-01A	EA	KNOB - MIRROR - 1" X 1" - ACRYLIC - CLEAR

1983 ICG37RW INDEX

FLOOR PLAN	A-07 - A-08
ACCESSORIES	A-09
AUDIO VIDEO	A-10 - A-11
BATH	A-12 - A-14
BEDROOM	A-15 - A-16
CHASSIS	A-17 - B-08
CURTAIN & CUSHION	B-09 - B-19
DINETTE	B-19 - B-22
DRIVERS COMPARTMENT	B-23 - C-02
ELECTRICAL	C-03 - C-08
EXTERIOR BODY	C-09 - C-18
GALLEY	C-17 - C-20
GENERATOR	C-21 - C-22
HEATING & A/C	C-23 - D-02
INTERIOR FINISH	D-03 - D-08
LABELS	D-07 - D-14
LP	D-16
LOUNGE	D-16 - D-18
SEALANTS & FASTENERS	D-19 - D-21
WATER & SEWAGE	D-22 - E-01
WINDOW, VENT &	
EXTERIOR DOOR	E-02 - E-12
WINDSHIELD & WIPER	E-13 - E-14

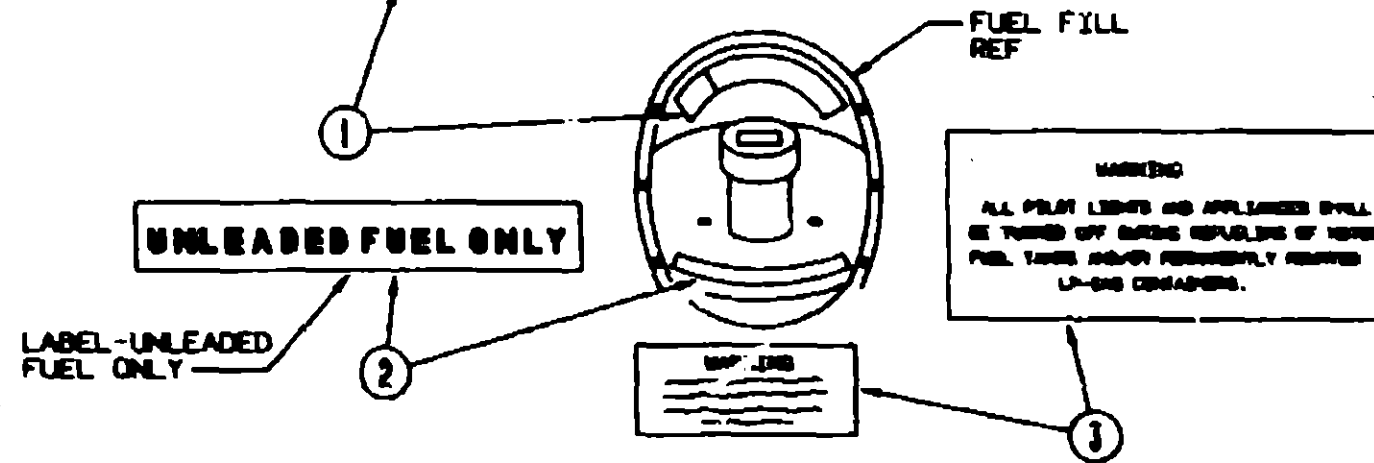
KEY	PART NUMBER	U/M	DESCRIPTION
1	088979-01-000	EA	CLIP - ADJUSTABLE SHELF
2	088980-01-000	EA	PILASTER - ADJUSTABLE SHELF - 18" LONG
2	088980-02-000	EA	PILASTER - ADJUSTABLE SHELF - 12" LONG
3	100710-01-01A	EA	LOCK - GLASS DOOR - TWIST TYPE - BRASS
	101272-01-000	EA	CATCH - DOOR - GLASS
4	042388-01-000	EA	PLUG - MAHOGANY - 3/8" DIAMETER - WOOD
4	074045-01-000	EA	PLUG - OAK - 1/2" DIAMETER
5	088988-03-000	EA	CATCH - SPRING - ROLLER
6	083888-04-000	EA	STRIKE - SPRING STEEL
	101788-01-000	EA	PIN - SUPPORT - GLASS DOOR
7	108913-02-000	EA	SLIDE - DRAWER - 12" - CABINET - RIGHT SIDE
7	108913-08-000	EA	SLIDE - DRAWER - 18" - CABINET - RIGHT SIDE
7	108913-18-000	EA	SLIDE - DRAWER - 22" - CABINET - RIGHT SIDE
7	108913-22-000	EA	SLIDE - DRAWER - 24" - CABINET - RIGHT SIDE

LABELS GROUP



LABELS GROUP (CONTINUED)

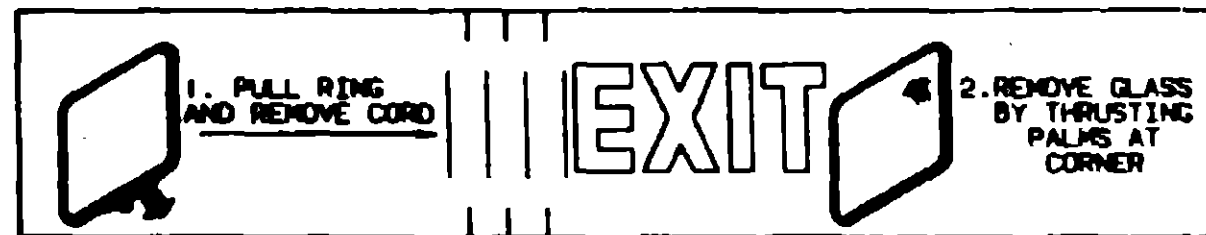
CAUTION
FUEL SPRAY MAY CAUSE PERSONAL INJURY
 TO HELP AVOID PERSONAL INJURY DURING REMOVAL OF FUEL FILLER CAP, SLOWLY LOOSEN CAP 1/2 TURN TO ALLOW ANY FUEL PRESSURE TO BE RELIEVED BEFORE TURNING CAP FURTHER.
 STOP ADDING FUEL AFTER FIRST SHUTOFF BY AUTOMATIC NOZZLE WHEN TANK IS NEARLY FULL. DO NOT OVERFILL FUEL TANK.
 SEE OWNER'S MANUAL FOR ADDITIONAL INFORMATION.
 MADE IN U.S.A. M.C. FT. 08 1051103



**1983 ITASCA
 TABLE OF CONTENTS**

INTRODUCTION	A-01 - A-02
ABBREVIATIONS	A-03
ALPHABETICAL INDEX	A-04 - A-08
ICG37RW	A-07 - E-14
IKG34RQ	E-15 - I-14

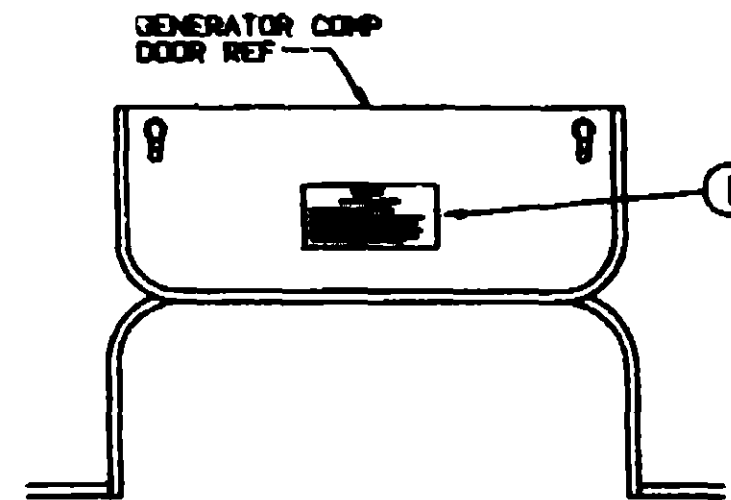
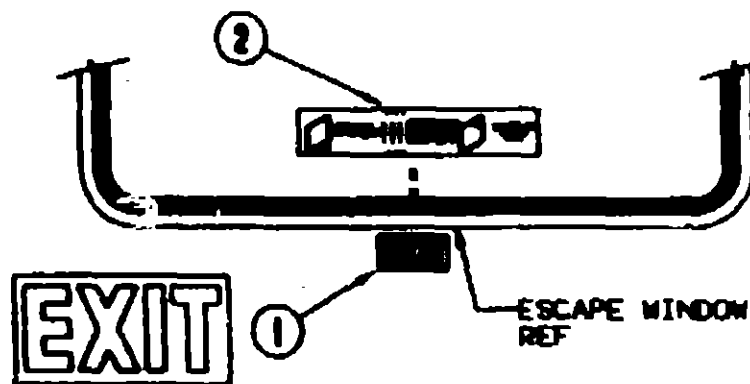
KEY	PART NUMBER	UIM DESCRIPTION
1	078221-03-000	EA LABEL - TRAILER HITCH



KEY	PART NUMBER	UIM DESCRIPTION
1	087207-05-000	EA LABEL - FUEL CAP REMOVAL
2	082043-01-000	EA LABEL - FUEL - UNLEADED
3	008040-01-000	EA TAG - GAS REFUELING WARNING
3	008040-02-000	EA TAG - GAS REFUELING WARNING (CANADIAN)

1983 ICG37RW INDEX

FLOOR PLAN	A-07 - A-08
ACCESSORIES	A-09
AUDIO VIDEO	A-10 - A-11
BATH	A-12 - A-14
BEDROOM	A-15 - A-16
CHASSIS	B-09 - B-08
CURTAIN & CUSHION	B-09 - B-18
DINETTE	B-19 - B-22
DRIVERS COMPARTMENT	B-23 - C-02
ELECTRICAL	C-03 - C-08
EXTERIOR BODY	C-09 - C-16
GALLEY	C-17 - C-20
GENERATOR	C-21 - C-22
HEATING & AC	C-23 - D-02
INTERIOR FINISH	D-03 - D-08
LABELS	D-07 - D-14
LP	D-15
LOUNGE	D-16 - D-18
SEALANTS & FASTENERS	D-19 - D-21
WATER & SEWAGE	D-22 - E-01
WINDOW, VENT & EXTERIOR DOOR	E-02 - E-12
WINDSHIELD & WIPER	E-13 - E-14

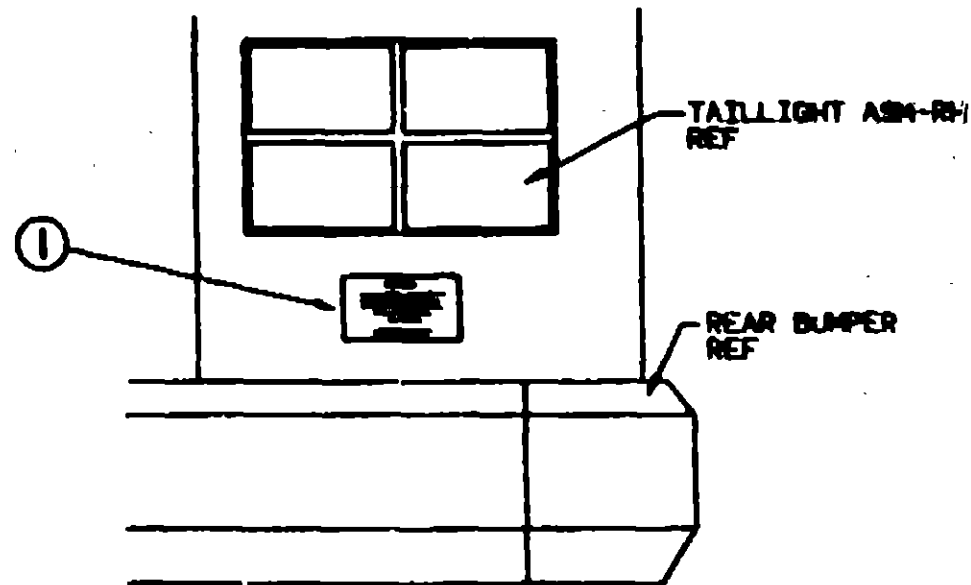


WARNING
 WHEN USING A GENERATOR SET.
 NEVER USE THE GENERATOR SET WITH WIRING OR ELECTRICAL EQUIPMENT.
 NEVER USE ALL ELECTRICAL EQUIPMENT PROVIDED BY A WELDED LAMPED ELECTRICAL SYSTEM ALL OF THE AND LAMP WIRING.
 ONLY QUALIFIED PERSONS SHOULD BE PERMITTED TO USE ALL ELECTRICAL EQUIPMENT.
 TO AVOID FIRE, SHOCK OR DEATH TO OPERATOR OR PASSENGER AND APPLY TO THE GENERATOR OPERATOR, PLEASE FOLLOW THE FOLLOWING INSTRUCTIONS.
 GENERATOR OPERATOR SHOULD ALWAYS USE THE GENERATOR SET WITH THE WINDSHIELD-OUTSIDE MIRROR ONLY FROM TRUCKS.

KEY	PART NUMBER	UIM DESCRIPTION
1	187871-01-000	EA LABEL - EXIT/ESCAPE WINDOW
2	008040-01-000	EA LABEL - EXIT WARNING

KEY	PART NUMBER	UIM DESCRIPTION
1	077510-01-000	EA LABEL - GENERATOR PREP

LABELS GROUP (CONTINUED)

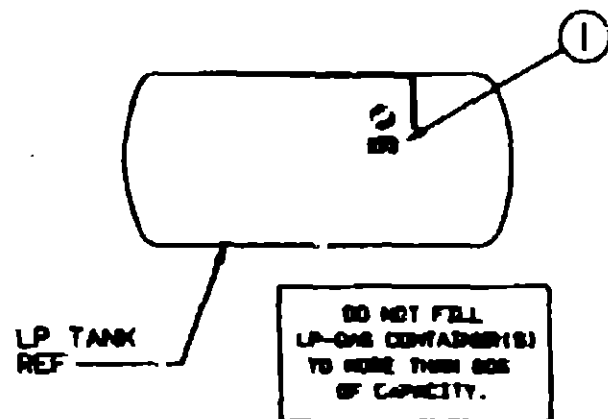


WARNING

DO NOT EXCEED THE VEHICLE WEIGHT RATINGS OR LOADING RECOMMENDATIONS (E.G., GROSS VEHICLE, GROSS AXLE, GROSS COMBINED) OF THE CHASSIS MANUFACTURER OR WINNEBAGO INC.

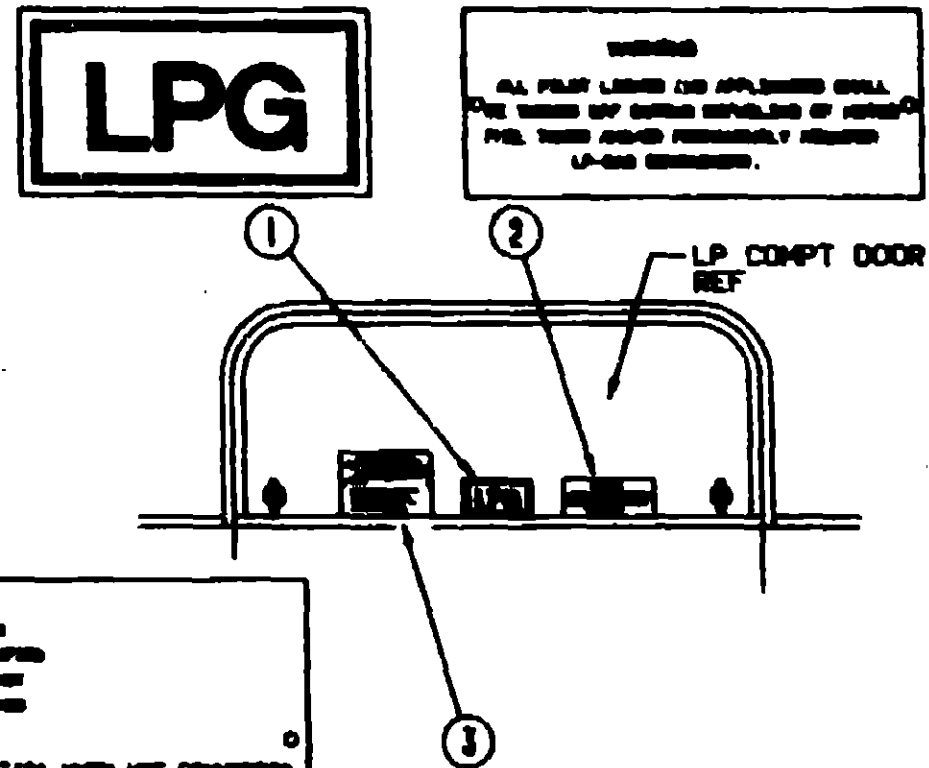
REFER TO YOUR OWNERS MANUAL BEFORE LOADING OR TOWING.

KEY	PART NUMBER	U/M DESCRIPTION
1	075220-01-000	EA LABEL - WARNING - EXTERIOR LOAD



KEY	PART NUMBER	U/M DESCRIPTION
1	075220-01-000	EA LABEL - WARNING - EXTERIOR LOAD
1	075225-01-000	EA LABEL - LPG - 80% CAPACITY

LABELS GROUP (CONTINUED)

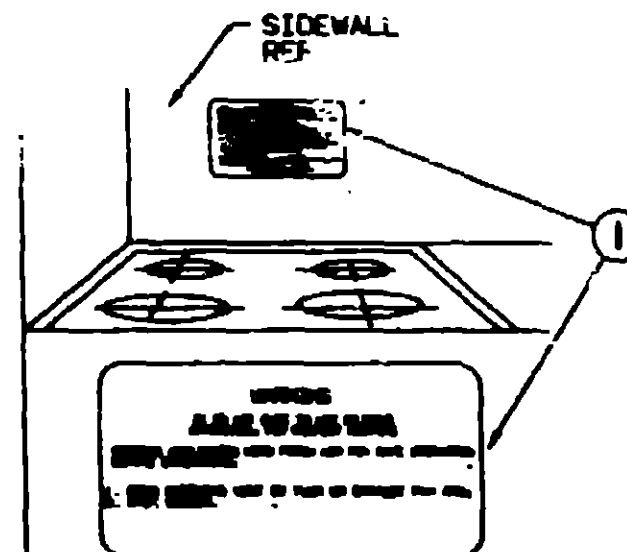


LP-GAS SYSTEM

THIS GAS SYSTEM IS DESIGNED FOR USE OF LIQUEFIED PETHANE GAS ONLY. DO NOT CONNECT OTHER GAS TO THIS SYSTEM.

NEVERLY CUP VALVES WHEN LEFT CONNECTED FOR USE. AFTER USING IN GAS, CHECK FOR LEAKS, CRACKS AND DISCONNECT. TEST GAS PRESSURE AND CONNECT TO NEW LINE FOR LEAKAGE WITH SOFT TUBING OR TIGHTEN VALVES. DO NOT USE PRODUCTS THAT CONTAIN ACETYLENE OR CARBIDE. P.R. BUSH

KEY	PART NUMBER	U/M DESCRIPTION
1	074550-01-000	EA DECAL - LOGO - LPG - RED - (CALIF. CODE)
2	008040-01-000	EA TAG - GAS REFUELING WARNING
2	008040-02-000	EA TAG - GAS REFUELING WARNING (CANADIAN)
3	054531-01-000	EA LABEL - LP GAS ONLY
3	023789-01-000	EA LABEL - WARNING-LPG (CANADIAN)



KEY	PART NUMBER	U/M DESCRIPTION
1	060225-01-000	EA LABEL - WARNING - STOVE VENT - US
1	060222-01-000	EA LABEL - WARNING - STOVE VENT - CRA

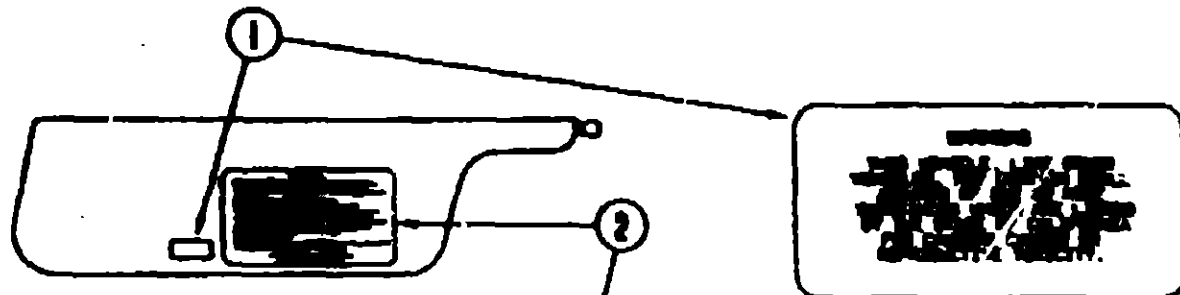
1983 ITASCA
TABLE OF CONTENTS

INTRODUCTION	A-01 - A-02
ABBREVIATIONS	A-03
ALPHABETICAL INDEX	A-04 - A-06
ICG37RW	A-07 - E-14
IKG34PG	E-15 - I-14

1983 ICG37RW INDEX

FLOOR PLAN	A-07 - A-08
ACCESSORIES	A-09
AUDIO VIDEO	A-10 - A-11
BATH	A-12 - A-14
BEDROOM	A-15 - A-16
CHASSIS	A-17 - B-08
CURTAIN & CUSHION	B-09 - B-18
DINETTE	B-19 - B-22
DRIVERS COMPARTMENT	B-23 - C-02
ELECTRICAL	C-03 - C-08
EXTERIOR BODY	C-09 - C-16
GALLEY	C-17 - C-20
GENERATOR	C-21 - C-22
HEATING & A/C	C-23 - D-02
INTERIOR FRESH	D-03 - D-06
LABELS	D-07 - D-14
LP	D-15
LOUNGE	D-16 - D-18
SEALANTS & FASTENERS	D-19 - D-21
WATER & SEWAGE	D-22 - E-01
WINDOW, VENT & EXTERIOR DOOR	E-02 - E-12
WINDSHIELD & WIPER	E-13 - E-14

LABELS GROUP (CONTINUED)



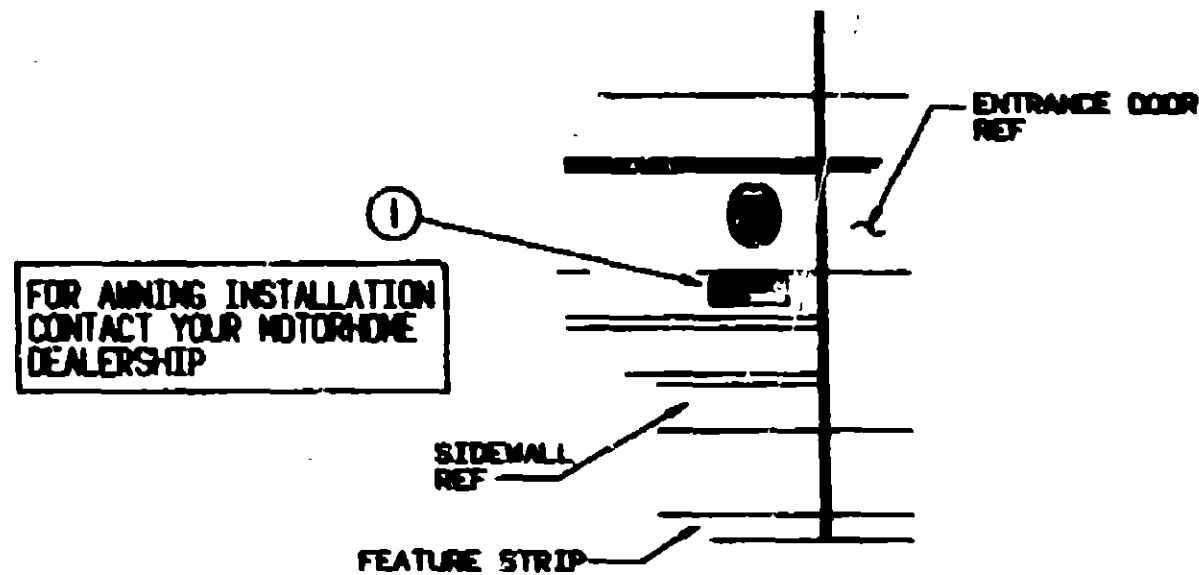
CUTION

THIS GROUP HAS BEEN DESIGNED, MANUFACTURED AND TESTED WITH CARE FOR THE PROTECTION OF IT'S OPERATOR. WE REQUEST YOU PERFORM THE FOLLOWING INSPECTIONS FOR YOUR SAFETY AND THE SAFETY OF YOUR PASSENGERS BEFORE STARTING THE VEHICLE.

1. LP GAS SYSTEM- TURN OFF AT MAIN JET VALVE. TEST FOR LEAKS UPON ARRIVAL AT DESTINATION. SERVICE LEAKS IMMEDIATELY.
2. WHEELS- INSPECT FOR DAMAGE AND CHECK TIRE PRESSURE PER TIREMAN.
3. TIRES- INSPECT FOR WEAR AND DAMAGE AND CHECK FOR RECOMMENDED AIR PRESSURE.
4. LIGHTS- TEST FOR PROPER OPERATION OF ALL INTERIOR AND EXTERIOR LIGHTS INCLUDING BRAKE LIGHTS, HEADLIGHTS, TAIL LIGHTS, SIGNAL LIGHTS, CLEARANCE LIGHTS AND TURN SIGNALS.
5. SEATS- INSPECT RELEASE MECHANISM ON EMERGENCY EXIT SEAT. TEST SEAT LOCKS ON PAIR SEATS. SEAT LOCKS MUST BE OPERATIONAL AND INSTRUCT PASSENGERS HOW TO USE SEAT BELTS OF EXIT.
6. SEAT BELTS- INSTRUCT PASSENGERS TO SEATBELT SEATS AND RELEASE BELT OF SEAT BELT.
7. APPLIANCE- TURN OFF AND LATCH UP LATCH SEATS WHEN PROVIDED.
8. LAKE PANELS- OPERATE CAREFULLY.
9. UTILITY SUPPLY LINES- DISCONNECT ALL ELECTRICAL, WATER AND WASTE LINES AND SECURE PROPERLY.
10. SERVICE BIRD SHIP- PLACE IN DETACHED POSITION FOR TRAVELING.

READ THIS GROUP HERE AND OTHER GROUP'S MANUAL FOR FURTHER PRECAUTIONS

LABELS GROUP (CONTINUED)



KEY	PART NUMBER	U/M DESCRIPTION
1	006508-01-000	EA LABEL - AWNING INSTALLATION

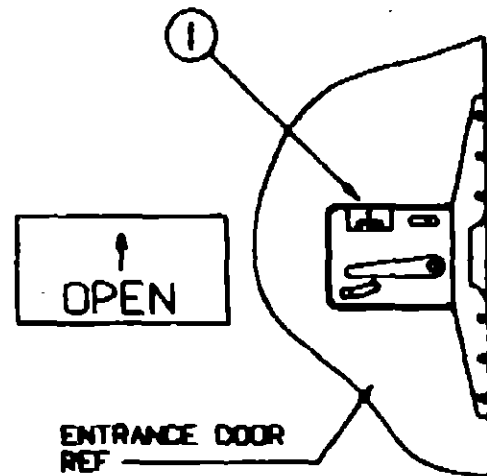
**1983 ITASCA
TABLE OF CONTENTS**

INTRODUCTION	A-01 - A-02
ABBREVIATIONS	A-03
ALPHABETICAL INDEX	A-04 - A-05
ICG37RW	A-07 - E-14
ICG34RQ	E-15 - I-14

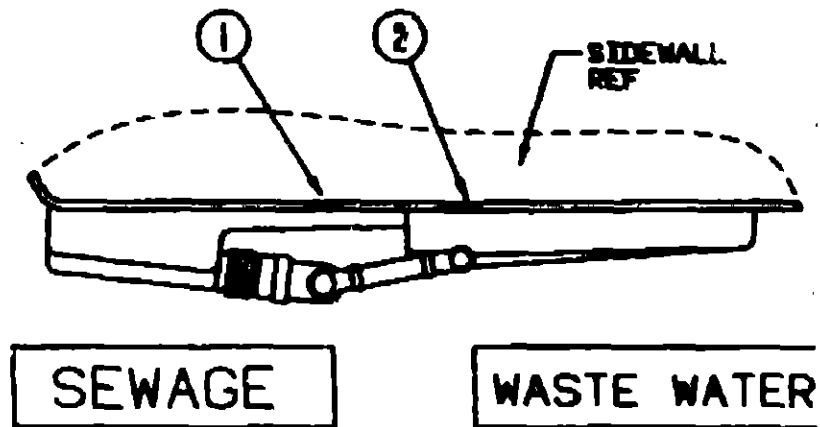
1983 ICG37RW INDEX

FLOOR PLAN	A-07 - A-08
ACCESSORIES	A-09
AUDIO VIDEO	A-10 - A-11
BATH	A-12 - A-14
BEDROOM	A-15 - A-16
CHASSIS	A-17 - B-08
CURTAIN & CUSHION	B-09 - B-18
DINETTE	B-19 - B-22
DRIVERS COMPARTMENT	B-23 - C-02
ELECTRICAL	C-03 - C-08
EXTERIOR BODY	C-09 - C-16
GALLEY	C-17 - C-20
GENERATOR	C-21 - C-22
HEATING & AC	C-23 - D-02
INTERIOR FINISH	D-03 - D-08
LABELS	D-07 - D-14
LP	D-15
LOUNGE	D-16 - D-18
SEALANTS & FASTENERS	D-19 - D-21
WATER & SEWAGE	D-22 - E-01
WINDOW, VENT & EXTERIOR DOOR	E-02 - E-12
WINDSHIELD & WIPER	E-13 - E-14

KEY	PART NUMBER	U/M DESCRIPTION
1	006229-01-000	EA LABEL - WARNING - CANCEROUS TOXICITY
2	006230-01-000	EA LABEL - SAFETY CHECK LIST

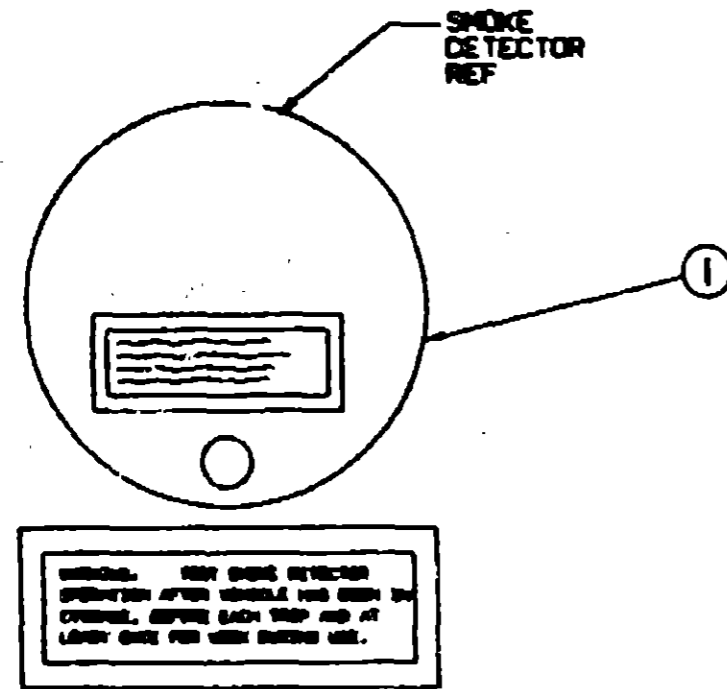


KEY	PART NUMBER	U/M DESCRIPTION
1	006944-01-000	EA LABEL - ENTRANCE DOOR - "OPEN"

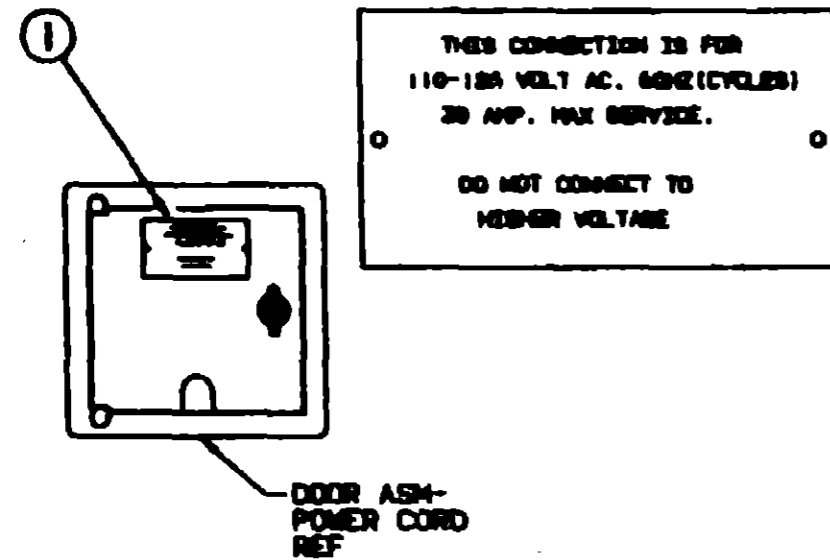


KEY	PART NUMBER	U/M DESCRIPTION
1	005187-01-000	EA LABEL - SEWAGE
2	005188-01-000	EA LABEL - WASTE WATER

LABELS GROUP (CONTINUED)



KEY	PART NUMBER	U/M DESCRIPTION
1	077988-01-000	EA LABEL - WARNING - SMOKE DETECTOR



KEY	PART NUMBER	U/M DESCRIPTION
1	008082-01-000	EA TAG - ELECTRIC - 110V CONNECTION

LABELS GROUP (CONTINUED)

MISCELLANEOUS LABELS

KEY	PART NUMBER	U/M DESCRIPTION
	081808-01-000	EA LABEL - OVERLAY - VEHICLE CERTIFICATION - ADHESIVE BACKED
	073888-01-000	EA LABEL - LPG ODOOR WARNING
	074889-01-000	EA LABEL - SWITCH - A/C SELECTOR FOR FRONT OR REAR
	079888-01-000	EA LABEL - WARNING - STOWED - MOTION
	081224-02-000	EA LABEL - TRAILER LIGHTING
	081243-01-000	EA LABEL - A/C COVER - "AIR CONDITIONING CIRCUIT, ETC."
	102257-01-000	EA LABEL - NO OCCUPANCY - US
	098379-03-000	EA LABEL - ELECTRICAL BOX - FRONT
	098379-04-000	EA LABEL - ELECTRICAL BOX - SIDE
	098841-01-000	EA LABEL - FUEL - UNLEADED - DASH
	104678-01-000	EA LABEL - CB PREP

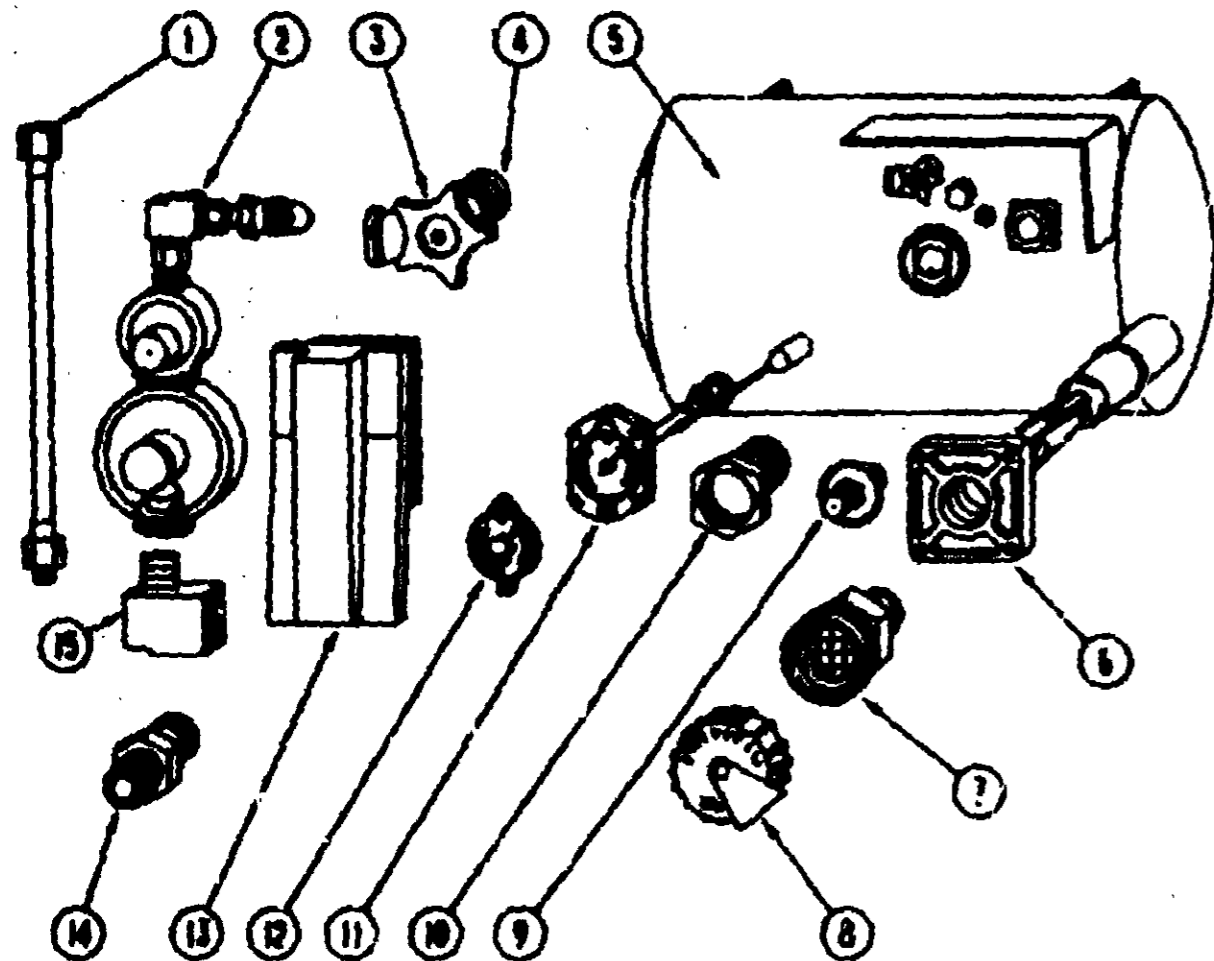
**1988 ITASCA
TABLE OF CONTENTS**

INTRODUCTION	A-01 - A-02
ABBREVIATIONS	A-03
ALPHABETIC/INDEX	A-04 - A-08
ICG37RW	A-07 - E-14
IKGB4RD	E-15 - I-14

1988 ICG37RW INDEX

FLOOR PLAN	A-07 - A-08
ACCESSORIES	A-09
AUDIO VIDEO	A-10 - A-11
BATH	A-12 - A-14
BEDROOM	A-15 - A-16
CHASSIS	A-17 - B-08
CURTAIN & CUSHION	B-09 - B-18
DINETTE	B-19 - B-22
DRIVERS COMPARTMENT	B-23 - C-02
ELECTRICAL	C-03 - C-08
EXTERIOR BODY	C-09 - C-16
GALLEY	C-17 - C-20
GENERATOR	C-21 - C-22
HEATING & AC	C-23 - D-02
INTERIOR FINISH	D-03 - D-08
LABELS	D-07 - D-14
LP	D-15
LOUNGE	D-16 - D-18
SEALANTS & FASTENERS	D-19 - D-21
WATER & SEWAGE	D-22 - E-01
WINDOW, VENT & EXTERIOR DOOR	E-02 - E-12
WINDSHIELD & WIPER	E-13 - E-14

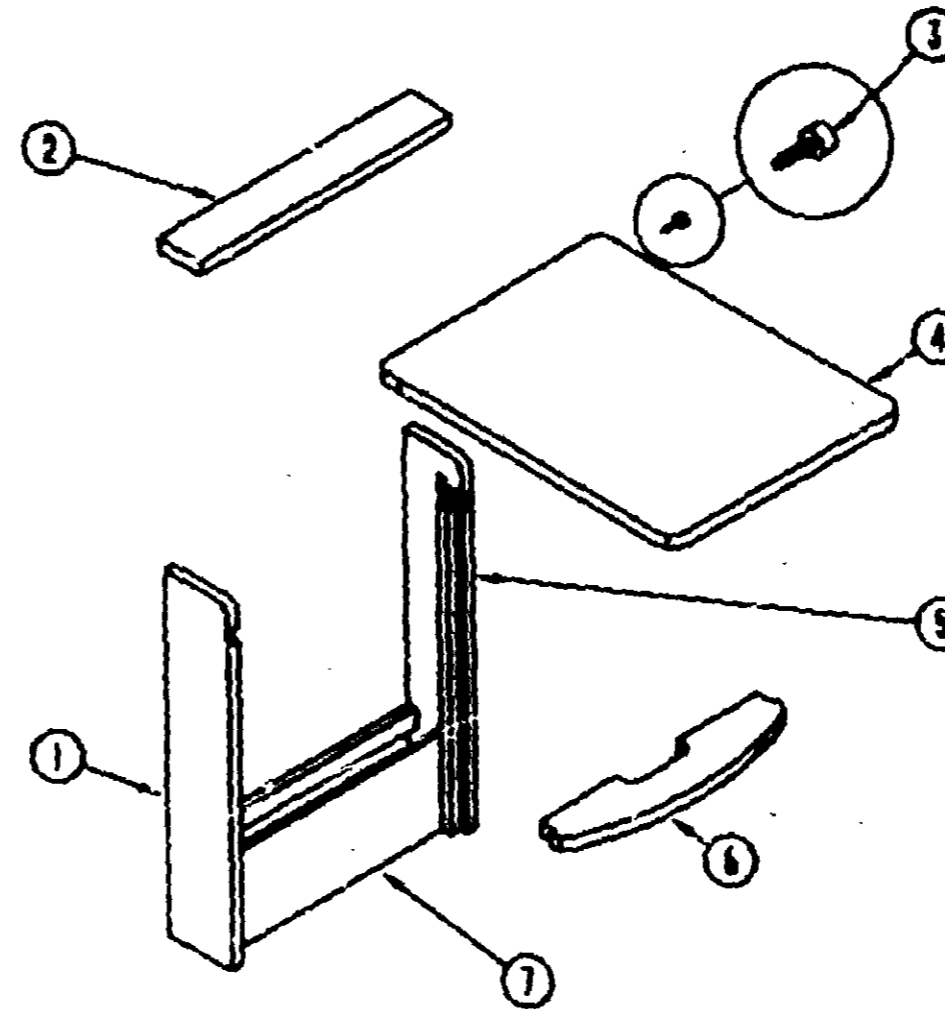
LP GROUP



LP TANK & COMPONENTS

KEY	PART NUMBER	U/M DESCRIPTION
1	046703-01-000	EA HOSE - LP - 3/8" ID X 24' US - 3/8 MPT X 1/2" F SWIVEL
1	046703-02-000	EA HOSE - LP - 3/8" ID X 24' - 3/8" MPT X 1/2" F SWIVEL - CANADA
2	138180-01-000	EA REGULATOR - TWO STAGE
3	040421-01-708	EA HANDWHEEL - VAPOR RELIEF VALVE - BRUNNER G-1015-A
4	040421-01-712	EA VALVE - SERVICE W/HANDWHEEL
5	088183-03-000	EA TANK - LP - 100 LB - 16" D X 35" - SPL
6	040421-01-711	EA VALVE - 80% W/FLOAT - PLATE - BOLTS & GASKET - BRUNNER
7	040421-01-701	EA VALVE - SHORT LP FILLER W/YELLOW CAP - BRUNNER 75478
8	040421-01-702	EA CAP - LP FILLER VALVE - PLASTIC - YELLOW - BRUNNER G-1014-A
9	040421-01-700	EA GAUGE - LIQUID LEVEL - 20% LP - BRUNNER G-1013
10	040421-01-713	EA PRESSURE RELIEF VALVE
11	040421-01-705	EA GAUGE - FLOAT W/VISIBLE DIAL
12	040440-02-000	EA TRANSMITTER - DIAL - 50 OHM
13	108880-01-000	EA COMPARTMENT - LP REGULATOR
14	010823-01-000	EA ADAPTER - BRASS - 3/8" F X 1/2" MPT
15	088318-02-000	EA ELBOW - 90 DEGREE - 3/8" MPT TO 3/8" FPT
	010877-02-000	EA N.T. - BRASS - 3/8 FEMALE - FORGED
	088880-01-000	EA COUPLER - 1/2" TO 3/8" BLACK PIPE
	010823-01-000	EA ADAPTER - BRASS - 1/2" F X 1/2" MPT
	010826-01-000	EA ELBOW - BRASS - 90 DEGREE - 3/8" F X 1/2" FPT
	088742-01-000	EA TEE - 3/8" X 3/8" X 3/8" - BRASS
	108813-01-000	EA DETECTOR - LP GAS
	088741-01-000	EA GAUGE - DIAPHRAGM PRESSURE - MARSHALLTOWN MFG

LOUNGE GROUP



PULLOUT TABLE

KEY	PART NUMBER	U/M DESCRIPTION
	M88873-01-887	EA CABINET ASM. - TABLE - W/O PULLOUT TOP
1	088873-14-887	EA SIDE END - TABLE - 28.7" X 5.7" - LEFT SIDE
2	088873-15-887	EA SHELF - SUPPORT - OVER PULL OUT TABLE TOP
3	079821-01-000	EA NYLON ROLLER W/SH:TT
4	088873-11-D27	EA PULLOUT TOP
5	088873-13-887	EA SIDE END - TABLE - 28.7" X 5.7" - RIGHT SIDE
6	088873-12-887	EA SHELF - SUPPORT - UNDER PULL OUT TABLE TOP
7	088873-16-887	EA PANEL - TABLE - FRONT BOTTOM - 18.1" X 6.7"
	080736-01-000	EA PULL - RECESSED - 1.25" X 4" - OAK

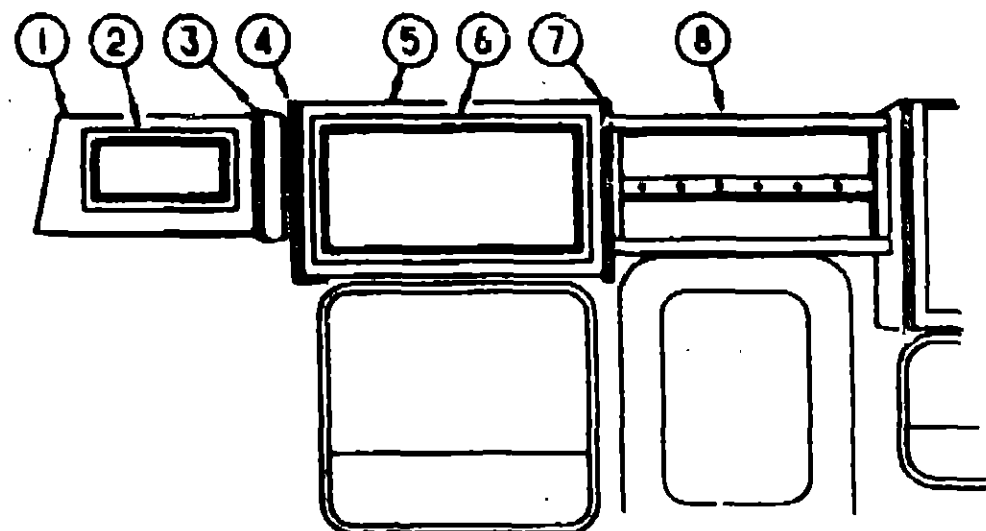
**1983 ITASCA
TABLE OF CONTENTS**

INTRODUCTION	A-01 - A-02
ABBREVIATIONS	A-03
ALPHABETICAL INDEX	A-04 - A-06
ICG37RW	A-07 - E-14
KG3470	E-15 - I-14

1983 ICG37RW INDEX

FLOOR PLAN	A-07 - A-08
ACCESSORIES	A-09
AUDIO VIDEO	A-10 - A-11
BATH	A-12 - A-14
BEDROOM	A-15 - A-16
CHASSIS	A-17 - B-08
CURTAIN & CUSHION	B-09 - B-18
DINETTE	B-19 - B-22
DRIVERS COMPARTMENT	B-23 - C-02
ELECTRICAL	C-03 - C-08
EXTERIOR BODY	C-09 - C-16
GALLEY	C-17 - C-20
GENERATOR	C-21 - C-22
HEATING & AC	C-23 - D-02
INTERIOR FINISH	D-03 - D-06
LABELS	D-07 - D-14
LP	D-15
LOUNGE	D-16 - D-18
SEALANTS & FASTENERS	D-19 - D-21
WATER & SEWAGE	D-22 - E-01
WINDOW, VENT &	
EXTERIOR DOOR	E-02 - E-12
WINDSHIELD & WIPER	E-13 - E-14

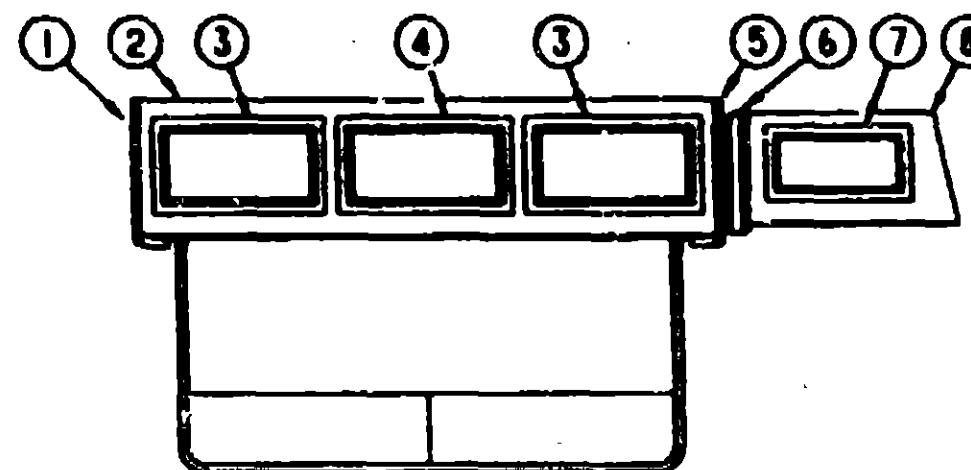
LOUNGE GROUP (CONTINUED)



FRONT OVERHEAD CABINET (PASSENGER SIDE)

KEY	PART NUMBER	U/M DESCRIPTION
1	M05180-24-D35	EA CABINET ASM. - FRONT OVERHEAD - PASSENGER SIDE FROM: 00-00-00 THRU: 08-16-92
1	M05180-24-D35	EA CABINET ASM. - FRONT OVERHEAD - PASSENGER SIDE FROM: 00-00-00 THRU: 08-16-92
1	M05808-01-D35	EA CABINET ASM. - FRONT OVERHEAD - PASSENGER SIDE FROM: 08-17-92 THRU: 99-99-99
1	M05808-01-D35	EA CABINET ASM. - FRONT OVERHEAD - PASSENGER SIDE FROM: 08-17-92 THRU: 99-99-99
2	P03702-33-D35	EA DOOR ASM - RAIL - W/O HARDWARE
3	103128-08-D35	EA END CAP ASM. (FRONT OVERHEAD) (D35,D36) FROM: 00-00-00 THRU: 05-23-92
4	103128-02-C27	EA END CAP ASM. - LEFT HAND (D35,D36) FROM: 05-24-92 THRU: 99-99-99
4	103128-02-C27	EA END CAP ASM. - LEFT HAND (D35,D36) FROM: 05-24-92 THRU: 99-99-99
5	M05180-17-D35	EA CABINET ASM. - OVERHEAD (D35,D36)
6	P03702-46-D35	EA DOOR ASM - W/O HARDWARE (D35,D36)
7	103128-01-C27	EA END CAP ASM. - RIGHT HAND (D35,D36)
3	105916-11-D35	EA CABINET ASM - OVHD - KEY RACK
8	105916-11-D35	EA CABINET ASM - OVHD - KEY RACK

LOUNGE GROUP (CONTINUED)



FRONT OVERHEAD CABINET (DRIVER SIDE)

KEY	PART NUMBER	U/M DESCRIPTION
1	103128-02-C27	EA END CAP ASM. - LEFT HAND (D35,D36)
2	M05180-31-D35	EA CABINET ASM (D35,D36)
3	M05808-04-D35	EA DOOR ASM - RAIL - W/O HARDWARE (D35,D36) FROM: 00-00-00 THRU: 08-09-92
3	P03702-65-D35	EA DOOR ASM - RAIL - W/O HARDWARE (D35,D36) FROM: 08-10-92 THRU: 99-99-99
4	M05808-05-D35	EA DOOR ASM - RAIL - W/O HARDWARE (D35,D36) FROM: 00-00-00 THRU: 08-09-92
4	P03702-12-D35	EA DOOR ASM - RAIL - W/O HARDWARE (D35,D36) FROM: 08-10-92 THRU: 99-99-99
5	103128-01-C27	EA END CAP ASM. - RIGHT HAND (D35,D36)
6	103128-08-D35	EA END CAP ASM. (FRONT OVERHEAD) (D35,D36)
7	P03702-33-D35	EA DOOR ASM - W/O HARDWARE (D35,D36)
8	M05180-25-D35	EA CABINET ASM. - FRONT OVERHEAD - DRIVER SIDE FROM: 00-00-00 THRU: 08-16-92
8	M05180-25-D35	EA CABINET ASM. - FRONT OVERHEAD - DRIVER SIDE FROM: 00-00-00 THRU: 08-16-92
8	M05808-02-D35	EA CABINET ASM. - FRONT OVERHEAD - DRIVER SIDE FROM: 08-17-92 THRU: 99-99-99
8	M05808-02-D35	EA CABINET ASM. - FRONT OVERHEAD - DRIVER SIDE FROM: 08-17-92 THRU: 99-99-99

**1993 ITASC.A
TABLE OF CONTENTS**

INTRODUCTION	A-01 - A-02
ABBREVIATIONS	A-03
ALPHABETICAL INDEX	A-04 - A-08
ICG37RW	A-07 - E-14
IKG34RQ	E-15 - I-14

1993 ICG37RW INDEX

FLOOR PLAN	A-07 - A-08
ACCESSORIES	A-09
AUDIO VIDEO	A-10 - A-11
BATH	A-12 - A-14
BEDROOM	A-15 - A-16
CHASSIS	A-17 - B-08
CURTAIN & CUSHION	B-09 - B-18
DINETTE	B-19 - B-22
DRIVERS COMPARTMENT	B-23 - C-02
ELECTRICAL	C-03 - C-08
EXTERIOR BODY	C-09 - C-16
GALLEY	C-17 - C-20
GENERATOR	C-21 - C-22
HEATING & AC	C-23 - D-02
INTERIOR FINISH	D-03 - D-08
LABELS	D-07 - D-14
LP	D-15
LOUNGE	D-16 - D-18
SEALANTS & FASTENERS	D-19 - D-21
WATER & SEWAGE	D-22 - E-01
WINDOW, VENT & EXTERIOR DOOR	E-02 - E-12
WINDSHIELD & WIPER	E-13 - E-14

SEALANTS & FASTENERS GROUP

SEALANTS & FASTENERS GROUP (CONTINUED)

ADHESIVE AND BOLTS

NUTS (CONT)

1988 ITASCA
TABLE OF CONTENTS

INTRODUCTION	A-01 - A-02
ABBREVIATIONS	A-03
ALPHABETICAL INDEX	A-04 - A-05
ICG37RW	A-07 - E-14
I2034RQ	E-15 - I-14

KEY	PART NUMBER	UOM DESCRIPTION
	004029-01-000	QT ADHESIVE - ABS CEMENT - QUART
	001377-01-700	EA ADHESIVE - CYANOACRYLATE - 10 GRAM TUBE
	004003-04-700	EA ADHESIVE - PIERCE - 1 GAL - J8270-X-1
	002711-01-000	QL ADHESIVE - PROMOTER
	004008-02-100	EA ADHESIVE - SWAFTS - 1 GAL - W1333
	004039-01-000	EA ADHESIVE - WEATHERSTRIP - 8 OZ
	003706-02-000	EA BEDDING COMPOUND - TUBE - WHITE
	002800-01-000	EA BOLT - BUMPER - ROUND HEAD - SQUARE NECK - W/STT CAP 7/16-14 X 1 1/4
	102233-01-01A	EA BOLT - CARRIAGE - 7/16-14 - STAINLESS STEEL CAP - BEIGE
	001987-08-000	EA BOLT - CARRIAGE - W/O HOLE - 5/16-18 X 9.5 ZN
	000C12-05-348	EA BOLT - HEX - 1/2-13 X 1 1/2 - ZN 5
	000C12-05-148	EA BOLT - HEX - 5/16-18 X 1 - ZNC 5
	000C12-10-248	EA BOLT - HEX - 5/8-11 X 1 1/2 ZN - 5
	000C12-07-208	EA BOLT - HEX - 7/16 - 14 X 1 1/4" - ZNS
	000C13-07-488	EA BOLT - HEX - 7/16 - 20 X 3 - ZN 5
	000C28-04-108	EA BOLT - HEX - SER FLG - 1/4-20 X 5/8 ZINC
	000C28-05-308	EA BOLT - HEX - SER FLG 5/16-18 X 1 1/4" - ZINC
	000C12-05-248	EA BOLT - HEX - 5/16-18 X 1 1/2 ZN 5

KEY	PART NUMBER	UOM DESCRIPTION
	040021-04-000	EA NUT - SPEED - U TYPE - NO. 8
	040021-05-000	EA NUT - SPEED - U TYPE - NO. 8
	040304-01-000	EA NUT - SPEED - FLAT
	004081-01-000	EA NUT - WING - 3/8" X 18 THREAD
	004084-01-000	EA PLUG - BRASS - 3/8"
	000H16-04-08R	EA RIVET - POP - AL 1/8 X .313-.375
	000082-01-000	EA RIVET - T (POP) 1/4X.089-.158
	037729-04-000	EA RIVNUT - 10-32 UNF - .010-.060
	003729-01-000	EA RIVNUT - 1/4 X 20 UNC - .030-.125

SCREWS

KEY	PART NUMBER	UOM DESCRIPTION
	000G67-10-248	EA SCREW - 10-12 X 1 1/2 PPH - ZN
	000G67-10-16P	EA SCREW - 10-12 X 1 PPH - DARK BROWN
	000G67-10-108	EA SCREW - 10-12 X 1 PPH - ZN
	000G67-10-088	EA SCREW - 10-12 X 1/2 PPH ZN
	000G67-10-08R	EA SCREW - 10-12 X 1/2 PPH - BEIGE - TYPE A
	000G67-10-12B	EA SCREW - 10-12 X 3/4 - PPH ZN
	000G67-10-108	EA SCREW - 10-12 X 5/8 PPH ZN - TYPE A
	000G67-10-10R	EA SCREW - 10-12 X 5/8 PPH - TYPE A - BEIGE
	000G67-10-12P	EA SCREW - 10-12 X .75 PPH - DARK BROWN
	040465-01-000	EA SCREW - 10-16 W/WASHER PTH - DARK BROWN
	040465-04-000	EA SCREW - 10-16 X 1 PTH W/WASHER - BEIGE
	000G11-10-16B	EA SCREW - 10-16 X 1 - PPH ZN
	000G11-10-12R	EA SCREW - 10-16 X 3/4 PPH - BEIGE
	000G11-10-12D	EA SCREW - 10-16 X 3/4 PPH - BLACK
	000G88-08-10G	EA SCREW - 8-18 X 5/8 POH - ANTIQUE BRASS
	076790-01-000	EA SCREW - 8-20 X 1 1/4 PPH - BLACK
	000G13-08-16R	EA SCREW - 8-20 X 1 PPH - BEIGE
	000G13-08-08B	EA SCREW - 8-20 X 1/2 PPH ZN
	000G13-08-10G	EA SCREW - 8-20 X 5/8 PPH - ANTIQUE BRASS
	000G11-08-10B	EA SCREW - 8-20 X 5/8 PPH ZN
	000G11-08-10J	EA SCREW - 8-20 X 5/8 PPH - BRASS
	000G11-07-08B	EA SCREW - 7-19 X 1/2 PPH - ZN
	000G13-07-12B	EA SCREW - 7-19 X 3/4 PPH ZN
	000G13-08-16B	EA SCREW - 8-18 X 1 PPH - ZN
	000G11-08-08T	EA SCREW - 8-18 X 1/2 PPH
	000G11-08-08B	EA SCREW - 8-18 X 1/2 PPH ZN
	000G11-08-12B	EA SCREW - 8-18 X 3/4 PPH ZN
	000G11-08-12R	EA SCREW - 8-18 X 3/4 PPH - BEIGE
	000G11-08-12D	EA SCREW - 8-18 X 3/4 PPH - BLACK
	000G11-08-16R	EA SCREW - 8-18X1.00 PPH - BEIGE
	000G67-10-32B	EA SCREW - NO. 10 - 12 X 2 PPH ZN
	000G65-08-12W	EA SCREW - SF/DT - 8-18X.75 PPH
	000G67-10-12R	EA SCREW - 10-12X.75 PPH BEIGE
	000G67-10-12D	EA SCREW - 10-12X.75 PPH TAN
	040465-03-000	EA SCREW - 10-18X1 POH W/WASHER1
	000G11-10-12B	EA SCREW - 10-18X.75 PPH OFF WHITE
	000G64-04-308	EA SCREW - 1/4-20X1 1/4 PT.1 TYP 23
	000G67-05-16J	EA SCREW - 5-20X1 PPH BRASS
	000G12-08-08T	EA SCREW - 8-20 X .50 POH - BLACK
	000G13-08-16J	EA SCREW - 8-20X1.00 PPH BRASS
	000G11-08-12P	EA SCREW - 8 - 18X.75 DARK BROWN
	006316-01-000	EA SCREW - 8-088X1/2 - CRIMPITTE HO
	000G67-08-32B	EA SCREW - 8-15X2 PPH ZN
	000G12-08-18B	EA SCREW - 8-18 X 1" POH - OFF WHITE
	000G11-08-18B	EA SCREW - 8-18X1.00 PPH OFF WHITE
	000439-07-000	EA SCREW - 8-32X1 1/4 POH - BLACK
	007721-01-000	EA SCREW - FLAT HEAD - TAPPING - 1/4 X 1 1/4 LG ZN
	000789-01-000	EA SCREW - MACH - 10 - 32 X 1/4 PTH
	000G18-10-08B	EA SCREW - MACH - 10-32 X 1/2 PPH ZN
	000G19-10-10B	EA SCREW - MACH - 10-32 X 5/8 - PPH - ZINC
	000G80-04-12B	EA SCREW - MACH - 1/4-20 X 3/4 PPH ZN
	001908-01-000	EA SCREW - MACH 8-32X.82 W/RYLOCK
	000071-01-000	EA SCREW - MACH 8-32X 9/16 ZN
	000G19-10-30B	EA SCREW - MACHINE - 10-32 X 1 1/4 PPH ZNC

CLAMPS - GROMMETS AND FASTENERS

KEY	PART NUMBER	UOM DESCRIPTION
	010485-01-000	EA CLAMP - CABLE - 8/16"
	010487-08-000	EA CLAMP - CLOSED - 1 1/16" ID
	010487-09-000	EA CLAMP - CLOSED - 1" ID - CUSHIONED
	010488-01-000	EA CLAMP - CLOSED - 3/8" ID
	010487-01-000	EA CLAMP - CLOSED - 5/8" ID
	010487-08-000	EA CLAMP - CLOSED - .125"
	075148-02-000	EA CLAMP - GROUNDING - BRONZE SCREWS
	002401-02-000	EA CLAMP - HOSE - WORMGEAR - 1.98" - 2.5"
	002401-10-000	EA CLAMP - HOSE - WORMGEAR 1.08" - 2"
	073184-02-000	EA CLAMP - HOSE - WORMGEAR 32-50 MM
	002401-07-000	EA CLAMP - HOSE - WORMGEAR 5" - 7"
	002401-02-000	EA CLAMP - HOSE - WORMGEAR .22" - .62"
	002401-01-000	EA CLAMP - HOSE - WORMGEAR .25" - 1"
	002401-04-000	EA CLAMP - HOSE - WORMGEAR .89" - 1.25"
	002401-03-000	EA CLAMP - HOSE WORMGEAR - .22" - 1"
	003008-01-000	EA CLAMP - WIRE - DUAL - EQUAL 5/8" DIAMETER
	004382-02-000	EA CLIP - CHRISTMAS TREE - FLAT HEAD
	077863-01-000	EA GROMMET - EDGE LINER - FITS 1"
	002842-01-000	EA GROMMET - RUBBER - 2" OD
	071015-01-000	EA GROMMET - .30" ID - FITS .18" MATERIAL - RUBBER - SPLIT
	000088-01-000	EA HINGE - ALUMINUM - NO HOLES - 1 1/8" X 7/2" - UNPAINTED
	001134-02-000	EA HOLDER - RING - 1 5" ID PIPE SIZE - STEEL
	001321-01-000	FT INSULATION - FIBERGLASS - WALLUMINUM FOIL
	077865-01-000	EA J CLIP - VINYL COATED - 3/4" USED IN WIRING TO CLEAR W/RE LIGHTS
	002401-01-000	EA STRAP - CONDUIT - 3/4" - 1 HOLE - GALVANIZED STEEL
	010004-01-000	EA BRACE - CABINET - ANGLED METAL - 2.5"

NUTS

KEY	PART NUMBER	UOM DESCRIPTION
	072899-01-000	EA NUTBERT - M8 X D - 8
	077046-01-000	EA NUT - ACORN - 10-32 ALUMINUM
	000004-01-000	EA NUT - ACORN - 1/4 - 20 ALUMINUM
	000014-08-08B	EA NUT - HEX - 8/16-18 - ZN 5
	000004-04-08B	EA NUT - HEX - LK 1/4 - 20 ZN
	000000-04-08B	EA NUT - HEX - SER FLG LK 1/4 - 20 ZN
	000000-09-08B	EA NUT - HEX - SER FLG LK - 1/2-13 ZN
	000000-16-08B	EA NUT - HEX - SER FLG LK - 3/8-16 ZN
	000000-15-08B	EA NUT - HEX - SER FLG LK - 5/16 - 18 ZN
	000044-07-08B	EA NUT - HEX - SER FLG LK - 7/16-20 ZN
	000004-10-08B	EA NUT - HEX - SF/LK - 10-32 ZN
	000044-08-08B	EA NUT - HEX LK 8/16-16 GRADE C ZN
	070407-01-000	EA NUT - INVERTED FLARE - 1/4"
	000407-08-08B	EA NUT - INVERTED FLARE - 1/4"
	000000-07-08B	EA NUT - J - 80A .130 - .130 PHL THK
	040004-08-08B	EA NUT - SPEED - FLAT - ROUND
	040021-08-08B	EA NUT - SPEED - U TYPE - NO. 8

1988 ICG37RW INDEX

FLOOR PLAN	A-07 - A-08
ACCESSORIES	A-09
AUDIO VIDEO	A-10 - A-11
BATH	A-12 - A-14
BEDROOM	A-15 - A-16
CHASSIS	A-17 - B-08
CURTAIN & CUSHION	B-09 - B-18
DINETTE	B-19 - B-22
DRIVERS COMPARTMENT	B-23 - C-02
ELECTRICAL	C-03 - C-08
EXTERIOR BODY	C-09 - C-16
GALLEY	C-17 - C-20
GENERATOR	C-21 - C-22
HEATING & AC	C-23 - D-02
INTERIOR FINISH	D-03 - D-08
LABELS	D-07 - D-14
LP	D-15
LOUNGE	D-16 - D-18
SEALANTS & FASTENERS	D-19 - D-21
WATER & SEWAGE	D-22 - E-01
WINDOW, VENT &	
EXTERIOR DOOR	E-02 - E-12
WINDSHIELD & WIPER	E-13 - E-14

SEALANTS & FASTENERS GROUP (CONTINUED)

SCREWS (CONT)

KEY	PART NUMBER	UOM DESCRIPTION
	080610-08-10B	EA SCREW - MACHINE - 8 X 32 X 1 - PPH ZN
	078809-01-000	EA SCREW - MACH-10-32X.8875 THSEMS
	080609-04-00B	EA SCREW - MACH-1/4-20X.30 PPH ZN
	080318-08-20B	EA SCREW - MACH-8-32X1.38 PPH ZN
	080609-10-20B	EA SCREW - SF/DR - 10-18 X 1 1/4 PPH ZN
	080609-10-18F	EA SCREW - SF/DR - 10-18 X 3/4 PPH - BEIGE
	080609-10-18D	EA SCREW - SF/DR - 10-18 X 3/4 PPH - BLACK
	080609-08-16T	EA SCREW - SF/DR - 8-20 X 1 PPH - BLACK
	080609-08-10T	EA SCREW - SF/DR - 8-20 X 5/8 PPH - BLACK
	080609-08-24B	EA SCREW - SF/DR - 8-18 X 1 1/2 PPH ZN
	080609-08-18E	EA SCREW - SF/DR - 8-18 X 1 PPH CHROME
	080609-08-10B	EA SCREW - SF/DR - 8-18 X 1 PPH ZN
	080609-08-15T	EA SCREW - SF/DR - 8-18 X 1 PPH - BLACK
	080609-08-16Z	EA SCREW - SF/DR - 8-18 X 1.00 - BEIGE
	080609-08-09B	EA SCREW - SF/DR - 8-18 X 1/2 PPH ZN
	080609-08-20B	EA SCREW - SF/DR - 8-18 X 2 PPH - ZINC
	080609-08-12B	EA SCREW - SF/DR - 8-18 X 3/4 PPH ZN
	080609-08-12T	EA SCREW - SF/DR - 8-18 X 3/4 PPH - BLACK
	080609-08-09B	EA SCREW - SF/DR - 8-18 X 3/8 PPH ZN
	080609-10-20T	EA SCREW - SF/DR - 10-18X1.75
	080609-08-16F	EA SCREW - SF/DR - 8-18X1.00 PPH BEIGE
	080609-08-09F	EA SCREW - SF/DR - 8-18X1/2 PPH
	078802-01-000	EA SCREW - SOCKET - 8-18 X 1" - BLACK

SEALERS

KEY	PART NUMBER	UOM DESCRIPTION
	108206-01-000	EA SEALER - PUMPABLE
	080640-02-000	FT SEALER - RIBBON - 1/2" (1/8" INCREMENTS OF 30"
	080640-03-000	FT SEALER - RIBBON - 1/32" X 2 1/2"
	080640-01-000	FT SEALER - RIBBON - 1/4" (DIAMETER - INCREMENTS OF 20"
	080640-03-000	FT SEALER - RIBBON - 3/4" (1/8" INCREMENTS OF 60"
	080640-05-000	FT SEALER - RIBBON - 5/16" DIAMETER - INCREMENTS OF 25"
	081256-03-000	FT SEAL - FOAM - 1/4 X 3/16 FIBRE
	081256-01-000	FT SEAL - FOAM - 3.2MM X 4.8MM
	080640-01-000	FT SEAL - FOAM - CLOSED CELL - 1/4" X 1/2" X 50"
	083782-01-300	GL SEAM SEALER - 5 GAL - ALUMINUM
	084882-04-000	EA SILICONE - TUBE - 300 ML - BEIGE
	084882-02-000	EA SILICONE - TUBE - 300 ML - CLEAR
	800680-03-000	EA TIP - 2 1/2" X 1/8" - ORIFICE
	800680-03-000	EA NOZZLE (SILICONE TUBE)

TAPES AND TIES

KEY	PART NUMBER	UOM DESCRIPTION
	100088-01-000	FT TAPE - ADHESIVE - .031" (1.75" WIDE
	004888-01-300	FT TAPE - ADHESIVE FOAM - 1 SIDE - 3/16" X 1/2" - GRAY
	080671-01-000	FT TAPE - BONDING - DOUBLE SIDED - 1/84" X 2"
	080671-01-000	FT TAPE - BONDING - DOUBLE SIDED - 1/84" X 2"
	078888-08-000	FT TAPE - FOAM - DOUBLE COATED - .045" X 5"
	082344-01-000	FT TAPE - FOAM - VINYL COATED - 2" WIDE - INCREMENTS OF 108 FT
	080688-01-000	EA TAPE - FURNACE - 1 1/2"
	080681-01-000	EA TAPE - MASKING - WEATHER RESISTANT
	080648-08-000	EA TIE - WIRE - 14"
	080648-01-000	EA TIE - WIRE - 6"

WASHERS

KEY	PART NUMBER	UOM DESCRIPTION
	077071-01-000	EA WASHER - FENDER - 3/16" ID X 1" OD
	080613-14-00B	EA WASHER - FLAT - 1/4" WIDE ZN
	080613-11-00B	EA WASHER - FLAT - 3/16" WIDE ZN
	080613-17-00B	EA WASHER - FLAT - 3/8" WIDE ZN

WATER & SEWAGE GROUP

WATER PUMP (SHURFLOW)

KEY	PART NUMBER	UOM DESCRIPTION
	088807-01-000	EA PUMP - WATER - W/5/8" FPT FITTING - FLOW 2.8 GPM - LL
	088807-01-700	EA PUMP HEAD - REPLACEMENT 94-234-03
	088807-01-701	EA DRIVE ASM 94-234-03
	088807-01-702	EA DIAPHRAGM - KIT 94-233-10
	088807-01-703	EA VALVE ASM 94-232-00
	088807-01-704	EA HOUSING - UPPER 94-231-01
	088807-01-705	EA CHECK VALVE - KIT 94-237-00
	088807-01-706	EA UPPER HOUSING/SWITCH KIT 94-230-00
	088807-01-707	EA MOTOR/BASEPLATE REPLACEMENT 94-234-02

WATER HEATER W/ MOTOR AND ATWOOD (GHS-3E,4E,5E)

KEY	PART NUMBER	UOM DESCRIPTION
	051388-01-000	EA WATER HEATER - W/MOTOR AND - PILOTLESS IGNITION
	051381-01-700	EA HINGE KIT - W/CLIP 92508 & 92559
	051381-01-704	EA VALVE - RELIEF - 1/2" FITTING 91804
	051381-01-705	EA FASTENER - CAMLOC 92808
	051381-01-706	EA GRILLE - EXHAUST 92787
	051381-01-708	EA BURNER - MAIN - SE ONLY 92815
	051381-01-710	EA ORIFICE - MAIN BURNER 92742
	051381-01-714	EA ELBOW - 45 DEGREE - 3/8" X 3/8" FPT 91044
	051381-01-715	EA DRAIN PLUG 91581
	051381-04-701	EA THERMOSTAT 12 VDC-120 PRESET 91470
	051381-04-704	EA TANK - INNER - FRONT MOUNT - GHS-4E & 6E 91842
	051388-01-700	EA TANK - INNER - SE FRONT MOUNT 91023
	087887-01-000	EA SWITCH - WATER HEATER - REMOTE W/LIGHT 91854
	051388-01-702	EA SWITCH - ENERGY CUT-OFF 91851
	051388-01-703	EA THERMOSTAT - REAR MOUNT 91852
	051388-01-704	EA CIRCUIT BOARD - W/BLACK BOX 91420
	051388-01-705	EA ORIFICE HOLDER 91825
	051388-01-714	EA TANK - INNER (GHS-3E) - REAR MOUNT 91408
	051388-01-718	EA SPARK & PROBE ASM 91808
	051388-01-718	EA VALVE - DUAL SOLENOID 91805
	051388-01-721	EA ECO-THERMOSTAT ASM - FRONT MOUNT - 140° 91447
	088729-01-000	EA BYPASS KIT - WATER HEATER - COMPLETE W/VALVE & TUBING

WATER HEATER W/O MOTOR AND ATWOOD (GSA-3E)

KEY	PART NUMBER	UOM DESCRIPTION
	051381-03-000	EA HEATER - WATER - W/ELECTRIC IGNITION
	051381-01-700	EA HINGE KIT - W/CLIP 92574 & 92559
	051381-01-704	EA VALVE - RELIEF - 1/2" FITTING 91804
	051381-01-705	EA FASTENER - CAMLOC 92808
	051381-01-706	EA GRILLE - EXHAUST 92787
	051381-01-708	EA BURNER - MAIN - SE ONLY 92815
	051381-01-710	EA ORIFICE - MAIN BURNER 92742
	051381-01-715	EA DRAIN PLUG 91581
	051381-04-700	EA TANK - INNER (GSA-3E) - FRONT MOUNT 91808
	051381-04-701	EA THERMOSTAT 12 VDC-120 PRESET 91470
	051381-04-708	EA TANK - INNER - FRONT MOUNT 91841
	087887-01-000	EA SWITCH - WATER HEATER - REMOTE W/LIGHT 91889
	051388-01-702	EA SWITCH - ENERGY CUT-OFF 91851
	051388-01-703	EA THERMOSTAT - REAR MOUNT 91852
	051388-01-704	EA CIRCUIT BOARD - W/BLACK BOX 91420
	051388-01-705	EA ORIFICE HOLDER 91825
	051388-01-718	EA SPARK & PROBE ASM 91808
	051388-01-718	EA VALVE - DUAL SOLENOID 91805
	051388-01-721	EA ECO-THERMOSTAT ASM - FRONT MOUNT - 140° 91447
	051388-08-700	EA TANK - INNER (GSA-3E) - REAR MOUNT 91408

**1988 ITASCA
TABLE OF CONTENTS**

INTRODUCTION	A-01 - A-02
ABBREVIATIONS	A-03
ALPHABETICAL INDEX	A-04 - A-08
ICG37RW	A-07 - E-14
IKG34RQ	E-15 - I-14

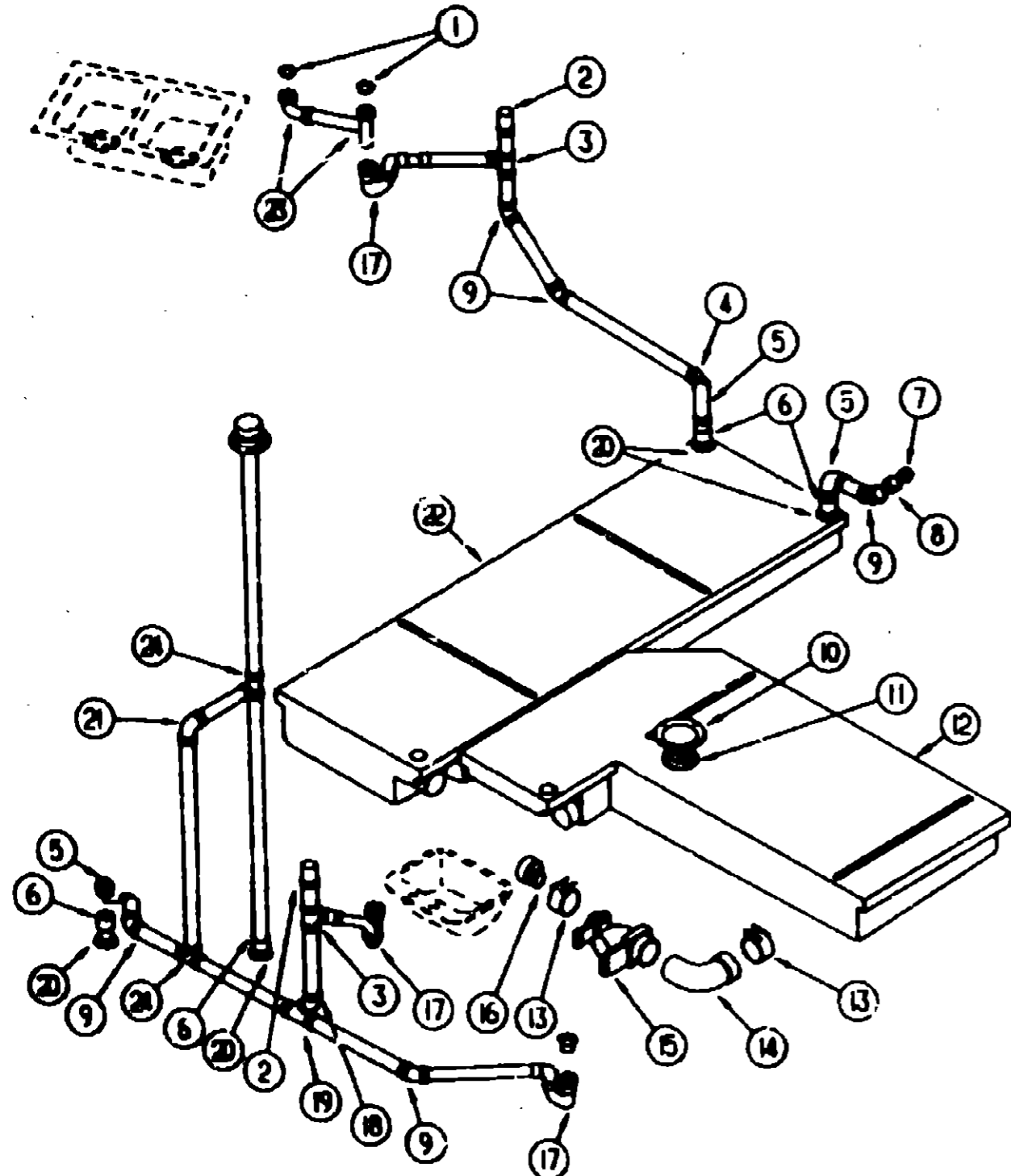
1988 ICG37RW INDEX

FLOOR PLAN	A-07 - A-08
ACCESSORIES	A-09
AUDIO VIDEO	A-10 - A-11
BATH	A-12 - A-14
BEDROOM	A-15 - A-18
CURTAINS	A-17 - B-08
CURTAIN & CUSHION	B-09 - B-18
DINETTE	B-19 - B-22
DRIVERS COMPARTMENT	B-23 - C-02
ELECTRICAL	C-03 - C-08
EXTERIOR BODY	C-09 - C-18
GALLEY	C-17 - C-20
GENERATOR	C-21 - C-22
HEATING & AC	C-23 - D-07
INTERIOR FINISH	D-08 - D-08
LABELS	D-07 - D-14
LP	D-15
LOUNGE	D-16 - D-18
SEALANTS & FASTENERS	D-19 - D-21
WATER & SEWAGE	D-22 - E-01
WINDOW, VENT &	
EXTERIOR DOOR	E-02 - E-12
WINDSHIELD & WIPER	E-13 - E-14

WATER & SEWAGE GROUP (CONTINUED)

DRAINAGE SYSTEM

KEY	PART NUMBER	UNIT DESCRIPTION
1	082308-01-000	EA STRAINER - SINK
2	079888-01-000	EA VENT - MECH. TRAP ARM - ANTI-SIPHON - 2" DIA X 7.3'
3	010079-01-000	EA TEE - SANITARY - 1 1/2" X 1 1/2" X 1 1/4" H
4	010005-01-000	EA ELBOW - 22 1/2 DEGREE - 1/16 BEND - 1 1/2" HUB X HUB
5	010008-01-000	EA ELBOW - 90 DEGREE - 1/4 BEND - 1 1/2" HUB X HUB
6	010115-01-000	EA COUPLING - 1 1/2" HUB X HUB - PLASTIC
7	010188-01-000	EA PLUG - THREADED - 1 1/4" DIAMETER - PLASTIC - BLACK
8	050787-01-000	EA ADAPTER - CLEANOUT
9	010008-01-000	EA ELBOW - 45 DEGREE - 1/8 BEND - 1 1/2" HUB X HUB
10	C83841-01-000	EA FLANGE - CLOSET - 4" X 3"
11	081607-02-000	EA GROMMET - HOLDING TANK - 3" NPS
12	104351-01-000	EA TANK - HOLDING - 55 GAL
13	078408-01-000	EA COUPLER - RUBBER - W/CLAMPS - 3" X 3"
14	041058-01-000	EA ELBOW - STREET - 1/4" BEND - 3" X 90° XLT
15	070916-01-000	EA VALVE ASM - DUAL DUMP - W/CAP - 3" X 1 1/2"
	070916-01-700	EA VALVE ONLY - 3"
	070916-01-701	EA VALVE ONLY - 1 1/2"
16	082422-01-000	EA ADAPTER - OFFSET REDUCER - 3" X 1 1/2"
17	107538-01-000	EA P-TRAP - 1 1/2" - PLASTIC
	011089-03-000	EA TAILPIECE - SHOWER/TUB - 1 1/2" X 1 3/4" - PLASTIC (US)
	011089-02-000	EA TAILPIECE - TUB/SHOWER - 1 1/2" X 1 1/4" X 4" - BRASS (CSA)
	088440-01-000	EA STRAINER - SHOWER - W/RUBBER WASHER
	086436-01-000	EA NUT - SLIP - TAILPIECE - 1.5"
	088827-01-701	EA TAILPIECE - BATH SINK
18	010051-01-000	EA STREET ELBOW - 45 DEGREE - 1/8 BEND - 1 1/2"
19	010873-01-000	EA WYE - SANITARY - 1 1/2" HUB X HUB X HUB
20	081607-01-000	EA GROMMET - HOLDING TANK - 1 1/2" NPS
21	034250-01-000	EA ELBOW - 90 DEGREE - 1/4 BEND - 1 1/2" HUB X HUB
22	104352-01-000	EA TANK - HOLDING - 50 GAL
23	011081-02-000	EA PIPE - DRAIN - DOUBLE SINK - BAFFLE TEE - 1 1/2" (US)
23	011081-03-000	EA PIPE - DRAIN - W/SEALS - DOUBLE SINK (CSA)
24	012071-01-000	EA TEE - SANITARY - 1 1/2" HUB X HUB X HUB
	010201-01-000	EA HOSE - SEWER - 3" ID X 8'
	082418-01-000	EA ADAPTER - SEWER HOSE TO 3" PIPE



1983 ITASCA TABLE OF CONTENTS

INTRODUCTION	A-01 - A-02
ABBREVIATIONS	A-03
ALPHABETICAL INDEX	A-04 - A-08
ICG37RW	A-07 - E-14
ICG349Q	E-15 - I-14

1983 ICG37RW INDEX

FLOOR PLAN	A-07 - A-08
ACCESSORIES	A-09
AUDIO VIDEO	A-10 - A-11
BATH	A-12 - A-14
BEDROOM	A-15 - A-18
CHASSIS	A-17 - B-08
CURTAIN & CUSHION	B-09 - B-18
DINETTE	B-19 - B-22
DRIVER'S COMPARTMENT	B-23 - C-02
ELECTRICAL	C-03 - C-08
EXTERIOR BODY	C-09 - C-16
GALLEY	C-17 - C-20
GENERATOR	C-21 - C-22
HEATING & AC	C-23 - D-02
INTERIOR FINISH	D-03 - D-08
LABELS	D-07 - D-14
LP	D-15
LOUNGE	D-16 - D-18
SEALANTS & FASTENERS	D-19 - D-21
WATER & SEWAGE	D-22 - E-01
WINDOW, VENT & EXTERIOR DOOR	E-02 - E-12
WINDSHIELD & WIPER	E-13 - E-14

WATER & SEWAGE GROUP (CONTINUED)

WATER SYSTEM COMPONENTS

KEY	PART NUMBER	UAS DESCRIPTION
	00000-01-002	FT TUBING - POLYBUTYL - 1/2" OD - 20' - BLACK
	07001-01-000	FT TUBING - SMOOTH FLEXIBLE - 1 1/4" ID
	07400-00-000	FT TUBING - VINYL - 3/4" ID - CLEAR
	00000-00-000	FT TUBING - POLYBUTYL - 3/4" OD - 20' - BLACK
	00000-01-000	EA NUT - PLASTIC - 1/2" F X 1/2" TUBE - GRAY
	00000-02-000	EA NUT - PLASTIC - 5/8" FLARE
	00007-01-000	EA ELBOW - PLASTIC - 1/2" F X 3/8" MPT
	00007-02-000	EA ELBOW - MALE - 1/2" F X 1/2" MPT - PLASTIC - GRAY
	00007-04-000	EA ELBOW - 5/8" F X 3/4" MPT
	00009-01-000	EA ELBOW - PLASTIC - 2 1/2" MPT X 3/8" BARB
	00009-01-000	EA ELBOW - 5/8" F X 1/2" MPT
	007407-01-000	EA ELBOW - UNION - 1/2" X 1/2" FLARE
	007407-02-000	EA ELBOW - UNION - 5/8" X 5/8" FLARE
	005120-01-000	EA ELBOW - SWIVEL - 1/2" FPT X 1/2" FLARE - PLASTIC - GRAY
	100000-01-000	EA BRACKET - BYPASS - WATER HEATER
	00000-01-000	EA DRAIN VALVE - IN LINE - HEADER - 1/2" F X 1/2" F - GRAY PLAS
	040000-01-000	EA PATCH - SPINWELD - 3/8" - PLASTIC
	100000-01-010	EA CAP - INSERTABLE 1/2 FLARE
	004700-01-000	EA TEE - 1/2" MPT X 1/2" MPT X 1/2" MPT - PLASTIC
	00000-01-000	EA TEE - WATER - 1/2" X 1/2" F X 1/2" MPT - PLASTIC - GRAY
	00000-01-000	EA TEE - 1/2" F X 1/2" MPT X 1/2" F - PLASTIC
	002000-01-000	EA TEE - 1/2" F X 1/2" F X 1/2" F - PLASTIC - GRAY
	00000-01-000	EA TEE - 5/8" F X 1/2" MPT X 1/2" F - PLASTIC
	007773-01-000	EA TEE - PLASTIC - 1/2" F X 1/2" F X 5/8" F - WATER
	007774-01-000	EA TEE - 5/8" F X 1/2" F X 1/2" F - PLASTIC
	010007-01-000	EA TEE - PLAS - BARB 5/8" OR 3/4" HOSE
	070017-01-000	EA ADAPTER - SWIVEL - 1/2" TUBE X 1/2" FPT - PLASTIC - GRAY
	007000-03-000	EA FILL - WATER - CITY - BUFF
	101114-01-000	EA COUPLING - FEMALE - 1/2" X 1/2" FPT
	701000-00-700	EA CARTRIDGE - WATER FILTER - AC - EVERPURE 0001-11

FRESH WATER TANK - 110 GALLON

KEY	PART NUMBER	UAS DESCRIPTION
	100000-01-000	EA TANK ASM - WATER - 100 GAL
	040000-00-000	EA FITTING - SPINWELD - PLAS 1/2 FPT
	047000-04-000	EA FITTING - WATER TANK - SPINWELD - 3/8" FPT - PLASTIC - WHITE
	040000-00-000	EA FITTING - SPINWELD - PLASTIC - 1 1/4" FPT
	040000-01-000	EA PATCH - SPINWELD - 3/8" - PLASTIC
	000001-01-000	EA SENDING UNIT W/SCREW - WASHER
	000400-01-000	EA WIRE ASM - TANK - WATER
	077004-00-000	EA FILTER - WATER TANK - SCREEN IN TANK
	077144-00-000	EA FILTER - WATER IN TANK

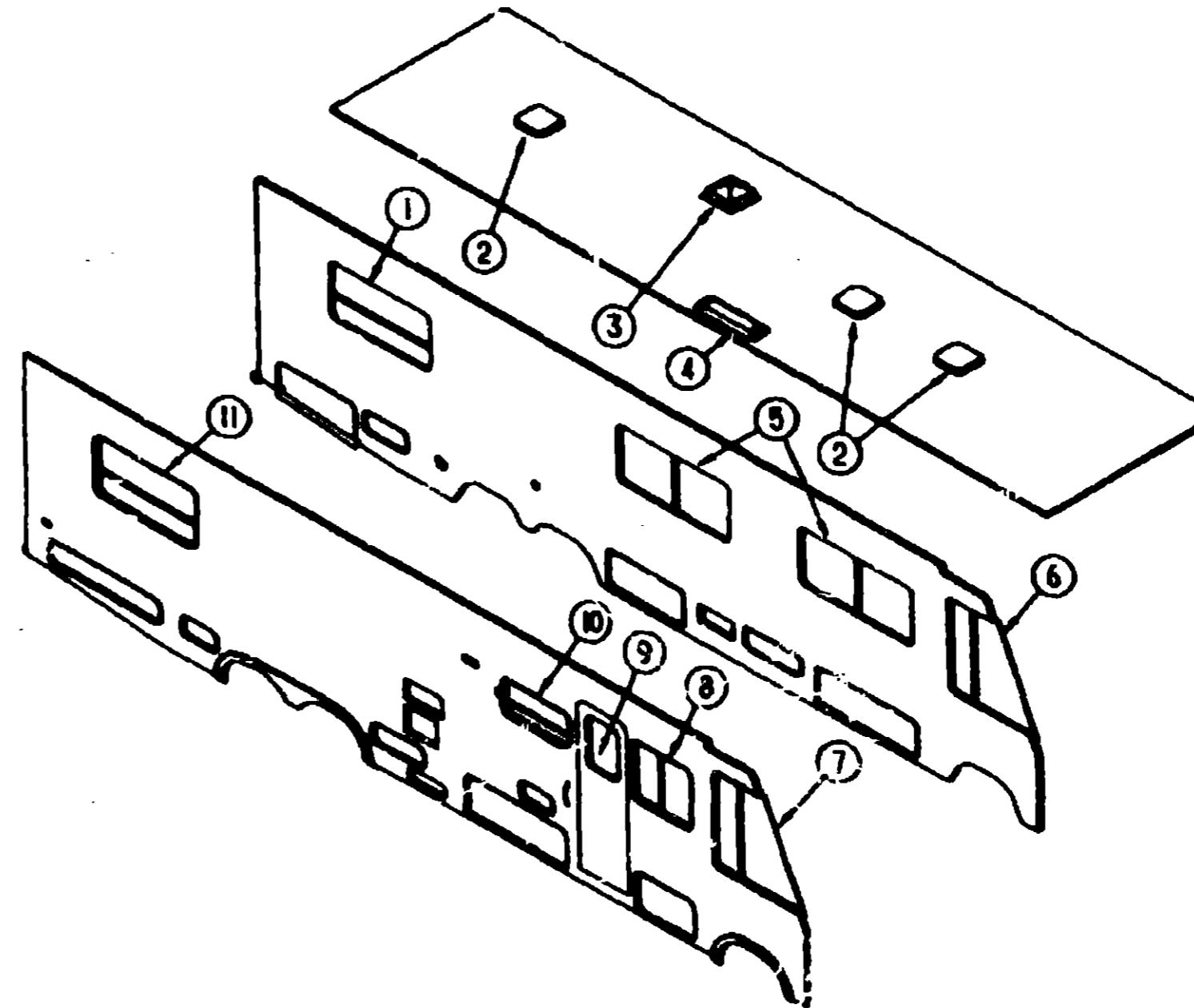
FROM: 00-00-00 THRU: 01-17-93

FROM: 01-18-93 THRU: 99-99-99

EXTERIOR SHOWER COMPONENTS

KEY	PART NUMBER	UAS DESCRIPTION
	100000-01-000	EA SHOWER HEAD - W/8" HOSE (US)
	100000-00-000	EA SHOWER HEAD - W/8" HOSE (CSA)
	100014-01-000	EA BRACKET - SUPPORT - FAUCET
	100000-01-700	EA BRACKET (FOR SHOWER HEAD)
	070041-00-010	EA FAUCET - SHOWER - BONE

WINDOW, VENT & EXTERIOR DOOR GROUP



WINDOWS & VENTS

KEY	PART NUMBER	UAS DESCRIPTION
1	104801-01-02A	EA WINDOW - TIPOUT ESCAPE - W/O INSIDE FRAME
2	110001-01-01A	EA VENT - ROOF - NONPOWERED (2" ROOF)
3	110051-03-01A	EA VENT - ROOF - POWERED (2" ROOF)
4	004673-00-000	EA REFRIGERATOR ROOF VENT - ASH GRAY
5	000047-10-02A	EA WINDOW ASM - SLIDER - W/INSIDE FRAME (OFF-WHITE)
6	103850-07-01A	EA WINDOW ASM - CAB - DRIVER SIDE
7	103850-08-01A	EA WINDOW ASM - CAB - PASSENGER SIDE
8	000047-08-02A	EA WINDOW ASM - SLIDER - W/INSIDE FRAME (OFF-WHITE)
9	070733-12-012	EA WINDOW - PICTURE - W/O INSIDE FRAME - 17" X 27"
10	002235-14-Y12	EA WINDOW - SINGLE TIPOUT - W/O INSIDE FRAME
11	104801-02-02A	EA WINDOW - TIPOUT - W/O INSIDE FRAME

1993 ITASCA TABLE OF CONTENTS

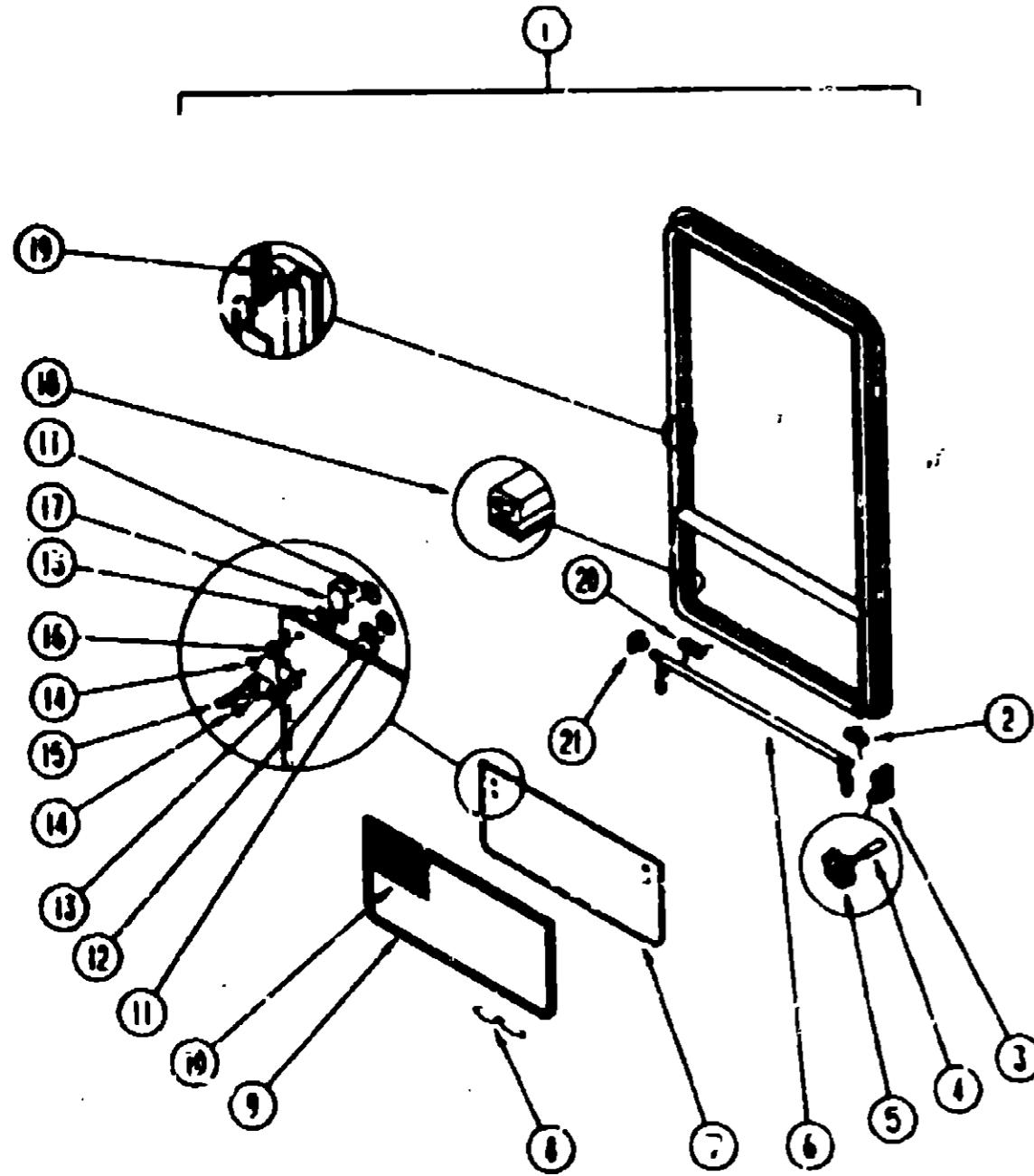
INTRODUCTION	A-01 - A-02
ABBREVIATIONS	A-03
ALPHABETICAL INDEX	A-04 - A-08
ICG37RW	A-07 - E-14
ICG37RD	E-15 - I-14

1993 ICG37RW INDEX

FLOOR PLAN	A-07 - A-08
ACCESSORIES	A-09
AUDIO VIDEO	A-10 - A-11
BATH	A-12 - A-14
BEDROOM	A-15 - A-16
CHASSIS	A-17 - B-09
CURTAIN & CUSHION	B-09 - B-18
DINETTE	B-19 - B-22
DRIVERS COMPARTMENT	B-23 - C-02
ELECTRICAL	C-03 - C-08
EXTERIOR BODY	C-09 - C-16
GALLEY	C-17 - C-20
GENERATOR	C-21 - C-22
HEATING & AC	C-23 - D-02
INTERIOR FINISH	D-03 - D-06
LABELS	D-07 - D-14
LP	D-15
LOUNGE	D-16 - D-18
SEALANTS & FASTENERS	D-19 - D-21
WATER & SEWAGE	D-22 - E-01
WINDOW, VENT & EXTERIOR DOOR	E-02 - E-12
HANDHELD & WIPER	E-13 - E-14

WINDOW, VENT & EXTERIOR DOOR GROUP (CONTINUED)

GALLEY WINDOW



KEY	PART NUMBER	UOM	DESCRIPTION
1	082235-14-Y12	EA	WINDOW - TIPOUT (W/O INSIDE FRAME)
	080889-19-02A	EA	INSIDE FRAME - WINDOW (NOT INCLUDED IN WINDOW ASM.) OFF WHITE
2	080818-02-000	EA	SPRING - TORQUE TUBE - RIGHT
3	036202-02-000	EA	OPERATOR - TORQUE - TIPOUT WINDOW - LEFT
4	008438-08-000	EA	EXTENSION - WINDOW CONTROL (NOT INCLUDED IN WINDOW ASM.)
5	008438-05-000	EA	WINDOW KNOB - BLACK (NOT INCLUDED IN WINDOW ASM.)
	008438-07-000	EA	SCREW - 8-32 X 1 1/4 PCH - BLACK (NOT INCLUDED IN WINDOW ASM.)
6	083150-15-000	EA	TUBE ASM. - TORQUE - WINDOW
7	084088-24-000	EA	GLASS-TIPOUT - 8.2" X 26.3"
8	100188-01-000	EA	CLIP - SPRING - SCREEN
9	100235-07-807	EA	SCREEN - SINGLE TIPOUT WINDOW
10	080218-03-001	SF	SCREEN - FIBERGLASS - 12" WIDE
	100240-01-07.0	FT	SPLINE - SCREEN - T-SHAPED
11	085782-01-000	EA	T NUT 10-32
12	086427-03-000	EA	SEAL - WINDOW - RUBBER - ROUND - .80" DIA. - BLACK
13	084473-01-000	EA	SEAL - RUBBER - TIPOUT WINDOW
14	085783-01-000	EA	SCREW - MACH - 10 - 32 X 1/4 PTH
15	087578-01-000	EA	LINKAGE - TIPOUT WINDOW
	081648-01-000	EA	RING - SNAP - 7/32 SHAFT DIA.
16	084653-02-000	EA	WASHER-.080 X .50 X .250 - PLASTIC
17	080813-01-000	EA	HINGE - TIPOUT WINDOW - BLACK
18	084087-02-000	FT	SEAL - E SHAPED - SPONGE - TIPOUT WINDOW - .4" X .4" - BLACK
19	088540-11-000	EA	SEALER - TAPE - 3/16"X3/8" BLACK
20	080818-01-000	EA	SPRING-TORQUE TUBE - LEFT
21	081354-01-000	EA	SLEEVE - TORQUE TUBE - TIPOUT WINDOW - 1.3" X 1.2" X .7"

BEDROOM WINDOW (ESCAPE) (EXCEL)

KEY	PART NUMBER	UOM	DESCRIPTION
	104891-01-02A	EA	WINDOW ASM. - TIPOUT ESCAPE
	104891-01-700	EA	TRIM - INSIDE (OFF-WHITE)
	104891-01-701	EA	OPERATOR & BAR ASM. - WINDOW
	104891-01-702	EA	SCREEN ASM. - WINDOW
	104891-01-703	EA	GLASS - STATIONARY - WINDOW
	104891-01-704	EA	VENT GLASS ASM.

BEDROOM WINDOW (EXCEL)

KEY	PART NUMBER	UOM	DESCRIPTION
	104891-02-02A	EA	WINDOW ASM. - TIPOUT OFF WHITE
	104891-02-700	EA	TRIM - INSIDE (OFF-WHITE)
	104891-02-701	EA	OPERATOR & BAR ASM. - WINDOW
	104891-02-702	EA	SCREEN ASM. - WINDOW
	104891-02-703	EA	GLASS - STATIONARY - WINDOW
	104891-02-704	EA	VENT GLASS ASM.

**1988 ITASCA
TABLE OF CONTENTS**

INTRODUCTION	A-01 - A-02
ABBREVIATIONS	A-03
ALPHABETICAL INDEX	A-04 - A-05
ICG37RW	A-07 - E-14
IG2490	E-15 - I-14

1988 ICG37RW INDEX

FLOOR PLAN	A-07 - A-08
ACCESSORIES	A-09
AUDIO VIDEO	A-10 - A-11
BATH	A-12 - A-14
BEDROOM	A-15 - A-16
CHASSIS	A-17 - B-05
CURTAIN & CLISHON	B-06 - B-10
DINETTE	B-10 - B-22
DRIVERS COMPARTMENT	B-23 - C-02
ELECTRICAL	C-03 - C-05
EXTERIOR BODY	C-06 - C-10
GALLEY	C-17 - C-20
GENERATOR	C-21 - C-22
HEATING & AC	C-23 - D-02
INTERIOR FINISH	D-03 - D-05
LABELS	D-07 - D-14
LP	D-15
LOUNGE	D-16 - D-18
REALANTS & FASTENERS	D-19 - D-21
WATER & SEWAGE	D-22 - E-01
WINDOW, VENT &	
EXTERIOR DOOR	E-02 - E-12
WINDSHIELD & WIPER	E-13 - E-14

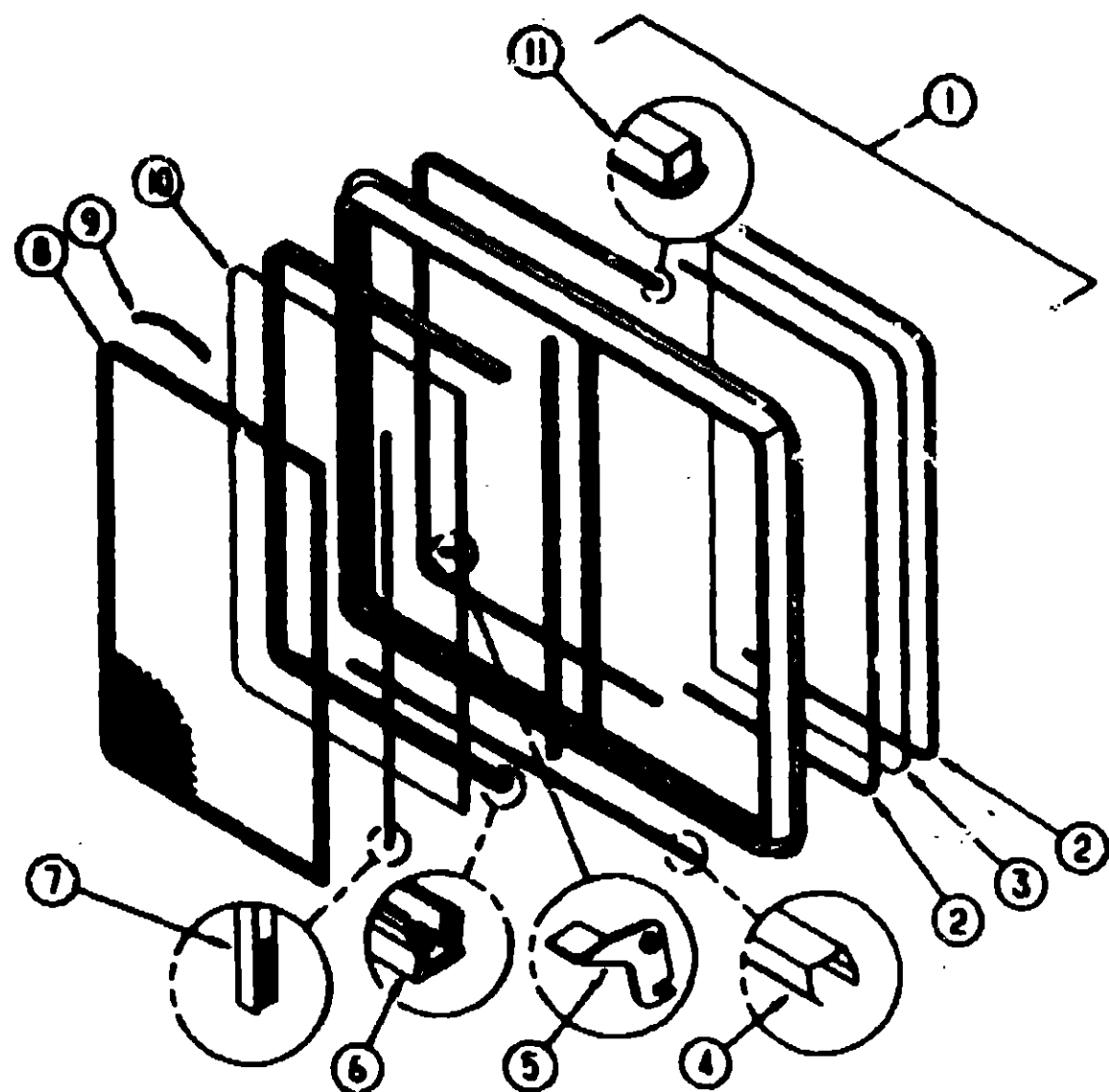
WINDOW, VENT & EXTERIOR DOOR GROUP (CONTINUED)

SLIDER WINDOW (EXCEL) (PASSENGER SIDE, LOUNGE)

KEY	PART NUMBER	UQS DESCRIPTION
	08847-08-02A	EA WINDOW ASM - SLIDER - WINDSIDE FRAME (OFF WHITE)
	08847-08-704	EA FRAME - INSIDE (OFF WHITE)
1	08847-08-701	EA WINDOW ASM - SLIDER - W/O INSIDE FRAME
2	08844-01-704	FT GLAZING STRIP
3	08847-08-700	EA GLASS - STATIONARY
4	08844-01-710	FT TRACK - SCREEN SPACER - 12" LENGTH
5	08844-01-700	EA LATCH - REPAIR KIT
6	08844-01-708	FT CHANNEL - PIERCED RUN
7	08844-01-711	FT WEATHERSTRIP - SCREEN - BLACK
8	08847-08-708	EA SCREEN WSPRINGS & WEATHERSTRIP
9	08844-01-713	EA SPRING - SCREEN FRAME (CLIP)
10	08847-08-708	EA GLASS - SLIDING - W/ASH & LATCH
11	08844-01-708	FT WEATHERSTRIP
	08844-01-716	FT PLUG - FILLER
	08844-01-717	FT SPLINE - SCREEN

SLIDER WINDOW (EXCEL) (DRIVER SIDE, DINETTE & LOUNGE)

KEY	PART NUMBER	UQS DESCRIPTION
	08847-10-02A	EA WINDOW ASM - SLIDER - WINDSIDE FRAME (OFF WHITE)
	08847-08-704	EA FRAME - INSIDE (OFF WHITE)
1	08847-10-700	EA WINDOW ASM - SLIDER - W/O INSIDE FRAME
2	08844-01-705	FT GLAZING STRIP
3	08847-08-700	EA GLASS - STATIONARY
4	08844-01-710	FT TRACK - SCREEN SPACER - 12" LENGTH
5	08844-01-700	EA LATCH - REPAIR KIT
6	08844-01-708	FT CHANNEL - PIERCED RUN
7	08844-01-711	FT WEATHERSTRIP - SCREEN - BLACK
8	08847-08-705	EA SCREEN WSPRINGS & WEATHERSTRIP
9	08844-01-713	EA SPRING - SCREEN FRAME (CLIP)
10	08847-08-701	EA GLASS - SLIDING - W/ASH & LATCH
11	08844-01-705	FT WEATHERSTRIP
	08844-01-716	FT PLUG - FILLER
	08844-01-717	FT SPLINE - SCREEN



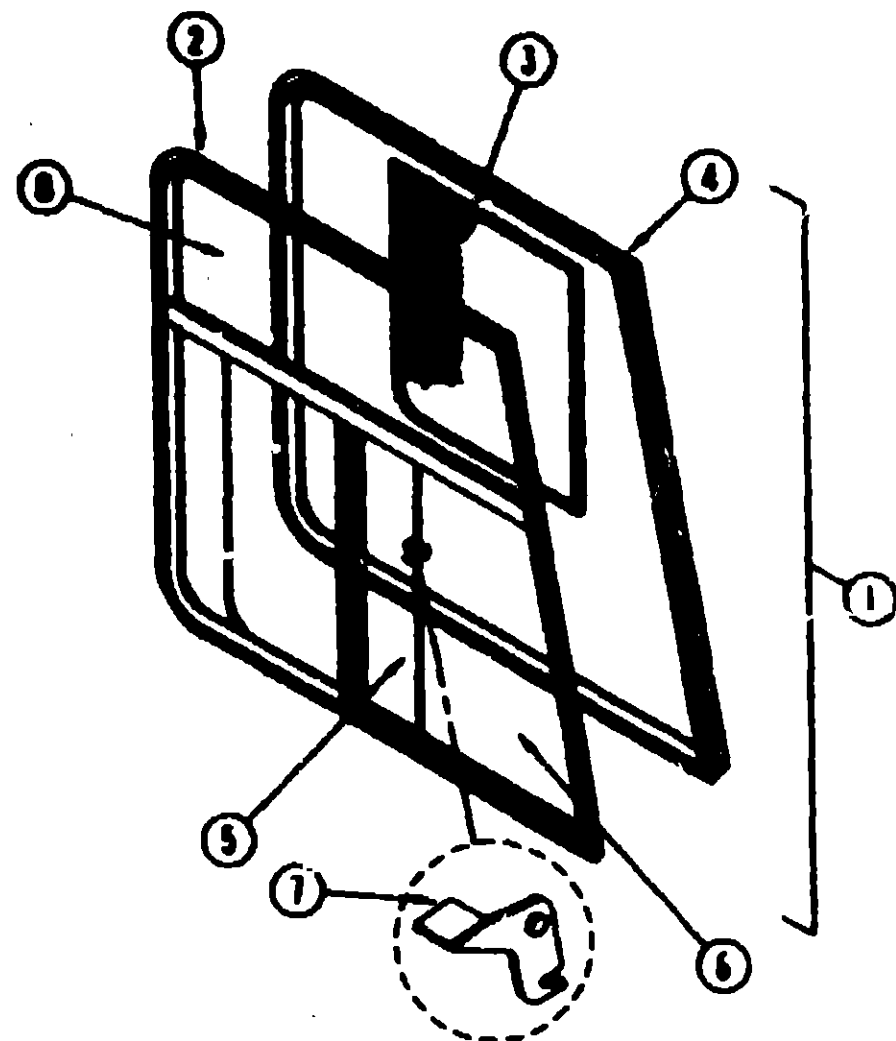
1988 ITACA TABLE OF CONTENTS

INTRODUCTION	A-01 - A-02
ABBREVIATIONS	A-03
ALPHABETICAL INDEX	A-04 - A-08
ICG37RW	A-07 - E-14
8884RO	E-15 - I-14

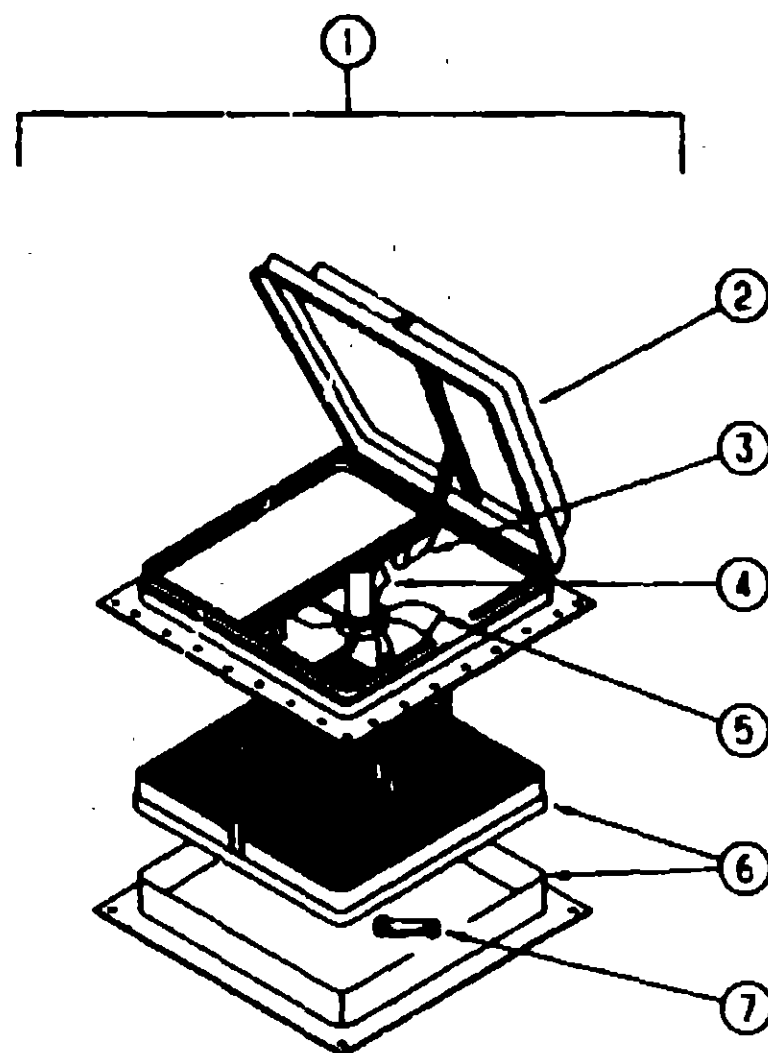
1988 ICG37RW INDEX

FLOOR PLAN	A-07 - A-08
ACCESSORIES	A-09
AUDIO VIDEO	A-10 - A-11
BATH	A-12 - A-14
BEDROOM	A-15 - A-16
CHASSIS	A-17 - B-08
CURTAIN & CUSHION	B-09 - B-18
DINETTE	B-19 - B-22
DRIVERS COMPARTMENT	B-23 - C-02
ELECTRICAL	C-03 - C-08
EXTERIOR BODY	C-09 - C-16
GALLEY	C-17 - C-20
GENERATOR	C-21 - C-22
HEATING & AC	C-23 - D-02
INTERIOR FINISH	D-03 - D-08
LABELS	D-07 - D-14
LP	D-15
LOUNGE	D-16 - D-18
REALANTS & FASTENERS	D-19 - D-21
WATER & SEWAGE	D-22 - E-01
WINDOW, VENT & EXTERIOR DOOR	E-02 - E-12
WINDSHIELD & WIPER	E-13 - E-14

WINDOW, VENT & EXTERIOR DOOR GROUP (CONTINUED)



WINDOW, VENT & EXTERIOR DOOR GROUP (CONTINUED)



**1988 ITABCA
TABLE OF CONTENTS**

INTRODUCTION	A-01 - A-02
ABBREVIATIONS	A-03
ALPHABETICAL INDEX	A-04 - A-05
ICG37RW	A-07 - E-14
RG34RO	E-15 - I-14

1988 ICG37RW INDEX

FLOOR PLAN	A-07 - A-08
ACCESSORIES	A-09
AUDIO VIDEO	A-10 - A-11
BATH	A-12 - A-14
BEDROOM	A-15 - A-16
CHASSIS	A-17 - B-02
CURTAIN & CUSHION	B-03 - B-11
DISETTE	B-12 - B-21
DRIVERS COMPARTMENT	B-23 - C-01
ELECTRICAL	C-03 - C-09
EXTERIOR BODY	C-03 - C-16
GALLEY	C-17 - C-20
GENERATOR	C-21 - C-22
HEATING & AC	C-23 - D-02
INTERIOR FINISH	D-03 - D-06
LABELS	D-07 - D-14
LP	D-15
LOUNGE	D-16 - D-18
SEALANTS & FASTENERS	D-19 - D-21
WATER & SEWAGE	D-22 - E-01
WINDOW, VENT & EXTERIOR DOOR	E-02 - E-12
WINDSHIELD & WIPER	E-13 - E-14

KEY	PART NUMBER	UOM	DESCRIPTION
1	10222-07-01A	EA	WINDOW ASM. - CAB - WINSIDE FRAME - DRIVER SIDE
1	10222-08-01A	EA	WINDOW ASM. - CAB - WINSIDE FRAME - PASSENGER SIDE
2	10222-08-700	EA	WINDOW ASM. - SLIDER - W/O INSIDE FRAME - PASSENGER SIDE
2	10222-07-704	EA	WINDOW ASM. - SLIDER - W/O INSIDE FRAME - DRIVER SIDE
3	10222-07-703	EA	SCREEN ASM. - WINDOW - DRIVER OR PASSENGER SIDE
	02244-01-717	FT	SCREEN SPLINE
	02244-01-713	EA	SCREEN CLIPS (METAL)(BLACK)
	02244-01-710	FT	TRACK - SPACER - FOR SCREEN 12"
	02244-01-711	FT	WEATHERSTRIP - SCREEN - BLACK
4	10222-08-701	EA	INSIDE FRAME - PASSENGER SIDE
4	10222-07-700	EA	INSIDE FRAME - DRIVER SIDE
5	10222-07-702	EA	GLASS - SLIDING - W/ WASH & LATCH - DRIVER OR PASSENGER SIDE
6	10222-01-702	EA	GLASS - STATIONARY - BOTTOM - DRIVER OR PASSENGER SIDE
7	02244-01-720	EA	LATCH - REPAIR KIT
8	10222-07-701	EA	GLASS - STATIONARY - TOP - DRIVER OR PASSENGER SIDE
	02244-01-722	FT	CHANNEL - PIERCED RUN
	02244-01-723	FT	WEATHERSTRIP - GLASS
	02244-01-719	FT	PLUG - FILLER

POWERED ROOF VENT (US)

KEY	PART NUMBER	UOM	DESCRIPTION
1	110051-03-01A	EA	VENT ASM. - ROOF - POWERED
2	084470-01-700	EA	COVER - ROOF VENT
3	110051-01-702	EA	HAND CRANK & OPERATOR ASM.
4	042242-01-000	EA	MOTOR - 12V NONVENTED 1/8 SHAFT
5	042242-01-000	EA	FAN - PLASTIC - 6 IN - 6 BLADED
6	110051-01-701	EA	GARNISH - W/SCREEN & FRAME
7	110051-01-703	EA	CRANK HANDLE

POWERED ROOF VENT (CANADIAN)

KEY	PART NUMBER	UOM	DESCRIPTION
1	110051-05-01A	EA	VENT ASM. - ROOF - POWERED
2	084470-01-700	EA	COVER - ROOF VENT
3	110051-01-702	EA	HAND CRANK & OPERATOR ASM.
4	042242-01-000	EA	MOTOR - 12V NONVENTED 1/8 SHAFT
5	042242-01-000	EA	FAN - PLASTIC - 6 IN - 6 BLADED
6	110051-01-701	EA	GARNISH - W/SCREEN & FRAME
7	110051-01-703	EA	CRANK HANDLE

WINDOW, VENT & EXTERIOR DOOR GROUP (CONTINUED)

NON POWERED ROOF VENT

KEY	PART NUMBER	UWS DESCRIPTION
	110001-01-01A	EA ROOF VENT - W/SCREEN
	004070-01-700	EA COVER - ROOF VENT
	110001-01-701	EA GARNISH - W/SCREEN & FRAME 2"
	110001-01-702	EA HAND CRANK & OPERATOR ASM
	110001-01-703	EA CRANK HANDLE - ROOF VENT

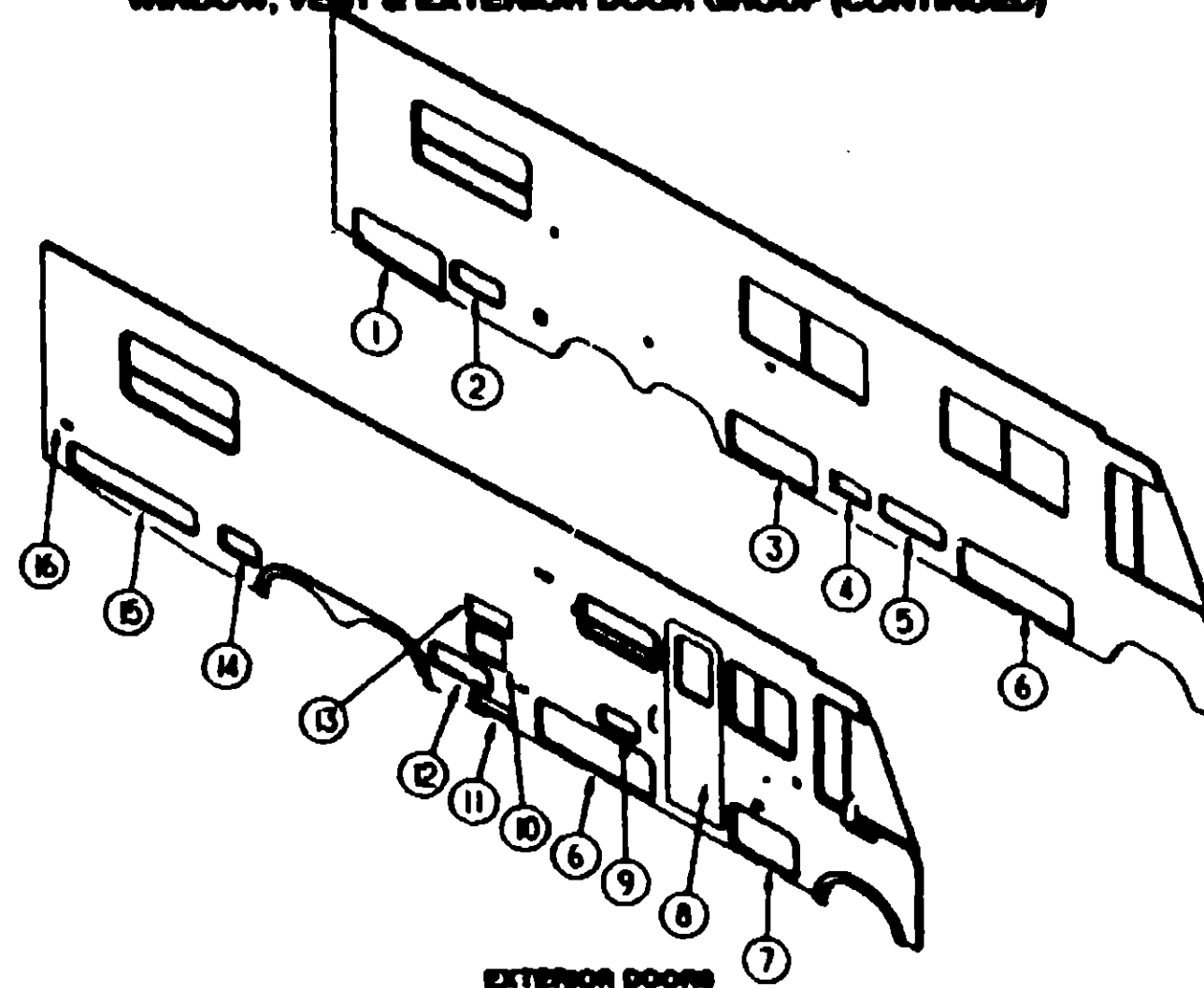
ROOF VENTS

KEY	PART NUMBER	UWS DESCRIPTION
	000000-00-000	EA VENT COVER - PLUMBING PIPE ROOF
	004073-00-000	EA COVER - ROOF VENT - NORCOLD REFRIGERATOR - ASH GRAY
	004073-04-000	EA BASE - ROOF VENT - NORCOLD REFRIGERATOR - BLACK

SIDEMALL VENT

KEY	PART NUMBER	UWS DESCRIPTION
	004016-00-000	EA SHROUD - RANGE HOOD VENT - ASH GRAY
	004070-00-000	EA VENT - RANGE HOOD - SHORT - LVS

WINDOW, VENT & EXTERIOR DOOR GROUP (CONTINUED)



EXTERIOR DOORS

KEY	PART NUMBER	UWS DESCRIPTION
1	003204-00-000	EA DOOR ASM - GENERATOR
2	070070-00-000	EA DOOR ASM - ACCESS
3	100007-10-000	EA DOOR ASM - STORAGE
4	000000-00-000	EA DOOR ASM - FURNACE - EXTERIOR
5	100007-10-000	EA DOOR ASM - STORAGE
6	100007-14-000	EA DOOR ASM - STORAGE
7	100007-13-000	EA DOOR ASM - STORAGE
8	MD1070-00-000	EA DOOR - ENTRY - W/SCREEN DOOR
8	MD1070-00-000	EA DOOR - ENTRY - W/SCREEN DOOR
9	100110-01-000	EA DOOR ASM - ACCESS - EXTERIOR RADIO
10	000000-00-000	EA DOOR - WATER HEATER - ASH GRAY
11	070070-00-000	EA DOOR - LP COMPARTMENT - 18.0" X 5.4" - ALUMINUM
12	100007-17-000	EA DOOR ASM - ACCESS
13	004100-07-000	EA DOOR - REFRIGERATOR - VENTED - W/O JAMB - ASH GRAY
13	004104-07-000	EA JAMB - REFRIGERATOR - ASH GRAY
14	100007-27-000	EA DOOR ASM - ACCESS
15	100007-10-000	EA DOOR ASM - ACCESS - EXTERIOR SHOWER
16	001240-10-000	EA DOOR - WATER FILL - LOCKABLE - 4' X 4 5/8" - ASH GRAY

EXTERIOR DOOR HARDWARE

KEY	PART NUMBER	UWS DESCRIPTION
	070000-04-000	EA LOCK - DOOR - KEY TYPE W/O KEYS - 1.0 OFF SET
	070000-05-000	EA LOCK ASM - KEY TYPE W/O KEYS - 1.0 OFF SET
	000004-01-700	EA KEY - COMPARTMENT DOOR LOCK
	070007-00-000	EA LOCK - TWIN TYPE - DOUBLE CAM - 2.10 OFF SET
	004104-01-700	EA LOCK - MALE - FASTENER - REFRIGERATOR DOOR
	004104-01-701	EA LOCK - FEMALE - FASTENER - REFRIGERATOR DOOR
	000100-00-100	EA HANDLE - ASSIST - ENTRY DOOR - BLACK
	100000-01-000	EA KEY - BARREL - NICKEL PLATED
	100700-01-000	EA HOLDER - COMPARTMENT/ENTRY DOOR - METAL - MILL FINISH
	004070-07-000	FT SEAL - BUBB - W/WRAPPED U CHANNEL - 3" X 3" CHANNEL - BLACK
	001001-00-000	EA NUTS - 2" X 0.5" - OFF WHITE

**1993 ITASCA
TABLE OF CONTENTS**

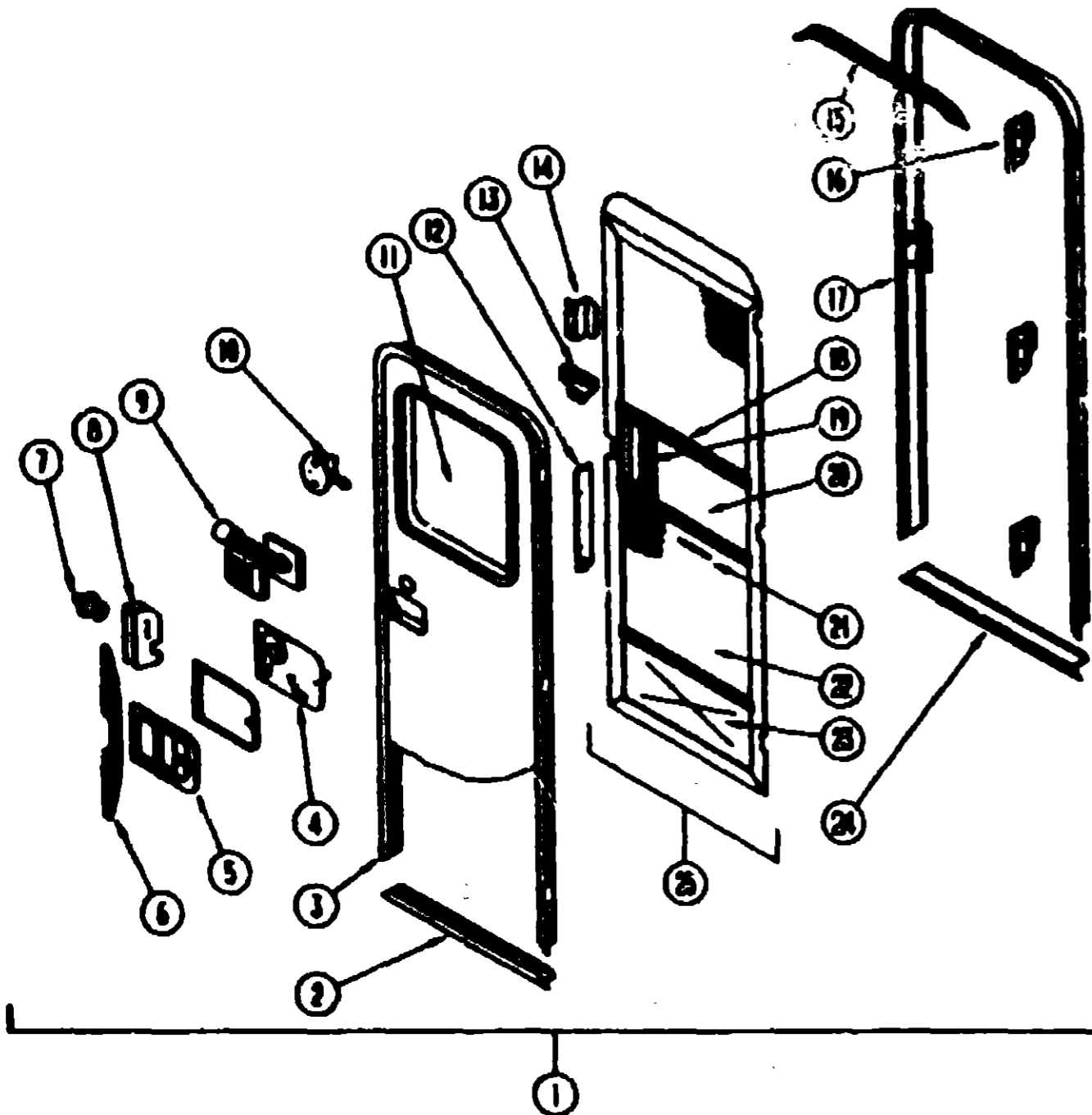
INTRODUCTION	A-01 - A-02
ABBREVIATIONS	A-03
ALPHABETICAL INDEX	A-04 - A-05
ICG37RW	A-07 - E-14
ICG34RO	E-15 - I-14

1993 ICG37RW INDEX

FLOOR PLAN	A-07 - A-08
ACCESSORIES	A-09
AUDIO VIDEO	A-10 - A-11
BATH	A-12 - A-14
BEDROOM	A-15 - A-16
CHASSIS	A-17 - B-00
CURTAIN & CUSHION	B-00 - B-10
DINETTE	B-10 - B-22
DRIVERS COMPARTMENT	B-21 - C-02
ELECTRICAL	C-03 - C-08
EXTERIOR BODY	C-09 - C-10
GALLEY	C-17 - C-20
GENERATOR	C-21 - C-22
HEATING & AC	C-23 - D-02
INTERIOR FINISH	D-03 - D-08
LABELS	D-07 - D-14
LP	D-15
LOUNGE	D-16 - D-18
SEALANTS & FASTENERS	D-19 - D-21
WATER & SEWAGE	D-22 - E-01
WINDOW, VENT & EXTERIOR DOOR	E-02 - E-12
WINDSHIELD & WIPER	E-13 - E-14

WINDOW, VENT & EXTERIOR DOOR GROUP (CONTINUED)

ENTRANCE DOOR



KEY	PART NUMBER	UNIT DESCRIPTION
1	081573-01-04A	EA DOOR - ENTRY - W/SCREEN DOOR
1	041548-08-000	EA BRACKET - DOOR ANGLE - 5" X 1.8" - BEIGE - METAL
	078888-14-000	EA GARNISH - RADIUS - ENTRY DOOR - OFF WHITE
	081573-01-04A	EA TRIM - ENTRANCE DOOR - 1.2" WIDE - ASH GRAY
2	082948-01-000	EA FRAME - BOTTOM ENTRY DOOR - ASH GRAY
3	082948-01-000	EA FRAME - ENTRY DOOR - W/O BOTTOM - ASH GRAY
4	082973-04-000	EA COVER - INTERIOR LATCH - W/TRIP ARM - RIGHT - BLACK

KEY	PART NUMBER	UNIT DESCRIPTION
5	048017-11-000	EA LATCH - PADDLE - MECHANISM W/LOCK CYLINDER & KEY - BLACK
	048017-11-701	EA KEY BLANK
6	081573-01-04A	EA STIFFENER - ENTRY DOOR - SUPPORTS LATCH/STRIKE AREA - MILL
7	088638-01-000	EA STRIKE - ENTRANCE DOOR LOCK
	077481-08-000	EA COVER - STRIKE - ENTRY DOOR - 8.5" X 2.5" - PLASTIC - WHITE
8	038640-01-000	EA LATCH MECHANISM - HOOK - ENTRY DOOR - INTERIOR
	088715-01-000	EA NUT - BERT - 1/4" DIAMETER - 20 THREADS
	088884-01-000	EA CAP - ROUND - VINYL - .25" ID X .82" LONG - BLACK
	040844-01-000	EA LABEL - ENTRANCE DOOR - "OPEN"
	088808-01-000	EA PLUG - CAP - 1" DIAMETER
9	101148-01-01A	EA DEADBOLT - ENTRY DOOR - BLACK
	088229-01-700	EA KEY ONLY - BLANK
	101147-01-000	EA BOLT - SECURITY - 4.12" BACKSET
	081814-01-000	EA BUMPER - RUBBER - ROUND - BLACK
10	100412-01-000	EA CATCH - SCREEN DOOR
11	078739-12-012	EA WINDOW - PICTURE - W/O INSIDE FRAME - 17" X 27"
	087308-35-000	EA FRAME - WINDOW - INSIDE PICTURE - OFF WHITE
	082181-18-000	EA GLASS - PICTURE WINDOW
	087381-01-300	FT VINYL SEAL - GLASS - EXTERIOR - BLACK
12	078287-08-000	EA STRIKE - SLIDER - W/UP FOR ELBOW CATCH - 1.5" X 8.8" BEIGE
13	100403-01-000	EA CATCH - SCREEN DOOR ROLLER
	088085-02-000	EA CLIP - ROLLER LATCH CATCH
	083729-04-000	EA RIVNUT - 10-32 UNF - .010-.020
	072893-01-000	EA NUTSERT - M5 X 0.8
	078871-04-000	FT SEAL - SPONGE - LAZY T SHAPE - W/ADHESIVE STRIPE - .5" WIDE
	100128-01-000	FT SEAL - P.T.E - ADHESIVE BACK - GRAY
	078888-01-000	EA SCREW - MACH - 10-32X.875X.50
14	080712-04-000	EA HANDLE - SCREEN DOOR - OFF WHITE
15	044882-31-000	EA CAP - DRIP - ENTRY DOOR - ALUMINUM - ASH GRAY
16	087724-01-04A	EA HINGE - ENTRY DOOR - UNPAINTED
17	082277-04-04A	EA JAMB ASM - ENTRANCE DOOR - ASH GRAY
	078807-01-000	EA STRIKER - ROLLER CATCH - WELDED TO DOOR JAMB - 4" X 1.15"
18	078777-01-000	EA CHANNEL - SLIDE - SCREEN DOOR CENTER SLIDER COVER
19	078888-02-000	EA SLIDER - SCREEN DOOR - OFF WHITE
	078886-01-000	EA TOP PLATE - SCREEN DOOR - CURVED TOP - 4.7" X 25.35"
20	016454-01-000	EA INSERT - SCREEN DOOR - CENTER - LEATHER GRAIN ALUMINUM
21	0C2284-01-000	FT SPLINE - SCREENING - .135" X .138" - BLACK
22	0C2288-02-000	SF SCREENING - 28" - CHAR.COAL
23	078882-03-000	EA LOCK PANEL - SCREEN DOOR - LOWER INSERT - UNPAINTED
24	051048-01-000	EA JAMB BOTTOM - ENTRY DOOR - 25.8" - UNPAINTED
25	078012-05-810	EA DOOR - SCREEN
	100128-01-000	FT SEAL - SCREEN DOOR
	086774-01-000	FT FASTENER - DUAL LOCK - 1" WIDE
	086774-02-000	FT FASTENER - DUAL LOCK - 1" WIDE
	080340-01-000	FT SEAL - FOAM - CLOSED CELL - 1/4" X 1/2" X 97'
	083148-01-000	EA SLEEVE - WIRE - 10" LONG - PLASTIC - BLACK
	083148-01-000	EA GROMMET - WIRE - 1.7" X 3.1" - OVAL SHAPED - PLASTIC - BLACK

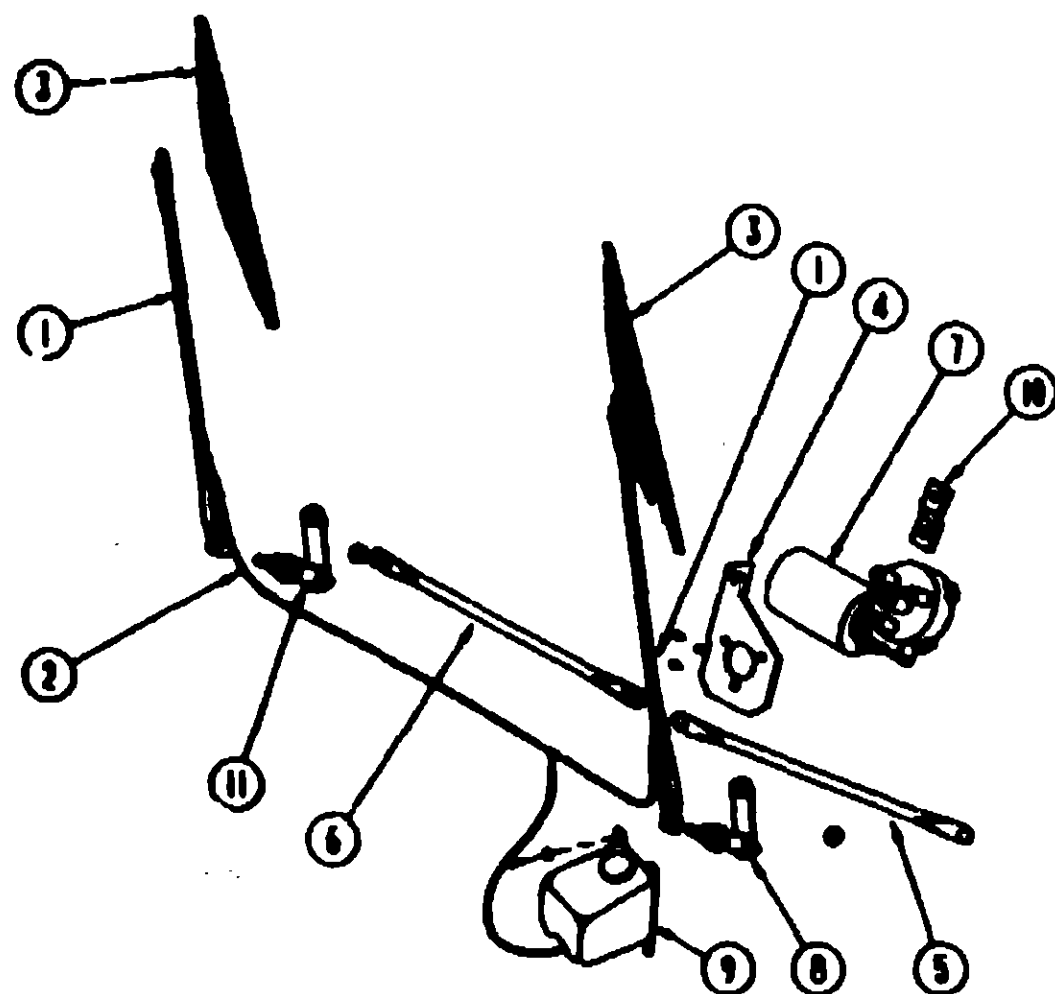
1993 ITASCA
TABLE OF CONTENTS

INTRODUCTION	A-01 - A-02
ABBREVIATIONS	A-03
ALPHABETICAL INDEX	A-04 - A-08
ICG377W	A-07 - E-14
INDEX	E-15 - I-14

1993 ICG377W INDEX

FLOOR PLAN	A-07 - A-08
ACCESSORIES	A-09
AUDIO VIDEO	A-10 - A-11
BATH	A-12 - A-14
BEDROOM	A-15 - A-16
CHASSIS	A-17 - B-08
CURTAIN & CUSHION	B-09 - B-13
ORNETTE	B-19 - B-22
DRIVERS COMPARTMENT	B-23 - C-02
ELECTRICAL	C-03 - C-08
EXTERIOR BODY	C-09 - C-16
GALLEY	C-17 - C-20
GENERATOR	C-21 - C-22
HEATING & AC	C-23 - D-02
INTERIOR FURNISH	D-03 - D-08
LABELS	D-07 - D-14
LP	D-15
LOUNGE	D-16 - D-18
SEALANTS & FASTENERS	D-19 - D-21
WATER & SEWAGE	D-22 - E-01
WINDOW, VENT & EXTERIOR DOOR	E-02 - E-12
WINDSHIELD & WIPER	E-13 - E-14

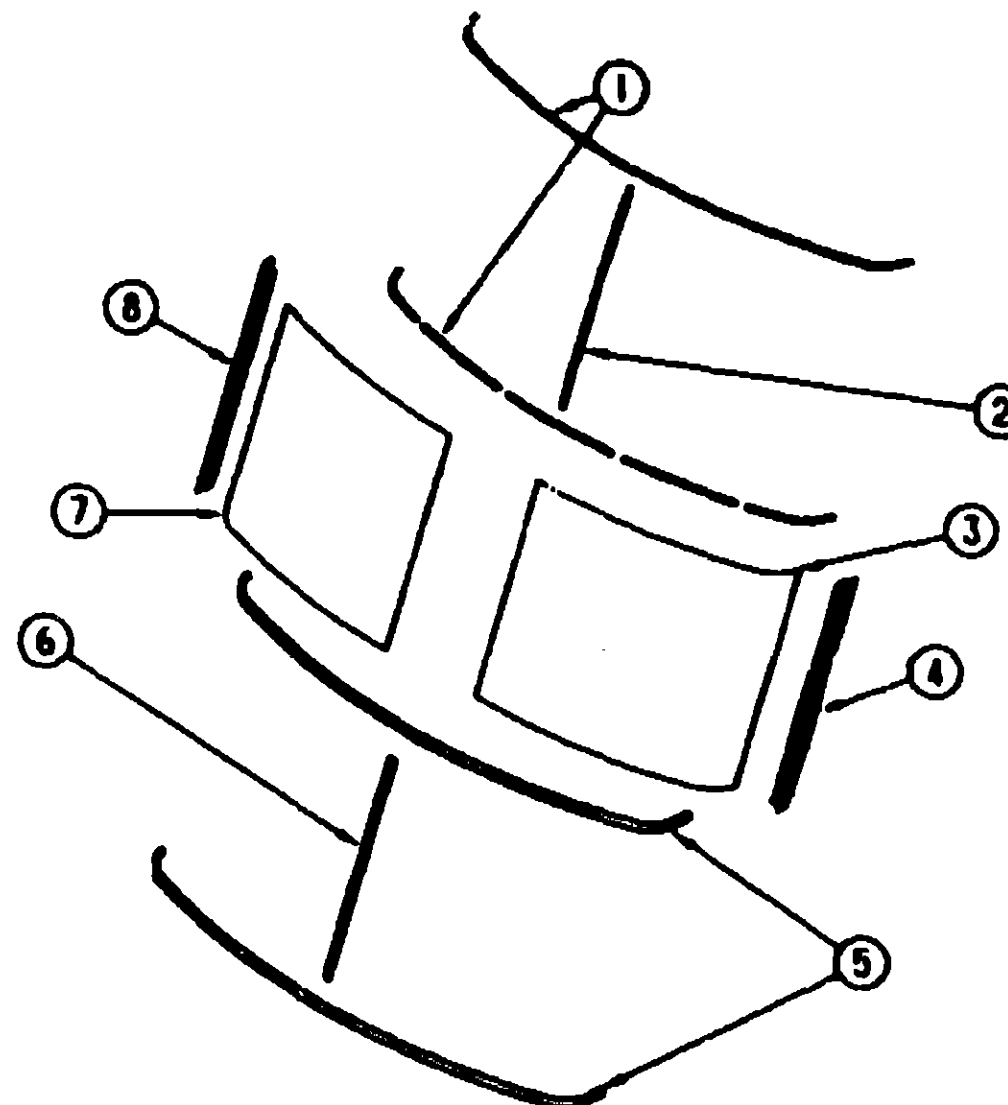
WINDSHIELD & WIPER GROUP



WINDSHIELD WIPER ASM

KEY	PART NUMBER	UIM DESCRIPTION
1	108571-01-000	EA ARM - WIPER - 24"
2	088891-01-700	EA HOSE
3	088894-01-000	EA BLADE - WIPER - WINDSHIELD - 24"
4	104548-01-000	EA BRACKET ASM - WIPER MOTOR
5	108572-01-000	EA LINK ASM - CONNECTING - 21.85" - DRIVER SIDE
6	108572-02-000	EA LINK ASM - CONNECTING - 21.85" - PASSENGER SIDE
7	104548-01-000	EA WIPER MOTOR
	104548-01-000	EA MOUNTING BRACKET - WIPER MOTOR
	116178-01-000	EA HOUSING - WIPER MOTOR
8	088895-28-000	EA PIVOT & SHAFT ASM - WIPER - DRIVER SIDE
		FROM: 00-00-00 THRU: 12-18-82
8	088895-03-000	EA PIVOT & SHAFT ASM - WIPER - DRIVER SIDE
		FROM: 12-19-82 THRU: 88-88-88
9	088899-02-000	EA WASHER - WINDSHIELD - BOTTLE & PUMP
	088899-01-700	FT HOSE - VACUUM - 7/8"
10	104547-01-000	EA ARM - DRIVE - WIPER MOTOR - 1.54"
11	088895-02-000	EA PIVOT & SHAFT ASM - WIPER - PASSENGER SIDE
		FROM: 00-00-00 THRU: 04-30-88
11	088895-03-000	EA PIVOT & SHAFT ASM - WIPER - PASSENGER SIDE
		FROM: 04-31-88 THRU: 88-88-88
	116718-01-000	EA WIPER CASKET
	087188-01-000	EA STUD - WIPER CRANK

WINDSHIELD & WIPER GROUP (CONTINUED)



WINDSHIELD MOLDINGS & GLASS

KEY	PART NUMBER	UIM DESCRIPTION
1	102936-01-000	EA CARRIER - REVEAL - 50" - WINDSHIELD
1	110388-03-000	EA CARRIER - REVEAL - 47.2" - WINDSHIELD
		FROM: 00-00-00 THRU: 12-13-82
1	110388-05-000	EA CARRIER - REVEAL - 2" WINDSHIELD
		FROM: 12-14-82 THRU: 88-88-88
2	110388-07-000	EA CARRIER - REVEAL - 42.1" WINDSHIELD
		FROM: 12-14-82 THRU: 88-88-88
3	103788-02-000	EA GLASS - WINDSHIELD - DRIVER SIDE
4	103107-04-01A	EA TRIM - WINDSHIELD - DRIVER SIDE - BLACK
5	108898-01-000	FT MOLDING - REVEAL - WINDSHIELD
6	108898-01-000	FT MOLDING - REVEAL - WINDSHIELD - CENTER
7	103788-01-000	EA GLASS - WINDSHIELD - PASSENGER SIDE
8	103107-03-01A	EA TRIM - WINDSHIELD - PASSENGER SIDE - BLACK
	088788-08-000	EA CHANNEL - RIGID - 48
	077847-02-000	EA FRAME - WINDSHIELD - CENTER DIVIDER - INNER
	104448-01-000	EA SUPPORT - WINDSHIELD - LOWER - W/O BRACKETS
		EA BRACKET - WINDSHIELD SUPPORT

**1988 ITASCA
TABLE OF CONTENTS**

INTRODUCTION	A-01 - A-02
ABBREVIATIONS	A-03
ALPHABETICAL INDEX	A-04 - A-05
ICG37RW	A-07 - E-14
WGB490	E-15 - I-14

1988 ICG37RW INDEX

FLOOR PLAN	A-07 - A-08
ACCESSORIES	A-09
AUDIO VIDEO	A-10 - A-11
BATH	A-12 - A-14
BEDROOM	A-15 - A-16
CHASSIS	A-17 - B-08
CURTAIN & CUSHION	B-09 - B-18
INETTE	B-19 - B-22
DRIVERS COMPARTMENT	B-23 - C-02
ELECTRICAL	C-03 - C-08
EXTERIOR BODY	C-09 - C-16
GALLEY	C-17 - C-20
GENERATOR	C-21 - C-22
HEATING & A/C	C-23 - D-02
INTERIOR FINISH	D-03 - D-05
LABELS	D-07 - D-14
LP	D-15
LOUNGE	D-16 - D-18
SEALANTS & FASTENERS	D-19 - D-21
WATER & SEWAGE	D-22 - E-01
WINDOW, VEIL & EXTERIOR DOOR	E-02 - E-12
WINDSHIELD & WIPER	E-13 - E-14