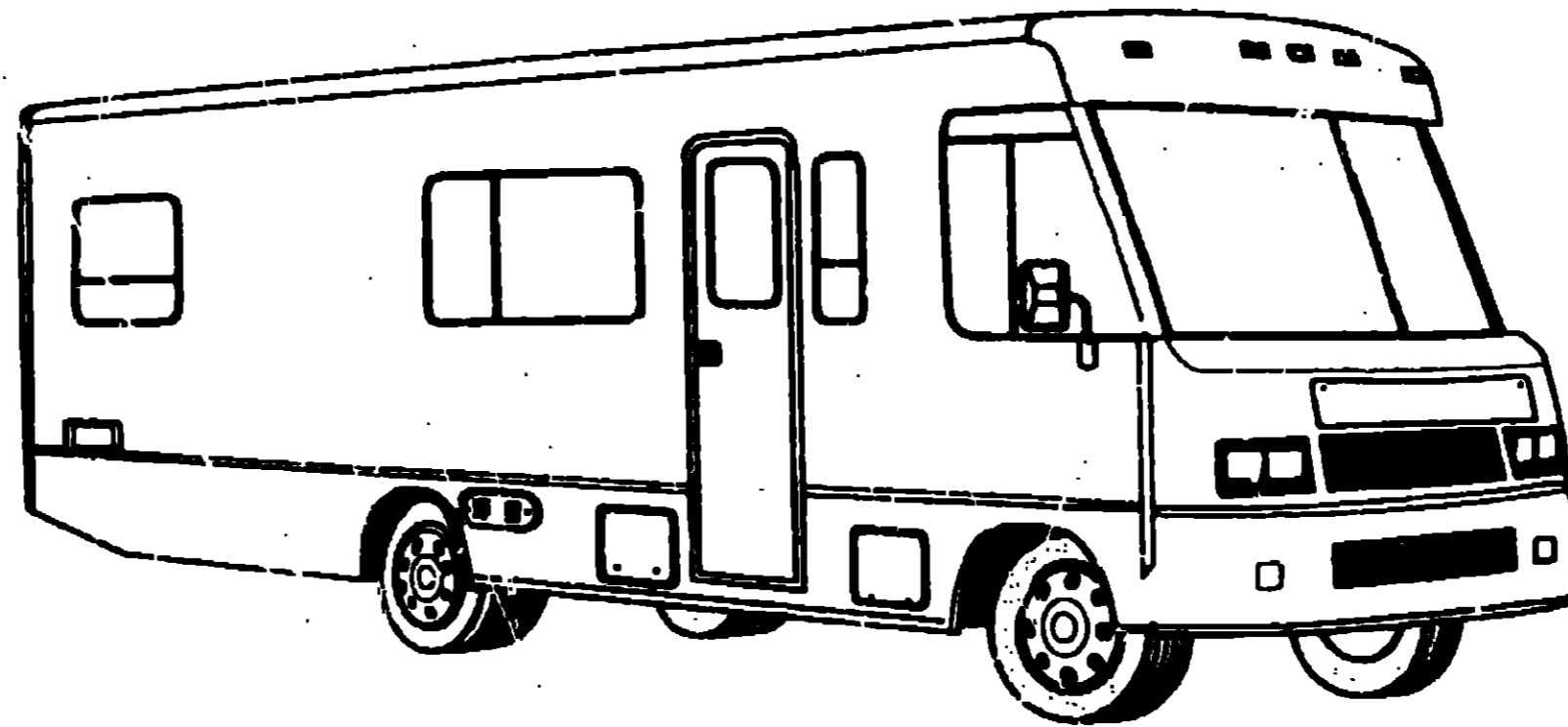


**1993 ITASCA
TABLE OF CONTENTS**

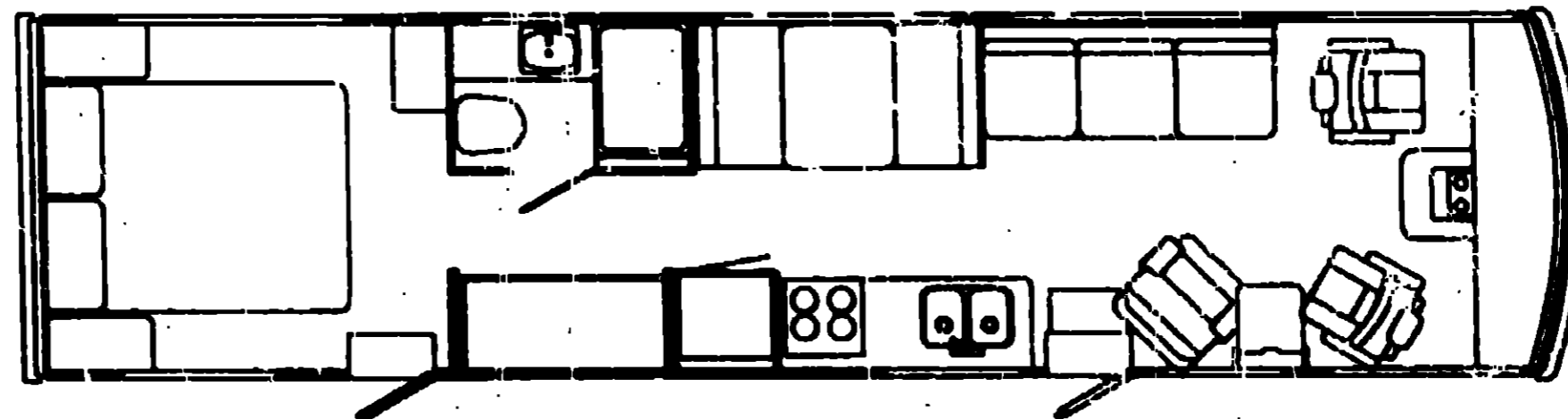
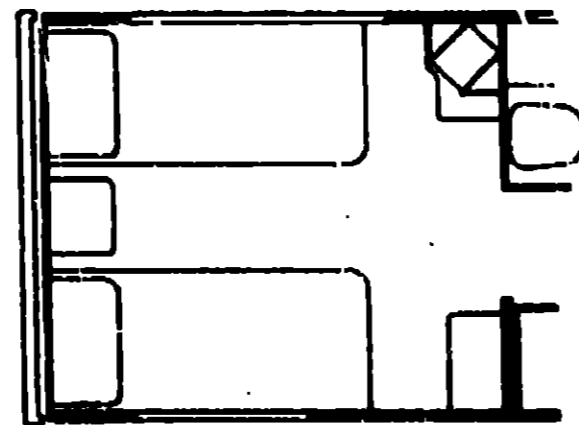
INTRODUCTION	A-01 - A-02
ABBREVIATIONS	A-03
ALPHABETICAL INDEX	A-04 - A-06
ICG34RQ	A-07 - E-18
ICG34RA	E-19 - J-02



**1993
ICG34RQ**

D35

D36



1993 ICG34RQ INDEX

FLOOR PLAN	A-07 - A-08
ACCESSORIES	A-09
AUDIO VIDEO	A-10 - A-11
BATH	A-12 - A-14
BEDROOM	A-15 - A-18
CHASSIS	A-19 - B-06
CURTAIN & CUSHION	B-07 - B-17
DINETTE	B-18 - B-20
DRIVER'S COMPARTMENT	B-21 - B-24
ELECTRICAL	C-01 - C-06
EXTERIOR BODY	C-07 - C-14
GALLEY	C-15 - C-18
GENERATOR	C-19 - C-20
HEATING & AC	C-21 - C-24
INTERIOR FINISH	D-01 - D-04
LABELS	D-05 - D-12
LP	D-13
LOUNGE	D-14 - D-16
SEALANTS & FASTENERS	D-17 - D-19
WATER & SEWAGE	D-20 - D-23
WINDOW, VENT & EXTERIOR DOOR	D-24 - E-16
WINDSHIELD & WIPER	E-17 - E-18

ACCESSORIES GROUP

OPERATOR MANUAL

KEY	PART NUMBER	U/M DESCRIPTION
	054185-53-000	EA MANUAL - OPERATOR 93 SUNCRUISER
	092318-01-100	EA BINDER-3 RING - MOTOR HOME MANUAL
	092319-01-000	EA POCKET PAGE - 3 RING BINDER - PLASTIC
	108783-01-010	EA TOP LEVEL DRAWING NUMBER

AUDIO VIDEO GROUP

RADIO SYSTEMS & ANTENNA

KEY	PART NUMBER	U/M DESCRIPTION
	077069-02-000	EA CABLE - ANTENNA - RADIO - EXTENSION 96" - ARA 6700367
	073741-03-000	EA SPEAKER - OVAL - 4" X 6" - BLACK FROM: 00-00-00 THRU: 12-20-92
	110469-01-000	EA SPEAKER - OVAL - 4" X 6" - BLACK FROM: 12-21-92 THRU: 99-99-99
	073741-04-000	EA GRILLE - SPEAKER - OVAL - 4" X 6" - BLACK FROM: 00-00-00 THRU: 12-20-92
	110470-01-01A	EA GRILLE - SPEAKER - OVAL - 4" X 6" - BLACK FROM: 12-21-92 THRU: 99-99-99
	081059-12-000	EA WIRE ASM - 9-PIN - RADIC - AUDIOVOX 112B-1761
	104089-01-000	EA RADIO - AM/FM STEREO - CASSETTE DIN AUDIOVOX IM-DXF FROM: 00-00-00 THRU: 03-10-93
	110267-01-000	EA RADIO-AM/FM STEREO - AUDIOVOX IM-200 FROM: 03-11-93 THRU: 09-99-99
	105248-01-000	EA ANTENNA - CB - ADVANCE 8604
	097621-02-000	EA MOUNTING KIT - RADIO - AUDIOVOX WMK - AB02 FROM: 00-00-00 THRU: 11-30-92
	090862-01-000	EA BRACKET - HAT - ANTENNA - 3.1" X 3.9" - STEEL - BLACK - FORD

HEAR MONITOR SYSTEM

KEY	PART NUMBER	U/M DESCRIPTION
	105249-01-000	EA TELEVISION SYSTEM - REAR VIEW - AUDIOVOX A05 10
	092881-01-000	EA WIRE - INSTRUMENT PANEL - REAR VIEW MONITOR
	105304-01-000	EA WIRE ASM - REAR MONITOR - UPPER

PATIO ENTERTAINMENT CENTER

KEY	PART NUMBER	U/M DESCRIPTION
	073741-03-000	EA SPEAKER - OVAL - 4" X 6" - BLACK FROM: 00-00-00 THRU: 12-20-92
	110469-01-000	EA SPEAKER - OVAL - 4" X 6" - BLACK FROM: 12-21-92 THRU: 99-99-99
	073741-04-000	EA GRILLE - SPEAKER - OVAL - 4" X 6" - BLACK FROM: 00-00-00 THRU: 12-20-92
	110470-01-01A	EA GRILLE - SPEAKER - OVAL - 4" X 6" - BLACK FROM: 12-21-92 THRU: 99-99-99
	077069-02-000	EA CABLE - ANTENNA - RADIO - EXTENSION 96" - ARA 6700367
	087683-01-000	EA RADIO - AM/FM STEREO W/CASSETTE AUDIOVOX 14401559
	090944-01-000	EA ANTENNA - RADIO - 16" RUBBER
	104899-01-004	EA PLATE - RADIO MOUNTING
	105230-11-005	EA SHELF ASM
	105230-12-009	EA SUPPORT ASM
	105377-01-01A	EA BRACKET - TABLE HANGER - OFF WHITE
	105376-01-02A	EA HINGE - CONTINUOUS - 2" X 140MM - OFF WHITE

1993 ITASCA TABLE OF CONTENTS

INTRODUCTION	A-01 - A-02
ABBREVIATIONS	A-03
ALPHABETICAL INDEX	A-04 - A-06
ICG34RQ	A-07 - E-18
ICG34RA	E-19 - J-02

1993 ICG34RQ INDEX

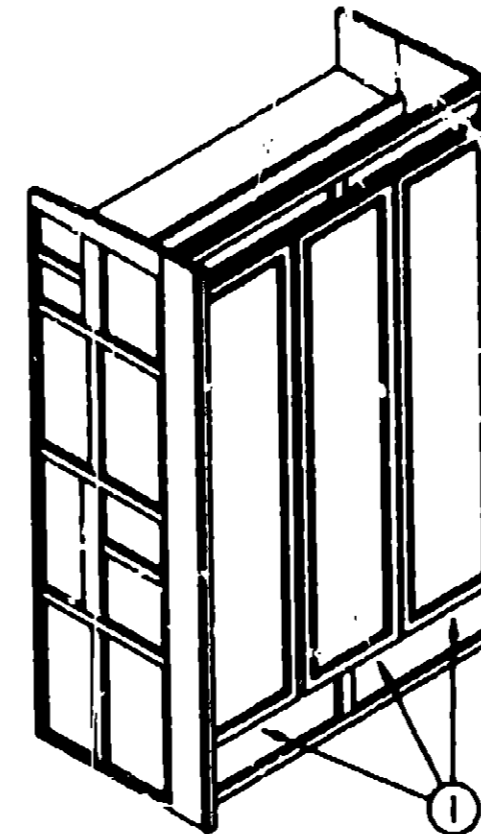
FLOOR PLAN	A-07 - A-08
ACCESSORIES	A-09
AUDIO VIDEO	A-10 - A-11
BATH	A-12 - A-14
BEDROOM	A-15 - A-18
CHASSIS	A-19 - B-06
CURTAIN & CUSHION	B-07 - B-17
DINETTE	B-18 - B-20
DRIVERS COMPARTMENT	B-21 - B-24
ELECTRICAL	C-01 - C-06
EXTERIOR BODY	C-07 - C-14
GALLEY	C-15 - C-18
GENERATOR	C-19 - C-20
HEATING & A/C	C-21 - C-24
INTERIOR FINISH	D-01 - D-04
LABELS	D-05 - D-12
LP	D-13
LOUNGE	D-14 - D-16
SEALANTS & FASTENERS	D-17 - D-19
WATER & SEWAGE	D-20 - D-23
WINDOW, VENT &	
EXTERIOR DOOR	D-24 - E-16
WINDSHIELD & WIPER	E-17 - E-18

AUDIO VIDEO GROUP (CONTINUED)

TV - VCR SYSTEMS & ANTENNA

KEY	PART NUMBER	U/M	DESCRIPTION
	032134-01-000	EA	ADAPTER - TV - CABLE T.) CABLE - WINEGARD F-811A
	086756-01-000	EA	SPLITTER - TV - 2 WAY
	076319-03-000	FT	CABLE - COAXIAL - 75 OHM
	076319-12-000	EA	CONNECTOR - COAXIAL - ONE PIECE
	086757-03-000	EA	CONTROL CENTER - SWITCH - VCR/TV - MAGNADYNE VCS-6
	086777-03-000	EA	PLATE - WALL - CABLE - W/TV ANTENNA SWITCH & BOOSTER - IVORY
	088446-03-000	EA	VCR - VHS CABLE READY - REMOTE - MAGNAVOX VR9010 FROM: 00-00-00 THRU: 10-04-92
	098446-03-700	EA	REMOTE F/MODEL #9010
	098446-04-000	EA	VCR-VHS - CABLE READY - REMOTE - MAGNAVOX VR9110 FROM: 10-05-92 THRU: 99-99-99
	098446-04-700	EA	REMOTE F/MODEL #9110
	098447-03-000	EA	TV - 13" - COLOR W/REMOTE - U.S. - MAGNAVOX RR1337
	098447-04-000	EA	TV - 13" - COLOR W/REMOTE - CANADIAN - MAGNAVOX RR1330W
	098447-03-700	EA	REMOTE FOR TV-13"
	098810-01-000	EA	SPEAKER - 2 WATT - 8 OHM - 4"
	093214-01-02A	EA	GRILL - SPEAKER, 4" BROWN
	099717-02-000	EA	TIEDOWN - TV - STRAP ON FEMALE END IS 28.7" LONG
	099717-01-000	EA	TIEDOWN - TV - STRAP ON FEMALE END IS 22.8" LONG
	082310-02-000	EA	TV - COLOR - 9" - AC/DC - W/REMOTE - MAGNAVOX RD0945
	082310-02-700	EA	REMOTE F/TV 0822334
	076319-01-000	EA	ANTENNA - TV - ROOF MOUNT - 44.5" MAST RVA W02
	076319-01-700	EA	HEAD - ANTENNA - AMPLIFIED - WINEGARD RVSA UV
	076319-01-701	EA	GEAR - ELEVATING - PLASTIC - WINEGARD 2200046
	076319-01-702	EA	SHAFT ASM - ELEVATING - WINEGARD RVP-400A
	076319-01-703	EA	BEARING - NYLON - 5"OD - WINEGARD 320065E
	076319-01-705	EA	GROMMET - NYLON - 7/8"ID - WINEGARD 3200658
	076319-01-706	EA	CRANK - ELEVATING - W/SET SCREW 5755100
	076319-01-707	EA	SPRING - HANDLE - WINEGARD 5160800
	076319-01-709	EA	PLATE - DIRECTIONAL - FOR HEAD - WINEGARD 3200644
	076319-01-706	EA	CRANK - ELEVATING - W/SET SCREW - WINEGARD 5755100
	076319-08-000	EA	WALLPLATE - CABLE RECEPTACLE - TV - SINGLE - IVORY
	076319-09-000	EA	WALLPLATE - CABLE RECEPTACLE - TV - SINGLE - BROWN
	082136-01-000	EA	NUT - HEX JAM 3/8-32 WINEGARD
	086777-01-000	EA	WALLPLATE - TV CABLE - W/ANTENNA SWITCH - IVORY
	086777-03-000	EA	WALLPLATE - TV CABLE - W/TV ANTENNA SWITCH & BOOSTER - IVORY
	086757-03-000	EA	CONTROL CENTER - SWITCH - VCR/TV - MAGNADYNE VCS-6

BATH GROUP



WARDROBE CABINET

KEY	PART NUMBER	U/M	DESCRIPTION
1	P04536-15-035	EA	DOOR ASM - W/O HARDWARE
	042438-01-000	EA	DOWEL - CLOTHES ROD - 1" DIAMETER - WOOD
	009112-01-000	EA	FLANGE - 1" CLOTHES ROD - PLASTIC - OFF WHITE

1993 ITASCA TABLE OF CONTENTS

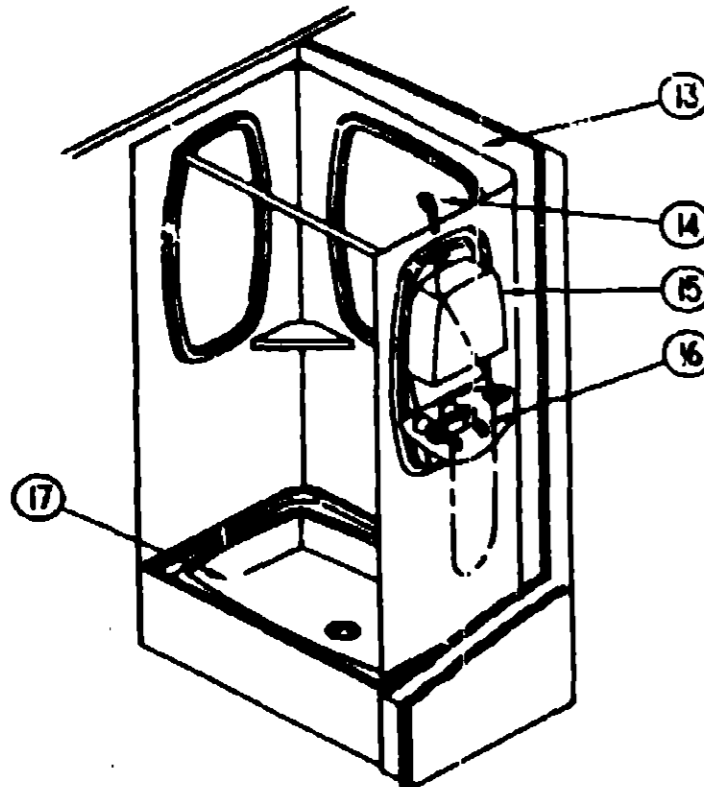
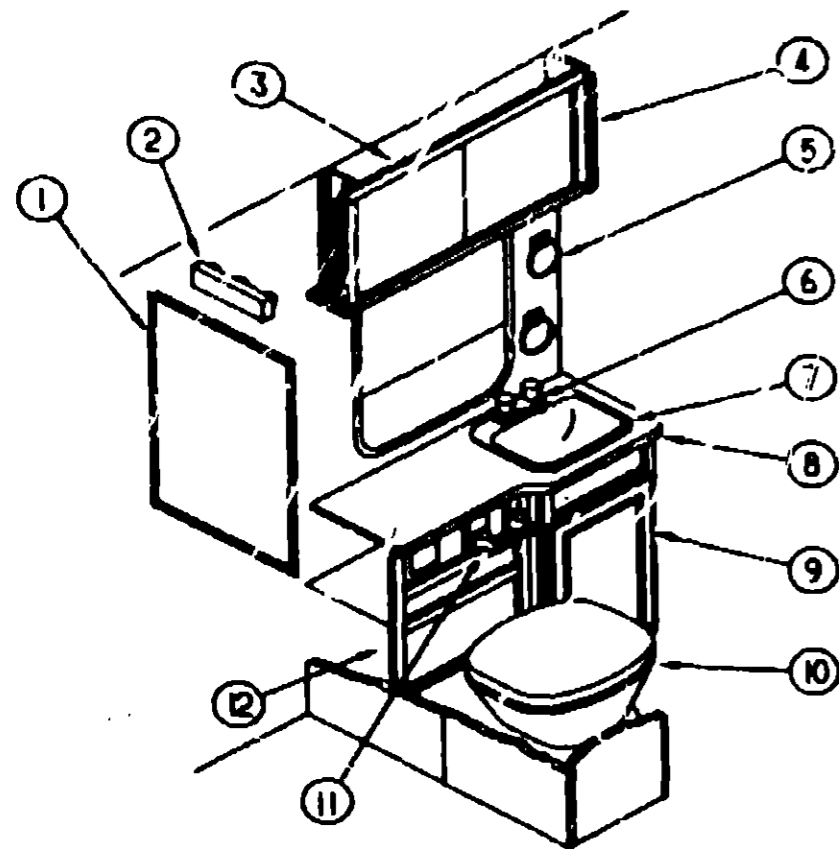
INTRODUCTION	A-01 - A-02
ABBREVIATIONS	A-03
ALPHABETICAL INDEX	A-04 - A-06
ICG34RQ	A-07 - E-18
ICG34RA	E-19 - J-02

1993 ICG34RQ INDEX

FLOOR PLAN	A-07 - A-08
ACCESSORIES	A-09
AUDIO VIDEO	A-10 - A-11
BATH	A-12 - A-14
BEDROOM	A-15 - A-18
CHASSIS	A-19 - B-06
CURTAIN & CUSHION	B-07 - B-17
DINETTE	B-18 - B-20
DRIVERS COMPARTMENT	B-21 - B-24
ELECTRICAL	C-01 - C-06
EXTERIOR BODY	C-07 - C-14
GALLEY	C-15 - C-18
GENERATOR	C-19 - C-20
HEATING & A/C	C-21 - C-24
INTERIOR FINISH	D-01 - D-04
LABELS	D-05 - D-12
LP	D-13
LOUNGE	D-14 - D-16
SEALANTS & FASTENERS	D-17 - D-19
WATER & SEWAGE	D-20 - D-23
WINDOW, VENT &	
EXTERIOR DECOR	D-24 - E-16
VRNDSHIELD & W/PER	E-17 - E-18

BATH GROUP (CONTINUED)

BATH CABINETS, PRIVACY DOOR & SHOWER COMPONENTS



KEY	PART NUMBER	U/M	DESCRIPTION
1	059331-08-000	EA	MIRROR
2	110225-01-01A	EA	LIGHT - 3 BULB
3	101040-03-000	EA	MIRROR - GLASS - FINGER FULL (364.2 X 445.0 MM)
4	104460-01-C07	EA	CABINET ASM - MEDICINE
	042077-01-000	FT	CHANNEL - U - WINDOW GLASS OR CABINET DOOR RUN - 3/16"
	074383-07-000	EA	TRACK - SLIDING DOOR - GOLD
5	075454-02-000	EA	RING-TO-NEL - W/MOUNTING HARDWARE - BRASS
6	075240-06-000	EA	FAUCET - LAVATORY - BONE
7	096927-01-01A	EA	SINK - LAVATORY - RECTANGULAR - PLASTIC - BONE
	096927-01-700	EA	SINK STOPPER
	036927-01-701	EA	TAILPIECE - SINK
	106C17-01-D12	EA	SHELF ASM - BATH (D35)
	105017-01-D36	EA	SHELF ASM - BATH
8	104459-11-D12	EA	COUNTERTOP ASM (D35)
8	104459-11-D36	EA	COUNTERTOP ASM
9	P03702-F0-D35	EA	DOOR ASM - W/O HARDWARE
10	064076-02-000	EA	TOILET - STARLITE - LOW - IVORY THETFORD - W/C WATERSAVER
	039341-02-700	EA	COVER - SEAT - TOILET - IVORY
	039341-02-703	EA	PLUG - HOLE - IVORY
	039341-02-704	EA	SEAT & COVER SET - SL & SH NEWSTYLE
	039341-02-705	EA	MOUNTING PACKAGE - A.M
	039341-02-707	EA	HINGE PIN - TOILET
	064076-01-701	EA	MECHANISM - FLUSHING - IVORY STARLIGHT
11	075452-02-000	EA	HOLDER - TOILET TISSUE - BRASS
12	P04459-01-D35	EA	CABINET ASM - LAVATORY
12	P04459-01-D36	EA	CABINET ASM - LAVATORY
	100494-03-C27	EA	DOOR ASM - BATH
	009151-01-000	EA	WAF.P GUARD - CABINET/PRIVACY DOOR - 18"
	100357-01-000	EA	ROD - TOWEL - BRASS W/ENDS BENT FOR BACK OF BATH DOOR
	102089-11-B25	EA	MOUNT - ROD - RIGHT SIDE - FOR TOWEL RODS - 53.5" LONG - WOOD
	102089-12-B25	EA	MOUNT - ROD - LEFT SIDE - FOR TOWEL RODS - 53.5" LONG - WOOD
	104013-03-D35	EA	DOOR ASM - SLIDING
	103874-01-000	EA	HANGER - SLIDING DOOR
	103908-03-C27	EA	HEADER - SLIDING DOOR
	064467-01-000	EA	GUIDE - POCKET - SLIDING DOOR - WALL MOUNTED
13	104464-01-01A	EA	SURROUND - SHOWER - OFF WHITE
14	103092-01-000	EA	SHOWER HEAD - W/50" HOSE (US)
14	103092-02-000	EA	SHOWER HEAD - W/HOSE (CSA)
	103092-01-700	EA	BRACKET (FOR SHOWER HEAD)
15	104462-01-01A	EA	CADDY - SHOWER - OFF WHITE
16	075241-05-000	EA	FAUCET - SHOWER - BONE
17	M02630-22-C07	EA	SHOWER PAN ASM
	066440-01-000	EA	STRAINER WRUBBER WASHER
	011069-04-000	EA	TAILPIECE - 1 1/2 X 1 1/4 X 8 - BRASS (SHOWER PAN)
	091208-01-000	EA	WASHER - RUBBER - .06" X .75" X .5"
	057671-01-000	EA	COVER - SCREW - #8 - PLASTIC - OFF WHITE

1993 ITASCA TABLE OF CONTENTS

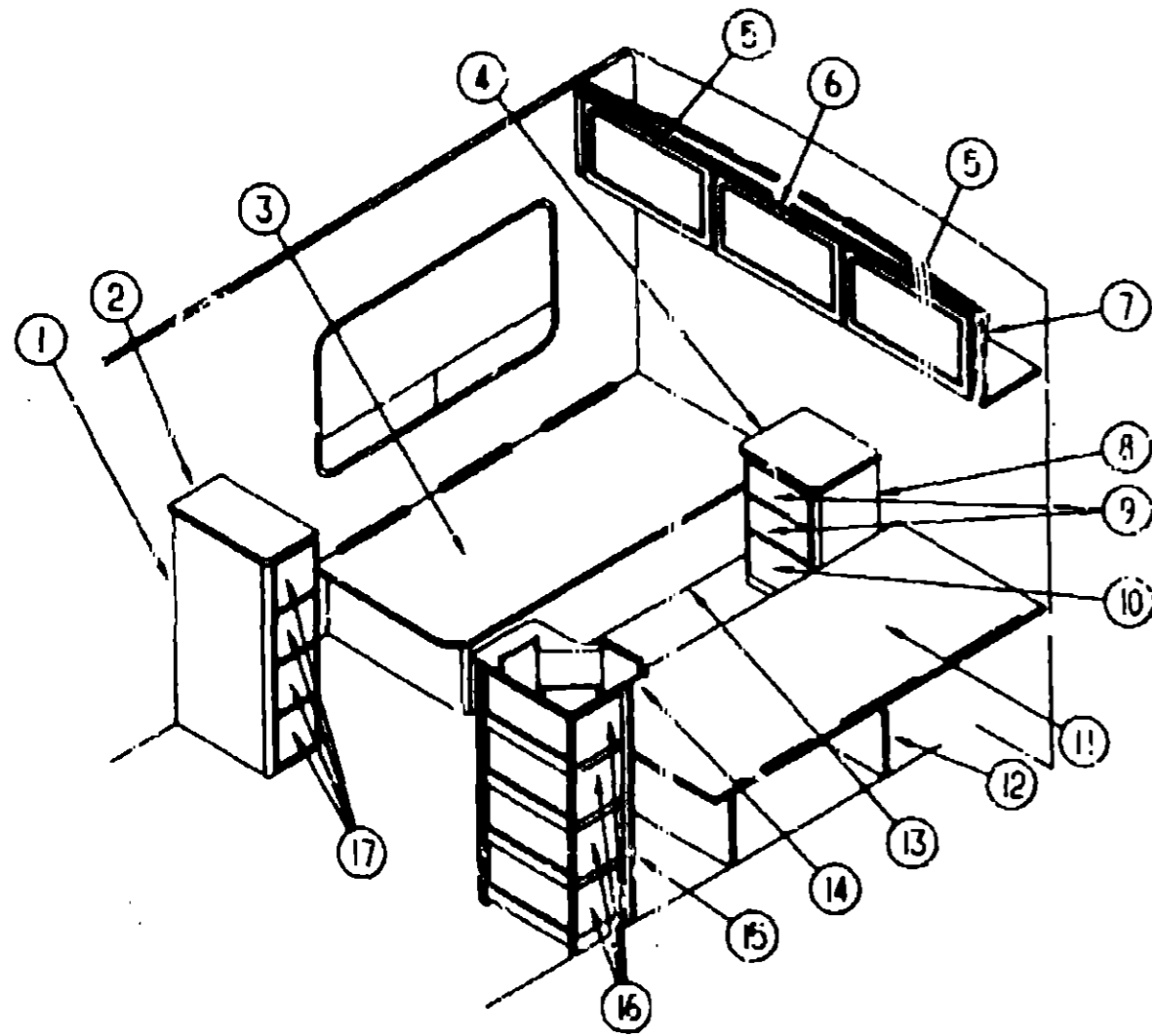
INTRODUCTION	A-01 - A-02
ABBREVIATIONS	A-03
ALPHABETICAL INDEX	A-04 - A-06
ICG34RQ	A-07 - E-18
ICG34RA	E-19 - J-02

1993 ICG34RQ INDEX

FLOOR PLAN	A-07 - A-08
ACCESSORIES	A-09
AUDIO VIDEO	A-10 - A-11
BATH	A-12 - A-14
BEDROOM	A-15 - A-18
CHASSIS	A-19 - B-06
CURTAIN & CUSHION	B-07 - B-17
DINETTE	B-18 - B-20
DRIVERS COMPARTMENT	B-21 - B-24
ELECTRICAL	C-01 - C-08
EXTERIOR BODY	C-07 - C-14
GALLEY	C-15 - C-17
GENERATOR	C-18 - C-20
HEATING & AC	C-21 - C-24
INTERIOR FINISH	D-01 - D-04
LABELS	D-05 - D-12
LP	D-13
LOUNGE	D-14 - D-18
SEALANTS & FASTENERS	D-17 - D-19
WATER & SEWAGE	D-20 - D-23
WINDOW, VENT &	
EXTERIOR DOOR	D-24 - E-18
WINDSHIELD & WIPER	E-17 - E-19

BEDROOM GROUP

TWIN BEDROOM



KEY	PART NUMBER	U/M	DESCRIPTION
1	107583-02-D35	EA	CABINET ASM - CHEST - W/COUNTERTOP - PASSENGER SIDE
1	107563-02-D36	EA	CABINET ASM - CHEST - W/COUNTERTOP - PASSENGER SIDE
2	107583-11-D12	EA	COUNTERTOP ASM. (D35)
2	107563-11-D36	EA	COUNTERTOP ASM.
3	M05193-02-C07	EA	CABINET TOP ASM. - TWIN BED - PASSENGER SIDE
4	104507-11-D12	EA	COUNTERTOP ASM. (D35)
4	104507-11-D36	EA	COUNTERTOP ASM.
5	P03702-12-D35	EA	DOOR ASM - W/O HARDWARE
6	P03702-35-D35	EA	DOOR ASM - W/O HARDWARE
7	M05160-16-D35	EA	CABINET ASM. - OVER HEAD
8	104507-01-D35	EA	CABINET ASM - NIGHTSTAND
8	104507-01-D36	EA	CABINET ASM - NIGHTSTAND
9	P07104-77-D35	EA	DRAWER ASM. - W/O HARDWARE
10	P07104-79-D35	EA	DRAWER ASM. - W/O HARDWARE
11	M05194-02-C07	EA	CABINET TOP ASM. - TWIN BED - DRIVER SIDE
12	M05197-04-C27	EA	CABINET ASM. - TWIN BED BASE - DRIVER SIDE
13	M05197-03-C27	EA	CABINET ASM. - TWIN BED BASE - PASSENGER SIDE
14	104404-11-D12	EA	COUNTERTOP ASM. (D35)
14	104404-11-D36	EA	COUNTERTOP ASM.
15	104404-01-D35	EA	CABINET ASM. - WARDROBE - REAR - DRIVER SIDE
15	104404-01-D36	EA	CABINET ASM. - WARDROBE - REAR - DRIVER SIDE
16	P07104-81-D35	EA	DRAWER ASM. - W/O HARDWARE
17	P07104-75-D35	EA	DRAWER ASM. - W/O HARDWARE

1993 ITASCA TABLE OF CONTENTS

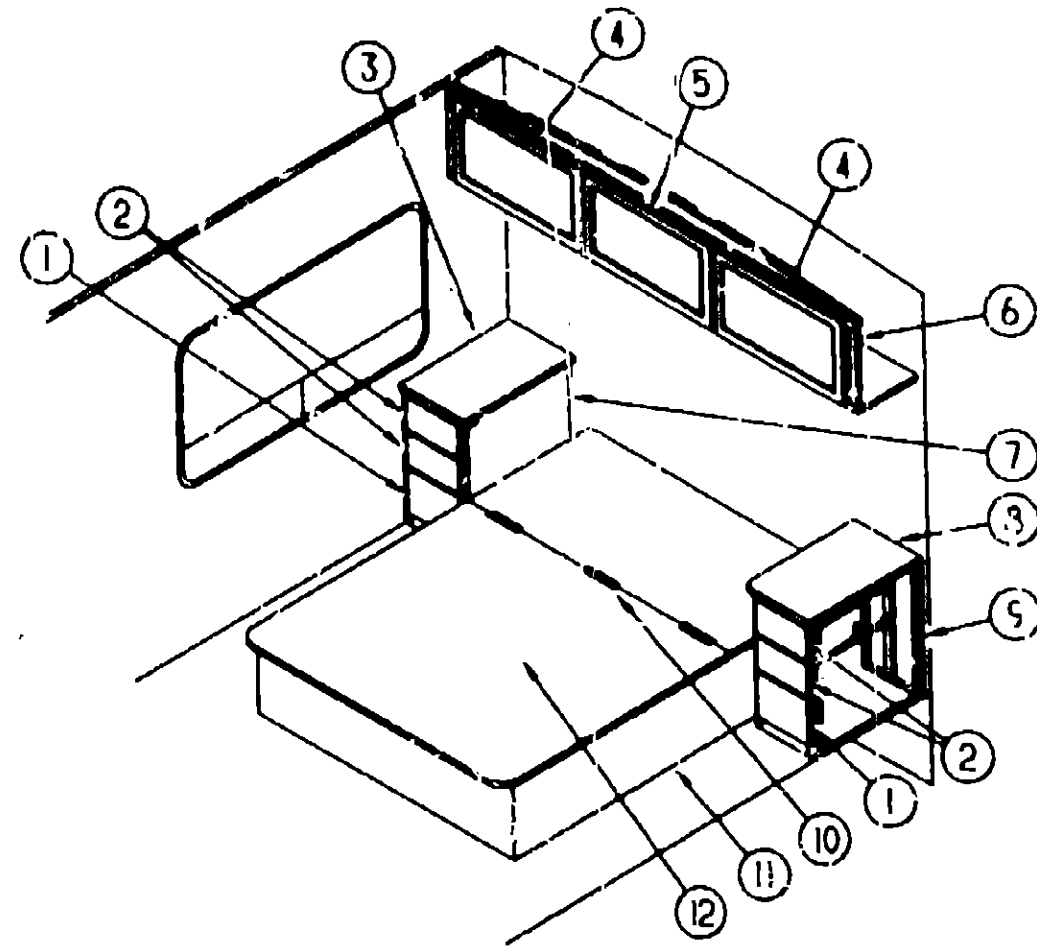
INTRODUCTION	A-01 - A-02
ABBREVIATIONS	A-03
ALPHABETICAL INDEX	A-04 - A-08
ICG34RQ	A-07 - E-18
ICG34RA	F-19 - J-02

1993 ICG34RQ INDEX

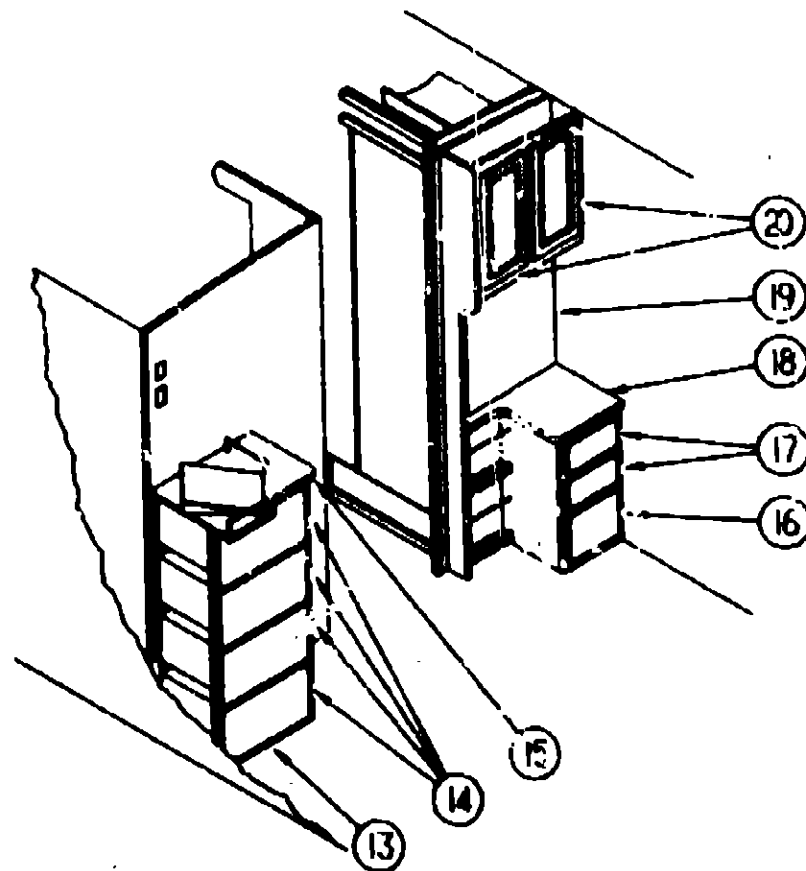
FLOOR PLAN	A-07 - A-08
ACCESSORIES	A-09
AUDIO VIDEO	A-10 - A-11
BATH	A-12 - A-14
BEDROOM	A-15 - A-18
CHASSIS	A-19 - B-06
CURTAIN & CUSHION	B-07 - B-17
DINETTE	B-18 - B-20
DRIVERS COMPARTMENT	B-21 - B-24
ELECTRICAL	C-01 - C-08
EXTERIOR BODY	C-07 - C-14
GALLEY	C-15 - C-18
GENERATOR	C-19 - C-20
HEATING & AC	C-21 - C-24
INTERIOR FINISH	D-01 - D-04
LABELS	D-05 - D-12
LP	D-13
LOUNGE	D-14 - D-16
SEALANTS & FASTENERS	D-17 - D-19
WATER & SEWAGE	D-20 - D-23
WINDOW, VENT & EXTERIOR DOOR	D-24 - E-16
WINDSHIELD & WIPER	E-17 - E-18

BEDROOM GROUP (CONTINUED)

QUEEN BEDROOM



KEY	PART NUMBER	U/M	DESCRIPTION
1	P07104-99-D35	EA	DRAWER ASM - CABINET - W/O HARDWARE
2	P07104-97-D35	EA	DRAWER ASM - CABINET - W/O HARDWARE
3	104361-11-D12	EA	COUNTERTOP /ASM. (D35)
3	104361-11-D36	EA	COUNTERTOP /ASM.
4	P03702-12-D35	EA	DOOR ASM - W/O HARDWARE
5	P03702-65-D35	EA	DOOR ASM - W/O HARDWARE
6	M05160-16-D35	EA	CABINET ASM. - OVER HEAD
7	104361-01-D35	EA	CABINET ASM. - W/COUNTERTOP - NIGHTSTAND
7	104361-01-D36	EA	CABINET ASM. - W/COUNTERTOP - NIGHTSTAND
8	104362-11-D32	EA	COUNTERTOP /ASM. (D35)
8	104362-11-D36	EA	COUNTERTOP /ASM.
9	104362-01-D35	EA	CABINET ASM. - W/COUNTERTOP - NIGHTSTAND (D12)
9	104362-01-D36	EA	CABINET ASM. - W/COUNTERTOP - NIGHTSTAND (D13)
10	M41389-11-000	EA	PIANO HINGE - BEIGE - 55°
11	P09477-01-D35	EA	CABINET ASM. - QUEEN BED - W/O TOP
12	M05905-03-D12	EA	CABINET ASM. - QUEEN BED TOP - COMPLETE WITH HINGE
13	104404-01-D35	EA	CABINET ASM. - WARDROBE - REAR - DRIVER SIDE
13	104404-01-D36	EA	CABINET ASM. - WARDROBE - REAR - DRIVER SIDE
14	P07104-81-D35	EA	DRAWER ASM. - W/O HARDWARE
15	104404-11-D12	EA	COUNTERTOP ASM. (D35)
15	104404-11-D36	EA	COUNTERTOP ASM.
16	P07104-65-D35	EA	DRAWER ASM. - W/O HARDWARE
17	P07104-63-D35	EA	DRAWER ASM. - W/O HARDWARE
18	107261-12-D12	EA	COUNTERTOP ASM. (D35)
18	107261-12-D36	EA	COUNTERTOP ASM.
19	P07261-01-D35	EA	CABINET ASM. - W/COUNTERTOP - VANITY
19	P07261-01-D36	EA	CABINET ASM. - W/COUNTERTOP - VANITY
20	P03702-32-D35	EA	DOOR ASM - W/O HARDWARE
	107540-01-000	EA	BRACKET - 90° - GAS SPRING
	107541-01-000	EA	BRACKET - FLAT - GAS SPRING



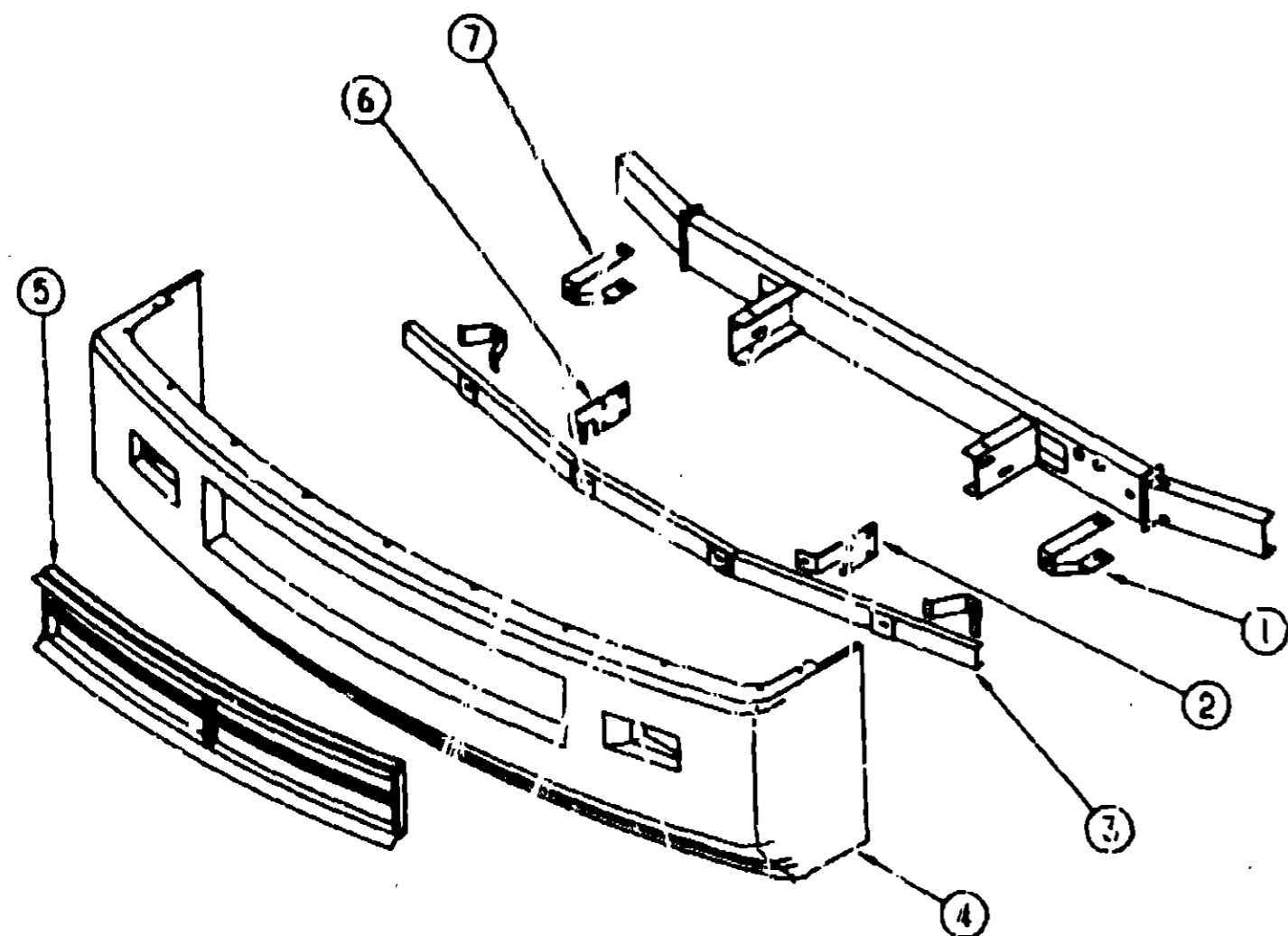
1993 (TASCA) TABLE OF CONTENTS

INTRODUCTION	A-01 - A-02
ABBREVIATIONS	A-03
ALPHABETICAL INDEX	A-04 - A-06
ICG34RQ	A-07 - E-18
ICG34RA	E-19 - J-02

1993 ICG34RQ INDEX

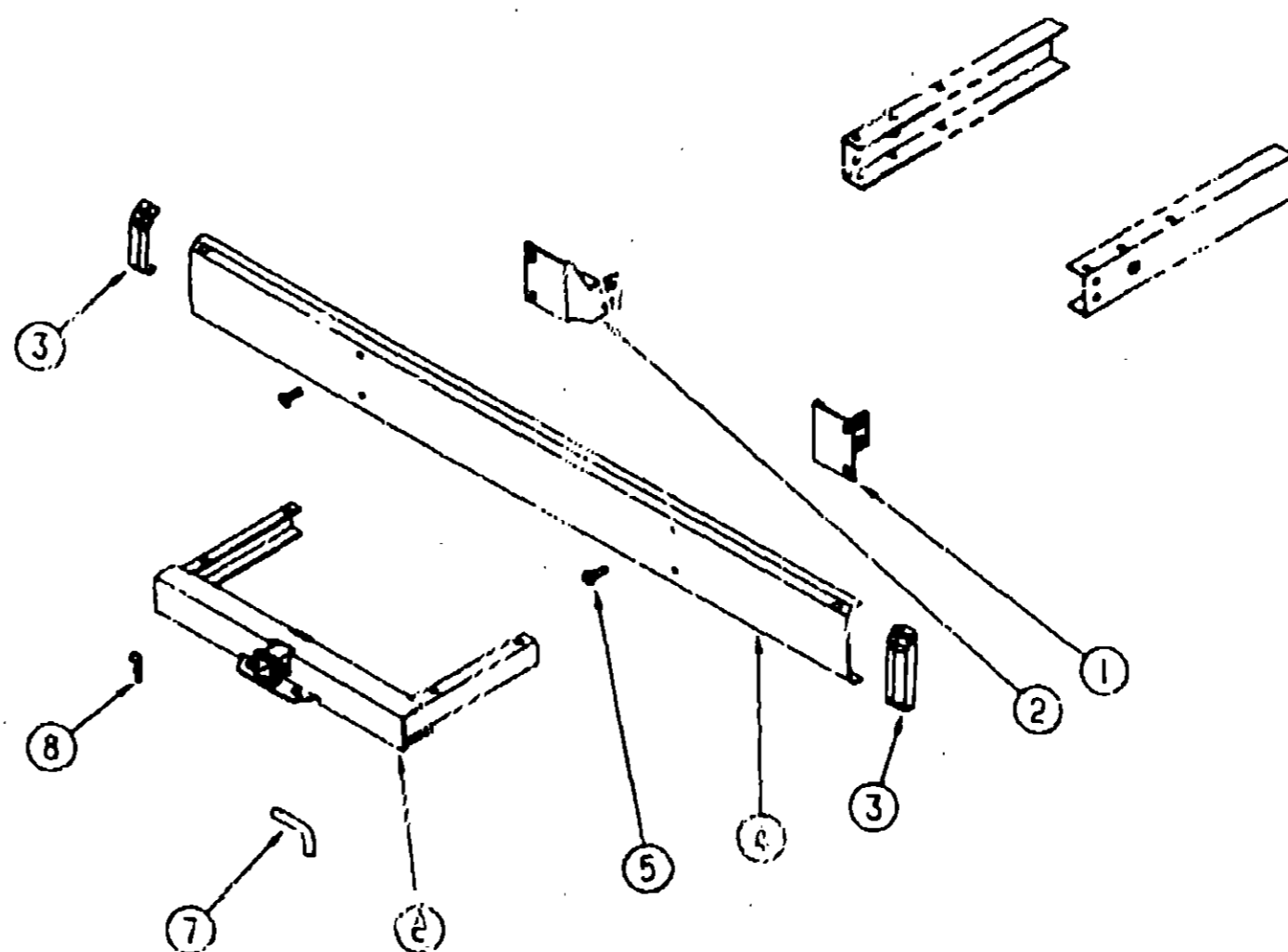
FLOOR PLAN	A-07 - A-08
ACCESSORIES	A-09
AUDIO VIDEO	A-10 - A-11
BATH	A-12 - A-14
BEDROOM	A-15 - A-18
CHASSIS	A-19 - B-06
CURTAIN & CUSHION	B-07 - B-17
DINETTE	B-18 - B-20
DRIVERS COMPARTMENT	B-21 - B-24
ELECTRICAL	C-01 - C-06
EXTERIOR BODY	C-07 - C-14
GALLEY	C-15 - C-18
GENERATOR	C-19 - C-20
HEATING & AC	C-21 - C-24
INTERIOR FINISH	D-01 - D-04
LABELS	D-05 - D-12
LP	D-13
LOUNGE	D-14 - D-16
SEALANTS & FASTENERS	D-17 - D-19
WATER & SEWAGE	D-20 - D-23
WINDOW, VENT & EXTERIOR DOOR	D-24 - E-16
WINDSHIELD & WIPER	E-17 - E-18

CHASSIS GROUP



FRONT BUMPER

CHASSIS GROUP (CONTINUED)



REAR BUMPER

**1993 ITASCA
TABLE OF CONTENTS**

INTRODUCTION	A-01 - A-02
ABBREVIATIONS	A-03
ALPHABETICAL INDEX	A-04 - A-06
ICG34RQ	A-07 - E-18
ICG34RA	E-19 - J-02

1993 ICG34RQ INDEX

FLOOR PLAN	A-07 - A-08
ACCESSORIES	A-09
AUDIO VIDEO	A-10 - A-11
BATH	A-12 - A-14
BEDROOM	A-15 - A-18
CHASSIS	A-19 - B-06
CURTAIN & CUSHION	B-07 - B-17
DINETTE	B-18 - B-20
DRIVERS COMPARTMENT	B-21 - B-24
ELECTRICAL	C-01 - C-06
EXTERIOR BODY	C-07 - C-14
GALLEY	C-15 - C-18
GENERATOR	C-19 - C-20
HEATING & AC	C-21 - C-24
INTERIOR FINISH	D-01 - D-04
LABELS	D-05 - D-12
LP	D-13
LOUNGE	D-14 - D-16
SEALANTS & FASTENERS	D-17 - D-19
WATER & SEWAGE	D-20 - D-23
WINDOW, VENT & EXTERIOR DOOR	D-24 - E-16
WINDSHIELD & WIPER	E-17 - E-18

KEY	PART NUMBER	U/M	DESCRIPTION
1	103611-01-000	EA	BRACE - BUMPER - FRONT
2	088140-04-000	EA	SUPPORT - FRONT BUMPER - DRIVER SIDE - 9.1" X 4" - STEEL
3	103512-01-000	EA	CHANNEL ASM - BUMPER
4	104681-01-D12	EA	BUMPER PANEL ASM - FRONT
5	104318-02-C07	EA	GRILL ASM.
6	088140-03-000	EA	SUPPORT - FRONT BUMPER - PASSENGER SIDE - 9.1" X 4" - STEEL
7	103497-01-000	EA	BRACE - BUMPER - FRONT
	100005-01-01A	EA	TRIM - BUMPER END CAP - DRIVER/PASSENGER SIDE

KEY	PART NUMBER	U/M	DESCRIPTION
1	104418-01-000	EA	ANGLE - SUPPORT - BUMPER REAR
2	104418-02-000	EA	ANGLE - SUPPORT - BUMPER REAR
3	103228-01-000A	EA	END CAP - BUMPER REAR - ASH GRAY
4	103009-01-01A	EA	REAR BUMPER - ASH GRAY
5	102330-01-02A	EA	BOLT - 7/16"
6	077617-01-000	EA	FITCH ASM.
7	014512-01-000	EA	PIN
8	037513-01-000	EA	PIN - 3/16" WIRE

CHASSIS GROUP (CONTINUED)

COMPARTMENTS & TRAYS

KEY	PART NUMBER	U/M DESCRIPTION
	092887-01-000	EA HATCH - COMPARTMENT - SEWER HOSE - 6"
	092887-03-000	EA CAP - TWIST HATCH - SEWER HOSE - 4" ID - BEIGE
	092887-04-000	EA CHAIN - TWIST CAP - 9"
	093287-03-01A	EA NET - CARGO
	094657-02-000	EA TRAY - GENERATOR - 22.5" X 30.4" X 6.9" W/ANGLE & NUTS
	104742-01-C07	EA STORAGE COMPARTMENT ASM.
	065450-05-000	EA TIEDOWN-BATTERY - 8.4" TUBE
	104897-01-01A	EA BOX - ENTERTAINMENT CENTER - OFF WHITE (US)
	104897-03-01A	EA BOX - ENTERTAINMENT CENTER - OFF WHITE (CSA)
	104898-01-01A	EA PLATE - PLASTIC BOTTOM - OFF WHITE (CSA)
	104898-02-01A	EA PLATE - PLASTIC BOTTOM - OFF WHITE (US)
	055374-01-000	EA WHEELWELL - PLASTIC
	017518-01-000	EA FLAP - MUD - 14" X 18" - BLACK
	020167-04-000	EA GUARD - DIRT
	020167-05-000	EA GUARD - DIRT
	104899-01-D04	EA PLATE - RADIO MOUNTING
	105230-11-D05	EA SHELF ASM
	105230-12-D09	EA SUPPORT ASM
	105376-01-02A	EA HINGE - CONTIN - 2"X140MM OFF WHITE
	105377-01-01A	EA BRACKET - TABLE HANGER OFF WHITE

FROM: 00-00-00 THRU: 08-26-92
FROM: 08-27-92 THRU: 99-99-99

STEP ASSEMBLIES

KEY	PART NUMBER	U/M DESCRIPTION	
	094707-01-01A	EA STEP - DOUBLE - ELECTRIC	KWIKEE 3218
	041250-01-000	EA SWITCH - PUSH BUTTON - IN DOOR JAMB - METAL - CHROME	
	094707-02-700	EA MOTOR REPLACEMENT KIT - MODELS 32 & 28	KWIKEE 3520
	094707-02-701	EA LINKAGE ASM - MODEL 32	KWIKEE 9523
	094707-02-702	EA GEAR KIT	KWIKEE 9525
	094707-02-703	EA PARTS KIT - (BEARINGS & PINS)	KWIKEE 9530
	094707-02-704	EA CONNECTOR KIT - MOTOR	KWIKEE 9537
	094707-02-705	EA CONTROL UNIT - (ORANGE)	KWIKEE 9513
	100312-01-000	EA SWITCH - DOOR JAMB - ELECTRIC ENTRY STEP - METAL	
	077843-01-000	EA STEP-PULLOUT - W/BRACKETS - BLACK	

HYDRAULIC LEVELING SYSTEM

KEY	PART NUMBER	U/M DESCRIPTION	
	100532-02-000	EA LEVELING SYSTEM - HYDRAULIC	HWH AP8156
	100533-05-000	EA BRACKETS - FRONT LEVELING JACK	HWH AP7107
	100534-05-000	EA BRACKETS - REAR - LEVELING JACK	HWH AP6556
	100534-08-000	EA BRACKETS - REAR LEVELING JACK	HWH AP0215
	100536-11-000	EA HOSE KIT - HWH AP0013	

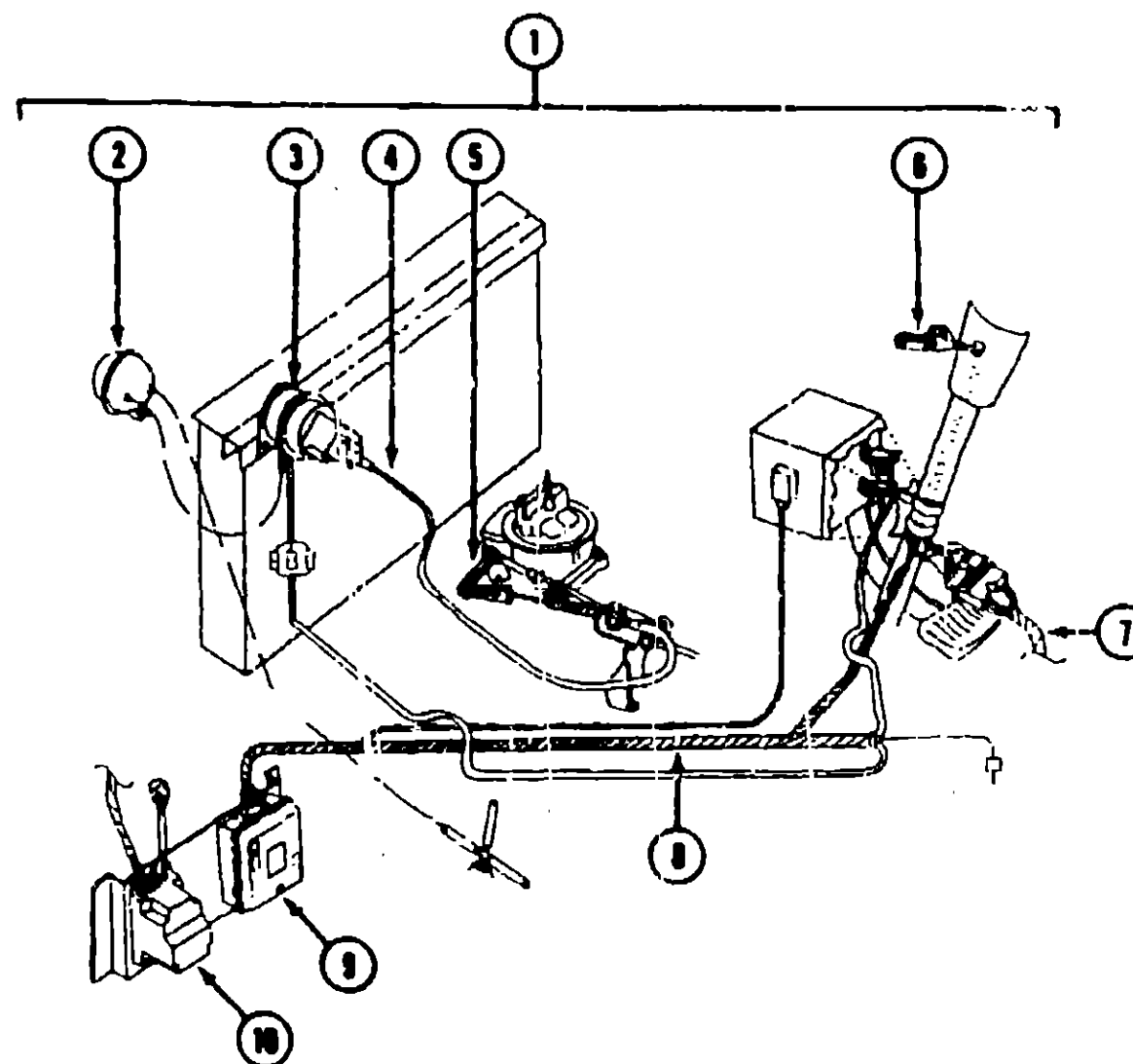
GAS SHOCKS (CHEVY)

KEY	PART NUMBER	U/M DESCRIPTION	
	104893-01-079	EA SHOCK ABSORBER - GAS - P30 FRONT	BILSTEIN B46-1173
	100332-01-000	EA PLATE - VALVE - AIR SPRING	

HYDRAULIC LEVELING SYSTEM (FORD)

KEY	PART NUMBER	U/M DESCRIPTION	
	100532-02-000	EA LEVELING SYSTEM-HYDRAULIC	AP8156
	100533-08-000	EA BRACKETS-FRONT LEVELING JACK	AP7160
	100534-06-000	EA BRACKETS-REAR LEVELING JACK	AP6957
	100536-11-000	EA HOSE KIT	AP0013

CHASSIS GROUP (CONTINUED)



SPEED CONTROL (CHEVY)

KEY	PART NUMBER	U/M DESCRIPTION	
1	102362-01-000	EA SPEED CONTROL	DANA 58L-111010B FROM: 00-00-00 THRU: 10-01-82
1	102362-04-000	EA SPEED CONTROL	DANA 58L-111022-B FROM: 10-02-82 THRU: 99-99-99
2	094369-01-705	EA VACUUM RESERVOIR	DANA 59C-02249
3	094369-01-706	EA SERVO	DANA 53D-11116-R
4	102362-01-700	EA SERVO CALLE	DANA 59C-03001
5	102362-01-706	EA THROTTLE SERVO	DANA 59A-02979
6	102362-01-707	EA SWITCH & LEVER - CONTROL	DANA 53C-08X63-F
7	102362-01-703	EA HARNESS - PIVOT SW TO WIPER CONTROL	DANA 59C-02973
8	102362-01-704	EA HARNESS - MAIN WIRING	DANA 59C-02975
9	102362-01-701	EA REGULATOR - ELECTRONIC	DANA 57C-08X13-R
10	091900-01-702	EA WIPER CONTROL MODULE	DANA 59C-00061
	094863-01-704	EA HOUSING - 4 PIN	DANA 59C-02291
	102362-01-705	EA CLIP - THROTTLE RETAINER	DANA 56A-02821

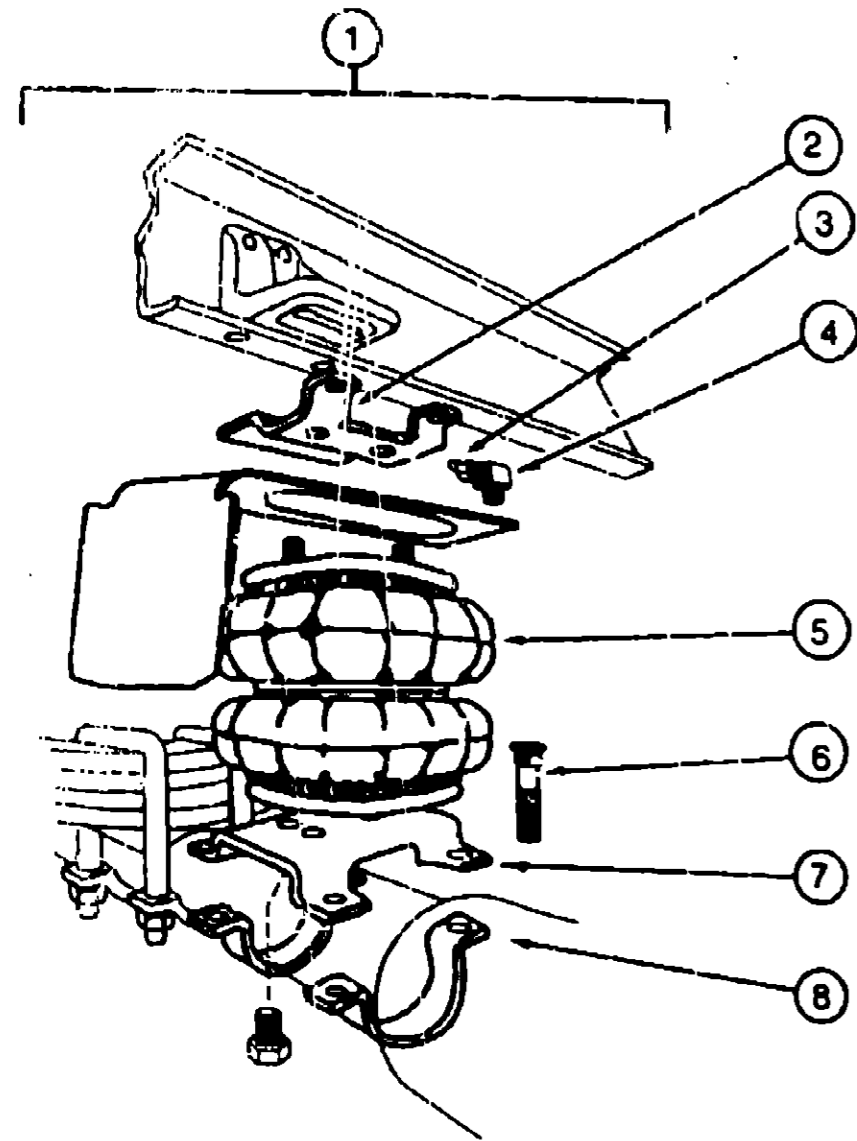
**1993 ITASCA
TABLE OF CONTENTS**

INTRODUCTION	A-01 - A-02
ABBREVIATIONS	A-03
ALPHABETICAL INDEX	A-04 - A-06
ICG34RQ	A-07 - E-18
ICG34RA	E-19 - J-02

1993 ICG34RQ INDEX

FLOOR PLAN	A-07 - A-08
ACCESSORIES	A-09
AUDIO VIDEO	A-10 - A-11
BATH	A-12 - A-14
BEDROOM	A-15 - A-18
CHASSIS	A-19 - B-06
CURTAIN & CUSHION	B-07 - B-17
DINETTE	B-18 - B-20
DRIVERS COMPARTMENT	B-21 - B-24
ELECTRICAL	C-01 - C-06
EXTERIOR BODY	C-07 - C-14
GALLEY	C-15 - C-18
GENERATOR	C-19 - C-20
HEATING & A/C	C-21 - C-24
INTERIOR FINISH	D-01 - D-04
LABELS	D-05 - D-12
LP	D-13
LOUNGE	D-14 - D-16
SEALANTS & FASTENERS	D-17 - D-19
WATER & SEWAGE	D-20 - D-23
WINDOW, VENT & EXTERIOR DOOR	D-24 - E-18
WINDSHIELD & WIPER	E-17 - E-18

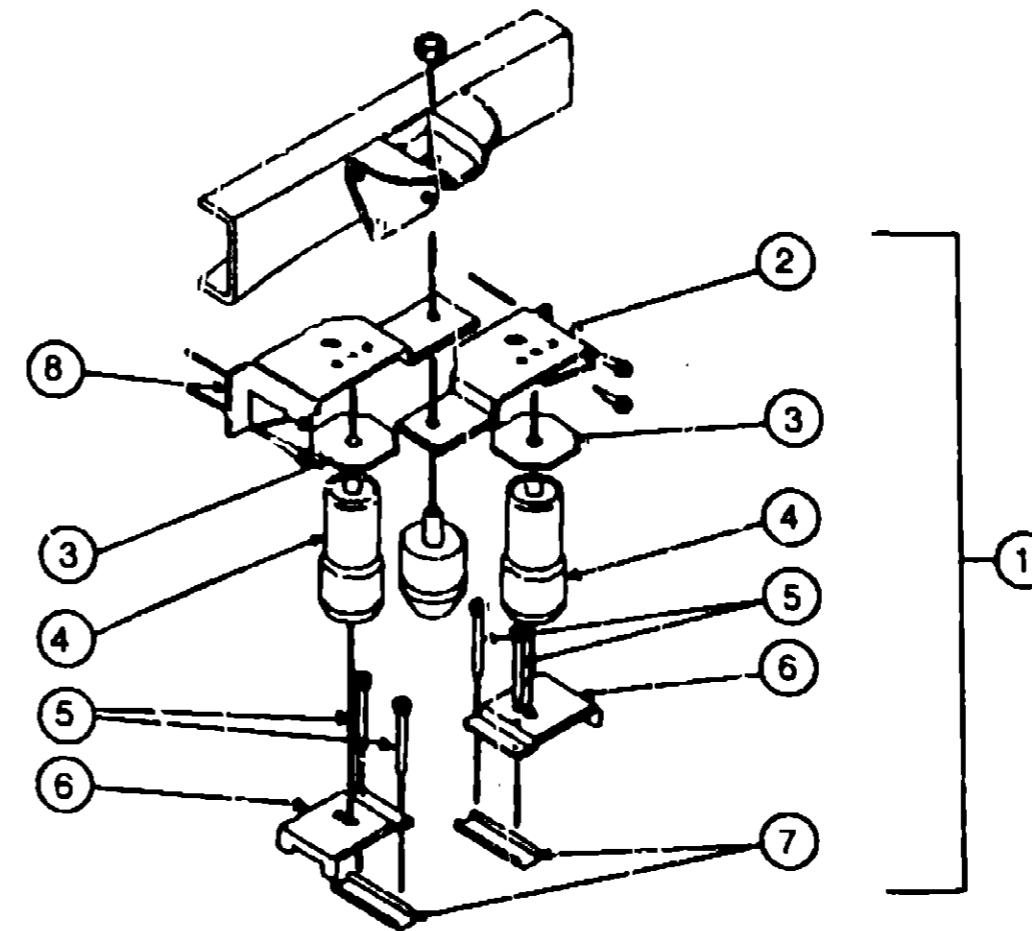
CHASSIS GROUP (CONTINUED)



REAR AXLE AIRSPRING, CHEVY (FIRESTONE) (FROM: 01-00-00 THRU: 09-29-92)

KEY	PART NUMBER	U/M DESCRIPTION	
1	084086-01-700	EA BELLOW AIRSPRING ASM. - REAR AXLE	WBA-89 OE
2	084086-01-706	EA BRACKET - UPPER TO FRAME	21-0150
3	084086-01-701	EA TUBING - DOT 1/4" X 18"	21-0938
4	084086-01-704	EA CONNECTOR - ELBOW	21-0935
5	084086-01-700	EA BELLOWS - AIRSPRING - AIR BAG ONLY	W21-760-0335
6	084086-01-702	EA BOLT - RIBBED NECK - 3/8"-24 X 2.5"	21-0829
7	084086-01-707	EA BRACKET - LOWER - TOP	21-1162
8	084086-01-713	EA BRACKET - AXLE STRAP	21-1163
	100332-01-000	EA PLATE - VALVE - AIR SPRING	
	084086-01-708	EA AIR LINE SERVICE KIT	W21-760-2012
	084086-01-709	EA SHIELD - HEAT - 224 CR SYSTEM	21-1004
	084086-01-703	EA VALVE - INFLATING - DOT 1/4 TUBING	21-0931
	084086-01-705	EA PROTECTORS - TUBING	21-0899

CHASSIS GROUP (CONTINUED)



REAR AXLE AIRSPRING, CHEVY (RIDE RITE) (FROM: 10-02-92 THRU: 99-99-99)

KEY	PART NUMBER	U/M DESCRIPTION	
1	084086-05-000	EA AIRSPRING - RIDE RITE KIT	W217602075
2	084086-05-701	EA UPPER BRACKET "A"	5097
3	084086-05-707	EA SUPPORT PLATE	5099
4	084086-05-700	EA BELLOWS ONLY (AIR BAG)	7012
5	084086-05-705	EA CARRIAGE BOLT 3/8" 16X4 1/2"	21-0899
6	084086-05-703	EA LOWER BRACKET	5058
7	084086-05-704	EA UPPER BRACKET "B"	5006
8	084086-05-702	EA INFLATION VALVE	5096
	084086-01-701	EA TUBING - DOT 1/4" X 18"	3032
			21-0938

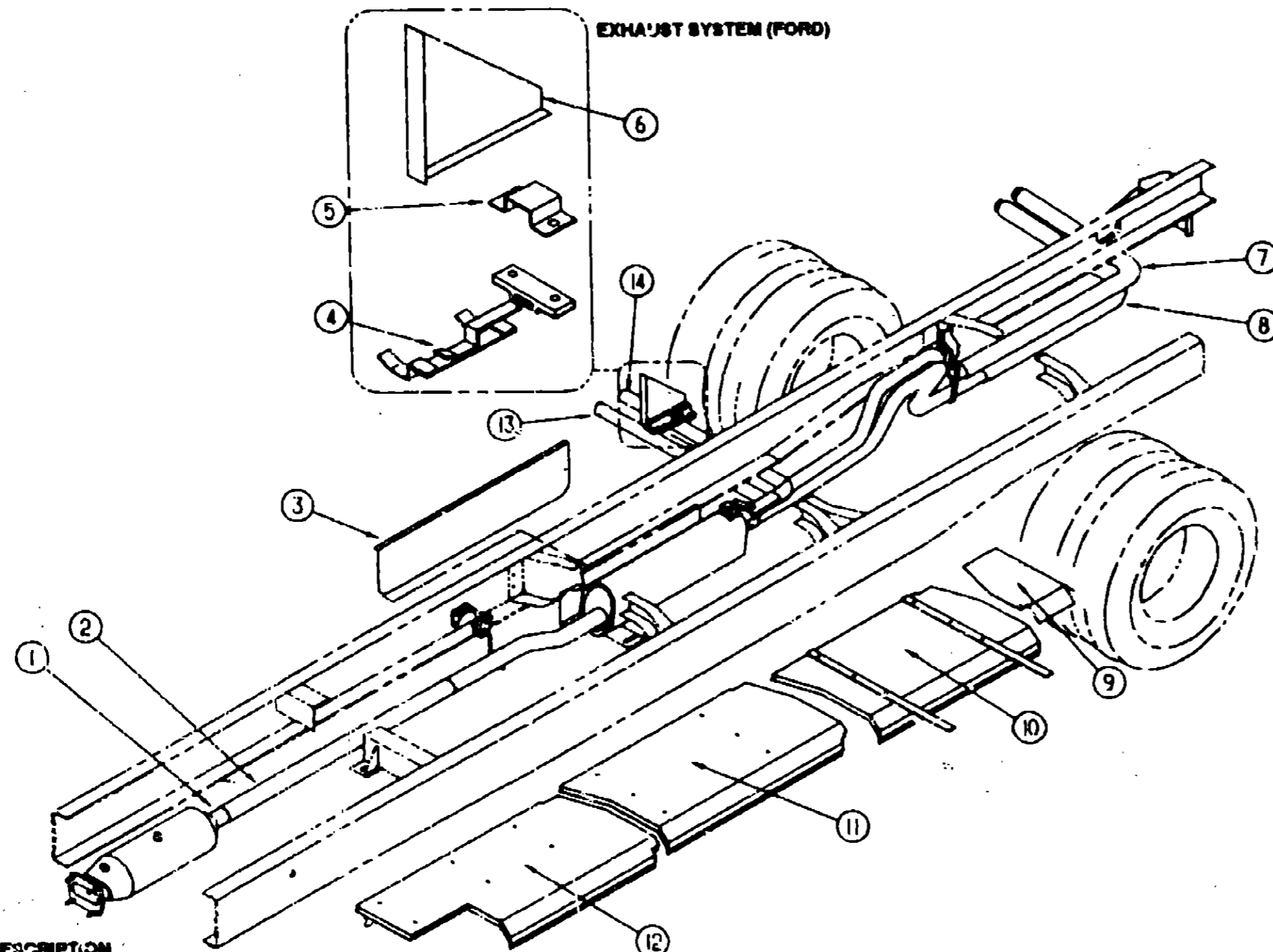
1993 ITASCA
TABLE OF CONTENTS

INTRODUCTION	A-01 - A-02
ABBREVIATIONS	A-03
ALPHABETICAL INDEX	A-04 - A-06
ICG34RQ	A-07 - E-18
ICG34RA	E-19 - J-02

1993 ICG34RQ INDEX

FLOOR PLAN	A-07 - A-08
ACCESSORIES	A-09
AUDIO VIDEO	A-10 - A-11
BATH	A-12 - A-14
BEDROOM	A-15 - A-18
CHASSIS	A-19 - B-06
CURTAIN & CUSHION	B-07 - B-17
DINETTE	B-18 - B-20
DRIVERS COMPARTMENT	B-21 - B-24
ELECTRICAL	C-01 - C-06
EXTERIOR BODY	C-07 - C-14
GALLEY	C-15 - C-18
GENERATOR	C-19 - C-20
HEATING & A/C	C-21 - C-24
INTERIOR FINISH	D-01 - D-04
LABELS	D-05 - D-12
LP	D-13
LOUNGE	D-14 - D-16
SEALANTS & FASTENERS	D-17 - D-19
WATER & SEWAGE	D-20 - D-23
WINDOW, VENT &	
EXTERIOR DOOR	D-24 - E-16
WINDSHIELD & WIPER	E-17 - E-18

CHASSIS GROUP (CONTINUED)



1993 ITA3CA TABLE OF CONTENTS

INTRODUCTION	A-01 - A-02
ABBREVIATIONS	A-03
ALPHABETICAL INDEX	A-04 - A-06
ICG34RQ	A-07 - E-18
ICG34RA	E-19 - J-02

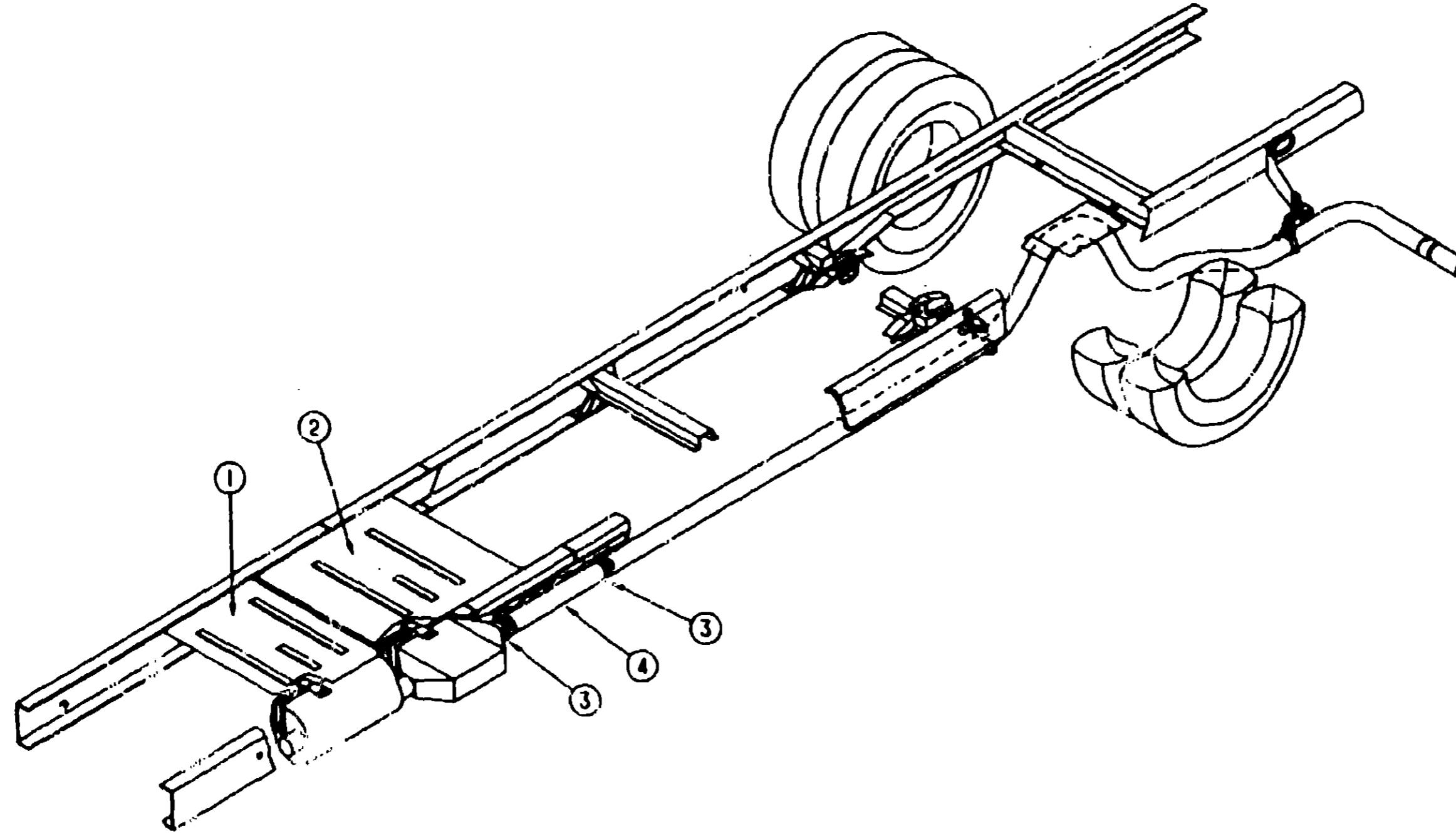
1993 ICG34RQ INDEX

FLOOR PLAN	A-07 - A-08
ACCESSORIES	A-09
AUDIO VIDEO	A-10 - A-11
BATH	A-12 - A-14
BEDROOM	A-15 - A-18
CHASSIS	A-19 - B-06
CURTAIN & CUSHION	B-07 - B-17
DINETTE	B-18 - B-20
DRIVERS COMPARTMENT	B-21 - B-23
ELECTRICAL	C-01 - C-08
EXTERIOR BODY	C-07 - C-14
GALLEY	C-15 - C-18
GENERATOR	C-19 - C-20
HEATING & A/C	C-21 - C-24
INTERIOR FINISH	D-01 - D-04
LABELS	D-05 - D-12
LP	D-13
LOUNGE	D-14 - D-18
SEALANTS & FASTENERS	D-17 - D-19
WATER & SEWAGE	D-20 - D-23
WINDOW, VENT & EXTERIOR DOOR	D-24 - E-16
WINDSHIELD & WIPER	E-17 - E-18

KEY	PART NUMBER	UNIT DESCRIPTION
1	094918-03-000	EA CLAMP - EXHAUST PIPE - 2.5"
2	098753-03-000	EA PIPE - EXHAUST - OFFSET - 15.2" LONG - 2.5" ID
3	109778-01-000	EA SHIELD - HEAT - LP
4	107387-01-000	EA HANGER ASM - EXHAUST
	098055-02-000	EA SUPPORT - EXHAUST PIPE - 1" X 15.8"
	007125-07-000	EA CLAMP - MUFFLER - 2.5" DIAMETER
5	095193-01-000	EA HANGER - EXHAUST - 4" X 1.4"
5	096207-04-000	EA SUPPORT ASM - EXHAUST
6	102117-03-000	EA HANGER ASM-TAILPIPE
	007125-11-000	EA CLAMP - MUFFLER - 2.75" DIAMETER
7	108577-02-000	EA TAIL PIPE - EXHAUST
8	108577-01-000	EA TAIL PIPE - EXHAUST
9	097430-01-000	EA SHIELD - EXHAUST - REAR - 14" X 19.1" - FROM EDGE TO BEND
10	098795-02-000	EA SHIELD - EXHAUST 15.67" X 35.59"
11	098796-03-000	EA SHIELD - EXHAUST - GALVANIZED STEEL
12	068736-02-000	EA SHIELD - EXHAUST - CONVERTER
		FROM: 00-00-00 THRU: 02-14-93
12	098735-07-000	EA SHIELD - EXHAUST - CONVERTER
		FROM: 02-15-93 THRU: 99-99-99
13	107755-01-000	EA TAIL PIPE - EXHAUST
14	107755-02-000	EA TAIL PIPE - EXHAUST
	098054-01-000	EA SUPPORT - EXHAUST PIPE - BENT - 2.5" X .8" - STEEL
	098443-03-000	EA SUPPORT - SHIELD - EXHAUST - 1.5" X 26.2" - STEEL - PRIMED

CHASSIS GROUP (CONTINUED)

EXHAUST SYSTEM (CHRYSLER)



KEY	PART NUMBER	ITEM DESCRIPTION
1	101544-01-000	EA SHIELD - HEAT - EXHAUST - 19.7" X 28.9" - STEEL
2	101544-02-000	EA SHIELD - HEAT - EXHAUST - 30" X 28.9" - STEEL
3	094918-01-000	EA CLAMP - EXHAUST - 3"
4	098782-06-000	EA PIPE - EXHAUST - STRAIGHT
	098782-05-200	EA PIPE - EXHAUST - STRAIGHT 3 0"

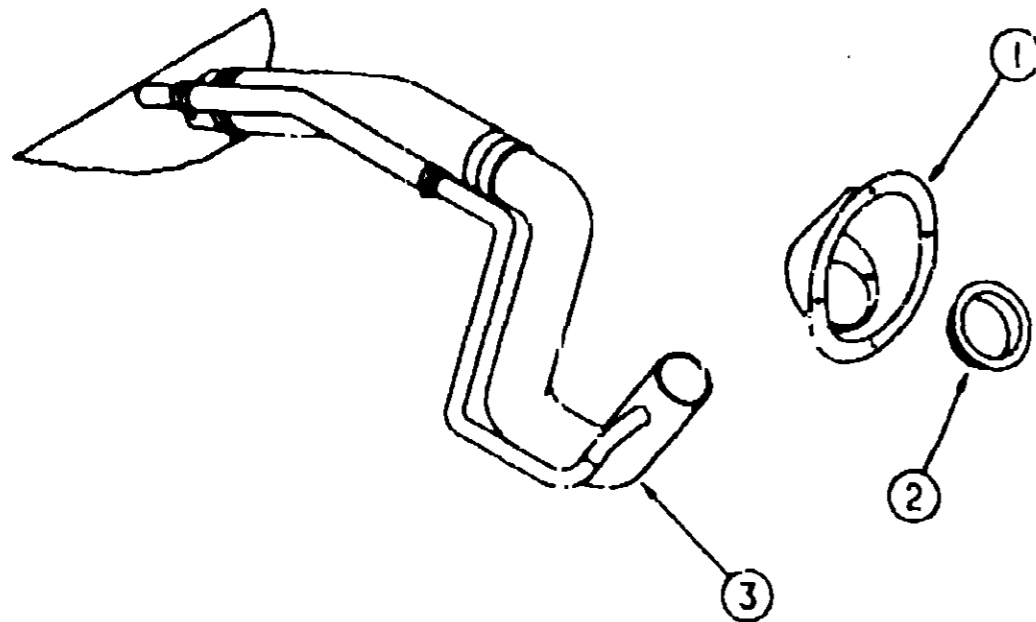
1983 ITASCA TABLE OF CONTENTS

INTRODUCTION	A-01 - A-02
ABBREVIATIONS	A-03
ALPHABETICAL INDEX	A-04 - A-06
ICG34RD	A-07 - E-18
ICG34FA	E-19 - J-02

1983 ICG34RD INDEX

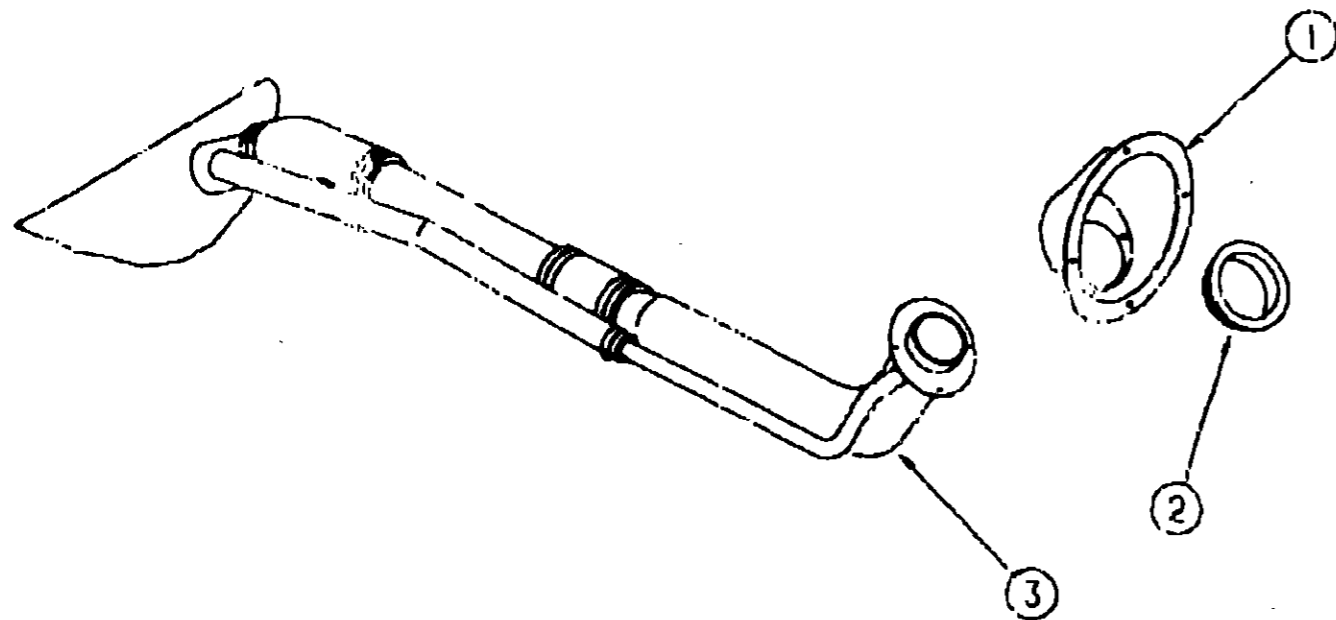
FLOOR PLAN	A-07 - A-08
ACCESSORIES	A-09
AUDIO VIDEO	A-10 - A-11
BATH	A-12 - A-14
BEDROOM	A-15 - A-18
CHASSIS	A-19 - B-06
CURTAIN & CUSHION	B-07 - B-17
DINETTE	B-18 - B-20
DRIVERS COMPARTMENT	B-21 - B-24
ELECTRICAL	C-01 - C-06
EXTERIOR BODY	C-07 - C-14
GALLEY	C-15 - C-18
GENERATOR	C-19 - C-20
HEATING & A/C	C-21 - C-24
INTERIOR FINISH	D-01 - D-04
LABELS	D-05 - D-12
LP	D-13
LOUNGE	D-14 - D-16
SEALANTS & FASTENERS	D-17 - D-19
WATER & SEWAGE	D-20 - D-23
WINDOW, VENT & EXTERIOR DOOR	D-24 - E-15
WINDSHIELD & WIPER	E-17 - E-18

CHASSIS GROUP (CONTINUED)



FUEL SYSTEM (FORD)

KEY	PART NUMBER	U/M DESCRIPTION
1	102251-01-04A	EA SHROUD - FUEL FILL - ASH GRAY
2	078200-01-000	EA GASKET - FUEL FILL - 3.5"OD X 2"ID
3	087807-01-000	EA NECK ASM - FUEL FILL
	007083-01-000	FT HOSE - GAS 1/4"ID X 1/2"OD
	075488-01-000	EA UNION - INVERTED FLARE TUBE - 1/4"
	075487-01-000	EA NUT - INVERTED FLARE - 1/4"
	084884-01-000	EA PLUG - BRASS - 3/8"



FUEL SYSTEM (CHEVY)

KEY	PART NUMBER	U/M DESCRIPTION
1	102861-01-04A	EA SHROUD - FUEL FILL - ASH GRAY
2	078200-01-000	EA GASKET - FUEL FILL - 3.5"OD X 2"ID
3	087298-02-000	EA NECK ASM - FUEL FILL
	007083-01-000	FT HOSE - GAS 1/4"ID X 1/2"OD
	075488-01-000	EA UNION - INVERTED FL TUBE - 1/4"
	075487-01-000	EA NUT - INVERTED FLARE - 1/4"
	084884-01-000	EA PLUG - BRASS - 3/8"
	074800-18-000	EA TUBE - EXTENSION - MAIN FUEL

CHASSIS GROUP (CONTINUED)

TIRE & WHEEL HARDWARE (FORD)

KEY	PART NUMBER	U/M DESCRIPTION
	077030-02-000	EA EXTENSION-VALVE STEM - 1.25"
	091209-08-000	EA WHEEL LINER SET W/FRONT HUB COVER 16" (SET OF 4)
	091209-08-700	EA LINER - WHEEL - FRONT - 16" KAPER
	091209-08-701	EA LINER - WHEEL - REAR - 16" KAPER
	091209-06-702	EA COVER - AXLE - FRONT - 16" KAPER
	091209-08-703	EA COVER - AXLE - REAR - 16" KAPER
	091209-08-704	EA COVER - LUG NUT - 16" KAPER
	091209-08-700	EA LINER - WHEEL - 16" FRONT W/AXLE COVER - 10 LUG
	091209-08-701	EA LINER - WHEEL - 16" REAR - 10 LUG
	091209-03-702	EA COVER - AXLE - 16" REAR
	091209-01-704	EA COVER - LUG NUT
	035012-03-000	EA EXTENSION - VALVE STEM - (DUAL WHEEL
	095012-04-000	EA STABILIZER - VALVE EXTENSION
	M00080-60-000	EA FORD TIRE & WHEEL
	051377-05-000	EA VALVE STEM ASM-VS938
	083425-02-000	EA TIRE-MICHELIN - LT235/85R16 LRE
	083425-05-000	EA TIRE-MICHELIN - LT235/85R16 LRE - XPS RIB
	098532-01-000	EA WHEEL-STEEL - 16" X 6K - ESTZ - 1015 - A
	098532-01-000	EA COVER - WHEEL - FORD - 16" - SET OF 4
	098532-01-700	EA COVER - LUG NUT - CHROME
	098532-01-701	EA COVER - WHEEL - 16" - (EACH=1 ONLY)

TIRE & WHEEL HARDWARE (CHEVY)

KEY	PART NUMBER	U/M DESCRIPTION
	091209-01-000	EA LINER - WHEEL - 19.5" - 9ST - SET OF 4 - KAPER 11154-K/IN
	091209-01-700	EA LINER - WHEEL - 19.5" FRONT - 10 LUG - CHEVY P-30
	091209-01-701	EA LINER - WHEEL - 19.5" REAR - 10 LUG - CHEVY P-30
	091209-01-702	EA COVER - AXLE - 19.5" FRONT - 10 LUG - CHEVY P-30
	091209-01-703	EA COVER - AXLE - 19.5" REAR - 10 LUG - CHEVY P-30
	091209-01-704	EA COVER - LUG NUT
	077030-02-000	EA EXTENSION - VALVE STEM - 1.25"
	035012-03-000	EA EXTENSION - VALVE STEM - DUAL WHEEL
	095012-04-000	EA STABILIZER - VALVE EXTENSION D/COR AG-STA-2
	033181-03-000	EA WHEEL COVER - 4/SET 19.5 IN.
	083181-03-700	EA COVER - WHEEL - 19.5 - 10 LUG - CHEVY - 1 ONLY FROM: 00-00-00 THRU: 06-20-92
	083181-12-000	EA RETAINER - WHEEL COVER - 19.5" CHEVY - SET OF 4 - DELMET FROM: 00-00-00 THRU: 06-20-92
	083181-12-700	EA RETAINER - WHEEL COVER - FRONT - 19.5 CHEVY - DELMET FROM: 00-00-00 THRU: 06-20-92
	083181-12-701	EA RETAINER - WHEEL COVER - REAR - 19.5 CHEVY - DELMET FROM: 00-00-00 THRU: 06-20-92
	109443-01-000	EA WHEEL - COVER 4/SET 19.5 W/HDW FROM: 06-21-92 THRU: 99-99-99
	109443-01-700	EA WHEEL - COVER 19.5 - 1EA = 1 ONLY - FRONT & REAR FROM: 06-21-92 THRU: 99-99-99
	109443-01-701	EA SET - BRACKET - 1 FRONT WHEEL FROM: 06-21-92 THRU: 99-99-99
	109443-01-702	EA SET - BRACKET - 1 REAR WHEEL FROM: 06-21-92 THRU: 99-99-99
	109443-01-703	EA CAP - CENTER - HUB FROM: 06-21-92 THRU: 99-99-99
	M00080-31-000	EA TIRE & VALVE STEM
	007324-04-000	EA TIRE - BR19.5 LPD - MICHELIN XZA
	051377-01-000	EA STEM - VALVE - TR 500

**1993 ITASCA
TABLE OF CONTENTS**

INTRODUCTION	A-01 - A-02
ABBREVIATIONS	A-03
ALPHABETICAL INDEX	A-04 - A-05
ICG34RQ	A-07 - E-18
ICG34RA	E-19 - J-02

1993 ICG34RQ INDEX

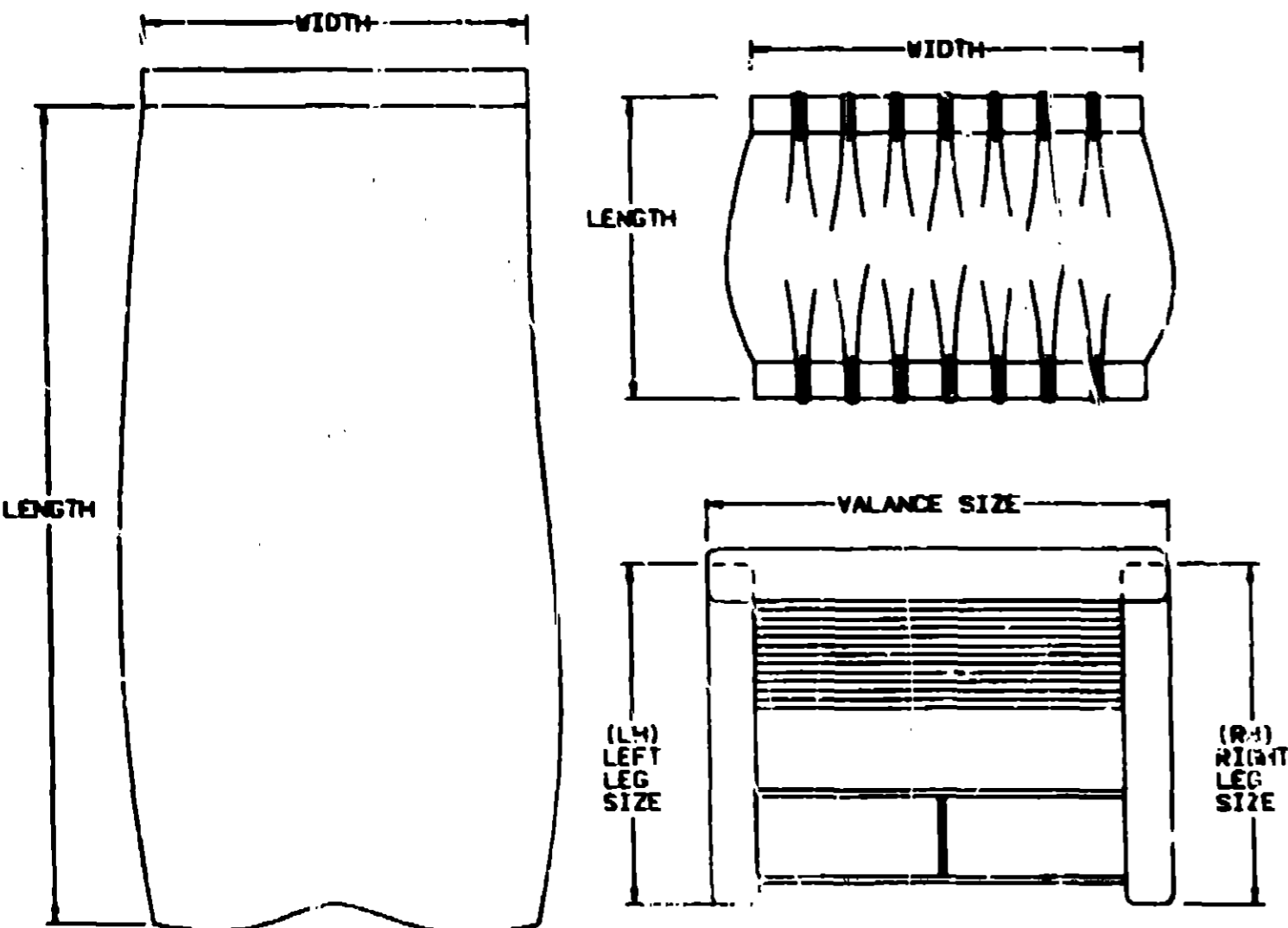
FLOOR PLAN	A-07 - A-08
ACCESSORIES	A-09
AUDIO VIDEO	A-10 - A-11
BATH	A-12 - A-14
BEDROOM	A-15 - A-18
CHASSIS	A-19 - B-08
CURTAIN & CUSHION	B-07 - B-17
DINETTE	B-18 - B-20
DRIVERS COMPARTMENT	B-21 - B-24
ELECTRICAL	C-01 - C-08
EXTERIOR BODY	C-07 - C-14
GALLEY	C-15 - C-18
GENERATOR	C-19 - C-20
HEATING & A/C	C-21 - C-24
INTERIOR FINISH	D-01 - D-04
LABELS	D-05 - D-12
LP	D-13
LOUNGE	D-14 - D-15
SEALANTS & FASTENERS	D-17 - D-19
WATER & SEWAGE	D-20 - D-23
WINDOW, VENT &	
EXTERIOR DOOR	D-24 - E-18
WINDSHIELD & WIPER	E-17 - E-18

CURTAIN & CUSHION GROUP

NOTICE

IN ORDER TO ASSIST OUR PARTS SALES DEPT. IN PROVIDING INTERIOR SOFTWOODS ITEMS, PLEASE INCLUDE THE SERIAL NUMBER AND THE COLOR CODE NUMBER FROM THE VEHICLE CERTIFICATION LABEL WHEN ORDERING. THIS LABEL IS LOCATED ON THE LEFT SIDE WALL AT THE END OF THE DASH (A-BODY), OR ON THE DRIVER'S DOOR LATCH PLATE (C-BODY).

AN EXAMPLE OF A COLOR CODE NUMBER IS B07, WHICH DESIGNATES AN OVERALL COLOR SCHEME OF A PARTICULAR UNIT. THE COLOR LISTED AFTER THE ITEM DESCRIPTION ON THE MICROFICHE, INDICATES THE OVERALL UNIT COLOR. ORDER THE ITEM YOU DESIRE ACCORDING TO UNIT COLOR CODE.



NOTE: USE THIS ILLUSTRATION WHEN DETERMINING LENGTH AND WIDTH MEASUREMENTS FOR CURTAINS. YOU WILL NOTE THE WIDTH MEASUREMENT IS TAKEN ON THE TOP OF THE CURTAIN WITH THE CURTAIN FULLY EXTENDED. THE LENGTH MEASUREMENT IS TAKEN FROM TOP TO BOTTOM. LEFT AND RIGHT WINDOW LEGS ARE DETERMINED WHEN FACING THE WINDOW.

CURTAIN & CUSHION GROUP (CONTINUED)

FABRIC & TRIM

KEY	PART NUMBER	UNIT DESCRIPTION
	072333-02-000	YD FABRIC - CURTAIN - 54" WIDE - BEIGE
	072333-08-000	YD FABRIC - DRAPERY - GALAXY ANTIQUE
	075244-06-000	YD FABRIC - VINYL - SHOWER CURTAIN - 72" WIDE - TEAL (D35)
	075244-07-000	YD FABRIC - VINYL - SHOWER CURTAIN - 72" WIDE - EGGPLANT (D36)
	088351-03-000	YD VINYL - CEILING - DIAMOND DESIGN - 54" WIDE
	103807-01-01A	YD FABRIC - VINYL - 54" WIDE - OFF WHITE
	103807-01-02A	YD VINYL - EXPANDED MADRID GRAY - 25 OZ. 54" X ROLL
	078880-07-000	YD FABRIC - VINYL - 54" WIDE - BEIGE
	078341-01-BC4	YD WELT / ASM - ACCENT (D35)
	078341-01-D36	YD WELT / ASM - ACCENT
	078341-01-D38	YD WELT / ASM - NARROW - ACCENT (D35)
	078348-04-D36	YD WELT / ASM - NARROW - ACCENT
	105745-19-000	YD FABRIC - BEDSPREAD - MAIN - JILLIAN - WOODROSE (D35)
	105745-22-000	YD FABRIC - BEDSPREAD - MAIN - PRINCETON - 25 MCKINSTONE (D36)
	088273-66-000	YD FABRIC - BEDSPREAD - ACCENT - MECHELLE - GREEN MIST (D35)
	105745-13-000	YD FABRIC - BEDSPREAD - ACCENT - MECHELLE - BERRY (D36)
	104233-30-000	YD FABRIC - UPHOLSTERY - PLAIN ACCENT (BUCKET SEAT) (D35)
	104233-9C-000	YD FABRIC - UPHOLSTERY - PLAIN ACCENT (BUCKET SEAT) (D36)
	104233-84-000	YD FABRIC - UPHOLSTERY - PATTERN ACCENT (MAP POCKET) (D35)
	104233-89-000	YD FABRIC - UPHOLSTERY - PATTERN ACCENT (MAP POCKET) (D36)
	104233-83-000	YD FABRIC - UPHOLSTERY - MAIN (DINETTE SEAT) (D35)
	081008-88-000	YD FABRIC - UPHOLSTERY - MAIN (DINETTE SEAT) (D36)
	057534-01-000	EA TIEBACK/TIEDOWN - BEIGE CURTAIN/DOOR - 6" - PLASTIC - CLEAR
	087272-01-000	YD DRAPERY LINING - 48" - IVORY
		FROM: 00-00-00 THRU: 09-30-02
	017272-03-000	YD DRAPERY LINING - 54" - IVORY - ROCKLAND MILLS
		FROM: 10-01-00 THRU: 03-30-00
	084415-45-000	YD BRAID TRIM - CURTAIN - TEAL (D35)
	084415-45-000	YD BRAID TRIM - CURTAIN - PLUM (D36)

**1983 ITASCA
TABLE OF CONTENTS**

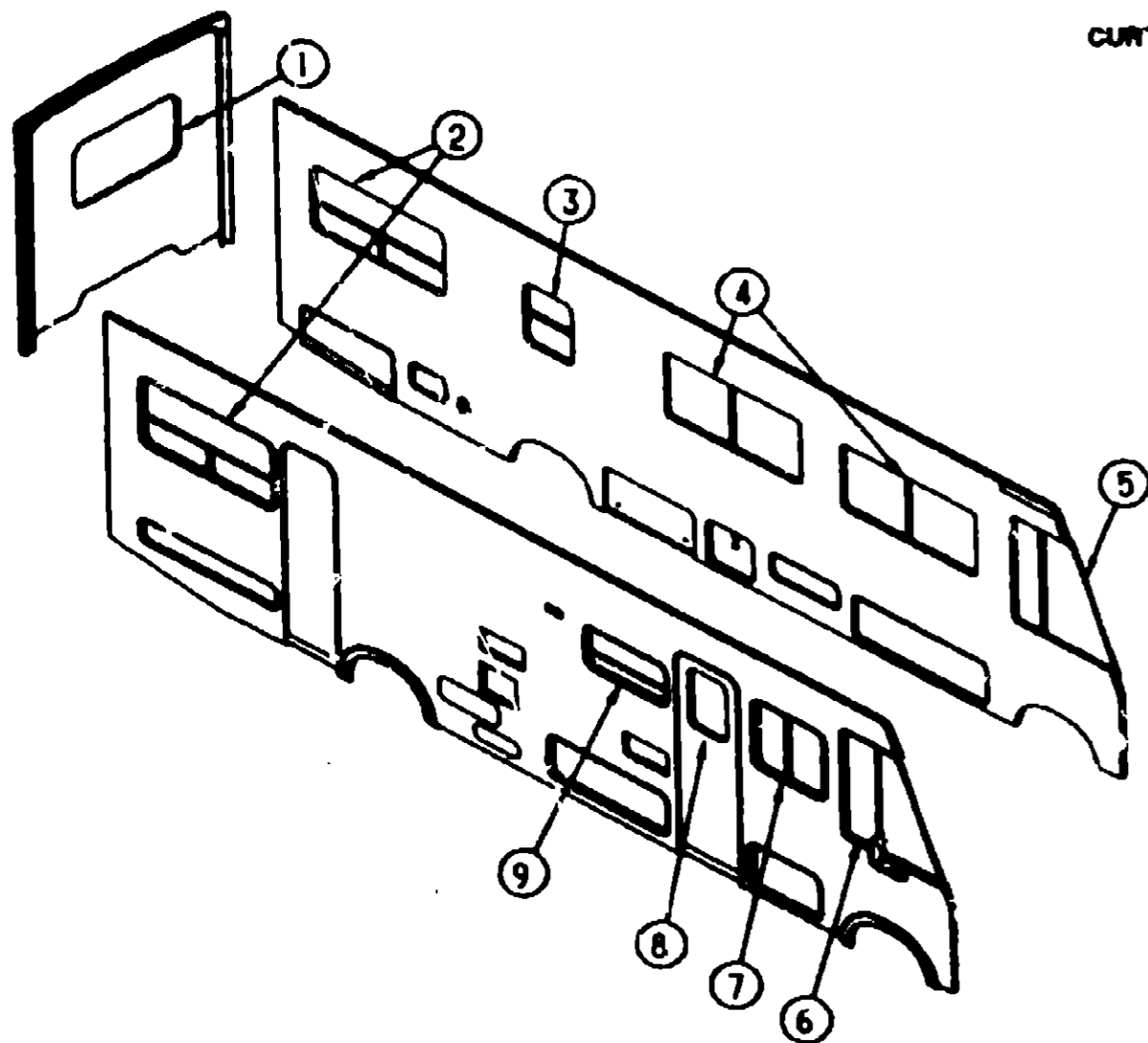
INTRODUCTION	A-01 - A-02
ABBREVIATIONS	A-03
ALPHABETICAL INDEX	A-04 - A-08
ICG34RQ	A-07 - E-18
ICG34RA	E-19 - J-02

1983 ICG34RQ INDEX

FLOOR PLAN	A-07 - A-08
ACCESSORIES	A-09
AUDIO VIDEO	A-10 - A-11
BATH	A-12 - A-14
BEDROOM	A-15 - A-18
CHASSIS	A-19 - B-08
CURTAIN & CUSHION	B-07 - B-17
DINETTE	B-18 - B-20
DRIVERS COMPARTMENT	B-21 - B-24
ELECTRICAL	C-01 - C-06
EXTERIOR BODY	C-07 - C-14
GALLEY	C-15 - C-18
GENERATOR	C-19 - C-20
HEATING & A/C	C-21 - C-24
INTERIOR FINISH	D-01 - D-04
LABELS	D-05 - D-12
LP	D-13
LOUNGE	D-14 - D-16
SEALANTS & FASTENERS	D-17 - D-19
WATER & SEWAGE	D-20 - D-23
WINDOW, VENT & EXTERIOR DOOR	D-24 - E-16
WINDSHIELD & WIPER	E-17 - E-18

CURTAIN & CUSHION GROUP (CONTINUED)

CURTAINS & WINDOW TREATMENT



KEY	PART NUMBER	U/M DESCRIPTION	
1	107786-07-D35	EA VALANCE ASM - 52" TWIST	
1	107786-07-D36	EA VALANCE ASM - 53" TWIST	
1	093475-05-01A	EA BLIND - MINI - 47.5" X 29" DROP (D35,D36)	
1	100281-82-D35	EA LEG - RIGHT - PLAIN - NO HOLE	
1	100281-82-D36	EA LEG - RIGHT - PLAIN - NO HOLE	
1	100281-17-D36	EA LEG - RIGHT - PLAIN - NO HOLE	FROM: 00-00-00 THRU: 07-12-92
1	100281-43-D35	EA LEG - LEFT - PLAIN - NO HOLE	FROM: 07-13-92 THRU: 99-99-99
1	100281-43-D36	EA LEG - LEFT - PLAIN - NO HOLE	
1	100281-18-D36	EA LEG - LEFT - PLAIN - NO HOLE	FROM: 00-00-00 THRU: 07-12-92
1	100281-20-D36	EA LEG - LEFT - PLAIN - WHOLE	FROM: 07-13-92 THRU: 99-99-99
2	107786-08-D35	EA VALANCE ASM - 58" TWIST	FROM: 00-00-00 THRU: 08-02-92
2	107786-08-D36	EA VALANCE ASM - 58" TWIST	FROM: 00-00-00 THRU: 08-02-92
2	107786-12-D35	EA VALANCE ASM - 58" TWIST	FROM: 08-03-92 THRU: 99-99-99
2	107786-12-D36	EA VALANCE ASM - 58" TWIST	FROM: 08-03-92 THRU: 99-99-99
2	093475-06-01A	EA BLIND - MINI - 51" X 30" DROP (D35,D36)	FROM: 00-00-00 THRU: 08-02-92
2	108041-06-01A	EA BLIND - MINI - 51" X 30" DROP (D35,D36)	FROM: 08-03-92 THRU: 99-99-99

KEY	PART NUMBER	U/M DESCRIPTION	
2	109234-01-D35	EA LEG - RIGHT - 31.5" - PLAIN - WHOLE	
2	109234-01-D36	EA LEG - RIGHT - 31.5" - PLAIN - WHOLE	FROM: 00-00-00 THRU: 07-12-92
2	100281-19-D36	EA LEG - RIGHT - 31.5" - PLAIN - WHOLE	FROM: 07-13-92 THRU: 99-99-99
2	109234-02-D35	EA LEG - LEFT - 31.5" - PLAIN - WHOLE	
2	109234-02-D36	EA LEG - LEFT - 31.5" - PLAIN - WHOLE	FROM: 00-00-00 THRU: 07-12-92
2	100281-20-D36	EA LEG - LEFT - 31.5" - PLAIN - WHOLE	FROM: 07-13-92 THRU: 99-99-99
3	093475-87-04A	EA MINI BLIND - 24"X29" DROP	
4	105906-01-04A	EA BLIND - WOVEN WOOD - 64"X31" (D35)	
4	105906-01-04A	EA BLIND - WOVEN WOOD - 64"X31" (D36)	FROM: 00-00-00 THRU: 07-12-92
4	105906-03-04A	EA BLIND - WOVEN WOOD - 64"X31" (D36)	FROM: 07-13-92 THRU: 99-99-99
5	101668-35-D12	EA CURTAIN ASM. - 48"X80" - DRIVER SIDE - TAPE TOP (D35)	
5	101668-35-D36	EA CURTAIN ASM. - 48"X80" - DRIVER SIDE - TAPE TOP	
6	101668-34-D12	EA CURTAIN ASM. - 48"X80" - PASSENGER SIDE - TAPE TOP (D35)	
6	101668-34-D36	EA CURTAIN ASM. - 48"X80" - PASSENGER SIDE - TAPE TOP	
6	073260-42-D10	EA TIEBACK ASM. - 6"X18" (D35)	
6	073260-42-D36	EA TIEBACK ASM. - 6"X18"	
7	105906-02-03A	EA BLIND - WOVEN WOOD - 34"X31" (D35)	
7	105906-02-04A	EA BLIND - WOVEN WOOD - 34"X31" (D36)	FROM: 00-00-00 THRU: 07-12-92
7	105906-04-04A	EA BLIND - WOVEN WOOD - 34"X31" (D36)	FROM: 07-13-92 THRU: 99-99-99
8	084755-57-DA4	EA PULL SHADE ASM - 27.25"	FROM: 00-00-00 THRU: 01-03-93
8	084755-57-DA5	EA PULL SHADE ASM - 27.25"	FROM: 01-04-93 THRU: 99-99-99
9	093475-86-04A	EA MINI BLIND - 38"X18.5" DROP	
	084481-25-D35	EA CURTAIN ASM. - SHOWER - 67" X 38"	
	084481-25-D36	EA CURTAIN ASM. - SHOWER - 67" X 38"	

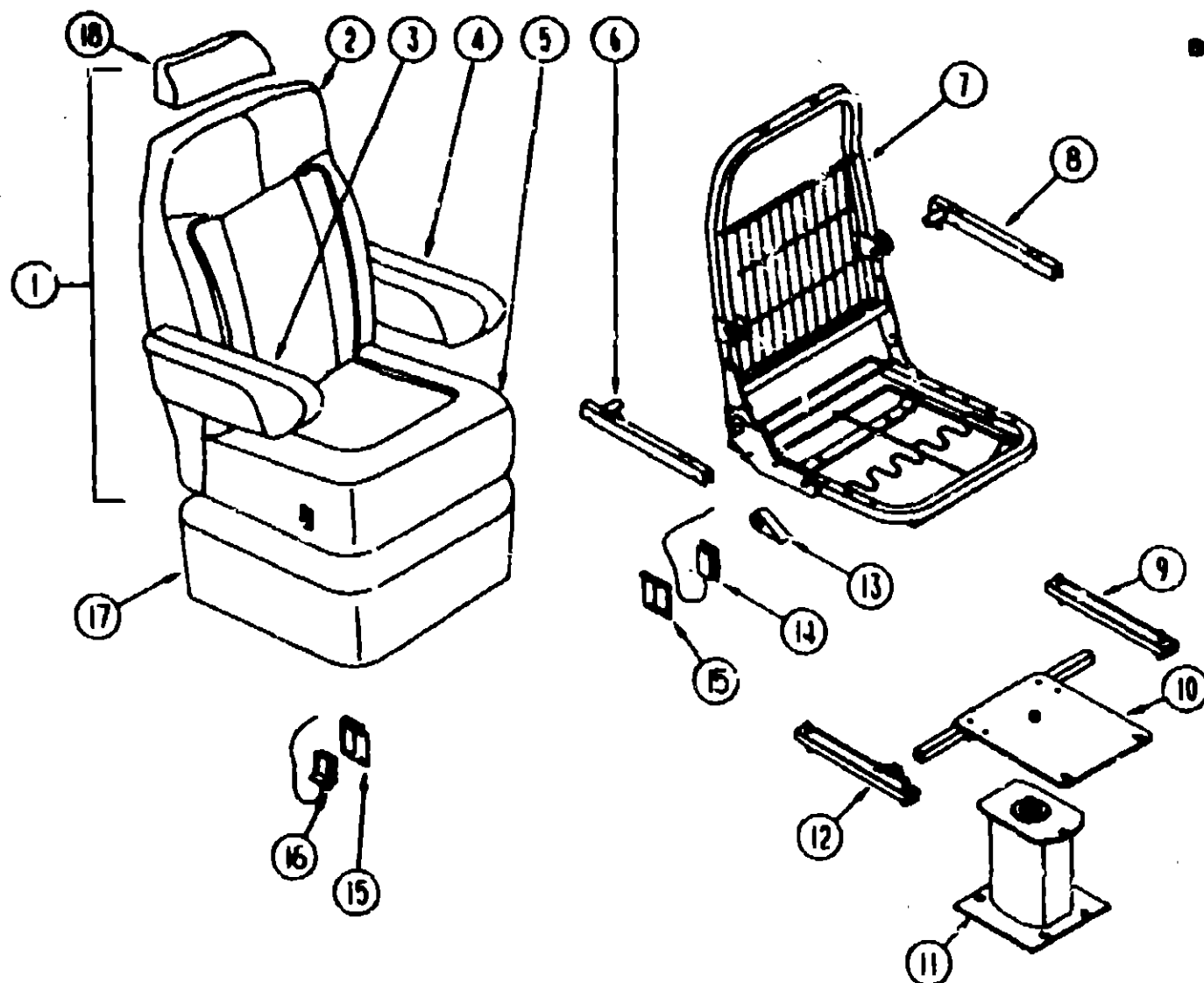
**1993 ITASCA
TABLE OF CONTENTS**

INTRODUCTION	A-01 - A-02
ABBREVIATIONS	A-03
ALPHABETICAL INDEX	A-04 - A-06
ICG34RQ	A-07 - E-18
ICG34RA	E-19 - J-02

1993 ICG34RQ INDEX

FLOOR PLAN	A-07 - A-08
ACCESSORIES	A-09
AUDIO VIDEO	A-10 - A-11
BATH	A-12 - A-14
BEDROOM	A-15 - A-18
CHASSIS	A-19 - B-06
CURTAIN & CUSHION	B-07 - B-17
DINETTE	B-18 - B-20
DRIVERS COMPARTMENT	B-21 - B-24
ELECTRICAL	C-01 - C-06
EXTERIOR BODY	C-07 - C-14
GALLEY	C-15 - C-18
GENERATOR	C-19 - C-20
HEATING & A/C	C-21 - C-24
INTERIOR FINISH	D-01 - D-04
LABELS	D-05 - D-12
LP	D-13
LOUNGE	D-14 - D-16
SEALANTS & FASTENERS	D-17 - D-19
WATER & SEWAGE	D-20 - D-23
WINDOW, VENT & EXTERIOR DOOR	D-24 - E-16
WINDSHIELD & WIPER	E-17 - E-18

CURTAIN & CUSHION GROUP (CONTINUED)



BUCKET SEAT

KEY	PART NUMBER	U/M	DESCRIPTION
6	081288-01-000	EA	ROD & CHANNEL - ARMREST - RIGHT - METAL
7	M80908-05-000	EA	FRAME - SEAT - BACK & SPRING
7	M80908-07-000	EA	FRAME - SEAT - BACK & SPRING
8	081288-02-000	EA	ROD & CHANNEL - ARMREST - LEFT - METAL
9	089246-02-000	EA	ADJUSTER - W/O LOCK - FORWARD & BACK
10	107921-05-000	EA	TOP PLATE - PEDESTAL - W/SEATBELT BAR
11	107921-01-000	EA	SUB PLATE - FLOOR MOUNTED PEDESTAL - W/9.75" EXTENSION
11	107921-06-000	EA	BEARING KIT - PEDESTAL
12	089246-05-000	EA	ADJUSTER - W/LOCK - FORWARD & BACK
12	089246-05-700	EA	SPRING - ADJUSTER - FOR REMOTE
12	089246-05-701	EA	CLIP - CABLE - FOR REMOTE
13	080730-03-700	EA	HANDLE KIT - RECLINER
13	080730-04-000	EA	SCREW - RECLINER HANDLE
13	089369-08-000	EA	SHIELD - CABLE - REMOTE RECLINER
14	080382-04-000	EA	CABLE - SWIVEL/SLIDE - W/SWITCH
15	097783-03-000	EA	BRACKET - REMOTE - SIDE MOUNT - SINGLE
16	107049-01-000	EA	CABLE - 28" - FLEXSTEEL PED
16	108249-02-000	EA	CABLE CLIP
17	071126-36-D35	EA	SKIRT ASM - SINGLE - 10.5" - W/SLIT
17	071126-36-D36	EA	SKIRT ASM - SINGLE - 10.5" - W/SLIT
18	085288-01-D35	EA	HEADREST ASM.
18	085288-01-D36	EA	HEADREST ASM.
18	085288-03-D36	EA	HEADREST ASM. - W/MONOGRAM
18	M85288-01-D35	EA	COVER ASM. - HEADREST
18	M85288-01-D36	EA	COVER ASM. - HEADREST
18	M85288-03-D36	EA	COVER ASM. - HEADREST - W/MONOGRAM

**1983 ITASCA
TABLE OF CONTENTS**

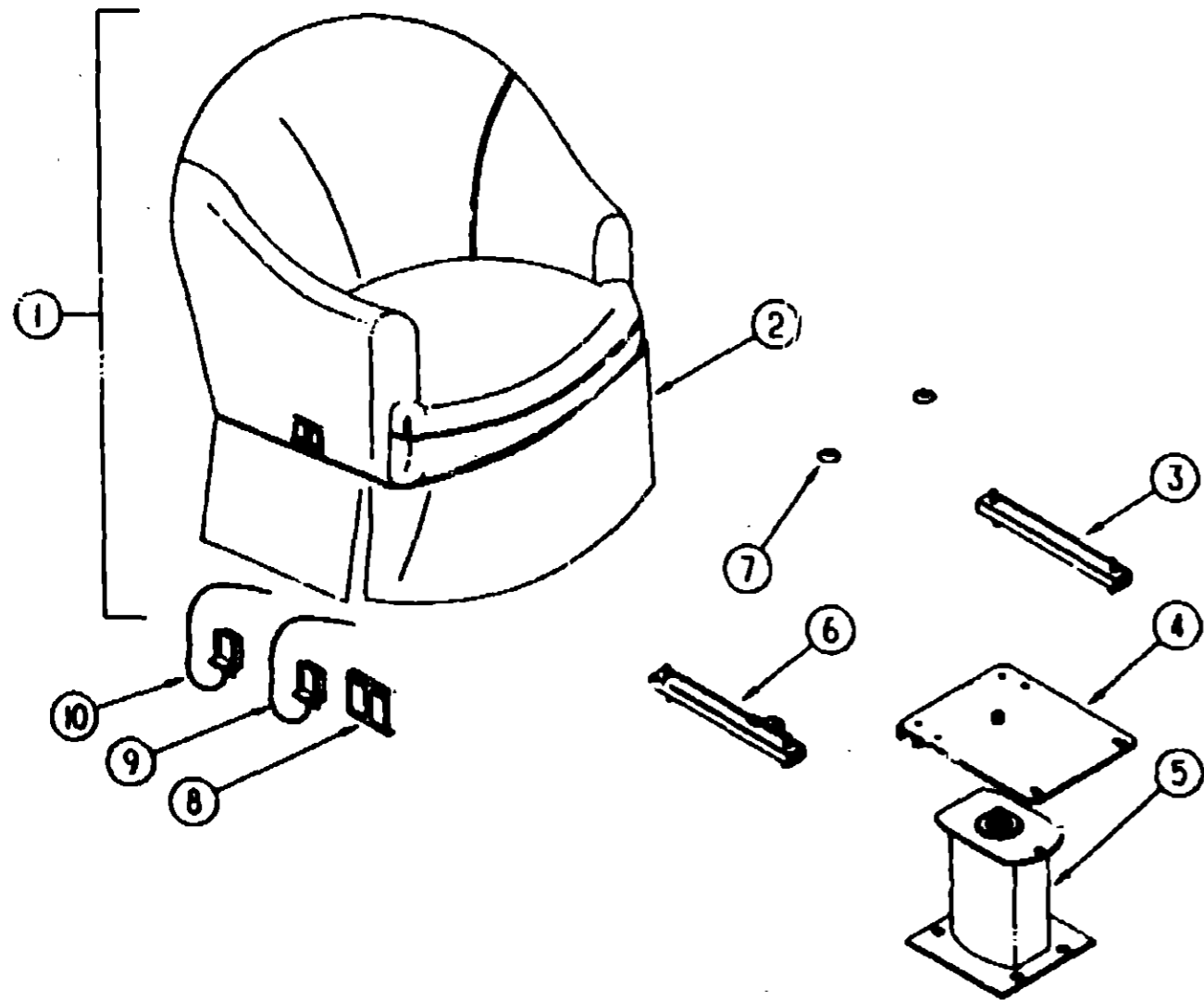
INTRODUCTION	A-01 - A-02
ABBREVIATIONS	A-03
ALPHABETICAL INDEX	A-04 - A-06
ICG34RQ	A-07 - E-18
ICG34RA	E-19 - J-02

1983 ICG34RQ INDEX

FLOOR PLAN	A-07 - A-08
ACCESSORIES	A-09
AUDIO VIDEO	A-10 - A-11
BATH	A-12 - A-14
BEDROOM	A-15 - A-16
CHASSIS	A-19 - B-08
CURTAIN & CUSHION	B-07 - B-17
DINETTE	B-18 - B-20
DRIVER'S COMPARTMENT	B-21 - B-24
ELECTRICAL	C-01 - C-08
EXTERIOR BODY	C-07 - C-14
GALLEY	C-15 - C-18
GENERATOR	C-19 - C-20
HEATING & AC	C-21 - C-24
INTERIOR FINISH	D-01 - D-04
LABELS	D-05 - D-12
LIP	D-13
LOUNGE	D-14 - D-16
SEALANTS & FASTENERS	D-17 - D-19
WATER & SEWAGE	D-20 - D-23
WINDOW, VENT & EXTERIOR DOOR	D-24 - E-18
WINDSHIELD & WIPER	E-17 - E-18

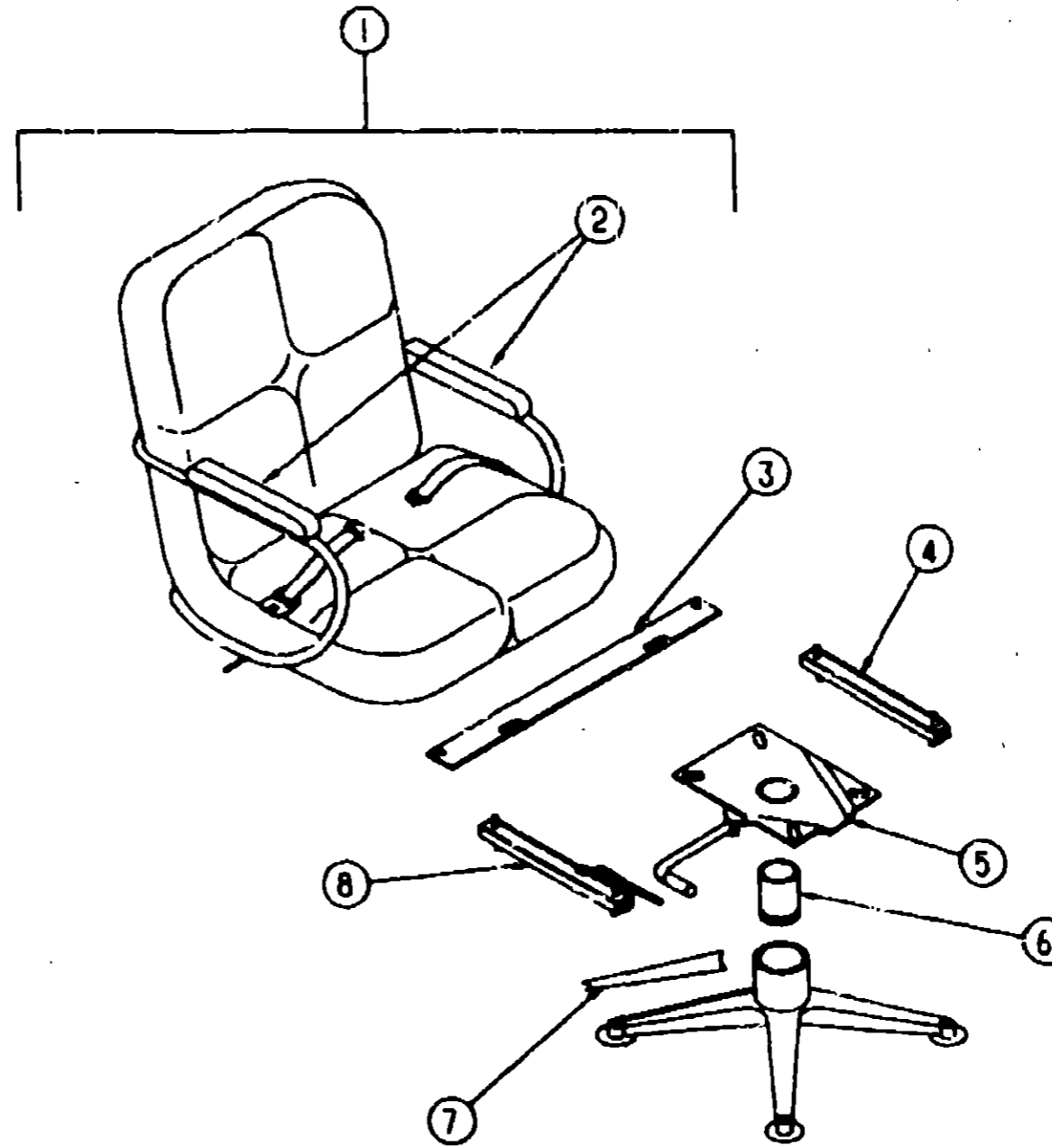
KEY	PART NUMBER	U/M	DESCRIPTION
1	083450-38-D35	EA	SEAT - ROYALE - W/HEAD & ARMREST (REMOTE RECLINE) FROM: 00-00-00 THRU: 06-21-92
1	083450-31-D36	EA	SEAT - ROYALE - W/HEAD & ARMREST (REMOTE RECLINE) FROM: 00-00-00 THRU: 06-21-92
1	083450-39-D35	EA	SEAT - ROYALE - W/HEAD & ARMREST (MANUAL RECLINE) FROM: 06-22-92 THRU: 99-99-99
1	083450-42-D36	EA	SEAT - ROYALE - W/HEAD & ARMREST (MANUAL RECLINE) FROM: 06-22-92 THRU: 99-99-99
2	M03445-62-D35	EA	COVER ASM. - BACK - ROYALE
2	M03445-66-D36	EA	COVER ASM. - BACK - ROYALE
3	C90243-49-D11	EA	ARMREST ASM. - RIGHT HAND (D35)
3	080243-49-D36	EA	ARMREST ASM. - RIGHT HAND
3	M80243-49-D11	EA	COVER ASM. - ARM - RIGHT HAND (D35)
3	M80243-49-D36	EA	COVER ASM. - ARM - RIGHT HAND
4	080243-50-D11	EA	ARMREST ASM. - LEFT HAND (D35)
4	080243-50-D36	EA	ARMREST ASM. - LEFT HAND
4	M80243-50-D11	EA	COVER ASM. - ARM - LEFT HAND (D35)
4	M80243-50-D36	EA	COVER ASM. - ARM - LEFT HAND
5	M03445-63-D35	EA	COVER ASM. - SEAT
5	M03445-67-D36	EA	COVER ASM. - SEAT

CURTAIN & CUSHION GROUP (CONTINUED)



SWIVEL CHAIR

CURTAIN & CUSHION GROUP (CONTINUED)



CHROME CRAFT CHAIR

**1993 IT/SCA
TABLE OF CONTENTS**

INTRODUCTION	A-01 - A-02
ABBREVIATIONS	A-03
ALPHABETICAL INDEX	A-04 - A-08
ICG34RQ	A-07 - E-18
ICG34RA	E-19 - J-02

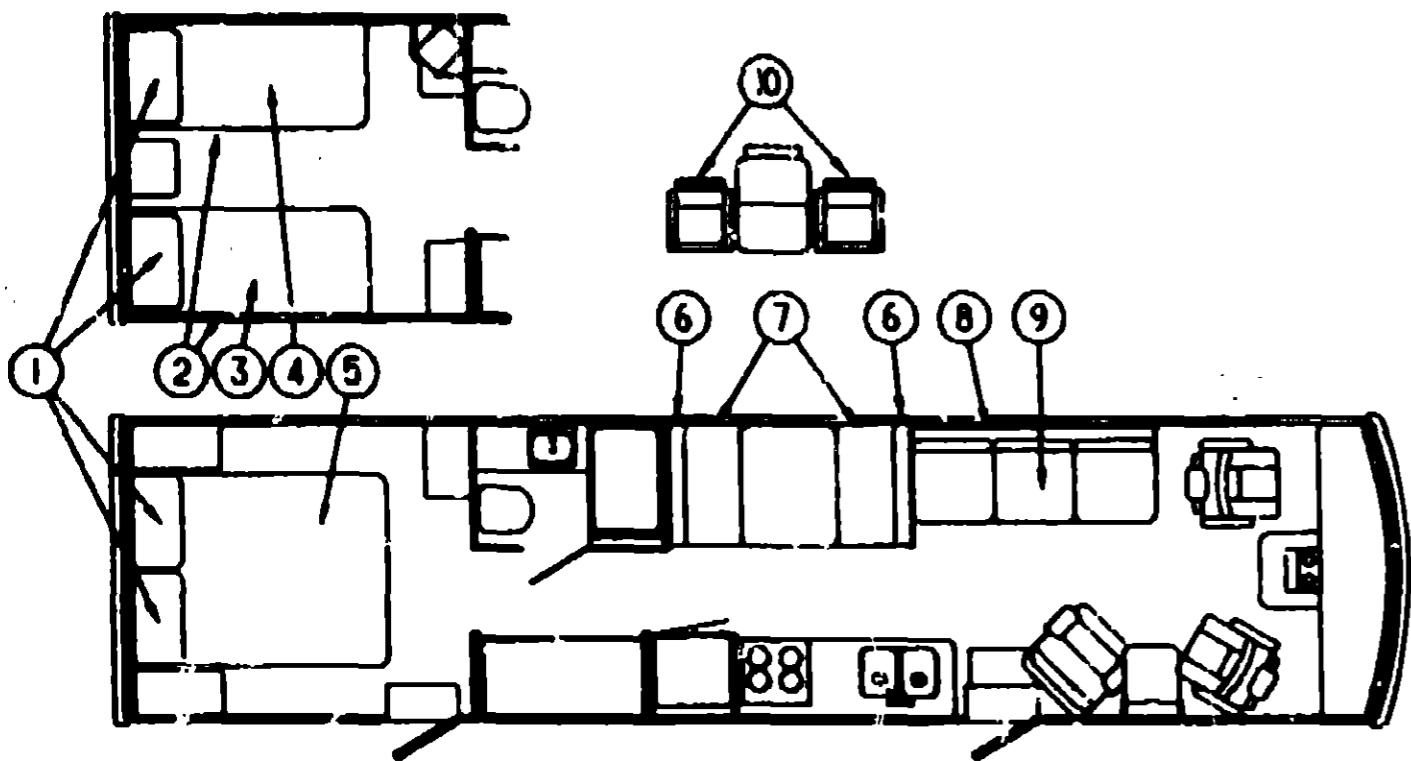
1993 ICG34RQ INDEX

FLOOR PLAN	A-07 - A-08
ACCESSORIES	A-09
AUDIO VIDEO	A-10 - A-11
BATH	A-12 - A-14
BEDROOM	A-15 - A-18
CHASSIS	A-19 - B-06
CURTAIN & CUSHION	B-07 - B-17
DINETTE	B-18 - B-20
DRIVERS COMPARTMENT	B-21 - B-24
ELECTRICAL	C-01 - C-06
EXTERIOR BODY	C-07 - C-14
GALLEY	C-15 - C-18
GENERATOR	C-19 - C-20
HEATING & A/C	C-21 - C-24
INTERIOR FINISH	D-01 - D-04
LABELS	D-05 - D-12
LP	D-13
LOUNGE	D-14 - D-16
SEALANTS & FASTENERS	D-17 - D-19
WATER & SEWAGE	D-20 - D-23
WINDOW, VENT & EXTERIOR DOOR	D-24 - E-16
WINDSHIELD & WIPER	E-17 - E-18

KEY	PART NUMBER	U/M	DESCRIPTION
1	106331-02-035	EA	CHAIR - FAN RECLINER
1	106331-02-036	EA	CHAIR - FAN RECLINER
1	P06331-02-035	EA	COVER ASM. - FAN RECLINER
1	P06331-02-036	EA	COVER ASM. - FAN RECLINER
2	085187-05-035	EA	SKIRT ASM.
2	085187-05-036	EA	SKIRT ASM.
3	069246-02-000	EA	ADJUSTER - SWIVEL CHAIR - FORWARD & BACK
4	107921-08-000	EA	TOP PLATE - PEDESTAL - W/O SEATBELT BAR
5	107921-01-000	EA	SUB PLATE - FLOOR MOUNTED PEDESTAL - W/3.75" EXTENSION
	107921-28-000	EA	BEARING KIT - PEDESTAL
6	069246-05-000	EA	ADJUSTER - SWIVEL CHAIR - W/LOCKING ARM - FORWARD & BACK
	069246-05-700	EA	SPRING - ADJUSTER - FOR REMOTE
	069246-05-701	EA	CLIP - CABLE - FOR REMOTE
7	007221-01-000	EA	SPACER - SEAT - ADJUSTER (4 USED)
8	097883-02-000	EA	BRACKET - REMOTE - SIDE MOUNT
9	108049-01-000	EA	CABLE - 28" - FLEXSTEEL PEDESTAL
	108049-02-000	EA	CLIP - PEDESTAL CABLE
10	069388-04-000	EA	CABLE - SWIVEL/SLIDE - W/SWITCH
	057759-01-000	EA	WASHER BRACKET - SEAT BELT - 4" DIAMETER
	007021-01-000	EA	SEAT BELT - 2" X 90" - BLACK

KEY	PART NUMBER	U/M	DESCRIPTION
1	109379-02-035	EA	CHAIR ASM - CHROME CRAFT II
1	109379-02-035	EA	CHAIR ASM - CHROME CRAFT II
	105799-13-000	EA	CHAIR ASM - CHROME CRAFT W/O FABRIC (D35)
	105799-14-000	EA	CHAIR ASM - CHROME CRAFT W/O FABRIC (D35)
	105799-01-004	EA	BOLT - SEAT - CHAIR #723634-1
2	105799-01-700	EA	WOOD ARM PADS FOR C57-805-8N
3	069705-02-000	EA	BAR - SEAT BELT - 2.5" X 12.75"
4	069246-06-000	EA	ADJUSTER - SWIVEL CHAIR - MANUAL - FORWARD & BACK
5	105799-01-001	EA	TOP PLATE - SWIVEL CHAIR
5	069246-03-000	EA	TOP PLATE - SWIVEL W/O TILT - W/LOCK
6	105799-01-002	EA	UPRIGHT - CHAIR
6	105799-01-008	EA	STEM UPRIGHT - LOCKOUT
7	105799-01-003	EA	LEG - WOOD COVER BASE (CHAIR)
8	069246-07-000	EA	ADJUSTER - SWIVEL CHAIR - W/LOCKING ARM - FORWARD & BACK

CURTAIN & CUSHION GROUP (CONTINUED)



QUEEN & TWIN BEDS

KEY	PART NUMBER	U/M DESCRIPTION	
1	102181-08-D35	EA PILLOW SHAM ASM.	
1	102181-08-D36	EA PILLOW SHAM ASM.	
			FROM: 00-00-00 THRU: 07-12-92
1	102181-14-D36	EA PILLOW SHAM ASM.	
			FROM: 07-13-92 THRU: 99-99-99
2	088178-10-000	EA MATTRESS - TWIN - INNERSPRING - 32" X 79.5" - SEALY	
3	106347-17-U35	EA BEDSPREAD ASM - 33" X 80"	
3	106347-17-D36	EA BEDSPREAD ASM - 33" X 80"	
4	106347-18-D35	EA BEDSPREAD ASM - 33" X 80"	
4	106347-18-D36	EA BEDSPREAD ASM - 33" X 80"	
5	088178-05-000	EA MATTRESS - QUEEN - INNERSPRING - 58" X 79" - SEALY	
6	082371-28-D35	EA BEDSPREAD ASM - 80X80 FITTED W/6" RUFFLE	
6	082371-28-D36	EA BEDSPREAD ASM - 80X80 FITTED W/6" RUFFLE	
			FROM: 00-00-00 THRU: 07-12-92
5	109159-03-D36	EA BEDSPREAD ASM - 80X80 FITTED W/6" RUFFLE	
			FROM: 07-13-92 THRU: 99-99-99
	103669-10-D36	EA PILLOW ASM - 15" X 15" THROW (QUEEN BED)	
			FROM: 07-13-92 THRU: 99-99-99
	104259-01-C08	EA PILLOW ASM - 15" X 15" W/RUFFLE (D35)	
	104259-04-D36	EA PILLOW ASM - 15" X 15" W/RUFFLE	

DINETTE CUSHIONS

KEY	PART NUMBER	U/M DESCRIPTION
6	104146-01-D35	EA CUSHION - FAN VICTORIAN - W/STRAP - 13.5" X 38" X 5"
6	104146-01-D36	EA CUSHION - FAN VICTORIAN - W/STRAP - 13.5" X 38" X 5"
6	P04146-01-D35	EA COVER - VICTORIAN TUCK BACK - W/STRAP
6	P04146-01-D36	EA COVER - VICTORIAN TUCK BACK - W/STRAP
7	088927-87-D28	EA CUSHION - 23" X 33" X 5" - DINETTE SEAT (D35)
7	088927-87-B09	EA CUSHION - 23" X 38" X 5" - DINETTE SEAT (D36)
7	M08927-87-D28	EA COVER - 23" X 38" X 5" - DINETTE SEAT (D35)
7	M08927-87-J09	EA COVER - 23" X 38" X 5" - DINETTE SEAT (D36)

SOFA BED

KEY	PART NUMBER	U/M DESCRIPTION	
8	101175-04-D35	EA CUSHION - FAN - SOFA BACK - WARM - RIGHT HAND	
8	101175-04-D36	EA CUSHION - FAN - SOFA BACK - WARM - RIGHT HAND	
8	P01175-04-D35	EA COVER - FAN - SOFA BACK - WARM - RIGHT HAND	
8	P01175-04-D36	EA COVER - FAN - SOFA BACK - WARM - RIGHT HAND	
8	101175-05-D35	EA CUSHION - FAN - SOFA BACK - WARM - LEFT HAND	
8	101175-05-D36	EA CUSHION - FAN - SOFA BACK - WARM - LEFT HAND	
8	P01175-05-D35	EA COVER - FAN - SOFA BACK - WARM - LEFT HAND	
8	P01175-05-D36	EA COVER - FAN - SOFA BACK - WARM - LEFT HAND	
8	101175-06-D35	EA CUSHION - FAN - SOFA BACK - CENTER	
8	101175-06-D36	EA CUSHION - FAN - SOFA BACK - CENTER	
8	P01175-06-D35	EA COVER - FAN - SOFA BACK - CENTER	
8	P01175-06-D36	EA COVER - FAN - SOFA BACK - CENTER	
9	089007-05-D35	EA SOFA BED - SEAT - W/SKIRT	
			FROM: 00-00-00 THRU: 09-13-92
9	089007-05-C36	EA SOFA BED - SEAT - W/SKIRT	
			FROM: 00-00-00 THRU: 09-13-92
9	089007-06-D35	EA SOFA BED - SEAT - W/SKIRT	
			FROM: 09-14-92 THRU: 99-99-99
9	089007-06-D36	EA SOFA BED - SEAT - W/SKIRT	
			FROM: 09-14-92 THRU: 99-99-99
9	M89007-05-D35	EA COVER - SOFA BED - SEAT - W/SKIRT	
			FROM: 00-00-00 THRU: 09-13-92
9	M89007-05-D36	EA COVER - SOFA BED - SEAT - W/SKIRT	
			FROM: 00-00-00 THRU: 09-13-92
9	M89007-06-D35	EA COVER - SOFA BED - SEAT - W/SKIRT	
			FROM: 09-14-92 THRU: 99-99-99
9	M89007-06-D36	EA COVER - SOFA BED - SEAT - W/SKIRT	
			FROM: 09-14-92 THRU: 99-99-99
	103669-06-E28	EA PILLOW ASM - 15" X 15" THRU W (D35)	
	103669-06-D36	EA PILLOW ASM - 15" X 15" THRU W	
	079386-01-000	EA FRAME - COUCH	

DINETTE OPTION

KEY	PART NUMBER	U/M DESCRIPTION
10	109379-02-D35	EA CHAIR ASM - CHROME/CRAFT II
10	109379-02-D36	EA CHAIR ASM - CHROME/CRAFT II

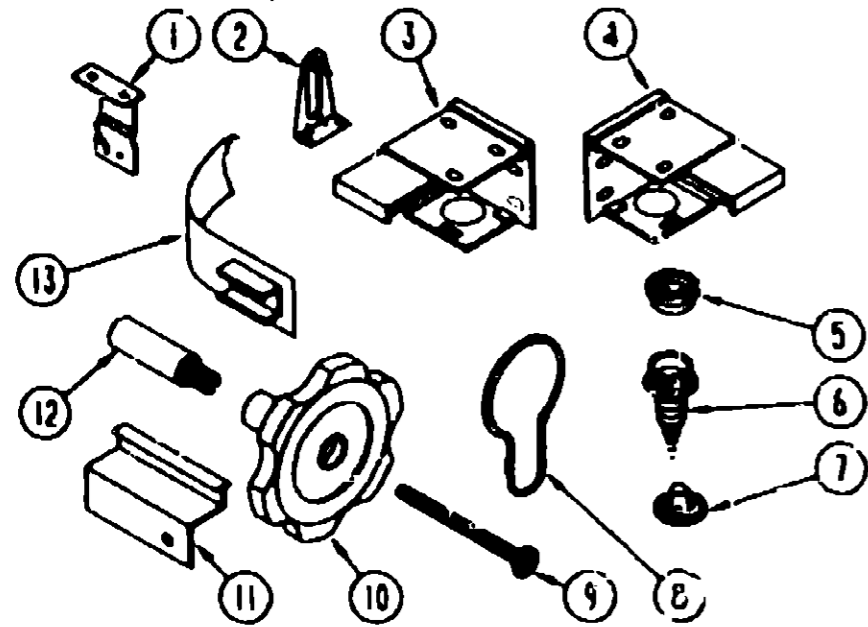
**1993 ITASCA
TABLE OF CONTENTS**

INTRODUCTION	A-01 - A-02
ABBREVIATIONS	A-03
ALPHABETICAL INDEX	A-04 - A-06
ICG34P.2	A-07 - E-18
ICG34RA	E-19 - J-02

1993 ICG34RQ INDEX

FLOOR PLAN	A-07 - A-08
ACCESSORIES	A-09
AUDIO VIDEO	A-10 - A-11
BATH	A-12 - A-14
BEDROOM	A-15 - A-18
CHASSIS	A-19 - B-06
CURTAIN & CUSHION	B-07 - B-17
DINETTE	B-18 - B-20
DRIVERS COMPARTMENT	B-21 - B-24
ELECTRICAL	C-01 - C-08
EXTERIOR BODY	C-07 - C-14
GALLEY	C-15 - C-18
GENERATOR	C-19 - C-20
HEATING & AC	C-21 - C-24
INTERIOR FINISH	D-01 - D-04
LABELS	D-05 - D-12
LP	D-13
LOUNGE	D-14 - D-16
SEALANTS & FASTENERS	D-17 - D-19
WATER & SEWAGE	D-20 - D-23
WINDOW, VENT & EXTERIOR DOOR	D-24 - E-18
WINDSHIELD & WIPER	E-17 - E-18

CURTAIN & CUSHION GROUP (CONTINUED)



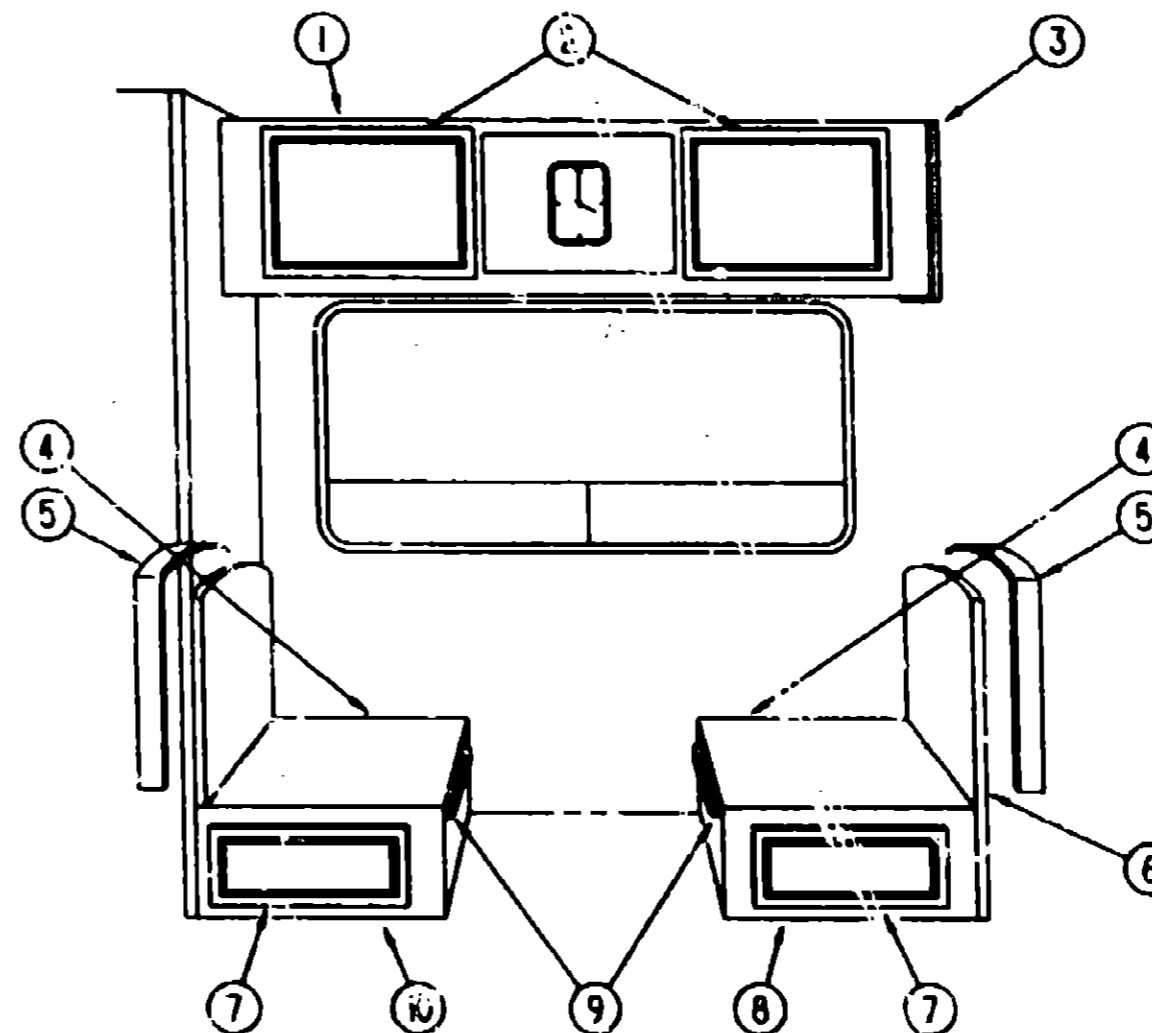
CURTAIN & BLIND HARDWARE

KEY	PART NUMBER	U/M DESCRIPTION
1	084434-01-000	EA BRACKET - MOUNTING - ROLLER SHADE - 1 3/8"
	U88843-01-000	EA SPRING - REWIND - ROLLER SHADE
	108544-01-000	EA SHADE PULL - BRASS
	087253-01-000	EA SHADE PULL - PLASTIC - CLEAR
2	085581-02-000	EA BRACKET - HOLD DOWN - W/PIN - BLIND - METAL
		FROM: (N)-00-01 THRU: 07-19-92
	109441-01-000	EA HOLD DOWN - BLIND, HOOK
		FROM: 07-20-92 THRU: 01-99-99
3	083170-01-000	EA BRACKET - BLIND - LEFT SIDE
4	083170-02-000	EA BRACKET - BLIND - RIGHT SIDE
5	029156-01-000	EA SOCKET - SNAP - 9/16" O.D.
6	029130-01-000	EA SCREW - SNAP SOCKET - 2 PH X 5/8"
7	029155-01-000	EA CAP - SNAP - 5/32" O.D. OF PIN
8	009137-02-000	EA HANGER - RING - PIN TYPE - CURTAIN - BRASS
	036175-01-000	EA ROD - CAFE - CURTAIN - EXTENDS 48" TO 84"
	038175-02-000	EA BRACKET - CURTAIN ROD - EXTENDING CAFE
	039175-05-000	EA BRACKET - CURTAIN ROD - CENTER CAFE
	048867-01-000	EA GROMMET - BRASS - 7/16" ID X 1" OD
9	009439-07-000	EA SCREW - 8-32 X 1 1/4 F.O.H. - BLACK
10	009439-05-000	EA WINDOW KNOB - BLACK
11	105324-02-01A	EA TRACK - WRAPAROUND CURTAIN - OFF WHITE (PASSENGER SIDE)
11	105324-03-01A	EA TRACK - WRAPAROUND CURTAIN - OFF WHITE (DRIVER SIDE)
12	009439-08-000	EA EXTENSION - WINDOW CONTROL
	048384-02-000	YD VELCRO TAPE - HOOK - ADHESIVE BACK - .75" WIDE - BEIGE
	088792-02-000	YD VELCRO TAPE - LOOP - ADHESIVE BACKED - .75" WIDE - BEIGE
	088718-01-001	EA BRACKET - 90 DEGREE L-ANGLE - 192" - EXTRUDED ALUMINUM
	075543-01-000	EA BRACKET - ANGLE - WHOLE - 1" X 1 5/8" X 20" - ALUMINUM - BEIGE
	084432-06-000	FT SLAT - ROLLER SHADE - PLASTIC
13	101031-01-000	YD TAPE - GLIDE - CURTAIN - 4.25" SPACING
	102075-08-01A	EA SHOWER ROD
	009112-01-000	EA FLANGE - SHOWER ROD
	083475-01-700	EA WAND - BLIND - W/METAL CLIP - 8" LONG

ASSIST HANDLE & BUTTONS

KEY	PART NUMBER	U/M DESCRIPTION
	089178-02-000	EA BRACKET - MOUNTING - ASSIST HANDLE - L-ANGLE - WHOLE
	006C18-07-18H	EA BOLT - CARRIAGE - ASSIST HANDLE - 7/16" - 14 X 1" ZN
	000C20-07-00B	EA NUT - ACORN - ASSIST HANDLE - 7/16" X 14 ZN
	053E32-02-AA8	EA HANDLE - ASSIST - INTERIOR - ENTRY DOOR - VINYL - OFF WHITE
	070E78-04-Y05	EA BUTTON - SNAP TOP - #30 - VINYL - BEIGE

DINETTE GROUP



DINETTE & OVERHEAD CABINERY

KEY	PART NUMBER	U/M DESCRIPTION
1	M05160-18-D35	EA CABINET - DINETTE OVERHEAD
1	M05160-18-D36	EA CABINET - DINETTE OVERHEAD
2	P03702-AS-D35	EA DOOR ASM. - W/O HARDWARE
3	103128-01-D27	EA END CAP ASM. - RIGHT HAND
4	081518-01-B27	EA SEAT - DINETTE
5	104787-01-D11	EA PAD ASM. - DINETTE (D35)
5	104787-01-D33	EA PAD ASM. - DINETTE
6	M04174-31-D35	EA CABINET - SEATBACK - RIGHT HAND
7	P07104-L-D35	EA DRAWER ASM. - W/O HARDWARE
8	M04175-33-D35	EA CABINET - SEATBASE - RIGHT HAND
9	081295-01-AA8	EA BED SUPPORT - DINETTE
10	M04175-14-D35	EA CABINET - SEATBASE - LEFT HAND

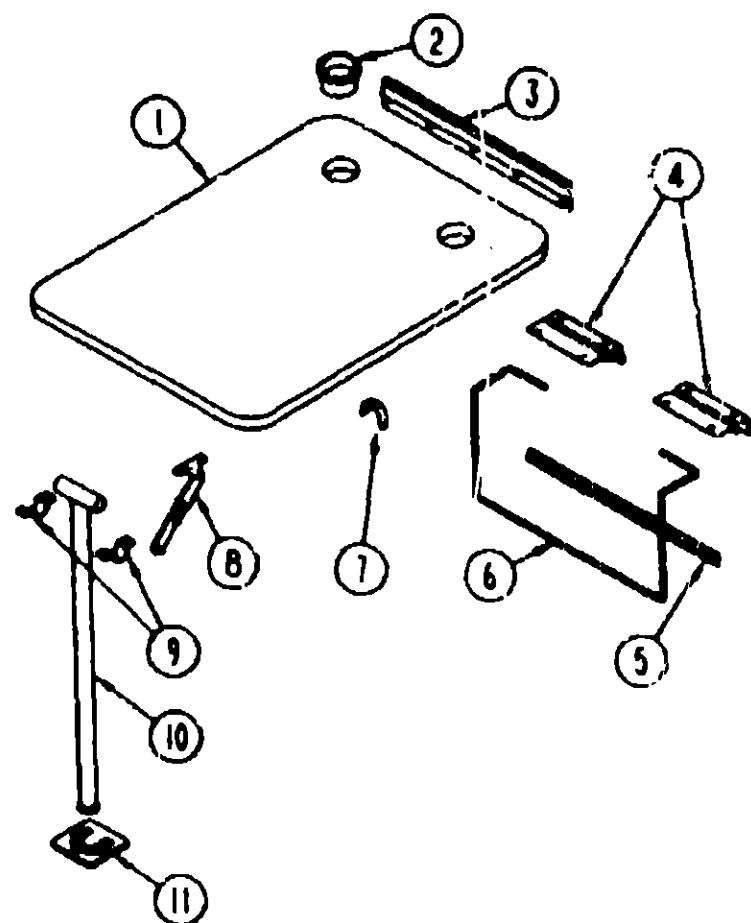
**1933 ITASCA
TABLE OF CONTENTS**

INTRODUCTION	A-01 - A-02
ABBREVIATIONS	A-03
ALPHABETICAL INDEX	A-04 - A-08
ICG34RQ	A-07 - E-18
ICG34RA	E-15 - J-02

1933 ICG34RQ INDEX

FLOOR PLAN	A-07 - A-08
ACCESSORIES	A-09
AUDIO VIDEO	A-10 - A-11
BATH	A-12 - A-14
BEDROOM	A-15 - A-18
CHASSIS	A-19 - B-06
CURTAIN & CUSHION	B-07 - B-17
DINETTE	B-18 - B-20
DRIVERS COMPARTMENT	B-21 - B-24
ELECTRICAL	C-01 - C-08
EXTERIOR BODY	C-07 - C-14
GALLEY	C-15 - C-18
GENERATOR	C-19 - C-20
HEATING & A/C	C-21 - C-24
INTERIOR FINISH	D-01 - D-04
LABELS	D-05 - D-12
I/P	D-13
LOUNGE	D-14 - D-18
SEALANTS & FASTENERS	D-17 - D-19
WATER & SEWAGE	D-20 - D-23
WINDOW, VENT &	
EXTERIOR DOOR	D-24 - E-16
WINDSHIELD & WIPER	E-17 - E-18

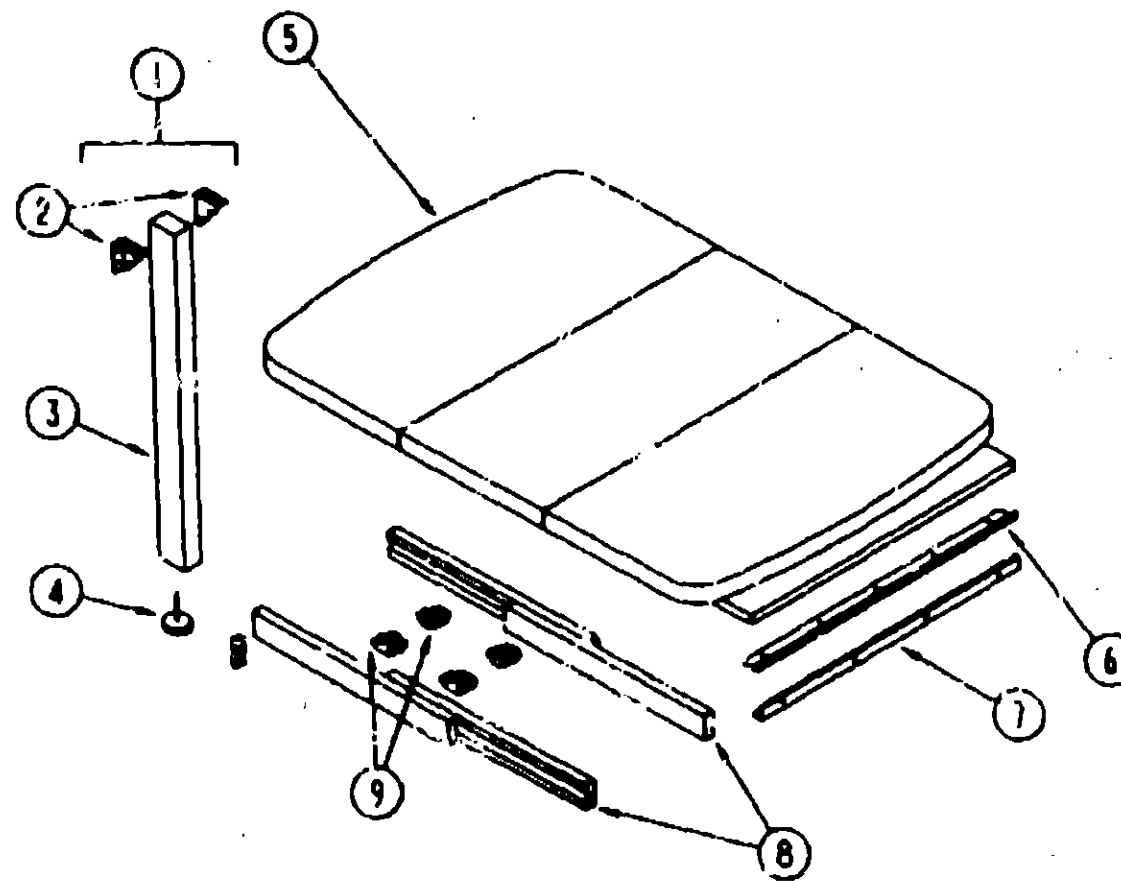
DINETTE GROUP (CONTINUED)



DINETTE TABLE ASM.

KEY	PART NUMBER	U/M DESCRIPTION
1	M02115-09-032	EA DINETTE TABLE (D35)
1	M02115-09-036	EA DINETTE TABLE
2	084781-08-000	EA CUP HOLDER - PLASTIC
3	053200-12-000	EA BRACKET - TABLE SUPPORT - UPPER WALL MOUNTED - 23.5" - OFF WHITE
4	088410-02-000	EA BRACKET - TABLE MOUNTED - OFF WHITE
5	024281-14-000	EA BRACKET - LIFT ROD - LOWER WALL MOUNTED - 22.12" - OFF WHITE
6	024275-12-000	EA ROD - TABLE LIFT - 8" X 23.5" - OFF WHITE
7	024283-01-000	EA CLIP - LEG - 1" - 1.125" OD - BLACK
8	024282-01-000	EA BRACE - TABLE LEG - HINGED
9	054050-05-000	EA CLAMP - SADDLE - LEG HINGE - OFF WHITE
10	024278-23-000	EA TABLE LEG - METAL - OFF WHITE
11	046483-11-700	EA LEG CATCH - FLOOR MOUNTED - 2.5" X 2.7" - METAL - E-COAT

DINETTE GROUP (CONTINUED)



DINETTE TABLE ASM.

KEY	PART NUMBER	U/M DESCRIPTION
1	092708-10-035	EA LEG ASM - TABLE
2	102810-01-02A	EA BRACE - TABLE LEG - OFF WHITE
3	092707-08-01A	EA LEG MOLDING - RAMBLING OAK
4	102194-01-000	EA GUIDE - PLASTIC
5	P02056-03-035	EA TABLE ASM. - W/DROP LEAF
6	102201-02-02A	EA SUPPORT - HINGE CATCH - OFF WHITE
7	102200-02-02A	EA SUPPORT - HINGE LOCK - OFF WHITE
8	009210-01-000	EA SLIDE - TABLE - 18" TO 50" - METAL
8	108480-01-060	EA SLIDE - TABLE - 18" LONG
8	113749-01-000	EA SLIDE - TABLE - 19 3/4" LONG
9	009050-02-000	EA LEVELER - TABLE TOP - FEMALE & MALE ENDS W/4 SCREWS - PLASTIC

1983 ITASCA
TABLE OF CONTENTS

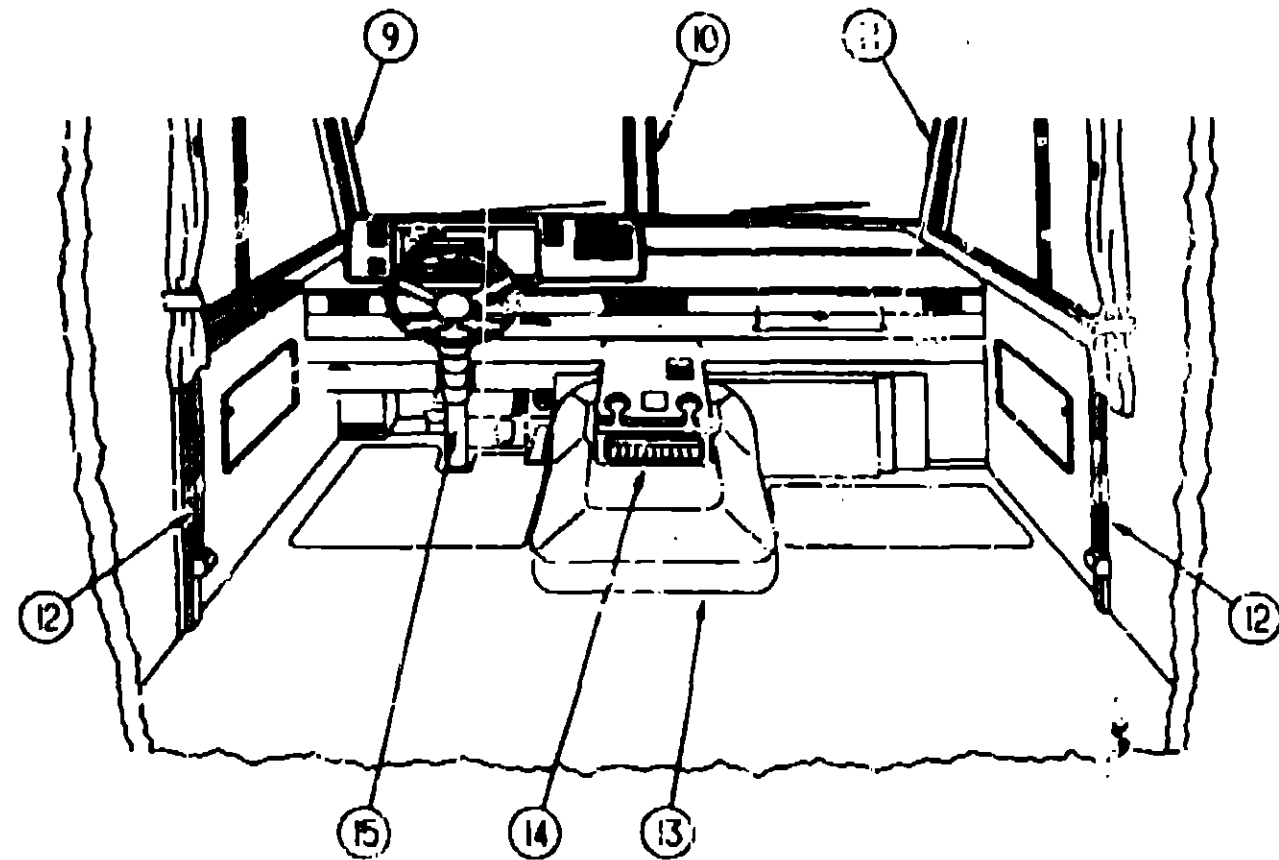
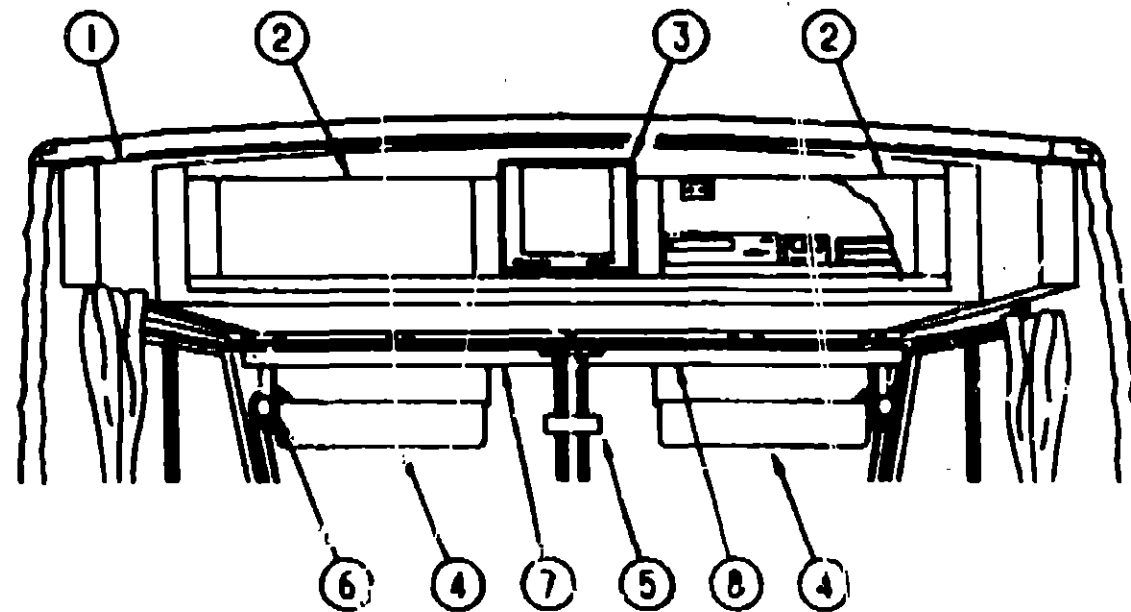
INTRODUCTION	A-01 - A-02
ABBREVIATIONS	A-03
ALPHABETICAL INDEX	A-04 - A-06
ICG34RQ	A-07 - E-18
ICG34RA	E-19 - J-02

1983 ICG34RQ INDEX

FLOOR PLAN	A-07 - A-08
ACCESSORIES	A-09
AUDIO VIDEO	A-10 - A-11
BATH	A-12 - A-14
BEDROOM	A-15 - A-18
CHASSIS	A-19 - B-06
CURTAIN & CUSHION	B-07 - B-17
DINETTE	B-18 - B-20
DRIVERS COMPARTMENT	B-21 - B-24
ELECTRICAL	C-01 - C-06
EXTERIOR BODY	C-07 - C-14
GALLEY	C-15 - C-18
GENERATOR	C-19 - C-20
HEATING & A/C	C-21 - C-24
INTERIOR FINISH	D-01 - D-04
LABELS	D-05 - D-12
LP	D-13
LOUNGE	D-14 - D-16
SEALANTS & FASTENERS	D-17 - D-19
WATER & SEWAGE	D-20 - D-23
WINDOW, VENT & EXTERIOR DECOR	D-24 - E-18
WINDSHIELD & WIPER	E-17 - E-18

DRIVERS COMPARTMENT GROUP

UPPER & LOWER DRIVER COMPARTMENT



KEY	PART NUMBER	UMI DESCRIPTION
1	NO6893-01-C27	EA CABINET ASM - FAKE - OVHD - (W/TV)
1	NO5893-02-C27	EA CABINET ASM - FAKE - OVHD - (W/O TV)
2	100708-06-000	EA DOOR - GLASS - TV CABINET 246 X 722
	100710-01-01A	EA LOCK - GLASS (OCR - TWIST TYPE - BRASS
	100711-01-01A	EA HINGE - DOOR - GLASS
	101222-01-01A	EA BRACKET - CATCH - LID - BEIGE
	101272-01-000	EA CATCH - DOOR - GLASS
	101786-01-000	EA PIN - SUPPORT - GLASS DOOR
	100707-01-000	EA SPACER - DOOR - (GLASS - 8" DIA - .3" HOLE - PLASTIC
3	106911-01-D35	EA CABINET ASM - FRAME - TV
4	082286-19-D12	EA SUNVISOR ASM
	007211-01-000	EA HINGE - SUNVISOR - 25.5" X 1.5" - METAL
	074012-01-000	EA CLIP - SUNVISOR - SQUARE - PINCH ON
	102377-01-000	EA BRACKET SUNVISOR - 1 PIECE - STEEL
	046886-03-000	EA ASHTRAY - CHROME - W/COVER
	024700-44-000	EA COVER - SIDEWALL ROLL BAR - OFF WHITE 53"
	024700-46-000	EA COVER - SIDEWALL ROLL BAR - OFF WHITE 21.2"
	103961-01-01A	EA COVER - BRACKET - SEATBELT - OFF WHITE
	R77030-53-447	EA FLAT WASHER
5	040714-01-000	EA MIRROR - REAR V.E.W. - WARM MOUNT & SET SCREW
	075710-01-000	EA FRAME - WINDSHIELD - CENTER DIVIDER - INNER
	077922-03-000	EA HEADER WINDSHIELD END - RIGHT
	077922-04-000	EA HEADER WINDSHIELD END - LEFT
	077922-05-000	EA HEADER WINDSHIELD - CENTER
6	036420-02-000	EA FAN - DEFROSTER - 2 SPEED - 6" DIAMETER
7	078578-10-000	EA TRIM - WINDSHIELD - UPPER INNER - LH LIGHT GRAY
8	078579-09-000	EA TRIM - WINDSHIELD - UPPER INNER - RH LIGHT GRAY
9	103931-04-02A	EA INTERIOR COVER - PANEL - LEFT HAND - GRAY
10	079785-10-000	EA TRIM - WINDSHIELD - CENTER - LIGHT GRAY
11	103931-03-02A	EA INTERIOR COVER - PANEL - RIGHT HAND - GRAY
12	091980-01-01A	EA SEAT BELT & SHOULDER HARNESS - DRIVER/PASSENGER SIDE
	109146-01-000	EA BOLT - SHOULDER - SEAT BELT
		FROM: 07-20-92 THRU: 99-99-99
13	097552-01-000	EA MOTOR COVER - W/O CARPET
	092406-01-000	EA TRIM - MOTOR COVER - ALUMINUM
	075564-01-000	EA BRACKET - MOUNTING - MOTOR COVER
	039623-01-000	FT SEAL - MOTOR COVER - RUBBER BULB TYPE - BLACK
14	107854-01-D35	EA BEVERAGE TRAY ASM.
	NO4032-01-829	EA DOWEL - WOOD - STAINED - 1" X 1.75" (BEVERAGE TRAY)
	P07854-12-D35	EA TRAY ASM. - W/STAIN
	P07854-13-D35	EA SIDE W/STAIN
15	103498-04-000	EA BOOT - COLUMN - CHEVY
		FROM: 00-00-00 THRU: 09-05-92
		FROM: 09-06-92 THRU: 99-99-99
	100628-02-000	EA SHELF ASM - TV
	100678-02-000	EA STAND - VCR
	101150-01-000	EA SUPPORT - SHELF - TV - PASSENGER SIDE - STEEL
	101150-02-000	EA SUPPORT - SHELF - TV - DRIVER SIDE - STEEL
	103040-01-C05	EA PANEL - LINER - OVERHEAD TV - W/O TV
	103040-03-C05	EA PANEL - LINER - OVERHEAD TV - W/TV
	P03077-01-C05	EA SHELF - BASE - CABINET - LEFT HAND - VINYL
	F03077-02-C05	EA SHELF - BASE - CABINET - RIGHT HAND - VINYL
	P04415-01-C05	EA SHELF ASM - TV CABINET - VINYL
	101497-22-D12	EA PANEL ASM - END CAP - UPPER RIGHT HAND - TV
	101497-23-D12	EA PANEL ASM - END CAP - UPPER LEFT HAND - TV
	101499-07-C07	EA PANEL ASM - END CAP - BOTTOM RIGHT HAND
	101499-08-C07	EA PANEL ASM - END CAP - BOTTOM LEFT HAND
	108699-01-01A	EA BRACKET - CABINET - OVERHEAD TV - OFF WHITE
	104289-03-D12	EA PANEL - SIDE - OVERHEAD TV - RIGHT HAND
	104289-04-D12	EA PANEL - SIDE - OVERHEAD TV - LEFT HAND

1993 ITASCA TABLE OF CONTENTS

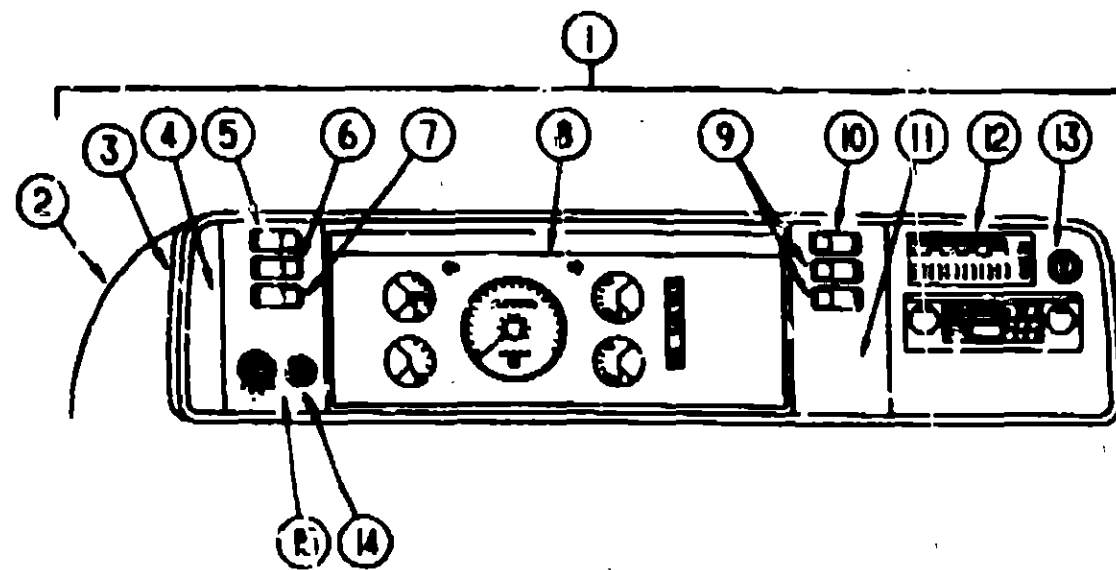
INTRODUCTION	A-01 - A-02
ABBREVIATIONS	A-03
ALPHABETICAL INDEX	A-04 - A-06
ICG34RQ	A-07 - E-18
ICG34RA	E-19 - J-02

1993 ICG34RQ INDEX

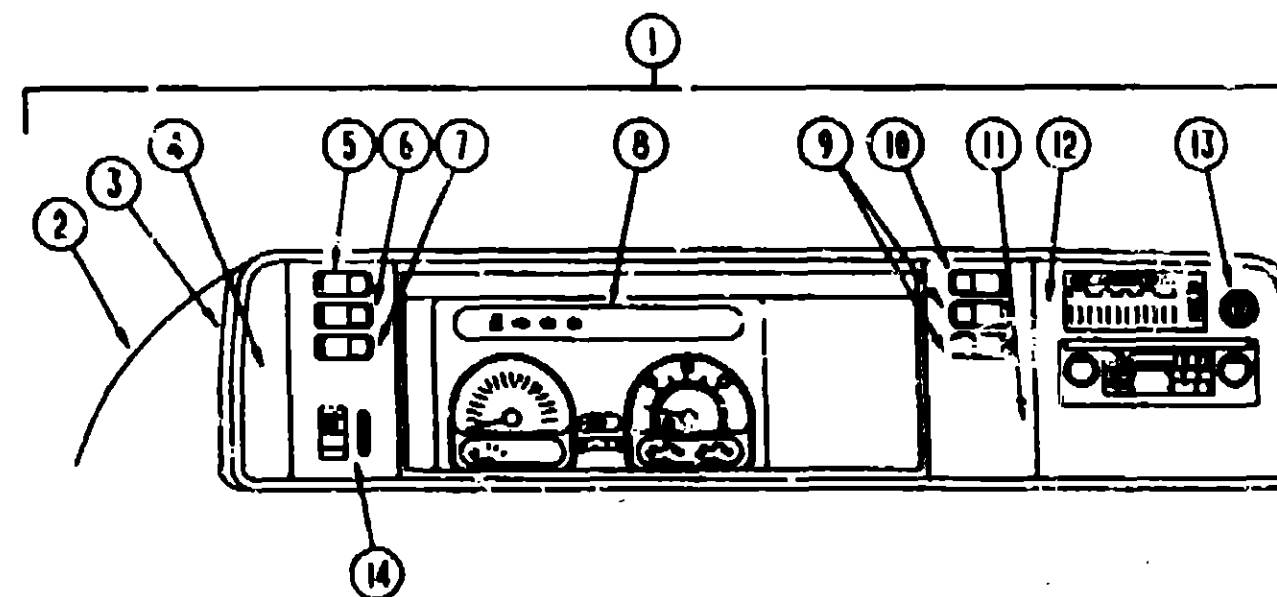
FLOOR PLAN	A-07 - A-08
ACCESSORIES	A-09
AUDIO VIDEO	A-10 - A-11
BATH	A-12 - A-14
BELROOM	A-15 - A-18
CHASSIS	A-19 - B-06
CURTAIN & CUSHION	B-07 - B-17
DINETTE	B-18 - B-20
DRIVERS COMPARTMENT	B-21 - B-24
ELECTRICAL	C-01 - C-06
EXTERIOR BODY	C-07 - C-14
GALLEY	C-15 - C-18
GENERATOR	C-19 - C-20
HEATING & A/C	C-21 - C-24
INTERIOR FINISH	D-01 - D-04
LABELS	D-05 - D-12
LP	D-13
LOUNGE	D-14 - D-16
SEALANTS & FASTENERS	D-17 - D-19
WATER & SEWAGE	D-20 - D-23
WINDOW, VENT & EXTERIOR DOOR	D-24 - E-16
WINDSHIELD & WIPER	E-17 - E-18

DRIVERS COMPARTMENT GROUP (CONTINUED)

DRIVERS COMPARTMENT GROUP (CONTINUED)



DASH, GAUGES & SWITCHES (FORD)



DASH, GAUGES & SWITCHES (CHEVY)

KEY	PART NUMBER	U/M DESCRIPTION
1	M05946-05-035	EA DASH POD ASM.
2	103666-01-02A	EA POD - INSTRUMENT PANEL - GRAY
3	103662-02-01A	EA BEZEL - INSTRUMENT PANEL
4	104056-01-03A	EA APPLIQUE - BEZEL - LEFT - DRESS UP
5	108357-05-000	EA SWITCH - ROCKER - SPDT ON/NONE/ON
6	108357-04-000	EA SWITCH - ROCKER - SPDT ON/OFF/MOM
7	108357-06-000	EA SWITCH - ROCKER - DPDT MOM/OFF/MOM
8	094794-02-000	EA CLUSTER - INSTRUMENT - KILOMETER (CSA) FROM: 00-00-00 THRU: 09-20-92
8	094794-03-000	EA CLUSTER - INSTRUMENT - KILOMETER (CSA) FROM: 09-21-92 THRU: 99-99-99
9	108357-03-000	EA SWITCH - ROCKER - SPDT ON/OFF/ON
10	108357-10-000	EA SWITCH - ROCKER - SPDT MOM/OFF/MOM
11	104056-05-01A	EA APPLIQUE - BEZEL - SWITCH RIGHT - 3 SW FROM: 00-00-00 THRU: 12-13-92
11	104056-04-01A	EA APPLIQUE - BEZEL - SWITCH RIGHT - BLANK FROM: 00-00-00 THRU: 12-13-92
11	104056-21-01A	EA APPLIQUE - BEZEL - SWITCH RIGHT FROM: 12-14-92 THRU: 99-99-99
12	104056-06-03A	EA APPLIQUE - BEZEL - RIGHT DRESS UP
13	089294-01-000	EA LIGHTER ASM. - CIGARETTE
14	098675-01-000	EA KNOB - HEADLAMP - 1/2 SHAFT
15	104056-03-01A	EA APPLIQUE - BEZEL - SWITCH LEFT
	P03817-01-000	EA DASH / ASM - LOWER - W/O VINYL
	106569-02-02A	EA PADDED VINYL - LAMINATE MADRID - GRAY - 1/4" X 16" X 96" - 2LB
	100138-01-000	EA MODULE - DAYTIME RUNNING LIGHT
	077031-01-000	EA FILM - BLACK - 1" X 1.75"
	077001-03-000	EA FILM - WHITE .75" X 1"
	103812-02-02A	EA TRIM - DASH - LOWER - FORD - GRAY
	104354-01-02A	EA APPLIQUE - LOWER DASH

KEY	PART NUMBER	U/M DESCRIPTION
1	M05946-04-035	EA DASH POD ASM.
2	103666-01-02A	EA POD - INSTRUMENT PANEL - GRAY
3	103662-01-01A	EA BEZEL - INSTRUMENT PANEL
4	104056-01-03A	EA APPLIQUE - BEZEL - LEFT - DRESS UP
5	108357-05-000	EA SWITCH - ROCKER - SPDT ON/NONE/ON
6	108357-04-000	EA SWITCH - ROCKER - SPDT ON/OFF/MOM
7	108357-06-000	EA SWITCH - ROCKER - DPDT MOM/OFF/MOM
8	094796-05-000	EA CLUSTER - INSTRUMENT PANEL - KILOMETERS - GAS (CSA)
9	108357-03-000	EA SWITCH - ROCKER - SPST ON/OFF/ON
10	108357-10-000	EA SWITCH - ROCKER - SPDT MOM/OFF/MOM
11	104056-05-01A	EA APPLIQUE - BEZEL SWITCH RIGHT - 3 SW FROM: 00-00-00 THRU: 12-13-92
11	104056-04-01A	EA APPLIQUE - BEZEL - SWITCH RIGHT - BLANK FROM: 00-00-00 THRU: 12-13-92
11	104056-21-01A	EA APPLIQUE - BEZEL - SWITCH RIGHT FROM: 12-14-92 THRU: 99-99-99
12	104056-06-03A	EA APPLIQUE - BEZEL - RIGHT DRESS UP
13	089294-01-000	EA LIGHTER ASM. - CIGARETTE
14	104056-02-01A	EA APPLIQUE - BEZEL - SWITCH LEFT
	P03817-01-000	EA DASH ASM - LOWER - W/O VINYL
	106569-02-01A	EA PADDED VINYL - LAMINATE MADRID - OFF WHITE - 1/4" X 16" X 96" - 2LB
	100138-01-000	EA MODULE - DAYTIME RUNNING LIGHT
	077031-01-000	EA FILM - BLACK - 1" X 1.75"
	077031-03-000	EA FILM - WHITE .75" X 1"
	103812-01-02A	EA TRIM - DASH - LOWER - GM - GRAY
	104354-01-02A	EA APPLIQUE - LOWER DASH

1993 ITASCA
TABLE OF CONTENTS

INTRODUCTION	A-01 - A-02
ABBREVIATIONS	A-03
ALPHABETICAL INDEX	A-04 - A-06
ICG34RQ	A-07 - E-18
ICG34RA	E-19 - J-02

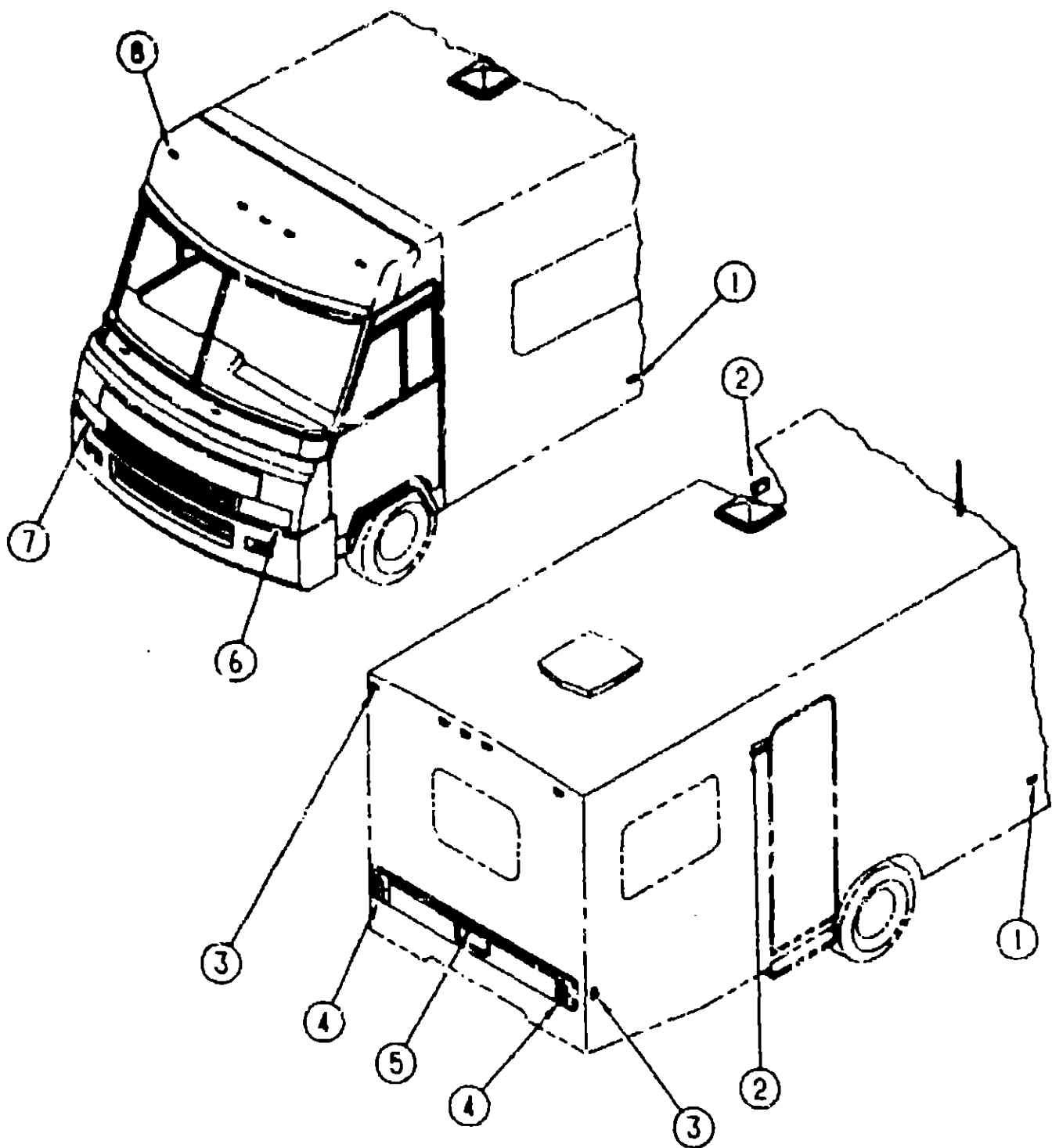
1993 ICG34RQ INDEX

FLOOR PLAN	A-07 - A-09
ACCESSORIES	A-09
AUDIO VIDEO	A-10 - A-11
BATH	A-12 - A-14
BEDROOM	A-15 - A-18
CHASSIS	A-19 - B-06
CURTAIN & CUSHION	B-07 - B-17
DINETTE	B-18 - B-20
DRIVERS COMPARTMENT	B-21 - B-24
ELECTRICAL	C-01 - C-06
EXTERIOR BODY	C-07 - C-14
GALLEY	C-15 - C-18
GENERATOR	C-19 - C-20
HEATING & A/C	C-21 - C-24
INTERIOR FINISH	D-01 - D-04
LABELS	D-05 - D-12
LP	D-13
LOUNGE	D-14 - D-16
SEALANTS & FASTENERS	D-17 - D-19
WATER & SEWAGE	D-20 - D-23
WINDOW, VENT & EXTERIOR DOOR	D-24 - E-18
WINDSHIELD & WIPER	E-17 - E-18

ELECTRICAL GROUP

EXTERIOR LIGHTS

1993 ITASCA TABLE OF CONTENTS



KEY	PART NUMBER	U/M DESCRIPTION
1	062848-02-000	EA LIGHT-CLEARANCE - AMBER
2	087917-01-03A 008213-01-000	EA LIGHT - PORCH - ENTP'D DOOR - GRAY EA BULB
2	087917-01-700	EA LENS - LIGHT - PORCH
3	062848-01-000	EA LIGHT - CLEARANCE - RED
4	081538-01-000	EA TAIL LIGHT - DOUBLE - W/BLACK TRIM - DRIVER & PASSENGER SIDE
4	081638-01-700	EA LENS - TAIL LIGHT - RED
4	081638-01-701	EA LENS - TAIL LIGHT - W/BACKUP
	037934-01-000	EA BULB #1156 (BACK UP & TURN SIGNAL)
	037935-01-000	EA BULB #2057 OR #1157 (BRAKE LIGHT)
5	056432-02-000	EA LIGHT ASM - LICENSE PLATE
5	066432-03-000	EA BRACKET - LICENSE PLATE
6	049185-02-000	EA HEADLAMP CAPSULE - DRIVER SIDE - HIGH/LOW BEAM - W/BLACK RETAINER
6	049188-02-000	EA HEADLAMP CAPSULE - DRIVER SIDE - HIGH BEAM - W/BLACK RETAINER
7	049187-02-000	EA HEADLAMP CAPSULE - PASSENGER SIDE - HIGH BEAM - W/BLACK RETAINER
7	049185-02-000	EA HEADLAMP CAPSULE - PASSENGER SIDE - HIGH/LOW BEAM - W/BLACK RETAINER
	050030-02-000	EA HOUSING - HEADLAMP WIRING - HIGH BEAM
	063749-01-000	EA HOUSING - HEADLAMP WIRING - LOW BEAM
	049353-01-000	EA SPRING - RETAINER - HEADLAMP
	073308-01-000	EA SCREW - ADJUSTING - HEADLAMP
	096674-01-000	EA NUT - HEADLAMP - BLACK
	084501-01-000	EA LAMP-PARK/TURN, GM # 916558 (BULB #2057)
8	102520-01-000	EA CLEARANCE LIGHT ASM - CLEARANCE - W/O SOCKET CONNECTIONS - AMBER
	036196-01-000	EA BULB
	067789-02-000	EA SOCKET ASM.
	102540-01-000	EA SEAL - SCREW - ROUND - RUBBER
	102541-01-000	EA GASKET - CLEARANCE LIGHT

INTRODUCTION	A-01 - A-06
ABBREVIATIONS	A-07
ALPHABETICAL INDEX	A-04 - A-06
ICG34RQ	A-07 - E-13
ICG34RA	E-19 - J-62

INTERIOR LIGHTS

1993 ICG34RQ INDEX

KEY	PART NUMBER	U/M DESCRIPTION
	098024-01-01A	EA DOME LIGHT - 1 BULB - US - IVORY
	098024-03-01A	EA DOME LIGHT - 2 BULB - IVORY
	008213-01-000	EA BULB - DOME LIGHT
	098024-01-700	EA LENS - DOME LIGHT
	061424-01-000	EA LIGHT - AISLE - 12V - RECTANGULAR
	008103-01-000	EA BULB - AISLE
	065202-17-000	EA LAMP - WALL - BRASS - US
	065202-18-000	EA LAMP - WALL - BRASS - CSA
	083978-01-000	EA WASHER - MOUNTING - LAMP
	065201-09-000	EA SHADE - LAMP - FABRIC - PARCHMENT
	082169-01-000	EA LIGHT - MAKE-UP - 3 BULB
		FROM 00-00-00 THRU: 12-13-92
	110235-01-01A	EA LIGHT - MAKE UP - 3 BULB - PANI LESS
		FROM: 12-14-92 THRU: 99-99-99
	081633-01-700	EA BULB - MAKE-UP
	086280-01-000	EA LIGHT - SURFACE MOUNT - 12V - JENSEN 1236
	086280-01-700	EA BULB - SURFACE MOUNT - 12 VOLT - 6 WATT
	087694-01-000	EA LIGHT - WARDROBE/CLOSET - W/SWITCH
	087694-01-700	EA BULB - G5561 - WARDROBE/CLOSET

FLOOR PLAN	A-07 - A-08
ACCESSORIES	A-09
AUDIO VIDEO	A-10 - A-11
BATH	A-12 - A-14
BEDROOM	A-15 - A-18
CHASSIS	A-19 - B-06
CURTAIN & CUSHION	B-07 - B-17
DINETTE	B-18 - B-20
DRIVER'S COMPARTMENT	B-21 - B-24
ELECTRICAL	C-01 - C-06
EXTERIOR BODY	C-07 - C-14
GALLEY	C-15 - C-18
GENERATOR	C-19 - C-20
HEATING & A/C	C-21 - C-24
INTERIOR FINISH	D-01 - D-04
LABELS	D-05 - D-12
LF	D-13
LOUNGE	D-14 - D-16
SEALANTS & FASTENERS	D-17 - D-19
WATER & SEWAGE	D-20 - D-23
WINDOW, VENT & EXTERIOR DOOR	D-24 - E-16
WINDSHIELD & WIPER	E-17 - E-18

ELECTRICAL GROUP (CONTINUED)

ELECTRIC COMPONENTS

KEY	PART NUMBER	U/M DESCRIPTION
	007093-01-000	EA FLASHER - SIGNAL - STAT
	007942-01-000	EA TAB - WIRE - 16 TO 14 AWG
	008188-01-000	EA SOLENOID - 3 POST - BATTERY CHANGE OVER
	095188-01-01A	EA SPACER - SWITCH - 2 3/4" X 3 4" - PLASTIC - DARK BROWN
	008326-01-000	EA TERMINAL - RING - 16/14 WIRE - 3/8" STUD
	008328-01-000	EA TERMINAL - RING - 12/10 WIRE - #10 STUD FIT
	008331-01-000	EA TERMINAL - RING - TONGUE - #4 WIRE - 3/8" STUD - COPPER
	008348-01-000	EA TERMINAL - RING - 3/8" STUD - #2 WIRE
	017618-01-000	EA TERMINAL - RING #10 STUD FITTING - INSULATED BARREL #16/14
	047442-01-000	EA TERMINAL - 250 RECEPTACLE FITTING - INSULATED - 16/14 AWG
	047443-02-000	EA TERMINAL - 250 RECEPTACLE FITTING - INSULATED - 12/10 AWG
	052008-02-000	EA TERMINAL - PACK - CONNECTOR - 16/14 AWG
	104100-03-000	EA TERMINAL - 75 AMP AMP 53880-1 LOOSE
	103803-01-000	EA BULB - 12V NO 74 0 12A WEDGE GE 22-25 OR EQUIVALENT
	007215-01-000	EA BULB - 12V - #1003 - 94AMP
	006218-01-000	EA BULB - DOME LIGHT - 12V - NUMBER 1141
	056196-01-000	EA BULB - 12V - #194 - 27AMP - BAYONETTE
	067479-01-000	EA BULB - 12V - NUMBER 1076
	067789-02-000	EA SOCKET - LAMP
	103608-01-000	EA SOCKET - WEDGE BASE W/LEADS JKL 2944-6 OR EQUIVALENT
	075723-01-000	EA BLOCK - SWITCH - SPACER W/O HOLE
	095188-01-01A	EA SPACER - SWITCH - 2 3/4" X 3 4" - PLASTIC - DARK BROWN
	075723-02-000	EA SPACER - SWITCH - W/HOLE - 2" X 9" X 2" - METAL - OFF WHITE FOR ELECTRIC STEP DOOR JAMB SWITCH
	077479-01-000	EA BOOT - BATTERY TERMINAL - DOUBLE CABLE
	077479-02-000	EA BOOT - BATTERY TERMINAL - SINGLE CABLE
	086233-01-000	EA STUD - ISOLATED - 3/8" X 7/8" LONG
	096273-01-000	EA RELAY - BATTERY DISCONNECT
	087949-01-000	EA BUSS BAR - 2 POSITION - 6" X 1 5" - ALUMINUM
	087949-02-000	EA BUSS BAR - 3 POSITION 90 WIV
	090971-01-000	EA SPLICE - CABLE - 110V
	100341-01-000	EA FUSE HOLDER - IN LINE TYPE WESCO 8931-92020
	102568-01-B10	EA SPACER - RECEPTACLE - BETWEEN SIDEWALL & PLATE - WOOD
	092492-06-000	EA SEAL - ELECTRICAL BOX
	103873-01-000	EA SEAL - ELECTRICAL BOX/BULKHEAD ALFA III(215X215)
	103987-01-000	EA SEAL - SOLENOID ACCESS

CONVERTER & LOAD CENTER

KEY	PART NUMBER	U/M DESCRIPTION
	094809-01-000	EA LOAD CENTER - 240V - 125 V - TPL412CT FROM: 03-03-00 THRU 09-09-92
	109677-01-000	EA LOAD CENTER - 120V - 40A WESCO TT120 FLGNM FROM: 09-09-92 THRU 99-99-99
	083208-02-000	EA CONVERTER - POWER - 45A - 120V/12V - BW 6345
	099048-01-000	EA INVERTER - 100 WATT

ELECTRICAL GROUP (CONTINUED)

ELECTRICAL HOUSINGS

KEY	PART NUMBER	U/M DESCRIPTION
	088473-01-000	EA PIN HOUSING - 4 ROWS OF 3
	088473-02-000	EA PIN HOUSING - 15 POSITION
	088473-03-000	EA PIN HOUSING - 9 POSITION
	088473-06-000	EA PIN HOUSING - 6 POSITION (SINGLE ROW)
	088473-08-000	EA PIN HOUSING - 6 POSITION (TWO ROWS OF THREE)
	088473-08-000	EA PIN HOUSING - 4 POSITION
	088473-09-000	EA PIN HOUSING - 3 POSITION (SINGLE ROW)
	088473-10-000	EA PIN HOUSING - 2 POSITION
	088474-01-000	EA HOUSING - SOCKET - 12 POSITIONS
	088474-02-000	EA HOUSING - SOCKET - 15 POSITION (3 ROWS OF 5)
	088474-03-000	EA HOUSING - SOCKET - 9 POSITION
	088474-06-000	EA HOUSING - SOCKET - 6 POSITION (2 ROWS OF THREE)
	088474-07-000	EA HOUSING - SOCKET - 5 CAVITY - AMP 1-480764-0
	088474-08-000	EA HOUSING - SOCKET - 4 POSITION (SINGLE ROW)
	088474-09-000	EA HOUSING - SOCKET - 3 POSITION
	088474-10-000	EA HOUSING - SOCKET - 2 POSITION
	063910-01-000	EA HOUSING - RELAY - BOSCH 3 334 485 000
	050030-02-000	EA HOUSING - HEADLAMP WIRING - HIGH BEAM
	131571-01-000	EA HOUSING - 2 POSITION - MALE
	104100-01-000	EA HOUSING - 1 POSITION - 75 AMP - AMP 53884-1
	106006-01-000	EA HOUSING - 1 POSITION - FEMALE - PACKARD 12015952
	106355-01-000	EA HOUSING - SWITCH - CARLING VCH
	088473-02-000	EA PIN HOUSING - 15 POSITION
	007949-01-000	EA TAB - HOUSING - 1 POSITION

**1993 ITASCA
TABLE OF CONTENTS**

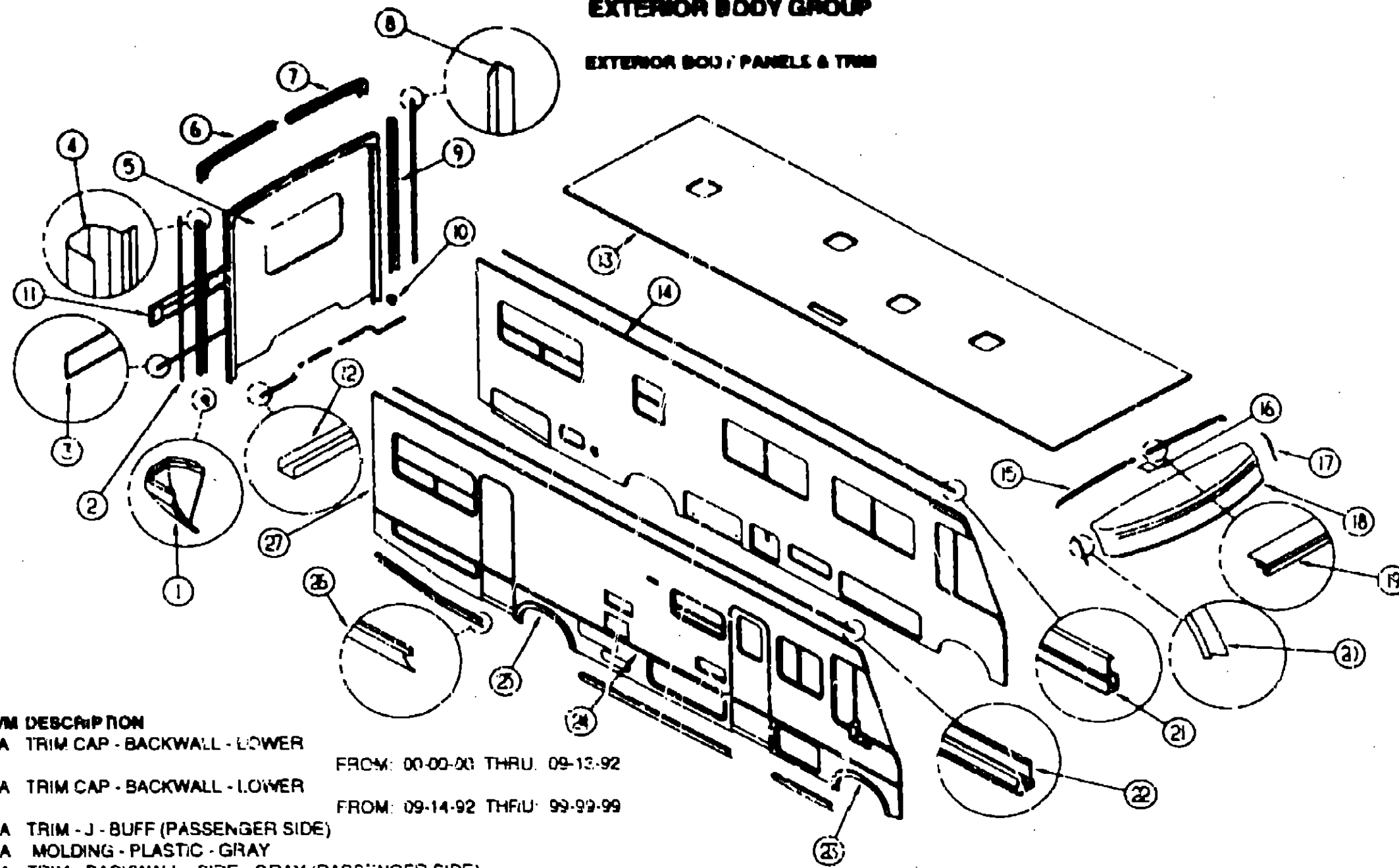
INTRODUCTION	A-01 - A-02
ABBREVIATIONS	A-03
ALPHABETICAL INDEX	A-04 - A-08
ICG34RD	A-07 - E-18
ICG34RA	E-19 - J-02

1993 ICG34RD INDEX

FLOOR PLAN	A-07 - A-08
ACCESSORIES	A-09
AUDIO VIDEO	A-10 - A-11
BATH	A-12 - A-14
BEDROOM	A-15 - A-18
CHASSIS	A-19 - B-06
CURTAIN & CUSHION	B-07 - B-17
DINETTE	B-18 - B-20
DRIVERS COMPARTMENT	B-21 - B-24
ELECTRICAL	C-01 - C-06
EXTERIOR BODY	C-07 - C-14
GALLEY	C-15 - C-18
GENERATOR	C-19 - C-20
HEATING & A/C	C-21 - C-24
INTERIOR FINISH	D-01 - D-04
LABELS	D-05 - D-12
LP	D-13
LOUNGE	D-14 - D-16
SEALANTS & FASTENERS	D-17 - D-19
WATER & SEWAGE	D-20 - D-23
WINDOW, VENT &	
EXTERIOR DOOR	D-24 - E-16
WINDSHIELD & WIPER	E-17 - E-18

EXTERIOR BODY GROUP

EXTERIOR BODY PANELS & TRIM



1993 ITASCA TABLE OF CONTENTS

INTRODUCTION	A-01 - A-02
ABBREVIATIONS	A-03
ALPHABETICAL INDEX	A-04 - A-06
ICG34RQ	A-07 - E-18
ICG34RA	E-19 - J-02

1993 ICG34RQ INDEX

FLOOR PLAN	A-07 - A-08
ACCESSORIES	A-09
AUDIO VIDEO	A-10 - A-11
BATH	A-12 - A-14
BEDROOM	A-15 - A-18
CHASSIS	A-19 - B-06
CURTAIN & CUSHION	B-07 - B-17
DINETTE	B-18 - B-20
DRIVERS COMPARTMENT	B-21 - B-24
ELECTRICAL	C-01 - C-06
EXTERIOR BODY	C-07 - C-14
GALLEY	C-15 - C-18
GENERATOR	C-19 - C-20
HEATING & AC	C-21 - C-24
INTERIOR FINISH	D-01 - D-04
LABELS	D-05 - D-12
LP	D-13
LOUNGE	D-14 - D-16
SEALANTS & FASTENERS	D-17 - D-19
WATER & SEWAGE	D-20 - D-23
WINDSHIELD & WIPER	D-24 - E-16
	E-17 - E-18

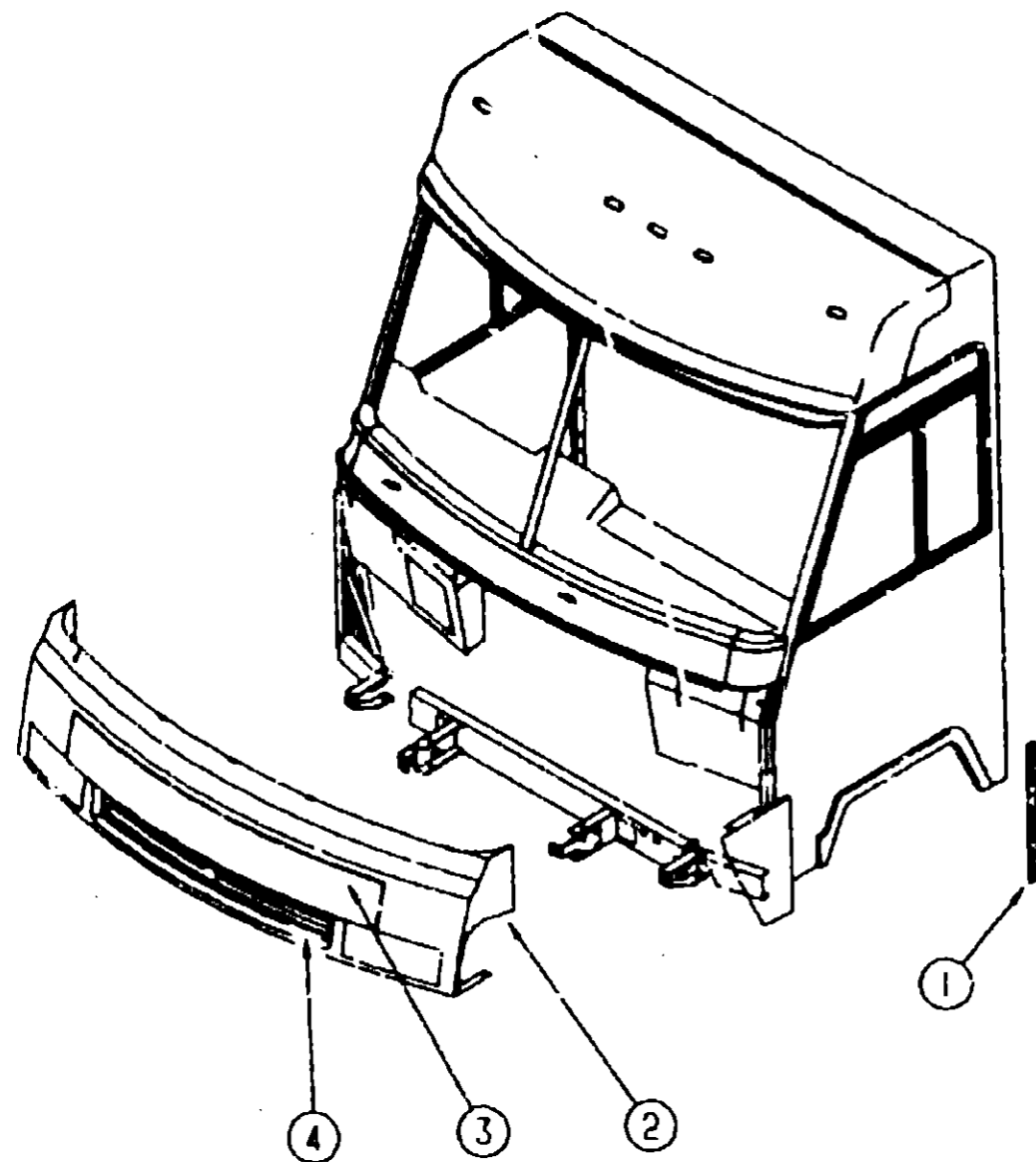
KEY	PART NUMBER	U/M DESCRIPTION
1	105167-01-03A	EA TRIM CAP - BACKWALL - LOWER FROM: 00-00-00 THRU: 09-13-92
1	105167-03-01A	EA TRIM CAP - BACKWALL - LOWER FROM: 09-14-92 THRU: 99-99-99
2	104033-03-03A	EA TRIM - J - BUFF (PASSENGER SIDE)
3	093673-01-04A	EA MOLDING - PLASTIC - GRAY
4	103598-03-04A	EA TRIM - BACKWALL - SIDE - GRAY (PASSENGER SIDE)
5	M05191-20-D35	EA BACKWALL ASM - TWIN BED (CHEVY)
5	M05191-20-D36	EA BACKWALL ASM - TWIN BED (CHEVY)
5	M05191-16-D35	EA BACKWALL ASM - QUEEN BED (CHEVY)
5	M05191-16-D36	EA BACKWALL ASM - QUEEN BED (CHEVY)
5	M05192-13-D35	EA BACKWALL ASM - QUEEN BED (FORD)
5	M05192-13-D36	EA BACKWALL ASM - QUEEN BED (FORD)
5	M05192-16-D35	EA BACKWALL ASM - TWIN BED (FORD)
5	M05192-16-D36	EA BACKWALL ASM - TWIN BED (FORD)
6	103599-01-03A	EA TRIM - BACKWALL - TOP - GRAY (PASSENGER SIDE)
7	103600-01-03A	EA TRIM - BACKWALL - TOP - LEFT GRAY
8	104033-04-03A	EA TRIM - J - BUFF (DRIVER SIDE)
9	103598-04-04A	EA TRIM - BACKWALL - SIDE - GRAY (DRIVER SIDE)
10	105167-02-03A	EA TRIM CAP - BACKWALL - LOWER FROM: 00-00-00 THRU: 09-13-92
10	105167-04-01A	EA TRIM CAP - BACKWALL - LOWER FROM: 09-14-92 THRU: 99-99-99
11	106125-01-D35	EA TRIM ASM - BACKWALL
12	050406-17-000	EA TRIM - BACKWALL - LOWER LEFT OR RIGHT SIDE - GRAY
13	P04539-01-D35	EA ROOF ASM
14	M05688-03-D35	EA SIDEWALL ASM - TWIN BED (DRIVER SIDE)
14	M05688-03-D36	EA SIDEWALL ASM - TWIN BED (DRIVER SIDE)
14	M05688-01-D35	EA SIDEWALL ASM - QUEEN BED (DRIVER SIDE)
14	M05688-01-D36	EA SIDEWALL ASM - QUEEN BED (DRIVER SIDE)
15	103815-02-04A	EA TRIM - FRONT CAP/ROOF - GRAY (PASSENGER SIDE)
16	085754-08-000	EA CAP - JOINT - GRAY
17	103816-04-03A	EA TRIM - FRONT CAP/SIDEWALL - GRAY (DRIVER SIDE)
18	103785-01-03A	EA CAP ASM - FRONT - GRAY

KEY	PART NUMBER	U/M DESCRIPTION
19	103815-03-04A	EA TRIM - FRONT CAP/ROOF - GRAY (DRIVER SIDE)
20	103816-01-03A	EA TRIM - FRONT CAP/SIDEWALL - GRAY (PASSENGER SIDE)
21	103801-01-03A	EA TRIM - ROOF - GRAY
22	103802-01-03A	EA RAIL - AWNING - GRAY
23	104068-01-03A	EA TRIM - WHEELWELL - FRONT - (PASSENGER SIDE)
	104068-02-03A	EA TRIM - WHEELWELL - FRONT - (DRIVER SIDE)
24	059576-05-020	EA FEATURE STRIP - WHOLES - OFF WHITE FROM: 00-00-00 THRU: 03-28-93
24	108689-01-02A	EA FEATURE STRIP - WHOLES - OFF WHITE FROM: 03-29-93 THRU: 99-99-99
	001030-02-004	EA INSERT - FEATURE STRIP - 17 LONG - OFF WHITE FROM: 00-00-00 THRU: 03-28-93
	105312-01-04A	FT INSERT - FEATURE STRIP - PEARL FAWN FROM: 03-29-93 THRU: 99-99-99
	009731-01-000	EA END CAP - FEATURE STRIP FROM: 00-00-00 THRU: 03-28-93
	108651-01-01A	EA END CAP - FEATURE STRIP FROM: 03-29-93 THRU: 99-99-99
25	104070-01-03A	EA TRIM - WHEELWELL - REAR - GRAY (DRIVER OR PASSENGER SIDE)
26	079477-05-004	EA ROCKER PANEL "92"
27	M05818-02-D35	EA SIDEWALL ASM - TWIN BED (PASSENGER SIDE) (W/O REAR DOOR)
27	M05818-02-D36	EA SIDEWALL ASM - TWIN BED (PASSENGER SIDE) (W/O REAR DOOR)
27	M05818-05-D35	EA SIDEWALL ASM - QUEEN BED (PASSENGER SIDE) (W/O REAR DOOR)
27	M05818-05-D36	EA SIDEWALL ASM - QUEEN BED (PASSENGER SIDE) (W/O REAR DOOR)
27	M05818-06-D35	EA SIDEWALL ASM - QUEEN BED (PASSENGER SIDE) (W/REAR DOOR)
27	M05818-06-D36	EA SIDEWALL ASM - QUEEN BED (PASSENGER SIDE) (W/REAR DOOR)

C-07

C-08

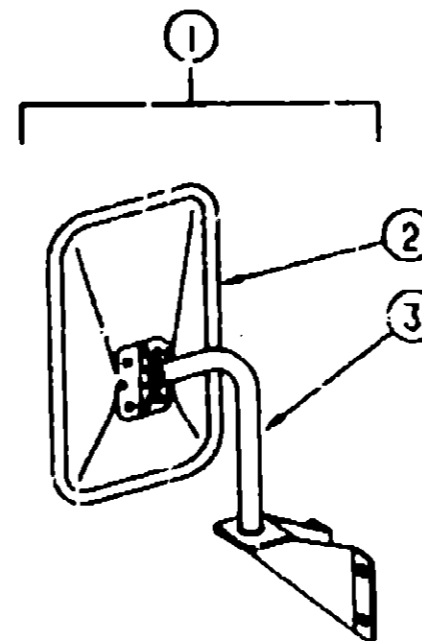
EXTERIOR BODY GROUP (CONTINUED)



FRONT END ASM

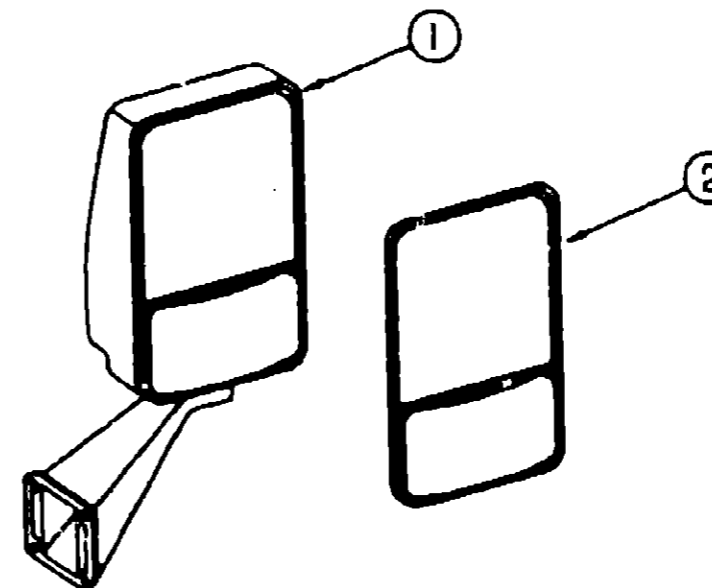
KEY	PART NUMBER	U/M DESCRIPTION
1	089922-22-000	EA TRIM - FIBERGLSSS - ASH GRAY
2	104062-01-03A	EA PANEL - FRONT - LOWER - ASH GRAY
3	104545-01-035	EA PANEL ASM. - HOOD - ASH GRAY
4	104318-01-007	EA GRILLE ASM. - MESH - FACIA
	058785-01-000	EA BOLT - ADJUSTING - HOOD - W/BLACK PAD - 5/16" #18 X 2"
	058785-02-000	EA BOLT - ADJUSTING - HOOD - W/BLACK PAD - 5/16" #18 X 1.25"
	104582-02-000	EA LINK ASM. - HINGE - HOOD - OUTER
	104584-03-000	EA BRACKET ASM. - HOOD HINGE BODY - PASSENGER SIDE
	104584-04-000	EA BRACKET ASM. - HOOD HINGE BODY - DRIVER SIDE
	102330-02-000	EA LATCH - SINGLE HOLE - VISE ACTION
	105095-01-000	EA LINK ASM. - HINGE - HOOD - INNER - PASSENGER SIDE
	105095-02-000	EA LINK ASM. - HINGE - HOOD - INNER - DRIVER SIDE
	105096-02-000	EA TUBE - TIMING - HOOD HINGE

EXTERIOR BODY GROUP (CONTINUED)



EXTERIOR MIRRORS

KEY	PART NUMBER	U/M DESCRIPTION
1	105076-01-702	EA MIRROR ASM. - DRIVER & PASSENGER SIDE
2	105076-01-703	EA MIRROR HEAD ONLY - DRIVER & PASSENGER SIDE
3	105076-01-704	EA ARM - DRIVER & PASSENGER SIDE
	105439-01-000	EA MIRROR - AUX - CONVEX STICK-ON
	049347-01-700	EA MIRROR - FLAT GLASS



EXTERIOR MIRROR OPTION

KEY	PART NUMBER	U/M DESCRIPTION
1	106015-09-01A	EA MIRROR ASM - PASSENGER SIDE
1	106015-10-01A	EA MIRROR ASM - DRIVER SIDE
2	106015-01-703	EA MIRROR KIT (BEZEL W/MIRRORS) PASSENGER SIDE
2	106015-02-702	EA MIRROR KIT (BEZEL W/MIRRORS) DRIVER SIDE

**1993 ITASCA
TABLE OF CONTENTS**

INTRODUCTION	A-01 - A-02
ABBREVIATIONS	A-03
ALPHABETICAL INDEX	A-04 - A-06
ICG34RQ	A-07 - E-18
ICG34RA	E-19 - J-02

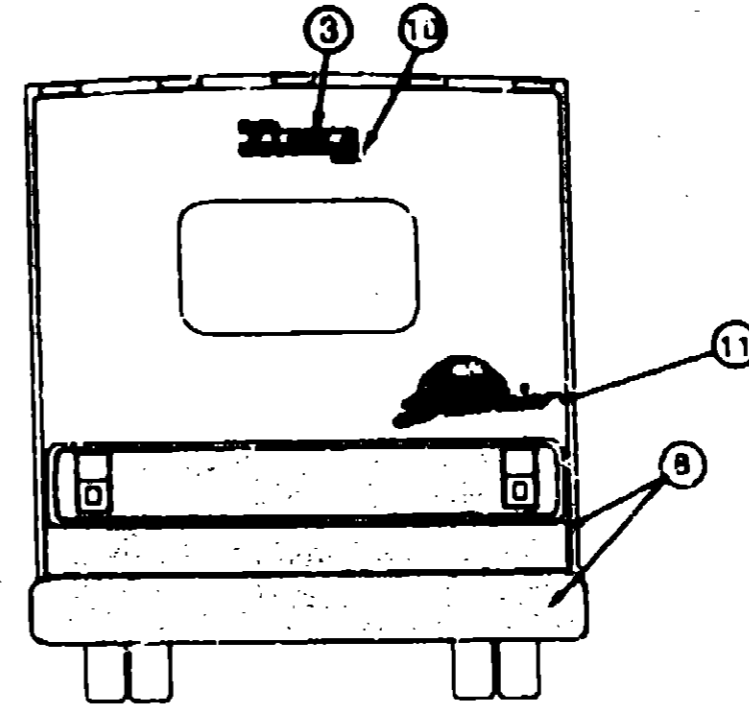
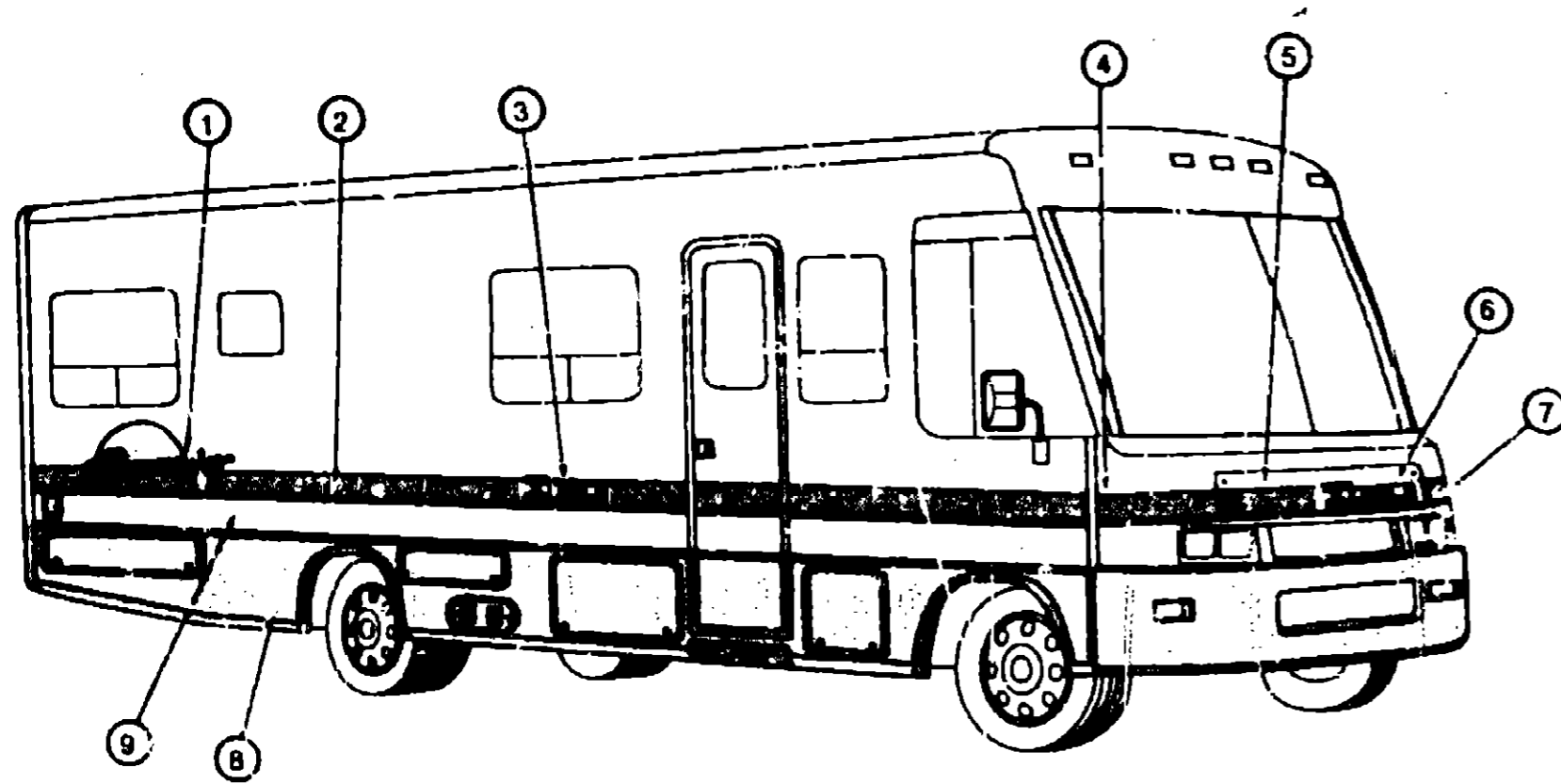
1993 ICG34RQ INDEX

FLOOR PLAN	A-07 - A-08
ACCESSORIES	A-09
AUDIO VIDEO	A-10 - A-11
BATH	A-12 - A-14
BEDROOM	A-15 - A-16
CHASSIS	A-19 - B-06
CURTAIN & CUSHION	B-07 - B-17
DINETTE	B-18 - B-20
DRIVERS COMPARTMENT	B-21 - B-24
ELECTRICAL	C-01 - C-06
EXTERIOR BODY	C-07 - C-14
GALLEY	C-15 - C-18
GENERATOR	C-19 - C-20
HEATING & AC	C-21 - C-24
INTERIOR FINISH	D-01 - D-04
LABELS	D-05 - D-12
LP	D-13
LOUNGE	D-14 - D-16
SEALANTS & FASTENERS	D-17 - D-19
WATER & SEWAGE	D-20 - D-23
WINDOW, VENT &	
EXTERIOR DOOR	D-24 - E-16
WINDSHIELD & WIPER	E-17 - E-18

EXTERIOR BODY GROUP (CONTINUED)
DECALS, FILM STRIPES & PAINT

1993 ITASCA
TABLE OF CONTENTS

INTRODUCTION	A-01 - A-02
ABBREVIATIONS	A-03
ALPHABETICAL INDEX	A-04 - A-08
IC334RQ	A-07 - E-18
IC334RA	E-19 - J-32



1993 ICG34RQ INDEX

FLOOR PLAN	A-07 - A-08
ACCESSORIES	A-09
AUDIO VIDEO	A-10 - A-11
BATH	A-12 - A-14
BEDROOM	A-15 - A-18
CHASSIS	A-19 - B-06
CURTAIN & CUSHION	B-07 - B-17
DINETTE	B-18 - B-20
DRIVERS COMPARTMENT	B-21 - E-24
ELECTRICAL	C-01 - C-06
EXTERIOR BODY	C-07 - C-14
GALLEY	C-15 - C-18
GENERATOR	C-19 - C-20
HEATING & AC	C-21 - C-24
INTERIOR FINISH	D-01 - D-04
LABELS	D-05 - D-12
LP	D-13
LOUNGE	D-14 - D-16
SEALANTS & FASTENERS	D-17 - D-19
WATER & SEWAGE	D-20 - D-23
WINDOW, VENT &	
EXTERIOR DOOR	D-24 - E-16
WINDSHIELD & WIPER	E-17 - E-18

KEY	PART NUMBER	U/M DESCRIPTION
1	108222-01-01A	EA DECAL - SUNCRUISER - LARGE
2	094422-03-01A	FT FILM - OVERLAY - MULTISTRIPE 139
3	078852-24-000	EA DECAL - LOGO - ITASCA 6.50
4	108224-01-01A	EA DECAL - CORNER - RH
5	108223-01-01A	EA DECAL - HOOD
6	078852-25-000	EA DECAL - LOGO - ITASCA 5.00
7	108224-02-01A	EA DECAL - CORNER - LH
8	N / P	PAINT - GREY METALLIC (DUPONT H9283U)
9	107385-05-02A	FT FILM - 9.5MM X 150FT
10	084075-01-000	EA DECAL - "BY WINNEBAGO INDUSTRIES" - BLACK
11	108222-02-01A	EA DECAL - SUNCRUISER - SMALL

DUPONT PAINT COLOR CODES

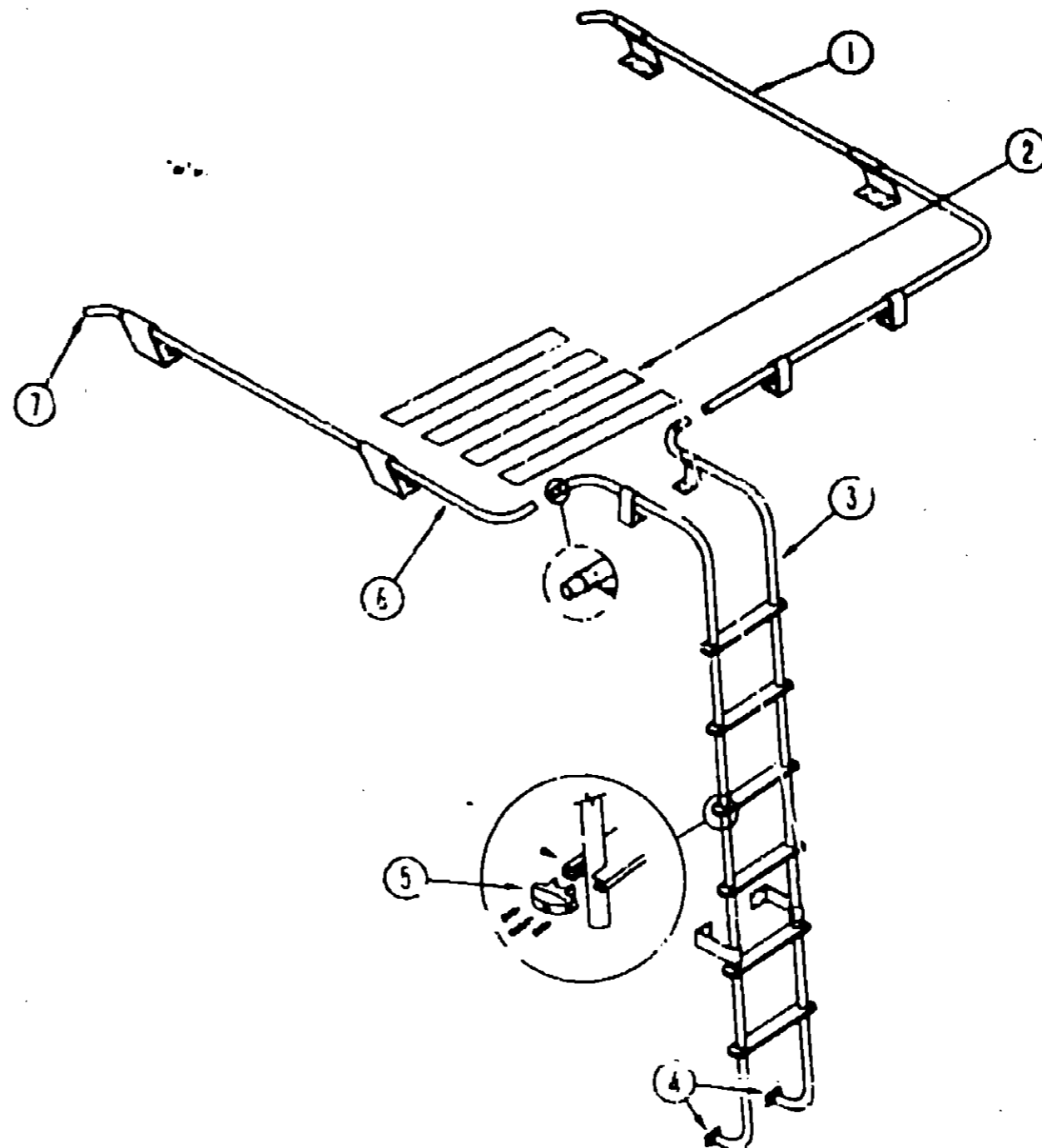
SEAMIST BLUE METALLIC:	G9845
ASH GRAY	LB730
FIESTA RED	G9836

EXTERIOR BODY GROUP (CONTINUED)

STYROFOAM & FIBERGLASS SHEETING

KEY	PART NUMBER	U/M DESCRIPTION
	083574-03-000	SF STYROFOAM - 3 1/4" X 48" X 96"
	000870-02-000	SF STYROFOAM - 5" X 24" X 96" (16 SF)
	000870-03-000	SF STYROFOAM - 1.34" X 48" X 96" (32 SF)
	083574-02-000	SF STYROFOAM - LOW TYPE SM - 1 5/8" X 24" X 90 5/8" (16 SF)
	078064-J1-000	EA FIBERGLASS SHEET 2438 X 2438 - ASH GRAY
	077517-80-000	EA SHEET - FIBERGLASS - FLAT - 48" X 96" - ASH GRAY
	078064-J5-000	EA FIBERGLASS SHEET 2590 X 9785 - ASH GRAY
	085747-01-000	SF INSULATION - MICROFOAM - .5"

EXTERIOR BODY GROUP (CONTINUED)



RACK & LADDER

KEY	PART NUMBER	U/M DESCRIPTION
1	107438-05-C07	EA RACK ASM. (PASSENGER SIDE)
2	038327-02-000	FC TAPE - ANTI SLIP - 2" X 60FT
3	102953-03-C07	EA LADDER ASM.
4	067165-01-000	EA MOUNTING BRACKET - LADDER - LOWER
5	076980-02-000	EA END CAP - STEP - BLACK
6	107438-06-C07	EA RACK ASM. (DRIVER SIDE)
7	081114-01-000	EA PLUG - ROUND - RACK & LADDER ENDS - PLASTIC - 1" DIA.

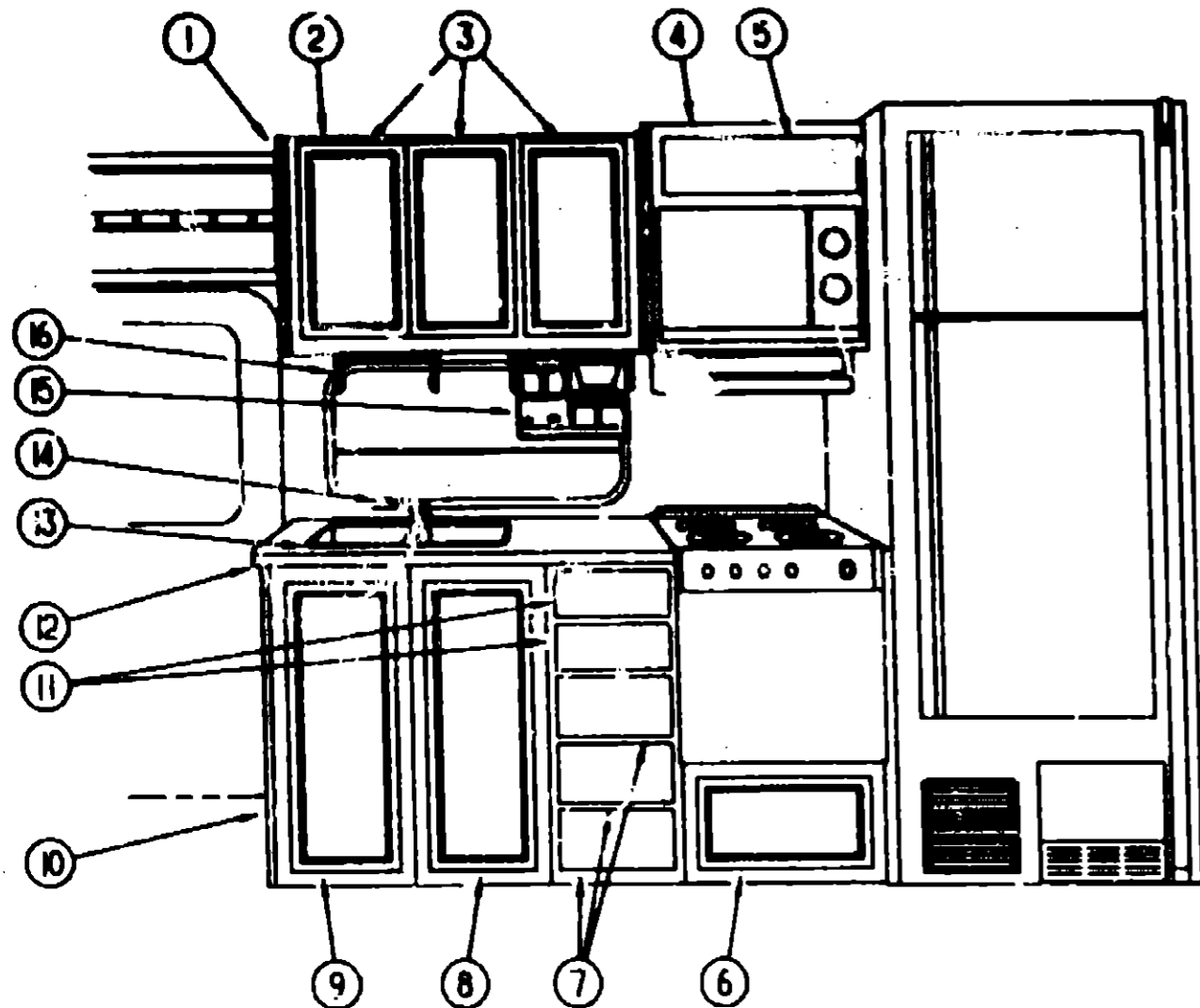
**1993 ITASCA
TABLE OF CONTENTS**

INTRODUCTION	A-01 - A-02
ABBREVIATIONS	A-03
ALPHABETICAL INDEX	A-04 - A-08
ICG34RQ	A-07 - E-18
ICG34RA	E-19 - J-02

1993 ICG34RQ INDEX

FLOOR FLAN	A-07 - A-08
ACCESSORIES	A-09
AUDIO VIDEO	A-10 - A-11
BATH	A-12 - A-14
BEDROOM	A-15 - A-18
CHASSIS	A-19 - B-06
CURTAIN & CUSHION	B-07 - B-17
CINETTE	B-16 - B-20
DRIVERS COMPARTMENT	B-21 - B-24
ELECTRICAL	C-01 - C-06
EXTERIOR BODY	C-07 - C-14
GALLEY	C-15 - C-18
GENERATOR	C-19 - C-20
HEATING & A/C	C-21 - C-24
INTERIOR FINISH	D-01 - D-04
LABELS	D-05 - D-12
LP	D-13
LOUNGE	D-14 - D-16
SEALANTS & FASTENERS	D-17 - D-19
WATER & SEWAGE	D-20 - D-23
WINDOW, VENT & EXTERIOR DOOR	D-24 - E-16
WINDSHIELD & WIPER	E-17 - E-18

GALLEY GROUP



GALLEY CABINETS & FIXTURES

GALLEY GROUP (CONTINUED)

REFRIGERATOR (NORCOLD 6182)

**1983 ITASCA
TABLE OF CONTENTS**

KEY	PART NUMBER	U/A DESCRIPTION	PART NUMBER
	104137-08-01A	EA REFRIGERATOR - LARGE DBL DOOR 2-WAY	61538822
	092848-01-000	EA BRACKET ASM - TIEDOWN - REFRIGERATOR	61529822
	092848-02-000	EA BRACKET ASM - TIEDOWN - REFRIGERATOR	614622
	075217-01-734	EA FUSE - 3 AMP	61551822
	075217-01-738	EA SWITCH - HUMIDITY	615841
	084880-01-705	EA ORIFICE	61578522
	084880-01-718	EA VALVE - GAS	61580830
	084880-01-722	EA CRISPER COVER	61571522
	084880-01-732	EA LATCH	615807
	084880-01-740	EA END CAP (STOP CATCH)	61683822
	084880-01-746	EA CABLE	61580710
	084880-01-749	EA HINGE EUSHING	61687337
	084880-01-753	EA THERMISTER 78"	61580631
	084880-01-761	EA END CAP (SPRING CATCH) BLACK	615627
	084880-03-701	EA COOKING UNIT (HORIZONTAL BURNER)	615628
	084880-03-702	EA HINGE PIN (TOP/BTM FEMALE)	61567830
	088248-01-709	EA HEATER - AC (HORIZONTAL)	61631430
	088248-01-710	EA HEATER - DC (HORIZONTAL) 3 WAY	61581838-B
	094039-01-702	EA GASKET (GRAY) UPPER	61650038
	094039-01-704	EA PLATE - HINGE - BLACK	61631330
	094039-01-706	EA UPPER DOOR LINER (WHITE) BLACK	61568030
	094039-01-708	EA HANDLE - DOOR - UPPER - BLACK	61581738-B
	094039-01-710	EA PLATE - HINGE - BLACK	61649938
	094039-01-713	EA DOOR GASKET (LOWER) GRAY	61582030
	094039-01-715	EA LOWER DOOR LINER (BLACK/WHITE)	61582638
	094039-01-717	EA LOWER DOOR HANDLE ASSY (BLACK)	61580938
	094039-01-722	EA HOLE PLUG (BLACK) HINGE HOLES	61578130
	094039-01-723	EA HINGE BRACKET - TOP RH - BOTTOM - LH - BLACK	61566730
	094039-01-724	EA HINGE BRACKET - TOP LH - BOTTOM - RH - BLACK	61622130
	094039-01-725	EA HINGE PIN (BLACK) (MALE)	61553822
	094039-01-730	EA HINGE PIN SHAFT (BLACK) CENTER HINGE	61572830
	094039-01-732	EA FRONT COVER (BLACK) BOTTOM TRIM	61647422
	094039-01-733	EA WIRE SHELF (MIDDLE)	61717037
	094039-01-735	EA INSIDE DRIP TRAY (WHITE)	61726622
	094039-01-739	EA SHELF (CUTOUT)	61666722
	094039-04-700	EA PC BOARD - 2 WAY	61580525
	094039-04-702	EA POWER SUPPLY (2 WAY)	61564025
	104137-02-700	EA MODULE - CONTROL - CHANNEL	61636622
	104137-06-700	EA EYEBROW SHELL (2-WAY)	61718222
	104137-06-701	EA HANDLE - UPPER DOOR W/DECAL	61571325
	104137-06-702	EA RACK - JUICE (WHITE)	61725138
	104137-06-703	EA BIN - DOOR SHELF (WHITE)	61694922
	104137-06-705	EA HANDLE - LOWER DOOR W/DECAL	61594422
	104137-06-706	EA WIRE SHELF (SHORT)	61611622
	104137-06-707	EA CRISPER (WHITE)	61692722
	104137-06-708	EA FOAMED CAB ASM (BLACK W/WHITE)	61475122
	104137-06-709	EA VALVE SHUT - OFF - MANUAL ASM	61705222
	104137-06-710	EA PRESSURE TAP	61692222
	104137-06-711	EA FUSE 5 AMP	
	104137-06-712	EA FITTING - GAS TUBE CONNECTION	
	104137-06-713	EA ORIFICE GASKET	
	104137-06-714	EA BURNER ASSEMBLY (5-SLOT)	
	104137-06-715	EA SPARK/SENSE ELECTRODE (SINGLE)	

INTRODUCTION	A-01 - A-01
ABBREVIATIONS	A-02
ALPHABETICAL INDEX	A-04 - A-08
ICG34RQ	A-07 - E-18
ICG34RA	E-19 - J-02

1983 ICG34RQ IN JEX

FLOOR PLAN	A-07 - A-08
ACCESSORIES	A-C9
AUDIO VIDEO	A-10 - A-11
BATH	A-12 - A-14
BEDROOM	A-15 - A-18
CHASSIS	A-19 - B-06
CURTAIN & CUSHION	B-07 - B-17
DINETTE	B-18 - B-20
DRIVERS COMPARTMENT	B-21 - B-24
ELECTRICAL	C-01 - C-06
EXTERIOR BODY	C-07 - C-14
GALLEY	C-15 - C-19
GENERATOR	C-19 - C-20
HEATING & A/C	C-21 - C-24
INTERIOR FINISH	D-01 - D-04
LABELS	D-05 - D-12
LP	D-13
LOUNGE	D-14 - D-16
SEALANTS & FASTENERS	D-17 - D-19
WATER & SEWAGE	D-20 - D-23
WINDOW, VENT &	
EXTERIOR DOOR	D-24 - E-16
WINDSHIELD & WIPER	E-17 - E-18

KEY	PART NUMBER	U/A DESCRIPTION
1	081319-20-C27	EA END CAP ASM - OVERHEAD
2	P04372-01-C27	EA CABINET ASM - GALLEY OVERHEAD
3	P03702-82-D35	EA DOOR ASM - W/O HARDWARE
4	M05019-78-D35	EA CABINET ASM - MICROWAVE OVHD
	104432-01-C27	EA CABINET ASM - AC SWITCH
5	P03702-58-D35	EA DOOR ASM - RAIL - W/O HARDWARE
	093614-02-01A	EA GRILL - RETURN AIR - BROWN (BELOW REFRIGERATOR)
6	P07104-87-D35	EA DRAWER ASM - W/O HARDWARE
7	P07104-93-D35	EA DRAWER ASM - W/O HARDWARE
8	P04746-A8-D35	EA DOOR ASM - W/O HARDWARE
9	P04746-A7-D35	EA DOOR ASM - W/O HARDWARE
10	M05620-01-C35	EA GALLEY CABINET ASM.
10	M05620-01-D36	EA GALLEY CABINET ASM.
11	P07104-93-D35	EA DRAWER ASM - W/O HARDWARE
12	104371-12-D12	EA COUNTERTOP ASM. (D35)
12	104371-12-D36	EA COUNTERTOP ASM.
	103610-01-D32	EA COVER ASM - SINK (D35)
	103610-01-D36	EA COVER ASM - SINK
13	104113-01-000	EA SINK - STAINLESS STEEL - DOUBLE
	092303-01-000	EA STRAINER - SINK
14	104114-01-01A	EA FAUCET - GALLEY - SINGLE CONTROL
	106635-01-000	EA FAUCET - SINGLE CONTROL - EVERPURE 5435-00
15	103799-01-01A	EA COFFEE MAKER ALMOND
		FROM: 00-00-00 THRU: 07-05-92
15	103799-01-02A	EA COFFEE MAKER GRAY
		FROM: 07-06-92 THRU: 99-99-99
	104610-01-000	EA STRAP ASM - COFFEE MAKER
16	103445-01-01A	EA HOLDER - PAPER TOWEL - PLASTIC - ALMOND
	080329-01-000	FT SEAL-T-REFRIGERATOR CABINET - 6" WIDE TOP X 2" TAIL

GALLEY GROUP (CONTINUED)

WEDGEWOOD RANGE, 4 BURNER (BLACK) 21"

KEY	PART NUMBER	U/M DESCRIPTION	
	107323-01-01A	EA RANGE - 21" 4 - BURNER BLACK	
	107314-01-01A	EA RANGE COVER - BIFOLD 21" BLACK	
	101889-01-703	EA KNOB - BURNER	53060
	108827-01-701	EA SPARK - IGNITOR ASM - HIGH OUTPUT	53078
	108888-01-702	EA PIEZO PUSH BUTTON	52279
	108889-01-703	EA VALVE - HIGH OUTPUT	53047
	108889-01-704	EA REGULATOR W/EXTREME PRESSURE	52154
	108888-01-705	EA VALVE - BURNER	52123
	107246-01-700	EA RANGE TOP (BLACK)	53083
	107246-01-701	EA GRATE	53060
	107323-01-700	EA RANGE TOP	53513
	107323-01-702	EA TRIM LEFT	53023
	107323-01-703	EA TRIM RIGHT	53024
	107323-01-704	EA MANIFOLD COVER	53556
	107323-01-705	EA TRIM VENT	53525
	107223-01-706	EA TRIM BOTTOM	53526
	107323-01-707	EA INSERT BLACK GLASS - W/O HOLE	53426
	107323-01-708	EA HANDLE ROD - W/O HOLE	53085
	107323-01-709	EA HANDLE END CAP - W/O HOLE	53424
	107323-01-710	EA GRATE CLIP	53301
	107323-01-711	EA RUBBER GRATE CUSHION	53008
	107246-01-703	EA THERMISTAT ROBERT SHAW	52122
	107323-01-712	EA BLACK GLASS INSERT - WHOLE	53426
	107323-01-713	EA HANDLE FOR WHOLE GLASS	51112

MICROWAVE OVEN

KEY	PART NUMBER	U/M DESCRIPTION	
	091269-04-000	EA OVEN - MICROWAVE	
	091269-04-000	EA OVEN - MICROWAVE	FROM: 00-00-00 THRU: 07-19-99
	096916-03-01A	EA BRACE - MICROWAVE CABINET - LEFT - 9.4" X 7.5" - STEEL	FROM: 07-20-92 THRU: 99-99-99
	096916-04-01A	EA BRACE - MICROWAVE CABINET - RIGHT - 9.4" X 7.5" - STEEL	
	094745-01-01A	EA TRIM - MICROWAVE - LOWER - BLACK	
	094774-03-01A	EA TRIM - MICROWAVE - EITHER SIDE - 1.5" X 14.8" - METAL - BLACK	
	094753-01-000	EA BRACKET - MICROWAVE - 90 DEGREE - STEEL	
	094753-02-01A	EA BRACKET - MICROWAVE - 6.1" LONG X 3.9" WIDE - STEEL - TAN	

GALLEY GROUP (CONTINUED)

RANGE HOOD, W/O HOUR METER - VENTLINE (CANADIAN)

KEY	PART NUMBER	U/M DESCRIPTION	
	100258-17-01A	EA HOOD - RANGE 22W - W/O MONITOR PANEL	
	090973-01-700	EA MOTOR - LVS	CA508-1
	090973-01-702	EA BLADE - FAN - LVS	VA183-1
	092696-01-700	EA BULB - 912	VA415
	092696-01-710	EA SOCKET - LIGHT	CB267-2
	096983-01-700	EA SWITCH - ON/OFF	108
	096983-01-702	EA SWITCH - TWO WAY MOMENTARY	112
	096983-01-707	EA FILTER - GREASE - 8" X 8" - LVS	CC246
	092696-02-701	EA LENS - LAMP	CC179
	100258-11-700	EA HOOD NOSE LABEL	CC428

RANGE HOOD, W/O HOUR METER - VENTLINE (USA)

KEY	PART NUMBER	U/M DESCRIPTION	
	100258-16-01A	EA HOOD - RANGE W/O MONITOR PANEL	
	090973-01-700	EA MOTOR - LVS	CA508-1
	090973-01-702	EA BLADE - FAN - LVS	VA183-1
	092696-01-700	EA BULB - 912	VA415
	092696-01-710	EA SOCKET - LIGHT	CB267-2
	096983-01-700	EA SWITCH - ON/OFF	108
	096983-01-702	EA SWITCH - TWO WAY MOMENTARY	112
	096983-01-707	EA FILTER - GREASE - 8" X 8" - LVS	CC246
	092696-02-701	EA LENS - LAMP	CC179
	100258-01-700	EA HOOD NOSE LABEL	CC428

RANGE HOOD, W/HOUR METER - VENTLINE (USA)

KEY	PART NUMBER	U/M DESCRIPTION	
	100258-18-01A	EA HOOD - RANGE 22W W/O MONITOR PANEL	
	090973-01-700	EA MOTOR - LVS	CA508-1
	090973-01-702	EA BLADE - FAN - LVS	VA183-1
	092696-01-700	EA BULB - 912	VA415
	092696-01-710	EA SOCKET - LIGHT	CB267-2
	096983-01-700	EA SWITCH - ON/OFF	108
	096983-01-702	EA SWITCH - TWO WAY MOMENTARY	112
	096983-01-707	EA FILTER - GREASE - 8" X 8" - LVS	CC246
	092696-02-701	EA LENS - LAMP	CC179
	100258-01-700	EA HOOD NOSE LABEL	CC428
	100258-10-01A	EA METER - HOUR	150

**1993 ITASCA
TABLE OF CONTENTS**

INTRODUCTION	A-01 - A-02
ABBREVIATIONS	A-03
ALPHABETICAL INDEX	A-04 - A-08
ICG34RQ	A-07 - E-18
ICG34RA	E-19 - J-02

1993 ICG34RQ INDEX

FLOOR PLAN	A-07 - A-08
ACCESSORIES	A-09
AUDIO VIDEO	A-10 - A-11
BATH	A-12 - A-14
BEDROOM	A-15 - A-18
CHASSIS	A-19 - B-06
CURTAIN & CUSHION	B-07 - B-17
DINETTE	B-18 - B-20
DRIVERS COMPARTMENT	B-21 - B-24
ELECTRICAL	C-01 - C-06
EXTERIOR BODY	C-07 - C-14
GALLEY	C-15 - C-18
GENERATOR	C-19 - C-20
HEATING & A/C	C-21 - C-24
INTERIOR FINISH	D-01 - D-04
LABELS	D-05 - D-12
LP	D-13
LOUNGE	D-14 - D-16
SEALANTS & FASTENERS	D-17 - D-19
WATER & SEWAGE	D-20 - D-23
WINDOW, VENT &	
EXTERIOR DOOR	D-24 - E-16
WINDSHIELD & WIPER	E-17 - E-18

GENERATOR GROUP

KOHLER GENERATOR, 4.0KW LOW PROFILE (4CKM21) (US,CBA)

KEY	PART NUMBER	U/M DESCRIPTION
	106623-01-000	EA GENERATOR - 4.0 KW LOW PROFILE
	106628-01-000	EA ARRESTER - SPARK
	106627-01-000	EA PIPE - EXHAUST ADAPTER
	106630-01-000	EA MUFFLER - SIDE EXHAUST W/O SPARK ARRESTER
	106602-01-000	EA GASKET-EXHAUST
	106658-03-000	EA PIPE - EXHAUST - GENERATOR
	024976-01-000	EA SWITCH - GENERATOR - W/O CIRCUIT BOARD
	007125-03-000	EA CLAMP - MUFFLER - 1.5" DIA
	007125-04-000	EA CLAMP - MUFFLER - 1.1" DIA

ONAN GENERATOR, 4.0KW EMERALD PLUS (BEIGE-FW28236G)

KEY	PART NUMBER	U/M DESCRIPTION
	100974-04-000	EA GENERATOR - 4.0 KW EMERALD PLUS
	105958-03-000	EA PIPE - EXHAUST - GENERATOR
	024976-01-000	EA SWITCH - GENERATOR - W/O CIRCUIT BOARD
	079654-05-000	EA PIPE - EXHAUST - ANGLED - W/FLANGE - 2" ID - ONAN# 154-2539
	007125-03-000	EA CLAMP - MUFFLER - 1.5" DIA
	007125-04-000	EA CLAMP - MUFFLER - 1.1" DIA
	082272-01-000	EA MUFFLER
	094059-01-000	EA SPACER

ONAN GENERATOR, 4.0KW EMERALD PLUS (CANADA) (ONAN BEIGE-FA/26100G)

KEY	PART NUMBER	U/M DESCRIPTION
	100974-01-000	EA GENERATOR - 4.0 KW EMERALD PLUS
	105958-03-000	EA PIPE - EXHAUST - GENERATOR
	024976-01-000	EA SWITCH - GENERATOR - W/O CIRCUIT BOARD
	007125-03-000	EA CLAMP - MUFFLER - 1.5" DIA
	007125-04-000	EA CLAMP - MUFFLER - 1.1" DIA
	079654-05-000	EA PIPE - EXHAUST - ANGLED - W/FLANGE - 2" ID - ONAN# 154-2539
	082272-01-000	EA MUFFLER
	094059-01-000	EA SPACER

ONAN GENERATOR, 5.0KW EMERALD PLUS (NHE-FW28236G)(EXPORT)

KEY	PART NUMBER	U/M DESCRIPTION
	100975-03-000	EA GENERATOR - 5.0 KW EMERALD PLUS
	024976-01-000	EA SWITCH - GENERATOR - W/O CIRCUIT BOARD
	007125-03-000	EA CLAMP - MUFFLER - 1.5" DIA
	083151-01-000	EA MUFFLER - 1.6" OD
	083152-01-000	EA PIPE - EXHAUST - 1.3"OD X 33.3' TO BEND X 28.7' TO END
	094059-01-000	EA SPACER

KOHLER GENERATOR - 5.0 KW LOW PROFILE (5CKM21)

KEY	PART NUMBER	U/M DESCRIPTION
	105524-01-000	EA GENERATOR - 5.0 KW LOW PROFILE
	105526-01-000	EA ARRESTER - SPARK
	105527-01-000	EA PIPE - EXHAUST ADAPTER
	105530-01-000	EA MUFFLER - SIDE EXHAUST W/O SPARK
	105602-01-000	EA GASKET-EXHAUST
	105958-03-000	EA PIPE - EXHAUST - GENERATOR
	024976-01-000	EA SWITCH-GENERATOR - W/O CIRCUIT BOARD
	007125-03-000	EA CLAMP - MUFFLER - 1.5" DIA
	007125-04-000	EA CLAMP - MUFFLER - 1.1" DIA

GENERATOR GROUP (CONTINUED)

ONAN GENERATOR, 3.5 KW EMERALD PLUS (BEIGE-FW28236G) (EXPORT)

KEY	PART NUMBER	U/M DESCRIPTION
	100974-01-000	EA GENERATOR - 4.0 KW EMERALD PLUS
	106668-03-000	EA PIPE - EXHAUST - GENERATOR
	024976-01-000	EA SWITCH - GENERATOR - W/O CIRCUIT BOARD
	007125-03-000	EA CLAMP - MUFFLER - 1.5" DIA
	007125-04-000	EA CLAMP - MUFFLER - 1.1" DIA
	079654-05-000	EA PIPE - EXHAUST - ANGLED - W/FLANGE - 2" ID - ONAN# 154-2539
	082272-01-000	EA MUFFLER
	094059-01-000	EA SPACER

ONAN GENERATOR, 6.5 KW EMERALD PLUS (NHE-FA/26100G)

KEY	PART NUMBER	U/M DESCRIPTION
	100975-01-000	EA GENERATOR - 6.5 KW EMERALD PLUS
	105958-03-000	EA PIPE - EXHAUST - GENERATOR
	024976-01-000	EA SWITCH - GENERATOR - W/O CIRCUIT BOARD
	007125-03-000	EA CLAMP - MUFFLER - 1.5" DIA
	007125-04-000	EA CLAMP - MUFFLER - 1.1" DIA
	079654-05-000	EA PIPE - EXHAUST - ANGLED - W/FLANGE - 2" ID - ONAN# 154-2539
	082272-01-000	EA MUFFLER
	094059-01-000	EA SPACER

KOHLER GENERATOR, 7.0 KW LOW PROFILE (7CKM21)

KEY	PART NUMBER	U/M DESCRIPTION
	105525-01-000	EA GENERATOR - 7.0 KW - LOW PROFILE
	105526-01-000	EA ARRESTER - SPARK
	105527-02-000	EA PIPE - EXHAUST ADAPTER
	105530-01-000	EA MUFFLER - SIDE EXHAUST W/O SPARK
	105602-01-000	EA GASKET - EXHAUST
	105958-03-000	EA PIPE - EXHAUST - GENERATOR
	024976-01-000	EA SWITCH - GENERATOR - W/O CIRCUIT BOARD
	007125-03-000	EA CLAMP - MUFFLER - 1.5" DIA
	007125-04-000	EA CLAMP - MUFFLER - 1.1" DIA

ONAN GENERATOR, 7.0 KW MARQUIS

KEY	PART NUMBER	U/M DESCRIPTION
	105559-01-000	EA GENERATOR - 7 KW MARQUIS
	106234-01-000	EA PIPE - EXHAUST - GENERATOR
	106235-01-000	EA ADAPTOR - EXHAUST - GENERATOR
	024976-01-000	EA SWITCH-GENERATOR - W/O CIRCUIT BOARD
	007125-03-000	EA CLAMP - MUFFLER - 1.5" DIA
	008401-01-000	EA STRAP - CONDUIT - 3/4" - 1 HOLE - GALVANIZED STEEL

**1993 MASCA
TABLE OF CONTENTS**

INTRODUCTION	A-01 - A-02
ABBREVIATIONS	A-03
ALPHABETICAL INDEX	A-04 - A-08
ICG34RQ	A-07 - E-18
ICG34RA	E-19 - J-02

1993 ICG34RQ INDEX

FLOOR PLAN	A-07 - A-08
ACCESSORIES	A-09
AUDIO VIDEO	A-10 - A-11
BATH	A-12 - A-14
BEDROOM	A-15 - A-16
CHASSIS	A-19 - B-06
CURTAIN & CUSHION	B-07 - B-17
DINETTE	B-18 - B-20
DRIVERS COMPARTMENT	B-21 - B-24
ELECTRICAL	C-01 - C-06
EXTERIOR BODY	C-07 - C-14
GALLEY	C-15 - C-18
GENERATOR	C-19 - C-20
HEATING & A/C	C-21 - C-24
INTERIOR FINISH	D-01 - D-04
LABELS	D-05 - D-12
L ²	D-13
LOUNGE	D-14 - D-16
SEALANTS & FASTENERS	D-17 - D-19
WATER & SEWAGE	D-20 - D-23
WINDOW, VENT & EXTERIOR DOOR	D-24 - E-16
WINDSHIELD & WIPER	E-17 - E-18

HEATING & AIR CONDITIONING GROUP (CONTINUED)

COLEMAN ROOF AIR 13,000 BTU (US, CSA)

KEY	PART NUMBER	U/M DESCRIPTION	
	100889-01-02A	EA A/C-ROOF - 13,000 TSR HO - GRAY	7333-882
	091225-01-709	EA START RELAY	1497-4131
	091225-01-710	EA START CAPACITOR	1497-0801
	093308-01-701	EA DECAL PKG - LEFT & RIGHT	679883591
	023308-01-712	EA COMPRESSOR	6707C3579
	105620-01-704	EA COMPRESSOR - RH & LH	1450-2009
	105620-01-706	EA FOOT PKG-COMPRESSOR - 3 PER PACKAGE	6759-3C81
	100889-01-710	EA SHROUD (GREY/GREY)LESS LOGO	6759-6421
	100889-01-732	EA SHROUD (BUFF/BUFF) LESS LOGO	6759-6411
	100859-01-703	EA CONDENSER COIL	1452-1301
	100889-01-704	EA OVERLOAD (MRA#98693)	6759-3541
	100889-01-705	EA MOTOR (115 - 50HZ)	1468-3049
	100889-01-706	EA IMPELLOR	1472-1041
	100889-01-707	EA RUN CAPACITOR (COMP-25MFD/370)	1499-5661
	100889-01-708	EA FAN CAPACITOR (7.5MFD 370U)	1499-5461
	100889-01-709	EA EVAPORATOR COIL	1452-1311
	100889-01-710	EA FILLER PAD-COND AIR SEAL	6759A3971
	100889-01-711	EA GASKET PACKAGE	5792-3301
	100889-01-712	EA SUCTION LINE REDUCER (3/8X1/2)	1215-2161
	100889-01-713	EA SUCTION LINE (3/8ODX.032 WALL)	6792-130
	100889-01-714	EA DISCHARGE LINE ASSY	6792-531
	100889-01-715	EA MOTOR MOUNT & SHAFT SEAL KIT	6792-3301
	100891-01-01A	EA CEILING ASM - A/C COOL TSR HO	7330-714 IV
	042204-01-709	EA THERMOSTAT - IN 64 OUT 58	6701-3401
	073742-01-701	EA SELECTOR SWITCH (5 TERMINAL)	6759-3251
	073742-01-702	EA DECAL COOL ONLY	6759C3431
	075303-01-707	EA FILTER-6" X 14 3/4" X 1/2" - 12 PER PACKAGE	6703A3151
	081606-01-712	EA CEILING SHROUD (IVORY)	6769-5061
	091225-01-713	EA KNOB (2 PER PACKAGE)	6701-3351
	091225-01-717	EA DECAL (THERMOSTAT) COOL ONLY	6799A3441
	093766-02-701	EA DECAL - LEFT SIDE	6799-3971
	100891-01-700	EA SINGLE PARTS PACKAGE (KNOBS & NUTS)	6792-5531
	100891-01-701	EA RETAINER CLIPS F/FILTER (5 PER PACKAGE)	6799-3141
	102289-01-000	EA SPRING - SCREW - ROOF A/C GASKET	6757-150

HEATING & AIR CONDITIONING GROUP (CONTINUED)

COLEMAN ROOF AIR 11,000 BTU (US, CSA) (FROM: 00-00-00 THRU: 11-18-82)

KEY	PART NUMBER	U/M DESCRIPTION	
	105850/J1-03A	EA A/C - ROOF - 11,000BTU - GRAY	6757B802
	037848-01-711	EA PACKAGE - GASKET	6759-3281
	076303-01-712	EA MOTOR	6707A3115
	091225-01-709	EA START RELAY	1497-4131
	093308-01-701	EA DECAL PKG - LEFT & RIGHT	679883591
	093308-01-707	EA START CAPACITOR, 47 - 56 MFD - 250	62503421
	093763-01-703	EA IMPELLOR - 7" DIA X 2 8" WIDE	6759-3271
	093763-01-704	EA CAPACITOR - FAN	1499-3461
	093763-01-708	EA CONDENSER COIL	1452-1251
	093763-01-712	EA FAN BLADE - CONDENSER	6733-3221
	093763-03-700	EA SHROUD (BEIGE/CHARCOAL)	6759-4581
	105850-01-700	EA COMPRESSOR (TEC #AK144AT-U2L)	6757-3679
	105850-01-701	EA COMPRESSOR RUN CAPACITOR	6749-4681
	105850-01-702	EA EVAPORATOR COIL	1452-1362
	105850-01-703	EA OVERLOAD (CRA2718-250)	
	100889-01-700	EA SHROUD (GREY/GREY)LESS LOGO	6759-6421

COLEMAN ROOF AIR 11,000 BTU (US, CSA) (FROM: 11-16-82 THRU: 99-99-99)

KEY	PART NUMBER	U/M DESCRIPTION	
	100890-01-02A	EA A/C - ROOF - 11,000 TSR HO - GRAY	7332-892
	100091-01-01A	EA CEILING ASM - A/C COOL TSR HO	7330-714 IV
	042204-01-709	EA THERMOSTAT - IN 64 OUT 58	5701-3401
	073742-01-701	EA SELECTOR SWITCH (5 TERMINAL)	6759-3251
	073742-01-702	EA DECAL COOL ONLY	6759C3431
	076303-01-707	EA FILTER - 6" X 14 3/4" X 1/2" - 12 PER PACKAGE	6703A3151
	081606-01-712	EA CEILING SHROUD (IVORY)	6769-5061
	091225-01-713	EA KNOB (2 PER PACKAGE)	6701-3351
	091225-01-717	EA DECAL (THERMOSTAT) COOL ONLY	6799A3441
	093766-02-701	EA DECAL - LEFT SIDE	6799-3971
	100891-01-700	EA SINGLE PARTS PACKAGE (KNOBS & NUTS)	6792-5531
	100891-01-701	EA RETAINER CLIPS F/FILTER (5 PER PACKAGE)	6799-3141
	102289-01-000	EA SPRING - SCREW - ROOF A/C GASKET	6757-150

1993 ITASCA TABLE OF CONTENTS

INTRODUCTION	A-01 - A-02
ABBREVIATIONS	A-03
ALPHABETICAL INDEX	A-04 - A-06
ICG34RO	A-07 - E-18
ICG34RA	E-19 - J-02

1993 ICG34RO INDEX

FLOOR PLAN	A-07 - A-08
ACCESSORIES	A-09
AUDIO VIDEO	A-10 - A-11
BATH	A-12 - A-14
BEDROOM	A-15 - A-18
CHASSIS	A-19 - B-06
CURTAIN & CUSHION	B-07 - B-17
DINETTE	B-18 - B-20
DRIVERS COMPARTMENT	B-21 - B-24
ELECTRICAL	C-01 - C-06
EXTERIOR BODY	C-07 - C-14
GALLEY	C-15 - C-18
GENERATOR	C-19 - C-20
HEATING & A/C	C-21 - C-24
INTERIOR FINISH	D-01 - D-04
LABELS	D-05 - D-12
LP	D-13
LOUNGE	D-14 - D-16
SEALANTS & FASTENERS	D-17 - D-19
WATER & SEWAGE	D-20 - D-23
WINDOW, VENT &	
EXTERIOR DOOR	D-24 - E-16
WINDSHIELD & WIPER	E-17 - E-18

INTERIOR FINISH GROUP

INTERIOR TRIM, BATT STRIPS & MOLDINGS

KEY	PART NUMBER	U/M DESCRIPTION
	000787-10-000	FT WELTING - CABINET TO WALL - MAHOGANY
	000787-12-000	FT MOLDING - SIDEWALL TO CEILING/CABINET - WELTING - OFF WHITE
	000776-12-000	FT U-CHANNEL - PLASTIC - 1" WIDE X 8" - WOODGRAIN
	000909-21-000	EA MOLDING - CORNER - OUTSIDE - 1" - PLASTIC - WOODGRAIN
	000609-25-000	EA MOLDING - CORNER - OUTSIDE - 1" - PLASTIC - OFF WHITE
	000612-22-000	EA MOLDING - CORNER - OUTSIDE - 5" X 7" - PLASTIC - BROWN
	000612-24-000	EA MOLDING - PLASTIC - OUTSIDE CORNER - 50" - IVORY
	022982-11-000	FT MOLDING - REVERSE COVE - T-SHAPED - VINYL - IVORY
	069733-80-000	EA BATT STRIP - WOODGRAIN - 8" - WINNI OAK
	070504-01-000	FT U-CHANNEL - PLASTIC - 065" WIDE - LIGHT BROWN - 8"
	070504-19-000	FT U-CHANNEL - PLASTIC - 815" WIDE - BROWN - 8"
	070504-21-000	FT U-CHANNEL - PLASTIC - 735" WIDE - COUNTRY FOREST - 8"
	070504-23-000	FT EXTRUSION - U CHANNEL - 875 - COUNTRY FOREST
	072368-02-000	EA TRIM - VINYL - EDGE - BLACK
	075249-01-000	EA RAILING - OAK - 72" - UNFINISHED
	076325-25-000	FT MOLDING - EDGE BAND - 1 5/16" WIDE - RAMBLING OAK
	076325-31-000	FT MOLDING - EDGE BAND - RAMBLING OAK - 93 X 024 X 600
	076325-37-000	FT MOLDING - EDGE BAND - 1136 - 1-5/16X.030X600
	076325-39-000	FT MOLDING - EDGE BAND - 1527 - 1-5/16X.030X600 (D36)
	076325-40-000	FT MOLDING - EDGE BAND - 1527 - 875X 024X600 (D35)
	078323-0E-B25	EA MOLDING - WALL CAP - LIPS BOTH SIDES - WOOD - 6.6' LONG
	078811-05-C07	EA PANEL - TRIM - HEADER - LOWER
	083620-07-000	FT MOLDING - T - END CAP EDGE - WEDGE LIPS - 75" - THOR PECAN
	085284-55-000	FT BATT STRIP - TAPE - GLORIA - PASTEL DECOR (BATHROOM & GALLEY) (D35)
	085284-75-000	FT BATT STRIP - TAPE - MONIQUE - BLUE STONE (BATHROOM & GALLEY) (D36)
	085284-55-000	FT BATT STRIP - TAPE - POMPEII - PASTEL DECOR (MAIN WALL) (D35)
	085284-74-000	FT BATT STRIP - TAPE - BARCELONA - BLUE STONE (MAIN WALL) (D36)
	085284-67-000	FT STRIP - TAPE - 541 WINNI OAK - PLUSWOOD
	086229-01-000	EA RETAINER - BATTEN - CEILING - .75" WIDE - 7.6'
	086229-04-000	EA BATTEN - CEILING - 1" WIDE - IVORY - 7.3'
	088263-67-000	EA BATT - STRIP - POMPEII - PASTEL DECOR (MAIN WALL) (D35)
	088263-86-000	EA BATT - STRIP - BARCELONA - BLUE STONE (MAIN WALL) (D36)
	088263-68-000	EA BATT - STRIP - GLORIA - PASTEL DECOR (BATHROOM & GALLEY) (D35)
	088263-85-000	EA BATT - STRIP - MONIQUE - BLUE STONE (BATHROOM & GALLEY) (D36)
	093873-01-01A	EA TRIM - CARPET - L - ANGLE - 1.1" X 1.3" X 12" - VINYL - GRAY
	100040-01-000	EA LUMBER - VINYL WRAPPED - 1.5" X 8" - 766 RAMBLING OAK
	100040-03-000	EA LUMBER - VINYL WRAPPED - 2" X 8" - 766 RAMBLING OAK
	100040-06-000	EA LUMBER - VINYL WRAPPED - 3" X 8" - RAMBLING OAK
	100040-07-000	EA LUMBER - VINYL WRAPPED (ALL AROUND) 3" X 8" - RAMBLING OAK
	100041-01-000	EA MOLDING - VINYL WRAPPED - .7" X 1.57" X 84.02" - RAMBLING OAK
	100041-02-000	EA MOLDING - VINYL WRAPPED - .7" X 2.5" X 84" - RAMBLING OAK
	100182-10-B23	EA TRIM - CHAIR RAIL - WALL - 2.5" X 8" - WOOD
	101220-02-01A	EA TRIM - LID - ENTRY STEP - 14.5" - ALUMINUM - BEIGE FROM 00-00-00 THRU 03-14-92
	101221-02-01A	EA TRIM - LID - ENTRY STEP - 25.6" - ALUMINUM - BEIGE FROM 00-00-00 THRU 03-14-92
	105004-01-02A	EA MOLDING - VINYL WRAP - RAMBLING OAK
	105709-01-000	FT T-MOLDING - 1" - MODERN IVORY

INTERIOR FINISH GROUP (CONTINUED)

PANELING, PLASTIC LAMINATE & CARPET

KEY	PART NUMBER	U/M DESCRIPTION
	074487-21-000	SF PANELING - WOODGRAIN - WINNI OAK - 4' X 8' (32 SF)
	074498-34-000	SF LAMINATE - PLASTIC - 5' X 8" - RAMBLING OAK (40 SF)
	074498-45-000	SF LAMINATE - PLASTIC - 5' X 8" (40 SF) (D35)
	074498-42-000	SF LAMINATE - PLASTIC - 5' X 8" (40 SF) (D36)
	063618-02-000	SF PLYWOOD - OAK - 1 SIDE FINISHED - 3/16" X 4' X 8" (32 SF)
	068272-88-000	SF PANELING - GLORIA PASTEL (BATH & GALLEY) (D35)
	088272-A6-000	SF PANELING - MONIQUE - BLUE STONE (BATH & GALLEY) (D36)
	088272-89-000	SF PANELING - POMPEII - PASTEL (BEDROOM & DINETTE) (D35)
	088272-A7-000	SF PANELING - BARCELONA - BLUE STONE (BEDROOM & DINETTE) (D36)
	088272-98-000	SF PANELING - SHOWER - OFF WHITE - 4' X 7' (28 SF)
	089297-01-000	SF PLYWOOD - LUAN - OVERLAY GRADE - 4' X 8" (32 SF)
	089351-03-000	YD VINYL - CEILING - DIAMOND DESIGN - 54" WIDE
	095688-01-000	SF VENEER - FLAT LUANA 48 SIDE
	075233-01-000	SY PAD - CARPET - 3/8" X 6' ROLL
	096060-42-000	SY CARPET - 12' ROLL - TEAL (MINIMUM 4 SY) (D35)
	096060-21-000	SY CARPET - 12' ROLL - PALE ORCHID (MINIMUM 4 SY) (D36)
	093486-01-000	SY CARPET - COMPARTMENT - 54" WIDE - DARK GRAY
	047034-02-000	SF PLASTIC - CARPET - 4" WIDE - CLEAR POLY
	095531-01-000	SF PLYWOOD - RED OAK - 1/2"
	105324-01-011	EA MAT - FLOOR 18X27 (D35)
	105924-01-C25	EA MAT - FLOOR 18X27 (D36)

FIRE EXTINGUISHER, SMOKE DETECTOR & WALL CLOCK

KEY	PART NUMBER	U/M DESCRIPTION
	072852-01-000	EA DETECTOR - SMOKE - W/9 VOLT BATTERY
	072852-02-000	EA DETECTOR - SMOKE - W/9 VOLT BATTERY - CANADIAN
	094499-01-000	EA EXTINGUISHER - FIRE - DRY W/MOUNTING BRACKET - 10 BC
	094499-01-700	EA BRACKET - MOUNTING - W/PLASTIC STRAP - FIRE EXTINGUISHER
	094499-02-000	EA EXTINGUISHER - FIRE - DRY - 1A10BC - CANADIAN
	101333-01-000	EA BACKPLATE - CLOCK - 6" X 6" - PLASTIC - BLACK
	100793-02-01A	EA CLOCK - WALL - 11" DIAMETER - BOLDEN 9988 FROM 00-00-00 THRU 04-20-93 FROM 04-21-93 THRU 99-99-99

MIRRORS

KEY	PART NUMBER	U/M DESCRIPTION
	058331-51-000	EA MIRROR - SAFETY GLASS - 660X1016MM
	058331-47-000	EA MIRROR - SAFETY GLASS - 562 X 384
	110252-01-000	EA MIRROR - SAFETY GLASS - 364.2 X 445.0MM

**1993 ITASCA
TABLE OF CONTENTS**

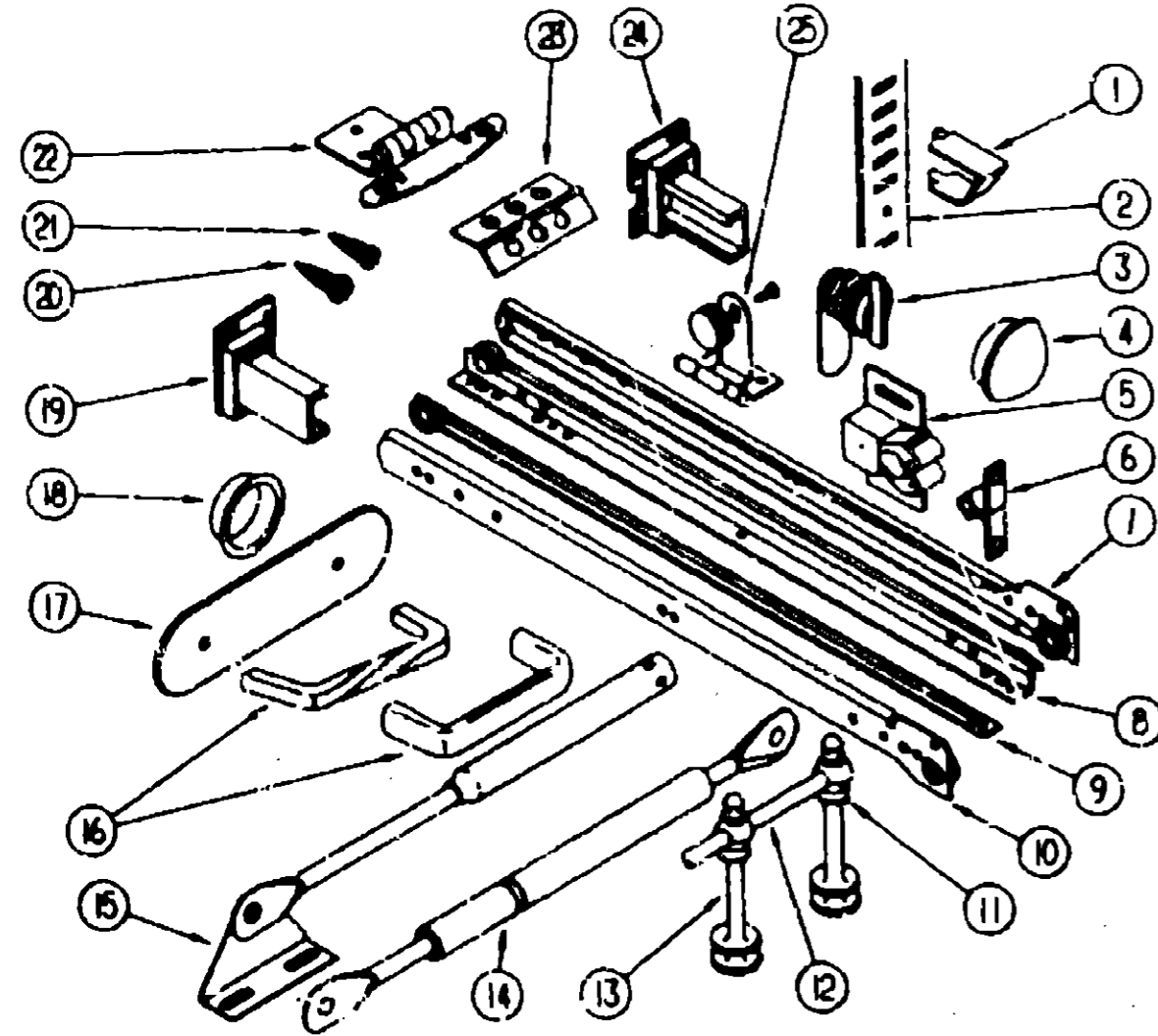
INTRODUCTION	A-01 - A-02
ABBREVIATIONS	A-03
ALPHABETICAL INDEX	A-04 - A-06
ICG34RQ	A-07 - E-18
ICG34RA	E-19 - J-02

1993 ICG34RQ INDEX

FLOOR PLAN	A-07 - A-08
ACCESSORIES	A-09
AUDIO VIDEO	A-10 - A-11
BATH	A-12 - A-14
BEDROOM	A-15 - A-16
CHASSIS	A-19 - B-06
CURTAIN & CUSHION	B-07 - B-17
DINETTE	B-18 - B-20
DRIVERS COMPARTMENT	B-21 - B-24
ELECTRICAL	C-01 - C-06
EXTERIOR BODY	C-07 - C-14
GALLEY	C-15 - C-18
GENERATOR	C-19 - C-20
HEATING & A/C	C-21 - C-24
INTERIOR FINISH	D-01 - D-04
LABELS	D-05 - D-12
LP	D-13
LOUNGE	D-14 - D-16
SEALANTS & FASTENERS	D-17 - D-19
WATER & SEWAGE	D-20 - D-23
WINDOW, VENT &	
EXTERIOR DOOR	D-24 - E-16
WINDSHIELD & WIPER	E-17 - E-18

INTERIOR FINISH GROUP (CONTINUED)

CABINET HARDWARE



KEY	PART NUMBER	U/M DESCRIPTION
8	106913-04-000	EA SLIDE - DRAWER - 12" - RIGHT SIDE
8	106913-08-000	EA SLIDE - DRAWER - 18" - RIGHT SIDE
8	106913-20-000	EA SLIDE - DRAWER - 22" - RIGHT SIDE
8	106913-24-000	EA SLIDE - DRAWER - 24" - RIGHT SIDE
9	106913-03-000	EA SLIDE - DRAWER - 12" - LEFT SIDE
9	106913-07-000	EA SLIDE - DRAWER - 18" - LEFT SIDE
9	106913-19-000	EA SLIDE - DRAWER - 22" - LEFT SIDE
9	106913-23-000	EA SLIDE - DRAWER - 24" - LEFT SIDE
10	106913-01-01A	EA SLIDE - DRAWER - 12" - CABINET - LEFT SIDE
10	106913-05-000	EA SLIDE - DRAWER - 18" - CABINET - LEFT SIDE
10	106913-17-000	EA SLIDE - DRAWER - 22" - CABINET - LEFT SIDE
10	106913-21-000	EA SLIDE - DRAWER - 24" - CABINET - LEFT SIDE
11	084070-02-000	EA POST - END - 2 4" - BRASS
12	084071-04-000	EA ROD - BRASS - 11 9"
12	084071-15-000	EA ROD - BRASS - 8 27"
13	084070-01-000	EA POST - CENTER - 2 4" - BRASS
14	107539-01-000	EA SPRING - GAS - 20" BLADE END - SPRING LIFT
15	074493-02-000	EA SUPPORT - PISTON SPRING - CABINET DOOR
16	096645-01-000	EA PULL - CABINET - BRASS - TWIST - 1.1" X 3.4"
FROM: 00-00-00 THRU 02-04-93		
16	109747-01-000	EA PULL - CABINET - BRASS
FROM: 02-05-93 THRU 99-99-99		
17	081376-01-000	EA BACKPLATE - DOOR PULL - OVAL - BRASS - 8" X 4.25"
18	098410-01-01A	EA PULL - FINGER - OVAL - BRASS
19	107030-01-000	EA BACK SOCKET - LEFT SIDE
20	000368-06-10G	EA SCREW - 6-18 X 3/8" - PHILLIP OVAL HEAD - ANTIQUE BRASS
21	000613-06-08G	EA SCREW - 6-20 X 5" - PHILLIP FLAT HEAD - ANTIQUE BRASS
22	108138-01-000	EA HINGE - DOOR - CABINET - BURNISHED BRASS
23	069059-02-000	EA HINGE - DOOR - 2" X 2.7" - BRASS
24	107030-02-000	EA BACK SOCKET - RIGHT SIDE
25	100711-01-01A	EA HINGE - DOOR - GLASS
	105037-02-000	EA FASTENER - WOOD - CORNER - METAL - 5" X 5"
	P02796-04-D12	EA HANDRAIL ASM - ENTRANCE DOOR
	099682-01-01A	EA BRACKET - MOUNTING - HAND RAIL - BRASS
	009063-01-000	EA HINGE - CONTINUOUS - 1 1/2" X 72" - UNPAINTED
	009066-01-000	EA HINGE - ALUMINUM - NO HOLES - 1 1/16" X 6" - UNPAINTED
	103130-01-000	EA HOOK - CUP - BRASS - 1 25"
	103868-03-01A	EA TRACK - DOOR - 1250 - OFF WHITE
	105847-06-C05	EA KEY RING HOLDER
	004354-01-000	EA BUMPER - RUBBER - 5" DIA - BROWN
	016614-03-000	EA BRACE - CABINET - ANGLE - 2 5" - METAL - BEIGE
	023320-01-000	EA PAD - FEET - 3/8" DIAMETER - BROWN
	058235-02-000	EA LATCH - SHOWER/BATH DOOR - W/O LOCK - PLASTIC - BROWN
	065740-01-000	EA BRACE - CABINET CORNER - PLASTIC
	076790-01-000	EA SCREW - 6-20 X 1 1/4 PPH - BLACK
	079921-01-000	EA ROLLER - NYLON - W/STEEL SHAFT - BARBED
	R77006-13-498	EA GUIDE - BOLT
	U09112-01-000	EA FLANGE - 1" ROD - CLOTHES - PLASTIC - OFF WHITE
	042438-01-000	EA DOWEL - WOOD - CLOTHES ROD - 1" DIAMETER X 4"
	042438-06-000	EA DOWEL - WOOD - 1 5" X 2" - OAK
	101222-01-01A	EA BRACKET - CATCH - LID - BEIGE
	101765-01-000	EA PIN - SUPPORT - GLASS DOOR
	103936-01-01A	EA KNOB - MIRROR - 1" X 1" - ACRYLIC - CLEAR
	104006-01-C05	EA LID - ENTRANCE STEP

1993 ITASCA TABLE OF CONTENTS

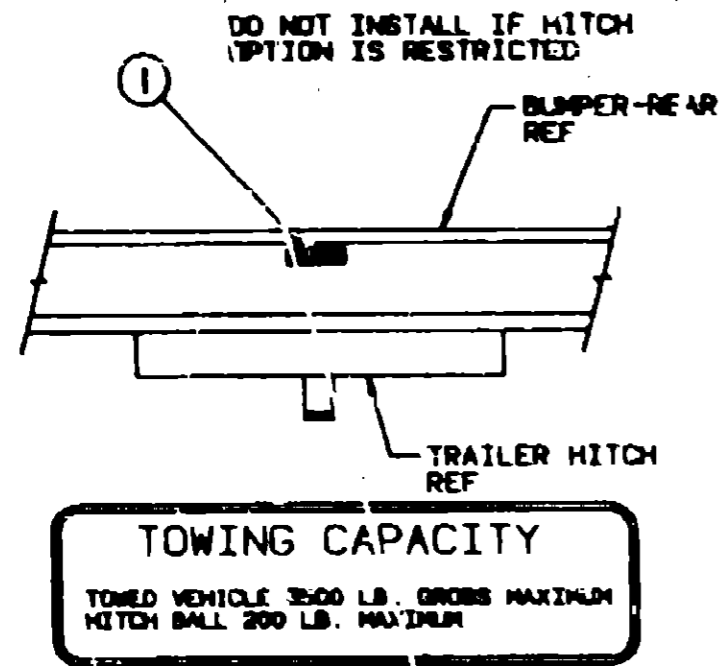
INTRODUCTION	A-01 - A-02
ABBREVIATIONS	A-03
ALPHABETICAL INDEX	A-04 - A-06
ICG34RQ	A-07 - E-18
ICG34RA	E-19 - J-02

1993 ICG34RQ INDEX

FLOOR PLAN	A-07 - A-08
ACCESSORIES	A-09
AUDIO VIDEO	A-10 - A-11
BATH	A-12 - A-14
BEDROOM	A-15 - A-18
CHASSIS	A-19 - B-06
CURTAIN & CUSHION	B-07 - B-17
DINETTE	B-18 - B-20
DRIVERS COMPARTMENT	B-21 - B-24
ELECTRICAL	C-01 - C-06
EXTERIOR BODY	C-07 - C-14
GALLEY	C-15 - C-18
GENERATOR	C-19 - C-20
HEATING & A/C	C-21 - C-24
INTERIOR FINISH	D-01 - D-04
LABELS	D-05 - D-12
LP	D-13
LOUNGE	D-14 - D-16
SEALANTS & FASTENERS	D-17 - D-19
WATER & SEWAGE	D-20 - D-23
WINDOW, VENT & EXTERIOR DOOR	D-24 - E-16
WINDSHIELD & WIPER	E-17 - E-18

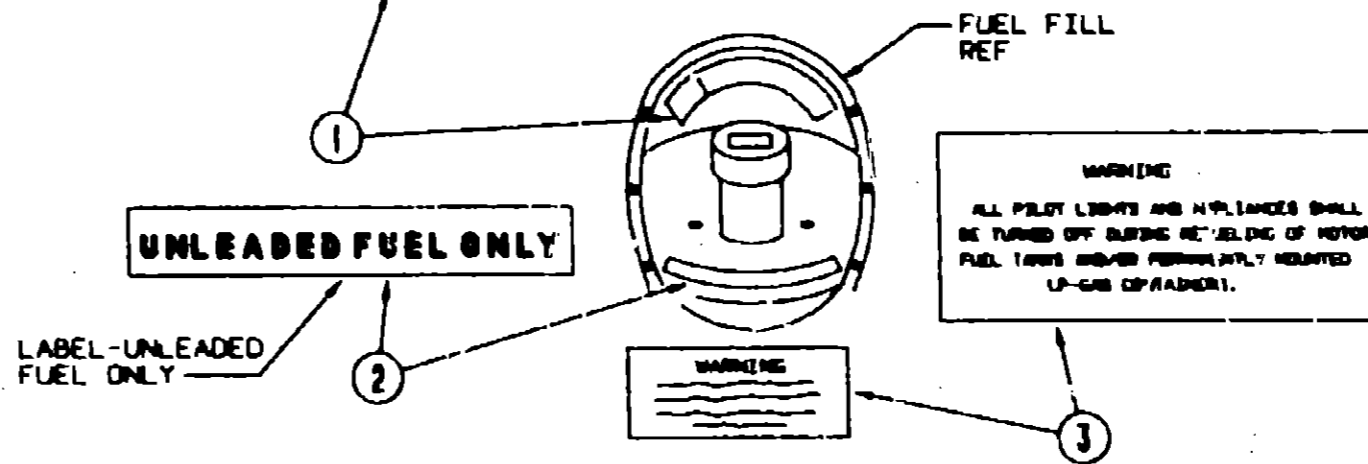
KEY	PART NUMBER	U/M DESCRIPTION
1	060979-01-000	EA CLIP - ADJUSTABLE SHELF
2	090980-01-000	EA PILASTER - ADJUSTABLE SHELF - 18" LONG
2	090980-02-000	EA PILASTER - ADJUSTABLE SHELF - 12" LONG
3	100710-01-01A	EA LOCK - GLASS DOOR - TWIST TYPE - BRASS
	101772-01-000	EA CATCH - DOOR - GLASS
4	042756-01-000	EA PLUG - MAHOGANY - 3/8" DIAMETER - WOOD
5	074045-01-000	EA PLUG - OAK - 1/2" DIAMETER
5	083586-03-000	EA CATCH - SPRING - ROLLER
6	083586-04-000	EA STRIKE - SPRING STEEL
	101765-01-000	EA PIN - SUPPORT - GLASS DOOR
7	106913-02-000	EA SLIDE - DRAWER - 12" - CABINET - RIGHT SIDE
7	106913-06-000	EA SLIDE - DRAWER - 18" - CABINET - RIGHT SIDE
7	106913-18-000	EA SLIDE - DRAWER - 22" - CABINET - RIGHT SIDE
7	106913-22-000	EA SLIDE - DRAWER - 24" - CABINET - RIGHT SIDE

LABELS GROUP



LABELS GROUP (CONTINUED)

CAUTION
FUEL SPRAY MAY CAUSE PERSONAL INJURY
 TO HELP AVOID PERSONAL INJURY DURING REMOVAL OF FUEL FILLER CAP, SLOWLY LOOSEN CAP 1/2 TURN TO ALLOW ANY FUEL PRESSURE TO BE RELIEVED BEFORE TURNING CAP FURTHER.
 STOP ADDING FUEL AFTER FIRST SHUTOFF BY AUTOMATIC NOZZLE WHEN TANK IS NEARLY FULL. DO NOT OVERFILL FUEL TANK.
 SEE OWNER'S MANUAL FOR ADDITIONAL INFORMATION.
 PRINTED IN U.S.A. NLC PT NO 15611763

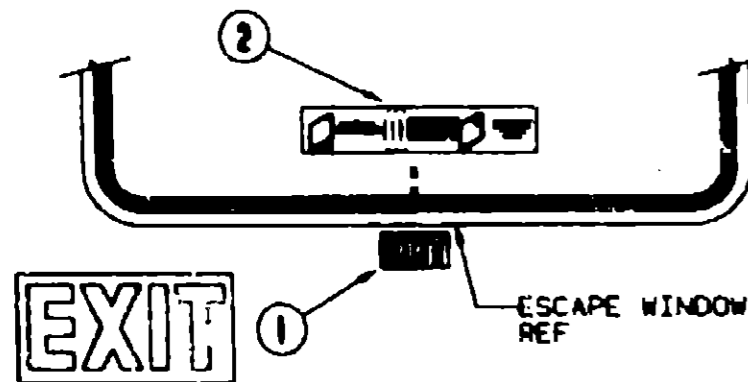
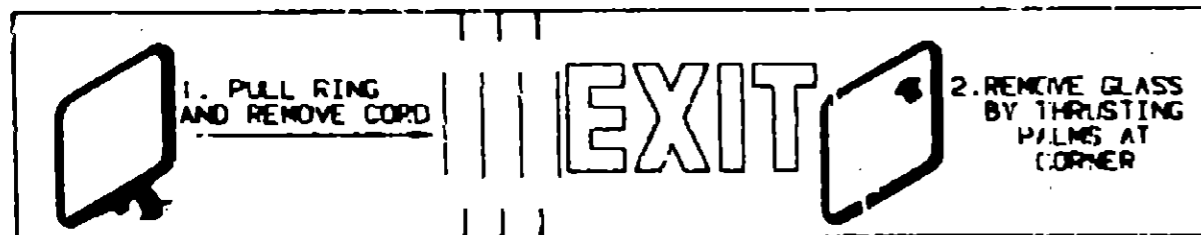


1983 ITASCA TABLE OF CONTENTS

INTRODUCTION	A-01 - A-02
ABBREVIATIONS	A-03
ALPHABETICAL INDEX	A-04 - A-06
ICG34RQ	A-07 - E-18
ICG34RA	E-19 - J-02

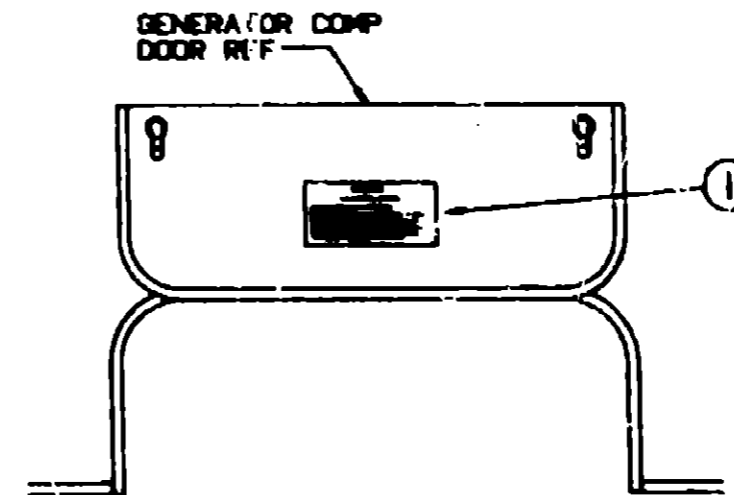
KEY	PART NUMBER	U/M DESCRIPTION
1	075221-03-000	EA LABEL - TRAILER HITCH
	111104-01-000	EA LABEL - HITCH - READ MANUAL

KEY	PART NUMBER	U/M DESCRIPTION
1	087207-05-000	EA LABEL - FUEL CAP REMOVAL
2	062043-01-000	EA LABEL - FUEL - UNLEADED
3	008040-01-000	EA TAG - GAS REFUELING WARNING
3	008040-02-000	EA TAG - GAS REFUELING WARNING (CANADIAN)



1983 ICG34RQ INDEX

FLOOR PLAN	A-07 - A-08
ACCESSORIES	A-09
AUDIO VIDEO	A-10 - A-11
BATH	A-12 - A-14
BEDROOM	A-15 - A-18
CHASSIS	A-19 - E-06
CURTAIN & CUSHION	B-07 - B-17
DINETTE	B-18 - B-20
DRIVERS COMPARTMENT	B-21 - B-24
ELECTRICAL	C-01 - C-08
EXTERIOR BODY	C-07 - C-14
GALLEY	C-15 - C-18
GENERATOR	C-19 - C-20
HEATING & A/C	C-21 - C-24
INTERIOR FINISH	D-01 - D-04
LABELS	D-05 - D-12
LP	D-13
LOUNGE	D-14 - D-16
SEALANTS & FASTENERS	D-17 - D-19
WATER & SEWAGE	D-20 - D-23
WINDO W. VENT & EXTERIOR DOOR	D-24 - E-16
WINDSHIELD & WIPER	E-17 - E-18

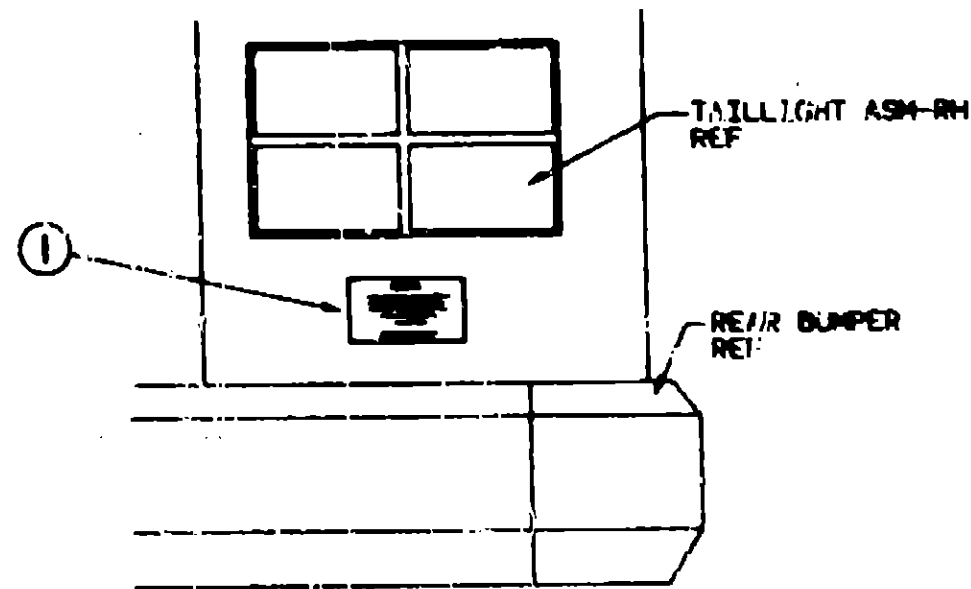


WARNING
 WHEN ADDING A GENERATOR SET,
 HIGH VOLTAGE USE EXTREME CAUTION WHEN WORKING ON ELECTRICAL EQUIPMENT.
 ALL ELECTRICAL INSTALLATION PERFORMED BY A QUALIFIED LICENSED ELECTRICIAN-FOLLOW ALL STATE AND LOCAL CODES.
 ALL ELECTRICAL EQUIPMENT SET APPROVED FOR U.S. APPLICATION. THIS EQUIPMENT IS QUALIFIED FOR U.S. APPLICATION.
 TO AVOID HIGH VOLTAGE AND TO GUARANTEE AN ADEQUATE AIR SUPPLY TO THE GENERATOR OPERATOR, FOLLOW INSTALLATION INSTRUCTIONS. GENERATOR SHOULD BE OPEN AND FRESH AIR MUST BE AVAILABLE WHEN THE VEHICLE IS OPERATED. ALWAYS USE PROPER SAFETY PROCEDURES.

KEY	PART NUMBER	U/M DESCRIPTION
1	107571-01-000	EA LABEL - EXIT/ESCAPE WINDOW
2	030200-01-000	EA LABEL - EXIT WARNING

KEY	PART NUMBER	U/M DESCRIPTION
1	077510-01-000	EA LABEL - GENERATOR PREP

LABELS GROUP (CONTINUED)

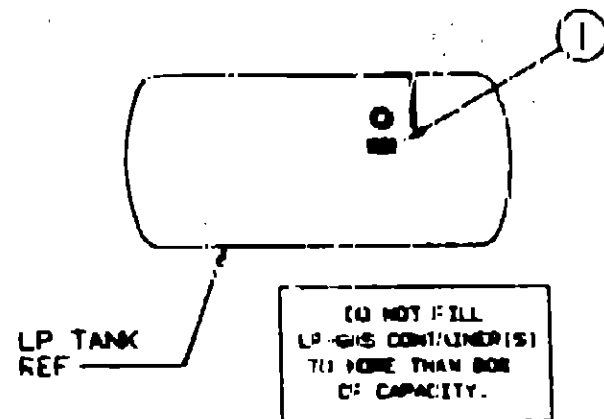


WARNING

DO NOT EXCEED THE VEHICLE WEIGHT RATINGS (OR LOADING RECOMMENDATIONS (E.G., GROSS VEHICLE, (GROSS AXLE, GROSS COMBINED) OF THE CHASSIS MANUFACTURER OR WINNEBAGO INC).

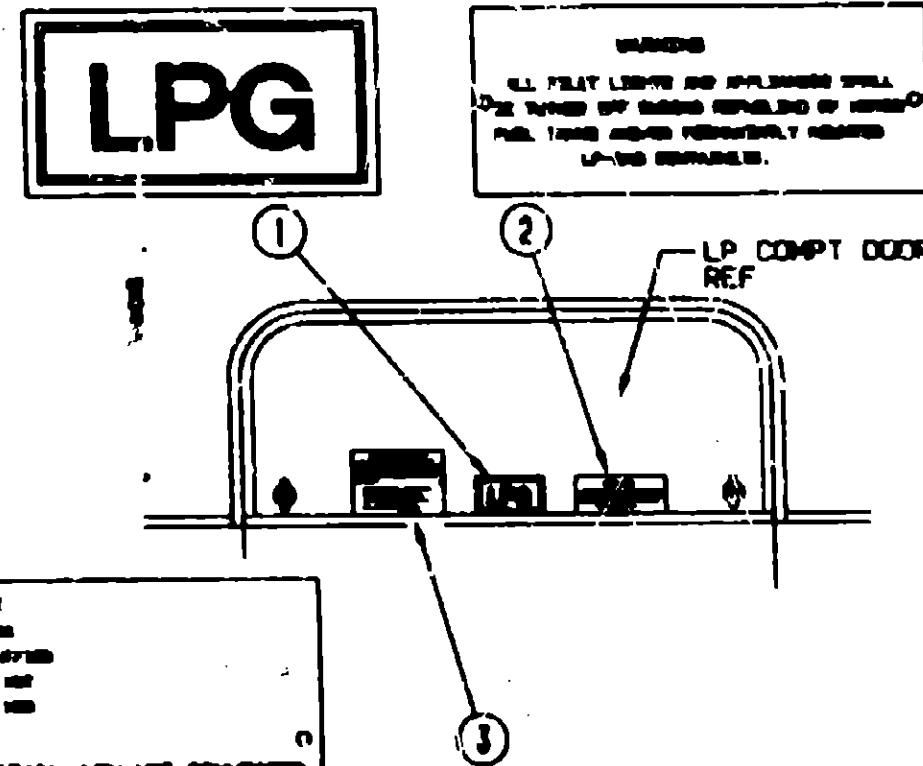
REFER TO YOUR OWNER'S MANUAL, BEFORE LOADING OR TOWING.

KEY	PART NUMBER	U/M DESCRIPTION
1	075220-01-000	EA LABEL - WARNING - EXTERIOR LOAD



KEY	PART NUMBER	U/M DESCRIPTION
1	079981-01-000	EA LABEL - LPG - 80% CAPACITY

LABELS GROUP (CONTINUED)



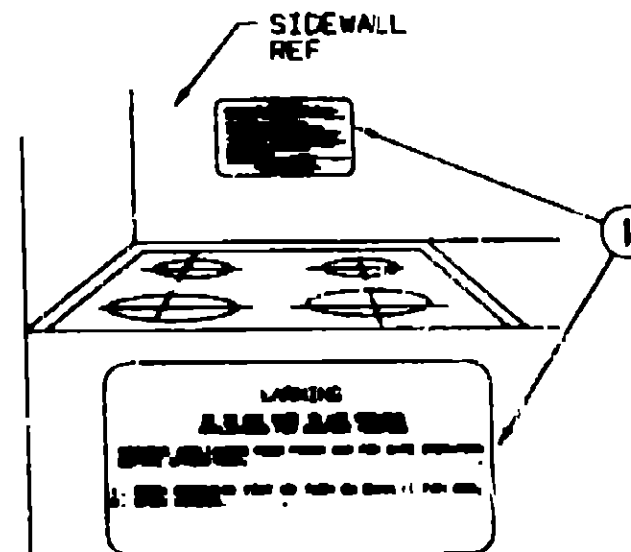
LP-GAS SYSTEM

THIS GAS SYSTEM IS DESIGNED FOR USE BY LICENSED PERSONNEL ONLY. DO NOT REPAIR SYSTEMS AND DO NOT OPEN.

SECURELY CAP (PLUG) WHEN NOT CONNECTED FOR USE. AFTER TIGHTENING OR OILING, CHECK WITH SCREWDRIVER FOR LEAKS. REPLACE ANY GAS PIPING AND CONNECTIONS TO MEET LOCAL REGULATIONS. DO NOT USE PRODUCTS THAT CONTAIN MISCIBLE LIQUID GAS.

P-2, 98231

KEY	PART NUMBER	U/M DESCRIPTION
1	074559-01-000	EA DECAL - LOGO - LPG - RED - (CALIF. CODE)
2	008040-01-000	EA TAG - GAS REFUELING WARNING
2	008040-02-000	EA TAG - GAS REFUELING WARNING (CANADIAN)
3	054531-01-000	EA LABEL - LP GAS ONLY
3	023769-01-000	EA LABEL - WARNING-LPG (CANADIAN)



KEY	PART NUMBER	U/M DESCRIPTION
1	050225-01-000	EA LABEL - WARNING - STOVE VENT - US
1	050222-01-000	EA LABEL - WARNING - STOVE VENT - CSA

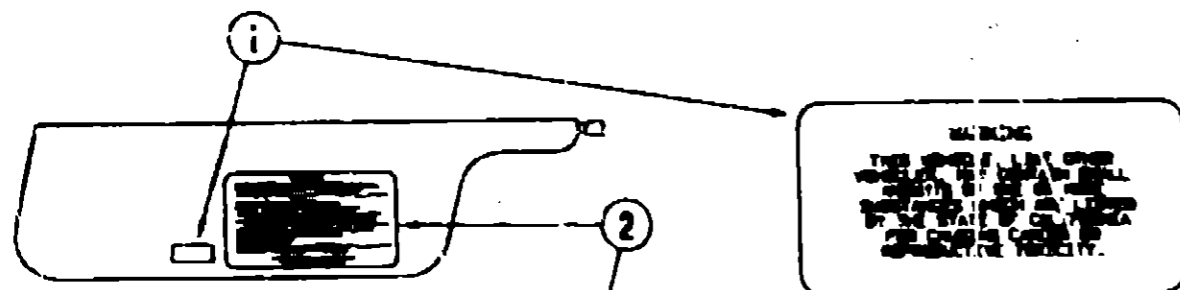
1983 ITASCA
TABLE OF CONTENTS

INTRODUCTION	A-11 - A-12
ABBREVIATIONS	A-13
ALPHABETICAL INDEX	A-14 - A-16
ICG34RQ	A-17 - E-18
ICG34RA	E-19 - J-02

1983 ICG34RQ INDEX

FLOOR PLAN	A-07 - A-08
ACCESSORIES	A-09
AUDIO VIDEO	A-10 - A-11
BATH	A-12 - A-14
BEDROOM	A-15 - A-18
CHASSIS	A-19 - B-06
CURTAIN & CUSHION	B-07 - B-17
DINETTE	B-18 - B-20
DRIVERS COMPARTMENT	B-21 - B-24
ELECTRICAL	C-01 - C-08
EXTERIOR BODY	C-17 - C-18
GALLEY	C-15 - C-18
GENERATOR	C-19 - C-20
HEATING & A/C	C-21 - C-24
INTERIOR FINISH	D-01 - D-04
LABELS	D-05 - D-12
LP	E-13
LOUNGE	D-14 - E-16
SEALANTS & FASTENERS	D-17 - D-19
WATER & SEWAGE	D-20 - D-23
WINDOW, VENT & EXTERIOR DOOR	D-24 - E-16
WINDSHIELD & WIPER	E-17 - E-18

LABELS GROUP (CONTINUED)



WARNING
 THE USE OF LP GAS...
 ...BEFORE LIGHTING PILOTS.

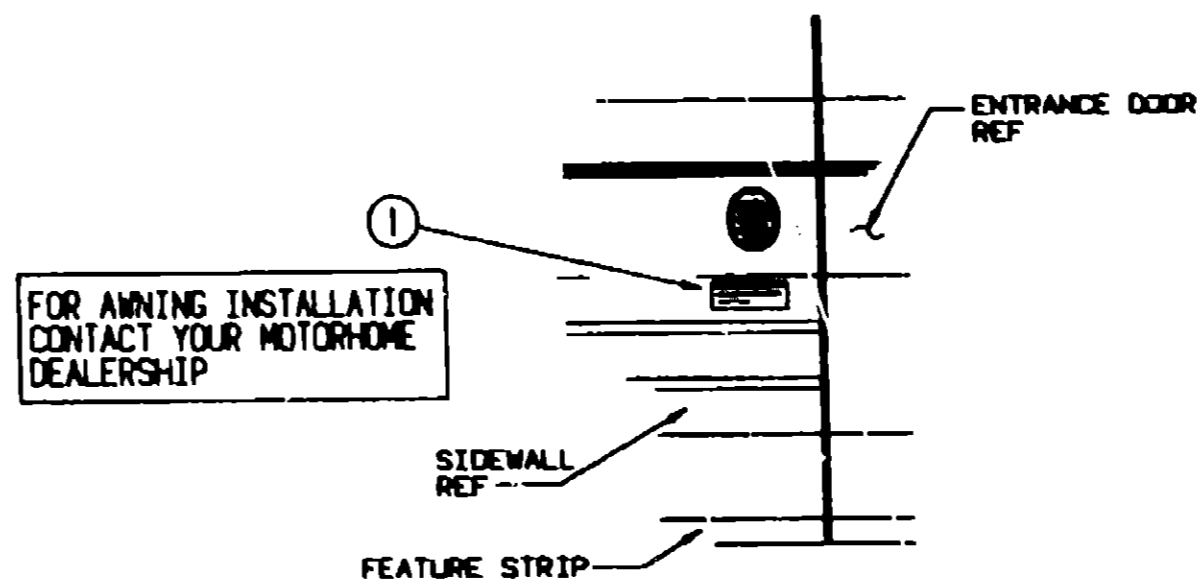
CAUTION

YOUR MOTOR HOME HAS BEEN DESIGNED, MANUFACTURED AND TESTED WITH CONSIDERATION FOR THE PROTECTION OF IT'S OCCUPANTS. WE REQUESTED YOU PERFORM THE FOLLOWING INSPECTIONS FOR YOUR SAFETY AND THE SAFETY OF YOUR PASSENGERS BEFORE STARTING YOUR VEHICLE.

1. LP GAS SYSTEM- TURN OFF AT TANK FOR TRAVELING. TEST FOR LEAKS UPON ARRIVAL AT DESTINATION. BEFORE LIGHTING PILOTS.
2. WHEELS- INSPECT FOR DAMAGE AND CHECK LUB RITS FOR TIGHTNESS.
3. TIRES- INSPECT FOR WEAR AND DAMAGE AND CHECK FOR RECOMMENDED AIR PRESSURE.
4. LIGHTS- TEST FOR PROPER OPERATION OF ALL INTERIOR AND EXTERIOR LIGHTS INCLUDING DASH LIGHTS, HEADLIGHTS, TAIL LIGHTS, BRAKE LIGHTS, CLEARANCE LIGHTS AND TURN SIGNALS.
5. EXITS- INSPECT RELEASE MECHANISM ON EMERGENCY EXIT WINDS. TEST BOTH LOCKS ON MAIN ENTRANCE DOOR FOR ease of OPERATION AND INSTRUCT PASSENGERS HOW TO USE BOTH REARS OF EXIT.
6. SEAT BELTS- DIRECT PASSENGERS TO OCCUPY SEATS AND INSTRUCT USE OF SEAT BELTS.
7. APPLIANCES- TURN OFF AND LATCH OR LOCK DOORS OFF AS PROVIDED.
8. LOOSE PARCELS- STORE SECURELY.
9. UTILITY SUPPLY LINES- DISCONNECT ALL ELECTRIC, SEWER AND WATER LINES AND SECURE PROPERLY.
10. ENTRANCE DOOR STOP- PLACE IN RETRACTED POSITION FOR TRAVELING.

READ YOUR MOTOR HOME AND CHECKS OWNER'S MANUAL FOR FURTHER PRECAUTIONS

LABELS GROUP (CONTINUED)



KEY PART NUMBER U/M DESCRIPTION
 1 099509-01-000 EA LABEL - AWNING INSTALLATION

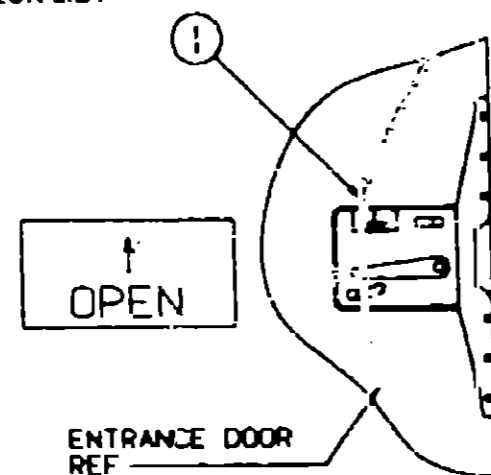
1983 ITASCA TABLE OF CONTENTS

INTRODUCTION	A-01 - A-02
ABBREVIATIONS	A-03
ALPHABETICAL INDEX	A-04 - A-08
ICG34RQ	A-07 - E-18
ICG34RA	E-19 - J-02

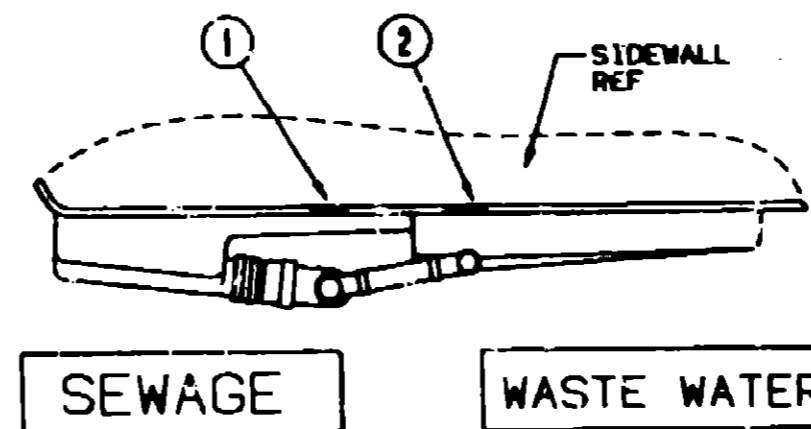
1983 ICG34RQ INDEX

FLOOR PLAN	A-07 - A-08
ACCESSORIES	A-09
AUDIO VIDEO	A-10 - A-11
BATH	A-12 - A-14
BEDROOM	A-15 - A-18
CHASSIS	A-19 - B-06
CURTAIN & CUSHION	B-07 - B-17
DINETTE	B-18 - B-20
DRIVER'S COMPARTMENT	B-21 - B-24
ELECTRICAL	C-01 - C-08
EXTERIOR BODY	C-07 - C-14
GALLEY	C-15 - C-18
GENERATOR	C-19 - C-20
HEATING & AC	C-21 - C-24
INTERIOR FINISH	D-01 - D-04
LABELS	D-05 - D-12
LP	D-13
LOUNGE	D-14 - D-16
SEALANTS & FASTENERS	D-17 - D-19
WATER & SEWAGE	D-20 - D-23
WINDOW, VENT & EXTERIOR DOOR	D-24 - E-18
WINDSHIELD & WIPER	E-17 - E-18

KEY PART NUMBER U/M DESCRIPTION
 1 099539-01-000 EA LABEL - WARNING - CANCER/TOXICITY
 2 056759-01-000 EA LABEL - SAFETY CHECK LIST

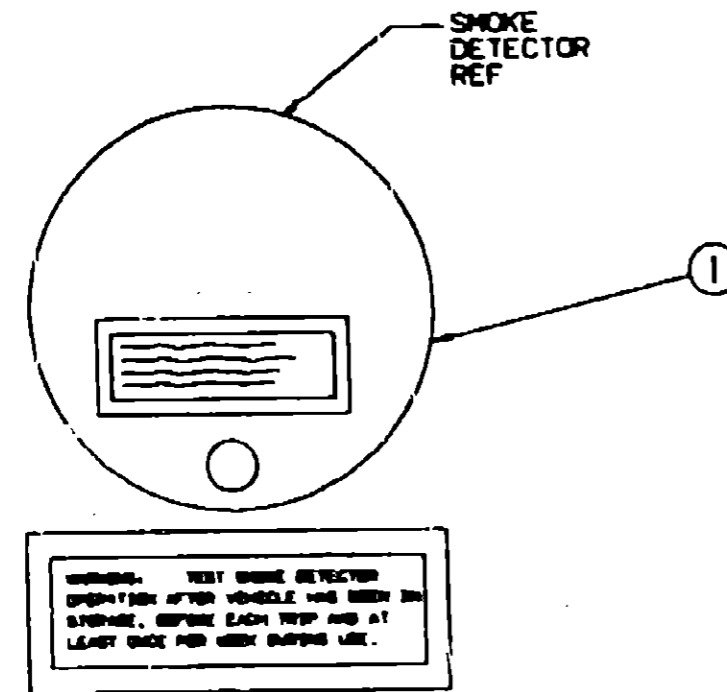


KEY PART NUMBER U/M DESCRIPTION
 1 040944-01-000 EA LABEL - ENTRANCE DOOR - "OPEN"

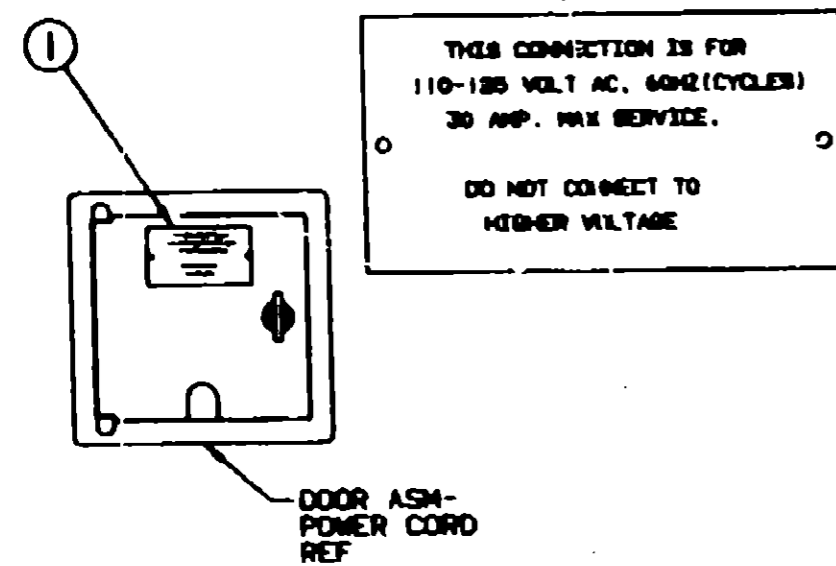


KEY PART NUMBER U/M DESCRIPTION
 1 006187-01-000 EA LABEL - SEWAGE
 2 006188-01-000 EA LABEL - WASTE WATER

I. LABELS GROUP (CONTINUED)



KEY	PART NUMBER	U/M DESCRIPTION
1	077956-01-000	EA LABEL - WARNING - SMOKE DETECTOR



KEY	PART NUMBER	U/M DESCRIPTION
1	008062-01-000	EA TAG - ELECTRIC - 110V CONNECTION

LABELS GROUP (CONTINUED)

MISCELLANEOUS LABELS

KEY	PART NUMBER	U/M DESCRIPTION
	061800-01-000	EA LABEL - OVERLAY - VEHICLE CERTIFICATION - ADHESIVE BACKED
	073998-01-000	EA LABEL - LPG ODOR WARNING
	074983-01-000	EA LABEL - SWITCH - A/C SELECTOR FOR FRONT OR REAR
	079966-01-000	EA LABEL - WARNING - STOWED - MOTION
	091224-02-000	EA LABEL - TRAILER LIGHTING
	091243-01-000	EA LABEL - A/C COVER - "AIR CONDITIONING CIRCUIT ETC."
	102287-01-000	EA LABEL - NO OCCUPANCY - US
	098379-03-000	EA LABEL - ELECTRICAL BOX - FRONT
	098379-04-000	EA LABEL - ELECTRICAL BOX - SIDE
	098641-01-000	EA LABEL - FUEL - UNLEADED - DASH
	104678-01-000	EA LABEL - CB PREP

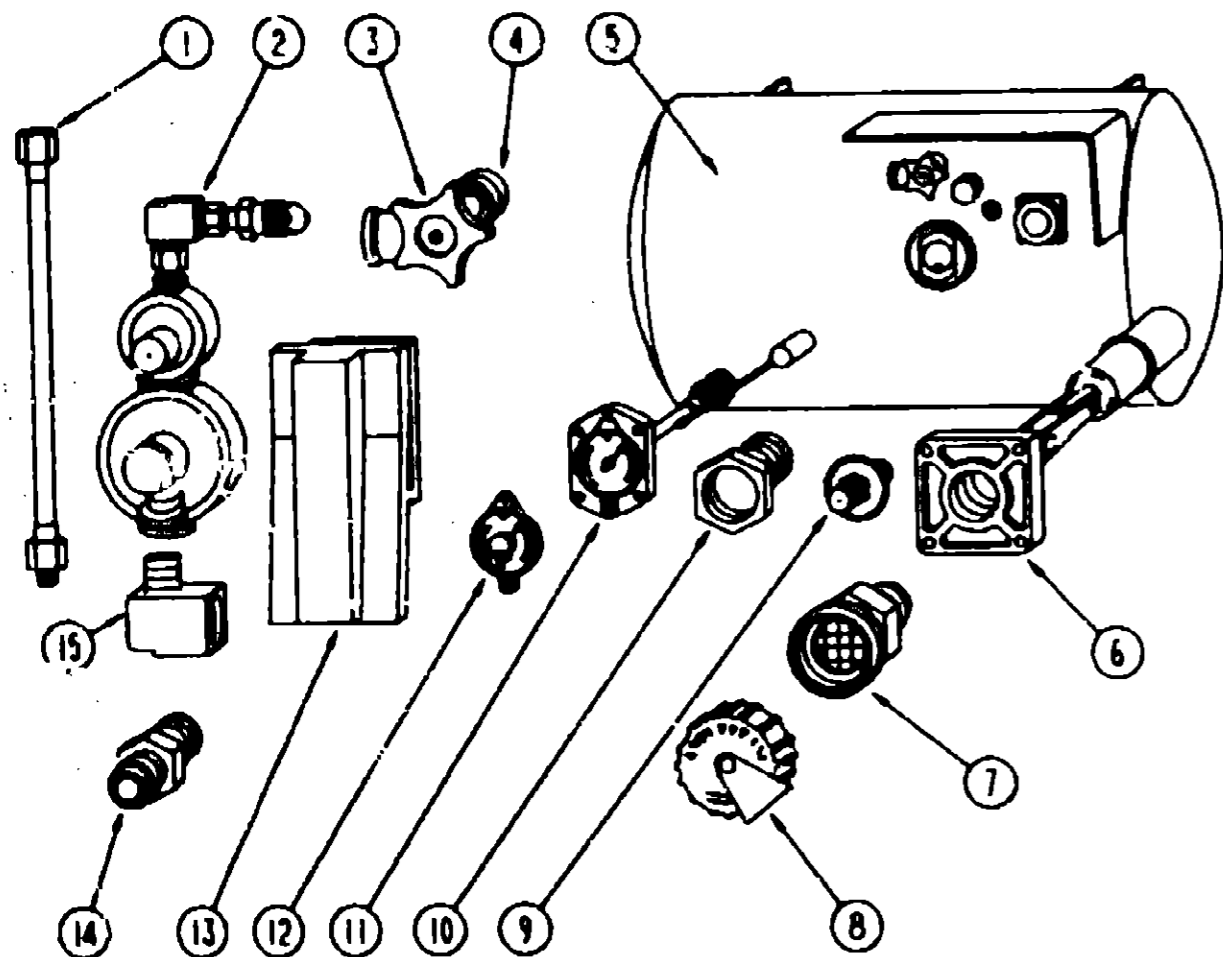
1983 ITASCA TABLE OF CONTENTS

INTRODUCTION	A-01 - A-02
ABBREVIATIONS	A-03
ALPHABETICAL INDEX	A-04 - A-08
ICG34RQ	A-07 - E-19
ICG34RA	E-19 - J-02

1983 ICG34RQ INDEX

FLOOR PLAN	A-07 - A-08
ACCESSORIES	A-09
AUDIO VIDEO	A-10 - A-11
BATH	A-12 - A-14
BEDROOM	A-15 - A-18
CHASSIS	A-19 - B-06
CURTAIN & CUSHION	B-07 - B-17
DINETTE	B-18 - B-20
DRIVERS COMPARTMENT	B-21 - B-24
ELECTRICAL	C-01 - C-06
EXTERIOR BODY	C-07 - C-14
GALLEY	C-15 - C-18
GENERATOR	C-19 - C-20
HEATING & A/C	C-21 - C-24
INTERIOR FINISH	D-01 - D-04
LABELS	D-05 - D-09
LP	D-10
LOUNGE	D-14 - D-16
SEALANTS & FASTENERS	D-17 - D-19
WATER & SEWAGE	D-20 - D-23
WINDOW, VENT & EXTERIOR DOOR	D-24 - E-16
WINDSHIELD & WIPER	E-17 - E-18

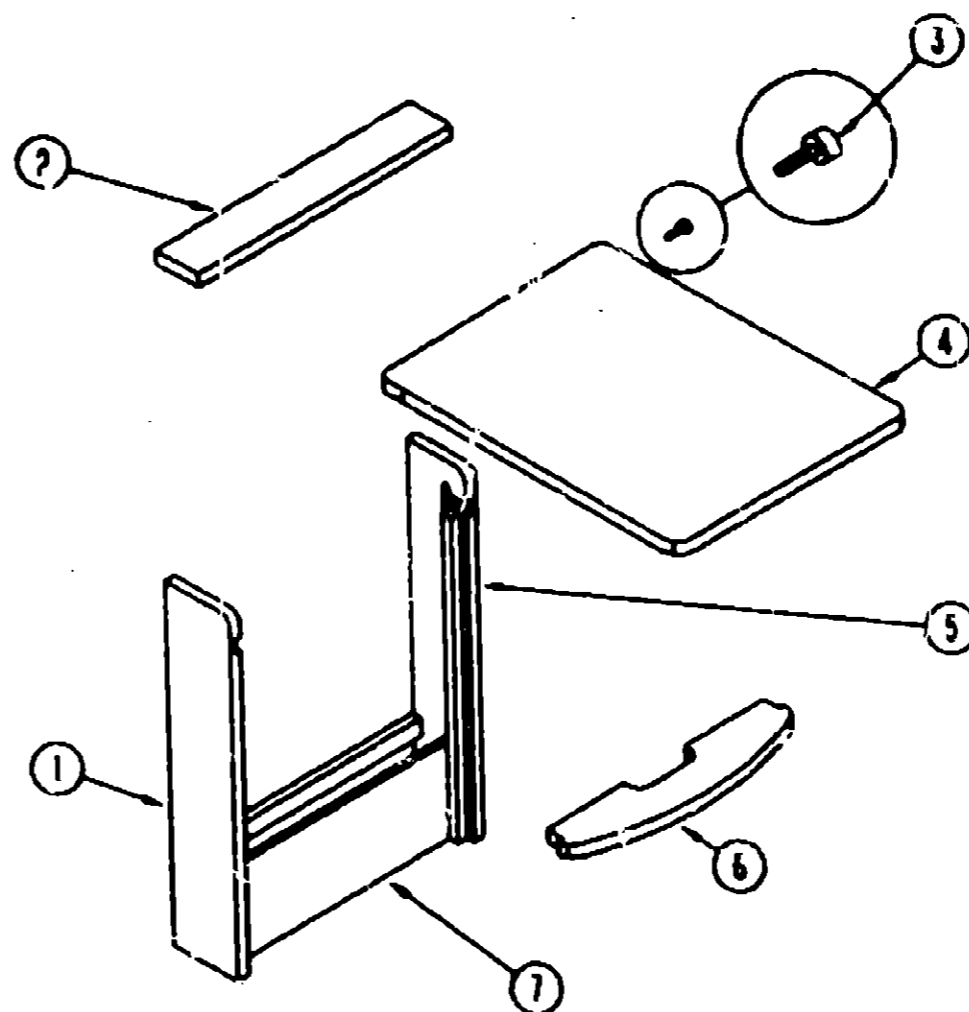
LP GROUP



LP TANK & COMPONENTS

KEY	PART NUMBER	U/M DESCRIPTION
1	045703-01-000	EA HOSE - LP - 3/8" ID X 24" US - 3/8 MPT X 1/2 F SWIVEL
1	045703-02-000	EA HOSE - LP - 3/8" ID X 24" - 3/8" MPT X 1/2" F SWIVEL - CANADA
2	108150-01-000	EA REGULATOR - TWO STAGE
3	040421-01-708	EA HANDY WHEEL - VAPOR RELIEF VALVE - BRUNNER G-1015-A
4	040421-01-712	EA VALVE - SERVICE W/HAND WHEEL
5	088253-03-000	EA TANK - LP - 100 L.B. - 16" D X 36" - SPL
6	040421-01-711	EA VALVE - 80% W/FLOAT - PLATE - BOLTS & GASKET - BRUNNER
7	040421-01-701	EA VALVE - SHORT LP FILLER W/YELLOW CAP - BRUNNER 75478
8	040421-01-713	EA CAP - LP FILLER VALVE - PLASTIC - YELLOW - BRUNNER G-1014-A
9	040421-01-703	EA GAUGE - LIQUID LEVEL - 20% LP - BRUNNER G-1013
10	040421-01-713	EA PRESSURE RELIEF VALVE
11	040421-01-706	EA GAUGE - FLOAT W/VISIBLE DIAL
12	040440-02-000	EA TRANSMITTER - DIAL - 90 OHM
13	10585-01-000	EA COMPARTMENT - LP REGULATOR
14	010323-01-000	EA ADAPTER - BRASS - 3/8" F X 1/2" MPT
15	085318-02-000	EA ELBOW - 90 DEGREE - 3/8" MPT TO 3/8" FPT
	010377-02-000	EA NUT - BRASS - 3/8 FEMALE - FORGED
	080380-01-000	EA COUPLER - 1/2" TO 3/8" BLACK PIPE
	010329-01-000	EA ADAPTER - BRASS - 1/2" F X 1/2" MPT
	010286-01-000	EA ELBOW - BRASS - 90 DEGREE - 3/8" F X 1/2" FPT
	085742-01-000	EA TEE - 3/8" F X 3/8" F X 25FPT - BRASS
	103813-01-000	EA DETECTOR - LP GAS
	085741-01-000	EA GAUGE - DIAPHRAGM PRESSURE - MARSHALL TOWN MFG

LOUNGE GROUP



PULLOUT TABLE

KEY	PART NUMBER	U/M DESCRIPTION
	M96873-01-B87	EA CABINET ASM. - TABLE - W/O PULLOUT TOP
1	096873-14-B87	EA SIDE END - TABLE - 28.7" X 5.7" - LEFT SIDE
2	096873-15-B87	EA SHELF - SUPPORT - OVER PULL OUT TABLE TOP
3	079921-01-000	EA NYLON ROLLER W/SHAFT
4	096873-11-D27	EA PULLOUT TOP
5	096873-13-B87	EA SIDE END - TABLE - 28.7" X 5.7" - RIGHT SIDE
6	096873-12-B87	EA SHELF - SUPPORT - UNDER PULL OUT TABLE TOP
7	095873-16-B87	EA PANEL - TABLE - FRONT BOTTOM - 18.1" X 6.7"
	080736-01-000	EA PULL - RECESSED - 1.25" X 4" - OAK

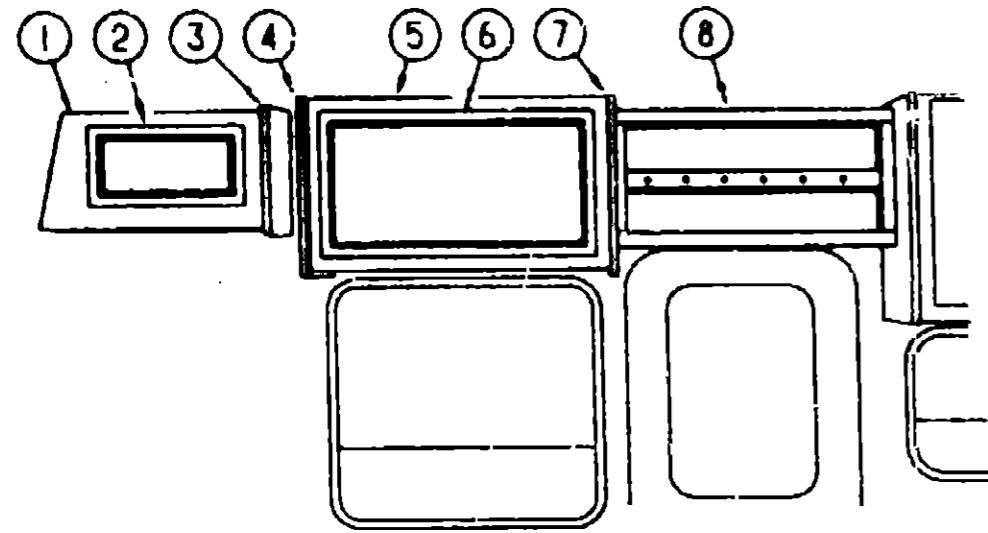
**1993 ITASCA
TABLE OF CONTENTS**

INTRODUCTION	A-01 - A-02
ABBREVIATIONS	A-03
ALPHABETICAL INDEX	A-04 - A-06
ICG34RQ	A-07 - E-18
ICG34RA	E-19 - J-02

1993 ICG34RQ INDEX

FLOOR PLAN	A-07 - A-08
ACCESSORIES	A-09
AUDIO VIDEO	A-10 - A-11
BATH	A-12 - A-14
BEDROOM	A-15 - A-18
CHASSIS	A-19 - B-06
CURTAIN & CUSHION	B-07 - B-17
DINETTE	B-18 - B-20
DRIVERS COMPARTMENT	B-21 - B-24
ELECTRICAL	C-01 - C-06
EXTERIOR BODY	C-07 - C-14
GALLEY	C-15 - C-18
GENERATOR	C-19 - C-20
HEATING & A/C	C-21 - C-24
INTERIOR FINISH	D-01 - D-04
LABELS	D-05 - D-12
LP	D-13
LOUNGE	D-14 - D-16
SEALANTS & FASTENERS	D-17 - D-19
WATER & SEWAGE	D-20 - D-23
WINDOW, VENT & EXTERIOR DOOR	D-24 - E-18
WINDSHIELD & WIPER	E-17 - E-18

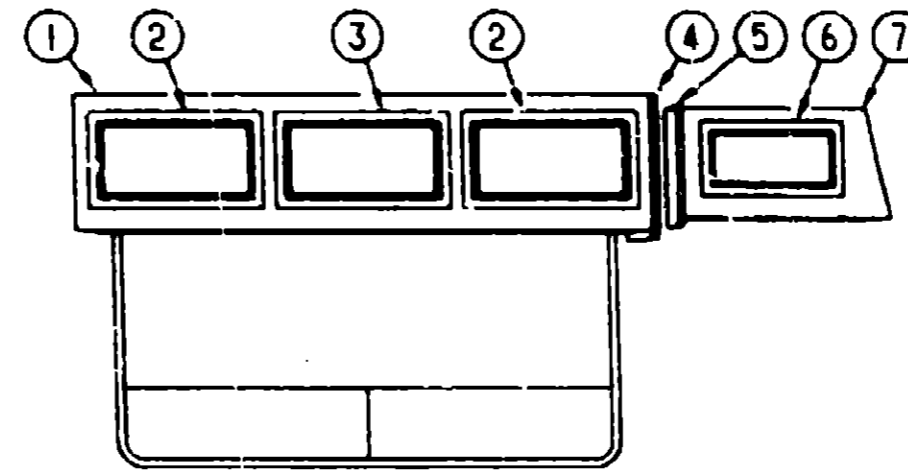
LOUNGE GROUP (CONTINUED)



FRONT OVERHEAD CABINET (PASSENGER SIDE)

KEY	PART NUMBER	U/M DESCRIPTION
1	M05160-24-D35	EA CABINET ASM. - FRONT OVERHEAD - PASSENGER SIDE FROM: 00-00-00 THRU: 08-16-92
1	M05160-24-D36	EA CABINET ASM. - FRONT OVERHEAD - PASSENGER SIDE FROM: 00-00-00 THRU: 08-16-92
1	M05899-01-D35	EA CABINET ASM. - FRONT OVERHEAD - PASSENGER SIDE FROM: 08-17-92 THRU: 99-99-99
1	M05899-01-D36	EA CABINET ASM. - FRONT OVERHEAD - PASSENGER SIDE FROM: 08-17-92 THRU: 99-99-99
2	P03702-33-D35	EA DOOR ASM - RAIL - W/O HARDWARE
3	103128-08-D35	EA END CAP ASM. (FRONT OVERHEAD) (D35,D36)
4	103128-02-C27	EA END CAP ASM. - LEFT HAND (D35,D36)
5	M05160-17-D35	EA CABINET ASM. - OVERHEAD (D35,D36)
6	P03702-A5-D35	EA DOOR ASM - W/O HARDWARE (D35,D36)
7	103128-01-C27	EA END CAP ASM. - RIGHT HAND (D35,D36)
8	105916-11-D35	EA CABINET ASM - OVHD - KEY RACK
8	105915-11-D36	EA CABINET ASM - OVHD - KEY RACK

LOUNGE GROUP (CONTINUED)



FRONT OVERHEAD CABINET (DRIVER SIDE)

KEY	PART NUMBER	U/M DESCRIPTION
1	M05160-15-D35	EA CABINET ASM (D35,D36)
2	M05908-04-D35	EA DOOR ASM - RAIL - W/O HARDWARE (D35,D36) FROM: 00-00-00 THRU: 08-09-92
2	P03702-65-D35	EA DOOR ASM - RAIL - W/O HARDWARE (D35,D36) FROM: 08-10-92 THRU: 99-99-99
3	M05908-05-D35	EA DOOR ASM - RAIL - W/O HARDWARE (D35,D36) FROM: 00-00-00 THRU: 08-09-92
3	P03702-12-D35	EA DOOR ASM - RAIL - W/O HARDWARE (D35,D36) FROM: 08-10-92 THRU: 99-99-99
4	103128-01-C27	EA END CAP ASM. - RIGHT HAND (D35,D36)
5	103128-08-D35	EA END CAP ASM. (FRONT OVERHEAD) (D35,D36)
6	P03702-33-D35	EA DOOR ASM - W/O HARDWARE (D35,D36)
7	M05160-25-D35	EA CABINET ASM - FRONT OVERHEAD - DRIVER SIDE FROM: 00-00-00 THRU: 08-16-92
7	M05160-25-D36	EA CABINET ASM. - FRONT OVERHEAD - DRIVER SIDE FROM: 00-00-00 THRU: 08-16-92
7	M05899-02-D35	EA CABINET ASM. - FRONT OVERHEAD - DRIVER SIDE FROM: 08-17-92 THRU: 99-99-99
7	M05899-02-D36	EA CABINET ASM. - FRONT OVERHEAD - DRIVER SIDE FROM: 08-17-92 THRU: 99-99-99

**1983 ITASCA
TABLE OF CONTENTS**

INTRODUCTION	A-01 - A-02
ABBREVIATIONS	A-03
ALPHABETICAL INDEX	A-04 - A-06
ICG34RQ	A-07 - E-18
ICG34RA	E-19 - J-02

1983 ICG34RQ INDEX

FLOOR PLAN	A-07 - A-08
ACCESSORIES	A-09
AUDIO VIDEO	A-10 - A-11
BATH	A-12 - A-14
BEDROOM	A-15 - A-18
CHASSIS	A-19 - B-06
CURTAIN & CUSHION	B-07 - B-17
DINETTE	B-18 - B-20
DRIVER'S COMPARTMENT	B-21 - B-24
ELECTRICAL	C-01 - C-06
EXTERIOR BODY	C-07 - C-14
GALLEY	C-15 - C-18
GENERATOR	C-19 - C-20
HEATING & A/C	C-21 - C-24
INTERIOR FINISH	D-01 - D-04
LABELS	D-05 - D-12
LP	D-13
LOUNGE	D-14 - D-16
SEALANTS & FASTENERS	D-17 - D-19
WATER & SEWAGE	D-20 - D-23
WINDOW, VENT &	
EXTERIOR DOOR	D-24 - E-16
WINDSHIELD & WIPER	E-17 - E-18

SEALANTS & FASTENERS GROUP

SEALANTS & FASTENERS GROUP (CONTINUED)

ADHESIVE AND BOLTS

NUTS (CONT)

1993 ITASCA
TABLE OF CONTENTS

INTRODUCTION A-01 - A-02
ABBREVIATIONS A-03
ALPHABETICAL INDEX A-04 - A-06
ICG34RQ A-07 - E-18
ICG34RA E-19 - J-02

1993 ICG34RQ INDEX

FLOOR PLAN A-07 - A-08
ACCESSORIES A-09
AUDIO VIDEO A-10 - A-11
BATH A-12 - A-14
BEDROOM A-15 - A-18
CHASSIS A-19 - B-03
CURTAIN & CUSHION B-07 - B-17
DINETTE B-18 - B-20
DRIVERS COMPARTMENT B-21 - B-24
ELECTRICAL C-01 - C-06
EXTERIOR BODY C-07 - C-14
GALLEY C-15 - C-18
GENERATOR C-19 - C-20
HEATING & A/C C-21 - C-24
INTERIOR FINISH D-01 - D-04
LABELS D-05 - D-12
LP D-13
LOUNGE D-14 - D-16
SEALANTS & FASTENERS D-17 - D-19
WATER & SEWAGE D-20 - D-23
WINDOW, VENT &
EXTERIOR DOOR D-24 - E-18
WINDSHIELD & WIPER E-17 - E-18

Table with columns: KEY, PART NUMBER, U/M DESCRIPTION. Lists various adhesive and bolt part numbers and descriptions.

Table with columns: KEY, PART NUMBER, U/M DESCRIPTION. Lists nut part numbers and descriptions.

SCREWS

Table with columns: KEY, PART NUMBER, U/M DESCRIPTION. Lists screw part numbers and descriptions.

CLAMPS - GROMMETS AND FASTENERS

Table with columns: KEY, PART NUMBER, U/M DESCRIPTION. Lists clamp, grommet, and fastener part numbers and descriptions.

NUTS

Table with columns: KEY, PART NUMBER, U/M DESCRIPTION. Lists nut part numbers and descriptions.

SEALANTS & FASTENERS GROUP (CONTINUED)

SCREWS (CONT)

KEY	PART NUMBER	U/M DESCRIPTION
	000G18-08-188	EA SCREW - MACHINE - 8 X 32 X 1 - PPH ZN
	079908-01-000	EA SCREW - MACHINE - 10-32 X 58 - PTH
	000G53-04-068	EA SCREW - MACHINE - 1/4-20 X 3/8 - PPH ZN
	000G18-08-22R	EA SCREW - MACHINE - 8-32 X 1 3/8 - PPH ZN
	000G39-10-20B	EA SCREW - SF/DR - 10-16 X 1 1/4 - PPH ZN
	000G33-10-12R	EA SCREW - SF/DR - 10-16 X 3/4 - PPH - BEIGE
	000G39-10-12D	EA SCREW - SF/DR - 10-16 X 3/4 - PPH - BLACK
	000G39-06-16T	EA SCREW - SF/DR - 6-20 X 1 - PPH - BLACK
	000G39-06-10T	EA SCREW - SF/DR - 6-20 X 5/8 - PPH - BLACK
	000G39-08-24B	EA SCREW - SF/DR - 8-18 X 1 1/2 - PPH ZN
	000G39-08-16E	EA SCREW - SF/DR - 8-18 X 1 - PPH CHROME
	000G39-08-16B	EA SCREW - SF/DR - 8-18 X 1 - PPH ZN
	000G39-08-16T	EA SCREW - SF/DR - 8-18 X 1 - PPH - BLACK
	000G55-09-162	EA SCREW - SF/DR - 8-18 X 1.00 - BEIGE
	000G39-08-08B	EA SCREW - SF/DR - 8-18 X 1/2 - PPH ZN
	000G39-08-32B	EA SCREW - SF/DR - 8-18 X 2 - PPH - ZINC
	000G39-08-12B	EA SCREW - SF/DR - 8-18 X 3/4 - PPH ZN
	000G39-08-12T	EA SCREW - SF/DR - 8-18 X 3/4 - PPH - BLACK
	000G39-08-06B	EA SCREW - SF/DR - 8-18 X 3/8 - PPH ZN
	000G90-10-20T	EA SCREW - SF/DR - 10-16X1.75
	000G39-08-16R	EA SCREW - SF/DR - 8-18X1.00 - PPH BEIGE
	000G39-08-08R	EA SCREW - SF/DT - 8-18X1/2 - PPH
	079382-01-000	EA SCREW - SOCKET - 8-18 X 1" - BLACK

SEALERS

KEY	PART NUMBER	U/M DESCRIPTION
	106205-01-000	EA SEALER - PUMPABLE
	069640-02-000	FT SEALER - RIBBON - 1/2" X 1/8" - INCREMENTS OF 30"
	069640-09-000	FT SEALER - RIBBON - 1/32" X 2 1/2"
	069640-01-000	FT SEALER - RIBBON - 1/4" DIAMETER - INCREMENTS OF 20"
	069640-03-000	FT SEALER - RIBBON - 3/4" X 1/8" - INCREMENTS OF 60"
	069640-05-000	FT SEALER - RIBBON - 5/16" DIAMETER - INCREMENTS OF 25"
	091255-03-000	FT SEAL - FOAM - 1/4 X 3/16 ROLL
	091255-01-000	FT SEAL - FOAM - 3.2MM X 4.8MM
	090340-01-000	FT SEAL - FOAM - CLOSED CELL - 1/4" X 1/2" X 50"
	053752-01-000	CL SEAM SEALER - 5 GAL - ALUMINUM
	034552-04-000	EA SILICONE - TUBE - 300 ML - BEIGE
	034552-02-000	EA SILICONE - TUBE - 300 ML - CLEAR

TAPES AND TIES

KEY	PART NUMBER	U/M DESCRIPTION
	100028-01-000	FT TAPE - ADHESIVE - .031" X .75" WIDE
	004363-01-000	FT TAPE - ADHESIVE FOAM - 1 SIDE - 3/16" X 1/2" - GRAY
	083071-01-000	FT TAPE - BONDING - DOUBLE SIDED - 1/64" X 2"
	093071-01-000	FT TAPE - BONDING - DOUBLE SIDED - 1/64" X 2"
	076322-03-000	FT TAPE - FOAM - DOUBLE COATED - .045" X .5"
	088244-01-000	FT TAPE - FOAM - VINYL COATED - 2" WIDE - INCREMENTS OF 108 FT
	008200-01-000	EA TAPE - FURNACE - 1 1/2"
	087691-01-000	EA TAPE - MASKING - WEATHER RESISTANT
	008343-02-000	EA TIE - WIRE - 14"
	008343-01-000	EA TIE - WIRE - 6"

WASHERS

KEY	PART NUMBER	U/M DESCRIPTION
	077071-01-000	EA WASHER - FENDER - 3/16" ID X 1" OD
	000E13-14-008	EA WASHER - FLAT - 1/4" WIDE ZN
	000E13-11-008	EA WASHER - FLAT - 3/16" WIDE ZN
	000E13-17-008	EA WASHER - FLAT - 3/8 AR ZN

WATER & SEWAGE GROUP

WATER PUMP (SHURFLOW)

KEY	PART NUMBER	U/M DESCRIPTION
	098607-01-000	EA PUMP - WATER - 1/2" 5/8" MPT FITTING - FLOW 2.8 GPM - UL
	098607-01-700	EA PUMPHEAD - REPLACEMENT 94-238-08
	098607-01-701	EA DRIVE ASM 94-234-03
	098607-01-702	EA DIAPHRAGM - KIT 94-237-10
	098607-01-703	EA VALVE ASM 94-237-00
	098607-01-704	EA HOUSING - UPPER 94-231-01
	098607-01-705	EA CHECK VALVE - KIT 94-237-00
	098607-01-706	EA UPPER HOUSING/SWITCH KIT 94-230-00
	098607-01-707	EA MOTOR/BASEPLATE REPLACEMENT 94-234-03

WATER HEATER W/MOTOR AID ATWOOD (GPA-3E, 4E, 6E)

KEY	PART NUMBER	U/M DESCRIPTION
	051393-01-000	EA WATER HEATER - W/MOTOR AID - PILOTLESS IGNITION
	051391-01-700	EA HINGE KIT - W/CLIP 92568 & 92559
	051391-01-704	EA VALVE - RELIEF - 1/2" FITTING 91804
	051391-01-705	EA FASTENER - CAMLOC 92609
	051391-01-706	EA GRILLE - EXHAUST 92787
	051391-01-708	EA BURNER - MAIN - 3E ONLY 92615
	051391-01-710	EA ORIFICE - MAIN BURNER 92742
	051391-01-714	EA ELBOW - 45 DEGREE - 3/8" X 3/8" MPT 91044
	051391-01-715	EA DRAIN PLUG 91561
	051391-04-701	EA THERMOSTAT 12 VDC-120 PRESET 91470
	051391-04-704	EA TANK - INNER - FRONT MOUNT - GHS-4E & 6E 91642
	051393-01-700	EA TANK - INNER - 3E FRONT MOUNT 91023
	097967-01-000	EA SWITCH - WATER HEATER - REMOTE W/LIGHT 91959
	051393-01-702	EA SWITCH - ENERGY CUT-OFF 91951
	051393-01-703	EA THERMOSTAT - REAR MOUNT 91952
	051393-01-704	EA CIRCUIT BOARD - W/BLACK BOX 91420
	051393-01-705	EA ORIFICE HOLDER 91925
	051393-01-714	EA TANK - INNER (GHS-3E) - REAR MOUNT 91408
	051393-01-716	EA SPARK & PROBE ASM 91806
	051393-01-718	EA VALVE - DUAL SOLENOID 91605
	051393-01-721	EA ECO THERMOSTAT ASM - FRONT MOUNT - 140° 91447
	099729-01-000	EA BYPASS KIT - WATER HEATER - COMPLETE W/VALVE & TUBING

WATER HEATER W/MOTOR AID ATWOOD (G6A-3E)

KEY	PART NUMBER	U/M DESCRIPTION
	051391-03-000	EA HEATER - WATER - W/ELECTRIC IGNITION
	051391-01-700	EA HINGE KIT - W/CLIP 92568 & 92559
	051391-01-704	EA VALVE - RELIEF - 1/2" FITTING 91804
	051391-01-705	EA FASTENER - CAMLOC 92609
	051391-01-706	EA GRILLE - EXHAUST 92787
	051391-01-708	EA BURNER - MAIN - 3E ONLY 92615
	051391-01-710	EA ORIFICE - MAIN BURNER 92742
	051391-01-715	EA DRAIN PLUG 91561
	051391-04-700	EA TANK - INNER (G6A-3E) - FRT MT 91808
	051391-04-701	EA THERMOSTAT 12 VDC-120 PRESET 91170
	051391-04-706	EA TANK - INNER - FRONT MOUNT 91641
	097967-01-000	EA SWITCH - WATER HEATER - REMOTE W/LIGHT 91959
	051393-01-702	EA SWITCH - ENERGY CUT-OFF 91951
	051393-01-703	EA THERMOSTAT - REAR MOUNT 91952
	051393-01-704	EA CIRCUIT BOARD - W/BLACK BOX 91420
	051393-01-705	EA ORIFICE HOLDER 91925
	051393-01-716	EA SPARK & PROBE ASM 91806
	051393-01-718	EA VALVE - DUAL SOLENOID 91605
	051393-01-721	EA ECO THERMOSTAT ASM - FRONT MOUNT - 140° 91447
	051393-03-700	EA TANK - INNER (G6A-3E) - REAR MOUNT 91409

1993 ITASCA TABLE OF CONTENTS

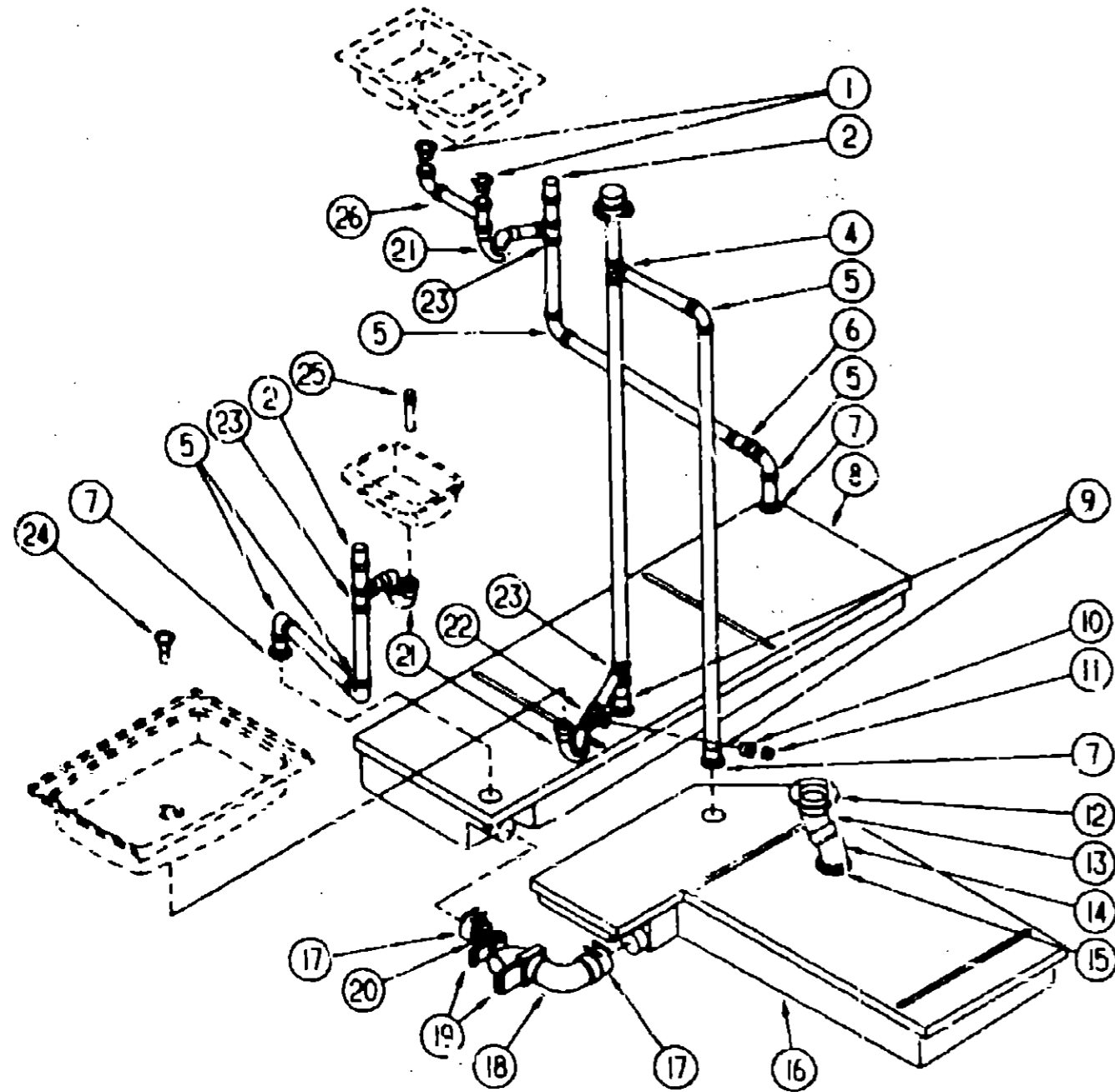
INTRODUCTION	A-01 - A-02
ABBREVIATIONS	A-03
ALPHABETICAL INDEX	A-04 - A-06
ICG34RC	A-07 - E-18
ICG34RA	E-19 - J-02

1993 ICG34RC INDEX

FLOOR PLAN	A-07 - A-08
ACCESSORIES	A-09
AUDIO VIDEO	A-10 - A-11
BATH	A-12 - A-14
BEDROOM	A-15 - A-18
CHASSIS	A-19 - B-06
CURTAIN & CUSHION	B-07 - D-17
DINETTE	B-18 - B-20
DRIVERS COMPARTMENT	B-21 - B-24
ELECTRICAL	C-01 - C-06
EXTERIOR BODY	C-07 - C-14
GALLEY	C-15 - C-18
GENERATOR	C-19 - C-20
HEATING & A/C	C-21 - C-24
INTERIOR FINISH	D-01 - D-04
LABELS	D-05 - D-12
LP	D-13
LOUNGE	D-14 - D-16
SEALANTS & FASTENERS	D-17 - D-19
WATER & SEWAGE	D-20 - D-23
WINDOW, VENT & EXTERIOR DOOR	D-24 - E-18
WINDSHIELD & WIPER	E-17 - E-18

WATER & SEWAGE GROUP (CONTINUED)

DRAINAGE SYSTEM



KEY PART NUMBER	QTY	DESCRIPTION
1	062303-01-000	EA STRAINER - SINK
2	078988-01-000	EA VENT - MECH. TRAP /ARM - ANTI-SIPHON - 2" DIA X 7.3"
4	010071-01-000	EA TEE - SANITARY - 1 1/2" HUB X HUB X HUB
5	010008-01-000	EA ELBOW - 90 DEGREE - 1/4 BEND - 1 1/2" HUB X HUB
6	010005-01-000	EA ELBOW - 22 1/2 DEGREE - 1/16 BEND - 1 1/2" HUB X HUB
7	091807-01-000	EA GROMMET - HOLDING TANK - 1 1/2" NPS
8	104352-01-000	EA TANK - HOLDING - 50 GAL - W/O FITTINGS
9	010115-01-000	EA COUPLING - 1 1/2" HUB X HUB - PLASTIC
10	050787-01-000	EA ADAPTER - CLEANOUT
11	010186-01-000	EA PLUG - THREADED - 1 1/4" DIAMETER - PLASTIC - BLACK
12	063641-01-000	EA FLANGE - GROMMET - 4" X 3"
13	010024-01-000	EA ELBOW - PLASTIC - 1/8 BD - 3 X 45 - H X H
14	010061-01-000	EA ELBOW - 45 DEGREE - STREET - 1/8 BEND - 3" S X H - PLASTIC
15	061507-02-000	EA GROMMET - HOLDING TANK - 3" NPS
16	104351-01-000	EA TANK - HOLDING - 55 GAL - W/O FITTINGS
17	078406-01-000	EA COUPLER - RUBBER - W/CLAMPS - 3" X 3"
18	041056-01-000	EA ELBOW - STREET - 1/4" BEND - 3" X 90° XLT
19	070916-01-000	EA VALVE ASM - DUAL DUMP - W/CAP - 3" X 1 1/2"
	070916-01-700	EA VALVE ONLY - 3"
	070916-01-701	EA VALVE ONLY - 1 1/2"
20	052422-01-000	EA ADAPTER - OFFSET REDUCER - 3" X 1 1/2"
21	011071-01-000	EA TRAP - P - 1 1/2 - PLASTIC
22	049910-01-000	EA TEE - SANITARY - 1 1/4" X 1 1/4" X 1 1/4" H
23	010079-01-000	EA TEE - SANITARY - 1 1/2" X 1 1/2" X 1 1/4" H
24	011069-03-000	EA TAILPIECE - SHOWER/TUB - 1 1/2" X 1 3/4" - PLASTIC (US)
24	011069-02-000	EA TAILPIECE - TUB/SHOWER - 1 1/2" X 1 1/4" X 4" - BRASS (CSA)
	066440-01-000	EA STRAINER - SHOWER - W/RUBBER WASHER
	065436-01-000	EA NUT - SLIP - TAILPIECE - 1.5"
25	096927-01-701	EA TAILPIECE - SINK
26	011091-02-000	EA PIPE - DRAIN - DOUBLE SINK - BAFFLE TEE - 1 1/2" (US)
26	011091-03-000	EA PIPE - DRAIN - W/SEALS - DOUBLE SINK (CSA)
	010201-01-000	EA HOSE - SEWER - 3" ID X 8'
	062416-01-000	EA ADAPTER - SEWER HOSE TO 3" PIPE

1993 ITASCA TABLE OF CONTENTS

INTRODUCTION	A-01 - A-02
ABBREVIATIONS	A-03
ALPHABETICAL INDEX	A-04 - A-06
ICG34RC	A-07 - E-18
ICG34RA	E-19 - J-22

1993 ICG34RC INDEX

FLOOR PLAN	A-07 - A-08
ACCESSORIES	A-09
AUDIO VIDEO	A-10 - A-11
BATH	A-12 - A-14
BEDROOM	A-15 - A-18
CHASSIS	A-19 - B-06
CURTAIN & CUSHION	B-07 - B-17
DINETTE	B-18 - B-20
DRIVERS COMPARTMENT	B-21 - B-24
ELECTRICAL	C-01 - C-06
EXTERIOR BODY	C-07 - C-14
GALLEY	C-15 - C-18
GENERATOR	C-19 - C-20
HEATING & A/C	C-21 - C-24
INTERIOR FINISH	D-01 - D-04
LABELS	D-05 - D-12
LP	D-13
LOUNGE	D-14 - D-16
SEALANTS & FASTENERS	D-17 - D-19
WATER & SEWAGE	D-20 - D-23
WINDOW, VENT &	
EXTERIOR DECOR	D-24 - E-16
WINDSHIELD & WIPER	E-17 - E-18

WATER & SEWAGE GROUP (CONTINUED)

WATER SYSTEM COMPONENTS

KEY	PART NUMBER	U/M DESCRIPTION
	039800-01-000	FT TUBING - POLYBUTYL - 1/2" OD - 20' - BLACK
	079381-01-000	FT TUBING - SMOOTH FLEXIBLE - 1 1/4" ID
	074483-01-000	FT TUBING - VINYL - 3/8" ID - CLEAR
	039800-02-000	FT TUBING - POLYBUTYL - 5/8" OD - 20' - BLACK
	052952-01-000	EA NUT-PLASTIC - 1/2" F X 1/2" TUBE - GRAY
	052952-02-000	EA NUT-PLASTIC - 5/8" FLARE
	052957-01-000	EA ELBOW - PLASTIC - 1/2" F X 3/8" MPT
	052957-02-000	EA ELBOW - MALE - 1/2" F X 1/2" MPT - PLASTIC - GRAY
	052957-04-000	EA ELBOW - 5/8" F X 3/4" MPT
	035639-01-000	EA ELBOW - PLASTIC - 3/8" MPT X 3/8" IARB
	055290-01-000	EA ELBOW - 5/8" F X 1/2" MPT
	057457-01-000	EA ELBOW - UNION - 1/2" X 1/2" FLARE
	057457-02-000	EA ELBOW - UNION - 5/8" X 5/8" FLARE
	065120-01-000	EA ELBOW - SWIVEL - 1/2" FPT X 1/2" FLARE - PLASTIC - GRAY
	102259-01-000	EA BRACKET - BYPASS - WATER HEATER
	052960-01-000	EA DRAIN VALVE - IN LINE - HEADER - 1/2" F X 1/2" F - GRAY PLASTIC
	049032-01-000	EA PATCH - SPINWELD - 3/8" - PLASTIC
	106258-01-000	EA CAP - INSERTABLE 1/2" FLARE
	039798-01-000	EA TEE - 1/2" MPT X 1/2" MPT X 1/2" MPT - PLASTIC
	052955-01-000	EA TEE - WATER - 1/2" F X 1/2" F X 1/2" MPT - PLASTIC - GRAY
	052956-01-000	EA TEE - 1/2" F X 1/2" MPT X 1/2" F - PLASTIC
	052958-01-000	EA TEE - 1/2" F X 1/2" F X 1/2" F - PLASTIC - GRAY
	055295-01-000	EA TEE - 5/8" F X 1/2" MPT X 1/2" F - PLASTIC
	057973-01-000	EA TEE - PLASTIC - 1/2" F X 1/2" F X 5/8" F - WATER
	057974-01-000	EA TEE - 5/8" F X 1/2" F X 1/2" F - PLASTIC
	010227-01-000	EA TEE - PLAS - BARB 5/8" OR 3/4" HOSE
	079317-01-000	EA ADAPTER - SWIVEL - 1/2" TUBE X 1/2" FPT - PLASTIC - GRAY
	087659-05-000	EA FILL - WATER - CITY - ASH GRAY
	101814-01-000	EA COUPLING - FEMALE - 1/2" X 1/2" FPT
	701069-03-700	EA CARTRIDGE - WATER FILTER - AC - EVERPURE 9001-11

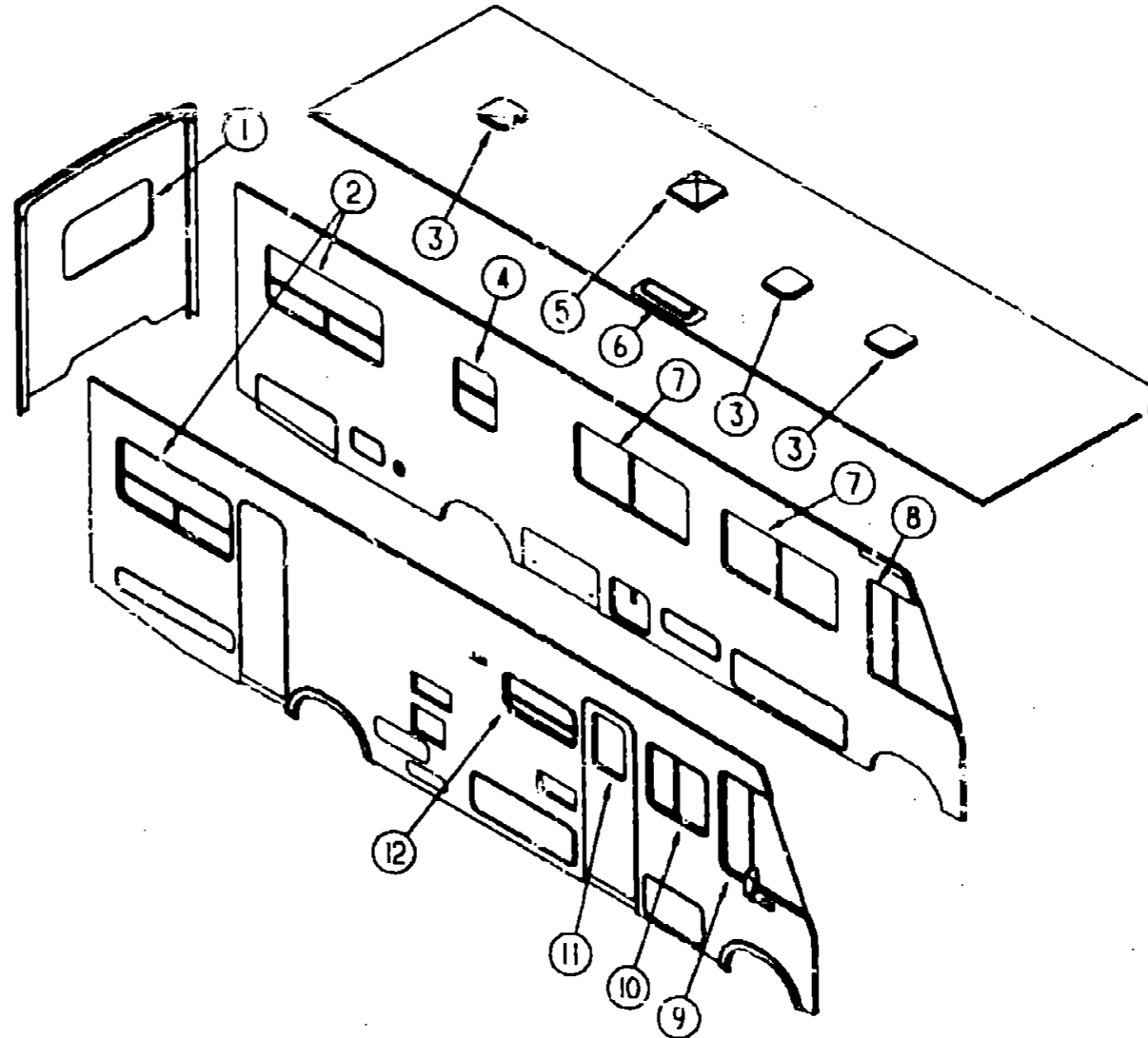
FRESH WATER TANK - 100 GALLON

KEY	PART NUMBER	U/M DESCRIPTION
	104363-02-000	EA TANK ASM - WATER - 100 GAL - W/FITTINGS
	042989-05-000	EA FITTING - SPINWELD - PLASTIC - 1/2" FPT
	042989-04-000	EA FITTING - WATER TANK - SPINWELD - 3/8" FPT - PLASTIC - WHITE
	042989-03-000	EA FITTING - SPINWELD - PLASTIC - 1 1/4" FPT
	049132-01-000	EA PATCH - SPINWELD - 3/8" - PLASTIC
	039961-01-000	EA SENDING UNIT W/SCREW - WASHER
	096449-01-000	EA WIRE ASM - TANK - WATER
	077954-02-000	EA FILTER - WATER TANK - SCREEN IN TANK

EXTERIOR SHOWER COMPONENTS

KEY	PART NUMBER	U/M DESCRIPTION
	103092-01-000	EA SHOWER HEAD - W/60" HOSE (US)
	103092-02-000	EA SHOWER HEAD - W/HOSE (CSA)
	104041-01-000	EA BRACKET - SUPPORT - FAUCET
	103067-01-700	EA BRACKET (FOR SHOWER HEAD)
	075241-05-000	EA FAUCET - SHOWER - BONE

WINDOW, VENT & EXTERIOR DOOR GROUP



WINDOWS & VENTS

KEY	PART NUMBER	U/M DESCRIPTION
	1	078528-03-Y12 EA WINDOW - ESCAPE - 27" X 48" - W/O INSIDE FRAME
	2	092234-11-Y12 EA WINDOW - DOUBLE TIPOUT - W/O INSIDE FRAME
	3	110051-01-01A EA VENT - ROOF - NONPOWERED
	4	092235-15-Y12 EA WINDOW - SINGLE TIPOUT - W/O INSIDE FRAME
	5	110051-03-01A EA VENT - ROOF - POWERED
	6	084073-06-000 EA REFRIGERATOR ROOF VENT - ASH GRAY
	7	098647-10-02A EA WINDOW ASM - SLIDER - W/INSIDE FRAME (OFF-WHITE)
	8	103658-03-01A EA WINDOW ASM - CAB - DRIVER SIDE
	8	103658-07-01A EA WINDOW ASM - CAB - DRIVER SIDE
	9	103658-04-01A EA WINDOW ASM - CAB - PASSENGER SIDE
	9	103658-08-01A EA WINDOW ASM - CAB - PASSENGER SIDE
	10	098647-08-02A EA WINDOW ASM - SLIDER - W/INSIDE FRAME (OFF-WHITE)
	11	079733-12-012 EA WINDOW ASM - ENTRANCE DOOR - W/O INSIDE FRAME
	12	092235-14-Y12 EA WINDOW - SINGLE TIPOUT - W/O INSIDE FRAME

1993 ITASCA TABLE OF CONTENTS

INTRODUCTION	A-01 - A-02
ABBREVIATIONS	A-03
ALPHABETICAL INDEX	A-04 - A-06
ICG34RQ	A-07 - E-16
ICG34RA	E-19 - J-02

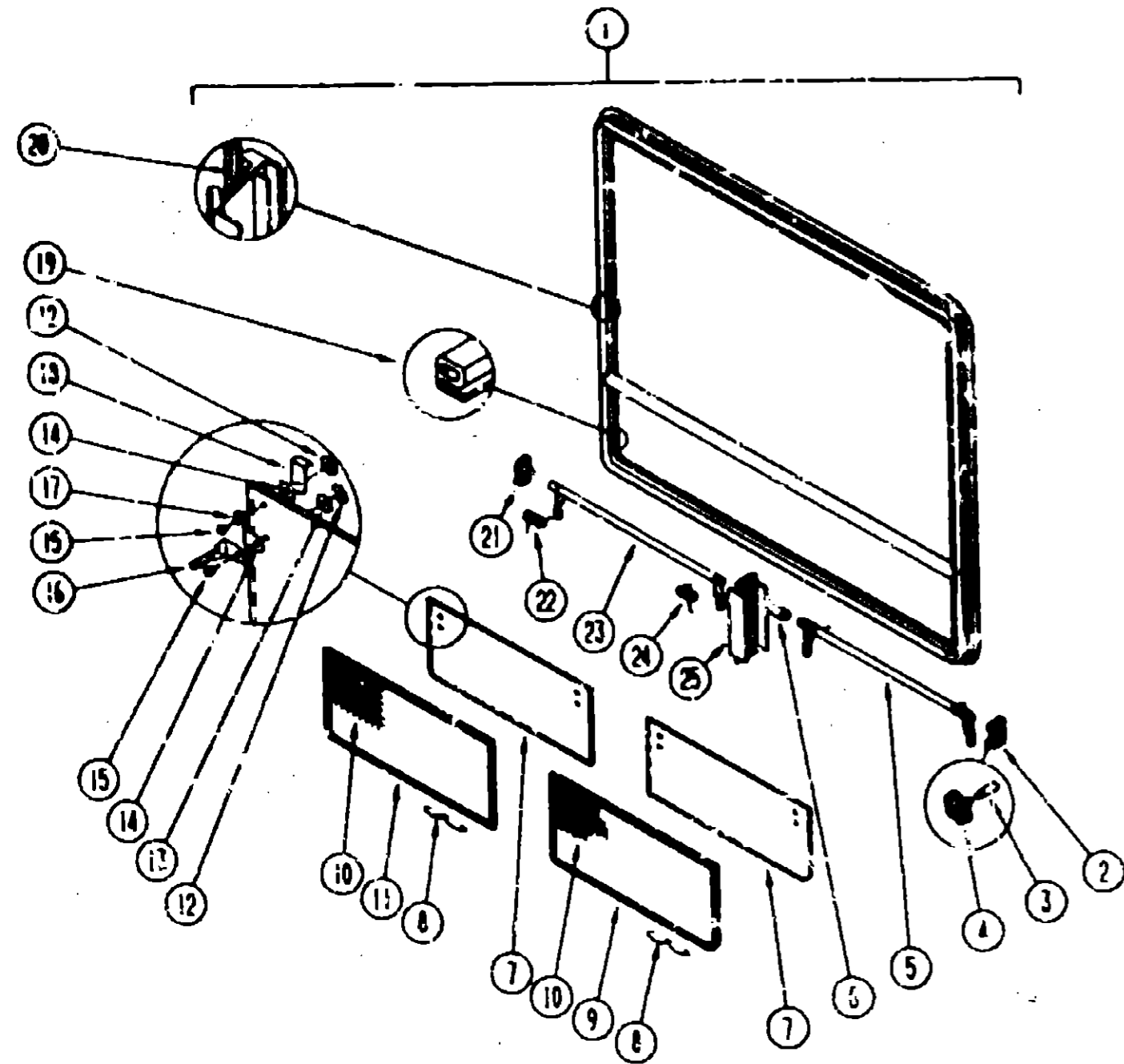
1993 ICG34RQ INDEX

FLOOR PLAN	A-07 - A-08
ACCESSORIES	A-09
AUDIO VIDEO	A-10 - A-11
BATH	A-12 - A-14
BEDROOM	A-15 - A-18
CHASSIS	A-19 - B-06
CURTAIN & CUSHION	B-07 - E-17
DINETTE	B-16 - B-20
DRIVERS COMPARTMENT	B-21 - B-24
ELECTRICAL	C-01 - C-06
EXTERIOR BODY	C-07 - C-14
GALLEY	C-15 - C-18
GENERATOR	C-19 - C-20
HEATING & A/C	C-21 - C-24
INTERIOR FINISH	D-01 - D-04
LABELS	D-05 - D-12
LP	D-13
LOUNGE	D-14 - D-16
SEALANTS & FASTENERS	D-17 - D-19
WATER & SEWAGE	D-20 - D-23
WINDOW, VENT & EXTERIOR DOOR	D-24 - E-16
WINDSHIELD & WIPER	E-17 - E-18

WINDOW, VENT & EXTERIOR DOOR GROUP (CONTINUED)

BEDROOM WINDOW (DRIVER & PASSENGER SIDE)

1983 ITASCA
TABLE OF CONTENTS



KEY	PART NUMBER	UOM	DESCRIPTION
1	092234-11-Y12	EA	WINDOW ASM - TIPOUT - DOUBLE (W/O INSIDE FRAME)
	090893-23-G1A	EA	INSIDE FRAME - WINDOW - OFF WHITE (NOT INCLUDED IN WINDOW ASM)
2	035302-02-000	EA	OPERATOR - TORQUE - TIPOUT WINDOW - LEFT
3	079439-06-000	EA	EXTENSION - WINDOW CONTROL (NOT INCLUDED IN WINDOW ASM)
4	009439-25-000	EA	WINDOW KNOB - BLACK (NOT INCLUDED IN WINDOW ASM)
	009439-07-000	EA	SCREW - WINDOW KNOB - BLACK (NOT INCLUDED IN WINDOW ASM)
5	083227-07-000	EA	TUBE - TORQUE - WINDOW - RIGHT
6	088816-51-001	EA	TUBE - SLEEVE 02"ID X 0.35"OD X 1 2" LONG - ALUMINUM
7	084066-21-000	EA	GLASS - TIPOUT - 11"X9 25"X26 4"
8	100168-01-000	EA	CLIP - SPRING - SCREEN
9	100234-04-B07	EA	SCREEN - DOUBLE TIPOUT WINDOW
10	080218-03-000	SF	SCREEN - FIBERGLASS - 12" WIDE
	100240-01-000	FT	SPLINE - SCREEN - T-SHAPED
	081377-01-700	EA	ADHESIVE - CYANOACRYLATE - 10 GRAM TUBE
11	100234-03-B07	EA	SCREEN - DOUBLE TIPOUT WINDOW
12	063762-01-000	EA	T NUT 10-32
13	068927-03-000	EA	SEAL - WINDOW - RUBBER - ROUND - 50" DIA - BLACK
14	084473-01-000	EA	SEAL - RUBBER - TIPOUT WINDOW
15	086763-01-000	EA	SCREW - MACH - 10 - 32 X 1 1/4 PTH
16	097578-01-000	EA	LINKAGE - TIPOUT WINDOW
	081648-01-000	EA	RING SNAP - 7/32 SHAFT DIAMETER
17	084453-02-000	EA	WASHER - .062 X .50 X .135 - PLASTIC
18	089913-01-000	EA	HINGE - TIPOUT WINDOW - BLACK
19	084067-02-000	FT	SEAL - E SHAPED - SPONGE - TIPOUT WINDOW - 4" X 4" - BLACK
20	065540-11-000	EA	SEALER - TAPE - 3/15"X3/8" BLACK
21	035302-01-000	EA	OPERATOR - TORQUE - TIPOUT WINDOW - RIGHT
	038886-01-000	EA	TAPE - BUTYL - 31" X 31" X 148" LONG
22	080918-01-000	EA	SPRING - TORQUE TUBE - LEFT
23	083228-07-000	EA	TUBE - TORQUE - WINDOW - LEFT
24	080918-02-000	EA	SPRING - TORQUE TUBE - RIGHT
25	088803-01-01A	EA	MULLION - VERTICAL - 9.5" LONG - ALUMINUM - BLACK
	000G39-06-16T	EA	SCREW - SFDR - 5-20 X 1 PPH - BLACK

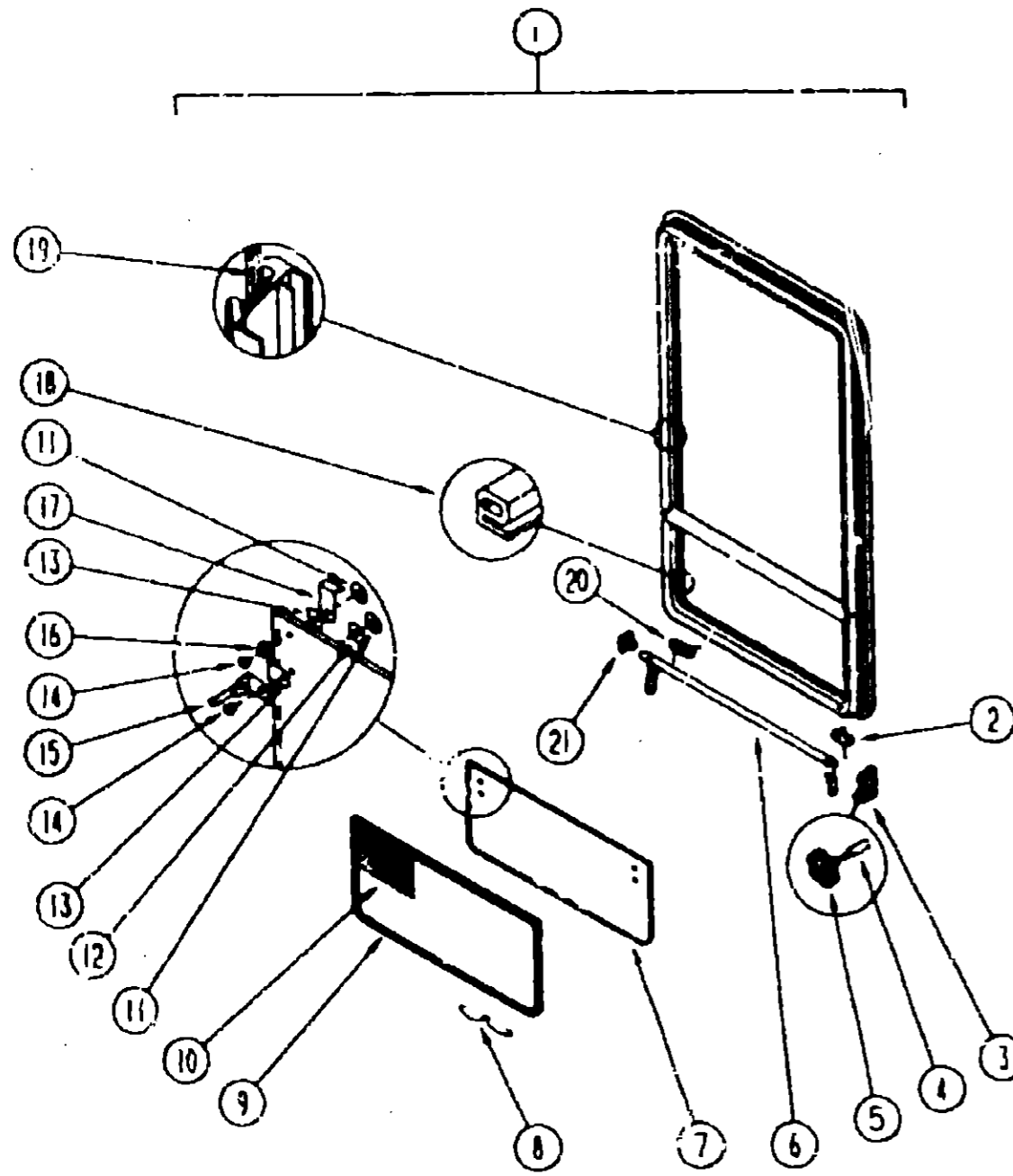
INTRODUCTION	A-01 - A-02
ABBREVIATIONS	A-03
ALPHABETICAL INDEX	A-04 - A-08
ICG34RQ	A-07 - E-18
ICG34RA	E-19 - J-02

1983 ICG34RQ INDEX

FLOOR PLAN	A-07 - A-08
ACCESSORIES	A-09
AUDIO VIDEO	A-10 - A-11
BATH	A-12 - A-14
BEDROOM	A-15 - A-18
CHASSIS	A-19 - B-06
CURTAIN & CUSHION	B-07 - B-17
DINETTE	B-18 - B-20
DRIVERS COMPARTMENT	B-21 - B-24
ELECTRICAL	C-01 - C-06
EXTERIOR BODY	C-07 - C-14
GALLEY	C-15 - C-18
GENERATOR	C-19 - C-20
HEATING & AC	C-21 - C-24
INTERIOR FINISH	D-01 - D-04
LABELS	D-05 - D-12
LP	D-13
LOUNGE	D-14 - D-15
SEALANTS & FASTENERS	D-17 - D-19
WATER & SEWAGE	D-20 - D-23
WINDOW VENT & EXTERIOR DOOR	D-24 - E-16
WINDSHIELD & WIPER	E-17 - E-18

WINDOW, VENT & EXTERIOR DOOR GROUP (CONTINUED)

GALLEY WINDOW



KEY	PART NUMBER	UNIT DESCRIPTION
1	082235-14-Y12	EA WINDOW - TIPOUT (W/O INSIDE FRAME)
	080893-19-02A	EA INSIDE FRAME - WINDOW (NOT INCLUDED IN WINDOW ASM) OFF WHITE
2	080918-02-000	EA SPRING-TORQUE TUBE - RIGHT
3	035302-02-000	EA OPERATOR - TORQUE - TIPOUT WINDOW - LEFT
4	005439-08-007	EA EXTENSION - WINDOW CONTROL (NOT INCLUDED IN WINDOW ASM)
5	006439-05-000	EA WINDOW KNOB - BLACK (NOT INCLUDED IN WINDOW ASM)
	009439-07-007	EA SCREW - 8-32 X 1 1/4 PCH - BLACK (NOT INCLUDED IN WINDOW ASM)
6	083150-15-000	EA TUBE ASM - TORQUE - WINDOW
7	084068-24-000	EA GLASS-TIPOUT - 9 2" X 35 3"
8	100168-01-000	EA CLIP - SPRING - SCREEN
9	100235-07-B07	EA SCREEN - SINGLE TIPOUT WINDOW
10	080218-03-000	SF SCREEN - FIBERGLASS - 12" WIDE
	100240-01-000	FT SPLINE - SCREEN - T-SHAPED
11	086752-01-000	EA T NUT 10-32
12	088527-03-000	EA SEAL - WINDOW - RUBBER - ROUND - 80" DIA - BLACK
13	084473-01-000	EA SEAL - RUBBER - TIPOUT WINDOW
14	086753-01-000	EA SCREW - MACH - 10 - 32 X 1/4 PTH
15	097578-01-000	EA LINKAGE - TIPOUT WINDOW
	081649-01-000	EA RING - SNAP - 7/32 SHAFT DIA.
16	084453-02-000	EA WASHER - .060 X .50 X .250 - PLASTIC
17	089913-01-000	EA HINGE - TIPOUT WINDOW - BLACK
18	084067-02-000	FT SEAL - E SHAPED - SPONGE - TIPOUT WINDOW - 1" X 4" - BLACK
19	069640-11-000	EA SEALER - TAPE - 3/16" X 3/8" BLACK
20	080918-01-000	EA SPRING-TORQUE TUBE - LEFT
21	081354-01-000	EA SLEEVE - TORQUE TUBE - TIPOUT WINDOW - 1 3" X 1 2" X .7"

BATH WINDOW

KEY	PART NUMBER	UNIT DESCRIPTION
1	092235-15-Y12	EA WINDOW - TIPOUT - (W/O INSIDE FRAME)
	090893-21-02A	EA INSIDE FRAME - WINDOW (NOT INCLUDED IN WINDOW ASM) OFF WHITE
2	080918-02-000	EA SPRING-TORQUE TUBE - RIGHT
3	035302-02-000	EA OPERATOR - TORQUE - TIPOUT WINDOW - LEFT
4	006439-06-000	EA EXTENSION - WINDOW CONTROL (NOT INCLUDED IN WINDOW ASM)
5	006439-05-000	EA WINDOW KNOB - BLACK (NOT INCLUDED IN WINDOW ASM)
	009439-07-000	EA SCREW - 8-32 X 1 1/4 PCH - BLACK (NOT INCLUDED IN WINDOW ASM)
6	083150-16-000	EA TUBE ASM - TORQUE - WINDOW
7	084068-14-000	EA GLASS-TIPOUT - 9 2" X 21 3"
8	100168-01-000	EA CLIP - SPRING - SCREEN
9	100235-08-B07	EA SCREEN - SINGLE TIPOUT WINDOW
10	080218-03-000	SF SCREEN - FIBERGLASS - 12" WIDE
	100240-01-000	FT SPLINE - SCREEN - T-SHAPED
11	086752-01-000	EA T NUT 10-32
12	088927-03-000	EA SEAL - WINDOW - RUBBER - ROUND - 80" DIA - BLACK
13	084473-01-000	EA SEAL - RUBBER - TIPOUT WINDOW
14	086753-01-000	EA SCREW - MACH - 10 - 32 X 1/4 PTH
15	097578-01-000	EA LINKAGE - TIPOUT WINDOW
	081649-01-000	EA RING - SNAP - 7/32 SHAFT DIA.
16	084453-02-000	EA WASHER - .060 X .50 X .250 - PLASTIC
17	089913-01-000	EA HINGE - TIPOUT WINDOW - BLACK
18	084067-01-000	FT SEAL - E SHAPED - SPONGE - TIPOUT WINDOW - 1" X 4" - BLACK
19	069640-11-000	EA SEALER - TAPE - 3/16" X 3/8" BLACK
20	080918-01-000	EA SPRING-TORQUE TUBE - LEFT
21	081354-01-000	EA SLEEVE - TORQUE TUBE - TIPOUT WINDOW - 1 3" X 1 2" X .7"

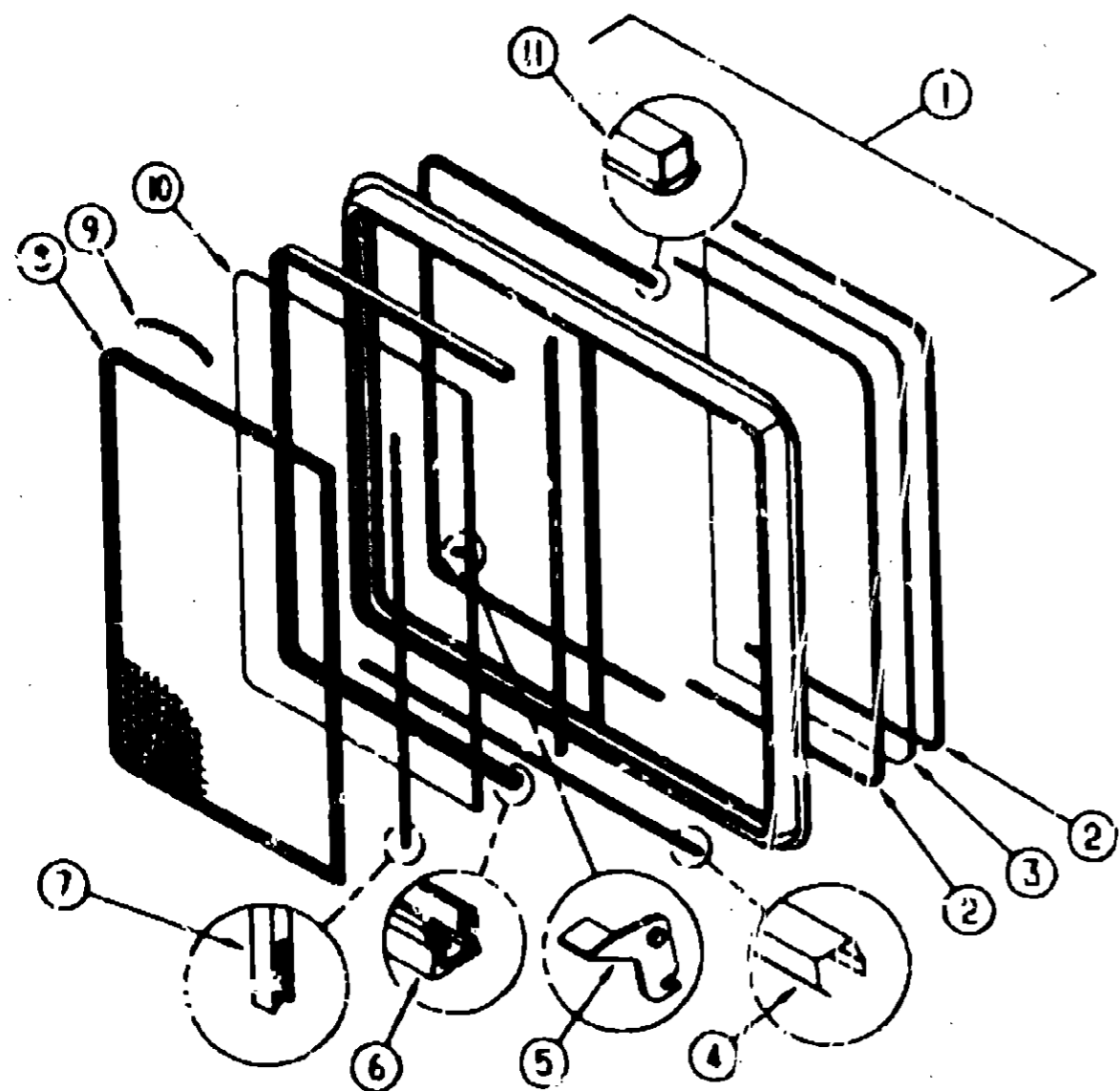
1983 ITASCA
TABLE OF CONTENTS

INTRODUCTION	A-01 - A-02
ABBREVIATIONS	A-03
ALPHABETICAL INDEX	A-04 - A-06
ICG34R0	A-07 - E-18
ICG34RA	E-19 - J-02

1983 ICG34R0 INDEX

FLOOR PLAN	A-07 - A-08
ACCESSORIES	A-09
AUDIO VIDEO	A-10 - A-11
BATH	A-12 - A-14
BEDROOM	A-15 - A-18
CHASSIS	A-19 - B-06
CURTAIN & CUSHION	B-07 - B-17
DINETTE	B-18 - B-20
DRIVERS COMPARTMENT	B-21 - B-24
ELECTRICAL	C-01 - C-06
EXTERIOR BODY	C-07 - C-14
GALLEY	C-15 - C-18
GENERATOR	C-19 - C-20
HEATING & A/C	C-21 - C-24
INTERIOR FINISH	D-01 - D-04
LABELS	D-05 - D-12
LP	D-13
LOUNGE	D-14 - D-16
SEALANTS & FASTENERS	D-17 - D-19
WATER & SEWAGE	D-20 - D-23
WINDOW, VENT & EXTERIOR DOOR	D-24 - E-18
WINDSHIELD & WIPER	E-17 - E-18

WINDOW, VENT & EXTERIOR DOOR GROUP (CONTINUED)



SLIDER WINDOW (EXCEL) (PASSENGER SIDE, LOUNGE)

KEY	PART NUMBER	UNIT DESCRIPTION
	098647-08-02A	EA WINDOW ASM - SLIDER - WINDSIDE FRAME (OFF WHITE)
	098647-08-704	EA FRAME - INSIDE (OFF WHITE)
1	098647-08-701	EA WINDOW ASM - SLIDER - W/O INSIDE FRAME
2	098644-01-705	FT GLAZING STRIP
3	098647-08-700	EA GLASS - STATIONARY
4	098644-01-710	FT TRACK - SCREEN SPACER - 12' LENGTH
5	098644-01-700	EA LATCH - REPAIR KIT
6	098644-01-708	FT CHANNEL - PIERCED RUN
7	098647-08-711	FT WEATHERSTRIP - SCREEN - BLACK
8	098647-08-706	EA SCREEN W/SPRINGS & WEATHERSTRIP
9	098644-01-713	EA SPRING - SCREEN FRAME (CLIP)
10	098647-08-703	EA GLASS - SLIDING - W/SASH & LATCH
11	098644-01-706	FT WEATHERSTRIP
	098644-01-716	FT PLUG - FILLER
	098644-01-717	FT SPLINE - SCREEN

SLIDER WINDOW (EXCEL) (DRIVER SIDE, DINETTE & LOUNGE)

KEY	PART NUMBER	UNIT DESCRIPTION
	098647-10-02A	EA WINDOW ASM - SLIDER - WINDSIDE FRAME (OFF WHITE)
	098647-09-704	EA FRAME - INSIDE (OFF WHITE)
1	098647-10-700	EA WINDOW ASM - SLIDER - W/O INSIDE FRAME
2	098644-01-705	FT GLAZING STRIP
3	098647-09-700	EA GLASS - STATIONARY
4	098644-01-710	FT TRACK - SCREEN SPACER - 12' LENGTH
5	098644-01-700	EA LATCH - REPAIR KIT
6	098644-01-702	FT CHANNEL - PIERCED RUN
7	098644-01-711	FT WEATHERSTRIP - SCREEN - BLACK
8	098647-09-706	EA SCREEN W/SPRINGS & WEATHERSTRIP
9	098644-01-713	EA SPRING - SCREEN FRAME (CLIP)
10	098647-09-701	EA GLASS - SLIDING - W/SASH & LATCH
11	098644-01-706	FT WEATHERSTRIP
	098644-01-716	FT PLUG - FILLER
	098644-01-717	FT SPLINE - SCREEN

1983 ITASCA TABLE OF CONTENTS

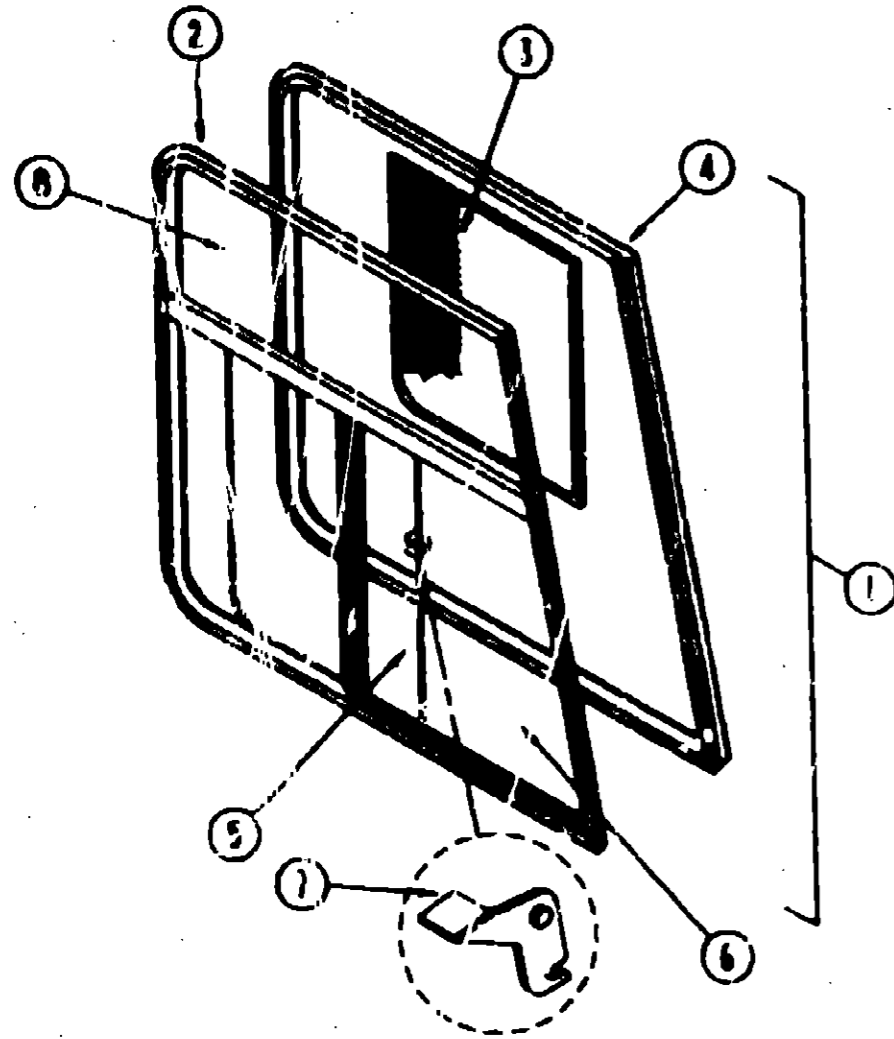
INTRODUCTION	A-01 - A-02
ABBREVIATIONS	A-03
ALPHABETICAL INDEX	A-04 - A-06
ICG34R/D	A-07 - E-18
ICG34F/A	E-19 - J-02

1983 ICG34RQ INDEX

FLOOR PLAN	A-07 - A-08
ACCESSORIES	A-09
AUDIO VIDEO	A-10 - A-11
BATH	A-12 - A-14
BEDROOM	A-15 - A-18
CHASSIS	A-19 - B-06
CURTAIN & CUSHION	B-07 - B-17
DINETTE	B-18 - B-20
DRIVERS COMPARTMENT	B-21 - B-24
ELECTRICAL	C-01 - C-06
EXTERIOR BODY	C-07 - C-14
GALLEY	C-15 - C-18
GENERATOR	C-19 - C-20
HEATING & A/C	C-21 - C-24
INTERIOR FINISH	D-01 - D-04
LABELS	D-05 - D-12
LP	D-13
LOUNGE	D-14 - D-16
SEALANTS & FASTENERS	D-17 - D-19
WATER & SEWAGE	D-20 - D-23
WINDOW, VENT & EXTERIOR DOOR	D-24 - E-16
WINDSHIELD & WIPER	E-17 - E-18

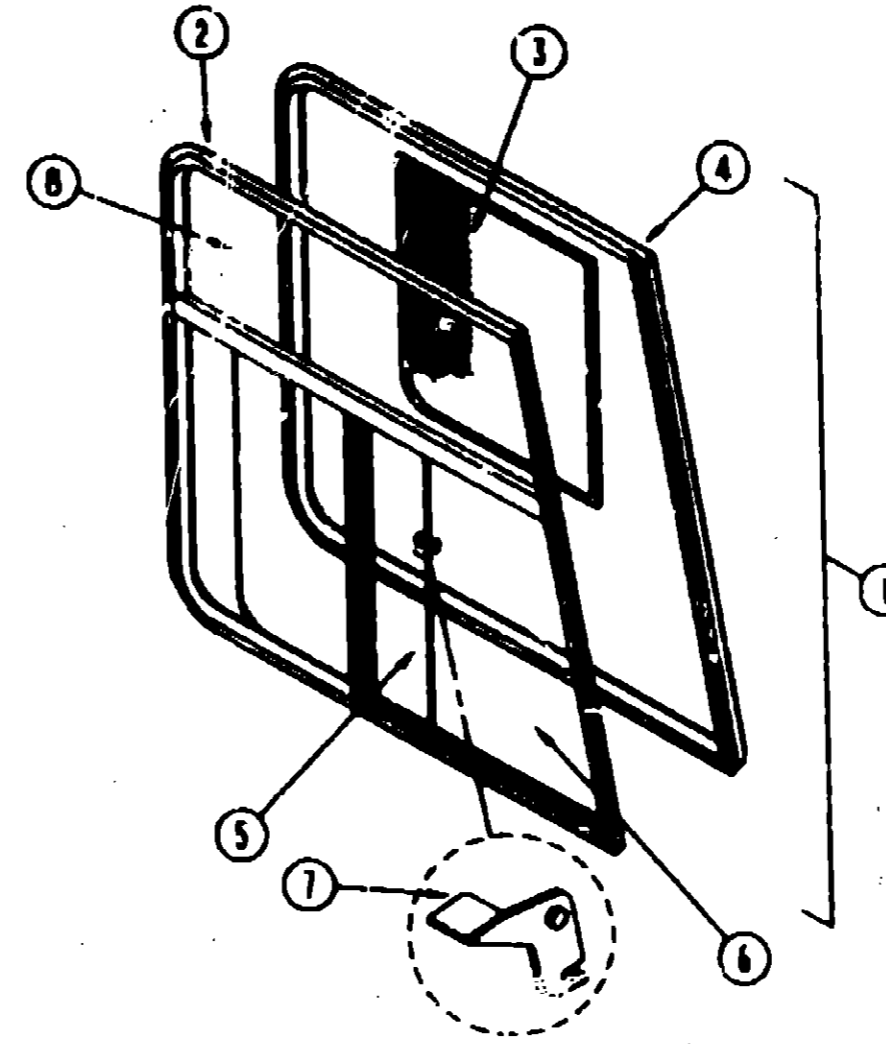
WINDOW, VENT & EXTERIOR DOOR GROUP (CONTINUED)

WINDOW, VENT & EXTERIOR DOOR GROUP (CONTINUED)



FRONT CAB WINDOW (EXCEL) (FROM: 00-00-00 THRU: 07-19-82)

KEY	PART NUMBER	U/M DESCRIPTION
1	103658-03-01A	EA WINDOW ASM - CAB - WINSIDE FRAME - DRIVER SIDE
1	103658-04-01A	EA WINDOW ASM - CAB - WINSIDE FRAME - PASSENGER SIDE
2	103658-04-701	EA WINDOW ASM - SLIDER - W/O INSIDE FRAME - PASSENGER SIDE
2	103658-03-703	EA WINDOW ASM - SLIDER - W/O INSIDE FRAME - DRIVER SIDE
3	103658-02-700	EA SCREEN ASM - WINDOW - PASSENGER SIDE
3	103658-01-700	EA SCREEN ASM - WINDOW - DRIVER SIDE
	098644-01-717	FT SCREEN SPLINE
	098644-01-713	EA SCREEN CLIPS (METAL)(BLACK)
	098644-01-710	FT TRACK - SPACER - FOR SCREEN 12"
	098644-01-711	FT WEATHERSTRIP - SCREEN - BLACK
4	103658-04-730	EA INSIDE FRAME - PASSENGER SIDE
4	103658-03-702	EA INSIDE FRAME - DRIVER SIDE
5	103658-02-701	EA GLASS - SLIDING - W/SASH & LATCH - PASSENGER SIDE
5	103658-01-703	EA GLASS - SLIDING - W/SASH & LATCH - DRIVER SIDE
6	103658-03-701	EA GLASS - STATIONARY - BOTTOM
7	098644-01-700	EA LATCH - REPAIR KIT
8	103658-03-700	EA GLASS - STATIONARY - TOP
	098644-01-708	FT CHANNEL - PIERCED RUN
	098644-01-706	FT WEATHERSTRIP - GLASS
	098644-01-716	FT PLUG - FILLER



FRONT CAB WINDOWS (EXCEL) (FROM: 07-20-82 THRU: 08-08-89)

KEY	PART NUMBER	U/M DESCRIPTION
1	103658-07-01A	EA WINDOW ASM - CAB - WINSIDE FRAME - DRIVER SIDE
1	103658-08-01A	EA WINDOW ASM - CAB - WINSIDE FRAME - PASSENGER SIDE
2	103658-08-700	EA WINDOW ASM - SLIDER - W/O INSIDE FRAME - PASSENGER SIDE
2	103658-07-704	EA WINDOW ASM - SLIDER - W/O INSIDE FRAME - DRIVER SIDE
3	103658-07-703	EA SCREEN ASM - WINDOW - DRIVER OR PASSENGER SIDE
	098644-01-717	FT SCREEN SPLINE
	098644-01-713	EA SCREEN CLIPS (METAL)(BLACK)
	098644-01-710	FT TRACK - SPACER - FOR SCREEN 12"
	098644-01-711	FT WEATHERSTRIP - SCREEN - BLACK
4	103658-08-701	EA INSIDE FRAME - PASSENGER SIDE
4	103658-07-700	EA INSIDE FRAME - DRIVER SIDE
5	103658-07-702	EA GLASS - SLIDING - W/SASH & LATCH - DRIVER OR PASSENGER SIDE
6	103658-01-702	EA GLASS - STATIONARY - BOTTOM - DRIVER OR PASSENGER SIDE
7	098644-01-700	EA LATCH - REPAIR KIT
8	103658-07-701	EA GLASS - STATIONARY - TOP - DRIVER OR PASSENGER SIDE
	098644-01-708	FT CHANNEL - PIERCED RUN
	098644-01-706	FT WEATHERSTRIP - GLASS
	098644-01-716	FT PLUG - FILLER

1983 ITASCA
TABLE OF CONTENTS

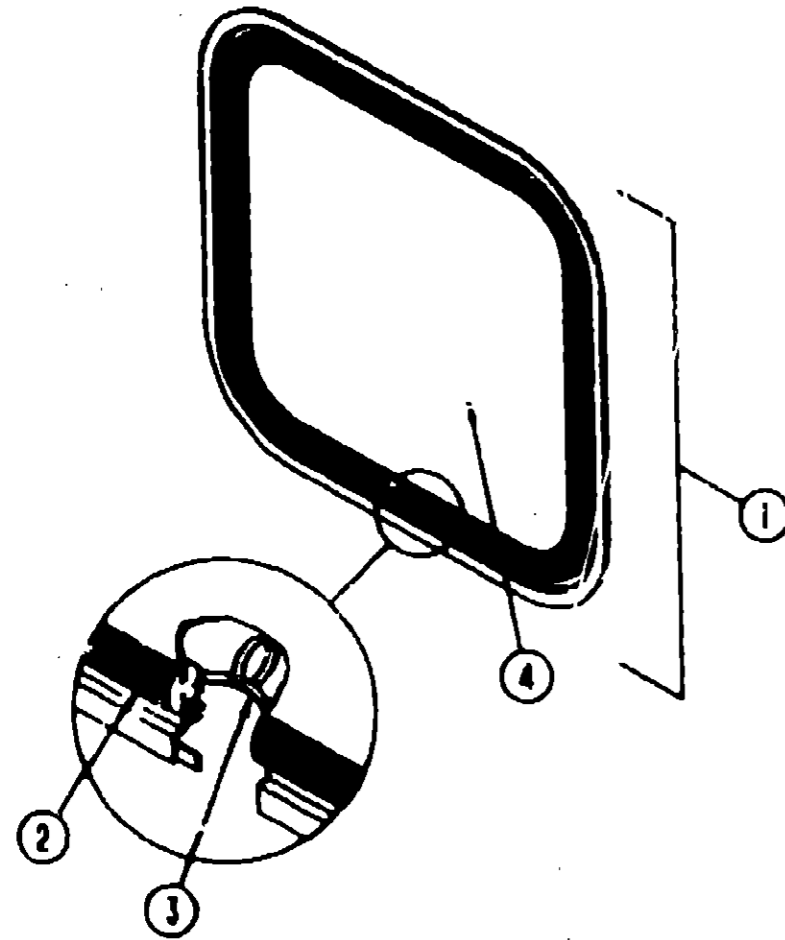
INTRODUCTION	A-01 - A-02
ABBREVIATIONS	A-03
ALPHABETICAL INDEX	A-04 - A-08
ICG34RQ	A-07 - E-18
ICG34FA	E-19 - J-72

1983 ICG34RQ INDEX

FLOOR PLAN	A-07 - A-08
ACCESSORIES	A-09
AUDIO VIDEO	A-10 - A-11
BATH	A-12 - A-14
BEDROOM	A-15 - A-18
CHASSIS	F-19 - B-06
CURTAIN & CUSHION	F-07 - B-17
DINETTE	B-16 - B-20
DRIVERS COMPARTMENT	B-21 - B-24
ELECTRICAL	C-01 - C-06
EXTERIOR BODY	C-07 - C-14
GALLEY	C-15 - C-18
GENERATOR	C-19 - C-20
HEATING & A/C	C-21 - C-24
INTERIOR FINISH	D-01 - D-04
LABELS	D-05 - D-12
LP	D-13
LOUNGE	D-14 - D-16
SEALANTS & FASTENERS	D-17 - D-19
WATER & SEWAGE	D-20 - D-23
WINDOW, VENT & EXTERIOR DOOR	D-24 - E-16
WINDSHIELD & WIPER	E-17 - E-18

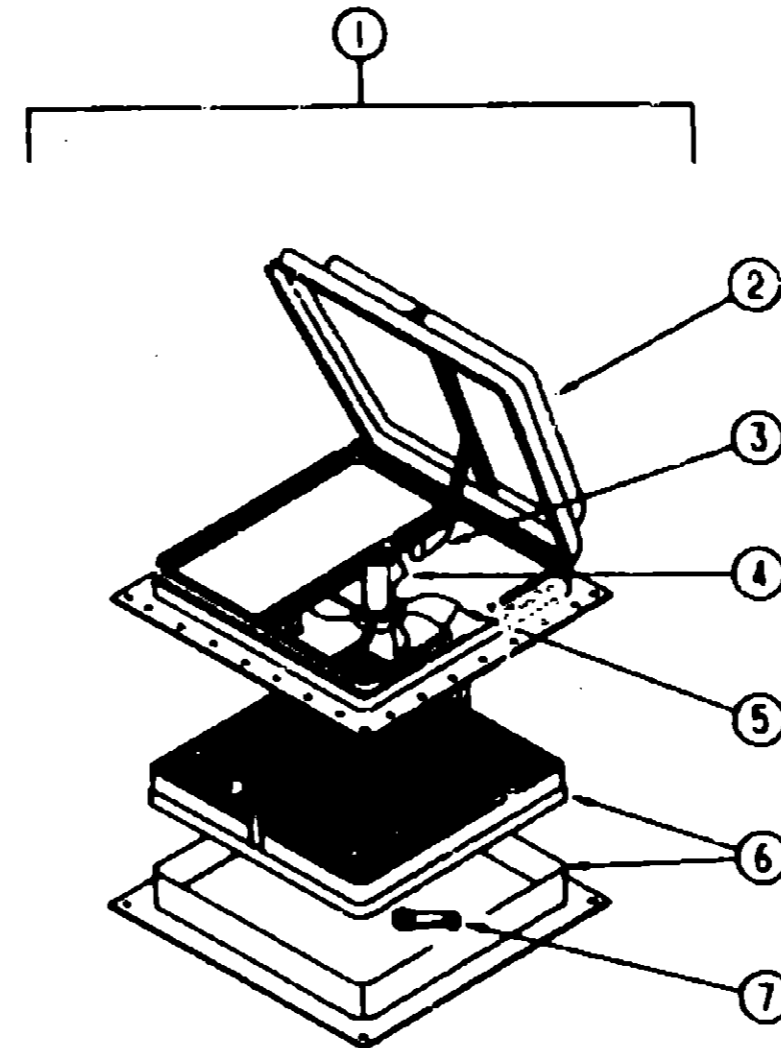
1983 ITASCA
TABLE OF CONTENTS

INTRODUCTION	A-01 - A-02
ABBREVIATIONS	A-03
ALPHABETICAL INDEX	A-04 - A-06
ICG34RQ	A-07 - E-18
ICG34RA	E-19 - J-02



BACKWALL ESCAPE WINDOW

KEY	PART NUMBER	U/M DESCRIPTION
1	078528-03-Y12	EA WINDOW - REAR ESCAPE
	074816-08-000	EA FRAME - WINDOW INSIDE - /OFF: WHITE
2	002282-16-000	EA WEATHERSTRIP - WINDOW 125" VULCANIZED - 79 1" LONG - BLACK
3	077066-01-702	EA TAPE ASM - ESCAPE WINDOW/
	002285-01-000	FT FILLER - WEATHER STRIP RUBBER - BLACK
4	076337-00-000	EA GLASS - WINDOW



POWERED ROOF VENT (US)

KEY	PART NUMBER	U/M DESCRIPTION
1	110051-03-01A	EA VENT ASM - ROOF - POWERED
2	064470-01-700	EA COVER - ROOF VENT
3	110051-01-702	EA HAND CRANK & OPERATOR ASM.
4	048648-01-000	EA MOTOR - 12V NONVENTED 1/8 SHAFT
5	048649-01-000	EA FAN - PLASTIC - 6 IN - 6 BLADED
6	110051-01-701	EA GARNISH - W/SCREEN & FRAME
7	110051-01-703	EA CRANK HANDLE

POWERED ROOF VENT (CANADIAN)

KEY	PART NUMBER	U/M DESCRIPTION
1	110051-05-01A	EA VENT ASM - ROOF - POWERED
2	064470-01-700	EA COVER - ROOF VENT
3	110051-01-702	EA HAND CRANK & OPERATOR ASM.
4	048648-01-000	EA MOTOR - 12V NONVENTED 1/8 SHAFT
5	048649-01-000	EA FAN - PLASTIC - 6 IN - 6 BLADED
6	110051-01-701	EA GARNISH - W/SCREEN & FRAME
7	110051-01-703	EA CRANK HANDLE

1983 ICG34RQ INDEX

FLOOR PLAN	A-07 - A-08
ACCESSORIES	A-09
AUDIO VIDEO	A-10 - A-11
BATH	A-12 - A-14
BEDROOM	A-15 - A-18
CHASSIS	A-19 - B-06
CURTAIN & CUSHION	B-07 - B-17
DINETTE	B-18 - B-20
DRIVERS COMPARTMENT	B-21 - B-24
ELECTRICAL	C-01 - C-06
EXTERIOR BODY	C-07 - C-14
GALLEY	C-15 - C-18
GENERATOR	C-19 - C-20
HEATING & AC	C-21 - C-24
INTERIOR FINISH	D-01 - D-04
LABELS	D-05 - D-12
LP	D-13
LOUNGE	D-14 - D-16
SEALANTS & FASTENERS	D-17 - D-19
WATER & SEWAGE	D-20 - D-23
WINDOW, VENT & EXTERIOR DOOR	D-24 - E-18
WINDSHIELD & WIPER	E-17 - E-18

WINDOW, VENT & EXTERIOR DOOR GROUP (CONTINUED)

NON POWERED ROOF VENT

KEY	PART NUMBER	U/M DESCRIPTION
	110051-01-017	EA ROOF VENT - W/SCREEN
	084470-01-700	EA COVER - ROOF VENT
	110051-01-701	EA GARNISH - W/SCREEN & FRAME 2"
	110051-01-702	EA HAND CRANK & OPERATOR ASM
	110051-01-703	EA CRANK HANDLE - ROOF VENT

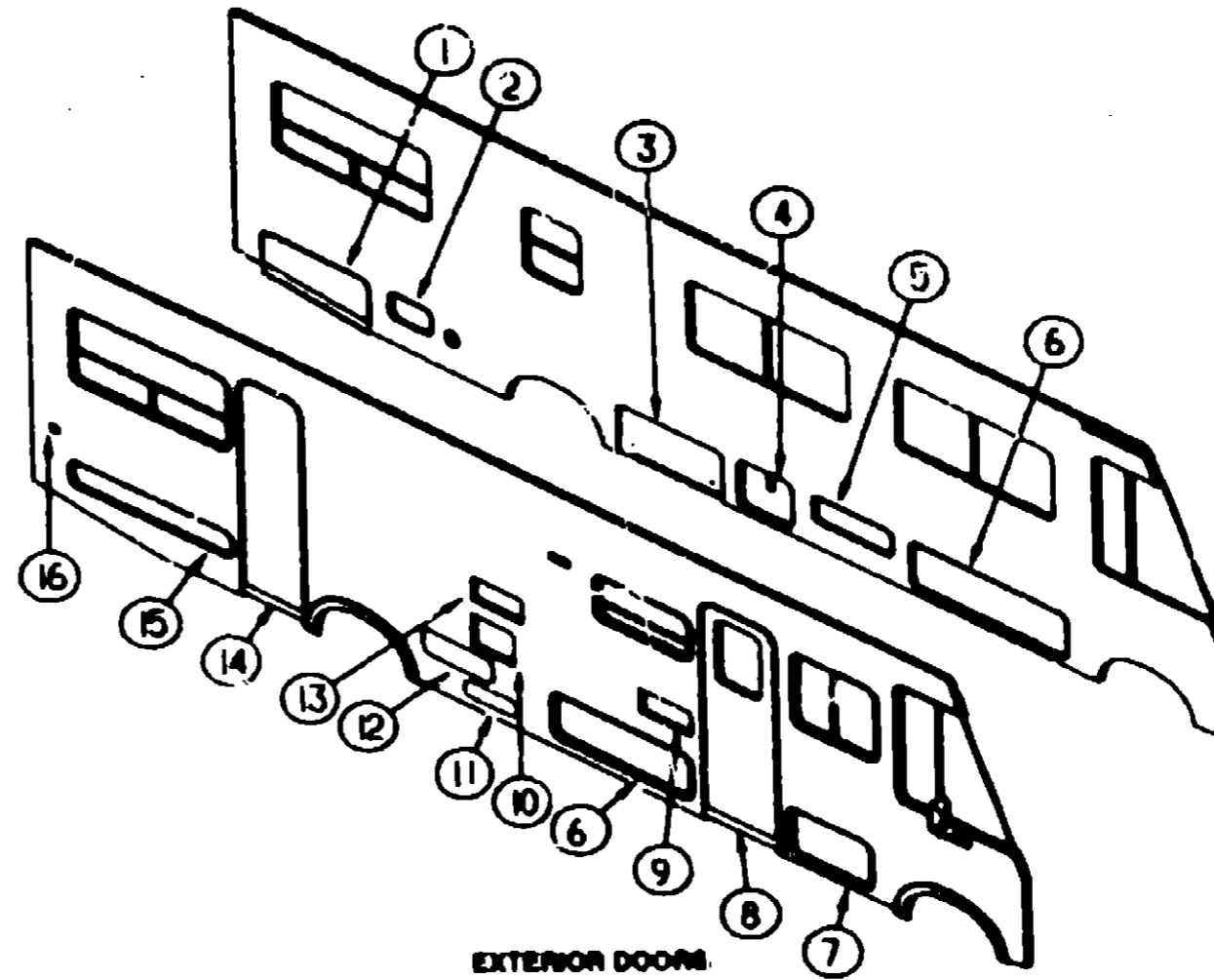
ROOF VENTS

KEY	PART NUMBER	U/M DESCRIPTION
	083558-16-000	EA VENT COVER - PLUMBING PIPE ROOF
	084073-18-000	EA COVER - ROOF VENT - NORCOLD REFRIGERATOR - ASH GRAY
	084073-14-000	EA BASE - ROOF VENT - NORCOLD REFRIGERATOR - BLACK

SIDEWALL VENT

KEY	PART NUMBER	U/M DESCRIPTION
	084616-05-000	EA SHROUD - RANGE HOOD VENT - ASH GRAY
	084878-09-000	EA VENT - RANGE HOOD - SHORT - LVS

WINDOW, VENT & EXTERIOR DOOR GROUP (CONTINUED)



EXTERIOR DOORS

KEY	PART NUMBER	U/M DESCRIPTION
1	083264-06-D35	EA DOOR ASM - STORAGE COMPARTMENT
2	079578-22-D35	EA DOOR ASM - STORAGE
3	106987-18-D35	EA DOOR ASM - STORAGE
4	105084-01-D35	EA DOOR ASM - FURNACE - EXTERIOR
5	106987-15-D35	EA DOOR ASM - STORAGE
6	106987-14-D35	EA DOOR ASM - STORAGE
7	106987-13-D35	EA DOOR ASM - STORAGE
8	M01870-86-D35	EA DOOR - ENTRY - W/SCREEN DOOR
8	M01870-86-D36	EA DOOR - ENTRY - W/SCREEN DOOR
9	105118-01-D35	EA DOOR ASM - ACCESS
10	052009-05-000	EA DOOR - WATER HEATER - ASH GRAY
11	078722-02-D35	EA DOOR - COMPARTMENT - LP - 16 9" X 5.4" - ALUMINUM
12	106987-17-D35	EA DOOR ASM - STORAGE
13	084103-07-000	EA DOOR - REFRIGERATOR - VENTED - W/O JAMB - ASH GRAY
13	084104-07-000	EA JAMB - REFRIGERATOR - ASH GRAY
14	M01870-67-D35	EA DOOR - ENTRY - W/SCREEN DOOR (FROSTED)
14	M01870-67-D36	EA DOOR - ENTRY - W/SCREEN DOOR (FROSTED)
15	106987-16-D35	EA DOOR ASM - STORAGE
16	081240-10-000	EA DOOR - WATER FILL - LOCKABLE - 4" X 4.58" - ASH GRAY

EXTERIOR DOOR HARDWARE

KEY	PART NUMBER	U/M DESCRIPTION
	079366-04-000	EA LOCK - DOOR - KEY TYPE W/O KEYS - 1.9 OFF SET
	079385-05-000	EA LOCK ASM - KEY TYPE W/O KEYS - 1.6 OFF SET
	082884-01-772	EA KEY - COMPARTMENT DOOR LOCK
	079827-03-000	EA LOCK - TWIST TYPE - DOUBLE CAM - 2.10 OFF SET
	084104-01-700	EA LOCK - MALE - FASTENER - REFRIGERATOR DOOR
	084104-01-701	EA LOCK - FEMALE - FASTENER - REFRIGERATOR DOOR
	084126-02-000	EA HANDLE - ASSIST - ENTRY DOOR - BLACK
	102328-01-000	EA KEY - BARREL - NICKEL PLATED
	102788-01-000	EA HOLDER - COMPARTMENT/ENTRY DOOR - METAL - MILL FINISH
	084075-07-000	FT SEAL - BULB - W/WIRED U CHANNEL - 3" X 3" CHANNEL - BLACK
	081801-12-000	EA HINGE - 2" X 98" - OFF WHITE

**1983 ITASCA
TABLE OF CONTENTS**

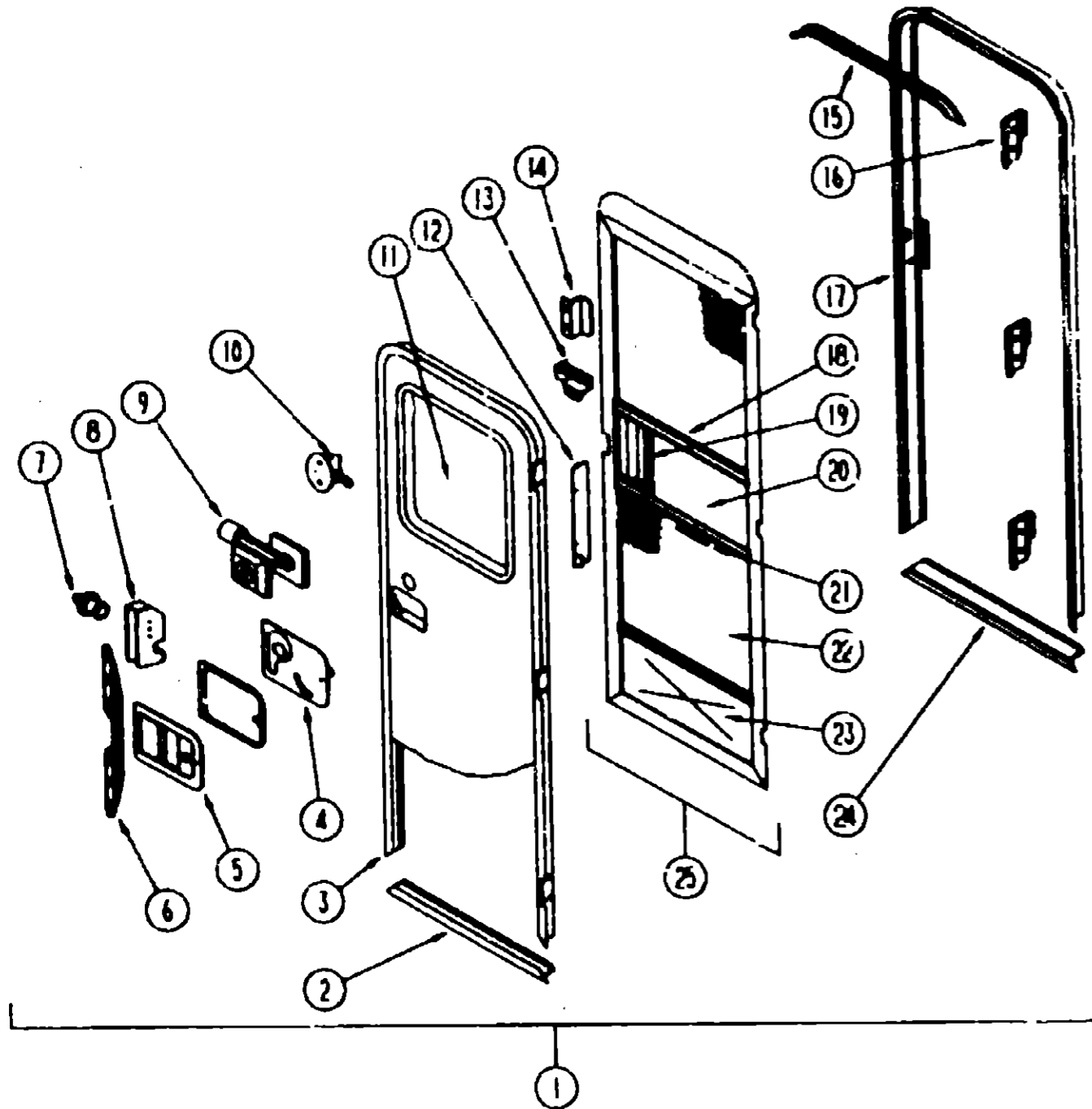
INTRODUCTION	A-01 - A-02
ABBREVIATIONS	A-03
ALPHABETICAL INDEX	A-04 - A-08
ICG34RQ	A-07 - E-18
ICG34RA	E-19 - J-02

1983 ICG34RQ INDEX

FLOOR PLAN	A-07 - A-08
ACCESSORIES	A-09
AUDIO VIDEO	A-10 - A-11
BATH	A-12 - A-14
BEDROOM	A-15 - A-18
CHASSIS	A-19 - B-08
CURTAIN & CUSHION	B-07 - B-17
DINETTE	B-18 - B-20
DRIVERS COMPARTMENT	B-21 - B-24
ELECTRICAL	C-01 - C-08
EXTERIOR BODY	C-07 - C-14
GALLEY	C-15 - C-18
GENERATOR	C-19 - C-20
HEATING & AC	C-21 - C-24
INTERIOR FINISH	D-01 - D-04
LABELS	D-05 - D-12
LP	D-13
LOUNGE	D-14 - D-18
SEALANTS & FASTENERS	D-17 - D-19
WATER & SEWAGE	D-20 - D-23
WINDOW, VENT & EXTERIOR DOOR	D-24 - E-18
WINDSHIELD & WIPER	E-17 - E-18

WINDOW, VENT & EXTERIOR DOOR GROUP (CONTINUED)

ENTRANCE DOOR (FRONT)



KEY	PART NUMBER	UNIT DESCRIPTION
5	045017-11-000	EA LATCH - PADDLE - MECHANISM W/LOCK CYLINDER & KEY - BLACK
	045017-11-701	EA KEY BLANK
6	088173-01-04A	EA STIFFENER - ENTRY DOOR - SUPPORTS LATCH STRIKE AREA - MIL.
7	039539-01-000	EA STRIKE - ENTRANCE DOOR LOCK
	077461-03-000	EA COVER - STRIKE - ENTRY DOOR - 5 5" X 2 5" - PLASTIC - WHITE
8	039540-01-000	EA LATCH MECHANISM - HOOK - ENTRY DOOR - INTERIOR
	039715-01-000	EA NUT - SERT - 1/4" DIAMETER - 20 THREADS
	039984-01-000	EA CAP - ROUND - VINYL - 28" ID X 82" LONG - BLACK
	040844-01-000	EA LABEL - ENTRANCE DOOR - "OPEN"
	058806-01-000	EA PLUG - CAP - 1" DIAMETER
9	101145-01-01A	EA DEADBOLT - ENTRY DOOR - BLACK
	095229-01-700	EA KEY ONLY - BLANK
	101147-01-000	EA BOLT - SECURITY - 4.12" BACKSET
	081974-01-000	EA BUMPER - RUBBER - ROUND - BLACK
10	100412-01-000	EA CATCH - SCREEN DOOR
11	079733-12-012	EA WINDOW - PICTURE - W/O INSIDE FRAME - 17" X 27"
	087639-35-000	EA FRAME - WINDOW - INSIDE PICTURE - OFF WHITE
	062181-19-000	EA GLASS - PICTURE WINDOW
	087561-01-000	FT VINYL SEAL - GLASS - EXTERIOR - BLACK
12	079187-02-000	EA STRIKE - SLIDER - W/LIP FOR ELBOW CATCH - 1 5" X 8 6" BEIGE
13	109403-01-000	EA CATCH - SCREEN DOOR ROLLER
	058025-02-000	EA CLIP - ROLLER LATCH CATCH
	063729-04-000	EA PINNUT - 10-32 UNF - .010 - 000
	072893-01-000	EA NUTSERT - M5 X 0 - 8
	075671-04-000	FT SEAL - SPONGE - LAZY T SHAPE - W/ADHESIVE STRIPE - 5" WIDE
	100128-01-000	FT SEAL - PILE - ADHESIVE BACK - GRAY
	075908-01-000	EA SCREW - MACH - 10-32 X 56 PTH
14	050712-04-000	EA HANDLE - SCREEN DOOR - OFF WHITE
15	044582-31-000	EA CAP - DRIP - ENTRY DOOR - ALUMINUM - ASH GRAY
16	097724-01-04A	EA HINGE - ENTRY DOOR - UNPAINTED
17	095277-04-04A	EA JAMB ASM - ENTRANCE DOOR - ASH GRAY
	079207-01-000	EA STRIKER - ROLLER CATCH - WELDED TO DOOR JAMB - 4" X 1.15"
18	078777-01-000	EA CHANNEL - SLIDE - SCREEN DOOR CENTER SLIDER COVER
19	079086-02-000	EA SLIDER - SCREEN DOOR - OFF WHITE
	078595-01-000	EA TOP PLATE - SCREEN DOOR - CURVED TOP - 4.7" X 25.35"
20	016454-01-000	EA INSERT - SCREEN DOOR - CENTER - LEATHER GRAIN ALUMINUM
21	002294-01-000	FT SPLINE - SCREENING - 135" X 138" - BLACK
22	002293-02-000	SF SCREENING - 28" - CHARCOAL
23	078552-03-000	EA KICK PANEL - SCREEN DOOR - LOWER INSERT - UNPAINTED
24	051049-01-000	EA JAMB BOTTOM - ENTRY DOOR - 25.3" - UNPAINTED
25	079012-05-B10	EA DOOR - SCREEN
	100128-01-000	FT SEAL - SCREEN DOOR
	085774-01-000	FT FASTENER - DUAL LOCK - 1" WIDE
	085774-02-000	FT FASTENER - DUAL LOCK - 1" WIDE
	090340-01-000	FT SEAL - FOAM - CLOSED CELL - 1/4" X 1/2" X 50'
	093145-01-000	EA SLEEVE - WIRE - 10" LONG - PLASTIC - BLACK
	093146-01-000	EA GROMMET - WIRE - 1.7" X 3.1" - OVAL SHAPED - PLASTIC - BLACK

1983 ITASCA
TABLE OF CONTENTS

INTRODUCTION	A-01 - A-02
ABBREVIATIONS	A-03
ALPHABETIC INDEX	A-04 - A-06
ICG34RQ	A-07 - E-18
ICG34RA	E-19 - J-02

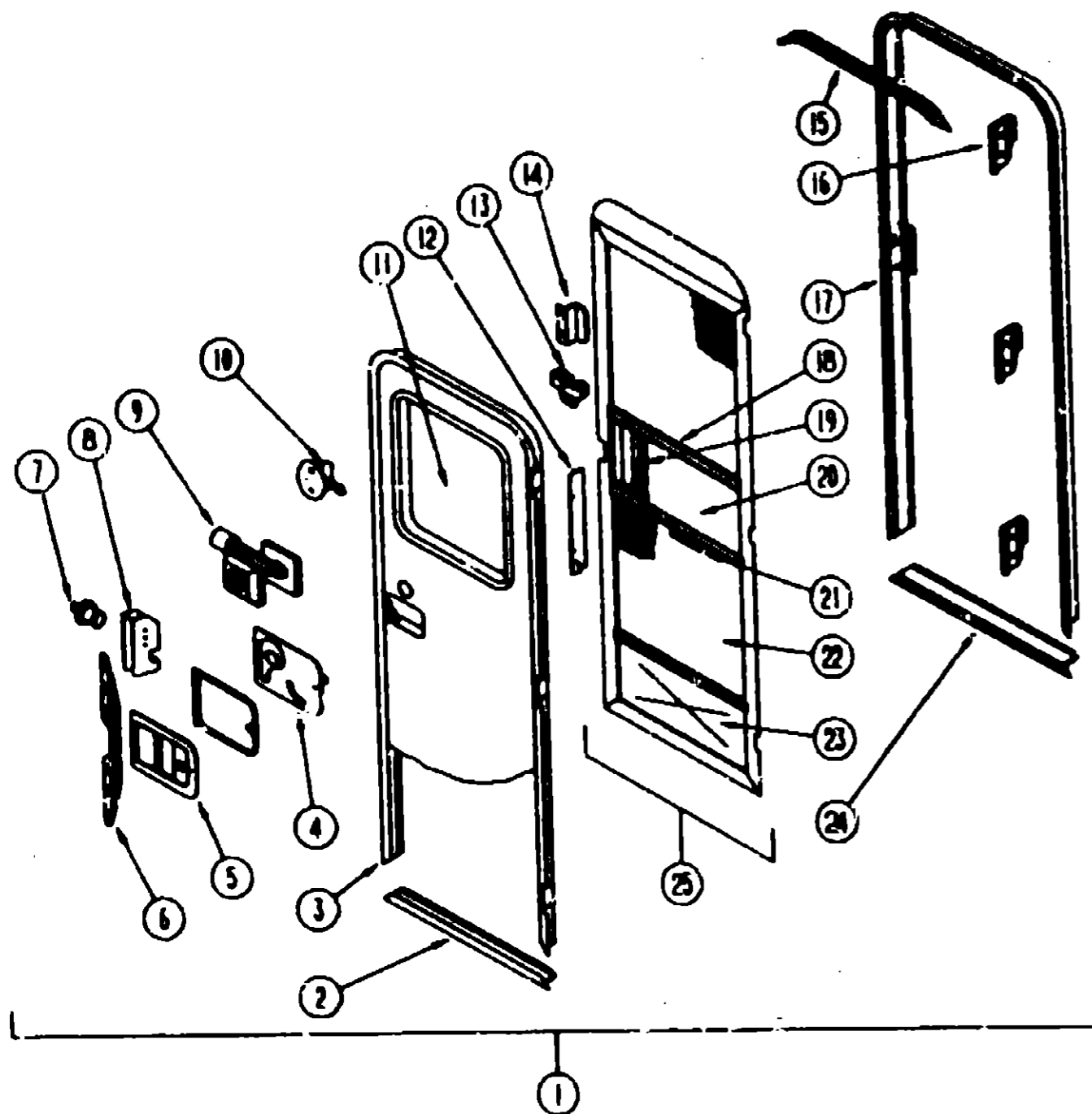
1983 ICG34RQ INDEX

FLOOR PLAN	A-07 - A-08
ACCESSORIES	A-09
AUDIO VIDEO	A-10 - A-11
BATH	A-12 - A-14
BEDROOM	A-15 - A-18
CHASSIS	A-19 - B-06
CURTAIN & CUSHION	B-07 - B-17
DINETTE	B-18 - B-20
DRIVERS COMPARTMENT	B-21 - B-24
ELECTRICAL	C-01 - C-06
EXTERIOR BODY	C-07 - C-14
GALLEY	C-15 - C-18
GENERATOR	C-19 - C-20
HEATING & AC	C-21 - C-24
INTERIOR FINISH	D-01 - D-04
LABELS	D-05 - D-12
LP	D-13
LOUNGE	D-14 - D-16
SEALANTS & FASTENERS	D-17 - D-19
WATER & SEWAGE	D-20 - C-23
WINDOW, VENT &	
EXTERIOR DOOR	D-24 - E-16
WINDSHIELD & W/PER	E-17 - E-18

KEY	PART NUMBER	UNIT DESCRIPTION
1	MD1870-66-036	EA DOOR - ENTRY - W/SCREEN DOOR
1	MD1870-66-036	EA DOOR - ENTRY - W/SCREEN DOOR
	041546-03-000	EA BRACKET - DOOR ANGLE - 5" X 1.9" - BEIGE - METAL
	075836-14-000	EA GARNISH - RADIUS - ENTRY DOOR - OFF WHITE
	088173-01-04A	EA TRIM - ENTRANCE DOOR - 1.3" WIDE - ASH GRAY
2	088748-10-000	EA FRAME - BOTTOM ENTRY DOOR - ASH GRAY
3	095276-03-04A	EA FRAME - ENTRY DOOR - W/O BOTTOM - ASH GRAY
4	039879-04-000	EA COVER - INTERIOR LATCH - W/TRIP ARM - LIGHT - BLACK

WINDOW, VENT & EXTERIOR DOOR GROUP (CONTINUED)

ENTRANCE DOOR (REAR)



KEY	PART NUMBER	U/M DESCRIPTION
5	046017-11-000	EA LATCH - PADDLE - MECHANISM W/LOCK CYLINDER & KEY - BLACK
	046017-11-701	EA KEY BLANK
6	028173-01-04A	EA STIFFENER - ENTRY DOOR - SUPPORTS LATCH/STRIKE AREA - MILL
7	039539-01-000	EA STRIKE - ENTRANCE DOOR LOCK
	077481-01-000	EA COVER - STRIKE - ENTRY DOOR - 6.5" X 2.56" - PLASTIC - BEIGE
8	039540-01-000	EA LATCH MECHANISM - HOOK - ENTRY DOOR - INTERIOR
	009715-01-000	EA NUT - SERT - 1/4" DIAMETER - 20 THREADS
	039984-01-000	EA CAP - ROUND - VINYL - 28" ID X .82" LONG - BLACK
	040844-01-000	EA LABEL - ENTRANCE DOOR - "OPEN"
	058806-71-000	EA PLUG - TAPERED - FOR DEADBOLT - PLASTIC - .86" DIAMETER - RED
9	101145-01-01A	EA DEADBOLT - ENTRY DOOR - BLACK
	095229-01-700	EA KEY ONLY - BLANK
	081067-01-000	EA SEAL - LOCK - FLAT W/SLIT
	101147-01-000	EA BOLT - SECURITY - 4.12" BACKSET
	039800-03-000	FT TUBING - POLYBUTYLENE - 3/8" OD
	081914-01-000	EA BUMPER - RUBBER - ROUND - BLACK
10	100412-01-000	EA CATCH - SCREEN DOOR
11	079733-13-012	EA WINDOW - PICTURE - W/O INSIDE FRAME - 17" X 27"
	067809-35-000	EA FRAME - WINDOW - INSIDE PICTURE - OFF WHITE
	002181-20-000	EA GLASS - PICTURE WINDOW
	087581-01-000	FT VINYL SEAL - GLASS - EXTERIOR - BLACK
12	079087-02-000	EA STRIKE - SLIDER - W/UP FOR ELBOW CATCH - 1.5" X 8.6" BEIGE
13	109403-01-000	EA CATCH - SCREEN DOOR ROLLER
	058025-02-000	EA CLIP - ROLLER LATCH CATCH
	063729-04-000	EA RIVNUT - 10-32 UNF - 0.10-080
	072893-01-000	EA NUTSERT - M5 X 0 - 8
	100128-01-000	FT SEAL - SPONGE - LAZY T SHAPE - W/ADHESIVE STRIPE - 5" WIDE
	075908-01-000	FT SEAL - PILE - ADHESIVE BACK - GRAY
14	050712-04-000	EA SCREW - MACHINE - 10-32X.56PTH
15	044582-32-000	EA HANDLE - SCREEN DOOR - OFF WHITE
16	097724-01-04A	EA CAP - DRIP - ENTRY DOOR - ALUMINUM - ASH/GRAY
17	095277-07-03A	EA HINGE - ENTRY DOOR - UNPAINTED
	079207-01-000	EA JAMB ASM - ENTRANCE DOOR - ASH GRAY
18	-J78777-03-300	EA STRIKER - ROLLER CATCH - WELDED TO DOOR JAMB - 4" X 1.15"
19	079086-02-000	EA CHANNEL - SLIDE - SCREEN DOOR CENTER SLIDER COVER
	078595-02-000	EA SLIDER - SCREEN DOOR - OFF WHITE
	016454-01-000	EA TOP PLATE - SCREEN DOOR - CURVED TOP - 4.7" X 25.35"
20	002294-01-000	EA INSERT - SCREEN DOOR - CENTER - LEATHER GRAIN ALUMINUM
21	002293-02-000	FT SPLINE - SCREENING - .135" X .138" - BLACK
22	078552-03-000	SF SCREENING - 26" - CHARCOAL
23	051049-04-000	EA KICK PANEL - SCREEN DOOR - LOWER INSERT - UNPAINTED
24	079012-08-C07	EA JAMB BOTTOM - ENTRY DOOR - 25.9" - UNPAINTED
25	100128-01-000	EA SCREEN DOOR ASM.
	085774-01-000	FT SEAL - SCREEN DOOR
	085774-02-000	FT FASTENER - DUAL LOCK - 1" WIDE
	090340-01-000	FT FASTENER - DUAL LOCK - 1" WIDE
	091988-03-000	FT SEAL - FOAM - CLOSED CELL - 1/4" X 1/2" X 50'
	093145-01-000	FT TAPE - ADHESIVE - .04" X 1" WIDE
	083146-01-000	EA SLEEVE - WIRE - 10" LONG - PLASTIC - BLACK
		EA GROMMET - WIRE - 1.7" X 3.1" - OVAL SHAPED - PLASTIC - BLACK

1993 ITASCA TABLE OF CONTENTS

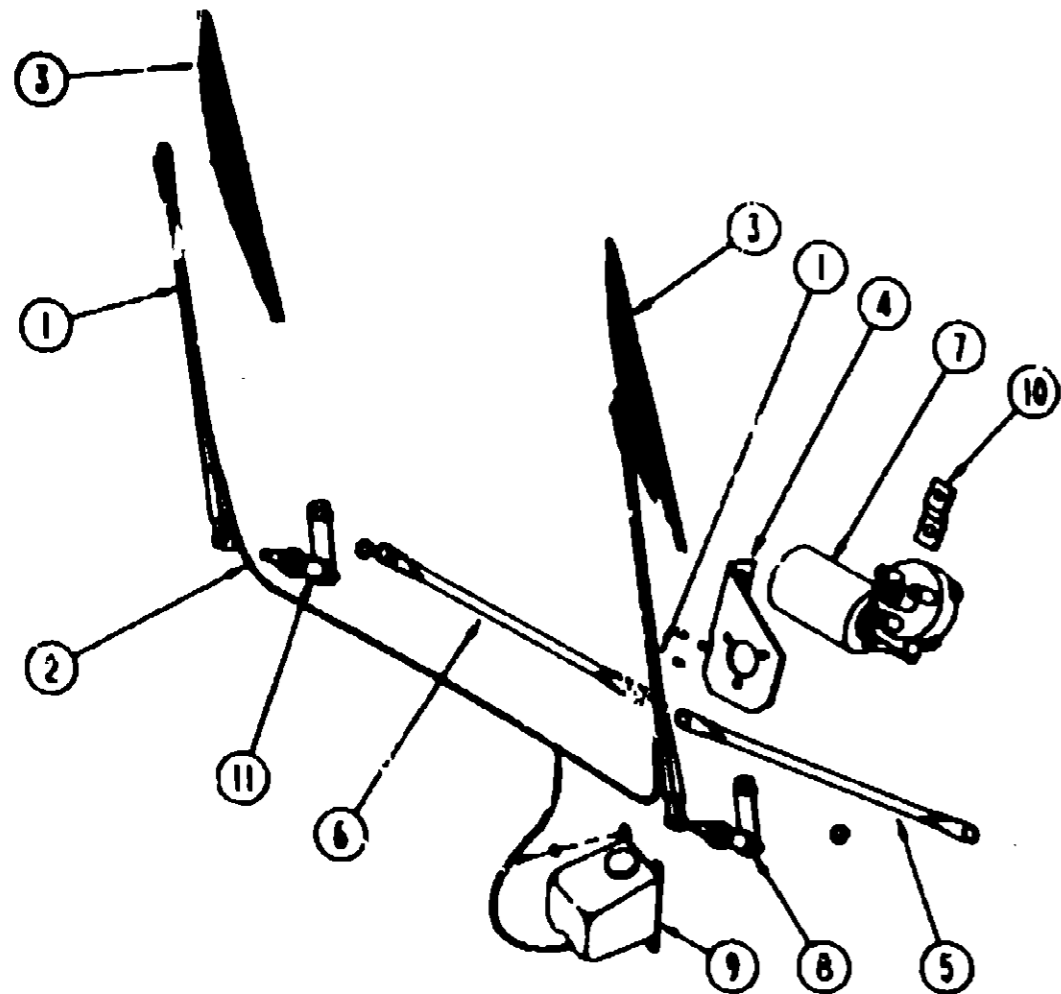
INTRODUCTION	A-01 - A-02
ABBREVIATIONS	A-03
ALPHABETICAL INDEX	A-04 - A-08
ICG34RQ	A-07 - E-18
ICG34RA	E-19 - J-02

1993 ICG34RQ INDEX

FLOOR PLAN	A-07 - A-08
ACCESSORIES	A-09
AUDIO VIDEO	A-10 - A-11
BATH	A-12 - A-14
BEDROOM	A-15 - A-18
CHASSIS	A-19 - B-06
CURTAIN & CUSHION	B-07 - B-17
DINETTE	B-18 - B-20
DRIVERS COMPARTMENT	B-21 - B-24
ELECTRICAL	C-01 - C-06
EXTERIOR BODY	C-07 - C-14
GALLEY	C-15 - C-18
GENERATOR	C-19 - C-20
HEATING & AC	C-21 - C-24
INTERIOR FINISH	D-01 - D-04
LABELS	D-05 - D-12
LP	D-13
LOUNGE	D-14 - D-16
SEALANTS & FASTENERS	D-17 - D-19
WATER & SEWAGE	D-20 - D-23
WINDOW, VENT &	
EXTERIOR DOOR	D-24 - E-18
WINDSHIELD & WIPER	E-17 - E-18

KEY	PART NUMBER	U/M DESCRIPTION
1	MD1870-87-035	EA DOOR - ENTRY - W/SCREEN DOOR - W/WINDOW (FROSTED)
1	MD1870-87-036	EA DOOR - ENTRY - W/SCREEN DOOR - W/WINDOW (FROSTED)
	041546-03-000	EA BRACKET - DOOR ANGLE - 5" X 1.9" - BEIGE - METAL
	075639-10-000	EA GARNISH - RADUS - ENTRY DOOR - OFF WHITE
2	089746-07-000	EA FRAME - BOTTOM ENTRY DOOR - ASH GRAY
3	095276-06-03A	EA FRAME - ENTRY DOOR - W/O BOTTOM - ASH GRAY
4	039979-04-000	EA COVER - INTERIOR LATCH - W/TRIP ARM - RIGHT - BLACK

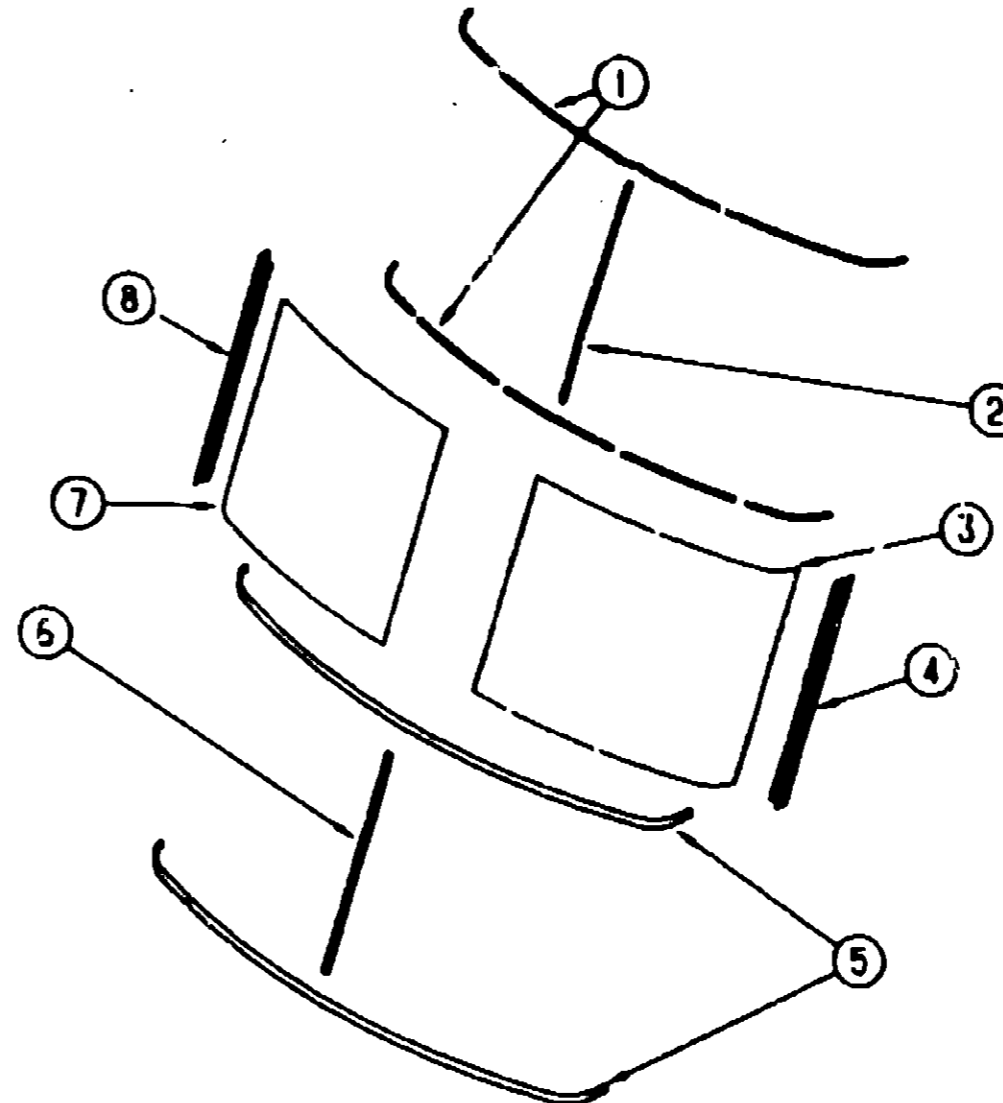
WINDSHIELD & WIPER GROUP



WINDSHIELD WIPER ASM

KEY	PART NUMBER	UOM	DESCRIPTION
1	103671-01-000	EA	ARM - WIPER - 24"
2	096931-01-700	EA	HOUSING
3	095984-01-000	EA	BLADE - WIPER - WINDSHIELD - 24"
4	104549-01-000	EA	BRACKET ASM - WIPER MOTOR
5	103672-01-000	EA	LINK ASM - CONNECTING - 21.85" - DRIVER SIDE
6	103672-02-000	EA	LINK ASM - CONNECTING - 21.85" - PASSENGER SIDE
7	104366-01-000	EA	WIPER MOTOR - W/ 5" DRIVE ARM
	110178-01-000	EA	HOUSING - WIPER MOTOR
8	098605-03-000	EA	PIVOT & SHAFT ASM - WIPER - DRIVER SIDE
9	068000-02-000	EA	WASHER - WINDSHIELD - BOTTLE & PUMP
10	104347-01-000	EA	ARM - DRIVE - WIPER MOTOR - 1.54"
11	098605-06-000	EA	PIVOT & SHAFT ASM - WIPER - PASSENGER SIDE
	110742-01-000	EA	WIPER GASKET
	067188-01-000	EA	STUD - WIPER CRANK

WINDSHIELD & WIPER GROUP (CONTINUED)



WINDSHIELD MOLDINGS & GLASS

KEY	PART NUMBER	UOM	DESCRIPTION
1	102935-01-000	EA	CARRIER - REVEAL - WINDSHIELD
2	102935-03-000	EA	CARRIER - REVEAL - WINDSHIELD
3	103788-02-000	EA	GLASS - WINDSHIELD - DRIVER SIDE
4	103107-04-01A	EA	TRIM - WINDSHIELD - SIDE - BLACK
5	102936-01-000	FT	MOLDING - REVEAL - WINDSHIELD
6	102936-01-000	FT	MOLDING - REVEAL - WINDSHIELD - CENTER
7	103788-01-000	EA	GLASS - WINDSHIELD - PASSENGER SIDE
8	103107-03-01A	EA	TRIM - WINDSHIELD - SIDE - BLACK
	098788-06-000	EA	CHANNEL - RIGHT
	077922-03-000	EA	HEADER WINDSHIELD END - PASSENGER SIDE
	077922-04-000	EA	HEADER WINDSHIELD END - DRIVER SIDE
	077922-05-000	EA	HEADER WINDSHIELD - CENTER
	077847-02-000	EA	SUPPORT - WINDSHIELD - LOWER - W/O BRACKETS

1983 ITASCA TABLE OF CONTENTS

INTRODUCTION	A-01 - A-02
ABBREVIATIONS	A-03
ALPHABETICAL INDEX	A-04 - A-06
ICG34RQ	A-07 - E-18
ICG34RA	E-19 - J-02

1983 ICG34RQ INDEX

FLOOR PLAN	A-07 - A-08
ACCESSORIES	A-09
AUDIO VIDEO	A-10 - A-11
BATH	A-12 - A-14
BEDROOM	A-15 - A-18
CHASSIS	A-19 - B-06
CURTAIN & CUSHION	B-07 - B-17
DINETTE	B-18 - B-20
DRIVERS COMPARTMENT	B-21 - B-24
ELECTRICAL	C-01 - C-06
EXTERIOR BODY	C-07 - C-14
GALLEY	C-15 - C-18
GENERATOR	C-19 - C-20
HEATING & A/C	C-21 - C-24
INTERIOR FINISH	D-01 - D-04
LABELS	D-05 - D-12
LP	D-13
LOUNGE	D-14 - D-16
SEALANTS & FASTENERS	D-17 - D-19
WATER & SEWAGE	D-20 - D-23
WINDOW, VENT &	
EXTERIOR DOOR	D-24 - E-16
WINDSHIELD & WIPER	E-17 - E-18