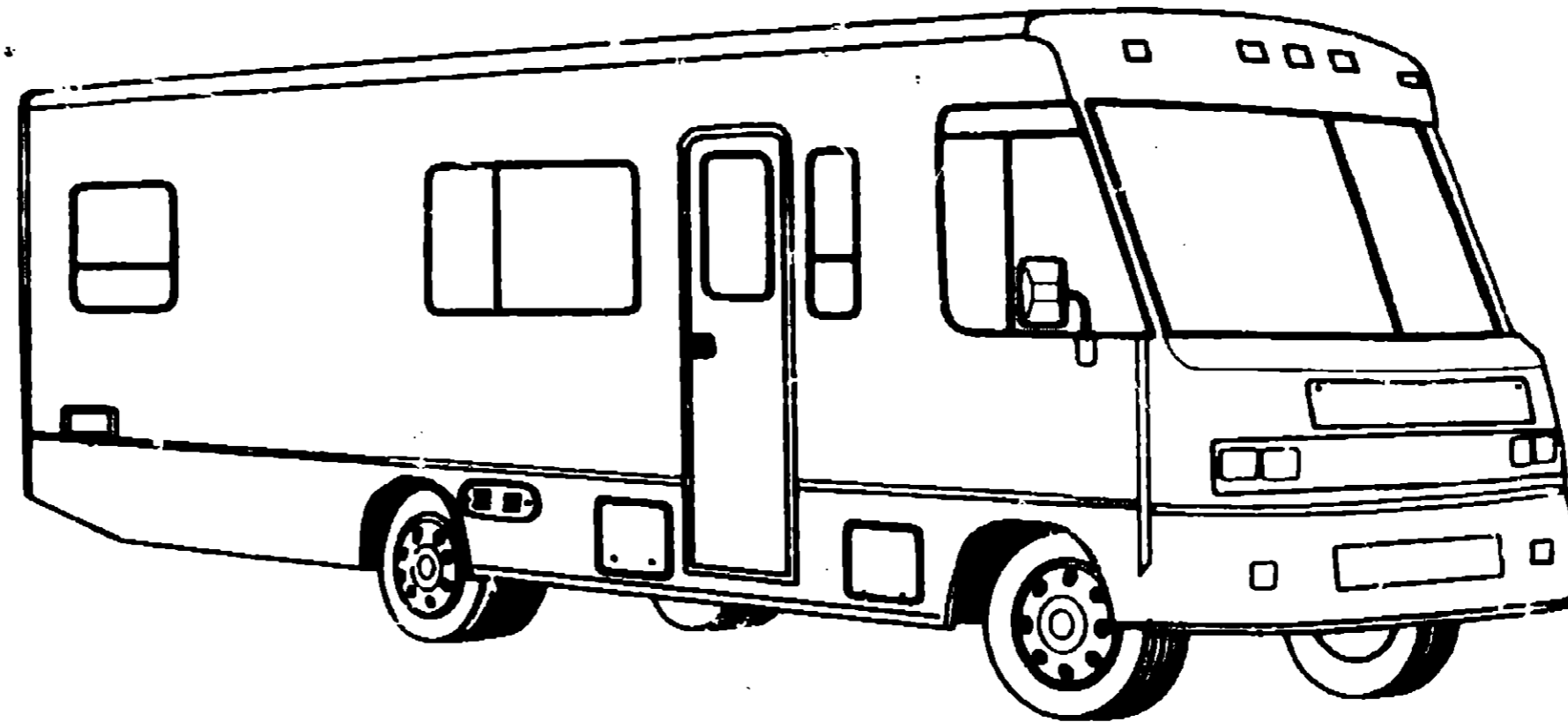
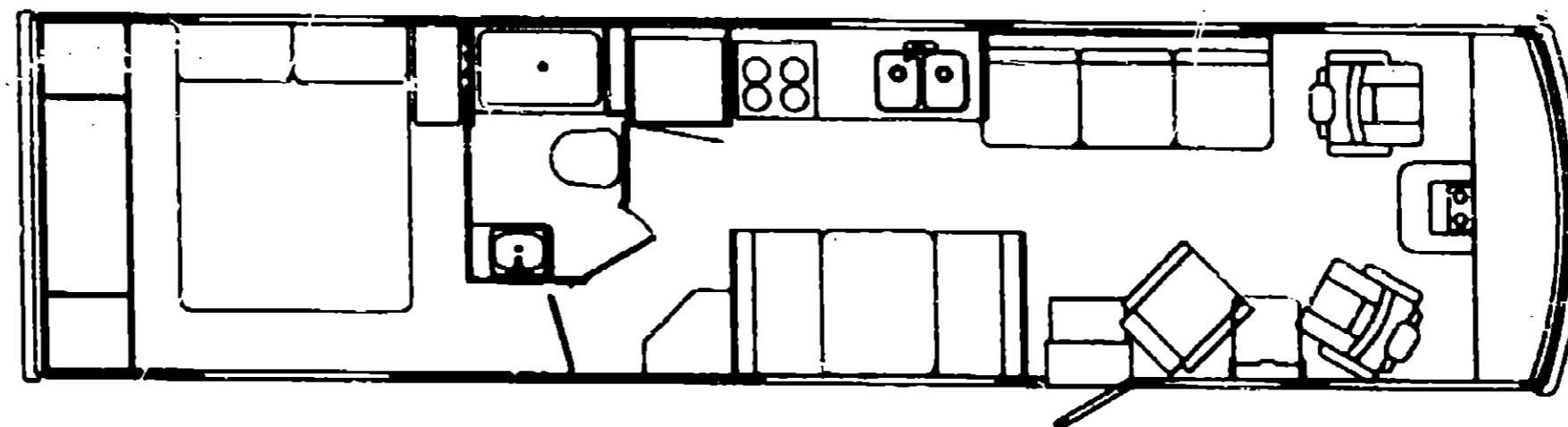


**1993
ICG34RA
D35
D36**



**1993 ITASCA
TABLE OF CONTENTS**

INTRODUCTION	A-01 - A-02
ABBREVIATIONS	A-03
ALPHABETICAL INDEX	A-04 - A-06
ICG34RD	A-07 - E-18
ICG34RA	E-19 - J-02



1993 ICG34RA INDEX

FLOOR PLAN	E-19 - E-20
ACCESSORIES	E-21
AUDIO VIDEO	E-22 - E-24
BATH	F-01 - F-02
BEDROOM	F-03 - F-04
CHASSIS	F-05 - F-16
CURTAIN & CUSHION	F-17 - G-02
DINETTE	G-03 - G-06
DRIVERS COMPARTMENT	G-07 - G-10
ELECTRICAL	G-11 - G-16
EXTERIOR BODY	G-17 - G-24
GALLEY	H-01 - H-05
GENERATOR	H-06 - H-07
HEATING & AC	H-08 - H-12
INTERIOR FINISH	H-13 - H-16
LABELS	H-17 - H-23
LP	H-24
LOUNGE	I-01 - I-03
SEALANTS & FASTENERS	I-04 - I-08
WATER & SEWAGE	I-09 - I-11
WINDOW, VENT & EXTERIOR DOOR	I-12 - I-24
WINDSHIELD & WIPER	J-01 - J-02

**ACCESSORIES GROUP
OPERATOR MANUAL**

KEY	PART NUMBER	U/M DESCRIPTION
	054186-38-000	EA MANUAL OPERATOR 93 ADVENTURER G SERIES
	082318-01-000	EA BINDER-3 RING, MOTOR HOME MANUAL
	082319-01-000	EA POCKET PAGE-3 RING BINDER PLASTIC

**AUDIO VIDEO GROUP
RADIO SYSTEMS & ANTENNA**

KEY	PART NUMBER	U/M DESCRIPTION
	080340-03-000	EA GRILLE - SPEAKER - SPACEH TAN
	083214-01-02A	EA GRILLE - SPEAKER - 4" BROWN
	083343-02-000	EA GRILLE - SPEAKER - 8 5" SQUARE
	073741-04-000	EA GRILLE - SPEAKER - OVAL - 4" X 6" - BLACK
	094097-01-000	EA SPEAKER - RADIO - W/O GRILLE - 5 25" DIA - AUDIOVOX 110C3030
	073741-03-000	EA SPEAKER - RADIO - OVAL - AUDIOVOX 110-2074 - 4" X 5"
	077069-02-000	EA CABLE - ANTENNA - RADIO - EXTENSION 96" - ARA 5700667
	097621-02-000	EA MOUNTING KIT - RADIO - AUDIOVOX W/MK - AB02
	081059-02-000	EA WIRE ASM - 9-PIN - RADIO - AUDIOVOX 112B-1751
	104089-01-000	EA RADIO - AM/FM STEREO - CASSETTE DIN AUDIOVOX IM-DXF
	104089-01-000	EA RADIO-AM/FM STEREO, CASSETTE DIN AUDIOVOX IM-DXF FROM 00-00-00 THRU 03-10-99
	110267-01-000	EA RADIO-AM/FM STEREO AUDIOVOX IM-200 FROM 03-11-93 THRU 99-99-99
	090944-01-000	EA ANTENNA - RADIO - 16" RUBBER

C.B. RADIO PREP

KEY	PART NUMBER	U/M DESCRIPTION
	105248-01-000	EA ANTENNA-CB, ADVANCE 8804
	110469-01-000	EA SPEAKER-4X6 OVAL AUDIOVOX 110-2074
	110470-01-01A	EA GRILLE-SPEAKER, OVAL 4X6 AUDIOVOX 136-1157
	077069-02-000	EA CABLE-ANTENNA, RADIO - EXTENSION 96" - ARA 6700667
	097621-02-000	EA MOUNTING KIT-RADIO, AUDIOVOX W/MK-AB02
	081059-02-000	EA WIRE ASM-9-PIN, RADIO - AUDIOVOX 112B-1751

PATIO ENTERTAINMENT CENTER

KEY	PART NUMBER	U/M DESCRIPTION
	077069-02-000	EA CABLE-ANTENNA, RADIO - EXTENSION 96" - ARA 6700667
	087583-01-000	EA RADIO-AM/FM STEREO CASSETTE AUDIOVOX 144D1559
	090944-01-000	EA ANTENNA-RADIO, 16" RUBBER
	110469-01-000	EA SPEAKER-4X6 OVAL, COAXEL MAGNADYNE F46XB-12
	110470-01-01A	EA GRILLE-SPEAKER, OVAL 4X6 BLK MAGNADYNE G46W1
	104999-01-005	EA PLATE - RADIO MOUNTING
	105230-11-C25	EA SHELF ASM
	105230-12-C25	EA SUPPORT ASM
	105377-01-01A	EA BRACKET - TABLE HANGER OFF WHITE
	090852-01-000	EA BRACKET - HAT - ANTENNA - 3 1" X 3 9" - STEEL - BLACK

**1993 ITASCA
TABLE OF CONTENTS**

INTRODUCTION	A-01 - A-02
ABBREVIATIONS	A-03
ALPHABETICAL INDEX	A-04 - A-06
ICG34RG	A-07 - E-18
ICG34RA	E-19 - J-02

1993 ICG34RA INDEX

FLOOR PLAN	E-19 - E-20
ACCESSORIES	E-21
AUDIO VIDEO	F-22 - E-24
BATH	F-01 - F-02
BEDROOM	F-03 - F-04
CHASSIS	F-05 - F-16
CURTAIN & CUSHION	F-17 - G-02
DINETTE	G-03 - G-06
DRIVERS COMPARTMENT	G-07 - G-10
ELECTRICAL	G-11 - G-16
EXTERIOR BODY	G-17 - G-24
GALLEY	H-01 - H-06
GENERATOR	H-06 - H-07
HEATING & AC	H-08 - H-12
INTERIOR FINISH	H-13 - H-16
LABELS	H-17 - H-23
LP	H-24
LOUNGE	I-01 - I-03
SEALANTS & FASTENERS	I-04 - I-08
WATER & SEWAGE	I-09 - I-11
WINDOW, VENT &	
EXTERIOR DOOR	I-12 - I-24
WINDSHIELD & WIPER	J-01 - J-02

AUDIO VIDEO GROUP (CONTINUED)
TV - VCR SYSTEMS & ANTENNA

KEY	PART NUMBER	U/M	DESCRIPTION
	088757-03-000	EA	CONTROL CENTER SWITCH, VCR/TV - MAGNADYNE VCS-8
	078319-03-000	FT	CABLE-COAXIAL, 75 OHM
	078319-12-000	EA	CONNECTOR-COAXIAL, ONE PIECE
	083214-01-02A	EA	GRILL-SPEAKER, 4" BROWN
	088816-01-000	EA	SPEAKER, 2 WATT 8 OHM - 4"
	088717-02-000	EA	TIEDOWN-TV, STRAP ON FEMALE END IS 28 7" LONG
	078319-09-000	EA	WALLPLATE-CABLE RECEPTACLE, TV - SINGLE - BROWN
	082134-01-000	EA	ADAPTER-TV, CABLE TO CABLE - WINEGARD F-81M
	088756-01-000	EA	SPLITTER-TV, 2 WAY
	088446-02-000	EA	VCR-VHS CABLE READY-REMOTE MAGNAVOX VR9010 FROM: 00-00-00 THRU. 10-04-92
	088446-03-700	EA	REMOTE F/MODEL #9010 0974588
	088446-04-000	EA	VCR-VHS CABLE READY-REMOTE MAGNAVOX VR9110 FROM: 10-05-92 THRU. 99-99-99
	088446-04-700	EA	REMOTE F/MODEL #9110 0974586
	088447-04-000	EA	TV-13", COLOR W/REMOTE - CANADIAN - MAGNAVOX RR1330W
	088447-03-000	EA	TV-13", COLOR W/REMOTE - U.S. - MAGNAVOX RR1337
	088447-03-700	EA	REMOTE
	088819-01-000	EA	SPEAKER, 2 WATT, 8 OHM - 4"
	082310-02-000	EA	TV-COLOR, 9" - AC/DC - W/REMOTE - MAGNAVOX RD0945
	082310-02-700	EA	REMOTE F/TV
	089717-01-000	EA	TIEDOWN-TV, STRAP ON FEMALE END IS 22 8" LONG
	078319-01-000	EA	ANTENNA-TV, ROOF MOUNT - 44 5' MAST - RVA W02
	078319-01-700	EA	HEAD-ANTENNA, AMPLIFIED - WINEGARD# RVSA U/V
	078319-01-701	EA	GEAR-ELEVATING, PLASTIC - WINEGARD# 2200045
	078319-01-75	EA	SHAFT ASM-ELEVATING, WINEGARD# RVP-400A
	078319-01-703	EA	BEARING-NYLON, 5"OD - WINEGARD# 3200656
	078319-01-705	EA	GROMMET-NYLON, 7/8"ID - WINEGARD# 3200658
	078319-01-706	EA	CRANK-ELEVATING, W/SET SCREW - WINEGARD# 5755100
	078319-01-707	EA	SPRING-HANDLE, WINEGARD# 5160800
	078319-01-709	EA	PLATE-DIRECTIONAL FOR HEAD - WINEGARD #3200644
	082136-01-000	EA	NUT-HEX JAM 3/8-32, WINEGARD

AUDIO VIDEO GROUP (CONTINUED)
REAR MONITOR SYSTEM

KEY	PART NUMBER	U/M	DESCRIPTION
	105249-02-000	EA	TV SYSTEM-REAR VIEW MONITOR AUDIOVOX ADM-55
	105249-03-000	EA	TV SYSTEM-REAR VIEW, CABLE AUDIOVOX OCA-20
	000C12-04-408	EA	BOLT-HEX, 1/4-20X2 1/2, GR(CHEVY)
	000D29-04-008	EA	NUT-HEX SELFLOCK 1/4X20 ZINC (CHEVY)
	000G11-08-12T	EA	SCREW-8-18X.75 PPH BLK (FORD)
	000G39-12-12E	EA	SCREW-SF/DR-12-14X3/4 PPH(FORD)

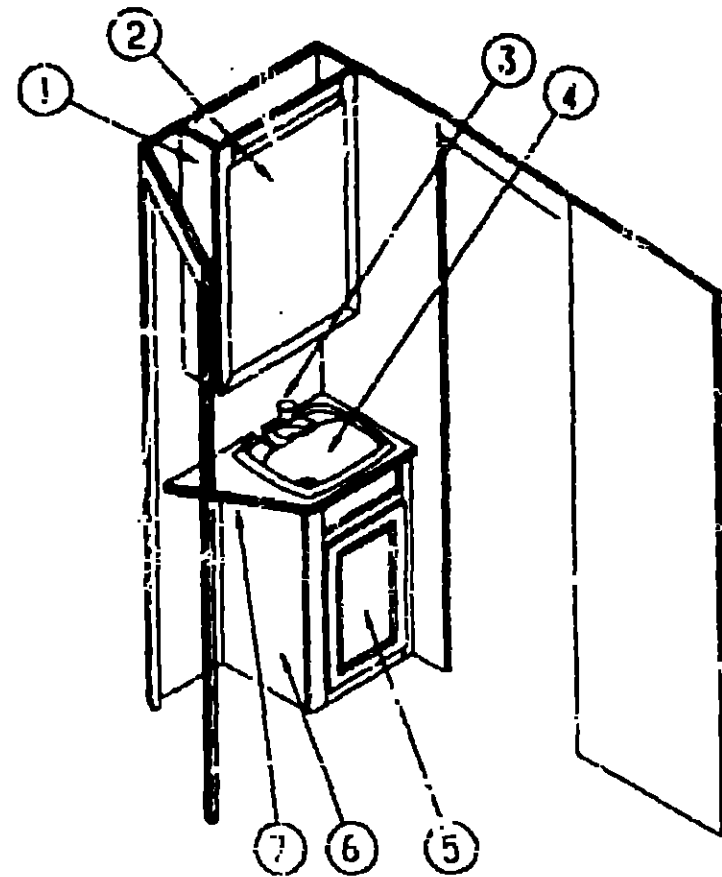
1993 ITASCA
TABLE OF CONTENTS

INTRODUCTION	A-01 - A-02
ABBREVIATIONS	A-03
ALPHABETICAL INDEX	A-04 - A-06
ICG34RQ	A-07 - E-18
ICG34RA	E-19 - J-02

1993 ICG34RA INDEX

FLOOR PLAN	E-19 - E-20
ACCESSORIES	E-21
AUDIO VIDEO	E-22 - E-24
BATH	F-01 - F-02
BEDROOM	F-03 - F-04
CHASSIS	F-05 - F-16
CURTAIN & CUSHION	F-17 - G-02
DINETTE	G-03 - G-06
DRIVERS COMPARTMENT	G-07 - G-10
ELECTRICAL	G-11 - G-16
EXTERIOR BODY	G-17 - G-24
GALLEY	H-01 - H-05
GENERATOR	H-06 - H-07
HEATING & AC	H-08 - H-12
INTERIOR FINISH	H-13 - H-16
LABELS	H-17 - H-23
LP	H-24
LOUNGE	I-01 - I-03
SEALANTS & FASTENERS	I-04 - I-08
WATER & SEWAGE	I-09 - I-11
WINDOW, VENT &	
EXTERIOR DOOR	I-12 - I-24
WINDSHIELD & WIPER	J-01 - J-02

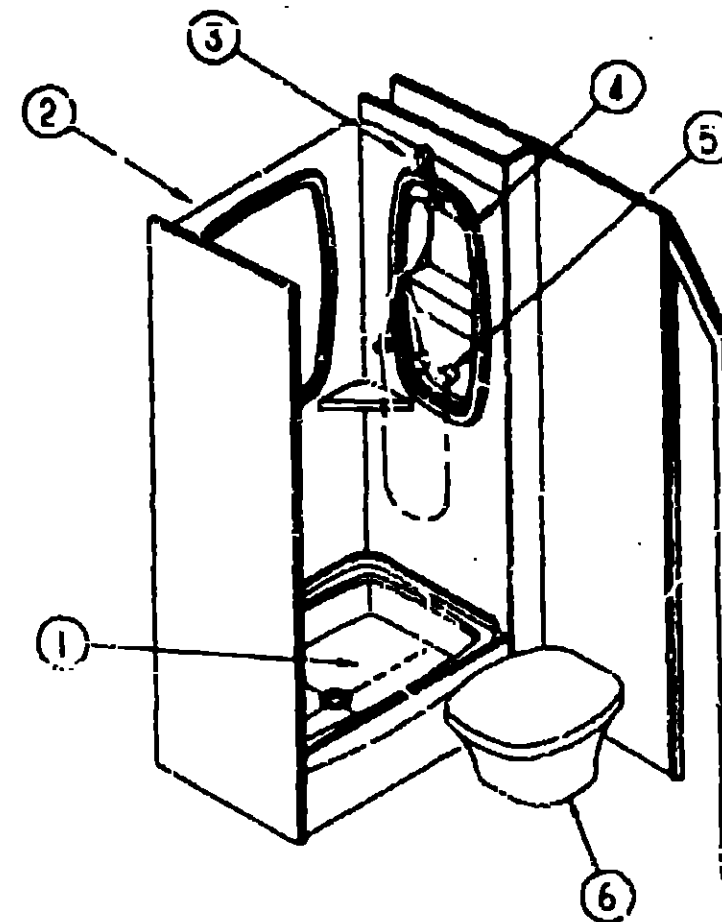
BATH GROUP



BATH CABINETS & PRIVACY DOOR

KEY	PART NUMBER	U/M DESCRIPTION
1	P04650-01-C27	EA CABINET ASM-MEDICINE
2	102326-02-000	EA DOOR ASM-MIRROR - MEDICINE CABINET - 500MMX750H
	075454-02-000	EA RING-TOWEL - W/MOUNTING HARDWARE - BRASS
3	075249-06-000	EA FAUCET - LAVATORY - BONE
	021253-01-000	EA GASKET-FAUCET, LAVATORY/GALLEY
4	095927-01-01A	EA SINK - LAVATORY - RECTANGULAR - PLASTIC - BONE
	095927-01-700	EA SINK STOPPER
	095927-01-701	EA TAILPIECE - SINK
5	P03702-B0-D35	EA DOOR ASM-W/O HARDWARE-ROUNDED 500X750
6	P04034-01-D35	EA CABINET ASM-LAVATORY
	104634-12-C27	EA SHELF ASM - LAVATORY
7	104634-11-D35	EA COUNTERTOP ASM
7	104634-11-D36	EA COUNTERTOP ASM
	104013-04-D35	EA DOOR ASM-SLIDING (REAR BATH)
	103874-01-000	EA HANGER-SLIDING DOOR
	064437-01-000	EA GUIDE-POCKET - SLIDING DOOR - WALL MOUNTED
	075452-02-000	EA HOLDER - TOILET TISSUE - BRASS
	M05673-02-C27	EA DOOR ASM-BATH W/O PIN (FRONT BATH)
	104014-02-D35	EA DOOR ASM-BATH (SIDE AISLE)
	080729-01-000	EA HANDLE-FULL, TABLE TCP - 1 3/4" X 4 1/4" - PLASTIC - BROWN
	102920-01-01A	EA HINGE-DOOR, SPRING LOADED - BRASS
	009151-01-000	EA WARP GUARD - CABINET/PRIVACY DOOR - 45"
	100357-01-000	EA ROD -TOWEL - BRASS W/ENDS BENT FOR BACK OF BATH DOOR
	102029-11-L25	EA MOUNT - ROD - RIGHT SIDE - FOR TOWEL RODS - 53 5" LONG - WOOD
	102069-12-R25	EA MOUNT - ROD - LEFT SIDE - FOR TOWEL RODS - 53 5" LONG - WOOD

BATH GROUP (CONTINUED)



SHOWER COMPONENTS

KEY	PART NUMBER	U/M DESCRIPTION
1	M02530-22-C07	EA SHOWER PAN ASM
	055140-01-000	EA STRAINER-SHOWER, W/RUBBER WASHER
	059735-01-000	EA WASHER-STRAINER TO TAILPIECE PLASTIC, 1 5/8"
2	104464-01-01A	EA SURROUND - SHOWER - OFF WHITE
3	103092-01-000	EA SHOWER HEAD-W/60" HOSE
3	103092-02-000	EA SHOWER HEAD-W/HOSE - CSA - ONDINE 23213:NYLON B
	103092-01-700	EA BRACKET-SHOWER HEAD
	057571-01-000	EA COVER - SCREW - #8 - PLASTIC - OFF WHITE
4	104462-01-01A	EA CADDY - SHOWER - OFF WHITE
5	075241-05-000	EA FAUCET - SHOWER, BONE
	104044-01-000	EA BRACKET-SUPPORT, FAUCET
	024576-01-000	EA FLANGE-CLOSET, TOILET - 4" X 3" - RED
	024576-02-000	EA FLANGE-CLOSET, 4" X 3" - ABS CANADIAN
5	039341-03-000	EA TOILET-STARLITE, HIGH THETFORD PARCHEMENT
	039341-02-703	EA PLUG-HOLE, IVORY THETFORD 03895-10
	039341-02-705	EA MOUNTING PACKAGE THETFORD 03975 A.M
	039341-02-707	EA PIN-HINGE, TOILET 12935 THETFORD
	039341-03-700	EA COVER-TOILET, PARCHEMENT 20923 THETFORD
	039341-03-701	EA RING-SEAT, TOILET-PARCHEMENT 1556457 THETFORD
	064076-01-701	EA MECHANISM-FLUSHING, THETFORD 14522 IVORY STARLIGHT

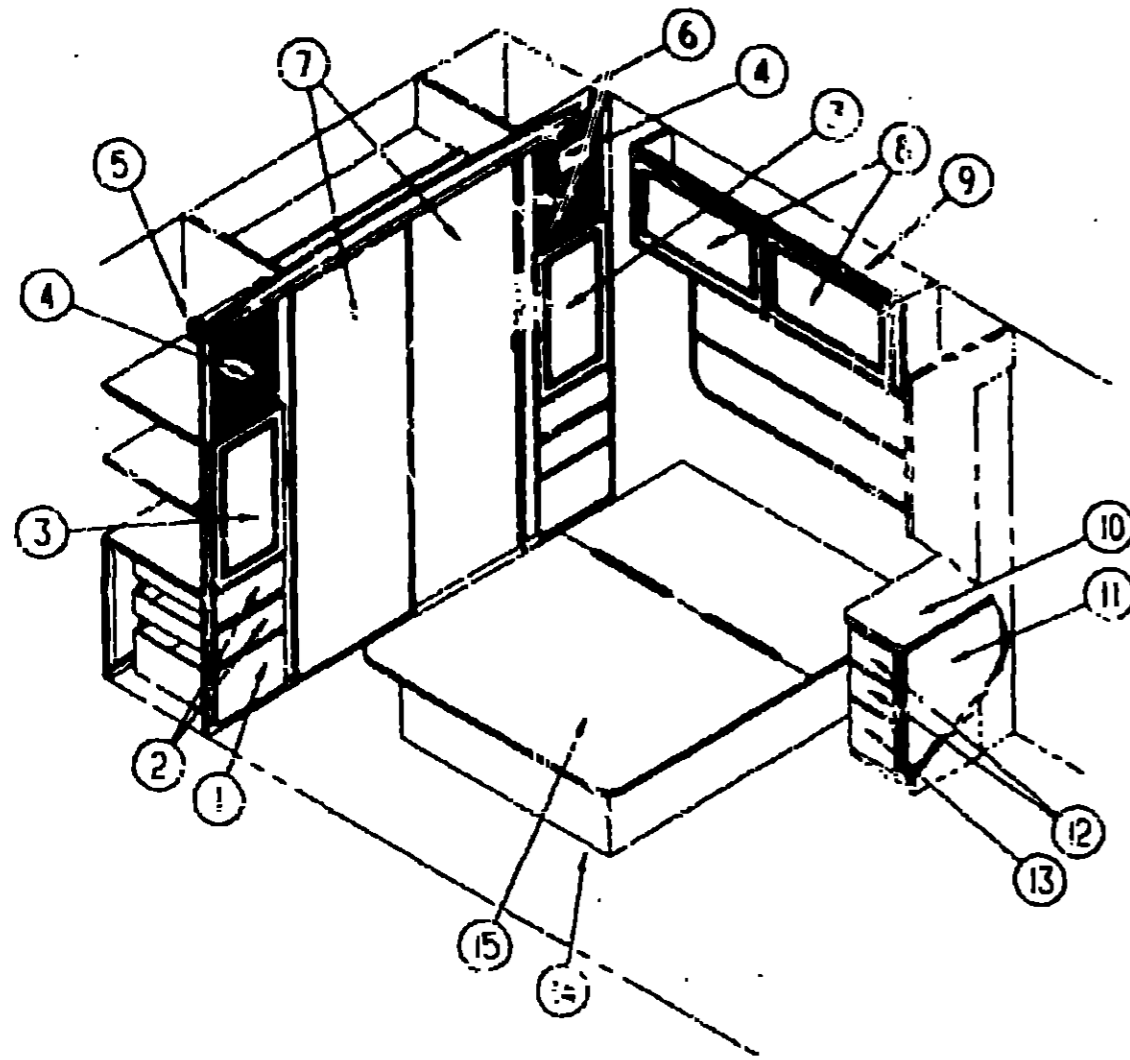
**1993 ITASCA
TABLE OF CONTENTS**

INTRODUCTION	A-01 - A-02
ABBREVIATIONS	A-03
ALPHABETICAL INDEX	A-04 - A-18
ICG34RQ	A-07 - E-18
ICG34RA	E-19 - J-32

1993 ICG34RA INDEX

FLOOR PLAN	E-19 - E-20
ACCESSORIES	E-21
AUDIO VIDEO	E-22 - E-24
BATH	F-01 - F-02
BEDROOM	F-03 - F-04
CHASSIS	F-05 - F-10
CURTAIN & CUSHION	F-17 - G-02
DINETTE	G-03 - G-05
DRIVERS COMPARTMENT	G-07 - G-10
ELECTRICAL	G-11 - G-16
EXTERIOR BODY	G-17 - G-24
GALLEY	H-01 - H-05
GENERATOR	H-06 - H-07
HEATING & A/C	H-08 - H-12
INTERIOR FINISH	H-13 - H-15
LABELS	H-17 - H-23
LP	H-24
LOUNGE	I-01 - I-03
SEALANTS & FASTENERS	I-04 - I-08
WATER & SEWAGE	I-09 - I-11
WINDOW, VENT & WINDSHIELD & W/PER	I-12 - I-24 J-01 - J-02

**BEDROOM GROUP
BEDROOM CABINETS**



KEY	PART NUMBER	U/P	DESCRIPTION
	F08221-01-D35	EA	CABINET ASM-WARDROBE
1	P07104-13-D35	EA	DRAWER ASM.
2	P07104-15-D35	EA	DRAWER ASM.
3	P03702-81-D35	EA	DOOR ASM-W/O HARDWARE-MITERED ROUNDED 400 X 710
4	M05838-92-D12	EA	PANEL KIT-DOOR,TAMBOUR
	M97191-01-000	EA	HANDLE-DOOR,TAMBOUR
5	097141-01-000	EA	TRACK - SPIRAL - TAMBOUR DOOR - RIGHT
6	097141-02-000	EA	TRACK - SPIRAL - TAMBOUR DOOR - LEFT
	097141-02-700	EA	TRACK - SPIRAL KIT (1) LEFT & (1) RIGHT
7	058371-81-000	EA	DOOR -WARDROBE, - MIRROR-GLASS,SAFETY, 673MM X 1913MM
	107386-02-01A	EA	STILE-DOOR W/PULL
	107387-02-01A	EA	RAIL-DOOR,BY-PASS
	107388-02-01A	EA	TRACK-BOTTOM,BY-PASS
	107389-02-01A	EA	TRACK-TOP,BY-PASS
	107390-01-000	EA	HANGER-CORNER CONNECTION
	107391-01-000	EA	GUIDE-BOTTOM,BY-PASS
	107392-01-000	EA	STRAP-RETAINER,BY-PASS DOOR PLASTIC
8	P03702-05-D35	EA	DOOR ASM-W/O HARDWARE-ROUNDED 400X710
9	M05160-25-D35	EA	CABINET ASM-OVERHEAD,REAR,LH
10	104639-11-D35	EA	COUNTERTOP ASM
11	104639-01-D35	EA	CABINET ASM-NIGHTSTAND
12	P07104-73-D35	EA	DRAWER ASM -SLIDE, UPPER
13	P07104-75-D35	EA	DRAWER ASM -SLIDE, LOWER
	105913-05-000	EA	SLIDE-DRAWER,18" LEFT
	105913-06-000	EA	SLIDE-DRAWER,18" RIGHT
14	P09476-01-D35	EA	CABINET ASM-BED,QUEEN
	107539-01-000	EA	SPRING-GAS, 20" BLADE END - SPRING LIFT
	107540-01-000	EA	BRACKET-90°,GAS SPRING
	107541-01-000	EA	SPACKET-FLAT,GAS SPRING
	009063-01-000	EA	HINGE- 1 1/2 X 72
	091261-01-000	FT	BACKING-NON SKID, 12"X100"
15	M05905-02-D12	EA	TOP ASM-BED,QUEEN
	110105-01-D18	EA	LATCH ASM-DOOR
	110107-01-01A	EA	PULL-DOOR BLACK
	110108-01-01A	EA	LATCH-DOOR BLACK
	110109-01-01A	EA	CATCH-DOOR BLACK

FROM 12-08-92 THRU 99-99-99

FROM 12-08-92 THRU 99-99-99

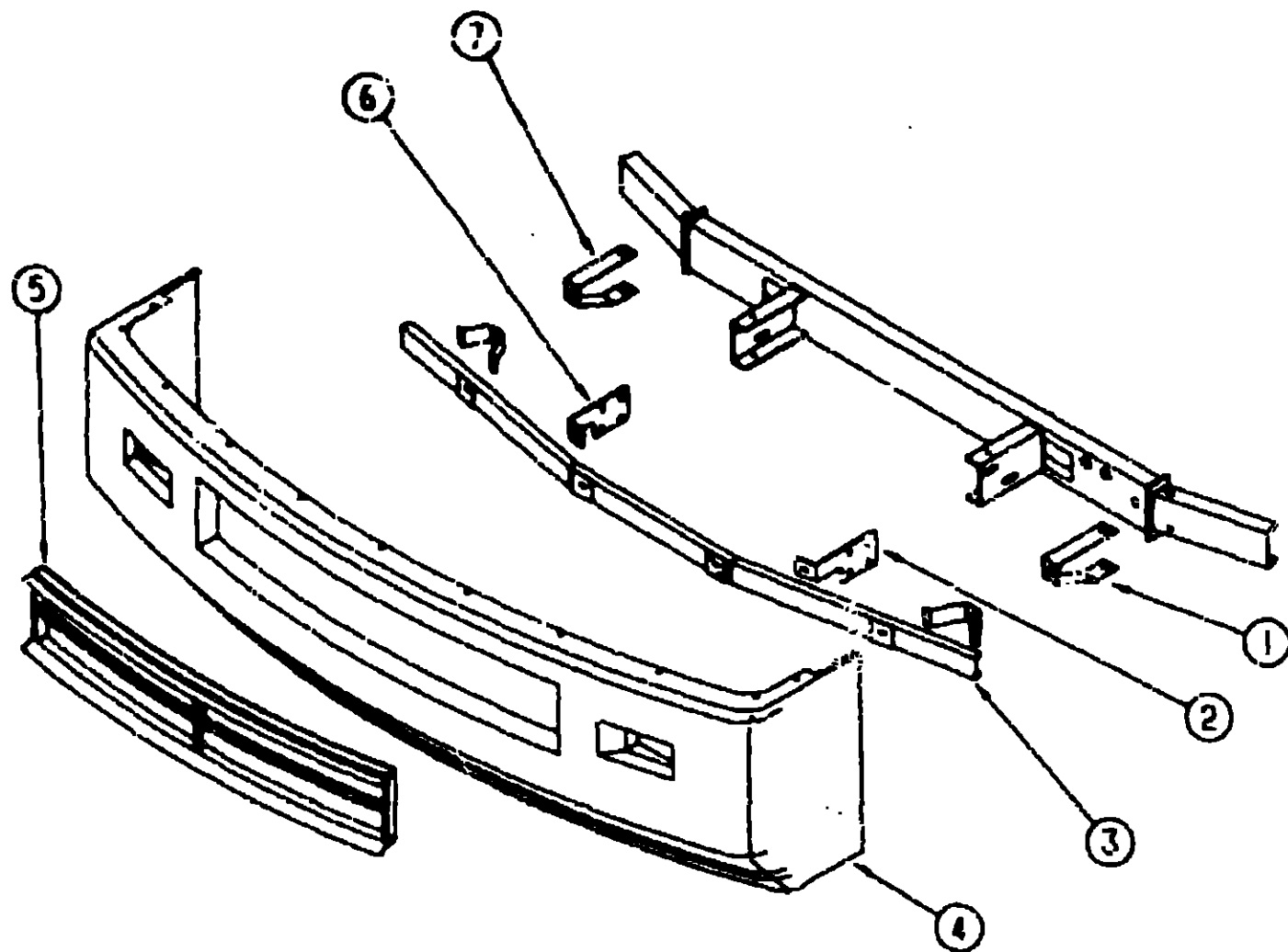
**1993 ITASCA
TABLE OF CONTENTS**

INTRODUCTION	A-01 - A-02
ABBREVIATIONS	A-03
ALPHABETICAL INDEX	A-04 - A-06
ICG34RC	A-07 - E-18
ICG34RA	E-19 - J-02

1993 ICG34RA INDEX

FLOOR PLAN	E-19 - E-20
ACCESSORIES	E-21
AUDIO VIDEO	E-22 - E-24
BATH	F-01 - F-02
BEDROOM	F-03 - F-04
CHASSIS	F-05 - F-16
CURTAIN & CUSHION	F-17 - G-02
DINETTE	G-03 - G-06
DRIVERS COMPARTMENT	G-07 - G-10
ELECTRICAL	G-11 - G-16
EXTERIOR BODY	G-17 - G-24
GALLEY	H-01 - H-05
GENERATOR	H-06 - H-07
HEATING & AC	H-08 - H-12
INTERIOR FINISH	H-13 - H-16
LABELS	H-17 - H-23
L.P.	H-24
LOUNGE	I-01 - I-03
SEALANTS & FASTENERS	I-04 - I-08
WATER & SEWAGE	I-09 - I-11
WINDOW, VENT &	
EXTERIOR DOOR	I-12 - I-24
WINDSHIELD & W/PER	J-01 - J-02

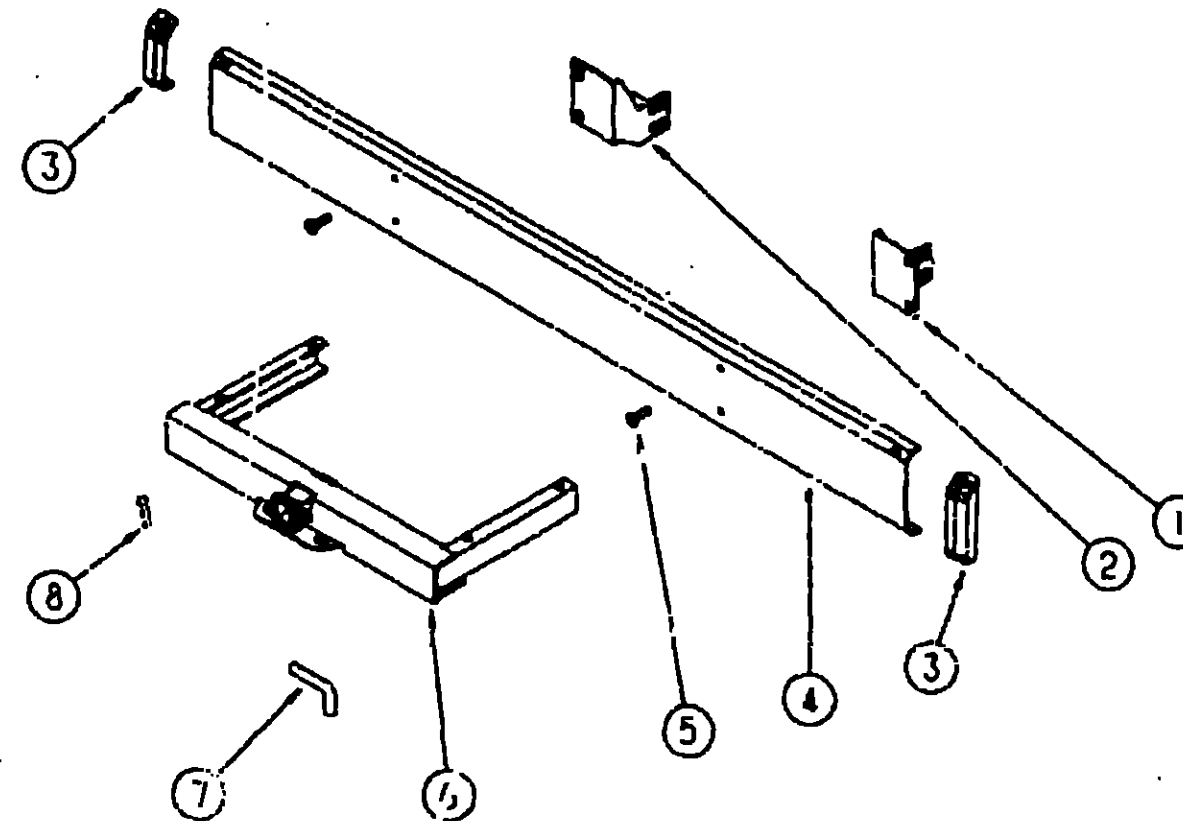
CHASSIS GROUP



FRONT BUMPER

KEY	PART NUMBER	U/M DESCRIPTION
1	103C11-01-000	EA BRACE - BUMPER - FRONT
2	086140-04-000	EA SUPPORT - FRONT BUMPER - DRIVER SIDE - 9 1" X 4" - STEEL
3	103512-01-000	EA CHANNEL ASM - BUMPER
4	104661-01-D12	EA BUMPER PANEL ASM - FRONT
5	104318-02-C07	EA GRILL ASM
6	086140-03-000	EA SUPPORT - FRONT BUMPER - PASSENGER SIDE - 9 1" X 4" - STEEL
7	103497-01-000	EA BRACE - BUMPER - FRONT
	106055-01-05A	EA TRIM - BUMPER END CAP - DRIVER/PASSENGER SIDE

CHASSIS GROUP (CONTINUED)



REAR BUMPER

KEY	PART NUMBER	U/M DESCRIPTION
1	104418-01-000	EA ANGLE - SUPPORT - BUMPER REAR
2	104418-02-000	EA ANGLE - SUPPORT - BUMPER REAR
3	103228-01-05A	EA END CAP - BUMPER REAR - BLACK
4	103099-01-04A	EA REAR BUMPER - GRAY
5	102333-01-02A	EA BOLT - 7/16"
6	077617-01-000	EA HITCH ASM
7	034512-01-000	EA PIN
8	034513-01-000	EA PIN - 3/16" WIRE

**1993 ITASCA
TABLE OF CONTENTS**

INTRODUCTION	A-01 - A-02
ABBREVIATIONS	A-03
ALPHABETICAL INDEX	A-04 - A-06
ICG34RQ	A-07 - E-18
ICG34RA	E-19 - J-02

1993 ICG34RA INDEX

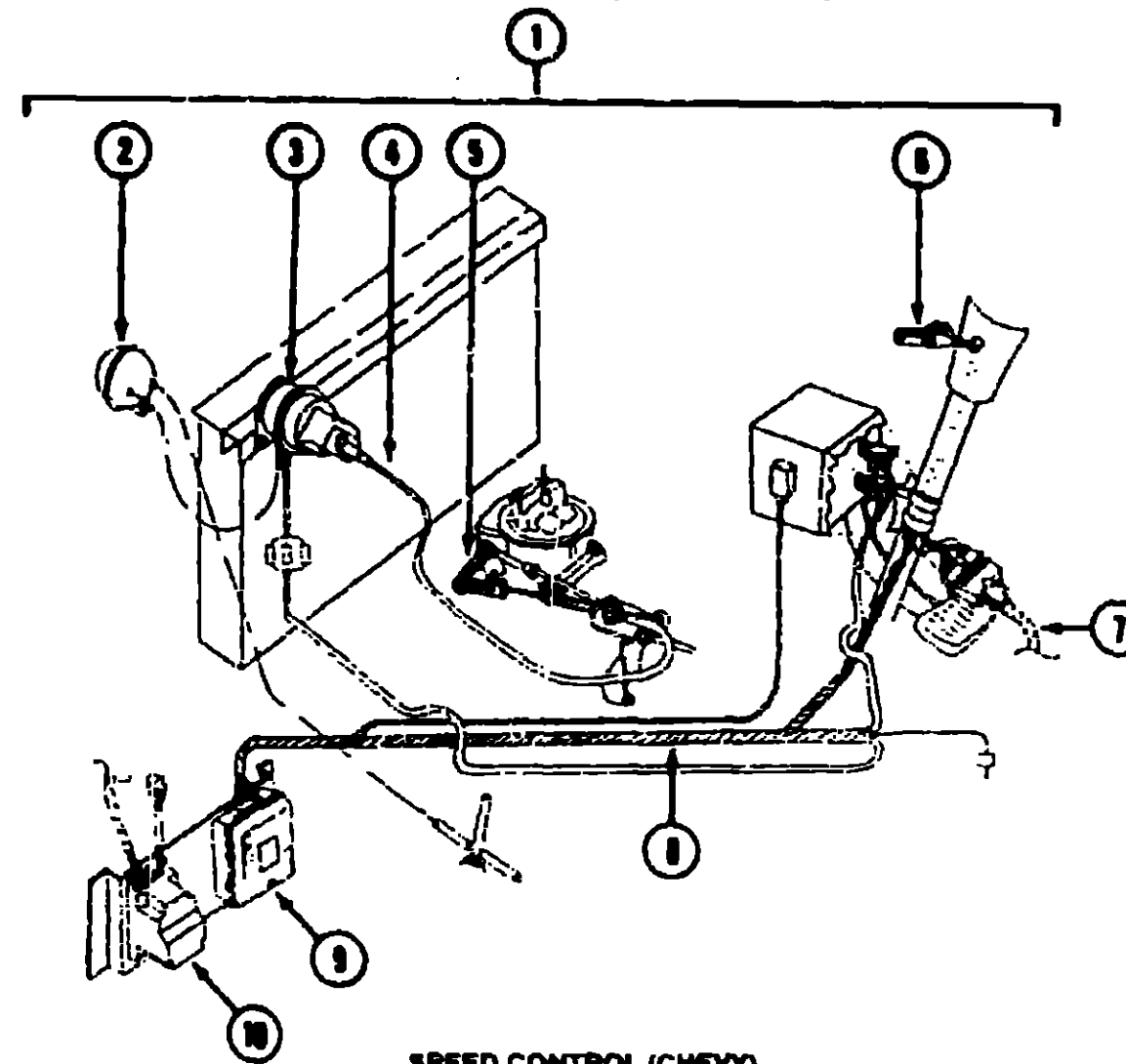
FLOOR PLAN	E-19 - E-20
ACCESSORIES	E-21
AUDIO VIDEO	E-22 - E-24
BATH	F-01 - F-02
BEDROOM	F-03 - F-04
CHASSIS	F-05 - F-16
CURTAIN & CUSHION	F-17 - G-02
DINETTE	G-03 - G-06
DRIVERS COMPARTMENT	G-07 - G-10
ELECTRICAL	G-11 - G-16
EXTERIOR BODY	G-17 - G-24
GALLEY	H-01 - H-05
GENERATOR	H-06 - H-07
HEATING & A/C	H-08 - H-12
INTERIOR FINISH	H-13 - H-16
LABELS	H-17 - H-20
LP	H-24
LOUNGE	I-01 - I-03
SEALANTS & FASTENERS	I-04 - I-08
WATER & SEWAGE	I-09 - I-11
WINDOW, VENT &	
EXTERIOR DOOR	I-12 - I-24
WINDSHIELD & WIPER	J-01 - J-02

CHASSIS GROUP (CONTINUED)
LEVELING & SUSPENSION SYSTEMS

CHASSIS GROUP (CONTINUED)

1993 ITASCA
TABLE OF CONTENTS

INTRODUCTION	A-01 - A-02
ABBREVIATIONS	A-03
ALPHABETICAL INDEX	A-04 - A-06
ICG349Q	A-07 - E-18
ICG349A	E-19 - J-02



SPEED CONTROL (CHEVY)

1993 ICG349A INDEX

FLOOR PLAN	E-19 - E-20
ACCESSORIES	E-21
AUDIO VIDEO	E-22 - E-24
BATH	F-01 - F-02
BEDROOM	F-03 - F-04
CHASSIS	F-05 - F-16
CURTAIN & CUSHION	F-17 - G-02
DINETTE	G-03 - G-06
DRIVERS COMPARTMENT	G-07 - G-10
ELECTRICAL	G-11 - G-16
EXTERIOR BODY	G-17 - G-24
GALLEY	H-01 - H-05
GENERATOR	H-06 - H-07
HEATING & A/C	H-08 - H-12
INTERIOR FINISH	H-13 - H-16
LABELS	H-17 - H-23
LP	H-24
LOUNGE	I-01 - I-03
SEALANTS & FASTENERS	I-04 - I-06
WATER & SEWAGE	I-09 - I-11
WINDOW, VENT &	
EXTERIOR DOOR	I-12 - I-24
WINDSHIELD & WIPER	J-01 - J-02

KEY	PART NUMBER	U/M DESCRIPTION	DANA
1	102362-01-000	EA SPEED CONTROL	DANA 59L-111010B
1	102362-04-000	EA SPEED CONTROL	FROM: 00-00-00 THRU: 10-01-92 DANA 59L-111010B
2	094369-01-705	EA VACUUM RESERVOIR	FROM: 10-02-92 THRU: 00-00-00 DANA 59C-02249
3	094369-01-706	EA SERVO	DANA 53D-11116-R
4	094369-01-700	EA CABLE & SERVO	DANA 59C-2262
5	102362-01-706	EA THROTTLE STUD	DANA 59A-02979
6	102362-01-707	EA SWITCH & LEVER - CONTROL	DANA 53D-08X63-F
7	102362-01-703	EA HARNESS - PIVOT SW TO WIPER CONTROL	DANA 59C-02973
8	102362-01-704	EA HARNESS - MAIN WIRING	DANA 59D-02975
9	102362-01-701	EA REGULATOR - ELECTRONIC	DANA 57C-08X13-R
10	102362-01-702	EA WIPER MODULE	DANA 59C-02279
	094863-01-704	EA HOUSING - 4 PIN	DANA 59C-022

STEP ASSEMBLIES

KEY	PART NUMBER	U/M DESCRIPTION	KWIKEE
	094707-01-01A	EA STEP - DOUBLE - ELECTRIC	KWIKEE 3218
	041250-01-000	EA SWITCH - PUSH BUTTON - IN DOOR JAMB - METAL - CHROME	
	094707-02-700	EA MOTOR REPLACEMENT KIT - MODELS 32 & 28	KWIKEE 9520
	094707-02-701	EA LINKAGE ASM - MODEL 32	KWIKEE 9523
	094707-02-702	EA GEAR KIT	KWIKEE 9525
	094707-02-703	EA PARTS KIT - (BEARINGS & PINS)	KWIKEE 9530
	094707-02-704	EA CONNECTOR KIT - MOTOR	KWIKEE 9537
	094707-02-705	EA CONTROL UNIT - (ORANGE)	KWIKEE 9513
	100312-01-000	EA SWITCH - DOOR JAMB - ELECTRIC ENTRY STEP - METAL	
	104467-01-02A	EA STEP ASM - PULLOUT DOUBLE 20" - BLACK	
	106251-01-C07	EA TRIM - STEPWELL - OFF WHITE	

KEY	PART NUMBER	U/M DESCRIPTION	HWH
	100532-02-000	EA LEVELING SYSTEM-HYDRAULIC	HWH AP8156
	100533-08-000	EA BRACKETS-FRONT LEVELING JACK	HWH AP7180 (FORD)
	100534-08-000	EA BRACKETS-REAR LEVELING JACK	HWH AP8857
	100536-11-000	EA HOSE KIT	HWH #AP0013
	084086-01-000	EA AIRSPRING-BELLOWS, REAR AXLE - FIRESTONE#	WBA-89 OE
	084086-01-700	EA BELLOWS-AIRSPRING, AIR BAG ONLY - FIRESTONE	W21-760-0335
	084086-01-701	EA TUBING-DOT 1/4" X 18" - FIRESTONE#	21-0938
	084086-01-702	EA BOLT-RIBBED NECK, 3/8" X 2.5" FIRESTONE#	21-0829
	084086-01-703	EA VALVE-INFLATING, DOT 1/4 TUBING - FIRESTONE	21-0931
	084086-01-704	EA CONNECTOR-ELBOW, FIRESTONE#	21-0935
	084086-01-705	EA PROTECTORS-TUBING, FIRESTONE#	21-0899
	084086-01-706	EA BRACKET-UPPER TO FRAME, FIRESTONE#	21-0130
	084086-01-707	EA BRACKET-LOWER, TOP - FIRESTONE#	21-1162
	084086-01-708	EA AIRLINE SERVICE KIT, FIRESTONE#	W21-760-2012
	084086-01-709	EA SHIELD-HEAT, 224 CR SYSTEM-FIRESTONE	21-1004
	084086-01-713	EA BRACKET-AXLE STRAP, FIRESTONE	21-1163
	100332-01-C00	EA PLATE-VALVE, AIR SPRING	
	084086-05-000	EA AIRSPRING-RIDE RITE KIT	W217602075
	084086-05-700	EA BELLOWS-AIRSPRING, AIR BAG ONLY-FIRESTONE	W21-760-0335
	084086-01-701	EA TUBING-DOT 1/4" X 18" - FIRESTONE#	21-0938
	084086-05-701	EA UPPER BRACKET "A"	5097
	084086-05-702	EA LOWER BRACKET "B"	5096
	084086-05-703	EA BRACKET CLAMP	5098
	084086-05-704	EA CARRIAGE BOLT 3/8" 16X4 1/2"	5086
	084086-05-705	EA INFLATION VALVE	21-0899
	084086-05-706		3032

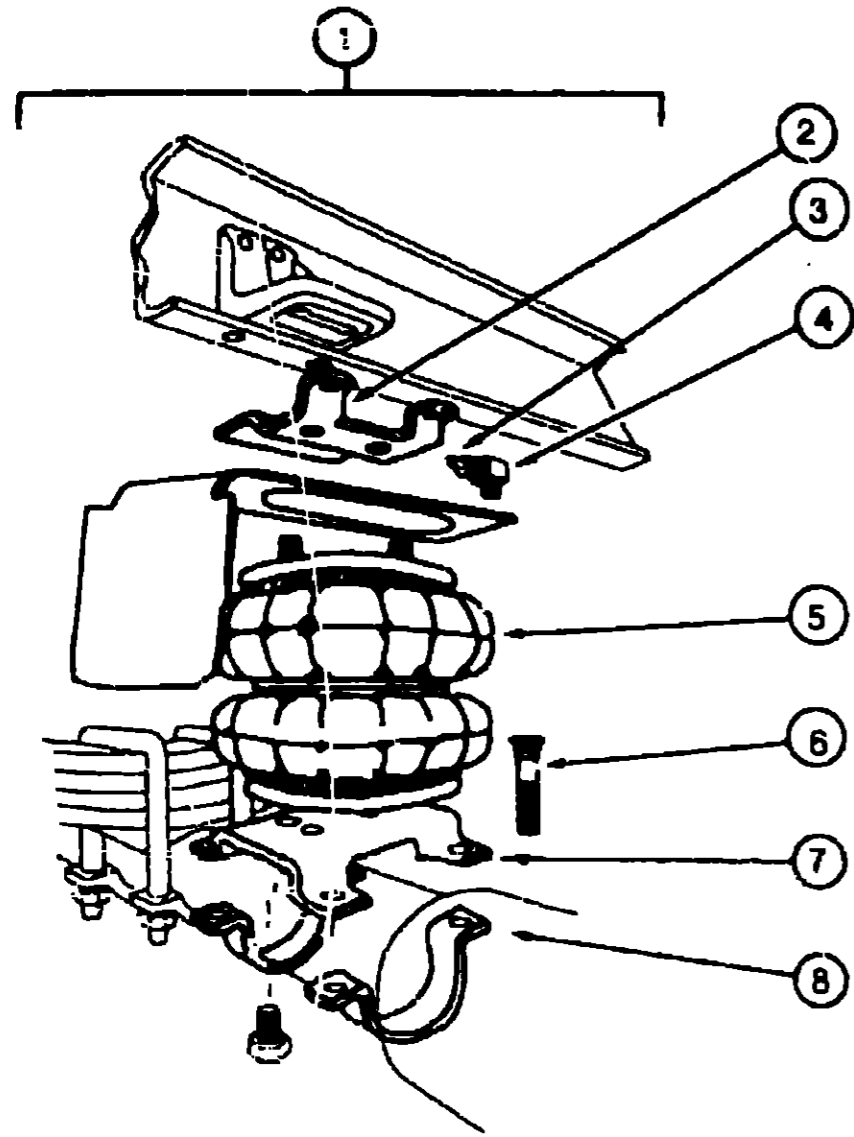
LEVELING JACKS, HYDRAULIC (CHEVY)

KEY	PART NUMBER	U/M DESCRIPTION	HWH
	100532-02-000	EA LEVELING SYSTEM-HYDRAULIC	HWH AP8156
	100533-05-000	EA BRACKETS-FRONT LEVELING JACK	HWH AP7107 (GM)
	100534-05-000	EA BRACKETS-REAR, LEVELING JACKS	HWH AP6656
	100534-08-000	EA BRACKETS-REAR LEVELING JACK	FROM 00-00-00 THRU: 09-29-92 HWH AP0216
	100534-10-000	EA BRACKETS-REAR, LEVELING JACKS	FROM 10-01-92 THRU 06-06-93 HWH AP0506
	100536-11-000	EA HOSE KIT - HWH #AP0013	FROM 06-07-93 THRU: 99-99-99

FRONT GAS SHOCKS (CHEVY)

KEY	PART NUMBER	U/M DESCRIPTION	HWH
	104993-01-000	EA SHOCK ABSORBER-GAS, P30 FRONT - BILSTEIN	B46-1173
	100332-01-000	EA PLATE-VALVE, AIR SPRING	

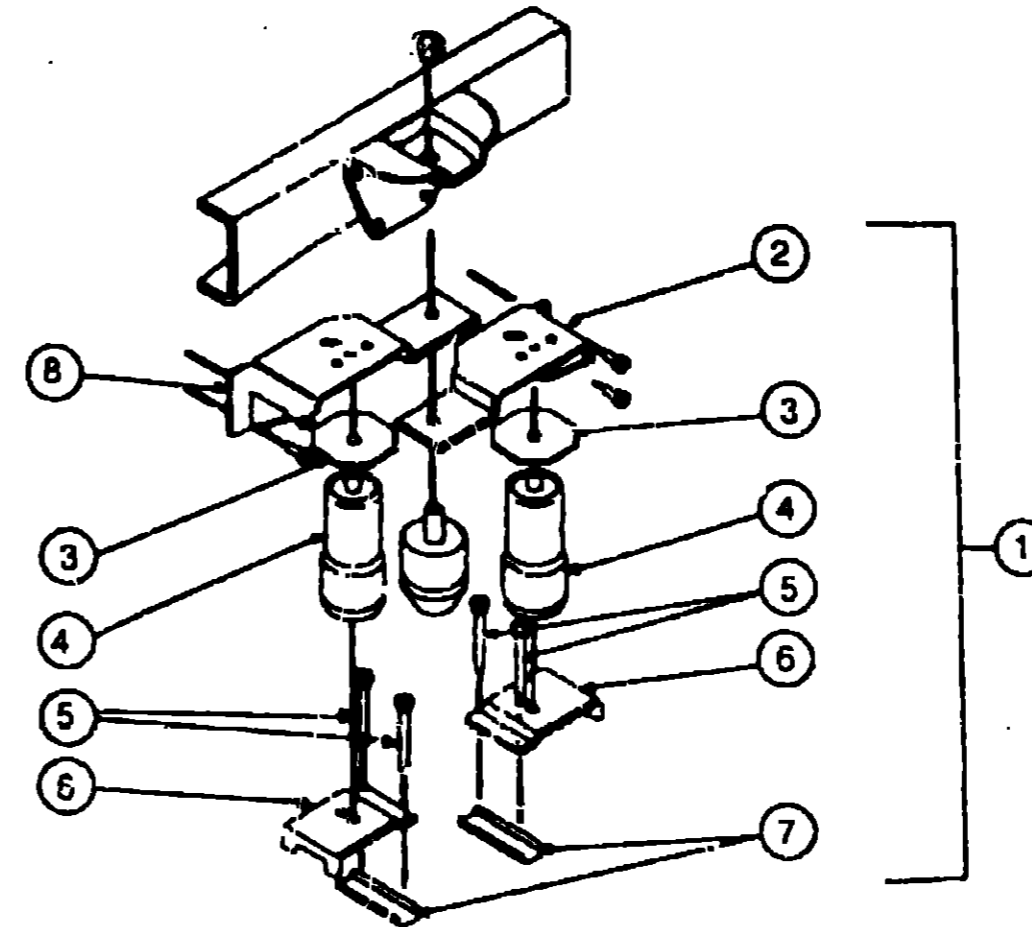
CHASSIS GROUP (CONTINUED)



REAR AXLE AIRSPRING, CHEVY (FIRESTONE) (FROM: 60-00-00 THRU: 82-09-29)

KEY	PART NUMBER	U/M DESCRIPTION	
1	084086-01-000	EA BELLOW AIRSPRING ASM - REAR AXLE	WBA-89 OE
2	084086-01-705	EA BRACKET - UPPER TO FRAME	21-0150
3	084086-01-701	EA TUBING - DOT 1/4" X 18'	21-0933
4	084086-01-704	EA CONNECTOR - ELBOW	21-0235
5	084086-01-700	EA BELLOWS - AIRSPRING - AIR BAG ONLY	W21-760-0335
6	084086-01-702	EA BOLT - RIBBED NECK - 3/8" X 4 X 2 5"	21-0829
7	084086-01-707	EA BRACKET - LOWER - TOP	21-1152
8	084086-01-713	EA BRACKET - AXLE STRAP	21-1163
	100332-01-000	EA PLATE - VALVE - AIR SPRING	
	084086-01-708	EA AIRLINE SERVICE KIT	W21-760-2012
	084086-01-709	EA SHIELD - HEAT - 224 CR SYSTEM	21-1004
	084086-01-703	EA VALVE - INFLATING - DOT 1/4 TUBING	21-0931
	084086-01-705	EA PROTECTORS - TUBING	21-0855

CHASSIS GROUP (CONTINUED)



REAR AXLE AIRSPRING, CHEVY (RIDE RITE) (FROM: 82-10-02-92 THRU: 99-09-09)

KEY	PART NUMBER	U/M DESCRIPTION	
1	084086-05-000	EA AIRSPRING - RIDE RITE KIT	W217602075
2	084086-05-701	EA UPPER BRACKET "A"	5097
3	084086-05-707	EA SUPPORT PLATE	5098
4	084086-05-700	EA BELLLOWS (ONLY AIR BAG)	7-12
5	084086-05-705	EA CARRIAGE BOLT 3/8" 16X4 1/2"	21-0899
6	084086-05-703	EA LOWER BRACKET	5098
7	084086-05-704	EA BRACKET CLAMP	5086
8	084086-05-702	EA UPPER BRACKET "B"	5095
	084086-05-705	EA INFLATION VALVE	3032
	084086-01-701	EA TUBING - DOT 1/4" X 18'	21-0938

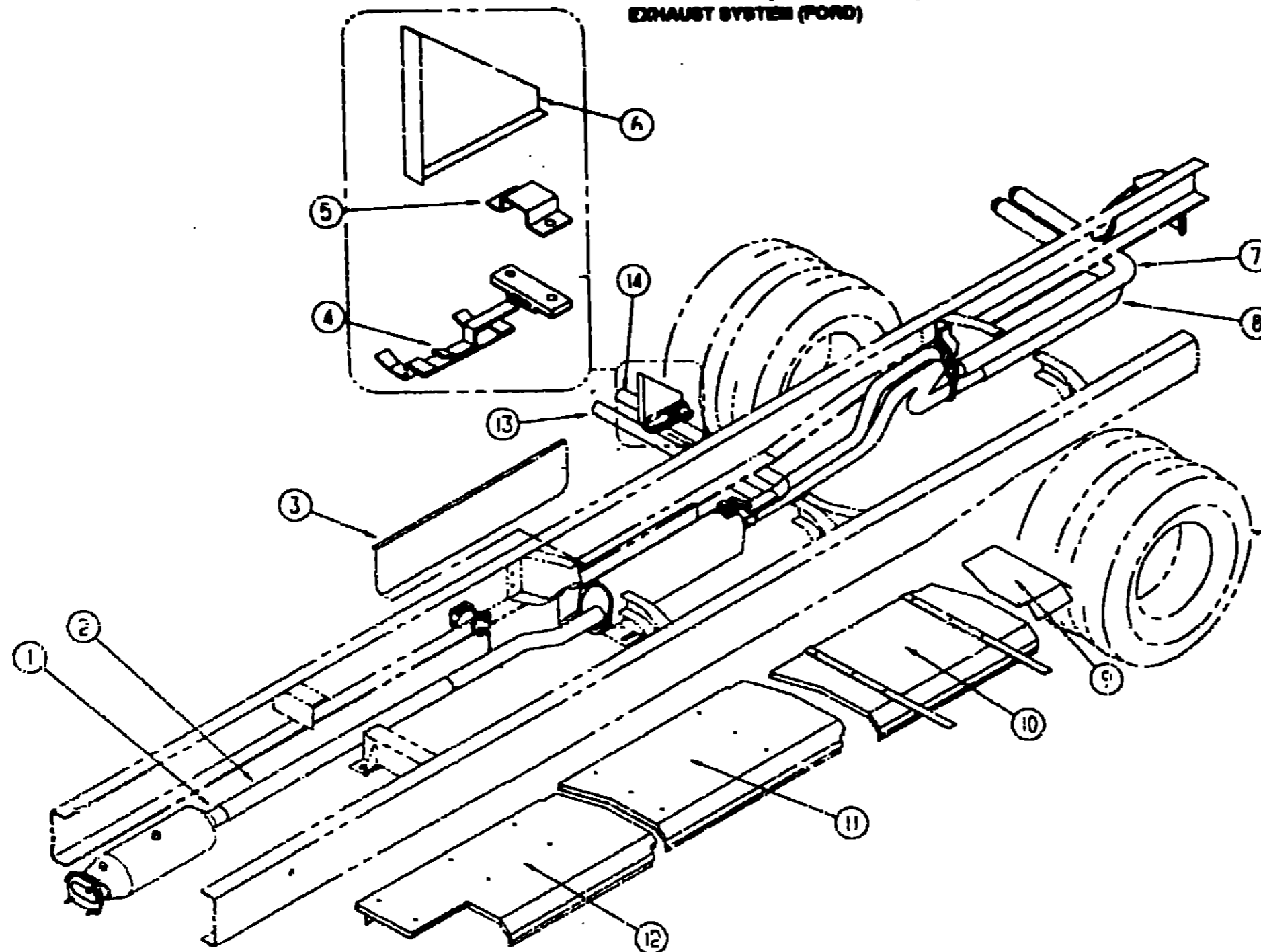
1993 ITASCA
TABLE OF CONTENTS

INTRODUCTION	A-01 - A-02
ABBREVIATIONS	A-03
ALPHABETICAL INDEX	A-04 - A-06
ICG34RO	A-07 - E-18
ICG34RA	E-19 - J-02

1993 ICG34RA INDEX

FLOOR PLAN	E-19 - E-20
ACCESSORIES	E-21
AUD'IO VIDEO	E-22 - E-24
BATH	F-01 - F-02
BEDROOM	F-03 - F-04
CHASSIS	F-05 - F-16
CURTAIN & CUSHION	F-17 - G-02
DINETTE	G-03 - G-08
DRIVERS COMPARTMENT	G-07 - G-10
ELECTRICAL	G-11 - G-16
EXTERIOR BODY	G-17 - G-24
GALLEY	H-01 - H-05
GENERATOR	H-06 - H-07
HEATING & A/C	H-08 - H-12
INTERIOR FINISH	H-13 - H-16
LABELS	H-17 - H-23
LP	H-24
LOUNGE	I-01 - I-03
SEALANTS & FASTENERS	I-04 - I-08
WATER & SEWAGE	I-09 - I-11
WINDOW, VENT &	
WINDSHIELD & WIPER	I-12 - I-24
	J-01 - J-02

CHASSIS GROUP (CONTINUED)
EXHAUST SYSTEM (FORD)



1983 ITASCA
TABLE OF CONTENTS

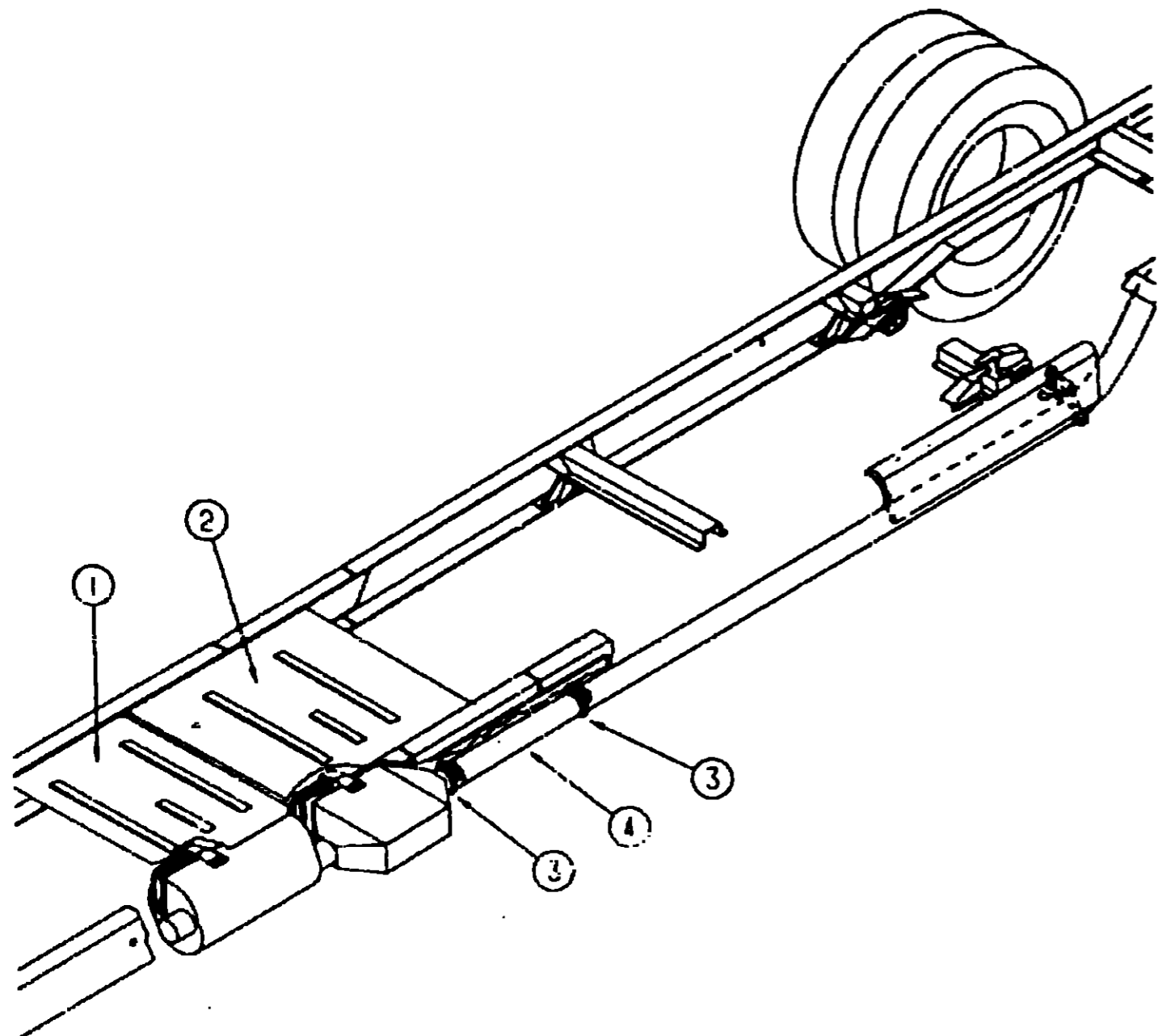
INTRODUCTION	A-01 - A-02
ABBREVIATIONS	A-03
ALPHABETICAL INDEX	A-04 - A-06
ICG34RQ	A-07 - E-18
ICG34RA	E-19 - J-02

1983 ICG34RA INDEX

FLOOR PLAN	E-19 - E-20
ACCESSORIES	E-21
AUDIO VIDEO	E-22 - E-24
BATH	F-01 - F-02
BEDROOM	F-03 - F-04
CHASSIS	F-05 - F-16
CURTAIN & CUSHION	F-17 - G-02
DINETTE	G-03 - G-06
DRIVERS COMPARTMENT	G-07 - G-10
ELECTRICAL	G-11 - G-16
EXTERIOR BODY	G-17 - G-24
GALLEY	H-01 - H-05
GENERATOR	H-06 - H-07
HEATING & A/C	H-08 - H-12
INTERIOR FINISH	H-13 - H-15
LABELS	H-17 - H-23
LP	H-24
LCUNGE	I-01 - I-03
SEALANTS & FASTENERS	I-04 - I-08
WATER & SEWAGE	I-09 - I-11
WINDOW, VENT & EXTERIOR DOOR	I-12 - I-24
WINDSHIELD & W/PER	J-01 - J-02

KEY	PART NUMBER	U/M DESCRIPTION
1	094912-03-000	EA CLAMP - EXHAUST PIPE - 2 5"
2	096753-13-000	EA PIPE - EXHAUST - OFFSET - 15 2' LONG - 2 5" ID
3	109778-01-000	EA SHIELD - HEAT - LP
4	107987-01-000	EA HANGER ASM - EXHAUST
	096055-02-000	EA SUPPORT - EXHAUST PIPE - 1" X 1 5/8"
	007125-07-000	EA CLAMP - MUFFLER - 2 5" DIAMETER
5	095190-01-000	EA HANGER - EXHAUST - 4" X 1 1/4"
5	096207-04-000	EA SUPPORT ASM - EXHAUST
6	102117-03-000	EA HANGER ASM - TAILPIPE
	007125-11-000	EA CLAMP - MUFFLER - 2 7/8" DIAMETER
7	106577-02-000	EA TAIL PIPE - EXHAUST
8	106577-01-000	EA TAIL PIPE - EXHAUST
9	099430-01-000	EA SHIELD - EXHAUST - REAR - 14" X 19 1/2" - FROM EDGE TO BEND
10	098795-02-000	EA SHIELD - EXHAUST 15 6 7/8" X 35 3/8"
11	096795-03-000	EA SHIELD - EXHAUST - GALVANIZED STEEL
12	098796-02-000	EA SHIELD - EXHAUST - CONVERTER
12	098795-07-000	EA SHIELD - EXHAUST - CONVERTER
		FROM 00-00-10 THRU. 02-14-93
		FROM 02-15-93 THRU 99-99-99
13	107755-01-000	EA TAIL PIPE - EXHAUST
14	107755-02-000	EA TAIL PIPE - EXHAUST
	096054-01-000	EA SUPPORT - EXHAUST PIPE - BENT - 2 6" X 3/4" - STEEL
	096147-03-000	EA SUPPORT - SHIELD - EXHAUST - 1 5" X 29 2" - STEEL - PRIMED

CHASSIS GROUP (CONTINUED)



EXHAUST SYSTEM (CHEVY)

KEY	PART NUMBER	U/M DESCRIPTION
1	101544-01-000	EA SHIELD - HEAT - EXHAUST - 19 7" X 28 9" - STEEL
2	101544-02-000	EA SHIELD - HEAT - EXHAUST - 30" X 28 9" - STEEL
3	094919-01-000	EA CLAMP - EXHAUST - 3"
4	096752-05-000	EA PIPE - EXHAUST - STRAIGHT
	107754-01-000	EA PIPE-EXHAUST, TAIL GM USED W/LEVELING JACKS

CHASSIS GROUP (CONTINUED)

WHEEL LINERS 19.5" CHEVY

KEY	PART NUMBER	U/M DESCRIPTION
	077030-02-000	EA EXTENSION-VALVE STEM, 1.25"
	091209-01-000	EA LINER-WHEEL, 19.5" - SST - SET OF 4 - KAPER 1954-10N
	091209-01-700	EA LINER-WHEEL, 19.5" FRONT - 10 LUG - CHEVY P-30
	091209-01-701	EA LINER-WHEEL, 19.5" REAR - 10 LUG - CHEVY P-30
	091209-01-702	EA COVER-AXLE, 19.5" FRONT - 10 LUG - CHEVY P-30
	091209-01-703	EA COVER-AXLE, 19.5" REAR - 10 LUG - CHEVY P-30
	091209-01-704	EA COVER-LUG NUT - LUG NUT COVER - NO SHOULDER OR FLANGE AT BASE
	095012-03-000	EA EXTENSION-VALVE STEM, DUAL WHEEL
	095012-04-000	EA STABILIZER-VALVE EXTENSION DICOR AG-STA-2
	083181-12-000	EA RETAINER-WHEEL COVER, 19.5" CHEVY - SET OF 4 - DELMET
	083181-12-700	EA RETAINER-WHEEL COVER, FRONT - 19.5 CHEVY - DELMET
	083181-12-701	EA RETAINER-WHEEL COVER, REAR - 19.5 CHEVY - DELMET
	M00080-38-000	EA TIRE & VALVE STEM - RIM PROVIDED BY CHASSIS SUPPLIER
	067324-04-000	EA TIRE-OR 19.5 LRD, MICHELIN XZA
	051377-01-000	EA STEEL-VALVE, TR 500
	083181-03-000	EA WHEEL COVER-4/SET 19.5 IN DELMET-DMAS195
	053181-03-700	EA COVER-WHEEL, 19.5 - 10 LUG - CHEVY - 1 ONLY

WHEEL LINERS-CHEVY 16" FORD

KEY	PART NUMBER	U/M DESCRIPTION
	077030-02-000	EA EXTENSION-VALVE STEM, 1.25"
	091209-06-700	EA LINER-WHEEL FRONT - 16" - FORD - KAPER
	091209-06-701	EA LINER-WHEEL REAR - 16" - FORD - KAPER
	091209-06-702	EA COVER-AXLE, FRONT - 16" - FORD - KAPER
	091209-06-703	EA COVER-AXLE, REAR - 16" - FORD - KAPER
	091209-06-704	EA COVER-LUG NUT, 16" - FORD - KAPER
	091209-08-700	EA LINER-WHEEL, 16" FRONT W/AXLE COVER - 10 LUG - FORD
	091209-08-701	EA LINER-WHEEL, 16" REAR - 10 LUG - FORD
	091209-08-702	EA COVER-AXLE, 16" REAR - FORD
	091209-01-704	EA COVER-LUG NUT
	095012-03-000	EA EXTENSION-VALVE STEM, DUAL WHEEL
	095012-04-000	EA STABILIZER-VALVE EXTENSION DICOR AG-STA-2

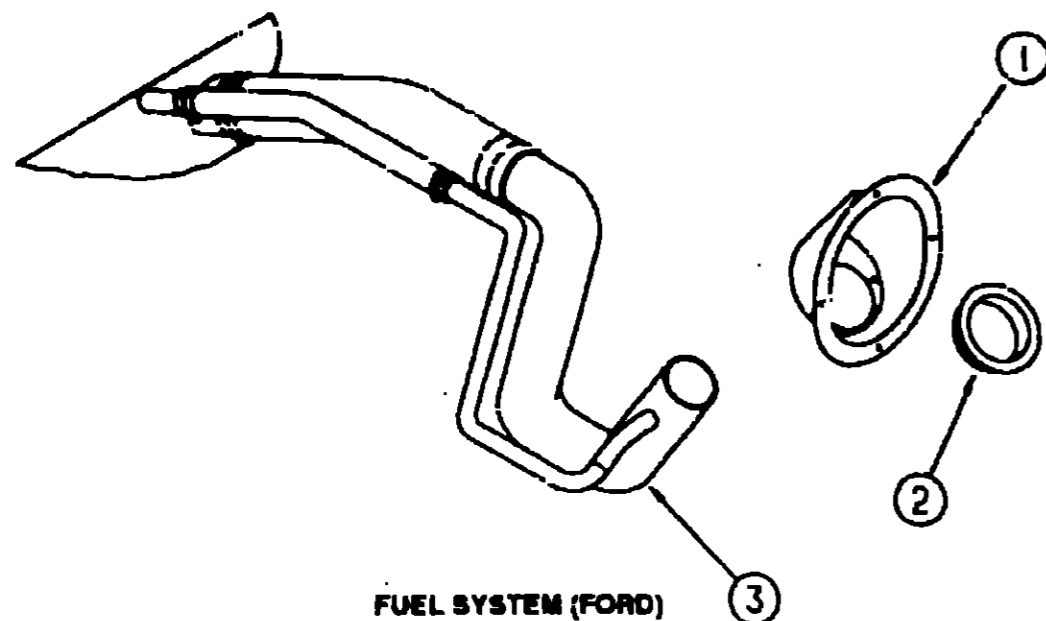
**1993 ITASCA
TABLE OF CONTENTS**

INTRODUCTION	A-01 - A-02
ABBREVIATIONS	A-03
ALPHABETICAL INDEX	A-04 - A-06
ICG34RO	A-07 - E-18
ICG34RA	E-19 - J-02

1993 ICG34RA INDEX

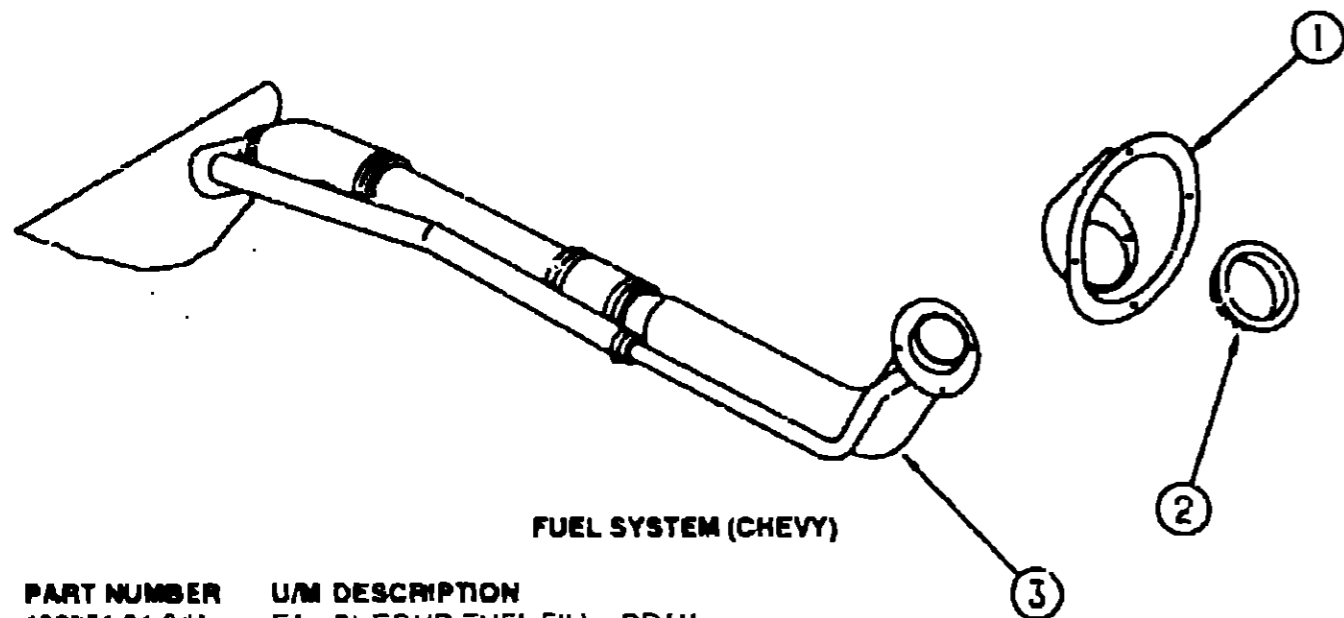
FLOOR PLAN	E-19 - E-20
ACCESSORIES	E-21
AUDIO VIDEO	E-22 - E-24
BATH	F-01 - F-02
BEDROOM	F-03 - F-04
CHASSIS	F-05 - F-15
CURTAIN & CUSHION	F-17 - G-02
DINETTE	G-03 - G-06
DRIVERS COMPARTMENT	G-07 - G-10
ELECTRICAL	G-11 - G-16
EXTERIOR BODY	G-17 - G-24
GALLEY	H-01 - H-05
GENERATOR	H-06 - H-07
HEATING & A/C	H-08 - H-12
INTERIOR FINISH	H-13 - H-16
LABELS	H-17 - H-23
LP	H-24
LOUNGE	I-01 - I-03
SEALANTS & FASTENERS	I-04 - I-08
WATER & SEWAGE	I-09 - I-11
WINDOW, VENT & EXTERIOR DOOR	I-12 - I-24
WINDSHIELD & WATER	J-01 - J-02

CHASSIS GROUP (CONTINUED)



FUEL SYSTEM (FORD)

KEY	PART NUMBER	U/M DESCRIPTION
1	102951-01-04A	EA SHROUD-FUEL FILL - GRAY
2	079200-01-000	EA GASKET - FUEL FILL - 3.5"OD X 2"ID
3	095607-01-000	EA NECK ASM - FUEL FILL
	007063-01-000	FT HOSE - GAS 1/4"ID X 1/2"OD
	075466-01-000	EA UNION - INVERTED FLARE TUBE, 1/4"
	075467-01-000	EA NUT - INVERTED FLARE - 1/4"



FUEL SYSTEM (CHEVY)

KEY	PART NUMBER	U/M DESCRIPTION
1	102951-01-04A	EA SHROUD-FUEL FILL - GRAY
2	079200-01-000	EA GASKET - FUEL FILL - 3.5"OD X 2"ID
3	087256-02-000	EA NECK ASM - FUEL FILL
	007063-01-000	FT HOSE - GAS 1/4"ID X 1/2"OD
	075466-01-000	EA UNION - INVERTED FLARE TUBE, 1/4"
	075467-01-000	EA NUT - INVERTED FLARE - 1/4"

FUEL SYSTEM PARTS

KEY	PART NUMBER	U/M DESCRIPTION
	034884-01-000	EA PLUG-BRASS, 3/8"
	074800-18-000	EA TUBE-EXTENSION, MAIN FUEL - 208 TO 228
	098758-02-000	EA FUEL LINE ASM-RETURN, 5/16" 508 LONG
	098777-02-000	EA FUEL LINE ASM-SUPPLY, 3/8" 508 LONG
	098779-01-000	EA COUPLER-FUEL LINE M14X1 5-6H GM 15550219
	098779-02-000	EA COUPLER-FUEL LINE M16X1 5-6H

CHASSIS GROUP (CONTINUED)

LUG WRENCH

KEY	PART NUMBER	U/M DESCRIPTION
	080208-01-000	EA LUG WRENCH - 1.06 X 1.00 (CHEVY)
	080208-02-000	EA BAR - LEVERAGE - LUG WRENCH (CHEVY)

FORD DRIVESHAFT

KEY	PART NUMBER	U/M DESCRIPTION
	074833-01-000	EA SPACER-BEARING, DRIVE SHAFT
	095511-02-000	EA DRIVESHAFT-FRONT, FORD 228WB

CHEVY DRIVESHAFT

KEY	PART NUMBER	U/M DESCRIPTION
	075302-25-000	EA DRIVESHAFT ASM - 20/21 CHEV 228'3S RR 91
	075302-09-000	EA DRIVESHAFT ASM - YOKEYOKE - 50"

COMPARTMENTS & TRAYS

KEY	PART NUMBER	U/M DESCRIPTION
	017513-01-000	EA FLAP-MUD, 14" X 18" - BLACK
	020167-04-000	EA GUARD-DIRT
	020167-05-000	EA GUARD-DIRT
	055374-01-000	EA WHEELWELL-PLASTIC
	056746-01-000	EA PLUG-CAP, 1" DIAMETER
	065450-05-000	EA TIEDOWN-BATTERY, 5.4" TUBE
	077848-01-000	EA STEP-PULLOUT, W/BRACKETS - BLACK
	092887-01-000	EA HATCH-COMPARTMENT, SEWER HOSE - 6"
	092887-03-000	EA CAP-TWIST HATCH, SEWER HOSE - 4" ID - BEIGE
	092887-04-000	EA CHAIN-TWIST CAP, 9"
	093287-03-01A	EA NET-CARGO
	094657-02-000	EA TRAY-GENERATOR, 22.5" X 30.4" X 6.9" W/ANGLE & NUTS
	109778-01-000	EA SHIELD-TANK, LP

ENTERTAINMENT COMPARTMENTS

KEY	PART NUMBER	U/M DESCRIPTION
	104742-01-007	EA STORAGE COMPARTMENT ASM
	104897-01-01A	EA BOX-ENTERTAINMENT CENTER O/W
	104898-01-01A	EA PLATE-PLASTIC BOTTOM O/W
	104899-01-01A	EA PLATE-RADIO MOUNTING
	105230-01-009	EA SHELF ASM-EXTERIOR TV
	105230-11-005	EA SHELF ASM W/O HARDWARE
	105230-12-009	EA SUPPORT ASM
	105377-01-01A	EA BRACKET-TABLE HANGER O/W

**1993 ITASCA
TABLE OF CONTENTS**

INTRODUCTION	A-01 - A-02
ABBREVIATIONS	A-03
ALPHABETICAL INDEX	A-04 - A-06
ICG34RO	A-07 - E-18
ICG34RA	E-19 - J-07

1993 ICG34RA INDEX

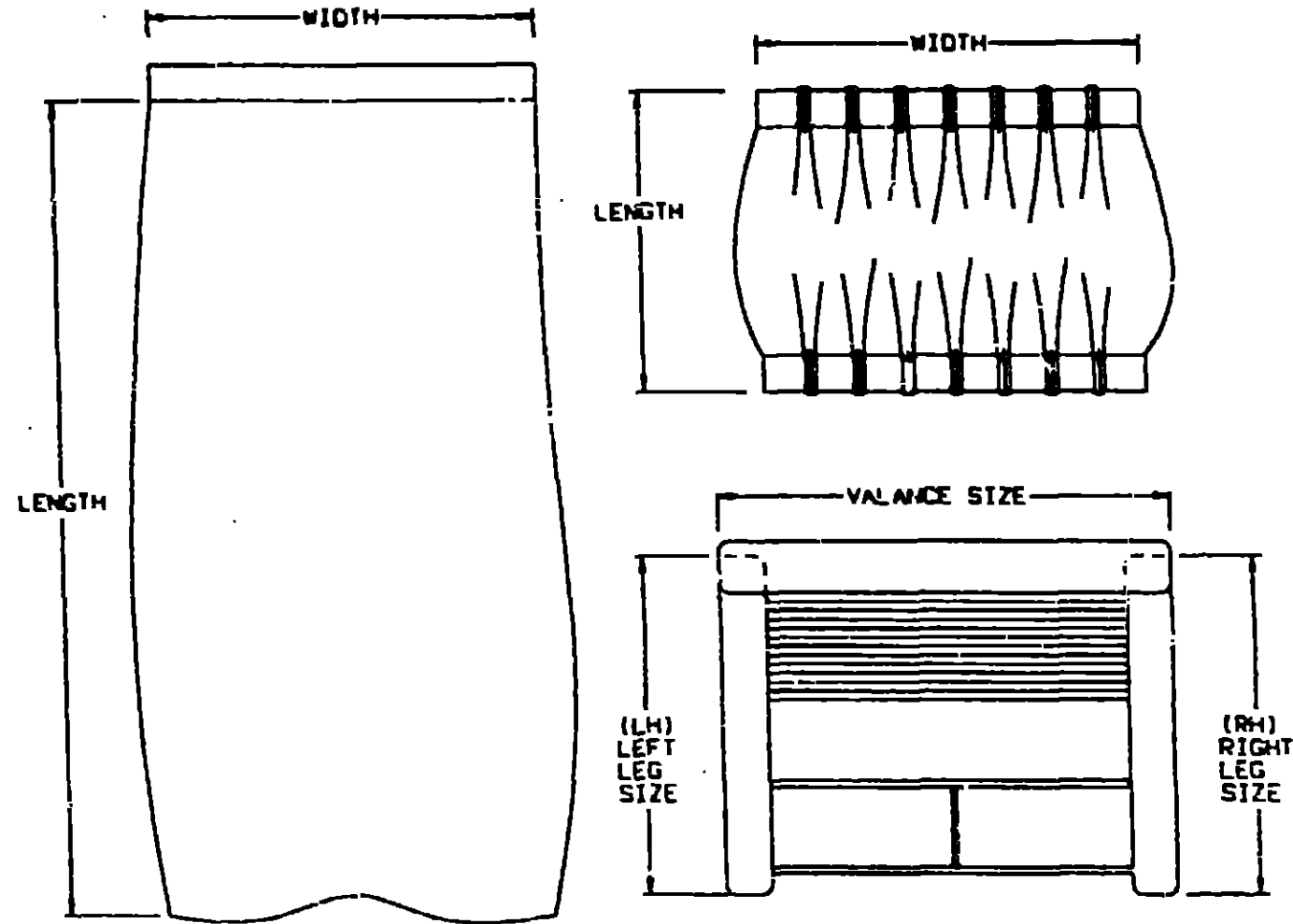
FLOOR PLAN	E-19 - E-20
ACCESSORIES	E-21
AUDIO VIDEO	E-22 - E-24
BATH	F-01 - F-02
BEDROOM	F-03 - F-04
CHASSIS	F-05 - F-16
CURTAIN & CUSHION	F-17 - G-02
DINETTE	G-03 - G-06
DRIVERS COMPARTMENT	G-07 - G-10
ELECTRICAL	G-11 - G-16
EXTERIOR BODY	G-17 - G-24
GALLEY	H-01 - H-05
GENERATOR	H-06 - H-07
HEATING & A/C	H-08 - H-12
INTERIOR FINISH	H-13 - H-16
LABELS	H-17 - H-23
LP	H-24
LOUNGE	I-01 - I-03
SEALANTS & FASTENERS	I-04 - I-08
WATER & SEWAGE	I-09 - I-11
WINDOW, VENT &	
EXTERIOR DOOR	I-12 - I-24
WINDSHIELD & WIPER	J-01 - J-02

CURTAIN & CUSHION GROUP

NOTICE

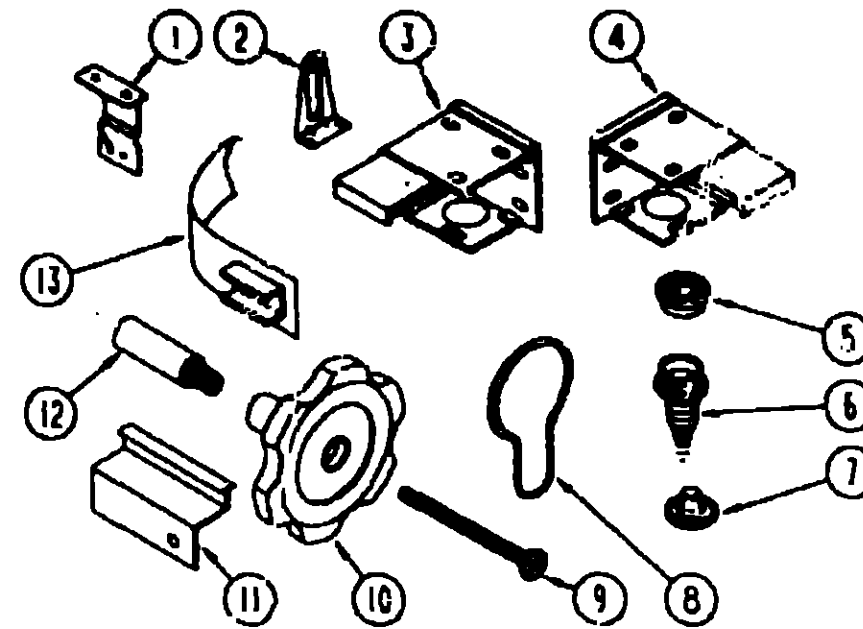
IN ORDER TO ASSIST OUR PARTS SALES DEPT. IN PROVIDING INTERIOR SOFTGOODS ITEMS, PLEASE INCLUDE THE SERIAL NUMBER AND THE COLOR CODE NUMBER FROM THE VEHICLE CERTIFICATION LABEL WHEN ORDERING. THIS LABEL IS LOCATED ON THE LEFT SIDEWALL AT THE END OF THE DASH (A-BODY), OR ON THE DRIVER'S DOOR LATCH PLATE (C-BODY).

AN EXAMPLE OF A COLOR CODE NUMBER IS B07, WHICH DESIGNATES AN OVERALL COLOR SCHEME OF A PARTICULAR UNIT. THE COLOR LISTED AFTER THE ITEM DESCRIPTION ON THE MICROFICHE, INDICATES THE OVERALL UNIT COLOR. ORDER THE ITEM YOU DESIRE ACCORDING TO UNIT COLOR CODE



NOTE USE THIS ILLUSTRATION WHEN DETERMINING LENGTH AND WIDTH MEASUREMENTS FOR CURTAINS. YOU WILL NOTE THE WIDTH MEASUREMENT IS TAKEN ON THE TOP OF THE CURTAIN WITH THE CURTAIN FULLY EXTENDED. THE LENGTH MEASUREMENT IS TAKEN FROM TOP TO BOTTOM. LEFT AND RIGHT WINDOW LEGS ARE DETERMINED WHEN FACING THE WINDOW.

CURTAIN & CUSHION GROUP (CONTINUED)



CURTAIN & BLIND HARDWARE

KEY	PART NUMBER	U/M DESCRIPTION
1	084434-01-000	EA BRACKET - MOUNTING - ROLLER SHADE - 1 3/8"
	096543-01-000	EA SPRING - REVIND - ROLLER SHADE
	106544-01-000	EA SHADE PULL - BRASS
	087253-01-000	EA SHADE PULL - PLASTIC - CLEAR
2	095591-02-000	EA BRACKET - HOLD DOWN - W/PIN - BLIND - METAL
	109441-01-000	EA HOLD DOWN - BLIND, HOOK
		FROM: 00-00-00 THRU: 07-19-92
		FROM: 07-20-92 THRU: 99-99-93
3	083170-01-000	EA BRACKET - BLIND - RIGHT SIDE
4	083170-02-000	EA BRACKET - BLIND - LEFT SIDE
5	029156-01-000	EA SOCKET - SNAP - 9/16" O D
6	029130-01-000	EA SCREW - SNAP SOCKET - 8 FH X 5/8"
7	029155-01-000	EA CAP - SNAP - 5/32" O D OF PIN
8	009136-02-000	EA HANGER - RING - PIN TYPE - CURTAIN - BRASS
	039175-01-000	EA ROD - CAFE - CURTAIN - EXTENDS 48" TO 84"
	039175-02-000	EA BRACKET - CURTAIN ROD - EXTENDING CAFE
	039175-05-000	EA BRACKET - CURTAIN ROD - CENTER CAFE
	046867-01-000	EA GROMMET - BRASS - 7/16" ID X 1" OD
	009439-07-000	EA SCREW - 8-32 X 1 1/4 PH - BLACK
	009439-05-000	EA WINDOW KNOB - BLACK
10	105324-02-01A	EA TRACK - WRAPAROUND CURTAIN - OFF WHITE (PASSENGER SIDE)
11	105324-03-01A	EA TRACK - WRAPAROUND CURTAIN - OFF WHITE (DRIVER SIDE)
12	009439-06-000	EA EXTENSION - WINDOW CONTROL
	048394-02-000	YD VELCRO TAPE - HOOK - ADHESIVE BACK - .75" WIDE - BEIGE
	083792-02-000	YD VELCRO TAPE - LOOP - ADHESIVE BACKED - .75" WIDE - BEIGE
	058716-01-001	EA BRACKET - 90 DEGREE L-ANGLE - 152" - EXTRUDED ALUMINUM
	075943-01-000	EA BRACKET - ANGLE - WHOLESS - 1" X 1 5/8" X 20" - ALUMINUM - BEIGE
	084432-06-000	FT SLAT - ROLLER SHADE - PLASTIC
13	101031-01-000	YD TAPE - GLIDE - CURTAIN - 4.25" SPACING
	102075-06-01A	EA SHOWER ROD
	009112-01-000	EA FLANGE - SHOWER ROD
	093475-01-000	EA WAND - BLIND - W/METAL CLIP - 8" LONG

ASSIST HANDLE & BUTTONS

KEY	PART NUMBER	U/M DESCRIPTION
	059178-02-000	EA BRACKET - MOUNTING - ASSIST HANDLE - L ANGLE - WHOLESS
	000016-07-168	EA BOLT - CARRIAGE - ASSIST HANDLE - 7/16" - 14 X 1" ZN
	000020-07-008	EA NUT - ACORN - ASSIST HANDLE - 7/16" X 14 ZN
	053552-02-AA8	EA HANDLE - ASSIST - INTERIOR - ENTRY DOOR - VINYL - OFF WHITE
	070578-04-Y05	EA BUTTON - SNAP TOP - #30 - VINYL - BEIGE

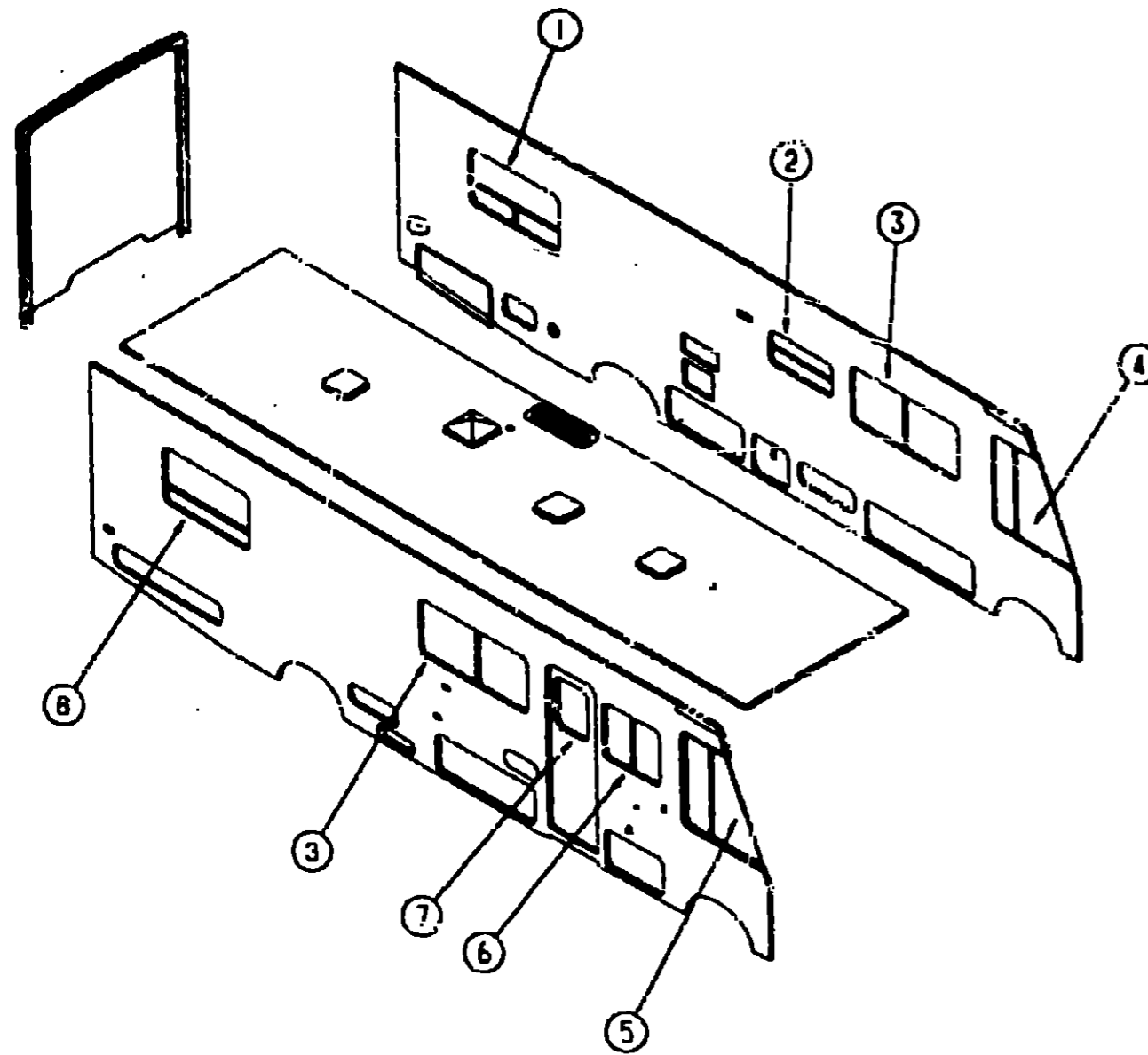
1993 ITASCA TABLE OF CONTENTS

INTRODUCTION	A-01 - A-02
ABBREVIATIONS	A-03
ALPHABETICAL INDEX	A-04 - A-05
ICG34RQ	A-07 - E-18
ICG34RA	E-19 - J-02

1993 ICG34RA INDEX

FLOOR PLAN	E-19 - E-20
ACCESSORIES	E-21
AUDIO VIDEO	E-22 - E-24
BATH	F-01 - F-02
BEDROOM	F-03 - F-04
CHASSIS	F-05 - F-15
CURTAIN & CUSHION	F-17 - G-02
DINETTE	G-03 - G-06
DRIVERS COMPARTMENT	G-07 - G-10
ELECTRICAL	G-11 - G-16
EXTERIOR BODY	G-17 - G-24
GALLEY	H-01 - H-05
GENERATOR	H-06 - H-07
HEATING & AC	H-08 - H-12
INTERIOR FINISH	H-13 - H-15
LABELS	H-17 - H-23
LE	H-24
LOUNGE	I-01 - I-03
SEALANTS & FASTENERS	I-04 - I-08
WATER & SEWAGE	I-09 - I-11
WINDOW, VENT &	
EXTERIOR DOOR	I-12 - I-24
WINDSHIELD & WIPER	J-01 - J-02

CURTAIN & CUSHION GROUP (CONTINUED)
CURTAINS & WINDOW TREATMENT



KEY	PART NUMBER	U/M DESCRIPTION
1	107766-06-D35	EA VALANCE ASM - 52" TWIST
1	107766-06-D36	EA VALANCE ASM - 52" TWIST
1	093475-95-01A	EA BLIND - MINI - 47.5" X 29" DROP
1	100281-82-D35	EA LEG - RIGHT - 31.5" - PLAIN - W/O HOLE
1	100281-82-D36	EA LEG - RIGHT - 31.5" - PLAIN - W/O HOLE
1	100281-83-D35	EA LEG - LEFT - 31.5" - PLAIN - W/O HOLE
1	100281-83-D36	EA LEG - LEFT - 31.5" - PLAIN - W/O HOLE
1	100281-84-D35	EA LEG - 31.5" - W/O HOLE - PLYWOOD
1	100281-84-D36	EA LEG - 31.5" - W/O HOLE - FLYWOOD
2	093475-88-04A	EA MINI BLIND - 38"X18.5" DROP
3	105906-01-03A	EA BLIND - WOVEN WOOD - 64"X31" (D35)
3	105906-03-04A	EA BLIND - WOVEN WOOD - 64"X31" (D36)
3	104021-30-D36	EA VALANCE ASM - 65" SPIRIT
4	101668-35-D12	EA CURTAIN ASM - 48"X80" - DRIVER SIDE - TAPE TOP (D35)
4	101668-35-D36	EA CURTAIN ASM - 48"X80" - DRIVER SIDE - TAPE TOP
5	101668-34-D12	EA CURTAIN ASM - 48"X80" - PASSENGER SIDE - TAPE TOP (D35)
5	101668-34-D36	EA CURTAIN ASM - 48"X80" - PASSENGER SIDE - TAPE TOP
5	073260-42-D10	EA TIEBACK ASM - 6"X18" (D35)
5	073260-42-D36	EA TIEBACK ASM - 6"X18"
6	105906-02-03A	EA BLIND - WOVEN WOOD - 34"X31" (D35)
6	105906-04-04A	EA BLIND - WOVEN WOOD - 34"X31" (D36)
6	104021-31-D36	EA VALANCE ASM - 35" SPIRIT
7	084755-57-DA4	EA PULL SHADE ASM - 27 25"
8	107766-06-D35	EA VALANCE ASM - 52" TWIST
8	107766-06-D36	EA VALANCE ASM - 52" TWIST
8	109041-06-01A	EA BLIND - MINI - 47.5" X 34" DROP
8	100281-17-D35	EA LEG - RIGHT - 31.5" - PLAIN - W/O HOLE
8	100281-17-D36	EA LEG - RIGHT - 31.5" - PLAIN - W/O HOLE
8	100281-18-D35	EA LEG - LEFT - 31.5" - PLAIN - W/O HOLE
8	100281-18-D36	EA LEG - LEFT - 31.5" - PLAIN - W/O HOLE
8	100281-15-D35	EA LEG - 31.5" - W/O HOLE - PLYWOOD
8	100281-15-D36	EA LEG - 31.5" - W/O HOLE - PLYWOOD
8	084461-25-D35	EA CURTAIN ASM - SHOWER - 67" X 38"
8	084481-25-D36	EA CURTAIN ASM - SHOWER - 67" X 38"

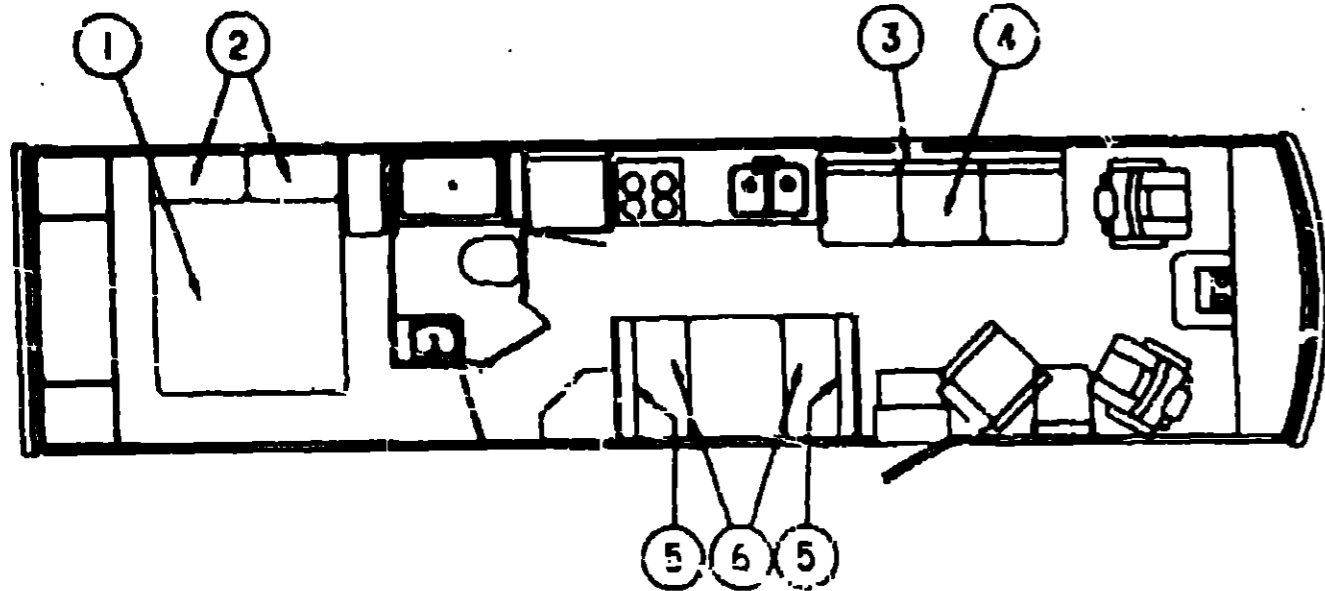
1993 ITASCA
TABLE OF CONTENTS

INTRODUCTION	A-01 - A-02
ABBREVIATIONS	A-03
ALPHABETICAL INDEX	A-04 - A-08
ICG34RQ	A-07 - E-16
ICG34RA	E-19 - J-02

1993 ICG34R INDEX

FLOOR PLAN	E-13 - E-20
ACCESSORIES	E-21
AUDIO VIDEO	E-22 - E-24
BATH	F-01 - F-02
BEDROOM	F-03 - F-04
CHASSIS	F-05 - F-16
CURTAIN & CUSHION	F-17 - G-02
DINETTE	G-03 - G-06
DRIVERS COMPARTMENT	G-07 - G-10
ELECTRICAL	G-11 - G-16
EXTERIOR BODY	G-17 - G-24
GALLEY	H-01 - H-05
GENERATOR	H-06 - H-07
HEATING & A/C	H-08 - H-12
INTERIOR FINISH	H-13 - H-16
LABELS	H-17 - H-23
LP	H-24
LOUNGE	I-01 - I-03
SEALANTS & FASTENERS	I-04 - I-08
WATER & SEWAGE	I-09 - I-11
WINDOW, VENT &	
EXTERIOR DOOR	I-12 - I-24
WINDSHIELD & W/PER	J-01 - J-02

CURTAIN & CUSHION GROUP (CONTINUED)



QUEEN BED

KEY	PART NUMBER	U/M DESCRIPTION
1	090176-05-000	EA MATTRESS - QUEEN - INNERSPRING - 59" X 79" - SEALY
1	022371-28-D35	EA BEDSPREAD ASM - 60X80 FITTED W/6" RUFFLE
1	109159-03-D36	EA BEDSPREAD ASM - 60X80 FITTED W/6" RUFFLE
2	102161-08-D35	EA PILLOW SHAM ASM.
2	102161-14-D36	EA PILLOW SHAM ASM.
	104259-01-C06	EA PILLOW ASM - 15" X 15" W/RUFFLE (D35)
	103659-10-D36	EA PILLOW ASM - 15" X 15" THROW

SOFA BED

KEY	PART NUMBER	U/M DESCRIPTION
3	101175-04-D35	EA CUSHION - FAN - SOFA BACK - W/ARM - RIGHT HAND
3	101175-04-D36	EA CUSHION - FAN - SOFA BACK - W/ARM - RIGHT HAND
3	P01175-04-D35	EA COVER - FAN - SOFA BACK - W/ARM - RIGHT HAND
3	P01175-04-D36	EA COVER - FAN - SOFA BACK - W/ARM - RIGHT HAND
3	101175-05-D35	EA CUSHION - FAN - SOFA BACK - W/ARM - LEFT HAND
3	101175-05-D36	EA CUSHION - FAN - SOFA BACK - W/ARM - LEFT HAND
3	P01175-05-D35	EA COVER - FAN - SOFA BACK - W/ARM - LEFT HAND
3	P01175-05-D36	EA COVER - FAN - SOFA BACK - W/ARM - LEFT HAND
3	101175-06-D35	EA CUSHION - FAN - SOFA BACK - CENTER
3	101175-06-D36	EA CUSHION - FAN - SOFA BACK - CENTER
3	P01175-06-D35	EA COVER - FAN - SOFA BACK - CENTER
3	P01175-06-D36	EA COVER - FAN - SOFA BACK - CENTER
4	089007-05-D35	EA SOFA BED - SEAT - W/SKIRT
		FROM: 00-00-00 THRU: 09-13-92
4	069007-05-C36	EA SOFA BED - SEAT - W/SKIRT
		FROM: 03-00-00 THRU: 09-13-92
4	089007-06-D35	EA SOFA BED - SEAT - W/SKIRT
		FROM: 09-14-92 THRU: 99-99-99
4	069007-06-D36	EA SOFA BED - SEAT - W/SKIRT
		FROM: 09-14-92 THRU: 99-99-99
4	M89007-05-D35	EA COVER - SOFA BED - SEAT - W/SKIRT
		FROM: 00-00-00 THRU: 09-13-92
4	M89007-05-D36	EA COVER - SOFA BED - SEAT - W/SKIRT
		FROM: 00-00-00 THRU: 09-13-92
4	M89007-06-D35	EA COVER - SOFA BED - SEAT - W/SKIRT
		FROM: 09-14-92 THRU: 99-99-99
4	M89007-06-D36	EA COVER - SOFA BED - SEAT - W/SKIRT
		FROM: 09-14-92 THRU: 99-99-99
	103659-05-D23	EA PILLOW ASM - 15" X 15" THROW (D35)
	103659-05-D36	EA PILLOW ASM - 15" X 15" THROW
	079386-01-000	FA FRAME - COUCH

CURTAIN & CUSHION GROUP (CONTINUED)

DINETTE CUSHIONS

KEY	PART NUMBER	U/M DESCRIPTION
5	104146-01-D35	EA CUSHION - FAN VICTORIAN - W/STRAP - 13.5"X38"X5"
5	104146-01-D36	EA CUSHION - FAN VICTORIAN - W/STRAP - 13.5"X38"X5"
5	P01146-01-D35	EA COVER - VICTORIAN TUCK BACK - W/STRAP
5	P01146-01-D36	EA COVER - VICTORIAN TUCK BACK - W/STRAP
6	C36927-87-D28	EA CUSHION - 23"X38"X5" - DINETTE SEAT (D35)
6	088927-87-B03	EA CUSHION - 23"X38"X5" - DINETTE SEAT (D36)
6	M89927-97-D28	EA COVER - 23"X38"X5" - DINETTE SEAT (D35)
6	M86927-87-D09	EA COVER - 23"X38"X5" - DINETTE SEAT (D36)

DINETTE OPTION

KEY	PART NUMBER	U/M DESCRIPTION
	109379-02-D35	EA CHAIR ASM - CHROME CRAFT II
	109379-02-D36	EA CHAIR ASM - CHROME CRAFT II

FABRIC & TRIMS

KEY	PART NUMBER	U/M DESCRIPTION
	072333-82-000	YD FABRIC - CURTAIN - 54" WIDE - BEIGE
	072333-96-000	YD FABRIC - DRAPERY - GALAXY ANTIQUE
	075244-06-000	YD FABRIC - VINYL - SHOWER CURTAIN - 72" WIDE - TEAL (D35)
	075244-07-000	YD FABRIC - VINYL - SHOWER CURTAIN - 72" WIDE - EGGPLANT (D136)
	089351-03-000	YD VINYL - CEILING - DIAMOND DESIGN - 54" WIDE
	103907-01-01A	YD FABRIC - VINYL - 54" WIDE - OFF WHITE
	103907-01-02A	YD VINYL - EXPANDED MADRID GRAY - 26 OZ. 54" X ROLL
	079690-07-000	YD FABRIC - VINYL - 54" WIDE - BEIGE
	079349-01-B04	YD WELT ASM - ACCENT (D35)
	079349-01-D36	YD WELT ASM - ACCENT
	079349-01-D28	YD WELT ASM - NARROW - ACCENT (D35)
	079349-04-D36	YD WELT ASM - NARROW - ACCENT
	105745-19-000	YD FABRIC - BEDSPREAD - MAIN - JILLIAN - WOODROSE (D35)
	105745-22-000	YD FABRIC - BEDSPREAD - MAIN - PRINCETON - 25 MOONSTONE (D36)
	088273-66-000	YD FABRIC - BEDSPREAD - ACCENT - MECHELLE - GREEN MIST (D35)
	105745-13-000	YD FABRIC - BEDSPREAD - ACCENT - MECHELLE - BERRY (D36)
	104233-30-000	YD FABRIC - UPHOLSTERY - PLAIN ACCENT (BUCKET SEAT) (D35)
	104233-90-000	YD FABRIC - UPHOLSTERY - PLAIN ACCENT (BUCKET SEAT) (D36)
	104233-84-000	YD FABRIC - UPHOLSTERY - PATTERN ACCENT (MAP POCKET) (D35)
	104233-89-000	YD FABRIC - UPHOLSTERY - PATTERN ACCENT (MAP POCKET) (D36)
	104233-83-000	YD FABRIC - UPHOLSTERY - MAIN (DINETTE SEAT) (D35)
	099099-65-000	YD FABRIC - UPHOLSTERY - MAIN (DINETTE SEAT) (D36)
	057534-01-000	EA TIEBACK/TIEDOWN - BED/CURTAIN/DOOR - 6" - PLASTIC - CLEAR
	087272-01-000	YD DRAPERY LINING - 48" - IVORY
		FROM: 00-00-00 THRU: 09-30-92
	087272-03-000	YD DRAPERY LINING - 54" - IVORY - ROCKLAND MILLS
		FROM: 10-01-92 THRU: 99-99-99
	084415-45-000	YD BRAID TRIM - CURTAIN - TEAL (D35)
	064415-49-000	YD BRAID TRIM - CURTAIN - PLUM (D35)

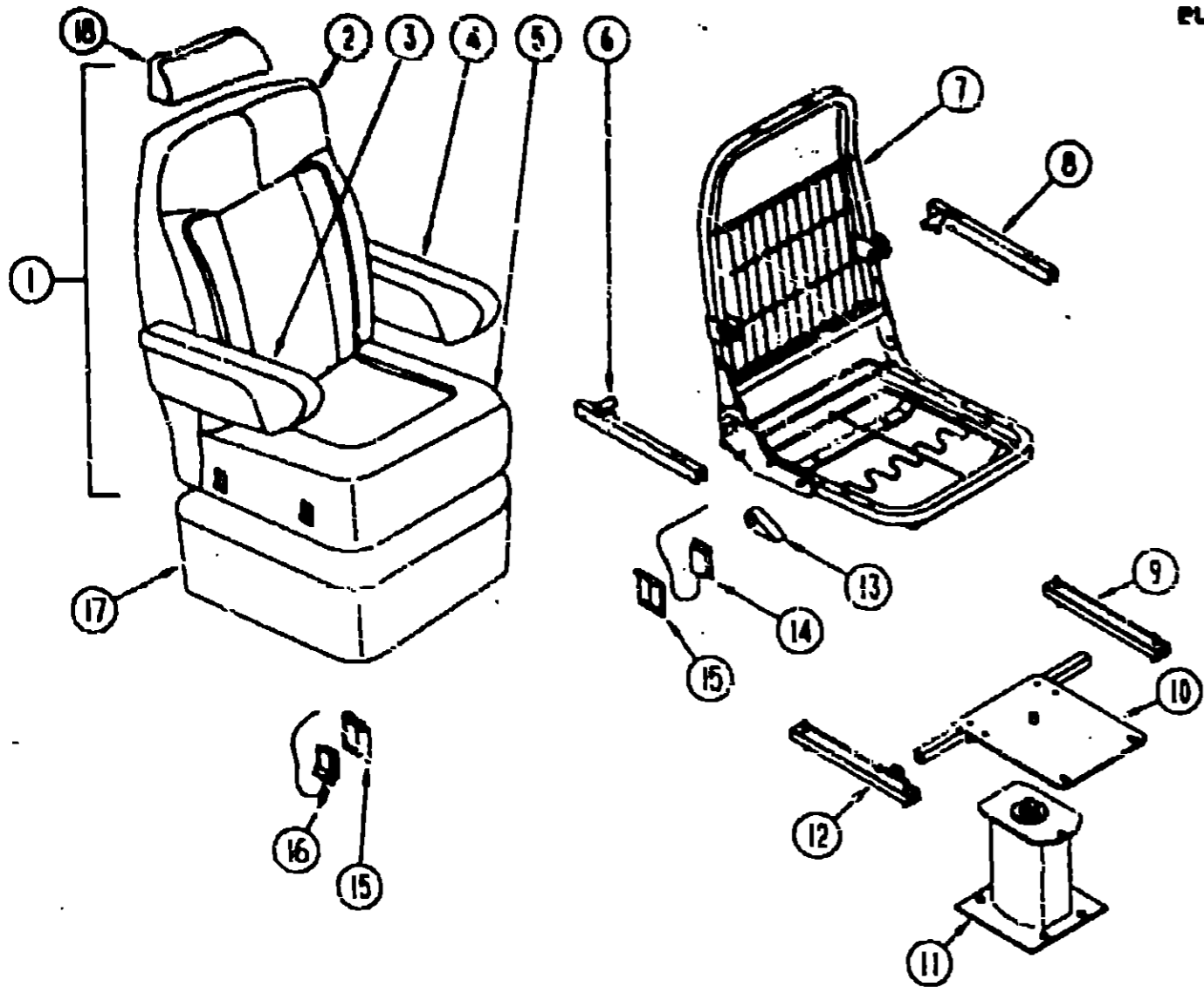
**1993 ITASCA
TABLE OF CONTENTS**

INTRODUCTION	A-01 - A-02
ABBREVIATIONS	A-03
ALPHABETICAL INDEX	A-04 - A-06
ICG34RD	A-07 - E-18
ICG34RA	E-19 - J-02

1993 ICG34RA INDEX

FLOOR PLAN	F-19 - E-20
ACCESSORIES	E-21
AUDIO VIDEO	E-22 - E-24
BATH	F-01 - F-02
BEDROOM	F-03 - F-04
CHASSIS	F-05 - F-16
CURTAIN & CUSHION	F-17 - G-02
DINETTE	G-03 - G-06
DRIVERS COMPARTMENT	G-07 - G-10
ELECTRICAL	G-11 - G-16
EXTERIOR BODY	G-17 - G-24
GALLEY	H-01 - H-05
GENERATOR	H-06 - H-07
HEATING & A/C	H-08 - H-12
INTERIOR FINISH	H-13 - H-16
LABELS	H-17 - H-23
LP	H-24
LOUNGE	I-01 - I-03
SEALANTS & FASTENERS	I-04 - I-08
WATER & SEWAGE	I-09 - I-11
WINDOW, VENT & EXTERIOR DOOR	I-12 - I-24
WINDSHIELD & WIPER	J-01 - J-02

CURTAIN & CUSHION GROUP (CONTINUED)
BUCKET SEAT



KEY	PART NUMBER	U/M DESCRIPTION
6	081268-01-000	EA ROD & CHANNEL - ARMREST - RIGHT - METAL
7	M80806-07-000	EA FRAME - SEAT - BACK & SPRING
8	001255-02-000	EA ROD & CHANNEL - ARMREST - LEFT - METAL
9	069246-02-000	EA ADJUSTER - W/O LOCK - FORWARD & BACK
10	107921-05-000	EA TOP PLATE - PEDESTAL - W/SEATBELT BAR
11	107921-01-000	EA SUB PLATE - FLOOR MOUNTED PEDESTAL - W/ 75" EXTENSION
	107921-06-000	EA BEARING KIT - PEDESTAL
12	069246-05-000	EA ADJUSTER - W/LOCK - FORWARD & BACK
	069246-05-700	EA SPRING - ADJUSTER - FOR REMOTE
	069246-05-701	EA CLIP - CABLE - FOR REMOTE
13	080730-03-700	EA HANDLE KIT - RECLINER
	080730-04-000	EA SCREW - RECLINER HANDLE
	089369-06-000	EA SHIELD - CABLE - REMOTE RECLINER
14	089368-04-000	EA CABLE - SWIVEL/SIDE - W/SWITCH
15	097683-03-000	EA BRACKET - REMOTE - SIDE MOUNT - SINGLE
	108049-01-000	EA CABLE - 28" - FLEXSTEEL PED
	108049-02-000	EA CABLE CLIP
17	071126-36-D35	EA SKIRT ASM - SINGLE - 10 5" - W/SLIT
17	071126-36-D36	EA SKIRT ASM - SINGLE - 10 5" - W/SLIT
18	085268-01-D35	EA HEADREST ASM.
18	085268-01-D36	EA HEADREST ASM.
18	085268-03-D36	EA HEADREST ASM. - W/MONOGRAM
18	M85268-01-D35	EA COVER ASM - HEADREST
18	M85263-01-D36	EA COVER ASM - HEADREST
18	M25266-03-D36	EA COVER ASM - HEADREST - W/MONOGRAM

1993 ITASCA
TABLE OF CONTENTS

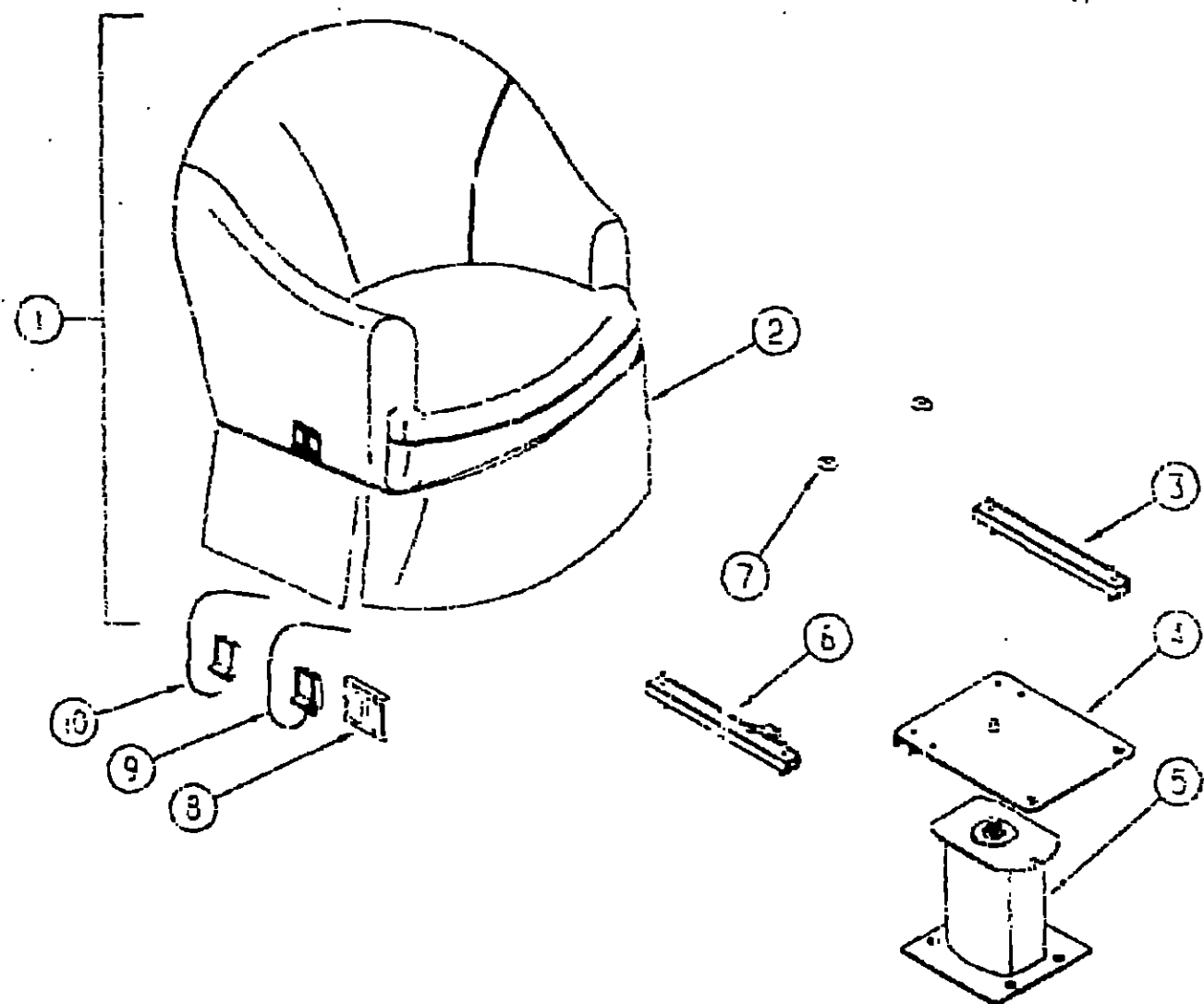
INTRODUCTION	A-01 - A-02
ABBREVIATIONS	A-03
ALPHABETICAL INDEX	A-04 - A-06
ICG34RQ	A-07 - E-18
ICG34RA	E-19 - J-02

1993 ICG34RA INDEX

FLOOR PLAN	E-19 - E-20
ACCESSORIES	E-21
AUDIO VIDEO	E-22 - E-24
BATH	F-01 - F-02
BEDROOM	F-03 - F-04
CHASSIS	F-05 - F-16
CURTAIN & CUSHION	F-17 - G-02
DINETTE	G-03 - G-05
DRIVERS COMPARTMENT	G-07 - G-10
ELECTRICAL	G-11 - G-16
EXTERIOR BODY	G-17 - G-24
GALLEY	H-01 - H-05
GENERATOR	H-05 - H-07
HEATING & A/C	H-08 - H-12
INTERIOR FINISH	H-13 - H-16
LABELS	I-17 - I-20
LP	I-24
LOUNGE	I-01 - I-03
SEALANTS & FASTENERS	I-04 - I-08
WATER & SEWAGE	I-09 - I-11
WINDOW, VENT & EXTERIOR DOOR	I-12 - I-24
WINDSHIELD & WIPER	J-01 - J-02

KEY	PART NUMBER	U/M DESCRIPTION
1	033450-39-D35	EA SEAT - ROYALE - W/HEAD & ARMREST (MANUAL RECLINE)
1	033450-42-D36	EA SEAT - ROYALE - W/HEAD & ARMREST (MANUAL RECLINE)
2	M03445-52-D35	EA COVER ASM - BACK - ROYALE
2	M03445-56-D36	EA COVER ASM - BACK - ROYALE
3	080243-49-D11	EA ARMREST ASM - RIGHT HAND (D35)
3	080243-49-D36	EA ARMREST ASM - RIGHT HAND
3	M80243-49-D11	EA COVER ASM - ARM - RIGHT HAND (D35)
3	M80243-49-D36	EA COVER ASM - ARM - RIGHT HAND
4	080243-50-D11	EA ARMREST ASM - LEFT HAND (D35)
4	080243-50-D36	EA ARMREST ASM - LEFT HAND
4	M80243-50-D11	EA COVER ASM - ARM - LEFT HAND (D35)
4	M80243-50-D36	EA COVER ASM - ARM - LEFT HAND
5	M03445-53-D35	EA COVER ASM - SEAT
5	M03445-57-D36	EA COVER ASM - SEAT

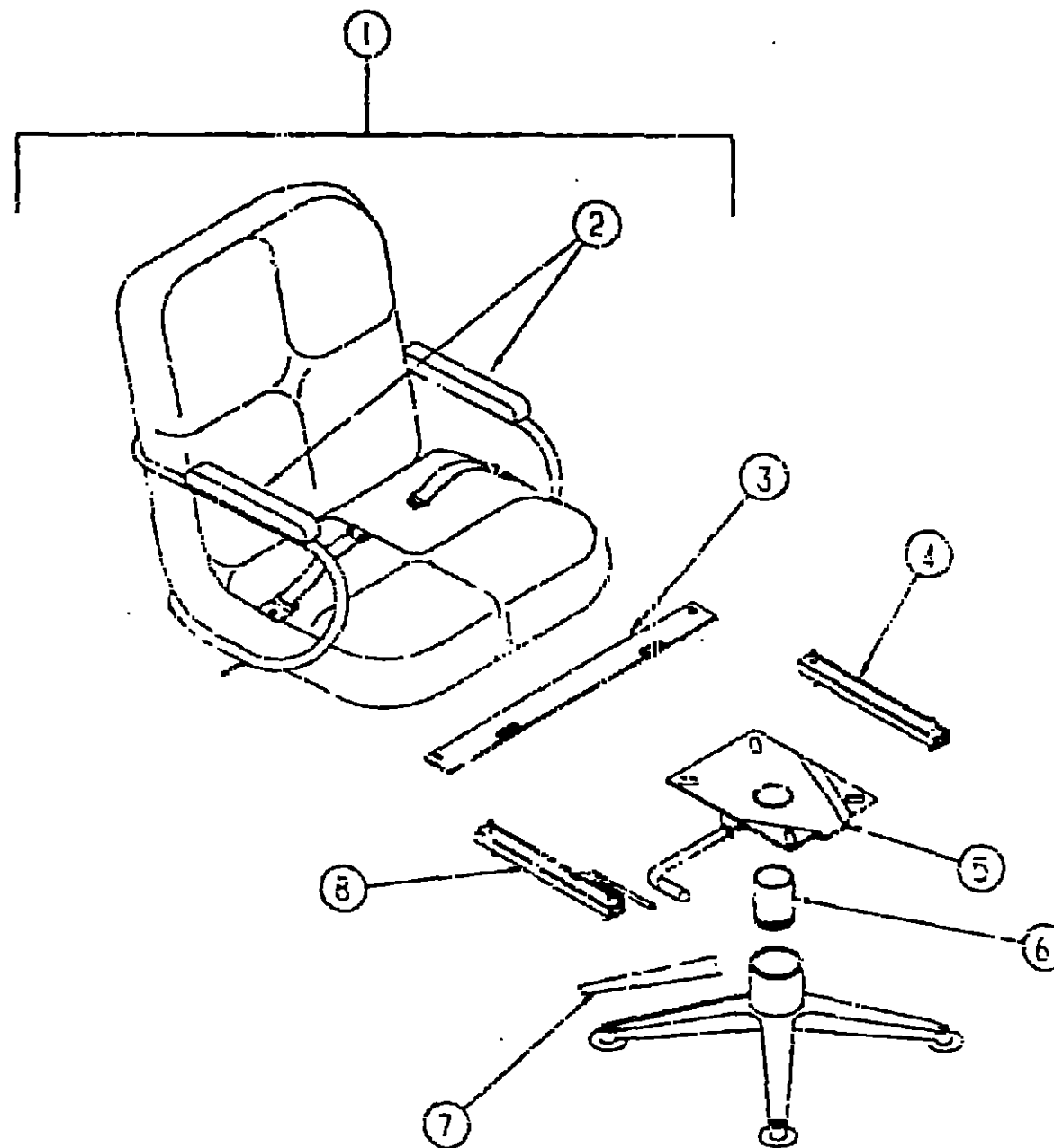
CURTAIN & CUSHION GROUP (CONTINUED)



SWIVEL CHAIR

KEY	PART NUMBER	U/M DESCRIPTION
1	106331-02-D35	EA CHAIR - FAN RECLINER
1	106331-02-D38	EA CHAIR - FAN RECLINER
1	P05331-02-D35	EA COVER ASM - FAN RECLINER
1	P05331-02-D35	EA COVER ASM - FAN RECLINER
2	085187-05-D35	EA SKIRT ASM
2	085187-05-D35	EA SKIRT ASM
3	069246-02-000	EA ADJUSTER - SWIVEL CHAIR - FORWARD & BACK
4	107521-03-000	EA TOP PLATE - PEDESTAL - W/O SEATBELT BAR
5	107521-01-000	EA SUB PLATE - FLOOR MOUNTED PEDESTAL - W/O .5" EXTENSION
	107521-03-000	EA BEARING KIT - PEDESTAL
6	069246-05-000	EA ADJUSTER - SWIVEL CHAIR - W/LOCKING ARM - FORWARD & BACK
	069246-05-700	EA SPRING - ADJUSTER - FOR REMOTE
	069246-05-701	EA CLIP - CABLE - FOR REMOTE
7	007221-01-500	EA SPACER - SEAT - ADJUSTER (4 USED)
8	097683-02-000	EA BRACKET - REMOTE - SIDE MOUNT
9	108049-01-000	EA CABLE - 25' - FLEXSTEEL PEDESTAL
	108049-02-000	EA CLIP - PEDESTAL CABLE
10	069368-04-010	EA CABLE - SWIVEL/SLIDE - W/SWITCH
	057759-01-000	EA WASHER BRACKET - SEAT BELT - 4" DIAMETER
	007021-01-300	EA SEAT BELT - 2" X 90" - BLACK

CURTAIN & CUSHION GROUP (CONTINUED)



CHROME CRAFT CHAIR

KEY	PART NUMBER	U/M DESCRIPTION
1	103379-02-D35	EA CHAIR ASM - CHROME CRAFT II
1	109379-02-D35	EA CHAIR ASM - CHROME CRAFT II
	105799-13-000	EA CHAIR ASM - CHROME CRAFT W/O FABRIC (D35)
	105799-14-000	EA CHAIR ASM - CHROME CRAFT W/O FABRIC (D35)
	105799-01-004	EA BOLT - SEAT - CHAIR #723534-1
2	105799-01-700	EA WOOD ARM PADS FOR C57-855-BN
3	069246-02-000	EA BAR - SEAT BELT - 2.5" X 12.75"
4	069246-06-000	EA ADJUSTER - SWIVEL CHAIR - MANUAL - FORWARD & BACK
5	105799-01-001	EA TOP PLATE - SWIVEL CHAIR
5	069246-03-000	EA TOP PLATE - SWIVEL W/O TILT - W/LOCK
6	105799-01-012	EA L/RIGHT - CHAIR
6	105799-01-006	EA STEM UPRIGHT - LOCKOUT
7	105799-01-003	EA LEG WOOD COVER BASE(CHAIR)
8	069246-07-000	EA ADJUSTER - SWIVEL CHAIR - W/LOCKING ARM - FORWARD & BACK

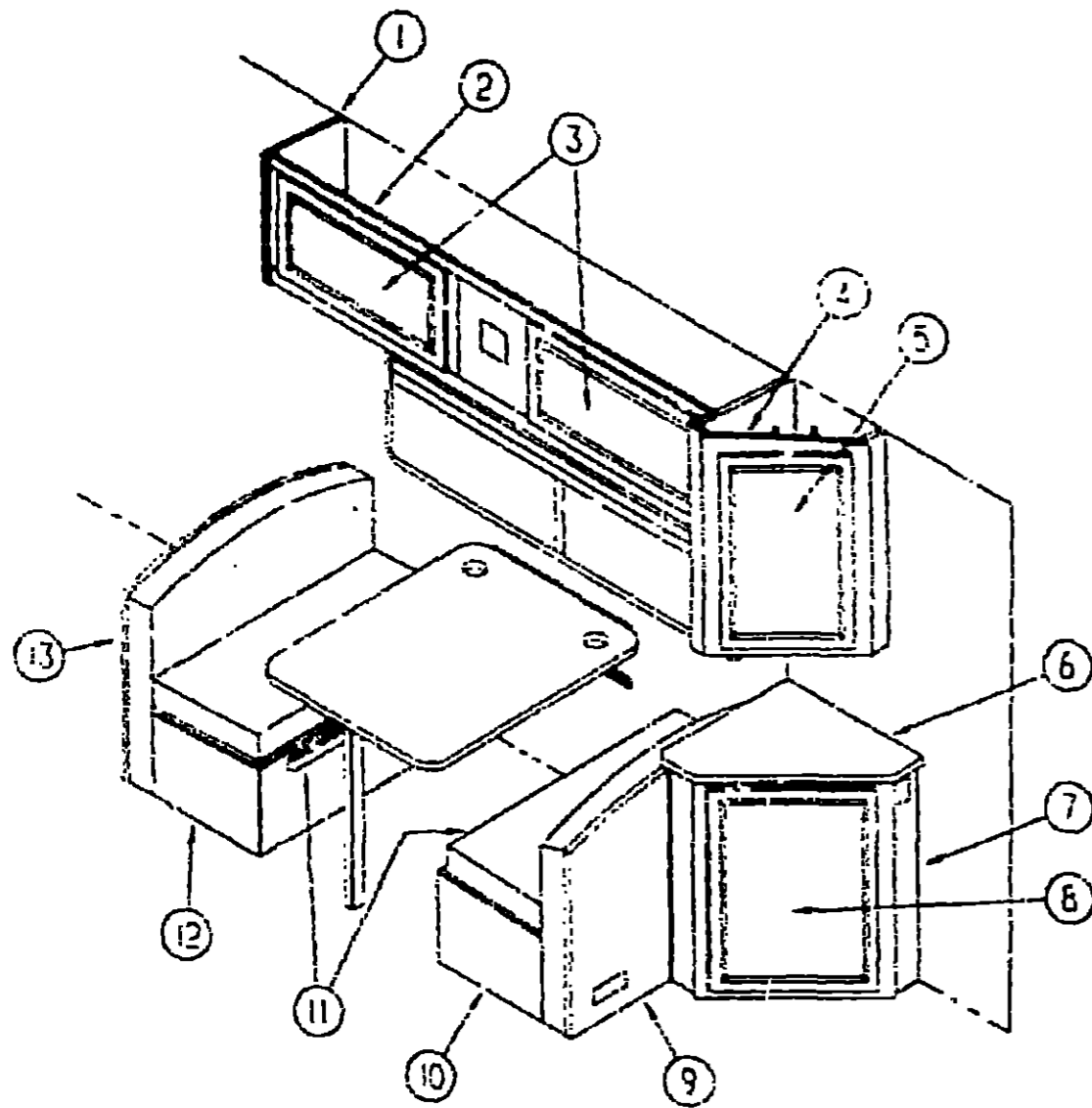
**1993 ITASCA
TABLE OF CONTENTS**

INTRODUCTION	A-01 - A-02
ABBREVIATIONS	A-03
ALPHABETICAL INDEX	A-04 - A-06
ICG34RD	A-07 - E-18
ICG34RA	E-19 - J-02

1993 ICG34RA INDEX

FLOOR PLAN	E-19 - E-20
ACCESSORIES	E-21
AUDIO VIDEO	E-22 - E-24
BATH	F-01 - F-02
BEDROOM	F-03 - F-04
CHASSIS	F-05 - F-16
CURTAIN & CUSHION	F-17 - G-02
DINETTE	G-03 - G-06
DRIVERS COMPARTMENT	G-07 - G-10
ELECTRICAL	G-11 - G-16
EXTERIOR BODY	G-17 - G-24
GALLEY	H-01 - H-05
GENERATOR	H-06 - H-07
HEATING & A/C	H-08 - H-12
INTERIOR FINISH	H-13 - H-15
LABELS	H-17 - H-23
LP	H-24
LOUNGE	I-01 - I-03
SEALANTS & FASTENERS	I-04 - I-08
WATER & SEWAGE	I-09 - I-11
WINDOW, VENT & EXTERIOR DOOR	I-12 - I-24
WINDSHIELD & WIPER	J-01 - J-02

DINETTE GROUP
DINETTE & OVERHEAD CABINERY



KEY	PART NUMBER	U/M	DESCRIPTION
1	103128-02-C27	EA	CAP ASM-END DINETTE OVERHEAD
2	M05160-28-D35	EA	CABINET ASM - DINETTE OVERHEAD, W/O DOORS OR HARDWARE
3	M05160-28-D36	EA	CABINET ASM - DINETTE OVERHEAD, W/O DOORS OR HARDWARE
4	P03702-A5-D35	EA	DOOR ASM-DINETTE OVERHEAD, W/O HARDWARE 396X750
5	P04636-01-C27	EA	CABINET ASM-HUTCH,UPPER
6	P03702-91-D35	EA	DOOR ASM-UPPER HUTCH, W/O HARDWARE MITERED OGEE 400 X 710
7	104635-11-D35	EA	COUNTERTOP ASM HUTCH
8	104635-11-D36	EA	COUNTERTOP ASM HUTCH
9	104635-31-D35	EA	CABINET ASM - HUTCH, LOWER
10	104635-01-D35	EA	CABINET ASM - HUTCH, LOWER
11	P03702-80-D35	EA	DOOR ASM-LOWER HUTCH, W/O HARDWARE MITERED OGEE - 500X750
12	M04174-34-D35	EA	CABINET-SEATBACK RIGHT
13	M04175-37-D35	EA	CABINET-SEATBASE RIGHT
14	081295-01-AA8	EA	SUPPORT-BED, DINETTE, 712 LONG
15	M04175-35-D35	EA	CABINET-SEATBASE LEFT
16	M04174-33-D27	EA	CABINET-SEATBACK LEFT
17	081518-01-B27	EA	SEAT-TOP, DINETTE - PLYWOOD
18	104787-01-D32	EA	PAD ASM-DINETTE (D35)
19	104787-01-D35	EA	PAD ASM-DINETTE (D35)

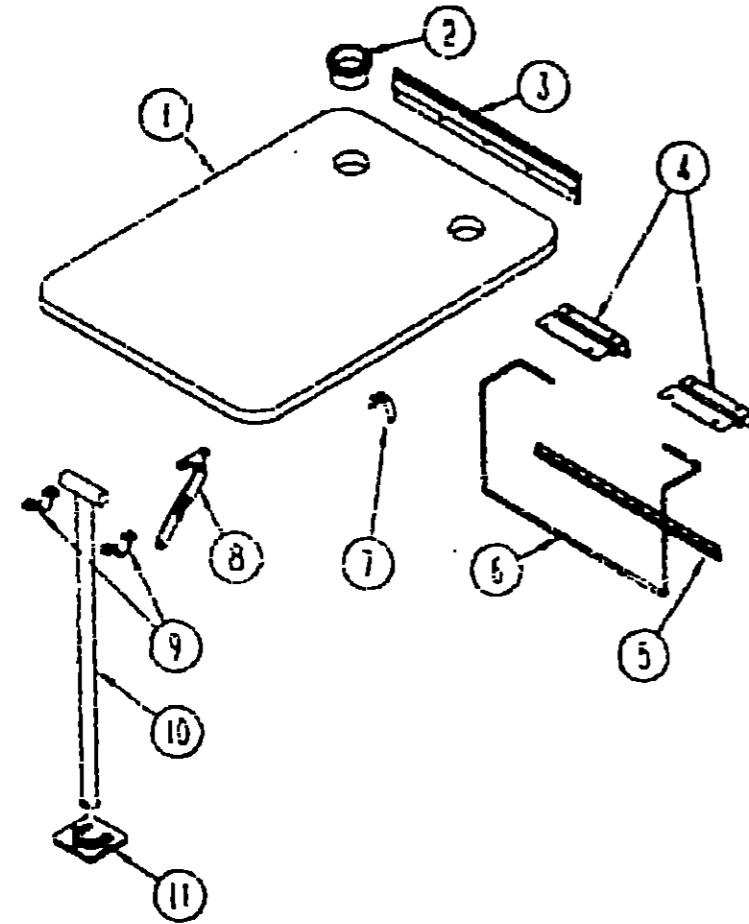
1993 ITASCA
TABLE OF CONTENTS

INTRODUCTION	A-01 - A-02
ABBREVIATIONS	A-03
ALPHABETICAL INDEX	A-04 - A-06
ICG34RO	A-07 - E-18
ICG34RA	E-19 - J-02

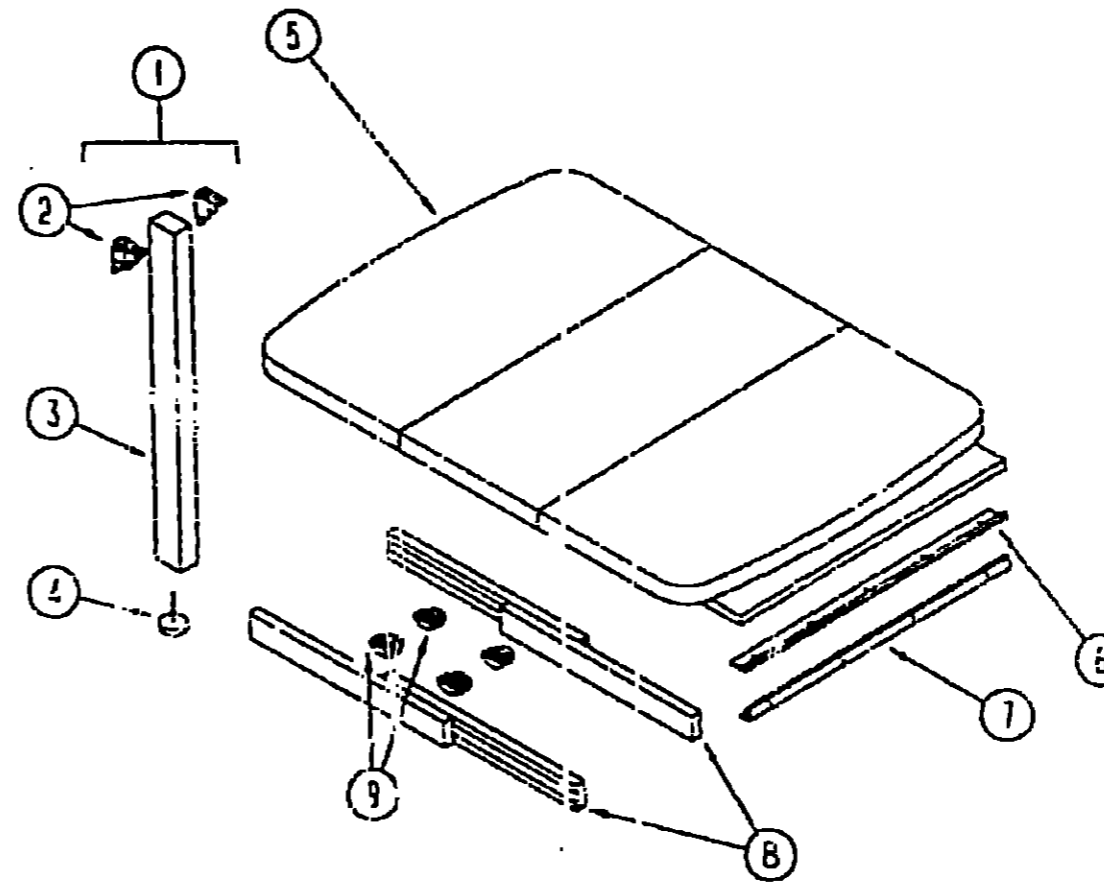
1993 ICG34RA INDEX

FLOOR PLAN	E-19 - E-20
ACCESSORIES	E-21
AUDIO VIDEO	E-22 - E-24
BATH	F-01 - F-02
BEDROOM	F-03 - F-04
CHASSIS	F-05 - F-16
CURTAIN & CUSHION	F-17 - G-02
DINETTE	G-03 - G-05
DRIVERS COMPARTMENT	G-07 - G-10
ELECTRICAL	G-11 - G-15
EXTERIOR BODY	G-17 - G-24
GALLEY	H-01 - H-05
GENERATOR	H-06 - H-07
HEATING & A/C	H-08 - H-12
INTERIOR FINISH	H-13 - H-16
LABELS	H-17 - H-23
LP	H-24
LOUNGE	I-01 - I-03
SEALANTS & FASTENERS	I-04 - I-05
WATER & SEWAGE	I-09 - I-11
WINDOW, VENT & EXTERIOR DOOR	I-12 - I-24
WINDSHIELD & W/PER	J-01 - J-02

DINETTE GROUP (CONTINUED)
DINETTE TABLE ASM.



DINETTE GROUP (CONTINUED)
DINETTE TABLE ASM.



1993 ITASCA
TABLE OF CONTENTS

INTRODUCTION	A-01 - A-02
ABBREVIATIONS	A-03
ALPHABETICAL INDEX	A-04 - A-06
ICG34RO	A-07 - E-18
ICG34RA	E-19 - J-02

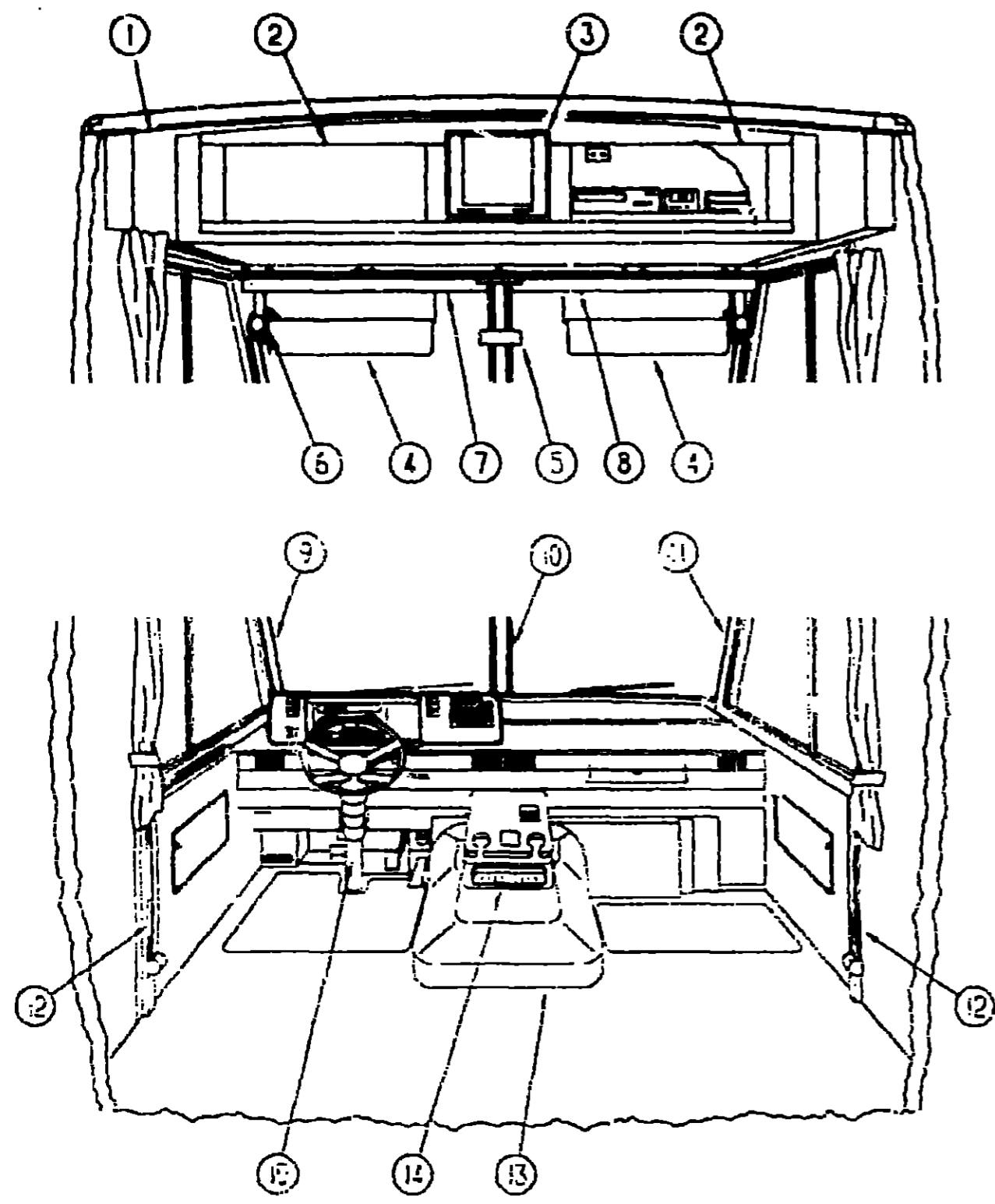
1993 ICG34RA INDEX

FLOOR PLAN	E-19 - E-20
ACCESSORIES	E-21
AUDIO VIDEO	E-22 - E-24
BATH	F-01 - F-02
BEDROOM	F-03 - F-04
CHASSIS	F-05 - F-15
CURTAIN & CUSHION	F-17 - G-02
DINETTE	G-03 - G-05
DRIVERS COMPARTMENT	G-07 - G-10
ELECTRICAL	G-11 - G-16
EXTERIOR BODY	G-17 - G-24
GALLEY	H-01 - H-05
GENERATOR	H-05 - H-07
HEATING & A/C	H-08 - H-12
INTERIOR FINISH	H-13 - H-16
LABELS	H-17 - H-23
LP	H-24
LOUNGE	I-01 - I-03
SEALANTS & FASTENERS	I-04 - I-08
WATER & SEWAGE	I-09 - I-11
WINDOW, VENT & EXTERIOR DOOR	I-12 - I-24
WINDSHIELD & WIPER	J-01 - J-02

KEY	PART NUMBER	U/M DESCRIPTION
1	M02115-03-D32	EA DINETTE TABLE (D35)
1	M02115-09-D36	EA DINETTE TABLE (D36)
2	064721-06-000	EA CUP HOLDER - 2 STEP
3	053200-12-000	EA BRACKET - TABLE SUPPORT - UPPER WALL MOUNTED - 23 5" - O/W
4	088410-02-000	EA BRACKET - LIFT - TABLE MOUNTED - O/W
5	024231-14-000	EA BRACKET - LIFT ROD - LOWER WALL MOUNTED - 22 1/2" - O/W
6	024275-12-000	EA ROD - TABLE LIFT - 3" X 23 5" - O/W
7	024233-01-000	EA CLIP - LEG - 1" - 1 1/2" O/D - BLACK
8	024282-01-000	EA BRACE - TABLE LEG - HINGED
9	054050-05-000	EA CLAMP - SADDLE - LEG HINGE - O/W
10	024276-23-000	EA TABLE LEG - METAL - O/W
11	049493-11-700	EA LEG CATCH - FLOOR MOUNTED - 2 5" X 2 7" - METAL - E-COAT

KEY	PART NUMBER	U/M DESCRIPTION
1	092708-10-D35	EA LEG ASM - TABLE
2	102810-01-02A	EA BRACE - TABLE LEG - OFF WHITE
3	092706-10-D35	EA LEG MOLDING - RAMBLING OAK
4	102194-01-000	EA GUIDE - PLASTIC
5	P02055-05-D35	EA TABLE ASM - W/ DROP LEAF (D35, D36)
6	102201-02-02A	EA SUPPORT - HINGE CATCH - OFF WHITE
7	102200-02-02A	EA SUPPORT - HINGE LOCK - OFF WHITE
8	009210-01-000	EA SLIDE - TABLE - 8" TO 50" - METAL
8	108490-01-000	EA SLIDE - TABLE - 19 LONG FROM 00-00-00 THRU 11-30-92
8	110749-01-000	EA SLIDE - TABLE - 9 3/4 LONG FROM 12-01-92 THRU 03-21-93
9	009050-02-000	EA LEVELER - TABLE TOP - FEMALE & MALE ENDS W/4 SCREWS - PLASTIC FROM 03-22-93 THRU 99-99-99

DRIVERS COMPARTMENT GROUP
UPPER & LOWER DRIVER COMPARTMENT



KEY	PART NUMBER	ITEM DESCRIPTION
1	M05893-01-C27	EA CABINET ASM - FACE - OVHD - (WTV)
1	M05893-02-C27	EA CABINET ASM - FACE - OVHD - (W/O TV)
2	100708-05-000	EA DOOR - GLASS - TV CABT 246 X 722
	100710-01-01A	EA LOCK - GLASS DOOR - TWIST TYPE - BRASS
	100711-01-01A	EA HINGE - DOOR - GLASS
	101222-01-01A	EA BRACKET - CATCH - LID - BEIGE
	101272-01-000	EA CATCH - DOOR - GLASS
	101766-01-000	EA PIN - SUPPORT - GLASS DOOR
	100707-01-000	EA SPACER - DOOR - GLASS - 8" DIA - 3" HOLE - PLASTIC
3	108911-01-035	EA CABINET ASM - FRAME - TV
4	082286-19-D12	EA SUNVISOR ASM
	007211-01-000	EA HINGE - SUNVISOR - 25 5" X 1 5" - METAL
	074012-01-000	EA CLIP - SUNVISOR - SQUARE - PINCH ON
	102377-01-000	EA BRACKET SUNVISOR - 1 PIECE - STEEL
	045555-03-000	EA ASHTRAY - CHROME - W/COVER
	024700-44-000	EA COVER - SIDEWALL ROLL BAR - OFF WHITE 53"
	024700-45-000	EA COVER - SIDEWALL ROLL BAR - OFF WHITE 21 2"
	103951-01-01A	EA COVER - BRACKET - SEATBELT - OFF WHITE
	R77030-53-447	EA FLAT WASHER
5	040714-01-000	EA MIRROR - REAR VIEW - W/ARM MOUNT & SET SCREW
	075710-01-000	EA FRAME - WINDSHIELD - CENTER DIVIDER - INNER
	077922-03-000	EA HEADER WINDSHIELD END - RIGHT
	077922-04-000	EA HEADER WINDSHIELD END - LEFT
	077922-05-000	EA HEADER WINDSHIELD - CENTER
6	036420-02-000	EA FAN - DEFROSTER 2 SPEED - 5" DIAMETER
7	078579-10-000	EA TRIM - W/S UPPER INNER, LH LIGHT GRAY
8	078579-09-000	EA TRIM - W/S UPPER INNER, RH LIGHT GRAY
9	103931-04-02A	EA INTERIOR COVER - A-PILLAR - LEFT HAND - GRAY
10	079765-10-000	EA TRIM - WINDSHIELD, CENTER LIGHT GRAY
11	103931-03-02A	EA INTERIOR COVER - A-PILLAR - RIGHT HAND - GRAY
12	091990-01-01A	EA SEAT BELT & SHOULDER HARNESS - DRIVER/PASSENGER SIDE
	109148-01-000	EA BOLT - SHOULDER - SEAT BELT
13	097552-01-000	EA MOTOR COVER - W/O CARPET
	092405-01-000	EA TRIM - MOTOR COVER - ALUMINUM
	075534-01-000	EA BRACKET - MOUNTING - MOTOR COVER
	029223-01-000	FT SEAL - MOTOR COVER - RUBBER BULB TYPE - BLACK
14	107854-01-035	EA BEVERAGE TRAY ASM
	M34032-01-823	EA DOWEL - WOOD - STAINED - 1" X 1 75" (BEVERAGE TRAY)
	P07854-12-035	EA TRAY ASM - W/STAIN
	P07854-13-035	EA SIDE W/STAIN
15	103495-04-000	EA BOOT - COLUMN - CHEVY
15	103495-05-000	EA BOOT - COLUMN - UNIVERSAL
	100528-02-000	EA SHELF ASM - TV
	100673-02-000	EA STAND - VCR
	101150-01-000	EA SUPPORT - SHELF - TV - PASSENGER SIDE - STEEL
	101150-02-000	EA SUPPORT - SHELF - TV - DRIVER SIDE - STEEL
	P03077-01-C05	EA SHELF - BASE - CABINET - LEFT HAND - VINYL
	P03077-02-C05	EA SHELF - BASE - CABINET - RIGHT HAND - VINYL
	103047-03-C05	EA PANEL - LINER - OVERHEAD TV
	PC4415-01-C05	EA SHELF ASM - TV CABINET - VINYL
	101497-22-D12	EA PANEL ASM - END CAP - UPPER RIGHT HAND - TV
	101497-23-D12	EA PANEL ASM - END CAP - UPPER LEFT HAND - TV
	101496-07-C07	EA PANEL ASM - END CAP - BOTTOM RIGHT HAND
	101497-08-C07	EA PANEL ASM - END CAP - BOT. CM LEFT HAND
	105699-01-01A	EA BRACKET - CABINET - OVERHEAD TV - OFF WHITE
	104289-03-D12	EA PANEL - SIDE - OVERHEAD TV - RIGHT HAND
	104289-04-D12	EA PANEL - SIDE - OVERHEAD TV - LEFT HAND

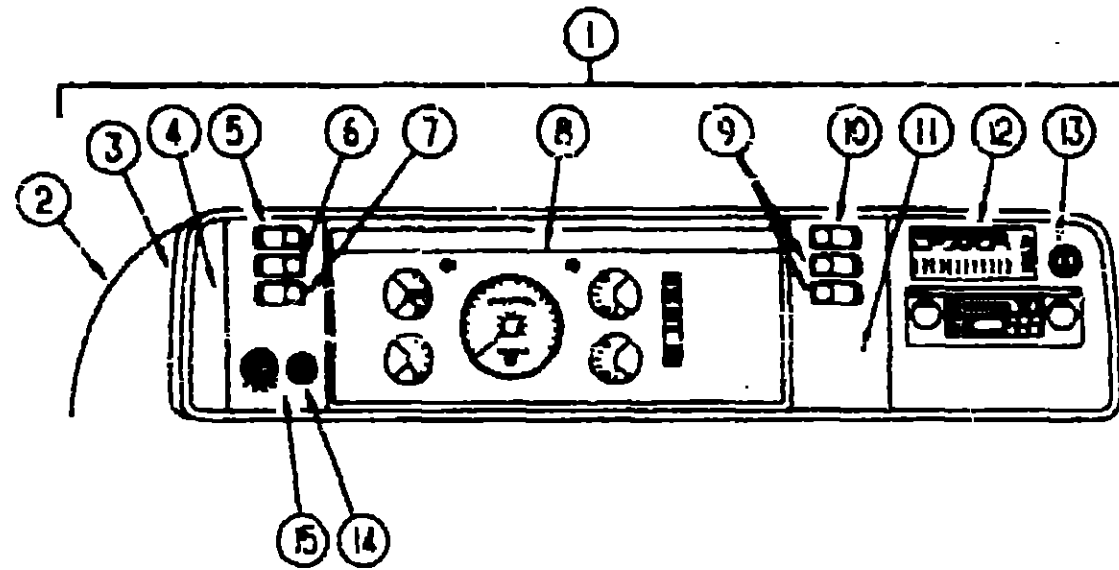
1993 ITASCA
TABLE OF CONTENTS

INTRODUCTION	A-01 - A-02
ABBREVIATIONS	A-03
ALPHABETICAL INDEX	A-04 - A-06
ICG34RD	A-07 - E-18
ICG34RA	E-19 - J-02

1993 ICG34RA INDEX

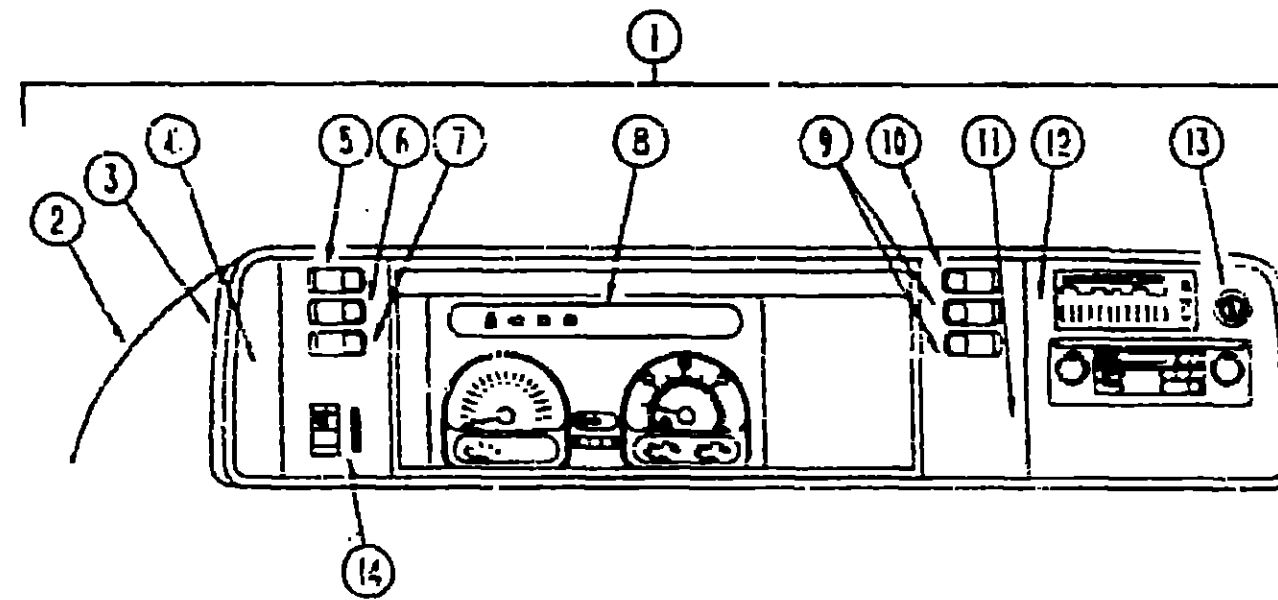
FLOOR PLAN	E-19 - E-20
ACCESSORIES	E-21
AUDIO VIDEO	E-22 - E-24
BATH	F-01 - F-02
BEDROOM	F-03 - F-04
CHASSIS	F-05 - F-15
CURTAIN & CUSHION	F-17 - G-02
DINETTE	G-03 - G-06
DRIVERS COMPARTMENT	G-07 - G-10
ELECTRICAL	G-11 - G-16
EXTERIOR BODY	G-17 - G-24
GALLEY	H-01 - H-05
GENERATOR	H-06 - H-07
HEATING & A/C	H-08 - H-12
INTERIOR FINISH	H-13 - H-16
LABELS	H-17 - H-23
LP	H-24
LOUNGE	I-01 - I-03
SEALANTS & FASTENERS	I-04 - I-08
WATER & SEWAGE	I-09 - I-11
WINDOW, VENT &	
EXTERIOR DOOR	I-12 - I-24
WINDSHIELD & W/PER	J-01 - J-02

DRIVERS COMPARTMENT GROUP (CONTINUED)



DASH, GAUGES & SWITCHES (FORD)

DRIVERS COMPARTMENT GROUP (CONTINUED)



DASH, GAUGES & SWITCHES (CHEVY)

**1993 ITASCA
TABLE OF CONTENTS**

INTRODUCTION	A-01 - A-02
ABBREVIATIONS	A-03
ALPHABETICAL INDEX	A-04 - A-06
ICG34RD	A-07 - E-18
ICG34RA	E-19 - J-02

1993 ICG34RA INDEX

FLOOR PLAN	E-19 - E-20
ACCESSORIES	E-21
AUDIO/VIDEO	E-22 - E-24
BATH	F-01 - F-02
BEDROOM	F-03 - F-04
CHASSIS	F-05 - F-16
CURTAIN & CUSHION	F-17 - G-02
DINETTE	G-03 - G-06
DRIVERS COMPARTMENT	G-07 - G-10
ELECTRICAL	G-11 - G-16
EXTERIOR BODY	G-17 - G-24
GALLEY	H-01 - H-05
GENERATOR	H-06 - H-07
HEATING & A/C	H-08 - H-12
INTERIOR FINISH	H-13 - H-16
LABELS	H-17 - H-23
LP	H-24
LOUNGE	I-01 - I-03
SEALANTS & FASTENERS	I-04 - I-08
WATER & SEWAGE	I-09 - I-11
WINDOW, VENT & EXTERIOR DOOR	I-12 - I-24
WINDSHIELD & WIPER	J-01 - J-02

KEY	PART NUMBER	U/M DESCRIPTION
1	M05946-05-D35	EA DASH POD ASM
2	103666-01-02A	EA POD - INSTRUMENT PANEL - GRAY
3	103662-02-01A	EA BEZEL - INSTRUMENT PANEL
4	104056-01-03A	EA APPLIQUE - BEZEL - LEFT - DRESS UP
5	108357-05-000	EA SWITCH - ROCKER - SPDT ON/NONE/ON
6	108357-04-000	EA SWITCH - ROCKER - SPDT ON/OFF/MOM
7	108357-06-000	EA SWITCH - ROCKER - DPDT MOM/OFF/MOM
8	094794-02-000	EA CLUSTER - INSTRUMENT - KILOMETER (CSA) FROM 00-00-00 THRU 06-20-92
8	094794-03-000	EA CLUSTER - INSTRUMENT - KILOMETER (CSA) FROM 09-21-92 THRU 99-99-99
9	108357-03-000	EA SWITCH - ROCKER - SPDT ON/OFF/ON
10	108357-10-000	EA SWITCH - ROCKER - SPDT MOM/OFF/MOM
11	104056-05-01A	EA APPLIQUE - BEZEL SWITCH RIGHT - 3 SW FROM 00-00-00 THRU 12-13-92
11	104056-04-01A	EA APPLIQUE - BEZEL - SWITCH RIGHT - BLANK FROM 00-00-00 THRU 12-13-92
11	104056-21-01A	EA APPLIQUE - BEZEL - SWITCH RIGHT FROM 12-14-92 THRU 99-99-99
12	104056-05-03A	EA APPLIQUE - BEZEL - RIGHT DRESS UP
13	089294-01-000	EA LIGHTER ASM - CIGARETTE
14	096675-01-000	EA KNOB - HEADLAMP - W/SHAFT
15	104056-03-01A	EA APPLIQUE - BEZEL - SWITCH LEFT
	P03917-01-000	EA DASH ASM - LOWER - W/O VINYL
	106559-02-02A	EA PADDED VINYL - LAMINATE MADRID - GRAY - 1/4"X15"X36" - 2LB
	100138-01-000	EA MODULE - DAYTIME RUNNING LIGHT
	077031-01-000	EA FILM - BLACK - 1" X 175"
	077031-03-000	EA FILM - WHITE 75" X 1"
	103812-02-02A	EA TRIM - DASH - LOWER - FORD - GRAY
	104354-01-02A	EA APPLIQUE - LOWER DASH

KEY	PART NUMBER	U/M DESCRIPTION
1	M05946-04-D35	EA DASH POD ASM
2	103666-01-02A	EA POD - INSTRUMENT PANEL - GRAY
3	103662-01-01A	EA BEZEL - INSTRUMENT PANEL
4	104056-01-03A	EA APPLIQUE - BEZEL - LEFT - DRESS UP
5	108357-05-000	EA SWITCH - ROCKER - SPDT ON/NONE/ON
6	108357-04-000	EA SWITCH - ROCKER - SPDT ON/OFF/MOM
7	108357-06-000	EA SWITCH - ROCKER - DPDT MOM/OFF/MOM
8	094796-05-000	EA CLUSTER - INSTRUMENT PANEL - KILOMETERS - GAS (CSA)
9	108357-03-000	EA SWITCH - ROCKER - SPST ON/OFF/ON
10	108357-10-000	EA SWITCH - ROCKER - SPDT MOM/OFF/MOM
11	104056-05-01A	EA APPLIQUE - BEZEL SWITCH RIGHT - 3 SW FROM 00-00-00 THRU 12-13-92
11	104056-04-01A	EA APPLIQUE - BEZEL - SWITCH RIGHT - BLANK FROM 00-00-00 THRU 12-13-92
11	104056-21-01A	EA APPLIQUE - BEZEL - SWITCH RIGHT FROM 12-14-92 THRU 99-99-99
12	104056-05-03A	EA APPLIQUE - BEZEL - RIGHT DRESS UP
13	089294-01-000	EA LIGHTER ASM - CIGARETTE
14	104056-02-01A	EA APPLIQUE - BEZEL - SWITCH LEFT
	P03917-01-000	EA DASH ASM - LOWER - W/O VINYL
	106559-02-01A	EA PADDED VINYL - LAMINATE MADRID - OFF WHITE - 1/4"X15"X36" - 2LB
	100138-01-000	EA MODULE - DAYTIME RUNNING LIGHT
	077031-01-000	EA FILM - BLACK - 1" X 175"
	077031-03-000	EA FILM - WHITE 75" X 1"
	103812-01-02A	EA TRIM - DASH - LOWER - GM - GRAY
	104354-01-02A	EA APPLIQUE - LOWER DASH

ELECTRICAL GROUP

EXTERIOR LIGHTS

KEY	PART NUMBER	U/M DESCRIPTION
1	062548-02-000	EA LIGHT-CLEARANCE - AMBER
2	087917-01-03A 008215-01-000 097917-01-700	EA LIGHT - PORCH - ENTRY DOOR - GRAY EA BULB EA LENS - LIGHT - PORCH
3	062548-01-000	EA LIGHT - CLEARANCE - RED
4	081638-01-000 081633-01-700 081638-01-701 037934-01-000 037935-01-000	EA TAIL LIGHT - DOUBLE - W/BLACK TRIM - DRIVER & PASSENGER SIDE EA LENS - TAIL LIGHT - RED EA LENS - TAIL LIGHT - W/BACKUP EA BULB #1156 (BACK UP & TURN SIGNAL) EA BULB #2057 OR #1157 (BRAKE LIGHT)
5	066432-02-000 066432-03-000	EA LIGHT ASM - LICENSE PLATE EA BRACKET - LICENSE PLATE
5	049186-02-000	EA HEADLAMP CAPSULE - DRIVER SIDE - HIGH/LOW BEAM - W/BLACK RETAINER
6	049188-02-000	EA HEADLAMP CAPSULE - DRIVER SIDE - HIGH BEAM - W/BLACK RETAINER
7	049187-02-000	EA HEADLAMP CAPSULE - PASSENGER SIDE - HIGH BEAM - W/BLACK RETAINER
7	049125-02-000 050030-02-000 053749-01-000 049359-01-000 073308-01-000 095674-01-000 054901-01-000	EA HEADLAMP CAPSULE - PASSENGER SIDE - HIGH/LOW BEAM - W/BLACK RETAINER EA HOUSING - HEADLAMP W/WRING - HIGH BEAM EA HOUSING - HEADLAMP W/WRING - LOW BEAM EA SPRING - RETAINER - HEADLAMP EA SCREW - ADJUSTING - HEADLAMP EA NUT - HEADLAMP - BLACK EA LAMP-PARK/TURN, GM # 916556 (BULB 12057)
6	102520-01-000 036196-01-000 102540-01-000 102541-01-000	EA CLEARANCE LIGHT ASM - CLEARANCE - W/O SOCKET CONNECTIONS - AMBER EA BULB EA SEAL - SCREW - ROUND - RUBBER EA GASKET - CLEARANCE LIGHT

INTERIOR LIGHTS

KEY	PART NUMBER	U/M DESCRIPTION
	098024-01-01A	EA DOME LIGHT - 1 BULB - US - IVORY
	098024-03-01A	EA DOME LIGHT - 2 BULB - IVORY
	008218-01-000	EA BULB - DOME LIGHT
	098024-01-700	EA LENS - DOME LIGHT
	061424-01-000	EA LIGHT - AISLE - 12V - RECTANGULAR
	008103-01-000	EA BULB - AISLE
	065202-17-000	EA LAMP - WALL - BRASS - US
	065202-18-000	EA LAMP - WALL - BRASS - CSA
	063978-01-000	EA WASHER - MOUNTING - LAMP
	065201-09-000	EA SHADE - LAMP - FABRIC - PARCHMENT
	082169-01-000	EA LIGHT - MAKE-UP - 3 BULB
	110235-01-01A	EA LIGHT - MAKE UP - 3 BULB - PANLESS
	081633-01-700	EA BULB - MAKE-UP
	032280-01-000	EA LIGHT - SURFACE MOUNT - 12V - JENSEN 1236
	066280-01-700	EA BULB - SURFACE MOUNT - 12 VOLT - 6 WATT
	087694-01-000	EA LIGHT - WARDROBE/CLOSET - W/SWITCH
	087694-01-700	EA BULB - G6561 - WARDROBE/CLOSET

FROM: 00-00-00 THRU 12-13-92

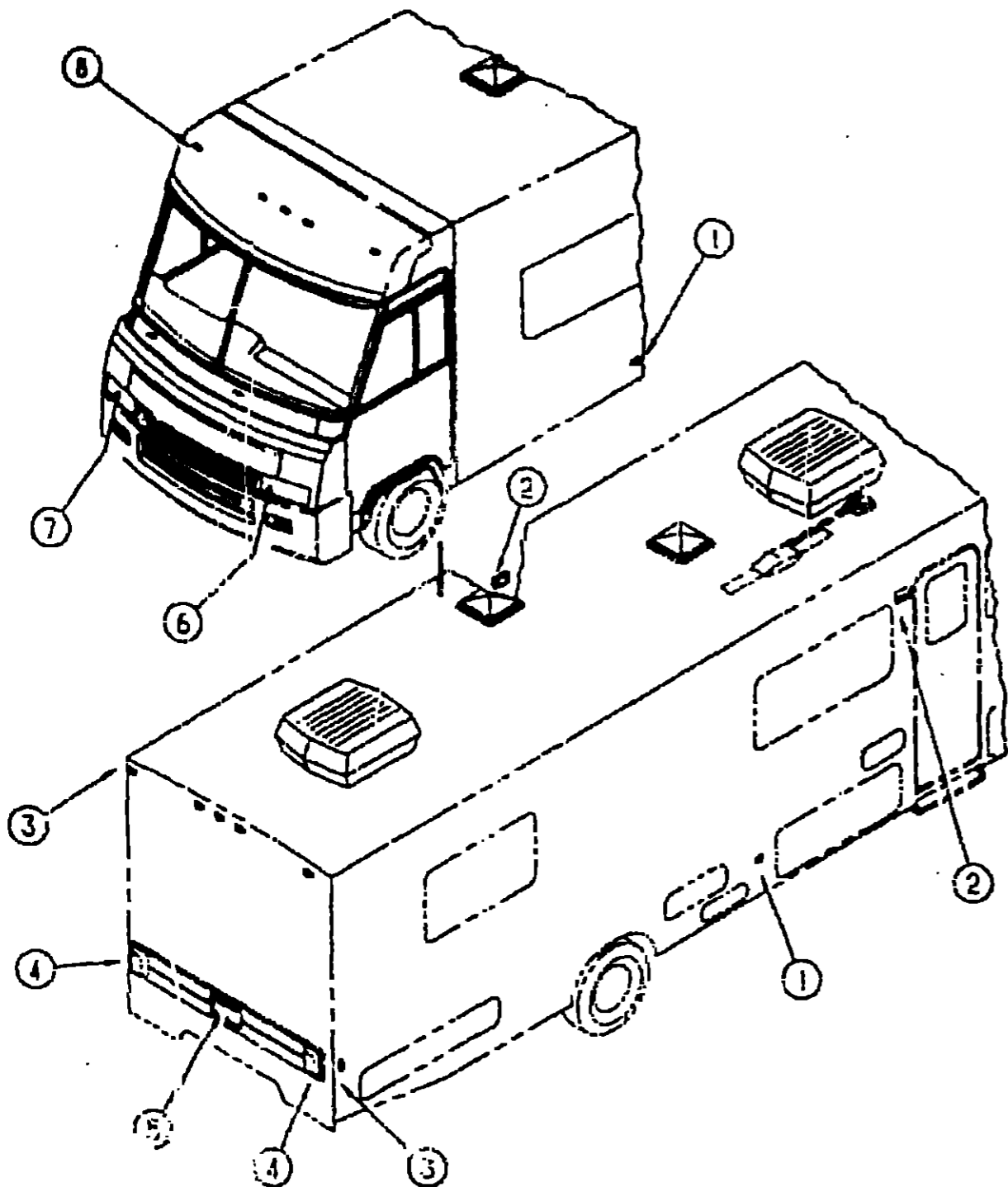
FROM: 12-14-92 THRU 99-99-99

1993 ITASCA TABLE OF CONTENTS

INTRODUCTION	A-01 - A-02
ABBREVIATIONS	A-03
ALPHABETICAL INDEX	A-04 - A-06
ICG34RQ	A-07 - E-18
ICG34RA	E-19 - J-02

1993 ICG34RA INDEX

FLOOR PLAN	E-19 - E-20
ACCESSORIES	E-21
AUDIO VIDEO	E-22 - E-24
BATH	F-01 - F-02
BEDROOM	F-03 - F-04
CHASSIS	F-05 - F-16
CURTAIN & CUSHION	F-17 - G-02
DINETTE	G-03 - G-06
DRIVERS COMPARTMENT	G-07 - G-10
ELECTRICAL	G-11 - G-16
EXTERIOR BODY	G-17 - G-24
GALLEY	H-01 - H-05
GENERATOR	H-06 - H-07
HEATING & A/C	H-08 - H-12
INTERIOR FINISH	H-13 - H-16
LABELS	H-17 - H-23
LP	H-24
LOUNGE	I-01 - I-03
SEALANTS & FASTENERS	I-04 - I-08
WATER & SEWAGE	I-09 - I-11
WINDOW, VENT & EXTERIOR DOOR	I-12 - I-24
WINDSHIELD & WIPER	J-01 - J-02



ELECTRICAL GROUP (CONTINUED)

ELECTRIC COMPONENTS

KEY	PART NUMBER	U/M DESCRIPTION
	007083-01-000	EA FLASHER - SIGNAL - STAT
	007842-01-000	EA TAB - WIRE - 18 TO 14 AWG
	008188-01-000	EA SOLENOID - 3 POST - BATTERY CHANGE OVER
	095189-01-01A	EA SPACER - SWITCH - 2 3/4" X 3 4/4" - PLASTIC - DARK BROWN
	008326-01-000	EA TERMINAL - RING - 15/14 WIRE - 3/8" STUD
	008328-01-000	EA TERMINAL - RING - 12/10 WIRE - J10 STUD FIT
	008331-01-000	EA TERMINAL - RING - TONGUE - #4 WIRE - 3/8" STUD - COPPER
	008348-01-000	EA TERMINAL - RING - 3/8" STUD - #2 WIRE
	035415-04-000	EA TERMINAL - RING #10 STUD FITTING - INSULATED BARREL #15/14
	047443-01-000	EA TERMINAL - 250 RECEPTACLE FITTING - INSULATED - 15/14 AWG
	047443-02-000	EA TERMINAL - 250 RECEPTACLE FITTING - INSULATED - 12/10 AWG
	062936-02-000	EA TERMINAL - PACK - CONNECTOR - 10/14 AWG
	104100-03-000	EA TERMINAL - 75 AMP AMP 53880-4 LOOSE
	103603-01-000	EA BULB - 12V NO 74 0 12A WEDGE GE 22-25
	008215-01-000	EA BULB - 12V - #1003 - 54AMP
	008219-01-000	EA BULB - DCMP LIGHT - 12V - NUMBER 1141
	056196-01-000	EA BULB - 12V - #104 - 27AMP - BAYONETTE
	067479-01-000	EA BULB - 12V - NUMBER 1076
	067789-02-000	EA SOCKET - LAMP
	103608-01-000	EA SOCKET - WEDGE BASE W LEADS JKL 2544-5
	075723-01-000	EA BLOCK - SWITCH - SPACER W/D HOLE
	095188-01-01A	EA SPACER - SWITCH - 2 3/4" X 3 4/4" - PLASTIC - DARK BROWN
	075723-02-000	EA SPACER-SWITCH-WHOLE-2'X9'X2' METAL-OFF WHITE (ELECTRIC STEP JAMB)
	077479-01-000	EA BOOT - BATTERY TERMINAL - DOUBLE CABLE
	077479-02-000	EA BOOT - BATTERY TERMINAL - SINGLE CABLE
	086233-01-000	EA STUD - ISOLATED - 3/8" X 7/8" LONG
	086273-01-000	EA RELAY - BATTERY DISCONNECT
	087549-01-000	EA BUSS BAR - 2 POSITION - 6" X 1 5/8" - ALUMINUM
	087549-02-000	EA BUSS BAR - 3 POS
	090971-01-000	EA SPLICE - CABLE - 110V
		FROM 03-03-00 THRU 03-24-92
	100341-01-000	EA FUSE HOLDER - IN LINE TYPE WESCO 6931-52020
	102568-01-810	EA SPACER - RECEPTACLE - BETWEEN SIDEWALL & PLATE - WOOD
	092492-06-000	EA SEAL - ELECTRICAL BOX
	103673-01-000	EA SEAL - ELECTRICAL BOX BULKHEAD ALFA III (215X215)
	103987-01-000	EA SEAL - SOLENOID ACCESS

CONVERTER & LOAD CENTER

KEY	PART NUMBER	U/M DESCRIPTION
	094809-01-000	EA LOAD CENTER - 240V - 125A - TPL412CT
		FROM 00-00-00 THRU 09-08-92
	109677-01-000	EA LOAD CENTER - 120V - 40A WESCO TT120 FLGNM
		FROM 09-09-92 THRU 99-99-99
	083208-02-000	EA CONVERTER - POWER - 45A - 120V/12V - BW 6345
	099048-01-000	EA INVERTER - 100 WATT

ELECTRICAL GROUP (CONTINUED)

ELECTRICAL HOUSINGS

KEY	PART NUMBER	U/M DESCRIPTION
	088473-01-000	EA PIN HOUSING - 4 ROWS OF 3
	088473-02-000	EA PIN HOUSING - 15 POSITION
	088473-03-000	EA PIN HOUSING - 6 POSITION
	088473-05-000	EA PIN HOUSING - 6 POSITION (SINGLE ROW)
	088473-06-000	EA PIN HOUSING - 6 POSITION (TWO ROWS OF THREE)
	088473-08-000	EA PIN HOUSING - 4 POSITION
	088473-09-000	EA PIN HOUSING - 3 POSITION (SINGLE ROW)
	088473-10-000	EA PIN HOUSING - 2 POSITION
	088474-01-000	EA HOUSING - SOCKET - 12 POSITIONS
	088474-02-000	EA HOUSING - SOCKET - 15 POSITION (3 ROWS OF 5)
	088474-03-000	EA HOUSING - SOCKET - 3 POSITION
	088474-05-000	EA HOUSING - SOCKET - 6 POSITION (2 ROWS OF THREE)
	088474-07-000	EA HOUSING - SOCKET - 5 CAVITY - AMP 1-480754-0
	088474-08-000	EA HOUSING - SOCKET - 4 POSITION (SINGLE ROW)
	088474-09-000	EA HOUSING - SOCKET - 3 POSITION
	088474-10-000	EA HOUSING - SOCKET - 2 POSITION
	053510-01-000	EA HOUSING - RELAY - BOSCH 3 334 465 008
	050030-02-000	EA HOUSING - HEADLAMP WIRING - HIGH BEAM
	101571-01-000	EA HOUSING - 2 POSITION - MALE
	104100-01-000	EA HOUSING - 1 POSITION - 75 AMP - AMP 53884-1
	105006-01-000	EA HOUSING - 1 POSITION - FEMALE - PACKARD 12015652
	105355-01-000	EA HOUSING - SWITCH - CARLING VCH
	088473-02-000	EA PIN HOUSING - 15 POSITION
	007549-01-000	EA TAB - HOUSING - 1 POSITION

**1993 ITASCA
TABLE OF CONTENTS**

INTRODUCTION	A-01 - A-02
ABBREVIATIONS	A-03
ALPHABETICAL INDEX	A-04 - A-06
ICG34RQ	A-17 - E-18
ICG34RA	E-19 - J-02

1993 ICG34RA INDEX

FLOOR PLAN	E-19 - E-20
ACCESSORIES	E-21
AUDIO VIDEO	E-22 - E-23
BATH	F-01 - F-02
BEDROOM	F-03 - F-04
CHASSIS	F-05 - F-16
CURTAIN & CUSHION	F-17 - G-02
DINETTE	G-03 - G-06
DRIVERS COMPARTMENT	G-07 - G-10
ELECTRICAL	G-11 - G-16
EXTERIOR BODY	G-17 - G-24
GALLEY	H-01 - H-05
GENERATOR	H-06 - H-07
HEATING & A/C	H-08 - H-12
INTERIOR FINISH	H-13 - H-16
LABELS	H-17 - H-23
LP	H-24
LOUNGE	I-01 - I-03
SEALANTS & FASTENERS	I-04 - I-08
WATER & SEWAGE	I-09 - I-11
WINDOW, VENT &	
EXTERIOR DOOR	I-12 - I-24
WINDSHIELD & WIPER	J-01 - J-02

ELECTRICAL GROUP (CONTINUED)

SWITCHES, RECEPTACLES & COVERS

KEY	PART NUMBER	U/M DESCRIPTION
	098241-02-000	EA SWITCH - BLANK
	078184-01-000	EA SWITCH - ON/OFF - ROCKER - 2 PRONGS - BROWN
	078364-03-000	EA SWITCH - ON/OFF - ROCKER - 3 PRONGS - BROWN
	108357-08-000	EA SWITCH - ROCKER - OPDTON NOME ON CARLING VDD1500C-0
	097734-01-01A	EA EXTENSION - RECEPTACLE - 3 2" X 5" X 7" - PLASTIC - IVORY FROM 00-00-00 THRU 03-07-93
	098351-01-01A	EA PLATE - SWITCH - 1 GANG - POLISHED BRASS
	098351-02-01A	EA PLATE - SWITCH - 2 GANG - POLISHED BRASS
	098351-04-01A	EA PLATE - SWITCH - GENERATOR DOOR LOCK - POLISH BRASS - JENSEN
	098351-05-01A	EA PLATE - SWITCH - 3 GANG - POLISH BRASS - JENSEN
	080015-02-000	EA RECEPTACLE - FLAG - 185 - 15 1/4 GA - AMP 3
	064075-02-000	EJ RECEPTACLE - GFI - 15A - 125V - BROWN
	058707-01-000	EA RECEPTACLE - ELECTRIC - SINGLE - BROWN
	058708-01-000	EA RECEPTACLE - ELECTRIC - DOUBLE - BROWN
	058708-02-000	EA RECEPTACLE - ELECTRIC - DOUBLE - IVORY
	007340-01-000	EA RECEPTACLE - SLIDE - 18 TO 12 AWG - FEMALE END
	024324-02-000	EA RECEPTACLE - POWER CORD - IMPARTIAL PLATE
	102558-01-832	EA SPACER - RECEPTACLE - BETWEEN SIDEWALL & PLATE - WOOD
	075735-02-000	EA COVER - EXTERIOR RECEPTACLE - OFF WHITE
	088238-01-000	EA COVER - SWITCH - A/C SELECTOR - FRONT TO REAR A/C
	058238-02-000	EA COVER - SWITCH - A/C SELECTOR FOR FRONT OR REAR

ELECTRICAL WIRING & BOXES

KEY	PART NUMBER	U/M DESCRIPTION
	002052-01-000	EA CORD - POWER - 10/3 - 30 AMP - 25' - CANADIAN
	002054-01-000	EA CORD - POWER - 10/3 - 30 AMP - 25'
	006288-01-000	EA BOX - ELECTRIC - PLASTIC - 3' X 3 1/2'
	006288-02-000	EA BOX - ELECTRIC - PLASTIC - 3 5/4" X 3 13" X 1 2 1/2"
	006289-01-000	EA BOX - ELECTRIC - STEEL - 1 1/2" AND 3 1/4" KNOCKOUTS - 4' X 4'
	008289-02-000	EA BOX - ELECTRICAL - 4' X 4' - 1 1/2" & 3 1/4" KNOCKOUTS - CANADIAN
	074890-01-000	EA BOX - EXTENSION - STEEL - OPEN SIDES - 4' X 4' X 1 1/2"
	058049-01-000	EA BOX - ELECTRIC SWITCH - 2' X 3' X 2 25"
	031910-01-000	EA BOX - ELECTRIC - 3 7 1/2" X 3 5" X 1 7 1/2" - PLASTIC
	104577-01-000	EA BOX - ELECTRICAL - CIRCUIT BREAKER - BRYANT 2-4-50FLG
	091927-01-000	EA COVER - RECEPTACLE - DOUBLE - IVORY
	006294-01-000	EA COVER - ELECTRICAL BOX - BLANK/STEEL - 4' X 4' - GRAY
	008294-02-000	EA COVER - ELECTRICAL BOX - BLANK STEEL - 4' X 4' - CANADIAN
	074897-01-000	EA COVER - ELECTRIC BOX - 1 LARGE & 2 SMALL HOLES - 4' X 4'
	069238-01-000	EA COVER - ELECTRICAL BOX - WHOLE - 4' X 4' - GRAY (30 AMP RECEPTACLE)
	034077-02-000	EA PLATE - COVER - RECEPTACLE - GFI - BROWN
	104016-01-000	EA WIRE ASM - AUX FANS
	102536-01-000	EA WIRE ASM - CLEARANCE LAMPS
	094831-08-000	EA WIRE ASM - AC COMPRESSOR ADAPTER - SCS 066-0054
	P03764-02-000	EA WIRE ASM - HEADLAMP(FORD)
	P03764-01-000	EA WIRE ASM - HEADLAMP(GM)
	088751-01-000	FT CABLE - BATTERY - 10 AWG - STRANDED - RED
	073328-04-000	EA CABLE ASSEMBLY - BATTERY - W/TERMINALS

ELECTRICAL GROUP (CONTINUED)

ELECTRICAL CONNECTORS & CONDUIT

KEY	PART NUMBER	U/M DESCRIPTION
	041953-01-000	FT CONDUIT - CONVOLUTE - SUT - 5/10
	041953-03-000	FT CONDUIT - CONVOLUTE - SUT - 1" ID (CLOTHES ROD COVER)
	041953-05-000	FT CONDUIT - CONVOLUTE - SOLID - 62" ID
	041953-08-000	FT CONDUIT - CONVOLUTE - SLIT 3/75" ID
	041953-06-000	FT CONDUIT - CONVOLUTE - SUT - 25" ID
	041953-04-000	FT CONDUIT - CONVOLUTE - SLIT - 1 50" ID
	041953-09-000	FT CONDUIT - CONVOLUTE - SLIT 50" ID
	041953-10-000	FT CONDUIT - CONVOLUTE - SLIT - 75" ID
	041953-11-000	FT CONDUIT - CONVOLUTE - SUT - 1 06" ID
	041953-12-000	FT CONDUIT - CONVOLUTE - NON SLIT 1 1/2" ID
	008311-01-000	EA CONNECTOR - WIRE NUT - INSULATED - RED
	008312-01-000	EA CONNECTOR - WIRE NUT - INSULATED - BLUE
	008314-01-000	EA CONNECTOR - WIRE NUT - INSULATED - GRAY
	008355-01-000	EA CONNECTOR - CABLE CLAMPING - 3/4"
	008356-01-000	EA CONNECTOR - PLASTIC - 3/8" AVG
	055023-01-000	EA CONNECTOR - ELECTRICAL PLUG 1 - NYLON - CLEAR
	041480-01-000	EA CONNECTOR - STRAIGHT - 1 1/2" FLEX CONDUIT
	032740-01-000	EA CONNECTOR - PLASTIC BODY - FOR 2 MALE SPADES
	058475-01-000	EA PIN-CONNECTOR - 14 TO 20 AWG KEY
	058475-01-000	EA PIN-CONNECTOR - 14 TO 20 AWG
	059475-01-000	EA SOCKET - CONNECTOR - BRASS - PRE - TIN
	033475-02-000	EA SOCKET - CONNECTOR - 12-10 GA - PHOS BRZ - PRE - TIN

CIRCUIT BREAKERS & FUSES

KEY	PART NUMBER	U/M DESCRIPTION
	097611-01-000	EA CIRCUIT BREAKER - 6AMP - ATC - BLACK
	093654-01-000	EA CIRCUIT BREAKER - 6 AMP - HOUSE CONTROL PANEL
	093654-02-000	EA CIRCUIT BREAKER - 15 AMP
	093655-01-000	EA CIRCUIT BREAKER - 25 AMP
	093655-02-000	EA CIRCUIT BREAKER - 30 AMP - HOUSE CONTROL PANEL
	093655-03-000	EA CIRCUIT BREAKER - 40 AMP USD 17440-4E03A2A
	094810-01-000	EA CIRCUIT BREAKER - DOUBLE 30 AMP - GE TH0L2130
	094811-01-000	EA CIRCUIT BREAKER - DOUBLE 20 AMP - GE TH0L2120
	083209-02-000	EA CIRCUIT BREAKER - 15/15AMP - 120V - BWH - 15 1/5
	083209-03-000	EA CIRCUIT BREAKER - 15/20AMP - 120V - BW - 0-15 2/3
	083209-04-000	EA CIRCUIT BREAKER - 30A - 120V - SWL - 30
	083209-05-000	EA CIRCUIT BREAKER - 30/15 AMP - 120V - BWD - 30 1/5
	083209-07-000	EA CIRCUIT BREAKER - 20/20A - 120V - BWK - 20 2/0
	083209-08-000	EA CIRCUIT BREAKER - BLANK - BW
	062901-02-000	EA FUSE - 5 AMP - AUTOMOTIVE
	062901-05-000	EA FUSE - 15 AMPS - AUTOMOTIVE
	062901-07-000	EA FUSE - AUTOMOTIVE - 25 AMPS
	078235-01-000	EA FUSE - AUTOMOTIVE - 12V - 15AMP
	062037-01-000	EA HOUSING - AUTO FUSE - NATURAL
	062037-02-000	EA HOUSING - AUTO FUSE - GREEN
	062037-03-000	EA HOUSING - AUTO FUSE - BLACK
	062037-04-000	EA HOUSING - AUTO FUSE - BLUE
	062037-05-000	EA HOUSING - AUTO FUSE - GRAY
	062037-06-000	EA HOUSING - AUTO FUSE - BROWN

FROM 00-00-00 THRU 08-28-92

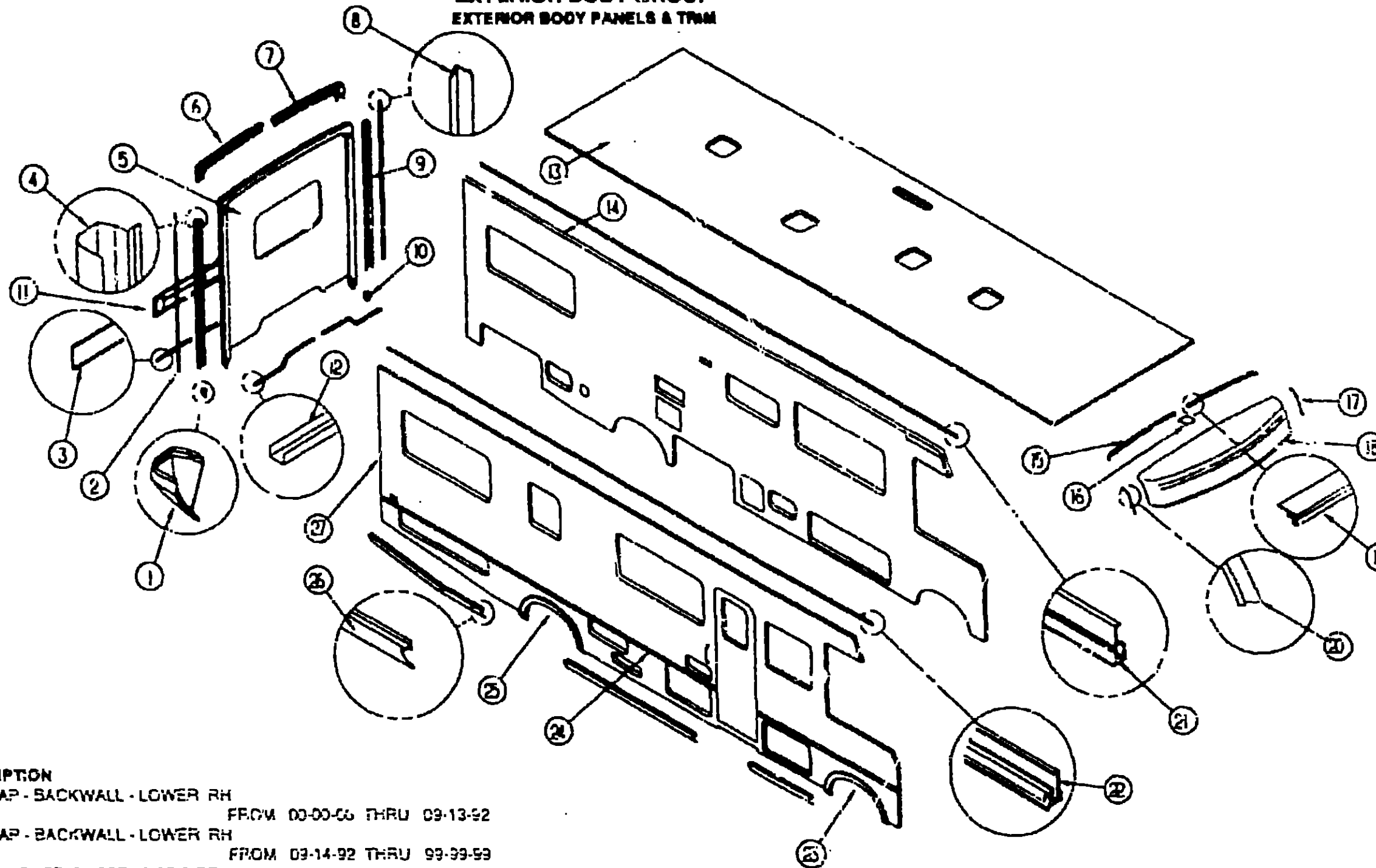
**1993 ITASCA
TABLE OF CONTENTS**

INTRODUCTION	A-01 - A-02
ABBREVIATIONS	A-03
ALPHABETICAL INDEX	A-04 - A-06
ICG34RQ	A-07 - E-18
ICG34RA	E-19 - J-02

1993 ICG34RA INDEX

FLOOR PLAN	E-19 - E-20
ACCESSORIES	E-21
AUDIO VIDEO	E-22 - E-24
BATH	F-01 - F-02
BEDROOM	F-03 - F-04
CHASSIS	F-05 - F-16
CURTAIN & CUSHION	F-17 - G-02
DINETTE	G-03 - G-05
DRIVERS COMPARTMENT	G-07 - G-10
ELECTRICAL	G-11 - G-16
EXTERIOR BODY	G-17 - G-24
GALLEY	H-01 - H-05
GENERATOR	H-06 - H-07
HEATING & A/C	H-08 - H-12
INTERIOR FINISH	H-13 - H-16
LABELS	H-17 - H-23
LP	H-24
LOUNGE	I-01 - I-03
SEALANTS & FASTENERS	I-04 - I-08
WATER & SEWAGE	I-09 - I-11
WINDOW VENT &	
EXTERIOR DOOR	I-12 - I-24
WINDOW ELD & W/PER	J-01 - J-02

EXTERIOR BODY GROUP
EXTERIOR BODY PANELS & TRIM



1993 ITASCA
TABLE OF CONTENTS

INTRODUCTION	A-01 - A-02
ABBREVIATIONS	A-03
ALPHABETICAL INDEX	A-04 - A-06
ICG34RQ	A-07 - E-18
ICG34RA	E-19 - J-02

1993 ICG34RA INDEX

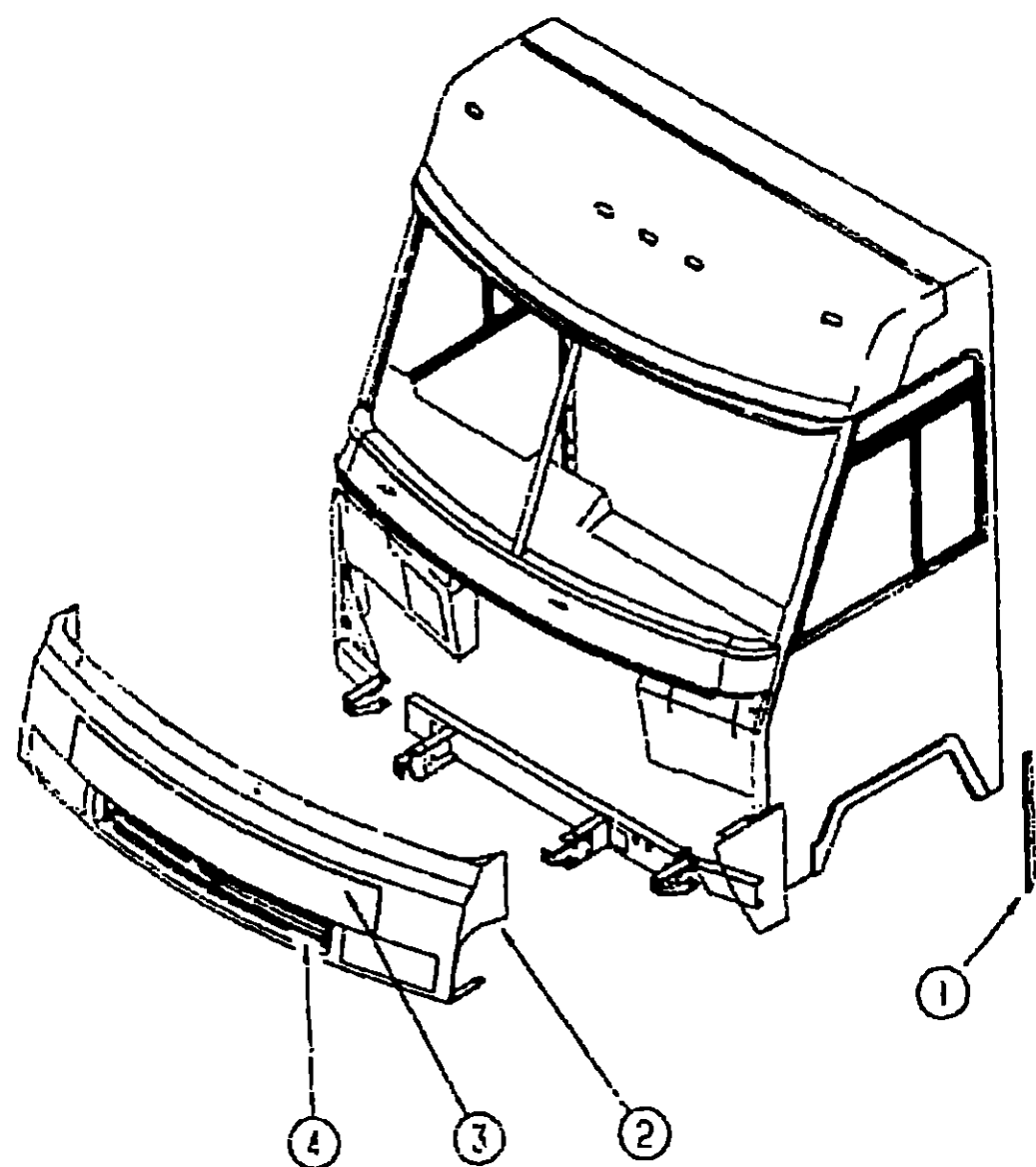
FLOOR PLAN	E-19 - E-20
ACCESSORIES	E-21
AUDIO/VIDEO	E-22 - E-24
BATH	F-01 - F-02
BEDROOM	F-03 - F-04
CHASSIS	F-05 - F-15
CURTAIN & CUSHION	F-17 - G-02
DINETTE	G-03 - G-06
DRIVERS COMPARTMENT	G-07 - G-10
ELECTRICAL	G-11 - G-16
EXTERIOR BODY	G-17 - G-24
GALLEY	H-01 - H-05
GENERATOR	H-06 - H-07
HEATING & A/C	H-08 - H-12
INTERIOR FINISH	H-13 - H-16
LABELS	H-17 - H-23
LP	H-24
LOUNGE	I-01 - I-03
SEALANTS & FASTENERS	I-04 - I-08
WATER & SEWAGE	I-09 - I-11
WINDOW, VENT &	
EXTERIOR DOOR	I-12 - I-24
WINDSHIELD & W/PER	J-01 - J-02

KEY	PART NUMBER	U/M DESCRIPTION
1	105157-01-03A	EA TRIM CAP - BACKWALL - LOWER RH FROM 00-00-00 THRU 09-13-92
1	105167-03-01A	EA TRIM CAP - BACKWALL - LOWER RH FROM 09-14-92 THRU 99-99-99
2	104033-03-03A	EA TRIM - J - BUFF (PASSENGER SIDE)
3	093673-01-04A	EA MOLDING - PLASTIC - GRAY
3	103598-03-04A	EA TRIM - BACKWALL - SIDE - GRAY (PASSENGER SIDE)
5	M05191-15-D35	EA BACKWALL ASM - QUEEN BED (CHEVY)
5	M05191-16-D36	EA BACKWALL ASM - QUEEN BED (CHEVY)
5	M05192-13-D35	EA BACKWALL ASM - QUEEN BED (FORD)
5	M05192-13-D36	EA BACKWALL ASM - QUEEN BED (FORD)
6	103599-01-03A	EA TRIM - BACKWALL - TOP - GRAY (PASSENGER SIDE)
7	103600-01-03A	EA TRIM - BACKWALL - TOP - LEFT GRAY
8	104033-04-03A	EA TRIM - J - BUFF (DRIVER SIDE)
9	103598-04-04A	EA TRIM - BACKWALL - SIDE - GRAY (DRIVER SIDE)
10	105167-02-03A	EA TRIM CAP - BACKWALL - LOWER LH FROM 00-00-00 THRU 09-13-92
10	105167-04-01A	EA TRIM CAP - BACKWALL - LOWER LH FROM 09-14-92 THRU 99-99-99
11	106125-01-035	EA TRIM ASM - BACKWALL
12	050406-17-000	EA TRIM - BACKWALL - LOWER LEFT OR RIGHT SIDE - GRAY
13	P04539-01-D35	EA ROOF ASM
14	M05866-01-D35	EA SIDEWALL ASM - QUEEN BED (DRIVER SIDE)
14	M05866-01-D36	EA SIDEWALL ASM - QUEEN BED (DRIVER SIDE)
15	103815-02-04A	EA TRIM - FRONT CAP/ROOF - GRAY (PASSENGER SIDE)
15	086734-08-000	EA CAP - JOINT - GRAY
17	103816-04-03A	EA TRIM - FRONT - GRAY (DRIVER SIDE)
18	103786-01-03A	EA CAP ASM - FRONT - GRAY

KEY	PART NUMBER	U/M DESCRIPTION
19	103815-03-04A	EA TRIM - FRONT CAP/ROOF - GRAY (DRIVER SIDE)
20	103816-01-03A	EA TRIM - FRONT - GRAY (PASSENGER SIDE)
21	103801-01-03A	EA TRIM - ROOF - GRAY
22	103802-01-03A	EA RAIL - AWNING - GRAY
23	104068-01-03A	EA TRIM - WHEELWELL - FRONT - (PASSENGER SIDE)
	104068-02-03A	EA TRIM - WHEELWELL - FRONT - (DRIVER SIDE)
24	055575-05-020	EA FEATURE STRIP - WHOLES - OFF WHITE FROM 00-00-00 THRU 03-29-93
24	105588-01-02A	EA FEATURE STRIP - WHOLES - OFF WHITE FROM 03-29-93 THRU 99-99-99
	001030-02-004	EA INSERT - FEATURE STRIP - 17' LONG - OFF WHITE FROM 00-00-00 THRU 03-29-93
	105312-01-04A	FT INSERT - FEATURE STRIP - PEARL FAWN FROM 03-29-93 THRU 99-99-99
	009731-01-000	EA END CAP - FEATURE STRIP FROM 00-00-00 THRU 03-29-93
	108651-01-01A	EA END CAP - FEATURE STRIP FROM 03-29-93 THRU 99-99-99
25	104070-01-03A	EA TRIM - WHEELWELL - REAR - GRAY (DRIVER OR PASSENGER SIDE)
25	073407-05-004	EA ROCKER PANEL 192"
27	M05818-05-D35	EA SIDEWALL ASM - QUEEN BED (PASSENGER SIDE)
27	M05818-05-D36	EA SIDEWALL ASM - QUEEN BED (PASSENGER SIDE)

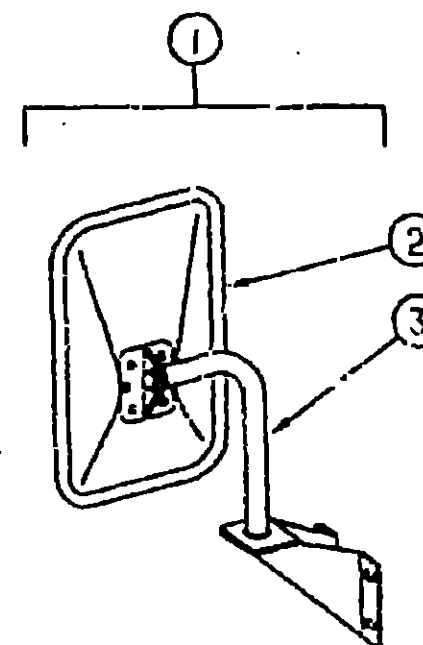
EXTERIOR BODY GROUP (CONTINUED)

FRONT END ASM



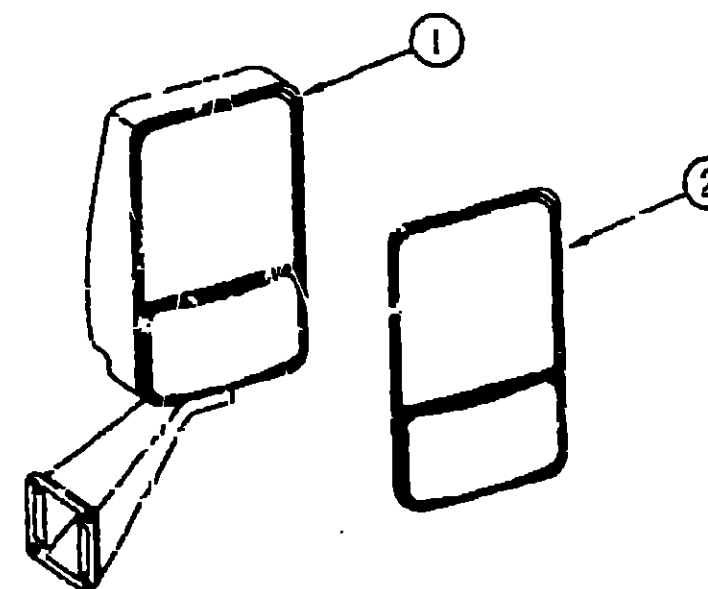
KEY	PART NUMBER	U/M DESCRIPTION
1	089922-22-000	EA TRIM - FIBERGLASS - ASH GRAY
2	104062-01-03A	EA PANEL - FRONT - LOWER - ASH GRAY
3	104545-01-D35	EA PANEL ASM - HOOD - ASH GRAY
4	104312-01-C07	EA GRILLE ASM - MESH - FACIA
	058785-01-000	EA BOLT - ADJUSTING - HOOD - W/BLACK PAD - 5/16" #18 X 2"
	058785-02-000	EA BOLT - ADJUSTING - HOOD - W/BLACK PAD - 5/16" #18 X 1.25"
	104562-02-000	EA LINK ASM - HINGE - HOOD - OUTER
	104584-03-000	EA BRACKET ASM - HOOD HINGE BODY - PASSENGER SIDE
	104584-04-000	EA BRACKET ASM - HOOD HINGE BODY - DRIVER SIDE
	102330-02-000	EA LATCH - SINGLE HOLE - VISE ACTION
	105095-01-000	EA LINK ASM - HINGE - HOOD - INNER - PASSENGER SIDE
	105095-02-000	EA LINK ASM - HINGE - HOOD - INNER - DRIVER SIDE
	105095-02-000	EA TUBE - TIMING - HOOD HINGE

EXTERIOR BODY GROUP (CONTINUED)



EXTERIOR MIRRORS

KEY	PART NUMBER	U/M DESCRIPTION
1	105076-01-702	EA MIRROR ASM - DRIVER & PASSENGER SIDE
2	105076-01-703	EA MIRROR HEAD ONLY - DRIVER & PASSENGER SIDE
3	105076-01-704	EA ARM - DRIVER & PASSENGER SIDE
	105439-01-000	EA MIRROR - AUX - CONVEX STICK-ON
	109347-01-700	EA MIRROR - FLAT GLASS



EXTERIOR MIRROR OPTION

KEY	PART NUMBER	U/M DESCRIPTION
1	106015-09-01A	EA MIRROR ASM - PASSENGER SIDE
1	106015-10-01A	EA MIRROR ASM - DRIVER SIDE
2	106015-01-703	EA MIRROR KIT (BEZEL W/MIRRORS) PASSENGER SIDE
2	106015-02-702	EA MIRROR KIT (BEZEL W/MIRRORS) DRIVER SIDE

**1993 ITASCA
TABLE OF CONTENTS**

INTRODUCTION	A-01 - A-02
ABBREVIATIONS	A-03
ALPHABETICAL INDEX	A-04 - A-06
ICG34RU	A-07 - E-18
ICG34RA	E-19 - J-02

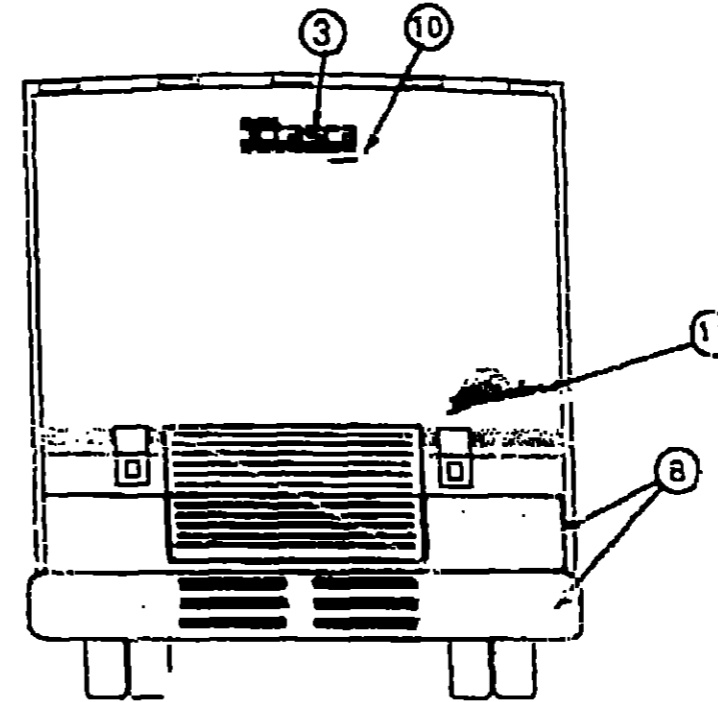
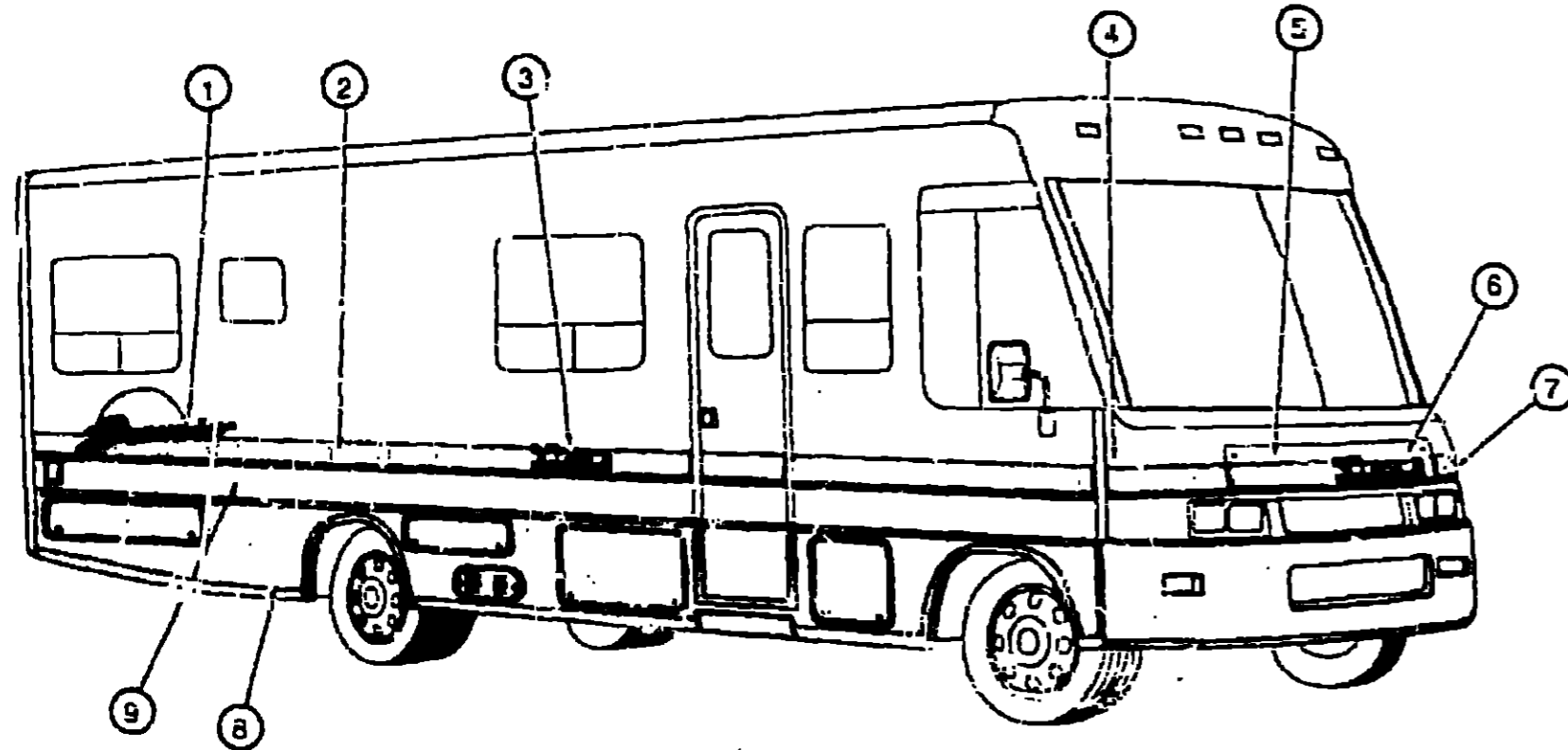
1993 ICG34RA INDEX

FLOOR PLAN	E-19 - E-20
ACCESSORIES	E-21
AUDIO VIDEO	E-22 - E-24
BATH	F-01 - F-02
BEDROOM	F-03 - F-04
CHASSIS	F-05 - F-16
CURTAIN & CUSHION	F-17 - G-02
DINETTE	G-03 - G-05
DRIVERS COMPARTMENT	G-07 - G-10
ELECTRICAL	G-11 - G-16
EXTERIOR BODY	G-17 - G-24
GALLEY	H-01 - H-05
GENERATOR	H-06 - H-07
HEATING & A/C	H-08 - H-12
INTERIOR FINISH	H-13 - H-15
LABELS	H-17 - H-23
LP	H-24
LOUNGE	I-01 - I-03
SEALANTS & FASTENERS	I-04 - I-08
WATER & SEWAGE	I-09 - I-11
WINDOW, VENT & EXTERIOR DOOR	I-12 - I-24
WINDSHIELD & WIPER	J-01 - J-02

EXTERIOR BODY GROUP (CONTINUED)
DECALS, FILM STRIPES & PAINT

1993 ITASCA
TABLE OF CONTENTS

INTRODUCTION	A-01 - A-02
ABBREVIATIONS	A-03
ALPHABETICAL INDEX	A-04 - A-06
ICG34RD	A-07 - E-12
ICG34RA	E-19 - J-02



1993 ICG34RA INDEX

FLOOR PLAN	E-19 - E-20
ACCESSORIES	E-21
AUDIO VIDEO	E-22 - E-24
BATH	F-01 - F-02
BEDROOM	F-03 - F-04
CHASSIS	F-05 - F-16
CURTAIN & CUSHION	F-17 - G-02
CINETTE	G-03 - G-06
DRIVE/STORAGE COMPARTMENT	G-07 - G-10
ELECTRICAL	G-11 - G-15
EXTERIOR BODY	G-17 - G-24
GALLEY	H-01 - H-05
GENERATOR	H-06 - H-07
HEATING & A/C	H-08 - H-12
INTERIOR FINISH	H-13 - H-16
LABELS	H-17 - H-23
LP	H-24
LOUNGE	I-01 - I-03
SEALANTS & FASTENERS	I-04 - I-06
WATER & SEWAGE	I-09 - I-11
WINDOW, VENT &	
EXTERIOR DOOR	I-12 - I-24
WINDSHIELD & WIPER	J-01 - J-02

KEY	PART NUMBER	U/M	DESCRIPTION
1	108222-01-01A	EA	DECAL - SUNCRUISER - LARGE
2	094422-03-01A	FT	FILM - OVERLAY - MULTISTRIPED 139
3	078852-24-000	EA	DECAL - LOGO - ITASCA 650
4	108224-01-01A	EA	DECAL - CORNER - RH
5	108223-01-01A	EA	DECAL - HCOD
6	078852-25-000	EA	DECAL - LOGO - ITASCA 500
7	108224-02-01A	EA	DECAL - CORNER - LH
8	N/P		PAINT - GREY METALLIC (DUPONT H9283U)
9	107385-05-02A	FT	FILM - 9.5MM X 150FT
10	094075-01-000	EA	DECAL - "BY WINNEBAGO INDUSTRIES" - BLACK
11	108222-02-01A	EA	DECAL - SUNCRUISER - SMALL

DUPONT PAINT COLOR CODES

SEAMIST BLUE METALLIC	G9845
ASH GRAY	L8730
FIESTA RED	G9836

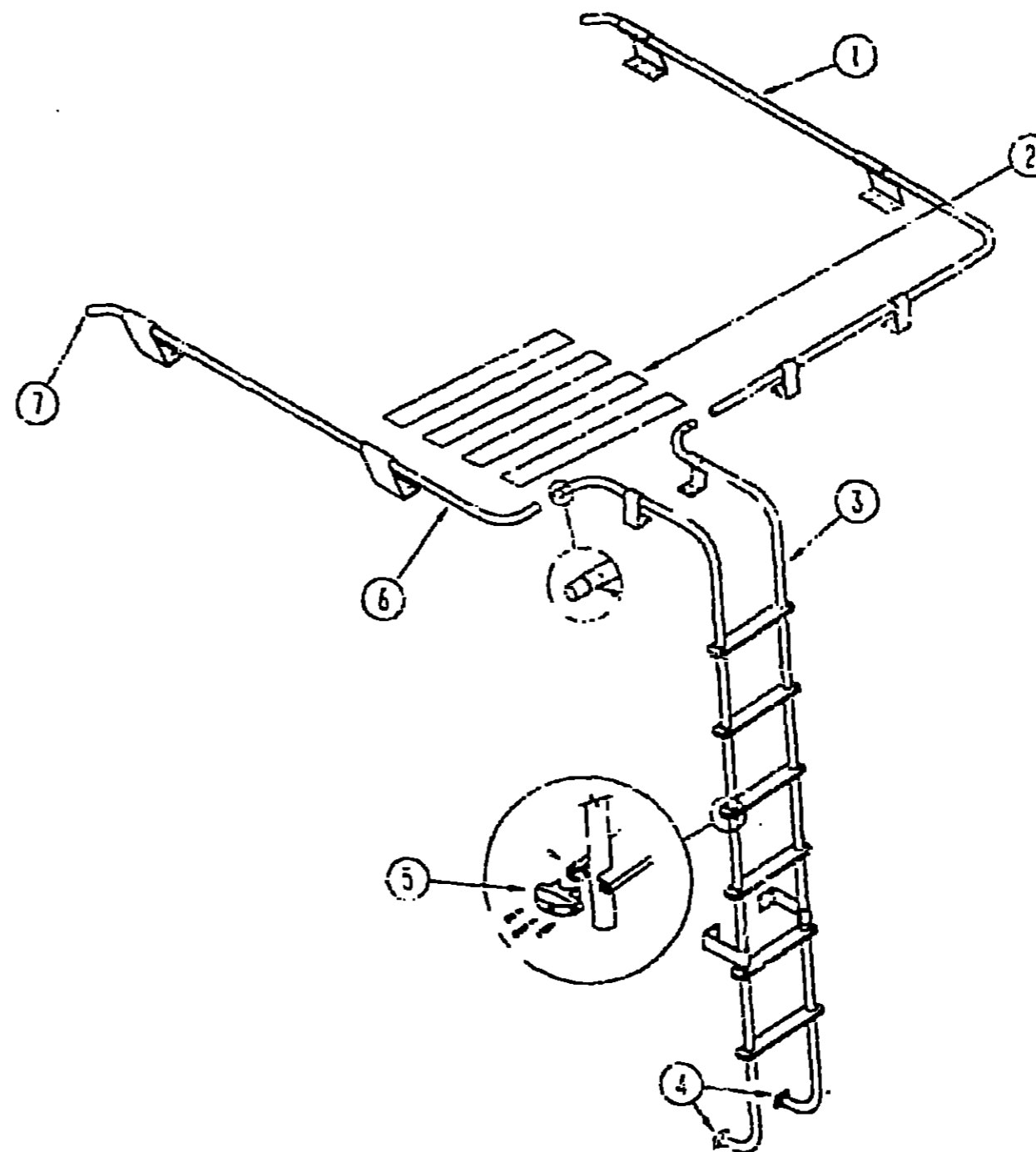
**EXTERIOR BODY GROUP (CONTINUED);
STYROFOAM & FIBERGLASS SHEETING**

KEY	PART NUMBER	U/M DESCRIPTION
	083574-03-000	SF STYROFOAM - 3/4" X 48" X 96"
	000870-05-000	SF STYROFOAM - 5" X 24" X 96" (15 SF)
	000870-03-000	SF STYROFOAM - 1.34" X 48" X 96" (12 SF)
	083574-02-000	SF STYROFOAM - LOW TYPE SM - 1 5/8" X 24" X 90 5/8" (15 SF)
	075054-J9-000	EA FIBERGLASS SHEET 2438 X 2438 - BUFF
	077517-59-000	EA SHEET - FIBERGLASS - FLAT - 48" X 96" - BUFF
	075054-J7-000	EA FIBERGLASS SHEET 2570 X 5785 - BUFF
	065747-01-000	SF INSULATION - MICROFOAM - 5"

EXTERIOR AWNING OPTION (COLEMAN)

KEY	PART NUMBER	U/M DESCRIPTION
	110634-01-01A	EA AWNING - ROLLER ASM - 18'
	110634-02-01A	EA AWNING - HARDWARE KIT
	111037-01-01A	EA SPACER - AWNING - UPPER BLACK
	111038-01-01A	EA SPACER - AWNING - LOWER BLACK

EXTERIOR BODY GROUP (CONTINUED)



RACK & LADDER

KEY	PART NUMBER	U/M DESCRIPTION
1	107433-05-C07	EA RACK ASM. (PASSENGER SIDE)
2	033327-02-000	FT TAPE - ANTI SLIP - 3" X 60FT
3	102953-03-C07	EA LADDER ASM
4	067165-01-000	EA MOUNTING BRACKET - LADDER - LOWER
5	076900-02-000	EA END CAP - STEP - BLACK
6	107438-06-C07	EA RACK ASM. (DRIVER SIDE)
7	081114-01-000	EA PLUG - ROUND - RACK & LADDER ENDS - PLASTIC - 1" DIA

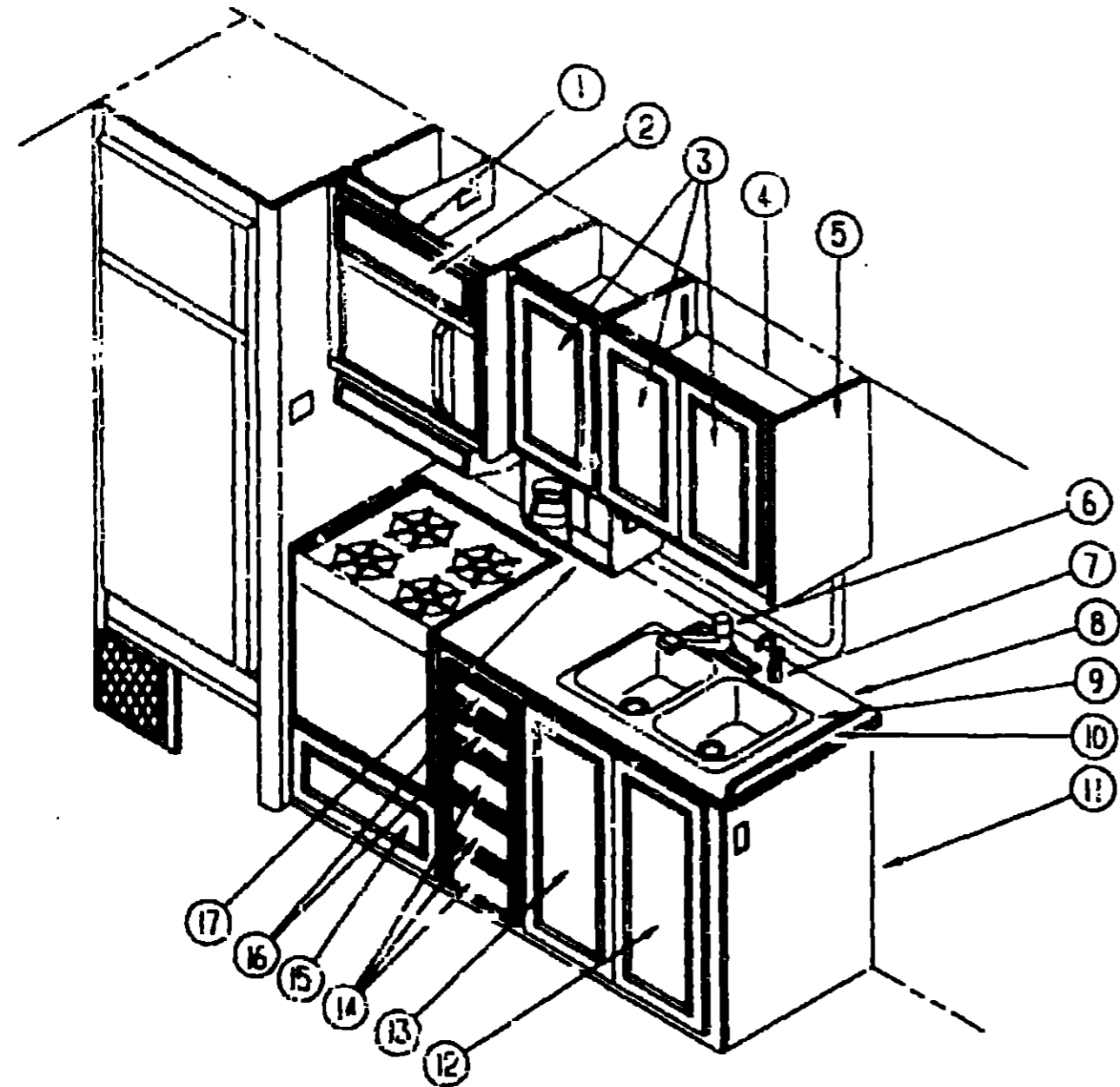
**1993 ITASCA
TABLE OF CONTENTS**

INTRODUCTION	A-01 - A-02
ABBREVIATIONS	A-03
ALPHABETICAL INDEX	A-04 - A-06
ICG34RD	A-07 - E-19
ICG34RA	E-19 - J-02

1993 ICG34RA INDEX

FLOOR PLAN	E-19 - E-20
ACCESSORIES	E-21
AUDIO VIDEO	E-22 - E-24
BATH	F-01 - F-02
BEDROOM	F-03 - F-04
CHASSIS	F-05 - F-16
CURTAIN & CUSHION	F-17 - G-02
DINETTE	G-03 - G-05
DRIVERS COMPARTMENT	G-07 - G-10
ELECTRICAL	G-11 - G-16
EXTERIOR BODY	G-17 - G-24
GALLEY	H-01 - H-05
GENERATOR	H-06 - H-07
HEATING & A/C	H-08 - H-12
INTERIOR FINISH	H-13 - H-15
LABELS	H-17 - H-23
LP	I-04
LOUNGE	I-01 - I-03
SEALANTS & FASTENERS	I-04 - I-06
WATER & SEWAGE	I-09 - I-11
WINDOW, VENT & EXTERIOR DOOR	I-12 - I-24
WINDSHIELD & WIPER	J-01 - J-02

GALLEY GROUP
GALLEY CABINETS & FIXTURES



KEY	PART NUMBER	U/M	DESCRIPTION
1	M05019-00-D35	EA	CABINET ASM - MICROWAVE OWND
	104879-01-C27	EA	CABINET ASM - A/C SWITCH
2	P03702-E5-D35	EA	DOOR ASM - RAIL - W/O HARDWARE - ROUNDED 180 X 555
3	P03702-E2-D35	EA	DOOR ASM - RAIL - W/O HARDWARE - ROUNDED 205 X 555
4	P04372-02-C27	EA	CABINET ASM - OVERHEAD - GALLEY
5	081319-17-C27	EA	END CAP ASM - OVERHEAD - GALLEY
6	104114-01-01A	EA	FAUCET-GALLEY, SINGLE CONTROL
7	103525-01-000	EA	FAUCET - SINGLE CONTROL - EVERPURE 5435-00
8	104856-12-D35	EA	COUNTERTOP ASM
8	104856-12-D36	EA	COUNTERTOP ASM
	102610-01-D32	EA	COVER ASM - SINK (D35)
	103510-01-D36	EA	COVER ASM - SINK (D36)
9	104113-01-000	EA	SINK - STAINLESS STEEL - DOUBLE
	092303-01-000	EA	STRAINER-SINK
10	098335-02-D35	EA	RAIL - GALLEY - 22 2'
10	098335-02-D36	EA	RAIL - GALLEY - 22 2'
11	M05535-03-D35	EA	GALLEY CABINET ASM.
11	M05535-01-D36	EA	GALLEY CABINET ASM.
	104856-11-C27	EA	SHELF ASM - GALLEY CABINET
12	P03702-A7-D35	EA	DOOR ASM - W/O HARDWARE
13	P03702-A8-D35	EA	DOOR ASM - W/O HARDWARE
14	P07104-53-D35	EA	DRAWER ASM. - W/O HARDWARE
15	P07104-89-D35	EA	DRAWER ASM. - W/O HARDWARE
16	P07104-91-D35	EA	DRAWER ASM. - W/O HARDWARE
17	103799-01-02A	EA	COFFEE MAKER GRAY
	104610-01-000	EA	STRAP ASM - COFFEE MAKER
	103445-01-01A	EA	HOLDER-PAPER TOWEL - PLASTIC - ALMOND
	103514-01-000	EA	BOARD-CUTTING

FROM: 00-00-00 THRU: 05-05-93

1993 ITASCA
TABLE OF CONTENTS

INTRODUCTION	A-01 - A-02
ABBREVIATIONS	A-03
ALPHABETICAL INDEX	A-04 - A-06
ICG34RQ	A-07 - E-18
ICG34RA	E-19 - J-02

1993 ICG34RA INDEX

FLOOR PLAN	E-19 - E-20
ACCESSORIES	E-21
AUDIO VIDEO	E-22 - E-24
BATH	F-01 - F-02
BEDROOM	F-03 - F-04
CHASSIS	F-05 - F-16
CURTAIN & CUSHION	F-17 - G-02
DINETTE	G-03 - G-06
DRIVERS COMPARTMENT	G-07 - G-10
ELECTRICAL	G-11 - G-16
EXTERIOR BODY	G-17 - G-24
GALLEY	H-01 - H-05
GENERATOR	H-05 - H-07
HEATING & A/C	H-08 - H-12
INTERIOR FINISH	H-13 - H-15
LABELS	H-17 - H-23
LP	H-24
LOUNGE	I-01 - I-03
SEALANTS & FASTENERS	I-04 - I-08
WATER & SEWAGE	I-09 - I-11
WINDOW, VENT & EXTERIOR DOOR	I-12 - I-24
WINDSHIELD & W/PER	J-01 - J-02

GALLEY GROUP (CONTINUED)

RANGE - 4 BURNER - BLACK

KEY	PART NUMBER	U/M DESCRIPTION	
	107314-01-01A	EA RANGE COVER-BEFORE 21" RIK - WEDGEWOOD BFC58	
		FROM 01-20-92 THRU 99-99-99	
	107323-01-01A	EA RANGE-21" 4-BURNER BLACK - WEDGEWOOD 21"R21458G	
		FROM 01-20-92 THRU 99-99-99	
	131593-01-703	EA KNOB-BURNER, WEDGEWOOD 53000	
	166689-01-701	EA SPARK-IGNITOR ASM. HIGH OUTPUT	53078
	106689-01-702	EA PIEZO PUSH BUTTON	52279
	106689-01-703	EA VALVE-HIGH OUTPUT	53047
	106689-01-704	EA REGULATOR W-EXTREME PRESSURE	52154
	106689-01-705	EA VALVE-BURNER	52123
	107245-01-700	EA RANGE TOP (BLACK)	53083
	107245-01-701	EA GRATE	53050
	107323-01-703	EA RANGE TOP	53513
	107323-01-702	EA TRIM LEFT	53023
	107323-01-703	EA TRIM RIGHT	53024
	107323-01-704	EA MANIFOLD COVER	53555
	107323-01-705	EA TRIM VENT	53525
	107323-01-706	EA TRIM BOTTOM	53525
	107323-01-707	EA INSERT BLACKGLASS-W/O HOLE	53425
	107323-01-708	EA HANDLE ROD-W/O HOLE	53085
	107323-01-709	EA HANDLE END CAP-W/O HOLE	53424
	107323-01-710	EA GRATE CLIP	53301
	107323-01-711	EA RUBBER GRATE CUSHION	53008
	107246-01-703	EA THERMOSTAT ROBERT SHAW	52122
	107323-01-713	EA BLACK GLASS INSERT-W/HOLE	53425
	107323-01-714	EA HANDLE FOR WHOLE GLASS	51112
	105458-03-000	EA BRACKET-TIEDOWN, STOVE - RIGHT	
	105458-04-000	EA BRACKET-TIEDOWN, STOVE - LEFT	

RANGE HOOD , W/O MONITOR PANEL - VENTLINE (CANADIAN)

KEY	PART NUMBER	U/M DESCRIPTION
	100258-17-01A	EA HOOD - RANGE 22W W/O MONITOR PANEL
	090973-01-700	EA MOTOR - LVS CA508-1
	090973-01-702	EA BLADE - FAN - LVS VA183-1
	092696-01-709	EA BULB - 912 - VENTLINE VA415
	092696-01-710	EA SOCKET - LIGHT - VENTLINE CB257-2
	096983-01-700	EA SWITCH - ON/OFF - VENTLINE 108
	096983-01-702	EA SWITCH - TWO WAY MOMENTARY - VENTLINE 112
	096983-01-707	EA FILTER - GREASE - 8" X 8" - LVS CC245
	092696-02-701	EA LENS-LAMP, LVS CC179
	100258-01-700	EA HOOD NOSE LABEL CC428
	100258-10-01A	EA METER - HOUR - VENTLINE 150

RANGE HOOD , W/HOUR METER - VENTLINE (USA)

KEY	PART NUMBER	U/M DESCRIPTION
	100258-18-01A	EA HOOD - RANGE 22W W/O MONITOR PANEL
	090973-01-700	EA MOTOR - LVS CA508-1
	090973-01-702	EA BLADE - FAN - LVS VA183-1
	092696-01-709	EA BULB - 912 - VENTLINE VA415
	092696-01-710	EA SOCKET - LIGHT - VENTLINE CB257-2
	096983-01-700	EA SWITCH - ON/OFF - VENTLINE 108
	096983-01-702	EA SWITCH - TWO WAY MOMENTARY - VENTLINE 112
	096983-01-707	EA FILTER-GREASE - 8" X 8" - LVS CC245
	092696-02-701	EA LENS-LAMP, LVS CC179
	100258-01-710	EA HOOD NOSE LABEL CC428
	100258-10-01A	EA METER-HOUR - VENTLINE 150
	097518-01-000	EA WIRE ASM - MONITOR PANEL - W/4 WIRES & BLACK RESISTOR - LVS

GALLEY GROUP (CONTINUED)

RANGE HOOD , W/O HOUR METER - VENTLINE

KEY	PART NUMBER	U/M DESCRIPTION
	100258-16-01A	EA HOOD - RANGE W/O MONITOR PANEL (USA)
	100258-17-01A	EA HOOD - RANGE W/O MONITOR PANEL (CSA)
	090973-01-700	EA MOTOR - LVS CA508-1
	090973-01-702	EA BLADE-FAN - LVS VA183-1
	092696-01-709	EA BULB-912 - VENTLINE VA415
	092696-01-710	EA SOCKET - LIGHT - VENTLINE CB257-2
	096983-01-700	EA SWITCH - ON/OFF - VENTLINE 108
	096983-01-702	EA SWITCH - TWO WAY MOMENTARY - VENTLINE 112
	100258-01-707	EA FILTER-GREASE - 8" X 8" - LVS CC245
	100258-10-01A	EA METER-HOUR, VENTLINE 150
	102765-04-01A	EA PANEL-MONITOR, W/PLUG - FOR 2 TANKS & WATER HEATER - LVS

MONITOR PANEL (2 WATER TANKS & WATER HEATER)

KEY	PART NUMBER	U/M DESCRIPTION
	102765-04-01A	EA PANEL - MONITOR - W/PLUG - FOR 2 TANKS & WATER HEATER - LVS

MICROWAVE OVEN

KEY	PART NUMBER	U/M DESCRIPTION
	091259-06-000	EA OVEN-MICROWAVE DM15-5B
	094745-01-01A	EA TRIM-MICROWAVE, LOWER - BLACK
	094774-03-01A	EA TRIM-MICROWAVE, EITHER SIDE - 1 5" X 14 8" - METAL - BLACK
	098915-03-01A	EA BRACE-MICROWAVE CABINET, LEFT - 9 4" X 7 5" - STEEL
	098915-04-01A	EA BRACE-MICROWAVE CABINET, RIGHT - 9 4" X 7 5" - STEEL
	094750-01-000	EA BRACKET-MICROWAVE 90 DEGREE - STEEL
	094756-02-01A	EA BRACKET-L, MICROWAVE - 8 1" LONG X 3 9" WIDE - STEEL - TAN
	094752-01-01A	EA BRACKET-L, MICROWAVE - 4 5" LONG X 3 9" WIDE - STEEL - TAN
	094756-01-02A	EA BRACKET-ANGLE W/HOLES MILL

FROM 02-03-93 THRU 99-99-99

**1993 ITASCA
TABLE OF CONTENTS**

INTRODUCTION	A-01 - A-02
ABBREVIATIONS	A-03
ALPHABETICAL INDEX	A-04 - A-06
ICG34RQ	A-07 - E-18
ICG34RA	E-19 - J-02

1993 ICG34RA INDEX

FLOOR PLAN	E-19 - E-20
ACCESSORIES	E-21
AUDIO VIDEO	E-22 - E-24
BATH	F-01 - F-02
BEDROOM	F-03 - F-04
CHASSIS	F-05 - F-16
CURTAIN & CUSHION	F-17 - G-02
DINETTE	G-03 - G-06
DRIVERS COMPARTMENT	G-07 - G-10
ELECTRICAL	G-11 - G-16
EXTERIOR BODY	G-17 - G-24
GALLEY	H-01 - H-05
GENERATOR	H-06 - H-07
HEATING & A/C	H-08 - H-12
INTERIOR FINISH	H-13 - H-16
LABELS	H-17 - H-23
LP	H-24
LOUNGE	I-01 - I-03
SEALANTS & FASTENERS	I-04 - I-06
WATER & SEWAGE	I-09 - I-11
WINDOW, VENT & EXTERIOR DOOR	I-12 - I-24
WINDSHIELD & WIPER	J-01 - J-02

GALLEY GROUP (CONTINUED)

REFRIGERATOR

KEY	PART NUMBER	U/M DESCRIPTION
	104137-07-01A	EA REFRIGERATOR, LARGE DR. DOOR 2-WAY NORCOLD 6182 LH
	075217-01-734	EA FUSE 5 AMP, NORCOLD# 61538822
	075217-01-738	EA SWITCH-HUMIDITY, NORCOLD 61525922
	084880-01-705	EA ORIFICE - NORCOLD# 614522
	084880-01-718	EA VALVE-GAS, NORCOLD 61551822
	084880-01-722	EA CRISPER COVER - NORCOLD 615641
	084880-01-732	EA LATCH, NORCOLD 61578522
	084880-01-740	EA END CAP (STOP CATCH) 61593830
	084880-01-746	EA CABLE, NORCOLD 61571522
	084880-01-749	EA HINGE BUSHING - NORCOLD 615307
	084880-01-753	EA THERMISTER 78° - NORCOLD 61693822
	084880-01-760	EA CLIP (THERMISTER) 61589122
	084880-01-761	EA END CAP (SPRING CATCH) BLACK 61553730
	084880-03-701	EA COOLING UNIT ((HORIZONTAL BURNER) - NORCOLD 61687337
	084880-03-702	EA HINGE PIN TOP/BTM FEMALE 61580630
	088248-01-709	EA HEATER-AC (HORIZONTAL) - NORCOLD# 615627
	088248-01-710	EA HEATER-DC (HORIZONTAL) - 3 WAY - NORCOLD# 615628
	094039-01-702	EA GASKET (GRAY) UPPER - NORCOLD 61567830
	094039-01-704	EA PLATE-HINGE, BLACK - NORCOLD 61631430
	094039-01-706	EA UPPER DOOR LINER (WHITE) BLK - NORCOLD 61581838-B
	094039-01-708	EA HANDLE-DOOR, UPPER - BLACK - NORCOLD 61650038
	094039-01-710	EA PLATE-HINGE, BLACK - NORCOLD 61631330
	094039-01-713	EA DOOR GASKET (LOWER) GRAY - NORCOLD 61568030
	094039-01-715	EA LOWER DOOR LINER (BLK/WHIT) - NORCOLD 61581738-B
	094039-01-717	EA LOWER DOOR HANDLE ASSY (BLK) - NORCOLD 61649938
	094039-01-722	EA HOLE PLUG (BLK) HINGE HOLES - NORCOLD 61582030
	094039-01-723	EA HINGE BRKT, TOP RH-BTM LH BLK - NORCOLD 61580838
	094039-01-724	EA BRACKET-HINGE, TOP LH - BOTTOM RH - BLK - NORCOLD 61580938
	094039-01-725	EA HINGE PIN (BLACK)(MALE) - NORCOLD 61578130
	094039-01-730	EA HINGE PIN SHAFT (BLK) CTR HGE - NORCOLD 61566730
	094039-01-732	EA FRONT COVER (BLK) BTM TRIM - NORCOLD 61622130
	094039-01-733	EA WIRE SHELF (MIDDLE) - NORCOLD 61563822
	094039-01-735	EA INSIDE DRIP TRAY (WHITE) 61572830
	094039-01-739	EA SHELF (CUTOUT) 61546722
	094039-04-700	EA PC BOARD-2 WAY, NORCOLD# 61647322
	094039-04-702	EA POWER SUPPLY (2 WAY) - NORCOLD 61647422
	104137-02-700	EA MODULE-CONTROL CHANNEL - NORCOLD 61717037
	104137-06-700	EA EYE-BROW SHELL (2-WAY) 61726622
	104137-06-701	EA HANDLE, UPPER DOOR W/DECAL 61686722
	104137-06-702	EA RACK-JUICE (WHITE) 61580525
	104137-06-703	EA BIN-DOOR SHELF (WHITE) 61564025
	104137-06-705	EA HANDLE LOWER DOOR W/DECAL 61666622
	104137-06-706	EA WIRE SHELF (SHORT) 61718222
	104137-06-707	EA CRISPER (WHITE) 61571325
	104137-06-708	EA FOAMED CAB ASM (BLK W/WHITE) 61725138
	104137-06-709	EA VALVE SHUT-OFF-MANUAL ASM 61694922
	104137-06-710	EA PRESSURE TAP 61594422
	104137-06-711	EA FUSE 5 AMP 61611622
	104137-06-712	EA FITTING-GAS TUBE CONNECTION 61692722
	104137-06-713	EA ORIFICE GASKET 61475122
	104137-06-714	EA BURNER ASSEMBLY (5-SLOT) 61705222
	104137-06-715	EA SPARK/SENSE ELECTRODE (SINGLE) 61692222
	083646-01-000	EA BRACKET ASM-TIEDOWN, REFRIGERATOR
	083646-02-000	EA BRACKET ASM-TIEDOWN, REFRIGERATOR
	054450-01-000	EA LEVEL-REFRIGERATOR
	081211-05-000	EA PLUG-PLASTIC, .188 DIA - NATURAL

GENERATOR GROUP

KOHLER GENERATOR, 4.0KW LOW PROFILE (4CKM21)

KEY	PART NUMBER	U/M DESCRIPTION
	105523-01-000	EA GENERATOR-4KW LOW PROFILE KOHLER 4CKM21
	105526-01-000	EA ARRESTER-SPARK, KOHLER 278824
	105527-01-000	EA PIPE-EXHAUST ADAPTER, KOHLER 278824
	105530-01-000	EA MUFFLER-SIDE EXHAUST W/O SPARK KOHLER 278733
	105602-01-000	EA GASKET-EXHAUST, KOHLER-278320
	105958-03-000	EA PIPE-EXHAUST, GENERATOR
	024976-01-000	EA SWITCH-GENERATOR, W/O CIRCUIT BOARD

ONAN GENERATOR, 4.0KW EMERALD PLUS

KEY	PART NUMBER	U/M DESCRIPTION
	100974-01-000	EA GENERATOR - 4.0KW EMERALD PLUS
	105958-03-000	EA PIPE - EXHAUST - GENERATOR
	024976-01-000	EA SWITCH - GENERATOR - W/O CIRCUIT BOARD
	007125-03-000	EA CLAMP - MUFFLER - 1 5" DIA
	007125-04-000	EA CLAMP - MUFFLER - 1 1" DIA
	079554-05-000	EA PIPE - EXHAUST - ANGLED - W/FLANGE - 2" ID - ONAN# 154-2539
	082272-01-000	EA MUFFLER
	094059-01-000	EA SPACER

ONAN GENERATOR, 5.0KW EMERALD PLUS (NHE-FN29226Q)(EXPORT)

KEY	PART NUMBER	U/M DESCRIPTION
	100975-03-000	EA GENERATOR - 5.0 KW EMERALD PLUS
	024976-01-000	EA SWITCH - GENERATOR - W/O CIRCUIT BOARD
	007125-03-000	EA CLAMP - MUFFLER - 1 5" DIA
	063151-01-000	EA MUFFLER 1 6" OD
	083152-01-000	EA PIPE - EXHAUST - 1 3"OD X 33 3" TO BEND X 28 7" TO END
	094059-01-000	EA SPACER

GENERATOR - 5.0KW LOW PROFILE KOHLER 5CKM21

KEY	PART NUMBER	U/M DESCRIPTION
	105524-01-000	EA GENERATOR - 5.0 KW LOW PROFILE
	105526-01-000	EA ARRESTER - SPARK -
	105527-01-000	EA PIPE - EXHAUST ADAPTER -
	105530-01-000	EA MUFFLER - SIDE EXHAUST W/O SPARK
	105602-01-000	EA GASKET-EXHAUST -
	105958-03-000	EA PIPE - EXHAUST - GENERATOR
	024976-01-000	EA SWITCH-GENERATOR - W/O CIRCUIT BOARD
	007125-03-000	EA CLAMP - MUFFLER - 1 5" DIA
	007125-04-000	EA CLAMP - MUFFLER - 1 1" DIA

GENERATOR - 5KW EMERALD PLUS ONAN

KEY	PART NUMBER	U/M DESCRIPTION
	109303-01-000	EA GENERATOR-5KW EMERALD PLUS- ONAN WITH ONAN TRAY #403-2727
	024976-01-000	EA SWITCH-GENERATOR, W/O CIRCUIT BOARD
	007125-03-000	EA CLAMP-MUFFLER - 1 5" DIA
	007125-04-000	EA CLAMP-MUFFLER, 1 1" DIA
	079554-05-000	EA PIPE-EXHAUST, ANGLED - W/FLANGE - 2" ID - ONAN# 154-2539
	082272-01-000	EA MUFFLER-GENERATOR
	094059-01-000	EA SPACER-GENERATOR, ONAN
	105958-03-000	EA PIPE-EXHAUST, GENERATOR

**1983 ITASCA
TABLE OF CONTENTS**

INTRODUCTION	A-01 - A-02
ABBREVIATIONS	A-03
ALPHABETICAL INDEX	A-04 - A-06
ICG34RQ	A-07 - E-18
ICG34RA	E-19 - J-02

1983 ICG34RA INDEX

FLOOR PLAN	E-19 - E-20
ACCESSORIES	E-21
AUDIO VIDEO	E-22 - E-24
BATH	F-01 - F-02
BEDROOM	F-03 - F-04
CHASSIS	F-05 - F-16
CURTAIN & CUSHION	F-17 - G-02
DINETTE	G-03 - G-06
DRIVERS COMPARTMENT	G-07 - G-10
ELECTRICAL	G-11 - G-16
EXTERIOR BODY	G-17 - G-24
GALLEY	H-01 - H-05
GENERATOR	H-06 - H-07
HEATING & A/C	H-08 - H-12
INTERIOR FINISH	H-13 - H-16
LABELS	H-17 - H-23
LP	H-24
LOUNGE	I-01 - I-03
SEALANTS & FASTENERS	I-04 - I-08
WATER & SEWAGE	I-09 - I-11
WINDOW, VENT &	
EXTERIOR DOOR	I-12 - I-24
WINDSHIELD & WIPER	J-01 - J-02

GENERATOR GROUP (CONTINUED)

ONAN GENERATOR, 6.5KW EMERALD PLUS (NHE-FA26100G)

KEY	PART NUMBER	U/M DESCRIPTION
	100075-01-000	EA GENERATOR - 6.5KW EMERALD PLUS
	105858-03-000	EA PIPE - EXHAUST - GENERATOR
	024876-01-000	EA SWITCH - GENERATOR - W/O CIRCUIT BOARD
	007125-02-002	EA CLAMP - MUFFLER - 1.5" DIA
	007125-04-000	EA CLAMP - MUFFLER - 1.1" DIA
	079654-05-000	EA PIPE - EXHAUST - ANGLED - W/FLANGE - 2" ID - ONAN# 154-2539
	082272-01-000	EA MUFFLER
	094059-01-000	EA SPACER

KOHLER GENERATOR, 7.0KW LOW PROFILE (7CKM21)

KEY	PART NUMBER	U/M DESCRIPTION
	105625-01-000	EA GENERATOR - 7.0KW - LOW PROFILE - KOHLER 7CKM21
	105526-01-000	EA ARRESTER - SPARK - KOHLER 278621
	105527-02-000	EA PIPE - EXHAUST ADAPTER - KOHLER - 278973
	105530-01-000	EA MUFFLER - SIDE EXHAUST W/O SPARK KOHLER 278733
	105602-01-000	EA GASKET-EXHAUST - KOHLER - 278320
	105958-03-000	EA PIPE - EXHAUST - GENERATOR
	024976-01-000	EA SWITCH-GENERATOR - W/O CIRCUIT BOARD
	007125-03-000	EA CLAMP - MUFFLER - 1.5" DIA
	007125-04-000	EA CLAMP - MUFFLER - 1.1" DIA

ONAN GENERATOR, 7.0KW MARQUIS

KEY	PART NUMBER	U/M DESCRIPTION
	105559-01-000	EA GENERATOR - 7KW MARQUIS
	106234-01-000	EA PIPE - EXHAUST - GENERATOR
	106235-01-000	EA ADAPTOR - EXHAUST - GENERATOR
	024976-01-000	EA SWITCH-GENERATOR - W/O CIRCUIT BOARD
	007125-03-000	EA CLAMP - MUFFLER - 1.5" DIA
	008401-01-000	EA STRAP - CONDUIT - 3/4" - 1 HOLE - GALVANIZED STEEL

HEATING & AIR CONDITIONING GROUP

AUTOMOTIVE AIR CONDITIONING

KEY	PART NUMBER	U/M DESCRIPTION
	085000-01-000	EA SHIELD-AC, 6 8" X 3.1" - STEEL
	077281-01-000	EA HOSE-FLEXIBLE PVC, 2.5" ID X 50' - ATCO+LEX A-182-300
	056402-05-000	EA BRACKET-HEATER VENT, ROUND - W/BEND - BLACK
	077075-01-000	EA GASKET-INSTRUMENT PANEL TO DEFROSTER PLENUM - 5" X 11.3"
	077075-03-000	EA GASKET-INSTRUMENT PANEL TO DEFROSTER PLENUM,SFL
	103015-01-000	EA PLENUM-TRANSITION
	103017-01-000	EA PLENUM-DEFROSTER
	103558-01-02A	EA VENT-DEFROSTER,ABS LT GRAY
	103796-01-01A	EA LOUVER ASM-AC CARY PROD BLK 258-3B,100-2-4-8
	103930-01-000	EA EVAPORATOR/HEATER ASSEMBLY - SCS 090-0041
	088227-02-701	EA BRACKET-BOWDEN CABLE MOUNTING, ARA 0409417
	094831-01-709	EA CLAMPS-ROD, 3/16" - MOTIVAIR/SCS ZGG14431
	094831-01-724	EA O-RING-#4, MOTIVAIR/SCS ZGG14561
	094831-08-000	EA WIRE ASSEMBLY-AC COMPRESSOR ADAPTER - SCS 036-0054
	103930-01-700	EA RCD-AIR BLEND DOOR, SCS 073-0017
	103930-01-701	EA PANEL-DOOR, FOR AIR BLEND - SCS 071-0123
	103930-01-702	EA GASKET-DOOR, FOR AIR BLEND - SCS 045-0080
	103930-01-703	EA COIL-HEATER, SCS 042-0010
	103930-01-704	EA COIL EVAPORATOR 041-0017
	103930-01-705	EA VALVE-EXPANSION BLOCK, SCS 034-0019
	103930-01-706	EA GASKET-O-RING, #8 - SCS 045-0011
	103930-01-707	EA GASKET-O-RING, #10 - SCS 045-0012
	103930-01-708	EA BRACKET-VACUUM MOTOR, SCS 070-0113
	103930-01-710	EA RESISTOR-FUSED, SCS 035-0006
	103930-01-711	EA THERMOSTAT, SCS 033-0003
	103930-01-712	EA GASKET-O-RING, SCS 045-0010
	103930-01-713	EA FITTING-QUICK CONNECT, #4 - SCS 050-003
	103930-01-714	EA FITTING-SERVICE VALVE, #10 - SCS 050-0031
	103930-01-715	EA SWITCH-BINARY, SCS 032-0030
	103930-01-716	EA SWITCH-PRESSURE, FAN - SCS 032-0029
	103930-01-717	EA WHEEL-CLOCK-WISE, SCS 062-0010
	103930-01-718	EA HOSE #6, SCS 051-0036
	103930-01-719	EA HOSE #10, SCS (051-0049) NEW VENDOR P N }
	103930-01-720	EA MOTOR, SCS 030-0004
	103930-01-721	EA GASKET O-RING #12 045-0062
	103930-04-000	EA CONTROL/PLENUM SET SCS 093-00037
	103930-02-700	EA PANEL-CONTROL, SCS 032-0018
	103930-02-701	EA VALVE-CONTROL HEAD, SCS 034-0015
	103930-02-702	EA DECAL-WINNEBAGO "N", SCS 058-0008
	103930-02-703	EA HARNESS-WIRE CONTROL, SCS 036-0048
	103930-02-704	EA HARNESS-VACUUM CONTROL, SCS 036-0049
	103930-02-705	EA CABLE-CONTROL, BOWDEN - SCS 074-0011 SHEATH 84 1/4" - CABLE 89"
	103930-02-706	EA CLIP-CABLE, CONTROL - SCS 022-0017
	103930-02-707	EA RELAY, SCS 031-0001
	103930-02-708	EA MOTOR-VACUUM SERVO, AC - SCS 030-0032
	103930-02-710	EA CANISTER-VACUUM, SCS 054-0002
	103930-02-711	EA VALVE-WATER, SCS 034-00114
	103930-05-000	EA MANUAL-OWNERS, HEATER-AC - SCS 057-0049

**1993 ITASCA
TABLE OF CONTENTS**

INTRODUCTION	A-01 - A-02
ABBREVIATIONS	A-03
ALPHABETICAL INDEX	A-04 - A-06
ICG34RD	A-07 - E-18
ICG34RA	E-19 - J-02

1993 ICG34RA INDEX

FLOOR PLAN	E-19 - E-20
ACCESSORIES	E-21
AUDIO VIDEO	E-22 - E-24
BATH	F-01 - F-02
BEDROOM	F-03 - F-04
CHASSIS	F-05 - F-10
CURTAIN & CUSHION	F-17 - G-02
DINETTE	G-03 - G-06
DRIVERS COMPARTMENT	G-07 - G-10
ELECTRICAL	G-11 - G-16
EXTERIOR BODY	G-17 - G-24
GALLEY	H-01 - H-05
GENERATOR	H-06 - H-07
HEATING & A/C	H-08 - H-12
INTERIOR FINISH	H-13 - H-16
LABELS	H-17 - H-23
LP	H-24
LOUNGE	I-01 - I-03
SEALANTS & FASTENERS	I-04 - I-08
WATER & SEWAGE	I-09 - I-11
WINDOW, VENT &	
EXTERIOR DOOR	I-12 - I-24
WINDSHIELD & WIPER	J-01 - J-02

HEATING & AIR CONDITIONING GROUP (CONTINUED)
FURNACE SYSTEMS

HEATING & AIR CONDITIONING GROUP (CONTINUED)
HEATING SYSTEM COMPONENTS

1993 ITASCA
TABLE OF CONTENTS

INTRODUCTION	A-01 - A-02
ABBREVIATIONS	A-03
ALPHABETICAL INDEX	A-04 - A-06
ICG34RC	A-07 - E-15
ICG34RA	E-19 - J-02

KEY	PART NUMBER	U/M DESCRIPTION
	002200-00-000	EA FURNACE-34,000 BTU, SUBURBAN NT-348W
	069634-01-712	EA GASKET-MANIFOLD, SUBURBAN 070408
	069634-01-715	EA VALVE-MANUAL SHUTOFF, SUBURBAN 160740
	069634-01-720	EA ORIFICE-MAIN BURNER, SUBURBAN# 0180222
	069634-01-729	EA VALVE-GAS, JOHNSON - SUBURBAN 160832
	069634-01-732	EA GASKET-BURNER ACCESS DOOR, SUBURBAN 070398
	069634-01-733	EA RELAY-TIME DELAY 20&30 BTU, SUBURBAN 231202
	075695-01-709	EA MICRO SWITCH (FOR MODELS JC & J4S) - SUBURBAN#230509
	075696-01-700	EA MOTOR ASM-SUBURBAN# 231208
	075696-02-709	EA DISC-GLASS, SUBURBAN 310026
	075696-02-727	EA BRACKET-MOTOR MOUNT, SUBURBAN# 062138
	075696-02-728	EA GASKET-CROSSOVER TUBE, SUBURBAN 070385
	092300-01-700	EA CABINET, SUBURBAN X101176
	092300-01-701	EA CABINET FRONT, SUBURBAN 101172
	092300-01-704	EA GASKET-ELECTRODE, SUBURBAN 070163
	092300-01-705	EA ELECTRODE, SUBURBAN 230955
	092300-01-706	EA DOOR-BURNER ACCESS, SUBURBAN 030523
	092300-01-708	EA SWITCH LIMIT, SUBURBAN 231440
	092300-01-711	EA VENT CAP ASSEMBLY, SUBURBAN X250179
	092300-01-712	EA BURNER ASM, SUBURBAN X010701
	092300-01-715	EA MANIFOLD ASSEMBLY, SUBURBAN 171034
	092300-01-717	EA WIRE ASSEMBLY (POWER SUPPLY) - SUBURBAN X231428
	092300-01-718	EA ELBOW 90°, SUBURBAN 170374
	092300-01-720	EA WHEEL-ROOM AIR, SUBURBAN 350113
	092300-01-721	EA BLOWER HOUSING ASSEMBLY, SUBURBAN 390283
	092300-01-724	EA GASKET-MOTOR MOUNT, SUBURBAN 070384
	092300-01-726	EA WHEEL-COMBUSTION AIR, SUBURBAN 350110
	092300-01-727	EA GASKET-COMBUSTION AIR HOUSING, SUBURBAN 070386
	092300-01-728	EA HOUSING-COMBUSTION AIR (OUTSIDE) - SUBURBAN 390424
	092300-02-700	EA COM. CHAMBER ASM 30&34 BW - SUBURBAN X021015
	092300-03-702	EA HOUSING-COMBUSTION AIR ASM NT-348W - SUBURBAN X390417
	093355-01-000	EA THERMOSTAT-WALL, FURNACE - SUBURBAN 0160902
	093358-01-712	EA BOARD-MODULE, SUBURBAN 231741
	092300-09-000	EA FACE-FRONT, FURNACE - SUBURBAN 520607
	094800-01-02A	EA REGISTER-HEAT, W/O DAMPER - 3 6" X 11 2" - BROWN
	094800-02-02A	EA REGISTER-HEAT, W/DAMPER - 3 6" X 11 2" - BROWN
	092300-08-000	EA VENT KIT-FURNACE, STRAIGHT - SUBURBAN 520608
	093365-01-000	EA THERMOSTAT-WALL, FURNACE - SUBURBAN 0160902
	024990-05-000	EA OUTLET-DEFROSTER W/SWIVEL 2IN BLACK
	093614-01-01A	EA GRILLE-RETURN AIR, FURNACE - 15 6" X 7 6" - BROWN
	093614-02-01A	EA GRILL-RETURN AIR, BROWN

REAR HEATER SYSTEMS

KEY	PART NUMBER	U/M DESCRIPTION
	084405-01-000	EA HEATER ASM-REAR, DUCTED - W/MOTOR AID - EVANS
	084405-01-700	EA HEATER CORE-EVANS# FT200229
	084405-01-701	EA FAN BLADES-EVANS# HV029931
	084405-01-702	EA MOTOR ASM-12 V, EVANS# 200146
	088753-01-000	FT TUBE-ALUMINIZED STEEL, 5/8" - 18 GAUGE
	007108-01-007	FT HOSE-HEATER, 5/8" ID - HI-TEMP - FORD ESE-M2D192-A
	010227-01-000	EA TEE-PLAS, BARB 5/8" OR 3/4" HOSE
	061673-01-000	EA BRACKET-MOTOR AID TUBES, 4" X 1.5" - STEEL
	088753-01-000	FT TUBE-ALUMINIZED STEEL, 5/8" - 18 GAUGE
	007076-01-000	EA HOSE-FLEXIBLE PVC - 2" ID - INCREMENTS OF 50'
	007108-01-000	FT HOSE-HEATER, 5/8" ID - HI-TEMP - FORD ESE-M2D192-A
	024990-05-000	EA OUTLET-DEFROSTER - W/S 2IN BLACK
	092300-04-000	EA GASKET-FIBERGLASS

KEY	PART NUMBER	U/M DESCRIPTION
	007108-01-000	FT HOSE-HEATER, 5/8" ID - HI-TEMP - FORD ESE-M2D192-A
	010227-01-000	EA TEE-PLAS, BARB 5/8" OR 3/4" HOSE
	061673-01-000	EA BRACKET-MOTOR AID TUBES, 4" X 1.5" - STEEL
	088753-01-000	FT TUBE-ALUMINIZED STEEL, 5/8" - 18 GAUGE
	007108-01-000	FT HOSE-HEATER, 5/8" ID - HI-TEMP - FORD ESE-M2D192-A
	010227-01-000	EA TEE-PLAS, BARB 5/8" OR 3/4" HOSE
	061673-01-000	EA BRACKET-MOTOR AID TUBES, 4" X 1.5" - STEEL
	088753-01-000	FT TUBE-ALUMINIZED STEEL, 5/8" - 18 GAUGE
	007076-01-000	EA HOSE-FLEXIBLE PVC - 2" ID - INCREMENTS OF 50'
	007108-01-000	FT HOSE-HEATER, 5/8" ID - HI-TEMP - FORD ESE-M2D192-A
	024990-05-000	EA OUTLET-DEFROSTER -W/S 2IN BLACK
	009158-01-000	FT DUCT-HEAT, FLEXIBLE - 4" ID X 25 FT
	009200-01-000	EA TAPE-FURNACE, 1 1/2"
	023146-01-000	EA CLAMP-SCREW TYPE - 4"
	056464-05-000	EA REGISTER-PLASTIC W/O DAMPER - 4" DIAMETER GOLDEN
	079059-01-000	EA HOSE-30 DEGREE, 5/8" ID X 4" X 36"

COLEMAN ROOF AIR 13,500 BTU (US, CSA)

KEY	PART NUMBER	U/M DESCRIPTION
	073937-03-000	EA SWITCH-ROTARY SELECTOR, 3 DECK - A/C - CA20-USA892
	092440-01-000	EA A/C-ROOF, 13,500 BTU - 220V - 50HZ - COLEMAN# 6713C750
		FROM 00-00-00 THRU 08-31-92
	092441-01-000	EA CEILING ASM-A/C, 220V - 50HZ - COLEMAN# 6712ET16
		FROM 00-00-00 THRU 08-31-92
	102289-01-000	EA SPRING-SCREW, ROOF A/C GASKET - COLEMAN 6757-150
	108889-02-01A	EA A/C-ROOF, 13,500 TSR 220 IVORY COLEMAN 7373-597
		FROM 09-01-92 THRU 99-99-99
	108891-01-01A	EA CEILING ASM-A/C COOL TSR HD COLEMAN 7330-714 IV
		FROM 09-01-92 THRU 99-99-99
	042204-01-709	EA THERMOSTAT-IN 64 OUT 58, COLEMAN# 6701-3401
	073742-01-701	EA SELECTOR SWITCH (5 TERMINAL), COLEMAN# 6759-3251
	073742-01-702	EA DECAL COOL ONLY, COLEMAN# 6759C3431
	076303-01-707	EA FILTER-6" X 14 3/4" X 1/2", 12 PER PKG - COLEMAN 6703A3151
	081606-01-712	EA CEILING SHROUD (IVORY), COLEMAN# 6769-5061
	091225-01-713	EA KNOB (2 PER PACKAGE), COLEMAN# 6701-3351
	091225-01-717	EA DECAL (THERMOSTAT) COOL ONLY, COLEMAN# 6799A3441
	093766-02-701	EA DECAL-LEFT SIDE, COLEMAN #6799-3971
	108891-01-000	EA SINGLE PARTS PKG(KNOBS & NUTS) 6792-5991
	108891-01-701	EA RETAINER CLIPS F/FILTER(EPER) 6799-3141

1993 ICG34RA INDEX

FLOOR PLAN	E-19 - E-20
ACCESSORIES	E-21
AUDIO VIDEO	E-22 - E-24
BATH	F-01 - F-02
BEDROOM	F-03 - F-04
CHASSIS	F-05 - F-16
CURTAIN & CUSHION	F-17 - G-02
DINETTE	G-03 - G-06
DRIVERS COMPARTMENT	G-07 - G-10
ELECTRICAL	G-11 - G-16
EXTERIOR BODY	G-17 - G-24
GALLEY	H-01 - H-05
GENERATOR	H-06 - H-07
HEATING & A/C	H-08 - H-12
INTERIOR FINISH	H-13 - H-15
LABELS	H-17 - H-23
LP	H-24
LOUNGE	I-01 - I-03
SEALANTS & FASTENERS	I-04 - I-08
WATER & SEWAGE	I-09 - I-11
WINDOW, VENT &	
EXTERIOR DOOR	I-12 - I-24
WINDSHIELD & WIPER	J-01 - J-02

HEATING & AIR CONDITIONING GROUP (CONTINUED)
COLEMAN ROOF AIR 13,800 BTU

HEATING & AIR CONDITIONING GROUP (CONTINUED)
COLEMAN ROOF AIR 11,000 BTU (CONTINUED)

**1993 ITASCA
TABLE OF CONTENTS**

INTRODUCTION	A-01 - A-02
ABBREVIATIONS	A-03
ALPHABETICAL INDEX	A-04 - A-05
ICG34RD	A-07 - E-18
ICG34RA	E-19 - J-02

KEY	PART NUMBER	U/M DESCRIPTION
	108899-01-02A	EA A/C-ROOF 13,800 TSR HO GRAY COLEMAN 7333-882
	091225-01-709	EA START RELAY, COLEMAN# 1497-4131
	091225-01-710	EA START CAPACITOR, COLEMAN# 1497-0881
	093306-01-701	EA DECAL PKG LEFT & RIGHT - COLEMAN 679883591
	093306-01-712	EA COMPRESSOR, COLEMAN 6707C3579
	105620-01-704	EA COMPRESSOR, RH & LH - COLEMAN 1450-2009
	105620-01-706	EA FOOT PKG-COMPRESSOR, 3 PER PKG- COLEMAN 6759-0081
	108899-01-700	EA SHROUD (GREY/GREY)LESS LOGO 6759-6421
	063903-01-700	EA SHROUD(IVORY/IVORY)LESS LOGO 6759-4601
	108899-01-702	EA SHROUD (BUFF/BUFF)LESS LOGO 6759-6411
	108899-01-703	EA CONDENSER COIL 1452A1301
	108899-01-704	EA OVERLOAD (MRA#98693) 6749-3541
	108899-01-705	EA MOTOR (115, 60HZ) 1468-3049
	108899-01-706	EA IMPELLOR 1472-1041
	108899-01-707	EA RUN CAPACITOR(COMP-25MFD/370) 1499-5661
	108899-01-708	EA FAN CAPACITOR(7.5MFD 370U) 1499-5461
	108899-01-709	EA EVAPORATOR COIL 1452-1311
	108899-01-710	EA FILLER PAD-COND AIR SEAL 6759A3971
	108899-01-711	EA GASKET PKG 6792-3301
	108899-01-712	EA SUCTION LINE REDUCER(3/8X1/2) 1215-2161
	108899-01-713	EA SUCTION LINE(3/8ODX 032 WALL) 6792-130
	108899-01-714	EA DISCHARGE LINE ASM. 6792-531
	108899-01-715	EA MOTOR MOUNT & SHAFT SEAL KIT 6792-3361

COLEMAN ROOF AIR 11,000 BTU

KEY	PART NUMBER	U/M DESCRIPTION
	108890-01-701	EA SUCTION LINE 7332-130
	108890-01-702	EA DISCHARGE LINE 7332-131
	108891-01-01A	EA CEILING ASM-AC COOL TSR HO COLEMAN 7330-714 IV
	042204-01-709	EA THERMOSTAT-IN 64 OUT 58, COLEMAN# 6701-3401
	093903-01-702	EA LOUVER-COLEMAN# 6703A5151
	073742-01-701	EA SELECTOR SWITCH (5 TERMINAL), COLEMAN# 6759-3271
	073742-01-702	EA DECAL COOL ONLY, COLEMAN# 6759C3431
	075303-01-707	EA FILTER-6" X 14 3/4" X 1/2", 12 PER PKG - COLEMAN L703A3151
	081606-01-712	EA CEILING SHROUD (IVORY), COLEMAN# 6759-5061
	091225-01-713	EA KNOB (2 PER PACKAGE), COLEMAN# 6701-3351
	091225-01-717	EA DECAL (THERMOSTAT) COOL ONLY, COLEMAN# 6792A3441
	093756-02-701	EA DECAL-LEFT SIDE, COLEMAN #6799-3671
	108891-01-700	EA SINGLE PARTS PKG(KNCRS & NUTS) 6792-5991
	108891-01-701	EA RETAINER CLIPS F/FILTER(6PER) 6799-3141
	073937-03-000	EA SWITCH-ROTARY SELECTOR, 3 DECK - AC - CA20-USA892
	088238-01-000	EA COVER-SWITCH, A/C SELECTOR - FRONT TO REAR A/C
	022756-03-000	EA COVER-AC FLASTIC, OFF WHIT
	022756-02-000	EA COVER-PROTECTIVE, 5.5" ENDS X 8.2" - PLASTIC - OFF WHITE
	088238-02-000	EA COVER-SWITCH, A/C SELECTOR FOR FRONT OR REAR
	092633-01-02A	EA FRAME-PLATE, ROOF AC - 5.7" X 3.9" - PLASTIC - OFF WHITE FROM: 00-00-00 THRU: 10-04-92
	084077-03-000	EA COVER-BLANK, ROOF AC - 5.2" X 3.5" - IVORY FROM: 00-00-00 THRU: 10-04-92
	092633-02-02A	EA COVER-BLANK, ROOF AC - 5.1" X 5.1" - PLASTIC - OFF WHITE FROM: 10-05-92 THRU: 99-99-99

1993 ICG34RA INDEX

FLOOR PLAN	E-19 - E-20
ACCESSORIES	E-21
AUDIO VIDEO	E-22 - E-24
BATH	F-01 - F-02
BEDROOM	F-03 - F-04
CHASSIS	F-05 - F-16
CURTAIN & CUSHION	F-17 - G-02
DINETTE	G-03 - G-06
DRIVERS COMPARTMENT	G-07 - G-10
ELECTRICAL	G-11 - G-16
EXTERIOR BODY	G-17 - G-24
GALLEY	H-01 - H-05
GENERATOR	H-06 - H-07
HEATING & A/C	H-08 - H-12
INTERIOR FINISH	H-13 - H-16
LABELS	H-17 - H-23
LP	H-24
LOUNGE	I-01 - I-03
SEALANTS & FASTENERS	I-04 - I-08
WATER & SEWAGE	I-09 - I-11
WINDOW, VENT & EXTERIOR DOOR	I-12 - I-24
WINDSHIELD & WIPER	J-01 - J-02

KEY	PART NUMBER	U/M DESCRIPTION
	105850-01-03A	EA A/C-ROOF, 11,000BTU ASH GRAY COLEMAN 6757B802 FROM: 00-00-00 THRU 11-15-92
	037646-01-714	EA PACKAGE-GASKET, COLEMAN #6759-3261
	076303-01-712	EA MOTOR, COLEMAN# 6707A3119
	091225-01-709	EA START RELAY, COLEMAN# 1497-4131
	093763-01-703	EA IMPELLOR-7" DIA X 2 8" WIDE, COLEMAN# 6759-3271
	093763-01-704	EA CAPACITOR-FAN, COLEMAN# 1499-3461
	093763-01-707	EA EVAPORATOR COIL-COLEMAN# 1452-1351
	093763-01-708	EA CONDENSER COIL-COLEMAN# 1452-1251
	093763-01-712	EA FAN BLADE-CONDENSER, COLEMAN# 6733-3221
	105850-01-700	EA COMPRESSOR (TEC #AK144AT-02L) 6757-3675
	105850-01-701	EA COMPRESSOR RUN CAPACITOR 6749-4681
	105850-01-702	EA EVAPORATOR COIL 1452-1362
	105850-01-703	EA OVERLOAD (CRA2718-250)
	108899-01-700	EA SHROUD (GREY/GREY)LESS LOGO 6759-6421
	108899-01-700	EA SHROUD (GREY/GREY)LESS LOGO 6759-6421

COLEMAN ROOF AIR 11,000 BTU

KEY	PART NUMBER	U/M DESCRIPTION
	108890-01-02A	EA A/C-ROOF, 11,000 TSR HO GRAY COLEMAN 7332-892 FROM: 11-16-92 THRU 99-99-99
	091225-01-709	EA START RELAY, COLEMAN# 1497-4131
	093306-01-701	EA DECAL PKG, LEFT & RIGHT - COLEMAN 679883591
	093306-01-707	EA START CAPACITOR, 47 - 56 MFD - 250 - COLEMAN 62503421
	093763-01-712	EA FAN BLADE-CONDENSER, COLEMAN# 6733-3221
	105850-01-700	EA COMPRESSOR (TEC.#AK144AT-02L) 6757-3679
	063903-01-700	EA SHROUD(IVORY/IVORY)LESS LOGO 6759-4801
	108899-01-703	EA CONDENSER COIL 1452A1301
	108899-01-705	EA MOTOR (115, 60HZ) 1468-3049
	108899-01-706	EA IMPELLOR 1472-1041
	108899-01-707	EA RUN CAPACITOR(COMP-25MFD/370) 1499-5661
	108899-01-708	EA FAN CAPACITOR(7.5MFD 370U) 1499-5461
	108899-01-709	EA EVAPORATOR COIL 1452-1311
	108899-01-710	EA FILLER PAD-COND AIR SEAL 6759A3971
	108899-01-711	EA GASKET PKG 6792-3301
	108899-01-700	EA OVERLOAD CRA #2718-250 6757-3551

**INTERIOR FINISH GROUP
INTERIOR TRIM, BATT STRIPS & MOLDINGS**

KEY	PART NUMBER	U/M DESCRIPTION
	009797-10-000	FT WELTING - CABINET TO WALL - MAHOGANY
	009797-12-000	FT MOLDING - SIDEWALL TO CEILING CABINET - WELTING - OFF WHITE
	009778-12-000	FT U-CHANNEL - PLASTIC - 1" WIDE X 8" - WOODGRAIN
	009909-21-000	EA MOLDING - CORNER - OUTSIDE - 1" - PLASTIC - WOODGRAIN
	009809-25-000	EA MOLDING - CORNER - OUTSIDE - 1" - PLASTIC - OFF WHITE
	009812-22-000	EA MOLDING - CORNER - OUTSIDE - 5" X 7" - PLASTIC - BROWN
	009812-24-000	EA MOLDING - PLASTIC - OUTSIDE CORNER - 50" - IVORY
	022982-11-000	FT MOLDING - REVERSE COVE - T-SHAPED - VINYL - IVORY
	069733-80-000	EA BATT STRIP - WOODGRAIN - 8" - WINNI OAK
	070504-01-000	FT U-CHANNEL - PLASTIC - 065" WIDE - LIGHT BROWN - 8"
	070504-19-000	FT U-CHANNEL - PLASTIC - 815" WIDE - BROWN - 8"
	070504-21-000	FT U-CHANNEL - PLASTIC - 735" WIDE - COUNTRY FOREST - 8"
	070504-23-000	FT EXTRUSION - U-CHANNEL - 875 - COUNTRY FOREST
	072368-02-000	EA TRIM - VINYL - EDGE - BLACK
	075249-01-000	EA RAILING - OAK - 72" - UNFINISHED
	076325-25-000	FT MOLDING - EDGE BAND - 1 5/16" WIDE - RAMBLING OAK
	076325-31-000	FT MOLDING - EDGE BAND - RAMBLING OAK - 93 X 024 X 600"
	076325-37-000	FT MOLDING - EDGE BAND - 1136 - 1-5/16X 030X500
	076325-39-000	FT MOLDING - EDGE BAND - 1527 - 1-5/16X 030X600
	076325-40-000	FT MOLDING - EDGE BAND - 1527 - 875X 024X600
	078323-06-825	EA MOLDING - WALL CAP - LIPS BOTH SIDES - WOOD - 6 6" LONG
	078811-05-C07	EA PANEL - TRIM - HEADER - LOWER
	093620-07-000	FT MOLDING - T - END CAP EDGE - WEDGE LIPS - .75" - THOR PECAN
	085284-55-000	FT BATT STRIP - TAPE - GLORIA - PASTEL DECOR (BATHROOM & GALLEY) (D35)
	085284-75-000	FT BATT STRIP - TAPE - MONIQUE - BLUE STONE (BATHROOM & GALLEY) (D36)
	095284-56-000	FT BATT STRIP - TAPE - POMPEII - PASTEL DECOR (MAIN WALL) (D35)
	085284-74-000	FT BATT STRIP - TAPE - BARCELONA - BLUE STONE (MAIN WALL) (D36)
	085284-67-000	FT STRIP - TAPE - 541 WINNI OAK - PLUSWOOD
	086229-01-000	EA RETAINER - BATTEN - CEILING - 75" WIDE - 7 6"
	086229-04-000	EA BATTEN - CEILING - 1" WIDE - IVORY - 7 6"
	088263-67-000	EA BATT - STRIP - POMPEII - PASTEL DECOR (MAIN WALL) (D35)
	088263-86-000	EA BATT - STRIP - BARCELONA - BLUE STONE (MAIN WALL) (D36)
	088263-68-000	EA BATT - STRIP - GLORIA - PASTEL DECOR (BATHROOM & GALLEY) (D35)
	088263-85-000	EA BATT - STRIP - MONIQUE - BLUE STONE (BATHROOM & GALLEY) (D36)
	088263-80-000	EA BATT - STRIP FLORENCE/TWILIGHT
	093873-01-01A	EA TRIM - CARPET - L - ANGLE - 1 1" X 1.3" X 12" - VINYL - GRAY
	100040-01-000	EA LUMBER - VINYL WRAPPED - 7" X 1 5" X 8" - RAMBLING OAK
	100040-03-000	EA LUMBER - VINYL WRAPPED - 7 1" X 2" X 8" - RAMBLING OAK
	100040-06-000	EA LUMBER - VINYL WRAPPED - 766 FANBLN OAK 2438
	100040-37-000	EA LUMBER - VINYL WRAPPED - 766 FANBLN OAK 2438
	100041-01-000	EA MOLDING - VINYL WRAPPED - 7" X 1.57" X 84.02" - RAMBLING OAK
	100041-02-000	EA MOLDING - VINYL WRAPPED - 7" X 2.5" X 84" - RAMBLING OAK
	100182-10-B29	EA TRIM - CHAIR RAIL - WALL - 2 5" X 8" - WOOD
	105004-01-02A	EA MOLDING - VINYL WRAP RAMBLING OAK
	105709-01-000	FT T-MOLDING - 1" - MODERN IVORY

**INTERIOR FINISH GROUP (CONTINUED)
PANELING, PLASTIC LAMINATE & CARPET**

KEY	PART NUMBER	U/M DESCRIPTION
	074497-21-000	SF PANELING - WOODGRAIN - WINNI OAK - 4' X 8' (32 SF)
	074498-34-000	SF LAMINATE - PLASTIC - 5' X 8" - RAMBLING OAK (40 SF)
	074498-45-000	SF LAMINATE - PLASTIC - 5' X 8" (40 SF) (D35)
	074498-42-000	SF LAMINATE - PLASTIC - 5' X 8" (40 SF) (D36)
	083618-02-000	SF PLYWOOD - OAK - 1 SIDE FINISHED - 3/16" X 4' X 8' (32 SF)
	088272-88-000	SF PANELING - GLORIA PASTEL (BATH & GALLEY) (D35)
	088272-A6-000	SF PANELING - MONIQUE - BLUE STONE (BATH & GALLEY) (D36)
	088272-89-000	SF PANELING - POMPEII - PASTEL (BEDROOM & DINETTE) (D35)
	088272-A7-000	SF PANELING - BARCELONA - BLUE STONE (BEDROOM & DINETTE) (D36)
	088272-98-000	SF PANELING - SHOWER - OFF WHITE - 4' X 7' (28 SF)
	089297-01-300	SF PLYWOOD - LUAN - OVERLAY GRADE - 4' X 8' (32 SF)
	089351-03-000	YD VINYL - CEILING - DIAMOND DESIGN - 54" WIDE
	095688-01-000	SF VENEER - FLAT LUANA 48 X 96
	075233-01-000	SY PAD - CARPET - 36" X 6" ROLL
	096060-42-000	SY CARPET - 12' ROLL - TEAL (MINIMUM 4 SY) (D35)
	096060-21-000	SY CARPET - 12' ROLL - PAF ORCHID (MINIMUM 4 SY) (D36)
	093486-01-000	SY CARPET - COMPARTMENT - 54" WIDE - DARK GRAY
	047034-02-000	SF PLASTIC - CARPET - 4' WIDE - CLEAR POLY
	098531-01-000	SF PLYWOOD - RED OAK - 1/2"
	105924-01-D11	EA MAT - FLOOR 18X27 (D35)
	105924-01-C25	EA MAT - FLOOR 18X27 (D36)

DETECTOR, EXTINGUISHER & CLOCK

KEY	PART NUMBER	U/M DESCRIPTION
	072852-01-000	EA DETECTOR - SMOKE - W/9 VOLT BATTERY
	072852-02-000	EA DETECTOR - SMOKE - W/9 VOLT BATTERY - CANADIAN
	094499-01-000	EA EXTINGUISHER - FIRE - DRY W/MOUNTING BRACKET - 10 3C
	094499-01-700	EA BRACKET - MOUNTING - W/PLASTIC STRAP - FIRE EXTINGUISHER
	094499-02-000	EA EXTINGUISHER - FIRE - DRY - 1A108C - CANADIAN
	104764-01-01A	EA CLOCK-WALL SPARTUS
		FROM: 00-00-00 THRU 04-20-93
	101333-01-000	EA BACKPLATE - CLOCK - 6" X 6" - PLASTIC - BLACK
		FROM: 00-00-00 THRU 04-20-93
	100793-02-01A	EA CLOCK-WALL - 11" DIAMETER - GOLDEN 9988
		FROM: 04-21-93 THRU 99-99-99

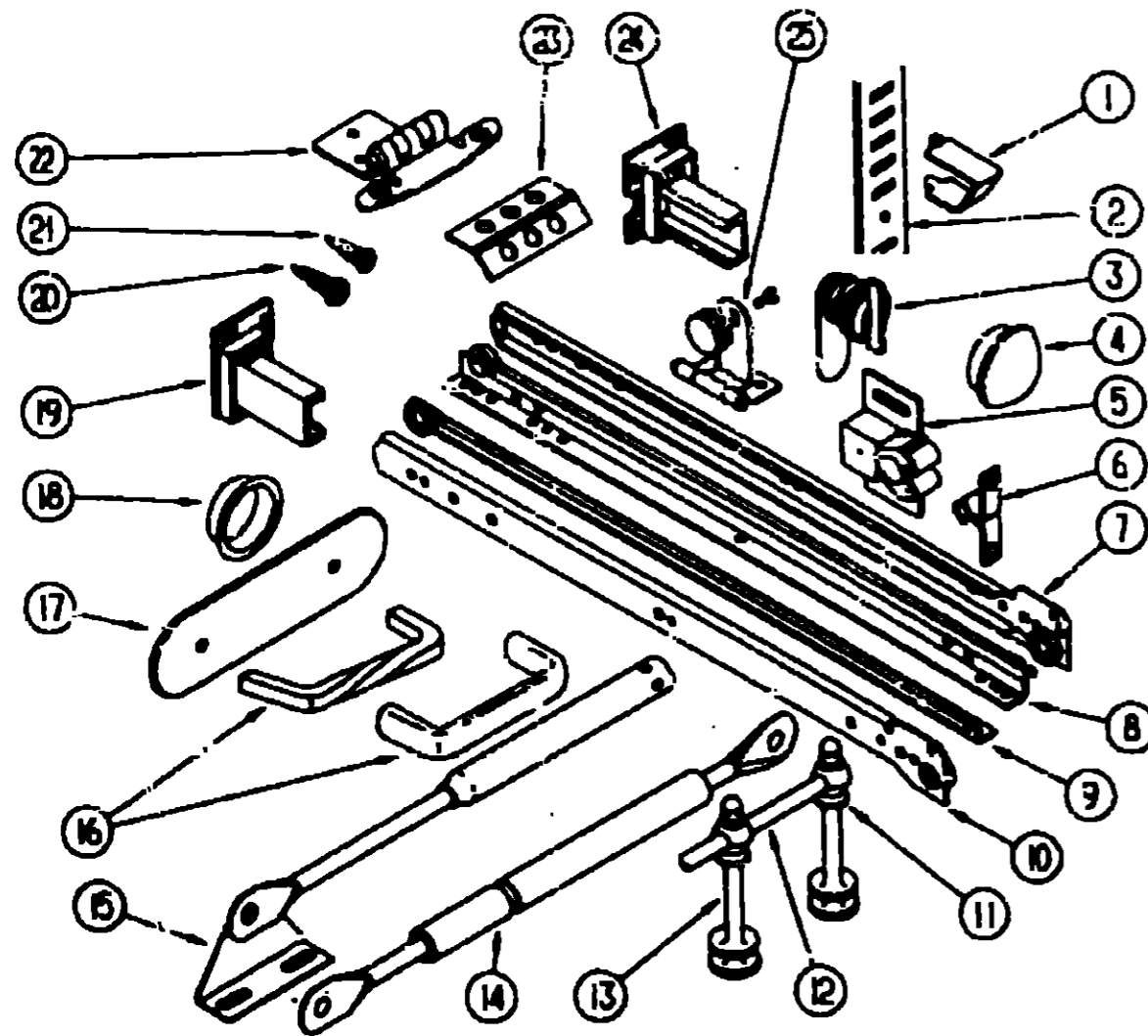
**1993 ITASCA
TABLE OF CONTENTS**

INTRODUCTION	A-01 - A-02
ABBREVIATIONS	A-03
ALPHABETICAL INDEX	A-04 - A-05
ICG34RQ	A-07 - E-18
ICG34RA	E-19 - J-02

1993 ICG34RA INDEX

FLOOR PLAN	E-19 - E-20
ACCESSORIES	E-21
AUDIO VIDEO	E-22 - E-24
BATH	F-01 - F-02
BEDROOM	F-03 - F-04
CHASSIS	F-05 - F-16
CURTAIN & CUSHION	F-17 - G-02
DINETTE	G-03 - G-06
DRIVERS COMPARTMENT	G-07 - G-10
ELECTRICAL	G-11 - G-16
EXTERIOR BODY	G-17 - G-21
GALLEY	H-01 - H-05
GENERATOR	H-06 - H-07
HEATING & AC	H-08 - H-12
INTERIOR FINISH	H-13 - H-16
LABELS	H-17 - H-23
LP	H-24
LOUNGE	I-01 - I-03
SEALANTS & FASTENERS	I-04 - I-06
WATER & SEWAGE	I-09 - I-11
WINDOW, VENT &	
EXTERIOR DOOR	I-12 - I-21
WINDSHIELD & WIPER	J-01 - J-02

INTERIOR FINISH GROUP (CONTINUED)
CABINET HARDWARE



1983 ITASCA
TABLE OF CONTENTS

INTRODUCTION	A-01 - A-02
ABBREVIATIONS	A-03
ALPHABETICAL INDEX	A-04 - A-06
ICG34RD	A-07 - E-18
ICG34RA	E-19 - J-02

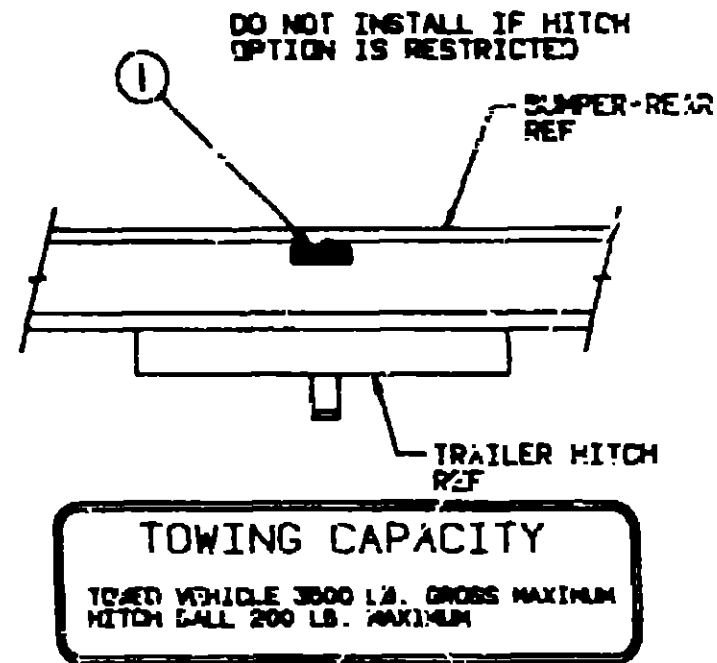
KEY	PART NUMBER	U/M DESCRIPTION
8	106913-04-000	EA SLIDE - DRAWER - 12" - RIGHT SIDE
8	106913-08-000	EA SLIDE - DRAWER - 18" - RIGHT SIDE
8	106913-20-000	EA SLIDE - DRAWER - 22" - RIGHT SIDE
8	106913-24-000	EA SLIDE - DRAWER - 24" - RIGHT SIDE
9	106913-03-000	EA SLIDE - DRAWER - 12" - LEFT SIDE
9	106913-07-000	EA SLIDE - DRAWER - 18" - LEFT SIDE
9	106913-19-000	EA SLIDE - DRAWER - 22" - LEFT SIDE
9	106913-23-000	EA SLIDE - DRAWER - 24" - LEFT SIDE
10	106913-01-000	EA SLIDE - DRAWER - 12" - CABINET - LEFT SIDE
10	106913-05-000	EA SLIDE - DRAWER - 18" - CABINET - LEFT SIDE
10	106913-17-000	EA SLIDE - DRAWER - 22" - CABINET - LEFT SIDE
10	106913-21-000	EA SLIDE - DRAWER - 24" - CABINET - LEFT SIDE
11	084070-02-000	EA POST - END - 2.4" - BRASS
12	084071-04-000	EA ROD - BRASS - 11.9"
12	084071-15-000	EA ROD - BRASS - 8.27"
13	084070-01-000	EA POST - CENTER - 2.4" - BRASS
14	107539-01-000	EA SPRING - GAS - 20" BLADE END - SPRING LIFT
15	074493-02-000	EA SUPPORT - PISTON SPRING - CABINET DOOR
16	096645-01-000	EA PULL - CABINET - BRASS - TWIST - 1.1" X 3.4"
		FROM 00-00-00 THRU: 02-04-93
16	109747-01-000	EA PULL - CABINET - BRASS
		FROM 02-05-93 THRU: 99-99-99
17	081376-01-000	EA BACKPLATE - DOOR PULL - OVAL - BRASS - 8" X 4.25"
18	098410-01-01A	EA PULL - FINGER - OVAL - BRASS
19	107030-01-000	EA BACK SOCKET - LEFT SIDE
20	000668-06-10G	EA SCREW - 6-18 X 5/32" - PHILLIP OVAL HEAD - ANTIQUE BRASS
21	000613-06-08G	EA SCREW - 6-20 X 5" - PHILLIP FLAT HEAD - ANTIQUE BRASS
22	108138-01-000	EA HINGE - DOOR - CABINET - BURNISHED BRASS
23	009059-02-000	EA HINGE - DOOR - 2" X 2.7" - BRASS
24	107030-02-000	EA BACK SOCKET - RIGHT SIDE
25	100711-01-01A	EA HINGE - DOOR - GLASS
	105037-02-000	EA FASTENER - WOOD - CORNER - METAL - 5" X 6"
	P02786-04-D12	EA HANDRAIL ASM - ENTRANCE DOOR
	099682-01-01A	EA BRACKET - MOUNTING - HAND RAIL - BRASS
	009063-01-000	EA HINGE - CONTINUOUS - 1 1/2" X 72" - UNPAINTED
	009066-01-000	EA HINGE - ALUMINUM - NO HOLES - 1 1/16" X 6" - UNPAINTED
	103130-01-000	EA HOOK - CUP - BRASS - 1.25"
	103868-03-01A	EA TRACK - DOOR - 1250 - OFF WHITE
	105847-06-C05	EA KEY RING HOLDER
	004354-01-000	EA BUMPER - RUBBER - 5" DIA - BROWN
	016604-03-000	EA BRACE - CABINET - ANGLE - 2.5" - METAL - BEIGE
	023320-01-000	EA PAD - FELT - 3/8" DIAMETER - BROWN
	058335-02-000	EA LATCH - SHOWER/BATH DOOR - W/O LOCK - PLASTIC - BROWN
	065740-01-000	EA BRACE - CABINET CORNER - PLASTIC
	076790-01-000	EA SCREW - 6-20 X 1 1/4 PPH - BLACK
	079921-01-000	EA ROLLER - NYLON - W/STEEL SHAFT - BARBED
	R77006-13-498	EA GUIDE - BOLT
	009112-01-000	EA FLANGE - 1" ROD - CLOTHES - PLASTIC - OFF WHITE
	042438-01-000	EA DOWEL - WOOD - CLOTHES ROD - 1" DIAMETER X 4"
	042438-06-000	EA DOWEL - WOOD - 1.5" X 26" - OAK
	101222-01-01A	EA BRACKET - CATCH - LID - BEIGE
	101766-01-000	EA PIN - SUPPORT - GLASS DOOR
	103936-01-01A	EA KNOB - MIRROR - 1" X 1" - ACRYLIC - CLEAR
	104006-01-C05	EA LID - ENTRANCE STEEL

KEY	PART NUMBER	U/M DESCRIPTION
1	098979-01-000	EA CLIP - ADJUSTABLE SHELF
2	098980-01-000	EA PILASTER - ADJUSTABLE SHELF - 18" LONG
2	098990-C2-000	EA PILASTER - ADJUSTABLE SHELF - 12" LONG
3	100710-01-01A	EA LOCK - GLASS DOOR - TWIST TYPE - BRASS
	101272-01-000	EA CATCH - DOOR - GLASS
4	042356-01-000	EA PLUG - MAHOGANY - 1/8" DIAMETER - WOOD
4	074045-01-000	EA PLUG - OAK - 1/2" DIAMETER
5	093586-03-000	EA CATCH - SPRING - ROLLER
6	093586-04-000	EA STRIKE - SPRING STEEL
	101766-01-000	EA PIN - SUPPORT - GLASS DOOR
7	106913-02-000	EA SLIDE - DRAWER - 12" - CABINET - RIGHT SIDE
7	106913-06-000	EA SLIDE - DRAWER - 18" - CABINET - RIGHT SIDE
7	106913-18-000	EA SLIDE - DRAWER - 22" - CABINET - RIGHT SIDE
7	106913-22-000	EA SLIDE - DRAWER - 24" - CABINET - RIGHT SIDE

1983 ICG34RA INDEX

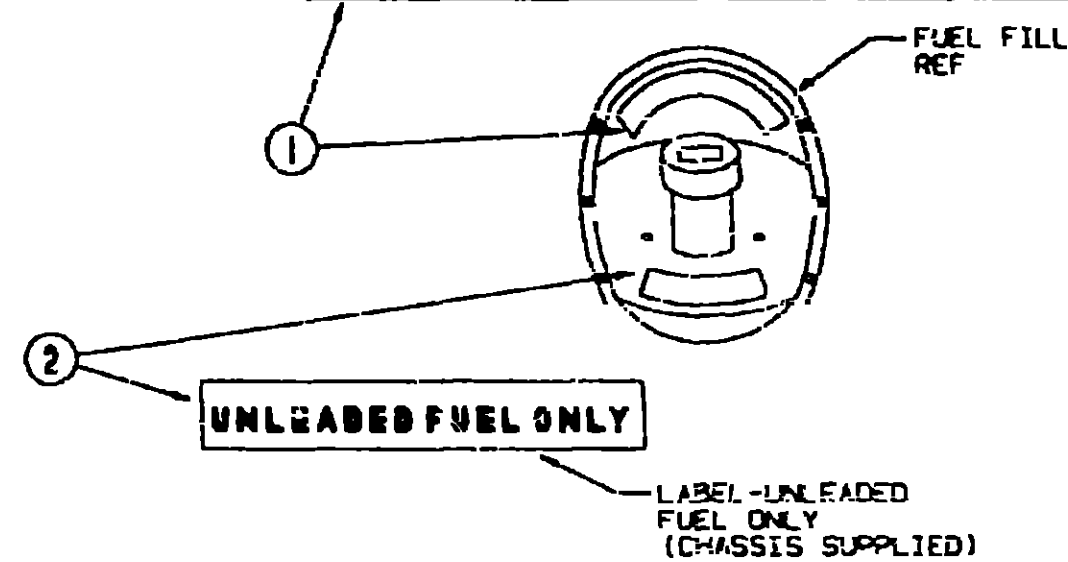
FLOOR PLAN	E-19 - E-20
ACCESSORIES	E-21
AUDIO VIDEO	E-22 - E-24
BATH	F-01 - F-02
BEDROOM	F-03 - F-04
CHASSIS	F-05 - F-16
CURTAIN & CUSHION	F-17 - G-02
DINETTE	G-03 - G-06
DRIVERS COMPARTMENT	G-07 - G-10
ELECTRICAL	G-11 - G-16
EXTERIOR BODY	G-17 - G-24
GALLEY	H-01 - H-05
GENERATOR	H-06 - H-07
HEATING & A/C	H-08 - H-12
INTERIOR FINISH	H-13 - H-16
LABELS	H-17 - H-23
LP	H-24
LOUNGE	I-01 - I-03
SEALANTS & FASTENERS	I-04 - I-08
WATER & SEWAGE	I-09 - I-11
WINDOW VENT &	
EXTERIOR DOOR	I-12 - I-24
WINDSHIELD & WAPER	J-01 - J-02

LABELS GROUP



LABELS GROUP (CONTINUED)

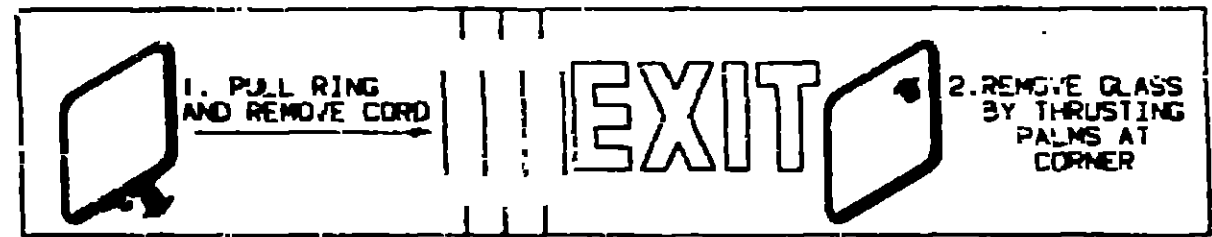
WARNING:
 ALL PILOT LIGHTS AND APPLIANCES SHALL BE TURNED OFF DURING REFUELLING OF MOTOR FUEL TANKS AND/OR PROPANE CONTAINERS.
AVERTISSEMENT:
 FERMER TOUTES LES VEILLEUSES AINSI QUE TOUS LES APPAREILS LORSQU'ON FAIT LE PLEIN DES RESERVOIRS A CARBURANT OU A PROPANE.



**1993 ITASCA
 TABLE OF CONTENTS**

INTRODUCTION	A-01 - A-02
ABBREVIATIONS	A-03
ALPHABETICAL INDEX	A-04 - A-06
ICG34RD	A-07 - E-18
ICG34RA	E-19 - J-02

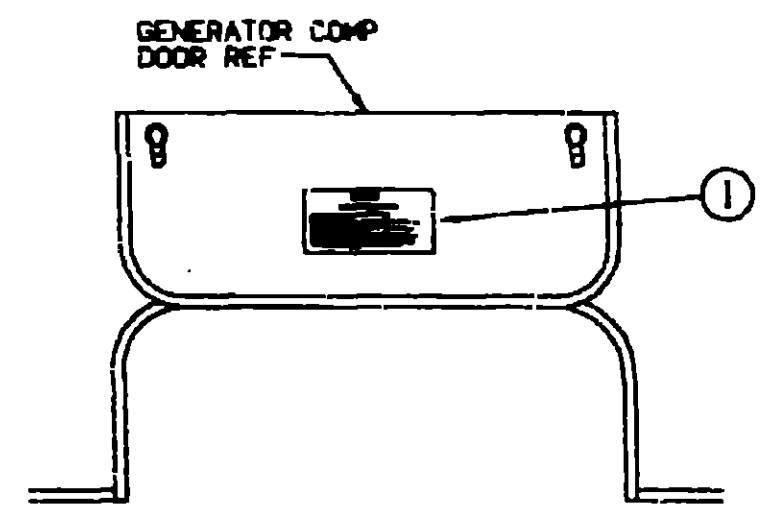
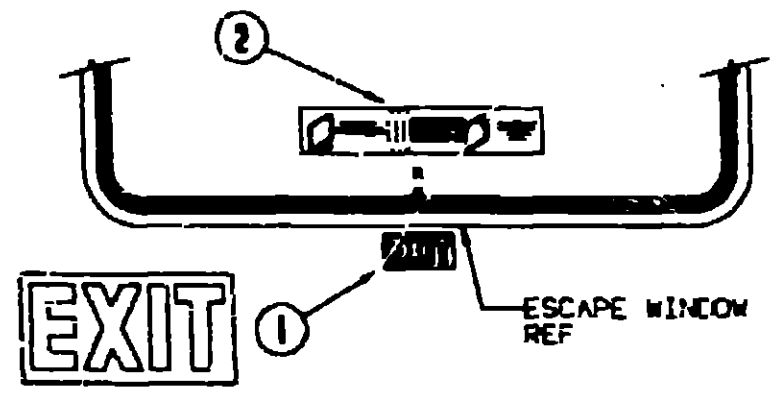
KEY	PART NUMBER	U/M DESCRIPTION
1	075221-03-000	EA LABEL - TRAILER HITCH



KEY	PART NUMBER	U/M DESCRIPTION
1	005040-01-000	EA TAG - GAS REFUELING WARNING
1	006040-02-000	EA TAG - GAS REFUELING WARNING (CANADIAN)
2	052043-01-000	EA LABEL - FUEL - UNLEADED

1993 ICG34RA INDEX

FLOOR PLAN	E-19 - E-20
ACCESSORIES	E-21
AUDIO VIDEO	E-22 - E-24
BATH	F-01 - F-02
BEDROOM	F-03 - F-04
CHASSIS	F-05 - F-16
CURTAIN & CUSHION	F-17 - G-02
DINETTE	G-03 - G-06
DRIVERS COMPARTMENT	G-07 - G-10
ELECTRICAL	G-11 - G-16
EXTERIOR BODY	G-17 - G-24
GALLEY	H-01 - H-05
GENERATOR	H-06 - H-07
HEATING & A/C	H-08 - H-12
INTERIOR FINISH	H-13 - H-16
LABELS	H-17 - H-23
LP	H-24
LOUNGE	I-01 - I-03
SEALANTS & FASTENERS	I-04 - I-06
WATER & SEWAGE	I-09 - I-11
WINDOW, VENT & EXTERIOR DOOR	I-12 - I-24
WINDSHIELD & W/PER	J-01 - J-02



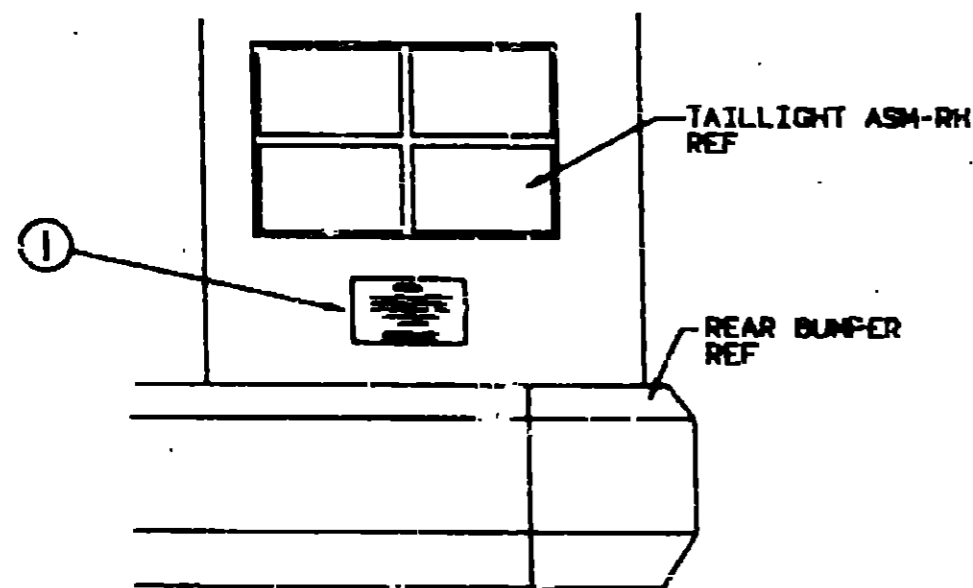
WARNING
 WHEN ADDING A GENERATOR SET,
 READ INSTRUCTIONS CAREFULLY AND FOLLOW THEM EXACTLY.
 HAVE ALL ELECTRICAL INSTALLATION PERFORMED BY A QUALIFIED LICENSED ELECTRICIAN-FOLLOW ALL STATE AND LOCAL CODES.
 ONLY APPROVED GENERATOR SET APPROVED FOR R.V. APPLICATION HAVE BEEN TESTED BY QUALIFIED TECHNICIAN.
 TO AVOID HEAT BUILD-UP AND TO GUARANTEE AN ADEQUATE AIR SUPPLY TO THE GENERATOR COMPARTMENT, FOLLOW INSTALLATION INSTRUCTIONS.
 GENERATOR SHOULD BE OPENED ONLY WHEN AND HOW SET MANUFACTURER'S INSTRUCTIONS SPECIFY.
 NEVER USE GENERATOR SETS WITH EXHAUST SYSTEMS THAT EXHAUST INTO THE VEHICLE OR EXHAUST SYSTEM INTO THE VEHICLE.

KEY	PART NUMBER	U/M DESCRIPTION
1	107771-01-000	EA LABEL - EXIT/ESCAPE WINDOW
2	030290-01-000	EA LABEL - EXIT WARNING

FROM: 03-02-92 THRU 99-99-99

KEY	PART NUMBER	U/M DESCRIPTION
1	077510-01-000	EA LABEL - GENERATOR PREP

LABELS GROUP (CONTINUED)

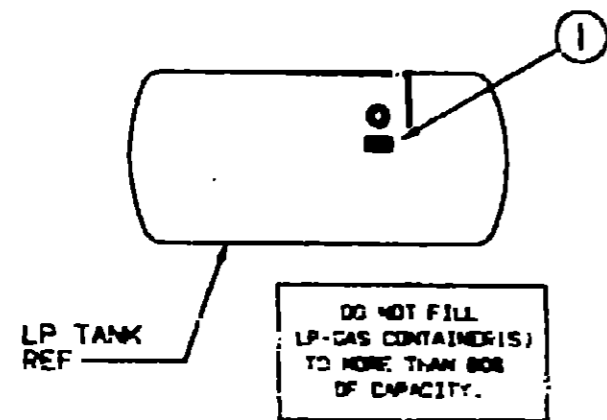


WARNING

DO NOT EXCEED THE VEHICLE WEIGHT RATINGS OR LOADING RECOMMENDATIONS (E.G., GROSS VEHICLE, GROSS AXLE, GROSS COMBINED) OF THE CHASSIS MANUFACTURER OR WINNEBAGO INC.

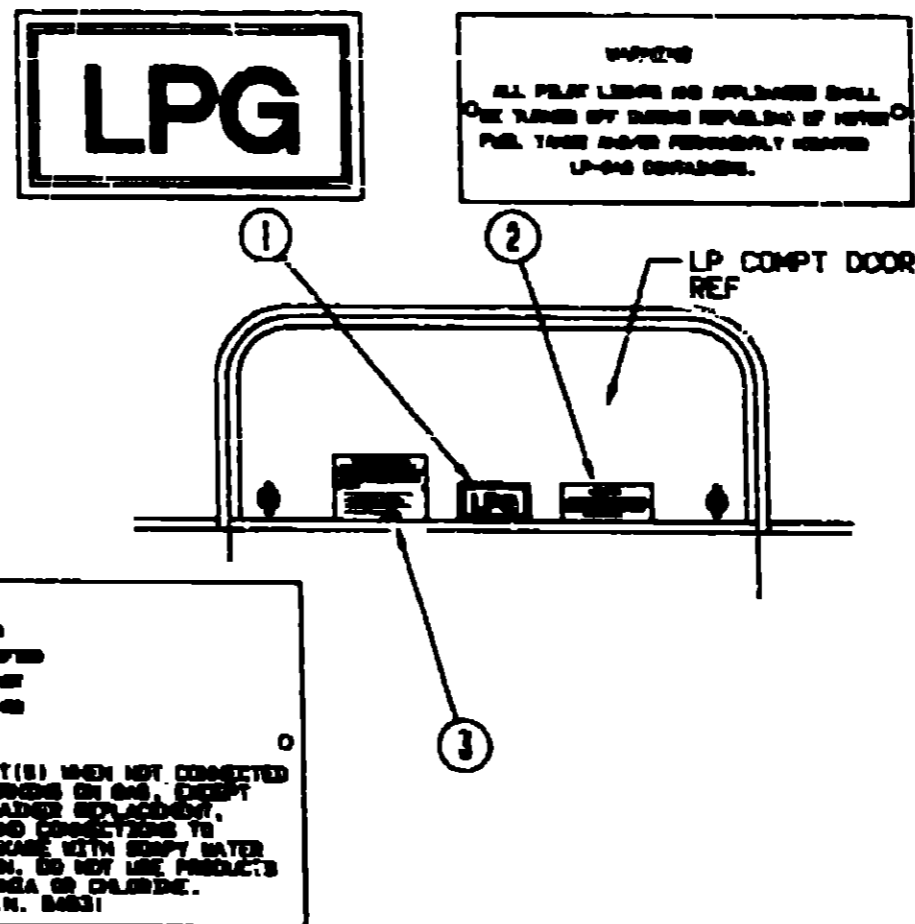
REFER TO YOUR OWNERS MANUAL, BEFORE LOADING OR TOWING.

KEY	PART NUMBER	U/M DESCRIPTION
1	075220-01-000	EA LABEL - WARNING - EXTERIOR LOAD



KEY	PART NUMBER	U/M DESCRIPTION
1	079365-01-000	EA LABEL - LPG - 80% CAPACITY

LABELS GROUP (CONTINUED)

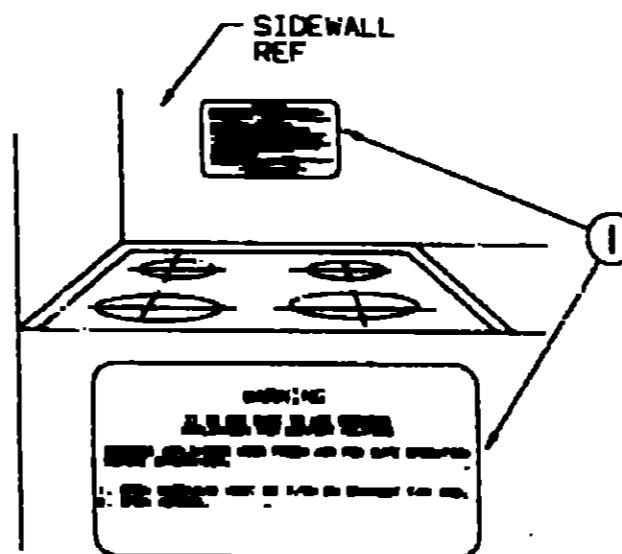


LP-GAS SYSTEM

THIS GAS PIPING SYSTEM IS DESIGNED FOR USE OF LIQUIDIFIED PETROLEUM GAS ONLY. IS NOT SUITABLE FOR USE WITH OTHER GASES.

SECURELY CAP INLET(S) WHEN NOT CONNECTED FOR USE. AFTER FLAMING OR GAS, EXCEPT AFTER NORMAL CONTAINER REPLACEMENT, TEST GAS PIPING AND CONNECTIONS TO APPLIANCES FOR LEAKAGE WITH SOAP WATER OR BUBBLE SOLUTION. DO NOT USE PRODUCTS THAT CONTAIN ACETYLENE OR CARBIDE. P.N. 84831

KEY	PART NUMBER	U/M DESCRIPTION
1	074559-01-000	EA DECAL - LOGO - LPG - RED - (CALIF CODE)
2	006040-01-000	EA TAG - GAS REFUELING WARNING
2	006040-02-000	EA TAG - GAS REFUELING WARNING (CANADIAN)
3	054531-01-000	EA LABEL - LP GAS ONLY
3	023769-01-000	EA LABEL - WARNING-LPG (CANADIAN)



KEY	PART NUMBER	U/M DESCRIPTION
1	050225-01-000	EA LABEL - WARNING - STOVE VENT - US
1	050222-01-000	EA LABEL - WARNING - STOVE VENT - CSA

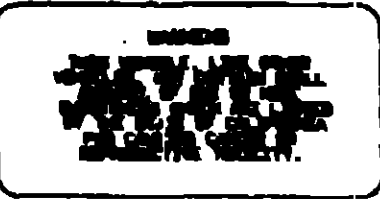
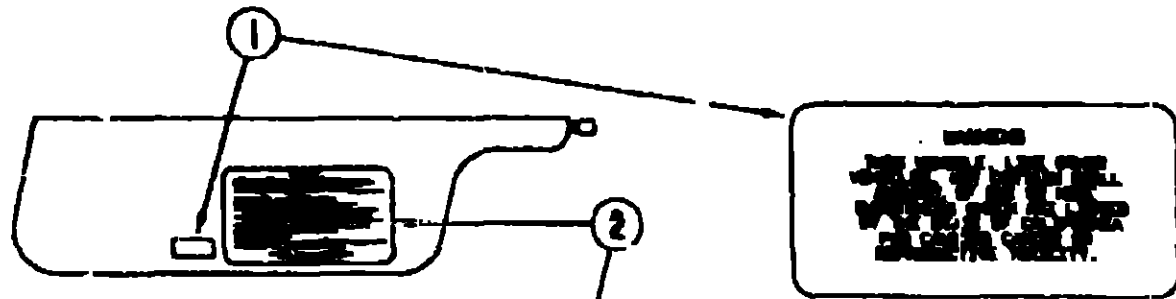
1993 ITASCA TABLE OF CONTENTS

INTRODUCTION	A-01 - A-02
ABBREVIATIONS	A-03
ALPHABETICAL INDEX	A-04 - A-06
ICG34RD	A-07 - E-18
ICG34RA	E-19 - J-02

1993 ICG34RA INDEX

FLOOR PLAN	E-19 - E-20
ACCESSORIES	E-21
AUDIO VIDEO	E-22 - E-24
BATH	F-01 - F-02
BEDROOM	F-03 - F-04
CHASSIS	F-05 - F-16
CURTAIN & CUSHION	F-17 - G-02
DINETTE	G-03 - G-06
DRIVERS COMPARTMENT	G-07 - G-10
ELECTRICAL	G-11 - G-16
EXTERIOR BODY	G-17 - G-24
GALLEY	H-01 - H-05
GENERATOR	H-06 - H-07
HEATING & A/C	H-08 - H-12
INTERIOR FINISH	H-13 - H-16
LABELS	H-17 - H-23
LP	H-24
LOUNGE	I-01 - I-03
SEALANTS & FASTENERS	I-04 - I-06
WATER & SEWAGE	I-09 - I-11
WINDOW, VENT & EXTERIOR DOOR	I-12 - I-24
WINDSHIELD & WIPER	J-01 - J-02

LABELS GROUP (CONTINUED)



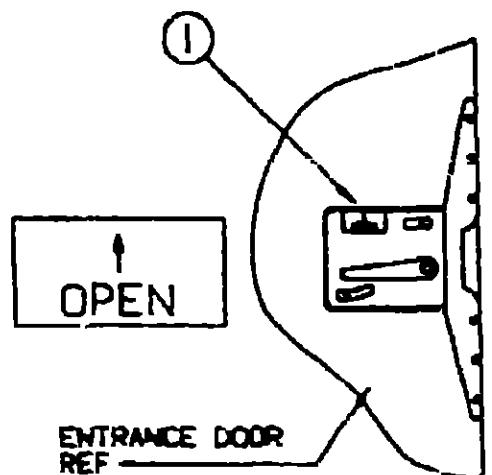
CRUISE

THIS MOTOR HOME HAS BEEN DESIGNED, MANUFACTURED AND TESTED TO MEET THE REQUIREMENTS OF THE FEDERAL MOTOR VEHICLE SAFETY STANDARDS FOR THE PROTECTION OF IT'S OCCUPANTS. BY FOLLOWING THE FOLLOWING INSPECTION CHECKLIST FOR THE SAFETY AND THE SAFETY OF YOUR PASSENGERS BEFORE STARTING YOUR VEHICLE.

1. LP GAS CHECK- TURN OFF AT TANK FOR TRAVELING. TEST FOR LEAKS UPON ARRIVAL AT DESTINATION. BEFORE LEAVING PLACE.
2. BRAKE- INSPECT FOR BRAKE AND CHECK LAMP LIGHT FOR TIGHTNESS.
3. TIRES- INSPECT FOR WEAR AND INFLATE AND CHECK FOR UNUSUAL NOISE AND VIBRATION.
4. LIGHTS- TEST FOR PROPER OPERATION OF ALL INTERIOR AND EXTERIOR LIGHTS INCLUDING DASH LIGHTS, HEADLIGHTS, TAIL LIGHTS, BRAKE LIGHTS, CLEARANCE LIGHTS AND TURN SIGNALS.
5. EXITS- INSPECT ALL EXITS INCLUDING EMERGENCY EXIT SYSTEM. TEST BOTH LIGHTS ON MAIN ENTRANCE DOOR FOR CASE OF EMERGENCY AND INSTRUCT PASSENGERS HOW TO USE BOTH ENDS OF EXIT.
6. SEAT BELTS- INSTRUCT PASSENGERS TO OCCUPANT SEATS AND REQUIRE USE OF SEAT BELTS.
7. SWLINGS- TURN OFF AND LATCH IN LOCK WHEN BEING PROVIDED.
8. LIQUEFIED GAS- STORE SECURELY.
9. VITALITY SUPPLY LINE- DISCONNECT ALL ELECTRIC, WATER AND WATER LINE AND SECURE PROPERLY.
10. ENTRANCE DOOR STOP- PLACE IN EXTENDED POSITION FOR TRAVELING.

READ YOUR MOTOR HOME AND DRIVER'S MANUAL FOR FURTHER PRECAUTIONS

KEY	PART NUMBER	U/M DESCRIPTION
1	039689-01-000	EA LABEL - WARNING - CANCER/TOXICITY
2	056259-01-000	EA LABEL - SAFETY CHECKLIST



↑
OPEN

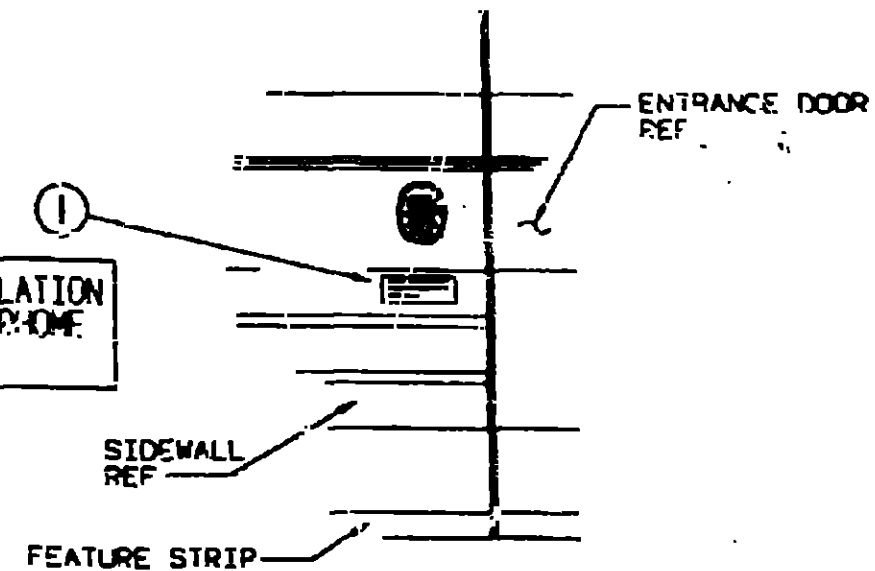
ENTRANCE DOOR
REF

KEY	PART NUMBER	U/M DESCRIPTION
1	040944-01-000	EA LABEL - ENTRANCE DOOR - 'OPEN'

LABELS GROUP (CONTINUED)



FOR AWNING INSTALLATION
CONTACT YOUR MOTORHOME
DEALERSHIP

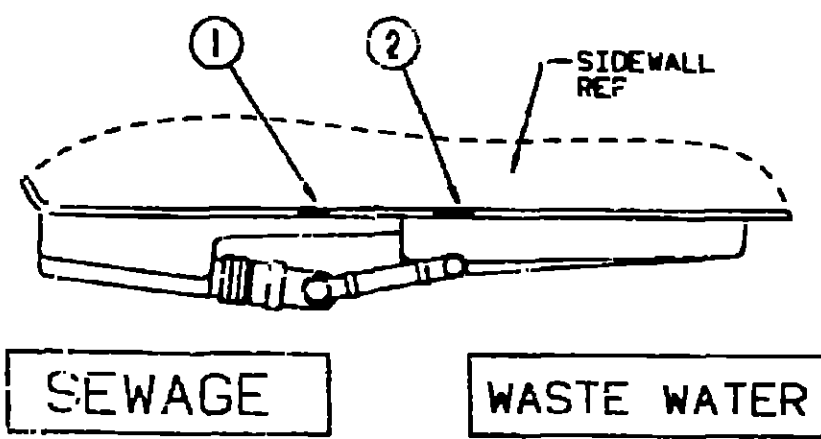


ENTRANCE DOOR
REF

SIDEWALL
REF

FEATURE STRIP

KEY	PART NUMBER	U/M DESCRIPTION
1	039689-01-000	EA LABEL - AWNING INSTALLATION



SIDEWALL
REF

SEWAGE

WASTE WATER

KEY	PART NUMBER	U/M DESCRIPTION
1	006187-01-000	EA LABEL - SEWAGE
2	006188-01-000	EA LABEL - WASTE WATER

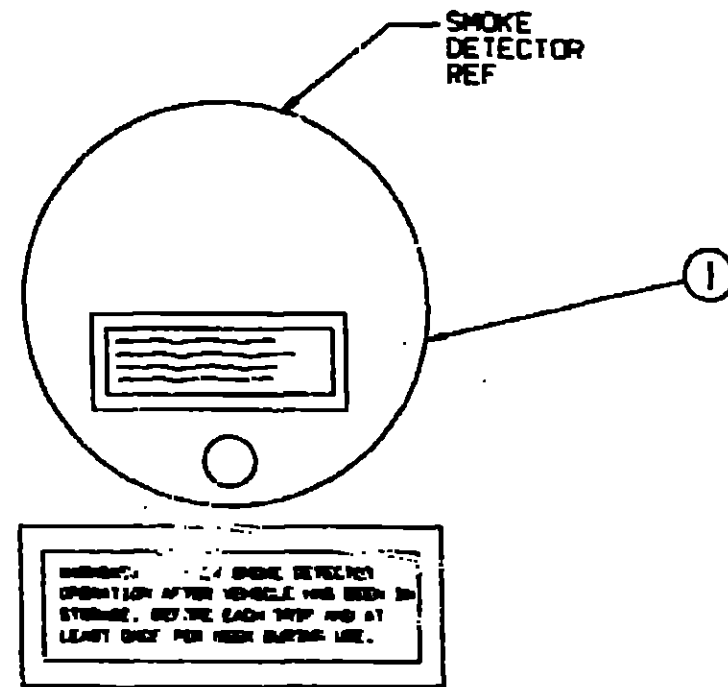
1993 ITASCA
TABLE OF CONTENTS

INTRODUCTION	A-01 - A-02
ABBREVIATIONS	A-03
ALPHABETICAL INDEX	A-04 - A-06
ICG34RQ	A-07 - E-18
ICG34RA	E-19 - J-02

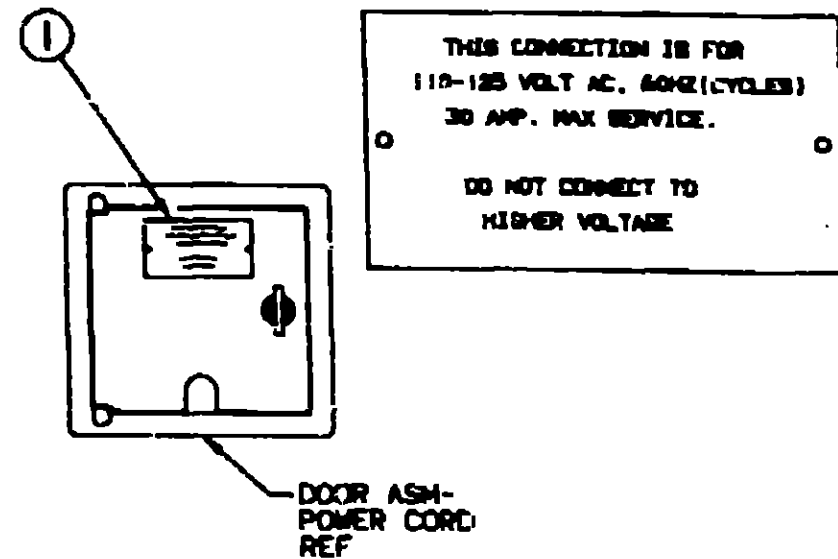
1993 ICG34RA INDEX

FLOOR PLAN	E-19 - E-20
ACCESSORIES	E-21
AUDIO VIDEO	E-22 - E-24
BATH	F-01 - F-02
BEDROOM	F-03 - F-04
CHASSIS	F-05 - F-15
CURTAIN & CUSHION	F-17 - G-02
DINETTE	G-03 - G-06
DRIVER'S COMPARTMENT	G-07 - G-10
ELECTRICAL	G-11 - G-16
EXTENSION BODY	G-17 - G-24
GALLERY	H-01 - H-05
GENERATOR	H-06 - H-07
HEATING & A/C	H-08 - H-12
INTERIOR FINISH	H-13 - H-16
LABELS	H-17 - H-23
LP	H-24
LOUNGE	I-01 - I-03
SEALANTS & FASTENERS	I-04 - I-09
WATER & SEWAGE	I-09 - I-11
WINDOW, VENT & EXTERIOR DOOR	I-12 - I-24
WINDSHIELD & WIPER	J-01 - J-02

LABELS GROUP (CONTINUED)



KEY PART NUMBER	U/M DESCRIPTION
1 077955-01-000	EA LABEL - WARNING - SMOKE DETECTOR

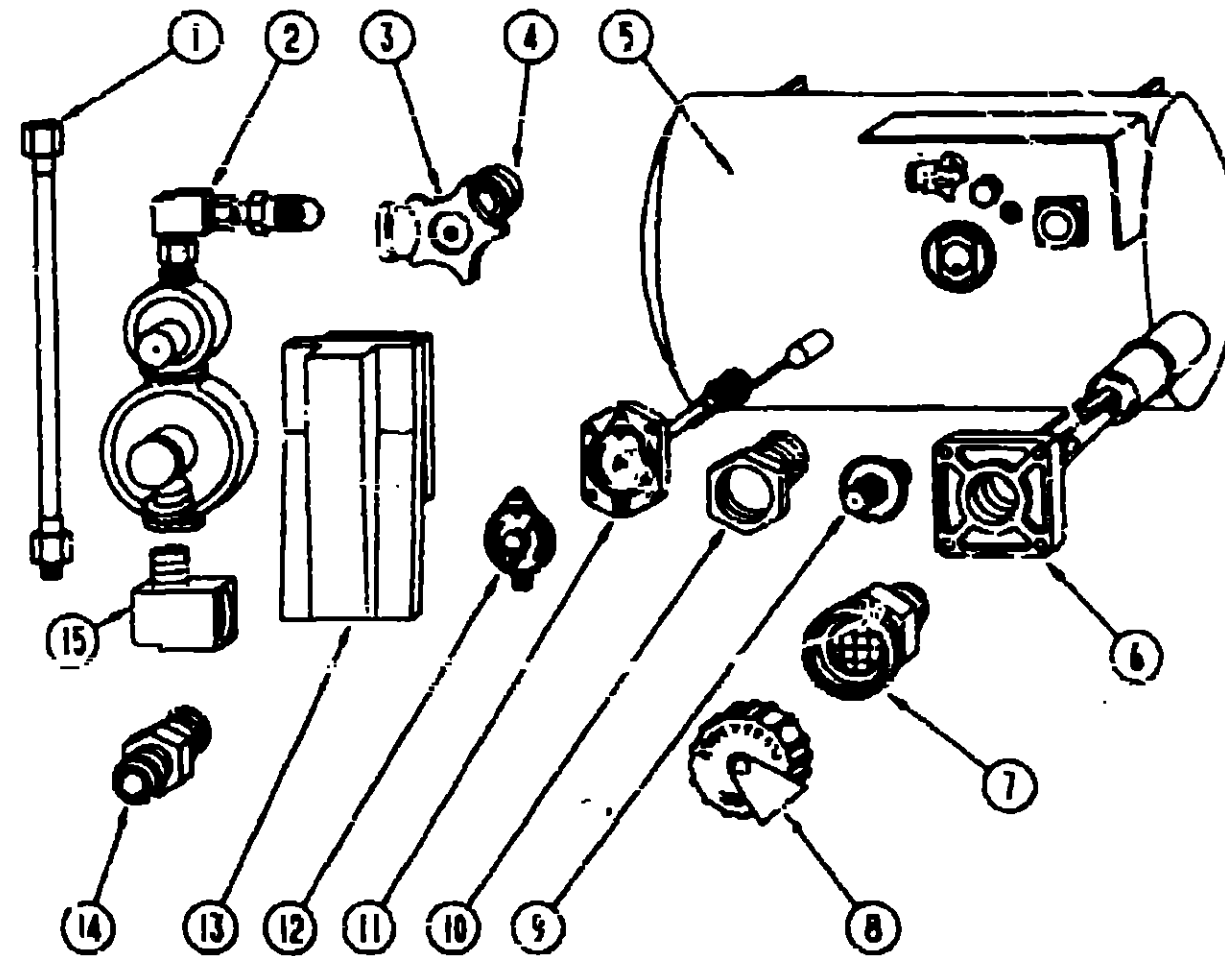


KEY PART NUMBER	U/M DESCRIPTION
1 005062-01-000	EA TAG - ELECTRIC - 110V CONNECTION

MISCELLANEOUS LABELS

KEY PART NUMBER	U/M DESCRIPTION
061606-01-000	EA LABEL - OVERLAY - VEHICLE CERTIFICATION - ADHESIVE BACKED
073998-01-000	EA LABEL - LPG ODOR WARNING
074983-01-000	EA LABEL - SWITCH - A/C SELECTOR FOR FRONT OR REAR
079965-01-000	EA LABEL - WARNING - STOWED - MOTION
091224-02-000	EA LABEL - TRAILER LIGHTING
091243-01-000	EA LABEL - AC COVER - "AIR CONDITIONING CIRCUIT, ETC."
102267-01-000	EA LABEL - NO OCCUPANCY - US
098379-03-000	EA LABEL - ELECTRICAL BOX - FRONT
098379-04-000	EA LABEL - ELECTRICAL BOX - SIDE
098841-01-000	EA LABEL - FUEL - UNLEADED - DASH
104679-01-000	EA LABEL - CB PREP

LP GROUP



LP TANK & COMPONENTS

KEY	PART NUMBER	U/M DESCRIPTION
1	045703-01-000	EA HOSE - LP - 3/8" ID X 24" US - 3/8 MPT X 1/2" F SWIVEL
1	045703-02-000	EA HOSE - LP - 3/8" ID X 24" - 3/8" MPT X 1/2" F SWIVEL - CANADA
2	106150-01-000	EA REGULATOR - TWO STAGE
3	040421-01-708	EA HANDWHEEL - VAPOR RELIEF VALVE - BRUNNER G-1015-A
4	040421-01-712	EA VALVE - SERVICE W/HANDWHEEL
5	088253-03-000	EA TANK-LP, 100 LB - 15" D X 36" - SPL
6	040421-01-711	EA VALVE - 80% W/FLOAT - PLATE - BOLTS & GASKET - BRUNNER
7	040421-01-701	EA VALVE - SHORT LP FILLER W/YELLOW CAP - BRUNNER 75478
8	040421-01-702	EA CAP - LP FILLER VALVE - PLASTIC - YELLOW - BRUNNER G-1014-A
9	040421-01-700	EA GAUGE - LIQUID LEVEL - 20% LP - BRUNNER G-1013
10	040421-01-713	EA PRESSURE RELIEF VALVE
11	040421-01-706	EA GAUGE - FLOAT W/VISIBLE DIAL
12	040440-01-000	EA TRANSMITTER - DIAL - 90 OHM
13	105555-01-000	EA COMPARTMENT - LP REGULATOR
14	010323-01-000	EA ADAPTER - BRASS - 3/8" F X 1/2" MPT
15	065318-02-000	EA ELBOW - 90 DEGREE - 3/8" MPT TO 3/8" FPT
	010377-02-000	EA NUT - BRASS - 3/8" FEMALE - FORGED
	093380-01-000	EA COUPLER - 1/2" TO 3/8" BLACK PIPE
	010329-01-000	EA ADAPTER - BRASS - 1/2" F X 1/2" MPT
	010265-01-000	EA ELBOW - BRASS - 90 DEGREE - 3/8" F X 1/2" F T
	065742-01-000	EA TEE - 3/8" F X 3/8" F X 25" FPT - BRASS
	103613-01-000	EA DETECTOR - LP GAS
	065741-01-000	EA GAUGE - DIAPHRAGM PRESSURE - MARSHALLTOWN MFG
	104998-03-000	EA MOUNT-LP TAN.
	P04958-03-000	EA MOUNT-LP TANK

FROM: 00-00-00 THRU: 08-11-92

FROM: 08-12-92 THRU: 99-99-99

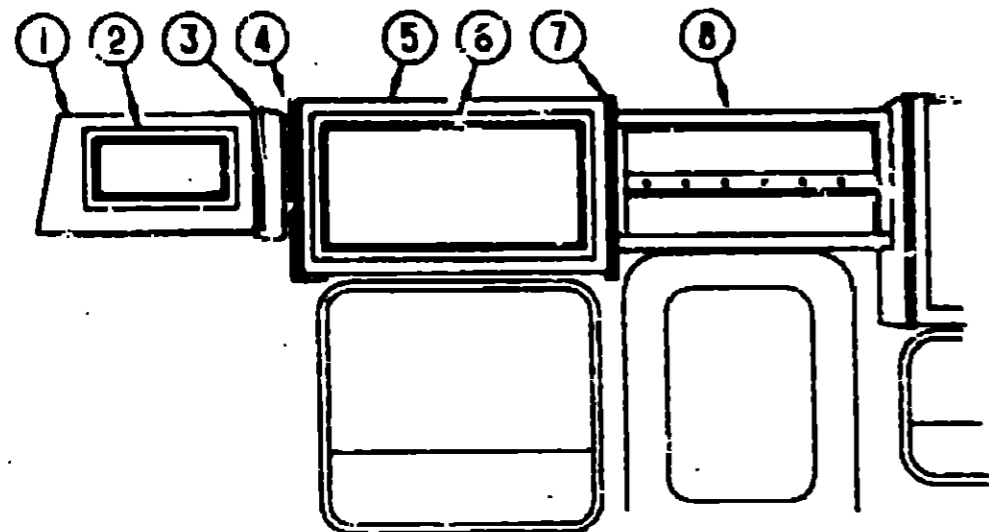
1993 ITASCA TABLE OF CONTENTS

INTRODUCTION	A-01 - A-02
ABBREVIATIONS	A-03
ALPHABETICAL INDEX	A-04 - A-05
ICG34RQ	A-07 - E-18
ICG34RA	E-19 - J-02

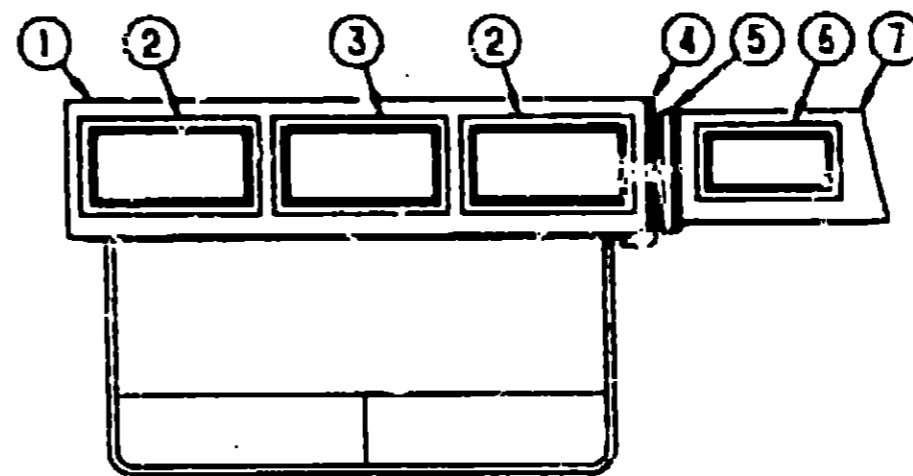
1993 ICG34RA INDEX

FLOOR PLAN	E-19 - E-20
ACCESSORIES	E-21
AUDIO VIDEO	E-22 - E-24
BATH	F-01 - F-02
BEDROOM	F-03 - F-04
CHASSIS	F-05 - F-16
CURTAIN & CUSHION	F-17 - G-02
DINETTE	G-03 - G-06
DRIVERS COMPARTMENT	G-07 - G-10
ELECTRICAL	G-11 - G-16
EXTERIOR BODY	G-17 - G-24
GALLEY	H-01 - H-05
GENERATOR	H-06 - H-07
HEATING & AC	H-08 - H-12
INTERIOR FINISH	H-13 - H-16
LABELS	H-17 - H-23
LP	H-24
LOUNGE	I-01 - I-03
SEALANTS & FASTENERS	I-04 - I-08
WATER & SEWAGE	I-09 - I-11
WINDOW, VENT &	
EXTERIOR DOOR	I-12 - I-24
WINDSHIELD & WIPER	J-01 - J-02

LOUNGE GROUP



LOUNGE GROUP (CONTINUED)



**1993 ITASCA
TABLE OF CONTENTS**

INTRODUCTION	A-01 - A-02
ABBREVIATIONS	A-03
ALPHABETICAL INDEX	A-04 - A-06
ICG34RD	A-07 - E-18
ICG34RA	E-19 - J-02

FRONT OVERHEAD CABINET (PASSENGER SIDE)

KEY	PART NUMBER	U/M DESCRIPTION
1	M05150-24-D35	EA CABINET ASM. - FRONT OVERHEAD - RIGHT HAND FROM 00-00-00 THRU 08-16-92
1	M05899-01-D35	EA CABINET ASM. - FRONT OVERHEAD - RIGHT HAND FROM 08-17-92 THRU 99-99-99
2	P03702-33-D35	EA DOOR ASM. - W/O HARDWARE - ROUNDED 255 X 485
3	104353-01-C27	EA END CAP ASM. (FRONT OVERHEAD) FROM 00-00-00 THRU 08-16-92
3	103128-08-D35	EA END CAP ASM. (FRONT OVERHEAD) FROM 08-17-92 THRU 99-99-99
4	103128-02-C27	EA END CAP ASM. LH FROM 00-00-00 THRU 08-16-92
4	103128-07-C27	EA END CAP ASM. LH FROM 08-17-92 THRU 99-99-99
5	M05150-17-D35	EA CABINET ASM. - OVERHEAD
5	P03702-35-D35	EA DOOR ASM. - W/O HARDWARE - ROUNDED 335 X 750
7	103128-01-C27	EA END CAP ASM.
9	105915-01-D35	EA CABINET ASM. - OVHD - KEY RACK
8	105915-01-D36	EA CABINET ASM. - OVHD - KEY RACK

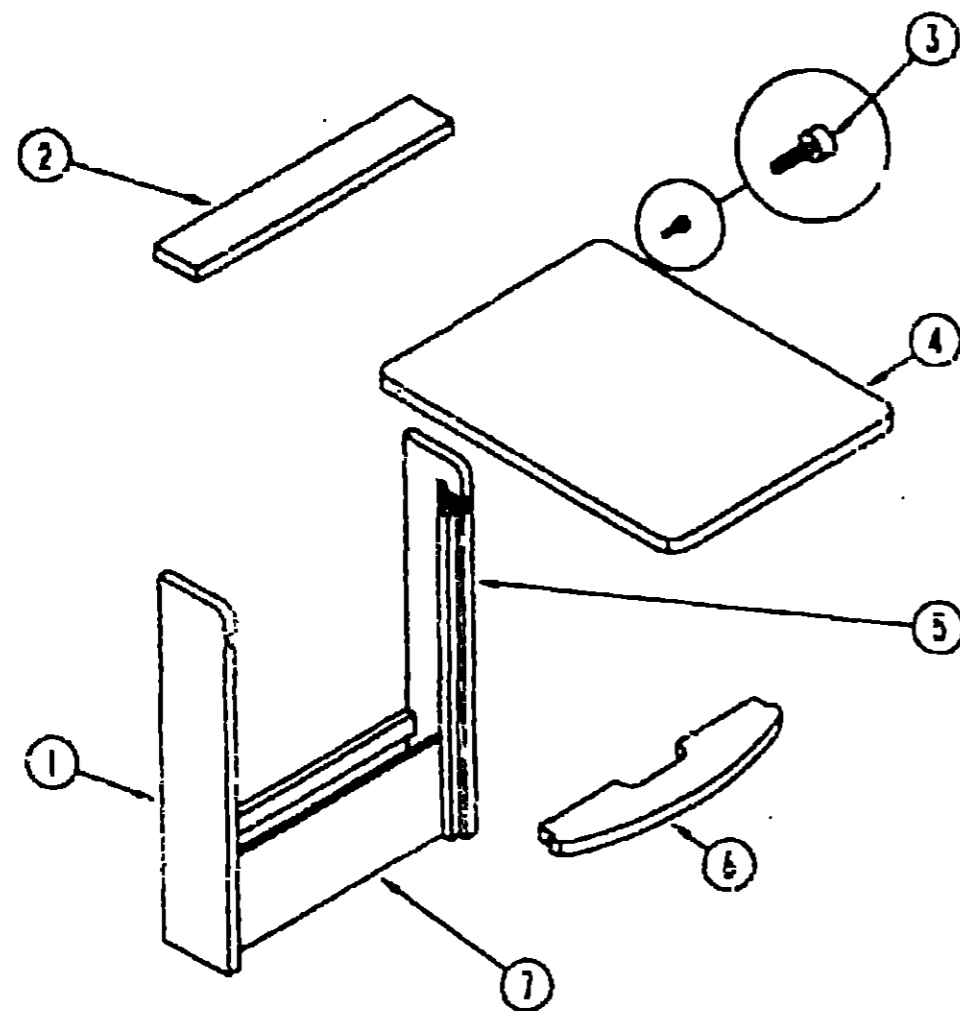
FRONT OVERHEAD CABINET (DRIVER SIDE)

KEY	PART NUMBER	U/M DESCRIPTION
1	M05150-15-D35	EA CABINET ASM.
	104312-11-C27	EA SHELF ASM.
2	M35908-04-D35	EA DOOR ASM. - RAIL - W/O HARDWARE, MIRROR 400X520 FROM 00-00-00 THRU 08-09-92
2	P03702-55-D35	EA DOOR ASM. - RAIL - W/O HARDWARE - ROUNDED 400X520 FROM 08-10-92 THRU 99-99-99
3	M35908-35-D35	EA DOOR ASM. - RAIL - W/O HARDWARE, MIRROR 400X710 FROM 00-00-00 THRU 08-09-92
3	P03702-12-D35	EA DOOR ASM. - RAIL - W/O HARDWARE - ROUNDED 400X710 FROM 08-10-92 THRU 99-99-99
4	103128-01-C27	EA END CAP ASM.
5	104353-02-C27	EA END CAP ASM. (FRONT OVERHEAD) FROM 00-00-00 THRU 08-16-92
5	103128-09-D35	EA END CAP ASM. (FRONT OVERHEAD) FROM 08-17-92 THRU 99-99-99
6	P03702-33-D35	EA DOOR ASM. - RAIL - W/O HARDWARE - ROUNDED 255X485
7	M05150-25-D35	EA CABINET ASM. - FRONT OVERHEAD - LEFT HAND FROM 00-00-00 THRU 08-16-92
7	M05899-02-D35	EA CABINET ASM. - FRONT OVERHEAD - LEFT HAND FROM 08-17-92 THRU 99-99-99
7	M05150-25-D36	EA CABINET ASM. - FRONT OVERHEAD - LEFT HAND FROM 00-00-00 THRU 08-16-92
7	M05899-02-D36	EA CABINET ASM. - FRONT OVERHEAD - LEFT HAND FROM 08-17-92 THRU 99-99-99

1993 ICG34RA INDEX

FLOOR PLAN	E-19 - E-20
ACCESSORIES	E-21
AUDIO VIDEO	E-22 - E-24
BATH	F-01 - F-02
BEDROOM	F-03 - F-04
CHASSIS	F-05 - F-16
CURTAIN & CUSHION	F-17 - G-02
DINETTE	G-03 - G-06
DRIVERS COMPARTMENT	G-07 - G-10
ELECTRICAL	G-11 - G-16
EXTERIOR BODY	G-17 - G-24
GALLEY	H-01 - H-05
GENERATOR	H-06 - H-07
HEATING & A/C	H-08 - H-12
INTERIOR FINISH	H-13 - H-16
LABELS	H-17 - H-23
LP	H-24
LOUNGE	I-01 - I-03
SEALANTS & FASTENERS	I-04 - I-08
WATER & SEWAGE	I-09 - I-11
WINDOW, VENT & EXTERIOR DOOR	I-12 - I-24
WINDSHIELD & WIPER	J-01 - J-02

LOUNGE GROUP (CONTINUED)



PULLOUT TABLE

KEY	PART NUMBER	U/M DESCRIPTION
	M96873-01-587	EA CABINET ASM - TABLE - W/O PULLOUT TOP
1	096873-14-387	EA SIDE END - TABLE - 29 7" X 5 7" - LEFT SIDE
2	096873-15-387	EA SHELF - SUPPORT - OVER PULL OUT TABLE TOP
3	079921-01-000	EA NYLON ROLLER W/SHAFT
4	096873-11-027	EA PULLOUT TOP
5	096873-13-387	EA SIDE END - TABLE - 29 7" X 5 7" - RIGHT SIDE
6	096873-12-387	EA SHELF - SUPPORT - UNDER PULL OUT TABLE TOP
7	096873-16-387	EA PANEL - TABLE - FRONT BOTTOM - 19 1" X 6 7"
	060735-01-000	EA PULL - RECESSED - 1 25" X 4" - OAK

SEALANTS & FASTENERS GROUP

ADHESIVE AND TAPE

KEY	PART NUMBER	U/M DESCRIPTION
	034552-02-000	EA SILICONE-TUBE, 300 ML - CLEAR
	034552-08-000	EA SILICONE-TUBE, 300 ML - OFF WHITE
	034552-12-000	EA SILICONE-TUBE, 300 ML - BUFF
	053786-06-000	EA BEDDING COMPOUND-TUBE, CLEAR
	053786-08-000	EA BEDDING COMPOUND-TUBE, GRAY - SCHNEE# 5522
	062917-03-000	EA ADHESIVE-LOCTITE 242 LOCTITE 242, SIDE 41
	069640-01-000	FT SEALER-RIBBON, 1/4" DIAMETER - INCREMENTS OF 30'
	069640-02-000	FT SEALER-RIBBON, 1/2" X 1/8" - INCREMENTS OF 30' OR 45'
	069640-03-000	FT SEALER-RIBBON, 3/4" X 1/8" - INCREMENTS OF 5'
	069640-07-000	FT SEALER-RIBBON, 2" X 3/32" - INCREMENTS OF 30' OR 45'
	069640-09-000	FT SEALER-RIBBON, 1/32" X 2 1/2" - INCREMENTS OF 30'
	069640-11-000	FT SEALER-TAPE, 3 1/2" X 3/8", BLACK - MANUS
	069640-12-000	FT SEALER-TAPE, 1/8" X 1 5" GRAY MANUS
	069640-14-000	FT SEALER-TAPE, 1/16" X 1" GRAY MANUS
	072889-01-000	EA SEALANT-URETHANE, BLACK - 1/10 - ESSEX 552 2
	076322-01-000	FT TAPE-FOAM, DOUBLE COATED ADHESIVE BACKED - 75" X 215"
	076322-02-000	FT TAPE-FOAM, DOUBLE COATED ADHESIVE BACKED - 1" X 108"
	076322-05-000	FT TAPE-FOAM, DOUBLE COATED - .025" X 1 5" X 108"
	076322-07-000	FT TAPE-FOAM, DBL COATED D-45X-50 3M 4949 WHB
	087211-C1-000	G1. PROMOTER-ADHESIVE
	034401-01-000	EA SEALER-BODY SEAM SEALER, 3M FLEXICLEAR
	102352-01-000	EA SEALER-PUMPABLE, BLACK - COLORIMETRIC MS101
	900590-01-000	EA TIP-2 1/2" X 1/8" ORIFICE ELLSWORTH#TS215
	900390-03-000	EA NOZZLES-#CSL D10

NUTS

KEY	PART NUMBER	U/M DESCRIPTION
	072853-01-000	EA NUTSERT - M5 X D - 3
	077049-01-000	EA NUT - ACORN - 10-32 ALUMINUM
	095094-01-000	EA NUT - ACORN - 1/4 - 20 ALUMINUM
	000014-05-003	EA NUT - HEX - 5/16-18 - ZN 5
	000034-04-003	EA NUT - HEX - LK 1/4 - 20 ZN
	000039-04-003	EA NUT - HEX - SER FLG LK 1/4 - 20 ZN
	000039-06-003	EA NUT - HEX - SER FLG LK - 1/2-13 ZN
	000039-06-008	EA NUT - HEX - SER FLG LK - 3/8-16 ZN
	000039-05-005	EA NUT - HEX - SER FLG LK - 5/16 - 18 ZN
	000044-07-008	EA NUT - HEX - SER FLG LK - 7/16-20 ZN
	000024-10-008	EA NUT - HEX - SF/LK - 10-32 ZN
	000034-06-003	EA NUT - HEX LK-3/8-16 GRADE C ZN
	075457-01-000	EA NUT - INVERTED FLARE - 1/4"
	088497-02-000	EA NUT - INVERTED FLARE - 1/4"
	063253-07-000	EA NUT - J - #3A .120 - .130 PNL THK
	044354-02-000	EA NUT - SPEED - FLAT - ROUND
	040921-06-000	EA NUT - SPEED - U TYPE - NO 8
	040921-04-000	EA NUT - SPEED - U TYPE - NO 8
	040921-05-000	EA NUT - SPEED - U TYPE - NO 8
	044354-01-000	EA NUT - SPEED - FLAT
	064081-01-000	EA NUT - WING - 35" X 16 THREAD
	084654-01-000	EA PLUG - BRASS - 3/8"
	000H16-04-05P	EA RIVET - POP - AL 1/3 X 313-.375
	059592-02-000	EA RIVET - T (POP) 1/4X 093-.156
	053729-04-000	EA RIVNUT - 10-32 UNF - 010 - 020
	053729-01-000	EA RIVNUT - 1/4 X 20 UNC - 030 - 125

**1993 ITASCA
TABLE OF CONTENTS**

INTRODUCTION	A-01 - A-02
ABBREVIATIONS	A-03
ALPHABETICAL INDEX	A-04 - A-05
ICG34RG	A-07 - E-18
ICG34RA	E-19 - J-02

1993 ICG34RA INDEX

FLOOR PLAN	E-19 - E-20
ACCESSORIES	E-21
AUDIO VIDEO	E-22 - E-24
BATH	F-01 - F-02
BEDROOM	F-03 - F-04
CHASSIS	F-05 - F-15
CURTAIN & CUSHION	F-17 - G-02
DINETTE	G-03 - G-06
DRIVERS COMPARTMENT	G-07 - G-10
ELECTRICAL	G-11 - G-15
EXTERIOR BODY	G-17 - G-24
GALLEY	H-01 - H-05
GENERATOR	H-06 - H-07
HEATING & A/C	H-08 - H-12
INTERIOR FINISH	H-13 - H-16
LABELS	H-17 - H-23
LP	H-24
LOUNGE	I-01 - I-03
SEALANTS & FASTENERS	I-04 - I-08
WATER & SEWAGE	I-09 - I-11
WINDOW, VENT &	
EXTERIOR DOOR	I-12 - I-24
WINDSHIELD & W/PER	J-01 - J-02

SEALANTS & FASTENERS GROUP (CONTINUED)

CLAMPS - GROMMETS AND FASTENERS

KEY	PART NUMBER	U/M DESCRIPTION
	000114-04-08R	EA RIVET-POP, AL 1/8 X 313-375
	006200-01-000	EA BOLT-BUMPER, RD HC SQ NECK - W/SST CAP - 7/16 - 14 X 1 1/4 FROM 00-00-00 THRU 09-18-92
	007161-01-000	EA CLAMP-HOSE, SPRING TYPE - 1/2"
	010426-01-000	EA CLAMP-CABLE, 9/16"
	010467-01-000	EA CLAMP-CLOSED, 5/8" ID
	010467-03-000	EA CLAMP-CLOSED, 1" ID - CUSHIONED
	010497-05-000	EA CLAMP-CLOSED, 1/2" ID
	010499-01-000	EA CLAMP-CLOSED, 3/8" ID
	015188-03-000	EA GROMMET-LP LINE, 3/8" HOLE X 2 1/2" LONG - RUBBER
	015188-05-000	EA GROMMET-LP LINE, 3/8" HOLE X 1 1/4" LONG - RUBBER
	023842-01-000	EA GROMMET-RUBBER, 2" OD
	040921-04-000	EA NUT-SPEED, U TYPE - NO. 8 - 59" LENGTH X 44" WIDTH
	044364-02-000	EA NUT-SPEED, FLAT - ROUND
	049465-03-000	EA SCREW, 10-16 X 1 PCH W/WASHER - OFF WHITE
	049465-04-000	EA SCREW, 10-16 X 1 PTH W/WASHER - BEIGE
	051367-06-000	EA BOLT-CARRIAGE, W/O HOLE - 5/16-18 X 9 S ZN
	062451-01-000	EA CLAMP-HOSE, WORMGEAR 25" - 1"
	062401-02-000	EA CLAMP-HOSE, WORMGEAR 1 5/8" - 2 5/8"
	062401-04-000	EA CLAMP-HOSE, WORMGEAR 69" - 1 25"
	062401-05-000	EA CLAMP-HOSE, WORMGEAR - 2' X 3"
	062401-06-000	EA CLAMP-HOSE, WORMGEAR 22" - 62"
	063253-07-000	EA NUT-J 75A 120-130 PNL THK
	071015-30-000	EA GROMMET-RUBBER, 31" ID X 81" OD W/ 12" GROOVE - BLACK
	071015-35-000	EA GROMMET-1 3/4" ID, FITS 1.97" MAT. MINOR Z-710 FROM 00-00-00 THRU 01-23-93
	075148-02-000	EA CLAMP-GROUNDING, BRONZE SCREWS
	075908-01-000	EA SCREW-MACHINE, 10-32 X 56 PTH - ZINC EXTERNAL TOOTH
	077955-01-000	EA CLIP-VINYL COATED, 3/8"
	080734-02-000	EA CLIP-WIRE MASON FROM 00-00-00 THRU 02-07-93
	083609-01-000	EA CLAMP-WIRE, DUAL EQUAL - 5/8" DIAMETER
	083610-01-000	EA CLAMP-WIRE, DUAL - UNEQUAL DIAMETERS - 7/8" & 1 1/8"
	085774-01-000	FT FASTENER-DUAL HOOK 1" WIDE - ADHESIVE BACK - BLACK
	085774-02-000	FT FASTENER-DUAL LOOP, 1" WIDE - ADHESIVE BACK - BLACK
	086285-01-000	EA SPACER-HYLON, 5" OD X .257" ID
	099637-01-000	EA GROMMET-RUBBER, 37" X 94" DIAMETER - BLACK
	102333-01-02A	EA BOLT-CARRIAGE, 7/16 - 14 SST CAP D WHT BUMPER BOLT FROM 00-19-92 THRU 92-99-93

SEALANTS & FASTENERS GROUP (CONTINUED)

SCREWS

KEY	PART NUMBER	U/M DESCRIPTION
	000G11-06-10J	EA SCREW, 6-20 X 5/8 PPH - BRASS
	000G11-06-10S	EA SCREW, 6-20 X 5/8 PPH ZN
	000G11-07-08B	EA SCREW, 7-19 X 1/2 PPH - ZN
	000G11-08-06B	EA SCREW, 8-18 X 3/4 PPH ZN
	000G11-08-12T	EA SCREW, 8-18 X 3/4 PPH - BLACK
	000G11-08-12P	EA SCREW, 8-18 X 7/8 PPH - DARK BROWN
	000G11-08-12D	EA SCREW, 8-18 X 3/4 PPH - BLACK
	000G11-08-12B	EA SCREW, 8-18 X 3/4 PPH ZN
	000G11-08-08T	EA SCREW, 8-18 X 1/2 PPH
	000G11-08-08B	EA SCREW, 8-18 X 1/2 PPH - ZN
	000G11-10-15B	EA SCREW, 10-16 X 1 - PPH ZN
	000C41-10-12D	EA SCREW, 10-16 X 3/4 PPH - BLACK
	000G11-10-40B	EA SCREW-10 - 16 X 2 1/2 PPH CAD - 34527-51-000
	000G12-06-08T	EA SCREW, 6-20 X 5/8 PPH - BLACK
	000G12-06-16S	EA SCREW, 8-18 X 1 00 PCH - OFF WHITE
	000G13-06-06B	EA SCREW-5-20X3/8 PPH ZN
	000G13-06-08G	EA SCREW, 6-20 X 1/2 PPH - ANTIQUE BRASS
	000G13-06-08B	EA SCREW, 6-20 X 1/2 PPH ZN
	000G13-07-12B	EA SCREW, 7-19 X 3/4 PPH ZN
	000G16-04-24B	EA SCREW-MACH-1/4-20X1-1/2 PPH
	000G18-08-22B	EA SCREW-MACH, 8-32 X 1 3/8 PPH ZN
	000G19-10-29B	EA SCREW-MACHINE, 10-32 X 1 1/4 PPH ZINC
	000G19-10-08B	EA SCREW-MACHINE, 10-32 X 1/2 PPH ZN
	000G32-10-06B	EA SCREW-10-32 X 3/8" - PPH - ZINC
	000G39-06-16T	EA SCREW-SF/DR, 6-20 X 1 PPH - BLACK
	000G39-06-16T	EA SCREW-SF/DR, 6-20 X 5/8 PPH - BLACK
	000G39-06-08B	EA SCREW-DR-6-18X1/2 ZN
	000G39-08-32B	EA SCREW-SF/DR, 8-18 X 2 PPH - ZINC
	000G39-08-24S	EA SCREW-SF/DR, 8-18 X 1.50 - OFF WHITE

**1993 ITASCA
TABLE OF CONTENTS**

INTRODUCTION	A-01 - A-02
ABBREVIATIONS	A-03
ALPHABETICAL INDEX	A-04 - A-06
ICG34RD	A-07 - E-18
ICG34RA	E-19 - J-02

1993 ICG34RA INDEX

FLOOR PLAN	E-19 - E-20
ACCESSORIES	E-21
AUDIO VIDEO	E-22 - E-24
BATH	F-01 - F-02
BEDROOM	F-03 - F-04
CHASSIS	F-05 - F-15
CURTAIN & CUSHION	F-17 - G-02
DINETTE	G-03 - G-06
DRIVERS COMPARTMENT	G-07 - G-10
ELECTRICAL	G-11 - G-16
EXTERIOR BODY	G-17 - G-24
GALLEY	H-01 - H-05
GENERATOR	H-06 - H-07
HEATING & A/C	H-08 - H-12
INTERIOR FINISH	H-13 - H-16
LABELS	H-17 - H-23
LP	H-24
LOUNGE	I-01 - I-03
SEALANTS & FASTENERS	I-04 - I-08
WATER & SEWAGE	I-09 - I-11
WINDOW, VENT &	
EXTERIOR DOOR	I-12 - I-24
WINDSHIELD & WIPER	J-01 - J-02

SEALANTS & FASTENERS GROUP (CONTINUED)
SCREWS (CONT)

KEY	PART NUMBER	U/M DESCRIPTION
	000G38-08-18T	EA SCREW-SF/DR. 8-18 X 1 PPH - BLACK
	000G38-08-18B	EA SCREW-SF/DR. 8-18 X 1 PPH ZN
	000G38-08-12B	EA SCREW-SF/DR. 8-18 X 3/4 PPH ZN
	000G38-08-08T	EA SCREW-SF/DR. 8-18X 5/8 PPH BLACK
	000G38-08-08S	EA SCREW-SF/DR. 8-18 X 1/2 PPH - OFF WHITE
	000G38-08-08R	EA SCREW-SF/DR. 8-18 X 1/2 PPH - SEIGE
	000G38-08-08B	EA SCREW-SF/DR. 8-18 X 1/2 PPH ZN
	000G38-10-20B	EA SCREW-SF/DR. 10-15 X 1 1/4 PPH ZN
	000G38-10-12D	EA SCREW-SF/DR. 10-15 X 3/4 PPH - FLUOROCARBON SILVER
	000G38-10-12C	EA SCREW-SF/DR. 10-15 X 3/4 PPH - BLACK
	000G38-10-32B	EA SCREW-SF/DR. 10-16 X 2.00 PPH - ZINC
	000G38-10-20D	EA SCREW-SF/DR. 10-16X1.25 PPH FLUOROCARBON SILVER
		FROM 09-28-92 THRU 99-99-99
	000G39-12-12E	EA SCREW-SF/DR. 12-14 X 3/4 PPH - CHROME
	000G42-04-12B	EA SCREW-SF/DR 1/4-14X3/4MM ZN
	000G43-06-24B	EA SCREW-MACHINE. 6-32 X 1 1/2" ZN
	000G46-08-24T	EA SCREW-MACHINE. 8-32-1.50 IN PFH - BLACK
	000G50-04-12B	EA SCREW-MACH 1/4-20 X 3/4 PPH ZN
		FROM 02-15-92 THRU 99-99-99
	000G53-04-06B	EA SCREW-MACH. 1/4-20 X 3/8 PPH ZN - UNDERCUT HEAD
	000G54-04-20B	EA SCREW. 1/4-20 X 1 1/4 PTH - TYPE 23 - ZINC PLATED
	000G56-12-48B	EA SCREW-WOOD. 12-11 X 3 POH - SPECIAL HARDENED
	000G67-08-32B	EA SCREW-8-15X2 PPH ZN
	000G67-10-12D	EA SCREW-10-12X.75 PPH BLACK
		FROM 12-28-92 THRU 99-99-99
	000G67-10-12B	EA SCREW. 10-12 X 3/4" PPH - ZN
	000G67-10-10S	EA SCREW. 10-12 X 5/8" - PPH - OFF WHITE
	000G67-10-10R	EA SCREW. 10-12 X 5/8 PPH - TYPE A - BEIGE
	000G67-10-10D	EA SCREW. 10-12 X 5/8 PPH - BLACK - TYPE A
	000G67-10-10B	EA SCREW. 10-12 X 5/8 PPH ZN - TYPE A
	000G67-10-08R	EA SCREW. 10-12 X 1/2 PPH - BEIGE - TYPE A
	000G67-10-08B	EA SCREW. 10-12 X 1/2 PPH ZN
	000G67-10-48B	EA SCREW-10-12X3 PPH ZN
		FROM. 00-00-00 THRU 03-10-93
	000G67-10-35T	EA SCREW-10-12X2.25PPHBLACK STALGAUFD
		FROM 12-15-93 THRU 99-99-99
	000G67-10-24B	EA SCREW. 10-12 X 1 1/2 PPH - ZN
	000G67-10-12D	EA SCREW. 10-12 X .75" PPH - TAN
	000G68-06-10G	EA SCREW. 6-18 X 5/8 POH - ANTIQUE BRASS
	000G68-10-36T	EA SCREW-10-12 X 2.25 POH BLACK
		FROM: 00-00-00 THRU 12-14-93

SEALANTS & FASTENERS GROUP (CONTINUED)
SEALERS, TAPES AND TIES

KEY	PART NUMBER	U/M DESCRIPTION
	100028-01-000	FT TAPE - ADHESIVE - .031" X .75" WIDE
	004363-01-000	FT TAPE - ADHESIVE FOAM - 1 SIDE - 3/16" X 1/2" - GRAY
	083071-01-000	FT TAPE - BONDING - DOUBLE SIDED - 1/84" X 2"
	076322-03-000	FT TAPE - FOAM - DOUBLE COATED - .045" X .5"
	088244-01-000	FT TAPE - FOAM - VINYL COATED - 2" WIDE - INCREMENTS OF 108 FT
	008200-01-000	EA TAPE - FURNACE - 1 1/2"
	087691-01-000	EA TAPE - MASKING - WEATHER RESISTANT
	008343-02-000	EA TIE - WIRE - 14"
	008343-01-000	EA TIE - WIRE - 6"

WASHERS

KEY	PART NUMBER	U/M DESCRIPTION
	000E13-11-00B	EA WASHER-FL. 3/16" WIDE - ZN
	000E13-17-00B	EA WASHER-FLARE. 3/8" AR ZN
	000E13-20-00B	EA WASHER-FL. 7/16" WIDE - ZN
	000E13-21-00B	EA WASHER-FL. - W/2 NAR ZN
	000E14-10-00B	EA WASHER-LK - NO 10 EXT TOOTH - ZN

1993 TASCA
TABLE OF CONTENTS

INTRODUCTION	A-01 - A-02
ABBREVIATIONS	A-03
ALPHABETICAL INDEX	A-04 - A-06
ICG34RA	A-07 - E-18
ICG34RA	E-19 - J-02

1993 ICG34RA INDEX

FLOOR PLAN	E-19 - E-20
ACCESSORIES	E-21
AUDIO VIDEO	E-22 - E-24
BATH	F-01 - F-02
BEDROOM	F-03 - F-04
CHASSIS	F-05 - F-15
CURTAIN & CUSHIONS	F-17 - G-02
DINETTE	G-03 - G-06
DRIVERS COMPARTMENT	G-07 - G-10
ELECTRICAL	G-11 - G-15
EXTERIOR BODY	G-17 - G-24
GALLEY	H-01 - H-05
GENERATOR	H-06 - H-07
HEATING & A/C	H-08 - H-12
INTERIOR FINISH	H-13 - H-15
LABELS	H-17 - H-23
LP	H-24
LOUNGE	I-01 - I-03
SEALANTS & FASTENERS	I-04 - I-08
WATER & SEWAGE	I-09 - I-11
WINDOW, VENT &	
EXTERIOR DOOR	I-12 - I-24
WINDSHIELD & W/PER	J-01 - J-02

WATER & SEWAGE GROUP
WATER PUMP (SHURFLOW)

KEY	PART NUMBER	U/M DESCRIPTION
	088807-01-000	EA PUMP - WATER - W/5"MPFT FITTING - FLOW 2.8 GPM - UL
	088807-01-700	EA PUMPHEAD - REPLACEMENT 94-238-08
	088807-01-701	EA DRIVE ASM 94-234-03
	088807-01-702	EA DIAPHRAGM - KIT 94-233-10
	088807-01-703	EA VALVE ASM 51-232-00
	088807-01-704	EA HOUSING - UPPER 94-231-01
	088807-01-705	EA CHECK VALVE - KIT 94-237-00
	088807-01-707	EA MOTORBASEPLATE REPLACEMENT 94-234-03
	088807-01-706	EA UPPER HOUSING SWITCH KIT 94-230-00

WATER HEATER W/MOTOR AID ATWOOD (GH6-3E,4E,6E)

KEY	PART NUMBER	U/M DESCRIPTION
	051393-01-000	EA WATER HEATER - W/MOTOR AID - PILOTLESS IGNITION
	051391-01-700	EA HINGE KIT - W/CLIP 92568 & 92559
	051391-01-704	EA VALVE - RELIEF - 1/2" FITTING 91804
	051391-01-705	EA FASTENER - CAMLOC 92609
	051391-01-706	EA GRILLE - EXHAUST 92787
	051391-01-708	EA BURNER - MAIN - 3E ONLY 92515
	051391-01-710	EA ORIFICE - MAIN BURNER 92742
	051391-01-714	EA ELBOW - 45 DEGREE - 3/2" X 3/8" MFT 91045
	051391-01-715	EA DRAIN PLUG 91561
	051391-04-701	EA THERMOSTAT 12 VDC-120 PRESET 91470
	051391-04-704	EA TANK - INNER - FRONT MOUNT - GH6-4E & 6E 91642
	051393-01-700	EA TANK - INNER - 3E FRONT MOUNT 91023
	097967-01-000	EA SWITCH - WATER HEATER - REMOTE W/LIGHT 91959
	051393-01-702	EA SWITCH - ENERGY CUT-OFF 91951
	051393-01-703	EA THERMOSTAT - REAR MOUNT 91952
	051393-01-704	EA CIRCUIT BOARD - W/BLACK BOX 91420
	051393-01-705	EA ORIFICE HOLDER 91925
	051393-01-714	EA TANK - INNER (GH6-3E) - REAR MOUNT 91408
	051393-01-715	EA SPARK & PROBE ASM 91606
	051393-01-718	EA VALVE - DUAL SOLENOID 91605
	051393-01-721	EA ECO THERMOSTAT ASM - FRONT MOUNT - 140° 91447
	110438-01-000	EA VALVE - CHECK BRASS

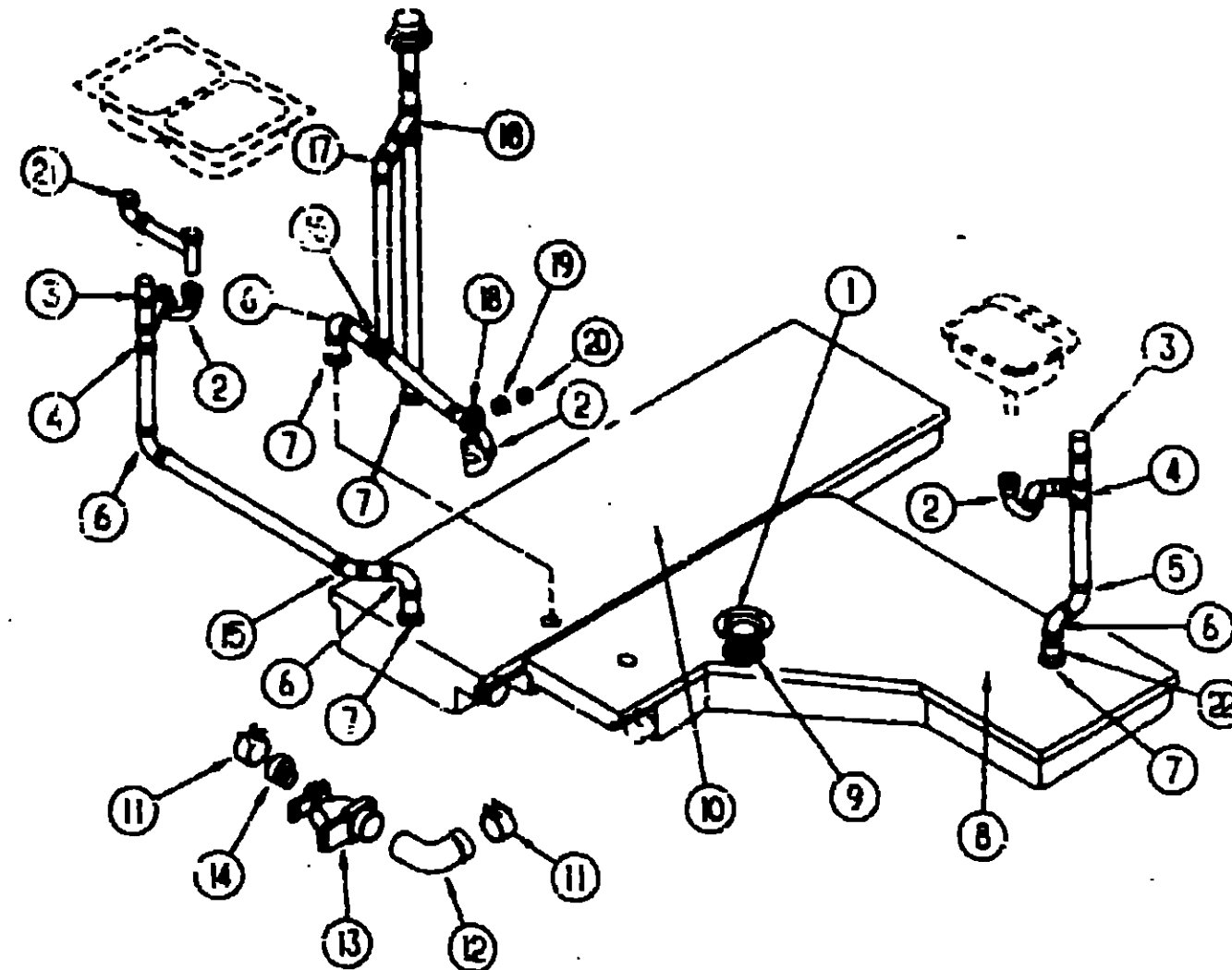
FROM 11-23-92 THRU 99-99-99

099729-01-000	EA BYPASS KIT - WATER HEATER - COMPLETE W/VALVE & TUBING
---------------	--

WATER HEATER W/O MOTOR AID ATWOOD (G6A-3E)

KEY	PART NUMBER	U/M DESCRIPTION
	051391-03-000	EA HEATER - WATER, W/ELECTRIC IGNITION - ATWOOD G6A-3E
	051391-01-700	EA HINGE KIT - W/CLIP, ATWOOD # 92568 & 92559
	051391-01-704	EA VALVE - RELIEF, 1/2" FITTING - ATWOOD# 91804
	051391-01-705	EA FASTENER - CAMLOC, ATWOOD# 92609
	051391-01-706	EA GRILLE - EXHAUST, ATWOOD# 92787
	051391-01-708	EA BURNER - MAIN, 3E ONLY - ATWOOD# 92515
	051391-01-710	EA ORIFICE - MAIN BURNER, ATWOOD# 92742
	051391-01-715	EA DRAIN PLUG, ATWOOD# 91561
	051391-04-700	EA TANK - INNER (G6A-3E), FRNT MT - ATWOOD# 91508
	051391-04-701	EA THERMOSTAT 12 VDC-120 PRESET, ATWOOD# 91470
	051391-04-706	EA TANK - INNER G6A-4E & 6E - FRONT MOUNT - ATWOOD# 91541
	097967-01-000	EA SWITCH - WATER HEATER, REMOTE W/LIGHT - ATWOOD 91959
	051393-01-702	EA SWITCH - ENERGY CUT-OFF, ATWOOD# 91951
	051393-01-703	EA THERMOSTAT - REAR MOUNT, ATWOOD# 91952
	051393-01-704	EA CIRCUIT BOARD - W/BLACK BOX, ATWOOD# 91420
	051393-01-705	EA ORIFICE HOLDER - ATWOOD# 91925
	051393-01-715	EA SPARK & PROBE ASM, ATWOOD# 91606
	051393-01-718	EA VALVE - DUAL SOLENOID, ATWOOD# 91605
	051393-01-721	EA ECO THERMOSTAT ASM - FRONT MOUNT, 140 DEGREE - ATWOOD# 91447
	051393-03-700	EA TANK - INNER (G6A-3E), REAR MT - ATWOOD# 91408

WATER & SEWAGE GROUP (CONTINUED)



DRAINAGE SYSTEM

KEY	PART NUMBER	U/M DESCRIPTION
	1 053541-01-000	EA FLANGE - CLOSET - 4" X 3"
	2 107537-01-000	EA P - TRAP ADAPTER - 1 1/4" SLP
	2 107538-01-000	EA P - TRAP - PLASTIC, 1 1/4" W/EXT ARM
	051507-01-000	EA GROMMET - HOLDING TANK, 1 1/2" NPS
	3 079968-01-000	EA VENT-MECH TRAP ARM, ANTI-SIPHON - 2" DIA X 7 3/4" - PLASTIC
	4 010079-01-000	EA TEE - SANITARY, 1 1/2" X 1 1/2" X 1 1/4" H - PLASTIC - BLACK
	5 010009-01-000	EA ELBOW - 90° 1/4 BEND - 1 1/2" - PLASTIC
	6 010008-01-000	EA ELBOW - 90° 1/4 BEND - 1 1/2" HUB X HUB - BLACK PLASTIC
	7 051507-01-000	EA GROMMET - HOLDING TANK, 1 1/2" NPS
	8 104352-01-000	EA TANK - HOLDING, 50 GAL W/O FITTINGS
	9 051507-02-000	EA GROMMET - HOLDING TANK - 3" NPS
	10 104350-01-000	EA TANK - HOLDING, 59 GAL W/O FITTINGS
	11 078406-01-000	EA COUPLER - RUBBER, W/CLAMPS - 3" X 3"
	12 041956-01-000	EA ELBOW - STREET - 1/4" BEND - 3" X 90° KLT
	13 070916-01-000	EA VALVE - DUAL DUMP, W/CAP - 3" X 1 1/2" - PLASTIC - BLACK
	070916-01-700	EA VALVE ONLY, 3"
	070916-01-701	EA VALVE ONLY, 1 1/2"
	14 062422-01-000	EA ADAPTER - OFFSET REDUCER, 3" X 1 1/2" - PLASTIC - BLACK
	010201-01-000	EA HOSE - SEWER, 3" ID X 8 FEET
	062416-01-000	EA ADAPTER - SEWER HOSE TO 3" PIPE
	062415-01-000	EA ADAPTER - SEWER HOSE TO 3" PIPE
	15 010006-01-000	EA ELBOW - 45° 1/8 BEND - 1 1/2" HUB X HUB - BLACK PLASTIC
	16 010072-01-000	EA TEE - SANITARY, 1 1/2" H X 1 1/4" H X 1 1/2" H - PLASTIC
	17 010051-01-000	EA ELBOW - 45° BEND, 1 1/2" SPICOT AND HUB - PLASTIC - BLACK
	18 010073-01-000	EA WYE - 45 DEGREE, 1 1/2" HUB X HUB X HUB - PLASTIC - BLACK
	19 050787-01-000	EA ADAPTER - CLEANOUT NISCO 5803-2
	20 010166-01-000	EA PLUG - THREADED, 1 1/4" DIAMETER - PLASTIC - BLACK
	21 011091-03-000	EA PIPE - DRAIN, W/SEALS - DOUBLE SINK - EXTENDS 9" TO 16"
	21 011091-02-000	EA PIPE - DRAIN, DOUBLE SINK - BAFFLE TEE - 1 1/2"
	22 010115-01-000	EA COUPLING - 1 1/2" HUB X HUB, PLASTIC

1993 ITASCA
TABLE OF CONTENTS

INTRODUCTION	A-01 - A-02
ABBREVIATIONS	A-03
ALPHABETICAL INDEX	A-04 - A-06
ICG34RD	A-07 - E-18
ICG34RA	E-19 - J-02

1993 ICG34RA INDEX

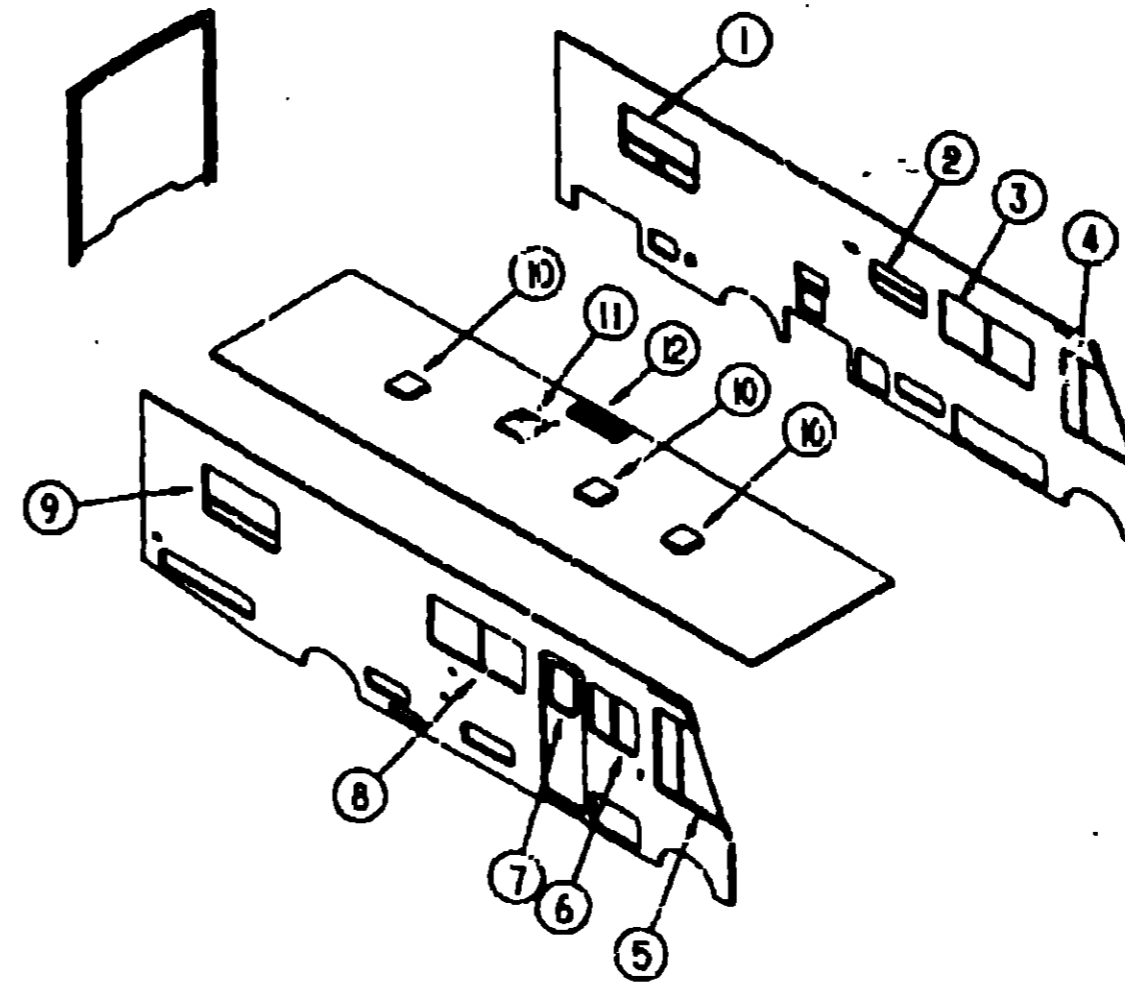
FLOOR PLAN	E-19 - E-20
ACCESSORIES	E-21
AUDIO VIDEO	E-22 - E-24
BATH	F-01 - F-02
BEDROOM	F-03 - F-04
CHASSIS	F-05 - F-16
CURTAIN & CUSHION	F-17 - G-02
DINETTE	G-03 - G-06
DRIVERS COMPARTMENT	G-07 - G-10
ELECTRICAL	G-11 - G-16
EXTERIOR BODY	G-17 - G-24
GALLEY	H-01 - H-05
GENERATOR	H-06 - H-07
HEATING & A/C	H-08 - H-12
INTERIOR FINISH	H-13 - H-15
LABELS	H-17 - H-23
LP	H-24
LOUNGE	I-01 - I-03
SEALANTS & FASTENERS	I-04 - I-08
WATER & SEWAGE	I-09 - I-11
WINDOW, VENT & EXTERIOR DOOR	I-12 - I-24
WINDSHIELD & W/FR	J-01 - J-02

WATER & SEWAGE GROUP (CONTINUED)
WATER SYSTEM COMPONENTS

WINDOW, VENT & EXTERIOR DOOR GROUP

1993 ITASCA
TABLE OF CONTENTS

INTRODUCTION	A-01 - A-02
ABBREVIATIONS	A-03
ALPHABETICAL INDEX	A-04 - A-06
ICG34PQ	A-07 - E-18
ICG34RA	E-19 - J-02



WINDOWS & VENTS

1993 ICG34RA INDEX

FLOOR PLAN	E-19 - E-20
ACCESSORIES	E-21
AUDIO VIDEO	E-22 - E-24
BATH	F-01 - F-02
BEDROOM	F-03 - F-04
CHASSIS	F-05 - F-15
CURTAIN & CUSHION	F-17 - G-02
DINETTE	G-03 - G-06
DRIVERS COMPARTMENT	G-07 - G-10
ELECTRICAL	G-11 - G-15
EXTERIOR BODY	G-17 - G-24
GALLEY	H-01 - H-05
GENERATOR	H-06 - H-07
HEATING & A/C	H-08 - H-12
INTERIOR FINISH	H-13 - H-15
LABELS	H-17 - H-23
LP	H-24
LOUNGE	I-01 - I-03
SEALANTS & FASTENERS	I-04 - I-06
WATER & SEWAGE	I-09 - I-11
WINDOW, VENT &	
EXTERIOR DOOR	I-12 - I-24
WINDSHIELD & WIPER	J-01 - J-02

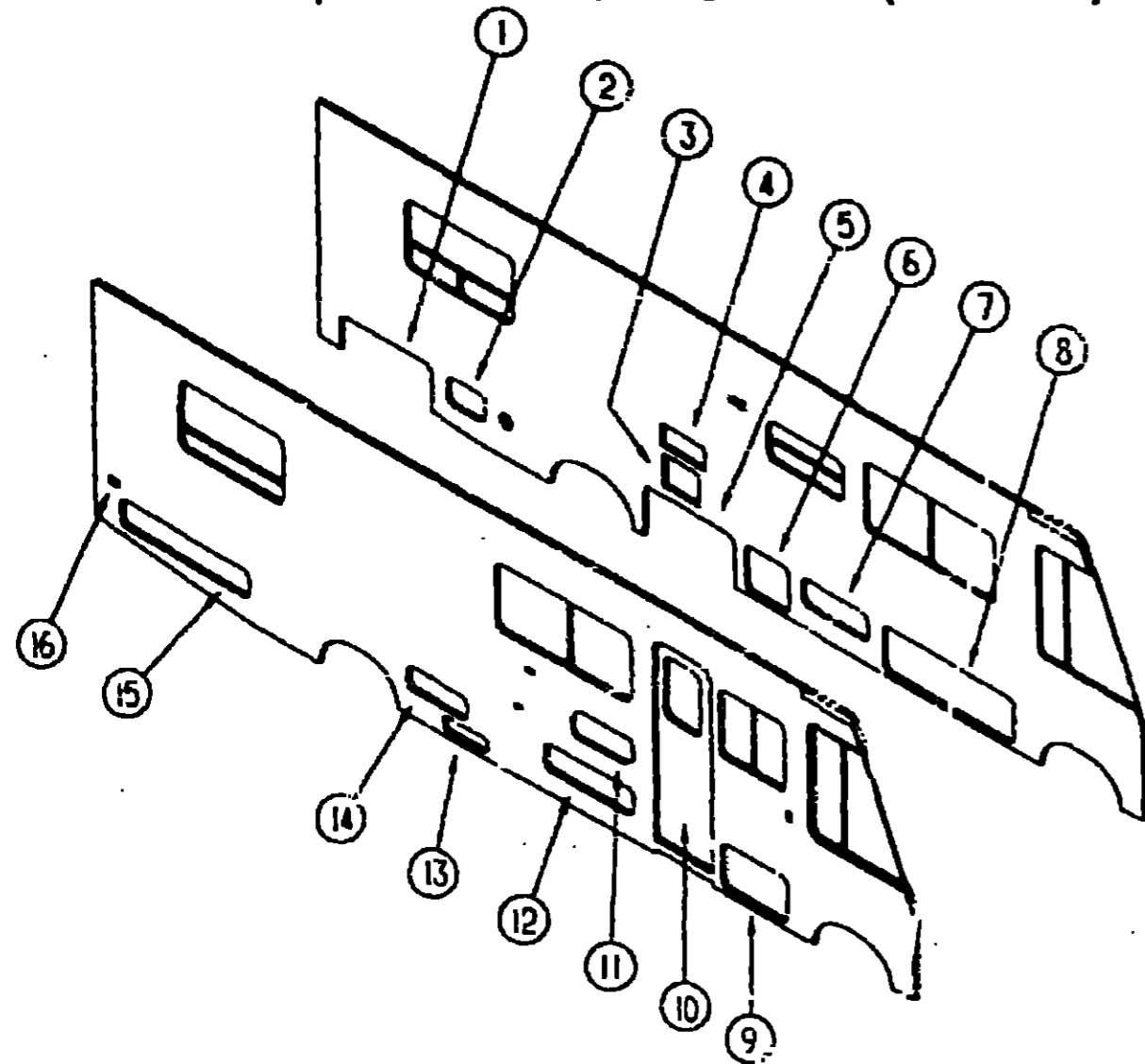
KEY	PART NUMBER	U/M DESCRIPTION
	03600-01-000	FT TUBING-POLYBUTYL, 1/2" OD - INCREMENTS OF 20' - BLACK
	052952-01-000	EA NUT-PLASTIC, 1/2" F X 1/2" TUBE - GRAY
	052957-01-000	EA ELBOW-PLASTIC, 1/2" F X 3/8" MPT
	052958-01-000	EA TEE, 1/2" F X 1/2" F X 1/2" F - PLASTIC - GRAY
	03608-1G-070	EA ELBOW-PLAS, 1/2" MPT X 1/2" MPT KEVCO 17296 FROM: 11-23-92 THRU: 99-99-99
	052959-02-000	EA CONNECTOR, 1/2" F X 1/2" MPT - PLASTIC - GRAY FROM: 11-23-92 THRU: 99-99-99
	101814-01-000	EA COUPLING-FEMALE, 1/2" X 1/2" FPT
	010219-01-000	EA ELBOW-1 1/4" MPT X 1 1/4" BARB, WATER FILL - PLASTIC FROM: 11-23-92 THRU: 99-99-99
	044927-C1-000	EA ADAPTER-HOSE TO PIPE, 1 1/4" MPT X 1 1/4" BARB-BLACK PLASTIC FROM: 01-15-92 THRU: 99-99-99
	052957-04-000	EA ELBOW-5/8" F X 3/4" MPT
	074462-02-000	FT TUBING-VINYL, 3/8" ID - CLEAR
	077954-02-000	EA FILTER-WATER TANK, SCREEN IN TANK
	079381-01-000	FT TUBING-SMOOTH FLEXIBLE, 1 1/4" ID X 20'
	096443-01-000	EA WIRE ASSEMBLY-WATER TANK TO MONITOR PANEL
	03600-01-000	FT TUBING-POLYBUTYL, 1/2" OD - INCREMENTS OF 20' - BLACK
	03600-02-000	FT TUBING-POLYBUTYL, 5/8" OD - INCREMENTS OF 20' - BLACK
	052952-01-000	EA NUT-PLASTIC, 1/2" F X 1/2" TUBE - GRAY
	052952-02-000	EA NUT-PLASTIC, 5/8" FLARE
	052953-01-000	EA NUT-FALUCET, 1/2" TUBE X 1/2" FPT - PLASTIC - GRAY
	052955-01-000	EA TEE-WATER, 1/2" F X 1/2" F X 1/2" MPT - PLASTIC - GRAY
	052955-03-000	EA TEE-5/8" F X 5/8" F X 1/2" MPT - PLASTIC
	052956-01-000	EA TEE-1/2" F X 1/2" MPT X 1/2" F - PLASTIC
	052957-02-000	EA ELBOW-MALE, 1/2" F X 1/2" MPT - PLASTIC - GRAY
	052958-01-000	EA TEE, 1/2" F X 1/2" F X 1/2" F - PLASTIC - GRAY
	052959-02-000	EA CONNECTOR, 1/2" F X 1/2" MPT - PLASTIC - GRAY
	052960-01-000	EA DRAIN VALVE-IN LINE, HEADER - 1/2" F X 1/2" F - GRAY PLASTIC
	055290-01-000	EA ELBOW-5/8" F X 1/2" MPT
	057457-01-000	EA ELBOW-UNION, 1/2" X 1/2" FLARE
	057457-02-000	EA ELBOW-UNION, 5/8" X 5/8" FL - WATER
	057973-01-000	EA TEE-PLASTIC, 1/2" F X 1/2" F X 5/8" F - WATER
	055129-01-000	EA ELBOW-SWIVEL, 1/2" FPT X 1/2" FLARE - PLASTIC - GRAY
	074462-02-000	FT TUBING-VINYL, 3/8" ID - CLEAR
	079317-01-000	EA ADAPTER-SWIVEL, 1/2" TUBE X 1/2" FPT - PLASTIC - GRAY
	079381-01-000	FT TUBING-SMOOTH FLEXIBLE, 1 1/4" ID X 20'
	087659-06-000	EA FILL-WATER, CITY, BUFF M BRASS 325-103
	098417-01-000	EA CONNECTOR-5/8" F X 1/2" MPT, PLASTIC - KEVCO
	101814-01-000	EA COUPLING-FEMALE, 1/2" X 1/2" FPT
	106258-01-000	EA CAP-INSERTABLE, 1/2" FLARE
	091208-01-000	EA WASHER-FLBSER, 03" X 75" X .5" FROM: 01-15-92 THRU: 99-99-99

FRESH WATER TANK - 100 GALLON

KEY	PART NUMBER	U/M DESCRIPTION
	104363-02-000	EA 100 GAL. WATER TANK - W/FITTINGS
	042989-03-000	EA FITTING-WATER TANK, SPINWELD - 1 1/4" NPT - PLASTIC - WHITE
	042989-05-000	EA FITTING-WATER TANK, SPINWELD - 1/2" FPT - PLASTIC - WHITE
	042989-06-000	EA FITTING-SPINWELD, PLASTIC - 3/4" FPT
	049032-01-000	EA PATCH-SPINWELD, 3" - PLASTIC
	077954-03-000	EA FILTER-WATER, IN TANK
	077954-02-000	EA FILTER-WATER TANK, SCREEN IN TANK
	039861-01-000	EA SENDING UNIT W/ SCREW - WASHER
	096449-01-000	EA WIRE ASM - TANK - WATER

KEY	PART NUMBER	U/M DESCRIPTION
1	104691-01-02A	EA WINDOW ASM-TIPOUT ESCAPE CH11-FK
2	092235-14-Y12	EA WINDOW - SINGLE TIPOUT - W/O INSIDE FRAME
3	098647-10-02A	EA WINDOW ASM - SLIDER - W/INSIDE TRIM (OFF-WHITE)
4	103658-03-C1A	EA WINDOW ASM - CAB - DRIVER SIDE FROM: 00-00-00 THRU: 07-19-92
4	103658-01-J1A	EA WINDOW ASM - CAB - DRIVER SIDE FROM: 07-20-92 THRU: 99-99-99
5	103658-04-01A	EA WINDOW ASM - CAB - PASSENGER SIDE FROM: 00-00-00 THRU: 07-19-92
5	103658-02-01A	EA WINDOW ASM - CAB - PASSENGER SIDE FROM: 07-20-92 THRU: 99-99-99
6	098647-08-02A	EA WINDOW ASM - SLIDER - W/INSIDE TRIM (OFF-WHITE)
7	079733-12-D12	EA WINDOW ASM - ENTRANCE DOOR - W/O INSIDE FRAME
8	098647-09-02A	EA WINDOW ASM - SLIDER - W/INSIDE TRIM (OFF-WHITE)
9	104691-02-02A	EA WINDOW ASM - TIPOUT OFF WHITE
10	090392-01-Y12	EA VENT - ROOF - NONPOWERED (1" ROOF) FROM: 00-00-00 THRU: 10-04-92
10	110051-01-01A	EA VENT - ROOF - NONPOWERED (2" ROOF) FROM: 10-05-92 THRU: 99-99-99
11	090393-01-Y12	EA VENT - ROOF - POWERED (1" ROOF) FROM: 00-00-00 THRU: 10-04-92
11	110051-03-01A	EA VENT - ROOF - POWERED (2" ROOF) FROM: 10-05-92 THRU: 99-99-99
12	084073-06-000	EA REFRIGERATOR ROOF VENT - ASH GRAY

WINDOW, VENT & EXTERIOR DOOR GROUP (CONTINUED)



EXTERIOR DOORS

KEY	PART NUMBER	U/M DESCRIPTION
1	083254-06-D35	EA DOOR ASM - STORAGE COMPARTMENT
2	079578-22-D35	EA DOOR ASM - STORAGE - ASH GRAY
3	052009-05-000	EA DOOR - WATER HEATER - ASH GRAY - ATWOOD
4	084103-07-000	EA DOOR - REFRIGERATOR - VENTED - BUFF JAMB - ASH GRAY
4	084104-07-000	EA JAMB - REFRIGERATOR - ASH GRAY
5	106987-18-D35	EA DOOR ASM - STORAGE
6	105084-01-D35	EA DOOR ASM - FURNACE - EXTERIOR - ASH GRAY
7	106987-15-D35	EA DOOR ASM - STORAGE
8	106987-14-D35	EA DOOR ASM - STORAGE
9	106987-13-D35	EA DOOR ASM - STORAGE
10	M01870-66-D35	EA DOOR - ENTRY - W/SCREEN DOOR
10	M01870-66-D36	EA DOOR - ENTRY - W/SCREEN DOOR
10	079012-05-B10	EA DOOR ASM-SCREEN
11	105118-01-E32	EA DOOR ASM - ACCESS
12	106987-14-D35	EA DOOR ASM - STORAGE
13	079720-02-D35	EA DOOR - COMPARTMENT - LP - 16'9" X 5'4" - ALUMINUM - ASH GRAY
14	106987-17-D35	EA DOOR ASM - STORAGE
15	106987-16-D35	EA DOOR ASM - STORAGE
15	081240-10-000	EA DOOR - WATER FILL - LOCKABLE - 4'X 4 5/8" - ASH GRAY
	084616-05-000	EA SHROUD - VENT, RANGE HOOD, ASH GRAY

WINDOW, VENT & EXTERIOR DOOR GROUP (CONTINUED)

EXTERIOR DOOR HARDWARE

KEY	PART NUMBER	U/M DESCRIPTION
	079366-04-000	EA LOCK - DOOR - KEY TYPE W/O KEYS - 1.9 OFF SET
	082884-01-700	EA KEY - COMPARTMENT DOOR LOCK
	079827-03-000	EA LOCK - TWIST TYPE - DOUBLE CAM - 2.10 OFF SET
	084104-01-700	EA LOCK - M/J.E - FASTENER - REFRIGERATOR DOOR
	084104-01-701	EA LOCK - FEMALE - FASTENER - REFRIGERATOR DOOR
	009126-02-000	EA HANDLE - ASSIST - ENTRY DOOR - BLACK
	102328-01-000	EA KEY - BARREL - NICKEL PLATED
	102768-01-000	EA HOLDER - COMPARTMENT/ENTRY DOOR - METAL - MILL FINISH
	064075-07-000	EA SEAL - BULB - W/WFSD U CHANNEL - .3" X 5" CHANNEL - BLACK
	075671-04-000	EA SEAL-SPONGE, LAZY T SHAPE - W/ADHESIVE STRIPE - .5" WIDE
	061801-02-000	EA HINGE - 2" X 96" - OFF WHITE
	002748-01-000	EA CORNER KEY-DOOR
	107997-51-001	EA SPACER-.86" X .6", ALUMINUM
	109834-01-000	EA WASHER-.64" X .752" ID, STAINLESS STEEL
		FROM: 09-01-12 THRU 99-99-99
	102330-02-000	EA LATCH-SGL HOLE, VISE ACTION SOUTHCOE 3-56-715-5
	084104-07-000	EA JAMB-DOOR, REFRIGERATOR - ASH GRAY
	091875-01-000	EA RETAINER-DOOR, 1.9" X .8" - METAL
	093673-01-01A	FT TRIM-ENTRANCE DOOR, 1.3" WIDE - OFF WHITE
	100412-01-000	EA CATCH-SCREEN DOOR, THUMB CLIP W/BLACK PLASTIC CAP
	104692-01-000	FT SEAL-3/4" X 3/4", ADHESIVE BACK
	009003-01-000	EA LOCK-TWIST TYPE, W/CLIP
	009065-01-000	EA HINGE-ALUMINUM, 1 1/2" X 96" - UNPAINTED
	090340-02-000	FT SEAL-FOAM, CLOSED CELL - 3/8" X 1/2" X 50'
	081914-01-000	EA BUMPER-RUBBER, ROUND - .43" DIAMETER - BLACK
	100128-02-000	FT SEAL-PILE, ADHESIVE BACK - SCREEN DOOR - GRAY
	102330-02-000	EA LATCH-SGL HOLE, VISE ACTION SOUTHCOE 3-56-715-5
	009425-01-000	EA HATCH-POWER CORD, WHITE

**1993 ITASCA
TABLE OF CONTENTS**

INTRODUCTION	A-01 - A-02
ABBREVIATIONS	A-03
ALPHABETICAL INDEX	A-04 - A-06
ICG34RQ	A-07 - E-18
ICG34RA	E-19 - J-02

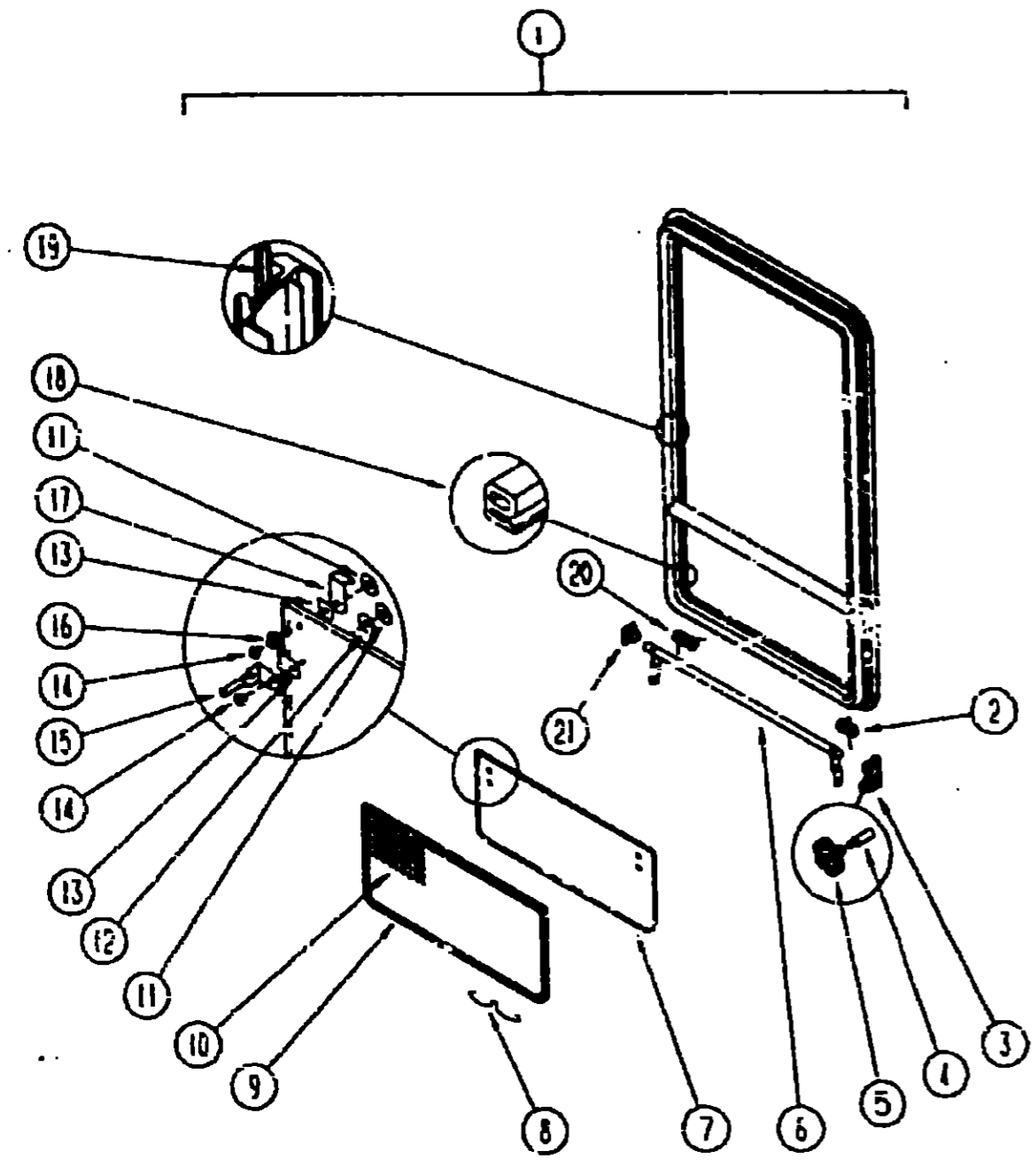
1993 ICG34RA INDEX

FLOOR PLAN	E-19 - E-20
ACCESSORIES	E-21
AUDIO VIDEO	E-22 - E-24
BATH	F-01 - F-02
BEDROOM	F-03 - F-04
CHASSIS	F-05 - F-16
CURTAIN & CUSHION	F-17 - G-02
DINETTE	G-03 - G-06
DRIVERS COMPARTMENT	G-07 - G-10
ELECTRICAL	G-11 - G-16
EXTERIOR BODY	G-17 - G-24
GALLEY	H-01 - H-05
GENERATOR	H-06 - H-07
HEATING & A/C	H-08 - H-12
INTERIOR FINISH	H-13 - H-16
LABELS	H-17 - H-23
LP	H-24
LOUNGE	I-01 - I-03
SEALANTS & FASTENERS	I-04 - I-08
WATER & SEWAGE	I-09 - I-11
WINDOW, VENT &	
EXTERIOR DOOR	I-12 - I-24
WINDSHIELD & W/PER	J-01 - J-02

WINDOW, VENT & EXTERIOR DOOR GROUP (CONTINUED)

SINGLE TIPOUT WINDOW GALLEY WINDOW

KEY	PART NUMBER	U/M	DESCRIPTION
1	082235-14-Y12	EA	WINDOW - TIPOUT (W/O INSIDE FRAME)
	080883-19-02A	EA	INSIDE FRAME - WINDOW (NOT INCLUDED IN WINDOW ASM.) OFF WHITE
2	080918-02-000	EA	SPRING - TORQUE TUBE - RIGHT
3	035207-02-000	EA	OPERATOR - TORQUE - TIPOUT WINDOW - LEFT
4	09439-06-000	EA	EXTENSION - WINDOW CONTROL (NOT INCLUDED IN WINDOW ASM.)
5	306735-05-000	EA	WINDOW KNOB - BLACK (NOT INCLUDED IN WINDOW ASM.)
	008439-07-000	EA	SCREW - 8-32 X 1 1/4 PPH - BLACK (NOT INCLUDED IN WINDOW ASM.)
6	083150-15-000	EA	TUBE ASM. - TORQUE - WINDOW
7	084068-24-000	EA	GLASS-TIPOUT - 9 2" X 16 3"
8	170168-01-000	EA	CLIP - SPRING - SCREEN
9	100235-07-807	EA	SCREEN - SINGLE TIPOUT WINDOW
10	080218-03-000	SF	SCREEN - FIBERGLASS - 12" WIDE
	100240-01-000	FT	SPLINE - SCREEN - T-SHAPED
11	085762-01-000	EA	T NUT 10-32
12	068927-03-000	EA	SEAL - WINDOW - RUBBER - ROUND - 80" DIA - BLACK
13	084473-01-000	EA	SEAL - RUBBER - TIPOUT WINDOW
14	065753-01-000	EA	SCREW - MACH - 10-32 X 1/4 PTH
15	097578-01-000	EA	LINKAGE - TIPOUT WINDOW
	081649-01-000	EA	RING - SNAP - 7/32 SHAFT DIA.
15	084453-02-000	EA	WASHER - .060 X .50 X .250 - PLASTIC
17	029913-01-000	EA	HINGE - TIPOUT WINDOW - BLACK
18	084027-02-000	FT	SEAL - E SHAPED - SPONGE - TIPOUT WINDOW - .4" X 4" - BLACK
19	069640-11-000	EA	SCALER - TAPE - 3/16" X 3/8" BLACK
20	080918-01-000	EA	SPRING-TORQUE TUBE - LEFT
21	081354-01-000	EA	SLEEVE - TORQUE TUBE - TIPOUT WINDOW - 1.5" X 1.2" X .7"



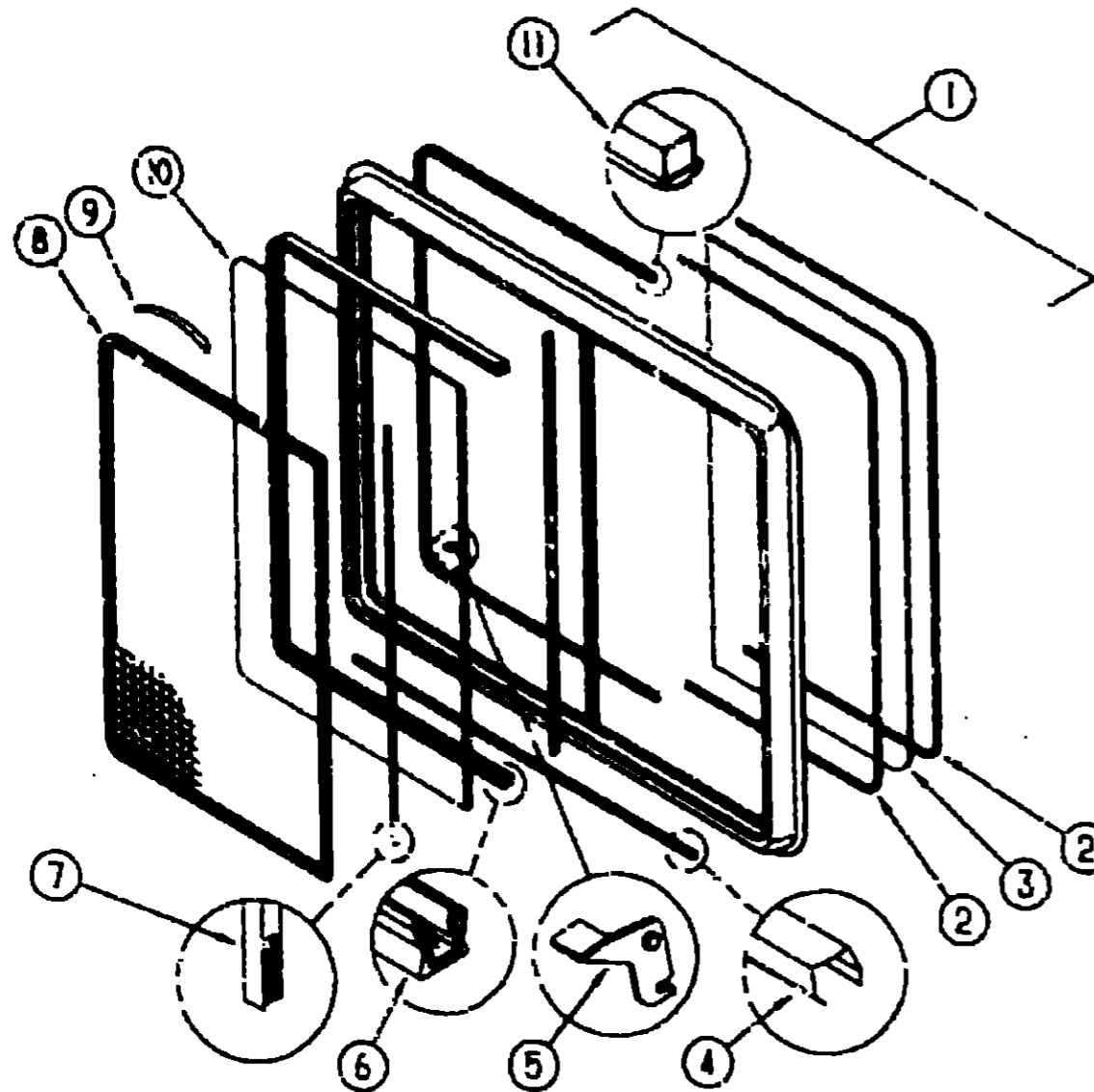
1993 ITASCA TABLE OF CONTENTS

INTRODUCTION	A-01 - A-02
ABBREVIATIONS	A-03
ALPHABETICAL INDEX	A-04 - A-06
ICG349Q	A-07 - E-18
ICG349A	E-19 - J-02

1993 ICG349A INDEX

FLOOR PLAN	E-19 - E-23
ACCESSORIES	E-21
AUDIO VIDEO	E-22 - E-24
BATH	F-01 - F-02
BEDROOM	F-03 - F-04
CHASSIS	F-05 - F-15
CURTAIN & CUSHION	F-17 - G-02
DINETTE	G-03 - G-06
DRIVE/IS COMPARTMENT	G-07 - G-10
ELECTRICAL	G-11 - G-16
EXTERIOR BODY	G-17 - G-24
GALLEY	H-01 - H-05
GENERATOR	H-06 - H-07
HEATING & AC	H-08 - H-12
INTERIOR FINISH	H-13 - H-16
LABELS	H-17 - H-23
LP	H-24
LOUNGE	I-01 - I-03
SEALANTS & FASTENERS	I-04 - I-08
WATER & SEWAGE	I-09 - I-11
WINDOW, VENT & EXTERIOR DOOR	I-12 - I-24
WINDSHIELD & W/PER	J-01 - J-02

WINDOW, VENT & EXTERIOR DOOR GROUP (CONTINUED)
SLIDER WINDOW (EXCEL) (PASSENGER SIDE, DINETTE)



KEY	PART NUMBER	U/M	DESCRIPTION
	098647-09-02A	EA	WINDOW ASM - SLIDER - W/INSIDE FRAME (OFF WHITE)
	098647-09-704	EA	FRAME - INSIDE (OFF WHITE)
1	098647-09-703	EA	WINDOW ASM - SLIDER - W/O INSIDE FRAME
2	098644-01-705	FT	GLAZING STRIP
3	098647-09-700	EA	GLASS - STATIONARY
4	098644-01-710	FT	TRACK - SCREEN SPACER - 12" LENGTH
5	098644-01-700	EA	LATCH - REPAIR KIT
6	098644-01-708	FT	CHANNEL - PIERCED RUN
7	098644-01-711	FT	WEATHERSTRIP - SCREEN - BLACK
8	098647-09-705	EA	SCREEN W/SPRINGS & WEATHERSTRIP
9	098644-01-713	EA	SPRING - SCREEN FRAME (CLIP)
10	098647-09-701	EA	GLASS - SLIDING - W/SASH & LATCH
11	098644-01-706	FT	WEATHERSTRIP
	098644-01-716	FT	PLUG - FILLER
	098644-01-717	FT	SPLINE - SCREEN

SLIDER WINDOW (EXCEL) (DRIVER SIDE LOUNGE)

KEY	PART NUMBER	U/M	DESCRIPTION
	098647-10-02A	EA	WINDOW ASM - SLIDER - W/INSIDE FRAME (OFF WHITE)
	098647-09-704	EA	FRAME - INSIDE (OFF WHITE)
1	098647-10-703	EA	WINDOW ASM - SLIDER - W/O INSIDE FRAME
2	098644-01-705	FT	GLAZING STRIP
3	098647-09-700	EA	GLASS - STATIONARY
4	098644-01-710	FT	TRACK - SCREEN SPACER - 12" LENGTH
5	098644-01-700	EA	LATCH - REPAIR KIT
6	098644-01-708	FT	CHANNEL - PIERCED RUN
7	098644-01-711	FT	WEATHERSTRIP - SCREEN - BLACK
8	098647-09-705	EA	SCREEN W/SPRINGS & WEATHERSTRIP
9	098644-01-713	EA	SPRING - SCREEN FRAME (CLIP)
10	098647-09-701	EA	GLASS - SLIDING - W/SASH & LATCH
11	098644-01-706	FT	WEATHERSTRIP
	098644-01-716	FT	PLUG - FILLER
	098644-01-717	FT	SPLINE - SCREEN

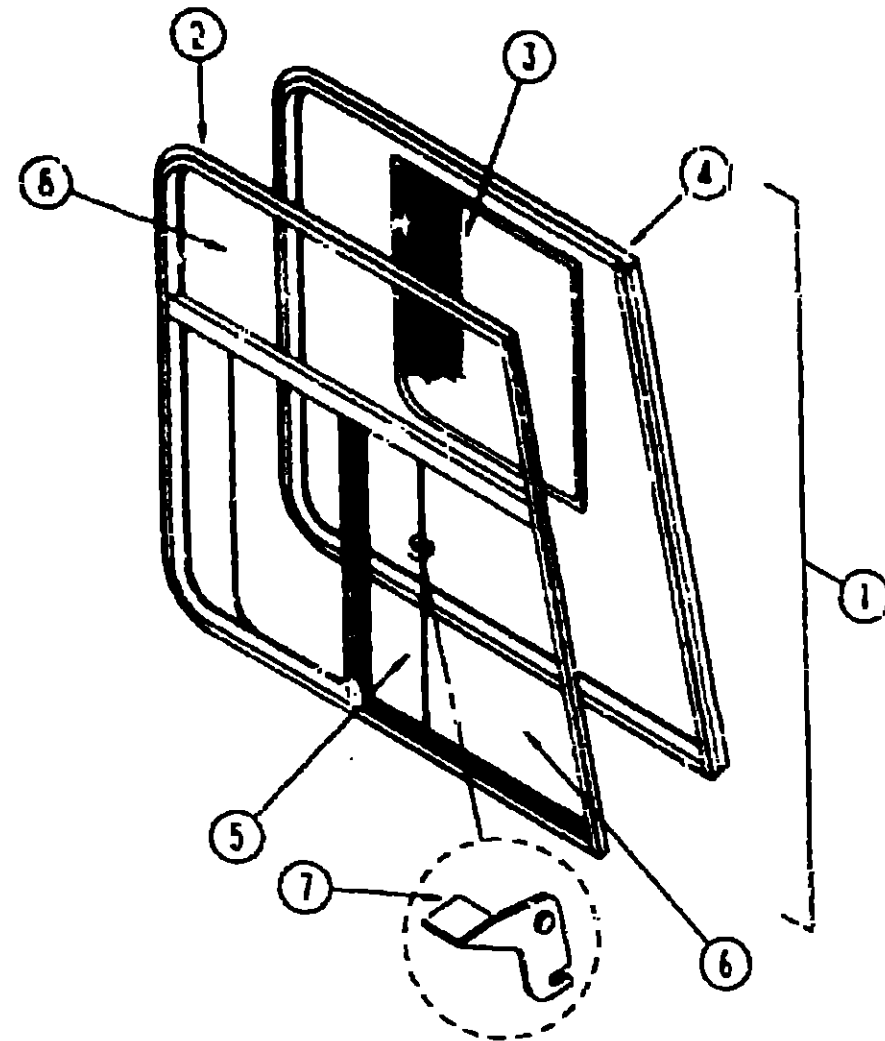
1993 ITASCA
TABLE OF CONTENTS

INTRODUCTION	A-01 - A-02
ABBREVIATIONS	A-03
ALPHABETICAL INDEX	A-04 - A-06
ICG34RD	A-07 - E-18
ICG34RA	E-19 - J-02

1993 ICG34RA INDEX

FLOOR PLAN	E-19 - E-20
ACCESSORIES	E-21
AUDIO VIDEO	E-22 - E-24
BATH	F-01 - F-02
BEDROOM	F-03 - F-04
CHASSIS	F-05 - F-16
CURTAIN & CUSHION	F-17 - G-02
DINETTE	G-03 - G-05
DRIVERS COMPARTMENT	G-07 - G-10
ELECTRICAL	G-11 - G-16
EXTERIOR BODY	G-17 - G-24
GALLEY	H-01 - H-05
GENERATOR	H-06 - H-07
HEATING & A/C	H-08 - H-12
INTERIOR FINISH	H-13 - H-15
LABELS	H-17 - H-23
LP	H-24
LOUNGE	I-01 - I-03
SEALANTS & FASTENERS	I-04 - I-08
WATER & SEWAGE	I-09 - I-11
WINDOW, VENT &	
EXTERIOR DOOR	I-12 - I-24
WINDSHIELD & W/PER	J-01 - J-02

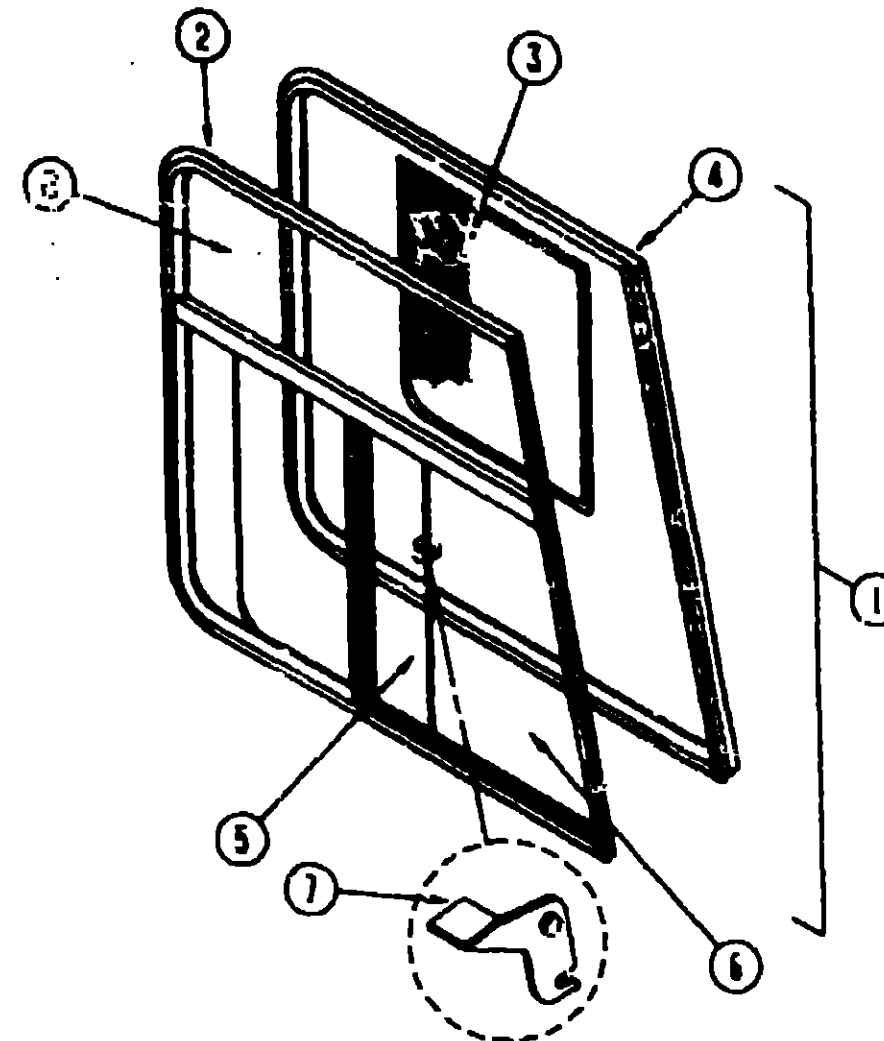
WINDOW, VENT & EXTERIOR DOOR GROUP (CONTINUED)



FRONT CAB WINDOWS (EXCEL) (FROM: 00-00-00 THRU: 07-19-92)

KEY	PART NUMBER	U/M	DESCRIPTION
1	103658-03-01A	EA	WINDOW ASM. - CAB - W/INSIDE FRAME - DRIVER SIDE
1	103658-04-01A	EA	WINDOW ASM. - CAB - W/INSIDE FRAME - PASSENGER SIDE
2	103658-04-701	EA	WINDOW ASM. - SLIDER - W/O INSIDE FRAME - PASSENGER SIDE
2	103658-03-703	EA	WINDOW ASM. - SLIDER - W/O INSIDE FRAME - DRIVER SIDE
3	103658-02-700	EA	SCREEN ASM. - WINDOW - PASSENGER SIDE
3	103658-01-700	EA	SCREEN ASM. - WINDOW - DRIVER SIDE
	098644-01-717	FT	SCREEN SPLINE
	098644-01-713	EA	SCREEN CLIPS (METAL)(BLACK)
	098644-01-710	FT	TRACK - SPACER - FOR SCREEN 12"
	098644-01-711	FT	WEATHERSTRIP - SCREEN - BLACK
4	103658-04-700	EA	INSIDE FRAME - PASSENGER SIDE
4	103658-03-702	EA	INSIDE FRAME - DRIVER SIDE
5	103658-01-701	EA	GLASS - SLIDING - W/SASH & LATCH - PASSENGER SIDE
5	103658-01-703	EA	GLASS - SLIDING - W/SASH & LATCH - DRIVER SIDE
6	103658-01-701	EA	GLASS - STATIONARY - BOTTOM
7	098644-01-700	EA	LATCH - REPAIR KIT
8	103658-03-700	EA	GLASS - STATIONARY - TOP
	098644-01-708	FT	CHANNEL - PIERCED RUN
	098644-01-706	FT	WEATHERSTRIP - GLASS
	098644-01-716	FT	PLUG - FILLER

WINDOW, VENT & EXTERIOR DOOR GROUP (CONTINUED)



FRONT CAB WINDOWS (EXCEL) (FROM: 07-20-92 THRU: 99-99-99)

KEY	PART NUMBER	U/M	DESCRIPTION
1	103658-07-01A	EA	WINDOW ASM. - CAB - W/INSIDE FRAME - DRIVER SIDE
1	103658-08-01A	EA	WINDOW ASM. - CAB - W/INSIDE FRAME - PASSENGER SIDE
2	103658-08-700	EA	WINDOW ASM. - SLIDER - W/O INSIDE FRAME - PASSENGER SIDE
2	103658-07-704	EA	WINDOW ASM. - SLIDER - W/O INSIDE FRAME - DRIVER SIDE
3	103658-07-703	EA	SCREEN ASM. - WINDOW - DRIVER OR PASSENGER SIDE
	098644-01-717	FT	SCREEN SPLINE
	098644-01-713	EA	SCREEN CLIPS (METAL)(BLACK)
	098644-01-710	FT	TRACK - SPACER - FOR SCREEN 12"
	098644-01-711	FT	WEATHERSTRIP - SCREEN - BLACK
4	103658-08-701	EA	INSIDE FRAME - PASSENGER SIDE
4	103658-07-700	EA	INSIDE FRAME - DRIVER SIDE
5	103658-07-702	EA	GLASS - SLIDING - W/SASH & LATCH - DRIVER OR PASSENGER SIDE
6	103658-01-702	EA	GLASS - STATIONARY - BOTTOM - DRIVER OR PASSENGER SIDE
7	098644-01-700	EA	LATCH - REPAIR KIT
8	103658-07-701	EA	GLASS - STATIONARY - TOP - DRIVER OR PASSENGER SIDE
	098644-01-708	FT	CHANNEL - PIERCED RUN
	098644-01-706	FT	WEATHERSTRIP - GLASS
	098644-01-716	FT	PLUG - FILLER

1993 ITASCA
TABLE OF CONTENTS

INTRODUCTION	A-01 - A-02
ABBREVIATIONS	A-03
ALPHABETICAL INDEX	A-04 - A-06
ICG34RO	A-07 - E-18
ICG34RA	E-19 - J-02

1993 ICG34RA INDEX

FLOOR PLAN	E-19 - E-20
ACCESSORIES	E-21
AUDIO VIDEO	E-22 - E-24
BATH	F-01 - F-02
BEDROOM	F-03 - F-04
CHASSIS	F-05 - F-10
CURTAIN & CUSHION	F-17 - G-02
DINETTE	G-03 - G-06
DRIVERS COMPARTMENT	G-07 - G-10
ELECTRICAL	G-11 - G-16
EXTERIOR BODY	G-17 - G-24
GALLEY	H-01 - H-05
GENERATOR	H-06 - H-07
HEATING & A/C	H-08 - H-12
INTERIOR FINISH	H-13 - H-16
LABELS	H-17 - H-23
LP	H-24
LOUNGE	I-01 - I-03
SEALANTS & FASTENERS	I-04 - I-08
WATER & SEWAGE	I-09 - I-11
WINDOW, VENT & EXTERIOR DOOR	I-12 - I-24
WINDSHIELD & W/PER	J-01 - J-02

WINDOW, VENT & EXTERIOR DOOR GROUP (CONTINUED)
DRIVER SIDE REAR ESCAPE WINDOW

KEY	PART NUMBER	U/M DESCRIPTION
	104691-01-02A	EA WINDOW ASM-TIPOUT ESCAPE CH11-PK
	104691-01-700	EA TRIM-INSIDE (OFF-WHITE) CW71-40 EXCEL
	104691-01-701	EA OPERATOR & BAR ASM-WINDOW CH11-15 EXCEL
	104691-01-702	EA SCREEN ASM-WINDOW 410-017540 EXCEL
	104691-01-703	EA GLASS-STATIONARY WINDOW 106-017999 EXCEL
	104691-01-704	EA VENT GLASS ASM CH11-G6 EXCEL

PASSENGER SIDE REAR WINDOW

KEY	PART NUMBER	U/M DESCRIPTION
	104691-02-02A	EA WINDOW ASM-TIPOUT OFF WHITE CH22-PK
	104691-02-700	EA TRIM-INSIDE (OFF-WHITE) CH22-60 EXCEL
	104691-02-701	EA OPERATOR & BAR ASM-WINDOW CH22-15 EXCEL
	104691-02-702	EA SCREEN ASM-WINDOW 410-017272 EXCEL
	104691-02-703	EA GLASS-STATIONARY WINDOW 106-017009 EXCEL
	104691-02-704	EA VENT GLASS ASM-WINDOW CH22-G6 EXCEL

WINDOW, VENT & EXTERIOR DOOR GROUP (CONTINUED)
ROOF VENT

KEY	PART NUMBER	U/M DESCRIPTION
	110051-01-01A	EA VENT-ROOF, NONPOWERED - 2" ROOF - JENSEN 7724 WHE FROM: 10-05-92 THRU: 99-99-99
	064470-01-700	EA COVER-ROOF VENT, JENSEN 7291
	110051-01-701	EA GARNISH W/SCREEN & FRAME-2", JENSEN 29-800-01 FITS 1" AND 2" THICK ROOFS
	110051-01-702	EA LIFT ASM-VENT LID W/O CRANK, JENSEN RP-1000B
	110051-01-703	EA CRANK HANDLE-ROOF VENT, JENSEN RP-1031-B
	110051-03-01A	EA VENT-ROOF, POWERED - 2" ROOF - JENSEN 7757 WHE FROM: 10-05-92 THRU: 99-99-99
	048648-01-000	EA MOTOR-ROOF VENT, 1/8 SHAFT - 12V - JENSEN
	048649-01-000	EA FAN-ROOF VENT, 6 BLADES - 6" - JENSEN
	064470-01-700	EA COVER-ROOF VENT, JENSEN 7291
	110051-01-701	EA GARNISH W/SCREEN & FRAME-2", JENSEN 29-800-01 FITS 1" & 2" ROOFS
	110051-01-702	EA LIFT ASM-VENT LID W/O CRANK, JENSEN RP-1000B
	110051-01-703	EA CRANK HANDLE-ROOF VENT, JENSEN RP-1031-B

ROOF VENT - CSA

KEY	PART NUMBER	U/M DESCRIPTION
	064469-08-000	EA VENT-ROOF, POWERED - 14" X 14" - 12V - JENSEN C-727 - CSA FROM: 00-00-00 THRU: 10-04-92
	048648-01-000	EA MOTOR-ROOF VENT, 1/8 SHAFT - 12V - JENSEN
	048649-01-000	EA FAN-ROOF VENT, 6 BLADES - 6" - JENSEN
	064469-03-702	EA LID-VENT, WHITE - JENSEN 290-WH
	064469-03-706	EA MECHANISM-LIFT, ROOF VENT - JENSEN RP-1022
	110051-01-701	EA GARNISH W/SCREEN & FRAME-2", 1" AND 2" ROOFS JENSEN 29-800-01
	110051-05-01A	EA VENT-ROOF, POWERED - 2" ROOF - CSA - JENSEN C7757 WHE FROM: 10-05-92 THRU: 99-99-99
	048648-01-000	EA MOTOR-ROOF VENT, 1/8 SHAFT - 12V - JENSEN
	048649-01-000	EA FAN-ROOF VENT, 6 BLADES - 6" - JENSEN
	064470-01-700	EA COVER-ROOF VENT, JENSEN 7291
	110051-01-701	EA GARNISH W/SCREEN & FRAME-2", 1" AND 2" ROOFS JENSEN 29-800-01
	110051-01-702	EA LIFT ASM-VENT LID W/O CRANK, JENSEN RP-1000B
	110051-01-703	EA CRANK HANDLE-ROOF VENT, JENSEN RP-1031-B
	008343-02-000	EA TIE-WIRE, 14"
	061603-01-000	EA GROMMET-SNAP, 3/16" ID - 3/8" HOLE - PLASTIC - BLACK

SIDEWALL VENT

KEY	PART NUMBER	U/M DESCRIPTION
	084616-06-000	EA SHROUD-VENT, RANGE HOOD, ASH GRAY
	084678-09-000	EA VENT - RANGE HOOD - SHORT - LVS

ROOF VENTS

KEY	PART NUMBER	U/M DESCRIPTION
	083558-05-000	EA VENT - PLUMBING PIPE ROOF - W/COVER - ASH GRAY
	084073-06-000	EA COVER - ROOF VENT - NORCOLD REFRIGERATOR - ASH GRAY
	084073-04-000	EA BASE - ROOF VENT - NORCOLD REFRIGERATOR - BLACK

**1993 ITASCA
 TABLE OF CONTENTS**

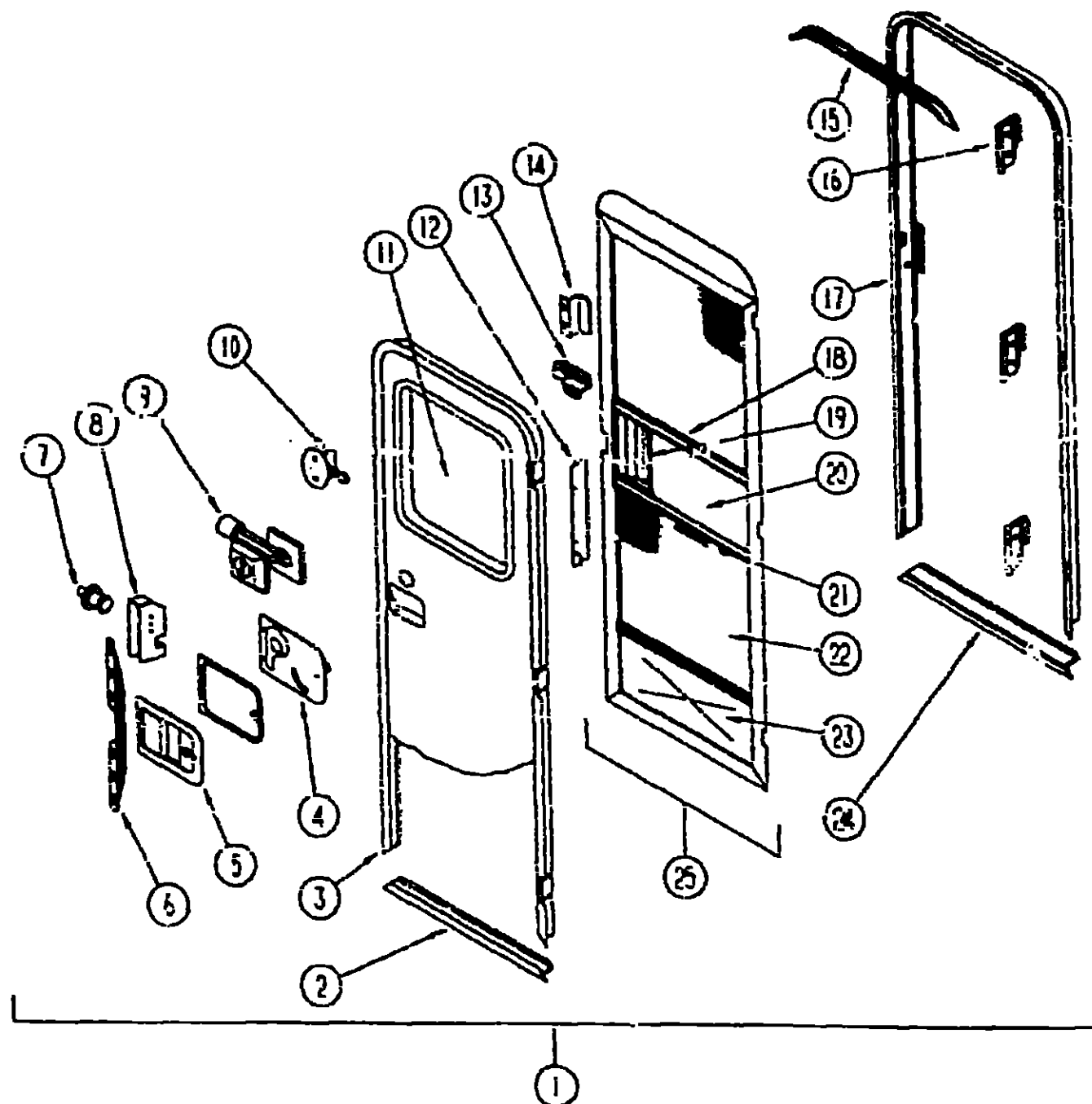
INTRODUCTION	A-01 - A-02
ABBREVIATIONS	A-03
ALPHABETICAL INDEX	A-04 - A-06
ICG34RO	A-07 - E-18
ICG34RA	E-19 - J-02

1993 ICG34RA INDEX

FLOOR PLAN	E-19 - E-20
ACCESSORIES	E-21
AUDIO VIDEO	E-22 - E-24
BATH	F-01 - F-02
BEDROOM	F-03 - F-04
CHASSIS	F-05 - F-16
CURTAIN & CUSHION	F-17 - G-02
DINETTE	G-03 - G-06
DRIVERS COMPARTMENT	G-07 - G-10
ELECTRICAL	G-11 - G-16
EXTERIOR BODY	G-17 - G-21
GALLEY	H-01 - H-02
GENERATOR	H-06 - H-07
HEATING & A/C	H-08 - H-12
INTERIOR FINISH	H-13 - H-16
LABELS	H-17 - H-23
LP	H-24
LOUNGE	I-01 - I-03
SEALANTS & FASTENERS	I-04 - I-06
WATER & SEWAGE	I-09 - I-11
WINDOW, VENT &	
EXTERIOR DOOR:	I-12 - I-24
WINDSHIELD & WIPER	J-01 - J-02

WINDOW, VENT & EXTERIOR DOOR GROUP (CONTINUED)

ENTRANCE DOOR (FRONT)



KEY	PART NUMBER	U/M	DESCRIPTION
5	045017-11-000	EA	LATCH - PADDLE - MECHANISM W/LOCK CYLINDER & KEY - BLACK
	045017-11-701	EA	KEY BLANK
5	096173-01-04A	EA	STIFFENER - ENTRY DOOR - SUPPORTS LATCH/STRIKE AREA - MILL
7	039539-01-000	EA	STRIKE - ENTRANCE DOOR LOCK
	077461-03-000	EA	COVER - STRIKE - ENTRY DOOR - 2 5/8" X 2 5/8" - PLASTIC - WHITE
8	039540-01-000	EA	LATCH MECHANISM - HOOK - ENTRY DOOR - INTERIOR
	039715-01-000	EA	NUT - SERT - 1/4" DIAMETER - 20 THREADS
	039984-01-000	EA	CAP - ROUND - VINYL - 2 3/8" ID X 5/2" LONG - BLACK
	040944-01-000	EA	LABEL - ENTRANCE DOOR - "OPEN"
	058806-01-000	EA	PLUG - CAP - 1" DIAMETER
9	101145-01-01A	EA	DEADBOLT - ENTRY DOOR - BLACK
	095229-01-700	EA	KEY ONLY - BLANK
	101147-01-000	EA	BOLT - SECURITY - 4.12" BACKSET
	081914-01-000	EA	BUMPER - RUBBER - ROUND - BLACK
10	100412-01-000	EA	CATCH - SCREEN DOOR
11	079733-12-012	EA	WINDOW - PICTURE - W/O INSIDE FRAME - 17" X 27"
	067909-35-000	EA	FRAME - WINDOW - INSIDE PICTURE - OFF WHITE
	002181-19-000	EA	GLASS - PICTURE WINDOW
	087561-01-000	FT	VINYL SEAL - GLASS - EXTERIOR - BLACK
12	079087-02-000	EA	STRIKE - SLIDER - W/UP FOR ELBOW CATCH - 1.5" X 9.6" BEIGE
13	103403-01-000	EA	CATCH - SCREEN DOOR ROLLER
	058025-02-000	EA	CLIP - ROLLER LATCH CATCH
	053729-04-000	EA	RIVNUT - 10-32 UNF - .010-.060
	072893-01-000	EA	NUTSERT - M5 X 0 - 8
	075671-04-000	FT	SEAL - SPONGE - LAZY T SHAPE - W/ADHESIVE STRIPE - .5" WIDE
	100128-01-000	FT	SEAL - PILE - ADHESIVE BACK - GRAY
	075906-01-000	EA	SCREW - MACH - 10-32 X .56 FTH
14	050712-04-000	EA	HANDLE - SCREEN DOOR - OFF WHITE
15	044582-01-000	EA	CAP - DRIP - ENTRY DOOR - ALUMINUM - ASH GRAY
16	097724-01-04A	EA	HINGE - ENTRY DOOR - UNPAINTED
17	095277-04-04A	EA	JAMB ASM - ENTRANCE DOOR - ASH GRAY
	079207-01-000	EA	STRIKER - ROLLER CATCH - WELDED TO DOOR JAMB - 4" X 1.15"
18	078777-01-000	EA	CHANNEL - SLIDE - SCREEN DOOR CENTER SLIDER COVER
19	079026-02-000	EA	SLIDER - SCREEN DOOR - OFF WHITE
	078595-01-000	EA	TOP PLATE - SCREEN DOOR - CURVED TOP - 4.7" X 25.35"
20	016454-01-000	EA	INSERT - SCREEN DOOR - CENTER - LEATHER GRAIN ALUMINUM
21	002294-01-000	FT	SPLINE - SCREENING - 135" X 138" - BLACK
22	002293-02-000	SF	SCREENING - 26" - CHARCOAL
23	073552-03-000	EA	KICK PANEL - SCREEN DOOR - LOWER INSERT - UNPAINTED
24	051049-01-000	EA	JAMB BOTTOM - ENTRY DOOR - 25.9" - UNPAINTED
25	079012-05-B10	EA	DOOR - SCREEN
	100128-01-000	FT	SEAL - SCREEN DOOR
	035774-01-000	FT	FASTENER - DUAL LOCK - 1" WIDE
	085774-02-000	FT	FASTENER - DUAL LOCK - 1" WIDE
	090340-01-000	FT	SEAL - FOAM - CLOSED CELL - 1/4" X 1/2" X 50'
	093145-01-000	EA	SLEEVE - WIRE - 10' LONG - PLASTIC - BLACK
	093146-01-000	EA	GROMMET - WIRE - 1.7" X 3.1" - OVAL SHAPED - PLASTIC - BLACK

1993 ITASCA
TABLE OF CONTENTS

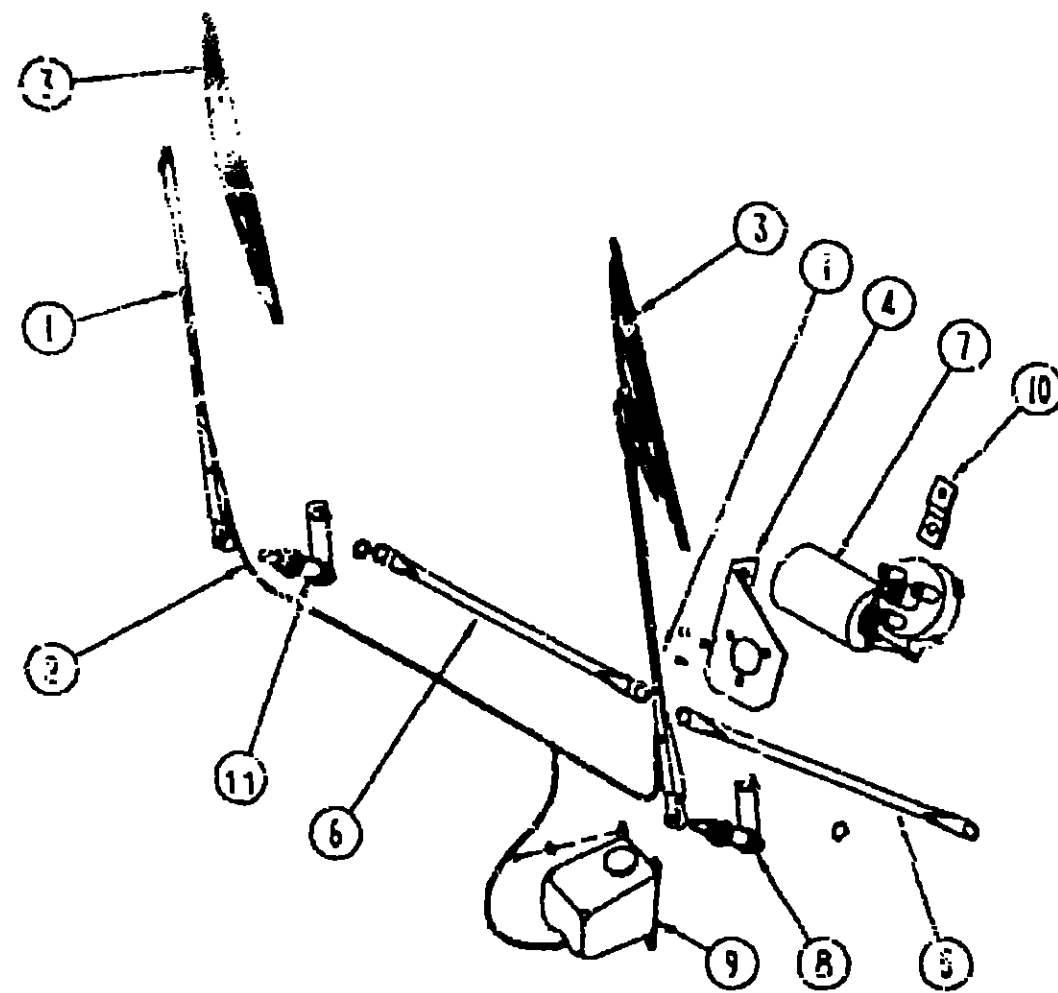
INTRODUCTION	A-01 - A-02
ABBREVIATIONS	A-03
ALPHABETICAL INDEX	A-04 - A-06
ICG34RD	A-07 - E-18
ICG34RA	E-19 - J-02

1993 ICG34RA INDEX

FLOOR PLAN	E-19 - E-20
ACCESSORIES	E-21
AUDIO VIDEO	E-22 - E-24
BATH	F-01 - F-02
BEDROOM	F-03 - F-04
CHASSIS	F-05 - F-16
CURTAIN & CUSHION	F-17 - G-02
DINETTE	G-03 - G-05
DRIVERS COMPARTMENT	G-07 - G-10
ELECTRICAL	G-11 - G-16
EXTERIOR BODY	G-17 - G-24
GALLEY	H-01 - H-05
GENERATOR	H-06 - H-07
HEATING & A/C	H-08 - H-12
INTERIOR FINISH	H-13 - H-16
LABELS	H-17 - H-20
LP	H-24
LOUNGE	I-01 - I-03
SEALANTS & FASTENERS	I-04 - I-08
WATER & SEWAGE	I-09 - I-11
WINDOW, VENT & EXTERIOR DOOR	I-12 - I-24
WINDSHIELD & WIPER	J-01 - J-02

KEY	PART NUMBER	U/M	DESCRIPTION
1	M01870-66-D35	EA	DOOR - ENTRY - W/SCREEN DOOR
1	M01870-66-D36	EA	DOOR - ENTRY - W/SCREEN DOOR
	041546-03-000	EA	BRACKET - DOOR ANGLE - 5" X 1 9/16" - BEIGE - METAL
	075639-14-000	EA	GARNISH - RADIUS - ENTRY DOOR - OFF WHITE
	093673-01-04A	EA	TRIM - ENTRANCE DOOR - 1.3" WIDE - ASH GRAY
2	089748-10-000	EA	FRAME - BOTTOM ENTRY DOOR - ASH GRAY
3	095276-03-04A	EA	FRAME - ENTRY DOOR - W/O BOTTOM - ASH GRAY
4	039979-04-000	EA	COVER - INTERIOR LATCH - W/TRIP ARM - RIGHT - BLACK

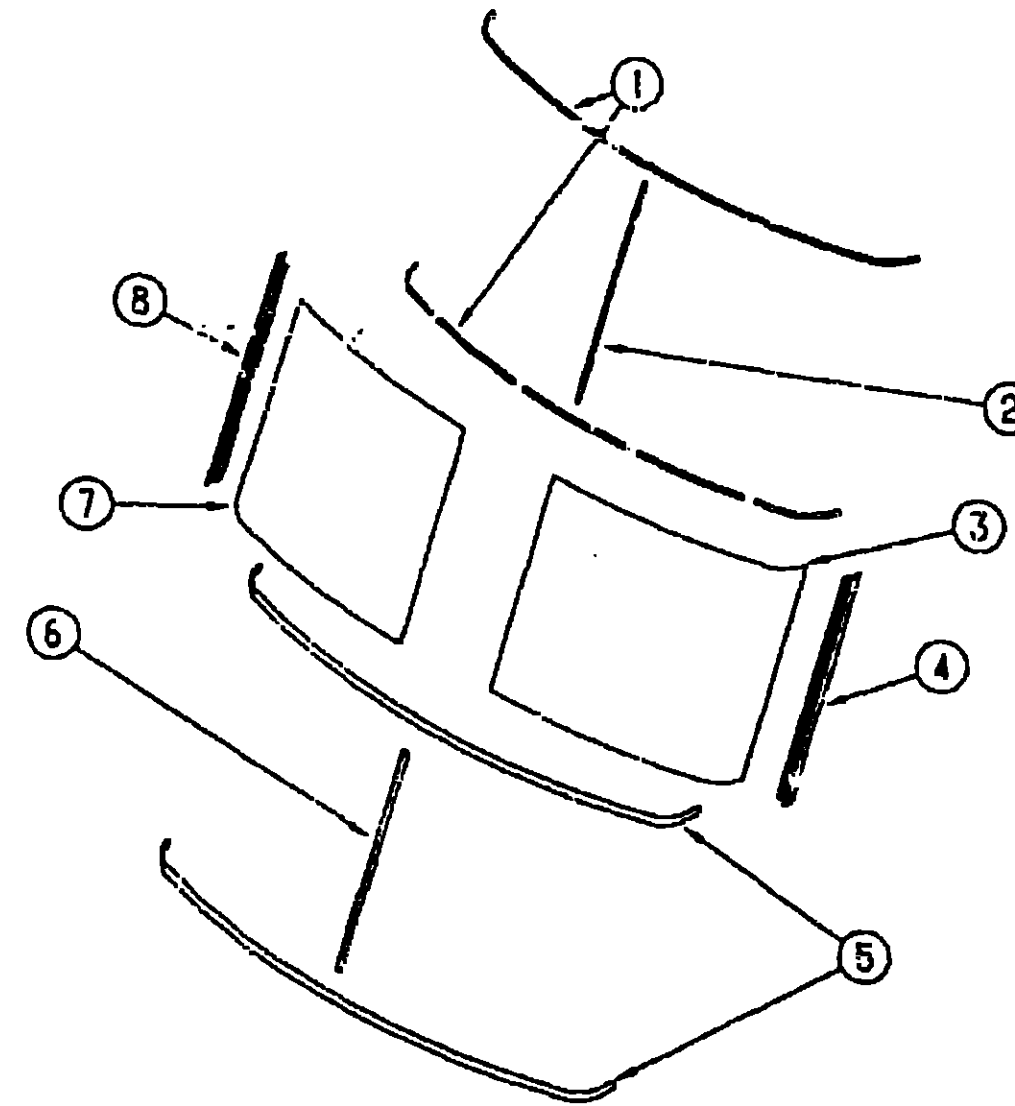
WINDSHIELD & WIPER GROUP



WINDSHIELD WIPER ASM

KEY	PART NUMBER	U/M DESCRIPTION
1	103571-01-000	EA ARM - WIPER - 24"
2	091931-01-700	EA HOSE
3	095364-01-000	EA BLADE - WIPER - WINDSHIELD - 24"
4	104549-01-000	EA BRACKET ASM - WIPER MOTOR
5	103672-01-000	EA LINK ASM - CONNECTING - 21.85° - DRIVER SIDE
6	103672-02-000	EA LINK ASM - CONNECTING - 21.85° - PASSENGER SIDE
7	104355-01-000	EA WIPER MOTOR - W/1 5" DRIVE ARM
8	096505-03-000	EA PIVOT & SHAFT ASM - WIPER - DRIVER SIDE
9	056000-02-000	EA WASHER - WINDSHIELD - BOTTLE & PUMP
10	104347-01-300	EA ARM - DRIVE - WIPER MOTOR - 1 5/8"
11	096505-02-000	EA PIVOT & SHAFT ASM - WIPER - PASSENGER SIDE
	067188-01-000	EA STUD - WIPER CRANK
	091206-02-000	EA CONTROL - WIPER - DASH - DANA

WINDSHIELD & WIPER GROUP (CONTINUED)



WINDSHIELD MOLDINGS & GLASS

KEY	PART NUMBER	U/M DESCRIPTION
1	102935-01-000	EA CARRIER - REVEAL - WINDSHIELD
2	102925-03-000	EA CARRIER - REVEAL - WINDSHIELD
3	103798-02-000	EA GLASS - WINDSHIELD - DRIVER SIDE
4	103107-04-01A	EA TRIM - WINDSHIELD - SIDE - BLACK
5	102936-01-000	FT MOLDING - REVEAL - WINDSHIELD
6	102935-01-000	FT MOLDING - REVEAL - WINDSHIELD - CENTER
7	103786-01-000	EA GLASS - WINDSHIELD - PASSENGER SIDE
8	103107-03-01A	EA TRIM - WINDSHIELD - SIDE - BLACK
	099788-03-000	EA CHANNEL - RIGID
	077952-02-000	EA CAP - REVEAL MOLDING - CENTER TOP AND BOTTOM WINDSHIELD
	077847-02-000	EA SUPPORT - WINDSHIELD - LOWER - W/O BRACKETS

**1993 ITASCA
TABLE OF CONTENTS**

INTRODUCTION	A-01 - A-02
ABBREVIATIONS	A-03
ALPHABETICAL INDEX	A-04 - A-06
ICG34RD	A-07 - E-18
ICG34RA	E-19 - J-02

1993 ICG34RA INDEX

FLOOR PLAN	E-19 - E-20
ACCESSORIES	E-21
AUDIO VIDEO	E-22 - E-24
BATH	F-01 - F-02
BEDROOM	F-03 - F-04
CHASSIS	F-05 - F-16
CURTAIN & CUSHION	F-17 - G-02
DINETTE	G-03 - G-06
DRIVERS COMPARTMENT	G-07 - G-10
ELECTRICAL	G-11 - G-16
EXTERIOR BODY	G-17 - G-24
GALLEY	H-01 - H-05
GENERATOR	H-06 - H-07
HEATING & A/C	H-08 - H-12
INTERIOR FINISH	H-13 - H-16
LABELS	H-17 - H-23
LP	H-24
LOUNGE	I-01 - I-03
SEALANTS & FASTENERS	I-04 - I-08
WATER & SEWAGE	I-09 - I-11
WINDOW, VENT &	
EXTERIOR DOOR	I-12 - I-24
WINDSHIELD & WIPER	J-01 - J-02