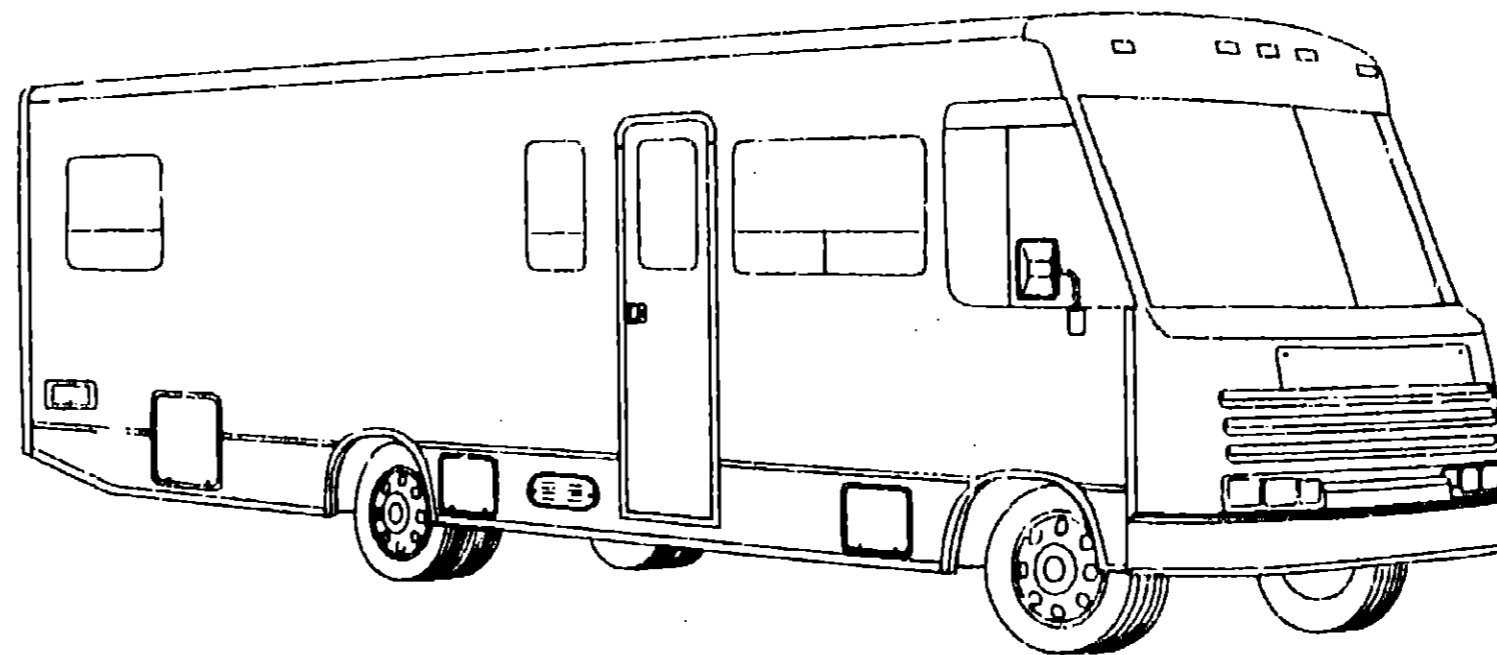


**1993 ITASCA  
TABLE OF CONTENTS**

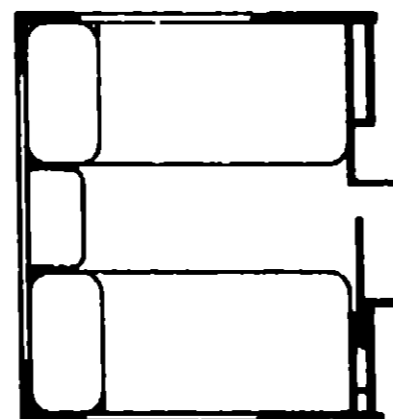
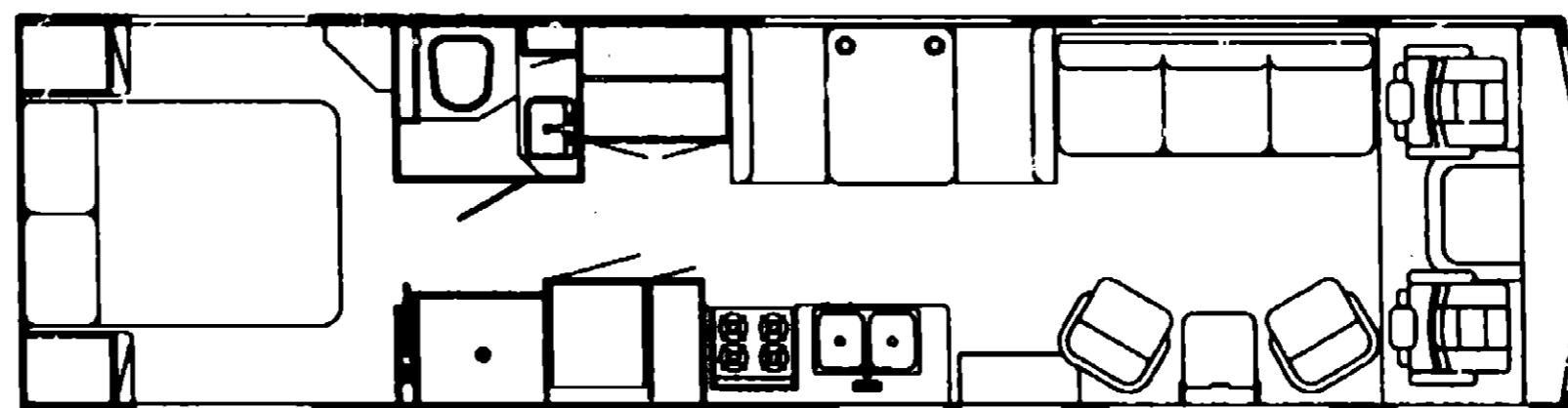
INTRODUCTION	A-01 -	A-02
ABBREVIATIONS		A-03
ALPHABETICAL INDEX	A-04 -	A-08
ICF33RQ	A-07 -	F-10



**1993  
ICF33RQ  
D32  
D33  
D34**

**1993 ICF33RQ INDEX**

FLOOR PLAN	A-07 -	A-08
ACCESSORIES		A-09
AUDIO VIDEO	A-10 -	A-12
BATH	A-13 -	A-15
BED ROOM	A-16 -	A-18
CHASSIS	A-19 -	B-07
CURTAIN & CUSHION	B-08 -	B-18
DIETETTE	B-19 -	B-20
DRIVERS COMPARTMENT	B-21 -	C-02
ELECTRICAL	C-03 -	C-10
EXTERIOR BODY	C-11 -	C-18
GALLEY	C-19 -	C-23
GENERATOR	C-24 -	D-01
HEATING & A/C	D-02 -	D-08
INTERIOR FINISH	D-09 -	D-12
LABELS	D-13 -	D-21
LP		D-22
LOUNGE	D-23 -	E-02
SEALANTS & FASTENERS	E-03 -	E-06
WATER & SEWAGE	E-07 -	E-12
WINDOW, VENT AND EXTERIOR DOOR	E-13 -	F-08
WINDSHIELD/WIPER	F-09 -	F-10



**ACCESSORIES GROUP  
OPERATOR MANUAL**

KEY	PART NUMBER	U/M DESCRIPTION
	054185-52-000	EA MANUAL, OPERATOR 93 SUNRISE - F-SERIES
	082318-01-000	EA BINDER - 3 RING, MOTOR HOME MANUAL
	082319-01-000	EA POCKET PAGE - 3 RING BINDER, PLASTIC
	108229-01-000	DW TOP LEVEL DRAWING-F, 1993

**AUDIO VIDEO GROUP  
PATIO ENTERTAINMENT CENTER**

KEY	PART NUMBER	U/M DESCRIPTION
	090862-01-000	EA BRACKET-HAT, ANTENNA - 3.1" X 3.9" - STEEL - BLACK FROM: 00-00-00 THRU: 11-30-92
	108847-01-000	EA BRACKET-ANTENNA GROUND FROM: 12-01-92 THRU: 99-99-99
	073741-03-000	EA SPEAKER-RADIO, OVAL - AUDIOVOX 110-2074 - 4" X 6" FROM: 00-00-00 THRU: 12-20-92
	110469-01-000	EA SPEAKER - 4" X 6", OVAL - MAGNADYNE F46XB-12 FROM: 12-21-92 THRU: 99-99-99
	073741-04-000	EA GRILLE-SPEAKER, OVAL - 4" X 6" - BLACK FROM: 00-00-00 THRU: 12-20-92
	110470-01-01A	EA GRILLE-SPEAKER, OVAL - 4" X 6" - BLACK - MAGNADYNE G46WI FROM: 12-21-92 THRU: 99-99-99
	067683-01-000	EA RADIO-AM/FM STEREO W/CASSETTE - AUDIOVOX 144D1558

**RADIO SYSTEM & ANTENNA**

KEY	PART NUMBER	U/M DESCRIPTION
	104089-01-000	EA RADIO-AM/FM STEREO, CASSETTE - AUDIOVOX IM-DXF FROM: 00-00-00 THRU: 03-10-93
	110287-01-000	EA RADIO-AM/FM STEREO, AUDIOVOX IM-200 FROM: 03-11-93 THRU: 99-99-99
	077069-02-000	EA CABLE-ANTENNA, RADIO - EXTENSION 98" - ARA 6700667
	090844-01-000	EA ANTENNA-RADIO, 18" RUBBER
	097621-02-000	EA MOUNTING KIT-RADIO, AUDIOVOX WMK-AB02 FROM: 00-00-00 THRU: 01-31-93
	081059-02-000	EA WIRE / EM - 9-PIN, RADIO - AUDIOVOX 112B-1781
	088340-02-000	EA GRILLE-SPEAKER, 8.5" SQUARE
	089340-03-000	EA SPACER-GRILLE, 3.5" SQUARE - TAN - MAGNADYNE G514
	094097-01-000	EA SPEAKER-RADIO, W/O GRILLE - 5.25" DIA - AUDIOVOX 110C3030
	073741-03-000	EA SPEAKER-RADIO, OVAL - AUDIOVOX 110-2074 - 4" X 6" FROM: 00-00-00 THRU: 12-20-92
	110469-01-000	EA SPEAKER - 4" X 6", OVAL - MAGNADYNE F46XB-12 FROM: 12-21-92 THRU: 99-99-99
	073741-04-000	EA GRILLE-SPEAKER, OVAL - 4" X 6" - BLACK FROM: 00-00-00 THRU: 12-20-92
	110470-01-01A	EA GRILLE-SPEAKER, OVAL - 4" X 6" - BLACK - MAGNADYNE G46WI FROM: 12-21-92 THRU: 99-99-99

**1993 ITASCA  
TABLE OF CONTENTS**

INTRODUCTION	A-01	A-02
ABBREVIATIONS		A-03
ALPHABETICAL INDEX	A-04	A-08
ICF33RQ	A-07	F-10

**1993 ICF33RQ INDEX**

FLOOR PLAN	A-07	A-08
ACCESSORIES		A-09
AUDIO VIDEO	A-10	A-12
BATH	A-13	A-15
BEDROOM	A-16	A-18
CHASSIS	A-19	B-07
CURTAIN & CUSHION	B-08	B-18
DINETTE	B-19	B-20
DRIVERS COMPARTMENT	B-21	C-02
ELECTRICAL	C-03	C-10
EXTERIOR BODY	C-11	C-18
GALLEY	C-19	C-23
GENERATOR	C-24	D-01
HEATING & A/C	D-02	D-08
INTERIOR FINISH	D-09	D-12
LABELS	D-13	D-21
LP		D-22
LOUNGE	D-23	E-02
SEALANTS & FASTENERS	E-03	E-06
WATER & SEWAGE	E-07	E-12
WINDOW, VENT AND		
EXTERIOR DOOR	E-13	F-08
WINDSHIELD/WIPER	F-09	F-10

**AUDIO VIDEO GROUP (CONTINUED)**

**CB ANTENNA**

KEY	PART NUMBER	U/M DESCRIPTION
	105248-01-000	EA ANTENNA-CB, ADVANCE 8604

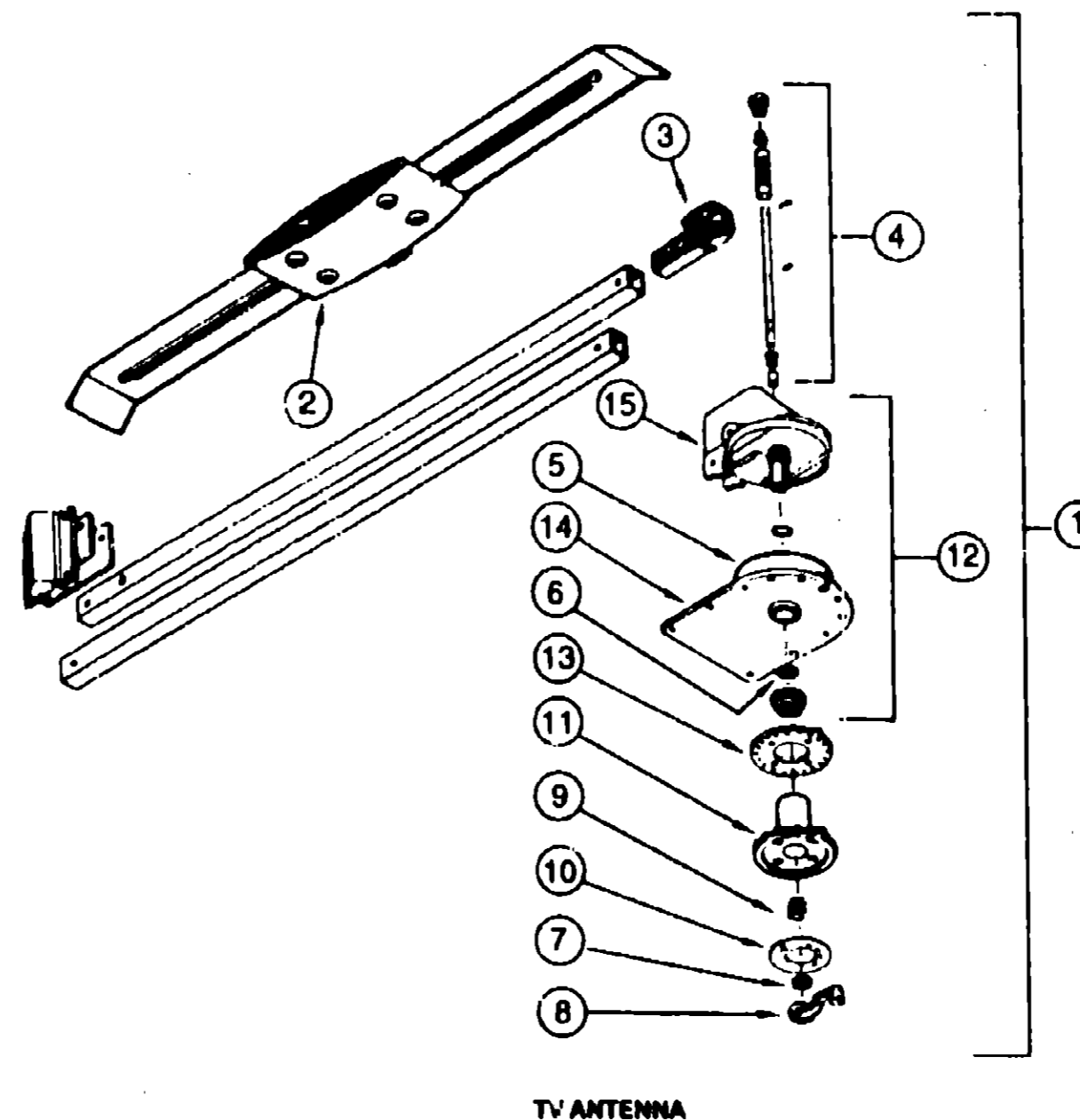
**TV, VCR & CONTROL CENTER**

KEY	PART NUMBER	U/M DESCRIPTION
	088447-03-000	EA TV - 13", COLOR W/REMOTE - U.S. - MAGNAVOX RR1337W
	088447-03-700	EA REMOTE-TV, MAGNAVOX RR1337W & RR1330W
	088447-04-000	EA TV - 13", COLOR W/REMOTE - CANADIAN - MAGNAVOX RR1330W
	088447-03-700	EA REMOTE-TV, MAGNAVOX RR1337W & RR1330W
	082310-02-000	EA TV-COLOR, 9" - AC/DC - W/REMOTE - MAGNAVOX RD0945
	082310-02-700	EA REMOTE-TV, MAGNAVOX RD0945
	088446-03-000	EA VCR-VHS CABLE READY W/REMOTE - MAGNAVOX VR9010
		FROM: 00-00-00 THRU: 10-04-92
	088446-03-700	EA REMOTE F/MODEL #9010 - MAGNAVOX 0974598
	088446-04-000	EA VCR-VHS CABLE READY W/REMOTE - MAGNAVOX VR9110
		FROM: 10-05-92 THRU: 99-99-99
	088446-04-700	EA REMOTE F/MODELS #9110 & #9120 - MAGNAVOX 0974586
	088619-01-000	EA SPEAKER - 2 WATT, 8 OHM - 4"
	083214-01-02A	EA GRILLE-SPEAKER, 4" BROWN
	086757-03-000	EA CONTROL CENTER-SWITCH, VCR/TV - MAGNADYNE VCS-6
	076319-12-000	EA CONNECTOR-COAXIAL, ONE PIECE
	082134-01-000	EA ADAPTER-TV, CABLE TO CABLE - WINEGARD F-81M
	086756-01-000	EA SPLITTER-TV, 2 WAY
	076319-03-000	FT CABLE-COAXIAL, 75 OHM
	076319-05-000	EA ADAPTOR-CABLE ROOF PLATE, WINEGARD RPJ-1
	076319-08-000	EA WALLPLATE-CABLE RECEPTACLE, TV - SINGLE - IVORY
	076319-09-000	EA WALLPLATE-CABLE RECEPTACLE, TV - SINGLE - BROWN
	086777-01-000	EA WALLPLATE-TV CABLE, W/ANTENNA SWITCH - IVORY
	086777-03-000	EA PLATE-WALL, CABLE - V/TV ANTENNA SWITCH & BOOSTER - IVORY
		FROM: 00-00-00 THRU: 04-14-93
	086777-05-000	EA PLATE-WALL, ANTENNA - 1 OUTPUT - IVORY - WINEGARD RV-0921
		FROM: 04-15-93 THRU: 99-99-99
	089717-01-000	EA TIEDOWN-TV, STRAP ON FEMALE END IS 22.8" LONG
	089717-02-000	EA TIEDOWN-TV, STRAP ON FEMALE END IS 28.7" LONG

**AUDIO VIDEO GROUP (CONTINUED)**

**1993 ITASCA  
TABLE OF CONTENTS**

INTRODUCTION	A-01 -	A-02
ABBREVIATIONS		A-03
ALPHABETICAL INDEX	A-04 -	A-08
ICF33RQ	A-07 -	F-10



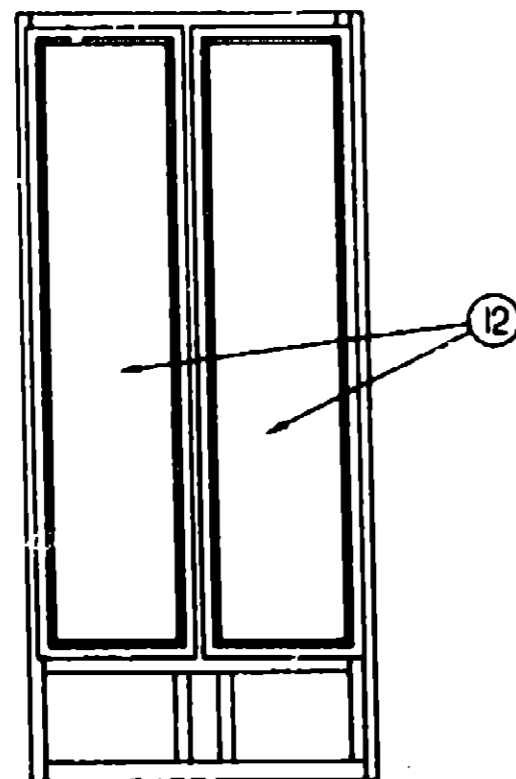
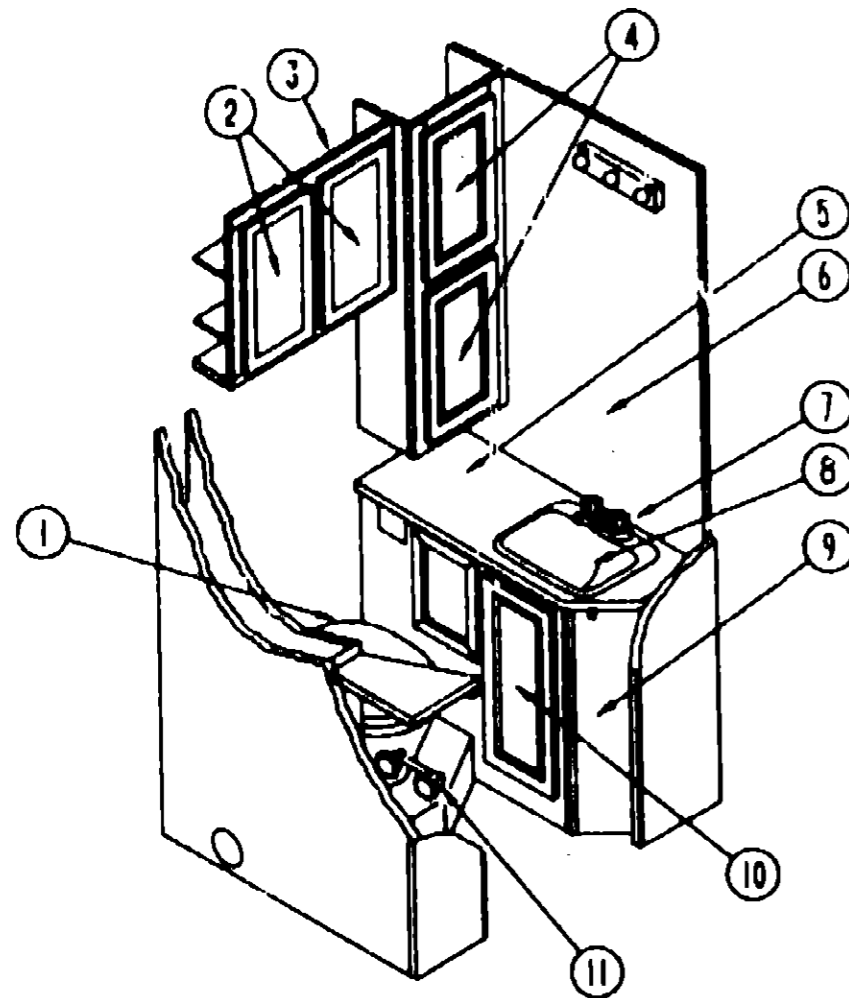
**TV ANTENNA**

KEY	PART NUMBER	U/M DESCRIPTION
1	076319-01-000	EA ANTENNA-TV, ROOF MOUNT - 44.5" MAST - RVA W02
2	076319-01-700	EA HEAD-ANTENNA, AMPLIFIED - WINEGARD# RVSA UV
3	076319-01-701	EA GEAR-ELEVATING, PLASTIC - WINEGARD# 2200046
4	076319-01-702	EA SHAFT ASM-ELEVATING, WINEGARD# RVP-400A
5	076319-01-711	EA BASE & LIFT ASM - 2762802
6	076319-01-706	EA CRANK-ELEVATING, W/SET SCREW - WINEGARD# 5755100
7	076319-01-705	EA GROMMET-NYLON, 7/8" ID - WINEGARD# 3200650
8	076319-01-708	EA CRANK COVER DECAL, WINEGARD# 5413002
9	076319-01-707	EA SPRING-HANDLE, WINEGARD# 5180800
10	076319-01-709	EA PLATE-DIRECTIONAL, FOR HEAD - WINEGARD # 3200644
11	076319-01-712	EA PLATE-CEILING, WINEGARD# 3200808
12	076319-01-704	EA BEARING-NYLON, 1.25" OD - WINEGARD# 3200657
13	076319-01-713	EA PLATE-BASE, WINEGARD# 3100523
14	076319-01-703	EA BEARING-NYLON, 5" OD - WINEGARD# 3200656
15	076319-01-714	EA HOUSING, ROTATING GEAR - 2200049

**1993 ICF33RQ INDEX**

FLOOR PLAN	A-07 -	A-08
ACCESSORIES		A-09
AUDIO VIDEO	A-10 -	A-12
BATH	A-13 -	A-15
BEDROOM	A-16 -	A-18
CHASSIS	A-19 -	B-07
CURTAIN & CUSHION	B-08 -	B-18
DINETTE	B-19 -	B-20
DRIVERS COMPARTMENT	B-21 -	C-02
ELECTRICAL	C-03 -	C-10
EXTERIOR BODY	C-11 -	C-18
GALLEY	C-19 -	C-23
GENERATOR	C-24 -	D-01
HEATING & AC	D-02 -	D-08
INTERIOR FINISH	D-09 -	D-12
LABELS	D-13 -	D-21
LP		D-22
LOUNGE	D-23 -	E-02
SEALANTS & FASTENERS	E-03 -	E-06
WATER & SEWAGE	E-07 -	E-12
WINDOW, VENT AND		
EXTERIOR DOOR	E-13 -	F-08
WINDSHIELDWIPER	F-09 -	F-10

**BATH GROUP**  
**BATHROOM CABINET & COMPONENTS**



KEY	PART NUMBER	U/M	DESCRIPTION
1	067487-02-000	EA	TOILET-12.37", IVORY - FOOT FLUSH - THETFORD
	063740-01-700	EA	LEVEL-WATER, THETFORD 12514
	063740-01-706	EA	BOLT PACKAGE-CLOSET, THETFORD 12524
	063740-01-710	EA	LINK, THETFORD 12513
	063740-01-713	EA	SEAL-BALL VALVE TO BOWL, THETFORD 12502
	063740-01-714	EA	VALVE ASM-WATER, THETFORD 12492
	063740-01-717	EA	TUBE FLUSH, TOILET - THETFORD 12509
	063740-02-700	EA	SEAT & COVER, PARCHMENT - THETFORD 20829
	024876-01-000	EA	FLANGE-CLOSET, TOILET - 4" X 3" - RED
	024876-02-000	EA	FLANGE-CLOSET, TOILET - 4" X 3" - ABS - CANADIAN
	2	P04746-08-D09	EA
058331-71-000		EA	MIRROR-GLASS, SAFETY - 202 X500
3	P03771-01-C05	EA	CABINET ASM-LINEN
	P04746-14-D09	EA	DOOR-W/O HARDWARE - 285 X 500
5	100013-11-D32	EA	COUNTERTOP ASM
	058331-51-000	EA	MIRROR-GLASS, SAFETY - 660 X 1016MM
7	075240-06-000	EA	FAUCET-LAVATORY, BONE
	091253-01-000	EA	GASKET-FAUCET, LAVATORY/GALLEY
	096927-01-01A	EA	SINK-LAVATORY, RECTANGULAR - PLASTIC - BONE
	096927-01-700	EA	SINK-STOPPER
9	096927-01-701	EA	TAILPIECE-SINK
	P00013-01-D32	EA	CABINET ASM-LAVATORY
10	P04746-54-D32	EA	DOOR-W/O HARDWARE - 285 X 500
	075452-02-000	EA	HOLDER-TOILET TISSUE, BRASS
11	075453-02-000	EA	BAR-TOWEL, 18" BRASS
	100357-01-000	EA	ROD-TOWEL, BRASS W/ENDS BENT FOR BACK OF BATH DOOR
	102089-13-B07	EA	WOOD RAIL - TOWEL RACK - RIGHT SIDE - 26" LONG
	102089-14-B07	EA	WOOD RAIL - TOWEL RACK - LEFT SIDE - 26" LONG
	M87868-10-C05	EA	DOOR-CABINET BATH
	094485-01-01A	EA	KNOB-DOOR, POLISHED BRASS
	094485-02-01A	EA	KNOB-DOOR, BRASS
	102920-01-01A	EA	HINGE-DOOR, SPRING LOADED - BRASS
12	064467-01-000	EA	GUIDE-POCKET, SLIDING DOOR - WALL MOUNTED
	104013-02-C05	EA	DOOR ASM-SLIDING
	103674-01-000	EA	HANGER-SLIDING DOOR
	P04746-49-D32	EA	DOOR-WARDROBE, W/O HARDWARE - 410 X 1660

FROM: 00-00-00 THRU: 09-23-92

FROM: 09-24-92 THRU: 99-99-99

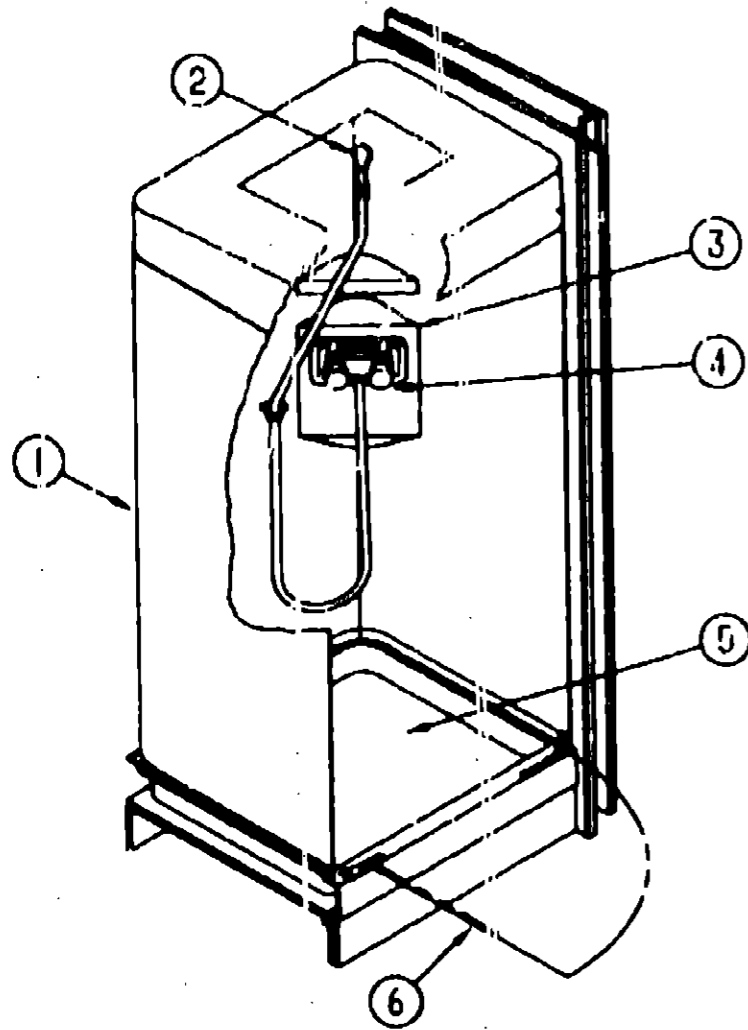
**1993 ITASCA**  
**TABLE OF CONTENTS**

INTRODUCTION	A-01 -	A-02
ABBREVIATIONS		A-03
ALPHABETICAL INDEX	A-04 -	A-08
ICF33RQ	A-07 -	F-10

**1993 ICF33RQ INDEX**

FLOOR PLAN	A-07 -	A-08
ACCESSORIES		A-09
AUDIO VIDEO	A-10 -	A-12
BATH	A-13 -	A-15
BEDROOM	A-16 -	A-18
CHASSIS	A-19 -	B-07
CURTAIN & CUSHION	B-08 -	B-18
DINETTE	B-19 -	B-20
DRIVERS COMPARTMENT	B-21 -	C-02
ELECTRICAL	C-03 -	C-10
EXTERIOR BODY	C-11 -	C-18
GALLEY	C-19 -	C-23
GENERATOR	C-24 -	D-01
HEATING & AC	D-02 -	D-08
INTERIOR FINISH	D-09 -	D-12
LABELS	D-13 -	D-21
LP		D-22
LOUNGE	D-23 -	E-02
SEALANTS & FASTENERS	E-03 -	E-08
WATER & SEWAGE	E-07 -	E-12
WINDOW, VENT AND		
EXTERIOR DOOR	E-13 -	F-08
WINDSHIELDWIPER	F-09 -	F-10

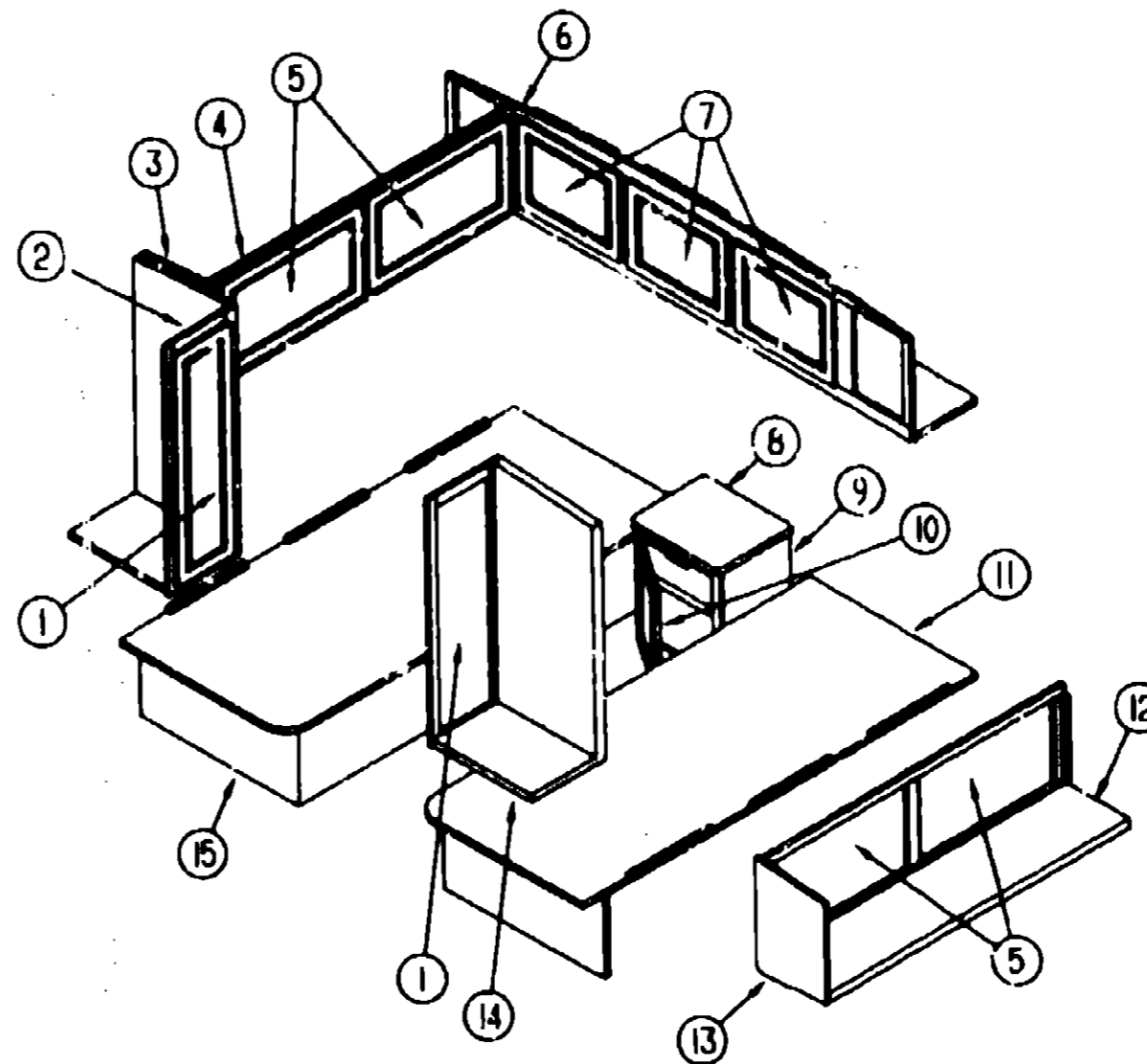
**BATH GROUP (CONTINUED)**



**SHOWER & COMPONENTS**

KEY	PART NUMBER	U/M DESCRIPTION
1	101805-01-01A	EA SURROUND-SHOWER OFF WHITE
2	103092-02-000	EA SHOWER HEAD-W/HOSE - CANADIAN
	103092-01-000	EA SHOWER HEAD-W/60" HOSE - US
	103092-01-700	EA BRACKET ONLY-CLEAR, F/SHOWER HEAD - 2328028
	093527-02-000	EA BRACKET-SQUEEGEE/SHOWER HEAD
FROM: 10-02-92 THRU: 99-99-99		
3	075608-01-000	EA PANEL-FAUCET BACK, SHOWER - 5" X 9" - PLASTIC
4	075241-05-000	EA FAUCET-SHOWER, BONE
5	M02429-07-000	EA PAN-SHOWER
	066436-01-000	EA NUT-SLIP, TAILPIECE - 1.5"
	066440-01-000	EA STRAINER-SHOWER, W/RUBBER WASHER
6	069318-01-000	EA DOOR-SHOWER, HINGED - W/GOLD FRAME - PLASTIC - 29.8" WIDE
	069318-02-000	EA JAMB-EXPANDER
	069318-01-700	EA STRAP F/SHOWER DOOR
	069318-01-701	EA VINYL SWEEP
	069318-01-702	EA BUSHING W/ARM
	092574-01-703	EA GOLD DOOR PULL
	092574-01-704	EA SCREW-GOLD, #6 3/8 - COASTAL 63RG
	092574-01-705	EA MAGNETIC STRIP - 56.9" - COASTAL 96-41
	092574-01-707	EA PIVOT BUSHING - 18712B
	057671-01-000	EA COVER-SCREW, #3 - PLASTIC - OFF WHITE

**BEDROOM GROUP**



**TWIN BEDROOM CABINETRY**

KEY	PART NUMBER	U/M DESCRIPTION
1	P04746-27-D32	EA DOOR ASM-W/O HARDWARE - 305 X 1015
2	106307-01-C05	EA CABINET ASM-SHIRT CLOSET, W/O DOORS & HARDWARE
3	103128-02-C05	EA CAP ASM-END, OVERHEAD
4	P06587-01-D32	EA CABINET ASM-OVERHEAD, REAR, W/O DOORS & HARDWARE
5	P04746-03-D32	EA DOOR ASM-W/O HARDWARE - 400 X 710
6	P08814-01-D32	EA CABINET ASM-OVERHEAD REAR, W/O DOORS & HARDWARE
7	P04746-05-D32	EA DOOR ASM. W/DECORATIVE MIRROR INSERT - 15.74" X 20.47"
8	103778-11-D32	EA COUNTERTOP ASM
9	103770-01-D32	EA CABINET ASM-NIGHTSTAND, W/O DOORS & HARDWARE
10	P04746-16-D32	EA DOOR ASM-W/O HARDWARE - 385 X 455
11	P06305-01-C05	EA CABINET ASM-BED, TWIN LEFT
12	P06587-02-D32	EA CABINET ASM-OVERHEAD, W/O DOORS & HARDWARE
13	103128-01-C05	EA CAP ASM-END, OVERHEAD
14	106316-01-C05	EA CABINET ASM-SHIRT CLOSET, W/O DOORS & HARDWARE
15	P06304-01-C05	EA CABINET ASM-BED, TWIN RIGHT

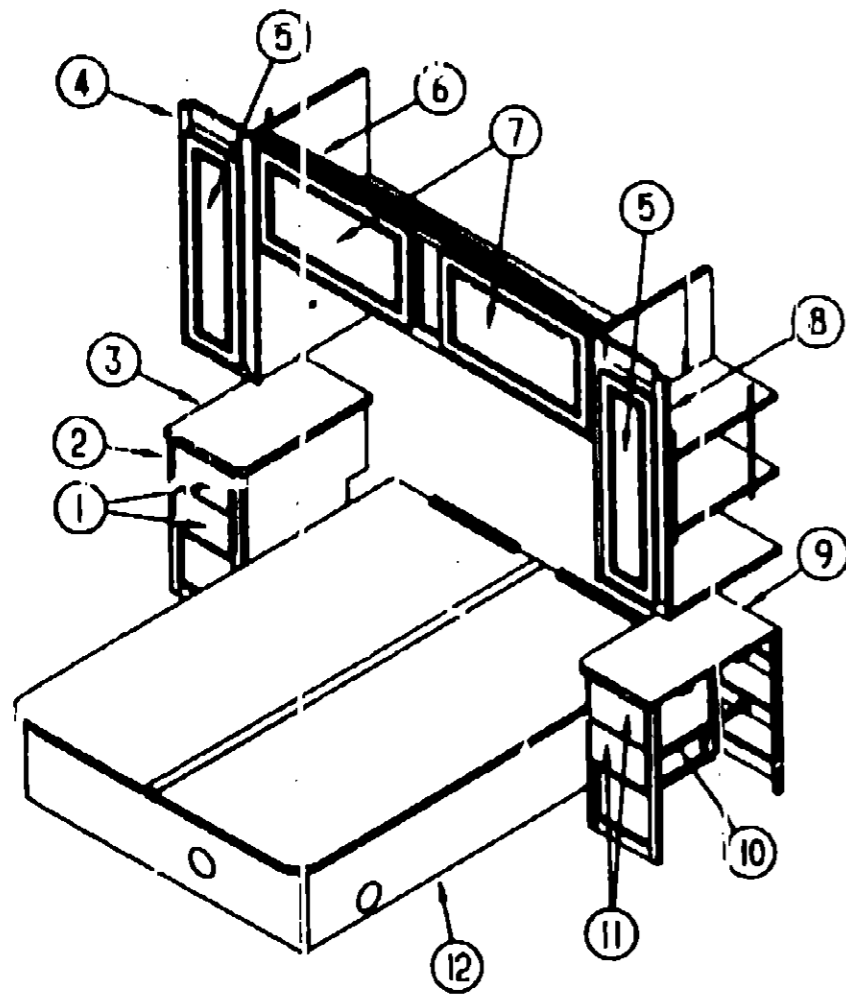
**1993 ITASCA  
TABLE OF CONTENTS**

INTRODUCTION	A-01 - A-02
ABBREVIATIONS	A-03
ALPHABETICAL INDEX	A-04 - A-06
ICF33RQ	A-07 - F-10

**1993 ICF33RQ INDEX**

FLOOR PLAN	A-07 - A-08
ACCESSORIES	A-09
AUDIO VIDEO	A-10 - A-12
BATH	A-13 - A-15
BEDROOM	A-16 - A-18
CHASSIS	A-19 - B-07
CURTAIN & CUSHION	B-08 - B-18
DINETTE	B-19 - B-20
DRIVERS COMPARTMENT	B-21 - C-02
ELECTRICAL	C-03 - C-10
EXTERIOR BODY	C-11 - C-18
GALLEY	C-19 - C-23
GENERATOR	C-24 - D-01
HEATING & A/C	D-02 - D-08
INTERIOR FINISH	D-09 - D-12
LABELS	D-13 - D-21
LP	D-22
LOUNGE	D-23 - E-02
SEALANTS & FASTENERS	E-03 - E-06
WATER & SEWAGE	E-07 - E-12
WINDOW, VENT AND EXTERIOR DOOR	E-13 - F-08
WINDSHIELDWIPER	F-09 - F-10

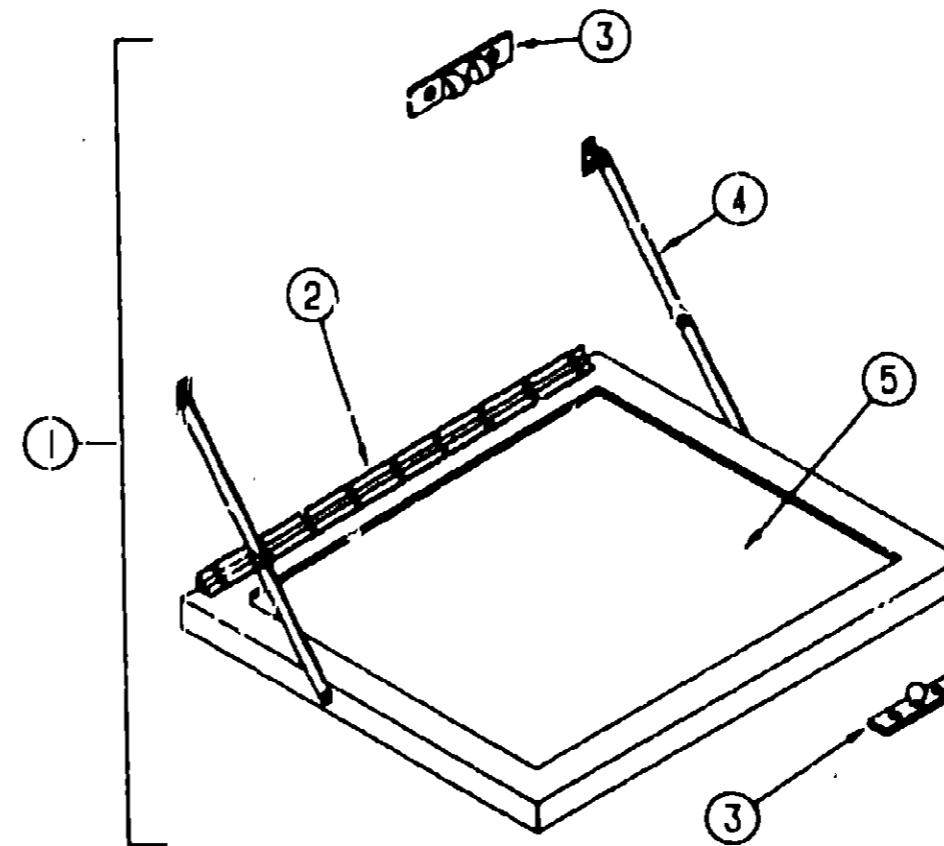
**BEDROOM GROUP (CONTINUED)**



**QUEEN BEDROOM CABINERY**

KEY	PART NUMBER	U/M DESCRIPTION
1	P07104-A3-D32	EA DRAWER COMPLETE-SLIDE, OGEE - 155 X 288
2	M05770-01-D32	EA CABINET ASM-NIGHTSTAND, W/O DOORS & HARDWARE
	M05770-02-D32	EA CABINET ASM-NIGHTSTAND W/EXTERIOR SHOWER
3	106306-11-D32	EA COUNTERTOP ASM
4	106621-01-C05	EA CABINET ASM-OVERHEAD, REAR - RIGHT
5	P04746-84-D32	EA DOOR ASM-W/O HARDWARE - 250 X 850
6	P06623-01-D32	EA CABINET ASM-OVERHEAD, REAR
7	P04746-04-D32	EA DOOR ASM - W/O HARDWARE - 400 X 710
8	106622-01-C05	EA CABINET ASM-OVERHEAD, REAR - LEFT
9	104382-11-D32	EA COUNTERTOP ASM
10	104382-01-D32	EA CABINET ASM-NIGHTSTAND, W/O DOORS & HARDWARE
11	P07104-88-D32	EA DRAWER COMPLETE-SLIDE, OGEE - 155 X 288
12	P06303-01-C05	EA CABINET ASM-BED, QUEEN
	107540-01-000	EA BRACKET - 90 DEGREE, GAS SPRING - SPRING L SL58RP1
	107541-01-000	EA BRACKET-FLAT, GAS SPRING - SPRING L SL40P1
	068076-03-000	EA SUPPORT-BED, CHANNEL - 1.96" X 72.7" - ALUMINUM - BEIGE

**BEDROOM GROUP (CONTINUED)**



**TV STAND**

KEY	PART NUMBER	U/M DESCRIPTION
1	084357-02-W24	EA STAND-FOLD DOWN, TV - W/MIRROR
2	084413-01-000	EA HINGE-CONTINUOUS, W/O LFS
3	084451-01-000	EA CATCH-TV SHELF, BRASS
4	084412-01-000	EA SUPPORT-HINGED (PAIR)
5	084356-06-000	EA INSERT-TV STAND, W/SUPPORT HINGE - METAL - OFF WHITE
5	058331-14-000	EA MIRROR-GLASS, SAFETY - 14" X 12.7"

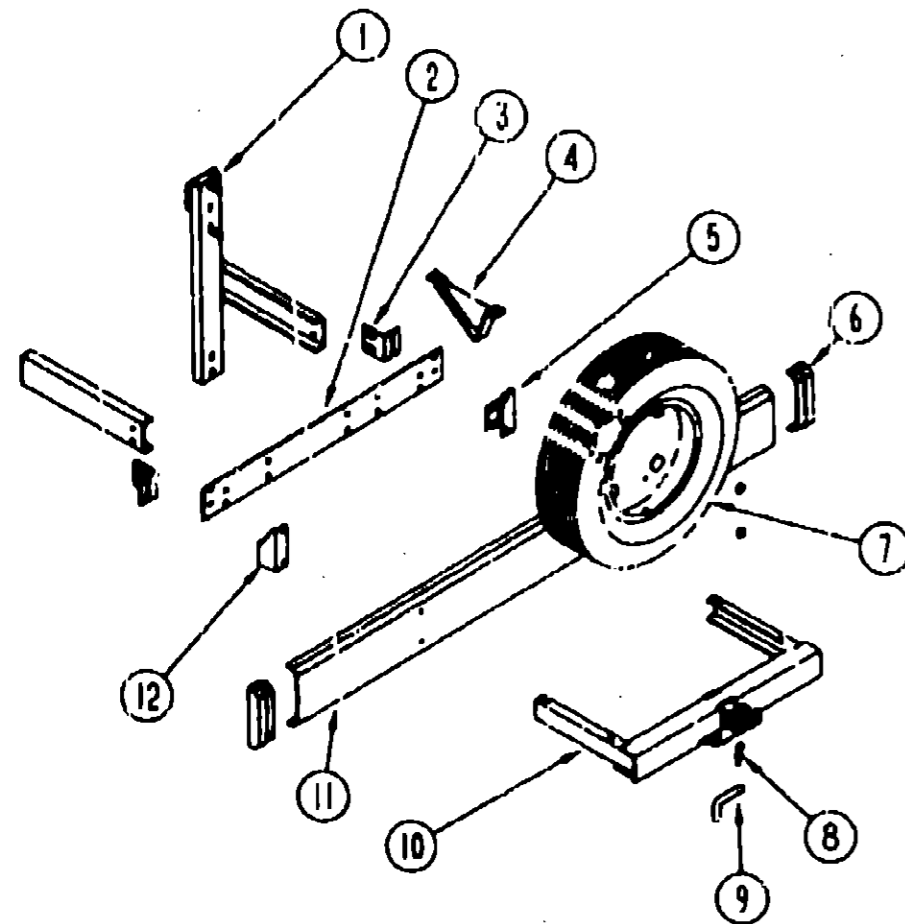
**1993 ITASCA  
TABLE OF CONTENT'S**

INTRODUCTION	A-01 -	A-12
ABBREVIATIONS		A-13
ALPHABETICAL INDEX	A-04 -	A-18
ICF33RQ	A-07 -	F-10

**1993 ICF33RQ INDEX**

FLOOR PLAN	A-07 -	A-08
ACCESSORIES		A-09
AUDIO VIDEO	A-10 -	A-12
BATH	A-13 -	A-15
BEDROOM	A-18 -	A-18
CHASSIS	A-19 -	B-07
CURTAIN & CUSHION	B-03 -	B-18
DINETTE	S-19 -	B-20
DRIVERS COMPARTMENT	B-21 -	C-02
ELECTRICAL	C-03 -	C-10
EXTERIOR BODY	C-11 -	C-18
GALLEY	C-19 -	C-23
GENERATOR	C-24 -	D-01
HEATING & A/C	D-02 -	D-08
INTERIOR FINISH	D-09 -	D-12
LABELS	D-13 -	D-21
LP		D-22
Lounge	D-23 -	E-02
SEALANTS & FASTENERS	E-03 -	E-06
WATER & SEWAGE	F-07 -	E-12
WINDOW, VENT AND		
EXTERIOR DOOR	E-13 -	F-08
WINDSHIELD/WIPER	F-09 -	F-10

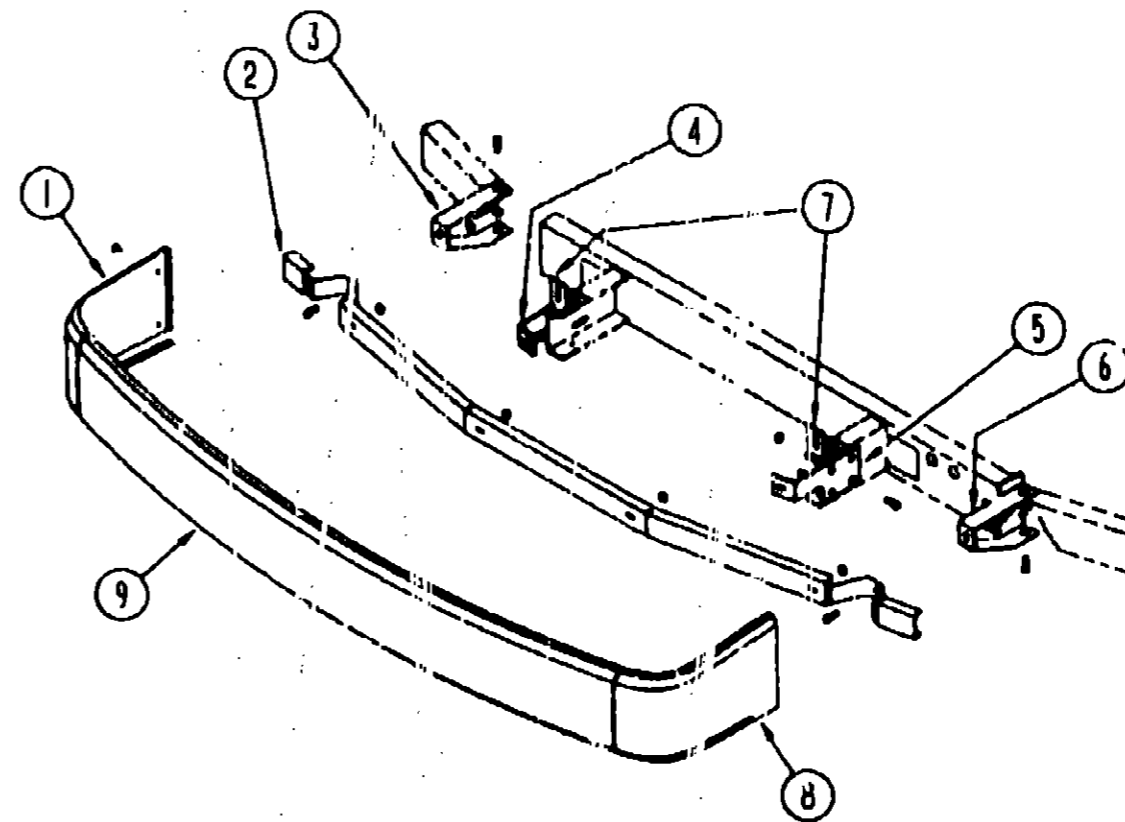
### CHASSIS GROUP



#### REAR BUMPER, TRAILER HITCH & COMPONENTS

KEY	PART NUMBER	U/M	DESCRIPTION
1	102944-01-000	EA	BRACKET ASM-TIRE CARRIER
2	078678-02-000	EA	PLATE-MOUNTING, BUMPER - REAR
3	078668-01-000	EA	SUPPORT ANGLE-BUMPER, REAR
4	083376-01-000	EA	SKID PLATE
5	102945-03-000	EA	BRACKET ASM-BUMPER, REAR
6	103228-01-03A	EA	CAP-END, BUMPER - REAR - ASH GRAY - DR. OR PASS. SIDE
	094362-02-000	EA	CLIP-CHRISTMAS TREE, FLAT HEAD - .5" X .95"
7	083425-07-000	EA	TIRE - 7.50 X R16 LRD, MICHELIN XPS RIB - GAS
7	007324-04-000	EA	TIRE - 8R10.5 LRD, MICHELIN XZA - DIESEL OPTION
	051377-01-000	EA	STEM-VALVE, TR 500 - DIESEL OPTION
	051377-03-000	EA	STEM-VALVE, TR 600HP - GAS
8	034513-01-000	EA	PIN-HITCH - 3/16 WIRE
9	034512-01-000	EA	PIN-LOCKING-DRAWBAR
10	077817-01-000	EA	HITCH ASM W/D DRAWBAR
11	103099-01-04A	EA	BUMPER-REAR, ASH GRAY
12	102945-04-000	EA	BRACKET ASM-BUMPER, REAR
	097744-02-000	EA	HOUSING-TRAILER PIN 48"
	097745-02-000	EA	HOUSING-RECEPTACLE, TRAILER - 48" WIRE LENGTH
	097746-01-000	EA	HOUSING-CAP

### CHASSIS GROUP (CONTINUED)



#### FRONT BUMPER

KEY	PART NUMBER	U/M	DESCRIPTION
1	103625-01-03A	EA	PANEL-FACIA, BUMPER - FRONT RIGHT - ASH GRAY
2	103512-01-000	EA	CHANNEL ASM-BUMPER
3	103497-01-000	EA	BRACE-BUMPER, FRONT
4	086140-03-000	EA	SUPPORT-FRONT BUMPER, PASSENGER SIDE - 9.1" X 4" - STEEL
5	086140-04-000	EA	SUPPORT-FRONT BUMPER, DRIVER SIDE - 9.1" X 4" - STEEL
6	103511-01-000	EA	BRACE-BUMPER, FRONT
7	103528-01-000	EA	BRACKET-FRONT, LOWER - MOUNTING
8	103625-02-03A	EA	PANEL-FACIA, BUMPER - FRONT LEFT - ASH GRAY
9	103634-01-D32	EA	BUMPER ASM-FRONT, W/RIGHT & LEFT FACIAS
9	103626-01-03A	EA	PANEL-FACIA, BUMPER - FRONT CENTER - ASH GRAY

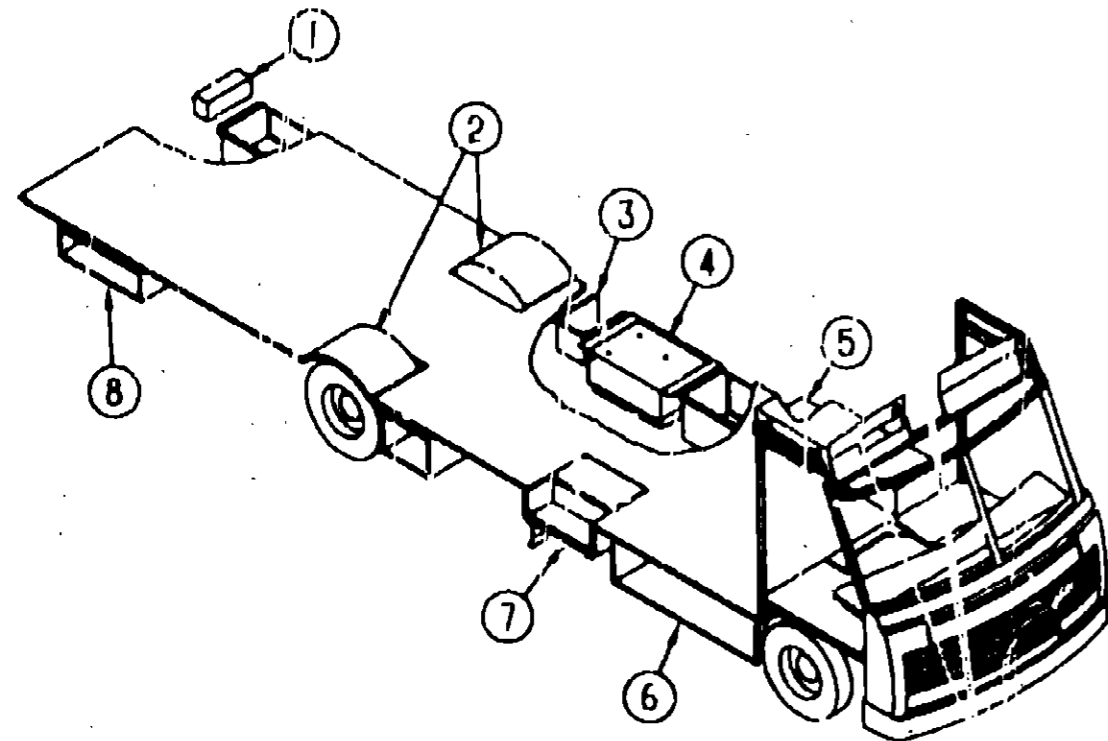
### 1993 ITASCA TABLE OF CONTENTS

INTRODUCTION	A-01 -	A-02
ABBREVIATIONS		A-03
ALPHABETICAL INDEX	A-04 -	A-06
ICF33RQ	A-07 -	F-10

### 1993 ICF33RQ INDEX

FLOOR PLAN	A-07 -	A-08
ACCESSORIES		A-09
AUDIO VIDEO	A-10 -	A-12
BATH	A-13 -	A-15
BEDROOM	A-16 -	A-18
CHASSIS	A-19 -	B-07
CURTAIN & CUSHION	B-08 -	B-18
DINETTE	B-19 -	B-20
DRIVERS COMPARTMENT	B-21 -	C-02
ELECTRICAL	C-03 -	C-10
EXTERIOR BODY	C-11 -	C-18
GALLEY	C-19 -	C-23
GENERATOR	C-24 -	D-01
HEATING & A/C	D-02 -	D-08
INTERIOR FINISH	D-09 -	D-12
LABELS	D-13 -	D-21
LP		D-22
LOUNGE	D-23 -	E-02
SEALANTS & FASTENERS	E-03 -	E-06
WATER & SEWAGE	E-07 -	E-12
WINDOW, VENT AND		
EXTERIOR DOOR	E-13 -	F-08
WINDSHIELD/WIPER	F-09 -	F-10

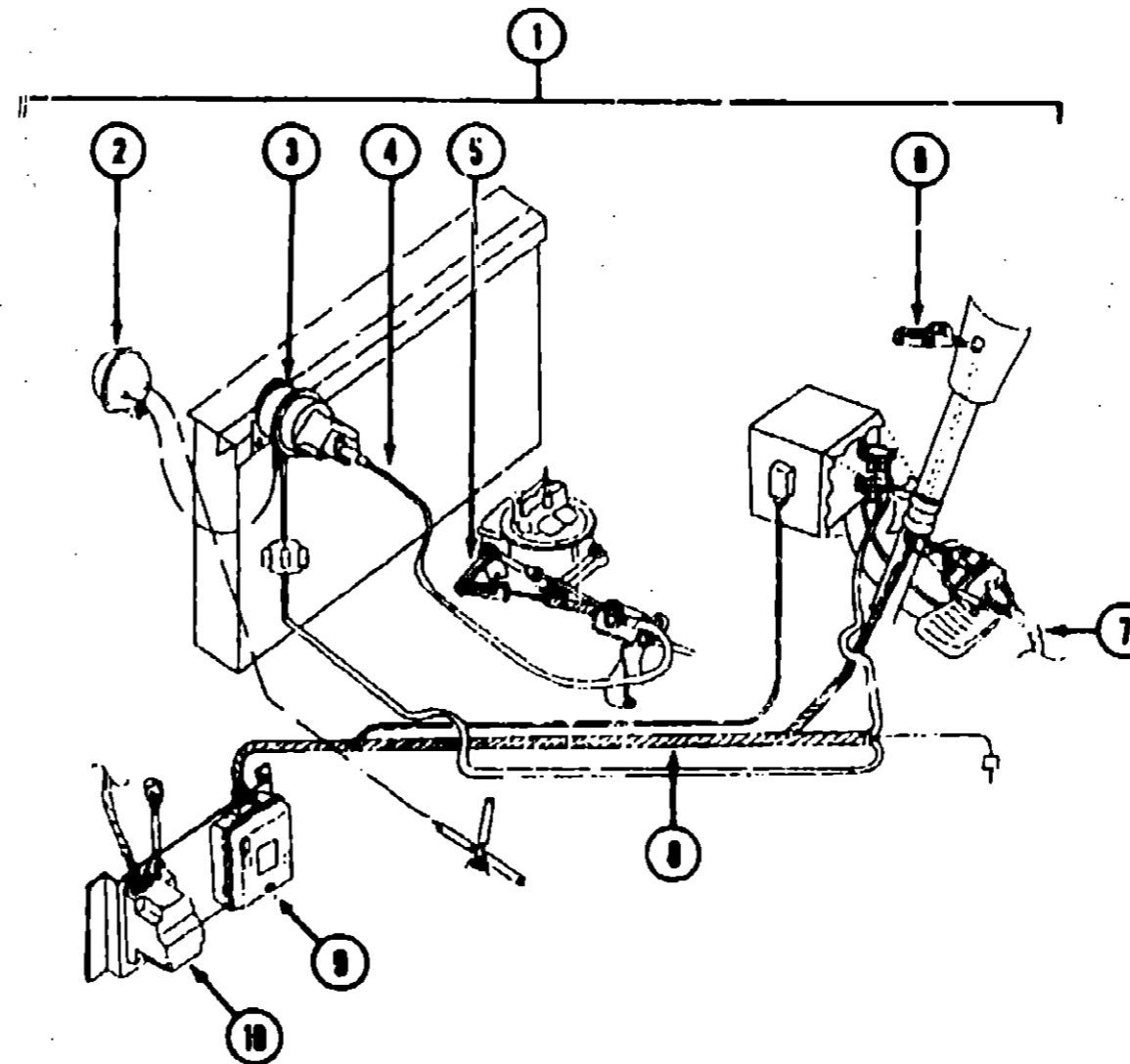
CHASSIS GROUP (CONTINUED)



STORAGE COMPARTMENTS & WHEELWELLS

KEY	PART NUMBER	U/M	DESCRIPTION
1	085067-01-000	EA	COMPARTMENT-SEWER HOSE, 6" X 6.6" X 17.8" - PLASTIC
2	102921-01-000	EA	WHEELWELL - PLASTIC
3	102979-01-000	EA	BOX-POWER CORD
4	078137-04-000	EA	TRAY-COMPARTMENT, GENERATOR - 29.1" WIDE X 22.4" DEEP
5	103038-02-000	EA	COMPARTMENT ASM-STORAGE
6	103032-07-000	EA	COMPARTMENT ASM-STORAGE
7	077848-02-000	EA	STEP-PULLOUT
	091176-01-000	EA	SUPPORT-BASE-ENTRANCE STEP
8	103032-08-000	EA	COMPARTMENT ASM-STORAGE
	104897-03-01A	EA	BOX-ENTERTAINMENT CENTER OFF WHITE
	104898-01-01A	EA	PLATE-PLASTIC BOTTOM - OFF WHITE
	106208-01-01A	EA	COMPARTMENT-EXTERIOR SHOWER, OFF WHITE - PLASTIC
	020167-04-000	EA	GUARD-DIRT
			FROM: 00-00-00 THRU: 08-26-92
	020167-05-000	EA	GUARD-DIRT
			FROM: 08-27-92 THRU: 99-99-99
	017518-01-000	EA	FLAP-MUD, 14" X 18" - BLACK
	086450-05-000	EA	TIEDOWN-BAATTERY, 8.4" TUBE
	080604-06-000	EA	TRAY-BAATTERY AUTO - W/TWO HEX NUTS - FORD

CHASSIS GROUP (CONTINUED)



SPEED CONTROL (GAS)  
FROM: 00-00-00 THRU: 10-18-92

KEY	PART NUMBER	U/M	DESCRIPTION
1	102362-01-000	EA	SPEED CONTROL-DANA 59L-111010B
2	094369-01-705	EA	VACUUM RESERVOIR - DANA 59C-02249
3	094369-01-706	EA	SERVO - DANA 53D-11116-R
4	102362-01-700	EA	CABLE ONLY-REPLACEMENT - DANA 59C-03001
5	102362-01-706	EA	THROTTLE STUD - DANA 59A-02979
6	102362-01-707	EA	CONTROL SWITCH & LEVER ASM - DANA 53D-08X63-F
7	102362-01-703	EA	HARNESS ASM-PIVOT SWITCH TO WIPER - DANA 59C-02973
8	102362-01-704	EA	HARNESS ASM-MAIN WIRING - DANA 59D-02975
9	102362-01-701	EA	REGULATOR ASM-ELECTRONIC - DANA 57C-08X13-R
10	102362-01-702	EA	WIPER CONTROL MODULE - DANA 66C-00061
	102362-01-705	EA	THROTTLE RETAINER CLIP - DANA 59A-02821
	094863-01-704	EA	HOUSING - 4 PIN - DANA 59C-02291

FROM: 10-18-92 THRU: 99-99-99

KEY	PART NUMBER	U/M	DESCRIPTION
1	102362-04-000	EA	SPEED CONTROL-DANA 59L-111022B
2	094369-01-705	EA	VACUUM RESERVOIR - DANA 59C-02249
3	094369-01-706	EA	SERVO - DANA 53D-11116-R
4	102362-01-700	EA	CABLE ONLY-REPLACEMENT - DANA 59C-03001
6	102362-01-707	EA	CONTROL SWITCH & LEVER ASM - DANA 53D-08X63-F
7	102362-01-703	EA	HARNESS ASM-PIVOT SWITCH TO WIPER - DANA 59C-02973
8	102362-01-704	EA	HARNESS ASM-MAIN WIRING - DANA 59D-02975
9	102362-01-701	EA	REGULATOR ASM-ELECTRONIC - DANA 57C-08X13-R
10	102362-01-702	EA	WIPER CONTROL MODULE - DANA 66C-00061
	102362-01-705	EA	THROTTLE RETAINER CLIP - DANA 59A-02821
	094863-01-704	EA	HOUSING - 4 PIN - DANA 59C-02291

1993 P/ASCA  
TABLE OF CONTENTS

INTRODUCTION	A-01	A-02
ABBREVIATIONS	A-03	A-03
ALPHABETICAL INDEX	A-04	A-08
ICF33RQ	A-07	F-10

1993 ICF33RQ INDEX

FLOOR PLAN	A-07	A-08
ACCESSORIES		A-09
AUDIO VIDEO	A-10	A-12
BATH	A-13	A-15
BEDROOM	A-16	A-18
CHASSIS	A-19	B-07
CURTAIN & CUSHION	B-08	B-18
DINETTE	B-19	B-20
DRIVERS COMPARTMENT	D-21	C-02
ELECTRICAL	C-03	C-10
EXTERIOR BODY	C-11	C-18
GALLEY	C-19	C-23
GENERATOR	C-24	D-01
HEATING & A/C	D-02	D-08
INTERIOR FINISH	D-09	D-12
LABELS	D-13	D-21
LP		D-22
LOUNGE	D-23	E-02
SEALANTS & FASTENERS	E-03	E-08
WATER & SEWAGE	E-07	E-12
WINDOW, VENT AND		
EXTERIOR DOOR	E-13	F-08
WINDSHIELD/WIPER	F-09	F-10



**CHASSIS GROUP (CONTINUED)**

**CHASSIS MISCELLANEOUS**

KEY	PART NUMBER	U/M DESCRIPTION
	055278-51-259	FT TUBING-STEEL, .75" X 1.5" X 150"
	085450-05-000	EA TIEDOWN-BATTERY, 0.4" TUBE - STEEL
	075307-03-000	EA SHIELD-HEAT, LP
	093719-01-000	EA HOSE-OIL FILL, PREFORMED 90 DEGREE BEND
	070579-08-000	EA PLATE-ANCHOR, W/7/16 WELD NUT - 1.5" X 3.3"
	077001-01-000	EA ANGLE-MOUNTING, ROOF PANEL - V ANGLE - 3" X 2.4" X 1.5"
	103136-01-000	EA BRACKET-SUPPORT, UPPER - HINGE - RIGHT
	103136-02-000	EA BRACKET-SUPPORT, UPPER - HINGE - LEFT
	008042-01-000	FT TUBING-VINYL, .85" ID
	020167-04-000	EA GUARD-DIRT
	020167-05-000	EA GUARD-DIRT
	078036-01-000	EA EXTENSION-FRAME, FRONT
	076310-01-000	EA BAFFLE-RADIATOR, .12" X 15" X 82" - RUBBER
	090208-01-000	EA LUG WRENCH, 1.06 X 1.00
	080208-02-000	EA BAR-LEVERAGE, LUG WRENCH
	080498-01-000	EA UNION-INVERTED FLARE, BRASS - 3/16 - 3/8 - 24 THD BRAKE LINE
	098351-01-000	EA CABLE-BRAKE, PARK - FORD CHASSIS
	105819-01-000	EA BRACKET-OVERFLOW BOTTLE - FORD
	095501-01-000	EA BRACKET-BRAKE, L-ANGLE W/GUSSET - STEEL - FORD MOUNTS BRAKE CABLE & SUPPORTS HOOD RELEASE CABLE
	095853-01-000	EA WHEEL-STEEL, 16"X 6K - E8TZ - 1015 - A - ACCURIDE 28375-12 FORD
	088497-02-000	EA NUT-INVERTED FLARE, 1/4"
	085771-03-000	EA NUT-HEX, FLARE PREVAILING TORQUE - GRADE G DRIVE SHAFT

FROM: 00-00-00 THRU: 08-26-92

FROM: 08-27-92 THRU: 99-99-99

**FRONT SHOCKS**

KEY	PART NUMBER	U/M DESCRIPTION
	104993-01-000	EA SHOCK ABSORBER-GAS, P30 FRONT - BILSTEIN B46-1173

**TIRE COVERS**

KEY	PART NUMBER	U/M DESCRIPTION
	104408-01-D32	EA COVER-TIRE, 32" - SUNRISE
	108163-01-01A	EA COVER ASM-TIRE, 16" CHEVY
	108560-02-01A	EA INSERT-TIRE COVER, 16" CHEVY
	108163-02-01A	EA COVER ASM-TIRE, 19.5" CHEVY
	108560-03-01A	EA INSERT-TIRE COVER, 19.5" CHEVY

**ELECTRIC STEP**

KEY	PART NUMBER	U/M DESCRIPTION
	075723-02-000	EA SPACER-SWITCH, W/HOLE - .2" X .9" X 2" - METAL - OFF WHITE FOR ELECTRIC STEP DOOR JAMB SWITCH
	094708-01-01A	EA STEP-ENTRY DOOR, ELECTRIC - SINGLE - KWIKEE 2813
	041250-01-000	EA SWITCH-PUSH BUTTON, IN DOOR JAMB - METAL - CHROME
	094707-02-700	EA MOTOR REPLACEMENT KIT - MODELS 32 & 28 - KWIKEE 9520
	094707-02-702	EA GEAR KIT - KWIKEE 9525
	094707-02-703	EA PARTS KIT, (BEARINGS & PINS) - KWIKEE 9530
	094707-02-704	EA CONNECTOR KIT-MOTOR, KWIKEE 9537
	094707-02-705	EA CONTROL UNIT, (ORANGE) - KWIKEE 9513
	094708-02-700	EA CONVERSION KIT 28 SERIES - 9570 KWIKEE
	094708-03-700	EA LINKAGE ASM F/28 SERIES - 9522

**LUG WRENCH & LEVERAGE BAR**

KEY	PART NUMBER	U/M DESCRIPTION
	080208-01-000	EA LUG WRENCH, 1.06 X 1.00
	080208-02-000	EA BAR-LEVERAGE, LUG WRENCH

**CHASSIS GROUP (CONTINUED)**

**WHEEL LINERS-CHROME 16 FORD**

KEY	PART NUMBER	U/M DESCRIPTION
	077030-02-000	EA EXTENSION-VALVE STEM, 1.25"
	091209-08-000	EA WHEEL LINER SET W/FRONT HUB COVER 16" SET OF 4
	091209-08-700	EA LINER-WHEEL, 16" FRONT W/AXLE COVER - 10 LUG - FORD
	091209-08-701	EA LINER-WHEEL, 16" REAR - 10 LUG - FORD
	091209-08-702	EA COVER-AXLE, 16" REAR - FORD
	091209-01-704	EA COVER-LUG NUT LUG NUT COVER - NO SHOULDER OF FLANGE AT BASE
	095012-03-000	EA EXTENSION-VALVE STEM, DUAL WHEEL

**WHEEL COVER FORD - 16"**

KEY	PART NUMBER	U/M DESCRIPTION
	098532-01-000	EA COVER-WHEEL, FORD - 16" - SET OF 4 - DICOR SH-SD-18
	098532-01-700	EA COVER-LUG NUT, FORD - CHROME - DICOR SP-FM-CLN
	098532-01-701	EA COVER-WHEEL, FORD - 16"

**WHEEL LINERS-CHROME 19.5" CHEVY**

KEY	PART NUMBER	U/M DESCRIPTION
	077030-02-000	EA EXTENSION-VALVE STEM, 1.25"
	091209-01-000	EA LINER-WHEEL, 19.5" - SST - SET OF 4 - KAPER 1954-10N
	091209-01-700	EA LINER-WHEEL, 19.5" FRONT - 10 LUG - CHEVY P-30
	091209-01-701	EA LINER-WHEEL, 19.5" REAR - 10 LUG - CHEVY P-30
	091209-01-702	EA COVER-AXLE, 19.5" FRONT - 10 LUG - CHEVY P-30
	091209-01-703	EA COVER-AXLE, 19.5" REAR - 10 LUG - CHEVY P-30
	091209-01-704	EA COVER-LUG NUT
	095012-03-000	EA EXTENSION-VALVE STEM, DUAL WHEEL

**FORD TIRE, WHEEL & STEM**

KEY	PART NUMBER	U/M DESCRIPTION
	051377-03-000	EA STEM-VALVE, TRD 600HP
	051377-05-000	EA VALVE STEM ASM-VS938 - EATON VS-938 F53-82
	093425-05-000	EA TIRE-MICHELIN, LT235/85R16 LRE - XPS RIB
	095853-01-000	EA WHEEL-STEEL, 16"X 6K - E8TZ - 1015 - A - ACCURIDE 28375-12 FORD #E8TZ-1015-A

**WHEEL COVER 19.5" CHEVY**

KEY	PART NUMBER	U/M DESCRIPTION
	083181-03-700	EA COVER-WHEEL, 19.5 - 10 LUG - CHEVY - 1 ONLY
	109443-01-000	EA COVER-WHEEL, 4/SET - 19.5" - W/HARDWARE - DICOR SHAG95
	109443-01-700	EA COVER-WHEEL, 19.5 (FRONT OR REAR) - 1 ONLY
	083181-12-000	EA RETAINER-WHEEL COVER, 19.5" CHEVY - SET OF 4 - DELMET
	083181-12-700	EA RETAINER-WHEEL COVER, FRONT - 19.5 CHEVY - DELMET
	083181-12-701	EA RETAINER-WHEEL COVER, REAR - 19.5 CHEVY - DELMET
	109443-01-701	EA SET-BRACKET, 1 FRONT WHEEL - SHAG95-FBS DICOR
	109443-01-702	EA SET-BRACKET, 1 REAR WHEEL - SHAG95-RBS DICOR
	109443-01-703	EA CAP-CENTER, HUB - DICOR SP-AUCAP

**CHEVY TIRE & STEM**

KEY	PART NUMBER	U/M DESCRIPTION
	007324-04-000	EA TIRE - 8R19.5 LRD, MICHELIN XZA
	051377-01-000	EA STEM-VALVE, TR 500

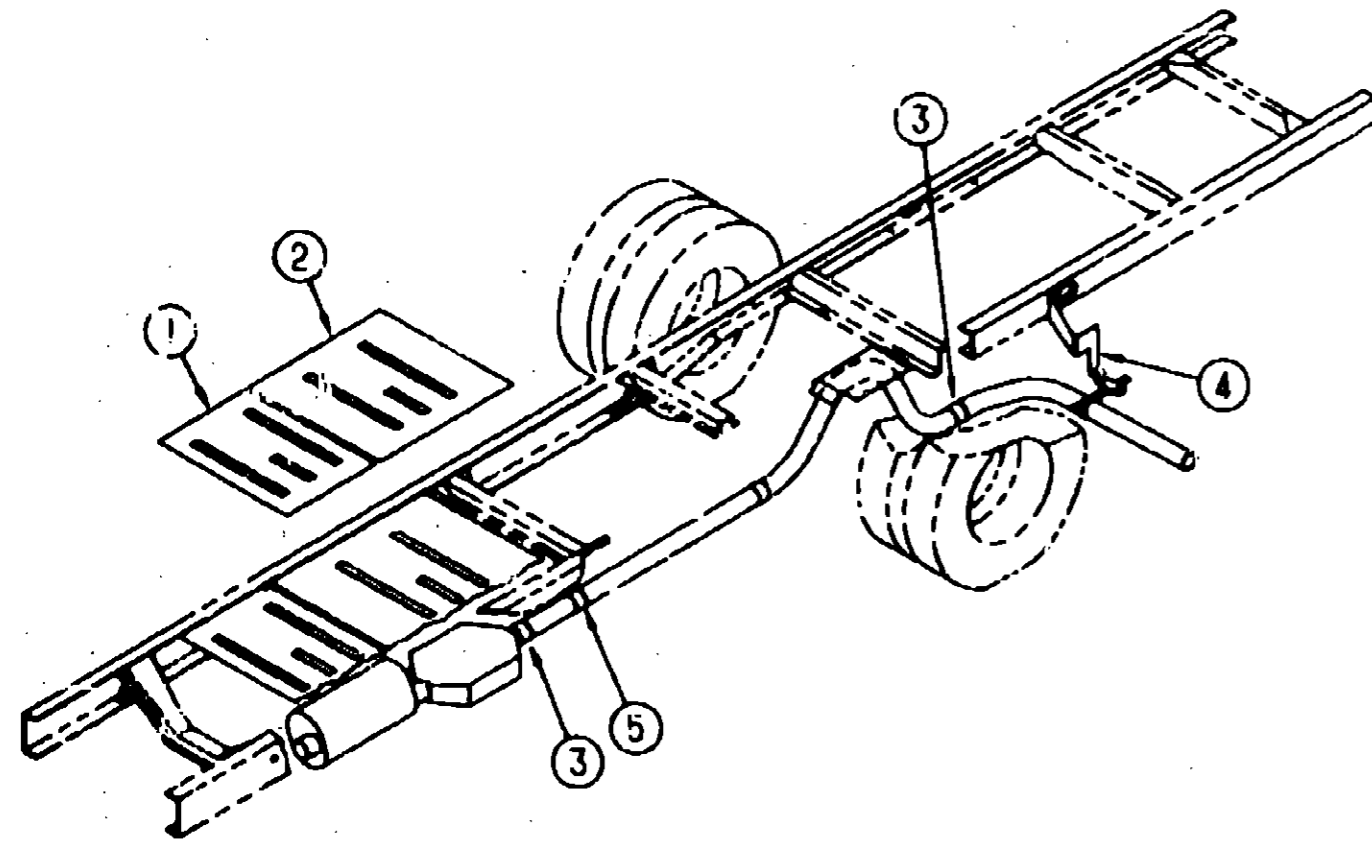
**1993 ITASCA  
TABLE OF CONTENTS**

INTRODUCTION	A-01 -	A-02
ABBREVIATIONS		A-03
ALPHABETICAL INDEX	A-04 -	A-06
ICF33RQ	A-07 -	F-10

**1993 ICF33RQ INDEX**

FLOOR PLAN	A-07 -	A-08
ACCESSORIES		A-09
AUDIO VIDE	A-10 -	A-12
BATH	A-13 -	A-15
BEDROOM	A-16 -	A-18
CHASSIS	A-19 -	B-07
CURTAIN & CUSHION	B-08 -	B-18
DINETTE	B-19 -	B-20
DRIVERS COMPARTMENT	B-21 -	C-02
ELECTRICAL	C-03 -	C-10
EXTERIOR BODY	C-11 -	C-18
GALLEY	C-19 -	C-23
GENERATOR	C-24 -	D-01
HEATING & A/C	D-02 -	D-08
INTERIOR FINISH	D-09 -	D-12
LABELS	D-13 -	D-21
LP		D-22
LOUNGE	D-23 -	E-02
SEALANTS & FASTENERS	E-03 -	E-08
WATER & SEWAGE	E-07 -	E-12
WINDOW, VENT AND		
EXTERIOR DOOR	E-13 -	F-08
WINDSHIELD/WIPER	F-09 -	F-10

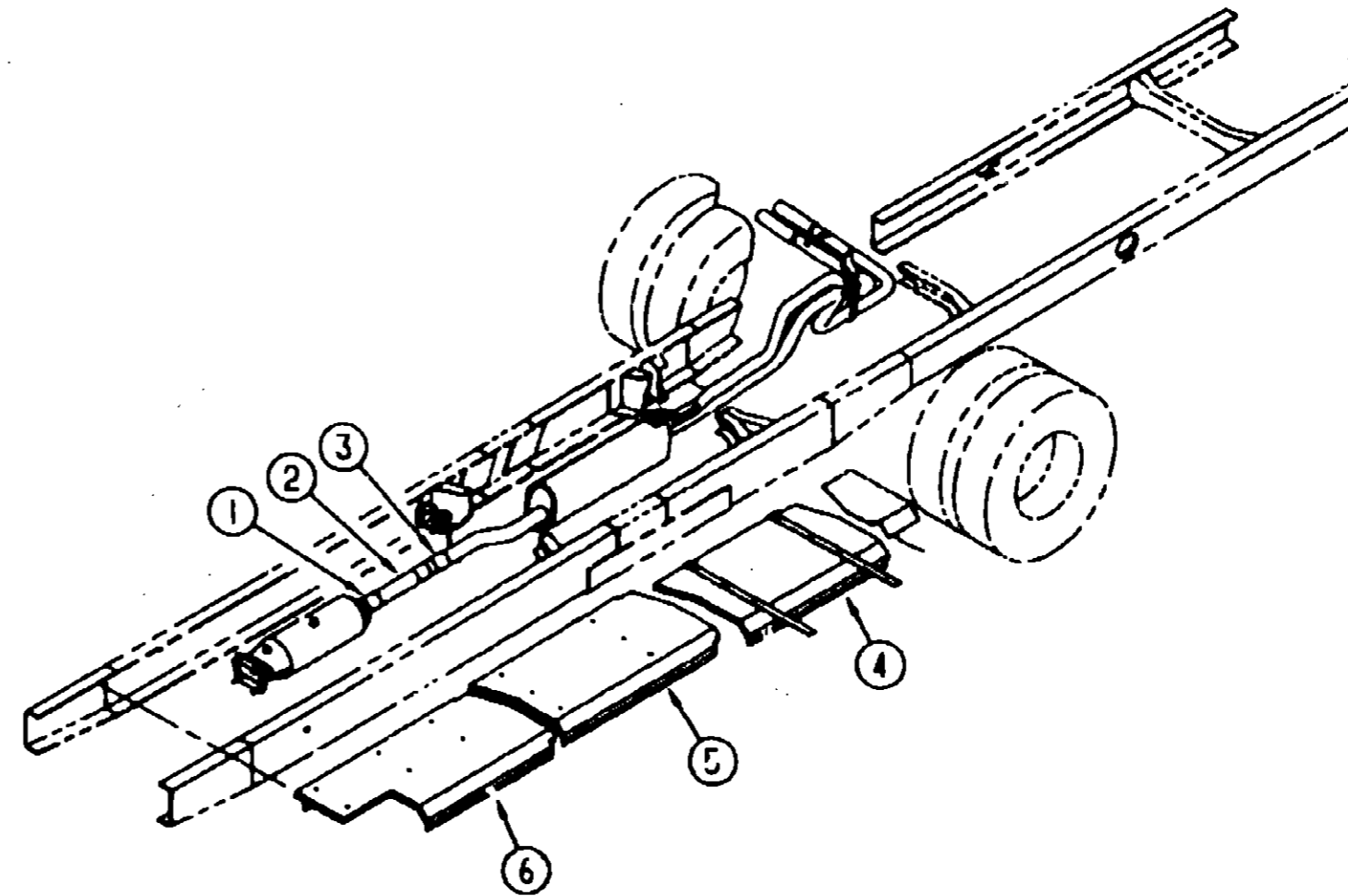
**CHASSIS GROUP (CONTINUED)**



**EXHAUST SYSTEM (CHEVY)**

KEY	PART NUMBER	U/M DESCRIPTION
1	101544-01-000	EA SHIELD-HEAT, EXHAUST - 19.7" X 28.9" - STEEL
2	101544-02-000	EA SHIELD-HEAT, EXHAUST - 30" X 28.9" - STEEL
3	094918-01-000	EA CLAMP-EXHAUST, 3" - GUILLOTINE STYLE
4	095190-01-000	EA HANGER-EXHAUST, 4" X 1.4"
	095222-02-000	EA BRACKET-EXHAUST, UPPER - W/BEND & NUTS
5	098808-02-000	EA PIPE-EXHAUST, SINGLE

**CHASSIS GROUP (CONTINUED)**



**EXHAUST SYSTEM (FORD)**

KEY	PART NUMBER	U/M DESCRIPTION
1	094918-03-000	EA CLAMP-EXHAUST, 2.5"
2	096753-02-000	EA PIPE-EXHAUST, FORD - 2.5" X 14.8"
3	108084-01-000	EA PIPE-EXHAUST, STRAIGHT - FORD 2.5 ID X 5"
4	098795-02-000	EA SHIELD-EXHAUST, 35.4" X 19.8" - GALVANIZED STEEL
5	098795-03-000	EA SHIELD-EXHAUST, CENTER - 49.5" X 19.8" - GALVANIZED STEEL
6	098795-01-000	EA SHIELD-EXHAUST, 41" X 19.8" - GALVANIZED STEEL
	098443-03-000	EA SUPPORT-SHIELD, EXHAUST - 1.5" X 23.2" - STEEL - PRIMED

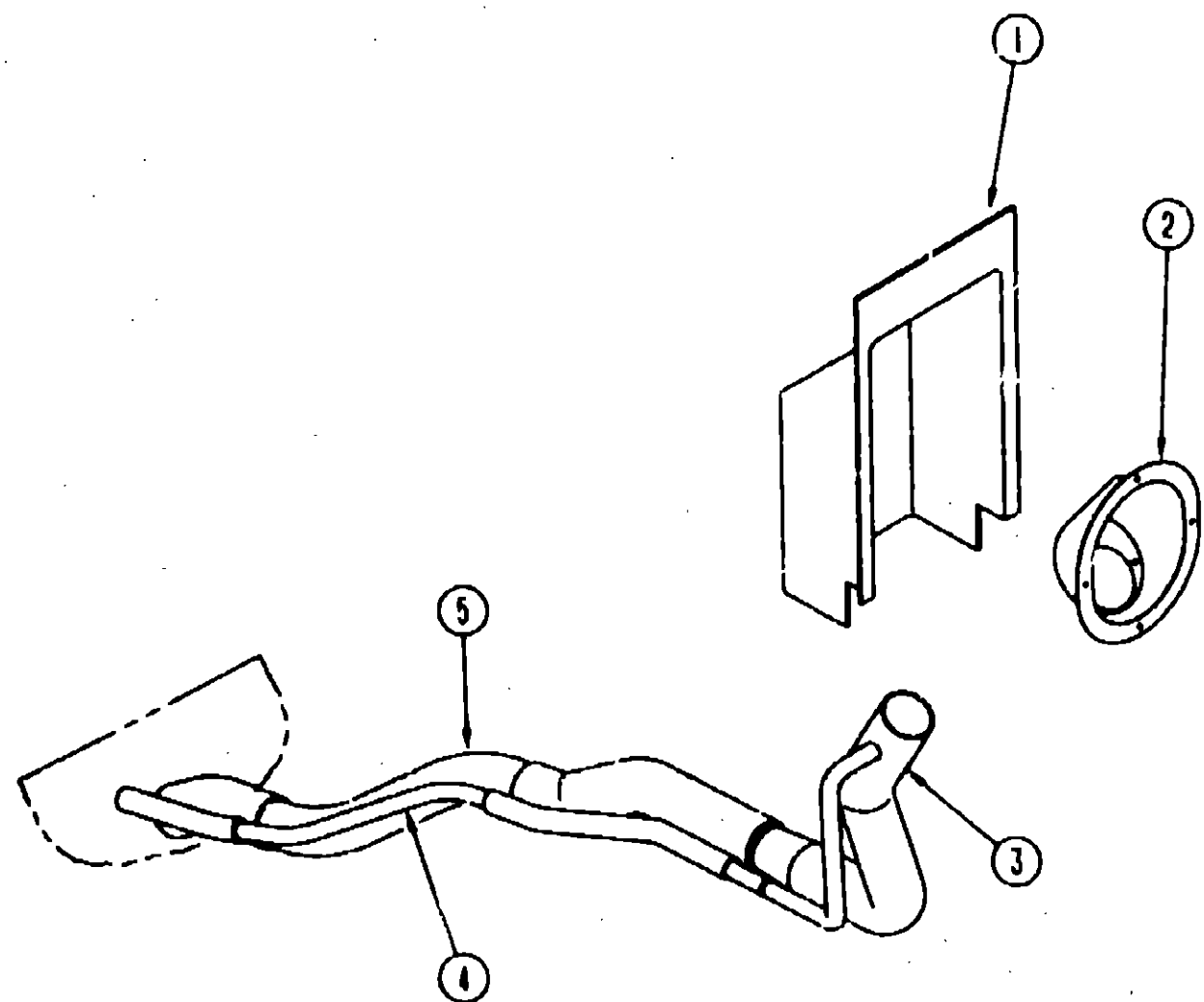
**1993 ITASCA  
TABLE OF CONTENTS**

INTRODUCTION	A-01 -	A-02
ABBREVIATIONS		A-03
ALPHABETICAL INDEX	A-04 -	A-06
ICF33RQ	A-07 -	F-10

**1993 ICF33RQ INDEX**

FLOOR PLAN	A-07 -	A-08
ACCESSORIES		A-09
AUDIO VIDEO	A-10 -	A-12
BATH	A-13 -	A-15
BEDROOM	A-16 -	A-18
CHASSIS	A-19 -	B-07
CURTAIN & CUSHION	B-08 -	B-18
DINETTE	B-19 -	B-20
DRIVERS COMPARTMENT	B-21 -	C-02
ELECTRICAL	C-03 -	C-10
EXTERIOR BODY	C-11 -	C-18
GALLEY	C-19 -	C-23
GENERATOR	C-24 -	D-01
HEATING & A/C	D-02 -	D-08
INTERIOR FINISH	D-09 -	D-12
LABELS	D-13 -	D-21
LP		D-22
LOUNGE	D-23 -	E-02
SEALANTS & FASTENERS	E-03 -	E-06
WATER & SEWAGE	E-07 -	E-12
WINDOW, VENT AND		
EXTERIOR DOOR	E-13 -	F-08
WINDSHIELDWIPER	F-09 -	F-10

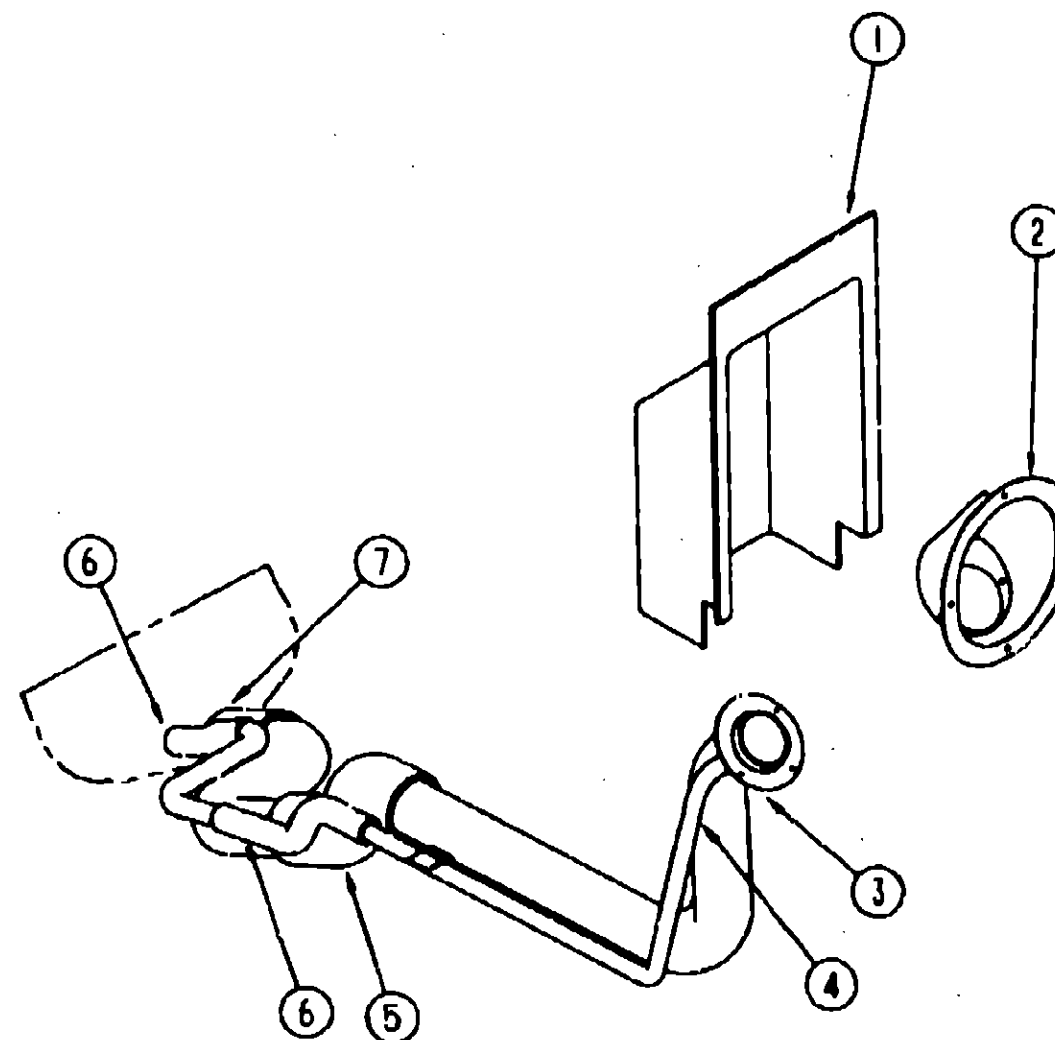
**CHASSIS GROUP (CONTINUED)**



**FUEL SYSTEM (CHEVY)**

KEY	PART NUMBER	U/M DESCRIPTION
1	072447-04-000	EA SHROUD-FUEL FILL, UPPER - PLASTIC
2	102951-01-04A	EA SHROUD-FUEL FILL - ASH GRAY
3	078200-01-000	EA GASKET-FUEL FILL, 3.5"OD X 2"ID
4	098804-01-000	EA PIPE-VENT, FUEL FILL - 12" LONG
5	098805-01-000	EA PIPE-FUEL, FUEL FILL - 11.4" LONG
	084884-01-000	EA PLUG-BRASS, 3/8"
	007083-01-000	FT HOSE-GAS 1/4"ID X 1/2"OD
	098779-01-000	EA COUPLER-FUEL LINE M14 X 1.5-6H - GM 15550219
	098779-02-000	EA COUPLER-FUEL LINE M16 X 1.5-6H
	0800R1-01-000	EA STRAP-MOUNTING, FUEL LINE - 2" X 32"

**CHASSIS GROUP (CONTINUED)**



**FUEL SYSTEM (FORD)**

KEY	PART NUMBER	U/M DESCRIPTION
1	072447-04-000	EA SHROUD-FUEL FILL, UPPER - PLASTIC
2	102951-01-04A	EA SHROUD-FUEL FILL, ASH GRAY
3	078200-01-000	EA GASKET-FUEL FILL, 3.5"OD X 2"ID
4	095606-01-000	EA NECK-FUEL FILL, W/CHECK VALVE - L-SHAPED - 18.2" LONG
5	100158-01-000	EA HOSE-FUEL FILL, 8.3" LONG W/2" ID
6	066732-03-000	FT HOSE-FUEL FILL, .75" ID
7	007111-02-000	EA HOSE-FUEL FILL, 2.00 ID - IN 3FT LENGTHS
	007063-01-000	FT HOSE-GAS 1/4"ID X 1/2"OD
	084884-01-000	EA PLUG-BRASS, 3/8"

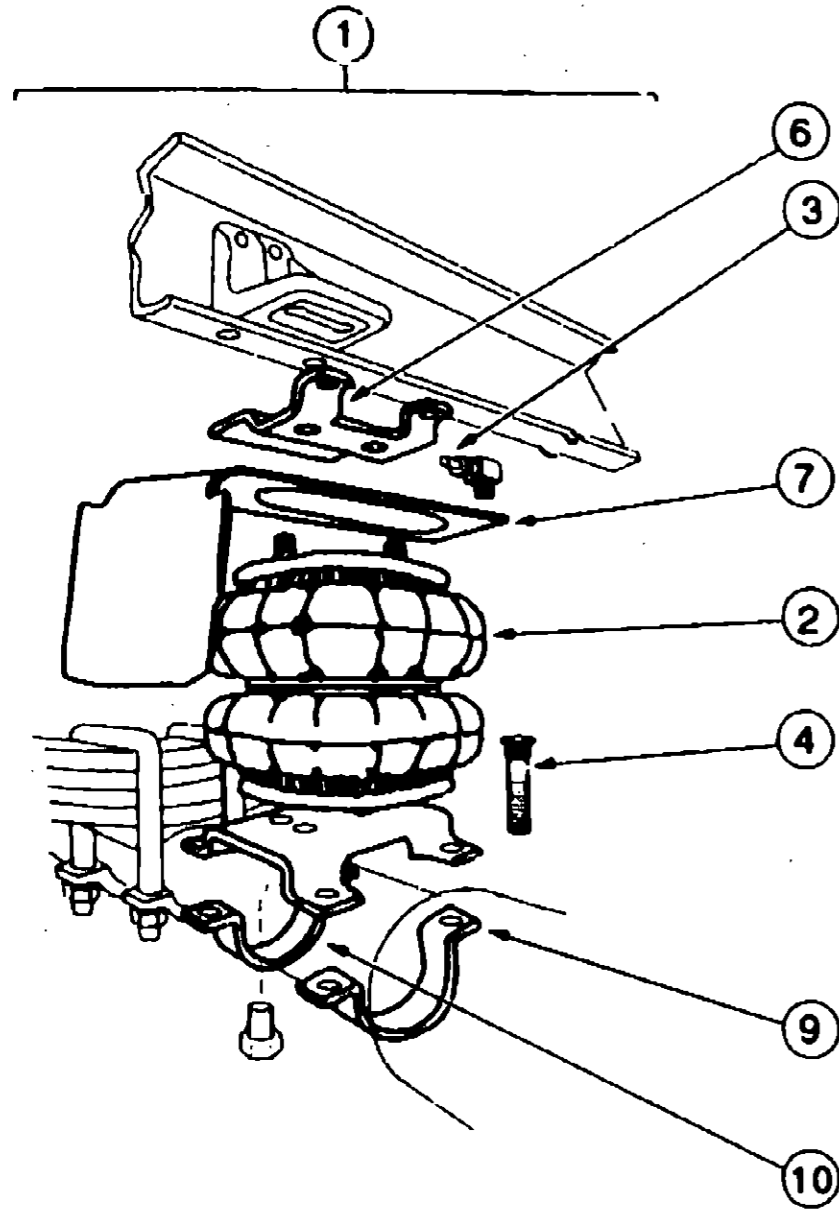
**1993 ITASCA  
TABLE OF CONTENTS**

INTRODUCTION	A-01	A-02
ABBREVIATIONS		A-03
ALPHABETICAL INDEX	A-04	A-08
ICF33RQ	A-07	F-10

**1993 ICF33RQ INDEX**

FLOOR PLAN	A-07	A-08
ACCESSORIES		A-09
AUDIO VIDEO	A-10	A-12
BATH	A-13	A-15
BEDROOM	A-16	A-18
CHASSIS	A-19	B-07
CURTAIN & CUSHION	B-08	B-18
DINETTE	B-19	B-20
DRIVERS COMPARTMENT	B-21	C-02
ELECTRICAL	C-03	C-10
EXTERIOR BODY	C-11	C-18
GALLEY	C-19	C-23
GENERATOR	C-24	D-01
HEATING & AC	D-02	D-08
INTERIOR FINISH	D-09	D-12
LABELS	D-13	D-21
LP		D-22
LOUNGE	D-23	E-02
SEALANTS & FASTENERS	E-03	E-08
WATER & SEWAGE	E-07	E-12
WINDOW, VENT AND		
EXTERIOR DOOR	E-13	F-08
WINDSHIELD/WIPER	F-09	F-10

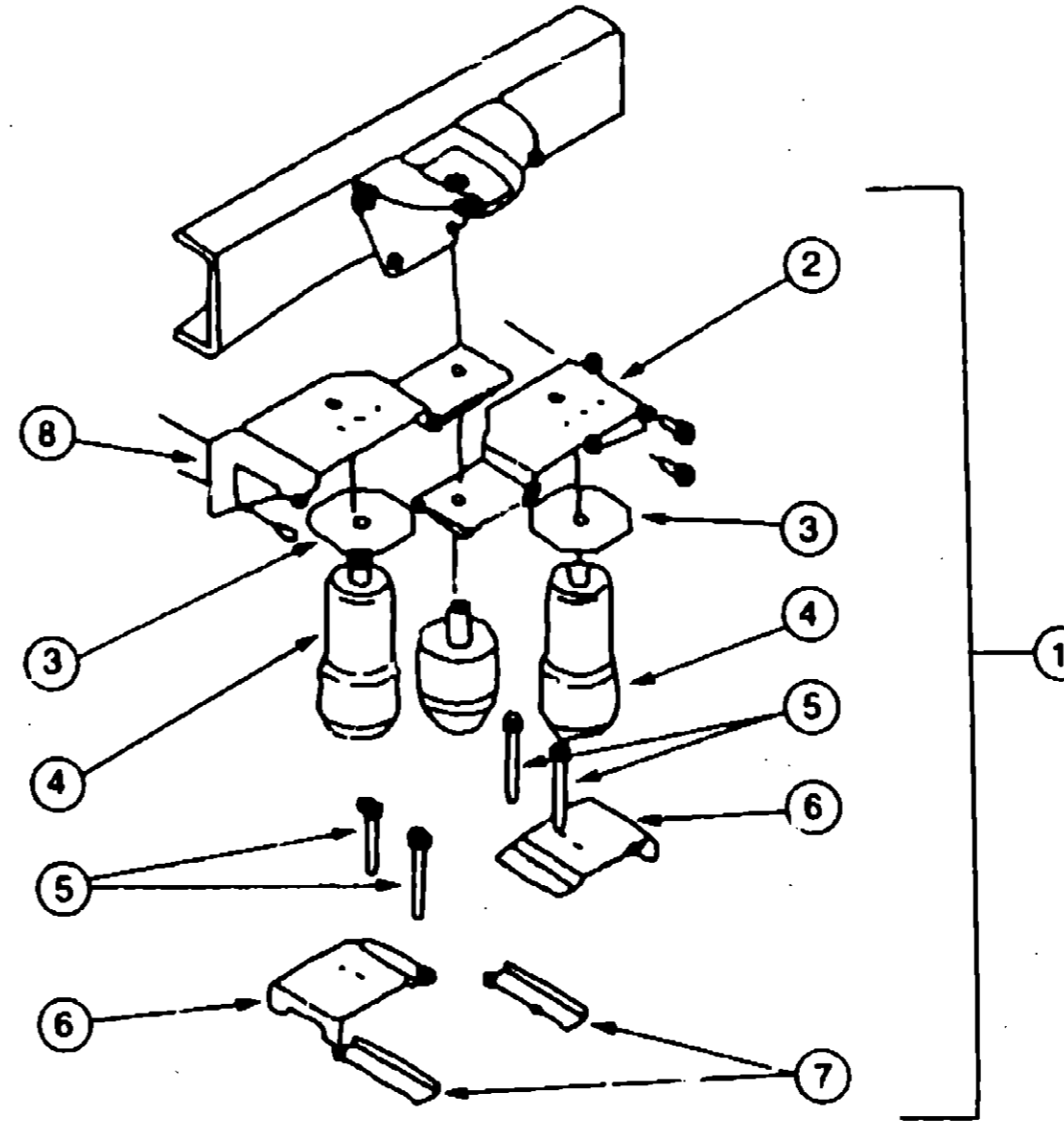
**CHASSIS GROUP (CONTINUED)**



**REAR AXLE AIRSPRINGS**  
(FROM: 00-00-00 THRU: 00-20-02)

KEY	PART NUMBER	U/M DESCRIPTION
1	084086-04-000	EA AIRSPRING-BELLOWS, REAR AXLE - FIRESTONE# MHA224
2	084086-01-700	EA AIR BAG-ONLY, FIRESTONE# W21-760-0335
3	084086-01-701	EA TUBING-DOT 1/4" X 18" - FIRESTONE# 21-0938
4	084086-01-702	EA BOLT-RIBBED NECK, 3/8"-24 X 2.5" FIRESTONE# 21-0829
	084086-01-705	EA TUBING PROTECTORS, FIRESTONE# 21-0899
6	084086-01-706	EA BRACKET-UPPER TO FRAME, FIRESTONE# 21-0150
7	084086-01-711	EA HEAT SHIELD - 224 DCS SYSTEM, FIRESTONE 21-5042
9	084086-01-713	EA AXLE STRAP BRACKET, AXLE TUBE - 3 USED - FIRESTONE 21-1163
10	084086-01-714	EA AXLE STRAP BRACKET, DIFFERENTIAL - 1 USED - FIRESTONE 21-5038
	084086-03-000	EA BRACKET-AXLE, FIRESTONE #W21-760-2044
	084086-04-700	EA BRACKET, LOWER DRIVERS SIDE
	084086-04-701	EA BRACKET, LOWER PASSENGER SIDE

**CHASSIS GROUP (CONTINUED)**



**REAR AXLE AIRSPRING, CHEVY (RIDE RITE)**  
(FROM: 00-30-02 THRU: 00-00-00)

KEY	PART NUMBER	U/M DESCRIPTION
1	084086-05-000	EA AIRSPRING - RIDE RITE KIT - W217602075
2	084086-05-701	EA UPPER BRACKET "A" - 5097
3	084086-05-707	EA SUPPORT PLATE - 5099
4	084086-05-700	EA BELLOWS ONLY (AIR BAG) - 7012
5	084086-05-705	EA CARRIAGE BOLT 3/8" 16X4 1/2" - 21-0899
6	084086-05-703	EA LOWER BRACKET - 5098
7	084086-05-704	EA BRACKET CLAMP - 5086
8	084086-05-702	EA UPPER BRACKET "B" - 5096
	084086-05-706	EA INFLATION VALVE - 3032
	084086-01-701	EA TUBING - DOT 1/4" X 18" - 21-0938

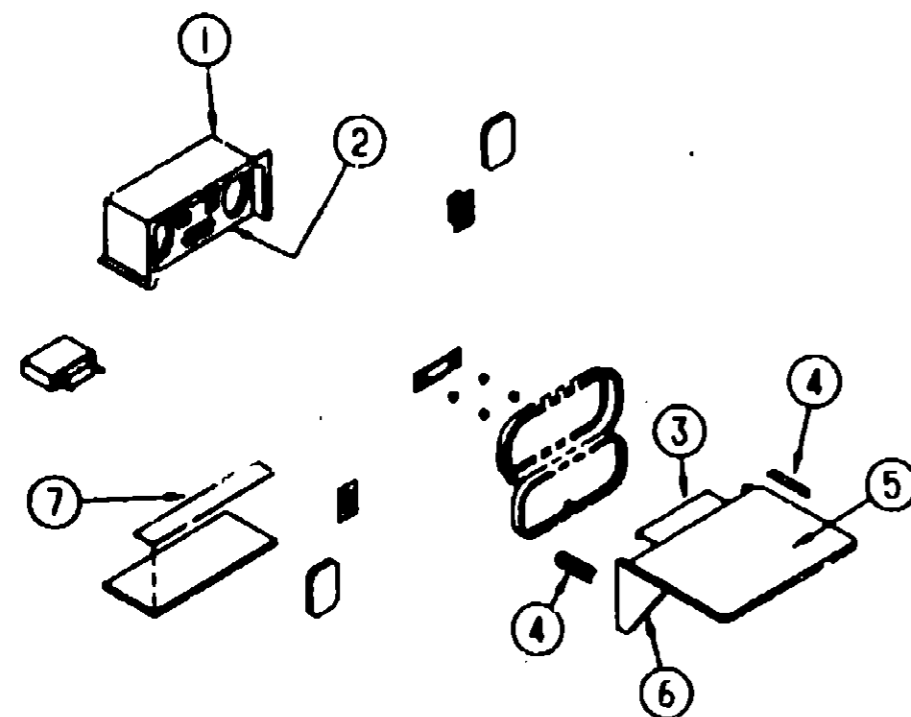
**1993 ITASCA**  
**TABLE OF CONTENTS**

INTRODUCTION	A-01 -	A-02
ABBREVIATIONS		A-07
ALPHABETICAL INDEX	A-04 -	A-08
KCF33RQ	A-07 -	F-10

**1993 ICF33RQ INDEX**

FLOOR PLAN	A-07 -	A-08
ACCESSORIES		A-09
AUDIO VIDEO	A-10 -	A-12
BATH	A-13 -	A-15
BEDROOM	A-16 -	A-18
CHASSIS	A-19 -	B-07
CURTAIN & CUSHION	B-08 -	B-18
DINETTE	B-19 -	B-20
DRIVERS COMPARTMENT	B-21 -	C-02
ELECTRICAL	C-03 -	C-10
EXTERIOR BODY	C-11 -	C-18
GALLEY	C-19 -	C-23
GENERATOR	C-24 -	D-01
HEATING & A/C	D-02 -	D-08
INTERIOR FINISH	D-09 -	D-12
LABELS	D-13 -	D-21
LP		D-22
LOUNGE	D-23 -	E-02
SEALANTS & FASTENERS	E-03 -	E-08
WATER & SEWAGE	E-07 -	E-12
WINDOW, VENT AND		
EXTERIOR DOOR	E-13 -	F-08
WINDSHIELDWIPER	F-09 -	F-10

**CHASSIS GROUP (CONTINUED)**



**PATIO ENTERTAINMENT CENTER**

KEY	PART NUMBER	U/M	DESCRIPTION
1	104897-01-01A	EA	BOX-ENTERTAINMENT CENTER - OFF WHITE
2	104899-01-C05	EA	PLATE-RADIO MOUNTING
3	105377-01-01A	EA	BRACKET-TABLE HANGER, OFF WHITE
4	105378-01-02A	EA	HINGE-CONTINUOUS, 2" X 140 MM - OFF WHITE
5	105230-11-D05	EA	SHELF
6	105230-12-D08	EA	SUPPORT-SHELF
7	104898-01-01A	EA	PLATE-PLASTIC BOTTOM - OFF WHITE

**CURTAIN & CUSHION GROUP**

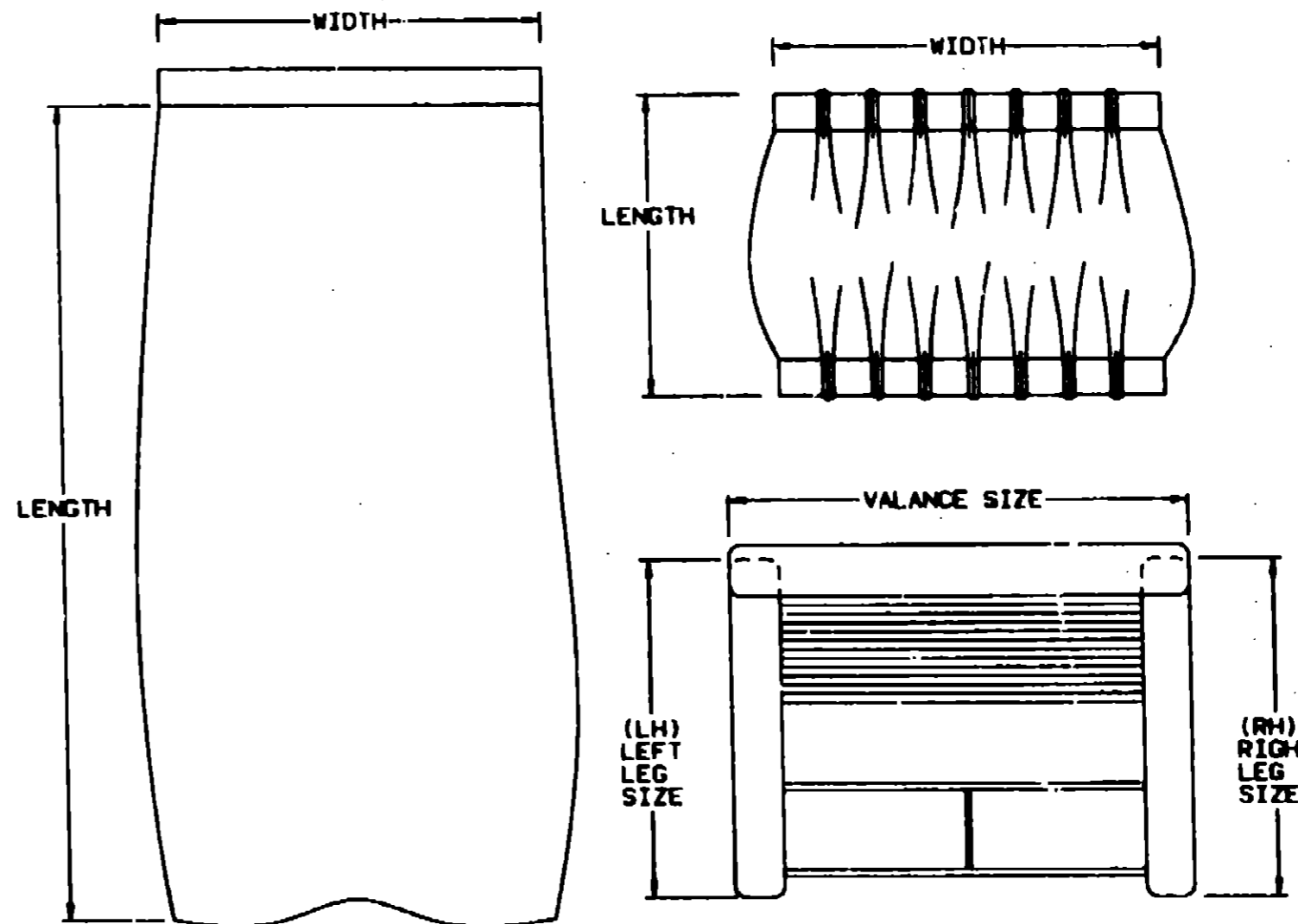
**NOTICE**

IN ORDER TO ASSIST OUR PARTS SALES DEPT. IN PROVIDING INTERIOR SOFTGOODS ITEMS, PLEASE INCLUDE THE SERIAL NUMBER AND THE COLOR CODE NUMBER FROM THE VEHICLE CERTIFICATION LABEL WHEN ORDERING. THIS LABEL IS LOCATED ON THE LEFT SIDEWALL AT THE END OF THE DASH (A-BODY), OR ON THE DRIVER'S DOOR LATCH PLATE (C-BODY).

AN EXAMPLE OF A COLOR CODE NUMBER IS B07, WHICH DESIGNATES AN OVERALL COLOR SCHEME OF A PARTICULAR UNIT. THE COLOR LISTED AFTER THE ITEM DESCRIPTION ON THE MICROFICHE, INDICATES THE OVERALL UNIT COLOR. ORDER THE ITEM YOU DESIRE ACCORDING TO UNIT COLOR CODE.

**1993 ITASCA  
TABLE OF CONTENTS**

INTRODUCTION	A-01	A-02
ABBREVIATIONS		A-03
ALPHABETICAL INDEX	A-04	A-06
ICF33RQ	A-07	F-10



NOTE: USE THIS ILLUSTRATION WHEN DETERMINING LENGTH AND WIDTH MEASUREMENTS FOR CURTAINS. YOU WILL NOTE THE WIDTH MEASUREMENT IS TAKEN ON THE TOP OF THE CURTAIN WITH THE CURTAIN FULLY EXTENDED. THE LENGTH MEASUREMENT IS TAKEN FROM TOP TO BOTTOM. LEFT AND RIGHT WINDOW LEGS ARE DETERMINED WHEN FACING THE WINDOW.

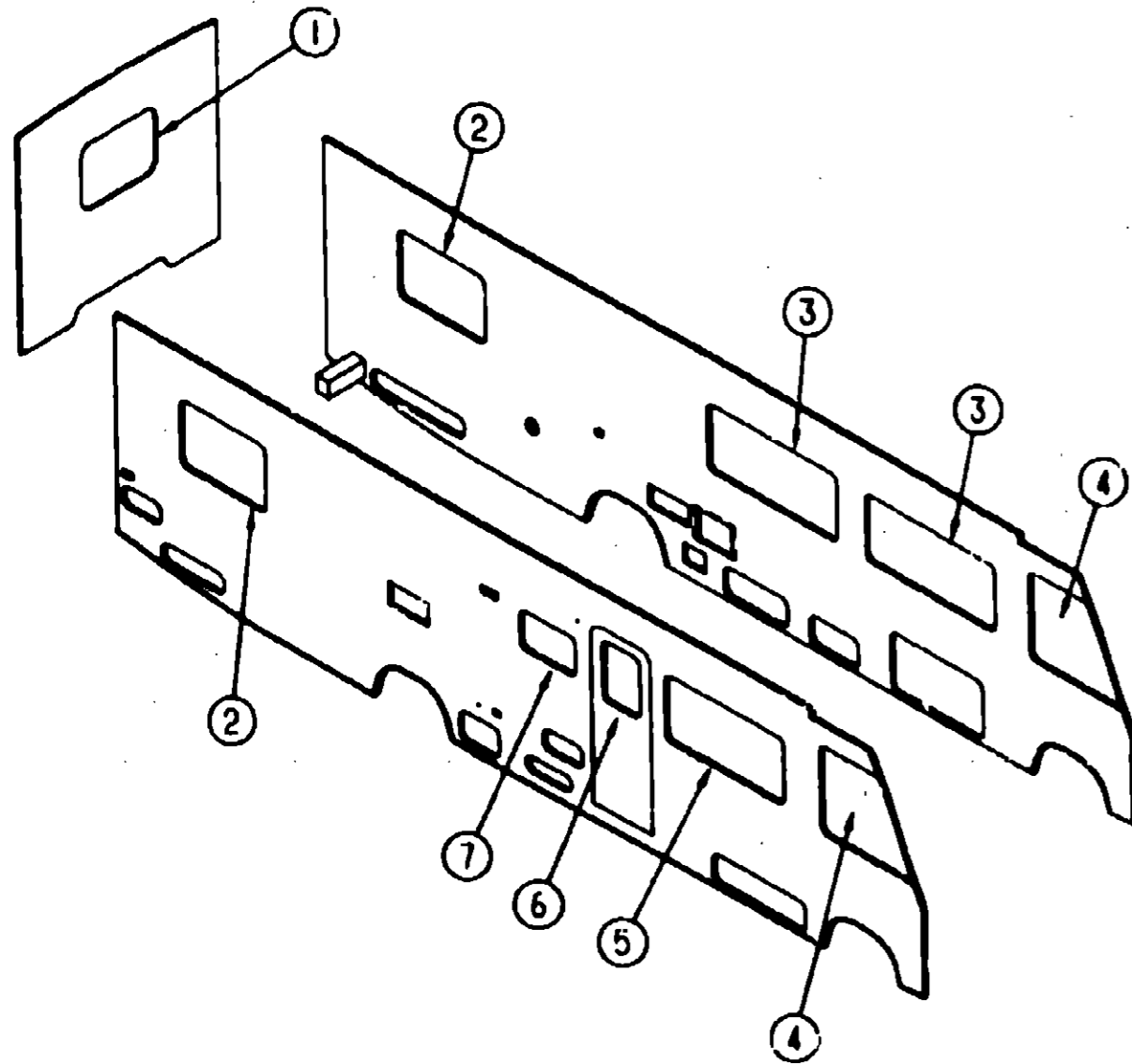
**1993 ICF33RQ INDEX**

FLOOR PLAN	A-07	A-08
ACCESSORIES		A-09
AUDIO VIDEO	A-10	A-12
BATH	A-13	A-15
BEDROOM	A-16	A-18
CHASSIS	A-19	B-07
CURTAIN & CUSHION	B-08	B-18
DINETTE	B-19	B-20
DRIVERS COMPARTMENT	B-21	C-02
ELECTRICAL	C-03	C-10
EXTERIOR BODY	C-11	C-18
GALLEY	C-19	C-23
GENERATOR	C-24	D-01
HEATING & AC	D-02	D-08
INTERIOR FINISH	D-09	D-12
LABELS	D-13	D-21
LP		D-22
LOUNGE	D-23	E-02
SEALANTS & FASTENERS	E-03	E-08
WATER & SEWAGE	E-07	E-12
WINDOW, VENT AND		
EXTERIOR DOOR	E-13	F-08
WINDSHIELDWIPER	F-09	F-10

**CURTAIN & CUSHION GROUP (CONTINUED)**

**WINDOW TREATMENT**

KEY	PART NUMBER	U/M DESCRIPTION
2	107766-09-D32	EA VALANCE ASM. - 45° TWIST 11" WIDE FROM: 00-00-00 THRU: 06-02-92
2	107766-09-D33	EA VALANCE ASM. - 45° TWIST 11" WIDE FROM: 00-00-00 THRU: 08-02-92
2	107766-09-D34	EA VALANCE ASM. - 45° TWIST 11" WIDE FROM: 00-00-00 THRU: 08-02-92
2	107766-04-DA2	EA VALANCE ASM. - 45° TWIST (D32) FROM: 08-03-92 THRU: 99-99-99
2	107766-04-D33	EA VALANCE ASM. - 45° TWIST FROM: 08-03-92 THRU: 99-99-99
2	107766-04-D34	EA VALANCE ASM. - 45° TWIST FROM: 08-03-92 THRU: 99-99-99
2	100281-86-D32	EA LEG-LH. PLAIN, W/O HOLE, 27"
2	100281-86-D33	EA LEG-LH. PLAIN, W/O HOLE, 27"
2	100281-86-D34	EA LEG-LH. PLAIN, W/O HOLE, 27"
2	100281-87-D32	EA LEG-RH. PLAIN, W/HOLE, 27"
2	100281-87-D33	EA LEG-RH. PLAIN, W/HOLE, 27"
2	100281-87-D34	EA LEG-RH. PLAIN, W/HOLE, 27"
2	083475-97-01A	EA BLIND-MINI, 39 X 28.5 DROP (D32, D33)
2	083475-97-02A	EA BLIND-MINI, 39 X 28.5 DROP (D34)
3	104021-12-D32	EA VALANCE ASM - 65° SPIRIT W/BRASS U-CHANNEL
3	104021-12-D33	EA VALANCE ASM - 65° SPIRIT W/BRASS U-CHANNEL
3	104021-12-D34	EA VALANCE ASM - 65° SPIRIT W/BRASS U-CHANNEL
3	100281-98-D32	EA LEG-RH. W/BRASS U-CHANNEL, 27" - W/O HOLE
3	100281-98-D33	EA LEG-RH. W/BRASS U-CHANNEL, 27" - W/O HOLE
3	100281-98-D34	EA LEG-RH. W/BRASS U-CHANNEL, 27" - W/O HOLE
3	100281-99-D32	EA LEG-LH. W/BRASS U-CHANNEL, 27" - W/O HOLE
3	100281-99-D33	EA LEG-LH. W/BRASS U-CHANNEL, 27" - W/O HOLE
3	100281-99-D34	EA LEG-LH. W/BRASS U-CHANNEL, 27" - W/O HOLE
3	083475-76-05A	EA BLIND-MINI, 60 X 28.5 DROP (D32, D33)
3	083475-76-04A	EA BLIND-MINI, 60 X 28.5 DROP (D34)
4	101668-30-D10	EA CURTAIN - 38 X 80 TAPE TOP, RH.
4	101668-31-D10	EA CURTAIN - 38 X 80 TAPE TOP, LH.
4	101668-32-D10	EA CURTAIN ASM - 40 X 40, TAPE TOP (BUNK OPTION)
4	101668-33-D10	EA CURTAIN ASM - 38 X 125, TAPE TOP (BUNK OPTION)
4	073260-42-D10	EA TIEBACK ASM - 6 X 18
5	104021-26-D32	EA VALANCE ASM - 59° SPIRIT
5	104021-26-D33	EA VALANCE ASM - 59° SPIRIT
5	104021-26-D34	EA VALANCE ASM - 59° SPIRIT
5	100281-98-D32	EA LEG-RH. W/BRASS U-CHANNEL, 27" - W/O HOLE
5	100281-98-D33	EA LEG-RH. W/BRASS U-CHANNEL, 27" - W/O HOLE
5	100281-98-D34	EA LEG-RH. W/BRASS U-CHANNEL, 27" - W/O HOLE
5	100281-99-D32	EA LEG-LH. W/BRASS U-CHANNEL, 27" - W/O HOLE
5	100281-99-D33	EA LEG-LH. W/BRASS U-CHANNEL, 27" - W/O HOLE
5	100281-99-D34	EA LEG-LH. W/BRASS U-CHANNEL, 27" - W/O HOLE
5	083475-92-04A	EA BLIND-MINI, 55 X 28.5 DROP (D32, D33)
5	083475-92-03A	EA BLIND-MINI, 55 X 28.5 DROP (D34)
6	084755-57-D32	EA SHADE ASM-PULL - 27.25, NO TRIM FABRIC #084416-25-000 IS N/A - CONTACT PART SALES FROM: 00-00-00 THRU: 08-16-92
6	084755-57-DA4	EA SHADE ASM-PULL - 27.25, NO TRIM FROM: 08-17-92 THRU: 01-03-93
6	084755-57-DA5	EA SHADE ASM-PULL - 27.25, NO TRIM FROM: 01-04-93 THRU: 99-99-99
7	104021-03-D24	EA VALANCE ASM - 28.5° SPIRIT (D32)
7	104021-06-D25	EA VALANCE ASM - 28.5° SPIRIT (D33)
7	104021-06-D26	EA VALANCE ASM - 28.5° SPIRIT (D34)
7	083475-90-05A	EA BLIND-MINI, 27 X 17.5 DROP (D32, D33)
7	083475-90-04A	EA BLIND-MINI, 27 X 17.5 DROP (D34)
7	057534-01-000	EA TIEBACK/TIEDOWN-BED/CURTAIN/DOOR, 6" - PLASTIC - CLEAR



**1993 ITASCA  
TABLE OF CONTENTS**

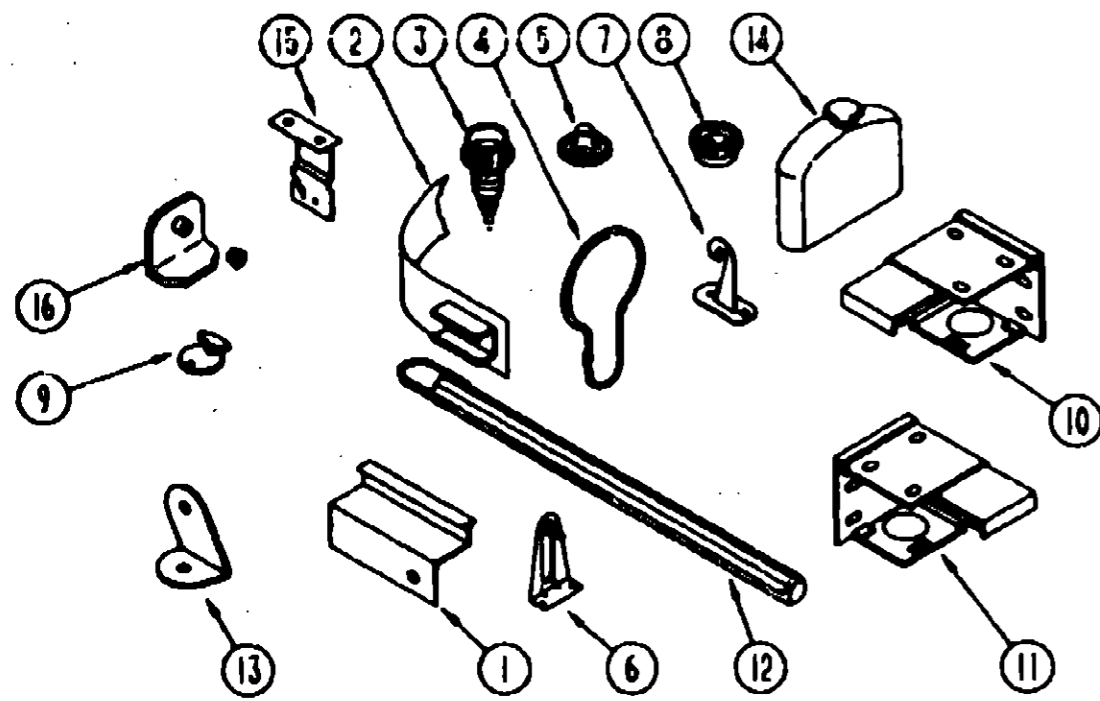
INTRODUCTION	A-01	A-02
ABBREVIATIONS		A-03
ALPHABETICAL INDEX	A-04	A-06
ICF33RQ	A-07	F-10

**1993 ICF33RQ INDEX**

FLOOR PLAN	A-07	A-08
ACCESSORIES		A-09
AUDIO VIDEO	A-10	A-12
BATH	A-13	A-15
BEDROOM	A-16	A-18
CHASSIS	A-19	B-07
CURTAIN & CUSHION	B-08	B-18
DINETTE	B-19	B-20
DRIVERS COMPARTMENT	B-21	C-02
ELECTRICAL	C-03	C-10
EXTERIOR BODY	C-11	C-18
GALLEY	C-19	C-23
GENERATOR	C-24	D-01
HEATING & A/C	D-02	D-08
INTERIOR FINISH	D-09	D-12
LABELS	D-13	D-21
LP		D-22
LOUNGE	D-23	E-02
SEALANTS & FASTENERS	E-03	E-08
WATER & SEWAGE	E-07	E-12
WINDOW, VENT AND EXTERIOR DOOR	E-13	F-08
WINDSHIELD/WIPER	F-09	F-10

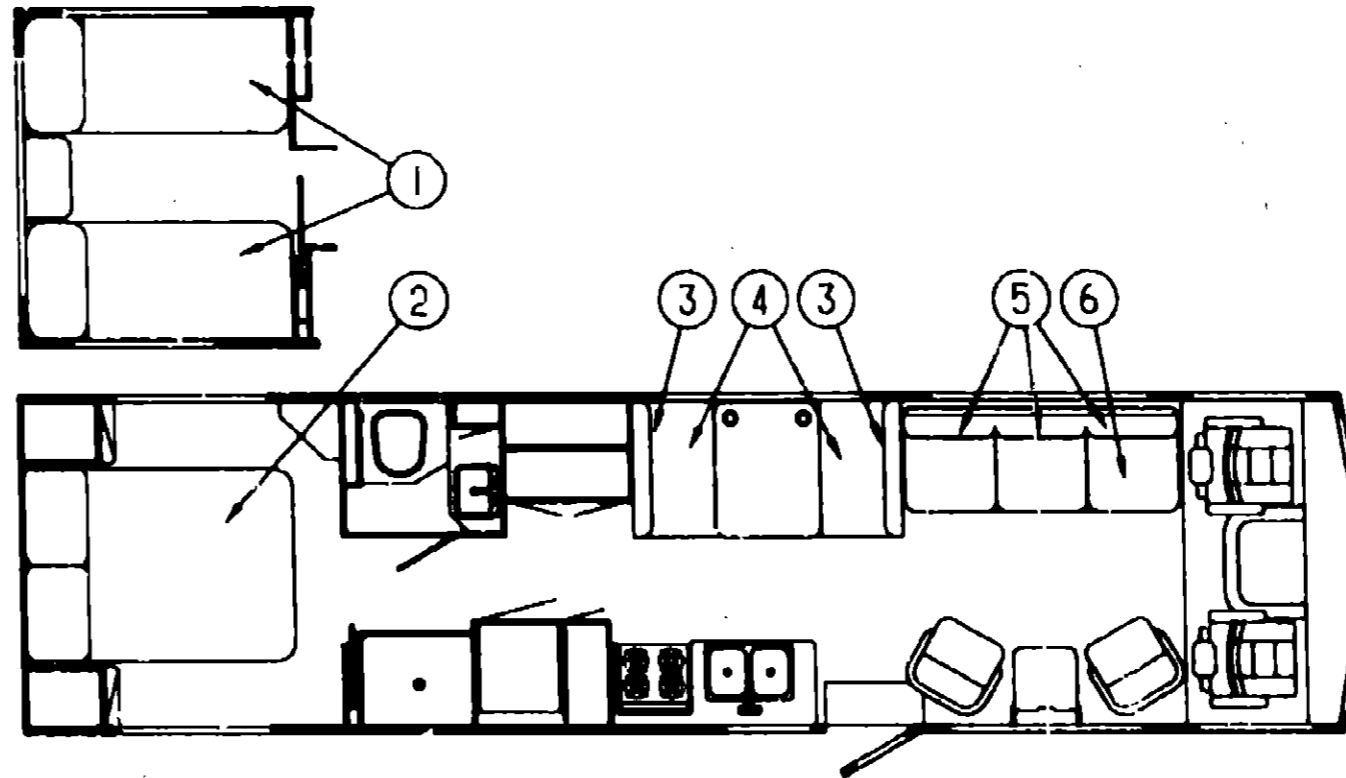
KEY	PART NUMBER	U/M DESCRIPTION
1	107766-08-D32	EA VALANCE ASM - 52° TWIST FROM: 00-00-00 THRU: 08-02-92
1	107766-08-DA2	EA VALANCE ASM - 52° TWIST (D32) FROM: 08-03-92 THRU: 99-99-99
1	107766-08-D33	EA VALANCE ASM - 52° TWIST
1	107766-08-D34	EA VALANCE ASM - 52° TWIST
1	100281-85-D32	EA LEG-RH. PLAIN, W/O HOLE, 27"
1	100281-85-D33	EA LEG-RH. PLAIN, W/O HOLE, 27"
1	100281-85-D34	EA LEG-RH. PLAIN, W/O HOLE, 27"
1	100281-86-D32	EA LEG-LH. PLAIN, W/O HOLE, 27"
1	100281-86-D33	EA LEG-LH. PLAIN, W/O HOLE, 27"
1	100281-86-D34	EA LEG-LH. PLAIN, W/O HOLE, 27"
1	083475-55-03A	EA BLIND-MINI, 48 X 28 DROP (D32, D33)
1	083475-55-02A	EA BLIND-MINI, 48 X 28 DROP (D34)

**CURTAIN & CUSHION GROUP (CONTINUED)**



**CURTAIN, BLIND HARDWARE & TRACKS**

**CURTAIN & CUSHION GROUP (CONTINUED)**



**TWIN MATTRESS & BEDSPREAD**

KEY	PART NUMBER	U/M DESCRIPTION
1	101123-07-000	EA MATTRESS COMPLETE-FOAM 32 X 70
1	P01123-07-000	EA COVER-MATTRESS, 32 X 70 - FOAM
1	083986-17-D32	EA BEDSPREAD-FITTED, 33 X 80 - RH. FROM: 00-00-00 THRU: 08-02-92
1	083986-17-DA2	EA BEDSPREAD-FITTED, 33 X 80 - RH. (D32) FROM: 08-03-92 THRU: 99-99-99
1	083986-17-D33	EA BEDSPREAD-FITTED, 33 X 80 - RH.
1	083986-17-D34	EA BEDSPREAD-FITTED, 33 X 80 - RH.
1	083986-18-D32	EA BEDSPREAD-FITTED, 33 X 80 - LH. FROM: 00-00-00 THRU: 08-02-92
1	083986-18-DA2	EA BEDSPREAD-FITTED, 33 X 80 - LH (D32) FROM: 08-03-92 THRU: 99-99-99
1	083986-18-D33	EA BEDSPREAD-FITTED, 33 X 80 - LH
1	083986-18-D34	EA BEDSPREAD-FITTED, 33 X 80 - LH
1	104166-02-D32	EA PILLOW - 15 X 15 W/2" FILLED FLANGE
1	104166-02-D33	EA PILLOW - 15 X 15 W/2" FILLED FLANGE
1	104166-02-D34	EA PILLOW - 15 X 15 W/2" FILLED FLANGE

**QUEEN MATTRESS & BEDSPREAD**

KEY	PART NUMBER	U/M DESCRIPTION
2	101123-08-000	EA MATTRESS COMPLETE-FOAM 59 X 74
2	P01123-08-000	EA COVER-MATTRESS, 59 X 74 - FOAM
2	104358-03-D32	EA BEDSPREAD - 60" THROW, 1" WELT ON BTM FROM: 00-00-00 THRU: 08-02-92
2	104358-03-DA2	EA BEDSPREAD - 60" THROW, 1" WELT ON BTM (D32) FROM: 08-03-92 THRU: 99-99-99
2	104358-03-D33	EA BEDSPREAD - 60" THROW, 1" WELT ON BTM
2	104358-03-D34	EA BEDSPREAD - 60" THROW, 1" WELT ON BTM
2	104565-02-D32	EA PILLOW SHAM - 1" FLANGE & 1" WELT FROM: 00-00-00 THRU: 08-02-92
2	104565-02-DA2	EA PILLOW SHAM - 1" FLANGE & 1" WELT (D32) FROM: 08-03-92 THRU: 99-99-99
2	104565-02-U33	EA PILLOW SHAM - 1" FLANGE & 1" WELT
2	104565-02-D34	EA PILLOW SHAM - 1" FLANGE & 1" WELT

**1993 ITASCA  
TABLE OF CONTENTS**

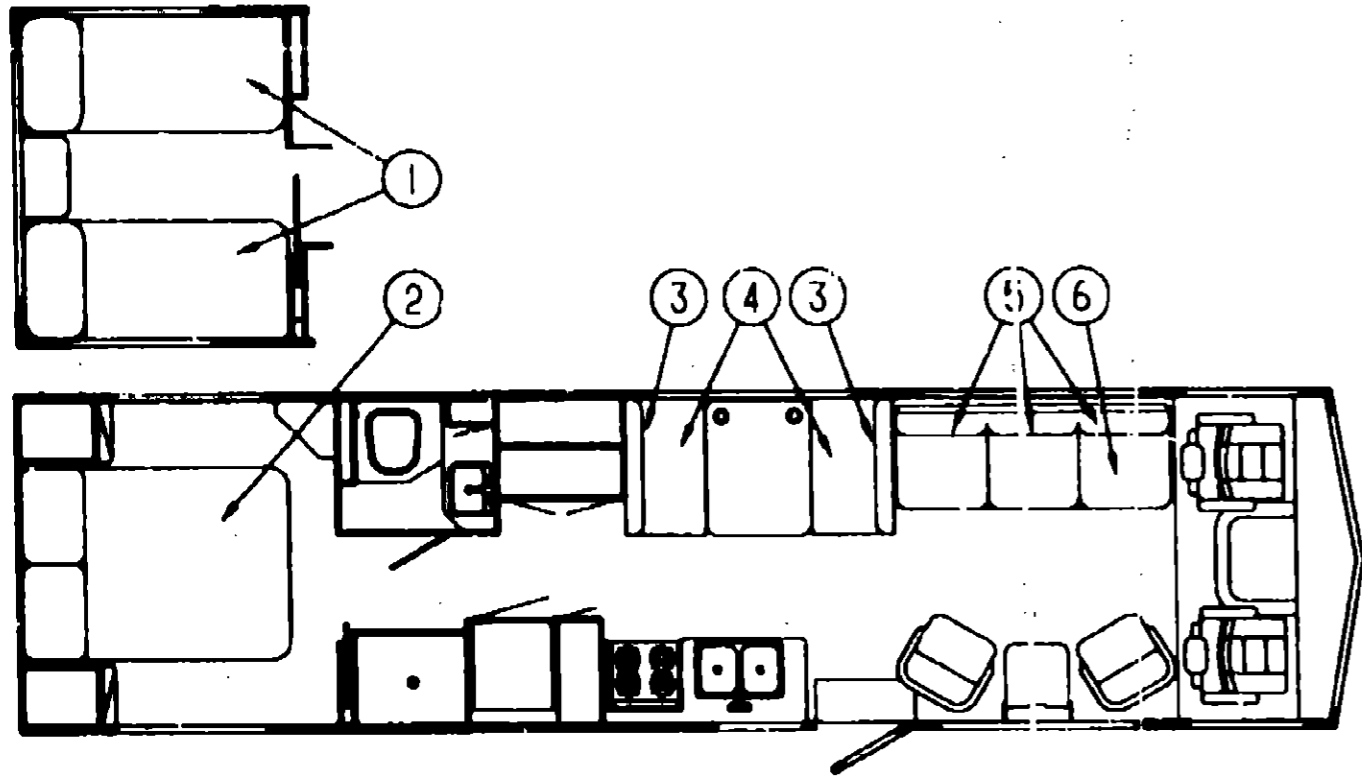
INTRODUCTION	A-01	A-02
ABBREVIATIONS		A-03
ALPHABETICAL INDEX	A-04	A-08
ICF33RQ	A-07	F-10

**1993 ICF33RQ INDEX**

FLOOR PLAN	A-07	A-08
ACCESSORIES		A-09
AUDIO VIDEO	A-10	A-12
BATH	A-13	A-15
BEDROOM	A-16	A-18
CHASSIS	A-19	B-07
CURTAIN & CUSHION	B-08	B-18
DINETTE	B-19	B-20
DRIVERS COMPARTMENT	B-21	C-02
ELECTRICAL	C-03	C-10
EXTERIOR BODY	C-11	C-18
GALLEY	C-19	C-23
GENERATOR	C-24	D-01
HEATING & A/C	D-02	D-08
INTERIOR FINISH	D-09	D-12
LABELS	D-13	D-21
LP		D-22
LOUNGE	D-23	E-02
SEALANTS & FASTENERS	E-03	E-06
WATER & SEWAGE	E-07	E-12
WINDOW, VENT AND		
EXTERIOR DOOR	E-13	F-08
WINDSHIELDWIPER	F-09	F-10

KEY	PART NUMBER	U/M DESCRIPTION
1	101599-02-CD5	EA TRACK ASM-CURTAIN, RIGHT HAND WRAPAROUND - OFF WHITE - 10'
1	105324-01-01A	EA TRACK-CURTAIN, RIGHT HAND WRAPAROUND - OFF WHITE - 10'
1	105324-02-01A	EA TRACK-CURTAIN, RIGHT HAND WRAPAROUND - OFF WHITE - 6' 5" - TV OPTIONS
1	105324-03-01A	EA TRACK-CURTAIN, LEFT HAND WRAPAROUND - OFF WHITE - 6' 5" - TV OPTIONS
1	105450-01-01A	EA TRACK-CURTAIN, 30.8" LONG - ALUMINUM - OFF WHITE
2	148897-01-000	EA GROMMET-BRASS, 7/16" ID X 1" OD
2	101031-01-000	YD TAPE-GLIDE, CURTAIN - 4.25" SPACING
3	029130-01-000	EA SCREW-SNAP SOCKET, #8 PH X 5/8"
3	029130-03-000	EA SCREW-SNAP SOCKET, #8 PH X 1"
4	009136-02-000	EA HANGER-RING, PIN TYPE - CURTAIN - BRASS
5	029155-01-000	EA CAP-SNAP, 5/32" O.D. OF PIN
6	095591-02-000	EA BRACKET-HOLD DOWN, W/PIN - BLIND - METAL FROM: 00-00-00 THRU: 07-19-92
7	109441-01-000	EA HOLD DOWN-BLIND, HOOK FROM: 07-20-92 THRU: 99-99-99
8	029156-01-000	EA SOCKET-SNAP, 9/16" O.D.
9	102555-01-000	EA CLEAT-CORD, BLIND - OFF WHITE
10	083170-01-000	EA BRACKET-BLIND, RIGHT HAND
11	083170-02-000	EA BRACKET-BLIND, LEFT HAND
12	083475-01-700	EA WAND-BLIND, W/METAL CLIP - 8" LONG
13	088205-02-02A	EA BRACKET-WRAPAROUND CURTAIN TRACK, OFF WHITE
14	093475-01-701	EA END CAP-BLIND, W/STUD
15	084434-01-000	EA BRACKET-MOUNTING, ROLLER SHADE - 1 1/8"
	088843-01-000	EA SPRING-REWIND, ROLLER SHADE
	084432-08-000	FT SLAT-ROLLER SHADE, WOOD
16	108644-01-000	EA PULL-SHADE, BRASS
	041784-02-000	YD VELCRO TAPE-HOOK, ADHESIVE BACK - .75" WIDE - BEIGE
	041782-01-000	YD VELCRO-HOOK, .75" WIDE - BEIGE
	086782-02-000	YD VELCRO TAPE-LOOP, ADHESIVE BACKED - .75" WIDE - BEIGE
	068716-01-001	EA BRACE - 90 DEGREE L-ANGLE, 192" - EXTRUDED ALUMINUM
	078943-09-000	EA BRACE-VALANCE, OFF WHITE - 8"
	103988-01-000	FT TRIM-VALANCE, U-CHANNEL - .75" WIDE - BRASS
	078943-01-000	EA BRACE-WINDOW VALANCE, 1" X 1.5" X 20" - ALUMINUM - BEIGE
	105848-01-01A	EA BRACE-VALANCE, 356MM LONG - EXTRUDED ALUMINUM - BEIGE
	088522-02-000	EA PANEL-LEG, TWO SIDE 31.5" LONG - PLASTIC - BLACK
	088916-01-000	EA MOUNT-WINDOW LEG, 23.75" - ALUMINUM - BLACK 23.75" LONG - 6.3" BETWEEN SCREW HOLES

**CUITAIN & CUSHION GROUP (CONTINUED)**



**COUCH**

KEY	PART NUMBER	U/M DESCRIPTION
5	100032-29-D32	EA BED-JACKKNIFE, BACK - TUCK - 74" - W/O ARMS
5	100032-29-D33	EA BED-JACKKNIFE, BACK - TUCK - 74" - W/O ARMS
5	100032-29-D34	EA BED-JACKKNIFE, BACK - TUCK - 74" - W/O ARMS
5	P00032-29-D32	EA BED-COVER, JACKKNIFE - BACK - TUCK - 74" - W/O ARMS
5	P00032-29-D33	EA BED-COVER, JACKKNIFE - BACK - TUCK - 74" - W/O ARMS
5	P00032-29-D34	EA BED-COVER, JACKKNIFE - BACK - TUCK - 74" - W/O ARMS
	101085-10-000	EA FRAME - 74.5 X 18 BACK FRAME, JACKKNIFE
6	100032-30-D32	EA BED-JACKKNIFE, SEAT - TUCK - 74" - W/O ARMS
6	100032-30-D33	EA BED-JACKKNIFE, SEAT - TUCK - 74" - W/O ARMS
6	100032-30-D34	EA BED-JACKKNIFE, SEAT - TUCK - 74" - W/O ARMS
6	P00032-30-D32	EA BED-COVER, JACKKNIFE - SEAT - TUCK - 74" - W/O ARMS
6	P00032-30-D33	EA BED-COVER, JACKKNIFE - SEAT - TUCK - 74" - W/O ARMS
6	P00032-30-D34	EA BED-COVER, JACKKNIFE - SEAT - TUCK - 74" - W/O ARMS
	101085-04-000	EA FRAME-SEAT, 74.75"
	101085-06-000	EA FRAME-BASE, 74.75"
	103669-01-E38	EA PILLOW ASM - 16 X 16 THROW (D32)
	103669-01-C03	EA PILLOW ASM - 16 X 16 THROW (D33)
	103669-01-D11	EA PILLOW ASM - 16 X 16 THROW (D34)

**1993 ITASCA  
TABLE OF CONTENTS**

INTRODUCTION	A-01 -	A-02
ABBREVIATIONS		A-03
ALPHABETICAL INDEX	A-04 -	A-06
KCF33RQ	A-07 -	F-10

**DINETTE CUSHIONS**

KEY	PART NUMBER	U/M DESCRIPTION
3	108141-01-D32	EA CUSHION-BACK, 13.5" X 38" X 5" (D32,D33)
3	108141-01-D34	EA CUSHION-BACK, 13.5" X 38" X 5"
3	P08141-01-D32	EA COVER-BACK CUSHION, 13.5" X 38" X 5" (D32,D33)
3	P08141-01-D34	EA COVER-BACK CUSHION, 13.5" X 38" X 5"
	078155-01-000	EA STRAP-SNAP, BACKREST CUSHION
4	088927-87-D32	EA CUSHION-SEAT, 23" X 38" X 5" (D32,D33)
4	088927-87-D34	EA CUSHION-SEAT, 23" X 38" X 5"
4	M08927-87-D32	EA COVER-SEAT CUSHION, 23" X 38" X 5" (D32,D33)
4	M08927-87-D34	EA COVER-SEAT CUSHION, 23" X 38" X 5"

**BUNK CUSHION**

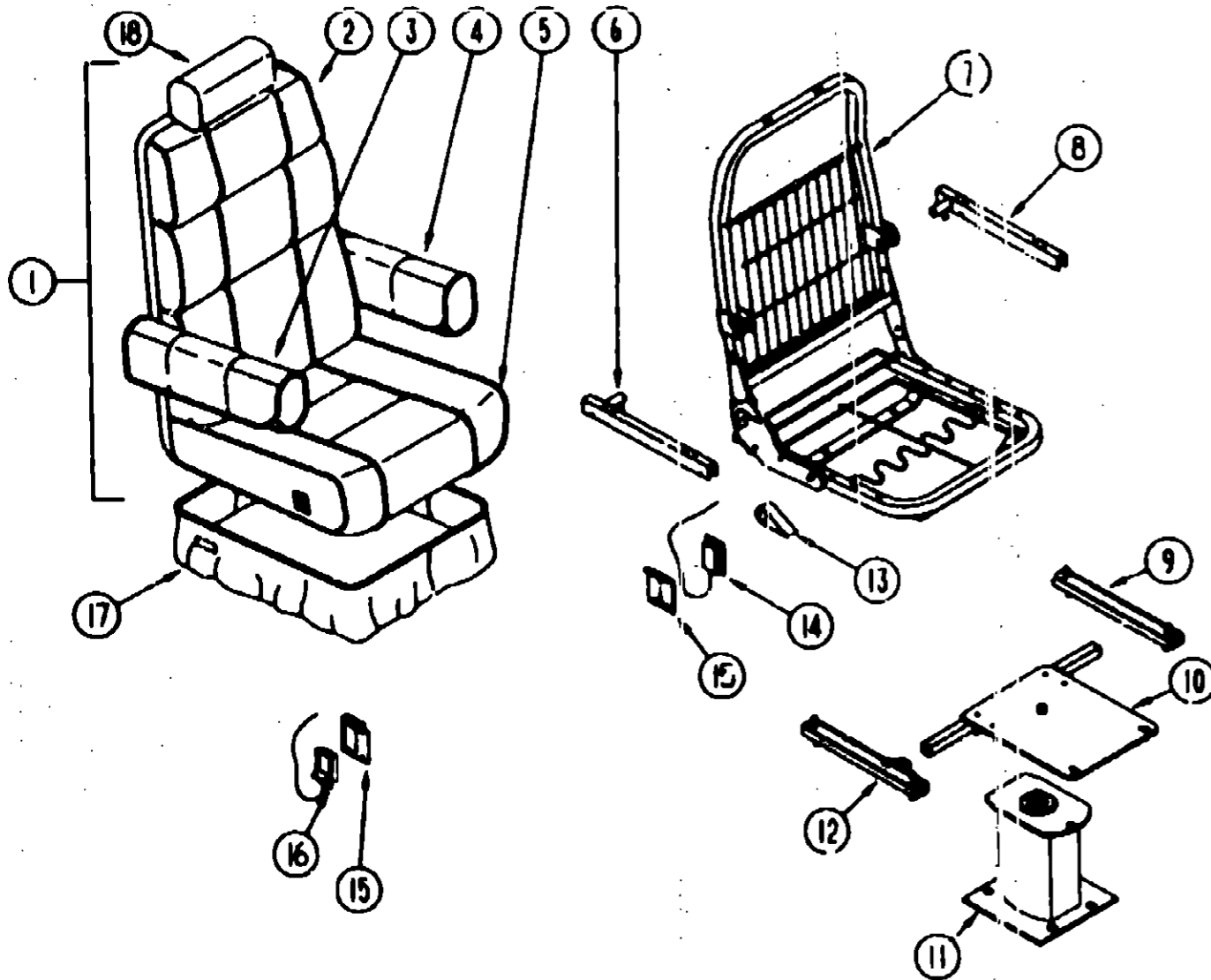
KEY	PART NUMBER	U/M DESCRIPTION
	081717-03-C06	EA BED ASM-BUNK, FRONT
	078145-08-000	EA CUSHION-BUNK, 30" X 77" X 4"
	M78145-08-000	EA COVER-CUSHION, BUNK
	102695-08-000	YD TAPE-CARPET BIND, #481 BROWN
	102695-11-000	YD TAPE-CART BIND, MATTRESS - 3/4" WIDE - LIGHT TAN
	102695-12-000	YD TAPE-CART BIND, #474 LIGHT TAN - FSHCO 1 1/4"

**1993 KCF33RQ INDEX**

FLOOR PLAN	A-07 -	A-08
ACCESSORIES		A-09
AUDIO VIDEO	A-10 -	A-12
BATH	A-13 -	A-15
BEDROOM	A-16 -	A-18
CHASSIS	A-19 -	B-07
CURTAIN & CUSHION	B-08 -	B-18
DINETTE	B-19 -	B-20
DRIVERS COMPARTMENT	B-21 -	C-02
ELECTRICAL	C-03 -	C-10
EXTERIOR BODY	C-11 -	C-18
GALLEY	C-19 -	C-23
GENERATOR	C-24 -	D-01
HEATING & AC	D-02 -	D-08
INTERIOR FINISH	D-09 -	D-12
LABELS	D-13 -	D-21
LP		D-22
LOUNGE	D-23 -	F-02
SEALANTS & FASTENERS	E-03 -	E-06
WATER & SEWAGE	E-07 -	E-12
WINDOW, VENT AND		
EXTERIOR DOOR	E-13 -	F-08
WINDSHIELDWIPER	F-09 -	F-10



**CURTAIN & CUSHION GROUP (CONTINUED)**  
**DRIVER & PASSENGER BUCKET SEATS**



KEY	PART NUMBER	U/M DESCRIPTION
4	080243-50-C12	EA ARMREST-LEFT, BUCKET SEAT (D32)
4	080243-50-CC3	EA ARMREST-LEFT, BUCKET SEAT (D33)
4	080243-50-C54	EA ARMREST-LEFT, BUCKET SEAT (D34)
	M90243-50-C12	EA COVER-ARMREST, LEFT (D32)
	M80243-50-C03	EA COVER-ARMREST, LEFT (D33)
	M80243-50-C54	EA COVER-ARMREST, LEFT (D34)
5	M03445-67-D32	EA COVER-SEAT, BUCKET SEAT
5	M03445-67-D33	EA COVER-SEAT, BUCKET SEAT
5	M03445-67-D34	EA COVER-SEAT, BUCKET SEAT
6	081268-01-000	EA ROD & CHANNEL-ARMREST, RIGHT - METAL
	081361-01-000	EA ROD-ARMREST, METAL - RIGHT OR LEFT HAND
7	M80806-05-000	EA FRAME-SEAT, BACK & SPRING
	101125-01-000	EA RECLINER-SEAT BACK, LEFT HAND REMOTE
		FROM: 00-00-00 THRU: 06-21-92
7	M80806-07-000	EA FRAME-SEAT, BACK & SPRING
	080730-02-000	EA RECLINER-SEAT BACK, LEFT HAND
		FROM: 00-00-00 THRU: 06-21-92
		FROM: 06-22-92 THRU: 99-99-99
		FROM: 06-22-92 THRU: 99-99-99
8	081268-02-000	EA ROD & CHANNEL-ARMREST, LEFT - METAL
	081361-01-000	EA ROD-ARMREST, METAL - RIGHT OR LEFT HAND
9	089246-05-000	EA ADJUSTER-BUCKET SEAT W/LOCK, FORWARD AND BACK
	089246-05-700	EA SPRING-ADJUSTER, FOR REMOTE
	089246-05-701	EA CLIP-CABLE, FOR REMOTE
10	107921-05-000	EA PLATE-TOP, W/SEAT BELT BAR
	107921-06-000	EA BEARING KIT-SEAT SWIVEL
11	107921-01-000	EA PLATE-SUB, FLOOR MOUNTED PEDESTAL - W/9.75" EXTENSION
12	089246-02-000	EA ADJUSTER-SLIDE, FORWARD & BACK
13	080730-03-700	EA HANDLE KIT RECLINER
	080730-04-000	EA SCREW-RECLINER, HANDLE - KEIPER 300818-07
	089368-08-000	EA SHIELD-CABLE, REMOTE RECLINER - BUCKET SEAT
14	089368-04-000	EA CABLE-SLIDE, W/SWITCH
15	097683-03-000	EA BRACKET-REMOTE, SIDE MOUNT - SINGLE
16	108049-01-000	EA CABLE - 28", FLEXSTEEL PEDESTAL
	108049-02-000	EA CABLE-PEDESTAL CLIP
17	071126-36-D32	EA SKIRT-BUCKET SEAT
17	071126-36-D33	EA SKIRT-BUCKET SEAT
17	071126-36-D34	EA SKIRT-BUCKET SEAT
	007221-01-000	EA SPACER-SEAT, ADJUSTER
18	085268-01-D32	EA HEADREST-BUCKET SEAT
18	085268-01-D33	EA HEADREST-BUCKET SEAT
18	085268-01-D34	EA HEADREST-BUCKET SEAT
18	085268-01-AA1	EA COVER-HEADREST, BUCKET SEAT (D32)
18	085268-01-C05	EA COVER-HEADREST, BUCKET SEAT (D33)
18	085268-01-B04	EA COVER-HEADREST, BUCKET SEAT (D34)
	061172-01-000	EA TRIM-HEADREST, PLASTIC - BLACK
	091313-01-000	EA GROMMET-HEADREST

KEY	PART NUMBER	U/M DESCRIPTION
1	083450-31-D32	EA SEAT-BUCKET, W/ARMRESTS & HEADREST - W/O SKIRT
		FROM: 00-00-00 THRU: 06-21-92
1	083450-31-D33	EA SEAT-BUCKET, W/ARMRESTS & HEADREST - W/ SKIRT
		FROM: 00-00-00 THRU: 06-21-92
1	083450-31-D34	EA SEAT-BUCKET, W/ARMRESTS & HEADREST - W/O SKIRT
		FROM: 00-00-00 THRU: 06-21-92
1	083450-38-D32	EA SEAT-BUCKET, W/ARMRESTS & HEADREST - W/O SKIRT
		FROM: 06-22-92 THRU: 99-99-99
1	083450-38-D33	EA SEAT-BUCKET, W/ARMRESTS & HEADREST - W/O SKIRT
		FROM: 06-22-92 THRU: 99-99-99
1	083450-38-D34	EA SEAT-BUCKET, W/ARMRESTS & HEADREST - W/O SKIRT
		FROM: 06-22-92 THRU: 99-99-99
2	M03445-66-D32	EA COVER-BACK, BUCKET SEAT
2	M03445-66-D33	EA COVER-BACK, BUCKET SEAT
2	M03445-66-D34	EA COVER-BACK, BUCKET SEAT
3	080243-49-C12	EA ARMREST-RIGHT, BUCKET SEAT (D32)
3	M90243-49-C03	EA ARMREST-RIGHT, BUCKET SEAT (D33)
3	080243-49-C54	EA ARMREST-RIGHT, BUCKET SEAT (D34)
	M80243-49-C12	EA COVER-ARMREST, RIGHT (D32)
	M80243-49-C03	EA COVER-ARMREST, RIGHT (D33)
	M80243-49-C54	EA COVER-ARMREST, RIGHT (D34)

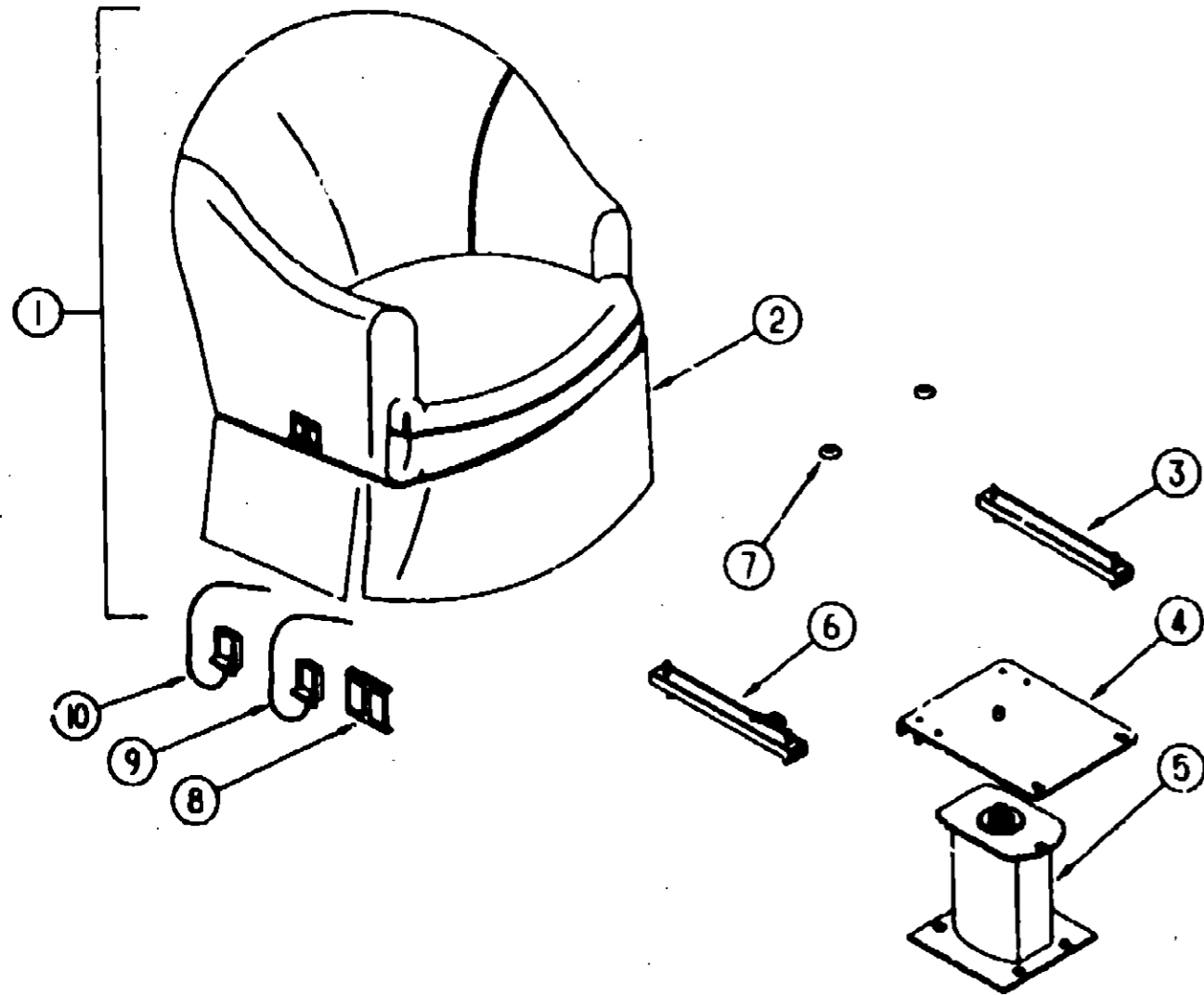
**1993 ITASCA**  
**TABLE OF CONTENTS**

INTRODUCTION	A-01	A-02
ABBREVIATIONS		A-03
ALPHABETICAL INDEX	A-04	A-06
ICF33RQ	A-07	F-10

**1993 ICF33RQ INDEX**

FLOOR PLAN	A-07	A-08
ACCESSORIES		A-09
AUDIO VIDEO	A-10	A-12
BATH	A-13	A-15
BEDROOM	A-16	A-18
CHASSIS	A-19	B-07
CURTAIN & CUSHION	B-08	B-18
DINETTE	B-19	B-20
DRIVERS COMPARTMENT	B-21	C-02
ELECTRICAL	C-03	C-10
EXTERIOR BODY	C-11	C-18
GALLEY	C-19	C-23
GENERATOR	C-24	D-01
HEATING & A/C	D-02	D-08
INTERIOR FINISH	D-09	D-12
LABELS	D-13	D-21
LP		D-22
LOUNGE	D-23	E-02
SEALANTS & FASTENERS	E-03	E-06
WATER & SEWAGE	E-07	E-12
WINDOW, VENT AND EXTERIOR DOOR	E-13	F-08
WINDSHIELD/WIPER	F-09	F-10

**CURTAIN & CUSHION GROUP (CONTINUED)**



**SWIVEL CHAIR**

KEY	PART NUMBER	UM DESCRIPTION
1	107867-02-D32	EA CHAIR-SWIVEL, W/O SKIRT
1	107867-02-D33	EA CHAIR-SWIVEL, W/O SKIRT
1	107867-02-D34	EA CHAIR-SWIVEL, W/O SKIRT
	P07857-02-D32	EA COVER-SWIVEL CHAIR
	P07857-02-D33	EA COVER-SWIVEL CHAIR
	P07857-02-D34	EA COVER-SWIVEL CHAIR
2	107877-01-D32	EA SKIRT-SWIVEL CHAIR
2	107877-01-D33	EA SKIRT-SWIVEL CHAIR
2	107877-01-D34	EA SKIRT-SWIVEL CHAIR
3	088248-08-000	EA ADJUSTER-SWIVEL CHAIR, FORWARD & BACK
4	107821-08-000	EA PLATE-TOP, W/O SEAT BELT BAR
	107821-08-000	EA BEARING KIT-CHAIR SWIVEL
6	107821-01-000	EA PLATE-SUB, FORWARD MOUNTED PEDESTAL - W/0.75" EXTENSION
8	088248-08-000	EA ADJUSTER-SWIVEL CHAIR, REMOTE - FORWARD & BACK
7	007221-01-000	EA SPACER-SEAT ADJUSTER
8	097883-02-000	EA BRACKET-MOUNT, REMOTE
9	108049-01-000	EA CABLE - 28" - FLEXSTEEL PEDESTAL
	108049-02-000	EA CABLE - PEDESTAL CLIP
10	089388-04-000	EA CABLE-SWIVEL/SLIDE, W/SWITCH

**CURTAIN & CUSHION GROUP (CONTINUED)**

**BUTTON, TRIM, ASSIST HANDLE & SEAT BELT**

KEY	PART NUMBER	UM DESCRIPTION
	079349-04-AA1	YD WELT ASM-NARROW, ACCENT (D32)
	079349-04-C05	YD WELT ASM-NARROW, ACCENT (D33)
	079349-04-B04	YD WELT ASM-NARROW, ACCENT (D34)
	057759-01-000	EA WASHER BRACKET-SEAT BELT, 4" DIAMETER
	056271-01-000	EA BELT-SEAT, 2" X 102" - BLACK
	007021-01-000	EA BELT-SEAT, 2" X 90" - BLACK
	056271-02-000	EA BELT-SEAT, 2" X 72" - BLACK
	089178-02-000	EA BRACKET-MOUNTING, ASSIST HANDLE - L ANGLE - W/HOLES - STEEL
	070578-04-Y05	EA BUTTON-SNAP TOP, #30 - VINYL - BEIGE
	070578-11-Y70	EA BUTTON-SNAP TOP, #30 - VINYL - OFF WHITE
	000C18-07-168	EA BOLT-CARRIAGE, ASSIST HANDLE - 7/16" - 14 X 1" ZN
	070578-01-B27	EA BUTTON-SCREW STUD, #30 (D32)
	070578-01-C03	EA BUTTON-SCREW STUD, #30 (D33)
	070578-01-B08	EA BUTTON-SNAP TOP, #30 (D34)
	070578-01-B08	EA NUT-ACORN, ASSIST HANDLE - 7/16" X 14 ZN
	053552-02-AA8	EA HANDLE-ASSIST, INTERIOR - ENTRY DOOR - VINYL - OFF WHITE
	057534-01-000	EA TIEBACK/TIEDOWN-BED/CURTAIN/DOOR, 6" - PLASTIC - CLEAR
	057534-04-000	EA TIEBACK-PLASTIC, 2V - CLEAR

FROM: 00-00-00 THRU: 11-25-92  
FROM: 11-26-92 THRU: 99-99-99

**FABRICS**

KEY	PART NUMBER	UM DESCRIPTION
	072333-02-000	YD FABRIC-CURTAIN, 54" WIDE - BEIGE
	072333-98-000	YD FABRIC-DRAPERY, GALAXY ANTIQUE - RICHLOOM
	079680-01-000	YD FABRIC-VINYL, 54" WIDE - BEIGE
	087272-01-000	YD FABRIC-LINING, CURTAIN - 48" WIDE - IVORY
	087272-03-000	YD DRAPERY LINING - 54" IVORY - ROCKLAND MILLS
	088273-68-000	YD FABRIC-CURTAIN/BEDSPREAD, PATTERNED - 54" WIDE
	088273-71-000	YD FABRIC-CURTAIN/BEDSPREAD, PLAIN - 54" WIDE (D32)
	088273-83-000	YD FABRIC-CURTAIN/BEDSPREAD, PATTERNED - 54" WIDE (D33)
	088273-89-000	YD FABRIC-BEDSPREAD, MICHELLE, LILAC (D33)
	088273-95-000	YD FABRIC-CURTAIN/BEDSPREAD, PATTERNED - 54" WIDE (D32)
	105745-15-000	YD FABRIC-CURTAIN/BEDSPREAD, PATTERNED - 54" WIDE (D34)
	088351-03-000	YD VINYL-CEILING, DIAMOND DESIGN - 54" WIDE
	103907-01-01A	YD FABRIC-VINYL, 54" WIDE - OFF WHITE
	104233-29-000	YD FABRIC-UPHOLSTERY, PLAIN VELOUR - 54" WIDE (D33)
	104233-31-000	YD FABRIC-UPHOLSTERY/CURTAIN, PLAIN VELOUR - 54" - BLUE (D32)
	104233-30-000	YD FABRIC-UPHOLSTERY, PLAIN VELOUR - 54" WIDE (D32,D34)
	104233-89-000	YD FABRIC-UPHOLSTERY, W/OVEN PATTERN - 54" WIDE (D32,D33)
	104233-70-000	YD FABRIC-UPHOLSTERY, STRIPED WOVEN - 54" WIDE (D32)
	104233-78-000	YD FABRIC-UPHOLSTERY, STRIPED WOVEN - 54" WIDE (D33)
	104233-71-000	YD FABRIC-UPHOLSTERY, PATTERN VELOUR - 54" WIDE (D34)
	104233-72-000	YD FABRIC-UPHOLSTERY, DOTTED VELOUR - 54" WIDE (D34)
	105745-37-000	YD FABRIC-CURTAIN/BEDSPREAD, PATTERNED - 54" WIDE
	108589-01-01A	YD VINYL-LAMINATE MADRID O/W - 26OZ 54" X ROLL
	098008-78-000	YD FABRIC-UPHOLSTERY, PLAIN VELOUR - 54" WIDE
		N/A USE P.N.#10423329000 EGGPLANT

FROM: 03-22-93 THRU: 99-99-99

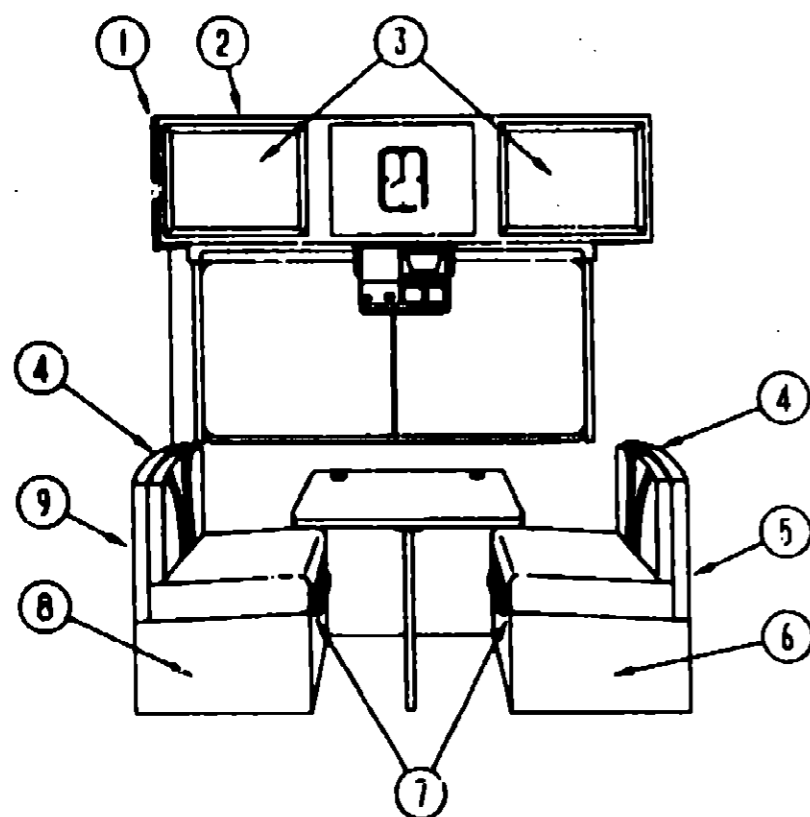
**1993 ITASCA  
TABLE OF CONTENTS**

INTRODUCTION	A-01 -	A-02
ABBREVIATIONS		A-03
ALPHABETICAL INDEX	A-04 -	A-08
ICF33RQ	A-07 -	F-10

**1993 ICF33RQ INDEX**

FLOOR PLAN	A-07 -	A-08
ACCESSORIES		A-09
AUDIO VIDEO	A-10 -	A-12
BATH	A-13 -	A-15
BEDROOM	A-16 -	A-18
CHASSIS	A-19 -	B-07
CURTAIN & CUSHION	B-08 -	B-18
DINETTE	B-19 -	B-20
DRIVERS COMPARTMENT	B-21 -	C-02
ELECTRICAL	C-03 -	C-10
EXTERIOR BODY	C-11 -	C-18
GALLEY	C-19 -	C-23
GENERATOR	C-24 -	D-01
HEATING & A/C	D-02 -	D-08
INTERIOR FINISH	D-09 -	D-12
LABELS	D-13 -	D-21
LP		D-22
LOUNGE	D-23 -	E-02
SEALANTS & FASTENERS	E-03 -	E-06
WATER & SEWAGE	E-07 -	E-12
WINDOW, VENT AND		
EXTERIOR DOOR	E-13 -	F-08
WINDSHIELD/WIPER	F-09 -	F-10

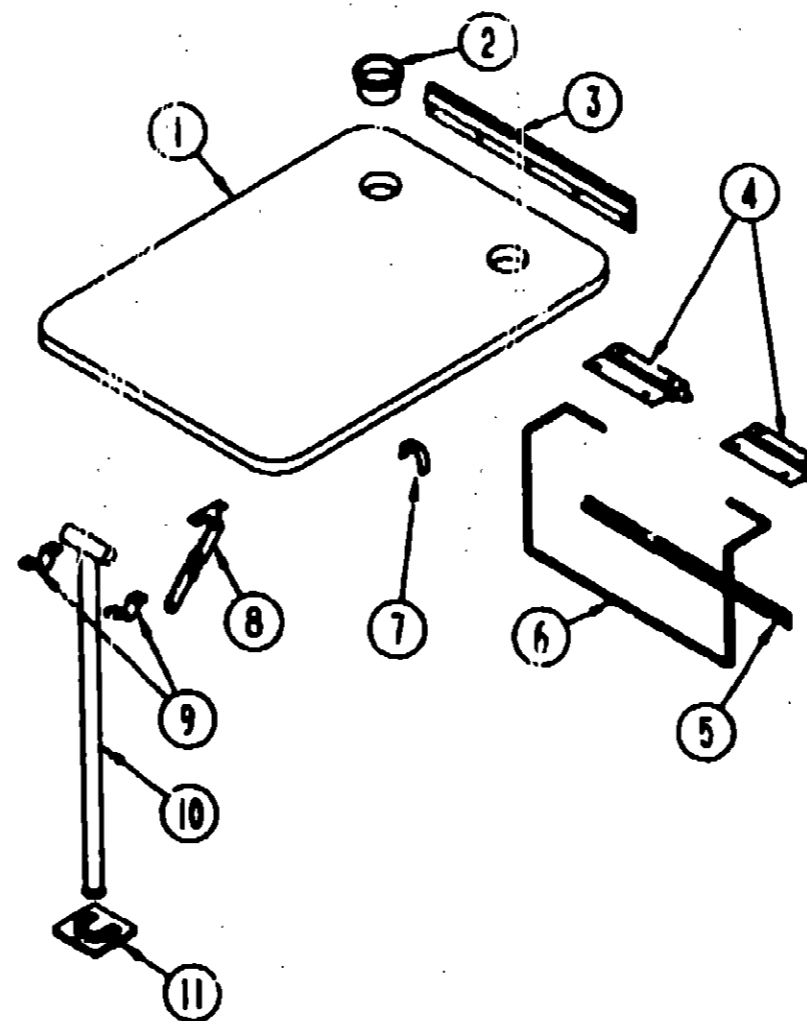
**DINETTE GROUP**



**DINETTE CABINETRY**

KEY	PART NUMBER	U/M DESCRIPTION	
1	103128-02-C05	EA END CAP ASM, OVERHEAD	
2	P06482-01-D32	EA CABINET ASM-OVERHEAD, DINETTE	
2	P06482-01-D33	EA CABINET ASM-OVERHEAD, DINETTE	
2	P06482-01-D34	EA CABINET ASM-OVERHEAD, DINETTE	
3	P04746-03-D32	EA DOOR ASM-W/O HARDWARE - 400 X 710	
4	104787-03-D32	EA PAD ASM-DINETTE	
4	104787-03-C05	EA PAD ASM-DINETTE (D33)	
4	104787-03-D11	EA PAD ASM-DINETTE (D34)	
5	M04174-23-C05	EA CABINET-SEATBACK RH	
5	M04174-42-D09	EA CABINET-SEATBACK LH	FROM: 00-00-00 THRU: 08-29-92
6	M04175-23-C05	EA CABINET-SEATBASE RH	FROM: 08-30-92 THRU: 99-99-99
6	M04175-42-D09	EA CABINET-SEATBASE RH	FROM: 09-00-00 THRU: 08-29-92
7	081295-01-AA8	EA SUPPORT-BED, DINETTE, 712 LG	FROM: 08-30-92 THRU: 99-99-99
8	M04175-24-C05	EA CABINET-SEATBASE LH	
9	M04174-24-C05	EA CABINET-SEATBACK LH	
	081518-01-B03	EA SEAT-TOP, DINETTE - PLYWOOD	

**DINETTE GROUP (CONTINUED)**



**DINETTE TABLE**

KEY	PART NUMBER	U/M DESCRIPTION
1	M02115-09-D32	EA TABLE-DINETTE, W/O EDGE BAND OR HARDWARE
2	064781-06-000	EA HOLDER-CUP, TWO STEP - OFF WHITE
3	053200-12-000	EA SUPPORT-TABLE, 8" X 23.5" - OFF WHITE
	004354-01-000	EA BUMPER-RUBBER - BROWN
4	088410-02-000	EA BRACKET-LIFT, TABLE MOUNTED - OFF WHITE
5	024281-14-000	EA BRACKET-LIFT ROD, LOWER WALL MOUNTED - 22.12" - OFF WHITE
6	024275-12-000	EA ROD-TABLE LIFT, 8" X 23.5" - BEIGE
7	024283-01-000	EA CLIP-LEG, 1" X 1.125" OD - BLACK
8	024282-01-000	EA BRACE-TABLE LEG, HINGED
9	064050-05-000	EA CLAMP-SADDLE, LEG HINGE - OFF WHITE
10	U24276-24-000	EA LEG-TABLE, METAL - OFF WHITE
11	049493-11-700	EA CATCH-TABLE LEG, FLOOR MOUNTED - BEIGE

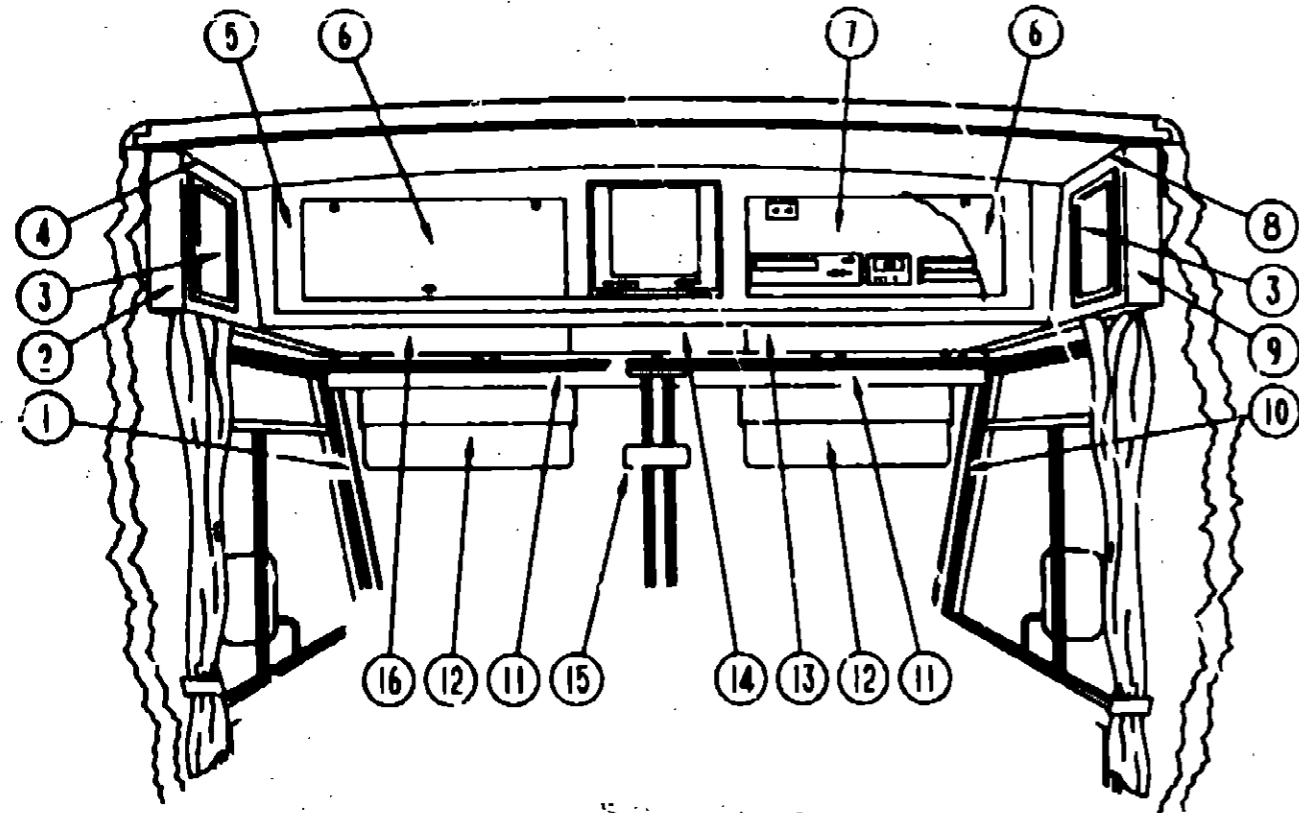
**1993 ITASCA  
TABLE OF CONTENTS**

INTRODUCTION	A-01 -	A-02
ABBREVIATIONS		A-03
ALPHABETICAL INDEX	A-04 -	A-06
ICF33RQ	A-07 -	F-10

**1993 ICF33RQ INDEX**

FLOOR PLAN	A-07 -	A-08
ACCESSORIES		A-09
AUDIO VIDEO	A-10 -	A-12
BATH	A-13 -	A-15
BEDROOM	A-16 -	A-18
CHASSIS	A-19 -	B-07
CURTAIN & CUSHION	B-08 -	B-18
DINETTE	B-19 -	B-20
DRIVERS COMPARTMENT	B-21 -	C-02
ELECTRICAL	C-03 -	C-10
EXTERIOR BODY	C-11 -	C-18
GALLEY	C-19 -	C-23
GENERATOR	C-24 -	D-01
HEATING & A/C	D-02 -	D-08
INTERIOR FINISH	D-09 -	D-12
LABELS	D-13 -	D-21
L.P.		D-22
LOUNGE	D-23 -	E-02
SEALANTS & FASTENERS	E-03 -	E-06
WATER & SEWAGE	E-07 -	E-12
WINDOW, VENT AND		
EXTERIOR DOOR	E-13 -	F-08
WINDSHIELD/WIPER	F-09 -	F-10

**DRIVERS COMPARTMENT GROUP**  
**DRIVERS COMPARTMENT - UPPER**



**1993 ITASCA**  
**TABLE OF CONTENTS**

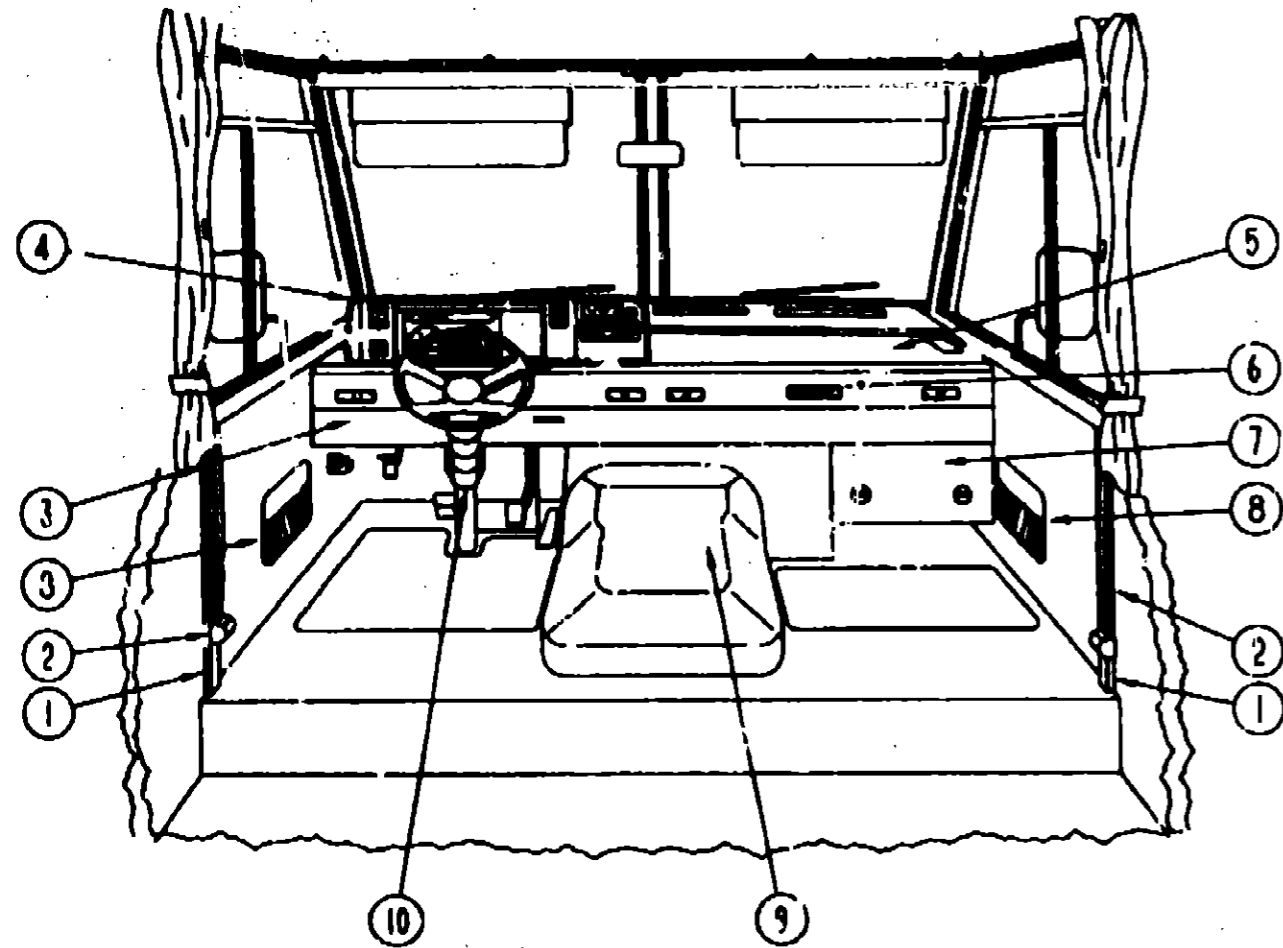
INTRODUCTION	A-01 -	A-02
ABBREVIATIONS		A-03
ALPHABETICAL INDEX	A-04 -	A-06
ICF33RQ	A-07 -	F-10

KEY	PART NUMBER	U/M DESCRIPTION
6	100708-06-000	EA DOOR-GLASS, TV CABINET - W/O HARDWARE - 9.58" X 28.42"
	100710-01-01A	EA LOCK-TWIST TYPE
	100711-01-01A	EA HINGE-DOOR, GLASS
	100707-01-000	EA SPACER
	101272-01-000	EA CATCH-GLASS DOOR
	101768-01-000	EA PIN-SUPPORT, GLASS DOOR
7	103040-01-C05	EA PANEL-HEADLINER FRONT OVERHEAD - PADDED - STANDARD
7	103040-02-C05	EA PANEL-HEADLINER FRONT OVERHEAD - PADDED - TV OPTION
7	103040-03-C05	EA PANEL-HEADLINER FRONT OVERHEAD - PADDED - TV/VCR/EUROPEAN OPTIONS
7	103040-04-C05	EA PANEL-HEADLINER FRONT OVERHEAD - PADDED - TV/VCR/INVERTER OPTION
7	103040-05-C05	EA PANEL-HEADLINER FRONT OVERHEAD - PADDED - TV/INVERTER OPTION
8	M05159-21-D32	EA CABINET-FRONT OVERHEAD W/O DOOR, PASSENGERS SIDE FROM: 00-00-00 THRU: 08-16-92
8	M05159-21-D33	EA CABINET-FRONT OVERHEAD W/O DOOR, PASSENGERS SIDE FROM: 00-00-00 THRU: 08-16-92
8	M05159-21-D34	EA CABINET-FRONT OVERHEAD W/O DOOR, PASSENGERS SIDE FROM: 00-00-00 THRU: 08-16-92
8	M05159-40-D32	EA CABINET-FRONT OVERHEAD W/O DOOR, PASSENGERS SIDE FROM: 08-17-92 THRU: 99-99-99
8	M05159-40-D33	EA CABINET-FRONT OVERHEAD W/O DOOR, PASSENGERS SIDE FROM: 08-17-92 THRU: 99-99-99
8	M05159-40-D34	EA CABINET-FRONT OVERHEAD W/O DOOR, PASSENGERS SIDE FROM: 08-17-92 THRU: 99-99-99
9	104353-01-C05	EA CAP-END, FRONT OVERHEAD, PASSENGERS SIDE FROM: 00-00-00 THRU: 08-16-92
9	103128-08-D12	EA CAP-END, FRONT OVERHEAD, PASSENGERS SIDE FROM: 08-17-92 THRU: 99-99-99
	P04307-01-C05	EA BOTTOM-VINYL COVERED, FRONT OVERHEAD - PASSENGERS SIDE FROM: 00-00-00 THRU: 08-16-92
	P09581-01-D09	EA BOTTOM-VINYL COVERED, FRONT OVERHEAD - PASSENGERS SIDE FROM: 08-17-92 THRU: 99-99-99
	104289-01-C05	EA PAD-VINYL COVERED, 30.3" X 9.6" - ANGLED - DRIVERS SIDE
10	103931-01-02A	EA COVER-INNER, A-PILLAR - PASSENGERS
11	078811-05-C07	EA PANEL-HEADER W/RECEPTACLE CUTOUTS - 90.2" LONG - VINYL COVERED
12	082286-18-D12	EA SUNVISOR-DRIVER OR PASSENGER - W/O POCKET
12	082286-14-C05	EA SUNVISOR-DRIVER OR PASSENGER - W/POCKET
	102377-01-000	EA BRACKET-SUNVISOR, 1 PIECE - STEEL
	007211-01-000	EA HINGE-SUNVISOR
	074012-01-000	EA CLIP-SUNVISOR, SQUARE PINCH-ON
13	P03077-02-C05	EA SHELF-CABINET, PASSENGERS SIDE - VINYL COVERED
14	P04415-01-C05	EA SHELF-TV CABINET, VINYL COVERED
	100628-02-000	EA SHELF ASM-TV, STEEL
	101150-01-000	EA SUPPORT-SHELF, TV - PASSENGER SIDE - STEEL
	101150-02-000	EA SUPPORT-SHELF, TV - DRIVER SIDE - STEEL
	104415-01-C05	EA CABINET-GLANKET (STANDARD CABINET)
15	040714-01-000	EA MIRROR-REAR VIEW, W/ARM MOUNT & SET SCREW - GM# 911722
16	P09581-01-C05	EA SHELF-CABINET, DRIVERS SIDE - VINYL COVERED
1	103931-02-02A	EA COVER-INNER, A-PILLAR - DRIVER
2	104353-02-C05	EA CAP-END, FRONT OVERHEAD, DRIVERS SIDE FROM: 00-00-00 THRU: 08-16-92
2	103128-09-D12	EA CAP-END, FRONT OVERHEAD, DRIVERS SIDE FROM: 08-17-92 THRU: 99-99-99
3	P04746-06-D32	EA DOOR-CABINET, W/O HARDWARE - 255 MM X 485 MM
4	M05159-22-D32	EA CABINET-FRONT OVERHEAD W/O DOOR, DRIVERS SIDE FROM: 00-00-00 THRU: 08-16-92
4	M05159-22-D33	EA CABINET-FRONT OVERHEAD W/O DOOR, DRIVERS SIDE FROM: 00-00-00 THRU: 08-16-92
4	M05159-22-D34	EA CABINET-FRONT OVERHEAD W/O DOOR, DRIVERS SIDE FROM: 00-00-00 THRU: 08-16-92
4	M05159-41-D32	EA CABINET-FRONT OVERHEAD W/O DOOR, DRIVERS SIDE FROM: 08-17-92 THRU: 99-99-99
4	M05159-41-D33	EA CABINET-FRONT OVERHEAD W/O DOOR, DRIVERS SIDE FROM: 08-17-92 THRU: 99-99-99
4	M05159-41-D34	EA CABINET-FRONT OVERHEAD W/O DOOR, DRIVERS SIDE FROM: 08-17-92 THRU: 99-99-99
	P04307-02-C05	EA BOTTOM-VINYL COVERED, FRONT OVERHEAD - DRIVERS SIDE FROM: 00-00-00 THRU: 08-16-92
	P09581-01-D09	EA BOTTOM-VINYL COVERED, FRONT OVERHEAD - DRIVERS SIDE FROM: 08-17-92 THRU: 99-99-99
	104289-02-C05	EA PAD-VINYL COVERED, 30.3" X 9.6" - ANGLED - DRIVERS SIDE
5	104236-01-C05	EA FACE-TV CABINET W/O DOORS, FRONT OVERHEAD FROM: 00-00-00 THRU: 07-16-92
5	M05893-01-C05	EA FACE-TV CABINET W/O DOORS, FRONT OVERHEAD FROM: 07-17-92 THRU: 99-99-99
	100999-01-01A	EA BRACKET-L-ANGLE, TV CABINET FACE - 5.1" LONG - OFF WHITE - STEEL
	100911-01-D12	EA TRIM-TV, 15.3" X 13.9" - WOOD
	100876-02-000	EA STAND-VCR, STEEL

**1993 ICF33RQ INDEX**

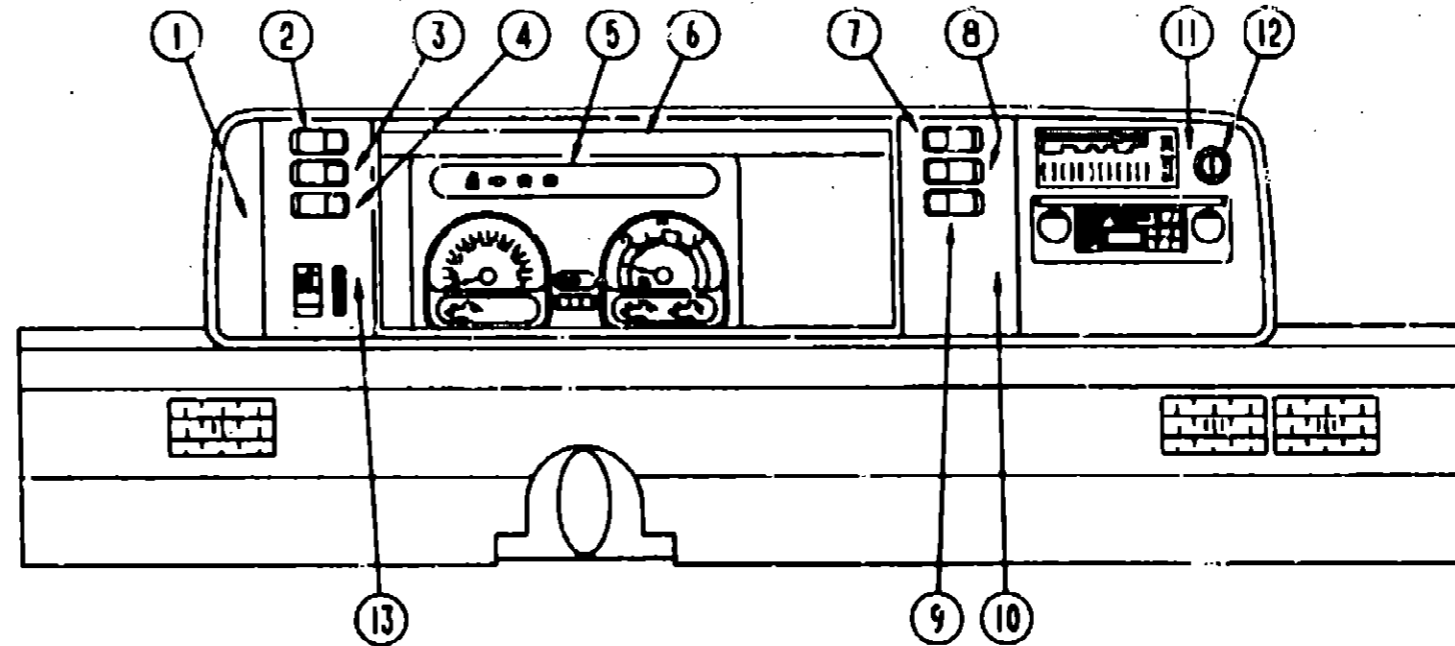
FLOOR PLAN	A-07 -	A-08
ACCESSORIES		A-09
AUDIO VIDEO	A-10 -	A-12
BATH	A-13 -	A-15
BEDROOM	A-16 -	A-18
CHASSIS	A-19 -	B-07
CURTAIN & CUSHION	B-08 -	B-18
DINETTE	B-19 -	B-20
DRIVERS COMPARTMENT	B-21 -	C-02
ELECTRICAL	C-03 -	C-10
EXTERIOR BODY	C-11 -	C-18
GALLEY	C-19 -	C-23
GENERATOR	C-24 -	D-01
HEATING & A/C	D-02 -	D-04
INTERIOR FINISH	D-09 -	D-11
LABELS	D-13 -	D-21
LP		D-22
LOUNGE	D-23 -	E-02
SEALANTS & FASTENERS	E-03 -	E-06
WATER & SEWAGE	E-07 -	E-12
WINDOW, VENT AND		
EXTERIOR DOOR	E-13 -	F-08
WINDSHIELD/WIPER	F-09 -	F-10

**DRIVERS COMPARTMENT GROUP (CONTINUED)**



**DRIVERS COMPARTMENT - LOWER**

**DRIVERS COMPARTMENT GROUP (CONTINUED)**



**INSTRUMENT CLUSTER (CHEVY)**

**1993 ITASCA  
TABLE OF CONTENTS**

INTRODUCTION	A-01 -	A-02
ABBREVIATIONS		A-03
ALPHABETICAL INDEX	A-04 -	A-08
ICF33RQ	A-07 -	F-10

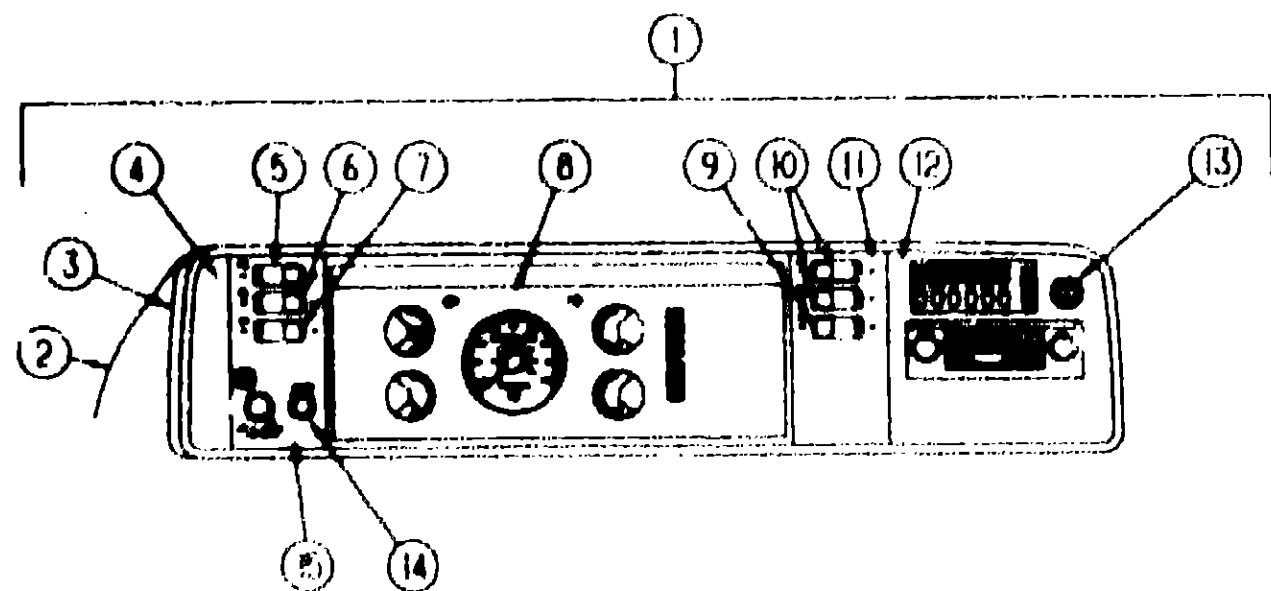
**1993 ICF33RQ INDEX**

FLOOR PLAN	A-07 -	A-08
ACCESSORIES		A-09
AUDIO VIDEO	A-10 -	A-12
BATH	A-13 -	A-15
BEDROOM	A-16 -	A-18
CHASSIS	A-19 -	B-07
CURTAIN & CUSHION	B-08 -	B-18
DINETTE	B-19 -	B-20
DRIVERS COMPARTMENT	B-21 -	C-02
ELECTRICAL	C-03 -	C-10
EXTERIOR BODY	C-11 -	C-10
GALLEY	C-19 -	C-23
GENERATOR	C-24 -	D-01
HEATING & A/C	D-07 -	D-08
INTERIOR FINISH	D-12 -	D-12
LABELS	D-15 -	D-21
LP		D-22
LOCKING	D-23 -	D-02
SEALANTS & FASTENERS	E-03 -	D-03
WATER & SEWAGE	E-07 -	D-02
WINDOW, VENT AND		
EXTERIOR DOOR	E-13 -	D-08
WINDSHIELDWIPER	F-09 -	F-10

KEY	PART NUMBER	U/M DESCRIPTION
1	024700-44-000	EA COVER-SIDEWALL ROLL BAR, OFF WHITE - 53"
1	024700-45-000	EA COVER-SIDEWALL ROLL BAR, OFF WHITE - 12.8"
2	091990-01-01A	EA SEAT BELT-SHOULDER HARNESS - DRIVERS/PASSENGERS - BLACK
	091990-01-70U	EA BOLT COVER
	R77006-13-49R	EA BOLT-SEAT BELT
	109143-01-000	EA BOLT-SHOULDER, SEAT BELT
	103961-01-01A	EA COVER-BRACKET, SEATBELT - OFF WHITE
	R77030-53-447	EA WASHER-FLAT, 11.3 MM ID X 21 MM OD
		FROM: 00-00-00 THRU: 07-19-92
		FROM: 07-20-92 THRU: 99-99-99
		FROM: 00-00-00 THRU: 08-02-92
3	103812-01-02A	EA TRIM-DASH, LOWER - OFF WHITE
4	103666-01-02A	EA POD-INSTRUMENT PANEL, OFF WHITE PLASTIC
5	103817-01-C05	EA DASH ASM, W/VINYL
	P03817-01-000	EA DASH ASM, W/O VINYL
	105927-02-000	EA PANEL-DASH TOP, STEEL
6	104279-01-01A	EA DECAL-LOGO (SURPRISE) PASSENGERS SIDE DASH
7	095757-03-C26	EA COVER-HEATER W/CARPET (D32)
7	095757-03-C05	EA COVER-HEATER W/CARPET (D33)
7	095757-03-C27	EA COVER-WATER W/CARPET (D34)
8	086120-04-D32	EA PAD-MAP POCKET, 12" X 16"
8	086120-04-D33	EA PAD-MAP POCKET, 12" X 16"
8	086120-04-D34	EA PAD-MAP POCKET, 12" X 16"
9	097552-01-000	EA COVER-MOTOR, W/O CARPET
	075564-01-000	EA BRACKET-MOUNTING, MOTOR COVER
	072406-01-000	EA TRIM-MOTOR COVER, ALUMINUM
	039823-01-000	FT SEAL-MOTOR COVER, RUBBER BULB TYPE - BLACK
	107854-01-D09	EA TRAY ASM-BEVERAGE W/ASHTRAY & BOWELS
	M04032-01-AB1	EA DOWEL-WOOD, STAINED - 1" X 1.75"
	046886-03-000	EA ASHTRAY-CHROME, W/COVER
10	103498-04-000	EA BOOT-STEERING COLUMN, BLACK VINYL
		FROM: 00-00-00 THRU: 09-06-92
10	103498-06-000	EA BOOT-STEERING COLUMN, BLACK VINYL
		FROM: 09-07-92 THRU: 99-99-99

KEY	PART NUMBER	U/M DESCRIPTION
1	104056-01-01A	EA APPLIQUE-BEZEL
2	108356-02-01A	EA COVER-SWITCH W/DIMPLES, CARLING VVAZC00 BLA
	108357-05-000	EA SWITCH-ROCKER, SPDT ON/NONE/ON - RADIO POWER - CARLING V4D1000B-0
3	108356-02-01A	EA COVER-SWITCH W/DIMPLES, CARLING VVAZC00 BLA
3	108357-04-000	EA SWITCH-ROCKER, SPDT ON/OFF/MOM - DUAL BATTERY - CARLING V7D1000B-0
4	108356-02-01A	EA COVER-SWITCH W/DIMPLES, CARLING VVAZC00 BLA
4	108357-06-000	EA SWITCH-ROCKER, DPDT MOM/OFF/MOM - CARLING VLD1000B-0
		BATTERY DISCONNECT SWITCH OPTION
4	096241-03-000	EA SWITCH-BLANK
5	094796-05-000	EA CLUSTER-INSTRUMENT PANEL, KILOMETERS - GAS - GM #16156355
5	094796-06-000	EA CLUSTER-INSTRUMENT PANEL, KILOMETERS - DIESEL - GM#16161325
6	103662-01-01A	EA BEZEL-INSTRUMENT PANEL
7	108356-04-01A	EA COVER-SWITCH W/DIMPLES & LENS, CARLING VVAGC00
		FROM: 12-14-92 THRU: 99-99-99
7	108357-10-000	EA SWITCH-ROCKER, SPDT MOM/OFF/MOM - LIGHTED - CARLING VLD1160B-0
		GENERATOR OPTION
		FROM: 12-14-92 THRU: 99-99-99
7	096241-03-000	EA SWITCH-BLANK
8	108356-02-01A	EA COVER-SWITCH W/DIMPLES, CARLING VVAZC00 BLA
8	108357-03-000	EA SWITCH-ROCKER, SPDT ON/OFF/ON - CARLING V4D1000B-0
		REAR HEATER OPTION
9	096241-03-000	EA SWITCH-BLANK
9	096241-03-000	EA SWITCH-BLANK
10	104056-04-01A	EA APPLIQUE-BEZEL W/O REAR AUTO HEATER
		FROM: 00-00-00 THRU: 12-13-92
10	104056-07-01A	EA APPLIQUE-BEZEL, W/REAR AUTO HEATER
		FROM: 00-00-00 THRU: 12-13-92
10	104056-21-01A	EA APPLIQUE-BEZEL
		FROM: 12-14-92 THRU: 99-99-99
11	104056-06-01A	EA APPLIQUE-BEZEL
12	089234-01-000	EA LIGHTER ASM-CIGARETTE - CASCO C213275
13	104056-02-01A	EA APPLIQUE-BEZEL
	101138-01-000	EA MODULE-DAYTIME RUNNING LIGHT
	077031-01-000	EA FILM-BLACK, 1" X 1.75"
	077031-02-000	EA FILM-AMBER, 1" X 1.75"
	077031-03-000	EA FILM-WHITE, .75" X 1"
	103603-01-000	EA BULB-12V (NO.74) 0.12A WEDGE
	105615-01-000	FT FILM-PROTECTIVE CLEAR
	077539-01-000	EA BRACKET-MOUNTING, DASH PANEL - LSHAPED - 2.5" X 1" X 1.5"

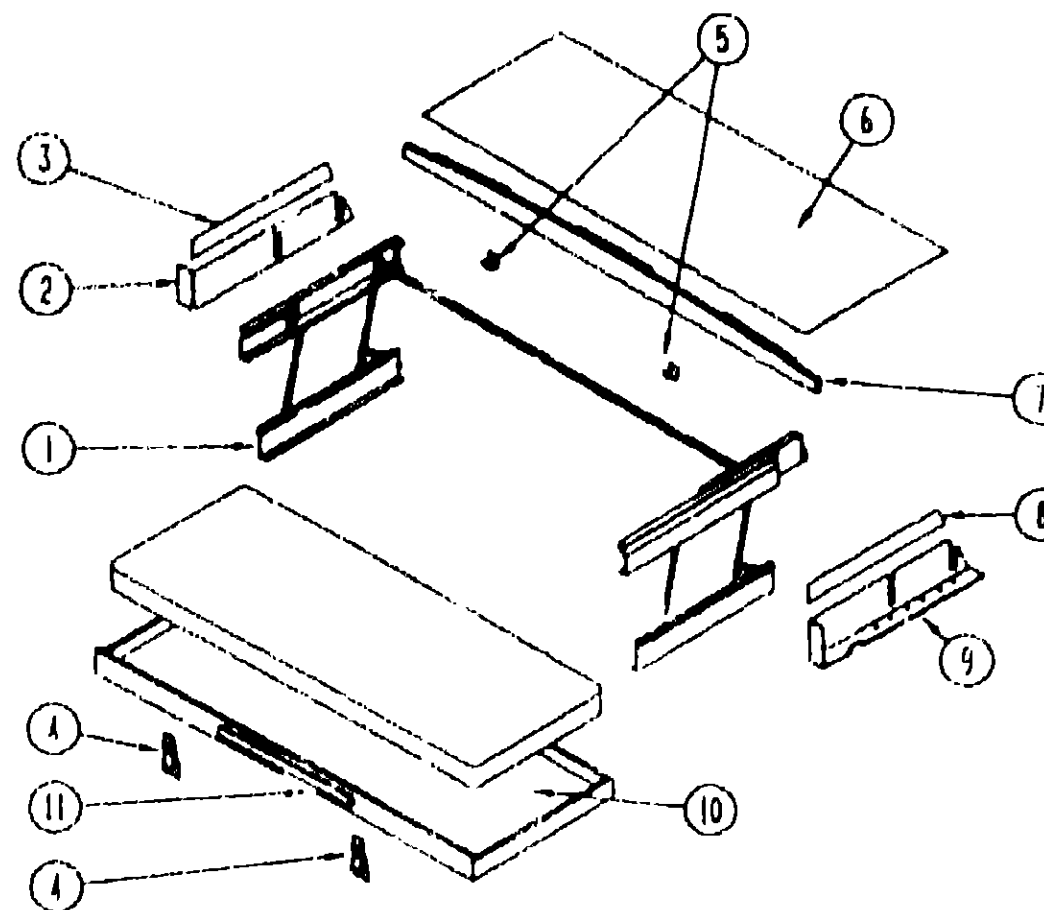
**DRIVERS COMPARTMENT GROUP (CONTINUED)**



**DASH, GAUGES & SWITCHES (FORD)**

KEY	PART NUMBER	U/M DESCRIPTION
1	MO5048-03-032	EA DASH POD ASM
2	103886-01-02A	EA POD - INSTRUMENT PANEL - ASH GRAY
3	103882-02-01A	EA BEZEL - INSTRUMENT PANEL
4	104056-01-01A	EA APPLIQUE - BEZEL - LEFT - DRESS UP
5	103875-05-000	EA SWITCH - ROCKER - SPST ON/NONE/ON
6	103875-04-000	EA SWITCH - ROCKER - SPST ON/OFF/MOM
7	103875-06-000	EA SWITCH - ROCKER - DPDT MOM/OFF/MOM
8	064794-02-000	EA CLUSTER - INSTRUMENT - KILOMETER - FORD F0US-10849-00 FROM: 00-00-00 THRU 09-20-92
8	064794-03-000	EA CLUSTER - SPEEDO - KM - F53 FORD E99Z-17255-B FROM: 08-21-92 THRU 99-99-99
9	096241-03-000	EA BLANK
10	103875-03-000	EA SWITCH - ROCKER - SPST ON/OFF/ON
11	104056-04-01A	EA APPLIQUE - BEZEL - SWITCH RIGHT - BLANK
11	104056-05-01A	EA APPLIQUE - BEZEL SWITCH RIGHT (W/AUX FANS)
12	104056-06-02A	EA APPLIQUE - BEZEL - RIGHT DRESS UP
13	098294-01-000	EA LIGHTER ASM. - CIGARETTE
14	096675-01-000	EA KNOB - HEADLAMP - W/SHAFT
15	104056-03-01A	EA APPLIQUE - BEZEL - SWITCH LEFT
	PO3817-01-000	EA DASH ASM - LOWER - W/O VINYL
	106569-02-07A	EA PADDED VINYL - LAMINATE MADRID - OFF WHITE - 1/4" X 16" X 96" - 2LB
	100138-01-000	EA MODULE - DAYTIME RUNNING LIGHT
	077031-03-000	EA FILM - WHITE 75 X 100
	103812-02-01A	EA TRIM - DASH - LOWER - FORD OFF/WHITE
	104354-02-01A	EA APPLIQUE - LOWER DASH - FORD

**DRIVERS COMPARTMENT GROUP (CONTINUED)**



**FRONT BUNK-SINGLE**

KEY	PART NUMBER	U/M DESCRIPTION
1	075760-02-000	EA BUNK HARDWARE (COMPLETE)
	076760-02-700	EA SPRING-GAS-BUNK HARDWARE
2	101499-06-C05	EA PANEL ASM - BOTTOM DRIVERS - PADDED - USED W/BUNK
3	101497-08-C05	EA PANEL ASM - UPPER DRIVERS - PADDED - USED W/BUNK
4	042541-04-000	EA LATCH-W/O STRIKE, BRASS
5	042541-05-000	EA STRIKE-BRASS
6	103040-06-C05	EA PANEL-HEADLINER FRONT OVERHEAD - PADDED USED W/BUNK
7	PO3199-01-C05	EA BOARD ASM-TRIM, BUNK - CEILING MOUNTED
8	101497-07-C05	EA PANEL ASM - UPPER PASSENGERS - PADDED - USED W/BUNK
9	101499-05-C05	EA PANEL ASM - BOTTOM PASSENGERS - PADDED - USED W/BUNK
10	081717-03-C05	EA BED ASM-BUNK, FRONT
11	094658-01-Y12	EA HANDLE-BUNK, OAK

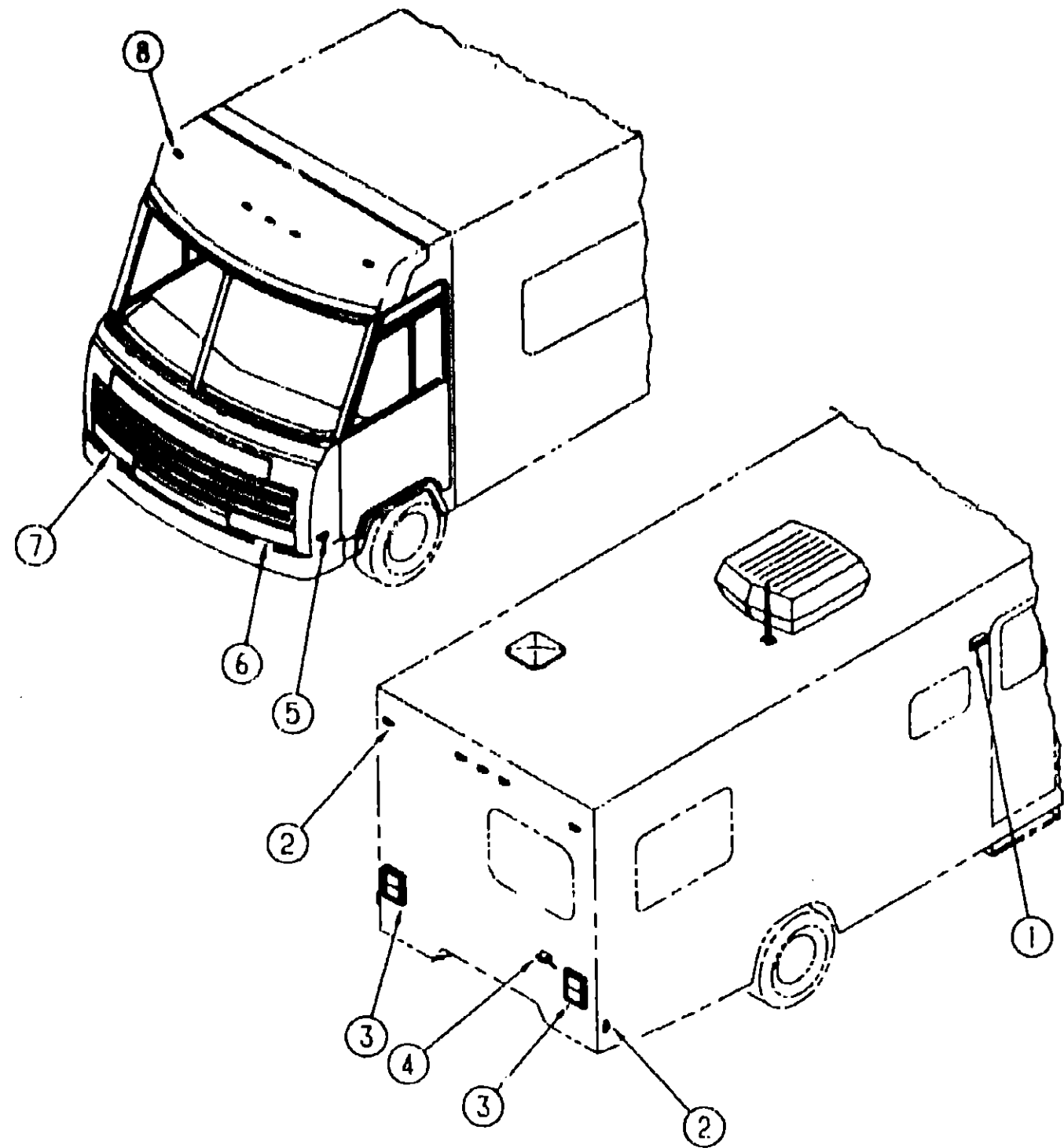
**1993 ITASCA  
TABLE OF CONTENTS**

INTRODUCTION	A-01 -	A-02
ABBREVIATIONS		A-03
ALPHABETICAL INDEX	A-04 -	A-06
ICF33RQ	A-07 -	F-10

**1993 ICF33RQ INDEX**

FLOOR PLAN	A-07 -	A-08
ACCESSORIES		A-09
AUDIO VIDEO	A-10 -	A-12
BATH	A-13 -	A-15
BEDROOM	A-16 -	A-18
CHASSIS	A-19 -	B-07
CURTAIN & CUSHION	B-08 -	B-18
CINETTE	B-19 -	B-20
DRIVERS COMPARTMENT	B-21 -	C-02
ELECTRICAL	C-03 -	C-10
EXTERIOR BODY	C-11 -	C-18
GALLEY	C-19 -	C-23
GENERATOR	C-24 -	D-01
HEATING & A/C	D-02 -	D-08
INTERIOR FINISH	D-09 -	D-12
LABELS	D-13 -	D-21
LP		D-22
LOUNGE	D-23 -	E-02
SEALANTS & FASTENERS	E-03 -	E-06
WATER & SEWAGE	E-07 -	E-12
WINDOW, VENT AND		
EXTERIOR DOOR	E-13 -	F-08
WINDSHIELDWIPER	F-09 -	F-10

**ELECTRICAL GROUP  
EXTERIOR LIGHTS**



KEY	PART NUMBER	U/M	DESCRIPTION	
1	097917-01-03A	EA	LIGHT-PORCH, ENTRY DOOR - ASH GRAY	
	008215-01-000	EA	BULB - 12V, #1003 - .94 AMP	
	097917-01-700	EA	LENS-LIGHT, PORCH	
	2	082649-01-000	EA	LIGHT-CLEARANCE, RED - BARGMAN 30-99-001
		081638-01-000	EA	TAILLIGHT-DOUBLE, W/BLACK TRIM - DRIVER OR PASSENGER SIDE
	3	037934-01-000	EA	BULB - 12V, #1158 - 2.1 AMP - CLEAR GLASS
		037935-01-000	EA	BULB - 12V, #1157 OR #2057 - 2.1 AMP - CLEAR GLASS
		081638-01-700	EA	LENS-TAILLIGHT, RED - BARGMAN 30-84-010
		081638-01-701	EA	LENS-TAILLIGHT, W/BACKUP - BARGMAN 30-84-700
		103355-01-03A	EA	POD-TAILLIGHT, ASH GRAY
4		086432-02-000	EA	LIGHT-LICENSE, BLACK
		086432-03-000	EA	BRACKET-LICENSE PLATE - BARGMAN 30-80-030
5		082648-02-000	EA	LIGHT-CLEARANCE, AMBER - BARGMAN 30-99-002
		049186-02-000	EA	HEADLAMP CAPSULE-DRIVER, HIGH/LOW BEAM - RECTANGULAR - BLACK TRIM
6		049186-02-000	EA	HEADLAMP CAPSULE-DRIVER, HIGH BEAM - RECTANGULAR - BLACK TRIM
	049185-02-000	EA	HEADLAMP CAPSULE-PASSENGER, HIGH/LOW BEAM - RECTANGULAR - BLK TRIM	
7	049187-02-000	EA	HEADLAMP CAPSULE-PASSENGER, HIGH BEAM - RECTANGULAR - BLACK TRIM	
	P03783-01-000	EA	WIRE ASM-HEADLAMP	
8	049359-01-000	EA	SPRING-RETAINER, HEADLAMP - GM 496096	
	073308-01-000	EA	SCREW-ADJUSTING, HEADLAMP	
	110750-01-000	EA	SCREW-ADJUSTING, HEADLAMP FROM: 00-00-00 THRU: 01-21-93	
	110783-01-01A	EA	BRACKET-HEADLAMP, QUAD - PASSENGER - UNPAINTED FROM: 01-22-93 THRU: 99-99-99	
	110783-02-01A	EA	BRACKET-HEADLAMP, QUAD - DRIVER - UNPAINTED	
	089292-01-000	EA	LIGHT-TURN, DRIVER OR PASSENGER - W/AMBER LENS	
8	037935-01-000	EA	BULB - 12V, #1157 OR #2057 - 2.1 AMP - CLEAR GLASS	
	102520-01-000	EA	LIGHT-CLEARANCE, W/O SOCKET CONNECTIONS - AMBER	
	036196-01-000	EA	BULB - 12V, #194 - .27 AMP - BAYONETTE	
	102540-01-000	EA	SEAL-SCREW, ROUND - RUBBER	
	102541-01-000	EA	GASKET-CLEARANCE LIGHT	
	102582-01-000	EA	BRACKET-LIGHT, CLEARANCE - L-SHAPED METAL - 2.2" X 4.7"	

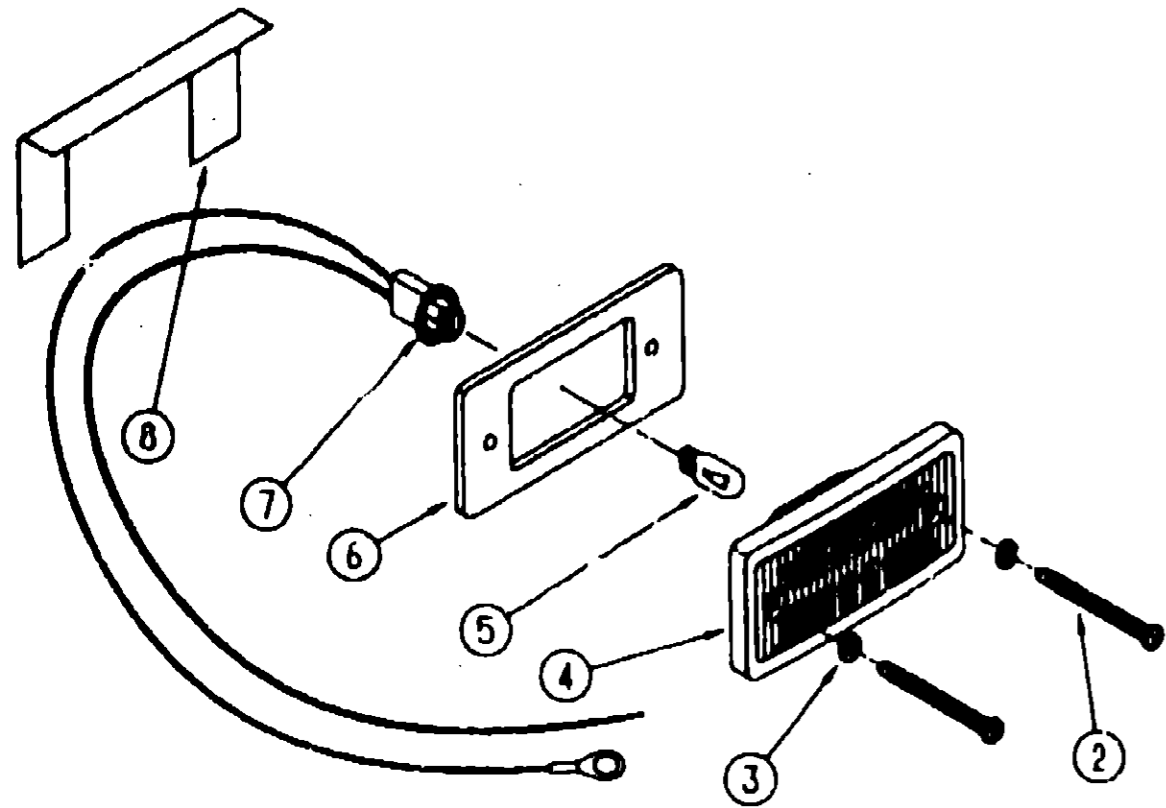
**1993 ITASCA  
TABLE OF CONTENTS**

INTRODUCTION	A-01	A-02
ABBREVIATIONS		A-03
ALPHABETICAL INDEX	A-04	A-08
ICF33RQ	A-07	F-10

**1993 ICF33RQ INDEX**

FLOOR PLAN	A-07	A-08
ACCESSORIES		A-09
AUDIO VIDEO	A-10	A-12
BATH	A-13	A-15
BEDROOM	A-16	A-18
CHASSIS	A-19	B-07
CURTAIN & CUSHION	B-08	B-18
DINETTE	B-19	B-20
DRIVERS COMPARTMENT	B-21	C-02
ELECTRICAL	C-03	C-10
EXTERIOR BODY	C-11	C-18
GALLEY	C-19	C-23
GENERATOR	C-24	D-01
HEATING & A/C	D-02	D-08
INTERIOR FINISH	D-09	D-12
LABELS	D-13	D-21
LP		D-22
LOUNGE	D-23	E-02
SEALANTS & FASTENERS	E-03	E-06
WATER & SEWAGE	E-07	E-12
WINDOW, VENT AND		
EXTERIOR DOOR	E-13	F-08
WINDSHIELD/WIPER	F-09	F-10

**ELECTRICAL GROUP (CONTINUED)**



**EXTERIOR CLEARANCE LIGHTS**

KEY	PART NUMBER	U/M DESCRIPTION
2	000G39-08-24B	EA SCREW, SELF DRIVING
3	102540-01-000	EA SEAL-SCREW, ROUND - RUBBER
4	102520-01-000	EA LIGHT-CLEARANCE, W/O SOCKET CONNECTIONS - AMBER
5	036196-01-000	EA BULB - #1194 - CLEARANCE LIGHT
6	102541-01-000	EA GASKET-CLEARANCE LIGHT
7	067769-02-000	EA SOCKET ASM.-CAB MARKER
8	102582-01-000	EA BRACKET-LIGHT, CLEARANCE - L-SHAPED METAL - 2.2" X 4.7"

**ELECTRICAL GROUP (CONTINUED)**

**INTERIOR LIGHTS**

KEY	PART NUMBER	U/M DESCRIPTION
	081424-01-000	EA LIGHT-AISLE, 12V - RECTANGULAR
	008103-01-000	EA BULB-DASH/VAIBLE LIGHT, #53 - 12 V - .12 AMP
	085201-09-000	EA SHADE-LAMP, FABRIC - PARCHMENT
	085202-17-000	EA LAMP-WALL, BRASS #L512X0
	085202-18-000	EA LAMP-WALL, BRASS #L504X0 (CANADIAN)
	082169-01-000	EA LIGHT-MAKE-UP, 3 BULB - JENSEN X148-168R FROM: 00-00-00 THRU: 12-13-92
	110235-01-01A	EA LIGHT-MAKE-UP, 3 BULB - PANLESS PD200-621 FROM: 12-14-92 THRU: 09-09-99
	081633-01-700	EA BULB-MAKE UP LIGHT, JENSEN
	088280-01-000	EA LIGHT-SURFACE MOUNT, 12V - JENSEN 1236
	088280-01-700	EA BULB - 12 VOLT, 8 WATT
	098024-01-01A	EA LIGHT-DOME, 1 BULB - US - IVORY
	008218-01-000	EA BULB-DOME LIGHT, 12V - NUMBER 1141
	098024-01-700	EA LENS-DOME LIGHT
	098024-03-01A	EA LIGHT-DOME, 2 BULB - IVORY
	008218-01-000	EA BULB-DOME LIGHT, 12V - NUMBER 1141
	098024-01-700	EA LENS-DOME LIGHT

**CIRCUIT BREAKERS**

KEY	PART NUMBER	U/M DESCRIPTION
	083209-01-000	EA CIRCUIT BREAKER - 15 AMP, 120V - BW G-15 - CANADIAN
	083209-02-000	EA CIRCUIT BREAKER - 15/15AMP, 120V - BW H-15/15
	083209-03-000	EA CIRCUIT BREAKER - 15/20AMP, 120V - BW O-15/20
	083209-04-000	EA CIRCUIT BREAKER - 30A, 120V - BW L-30
	083209-05-000	EA CIRCUIT BREAKER - 20A, 120V - BW J-20
	083209-06-000	EA CIRCUIT BREAKER - 30/15 AMP, 120V - BW D-30/15
	083209-07-000	EA CIRCUIT BREAKER - 20/20AMP, 120V - BW K-20/20
	093654-01-000	EA CIRCUIT BREAKER - 6 AMP, HOUSE CONTROL PANEL
	093654-02-000	EA CIRCUIT BREAKER - 15 AMP
	093655-01-000	EA CIRCUIT BREAKER - 25 AMP, USD 17425-4E03A2A
	093655-02-000	EA CIRCUIT BREAKER - 30 AMP, HOUSE CONTROL PANEL
	093655-03-000	EA CIRCUIT BREAKER - 40 AMP, USD 17440-4E03A2A
	097611-01-000	EA CIRCUIT BREAKER - 6AMP, ATC - BLACK

**CONDUIT**

KEY	PART NUMBER	U/M DESCRIPTION
	041953-01-000	FT CONDUIT-CONVOLUTE SLIT, .5"ID
	041953-03-000	FT CONDUIT-CONVOLUTE SLIT, 1"ID
	041953-05-000	FT CONDUIT-CONVOLUTE SOLID, .62" ID
	041953-06-000	FT CONDUIT-CONVOLUTE, SLIT .375"ID
	041953-07-000	FT CONDUIT-CONVOLUTE, SLIT - .25" ID
	041953-08-000	FT CONDUIT-CONVOLUTE, SLIT 1.50"ID
	041953-09-000	FT CONDUIT-CONVOLUTE, SLIT .50"ID
	041953-10-000	FT CONDUIT-CONVOLUTE, SLIT - .75" ID
	041953-11-000	FT CONDUIT-CONVOLUTE, SLIT - 1.06" ID
	041953-12-000	FT CONDUIT-CONVOLUTE, NON SLIT 1.1" ID

**1993 ITABCA  
TABLE OF CONTENTS**

INTRODUCTION	A-01 -	A-02
ABBREVIATIONS		A-03
ALPHABETICAL INDEX	A-04 -	A-08
ICF33RQ	A-07 -	F-10

**1993 ICF33RQ INDEX**

FLOOR PLAN	A-07 -	A-08
ACCESSORIES		A-09
AUDIO VIDEO	A-10 -	A-12
BATH	A-13 -	A-15
BEDROOM	A-16 -	A-18
CHASSIS	A-19 -	B-07
CURTAIN & CUSHION	D-08 -	B-18
DINETTE	B-19 -	B-20
DRIVERS COMPARTMENT	B-21 -	C-02
ELECTRICAL	C-03 -	C-10
EXTERIOR BODY	C-11 -	C-18
GALLEY	C-19 -	C-23
GENERATOR	C-24 -	D-01
HEATING & A/C	D-02 -	D-08
INTERIOR FINISH	D-09 -	D-12
LABELS	D-13 -	D-21
LP		D-22
LOUNGE	D-23 -	E-02
SEALANTS & FASTENERS	E-03 -	E-06
WATER & SEWAGE	E-07 -	E-12
WINDOW, VENT AND		
EXTERIOR DOOR	E-13 -	F-08
WINDSHIELD/WIPER	F-09 -	F-10



**ELECTRICAL GROUP (CONTINUED)**

**CONNECTORS**

KEY	PART NUMBER	U/M DESCRIPTION
	008311-01-000	EA CONNECTOR-WIRE NUT, INSULATED - RED
	008312-01-000	EA CONNECTOR-WIRE NUT, INSULATED - BLUE
	008314-01-000	EA CONNECTOR-WIRE NUT, INSULATED - GRAY
	008363-01-000	EA CONNECTOR-CABLE CLAMPING, 3/8"
	008364-01-000	EA CONNECTOR-CABLE CLAMPING, 3/4"
	008366-01-000	EA CONNECTOR-PLASTIC, 3/8" AVG
	008368-01-000	EA CONNECTOR - 1/2" X 90 DEGREE, FLEX CONDUIT - UL AND CSA
	041480-01-000	EA CONNECTOR-STRAIGHT, 1/2" FLEX CONDUIT
	082740-01-000	EA CONNECTOR-PLASTIC BODY, FOR 2 MALE LEADS
	058026-01-000	EA CONNECTOR-ELECTRICAL PIGTAIL, NYLON - CLEAR

**RECEPTACLES**

KEY	PART NUMBER	U/M DESCRIPTION
	024824-02-000	EA RECEPTACLE-POWER CORD, W/PARTIAL PLATE
	080015-02-000	EA RECEPTACLE-FLAG, .185 - 16/14 GA - AMP 3
	068707-01-000	EA RECEPTACLE-ELECTRIC, SINGLE - BROWN
	068708-01-000	EA RECEPTACLE-ELECTRIC, DOUBLE - BROWN
	068708-02-000	EA RECEPTACLE-ELECTRIC, DOUBLE - IVORY
	084078-02-000	EA RECEPTACLE-GFI, 15A - 125V - BROWN
	007940-01-000	EA RECEPTACLE-SLIDE, 16 TO 12 AWG - FEMALE END
	058707-02-000	EA RECEPTACLE-BLANK, JUNCTION WIRECON WDJ208R
	097734-01-01A	EA EXTENSION-RECEPTACLE, 3 2" X 5" X .7" - PLASTIC - IVORY FROM: 00-00-00 THRU: 03-07-93
	102568-01-B10	EA SPACER-RECEPTACLE, BETWEEN SIDEWALL & PLATE - WOOD

**TERMINALS**

KEY	PART NUMBER	U/M DESCRIPTION
	008326-01-000	EA TERMINAL-RING, 16/14 WIRE - 3/8" STUD
	008328-01-000	EA TERMINAL-RING, 12/10 WIRE - #10 STUD FIT
	008331-01-000	EA TERMINAL-RING, TONGUE - #4 WIRE - 3/8" STUD - COPPER
	008348-01-000	EA TERMINAL-RING, 3/8" STUD - #2 WIRE CONNECTS CABLE TO DISCONNECT RELAY AND BATTERY
	035416-04-000	EA TERMINAL-RING #10 STUD FIT, INSULATED BARREL #16/14
	047443-01-000	EA TERMINAL - .250 RECEPTACLE FIT, INSULATED - 16/14 AWG
	047443-02-000	EA TERMINAL - .250 RECEPTACLE FIT, INSULATED - 12/10 AWG
	062036-02-000	EA TERMINAL-PACK-CON, 16/14 AWG
	104100-03-000	EA TERMINAL - 75 AMP AMP 53880-11 COSE
	033787-01-000	EA TERMINAL-RING, INSULATED
	106655-01-000	EA TERMINAL-FUSE BLOCK, 14-16AWG - PACKARD 12015952

**FUSE & FUSE HOUSING**

KEY	PART NUMBER	U/M DESCRIPTION
	008234-01-000	EA FUSE - 12V, 10 AMP
	008235-01-000	EA FUSE-AUTOMOTIVE, 12V - 15AMP
	062037-01-000	EA HOUSING-AUTO FUSE, NATURAL
	062037-02-000	EA HOUSING-AUTO FUSE, GREEN
	062037-03-000	EA HOUSING-AUTO FUSE, BLACK
	062037-04-000	EA HOUSING-AUTO FUSE, BLUE
	062037-05-000	EA HOUSING-AUTO FUSE, GRAY
	062037-06-000	EA HOUSING-AUTO FUSE, BROWN
	062901-02-000	EA FUSE - 5 AMPS, AUTOMOTIVE
	062901-04-000	EA FUSE - 10 AMPS, AUTOMOTIVE
	062901-05-000	EA FUSE - 15 AMPS, AUTOMOTIVE
	063010-01-000	EA HOUSING-RELAY, BOSCH 3 334 485 008
	100341-01-000	EA FUSE HOLDER-IN LINE TYPE, WESCO 8931-92020
	062901-07-000	EA FUSE - 25 AMPS, AUTOMOTIVE

**ELECTRICAL GROUP (CONTINUED)**

**HOUSINGS, PINS & SOCKETS**

KEY	PART NUMBER	U/M DESCRIPTION
	088473-01-000	EA PIN-HOUSING, 4 ROWS OF 3
	088473-03-000	EA HOUSING-PIN, 9 POSITION
	088473-05-000	EA PIN-HOUSING, 0 POSITION (SINGLE ROW)
	088473-06-000	EA PIN-HOUSING, 6 POSITION (TWO ROWS OF THREE)
	088473-08-000	EA HOUSING-PIN, 4 POSITION
	088473-09-000	EA PIN-HOUSING, 3 POSITION (SINGLE ROW)
	088473-10-000	EA PIN-HOUSING, 2 POSITION
	088474-01-000	EA HOUSING-SOCKET, 12 POSITIONS
	088474-03-000	EA HOUSING-SOCKET, 9 POSITION
	088474-06-000	EA SOCKET-HOUSING, 6 POSITION (2 ROWS OF THREE)
	088474-07-000	EA HOUSING-SOCKET, 5 CAVITY - AMP 1-480764-0
	088474-08-000	EA SOCKET-HOUSING, 4 POSITION (SINGLE ROW)
	088474-09-000	EA HOUSING-SOCKET, 3 POSITION
	088474-10-000	EA HOUSING-SOCKET, 2 POSITION
	088475-01-000	EA PIN-CONNECTOR, 14 TO 20 AWG
	088475-02-000	EA PIN-CONNECTOR, 10 TO 12 AWG
	104100-01-000	EA HOUSING - 1 POSITION, 75 AMP AMP 53884-1
	101571-01-000	EA HOUSING - 2 POSITION, MALE
	106006-01-000	EA HOUSING - 1 POSITION, FEMALE - PACKARD 12015952
	007949-01-000	EA TAB-HOUSING, 1 POSITION
	106669-01-000	EA HOUSING-AUTOFUSE HOLDER PACKARD 12010105
	110178-01-000	EA HOUSING-WIPER MOTOR - U75237440-EC25WJ FROM: 12-13-92 THRU: 99-99-99
	108355-01-000	EA HOUSING-SWITCH - CARLING VCH
	100690-01-000	EA HOUSING - 5 PIN, WEATHER PACK
	100691-01-000	EA HOUSING - 3 PIN, FEMALE

**POWER CORDS**

KEY	PART NUMBER	U/M DESCRIPTION
	008052-01-000	EA CORD-POWER, 10/3 - 30 AMP - 25' - CANADIAN
	008054-01-000	EA CORD-POWER, 10/3 - 30 AMP - 25'

**CONVERTER, LOAD CENTER & INVERTER**

KEY	PART NUMBER	U/M DESCRIPTION
	083208-02-000	EA CONVERTER-POWER, 45A - 120V/12V - BW 6345
	094809-01-000	EA CENTER-LOAD, 240V - 125A - TPL412CT
	099048-01-000	EA INVERTER-100 WATT

**WIRE ASM.**

KEY	PART NUMBER	U/M DESCRIPTION
	097618-01-000	EA WIRE ASM-MONITOR PANEL, W/3 WIRES & ORANGE RESISTOR - LVS ORANGE RESISTOR W/3 (ORANGE-GREEN-BLUE) WIRES
	102636-01-000	EA WIRE ASM-CLEARANCE LAMPS
	103328-06-000	EA WIRE ASM-PUMP, EXTERIOR SHOWER
	103991-01-000	EA WIRE ASM-CIRCUIT BREAKER, POWER
	103991-02-000	EA WIRE ASM-CIRCUIT BREAKER, POWER
	107066-01-000	EA WIRE ASM-STEP, ELECTRIC

**1993 ITASCA  
TABLE OF CONTENTS**

INTRODUCTION	A-1	A-02
ABBREVIATIONS		A-03
ALPHABETICAL INDEX	A-04	A-08
ICF33RQ	A-07	F-10

**1993 ICF33RQ INDEX**

FLOOR PLAN	A-07	A-08
ACCESSORIES		A-09
AUDIO VIDEO	A-10	A-12
BATH	A-13	A-15
BEDROOM	A-16	A-18
CHASSIS	A-19	B-07
CURTAIN & CUSHION	B-08	B-18
DINETTE	B-19	B-20
DRIVERS COMPARTMENT	B-21	C-02
ELECTRICAL	C-03	C-10
EXTERIOR BODY	C-11	C-18
GALLEY	C-19	C-23
GENERATOR	C-24	D-01
HEATING & A/C	D-02	D-08
INTERIOR FINISH	D-09	D-12
LABELS	D-13	D-21
LP		D-22
LOUNGE	D-23	E-02
SEALANTS & FASTENERS	E-03	E-06
WATER & SEWAGE	E-07	E-12
WINDOW, VENT AND EXTERIOR DOOR	E-13	F-08
WINDSHIELDWIPER	F-09	F-10

**ELECTRICAL GROUP (CONTINUED)**  
**PLATES, BOXES & COVERS**

KEY	PART NUMBER	U/M DESCRIPTION
	F03751-01-000	EA PLATE-ELECTRICAL ACCESS FROM: 11-02-92 THRU: 99-99-99
	081884-02-000	EA PLATE-SWITCH, EXTERIOR SHOWER FROM: 00-00-00 THRU: 08-23-92
	084077-02-000	EA PLATE-COVER, RECEPTACLE - GF1 - BROWN FROM: 00-00-00 THRU: 03-07-93
	088351-01-01A	EA PLATE-SWITCH, 1 GANG - POLISHED BRASS - JENSEN
	088351-02-01A	EA PLATE-SWITCH, 2 GANG - POLISHED BRASS - JENSEN
	088351-03-01A	EA PLATE-SWITCH, 3 GANG - POLISH BRASS - JENSEN
	088351-04-01A	EA PLATE-SWITCH, 2 GANG W/LABEL - JENSEN - POLISHED BRASS
	008288-01-000	EA BOX-PLASTIC ELECTRIC, 3" X 3 1/2" FROM: 00-00-00 THRU: 03-18-93
	008288-02-000	EA BOX-ELECTRIC, PLASTIC - 3.94" X 3.13" X 1.81" FROM: 00-00-00 THRU: 10-04-92
	008288-01-000	EA BOX-ELECTRIC, STEEL - 1/2" AND 3/4" KNOCKOUTS - 4" X 4"
	008288-02-000	EA BOX-ELECTRIC, 4" X 4" - 1/2" & 3/4" KNOCKOUTS - CANADIAN
	058048-01-000	EA BOX-ELECTRIC SWITCH, 2" X 3" X 2.25"
	074890-01-000	EA BOX-EXTENSION, STEEL - OPEN SIDES - 4" X 4" X 1 1/2"
	091910-01-000	EA BOX-ELECTRIC, 3.75" X 3.5" X 1.75" - PLASTIC
	091910-02-000	EA BOX-ELECTRIC, PLASTIC - 57 X 88MM FROM: 10-05-92 THRU: 99-99-99
	081927-01-000	EA COVER-RECEPTACLE DOUBLE - IVORY
	008294-01-000	EA COVER-ELECTRICAL BOX, BLANK/STEEL - 4" X 4" - GRAY
	019784-02-000	EA COVER-ELECTRICAL BOX, BLANK STEEL - 4" X 4" - CANADIAN
	054250-01-000	EA COVER-ANGLED, W/O HOLE - 3.6" X 4.5" - PLASTIC - BEIGE ELECTRICAL PLATE SUPPORT W/O HOLES
	054250-04-000	EA COVER-ANGLED, W/O HOLE - 3.6" X 4.5" - PLASTIC - OFF WHITE ELECTRICAL PLATE SUPPORT
	089238-01-000	EA COVER-ELECTRICAL BOX, W/HOLE - 4" X 4" - GRAY USED WITH: 30 AMP RECEPTACLE
	073826-04-000	EA COVER-ELECTRIC, 10.4" X 7.8" - BEIGE PLASTIC
	074897-01-000	EA COVER-ELECTRIC BOX, 1 LARGE & 2 SMALL HOLES - 4" X 4"
	075736-01-000	EA COVER-EXTERIOR RECEPTACLE, GF1AY
	108356-01-01A	EA COVER-SWITCH W/GROOVES, CARLING VVCZC00 BLA
	108356-02-01A	EA COVER-SWITCH W/DIMPLES, CARLING VVAZC00 BLA
	108356-04-01A	EA COVER-SWITCH W/DIMPLES & LENS, CARLING VVAGC00 FROM: 12-14-92 THRU: 99-99-99

**ELECTRICAL GROUP (CONTINUED)**  
**ELECTRICAL COMPONENTS**

KEY	PART NUMBER	U/M DESCRIPTION
	007093-01-000	EA FLASHER-SIGNAL, STAT
	008188-01-000	EA SOLENOID-3 POST, BATTERY CHANGE OVER
	038198-01-000	EA BULB - 12V, #194 - .27AMP - BAYONETTE
	097789-L2-000	EA SOCKET-LAMP
	073328-B4-000	EA CABLE ASSEMBLY-BATTERY, W/TERMINALS
	075723-01-000	EA SPACER-SWITCH, W/O HOLE - .2" X 9" X 2" - METAL - OFF WHITE
	077479-01-000	EA BOOT-BATTERY TERMINAL, DOUBLE CABLE
	077479-02-000	EA BOOT-BATTERY TERMINAL SINGLE CABLE
	079384-01-000	EA SWITCH-ON/OFF ROCKER, 2 PRONGS - BROWN
	079384-03-000	EA SWITCH-ON/OFF ROCKER, 3 PRONGS - BROWN
	088233-01-000	EA STUD-ISOLATED, 3/8" X 7/8" LONG
	088273-01-000	EA RELAY-BATTERY DISCONNECT
	087949-01-000	EA BUSS BAR - 2 POSITION - .6" X 1.5" - ALUMINIUM
	087949-02-000	EA BUSS BAR - 3 POSITION
	088476-01-000	EA SOCKET-CONNECTOR, BRASS - PRE-TIN
	088476-02-000	EA SOCKET-CONNECTOR, 12-10 GA - PHOS. BRZ - PRE-TIN
	088751-01-000	FT CABLE-BATTERY, 1/0 AWG, STRANDED, RED
	092492-06-000	EA SEAL-ELECTRICAL BOX - ALFA III (195X207)
	095188-01-01A	EA SPACER-SWITCH, 2.3" X 3.4" - PLASTIC - DARK BROWN
	095188-02-01A	EA SPACER-SWITCH, 2.3" X 4.1" - PLASTIC - DARK BROWN
	098241-07-000	EA SWITCH-ROCKER, DPDT - ON/OFF - BLACK FROM: 00-00-00 THRU: 08-14-92
	098196-01-000	EA LATCH - 1/4 TURN, T-BAR
	103608-01-000	EA SOCKET-WEDGE BASE W/LEADS - JKL 2944-8 OR EQUIVALENT
	103756-01-000	EA DOOR BAR - 3 POSITION
	103873-01-000	EA SEAL-ELECTRICAL BOX/BULKHEAD ALFA III(215X215)
	103887-01-000	EA SEAL-SOLENOID ACCESS
	108357-08-000	EA SWITCH-ROCKER, DPDT ON/NONE/ON - CARLING VDD1500C-0 FROM: 06-15-92 THRU: 99-99-99

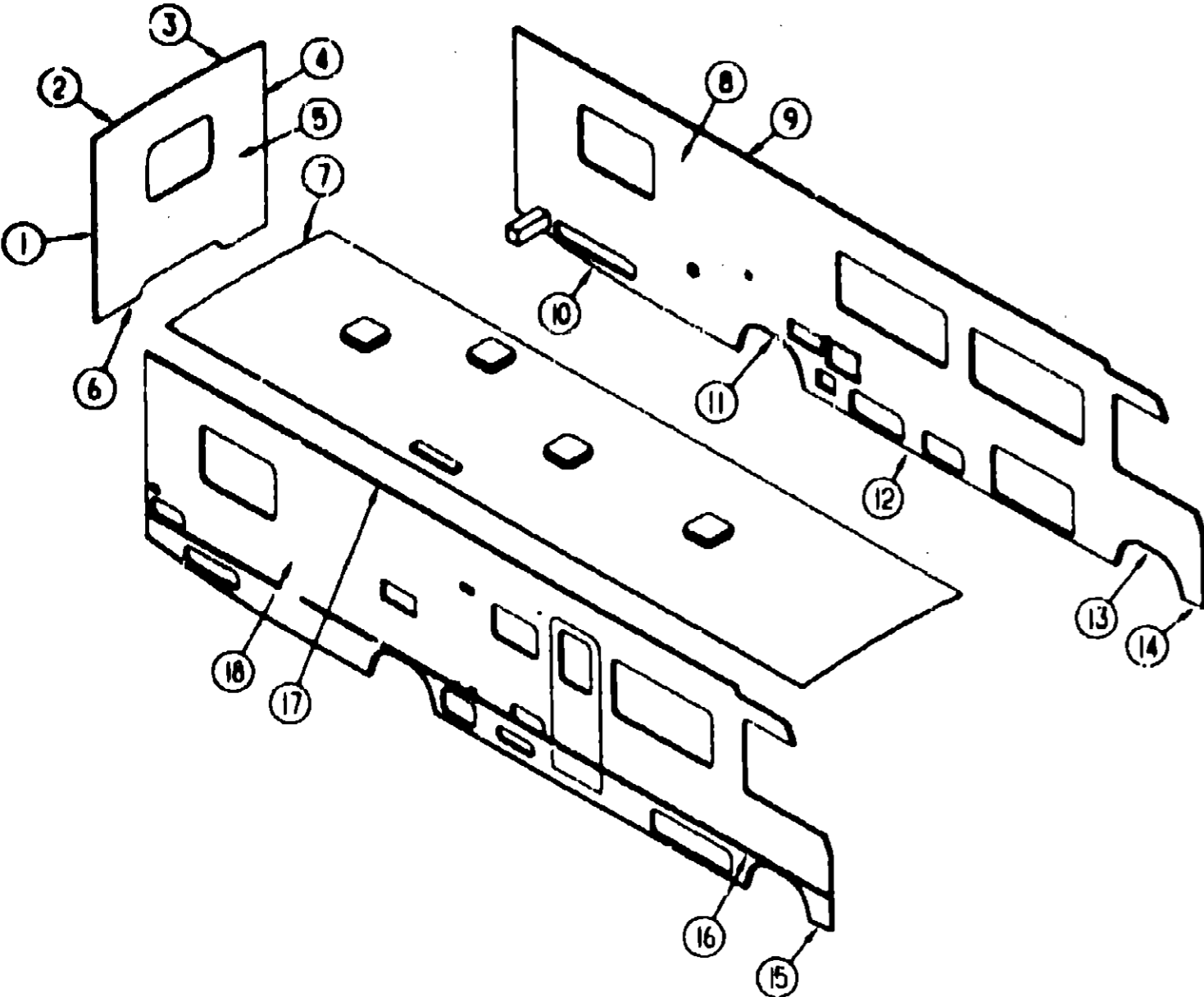
**1993 ITASCA**  
**TABLE OF CONTENTS**

INTRODUCTION	A-01	A-02
ABBREVIATIONS		A-03
ALPHABETICAL INDEX	A-04	A-08
ICF33RQ	A-07	F-10

**1993 ICF33RQ INDEX**

FLOOR PLAN	A-07	A-08
ACCESSORIES		A-09
AUDIO VIDEO	A-10	A-12
BATH	A-13	A-15
BEDROOM	A-16	A-18
CHASSIS	A-19	B-07
CURTAIN & CUSHION	B-08	B-18
DINETTE	B-19	B-20
DRIVERS COMPARTMENT	B-21	C-02
ELECTRICAL	C-03	C-10
EXTERIOR BODY	C-11	C-18
GALLEY	C-19	C-23
GENERATOR	C-24	D-01
HEATING & AC	D-02	D-08
INTERIOR FINISH	D-09	D-12
LABELS	D-13	D-21
LP		D-22
LOUNGE	D-23	E-02
SEALANTS & FASTENERS	E-03	E-06
WATER & SEWAGE	E-07	E-12
WINDOW, VEIL AND		
EXTERIOR DOOR	E-13	F-08
WINDSHIELDWIPER	F-09	F-10

**EXTERIOR BODY GROUP**



**EXTERIOR BODY PANELS AND TRIM**

KEY	PART NUMBER	U/M DESCRIPTION
1	103598-01-04A	EA TRIM-BACKWALL, SIDE - RIGHT - ASH GRAY
	103598-01-03A	EA TRIM-BACKWALL, SIDE - RIGHT - MILL
1	104033-01-03A	EA TRIM-J, BACKWALL - RIGHT - ASH GRAY
2	103599-01-03A	EA TRIM-BACKWALL, TOP - RIGHT - ASH GRAY
3	103600-01-03A	EA TRIM-BACKWALL, TOP - LEFT - ASH GRAY
4	103598-02-04A	EA TRIM-BACKWALL, SIDE - LEFT - ASH GRAY
	103598-02-03A	EA TRIM-BACKWALL, SIDE - LEFT - MILL
4	104033-02-03A	EA TRIM-J, BACKWALL - LEFT - ASH GRAY
5	M05731-03-D32	EA BACKWALL ASM W/QUEEN BED FORD
5	M05731-04-D32	EA BACKWALL ASM W/TWIN BED FORD
5	M05731-01-D32	EA BACKWALL ASM W/QUEEN BED GM
5	M05731-02-D32	EA BACKWALL ASM W/TWIN BED GM
6	050406-17-000	EA TRIM-BACKWALL, LOWER - ASH GRAY
7	P06814-01-D32	EA ROOF ASM
8	M05735-02-D32	EA SIDEWALL ASM-LEFT W/TWIN
8	M05735-01-D32	EA SIDEWALL ASM-LEFT W/QUEEN
9	103801-01-03A	EA TRIM-ROOF, W/DRILLED HOLES - ASH GRAY
9	103801-02-03A	EA TRIM-ROOF, W/O DRILLED HOLES - ASH GRAY
10	108038-04-02A	EA TRIM-SIDEWALL, BOTTOM - REAR - ASH GRAY

**EXTERIOR BODY GROUP (CONTINUED)**  
**EXTERIOR BODY PANELS AND TRIM (CONTINUED)**

KEY	PART NUMBER	U/M DESCRIPTION
11	108070-01-02A	EA TRIM-WHEELWELL, REAR - ASH GRAY - DRIVER OR PASSENGER
12	108038-04-02A	EA TRIM-SIDEWALL, BOTTOM - CENTER - ASH GRAY
13	108068-01-02A	EA TRIM-WHEELWELL, FRONT - ASH GRAY
14	108108-01-02A	EA TRIM-SIDEWALL, LOW - FRONT - DRIVER OR PASSENGER - ASH GRAY
15	108109-01-02A	EA TRIM-SIDEWALL, LOW - FRONT - DRIVER OR PASSENGER - ASH GRAY
16	058576-22-000	EA FEATURE STRIP-W/HOLES - ASH GRAY
		FROM: 00-00-00 THRU: 08-09-92
16	108688-01-02A	EA FEATURE STRIP-W/HOLES - ASH GRAY
		FROM: 08-10-92 THRU: 99-99-99
	002444-05-002	EA STRIP-FEATURE, W/O INSERT - 15' LONG - ASH GRAY
	009731-01-000	EA END CAP-FEATURE STRIP
		FROM: 00-00-00 THRU: 01-09-92
	108651-01-01A	EA END CAP-FEATURE STRIP
		FROM: 08-10-92 THRU: 99-99-99
	001030-11-100	EA INSERT-FEATURE STRIP, 17' LONG - ASH GRAY
17	103802-01-03A	EA RAIL-AWNING, W/DRILLED HOLES - ASH GRAY
17	103802-02-03A	EA RAIL-AWNING, W/O DRILLED HOLES - ASH GRAY
18	M05734-01-D32	EA SIDEWALL ASM-RIGHT W/QUEEN
18	M05734-02-D32	EA SIDEWALL ASM-RIGHT W/TWIN
	058267-01-000	FT CHANNEL-STEEL, W/HOLES - SIDEWALL STIFFENER - 2" X 20'
	002754-01-001	EA ANGLE-EXTRUDED, .75" X .75" X 18' - MILL ALUMINUM
	086180-05-010	EA U-CHANNEL-EXTRUDED, 1.7" X 18' - ASH GRAY - SERRATED
	086754-08-000	EA CAP-JOINT, ROOF TO SIDEWALL TRIM - 2" X 1.25" - ASH GRAY
	002726-01-001	EA GARNISH-U-CHANNEL, 1.38" X 18' - SERRATED - MILL ALUMINUM
	089922-08-000	EA TRIM-FIBERGLASS, PANEL - ASH GRAY
	093873-01-04A	FT MOLDING-BODY, ENTRANCE DOOR
	103814-01-000	EA BRACKET-TRIM ATTACHMENT

**INSULATION, FIBERGLASS, STYROFOAM & ALUMINUM**

KEY	PART NUMBER	U/M DESCRIPTION
	072877-01-000	EA INSULATION-SOUND BARRIER PAD, 1.25" X 46" X 54" - W/ADHESIVE BACK
	072878-01-000	EA INSULATION-SOUND BARRIER PAD, .058" X 33" X 58"
	109290-03-01A	EA FIBERGLASS SHEET 2438 X 9693 - ASH GRAY
		FROM: 00-00-00 THRU: 01-17-93
	076054-J4-000	EA FIBERGLASS SHEET 2438 X 9693 - ASH GRAY
		FROM: 01-18-93 THRU: 99-99-99
	076054-J1-000	EA FIBERGLASS SHEET 2438 X 2438 - ASH GRAY
	077517-60-000	EA SHEET-FIBERGLASS, 1219 X 2438 - ASH GRAY
	108535-01-702	EA FIBERGLASS-PEBBLED, 6" X 34" - ASH GRAY
	108535-01-705	EA FIBERGLASS-PEBBLED, 104" X 312" - ASH GRAY
	000870-03-000	SF STYROFOAM - 1.34" X 48" X 96" - INCREMENTS OF 32 SF
	000870-05-000	SF STYROFOAM - .5" X 24" X 96" - INCREMENTS OF 16 SF
	083574-03-000	SF STYROFOAM - 3/4" X 48" X 96"
	083574-02-000	SF STYROFOAM - 1.5" X 24" X 90.5" ROOF
	044487-51-001	EA AL - .019 X 0758 X 0317 - MILL

**ASSIST HANDLE**

KEY	PART NUMBER	U/M DESCRIPTION
	009126-02-000	EA HANDLE-ASSIST, ENTRY DOOR - BLACK
	069726-02-000	EA BUMPER - .88" DIA X .40", BLACK

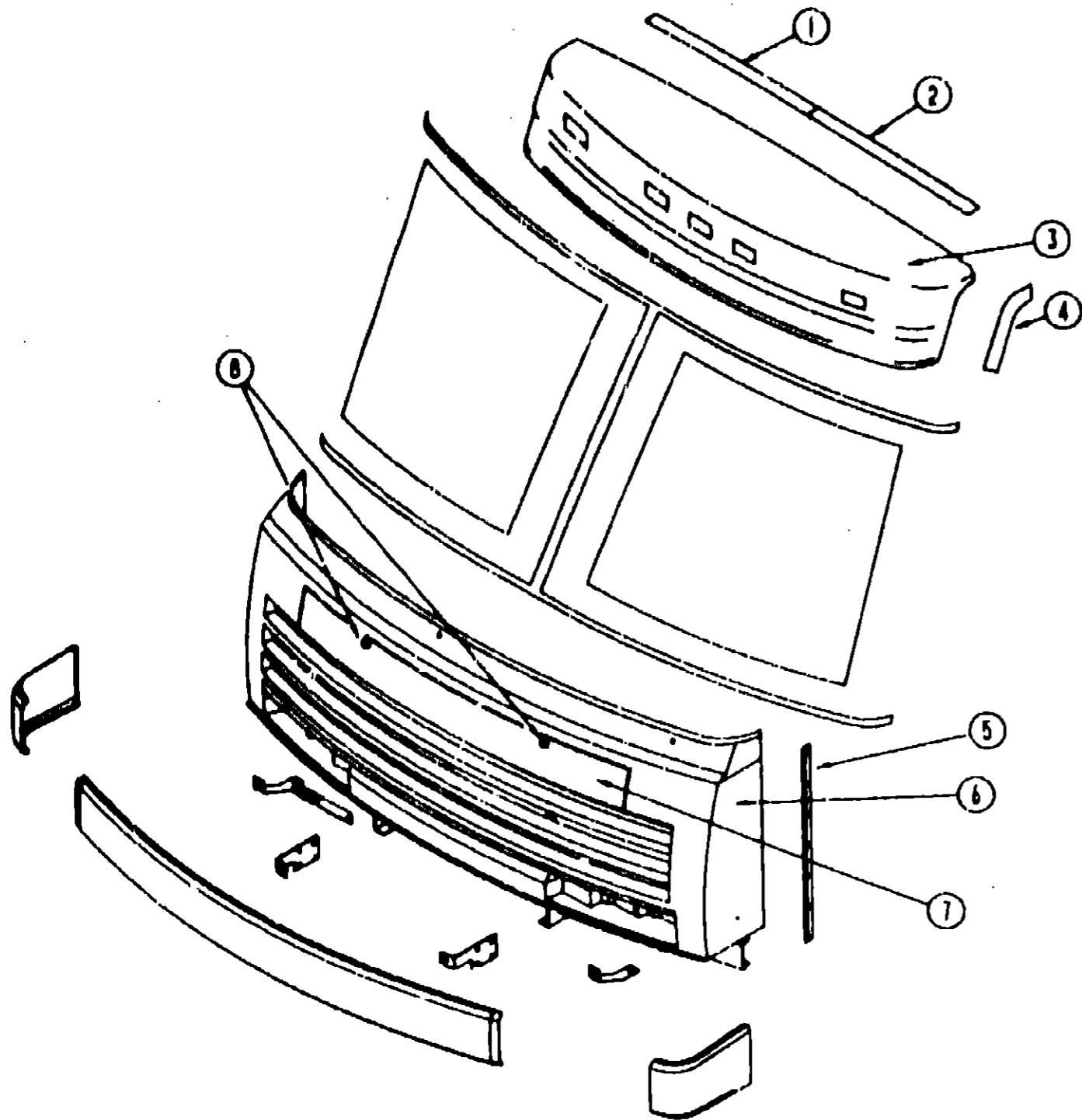
**1993 ITASCA**  
**TABLE OF CONTENTS**

INTRODUCTION	A-01	A-02
ABBREVIATIONS		A-03
ALPHABETICAL INDEX	A-04	A-06
ICF33RQ	A-07	F-10

**1993 ICF33RQ INDEX**

FLOOR PLAN	A-07	A-08
ACCESSORIES		A-09
AUDIO VIDEO	A-10	A-12
BATH	A-13	A-15
BEDROOM	A-16	A-18
CHASSIS	A-19	B-07
CURTAIN & CUSHION	B-08	B-18
DINETTE	B-19	B-20
DRIVERS COMPARTMENT	B-21	C-02
ELECTRICAL	C-03	C-10
EXTERIOR BODY	C-11	C-18
GALLEY	C-19	C-23
GENERATOR	C-24	D-01
HEATING & A/C	D-02	D-08
INTERIOR FINISH	D-09	D-12
LABELS	D-13	D-21
LP		D-22
LOUNGE	D-23	E-02
SEALANTS & FASTENERS	E-03	E-06
WATER & SEWAGE	E-07	E-12
WINDOW, VENT AND		
EXTERIOR DOOR	E-13	F-08
WINDSHIELD/WIPER	F-09	F-10

**EXTERIOR BODY GROUP (CONTINUED)**  
**FRONT END COMPONENTS**



KEY	PART NUMBER	UOM	DESCRIPTION
1	103815-02-04A	EA	TRIM-FRONT CAP/ROOF, RIGHT - ASH GRAY
2	103815-03-04A	EA	TRIM-FRONT CAP/ROOF, LEFT - ASH GRAY
3	M05145-01-D32	EA	CAP ASM-FRONT - ASH GRAY
4	103816-01-03A	EA	TRIM-FRONT CAP/SIDEWALL, RIGHT - ASH GRAY
	103816-02-03A	EA	TRIM-FRONT CAP/SIDEWALL, LEFT - ASH GRAY
5	089922-16-000	EA	TRIM-FRONT END/SIDEWALL, DRIVER OR PASSENGER SIDE - ASH GRAY
			FROM: 01-00-00 THRU: 08-09-12
5	089922-26-000	EA	TRIM-FRONT END/SIDEWALL, DRIVER OR PASSENGER SIDE - ASH GRAY
			FROM: 08-10-92 THRU: 99-99-19
6	M05128-01-D32	EA	FRONT END ASM-FIBERGLASS (CHEVY)
6	M05128-02-D32	EA	FRONT END ASM-FIBERGLASS (FORD)
7	103478-01-D32	EA	PANEL ASM-HOOD
8	102330-02-000	EA	LATCH-HOOD
	058786-02-000	EA	BOLT-ADJUSTING, HOOD - W/BLACK PAD - 5/16" #18 X 1.25"
			FROM: 00-00-00 THRU: 11-24-92
	058786-01-000	EA	BOLT-ADJUSTING, HOOD - W/BLACK PAD - .31" #18 X 2"
			FROM: 11-25-92 THRU: 99-99-99
	105095-02-000	EA	TUBE-TIMING, HOOD HINGE
	104584-03-000	EA	BRACKET ASM-HOOD HINGE BODY, RIGHT
	104584-04-000	EA	BRACKET ASM-HOOD HINGE BODY, LEFT
	105095-01-000	EA	LINK ASM-HINGE, HOOD - INNER - RIGHT
	105095-02-000	EA	LINK ASM-HINGE, HOOD - INNER - LEFT
	104582-02-000	EA	LINK ASM-HINGE, HOOD - OUTER
	110690-01-D18	EA	PLATE ASM-HEADLAMP, QUAD - PASSENGER - BLACK - STEEL
			FROM: 01-22-93 THRU: 99-99-99
	110692-01-01A	EA	PLATE-HEADLAMP, QUAD - PASSENGER - UNPAINTED - STEEL
			FROM: 01-22-93 THRU: 99-99-99
	110690-02-D18	EA	PLATE ASM-HEADLAMP, QUAD - DRIVER - BLACK - STEEL
			FROM: 01-22-93 THRU: 99-99-99
	110692-02-01A	EA	PLATE-HEADLAMP, QUAD - DRIVER - UNPAINTED - STEEL
			FROM: 01-22-93 THRU: 99-99-99
	110691-01-01A	EA	BRACKET-SPRING, HEADLAMP - DRIVER OR PASSENGER SIDE - UNPAINTED
			FROM: 01-22-93 THRU: 99-99-99

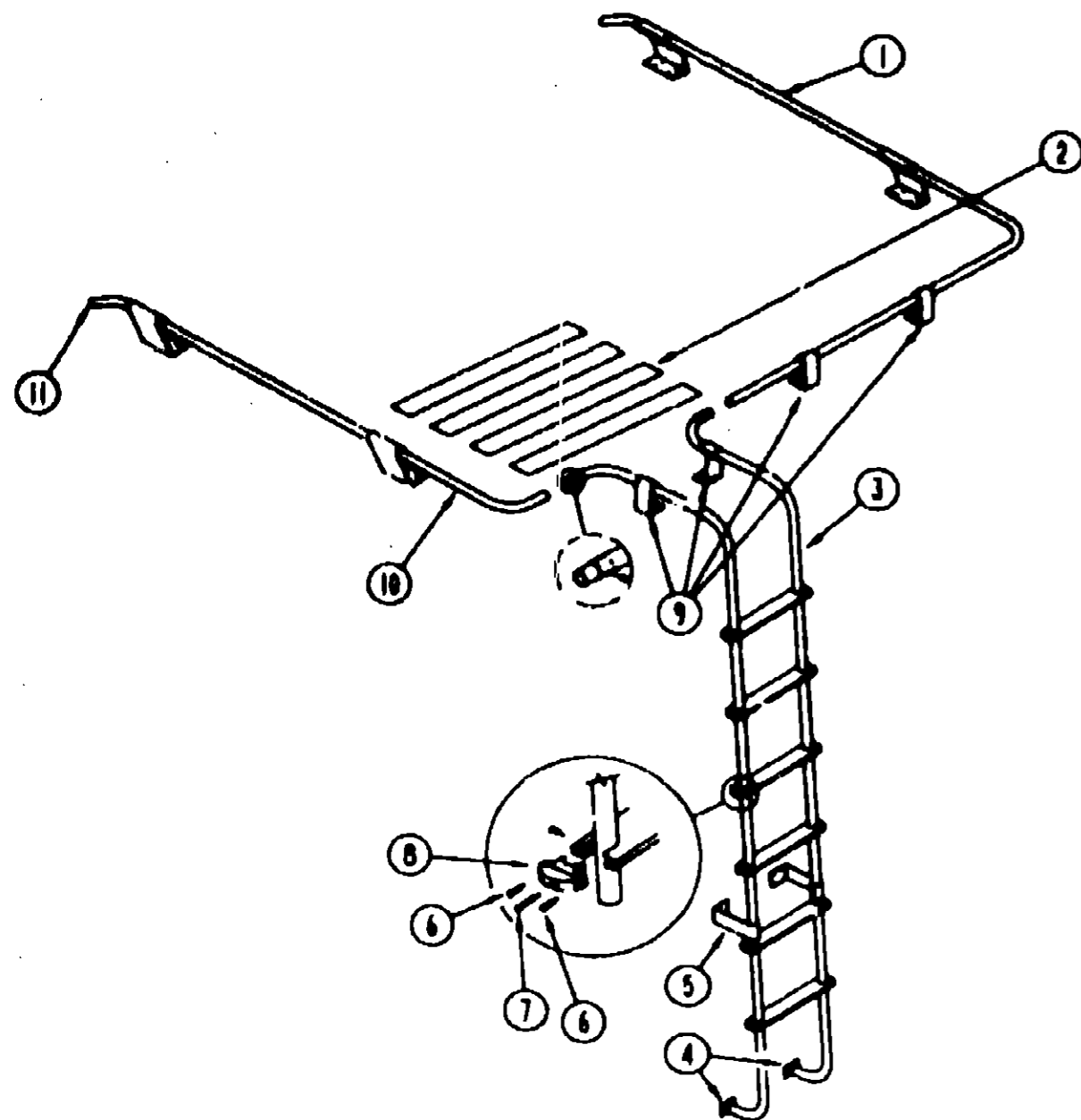
**1993 ITASCA**  
**TABLE OF CONTENTS**

INTRODUCTION	A-01	A-02
ABBREVIATIONS		A-03
ALPHABETICAL INDEX	A-04	A-06
ICF33RQ	A-07	F-10

**1993 ICF33RQ INDEX**

FLOOR PLAN	A-07	A-08
ACCESSORIES		A-09
AUDIO VIDEO	A-10	A-12
BATH	A-13	A-15
BEDROOM	A-16	A-19
CHASSIS	A-19	B-07
CURTAIN & CUSHION	B-08	B-18
DINETTE	B-19	B-20
DRIVERS COMPARTMENT	B-21	C-02
ELECTRICAL	C-03	C-10
EXTERIOR BODY	C-11	C-18
GALLEY	C-19	C-23
GENERATOR	C-24	D-01
HEATING & A/C	D-02	D-08
INTERIOR FINISH	D-09	D-12
LABELS	D-13	D-21
LP		D-22
LOUNGE	D-23	E-02
SEALANTS & FASTENERS	E-03	E-06
WATER & SEWAGE	E-07	E-12
WINDOW, VENT AND		
EXTERIOR DOOR	E-13	F-08
WINDSHIELDWIPER	F-09	F-10

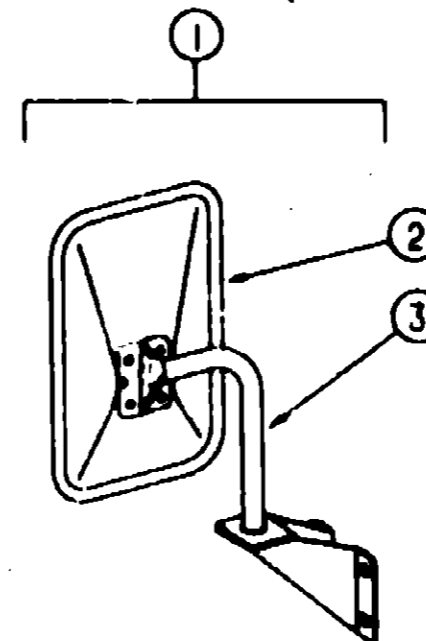
**EXTERIOR BODY GROUP (CONTINUED)**



**LADDER & LUGGAGE RACK**

KEY	PART NUMBER	U/M DESCRIPTION
1	107438-05-C07	EA RACK ASM, PASSENGER SIDE
2	038327-02-000	EA TAPE-ANTI SLIP, 2" X 60'
3	102853-01-C05	EA LADDER ASM, STRAIGHT
4	067185-01-000	EA MOUNTING BRACKET-LADDER, LOWER
5	NOT AVAILABLE	EA STANDOFF-LADDER, BRIGHT DIPPED - LOWER
6	000G39-08-10T	EA SCREW-SF/DR, 6-20 X 5/8 PPH - BLACK
7	000G68-10-36T	EA SCREW - 10-12 X 2.25 POH BLACK
8	078990-02-000	EA END CAP-STEP, BLACK
9	NOT AVAILABLE	EA STANDOFF-RACK & LADDER, BRIGHT DIPPED
10	107438-06-C07	EA RACK ASM-DRIVER SIDE
11	081114-01-000	EA PLUG-ROUND, RACK & LADDER ENDS - PLASTIC - 1" DIA.

**EXTERIOR BODY GROUP (CONTINUED)**



**EXTERIOR MIRROR**

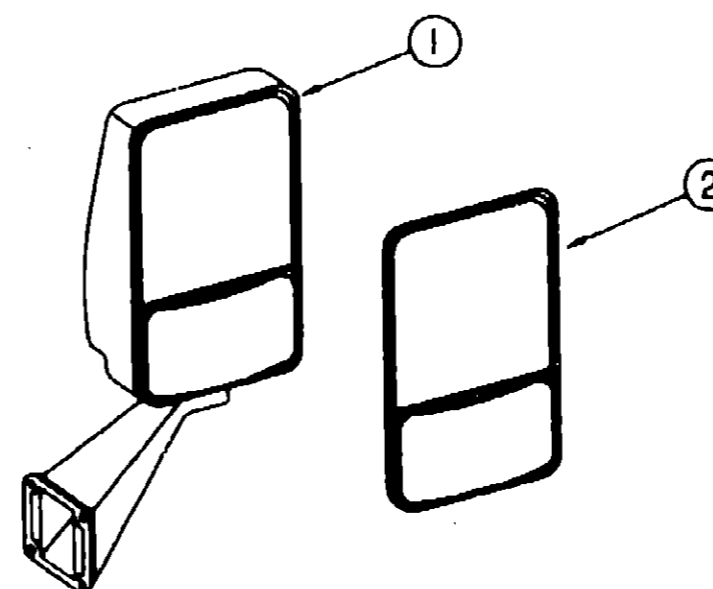
KEY	PART NUMBER	U/M DESCRIPTION
1	105076-01-01A	EA MIRROR-EXTERIOR, LOW MOUNT - SET W/DR & PASS - GLOSSY BLK (PAIR)
1	105076-01-702	EA MIRROR ASM-LOW MOUNT RIGHT/LEFT (FLAT) 713198 1 ONLY W/BRACKET
2	105076-01-703	EA MIRROR HEAD ONLY(FLAT BLK) 709275-B
3	105076-01-704	EA ARM Q780521-9
	105439-01-000	EA MIRROR-AUX, CONVEX STICK-ON VELVAC 723668-6

**1993 ITASCA  
TABLE OF CONTENTS**

INTRODUCTION	A-01	A-02
ABBREVIATIONS		A-03
ALPHABETICAL INDEX	A-04	A-08
ICF33RQ	A-07	F-10

**1993 ICF33RQ INDEX**

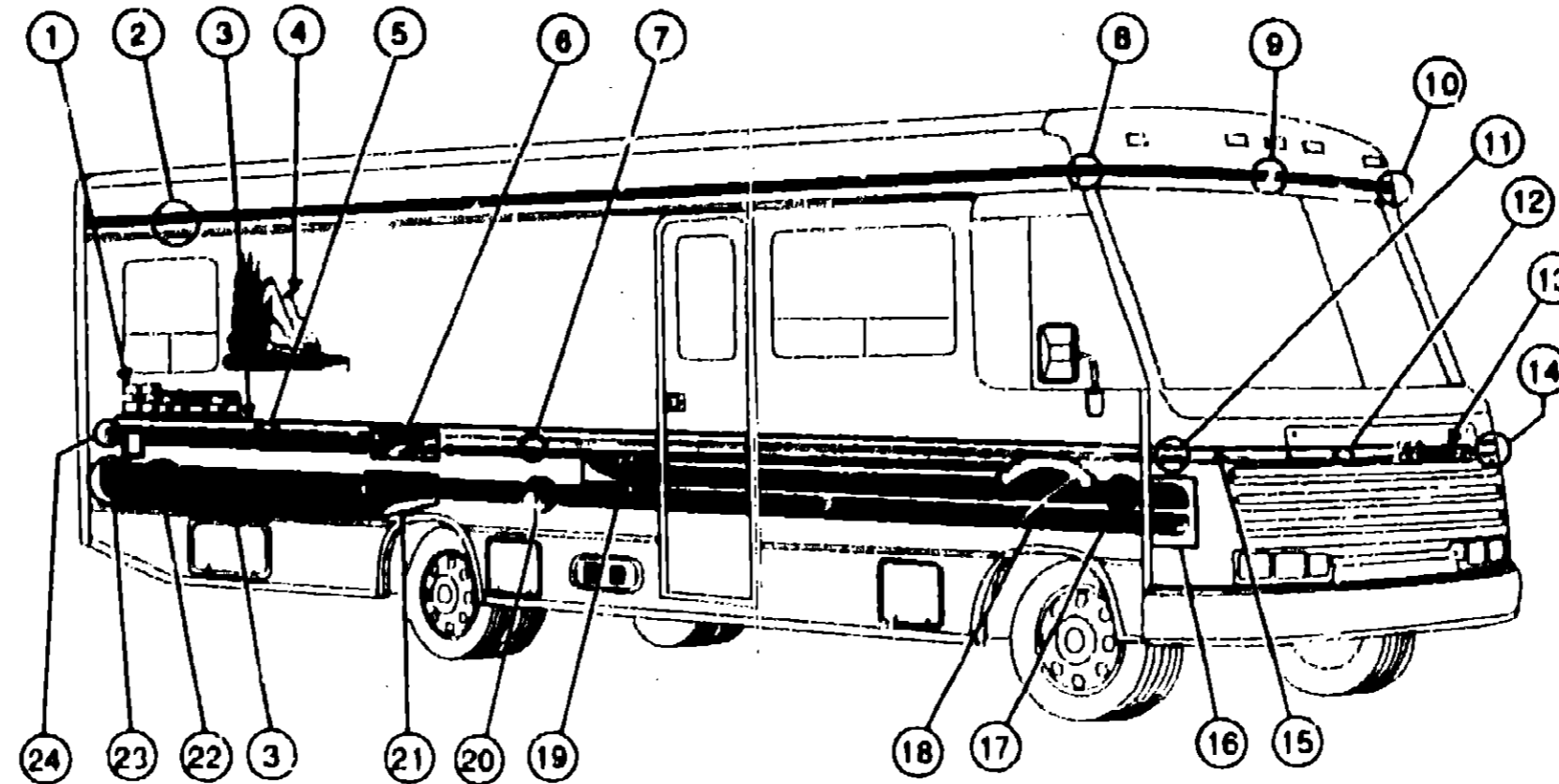
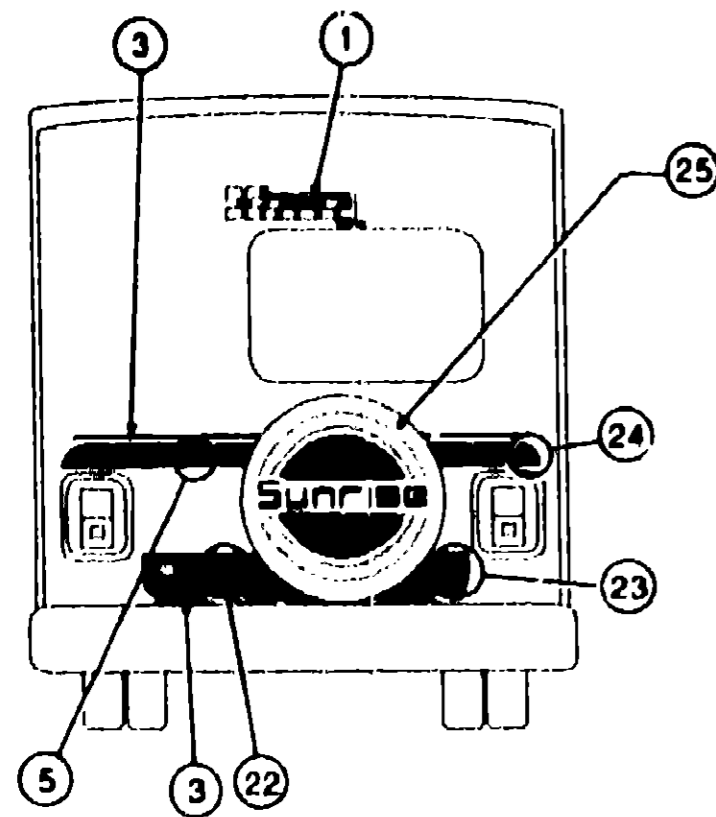
FLOOR PLAN	A-07	A-08
ACCESSORIES		A-09
AUDIO VIDEO	A-10	A-12
BATH	A-13	A-15
BEDROOM	A-16	A-18
CHASSIS	A-19	B-07
CURTAIN & CUSHION	B-08	B-18
DINETTE	B-19	B-20
DRIVERS COMPARTMENT	B-21	C-02
ELECTRICAL	C-03	C-10
EXTERIOR BODY	C-11	C-18
GALLEY	C-19	C-23
GENERATOR	C-24	D-01
HEATING & A/C	D-02	D-08
INTERIOR FINISH	D-09	D-12
LABELS	D-13	D-21
LP		D-22
LOUNGE	D-23	E-02
SEALANTS & FASTENERS	E-03	E-06
WATER & SEWAGE	E-07	E-12
WINDOW, VENT AND		
EXTERIOR DOOR	E-13	F-08
WINDSHIELD/WIPER	F-09	F-10



**OPTIONAL EXTERIOR MIRROR**

KEY	PART NUMBER	U/M DESCRIPTION
1	106015-09-01A	EA MIRROR ASM-EXTERIOR GLASS RIGHT - VELVAC 713126 BLACK
1	106015-10-01A	EA MIRROR ASM-EXTERIOR ADJUST GLASS LEFT - VELVAC713125 BLACK
2	106015-01-703	EA MIRROR KIT (BEZEL W/MIRRORS) PASSENGER SIDE
2	106015-02-702	EA MIRROR KIT (BEZEL W/MIRRORS) DRIVER SIDE

**EXTERIOR BODY GROUP (CONTINUED)**  
DECALS, FILM STRIPES & PAINT



**1993 ITASCA  
TABLE OF CONTENTS**

INTRODUCTION	A-01	A-02
ABBREVIATIONS		A-03
ALPHABETICAL INDEX	A-04	A-06
ICF33RQ	A-07	F-10

**1993 ICF33RQ INDEX**

FLOOR PLAN	A-07	A-08
ACCESSORIES		A-09
AUDIO VIDEO	A-10	A-12
BATH	A-13	A-15
BEDROOM	A-16	A-18
CHASSIS	A-19	B-07
CURTAIN & CUSHION	B-08	B-18
DINETTE	B-19	B-20
DRIVERS COMPARTMENT	B-21	C-02
ELECTRICAL	C-03	C-10
EXTERIOR BODY	C-11	C-18
GALLEY	C-19	C-23
GENERATOR	C-24	D-01
HEATING & A/C	D-02	D-08
INTERIOR FINISH	D-09	D-12
LABELS	D-13	D-21
LP		D-22
LOUNGE	D-23	E-02
SEALANTS & FASTENERS	E-03	E-06
WATER & SEWAGE	E-07	E-12
WINDOW, VENT AND		
EXTERIOR DOOR	E-13	F-08
WINDSHIELD/WIPER	F-09	F-10

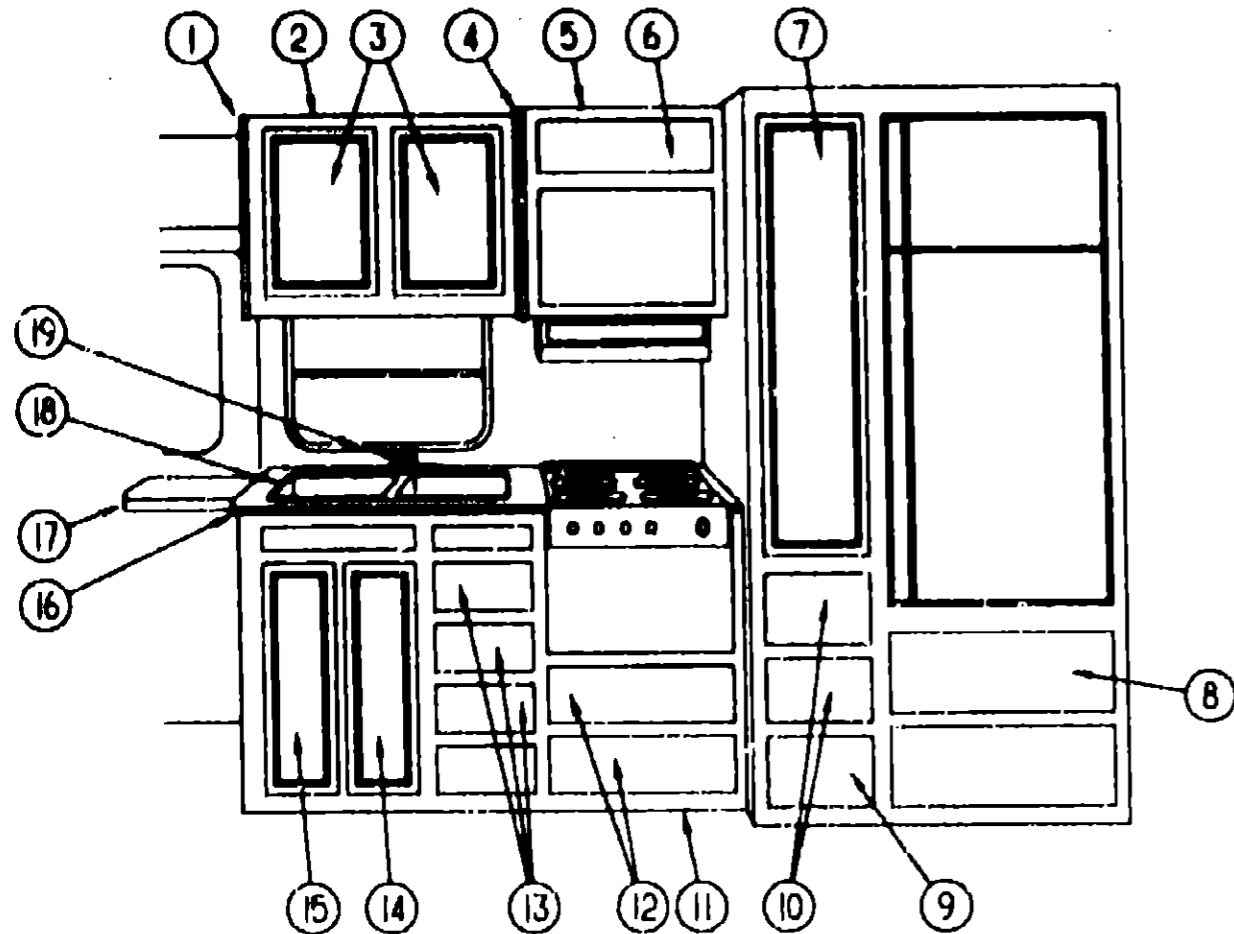
KEY	PART NUMBER	U/M DESCRIPTION
1	078852-20-000	EA DECAL-LOGO, ITASCA - 6.5' TALL - TURQUOISE
2	093689-14-01A	FT FILM-MULTISTRIPE, 4 STRIPES - 141 MM BAY TURQUOISE/TURQUOISE/OCEAN SPRAY
3	093681-24-02A	FT FILM-SINGLE STRIPE, 13 MM - OCEAN SPRAY
4	106854-01-01A	EA DECAL-MOUNTAIN SCENE, PASSENGER SIDE TURQUOISE/BAY TURQUOISE/OCEAN SPRAY
4	106854-02-01A	EA DECAL-MOUNTAIN SCENE, DRIVER SIDE TURQUOISE/BAY TURQUOISE/OCEAN SPRAY
5	094433-03-01A	FT FILM-OVERLAY, 5 STRIPES - 114 MM - TURQUOISE/BAY TURQUOISE
6	104052-01-01A	EA DECAL-RADIUS, UPPER - PASSENGER SIDE - TURQUOISE/BAY TURQUOISE
6	104052-02-01A	EA DECAL-RADIUS, UPPER - DRIVER SIDE - TURQUOISE/BAY TURQUOISE
7	094434-02-01A	FT FILM-OVERLAY, 6 STRIPES - 114 MM - TURQUOISE/BAY TURQUOISE
8	104094-01-02A	EA DECAL-FRONT UPPER CORNER, PASSENGER SIDE - BAY TURQUOISE
9	104096-01-02A	EA DECAL-FRONT UPPER CAP, BAY TURQUOISE
10	104094-02-02A	EA DECAL-FRONT UPPER CORNER, DRIVER SIDE - BAY TURQUOISE
10	106149-01-01A	FT DECAL-VINYL STRIPING - 2" - GRILLE AREA
11	104773-01-01A	EA DECAL-FRONT LOWER CORNER - PASSENGER SIDE OCEAN SPRAY/TURQUOISE/BAY TURQUOISE
12	094433-07-01A	FT FILM-OVERLAY, 5 STRIPES - 46 MM - TURQUOISE/BAY TURQUOISE
13	093789-02-04A	EA DECAL-LOGO, ITASCA - TURQUOISE

KEY	PART NUMBER	U/M DESCRIPTION
14	104773-02-01A	EA DECAL-FRONT LOWER CORNER - DRIVER SIDE OCEAN SPRAY/TURQUOISE/BAY TURQUOISE
15	093681-33-01A	FT FILM-SINGLE STRIPE, 15 MM - OCEAN SPRAY
16	104772-01-01A	EA DECAL-END CAP, FRONT - PASSENGER SIDE - TURQUOISE/BAY TURQUOISE
16	104772-02-01A	EA DECAL-END CAP, FRONT - DRIVER SIDE - TURQUOISE/BAY TURQUOISE
17	094422-02-01A	FT FILM-OVERLAY, 2 STRIPES - 98 MM - TURQUOISE
18	104049-01-01A	EA DECAL-SUNRISE W/RAINBOW
19	104051-01-01A	EA DECAL-TRANSITION, PASSENGER SIDE - TURQUOISE
19	104051-02-01A	EA DECAL-TRANSITION, DRIVER SIDE - TURQUOISE
20	094433-04-01A	FT FILM-OVERLAY, 5 STRIPES - 121 MM - TURQUOISE/BAY TURQUOISE
21	104053-01-01A	EA DECAL-RADIUS, PASSENGER SIDE - TURQUOISE/BAY TURQUOISE
21	104053-02-01A	EA DECAL-RADIUS, DRIVER SIDE - TURQUOISE/BAY TURQUOISE
22	094433-05-01A	FT FILM-OVERLAY, 5 STRIPES - 216 MM - TURQUOISE/BAY TURQUOISE
23	104055-01-01A	EA DECAL-END CAP, REAR - LARGE - TURQUOISE/BAY TURQUOISE
24	104054-01-01A	EA DECAL-END CAP, REAR - SMALL - TURQUOISE/BAY TURQUOISE
25	108707-01-01A	EA DECAL-COVER, SPARE TIRE
	084075-01-000	EA DECAL-"BY WINNEBAGO INDUSTRIES", BLACK
	041561-03-000	EA PAINT-LOW BAKE, OFF WHITE
	044496-03-000	EA PAINT-LOW BAKE, BEIGE

**DUPONT COLOR CODES**

TURQUOISE	#G9835
OCEAN SPRAY	#G9836
BAY TURQUOISE	#G9837
ASH GRAY	#G9707

**GALLEY GROUP  
GALLEY CABINETRY**



KEY	PART NUMBER	U/M	DESCRIPTION
1	081320-20-B03	EA	CAP-END, CABINET - FRONT
2	103278-02-C05	EA	CABINET ASM-OVERHEAD,GALLEY
3	P04748-07-D32	EA	DOOR-CABINET, W/O HARDWARE - 365 X 555
4	081320-14-B03	EA	CAP-END, CABINET - FRONT
5	M05019-08-D32	EA	CABINET ASM-MICROWAVE OVERHEAD
6	P00520-A8-B13	EA	DOOR-CABINET, W/O HARDWARE - 7.1" X 21.9"
7	P04748-05-D32	EA	DOOR-CABINET, W/O HARDWARE - 305 X 1220
8	P07104-A5-D32	EA	DRAWER COMPLETE-SLIDE,OGEE - 155 X 558
9	P07104-A7-D32	EA	DRAWER COMPLETE-SLIDE,OGEE - 292 X 428
10	P07104-A8-D32	EA	DRAWER COMPLETE-SLIDE,OGEE - 155 X 428
11	P06404-01-D32	EA	CABINET ASM-GALLEY
12	P07104-A2-D32	EA	DRAWER COMPLETE-SLIDE,OGEE - 155 X 558
13	P07104-B4-D32	EA	DRAWER COMPLETE-SLIDE,OGEE - 155 X 306
14	P04748-11-D32	EA	DOOR-CABINET, W/O HARDWARE - 230 X 675
15	P04748-12-D32	EA	DOOR-CABINET, W/O HARDWARE - 230 X 675
16	106404-11-D32	EA	COUNTERTOP ASM
17	080812-04-D32	EA	EXTENSION ASM-GALLEY
18	104113-01-000	EA	SINK-SST, DOUBLE
	092303-01-000	EA	STRAINER-SINK
	103610-01-D32	EA	COVER ASM-SINK
19	103243-01-000	EA	FAUCET-GALLEY, DUAL CONTROL - 8 IN CENTERSET
	103445-01-01A	EA	HOLDER-PAPER TOWEL - PLASTIC - ALMOND
	090329-01-000	FT	SEAL-T, REFRIGERATOR CABINET - .6" WIDE TOP X 2" TAIL

**1993 ITASCA  
TABLE OF CONTENTS**

INTRODUCTION	A-01	A-02
ABBREVIATIONS		A-03
ALPHABETICAL INDEX	A-04	A-06
ICF33RQ	A-07	F-10

**1993 ICF33RQ INDEX**

FLOOR PLAN	A-07	A-08
ACCESSORIES		A-09
AUDIO VIDEO	A-10	A-12
BATH	A-13	A-15
BEDROOM	A-16	A-18
CHASSIS	A-19	B-07
CURTAIN & CUSHION	B-08	B-18
DINETTE	B-19	B-20
DRIVERS COMPARTMENT	B-21	C-02
ELECTRICAL	C-03	C-10
EXTERIOR BODY	C-11	C-18
GALLEY	C-19	C-23
GENERATOR	C-24	D-01
HEATING & A/C	D-02	D-06
INTERIOR FINISH	D-09	D-12
LABELS	D-13	D-21
LP		D-22
LOUNGE	D-23	E-02
SEALANTS & FASTENERS	E-03	E-06
WATER & SEWAGE	E-07	E-12
WINDOW, VENT AND		
EXTERIOR DOOR	E-13	F-06
WINDSHIELD/WIPER	F-09	F-10

**GALLEY GROUP (CONTINUED)**

**RANGE HOOD (CANADIAN)**

KEY	PART NUMBER	U/M	DESCRIPTION
	100258-17-01A	EA	HOOD-RANGE, W/O MONITOR PANEL - VENTLINE - CANADIAN
	090973-01-700	EA	MOTOR - LVS CA508-1
	090973-01-702	EA	BLADE-FAN, LVS VA183-1
	092696-01-709	EA	BULB - 912, VENTLINE VA415
	092696-01-710	EA	SOCKET-LIGHT, VENTLINE CB267-2
	090983-01-700	EA	SWITCH-ON/OFF, VENTLINE 108
	090983-01-702	EA	SWITCH-TWO WAY MOMENTARY, VENTLINE 112
	090983-01-707	EA	FILTER-GREASE, 8" X 8" - LVS CC248
	092696-02-701	EA	LENS-LAMP, VENTLINE CC179
	100258-01-700	EA	HOOD-NOSE LABEL, CC428
	100258-10-01A	EA	METER HOUR, VENTLINE 150

**RANGE HOOD**

KEY	PART NUMBER	U/M	DESCRIPTION
	100258-18-01A	EA	HOOD-RANGE 22W W/O MONITOR PANEL - VENTLINE - US TPS5007NAD
	090973-01-700	EA	MOTOR - LVS CA508-1
	090973-01-702	EA	BLADE-FAN, LVS VA183-1
	092696-01-709	EA	BULB - 912, VENTLINE VA415
	092696-01-710	EA	SOCKET-LIGHT, VENTLINE CB267-2
	090983-01-700	EA	SWITCH-ON/OFF, VENTLINE 108
	090983-01-702	EA	SWITCH-TWO WAY MOMENTARY, VENTLINE 112
	090983-01-707	EA	FILTER-GREASE, 8" X 8" - LVS CC248
	092696-02-701	EA	LENS-LAMP, VENTLINE CC179
	100258-01-700	EA	HOOD-NOSE LABEL, CC428
	100258-10-01A	EA	METER-HOUR, VENTLINE 150
	100258-18-01A	EA	HOOD-RANGE, W/O MONITOR PANEL - VENTLINE - US TCS5008NAD
	090973-01-700	EA	MOTOR - LVS CA508-1
	090973-01-702	EA	BLADE-FAN, LVS VA183-1
	092696-01-709	EA	BULB - 912, VENTLINE VA415
	092696-01-710	EA	SOCKET-LIGHT, VENTLINE CB267-2
	090983-01-700	EA	SWITCH-ON/OFF, VENTLINE 108
	090983-01-702	EA	SWITCH-TWO WAY MOMENTARY, VENTLINE 112
	090983-01-707	EA	FILTER-GREASE, 8" X 8" - LVS CC248
	092696-02-701	EA	LENS-LAMP, VENTLINE CC179
	100258-01-700	EA	HOOD-NOSE LABEL, CC428
	100258-10-01A	EA	METER-HOUR, VENTLINE 150
	102765-04-01A	EA	PANEL-MONITOR, W/PLUG - FOR 2 TANKS & WATER HEATER - LVS

**MICROWAVE OVEN**

KEY	PART NUMBER	U/M	DESCRIPTION
	091269-06-000	EA	OVEN-MICROWAVE - MAGIC CHEF DM15-5B
	094745-01-01A	EA	TRIM-MICROWAVE, LOWER - BLACK
	094774-03-01A	EA	TRIM-MICROWAVE, EITHER SIDE - 1.5" X 14.8" - METAL - BLACK
	094750-01-000	EA	BRACKET-MICROWAVE, 90 DEGREE - STEEL
	098916-03-01A	EA	BRACE-MICROWAVE CABINET, LEFT - 9.4" X 7.5" - STEEL
	098916-04-01A	EA	BRACE-MICROWAVE CABINET, RIGHT - 9.4" X 7.5" - STEEL

**GALLEY GROUP (CONTINUED)**

**REFRIGERATOR, LEVEL & VENT**

KEY	PART NUMBER	U/M	DESCRIPTION
	104138-04-01A	EA	REFRIGERATOR, SMALL DOUBLE DOOR 2-WAY - NORCOLD 6182 RH BL
	075217-01-734	EA	FUSE - 3 AMP, NORCOLD# 61538822
	075217-01-738	EA	SWITCH-HUMIDITY, NORCOLD 61525922
	084879-03-700	EA	COOLING UNIT - HORIZONTAL BURNER, NORCOLD# 61687237
	084880-01-706	EA	ORIFICE - NORCOLD# 614522
	084880-01-713	EA	CONNECTOR-MALE, INLET FITTING - NORCOLD# 615258
	084880-01-715	EA	VALVE-SHUT OFF, MANUAL - NORCOLD# 61697922
	084880-01-718	EA	VALVE-GAS, NORCOLD 61551822
	084880-01-720	EA	SPRING (FOR DOOR HANDLE) NORCOLD 61558822
	084880-01-722	EA	CRISPER COVER - NORCOLD 615641
	084880-01-726	EA	HINGE BRACKET (CTR HINGE), NORCOLD 61566523
	084880-01-731	EA	HINGE PIN, NORCOLD 61578123
	084880-01-732	EA	LATCH, NORCOLD 61578522
	084880-01-734	EA	BRACKET-HINGE, TOP RH - BOTTOM LH - BROWN NORCOLD 61580837
	084880-01-735	EA	HINGE BFKT, TOP LH-BTM RH BRN - NORCOLD 61580937
	084880-01-739	EA	END CAP (SPRING CATCH) BRN NORCOLD 61593722
	084880-01-740	EA	END CAP (STOP CATCH) NORCOLD 61593830
	084880-01-746	EA	CABLE, NORCOLD 61571522
	084880-01-747	EA	PLUG-HOLE, NORCOLD 61582022
	084880-01-749	EA	HINGE BUSHING - NORCOLD 615807
	084880-01-753	EA	THERMISTER 78" - NORCOLD 61893822
	084880-01-760	EA	CLIP (THERMISTER) NORCOLD 61689122
	084880-01-761	EA	END CAP (SPRING CATCH) BLACK NORCOLD 61593730
	084880-02-700	EA	LOWER FLANGE 8663 & 8683, NORCOLD 61622123
	084880-03-702	EA	HINGE PIN TOP/BTM FEMALE NORCOLD 61580630
	084880-03-705	EA	BRACKET F/INTERIOR REFRIGERATOR LIGHT - NORCOLD 61629722
	084880-03-706	EA	LAMP (BULB) - NORCOLD 61628922
	084880-03-707	EA	COVER FLAMP OR BULB - NORCOLD 61627922
	088248-01-708	EA	BURNER-HORIZONTAL, NORCOLD 61588122
	088248-01-707	EA	ELECTRODE-SENSOR, (HORIZONTAL), NORCOLD# 61573322
	088248-01-708	EA	ELECTRODE-IGNITION, (HORIZONTAL), NORCOLD# 61573222
	088248-01-709	EA	HEATER-AC, (HORIZONTAL) - NORCOLD# 615627
	088248-01-710	EA	HEATER-DC, (HORIZONTAL) - 3 WAY - NORCOLD# 615628
	094038-01-700	EA	GASKET-LOWER, GRAY - NORCOLD 61567930
	094038-01-701	EA	LINER-DOOR, LOWER - BROWN/WHITE - NORCOLD 61581937-B
	094038-01-702	EA	LINER-DOOR, LOWER - BLACK/WHITE - NORCOLD 61581938-B
	094038-01-703	EA	HANDLE-DOOR, LOWER - BROWN - NORCOLD 61650137
	094038-01-704	EA	HANDLE-DOOR, LOWER - BLACK - NORCOLD 61650133
	094038-01-705	EA	CAB ASM-BROWN, WHITE LINER - W/FRAME - NORCOLD 61663137
	094038-01-706	EA	CAB ASM-BLACK, WHITE LINER - W/FRAME - NORCOLD 61663138
	094039-01-702	EA	GASKET (GRAY) UPPER - NORCOLD 61567830
	094039-01-703	EA	PLATE-HINGE, LH - BROWN - NORCOLD 61631422
	094039-01-704	EA	PLATE-HINGE, BLACK - NORCOLD 61631430
	094039-01-706	EA	UPPER DOOR LINER (WHITE) BLK - NORCOLD 61581838-B
	094039-01-708	EA	HANDLE-DOOR, UPPER - BLACK - NORCOLD 61650038
	094039-01-709	EA	PLATE-HINGE, TOP RH - LH BOTTOM - BROWN - NORCOLD 61631322
	094039-01-710	EA	PLATE-HINGE, BLACK - NORCOLD 61631330
	094039-01-722	EA	HOLE PLUG (BLK) HINGE HOLES - NORCOLD 61582030
	094039-01-723	EA	HINGE BRKT, TOP RH-BTM LH BLK - NORCOLD 61580838
	094039-01-724	EA	BRACKET-HINGE, TOP LH - BOTTOM RH - BLK - NORCOLD 61580938
	094039-01-725	EA	HINGE PIN (BLACK) (MALE) - NORCOLD 61578130
	094039-01-726	EA	SHLF-FREEZER EVAPORATOR, NORCOLD 615236
	094039-01-730	EA	HINGE PIN SHAFT (BLK) CENTER HINGE - NORCOLD 61566730
	094039-01-732	EA	FRONT COVER (BLK) BTM TRIM - NORCOLD 61622130
	094039-01-733	EA	WIRE SHELF (MIDDLE) - NORCOLD 61563822
	094039-01-734	EA	WIRE SHELF (TOP) W/RISER - NORCOLD 61563722
	094039-01-735	EA	INSIDE DRIP TRAY (WHITE) NORCOLD 61572830
	094039-01-736	EA	SWITCH-LIGHT, BLACK - NORCOLD 615810
	094039-01-739	EA	SHLF (CUTOFF) NORCOLD 61646722
	094039-04-700	EA	PRINTED CIRCUIT BOARD - 2 WAY, NORCOLD# 61647322
	094039-04-701	EA	EYEBROW (SHELL) 2 WAY - NORCOLD 61669822
	094039-04-702	EA	POWER SUPPLY (2 WAY) - NORCOLD 61647422
	094039-01-712	EA	DOOR BIN (GRAY) SILVER BORDER - NORCOLD 61564060
	094039-01-718	EA	MILK BIN (GRAY) W/SILVER TRIM - NORCOLD 61579460
	094039-01-719	EA	DAIRY KEEPER (GRAY) SILVER TRIM 61580460

**1993 ITA&CA  
TABLE OF CONTENTS**

INTRODUCTION	A-01	A-02
ABBREVIATIONS		A-03
ALPHABETICAL INDEX	A-04	A-06
ICF33RQ	A-07	F-10

**1993 ICF33RQ INDEX**

FLOOR PLAN	A-07	A-08
ACCESSORIES		A-09
AUDIO VIDEO	A-10	A-12
BATH	A-13	A-15
BEDROOM	A-16	A-18
CHASSIS	A-19	B-07
CURTAIN & CUSHION	B-08	B-18
DINETTE	B-19	B-20
DRIVERS COMPARTMENT	B-21	C-02
ELECTRICAL	C-03	C-10
EXTERIOR BODY	C-11	C-18
GALLEY	C-19	C-23
GENERATOR	C-24	D-01
HEATING & A/C	D-02	D-08
INTERIOR FINISH	D-09	D-12
LABELS	D-13	D-21
LP		D-22
LOUNGE	D-23	E-02
SEALANTS & FASTENERS	E-03	E-06
WATER & SEWAGE	E-07	E-12
WINDOW, VENT AND		
EXTERIOR DOOR	E-13	F-06
WINDSHIELD/WIPER	F-09	F-10



**GALLEY GROUP (CONTINUED)**

**RANGE**

KEY	PART NUMBER	U/M DESCRIPTION
	102022-01-02A	EA RANGE-18", 4 BURNERS - MAGIC CHEF BT18RA-47
	066282-03-705	EA TRIM-CABINET, LEFT - BLACK - MAGIC CHEF 3608F011-70
	066282-03-707	EA TRIM-CABINET, RIGHT - BLACK - MAGIC CHEF 3608F012-70
	088607-02-701	EA INSERT-BURNER (BLOTTED VENT), MAGIC CHEF 7214P015-60
	102020-01-700	EA SHELF-OVEN, MAGIC CHEF - 7801-P027-60
	102020-01-701	EA HANDLE-DOOR, MAGIC CHEF - 7701P082-60
	102020-01-702	EA PANEL-MANIFOLD, MAGIC CHEF 2818F080-70
	102020-01-704	EA PANEL-DOOR, BLACK - MAGIC CHEF - 2401F075-70
	102020-01-708	EA BURNER ASSEMBLY-OVEN, MAGIC CHEF 3403W003-45
	102020-01-711	EA GRATE-TOP, MAGIC CHEF 7518P012-60
	102020-01-712	EA KNOB-BURNER VALVE, MAGIC CHEF 7733P044-60
	102020-01-713	EA KNOB-THERMOSTAT, MAGIC CHEF 7731P042-60
	102020-01-714	EA PILOT-OVEN, MAGIC CHEF 988-143
	102020-01-715	EA PIPE-MANIFOLD, MAGIC CHEF 7513P085-60
	102020-01-717	EA THERMOSTAT, MAGIC CHEF 7515P024-60
	102020-01-718	EA TOP-MAIN, ALMOND - MAGIC CHEF 7001F085-84
	102020-01-720	EA VALVE-MERCURY CONTROL, MAGIC CHEF 7501P056-60
	102020-01-722	EA VALVE-TOP BURNER, MAGIC CHEF 7502P085-60
	102020-01-723	EA PILOT-BURNER, MAGIC CHEF 7505P147-60
	102020-01-724	EA BUMPER-MAIN TOP, MAGIC CHEF 8003P008-60
	102022-01-702	EA PIPE-MANIFOLD, MAGIC CHEF 7513P086-60
	102022-01-703	EA REGULATOR-PRESSURE, MAGIC CHEF 7510P031-60
	102022-01-706	EA TRIM-LEFT, FLAT - MAGIC CHEF 3608W022-70
	102022-01-707	EA TRIM-RIGHT, FLAT - MAGIC CHEF 3608W023-70

**COFFEE MAKER**

KEY	PART NUMBER	U/M DESCRIPTION
	103799-01-02A	EA COFFEE MAKER - GRAY - BLACK & DECKER - W/GLASS POT
	104610-01-000	EA STRAP ASM-COFFEE MAKER

**GENERATOR GROUP**  
**6.0 KW EMERALD PLUS EXPORT**

KEY	PART NUMBER	U/M DESCRIPTION
	100975-03-000	EA GENERATOR - 6.0 KW EMERALD PLUS - ONAN NHE-FN/26238G WITH ONAN TRAY #403-2218
	007131-01-000	EA HANGER-TAILPIPE, 8 SLOTS
	079654-05-000	EA PIPE-EXHAUST, ANGLED - W/FLANGE - 2" ID - ONAN# 154-2539
	082272-01-000	EA MUFFLER-GENERATOR
	094059-01-000	EA SPACER-GENERATOR, ONAN
	105732-02-000	EA TRAY ASM-GENERATOR
	105958-03-000	EA PIPE-EXHAUST, GENERATOR

**4000W KOHLER LOW PROFILE**

KEY	PART NUMBER	U/M DESCRIPTION
	105523-01-000	EA GENERATOR - 4KW LOW PROFILE KOHLER 4CKM21
	007067-01-000	SF INSULATION-FIBERGLASS, 1" THICK X 4' - INCREMENTS OF 4 SF
	105526-01-000	EA ARRESTER-SPARK, KOHLER 278621
	105527-01-000	EA PIPE-EXHAUST ADAPTER, KOHLER 278524
	105528-01-000	EA MUFFLER-SIDE EXHAUST W/O SPARK KOHLER 278735
	105602-01-000	EA GASKET-EXHAUST, KOHLER-278320
	105732-02-000	EA TRAY ASM-GENERATOR
	106602-01-000	EA PIPE-EXHAUST, GENERATOR
	106607-01-000	EA ANGLE-SUPPORT, EXHAUST

**4.0 KW EMERALD PLUS EXPORT**

KEY	PART NUMBER	U/M DESCRIPTION
	100974-04-000	EA GENERATOR - 4.0KW EMERALD PLUS ONAN BGE-FN/29238G WITH ONAN TRAY #403-2218
	007131-01-000	EA HANGER-TAILPIPE, 8 SLOTS
	079654-05-000	EA PIPE-EXHAUST, ANGLED - W/FLANGE - 2" ID - ONAN# 154-2539
	082272-01-000	EA MUFFLER-GENERATOR
	094059-01-000	EA SPACER-GENERATOR, ONAN
	105732-02-000	EA TRAY ASM-GENERATOR
	105958-03-000	EA PIPE-EXHAUST, GENERATOR

**4.0 KW EMERALD PLUS**

KEY	PART NUMBER	U/M DESCRIPTION
	100974-01-000	EA GENERATOR - 4.0KW EMERALD PLUS, ONAN BGE-FA/26100G WITH ONAN TRAY #403-2218
	007067-01-000	SF INSULATION-FIBERGLASS, 1" THICK X 4' - INCREMENTS OF 4 SF
	079654-05-000	EA PIPE-EXHAUST, ANGLED - W/FLANGE - 2" ID - ONAN# 154-2539
	081364-03-000	EA MUFFLER-GENERATOR
	094059-01-000	EA SPACER-GENERATOR, ONAN
	105732-02-000	EA TRAY ASM-GENERATOR
	106602-01-000	EA PIPE-EXHAUST, GENERATOR
	106607-01-000	EA ANGLE-SUPPORT, EXHAUST

**6.5 KW EMERALD PLUS**

KEY	PART NUMBER	U/M DESCRIPTION
	100975-01-000	EA GENERATOR - 6.5KW EMERALD PLUS, ONAN NHE-FA/26100G WITH ONAN TRAY #403-2218
	007067-01-000	SF INSULATION-FIBERGLASS, 1" THICK X 4' - INCREMENTS OF 4 SF
	079654-05-000	EA PIPE-EXHAUST, ANGLED - W/FLANGE - 2" ID - ONAN# 154-2539
	081364-03-000	EA MUFFLER-GENERATOR
	094059-01-000	EA SPACER-GENERATOR, ONAN
	105732-02-000	EA TRAY ASM-GENERATOR
	106602-01-000	EA PIPE-EXHAUST, GENERATOR
	106607-01-000	EA ANGLE-SUPPORT, EXHAUST

**1993 ITASCA**  
**TABLE OF CONTENTS**

INTRODUCTION	A-01	A-02
ABBREVIATIONS		A-03
ALPHABETICAL INDEX	A-04	A-06
ICF33RQ	A-07	F-10

**1993 ICF33RQ INDEX**

FLOOR PLAN	A-07	A-08
ACCESSORIES		A-09
AUDIO VIDEO	A-10	A-12
BATH	A-13	A-15
BEDROOM	A-16	A-18
CHASSIS	A-19	B-07
CURTAIN & CUSHION	B-08	B-16
DINETTE	B-19	B-20
DRIVERS COMPARTMENT	B-21	C-02
ELECTRICAL	C-03	C-10
EXTERIOR BODY	C-11	C-18
GALLEY	C-19	C-23
GENERATOR	C-24	D-01
HEATING & A/C	D-02	D-08
INTERIOR FINISH	D-09	D-12
LABELS	D-13	D-21
LP		D-22
LOUNGE	D-23	E-02
SEALANTS & FASTENERS	E-03	E-06
WATER & SEWAGE	E-07	E-12
WINDOW, VENT AND		
EXTERIOR DOOR	E-13	F-08
WINDSHIELD/WIPER	F-09	F-10

**GENERATOR GROUP (CONTINUED)**

**5000W KOHLER LOW PROFILE**

KEY	PART NUMBER	U/M DESCRIPTION
	105624-01-000	EA GENERATOR 5KW LOW PROFILE KOHLER 5CKM21
	007087-01-000	SF INSULATION-FIBERGLASS, 1" THICK X 4' - INCREMENTS OF 4 SF
	105626-01-000	EA ARRESTER-SPARK, KOHLER 278621
	105627-01-000	EA PIPE-EXHAUST ADAPTER, KOHLER 278524
	105528-01-000	EA MUFFLER-SIDE EXHAUST W/O SPARK KOHLER 278735
	105802-01-000	EA GASKET-EXHAUST, KOHLER-278320
	105732-02-000	EA TRAY ASM-GENERATOR
	108802-01-000	EA PIPE-EXHAUST, GENERATOR
	108807-01-000	EA ANGLE-SUPPORT, EXHAUST

**7.0KW KOHLER LOW PROFILE**

KEY	PART NUMBER	U/M DESCRIPTION
	105224-01-000	EA GENERATOR - 7.0KW - LOW PROFILE - KOHLER 7CKM21
	007087-01-000	SF INSULATION-FIBERGLASS, 1" THICK X 4' - INCREMENTS OF 4 SF
	084059-01-000	EA SPACER-GENERATOR, ONAN
	105626-01-000	EA ARRESTER-SPARK, KOHLER 278621
	105527-02-000	EA PIPE-EXHAUST ADAPTER, KOHLER-278979
	105628-01-000	EA MUFFLER-SIDE EXHAUST W/O SPARK KOHLER 278735
	105802-01-000	EA GASKET-EXHAUST, KOHLER-278320
	105732-02-000	EA TRAY ASM-GENERATOR
	108802-01-000	EA PIPE-EXHAUST, GENERATOR
	108807-01-000	EA ANGLE-SUPPORT, EXHAUST

**5 KW EMERALD PLUS**

KEY	PART NUMBER	U/M DESCRIPTION
	108903-01-000	EA GENERATOR - 5KW EMERALD PLUS - ONAN WITH ONAN TRAY #403-2727
	007087-01-000	SF INSULATION-FIBERGLASS, 1" THICK X 4' - INCREMENTS OF 4 SF
	105732-02-000	EA TRAY ASM-GENERATOR
	007125-04-000	EA CLAMP-MUFFLER, 1.1" DIA
	078854-06-000	EA PIPE-EXHAUST, ANGLED - W/FLANGE - 2" ID - ONAN# 154-2539
	081384-03-000	EA MUFFLER-GENERATOR
	084059-01-000	EA SPACER-GENERATOR, ONAN
	108802-01-000	EA PIPE-EXHAUST, GENERATOR
	108807-01-000	EA ANGLE-SUPPORT, EXHAUST

**HEATING & AIR CONDITIONING GROUP  
30,000 BTU SUBURBAN FURNACE & WALL THERMOSTAT**

KEY	PART NUMBER	U/M DESCRIPTION
	098668-05-000	EA FURNACE - 30,000 BTU - SUBURBAN SF-30
	069634-01-733	EA RELAY-TIME DELAY 20 & 30 BTU, SUBURBAN 231202
	075695-01-709	EA MICRO SWITCH (FOR MODELS 30 & 34S) - SUBURBAN#230509
	090039-01-709	EA GASKET-COVER, OBSERVATION HOLE
	092300-01-704	EA GASKET-ELECTRODE, SUBURBAN 070163
	092300-02-701	EA OFFICE, MAIN BURNER - SUBURBAN 180214
	093365-01-000	EA THERMOSTAT-WALL, FURNACE - SUBURBAN 0160902
	098668-01-700	EA CABINET FRONT, SUBURBAN 101242
	098668-01-701	EA CABINET ASM, SUBURBAN 101299
	098668-01-704	EA VALVE, SUBURBAN 160938
	098668-01-705	EA SWITCH-LIMIT, SUBURBAN 231630
	098668-01-706	EA WHEEL-COMBUSTION AIR, SUBURBAN 350122
	098668-01-707	EA VENT CAP & EXHAUST TUBE ASM, SUBURBAN 260193
	098668-01-708	EA BLOWER ASM (COMBUSTION AIR), SUBURBAN 390441
	098668-01-709	EA MOTOR ASM. - FOR SF-25, SF-30 - SUBURBAN 231706
	098668-01-710	EA BLOWER ASM (ROOM AIR), SUBURBAN 390440
	098668-01-711	EA WHEEL, ROOM AIR - SUBURBAN 350123
	098668-01-712	EA BOARD-MODULE, SUBURBAN 231741
	098668-01-713	EA INTAKE VENT TUBE ASM 051044
	098668-01-714	EA GAS VALVE (WHITE ROGERS) 161070
	098668-01-715	EA ELECTRODE ASM.(SGL PROBE) 232166
	098668-02-700	EA BURNER ASM COMPLETE (SF-30/SF35), SUBURBAN 010745
	098668-09-000	EA DOOR-ACCESS, FURNACE - ASH GRAY - SUBURBAN 520582
	024990-05-000	EA OULIET-DEFROSTER W/SWIVL 2IN BLACK
	056464-04-000	EA REGISTER-HEAT, 4" DIAMETER - W/DAMPER - PLASTIC - SAND
	056464-05-000	EA REGISTER-PLASTIC W/O DAMPER - 4" DIAMETER - GOLDEN
	093614-01-01A	EA GRILLE-RETURN AIR, FURNACE - 15.6" X 7.6" - BROWN

**35,000 BTU SUBURBAN FURNACE**

KEY	PART NUMBER	U/M DESCRIPTION
	098668-08-000	EA FURNACE - 35,000 BTU, SUBURBAN SF-35
	069634-01-720	EA ORIFICE-MAIN BURNER, SUBURBAN# 0180222
	074466-01-702	EA RELAY-TIME DELAY, SUBURBAN# 230625
	075695-01-709	EA MICRO SWITCH (FOR MODELS 30 & 34S) - SUBURBAN#230509
	093365-01-000	EA THERMOSTAT-WALL, FURNACE - SUBURBAN 0160902
	098668-01-700	EA CABINET FRONT, SUBURBAN 101242
	098668-01-706	EA WHEEL-COMBUSTION AIR, SUBURBAN 350122
	098668-01-707	EA VENT CAP & EXHAUST TUBE ASM, SUBURBAN 260193
	098668-01-708	EA BLOWER ASM (COMBUSTION AIR), SUBURBAN 390441
	098668-01-709	EA MOTOR ASM.-FOR SF-25, SF-30 - SUBURBAN 231706
	098668-01-710	EA BLOWER ASM (ROOM AIR), SUBURBAN 390440
	098668-01-711	EA WHEEL, ROOM AIR - SUBURBAN 350123
	098668-01-712	EA BOARD-MODULE, SUBURBAN 231741
	098668-01-713	EA INTAKE VENT TUBE ASM 051044
	098668-02-700	EA BURNER ASM COMPLETE (SF-30/SF35), SUBURBAN 010745
	098668-03-700	EA MOTOR ASM-SF-35, SUBURBAN# 231707
	101990-01-714	EA MICROSWITCH GASKET, SUBURBAN 230877
	009198-01-000	FT DUCT-HEAT, FLEXIBLE - 4" ID X 25 FT
	009200-01-000	EA TAPE-FURNACE, 1 1/2"
	023146-01-000	EA CLAMP-SCREW TYPE - 4"
	069636-02-000	EA CONNECTOR-DUCT, 4" ID - SUBURBAN 050715

**1993 ITASCA  
TABLE OF CONTENTS**

INTRODUCTION	A-01	A-02
ABBREVIATIONS		A-03
ALPHABETICAL INDEX	A-04	A-06
ICF33RQ	A-07	F-10

**1993 ICF33RQ INDEX**

FLOOR PLAN	A-07	A-08
ACCESSORIES		A-09
AUDIO VIDEO	A-10	A-12
BATH	A-13	A-15
BEDROOM	A-16	A-18
CHASSIS	A-19	B-07
CURTAIN & CUSHION	B-08	B-18
DINETTE	B-19	B-20
DRIVERS COMPARTMENT	B-21	C-02
ELECTRICAL	C-03	C-10
EXTERIOR BODY	C-11	C-18
GALLEY	C-19	C-23
GENERATOR	C-24	D-01
HEATING & A/C	D-02	D-08
INTERIOR FINISH	D-09	D-12
LABELS	D-13	D-21
L7		D-22
LOUNGE	D-23	E-02
SEALANTS & FASTENERS	E-03	E-06
WATER & SEWAGE	E-07	E-12
WINDOW, VENT AND EXTERIOR DOOR	E-13	F-08
WINDSHIELDWIPER	F-09	F-10

**HEATING & AIR CONDITIONING GROUP (CONTINUED)**

**EVANS REAR HEATER & COMPONENTS**

KEY	PART NUMBER	U/M DESCRIPTION
	084405-01-000	EA HEATER ASM-REAR, DUCTED - W/MOTOR AID - EVANS
	084405-01-700	EA HEATER CORE-EVANS# FT200229
	084405-01-701	EA FAN BLADES-EVANS# HV029931
	084405-01-702	EA MOTOR ASM - 12 V, EVANS# 200146
	009198-01-000	FT DUCT-HEAT, FLEXIBLE - 4" ID - INCREMENTS OF 25'
	009200-01-000	EA TAPE-FURNACE, 1 1/2"
	023146-01-000	EA CLAMP-SCREW TYPE - 4"
	068636-02-000	EA CONNECTOR-DUCT, 4" ID
	000667-10-12B	EA SCREW, 10-12 X 3/4 PPH, - ZN
	007108-01-000	FT HOSE-HEATER, 5/8" ID
	008042-01-000	FT TUBING-VINYL, .65" ID
	058464-05-000	EA REGISTER-PLASTIC W/O DAMPER - 4" DIAMETER - GOLDEN
	062401-01-000	EA CLAMP-HOSE, WORMGEAR .25" - 1"
	061673-01-000	EA BRACKET-MOTOR AID TUBES, 4" X 1.5" - STEEL
	062401-04-000	EA CLAMP-HOSE, WORMGEAR .69" - 1.25"
	088753-01-000	FT TUBE-ALUMINIZED STEEL, 5/8" - 18 GAUGE
	079059-01-000	EA HOSE-90 DEGREE, .61" ID X 4" X 36"
	079059-02-000	EA HOSE-90 DEGREE, .61" ID X 4" X 6"
	104056-05-01A	EA APPLIQUE-BEZEL SW RH 3 SW
	103875-03-000	EA SWITCH-ROCKER, SPST ON/OFF/ON
	010227-01-000	EA TEE-PLAS-BARB 5/8 OR 3/4 HOSE

**HEATING & AIR CONDITIONING GROUP (CONTINUED)**

**AUTO A/C COMPONENTS**

KEY	PART NUMBER	U/M DESCRIPTION
	007281-01-000	EA HOSE-FLEXIBLE PVC, 2.5" ID X 50'
	007281-01-700	FI HOSE-FLEXIBLE PVC, 2.5" ID
	103930-01-000	EA EVAPORATOR/HEATER ASSEMBLY - SCS 090-0041
	103930-01-700	EA ROD-AIR BLEND DOOR, SCS 073-0017
	103930-01-701	EA PANEL-DOOR, FOR AIR BLEND - SCS 071-0123
	103930-01-702	EA GASKET-DOOR, FOR AIR BLEND - SCS 045-0080
	103930-01-703	EA COIL-HEATER, SCS 042-0010
	103930-01-704	EA COIL EVAPORATOR, SCS 041-0017
	103930-01-705	EA VALVE EVAPORATOR BLOCK
	103930-01-706	EA GASKET-O-RING, #8 - SCS 045-0011
	103930-01-707	EA GASKET-O-RING, #10 - SCS 045-0012
	103930-01-708	EA BRACKET-VACUUM MOTOR, SCS 070-0113
	103930-01-710	EA RESISTOR-FUSED, SCS 035-0006
	103930-01-711	EA THERMOSTAT, SCS 033-0003
	103930-01-712	EA GASKET-O-RING, SCS 045-0010
	103930-01-713	EA FITTING-QUICK CONNECT, #4 - SCS 050-003
	103930-01-714	EA FITTING-SERVICE VALVE, #10 - SCS 050-0031
	103930-01-715	EA SWITCH-BINARY, SCS 032-0030
	103930-01-716	EA SWITCH-PRESSURE, FAN - SCS 032-0029
	103930-01-717	EA WHEEL-CLOCK-WISE, SCS 062-0010
	103930-01-718	EA HOSE #6, SCS 051-0036
	103930-01-719	EA HOSE-#10, SCS 051-0017
	103930-01-720	EA MOTOR, SCS 030-0004
	103930-01-721	EA GASKET O-RING #12, SCS 045-0062
	103930-04-000	EA CONTROL/PLENUM SET
	072342-04-000	EA CONDENSER ASM-W/O FANS, ARA 0519377
	072342-04-700	EA HOSE-DISCHARGE, ARA 0986306
	072342-04-701	EA COIL-CONDENSER, ARA 0519384
	072343-06-000	EA COMPRESSOR-CLUTCH, REAR DISCHARGE - SANKYO - ARA 0529174
	096814-02-000	EA MOUNT & DRIVE PACKAGE, A/C COMPRESSOR - 460 EFI
	072878-01-000	EA INSULATION-SOUND BARRIER PAD, 29.25" X 40.18"
	074026-01-000	EA MOUNT PACKAGE - A/C COMPRESSOR, 6.2 DIESEL
	077075-01-000	EA GASKET-INSTRUMENT PANEL TO DEFROSTER PLENUM - .6" X 11.3"
	077075-03-000	EA GASKET-INSTRUMENT PANEL TO DEFROSTER PLENUM
	085000-01-000	EA SHIELD-A/C, 6.8" X 3.1" - STEEL
	088753-01-000	FT TUBE-ALUMINIZED STEEL, 5/8" - 18 GAUGE
	103016-01-000	EA PLENUM-TRANSITION
	103017-01-000	EA PLENUM-DEFROSTER
	103558-01-02A	EA VENT-DEFROSTER, ABS - LIGHT GRAY
	103796-01-01A	EA LOUVER ASM-A/C CARY PROD BLACK
	094831-08-000	EA WIRE ASSEMBLY-A/C COMPRESSOR ADAPTER - SCS 036-0054
	094831-01-724	EA O-RING - #4, MOTIVAIR/SCS ZGG14561
	103930-02-708	EA MOTOR-VACUUM SERVO, A/C - SCS 030-0002
	103930-05-000	EA MANUAL-OWNERS, HEATER-A/C - SCS 057-0049
	088227-02-701	EA BRACKET-BOWDEN CABLE MOUNTING, ARA 0409417
	094831-01-709	EA CLAMPS-ROD, 3/16" - MOTIVAIR/SCS ZGG14431
	103930-02-700	EA PANEL-CONTROL, SCS 032-0018
	103930-02-701	EA VALVE-CONTROL HEAD, SCS 034-0015
	103930-02-702	EA DECAL-WINNEBAGO "N", SCS 058-0008
	103930-02-703	EA HARNESS-WIRE CONTROL, SCS 036-0048
	103930-02-704	EA HARNESS-VACUUM CONTROL, SCS 036-0049
	103930-02-705	EA CABLE-CONTROL, BOWDEN - SCS 074-0011
		SHEATH LENGTH IS 84 1/4" - CABLE LENGTH IS 89" LONG
	103930-02-706	EA CLIP-CABLE, CONTROL - SCS 022-0017
	103930-02-707	EA RELAY, SCS 031-0001
	103930-02-708	EA MOTOR-VACUUM SERVO, A/C - SCS 030-0002
	103930-02-710	EA CANISTER-VACUUM, SCS 054-0002
	103930-02-711	EA VALVE-WATER, SCS 034-00114
	072341-01-716	EA VALVE-DISCHARGE, 1/2" O-RING - ARA 0548325
	072342-03-701	EA RECEIVER-DRIER, ARA 1273235
	074013-02-716	EA VALVE-SERVICE, ARA 0058337
	096815-01-702	EA O-RING, #8 - ARA 0059606

**1993 ITASCA  
TABLE OF CONTENTS**

INTRODUCTION	A-01	A-02
ABBREVIATIONS		A-03
ALPHABETICAL INDEX	A-04	A-06
ICF33RQ	A-07	F-10

**1993 ICF33RQ INDEX**

FLOOR PLAN	A-07	A-08
ACCESSORIES		A-09
AUDIO VIDEO	A-10	A-12
BATH	A-13	A-15
BEDROOM	A-16	A-18
CHASSIS	A-19	B-07
CURTAIN & CUSHION	B-08	B-18
DINETTE	B-19	B-20
DRIVERS COMPARTMENT	B-21	C-02
ELECTRICAL	C-03	C-10
EXTERIOR BODY	C-11	C-18
GALLEY	C-19	C-23
GENERATOR	C-24	D-01
HEATING & A/C	D-02	D-09
INTERIOR FINISH	D-09	D-12
LABELS	D-13	D-21
LP		D-22
LOUNGE	D-23	E-02
SEALANTS & FASTENERS	E-03	E-06
WATER & SEWAGE	E-07	E-12
WINDOW, VENT AND EXTERIOR DOOR	E-13	F-08
WINDSHIELD WIPER	F-09	F-10

**HEATING & AIR CONDITIONING GROUP (CONTINUED)**

13,500 BTU COLEMAN ROOF A/C

KEY	PART NUMBER	U/M DESCRIPTION
	108889-01-02A	EA AC-ROOF, 13,500 TSR HO GRAY - COLEMAN 7333-882
	091225-01-709	EA START RELAY, COLEMAN# 1497-4131
	091225-01-710	EA START CAPACITOR, COLEMAN# 1497-0881
	093306-01-701	EA DECAL PKG, LEFT & RIGHT - COLEMAN 6798B3591
	093306-01-712	EA COMPRESSOR, COLEMAN 6707C3579
	105620-01-704	EA COMPRESSOR, RH & LH - COLEMAN 1450-2009
	105620-01-706	EA FOOT PKG-COMPRESSOR, 3 PER PKG- COLEMAN 6759-3081
	108889-01-700	EA SHROUD (GREY/GREY) LESS LOGO - 6759-6421
	063903-01-700	EA SHROUD (IVORY/IVORY) LESS LOGO - 6759-4601
	108889-01-702	EA SHROUD (BUFF/BUFF) LESS LOGO - 6759-6411
	108889-01-703	EA CONDENSER COIL - 1452A1301
	108889-01-704	EA OVERLOAD (MRA#98693) - 6749-3541
	108889-01-705	EA MOTOR (115, 60HZ) - 1468-3049
	108889-01-706	EA IMPELLOR - 1472-1041
	108889-01-707	EA RUN CAPACITOR (COMP-25MFD/370) - 1499-5661
	108889-01-708	EA FAN CAPACITOR (7.5MFD.370U) - 1499-5461
	108889-01-709	EA EVAPORATOR COIL - 1452-1311
	108889-01-710	EA FILLER PAD-COND AIR SEAL - 6759A3971
	108889-01-711	EA GASKET PKG - 6792-3301
	108889-01-712	EA SUCTION LINE REDUCER (3/8 X 1/2) - 1215-2161
	108889-01-713	EA SUCTION LINE (3/8OD X .032 WALL) - 6792-130
	108889-01-714	EA DISCHARGE LINE ASSY - 6792-531
	108889-01-715	EA MOTOR MOUNT & SHAFT SEAL KIT - 6792-3361
	102289-01-000	EA SPRING-SCREW, ROOF A/C GASKET - COLEMAN 6757-150

**CEILING ASSEMBLY 13,500 BTU A/C**

KEY	PART NUMBER	U/M DESCRIPTION
	108891-01-01A	EA CEILING ASM-A/C COOL TSR HO - COLEMAN 7330-714 IV
	042204-01-709	EA THERMOSTAT-IN 64 OUT 58, COLEMAN# 6701-3401
	063903-01-702	EA LOUVER-COLEMAN# 6703A5191
	073742-01-701	EA SELECTOR SWITCH (5 TERMINAL), COLEMAN# 6759-3251
	073742-01-702	EA DECAL COOL ONLY, COLEMAN# 6759C3431
	076303-01-707	EA FILTER - 6" X 14 3/4" X 1/2", 12 PER PKG - COLEMAN 6703A3151
	081606-01-712	EA CEILING SHROUD (IVORY), COLEMAN# 6769-5061
	091225-01-713	EA KNOB (2 PER PACKAGE), COLEMAN# 6701-3351
	091225-01-717	EA DECAL (THERMOSTAT) COOL ONLY, COLEMAN# 6799A3441
	093766-02-701	EA DECAL-LEFT SIDE, COLEMAN #6799-3971
	108891-01-700	EA SINGLE PARTS PKG (KNOBS & NUTS) 6792-5991
	108891-01-701	EA RETAINER CLIPS F/FILTER (6PER) 6799-3141

**HEATING & AIR CONDITIONING GROUP (CONTINUED)**

ROOF A/C-13,500 BTU - EUROPEAN

KEY	PART NUMBER	U/M DESCRIPTION
	092440-01-000	EA AC-ROOF, 13,500 BTU - 220V - 50HZ - COLEMAN# 6713C750 FROM: 00-00-00 THRU: 08-31-92
	092441-01-000	EA CEILING ASM-A/C, 220V - 50HZ - COLEMAN# 6712ET16 FROM: 00-00-00 THRU: 08-31-92
	108889-02-01A	EA AC-ROOF, 13,500 TSR 220 IVORY - COLEMAN 7373-597 FROM: 09-01-92 THRU: 99-99-99
	108891-01-01A	EA CEILING ASM-A/C COOL TSR HO - COLEMAN 7350-714 IV FROM: 09-01-92 THRU: 99-99-99
	042204-01-709	EA THERMOSTAT-IN 64 OUT 58, COLEMAN# 6701-3401 FROM: 09-01-92 THRU: 99-99-99
	063903-01-702	EA LOUVER-COLEMAN# 6703A5191 FROM: 09-01-92 THRU: 99-99-99
	073742-01-701	EA SELECTOR SWITCH (5 TERMINAL), COLEMAN# 6759-3251 FROM: 09-01-92 THRU: 99-99-99
	073742-01-702	EA DECAL COOL ONLY, COLEMAN# 6759C3431 FROM: 09-01-92 THRU: 99-99-99
	076303-01-707	EA FILTER - 6" X 14 3/4" X 1/2", 12 PER PKG - COLEMAN 6703A3151 FROM: 09-01-92 THRU: 99-99-99
	081606-01-712	EA CEILING SHROUD (IVORY), COLEMAN# 6769-5061 FROM: 09-01-92 THRU: 99-99-99
	091225-01-713	EA KNOB (2 PER PACKAGE), COLEMAN# 6701-3351 FROM: 09-01-92 THRU: 99-99-99
	091225-01-717	EA DECAL (THERMOSTAT) COOL ONLY, COLEMAN# 6799A3441 FROM: 09-01-92 THRU: 99-99-99
	093766-02-701	EA DECAL-LEFT SIDE, COLEMAN #6799-3971 FROM: 09-01-92 THRU: 99-99-99
	108891-01-700	EA SINGLE PARTS PKG (KNOBS & NUTS), 6792-5991 FROM: 09-01-92 THRU: 99-99-99
	108891-01-701	EA RETAINER CLIPS F/FILTER (6 PER), 6799-3141 FROM: 09-01-92 THRU: 99-99-99

**ROOF A/C COVER**

KEY	PART NUMBER	U/M DESCRIPTION
	064077-03-000	EA COVER-BLANK, ROOF A/C - 5.2" X 3.5" - IVORY FROM: 00-00-00 THRU: 10-04-92
	092633-01-02A	EA FRAME-PLATE, ROOF A/C - 5.7" X 3.9" - PLASTIC - OFF WHITE FROM: 00-00-00 THRU: 10-04-92
	092633-02-02A	EA COVER-BLANK, ROOF A/C - 5.1" X 5.1" - PLASTIC - OFF WHITE FROM: 10-05-92 THRU: 99-99-99

**1993 ITASCA  
TABLE OF CONTENTS**

INTRODUCTION	A-01	A-02
ABBREVIATIONS		A-03
ALPHABETICAL INDEX	A-04	A-06
ICF33RQ	A-07	F-10

**1993 ICF33RQ INDEX**

FLOOR PLAN	A-07	A-08
ACCESSORIES		A-09
AUDIO VIDEO	A-10	A-12
BATH	A-13	A-15
BEDROOM	A-16	A-18
CHASSIS	A-19	B-07
CURTAIN & CUSHION	B-08	B-18
DINETTE	B-19	B-20
DRIVERS COMPARTMENT	B-21	C-02
ELECTRICAL	C-03	C-10
EXTERIOR BODY	C-11	C-18
GALLEY	C-19	C-23
GENERATOR	C-24	D-01
HEATING & AC	D-02	D-08
INTERIOR FINISH	D-09	D-12
TAGELS	D-13	D-21
I.P.		D-22
LOUNGE	D-23	F-02
SEALANTS & FASTENERS	E-03	E-06
WATER & SEWAGE	E-07	E-12
WINDOW, VENT AND		
EXTERIOR DOOR	E-13	F-08
WINDSHIELDWIPER	F-09	F-10

**HEATING & AIR CONDITIONING GROUP (CONTINUED)**

11,000 BTU COLEMAN ROOF A/C

KEY	PART NUMBER	U/M DESCRIPTION
	105850-01-03A	EA AC-ROOF, 11,000 BTU ASH GRAY - COLEMAN 6757B802 FROM: 00-00-00 THRU: 11-15-92
	037548-01-714	EA PACKAGE-GASKET, COLEMAN #6759-3281
	076303-01-712	EA MOTOR, COLEMAN# 6707A3119
	091225-01-709	EA START RELAY, COLEMAN# 1497-4131
	093306-01-701	EA DECAL PKG, LEFT & RIGHT - COLEMAN 6798B3591
	093763-01-703	EA IMPELLOR - 7" DIA X 2.8" WIDE, COLEMAN# 6759-3271
	093763-01-704	EA CAPACITOR-FAN, COLEMAN# 1499-3461
	093763-01-707	EA EVAPORATOR COIL-COLEMAN# 1452-1351
	093763-01-708	EA CONDENSER COIL-COLEMAN# 1452-1251
	093763-01-712	EA FAN BLADE-CONDENSER, COLEMAN# 6733-3221
	063903-01-700	EA SHROUD (IVORY/IVORY) W/O LOGOS, 6759-4601
	105850-01-700	EA COMPRESSOR (TEC.#AK144AT-02L), 6757-3679
	105850-01-701	EA COMPRESSOR RUN CAPACITOR, 6749-4681
	105850-01-702	EA EVAPORATOR COIL, 1452-1362
	105850-01-703	EA OVERLOAD (CRA271B-250)
	108889-01-700	EA SHROUD (GREY/GREY) LESS LOGO, 6759-6421

**CEILING ASSEMBLY 11,000 BTU A/C**

KEY	PART NUMBER	U/M DESCRIPTION
	093764-01-000	EA CEILING ASM-AC COOL ONLY, TSR - COLEMAN 6759D714 FROM: 00-00-00 THRU: 11-15-92
	042204-01-709	EA THERMOSTAT-IN 64 OUT 58, COLEMAN# 6701-3401
	063903-01-702	EA LOUVER-COLEMAN# 6703A5191
	073742-01-701	EA SELECTOR SWITCH (5 TERMINAL), COLEMAN# 6759-3251
	073742-01-702	EA DECAL COOL ONLY, COLEMAN# 6759C3431
	076303-01-707	EA FILTER - 6" X 14 3/4" X 1/2", 12 PER PKG - COLEMAN 6703A3151
	081806-01-708	EA LIMIT SWITCH (OPEN 160, CLOSE 110), COLEMAN# 6703-3041
	081806-01-712	EA CEILING SHROUD (IVORY), COLEMAN# 6769-5061
	091225-01-713	EA KNOB (2 PER PACKAGE), COLEMAN# 6701-3351
	091225-01-717	EA DECAL (THERMOSTAT) COOL ONLY, COLEMAN# 6799A3441
	093763-01-710	EA SINGLE PARTS PACKAGE, COLEMAN# 6759-5991
	102289-01-000	EA SPRING-SCREW, ROOF A/C GASKET - COLEMAN 6757-150

**11,000 BTU COLEMAN ROOF A/C**

KEY	PART NUMBER	U/M DESCRIPTION
	108890-01-02A	EA AC-ROOF, 11,000 TSR HO GRAY - COLEMAN 7333-882 FROM: 11-16-92 THRU: 99-99-99
	063903-01-700	EA SHROUD 6759-4601
	091225-01-709	EA START RELAY, COLEMAN# 1497-4131
	093306-01-701	EA DECAL PKG, LEFT & RIGHT - COLEMAN 6798B3591
	093763-01-707	EA START CAPACITOR, 47 - 56 MFD - 250 - COLEMAN 62503421
	093763-01-712	EA FAN BLADE-CONDENSER, COLEMAN# 6733-3221
	105850-01-700	EA COMPRESSOR (TEC.#AK144AT-02L) 6757-3679
	108889-01-703	EA CONDENSER COIL 1452A1301
	108889-01-705	EA MOTOR (115, 60HZ) 1468-3049
	108889-01-708	EA IMPELLOR 1472-1041
	108889-01-707	EA RUN CAPACITOR (COMP-25MFD/370) 1499-5661
	108889-01-708	EA FAN CAPACITOR (7.5MFD.370U) 1499-5461
	108889-01-709	EA EVAPORATOR COIL 1452-1311
	108889-01-710	EA FILLER PAD-COND AIR SEAL 6759A3971
	108889-01-711	EA GASKET PKG 6792-3301
	108890-01-700	EA OVERLOAD CRA #271B-250 - 6757-3551

**HEATING & AIR CONDITIONING GROUP (CONTINUED)**

11,000 BTU COLEMAN ROOF A/C (CONTINUED)

KEY	PART NUMBER	U/M DESCRIPTION
	108891-01-01A	EA CEILING ASM-AC COOL TSR HO - COLEMAN 7330-714 IV
	042204-01-709	EA THERMOSTAT-IN 64 OUT 58, COLEMAN# 6701-3401
	063903-01-702	EA LOUVER-COLEMAN# 6703A5191
	073742-01-701	EA SELECTOR SWITCH (5 TERMINAL), COLEMAN# 6759-3251
	073742-01-702	EA DECAL COOL ONLY, COLEMAN# 6759C3431
	076303-01-707	EA FILTER - 6" X 14 3/4" X 1/2", 12 PER PKG - COLEMAN 6703A3151
	081806-01-712	EA CEILING SHROUD (IVORY), COLEMAN# 6769-5061
	091225-01-713	EA KNOB (2 PER PACKAGE), COLEMAN# 6701-3351
	091225-01-717	EA DECAL (THERMOSTAT) COOL ONLY, COLEMAN# 6799A3441
	093766-02-701	EA DECAL-LEFT SIDE, COLEMAN #6799-3971
	108891-01-700	EA SINGLE PARTS PKG (KNOBS & NUTS) 6792-5991
	108891-01-701	EA RETAINER CLIPS F/FILTER (6 PER) 6799-3141

**13,500 BTU COLEMAN ROOF A/C**

KEY	PART NUMBER	U/M DESCRIPTION
	108889-01-02A	EA AC-ROOF, 13,500 TSR HO GRAY, COLEMAN 7333-882
	091225-01-709	EA START RELAY, COLEMAN# 1497-4131
	091225-01-710	EA START CAPACITOR, COLEMAN# 1497-0881
	093306-01-701	EA DECAL PKG, LEFT & RIGHT - COLEMAN 6798B3591
	093306-01-712	EA COMPRESSOR, COLEMAN 6707C3579
	105620-01-704	EA COMPRESSOR, RH & LH - COLEMAN 1450-2009
	105620-01-706	EA FOOT PKG-COMPRESSOR, 3 PER PKG - COLEMAN 6759-3081
	108889-01-700	EA SHROUD (GREY/GREY) LESS LOGO, 6759-6421
	063903-01-700	EA SHROUD (IVORY/IVORY) LESS LOGO, 6759-4601
	108889-01-702	EA SHROUD (BUFF/BUFF) LESS LOGO, 6759-6411
	108889-01-703	EA CONDENSER COIL, 1452A1301
	108889-01-704	EA OVERLOAD (MRA #98693), 6749-3541
	108889-01-705	EA MOTOR (115, 60HZ), 1468-3049
	108889-01-706	EA IMPELLOR, 1472-1041
	108889-01-707	EA RUN CAPACITOR (COMP-25MFD/370), 1499-5661
	108889-01-708	EA FAN CAPACITOR (7.5MFD.370U), 1499-5461
	108889-01-709	EA EVAPORATOR COIL, 1452-1311
	108889-01-710	EA FILLER PAD-COND AIR SEAL, 6759A3971
	108889-01-711	EA GASKET PKG, 6792-3301
	108889-01-712	EA SUCTION LINE REDUCER (3/8X1/2), 1215-2131
	108889-01-713	EA SUCTION LINE (3/8OD X .032 WALL), 6792-110
	108889-01-714	EA DISCHARGE LINE ASSY, 6792-531
	108889-01-715	EA MOTOR MOUNT & SHAFT SEAL KIT, 6792-3381
	108891-01-01A	EA CEILING ASM-AC COOL TSR HO - COLEMAN 7330-714 IV
	042204-01-709	EA THERMOSTAT-IN 64 OUT 58, COLEMAN# 6701-3401
	063903-01-702	EA LOUVER-COLEMAN# 6703A5191
	073742-01-701	EA SELECTOR SWITCH (5 TERMINAL), COLEMAN# 6759-3251
	073742-01-702	EA DECAL COOL ONLY, COLEMAN# 6759C3431
	076303-01-707	EA FILTER - 6" X 14 3/4" X 1/2", 12 PER PKG - COLEMAN 6703A3151
	081806-01-712	EA CEILING SHROUD (IVORY), COLEMAN# 6769-5061
	091225-01-713	EA KNOB (2 PER PACKAGE), COLEMAN# 6701-3351
	091225-01-717	EA DECAL (THERMOSTAT) COOL ONLY, COLEMAN# 6799A3441
	093766-02-701	EA DECAL-LEFT SIDE, COLEMAN #6799-3971
	108891-01-700	EA SINGLE PARTS PKG (KNOBS & NUTS) 6792-5991
	108891-01-701	EA RETAINER CLIPS F/FILTER (6 PER) 6799-3141

**1993 ITASCA  
TABLE OF CONTENTS**

INTRODUCTION	A-01	A-02
ABBREVIATIONS		A-03
ALPHABETICAL INDEX	A-04	A-06
ICF33RQ	A-07	F-10

**1993 ICF33RQ INDEX**

FLOOR PLAN	A-07	A-08
ACCESSORIES		A-09
AUDIO VIDEO	A-10	A-12
BATH	A-13	A-15
BEDROOM	A-16	A-18
CHASSIS	A-19	B-07
CURTAIN & CUSHION	B-08	B-18
DINETTE	B-19	B-20
DRIVERS COMPARTMENT	B-21	C-02
ELECTRICAL	C-03	C-10
EXTERIOR BODY	C-11	C-18
GALLEY	C-19	C-23
GENERATOR	C-24	D-01
HEATING & AC	D-02	D-08
INTERIOR FINISH	D-09	D-12
LABELS	D-13	D-21
LP		D-22
LOUNGE	D-23	E-02
SEALANTS & FASTENERS	E-03	E-08
WATER & SEWAGE	E-07	E-12
WINDOW, VENT AND		
EXTERIOR DOOR	E-13	F-08
WINDSHIELD/WIPE	F-09	F-10

**INTERIOR FINISH GROUP**

**MOLDINGS**

KEY	PART NUMBER	U/M DESCRIPTION
	009787-12-000	FT MOLDING-SIDEWALL TO CEILING/CABINET - WELTING - OFF WHITE
	009809-23-000	EA MOLDING-CORNER, OUTSIDE - 1" - PLASTIC - IVORY
	009809-24-000	EA MOLDING-PLASTIC, OUTSIDE - 1" - PLASTIC - THOR PECAN
	009812-25-000	EA MOLDING-CORNER, OUTSIDE - .5" - PLASTIC - PECAN
	022982-11-000	FT MOLDING-REVERSE COVE, T-SHAPED - VINYL - IVORY
	076325-37-000	FT MOLDING-EDGE BAND, 1136 - 1-5/16 X .030 X 600
	076325-38-000	FT MOLDING-EDGE BAND, 1527 - 1-5/16 X .030 X 600
	076325-40-000	FT MOLDING-EDGE BAND, 1527 - .875 X .024 X 600
	083620-07-000	FT MOLDING-T, END CAP EDGE - W/EDGE LIPS - .75" - THOR PECAN
	082331-D2-134	EA MOLDING-VINYL WRAPPED, .7" X 1.57" X 84" - WOODGRAIN
	082331-F2-134	EA MOLDING-VINYL WRAPPED, .7" X 2.5" X 7" - WOODGRAIN
	082331-F2-438	EA MOLDING-VINYL WRAPPED, .7" X 3.5" X 96" - WOODGRAIN
	100859-01-B05	EA MOLDING-TRIM, VINYL FLOOR
	100818-01-01A	EA MOLDING-VINYL WRAPPED, 1.65" X .4" X 7" - REGAL OAK
	100819-01-01A	EA MOLDING-VINYL WRAPPED, L-SHAPED - 1.5" X 1.5" X 7" - OAK
	104878-01-01A	FT T-MOLDING, 5/16 RIGID
	105004-01-01A	EA MOLDING-VINYL WRAP
	105709-01-000	FT T-MOLDING-1", MODERN IVORY
	077840-01-W30	EA MOLDING-WALL CAP, 1.4" X 8" LONG - L-SHAPED WOOD
	077840-14-W24	EA MOLDING-WALL CAP, 1.4" X 80" - L-SHAPED WOOD
	078323-08-X14	EA MOLDING-WALL CAP, LIPS BOTH SIDE - 6.5" LONG - LONG
	078323-08-X14	EA MOLDING-WALL CAP, LIPS BOTH SIDES - WOOD - 6.5" LONG

FROM: 00-00-00 THRU: 01-10-93

**U-CHANNEL, TRIM & LUMBER**

KEY	PART NUMBER	U/M DESCRIPTION
	070504-01-000	FT U-CHANNEL-PLASTIC, .085" WIDE - LIGHT BROWN - INCREMENTS OF 8'
	070504-18-000	FT U-CHANNEL-PLASTIC, .085" WIDE - IVORY - INCREMENTS OF 8'
	070504-20-000	FT U-CHANNEL-PLASTIC, .815" WIDE - THOR PECAN - INCREMENTS OF 8'
	070504-22-000	FT U-CHANNEL-PLASTIC, .735" WIDE - THOR PECAN - INCREMENTS OF 8'

FROM: 00-00-00 THRU: 06-26-92

	070504-23-000	FT EXTRUSION-U CHANNEL, .875 - COUNTRY FOREST
	072388-02-000	EA TRIM-VINYL, EDGE - BLACK - GM 14004305
	085746-01-000	FT TRIM-J, CARPET - 1.2" X .5" ANGLE - 10' LONG - PVC - BEIGE
	078811-05-C07	EA PANEL-TRIM, HEADER, LOWER
	082330-D2-438	EA LUMBER-VINYL WRAPPED, .7" X 1.5" X 9" - WOODGRAIN
	082330-03-000	EA LUMBER-VINYL WRAPPED, 2" X 96" - WOODGRAIN
	082330-05-000	EA LUMBER-VINYL WRAPPED

**SMOKE DETECTOR, FIRE EXTINGUISHER & CLOCK**

KEY	PART NUMBER	U/M DESCRIPTION
	072652-01-000	EA DETECTOR-SMOKE, W/9 VOLT BATTERY
	072652-02-000	EA DETECTOR-SMOKE, W/9 VOLT BATTERY - CANADIAN
	084499-01-000	EA EXTINGUISHER-FIRE, DRY W/MOUNTING BRACKET - 10 BC
	084499-01-700	EA BRACKET-MOUNTING, W/PLASTIC STRAP - FIRE EXTINGUISHER
	084499-02-000	EA EXTINGUISHER-FIRE, DRY - 1A10BC - CANADIAN
	101333-01-000	EA BACKPLATE-CLOCK, 6" X 6" - PLASTIC - BLACK

FROM: 00-00-00 THRU: 04-18-93

	104784-01-01A	EA CLOCK-WALL, SPARTUS 5618-42
--	---------------	--------------------------------

FROM: 00-00-00 THRU: 04-18-93

	100783-02-01A	EA CLOCK-WALL, 11" DIAMETER - BOLDEN 9988
--	---------------	---

FROM: 04-19-93 THRU: 99-99-99

**ANTISLIP & FLOOR MATS**

KEY	PART NUMBER	U/M DESCRIPTION
	091281-01-000	FT SLIPNOT-ANTISLIP, 1' WIDE (100' ROLL)
	106824-01-C08	EA MAT-FLOOR 18 X 27 (D32)
	106824-01-D10	EA MAT-FLOOR 18 X 27 (D33)
	106824-01-D11	EA MAT-FLOOR 18 X 27 (D34)

**INTERIOR FINISH GROUP (CONTINUED)**

**BATT STRIP**

KEY	PART NUMBER	U/M DESCRIPTION
	085284-86-000	FT BATT STRIP-WOODGRAIN, ADHESIVE BACKED - FOREST OAK
	088263-76-000	EA BATT STRIP-SHOWER, 8" - OFF WHITE
	088263-77-000	EA BATT-STRIP, SPLASH, WOODROSE DESIGN TIME
	069733-79-000	EA BATT STRIP-WOODGRAIN, 8" - FOREST OAK
	086229-01-000	EA RETAINER-BATTEN, CEILING - .75" WIDE - 7.6'
	086229-04-000	EA BATTEN-CEILING, 1" WIDE - IVORY - 7.6'
	085284-64-000	FT STRIP-TAPE, DIMENSIONS, WOODROSE - DESIGN TIME
	085284-65-000	FT STRIP-TAPE, SPLASH, WOODROSE - DESIGN TIME

**PANELING & PLYWOOD**

KEY	PART NUMBER	U/M DESCRIPTION
	074497-20-000	SF PANELING-WOODGRAIN, 4' X 8' - INCREMENTS OF 32 SF
	088272-98-000	SF PANELING-SHOWER, OFF WHITE - 4' X 7' - INCREMENTS OF 28 SQ FT
	088272-96-000	SF PANELING-DIMENSIONS, WOODROSE - DESIGN TIME 3MM X 48 X 8
	088272-97-000	SF PANELING-SPLASH, WOODROSE - DESIGN TIME 3MM X 48 X 8
	089351-03-000	YD VINYL-CEILING, DIAMOND DESIGN - 54" WIDE
	095689-01-000	SF VENEER-FLAT LUANA 48 X 96
	083618-02-000	SF PLYWOOD-OAK, 1 SIDE FINISHED - 3/16" X 4' X 8'

INCREMENTS OF 32 SF

	089297-01-000	SF PLYWOOD-LUAN, OVERLAY GRADE - 4' X 8' - INCREMENTS OF 32 SF
	096531-01-000	SF PLYWOOD-RED OAK, 1/2"

**LAMINATE PLASTIC & INSULATION**

KEY	PART NUMBER	U/M DESCRIPTION
	074498-45-000	SF LAMINATE-PLASTIC, 5' X 8' - INCREMENTS OF 40 SF
	074498-46-000	SF LAMINATE-PLASTIC, 5' X 8' - INCREMENTS OF 40 SF
	065747-01-000	SF INSULATION-MICROFOAM, 5"

**CARPET**

KEY	PART NUMBER	U/M DESCRIPTION
	047034-02-000	SF PLASTIC-CARPET, 4" WIDE - CLEAR POLY
	075233-01-000	SY PAD-CARPET, 3/8" X 6' ROLL
	093496-01-000	SY CARPET-COMPARTMENT, 54" WIDE - DARK GRAY
	096060-23-000	SY CARPET-12' ROLL, INCREMENTS OF 4 SY (D32)
	096060-41-000	SY CARPET-12' ROLL, INCREMENTS OF 4 SY (D33)
	096060-42-000	SY CARPET-12' ROLL, INCREMENTS OF 4 SY (D34)

**1993 ITASCA  
TABLE OF CONTENTS**

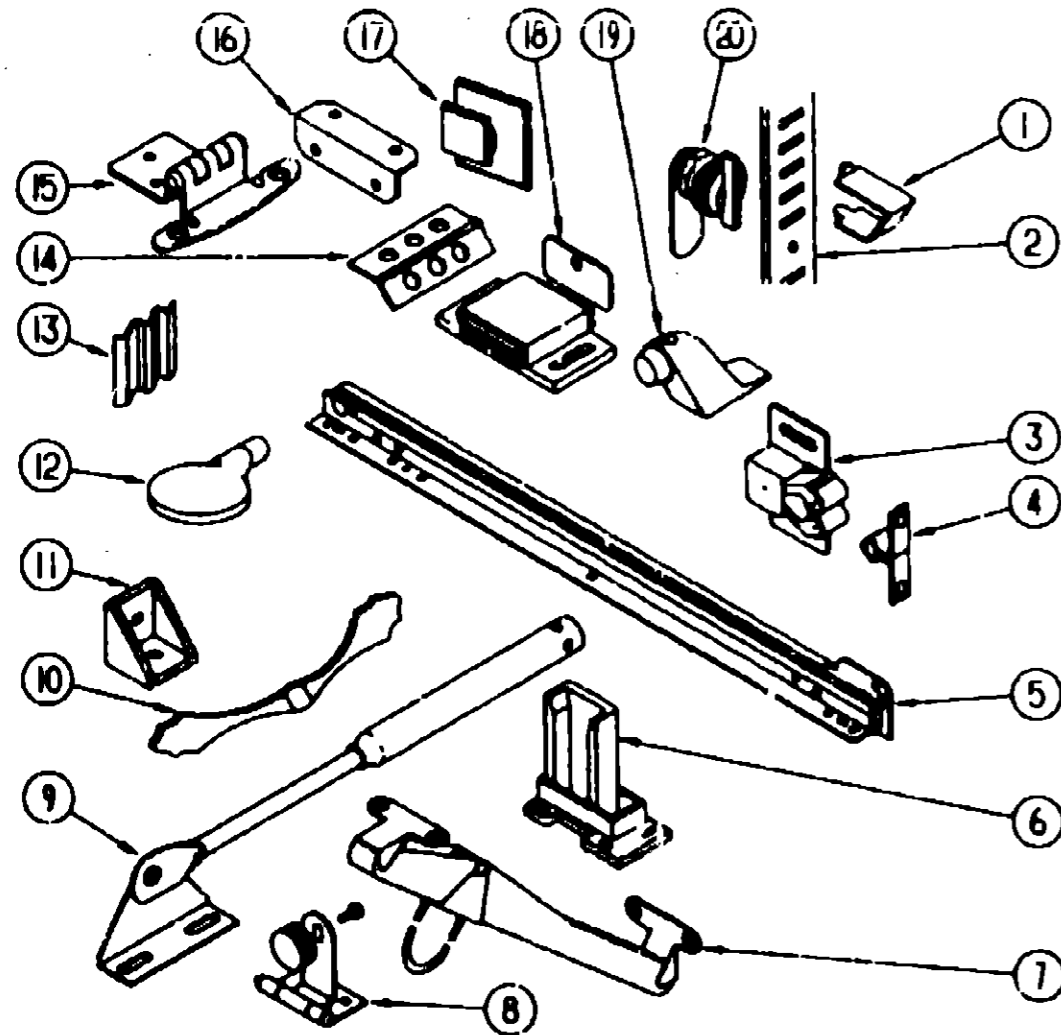
INTRODUCTION	A-01	A-02
ABBREVIATIONS		A-03
ALPHABETICAL INDEX	A-04	A-08
ICF33RQ	A-07	F-10

**1993 ICF33RQ INDEX**

FLOOR PLAN	A-07	A-08
ACCESSORIES		A-09
AUDIO VIDEO	A-10	A-12
BATH	A-13	A-15
BEDROOM	A-16	A-18
CHASSIS	A-19	B-07
CURTAIN & CUSHION	B-08	B-18
DINETTE	B-19	B-20
DRIVERS COMPARTMENT	B-21	C-02
ELECTRICAL	C-03	C-10
EXTERIOR BODY	C-11	C-18
GALLEY	C-19	C-23
GENERATOR	C-24	D-01
HEATING & AC	D-02	D-08
INTERIOR FINISH	D-09	D-12
LABELS	D-13	D-21
LP		D-22
LOUNGE	D-23	E-02
SEALANTS & FASTENERS	E-03	E-08
WATER & SEWAGE	E-07	E-12
WINDOW, VENT AND		
EXTERIOR DOOR	E-13	F-08
WINDSHIELDWIPER	F-09	F-10

# INTERIOR FINISH GROUP (CONTINUED)

## CABINET HARDWARE



KEY	PART NUMBER	U/M	DESCRIPTION
1	088979-01-000	EA	CLIP-ADJUSTABLE SHELF
2	033330-02-000	EA	PILASTER-ADJUSTABLE SHELF, 12" LONG
2	038980-01-000	EA	PILASTER-ADJUSTABLE SHELF, 18" LONG
3	093586-03-000	EA	CATCH-SPRING, ROLLER
4	093586-04-000	EA	STRIKE-SPRING STEEL
	106913-01-000	EA	SLIDE-DRAWER, CABINET - LEFT SIDE - 12"
	106913-02-000	EA	SLIDE-DRAWER, CABINET - RIGHT SIDE - 12"
	106913-03-000	EA	SLIDE-DRAWER, 12" LEFT DRAWER
	106913-04-000	EA	SLIDE-DRAWER, 12" RIGHT DRAWER
	106913-13-000	EA	SLIDE-DRAWER, 14" LEFT CABINET
	106913-14-000	EA	SLIDE-DRAWER, 14" RIGHT CABINET
	106913-15-000	EA	SLIDE-DRAWER, 14" LEFT DRAWER
	106913-16-000	EA	SLIDE-DRAWER, 14" RIGHT DRAWER
5	106913-05-000	EA	SLIDE-DRAWER, CABINET - LEFT SIDE - 18"
5	106913-06-000	EA	SLIDE-DRAWER, CABINET - RIGHT SIDE - 18"
5	106913-07-000	EA	SLIDE-DRAWER, DRAWER MOUNT - LEFT SIDE - 18"
5	106913-08-000	EA	SLIDE-DRAWER, DRAWER MOUNT - RIGHT SIDE - 18"
5	106913-17-000	EA	SLIDE-DRAWER, 22" - LEFT
5	106913-18-000	EA	SLIDE-DRAWER, 22" - RIGHT
5	106913-19-000	EA	SLIDE-DRAWER, 22" - LEFT DRAWER
5	106913-20-000	EA	SLIDE-DRAWER, 22" - RIGHT DRAWER
6	107030-01-000	EA	BACKSOCKET-ADJUSTABLE, LEFT
6	107030-02-000	EA	BACKSOCKET-ADJUSTABLE, RIGHT
7	104181-01-01A	EA	SUPPORT-LEAF, 5.3" - EXTENDS TO 7.5" - SAFETY RING - METAL
8	100711-01-01A	EA	HINGE-DOOR, GLASS
	100707-01-000	EA	SPACER-DOOR, GLASS - .8" DIA - .3" HOLE - PLASTIC
	101272-01-000	EA	CATCH-DOOR, GLASS
9	074433-02-000	EA	SUPPORT-PISTON SPRING, CABINET DOOR
10	108747-01-000	EA	PULL-CABINET, BRASS
11	065740-01-000	EA	BRACE-CABINET CORNER, PLASTIC
12	101786-01-000	EA	PIN-SUPPORT, GLASS DOOR
13	105037-02-000	EA	FASTENER-WOOD, CORNER - METAL - .5" X .6"
14	009059-01-000	EA	HINGE-DOOR, 2" X 1.4" - BRASS
14	009059-02-000	EA	HINGE-DOOR, 2" X 2.7" - BRASS
14	009063-01-000	EA	HINGE-CONTINUOUS, 1 1/2" X 72" - UNPAINTED
15	108138-01-000	EA	HINGE-CABINET DOOR, BURNISHED BRASS
16	016604-01-000	EA	BRACE-CABINET, ANGLE - 2.5" - METAL - UNPAINTED
16	016604-03-000	EA	BRACE-CABINET, ANGLE - 2.5" - METAL - BEIGE
16	016604-05-000	EA	BRACE-CABINET, L ANGLE - 2.5" - METAL - OFF WHITE
17	102327-01-01A	EA	PULL-MIRROR, SQUARE
18	088254-01-000	EA	CATCH-MAGNETIC, 1.8" X .7"
19	103257-01-000	EA	STOP-DOOR
20	100710-01-01A	EA	LOCK-GLASS DOOR, TWIST TYPE - BRASS
	000613-08-10G	EA	SCREW
	004354-01-000	EA	BUMPER-RUBBER, .5" DIA - BROWN
	023320-01-000	EA	PAD-FELT, 3/8" DIAMETER - BROWN
	042541-04-000	EA	LATCH-BRASS, W/O STRIKE - HASP TYPE - BRASS
	094659-01-Y12	EA	HANDLE-BUNK, 2" X 27" - WOOD - OAK
	102827-01-000	EA	SLIDE-DRAWER, TRI-ROLLER

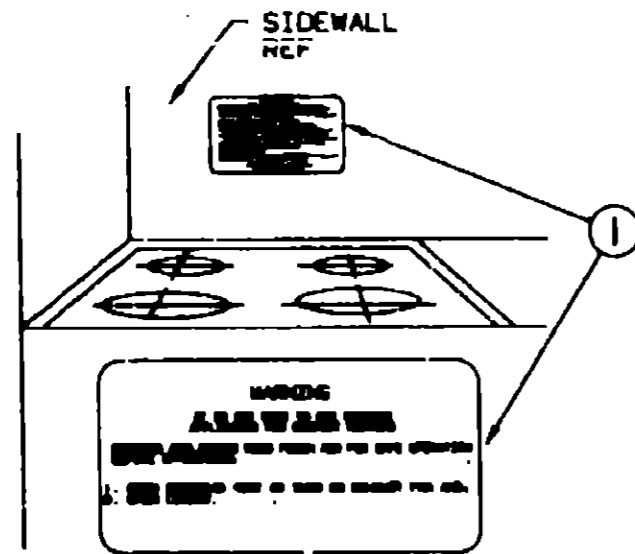
## 1993 ITASCA TABLE OF CONTENTS

INTRODUCTION	A-01	A-02
ABBREVIATIONS		A-03
ALPHABETICAL INDEX	A-04	A-06
KCF33RQ	A-07	F-10

## 1993 ICF33RQ INDEX

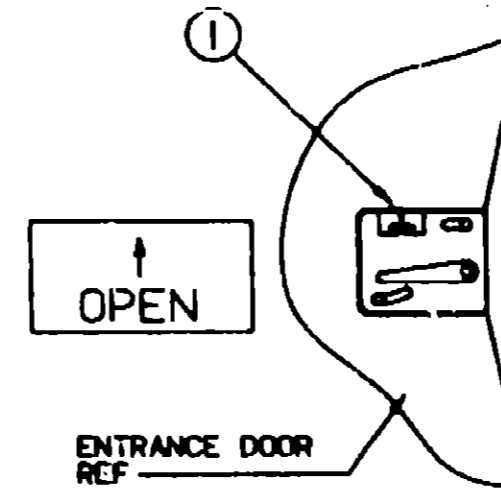
FLOOR PLAN	A-07	A-08
ACCESSORIES		A-09
AUDIO VIDEO	A-10	A-12
BATH	A-13	A-15
BEDROOM	A-16	A-18
CHASSIS	A-19	B-07
CURTAIN & CUSHION	B-08	B-18
DINETTE	B-19	B-20
DRIVERS COMPARTMENT	B-21	C-02
ELECTRICAL	C-03	C-10
EXTERIOR BODY	C-11	C-18
GALLEY	C-19	C-23
GENERATOR	C-24	D-01
HEATING & A/C	D-02	D-08
INTERIOR FINISH	D-09	D-12
LABELS	D-13	D-21
LP		D-22
LOUNGE	D-23	E-02
SEALANTS & FASTENERS	E-03	E-06
WATER & SEWAGE	E-07	E-12
WINDOW, VENT AND EXTERIOR DOOR	E-13	F-08
WINDSHIELD/WIPER	F-09	F-10

**LABELS GROUP**



KEY	PART NUMBER	U/M DESCRIPTION
1	050225-01-000	EA LABEL-WARNING, STOVE VENT - US
1	050222-01-000	EA LABEL-WARNING, STOVE VENT - CANADIAN

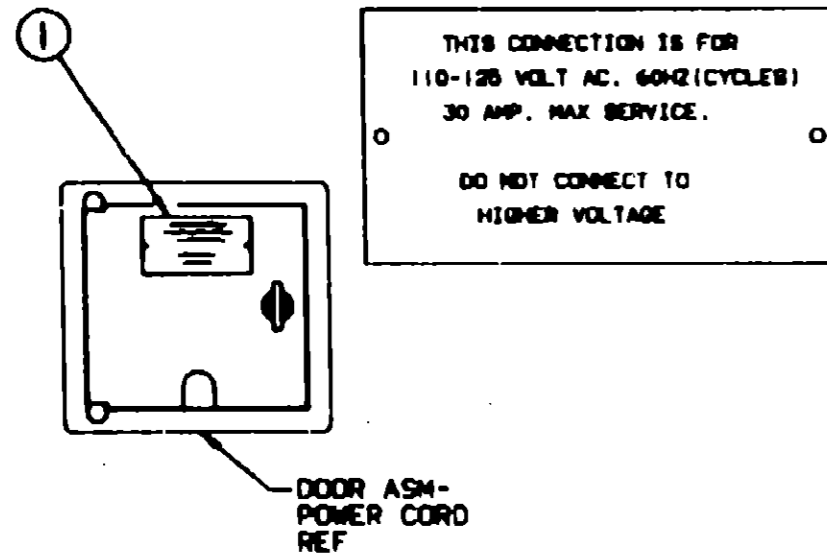
**LABELS GROUP (CONTINUED)**



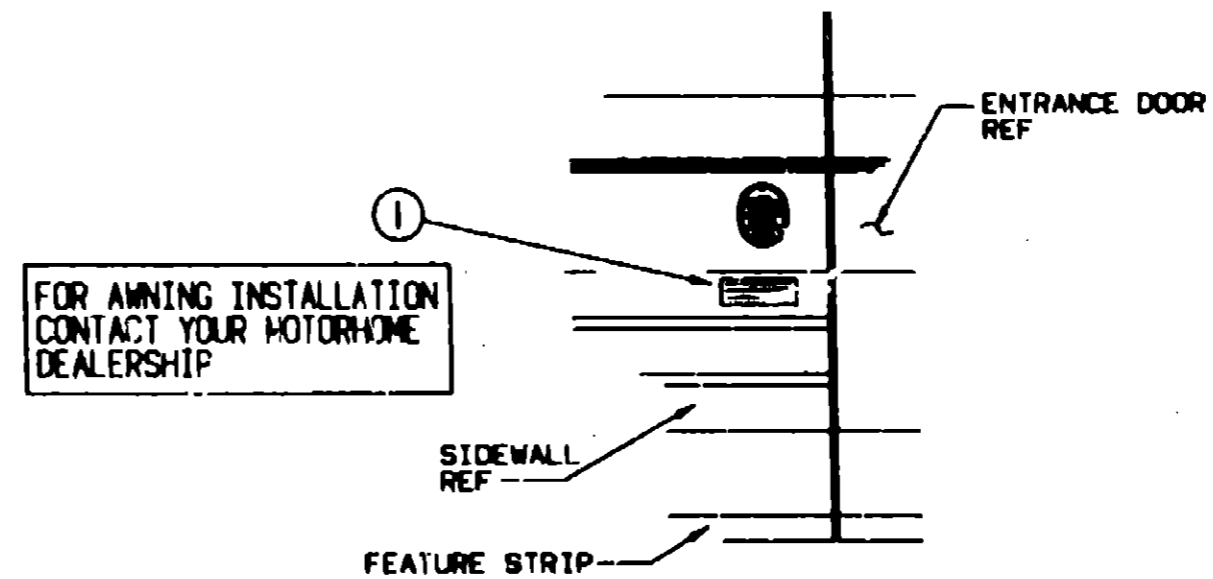
KEY	PART NUMBER	U/M DESCRIPTION
1	040944-01-000	EA LABEL-ENTRANCE DOOR, "OPEN"

**1993 ITASCA  
TABLE OF CONTENTS**

INTRODUCTION	A-01 -	A-02
ABBREVIATIONS		A-03
ALPHABETICAL INDEX	A-04 -	A-06
ICF33RQ	A-07 -	F-10



KEY	PART NUMBER	U/M DESCRIPTION
1	008082-01-000	EA TAG-ELECTRIC, 110V CONNECTION



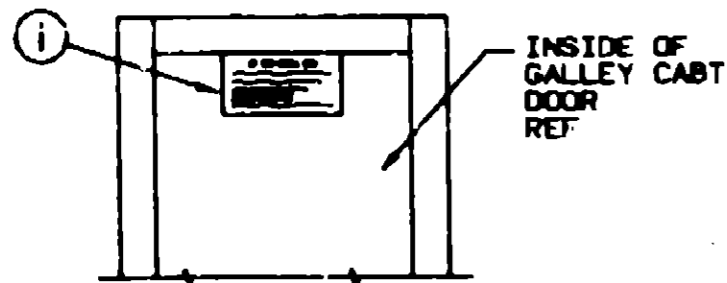
KEY	PART NUMBER	U/M DESCRIPTION
1	009509-01-000	EA LABEL-AWNING INSTALLATION

**1993 ICF33RQ INDEX**

FLOOR PLAN	A-07 -	A-08
ACCESSORIES		A-09
AUDIO VIDEO	A-10 -	A-12
BATH	A-13 -	A-15
BEDROOM	A-16 -	A-18
CHASSIS	A-19 -	B-07
CURTAIN & CUSHION	B-08 -	B-18
DINETTE	B-19 -	B-20
DRIVERS COMPARTMENT	B-21 -	C-02
ELECTRICAL	C-03 -	C-10
EXTERIOR BODY	C-11 -	C-18
GALLEY	C-19 -	C-23
GENERATOR	C-24 -	D-01
HEATING & AC	D-02 -	D-08
INTERIOR FINISH	D-09 -	D-12
LABELS	D-13 -	D-21
LP		D-22
LOUNGE	D-23 -	E-02
SEALANTS & FASTENERS	E-03 -	E-08
WATER & SEWAGE	E-07 -	E-12
WINDOW, VENT AND		
EXTERIOR DOOR	E-13 -	F-08
WINDSHIELDWIPER	F-09 -	F-10



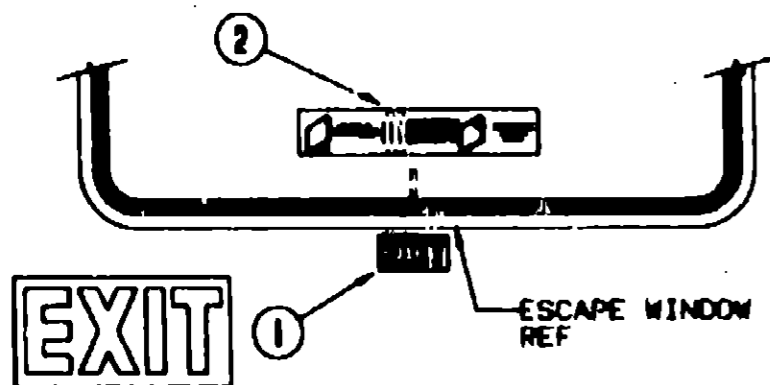
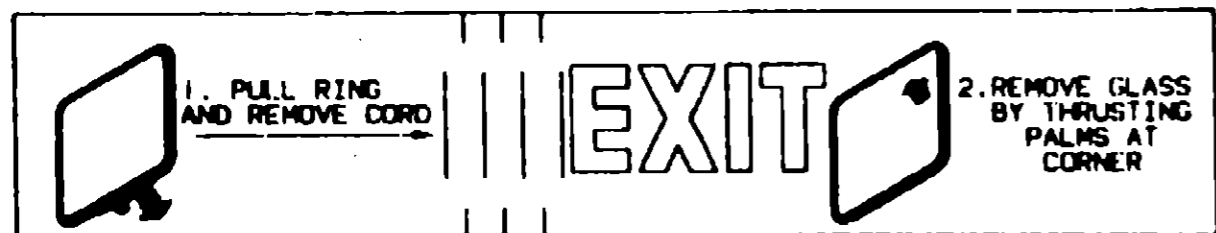
**LABELS GROUP (CONTINUED)**



**IF YOU SMELL GAS**

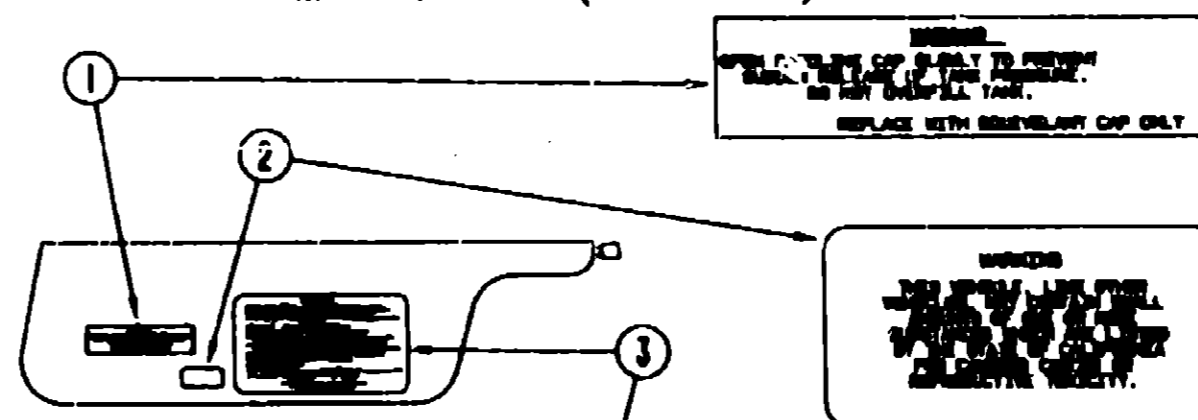
1. EXTEND AND OPEN FLAPS, FUEL LIGHTS AND ALL OTHER DEVICES.
2. SHUT OFF THE GAS SUPPLY AT THE TANK VALVE (OR GAS SUPPLY CONNECTION).
3. OPEN DOORS AND OTHER VENTILATED OPENINGS.
4. DO NOT TOUCH ELECTRICAL SWITCHES.
5. LEAVE THE AREA UNTIL GAS CLEAR.
6. HAVE THE GAS SYSTEM CHECKED AND LEAKAGE SOURCE CORRECTED BEFORE USING AGAIN.

KEY	PART NUMBER	U/M DESCRIPTION
1	073998-01-000	EA LABEL-LPG ODOR WARNING



KEY	PART NUMBER	U/M DESCRIPTION
1	039290-01-000	EA LABEL-WARNING, EXIT
2	107571-01-000	EA LABEL-ESCAPE EXIT, WINDOW

**LABELS GROUP (CONTINUED)**



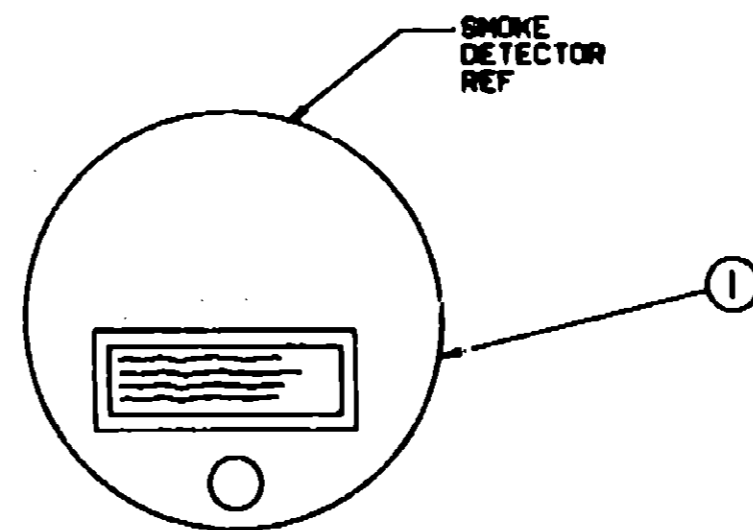
**CAUTION**

THIS VEHICLE HAS BEEN DESIGNED, MANUFACTURED AND TESTED WITH CARE FOR THE PROTECTION OF IT'S OCCUPANTS. BE RESPONSIBLE AND PERFORM THE FOLLOWING INSPECTIONS FOR YOUR SAFETY AND THE SAFETY OF YOUR PASSENGERS BEFORE STARTING YOUR VEHICLE.

1. LP GAS SYSTEM- TURN OFF AT TANK FOR TRAVELING. TEST FOR LEAKS UPON ARRIVAL AT DESTINATION. BEFORE LEAVING PLOTS.
2. WHEELS- INSPECT FOR DEFLECT AND CHECK TIRE PRESSURE.
3. TIRES- INSPECT FOR WEAR AND DAMAGE AND CHECK FOR RECOMMENDED AIR PRESSURE.
4. LIGHTS- TEST FOR PROPER OPERATION OF ALL INTERIOR AND EXTERIOR LIGHTS INCLUDING BROW LIGHTS, HEADLIGHTS, TAIL LIGHTS, BRAKE LIGHTS, CLEARANCE LIGHTS AND TURN SIGNALS.
5. EXITS- INSPECT RELEASE MECHANISM ON EMERGENCY EXIT SYSTEM. TEST BOTH LOCKS ON EACH ENTRANCE DOOR FOR EASE OF OPERATION AND INSTRUCT PASSENGERS HOW TO USE BOTH ENDS OF EXIT.
6. SEAT BELTS- INSPECT PASSENGERS TO OPERATED SEATS AND REMIND USE OF SEAT BELTS.
7. APPLIANCES- TURN OFF AND LATCH OR LOCK DOORS WHERE PROVIDED.
8. LOOSE PANELS- OVERTIGHTEN.
9. UTILITY SUPPLY LINES- INSPECT ALL ELECTRICAL, WATER AND HEAT LINES AND REPAIR PROPERLY.
10. ENTRANCE DOOR TRIP- PLACE IN RETRACTED POSITION FOR TRAVELING.

READ YOUR OWNER HANDBOOK AND CHECKED OWNER'S MANUAL FOR FURTHER PRECAUTIONS

KEY	PART NUMBER	U/M DESCRIPTION
1	087207-05-000	EA LABEL-FUEL CAP REMOVAL
2	099689-01-000	EA LABEL-WARNING, CANCER/TOXICITY
3	056259-01-000	EA LABEL- SAFETY CHECK LIST



**WARNING:** TEST SMOKE DETECTOR OPERATION AFTER VEHICLE HAS BEEN IN OPERATION. BEFORE EACH TRIP AND AT LEAST ONCE PER YEAR SERVICE USE.

KEY	PART NUMBER	U/M DESCRIPTION
1	077956-01-000	EA LABEL-WARNING, SMOKE DETECTOR

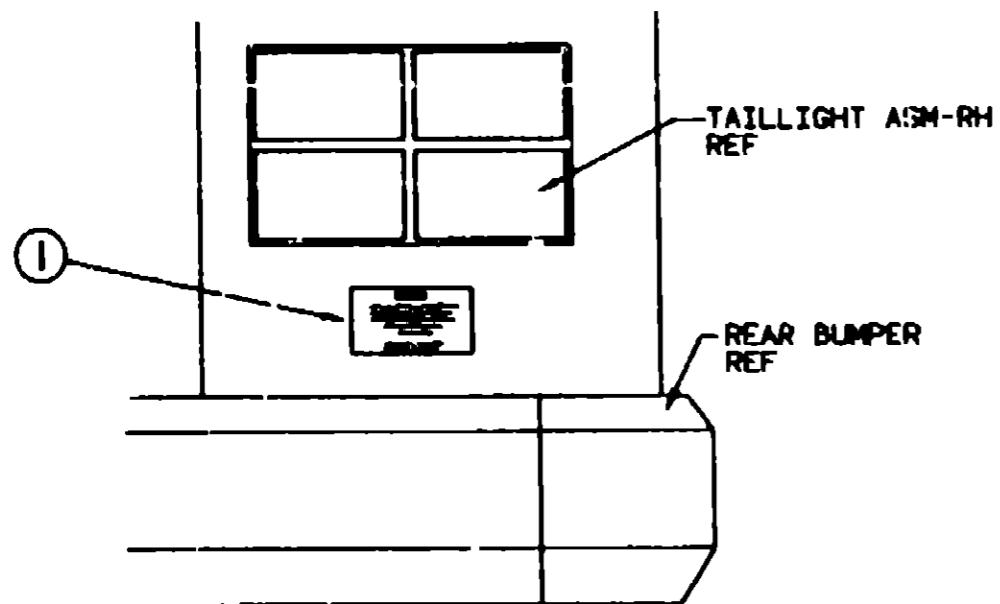
**1993 ITASCA  
TABLE OF CONTENTS**

INTRODUCTION	A-01 -	A-02
ABBREVIATIONS		A-03
ALPHABETICAL INDEX	A-04 -	A-06
ICF33RQ	A-07 -	F-10

**1993 ICF33RQ INDEX**

FLOOR PLAN	A-07 -	A-08
ACCESSORIES		A-09
AUDIO VIDEO	A-10 -	A-12
BATH	A-13 -	A-15
BEDROOM	A-16 -	A-18
CHASSIS	A-19 -	B-07
CURTAIN & CUSHION	B-08 -	B-18
DINETTE	B-19 -	B-20
DRIVERS COMPARTMENT	B-21 -	C-02
ELECTRICAL	C-03 -	C-10
EXTERIOR BODY	C-11 -	C-18
GALLEY	C-19 -	C-23
GENERATOR	C-24 -	D-01
HEATING & AC	D-02 -	D-08
INTERIOR FINISH	D-09 -	D-12
LABELS	D-13 -	D-21
LP		D-22
LOUNGE	D-23 -	E-02
SEALANTS & FASTENERS	E-03 -	E-06
WATER & SEWAGE	E-07 -	E-12
WINDOW, VENT AND		
EXTERIOR DOOR	E-13 -	F-08
WINDSHIELDWIPER	F-09 -	F-10

**LABELS GROUP (CONTINUED)**

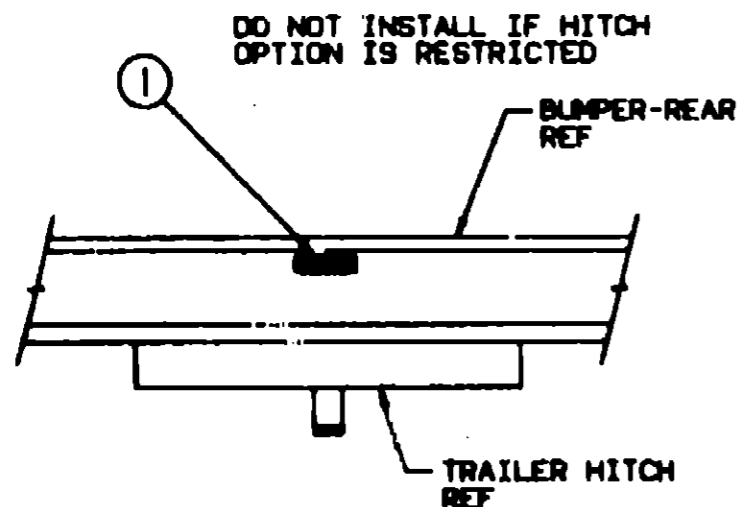


**WARNING**

DO NOT EXCEED THE VEHICLE WEIGHT RATINGS OR LOADING RECOMMENDATIONS (E.G., GROSS VEHICLE, GROSS AXLE, GROSS COMBINED) OF THE CHASSIS MANUFACTURER OR WINNEBAGO INC.

REFER TO YOUR OWNERS MANUAL, BEFORE LOADING OR TOWING.

**KEY PART NUMBER U/M DESCRIPTION**  
 1 075220-01-000 EA LABEL-WARNING, EXTERIOR LOAD



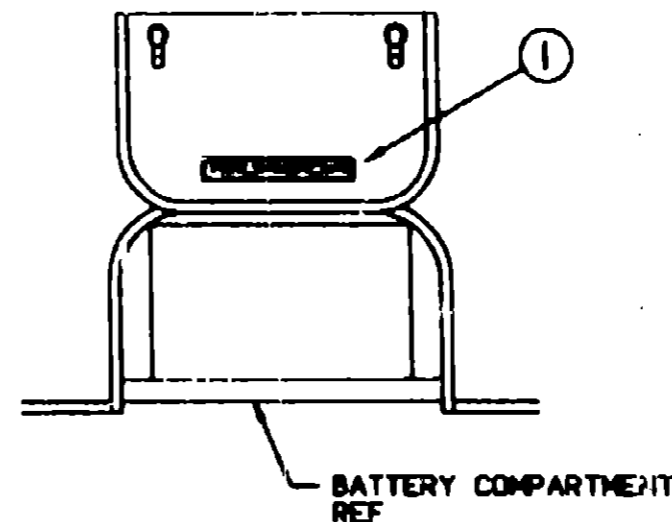
**TOWING CAPACITY**

TOWED VEHICLE 3000 LB. GROSS MAXIMUM  
 HITCH BALL 300 LB. MAXIMUM

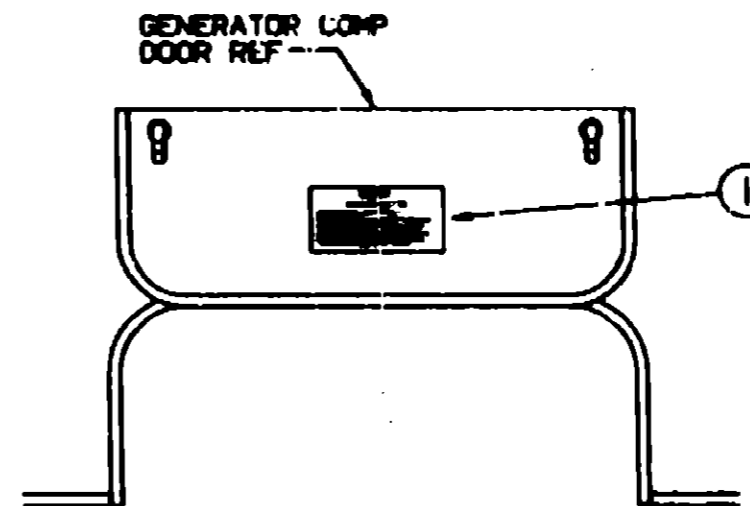
**KEY PART NUMBER U/M DESCRIPTION**  
 1 075221-03-000 EA LABEL-TRAILER HITCH

**LABELS GROUP (CONTINUED)**

**WARNING**  
 DISCONNECT BATTERIES BEFORE CONNECTING EXTERNAL CHARGING EQUIPMENT.



**KEY PART NUMBER U/M DESCRIPTION**  
 1 065748-01-000 EA LABEL-CAUTION, BATTERY CHARGING



**WARNING**

WHEN ADDING A GENERATOR SET.

HIGH VOLTAGE-USE EXTREME CAUTION WHEN WORKING ON ELECTRICAL EQUIPMENT.  
 HAVE ALL ELECTRICAL INSTALLATION PERFORMED BY A QUALIFIED LICENSED ELECTRICIAN-FOLLOW ALL STATE AND LOCAL CODES.  
 ONLY INSTALL GENERATOR SET APPROVED FOR R.V. APPLICATION. HAVE INSTALLED BY QUALIFIED TECHNICIAN.  
 TO AVOID HEAT BUILD-UP AND TO ENSURE AN ADEQUATE AIR SUPPLY TO THE GENERATOR COMPARTMENT, FOLLOW INSTALLATION INSTRUCTIONS. GENERATOR EXHAUST SHOULD BE TRUCK AND MUST NOT VENTILATE UNDER THE VEHICLE-SCHEDULE EXHAUST MUST FROM VEHICLE.

**KEY PART NUMBER U/M DESCRIPTION**  
 1 077510 EA LABEL-GENERATOR PREP

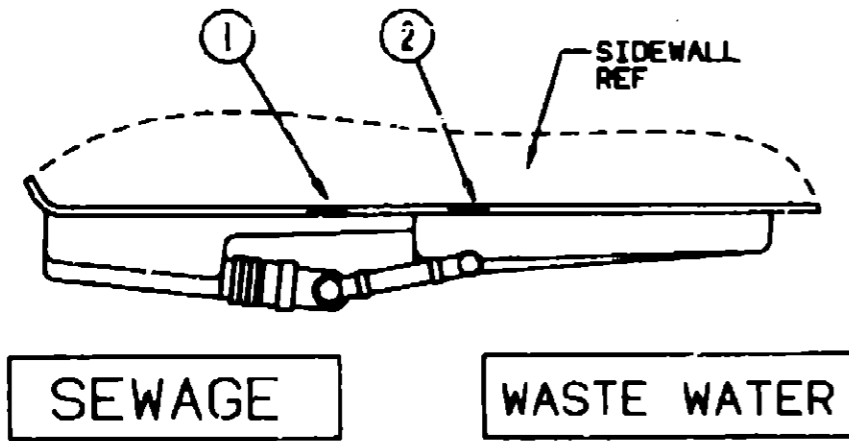
**1993 ITASCA  
 TABLE OF CONTENTS**

INTRODUCTION	A-01 -	A-02
ABBREVIATIONS		A-03
ALPHABETICAL INDEX	A-04 -	A-06
ICF33RQ	A-07 -	F-10

**1993 ICF33RQ INDEX**

FLOOR PLAN	A-07 -	A-08
ACCESSORIES		A-09
AUDIO VIDEO	A-10 -	A-12
BATH	A-13 -	A-15
BEDROOM	A-16 -	A-18
CHASSIS	A-19 -	B-07
CURTAIN & CUSHION	B-08 -	B-18
DINETTE	B-19 -	B-20
DRIVERS COMPARTMENT	B-21 -	C-02
ELECTRICAL	C-03 -	C-10
EXTERIOR BODY	C-11 -	C-18
GALLEY	C-19 -	C-23
GENERATOR	C-24 -	D-01
HEATING & A/C	D-02 -	D-08
INTERIOR FINISH	D-09 -	D-12
LABELS	D-13 -	D-21
LP		D-22
LOUNGE	D-23 -	E-02
SEALANTS & FASTENERS	E-03 -	E-06
WATER & SEWAGE	E-07 -	E-12
WINDOW, VENT AND		
EXTERIOR DOOR	E-13 -	F-08
WINDSHIELD/WIPER	F-09 -	F-10

**LABELS GROUP (CONTINUED)**

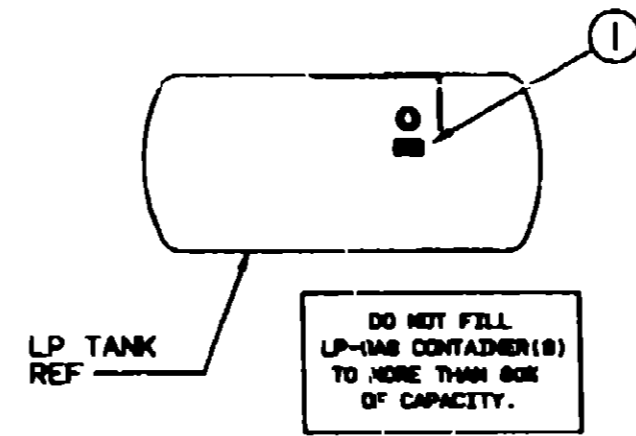


**SEWAGE**

**WASTE WATER**

KEY	PART NUMBER	U/M DESCRIPTION
1	006187-01-000	EA LABEL-SEWAGE
2	006188-01-000	EA LABEL-WASTE WATER

**LABELS GROUP (CONTINUED)**



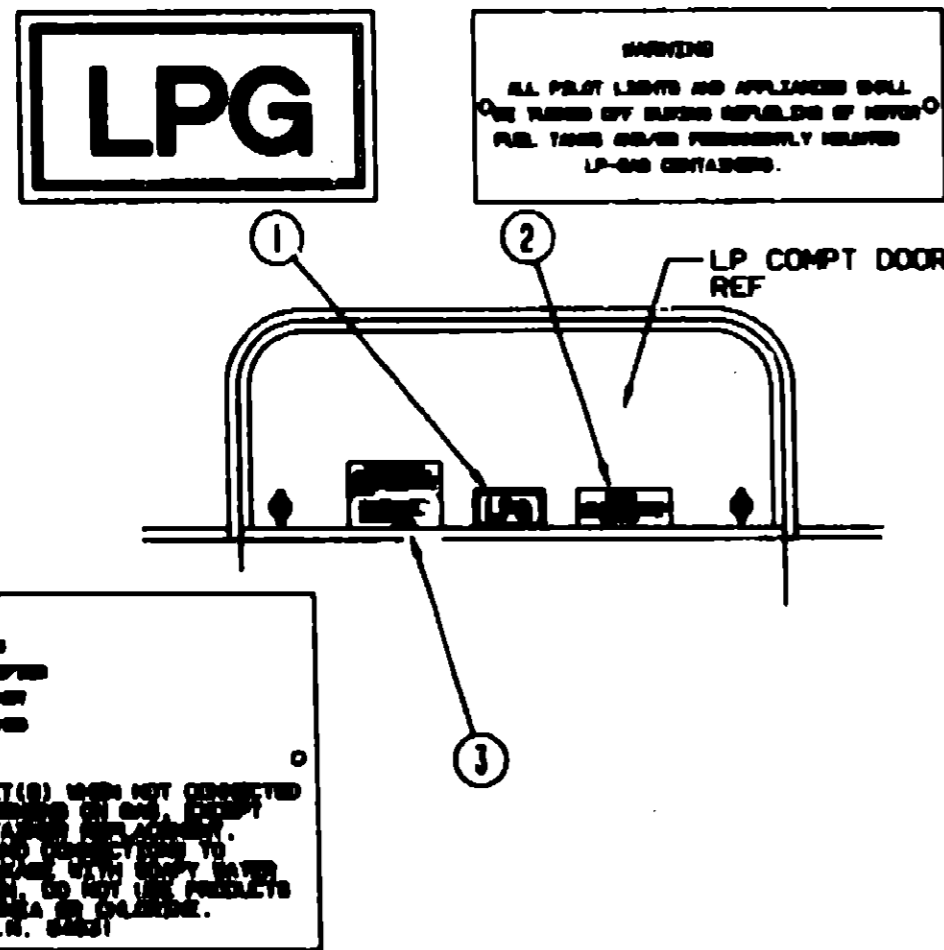
LP TANK REF

DO NOT FILL LP-TANK CONTAINER(S) TO MORE THAN 80% OF CAPACITY.

KEY	PART NUMBER	U/M DESCRIPTION
1	079965-01-000	EA LABEL-LPG 80 CAPACITY

**1993 ITASCA TABLE OF CONTENTS**

INTRODUCTION	A-01 -	A-02
ABBREVIATIONS		A-03
ALPHABETICAL INDEX	A-04 -	A-06
ICF33RQ	A-07 -	F-10



**LPG**

**WARNING**  
ALL PILOT LIGHTS AND APPLIANCES SHALL BE TURNED OFF BEFORE REFUELING OF NEW OR FUEL TANKS AND/OR PERMANENTLY REWIRED LP-GAS CONTAINERS.

LP COMP. DOOR REF

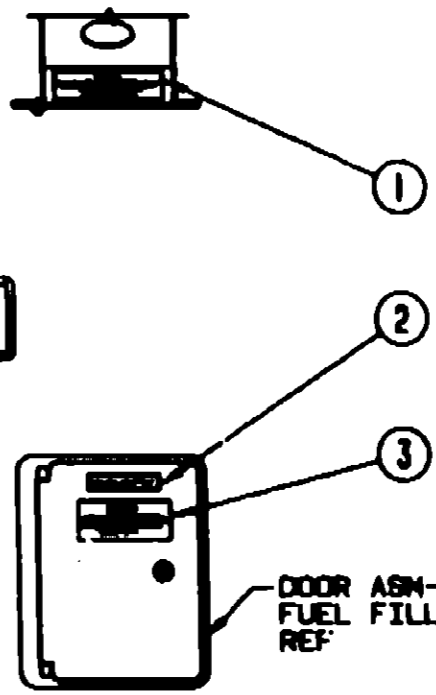
**LP-GAS SYSTEM**  
THIS GAS SYSTEM SHOULD BE INSTALLED FOR USE OF LIQUEFIED PETROLEUM GAS ONLY. DO NOT CONNECT OTHER GAS TO THIS SYSTEM.  
**REMOVING GAS VALVE(S) WHEN NOT CONNECTED**  
FOR THE PROTECTION OF THE USER, THE GAS VALVE(S) SHOULD BE REMOVED FROM THE SYSTEM WHEN NOT CONNECTED TO THE SYSTEM. THIS IS TO PREVENT LEAKAGE OF GAS INTO THE SYSTEM. IF LEAKAGE OF GAS IS DETECTED, IMMEDIATELY CONTACT THE GAS SUPPLIER FOR ASSISTANCE. DO NOT USE PRODUCTS THAT CONTAIN ASPHALT OR OILS.  
P.N. 54831

KEY	PART NUMBER	U/M DESCRIPTION
1	074859-01-000	EA DECAL-LOGO, LPG - RED - (CALIF CODE)
2	008040-01-000	EA TAG-GAS REFUELING WARNING
2	008040-02-000	EA TAG-GAS REFUEL WARNING, CANADIAN
3	054531-01-000	EA LABEL-LP GAS ONLY
3	023769-01-000	EA LABEL-WARNING, LPG - CANADIAN

**WARNING**  
OPEN GASOLINE CAP SLOWLY TO PREVENT SUDDEN RELEASE OF TANK PRESSURE. DO NOT OVERFILL TANK. REPLACE WITH ORIGINAL CAP ONLY.

**UNLEADED FUEL ONLY**

**WARNING**  
ALL PILOT LIGHTS AND APPLIANCES SHALL BE TURNED OFF BEFORE REFUELING OF NEW OR FUEL TANKS AND/OR PERMANENTLY REWIRED LP-GAS CONTAINERS.



DOOR ASM-FUEL FILL REF

KEY	PART NUMBER	U/M DESCRIPTION
1	087207-05-000	EA LABEL-FUEL CAP REMOVAL
2	062043-01-000	EA LABEL-FUEL, UNLEADED
3	008040-01-000	EA TAG-GAS REFUELING WARNING
3	008040-02-000	EA TAG-GAS REFUEL WARNING, CANADIAN

**1993 ICF33RQ INDEX**

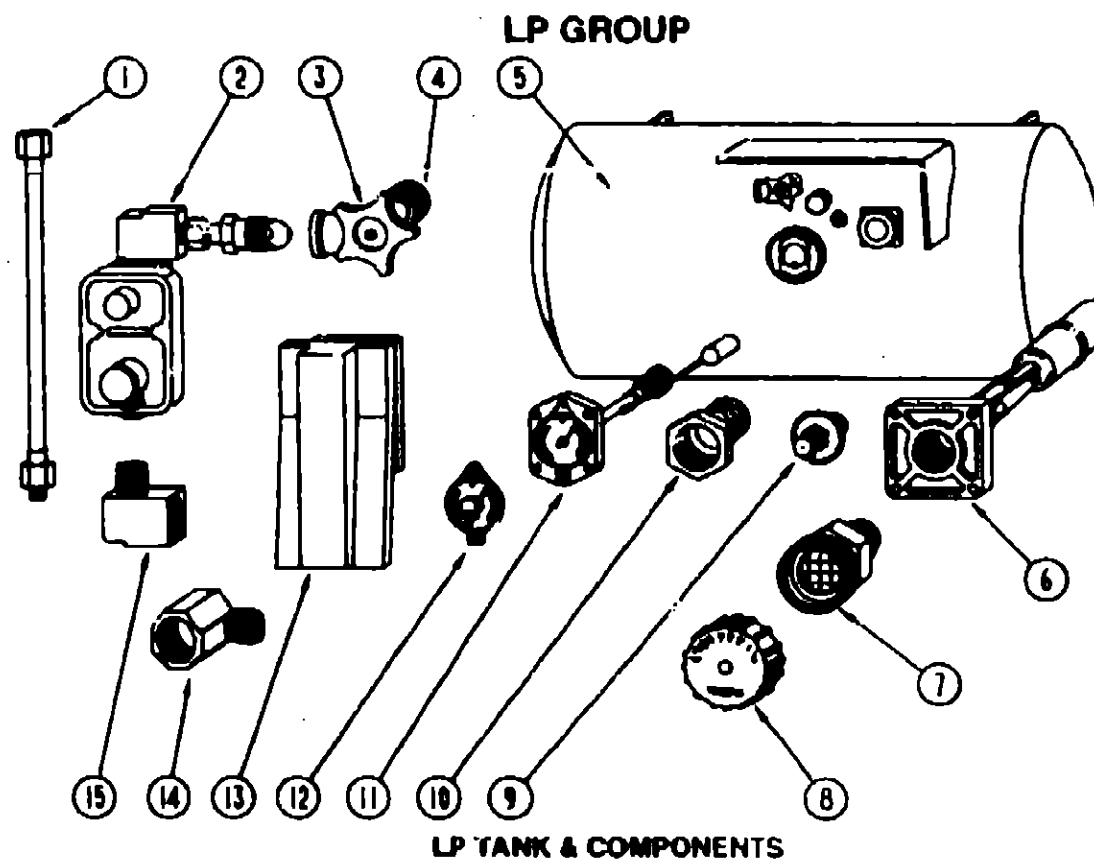
FLOOR PLAN	A-07 -	A-08
ACCESSORIES		A-09
AUDIO VIDEO	A-10 -	A-12
BATH	A-13 -	A-15
BEDROOM	A-16 -	A-18
CURTAIN & CUSHION	A-19 -	B-07
DINETTE	B-08 -	B-18
DRIVERS COMPARTMENT	B-19 -	B-20
ELECTRICAL	B-21 -	C-02
EXTERIOR BODY	C-03 -	C-10
GALLEY	C-11 -	C-18
GENERATOR	C-19 -	C-23
HEATING & AC	C-24 -	D-01
INTERIOR FINISH	D-02 -	D-09
LABELS	D-09 -	D-12
LP	D-13 -	D-21
LOUNGE	D-13 -	D-21
SEALANTS & FASTENERS	D-23 -	E-02
WATER & SEWAGE	E-03 -	E-06
WINDOW, VENT AND	E-07 -	E-12
EXTERIOR DOOR	E-07 -	E-12
WINDSHIELD/WIPER	E-13 -	F-08
	F-09 -	F-10

**LABELS GROUP (CONTINUED)**

**MISCELLANEOUS LABELS**

KEY	PART NUMBER	U/M DESCRIPTION
	083236-01-000	EA LABEL-CIRCUIT BREAKER, MAIN
	083237-01-000	EA LABEL-CIRCUIT BREAKER, FRONT - BATTERY CONDITION/RADIO
	083237-03-000	EA LABEL-CIRCUIT BREAKER, FRONT - POWER SEAT (LIFT)
	083237-06-000	EA LABEL-CIRCUIT BREAKER, FRONT - REAR PANEL
	083237-07-000	EA LABEL-CIRCUIT BREAKER, FRONT - REAR PNL/CONV
	083237-09-000	EA LABEL-CIRCUIT BREAKER, FRONT - INVERTER
	050225-01-000	EA LABEL-WARNING, STOVE VENT - US
	050222-01-000	EA LABEL-STOVE VENT - CANADIAN
	087236-01-000	EA LABEL-CABLE, INPUT
	087236-02-000	EA LABEL-TV, OUTLET
	008031-01-000	EA LABEL-POTABLE WATER ONLY
	081806-01-000	EA LABEL-OVERLAY, VEHICLE CERTIFICATION - ADHESIVE BACKED
	079966-01-000	EA LABEL-WARNING, STOWED, MOTION
	088757-01-000	EA LABEL-RETAIL, 8 5/8" X 12 7/8"
	080342-01-000	EA LABEL-VAPOR RELIEF
	089509-01-000	EA LABEL-AWNING INSTALLATION
	081417-01-000	EA LABEL-FUEL, ON FUEL FILL DOOR
	073998-01-000	EA LABEL-LPG ODOR WARNING
	084675-01-000	EA LABEL-EXTERIOR LIGHT, SERVICE
	088506-01-000	EA LABEL-"COMPARTMENT NOT SEALED"
	050225-01-000	EA LABEL-WARNING, STOVE VENT - US
	006195-01-000	EA LABEL-ELECTRICAL TEST
	006196-01-000	EA LABEL-GAS TEST
	006197-01-000	EA LABEL-WATER TEST
	006064-01-000	EA LABEL-SEAT W/O SEATBELT*NOT INTENDED FOR USE WHILE COACH IN MOTION*
	088383-01-000	EA LABEL-DIESEL FUEL
	074983-01-000	EA LABEL-SWITCH, A/C SELECTOR FOR FRONT OR REAR
	091224-02-000	EA LABEL-TRAILER LIGHTING
	091243-01-000	EA LABEL-A/C COVER, "AIR CONDITIONING CIRCUIT, ETC."
	088379-03-000	EA LABEL-ELECTRICAL BOX, FRONT
	088379-04-000	EA LABEL-ELECTRICAL BOX, SIDE
	088041-01-000	EA LABEL-FUEL, UNLEADED - DASH
	104678-01-000	EA LABEL-CB PREP
	111104-01-000	EA LABEL-HITCH, READ MANUAL

FROM: 01-31-93 THRU: 02-01-93



KEY	PART NUMBER	U/M DESCRIPTION
1	045703-01-000	EA HOSE-LP, 3/8" ID X 24" US - 3/8 MPT X 1/2" F SWIVEL
1	045703-02-000	EA HOSE-LP, 3/8" ID X 24" - 3/8" MPT X 1/2" F SWIVEL - CANADA
2	106150-01-000	EA REGULATOR-TWO STAGE
3	040421-01-708	EA HANDWHEEL-VAPOR RELIEF VALVE, BRUNNER G-1015-A
4	040421-01-712	EA VALVE-SERVICE W/O VAPOR RELIEF, 29000853
5	088253-03-000	EA TANK-LP, 100 LB 16" X 36"
6	040421-01-711	EA VALVE - 80% W/FLOAT, PLATE, BOLTS & GASKET - BRUNNER
7	040421-01-701	EA VALVE-SHORT LP FILLER W/YELLOW CAP - BRUNNER 75478
8	040421-01-702	EA CAP-LP FILLER VALVE, PLASTIC - YELLOW - BRUNNER G-1014-A
9	040421-01-700	EA GAUGE-LIQUID LEVEL, 20% LP - BRUNNER G-1013
10	040421-01-713	EA PRESSURE RELIEF VALVE
11	040421-01-707	EA GAUGE-FLOAT W/VISIBLE DIAL - BRUNNER MA-9 6244-4
12	040440-02-000	EA TRANSMITTER-DIAL, 90 OHM
13	105858-01-000	EA COMPARTMENT-LP REGULATOR
13	081938-01-000	EA COVER-COMPARTMENT - LP REGULATOR - BLACK
14	065318-02-000	EA ELBOW - 90 DEGREE, 3/8" MPT TO 3/8" FPT
15	065742-01-000	EA TEE, .38F X .38F X .25FPT - BRASS
	010323-01-000	EA ADAPTER-BRASS - 3/8" F X 1/2" MPT
	010285-01-000	EA CROSS, 3/8" F X 3/8" F X 3/8" F X 1/2" FPT - BRASS
	010377-02-000	EA NUT-BRASS, 3/8" FEMALE - FORGED
	010380-02-000	EA NUT-BRASS, 1/2" FEMALE - FORGED
	016188-03-000	EA GROMMET-GAS LINE, FLOOR - 3/8" HOLE X 2 1/8" DIAMETER RUBBER
	081642-01-000	EA TEE, 1/2" MPT X 1/2" FL X 3/8" FL - BRASS
	010497-05-000	EA CLAMP-CLOSED, .50" ID
	075148-02-000	EA CLAMP-GROUNDING, BRONZE SCREWS
	008380-01-000	EA GROMMET-RUBBER, 5/8" HOLE X 1 1/2" DIAMETER - BLACK
	010328-01-000	EA ADAPTER-FLARE, W/CONE GASKET 3/8" FEMALE FL X 1/2" MALE F
	065741-01-000	EA GAUGE-DIAPHRAGM PRESSURE - MARSHALLTOWN MFG
	065742-01-000	EA TEE, .38F X .38F X .25FPT - BRASS
	071391-02-000	EA NIPPLE-HEX, .25 PIPE
	008042-01-000	FT TUBING-VINYL, .85" ID
	085824-01-000	EA ELBOW-BRASS, 90 1/4FPT X 1/4FPT
	103613-01-000	EA DETECTOR-LP GAS
	M01528-38-000	EA LP REGULATOR ASM-24", US
	040421-01-706	EA DIAL-LP TANK VOLUME, VISIBLE FACE (5-1789)

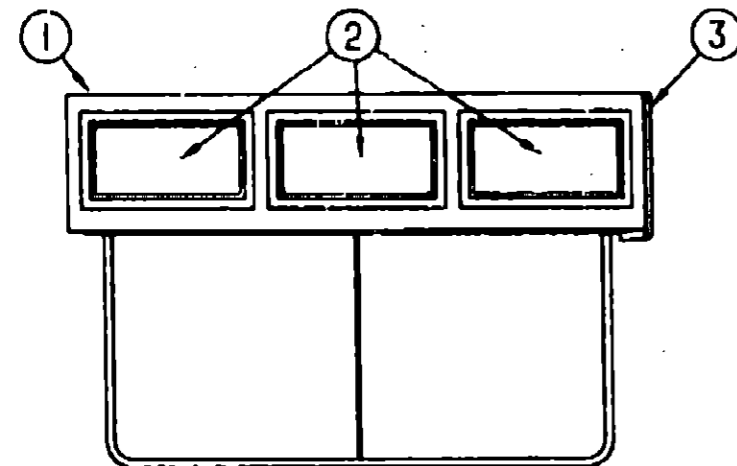
**1993 ITASCA  
TABLE OF CONTENTS**

INTRODUCTION	A-01	A-02
ABBREVIATIONS		A-03
ALPHABETICAL INDEX	A-04	A-06
ICF33RQ	A-07	F-10

**1993 ICF33RQ INDEX**

FLOOR PLAN	A-07	A-08
ACCESSORIES		A-09
AUDIO VIDEO	A-10	A-12
BATH	A-13	A-15
BEDROOM	A-16	A-18
CHASSIS	A-19	B-07
CURTAIN & CUSHION	B-08	B-18
DINETTE	B-19	B-20
DRIVERS COMPARTMENT	B-21	C-02
ELECTRICAL	C-03	C-10
EXTERIOR BODY	C-11	C-18
GALLEY	C-19	C-23
GENERATOR	C-24	D-01
HEATING & A/C	D-02	D-08
INTERIOR FINISH	D-09	D-12
LABELS	D-13	D-21
LP		D-22
LOUNGE	D-23	E-02
SEALANTS & FASTENERS	E-03	E-08
WATER & SEWAGE	E-07	E-12
WINDOW, VENT AND		
EXTERIOR DOOR	E-13	F-09
WINDSHIELDWIPER	F-09	F-10

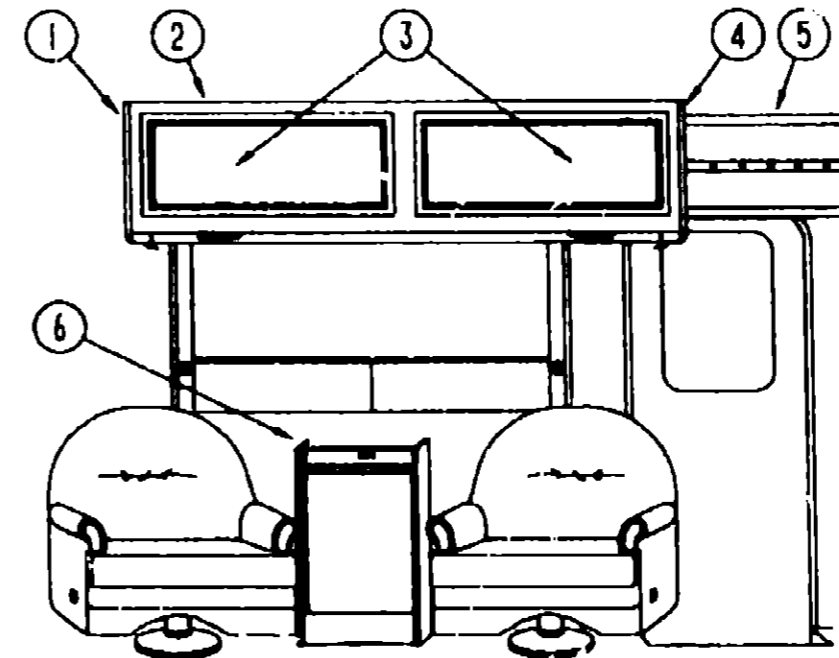
## LOUNGE GROUP



### DRIVERS SIDE LOUNGE

KEY	PART NUMBER	U/M DESCRIPTION
1	P06524-01-D32	EA CABINET ASM-OVERHEAD, FRONT, LEFT
2	P04746-05-D32	EA DOOR ASM. W/DECORATIVE MIRROR INSERT - 15.74" X 20.47"
3	103128-01-C05	EA CAP ASM-END, OVERHEAD
	105947-01-000	EA BRACKET-HOLD DOWN, COUCH - CSA UNITS
	082525-01-000	EA BRACE-COUCH, FLOOR MOUNT - ANGLE 3" LONG - METAL
	083125-05-000	EA BRACE-ANGLE, COUCH - 2.5" - BEIGE

## LOUNGE GROUP (CONTINUED)



### PASSENGER SIDE LOUNGE

KEY	PART NUMBER	U/M DESCRIPTION
1	103128-02-C05	EA CAP ASM-END, OVERHEAD
2	P06483-01-D32	EA CABINET ASM-OVERHEAD, FRONT, RIGHT
3	P04746-03-D32	EA DOOR ASM-W/O HARDWARE - 400 X 710
4	103128-01-C05	EA CAP ASM-END, OVERHEAD
5	106484-01-D32	EA CABINET ASM-OVERHEAD, KEY RACK
5	106484-01-D33	EA CABINET ASM-OVERHEAD, KEY RACK
5	106484-01-D34	EA CABINET ASM-OVERHEAD, KEY RACK
6	M96873-01-C03	EA TABLE ASM-PULLOUT

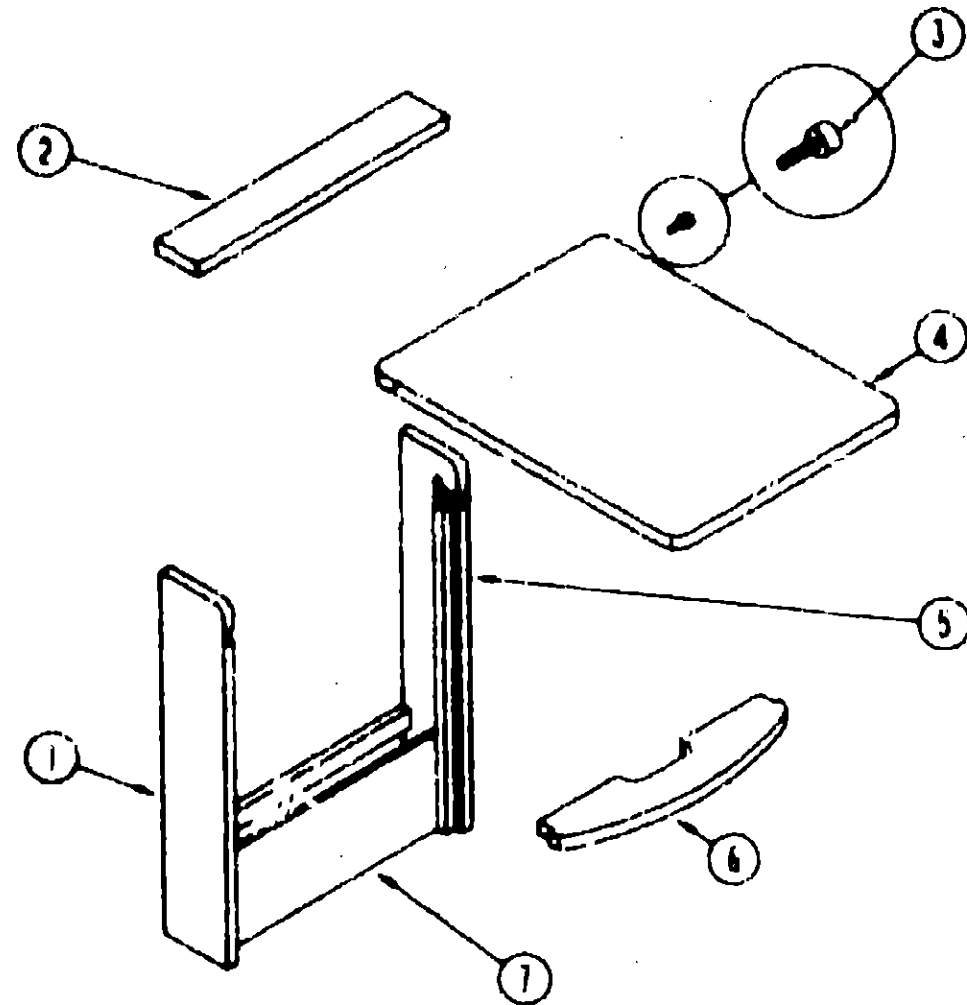
## 1993 ITASCA TABLE OF CONTENTS

INTRODUCTION	A-01 -	A-02
ABBREVIATIONS		A-03
ALPHABETICAL INDEX	A-04 -	F-06
ICF33RQ	A-07 -	F-10

## 1993 ICF33RQ INDEX

FLOOR PLAN	A-07 -	A-08
ACCESSORIES		A-09
AUDIO VIDEO	A-10 -	A-12
BATH	A-13 -	A-15
BEDROOM	A-16 -	A-18
CHASSIS	A-19 -	B-07
CURTAIN & CUSHION	B-08 -	B-16
DINETTE	B-19 -	B-20
DRIVERS COMPARTMENT	B-21 -	C-02
ELECTRICAL	C-03 -	C-10
EXTERIOR BODY	C-11 -	C-16
GALLEY	C-19 -	C-23
GENERATOR	C-24 -	D-01
HEATING & A/C	D-02 -	D-03
INTERIOR FINISH	D-09 -	D-12
LABELS	D-13 -	D-21
LP		D-22
LOUNGE	D-23 -	E-02
SEALANTS & FASTENERS	E-03 -	E-06
WATER & SEWAGE	E-07 -	E-12
WINDOW, VENT AND		
EXTERIOR DOOR	E-13 -	F-08
WINDSHIELDWIPER	F-09 -	F-10

**LOUNGE GROUP (CONTINUED)**  
**PULLOUT TABLE**



KEY	PART NUMBER	U/M	DESCRIPTION
	M99873-01-C03	EA	CABINET ASM. - TABLE - W/O PULLOUT TOP
1	088873-14-C03	EA	SIDE END - TABLE - 28.7" X 5.7" - LEFT SIDE
2	088873-15-B05	EA	SHELF - SUPPORT - OVER PULL OUT TABLE TOP
3	079821-01-060	EA	NYLON ROLLER W/SHAFT
4	088873-11-B05	EA	PULLOUT TOP
5	088873-13-C03	EA	SIDE END - TABLE - 28.7" X 5.7" - RIGHT SIDE
6	088873-12-B05	EA	SHELF - SUPPORT - UNDER PULL OUT TABLE TOP
7	088873-16-B16	EA	PANEL - TABLE - FRONT BOTTOM - 18.1" X 8.7"
	080736-01-000	EA	PULL - RECESSED - 1.25" X 4" - OAK

**1993 ITASCA**  
**TABLE OF CONTENTS**

INTRODUCTION	A-01 -	A-02
ABBREVIATIONS		A-03
ALPHABETICAL INDEX	A-04 -	A-06
ICF33HQ	A-07 -	F-10

**1993 ICF33HQ INDEX**

FLOOR PLAN	A-07 -	A-08
ACCESSORIES		A-09
AUDIO VIDEO	A-10 -	A-12
BATH	A-13 -	A-15
BEDROOM	A-16 -	A-18
CHASSIS	A-19 -	B-07
CURTAIN & CUSHION	B-08 -	B-18
DINETTE	B-19 -	B-20
DRIVERS COMPARTMENT	B-21 -	C-02
ELECTRICAL	C-03 -	C-10
EXTERIOR BODY	C-11 -	C-18
GALLEY	C-19 -	C-23
GENERATOR	C-24 -	D-01
HEATING & AC	D-02 -	D-08
INTERIOR FINISH	D-09 -	D-12
LABELS	D-13 -	D-21
LP		D-22
LOUNGE	D-23 -	E-02
SEALANTS & FASTENERS	E-03 -	E-06
WATER & SEWAGE	E-07 -	E-12
WINDOW, VENT AND		
EXTERIOR DOOR	E-13 -	F-08
WINDSHIELD/WIPER	F-09 -	F-10

**SEALANTS & FASTENERS GROUP**

**SEALANTS & ADHESIVE**

KEY	PART NUMBER	UAM DESCRIPTION
002707-02-000	FT	TAPE-SEALER, 5/16" X 1/2" - INCREMENTS OF 50 FT
004363-01-000	FT	TAPE-ADHESIVE FOAM, 1 SIDE - 3/16" X 1/2" X 50' - GRAY
076314-02-000	FT	TAPE-CARPET SEAM, HEAT-BOND - 4" WIDE
076322-01-000	FT	TAPE-FOAM, DOUBLE COATED ADHESIVE BACKED - .75" X 216'
076322-02-000	FT	TAPE-FOAM, DOUBLE COATED ADHESIVE BACKED - 1" X 108'
076322-05-000	FT	TAPE-FOAM, DOUBLE COATED - .025" X 1.5" X 108'
028084-04-000	YD	VELCRO TAPE-LOOP, 1" WIDE - BLACK
028086-03-000	YD	VELCRO TAPE-HOOK, 1" WIDE - BLACK
034552-02-000	EA	SILICONE-TUBE, 300 ML - CLEAR - W/O NOZZLE
034552-13-000	EA	SILICONE-TUBE, 300 ML - ASH GRAY - W/O NOZZLE
900390-01-000	EA	TIP - 2 1/2" X 1/8" ORIFICE, ELLSWORTH#S216
900790-03-000	EA	NOZZLES-SILICONE TUBE, CSL# D10
053786-02-000	EA	BEDDING COMPOUND-TUBE, WHITE SCHNEE# 5522
053786-06-000	EA	BEDDING COMPOUND-TUBE, CLEAR
053786-08-000	EA	BEDDING COMPOUND-TUBE, GRAY - SCHNEE# 5522
082917-03-000	EA	ADHESIVE-LOCTITE 242 - LOCTITE 242, SIDE 41
087211-01-000	GL	PROMOTER-ADHESIVE
088840-01-000	FT	SEALER-RIBBON, 1/4" DIAMETER - INCREMENTS OF 50'
088840-02-000	FT	SEALER-RIBBON, 1/2" X 1/8" - INCREMENTS OF 30' OR 60'
088840-03-000	FT	SEALER-RIBBON, 3/4" X 1/8" - INCREMENTS OF 60'
088840-07-000	FT	SEALER-RIBBON, 2" X 3/32" - INCREMENTS OF 30' OR 45'
088840-09-000	FT	SEALER-RIBBON, 1/32" X 2 1/2" - INCREMENTS OF 80'
088840-11-000	FT	SEALER-TAPE, 3/16" X 3/8", BLACK - MANUS
088840-12-000	FT	SEALER-TAPE, 1/8" X 1.5" GRAY - MANUS
		FROM: 00-00-00 THRU: 09-21-92
088840-14-000	FT	SEALER-TAPE, 1/16" X 1" GRAY - MANUS
		FROM: 00-22-92 THRU: 99-99-99
088840-13-000	FT	SEALER-TAPE, 3/32" X 2" BLACK - MANUS
		FROM: 09-08-92 THRU: 99-99-99
072889-01-000	EA	SEALANT-URETHANE, BLACK - 1/10 - ESSEX 552.2
102352-01-000	EA	SEALER-PUMPABLE, BLACK - COLORIMETRIC MS101

**BOLTS, NUTS & WASHERS**

KEY	PART NUMBER	UAM DESCRIPTION
000C12-05-12B	EA	BOLT-HEX - 5/16 - 18 X 3/4 ZN 5
000C12-05-24B	EA	BOLT-HEX - 5/16 - 18 X 1 1/2 ZN 5
000C12-05-16B	EA	BOLT-HEX, 5/16 - 18 X 1 - ZINC 5
000C12-08-32B	EA	BOLT-HEX- 3/8 - 16 X 2LG, ZN 5
000C12-08-20B	EA	BOLT-HEX- 3/8 - 16 X 1 1/4 ZN 5
000C12-07-20B	EA	BOLT-HEX, 7/16 - 14 X 1 1/4" - ZN5
000C12-08-24B	EA	BOLT-HEX, 1/2 - 13 X 1 1/2 - ZN 5
000C12-10-24B	EA	BOLT-HEX, 5/8 - 11 X 1 1/2 ZN - 5
000C13-07-48B	EA	BOLT-HEX, 7/16 - 20 X 3 - ZN 5
000C18-08-48B	EA	BOLT-ELEV, 3/8 - 16 X 3 ZN - GDC 5
000C26-04-10B	EA	BOLT-HEX, SER. FLG - 1/4 - 20 X 5/8 ZINC
000C26-05-12B	EA	BOLT-HEX-SER/FLG 5/16 - 18 X 3/4 - ZN
000C26-06-26B	EA	BOLT-HEX-SER FLG 3/8 - 16 X 1 3/4 - ZN
102333-01-02A	EA	BOLT-CARRIAGE, 7/16 - 14 SST CAP OMVHT BUMPER BOLT
051387-08-000	EA	BOLT-CARRIAGE, W/O HOLE - 5/16 - 18 X 9.5 27)
000C27-10-32B	EA	BOLT-CARR 5/8 - 11 X 2.00
000D15-08-00B	EA	NUT-HEX, 3/8 - 24 - ZN - 5
000D24-10-00B	EA	NUT-HEX, SF/LK - 10 - 32 ZN
000D34-04-00B	EA	NUT-HEX, LK, 1/4 - 20 ZN
000D34-08-00B	EA	NUT-HEX, LK - 3/8 - 16 GRADE C ZN - PREVAILING TORQUE
000D39-04-00B	EA	NUT-HEX, SER FLG LK 1/4 - 20 ZN
000D39-05-00B	EA	NUT-HEX, SER FLG LK - 5/16 - 18 ZN

**SEALANTS & FASTENERS GROUP (CONTINUED)**

**BOLTS, NUTS & WASHERS (CONTINUED)**

KEY	PART NUMBER	UAM DESCRIPTION
000D39-08-00B	EA	NUT-HEX, SER FLG LK - 3/8 - 18 ZN
000D39-08-00B	EA	NUT-HEX, SER FLG LK - 1/2 - 13 ZN
000D44-07-00B	EA	NUT-HEX, SER FLG LK - 7/16 - 20 ZN
044364-02-000	EA	NUT-SPEED, FLAT - ROUND
040921-04-000	EA	NUT-SPEED, U TYPE - NO. 8 - .59" LENGTH X .44" WIDTH
005081-01-000	EA	NUT-SPEED, C TYPE - NO 8 SCREW
104369-01-000	EA	NUT-HEX, HEAVY, 5/8 - 11 UNC - SPARE TIRE INSTL
003253-07-000	EA	NUT-J, #8A, .120 - .130 PNI, THK
000E11-08-00B	EA	WASHER-LK - 1/2 MED SPLIT ZN
000E13-11-00B	EA	WASHER-FL, 3/16" WIDE - ZN
000E13-14-00B	EA	WASHER-FL, 1/4" WIDE ZN
000E13-20-00B	EA	WASHER-FL, 7/16" WIDE - ZN
000E13-21-00B	EA	WASHER-FL - W/2 NAR ZN
000E14-10-00B	EA	WASHER-LK - NO 10 EXT TOOTH - ZN
044533-01-000	EA	WASHER-PLASTIC, 1 3/8"OD - FOR BUTTONS
106649-01-700	EA	WASHER-SEALING,GALVANIZED 5/8 ID

**SCREWS**

KEY	PART NUMBER	UAM DESCRIPTION
000G11-06-10I	EA	SCREW, 6-20 X 5/8 PPH - BRASS
000G11-06-10B	EA	SCREW, 6-20 X 5/8 PPH ZN
000G11-07-08B	EA	SCREW, 7-18 X 1/2 PPH - ZN
000G11-08-12D	EA	SCREW, 8-18 X 3/4 PPH - BLACK
000G11-08-12B	EA	SCREW, 8-18 X 3/4 PPH ZN
000G11-08-08B	EA	SCREW, 8-18 X 1/2 PPH - ZN
000G11-08-12X	EA	SCREW, 8-18 X 3/4 PPH - GRAY
000G11-08-12T	EA	SCREW, 8-18 X 3/4 PPH - BLACK
000G11-08-12S	EA	SCREW, 8-18 X 3/4 PPH - OFF WHITE
000G11-08-12P	EA	SCREW, 8-18 X .75 PPH - DARK BROWN
000G11-10-40B	EA	SCREW-10 - 16 X 2 1/2 PPH CAD - 34927-01-000
000G11-10-24P	EA	SCREW, 10-16 X 1 1/2 PPH - DARK BROWN
000G11-10-12D	EA	SCREW, 10-16 X 3/4 PPH - BLACK
000G12-08-16S	EA	SCREW, 8-18 X 1.00 PPH - OFF WHITE
000G13-06-08G	EA	SCREW, 6-20 X 1/2 PPH - ANTIQUE BRASS
000G13-06-08B	EA	SCREW, 6-20 X 1/2 PPH ZN
000G13-06-06B	EA	SCREW-6-20 X 3/8 PPH ZN
000G13-06-16R	EA	SCREW, 6-20 X 1 PPH - BEIGE
000G13-06-16J	EA	SCREW, 6-20 X 1.00 PPH - BRASS
000G13-07-12B	EA	SCREW, 7-19 X 3/4 PPH ZN
000G13-08-16B	EA	SCREW, 8-18 X 1 PPH - ZN
000G18-08-22B	EA	SCREW-MACH, 8-32 X 1 3/8 PPH ZN
000G19-10-20B	EA	SCREW-MACHINE, 10-32 X 1 1/14 PPH ZINC
000G19-10-12B	EA	SCREW-MACH, 10-32 TPI X .75
000G19-10-08B	EA	SCREW-MACHINE, 10-32 X 1/2 PPH ZN
000G32-10-06B	EA	SCREW-10-32 X 3/8" - PPH - ZINC
000G39-06-16T	EA	SCREW-SF/DR, 6-20 X 1 PPH - BLACK
000G39-06-10T	EA	SCREW-SF/DR, 6-20 X 5/8 PPH - BLACK
000G39-08-08B	EA	SCREW-SF/DR, 8-18 X 1/2 PPH ZN
000G39-08-16T	EA	SCREW-SF/DR, 8-18 X 1 PPH - BLACK
000G39-08-16B	EA	SCREW-SF/DR, 8-18 X 1 PPH ZN
000G39-08-12T	EA	SCREW-SF/DR, 8-18 X 3/4 PPH - BLACK
000G35-08-12B	EA	SCREW-SF/DR, 8-18 X 3/4 PPH ZN
000G39-08-08X	EA	SCREW-SF/DR, 8-18 X 1/2 PPH - GRAY
000G39-08-08T	EA	SCREW-SF/DR, 8-18 X .50 PPH - BLACK
000G39-08-08S	EA	SCREW-SF/DR, 8-18 X 1/2 PPH - OFF WHITE
000G39-08-08R	EA	SCREW-SF/DR, 8-18 X 1/2 PPH - BEIGE
000G39-08-32B	EA	SCREW-SF/DR, 8-18 X 2 PPH - ZINC
000G39-08-24R	EA	SCREW-SF/DR, 8-18 X 1 1/2 PPH - BEIGE
000G39-08-24B	EA	SCREW-SF/DR, 8-18 X 1 1/2 PPH ZN

**1983 ITASCA  
TABLE OF CONTENTS**

INTRODUCTION	A-01 -	A-02
ABBREVIATIONS		A-03
ALPHABETICAL INDEX	A-04 -	A-06
ICF33RQ	A-07 -	F-10

**1983 ICF33RQ INDEX**

FLOOR PLAN	A-07 -	A-08
ACCESSORIES		A-09
AUDIO VIDEO	A-10 -	A-12
BATH	A-13 -	A-15
BEDROOM	A-16 -	A-18
CHASSIS	A-19 -	B-07
CURTAIN & CUSHION	B-08 -	B-18
DINETTE	B-19 -	B-20
DRIVERS COMPARTMENT	B-21 -	C-02
ELECTRICAL	C-03 -	C-10
EXTERIOR BODY	C-11 -	C-18
GALLEY	C-19 -	C-23
GENERATOR	C-24 -	D-01
HEATING & A/C	D-02 -	D-08
INTERIOR FINISH	D-09 -	D-12
LABELS	D-13 -	D-21
LP		D-22
LOUNGE	D-23 -	E-02
SEALANTS & FASTENERS	E-03 -	E-06
WATER & SEWAGE	E-07 -	E-12
WINDOW, VENT AND		
EXTERIOR DOOR	E-13 -	F-08
WINDSHIELD/WIPER	F-09 -	F-10

**SEALANTS & FASTENERS GROUP (CONTINUED)**

**SCREWS (CONTINUED)**

KEY	PART NUMBER	U/M	DESCRIPTION
	000G38-10-12D	EA	SCREW-SF/DR, 10-18 X 3/4 PPH - BLACK
	000G38-10-20B	EA	SCREW-SF/DR, 10-18 X 1 1/4 PPH ZN
	000G38-10-12B	EA	SCREW-SF/DR, 10-18 X 3/4 PPH - FLUOROCARBON SILVER
	000G38-10-12R	EA	SCREW-SF/DR, 10-18 X 3/4 PPH - BEIGE
	000G42-08-24B	EA	SCREW-MACHINE, 8-32 X 1 1/2" ZN
	000G48-08-24T	EA	SCREW-MACHINE, 8-32-1.50 IN PFH - BLACK
	000G50-04-12B	EA	SCREW-MACHINE, 1/4-20 X 3/4 PPH ZN
	000G53-04-08B	EA	SCREW-MACHINE, 1/4-20 X 3/8 PPH ZN - UNDERCUT HEAD
	000G54-04-20B	EA	SCREW, 1/4-20 X 1 1/4 PTH - TYPE 23 - ZINC PLATED
	000G67-10-10D	EA	SCREW, 10-12 X 5/8 PPH - BLACK - TYPE A
	000G67-10-10B	EA	SCREW, 10-12 X 5/8 PPH ZN - TYPE A
	000G67-10-08H	EA	SCREW, 10-12 X 1/2 PPH - BEIGE - TYPE A
	000G67-10-08B	EA	SCREW, 10-12 X 1/2 PPH ZN
	000G67-10-48B	EA	SCREW-10-12 X 3 PPH ZN
	000G67-10-36T	EA	SCREW-10-12 X 2.25PPHBLACK
			FROM: 00-00-00 THRU: 03-10-93 STALGAURD
			FROM: 12-15-92 THRU: 09-99-99
	000G67-10-24B	EA	SCREW, 10-12 X 1 1/2 PPH - ZN
	000G67-10-20D	EA	SCREW, 10-12 X 1 1/4 PPH - BLACK
	000G67-10-18P	EA	SCREW, 10-12 X 1 PPH - DARK BROWN
	000G67-10-18B	EA	SCREW, 10-12 X 1 PPH - ZN
	000G67-10-12Q	EA	SCREW, 10-12 X .75" PPH - TAN
	000G67-10-12P	EA	SCREW, 10-12 X .75" PPH - DARK BROWN
	000G67-10-12B	EA	SCREW, 10-12 X 3/4" PPH - ZN
	000G67-10-10R	EA	SCREW, 10-12 X 5/8 PPH - TYPE A - BEIGE
	000G68-08-10G	EA	SCREW, 8-18 X 5/8 POH - ANTIQUE BRASS
	000G68-10-36T	EA	SCREW-10-12 X 2.25 POH BLACK
			FROM: 06-00-00 THRU: 12-14-92
	000G11-08-08B	EA	SCREW, 8-18 X 1/2 PPH ZN
	000G11-08-12B	EA	SCREW, 8-18 X 3/4 PPH ZN
	000G11-08-12R	EA	SCREW, 8-18 X 3/4 PPH - BEIGE
	000G11-08-12D	EA	SCREW, 8-18 X 3/4 PPH - BLACK
	000G11-08-16R	EA	SCREW, 8-18 X 1.00 PPH - BEIGE
	000G67-10-32B	EA	SCREW, NO. 10 - 12 X 2 PPH ZN
	000G55-08-12W	EA	SCREW, SF/DR-8-18 X .75 PWH
	000G67-10-12R	EA	SCREW-10-12 X .75 PPH BEIGE
	000G67-10-12Q	EA	SCREW-10-12 X .75 PPH TAN
	019465-03-000	EA	SCREW-10-16 X 1 POH W/WASHER
	000G11-10-12S	EA	SCREW-10-16 X .75 PPH OFF WHITE
	000G54-04-20B	EA	SCREW-1/4-20 X 1 1/4 PTH TYP 23
	000G57-05-16J	EA	SCREW-5-20 X 1 PFH BRASS
	000G12-06-08T	EA	SCREW-6-20 X .50 POH - BLACK
	000G13-06-16J	EA	SCREW-6-20 X 1.00 PFH BRASS
	000G11-08-12P	EA	SCREW-8-18 X .75 DARK BROWN
	085318-01-000	EA	SCREW-8-08B X 1/2, CRIMPTITE HD
	000G67-08-32B	EA	SCREW-8-15 X 2 PPH ZN
	000G12-08-16S	EA	SCREW-8-18 X 1" POH - OFF WHITE
	000G11-08-16S	EA	SCREW-8-18 X 1.00 PPH OFF WHITE
	008439-07-000	EA	SCREW-8-32 X 1 1/4 POH, BLACK
	087721-01-000	EA	SCREW-FLAT HEAD, TAPPING - 1/4" X 1 1/4" LG ZN
	075808-01-000	EA	SCREW-MACHINE, 10-32 X .56 PTH - ZINC EXTERNAL TOOTH
	048485-01-000	EA	SCREW, 10-16 W/WASHER PTH - DARK BROWN
	048485-05-000	EA	SCREW-10-16 X 1 PTH W/WASHER - GRAY

**SEALANTS & FASTENERS GROUP (CONTINUED)**

**CLAMPS**

KEY	PART NUMBER	U/M	DESCRIPTION
	007181-01-000	EA	CLAMP-HOSE, SPRING TYPE - 1/2"
	010495-01-000	EA	CLAMP-CABLE, W/16"
	010497-01-000	EA	CLAMP-CLOSED, 5/8" ID
	010497-05-000	EA	CLAMP-CLOSED, 1/2" ID
	010499-01-000	EA	CLAMP-CLOSED, 3/8" ID
	082401-01-000	EA	CLAMP-HOSE, WORMGEAR .25" - 1"
	082401-02-000	EA	CLAMP-HOSE, WORMGEAR, 1.56" - 2.5"
	082401-04-000	EA	CLAMP-HOSE, WORMGEAR .69" - 1.25"
	082401-06-000	EA	CLAMP-HOSE, WORMGEAR .22" - .62"
	082401-08-000	EA	CLAMP-HOSE, WORMGEAR 4.08" - 5.0"
	082401-09-000	EA	CLAMP-HOSE, WORMGEAR 2.8" - 3.75"
	075148-02-000	EA	CLAMP-GROUNDING, BRONZE SCREWS
	083809-01-000	EA	CLAMP-WIRE, DUAL EQUAL - 5/8" DIAMETER
	083810-01-000	EA	CLAMP-WIRE, DUAL - UNEQUAL DIAMETERS - .75" & 1.25"

**RIVETS, GROMMETS & MISCELLANEOUS**

KEY	PART NUMBER	U/M	DESCRIPTION
	000H16-04-06R	EA	RIVET-POP, AL 1/8 X .313-.375
	041930-02-000	EA	RIVET-POP-AL 1/8 X .188-.250 - OFF WHT DOME
	069582-02-000	EA	RIVET-T, (POP) - 1/4 X .003 - .156
			FROM: 10-02-92 THRU: 99-99-99
	016188-03-000	EA	GROMMET-L/P LINE, 3/8" HOLE X 2 1/2" LONG - RUBBER
	016188-05-000	EA	GROMMET-L/P LINE, 3/8" HOLE X 1 1/4" LONG - RUBBER
			FROM: 08-26-92 THRU: 99-99-99
	023842-01-000	EA	GROMMET-RUBBER, 2" OD
	071015-35-000	EA	GROMMET-1.25 ID, FITS .187MAT MINOR Z-710
			FROM: 00-00-00 THRU: 01-23-93
	077953-01-000	EA	GROMMET-EDGE LINER, FITS 1"
	098637-01-000	EA	GROMMET-RUBBER, .37" X .94" DIAMETER - BLACK
	034141-02-000	EA	PLUG-HOLE, 3/8 - NYLON - BLACK
	056134-02-000	EA	HOLDER-RING, 1.8" DIAMETER - METAL
	077955-01-000	EA	CLIP-J, VINYL COATED, 3/8"
	080734-02-000	EA	CLIP-WIRE, NYLON
			FROM: 00-00-00 THRU: 06-14-92
	085774-01-000	FT	FASTENER-DUAL HOOK, 1" WIDE - ADHESIVE BACK - BLACK
	085774-02-000	FT	FASTENER-DUAL LOOP, 1" WIDE - ADHESIVE BACK - BLACK
	086285-01-000	EA	SPACER-NYLON, .5" OD X .257" ID

**1993 ITASCA  
TABLE OF CONTENTS**

INTRODUCTION	A-01	A-02
ABBREVIATIONS		A-03
ALPHABETICAL INDEX	A-04	A-06
ICF33RQ	A-07	F-10

**1993 ICF33RQ INDEX**

FLOOR PLAN	A-07	A-08
ACCESSORIES		A-09
AUDIO VIDEO	A-10	A-12
BATH	A-13	A-15
BEDROOM	A-16	A-18
CHASSIS	A-19	B-07
CURTAIN & CUSHION	B-08	B-18
DINETTE	B-19	B-20
DRIVERS COMPARTMENT	B-21	C-02
ELECTRICAL	C-03	C-10
EXTERIOR BODY	C-11	C-18
GALLEY	C-19	C-23
GENERATOR	C-24	D-01
HEATING & A/C	D-02	D-08
INTERIOR FINISH	D-09	D-12
LABELS	D-13	D-21
LP		D-22
LOUNGE	D-23	E-02
SEALANTS & FASTENERS	E-03	E-06
WATER & SEWAGE	E-07	E-12
WINDOW, VENT AND		
EXTERIOR DOOR	E-13	F-08
WINDSHIELD/WIPER	F-09	F-10



**WATER & SEWAGE GROUP**  
**WATER HEATER W/ELECTRIC IGNITION**

KEY	PART NUMBER	U/M DESCRIPTION
	051391-03-000	EA HEATER-WATER, W/ELECTRIC IGNITION - ATWOOD# G6A-3E
	051391-01-700	EA HINGE KIT-W/CLIP, ATWOOD # 92568 & 92559
	051391-01-704	EA VALVE-RELIEF, 1/2" FITTING - ATWOOD# 91604
	051391-01-705	EA FASTENER-CAMLOC, ATWOOD# 92809
	051391-01-700	EA GRILLE-EXHAUST, ATWOOD# 92787
	051391-01-708	EA BURNER-MAIN, 3E ONLY - ATWOOD# 92615
	051391-01-710	EA ORIFICE-MAIN BURNER, ATWOOD# 92742
	051391-01-715	EA DRAIN PLUG, ATWOOD# 91561
	051391-04-700	EA TANK-INNER (G6A-3E), FRONT MOUNT - ATWOOD# 91608
	051391-04-701	EA THERMOSTAT 12 VDC-120 PRESET, ATWOOD# 9147L FRONT MOUNT ONLY
	051391-04-708	EA TANK-INNER, G6A-4E & 6E - FRONT MOUNT - ATWOOD# 91641
	097987-01-000	EA SWITCH-WATER HEATER, REMOTE W/LIGHT - ATWOOD 91959
	051393-01-702	EA SWITCH-ENERGY CUT-OFF, ATWOOD# 91951
	051393-01-703	EA THERMOSTAT-REAR MOUNT, ATWOOD# 91952
	051393-01-704	EA CIRCUIT BOARD-W/BLACK BOX, ATWOOD# 91420
	051393-01-705	EA ORIFICE HOLDER-ATWOOD# 91925
	051393-01-718	EA SPARK & PROBE ASM, ATWOOD# 91608
	051393-01-718	EA VALVE-DUAL SOLENOID, ATWOOD# 91605
	051393-01-721	EA ECO & THERMOSTAT ASM-FRONT MOUNT, 140 DEGREE - ATWOOD# 91447
	051393-03-700	EA TANK-INNER (G6A-3E), REAR MOUNTT - ATWOOD# 91409

**WATER & SEWAGE GROUP (CONTINUED)**  
**WATER HEATER W/MOTOR AID**

KEY	PART NUMBER	U/M DESCRIPTION
	051393-01-000	EA WATER HEATER-W/MOTOR AID, PILOTLESS IGNITION ATWOOD GHS-3E, GHS-4E OR GHS-6E
	051391-01-700	EA HINGE KIT-W/CLIP, ATWOOD # 92568 & 92559
	051391-01-704	EA VALVE-RELIEF, 1/2" FITTING - ATWOOD# 91604
	051391-01-705	EA FASTENER-CAMLOC, ATWOOD# 92809
	051391-01-708	EA GRILLE-EXHAUST, ATWOOD# 92787
	051391-01-708	EA BURNER-MAIN, 3E ONLY - ATWOOD# 92615
	051391-01-710	EA ORIFICE-MAIN BURNER, ATWOOD# 92742
	051391-01-714	EA ELBOW - 45 DEGREE, 3/8" F X 3/8" MPT - ATWOOD 91044
	051391-01-715	EA DRAIN PLUG, ATWOOD# 91561
	051391-04-701	EA THERMOSTAT 12 VDC-120 PRESET, ATWOOD# 91470 FRONT MOUNT ONLY
	051391-04-704	EA TANK-INNER, FRONT MOUNT - GHS-4E & 6E - ATWOOD 91642
	051393-01-700	EA TANK-INNER, 3E FRONT MOUNT - ATWOOD# 91023
	097987-01-000	EA SWITCH-WATER HEATER, REMOTE W/LIGHT - ATWOOD 91959
	051393-01-702	EA SWITCH-ENERGY CUT-OFF, ATWOOD# 91951
	051393-01-703	EA THERMOSTAT-REAR MOUNT, ATWOOD# 91952
	051393-01-704	EA CIRCUIT BOARD-W/BLACK BOX, ATWOOD# 91420
	051393-01-705	EA ORIFICE HOLDER-ATWOOD# 91925
	051393-01-714	EA TANK-INNER (GHS-3E), REAR MOUNT - ATWOOD# 91408
	051393-01-718	EA SPARK & PROBE ASM, ATWOOD# 91608
	051393-01-718	EA VALVE-DUAL SOLENOID, ATWOOD# 91605
	051393-01-721	EA ECO & THERMOSTAT ASM-FRONT MOUNT, 140 DEGREE - ATWOOD# 91447
	010227-01-000	EA TEE-PLASTIC, BARB 5/8" (DR) 3/4" HOSE
	110438-01-000	EA VALVE-CHECK, BRASS - G784

FROM: 11-22-92 THRU: 99-99-99

**1993 ITASCA**  
**TABLE OF CONTENTS**

INTRODUCTION	A-01	A-02
ABBREVIATIONS		A-03
ALPHABETICAL INDEX	A-04	A-08
ICF33RQ	A-07	F-10

**1993 ICF33RQ INDEX**

FLOOR PLAN	A-07	A-08
ACCESSORIES		A-09
AUDIO VIDEO	A-10	A-12
BATH	A-13	A-15
BEDROOM	A-16	A-18
CHASSIS	A-19	B-07
CURTAIN & CUSHION	B-08	B-18
DINETTE	B-19	B-20
DRIVERS COMPARTMENT	B-21	C-02
ELECTRICAL	C-03	C-10
EXTERIOR BODY	C-11	C-18
GALLEY	C-19	C-23
GENERATOR	C-24	D-01
HEATING & AC	D-02	D-08
INTERIOR FINISH	D-09	D-12
LABELS	D-13	D-21
LP		D-22
LOUNGE	D-23	E-02
SEALANTS & FASTENERS	E-03	E-06
WATER & SEWAGE	E-07	E-12
WINDOW, VENT AND		
EXTERIOR DOOR	E-13	F-08
WINDSHIELD/WIPER	F-09	F-10

**WATER & SEWAGE GROUP (CONTINUED)**

**WATER PUMP**

KEY	PART NUMBER	U/M DESCRIPTION
	088807-01-000	EA PUMP-WATER, W/5" MPT FITTING - FLOW 2.8 GPM - UL
	088807-01-700	EA PUMPHEAD-REPLACEMENT, SHURFLO# 94-238-08
	088807-01-701	EA DRIVE ASM, SHURFLO# 94-234-03
	088807-01-702	EA DIAPHRAGM-KIT, SHURFLO# 94-233-10
	088807-01-703	EA VALVE ASM, SHURFLO# 94-232-00
	088807-01-706	EA SWITCH ASM-COMPLETE, SHURFLO# 94-230-00
	088807-01-705	EA CHECK VALVE-KIT, SHURFLO# 94-237-00
	088807-01-707	EA MOTORBASEPLATE REPLACEMENT, SHURFLO# 94-234-03

**WATER HEATER BYPASS**

KEY	PART NUMBER	U/M DESCRIPTION
	088729-01-000	EA BYPASS KIT-WATER HEATER, COMPLETE W/VALVE & TUBING
	088729-01-700	EA VALVE ONLY CHECK PLASTIC
	088729-02-000	EA BYPASS KIT-WATER HEATER (CANADIAN)
	088729-02-700	EA VALVE ONLY CHECK BRASS (CANADIAN)

**WATER TANK**

KEY	PART NUMBER	U/M DESCRIPTION
	077589-08-000	EA TANK ASM-WATER 46 GAL - W/FITTINGS (TWIN BED)
	077589-01-000	EA TANK-WATER BASE, 46 GAL - W/O FITTINGS (TWIN BED)
	078825-10-000	EA TANK ASM-WATER 54 GAL - W/FITTINGS (QUEEN BED)
	078825-01-000	EA TANK-WATER BASE, 54 GAL - W/O FITTINGS (QUEEN BED)
	038861-01-000	EA SENDING UNIT-W/SCREW, WASHER, WELL NUT & TERMINAL RING
	010224-01-000	EA ADAPTER-HOSE TO PIPE, 3/8" MPT X 3/8" BARB - PLASTIC BLACK
	042889-03-000	EA FITTING-WATER TANK, SPINWELD - 1 1/4" MPT - PLASTIC - WHITE
	042889-04-000	EA FITTING-WATER TANK, SPINWELD - 3/8" FPT - PLASTIC - WHITE
	042889-05-000	EA FITTING-WATER TANK, SPINWELD - 1/2" FPT - PLASTIC - WHITE
	044827-01-000	EA ADAPTER-HOSE TO PIPE, 1 1/4" MPT X 1 1/4" BARB-BLACK PLASTIC
	048032-01-000	EA PATCH-SPINWELD, 3/8" - PLASTIC
	052955-01-000	EA TEE-1/2" F X 1/2" F X 1/2" MPT - PLASTIC
	074462-02-000	FT TUBING-VINYL, 3/8" ID - CLEAR - INCREMENTS OF 20'
	077954-02-000	EA FILTER-WATER TANK, SCREEN IN TANK
	079381-01-000	FT TUBING-SMOOTH FLEXIBLE, 1 1/4" ID - INCREMENTS OF 20'
	088449-01-000	EA WIRE ASSEMBLY-WATER TANK TO MONITOR PANEL

**EXTERIOR SHOWER KIT**

KEY	PART NUMBER	U/M DESCRIPTION
	048128-01-000	EA VALVE-DRAIN, PLASTIC - 1/2" FPT
	052959-02-000	EA CONNECTOR, 1/2" F X 1/2" MPT - PLASTIC - GRAY
	057457-01-000	EA ELBOW-UNION, 1/2" X 1/2" FLARE
	085120-01-000	EA ELBOW-SWIVEL, 1/2" FPT X 1/2" FLARE - PLASTIC - GRAY
	052957-02-000	EA ELBOW-MALE, 1/2" F X 1/2" MPT - PLASTIC - GRAY
	103173-02-01A	EA KIT-SHOWER, EXTERIOR - OFF WHITE WITH EXTERIOR DOOR, FAUCET, HEAD & HOSE
	103173-03-700	EA DISH ONLY (COLONIAL WHITE)
	103173-03-701	EA DOOR ONLY (COLONIAL WHITE)
	103173-03-702	EA PIN-HINGE
	103173-03-703	EA SPRING-HINGE PIN
	103173-03-704	EA LOCK ASSY W/CLIP & KEY
	103173-03-705	EA LABEL
	103173-03-706	EA SHOWER HEAD, HOSE, BRACKET
	103173-03-707	EA FAUCET-SHOWER W/ADAPT
	103173-03-708	EA STEM & BONNET (SETS)

**WATER & SEWAGE GROUP (CONTINUED)**

**WATER SYSTEM**

KEY	PART NUMBER	U/M DESCRIPTION
	103259-01-000	EA BRACKET-BYPASS, WATER HEATER
	038622-02-000	EA CAP-BRASS, 1/2" FLARE
	079800-01-000	FT TUBING-POLYBUTYL, 1/2" OD - INCREMENTS OF 20' - BLACK
	038800-02-000	FT TUBING-POLYBUTYL, 5/8" OD - INCREMENTS OF 20' - BLACK
	052952-01-000	EA NUT-PLASTIC, 1/2" F X 1/2" TUBE - GRAY
	052952-02-000	EA NUT-PLASTIC, 5/8" FLARE
	052955-01-000	EA TEE-WATER, 1/2" F X 1/2" F X 1/2" MPT - PLASTIC - GRAY
	052955-03-000	EA TEE - 5/8" F X 5/8" F X 1/2" MPT - PLASTIC
	052957-02-000	EA ELBOW-MALE, 1/2" F X 1/2" MPT - PLASTIC - GRAY
	052958-01-000	EA TEE, 1/2" F X 1/2" F X 1/2" F - PLASTIC - GRAY
	052959-02-000	EA CONNECTOR, 1/2" F X 1/2" MPT - PLASTIC - GRAY
	052960-01-000	EA DRAIN VALVE-IN LINE, HEADER - 1/2" F X 1/2" F - GRAY PLASTIC
	052960-03-000	EA DRAIN VALVE-IN LINE, HEADER - 5/8" F X 5/8" F - PLASTIC
	055290-01-000	EA ELBOW - 5/8" F X 1/2" MPT
	057457-01-000	EA ELBOW-UNION, 1/2" X 1/2" FLARE
	057974-01-000	EA TEE - 5/8" F X 1/2" F X 1/2" F, PLASTIC
	085120-01-000	EA ELBOW-SWIVEL, 1/2" FPT X 1/2" FLARE - PLASTIC - GRAY
	074463-01-000	EA TEE - 4 WAY, 1/2" FLARE - PLASTIC - GRAY
	079317-01-000	EA ADAPTER-SWIVEL, 1/2" TUBE X 1/2" FPT - PLASTIC - GRAY
	087859-05-000	EA FILL-WATER, CITY - ASH GRAY
	098417-01-000	EA CONNECTOR - 5/8" F X 1/2" MPT, PLASTIC - KEVCO
	098420-01-000	EA CONNECTOR-SWIVEL, 1/2" FPT X 5/8" TUBE - PLASTIC
	101814-01-000	EA COUPLING-FEMALE, 1/2" X 1/2" FPT
	106258-01-000	EA CAP-INSERTABLE, 1/2" FLARE
	106258-02-000	EA CAP-INSERTABLE 5/8" FLARE KEVCO 64389 BONNET
	038861-01-000	EA SENDING UNIT-W/SCREW, WASHER, WELL NUT & TERMINAL RING
	052959-03-000	EA CONNECTOR, 1/2" F X 3/8" MPT - PLASTIC - GRAY
	091208-01-000	EA WASHER-RUBBER, .06" X .75" X .5"
	057457-02-000	EA ELBOW-UNION, 5/8" X 5/8" FL - WATER
	057973-01-000	EA TEE-PLASTIC, 1/2" F X 1/2" F X 5/8" F - WATER
	010219-01-000	EA ELBOW - 1 1/4" MPT X 1 1/4" BARB, WATER FILL - PLASTIC
	035539-01-000	EA ELBOW-PLASTIC, 3/8" MPT X 3/8" BARB
	055295-02-000	EA TEE - 1/2" F X 1/2" MPT X 5/8" F
	052956-01-000	EA TEE - 1/2" F X 1/2" MPT X 1/2" F - PLASTIC
	052957-01-000	EA ELBOW-PLASTIC, 1/2" F X 3/8" MPT
	039808-03-000	EA ELBOW-PLASTIC, 1/2" MPT X 1/2" MPT KEVCO 17296

FROM: 11-22-92 THRU: 99-99-99

**1993 ITASCA  
TABLE OF CONTENTS**

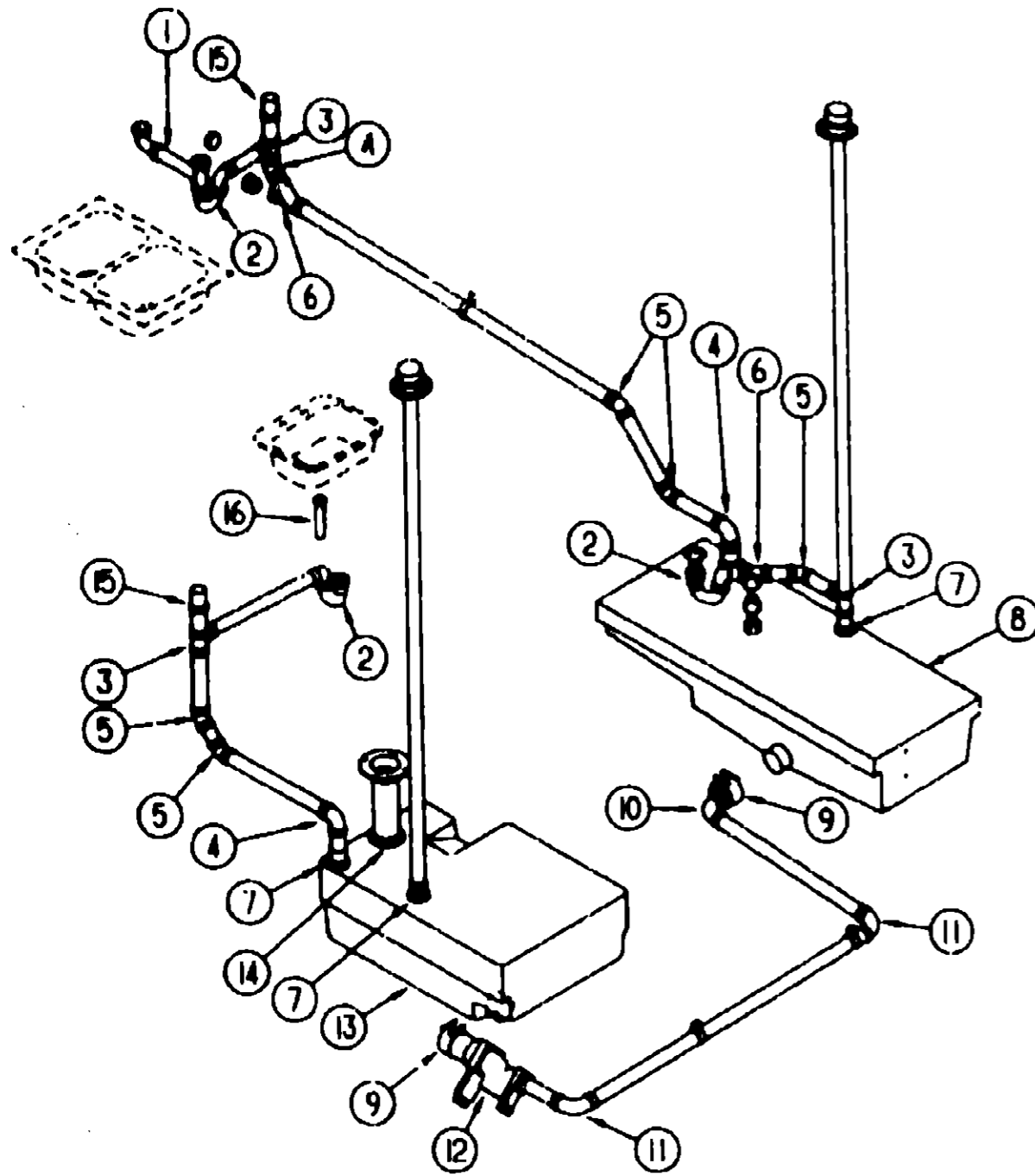
INTRODUCTION	A-01	A-02
ABBREVIATIONS		A-03
ALPHABETICAL INDEX	A-04	A-08
ICF33RQ	A-07	F-10

**1993 ICF33RQ INDEX**

FLOOR PLAN	A-07	A-08
ACCESSORIES		A-09
AUDIO VIDEO	A-10	A-12
BATH	A-13	A-15
BEDROOM	A-16	A-18
CHASSIS	A-18	B-07
CURTAIN & CUSHION	B-08	B-18
DINETTE	B-19	B-20
DRIVERS COMPARTMENT	B-21	C-02
ELECTRICAL	C-03	C-10
EXTERIOR BODY	C-11	C-18
GALLEY	C-19	C-23
GENERATOR	C-24	D-01
HEATING & AC	D-02	D-08
INTERIOR FINISH	D-09	D-12
LABELS	D-13	D-21
LP		D-22
LOUNGE	D-23	E-02
SEALANTS & FASTENERS	E-03	E-08
WATER & SEWAGE	E-07	E-12
WINDOW, VENT AND		
EXTERIOR DOOR	E-13	F-08
WINDSHIELDWIPER	F-09	F-10

**WATER & SEWAGE GROUP (CONTINUED)**  
**DRAINAGE SYSTEM**

KEY	PART NUMBER	U/M	DESCRIPTION
1	011091-03-000	EA	PIPE-DRAIN, W/SEALS - DOUBLE SINK - EXTENDS 9" TO 16" - CANADIAN
1	011091-02-000	EA	PIPE-DRAIN, DOUBLE SINK - BAFFLE TEE - 1 1/2"
2	107538-01-000	EA	P-TRAP-PLASTIC, 1 1/4" W/EXT ARM
2	011071-01-000	EA	P-TRAP, 1 1/2" - PLASTIC - CANADIAN
3	010079-01-000	EA	TEE-SANITARY, 1 1/2" X 1 1/2" X 1 1/4" H - PLASTIC - BLACK
3	010071-01-000	EA	TEE-SANITARY, 1 1/2" HUB X HUB X HUB - PLASTIC - BLACK FROM: 00-00-00 THRU: 08-02-92 FROM: 08-03-92 THRU: 99-99-99
4	034250-01-000	EA	ELBOW - 90 DEGREE, LONG TURN - 1 1/2" HUB X HUB - ABS
5	010008-01-000	EA	ELBOW - 45 DEGREE, 1/8 BEND - 1 1/2" HUB X HUB - BLACK PLASTIC
6	010073-01-000	EA	WYE - 45 DEGREE, 1 1/2" HUB X HUB X HUB - PLASTIC - BLACK
	010166-01-000	EA	PLUG-THREADED, 1 1/4" DIAMETER - PLASTIC - BLACK
	082422-01-000	EA	ADAPTER-OFFSET REDUCER, 3" X 1 1/2" - PLASTIC - BLACK
7	081837-01-000	EA	GROMMET-HOLDING TANK, 1 1/2" NPS
7	010115-01-000	EA	COUPLING - 1 1/2" HUB X HUB, PLASTIC
8	061805-01-000	EA	TANK-HOLDING W/O GROMMETS - 40 GALLONS
9	078408-01-000	EA	COUPLER-RUBBER, W/CLAMPS - 3" X 3"
10	033761-01-000	EA	ELBOW-TURN, 1/4 BEND X 1.5" HUB X 1.5" SPIGOT - BLK PLASTIC
11	010008-01-000	EA	ELBOW - 90 DEGREE, 1/4 BEND - 1 1/2" HUB X HUB - BLACK PLASTIC
12	070916-01-000	EA	VALVE-DUAL DUMP, W/CAP - 3" X 1 1/2" - PLASTIC - BLACK
	070916-01-700	EA	VALVE ONLY, 3"
	070916-01-701	EA	VALVE ONLY, 1 1/2"
	082421-01-000	EA	VALVE-DUMP, W/HANDLE - 1 1/2" - PLASTIC - BLACK
13	106598-01-000	EA	TANK-HOLDING W/O GROMMETS - 44 GALLONS
14	081807-02-000	EA	GROMMET-HOLDING TANK, 3" NPS
15	079968-01-000	EA	VENT-MECH. TRAP ARM, ANTI-SIPHON - 2" DIA X 7.3" - PLASTIC
16	011089-02-000	EA	TAILPIECE-TUB/SHOWER, 1 1/2" X 1 1/4" X 4" - BRASS
	010201-01-000	EA	HOSE-SEWER, 3" ID X 8'



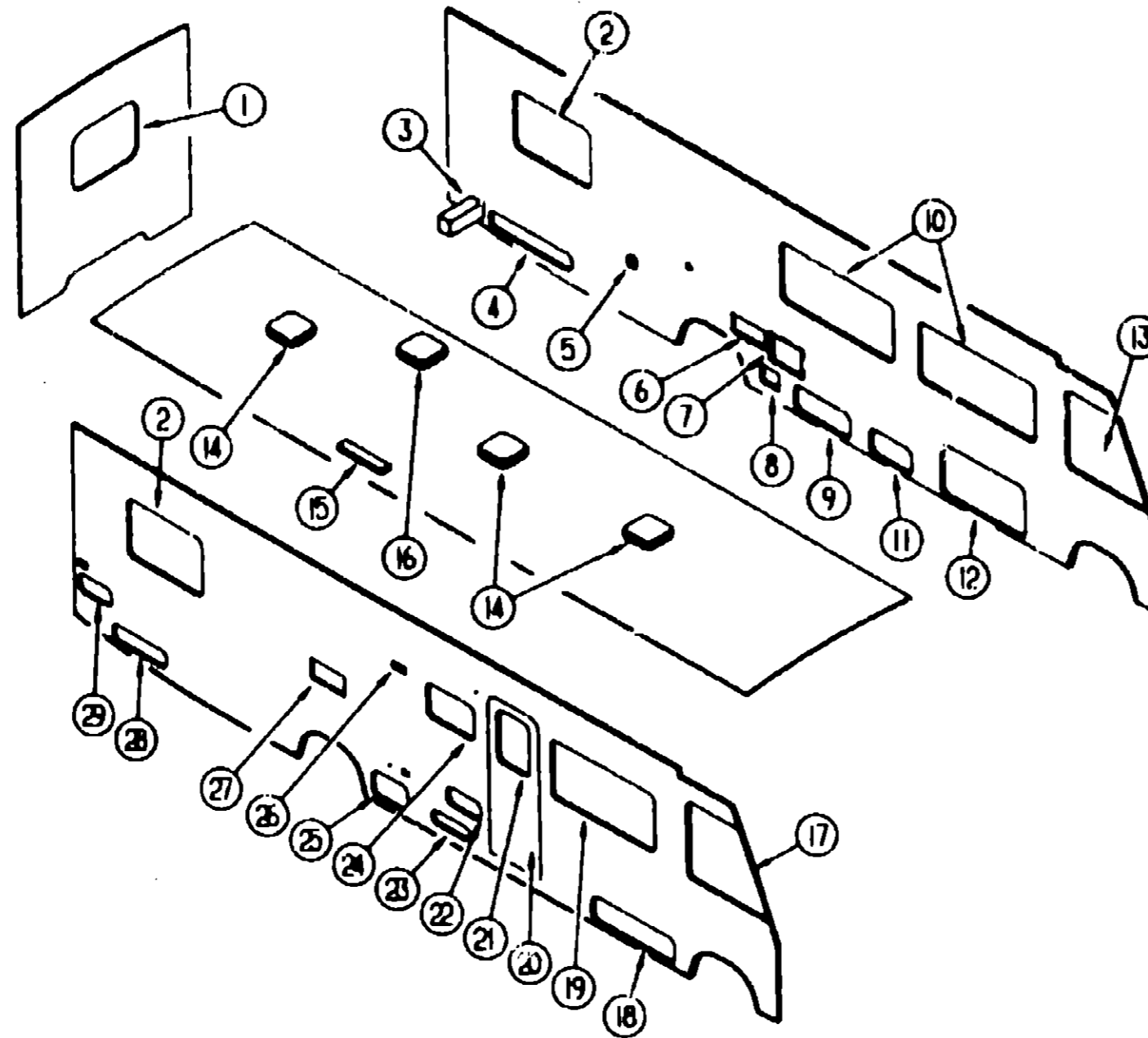
**1993 ITABCA**  
**TABLE OF CONTENTS**

INTRODUCTION	A-01	A-02
ABBREVIATIONS		A-03
ALPHABETICAL INDEX	A-04	A-08
ICF33RQ	A-07	F-10

**1993 ICF33RQ INDEX**

FLOOR PLAN	A-07	A-08
ACCESSORIES		A-09
AUDIO VIDEO	A-10	A-12
BATH	A-13	A-15
BEDROOM	A-16	A-18
CHASSIS	A-19	B-07
CURTAIN & CUSHION	B-08	B-18
DINETTE	B-19	B-20
DRIVERS COMPARTMENT	B-21	C-02
ELECTRICAL	C-03	C-10
EXTERIOR BODY	C-11	C-18
GALLEY	C-19	C-23
GENERATOR	C-24	D-01
HEATING & AC	D-02	D-08
INTERIOR FINISH	D-09	D-12
LABELS	D-13	D-21
LP		D-22
LOUNGE	D-23	E-02
SEALANTS & FASTENERS	E-03	E-06
WATER & SEWAGE	E-07	E-12
WINDOW, VENT AND		
EXTERIOR DOOR	E-13	F-08
WINDSHIELDWIPER	F-09	F-10

**WINDOW, VENT & EXTERIOR DOOR GROUP**  
EXTERIOR WINDOWS, DOORS & VENTS



**1993 ITASCA  
TABLE OF CONTENTS**

INTRODUCTION	A-01	A-02
ABBREVIATIONS		A-03
ALPHABETICAL INDEX	A-04	A-08
ICF33RQ	A-07	F-10

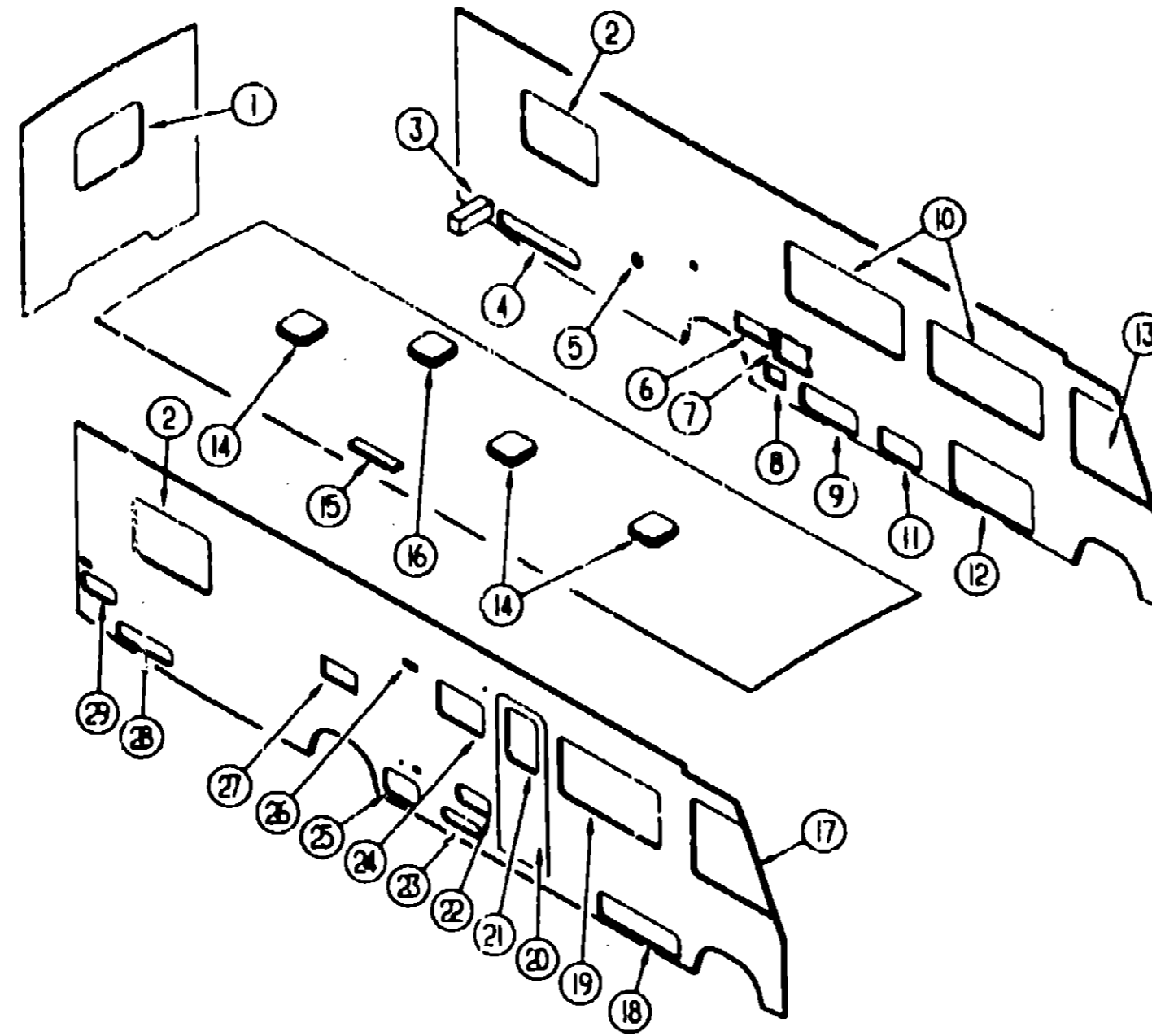
**1993 ICF33RQ INDEX**

FLOOR PLAN	A-07	A-08
ACCESSORIES		A-09
AUDIO VIDEO	A-10	A-12
BATH	A-13	A-15
BEDROOM	A-16	A-18
CHASSIS	A-19	B-07
CURTAIN & CUSHION	B-08	B-18
DINETTE	B-19	B-20
DRIVERS COMPARTMENT	B-21	C-02
ELECTRICAL	C-03	C-10
EXTERIOR BODY	C-11	C-18
GALLEY	C-19	C-23
GENERATOR	C-24	D-01
HEATING & A/C	D-02	D-08
INTERIOR FINISH	D-09	D-12
LABELS	D-13	D-21
LP		D-22
LOUNGE	D-23	E-02
SEALANTS & FASTENERS	E-03	E-08
WATER & SEWAGE	E-07	E-12
WINDOW, VENT AND EXTERIOR DOOR	E-13	F-08
WINDSHIELD/WIPER	F-09	F-10

KEY	PART NUMBER	U/M	DESCRIPTION
1	078528-03-Y12	EA	WINDOW ASM-ESCAPE, 27" X 48" - W/O INSIDE FRAME
2	082235-12-Y12	EA	WINDOW-TIPOUT, SINGLE - W/O INSIDE FRAME
3	052423-06-000	EA	DOOR-ACCESS, 6.6" X 6.3" - PLASTIC - ASH GRAY
	052424-05-000	EA	JAMB-DOOR, 8" X 7.7" - PLASTIC - ASH GRAY
4	108887-09-D32	EA	DOOR ASM-STORAGE
5	087859-05-000	EA	FILL-WATER, CITY - ASH GRAY
6	088889-07-000	EA	DOOR-ACCESS, FURNACE, ASH GRAY - SUBURBAN 520574
7	052009-05-000	EA	DOOR-WATER HEATER, ASH GRAY - ATWOOD 5576-27
8	083784-05-000	EA	DOOR-POWER CORD, WHATCH - ASH GRAY
9	103533-01-D32	EA	DOOR ASM-GENERATOR
10	088847-10-02A	EA	WINDOW ASM-SLIDER, HORIZONTAL B/W - H024-PRL
11	108887-01-D32	EA	DOOR ASM-STORAGE
12	108887-08-D32	EA	DOOR ASM-STORAGE
13	103658-01-C1A	EA	WINDOW ASM-CAB, DRIVER - H 332-ARL
			FROM: 00-00-00 THRU: 08-22-92
13	103658-05-01A	EA	WINDOW ASM-CAB, DRIVER - EXCEL H373-ARL
			FROM: 08-23-92 THRU: 99-99-99
14	080382-01-Y12	EA	VENT-ROOF NONPOWERED
			FROM: 00-00-00 THRU: 10-04-92

KEY	PART NUMBER	U/M	DESCRIPTION
14	110051-01-01A	EA	VENT-ROOF, NONPOWERED - 2" ROOF - JENSEN 7724 WHE - CANADIAN
			FROM: 10-05-92 THRU: 99-99-99
15	084473-06-000	EA	COVER-ROOF VENT, REFRIGERATOR - ASH GRAY - NORCOLD
15	084073-04-000	EA	BASE-ROOF VENT, REFRIGERATOR - BLACK - NORCOLD
16	060393-01-Y12	EA	VENT-ROOF, POWERED W/O SCREEN - US
			FROM: 00-00-00 THRU: 10-04-92
16	110051-03-01A	EA	VENT-ROOF, POWERED - 2" ROOF - JENSEN 7757 WHE - US
			FROM: 10-05-92 THRU: 99-99-99
16	064469-08-000	EA	VENT-ROOF, POWERED - 14" X 14" - 12V - JENSEN C-727 - CSA
			FROM: 00-00-00 THRU: 10-04-92
16	110051-05-01A	EA	VENT-ROOF, POWERED - 2" ROOF - JENSEN C7757 WHE - CSA
			FROM: 10-05-92 THRU: 99-99-99
17	103658-02-01A	EA	WINDOW ASM-CAB, PASSENGER - H322-ARL
			FROM: 00-00-00 THRU: 08-22-92
17	103658-06-01A	EA	WINDOW ASM-CAB, PASSENGER - H373-ARL
			FROM: 08-23-92 THRU: 99-99-99
18	108867-11-D32	EA	DOOR ASM-STORAGE
19	088847-14-02A	EA	WINDOW ASM-SLIDER, HORIZONTAL B/W EXCEL H260-PRL
20	M01870-84-D32	EA	DOOR-ENTRY, W/SCREEN - W/BLACK FRAME

**WINDOW, VENT & EXTERIOR DOOR GROUP (CONTINUED)**  
**EXTERIOR WINDOWS, DOORS & VENTS (CONTINUED)**



**1983 ITASCA**  
**TABLE OF CONTENTS**

INTRODUCTION	A-01 -	A-02
ABBREVIATIONS		A-03
ALPHABETICAL INDEX	A-04 -	A-06
ICF33RQ	A-07 -	F-10

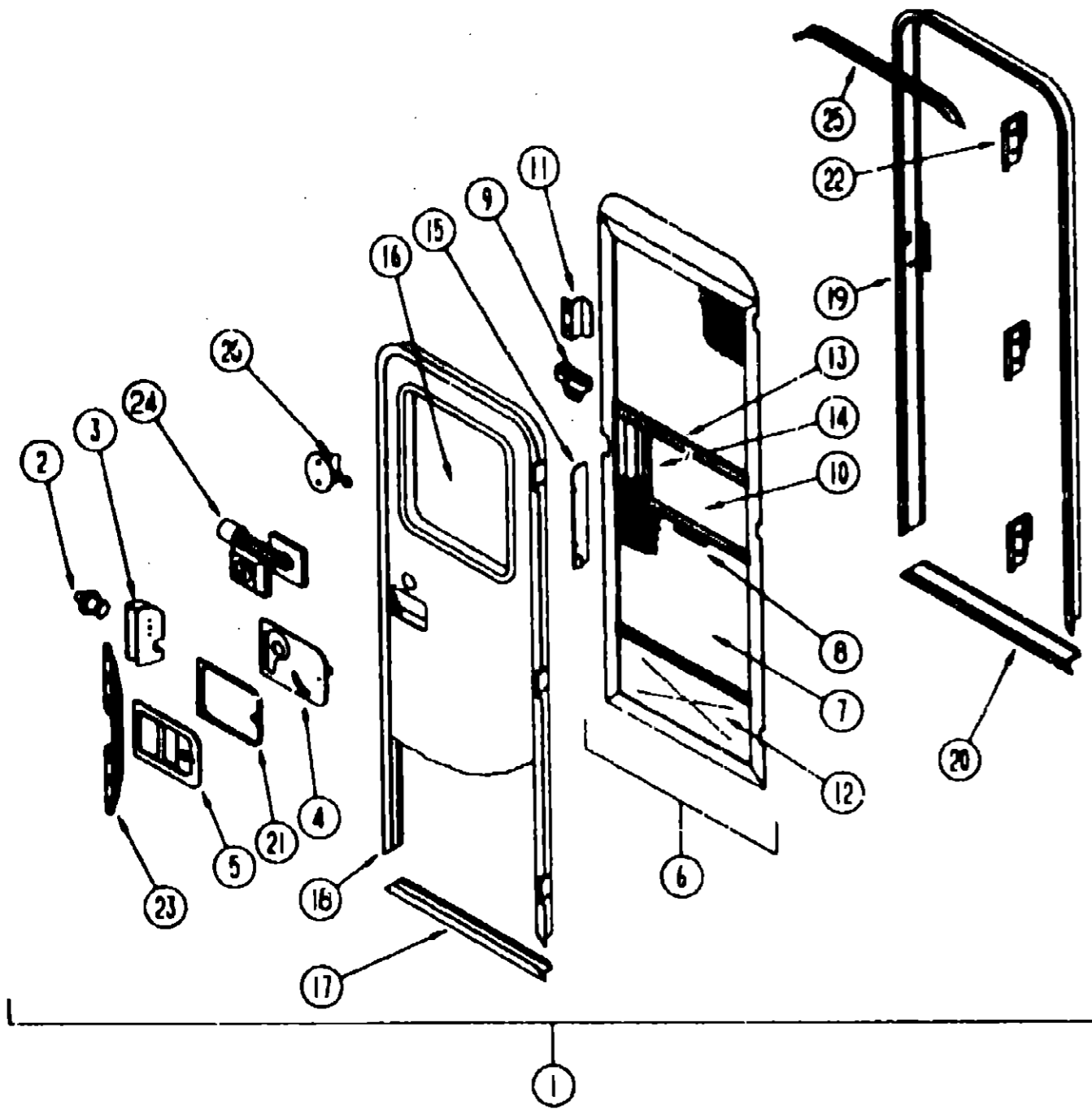
**1983 ICF33RQ INDEX**

FLOOR PLAN	A-07 -	A-08
ACCESSORIES		A-09
AUDIO VIDEO	A-10 -	A-12
BATH	A-13 -	A-15
BEDROOM	A-16 -	A-18
CHAIR	A-19 -	B-07
CURTAIN & CUSHION	B-08 -	B-18
DINETTE	B-19 -	B-20
DRIVERS COMPARTMENT	B-21 -	C-02
ELECTRICAL	C-03 -	C-10
EXTERIOR BODY	C-11 -	C-18
GALLEY	C-19 -	C-23
GENERATOR	C-24 -	D-01
HEATING & A/C	D-02 -	D-08
INTERIOR FINISH	D-09 -	D-12
LABELS	D-13 -	D-21
LP		D-22
LOUNGE	D-23 -	E-02
SEALANTS & FASTENERS	E-03 -	E-06
WATER & SEWAGE	E-07 -	E-12
WINDOW, VENT AND		
EXTERIOR DOOR	E-13 -	F-08
WINDSHIELDWIPER	F-09 -	F-10

KEY	PART NUMBER	U/M DESCRIPTION
21	079733-04-T03	EA WINDOW-ENTRY DOOR, 17" X 25"
22	105118-01-D32	EA DOOR-STORAGE
23	078720-02-D32	EA DOOR-COMPARTMENT, LP - 16.9" X 5.4" - ALUMINUM - ASH GRAY
24	082235-11-Y12	EA WINDOW-TIPOUT, SINGLE - W/O INSIDE FRAME
25	108987-02-D32	EA DOOR ASM-STORAGE
26	084618-05-000	EA SHROUD-RANGE HOOD VENT, ASH GRAY
	084878-08-000	EA VENT-RANGE HOOD, SHORT - LVS
27	084103-07-000	EA DOOR-REFRIGERATOR, VENTED - W/O JAMB - ASH GRAY
	084104-07-000	EA JAMB-DOOR, REFRIGERATOR - ASH GRAY
	084104-01-700	EA LOCK-MALE, FASTENER - REFRIGERATOR DOOR
	084104-01-701	EA LOCK-FEMALE, FASTENER - REFRIGERATOR DOOR
28	108987-08-D32	EA DOOR ASM-STORAGE
29	105118-02-D32	EA DOOR-STORAGE, 17.5" X 7.6"
	081240-10-000	EA DOOR-WATER FILL, LOCKABLE - 4" X 4 5/8" - ASH GRAY
	082884-01-700	EA KEY

**WINDOW, VENT & EXTERIOR DOOR GROUP (CONTINUED)**

**ENTRY DOOR**



KEY	PART NUMBER	U/M	DESCRIPTION
1	M01870-84-D32	EA	DOOR-ENTRY W/SCREEN DOOR & JAMB
2	039539-01-000	EA	STRIKE-LOCK, ENTRY DOOR - ROUND W/THREADED WASHER
3	039540-01-000	EA	LATCH MECHANISM-HOOK, ENTRY DOOR - INTERIOR
4	039715-01-000	EA	NUT-SERT, 1/4" DIAMETER - 20 THREADS
	039979-04-000	EA	COVER-INTERIOR LATCH, W/TRIP ARM - RIGHT - BLACK
	039984-01-000	EA	CAP-ROUND, VINYL - 28" ID X .82" LONG - BLACK
	041548-03-000	EA	BRACKET-DOOR ANGLE, 5" X 1.9" - BEIGE - METAL
	045017-11-000	EA	LATCH-ENTRY DOOR, MECHANISM W/LOCK & KEY - BLACK
5	045017-11-701	EA	KEY BLANK
	058025-02-000	EA	CLIP-ROLLER LATCH CATCH, SCREEN DOOR
6	063729-04-000	EA	RIVNUT, 10-32 UNF - .010-.080
	072883-01-000	EA	NUTSERT-M5 X 0, 8
7	075871-04-000	FT	SEAL-SPONGE, LAZY T SHAPE - W/ADHESIVE STRIPE - .5" WIDE
	079012-01-U01	EA	DOOR-SCREEN
8	002293-02-000	SF	SCREENING-WINDOW/DOOR, 28" - CHARCOAL
9	002294-01-000	FT	SPIRINE-SCREENING, .135" X .138" - BLACK
	002748-01-000	EA	CORNER KEY-DOOR
9	009018-01-000	EA	CATCH-ASM-SINGLE ROLLER
	109403-01-000	EA	CATCH-ASM-SINGLE ROLLER
			FROM: 00-00-00 THRU: 07-14-92
			FROM: 07-15-92 THRU: 99-99-99
10	016454-01-000	EA	INSERT-CENTER, LEATHER GRAIN ALUMINUM - UNPAINTED
10	001014-01-013	EA	INSERT-CENTER, 10.25" X 18.31" - UNPAINTED
11	050712-04-000	EA	HANDLE-SCREEN DOOR, ALUMINUM - OFF WHITE
11	050712-05-000	EA	HANDLE-SCREEN DOOR, UNPAINTED
12	078552-03-000	EA	KICK PANEL-SCREEN DOOR, LOWER INSERT - UNPAINTED
12	078595-01-000	EA	TOP PLATE-SCREEN DOOR, CURVED TOP - 4.7" X 25.35"
13	078777-01-000	EA	CHANNEL-SLIDE, SCREEN DOOR CENTER SLIDER COVER
14	079088-02-000	EA	SLIDER-SCREEN DOOR, OFF WHITE
15	079087-02-000	EA	STRIKE-SLIDER, W/IF FOR ELBOW CATCH - 1.5" X 8.8" - OFF WHITE
15	009018-01-000	EA	CATCH-ELBOW, SPRING LOADED - SCREEN DOOR CATCH
			FROM: 00-00-00 THRU: 01-28-93
16	079733-04-T03	EA	WINDOW-PICTURE, W/O INSIDE FRAME - 17" X 25"
	067609-32-000	EA	FRAME-WINDOW, ENTRY DOOR - OFF WHITE
17	067609-27-000	EA	FRAME-WINDOW, ENTRY DOOR - BLACK - EUROPEAN
	002181-06-000	EA	GLASS-WINDOW, .115" X 16.25" X 24"
17	081914-01-000	EA	BUMPER-RUBBER, ROUND - .43" DIAMETER - BLACK
	089748-01-000	EA	FRAME-BOTTOM, ENTRY DOOR - 24.8" LONG - OFF WHITE
18	090340-01-000	FT	SEAL-FOAM, CLOSED CELL - 1/4" X 1/2" X 50'
	095276-01-04A	EA	FRAME-ENTRY DOOR, W/O BOTTOM - ASH GRAY
19	095277-02-04A	EA	JAMB-ENTRY DOOR, W/BOTTOM - 25.9" X 74.5" - ASH GRAY
	051049-01-000	EA	JAMB-BOTTOM, ENTRY DOOR - 25.9" - UNPAINTED
20	078207-01-000	EA	STRIKER-ROLLER CATCH, WELDED TO DOOR JAMB - 4" X 1.15"
	095278-01-01A	EA	JAMB-DOOR, ENTRANCE - 25.9" X 74.6" - UNPAINTED
21	096810-01-01A	EA	PLATE-LATCH, ENTRY DOOR - PLASTIC - BLACK
22	097724-01-04A	EA	HINGE-ENTRY DOOR, UNPAINTED
23	098173-01-04A	EA	STIFFENER-ENTRY DOOR, SUPPORTS LATCH/STRIKE AREA - UNPAINTED
	100128-02-000	FT	SEAL-PILE, ADHESIVE BACK - SCREEN DOOR - GRAY
24	101145-01-01A	EA	DEADBOLT-ENTRY DOOR, W/2 KEYS W/O BACK SET BOLT OR SCREWS
	095229-01-700	EA	KEY BLANK FOR DEADBOLT
25	101147-01-000	EA	BOLT-SECURITY, 4.12" BACKSET
	102524-01-000	EA	BUMPER-RUBBER, FLAT - BLACK
25	044582-31-000	EA	CAP-DRIP, ENTRY DOOR - JAMB MOUNTED - ALUMINUM - ASH GRAY
	064075-07-000	FT	SEAL-BULB, W/WIRED U CHANNEL - .3" X .5" CHANNEL - BLACK
26	075639-04-000	EA	GARNISH-RADIUS, ENTRY DOOR - OFF WHITE
	077481-03-000	EA	COVER-STRIKE, ENTRY DOOR - 6.5" X 2.5" - PLASTIC - WHITE
26	090340-01-000	FT	SEAL-FOAM, CLOSED CELL - 1/4" X 1/2" X 50'
	091876-01-000	EA	RETAINER-DOOR, 1.9" X .8" - METAL
26	100412-01-000	EA	CATCH-SCREEN DOOR, THUMB CLIP W/BLACK PLASTIC CAP
	104682-01-000	FT	SEAL-ADHESIVE BACK, 3/4" X 34"
26	104099-01-02A	EA	CATCH-DOOR HOLDER, STRIKE - ASH GRAY
	104099-02-02A	EA	CATCH-DOOR HOLDER, RETAINER - ASH GRAY

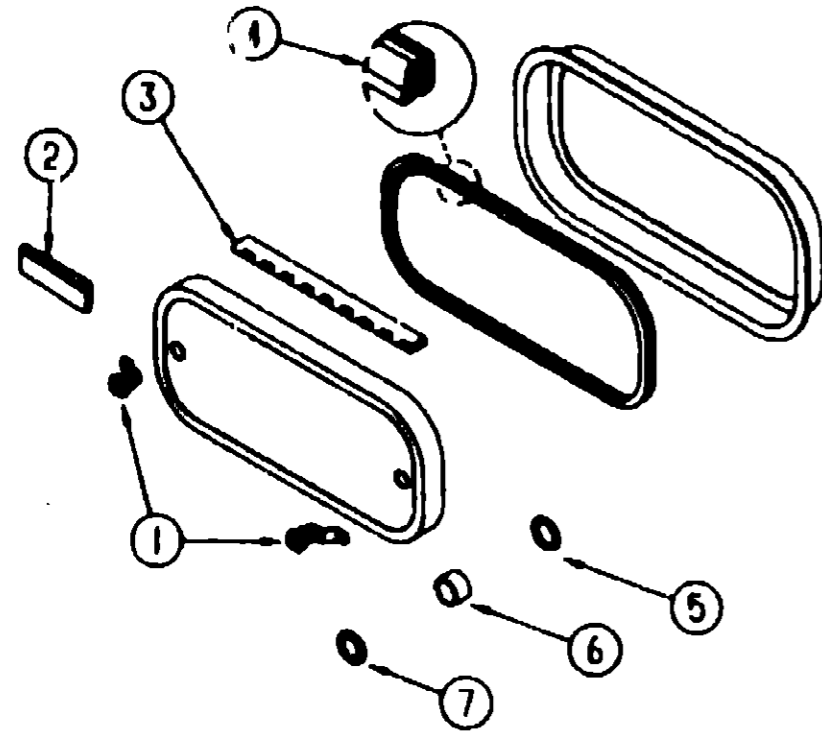
**1993 ITASCA  
TABLE OF CONTENTS**

INTRODUCTION	A-01	A-02
ABBREVIATIONS		A-03
ALPHABETICAL INDEX	A-04	A-08
ICF33RQ	A-07	F-10

**1993 ICF33RQ INDEX**

FLOOR PLAN	A-07	A-08
ACCESSORIES		A-09
AUDIO VIDEO	A-10	A-12
BATH	A-13	A-15
BEDROOM	A-16	A-18
CHASSIS	A-19	B-07
CURTAIN & CUSHION	B-08	B-18
DINETTE	B-19	B-20
DRIVERS COMPARTMENT	B-21	C-02
ELECTRICAL	C-03	C-10
EXTERIOR BODY	C-11	C-18
GALLEY	C-19	C-23
GENERATOR	C-24	D-01
HEATING & AC	D-02	D-08
INTERIOR FINISH	D-09	D-12
LABELS	D-13	D-21
LP		D-22
LOUNGE	D-23	E-02
SEALANTS & FASTENERS	E-03	E-06
WATER & SEWAGE	E-07	E-12
WINDOW, VENT AND		
EXTERIOR DOOR	E-13	F-08
WINDSHIELD/WIPER	F-09	F-10

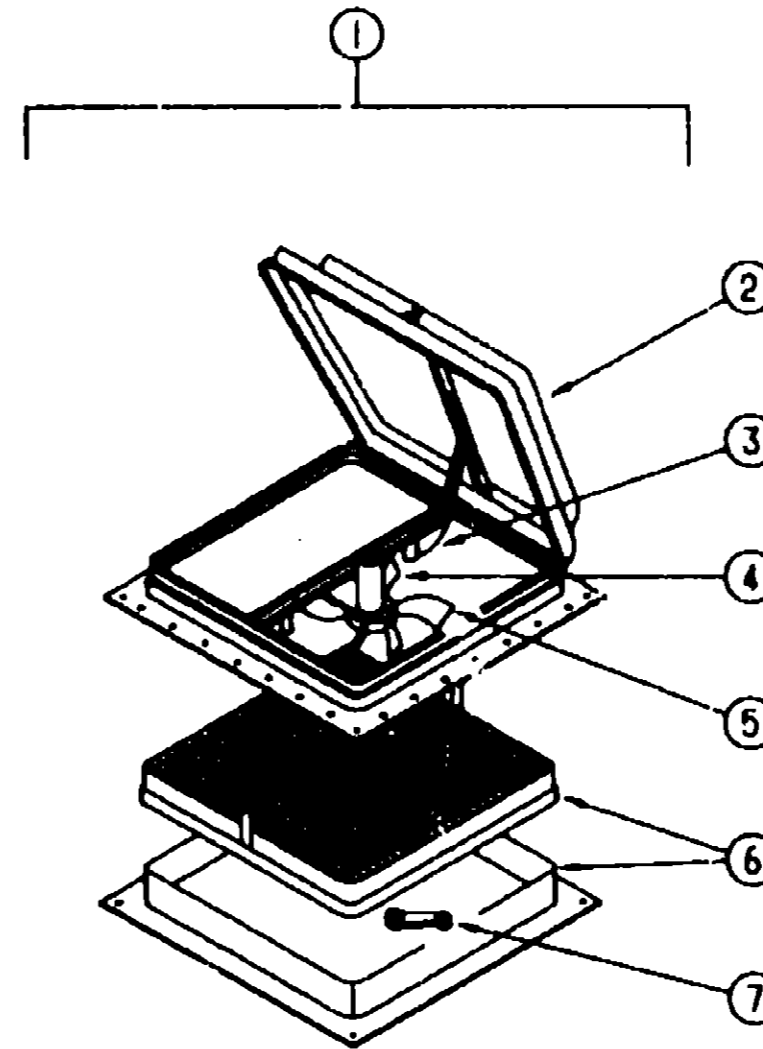
WINDOW, VENT & EXTERIOR DOOR GROUP (CONTINUED)



EXTERIOR DOOR COMPONENTS & HOLDERS

KEY	PART NUMBER	U/M	DESCRIPTION
1	079366-04-000	EA	LOCK-DOOR, KEY TYPE W/O KEYS - 1.9 OFF SET
	082684-01-700	EA	KEY BLANK
1	009003-01-000	EA	LOCK-TWIST TYPE, W/CLIP
1	079927-03-000	EA	LOCK-TWIST TYPE, DOUBLE CAM - 2.10 OFF SET
2	102768-01-000	EA	HOLDER-COMPARTMENT/ENTRY DOOR, METAL - MILL FINISH
3	081801-02-000	EA	HINGE - 2" X 96", OFF WHITE
3	034007-40-000	EA	HINGE-PIANO, 1.5" X 96" - ALUMINUM - OFF WHITE
3	009085-01-000	EA	HINGE-PIANO, 1.5" X 96" - ALUMINUM - UNPAINTED
4	064075-07-000	FT	SEAL-BULB, W/W:RED U CHANNEL - .3" X .5" CHANNEL - BLACK
5	108833-01-000	EA	BEAUTY RING - .67" X .78" ID, STAINLESS STEEL
6	107997-51-001	EA	SPACER - .88" X .6", ALUMINUM
7	108834-01-000	EA	WASHER - .64" X .752" ID, STAINLESS STEEL
	081914-01-000	EA	BUMPER-RUBBER, ROUND - .43" DIAMETER - BLACK
	104882-01-000	FT	SEAL - 3/4" X 3/4", ADHESIVE BACK

WINDOW, VENT & EXTERIOR DOOR GROUP (CONTINUED)



POWERED ROOF VENT - JENSEN - CANADIAN

KEY	PART NUMBER	U/M	DESCRIPTION
1	064469-08-000	EA	VENT-ROOF, POWERED - 14" X 14" - 12V - JENSEN C-727 - CSA FROM: 00-00-00 THRU: 10-04-92
1	110051-09-01A	EA	VENT-ROOF, POWERED - 2" ROOF - CSA - JENSEN C7757 WHE FROM: 10-05-92 THRU: 99-99-99
2	064469-03-702	EA	LID-VENT, WHITE - JENSEN 290-WH FROM: 00-00-00 THRU: 10-04-92
2	064470-01-700	EA	COVER-ROOF VENT, JENSEN 7291 FROM: 10-05-92 THRU: 99-99-99
3	064469-03-706	EA	LIFT MECHANISM FROM: 00-00-00 THRU: 10-04-92
3	110051-01-702	EA	LIFT ASM-VENT LID W/O CRANK, JENSEN RP-1000B FROM: 10-05-92 THRU: 99-99-99
4	048648-01-000	EA	MOTOR-ROOF VENT, 1/8 SHAFT - 12V
5	048649-01-000	EA	FAN-ROOF VENT, 6 BLADES - 6"
6	110051-01-701	EA	GARNISH W/SCREEN & FRAME - 2", JENSEN 29-800-01
7	009439-01-000	EA	CRANK HANDLE-ROOF VENT FROM: 00-00-00 THRU: 10-04-92
	110051-01-703	EA	CRANK HANDLE-ROOF VENT, JENSEN RP-1031-B FROM: 10-05-92 THRU: 99-99-99
	009439-04-000	EA	SCREW 8-32 X 1 1/4" POH FROM: 00-00-00 THRU: 10-04-92
	009439-03-000	EA	EXTENSION-CRANK HANDLE ROOF VENT - 9" - MILL FROM: 00-00-00 THRU: 10-04-92
	064469-03-708	EA	GEAR - DRIVE
	064469-03-709	EA	GEAR-MOTOR PINION

1983 ITASCA  
TABLE OF CONTENTS

INTRODUCTION	A-01	A-02
ABBREVIATIONS	A-03	A-03
ALPHABETICAL INDEX	A-04	A-06
ICF33RQ	A-07	F-10

1983 ICF33RQ INDEX

FLOOR PLAN	A-07	A-08
ACCESSORIES	A-09	A-09
AUDIO VIDEO	A-10	A-12
BATH	A-13	A-15
BEDROOM	A-16	A-18
CHASSIS	A-19	B-07
CURTAIN & CUSHION	B-08	B-18
DINETTE	B-19	B-20
DRIVERS COMPARTMENT	B-21	C-02
ELECTRICAL	C-03	C-10
EXTERIOR BODY	C-11	C-18
GALLEY	C-19	C-23
GENERATOR	C-24	D-01
HEATING & A/C	D-02	D-08
INTERIOR FINISH	D-09	D-12
LABELS	D-13	D-21
LP		D-22
LOUNGE	D-23	E-02
SEALANTS & FASTENERS	E-03	E-06
WATER & SEWAGE	E-07	E-12
WINDOW, VENT AND EXTERIOR DOOR	E-13	F-08
WINDSHIELDWIPER	F-09	F-10

**WINDOW, VENT & EXTERIOR DOOR GROUP (CONTINUED)**

**POWERED ROOF VENT**

KEY	PART NUMBER	U/M	DESCRIPTION
	080383-01-Y12	EA	VENT-ROOF, POWERED FROM: 00-00-00 THRU: 10-04-92
	002825-01-000	EA	WEATHER STRIP-ROOF VENT, GRAY
	009440-01-000	EA	GEAR/ARM-VENT COVER, LIFT
	015911-01-000	EA	TRACK-LIFT ARM, SLIDE - ROOF VENT
	051384-01-000	EA	COVER-ROOF VENT
	052639-01-001	EA	HINGE-VENT COVER, 192"
	078788-01-Y12	EA	SCREEN-ROOF VENT, NON POWERED
	002291-02-000	SF	SCREENING-ROOF VENT/WINDOW, 16" - BLACK
	002298-02-000	FT	SPLINE-VENT/WINDOW SCREEN, .128 DIAMETER - BLACK
	110051-03-01A	EA	VENT-ROOF, NONPOWERED - 2" ROOF FROM: 10-05-92 THRU: 99-99-99
	048848-01-000	EA	MOTOR-ROOF VENT, 1/8 SHAFT - 12V - JENSEN
	048849-01-000	EA	FAN-ROOF VENT, 8 BLADES - 6" - JENSEN
	084488-03-708	EA	GEAR-DRIVE - JENSEN RP-1024
	084489-03-708	EA	GEAR-MOTOR PINION - JENSEN RP-1025
	084470-01-700	EA	COVER-ROOF VENT - JENSEN 7291
	110051-01-701	EA	GARNISH W/SCREEN & FRAME - 2" - JENSEN 29-800-01 FITS 1" AND 2" THICK ROOFS
	110051-01-702	EA	LIFT ASM-VENT LID W/O CRANK, JENSEN RP-1000B
	110051-01-703	EA	CRANK HANDLE-ROOF VENT, JENSEN RP-1031-B

**WINDOW, VENT & EXTERIOR DOOR GROUP (CONTINUED)**

**NON POWERED ROOF VENT**

KEY	PART NUMBER	U/M	DESCRIPTION
	090392-01-Y12	EA	VENT-ROOF, NON POWERED FROM: 00-00-00 THRU: 10-04-92
	002825-01-000	EA	WEATHER STRIP-ROOF VENT, GRAY
	009440-01-000	EA	GEAR/ARM-VENT COVER, LIFT
	015911-01-000	EA	TRACK-LIFT ARM, SLIDE - ROOF VENT
	055218-01-000	EA	COVER-ROOF VENT
	052639-01-001	EA	HINGE-VENT COVER, 192"
	009430-01-000	EA	CRANK HANDLE-ROOF VENT
	009439-03-000	EA	EXTENSION-CRANK HANDLE, ROOF VENT - .9"
	078788-01-Y12	EA	SCREEN-ROOF VENT, NON POWERED
	002291-02-000	SF	SCREENING-ROOF VENT/WINDOW, 16" - BLACK
	002298-02-000	FT	SPLINE-VENT/WINDOW SCREEN, .128 DIAMETER - BLACK
	110051-01-01A	EA	VENT-ROOF, NONPOWERED - 2" ROOF - JENSEN 7724 WHE: FROM: 10-05-92 THRU: 99-99-99
	002825-01-000	EA	WEATHER STRIP-ROOF VENT, GRAY
	009440-01-000	EA	GEAR/ARM-VENT COVER, LIFT
	015910-03-000	EA	BRACKET-HANDLE, ROOF VENT - OFF WHITE
	015911-01-000	EA	TRACK-LIFT ARM, SLIDE - ROOF VENT
	055218-01-000	EA	COVER-ROOF VENT
	052639-01-001	EA	HINGE-VENT COVER, 18"
	052639-01-200	EA	HINGE-EXTRUSION, ROOF VENT 7"
	052639-01-001	EA	HINGE-VENT COVER, 18"
	110051-01-701	EA	GARNISH W/SCREEN & FRAME-2", JENSEN 29-800-01 FITS 1" AND 2" THICK ROOFS
	110051-01-702	EA	LIFT ASM-VENT LID W/O CRANK, JENSEN RP-1000B
	110051-01-703	EA	CRANK HANDLE-ROOF VENT, JENSEN RP-1031-B

**VENTS & ROOF COVERS**

KEY	PART NUMBER	U/M	DESCRIPTION
	083558-05-000	EA	VENT-PLUMBING PIPE ROOF W/COVER - ASH GRAY
	084073-06-000	EA	COVER-ROOF VENT, REFRIGERATOR - ASH GRAY - NORCOLD
	084073-04-000	EA	BASE-ROOF VENT, REFRIGERATOR - BLACK - NORCOLD

**1993 ITASCA  
TABLE OF CONTENTS**

INTRODUCTION	A-01	A-02
ABBREVIATIONS		A-03
ALPHABETICAL INDEX	A-04	A-08
ICF33RQ	A-07	F-10

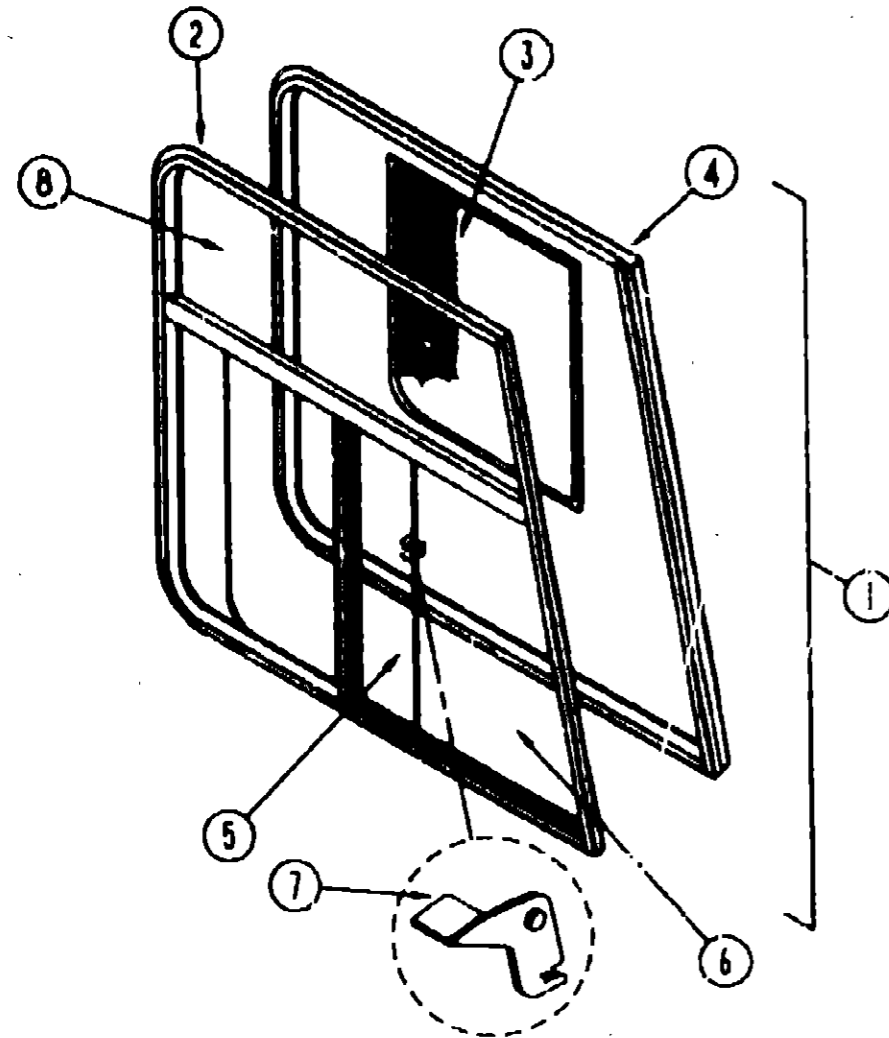
**1993 ICF33RQ INDEX**

FLOOR PLAN	A-07	A-08
ACCESSORIES		A-09
AUDIO VIDEO	A-10	A-12
BATH	A-13	A-15
BEDROOM	A-16	A-18
CHASSIS	A-19	B-07
CURTAIN & CUSHION	B-08	B-18
DINETTE	B-19	B-20
DRIVERS COMPARTMENT	B-21	C-02
ELECTRICAL	C-03	C-10
EXTERIOR BODY	C-11	C-18
GALLEY	C-19	C-23
GENERATOR	C-24	D-01
HEATING & A/C	D-02	D-08
INTERIOR FINISH	D-09	D-12
LABELS	D-13	D-21
LP		D-22
LOUNGE	D-23	E-02
SEALANTS & FASTENERS	E-03	E-06
WATER & SEWAGE	E-07	E-12
WINDC/W, VENT AND		
EXTERIOR DOOR	E-13	F-08
WINDSHIELD/WIPER	F-09	F-10



**WINDOW, VENT & EXTERIOR DOOR GROUP (CONTINUED)**

**DRIVER & PASSENGER CAB SIDE WINDOWS**



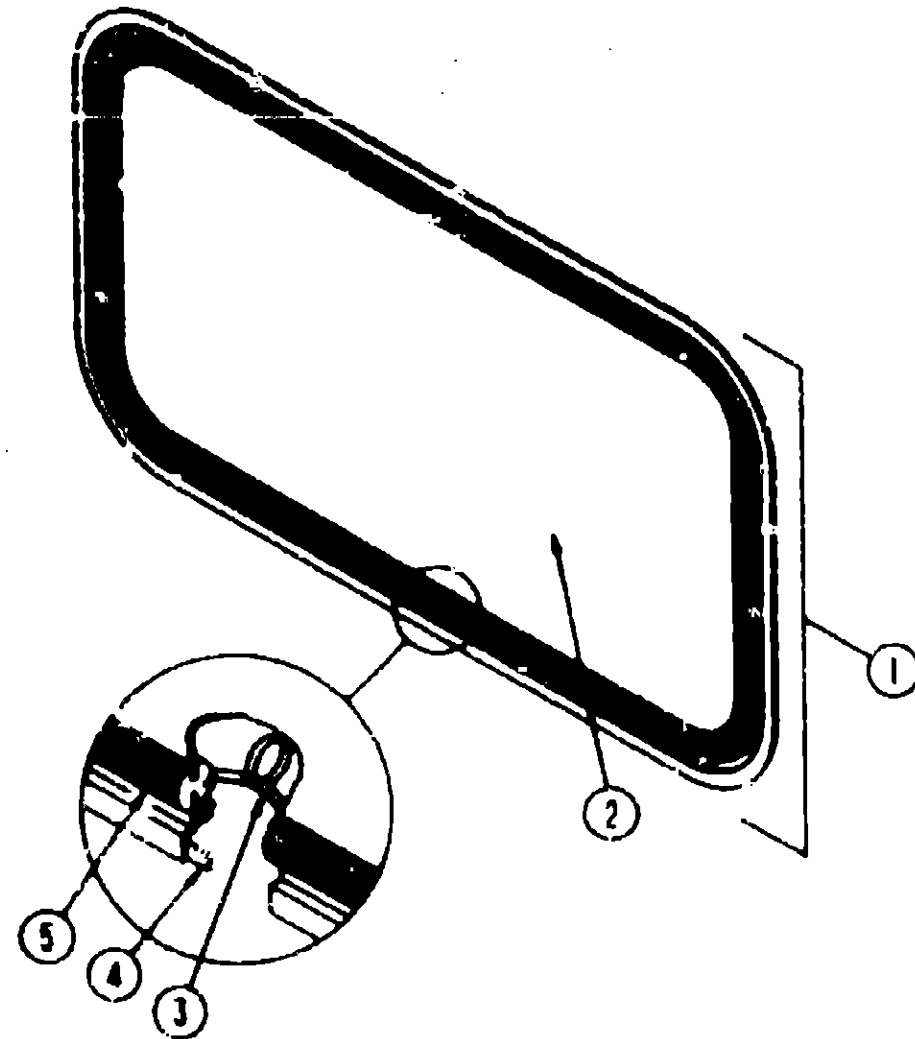
KEY	PART NUMBER	U/M	DESCRIPTION
1	103658-02-01A	EA	WINDOW ASM-CAB, PASSENGER - H322-ARR FROM: 00-00-00 THRU: 08-22-92
1	103658-08-01A	EA	WINDOW ASM-CAB, PASSENGER - H373-ARR FROM: 08-23-92 THRU: 99-99-99
1	103658-01-01A	EA	WINDOW ASM-CAB, DRIVER - H322-ARL FROM: 00-00-00 THRU: 08-22-92
1	103658-05-01A	EA	WINDOW ASM-CAB, DRIVER - H373-ARL FROM: 08-23-92 THRU: 99-99-99
2	103658-02-702	EA	WINDOW-SLIDER, CAB - W/O INSIDE FRAME - PASSENGER - H322-A2R EXCEL FROM: 00-00-00 THRU: 08-22-92
2	103658-08-700	EA	WINDOW-SLIDER, CAB - W/O INSIDE FRAME - PASSENGER - H373-A2R EXCEL FROM: 08-23-92 THRU: 99-99-99
2	103658-01-704	EA	WINDOW-SLIDER, CAB - W/O INSIDE FRAME - DRIVER - H322-A2L EXCEL FROM: 00-00-00 THRU: 08-22-92
2	103658-05-703	EA	WINDOW-SLIDER, CAB - W/O INSIDE FRAME - DRIVER - H373-A2L EXCEL FROM: 08-23-92 THRU: 99-99-99
3	103658-02-700	EA	SCREEN ASM-WINDOW, PASSENGER - H322-03R EXCEL
3	103658-01-700	EA	SCREEN ASM-WINDOW, DRIVER - H322-03L EXCEL
4	103658-02-703	EA	FRAME-INSIDE, PASSENGER - H322-87R EXCEL FROM: 00-00-00 THRU: 08-22-92
4	103658-05-700	EA	FRAME-INSIDE, PASSENGER - H373-87&77 EXCEL FROM: 08-23-92 THRU: 99-99-99
4	103658-01-705	EA	FRAME-INSIDE, DRIVER - H322-87L EXCEL FROM: 00-00-00 THRU: 08-22-92
4	103658-05-702	EA	FRAME-INSIDE, DRIVER - H373-87&77 EXCEL FROM: 08-23-92 THRU: 99-99-99
5	103658-02-701	EA	GLASS-SLIDING, W/SASH & LATCH - PASSENGER - H322-A9R EXCEL
5	103658-01-703	EA	GLASS-SLIDING, W/SASH & LATCH - DRIVER - H322-A9L EXCEL
6	103658-01-702	EA	GLASS-STATIONARY, BOTTOM - 106-017700 EXCEL
7	098644-01-700	EA	LATCH-REPAIR KIT
8	103658-01-701	EA	GLASS-STATIONARY, TOP - 106-017899 EXCEL FROM: 00-00-00 THRU: 08-22-92
8	103658-05-701	EA	GLASS-STATIONARY, TOP - 106-018480 EXCEL FROM: 08-23-92 THRU: 99-99-99
	098644-01-706	FT	WEATHERSTRIP, EXCEL 171-010668
	098644-01-708	FT	CHANNEL-PIERCED RUN, EXCEL 122-016543
	098644-01-710	FT	TRACK-SCREEN SPACER, 12' LENGTH - EXCEL M401-21
	098644-01-711	FT	WEATHERSTRIP-SCREEN, BLACK - EXCEL 171-016965
	098644-01-713	EA	SPRING-SCREEN FRAME (CLIP), PLASTIC - BLACK - EXCEL 226-016966
	098644-01-716	FT	PLUG-FILLER, EXCEL 132-014470
	098644-01-717	FT	SPLINE-SCREEN, EXCEL 132-004716

**1993 ITASCA  
TABLE OF CONTENTS**

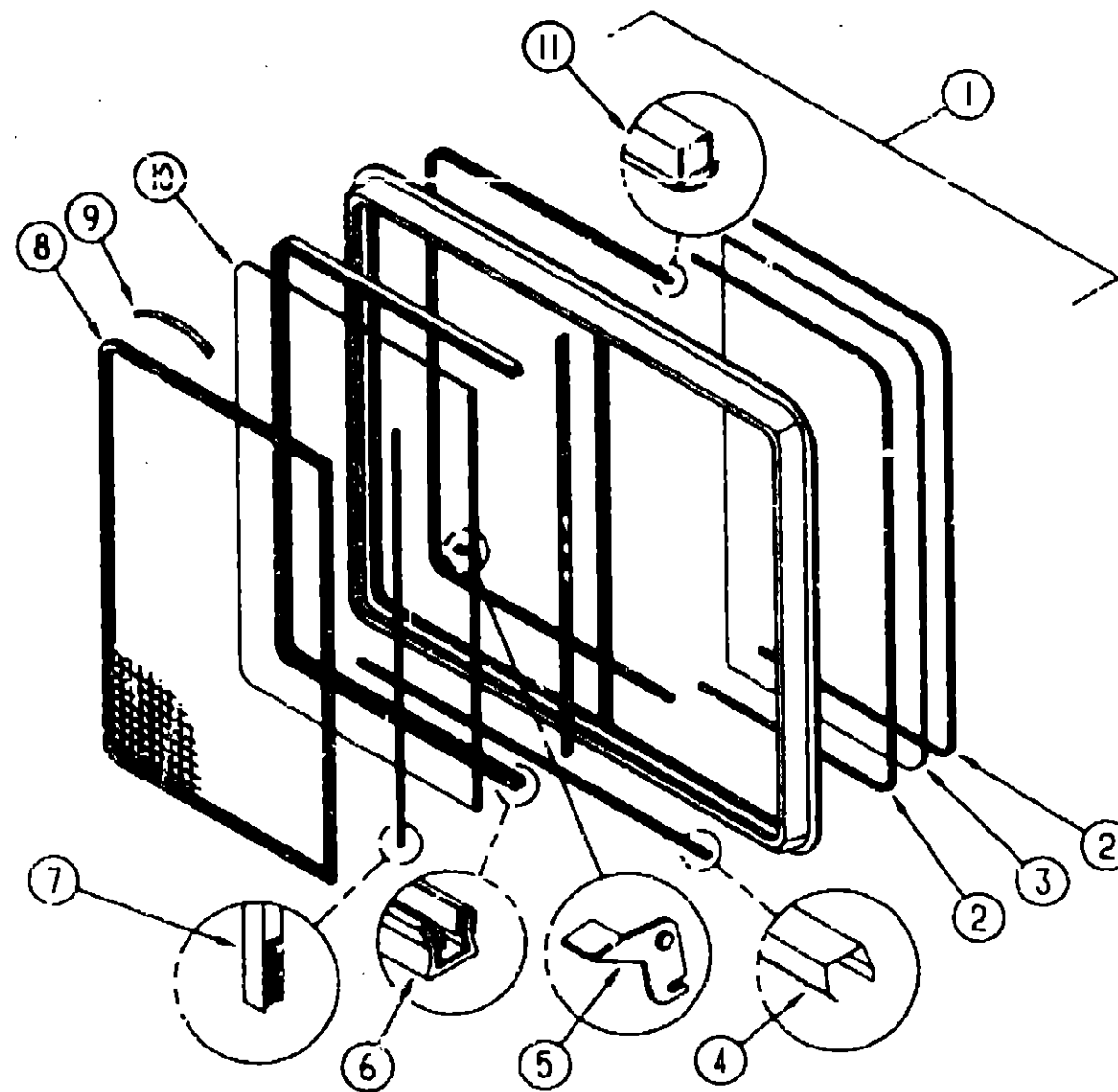
INTRODUCTION	A-01 - A-02
ABBREVIATIONS	A-03
ALPHABETICAL INDEX	A-04 - A-08
ICF33RQ	A-07 - F-10

**1993 ICF33RQ INDEX**

FLOOR PLAN	A-07 - A-08
ACCESSORIES	A-09
AUDIO VIDEO	A-10 - A-12
BATH	A-13 - A-15
BEDROOM	A-16 - A-18
CHASSIS	A-19 - B-07
CURTAIN & CUSHION	B-08 - B-18
DINETTE	B-19 - B-20
DRIVER'S COMPARTMENT	B-21 - C-02
ELECTRICAL	C-03 - C-10
EXTERIOR BODY	C-11 - C-18
GALLEY	C-19 - C-23
GENERATOR	C-24 - D-01
HEATING & A/C	D-02 - D-08
INTERIOR FINISH	D-09 - D-12
LABELS	D-13 - D-21
L.P.	D-22
LOUNGE	D-23 - E-02
SEALANTS & FASTENERS	E-03 - E-06
WATER & SEWAGE	E-07 - E-12
WINDOW, VENT AND EXTERIOR DOOR	E-13 - F-08
WINDSHIELD/WIPERS	F-09 - F-10



BACKWALL ESCAPE WINDOW



DRIVERS SIDE LOUNGE & DINETTE SINGLE SLIDING WINDOW

1993 ITASCA  
TABLE OF CONTENTS

INTRODUCTION	A-01 -	A-02
ABBREVIATIONS		A-03
ALPHABETICAL INDEX	A-04 -	A-06
ICF33RQ	A-07 -	F-10

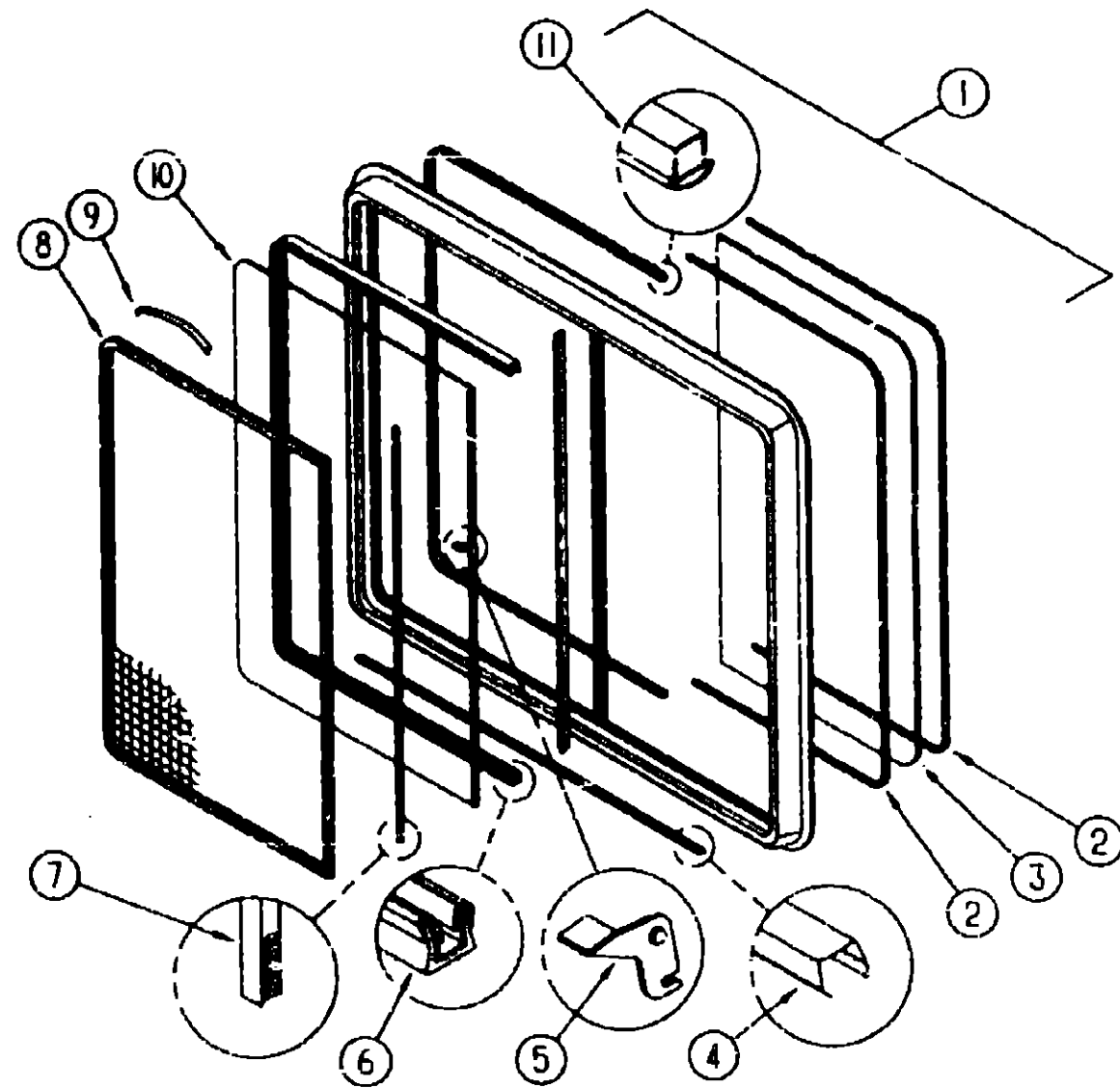
1993 ICF33RQ INDEX

FLOOR PLAN	A-07 -	A-08
ACCESSORIES		A-09
AUDIO VIDEO	A-10 -	A-12
BATH	A-13 -	A-15
BEDROOM	A-16 -	A-18
CHASSIS	A-19 -	B-07
CURTAIN & CUSHION	B-08 -	B-18
DINETTE	B-19 -	B-20
DRIVERS COMPARTMENT	B-21 -	C-02
ELECTRICAL	C-03 -	C-10
EXTERIOR BODY	C-11 -	C-18
GALLEY	C-19 -	C-23
GENERATOR	C-24 -	D-01
HEATING & A/C	D-02 -	D-08
INTERIOR FINISH	D-09 -	D-12
LABELS	D-13 -	D-21
LP		D-22
LOUNGE	D-23 -	E-02
SEALANTS & FASTENERS	E-03 -	E-06
WATER & SEWAGE	E-07 -	E-12
WINDOW, VENT AND		
EXTERIOR DOOR	E-13 -	F-08
WINDSHIELD/WIPER	F-09 -	F-10

KEY	PART NUMBER	U/M DESCRIPTION
	074816-08-000	EA FRAME-WINDOW, INSIDE - ESCAPE - OFF WHITE
1	078528-01-Y12	EA WINDOW-ESCAPE, BACKWALL - 27" X 48" - W/O INSIDE FRAME
2	078337-08-000	EA GLASS-WINDOW, 44 2" X 23 5"
3	002285-01-000	FT FILLER-WEATHER STRIP, RUBBER - BLACK
	077086-01-702	EA RIB POLY .005 X 500# X 150' ROLL
4	088640-10-000	FT SEALER-RIBBON, 1/32" X 1 1/2" INCREMENTS OF 90
5	002282-06-000	EA WEATHERSTRIP-WINDOW, 125" X 133 25" - VULCANIZED - BLACK
	002282-01-000	EA WEATHERSTRIP-WINDOW, RUBBER - 125" - BLACK

KEY	PART NUMBER	U/M DESCRIPTION
	098647-10-02A	EA WINDOW-HORIZONTAL SLIDER, W/INSIDE FRAME - OFF WHITE
	098647-09-704	EA FRAME-INSIDE, W024-67 EXCEL - WHITE
1	098647-10-700	EA WINDOW-HORIZONTAL SLIDER, W/O INSIDE FRAME - LEFT - OFF WHITE
2	098644-01-705	FT GLAZING STRIP, EXCEL M926-12
3	098647-09-700	EA GLASS-STATIONARY - 106-017193 EXCEL
4	098644-01-710	FT TRACK-SCREEN SPACER 12" LENGTH - EXCEL M401-31
5	098644-01-700	CA LATCH REPAIR KIT
6	098644-01-709	FT CHANNEL-PIERCED RUN EXCEL 122-016543
7	098644-01-711	FT WEATHERSTRIP-SCREEN BLACK - EXCEL 171-016965
8	098647-09-705	EA SCREEN W/SPRING & WEATHERSTRIP - 410-016464 EXCEL
9	098644-01-713	EA SPRING-SCREEN FRAME (CLIP) PLASTIC - BLACK - EXCEL 226-016966
	098644-01-716	FT PLUG-FILLER, EXCEL 132-014470
	098644-01-717	FT SPLINE-SCREEN MFG, EXCEL 32-004716
10	098647-03-701	EA GLASS-SLIDING, W/SASH & LATCH - H024-G9 EXCEL
11	098644-01-706	FT WEATHERSTRIP, EXCEL 171-010658

**WINDOW, VENT & EXTERIOR DOOR GROUP (CONTINUED)**  
**PASSENGER SIDE LOUNGE SINGLE SLIDING WINDOW**



KEY	PART NUMBER	U/M	DESCRIPTION
	098647-14-02A	EA	WINDOW-SLIDER, HORIZONTAL - W/INSIDE FRAME - BLACK
	098647-14-701	EA	TRIM-INSIDE (OFF-WHITE) - W260-67 EXCEL-WHITE
1	098647-14-700	EA	WINDOW-SINGLE SLIDER - RIGHT (W/O INSIDE FRAME)
2	098644-01-705	FT	GLAZING STRIP, EXCEL M926-12
3	098647-14-702	EA	GLASS-STATIONARY - 106-017435 EXCEL
4	098644-01-710	FT	TRACK-SCREEN SPACER 12' LENGTH - EXCEL M401-31
5	098644-01-700	EA	LATCH REPAIR KIT
6	098644-01-708	FT	CHANNEL-PIERCED RUN EXCEL 122-016543
7	098644-01-711	FT	WEATHERSTRIP-SCREEN BLACK - EXCEL 171-016965
8	098647-14-704	EA	SCREEN W/SPRING & WEATHERSTRIP - 410-017464 EXCEL
9	098644-01-713	EA	SPRING-SCREEN FRAME (CLIP) PLASTIC - BLACK - EXCEL 226-016966
	098644-01-716	FT	PLUG-FILLER, EXCEL 132-014470
	098644-01-717	FT	SPLINE-SCREEN MFG, EXCEL 32-004716
10	098647-14-703	EA	GLASS-SLIDING, W/SASH & LATCH - H260-G9 EXCEL
11	098644-01-706	FT	WEATHERSTRIP, EXCEL 171-010668

**1993 ITASCA**  
**TABLE OF CONTENTS**

INTRODUCTION	A-01 -	A-02
ABBREVIATIONS		A-03
ALPHABETICAL INDEX	A-04 -	A-06
ICF33RQ	A-07 -	F-10

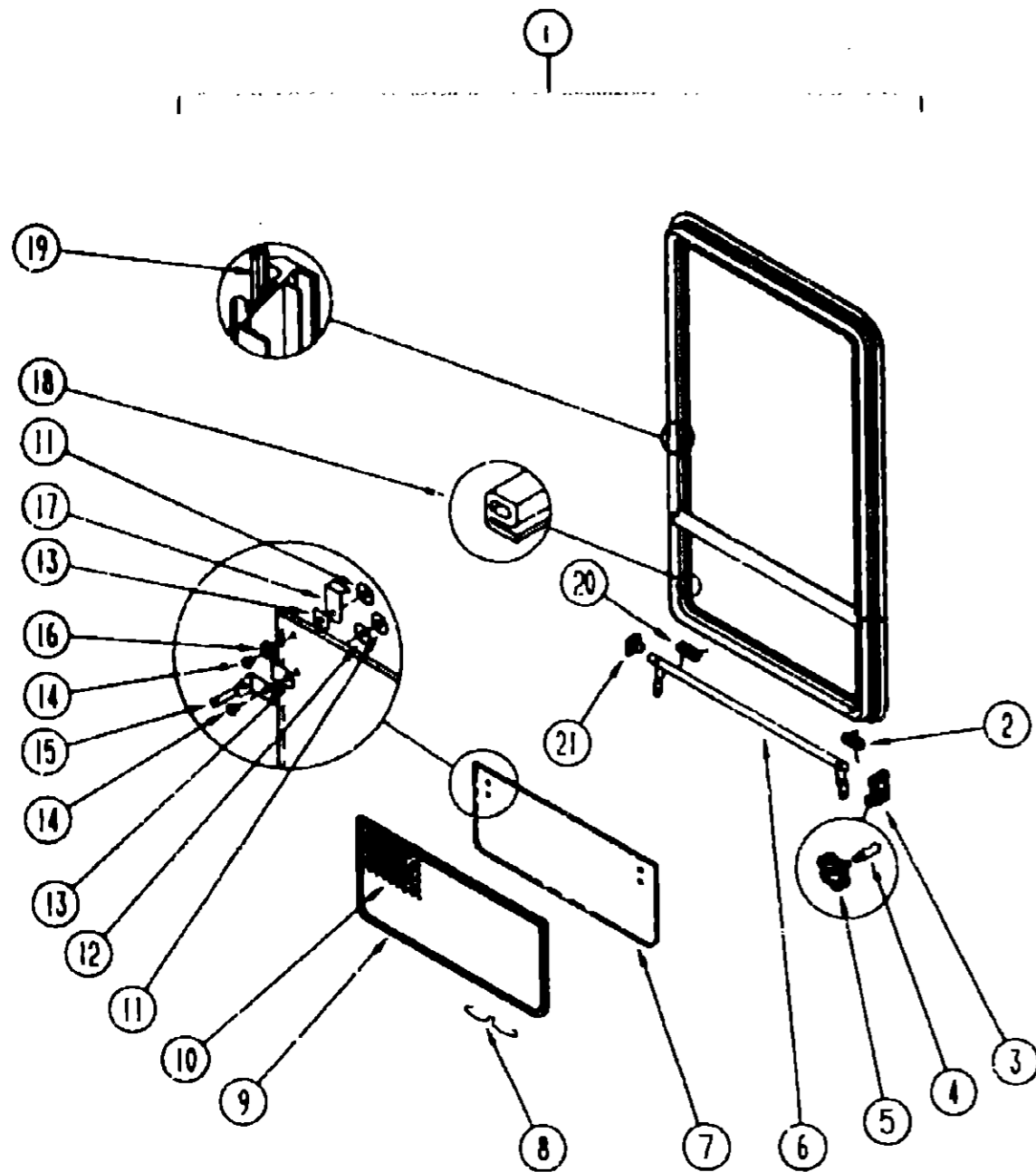
**1993 ICF33RQ INDEX**

FLOOR PLAN	A-07 -	A-08
ACCESSORIES		A-09
AUDIO VIDEO	A-10 -	A-12
BATH	A-13 -	A-15
BEDROOM	A-16 -	A-18
CHASSIS	A-19 -	B-07
CURTAIN & CUSHION	B-08 -	B-18
DINETTE	B-19 -	B-20
DRIVERS COMPARTMENT	B-21 -	C-02
ELECTRICAL	C-03 -	C-10
EXTERIOR BODY	C-11 -	C-18
GALLEY	C-19 -	C-23
GENERATOR	C-24 -	D-01
HEATING & A/C	D-02 -	D-08
INTERIOR FINISH	D-09 -	D-12
LABELS	D-13 -	D-21
LP		D-22
LOUNGE	D-23 -	E-02
SEALANTS & FASTENERS	E-03 -	E-06
WATER & SEWAGE	E-07 -	E-12
WINDOW, VENT AND		
EXTERIOR DOOR	E-13 -	F-08
WINDSHIELD/WIPER	F-09 -	F-10

# WINDOW, VENT & EXTERIOR DOOR GROUP (CONTINUED)

## GALLEY WINDOW

KEY	PART NUMBER	UOM	DESCRIPTION
	090893-17-02A	EA	FRAME-WINDOW, INSIDE - OFF WHITE
1	082235-11-Y12	EA	WINDOW-TIPOUT, W/O INSIDE FRAME - 24.8" X 15.5"
	000639-06-16T	EA	SCREW-SF/DH, 6-20 X 1 PPH - BLACK
2	080918-01-000	EA	SPRING-TORQUE TUBE, RIGHT
3	035302-02-000	EA	OPERATOR-TORQUE, TIPOUT WINDOW - LEFT
4	009439-06-000	EA	EXTENSION-WINDOW CONTROL
5	009439-05-000	EA	KNOB-OPERATOR, TIPOUT WINDOW - BLACK
	009439-07-000	EA	SCREW, 8-32 X 1 1/4 POH - BLACK
6	083150-10-000	EA	TUBE ASM. - TORQUE, WINDOW
7	084068-15-000	EA	GLASS-TIPOUT, 9.2" X 24.5"
8	100168-01-000	EA	CLIP-SPRING, SCREEN
9	100235-02-B07	EA	SCREEN-SINGLE TIPOUT WINDOW
10	080218-03-000	SF	SCREEN-FIBERGLASS, 12" WIDE
	100240-01-000	FT	SPLINE-SCREEN, T-SHAPED
11	086762-01-000	EA	T NUT 10-32
12	068927-03-000	EA	SEAL-WINDOW, RUBBER - ROUND - .80" DIA. - BLACK
13	084473-01-000	EA	SEAL-RUBBER, TIPOUT WINDOW
14	086763-01-000	EA	SCREW-MACH, 10-32 X 1/4 PTH
15	097578-01-000	EA	LINKAGE-TIPOUT WINDOW
	081649-01-000	EA	RING - SHAFT DIA.
	084453-01-000	EA	WASHER - .060 X .50 X .135 - PLASTIC
	085315-01-000	EA	RIVET-SHOULDER, TIPOUT WINDOW
16	084453-02-000	EA	WASHER - .060 X .50 X .250 - PLASTIC
17	089913-01-000	EA	HINGE-TIPOUT WINDOW, BLACK
18	084067-02-000	FT	SEAL-E SHAPED, SPONGE - TIPOUT WINDOW - .4" X .4" - BLACK
			FROM: 00-00-00 THRU: 04-04-93
18	084067-03-000	FT	SEAL-E, SPONGE RUBBER - 10.6 X 8.6MM
			FROM: 04-05-93 THRU: 99-99-99
19	069640-11-000	EA	SEALER-TAPE, 3/16" X 3/8" BLACK
20	080918-02-000	EA	SPRING-TORQUE TUBE, LEFT
21	081354-01-000	EA	SLEEVE-TORQUE TUBE, TIPOUT WINDOW - 1.3" X 1.2" X .7"



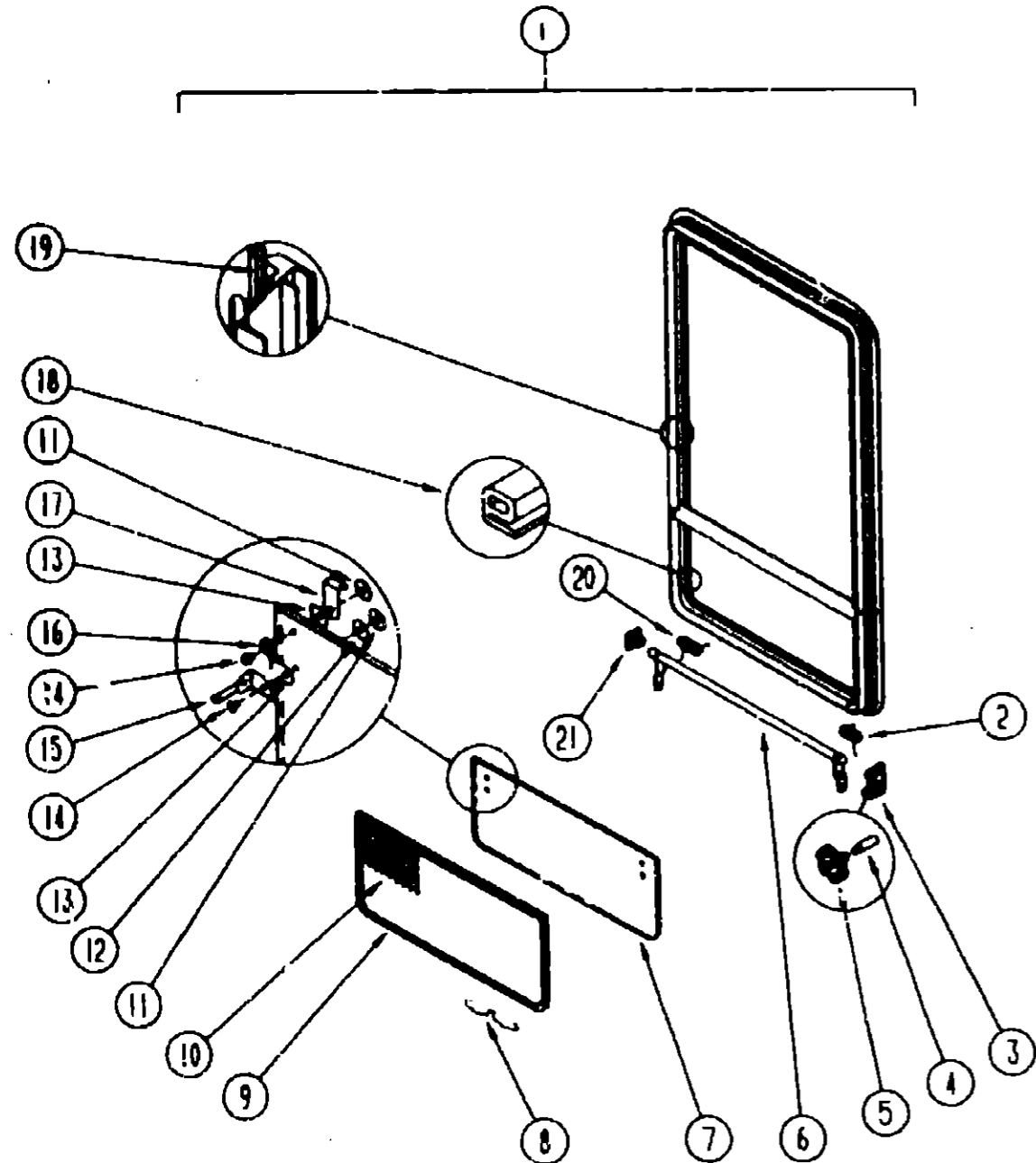
## 1993 ITASCA TABLE OF CONTENTS

INTRODUCTION	A-01 - A-02
ABBREVIATIONS	A-03
ALPHABETICAL INDEX	A-04 - A-06
ICF33RQ	A-07 - F-10

## 1993 ICF33RQ INDEX

FLOOR PLAN	A-07 - A-08
ACCESSORIES	A-09
AUDIO VIDEO	A-10 - A-12
BATH	A-13 - A-15
BEDROOM	A-16 - A-18
CHASSIS	A-19 - B-07
CURTAIN & CUSHION	B-08 - B-18
DINETTE	B-19 - B-20
DRIVERS COMPARTMENT	B-21 - C-02
ELECTRICAL	C-03 - C-10
EXTERIOR BODY	C-11 - C-18
GALLEY	C-19 - C-23
GENERATOR	C-24 - D-01
HEATING & A/C	D-02 - D-09
INTERIOR FINISH	D-09 - D-12
LABELS	D-13 - D-21
LP	D-22
LOUNGE	D-23 - E-02
SEALANTS & FASTENERS	E-03 - E-06
WATER & SEWAGE	E-07 - E-12
WINDOW, VENT AND	
EXTERIOR DOOR	E-13 - F-08
WINDSHIELD/WIPER	F-09 - F-10

**WINDOW, VENT & EXTERIOR DOOR GROUP (CONTINUED)**  
**DRIVER & PASSENGER SIDE BEDROOM WINDOW**



KEY	PART NUMBER	U/M	DESCRIPTION
	0R0893-18-02A	EA	FRAME-WINDOW, INSIDE - OFF WHITE
1	092235-12-Y12	EA	WINDOW-TIPOUT, W/O INSIDE FRAME - 40.3" X 26.8"
	000G39-06-16T	EA	SCREW-SF/DR. 6-20 X 1 PPH - BLACK
2	080918-01-000	EA	SPRING-TORQUE TUBE, RIGHT
3	035302-02-000	EA	OPERATOR-TORQUE, TIPOUT WINDOW - LEFT
4	009439-06-000	EA	EXTENSION-CRANK HANDLE, WINDOW/ROOF VENT - .9" - BLACK
5	009439-05-000	EA	KNOB-OPERATOR, TIPOUT WINDOW - BLACK
	009439-07-000	EA	SCREW, 8-32 X 1 1/4 POH - BLACK
6	083150-12-000	EA	TUBE ASM. - TORQUE, WINDOW
7	084068-17-000	EA	GLASS-TIPOUT, 9.2" X 40"
8	100168-01-000	EA	CLIP-SPRING, SCREEN
9	100235-04-B07	EA	SCREEN-SINGLE TIPOUT WINDOW
10	080218-03-000	SF	SCREEN-FIBERGLASS, 12" WIDE
	100240-01-000	FT	SPLINE-SCREEN, T-SHAPED
11	086762-01-000	EA	T NUT 10-32
12	068927-03-000	EA	SEAL-WINDOW, RUBBER - ROUND - .80" DIA. - BLACK
13	084473-01-000	EA	SEAL-RUBBER, TIPOUT WINDOW
14	086763-01-000	EA	SCREW-MACH, 10 - 32 X 1/4 PTH
15	097576-01-000	EA	LINKAGE-TIPOUT WINDOW
	081649-01-000	EA	RING - SNAP, 7/32 SHAFT DIA.
	084453-01-000	EA	WASHER - .060 X .50 X .135 - PLASTIC
	085315-01-000	EA	RIVET-SHOULDER, TIPOUT WINDOW
16	084453-02-000	EA	WASHER - .060 X .50 X .250 - PLASTIC
17	089913-01-000	EA	HINGE-TIPOUT WINDOW, BLACK
18	084067-02-000	FT	SEAL-E SHAPED, SPONGE - TIPOUT WINDOW - .4" X .4" - BLACK
			FROM: 00-00-00 THRU 04-04-93
18	084067-03-000	FT	SEAL-E, SPONGE RUBBER - 10.6 X 8.6MM
			FROM: 04-05-93 THRU 99-99-99
19	069640-11-000	EA	SEALER-TAPE, 3/16" X 3/8" BLACK
20	080918-02-000	EA	SPRING-TORQUE TUBE, LEFT
21	081354-01-000	EA	SLEEVE-TORQUE TUBE, TIPOUT WINDOW - 1.3" X 1.2" X .7"

**1993 ITASCA**  
**TABLE OF CONTENTS**

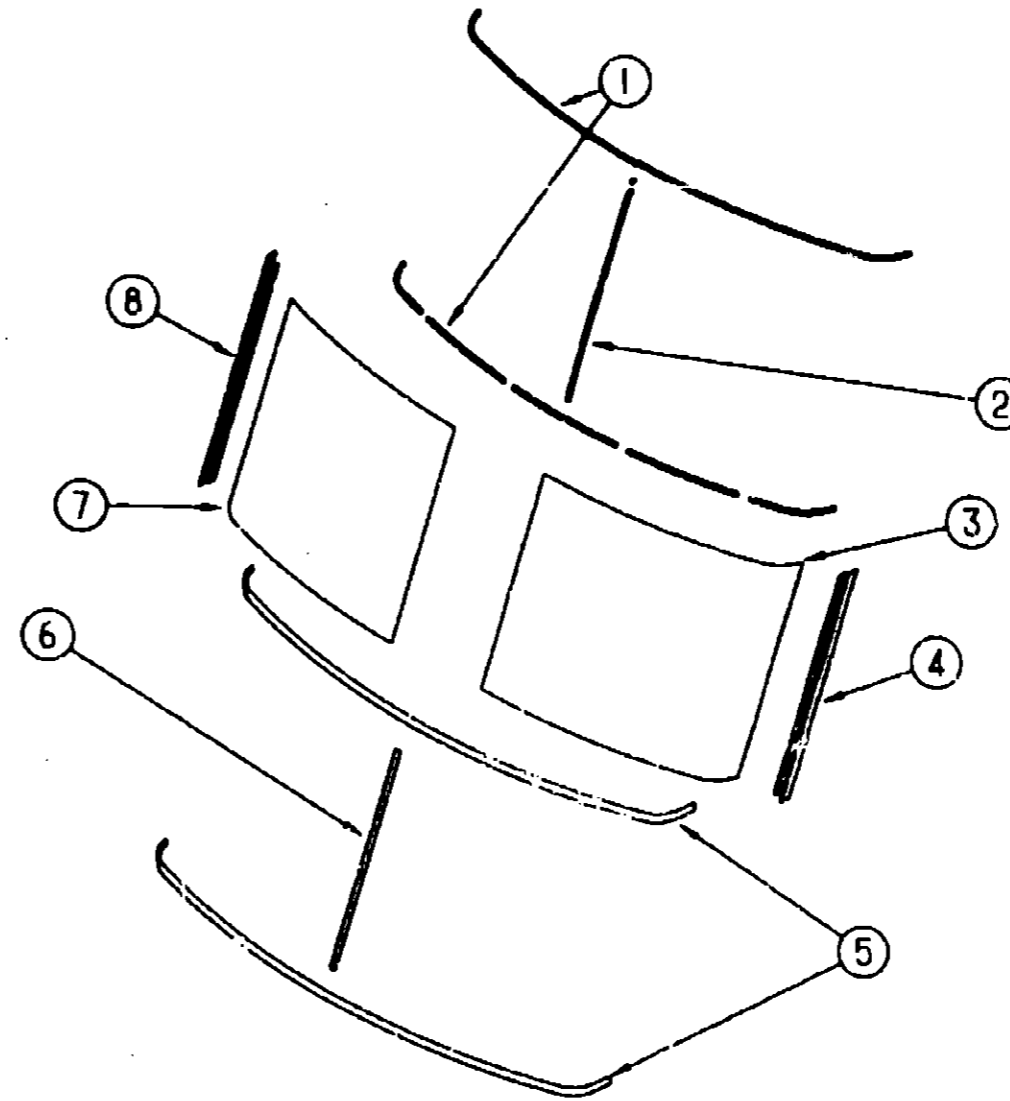
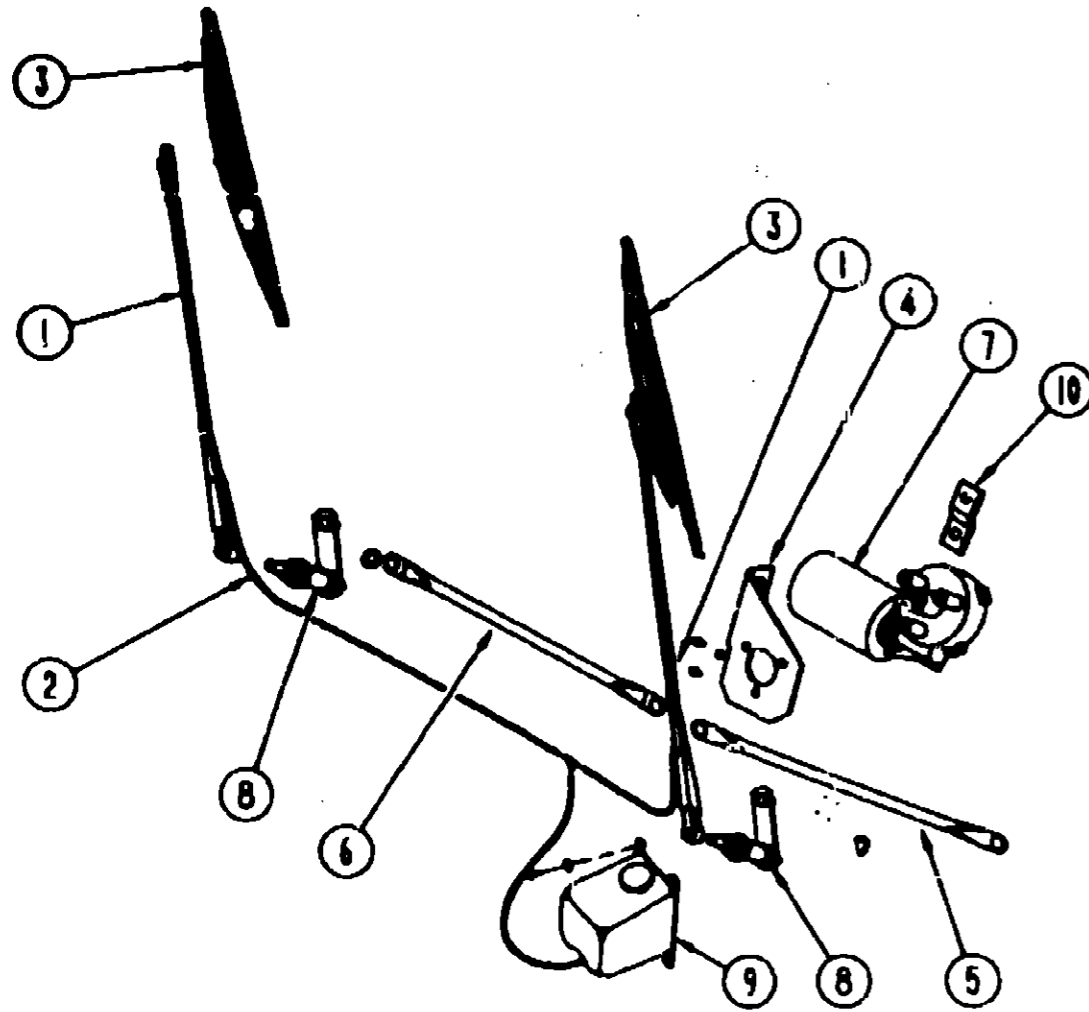
INTRODUCTION	A-01	A-02
ABBREVIATIONS		A-03
ALPHABETICAL INDEX	A-04	A-06
ICF33RQ	A-07	F-10

**1993 ICF33RQ INDEX**

FLOOR PLAN	A-07	A-08
ACCESSORIES		A-09
AUDIO VIDEO	A-10	A-12
BATH	A-13	A-15
BEDROOM	A-16	A-18
CHASSIS	A-19	B-07
CURTAIN & CUSHION	B-08	B-18
DINETTE	B-19	B-20
DRIVERS COMPARTMENT	B-21	C-02
ELECTRICAL	C-03	C-10
EXTERIOR BODY	C-11	C-18
GALLEY	C-19	C-23
GENERATOR	C-24	D-01
HEATING & A/C	D-02	D-08
INTERIOR FINISH	D-09	D-12
LABELS	D-13	D-21
LP		D-22
LOUNGE	D-23	E-02
SEALANTS & FASTENERS	E-03	E-06
WATER & SEWAGE	E-07	E-12
WINDOW, VENT AND		
EXTERIOR DOOR	E-13	F-08
WINDSHIELD/WIPER	F-09	F-10

**WINDSHIELD & WIPER GROUP**

**WINDSHIELD & WIPER GROUP (CONTINUED)**



**1993 ITASCA  
TABLE OF CONTENTS**

INTRODUCTION	A-01 -	A-02
ABBREVIATIONS		A-03
ALPHABETICAL INDEX	A-04 -	A-06
ICF33RQ	A-07 -	F-10

**WIPER COMPONENTS**

**WINDSHIELD MOLDINGS & GLASS**

**1993 ICF33RQ INDEX**

FLOOR PLAN	A-07 -	A-08
ACCESSORIES		A-09
AUDIO VIDEO	A-10 -	A-12
BATH	A-13 -	A-15
BEDROOM	A-16 -	A-18
CHASSIS	A-19 -	B-07
CURTAIN & CUSHION	B-08 -	B-18
DINETTE	B-19 -	B-20
DRIVERS COMPARTMENT	B-21 -	C-02
ELECTRICAL	C-03 -	C-10
EXTERIOR BODY	C-11 -	C-18
GALLEY	C-19 -	C-23
GENERATOR	C-24 -	D-01
HEATING & A/C	D-02 -	D-08
INTERIOR FINISH	D-09 -	D-12
LABELS	D-13 -	D-21
LP		D-22
LOUNGE	D-23 -	E-02
SEALANTS & FASTENERS	E-03 -	E-06
WATER & SEWAGE	E-07 -	E-12
WINDOW, VENT AND		
EXTERIOR DOOR	E-13 -	F-08
WINDSHIELD/WIPER	F-09 -	F-10

KEY	PART NUMBER	U/M DESCRIPTION
1	103671-01-000	EA ARM-WIPER, PANTOGRAPH - 24"
2	045794-01-000	FT HOSE-WASHER, WINDSHIELD - 5/32" ID - BLACK
3	095964-01-000	EA BLADE-WIPER, 24"
4	104549-01-000	EA BRACKET ASM-WIPER
4	103726-01-000	EA BRACKET-WIPER, MOTOR
5	103672-01-000	EA LINK ASM. - CONNECTING - DRIVERS
6	103672-02-000	EA LINK ASM. - CONNECTING - PASSENGERS
7	104346-01-000	EA MOTOR-WIPER
8	096505-02-000	EA PIVOT & SHAFT ASM-WIPER, PASSENGER WINDSHIELD FROM: 00-00-00 THRU: 04-20-93
8	096505-05-000	EA PIVOT & SHAFT ASM-WIPER, PASSENGER WINDSHIELD FROM: 04-21-93 THRU: 99-99-99
8	096505-03-000	EA PIVOT & SHAFT ASM-WIPER, DRIVER WINDSHIELD FROM: 00-00-00 THRU: 12-18-92
8	096505-06-000	EA PIVOT & SHAFT ASM-WIPER, DRIVER WINDSHIELD FROM: 12-19-92 THRU: 99-99-99
	096526-01-000	EA SCREW-HEX, 1/4 - 28
9	056000-02-000	EA WASHER-WINDSHIELD, BOTTLE & PUMP
10	104347-01-000	EA ARM-DRIVE, WIPER MOTOR 1.54"
	056000-01-700	FT VACUUM HOSE 7/64 - 5/32
	061603-01-000	EA GROMMET-SNAP, 3/16 ID - 3/8 HOLE - PLASTIC - BLACK
	067188-01-000	EA STUD-CRANK, WIPER
	040921-04-000	EA NUT-SPEED, U TYPE - NO. 8 - .59" LENGTH X .44" WIDTH
	040921-05-000	EA NUT-SPEED, U TYPE - NO. 8 - .67" LENGTH X .44" WIDTH
	040921-06-000	EA NUT-SPEED, U TYPE - NO. 8 - .57" LENGTH X .53" WIDTH
	110742-01-000	EA GASKET-WIPER
		FROM: 01-11-93 THRU: 99-99-99
	096931-01-700	FT HOSE F/WIPER BLADES
	096931-01-701	EA NOZZLE HARDWARE KIT

KEY	PART NUMBER	U/M DESCRIPTION
1	102935-01-000	EA CARRIER-REVEAL, 50" - WINDSHIELD
2	102935-02-000	EA CARRIER-REVEAL, 38" - WINDSHIELD
2	110268-02-000	EA CARRIER-REVEAL, 38" - WINDSHIELD FROM: 00-00-00 THRU: 12-13-92
	110268-05-000	EA CARRIER-REVEAL, 2" - WINDSHIELD FROM: 12-14-92 THRU: 99-99-99
	110268-07-000	EA CARRIER-REVEAL, 42.1" - WINDSHIELD FROM: 12-14-92 THRU: 99-99-99
3	088793-04-000	EA GLASS-WINDSHIELD, DRIVER
4	103107-02-01A	EA TRIM - WINDSHIELD - SIDE - BLACK
5	102936-01-000	FT MOLDING - REVEAL - WINDSHIELD
6	102936-01-000	FT MOLDING - REVEAL - WINDSHIELD - CENTER
7	088793-03-000	EA GLASS-WINDSHIELD, PASSENGER
8	103107-01-01A	EA TRIM - WINDSHIELD - SIDE - BLACK
	098788-06-000	EA CHANNEL - 49" PCV
	077922-03-000	EA HEADER WINDSHIELD END - RIGHT
	077922-04-000	EA HEADER WINDSHIELD END - LEFT
	077922-05-000	EA HEADER WINDSHIELD - CENTER
	078579-09-000	EA TRIM - WINDSHIELD - UPPER INNER - RIGHT - ASH GRAY
	078579-10-000	EA TRIM - WINDSHIELD - UPPER INNER - LEFT - ASH GRAY
	079765-08-000	EA TRIM-WINDSHIELD - CENTER - ASH GRAY
	077847-02-000	EA SUPPORT - WINDSHIELD - LOWER - W/O BRACKETS