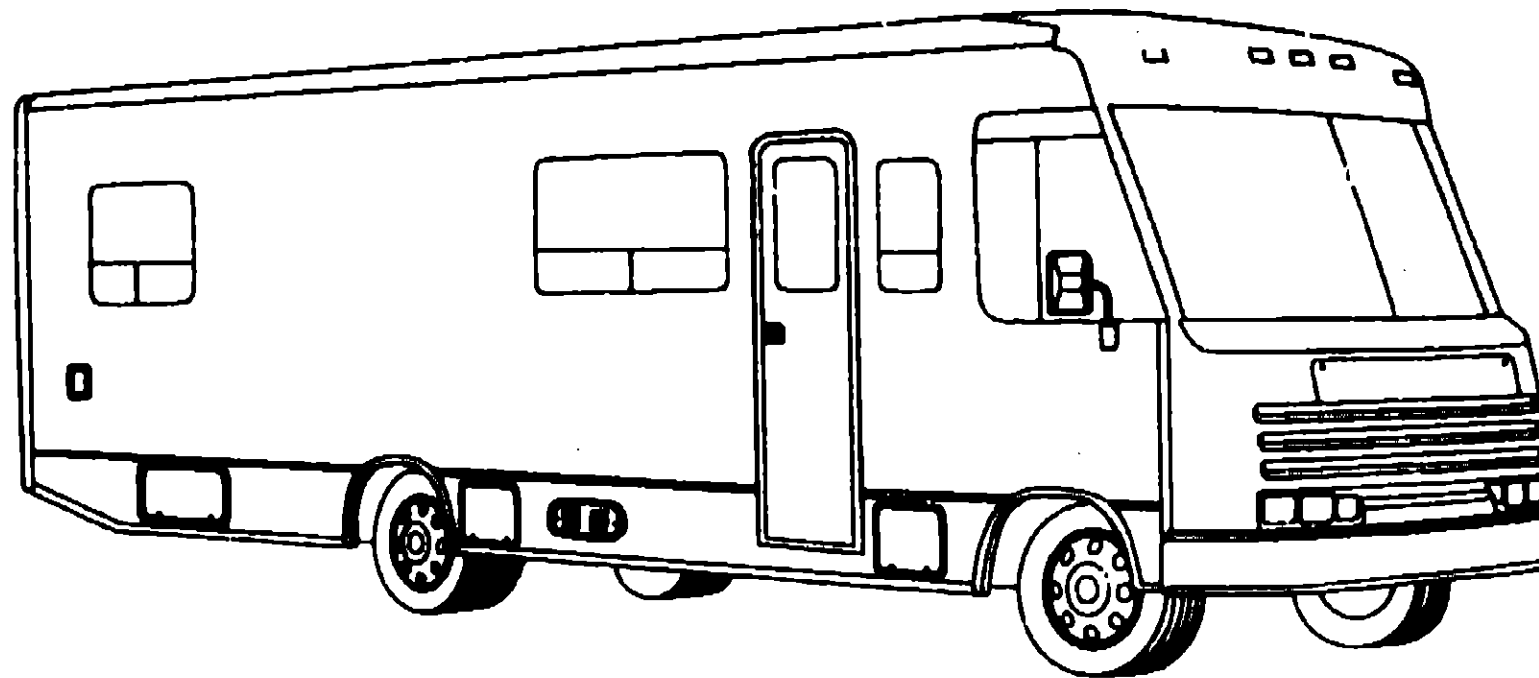
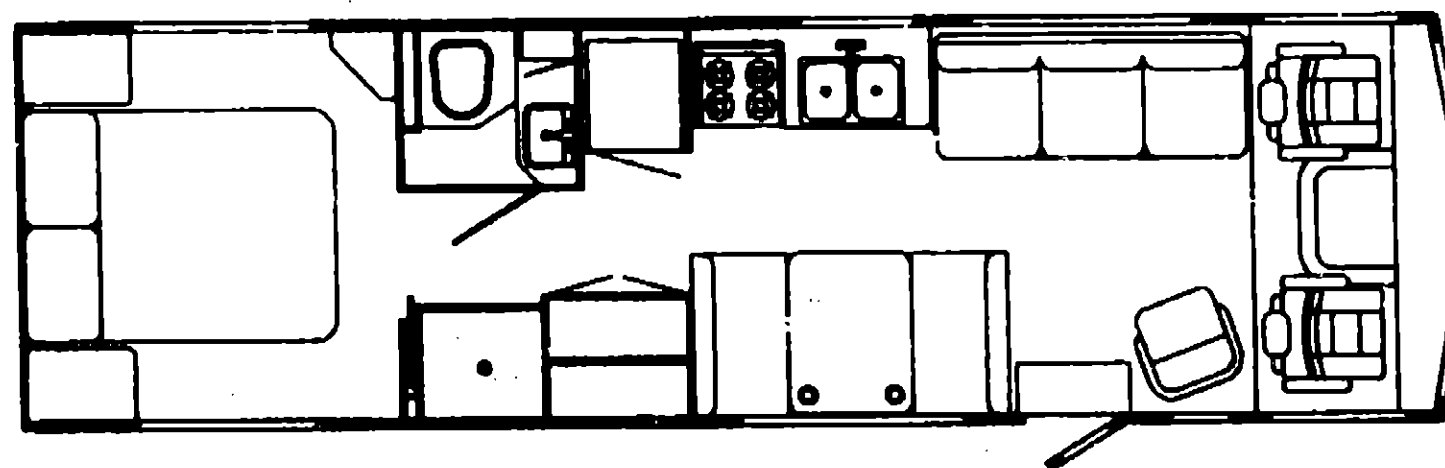
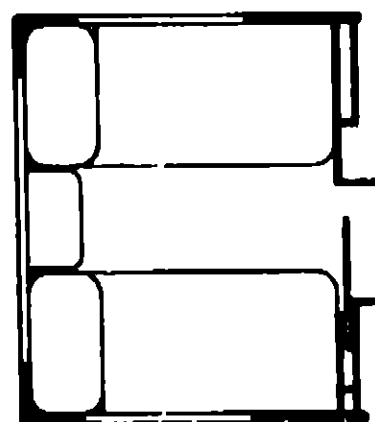


1993 ICF31RQ D32 D33 D34



1993 ITASCA TABLE OF CONTENTS

INTRODUCTION	A-01	A-02
ABBREVIATIONS		A-03
ALPHABETICAL INDEX	A-04	A-08
ICF23RC	A-07	E-16
ICF31RQ	E-17	J-18



1993 ICF31RQ INDEX

FLOOR PLAN	E-17	E-18
ACCESSORIES		E-19
AUDIO VIDEO	E-20	E-21
BATH	E-22	E-24
BEDROOM	F-01	F-03
CHASSIS	F-04	F-17
CURTAIN & CUSHION	F-18	G-04
DINETTE	G-05	G-08
DRIVERS COMPARTMENT	G-07	G-12
ELECTRICAL	G-13	G-20
EXTERIOR BODY	G-21	H-04
GALLEY	H-05	H-09
GENERATOR	H-10	H-11
HEATING & AC	H-12	H-18
INTERIOR FINISH	H-19	H-22
LABELS	H-23	I-07
LP		I-08
LOUNGE	I-09	I-10
SEALANTS & FASTENERS	I-11	I-14
WATER & SEWAGE	I-15	I-20
WINDOW, VENT AND EXTERIOR DOOR	I-21	J-18
WINDSHIELDWIPER	J-17	J-18

**ACCESSORIES GROUP
OPERATOR MANUAL**

KEY	PART NUMBER	U/M DESCRIPTION
	084188-02-000	EA MANUAL OPERATOR SS SUNRISE - F-SERIES
	088218-01-000	EA BINDER-3 RING, MOTOR HOME MANUAL
	088318-01-000	EA POCKET PAGE-3 RING BINDER, PLASTIC
	108228-01-000	DW TOP LEVEL DRAWING-F, 1993

**AUDIO VIDEO GROUP
PATIO ENTERTAINMENT CENTER**

KEY	PART NUMBER	U/M DESCRIPTION
	080882-01-000	EA BRACKET-HAT, ANTENNA - 3.1" X 3.9" - STEEL - BLACK FROM: 00-00-00 THRU: 11-30-92
	108947-01-000	EA BRACKET-ANTENNA GROUND FROM: 12-01-92 THRU: 99-99-99
	073741-03-000	EA SPEAKER-RADIO, OVAL - AUDIOVOX 110-2074 - 4" X 6" FROM: 00-00-00 THRU: 12-20-92
	110489-01-000	EA SPEAKER-4" X 6", OVAL - MAGNADYNE F46XB-12 FROM: 12-21-92 THRU: 99-99-99
	073741-04-000	EA GRILLE-SPEAKER, OVAL - 4" X 6" - BLACK FROM: 00-00-00 THRU: 12-20-92
	110470-01-01A	EA GRILLE-SPEAKER, OVAL - 4" X 6" - BLACK - MAGNADYNE G46WI FROM: 12-21-92 THRU: 99-99-99
	087883-01-000	EA RADIO-AM/FM STEREO W/ CASSETTE - AUDIOVOX 144D1559

RADIO SYSTEM & ANTENNA

KEY	PART NUMBER	U/M DESCRIPTION
	104089-01-000	EA RADIO-AM/FM STEREO, CASSETTE - AUDIOVOX IM-DXF FROM: 00-00-00 THRU: 03-10-93
	110287-01-000	EA RADIO-AM/FM STEREO, AUDIOVOX IM-200 FROM: 03-11-93 THRU: 99-99-99
	077089-02-000	EA CABLE-ANTENNA, RADIO - EXTENSION 98" - ARA 8700687
	090944-01-000	EA ANTENNA-RADIO, 18" RUBBER
	097821-02-000	EA MOUNTING KIT-RADIO, AUDIOVOX WMK-AB02 FROM: 00-00-00 THRU: 01-31-93
	081059-02-000	EA WIRE ASM-9-PIN, RADIO - AUDIOVOX 112B-1781
	089340-02-000	EA GRILLE-SPEAKER, 6.5" SQUARE
	089340-03-000	EA SPACER-GRILLE, 6.5" SQUARE - TAN - MAGNADYNE G514
	094097-01-000	EA SPEAKER-RADIO, W/O GRILLE - 5.25" DIA - AUDIOVOX 110C3030
	073741-03-000	EA SPEAKER-RADIO, OVAL - AUDIOVOX 110-2074 - 4" X 6" FROM: 00-00-00 THRU: 12-20-92
	110489-01-000	EA SPEAKER-4" X 6", OVAL - MAGNADYNE F46XB-12 FROM: 12-21-92 THRU: 99-99-99
	073741-04-000	EA GRILLE-SPEAKER, OVAL - 4" X 6" - BLACK FROM: 00-00-00 THRU: 12-20-92
	110470-01-01A	EA GRILLE-SPEAKER, OVAL - 4" X 6" - BLACK - MAGNADYNE G46WI FROM: 12-21-92 THRU: 99-99-99

**1993 ITASCA
TABLE OF CONTENTS**

INTRODUCTION	A-01	A-02
ABBREVIATIONS		A-03
ALPHABETICAL INDEX	A-04	A-08
ICF23RC	A-07	E-18
ICF31RQ	E-17	J-18

1993 ICF31RQ INDEX

FLOOR PLAN	E-17	E-18
ACCESSORIES		E-19
AUDIO VIDEO	E-20	E-21
BATH	E-22	E-24
BEDROOM	F-01	F-03
CHASSIS	F-04	F-17
CURTAIN & CUSHION	F-18	G-04
DINETTE	G-05	G-08
DRIVERS COMPARTMENT	G-07	G-12
ELECTRICAL	G-13	G-20
EXTERIOR BODY	G-21	H-04
GALLEY	H-05	H-09
GENERATOR	H-10	H-11
HEATING & A/C	H-12	H-18
INTERIOR FINISH	H-19	H-22
LABELS	H-23	I-07
LP		I-08
LOUNGE	I-09	I-10
SEALANTS & FASTENERS	I-11	I-14
WATER & SEWAGE	I-15	I-20
WINDOW, VENT AND		
EXTERIOR DOOR	I-21	J-16
WINDSHIELDWIPER	J-17	J-18

AUDIO VIDEO GROUP (CONTINUED)
TV ANTENNA

KEY	PART NUMBER	U/M DESCRIPTION
	078319-12-000	EA CONNECTOR-COAXIAL, ONE PIECE
	088184-01-000	EA ADAPTER-TV, CABLE TO CABLE - WINEGARD F-81M
	088728-01-000	EA SPLITTER-TV, 2 WAY
	078319-03-000	FT CABLE-COAXIAL, 75 OHM
	078319-01-000	EA ANTENNA-TV, ROOF MOUNT - 44.5' MAST - RVA W02
	078319-01-700	EA HEAD-ANTENNA, AMPLIFIED - WINEGARD# RVSA LUV
	078319-01-701	EA GEAR-ELEVATING, PLASTIC - WINEGARD# 2200048
	078319-01-702	EA SHAFT ASM-ELEVATING, WINEGARD# RVP-400A
	078319-01-703	EA BEARING-NYLON, 5"OD - WINEGARD# 3200868
	078319-01-705	EA GROMMET-NYLON, 7/8"O - WINEGARD# 3200868
	078319-01-706	EA CRANK-ELEVATING, W/BET SCREW - WINEGARD# 5755100
	078319-01-707	EA SPRING-HANDLE, WINEGARD# 5180800
	078319-01-708	EA PLATE-DIRECTIONAL, FOR HEAD - WINEGARD #3200844
	078319-08-000	EA ADAPTOR-CABLE ROOF PLATE, WINEGARD RPJ-1
	078319-08-000	EA WALLPLATE-CABLE RECEPTACLE, TV - SINGLE - IVORY
	078319-08-000	EA WALLPLATE-CABLE RECEPTACLE, TV - SINGLE - BROWN
	088777-01-000	EA WALLPLATE-TV CABLE, WANTENNA SWITCH - IVORY
	088777-03-000	EA PLATE-WALL, CABLE - WTV ANTENNA SWITCH & BOOSTER - IVORY
		FROM: 00-00-00 THRU: 04-14-93
	088777-05-000	EA PLATE-WALL, ANTENNA - 1 OUTPUT - IVORY - WINEGARD RV-0921
		FROM: 04-15-93 THRU: 99-99-99
	088717-01-000	EA TIEDOWN-TV, STRAP ON FEMALE END IS 22.8" LONG
	088717-02-000	EA TIEDOWN-TV, STRAP ON FEMALE END IS 28.7" LONG
	088758-01-000	EA SPLITTER-TV, 2 WAY

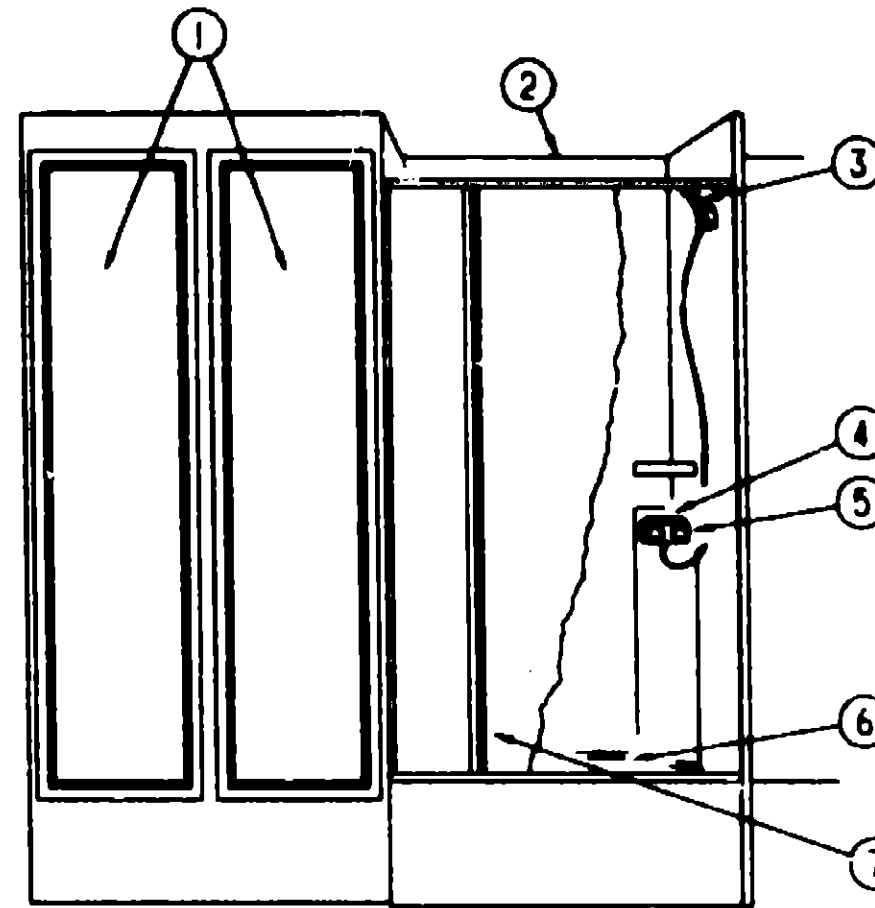
TV, VCR & CONTROL CENTER

KEY	PART NUMBER	U/M DESCRIPTION
	088447-03-000	EA TV-13", COLOR W/REMOTE - U.S. - MAGNAVOX RR1337W
	088447-03-700	EA REMOTE-TV, MAGNAVOX RR1337W & RR1330W
	088447-04-000	EA TV-13", COLOR W/REMOTE - CANADIAN - MAGNAVOX RR1330W
	088447-03-700	EA REMOTE-TV, MAGNAVOX RR1337W & RR1330W
	082310-02-000	EA TV-COLOR, 9" - AC/DC - W/REMOTE - MAGNAVOX RD0945
	082310-02-700	EA REMOTE-TV, MAGNAVOX RD0945
	088448-03-000	EA VCR-VHS CABLE READY W/REMOTE - MAGNAVOX VR9010
		FROM: 00-00-00 THRU: 10-04-92
	088448-03-700	EA REMOTE F/MODEL #9010 - MAGNAVOX 0974588
	088448-04-000	EA VCR-VHS CABLE READY W/REMOTE - MAGNAVOX VR9110
		FROM: 10-05-92 THRU: 99-99-99
	088448-04-700	EA REMOTE F/MODELS #9110 & #9120 - MAGNAVOX 0974588
	088819-01-000	EA SPEAKER-2 WATT, 8 OHM - 4"
	083214-01-02A	EA GRILLE-SPEAKER, 4" BROWN
	088757-03-000	EA CONTROL CENTER-SWITCH, VCR/TV - MAGNADYNE VCS-8

CB ANTENNA

KEY	PART NUMBER	U/M DESCRIPTION
	105248-01-000	EA ANTENNA-CB, ADVANCE 8804

BATH GROUP



BATHROOM CABINET & COMPONENTS

KEY	PART NUMBER	U/M DESCRIPTION
	P04748-49-D32	EA DOOR ASM-W/O HARDWARE - 410X1880
	P07330-05-D09	EA DRAWER COMPL-SLIDE
		FROM: 00-00-00 THRU: 10-17-92
	P07330-07-D09	EA DRAWER COMPL-SLIDE
		FROM: 10-18-92 THRU: 99-99-99
	103771-12-C03	EA SHELF ASM
	101805-01-J1A	EA SURROUND-SHOWER, OFF WHITE
	103092-02-000	EA SHOWER HEAD-W/HOSE, CANADIAN
	103092-01-000	EA SHOWER HEAD-W/O HOSE, US
	103092-01-700	EA BRACKET ONLY-CLEAR FOR SHOWER
	075608-01-000	EA PANEL-F/FAUCET BACK, SHOWER - 5" X 9" - PLASTIC
	075241-05-000	EA FAUCET-SHOWER, BONE
	M02429-07-000	EA PAN-SHOWER
	088438-01-000	EA NUT-SLIP, TAILPIECE - 1.5"
	088440-01-000	EA STRAINER-SHOWER, W/RUBBER WASHER
	089318-01-000	EA DOOR-SHOWER, HINGED - W/GOLD FRAME - PLASTIC - 29.8" WIDE
	089318-02-000	EA JAMB-EXPANDER
	057871-01-000	EA COVER-SCREW, #8 - PLASTIC - OFF WHITE
	089318-01-700	EA STRAP F/SHOWER DOOR
	089318-01-701	EA VINYL SWEEP
	089318-01-702	EA BUSHING WARM
	082574-01-703	EA GOLD DOOR FULL
	082574-01-704	EA SCREW-GOLD, #6 3/8 - COASTAL 638G
	082574-01-705	EA MAGNETIC STRIP-#8 9" - COASTAL 98-41
	082574-01-707	EA PIVOT BUSHING - 18712B

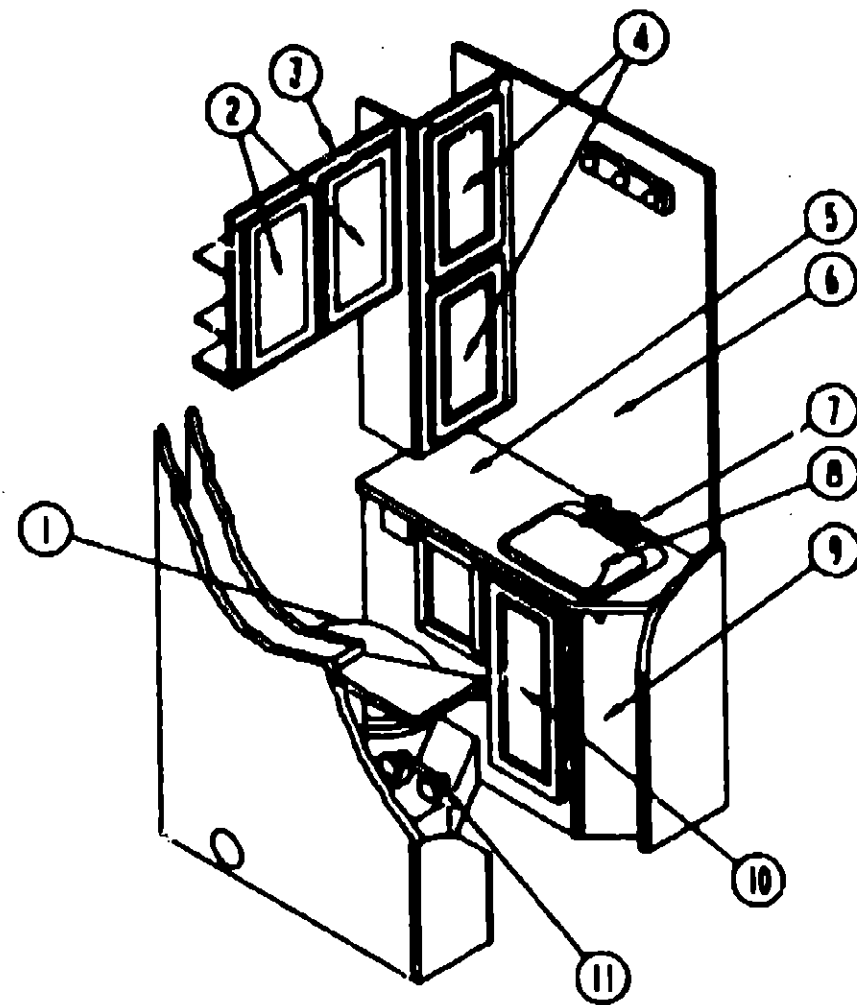
1983 ITASCA
TABLE OF CONTENTS

INTRODUCTION	A-01	A-02
ABBREVIATIONS		A-03
ALPHABETICAL INDEX	A-04	A-08
ICF23RC	A-07	E-18
ICF31RO	E-17	J-18

1983 ICF31RQ INDEX

FLOOR PLAN	E-17	E-18
ACCESSORIES		E-19
AUDIO VIDEO	E-20	E-21
BATH	E-22	E-24
BEDROOM	F-01	F-03
CHASSIS	F-04	F-17
CURTAIN & CUSHION	F-18	G-04
DINETTE	G-05	G-08
DRIVERS COMPARTMENT	G-07	G-12
ELECTRICAL	G-13	G-20
EXTERIOR BODY	G-21	H-04
GALLEY	H-05	H-09
GENERATOR	H-10	H-11
HEATING & A/C	H-12	H-18
INTERIOR FINISH	H-19	H-22
LABELS	H-23	I-07
LP		I-08
LOUNGE	I-09	I-10
SEALANTS & FASTENERS	I-11	I-14
WATER & SEWAGE	I-15	I-20
WINDOW, VENT AND		
EXTERIOR DOOR	I-21	J-18
WINDSHIELDWIPER	J-17	J-18

BATH GROUP (CONTINUED)
BATHROOM CABINET & COMPONENTS



KEY	PART NUMBER	U/M	DESCRIPTION
1	087487-02-000	EA	TOILET-12.37, IVORY - FOOT FLUSH - THETFORD
	083740-01-700	EA	LEVER-WATER, THETFORD 12814
	083740-01-708	EA	BOLT PACKAGE-CLOSET, THETFORD 12824
	083740-01-710	EA	LINK, THETFORD 12813
	083740-01-713	EA	SEAL-RAIL VALVE TO BOWL, THETFORD 12502
	083740-01-714	EA	VALVE ASM-WATER, THETFORD 12482
	083740-01-717	EA	TUBE-FLUSH, TOILET - THETFORD 12508
	083740-02-700	EA	SEAT & COVER, PARCHMENT - THETFORD 20829
	083841-01-000	EA	FLANGE-CLOSET, TOILET - 4" X 3" - US
	024878-02-000	EA	FLANGE-CLOSET, 4" X 3" - ABS - CANADIAN
2	P04748-14-D32	EA	DOOR-W/O HARDWARE - 285X500
3	P03771-01-C06	EA	CABINET ASM-LINEN
4	P04748-08-D32	EA	DOOR-W/O HARDWARE - 285X500
5	108300-11-D32	EA	COUNTERTOP ASM
6	058331-51-000	EA	MIRROR-GLASS, SAFETY - 680X1018MM
7	075240-08-000	EA	FAUCET-LAVATORY, BONE
	091253-01-000	EA	GASKET-FAUCET, LAVATORY/GALLEY
8	098927-01-01A	EA	SINK-LAVATORY, RECTANGULAR - PLASTIC - BONE
	098927-01-700	EA	SINK-STOPPER
	098927-01-701	EA	TAILPIECE-SINK
9	P08300-01-D32	EA	CABINET ASM-LAVATORY
10	P04748-54-D32	EA	DOOR-W/O HARDWARE - 285X500
11	075452-02-000	EA	HOLDER-TOILET TISSUE, BRASS
	075453-02-000	EA	BAR-TOWEL, 18" BRASS
	100357-01-000	EA	ROD-TOWEL, BRASS W/ENDS BENT FOR BACK OF BATH DOOR
	102089-13-B07	EA	WOOD RAIL - TOWEL RACK - RIGHT SIDE - 28" LONG
	102089-14-B07	EA	WOOD RAIL - TOWEL RACK - LEFT SIDE - 28" LONG
	M87888-10-C05	EA	DOOR-CABINET BATH
	094485-01-01A	EA	KNOB-DOOR, POLISHED BRASS
	094485-02-01A	EA	KNOB-DOOR, BRASS - INTERTEK YDLC20
	102820-01-01A	EA	HINGE-DOOR, SPRING LOADED - BRASS
	084467-01-000	EA	GUIDE-POCKET, SLIDING DOOR - WALL MOUNTED
	104013-02-C05	EA	DOOR ASM-SLIDING
	103874-01-000	EA	HANGER-SLIDING DOOR

FROM: 00-00-00 THRU: 09-23-92
 FROM: 09-24-92 THRU: 99-99-99
 FROM: 00-00-00 THRU: 07-15-92

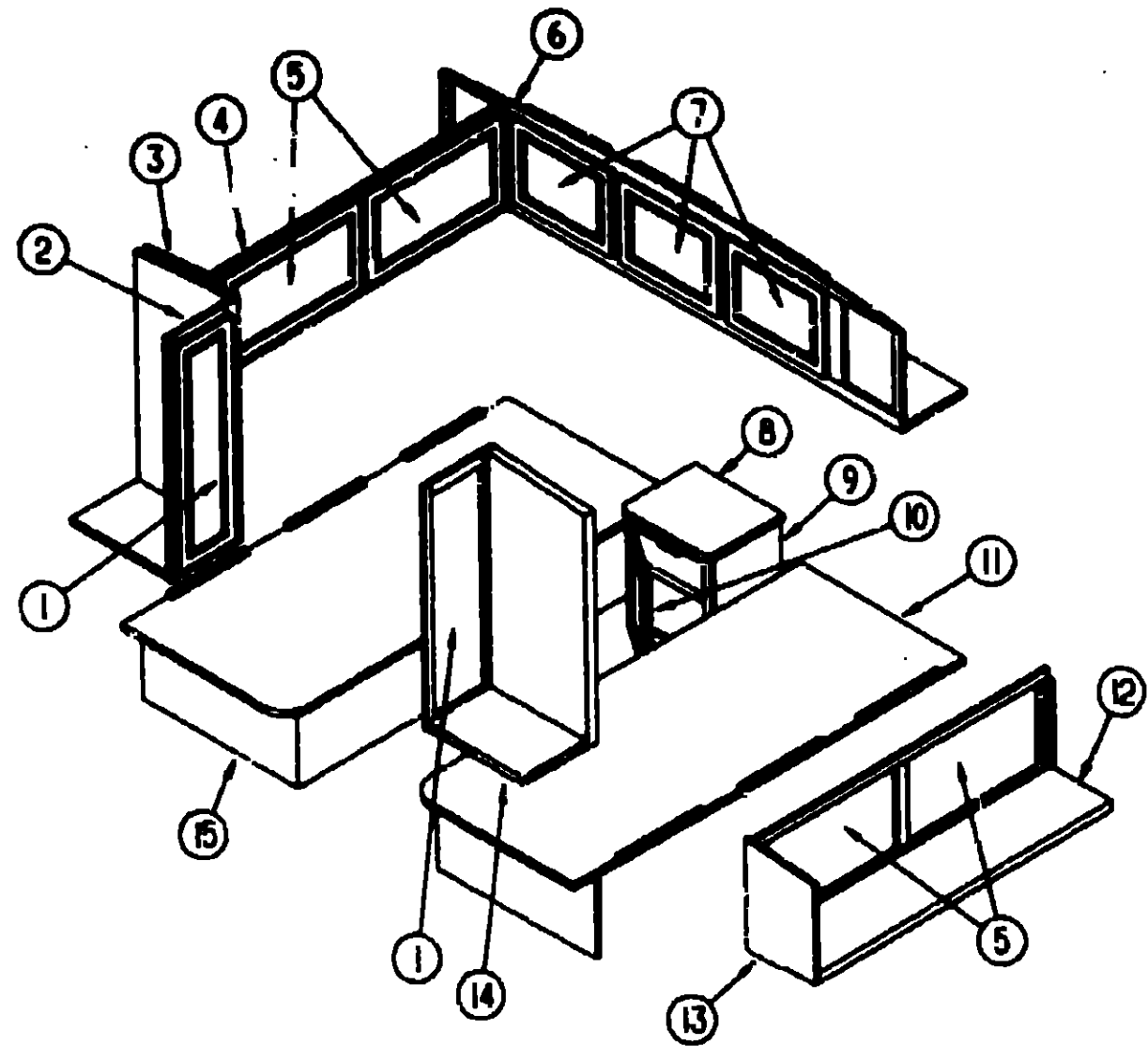
1993 ITASCA
TABLE OF CONTENTS

INTRODUCTION	A-01	A-02
ABBREVIATIONS		A-03
ALPHABETICAL INDEX	A-04	A-08
ICF23RC	A-07	E-18
ICF31RQ	E-17	J-18

1993 ICF31RQ INDEX

FLOOR PLAN	E-17	E-18
ACCESSORIES		E-19
AUDIO VIDEO	E-20	E-21
BATH	E-22	E-24
BEDROOM	F-01	F-03
CHASSIS	F-04	F-17
CURTAIN & CUSHION	F-18	G-04
DINETTE	G-05	G-08
DRIVERS COMPARTMENT	G-07	G-12
ELECTRICAL	G-13	G-20
EXTERIOR BODY	G-21	H-04
GALLEY	H-06	H-09
GENERATOR	H-10	H-11
HEATING & AC	H-12	H-18
INTERIOR FINISH	H-19	H-22
LABELS	H-23	I-07
LP		I-08
LOUNGE	I-09	I-10
SEALANTS & FASTENERS	I-11	I-14
WATER & SEWAGE	I-15	I-20
WINDOW, VENT AND		
EXTERIOR DOOR	I-21	J-16
WINDSHIELD/AMPER	J-17	J-18

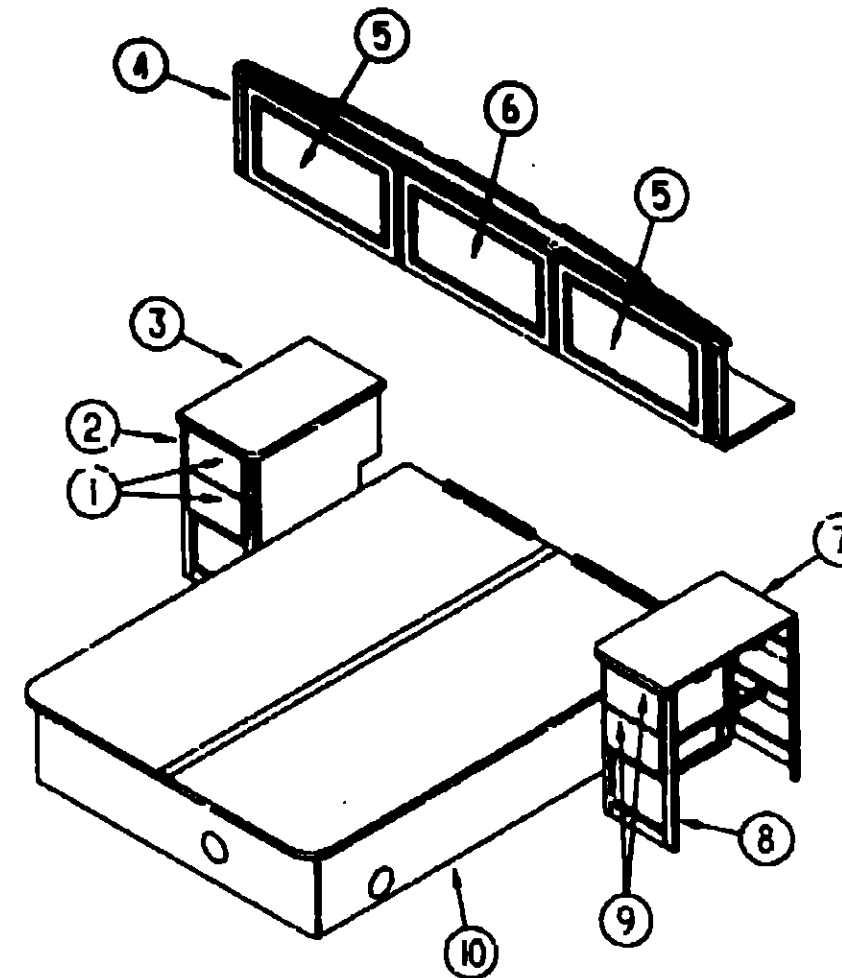
BEDROOM GROUP



TWIN BEDROOM CABINETY

KEY	PART NUMBER	U/M DESCRIPTION
1	P04746-27-D32	EA DOOR ASM-W/O HARDWARE - 305X1015
2	106307-01-C05	EA CABINET ASM-SHIRT CLOSET, W/O DOORS & HARDWARE
3	103128-02-C05	EA CAP ASM-END,OVERHEAD
4	M05019-52-D32	EA CABINET ASM-OVERHEAD REAR, W/O DOORS & HARDWARE
5	P04746-03-D32	EA DOOR ASM-W/O HARDWARE - 400X710
6	P08814-01-D32	EA CABINET ASM-OVERHEAD REAR, W/O DOORS & HARDWARE
7	M05908-02-D32	EA DOOR ASM-W/O HARDWARE - 400 X 520
7	P04746-05-D32	EA DOOR ASM-W/O HARDWARE - 400 X 520
		FROM: 00-00-00 THRU: 08-02-92
		FROM: 08-03-92 THRU 99-99-99
8	103778-11-D32	EA COUNTERTOP ASM
9	103778-01-D32	EA CABINET ASM-NIGHTSTAND, W/O DOORS & HARDWARE
10	P04746-16-D32	EA DOOR ASM-W/O HARDWARE - 365X455
11	P06305-01-C05	EA CABINET ASM-BED,TWIN LEFT
12	M05019-60-D32	EA CABINET ASM-OVERHEAD, W/O DOORS & HARDWARE
13	103128-01-C05	EA CAP ASM-END,OVERHEAD
14	106316-01-C05	EA CABINET ASM-SHIRT CLOSET, W/O DOORS & HARDWARE
15	P06304-01-C05	EA CABINET ASM-BED,TWIN RIGHT

BEDROOM GROUP (CONTINUED)



QUEEN BEDROOM CABINETY

KEY	PART NUMBER	U/M DESCRIPTION
1	P07104-A3-D32	EA DRAWER COMPLETE-SLIDE,OGEE - 155 X 288
2	M05770-01-D32	EA CABINET ASM-NIGHTSTAND, W/O DOORS & HARDWARE
	M05770-02-D32	EA CABINET ASM-NIGHTSTAND, W/EXTERIOR SHOWER
3	106306-11-D32	EA COUNTERTOP ASM
4	M05159-16-D32	EA CABINET ASM-OVERHEAD, W/O DOORS & HARDWARE
5	P04746-04-D32	EA DOOR ASM-W/O HARDWARE - 400 X 710
6	P04746-05-D32	EA DOOR ASM-W/O HARDWARE - 400 X 520
7	104362-11-D32	EA COUNTERTOP ASM
8	104362-01-D32	EA CABINET ASM-NIGHTSTAND, W/O DOORS & HARDWARE
9	P07104-98-D32	EA DRAWER COMPL-SLIDE,OGEE - 155 X 288
10	P06303-01-C05	EA CABINET ASM-BED,QUEEN
	107540-01-000	EA BRACKET-90 DEGREE,GAS SPRING - SPRING L SL58RP1
	107541-01-000	EA BRACKET-FLAT,GAS SPRING - SPRING L SL40P1
	089076-03-000	EA SUPPORT-BED, H-CHANNEL - 1 96' X 72 7' - ALUMINUM - BEIGE

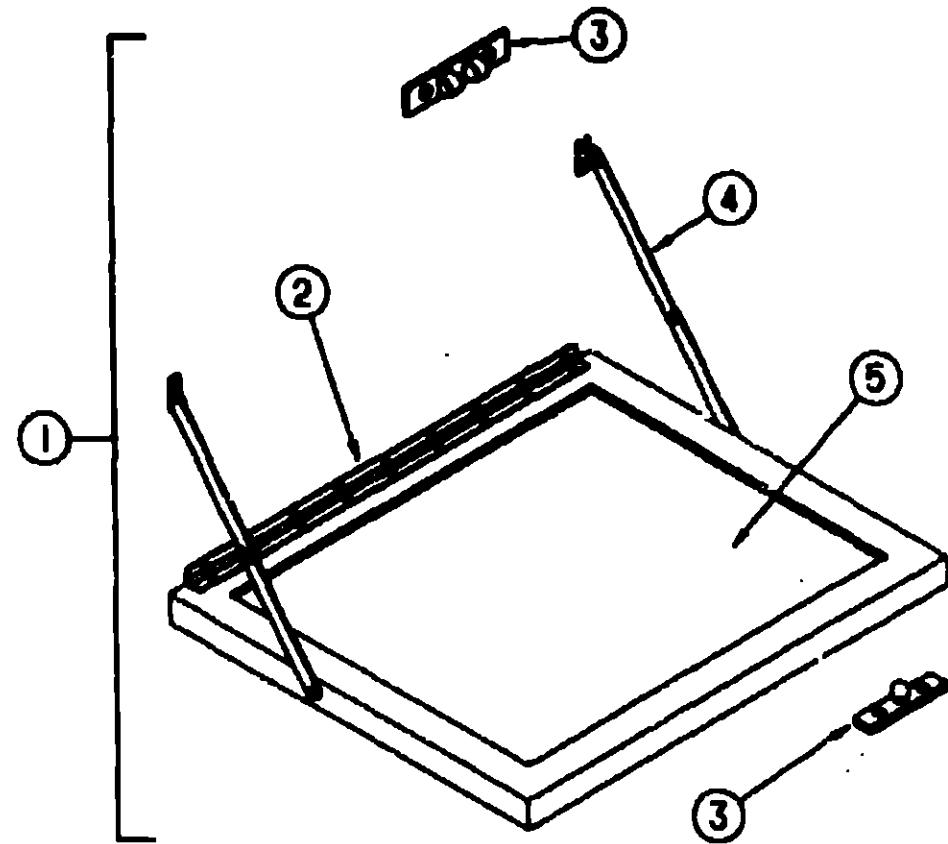
**1983 ITASCA
TABLE OF CONTENTS**

INTRODUCTION	A-01 -	A-02
ABBREVIATIONS		A-03
ALPHABETICAL INDEX	A-04 -	A-06
ICF23RC	A-07 -	E-16
ICF31RQ	E-17 -	J-18

1983 ICF31RQ INDEX

FLOOR PLAN	E-17 -	E-18
ACCESSORIES		E-19
AUDIO VIDEO	E-20 -	E-21
BATH	E-22 -	E-24
BEDROOM	F-01 -	F-03
CHASSIS	F-04 -	F-17
CURTAIN & CUSHION	F-18 -	G-04
DINETTE	G-05 -	G-06
DRIVERS COMPARTMENT	G-07 -	G-12
ELECTRICAL	G-13 -	G-20
EXTERIOR BODY	G-21 -	H-04
GALLEY	H-05 -	H-09
GENERATOR	H-10 -	H-11
HEATING & A/C	H-12 -	H-18
INTERIOR FINISH	H-19 -	H-22
LABELS	H-23 -	I-07
LP		I-08
LOUNGE	I-09 -	I-10
SEALANTS & FASTENERS	I-11 -	I-14
WATER & SEWAGE	I-15 -	I-20
WINDOW, VENT AND EXTERIOR DOOR	I-21 -	J-16
WINDSHIELD/WIPER	J-17 -	J-18

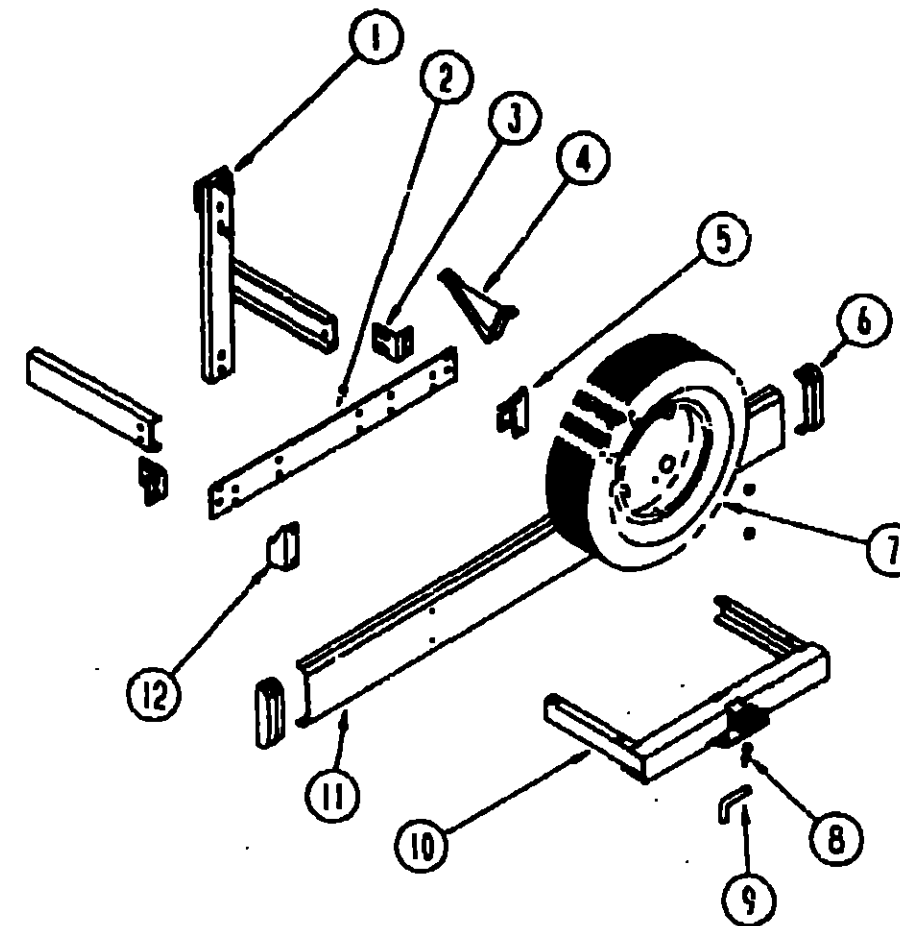
BEDROOM GROUP (CONTINUED)



TV STAND

KEY	PART NUMBER	U/M DESCRIPTION
1	084357-02-W24	EA STAND-FOLD DOWN, TV - W/MIRROR
2	084413-01-000	EA HINGE-CONTINUOUS, W/HOLES
3	084451-01-C00	EA CATCH-TV SHELF, BRASS
4	084412-01-000	EA SUPPORT-HINGED (PAIR)
5	084356-08-000	EA INSERT-TV STAND, W/SUPPORT HINGE - METAL - OFF WHITE
5	C58331-14-000	EA MIRROR-GLASS, SAFETY - 14" X 12.7"
5	052859-01-W30	EA TRIM-EDGE, VINYL - 1.5" WIDE - BEIGE

CHASSIS GROUP



REAR BUMPER, TRAILER HITCH & COMPONENTS

KEY	PART NUMBER	U/M DESCRIPTION
1	102944-01-000	EA BRACKET ASM-TIRE CARRIER
2	078678-02-000	EA PLATE-MOUNTING, BUMPER - REAR
3	078668-01-000	EA SUPPORT ANGLE-BUMPER, REAR
4	083376-01-000	EA SKID PLATE
5	102945-03-000	EA BRACKET ASM-BUMPER, REAR
6	103228-01-03A	EA CAP-END, BUMPER - REAR - ASH GRAY - DR. OR PASS. SIDE
	094362-02-000	EA CLIP-CHRISTMAS TREE, FLAT HEAD - .5" X .95"
7	083425-07-000	EA TIRE-7.50XR16 LRD, MICHELIN XPS RIB - GAS
7	007324-04-000	EA TIRE-8R19.5 LRD, MICHELIN X2A - DIESEL OPTION
	051377-01-000	EA STEM-VALVE, TR 500 - DIESEL OPTION
	051377-03-000	EA STEM-VALVE, TRO 600HF - GAS
8	034513-01-000	EA PIN-HITCH-3/16 WIRE
9	034512-01-000	EA PIN-LOCKING-DRAWBAR
10	077617-01-000	EA HITCH ASM W/O DRAWBAR
11	103099-01-04A	EA BUMPER-REAR, ASH GRAY
12	102945-04-000	EA BRACKET ASM-BUMPER, REAR
	097744-02-000	EA HOUSING-TRAILER PIN 48"
	097745-02-000	EA HOUSING-RECEPTACLE, TRAILER - 48" WIRE LENGTH
	097745-01-000	EA HOUSING-CAP

**1993 ITASCA
TABLE OF CONTENTS**

INTRODUCTION	A-01 -	A-02
ABBREVIATIONS		A-03
ALPHABETICAL INDEX	A-04 -	A-08
ICF23RC	A-07 -	E-16
ICF31RC	E-17 -	J-18

1993 ICF31RQ INDEX

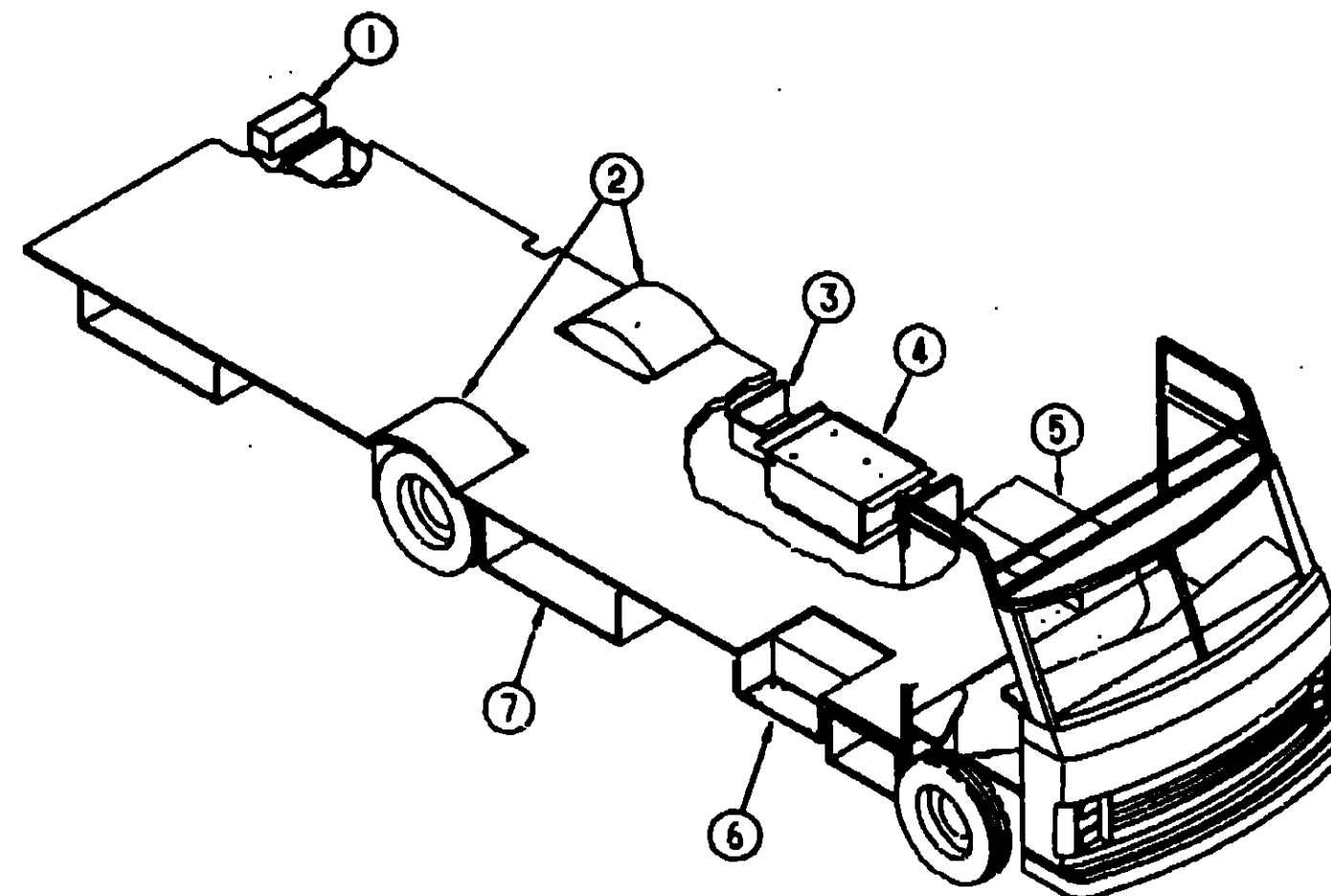
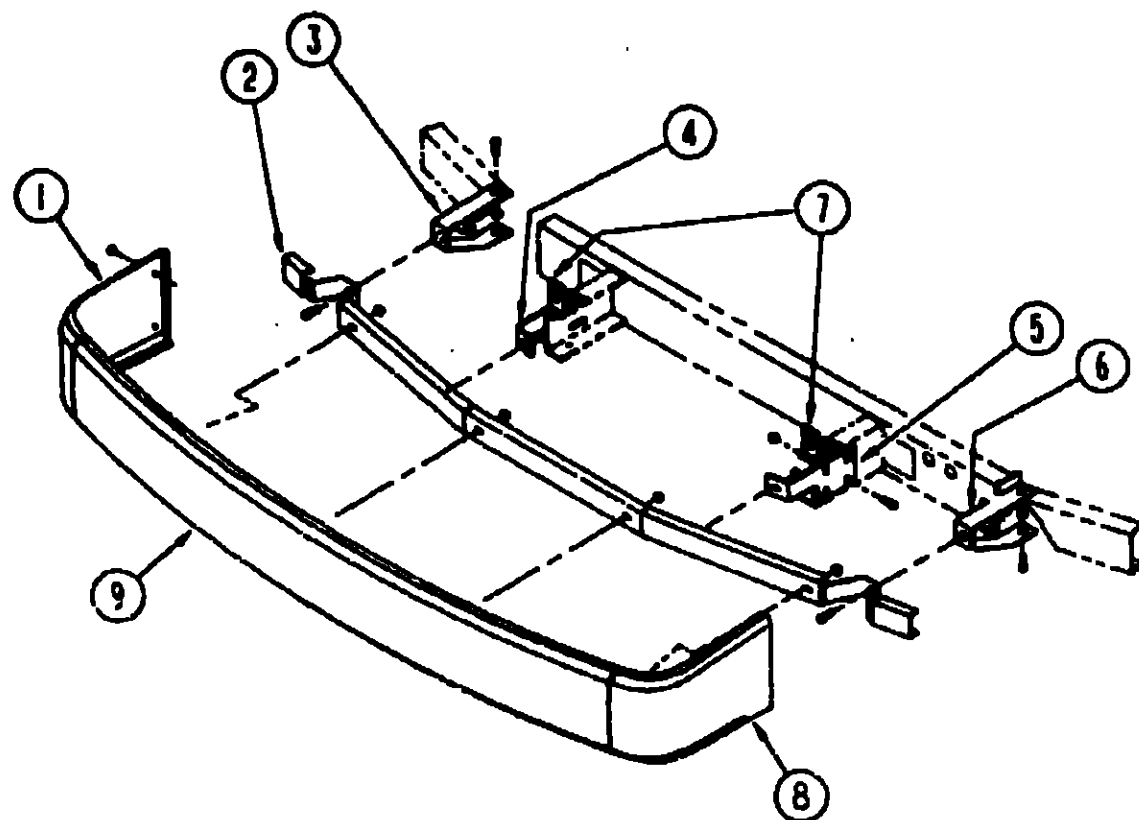
FLOOR PLAN	E-17 -	E-18
ACCESSORIES		E-19
AUDIO VIDEO	E-20 -	E-21
BATH	E-22 -	E-24
BEDROOM	F-01 -	F-03
CHASSIS	F-04 -	F-17
CURTAIN & CUSHION	F-18 -	G-04
DINETTE	G-05 -	G-06
DRIVERS COMPARTMENT	G-07 -	G-12
ELECTRICAL	G-13 -	G-20
EXTERIOR BODY	G-21 -	H-04
GALLEY	H-05 -	H-08
GENERATOR	H-10 -	H-11
HEATING & A/C	H-12 -	H-18
INTERIOR FINISH	H-19 -	H-22
LABELS	H-23 -	I-07
LP		I-08
LOUNGE	I-09 -	I-10
SEALANTS & FASTENERS	I-11 -	I-14
WATER & SEWAGE	I-15 -	I-20
WINDOW, VENT AND		
EXTERIOR DOOR	I-21 -	J-16
WINDSHIELD/WIPER	J-17 -	J-18

CHASSIS GROUP (CONTINUED)

CHASSIS GROUP (CONTINUED)

**1993 ITASCA
TABLE OF CONTENTS**

INTRODUCTION	A-01 -	A-02
ABBREVIATIONS		A-03
ALPHABETICAL INDEX	A-04 -	A-06
ICF23RC	A-07 -	E-16
ICF31RQ	E-17 -	J-18



FRONT BUMPER

KEY	PART NUMBER	U/M DESCRIPTION
1	103625-01-03A	EA PANEL-FACIA, BUMPER - FRONT RIGHT - ASH GRAY
2	103512-01-000	EA CHANNEL ASM-BUMPER
3	103497-01-000	EA BRACE-BUMPER,FRONT
4	086140-03-000	EA SUPPORT-FRONT BUMPER, PASSENGER SIDE - 9.1" X 4" - STEEL
5	086140-04-000	EA SUPPORT-FRONT BUMPER, DRIVER SIDE - 9.1" X 4" - STEEL
6	103611-01-000	EA BRACE-BUMPER,FRONT
7	103626-01-000	EA BRACKET-FRONT, LOWER - MOUNTING
8	103625-02-03A	EA PANEL-FACIA, BUMPER - FRONT LEFT - ASH GRAY
9	103634-01-D32	EA BUMPER ASM-FRONT, W/RIGHT & LEFT FACIAS
9	103626-01-03A	EA PANEL-FACIA, BUMPER - FRONT CENTER - ASH GRAY

STORAGE COMPARTMENTS & WHEELWELLS

KEY	PART NUMBER	U/M DESCRIPTION
1	085967-01-000	EA COMPARTMENT-SEWER HOSE, 6" X 6.6" X 17.8" - PLASTIC
2	102921-01-000	EA WHEELWELL - PLASTIC
3	102979-01-000	EA BOX-POWER CORD
4	078137-04-000	EA TRAY-COMPARTMENT, GENERATOR - 29.1" WIDE X 22.4" DEEP
5	103036-02-000	EA COMPARTMENT ASM-STORAGE
6	077848-02-000	EA STEP-PULLOUT
	077848-01-000	EA STEP-PULLOUT, W/BRACKETS - BLACK
	091176-01-000	EA SUPPORT-BASE-ENTRANCE STEP
7	103032-06-000	EA COMPARTMENT ASM-STORAGE
	106208-01-01A	EA COMPARTMENT-EXTERIOR SHOWER, OFF WHITE - PLASTIC
	017516-01-000	EA FLAP-MUD, 14" X 18" - BLACK
	020167-04-000	EA GUARD-DIRT
	020167-05-000	EA GUARD-DIRT
	065450-05-000	EA TIEDOWN-BATTERY, 8.4' TUSE

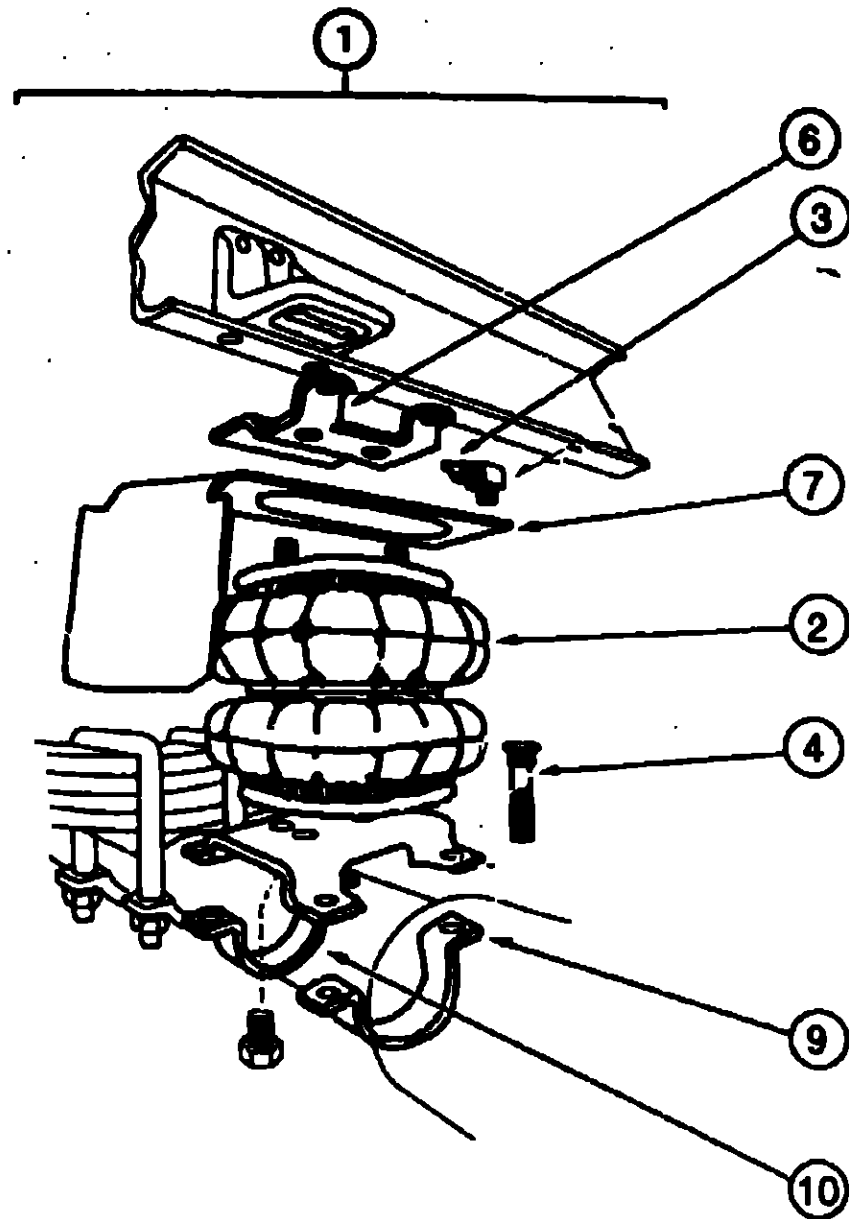
FROM: 00-00-00 THRU: 08-26-92

FROM: 08-27-92 THRU: 99-99-99

1993 ICF31RQ INDEX

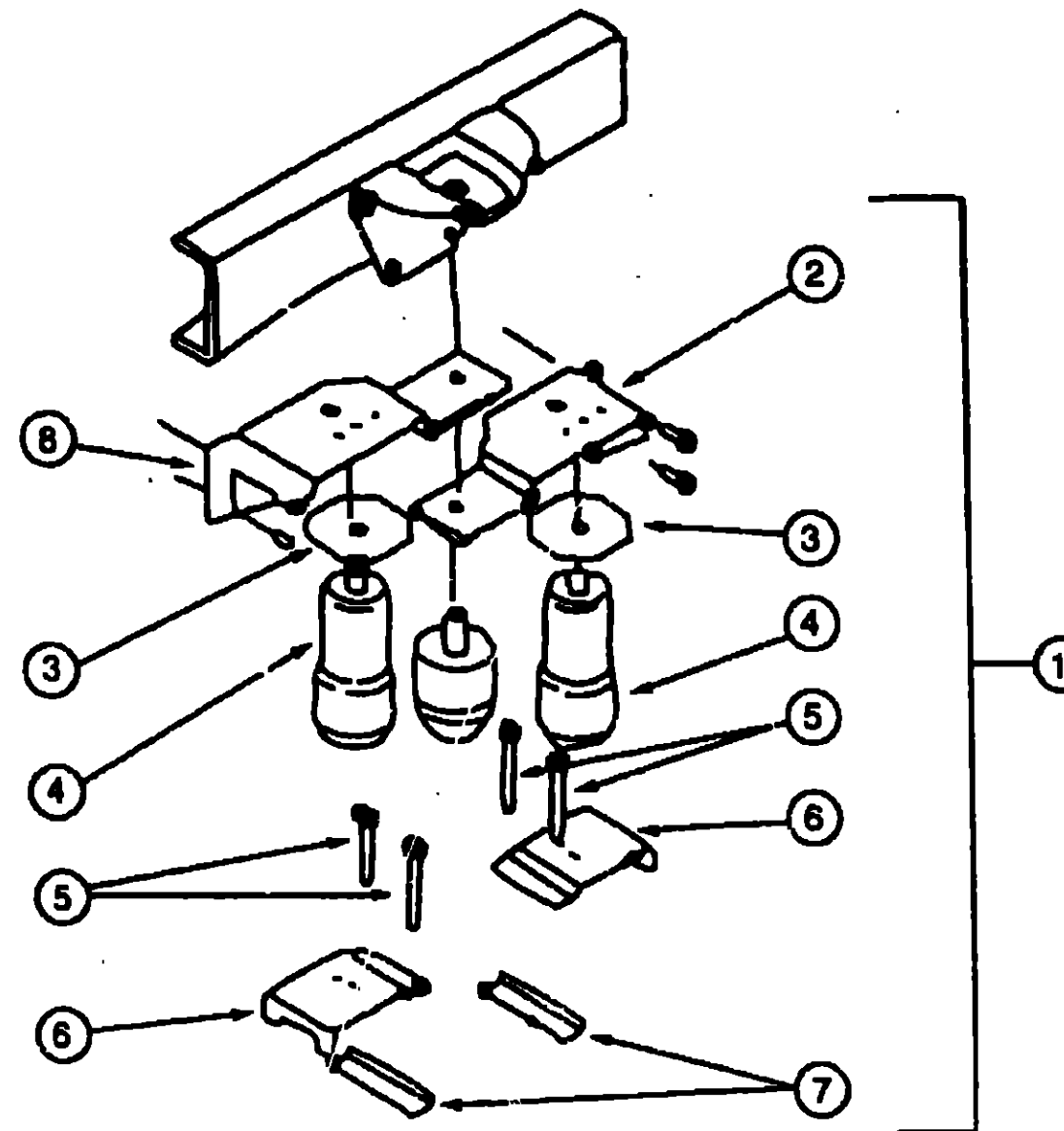
FLOOR PLAN	E-17 -	E-18
ACCESSORIES		E-19
AUDIO VIDEO	E-20 -	E-21
BATH	E-22 -	E-24
BEDROOM	F-01 -	F-03
CHASSIS	F-04 -	F-17
CURTAIN & CUSHION	F-18 -	G-04
DINETTE	G-05 -	G-06
DRIVERS COMPARTMENT	G-07 -	G-12
ELECTRICAL	G-13 -	G-20
EXTERIOR BODY	G-21 -	H-04
GALLEY	H-05 -	H-09
GENERATOR	H-10 -	H-11
HEATING & AC	H-12 -	H-18
INTERIOR FINISH	H-19 -	H-22
LABELS	H-23 -	I-07
LP		I-08
LOUNGE	I-09 -	I-10
SEALANTS & FASTENERS	I-11 -	I-14
WATER & SEWAGE	I-15 -	I-20
WINDOW, VENT AND		
EXTERIOR DOOR	I-21 -	J-16
WINDSHIELDWIPER	J-17 -	J-18

CHASSIS GROUP (CONTINUED)



REAR AXLE AIRSPRINGS
(FROM: 00-00-00 THRU: 08-29-82)

CHASSIS GROUP (CONTINUED)



REAR AXLE AIRSPRING, CHEVY (RIDE RITE)
(FROM: 08-30-82 THRU: 99-04-99)

**1993 ITASCA
TABLE OF CONTENTS**

INTRODUCTION	A-01 -	A-02
ABBREVIATIONS		A-03
ALPHABETICAL INDEX	A-04 -	A-08
ICF23RC	A-07 -	E-16
ICF31RQ	E-17 -	J-18

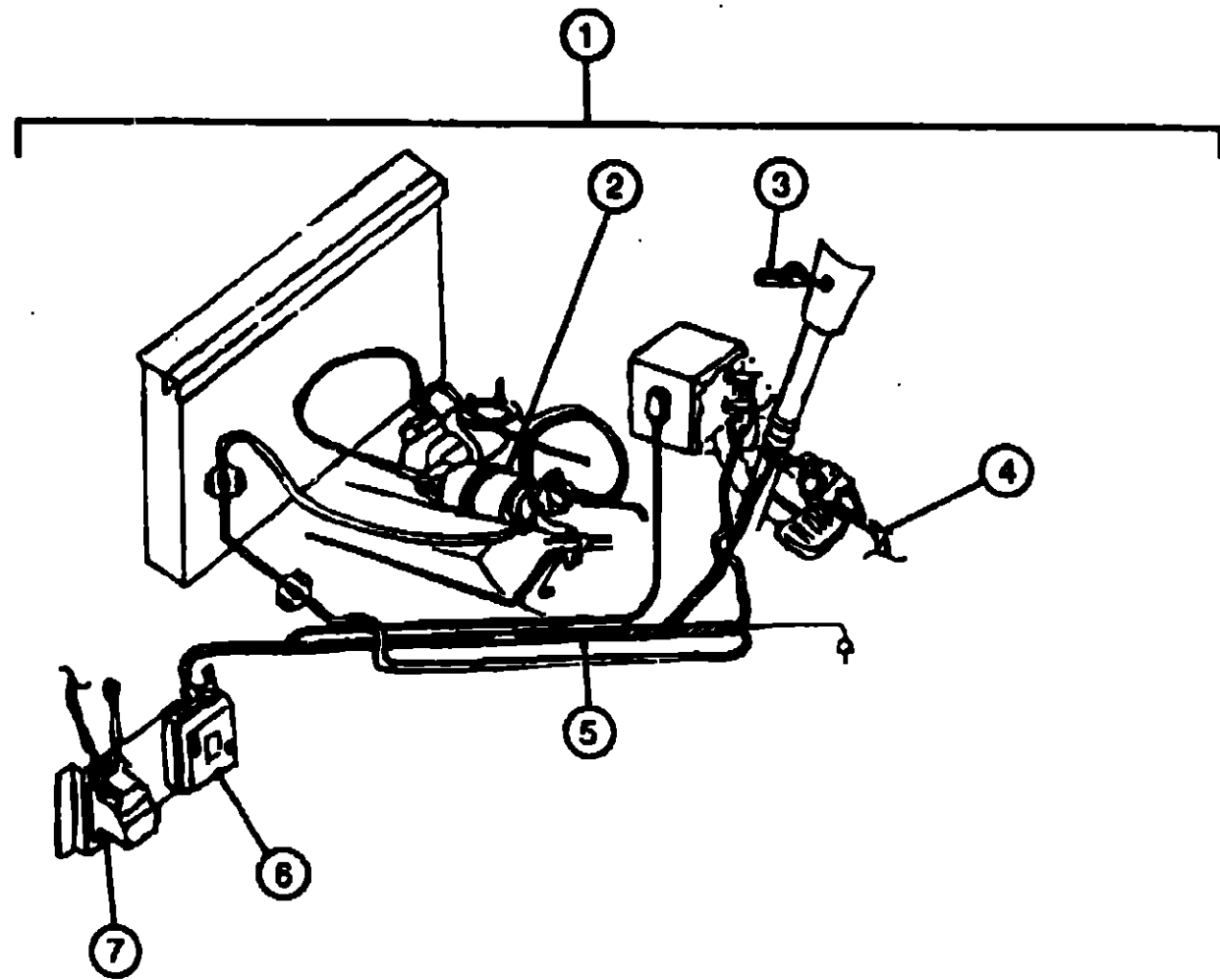
1993 ICF31RQ INDEX

FLOOR PLAN	E-17 -	E-18
ACCESSORIES		E-19
AUDIO VIDEO	E-20 -	E-21
BATH	E-22 -	E-24
BEDROOM	F-01 -	F-03
CHASSIS	F-04 -	F-17
CURTAIN & CUSHION	F-18 -	G-04
DINETTE	G-05 -	G-06
DRIVERS COMPARTMENT	G-07 -	G-12
ELECTRICAL	G-13 -	G-20
EXTERIOR BODY	G-21 -	H-04
GALLEY	H-05 -	H-09
GENERATOR	H-10 -	H-11
HEATING & A/C	H-12 -	H-18
INTERIOR FINISH	H-19 -	H-22
LABELS	H-23 -	I-07
LP		I-08
LOUNGE	I-09 -	I-10
SEALANTS & FASTENERS	I-11 -	I-14
WATER & SEWAGE	I-15 -	I-20
WINDOW, VENT AND		
EXTERIOR DOOR	I-21 -	J-16
WINDSHIELD/AMPER	J-17 -	J-18

KEY	PART NUMBER	U/M DESCRIPTION
1	084086-04-000	EA AIRSPRING-BELLOWS, REAR AXLE - FIRESTONE# MHA224
2	084086-01-700	EA AIR BAG-ONLY, FIRESTONE# W21-760-0335
3	084086-01-701	EA TUBING-DOT 1/4" X 18" - FIRESTONE# 21-0938
4	084086-01-702	EA BOLT-RIBBED NECK, 3/8" - 24 X 2.5" FIRESTONE# 21-0829
	084086-01-705	EA TUBING PROTECTORS, FIRESTONE# 21-0899
6	084086-01-706	EA BRACKET-UPPER TO FRAME, FIRESTONE# 21-0150
7	084086-01-711	EA HEAT SHIELD-224 DOS SYSTEM, FIRESTONE 21-5042
9	084086-01-713	EA AXLE STRAP BRACKET, AXLE TUBE - 3 USED - FIRESTONE 21-1163
10	084086-01-714	EA AXLE STRAP BRACKET, DIFFERENTIAL - 1 USED - FIRESTONE 21-5038
	084086-03-000	EA BRACKET-AXLE, FIRESTONE #W21-760-2044
	084086-04-700	EA BRACKET, LOWER DRIVERS SIDE
	084086-04-701	EA BRACKET, LOWER PASSENGER SIDE

KEY	PART NUMBER	U/M DESCRIPTION
1	084086-05-000	EA AIRSPRING - RIDE RITE KIT - W217602075
2	084086-05-701	EA UPPER BRACKET "A" - 5097
3	084086-05-707	EA SUPPORT PLATE - 5098
4	084086-05-700	EA BELLOWS ONLY (AIR BAG) - 7012
5	084086-05-705	EA CARRIAGE BOLT 3/8" 16X4 1/2" - 21-0899
6	084086-05-703	EA LOWER BRACKET - 5098
7	084086-05-704	EA BRACKET CLAMP - 5086
8	084086-05-702	EA UPPER BRACKET "B" - 5096
	084086-05-706	EA INFLATION VALVE - 3032
	084086-01-701	EA TUBING - DOT 1/4" X 18" - 21-0938

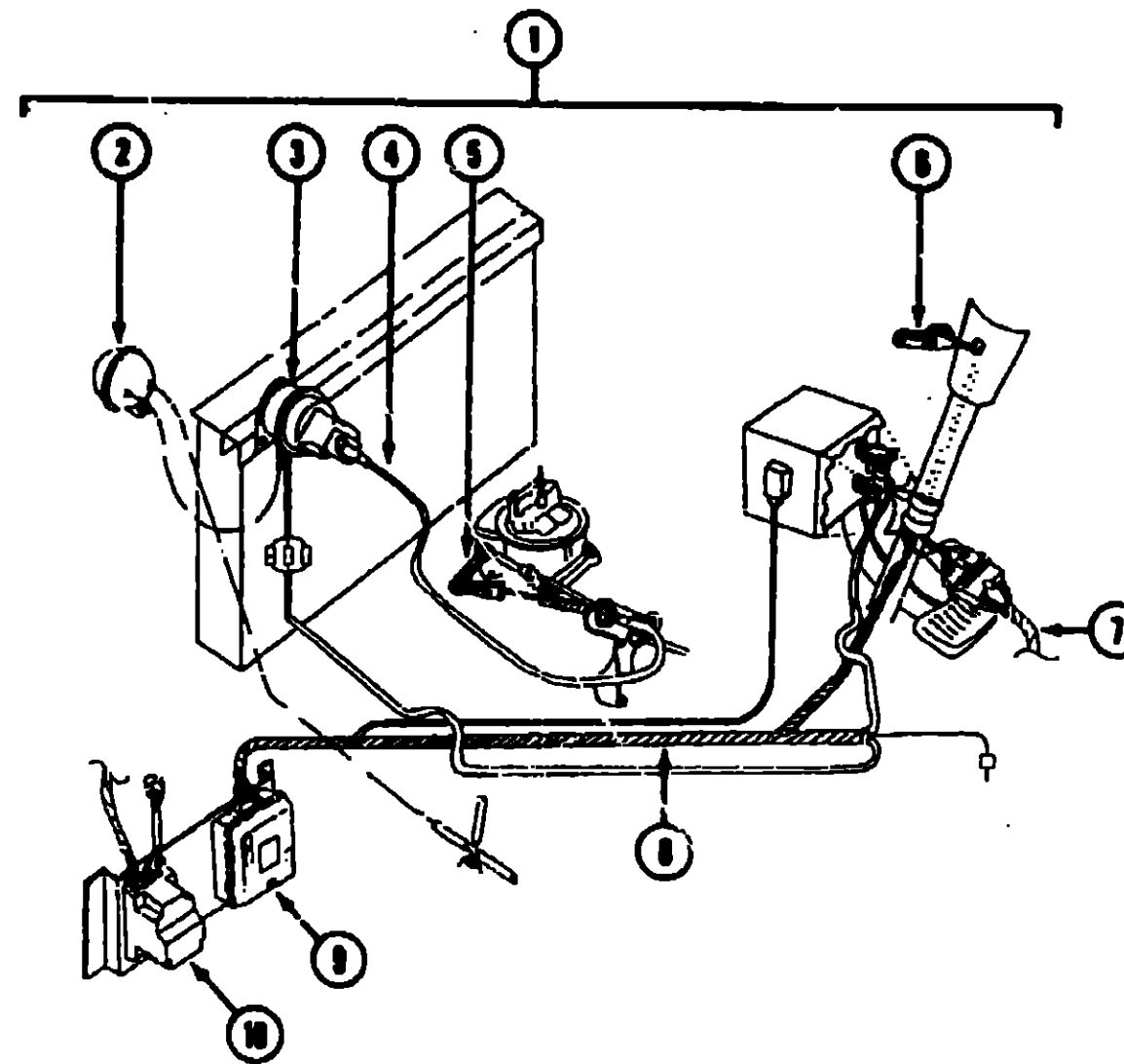
CHASSIS GROUP (CONTINUED)



SPEED CONTROL (DIESEL)

KEY	PART NUMBER	U/M DESCRIPTION
1	102362-02-000	EA SPEED CONTROL, DANA 59L111020P
2	094369-01-706	EA SERVO-DANA# 53D-11116-R
3	102362-02-700	EA CONTROL SWITCH & LEVER - 8U-08X63-F
4	102362-01-703	EA HARNESS-PIVOT SW TO WIPER CONTROL, DANA 59C-02973
5	102362-01-704	EA HARNESS-MAIN WIRING, DANA 59D-02975
6	102362-01-701	EA REGULATOR-ELECTRONIC, DANA 57C-08X13-R
7	102362-01-702	EA WIPER CONTROL MODULE-DANA# 66C-00061
	094863-01-704	EA HOUSING-4 PIN, SPEED CONTROL - DANA 59C-02291
	102362-02-701	EA JUMPER WIRE ASSEMBLY - 59C-3003
	102362-02-702	EA STOP LAMP-CRUISE RELEASE SW. - 59C-3008 GM15644318
	094369-02-700	EA CABLE-SERVO, DANA 59C-02262
	094369-02-701	EA VACUUM REGULATOR-DIESEL, DANA# 59B-02117
	094369-02-702	EA EXTENSION-WIRE HARNESS, DANA# 59C-02279

CHASSIS GROUP (CONTINUED)



**SPEED CONTROL (GAS)
FROM: 00-00-00 THRU: 08-29-82**

KEY	PART NUMBER	U/M DESCRIPTION
1	102362-01-000	EA SPEED CONTROL-CHEVY - DANA 59L-111010B
2	094369-01-705	EA VACUUM RESERVOIR - DANA 59C-02249
3	094369-01-706	EA SERVO - DANA 53D-11116-R
4	102362-01-700	EA CABLE ONLY-REPLACEMENT - DANA 59C-03001
5	102362-01-706	EA THROTTLE STUD - DANA 59A-02979
6	102362-01-707	EA CONTROL SWITCH & LEVER ASM - DANA 53D-08X63-F
7	102362-01-703	EA HARNESS ASM-PIVOT SWITCH TO WIPER - DANA 59C-02973
8	102362-01-704	EA HARNESS ASM-MAIN WIRING - DANA 59D-02975
9	102362-01-701	EA REGULATOR ASM-ELECTRONIC - DANA 57C-08X13-R
10	102362-01-702	EA WIPER CONTROL MODULE - DANA 66C-00061
	102362-01-705	EA THROTTLE RETAINER CLIP - DANA 59A-02821
	094863-01-704	EA HOUSING-4 PIN - DANA 59C-02291

FROM: 09-30-82 THRU: 99-99-99

KEY	PART NUMBER	U/M DESCRIPTION
1	102362-04-000	EA SPEED CONTROL-CHEVY - DANA 59L-111022B
2	094369-01-705	EA VACUUM RESERVOIR - DANA 59C-02249
3	094369-01-706	EA SERVO - DANA 53D-11116-R
4	102362-01-700	EA CABLE ONLY-REPLACEMENT - DANA 59C-03001
5	102362-01-707	EA CONTROL SWITCH & LEVER ASM - DANA 53D-08X63-F
6	102362-01-703	EA HARNESS ASM-PIVOT SWITCH TO WIPER - DANA 59C-02973
7	102362-01-704	EA HARNESS ASM-MAIN WIRING - DANA 59D-02975
8	102362-01-704	EA HARNESS ASM-MAIN WIRING - DANA 59D-02975
9	102362-01-701	EA REGULATOR ASM-ELECTRONIC - DANA 57C-08X13-R
10	102362-01-702	EA WIPER CONTROL MODULE - DANA 66C-00061
	102362-01-705	EA THROTTLE RETAINER CLIP - DANA 59A-02821
	094863-01-704	EA HOUSING-4 PIN - DANA 59C-02291

**1993 ITASCA
TABLE OF CONTENTS**

INTRODUCTION	A-01 - A-02
ABBREVIATIONS	A-03
ALPHABETICAL INDEX	A-04 - A-08
ICF23RC	A-07 - E-16
ICF31RQ	E-17 - J-18

1993 ICF31RQ INDEX

FLOOR PLAN	E-17 - E-18
ACCESSORIES	E-19
AUDIO VIDEO	E-20 - E-21
BATH	E-22 - E-24
BEDROOM	F-01 - F-03
CHASSIS	F-04 - F-17
CURTAIN & CUSHION	F-18 - G-04
DINETTE	G-05 - G-06
DRIVERS COMPARTMENT	G-07 - G-12
ELECTRICAL	G-13 - G-20
EXTERIOR BODY	G-21 - H-04
GALLEY	H-05 - H-09
GENERATOR	H-10 - H-11
HEATING & A/C	H-12 - H-18
INTERIOR FINISH	H-19 - H-22
LABELS	H-23 - I-07
LP	I-08
LOUNGE	I-09 - I-10
SEALANTS & FASTENERS	I-11 - I-14
WATER & SEWAGE	I-15 - I-20
WINDOW, VENT AND	
EXTERIOR DOOR	I-21 - J-16
WINDSHIELD/WIPER	J-17 - J-18

CHASSIS GROUP (CONTINUED)

CHASSIS MISCELLANEOUS

KEY	PART NUMBER	U/M DESCRIPTION
	066278-01-000	FT TUBING-STEEL, .75" X 1.5" X 150"
	086480-05-000	EA TIEDOWN-BATTERY, 8.4" TUBE - STEEL
	075307-03-000	EA SHIELD-HEAT, LP
	083719-01-000	EA HOSE-OIL FILL, PREFORMED 90 DEGREE BEND
	070579-08-000	EA PLATE-ANCHOR, W/7/16 WELD NUT - 1.5" X 3.3"
	077001-01-000	EA ANGLE-MOUNTING, ROOF PANEL - V ANGLE - 3" X 2.4" X 1.5"
	103136-01-000	EA BRACKET-SUPPORT, UPPER, HINGE, RIGHT
	103136-02-000	EA BRACKET-SUPPORT, UPPER, HINGE, LEFT
	008042-01-000	FT TUBING-MI/YL, .65" ID
	020167-03-000	EA DIRT GUARD-STEEL, FOR MUDFLAP
	078038-01-000	EA EXTENSION-FRAME, FRONT
	078310-01-000	EA BAFFLE-RADIATOR, 12" X 15" X 82" - RUBBER
	080208-01-000	EA LUG WRENCH, 1.06 X 1.00
	080208-02-000	EA BAR-LEVERAGE, LUG WRENCH
	086488-01-000	EA UNION-INVERTED FLARE, BRASS - 3/16 - 3/8 - 24 THD BRAKE LINE
	096351-01-000	EA CABLE-BRAKE, PARK - FORD CHASSIS
	105610-01-000	EA BRACKET-OVERFLOW BOTTLE - FORD
	095501-01-000	EA BRACKET-BRAKE, L-ANGLE W/GUSSET - STEEL - FORD MOUNTS BRAKE CABLE & SUPPORTS HOOD RELEASE CABLE
	095853-01-000	EA WHEEL-STEEL, 16" X 6K - E8TZ - 1015 - A - ACCURIDE 28375-12 FORD
	088497-02-000	EA NUT-INVERTED FLARE, 1/4"
	085771-03-000	EA NUT-HEX, FLARE PREV. TORQUE - GRADE G DRIVER SHAFT
	088498-01-000	EA UNION-INVERTED FLARE, BRASS - 3/16 - 3/8 - 24 THREAD BRAKE LINE

FRONT SHOCKS

KEY	PART NUMBER	U/M DESCRIPTION
	104993-01-000	EA SHOCK ABSORBER-GAS, P30 FRONT - BILSTEIN B46-1173

DRIVESHAFT

KEY	PART NUMBER	U/M DESCRIPTION
	075302-16-000	EA DRIVESHAFT ASM-YOKE/YOKE/BRG, 46.72"
	075302-18-000	EA DRIVESHAFT ASM-YOKE/BRG/SPLINE, 33.79"
	075302-19-000	EA DRIVESHAFT ASM-SPLINE/YOKEYOKE, 50.99"

TIRE COVERS

KEY	PART NUMBER	U/M DESCRIPTION
	104408-01-D32	EA COVER-TIRE, 32" - SUNRISE
	108163-01-01A	EA COVER ASM-TIRE, 16" CHEVY
	108560-02-01A	EA INSERT-TIRE COVER, 16" CHEVY
	108163-02-01A	EA COVER ASM-TIRE, 19.5" CHEVY
	108560-03-01A	EA INSERT-TIRE COVER, 19.5" CHEVY

ELECTRIC STEP

KEY	PART NUMBER	U/M DESCRIPTION
	075723-02-000	EA SPACER-SWITCH, WHOLE - 2" X .9" X 2" - METAL - OFF WHITE FOR ELECTRIC STEP DOOR JAMB SWITCH
	C34708-01-01A	EA STEP-ENTRY DOOR, ELECTRIC - SINGLE - KWIKEE 2813
	041250-01-000	EA SWITCH-PUSH BUTTON, IN DOOR JAMB - METAL - CHROME
	094707-02-700	EA MOTOR REPLACEMENT KIT - MODELS 32 & 28 - KWIKEE 9520
	094707-02-702	EA GEAR KIT - KWIKEE 9525
	094707-02-703	EA PARTS KIT, (BEARINGS & PINS) - KWIKEE 9530
	094707-02-704	EA CONNCTOR KIT-MOTOR, KWIKEE 9537
	094707-02-705	EA CONTROL UNIT, (ORANGE) - KWIKEE 9513
	094708-02-700	EA CONVERSION KIT 28 SERIES - 9570 KWIKEE
	094708-03-700	EA LINKAGE ASM F/28 SERIES - 9522

CHASSIS GROUP (CONTINUED)

WHEEL LINERS-CHROME 16 FORD

KEY	PART NUMBER	U/M DESCRIPTION
	077030-02-000	EA EXTENSION-VALVE STEM, 1.25"
	081209-08-000	EA WHEEL LINER SET W/FRONT HUB COVER 16" SET OF 4
	081209-08-700	EA LINER-WHEEL, 16" FRONT W/AXLE COVER - 10 LUG - FORD
	081209-08-701	EA LINER-WHEEL, 16" REAR - 10 LUG - FORD
	081209-08-702	EA COVER-AXLE, 16" REAR - FORD
	081209-01-704	EA COVER-LUG NUT LUG NUT COVER - NO SHOULDER OR FLANGE AT BASE
	095012-03-000	EA EXTENSION-VALVE STEM, DUAL WHEEL

WHEEL COVER FORD - 16"

KEY	PART NUMBER	U/M DESCRIPTION
	098532-01-000	EA COVER-WHEEL, FORD - 16" - SET OF 4 - DICOR SH-SD-16
	098532-01-700	EA COVER-LUG NUT, FORD - CHROME - DICOR SP-FM-CLN
	098532-01-701	EA COVER-WHEEL, FORD - 16" - (EACH=1 ONLY)

WHEEL LINERS-CHROME 19.5" CHEVY

KEY	PART NUMBER	U/M DESCRIPTION
	077030-02-000	EA EXTENSION-VALVE STEM, 1.25"
	091209-01-000	EA LINER-WHEEL, 19.5" - SST - SET OF 4 - KAPER 1954-10N
	091209-01-700	EA LINER-WHEEL, 19.5" FRONT - 10 LUG - CHEVY P-30
	091209-01-701	EA LINER-WHEEL, 19.5" REAR - 10 LUG - CHEVY P-30
	091209-01-702	EA COVER-AXLE, 19.5" FRONT - 10 LUG - CHEVY P-30
	091209-01-703	EA COVER-AXLE, 19.5" REAR - 10 LUG - CHEVY P-30
	091209-01-704	EA COVER-LUG NUT
	095012-03-000	EA EXTENSION-VALVE STEM, DUAL WHEEL

FORD TIRE, WHEEL & STEM

KEY	PART NUMBER	U/M DESCRIPTION
	051377-03-000	EA STEM-VALVE, TR0 600HP FROM: 00-00-00 THRU: 10-11-92
	051377-05-000	EA VALVE STEM ASM-VS938 - EATON VS-938 F53-92 FROM: 10-12-92 THRU: 99-99-99
	083425-05-000	EA TIRE-MICHELIN, LT235/85R16 LRE - XPS R1B
	095853-01-000	EA WHEEL-STEEL, 16" X 6K - E8TZ - 1015 - A - ACCURIDE 28375-12 FORD #E8TZ-1015-A

WHEEL COVER 19.5" CHEVY

KEY	PART NUMBER	U/M DESCRIPTION
	083181-03-700	EA COVER-WHEEL, 19.5 - 10 LUG - CHEVY - 1 ONLY
	083181-12-000	EA RETAINER-WHEEL COVER, 19.5" CHEVY - SET OF 4 - DELMET
	083181-12-700	EA RETAINER-WHEEL COVER, FRONT - 19.5 CHEVY - DELMET
	083181-12-701	EA RETAINER-WHEEL COVER, REAR - 19.5 CHEVY - DELMET
	109443-01-701	EA SET-BRACKET, 1 FRONT WHEEL - SHAG95-FBS DICOR
	109443-01-702	EA SET-BRACKET, 1 REAR WHEEL - SHAG95-RBS DICOR

CHEVY TIRE & STEM

KEY	PART NUMBER	U/M DESCRIPTION
	007324-04-000	EA TIRE-8R19.5 LRD, MICHELIN XZA
	051377-01-000	EA STEM-VALVE, TR 500

LUG WRENCH & LEVERAGE BAR

KEY	PART NUMBER	U/M DESCRIPTION
	080208-01-000	EA LUG WRENCH, 1.06 X 1.00
	080208-02-000	EA BAR-LEVERAGE, LUG WRENCH

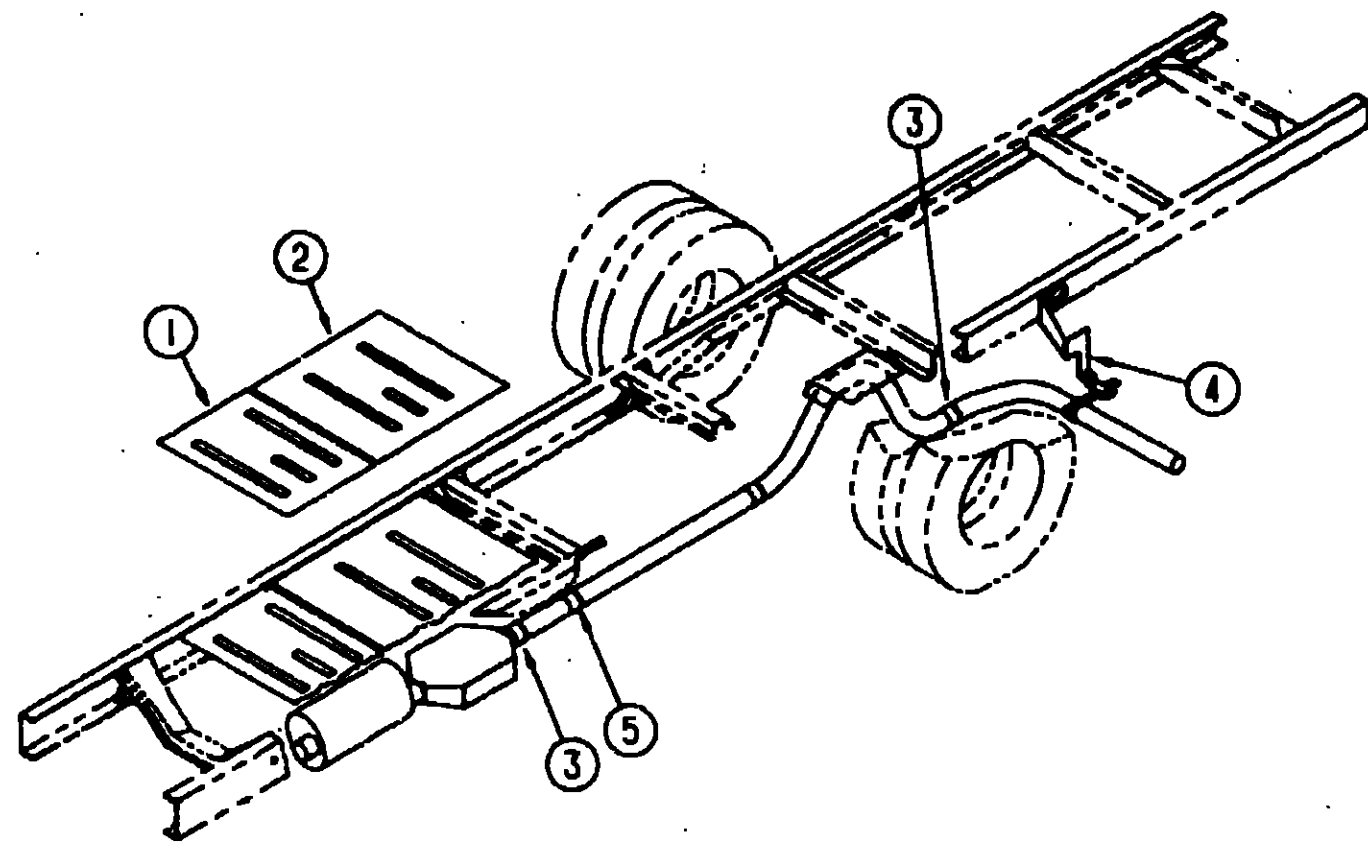
**1983 ITASCA
TABLE OF CONTENTS**

INTRODUCTION	A-01 -	A-02
ABBREVIATIONS		A-03
ALPHABETICAL INDEX	A-04 -	A-08
ICF23RC	A-07 -	E-16
ICF31RQ	E-17 -	J-18

1983 ICF31RQ INDEX

FLOOR PLAN	E-17 -	E-18
ACCESSORIES		E-19
AUDIO VIDEO	E-20 -	E-21
BATH	E-22 -	E-24
BEDROOM	F-01 -	F-03
CHASSIS	F-04 -	F-17
CURTAIN & CUSHION	F-18 -	G-04
DINETTE	G-05 -	G-06
DRIVERS COMPARTMENT	G-07 -	G-12
ELECTRICAL	G-13 -	G-20
EXTERIOR BODY	G-21 -	H-04
GALLEY	H-05 -	H-09
GENERATOR	H-10 -	H-11
HEATING & A/C	H-12 -	H-18
INTERIOR FINISH	H-19 -	H-22
LABELS	H-23 -	I-07
LP		I-08
LOUNGE	I-09 -	I-10
SEALANTS & FASTENERS	I-11 -	I-14
WATER & SEWAGE	I-15 -	I-20
WINDOW, VENT AND EXTERIOR DOOR	I-21 -	J-16
WINDSHIELDWIPER	J-17 -	J-18

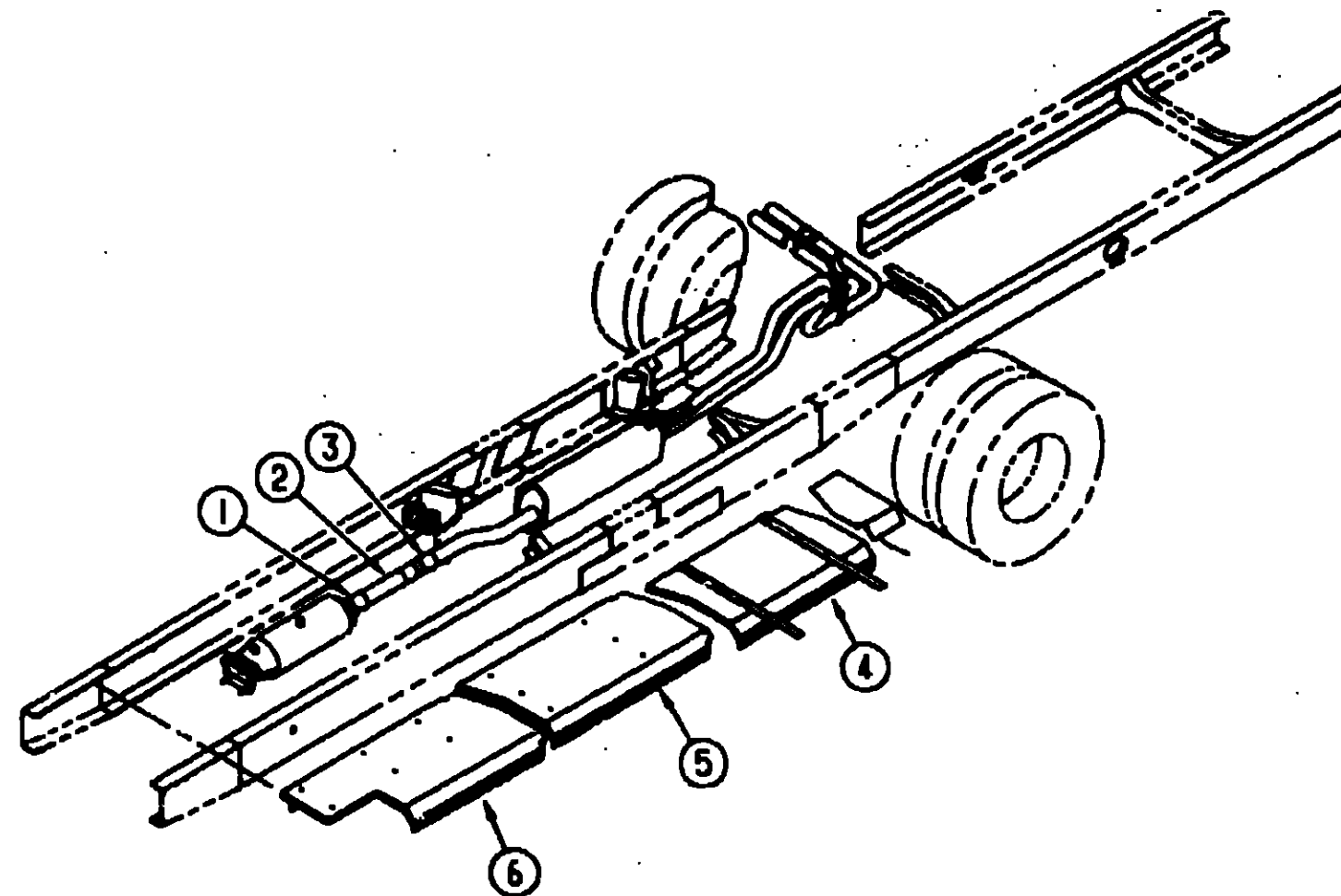
CHASSIS GROUP (CONTINUED)



EXHAUST SYSTEM (CHEVY)

KEY	PART NUMBER	U/M DESCRIPTION
1	101544-01-000	EA SHIELD-HEAT, EXHAUST - 19.7" X 28.9" - STEEL
2	101544-02-000	EA SHIELD-HEAT, EXHAUST - 30" X 28.9" - STEEL
3	094918-01-000	EA CLAMP-EXHAUST, 3" - GUILLOTINE STYLE
4	095190-01-000	EA HANGER-EXHAUST, 4" X 1.4"
5	095222-02-000	EA BRACKET-EXHAUST, UPPER - WBEND & NUTS
5	096608-02-000	EA PIPE-EXHAUST, SINGLE

CHASSIS GROUP (CONTINUED)



EXHAUST SYSTEM (FORD)

KEY	PART NUMBER	U/M DESCRIPTION
1	094918-03-000	EA CLAMP-EXHAUST, 2.5"
2	096753-02-000	EA PIPE-EXHAUST, FORD - 2.5" X 14.8"
3	108084-01-000	EA PIPE-EXHAUST, STRAIGHT, FORD 2.5 ID X 5"
4	098795-02-000	EA SHIELD-EXHAUST, 35.4" X 19.8" - GALVANIZED STEEL
5	098795-03-000	EA SHIELD-EXHAUST, CENTER - 49.5" X 19.8" - GALVANIZED STEEL
6	098795-01-000	EA SHIELD-EXHAUST, 41" X 19.8" - GALVANIZED STEEL
	098443-03-000	EA SUPPORT-SHIELD, EXHAUST - 1.5" X 29.2" - STEEL - PRIMED

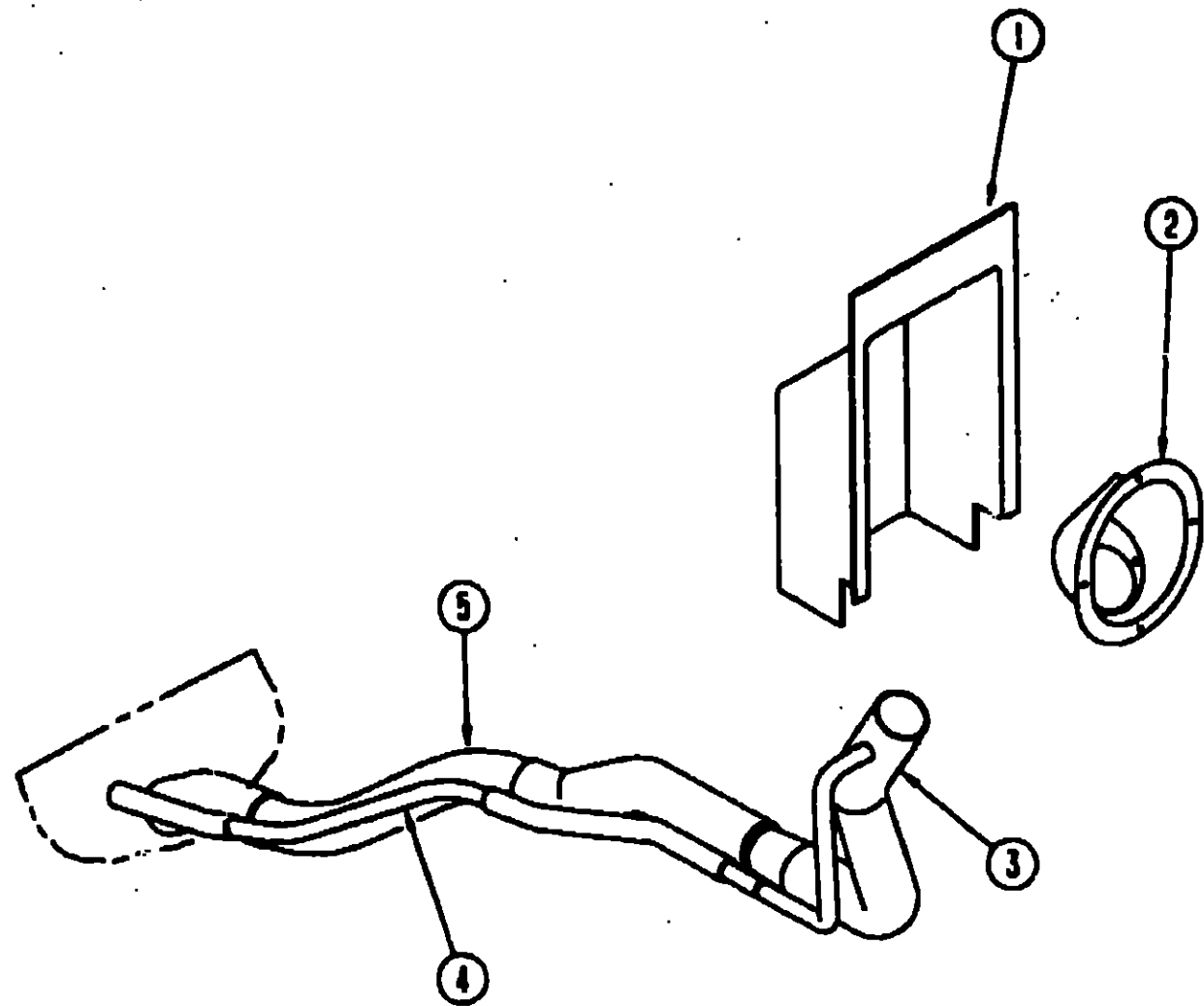
**1993 ITASCA
TABLE OF CONTENTS**

INTRODUCTION	A-01 -	A-02
ABBREVIATIONS		A-03
ALPHABETICAL INDEX	A-04 -	A-06
ICF23RC	A-07 -	E-16
ICF31RQ	E-17 -	J-18

1993 ICF31RQ INDEX

FLOOR PLAN	E-17 -	E-18
ACCESSORIES		E-19
AUDIO VIDEO	E-20 -	E-21
BATH	E-22 -	E-24
BEDROOM	F-01 -	F-03
CHASSIS	F-04 -	F-17
CURTAIN & CUSHION	F-18 -	G-04
DINETTE	G-05 -	G-06
DRIVERS COMPARTMENT	G-07 -	G-12
ELECTRICAL	G-13 -	G-20
EXTERIOR BODY	G-21 -	H-04
GALLEY	H-05 -	H-09
GENERATOR	H-10 -	H-11
HEATING & AC	H-12 -	H-18
INTERIOR FINISH	H-19 -	H-22
LABELS	H-23 -	I-07
LP		I-08
LOUNGE	I-09 -	I-10
SEALANTS & FASTENERS	I-11 -	I-14
WATER & SEWAGE	I-15 -	I-20
WINDOW, VENT AND EXTERIOR DOOR	I-21 -	J-16
WINDSHIELD DAMPER	J-17 -	J-18

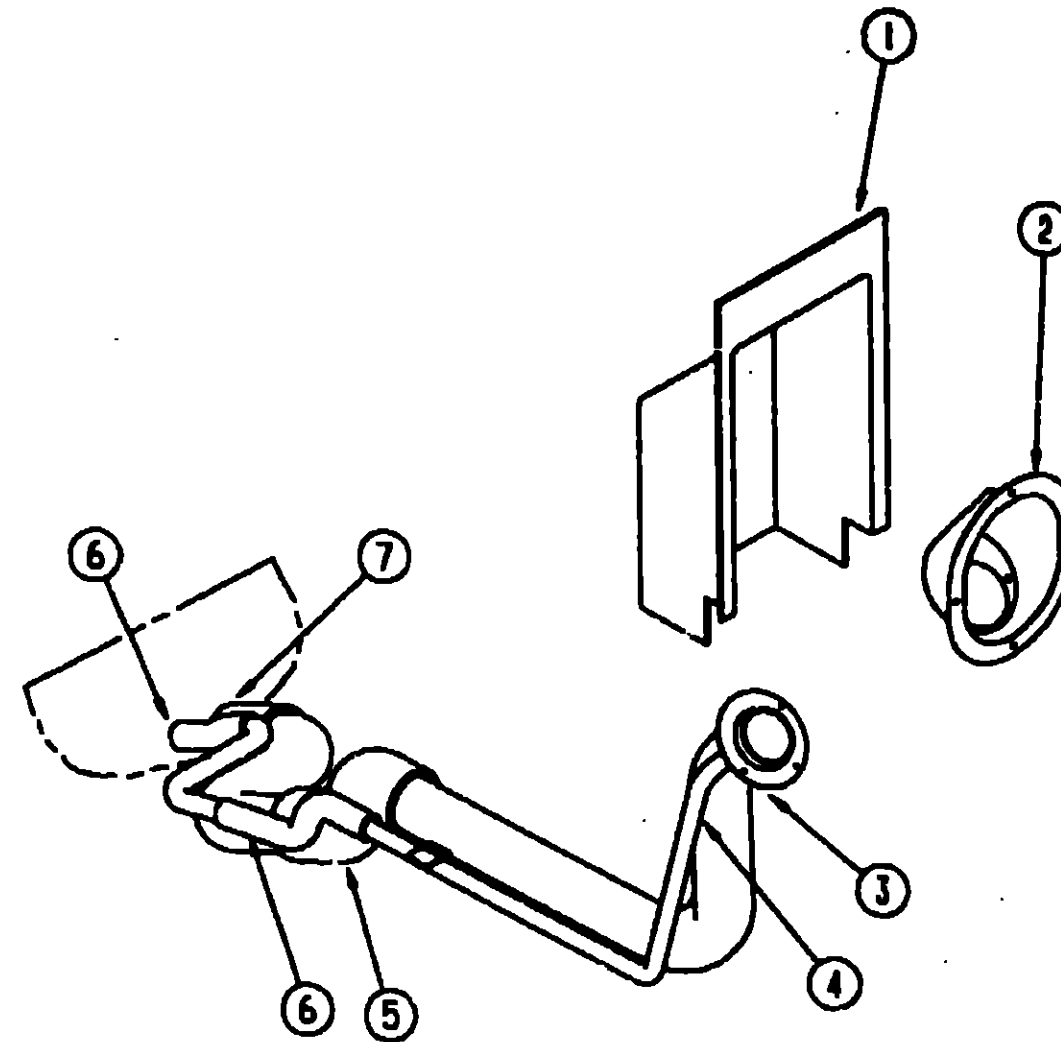
CHASSIS GROUP (CONTINUED)



FUEL SYSTEM (CHEVY)

KEY	PART NUMBER	U/M DESCRIPTION
1	072447-04-000	EA SHROUD-FUEL FILL, UPPER - PLASTIC
2	102951-01-04A	EA SHROUD-FUEL FILL - ASH GRAY
3	078200-01-000	EA GASKET-FUEL FILL, 3.5"OD X 2"ID
4	098804-01-000	EA PIPE-VENT, FUEL FILL - 12" LONG
5	098805-01-000	EA PIPE-FUEL, FUEL FILL - 11.4" LONG
	084884-01-000	EA PLUG-BRASS, 3/8"
	007063-01-000	FT HOSE-GAS 1/4"ID X 1/2"OD
	098779-01-000	EA COUPLER-FUEL LINE M14X1.5-6H - GM 15550219
	098779-02-000	EA COUPLER-FUEL LINE M16X1.5-6H
	080081-01-000	EA STRAP-MOUNTING, FUEL LINE - 2" X 32"

CHASSIS GROUP (CONTINUED)



FUEL SYSTEM (FORD)

KEY	PART NUMBER	U/M DESCRIPTION
1	072447-04-000	EA SHROUD-FUEL FILL, UPPER - PLASTIC
2	102951-01-04A	EA SHROUD-FUEL FILL, ASH GRAY
3	078200-01-000	EA GASKET-FUEL FILL, 3.5"OD X 2"ID
4	095606-01-000	EA NECK-FUEL FILL, W/CHECK VALVE - L-SHAPED - 18.2" LONG
5	100156-01-000	EA HOSE-FUEL FILL, 8.3" LONG W/2" ID
6	066732-03-000	FT HOSE-FUEL FILL, .75" ID
7	007111-02-000	EA HOSE-FUEL FILL, 2.00 ID - IN 3FT LENGTHS
	007063-01-000	FT HOSE-GAS 1/4"ID X 1/2"OD
	084884-01-000	EA PLUG-BRASS, 3/8"

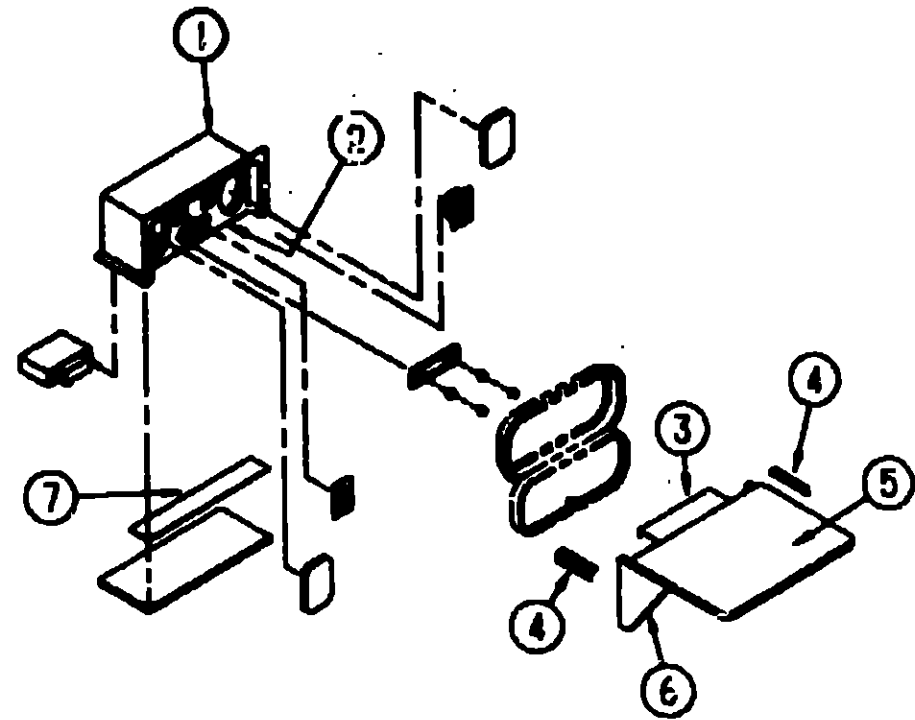
**1993 ITASCA
TABLE OF CONTENTS**

INTRODUCTION	A-01 -	A-02
ABBREVIATIONS		A-03
ALPHABETICAL INDEX	A-04 -	A-06
ICF23RC	A-07 -	E-16
ICF31RQ	E-17 -	J-18

1993 ICF31RQ INDEX

FLOOR PLAN	E-17 -	E-18
ACCESSORIES		E-19
AUDIO VIDEO	E-20 -	E-21
BATH	E-22 -	E-24
BEDROOM	F-01 -	F-03
CHASSIS	F-04 -	F-17
CURTAIN & CUSHION	F-18 -	G-04
DINETTE	G-05 -	G-06
DRIVERS COMPARTMENT	G-07 -	G-12
ELECTRICAL	G-13 -	G-20
EXTERIOR BODY	G-21 -	H-04
GALLEY	H-05 -	H-09
GENERATOR	H-10 -	H-11
HEATING & A/C	H-12 -	H-18
INTERIOR FINISH	H-19 -	H-22
LABELS	H-23 -	I-07
LP		I-08
LOUNGE	I-09 -	I-10
SEALANTS & FASTENERS	I-11 -	I-14
WATER & SEWAGE	I-15 -	I-20
WINDOW, VENT AND EXTERIOR DOOR	I-21 -	J-16
WINDSHIELDWIPER	J-17 -	J-18

CHASSIS GROUP (CONTINUED)



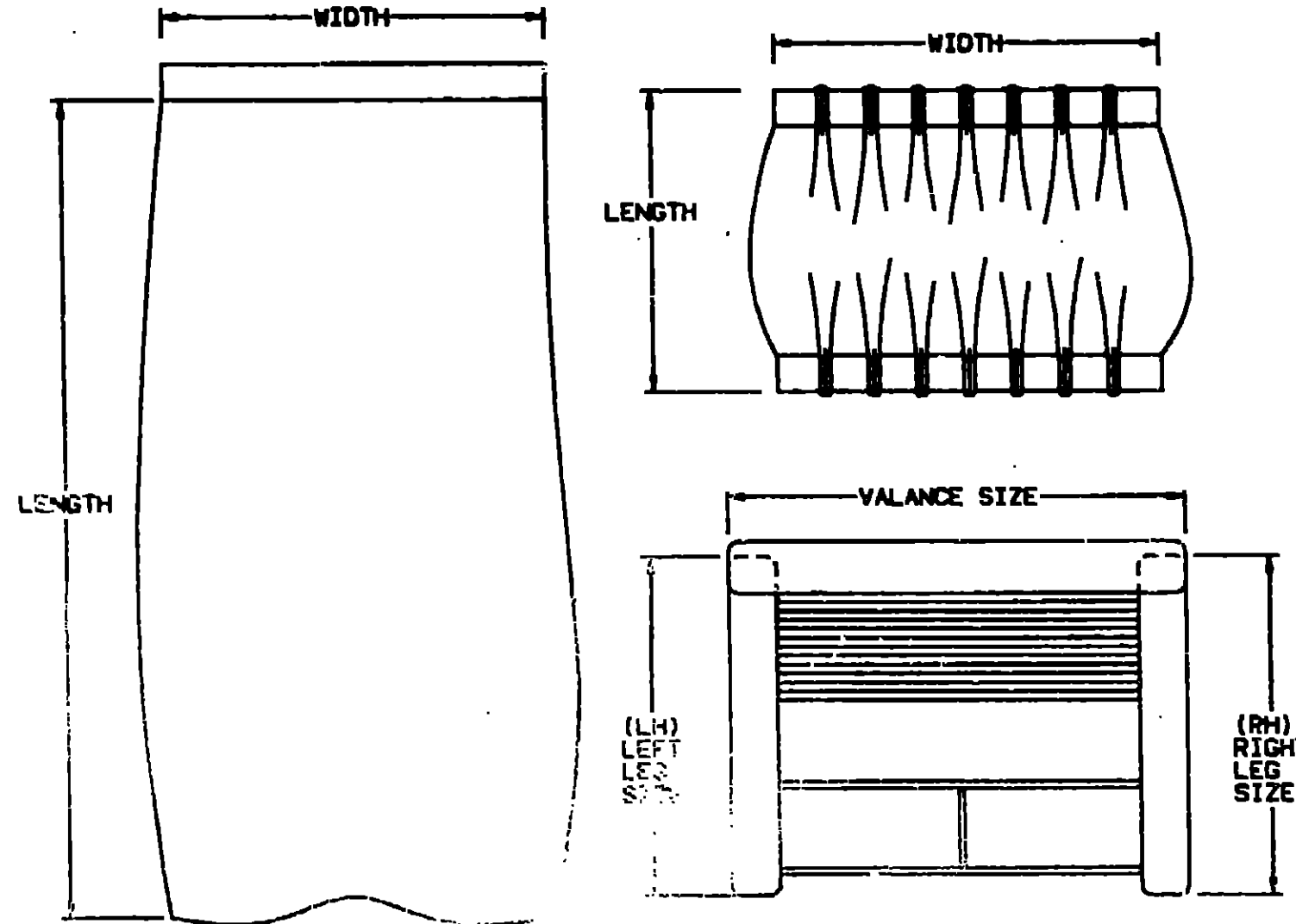
PATIO ENTERTAINMENT CENTER

KEY	PART NUMBER	U/M	DESCRIPTION
1	104897-01-01A	EA	BOX-ENTERTAINMENT CENTER - OFF WHITE
2	104899-01-C05	EA	PLATE-RADIO MOUNTING
3	105377-01-01A	EA	BRACKET-TABLE HANGER, OFF WHITE
4	105376-01-02A	EA	HINGE-CONTINUOUS, 2" X 140 MM - OFF WHITE
5	105230-11-D05	EA	SHELF
6	105230-12-D09	EA	SUPPORT-SHELF
7	104898-01-01A	EA	PLATE-PLASTIC BOTTOM - OFF WHITE

**CURTAIN & CUSHION GROUP
NOTICE**

IN ORDER TO ASSIST OLF PARTS SALES DEPT. IN PROVIDING INTERIOR SOFTGOODS ITEMS, PLEASE INCLUDE THE SERIAL NUMBER AND THE COLOR CODE NUMBER FROM THE VEHICLE CERTIFICATION LABEL WHEN ORDERING. THIS LABEL IS LOCATED ON THE LEFT SIDEWALL AT THE END OF THE DASH (A-BODY), OR ON THE DRIVER'S DOOR LATCH PLATE (C-BODY).

AN EXAMPLE OF A COLOR CODE NUMBER IS B07, WHICH DESIGNATES AN OVERALL COLOR SCHEME OF A PARTICULAR UNIT. THE COLOR LISTED AFTER THE ITEM DESCRIPTION ON THE MICROFICHE, INDICATES THE OVERALL UNIT COLOR. ORDER THE ITEM YOU DESIRE ACCORDING TO UNIT COLOR CODE.



NOTE: USE THE ILLUSTRATION WHEN DETERMINING LENGTH AND WIDTH MEASUREMENTS FOR CURTAINS. YOU WILL NOTE THE WIDTH MEASUREMENT IS TAKEN ON THE TOP OF THE CURTAIN WITH THE CURTAIN FULLY EXTENDED. THE LENGTH MEASUREMENT IS TAKEN FROM THE TOP TO BOTTOM. LEFT AND RIGHT WINDOW LEGS ARE DETERMINED WHEN FACING THE WINDOW.

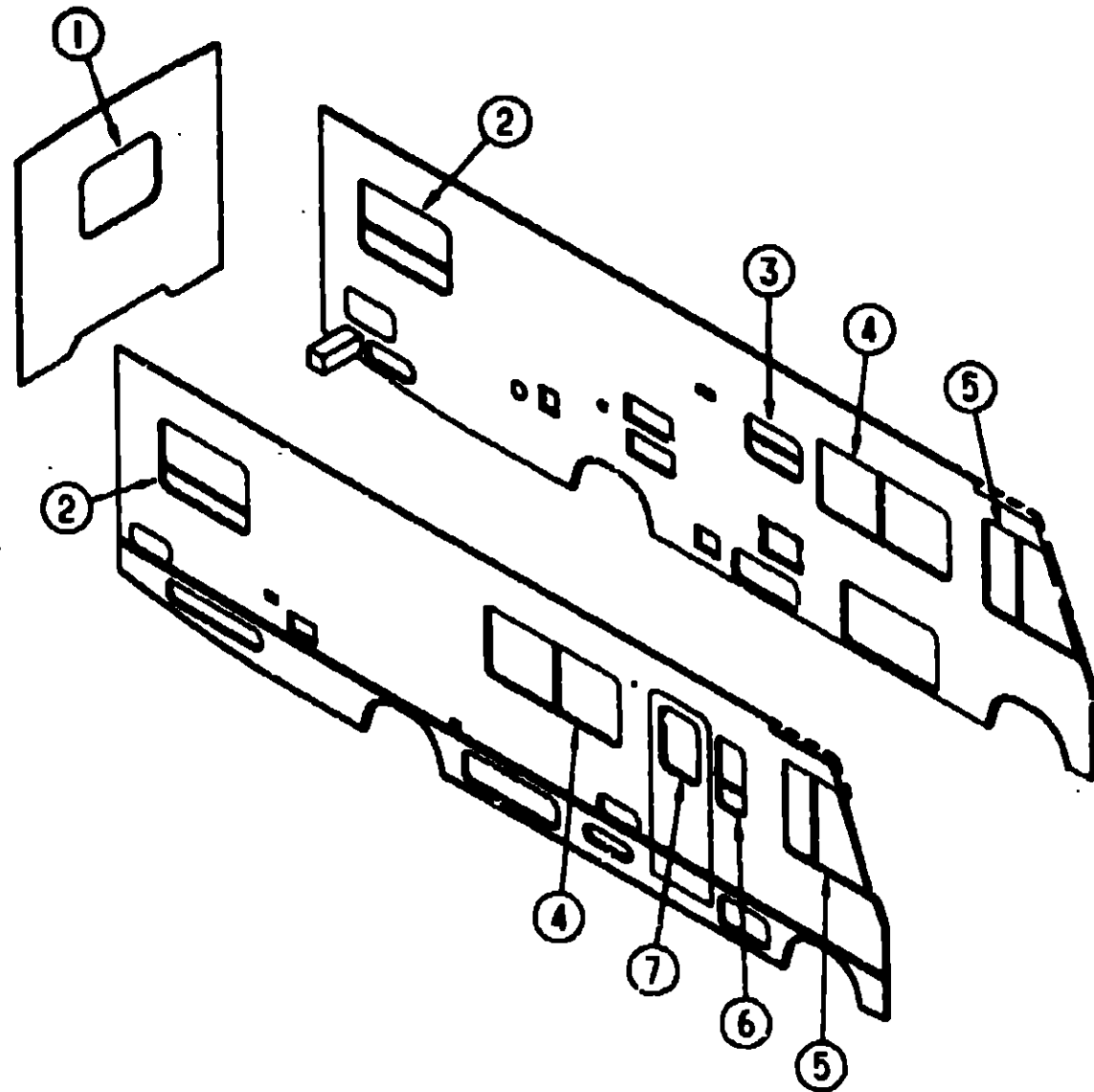
**1993 ITASCA
TABLE OF CONTENTS**

INTRODUCTION	A-01 -	A-02
ABBREVIATIONS		A-03
ALPHABETICAL INDEX	A-04 -	A-06
ICF23RC	A-07 -	E-16
ICF31RQ	E-17 -	J-18

1993 ICF31RQ INDEX

FLOOR PLAN	E-17 -	E-18
ACCESSORIES		E-19
AUDIO VIDEO	E-20 -	E-21
BATH	E-22 -	E-24
BEDROOM	F-01 -	F-03
CHASSIS	F-04 -	F-17
CURTAIN & CUSHION	F-18 -	G-04
DINETTE	G-05 -	G-06
DRIVERS COMPARTMENT	G-07 -	G-12
ELECTRICAL	G-13 -	G-20
EXTERIOR BODY	G-21 -	H-04
GALLEY	H-05 -	H-09
GENERATOR	H-10 -	H-11
HEATING & A/C	H-12 -	H-18
INTERIOR FINISH	H-19 -	H-22
LABELS	H-23 -	I-07
LP		I-08
LOUNGE	I-09 -	I-10
SEALANTS & FASTENERS	I-11 -	I-14
WATER & SEWAGE	I-15 -	I-20
WINDOW, VENT AND		
EXTERIOR DOOR	I-21 -	J-16
WINDSHIELDWIPER	J-17 -	J-18

CURTAIN & CUSHION GROUP (CONTINUED)
WINDOW TREATMENT



KEY	PART NUMBER	U/M DESCRIPTION	FROM: THRU:
2	107766-09-D32	EA VALANCE ASM.-45° TWIST 11"WIDE	FROM: 00-00-00 THRU: 08-02-92
2	107766-09-D33	EA VALANCE ASM.-45° TWIST 11"WIDE	FROM: 00-00-00 THRU: 1-02-92
2	107766-09-D34	EA VALANCE ASM.-45° TWIST 11"WIDE	FROM: 00-00-00 THRU: 08-02-92
2	107766-04-DA2	EA VALANCE ASM.-45° TWIST (D32)	FROM: 08-03-92 THRU: 99-99-99
2	107766-04-D33	EA VALANCE ASM.-45° TWIST	FROM: 08-03-92 THRU: 99-99-99
2	107766-04-D34	EA VALANCE ASM.-45° TWIST	FROM: 08-03-92 THRU: 99-99-99
2	100281-86-D32	EA LEG-LH. PLAIN, W/O HOLE - 27"	
2	100281-86-D33	EA LEG-LH. PLAIN, W/O HOLE - 27"	
2	100281-86-D34	EA LEG-LH. PLAIN, W/O HOLE - 27"	
2	100281-87-D32	EA LEG-RH. PLAIN, WHOLE - 27"	
2	100281-87-D33	EA LEG-RH. PLAIN, WHOLE - 27"	
2	100281-87-D34	EA LEG-RH. PLAIN, WHOLE - 27"	
2	093475-97-01A	EA BLIND-MINI,39X28.5 DROP (D32,D33)	
2	093475-97-02A	EA BLIND-MINI,39X28.5 DROP (D34)	
3	104021-06-D24	EA VALANCE ASM-28.5° SPIRIT (D32)	
3	104021-06-D25	EA VALANCE ASM-28.5° SPIRIT (D33)	
3	104021-06-D26	EA VALANCE ASM-28.5° SPIRIT (D34)	
3	093475-90-05A	EA BLIND-MINI,27X17.5 DROP (D32,D33)	
3	093475-90-04A	EA BLIND-MINI,27X17.5 DROP (D34)	
4	104021-12-D32	EA VALANCE ASM-65°SPIRIT WU-BRASS	
4	104021-12-D33	EA VALANCE ASM-65°SPIRIT WU-BRASS	
4	104021-12-D34	EA VALANCE ASM-65°SPIRIT WU-BRASS	
4	100281-98-D32	EA LEG-RH. W/BRASS U-CHANNEL, 27" - W/O HOLE	
4	100281-98-D33	EA LEG-RH. W/BRASS U-CHANNEL, 27" - W/O HOLE	
4	100281-98-D34	EA LEG-RH. W/BRASS U-CHANNEL, 27" - W/O HOLE	
4	100281-99-D32	EA LEG-LH. W/BRASS U-CHANNEL, 27" - W/O HOLE	
4	100281-99-D33	EA LEG-LH. W/BRASS U-CHANNEL, 27" - W/O HOLE	
4	100281-99-D34	EA LEG-LH. W/BRASS U-CHANNEL, 27" - W/O HOLE	
4	093475-76-05A	EA BLIND-MINI,60X28.5 DROP (D32,D33)	
4	093475-76-04A	EA BLIND-MINI,60X28.5 DROP (D34)	
5	101668-30-D10	EA CURTAIN ASM-38X80 TAPE TOP,RH.	
5	101668-31-D10	EA CURTAIN ASM-38X80 TAPE TOP,LH.	
5	101668-32-D10	EA CURTAIN ASM-40X40,TAPE TOP (BUNK OPTION)	
5	101668-33-D10	EA CURTAIN ASM-38X125,TAPE TOP (BUNK OPTION)	
5	073260-42-D10	EA TIEBACK ASM-6X18	
6	104021-29-D32	EA VALANCE ASM-54.5° SPIRIT	
6	104021-29-D33	EA VALANCE ASM-54.5° SPIRIT	
6	104021-29-D34	EA VALANCE ASM-54.5° SPIRIT	
6	093475-82-04A	EA BLIND-MINI,14.5X33 DROP (D32,D33)	
6	093475-82-03A	EA BLIND-MINI,14.5X33 DROP (D34)	
7	084755-57-D32	EA SHADE ASM-PULL-27.25,NO TRIM	FROM: 00-00-00 THRU: 08-16-92
7	084755-57-DA4	EA SHADE ASM-PULL-27.25,NO TRIM	FROM: 08-17-92 THRU: 01-03-93
7	084755-57-DA5	EA SHADE ASM-PULL-27.25,NO TRIM	FROM: 01-04-93 THRU: 99-99-99
	057534-01-000	EA TIEBACK/TIEDOWN:BED/CURTAIN/DOOR, 6" - PLASTIC - CLEAR	

KEY	PART NUMBER	U/M DESCRIPTION	FROM: THRU:
1	107766-06-D32	EA VALANCE ASM-52° TWIST	FROM: 00-00-00 THRU: 08-02-92
1	107766-06-DA2	EA VALANCE ASM-52° TWIST (D32)	FROM: 00-03-92 THRU: 99-99-99
1	107766-06-D33	EA VALANCE ASM-52° TWIST	
1	107766-06-D34	EA VALANCE ASM-52° TWIST	
1	100281-85-D32	EA LEG-RH. PLAIN, W/O HOLE - 27"	
1	100281-85-D33	EA LEG-RH. PLAIN, W/O HOLE - 27"	
1	100281-85-D34	EA LEG-RH. PLAIN, W/O HOLE - 27"	
1	100281-86-D32	EA LEG-LH. PLAIN, W/O HOLE - 27"	
1	100281-86-D33	EA LEG-LH. PLAIN, W/O HOLE - 27"	
1	100281-86-D34	EA LEG-LH. PLAIN, W/O HOLE - 27"	
1	093475-55-03A	EA BLIND-MINI,48X28 DROP (D32,D33)	
1	093475-55-02A	EA BLIND-MINI,48X28 DROP (D34)	

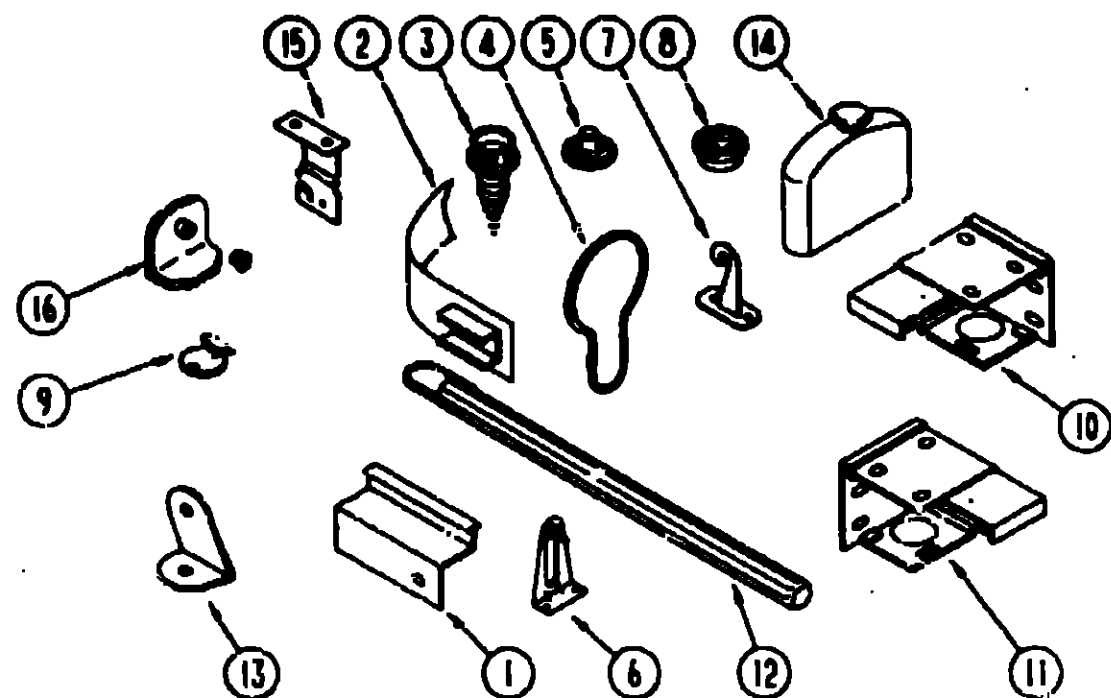
**1993 ITASCA
TABLE OF CONTENTS**

INTRODUCTION	A-01 - A-02
ABBREVIATIONS	A-03
ALPHABETICAL INDEX	A-04 - A-06
ICF23RC	A-07 - E-16
ICF31RQ	E-17 - J-18

1993 ICF31RQ INDEX

FLOOR PLAN	E-17 - E-18
ACCESSORIES	E-19
AUDIO VIDEO	E-20 - E-21
BATH	E-22 - E-24
BEDROOM	F-01 - F-03
CHASSIS	F-04 - F-17
CURTAIN & CUSHION	F-18 - G-04
DINETTE	G-05 - G-08
DRIVERS COMPARTMENT	G-07 - G-12
ELECTRICAL	G-13 - G-20
EXTERIOR BODY	G-21 - H-04
GALLEY	H-05 - H-09
GENERATOR	H-10 - H-11
HEATING & A/C	H-12 - H-18
INTERIOR FINISH	H-19 - H-22
LABELS	H-23 - I-07
LP	I-08
LOUNGE	I-09 - I-10
SEALANTS & FASTENERS	I-11 - I-14
WATER & SEWAGE	I-15 - I-20
WINDOW, VENT AND	
EXTERIOR DOOR	I-21 - J-16
WINDSHIELDWIPER	J-17 - J-18

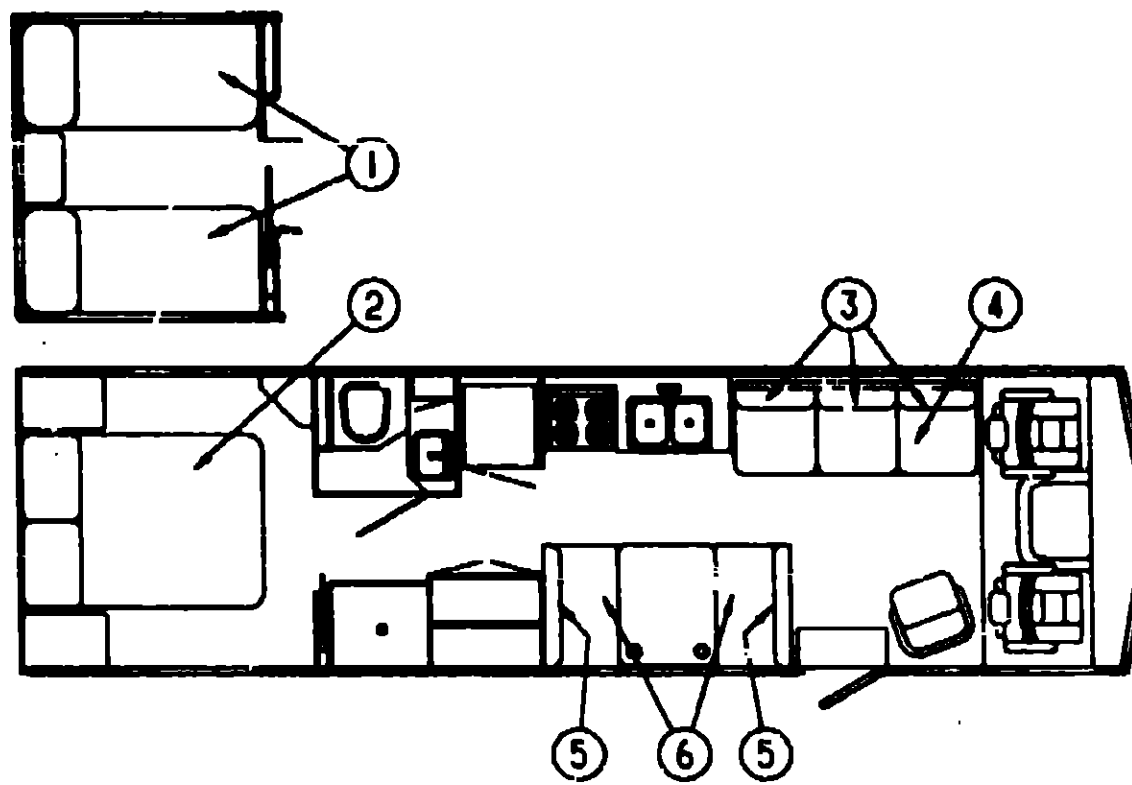
CURTAIN & CUSHION GROUP (CONTINUED)



CURTAIN, BLIND HARDWARE & TRACKS

KEY	PART NUMBER	U/M	DESCRIPTION
1	101589-02-C05	EA	TRACK ASM-CURTAIN, RIGHT HAND WRAPAROUND - OFF WHITE - 10'
1	105324-01-01A	EA	TRACK-CURTAIN, RIGHT HAND WRAPAROUND - OFF WHITE - 10'
1	105324-02-01A	EA	TRACK-CURTAIN, RIGHT HAND WRAPAROUND - OFF WHITE - 6' 5" - TV OPTIONS
1	101324-03-01A	EA	TRACK-CURTAIN, LEFT HAND WRAPAROUND - OFF WHITE - 6' 5" - TV OPTIONS
1	105350-01-01A	EA	TRACK-CURTAIN, 30.8" LONG - ALUMINUM - OFF WHITE
	046867-01-000	EA	GROMMET-BRASS, 7/16" ID X 1" OD
2	101031-01-000	YD	TAPE-GLIDE, CURTAIN - 4.25" SPACING
3	029130-01-000	EA	SCREW-SNAP SOCKET, #8 PH X 5/8"
3	029130-03-000	EA	SCREW-SNAP SOCKET, #8 PH X 1"
4	009136-02-000	EA	HANGER-RING, PIN TYPE - CURTAIN - BRASS
5	029155-01-000	EA	CAP-SNAP, 5/32" O.D. OF PIN
6	095591-02-000	EA	BRACKET-HOLD DOWN, W/PIN - BLIND - METAL
			FROM: 00-00-00 THRU: 07-19-92
7	109441-01-000	EA	HOLD DOWN-BLIND, HOOK
			FROM: 07-20-92 THRU: 99-99-99
8	029156-01-000	EA	SOCKET-SNAP, 9/16" O.D.
9	102555-01-000	EA	CLEAT-CORD, BLIND - OFF WHITE
10	083170-01-000	EA	BRACKET-BLIND, RIGHT HAND
11	083170-02-000	EA	BRACKET-BLIND, LEFT HAND
12	093475-01-700	EA	WAND-BLIND, W/METAL CLIP - 8" LONG
13	099205-02-02A	EA	BRACKET-WRAPAROUND CURTAIN TRACK, OFF WHITE
14	093475-01-701	EA	END CAP-BLIND, W/STUD
15	094434-01-000	EA	BRACKET-MOUNTING, ROLLER SHADE - 1 3/8"
	096843-01-000	EA	SPRING-REWIND, ROLLER SHADE
	064432-06-000	FT	SLAT-ROLLER SHADE, WOOD
16	106544-01-000	EA	PULL-SHADE, BRASS
	048394-02-000	YD	VELCRO TAPE-HOOK, ADHESIVE BACK - .75" WIDE - BEIGE
	088792-01-000	YD	VELCRO-HOOK, .75" WIDE - BEIGE
	088792-02-000	YD	VELCRO TAPE-LOOP, ADHESIVE BACKED - .75" WIDE - BEIGE
	068716-01-001	EA	BRACE-90 DEGREE L-ANGLE, 192" - EXTRUDED ALUMINUM
	075943-09-000	EA	BRACE-VALANCE, OFF WHITE - 8"
	103988-01-000	FT	TRIM-VALANCE, U-CHANNEL - .75" WIDE - BRASS
	075943-01-000	EA	BRACE-WINDOW VALANCE, 1" X 1.5" X 20" - ALUMINUM - BEIGE
	105648-01-01A	EA	BRACE-VALANCE, 366MM LONG - EXTRUDED ALUMINUM - BEIGE
	089522-02-000	EA	PANEL-LEG, TWO SIDE 31.5" LONG - PLASTIC - BLACK
	089916-01-000	EA	MOUNT-WINDOW LEG, 23.75" - ALUMINUM - BLACK
			23.75" LONG - 6.3" BETWEEN SCREW HOLES

CURTAIN & CUSHION GROUP (CONTINUED)



TWIN MATTRESS & BEDSPREAD

KEY	PART NUMBER	U/M	DESCRIPTION
1	101123-07-000	EA	MATTRESS COMPLETE-FOAM 32X79
1	P01123-07-000	EA	COVER-MATTRESS, 32X79, FOAM
1	083986-17-D32	EA	BEDSPREAD-FITTED, 33X80, RH
			FROM: 00-00-00 THRU: 08-02-92
1	083986-17-DA2	EA	BEDSPREAD-FITTED, 33X80, RH, (D32)
			FROM: 08-03-92 THRU 99-99-99
1	083986-17-D33	EA	BEDSPREAD-FITTED, 33X80, RH.
1	083986-17-D34	EA	BEDSPREAD-FITTED, 33X80, RH.
1	083986-18-D32	EA	BEDSPREAD-FITTED, 33X80, LH
			FROM: 00-00-00 THRU: 08-02-92
1	083986-18-DA2	EA	BEDSPREAD-FITTED, 33X80, LH (D32)
			FROM: 08-03-92 THRU: 99-99-99
1	083986-18-D33	EA	BEDSPREAD-FITTED, 33X80, LH
1	083986-18-D34	EA	BEDSPREAD-FITTED, 33X80, LH
1	104166-02-D32	EA	PILLOW-15X15 W/2" FILLED FLANGE
1	104166-02-D33	EA	PILLOW-15X15 W/2" FILLED FLANGE
1	104165-02-D34	EA	PILLOW-15X15 W/2" FILLED FLANGE
1	102161-03-D32	EA	SHAM ASM-W/PILLOW 1" FLANGE&1" WELT
1	102161-03-D33	EA	SHAM ASM-W/PILLOW 1" FLANGE&1" WELT
1	102161-03-D34	EA	SHAM ASM-W/PILLOW 1" FLANGE&1" WELT

QUEEN MATTRESS & BEDSPREAD

KEY	PART NUMBER	U/M	DESCRIPTION
2	101123-08-000	EA	MATTRESS COMPLETE-FOAM 59X74
2	P01123-08-000	EA	COVER-MATTRESS, 59X74, FOAM
2	104358-03-D32	EA	BEDSPREAD-60" THROW, 1" WELT ON BTM
			FROM: 00-00-00 THRU: 08-02-92
2	104358-03-DA2	EA	BEDSPREAD-60" THROW, 1" WELT ON BTM (D32)
			FROM: 08-03-92 THRU: 99-99-99
2	104358-03-D33	EA	BEDSPREAD-60" THROW, 1" WELT ON BTM
2	104358-03-D34	EA	BEDSPREAD-60" THROW, 1" WELT ON BTM
2	104565-02-D32	EA	PILLOW SHAM-1" FLANGE&1" WELT
			FROM: 00-00-00 THRU: 08-02-92
2	104565-02-DA2	EA	PILLOW SHAM-1" FLANGE&1" WELT (D32)
			FROM: 08-03-92 THRU: 99-99-99
2	104565-02-D33	EA	PILLOW SHAM-1" FLANGE&1" WELT
2	104565-02-D34	EA	PILLOW SHAM-1" FLANGE&1" WELT

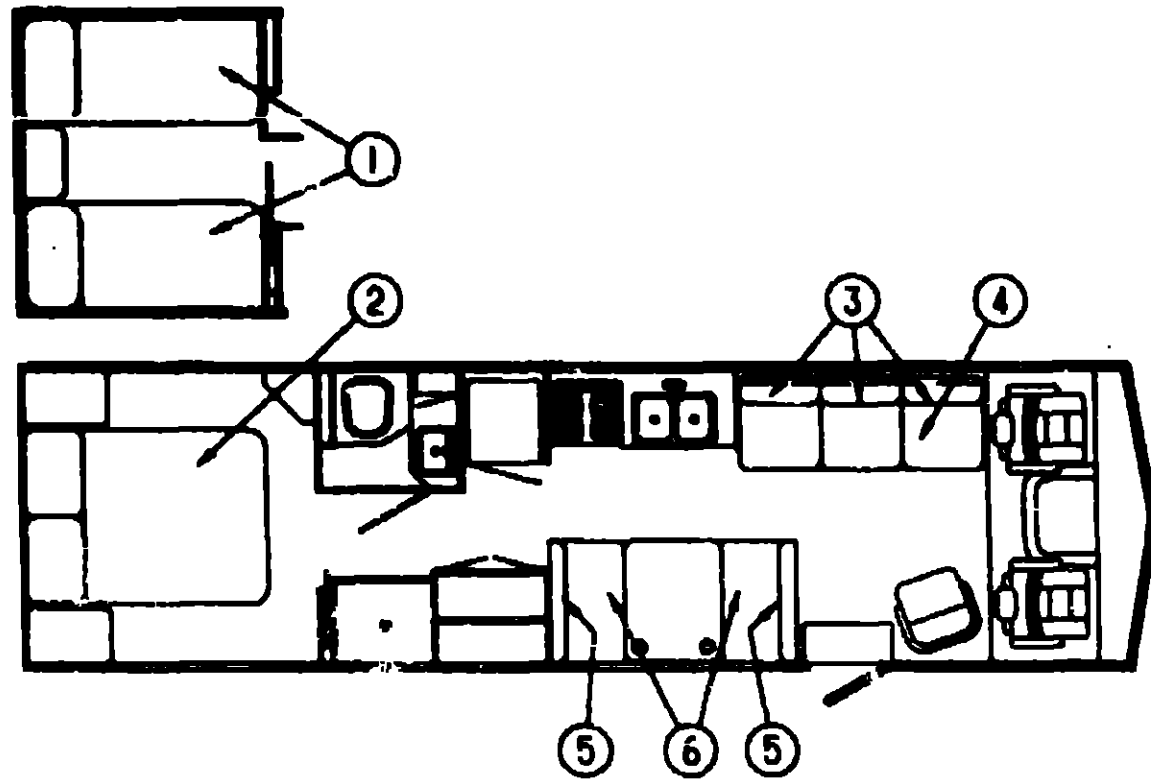
**1993 ITASCA
TABLE OF CONTENTS**

INTRODUCTION	A-01 -	A-02
ABBREVIATIONS		A-03
ALPHABETICAL INDEX	A-04 -	A-06
ICF23RC	A-07 -	E-16
ICF31RQ	E-17 -	J-18

1993 ICF31RQ INDEX

FLOOR PLAN	E-17 -	E-18
ACCESSORIES		E-19
AUDIO VIDEO	E-20 -	E-21
BATH	E-22 -	E-24
BEDROOM	F-01 -	F-03
CHASSIS	F-04 -	F-17
CURTAIN & CUSHION	F-18 -	G-04
DINETTE	G-05 -	G-06
DRIVERS COMPARTMENT	G-07 -	G-12
ELECTRICAL	G-13 -	G-20
EXTERIOR BODY	G-21 -	H-04
GALLEY	H-05 -	H-09
GENERATOR	H-10 -	H-11
HEATING & A/C	H-12 -	H-18
INTERIOR FINISH	H-19 -	H-22
LABELS	H-23 -	I-07
LP		I-08
LOUNGE	I-09 -	I-10
SEALANTS & FASTENERS	I-11 -	I-14
WATER & SEWAGE	I-15 -	I-20
WINDOW, VENT AND		
EXTERIOR DOOR	I-21 -	J-16
WINDSHIELD WIPER	J-17 -	J-18

CURTAIN & CUSHION GROUP (CONTINUED)



COUCH

DINETTE CUSHIONS

KEY	PART NUMBER	U/M DESCRIPTION
5	108141-01-D32	EA CUSHION-BACK, 13.5" X 38" X 5" (D32, D33)
5	108141-01-D34	EA CUSHION-BACK, 13.5" X 38" X 5"
5	P08141-01-D32	EA COVER-BACK CUSHION, 13.5" X 38" X 5" (D32, D33)
5	P08141-01-D34	EA COVER-BACK CUSHION, 13.5" X 38" X 5"
	078155-01-000	EA STRAP-SNAP, BACKREST CUSHION
6	088927-87-D32	EA CUSHION-SEAT, 23" X 38" X 5" (D32, D33)
6	088927-87-D34	EA CUSHION-SEAT, 23" X 38" X 5"
6	M88927-87-D32	EA COVER-SEAT CUSHION, 23" X 38" X 5" (D32, D33)
6	M88927-87-D34	EA COVER-SEAT CUSHION, 23" X 38" X 5"

BUNK CUSHION

KEY	PART NUMBER	U/M DESCRIPTION
	081717-03-C05	EA BED ASM-GU:K, FRONT
	079145-06-000	EA CUSHION-BUNK, 30" X 77" X 4"
	M79145-06-000	EA COVER-CUSHION, BUNK
	102695-08-000	YD TAPE-CARPET BIND, #481 BROWN
	102695-11-000	YD TAPE-CART BIND, MATTRESS - 3/4" WIDE - LIGHT TAN
	102695-12-000	YD TAPE-CART BIND, #474 LIGHT TAN - ESHCO 1 1/4"

**1983 P/ASCA
TABLE OF CONTENTS**

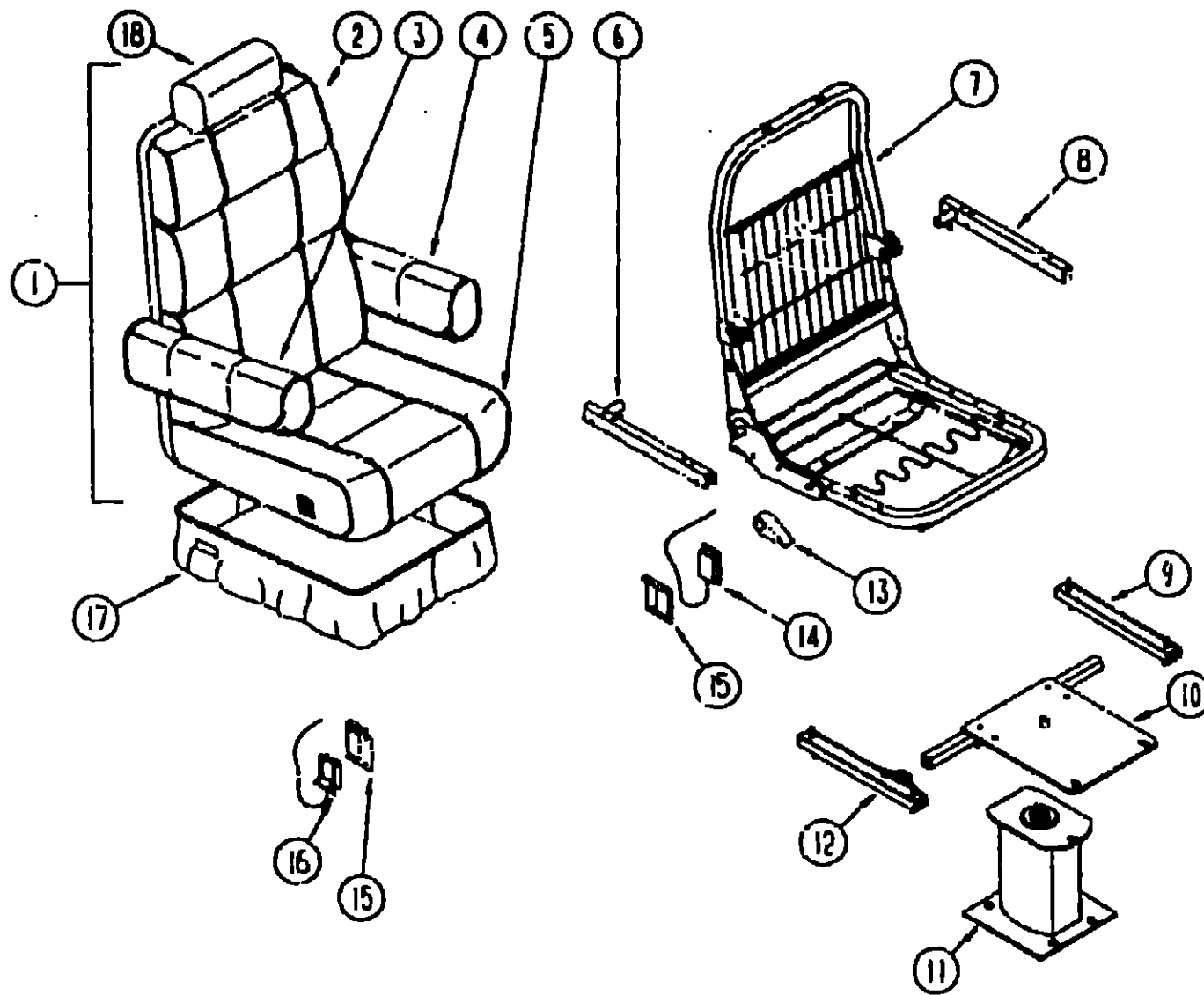
INTRODUCTION	A-01 -	A-02
ABBREVIATIONS		A-03
ALPHABETICAL INDEX	A-04 -	A-06
ICF23RC	A-07 -	E-16
ICF31RQ	E-17 -	J-18

1983 ICF31RQ INDEX

FLOOR PLAN	E-17 -	E-18
ACCESSORIES		E-19
AUDIO VIDEO	E-20 -	E-21
BATH	E-22 -	E-24
BEDROOM	F-01 -	F-03
CHASSIS	F-04 -	F-17
CURTAIN & CUSHION	F-18 -	G-04
DINETTE	G-05 -	G-06
DRIVERS COMPARTMENT	G-07 -	G-12
ELECTRICAL	G-13 -	G-20
EXTERIOR BODY	G-21 -	H-04
GALLEY	H-05 -	H-09
GENERATOR	H-10 -	H-11
HEATING & A/C	H-12 -	H-18
INTERIOR FINISH	H-19 -	H-22
LABELS	H-23 -	I-07
LP		I-08
LCUNGE	I-09 -	I-10
SEALANTS & FASTENERS	I-11 -	I-14
WATER & SEWAGE	I-15 -	I-20
WINDOW, VENT AND		
EXTERIOR DOOR	I-21 -	J-16
WINDSHIELDWIPER	J-17 -	J-18

KEY	PART NUMBER	U/M DESCRIPTION
3	100032-29-D32	EA BED-JACKKNIFE, BACK, TUCK, 74" W/O ARMS
3	100032-29-D33	EA BED-JACKKNIFE, BACK, TUCK, 74" W/O ARMS
3	100032-29-D34	EA BED-JACKKNIFE, BACK, TUCK, 74" W/O ARMS
3	P00032-29-D32	EA BED-COVER, JACKKNIFE, BACK, TUCK, 74" W/O ARMS
3	P00032-29-D33	EA BED-COVER, JACKKNIFE, BACK, TUCK, 74" W/O ARMS
3	P00032-29-D34	EA BED-COVER, JACKKNIFE, BACK, TUCK, 74" W/O ARMS
	101085-10-000	EA FRAME-74.5X16 BACK FRAME, JACKKNIFE
4	100032-30-D32	EA BED-JACKKNIFE, SEAT, TUCK, 74" W/O ARMS
4	100032-30-D33	EA BED-JACKKNIFE, SEAT, TUCK, 74" W/O ARMS
4	100032-30-D34	EA BED-JACKKNIFE, SEAT, TUCK, 74" W/O ARMS
4	P00032-30-D32	EA BED-COVER, JACKKNIFE, SEAT, TUCK, 74" W/O ARMS
4	P00032-30-D33	EA BED-COVER, JACKKNIFE, SEAT, TUCK, 74" W/O ARMS
4	P00032-30-D34	EA BED-COVER, JACKKNIFE, SEAT, TUCK, 74" W/O ARMS
	101085-04-000	EA FRAME-SEAT, 74.75"
	101085-06-000	EA FRAME-BASE, 74.75"
	103669-01-B38	EA PILLOW ASM-16X16 THROW (D32)
	103669-01-C03	EA PILLOW ASM-16X16 THROW (D33)
	103669-01-D11	EA PILLOW ASM-16X16 THROW (D34)

CURTAIN & CUSHION GROUP (CONTINUED)
DRIVER & PASSENGER BUCKET SEATS



KEY	PART NUMBER	U/M DESCRIPTION
4	080243-50-C12	EA ARMREST-LEFT, BUCKET SEAT (D32)
4	080243-50-C03	EA ARMREST-LEFT, BUCKET SEAT (D33)
4	080243-50-C54	EA ARMREST-LEFT, BUCKET SEAT (D34)
	M80243-50-C12	EA COVER-ARMREST, LEFT (D32)
	M80243-50-C03	EA COVER-ARMREST, LEFT (D33)
	M80243-50-C54	EA COVER-ARMREST, LEFT (D34)
5	M03445-67-D32	EA COVER-SEAT, BUCKET SEAT
5	M03445-67-D33	EA COVER-SEAT, BUCKET SEAT
5	M03445-67-D34	EA COVER-SEAT, BUCKET SEAT
6	081268-01-000	EA ROD & CHANNEL-ARMREST, RIGHT - METAL
	081361-01-000	EA ROD-ARMREST, METAL - RIGHT OR LEFT HAND
7	M80906-05-000	EA FRAME-SEAT, BACK & SPRING
	101125-01-000	EA RECLINER-SEAT BACK, LEFT HAND REMOTE FROM: 00-00-00 THRU: 06-21-92
	M80906-07-000	EA FRAME-SEAT, BACK & SPRING FROM: 00-00-00 THRU: 06-21-92
	060730-02-000	EA RECLINER-SEAT BACK, LEFT HAND FROM: 06-22-92 THRU: 99-99-99
8	081268-02-000	EA ROD & CHANNEL-ARMREST, LEFT - METAL
	081361-01-000	EA ROD-ARMREST, METAL - RIGHT OR LEFT HAND
9	069246-05-000	EA ADJUSTER-BUCKET SEAT W/LOCK, FORWARD AND BACK
	059246-05-700	EA SPRING-ADJUSTER, FOR REMOTE
	069246-05-701	EA CLIP-CABLE, FOR REMOTE
10	107921-05-000	EA PLATE-TOP, W/SEAT BELT BAR
	107921-06-000	EA BEARING KIT-SEAT SWIVEL
11	107921-01-000	EA PLATE-SUB. FLOOR MOUNTED PEDESTAL - W/9 75" EXTENSION
12	069246-02-000	EA ADJUSTER-SLIDE, FORWARD & BACK
13	080730-03-700	EA HANDLE KIT-RECLINER
	080730-04-000	EA SCREW-RECLINER, HANDLE - KEIPER 300618-07
	089368-02-000	EA SHIELD-CABLE, REMOTE RECLINER - BUCKET SEAT
14	089368-04-000	EA CABLE-SLIDE, W/SWITCH
15	097683-03-000	EA BRACKET-REMOTE, SIDE MOUNT - SINGLE
16	108049-01-000	EA CABLE-28", FLEXSTEEL PEDESTAL
	108049-02-000	EA CABLE-PEDESTAL CLIP
17	071126-36-D32	EA SKIRT-BUCKET SEAT
17	071126-36-D33	EA SKIRT-BUCKET SEAT
17	071126-36-D34	EA SKIRT-BUCKET SEAT
	007221-01-000	EA SPACER-SEAT, ADJUSTER
18	085268-01-D32	EA HEADREST-BUCKET SEAT
18	085268-01-D33	EA HEADREST-BUCKET SEAT
18	085268-01-D34	EA HEADREST-BUCKET SEAT
18	085268-01-AA1	EA COVER-HEADREST, BUCKET SEAT (D32)
18	085268-01-C05	EA COVER-HEADREST, BUCKET SEAT (D33)
18	085268-01-B04	EA COVER-HEADREST, BUCKET SEAT (D34)
	081172-01-000	EA TRIM-HEADREST, PLASTIC - BLACK
	091313-01-000	EA GROMMET-HEADREST

KEY	PART NUMBER	U/M DESCRIPTION
1	093450-31-D32	EA SEAT-BUCKET, W/ARMRESTS & HEADREST - W/O SKIRT FROM: 00-00-00 THRU: 06-21-92
1	093450-31-D33	EA SEAT-BUCKET, W/ARMRESTS & HEADREST - W/O SKIRT FROM: 00-00-00 THRU: 06-21-92
1	093450-31-D34	EA SEAT-BUCKET, W/ARMRESTS & HEADREST - W/O SKIRT FROM: 00-00-00 THRU: 06-21-92
1	093450-38-D32	EA SEAT-BUCKET, W/ARMRESTS & HEADREST - W/O SKIRT FROM: 00-00-00 THRU: 06-21-92
1	093450-38-D33	EA SEAT-BUCKET, W/ARMRESTS & HEADREST - W/O SKIRT FROM: 06-22-92 THRU: 99-99-99
1	093450-38-D34	EA SEAT-BUCKET, W/ARMRESTS & HEADREST - W/O SKIRT FROM: 06-22-92 THRU: 99-99-99
2	M03445-66-D32	EA COVER-BACK, BUCKET SEAT
2	M03445-66-D33	EA COVER-BACK, BUCKET SEAT
2	M03445-66-D34	EA COVER-BACK, BUCKET SEAT
3	080243-49-C12	EA ARMREST-RIGHT, BUCKET SEAT (D32)
3	080243-49-C03	EA ARMREST-RIGHT, BUCKET SEAT (D33)
3	080243-49-C54	EA ARMREST-RIGHT, BUCKET SEAT (D34)
	M80243-49-C12	EA COVER-ARMREST, RIGHT (D32)
	M80243-49-C03	EA COVER-ARMREST, RIGHT (D33)
	M80243-49-C54	EA COVER-ARMREST, RIGHT (D34)

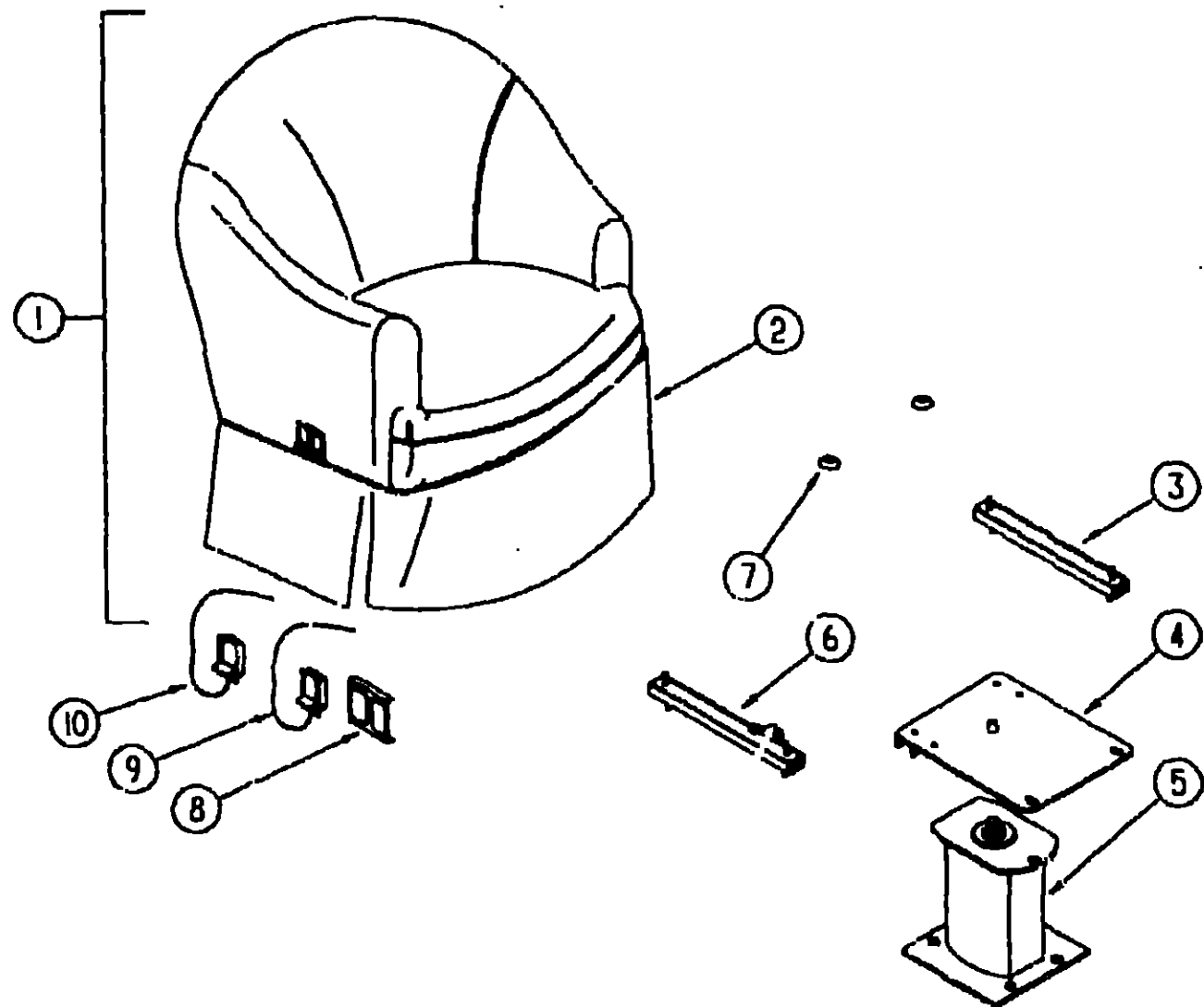
1993 ITASCA
TABLE OF CONTENTS

INTRODUCTION	A-01	A-02
ABBREVIATIONS		A-03
ALPHABETICAL INDEX	A-04	A-06
ICF23RC	A-07	E-16
ICF31RQ	E-17	J-18

1992 ICF31RQ INDEX

FLOOR PLAN	E-17	E-18
ACCESSORIES		E-19
AUDIO VIDEO	E-20	E-21
BATH	E-22	E-24
BEDROOM	F-01	F-03
CHASSIS	F-04	F-17
CURTAIN & CUSHION	F-16	G-04
DINETTE	G-05	G-06
DRIVERS COMPARTMENT	G-07	G-12
ELECTRICAL	G-13	G-20
EXTERIOR BODY	G-21	H-04
GALLEY	H-05	H-09
GENERATOR	H-10	H-11
HEATING & A/C	H-12	H-18
INTERIOR FINISH	H-19	H-22
LABELS	H-23	I-07
LP		I-08
LOUNGE	I-09	I-10
SEALANTS & FASTENERS	I-11	I-14
WATER & SEWAGE	I-15	I-20
WINDOW, VENT AND		
EXTERIOR DOOR	I-21	J-16
WINDSHIELDWIPER	J-17	J-18

CURTAIN & CUSHION GROUP (CONTINUED)



SWIVEL CHAIR

KEY	PART NUMBER	U/M DESCRIPTION
1	107957-02-D32	EA CHAIR-SWIVEL, W/O SKIRT
1	107957-02-D33	EA CHAIR-SWIVEL, W/O SKIRT
1	107957-02-D34	EA CHAIR-SWIVEL, W/O SKIRT
	P07957-02-D32	EA COVER-SWIVEL CHAIR
	P07957-02-D33	EA COVER-SWIVEL CHAIR
	P07957-02-D34	EA COVER-SWIVEL CHAIR
2	107977-01-D32	EA SKIRT-SWIVEL CHAIR
2	107977-01-D33	EA SKIRT-SWIVEL CHAIR
2	107977-01-D34	EA SKIRT-SWIVEL CHAIR
3	069246-06-000	EA ADJUSTER-SWIVEL CHAIR, FORWARD & BACK
4	107921-08-000	EA PLATE-TOP, W/O SEAT BELT BAR
	107921-06-000	EA BEARING KIT-SEAT SWIVEL
5	107921-01-000	EA PLATE-SUB, FLOOR MOUNTED PEDESTAL - W/9.75" EXTENSION
6	069246-08-000	EA ADJUSTER-SWIVEL CHAIR, REMOTE - FORWARD & BACK
7	007221-01-000	EA SPACER-SEAT, ADJUSTER
8	097883-02-000	EA BRACKET-MOUNT, REMOTE
9	108049-01-000	EA CABLE - 28" - FLEXSTEEL PEDESTAL
	108049-02-000	EA CABLE - PEDESTAL CLIP
10	089368-04-000	EA CABLE-SWIVEL/SLIDE, W/SWITCH

CURTAIN & CUSHION GROUP (CONTINUED)

BUTTON, TRIM, ASSIST HANDLE & SEAT BELT

KEY	PART NUMBER	U/M DESCRIPTION
	079349-04-AA1	YD WELT ASM-NARROW, ACCENT (D32)
	079349-04-CD5	YD WELT ASM-NARROW, ACCENT (D33)
	079349-04-BD4	YD WELT ASM-NARROW, ACCENT (D34)
	057759-01-000	EA WASHER BRACKET-SEAT BELT, 4" DIAMETER
	056271-01-000	EA BELT-SEAT, 2" X 102" - BLACK
	007021-01-000	EA BELT-SEAT, 2" X 90" - BLACK
	056271-02-000	EA BELT-SEAT, 2" X 72" - BLACK
	069178-02-000	EA BRACKET-MOUNTING, ASSIST HANDLE - L ANGLE - W/HOLES - STEEL
	070578-04-Y05	EA BUTTON-SNAP TOP, #30 - VINYL - BEIGE
	070578-11-Y70	EA BUTTON-SNAP TOP, #30 - VINYL - OFF WHITE
	000C16-07-16B	EA BOLT-CARRIAGE, ASSIST HANDLE - 7/16" - 14 X 1" ZN
	070578-01-B27	EA BUTTON-SCREW STUD, #30 (D32)
	070578-01-C03	EA BUTTON-SCREW STUD, #30 (D33)
	070578-01-906	EA BUTTON-SNAP TOP, #30 (D34)
	000D20-01-008	EA NUT-ACORN, ASSIST HANDLE - 7/16" X 1-1/2" ZN
	053552-02-AA8	EA HANDLE-ASSIST, INTERIOR - ENTRY DOOR - VINYL - OFF WHITE
	057534-01-000	EA TIEBACK/TIEDOWN-BED/CURTAIN/DOOR, 6" - PLASTIC - CLEAR
	057534-04-000	EA TIEBACK-PLASTIC, 20" - CLEAR

FABRICS

KEY	PART NUMBER	U/M DESCRIPTION
	072333-82-000	YD FABRIC-CURTAIN, 54" WIDE - BEIGE
	072333-96-000	YD FABRIC-DRAPERY, GALAXY ANTICURE - RICHLOOM
	079680-01-000	YD FABRIC-VINYL, 54" WIDE - BEIGE
	087272-01-000	YD FABRIC-LINING, CURTAIN - 48" WIDE - IVORY
	087272-03-000	YD DRAPERY LINING-54" IVORY - ROCKLAND MILLS
	088273-68-000	YD FABRIC-CURTAIN/BEDSPREAD, PATTERNED - 54" WIDE
	088273-71-000	YD FABRIC-CURTAIN/BEDSPREAD, PLAIN - 54" WIDE (D32)
	088273-83-000	YD FABRIC-CURTAIN/BEDSPREAD, PATTERNED - 54" WIDE (D33)
	088273-87-000	YD FABRIC-BEDSPREAD, MICHELLE, LILAC (D33)
	088273-95-000	YD FABRIC-CURTAIN/BEDSPREAD, PATTERNED - 54" WIDE (D32)
	105745-15-000	YD FABRIC-CURTAIN/BEDSPREAD, PATTERNED - 54" WIDE (D34)
	089351-03-000	YD VINYL-CEILING, DIAMOND DESIGN - 54" WIDE
	103907-01-01A	YD FABRIC-VINYL, 54" WIDE - OFF WHITE
	104233-29-000	YD FABRIC-UPHOLSTERY, PLAIN VELOUR - 54" WIDE (D33)
	104233-31-000	YD FABRIC-UPHOLSTERY/CURTAIN, PLAIN VELOUR - 54" - BLUE (D32)
	104233-30-000	YD FABRIC-UPHOLSTERY, PLAIN VELOUR - 54" WIDE (D32, D34)
	104233-69-000	YD FABRIC-UPHOLSTERY, WOVEN PATTERN - 54" WIDE (D32, D33)
	104233-70-000	YD FABRIC-UPHOLSTERY, STRIPED WOVEN - 54" WIDE (D32)
	104233-78-000	YD FABRIC-UPHOLSTERY, STRIPED WOVEN - 54" WIDE (D33)
	104233-71-000	YD FABRIC-UPHOLSTERY, PATTERN VELOUR - 54" WIDE (D34)
	104233-72-000	YD FABRIC-UPHOLSTERY, DOTTED VELOUR - 54" WIDE (D34)
	105745-37-000	YD FABRIC-CURTAIN/BEDSPREAD, PATTERNED - 54" WIDE
	106589-01-01A	YD VINYL-LAMINATE MADRID O/W - 26OZ 54" X ROLL
	096008-78-000	YD FABRIC-UPHOLSTERY, PLAIN VELOUR - 54" WIDE

FROM: 03-22-93 THRU: 99-99-99

N/A USE P.N.#10423329000 EGGPLANT

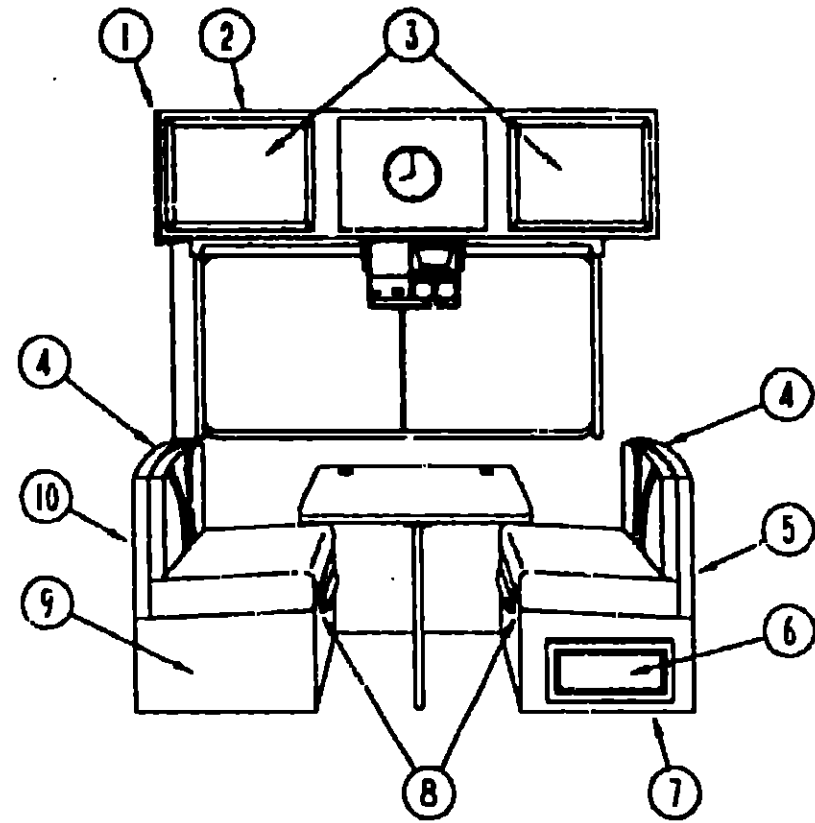
**1993 ITASCA
TABLE OF CONTENTS**

INTRODUCTION	A-01 -	A-02
ABBREVIATIONS		A-03
ALPHABETICAL INDEX	A-04 -	A-06
ICF23PC	A-07 -	E-18
ICF31RQ	E-17 -	J-18

1993 ICF31RQ INDEX

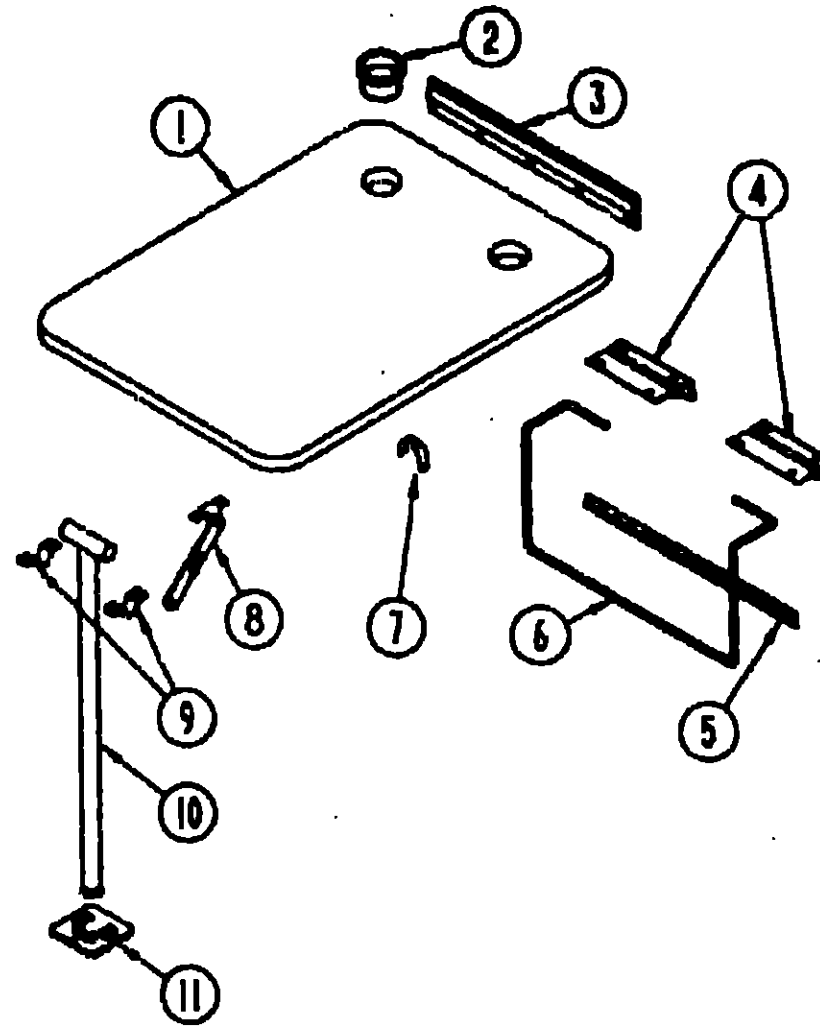
FLOOR PLAN	E-17 -	E-18
ACCESSORIES		E-19
AUDIO VIDEO	E-20 -	E-21
BATH	E-22 -	E-24
BEDROOM	F-01 -	F-03
CHASSIS	F-04 -	F-17
CURTAIN & CUSHION	F-18 -	G-04
DINETTE	G-05 -	G-06
DRIVERS COMPARTMENT	G-07 -	G-12
ELECTRICAL	G-13 -	G-20
EXTERIOR BODY	G-21 -	H-04
GALLEY	H-05 -	H-09
GENERATOR	H-10 -	H-11
HEATING & A/C	H-12 -	H-18
INTERIOR FINISH	H-19 -	H-22
LABELS	H-23 -	I-07
LP		I-08
LOUNGE	I-09 -	I-10
SEALANTS & FASTENERS	I-11 -	I-14
WATER & SEWAGE	I-15 -	I-20
WINDOW, VENT AND		
EXTERIOR DOOR	I-21 -	J-16
WINDSHIELDWIPER	J-17 -	J-18

DINETTE GROUP



DINETTE CABINETRY

DINETTE GROUP (CONTINUED)



DINETTE TABLE

**1993 ITASCA
TABLE OF CONTENTS**

INTRODUCTION	A-01 - A-02
ABBREVIATIONS	A-03
ALPHABETICAL INDEX	A-04 - A-06
ICF23RC	A-07 - E-16
ICF31RQ	E-17 - J-18

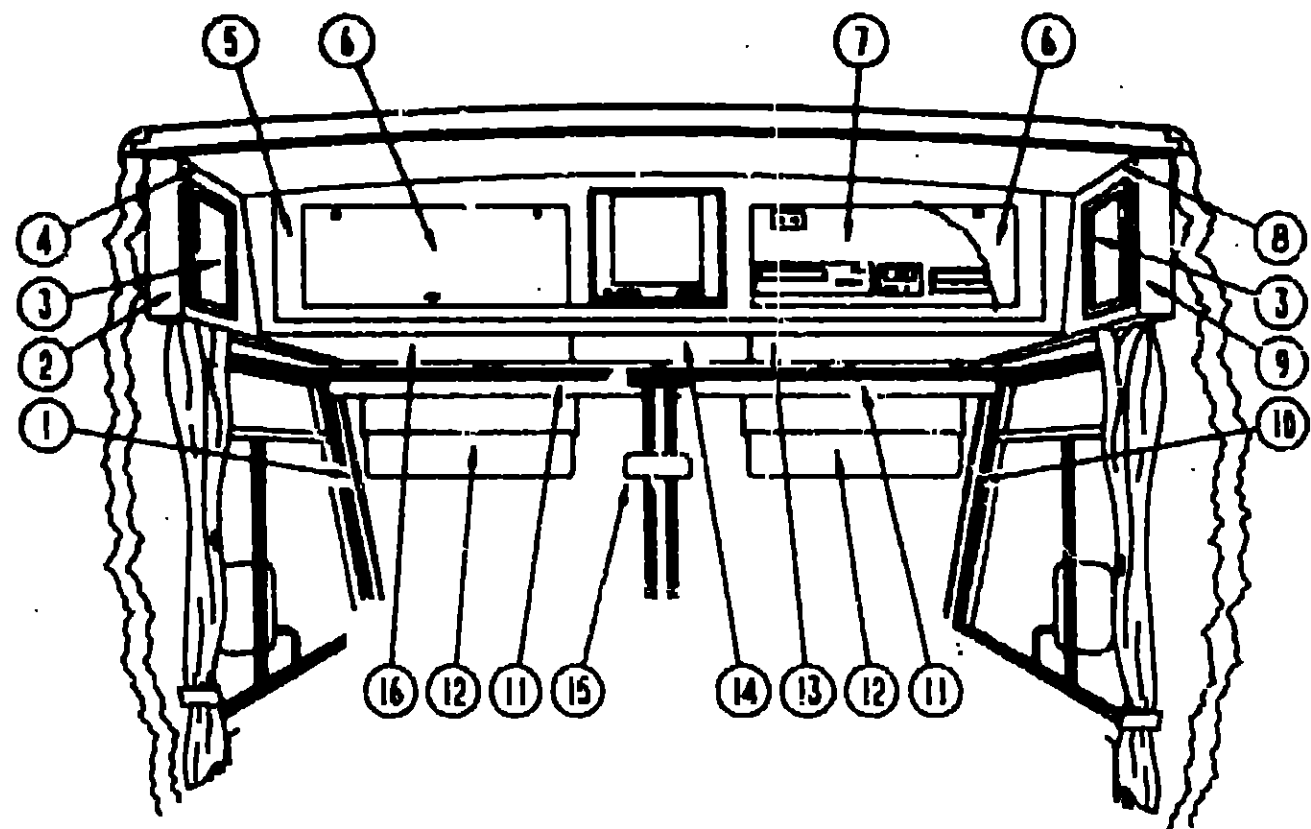
1993 ICF31RQ INDEX

FLOOR PLAN	E-17 - E-18
ACCESSORIES	E-19
AUDIO VIDEO	E-20 - E-21
BATH	E-22 - E-24
BEDROOM	F-01 - F-03
CHASSIS	F-04 - F-17
CURTAIN & CUSHION	F-18 - G-04
DINETTE	G-05 - G-06
DRIVERS COMPARTMENT	G-07 - G-12
ELECTRICAL	G-13 - G-20
EXTERIOR BODY	G-21 - H-04
GALLEY	H-05 - H-09
GENERATOR	H-10 - H-11
HEATING & A/C	H-12 - H-18
INTERIOR FINISH	H-19 - H-22
LABELS	H-23 - I-07
LP	I-08
LOUNGE	I-09 - I-10
SEALANTS & FASTENERS	I-11 - I-14
WATER & SEWAGE	I-15 - I-20
WINDOW, VENT AND EXTERIOR DOOR	I-21 - J-16
WINDSHIELDWIPER	J-17 - J-18

KEY	PART NUMBER	U/M DESCRIPTION	
1	103123-02-C05	EA END CAP ASM, OVERHEAD	
2	P08162-01-D32	EA CABINET ASM-OVHD DINETTE	
2	P08162-01-D33	EA CABINET ASM-OVHD DINETTE	
2	P08162-01-D34	EA CABINET ASM-OVHD DINETTE	
3	P04746-03-D32	EA DOOR ASM-W/O HARDWARE - 400X710	
4	104787-01-D32	EA PAD ASM-DINETTE	
4	104787-01-C05	EA PAD ASM-DINETTE (D33)	
4	104787-01-D11	EA PAD ASM-DINETTE (D34)	
5	M04174-04-C05	EA CABINET-SEATBACK RH	
			FROM: 00-00-00 THRU: 08-29-92
5	M04174-41-D09	EA CABINET-SEATBACK RH	
			FROM: 08-30-92 THRU: 99-99-99
6	P04746-09-D32	EA DOOR ASM-W/O HARDWARE - 255X485	
			FROM: 08-30-92 THRU: 99-99-99
7	M04175-04-C05	EA CABINET-SEATBASE RH	
			FROM: 00-00-00 THRU: 08-29-92
7	M04175-41-D09	EA CABINET-SEATBASE RH	
			FROM: 08-30-92 THRU: 99-99-99
8	081295-01-AA8	EA SUPPORT-BED, DINETTE, 712 LG	
9	M04175-05-C05	EA CABINET-SEATBASE LH	
			FROM: 00-00-00 THRU: 09-24-92
9	M04175-49-D09	EA CABINET-SEATBASE LH	
			FROM: 09-25-92 THRU: 99-99-99
10	M04174-05-C05	EA CABINET-SEATBACK LH	
			FROM: 00-00-00 THRU: 09-24-92
10	M04174-49-D09	EA CABINET-SEATBACK LH	
			FROM: 09-25-92 THRU: 99-99-99
	103598-12-C05	EA SEAT ASM	
			FROM: 00-00-00 THRU: 08-29-92
	081518-01-803	EA SEAT-TOP, DINETTE - PLYWOOD	
			FROM: 08-30-92 THRU: 99-99-99

KEY	PART NUMBER	U/M DESCRIPTION
1	M02115-09-D32	EA TABLE-DINETTE, W/O EDGE BAND OR HARDWARE
2	084781-06-000	EA HOLDER-CUP, TWO STEP - OFF WHITE
3	053200-12-000	EA SUPPORT-TABLE, 8' X 23.5' - O/W
	004354-01-000	EA BUMPER-RUBBER - BROWN
4	088410-02-000	EA BRACKET-LIFT, TABLE MOUNTED - O/W
5	J24281-14-000	EA BRACKET-TABLE LFT, 22.12 O/W
6	024275-12-000	EA ROD-TABLE LIFT, O/W
7	024283-01-000	EA CLIP-LEG, 1" X 1.125" OD - BLACK
8	024282-01-000	EA BRACE-TABLE LEG, HINGED
9	064050-05-000	EA HINGE-TABLE LEG, OFF WHITE
10	024276-23-000	EA LEG ASM-TABLE OFF WHITE
11	049493-11-700	EA CATCH-TABLE LEG, FLOOR MOUNTED - BEIGE
	049493-12-000	EA CATCH-TABLE LEG, O/W
	002929-01-001	EA EXTR-BRACKET TABLE, BLN LTH 16FT

DRIVERS COMPARTMENT GROUP
DRIVERS COMPARTMENT - UPPER



KEY	PART NUMBER	U/M DESCRIPTION
6	100708-08-000	EA DOOR-GLASS, TV CABINET - W/O HARDWARE - 9.08" X 28.42"
	100710-01-01A	EA LOCK-TWIST TYPE:
	100711-01-01A	EA HINGE-DOOR, GLASS
	100707-01-000	EA SPACER
	101272-01-000	EA CATCH-GLASS DOOR
	101786-01-000	EA PIN-SUPPORT, GLASS DOOR
7	103040-01-C05	EA PANEL-HEADLINER FRONT OVERHEAD - PADDED - STANDARD
7	103040-02-C05	EA PANEL-HEADLINER FRONT OVERHEAD - PADDED - TV OPTION
7	103040-03-C05	EA PANEL-HEADLINER FRONT OVERHEAD - PADDED - TV/MCR/EUROPEAN OPTIONS
7	103040-04-C05	EA PANEL-HEADLINER FRONT OVERHEAD - PADDED - TV/MCR/INVERTER OPTION
7	103040-05-C05	EA PANEL-HEADLINER FRONT OVERHEAD - PADDED - TV/INVERTER OPTION
8	M05159-21-D32	EA CABINET-FRONT OVERHEAD W/O DOOR, PASSENGERS SIDE FROM: 00-00-00 THRU: 08-16-92
8	M05159-21-D33	EA CABINET-FRONT OVERHEAD W/O DOOR, PASSENGERS SIDE FROM: 00-00-00 THRU: 08-16-92
8	M05159-21-D34	EA CABINET-FRONT OVERHEAD W/O DOOR, PASSENGERS SIDE FROM: 00-00-00 THRU: 08-16-92
8	M05159-40-D32	EA CABINET-FRONT OVERHEAD W/O DOOR, PASSENGERS SIDE FROM: 08-17-92 THRU: 99-99-99
8	M05159-40-D33	EA CABINET-FRONT OVERHEAD W/O DOOR, PASSENGERS SIDE FROM: 08-17-92 THRU: 99-99-99
8	M05159-40-D34	EA CABINET-FRONT OVERHEAD W/O DOOR, PASSENGERS SIDE FROM: 08-17-92 THRU: 99-99-99
9	104353-01-C05	EA CAP-END, FRONT OVERHEAD, PASSENGERS SIDE FROM: 00-00-00 THRU: 08-16-92
9	103128-08-D12	EA CAP-END, FRONT OVERHEAD, PASSENGERS SIDE FROM: 08-17-92 THRU: 99-99-99
	P04307-01-C05	EA BOTTOM-VINYL COVERED, FRONT OVERHEAD - PASSENGERS SIDE FROM: 00-00-00 THRU: 08-16-92
	P09561-01-D09	EA BOTTOM-VINYL COVERED, FRONT OVERHEAD - PASSENGERS SIDE FROM: 08-17-92 THRU: 99-99-99
	104289-01-C05	EA PAD-VINYL COVERED, 30.3" X 9.6" - ANGLED - DRIVERS SIDE
10	103931-01-02A	EA COVER-INNER, A-PILLAR - PASSENGERS
11	078811-05-C07	EA PANEL-HEADER W/RECEPTACLE CUTOUTS - 90 2' LONG - VINYL COVERED
12	082286-18-D12	EA SUNVISOR-DRIVER OR PASSENGER - W/O POCKET
12	082286-14-C05	EA SUNVISOR-DRIVER OR PASSENGER - W/POCKET
	102377-01-000	EA BRACKET-SUNVISOR, 1 PIECE - STEEL
	007211-01-000	EA HINGE-SUNVISOR
	074012-01-000	EA CLIP-SUNVISOR, SQUARE PINCH-ON
13	P03077-02-C05	EA SHELF-CABINET, PASSENGERS SIDE - VINYL COVERED
14	P04415-01-C05	EA SHELF-TV CABINET, VINYL COVERED
	100628-02-000	EA SHELF ASM-TV, STEEL
	101150-01-000	EA SUPPORT-SHELF, TV - PASSENGER SIDE - STEEL
	101150-02-000	EA SUPPORT-SHELF, TV - DRIVER SIDE - STEEL
	104417-01-C05	EA CABINET-BLANKET (STANDARD CABINET)
15	040714-01-000	EA MIRROR-REAR VIEW, W/ARM MOUNT & SET SCREW - GM# 911722
16	P03077-01-C05	EA SHELF-CABINET, DRIVERS SIDE - VINYL COVERED

**1993 ITASCA
TABLE OF CONTENTS**

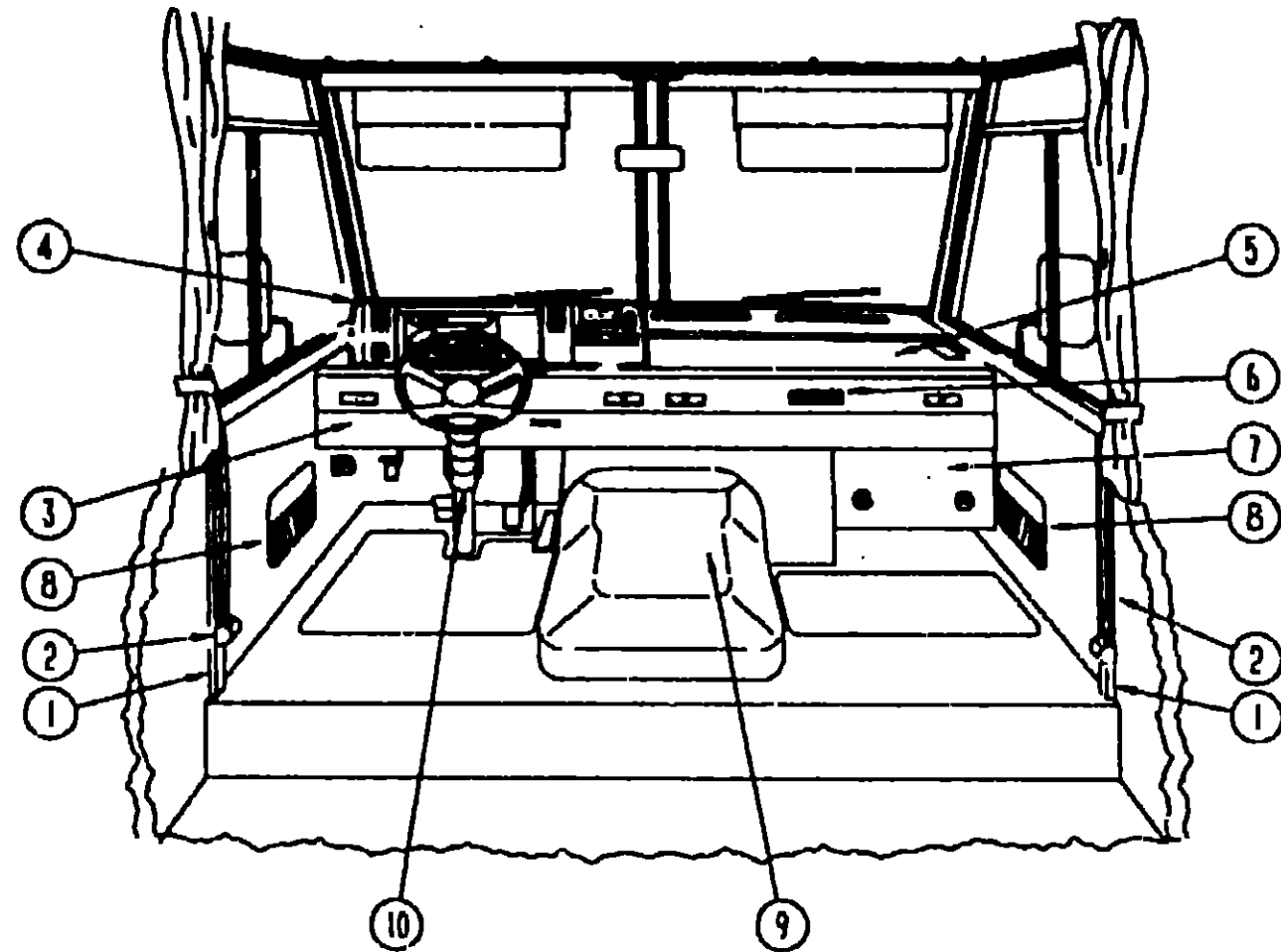
INTRODUCTION	A-01 -	A-02
ABBREVIATIONS		A-03
ALPHABETICAL INDEX	A-04 -	A-06
ICF23RC	A-07 -	E-16
ICF31RQ	E-17 -	J-18

KEY	PART NUMBER	U/M DESCRIPTION
1	103931-02-02A	EA COVER-INNER, A-PILLAR - DRIVERS
2	104353-02-C05	EA CAP-END, FRONT OVERHEAD, DRIVERS SIDE FROM: 00-00-00 THRU: 08-16-92
2	103128-09-D12	EA CAP-END, FRONT OVERHEAD, DRIVERS SIDE FROM: 08-17-92 THRU: 99-99-99
3	P04746-06-D32	EA DOOR-CABINET, W/O HARDWARE - 255 MM X 485 MM
4	M05159-22-D32	EA CABINET-FRONT OVERHEAD W/O DOOR, DRIVERS SIDE FROM: 00-00-00 THRU: 08-16-92
4	M05159-22-D33	EA CABINET-FRONT OVERHEAD W/O DOOR, DRIVERS SIDE FROM: 00-00-00 THRU: 08-16-92
4	M05159-22-D34	EA CABINET-FRONT OVERHEAD W/O DOOR, DRIVERS SIDE FROM: 00-00-00 THRU: 08-16-92
4	M05159-41-D32	EA CABINET-FRONT OVERHEAD W/O DOOR, DRIVERS SIDE FROM: 08-17-92 THRU: 99-99-99
4	M05159-41-D33	EA CABINET-FRONT OVERHEAD W/O DOOR, DRIVERS SIDE FROM: 08-17-92 THRU: 99-99-99
4	M05159-41-D34	EA CABINET-FRONT OVERHEAD W/O DOOR, DRIVERS SIDE FROM: 08-17-92 THRU: 99-99-99
	P04307-02-C05	EA BOTTOM-VINYL COVERED, FRONT OVERHEAD - DRIVERS SIDE FROM: 00-00-00 THRU: 08-16-92
	P09561-02-D09	EA BOTTOM-VINYL COVERED, FRONT OVERHEAD - DRIVERS SIDE FROM: 08-17-92 THRU: 99-99-99
	104289-02-C05	EA PAD-VINYL COVERED, 30.3" X 9.6" - ANGLED - DRIVERS SIDE
5	104238-01-C05	EA FACE-TV CABINET W/O DOORS, FRONT OVERHEAD FROM: 00-00-00 THRU: 07-16-92
5	M05893-01-C05	EA FACE-TV CABINET W/O DOORS, FRONT OVERHEAD FROM: 07-17-92 THRU: 99-99-99
	108989-01-01A	EA BRACKET-L-ANGLE, TV CABINET FACE - 5.1" LONG - OFF WHITE STEEL
	108911-01-D12	EA TRIM-TV, 15.3" X 13.9" - WOOD
	100876-02-000	EA STAND-VCR, STEEL

1993 ICF31RQ INDEX

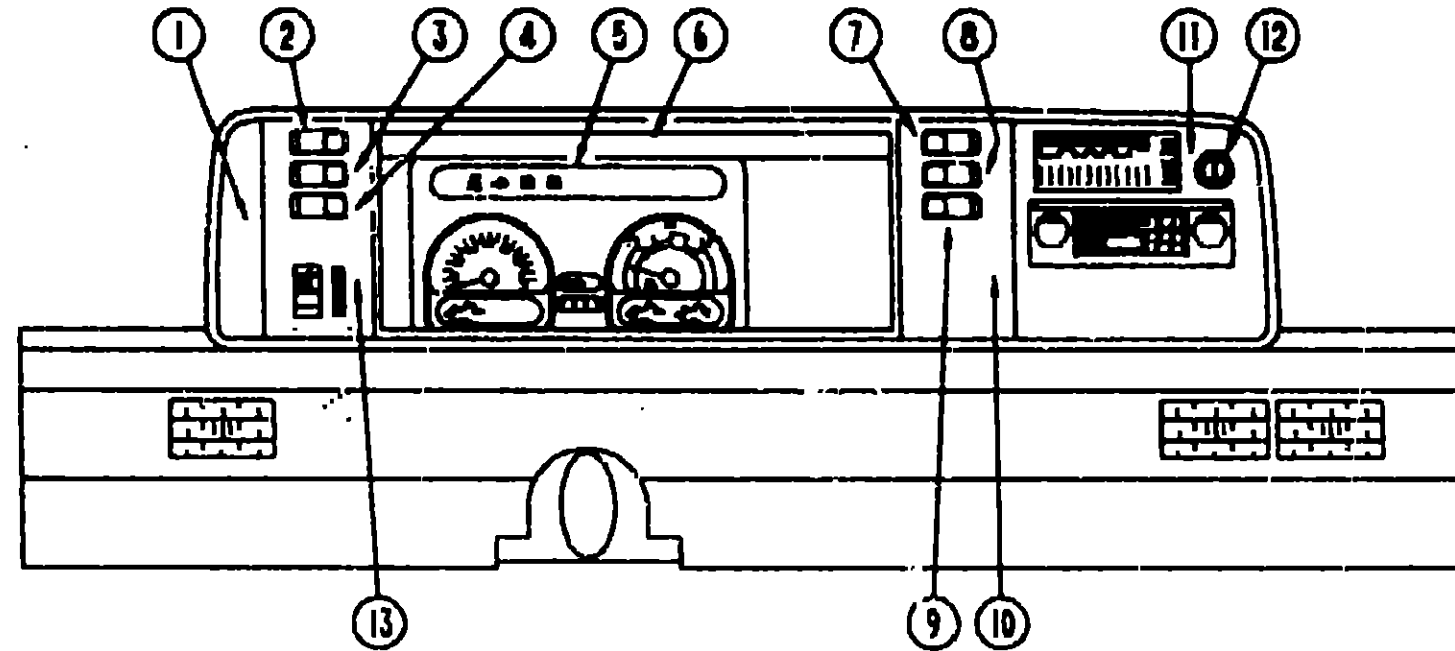
FLOOR PLAN	E-17 -	E-18
ACCESSORIES		E-19
AUDIO VIDEO	E-20 -	E-21
BATH	E-22 -	E-24
BEDROOM	F-01 -	F-03
CHASSIS	F-04 -	F-17
CURTAIN & CUSHION	F-18 -	G-04
DINETTE	G-05 -	G-06
DRIVERS COMPARTMENT	G-07 -	G-12
ELECTRICAL	G-13 -	G-20
EXTERIOR BODY	G-21 -	H-04
GALLEY	H-05 -	H-09
GENERATOR	H-10 -	H-11
HEATING & A/C	H-12 -	H-18
INTERIOR FINISH	H-19 -	H-22
LABELS	H-23 -	I-07
LP		I-08
LOUNGE	I-09 -	I-10
SEALANTS & FASTENERS	I-11 -	I-14
WATER & SEWAGE	I-15 -	I-20
WINDOW, VENT AND EXTERIOR DOOR	I-21 -	J-16
WINDSHIELDWIPER	J-17 -	J-18

DRIVERS COMPARTMENT GROUP (CONTINUED)



DRIVERS COMPARTMENT - LOWER

DRIVERS COMPARTMENT GROUP (CONTINUED)



INSTRUMENT CLUSTER (CHEVY)

**1993 ITASCA
TABLE OF CONTENTS**

INTRODUCTION	A-01 -	A-02
ABBREVIATIONS		A-03
ALPHABETICAL INDEX	A-04 -	A-06
ICF23RC	E-07 -	E-16
ICF31RQ	E-17 -	J-18

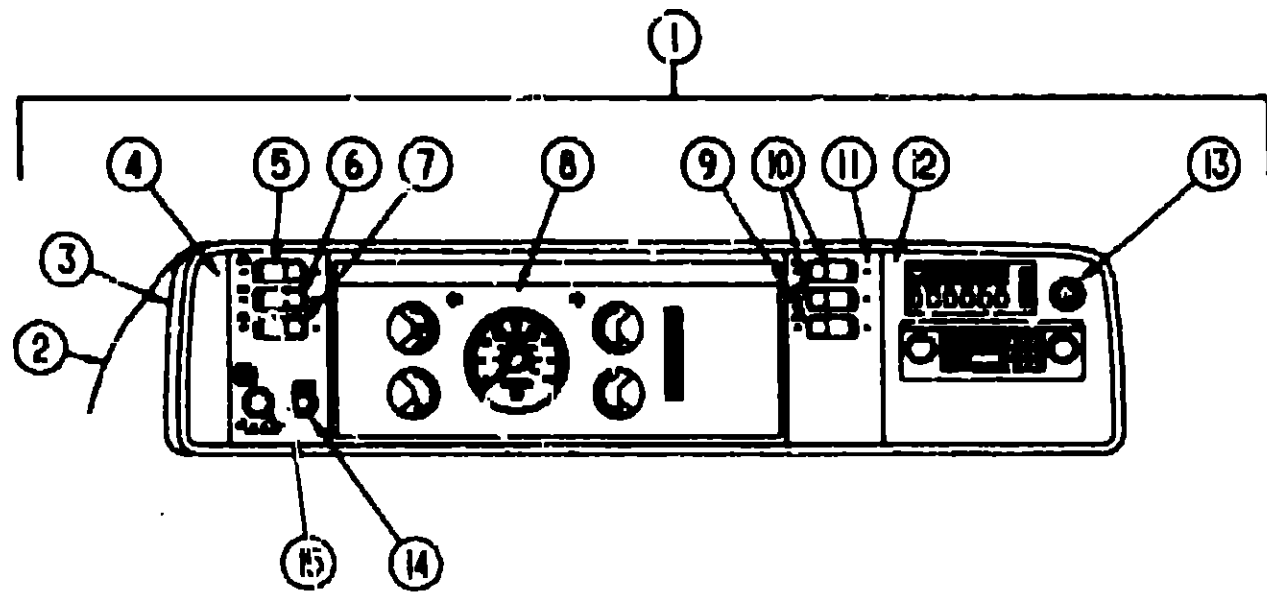
1993 ICF31RQ INDEX

FLOOR PLAN	E-17 -	E-18
ACCESSORIES		E-19
AUDIO VIDEO	E-20 -	E-21
BATH	E-22 -	E-24
BEDROOM	F-01 -	F-03
CHASSIS	F-04 -	F-17
CURTAIN & CUSHION	F-18 -	G-04
DINETTE	G-05 -	G-06
DRIVERS COMPARTMENT	G-07 -	G-12
ELECTRICAL	G-13 -	G-20
EXTERIOR BODY	G-21 -	H-04
GALLEY	H-05 -	H-09
GENERATOR	H-10 -	H-11
HEATING & A/C	H-12 -	H-19
INTERIOR FINISH	H-19 -	H-22
LABELS	H-23 -	I-07
LP		I-08
LOUNGE	I-09 -	I-10
SEALANTS & FASTENERS	I-11 -	I-14
WATER & SEWAGE	I-15 -	I-20
WINDOW, VENT AND EXTERIOR DOOR	I-21 -	J-18
WINDSHIELD/WIPER	J-17 -	J-18

KEY	PART NUMBER	U/M DESCRIPTION
1	024700-44-000	EA COVER-SIDEWALL ROLL BAR, OFF WHITE - 53"
1	024700-45-000	EA COVER-SIDEWALL ROLL BAR, OFF WHITE - 12.8"
2	091990-01-01A	EA SEAT BELT-SHOULDER HARNESS - DRIVERS/PASSENGERS - BLACK
	091990-01-700	EA BOLT COVER
	R77006-13-498	EA BOLT-SEAT BELT
	109146-01-000	EA BOLT-SHOULDER, SEAT BELT
		FROM: 00-00-00 THRU: 07-19-92
		FROM: 07-20-92 THRU: 99-99-99
	103961-01-01A	EA COVER-BRACKET, SEATBELT - OFF WHITE
	R77030-53-447	EA WASHER-FLAT, 11.3 MM ID X 21 MM OD
		FROM: 00-00-00 THRU: 08-02-92
3	103812-01-02A	EA TRIM-DASH, LOWER - OFF WHITE
4	103666-01-02A	EA POD-INSTRUMENT PANEL, OFF WHITE PLASTIC
5	103817-01-C05	EA DASH ASM, W/VINYL
	P03817-01-000	EA DASH ASM, W/O VINYL
	105927-02-000	EA PANEL-DASH TOP, STEEL
6	104279-01-01A	EA DECAL-LOGO "SUNRISE" PASSENGERS SIDE DASH
7	085757-03-C26	EA COVER-HEATER W/CARPET (D32)
7	085757-03-C05	EA COVER-HEATER W/CARPET (D33)
7	085757-03-C27	EA COVER-HEATER W/CARPET (D34)
8	086120-04-D32	EA PAD-MAP POCKET, 12" X 16"
8	086120-04-D33	EA PAD-MAP POCKET, 12" X 16"
8	086120-04-D34	EA PAD-MAP POCKET, 12" X 16"
9	097552-01-000	EA COVER-MOTOR, W/O CARPET
	075584-01-000	EA BRACKET-MOUNTING, MOTOR COVER
	082406-01-000	EA TRIM-MOTOR COVER, ALUMINUM
	038823-01-000	FT SEAL-MOTOR COVER, RUBBER BULB TYPE - BLACK
	107854-01-D09	EA TRAY ASM-BEVERAGE W/WASHTRAY & DOWELS
	M04032-01-AB1	EA DOWEL-WOOD, STAINED - 1" X 1.75"
	046823-03-000	EA ASHTRAY-CHROME, W/COVER
10	103498-04-000	EA BOOT-STEERING COLUMN, BLACK VINYL
		FROM: 00-00-00 THRU: 09-06-92
10	103498-08-000	EA BOOT-STEERING COLUMN, BLACK VINYL
		FROM: 09-07-92 THRU: 99-99-99

KEY	PART NUMBER	U/M DESCRIPTION
1	104056-01-01A	EA APPLIQUE-BEZEL
2	108356-02-01A	EA COVER-SWITCH W/DIMPLES, CARLING VVAZC00 BLA
2	108357-05-000	EA SWITCH-ROCKER, SPDT ON/NONE/ON - RADIO POWER - CARLING V4D1000B-0
3	108356-02-01A	EA COVER-SWITCH W/DIMPLES, CARLING VVAZC00 BLA
3	108357-04-000	EA SWITCH-ROCKER, SPDT ON/OFF/MOM - DUAL BATTERY - CARLING V7D1000B-0
4	108356-02-01A	EA COVER-SWITCH W/DIMPLES, CARLING VVAZC00 BLA
4	108357-06-000	EA SWITCH-ROCKER, DPDT MOM/OFF/MOM - CARLING VLD1000B-0
		BATTERY DISCONNECT SWITCH OPTION
4	096241-03-000	EA SWITCH-BLANK
5	094796-05-000	EA CLUSTER-INSTRUMENT PANEL, KILOMETERS - GAS - GM #16156355
5	094796-06-000	EA CLUSTER-INSTRUMENT PANEL, KILOMETERS - DIESEL - GM#16161325
6	103662-01-01A	EA BEZEL-INSTRUMENT PANEL
7	108356-04-01A	EA COVER-SWITCH W/DIMPLES & LENS, CARLING VVAGC00
		FROM: 12-14-92 THRU: 99-99-99
7	108357-10-000	EA SWITCH-ROCKER, SPDT MOM/OFF/MOM - LIGHTED - CARLING V8D11608-0
		GENERATOR OPTION
		FROM: 12-14-92 THRU: 99-99-99
7	096241-03-000	EA SWITCH-BLANK
8	108356-02-01A	EA COVER-SWITCH W/DIMPLES, CARLING VVAZC00 BLA
8	108357-03-000	EA SWITCH-ROCKER, SPDT ON/OFF/ON - CARLING V6D1000B-0
		REAR HEATER OPTION
8	096241-03-000	EA SWITCH-BLANK
9	096241-03-000	EA SWITCH-BLANK
10	104056-04-01A	EA APPLIQUE-BEZEL, W/O REAR AUTO HEATER
		FROM: 00-00-00 THRU: 12-13-92
10	104056-05-01A	EA APPLIQUE-BEZEL, W/REAR AUTO HEATER
		FROM: 00-00-00 THRU: 12-13-92
10	104056-21-01A	EA APPLIQUE-BEZEL
		FROM: 12-14-92 THRU: 99-99-99
11	104056-06-01A	EA APPLIQUE-BEZEL
12	089294-01-000	EA LIGHTER ASM-CIGARETTE - CASCO C213275
13	104056-02-01A	EA APPLIQUE-BEZEL
	100138-01-000	EA MODULE-DAYTIME RUNNING LIGHT
	077031-01-000	EA FILM-BLACK, 1" X 1.75"
	077031-02-000	EA FILM-AMBER, 1" X 1.75"
	077031-03-000	EA FILM-WHITE, .75" X 1"
	103803-01-000	EA BULB-12V NO.74 0.12A WEDGE
	105815-01-000	FT FILM-PROTECTIVE CLEAR
	077539-01-000	EA BRACKET-MOUNTING, DASH PANEL - L-SHAPED - 2.5" X 1" X 1.5"

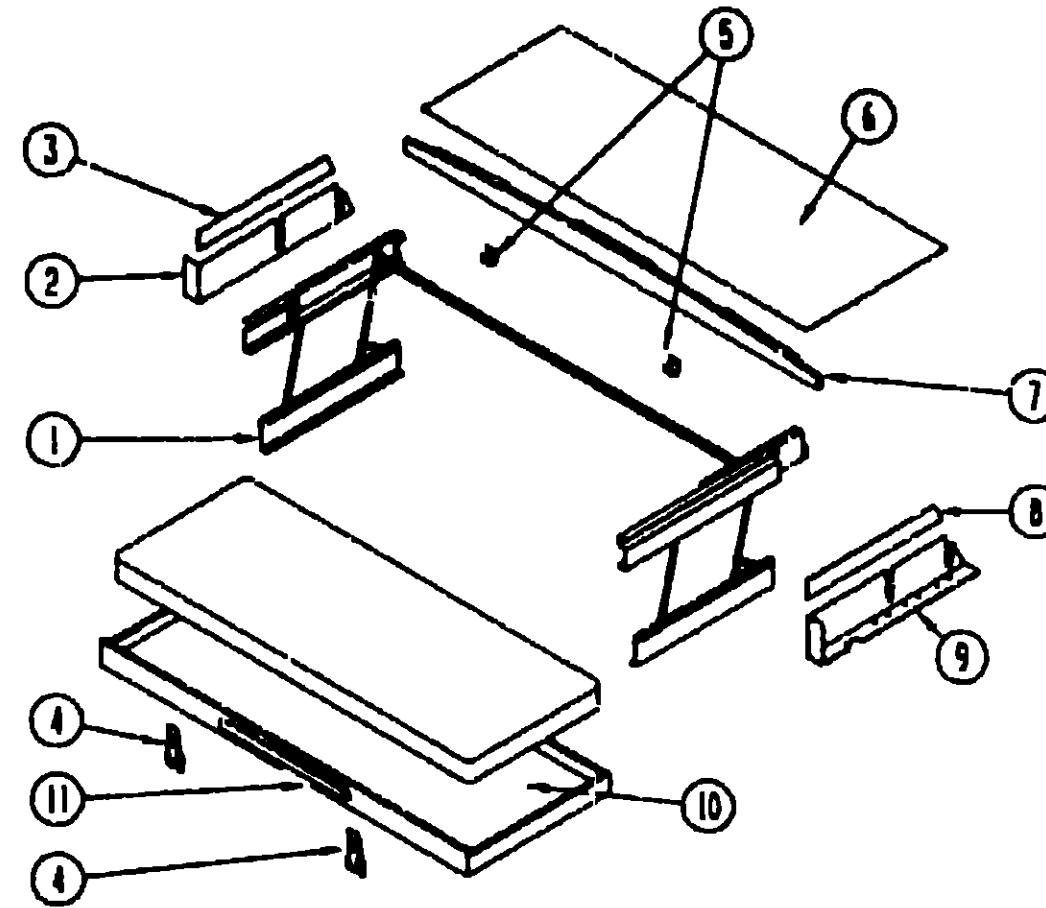
DRIVERS COMPARTMENT GROUP (CONTINUED)



DASH, GAUGES & SWITCHES (FORD)

KEY	PART NUMBER	U/M DESCRIPTION
1	M05946-03-D32	EA DASH POD ASM.
2	103666-01-02A	EA POD - INSTRUMENT PANEL - ASH GRAY
3	103662-02-01A	EA BEZEL - INSTRUMENT PANEL
4	104056-01-01A	EA APPLIQUE - BEZEL - LEFT - DRESS UP
5	103875-05-000	EA SWITCH - ROCKER - SPDTON/NONE/ON
6	103875-04-000	EA SWITCH - ROCKER - SPDTON/OFF/MOM
7	103875-06-000	EA SWITCH - ROCKER - DPDTMOM/OFFMOM
8	094704-02-000	EA CLUSTER - INSTRUMENT - KILOMETER - FORD F0US-10849-BB FROM: 00-00-00 THRU: 09-20-92
8	094754-03-000	EA CLUSTER - SPEEDO - KM-92 F53 FORD E99Z-17255-B FROM: 09-21-92 THRU: 99-99-99
9	096241-03-000	EA BLANK
10	103875-03-000	EA SWITCH - ROCKER - SPST ON/OFF/ON
11	104056-04-01A	EA APPLIQUE - BEZEL - SWITCH RIGHT - BLANK
11	104056-05-01A	EA APPLIQUE - BEZEL SWITCH RIGHT (W/AUX. FANS)
12	104056-06-02A	EA APPLIQUE - BEZEL - RIGHT DRESS UP
13	099294-01-000	EA LIGHTER ASM. - CIGARETTE
14	098575-01-000	EA KNOB - HEADLAMP - W/SHAFT
15	104056-03-01A	EA APPLIQUE - BEZEL - SWITCH LEFT
	P03817-01-000	EA DASH ASM - LOWER - W/O VINYL
	106569-02-01A	EA PADDED VINYL - LAMINATE MADRID - OFF WHITE - 1/4"X16"X96" - 2LB
	100138-01-000	EA MODULE - DAYTIME RUNNING LIGHT
	077031-03-000	EA FILM - WHITE .75X1.00
	103812-02-01A	EA TRIM - DASH - LOWER - FORD OFF/WHITE
	104354-02-01A	EA APPLIQUE - LOWER DASH - FORD

DRIVERS COMPARTMENT GROUP (CONTINUED)



FRONT BUNK-SINGLE

KEY	PART NUMBER	U/M DESCRIPTION
1	076760-02-000	EA BUNK HARDWARE (COMPLETE)
	076760-02-700	EA SPRING-GAS-BUNK HARDWARE
2	101499-06-C05	EA PANEL ASM.- BOTTOM DRIVERS - PADDED - USED W/BUNK
3	101497-08-C05	EA PANEL ASM.- UPPER DRIVERS - PADDED - USED W/BUNK
4	042541-04-000	EA LATCH-W/O STRIKE, BRASS
5	042541-05-000	EA STRIKE-BRASS
6	103040-06-C05	EA PANEL-HEADLINER FRONT OVERHEAD - PADDED USED W/BUNK
7	P03199-01-C05	EA BOARD ASM-TRIM, BUNK - CEILING MOUNTED
8	101497-07-C05	EA PANEL ASM.- UPPER PASSENGERS - PADDED - USED W/BUNK
9	101499-05-C05	EA PANEL ASM.- BOTTOM PASSENGERS - PADDED - USED W/BUNK
10	081717-03-C05	EA BED ASM-BUNK, FRONT
11	094658-01-Y12	EA HANDLE-BUNK, OAK

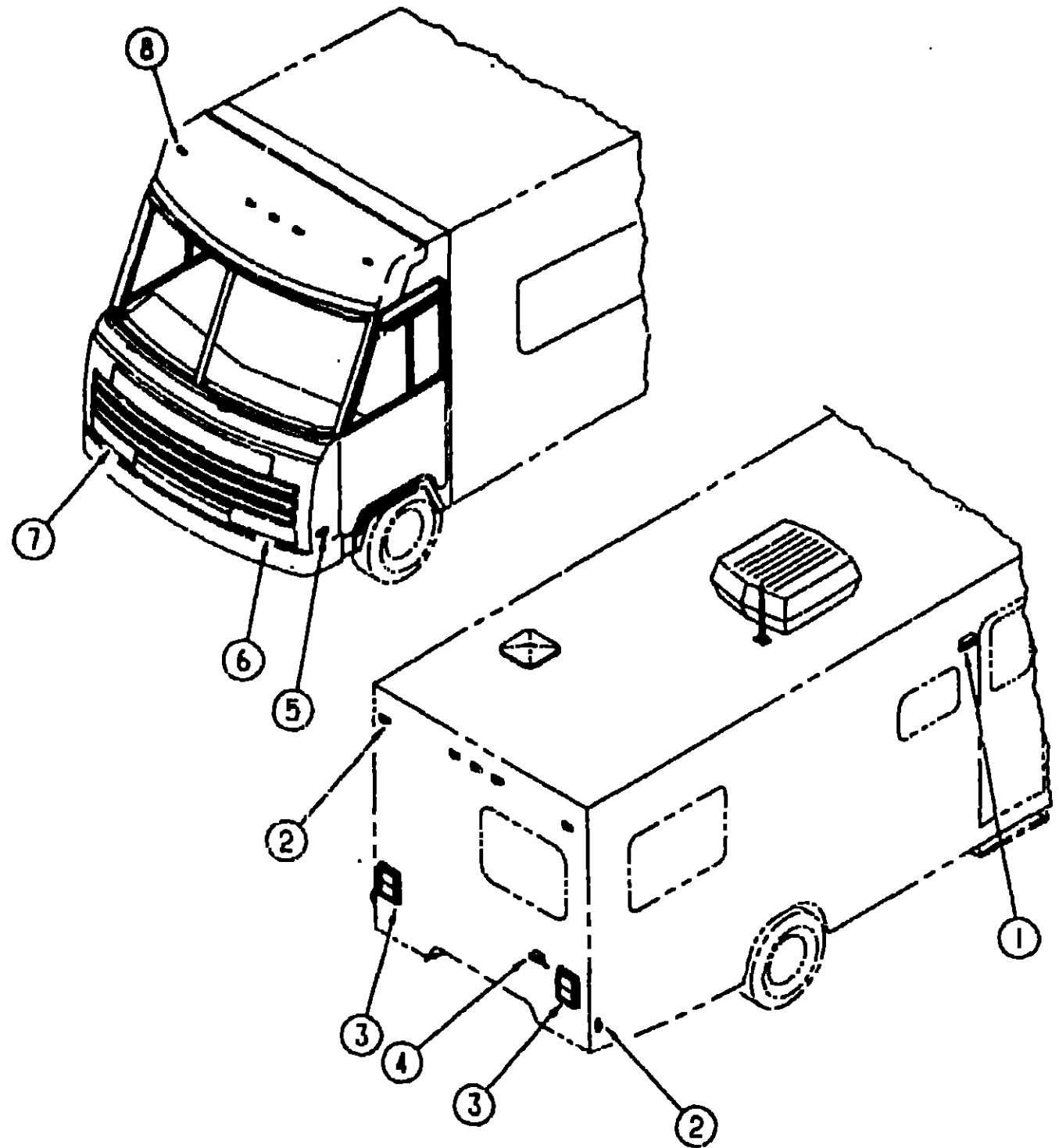
**1993 ITASCA
TABLE OF CONTENTS**

INTRODUCTION	A-01 -	A-02
ABBREVIATIONS		A-03
ALPHABETICAL INDEX	A-04 -	A-06
ICF23RC	A-07 -	E-16
ICF31RQ	E-17 -	J-18

1993 ICF31RQ INDEX

FLOOR PLAN	E-17 -	E-18
ACCESSORIES		E-19
AUDIO VIDEO	E-20 -	E-21
BATH	E-22 -	E-24
BEDROOM	F-01 -	F-03
CHASSIS	F-04 -	F-17
CURTAIN & CUSHION	F-18 -	G-04
DINETTE	G-05 -	G-06
DRIVERS COMPARTMENT	G-07 -	G-12
ELECTRICAL	G-13 -	G-20
EXTERIOR BODY	G-21 -	H-04
GALLEY	H-05 -	H-09
GENERATOR	H-10 -	H-11
HEATING & A/C	H-12 -	H-18
INTERIOR FINISH	H-19 -	H-22
LABELS	H-23 -	I-07
LP		I-08
LOUNGE	I-09 -	I-10
SEALANTS & FASTENERS	I-11 -	I-14
WATER & SEWAGE	I-15 -	I-20
WINDOW, VENT AND		
EXTERIOR DOOR	I-21 -	J-16
WINDSHIELD/WIPER	J-17 -	J-18

**ELECTRICAL GROUP
EXTERIOR LIGHTS**



KEY	PART NUMBER	U/M	DESCRIPTION	
1	067917-01-03A	EA	LIGHT-PORCH, ENTRY DOOR - ASH GRAY	
	008215-01-000	EA	BULB-12V, #1003 - .94 AMP	
	067917-01-700	EA	LENS-LIGHT, PORCH	
2	062648-01-000	EA	LIGHT-CLEARANCE, RED - BARGMAN 30-99-001	
	081838-01-000	EA	TAILLIGHT-DOUBLE, W/BLACK TRIM - DRIVER OR PASSENGER SIDE	
3	037934-01-000	EA	BULB-12V, #1156 - 2.1 AMP - CLEAR GLASS	
	037935-01-000	EA	BULB-12V, #1157 OR #2057 - 2.1 AMP - CLEAR GLASS	
	081838-01-700	EA	LENS-TAILLIGHT, RED - BARGMAN 30-84-010	
	081838-01-701	EA	LENS-TAILLIGHT, W/BACKUP - BARGMAN 30-84-700	
	103355-01-03A	EA	POD-TAILLIGHT, ASH GRAY	
	4	066432-02-000	EA	LIGHT-LICENSE, BLACK
		066432-03-000	EA	BRACKET-LICENSE PLATE - BARGMAN 30-80-030
	5	062648-02-000	EA	LIGHT-CLEARANCE, AMBER - BARGMAN 30-99-002
6		049186-02-000	EA	HEADLAMP CAPSULE-DRIVER, HIGH/LOW BEAM - RECTANGULAR - BLACK TRIM
	049188-02-000	EA	HEADLAMP CAPSULE-DRIVER, HIGH BEAM - RECTANGULAR - BLACK TRIM	
7	049185-02-000	EA	HEADLAMP CAPSULE-PASSENGER, HIGH/LOW BEAM - RECTANGULAR - BLK TRIM	
	049187-02-000	EA	HEADLAMP CAPSULE-PASSENGER, HIGH BEAM - RECTANGULAR - BLACK TRIM	
	P03783-01-000	EA	WIRE ASM-HEADLAMP	
	049359-01-000	EA	SPRING-RETAINER, HEADLAMP - GM 496096	
	073308-01-000	EA	SCREW-ADJUSTING, HEADLAMP	
	110750-01-000	EA	SCREW-ADJUSTING, HEADLAMP	
			FROM: 00-00-00 THRU: 01-21-93	
			FROM: 01-22-93 THRU: 99-99-99	
	110783-01-01A	EA	BRACKET-HEADLAMP, QUAD - PASSENGER - UNPAINTED	
	110783-02-01A	EA	BRACKET-HEADLAMP, QUAD - DRIVER - UNPAINTED	
	003292-01-000	EA	LIGHT-TURN, DRIVER OR PASSENGER - W/AMBER LENS	
	037935-01-000	EA	BULB-12V, #1157 OR #2057 - 2.1 AMP - CLEAR GLASS	
8	102520-01-000	EA	LIGHT-CLEARANCE, W/O SOCKET CONNECTIONS - AMBER	
	036196-01-000	EA	BULB-12V, #194 - .27 AMP - BAYONETTE	
	102540-01-000	EA	SEAL-SCREW, ROUND - RUBBER	
	102541-01-000	EA	GASKET-CLEARANCE LIGHT	
	102582-01-000	EA	BRACKET-LIGHT, CLEARANCE - L-SHAPED METAL - 2.2" X 4.7"	

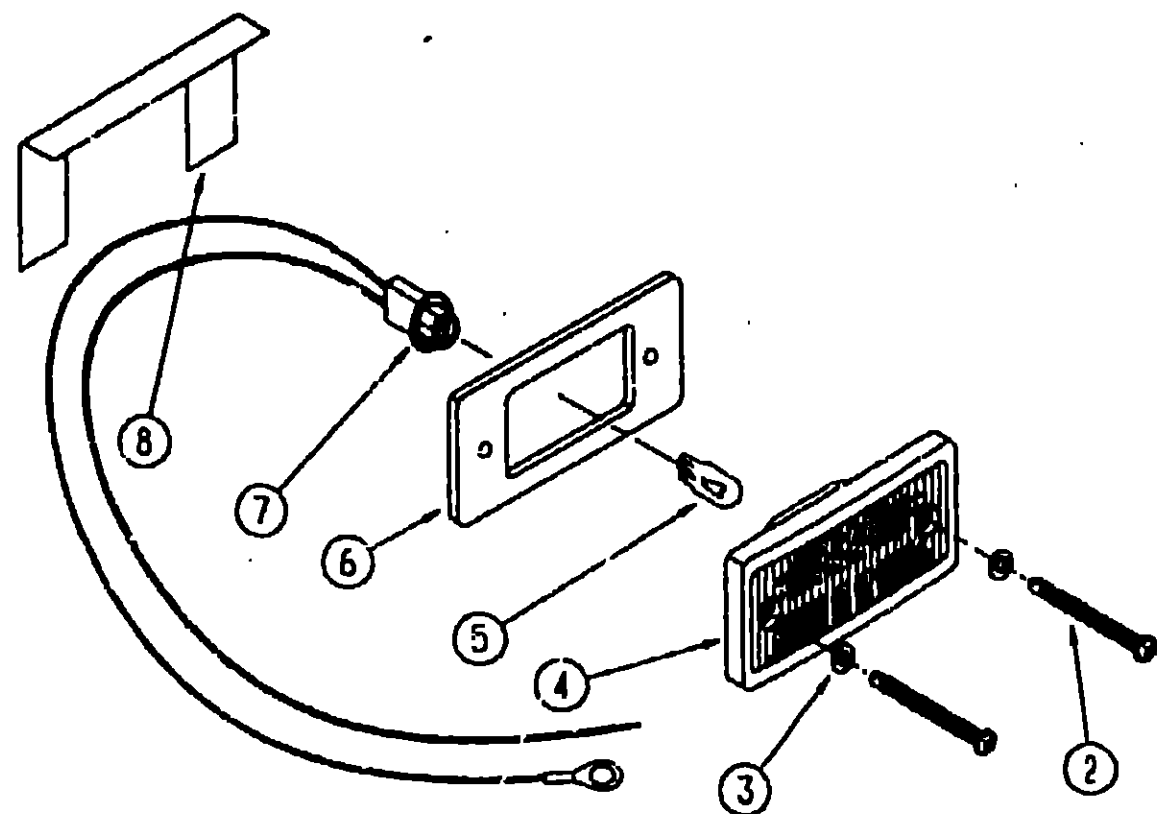
**1993 ITASCA
TABLE OF CONTENTS**

INTRODUCTION	A-01 -	A-02
ABBREVIATIONS		A-03
ALPHABETICAL INDEX	A-04 -	A-06
ICF23RC	A-07 -	E-16
ICF31RQ	E-17 -	J-18

1993 ICF31RQ INDEX

FLOOR PLAN	E-17 -	E-18
ACCESSORIES		E-19
AUDIO VIDEO	E-20 -	E-21
BATH	E-22 -	E-24
BEDROOM	F-01 -	F-03
CHASSIS	F-04 -	F-17
CURTAIN & CUSHION	F-18 -	G-04
DINETTE	G-05 -	G-06
DRIVERS COMPARTMENT	G-07 -	G-12
ELECTRICAL	G-13 -	G-20
EXTERIOR BODY	G-21 -	H-04
GALLEY	H-05 -	H-09
GENERATOR	H-10 -	H-11
HEATING & A/C	H-12 -	H-18
INTERIOR FINISH	H-19 -	H-22
LABELS	H-23 -	I-07
LP		I-08
LOUNGE	I-09 -	I-10
SEALANTS & FASTENERS	I-11 -	I-14
WATER & SEWAGE	I-15 -	I-20
WINDOW, VENT AND		
EXTERIOR DOOR	I-21 -	J-16
WINDSHIELDWIPER	J-17 -	J-18

ELECTRICAL GROUP (CONTINUED)



EXTERIOR CLEARANCE LIGHTS

KEY	PART NUMBER	U/M DESCRIPTION
2	000G39-08-24B	EA SCREW, SELF DRIVING
3	102540-01-000	EA SEAL-SCREW, ROUND - RUBBER
4	102520-01-000	EA LIGHT-CLEARANCE, W/O SOCKET CONNECTIONS - AMBER
5	G36196-01-000	EA BULB - #1194 - CLEARANCE LIGHT
6	102541-01-000	EA GASKET-CLEARANCE LIGHT
7	067789-02-000	EA SOCKET ASM.-CAB MARKER
8	102582-01-000	EA BRACKET-LIGHT, CLEARANCE - L-SHAPED METAL - 2.2" X 4.7"

ELECTRICAL GROUP (CONTINUED)

INTERIOR LIGHTS

KEY	PART NUMBER	U/M DESCRIPTION
	081424-01-000	EA LIGHT-AISLE, 12V - RECTANGULAR
	008103-01-000	EA BULB-DASH/AISLE LIGHT, #63 - 12 V - .12 AMP
	065201-09-000	EA SHADE-LAMP, FABRIC - PARCHMENT
	085202-17-000	EA LAMP-WALL, BRASS #L512X0
	085202-18-000	EA LAMP-WALL, BRASS #L504X0 (CANADIAN)
	082169-01-000	EA LIGHT-MAKE-UP, 3 BULB - JENSEN X148-16RR
	110225-01-01A	EA LIGHT-MAKE-UP, 3 BULB - PANLESS PD200-821 FROM: 00-00-00 THRU 12-13-92 FROM: 12-14-92 THRU 99-99-99
	081633-01-700	EA BULB-MAKE UP LIGHT, JENSEN
	086280-01-000	EA LIGHT-SURFACE MOUNT, 12V - JENSEN 1236
	086280-01-700	EA BULB-12 VOLT, 6 WATT
	098024-01-01A	EA LIGHT-DOME, 1 BULB - US - IVORY
	008218-01-000	EA BULB-DOME LIGHT, 12V - NUMBER 1141
	098024-01-700	EA LENS-DOME LIGHT
	093024-03-01A	EA LIGHT-DOME, 2 BULB - IVORY
	008218-01-000	EA BULB-DOME LIGHT, 12V - NUMBER 1141
	098024-01-700	EA LENS-DOME LIGHT

CIRCUIT BREAKERS

KEY	PART NUMBER	U/M DESCRIPTION
	083209-01-000	EA CIRCUIT BREAKER-15 AMP, 120V - BW G-15 - CANADIAN
	083209-02-000	EA CIRCUIT BREAKER-15/15AMP, 120V - BW H-15/15
	083209-03-000	EA CIRCUIT BREAKER-15/20AMP, 120V - BW O-15/20
	083209-04-000	EA CIRCUIT BREAKER-30A, 120V - BW L-30
	083209-05-000	EA CIRCUIT BREAKER-20A, 120V - BW J-20
	083209-06-000	EA CIRCUIT BREAKER-30/15 AMP, 120V - BW D-30/15
	093654-01-000	EA CIRCUIT BREAKER-8 AMP, HOUSE CONTROL PANEL
	033654-02-000	EA CIRCUIT BREAKER-15 AMP
	093655-01-000	EA CIRCUIT BREAKER-25 AMP, USD 17425-4E03A2A
	093655-02-000	EA CIRCUIT BREAKER-30 AMP, HOUSE CONTROL PANEL
	093655-03-000	EA CIRCUIT BREAKER-40 AMP, USD 17440-4E03A2A
	097611-01-000	EA CIRCUIT BREAKER-5AMP, ATC BLACK

CONDUIT

KEY	PART NUMBER	U/M DESCRIPTION
	041953-01-000	FT CONDUIT-CONVOLUTE SLIT, .5" ID
	041953-03-000	FT CONDUIT-CONVOLUTE SLIT, 1" ID
	041953-05-000	FT CONDUIT-CONVOLUTE SOLID, .62" ID
	041953-06-000	FT CONDUIT-CONVOLUTE, SLIT .375" ID
	041953-07-000	FT CONDUIT-CONVOLUTE, SLIT - .25" ID
	041953-08-000	FT CONDUIT-CONVOLUTE, SLIT 1.50" ID
	041953-09-000	FT CONDUIT-CONVOLUTE, SLIT .50" ID
	041953-10-000	FT CONDUIT-CONVOLUTE, SLIT - .75" ID
	041953-12-000	FT CONDUIT-CONVOLUTE, NON SLIT 1.1" ID

**1993 ITASCA
TABLE OF CONTENTS**

INTRODUCTION	A-01	A-02
ABBREVIATIONS		A-03
ALPHABETICAL INDEX	A-04	A-06
ICF23RC	A-07	E-16
ICF31RQ	E-17	J-18

1993 ICF31RQ INDEX

FLOOR PLAN	E-17	E-18
ACCESSORIES		E-19
AUDIO VIDEO	E-20	E-21
BATH	E-22	E-24
BEDROOM	F-01	F-03
CHASSIS	F-04	F-17
CURTAIN & CUSHION	F-18	G-04
DINETTE	G-05	G-06
DRIVERS COMPARTMENT	G-07	G-12
ELECTRICAL	G-13	G-23
EXTERIOR BODY	G-21	H-04
GALLEY	H-05	H-09
GENERATOR	H-10	H-11
HEATING & A/C	H-12	H-18
INTERIOR FINISH	H-19	H-22
LABELS	H-23	I-07
LP		I-08
LOUNGE	I-09	I-10
SEALANTS & FASTENERS	I-11	I-14
WATER & SEWAGE	I-15	I-20
WINDOW, VENT AND		
EXTERIOR DOOR	I-21	J-16
WINDSHIELDWIPER	J-17	J-18

ELECTRICAL GROUP (CONTINUED)
CONNECTORS

KEY	PART NUMBER	U/M DESCRIPTION
	008311-01-000	EA CONNECTOR-WIRE NUT, INSULATED - RED
	008312-01-000	EA CONNECTOR-WIRE NUT, INSULATED - BLUE
	008314-01-000	EA CONNECTOR-WIRE NUT, INSULATED - GRAY
	008353-01-000	EA CONNECTOR-CABLE CLAMPING, 3/8"
	008355-01-000	EA CONNECTOR-CABLE CLAMPING, 3/4"
	008359-01-000	EA CONNECTOR-PLASTIC, 3/8" AVG
	008388-01-000	EA CONNECTOR-1/2" X 90 DEGREE, FLEX CONDUIT - UL AND CSA
	041410-01-000	EA CONNECTOR-STRAIGHT, 1/2" FLEX CONDUIT
	082740-01-000	EA CONNECTOR-PLASTIC BODY, FOR 2 MALE SPADES
	058628-01-000	EA CONNECTOR-ELECTRICAL POSTAL NYLON - CLEAR

RECEPTACLES

KEY	PART NUMBER	U/M DESCRIPTION
	024924-02-000	EA RECEPTACLE-POWER CORD, W/PARTIAL PLATE
	080015-02-000	EA RECEPTACLE-FLAG, 185 - 16/14 GA - AMP 3
	058707-01-000	EA RECEPTACLE-ELECTRIC, SINGLE - BROWN
	058708-01-000	EA RECEPTACLE-ELECTRIC, DOUBLE - BROWN
	058708-02-000	EA RECEPTACLE-ELECTRIC, DOUBLE - IVORY
	084076-02-000	EA RECEPTACLE-GFI, 15A - 125V - BROWN
	007940-01-000	EA RECEPTACLE-SLIDE, 16 TO 12 AWG - FEMALE END
	058707-02-000	EA RECEPTACLE-BLANK, JUNCTION WIRECON WDJ20BR
	097734-01-01A	EA EXTENSION-RECEPTACLE, 3 2" X 5" X 7" - PLASTIC - IVORY FROM: 00-00-00 THRU: 03-07-93
	102568-01-B10	EA SPACER-RECEPTACLE, BETWEEN SIDEWALL & PLATE - WOOD

TERMINALS

KEY	PART NUMBER	U/M DESCRIPTION
	008326-01-000	EA TERMINAL-RING, 16/14 WIRE - 3/8" STUD
	008328-01-000	EA TERMINAL-RING, 12/10 WIRE - #10 STUD FIT
	008331-01-000	EA TERMINAL-RING, TONGUE - #4 WIRE - 3/8" STUD - COPPER
	008348-01-000	EA TERMINAL-RING, 3/8" STUD - #2 WIRE CONNECTS CABLE TO DISCONNECT RELAY AND BATTERY
	035416-04-000	EA TERMINAL-RING #10 STUD FIT, INSULATED BARREL #16/14
	047443-01-000	EA TERMINAL-250 RECEPTACLE FIT, INSULATED - 16/14 AWG
	047443-02-000	EA TERMINAL-250 RECEPTACLE FIT, INSULATED - 12/10 AWG FROM: 00-00-00 THRU: 07-01-92
	062036-02-000	EA TERMINAL-PACK-CON, 16/14 AWG
	104100-03-000	EA TERMINAL-75 AMP AMP 53880-4 LOOSE
	033787-01-000	EA TERMINAL-RING, INSULATED

FUSE & FUSE HOUSING

KEY	PART NUMBER	U/M DESCRIPTION
	008234-01-000	EA FUSE-12V, 10 AMP
	008235-01-000	EA FUSE-AUTOMOTIVE, 12V - 15AMP
	062037-01-000	EA HOUSING-AUTO FUSE, NATURAL
	062037-02-000	EA HOUSING-AUTO FUSE, GREEN
	062037-03-000	EA HOUSING-AUTO FUSE, BLACK
	062037-04-000	EA HOUSING-AUTO FUSE, BLUE
	062037-05-000	EA HOUSING-AUTO FUSE, GRAY
	062037-05-000	EA HOUSING-AUTO FUSE, BROWN
	082901-02-000	EA FUSE-5 AMPS, AUTOMOTIVE
	082901-04-000	EA FUSE-10 AMPS, AUTOMOTIVE
	082901-05-000	EA FUSE-15 AMPS, AUTOMOTIVE
	083910-01-000	EA HOUSING-RELAY, BOSCH 3 334 485 008
	100341-01-000	EA FUSE HOLDER-IN LINE TYPE, WESCO 8931-92020
	082901-07-000	EA FUSE-25 AMPS, AUTOMOTIVE

FROM: 00-00-00 THRU: 08-28-92

ELECTRICAL GROUP (CONTINUED)
HOUSINGS, PINS & SOCKETS

KEY	PART NUMBER	U/M DESCRIPTION
	088473-01-000	EA PIN-HOUSING, 4 ROWS OF 3
	088473-03-000	EA HOUSING-PIN, 9 POSITION
	088473-05-000	EA PIN-HOUSING, 6 POSITION (SINGLE ROW)
	088473-06-000	EA PIN-HOUSING, 6 POSITION (TWO ROWS OF THREE)
	088473-08-000	EA HOUSING-PIN, 4 POSITION
	088473-09-000	EA PIN-HOUSING, 3 POSITION (SINGLE ROW)
	088473-10-000	EA PIN-HOUSING, 2 POSITION
	088474-01-000	EA HOUSING-SOCKET, 12 POSITIONS
	088474-03-000	EA HOUSING-SOCKET, 9 POSITION
	088474-05-000	EA SOCKET-HOUSING, 8 POSITION (2 ROWS OF THREE)
	088474-07-000	EA HOUSING-SOCKET, 5 CAVITY - AMP 1-430764-0
	088474-08-000	EA SOCKET-HOUSING, 4 POSITION (SINGLE ROW)
	088474-09-000	EA HOUSING-SOCKET, 3 POSITION
	088474-10-000	EA HOUSING-SOCKET, 2 POSITION
	088475-01-000	EA PIN-CONNECTOR, 14 TO 20 AWG
	088475-02-000	EA PIN-CONNECTOR, 10 TO 12 AWG
	104100-01-000	EA HOUSING-1 POSITION, 75 AMP AMP 53884-1
	101571-01-000	EA HOUSING-2 POSITION, MALE
	105005-01-000	EA HOUSING-1 POSITION, FEMALE - PACKARD 12015552
	007949-01-000	EA TAB-HOUSING, 1 POSITION
	108659-01-000	EA HOUSING-AUTOFUSE HOLDER PACKARD 12010105
	110178-01-000	EA HOUSING-WIPER MOTOR - UT6237440-EC25WJ FROM: 12-13-92 THRU: 99-99-99
	108355-01-000	EA HOUSING-SWITCH - CARLING VCH

POWER CORDS

KEY	PART NUMBER	U/M DESCRIPTION
	008052-01-000	EA CORD-POWER, 10/3 - 30 AMP - 25' - CANADIAN
	008054-01-000	EA CORD-POWER, 10/3 - 30 AMP - 25'

CONVERTER, LOAD CENTER & INVERTER

KEY	PART NUMBER	U/M DESCRIPTION
	063208-02-000	EA CONVERTER-POWER, 45A - 120V/12V - BW 6345
	094809-01-000	EA CENTER-LOAD, 240V - 125A - TPL412CT
	099048-01-000	EA INVERTER-100 WATT

WIRE ASM.

KEY	PART NUMBER	U/M DESCRIPTION
	097618-01-000	EA WIRE ASM-MONITOR PANEL, W/3 WIRES & ORANGE RESISTOR-LVS ORANGE RESISTOR W/3 (ORANGE-GREEN-BLUE) WIRES
	102636-01-000	EA WIRE ASM-CLEARANCE LAMPS
	103328-06-000	EA WIRE ASM-PUMP, EXT SHOWER
	103991-01-000	EA WIRE ASM-CRT BKR, POWER
	103991-02-000	EA WIRE ASM-CRT BKR, POWER
	107666-01-000	EA WIRE ASM-STEP, ELECTRIC

1993 ITASCA
TABLE OF CONTENTS

INTRODUCTION	A-01 -	A-02
ABBREVIATIONS		A-02
ALPHABETICAL INDEX	A-04 -	A-05
ICF23RC	A-07 -	E-16
ICF31RQ	E-17 -	J-18

1993 ICF31RQ INDEX

FLOOR PLAN	E-17 -	E-18
ACCESSORIES		E-19
AUDIO VIDEO	E-20 -	E-21
BATH	F-22 -	F-24
BEDROOM	F-01 -	F-03
CHASSIS	F-04 -	F-17
CURTAIN & CUSHION	F-18 -	G-04
DINETTE	G-05 -	G-06
DRIVERS COMPARTMENT	G-07 -	G-12
ELECTRICAL	G-13 -	G-20
EXTERIOR BODY	G-21 -	H-04
GALLEY	H-05 -	H-09
GENERATOR	H-10 -	H-11
HEATING & A/C	H-12 -	H-18
INTERIOR FINISH	H-19 -	H-22
LABELS	H-23 -	I-07
LP		I-08
LOUNGE	I-09 -	I-10
SEALANTS & FASTENERS	I-11 -	I-14
WATER & SEWAGE	I-15 -	I-20
WINDOW, VENT AND		
EXTERIOR DOOR	I-21 -	J-18
WINDSHIELDWIPER	J-17 -	J-18

ELECTRICAL GROUP (CONTINUED)
TERMINALS

KEY	PART NUMBER	U/M DESCRIPTION
	008328-01-000	EA TERMINAL-RING, 18/14 WIRE - 3/8" STUD
	008328-01-000	EA TERMINAL-RING, 12/10 WIRE - #10 STUD FIT
	008331-01-000	EA TERMINAL-RING, TONGUE - #4 WIRE - 3/8" STUD - COPPER
	008348-01-000	EA TERMINAL-RING, 3/8" STUD - #2 WIRE
	033787-01-000	EA TERMINAL-RING, INSULATED
	035416-04-000	EA TERMINAL-RING #10 STUD FIT, INSULATED BARREL #16/14
	047443-01-000	EA TERMINAL-.250 RECEPT, FIT, INSULATED - 16/14 AWG
	047443-02-000	EA TERMINAL-.250 RECEPT, FIT, INSULATED - 12/10 AWG
	033038-02-000	EA TERMINAL-PACK-CON, 16/14 AWG
	104107-03-000	EA TERMINAL-75 AMP AMP 53880-4 LOOSE
	106655-01-000	EA TERMINAL-FUSE BLOCK, 14-1EAWG PACKARD 12020321

PLATES, BOXES & COVERS

KEY	PART NUMBER	U/M DESCRIPTION
	P03751-01-000	EA PLATE-ELECTRICAL ACCESS FROM: 11-02-92 THRU: 99-99-99
	081994-02-000	EA PLATE-SWITCH, EXTERIOR SHOWER FROM: 00-00-00 THRU: 06-23-92
	084077-02-000	EA PLATE-COVER, RECEPTACLE - GFI - BROWN FROM: 00-00-00 THRU: 03-07-93
	098351-01-01A	EA PLATE-SWITCH, 1 GANG - POLISHED BRASS - JENSEN
	098351-02-01A	EA PLATE-SWITCH, 2 GANG - POLISHED BRASS - JENSEN
	098351-05-01A	EA PLATE-SWITCH, 3 GANG - POLISH BRASS - JENSEN
	098351-08-01A	EA PLATE-SWITCH, 2 GANG W/LABEL - JENSEN - POLISHED BRASS
	008288-01-000	EA BOX-PLASTIC ELECTRIC, 3" X 3 1/2" FROM: 00-00-00 THRU: 03-10-93
	008288-02-000	EA BOX-ELECTRIC, PLASTIC - 3.94" X 3.13" X 1.81" FROM: 00-00-00 THRU: 10-04-92
	008289-01-000	EA BOX-ELECTRIC, STEEL - 1/2" AND 3/4" KNOCKOUTS - 4" X 4"
	008289-02-000	EA BOX-ELECTRIC, 4" X 4" - 1/2" & 3/4" KNOCKOUTS - CANADIAN
	058049-01-000	EA BOX-ELECTRIC SWITCH, 2" X 3" X 2.25"
	074830-01-000	EA BOX-EXTENSION, STEEL - OPEN SIDES - 4" X 4" X 1 1/2"
	091910-01-000	EA BOX-ELECTRIC, 3.75" X 3.5" X 1.75" - PLASTIC
	091910-02-000	EA BOX-ELECTRIC, PLASTIC - 57 X 88MM FROM: 10-05-92 THRU: 99-99-99
	091927-01-000	EA COVER-RECEPTACLE, DOUBLE - IVORY
	008294-01-000	EA COVER-ELECTRICAL BOX, BLANK/STEEL - 4" X 4" - GRAY
	008294-02-000	EA COVER-ELECTRICAL BOX, BLANK/STEEL - 4" X 4" - CANADIAN
	054250-01-000	EA COVER-ANGLED, W/O HOLE - 3.6" X 4.5" - PLASTIC - BEIGE ELECTRICAL PLATE SUPPORT W/O HOLES
	054250-04-000	EA COVER-ANGLED, W/O HOLE - 3.6" X 4.5" - PLASTIC - OFF WHITE ELECTRICAL PLATE SUPPORT
	069238-01-000	EA COVER-ELECTRICAL BOX, WHOLE - 4" X 4" - GRAY USED WITH 30 AMP RECEPTACLE
	073626-04-000	EA COVER-ELECTRIC, 10.4" X 7.8" - BEIGE PLASTIC
	074887-01-000	EA COVER-ELECTRIC BOX, 1 LARGE & 2 SMALL HOLES - 4" X 4"
	075736-02-000	EA COVER-EXTERIOR RECEPTACLE, OFF WHITE
	108356-01-01A	EA COVER-SWITCH W/GROOVES, CARLING VVCZC00 BLA
	108356-02-01A	EA COVER-SWITCH W/DIMPLES, CARLING VVAZC00 BLA
	108356-04-01A	EA COVER-SWITCH W/DIMPLES & LENS, CARLING VVAGC00 FROM: 12-14-92 THRU: 99-99-99

ELECTRICAL GROUP (CONTINUED)
ELECTRICAL COMPONENTS

KEY	PART NUMBER	U/M DESCRIPTION
	007083-01-000	EA FLASHER-SIGNAL, STAT
	008188-01-000	EA SOLENOID-3 POST, BATTERY CHANGE OVER
	038188-01-000	EA BULB-12V, #194 - .27AMP - BAYONETTE
	087789-02-000	EA SOCKET-LAMP
	073328-04-000	EA CABLE ASSEMBLY-BATTERY, W/TERMINALS
	075723-01-000	EA SPACER-SWITCH, W/O HOLE - .2" X .9" X .2" - METAL - OFF WHITE
	077479-01-000	EA BOOT-BATTERY TERMINAL, DOUBLE CABLE
	077479-02-000	EA BOOT-BATTERY TERMINAL, SINGLE CABLE
	078384-01-000	EA SWITCH-ON/OFF ROCKER, 2 PRONGS - BROWN
	078384-03-000	EA SWITCH-ON/OFF ROCKER, 3 PRONGS - BROWN
	086233-01-000	EA STUD-ISOLATED, 3/8" X 7/8" LONG
	086273-01-000	EA RELAY-BATTERY DISCONNECT
	087949-01-000	EA BUSS BAR-2 POSITION, .6" X 1.5" - ALUMINUM
	087949-02-000	EA BUS BAR-3 POS.
	088476-01-000	EA SOCKET-CONNECTOR, BRASS - PRE-TIN
	088476-02-000	EA SOCKET-CONNECTOR, 12-10 GA - PHOS. BRZ - PRE-TIN
	088751-01-000	FT CABLE-BATTERY, 10 AWG, STRANDED, RED
	092492-06-000	EA SEAL-ELECTRICAL BOX - ALFA III (195X267)
	095188-01-01A	EA SPACER-SWITCH, 2.3" X 3.4" - PLASTIC - DARK BROWN
	095188-02-01A	EA SPACER-SWITCH, 2.3" X 4.1" - PLASTIC - DARK BROWN
	086241-07-000	EA SWITCH-ROCKER, DPDT - ON/OFF - BLACK FROM: 00-00-00 THRU: 06-14-92
	098196-01-000	EA LATCH-1/4 TURN, T-BAR
	103608-01-000	EA SOCKET-WEDGE BASE W/LEADS - JKL 2944-6 OR EQUIV
	103758-01-000	EA DOOR-ELECTRICAL BOX
	103873-01-000	EA SEAL-ELECTRICAL BOX/BULKHEAD ALFA III(215X215)
	103987-01-000	EA SEAL-SOLENOID ACCESS
	108357-08-000	EA SWITCH-ROCKER, DPDT ON/NONE/ON - CARLING VDD1S00C-0 FROM: 06-15-92 THRU: 99-99-99

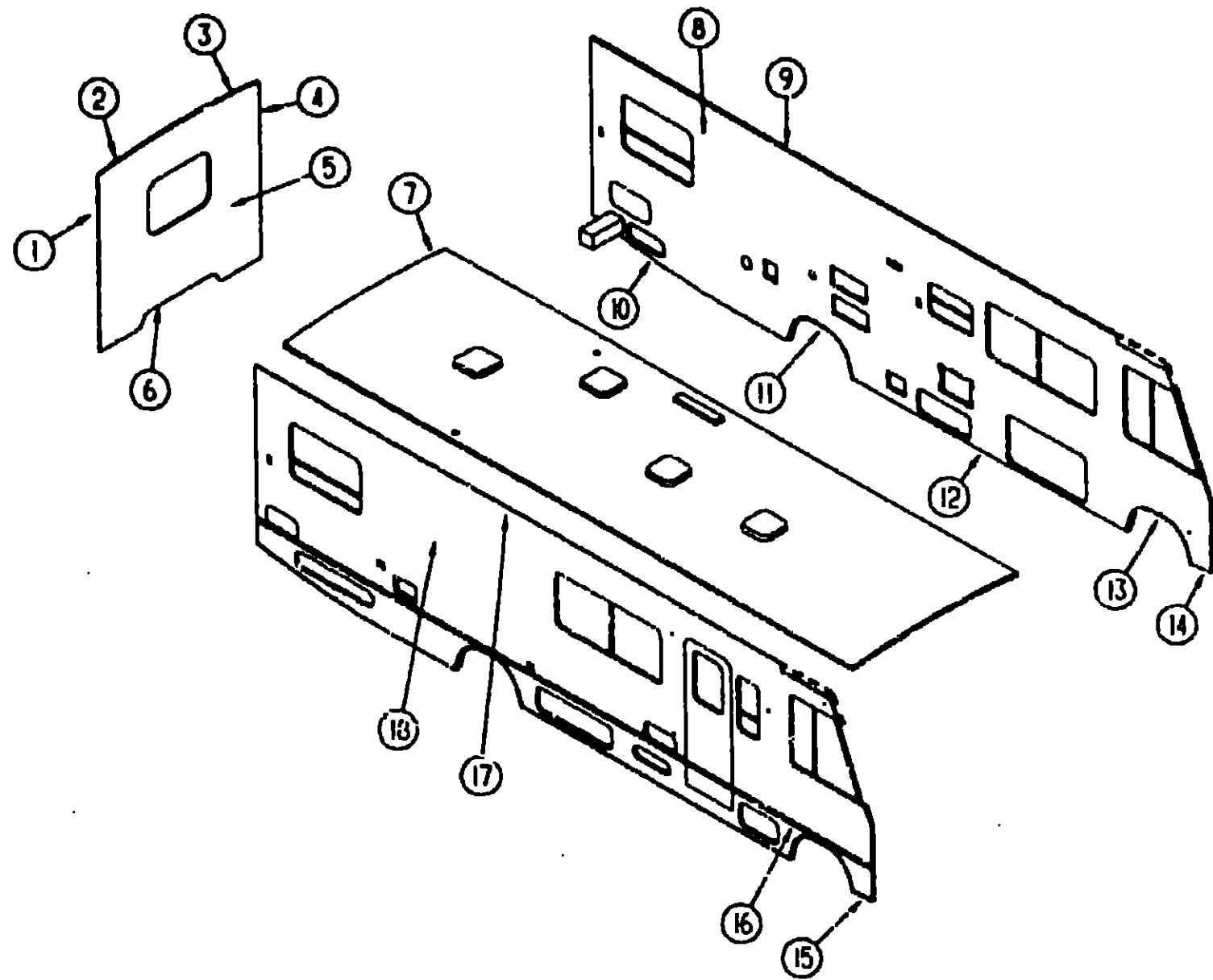
1993 ITASCA
TABLE OF CONTENTS

INTRODUCTION	A-01	A-02
ABBREVIATIONS		A-03
ALPHABETICAL INDEX	A-04	A-06
ICF23RC	A-07	E-18
ICF31RQ	E-17	J-18

1993 ICF31RQ INDEX

FLOOR PLAN	E-17	E-18
ACCESSORIES		E-19
AUDIO VIDEO	E-20	E-21
BATH	E-22	E-24
BEDROOM	F-01	F-03
CHASSIS	F-04	F-17
CURTAIN & CUSHION	F-18	G-04
DINETTE	G-05	G-06
DRIVERS COMPARTMENT	G-07	G-12
ELECTRICAL	G-13	G-20
EXTERIOR BODY	G-21	H-04
GALLEY	H-05	H-09
GENERATOR	H-10	H-11
HEATING & A/C	H-12	H-18
INTERIOR FINISH	H-19	H-22
LABELS	H-23	I-07
LP		I-08
LOUNGE	I-09	I-10
SEALANTS & FASTENERS	I-11	I-14
WATER & SEWAGE	I-15	I-20
WINDOW, VENT AND		
EXTERIOR DOOR	I-21	J-18
WINDSHIELDWIPER	J-17	J-18

EXTERIOR BODY GROUP



EXTERIOR BODY PANELS AND TRIM

KEY	PART NUMBER	U/M DESCRIPTION
1	103598-01-04A	EA TRIM-BACKWALL, SIDE, RIGHT - ASH GRAY
	103598-01-03A	EA TRIM-BACKWALL, SIDE, RIGHT, MILL
1	104033-01-03A	EA TRIM-J, BACKWALL, RIGHT - ASH GRAY
2	M05605-03-D32	EA BACKWALL TRIM-ASM, TOP RIGHT
2	103599-01-03A	EA TRIM-BACKWALL, TOP, RIGHT - ASH GRAY
2	M05605-01-D32	EA BACKWALL TRIM-ASM, TOP LEFT
3	103600-01-03A	EA TRIM-BACKWALL, TOP, LEFT - ASH GRAY
4	103598-02-04A	EA TRIM-BACKWALL, SIDE, LEFT - ASH GRAY
	103598-02-03A	EA TRIM-BACKWALL, SIDE, LEFT, MILL
4	104033-02-03A	EA TRIM-J, BACKWALL, LEFT - ASH GRAY
5	M05703-03-D32	EA BACKWALL ASM W/QUEEN BED FORD
5	M05703-04-D32	EA BACKWALL ASM W/TWIN BED FORD
5	M05703-01-C32	EA BACKWALL ASM W/QUEEN BED GM
5	M05703-02-D32	EA BACKWALL ASM W/TWIN BED GM
6	050406-17-000	EA TRIM-BACKWALL, LOWER - ASH GRAY
7	M05702-02-D32	EA ROOF ASM W/TWIN
7	M05702-01-D32	EA ROOF ASM W/QUEEN
8	M05706-02-D32	EA SIDEWALL ASM-LH W/TWIN
8	M05706-01-D32	EA SIDEWALL ASM-LH W/QUEEN
8	M05706-03-D32	EA SIDEWALL ASM-LH EUROPEAN
9	103801-01-03A	EA TRIM-ROOF, W/DRILLED HOLES - ASH GRAY
9	103801-02-03A	EA TRIM-ROOF, W/O DRILLED HOLES - ASH GRAY
10	108038-02-02A	EA TRIM-SIDEWALL, BOTTOM, REAR - ASH GRAY

EXTERIOR BODY PANELS AND TRIM (CONTINUED)

KEY	PART NUMBER	U/M DESCRIPTION
11	108070-01-02A	EA TRIM-WHEELWELL, REAR - ASH GRAY
12	108038-03-02A	EA TRIM-SIDEWALL, BOTTOM, CENTER - ASH GRAY
13	108068-01-02A	EA TRIM-WHEELWELL, FRONT - ASH GRAY
14	108109-01-02A	EA TRIM-SIDEWALL, LOW, FRONT - DRIVER OR PASSENGER - ASH GRAY
15	108109-01-02A	EA TRIM-SIDEWALL, LOW, FRONT - DRIVER OR PASSENGER - ASH GRAY
16	059576-22-000	EA FEATURE STRIP-WHOLES - ASH GRAY
		FROM: 00-00-00 THRU: 08-09-92
16	108688-01-02A	EA FEATURE STRIP-WHOLES - ASH GRAY
		FROM: 08-10-92 THRU 99-99-99
	002444-05-002	EA STRIP-FEATURE, W/O INSERT - 15' LONG - ASH GRAY
	009731-01-000	EA END CAP-FEATURE STRIP
		FROM: 00-00-00 THRU: 08-09-92
	108651-01-01A	EA END CAP-FEATURE STRIP
		FROM: 08-10-92 THRU 99-99-99
	001030-11-100	EA INSERT-FEATURE STRIP, 17' LONG - ASH GRAY
17	103802-01-03A	EA RAIL-AWNING, W/DRILLED HOLES - ASH GRAY
17	103802-02-03A	EA RAIL-AWNING, W/O DRILLED HOLES - ASH GRAY
18	M05704-01-D32	EA SIDEWALL ASM-RIGHT W/QUEEN
18	M05704-02-D32	EA SIDEWALL ASM-RIGHT W/TWIN
18	M05704-03-D32	EA SIDEWALL ASM-RIGHT EUROPEAN
	058287-01-000	FT CHANNEL-STEEL, WHOLES - SIDEWALL STIFFENER - 2" X 20'
	002754-01-001	EA ANGLE-EXTRUDED, .75" X .75" X 18" - MILL ALUMINUM
	086180-55-01D	EA U-CHANNEL-EXTRUDED, 1 7/8" X 16" - ASH GRAY - SERRATED
	086754-08-000	EA CAP-JOINT, ROOF TO SIDEWALL TRIM - 2" X 1 25" - ASH GRAY
	002726-01-001	EA GARNISH-U-CHANNEL, 1 3/8" X 19" - SERRATED - MILL ALUMINUM
	089923-08-000	EA TRIM-FIBERGLASS, PANEL - ASH GRAY
	093673-01-04A	FT TRIM-ENTRANCE DOOR, 1 3' WIDE - ASH GRAY
	093673-01-04A	FT MOLDING-BODY, ENTRANCE DOOR
	103814-01-000	EA BRACKET-TRIM ATTACHMENT

INSULATION, FIBERGLASS, STYROFOAM & ALUMINUM

KEY	PART NUMBER	U/M DESCRIPTION
	072877-01-000	EA INSULATION-SOUND BARRIER PAD, 1 25" X 46" X 54" - W/ADHESIVE BACK
	072878-01-000	EA INSULATION-SOUND BARRIER PAD, 058" X 33" X 58"
	109230-02-01A	EA FIBERGLASS SHEET 2438 X 9030 - ASH GRAY
		FROM: 00-00-00 THRU 01-17-93
	076054-J3-000	EA FIBERGLASS SHEET 2438 X 9030 - ASH GRAY
		FROM: 01-18-93 THRU: 99-99-99
	076054-J1-000	EA FIBERGLASS SHEET 2438 X 2438 - ASH GRAY
	077517-60-000	EA SHEET-FIBERGLASS, 1219 X 2438 - ASH GRAY
	108535-01-702	EA FIBERGLASS-PEBBLED, 6" X 34" - ASH GRAY
	108535-01-705	EA FIBERGLASS-PEBBLED, 104" X 312" - ASH GRAY
	000870-03-000	SF STYROFOAM-1.34" X 48" X 96" - INCREMENTS OF 32 SF
	000870-05-000	SF STYROFOAM-5" X 24" X 96" - INCREMENTS OF 16 SF
	083574-03-000	SF STYROFOAM-3/4X48X96
	083574-02-000	SF STYROFOAM-1.5" X 24" X 90 5' ROOF
	044487-51-001	EA AL-019 X 0758 X 0317 - MILL

ASSIST HANDLE

KEY	PART NUMBER	U/M DESCRIPTION
	009126-02-000	EA HANDLE-ASSIST, ENTRY DOOR - BLACK
	069726-02-000	EA BUMPER-.88"DIA X .40", BLACK

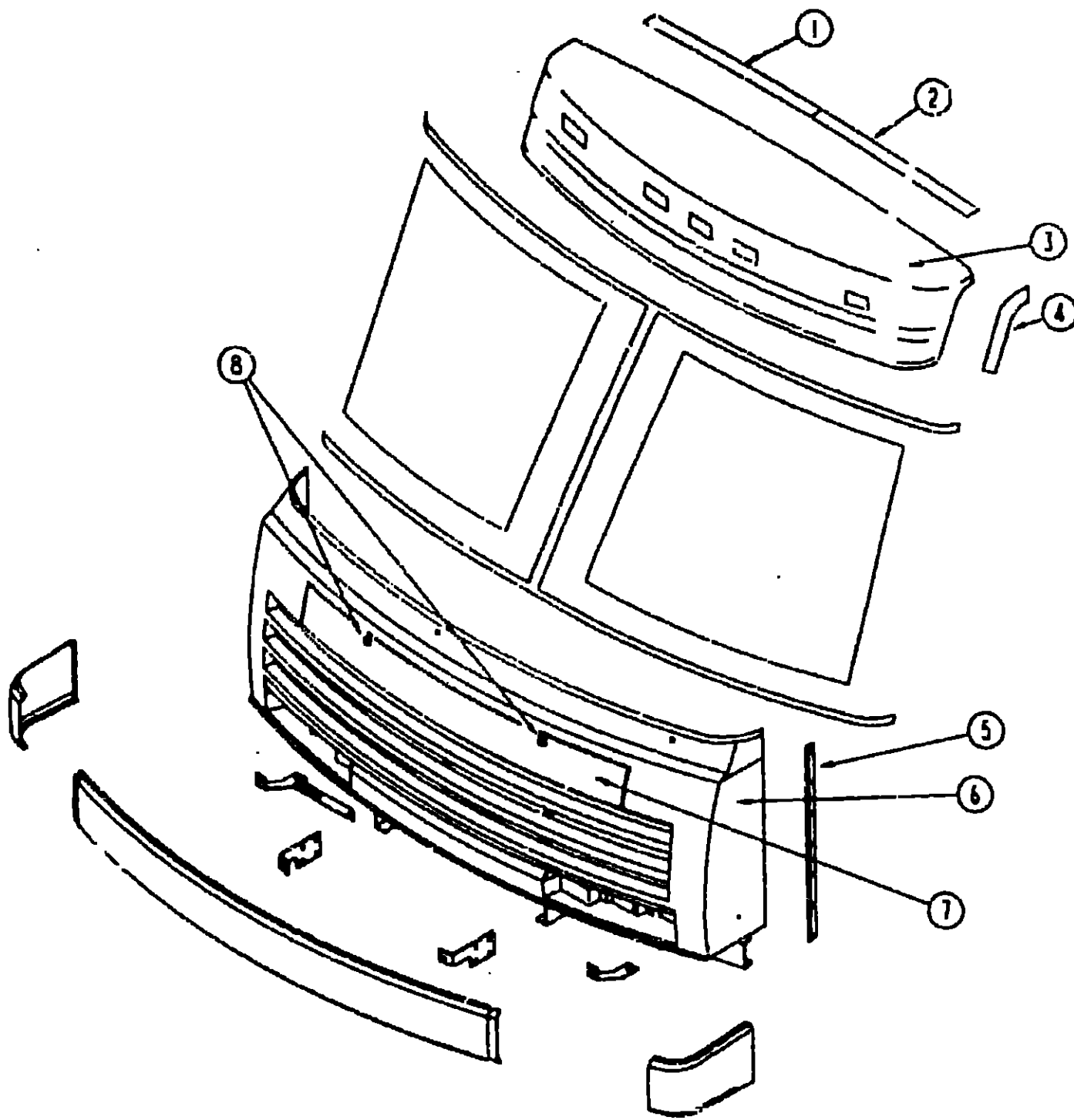
1993 ITASCA TABLE OF CONTENTS

INTRODUCTION	A-01 -	A-02
ABBREVIATIONS		A-03
ALPHABETICAL INDEX	A-04 -	A-06
ICF23RC	A-07 -	E-16
ICF31RQ	E-17 -	J-18

1993 ICF31RQ INDEX

FLOOR PLAN	E-17 -	E-18
ACCESSORIES		E-19
AUDIO VIDEO	E-20 -	E-21
BATH	E-22 -	E-24
BEDROOM	F-01 -	F-03
CHASSIS	F-04 -	F-17
CURTAIN & CUSHION	F-18 -	G-04
DINETTE	G-05 -	G-06
DRIVERS COMPARTMENT	G-07 -	G-12
ELECTRICAL	G-13 -	G-20
EXTERIOR BODY	G-21 -	H-04
GALLEY	H-05 -	H-09
GENERATOR	H-10 -	H-11
HEATING & A/C	H-12 -	H-18
INTERIOR FINISH	H-19 -	H-22
LABELS	H-23 -	I-07
LP		I-08
LOUNGE	I-09 -	I-10
SEALANTS & FASTENERS	I-11 -	I-14
WATER & SEWAGE	I-15 -	I-20
WINDOW, VENT AND		
EXTERIOR DOOR	I-21 -	J-16
WINDSHIELDWIPER	J-17 -	J-18

EXTERIOR BODY GROUP (CONTINUED)
FRONT END COMPONENTS



KEY	PART NUMBER	U/M	DESCRIPTION
1	103815-02-04A	EA	TRIM-FRONT CAP/ROOF, RIGHT - ASH GRAY
2	103815-03-04A	EA	TRIM-FRONT CAP/ROOF, LEFT - ASH GRAY
3	M05145-01-D32	EA	CAP ASM-FRONT - ASH GRAY
4	103816-01-03A	EA	TRIM-FRONT CAP/SIDEWALL, RIGHT - ASH GRAY
	103816-02-03A	EA	TRIM-FRONT CAP/SIDEWALL, LEFT - ASH GRAY
5	089922-16-000	EA	TRIM-FRONT END/SIDEWALL, DRIVER OR PASSENGER SIDE - ASH GRAY
			FROM: 00-00-00 THRU: 08-09-92
5	089922-25-000	EA	TRIM-FRONT END/SIDEWALL, DRIVER OR PASSENGER SIDE - ASH GRAY
			FROM: 08-10-92 THRU: 99-99-99
6	M05128-01-D32	EA	FRONT END ASM-FIBERGLASS
7	103476-01-D32	EA	PANEL ASM-HOOD
8	102330-02-000	EA	LATCH-HOOD
	058786-02-000	EA	BOLT-ADJUSTING, HOOD - W/BLACK PAD - 5/16" #18 X 1 25"
			FROM: 00-00-00 THRU: 11-24-92
	058786-01-000	EA	BOLT-ADJUSTING, HOOD - W/BLACK PAD - 3/16" #18 X 2"
			FROM: 11-25-92 THRU: 99-99-99
	105096-02-000	EA	TUBE-TIMING, HOOD HINGE
	104584-03-000	EA	BRACKET ASM-HOOD HINGE BODY, RIGHT
	104584-04-000	EA	BRACKET ASM-HOOD HINGE BODY, LEFT
	105095-01-000	EA	LINK ASM-HINGE, HOOD - INNER - RIGHT
	105095-02-000	EA	LINK ASM-HINGE, HOOD - INNER - LEFT
	104582-02-000	EA	LINK ASM-HINGE, HOOD - OUTER
	110690-01-D18	EA	PLATE ASM-HEADLAMP, QUAD - PASSENGER - BLACK - STEEL
			FROM: 01-22-93 THRU: 99-99-99
	110692-01-01A	EA	PLATE-HEADLAMP, QUAD - PASSENGER - UNPAINTED - STEEL
			FROM: 01-22-93 THRU: 99-99-99
	110690-02-D18	EA	PLATE ASM-HEADLAMP, QUAD - DRIVER - BLACK - STEEL
			FROM: 01-22-93 THRU: 99-99-99
	110692-02-01A	EA	PLATE-HEADLAMP, QUAD - DRIVER - UNPAINTED - STEEL
			FROM: 01-22-93 THRU: 99-99-99
	110691-01-01A	EA	BRACKET-SPRING, HEADLAMP - DRIVER OR PASSENGER SIDE - UNPAINTED
			FROM: 01-22-93 THRU: 99-99-99

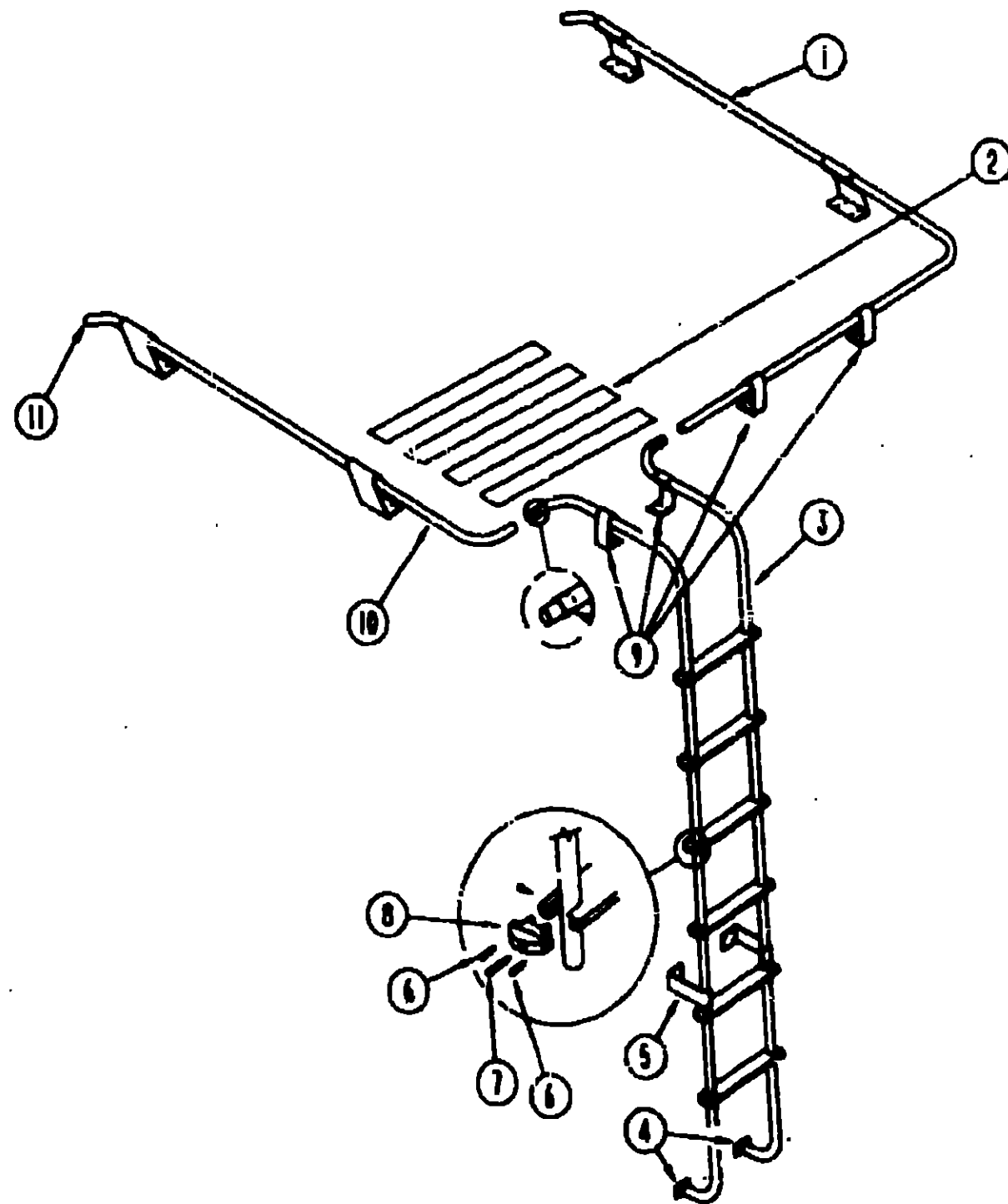
1993 ITASCA
TABLE OF CONTENTS

INTRODUCTION	A-01	A-02
ABBREVIATIONS		A-03
ALPHABETICAL INDEX	A-01	A-06
ICF23RC	A-07	E-18
ICF31RQ	E-17	J-18

1993 ICF31RQ INDEX

FLOOR PLAN	E-17	E-18
ACCESSORIES		E-19
AUDIO VIDEO	E-20	E-21
BATH	E-22	E-24
BEDROOM	F-01	F-03
CHASSIS	F-04	F-17
CURTAIN & CUSHION	F-18	G-04
DINETTE	G-05	G-06
DRIVERS COMPARTMENT	G-07	G-12
ELECTRICAL	G-13	G-20
EXTERIOR BODY	G-21	H-04
GALLEY	H-05	H-09
GENERATOR	H-10	H-11
HEATING & AC	H-12	H-18
INTERIOR FINISH	H-19	H-22
LABELS	H-23	I-07
LP		I-08
LOUNGE	I-09	I-10
SEALANTS & FASTENERS	I-11	I-14
WATER & SEWAGE	I-15	I-20
WINDOW, VENT AND		
EXTERIOR DOOR	I-21	J-16
WINDSHIELD/WIPER	J-17	J-18

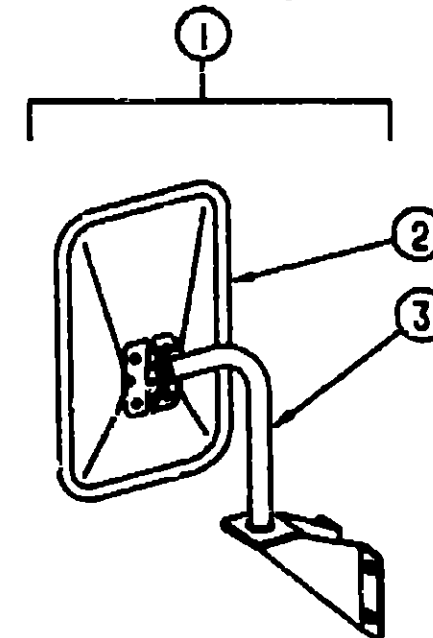
EXTERIOR BODY GROUP (CONTINUED)



LADDER & LUGGAGE RACK

KEY	PART NUMBER	U/M DESCRIPTION
1	107438-05-C07	EA RACK ASM-RIGHT
2	038327-02-000	EA TAPE-ANTI SLIP, 2' X 60'
3	102863-01-C05	EA LADDER ASM, STRAIGHT
4	087185-01-000	EA MOUNTING BRACKET-LADDER, LOWER
5	NOT AVAILABLE	EA STANDOFF-LADDER, BRIGHT DIPPED - LOWER
6	000039-08-10T	EA SCREW-8FADR, 8-20 X 5/8 PPH - BLACK
7	000088-10-38T	EA SCREW-10-12 X 2 25 PCH BLACK
8	078880-02-000	EA END CAP-3STEP, BLACK
9	NOT AVAILABLE	EA STANDOFF-RACK & LADDER, BRIGHT DIPPED
10	107438-06-C07	EA RACK ASM-LEFT
11	381114-01-000	EA PLUG-ROUND, RACK & LADDER ENDS - PLASTIC - 1' DIA.

EXTERIOR BODY GROUP (CONTINUED)



EXTERIOR MIRROR

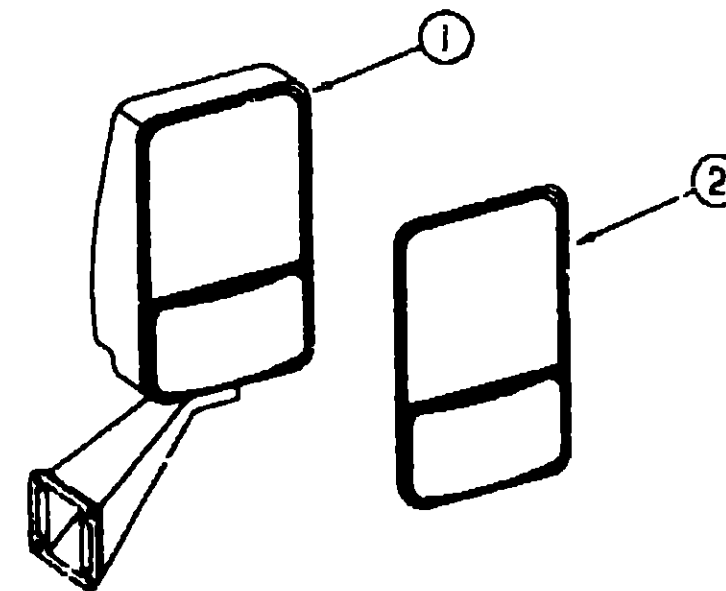
KEY	PART NUMBER	U/M DESCRIPTION
1	105076-01-01A	EA MIRROR-EXTERIOR, LOW MOUNT - SET W/DR & PASS - GLOSSY BLK
1	105076-01-702	EA MIRROR ASM-LOW MT RHLH - FLAT 713196 1 ONLY W/BRKT
2	105076-01-703	EA MIRROR HEAD ONLY(FLAT BLK) 709275-B
3	105076-01-704	EA ARM Q780521-9
	105439-01-000	EA MIRROR-AUX, CONVEX STICK-ON VELVAC 723068-6

**1993 ITASCA
TABLE OF CONTENTS**

INTRODUCTION	A-01 -	A-02
ABBREVIATIONS		A-03
ALPHABETICAL INDEX	A-04 -	A-06
ICF23RC	A-07 -	E-16
ICF31RQ	E-17 -	J-18

1993 ICF31RQ INDEX

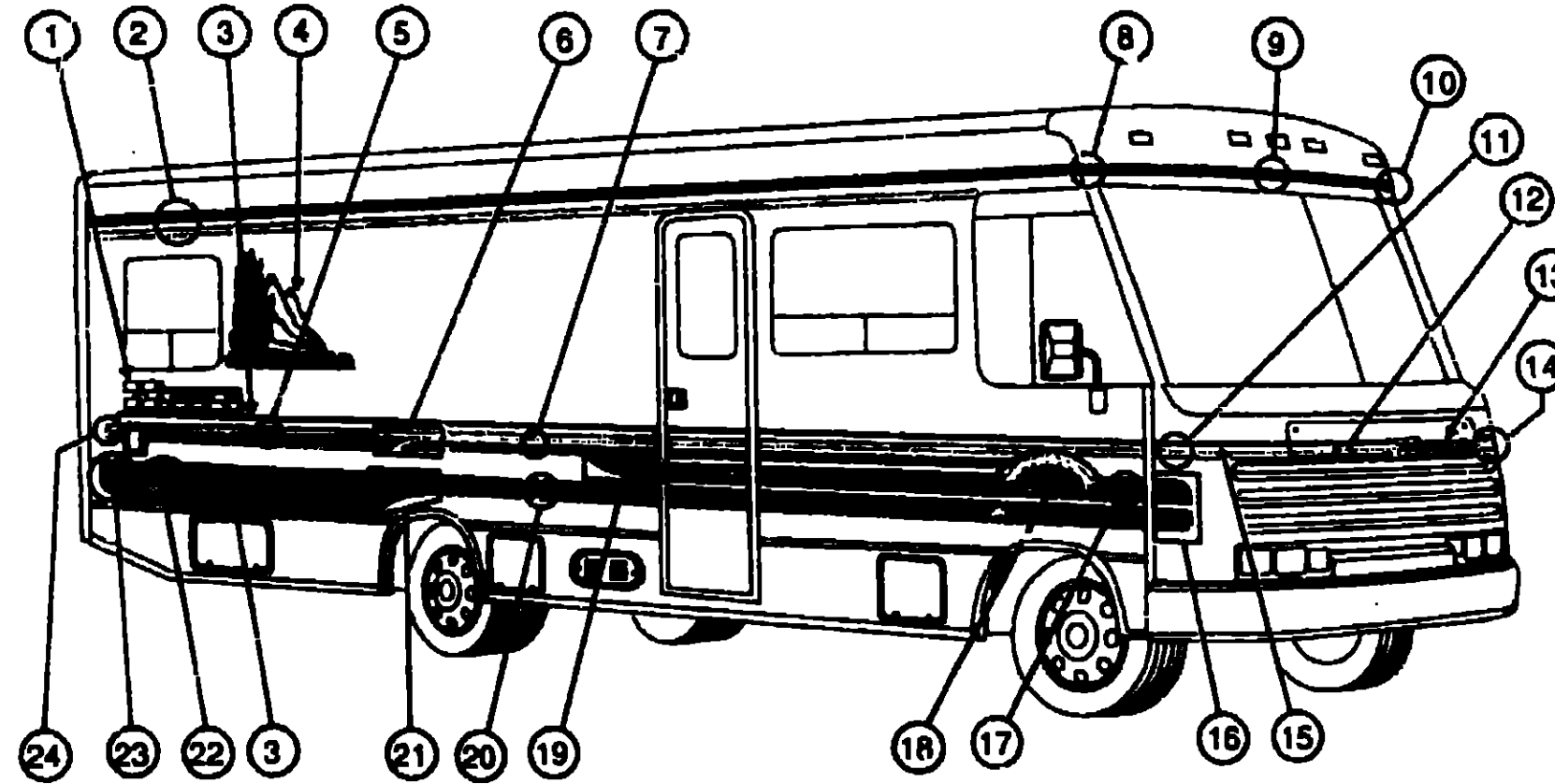
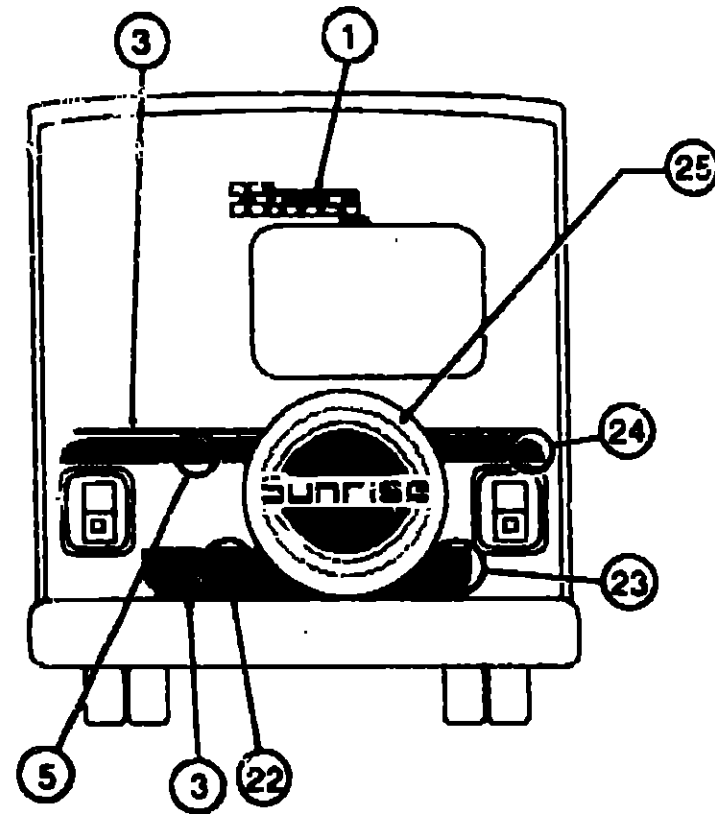
FLOOR PLAN	E-17 -	E-18
ACCESSORIES		E-19
AUDIO VIDEO	E-20 -	E-21
BATH	E-22 -	E-24
BEDROOM	F-01 -	F-03
CHASSIS	F-04 -	F-17
CURTAIN & CUSHION	F-18 -	G-04
DINETTE	G-05 -	G-06
DRIVERS COMPARTMENT	G-07 -	G-12
ELECTRICAL	G-13 -	G-20
EXTERIOR BODY	G-21 -	H-04
GALLEY	H-05 -	H-09
GENERATOR	H-10 -	H-11
HEATING & A/C	H-12 -	H-18
INTERIOR FINISH	H-19 -	H-22
LABELS	H-23 -	I-07
LP		I-08
LOUNGE	I-09 -	I-10
SEALANTS & FASTENERS	I-11 -	I-14
WATER & SEWAGE	I-15 -	I-20
WINDOW, VENT AND EXTERIOR DOOR	I-21 -	J-16
WINDSHIELDWIPER	J-17 -	J-18



EXTERIOR MIRROR

KEY	PART NUMBER	U/M DESCRIPTION
1	108015-08-01A	EA MIRROR ASM-EXT GLASS RIGHT - VELVAC 713128 BLACK
1	108015-10-01A	EA MIRROR ASM-EXT ADJ GLASS LEFT - VELVAC 713125 BLACK
2	108015-01-703	EA MIRROR KIT (BEZEL W/MIRRORS) PASSENGER SIDE
2	108015-02-702	EA MIRROR KIT (BEZEL W/MIRRORS) DRIVER SIDE

**EXTERIOR BODY GROUP (CONTINUED):
DECALS & FILM STRIPES**



**1993 ITASCA
TABLE OF CONTENTS**

INTRODUCTION	A-01 -	A-02
ABBREVIATIONS		A-03
ALPHABETICAL INDEX	A-04 -	A-06
ICF23RC	A-07 -	E-16
ICF31RQ	E-17 -	J-18

1993 ICF31RQ INDEX

FLOOR PLAN	E-17 -	E-18
ACCESSORIES		E-19
AUDIO VIDEO	E-20 -	E-21
BATH	E-22 -	E-24
BEDROOM	F-01 -	F-03
CHASSIS	F-04 -	F-17
CURTAIN & CUSHION	F-18 -	G-04
DINETTE	G-05 -	G-06
DRIVERS COMPARTMENT	G-07 -	G-12
ELECTRICAL	G-13 -	G-20
EXTERIOR BODY	G-21 -	H-04
GALLEY	H-05 -	H-09
GENERATOR	H-10 -	H-11
HEATING & A/C	H-12 -	H-18
INTERIOR FINISH	H-19 -	H-22
LABELS	H-23 -	I-07
LP		I-08
LOUNGE	I-09 -	I-10
SEALANTS & FASTENERS	I-11 -	I-14
WATER & SEWAGE	I-15 -	I-20
WINDOW, VENT AND EXTERIOR DOOR	I-21 -	J-18
WINDSHIELDWIPER	J-17 -	J-18

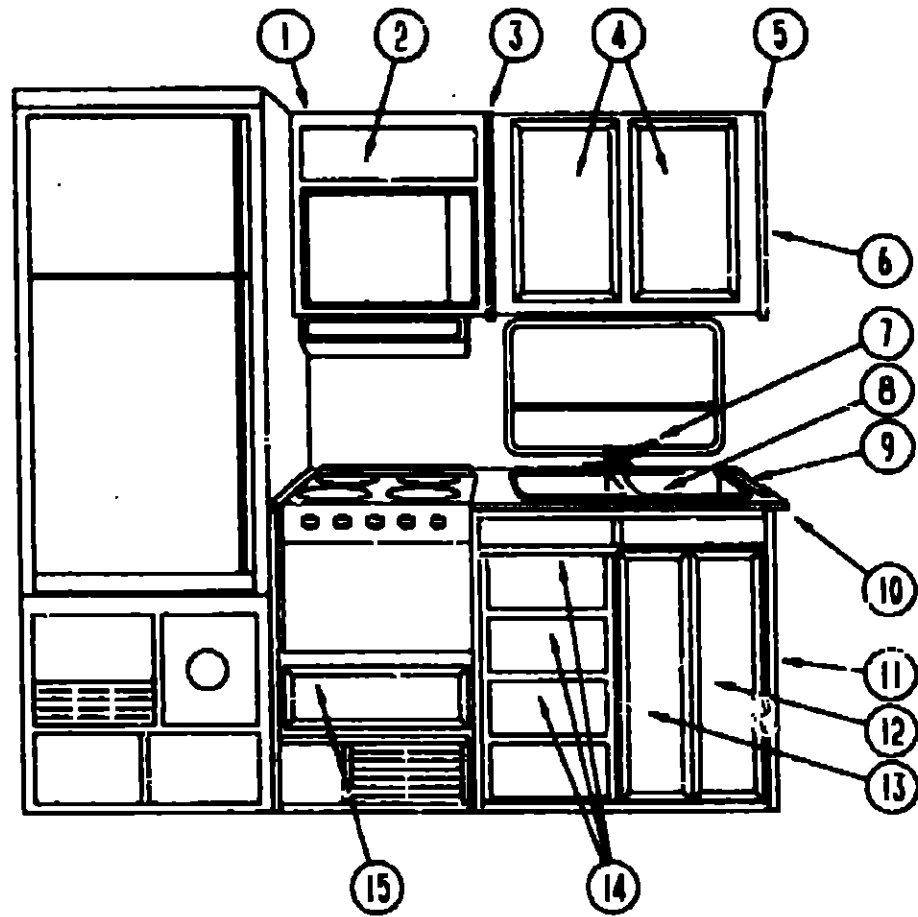
KEY	PART NUMBER	U/M	DESCRIPTION
1	078852-20-000	EA	DECAL-LOGO, ITASCA - 6.5" TALL - TURQUOISE
2	093889-14-01A	FT	FILM-MULTISTRIPE, 4 STRIPES - 141 MM BAY TURQUOISE/TURQUOISE/OCEAN SPRAY
3	093681-24-02A	FT	FILM-SINGLE STRIPE, 13 MM - OCEAN SPRAY
4	106854-01-01A	EA	DECAL-MOUNTAIN SCENE, PASSENGER SIDE TURQUOISE/BAY TURQUOISE/OCEAN SPRAY
4	106854-02-01A	EA	DECAL-MOUNTAIN SCENE, DRIVER SIDE TURQUOISE/BAY TURQUOISE/OCEAN SPRAY
5	094433-03-01A	FT	FILM-OVERLAY, 5 STRIPES - 114 MM - TURQUOISE/BAY TURQUOISE
6	104052-01-01A	EA	DECAL-RADIUS, UPPER - PASSENGER SIDE - TURQUOISE/BAY TURQUOISE
	104052-02-01A	EA	DECAL-RADIUS, UPPER - DRIVER SIDE - TURQUOISE/BAY TURQUOISE
7	094434-02-01A	FT	FILM-OVERLAY, 5 STRIPES - 114 MM - TURQUOISE/BAY TURQUOISE
8	104064-01-02A	EA	DECAL-FRONT UPPER CORNER, PASSENGER SIDE - BAY TURQUOISE
9	104066-01-02A	EA	DECAL-FRONT UPPER CORNER, DRIVER SIDE - BAY TURQUOISE
10	104084-02-02A	EA	DECAL-FRONT LOWER CORNER, PASSENGER SIDE - OCEAN SPRAY/TURQUOISE/BAY TURQUOISE
	105146-01-01A	FT	DECAL-VINYL STRIPING - 2" - GRILLE AREA
11	104773-01-01A	EA	DECAL-FRONT LOWER CORNER - DRIVER SIDE - OCEAN SPRAY/TURQUOISE/BAY TURQUOISE
12	094433-07-01A	FT	FILM-OVERLAY, 5 STRIPES - 46 MM - TURQUOISE/BAY TURQUOISE
13	093789-02-04A	EA	DECAL-LOGO, ITASCA - TURQUOISE

KEY	PART NUMBER	U/M	DESCRIPTION
14	104773-02-01A	EA	DECAL-FRONT LOWER CORNER - DRIVER SIDE OCEAN SPRAY/TURQUOISE/BAY TURQUOISE
15	093681-33-01A	FT	FILM-SINGLE STRIPE, 15 MM - OCEAN SPRAY
16	104772-01-01A	EA	DECAL-END CAP, FRONT - PASSENGER SIDE - TURQUOISE/BAY TURQUOISE
	104772-02-01A	EA	DECAL-END CAP, FRONT - DRIVER SIDE - TURQUOISE/BAY TURQUOISE
17	094422-02-01A	FT	FILM-OVERLAY, 2 STRIPES - 98 MM - TURQUOISE
18	104049-01-01A	EA	DECAL-SUNRISE W/RAINBOW
19	104051-01-01A	EA	DECAL-TRANSITION, PASSENGER SIDE - TURQUOISE
	104051-02-01A	EA	DECAL-TRANSITION, DRIVER SIDE - TURQUOISE
20	094433-04-01A	FT	FILM-OVERLAY, 5 STRIPES - 121 MM - TURQUOISE/BAY TURQUOISE
21	104053-01-01A	EA	DECAL-RADIUS, PASSENGER SIDE - TURQUOISE/BAY TURQUOISE
	104053-02-01A	EA	DECAL-RADIUS, DRIVER SIDE - TURQUOISE/BAY TURQUOISE
22	094433-05-01A	FT	FILM-OVERLAY, 5 STRIPES - 216 MM - TURQUOISE/BAY TURQUOISE
23	104055-01-01A	EA	DECAL-END CAP, REAR - LARGE - TURQUOISE/BAY TURQUOISE
24	104054-01-01A	EA	DECAL-END CAP, REAR - SMALL - TURQUOISE/BAY TURQUOISE
25	108707-01-01A	EA	DECAL-COVER, SPARE TIRE
	084075-01-000	EA	DECAL-"BY WINNEBAGO INDUSTRIES", BLACK
	041561-03-000	EA	PAINT-LOW BAKE, OFF WHITE
	044486-03-000	EA	PAINT-LOW BAKE, BEIGE

DUPONT COLOR CODES

TURQUOISE	#G9R35
OCEAN SPRAY	#G9836
BAY TURQUOISE	#G9E37
ASH GRAY	#G9707

GALLEY GROUP
GALLEY CABINETS



KEY	PART NUMBER	U/M	DESCRIPTION
1	M05019-42-D32	EA	CABINET ASM-MICROWAVE OVERHEAD
2	P00620-82-D32	EA	DOOR-CABINET, W/O HARDWARE - 7.1' X 21.3"
3	081320-18-B03	EA	CAP-END, OVERHEAD - FRONT
4	P04746-07-D32	EA	DOOR-CABINET, W/O HARDWARE - 385X555
5	103276-01-C05	EA	CABINET ASM-OVERHEAD,GALLEY
6	081320-17-B03	EA	CAP ASM-END,OVERHEAD
7	103243-01-000	EA	FAUCET-GALLEY,DUAL CONTROL - 8 IN CENTERSET
8	104113-01-000	EA	SINK-SST,DOUBLE
	092303-01-000	EA	STRAINER-SINK
	103610-01-D32	EA	COVER ASM-SINK
9	098335-02-D24	EA	RAIL-GALLEY, 22.2' LONG
10	102824-13-D32	EA	COUNTERTOP ASM
11	M03867-06-D32	EA	CABINET ASM-GALLEY
12	P04746-11-D32	EA	DOOR-CABINET, W/O HARDWARE - 230X675
13	P04746-12-D32	EA	DOOR-CABINET, W/O HARDWARE - 230X675
14	P07104-94-D32	EA	DRAWER COMPL-SLIDE,OGEE - 155 X 306
15	P07104-A2-D32	EA	DRAWER COMPL-SLIDE,OGEE - 180 X 558
	103445-01-01A	EA	HOLDER-PAPER TOWEL - PLASTIC - ALMOND
	090329-01-000	FT	SEAL-T, REFRIGERATOR CABINET - .6" WIDE TOP X 2" TAIL

1983 ITASCA
TABLE OF CONTENTS

INTRODUCTION	A-01 -	A-02
ABBREVIATIONS		A-03
ALPHABETICAL INDEX	A-04 -	A-06
ICF23RC	A-07 -	E-16
ICF31RQ	E-17 -	J-18

1983 ICF31RQ INDEX

FLOOR PLAN	E-17 -	E-18
ACCESSORIES		E-19
AUDIO VIDEO	E-20 -	E-21
BATH	E-22 -	E-24
BEDROOM	F-01 -	F-03
CHASSIS	F-04 -	F-17
CURTAIN & CUSHION	F-18 -	G-04
DINETTE	G-05 -	G-06
DRIVERS COMPARTMENT	G-07 -	G-12
ELECTRICAL	G-13 -	G-20
EXTERIOR BODY	G-21 -	H-04
GALLEY	H-05 -	H-09
GENERATOR	H-10 -	H-11
HEATING & A/C	H-12 -	H-16
INTERIOR FINISH	H-19 -	H-22
LABELS	H-23 -	I-07
LP		I-08
LOUNGE	I-09 -	I-10
SEALANTS & FASTENERS	I-11 -	I-14
WATER & SEWAGE	I-15 -	I-20
WINDOW, VENT AND		
EXTERIOR DOOR	I-21 -	J-16
WINDSHIELDWIPER	J-17 -	J-18

GALLEY GROUP (CONTINUED)

RANGE HOOD (CANADIAN)

KEY	PART NUMBER	U/M DESCRIPTION
	100258-17-01A	EA HOOD-RANGE, W/O MONITOR PANEL - VENTLINE - CANADIAN
	090973-01-700	EA MOTOR - LVS CA508-1
	090973-01-702	EA BLADE-FAN, LVS VA183-1
	092886-01-709	EA BULB-912, VENTLINE VA415
	092886-01-710	EA SOCKET-LIGHT, VENTLINE CB267-2
	096983-01-700	EA SWITCH-ON/OFF, VENTLINE 108
	096983-01-702	EA SWITCH-TWO WAY MOMENTARY, VENTLINE 112
	096983-01-707	EA FILTER-GREASE, 8" X 8" - LVS CC246
	092886-02-701	EA LENS-LAMP, VENTLINE CC179
	100258-01-700	EA HOOD-NOSE LABEL, CC428
	100258-10-01A	EA METER-HOUR, VENTLINE 150

RANGE HOOD

KEY	PART NUMBER	U/M DESCRIPTION
	100258-18-01A	EA HOOD-RANGE 22W W/O MONITOR PANEL - VENTLINE - US TPSS007NAD
	090973-01-700	EA MOTOR - LVS CA508-1
	090973-01-702	EA BLADE-FAN, LVS VA183-1
	092886-01-709	EA BULB-912, VENTLINE VA415
	092886-01-710	EA SOCKET-LIGHT, VENTLINE CB267-2
	096983-01-700	EA SWITCH-ON/OFF, VENTLINE 108
	096983-01-702	EA SWITCH-TWO WAY MOMENTARY, VENTLINE 112
	096983-01-707	EA FILTER-GREASE, 8" X 8" - LVS CC246
	092886-02-701	EA LENS-LAMP, VENTLINE CC179
	100258-01-700	EA HOOD-NOSE LABEL, CC428
	100258-10-01A	EA METER-HOUR, VENTLINE 150
	100258-16-01A	EA HOOD-RANGE, W/O MONITOR PANEL - VENTLINE - US TCS5006NAD
	090973-01-700	EA MOTOR - LVS CA508-1
	090973-01-702	EA BLADE-FAN, LVS VA183-1
	092886-01-709	EA BULB-912, VENTLINE VA415
	092886-01-710	EA SOCKET-LIGHT, VENTLINE CB267-2
	096983-01-700	EA SWITCH-ON/OFF, VENTLINE 108
	096983-01-702	EA SWITCH-TWO WAY MOMENTARY, VENTLINE 112
	096983-01-707	EA FILTER-GREASE, 8" X 8" - LVS CC246
	092886-02-701	EA LENS-LAMP, VENTLINE CC179
	100258-01-700	EA HOOD-NOSE LABEL, CC428
	100258-10-01A	EA METER-HOUR, VENTLINE 150
	102785-03-01A	EA PANEL-MONITOR, W/PLUG - FOR 2 TANKS & WATER HEATER - LVS

MICROWAVE OVEN

KEY	PART NUMBER	U/M DESCRIPTION
	091289-06-000	EA OVEN-MICROWAVE - MAGIC CHEF DM15-5B
	094745-01-01A	EA TRIM-MICROWAVE, LOWER - BLACK
	094774-03-01A	EA TRIM-MICROWAVE, EITHER SIDE - 1.5" X 14.8" - METAL - BLACK
	094750-01-000	EA BRACKET-MICROWAVE, 90 DEGREE - STEEL
	098916-03-01A	EA BRACE-MICROWAVE CABINET, LEFT - 9.4" X 7.5" - STEEL
	098916-04-01A	EA BRACE-MICROWAVE CABINET, RIGHT - 9.4" X 7.5" - STEEL

GALLEY GROUP (CONTINUED)

REFRIGERATOR, LEVEL & VENT

KEY	PART NUMBER	U/M DESCRIPTION
	104138-05-01A	EA REFRIGERATOR SMALL DOUBLE DOOR 2-WAY - NORCOLD 8182 LH BL
	075217-01-734	EA FUSE-3 AMP, NORCOLD# 81538822
	075217-01-738	EA SWITCH-HUMIDITY, NORCOLD 81525922
	084879-03-700	EA COOLING UNIT - HORIZONTAL BURNER, NORCOLD# 61687237
	084880-01-705	EA ORIFICE - NORCOLD# 814522
	084880-01-713	EA CONNECTOR-MALE, INLET FITTING - NORCOLD# 815256
	084880-01-718	EA VALVE-GAS, NORCOLD 81551822
	084880-01-720	EA SPRING (FOR DOOR HANDLE) NORCOLD 81558822
	084880-01-722	EA CRISPER COVER - NORCOLD 815841
	084880-01-726	EA HINGE BRACKET (CTR HINGE), NORCOLD 81566523
	084880-01-731	EA HINGE PIN, NORCOLD 81578123
	084880-01-732	EA LATCH, NORCOLD 81578522
	084880-01-734	EA BRACKET-HINGE, TOP RH - BOTTOM LH - BROWN NORCOLD 81580837
	084880-01-735	EA HINGE BRKT, TOP LH-BTM RH BRN - NORCOLD 81580837
	084880-01-739	EA END CAP (SPRING CATCH) BRN NORCOLD 81593722
	084880-01-740	EA END CAP (STOP CATCH) NORCOLD 81593830
	084880-01-746	EA CABLE, NORCOLD 81571522
	084880-01-747	EA PLUG-HOLE, NORCOLD 81582022
	084880-01-749	EA HINGE BUSHING - NORCOLD 815807
	084880-01-753	EA THERMISTER 78" - NORCOLD 81693822
	084880-01-760	EA CUP (THERMISTER) NORCOLD 81619122
	084880-01-761	EA END CAP (SPRING CATCH) BLACK NORCOLD 81593730
	084880-02-700	EA LOWER FLANGE 866388683, NORCOLD 81622123
	084880-03-702	EA HINGE PIN TOP/BTM FEMALE NORCOLD 81580830
	084880-03-705	EA BRACKET FANT. RERIG LIGHT - NORCOLD 81629722
	084880-03-706	EA LAMP (BULB) - NORCOLD 81628922
	084880-03-707	EA COVER FLAMP OR BULB - NORCOLD 81627922
	088248-01-706	EA BURNER-HORIZONTAL, NORCOLD 81588122
	088248-01-707	EA ELECTRODE-SENSOR, (HORIZONTAL), NORCOLD# 81573322
	088248-01-709	EA HEATER-AC, (HORIZONTAL) - NORCOLD# 815627
	088248-01-710	EA HEATER-DC, (HORIZONTAL) - 3 WAY - NORCOLD# 815628
	094038-01-700	EA GASKET-LOWER, GRAY - NORCOLD 81567930
	094038-01-701	EA LINER-DOOR, LOWER - BROWN/WHITE - NORCOLD 81581937-B
	094038-01-702	EA LINER-DOOR, LOWER - BLACK/WHITE - NORCOLD 81581938-B
	094038-01-703	EA HANDLE-DOOR, LOWER - BROWN - NORCOLD 81850137
	094038-01-704	EA HANDLE-DOOR, LOWER - BLACK - NORCOLD 81650138
	094039-01-702	EA GASKET (GRAY) UPPER - NORCOLD 81567830
	094039-01-703	EA PLATE-HINGE, LH - BROWN - NORCOLD 81631422
	094039-01-704	EA PLATE-HINGE, BLACK - NORCOLD 81631430
	094039-01-706	EA UPPER DOOR LINER (WHITE) BLK - NORCOLD 81581838-B
	094039-01-708	EA HANDLE-OVER, UPPER - BLACK - NORCOLD 81850038
	094039-01-709	EA PLATE-HINGE, TOP RH - LH BOTTOM - BROWN - NORCOLD 81631322
	094039-01-710	EA PLATE-HINGE, BLACK - NORCOLD 81631330
	094039-01-722	EA HOLE PLUG (BLK) HINGE HOLES - NORCOLD 81582030
	094039-01-723	EA HINGE BRKT, TOP RH-BTM LH BLK - NORCOLD 81580838
	094039-01-724	EA BRACKET-HINGE, TOP LH - BOTTOM RH - BLK - NORCOLD 81580838
	094039-01-725	EA HINGE PIN (BLACK)(MALE) - NORCOLD 81578130
	094039-01-726	EA SHELF-FREEZER EVAPORATOR, NORCOLD 815236
	094039-01-730	EA HINGE PIN SHAFT(BLK) CENTER HGE - NORCOLD 81566730
	094039-01-732	EA FRONT COVER(BLK) BTM TRIM - NORCOLD 81822130
	094039-01-733	EA WIRE SHELF (MIDDLE) - NORCOLD 81563822
	094039-01-734	EA WIFE SHELF (TOP) WRISER - NORCOLD 81563722
	094039-01-735	EA INSIDE DRIP TRAY (WHITE) NORCOLD 81572830
	094039-01-736	EA SWITCH-LIGHT, BLACK - NORCOLD 815810
	094039-01-739	EA SHELF (CUTOUT) NORCOLD 81846722
	094039-04-700	EA FC BOARD-2 WAY, NORCOLD# 81847322
	094039-04-701	EA EYEBROW (SHELL) 2 WAY - NORCOLD 81888822
	094039-04-702	EA POWER SUPPLY (2 WAY) - NORCOLD 81847422
	104137-02-700	EA MODULE-CONTROL, CHANNEL - NORCOLD 81717037
	104137-06-700	EA EYEBROW SHELL (2-WAY) NORCOLD 81728822
	104137-08-702	EA RACK-JUCE (WHITE) NORCOLD 81580525

1983 ITASCA TABLE OF CONTENTS

INTRODUCTION	A-01	A-02
ABBREVIATIONS		A-03
ALPHABETICAL INDEX	A-04	A-06
ICF23RC	A-07	E-18
ICF31RQ	E-17	J-18

1983 ICF31RQ INDEX

FLOOR PLAN	E-17	E-18
ACCESSORIES		E-19
AUDIO VIDEO	E-20	E-21
BATH	E-22	E-24
BEDROOM	F-01	F-03
CHASSIS	F-04	F-17
CURTAIN & CUSHION	F-18	G-04
DINETTE	G-05	G-08
DRIVERS COMPARTMENT	G-07	G-12
ELECTRICAL	G-13	G-20
EXTERIOR BODY	G-21	H-04
GALLEY	H-05	H-09
GENERATOR	H-10	H-11
HEATING & A/C	H-12	H-18
INTERIOR FINISH	H-19	H-22
LABELS	H-23	I-07
LP		I-08
LOUNGE	I-09	I-10
SEALANTS & FASTENERS	I-11	I-14
WATER & SEWAGE	I-15	I-20
WINDOW, VENT AND		
EXTERIOR DOOR	I-21	J-18
WINDSHIELD/WIPER	J-17	J-18

GALLEY GROUP (CONTINUED)
REFRIGERATOR, LEVEL & VENT

KEY	PART NUMBER	U/M DESCRIPTION
	104137-08-703	EA BIN-DOOR SHELF (WHITE) NORCOLD 61584025
	104137-08-708	EA WIRE SHELF (SHORT) NORCOLD 61718222
	104137-08-707	EA CRISPER (WHITE) NORCOLD 61571325
	104137-08-709	EA VALVE SHUT-OFF-MANUAL ASM NORCOLD 61694922
	104137-08-710	EA PRESSURE TAP NORCOLD 61594422
	104137-08-711	EA FUSE 5 AMP NORCOLD 61611622
	104137-08-712	EA FITTING-GAS TUBE CONNECTION NORCOLD 61692722
	104137-08-713	EA ORFICE GASKET NORCOLD 61475122
	104137-08-714	EA BURNER ASSEMBLY (5-SLOT) NORCOLD 61705222
	104137-08-715	EA SPARK/SENSE ELECTRODE(SINGLE) NORCOLD 61692222
	104138-04-701	EA FOAMED CAB ASM (BLK W/WHITE) NORCOLD 61725038
	054450-01-000	EA LEVEL-REFRIGERATOR

RANGE

KEY	PART NUMBER	U/M DESCRIPTION
	102022-01-02A	EA RANGE-16", 4 BURNER - MAGIC CHEF 5T18FA-4Z
	055282-03-705	EA TRIM-CABINET, LEFT - BLACK - MAGIC CHEF 3608F011-70
	055282-03-707	EA TRIM-CABINET, RIGHT - BLACK - MAGIC CHEF 3608F012-70
	098507-02-701	EA INSERT-BURNER (SLOTTED VENT), MAGIC CHEF 7214P015-60
	102020-01-700	EA SHELF-OVEN, MAGIC CHEF - 7801-P027-60
	102020-01-701	EA HANDLE-DOOR, MAGIC CHEF - 77D1P062-60
	102020-01-702	EA PANEL-MANIFOLD, MAGIC CHEF 2618F080-70
	102020-01-704	EA PANEL-DOOR, BLACK - MAGIC CHEF - 2401F075-70
	102020-01-708	EA BURNER ASSEMBLY-OVEN, MAGIC CHEF 34U3W003-45
	102020-01-711	EA GRATE-TOP, MAGIC CHEF 7518P012-60
	102020-01-712	EA KNOB-BURNER VALVE, MAGIC CHEF 7733P044-60
	102020-01-713	EA KNOB-THERMOSTAT, MAGIC CHEF 7731P042-60
	102020-01-714	EA PILOT-OVEN, MAGIC CHEF 958-143
	102020-01-715	EA PIPE-MANIFOLD, MAGIC CHEF 7513P095-60
	102020-01-717	EA THERMOSTAT, MAGIC CHEF 7515P024-60
	102020-01-718	EA TOP-MAX/1, ALMOND - MAGIC CHEF 2001F085-84
	102020-01-720	EA VALVE-MERCURY CONTROL, MAGIC CHEF 7501P056-60
	102020-01-722	EA VALVE-TOP BURNER, MAGIC CHEF 7502P095-60
	102020-01-723	EA PILOT-BURNER, MAGIC CHEF 7505P147-60
	102020-01-724	EA BUMPER-MAIN TOP, MAGIC CHEF 8003P008-60
	102022-01-702	EA PIPE-MANIFOLD, MAGIC CHEF 7513P098-80
	102022-01-703	EA REGULATOR-PRESSURE, MAGIC CHEF 7510P031-60
	102022-01-706	EA TRIM-LEFT, FLAT - MAGIC CHEF 3608W022-70
	102022-01-707	EA TRIM-RIGHT, FLAT - MAGIC CHEF 3608W023-70

COFFEE MAKER

KEY	PART NUMBER	U/M DESCRIPTION
	103739-01-02A	EA COFFEE MAKER - GRAY - BLACK&DECKER - W/GLASS POT
	104610-01-000	EA STRAP ASM-COFFEE MAKER

GENERATOR GROUP
6.0 KW EMERALD PLUS EXPORT

KEY	PART NUMBER	U/M DESCRIPTION
	100975-03-000	EA GENERATOR-5.0 KW EMERALD PLUS - ONAN NHE-FN26236G WITH ONAN TRAY #403-2216
	007131-01-000	EA HANGER-TAILPIPE, 8 SLOTS
	079654-05-000	EA PIPE-EXHAUST, ANGLED - W/FLANGE - 2" ID - ONAN# 154-2539
	082272-01-000	EA MUFFLER-GENERATOR
	094059-01-000	EA SPACER-GENERATOR, ONAN
	105732-02-000	EA TRAY ASM-GENERATOR
	105958-03-000	EA PIPE-EXHAUST,GENERATOR
	007125-03-000	EA CLAMP-MUFFLER - 1.5" DIA.
	007125-04-000	EA CLAMP-MUFFLER - 1.1" DIA.

4,000W KOHLER LOW PROFILE

KEY	PART NUMBER	U/M DESCRIPTION
	105523-01-000	EA GENERATOR-4KW LOW PROFILE KOHLER 4CKM21
	007067-01-000	SF INSULATION-FIBERGLASS, 1" THICK X 4' - INCREMENTS OF 4 SF
	105526-01-000	EA ARRESTER-SPARK, KOHLER 278621
	105527-01-000	EA PIPE-EXHAUST ADAPTER, KOHLER 278524
	105530-01-000	EA MUFFLER-SIDE EXHAUST W/O SPARK KOHLER 278733
	105602-01-000	EA GASKET-EXHAUST, KOHLER-276320
	105732-02-000	EA TRAY ASM-GENERATOR
	105958-03-000	EA PIPE-EXHAUST,GENERATOR
	007125-03-000	EA CLAMP-MUFFLER - 1.5" DIA.
	007125-04-000	EA CLAMP-MUFFLER - 1.1" DIA.

4.0 KW EMERALD PLUS EXPORT

KEY	PART NUMBER	U/M DESCRIPTION
	100974-04-000	EA GENERATOR-4.0KW EMERALD PLUS ONAN BGE-FN29236G WITH ONAN TRAY #403-2216
	007131-01-000	EA HANGER-TAILPIPE, 8 SLOTS
	079654-05-000	EA PIPE-EXHAUST, ANGLED - W/FLANGE - 2" ID - ONAN# 154-2539
	082272-01-000	EA MUFFLER-GENERATOR
	094059-01-000	EA SPACER-GENERATOR, ONAN
	105732-02-000	EA TRAY ASM-GENERATOR
	105958-03-000	EA PIPE-EXHAUST,GENERATOR
	007067-01-000	SF INSULATION-FIBERGLASS, 1" THICK X 4' - INCREMENTS OF 4 SF
	007125-01-000	EA CLAMP-MUFFLER - 1.82" DIA.
	007125-03-000	EA CLAMP-MUFFLER - 1.5" DIA.
	007125-04-000	EA CLAMP-MUFFLER - 1.1" DIA.
	093511-01-000	EA VAPOR KIT-LP, GENERATOR

4.0 KW EMERALD PLUS

KEY	PART NUMBER	U/M DESCRIPTION
	100974-01-000	EA GENERATOR-4.0KW EMERALD PLUS, ONAN BGE-FA26100G
	007067-01-000	SF INSULATION-FIBERGLASS, 1" THICK X 4' - INCREMENTS OF 4 SF
	079654-05-000	EA PIPE-EXHAUST, ANGLED - W/FLANGE - 2" ID - ONAN# 154-2539
	082272-01-000	EA MUFFLER-GENERATOR
	094059-01-000	EA SPACER-GENERATOR, ONAN
	105732-02-000	EA TRAY ASM-GENERATOR
	105958-03-000	EA PIPE-EXHAUST,GENERATOR
	007125-04-000	EA CLAMP-MUFFLER - 1.1" DIA.

6.6 KW GENERAC

KEY	PART NUMBER	U/M DESCRIPTION
	109700-01-000	EA GENERATOR-6.6 KW GENERAC NP66/9206-0
	007067-01-000	SF INSULATION-FIBERGLASS, 1" THICK X 4' - INCREMENTS OF 4 SF
	007125-03-000	EA CLAMP-MUFFLER - 1.5" DIA
	007125-04-000	EA CLAMP-MUFFLER, 1.1" DIA
	105958-03-000	EA PIPE-EXHAUST,GENERATOR
	109700-02-000	EA MUFFLER-REAR WRAP - GENERAC 85910-A

1993 ITASCA
TABLE OF CONTENTS

INTRODUCTION	A-01	A-02
ABBREVIATIONS		A-03
ALPHABETICAL INDEX	A-04	A-06
ICF23RC	A-07	E-16
ICF31RQ	E-17	J-18

1993 ICF31RQ INDEX

FLOOR PLAN	E-17	E-18
ACCESSORIES		E-19
AUDIO VIDEO	E-20	E-21
BATH	E-22	E-24
BEDROOM	F-01	F-03
CHASSIS	F-04	F-17
CURTAIN & CUSHION	F-18	G-04
DINETTE	G-05	G-06
DRIVERS COMPARTMENT	G-07	G-12
ELECTRICAL	G-13	G-20
EXTERIOR BODY	G-21	H-04
GALLEY	H-05	H-09
GENERATOR	H-10	H-11
HEATING & A/C	H-12	H-18
INTERIOR FINISH	H-19	H-22
LABELS	H-23	I-07
LP		I-08
LOUNGE	I-09	I-10
SEALANTS & FASTENERS	I-11	I-14
WATER & SEWAGE	I-15	I-20
WINDOW, VENT AND		
EXTERIOR DOOR	I-21	J-18
WINDSHIELDWIPER	J-17	J-18

GENERATOR GROUP (CONTINUED)
6.5 KW EMERALD PLUS

KEY	PART NUMBER	U/M DESCRIPTION
	10075-01-000	EA GENERATOR-6.5KW EMERALD PLUS, ONAN NHE-FA28100G WITH ONAN TRAY #403-2218
	007067-01-000	SF INSULATION-FIBERGLASS, 1" THICK X 4' - INCREMENTS OF 4 SF
	079854-05-000	EA PIPE-EXHAUST, ANGLED - W/FLANGE - 2" ID - ONAN# 154-2539
	082272-01-000	EA MUFFLER-GENERATOR
	084059-01-000	EA SPACER-GENERATOR, ONAN
	105732-02-000	EA TRAY ASM-GENERATOR
	105958-03-000	EA PIPE-EXHAUST, GENERATOR
	007067-01-000	SF INSULATION-FIBERGLASS, 1" THICK X 4' - INCREMENTS OF 4 SF
	007125-03-000	EA CLAMP-MUFFLER - 1.5" DIA.
	007125-04-000	EA CLAMP-MUFFLER - 1.1" DIA.
	007131-01-000	EA HANGER-TAILPIPE, 5 SLOTS

6000W KOHLER LOW PROFILE

KEY	PART NUMBER	U/M DESCRIPTION
	105524-01-000	EA GENERATOR 5KW LOW PROFILE KOHLER 5CKM21
	007067-01-000	SF INSULATION-FIBERGLASS, 1" THICK X 4' - INCREMENTS OF 4 SF
	105526-01-000	EA ARRESTER-SPARK, KOHLER 278621
	105527-01-000	EA PIPE-EXHAUST ADAPTER, KOHLER 278524
	105530-01-000	EA MUFFLER-SIDE EXHAUST W/O SPARK KOHLER 278733
	105802-01-000	EA GASKET-EXHAUST, KOHLER-278320
	105732-02-000	EA TRAY ASM-GENERATOR
	105958-03-000	EA PIPE-EXHAUST, GENERATOR
	007125-03-000	EA CLAMP-MUFFLER - 1.5" DIA.
	007125-04-000	EA CLAMP-MUFFLER - 1.1" DIA.

7.0KW KOHLER LOW PROFILE

KEY	PART NUMBER	U/M DESCRIPTION
	105625-01-000	EA GENERATOR-7.0KW - LOW PROFILE - KOHLER 7CKM21
	007067-01-000	SF INSULATION-FIBERGLASS, 1" THICK X 4' - INCREMENTS OF 4 SF
	084059-01-000	EA SPACER-GENERATOR, ONAN
	105526-01-000	EA ARRESTER-SPARK, KOHLER 278621
	105527-02-000	EA PIPE-EXHAUST ADAPTER, KOHLER-278979
	105530-01-000	EA MUFFLER-SIDE EXHAUST W/O SPARK KOHLER 278733
	105802-01-000	EA GASKET-EXHAUST, KOHLER-278520
	105732-02-000	EA TRAY ASM-GENERATOR
	105958-03-000	EA PIPE-EXHAUST, GENERATOR
	007125-03-000	EA CLAMP-MUFFLER - 1.5" DIA.
	007125-04-000	EA CLAMP-MUFFLER - 1.1" DIA.

6 KW EMERALD PLUS

KEY	PART NUMBER	U/M DESCRIPTION
	109303-01-000	EA GENERATOR-5KW EMERALD PLUS - ONAN WITH ONAN TRAY #403-2727
	007067-01-000	SF INSULATION-FIBERGLASS, 1" THICK X 4' - INCREMENTS OF 4 SF
	007125-04-000	EA CLAMP-MUFFLER, 1.1" DIA
	079854-05-000	EA PIPE-EXHAUST, ANGLED - W/FLANGE - 2" ID - ONAN# 154-2539
	082272-01-000	EA MUFFLER-GENERATOR
	084059-01-000	EA SPACER-GENERATOR, ONAN
	105732-02-000	EA TRAY ASM-GENERATOR
	105958-03-000	EA PIPE-EXHAUST, GENERATOR

HEATING & AIR CONDITIONING GROUP
30,000 BTU SUBURBAN FURNACE & WALL THERMOSTAT

KEY	PART NUMBER	U/M DESCRIPTION
	098668-05-000	EA FURNACE-30,000 BTU - SUBURBAN SF-30
	069634-01-733	EA RELAY, TIME DELAY 20 MIN, 30 BTU, SUBURBAN 231202
	075695-01-709	EA MICRO SWITCH (FOR MODELS 30 & 34S) - SUBURBAN#230509
	090039-01-709	EA GASKET-COVER, OBSERVATION HOLE
	092300-01-704	EA GASKET-ELECTRODE, SUBURBAN 070163
	092300-02-701	EA ORIFICE, MAIN BURNER - SUBURBAN 180214
	093365-01-000	EA THERMOSTAT-WALL, FURNACE - SUBURBAN 0160802
	098668-01-700	EA CABINET FRONT, SUBURBAN 101242
	098668-01-701	EA CABINET ASM, SUBURBAN 101299
	098668-01-704	EA VALVE, SUBURBAN 180938
	098668-01-705	EA SWITCH-LIMIT, SUBURBAN 231630
	098668-01-708	EA WHEEL-COMBUSTION AIR, SUBURBAN 350122
	098668-01-707	EA VENT CAP & EXHAUST TUBE ASM, SUBURBAN 260193
	098668-01-708	EA BLOWER ASM (COMBUSTION AIR), SUBURBAN 390441
	098668-01-709	EA MOTOR ASM.-FOR SF-25, SF-30 - SUBURBAN 231706
	098668-01-710	EA BLOWER ASM (ROOM AIR), SUBURBAN 390440
	098668-01-711	EA WHEEL, ROOM AIR - SUBURBAN 350123
	098668-01-712	EA BOARD-MODULE, SUBURBAN 231741
	098668-01-713	EA INTAKE VENT TUBE ASM 051044
	098668-01-714	EA GAS VALVE (WHITE ROGERS) 1G1070
	098668-01-715	EA ELECTRODE ASM.(SGL PROBE) 232166
	098668-02-700	EA BURNER ASM COMPLETE (SF-30/SF35), SUBURBAN 010745
	098668-08-000	EA DOOR-ACCESS, FURNACE - ASH GRAY - SUBURBAN 520574
	024990-05-000	EA OUTLET-DEFR W/SWIV 2IN BLACK
	056464-04-000	EA REGISTER-HEAT, 4" DIAMETER - W/DAMPER - PLASTIC - SAND
	056464-05-000	EA REGISTER-PLASTIC W/O DAMPER - 4" DIAMETER - GOLDEN
	093614-01-01A	EA GRILLE-RETURN AIR, FURNACE - 15.6" X 7.8" - BROWN

35,000 BTU SUBURBAN FURNACE

KEY	PART NUMBER	U/M DESCRIPTION
	098668-08-000	EA FURNACE-35,000 BTU, SUBURBAN SF-35
	069634-01-720	EA ORIFICE-MAIN BURNER, SUBURBAN# 0180222
	074466-01-702	EA RELAY-TIME DELAY, SUBURBAN# 230625
	075695-01-709	EA MICRO SWITCH (FOR MODELS 30 & 34S) - SUBURBAN#230509
	093365-01-000	EA THERMOSTAT-WALL, FURNACE - SUBURBAN 0160802
	098668-01-700	EA CABINET FRONT, SUBURBAN 101242
	098668-01-706	EA WHEEL-COMBUSTION AIR, SUBURBAN 350122
	098668-01-707	EA VENT CAP & EXHAUST TUBE ASM, SUBURBAN 260193
	098668-01-708	EA BLOWER ASM (COMBUSTION AIR), SUBURBAN 390441
	098668-01-709	EA MOTOR ASM.-FOR SF-25, SF-30 - SUBURBAN 231706
	098668-01-710	EA BLOWER ASM (ROOM AIR), SUBURBAN 390440
	098668-01-711	EA WHEEL, ROOM AIR - SUBURBAN 350123
	098668-01-712	EA BOARD-MODULE, SUBURBAN 231741
	098668-01-713	EA INTAKE VENT TUBE ASM 051044
	098668-02-700	EA BURNER ASM COMPLETE (SF-30/SF35), SUBURBAN 010745
	098668-03-700	EA MOTOR ASM-SF-35, SUBURBAN# 231707
	101990-01-714	EA MICROSWITCH GASKET, SUBURBAN 230877
	001198-01-000	FT DUCT-HEAT, FLEXIBLE - 4" ID X 25 FT
	009200-01-000	EA TAPE-FURNACE, 1 1/2"
	023146-01-000	EA CLAMP-SCREW TYPE - 4"
	056638-02-000	EA CONNECTOR-DUCT, 4" ID - SUBURBAN 050715

1983 ITASCA
TABLE OF CONTENTS

INTRODUCTION	A-01 -	A-02
ABBREVIATIONS		A-03
ALPHABETICAL INDEX	A-01 -	A-06
ICF23RC	A-07 -	E-16
ICF31RQ	E-17 -	J-18

1983 ICF31RQ INDEX

FLOOR PLAN	E-17 -	E-18
ACCESSORIES		E-19
AUDIO VIDEO	E-20 -	E-21
BATH	E-22 -	E-24
BEDROOM	F-01 -	F-03
CHASSIS	F-04 -	F-17
CURTAIN & CUSHION	F-18 -	G-04
DINETTE	G-05 -	G-08
DRIVERS COMPARTMENT	G-07 -	G-12
ELECTRICAL	G-13 -	G-20
EXTERIOR BODY	G-21 -	H-04
GALLEY	H-05 -	H-09
GENERATOR	H-10 -	H-11
HEATING & A/C	H-12 -	H-18
INTERIOR FINISH	H-19 -	H-22
LABELS	H-23 -	I-07
LP		i-08
LOUNGE	I-09 -	I-10
SEALANTS & FASTENERS	I-11 -	I-14
WATER & SEWAGE	I-15 -	I-20
WINDOW, VENT AND		
EXTERIOR DOOR	I-21 -	J-16
WINDSHIELDWIPER	J-17 -	J-18

HEATING & AIR CONDITIONING GROUP (CONTINUED)
REAR HEATER & WATER HEATER W/MOTOR AID L611

HEATING & AIR CONDITIONING GROUP (CONTINUED)
AUTO A/C COMPONENTS

1983 ITASCA
TABLE OF CONTENTS

INTRODUCTION	A-01 -	A-02
ABBREVIATIONS		A-03
ALPHABETICAL INDEX	A-04 -	A-06
ICF23RC	A-07 -	E-16
ICF31RQ	E-17 -	J-18

KEY	PART NUMBER	U/M DESCRIPTION
	009188-01-000	FT DUCT-HEAT, FLEXIBLE - 4" ID - INC. OF 25'
	008200-01-000	EA TAPE-FURNACE, 1 1/2"
	023146-01-000	EA CLAMP-SCREW TYPE - 4"
	088836-02-000	EA CONNECTOR-DUCT, 4" ID
	007108-01-000	FT HOSE-HEATER, 5/8" ID
	008042-01-000	FT TUBING-VINYL, .65" ID
	068484-05-000	EA REGISTER-PLASTIC W/O DAMPER - 4" DIAMETER - GOLDEN
	062401-01-000	EA CLAMP-HOSE, WORMGEAR, 25" - 1"
	081673-01-000	EA BRACKET-MOTOR AID TUBES, 4" X 1.5" - STEEL
	062401-04-000	EA CLAMP-HOSE, WORMGEAR, 69" - 1.25"
	068753-01-000	FT TUBE-ALUMINIZED STEEL, 5/8" - 18 GAUGE
	079059-01-000	EA HOSE-90 DEGREE, .61" ID X 4" X 36"
	079059-02-000	EA HOSE-90 DEGREE, .61" ID X 4" X 6"
	104056-05-01A	EA APPLIQUE-BEZEL SW RH 3 SW
	103675-03-000	EA SWITCH-ROCKER, SPST ON/OFF/ON
	010227-01-000	EA TEE-PLAS-BARB 5/8 OR 3/4 HOSE

EVANS REAR HEATER

KEY	PART NUMBER	U/M DESCRIPTION
	084405-01-000	EA HEATER ASM-REAR, DUCTED - W/MOTOR AID - EVANS
	084405-01-700	EA HEATER CORE-EVANS# FT200229
	084405-01-701	EA FAN BLADES-EVANS# HVD29831
	084405-01-702	EA MOTOR ASM-12 V, EVANS# 200146

KEY	PART NUMBER	U/M DESCRIPTION
	007281-01-000	EA HOSE-FLEXIBLE PVC, 2.5" ID X 50'
	007281-01-700	FT HOSE-FLEXIBLE PVC, 2.5" ID
	103930-01-000	EA EVAPORATOR-HEATER ASSEMBLY - SCS 090-0041
	103930-01-700	EA ROD-AIR BLEND DOOR, SCS 073-0017
	103930-01-701	EA PANEL-DOOR, FOR AIR BLEND - SCS 071-0123
	103930-01-702	EA GASKET-DOOR, FOR AIR BLEND - SCS 045-0080
	103930-01-703	EA COIL-HEATER, SCS 042-0010
	103930-01-704	EA COIL EVAPORATOR, SCS 041-0017
	103930-01-705	EA VALVE EXP. BLOCK
	103930-01-706	EA GASKET-O-RING, #3 - SCS 045-0011
	103930-01-707	EA GASKET-O-RING, #10 - SCS 045-0012
	103930-01-708	EA BRACKET-VACUUM MOTOR, SCS 070-0113
	103930-01-710	EA RESISTOR-FUSED, SCS 035-0006
	103930-01-711	EA THERMOSTAT, SCS 033-0003
	103930-01-712	EA GASKET-O-RING, SCS 045-0010
	103930-01-713	EA FITTING-QUICK CONNECT, #4 - SCS 050-0003
	103930-01-714	EA FITTING-SERVICE VALVE, #10 - SCS 050-0031
	103930-01-715	EA SWITCH-BINARY, SCS 032-0030
	103930-01-716	EA SWITCH-PRESSURE, FAN - SCS 032-0029
	103930-01-717	EA WHEEL-CLOCK-WISE, SCS 062-0010
	103930-01-718	EA HOSE #6, SCS 051-0036
	103930-01-719	EA HOSE #10, SCS 051-0017
	103930-01-720	EA MOTOR, SCS 030-0004
	103930-01-721	EA GASKET O-RING #12, SCS 045-0062
	103930-04-000	EA CONTROL/PLENUM SET
	072342-04-000	EA CONDENSER ASM-W/O FANS, ARA 0519377
	072342-04-700	EA HOSE-DISCHARGE, ARA 0986306
	072342-04-701	EA COIL-CONDENSER, ARA 0519384
	072343-05-000	EA COMPRESSOR-CLUTCH, REAR DISCHARGE - SANKYO - ARA 0529174
	096814-02-000	EA MOUNT & DRIVE PACKAGE, A/C COMPRESSOR - 460 EFI
	072878-01-000	EA INSULATION-SOUND BARRIER PAD, 29.25" X 40.19"
	074026-01-000	EA MOUNT PACKAGE - A/C COMPRESSOR, 6.2 DIESEL
	077075-01-000	EA GASKET-INSTRUMENT PANEL TO DEFROSTER PLENUM - 6" X 11.3"
	077075-03-000	EA GASKET-INSTRUMENT PANEL TO DEFROSTER PLENUM
	085000-01-000	EA SHIELD-A/C, 6.8" X 3.1" - STEEL
	088753-01-000	FT TUBE-ALUMINIZED STEEL, 5/8" - 18 GAUGE
	103016-01-000	EA PLENUM-TRANSITION
	103017-01-000	EA PLENUM-DEFROSTER
	103558-01-02A	EA VENT-DEFROSTER, ABS - ASH GRAY
	103796-01-01A	EA LOUVER ASM-A/C CARY PROD BLACK
	094831-08-000	EA WIRE ASSEMBLY-A/C COMPRESSOR ADAPTER - SCS 036-0054
	094831-01-724	EA O-RING-#4, MOTIVAIR/SCS ZGG14561
	103930-02-708	EA MOTOR-VACUUM SERVO, A/C - SCS 030-0002
	103930-05-000	EA MANUAL-OWNERS, HEATER-A/C - SCS 057-0049
	088227-02-701	EA BRACKET-BOWDEN CABLE MOUNTING, ARA 0409417
	094831-01-709	EA CLAMPS-ROD, 3/16" - MOTIVAIR/SCS ZGG14431
	103930-02-700	EA PANEL-CONTROL, SCS 032-0018
	103930-02-701	EA VALVE-CONTROL HEAD, SCS 034-0015
	103930-02-702	EA DECAL-WINNEBAGO "N", SCS 058-0000
	103930-02-703	EA HARNESS-WIRE CONTROL, SCS 036-0048
	103930-02-704	EA HARNESS-VACUUM CONTROL, SCS 036-0049
	103930-02-705	EA CABLE-CONTROL, BOWDEN - SCS 074-0011 SHEATH LENGTH IS 84 1/4" - CABLE LENGTH IS 89" LONG
	103930-02-706	EA CLIP-CABLE, CONTROL - SCS 022-0017
	103930-02-707	EA RELAY, SCS 031-0001
	103930-02-708	EA MOTOR-VACUUM SERVO, A/C - SCS 030-0002
	103930-02-710	EA CANISTER-VACUUM, SCS 054-0002
	103930-02-711	EA VALVE-WATER, SCS 034-00114
	072341-01-716	EA VALVE-DISCHARGE, 1/2" O-RING - ARA 0548325
	072342-03-701	EA RECEIVER-DRIER, ARA 1273235
	074013-02-716	EA VALVE-SERVICE, ARA 0058337
	088815-01-702	EA O-RING, #8 - ARA 0058808
	103930-05-000	EA MANUAL-OWNERS, HEATER-A/C - SCS 057-0049

1983 ICF31RQ INDEX

FLOOR PLAN	E-17 -	E-18
ACCESSORIES		E-19
AUDIO VIDEO	E-20 -	E-21
BATH	E-22 -	E-24
BEDROOM	F-01 -	F-03
CHASSIS	F-04 -	F-17
CURTAIN & CUSHION	F-18 -	G-04
DINETTE	G-05 -	G-06
DRIVERS COMPARTMENT	G-07 -	G-12
ELECTRICAL	G-13 -	G-20
EXTERIOR BODY	G-21 -	H-04
GALLEY	H-05 -	H-09
GENERATOR	H-10 -	H-11
HEATING & A/C	H-12 -	H-18
INTERIOR FINISH	H-19 -	H-22
LABELS	H-23 -	I-07
LP		I-08
LOUNGE	I-09 -	I-10
SEALANTS & FASTENERS	I-11 -	I-14
WATER & SEWAGE	I-15 -	I-20
WINDOW, VENT AND		
EXTERIOR DOOR	I-21 -	J-16
WINDSHIELD/WIPER	J-17 -	J-18

HEATING & AIR CONDITIONING GROUP (CONTINUED)
13,500 BTU COLEMAN ROOF A/C

KEY	PART NUMBER	U/M DESCRIPTION
	108889-01-02A	EA A/C-ROOF, 13,500 TSH HO GRAY - COLEMAN 7333-007
	091225-01-709	EA START RELAY, COLEMAN# 1497-4131
	091225-01-710	EA START CAPACITOR, COLEMAN# 1497-0881
	063306-01-701	EA DECAL PKG, LEFT & RIGHT - COLEMAN 679CB3591
	063306-01-712	EA COMPRESSOR, COLEMAN 6707C3579
	105620-01-704	EA COMPRESSOR, RH & LH - COLEMAN 1450-2009
	105620-01-706	EA FOOT PKG-COMPRESSOR, 3 PER PKG- COLEMAN 6759-3081
	108889-01-700	EA SHROUD (GREY/GREY)LESS LOGO - 6759-6421
	063903-01-700	EA SHROUD (IVORY/IVORY)LESS/LOGO - 6759-4601
	108889-01-702	EA SHROUD (BUFF/BUFF) LESS LOGO - 6759-6411
	108889-01-703	EA CONDENSER COIL - 1452A1301
	108889-01-704	EA OVERLOAD (MRA#98893) - 6749-3511
	108889-01-705	EA MOTOR (115, 60HZ) - 1468-3049
	108889-01-708	EA IMPELLOR - 1472-1041
	108889-01-707	EA RUN CAPACITOR(COMP-25MFD/370) - 1499-5661
	108889-01-708	EA FAN CAPACITOR(7.5MFD.370U) - 1499-5461
	108889-01-709	EA EVAPORATOR COIL - 1452-1311
	108889-01-710	EA FILLER PAD-COND AIR SEAL - 6759A3971
	108889-01-711	EA GASKET PKG - 6792-3301
	108889-01-712	EA SUCTION LINE REDUCER(3/8X1/2) - 1215-2161
	108889-01-713	EA SUCTION LINE(3/8ODX.032 WALL) - 6792-130
	108889-01-714	EA DISCHARGE LINE ASSY - 6792-531
	108889-01-715	EA MOTOR MOUNT & SHAFT SEAL KIT - 6792-3361
	102289-01-000	EA SPRING-SCREW, ROOF A/C GASKET - COLEMAN 6757-150

CEILING ASSEMBLY 13,500 BTU A/C

KEY	PART NUMBER	U/M DESCRIPTION
	108891-01-01A	EA CEILING ASM-A/C COOL TSR HO - COLEMAN 7330-714 IV
	042204-01-709	EA THERMOSTAT-IN 64 OUT 58, COLEMAN# 6701-3401
	063903-01-702	EA LOUVER-COLEMAN# 6703A5191
	073742-01-701	EA SELECTOR SWITCH (5 TERMINAL), COLEMAN# 6759-3251
	073742-01-702	EA DECAL COOL ONLY, COLEMAN# 6759C3431
	076303-01-707	EA FILTER-6" X 14 3/4" X 1/2", 12 PER PKG - COLEMAN 6703A3151
	081606-01-712	EA CEILING SHROUD (IVORY), COLEMAN# 6769-5061
	091225-01-713	EA KNOB (2 PER PACKAGE), COLEMAN# 6701-3351
	091225-01-717	EA DECAL (THERMOSTAT) COOL ONLY, COLEMAN# 6799A3441
	093766-02-701	EA DECAL-LEFT SIDE, COLEMAN #6799-3971
	108891-01-700	EA SINGLE PARTS PKG(KNOBS & NUTS) 6792-5991
	108891-01-701	EA RETAINER CLIPS F/FILTER(6PER) 6799-3141

HEATING & AIR CONDITIONING GROUP (CONTINUED)
ROOF A/C-13,500 BTU - EUROPEAN

KEY	PART NUMBER	U/M DESCRIPTION
	092440-01-000	EA A/C-HOOF, 13,500 BTU - 220V - 50HZ - COLEMAN# 6713C750 FROM: 00-00-00 THRU: 08-31-92
	092441-01-000	EA CEILING ASM-A/C, 220V - 50HZ - COLEMAN# 6712ET18 FROM: 00-00-00 THRU: 08-31-92
	108889-02-01A	EA A/C-ROOF, 13,500 TSR 220 IVORY - COLEMAN 7373-597 FROM: 09-01-92 THRU: 99-99-99
	108891-01-01A	EA CEILING ASM-A/C COOL TSR HO - COLEMAN 7330-714 IV FROM: 09-01-92 THRU: 99-99-99
	042204-01-709	EA THERMOSTAT-IN 64 OUT 58, COLEMAN# 6701-3401 FROM: 09-01-92 THRU: 99-99-99
	063903-01-702	EA LOUVER-COLEMAN# 6703A5191 FROM: 09-01-92 THRU: 99-99-99
	073742-01-701	EA SELECTOR SWITCH (5 TERMINAL), COLEMAN# 6759-3251 FROM: 09-01-92 THRU: 99-99-99
	073742-01-702	EA DECAL COOL ONLY, COLEMAN# 6759C3431 FROM: 09-01-92 THRU: 99-99-99
	076303-01-707	EA FILTER-6" X 14 3/4" X 1/2", 12 PER PKG - COLEMAN 6703A3151 FROM: 09-01-92 THRU: 99-99-99
	081606-01-712	EA CEILING SHROUD (IVORY), COLEMAN# 6769-5061 FROM: 09-01-92 THRU: 99-99-99
	091225-01-713	EA KNOB (2 PER PACKAGE), COLEMAN# 6701-3351 FROM: 09-01-92 THRU: 99-99-99
	091225-01-717	EA DECAL (THERMOSTAT) COOL ONLY, COLEMAN# 6799A3441 FROM: 09-01-92 THRU: 99-99-99
	093766-02-701	EA DECAL-LEFT SIDE, COLEMAN #6799-3971 FROM: 09-01-92 THRU: 99-99-99
	108891-01-700	EA SINGLE PARTS PKG (KNOBS & NUTS), 6792-5991 FROM: 09-01-92 THRU: 99-99-99
	108891-01-701	EA RETAINER CLIPS F/FILTER (6 PER), 6799-3141 FROM: 09-01-92 THRU: 99-99-99

ROOF A/C COVER

KEY	PART NUMBER	U/M DESCRIPTION
	084077-03-000	EA COVER-BLANK, ROOF A/C - 5'2" X 3.5" - IVORY FROM: 00-00-00 THRU: 10-04-92
	092633-01-02A	EA FRAME-PLATE, ROOF A/C - 5.7" X 3.9" - PLASTIC - OFF WHITE FROM: 00-00-00 THRU: 10-04-92
	092633-02-02A	EA COVER-BLANK, ROOF A/C - 5.1" X 5.1" - PLASTIC - OFF WHITE FROM: 10-05-92 THRU: 99-99-99

**1993 ITASCA
TABLE OF CONTENTS**

INTRODUCTION	A-01	A-02
ABBREVIATIONS		A-03
ALPHABETICAL INDEX	A-04	A-06
ICF23RC	A-07	E-16
ICF31RQ	E-17	J-18

1993 ICF31RQ INDEX

FLOOR PLAN	E-17	E-18
ACCESSORIES		E-19
AUDIO VIDEO	E-20	E-21
BATH	E-22	E-24
BEDROOM	F-01	F-03
CHASSIS	F-04	F-17
CURTAIN & CUSHION	F-18	G-04
DINETTE	G-05	G-08
DRIVERS COMPARTMENT	G-07	G-12
ELECTRICAL	G-13	G-20
EXTERIOR BODY	G-21	H-04
GALLEY	H-05	H-09
GENERATOR	H-10	H-11
HEATING & A/C	H-12	H-18
INTERIOR FINISH	H-19	H-22
LABELS	H-23	I-07
LP		I-08
LOUNGE	I-09	I-10
SEALANTS & FASTENERS	I-11	I-14
WATER & SEWAGE	I-15	I-20
WINDOW, VENT AND		
EXTERIOR DOOR	I-21	J-16
WINDSHIELD/WIPER	J-17	J-18

HEATING & AIR CONDITIONING GROUP (CONTINUED)

11,000 BTU COLEMAN ROOF A/C

KEY	PART NUMBER	U/M DESCRIPTION
	105850-01-01A	EA A/C-ROOF, 11,000 BTU IVORY - COLEMAN #6757A207 FROM: 00-00-00 THRU: 09-13-92
	037848-01-714	EA PACKAGE-GASKET, COLEMAN #8759-3281
	078303-01-712	EA MOTOR, COLEMAN# 6707A3119
	091225-01-709	EA START RELAY, COLEMAN# 1497-4131
	093306-01-701	EA DECAL PKG, LEFT & RIGHT - COLEMAN 6798B3591
	093763-01-703	EA IMPELLOR-7" DIA X 2.8" WIDE, COLEMAN# 6759-3271
	093763-01-704	EA CAPACITOR-FAN, COLEMAN# 1499-3461
	093763-01-707	EA EVAPORATOR COIL-COLEMAN# 1452-1351
	093763-01-708	EA CONDENSER COIL-COLEMAN# 1452-1251
	093763-01-712	EA FAN BLADE-CONDENSER, COLEMAN# 6733-3221
	063903-01-700	EA SHROUD (IVORY/IVORY) W/O LOGOS, 6759-4601
	105850-01-700	EA COMPRESSOR (TEC.#AK144AT-02L), 6757-3679
	105850-01-701	EA COMPRESSOR RUN CAPACITOR, 6749-4681
	105850-01-702	EA EVAPORATOR COIL, 1452-1362
	105850-01-703	EA OVERLOAD (CRA#2718-250)
	108889-01-700	EA SHROUD (GREY/GREY) LESS LOGO, 6759-6421

CEILING ASSEMBLY 11,000 BTU A/C

KEY	PART NUMBER	U/M DESCRIPTION
	093764-01-000	EA CEILING ASM-A/C COOL ONLY, TSR - COLEMAN 6759D714 FROM: 00-00-00 THRU: 09-13-92
	042204-01-709	EA THERMOSTAT-IN 64 OUT 58, COLEMAN# 6701-3401
	063903-01-702	EA LOUVER-COLEMAN# 6703A5191
	073742-01-701	EA SELECTOR SWITCH (5 TERMINAL), COLEMAN# 6759-3251
	073742-01-702	EA DECAL COOL ONLY, COLEMAN# 6759C3431
	076303-01-707	EA FILTER-6" X 14 3/4" X 1/2", 12 PER PKG - COLEMAN 6703A3151
	081806-01-708	EA LIMIT SWITCH (OPEN 180, CLOSE 110), COLEMAN# 6703-3041
	081806-01-712	EA CEILING SHROUD (IVORY), COLEMAN# 6769-5061
	091225-01-713	EA KNOB (2 PER PACKAGE), COLEMAN# 6701-3351
	091225-01-717	EA DECAL (THERMOSTAT) COOL ONLY, COLEMAN# 6799A3441
	093763-01-710	EA SINGLE PARTS PACKAGE, COLEMAN# 6759-5841
	102289-01-000	EA SPRING-SCREW, ROOF A/C GASKET - COLEMAN 6757-150

HEATING & AIR CONDITIONING GROUP (CONTINUED)

11,000 BTU COLEMAN ROOF A/C

KEY	PART NUMBER	U/M DESCRIPTION
	105850-01-01A	EA A/C-ROOF, 11,000 BTU HO IVORY - COLEMAN 7332-087 FROM: 09-14-92 THRU: 99-99-99
	063903-01-700	EA SHROUD 6759-4601
	091225-01-709	EA START RELAY, COLEMAN# 1497-4131
	093306-01-701	EA DECAL PKG, LEFT & RIGHT - COLEMAN 6798B3591
	093306-01-707	EA START CAPACITOR, 47 - 56 MFD - 250 - COLEMAN 62503421
	093763-01-712	EA FAN BLADE-CONDENSER, COLEMAN# 6733-3221
	105850-01-700	EA COMPRESSOR (TEC.#AK144AT-02L), 6757-3679
	108889-01-703	EA CONDENSER COIL 1452A1301
	108889-01-705	EA MOTOR (115, 60HZ) 1468-3049
	108889-01-706	EA IMPELLOR 1472-1041
	108889-01-707	EA RUN CAPACITOR (COMP-25MFD/370) 1499-5661
	108889-01-708	EA FAN CAPACITOR (7.5MFD.370U) 1499-5461
	108889-01-709	EA EVAPORATOR COIL 1452-1311
	108889-01-710	EA FILLER PAD-COND AIR SEAL 6759A3971
	108889-01-711	EA GASKET PKG, 6792-3301
	108890-01-700	EA OVERLOAD CRA #2718-250 - 6757-3551
	108891-01-01A	EA CEILING ASM-A/C COOL TSR HO - COLEMAN 7330-714 IV
	042204-01-709	EA THERMOSTAT-IN 64 OUT 58, COLEMAN# 6701-3401
	063903-01-702	EA LOUVER-COLEMAN# 6703A5191
	073742-01-701	EA SELECTOR SWITCH (5 TERMINAL), COLEMAN# 6759-3251
	073742-01-702	EA DECAL COOL ONLY, COLEMAN# 6759C3431
	076303-01-707	EA FILTER-6" X 14 3/4" X 1/2", 12 PER PKG - COLEMAN 6703A3151
	081806-01-712	EA CEILING SHROUD (IVORY), COLEMAN# 6769-5061
	091225-01-713	EA KNOB (2 PER PACKAGE), COLEMAN# 6701-3351
	091225-01-717	EA DECAL (THERMOSTAT) COOL ONLY, COLEMAN# 6799A3441
	093766-02-701	EA DECAL-LEFT SIDE, COLEMAN #6799-3971
	108889-01-700	EA SINGLE PARTS PKG (KNOBS & NUTS) 6792-5991
	108891-01-701	EA RETAINER CLIPS F/FILTER (6 PER) 6799-3141

13,500 BTU COLEMAN ROOF A/C

KEY	PART NUMBER	U/M DESCRIPTION
	108889-01-01A	EA A/C-ROOF, 13,500 TSR HO IVORY, COLEMAN 7333-887
	091225-01-709	EA START RELAY, COLEMAN# 1497-4131
	091225-01-710	EA START CAPACITOR, COLEMAN# 1497-0881
	093306-01-701	EA DECAL PKG, LEFT & RIGHT - COLEMAN 6798B3591
	093306-01-712	EA COMPRESSOR, COLEMAN 6707C3579
	105820-01-704	EA COMPRESSOR, RH & LH - COLEMAN 1450-2009
	105820-01-706	EA FOOT PKG-COMPRESSOR, 3 PER PKG- COLEMAN 6759-3081
	108889-01-700	EA SHROUD (GREY/GREY) LESS LOGO, 6759-6421
	063903-01-700	EA SHROUD (IVORY/IVORY) LESS LOGO, 6759-4601
	108889-01-702	EA SHROUD (BUFF/BUFF) LESS LOGO, 6759-6411
	108889-01-703	EA CONDENSER COIL, 1452A1301
	108889-01-704	EA OVERLOAD (MRA#98693), 6749-3541
	108889-01-705	EA MOTOR (115, 60HZ), 1468-3049
	108889-01-706	EA IMPELLOR, 1472-1041
	108889-01-707	EA RUN CAPACITOR (COMP-25MFD/370), 1499-5661
	108889-01-708	EA FAN CAPACITOR (7.5MFD.370U), 1499-5461
	108889-01-709	EA EVAPORATOR COIL, 1452-1311
	108889-01-710	EA FILLER PAD-COND AIR SEAL, 6759A3971
	108889-01-711	EA GASKET PKG, 6792-3301
	108889-01-712	EA SUCTION LINE REDUCER (3/8 X 1/2), 1215-2161
	108889-01-713	EA SUCTION LINE (3/8 O.D. X .032 WALL), 6792-130
	108889-01-714	EA DISCHARGE LINE ASSY, 6792-531
	108889-01-715	EA MOTOR MOUNT & SHAFT SEAL KIT, 6792-3361

**1993 ITASCA
TABLE OF CONTENTS**

INTRODUCTION	A-01 -	A-02
ABBREVIATIONS		A-03
ALPHABETICAL INDEX	A-04 -	A-06
ICF23RC	A-07 -	E-18
ICF31RQ	E-17 -	J-18

1993 ICF31RQ INDEX

FLOOR PLAN	E-17 -	E-18
ACCESSORIES		E-19
AUDIO VIDEO	E-20 -	E-21
BATH	E-22 -	E-24
BEDROOM	F-01 -	F-03
CHASSIS	F-04 -	F-17
CURTAIN & CUSHION	F-18 -	G-04
DINETTE	G-05 -	G-06
DRIVERS COMPARTMENT	G-07 -	G-12
ELECTRICAL	G-13 -	G-20
EXTERIOR BODY	G-21 -	H-04
GALLEY	H-05 -	H-09
GENERATOR	H-10 -	H-11
HEATING & A/C	H-12 -	H-18
INTERIOR FINISH	H-19 -	H-22
LABELS	H-23 -	I-07
LP		I-08
LOUNGE	I-09 -	I-10
SEALANTS & FASTENERS	I-11 -	I-14
WATER & SEWAGE	I-15 -	I-20
WINDOW, VENT AND		
EXTERIOR DOOR	I-21 -	J-16
WINDSHIELD WIPER	J-17 -	J-18

**INTERIOR FINISH GROUP
MOLDINGS**

KEY	PART NUMBER	U/M DESCRIPTION
	006757-12-000	FT MOLDING-SIDEWALL TO CEILING/CABINET - WELTING - OFF WHITE
	006808-24-000	EA MOLDING-CORNER, OUTSIDE - 1" - PLASTIC - IVORY
	006812-25-000	EA MOLDING-PLASTIC, OUTSIDE - 1" - PLASTIC - THOR PECAN
	022992-11-000	EA MOLDING-CORNER, OUTSIDE - .5" - PLASTIC - PECAN
	076325-37-000	FT MOLDING-REVERSE COVE, T-SHAPED - VINYL - IVORY
	076325-39-000	FT MOLDING-EDGE BAND, 1136 - 1-5/16X.030X600
	076325-40-000	FT MOLDING-EDGE BAND, 1527 - 1-5/16X.030X600
	083620-07-000	FT MOLDING-EDGE BAND, 1527 - .875X.024X800
	082331-D2-134	FT MOLDING-T, END CAP EDGE - WEDGE LIPS - .75" - THOR PECAN
	092331-F2-134	EA MOLDING-VINYL WRAPPED, .7" X 1.57" X 84" - WOODGRAIN
	092331-F2-438	EA MOLDING-VINYL WRAPPED, .7" X 2.5" X 7" - WOODGRAIN
	100858-01-805	EA MOLDING-VINYL WRAPPED, .7" X 3.5" X 96" - WOODGRAIN
	100818-01-01A	EA MOLDING-TRIM, VINYL FLOOR
	100819-01-01A	EA MOLDING-VINYL WRAPPED, 1.65" X .4" X 7" - REGAL OAK
	104676-01-01A	EA MOLDING-VINYL WRAPPED, L-SHAPED - 1.5" X 1.5" X 7" - OAK
	105004-01-01A	FT T-MOLDING, 5/16 RIGID
	105709-01-00G	EA MOLDING-VINYL WRAP
	077840-01-W30	FT T-MOLDING-1", MODERN IVORY
	077840-14-W24	EA MOLDING-WALL CAP, 1.4" X 8" LONG - L-SHAPED WOOD
	078323-06-X14	EA MOLDING-WALL CAP, LIPS BOTH SIDE - 6.5" LONG - LONG
	078323-09-X14	EA MOLDING-WALL CAP, LIPS BOTH SIDES - WOOD - 6.5" LONG

FROM: 00-00-00 THRU: 01-10-93

U-CHANNEL, TRIM & LUMBER

KEY	PART NUMBER	U/M DESCRIPTION
	070504-01-000	FT U-CHANNEL-PLASTIC, .065" WIDE - LIGHT BROWN - INCREMENTS OF 8'
	070504-18-000	FT U-CHANNEL-PLASTIC, .065" WIDE - IVORY - INCREMENTS OF 8'
	070504-20-000	FT U-CHANNEL-PLASTIC, .815" WIDE - THOR PECAN - INCREMENTS OF 8'
	070504-22-000	FT U-CHANNEL-PLASTIC, .735" WIDE - THOR PECAN - INCREMENTS OF 8'
		FROM: 00-00-00 THRU: 06-26-92
	070504-23-000	FT EXTRUSION-U CHANNEL, 875 - COUNTRY FOREST
	072368-02-000	EA TRIM-VINYL, EDGE - BLACK - GM 14004305
	085748-01-000	FT TRIM-J, CARPET - 1.2" X .5" ANGLE - 10' LONG - PVC - BEIGE
	078811-05-C07	EA PANEL-TRIM, HEADER, LOWER
	092330-D2-438	EA LUMBER-VINYL WRAPPED, .7" X 1.5" X 8" - WOODGRAIN
	092330-03-000	EA LUMBER-VINYL WRAPPED, 2" X 96" - WOODGRAIN
	092330-06-000	EA LUMBER-VINYL WRAPPED

SMOKE DETECTOR, FIRE EXTINGUISHER & CLOCK

KEY	PART NUMBER	U/M DESCRIPTION
	072852-01-000	EA DETECTOR-SMOKE, W/9 VOLT BATTERY
	072852-02-000	EA DETECTOR-SMOKE, W/9 VOLT BATTERY - CANADIAN
	094499-01-000	EA EXTINGUISHER-FIRE, DRY W/MOUNTING BRACKET - 10 BC
	094499-01-700	EA BRACKET-MOUNTING, W/PLASTIC STRAP - FIRE EXTINGUISHER
	094499-02-000	EA EXTINGUISHER-FIRE, DRY - 1A10BC - CANADIAN
	101333-01-000	EA BACKPLATE-CLOCK, 6" X 6" - PLASTIC - BLACK
		FROM: 00-00-00 THRU: 04-18-93
	104784-01-01A	EA CLOCK-WALL, SPARTUS 5616-42
		FROM: 00-00-00 THRU: 04-18-93
	100793-02-01A	EA CLOCK-WALL, 11" DIAMETER - BOLDEN 9888
		FROM: 04-19-93 THRU: 99-99-99

ANTISLIP & FLOOR MATS

KEY	PART NUMBER	U/M DESCRIPTION
	091261-01-000	FT SLIPNOT-ANTISLIP, 1' WIDE (100' ROLL)
	105924-01-C08	EA MAT-FLOOR 18X27 (D32)
	105924-01-D10	EA MAT-FLOOR 18X27 (D33)
	105924-01-D11	EA MAT-FLOOR 18X27 (D34)

**INTERIOR FINISH GROUP (CONTINUED)
BATT STRIP**

KEY	PART NUMBER	U/M DESCRIPTION
	085284-86-000	FT BATT STRIP-WOODGRAIN, ADHESIVE BACKED - FOREST OAK
	088263-77-000	EA BATT STRIP-SHOWER, 8" - OFF WHITE
	060733-79-000	EA BATT-STRIP, SPLASH, WOODROSE DESIGN TIME
	088229-01-000	EA BATT STRIP-WOODGRAIN, 8" - FOREST OAK
	088229-04-000	EA RETAINER-BATTEN, CEILING - .75" WIDE - 7.6'
	085284-64-000	EA BATTEN-CEILING, 1" WIDE - IVORY - 7.6'
	085284-65-000	FT STRIP-TAPE, DIMENSIONS, WOODRS - DESIGN TIME
		FT STRIP-TAPE, SPLASH, WOODROSE - DESIGN TIME

PANELING & PLYWOOD

KEY	PART NUMBER	U/M DESCRIPTION
	074497-20-000	SF PANELING-WOODGRAIN, 4' X 8' - INCREMENTS OF 32 SF
	088272-98-000	SF PANELING-SHOWER, OFF WHITE - 4' X 7' - INCREMENTS OF 28 SQ FT
	088272-96-000	SF PANELING-DIMENSIONS, WOODROSE - DESIGN TIME 3MMX48XB
	088272-97-000	SF PANELING-SPLASH, WOODROSE - DESIGN TIME 3MMX48XB
	089351-03-000	YD VINYL-CEILING, DIAMOND DESIGN - 54" WIDE
	095688-01-000	SF VENEER-FLAT LUANA 48X96
	083818-02-000	SF PLYWOOD-OAK, 1 SIDE FINISHED - 3/16" X 4' X 8'
		INCREMENTS OF 32 SF
	089297-01-000	SF PLYWOOD-LUAN, OVERLAY GRADE - 4' X 8' - INCREMENTS OF 32 SF
	098531-01-000	SF PLYWOOD-RED OAK, 1/2"

LAMINATE PLASTIC & INSULATION

KEY	PART NUMBER	U/M DESCRIPTION
	074498-45-000	SF LAMINATE-PLASTIC, 5' X 8' - INCREMENTS OF 40 SF
	074498-46-000	SF LAMINATE-PLASTIC, 5' X 8' - INCREMENTS OF 40 SF
	065747-01-000	SF INSULATION-MICROFOAM, .5"

CARPET

KEY	PART NUMBER	U/M DESCRIPTION
	047034-02-000	SF PLASTIC-CARPET, 4" WIDE - CLEAR POLY
	075233-01-000	SY PAD-CARPET, 3/8" X 6' ROLL
	093486-01-000	SY CARPET-COMPARTMENT, 54" WIDE - DARK GRAY
	098060-23-000	SY CARPET-12' ROLL, INCREMENTS OF 4 SY (D32)
	098060-41-000	SY CARPET-12' ROLL, INCREMENTS OF 4 SY (D33)
	098060-42-000	SY CARPET-12' ROLL, INCREMENTS OF 4 SY (D34)

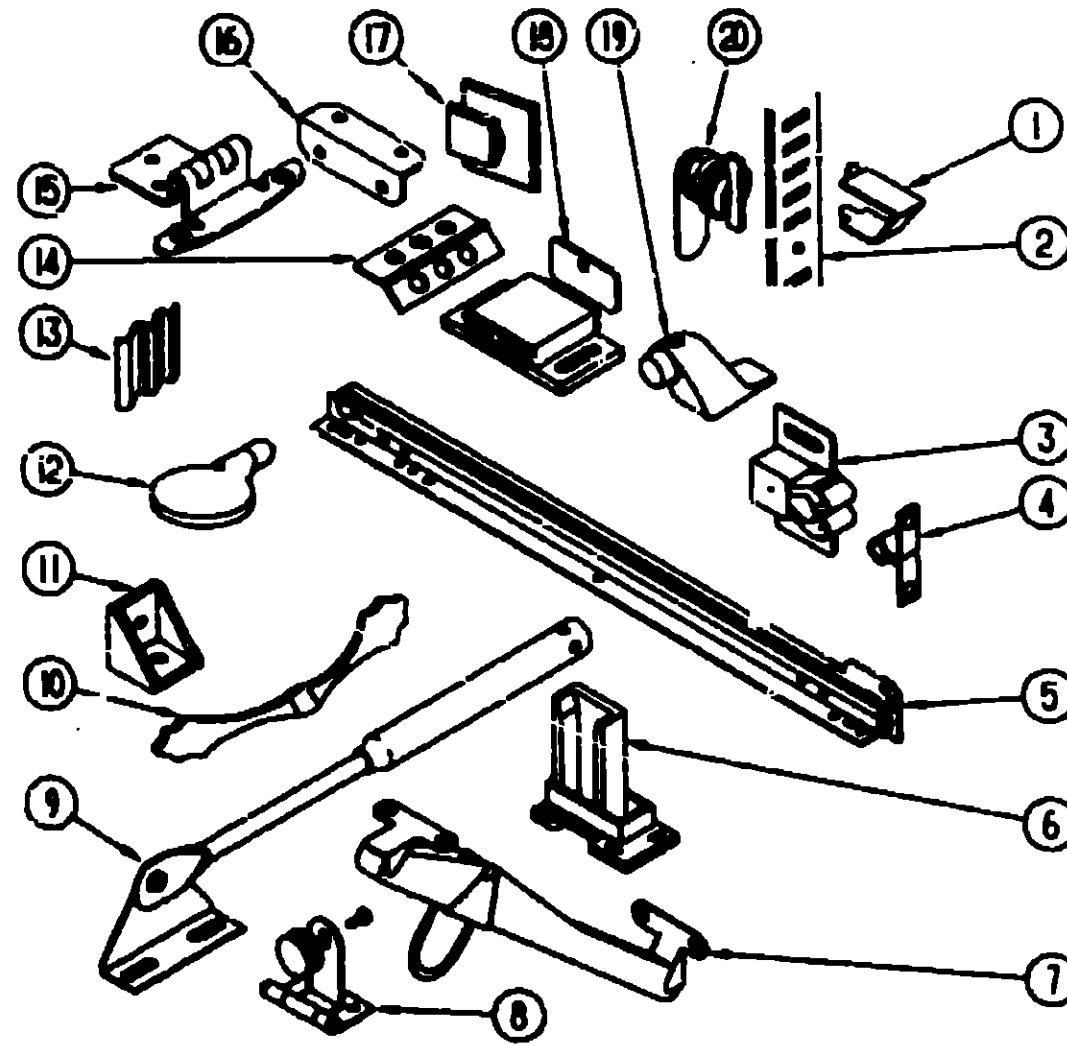
**1993 ITASCA
TABLE OF CONTENTS**

INTRODUCTION	A-01 -	A-02
ABBREVIATIONS		A-03
ALPHABETICAL INDEX	A-04 -	A-06
ICF23RC	A-07 -	E-16
ICF31RQ	E-17 -	J-18

1993 ICF31RQ INDEX

FLOOR PLAN	E-17 -	E-18
ACCESSORIES		E-19
AUDIO VIDEO	E-20 -	E-21
BATH	E-22 -	E-24
BEDROOM	F-01 -	F-03
CHASSIS	F-04 -	F-17
CURTAIN & CUSHION	F-18 -	G-04
DINETTE	G-05 -	G-08
DRIVERS COMPARTMENT	G-07 -	G-12
ELECTRICAL	G-13 -	G-20
EXTERIOR BODY	G-21 -	H-04
GALLEY	H-05 -	H-09
GENERATOR	H-10 -	H-11
HEATING & A/C	H-12 -	H-18
INTERIOR FINISH	H-19 -	H-22
LABELS	H-23 -	I-07
LP		I-08
LOUNGE	I-09 -	I-10
SEALANTS & FASTENERS	I-11 -	I-14
WATER & SEWAGE	I-15 -	I-20
WINDOW, VENT AND		
EXTERIOR DOOR	I-21 -	J-16
WINDSHIELDWIPER	J-17 -	J-18

INTERIOR FINISH GROUP (CONTINUED)
CABINET HARDWARE



KEY	PART NUMBER	U/M	DESCRIPTION
1	068979-01-000	EA	CLIP-ADJUSTABLE SHELF
2	068980-02-000	EA	PILASTER-ADJUSTABLE SHELF, 12" LONG
2	068980-01-000	EA	PILASTER-ADJUSTABLE SHELF, 18" LONG
3	093586-03-000	EA	CATCH-SPRING, ROLLER
4	093586-04-000	EA	STRIKE-SPRING STEEL
	106913-01-000	EA	SLIDE-DRAWER, CABINET- LEFT SIDE - 12"
	106913-02-000	EA	SLIDE-DRAWER, CABINET - RIGHT SIDE - 12"
	106913-03-000	EA	SLIDE-DRAWER, 12" LEFT DRAWER
	106913-04-000	EA	SLIDE-DRAWER, 12" RIGHT DRAWER
	106913-13-000	EA	SLIDE-DRAWER, 14" LEFT CABINET
	106913-14-000	EA	SLIDE-DRAWER, 14" RIGHT CABINET
	106913-15-000	EA	SLIDE-DRAWER, 14" LEFT DRAWER
	106913-15-000	EA	SLIDE-DRAWER, 14" RIGHT DRAWER
5	106913-05-000	EA	SLIDE-DRAWER, CABINET - LEFT SIDE - 18"
5	106913-06-000	EA	SLIDE-DRAWER, CABINET - RIGHT SIDE - 18"
5	106913-07-000	EA	SLIDE-DRAWER, DRAWER MOUNT - LEFT SIDE - 18"
5	106913-08-000	EA	SLIDE-DRAWER, DRAWER MOUNT - RIGHT SIDE - 18"
5	106913-17-000	EA	SLIDE-DRAWER, 22" - LEFT
5	106913-18-000	EA	SLIDE-DRAWER, 22" - RIGHT
5	106913-19-000	EA	SLIDE-DRAWER, 22" - LEFT DRAWER
5	106913-20-000	EA	SLIDE-DRAWER, 22" - RIGHT DRAWER
6	107030-01-000	EA	BACKSOCKET-ADJUSTABLE, LEFT
6	107030-02-000	EA	BACKSOCKET-ADJUSTABLE, RIGHT
7	104181-01-01A	EA	SUPPORT-LEAF, 5.3" - EXTENDS TO 7.5" - SAFETY RING - METAL
8	100711-01-01A	EA	HINGE-DOOR, GLASS
	100707-01-000	EA	SPACER-DOOR, GLASS - .8" DIA - .3" HOLE - PLASTIC
	101272-01-000	EA	CATCH-DOOR, GLASS
9	074493-02-000	EA	SUPPORT-PISTON SPRING, CABINET DOOR
10	108747-01-000	EA	PULL-CABINET, BRASS
11	065740-01-000	EA	BRACE-CABINET CORNER, PLASTIC
12	101766-01-000	EA	PIN-SUPPORT, GLASS DOOR
13	105037-02-000	EA	FASTENER-WOOD, CORNER - METAL - .5" X .6"
14	009059-01-000	EA	HINGE-DOOR, 2" X 1.4" - BRASS
14	009059-02-000	EA	HINGE-DOOR, 2" X 2.7" - BRASS
14	009063-01-000	EA	HINGE-CONTINUOUS, 1 1/2" X 72" - UNPAINTED
15	108138-01-000	EA	HINGE-CABINET DOOR, BURNISHED BRASS
16	016604-01-000	EA	BRACE-CABINET, ANGLE - 2.5" - METAL - UNPAINTED
16	016604-03-000	EA	BRACE-CABINET, ANGLE - 2.5" - METAL - BEIGE
16	016604-05-000	EA	BRACE-CABINET, L ANGLE - 2.5" - METAL - OFF WHITE
17	102327-01-01A	EA	PULL-MIRROR, SQUARE
18	088254-01-000	EA	CATCH-MAGNETIC, 1.8" X .7"
19	103257-01-000	EA	STOP-DOOR
20	100710-01-01A	EA	LOCK-GLASS DOOR, TWIST TYPE - BRASS
	000G13-06-10G	EA	SCREW
	004354-01-000	EA	BUMPER-RUBBER, .5" DIA - BROWN
	023320-01-000	EA	PAD-FELT, 3/8" DIAMETER - BROWN
	042541-04-000	EA	LATCH-BRASS, W/O STRIKE - HAZP TYPE - BRASS
	094658-01-Y12	EA	HANDLE-BUNK, 2" X 27" - WOOD - OAK
	102827-01-000	EA	SLIDE-DRAWER, TRI-ROLLER

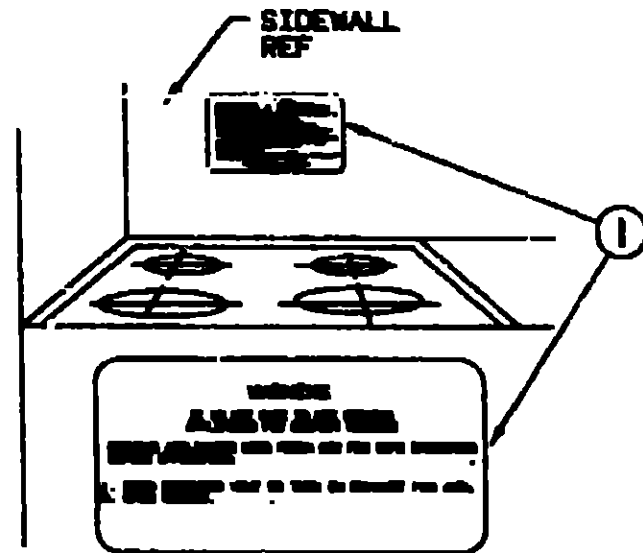
1993 ITASCA
TABLE OF CONTENTS

INTRODUCTION	A-01	A-02
ABBREVIATIONS		A-03
ALPHABETICAL INDEX	A-04	A-05
ICF23RC	A-07	E-16
ICF31RQ	E-17	J-18

1993 ICF31RQ INDEX

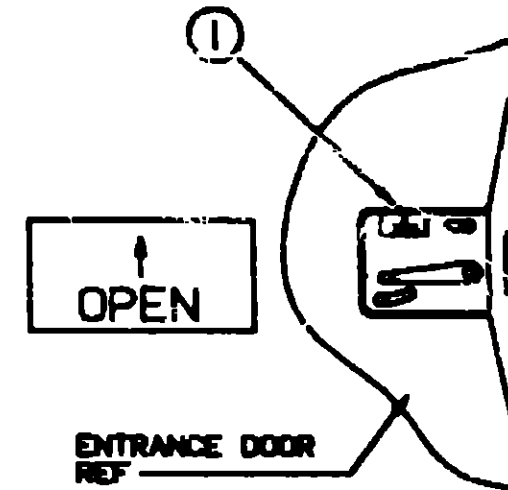
FLOOR PLAN	E-17	E-19
ACCESSORIES		E-19
AUDIO VIDEO	E-20	E-21
BATH	E-22	E-24
BEDROOM	F-01	F-03
CHASSIS	F-04	F-17
CURTAIN & CUSHION	F-18	G-04
DINETTE	G-05	G-08
DRIVERS COMPARTMENT	G-07	G-12
ELECTRICAL	G-13	G-20
EXTERIOR BODY	G-21	H-04
GALLEY	H-05	H-09
GENERATOR	H-10	H-11
HEATING & AC	H-12	H-18
INTERIOR FINISH	H-19	H-22
LABELS	H-23	I-07
LP		I-08
LOUNGE	I-09	I-10
SEALANTS & FASTENERS	I-11	I-14
WATER & SEWAGE	I-15	I-20
WINDOW, VENT AND EXTERIOR DOOR	I-21	J-18
WINDSHIELDAMPER	J-17	J-18

LABELS GROUP



KEY	PART NUMBER	U/M DESCRIPTION
1	050225-01-000	EA LABEL-WARNING, STOVE VENT - US
1	050222-01-000	EA LABEL-WARNING, STOVE VENT - CANADIAN

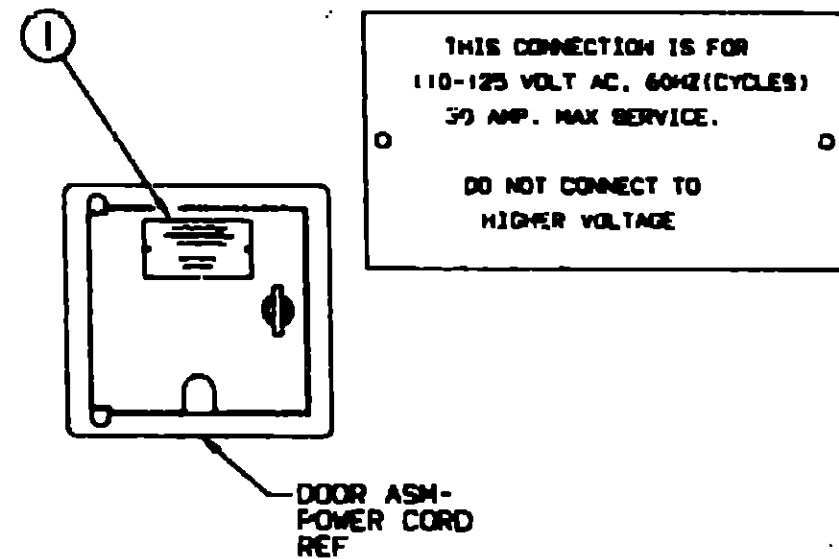
LABELS GROUP (CONTINUED)



KEY	PART NUMBER	U/M DESCRIPTION
1	040944-01-000	EA LABEL-ENTRANCE DOOR, "OPEN"

**1993 ITASCA
TABLE OF CONTENTS**

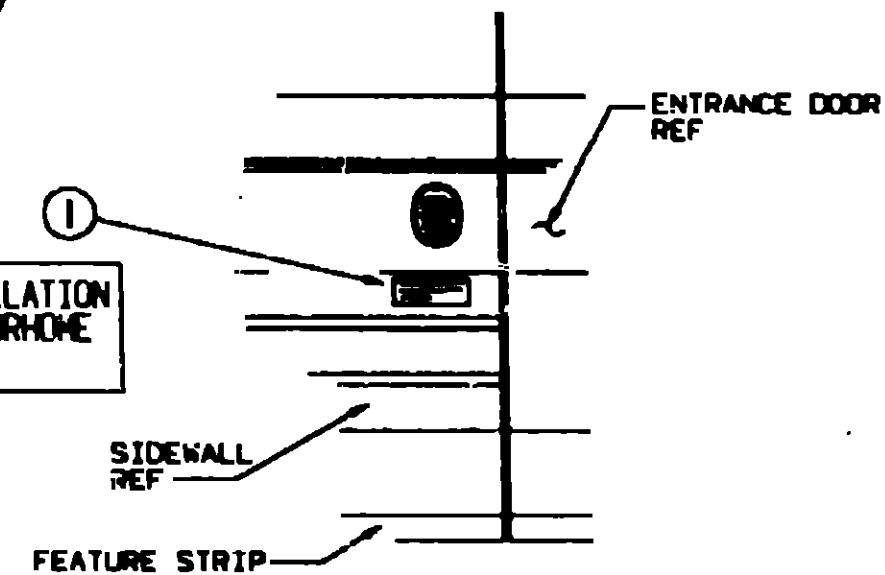
INTRODUCTION	A-01 -	A-02
ABBREVIATIONS		A-03
ALPHABETICAL INDEX	A-04 -	A-06
ICF23RC	A-07 -	E-16
ICF31RQ	E-17 -	J-18



KEY	PART NUMBER	U/M DESCRIPTION
1	008062-01-000	EA TAG-ELECTRIC, 110V CONNECTION



FOR AWNING INSTALLATION
CONTACT YOUR MOTORHOME
DEALERSHIP

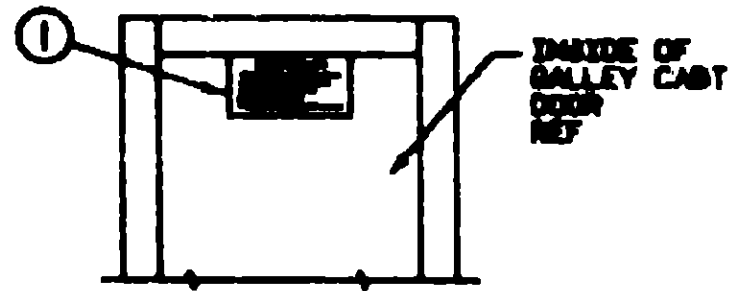


KEY	PART NUMBER	U/M DESCRIPTION
1	099509-01-000	EA LABEL-AWNING INSTALLATION

1993 ICF31RQ INDEX

FLOOR PLAN	E-17 -	E-18
ACCESSORIES		E-19
AUDIO VIDEO	E-20 -	E-21
BATH	E-22 -	E-24
BEDROOM	F-01 -	F-03
CHASSIS	F-04 -	F-17
CURTAIN & CUSHION	F-18 -	G-04
DINETTE	G-05 -	G-06
DRIVERS COMPARTMENT	G-07 -	G-12
ELECTRICAL	G-13 -	G-20
EXTERIOR BODY	G-21 -	H-04
GALLEY	H-05 -	H-09
GENERATOR	H-10 -	H-11
HEATING & A/C	H-12 -	H-18
INTERIOR FINISH	H-19 -	H-22
LABELS	H-23 -	I-07
LP		I-08
LOUNGE	I-09 -	I-10
SEALANTS & FASTENERS	I-11 -	I-14
WATER & SEWAGE	I-15 -	I-20
WINDOW, VENT AND		
EXTERIOR DOOR	I-21 -	J-16
WINDSHIELDWIPER	J-17 -	J-18

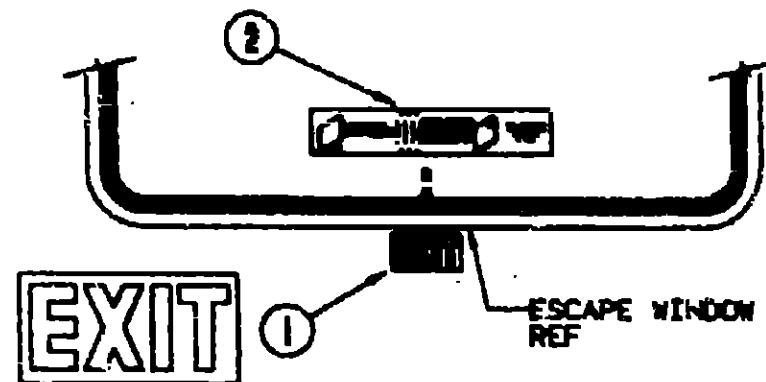
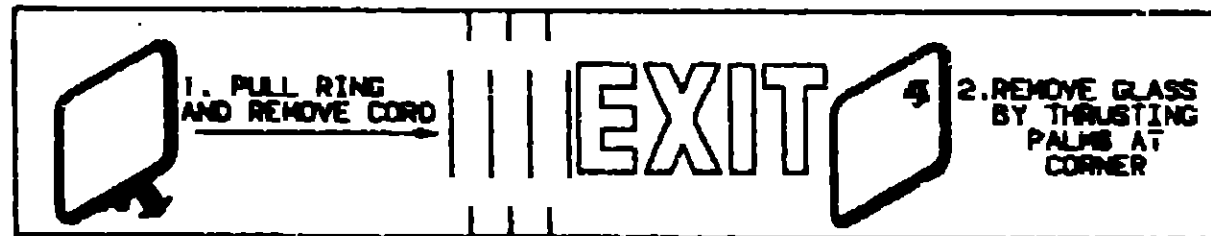
LABELS GROUP (CONTINUED)



IF YOU SMELL GAS

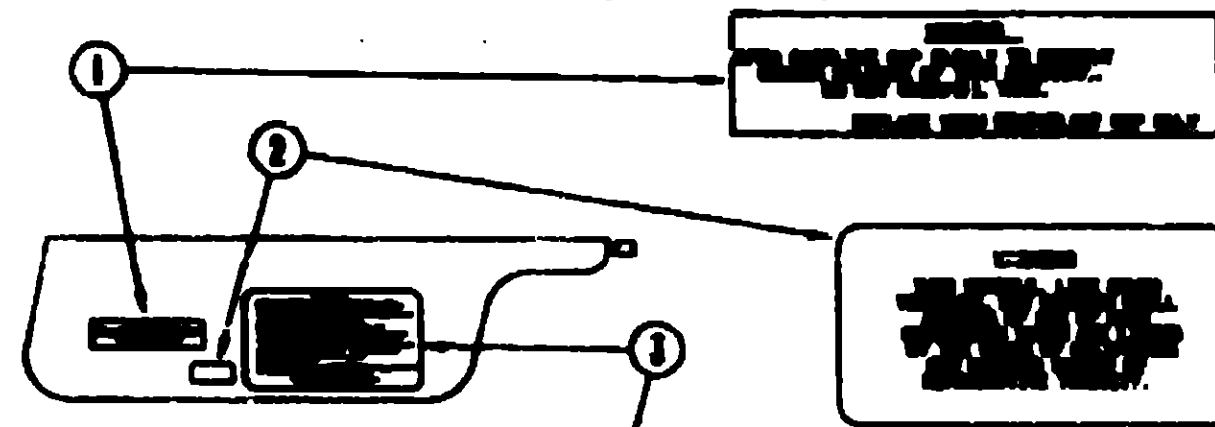
1. IMMEDIATELY STOP ALL WORK. LEAVE THE GALLEY AND ALL OTHERS LEAVE THE VEHICLE.
2. GO OUT TO THE OPEN AIR AT THE REAR OF THE VEHICLE OR THE OPEN AIR.
3. OPEN DOORS AND OTHER VENTILATION OPENINGS.
4. DO NOT TOUCH ELECTRICAL SWITCHES.
5. LEAVE THE AREA UNTIL THE GAS IS GONE.
6. IF YOU DO NOT FEEL BETTER AND LEAVE THE AREA IMMEDIATELY.

KEY	PART NUMBER	U/M DESCRIPTION
1	073998-01-000	EA LABEL-LPG ODOR WARNING



KEY	PART NUMBER	U/M DESCRIPTION
1	036290-01-000	EA LABEL-WARNING, EXIT
2	107571-01-000	EA LABEL-ESCAPE EXT. WINDOW

LABELS GROUP (CONTINUED)



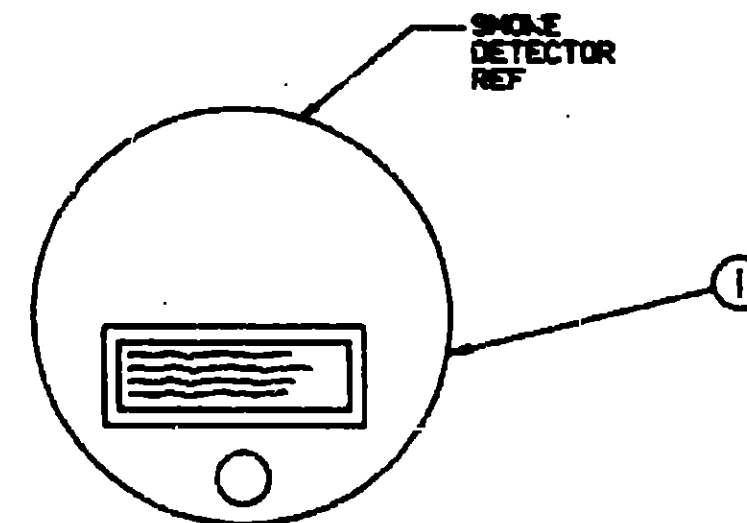
CAUTION

THIS VEHICLE HAS A L.P.G. GAS ENGINE, EQUIPPED AND USED WITH SPECIAL FOR THE PURPOSES OF 57'S L.P.G. SYSTEM. TO PREVENT THE OCCURRENCE OF ACCIDENTS FOR YOUR SAFETY AND THE SAFETY OF YOUR PASSENGERS BEFORE STARTING YOUR VEHICLE.

1. LP GAS SYSTEM- TURN OFF AT TIME FOR TRAVELING. TEST FOR LEAKS AFTER ARRIVAL AT DESTINATION. BEFORE LEAVING VEHICLE.
2. BOWEL- INSPECT FOR DAMAGE AND CHECK LAG BOLT FOR TIGHTNESS.
3. TIRE- INSPECT FOR WEAR AND SERVICE AND CHECK FOR OVERINFLATION AND PRESSURE.
4. LIGHTS- TEST FOR PROPER OPERATION OF ALL LIGHTS AND CHECKS LIGHTS INCLUDING BURN LIGHTS, HEADLIGHTS, TAIL LIGHTS, BRAKE LIGHTS, SIGNAL LIGHTS AND TURN SIGNALS.
5. BATTERY- INSPECT BATTERY TERMINALS ON CURRENT BATTERY. TEST BATTERY VOLTAGE ON BOTH SIDES OF OPERATION AND INSURE PROPERLY TO USE BOTH SIDES OF BATTERY.
6. BATTERY BELT- INSURE PROPERNESS TO BATTERY BOLT AND REMOVE BELT IF BATTERY BELT.
7. APPLIANCE- TURN OFF AND LOCK OR LOCK DOWN WHEN FINISHED.
8. LABEL PANEL- OPEN CAREFULLY.
9. UTILITY SUPPLY LINES- DISCONNECT ALL BATTERY, BURN AND OTHER LINES AND SERVICE PROPERLY.
10. SERVICE BOLT CAP- PLACE IN RETURNED POSITION FOR TRAVELING.

READ YOUR OWNER HANDBOOK AND JENSEN GROUP'S MANUAL FOR FURTHER PRECAUTIONS

KEY	PART NUMBER	U/M DESCRIPTION
1	087207-05-000	EA LABEL-FUEL CAP REMOVAL
2	099689-01-000	EA LABEL-WARNING, CANCER/TOXICITY
3	056259-01-000	EA LABEL-SAFETY CHECK LIST



WARNING: TEST SMOKE DETECTOR OPERATION AFTER VEHICLE HAS BEEN IN SERVICE, BEFORE EACH TRIP AND AT LEAST ONCE PER WEEK DURING USE.

KEY	PART NUMBER	U/M DESCRIPTION
1	077956-01-000	EA LABEL-WARNING, SMOKE DETECTOR

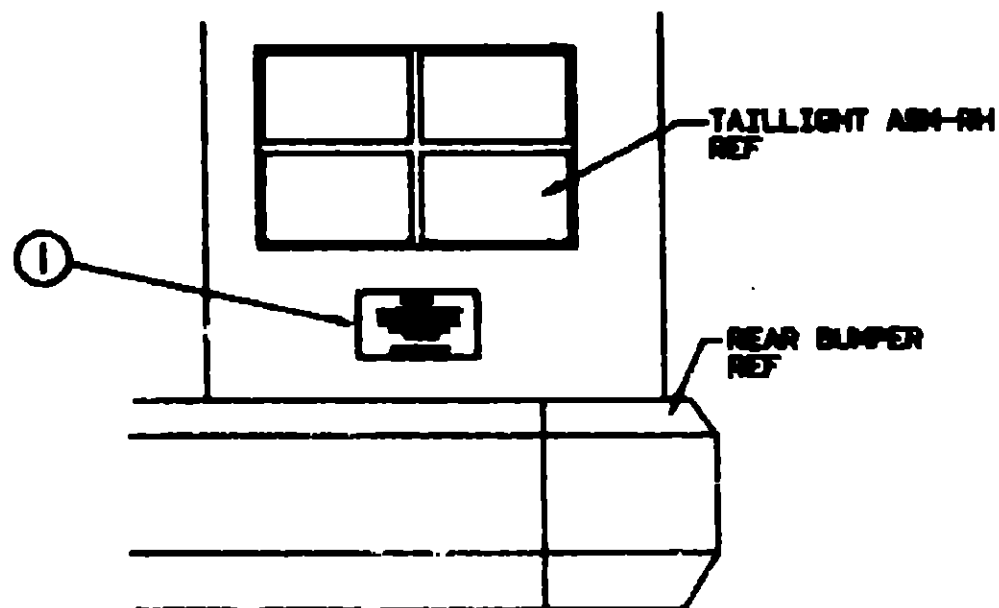
1989 ITASCA TABLE OF CONTENTS

INTRODUCTION	A-01	A-02
ABBREVIATIONS		A-03
ALPHABETICAL INDEX	A-04	A-06
ICF239C	A-07	E-16
ICF31RQ	E-17	J-18

1989 ICF31RQ INDEX

FLOOR PLAN	E-17	E-18
ACCESSORIES		E-19
AUDIO VIDEO	E-20	E-21
BATH	E-22	E-24
BEDROOM	F-01	F-03
CHASSIS	F-04	F-17
CURTAIN & CUSHION	F-18	G-04
DINETTE	G-05	G-06
DRIVERS COMPARTMENT	G-07	G-12
ELECTRICAL	G-13	G-20
EXTERIOR BODY	G-21	H-04
GALLEY	H-05	H-09
GENERATOR	H-10	H-11
HEATING & A/C	H-12	H-18
INTERIOR FINISH	H-19	H-22
LABELS	H-23	I-07
LP		I-08
LOUNGE	I-09	I-10
SEALANTS & FASTENERS	I-11	I-14
WATER & SEWAGE	I-15	I-20
WINDOW, VENT AND EXTERIOR DOOR	I-21	J-16
WINDSHIELDWIPER	J-17	J-18

LABELS GROUP (CONTINUED)



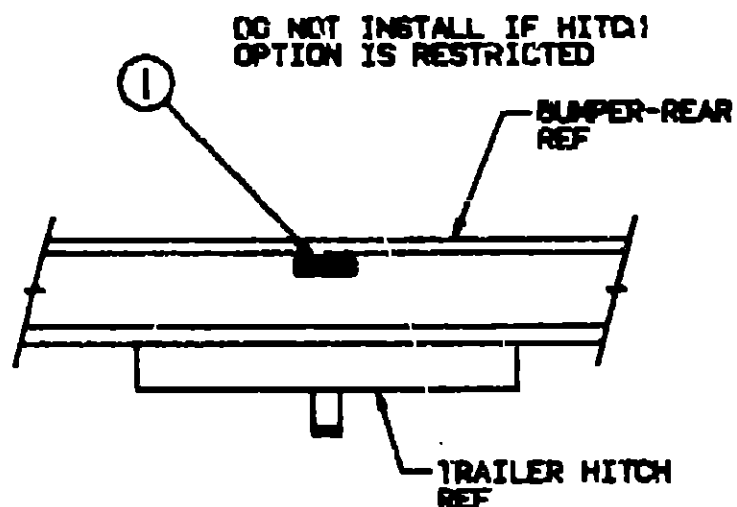
WARNING

DO NOT EXCEED THE VEHICLE WEIGHT RATINGS OR LOADING RECOMMENDATIONS (E.G., GROSS VEHICLE, GROSS AXLE, GROSS COMBINED) OF THE CHASSIS MANUFACTURER OR WINNEBAGO INC.

REFER TO YOUR OWNERS MANUAL, BEFORE LOADING OR TOWING.

KEY PART NUMBER
1 075220-01-000

U/M DESCRIPTION
EA LABEL-WARNING, EXTERIOR LOAD



TOWING CAPACITY

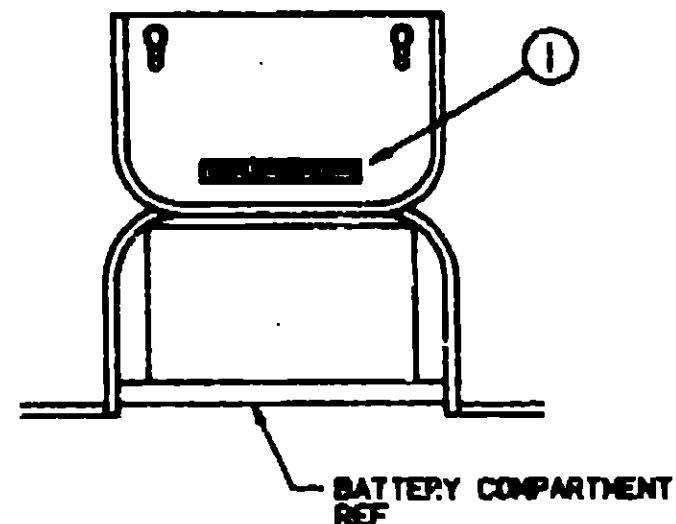
TOWED VEHICLE 3500 LB. GROSS MAXIMUM
HITCH BALL 300 LB. MAXIMUM

KEY PART NUMBER
1 075221-03-000

U/M DESCRIPTION
EA LABEL-TRAILER HITCH

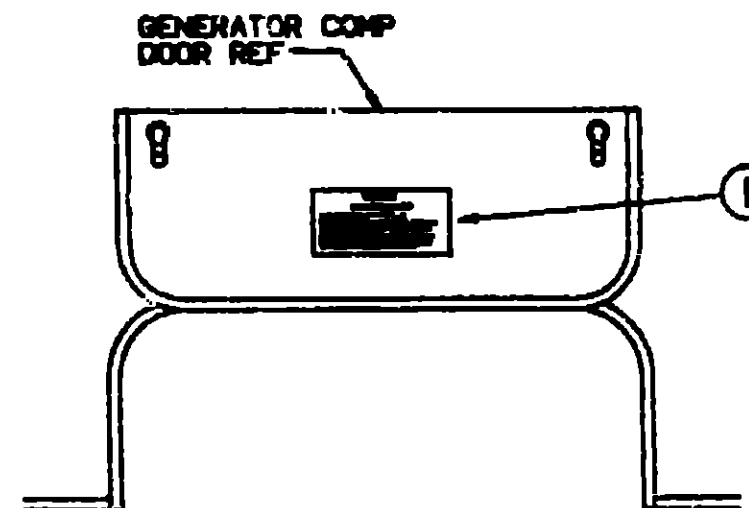
LABELS GROUP (CONTINUED)

WARNING
DISCONNECT BATTERIES BEFORE
CONNECTING EXTERNAL CHARGING EQUIPMENT.



KEY PART NUMBER
1 065748-01-000

U/M DESCRIPTION
EA LABEL-CAUTION, BATTERY CHARGING



WARNING

WHEN ADDING A GENERATOR SET:

NEVER VOLTAGE-USE GENERATOR OUTPUT WHEN WORKING ON ELECTRICAL COMPONENTS.
HAVE ALL ELECTRICAL INSTALLATION PERFORMED BY A QUALIFIED LICENSED ELECTRICIAN-FOLLOW ALL STATE AND LOCAL CODES.
ONLY INSTALL GENERATOR SET APPROVED FOR R.V. APPLICATION. HAVE IT INSTALLED BY QUALIFIED TECHNICIAN.
TO AVOID HEAT BUILD-UP AND TO GUARANTEE AN ADEQUATE AIR FLOW TO THE GENERATOR COMPARTMENT, FOLLOW INSTALLATION INSTRUCTIONS.
GENERATOR SHOULD BE COVERED WHEN NOT IN USE AND MUST NOT WITHDRAW UNDER THE VEHICLE-GENERATOR DOOR. KEEP FROM VEHICLE.

KEY PART NUMBER
1 077510-01-000

U/M DESCRIPTION
EA LABEL-GENERATOR PREP

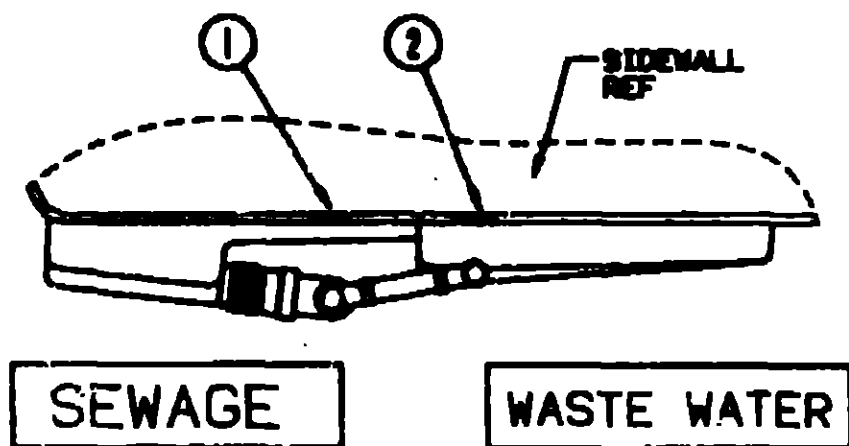
**1993 ITASCA
TABLE OF CONTENTS**

INTRODUCTION	A-01 -	A-02
ABBREVIATIONS		A-03
ALPHABETICAL INDEX	A-04 -	A-06
ICF23RC	A-07 -	E-18
ICF31RQ	E-17 -	J-18

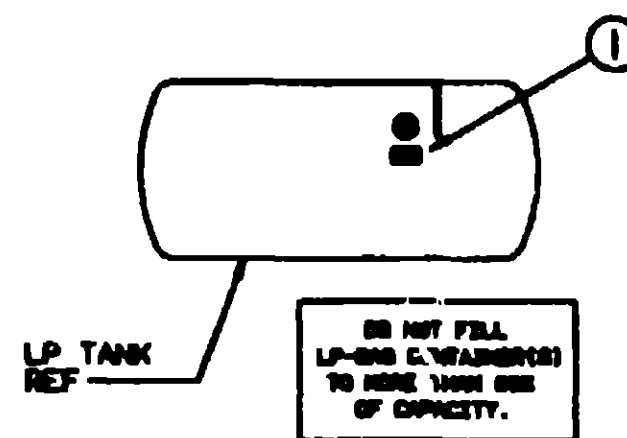
1993 ICF31RQ INDEX

FLOOR PLAN	E-17 -	E-18
ACCESSORIES		E-19
AUDIO VIDEO	E-20 -	E-21
BATH	E-22 -	E-24
BEDROOM	F-01 -	F-03
CHASSIS	F-04 -	F-17
CURTAIN & CUSHION	F-18 -	G-04
DINETTE	G-05 -	G-06
DRIVERS COMPARTMENT	G-07 -	G-12
ELECTRICAL	G-13 -	G-20
EXTERIOR BODY	G-21 -	H-04
GALLEY	H-05 -	H-09
GENERATOR	H-10 -	H-11
HEATING & AC	H-12 -	H-18
INTERIOR FINISH	H-19 -	H-22
LABELS	H-23 -	I-07
LP		I-08
LOUNGE	I-09 -	I-10
SEALANTS & FASTENERS	I-11 -	I-14
WATER & SEWAGE	I-15 -	I-20
WINDOW, TENT AND		
EXTERIOR DOOR	I-21 -	J-15
WINDSHIELD WIPER	J-17 -	J-18

LABELS GROUP (CONTINUED)



LABELS GROUP (CONTINUED)

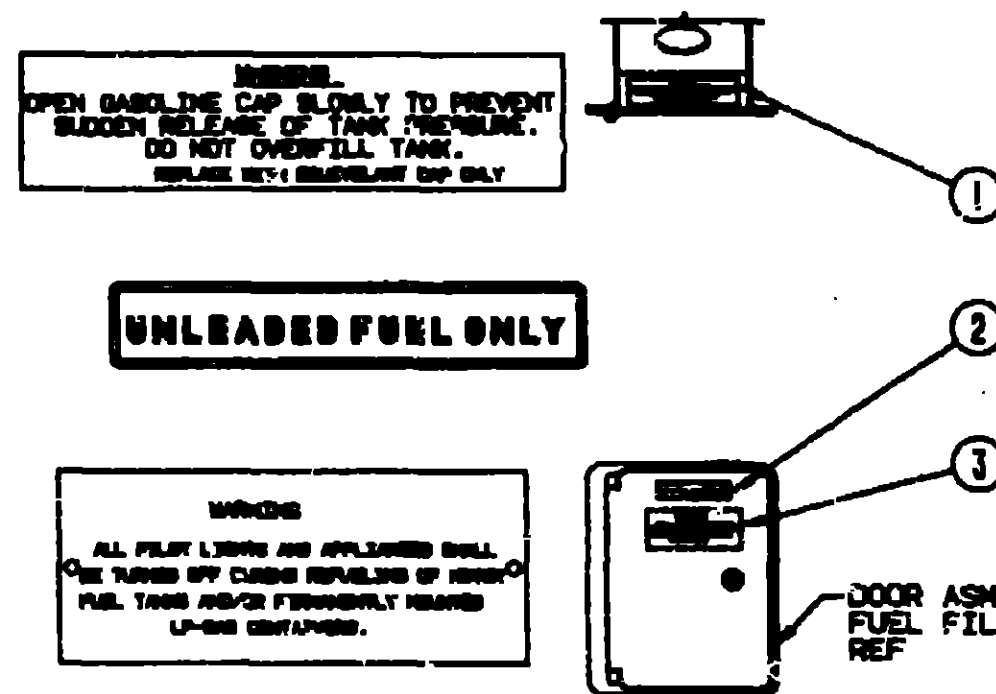
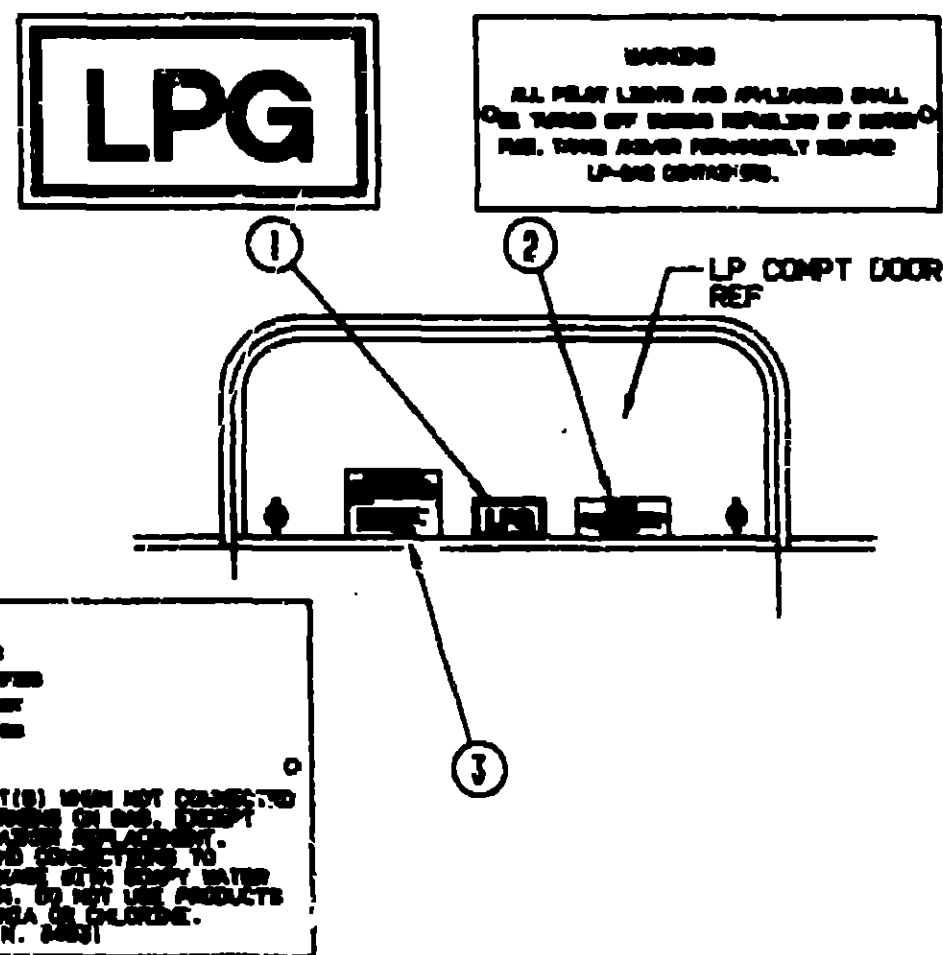


**1993 ITASCA
TABLE OF CONTENTS**

INTRODUCTION	A-01 -	A-02
ABBREVIATIONS		A-03
ALPHABETICAL INDEX	A-04 -	A-08
ICF23HC	A-07 -	E-18
ICF31S-2	E-17 -	J-18

KEY	PART NUMBER	U/M DESCRIPTION
1	008187-01-000	EA LABEL-SEWAGE
2	008188-01-000	EA LABEL-WASTE WATER

KEY	PART NUMBER	U/M DESCRIPTION
1	079965-01-000	EA LABEL-LPG 80 CAPACITY



1993 ICF31RQ INDEX

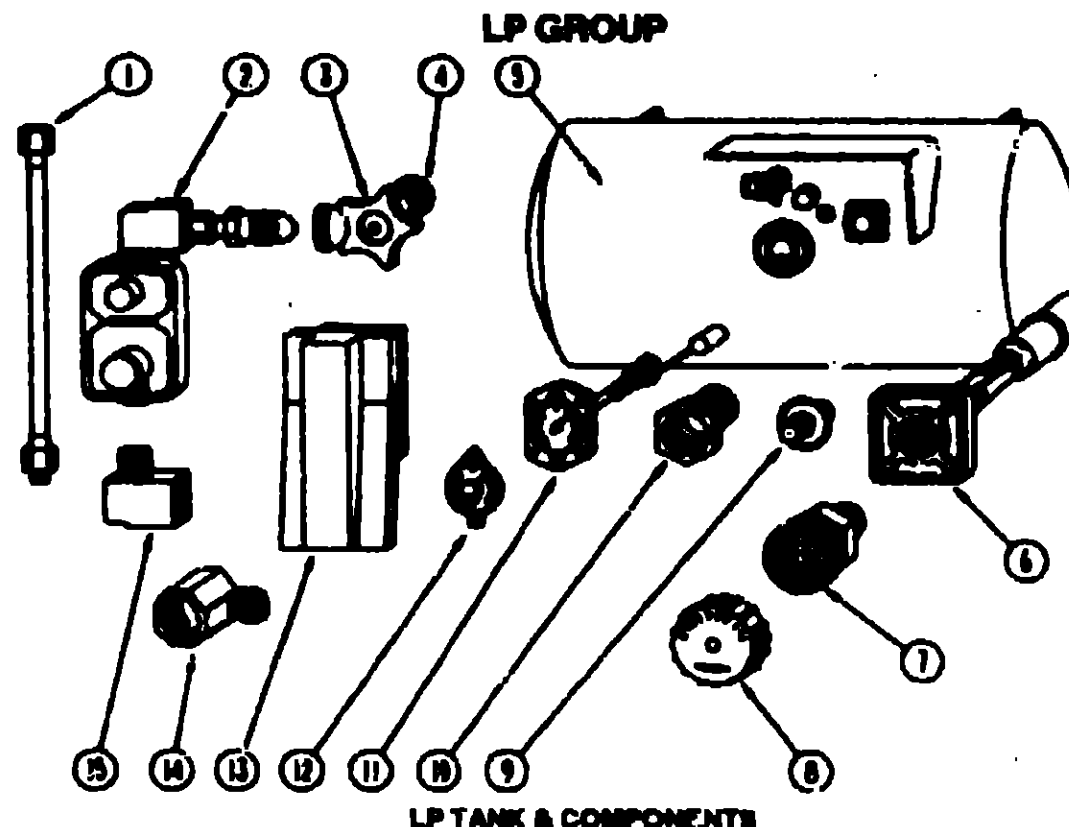
FLOOR PLAN	E-17 -	E-18
ACCESSORIES		E-19
AUDIO VIDEO	E-20 -	E-21
BATH	E-22 -	E-24
BEDROOM	F-01 -	F-03
CHASSIS	F-04 -	F-17
CURTAIN & CUSHION	F-18 -	G-04
DINETTE	G-05 -	G-06
DRIVERS COMPARTMENT	G-07 -	G-12
ELECTRICAL	G-13 -	G-20
EXTERIOR BODY	G-21 -	H-04
GALLEY	H-05 -	H-09
GENERATOR	H-10 -	H-11
HEATING & A/C	H-12 -	H-18
INTERIOR FINISH	H-19 -	H-22
LABELS	H-23 -	I-07
LP		I-08
LOUNGE	I-09 -	I-10
SEALANTS & FASTENERS	I-11 -	I-14
WATER & SEWAGE	I-15 -	I-20
WINDOW, VENT AND		
EXTERIOR DOOR	I-21 -	J-16
WINDSHIELDWIPER	J-17 -	J-18

KEY	PART NUMBER	U/M DESCRIPTION
1	074559-01-000	EA DECAL-LOGO, LPG - RED - (CALIF CODE)
2	006040-01-000	EA TAG-GAS REFUELING WARNING
2	006040-02-000	EA TAG-GAS REFUEL WARNING, CANADIAN
3	054531-01-000	EA LABEL-LP GAS ONLY
3	023769-01-000	EA LABEL-WARNING, LPG - CANADIAN

KEY	PART NUMBER	U/M DESCRIPTION
1	087207-05-000	EA LABEL-FUEL CAP REMOVAL
2	052043-01-000	EA LABEL-FUEL UNLEADED
3	006040-01-000	EA TAG-GAS REFUELING WARNING
3	006040-02-000	EA TAG-GAS REFUEL WARNING, CANADIAN

LABELS GROUP (CONTINUED)
MISCELLANEOUS LABELS

KEY	PART NUMBER	U/M DESCRIPTION
	088136-01-000	EA LABEL-CIRCUIT BREAKER, MAIN
	088237-01-000	EA LABEL-CIRCUIT BREAKER, FRONT - BATTERY CONDITION/RADIO
	088237-03-000	EA LABEL-CIRCUIT BREAKER, FRONT - POWER SEAT (LEFT)
	088237-08-000	EA LABEL-CIRCUIT BREAKER, FRONT - REAR PANEL
	088237-07-000	EA LABEL-CIRCUIT BREAKER, FRONT - REAR PNL/CONV
	088237-09-000	EA LABEL-CIRCUIT BREAKER, FRONT - INVERTER
	080225-01-000	EA LABEL-WARNING, STOVE VENT - US
	080222-01-000	EA LABEL-STOVE VENT - CANADIAN
	087236-01-000	EA LABEL-CABLE INPUT
	087236-02-000	EA LABEL-TV, OUTLET
	007031-01-000	EA LABEL-POTABLE WATER ONLY
	081808-01-000	EA LABEL-OVERLAY, VEHICLE CERTIFICATION - ADHESIVE BACKED
	078888-01-000	EA LABEL-WARNING, STOWED MOTION
	088757-01-000	EA LABEL-RETAIL, 8 5/8" X 12 7/8"
	080342-01-000	EA LABEL-VAPOR RELIEF
	088908-01-000	EA LABEL-AWNING INSTALLATION
	081417-01-000	EA LABEL-FUEL ON FUEL FILL DOOR
	073888-01-000	EA LABEL-LPG COLOR WARNING
	084875-01-000	EA LABEL-EXTERIOR LIGHT, SERVICE
	088508-01-000	EA LABEL-"COMPARTMENT NOT SEALED"
	080225-01-000	EA LABEL-WARNING, STOVE VENT - US
	008195-01-000	EA LABEL-ELECTRICAL TEST
	008196-01-000	EA LABEL-GAS TEST
	008197-01-000	EA LABEL-WATER TEST
	008084-01-000	EA LABEL-SEAT W/O SEAT BELT "NOT INTENDED FOR USE WHILE COACH IN MOTION"
	088383-01-000	EA LABEL-DIESEL FUEL
	074883-01-000	EA LABEL-SWITCH, A/C SELECTOR FOR FRONT OR REAR
	081224-02-000	EA LABEL-TRAILER LIGHTING
	091243-01-000	EA LABEL-AC COVER, "AIR CONDITIONING CIRCUIT, ETC."
	088379-03-000	EA LABEL-ELECTRICAL BOX, FRONT
	088379-04-000	EA LABEL-ELECTRICAL BOX, SIDE
	088841-01-000	EA LABEL-FUEL, UNLEADED - DASH
	104678-01-000	EA LABEL-CB PREP



LP TANK & COMPONENTS

KEY	PART NUMBER	U/M DESCRIPTION
1	045703-01-000	EA HOSE-LP, 3/8" ID X 24' US - 3/8 MPT X 1/2" F SWIVEL
1	045703-02-000	EA HOSE-LP, 3/8" ID X 24' - 3/8" MPT X 1/2" F SWIVEL - CANADA
2	106150-01-000	EA REGULATOR-TWO STAGE
3	040421-01-708	EA HANDWHEEL-VAPOR RELIEF VALVE, BRUNNER G-1015-A
4	040421-01-712	EA VALVE-SERVICE W/O VAPOR RELIEF
4	040421-01-713	EA VALVE-VAPOR ONLY
5	088253-03-000	EA TANK-LP, 100 LB 16" X 36"
6	040421-01-711	EA VALVE-80% W/FLOAT, PLATE, BOLTS & GASKET - BRUNNER
7	040421-01-701	EA VALVE-SHORT LP FILLER W/YELLOW CAP - BRUNNER 75478
8	040421-01-702	EA CAP-LP FILLER VALVE, PLASTIC - YELLOW - BRUNNER G-1014-A
9	040421-01-700	EA GAUGE-LIQUID LEVEL, 20% LP - BRUNNER G-1013
10	040421-01-713	EA PRESSURE RELIEF VALVE
11	040421-01-707	EA GAUGE-FLOAT W/VISIBLE DIAL - BRUNNER MA-9 6244-4
12	040440-02-000	EA TRANSMITTER-DIAL, 90 OHM
13	105658-01-000	EA COMPARTMENT-LP REGULATOR
13	081938-01-000	EA COVER-COMPARTMENT - LP REGULATOR - BLACK
14	065318-02-000	EA ELBOW-90 DEGREE, 3/8" MPT TO 3/8" FPT
15	065742-01-000	EA TEE, .38F X .38F X .25FPT - BRASS
	010323-01-000	EA ADAPTER-BRASS-3/8" F X 1/2" MPT
	010285-01-000	EA CROSS, 3/8" F X 3/8" F X 3/8" F X 1/2" FPT - BRASS
	010377-02-000	EA NUT-BRASS, 3/8" FEMALE - FORGED
	010390-02-000	EA NUT-BRASS, 1/2" FEMALE - FORGED
	016188-03-000	EA GROMMET-GAS LINE, FLOOR - 3/8" HOLE X 2 1/8" DIAMETER RUBBER
	081642-01-000	EA TEE, 1/2" MPT X 1/2" FL X 3/8" FL - BRASS
	010497-05-000	EA CLAMP-CLOSED, .50" ID
	075148-02-000	EA CLAMP-GROUNDING, BRONZE SCREWS
	008380-01-000	EA GROMMET-RUBBER, 5/8" HOLE X 1 1/2" DIAMETER - BLACK
	010326-01-000	EA ADAPTER-FLARE, W/CONE GASKET 3/8" FEMALE FL X 1/2" MALE F
	065741-01-000	EA GAUGE-DIAPHRAGM PRESSURE - MARSHALLTOWN MFG
	065742-01-000	EA TEE, .30F X .38F X .25FPT - BRASS
	071391-02-000	EA NIPPLE-HEX, .25" PIPE
	008042-01-000	FT TUBING-VINYL, .65" ID
	095624-01-000	EA ELBOW-BRASS, 90 1/4FPT X 1/4FPT
	103613-01-000	EA DETECTOR-LP GAS
	M01526-38-000	EA LP REGULATOR ASM-24", US

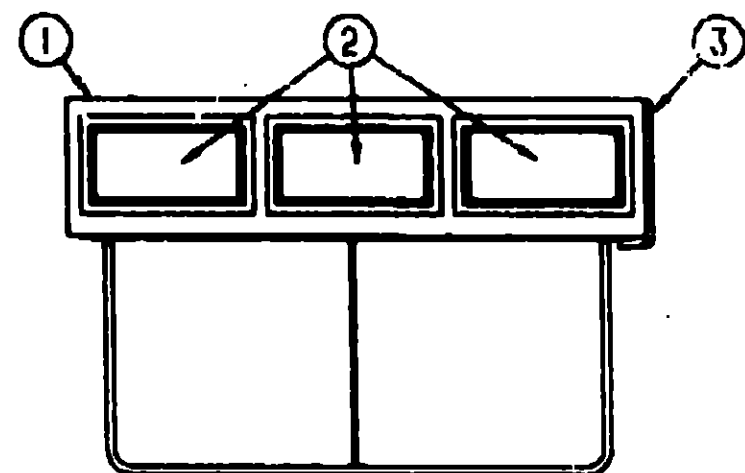
1993 ITASCA
TABLE OF CONTENTS

INTRODUCTION	A-01 -	A-02
ABBREVIATIONS		A-03
ALPHABETICAL INDEX	A-04 -	A-06
ICF23RC	A-07 -	E-16
ICF31RQ	E-17 -	J-18

1993 ICF31RQ INDEX

FLOOR PLAN	E-17 -	E-18
ACCESSORIES		E-19
AUDIO VIDEO	E-20 -	E-21
BATH	E-22 -	E-24
BEDROOM	F-01 -	F-03
CHASSIS	F-04 -	F-17
CURTAIN & CUSHION	F-18 -	G-04
DINETTE	G-05 -	G-06
DRIVERS COMPARTMENT	G-07 -	G-12
ELECTRICAL	G-13 -	G-20
EXTERIOR BODY	G-21 -	H-04
GALLEY	H-05 -	H-06
GENERATOR	H-10 -	H-11
HEATING & A/C	H-12 -	H-18
INTERIOR FINISH	H-19 -	H-22
LABELS	H-23 -	I-07
LP		I-08
LOUNGE	I-09 -	I-10
SEALANTS & FASTENERS	I-11 -	I-14
WATER & SEWAGE	I-15 -	I-20
WINDOW, VENT AND		
EXTERIOR DOOR	I-21 -	J-16
WINDSHIELD WIPER	J-17 -	J-18

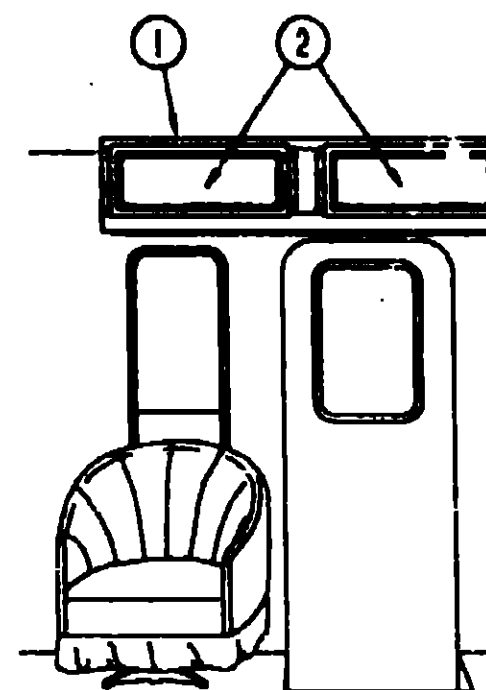
LOUNGE GROUP



DRIVER'S SIDE LOUNGE

KEY	PART NUMBER	U/M DESCRIPTION
1	M05019-44-D32	EA CABINET ASM-OVERHEAD,FRONT,LEFT
2	P04746-05-D32	EA DOOR ASM. W/DECORATIVE MIRROR INSERT - 15.74" X 20.47"
3	103128-01-C05	EA CAP ASM-END, OVERHEAD
	105947-01-000	EA BRACKET-HOLD DOWN,COUCH - CSA UNITS
	083125-03-000	EA BRACE-COUCH, TAN
	083125-05-000	EA BRACE-ANGLE, COUCH - 2.5" - BEIGE
	M05828-02-D32	EA CABINET ASM-COUCH END,LH (D32,D33)
	M05828-02-D34	EA CABINET ASM-COUCH END,LH
	M05828-01-D32	EA CABINET ASM-COUCH END,RH (D32,D33)
	M05828-01-D34	EA CABINET ASM-COUCH END,RH

LOUNGE GROUP (CONTINUED)



PASSENGER SIDE LOUNGE

KEY	PART NUMBER	U/M DESCRIPTION
1	M05019-38-D32	EA CABINET ASM-OVERHEAD,ENTRANCE
2	P04746-01-D32	EA DOOR ASM-HDW-MITERED OGEE - 255X640

**1993 ITASCA
TABLE OF CONTENTS**

INTRODUCTION	A-01 -	A-02
ABBREVIATIONS		A-03
ALPHABETICAL INDEX	A-04 -	A-06
ICF23RC	A-07 -	E-16
ICF31RQ	E-17 -	J-18

1993 ICF31RQ INDEX

FLOOR PLAN	E-17 -	E-18
ACCESSORIES		E-19
AUDIO VIDEO	E-20 -	E-21
BATH	E-22 -	E-24
BEDROOM	F-01 -	F-03
CHASSIS	F-04 -	F-17
CURTAIN & CUSHION	F-18 -	G-04
DINETTE	G-05 -	G-06
DRIVERS COMPARTMENT	G-07 -	G-12
ELECTRICAL	G-13 -	G-20
EXTERIOR BODY	G-21 -	H-04
GALLEY	H-05 -	H-09
GENERATOR	H-10 -	H-11
HEATING & A/C	H-12 -	H-18
INTERIOR FINISH	H-19 -	H-22
LABELS	H-23 -	I-07
LP		I-06
LOUNGE	I-09 -	I-10
SEALANTS & FASTENERS	I-11 -	I-14
WATER & SEWAGE	I-15 -	I-20
WINDOW, VENT AND EXTERIOR DOOR	I-21 -	J-18
WINDSHIELDWIPER	J-17 -	J-18

SEALANTS & FASTENERS GROUP

SEALANTS & ADHESIVE

KEY	PART NUMBER	U/M DESCRIPTION
	002707-02-000	FT TAPE-SEALER, 5/16" X 1/2" - INCREMENTS OF 50 FT
	078314-02-000	FT TAPE-CARPET SEAM, HEAT-BOND - 4" WIDE
	078322-02-000	FT TAPE-FOAM, DOUBLE COATED ADHESIVE BACKED - 1" X 108"
	078322-05-000	FT TAPE-FOAM, DOUBLE COATED - .025" X 1.5" X 108"
	029094-04-000	YD VELCRO TAPE-LOOP, 1" WIDE - BLACK
	029098-03-000	YD VELCRO TAPE-HOOK, 1" WIDE - BLACK
	034652-02-000	EA SILICONE-TUBE, 300 ML - CLEAR
	034652-13-000	EA SILICONE-TUBE, 300 ML - ASH GRAY
	900390-01-000	EA TIP-2 1/2" X 1/8" ORIFICE, ELLS-NORTH#15215
	900390-03-000	EA NOZZLES-SILICONE TUBE, CSL# D10
	053780-02-000	EA BEDDING COMPOUND-TUBE, WHITE SCHNEE# 522
	053788-05-000	EA BEDDING COMPOUND-TUBE, CLEAR
	053788-08-000	EA BEDDING COMPOUND-TUBE, GRAY - SCHNEE# 5622
	082917-03-000	EA ADHESIVE-LOCTITE 242 - LOCTITE 242, SIDE 4:
	087211-01-000	GL PROMOTER-ADHESIVE
	069640-02-000	FT SEALER-RIBBON, 1/2" X 1/8" - INCREMENTS OF 30' OR 60'
	069640-03-000	FT SEALER-RIBBON, 3/4" X 1/8" - INCREMENTS OF 60'
	069640-07-000	FT SEALER-RIBBON, 2" X 3/32" - INCREMENTS OF 30' OR 45'
	069640-09-000	FT SEALER-RIBBON, 1/32" X 2 1/2" - INCREMENTS OF 80'
	069640-11-000	FT SEALER-TAPE, 3/16" X 3/8", BLACK - MANUS
	069640-12-000	FT SEALER-TAPE, 1/8" X 1.5" GRAY - MANUS
		FROM: 00-00-00 THRU: 09-21-92
	069640-14-000	FT SEALER-TAPE, 1/16" X 2" GRAY - MANUS
		FROM: 09-22-92 THRU: 99-99-99
	069640-13-000	FT SEALER-TAPE, 3/32" X 2" BLACK - MANUS
		FROM: 09-08-92 THRU: 99-99-99
	072889-01-000	EA SEALANT-URETHANE, BLACK - 1/10 - ESSEX 552.2
	102352-01-000	EA SEALER-PUMPABLE, BLACK - COLORIMETRIC MS101

BOLTS, NUTS & WASHERS

KEY	PART NUMBER	U/M DESCRIPTION
	000C12-05-12B	EA BOLT-HEX-5/16-18X3/4 ZN 5
	000C12-05-24B	EA BOLT-HEX-5/16-18X1 1/2 ZN 5
	000C12-05-16B	EA BOLT-HEX, 5/16-18 X 1 - ZINC 5
	000C12-06-32B	EA BOLT-HEX-3/8-16X2LG, ZN 5
	000C12-06-20B	EA BOLT-HEX-3/8-16X1 1/4 ZN 5
	000C12-07-20B	EA BOLT-HEX, 7/16 - 14 X 1 1/4" - ZN5
	000C12-08-24B	EA BOLT-HEX, 1/2-13 X 1 1/2 - ZN 5
	000C12-10-24B	EA BOLT-HEX, 5/8-11 X 1 1/2 ZN - 5
	000C13-07-49B	EA BOLT-HEX, 7/16 - 20 X 3 - ZN 5
	000C18-08-48B	EA BOLT-ELEV, 3/8-16 X 3 ZN - GDE 5
	000C26-04-10B	EA BOLT-HEX, SER FLG - 1/4-20 X 5/8 ZINC
	000C26-05-12B	EA BOLT-HEX-SER FLG 5/16-18X3/4 - ZN
	000C26-06-29B	EA BOLT-HEX-SER FLG 3/8-16X1 3/4 - ZN
	102333-01-02A	EA BOLT-CARRIAGE, 7/16 - 14 SST CAP O/WHT BUMPER SOLT
	051397-06-000	EA BOLT-CARRIAGE, W/O HOLE - 5/16-18 X 9.5 ZN
	000C27-10-32B	EA BOLT-CARR 5/8-11X2.00
	000D15-08-00B	EA NUT-HEX, 3/8-24 - ZN - 5
	000D24-10-00B	EA NUT-HEX, SF/LK - 10-32 ZN
	000D34-04-00B	EA NUT-HEX, LK 1/4 - 20 ZN
	000D34-06-00B	EA NUT-HEX, LK - 3/8 - 16 GRADE C ZN - PREVAILING TORQUE
	000D39-04-00B	EA NUT-HEX, SER FLG LK 1/4 - 20 ZN
	000D39-05-00B	EA NUT-HEX, SER FLG LK - 5/16 - 18 ZN

SEALANTS & FASTENERS GROUP (CONTINUED)

BOLTS, NUTS & WASHERS (CONTINUED)

KEY	PART NUMBER	U/M DESCRIPTION
	000D39-08-00B	EA NUT-HEX, SER FLG LK - 3/8-18 ZN
	000D39-09-00B	EA NUT-HEX, SER FLG LK - 1/2-13 ZN
	000D44-07-00B	EA NUT-HEX, SER FLG LK - 7/16-20 ZN
	044384-02-000	EA NUT-SPEED, FLAT - ROUND
	040921-04-000	EA NUT-SPEED, U TYPE - NO. 8 - 50" LENGTH X .44" WIDTH
	005081-01-000	EA NUT-SPEED, C TYPE - NO 8 SCREW
	104389-01-000	EA NUT-HEX, HEAVY, 5/8-11 UNC - SPARE TIRE INST'L
	063253-07-000	EA NUT-J, #8A, 120 - 130 PNL THK
	000E11-08-00B	EA WASHER-LK - 1/2 MED SPLIT ZN
	000E13-11-00B	EA WASHER-FL, 3/16" WIDE - ZN
	000E13-14-00B	EA WASHER-FL, 1/4" WIDE ZN
	000E13-20-00B	EA WASHER-FL, 7/16" WIDE - ZN
	000E13-21-00B	EA WASHER-FL - W/2 NAR ZN
	000E14-10-00B	EA WASHER-LK - NO 10 EXT TOOTH - ZN
	044333-01-000	EA WASHER-PLASTIC, 1 3/8" OD - FOR BUTTOS:
	106649-01-000	EA WASHER-SEALING, GALVANIZED - 5/8 ID

SCREWS

KEY	PART NUMBER	U/M DESCRIPTION
	000G11-06-10J	EA SCREW, 6-20 X 5/8 PPH - BRASS
	000G11-06-10B	EA SCREW, 6-20 X 5/8 PPH ZN
	000G11-07-08B	EA SCREW, 7-19 X 1/2 PPH - ZN
	000G11-08-12D	EA SCREW, 8-18 X 3/4 PPH - BLACK
	000G11-08-12B	EA SCREW, 8-18 X 3/4 PPH ZN
	000G11-08-08B	EA SCREW, 8-18 X 1/2 PPH - ZN
	000G11-08-12X	EA SCREW, 8-18 X 3/4 PPH - GRAY
	000G11-08-12T	EA SCREW, 8-18 X 3/4 PPH - BLACK
	000G11-08-12S	EA SCREW, 8-18 X 3/4 PPH - OFF WHITE
	000G11-08-12P	EA SCREW, 8-18 X .75 PPH - DARK BROWN
	000G11-10-40B	EA SCREW-10 - 16 X 2 1/2 PPH CAD - 34927-01-000
	000G11-10-24P	EA SCREW, 10-16 X 1 1/2 PPH - DARK BROWN
	000G11-10-12D	EA SCREW, 10-16 X 3/4 PPH - BLACK
	000G12-08-15S	EA SCREW, 8-18 X 1.00 PPH - OFF WHITE
	000G13-06-08G	EA SCREW, 6-20 X 1/2 PPH - ANTIQUE BRASS
	000G13-06-08B	EA SCREW, 6-20 X 1/2 PPH ZN
	000G13-06-06B	EA SCREW-6-20X3/8 PPH ZN
	000G13-06-16R	EA SCREW, 6-20 X 1 PPH - BEIGE
	000G13-06-16J	EA SCREW, 6-20 X 1.00 PPH - BRASS
	000G13-07-12B	EA SCREW, 7-19 X 3/4 PPH ZN
	000G13-08-16B	EA SCREW, 8-18 X 1 PPH - ZN
	000G18-08-22B	EA SCREW-MACH, 8-32 X 1 3/8 PPH ZN
	000G19-10-20B	EA SCREW-MACHINE, 10-32 X 1 1/14 PPH ZINC
	000G19-10-12B	EA SCREW-MACH, 10-32 TPI X .75
	000G19-10-08B	EA SCREW-MACHINE, 10-32 X 1/2 PPH ZN
	000G32-10-06B	EA SCREW-10-32 X 3/8" - PPH - ZINC
	000G39-06-16T	EA SCREW-SF/DR, 6-20 X 1 PPH - BLACK
	000G39-06-10T	EA SCREW-SF/DR, 6-20 X 5/8 PPH - BLACK
	000G39-08-08B	EA SCREW-SF/DR, 8-18 X 1/2 PPH ZN
	000G39-08-16T	EA SCREW-SF/DR, 8-18 X 1 PPH - BLACK
	000G39-08-16B	EA SCREW-SF/DR, 8-18 X 1 PPH ZN
	000G39-08-12T	EA SCREW-SF/DR, 8-18 X 3/4 PPH - BLACK
	000G39-08-12B	EA SCREW-SF/DR, 8-18 X 3/4 PPH ZN
	000G39-08-08X	EA SCREW-SF/DR, 8-18 X 1/2 PPH - GRAY
	000G39-08-08T	EA SCREW-SF/DR-8-18X.50 PPH - BLACK
	000G39-08-08S	EA SCREW-SF/DR, 8-18 X 1/2 PPH - OFF WHITE
	000G39-08-08R	EA SCREW-SF/DR, 8-18 X 1/2 PPH - BEIGE
	000G39-08-32B	EA SCREW-SF/DR, 8-18 X 2 PPH - ZINC
	000G39-08-24R	EA SCREW-SF/DR, 8-18 X 1 1/2 PPH - BEIGE
	000G39-08-24B	EA SCREW-SF/DR, 8-18 X 1 1/2 PPH ZN

**1993 ITASCA
TABLE OF CONTENTS**

INTRODUCTION	A-01 - A-02
ABBREVIATIONS	A-03
ALPHABETICAL INDEX	A-04 - A-06
ICF23RC	A-07 - E-18
ICF31RQ	E-17 - J-18

1993 ICF31RQ INDEX

FLOOR PLAN	E-17 - E-18
ACCESSORIES	E-19
AUDIO VIDEO	E-20 - E-21
BATH	E-22 - E-24
BEDROOM	F-01 - F-03
CHASSIS	F-04 - F-17
CURTAIN & CUSHION	F-18 - G-04
DINETTE	G-05 - G-06
DRIVERS COMPARTMENT	G-07 - G-12
ELECTRICAL	G-13 - G-20
EXTERIOR BODY	G-21 - H-04
GALLEY	H-05 - H-09
GENERATOR	H-10 - H-11
HEATING & A/C	H-12 - H-18
INTERIOR FINISH	H-19 - H-22
LABELS	H-23 - I-07
LP	I-08
LOUNGE	I-09 - I-10
SEALANTS & FASTENERS	I-11 - I-14
WATER & SEWAGE	I-15 - I-20
WINDOW, VENT AND	
EXTERIOR DOOR	I-21 - J-16
WINDSHIELDWIPER	J-17 - J-18

SEALANTS & FASTENERS GROUP (CONTINUED)

SCREWS (CONTINUED)

KEY	PART NUMBER	U/M	DESCRIPTION
	000G38-10-12D	EA	SCREW-SF/DR, 10-18 X 3/4 PPH - BLACK
	000G38-10-20B	EA	SCREW-SF/DR, 10-18 X 1 1/4 PPH ZN
	000G38-10-12R	EA	SCREW-SF/DR, 10-18 X 3/4 PPH - FLUOROCARBON SILVER
	000G38-10-12R	EA	SCREW-SF/DR, 10-18 X 3/4 PPH - BEIGE
	000G43-08-24B	EA	SCREW-MACHINE, 8-32" X 1 1/2" ZN
	000G48-08-24T	EA	SCREW-MACHINE, 8-32-1.50 IN PFH - BLACK
	000G50-04-12B	EA	SCREW-MACH, 1/4-20 X 3/4 PPH ZN
	000G53-04-08B	EA	SCREW-MACHINE, 1/4-20 X 3/8 PPH ZN - UNDERCUT HEAD
	000G54-04-20B	EA	SCREW, 1/4-20 X 1 1/4 PTH - TYPE 23 - ZINC PLATED
	000G67-10-10D	EA	SCREW, 10-12 X 5/8 PPH - BLACK - TYPE A
	000G67-10-10B	EA	SCREW, 10-12 X 5/8 PPH ZN - TYPE A
	000G67-10-08R	EA	SCREW, 10-12 X 1/2 PPH - BEIGE - TYPE A
	000G67-10-08B	EA	SCREW, 10-12 X 1/2 PPH ZN
	000G67-10-48B	EA	SCREW-10-12X3/4 PPH ZN
	000G67-10-36T	EA	SCREW-10-12X2.25PPHBLACK
			FROM: 00-00-00 THRU: 03-10-93
			STALGAURD
			FROM: 12-15-92 THRU: 99-99-99
	000G67-10-24H	EA	SCREW, 10-12 X 1 1/2 PPH - ZN
	000G67-10-20D	EA	SCREW, 10-12 X 1 1/4 PPH - BLACK
	000G67-10-18P	EA	SCREW, 10-12 X 1 PPH - DARK BROWN
	000G67-10-16B	EA	SCREW, 10-12 X 1 PPH - ZN
	000G67-10-12D	EA	SCREW, 10-12 X .75" PPH - TAN
	000G67-10-12P	EA	SCREW, 10-12 X .75" PPH - DARK BROWN
	000G67-10-12B	EA	SCREW, 10-12 X 3/4" PPH - ZN
	000G67-10-10R	EA	SCREW, 10-12 X 5/8 PPH - TYPE A - BEIGE
	000G68-06-10G	EA	SCREW, 6-18 X 5/8 POH - ANTIQUE BRASS
	000G68-10-36T	EA	SCREW-10-12 X 2.25 POH BLACK
			FROM: 00-00-00 THRU: 12-14-92
	000G11-08-08B	EA	SCREW, 8-18 X 1/2 PPH ZN
	000G11-08-12B	EA	SCREW, 8-18 X 3/4 PPH ZN
	000G11-08-12R	EA	SCREW, 8-18 X 3/4 PPH - BEIGE
	000G11-08-12D	EA	SCREW, 8-18 X 3/4 PPH - BLACK
	000G11-08-16R	EA	SCREW, 8-18X1.00 PPH - BEIGE
	000G67-10-32S	EA	SCREW, NO. 10 - 12 X 2 PPH ZN
	000G55-08-12W	EA	SCREW, SF/DR-8-18X.75 PWH
	000G67-10-12R	EA	SCREW-10-12X.75 PPH BEIGE
	000G67-10-12C	EA	SCREW-10-12X.75 PPH TAN
	049465-03-000	EA	SCREW-10-15X1 POH W/WASHER
	000G11-10-12S	EA	SCREW-10-16X.75 PPH OFF WHITE
	000G54-04-20B	EA	SCREW-1/4-20X1 1/4 PTH TYP 23
	000G57-05-16J	EA	SCREW-5-20X1 PFH BRASS
	000G12-06-08T	EA	SCREW-6-20 X .50 POH - BLACK
	000G13-06-16J	EA	SCREW-6-20X1.00 PFH BRASS
	000G11-08-12P	EA	SCREW-8- 18X.75.DARK BROWN
	085318-01-000	EA	SCREW-8-088X1/2.CRIMPTITE HD
	000G67-08-32B	EA	SCREW-8-15X2 PPH ZN
	000G12-08-16S	EA	SCREW-8-18 X 1" POH - OFF WHITE
	000G11-08-16S	EA	SCREW-8-18X1.00 PPH OFF WHITE
	009439-07-000	EA	SCREW-8-32X1 1/4 POH, BLACK
	087721-01-000	EA	SCREW-FLAT HEAD, TAPPING - 3/4" X 1 1/4" LG ZN
	075908-01-000	EA	SCREW-MACHINE, 10-32 X .56 PTH - ZINC EXTERNAL TOOTH
	049465-01-000	EA	SCREW, 10-16 W/WASHER PTH - DARK BROWN
	049465-05-000	EA	SCREW-10+16X1 PTH W/WASHER - GRAY

SEALANTS & FASTENERS GROUP (CONTINUED)

CLAMPS

KEY	PART NUMBER	U/M	DESCRIPTION
	007181-01-000	EA	CLAMP-HOSE, SPRING TYPE - 1/2"
	J10485-01-000	EA	CLAMP-CABLE, 9/16"
	010487-01-000	EA	CLAMP-CLOSED, 5/8" ID
	010487-05-000	EA	CLAMP-CLOSED, 1/2" ID
	010489-01-000	EA	CLAMP-CLOSED, 3/8" ID
	082401-01-000	EA	CLAMP-HOSE, WORMGEAR .25" - 1"
	082401-02-000	EA	CLAMP-HOSE, WORMGEAR, 1.56" - 2.5"
	082401-04-000	EA	CLAMP-HOSE, WORMGEAR .69" - 1.25"
	082401-06-000	EA	CLAMP-HOSE, WORMGEAR .22" - .62"
	082401-08-000	EA	CLAMP-HOSE, WORMGEAR 4.08" - 5.0"
	082401-09-000	EA	CLAMP-HOSE, WORMGEAR 2.8" - 3.75"
	075148-02-000	EA	CLAMP-GROUNDING, BRONZE SCREWS
	083609-01-000	EA	CLAMP-WIRE, DUAL EQUAL - 5/8" DIAMETER
	083610-01-000	EA	CLAMP-WIRE, DUAL - UNEQUAL DIAMETERS - .75" & 1.25"

RIVETS, GROMMETS & MISCELLANEOUS

KEY	PART NUMBER	U/M	DESCRIPTION
	000H16-04-06R	EA	RIVET-POP, AL 1/8 X .313-.375
	041930-02-000	EA	RIVET-POP-AL 1/8X.188-.250 - OFF WHT DOME
	069592-02-000	EA	RIVET-T, (POP) - 1/4 X .093 - .156
			FROM: 10-02-92 THRU: 99-99-99
	016188-03-000	EA	GROMMET-L/P LINE, 3/8" HOLE X 2 1/2" LONG - RUBBER
	016188-05-000	EA	GROMMET-L/P LINE, 3/8" HOLE X 1 1/4" LONG - RUBBER
			FROM: 08-26-92 THRU: 99-99-99
	023942-01-000	EA	GROMMET-RUBBER, 2" OD
	071015-35-000	EA	GROMMET-1.25 ID, FITS .167MAT MINOR Z-710
			FROM: 00-00-00 THRU: 01-23-93
	077953-01-000	EA	GROMMET-EDGE LINER, FITS 1"
	099637-01-000	EA	GROMMET-RUBBER, .37" X .94" DIAMETER - BLACK
	034141-02-000	EA	PLUG-HOLE, 3/8" - NYLON - BLACK
	056134-02-000	EA	HOLDER-RING, 1.8" DIAMETER - METAL
	077955-01-000	EA	CLIP-J, VINYL COATED, 3/8"
	080734-02-000	EA	CLIP-WIRE, NYLON
			FROM: 00-00-00 THRU: 06-14-92
	085774-01-000	FT	FASTENER-DUAL HOOK, 1" WIDE - ADHESIVE BACK - BLACK
	085774-02-000	FT	FASTENER-DUAL LOOP, 1" WIDE - ADHESIVE BACK - BLACK
	086285-01-000	EA	SPACER-NYLON, .5" OD X .257" ID

**1993 ITASCA
TABLE OF CONTENTS**

INTRODUCTION	A-01	A-02
ABBREVIATIONS		A-03
ALPHABETICAL INDEX	A-04	A-06
ICF23RC	A-07	E-16
ICF31RQ	E-17	J-18

1993 ICF31RQ INDEX

FLOOR PLAN	E-17	E-18
ACCESSORIES		E-19
AUDIO VIDEO	E-20	E-21
BATH	E-22	E-24
BEDROOM	F-01	F-03
CHASSIS	F-04	F-17
CURTAIN & CUSHION	F-18	G-04
DINETTE	G-05	G-06
DRIVERS COMPARTMENT	G-07	G-12
ELECTRICAL	G-13	G-20
EXTERIOR BODY	G-21	H-04
GALLEY	H-05	H-09
GENERATOR	H-10	H-11
HEATING & A/C	H-12	H-18
INTERIOR FINISH	H-19	H-22
LABELS	H-23	I-07
LP		I-08
LOUNGE	I-09	I-10
SEALANTS & FASTENERS	I-11	I-14
WATER & SEWAGE	I-15	I-20
WINDOW, VENT AND		
EXTERIOR DOOR	I-21	J-16
WINDSHIELD W/PER	J-17	J-18

WATER & SEWAGE GROUP
WATER HEATER W/ELECTRIC IGNITION

KEY	PART NUMBER	U/M	DESCRIPTION
	051391-00-000	EA	HEATER-WATER, W/ELECTRIC IGNITION - ATWOOD G6A-3E
	051391-01-700	EA	HINGE KIT-W/CLIP, ATWOOD # 92568 & 92559
	051391-01-704	EA	VALVE-RELIEF, 1/2" FITTING - ATWOOD# 91904
	051391-01-705	EA	FASTENER-CAMLOC, ATWOOD# 92809
	051391-01-706	EA	GRILLE-EXHAUST, ATWOOD# 92787
	051391-01-708	EA	BURNER-MAIN, 3E ONLY - ATWOOD# 92815
	051391-01-710	EA	ORIFICE-MAIN BURNER, ATWOOD# 92742
	051391-01-715	EA	DRAIN PLUG, ATWOOD# 91561
	051391-04-700	EA	TANK-INNER (G6A-3E), FRT MT - ATWOOD# 91608
	051391-04-701	EA	THERMOSTAT 12 VDC-120 PRESET, ATWOOD# 91470 FRONT MOUNT ONLY
	051391-04-706	EA	TANK-INNER, G6A-4E & 6E - FRONT MOUNT - ATWOOD# 91641
	097967-01-000	EA	SWITCH-WATER HEATER, REMOTE W/LIGHT - ATWOOD 91959
	051393-01-702	EA	SWITCH-ENERGY CUT-OFF, ATWOOD# 91951
	051393-01-703	EA	THERMOSTAT-REAR MOUNT, ATWOOD# 91952
	051393-01-704	EA	CIRCUIT BOARD-W/BLACK BOX, ATWOOD# 91420
	051393-01-705	EA	ORIFICE HOLDER-ATWOOD# 91925
	051393-01-716	EA	SPARK & PROBE ASM, ATWOOD# 91606
	051393-01-718	EA	VALVE-DUAL SOLENOID, ATWOOD# 91605
	051393-01-721	EA	ECO&THERMOSTAT ASM-FRONT MOUNT, 140 DEGREE - ATWOOD# 91447
	051393-03-700	EA	TANK-INNER (G6A-3E), REAR MT - ATWOOD# 91409

WATER & SEWAGE GROUP (CONTINUED)
WATER HEATER W/MOTOR AID

KEY	PART NUMBER	U/M	DESCRIPTION
	051393-01-000	EA	WATER HEATER-W/MOTOR AID, PILOTLESS IGNITION ATWOOD GH6-3E, GH6-4E OR GH6-6E
	051391-01-700	EA	HINGE KIT-W/CLIP, ATWOOD # 92568 & 92559
	051391-01-704	EA	VALVE-RELIEF, 1/2" FITTING - ATWOOD# 91904
	051391-01-706	EA	FASTENER-CAMLOC, ATWOOD# 92809
	051391-01-708	EA	GRILLE-EXHAUST, ATWOOD# 92787
	051391-01-708	EA	BURNER-MAIN, 3E ONLY - ATWOOD# 92815
	051391-01-710	EA	ORIFICE-MAIN BURNER, ATWOOD# 92742
	051391-01-714	EA	ELBOW-45 DEGREE, 3/8" X 3/8" MPT - ATWOOD 91044
	051391-01-715	EA	DRAIN PLUG, ATWOOD# 91561
	051391-04-701	EA	THERMOSTAT 12 VDC-120 PRESET, ATWOOD# 91470 FRONT MOUNT ONLY
	051391-04-704	EA	TANK-INNER, FRONT MOUNT - GH6-4E & 6E - ATWOOD 91642
	051393-01-700	EA	TANK-INNER, 3E FRONT MOUNT - ATWOOD# 91023
	097967-01-000	EA	SWITCH-WATER HEATER, REMOTE W/LIGHT - ATWOOD 91959
	051393-01-702	EA	SWITCH-ENERGY CUT-OFF, ATWOOD# 91951
	051393-01-703	EA	THERMOSTAT-REAR MOUNT, ATWOOD# 91952
	051393-01-704	EA	CIRCUIT BOARD-W/BLACK BOX, ATWOOD# 91420
	051393-01-705	EA	ORIFICE HOLDER-ATWOOD# 91925
	051393-01-714	EA	TANK-INNER (GH6-3E), REAR MOUNT - ATWOOD# 91408
	051393-01-716	EA	SPARK & PROBE ASM, ATWOOD# 91606
	051393-01-718	EA	VALVE-DUAL SOLENOID, ATWOOD# 91605
	051393-01-721	EA	ECO&THERMOSTAT ASM-FRONT MOUNT, 140 DEGREE - ATWOOD# 91447
	010227-01-000	EA	TEE-PLAS, BARB 5/8" OR 3/4" HOSE
	110438-01-000	EA	VALVE-CHECK, BRASS - G784

FROM: 11-22-92 THRU: 99-99-99

1993 ITASCA
TABLE OF CONTENTS

INTRODUCTION	A-01	A-02
ABBREVIATIONS		A-03
ALPHABETICAL INDEX	A-04	A-08
ICF33RC	A-07	E-16
ICF31RQ	E-17	J-18

1993 ICF31RQ INDEX

FLOOR PLAN	E-17	E-18
ACCESSORIES		E-19
AUDIO VIDEO	E-20	E-21
BATH	E-22	E-24
BEDROOM	F-01	F-03
CHASSIS	F-04	F-17
CURTAIN & CUSHION	F-18	G-04
DINETTE	G-05	G-06
DRIVERS COMPARTMENT	G-07	G-12
ELECTRICAL	G-13	G-20
EXTERIOR BODY	G-21	H-04
GALLEY	H-05	H-09
GENERATOR	H-10	H-11
HEATING & A/C	H-12	H-19
INTERIOR FINISH	H-19	H-22
LABELS	H-23	I-07
LP		I-08
LOUNGE	I-09	I-10
SEALANTS & FASTENERS	I-11	I-14
WATER & SEWAGE	I-15	I-20
WINDOW, VENT AND		
EXTERIOR DOOR	I-21	J-16
WINDSHIELDWIPER	J-17	J-18

WATER & SEWAGE (GROUP (CONTINUED))

WATER PUMP

KEY	PART NUMBER	U/M DESCRIPTION
	008807-01-000	EA PUMP-WATER, W/5"MP" FITTING - FLOW 2.8 GPM - UL
	008807-01-700	EA PUMP-HEAD-REPLACEMENT, SHURFLO® 94-238-08
	008807-01-701	EA DRIVE ASM, SHURFLO® M-234-03
	008807-01-702	EA DIAPHRAGM-KIT, SHURFLO® 94-233-10
	008807-01-703	EA VALVE ASM, SHURFLO® 94-232-00
	008807-01-708	EA SWITCH ASM-COMPLETE, SHURFLO® 94-230-00
	008807-01-705	EA CHECK VALVE-KIT, SHURFLO® 94-237-00
	008807-01-707	EA MOTOR-BASE-PLATE REPLACEMENT, SHURFLO® 94-234-03

WATER HEATER BYPASS

KEY	PART NUMBER	U/M DESCRIPTION
	009729-01-000	EA BYPASS KIT-WATER HEATER, COMPLETE W/VALVE & TUBING
	009729-01-700	EA VALVE ONLY CHECK PLASTIC
	009729-02-000	EA BYPASS KIT-WATER HEATER (CANADIAN)
	009729-02-700	EA VALVE ONLY CHECK BRASS (CANADIAN)
	103259-01-000	EA BRACKET-BYPASS, WATER HEATER

WATER TANK

KEY	PART NUMBER	U/M DESCRIPTION
	077589-08-000	EA TANK ASM-WATER 46 GAL - W/FITTINGS (TWIN BED)
	077589-01-000	EA TANK-WATER BASE, 46 GAL - W/O FITTINGS (TWIN BED)
	076625-10-000	EA TANK ASM-WATER 54 GAL - W/FITTINGS (QUEEN BED)
	076625-01-000	EA TANK-WATER BASE, 54 GAL - W/O FITTINGS (QUEEN BED)
	039881-01-000	EA SENDING UNIT-W/SCREW, WASHER, WELL NUT & TERMINAL RING
	010224-01-000	EA ADAPTER-HOSE TO PIPE, 3/8" MPT X 3/8" BARB - PLASTIC BLACK
	042989-03-000	EA FITTING-WATER TANK, SPINWELD - 1 1/4" NPT - PLASTIC - WHITE
	042989-04-000	EA FITTING-WATER TANK, SPINWELD - 3/8" FPT - PLASTIC - WHITE
	042989-05-000	EA FITTING-WATER TANK, SPINWELD - 1/2" FPT - PLASTIC - WHITE
	044927-01-000	EA ADAPTER-HOSE TO PIPE, 1 1/4" MPT X 1 1/4" BARB-BLACK PLASTIC
	049032-01-000	EA PATCH-SPINWELD, 3/8" - PLASTIC
	052955-01-000	EA TEE-1/2" F X 1/2" F X 1/2" MPT - PLASTIC
	074462-02-000	FT TUBING-VINYL, 3/8" ID - CLEAR
	077954-02-000	EA FILTER-WATER TANK, SCREEN IN TANK
	079381-01-000	FT TUBING-SMOOTH FLEXIBLE, 1 1/4" ID
	096449-01-000	EA WIRE ASSEMBLY-WATER TANK TO MONITOR PANEL

EXTERIOR SHOWER KIT

KEY	PART NUMBER	U/M DESCRIPTION
	046128-01-000	EA VALVE-DRAIN, PLASTIC - 1/2" FPT
	052959-02-000	EA CONNECTOR, 1/2" F X 1/2" MPT - PLASTIC - GRAY
	057457-01-000	EA ELBOW-UNION, 1/2" X 1/2" FLARE
	065120-01-000	EA ELBOW-SWIVEL, 1/2" FPT X 1/2" FLARE - PLASTIC - GRAY
	052957-02-000	EA ELBOW-MALE, 1/2" F X 1/2" MPT - PLASTIC - GRAY
	103173-02-01A	EA KIT-SHOWER, EXTERIOR - OFF WHITE WITH EXTERIOR DOOR, FAUCET, HEAD & HOSE

WATER & SEWAGE GROUP (CONTINUED)

WATER SYSTEM

KEY	PART NUMBER	U/M DESCRIPTION
	103259-01-000	EA BRACKET-BYPASS, WATER HEATER
	038622-02-000	EA CAP-BRASS, 1/2" FLARE
	038800-01-000	FT TUBING-POLYBUTYL, 1/2" OD - INCREMENTS OF 20' - BLACK
	038800-02-000	FT TUBING-POLYBUTYL, 5/8" OD - INCREMENTS OF 20' - BLACK
	052952-01-000	EA NUT-PLASTIC, 1/2" F X 1/2" TUBE - GRAY
	052952-02-000	EA NUT-PLASTIC, 5/8" FLARE
	052955-01-000	EA TEE-WATER, 1/2" F X 1/2" F X 1/2" MPT - PLASTIC - GRAY
	052955-03-000	EA TEE-5/8" F X 5/8" F X 1/2" MPT - PLASTIC
	052957-02-000	EA ELBOW-MALE, 1/2" F X 1/2" MPT - PLASTIC - GRAY
	052958-01-000	EA TEE, 1/2" F X 1/2" F X 1/2" F - PLASTIC - GRAY
	052958-02-000	EA CONNECTOR, 1/2" F X 1/2" MPT - PLASTIC - GRAY
	052960-01-000	EA DRAIN VALVE-IN LINE, HEADER - 1/2" F X 1/2" F - GRAY PLAS
	052960-03-000	EA DRAIN VALVE-IN LINE, HEADER - 5/8" F X 5/8" F - PLASTIC
	055290-01-000	EA ELBOW-5/8" F X 1/2" MPT
	057457-01-000	EA ELBOW-UNION, 1/2" X 1/2" FLARE
	057974-01-000	EA TEE-5/8" F X 1/2" F X 1/2" F, PLASTIC
	065120-01-000	EA ELBOW-SWIVEL, 1/2" FPT X 1/2" FLARE - PLASTIC - GRAY
	074463-01-000	EA TEE-4 WAY, 1/2" FLARE - PLASTIC - GRAY
	079317-01-000	EA ADAPTER-SWIVEL, 1/2" TUBE X 1/2" FPT - PLASTIC - GRAY
	087659-05-000	EA FILL-WATER, CITY - ASH GRAY
	098417-01-000	EA CONNECTOR-5/8" F X 1/2" MPT - PLASTIC - KEVCO
	098420-01-000	EA CONNECTOR-SWIVEL, 1/2" FPT X 5/8" TUBE - PLASTIC
	101814-01-000	EA COUPLING-FEMALE, 1/2" X 1/2" FPT
	106258-01-000	EA CAP-INSERTABLE, 1/2" FLARE
	106258-02-000	EA CAP-INSERTABLE 5/8" FLARE KEVCO 64399 BONNET
	039881-01-000	EA SENDING UNIT-W/SCREW, WASHER, WELL NUT & TERMINAL RING
	052959-03-000	EA CONNECTOR, 1/2" F X 3/8" MPT - PLASTIC - GRAY
	091208-01-000	EA WASHER-RUBBER, 06" X .75" X .5"
	057457-02-000	EA ELBOW-UNION, 5/8" X 5/8" FL - WATER
	057973-01-000	EA TEE-PLASTIC, 1/2" F X 1/2" F X 5/8" F - WATER
	010219-01-000	EA ELBOW-1 1/4" MPT X 1 1/4" BARB, WATER FILL - PLASTIC
	035539-01-000	EA ELBOW-PLASTIC, 3/8" MPT X 3/8" BARB
	055295-02-000	EA TEE-1/2" F X 1/2" MPT X 5/8" F
	052956-01-000	EA TEE-1/2" F X 1/2" MPT X 1/2" F - PLASTIC
	052957-01-000	EA ELBOW-PLASTIC, 1/2" F X 3/8" MPT
	039808-03-000	EA ELBOW-PLAS, 1/2" MPT X 1/2" MPT KEVCO 17296

FROM: 11-22-92 THRU: 99-99-99

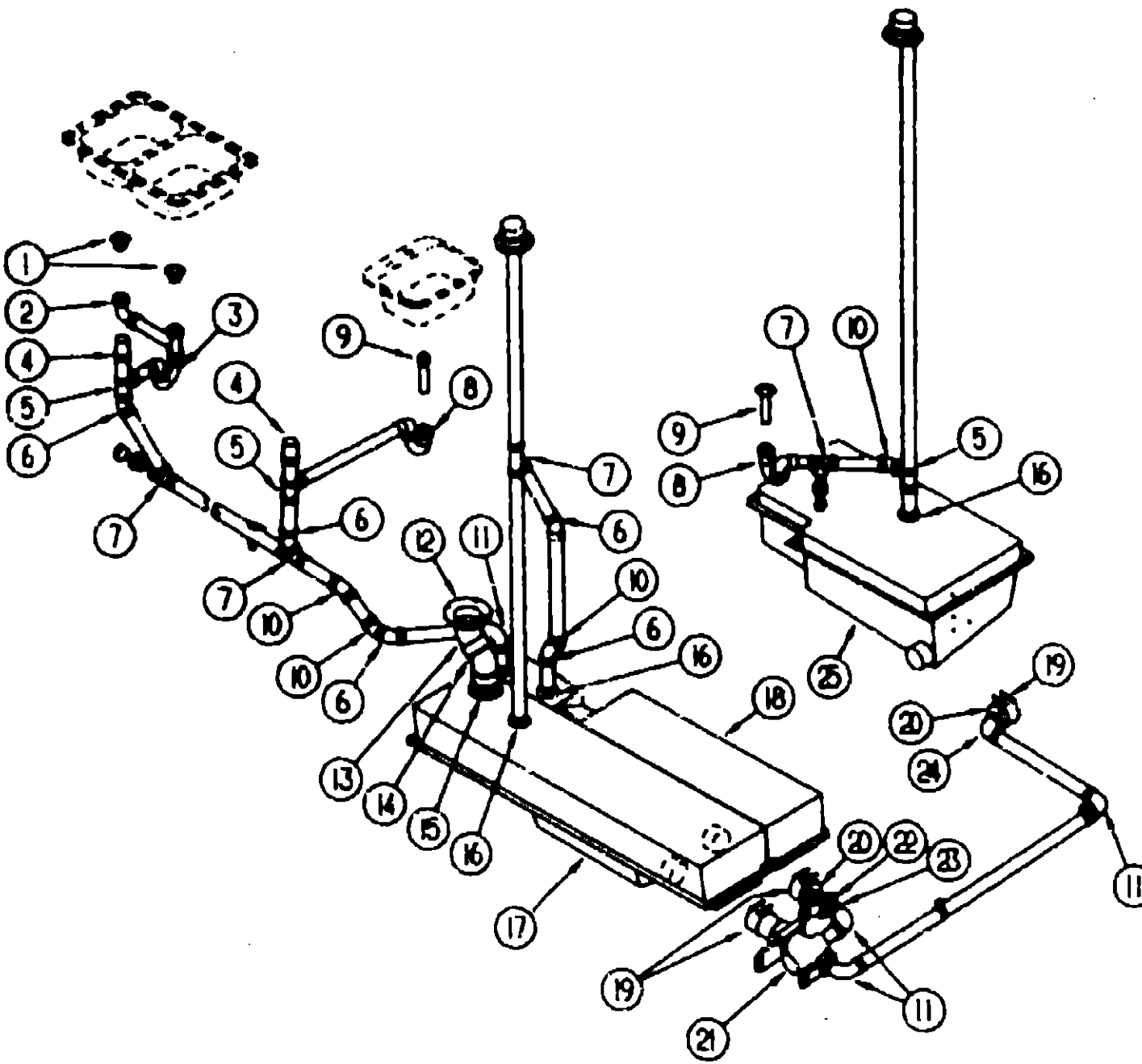
**1993 ITASCA
TABLE OF CONTENTS**

INTRODUCTION	A-01 -	A-02
ABBREVIATIONS		A-03
ALPHABETICAL INDEX	A-04 -	A-08
ICF23RC	A-07 -	E-16
ICF31RQ	E-17 -	J-18

1993 ICF31RQ INDEX

FLOOR PLAN	E-17 -	E-18
ACCESSORIES		E-19
AUDIO VIDEO	E-20 -	E-21
BATH	E-22 -	E-24
BEDROOM	F-01 -	F-03
CHASSIS	F-04 -	F-17
CURTAIN & CUSHION	F-18 -	G-04
DINETTE	G-05 -	G-06
DRIVERS COMPARTMENT	G-07 -	G-12
ELECTRICAL	G-13 -	G-20
EXTERIOR BODY	G-21 -	H-04
GALLEY	H-05 -	H-09
GENERATOR	H-10 -	H-11
HEATING & A/C	H-12 -	H-18
INTERIOR FINISH	H-19 -	H-22
LABELS	H-23 -	I-07
LP		I-08
LOUNGE	I-09 -	I-10
SEALANTS & FASTENERS	I-11 -	I-14
WATER & SEWAGE	I-15 -	I-20
WINDOW, VENT AND		
EXTERIOR DOOR	I-21 -	J-16
WINDSHIELDWIPER	J-17 -	J-18

WATER & SEWAGE GROUP (CONTINUED)
DRAINAGE SYSTEM



KEY	PART NUMBER	U/M DESCRIPTION
1	082303-01-000	EA STRAINER-SINK
2	011091-02-000	EA PIPE-DRAIN, DOUBLE SINK - BAFFLE TEE - 1 1/2" - US ONE PIPE W/TEE TO DRAIN BOTH SIDES OF SINK
2	011091-03-000	EA PIPE-DRAIN, W/SEALS - DOUBLE SINK - EXTENDS 9" TO 18" - CANADIAN
3	107538-01-000	EA P-TRAP-PLASTIC, 1 1/4" W/EXT ARM - US
3	108571-01-000	EA P-TRAP ADAPTER-1 1/2" P X 1 1/4" MPT - US
3	011071-01-000	EA P-TRAP-PLASTIC, 1 1/2" - PLASTIC - CANADIAN
3	107537-01-000	EA P-TRAP ADAPTER-1 1/4" SLIP - CANADIAN
4	070088-01-000	EA VENT-MECH. TRAP ARM, ANTI-SIPHON - 2" DIA X 7.3" - PLASTIC
5	010071-01-000	EA TEE-SANITARY, 1 1/2" HUB X HUB X HUB - PLASTIC - BLACK
6	010051-01-000	EA ELBOW-45 DEGREE BEND, 1 1/2" SPIGOT AND HUB - PLASTIC - BLACK
7	010073-01-000	EA WYE-45 DEGREE, 1 1/2" HUB X HUB X HUB - PLASTIC - BLACK
	010122-01-000	EA BUSHING-REDUCER, 1 1/2 SMTH X 1 1/4 THD - PLASTIC - BLACK
	010186-01-000	EA PLUG-THREADED, 1 1/4" DIAMETER - PLASTIC - BLACK
8	107538-01-000	EA P-TRAP-PLASTIC, 1 1/4" W/EXT ARM - US
8	011088-02-000	EA P-TRAP-1 1/4" HUB X SLIP JOINT, W/UNION - ABS - CANADIAN
9	011059-02-000	EA TAILPIECE-TUB/SHOWER, 1 1/2" X 1 1/4" X 4" - BRASS
10	010008-01-000	EA ELBOW-45 DEG, 1/8 BEND - 1 1/2" HUB X HUB - BLACK PLASTIC
11	010008-01-000	EA ELBOW-90 DEG, 1/4 BEND - 1 1/2" HUB X HUB - BLACK PLASTIC
	061807-01-000	EA GROMMET-HOLDING TANK, 1 1/2" NPS
12	024676-02-000	EA FLANGE-CLOSET, 4" X 3" - ABS - CANADIAN
12	063641-01-000	EA FLANGE-CLOSET, 4" X 3" - US
13	010061-01-000	EA ELBOW-45 DEGREE, STREET - 1/8 BEND - 3" S X H - PLASTIC
14	070024-01-000	EA ELBOW-PLASTIC, 1/8 BD - 3 X 45 - H X H
15	061807-02-000	EA GROMMET-HOLDING TANK, 3" NPS
16	061807-01-000	EA GROMMET-HOLDING TANK, 1 1/2" NPS
17	081149-01-000	EA TANK-HOLDING, 29 GALLON - 59.25" X 13.4" X 15.5"
18	081185-01-000	EA TANK-HOLDING, 20 GALLON - 59.25" X 11.4" X 13.8"
19	078406-01-000	EA COUPLER-RUBBER, W/CLAMPS - 3" X 3"
20	062422-01-000	EA ADAPTER-OFFSET REDUCER, 3" X 1 1/2" - PLASTIC - BLACK
21	082696-01-000	EA VALVE-WASTE, DRAINAGE - 3"
22	062421-01-000	EA VALVE-DUMP, W/HANDLE - 1 1/2" - PLASTIC - BLACK
	088770-01-000	EA STANDOFF-THREADED, 3/8" X 1 1/4"
	088771-01-000	EA ROD-THREADED, .25" DIAMETER X 7.25" LONG
23	010115-01-000	EA COUPLING-1 1/2" HUB X HUB, PLASTIC
24	033761-01-000	EA ELBOW-TURN, 1/4 BEND X 1.5" HUB X 1.5" SPIGOT - BLK PLASTIC
25	076574-01-000	EA TANK-HOLDING, 25 GALLON - 37.2" X 20" X 12.6"
	010201-01-000	EA HOSE-SEWER, 3" ID X 8'
	062416-01-000	EA ADAPTER-SEWER HOSE TO 3" PIPE

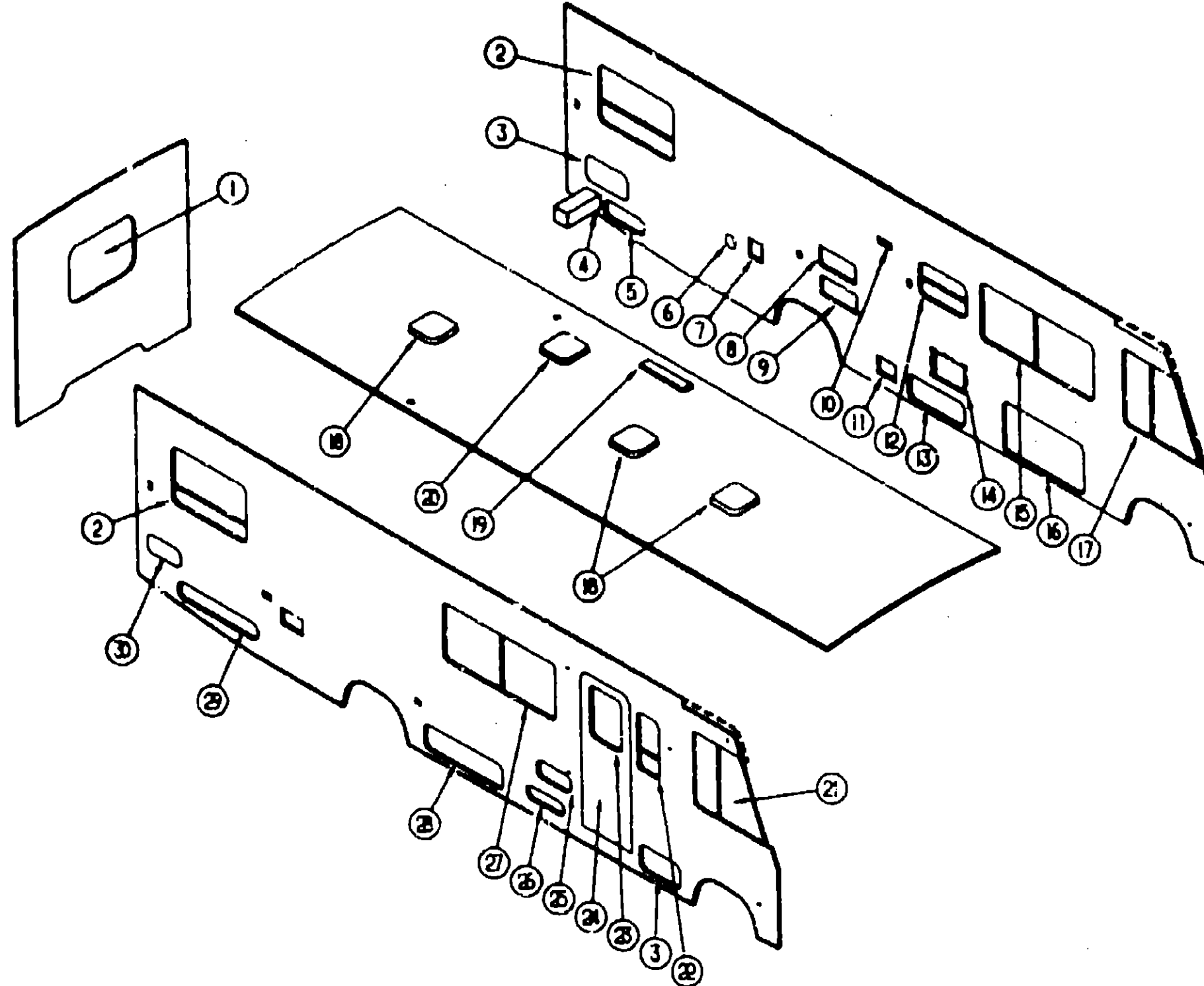
1983 ITASCA
TABLE OF CONTENTS

INTRODUCTION	A-01 -	A-02
ABBREVIATIONS		A-03
ALPHABETICAL INDEX	A-04 -	A-06
ICF21RC	A-07 -	E-18
ICF31RQ	E-17 -	J-18

1983 ICF31RQ INDEX

FLOOR PLAN	E-17 -	E-18
ACCESSORIES		E-19
AUDIO VIDEO	E-20 -	E-21
BATH	E-22 -	E-24
BEDROOM	F-01 -	F-03
CHASSIS	F-04 -	F-17
CURTAIN & CUSHION	F-18 -	G-04
DINETTE	G-05 -	G-06
DRIVERS COMPARTMENT	G-07 -	G-12
ELECTRICAL	G-13 -	G-20
EXTERIOR BODY	G-21 -	H-04
GALLEY	H-05 -	H-09
GENERATOR	H-10 -	H-11
HEATING & A/C	H-12 -	H-18
INTERIOR FINISH	H-19 -	H-22
LABELS	H-23 -	I-07
LP		I-08
LOUNGE	I-09 -	I-10
SEALANTS & FASTENERS	I-11 -	I-14
WATER & SEWAGE	I-15 -	I-20
WINDOW, VENT AND		
EXTERIOR DOOR	I-21 -	J-16
WINDSHIELDWIPER	J-17 -	J-18

WINDOW, VENT & EXTERIOR DOOR GROUP
EXTERIOR WINDOWS, DOORS & VENTS



**1983 ITASCA
TABLE OF CONTENTS**

INTRODUCTION	A-01 -	A-02
ABBREVIATIONS		A-03
ALPHABETICAL INDEX	A-04 -	A-06
ICF23RC	A-07 -	E-16
ICF31RQ	E-17 -	J-18

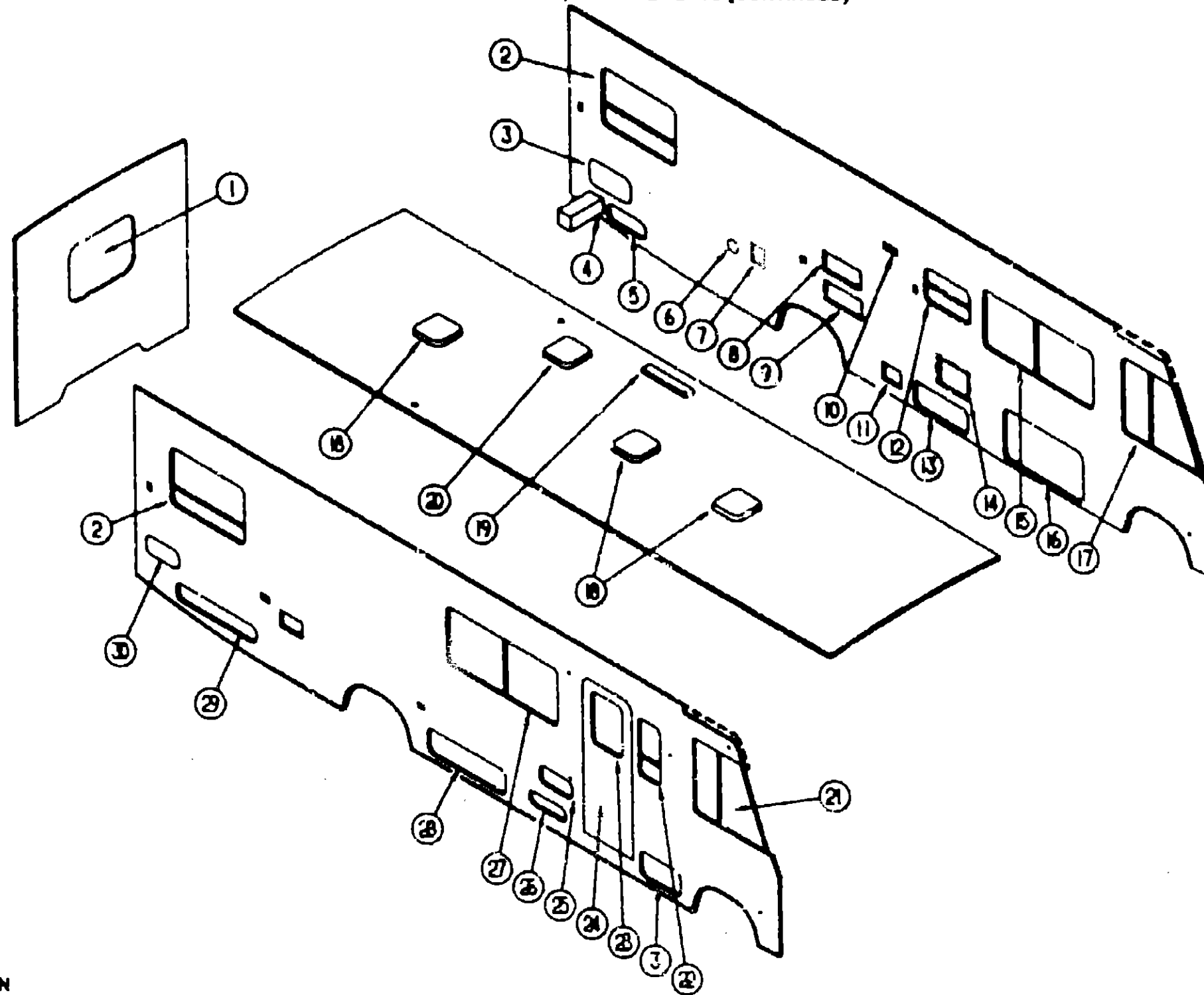
1983 ICF31RQ INDEX

FLOOR PLAN	E-17 -	E-18
ACCESSORIES		E-19
AUDIO VIDEO	E-20 -	E-21
BATH	E-22 -	E-24
BEDROOM	F-01 -	F-03
CHASSIS	F-04 -	F-17
CURTAIN & CUSHION	F-18 -	G-04
DINETTE	G-05 -	G-06
DRIVERS COMPARTMENT	G-07 -	G-12
ELECTRICAL	G-13 -	G-20
EXTERIOR BODY	G-21 -	H-04
GALLEY	H-05 -	H-09
GENERATOR	H-10 -	H-11
HEATING & A/C	H-12 -	H-18
INTERIOR FINISH	H-19 -	H-22
LABELS	H-23 -	I-07
LP		I-08
LOUNGE	I-09 -	I-10
SEALANTS & FASTENERS	I-11 -	I-14
WATER & SEWAGE	I-15 -	I-20
WINDOW, VENT AND EXTERIOR DOOR	I-21 -	J-16
WINDSHIELDWIPER	J-17 -	J-18

KEY	PART NUMBER	U/M DESCRIPTION
1	076528-03-Y12	EA WINDOW ASM-ESCAPE, 27" X 48" - W/O INSIDE FRAME
2	092235-12-Y12	EA WINDOW-TIPOUT, SINGLE - W/O INSIDE FRAME
3	106987-01-D32	EA DOOR ASM-STORAGE
4	052423-06-000	EA DOOR-ACCESS, 6.6" X 6.3" - PLASTIC - ASH GRAY
	052424-01-000	EA JAMB-DOOR, 8' X 7.7" - PLASTIC - ASH GRAY
5	106987-01-D32	EA DOOR ASM-STORAGE
6	087659-01-000	EA FILL-WATER CITY - ASH GRAY
7	081240-10-000	EA DOOR-WATER FILL, LOCKABLE, 4" X 4 5/8" - ASH GRAY
	082884-01-700	EA KEY
8	084103-07-000	EA DOOR-REFRIGERATOR, VENTED - W/O JAMB - ASH GRAY
	084104-07-000	EA JAMB-DOOR, REFRIGERATOR - ASH GRAY
	084104-01-700	EA LOCK-MALE, FASTENER - REFRIGERATOR DOOR
	084104-01-701	EA LOCK-FEMALE, FASTENER - REFRIGERATOR DOOR
9	090868-09-000	EA DOOR-ACCESS, FURNACE, ASH GRAY - SUBURBAN 520574
10	084516-05-000	EA SHROUD-RANGE HOOD VENT, ASH GRAY
	084878-09-000	EA VENT-RANGE HOOD, SHORT - LVS
11	088794-05-000	EA DOOR-POWER CORD, WHATCH - ASH GRAY
12	092235-11-Y12	EA WINDOW-TIPOUT, SINGLE - W/O INSIDE FRAME
13	103533-01-D32	EA DOOR ASM-GENERATOR

KEY	PART NUMBER	U/M DESCRIPTION
14	052009-05-000	EA DOOR-WATER HEATER, ASH GRAY - ATWOOD 5576-27
15	098647-10-02A	EA WINDOW ASM-SLIDER, HORIZ B/OW - 11024-PRL
16	106987-06-D32	EA DOOR ASM-STORAGE
17	103658-01-01A	EA WINDOW ASM-CAB, DRIVER - H 332-ARL
		FROM: 00-00-00 THRU: 08-22-92
17	103658-05-01A	EA WINDOW ASM-CAB, DRIVER - EXCEL H373-ARL
		FROM: 06-23-92 THRU: 99-99-99
18	090392-01-Y12	EA VENT-ROOF NONPOWERED
		FROM: 00-00-00 THRU: 10-04-92
18	110051-0101A	EA VENT-ROOF, NONPOWERED - 2" ROOF - JENSEN 7724 WHE - CANADIAN
		FROM: 10-05-92 THRU: 99-99-99
19	084073-06-000	EA COVER-ROOF VENT, REFRIGERATOR - ASH GRAY - NORCOLD
	084073-04-000	EA BASE-ROOF VENT, REFRIGERATOR - BLACK - NORCOLD
20	090393-01-Y12	EA VENT-ROOF, POWERED W/O SCREEN - US
		FROM: 00-00-00 THRU: 10-04-92
20	110051-03-01A	EA VENT-ROOF, POWERED - 2" ROOF - JENSEN 7757 WHE - US
		FROM: 10-05-92 THRU: 99-99-99

WINDOW, VENT & EXTERIOR DOOR GROUP (CONTINUED)
EXTERIOR WINDOWS, DOORS & VENTS (CONTINUED)



**1993 ITASCA
 TABLE OF CONTENTS**

INTRODUCTION	A-01	A-02
ABBREVIATIONS		A-03
ALPHABETICAL INDEX	A-04	A-08
ICF23RC	A-07	E-16
ICF31RQ	E-17	J-18

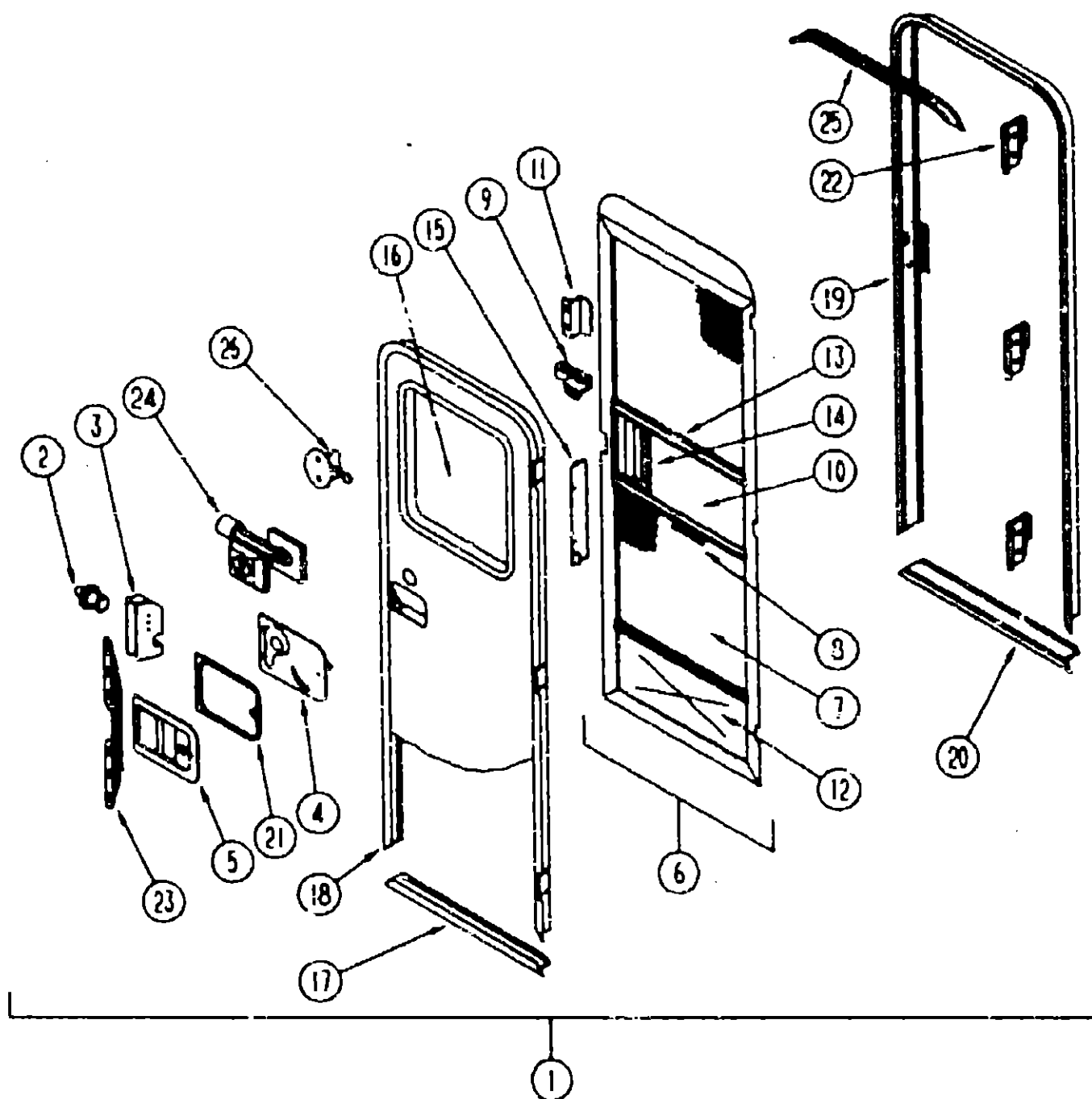
1993 ICF31RQ INDEX

FLOOR PLAN	E-17	E-18
ACCESSORIES		E-19
AUDIO VIDEO	E-20	E-21
BATH	E-22	E-24
BEDROOM	F-01	F-03
CHASSIS	F-04	F-17
CURTAIN & CUSHION	F-10	G-04
DINETTE	G-05	G-06
DRIVERS COMPARTMENT	G-07	G-12
ELECTRICAL	G-13	G-20
EXTERIOR BODY	G-21	H-04
GALLEY	H-05	H-09
GENERATOR	H-10	H-11
HEATING & A/C	H-12	H-18
INTERIOR FINISH	H-19	H-22
LABELS	H-23	I-07
LP		I-08
LOUNGE	I-09	I-10
SEALANTS & FASTENERS	I-11	I-14
WATER & SEWAGE	I-15	I-20
WINDOW, VENT AND EXTERIOR DOOR	I-21	J-16
WINDSHIELDWIPER	J-17	J-18

KEY	PART NUMBER	U/M DESCRIPTION
20	064469-08-000	EA VENT-ROOF, POWERED - 14" X 14" - 12V - JENSEN C-727 - CSA FROM: 00-00-00 THRU 10-04-92
20	110051-05-01A	EA VENT-ROOF, POWERED - 2" ROOF - JENSEN C7757 WHE - CSA FROM: 10-05-92 THRU 99-99-99
21	103658-02-01A	EA WINDOW ASM-CAB,PASSENGER - H322-ARR FROM: 00-00-00 THRU 08-22-92
21	103658-06-01A	EA WINDOW ASM-CAB,PASSENGER - H373-ARR FROM: 08-23-92 THRU 99-99-99
22	069644-03-02A	EA WINDOW-SLIDER, 28 25" H X 12 25" W H298-PR EXCEL
23	079733-04-T03	EA WINDOW-ENTRY DOOR, 17" X 25" - W/O INSIDE FRAME
24	M01870-64-D32	EA DOOR-ENTRANCE W/SCN, W/BLK FRAME
25	105118-01-D32	EA DOOR-STORAGE
26	078720-02-D32	FA DOOR-COMPARTMENT, LP - 16.9" X 5.4" - ALUMINUM - O/W
27	068647-09-02A	EA WINDOW ASM-SLIDER, HORIZ B/O-W - H024-PRR
28	108987-10-D32	EA DOOR ASM-STORAGE
29	108987-09-D32	EA DOOR ASM-STORAGE
30	105118-02-D32	EA DOOR-STORAGE, 17.5" X 7.6"

WINDOW, VENT & EXTERIOR DOOR GROUP (CONTINUED)

ENTRY DOOR



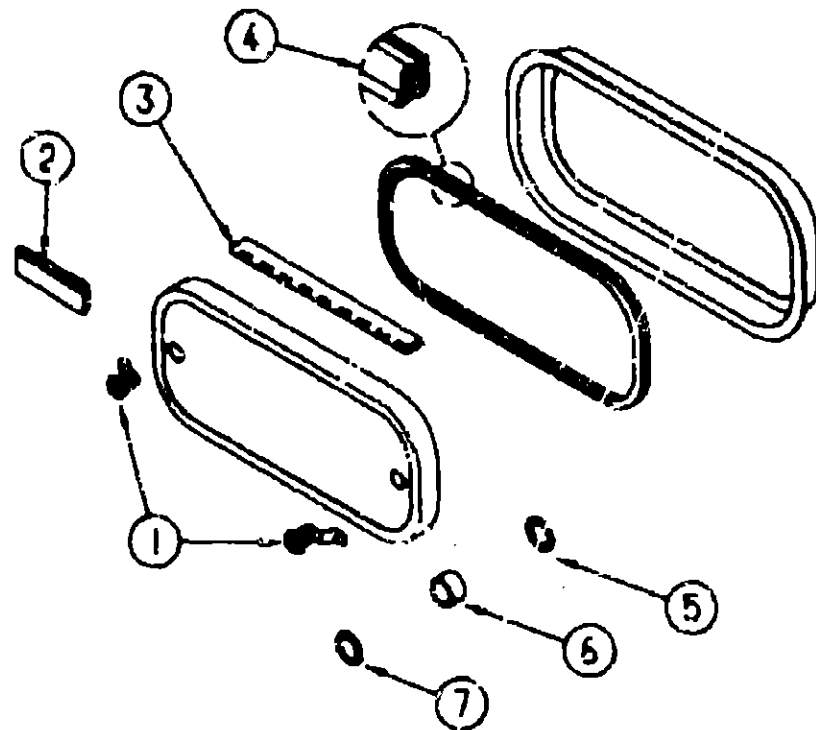
KEY	PART NUMBER	U/M	DESCRIPTION
1	M01870-84-032	EA	DOOR-ENTRY WSCREEN DOOR & JAMB
2	039539-01-000	EA	STRIKE-LOCK, ENTRY DOOR - ROUND W/THREADED WASHER
3	039540-01-000	EA	LATCH MECHANISM-HOOK, ENTRY DOOR - INTERIOR
	039715-01-000	EA	NUT-SERT, 1/4" DIAMETER - 20 THREADS
4	039979-04-000	EA	COVER-INTERIOR LATCH, W/TRIP ARM - RIGHT - BLACK
	039984-01-000	EA	CAP-ROUND, VINYL - .25" ID X .82" LONG - BLACK
	041546-03-000	EA	BRACKET-DOOR ANGLE, 5" X 1 9" - BEIGE - METAL
5	045017-11-000	EA	LATCH-ENTRY DOOR, MECHANISM W/LOCK & KEY - BLACK
	045017-11-701	EA	KEY BLANK
	058025-02-000	EA	CLIP-ROLLER LATCH CATCH, SCREEN DOOR
	063729-04-000	EA	RIVNUT, 10-32 UNF - .010 - 060
	072893-01-000	EA	NUTSERT-MS X 0.8
	075671-04-000	FT	SEAL-SPONGE, LAZY T SHAPE - W/ADHESIVE STRIPE - 5" WIDE
6	079012-01-U01	EA	DOOR-SCREEN
7	002293-02-000	SF	SCREENING-WINDOW/DOOR, 26" - CHARCOAL
8	002294-01-000	FT	SPLINE-SCREENING, 135" X 138" - BLACK
	002748-01-000	EA	CORNER KEY-DOOR
9	009018-01-000	EA	CATCH-ASM-SINGLE ROLLER
			FROM: 00-00-00 THRU 07-14-92
9	109403-G1-000	EA	CATCH-ASM-SINGLE ROLLER
			FROM: 07-15-92 THRU 99-99-99
10	016454-01-000	EA	INSERT-CENTER, LEATHER GRAIN ALUMINUM - UNPAINTED
10	001014-01-013	EA	INSERT-CENTER, 10.25" X 16.31" - UNPAINTED
11	050712-04-000	EA	HANDLE-SCREEN DOOR, ALUMINUM - OFF WHITE
11	050712-05-000	EA	HANDLE-SCREEN DOOR, UNPAINTED
12	078552-03-000	EA	KICK PANEL-SCREEN DOOR, LOWER INSERT - UNPAINTED
	078595-01-000	EA	TOP PLATE-SCREEN DOOR, CURVED TOP - 4.7" X 25.35"
13	078777-01-000	EA	CHANNEL-SLIDE, SCREEN DOOR CENTER SLIDER COVER
14	079086-02-000	EA	SLIDER-SCREEN DOOR, OFF WHITE
15	079087-02-000	EA	STRIKE-SLIDER, W/LIP FOR ELBOW CATCH - 1.5" X 8.6" - OFF WHITE
	009016-01-000	EA	CATCH-ELBOW, SPRING LOADED - SCREEN DOOR CATCH
			FROM: 00-00-00 THRU 01-28-93
16	079733-04-T03	EA	WINDOW-PICTURE, W/O INSIDE FRAME - 17" X 25"
	067609-32-000	EA	FRAME-WINDOW, ENTRY DOOR - OFF WHITE
	067609-27-000	EA	FRAME-WINDOW, ENTRY DOOR - BLACK - EUROPEAN
	902181-06-000	EA	GLASS-WINDOW, .115" X 16.25" X 24"
	081914-01-000	EA	BUMPER-RUBBER, ROUND - .43" DIAMETER - BLACK
17	089748-01-000	EA	FRAME-BOTTOM, ENTRY DOOR - 24.8" LONG - OFF WHITE
	090340-01-000	FT	SEAL-FOAM, CLOSED CELL - 1/4" X 1/2" X 50"
18	095276-01-04A	EA	FRAME-ENTRY DOOR, W/O BOTTOM - ASH GRAY
19	095277-02-04A	EA	JAMB-ENTRY DOOR, W/BOTTOM - 25.9" X 74.5" - ASH GRAY
20	051049-01-000	EA	JAMB-BOTTOM, ENTRY DOOR - 25.9" - UNPAINTED
	079207-01-000	EA	STRIKER-ROLLER CATCH, WELDED TO DOOR JAMB - 4" X 1.15"
	095278-01-01A	EA	JAMB-DOOR, ENTRANCE - 25.9" X 74.6" - UNPAINTED
21	096810-01-01A	EA	PLATE-LATCH, ENTRY DOOR - PLASTIC - BLACK
22	097724-01-04A	EA	HINGE-ENTRY DOOR, UNPAINTED
23	043173-01-04A	EA	STIFFENER-ENTRY DOOR, SUPPORTS LATCH/STRIKE AREA - UNPAINTED
	100128-02-000	FT	SEAL-PILE, ADHESIVE BACK - SCREEN DOOR - GRAY
24	101145-01-01A	EA	DEADBOLT-ENTRY DOOR, W/2 KEYS W/O BACK SET BOLT OR SCREWS
	095229-01-700	EA	KEY BLANK FOR DEADBOLT
	101147-01-000	EA	BOLT-SECURITY, 4 1/2" BACKSET
	102524-01-000	EA	BUMPER-RUBBER, FLAT - BLACK
25	044582-31-000	EA	CAP-TRIP, ENTRY DOOR - JAMB MOUNTED - ALUMINUM - ASH GRAY
	064075-07-000	FT	SEAL-BULB, W/WIRED U CHANNEL - 3" X 5" CHANNEL - BLACK
	075839-04-000	EA	GAP-FILL-RADIUS, ENT DOOR - OFF WHITE
	077481-03-000	EA	COVER-STRIKE, ENTRY DOOR - 8.5" X 2.5" - PLASTIC - WHITE
	080340-01-000	FT	SEAL-FOAM, CLOSED CELL - 1/4" X 1/2" X 50"
	091876-01-000	EA	RETAINER-DOOR, 1.9" X .8" - METAL
28	100412-01-000	EA	CATCH-SCREEN DOOR, THUMB CLIP W/BLACK PLASTIC CAP
	104692-01-000	FT	SEAL-ADHESIVE BACK, 3/4" X 3/4"
	104099-01-02A	EA	CATCH-DOOR HOLDER, STRIKE - ASH GRAY
	104099-02-02A	EA	CATCH-DOOR HOLDER, RETAINER - ASH GRAY

1983 ITASCA
TABLE OF CONTENTS

INTRODUCTION	A-01	A-02
ABBREVIATIONS		A-03
ALPHABETICAL INDEX	A-04	A-06
ICF23RC	A-07	E-16
ICF31RQ	E-17	J-18

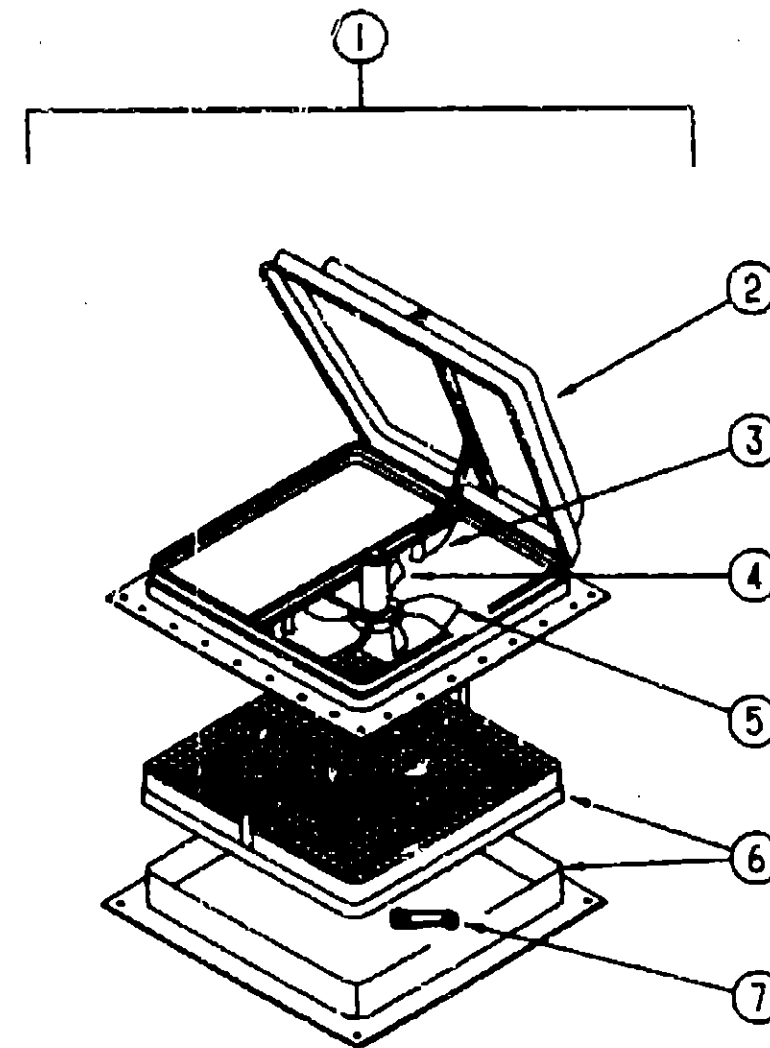
1983 ICF31RQ INDEX

FLOOR PLAN	E-17	E-18
ACCESSORIES		E-19
AUDIO VIDEO	E-20	E-21
BATH	E-22	E-24
BEDROOM	F-01	F-03
CHASSIS	F-04	F-17
CURTAIN & CUSHION	F-18	G-04
DINETTE	G-05	G-06
DRIVERS COMPARTMENT	G-07	G-12
ELECTRICAL	G-13	G-20
EXTERIOR BODY	G-21	H-04
GALLEY	H-05	H-09
GENERATOR	H-10	H-11
HEATING & AC	H-12	H-18
INTERIOR FINISH	H-19	H-22
LABELS	H-23	I-07
LP		I-08
LOUNGE	I-09	I-10
SEALANTS & FASTENERS	I-11	I-14
WATER & SEWAGE	I-15	I-20
WINDOW, VENT AND EXTERIOR DOOR	I-21	J-16
WINDSHIELDWIPER	J-17	J-18



EXTERIOR DOOR COMPONENTS & HOLDERS

KEY	PART NUMBER	U/M DESCRIPTION
1	079388-04-000	EA LOCK-DOOR, KEY TYPE W/O KEYS - 1 9 OFF SET
	082684-01-700	EA KEY BLANK
1	009003-01-000	EA LOCK-TWIST TYPE, W/CLIP
1	079927-03-000	EA LOCK-TWIST TYPE, DOUBLE CAM - 2.10 OFF SET
2	102788-01-000	EA HOLDER-COMPARTMENT/ENTRY DOOR, METAL - MILL FINISH
3	081801-02-000	EA HINGE-2" X 96", OFF WHITE
3	034007-40-000	EA HINGE-PIANO, 1.5" X 96" - ALUMINUM - OFF WHITE
3	009065-01-000	EA HINGE-PIANO, 1.5" X 96" - ALUMINUM - UNPAINTED
4	064075-07-000	FT SEAL-SULB, W/WIRED U CHANNEL - .3" X .5" CHANNEL - BLACK
5	109833-01-000	EA BEAUTY RING- .67" X .78" ID, STAINLESS STEEL
6	107997-51-001	EA SPACER-.06" X .6", ALUMINUM
7	109834-01-000	EA WASHER-.64" X .752" ID, STAINLESS STEEL
	081914-01-000	EA BUMPER-RUBBER, ROUND - .43" DIAMETER - BLACK
	104992-01-000	FT SEAL-.34" X 3/4", ADHESIVE BACK



POWERED ROOF VENT - JENSEN - CANADIAN

KEY	PART NUMBER	U/M DESCRIPTION
1	064469-07-000	EA VENT-ROOF, POWERED - 14" X 14" - 12V - JENSEN C-727 - CSA FROM: 00-00-00 THRU: 10-04-92
1	110051-09-01A	EA VENT-ROOF, POWERED - 2" ROOF - CSA - JENSEN C7757 WHE FROM: 10-05-92 THRU: 99-99-99
2	064469-03-702	EA LID-VENT, WHITE - JENSEN 290-WH FROM: 00-00-00 THRU: 10-04-92
2	064470-01-700	EA COVER-ROOF VENT, JENSEN 7291 FROM: 10-05-92 THRU: 99-99-99
3	064469-03-706	EA LIFT MECHANISM FROM: 00-00-00 THRU: 10-04-92
3	110051-01-702	EA LIFT ASM-VENT LID W/O CRANK, JENSEN RP-1000B FROM: 10-05-92 THRU: 99-99-99
4	048648-01-000	EA MOTOR-ROOF VENT, 1/8 SHAFT - 12V
5	048648-01-000	EA FAN-ROOF VENT, 6 BLADES - 6"
6	110051-01-701	EA GARNISH W/SCREEN & FRAME-2", JENSEN 29-800-01
7	009439-01-000	EA CRANK HANDLE-ROOF VENT FROM: 00-00-00 THRU: 10-04-92
	110051-01-700	EA CRANK HANDLE-ROOF VENT, JENSEN RP-1031-B FROM: 10-05-92 THRU: 99-99-99
	009439-04-000	EA SCREW 6-32 X 1 1/4" POH FROM: 00-00-00 THRU: 10-04-92
	009439-03-000	EA EXTENSION-CRANK HANDLE ROOF VENT - 9" - MILL FROM: 00-00-00 THRU: 10-04-92
	064469-03-708	EA GEAR - DRIVE
	064469-03-709	EA GEAR-MOTOR PINION

1993 ITASCA
TABLE OF CONTENTS

INTRODUCTION	A-01 -	A-02
ABBREVIATIONS		A-03
ALPHABETICAL INDEX	A-04 -	A-06
ICF23RC	A-07 -	E-16
ICF31RQ	E-17 -	J-13

1993 ICF31RQ INDEX

FLOOR PLAN	E-17 -	E-18
ACCESSORIES		E-19
AUDIO VIDEO	E-20 -	E-21
BATH	E-22 -	E-24
BEDROOM	F-01 -	F-03
CHASSIS	F-04 -	F-17
CURTAIN & CUSHION	F-18 -	G-04
DINETTE	G-05 -	G-06
DRIVERS COMPARTMENT	G-07 -	G-12
ELECTRICAL	G-13 -	G-20
EXTERIOR BODY	G-21 -	H-04
GALLEY	H-05 -	H-09
GENERATOR	H-10 -	H-11
HEATING & A/C	H-12 -	H-18
INTERIOR FINISH	H-19 -	H-22
LABELS	H-23 -	I-07
LP		I-08
LOUNGE	I-09 -	I-10
SEALANTS & FASTENERS	I-11 -	I-14
WATER & SEWAGE	I-15 -	I-20
WINDOW, VENT AND EXTERIOR DOOR	I-21 -	J-16
WINDSHIELDWIPER	J-17 -	J-18

WINDOW, VENT & EXTERIOR DOOR GROUP (CONTINUED)

POWERED ROOF VENT

KEY	PART NUMBER	U/M DESCRIPTION
	090392-01-Y12	EA VENT-ROOF, POWERED FROM: 00-00-00 THRU: 10-04-92
	002825-01-000	EA WEATHER STRIP-ROOF VENT, GRAY
	009440-01-000	EA GEAR/ARM-VENT COVER, LIFT
	015911-01-000	EA TRACK-LIFT ARM, SLIDE - ROOF VENT
	051384-01-000	EA COVER-ROOF VENT
	052639-01-001	EA HINGE-VENT COVER, 192"
	078786-01-Y12	EA SCREEN-ROOF VENT, NON POWERED
	002291-02-000	SF SCREENING-ROOF VENT/WINDOW, 16" - BLACK
	002298-02-000	FT SPLINE-VENT/WINDOW SCREEN, .128 DIAMETER - BLACK
	110051-03-01A	EA VENT-ROOF, NONPOWERED - 2" ROOF FROM: 10-05-92 THRU: 99-99-99
	048648-01-000	EA MOTOR-ROOF VENT, 1/8 SHAFT - 12V - JENSEN
	048649-01-000	EA FAN-ROOF VENT, 6 BLADES - 6" - JENSEN
	064469-03-708	EA GEAR-DRIVE - JENSEN RP-1024
	064469-03-709	EA GEAR-MOTOR PINION - JENSEN RP-1025
	064470-01-700	EA COVER-ROOF VENT - JENSEN 7291
	110051-01-701	EA GARNISH W/SCREEN & FRAME-2" - JENSEN 29-800-01 FITS 1" AND 2" THICK ROOFS
	110051-01-702	EA LIFT ASM-VENT LID W/O CRANK, JENSEN RP-1000B
	110051-01-703	EA CRANK HANDLE-ROOF VENT, JENSEN RP-1031-B

WINDOW, VENT & EXTERIOR DOOR GROUP (CONTINUED)

NON POWERED ROOF VENT

KEY	PART NUMBER	U/M DESCRIPTION
	090392-01-Y12	EA VENT-ROOF, NON POWERED FROM: 00-00-00 THRU: 10-04-92
	002825-01-000	EA WEATHER STRIP-ROOF VENT, GRAY
	009440-01-000	EA GEAR/ARM-VENT COVER, LIFT
	015911-01-000	EA TRACK-LIFT ARM, SLIDE - ROOF VENT
	055218-01-000	EA COVER-ROOF VENT
	052639-01-001	EA HINGE-VENT COVER, 192"
	009439-01-000	EA CRANK HANDLE-ROOF VENT
	009439-03-000	EA EXTENSION-CRANK HANDLE, ROOF VENT - .9"
	078786-01-Y12	EA SCREEN-ROOF VENT, NON POWERED
	002291-02-000	SF SCREENING-ROOF VENT/WINDOW, 16" - BLACK
	002298-02-000	FT SPLINE-VENT/WINDOW SCREEN, .128 DIAMETER - BLACK
	110051-01-01A	EA VENT-ROOF, NONPOWERED - 2" ROOF - JENSEN 7724 WHE FROM: 10-05-92 THRU: 99-99-99
	002825-01-000	EA WEATHER STRIP-ROOF VENT, GRAY
	009440-01-000	EA GEAR/ARM-VENT COVER, LIFT
	015910-03-000	EA BRACKET-HANDLE, ROOF VENT - OFF WHITE
	015911-01-000	EA TRACK-LIFT ARM, SLIDE - ROOF VENT
	055218-01-000	EA COVER-ROOF VENT
	052639-01-001	EA HINGE-VENT COVER, 16"
	052639-01-200	EA HINGE-EXTRUSION, ROOF VENT 7"
	052639-01-001	EA HINGE-VENT COVER, 16"
	110051-01-701	EA GARNISH W/SCREEN & FRAME-2", JENSEN 29-800-01 FITS 1" AND 2" THICK ROOFS
	110051-01-702	EA LIFT ASM-VENT LID W/O CRANK, JENSEN RP-1000B
	110051-01-703	EA CRANK HANDLE-ROOF VENT, JENSEN RP-1031-B

VENTS & ROOF COVERS

KEY	PART NUMBER	U/M DESCRIPTION
	083558-05-000	EA VENT-PLUMBING PIPE ROOF W/COVER - ASH GRAY
	084073-06-000	EA COVER-ROOF VENT, REFRIGERATOR - ASH GRAY - NORCOLD
	084073-04-000	EA BASE-ROOF VENT, REFRIGERATOR - BLACK - NORCOLD

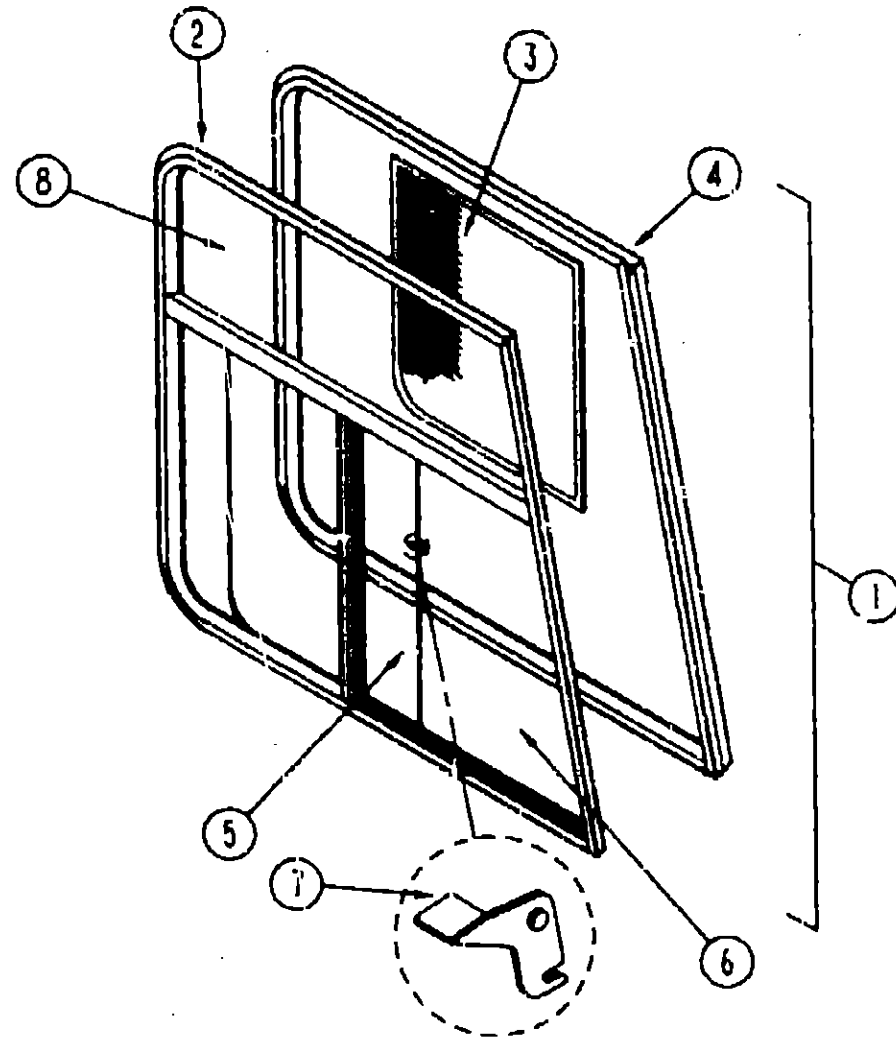
**1993 ITASCA
TABLE OF CONTENTS**

INTRODUCTION	A-01	A-02
ABBREVIATIONS		A-03
ALPHABETICAL INDEX	A-04	A-06
ICF23RC	A-07	E-16
ICF31RQ	E-17	J-18

1993 ICF31RQ INDEX

FLOOR PLAN	E-17	E-18
ACCESSORIES		E-19
AUDIO VIDEO	E-20	E-21
BATH	E-22	E-24
BEDROOM	F-01	F-03
CHASSIS	F-04	F-17
CURTAIN & CUSHION	F-19	G-04
DINETTE	G-05	G-06
DRIVERS COMPARTMENT	G-07	G-12
ELECTRICAL	G-13	G-20
EXTERIOR BODY	G-21	H-04
GALLEY	H-05	H-09
GENERATOR	H-10	H-11
HEATING & A/C	H-12	H-18
INTERIOR FINISH	H-19	H-22
LABELS	H-23	I-07
LP		I-08
LOUNGE	I-09	I-10
SEALANTS & FASTENERS	I-11	I-14
WATER & SEWAGE	I-15	I-20
WINDOW, VENT AND EXTERIOR DOOR	I-21	J-18
WINDSHIELDWIPER	J-17	J-18

WINDOW, VENT & EXTERIOR DOOR GROUP (CONTINUED)
DRIVER & PASSENGER CAB SIDE WINDOWS



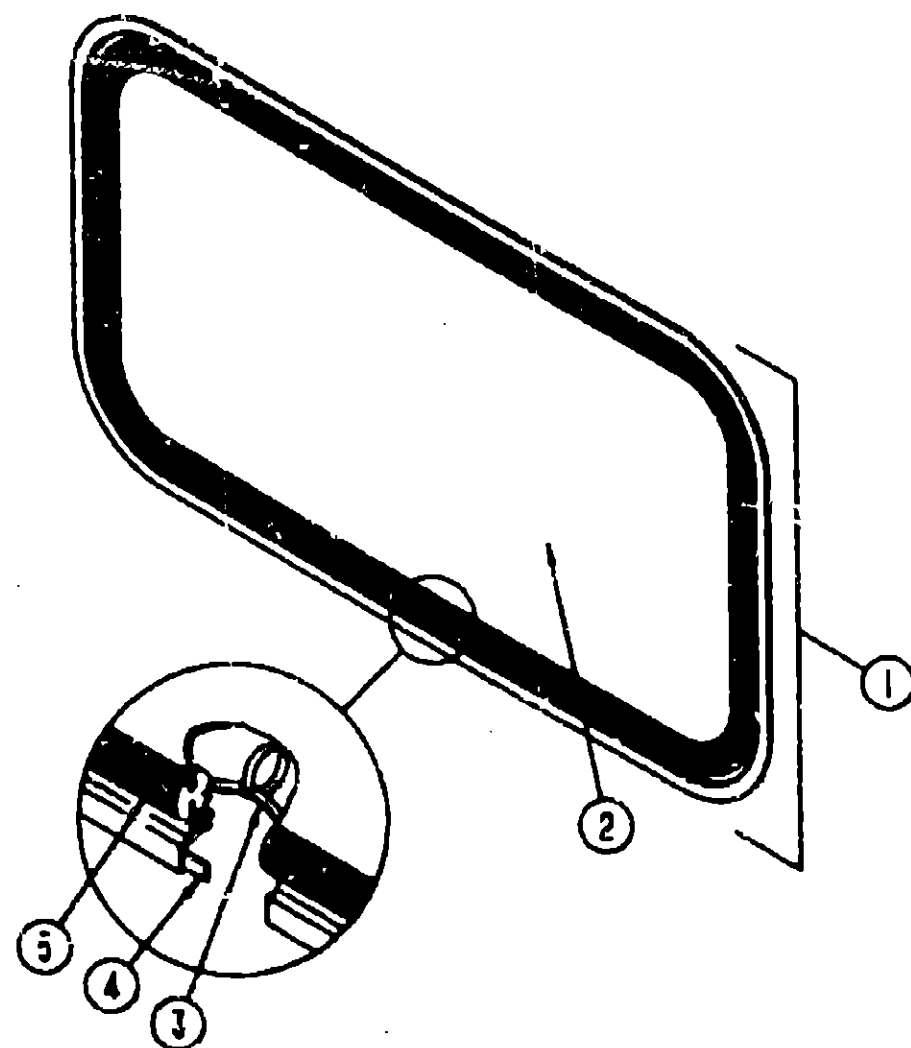
KEY	PART NUMBER	U/M	DESCRIPTION
1	103658-02-01A	EA	WINDOW ASM-CAB,PASSENGER - H322-APR FROM: 00-00-00 THRU: 08-22-92
1	103658-06-01A	EA	WINDOW ASM-CAB,PASSENGER - H373-APR FROM: 08-23-92 THRU: 99-99-99
1	103658-01-01A	EA	WINDOW ASM-CAB,DRIVER - H 332-ARL FROM: 00-00-00 THRU: 06-22-92
1	103658-05-01A	EA	WINDOW ASM-CAB,DRIVER - H 373-ARL FROM: 08-23-92 THRU: 99-99-99
2	103658-02-702	EA	WINDOW-SLIDER, CAB - W/O INSIDE FRAME - PASSENGER - H322-A2R EXCEL FROM: 00-00-00 THRU: 08-22-92
2	103658-06-700	EA	WINDOW-SLIDER, CAB - W/O INSIDE FRAME - PASSENGER - H373-A2R EXCEL FROM: 08-23-92 THRU: 99-99-99
2	103658-01-704	EA	WINDOW-SLIDER, CAB - W/O INSIDE FRAME - DRIVER - H322-A2L EXCEL FROM: 00-00-00 THRU: 08-22-92
2	103658-05-703	EA	WINDOW-SLIDER, CAB - W/O INSIDE FRAME - DRIVER - H373-A2L EXCEL FROM: 08-23-92 THRU: 99-99-99
3	103658-02-700	EA	SCREEN ASM-WINDOW, PASSENGER - H322-03R EXCEL
3	103658-01-700	EA	SCREEN ASM-WINDOW, DRIVER - H322-03L EXCEL
4	103658-02-703	EA	FRAME-INSIDE, PASSENGER - H322-67R EXCEL FROM: 00-00-00 THRU: 08-22-92
4	103658-05-700	EA	FRAME-INSIDE, PASSENGER - H373-67&77 EXCEL FROM: 08-23-92 THRU: 99-99-99
4	103658-01-705	EA	FRAME-INSIDE, DRIVER - H322-67L EXCEL FROM: 00-00-00 THRU: 08-22-92
4	103658-05-702	EA	FRAME-INSIDE, DRIVER - H373-67&77 EXCEL FROM: 08-23-92 THRU: 99-99-99
5	103658-02-701	EA	GLASS-SLIDING, WSASH&LATCH - PASSENGER - H322-A9R EXCEL
5	103658-01-703	EA	GLASS-SLIDING, WSASH&LATCH - DRIVER - H322-A9L EXCEL
6	103658-01-702	EA	GLASS-STATIONARY, BOTTOM - 106-017700 EXCEL
7	098644-01-700	EA	LATCH-REPAIR KIT
8	103658-01-701	EA	GLASS-STATIONARY, TOP - 106-017699 EXCEL FROM: 00-00-00 THRU: 08-22-92
8	103658-05-701	EA	GLASS-STATIONARY, TOP - 106-018480 EXCEL FROM: 08-23-92 THRU: 99-99-99
	098644-01-706	FT	WEATHERSTRIP, EXCEL 171-010668
	098644-01-708	FT	CHANNEL-PIERCED RUN, EXCEL 122-016543
	098644-01-710	FT	TRACK-SCREEN SPACER, 12' LENGTH - EXCEL M401-31
	098644-01-711	FT	WEATHERSTRIP-SCREEN, BLACK - EXCEL 171-016965
	098644-01-713	EA	SPRING-SCREEN FRAME (CLIP), PLASTIC - BLACK - EXCEL 226-016966
	098644-01-716	FT	PLUG-FILLER, EXCEL 132-014470
	098644-01-717	FT	SPLINE-SCREEN, EXCEL 132-004716

1993 ITASCA
TABLE OF CONTENTS

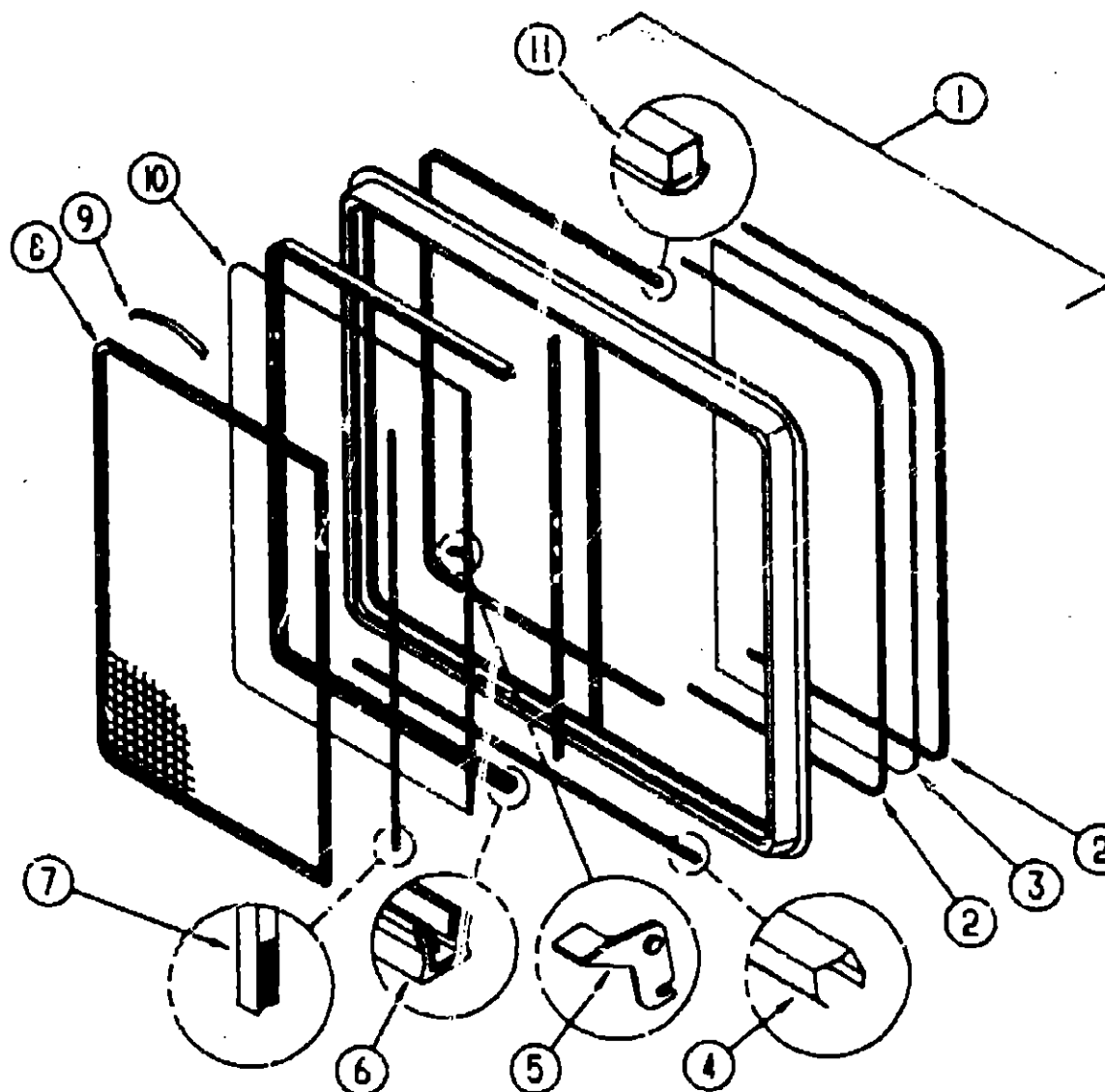
INTRODUCTION	A-01 -	A-02
ABBREVIATIONS		A-03
ALPHABETICAL INDEX	A-04 -	A-06
ICF23RC	A-07 -	E-16
ICF31RQ	E-17 -	J-18

1993 ICF31RQ INDEX

FLOOR PLAN	E-17 -	E-18
ACCESSORIES		E-19
AUDIO VIDEO	E-20 -	E-21
BATH	E-22 -	E-24
BEDROOM	F-01 -	F-03
CHASSIS	F-04 -	F-17
CURTAIN & CUSHION	F-16 -	G-04
DINETTE	G-05 -	G-06
DRIVERS COMPARTMENT	G-07 -	G-12
ELECTRICAL	G-13 -	G-20
EXTERIOR BODY	G-21 -	H-04
GALLEY	H-05 -	H-09
GENERATOR	H-10 -	H-11
HEATING & A/C	H-12 -	H-18
INTERIOR FINISH	H-19 -	H-22
LABELS	H-23 -	I-07
LP		I-08
LOUNGE	I-09 -	I-10
SEALANTS & FASTENERS	I-11 -	I-14
WATER & SEWAGE	I-15 -	I-20
WINDOW, VENT AND EXTERIOR DOOR	I-21 -	J-16
WINDSHIELDAMPER	J-17 -	J-18



BACKWALL ESCAPE WINDOW



LOUNGE SINGLE SLIDING WINDOW

1993 ITASCA
TABLE OF CONTENTS

INTRODUCTION	A-01	A-02
ABBREVIATIONS		A-03
ALPHABETICAL INDEX	A-04	A-06
ICF23RC	A-07	E-16
ICF31RQ	E-17	J-18

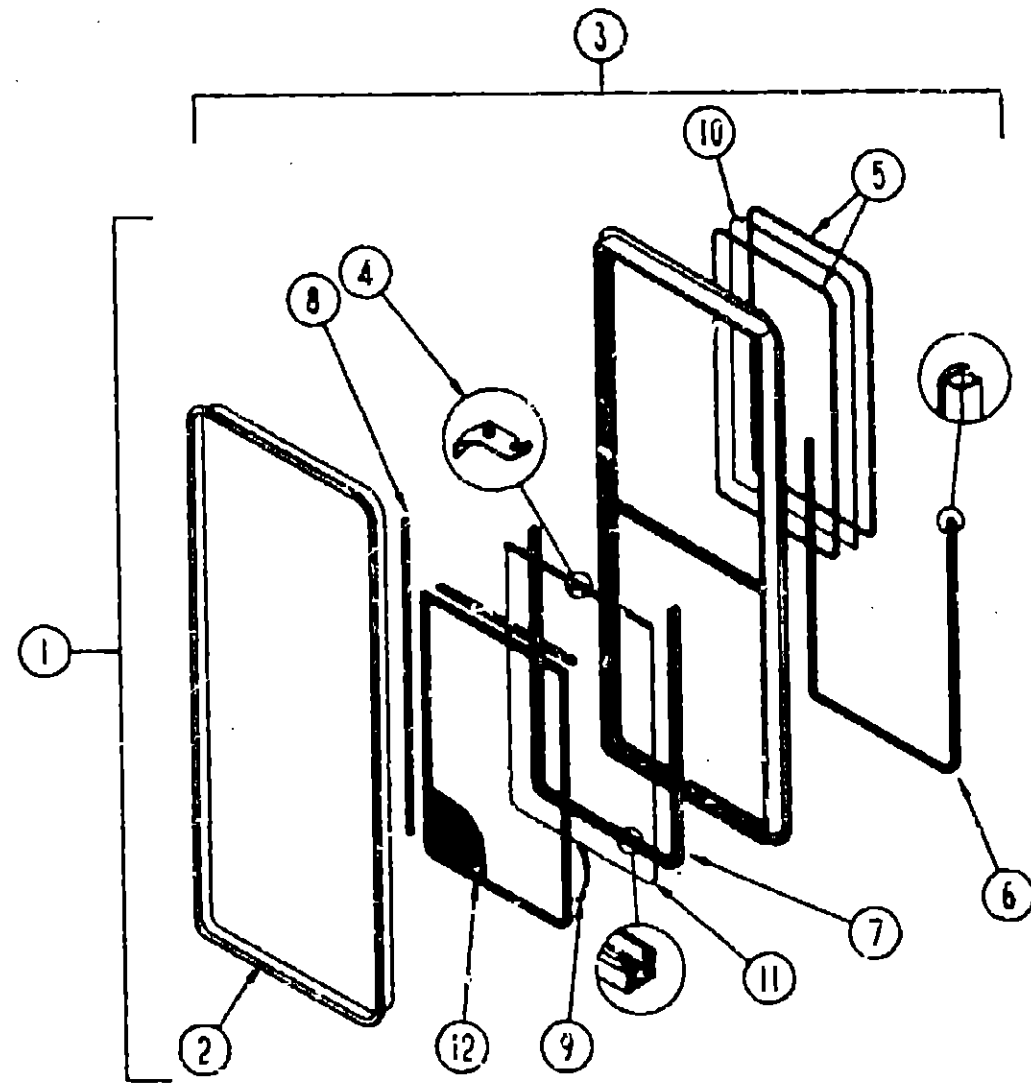
1993 ICF31RQ INDEX

FLOOR PLAN	E-17	E-18
ACCESSORIES		E-19
AUDIO VIDEO	E-20	E-21
BATH	E-22	E-24
BEDROOM	F-01	F-03
CHASSIS	F-04	F-17
CURTAIN & CUSHION	F-18	G-04
DINETTE	G-05	G-06
DRIVERS COMPARTMENT	G-07	G-12
ELECTRICAL	G-13	G-20
EXTERIOR BODY	G-21	H-04
GALLEY	H-05	H-09
GENERATOR	H-10	H-11
HEATING & A/C	H-12	H-18
INTERIOR FINISH	H-19	H-22
LABELS	H-23	I-07
LP		I-08
LOUNGE	I-09	I-10
SEALANTS & FASTENERS	I-11	I-14
WATER & SEWAGE	I-15	I-20
WINDOW, VENT AND EXTERIOR DOOR	I-21	J-16
WINDSHIELD/WIPER	J-17	J-18

KEY	PART NUMBER	U/M DESCRIPTION
	074816-09-000	EA FRAME-WINDOW, INSIDE - ESCAPE - OFF WHITE
	074816-07-000	EA FRAME-WINDOW, INSIDE - ESCAPE - BLACK - EUROPEAN
1	078528-04-C05	EA WINDOW-ESCAPE, BACKWALL - W/O INSIDE FRAME
2	078337-09-000	EA GLASS-WINDOW, 32.8" X 23.5"
3	002285-01-000	FT FILLER-WEATHER STRIP, RUBBER - BLACK
	077086-01-702	EA RED POLY.005X.500"X150"ROLL
4	098640-10-000	FT SEALER-RIBBON, 1/32" X 1 1/2" INCREMENTS OF 90'
5	002282-04-000	EA WEATHERSTRIP-WINDOW, .125" X 109.25" - VULCANIZED - BLACK

KEY	PART NUMBER	U/M DESCRIPTION
	098647-10-02A	EA WINDOW-HORIZONTAL SLIDER, W/INSIDE FRAME - OFF WHITE
	098647-09-704	EA FRAME-INSIDE, WD24-67 EXCEL - WHITE
1	098647-10-700	EA WINDOW-HORIZONTAL SLIDER, W/O INSIDE FRAME - LEFT - OFF WHITE
2	098644-01-705	FT GLAZING STRIP, EXCEL M926-12
3	098647-09-700	EA GLASS-STATIONARY - 106-017193 EXCEL
4	098644-01-710	FT TRACK-SCREEN SPACER 12' LENGTH - EXCEL M401-31
5	098644-01-700	EA LATCH REPAIR KIT
6	098644-01-708	FT CHANNEL-PIERCED RUN EXCEL 122-015543
7	098644-01-711	FT WEATHERSTRIP-SCREEN BLACK - EXCEL 171-016965
8	098647-09-705	EA SCREEN W/SPRING&WEATHERSTRIP - 410-016464 EXCEL
9	098644-01-713	EA SPRING-SCREEN FRAME (CLIP) PLASTIC - BLACK - EXCEL 226-016966
	098644-01-716	FT PLUG-FILLER, EXCEL 132-014470
	098644-01-717	FT SPLINE-SCREEN MFG, EXCEL 32-004716
10	098647-09-701	EA GLASS-SLIDING, W/SASH&LATCH - H024-G9 EXCEL
11	098644-01-706	FT WEATHERSTRIP, EXCEL 171-010668
	111555-02-01A	EA WINDOW ASM-SLD.HORIZ.THERMO - R15 SLD 1543X892 LH (EUROPEAN)
	111555-01-700	EA GLASS INSULATED (STA)&(SLD) - RSR15032
	111555-01-702	FT TAPE-GLAZING (GLASS)1/16X3/8 - 800
	111555-01-703	FT GLAZING-RUBBER(SPLINE) - 8158
	111555-01-704	FT WATERSHED-RUBBER - 8155
	111555-01-705	EA DRAWN SLOT COVER (ALL)
	111555-01-706	EA SASH LOCK - 630201
	111555-02-700	EA SCREEN ASM L.H.F/1115550201A

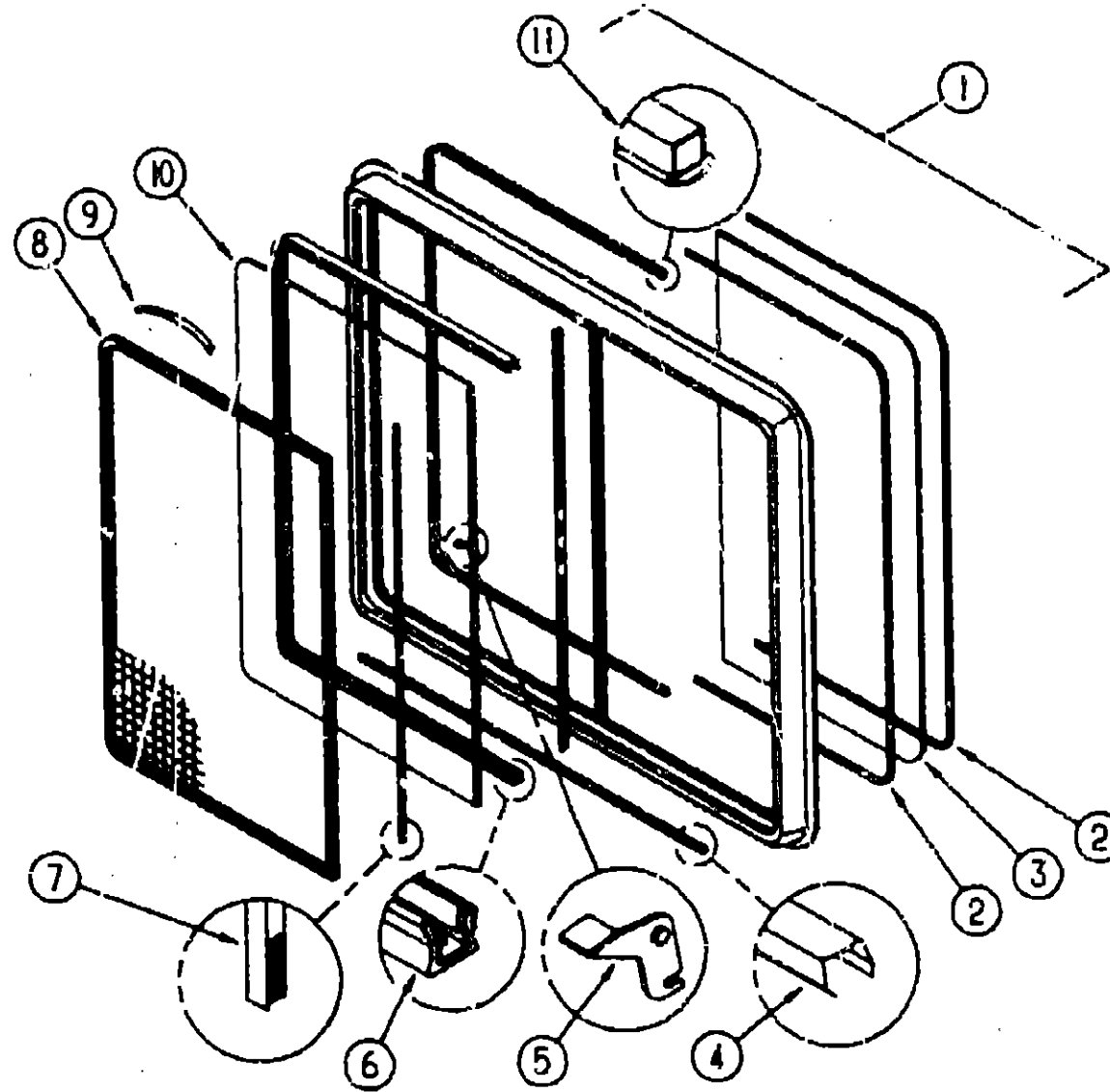
WINDOW, VENT & EXTERIOR DOOR GROUP (CONTINUED)



PASSENGER SIDE SWIVEL CHAIR WINDOW

KEY	PART NUMBER	U/M	DESCRIPTION
1	098644-03-02A	EA	WINDOW-SLIDER, VERTICAL W/INSIDE TRIM - EXCEL
2	098644-03-705	EA	TRIM-INSIDE - EXCEL
3	098644-03-703	EA	WINDOW ASM. W/O INSIDE TRIM - EXCEL H250-G2R
4	098644-01-700	EA	LATCH-REPAIR KIT, EXCEL B901-CK
5	098644-01-705	FT	GLAZING STRIP, EXCEL M926-12
6	098644-01-706	FT	WEATHERSTRIP, EXCEL 171-010668
7	098644-01-708	FT	CHANNEL-PIERCED RUN, EXCEL 122-016543
8	098644-01-710	FT	TRACK-SCREEN SPACER, 12' LENGTH - EXCEL M401-31
9	098644-01-711	FT	WEATHERSTRIP-SCREEN BLACK - EXCEL 171-016965
10	098644-01-713	EA	SPRING-SCREEN FRAME (CLIP), PLASTIC - BLACK
11	098644-03-701	EA	GLASS-STATIONARY
12	098644-03-702	EA	SCREEN W/SPRING&WEATHERSTRIP
	098644-01-716	FT	PLUG-FILLER, EXCEL 132-014470
	098644-01-717	FT	SPLINE-SCREEN MFG, EXCEL 132-004716

WINDOW, VENT & EXTERIOR DOOR GROUP (CONTINUED)



DINETTE SLIDING WINDOW

KEY	PART NUMBER	U/M	DESCRIPTION
	098647-09-02A	EA	WINDOW-HORIZONTAL SLIDER, W/INSIDE FRAME - OFF WHITE
	098647-03-705	EA	FRAME-INSIDE, W/024-67 EXCEL - WHITE
1	098647-09-703	EA	WINDOW-HORIZONTAL SLIDER, W/O INSIDE FRAME - RIGHT - OFF WHITE
2	098644-01-705	FT	GLAZING STRIP, EXCEL M926-12
3	098647-09-700	EA	GLASS-STATIONARY - 106-017193 EXCEL
4	098644-01-710	FT	TRACK-SCREEN SPACER 12' LENGTH - EXCEL M401-31
5	098644-01-700	EA	LATCH REPAIR KIT
6	098644-01-708	FT	CHANNEL-PIERCED RUN EXCEL 122-016543
7	098644-01-711	FT	WEATHERSTRIP-SCREEN BLACK - EXCEL 171-016965
8	098647-09-705	EA	SCREEN W/SPRING&WEATHERSTRIP - 410-016464 EXCEL
9	098644-01-713	EA	SPRING-SCREEN FRAME (CLIP) PLASTIC - BLACK - EXCEL 226-016966
	098644-01-716	FT	PLUG-FILLER, EXCEL 132-014470
	098644-01-717	FT	SPLINE-SCREEN MFG, EXCEL 132-004716
10	098647-09-701	EA	GLASS-SLIDING, W/SASH&LATCH - H024-G9 EXCEL
11	098644-01-706	FT	WEATHERSTRIP, EXCEL 171-010668

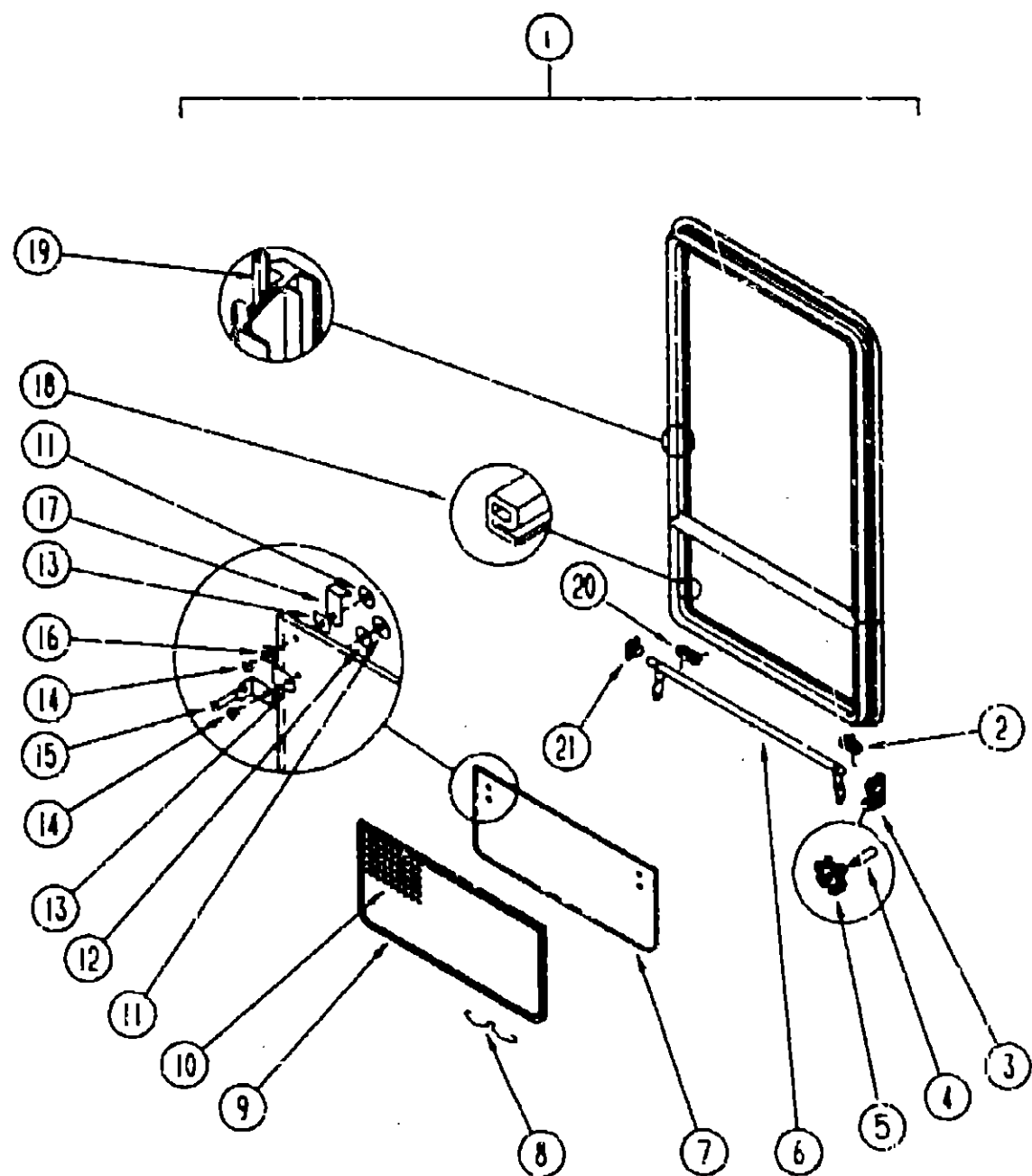
1983 ITASCA
TABLE OF CONTENTS

INTRODUCTION	A-01	A-02
ABBREVIATIONS		A-03
ALPHABETICAL INDEX	A-04	A-06
ICF31RC	A-07	E-16
ICF31RQ	E-17	J-13

1983 ICF31RQ INDEX

FLOOR PLAN	E-17	E-18
ACCESSORIES		E-19
AUDIO VIDEO	E-20	E-21
BATH	E-22	E-24
BEDROOM	F-01	F-03
CHASSIS	F-04	F-17
CURTAIN & CUSHION	F-18	G-04
DINETTE	G-05	G-06
DRIVERS COMPARTMENT	G-07	G-12
ELECTRICAL	G-13	G-20
EXTERIOR BODY	G-21	H-04
GALLEY	H-05	H-09
GENERATOR	H-10	H-11
HEATING & A/C	H-12	H-18
INTERIOR FINISH	H-19	H-22
LABELS	H-23	I-07
LP		I-08
LOUNGE	I-09	I-10
SEALEDANTS & FASTENERS	I-11	I-14
WATER & SEWAGE	I-15	I-20
WINDOW, VENT AND		
EXTERIOR DOOR	I-21	J-16
WINDSHIELD/WIPER	J-17	J-18

WINDOW, VENT & EXTERIOR DOOR GROUP (CONTINUED)
GALLEY WINDOW



KEY	PART NUMBER	U/M	DESCRIPTION
	080693-17-02A	EA	FRAME-WINDOW, INSIDE - OFF WHITE
1	08223F-11-Y12	EA	WINDOW-TIPOUT, W/O INSIDE FRAME - 24.9" X 15.5"
	000333-06-16T	EA	SCREW-SF/DR, 6-20 X 1 PPH - BLACK
2	080918-01-000	EA	SPRING-TORQUE TUBE, RIGHT
3	035302-02-000	EA	OPEATOR-TORQUE, TIPOUT WINDOW - LEFT
4	009439-06-000	EA	EXTENSION-WINDOW CONTROL
5	009439-05-000	EA	KNOB-OPERATOR, TIPOUT WINDOW - BLACK
	009439-07-000	EA	SCREW, 8-32 X 1 1/4 POH - BLACK
6	083150-10-000	EA	TUBE ASM. - TORQUE, WINDOW
7	084068-15-000	EA	GLASS-TIPOUT, 9.2" X 24.5"
8	100168-01-000	EA	CLIP-SPRING, SCREEN
9	100235-02-B07	EA	SCREEN-SINGLE TIPOUT WINDOW
10	080218-03-000	SF	SCREEN-FIBERGLASS, 12" WIDE
	100240-01-000	FT	SPLINE-SCREEN, T-SHAPED
11	095762-01-000	EA	T NUT 10-32
12	068927-03-000	EA	SEAL-WINDOW, RUBBER - ROUND - .80" DIA. - BLACK
13	084473-01-000	EA	SEAL-RUBBER, TIPOUT WINDOW
14	083763-01-000	EA	SCREW-MACH, 10 - 32 X 1/4 PTH
15	097578-01-000	EA	LINKAGE-TIPOUT WINDOW
	081649-01-000	EA	RING - SNAP, 7/32 SHAFT DIA.
	084453-01-000	EA	WASHER-.060 X .50 X .135 - PLASTIC
	085315-01-000	EA	RIVET-SHOULDER, TIPOUT WINDOW
16	084453-02-000	EA	WASHER-.060 X .50 X .250 - PLASTIC
17	089913-01-000	EA	HINGE-TIPOUT WINDOW, BLACK
18	084067-02-000	FT	SEAL-E SHAPED, SPONGE - TIPOUT WINDOW - .4" X .4" - BLACK
			FROM: 00-00-00 THRU: 04-04-93
18	084067-03-000	FT	SEAL-E, SPONGE RUBBER - 10.6 X 8.6MM
			FROM: 04-05-93 THRU: 99-99-99
19	069640-11-000	EA	SEALER-TAPE, 3/16" X 3/8" BLACK
20	080918-02-000	EA	SPRING-TORQUE TUBE, LEFT
21	081354-01-000	EA	SLEEVE-TORQUE TUBE, TIPOUT WINDOW - 1.3" X 1.2" X .7"
	111555-06-01A	EA	WINDOW ASM-SLD, HORIZ, THERMO - R15 SLD 642X406 RH (EUROPEAN)
	111555-01-702	FT	TAPE-GLAZING (GLASS) 1/16 X 3/8 - 600
	111555-01-703	FT	GLAZING-RUBBER(SPLINE) - B156
	111555-01-704	FT	WATERSHED-RUBBER - B155
	111555-01-705	EA	DRAWN SLOT COVER (ALL)
	111555-01-706	EA	SASH LOCK - 630201
	111555-06-700	EA	GLASS INSULATED (STA)&(SLD) - RSR15034
	111555-06-701	EA	SCREEN ASM R.H F/1115550601A

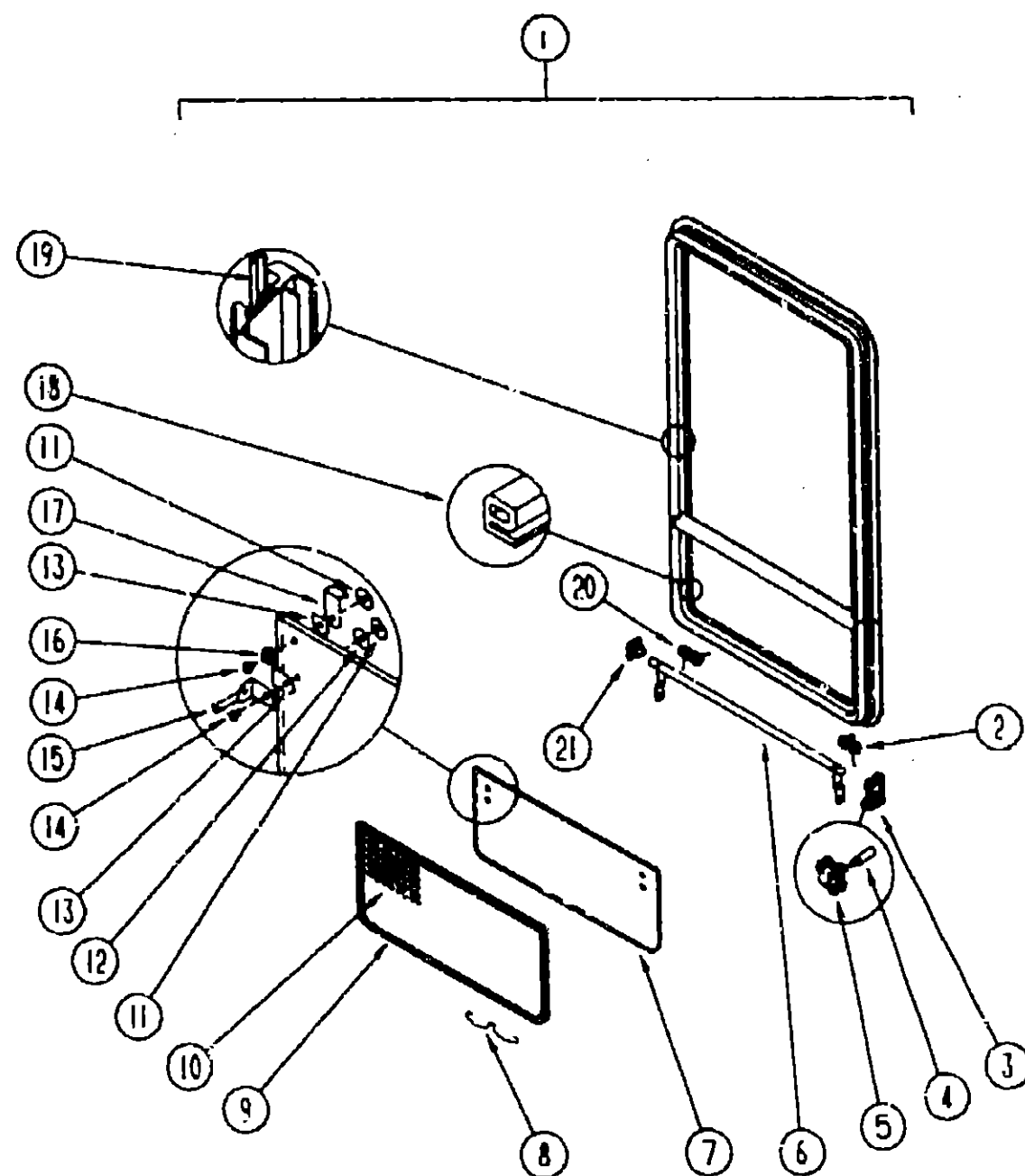
1993 ITASCA
TABLE OF CONTENTS

INTRODUCTION	A-01	A-02
ABBREVIATIONS		A-03
ALPHABETICAL INDEX	A-04	A-06
ICF23RC	A-07	E-16
ICF31RQ	E-17	J-18

1993 ICF31RQ INDEX

FLOOR PLAN	E-17	E-18
ACCESSORIES		E-19
AUDIO VIDEO	E-20	E-21
BATH	E-22	E-24
BEDROOM	F-01	F-03
CHASSIS	F-04	F-17
CURTAIN & CUSHION	F-18	G-04
DINETTE	G-05	G-06
DRIVERS COMPARTMENT	G-07	G-12
ELECTRICAL	G-13	G-20
EXTERIOR BODY	G-21	H-04
GALLEY	H-05	H-09
GENERATOR	H-10	H-11
HEATING & A/C	H-12	H-18
INTERIOR FINISH	H-19	H-22
LABELS	H-23	I-07
LP		I-08
LOUNGE	I-09	I-10
SEALANTS & FASTENERS	I-11	I-14
WATER & SEWAGE	I-15	I-20
WINDOW, VENT AND		
EXTERIOR DOOR	I-21	J-18
WINDSHIELD/WIPER	J-17	J-18

WINDOW, VENT & EXTERIOR DOOR GROUP (CONTINUED)
DRIVER & PASSENGER SIDE BEDROOM WINDOW



KEY	PART NUMBER	UNIT DESCRIPTION
	090693-18-02A	EA FRAME-WINDOW, INSIDE - OFF WHITE
1	092235-12-Y12	EA WINDOW-TIPOUT, W/O INSIDE FRAME - 40 3" X 26.8"
	000G30-06-16T	EA SCREW-SF/DR, 6-20 X 1 PFH - ELACK
2	080918-01-000	EA SPRING-TORQUE TUBE, RIGHT
3	035302-02-000	EA OPERATOR-TORQUE, TIPOUT WINDOW - LEFT
4	009439-06-000	EA EXTENSION-CRANK HANDLE, WINDOW/ROOF VENT - 6" - BLACK
5	009439-05-000	EA KNOB-OPERATOR, TIPOUT WINDOW - BLACK
	009439-07-000	EA SCREW, 8-32 X 1 1/4 POH - BLACK
6	083150-12-000	EA TUBE ASM. - TORQUE, WINDOW
7	084068-17-000	EA GLASS-TIPOUT, 9 2" X 40"
8	100168-01-000	EA CLIP-SPRING, SCREEN
9	100235-04-B07	EA SCREEN-SINGLE TIPOUT WINDOW
10	100218-03-000	SF SCREEN-FIBERGLASS, 12" WIDE
	100240-01-000	FT SPLINE-SCREEN, T-SHAPED
11	086762-01-000	EA T NUT 10-32
12	068927-03-000	EA SEAL-WINDOW, RUBBER - ROUND - .80" DIA. - BLACK
13	084473-01-000	EA SEAL-RUBBER, TIPOUT WINDOW
14	085763-01-000	EA SCREW-MACH, 10 - 32 X 1/4 PTH
15	097578-01-000	EA LINKAGE-TIPOUT WINDOW
	081649-01-000	EA RING - SNAP, 7/32 SHAFT DIA.
	084453-01-000	EA WASHER-.060 X .50 X .135 - PLASTIC
	085315-01-000	EA RIVET-SHOULDER, TIPOUT WINDOW
16	084453-02-000	EA WASHER-.060 X .50 X .250 - PLASTIC
17	089913-01-000	EA HINGE-TIPOUT WINDOW, BLACK
18	084057-02-000	FT SEAL-E SHAPED, SPONGE - TIPOUT WINDOW - 4" X 4" - BLACK
		FROM: 00-00-00 THRU: 04-04-93
18	084067-03-000	FT SEAL-E, SPONGE RUBBER - 10.6 X 8.6MM
		FROM: 04-05-93 THRU: 99-99-99
19	069640-11-000	EA SEALER-TAPE, 3/16"X3/8" BLACK
20	080918-02-000	EA SPRING-TORQUE TUBE, LEFT
21	081354-01-000	EA SLEEVE-TORQUE TUBE, TIPOUT WINDOW - 1.3" X 1.2" X .7"
	111555-03-01A	EA WINDOW ASM-SLD, HORIZ, THERMO - R15 SLD 1037X592 RH (EUROPEAN)
	111555-01-702	FT TAPE-GLAZING (GLASS)1/16X3/8 - 600
	111555-01-703	FT GLAZING-RUBBER(SPLINE) - 8156
	111555-01-704	FT WATERSHED-RUBBER - 8155
	111555-01-705	EA DRAWN SLOT COVER (ALL)
	111555-01-706	EA SASH LOCK - 630201
	111555-03-700	EA GLASS INSULATED (STA)&(SLD) - RSR15033
	111555-03-701	EA SCREEN ASM R.H F/1115550301A

1993 ITASCA
TABLE OF CONTENTS

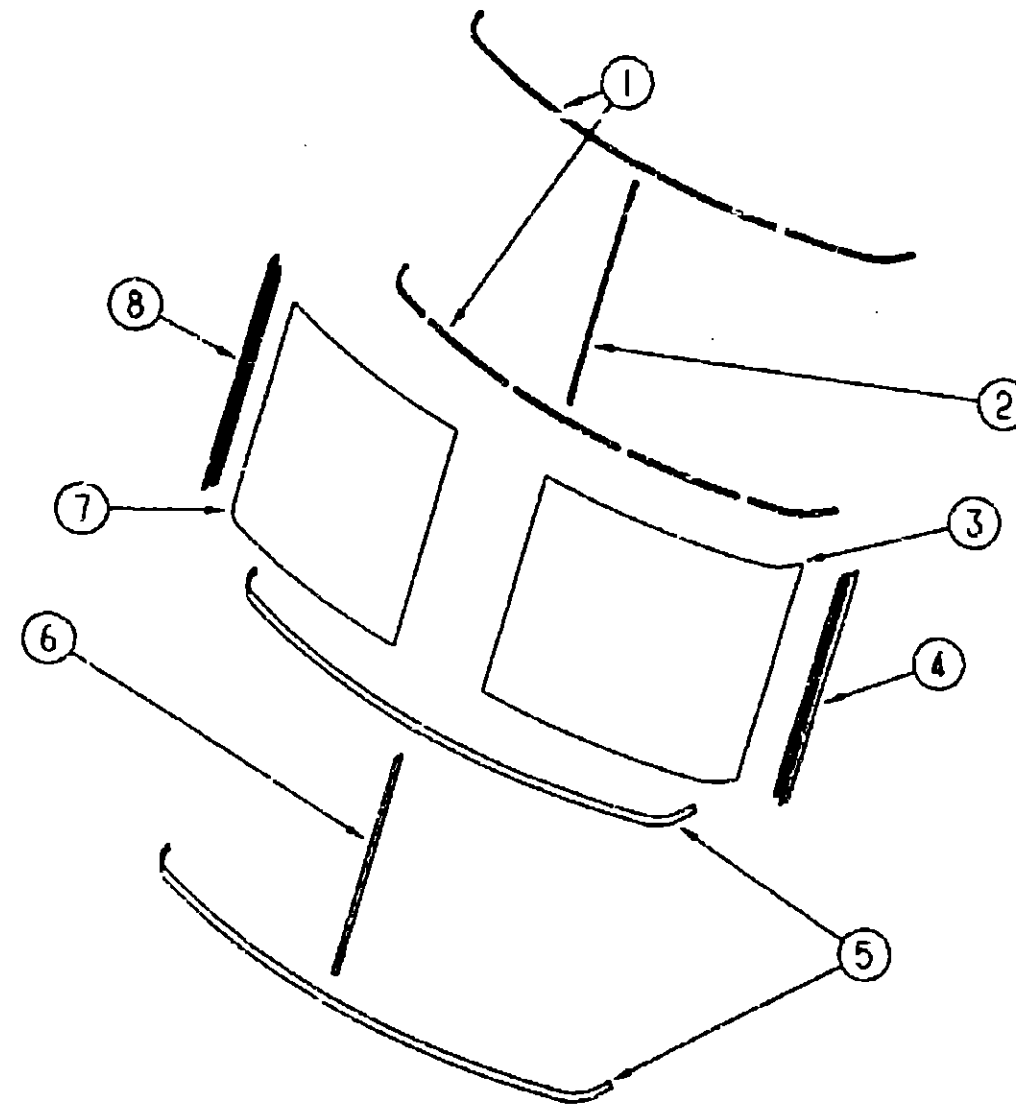
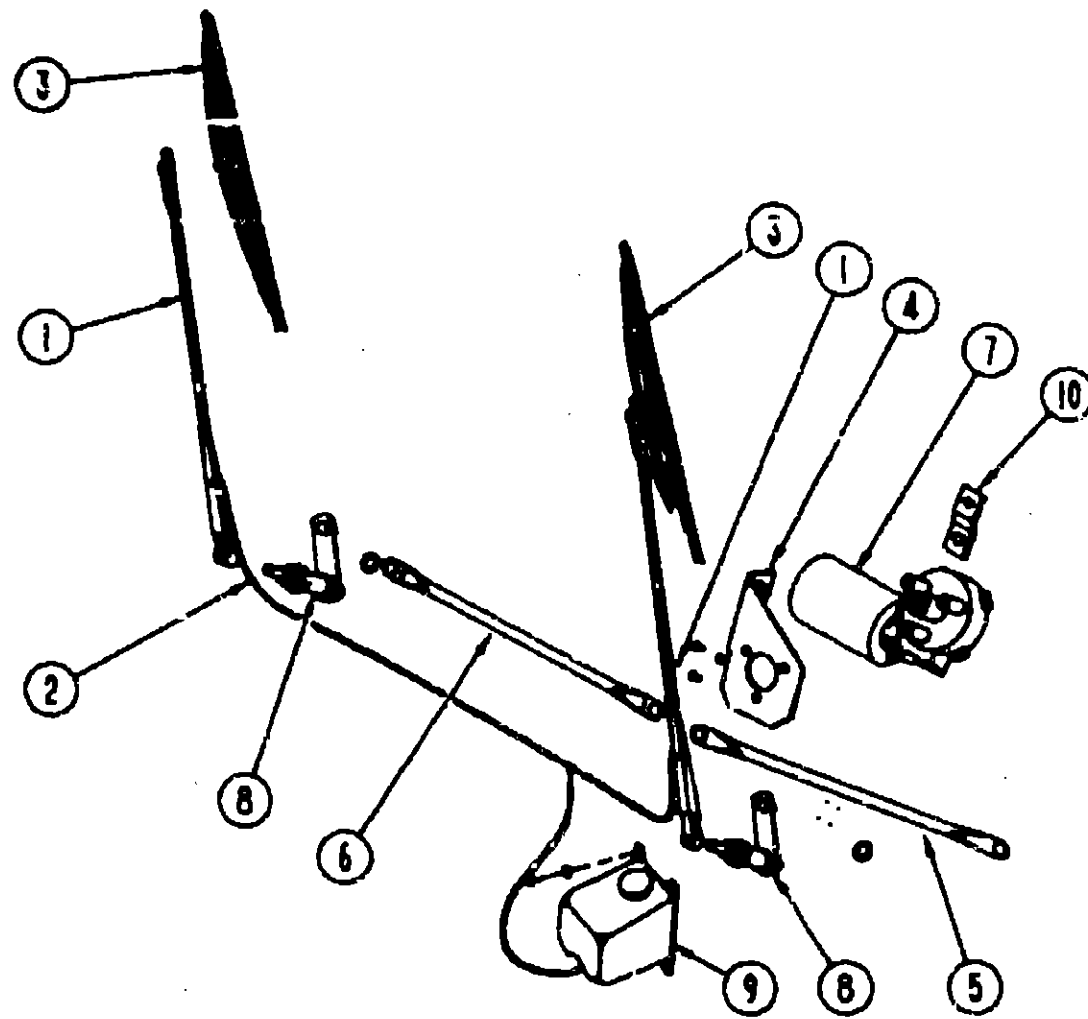
INTRODUCTION	A-01 -	A-02
ABBREVIATIONS		A-03
ALPHABETICAL INDEX	A-04 -	A-06
ICF23RC	A-07 -	E-16
ICF31RQ	E-17 -	J-18

1993 ICF31RQ INDEX

FLOOR PLAN	E-17 -	E-18
ACCESSORIES		E-19
AUDIO VIDEO	E-20 -	E-21
BATH	E-22 -	E-24
BEDROOM	F-01 -	F-03
CHASSIS	F-04 -	F-17
CURTAIN & CUSHION	F-18 -	G-04
DINETTE	G-05 -	G-06
DRIVERS COMPARTMENT	G-07 -	G-12
ELECTRICAL	G-13 -	G-20
EXTERIOR BODY	G-21 -	H-04
GALLEY	H-05 -	H-09
GENERATOR	H-10 -	H-11
HEATING & A/C	H-12 -	H-18
INTERIOR FINISH	H-19 -	H-22
LABELS	H-23 -	I-07
LP		I-09
LOUNGE	I-09 -	I-10
SEALANTS & FASTENERS	I-11 -	I-14
WATER & SEWAGE	I-15 -	I-20
WINDOW, VENT AND EXTERIOR DOOR	I-21 -	J-16
WINDSHIELDAMPER	J-17 -	J-18

WINDSHIELD & WIPER GROUP

WINDSHIELD & WIPER GROUP (CONTINUED)



**1993 ITASCA
TABLE OF CONTENTS**

INTRODUCTION	A-01 -	A-02
ABBREVIATIONS		A-03
ALPHABETICAL INDEX	A-04 -	A-06
ICF23RC	A-07 -	E-16
ICF31RQ	E-17 -	J-18

WIPER COMPONENTS

WINDSHIELD MOLDINGS & GLASS

1993 ICF31RQ INDEX

KEY	PART NUMBER	U/M DESCRIPTION
1	103671-01-000	EA ARM-WIPER, PANTOGRAPH - 24"
2	045794-01-000	FT HOSE-WASHER, WINDSHIELD - 5/32" ID - BLACK
3	065964-01-000	EA BLADE-WIPER, 24"
4	104549-01-000	EA BRACKET ASM-WIPER
4	103726-01-000	EA BRACKET-WIPER, MOTOR
5	103672-01-000	EA LINK ASM. - CONNECTING - DRIVERS
6	103672-02-000	EA LINK ASM. - CONNECTING - PASSENGERS
7	104346-01-000	EA MOTOR-WIPER
8	096505-02-000	EA PIVOT & SHAFT ASM-WIPER, PASSENGER WINDSHIELD
		FROM: 00-00-00 THRU: 04-20-93
8	096505-05-000	EA PIVOT & SHAFT ASM-WIPER, PASSENGER WINDSHIELD
		FROM: 04-21-93 THRU: 09-99-99
8	096505-03-000	EA PIVOT & SHAFT ASM-WIPER, DRIVER WINDSHIELD
		FROM: 00-00-00 THRU: 12-18-92
8	096505-06-000	EA PIVOT & SHAFT ASM-WIPER, DRIVER WINDSHIELD
		FROM: 12-19-92 THRU: 99-99-99
8	096526-01-000	EA SCREW-HEX, 1/4 - 28
8	068000-02-000	EA WASHER-WINDSHIELD, BOTTLE & PUMP
10	104347-01-000	EA ARM-DRIVE, WIPER MOTOR 1 5/4"
	068000-01-700	FT VACUUM HOSE 7/64 - 5/32
	081803-01-000	EA GROMMET-SNAP, 3/16 ID - 3/8 HOLE - PLASTIC - BLACK
	067188-01-000	EA STUD-CRANK, WIPER
	040821-04-000	EA NUT-SPEED, U TYPE - NO. 8 - .59" LENGTH X .44" WIDTH
	040821-05-000	EA NUT-SPEED, U TYPE - NO. 8 - .67" LENGTH X .44" WIDTH
	040821-06-000	EA NUT-SPEED, U TYPE - NO. 8 - .57" LENGTH X .63" WIDTH
	110742-01-000	EA GASKET-WIPER

FROM: 01-11-93 THRU: 99-99-99

KEY	PART NUMBER	U/M DESCRIPTION
1	102935-01-000	EA CARRIER-REVEAL 50" - WINDSHIELD
2	102935-02-000	EA CARRIER-REVEAL 38" - WINDSHIELD
		FROM: 00-00-00 THRU: 12-13-92
2	110268-02-000	EA CARRIER-REVEAL 38" - WINDSHIELD
		FROM: 12-14-92 THRU: 99-99-99
	110268-05-000	EA CARRIER-REVEAL 2" - WINDSHIELD
		FROM: 12-14-92 THRU: 99-99-99
	110268-07-000	EA CARRIER-REVEAL 42.1" - WINDSHIELD
		FROM: 12-14-92 THRU: 99-99-99
3	088793-04-000	EA GLASS-WINDSHIELD, DRIVER
4	103107-02-01A	EA TRIM - WINDSHIELD - SIDE - BLACK
5	102936-01-000	FT MOLDING - REVEAL - WINDSHIELD
6	102936-01-000	FT MOLDING - REVEAL - WINDSHIELD - CENTER
7	088793-03-000	EA GLASS-WINDSHIELD, PASSENGER
8	103107-01-01A	EA TRIM - WINDSHIELD - SIDE - BLACK
	098788-06-000	EA CHANNEL - 49" PCV
	077922-03-000	EA HEADER WINDSHIELD END - RIGHT
	077922-04-000	EA HEADER WINDSHIELD END - LEFT
	077922-05-000	EA HEADER WINDSHIELD - CENTER
	078579-09-000	EA TRIM - WINDSHIELD - UPPER INNER - RIGHT - ASH GRAY
	078579-10-000	EA TRIM - WINDSHIELD - UPPER INNER - LEFT - ASH GRAY
	079765-08-000	EA TRIM-WINDSHIELD - CENTER - ASH GRAY
	077847-02-000	EA SUPPORT - WINDSHIELD - LOWER - W/O BRACKETS

FLOOR PLAN	E-17 -	E-18
ACCESSORIES		E-19
AUDIO VIDEO	E-20 -	E-21
BATH	E-22 -	E-24
BEDROOM	F-01 -	F-03
CHASSIS	F-04 -	F-17
CURTAIN & CUSHION	F-18 -	G-04
DINETTE	G-05 -	G-06
DRIVERS COMPARTMENT	G-07 -	G-12
ELECTRICAL	G-13 -	G-20
EXTERIOR BODY	G-21 -	H-04
GALLEY	H-05 -	H-08
GENERATOR	H-10 -	H-11
HEATING & A/C	H-12 -	H-18
INTERIOR FINISH	H-19 -	H-22
LABELS	H-23 -	I-07
LP		I-08
LOUNGE	I-09 -	I-10
SEALANTS & FASTENERS	I-11 -	I-14
WATER & SEWAGE	I-15 -	I-20
WINDOW, VENT AND		
EXTERIOR DOOR	J-21 -	J-16
WINDSHIELD/WIPER	J-17 -	J-18