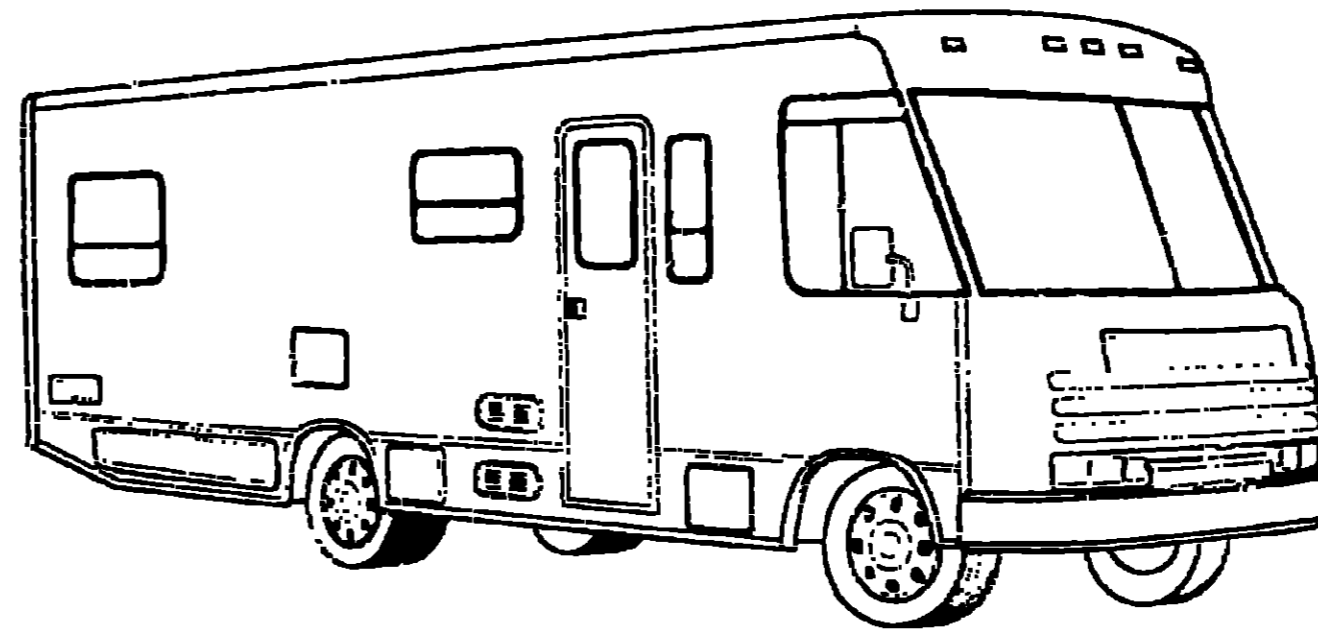


1993 ICF27RQ

D32

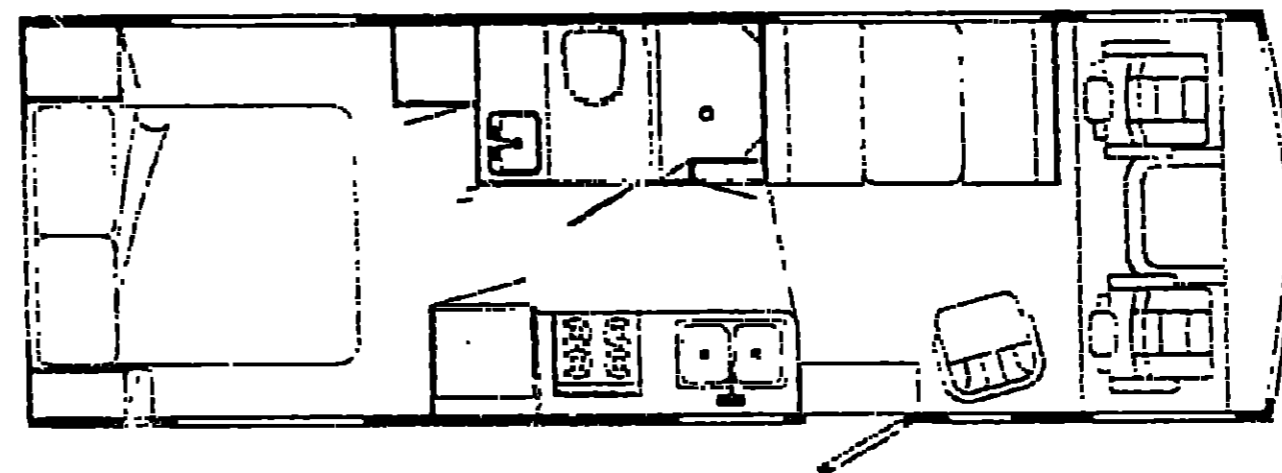
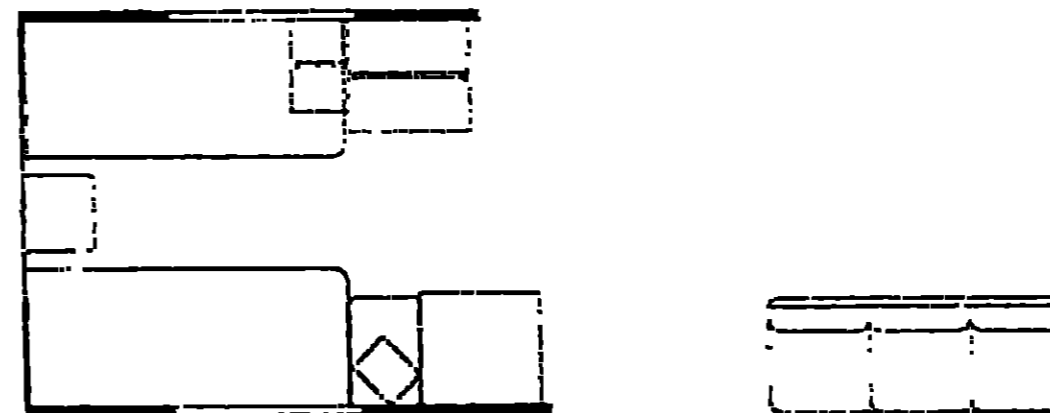
D33

D34



1993 ITASCA TABLE OF CONTENTS

INTRODUCTION	A-01 -	A-02
ABBREVIATIONS		A-03
ALPHABETICAL INDEX	A-04 -	A-06
ICF27RC	A-07 -	F-02
ICF27RQ	F-03 -	J-18



1993 ICF27RQ INDEX

FLOOR PLAN	F-03 -	F-04
ACCESSORIES		F-05
AUDIO VIDEO	F-06 -	F-10
BATH	F-09 -	F-10
BEDROOM	F-11 -	F-12
CHASSIS	F-13 -	F-24
CURTAINS & CUSHION	G-07 -	G-10
ENETTE	G-11 -	G-12
DRIVERS COMPARTMENT	G-13 -	G-17
ELECTRICAL	G-18 -	G-24
EXTERIOR BODY	H-01 -	H-08
GALLEY	H-09 -	H-12
GENERATOR	H-14 -	H-15
HEATING & A/C	H-16 -	H-20
INTERIOR FINISH	H-21 -	H-24
LABELS	I-01 -	I-09
LP		I-10
LOUNGE	I-11 -	I-12
SEALANTS & FASTENERS	I-13 -	I-16
WATER & SEWAGE	I-17 -	I-22
WINDOW VENT AND		
EXTERIOR DOOR	J-03 -	J-16
WINDSHIELD WIPER	J-17 -	J-18

**ACCESSORIES GROUP
OPERATOR MANUAL**

KEY	PART NUMBER	U/M DESCRIPTION
	054125-52-000	EA MANUAL-OPERATOR, 1993 SUNRISE
	092318-51-000	EA BINDER - 3 RING, MOTOR HOME MANUAL
	092319-51-000	EA POCKET PAGE - 3 RING BINDER, PLASTIC
	108225-01-000	DWG TOP LEVEL DRAWING-F, 1993

**AUDIO VIDEO GROUP
PATIO ENTERTAINMENT CENTER**

KEY	PART NUMBER	U/M DESCRIPTION
	073741-03-000	EA SPEAKER-RADIO, OVAL - AUDIOVOX 110-2074 - 4" X 6" FROM: 00-00-00 THRU: 12-20-92
	110469-01-000	EA SPEAKER - 4" X 6", OVAL - MAGNADYNE F46XB-12 FROM: 12-21-92 THRU: 99-99-99
	073741-04-000	EA GRILLE-SPEAKER, OVAL - 4" X 6" - BLACK FROM: 00-00-00 THRU: 12-20-92
	110470-01-01A	EA GRILLE-SPEAKER, OVAL - 4" X 6" - BLACK - MAGNADYNE G46VW FROM: 12-21-92 THRU: 99-99-99
	087683-01-000	EA RADIO-AM/FM STEREO W/CASSETTE - AUDIOVOX 144D1559
	090582-01-000	EA BRACKET-HAT, ANTENNA - 3.1" X 3.9" - STEEL - BLACK FROM: 00-00-00 THRU: 11-30-92
	108547-01-000	EA BRACKET-ANTENNA GROUND FROM: 12-01-92 THRU: 99-99-99
	104498-01-000	EA BRACKET-ANTENNA MOUNT, STEEL
	109589-02-070	EA ANTENNA-SHAFT EXTENDER 2" - MAGNADYNE RV71EX2
	090944-01-000	EA ANTENNA-RADIO, 16" RUBBER

RADIO SYSTEM & ANTENNA

KEY	PART NUMBER	U/M DESCRIPTION
	104689-01-000	EA RADIO-AM/FM STEREO, CASSETTE - AUDIOVOX IM-DXF FROM: 03-03-93 THRU: 03-10-93
	110267-01-000	EA RADIO-AM/FM STEREO, AUDIOVOX IM-203 FROM: 03-11-93 THRU: 99-99-99
	097069-02-000	EA CABLE-ANTENNA, RADIO - EXTENSION 96" - ARA 6700367
	090544-01-000	EA ANTENNA-RADIO, 16" RUBBER
	097621-02-000	EA MOUNTING KIT-RADIO, AUDIOVOX WMK-AB02 FROM: 00-00-00 THRU: 01-31-93
	081069-02-000	EA WIRE ASM - 9-PIN, RADIO - AUDIOVOX 112B-1761
	089340-02-000	EA GRILLE-SPEAKER, 6.5" SQUARE
	089340-03-000	EA SPACER-GRILLE, 6.5" SQUARE - TAN - MAGNADYNE G514
	094097-01-000	EA SPEAKER-RADIO, W/O GRILLE - 5.25" DIA - AUDIOVOX 110C3030
	073741-03-000	EA SPEAKER-RADIO, OVAL - AUDIOVOX 110-2074 - 4" X 6" FROM: 00-00-00 THRU: 12-20-92
	110469-01-000	EA SPEAKER - 4" X 6", OVAL - MAGNADYNE F46XB-12 FROM: 12-21-92 THRU: 99-99-99
	073741-04-000	EA GRILLE-SPEAKER, OVAL - 4" X 6" - BLACK FROM: 00-00-00 THRU: 12-20-92
	110470-01-01A	EA GRILLE-SPEAKER, OVAL - 4" X 6" - BLACK - MAGNADYNE G46VW FROM: 12-21-92 THRU: 99-99-99

**1993 ITASCA
TABLE OF CONTENTS**

INTRODUCTION	A-01	A-02
ABBREVIATIONS		A-03
ALPHABETICAL INDEX	A-04	A-06
ICF27RC	A-07	F-02
ICF27RQ	F-03	J-18

1993 ICF27RQ INDEX

FLOOR PLAN	F-03	F-04
ACCESSORIES		F-05
AUDIO VIDEO	F-06	F-08
BATH	F-09	F-10
BEDROOM	F-11	F-12
CHASSIS	F-13	F-24
CURTAIN & CUSHION	G-01	G-10
DINETTE	G-11	G-12
DRIVERS COMPARTMENT	G-13	G-17
ELECTRICAL	G-18	G-24
EXTERIOR BODY	H-01	H-03
GALLEY	H-09	H-13
GENERATOR	H-14	H-15
HEATING & A/C	H-16	H-20
INTERIOR FINISH	H-21	H-24
LABELS	I-01	I-02
LP		I-10
LOUNGE	I-11	I-12
SEALANTS & FASTENERS	I-13	I-16
WATER & SEWAGE	I-17	I-22
WINDOW, VENT AND		
EXTERIOR DOOR	I-23	J-16
WINDSHIELD WIPER	J-17	J-18

AUDIO VIDEO GROUP (CONTINUED)
CB ANTENNA

KEY	PART NUMBER	U/M DESCRIPTION
	105248-01-000	EA ANTENNA-CB, ADVANCE B604
	104498-01-000	EA BRACKET-ANTENNA MOUNT, STEEL

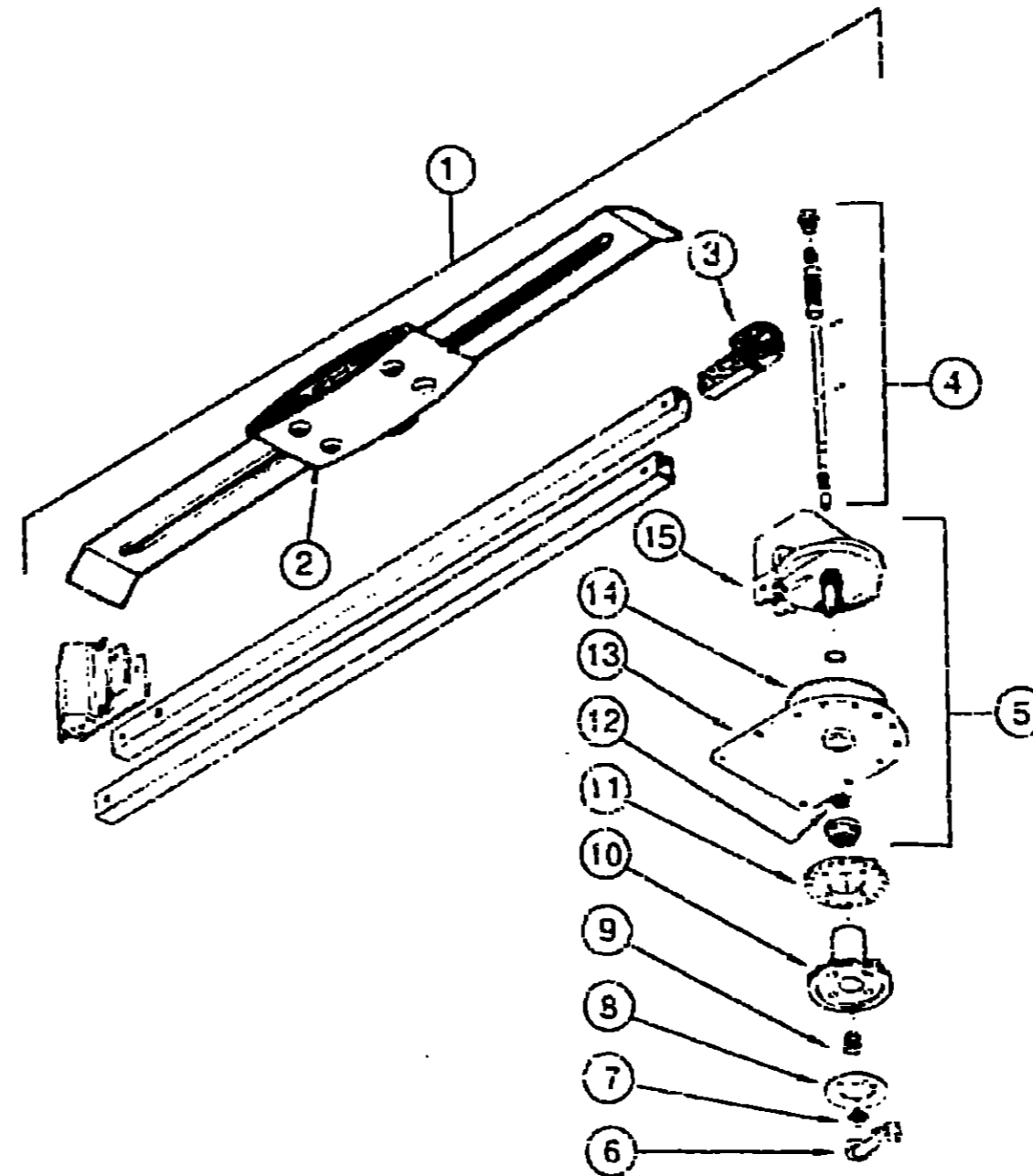
TV CABLE, CONNECTORS, & WALLPLATES

KEY	PART NUMBER	U/M DESCRIPTION
	076319-12-000	EA CONNECTOR-COAXIAL, ONE PIECE
	022134-01-000	EA ADAPTER-TV, CABLE TO CABLE - WINEGARD F-81M
	086759-01-000	EA SPLITTER-TV, 2 WAY
	076319-03-000	FT CABLE-COAXIAL, 75 OHM
	076319-06-000	EA ADAPTOR-CABLE ROOF PLATE, WINEGARD RPJ-1
	076319-08-000	EA WALLPLATE-CABLE RECEPTACLE, TV - SINGLE - IVORY - BEDROOM
	076319-09-000	EA WALLPLATE-CABLE RECEPTACLE, TV - SINGLE - BROWN - PATIO OPTION
	086777-01-000	EA WALLPLATE-TV CABLE, W/ANTENNA SWITCH - IVORY
	086777-03-000	EA PLATE-WALL, CABLE - W/TV ANTENNA SWITCH & BOOSTER - IVORY FROM: 06-02-93 THRU: 04-14-93
	086777-05-000	EA PLATE-WALL, ANTENNA - 1 OUTPUT - IVORY - WINEGARD RV-0921 FROM: 04-15-93 THRU: 99-99-99

TV, VCR & CONTROL CENTER

KEY	PART NUMBER	U/M DESCRIPTION
	092310-02-000	EA TV-COLOR, 9" - AC/DC - W/REMOTE - MAGNAVOX RD0945
	092310-02-700	EA REMOTE-TV, MAGNAVOX RD0945
	098447-03-000	EA TV - 13", COLOR W/REMOTE - U.S. - MAGNAVOX RR1337W
	098447-04-000	EA TV - 13", COLOR W/REMOTE - CANADIAN - MAGNAVOX RR1338W
	098447-03-700	EA REMOTE-TV, MAGNAVOX RR1337W & RR1338W
	098446-03-000	EA VCR-VHS CABLE READY W/REMOTE - MAGNAVOX VR9010 FROM: 07-22-91 THRU: 10-04-92
	098446-03-700	EA REMOTE F/MODEL #9010 - MAGNAVOX 0974588
	098446-04-000	EA VCR-VHS CABLE READY W/REMOTE - MAGNAVOX VR9110 FROM: 10-05-92 THRU: 99-99-99
	098446-04-700	EA REMOTE F/MODELS #9110 & #9120 - MAGNAVOX 0974588
	099717-01-000	EA TIEDOWN-TV, STRAP ON FEMALE END IS 22 5/8" LONG
	099717-02-000	EA TIEDOWN-TV, STRAP ON FEMALE END IS 26 7/8" LONG
	098819-01-000	EA SPEAKER - 2 WATT, 8 OHM - 4"
	093214-01-02A	EA GRILLE-SPEAKER, 4" BROWN
	086757-03-000	EA CONTROL CENTER-SWITCH, VCR/TV - MAGNADYNE VCS-6

AUDIO VIDEO GROUP (CONTINUED)



TV ANTENNA

KEY	PART NUMBER	U/M DESCRIPTION
1	076319-01-000	EA ANTENNA-TV, ROOF MOUNT - 44.5' MAST - RVA WC2
2	076319-01-700	EA HEAD-ANTENNA, AMPLIFIED - WINEGARD# RVSA U/V
3	076319-01-701	EA GEAR-ELEVATING, PLASTIC - WINEGARD# 2200046
4	076319-01-702	EA SHAFT ASM-ELEVATING, WINEGARD# RVP-400A
5	076319-01-711	EA BASE & LIFT ASM - WINEGARD# 2762802
6	076319-01-706	EA CRANK-ELEVATING, W/SET SCREW - WINEGARD# 5755100
7	076319-01-705	EA GROMMET-NYLON, 7/8" ID - WINEGARD# 3200658
8	076319-01-708	EA DECAL-CRANK, WINEGARD# 5413902
9	076319-01-707	EA SPRING-HANDLE, WINEGARD# 5168800
10	076319-01-709	EA PLATE-DIRECTIONAL, FOR HEAD - WINEGARD #3200644
11	076319-01-712	EA PLATE-CEILING, WINEGARD# 3200608
12	076319-01-704	EA BEARING-NYLON, 1 25" OD - WINEGARD# 3200657
13	076319-01-713	EA PLATE-BASE, STEEL - WINEGARD# 3100623
14	076319-01-703	EA BEARING-NYLON, 5" OD - WINEGARD# 3200656
15	076319-01-714	EA HOUSING-ROTATING GEAR - WINEGARD# 2200049

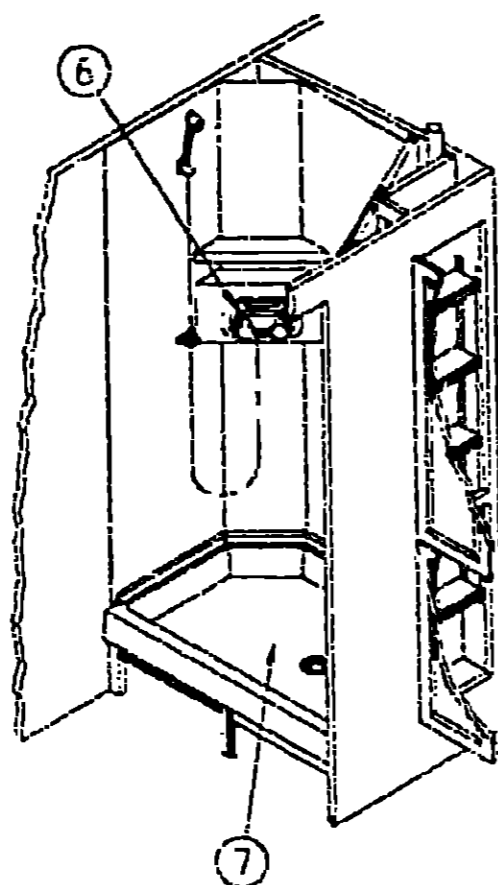
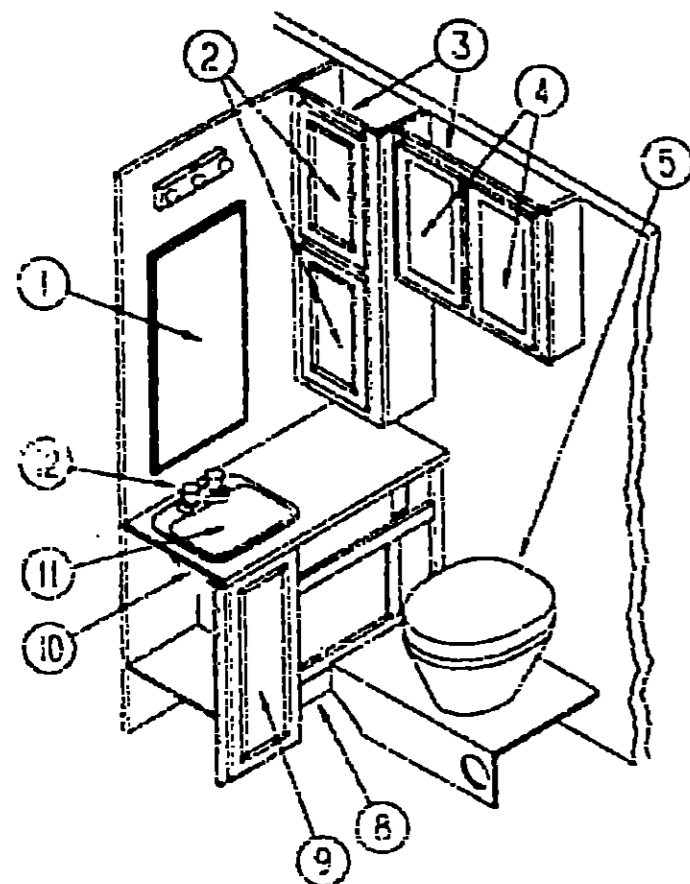
1993 ITASCA
TABLE OF CONTENTS

INTRODUCTION	A-01 -	A-02
ABBREVIATIONS		A-03
ALPHABETICAL INDEX	A-04 -	A-06
ICF27RC	A-07 -	F-02
ICF27RQ	F-03 -	J-18

1993 ICF27RQ INDEX

FLOOR PLAN	F-03 -	F-04
ACCESSORIES		F-05
AUDIO VIDEO	F-06 -	F-08
BATH	F-09 -	F-10
BEDROOM	F-11 -	F-12
CHASSIS	F-13 -	F-24
CURTAIN & CUSHION	G-01 -	G-10
DINETTE	G-11 -	G-12
DRIVERS COMPARTMENT	G-13 -	G-17
ELECTRICAL	G-18 -	G-24
EXTERIOR BODY	H-01 -	H-06
GALLEY	H-09 -	H-13
GENERATOR	H-14 -	H-15
HEATING & A/C	H-16 -	H-20
INTERIOR FINISH	H-21 -	H-24
LABELS	I-01 -	I-09
LP		I-10
LOUNGE	I-11 -	I-12
SEALANTS & FASTENERS	I-13 -	I-16
WATER & SEWAGE	I-17 -	I-22
WINDOW, VENT AND		
EXTERIOR DOOR	J-23 -	J-16
WINDSHIELD WIPER	J-17 -	J-18

BATH GROUP
BATHROOM CABINET & COMPONENTS



KEY	PART NUMBER	UM DESCRIPTION
1	058331-51-000	EA MIRROR-GLASS, SAFETY - 660 MM X 1016 MM
	105004-01-01A	EA MOLDING-VINYL WRAPPED, MIRROR - 1" X 8" - OAK
2	P04746-14-D32	EA DOOR-W/O HARDWARE - 265 MM X 500 MM
3	107840-01-D09	EA CABINET-MEDICINE/STORAGE, W/O DOORS OR HARDWARE
4	P04746-08-D32	EA DOOR-W/O HARDWARE, W/MIRROR - 285 MM X 500 MM
5	067487-02-000	EA TOILET - 12.37" IVORY - FOOT FLUSH - THETFORD
	063740-01-700	EA LEYER-WATER, THETFORD 12514
	063740-01-705	EA BOLT PACKAGE-CLOSET, THETFORD 12524
	063740-01-710	EA LINK THETFORD 12513
	063740-01-712	EA SEAL-BALL VALVE TO BOWL, THETFORD 12502
	063740-01-714	EA VALVE ASM-WATER, THETFORD 12492
	063740-01-717	EA TUBE-FLUSH, TOILET - THETFORD 12509
	063740-02-700	EA SEAT & COVER, PARCHMENT - THETFORD 20829
6	075241-05-000	EA FAUCET-SHOWER, BONE
	075606-01-000	EA PANEL-FAUCET BACK SHOWER - 5" X 9" - PLASTIC
	103092-01-000	EA SHOWER HEAD-W/60" HOSE - US
	103092-02-000	EA SHOWER HEAD-W/60" HOSE - CANADIAN
	103092-01-700	EA BRACKET ONLY-CLEAR, F/SHOWER HEAD - 2328023
7	M02673-06-805	EA PAN-SHOWER, OFF WHITE
	056436-01-000	EA NUT-SLIP, TAILPIECE - 1.5"
	065440-01-000	EA STRAINER-SHOWER, W/RUBBER WASHER
	059735-01-000	EA WASHER-STRAINER TO TAILPIECE PLASTIC, 1.5"
	057671-01-000	EA COVER-SCREW, #6 - PLASTIC - OFF WHITE
	102803-02-01A	EA SURROUND-SHOWER, LARGE 3 SIDED SECTION - OFF WHITE
	102804-02-01A	EA SURROUND-SHOWER, SMALLER SECTION - OFF WHITE
	101447-01-000	EA CLIP-U TYPE, TINNEMAN
8	P07842-01-D32	EA CABINET-LAVATORY W/COUNTERTOP
9	P04746-83-D32	EA DOOR-W/O HARDWARE - 290 MM X 715 MM
10	107842-11-D32	EA COUNTERTOP-LAVATORY CABINET
11	096927-01-01A	EA SINK-LAVATORY, RECTANGULAR - PLASTIC - BONE
	096927-01-700	EA SINK-STOPPER
	096927-01-701	EA TAILPIECE-SINK
12	075240-05-000	EA FAUCET-LAVATORY, BONE
	091253-01-000	EA GASKET-FAUCET, LAVATORY/GALLEY
	075452-02-000	EA HOLDER-TOILET TISSUE, BRASS
	075454-02-000	EA RING-TOWEL W/MOUNTING HARDWARE - BRASS
	100357-01-000	EA ROD-TOWEL, BRASS W/ENDS BENT FOR BACK OF BATH DOOR
	102089-13-807	EA WOOD RAIL - TOWEL RACK - RIGHT SIDE - 26" LONG
	102089-14-807	EA WOOD RAIL - TOWEL RACK - LEFT SIDE - 26" LONG
	M97559-13-D09	EA DOOR-BATH CABINET, W/O HARDWARE - 1859 MM X 523 MM
	094485-01-01A	EA KNOB-DOOR, POLISHED BRASS
		FROM: 00-00-00 THRU 09-23-92
	094485-02-01A	EA KNOB-DOOR, BRASS - INTERTEK YDLC20
		FROM: 09-24-92 THRU 99-99-99
	103194-01-000	EA STOP-DOOR, BATH
	042428-10-000	EA DOOR-FOLDING, FABRIC - 37" X 75" - OFF WHITE
	060224-01-703	EA LATCH & CATCH ASSEMBLY-ALMOND - DE2502DAL
	060224-01-705	EA CATCH ONLY-DOOR JAMS-ALMOND - DE2502DAL
	075453-02-000	EA BAR-TOWEL, 15" BRASS

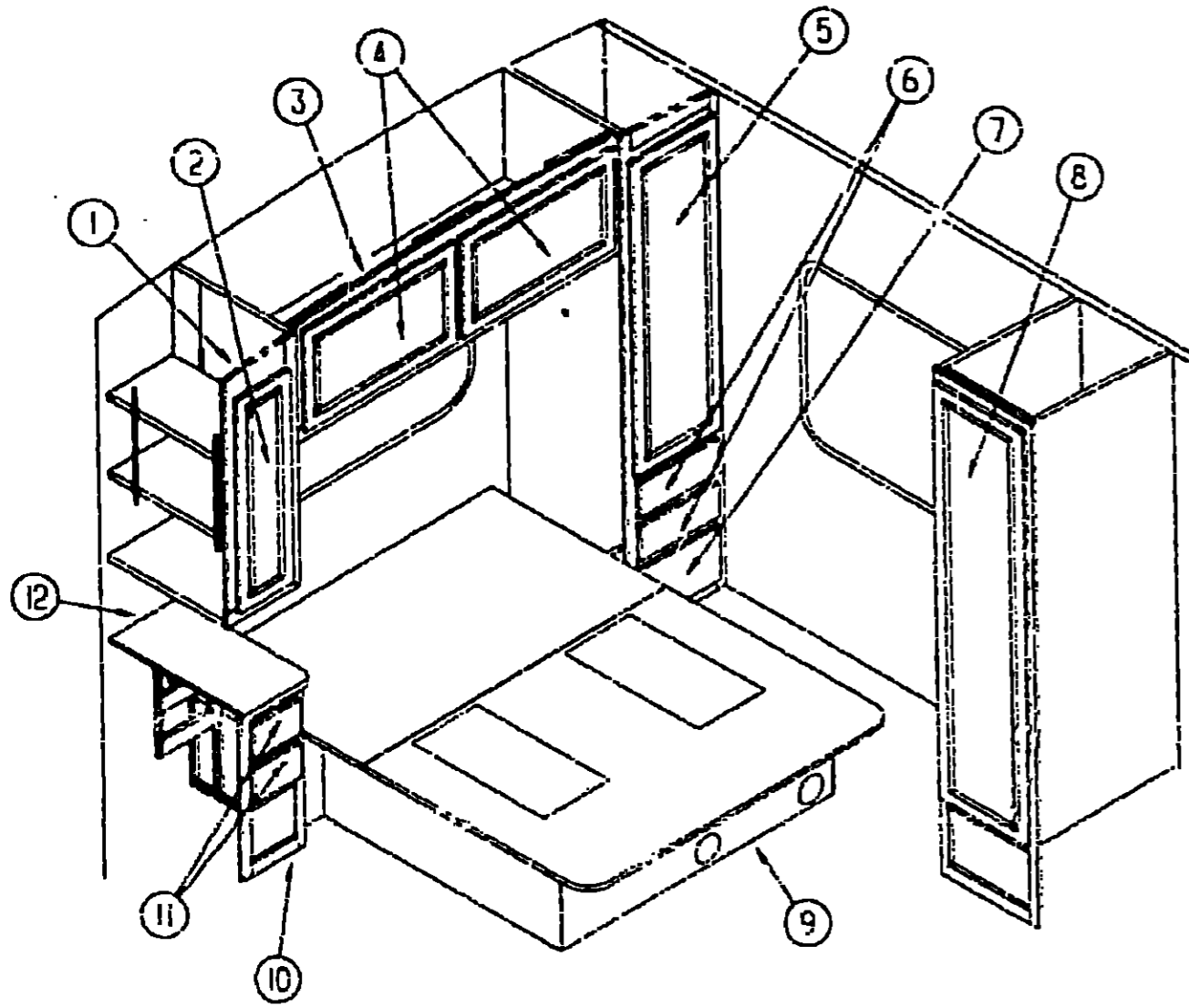
1993 ITASCA
TABLE OF CONTENTS

INTRODUCTION	A-01 -	A-02
ABBREVIATIONS		A-03
ALPHABETICAL INDEX	A-04 -	A-06
ICF27RC	A-07 -	F-02
ICF27RQ	F-03 -	J-18

1993 ICF27RQ INDEX

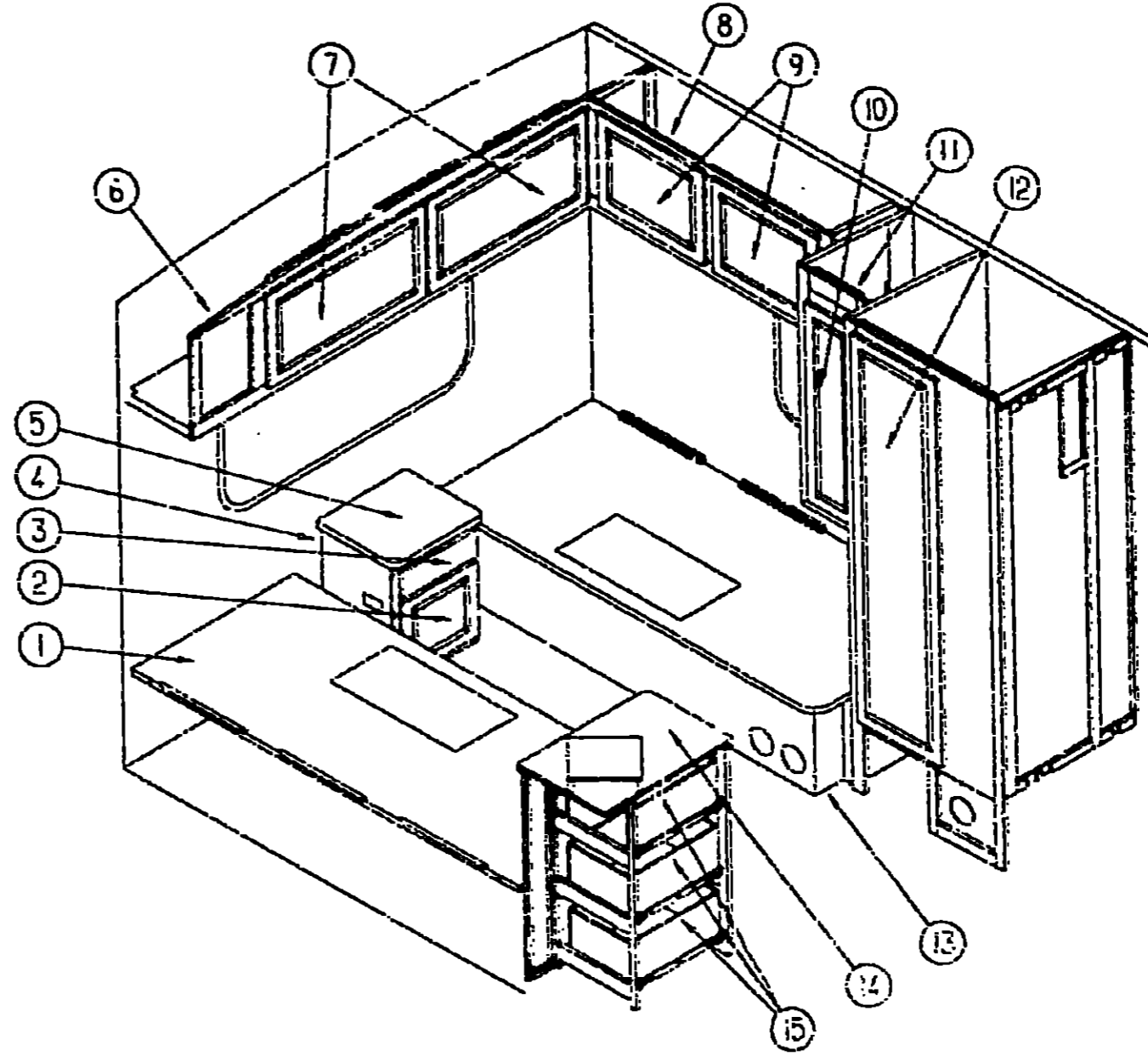
FLOOR PLAN	F-03 -	F-04
ACCESSORIES		F-05
AUDIO VIDEO	F-06 -	F-08
BATH	F-09 -	F-10
BEDROOM	F-11 -	F-12
CHASSIS	F-13 -	F-24
CURTAIN & CUSHION	G-01 -	G-10
DINETTE	G-11 -	G-12
DRIVERS COMPARTMENT	G-13 -	G-17
ELECTRICAL	G-18 -	G-24
EXTERIOR BODY	H-01 -	H-03
GALLEY	H-09 -	H-13
GENERATOR	H-14 -	H-15
HEATING & A/C	H-16 -	H-20
INTERIOR FINISH	H-21 -	H-24
LABELS	I-01 -	I-09
LP		I-10
LOUNGE	I-11 -	I-12
SEALANTS & FASTENERS	I-13 -	I-16
WATER & SEWAGE	I-17 -	I-22
WINDOW, VENT AND		
EXTERIOR DOOR	I-23 -	J-16
WINDSHIELD/WIPTR	J-17 -	J-15

BEDROOM GROUP



QUEEN BEDROOM CABINETY

BEDROOM GROUP (CONTINUED)



TWIN BEDROOM CABINETY

**1993 ITASCA
TABLE OF CONTENTS**

INTRODUCTION	A-01 -	A-02
ABBREVIATIONS		A-03
ALPHABETICAL INDEX	A-04 -	A-05
ICF27RC	A-07 -	F-02
ICF27RQ	F-03 -	J-15

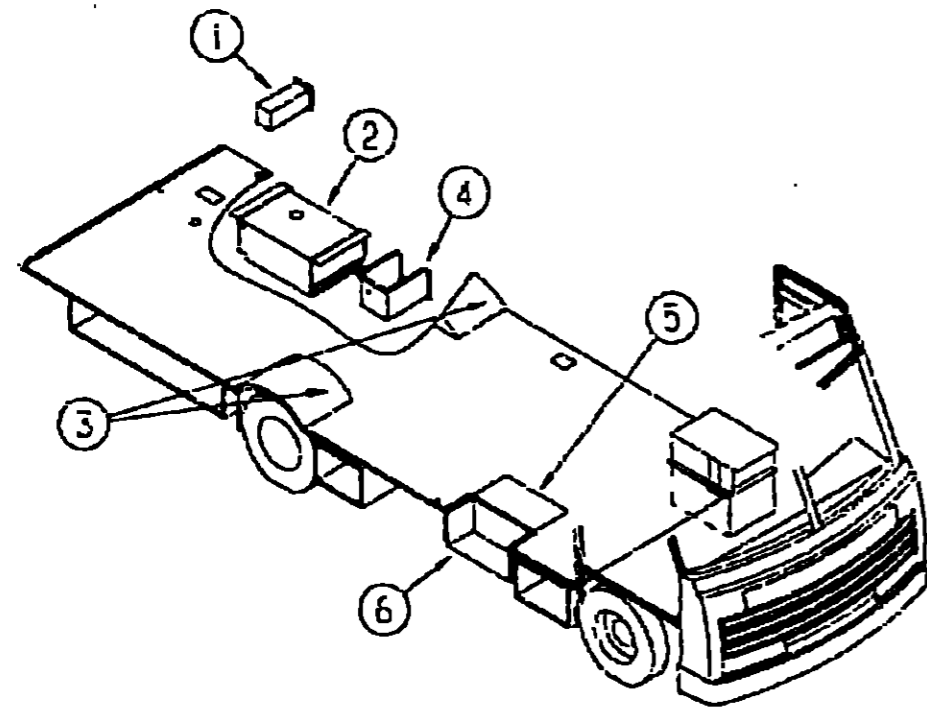
1993 ICF27RQ INDEX

FLOOR PLAN	F-03 -	F-04
ACCESSORIES		F-05
AUDIO VIDEO	F-06 -	F-08
BATH	F-09 -	F-10
BEDROOM	F-11 -	F-12
CHASSIS	F-13 -	F-24
CURTAIN & CUSHION	G-01 -	G-10
DINETTE	G-11 -	G-12
DRIVERS COMPARTMENT	G-13 -	G-17
ELECTRICAL	G-18 -	G-24
EXTERIOR BODY	H-01 -	H-03
GALLEY	H-03 -	H-13
GENERATOR	H-14 -	H-15
HEATING & A/C	H-16 -	H-20
INTERIOR FINISH	H-21 -	H-24
LABELS	I-01 -	I-03
LP		I-10
LOUNGE	I-11 -	I-12
SEALANTS & FASTENERS	I-13 -	I-16
WATER & SEWAGE	I-17 -	I-22
WINDOW, VENT AND EXTERIOR DOOR	I-23 -	J-16
WINDSHIELDWIPER	J-17 -	J-18

KEY	PART NUMBER	U/M DESCRIPTION
	104826-01-C07	EA SHELF ASM-TV
	084070-02-000	EA POST-END, 2.4" - BRASS
	C34071-15-000	EA ROD-BRASS, 210 MM LONG
	058331-17-000	EA MIRROR-GLASS, SAFETY - 8 7/8" X 12 5/8"
	105004-01-01A	EA MOLDING-MIRROR, VINYL WRAPPED - OAK
	105219-01-C05	EA CABINET ASM-SHELF (BELOW TV SHELF)
1	106521-01-D09	EA CABINET-SHIRT CLOSET, W/O DOOR OR HARDWARE
2	P04746-64-D32	EA DOOR-W/O HARDWARE - 250 MM X 850 MM
3	P07832-01-D32	EA CABINET-OVERHEAD, W/O DOORS OR HARDWARE
4	M05908-01-D32	EA DOOR-W/O HARDWARE W/MIRROR - 400 MM X 710 MM FROM: 03-03-93 THRU: 08-02-92
4	P04746-04-D09	EA DOOR-W/O HARDWARE W/MIRROR - 400 MM X 710 MM FROM: 08-03-92 THRU: 93-93-93
5	P04746-91-D32	EA DOOR-W/O HARDWARE - 390 MM X 1250 MM
6	P07104-H3-D32	EA DRAWER-CABINET, W/O HARDWARE - 155 MM X 390 MM FACE SIZE
7	P07104-H4-D32	EA DRAWER-CABINET, W/O HARDWARE
8	P04746-43-D32	EA DOOR-W/O HARDWARE - 410 MM X 1660 MM
	009112-01-000	EA FLANGE - 1" ROD, CLOTHES - PLASTIC - OFF WHITE
	042438-01-000	EA DOWEL-WOOD, CLOTHES ROD - 1" DIAMETER X 4"
9	P07844-01-D32	EA CABINET-QUEEN BED W/O TOPS
	C29076-01-000	EA SUPPORT-BED, K-CHANNEL - 1.9" X 74.8" - ALUMINUM - BEIGE FROM: 00-03-00 THRU: 07-04-92
	041389-16-000	EA HINGE-PIANO, 72.5" LONG - BEIGE
	107539-01-000	EA SPRING-GAS, 20" BLADE END - SPRING LIFT SL3-110
	107540-01-000	EA BRACKET - 90 DEGREE, GAS SPRING - SPRING LIFT SL55RF 1
	107541-01-000	EA BRACKET-FLAT, GAS SPRING - SPRING LIFT SL40P1
10	107841-01-D32	EA CABINET-NIGHTSTAND W COUNTERTOP
11	P07104-H2-D32	EA DRAWER-CABINET, W/O HARDWARE - 155 MM X 250 MM FACE SIZE
12	107841-11-D32	EA COUNTERTOP-NIGHTSTAND

KEY	PART NUMBER	U/M DESCRIPTION
1	P07542-01-D09	EA CABINET-TWIN BED W/O TOP, PASSENGER SIDE
2	P04746-16-D32	EA DOOR-W/O HARDWARE - 355 MM X 455 MM
3	P07330-04-D09	EA DRAWER-CABINET, W/O HARDWARE - 101.6 MM X 319 MM FACE SIZE
4	103778-01-D32	EA CABINET-NIGHTSTAND, W/COUNTERTOP - W/O DOOR OR DRAWER
5	103778-11-D32	EA COUNTERTOP-NIGHTSTAND CABINET
6	P05914-01-D32	EA CABINET-OVERHEAD, W/O DOORS OR HARDWARE
7	M05908-01-D32	EA DOOR-W/O HARDWARE W/MIRROR - 400 MM X 710 MM FROM: 03-03-93 THRU: 08-02-92
7	P04746-04-D09	EA DOOR-W/O HARDWARE W/MIRROR - 400 MM X 710 MM FROM: 08-03-92 THRU: 93-93-93
8	P07837-01-D32	EA CABINET-OVERHEAD, W/O DOORS OR HARDWARE - DRIVER SIDE
	P07833-01-D32	EA CABINET-OVERHEAD, W/O DOOR OR HARDWARE - PASS SIDE (NOT SHOWN)
9	P04746-02-D32	EA DOOR-W/O HARDWARE - 15.74" X 23.47" - DRIVER OR PASS SIDE
	P04746-03-D32	EA DOOR-W/O HARDWARE - 400 MM X 710 MM - PASS SIDE ONLY (NOT SHOWN)
10	P04746-64-D32	EA DOOR-W/O HARDWARE - 250 MM X 850 MM
11	107835-01-D09	EA CABINET-SHIRT CLOSET, W/O DOOR OR HARDWARE
12	P04746-43-D32	EA DOOR-W/O HARDWARE - 410 MM X 1660 MM
	009112-01-000	EA FLANGE - 1" ROD, CLOTHES - PLASTIC - OFF WHITE
	042438-01-000	EA DOWEL-WOOD, CLOTHES ROD - 1" DIAMETER X 4"
13	P07497-01-D09	EA CABINET-TWIN BED W/O TOP, DRIVER SIDE
14	107834-11-D32	EA COUNTERTOP
15	P07104-B2-D32	EA DRAWER-CABINET, W/O HARDWARE - 268 MM X 352 MM FACE SIZE

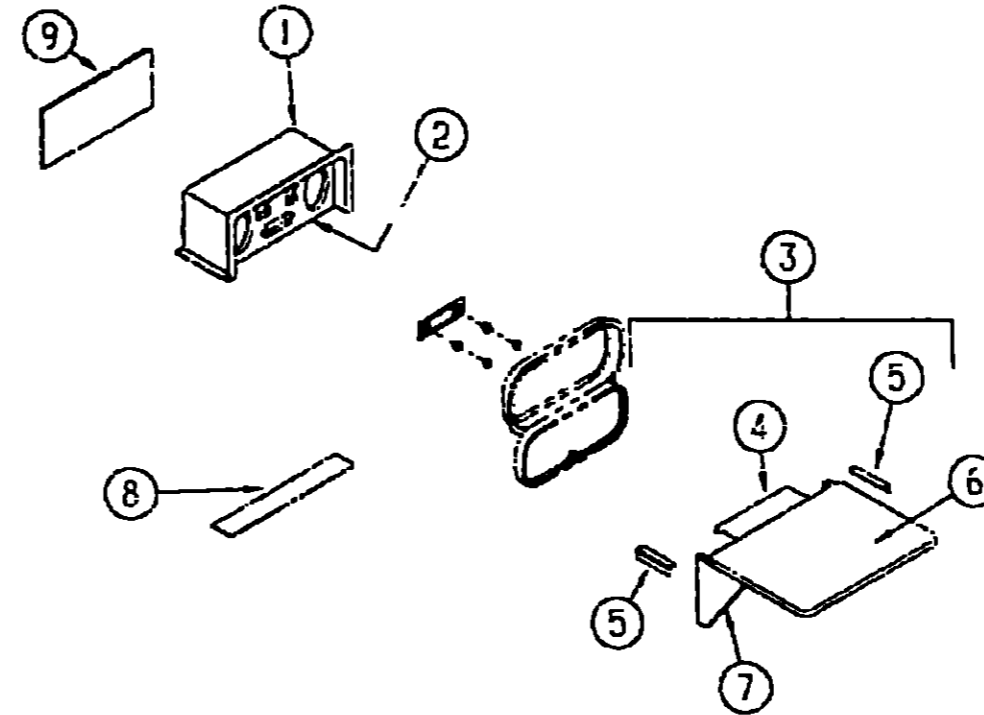
CHASSIS GROUP



COMPARTMENTS & WHEELWELLS

KEY	PART NUMBER	U/M DESCRIPTION
1	065967-01-000	EA COMPARTMENT-SEWER HOSE, 6' X 6 6" X 17 8" - PLASTIC
2	076137-04-000	EA TRAY-COMPARTMENT, 23.1" WIDE X 22.4" DEEP
3	102921-01-000	EA WHEELWELL-PLASTIC
4	102979-01-000	EA BOX-POWER CORD
5	104095-01-C05	EA LID-ENTRANCE STEP COMPARTMENT, W/O CARPET
	101222-01-01A	EA BRACKET-CATCH, LID - BEIGE
	042541-04-000	EA LATCH-BRASS, W/O STRIKE - HASP TYPE - BRASS
6	077848-02-000	EA STEP-PULL CUT
	091176-01-000	EA SUPPORT-BASE-ENTRANCE STEP
	056746-01-000	EA PLUG-CAP, 1" DIAMETER
	056748-01-000	EA PLUG-CAP, 1.5" DIAMETER - BLACK
	106208-01-01A	EA COMPARTMENT-EXTERIOR SHOWER, OFF WHITE - PLASTIC

CHASSIS GROUP (CONTINUED)



PATIO ENTERTAINMENT CENTER

KEY	PART NUMBER	U/M DESCRIPTION
1	104897-03-01A	EA BOX-ENTERTAINMENT CENTER - OFF WHITE
2	104899-01-C05	EA PLATE-RADIO MOUNTING
3	105230-01-000	EA SHELF ASSEMBLY
4	105377-01-01A	EA BRACKET-TABLE HANGER, OFF WHITE
5	105376-01-02A	EA HINGE-CONTINUOUS, 2" X 140 MM - OFF WHITE
6	105230-11-005	EA SHELF
7	105230-12-000	EA SUPPORT-SHELF
8	104898-01-01A	EA PLATE-PLASTIC, BOTTOM - 19.35" X 31" - OFF WHITE
9	104898-02-01A	EA PLATE-PLASTIC, REAR - 16 1" X 6.3" - OFF WHITE

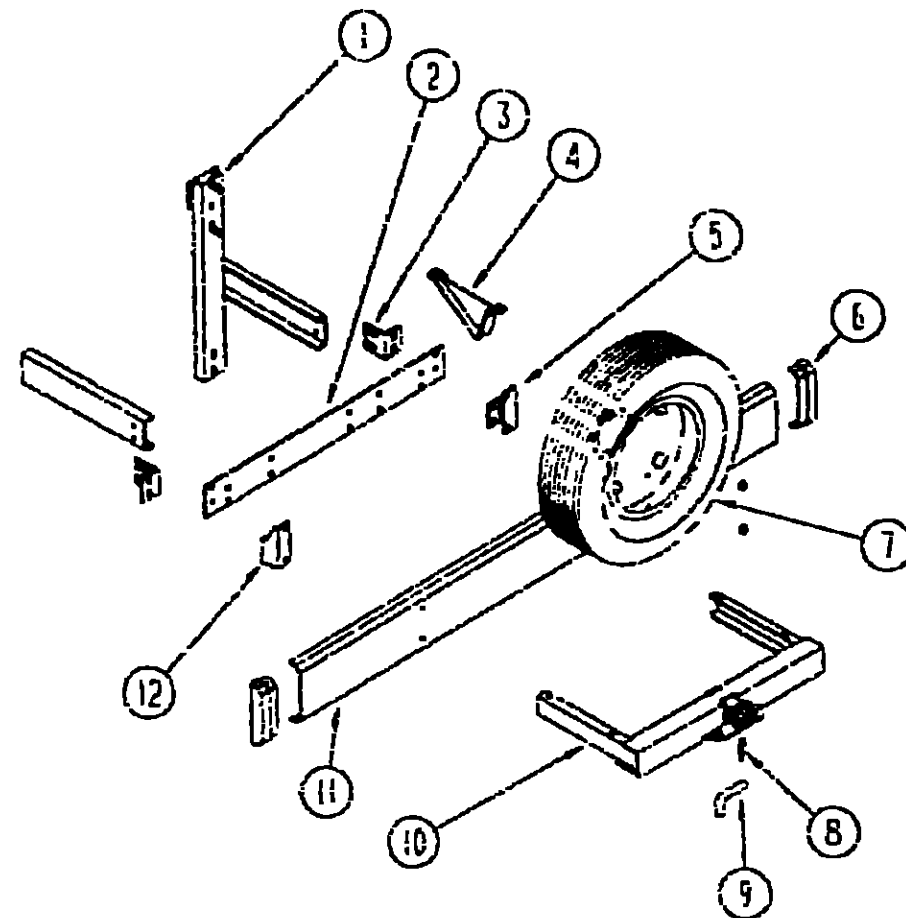
**1993 ITASCA
TABLE OF CONTENTS**

INTRODUCTION	A-01 -	A-02
ABBREVIATIONS		A-03
ALPHABETICAL INDEX	A-04 -	A-06
ICF27RC	A-07 -	F-02
ICF27RQ	F-03 -	J-13

1993 ICF27RQ INDEX

FLOOR PLAN	F-03 -	F-04
ACCESSORIES		F-05
AUDIO VIDEO	F-06 -	F-08
BATH	F-09 -	F-10
BEDROOM	F-11 -	F-12
CHASSIS	F-13 -	F-24
CURTAIN & CUSHION	G-01 -	G-10
DINETTE	G-11 -	G-12
DRIVERS COMPARTMENT	G-13 -	G-17
ELECTRICAL	G-18 -	G-24
EXTERIOR BODY	H-01 -	H-03
GALLEY	H-09 -	H-13
GENERATOR	H-14 -	H-15
HEATING & A/C	H-16 -	H-20
INTERIOR FINISH	H-21 -	H-24
LABELS	I-01 -	I-03
LP		I-10
LOUNGE	I-11 -	I-12
SEALANTS & FASTENERS	I-13 -	I-16
WATER & SEWAGE	I-17 -	I-22
WINDOW, VENT AND		
EXTERIOR DOOR	I-23 -	J-16
WINDSHIELD WIPER	J-17 -	J-18

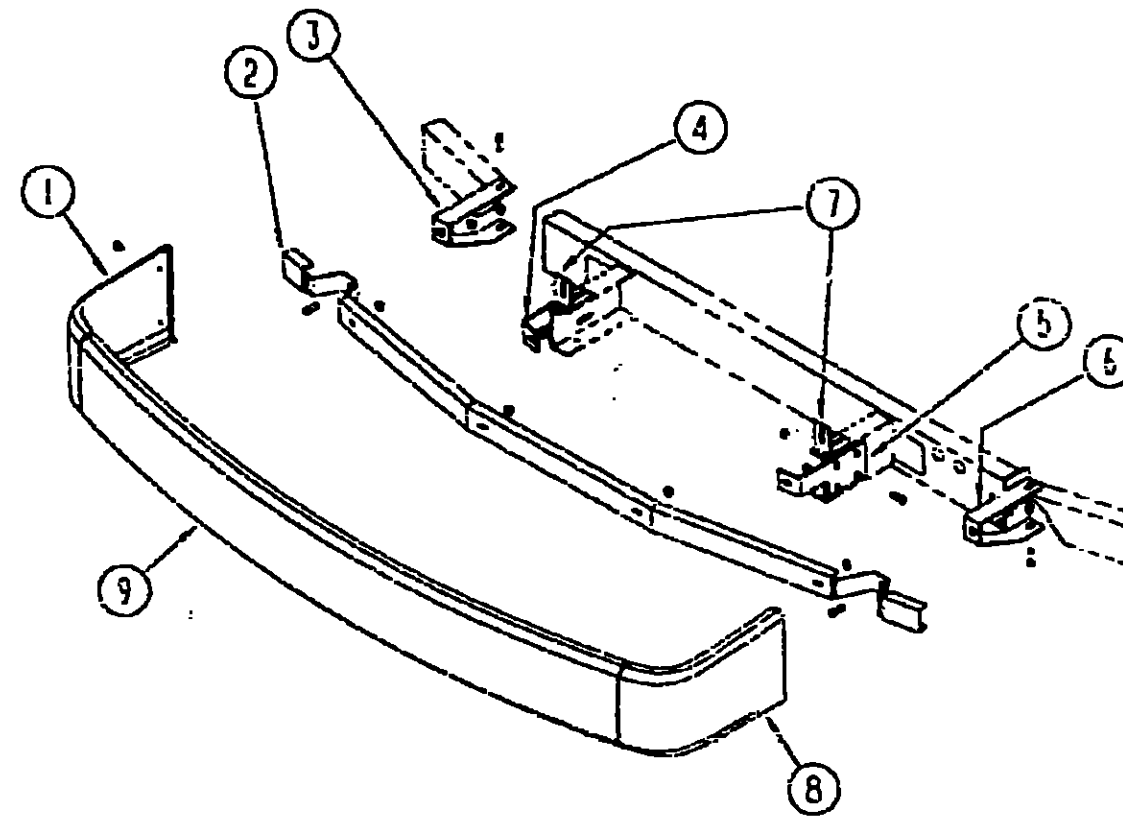
CHASSIS GROUP (CONTINUED)



REAR BUMPER, TRAILER HITCH & COMPONENTS

KEY	PART NUMBER	U/M DESCRIPTION
1	102944-01-000	EA BRACKET ASM-TIRE CARRIER
2	076678-02-000	EA PLATE-MOUNTING, BUMPER - REAR
3	076668-01-000	EA SUPPORT ANGLE-BUMPER, REAR
4	083376-01-000	EA SKID PLATE
5	102945-03-000	EA BRACKET ASM-BUMPER, REAR
6	103228-01-03A	EA CAP-END, BUMPER - REAR - ASH GRAY - DRIVER OR PASSENGER SIDE
	094352-02-000	EA CLIP-CHRISTMAS TREE, FLAT HEAD - .5" X .85"
7	083425-07-000	EA TIRE - 7.50 X R16 LRD. MICHELIN XPS RIB - GAS
7	097324-04-000	EA TIRE - 8R19.5 LRD. MICHELIN XZA - DIESEL OPTION
	089359-03-000	EA WHEEL-STEEL, 16" X 6"K - 8 HOLE - PRIMED - GAS
	051377-01-000	EA STEM-VALVE, TR 500 - DIESEL OPTION
	051377-03-000	EA STEM-VALVE, TRQ 600HP - GAS
8	034513-01-000	EA PIN-HITCH 3/16 WIRE
9	034512-01-000	EA PIN-LOCKING-DRAWBAR
10	077617-01-000	EA HITCH ASM W/O DRAWBAR
11	103099-01-04A	EA BUMPER-REAR, ASH GRAY
12	102945-04-000	EA BRACKET ASM-BUMPER, REAR
	097744-02-000	EA HOUSING-TRAILER PIN, 43"
	097745-02-000	EA HOUSING-RECEPTACLE, TRAILER - 43" WIRE LENGTH
	097746-01-000	EA HOUSING-CAP

CHASSIS GROUP (CONTINUED)



FRONT BUMPER

KEY	PART NUMBER	U/M DESCRIPTION
1	103525-01-03A	EA PANEL-FACIA, BUMPER - FRONT RIGHT - ASH GRAY
2	103512-01-000	EA CHANNEL ASM-BUMPER
3	103497-01-000	EA BRACE-BUMPER, FRONT
4	085140-03-000	EA SUPPORT-FRONT BUMPER, PASSENGER SIDE - 9.1" X 4" - STEEL
5	086140-04-000	EA SUPPORT-FRONT BUMPER, DRIVER SIDE - 9.1" X 4" - STEEL
6	103611-01-000	EA BRACE-BUMPER, FRONT
7	103528-01-000	EA BRACKET-FRONT, LOWER - MOUNTING
8	103525-02-03A	EA PANEL-FACIA, BUMPER - FRONT LEFT - ASH GRAY
9	103634-01-032	EA BUMPER ASM-FRONT, W/DRIVER & PASSENGER SIDE FACIA PANELS
	067234-01-000	EA NUT-JACK, 1/4" X 20 THREADS, MOLLY - ARDEN P-LIN BRASS

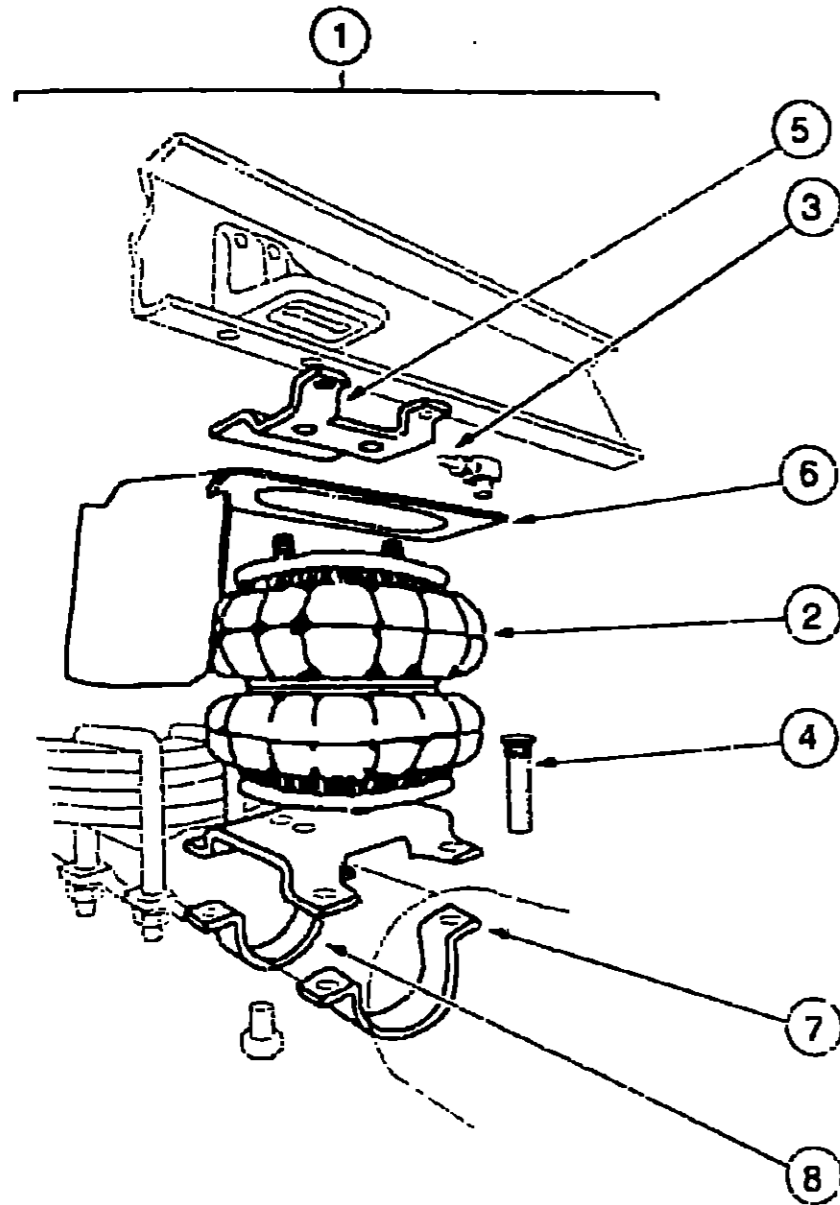
**1993 ITASCA
TABLE OF CONTENTS**

INTRODUCTION	A-01 -	A-02
ABBREVIATIONS		A-03
ALPHABETICAL INDEX	A-04 -	A-06
ICF27RC	A-07 -	F-02
ICF27RQ	F-03 -	J-18

1993 ICF27RQ INDEX

FLOOR PLAN	F-03 -	F-04
ACCESSORIES		F-05
AUDIO VIDEO	F-06 -	F-08
BATH	F-09 -	F-10
BEDROOM	F-11 -	F-12
CHASSIS	F-13 -	F-24
CURTAIN & CUSHION	G-01 -	G-10
DINETTE	G-11 -	G-12
DRIVERS COMPARTMENT	G-13 -	G-17
ELECTRICAL	G-18 -	G-24
EXTERIOR BODY	H-01 -	H-05
GALLEY	H-09 -	H-13
GENERATOR	H-14 -	H-15
HEATING & A/C	H-16 -	H-20
INTERIOR FINISH	H-21 -	H-24
LABELS	I-01 -	I-09
LP		I-10
LOUNGE	I-11 -	I-12
SEALANTS & FASTENERS	I-13 -	I-16
WATER & SEWAGE	I-17 -	I-22
WINDOW, VENT AND		
EXTERIOR DOOR	I-23 -	J-18
WINDSHIELD WIPER	J-17 -	J-18

CHASSIS GROUP (CONTINUED)

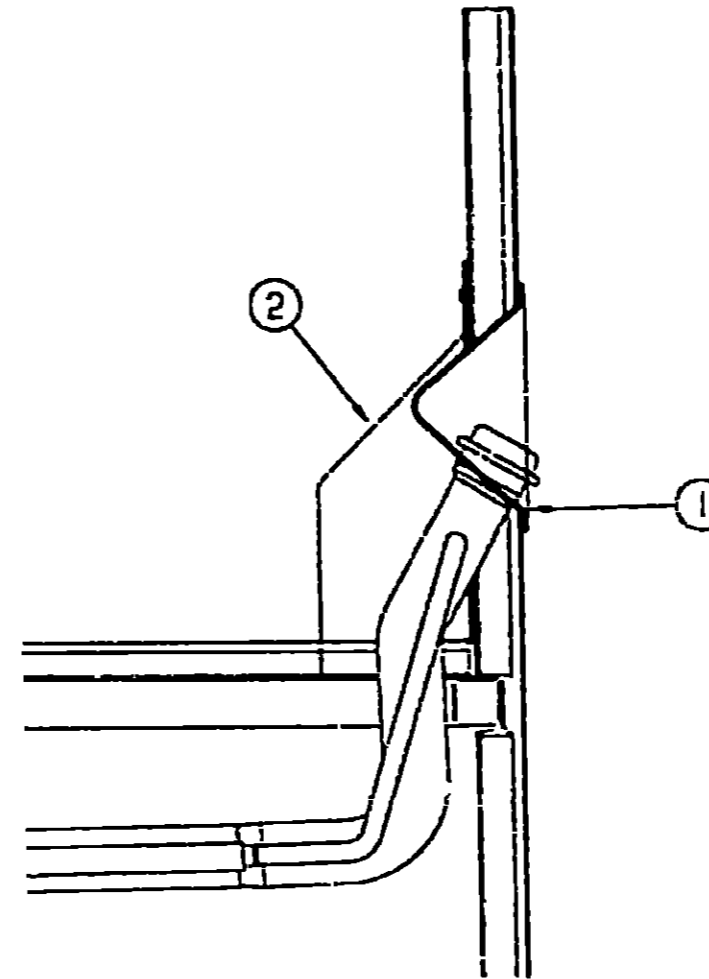


REAR AXLE AIRSPRINGS

KEY	PART NUMBER	U/M DESCRIPTION
1	084056-04-000	EA AIRSPRING-BELLOWS, REAR AXLE - FIRESTONE# MHA224 - GAS ENGINE
2	084056-04-702	EA AIR BAG-ONLY, FIRESTONE# W217602064
3	084056-01-701	EA TUBING-DOT 1/4" X 18' - FIRESTONE# 21-0938
4	084056-01-702	EA BOLT-RIBBED NECK, 3/8"-24 X 2 5" FIRESTONE# 21-0829
	084056-01-705	EA TUBING PROTECTORS, FIRESTONE# 21-0939
5	084056-01-706	EA BRACKET-UPPER TO FRAME, FIRESTONE# 21-0150
6	084056-01-711	EA HEAT SHIELD - 224 DOS SYSTEM, FIRESTONE# 21-0342
7	084056-01-713	EA AXLE STRAP BRACKET, AXLE TUBE - 3 USED - FIRESTONE# 21-1163
8	084056-01-714	EA AXLE STRAP BRACKET, DIFFERENTIAL - 1 USED - FIRESTONE# 21-5058
	084056-04-700	EA BRACKET, LOWER DRIVERS SIDE
	084056-04-701	EA BRACKET, LOWER PASSENGER SIDE
	100322-01-000	EA PLATE-VALVE, AIRSPRING

FROM: 00-00-00 THRU: 07-08-92

CHASSIS GROUP (CONTINUED)



FUEL SYSTEM

KEY	PART NUMBER	U/M DESCRIPTION
1	102551-01-04A	EA SHROUD-FUEL FILL - ASH GRAY
2	072447-04-000	EA SHROUD-FUEL FILL UPPER - PLASTIC
	007053-01-000	FT HOSE-GAS, 1/4" ID X 1/2" OD
	054584-01-000	EA PLUG-BRASS, 3/8"
	044317-01-000	FT HOSE-FUEL, 3/8" ID - DIESEL ONLY

**1993 ITASCA
TABLE OF CONTENTS**

INTRODUCTION	A-01 -	A-02
ABBREVIATIONS		A-03
ALPHABETICAL INDEX	A-04 -	A-06
ICF27RC	A-07 -	F-02
ICF27RQ	F-03 -	J-18

1993 ICF27RQ INDEX

FLOOR PLAN	F-03 -	F-04
ACCESSORIES		F-05
AUDIO VIDEO	F-06 -	F-08
BATH	F-09 -	F-10
BEDROOM	F-11 -	F-12
CHASSIS	F-13 -	F-24
CURTAIN & CUSHION	G-01 -	G-10
DINETTE	G-11 -	G-12
DRIVERS COMPARTMENT	G-13 -	G-17
ELECTRICAL	G-18 -	G-24
EXTERIOR BODY	H-01 -	H-08
GALLEY	H-09 -	H-13
GENERATOR	H-14 -	H-15
HEATING & A/C	H-16 -	H-20
INTERIOR FINISH	H-21 -	H-24
LABELS	I-01 -	I-03
LP		I-10
LOUNGE	I-11 -	I-12
SEALANTS & FASTENERS	I-13 -	I-15
WATER & SEWAGE	I-17 -	I-22
WINDOW, VENT AND		
EXTERIOR DOOR	J-23 -	J-16
WINDSHIELD WIPER	J-17 -	J-18

CHASSIS GROUP (CONTINUED)
CHASSIS MISCELLANEOUS

KEY	PART NUMBER	U/M DESCRIPTION
	055278-51-259	FT TUBING-STEEL .75" X 1.5" X 12.5"
	008042-01-000	FT TUBING-VINYL .65" ID
	065450-05-000	EA TIEDOWN-BATTERY, 8.4' TUBE - STEEL
	075307-03-000	EA SHIELD-HEAT, LP - DIESEL OPTION
	093719-01-000	EA HOSE-OIL FILL, PRE-FORMED 90 DEGREE BEND - DIESEL OPTION
	077001-01-000	EA ANGLE-MOUNTING, ROOF PANEL - V ANGLE - 3" X 2.4" X 1.5"
	070573-06-000	EA PLATE-ANCHOR, W/7/16 WELD NUT - 1.5" X 3.3"
	017516-01-000	EA FLAP-MUD, 14" X 18" - BLACK
	020167-04-000	EA GUARD-DIRT, MUDFLAP
		FROM: 00-00-00 THRU: 03-25-92
	020167-05-000	EA GUARD-DIRT, MUDFLAP
		FROM: 03-27-92 THRU: 99-99-99
	076310-01-000	EA BAFFLE-RADIATOR, .12" X 15" X 62" - RUBBER

FRONT SHOCKS

KEY	PART NUMBER	U/M DESCRIPTION
	104235-01-000	EA SHOCK ABSORBER-GAS, P20 FRONT - BILSTEIN 945-1173

TIRE COVERS

KEY	PART NUMBER	U/M DESCRIPTION
	104408-03-D32	EA COVER-TIRE, 32" - SUNRISE
	104408-04-D32	EA COVER-TIRE, 34" - SUNRISE - DIESEL OPTION
	108163-02-01A	EA COVER ASM-TIRE, 19.5" CHEVY - DIESEL - CHROME - EXTERIOR TRIM OPTION
	105560-03-02A	EA INSERT-TIRE COVER, 19.5" CHEVY - ASH GRAY - EXTERIOR TRIM OPTION
	108163-01-01A	EA COVER ASM-TIRE, 16" CHEVY - GAS - CHROME - EXTERIOR TRIM OPTION
	105560-02-02A	EA INSERT-TIRE COVER, 16" CHEVY - ASH GRAY - EXTERIOR TRIM OPTION

CHASSIS GROUP (CONTINUED)
16" CHEVY STAINLESS STEEL WHEEL LINERS

KEY	PART NUMBER	U/M DESCRIPTION
	091209-05-000	EA LINER-WHEEL, SET OF 4 - 16" - STAINLESS STEEL
	091209-03-702	EA COVER-AXLE, FRONT - 8 LUG - FORD & CHEVY
	091209-02-702	EA COVER-AXLE, REAR - 8 LUG - FORD & CHEVY
	091209-03-704	EA HING-SNAP, FRONT OR REAR - 8 LUG - FORD & CHEVY
	091209-05-700	EA LINER-WHEEL, 16" FRONT - W/AXLE COVER & 8 LUG - CHEVY/FORD
	091209-05-701	EA LINER-WHEEL, 16" REAR - W/AXLE COVER & 8 LUG - CHEVY/FORD
	095012-03-000	EA EXTENSION-VALVE STEM, DIAL WHEEL
	095012-04-000	EA STABILIZER-VALVE STEM EXTENSION, DICCR AG-STA-2
		FROM: 01-04-93 THRU: 99-99-99
	077030-02-000	EA EXTENSION-VALVE STEM, 1.2"

16" CHEVY WHEEL COVERS

KEY	PART NUMBER	U/M DESCRIPTION
	083181-01-700	EA COVER-WHEEL, 16" - 8 LUG - 1 ONLY

ELECTRIC ENTRY STEP

KEY	PART NUMBER	U/M DESCRIPTION
	075723 02-000	EA SPACER-SWITCH, WHOLE - .2" X 9" X 2" - METAL - OFF WHITE FOR ELECTRIC STEP DOOR JAMB SWITCH
	P01713-01-000	EA SWITCH ASSEMBLY-PUSH BUTTON, IN DOOR JAMB - METAL - CHROME
	113225-01-01A	EA SEAL-SWITCH, STEP - BLACK - LUNDELL
	094708-01-01A	EA STEP-ENTRY DOOR, ELECTRIC - SINGLE - KWIKEE 2813
	094707-02-700	EA MOTOR REPLACEMENT KIT - MODELS 32 & 25 - KWIKEE 9520
	094707-02-702	EA GEAR KIT - KWIKEE 9525
	094707-02-703	EA PARTS KIT, (BEARINGS & PINS) - KWIKEE 9530
	094707-02-704	EA CONNECTOR KIT-MOTOR, KWIKEE 9537
	094707-02-705	EA CONTROL UNIT, (ORANGE) - KWIKEE 9513
	094708-02-700	EA CONVERSION KIT 28 SERIES - KWIKEE 9570
	094707-02-707	EA TREAD-NON-SKID, BLACK - 6" X 21" - KWIKEE 909333
	094708-03-700	EA LINKAGE ASM F/28 SERIES - KWIKEE 9522

LUG WRENCH & LEVERAGE BAR

KEY	PART NUMBER	U/M DESCRIPTION
	092208-01-000	EA LUG WRENCH, 1.05 X 1.00
	092208-02-000	EA LEVERAGE BAR-LUG WRENCH

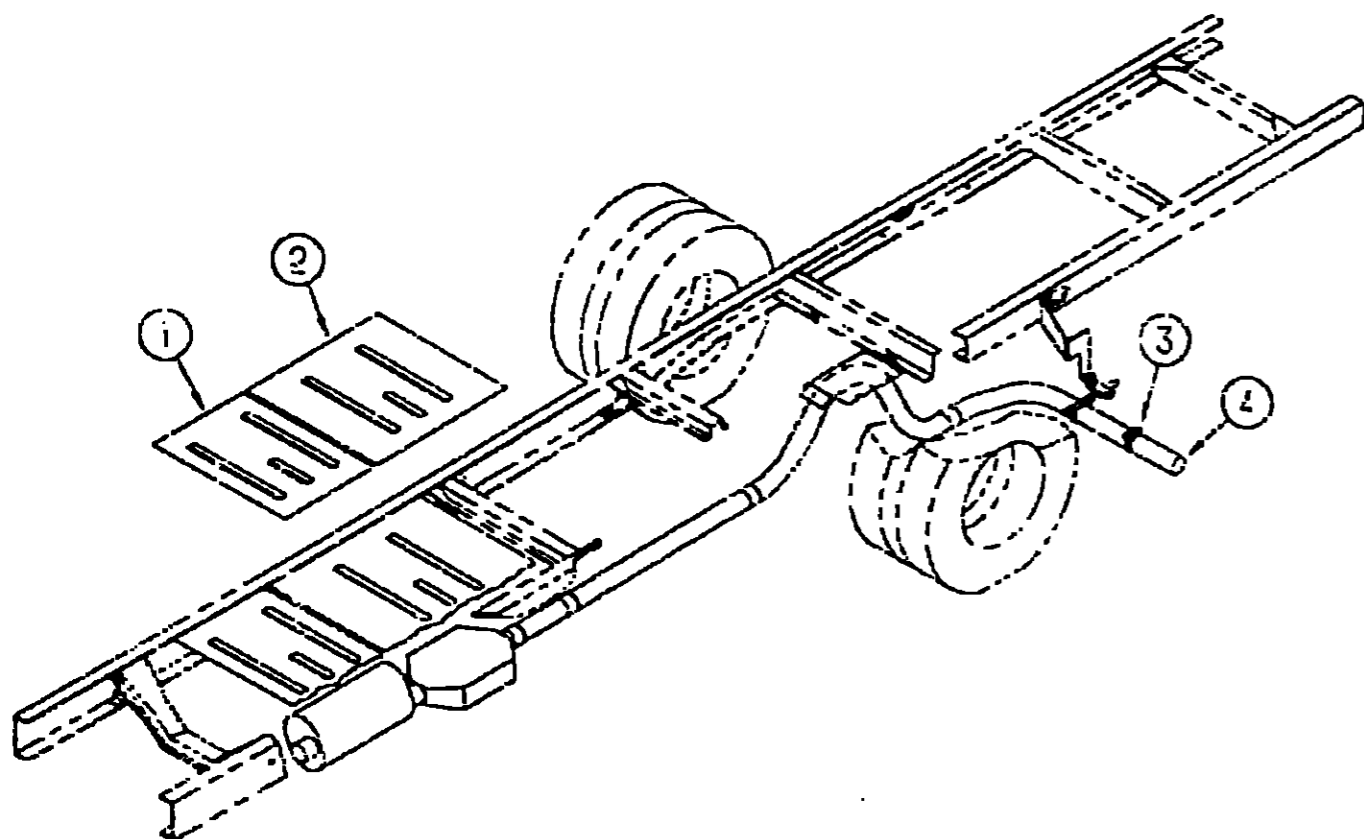
1993 ITASCA
TABLE OF CONTENTS

INTRODUCTION	A-01 -	A-02
ABBREVIATIONS		A-03
ALPHABETICAL INDEX	A-04 -	A-06
ICF27RC	A-07 -	F-02
ICF27RQ	F-03 -	J-18

1993 ICF27RQ INDEX

FLOOR PLAN	F-03 -	F-04
ACCESSORIES		F-05
AUDIO VIDEO	F-05 -	F-08
BATH	F-09 -	F-10
BEDROOM	F-11 -	F-12
CHASSIS	F-13 -	F-24
CURTAIN & CUSHION	G-01 -	G-10
DINETTE	G-11 -	G-12
DRIVERS COMPARTMENT	G-13 -	G-17
ELECTRICAL	G-19 -	G-24
EXTERIOR BODY	H-01 -	H-08
GALLEY	H-09 -	H-13
GENERATOR	H-14 -	H-15
HEATING & AC	H-16 -	H-20
INTERIOR FINISH	H-21 -	H-24
LABELS	I-01 -	I-09
LP		I-10
LOUNGE	I-11 -	I-12
SEALANTS & FASTENERS	I-13 -	I-16
WATER & SEWAGE	I-17 -	I-22
WINDOW, VENT AND		
EXTERIOR DOOR	I-23 -	J-12
WINDSHIELD WIPER	J-17 -	J-18

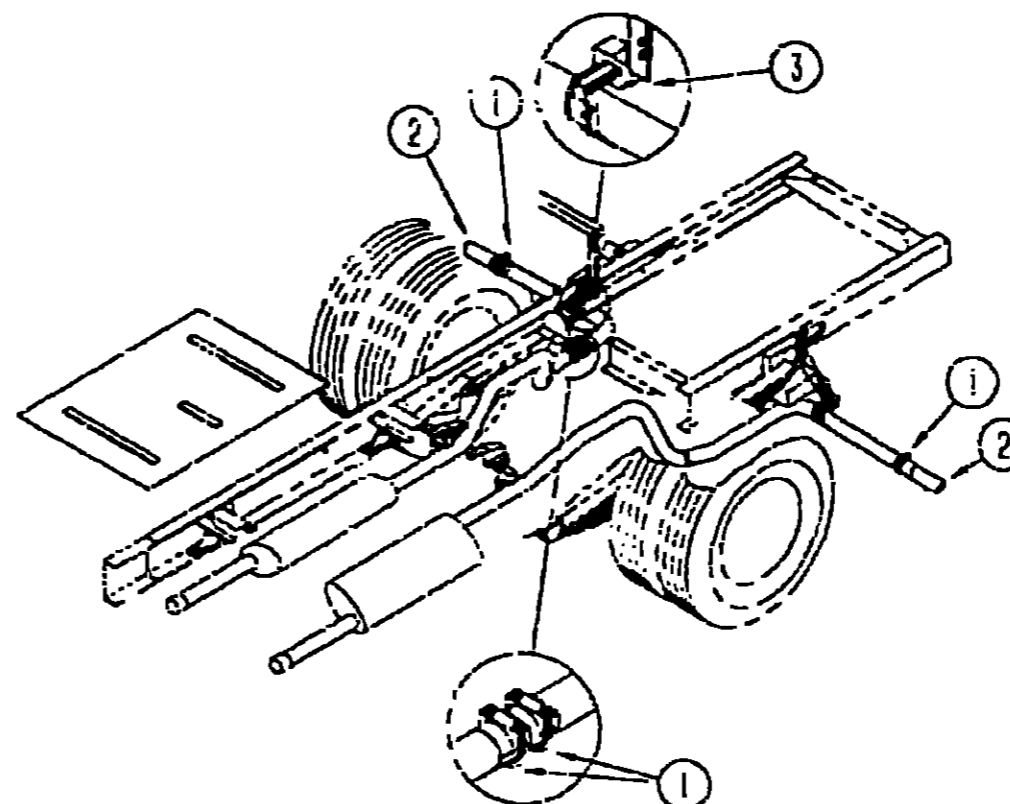
CHASSIS GROUP (CONTINUED)



EXHAUST SYSTEM - GAS

KEY	PART NUMBER	U/M DESCRIPTION
1	101544-01-000	EA SHIELD-HEAT, EXHAUST - 19.7' X 28.9' - STEEL
2	101544-02-000	EA SHIELD-HEAT, EXHAUST - 30' X 28.9' - STEEL
3	094918-01-000	EA CLAMP-EXHAUST, 3" - GUILLOTINE STYLE
4	093762-05-000	EA EXTENSION-EXHAUST, STRAIGHT - 3" OD X 7.9' LONG - STAINLESS STEEL
	053322-10-000	EA SHIELD-HEAT, EXHAUST - 46' X 7.5' - STEEL

CHASSIS GROUP (CONTINUED)



EXHAUST SYSTEM - DIESEL

KEY	PART NUMBER	U/M DESCRIPTION
1	094918-03-000	EA CLAMP-EXHAUST, 2.5"
2	091918-01-000	EA EXTENSION-EXHAUST, STRAIGHT - 2.25" OD X 9.44" - STAINLESS STEEL
3	093533-01-000	EA BRACKET-EXHAUST, HANGER - L ANGLE - 1.7" X 13.3" - STEEL

**1993 ITASCA
TABLE OF CONTENTS**

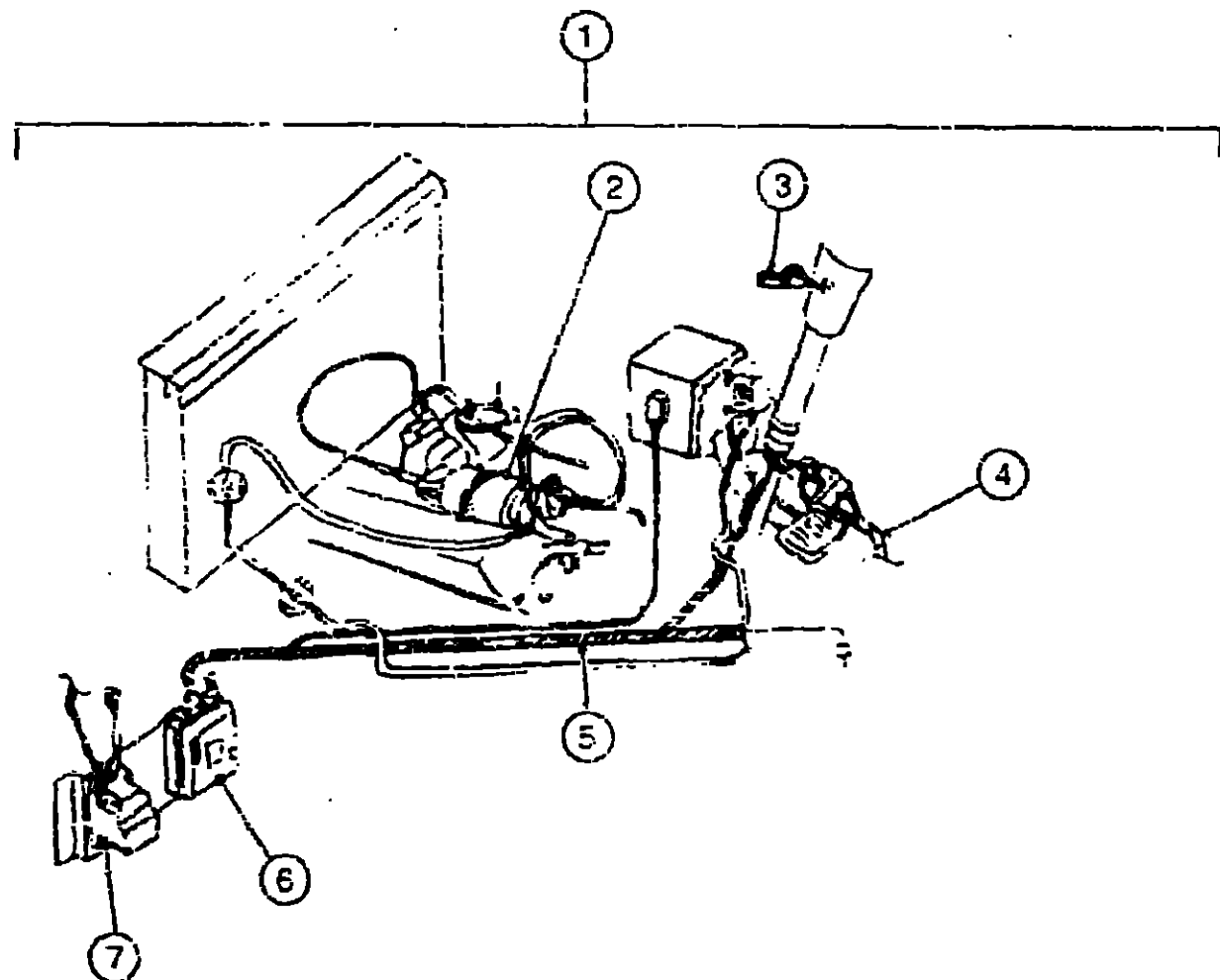
INTRODUCTION	A-01 -	A-02
ABBREVIATIONS		A-03
ALPHABETICAL INDEX	A-04 -	A-06
ICF27RC	A-07 -	F-02
ICF27RQ	F-03 -	J-18

1993 ICF27RQ INDEX

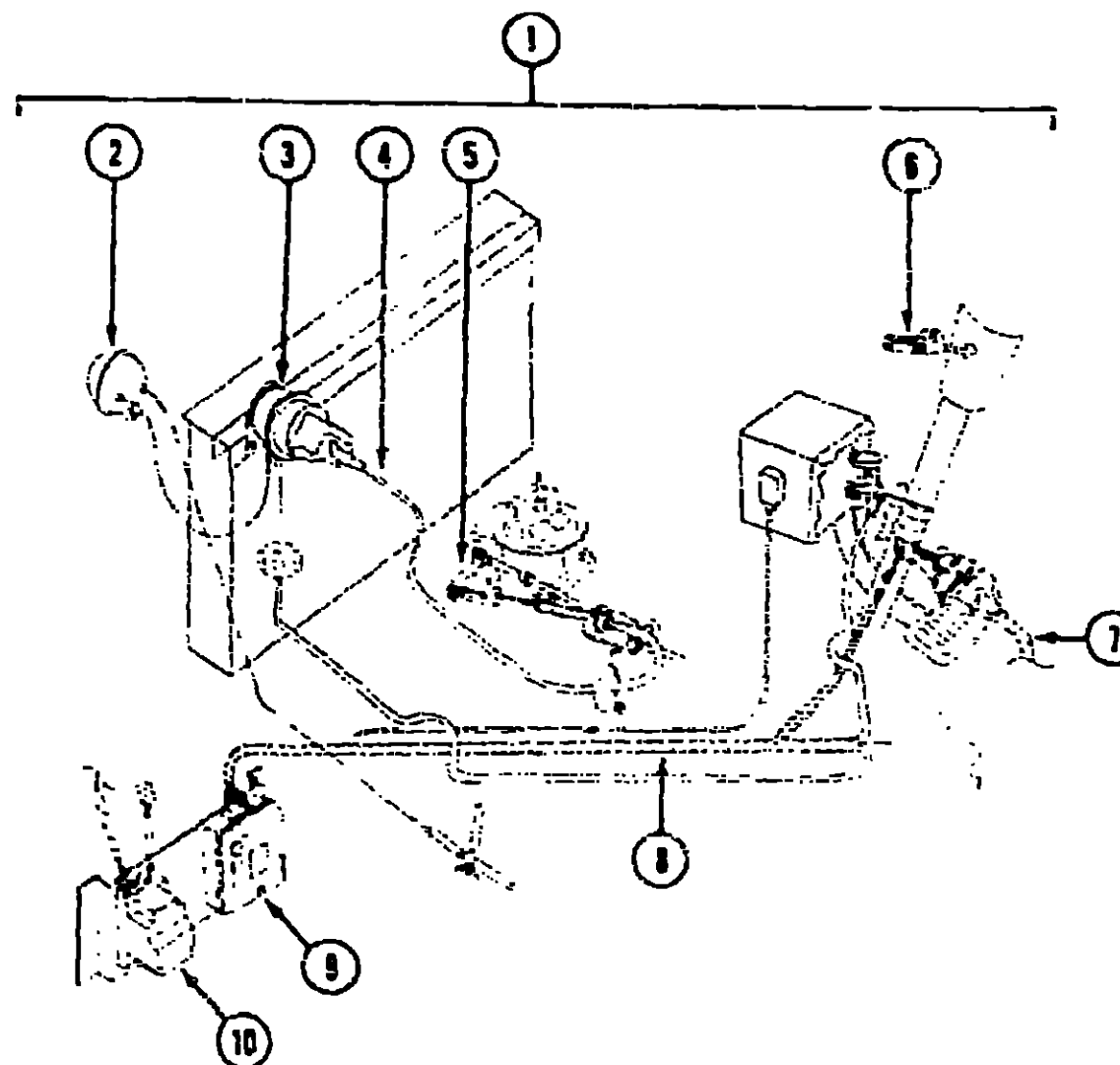
FLOOR PLAN	F-03 -	F-04
ACCESSORIES		F-05
AUDIO VIDEO	F-06 -	F-08
BATH	F-09 -	F-10
BEDROOM	F-11 -	F-12
CHASSIS	F-13 -	F-24
CURTAIN & CUSHION	G-01 -	G-10
DINETTE	G-11 -	G-12
DRIVERS COMPARTMENT	G-13 -	G-17
ELECTRICAL	G-18 -	G-19
EXTERIOR BODY	H-01 -	H-05
GALLEY	H-09 -	H-13
GENERATOR	H-14 -	H-15
HEATING & A/C	H-16 -	H-17
INTERIOR FINISH	H-21 -	H-24
LABELS	I-01 -	I-09
LP		I-10
LOUNGE	I-11 -	I-12
SEALANTS & FASTENERS	I-13 -	I-15
WATER & SEWAGE	I-17 -	I-22
WINDOW, VENT AND EXTERIOR DOOR	J-23 -	J-18
WINDSHIELD WIPER	J-17 -	J-18

CHASSIS GROUP (CONTINUED)

CHASSIS GROUP (CONTINUED)



SPEED CONTROL - DIESEL



SPEED CONTROL - GAS

1993 ITASCA
TABLE OF CONTENTS

INTRODUCTION	A-01 -	A-02
ABBREVIATIONS		A-03
ALPHABETICAL INDEX	A-04 -	A-06
ICF27RC	A-07 -	F-02
ICF27RQ	F-03 -	J-18

1993 ICF27RQ INDEX

FLOOR PLAN	F-03 -	F-04
ACCESSORIES		F-05
AUDIO VIDEO	F-08 -	F-09
BATH	F-09 -	F-10
BEDROOM	F-11 -	F-12
CHASSIS	F-13 -	F-24
CURTAIN & CUSHION	G-01 -	G-10
DINETTE	G-11 -	G-12
DRIVERS COMPARTMENT	G-13 -	G-17
ELECTRICAL	G-18 -	G-24
EXTERIOR BODY	H-01 -	H-03
GALLEY	H-09 -	H-13
GENERATOR	H-14 -	H-15
HEATING & A/C	H-16 -	H-20
INTERIOR FINISH	H-21 -	H-24
LABELS	I-01 -	I-03
LP		I-10
LOUNGE	I-11 -	I-12
SEALANTS & FASTENERS	I-13 -	I-16
WATER & SEWAGE	I-17 -	I-22
WINDOW, VENT AND		
EXTERIOR DOOR	I-23 -	J-16
WINDSHIELD WIPER	I-17 -	J-18

KEY	PART NUMBER	U/M DESCRIPTION
1	102362-02-000	EA SPEED CONTROL, DANA 59L-11102CP
2	094369-01-706	EA SERVO, DANA 53D-11116-R
3	102362-02-703	EA CONTROL SWITCH & LEVER - DANA 5D-08X63-F
4	102362-01-703	EA HARNESS-PIVOT SW TO WIPER CONTROL, DANA 59C-02973
5	102362-01-704	EA HARNESS-MAIN WIRING, DANA 59D-02975
6	102362-01-701	EA REGULATOR-ELECTRONIC, DANA 57C-08X13-R
7	102362-01-702	EA WIPER CONTROL MODULE-DANA 66D-00361
	094563-01-704	EA HOUSING - 4 PIN, SPEED CONTROL - DANA 59C-02291
	102362-02-701	EA JUMPER WIRE ASSEMBLY - DANA 59C-3303
	102362-02-702	EA STOP LAMP-CRUISE RELEASE SWITCH - DANA 59C-3002 GM15644318
	094369-02-703	EA CABLE-SERVO, DANA 59C-02262
	094369-02-701	EA VACUUM REGULATOR-DIESEL, DANA 59E-02117
	094369-02-702	EA EXTENSION-WIRE HARNESS, DANA 59C-02279

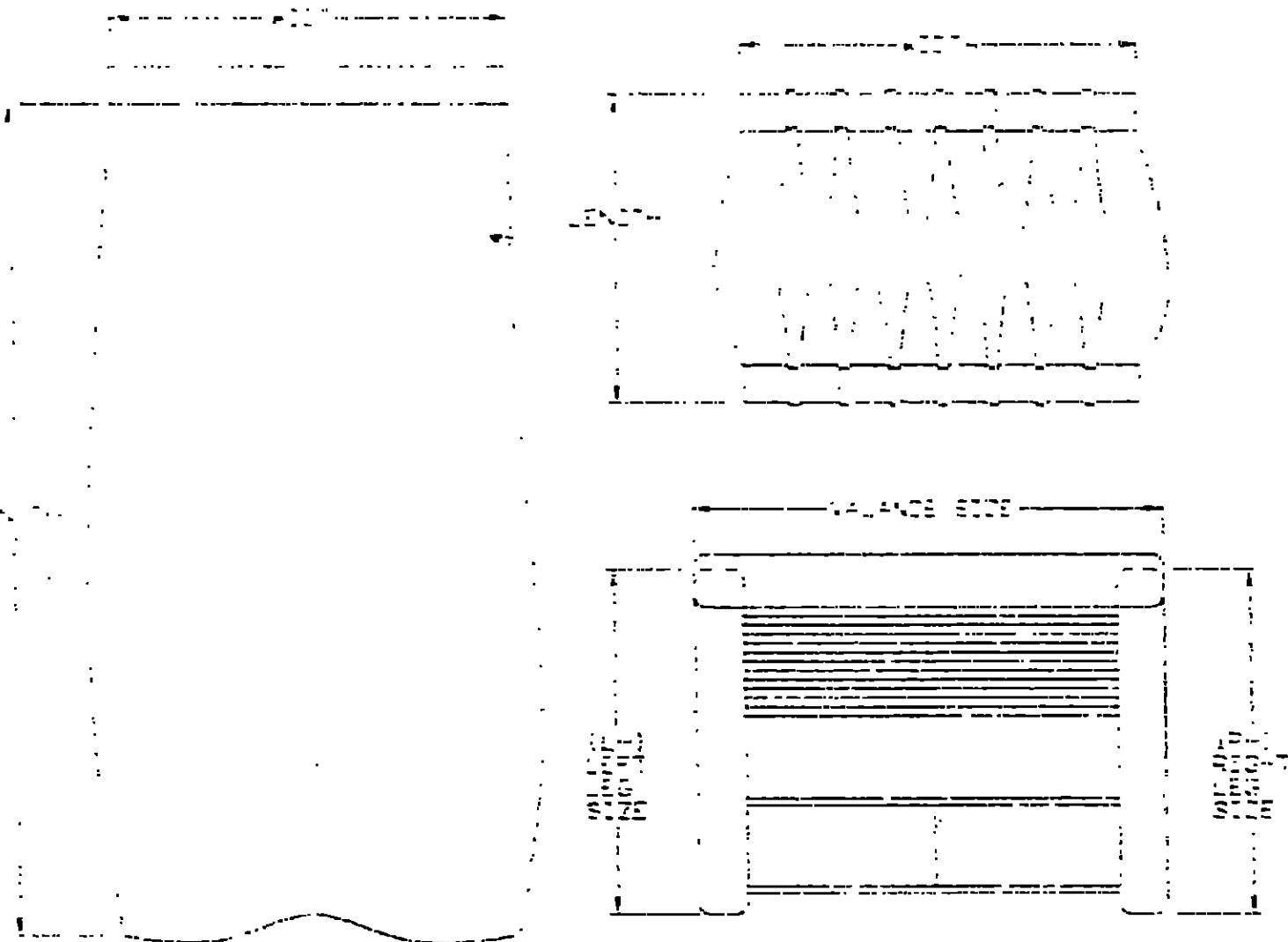
KEY	PART NUMBER	U/M DESCRIPTION
1	102362-01-000	EA SPEED CONTROL, DANA 59L-11101CB
1	102362-04-000	EA SPEED CONTROL, DANA 59L-111022-B FROM: 03-03-93 THRU: 09-17-92
2	094369-01-705	EA VACUUM RESERVOIR, DANA 59C-02249
3	094369-01-706	EA SERVO, DANA 53D-11116-R
4	102362-01-703	EA CABLE ONLY-REPLACEMENT, DANA 59C-03001
5	102362-01-706	EA THROTTLE STUD, DANA 59A-02979
6	102362-01-707	EA CONTROL SWITCH & LEVER ASM, DANA 53D-08X63-F
7	102362-01-703	EA HARNESS ASM-PIVOT SW TO WIPER, DANA 59C-02973
8	102362-01-704	EA HARNESS ASM-MAIN WIRING, DANA 59D-02975
9	102362-01-701	EA REGULATOR ASM-ELECTRONIC, DANA 57C-08X13-R
10	102362-01-702	EA WIPER CONTROL MODULE, DANA 66D-00361
	102362-01-705	EA THROTTLE RETAINER CLIP, DANA 59A-02821
	094563-01-704	EA HOUSING - 4 PIN, DANA 59C-02291

CURTAIN & CUSHION GROUP

NOTICE

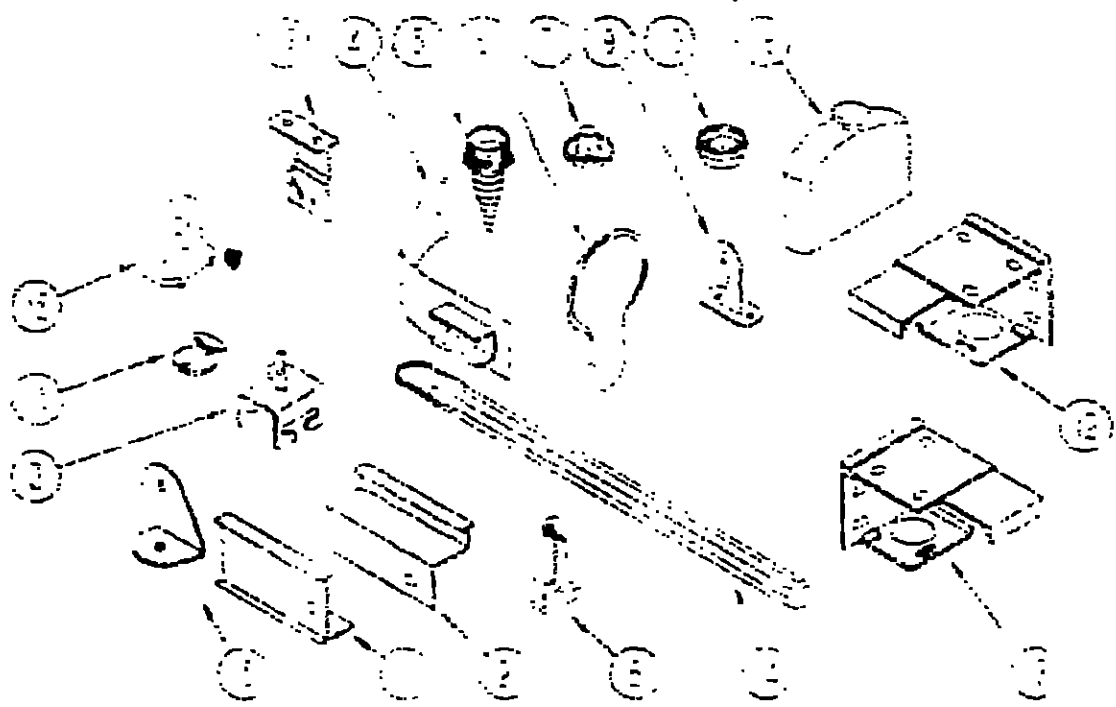
IN ORDER TO ASSIST OUR PARTS SALES DEPT. IN FULFILLING WATER OR SOFT GOODS ITEMS, PLEASE INCLUDE THE SERIAL NUMBER AND THE COLOR CODE NUMBER FROM THE VEHICLE IDENTIFICATION LABEL WHEN ORDERING. THIS LABEL IS LOCATED ON THE LEFT SIDE WALL AT THE END OF THE SEAT. A COPY OF THIS LABEL IS ON THE LEFT'S DOOR LATCH PLATE (1900).

AN EXAMPLE OF A COLOR CODE NUMBER IS FT. WHICH INDICATES AN OFF-WHITE COLOR SCHEME ON A PARTICULAR PART. THE COLOR CODE APPEARS AFTER THE ITEM DESCRIPTION ON THE FRONT OF THE LABEL. TO OBTAIN THE OVERALL PART NUMBER, ORDER THE ITEM YOU DESIRE AND ADD "NO TO" IN THE COLOR CODE.



NOTE: USE THIS ILLUSTRATION WHEN DETERMINING LENGTH AND WIDTH MEASUREMENTS FOR CURTAINS. YOU WILL NOTE THE WIDTH MEASUREMENT IS TAKEN ON THE TOP OF THE CURTAIN WITH THE CURTAIN FULLY EXTENDED. THE LENGTH MEASUREMENT IS TAKEN FROM TOP TO BOTTOM. LEFT AND RIGHT WINDOW LEGS ARE DETERMINED WHEN PACKING THE WINDOW.

CURTAIN & CUSHION GROUP (CONTINUED)



CURTAIN, BLIND HARDWARE & TRACKS

KEY	PART NUMBER	U/M DESCRIPTION
1	009700-04-000	EA TRACK (SHAPED) 185 CM - OFF WHITE - ROOM DIVIDER
2	102664-03-000	EA TRACK ASM-CURTAIN, RIGHT HAND WRAPAROUND - OFF WHITE - 10'
3	102664-01-01A	EA TRACK-CURTAIN, RIGHT HAND WRAPAROUND - OFF WHITE - 10'
4	102487-01-01A	EA TRACK-CURTAIN, LEFT HAND WRAPAROUND - OFF WHITE - 30" LONG
5	102624-03-01A	EA TRACK-CURTAIN, RIGHT HAND WRAPAROUND - OFF WHITE - 8 5/8" TV OPTIONS
6	102624-01-01A	EA TRACK-CURTAIN, LEFT HAND WRAPAROUND - OFF WHITE - 8 5/8" TV OPTIONS
7	009700-01-000	EA END STOP-CURTAIN CARRIER, BRASS
8	102664-01-01A	EA ROD-SHOWER CURTAIN, OFF WHITE
9	009712-01-000	EA FLANGE-ROD CLOTHES - PLASTIC - OFF WHITE
10	148887-01-000	EA BROWNET-BRASS 7/16" DIA X 1" CD
11	101133-01-000	YD TAPE-GUIDE CURTAIN - 1/2" 25" SPACING
12	009735-01-000	EA SCREW-SNAP SOCKET 1/8 PH X 1/2"
13	009735-03-000	EA SCREW-SNAP SOCKET 1/8 PH X 1"
14	109135-02-000	EA HANGER-RING PIN TYPE - CURTAIN - BRASS
15	009745-01-000	EA CAP-SNAP 5/32" OD OF PIN
16	009597-02-000	EA BRACKET-HOLD DOWN W/PA - BLIND - METAL
17	102440-01-000	EA HOLD DOWN-BLIND HOOK
18	009735-01-000	EA SOCKET-SNAP, 3/16" O.D.
19	102664-01-000	EA CLEAT-CORD, BLIND - OFF WHITE
20	009735-01-000	EA BRACKET-BLIND, RIGHT HAND
21	009735-02-000	EA BRACKET-BLIND, LEFT HAND
22	009475-01-000	EA WAND-BLIND, W/METAL CLIP - 8" LONG
23	009005-03-00A	EA BRACKET-WRAPAROUND CURTAIN TRACK, OFF WHITE
24	009475-01-001	EA BNY CAP-BLIND W/STUD
25	009434-01-000	EA BRACKET-MOUNTING, ROLLER SHADE - 1 3/8"
26	009543-01-000	EA SPRING-BEWEIND ROLLER SHADE
27	102644-01-000	EA TUB-SHADE, BRASS
28	102644-01-001	EA SCREW-BRASS SHADE
29	045394-03-000	YD VELCRO TAPE-HOOK, ADHESIVE BACK - 75" WIDE - BEIGE
30	085732-01-000	YD VELCRO-HOOK, 75" WIDE - BEIGE
31	085791-02-000	YD VELCRO TAPE-LOOP, ADHESIVE BACKED - 75" WIDE - BEIGE
32	085716-01-001	EA BRACE - 90 DEGREE L ANGLE - 1/2" - EXTRUDED ALUMINUM
33	072543-01-000	EA BRACE-WINDOW VALANCE 1" X 1 1/2" X 20" - ALUMINUM - BEIGE
34	072543-03-000	EA BRACE-VALANCE 2" - OFF WHITE
35	102648-01-01A	EA BRACE-VALANCE 36MM LONG - EXTRUDED ALUMINUM - BEIGE
36	102668-01-000	FT TRIM-VALANCE, U-CHANNEL - 75" WIDE - BRASS
37	009475-01-000	EA TAPE-DOUBLE SIDED 1/2"
38	009537-02-000	EA PANEL-LEG, TWO SIDE 31 1/2" LONG - PLASTIC - BLACK
39	009516-01-000	EA MOUNT-WINDOW LEG, 23 7/8" - ALUMINUM - BLACK
		23 7/8" LONG - 5 1/2" BETWEEN SCREW HOLES

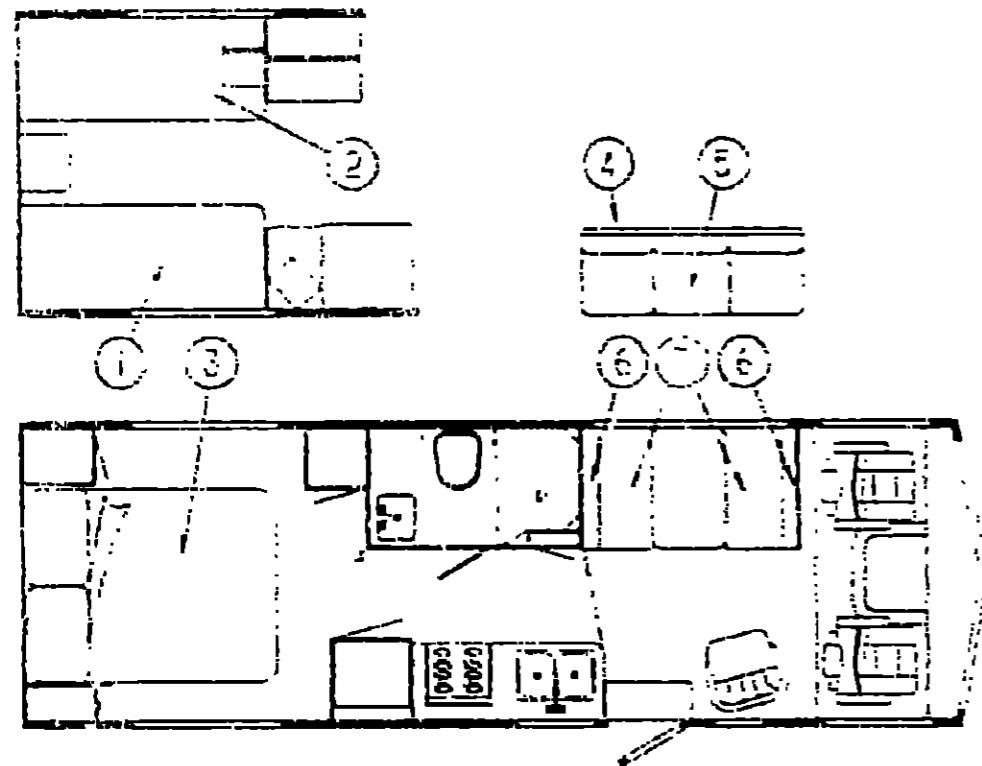
1993 ITASCA TABLE OF CONTENTS

INTRODUCTION	A-01 - A-02
ABBREVIATIONS	A-03 - A-03
ALPHABETICAL INDEX	A-04 - A-05
ICF27RQ	A-06 - F-02
ICF27RD	F-03 - J-15

1993 ICF27RQ INDEX

FLOOR PLAN	F-03 - F-04
ACCESSORIES	F-05 - F-05
AUDIO VIDEO	F-06 - F-08
BATH	F-09 - F-10
BEDROOM	F-11 - F-12
CHASSIS	F-13 - F-24
CURTAIN & CUSHION	G-01 - G-13
DINETTE	G-11 - G-12
DRIVERS COMPARTMENT	G-13 - G-17
ELECTRICAL	G-18 - G-24
EXTERIOR BODY	H-01 - H-05
GALLEY	H-06 - H-15
GENERATOR	H-14 - H-15
HEATING & A/C	H-16 - H-20
INTERIOR FINISH	H-21 - H-24
LABELS	I-01 - I-03
LP	I-10 - I-10
LOUNGE	I-11 - I-12
SEALANTS & FASTENERS	I-13 - I-15
WATER & SEWAGE	I-17 - I-20
WINDOW, LEFT AND	
EXTERIOR DOOR	J-01 - J-15
WINDSHIELD WIPER	J-17 - J-18

CURTAIN & CUSHION GROUP (CONTINUED)



TWIN MATTRESSES, BEDSPREADS & PILLOW SHAMS

KEY	PART NUMBER	U/M DESCRIPTION
1	101123-02-000	EA MATTRESS-TWIN, 32" X 74"
1	P01123-02-000	EA COVER-MATTRESS, 32" X 74"
1	083955-14-D32	EA BEDSPREAD-FITTED, 33" X 75" (D32)
		FROM 03-03-92 THRU 08-02-92
1	083955-14-DA2	EA BEDSPREAD-FITTED, 33" X 75" (D32)
		FROM 08-03-92 THRU 09-02-92
1	083955-14-D33	EA BEDSPREAD-FITTED, 33" X 75" (D33)
1	083955-14-D34	EA BEDSPREAD-FITTED, 33" X 75" (D34)
2	101123-02-000	EA MATTRESS-TWIN, 32" X 74"
2	P01123-02-000	EA COVER-MATTRESS, 32" X 74"
2	083955-15-D32	EA BEDSPREAD-FITTED, 33" X 75" (D32)
		FROM 00-00-00 THRU 08-02-92
2	083955-15-DA2	EA BEDSPREAD-FITTED, 33" X 75" (D32)
		FROM 08-03-92 THRU 09-02-92
2	083955-15-D33	EA BEDSPREAD-FITTED, 33" X 75" (D33)
2	083955-15-D34	EA BEDSPREAD-FITTED, 33" X 75" (D34)
2	104555-02-D32	EA PILLOW SHAM-W 4" RUFFLE (D32)
		FROM 00-00-00 THRU 08-02-92
	104555-02-DA2	EA PILLOW SHAM-W 4" RUFFLE (D32)
		FROM 08-03-92 THRU 09-02-92
	104555-02-D33	EA PILLOW SHAM-W 4" RUFFLE (D33)
	104555-02-D34	EA PILLOW SHAM-W 4" RUFFLE (D34)
	104166-02-D32	EA PILLOW-THROW, 15" X 15" - W RUFFLE (D32)
	104166-02-D33	EA PILLOW-THROW, 15" X 15" - W RUFFLE (D33)
	104166-02-D34	EA PILLOW-THROW, 15" X 15" - W RUFFLE (D34)

CURTAIN & CUSHION GROUP (CONTINUED)
QUEEN MATTRESS, BEDSPREAD & PILLOW SHAMS

KEY	PART NUMBER	U/M DESCRIPTION
3	101123-02-000	EA MATTRESS-QUEEN, 59" X 74"
3	P01123-02-000	EA COVER-MATTRESS, 59" X 74"
2	104355-03-D32	EA BEDSPREAD-FITTED, 60" X 75" (D32)
		FROM 00-00-00 THRU 08-02-92
3	104355-03-DA2	EA BEDSPREAD-FITTED, 60" X 75" (D32)
		FROM 08-03-92 THRU 09-02-92
3	104355-03-D33	EA BEDSPREAD-FITTED, 60" X 75" (D33)
3	104355-03-D34	EA BEDSPREAD-FITTED, 60" X 75" (D34)
	104555-02-D32	EA PILLOW SHAM-W 4" RUFFLE (D32)
		FROM 00-00-00 THRU 08-02-92
	104555-02-DA2	EA PILLOW SHAM-W 4" RUFFLE (D32)
		FROM 08-03-92 THRU 09-02-92
	104555-02-D33	EA PILLOW SHAM-W 4" RUFFLE (D33)
	104555-02-D34	EA PILLOW SHAM-W 4" RUFFLE (D34)
	104166-02-D32	EA PILLOW-THROW, 15" X 15" - W RUFFLE (D32)
	104166-02-D33	EA PILLOW-THROW, 15" X 15" - W RUFFLE (D33)
	104166-02-D34	EA PILLOW-THROW, 15" X 15" - W RUFFLE (D34)

COUCH

KEY	PART NUMBER	U/M DESCRIPTION
4	100032-35-D24	EA COUCH-BACK, 66 5" W/O ARMS (D32)
4	100032-35-D25	EA COUCH-BACK, 66 5" W/O ARMS (D33)
4	100032-35-D26	EA COUCH-BACK, 66 5" W/O ARMS (D34)
4	P00032-35-D24	EA COVER-COUCH BACK (D32)
4	P00032-35-D25	EA COVER-COUCH BACK (D33)
4	P00032-35-D26	EA COVER-COUCH BACK (D34)
	101055-01-000	EA FRAME-BACK, 66 5"
5	100032-35-D24	EA COUCH-SEAT, 66 5" W/O ARMS (D32)
5	100032-35-D25	EA COUCH-SEAT, 66 5" W/O ARMS (D33)
5	100032-35-D26	EA COUCH-SEAT, 66 5" W/O ARMS (D34)
5	P00032-35-D24	EA COVER-COUCH SEAT (D32)
5	P00032-35-D25	EA COVER-COUCH SEAT (D33)
5	P00032-35-D26	EA COVER-COUCH SEAT (D34)
	101055-01-000	EA FRAME-SEAT, 66 5"
	101055-03-000	EA FRAME-BASE, 66 5"
	103669-01-D32	EA PILLOW-THROW, 15" X 15" (D32)
	103669-01-D33	EA PILLOW-THROW, 15" X 15" (D33)
	103669-01-D34	EA PILLOW-THROW, 15" X 15" (D34)

NOTE: COUCH FRONT AND SIDE PANELS ARE FOUND IN THE LOUNGE GROUP

DINETTE CUSHIONS

KEY	PART NUMBER	U/M DESCRIPTION
6	108141-01-D32	EA CUSHION-BACK, 13 5" X 35" X 5" (D32 D33)
6	108141-01-D34	EA CUSHION-BACK, 13 5" X 35" X 5" (D34)
6	P08141-01-D32	EA COVER-BACK CUSHION, 13 5" X 35" X 5" (D32 D33)
6	P08141-01-D34	EA COVER-BACK CUSHION, 13 5" X 35" X 5" (D34)
	075155-01-000	EA STRAP SNAP, BACKREST CUSHION
7	068927-85-D32	EA CUSHION-SEAT, 21" X 35" X 5" (D32 D33)
7	068927-85-D34	EA CUSHION-SEAT, 21" X 35" X 5" (D34)
7	M58927-85-D32	EA COVER-SEAT CUSHION, 23" X 35" X 5" (D32 D33)
7	M58927-85-D34	EA COVER-SEAT CUSHION, 23" X 35" X 5" (D34)

BUNK CUSHION

KEY	PART NUMBER	U/M DESCRIPTION
	079145-05-000	EA CUSHION-BUNK, 30" X 17" X 4"
	M79145-05-000	EA COVER-CUSHION, BUNK

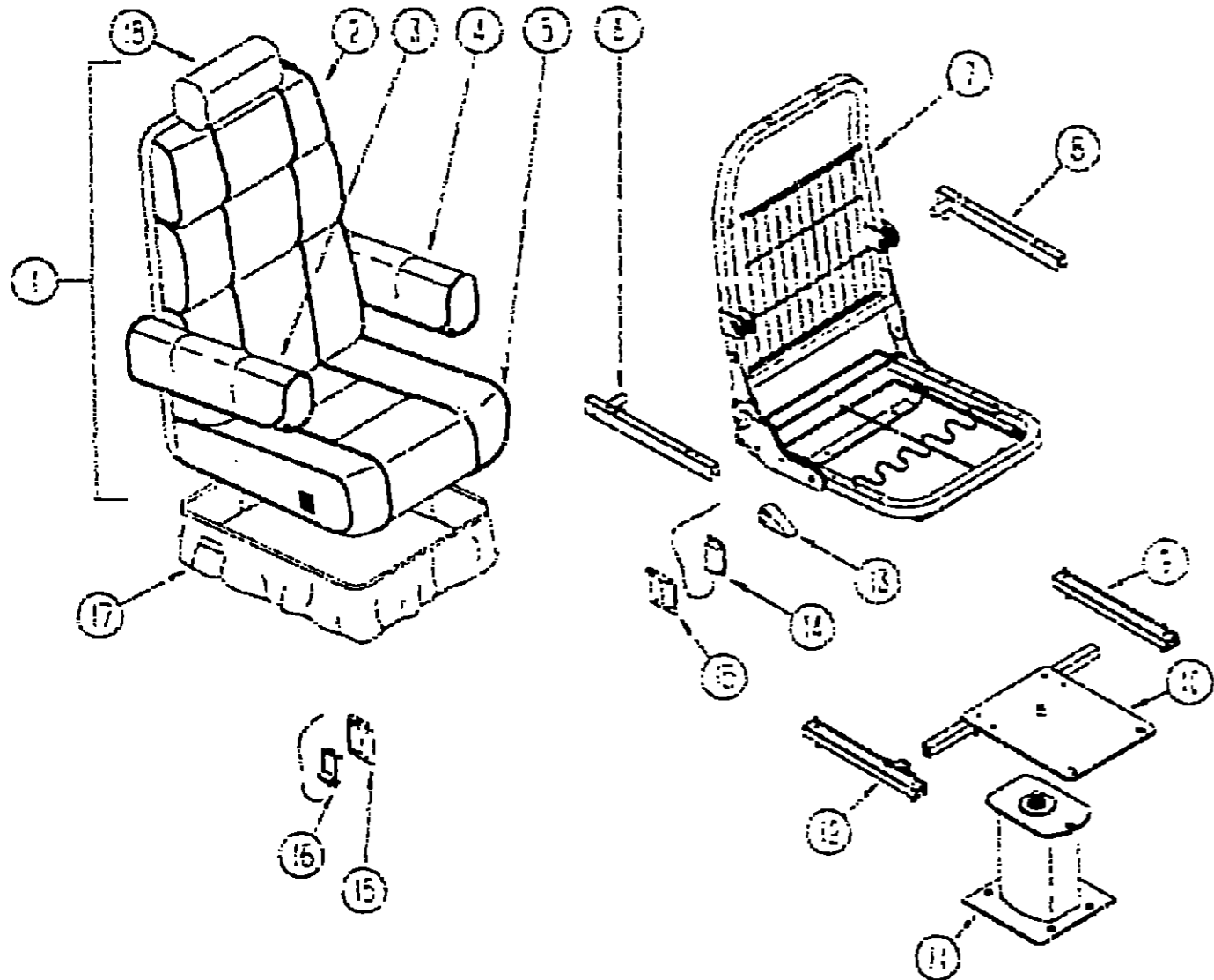
**1993 ITASCA
TABLE OF CONTENTS**

INTRODUCTION	A-01 -	A-02
ABBREVIATIONS		A-03
ALPHABETICAL INDEX	A-04 -	A-05
ICF27RC	A-07 -	F-02
ICF27RQ	F-03 -	J-18

1993 ICF27RQ INDEX

FLOOR PLAN	F-03 -	F-04
ACCESSORIES		F-05
AUDIO VIDEO	F-06 -	F-08
BATH	F-09 -	F-10
BEDROOM	F-11 -	F-12
CHASSIS	F-13 -	F-24
CURTAIN & CUSHION	G-01 -	G-10
DINETTE	G-11 -	G-12
DRIVERS COMPARTMENT	G-13 -	G-17
ELECTRICAL	G-18 -	G-24
EXTERIOR BODY	H-01 -	H-05
GALLEY	H-09 -	H-13
GENERATOR	H-14 -	H-15
HEATING & A/C	H-16 -	H-20
INTERIOR FINISH	H-21 -	H-25
LABELS	I-01 -	I-09
LP		I-10
LOUNGE	I-11 -	I-12
SEALANTS & FASTENERS	I-13 -	I-16
WATER & SEWAGE	I-17 -	I-22
WINDOW, VENT AND EXTERIOR DOOR	J-03 -	J-18
WINDSHIELD WIPER	J-17 -	J-18

CURTAIN & CUSHION GROUP (CONTINUED)
DRIVER & PASSENGER BUCKET SEATS



KEY	PART NUMBER	U/M DESCRIPTION
4	080243-50-C12	EA ARMREST-LEFT, BUCKET SEAT (D32)
4	080243-50-C03	EA ARMREST-LEFT, BUCKET SEAT (D33)
4	080243-50-C54	EA ARMREST-LEFT, BUCKET SEAT (D34)
	M50243-50-C12	EA COVER-ARMREST, LEFT (D32)
	M50243-50-C03	EA COVER-ARMREST, LEFT (D33)
	M50243-50-C54	EA COVER-ARMREST, LEFT (D34)
5	M03445-57-D32	EA COVER-SEAT, BUCKET SEAT
5	M03445-57-D33	EA COVER-SEAT, BUCKET SEAT
5	M03445-57-D34	EA COVER-SEAT, BUCKET SEAT
6	081285-01-000	EA ROD & CHANNEL-ARMREST, RIGHT - METAL
6	081281-01-000	EA ROD-ARMREST, METAL - RIGHT OR LEFT HAND
7	M50243-05-000	EA FRAME-SEAT, BACK & SPRING
		FROM: 00-00-00 THRU 08-21-92
	101125-01-000	EA RECLINER-SEAT BACK, LEFT HAND REMOTE
		FROM: 00-00-00 THRU 06-21-92
7	M50243-07-000	EA FRAME-SEAT, BACK & SPRING
		FROM: 08-22-92 THRU 99-99-99
	080730-02-000	EA RECLINER-SEAT BACK, LEFT HAND
8	081285-02-000	EA ROD & CHANNEL-ARMREST, LEFT - METAL
	081281-01-000	EA ROD-ARMREST, METAL - RIGHT OR LEFT HAND
9	089245-05-000	EA ADJUSTER-BUCKET SEAT W/LOCK, FORWARD AND BACK
	089245-05-700	EA SPRING-ADJUSTER, FOR REMOTE
	089245-05-701	EA CLIP-CABLE, FOR REMOTE
10	107921-05-000	EA PLATE-TOP, W/SEAT BELT BAR
	107921-05-000	EA BEARING KIT-SEAT SWIVEL
11	107921-01-000	EA PLATE-SUB FLOOR MOUNTED PEDESTAL - W/25" EXTENSION
12	089245-02-000	EA ADJUSTER-SLIDE, FORWARD & BACK
13	080730-03-700	EA HANDLE KIT-RECLINER
	080730-04-000	EA SCREW-RECLINER, HANDLE - KEIPER 300518-07
	080730-05-000	EA SHIELD-RECLINER HANDLE - KEIPER 30114307
14	089358-04-000	EA CABLE-SLIDE, W/SWITCH
15	087555-03-000	EA BRACKET-REMOTE, SIDE MOUNT - SINGLE
16	108049-01-000	EA CABLE - 25", FLEXSTEEL PEDESTAL
	108049-02-000	EA CABLE-PEDESTAL CLIP
17	071126-35-D32	EA SKIRT-BUCKET SEAT
17	071126-35-D33	EA SKIRT-BUCKET SEAT
17	071126-35-D34	EA SKIRT-BUCKET SEAT
	037221-01-000	EA SPACER-SEAT, ADJUSTER
18	085265-01-D32	EA HEADREST-BUCKET SEAT
18	085265-01-D33	EA HEADREST-BUCKET SEAT
18	085265-01-D34	EA HEADREST-BUCKET SEAT
18	085265-01-AA1	EA COVER-HEADREST, BUCKET SEAT (D32)
18	085265-01-C05	EA COVER-HEADREST, BUCKET SEAT (D33)
18	085265-01-B04	EA COVER-HEADREST, BUCKET SEAT (D34)
	081172-01-000	EA TRIM-HEADREST, PLASTIC - BLACK
	091313-01-000	EA GROMMET-HEADREST
	089223-01-000	FT STRIP-POLYETHYLENE, J-CHANNEL - FLEX-O-LATORS
	108445-02-000	EA PLATE-SEAT SUPPORT W/WELD NUTS, 250 MM X 157 MM - STEEL - BLACK

**1993 ITASCA
TABLE OF CONTENTS**

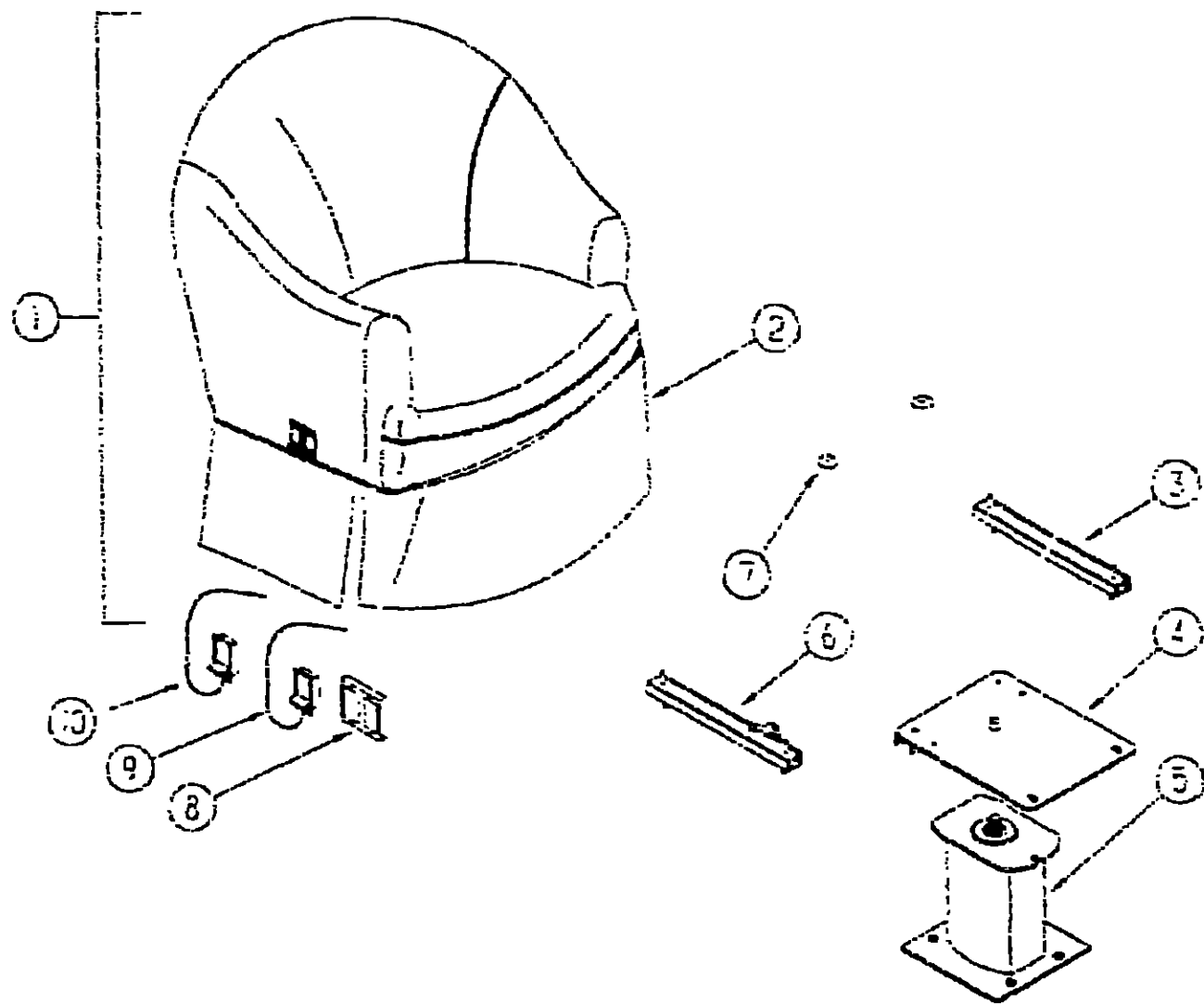
INTRODUCTION	A-01 -	A-02
ABBREVIATIONS		A-03
ALPHABETICAL INDEX	A-04 -	A-06
ICF27RC	A-07 -	F-02
ICF27RO	F-03 -	J-13

1993 ICF27RQ INDEX

FLOOR PLAN	F-05 -	F-04
ACCESSORIES		F-05
AUDIO VIDEO	F-06 -	F-08
BATH	F-09 -	F-10
BEDROOM	F-11 -	F-12
CHASSIS	F-13 -	F-24
CURTAIN & CUSHION	G-01 -	G-10
DINETTE	G-11 -	G-12
DRIVERS COMPARTMENT	G-13 -	G-17
ELECTRICAL	G-18 -	G-24
EXTERIOR BODY	H-01 -	H-05
GALLEY	H-09 -	H-13
GENERATOR	H-14 -	H-15
HEATING & A/C	H-16 -	H-20
INTERIOR FINISH	H-21 -	H-24
LABELS	I-01 -	I-09
LP		I-10
LOUNGE	I-11 -	I-12
SEALANTS & FASTENERS	I-13 -	I-16
WATER & SEWAGE	I-17 -	I-22
WINDOW, VENT AND		
EXTERIOR DOOR	J-03 -	J-16
WINDSHIELD WIPER	J-17 -	J-18

KEY	PART NUMBER	U/M DESCRIPTION
1	093450-31-D32	EA SEAT-BUCKET, W/ARMRESTS & HEADREST - W/O SKIRT
		FROM: 00-00-00 THRU 06-21-92
1	093450-31-D33	EA SEAT-BUCKET, W/ARMRESTS & HEADREST - W/O SKIRT
		FROM: 00-00-00 THRU 06-21-92
1	093450-31-D34	EA SEAT-BUCKET, W/ARMRESTS & HEADREST - W/O SKIRT
		FROM: 00-00-00 THRU 06-21-92
1	093450-36-D32	EA SEAT-BUCKET, W/ARMRESTS & HEADREST - W/O SKIRT
		FROM: 08-22-92 THRU 99-99-99
1	093450-36-D33	EA SEAT-BUCKET, W/ARMRESTS & HEADREST - W/O SKIRT
		FROM: 08-22-92 THRU 99-99-99
1	093450-36-D34	EA SEAT-BUCKET, W/ARMRESTS & HEADREST - W/O SKIRT
		FROM: 08-22-92 THRU 99-99-99
2	M03445-55-D32	EA COVER-BACK, BUCKET SEAT
2	M03445-55-D33	EA COVER-BACK, BUCKET SEAT
2	M03445-55-D34	EA COVER-BACK, BUCKET SEAT
3	080243-49-C12	EA ARMREST-RIGHT, BUCKET SEAT (D32)
3	080243-49-C03	EA ARMREST-RIGHT, BUCKET SEAT (D33)
3	080243-49-C54	EA ARMREST-RIGHT, BUCKET SEAT (D34)
	M50243-49-C12	EA COVER-ARMREST, RIGHT (D32)
	M50243-49-C03	EA COVER-ARMREST, RIGHT (D33)
	M50243-49-C54	EA COVER-ARMREST, RIGHT (D34)

CURTAIN & CUSHION GROUP (CONTINUED)



SWIVEL CHAIR

KEY	PART NUMBER	U/M DESCRIPTION
1	107957-02-D32	EA CHAIR-SWIVEL, W/O SKIRT
1	107957-02-D33	EA CHAIR-SWIVEL, W/O SKIRT
1	107957-02-D34	EA CHAIR-SWIVEL, W/O SKIRT
	P07957-02-D32	EA COVER-SWIVEL CHAIR
	P07957-02-D33	EA COVER-SWIVEL CHAIR
	P07957-02-D34	EA COVER-SWIVEL CHAIR
2	107977-01-D32	EA SKIRT-SWIVEL CHAIR
2	107977-01-D33	EA SKIRT-SWIVEL CHAIR
2	107977-01-D34	EA SKIRT-SWIVEL CHAIR
3	069246-06-000	EA ADJUSTER-SWIVEL CHAIR, FORWARD & BACK
4	107921-08-000	EA PLATE-TOP, W/O SEAT BELT BAR
	107921-06-000	EA BEARING KIT-SEAT SWIVEL
5	107921-01-000	EA PLATE-SUB, FLOOR MOUNTED PEDESTAL - W/3.75" EXTENSION
6	069246-08-000	EA ADJUSTER-SWIVEL CHAIR, REMOTE - FORWARD & BACK
7	007221-01-000	EA SPACER-SEAT, ADJUSTER
8	097683-02-000	EA BRACKET-MOUNT, REMOTE
9	108049-01-000	EA CABLE - 26' - FLEXSTEEL PEDESTAL
	108049-02-000	EA CABLE - PEDESTAL CLIP
10	069265-04-000	EA CABLE-SWIVEL SLIDE, W/SWITCH

CURTAIN & CUSHION GROUP (CONTINUED)

BUTTON, TRIM, ASSIST HANDLE & SEAT BELT

KEY	PART NUMBER	U/M DESCRIPTION
	079349-04-0A1	YD WELT ASM-NARROW, ACCENT (D32)
	079349-04-0B3	YD WELT ASM-NARROW, ACCENT (D33)
	079349-04-0C4	YD WELT ASM-NARROW, ACCENT (D34)
	057753-01-000	EA WASHER BRACKET-SEAT BELT, 4" DIAMETER
	066271-01-000	EA BELT-SEAT, 2' X 102" - BLACK
		FROM 00-00-00 THRU 11-25-92
	007021-01-000	EA BELT-SEAT, 2' X 90" - BLACK
		FROM 11-26-92 THRU 99-99-99
	066271-02-000	EA BELT-SEAT, 2' X 72" - BLACK
	063178-02-000	EA BRACKET-MOUNTING, ASSIST HANDLE - L ANGLE - WHOLES - STEEL
	000016-07-16B	EA BOLT-CARRIAGE, ASSIST HANDLE - 7.16" - 14 X 1" ZN
	000030-07-00B	EA NUT-ACORN, ASSIST HANDLE - 7.16" X 14 ZN
	063552-02-0A8	EA HANDLE-ASSIST, INTERIOR - ENTRY DOOR - VINYL - OFF WHITE
	070578-04-005	EA BUTTON-SNAP TOP, #30 - VINYL - BEIGE

FABRICS

KEY	PART NUMBER	U/M DESCRIPTION
	089051-03-000	YD VINYL-CEILING, DIAMOND DESIGN - 54" WIDE
	079250-01-000	YD FABRIC-VINYL, 54" WIDE - BEIGE
	103907-01-01A	YD FABRIC-VINYL, 54" WIDE - OFF WHITE
	108569-01-03A	YD VINYL-LAMINATE, 25 OZ - 54" WIDE - GRAY
	072333-02-000	YD FABRIC-CURTAIN, 54" WIDE - BEIGE (D32 D33 D34)
	087272-01-000	YD FABRIC-LINING CURTAIN - 48" WIDE - IVORY
		FROM 00-00-00 THRU 09-30-92
	087272-03-000	YD FABRIC-LINING CURTAIN - 54" WIDE - IVORY
		FROM 10-01-92 THRU 99-99-99
	087273-05-000	YD FABRIC-CURTAIN BEDSPREAD, PATTERNED - 54" WIDE (D32)
		FROM 00-00-00 THRU 05-02-92
	108745-07-000	YD FABRIC-CURTAIN BEDSPREAD, PATTERNED - 54" WIDE (D32)
		FROM 09-05-92 THRU 99-99-92
	089273-71-000	YD FABRIC-CURTAIN BEDSPREAD, PLAIN - 54" WIDE (D32)
	089273-63-000	YD FABRIC-CURTAIN BEDSPREAD, PATTERNED - 54" WIDE (D33)
	089273-59-000	YD FABRIC-CURTAIN BEDSPREAD, PLAIN - 54" WIDE (D33)
	108745-15-000	YD FABRIC-CURTAIN BEDSPREAD, PATTERNED - 54" WIDE (D34)
	108745-16-000	YD FABRIC-CURTAIN BEDSPREAD, PLAIN - 54" WIDE (D34)
	104233-70-000	YD FABRIC-UPHOLSTERY, STRIPED WOVEN - 54" WIDE (D32)
	104233-72-000	YD FABRIC-UPHOLSTERY, STRIPED WOVEN - 54" WIDE (D33)
	104233-72-000	YD FABRIC-UPHOLSTERY, DOTTED VELOUR - 54" WIDE (D34)
	104233-69-000	YD FABRIC-UPHOLSTERY, PATTERN WOVEN - 54" WIDE (D32 D33)
	104233-71-000	YD FABRIC-UPHOLSTERY, PATTERN VELOUR - 54" WIDE (D34)
	104233-61-000	YD FABRIC-UPHOLSTERY, PLAIN VELOUR - 54" WIDE (D32)
	104233-28-000	YD FABRIC-UPHOLSTERY, PLAIN VELOUR - 54" WIDE (D33)
	104233-30-000	YD FABRIC-UPHOLSTERY, PLAIN VELOUR - 54" WIDE (D34)

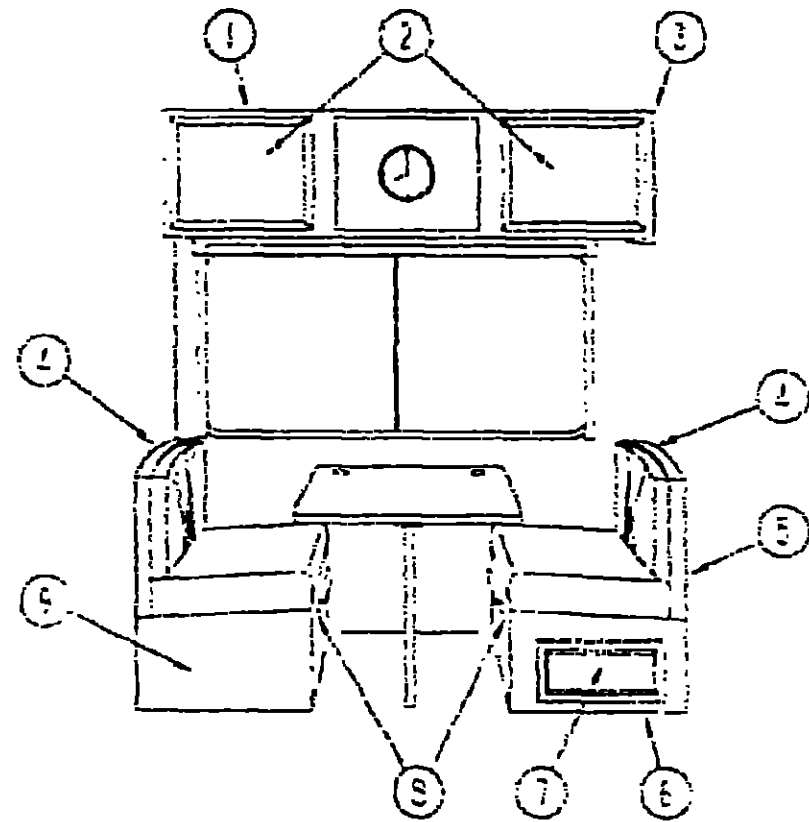
**1993 ITASCA
TABLE OF CONTENTS**

INTRODUCTION	A-01	A-02
ABBREVIATIONS		A-03
ALPHABETICAL INDEX	A-04	A-05
ICF27RC	A-07	F-02
ICF27RO	F-03	J-15

1993 ICF27RQ INDEX

FLOOR PLAN	F-03	F-04
ACCESSORIES		F-05
AUDIO VIDEO	F-06	F-08
BATH	F-09	F-10
BEDROOM	F-11	F-12
CHASSIS	F-13	F-24
CURTAIN & CUSHION	G-01	G-10
DINETTE	G-11	G-12
DRIVERS COMPARTMENT	G-13	G-17
ELECTRICAL	G-18	G-24
EXTERIOR BODY	H-01	H-05
GALLEY	H-09	H-13
GENERATOR	H-14	H-15
HEATING & A/C	H-16	H-20
INTERIOR FINISH	H-21	H-24
LABELS	I-01	I-03
LP		I-10
LOUNGE	I-11	I-12
SEALANTS & FASTENERS	I-13	I-15
WATER & SEWAGE	I-17	I-22
WINDOW, VENT AND		
EXTERIOR DOOR	J-25	J-16
WINDSHIELD WIPER	J-17	J-18

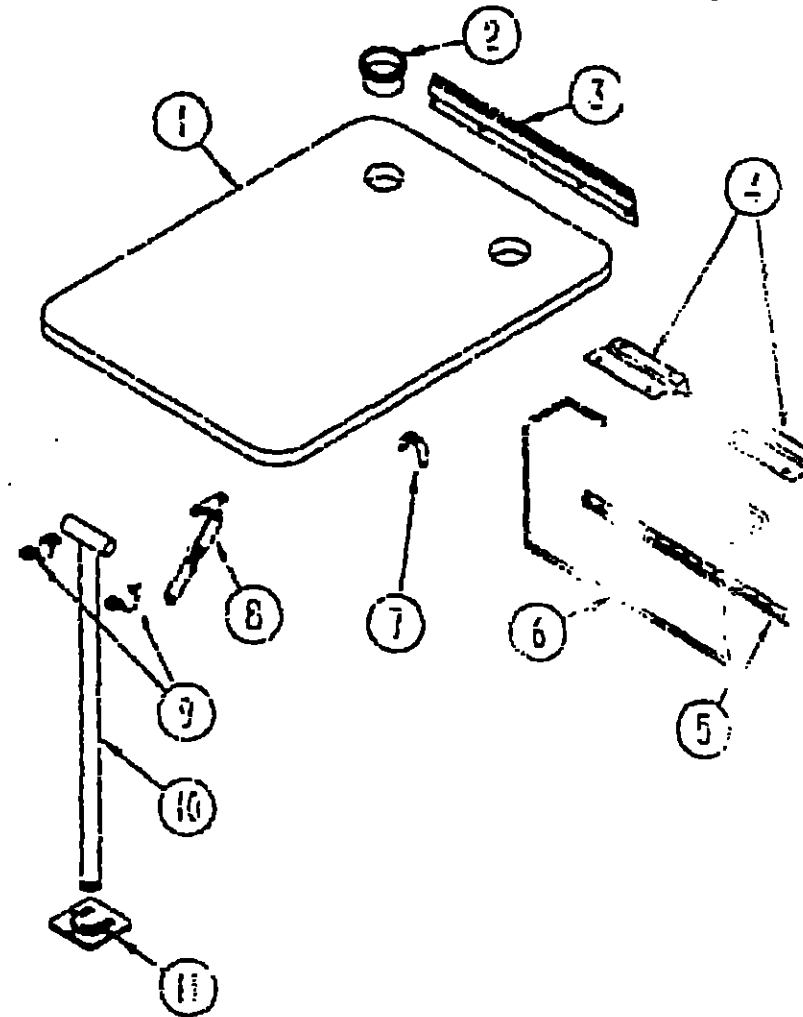
DINETTE GROUP



DINETTE CABINERY

KEY	PART NUMBER	U/M DESCRIPTION
1	P07835-01-D32	EA CABINET-OVERHEAD, W/O DOORS (D32/D33)
1	P07835-01-D34	EA CABINET-OVERHEAD, W/O DOORS (D34)
2	M05978-02-D32	EA DOOR-W/O HARDWARE W/MIRROR - 400 MM X 520 MM FROM: 03-00-00 THRU: 05-02-92
2	P04745-05-D39	EA DOOR-W/O HARDWARE W/MIRROR - 400 MM X 520 MM FROM: 03-03-92 THRU: 09-09-99
3	103128-01-C05	EA CAP-END, OVERHEAD CABINET - FRONT
4	104757-01-D32	EA PAD-DINETTE (D32)
4	104757-01-C05	EA PAD-DINETTE (D33)
4	104757-01-D11	EA PAD-DINETTE (D34)
5	M05162-03-C05	EA CABINET-SEATBACK, FRONT FROM: 03-00-00 THRU: 08-09-92
5	M04174-40-D09	EA CABINET-SEATBACK, FRONT FROM: 09-00-92 THRU: 09-09-99
6	M05161-03-C05	EA CABINET-SEATBASE, FRONT - W/O HOLE FOR DOOR FROM: 00-00-00 THRU: 07-09-91
6	M04175-40-D09	EA CABINET-SEATBASE, FRONT - W/O DOOR FROM: 08-30-92 THRU: 09-09-99
7	P04746-09-D32	EA DOOR-CABINET, W/O HARDWARE - 255 MM X 485 MM FROM: 03-00-92 THRU: 02-09-92
8	031295-01-A05	EA SUPPORT-BED, DINETTE, 25' LONG - WOOD
9	M04175-16-C05	EA CABINET-SEATBASE, REAR
	031516-01-B03	EA SEAT-TCP, DINETTE - FRONT OR REAR - PLY WOOD
	041559-16-000	EA HINGE-PIANO, 72 5" LONG - BEIGE
	058331-48-000	EA MIRROR-GLASS, SAFETY - 522 MM X 354 MM
	105004-01-01A	EA MOLDING-MIRROR, VINYL WRAPPED - C4K

DINETTE GROUP (CONTINUED)



DINETTE TABLE

KEY	PART NUMBER	U/M DESCRIPTION
1	M81259-01-D04	EA TABLE-DINETTE, W/O HARDWARE OR CUPHOLDER
2	024751-06-000	EA HOLDER-CUP - TWO STEP - OFF WHITE
3	058300-13-000	EA SUPPORT-TABLE, 18 5" - OFF WHITE
4	058410-02-000	EA BRACKET-LIFT, TABLE MOUNTED - OFF WHITE
5	024251-15-000	EA BRACKET-LIFT ROD, LOWER WALL MOUNTED - 17 1/2" - OFF WHITE
6	024275-13-000	EA ROD-TABLE LIFT - OFF WHITE
7	024253-01-000	EA CLIP-LEG, 1 1/2" X 1 1/2" OD - BLACK
8	024252-01-000	EA BRACE-TABLE LEG - HINGED
9	054050-05-000	EA HINGE-TABLE LEG - OFF WHITE
10	104276-23-000	EA LEG-TABLE, METAL - OFF WHITE
11	049493-12-000	EA CATCH-LEG, FLOOR MOUNTED - 25" X 2 1/2" - METAL - OFF WHITE
11	049493-11-000	EA CATCH-LEG, FLOOR MOUNTED - 25" X 2 1/2" - METAL - BEIGE

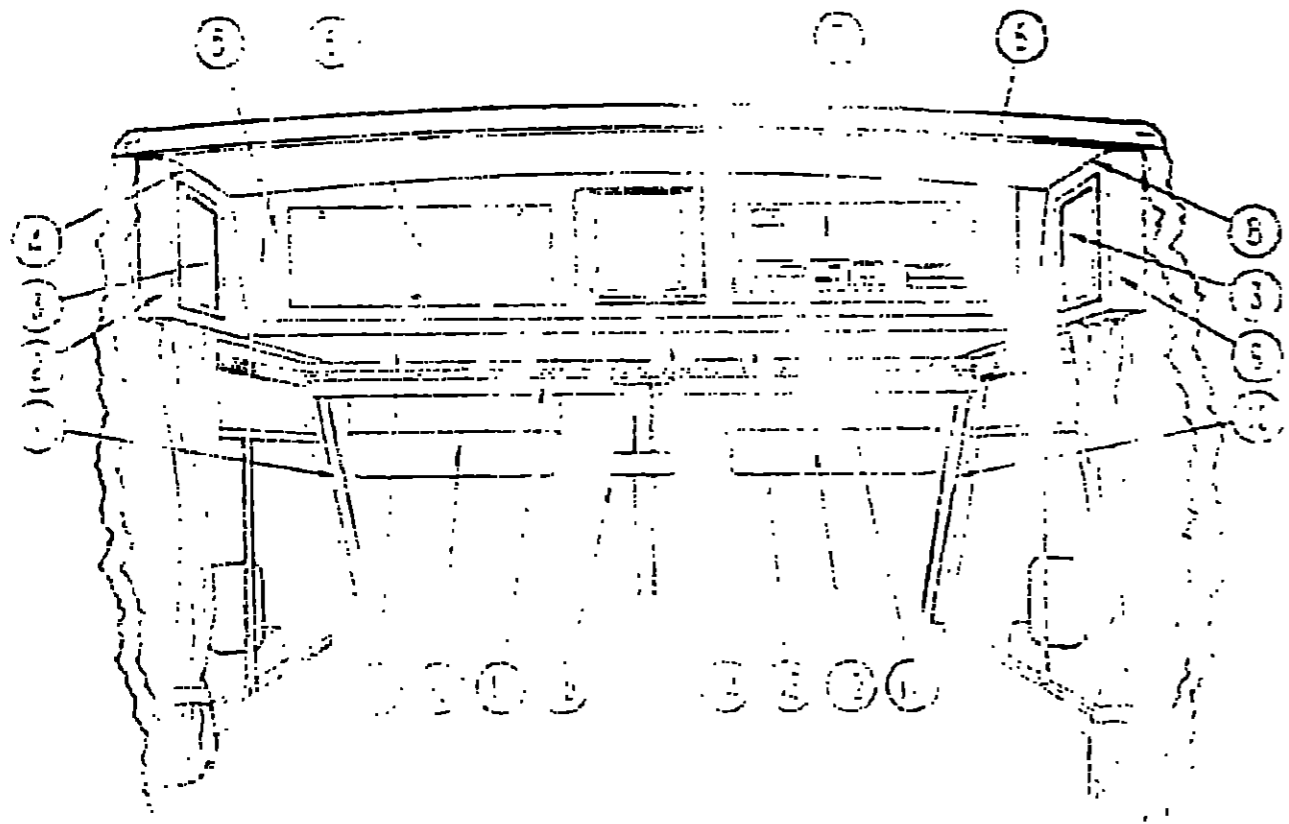
1993 ITASCA TABLE OF CONTENTS

INTRODUCTION	A-01 -	A-02
ABBREVIATIONS		A-03
ALPHABETICAL INDEX	A-04 -	A-05
INDEXED	A-07 -	F-02
INDEXED	F-03 -	G-15

INDEX BY CATEGORY

FLOOR PLAN	F-03 -	F-04
ACCESSORIES		F-15
AUXILIARY DEC	F-06 -	F-07
BATH	F-09 -	F-10
BEDROOM	F-11 -	F-12
CHASSIS	F-13 -	F-24
CURTAIN & CUSHION	G-01 -	G-10
DINETTE		G-12
DRIVERS COMPARTMENT	G-03 -	G-17
ELECTRICAL	G-18 -	G-24
EXTERIOR BODY	H-01 -	H-02
GALLEY	H-03 -	H-05
GENERATOR	H-04 -	H-05
HEATING & A/C	H-06 -	H-07
INTERIOR FINISH	H-08 -	H-09
LABELS	H-11 -	H-09
LP		H-10
LOUNGE	H-11 -	H-12
SEALANTS & FASTENERS	H-13 -	H-15
WATER & SEWAGE	H-16 -	H-22
WINDOW, VENT AND		
EXTERIOR DOOR	H-21 -	J-15
WINDSHIELD WIPER	J-17 -	J-17

**DRIVERS COMPARTMENT / POUP
DRIVERS COMPARTMENT - UPPER**



KEY	PART NUMBER	UM DESCRIPTION
5	104233-01-C05	EA FACE-TV CABINET W/O DOORS, FRONT OVERHEAD FROM: 00-00-00 THRU 07-16-92
5	105159-01-C05	EA FACE-TV CABINET W/O DOORS, FRONT OVERHEAD FROM: 07-17-92 THRU 09-09-99
	102293-01-01A	EA BRACKET-L-ANGLE, TV CABINET FACE - 5.1" LONG - OFF WHITE STEEL
	102911-01-D12	EA TRIM-TV, 15 3/4" X 13 9/16" - WOOD
	100576-02-000	EA STAND-VCR, STEEL
F	100725-05-000	EA DOOR-GLASS, TV CABINET - W/O HARDWARE - 9 5/8" X 22 42"
	100710-01-01A	EA LOCK-TWIST TYPE
	100711-01-01A	EA HINGE-DOOR, GLASS
	100737-01-000	EA SPACER
	101272-01-000	EA CATCH-GLASS DOOR
	101765-01-000	EA PIN-SUPPORT, GLASS DOOR
7	103040-01-C05	EA PANEL-HEADLINER FRONT OVERHEAD - PADDED - STANDARD
7	103040-02-C05	EA PANEL-HEADLINER FRONT OVERHEAD - PADDED - TV OPTION
7	103040-03-C05	EA PANEL-HEADLINER FRONT OVERHEAD - PADDED - TV VCR EUROPEAN OPTIONS
7	103040-04-C05	EA PANEL-HEADLINER FRONT OVERHEAD - PADDED - TV VCR INVERTER OPTION
7	103040-05-C05	EA PANEL-HEADLINER FRONT OVERHEAD - PADDED - TV INVERTER OPTION
8	105159-21-D32	EA CABINET-FRONT OVERHEAD W/O DOOR, PASSENGERS SIDE FROM: 00-00-00 THRU 09-16-92
8	105159-21-D33	EA CABINET-FRONT OVERHEAD W/O DOOR, PASSENGERS SIDE FROM: 00-00-00 THRU 09-16-92
8	105159-21-D34	EA CABINET-FRONT OVERHEAD W/O DOOR, PASSENGERS SIDE FROM: 00-00-00 THRU 09-16-92
8	105159-41-D32	EA CABINET-FRONT OVERHEAD W/O DOOR, PASSENGERS SIDE FROM: 09-17-92 THRU 09-09-99
8	105159-41-D33	EA CABINET-FRONT OVERHEAD W/O DOOR, PASSENGERS SIDE FROM: 09-17-92 THRU 09-09-99
8	105159-41-D34	EA CABINET-FRONT OVERHEAD W/O DOOR, PASSENGERS SIDE FROM: 09-17-92 THRU 09-09-99
8	104233-01-C05	EA CAP-END, FRONT OVERHEAD, PASSENGERS SIDE FROM: 00-00-00 THRU 09-16-92
F	103122-05-D12	EA CAP-END, FRONT OVERHEAD, PASSENGERS SIDE FROM: 09-17-92 THRU 09-09-99
F	104237-01-C05	EA BOTTOM-VINYL COVERED, FRONT OVERHEAD - PASSENGERS SIDE FROM: 00-00-00 THRU 09-16-92
F	100956-01-D09	EA BOTTOM-VINYL COVERED, FRONT OVERHEAD - PASSENGERS SIDE FROM: 09-17-92 THRU 09-09-99
11	104239-01-C05	EA PAD-VINYL COVERED, 30 3/4" X 9 5/8" - ANGLED - DRIVERS SIDE
11	103931-01-02A	EA COVER-INNER, A-PILLAR - PASSENGERS - GRAY
11	176911-05-C07	EA PANEL-HEADER W/RECEPTACLE CUTOUTS - 90 2/8" LONG - VINYL COVERED
12	102226-15-D12	EA SUNVISOR-DRIVER OR PASSENGER - W/O POCKET
	102377-01-000	EA BRACKET-SUNVISOR, 1 PIECE - STEEL
	102721-01-000	EA HINGE-SUNVISOR
	104012-01-000	EA CLIP-SUNVISOR SQUARE PINCH-ON
13	103077-02-C05	EA SHELF-CABINET, PASSENGERS SIDE - VINYL COVERED
14	104415-01-C05	EA SHELF-TV CABINET, VINYL COVERED
	100628-02-000	EA SHELF-ASM-TV, STEEL
	101150-01-000	EA SUPPORT-SHELF TV - PASSENGER SIDE - STEEL
	101150-02-000	EA SUPPORT-SHELF TV - DRIVER SIDE - STEEL
	104417-01-C05	EA CABINET-BLANKET (STANDARD CABINET)
15	100714-01-000	EA MIRROR-REAR VIEW, WARM MOUNT & SET SCREW - GM# 911722
	107490-01-000	EA BOTTOM-MIRROR, REAR VIEW - STANK S227H
16	103077-01-C05	EA SHELF-CABINET, DRIVERS SIDE - VINYL COVERED

**1993 ITASCA
TABLE OF CONTENTS**

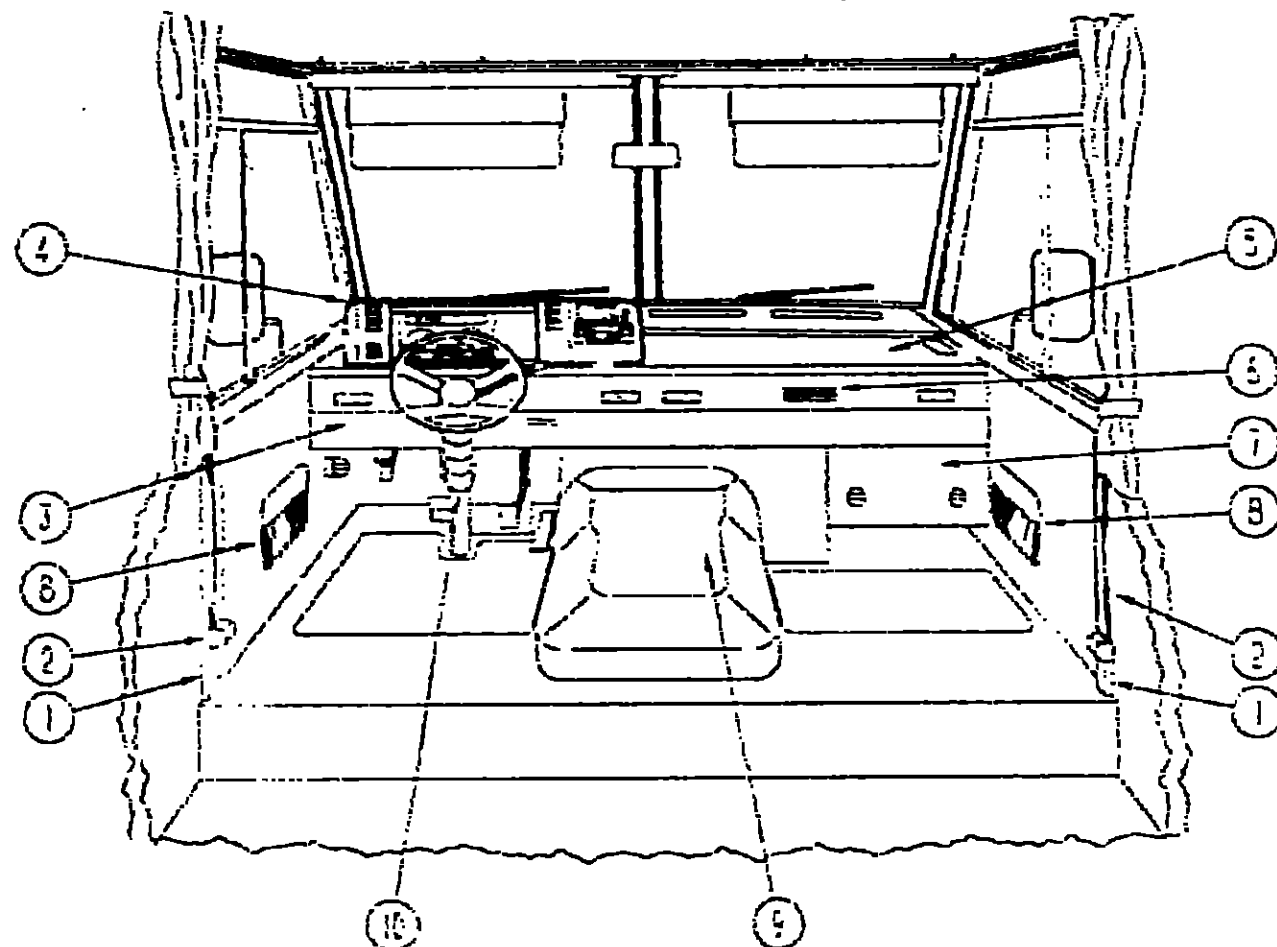
INTRODUCTION	A-01 -	A-02
ABBREVIATIONS		A-03
ALPHABETICAL INDEX	A-04 -	A-05
ICF27RC	A-07 -	F-02
ICF27RQ	F-03 -	J-18

KEY	PART NUMBER	UM DESCRIPTION
1	103931-01-00A	EA COVER-INNER, A-PILLAR - DRIVERS - GRAY
2	104233-01-C05	EA CAP-END, FRONT OVERHEAD, DRIVERS SIDE FROM: 00-00-00 THRU 09-16-92
3	104128-09-D12	EA CAP-END, FRONT OVERHEAD, DRIVERS SIDE FROM: 00-00-00 THRU 09-09-99
3	104240-05-D32	EA DOOR-CABINET, W/O HARDWARE - 24 1/2" X 45 1/2" W
4	105159-21-D32	EA CABINET-FRONT OVERHEAD W/O DOOR, DRIVERS SIDE FROM: 00-00-00 THRU 09-16-92
4	105159-21-D33	EA CABINET-FRONT OVERHEAD W/O DOOR, DRIVERS SIDE FROM: 00-00-00 THRU 09-16-92
4	105159-21-D34	EA CABINET-FRONT OVERHEAD W/O DOOR, DRIVERS SIDE FROM: 00-00-00 THRU 09-16-92
4	105159-41-D32	EA CABINET-FRONT OVERHEAD W/O DOOR, DRIVERS SIDE FROM: 09-17-92 THRU 09-09-99
4	105159-41-D33	EA CABINET-FRONT OVERHEAD W/O DOOR, DRIVERS SIDE FROM: 09-17-92 THRU 09-09-99
4	105159-41-D34	EA CABINET-FRONT OVERHEAD W/O DOOR, DRIVERS SIDE FROM: 09-17-92 THRU 09-09-99
	104237-02-C05	EA BOTTOM-VINYL COVERED, FRONT OVERHEAD - DRIVERS SIDE FROM: 00-00-00 THRU 09-16-92
	100956-01-D09	EA BOTTOM-VINYL COVERED, FRONT OVERHEAD - DRIVERS SIDE FROM: 09-17-92 THRU 09-09-99
	104239-01-C05	EA PAD-VINYL COVERED, 30 3/4" X 9 5/8" - ANGLED - DRIVERS SIDE

1993 ICF27RQ INDEX

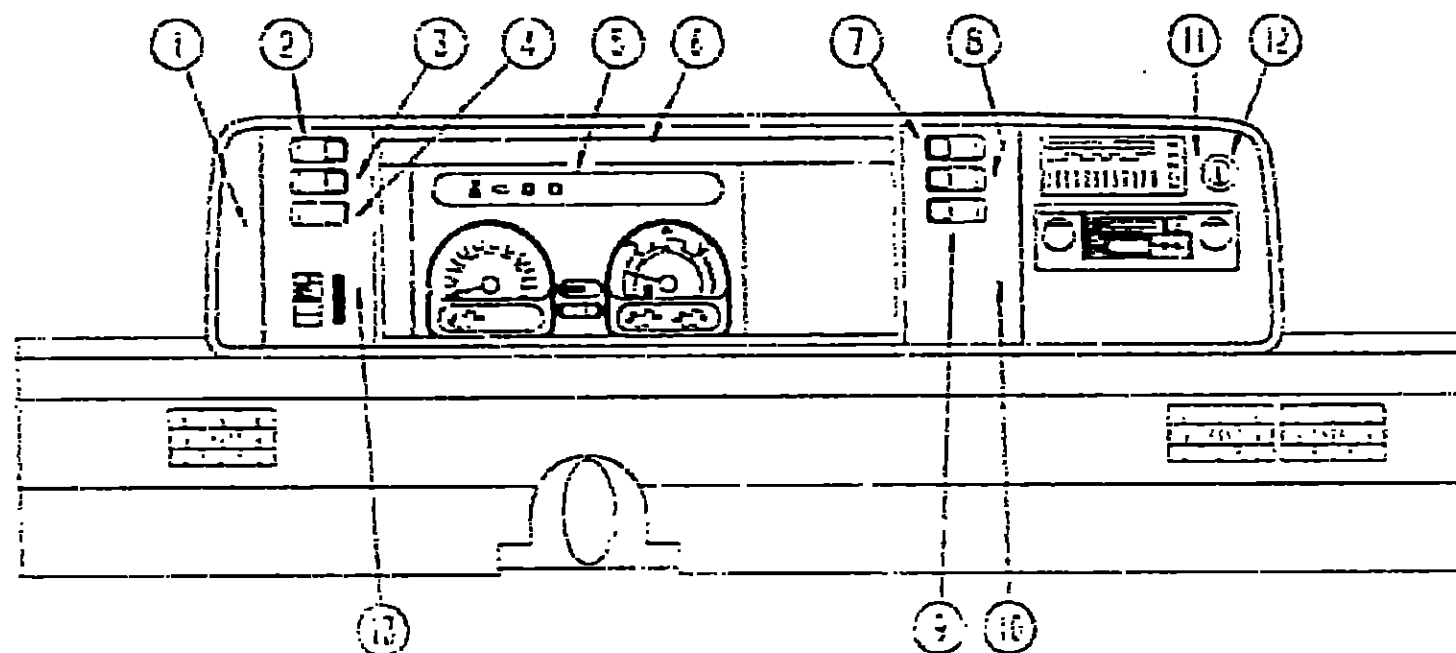
FLOOR PLAN	F-03 -	F-04
ACCESSORIES		F-05
AUDIO VIDEO	F-06 -	F-08
BATH	F-09 -	F-10
BEDROOM	F-11 -	F-12
CHASSIS	F-13 -	F-24
CURTAIN & CUSHION	G-01 -	G-10
DINETTE	G-11 -	G-12
DRIVERS COMPARTMENT	G-13 -	G-17
ELECTRICAL	G-18 -	G-24
EXTERIOR BODY	H-01 -	H-08
GALLEY	H-09 -	H-13
GENERATOR	H-14 -	H-15
HEATING & A/C	H-16 -	H-20
INTERIOR FINISH	H-21 -	H-24
LABELS	I-01 -	I-09
LP		I-10
LOUNGE	I-11 -	I-12
SEALANTS & FASTENERS	I-13 -	I-16
WATER & SEWAGE	I-17 -	I-22
WINDOW, VENT AND EXTERIOR DOOR	J-23 -	J-16
WINDSHIELD WIPER	J-17 -	J-18

DRIVERS COMPARTMENT GROUP (CONTINUED)



DRIVERS COMPARTMENT - LOWER

DRIVERS COMPARTMENT GROUP (CONTINUED)



INSTRUMENT CLUSTER (CHEVY)

**1993 ITASCA
TABLE OF CONTENTS**

INTRODUCTION	A-01 -	A-02
ABBREVIATIONS		A-03
ALPHABETICAL INDEX	A-04 -	A-05
ICF27RC	A-07 -	F-02
ICF27RC	F-03 -	J-03

KEY	PART NUMBER	U/M DESCRIPTION
1	024700-44-000	EA COVER-SIDEWALL ROLL BAR, OFF WHITE - 53"
1	024700-45-000	EA COVER-SIDEWALL ROLL BAR, OFF WHITE - 12 5"
2	091990-01-01A	EA SEAT BELT-SHOULDER HARNESS - DRIVERS/PASSENGERS - BLACK
	091990-01-700	EA BOLT COVER
	R77000-13-499	EA BOLT-SEAT BELT
		FROM: 01-00-00 THRU: 07-19-92
	103148-01-000	EA BOLT-SHOULDER, SEAT BELT
		FROM: 07-20-92 THRU: 99-99-99
	103551-01-01A	EA COVER-BRACKET, SEATBELT - OFF WHITE
	R77020-53-447	EA WASHER-FLAT, 11.3 MM ID X 21 MM OD
		FROM: 02-00-00 THRU: 05-02-92
3	103812-01-02A	EA TRIM-DASH, LOWER - GRAY
4	103555-01-02A	EA PAD-INSTRUMENT PANEL GRAY PLASTIC
5	103817-01-C05	EA DASH ASM. W/VINYL
	P03917-01-000	EA DASH ASM. W/O VINYL
	103559-02-02A	YD VINYL-LAMINATE, 26 OZ - 54" WIDE - GRAY
	103527-02-000	EA PANEL-DASH TOP, STEEL
5	104279-01-01A	EA DECAL-LOGO "SUNRISE" PASSENGERS SIDE DASH
7	095757-03-C26	EA COVER-HEATER W/CARPET (D32)
7	095757-03-C05	EA COVER-HEATER W/CARPET (D33)
7	095757-03-C27	EA COVER-HEATER W/CARPET (D34)
8	055120-04-D32	EA PAD-MAP POCKET, 12" X 16"
8	055120-04-D33	EA PAD-MAP POCKET, L.T. 12" X 16"
8	055120-04-D34	EA PAD-MAP POCKET, 12" X 16"
9	097552-01-000	EA COVER-MOTOR, W/O CARPET
	075554-01-000	EA BRACKET-MOUNTING, MOTOR COVER
	092455-01-000	EA TRIM-MOTOR COVER, ALUMINUM
	035523-01-000	FT SEAL-MOTOR COVER, RUBBER BULB TYPE - BLACK
	107554-01-D39	EA TRAY ASM-BEVERAGE W/ASHTRAY & DOWELS
	M34032-01-AB1	EA DOWEL-WOOD, STAINED - 1" X 1.75"
	045556-03-000	EA ASHTRAY-CHROME, W/COVER
10	103499-04-000	EA BOOT-STEERING COLUMN, BLACK VINYL
		FROM: 03-00-00 THRU: 09-05-92
10	103499-05-000	EA BOOT-STEERING COLUMN, BLACK VINYL
		FROM: 09-07-92 THRU: 99-99-99

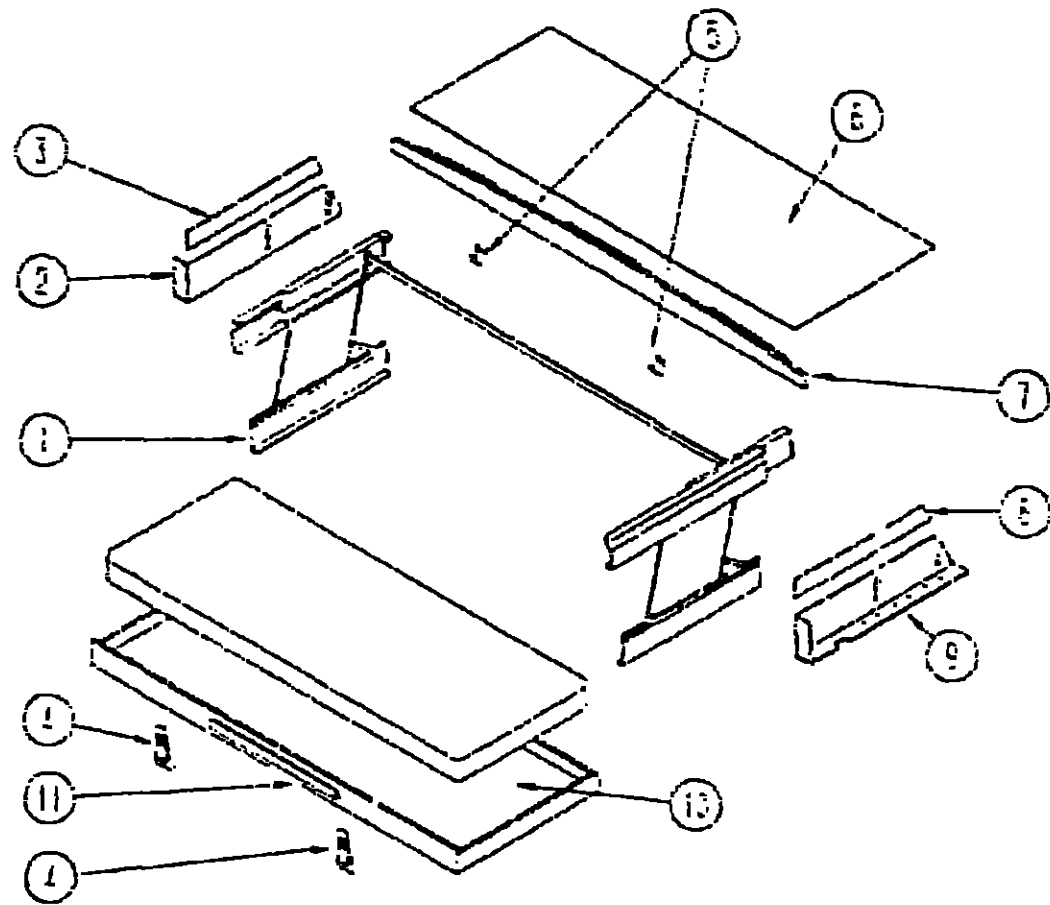
KEY	PART NUMBER	U/M DESCRIPTION
1	104055-01-01A	EA APPLIQUE-BEZEL
2	103555-02-01A	EA COVER-SWITCH W/DIMPLES, CARLING VVAZ000 BLA
2	103557-03-000	EA SWITCH-ROCKER, SPDT ON/NONE ON - RADIO POWER - CARLING VVD100CB-0
3	103555-02-01A	EA COVER-SWITCH W/DIMPLES, CARLING VVAZ000 BLA
3	103557-04-000	EA SWITCH-ROCKER, SPDT ON OFF, W/OV - DUAL BATTERY - CARLING VVD100CB-0
4	103555-02-01A	EA COVER-SWITCH W/DIMPLES, CARLING VVAZ000 BLA
4	103557-05-000	EA SWITCH-ROCKER, DPDT W/OV OFF, W/OV - CARLING VLD100CB-0
		BATTERY DISCONNECT SWITCH OPTION
4	095241-03-000	EA SWITCH-BLANK
5	094799-05-000	EA CLUSTER-INSTRUMENT PANEL, KILOMETERS - GAS - GM #12126355
5	094799-06-000	EA CLUSTER-INSTRUMENT PANEL, KILOMETERS - DIESEL - GM #15151325
6	103552-01-01A	EA BEZEL-INSTRUMENT PANEL
7	103555-04-01A	EA COVER-SWITCH W/DIMPLES & LENS, CARLING VVAZ000
		FROM: 12-14-92 THRU: 99-99-99
7	103557-10-000	EA SWITCH-ROCKER, SPDT W/OV OFF, W/OV - LIGHTED - CARLING VED1160CB-0
		GENERATOR OPTION
		FROM: 12-14-92 THRU: 99-99-99
7	095241-03-000	EA SWITCH-BLANK
8	103555-02-01A	EA COVER-SWITCH W/DIMPLES, CARLING VVAZ000 BLA
8	103557-03-000	EA SWITCH-ROCKER, SPDT ON OFF, ON - CARLING VED1160CB-0
		REAR HEATER OPTION
8	095241-03-000	EA SWITCH-BLANK
8	095241-03-000	EA SWITCH-BLANK
10	104055-04-01A	EA APPLIQUE-BEZEL W/O REAR AUTO HEATER
		FROM: 03-00-00 THRU: 12-13-92
10	104055-05-01A	EA APPLIQUE-BEZEL W/REAR AUTO HEATER
		FROM: 03-00-00 THRU: 12-13-92
10	104055-21-01A	EA APPLIQUE-BEZEL
		FROM: 12-14-92 THRU: 99-99-99
11	104055-03-01A	EA APPLIQUE-BEZEL
12	092291-01-000	EA LIGHTER ASM-CIGARETTE - CASCO C213275
13	104055-02-01A	EA APPLIQUE-BEZEL
	103139-01-000	EA MODULE-DAYTIME RUNNING LIGHT
	077031-01-000	EA FILM-BLACK, 1" X 1.75"
	077031-02-000	EA FILM-AMBER, 1" X 1.75"
	077031-03-000	EA FILM-WHITE, .75" X 1"
	103607-01-000	EA BULB - 12V NO 74 0 12A WEDGE
	077539-01-000	EA BRACKET-MOUNTING, DASH PANEL - L-SHAPED - 2.5" X 1" X 1.5"
	012235-01-000	EA FUSE-AUTOMOTIVE, 12V - 15AMP
	052901-02-000	EA FUSE - 5 AMPS, AUTOMOTIVE
	052901-05-000	EA FUSE - 15 AMPS, AUTOMOTIVE

1993 ICF27HQ INDEX

FLOOR PLAN	F-03 -	F-04
ACCESSORIES		F-05
AUDIO VIDEO	F-06 -	F-08
BATH	F-09 -	F-10
BEDROOM	F-11 -	F-12
CHASSIS	F-13 -	F-24
CURTAIN & CUSHION	G-01 -	G-10
DINETTE	G-11 -	G-12
DRIVERS COMPARTMENT	G-13 -	G-17
ELECTRICAL	G-18 -	G-24
EXTERIOR BODY	H-01 -	H-09
GALLEY	H-09 -	H-13
GENERATOR	H-14 -	H-15
HEATING & A/C	H-16 -	H-20
INTERIOR FINISH	H-21 -	H-24
LABELS	I-01 -	I-09
LP		I-10
LOUNGE	I-11 -	I-12
SEALANTS & FASTENERS	I-13 -	I-16
WATER & SEWAGE	I-17 -	I-22
WINDOW, VENT AND		
EXTERIOR DOOR	J-23 -	J-16
WINDSHIELD WIPER	J-17 -	J-18

DRIVERS COMPARTMENT GROUP (CONTINUED)

**ELECTRICAL GROUP
INTERIOR LIGHTS**



FRONT BUNK-SINGLE

KEY	PART NUMBER	U/M DESCRIPTION
	061424-01-000	EA LIGHT-AISLE, 12V - RECTANGULAR
	068103-01-000	EA BULB-DASH AISLE LIGHT, 453 - 12 V - 12 AMP
	065201-02-000	EA SHADE-LAMP, FABRIC - PAROCHENT
	065202-18-000	EA LAMP-WALL, BRASS - CANADIAN
	065202-17-000	EA LAMP-WALL BRASS - US
	067479-01-000	EA BULB - 12V, NUMBER 1076
	062169-01-000	EA LIGHT-MAKE-UP, 3 BULB - JENSEN X14S-168R FROM 03-00-03 THRU. 12-13-82
	081633-01-700	EA BULB-MAKE UP LIGHT, JENSEN
	110235-01-01A	EA LIGHT-MAKE UP 3 BULB PANLESS - PD PD200-621 BRASS FROM 12-14-82 THRU. 09-09-89
	081633-01-700	EA BULB-MAKE UP LIGHT, JENSEN
	086210-01-000	EA LIGHT-SURFACE MOUNT, 12V - JENSEN 1256
	086220-01-700	EA BULB - 12 VOLT, 8 WATT
	088024-01-01A	EA LIGHT-DOVE, 1 BULB - US - IVORY
	088218-01-000	EA BULB-DOVE LIGHT, 12V - NUMBER 1141
	088024-01-700	EA LENS-DOVE LIGHT
	088024-03-01A	EA LIGHT-DOVE, 2 BULB - IVORY
	088218-01-000	EA BULB-DOVE LIGHT, 12V - NUMBER 1141
	088024-01-700	EA LENS-DOVE LIGHT

**1993 ITASCA
TABLE OF CONTENTS**

INTRODUCTION	A-01 -	A-02
ABBREVIATIONS		A-03
ALPHABETICAL INDEX	A-04 -	A-26
ICF27RC	A-07 -	F-07
ICF27RQ	F-03 -	J-18

KEY	PART NUMBER	U/M DESCRIPTION
	083209-01-000	EA CIRCUIT BREAKER - 15 AMP, 120V - BW G-15 - CANADIAN
	083209-02-000	EA CIRCUIT BREAKER - 15 15 AMP, 120V - BW H-15 15
	083209-03-000	EA CIRCUIT BREAKER - 15 20 AMP, 120V - BW G-15 20
	083209-04-000	EA CIRCUIT BREAKER - 30A, 120V - BW L-30
	083209-05-000	EA CIRCUIT BREAKER - 30A, 120V - BW J-30
	083209-06-000	EA CIRCUIT BREAKER - 30 15 AMP, 120V - BW D-30 15
	090554-01-000	EA CIRCUIT BREAKER - 6 AMP, HOUSE CONTROL PANEL
	090554-02-000	EA CIRCUIT BREAKER - 15 AMP
	090555-01-000	EA CIRCUIT BREAKER - 25A, 12V - USD 17425-4E03A2A
	090555-02-000	EA CIRCUIT BREAKER - 30 AMP - HOUSE CONTROL PANEL
	090555-03-000	EA CIRCUIT BREAKER - 40 AMP, USD 17443-4E03A2A
	097611-01-000	EA CIRCUIT BREAKER - 6 AMP, ATC - BLACK
	112591-01-000	EA CIRCUIT BREAKER - 16 AMP, 240V

CIRCUIT BREAKERS

CONDUIT

KEY	PART NUMBER	U/M DESCRIPTION
	041953-01-000	FT CONDUIT-CONVOLUTE, SLIT - .5" ID
	041953-02-000	FT CONDUIT-CONVOLUTE, SOLID - .62" ID
	041953-03-000	FT CONDUIT-CONVOLUTE, SLIT - .375" ID
	041953-07-000	FT CONDUIT-CONVOLUTE, SLIT - .25" ID
	041953-09-000	FT CONDUIT-CONVOLUTE, SLIT - .50" ID
	041953-10-000	FT CONDUIT-CONVOLUTE, SLIT - .75" ID
	041953-12-000	FT CONDUIT-CONVOLUTE, NON SLIT - 1.1" ID

1993 ICF27RQ INDEX

FLOOR PLAN	F-03 -	F-04
ACCESSORIES		F-05
AUDIO VIDEO	F-06 -	F-08
BATH	F-09 -	F-10
BEDROOM	F-11 -	F-12
CHASSIS	F-13 -	F-24
CURTAIN & CUSHION	G-01 -	G-10
DINETTE	G-11 -	G-12
DRIVERS COMPARTMENT	G-13 -	G-17
ELECTRICAL	G-18 -	G-24
EXTERIOR BODY	H-01 -	H-08
GALLEY	H-09 -	H-13
GENERATOR	H-14 -	H-15
HEATING & A/C	H-16 -	H-20
INTERIOR FINISH	H-21 -	H-24
LABELS	I-01 -	I-09
LP		I-10
LOUNGE	I-11 -	I-12
SEALANTS & FASTENERS	I-13 -	I-16
WATER & SEWAGE	I-17 -	I-22
WINDOW, VENT AND		
EXTERIOR DOOR	I-23 -	J-16
WINDSHIELD WIPER	J-17 -	J-18

KEY	PART NUMBER	U/M DESCRIPTION
1	075783-02-000	EA BUNK HARDWARE (COMPLETE)
	075783-02-700	EA SPRING-GAS-BUNK HARDWARE
2	101499-06-C05	EA PANEL ASM - BOTTOM DRIVERS - PADDED - USED W BUNK
3	101497-08-C05	EA PANEL ASM - UPPER DRIVERS - PADDED - USED W BUNK
4	042541-04-000	EA LATCH-W/O STRIKE, BRASS
5	042541-05-000	EA STRIKE-BRASS
6	103040-05-C05	EA PANEL-HEADLINER FRONT OVERHEAD - PADDED - USED W BUNK
7	F03199-01-C05	EA BOARD ASM-TRIM, BUNK - CEILING MOUNTED
8	101497-07-C05	EA PANEL ASM-UPPER PASSENGERS - PADDED - USED W BUNK
9	101499-05-C05	EA PANEL ASM-BOTTOM PASSENGERS - PADDED - USED W BUNK
10	061717-03-C05	EA BED ASM-BUNK, FRONT
11	094652-01-Y12	EA HANDLE-BUNK, OAK

ELECTRICAL GROUP (CONTINUED)
CONNECTORS

KEY	PART NUMBER	U/M DESCRIPTION
	008311-01-000	EA CONNECTOR-WIRE NUT, INSULATED - RED
	008312-01-000	EA CONNECTOR-WIRE NUT, INSULATED - BLUE
	008314-01-000	EA CONNECTOR-WIRE NUT, INSULATED - GRAY
	008355-01-000	EA CONNECTOR-CABLE CLAMPING, 3/4"
	008355-01-000	EA CONNECTOR-PLASTIC, 3/8" AVG
	008398-01-000	EA CONNECTOR - 1/2" X 90 DEGREE, FLEX CONDUIT - UL AND CSA
	041480-01-000	EA CONNECTOR-STRAIGHT, 1/2" FLEX CONDUIT
	082740-01-000	EA CONNECTOR-PLASTIC BODY, FOR 2 MALE SPADES
	085025-01-000	EA CONNECTOR ELECTRICAL PIGTAIL, NYLON - CLEAR

RECEPTACLES, RECEPTACLE PLATES & SPACER

KEY	PART NUMBER	U/M DESCRIPTION
	007940-01-000	EA RECEPTACLE-SLIDE, 16 TO 12 AWG - FEMALE END
	007954-01-000	EA RECEPTACLE-HOUSING, 3 POSITION
	024924-02-000	EA RECEPTACLE-POWER CORD, W/PARTIAL PLATE
	080015-02-000	EA RECEPTACLE-FLAG, 185 - 16 1/4 GA - AMP 3
	089707-01-000	EA RECEPTACLE-ELECTRIC, SINGLE - BROWN
	089707-02-000	EA RECEPTACLE-BLANK JUNCTION - WIRECON WDU20CR
	089708-01-000	EA RECEPTACLE-ELECTRIC, DOUBLE - BROWN
	089708-02-000	EA RECEPTACLE-ELECTRIC, DOUBLE - IVORY
	084076-01-000	EA RECEPTACLE-GFI, 15A - 125V - IVORY
	084076-02-000	EA RECEPTACLE-GFI, 15A - 125V - BROWN
	084077-01-000	EA PLATE-COVER, RECEPTACLE - GFI - IVORY
	084077-02-000	EA PLATE-COVER, RECEPTACLE - GFI - BROWN
	085735-01-000	EA COVER-EXTERIOR RECEPTACLE, GRAY
	081927-01-000	EA COVER-RECEPTACLE, DOUBLE - IVORY
	102555-01-B10	EA SPACER-RECEPTACLE, BETWEEN SIDEWALL & PLATE - WOOD
	087734-01-01A	EA EXTENSION-RECEPTACLE, 3/2" X 5" X 7" - PLASTIC - IVORY
	087734-01-02A	EA EXTENSION-RECEPTACLE, 3/2" X 5" X 7" - PLASTIC - BROWN

TERMINALS

KEY	PART NUMBER	U/M DESCRIPTION
	008326-01-000	EA TERMINAL-RING, 16/14 WIRE - 3/8" STUD
	008326-01-000	EA TERMINAL-RING, 12/10 WIRE - #10 STUD FIT
	008331-01-000	EA TERMINAL-RING-TONGUE - #4 WIRE - 3/8" STUD - COPPER
	008348-01-000	EA TERMINAL-RING, 3/8" STUD - #2 WIRE
	035416-04-000	EA TERMINAL-RING #10 STUD FIT, INSULATED BARREL #16-14
	102777-02-000	EA TERMINAL-RING, #6 STUD - 10 AWG
	047443-01-000	EA TERMINAL - 250 RECEPTACLE FIT, INSULATED - 16 1/4 AWG
	047443-02-000	EA TERMINAL - 250 RECEPTACLE FIT, INSULATED - 12 10 AWG
	082035-01-000	EA TERMINAL-PACK-CON, 12/10 AWG
	082035-02-000	EA TERMINAL-PACK-CON, 15/14 AWG
	085550-01-000	EA TERMINAL-MALE, 55 SERIES
	104100-03-000	EA TERMINAL - 75 AMP - AMP 53320-4 LOOSE
	105007-01-000	EA TERMINAL-FEMALE 14-15 AWG

ELECTRICAL GROUP (CONTINUED)
HOUSINGS, PINS & SOCKETS

KEY	PART NUMBER	U/M DESCRIPTION
	083910-01-000	EA HOUSING-DELAY, BOSCH 3 334 455 005
	083473-01-000	EA PIN-HOUSING, 4 ROWS OF 3
	083473-03-000	EA HOUSING-PIN, 3 POSITION
	083473-05-000	EA PIN-HOUSING, 5 POSITION (SINGLE ROW)
	083473-06-000	EA PIN-HOUSING, 5 POSITION (TWO ROWS OF THREE)
	083473-08-000	EA HOUSING-PIN, 4 POSITION
	083473-09-000	EA PIN-HOUSING, 3 POSITION (SINGLE ROW)
	083473-10-000	EA PIN-HOUSING, 2 POSITION
	083474-01-000	EA HOUSING-SOCKET, 12 POSITIONS
	083474-03-000	EA HOUSING-SOCKET, 3 POSITION
	083474-05-000	EA SOCKET-HOUSING, 3 POSITION (2 ROWS OF THREE)
	083474-07-000	EA HOUSING-SOCKET, 3 CAVITY - AMP 1-450784-0
	083474-08-000	EA SOCKET-HOUSING, 4 POSITION (SINGLE ROW)
	083474-09-000	EA HOUSING-SOCKET, 3 POSITION
	083474-10-000	EA HOUSING-SOCKET, 2 POSITION
	083475-01-000	EA PIN-CONNECTOR, 14 TO 20 AWG
	083475-02-000	EA PIN-CONNECTOR, 15 TO 12 AWG
	104100-01-000	EA HOUSING - 1 POSITION, 75 AMP AMP 53524-1
	101571-01-000	EA HOUSING - 2 POSITION, MALE
	102006-01-000	EA HOUSING - 1 POSITION, FEMALE - PACKAGED 12012352
	105555-01-000	EA HOUSING-SWITCH, CARLING VCH
	110175-01-000	EA HOUSING-WIPER MOTOR - UT623744D-EC25WJ FROM 12-13-92 THRU. 99-99-99

POWER CORDS

KEY	PART NUMBER	U/M DESCRIPTION
	008052-01-000	EA CORD-POWER, 10/3 - 30 AMP - 25' - CANADIAN
	008054-01-000	EA CORD-POWER, 10/3 - 30 AMP - 25' - US

CONVERTER & INVERTER

KEY	PART NUMBER	U/M DESCRIPTION
	083208-02-000	EA CONVERTER-POWER, 45A - 120V-12V - BW 5345
	099048-01-000	EA INVERTER - 100 WATT

UNDER HOOD ELECTRICAL ACCESS PANELS

KEY	PART NUMBER	U/M DESCRIPTION
	003751-01-000	EA PLATE-ELECTRICAL ACCESS
	089195-01-000	EA LATCH - 1/4 TURN T-BAR
	103756-01-000	EA DOOR-ELECTRICAL BOX
	082493-05-000	EA SEAL-ELECTRICAL BOX, ALFA III (195X267)
	103583-01-000	EA BOX-ELECTRICAL FRONT
	103573-01-000	EA SEAL-ELECTRICAL BOX BULKHEAD, ALFA III(215X215)
	103567-01-000	EA SEAL-SOLENOID ACCESS

1993 ITASCA
TABLE OF CONTENTS

INTRODUCTION	A-01 -	A-02
ABBREVIATIONS		A-03
ALPHABETICAL INDEX	A-04 -	A-06
ICF27RC	A-07 -	F-02
ICF27RQ	F-03 -	J-15

1993 ICF27RQ INDEX

FLOOR PLAN	F-03 -	F-04
ACCESSORIES		F-05
AUDIO VIDEO	F-06 -	F-08
BATH	F-09 -	F-10
BEDROOM	F-11 -	F-12
CHASSIS	F-13 -	F-24
CURTAIN & CUSHION	G-01 -	G-10
DINETTE	G-11 -	G-12
DRIVERS COMPARTMENT	G-13 -	G-17
ELECTRICAL	G-18 -	G-24
EXTERIOR BODY	H-01 -	H-03
GALLEY	H-09 -	H-13
GENERATOR	H-14 -	H-15
HEATING & A/C	H-16 -	H-20
INTERIOR FINISH	H-21 -	H-24
LABELS	I-01 -	I-03
LP		I-10
LOUNGE	I-11 -	I-12
SEALANTS & FASTENERS	I-13 -	I-15
WATER & SEWAGE	I-17 -	I-22
WINDOW, VENT AND		
EXTERIOR DOOR	I-23 -	J-15
WINDSHIELD WIPER	J-17 -	J-18

ELECTRICAL GROUP (CONTINUED)
FUSES & FUSE HOUSINGS

KEY	PART NUMBER	U/M DESCRIPTION
	002234-01-000	EA FUSE - 12V, 10 AMP
	100341-01-000	EA FUSE HOLDER-IN LINE TYPE, WESCO 5931-22020
	062037-01-000	EA HOUSING-AUTO FUSE, NATURAL
	062037-02-000	EA HOUSING-AUTO FUSE, GREEN
	062037-03-000	EA HOUSING-AUTO FUSE, BLACK
	062037-04-000	EA HOUSING-AUTO FUSE, BLUE
	062037-05-000	EA HOUSING-AUTO FUSE, GRAY
	062037-06-000	EA HOUSING-AUTO FUSE, BROWN
	102659-01-000	EA HOUSING-AUTO FUSE HOLDER, PACKARD 12012105

SWITCHES, SWITCH PLATES & SPACERS

KEY	PART NUMBER	U/M DESCRIPTION
	079364-01-000	EA SWITCH-ON/OFF ROCKER, 2 PRONGS - BROWN
	079364-03-000	EA SWITCH-ON/OFF ROCKER, 3 PRONGS - BROWN
	099351-01-01A	EA PLATE-SWITCH, 1 GANG - POLISHED BRASS - JENSEN
	099351-03-01A	EA PLATE-SWITCH, 3 GANG - POLISHED BRASS - JENSEN
	099351-05-01A	EA PLATE-SWITCH, 2 GANG W/LABEL - POLISHED BRASS - JENSEN
	099155-01-01A	EA SPACER-SWITCH, 2 3/4" X 3 1/4" - PLASTIC - DARK BROWN
	099155-02-01A	EA SPACER-SWITCH, 2 3/4" X 4 1/4" - PLASTIC - DARK BROWN
	075723-01-000	EA SPACER-SWITCH, W/D HOLE - 2" X 3" X 2" - METAL - OFF WHITE

ELECTRIC BOXES & COVERS

KEY	PART NUMBER	U/M DESCRIPTION
	008225-01-000	EA BOX-ELECTRIC, PLASTIC - 5" X 3 1/2"
	008225-02-000	EA BOX-ELECTRIC, PLASTIC - 3 9/4" X 3 1/2" X 1 5/8"
	008229-01-000	EA BOX-ELECTRIC, STEEL - 12" AND 3/4" KNOCKOUTS - 4" X 4" - US
	008229-02-000	EA BOX-ELECTRIC, STEEL - 12" AND 3/4" KNOCKOUTS - CANADIAN
	150249-01-000	EA BOX-ELECTRIC SWITCH, 2" X 3" X 2 25"
	171310-01-000	EA BOX-ELECTRIC, 3.75" X 3.5" X 1.75" - PLASTIC
	091411-02-000	EA BOX-ELECTRIC, PLASTIC - 57 MM X 83 MM
		FROM 10-05-92 THRU 99-99-99
	004294-01-000	EA COVER-ELECTRICAL BOX, BLANK STEEL - 4" X 4" - GRAY
	008224-02-000	EA COVER-ELECTRICAL BOX, BLANK STEEL - 4" X 4" - CANADIAN
	054253-04-000	EA COVER-ANGLED, W/D HOLE - 3 5/8" X 4 5/8" - PLASTIC - OFF WHITE
		ELECTRICAL PLATE SUPPORT
	089253-01-000	EA COVER-ELECTRICAL BOX, WHOLE - 4" X 4" - GRAY USED WITH 30 AMP RECEPTACLE

ELECTRICAL GROUP (CONTINUED)
WIRE ASSEMBLIES

KEY	PART NUMBER	U/M DESCRIPTION
	097216-01-000	EA WIRE ASM-MONITOR PANEL W/3 WIRES & ORANGE RESISTOR- LVS
	102658-01-000	EA WIRE ASM-CLEARANCE LAMPS
	103991-01-000	EA WIRE ASM-CIRCUIT BREAKER, POWER
	103991-02-000	EA WIRE ASM-CIRCUIT BREAKER, POWER
	107625-01-000	EA WIRE ASM-STEP, ELECTRIC
	102309-01-000	EA WIRE ASM-REAR AUTO HEATER

MISCELLANEOUS ELECTRICAL COMPONENTS

KEY	PART NUMBER	U/M DESCRIPTION
	007093-01-000	EA FLASHER-SIGNAL STAT
	003165-01-000	EA SOLENOID - 3 POST, BATTERY CHANGE OVER
	036345-02-000	EA BUSHING-STEEL 3/4" MPT X 3/8" FPT
	069233-01-000	EA STUD-ISOLATED, 3/8" X 7.5" LONG
	082273-01-000	EA RELAY-BATTERY DISCONNECT
	057949-01-010	EA BUSS BAR - 2 POSITION, 5" X 1 1/2" - ALUMINUM
	097782-02-000	EA SOCKET-LAMP
	068476-01-000	EA SOCKET-CONNECTOR, BRASS - FRE-TIN
	068476-02-000	EA SOCKET-CONNECTOR, 12-10 GA - PHOSPHATE BRONZE - FRE-TIN
	103626-01-000	EA SOCKET-WEDGE BASE W/LEADS, JKL 2944-6 OR EQUIV
	067225-01-000	FT SLEEVING - 1/2" TYPE H - VARPLEX
	067225-02-000	FT SLEEVING - 3/8" TYPE H - VARPLEX VARGLAS
	073326-04-000	EA CABLE ASSEMBLY-BATTERY, W/TERM WALS
	077479-01-000	EA BOOT-BATTERY TERMINAL DOUBLE CABLE
	077479-02-000	EA BOOT-BATTERY TERMINAL SINGLE CABLE

1993 ITASCA
TABLE OF CONTENTS

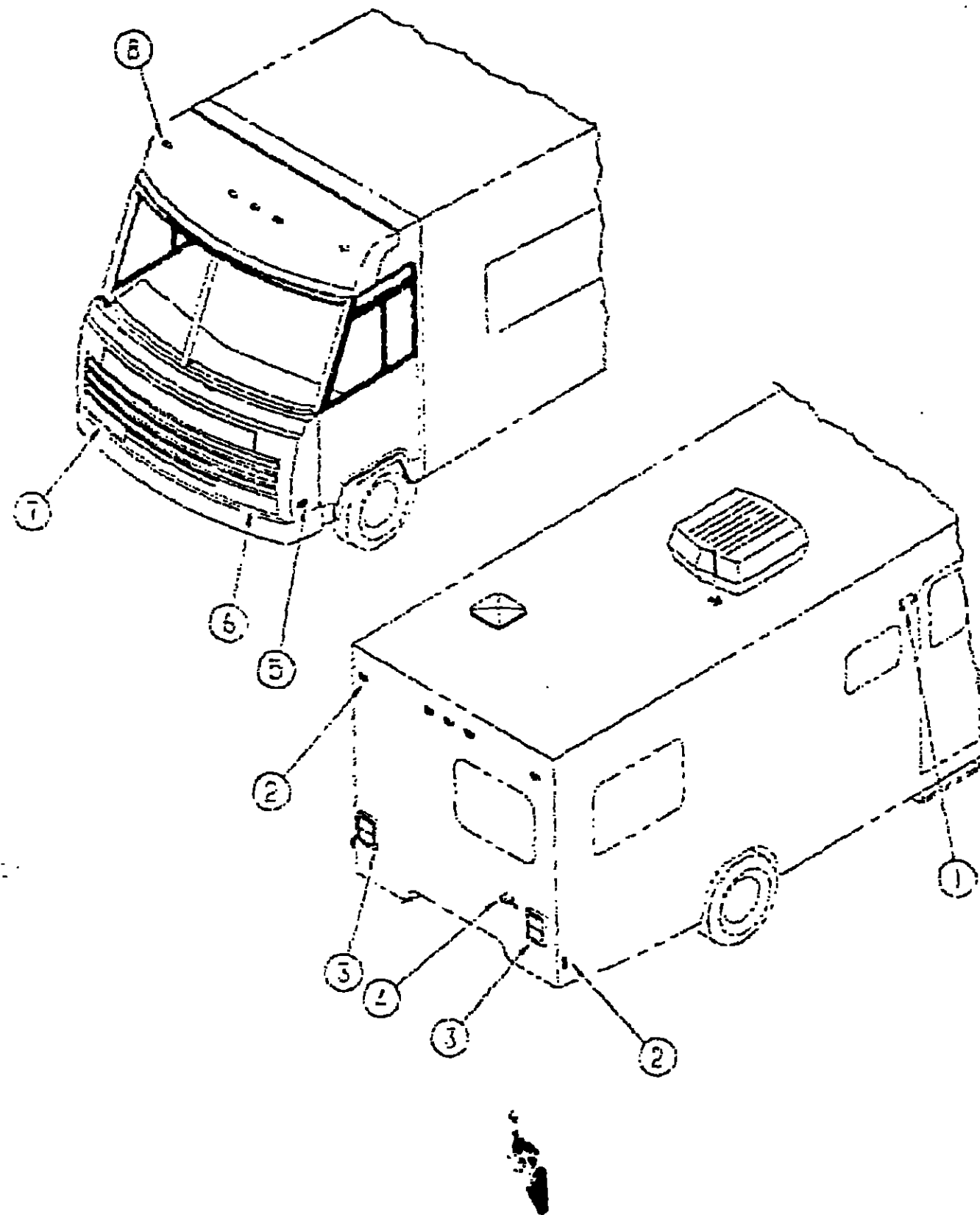
INTRODUCTION	A-01 -	A-02
ABBREVIATIONS		A-03
ALPHABETICAL INDEX	A-04 -	A-06
ICF27RC	A-07 -	F-02
ICF27RQ	F-03 -	J-16

1993 ICF27RQ INDEX

FLOOR PLAN	F-03 -	F-04
ACCESSORIES		F-05
AUDIO VIDEO	F-06 -	F-08
BATH	F-09 -	F-10
BEDROOM	F-11 -	F-12
CHASSIS	F-13 -	F-14
CURTAIN & CUSHION	G-01 -	G-10
DINETTE	G-11 -	G-12
DRIVERS COMPARTMENT	G-13 -	G-17
ELECTRICAL	G-18 -	G-24
EXTERIOR BODY	H-01 -	H-03
GALLEY	H-09 -	H-13
GENERATOR	H-14 -	H-15
HEATING & A/C	H-16 -	H-20
INTERIOR FINISH	H-21 -	H-24
LABELS	I-01 -	I-09
LP		I-10
LOUNGE	I-11 -	I-12
SEALANTS & FASTENERS	I-13 -	I-16
WATER & SEWAGE	I-17 -	I-22
WINDOW, VENT AND		
EXTERIOR DOOR	I-23 -	J-16
WINDSHIELD WIPER	J-17 -	J-18

ELECTRICAL GROUP (CONTINUED)

EXTERIOR LIGHTS



KEY	PART NUMBER	U/M DESCRIPTION
1	097317-01-00A	EA LIGHT-PORCH, ENTRY DOOR - GRAY
	108215-01-000	EA BULB - 12V, #1003 - 54 AMP
	097317-01-700	EA LENS-LIGHT, PORCH
2	092648-01-000	EA LIGHT-CLEARANCE, RED - BARGMAN 33-99-001
3	091635-01-000	EA TAIL LIGHT-DOUBLE, W/BLACK TRIM - DRIVER OR PASSENGER SIDE
	097934-01-000	EA BULB - 12V, #1155 - 2.1 AMP - CLEAR GLASS
	097935-01-000	EA BULB - 12V, #1157 OR #2057 - 2.1 AMP - CLEAR GLASS
	091638-01-700	EA LENS-TAILLIGHT, RED - BARGMAN 33-94-010
	091639-01-701	EA LENS-TAILLIGHT, W/BACKUP - BARGMAN 33-94-710
	103355-01-004	EA FOOT-TAILLIGHT, ASH GRAY
4	008492-02-000	EA LIGHT-LICENSE, BLACK
	008493-03-000	EA BRACKET-LICENSE PLATE - BARGMAN 33-99-000
5	092648-02-000	EA LIGHT-CLEARANCE, AMBER - BARGMAN 33-99-002
6	049155-01-000	EA HEADLAMP CAPSULE-DRIVER, HIGH/LOW BEAM - RECTANGULAR
6	049156-01-000	EA HEADLAMP CAPSULE-DRIVER, HIGH BEAM - RECTANGULAR
7	049155-01-000	EA HEADLAMP CAPSULE-PASSENGER, HIGH/LOW BEAM - RECTANGULAR
7	049157-01-000	EA HEADLAMP CAPSULE-PASSENGER, HIGH BEAM - RECTANGULAR
	102824-01-000	EA PLATE-BLINDER, HEADLIGHT - 108.5 MM X 94 MM - STEEL - BLACK
	000783-01-000	EA WIRE ASM-HEADLAMP
	040759-01-700	EA SPRING-RETAINER, HEADLAMP - GM 495099
	073309-01-000	EA SCREW-ADJUSTING HEADLAMP
	110750-01-000	EA SCREW-ADJUSTING HEADLAMP FROM 00-01-93 THRU 01-21-93
	110783-01-01A	EA BRACKET-HEADLAMP, QUAD - PASSENGER - UNPAINTED FROM 01-22-93 THRU 99-99-99
	110783-02-01A	EA BRACKET-HEADLAMP, QUAD - DRIVER - UNPAINTED
	082292-01-000	EA LIGHT-TURN, DRIVER OR PASSENGER - W/AMBER LENS
	097935-01-000	EA BULB - 12V, #1157 OR #2057 - 2.1 AMP - CLEAR GLASS
8	102820-01-000	EA LIGHT-CLEARANCE, W/O SOCKET CONNECTIONS - AMBER
	035199-01-000	EA BULB - 12V, #194 - .27 AMP - BAYONETTE
	102840-01-000	EA SEAL-SCREW, ROUND - RUBBER
	102841-01-000	EA GASKET-CLEARANCE LIGHT
	102892-01-000	EA BRACKET-LIGHT, CLEARANCE - L-SHAPED METAL - 2.2" X 4.7"

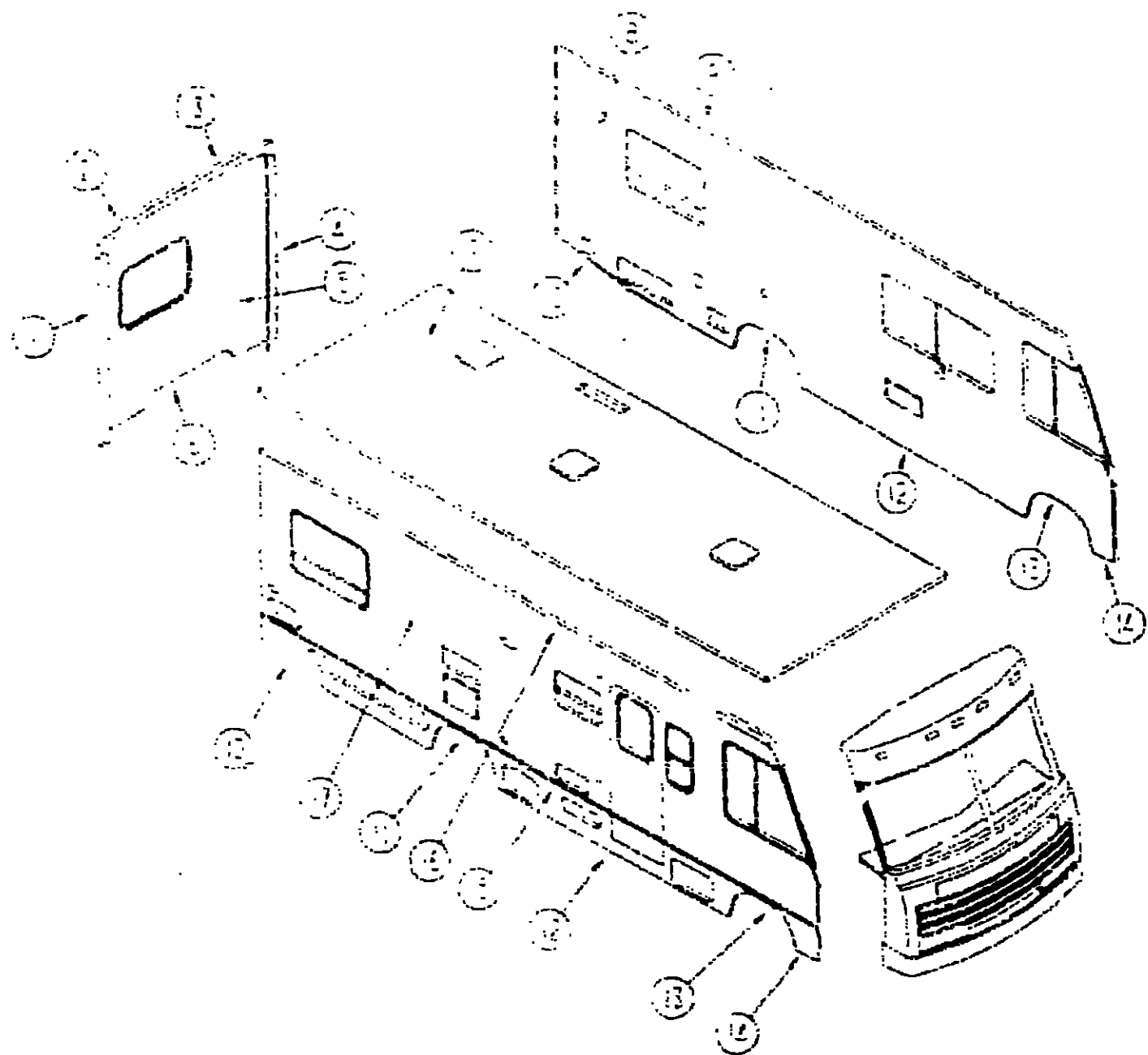
**1993 ITASCA
TABLE OF CONTENTS**

INTRODUCTION	A-01 -	A-02
ABBREVIATIONS		A-03
ALPHABETICAL INDEX	A-04 -	A-06
ICF27RQ	A-07 -	A-08
ICF27RQ	F-01 -	J-02

1993 ICF27RQ INDEX

FLOOR PLAN	F-03 -	F-04
ACCESSORIES		F-05
AUDIO VIDEO	F-06 -	F-08
BATH	F-09 -	F-10
BEDROOM	F-11 -	F-12
CHASSIS	F-13 -	F-24
CURTAIN & CUSHION	G-01 -	G-10
DINETTE	G-11 -	G-12
DRIVERS COMPARTMENT	G-13 -	G-17
ELECTRICAL	G-18 -	G-24
EXTERIOR BODY	H-01 -	H-08
GALLEY	H-09 -	H-13
GENERATOR	H-14 -	H-15
HEATING & AC	H-16 -	H-20
INTERIOR FINISH	H-21 -	H-24
LABELS	I-01 -	I-09
LP		I-10
LOUNGE	I-11 -	I-12
SEALANTS & FASTENERS	I-13 -	I-15
WATER & SEWAGE	I-17 -	I-22
WINDOW, VENT AND EXTERIOR DOOR	I-23 -	J-15
WINDSHIELD WIPER	J-17 -	J-18

EXTERIOR BODY GROUP



EXTERIOR BODY PANELS AND TRIM

KEY	PART NUMBER	U/M DESCRIPTION
1	103039-01-02A	EA TRIM-BACKWALL SIDE, RIGHT - ASH GRAY - STEEL
2	103039-01-03A	EA TRIM-BACKWALL SIDE, RIGHT - UNPAINTED - STEEL
3	104039-01-02A	EA TRIM-BACKWALL, RIGHT - ASH GRAY - ALUMINUM
4	104039-01-03A	EA TRIM-BACKWALL, TOP W/O CLEARANCE LIGHTS - RIGHT - ASH GRAY - PLASTIC
5	103039-01-04A	EA TRIM-BACKWALL, TOP W/O CLEARANCE LIGHTS - LEFT - ASH GRAY - PLASTIC
6	103039-01-04A	EA TRIM-BACKWALL SIDE, LEFT - ASH GRAY - STEEL
7	103039-01-03A	EA TRIM-BACKWALL SIDE, LEFT - UNPAINTED - STEEL
8	104039-01-03A	EA TRIM-BACKWALL, LEFT - ASH GRAY - ALUMINUM
9	104039-01-03A	EA BACKWALL-W/O WINDOW LIGHTS OR DECALS - QUEEN BED
10	104039-01-03A	EA BACKWALL-W/O WINDOW LIGHTS OR DECALS - TWIN BEDS OPTION
11	066150-55-010	EA TRIM-BACKWALL, LOWER - DRIVER OR PASS SIDE - ASH GRAY - ALUMINUM
12	001031-01-000	EA ROOF-W/O VENTS
13	103039-01-03A	EA SIDEWALL ASM-DRIVER SIDE, W/O DOORS OR WINDOWS - QUEEN BED
14	103039-01-03A	EA SIDEWALL ASM-DRIVER SIDE, W/O DOORS OR WINDOWS - TWIN BEDS
15	103039-01-04A	EA TRIM-ROOF, 16' LONG - W/DRILLED HOLES - DRIVER SIDE - ASH GRAY
16	103039-01-03A	EA TRIM-WHEELWELL, FRONT - DRIVER OR PASSENGER - ASH GRAY
17	103039-01-02A	EA TRIM-SIDEWALL, BOTTOM - REAR - DRIVER OR PASSENGER - ASH GRAY

EXTERIOR BODY GROUP (CONTINUED)
EXTERIOR BODY PANELS AND TRIM (CONTINUED)

KEY	PART NUMBER	U/M DESCRIPTION
11	103039-01-02A	EA TRIM-WHEELWELL, REAR - DRIVER OR PASSENGER - ASH GRAY
12	103039-01-02A	EA TRIM-SIDEWALL, BOTTOM - DRIVER OR PASSENGER - CENTER - ASH GRAY
13	103039-01-02A	EA TRIM-WHEELWELL, FRONT - DRIVER OR PASSENGER - ASH GRAY
14	103039-01-02A	EA TRIM-SIDEWALL, BOTTOM - FRONT - DRIVER OR PASSENGER - ASH GRAY
15	066150-55-010	EA U-CHANNEL-SERRATED, 1.7" X 16" - ASH GRAY
15	069578-22-000	EA STRIP-FEATURE, W/O INSERT - 15' LONG - ASH GRAY
15	103039-01-02A	EA STRIP-FEATURE, W/O INSERT - 15' LONG - ASH GRAY
		FROM: 00-00-00 THRU 08-09-92
15	001031-01-000	EA END CAP-FEATURE STRIP
		FROM: 00-00-00 THRU 08-09-92
	103039-01-01A	EA END CAP-FEATURE STRIP
		FROM: 00-10-92 THRU 99-99-99
	001030-11-100	EA INSERT-FEATURE STRIP, 17' LONG - GRAY
		FROM: 00-00-00 THRU 08-09-92
	103039-01-04A	FT INSERT-TRIM, VINYL - ASH GRAY
		FROM: 00-10-92 THRU 99-99-99
16	103039-01-03A	EA RAIL-AWNING, 16' LONG - W/DRILLED HOLES - PASSENGER SIDE - ASH GRAY
16	103039-02-02A	EA RAIL-AWNING, 16' LONG - W/O DRILLED HOLES - PASSENGER SIDE - ASH GRAY
17	103039-01-03A	EA SIDEWALL ASM-PASS SIDE, W/O DOORS OR WINDOWS - QUEEN BED
17	103039-02-02A	EA SIDEWALL ASM-PASS SIDE, W/O DOORS OR WINDOWS - TWIN BEDS
	002754-01-001	EA ANGLE-EXTRUDED, .75" X .75" X 18" - MILL ALUMINUM
	065278-51-259	FT TUBING-STEEL, .75" X 1.5" X 12.5' LONG
	064852-51-000	EA ANGLE-EXTRUDED, 1.25" X .75" X 15" - MILL ALUMINUM
	066754-08-000	EA CAP-JOINT, ROOF TO SIDEWALL TRIM - 2" X 1.25" - ASH GRAY
	002726-01-001	EA GARNISH-U-CHANNEL, 1.33" X 19" - SERRATED - MILL ALUMINUM
	103039-01-000	EA BRACKET-TRIM ATTACHMENT ROOF
	069700-03-000	EA BUMPER - 52" DIAMETER X 40" BLACK

FIBERGLASS, STYROFOAM, INSULATION & ALUMINUM

KEY	PART NUMBER	U/M DESCRIPTION
	076054-J2-000	EA FIBERGLASS SHEET-FLAT, 2438 MM X 7620 MM - ASH GRAY
	077517-60-000	EA FIBERGLASS SHEET-FLAT, 1019 MM X 2438 MM - ASH GRAY
	103039-01-005	EA FIBERGLASS SHEET-FLAT, 8'7" X 37' - ASH GRAY (ROOF COVERING)
		FROM: 00-00-00 THRU 07-22-92
	103039-01-004	EA FIBERGLASS SHEET-PEBBLED, 8'7" X 26' - ASH GRAY (ROOF COVERING)
		FROM: 07-23-92 THRU 99-99-99
	083574-02-000	SF STYROFOAM, DOW TYPE SM - 1.5" X 24" X 90.5" - INCREMENTS OF 15 SF
	083574-03-000	SF STYROFOAM - 3/4" X 45" X 95" - INCREMENTS OF 32 SF
	000870-05-000	SF STYROFOAM - 1 3/4" X 45" X 95" - INCREMENTS OF 32 SF
	000870-05-000	SF STYROFOAM - .5" X 24" X 95" - INCREMENTS OF 16 SF
		FROM: 00-00-00 THRU 11-03-92
	105077-01-000	EA FOAM-COVE, ROOF - 8' LONG - EXPANDED POLYSTYRENE
	105077-02-000	EA FOAM-PLUG, SIDEWALL TUBE - 1.77" LONG - EXPANDED POLYSTYRENE
	065747-01-000	SF INSULATION-MICROFOAM, .5" THICK X 72" X 112' ROLL
	072577-01-000	EA INSULATION-SOUND BARRIER PAD, 1.25" X 45" X 54" - W/ADHESIVE BACK
		DIESEL OPTION
	072578-01-000	EA INSULATION-SOUND BARRIER PAD, .655" X 35" X 55" - DIESEL OPTION
	044457-01-001	EA ALUMINUM SHEET - 0.19" X 95" X 355" - MILL FINISH

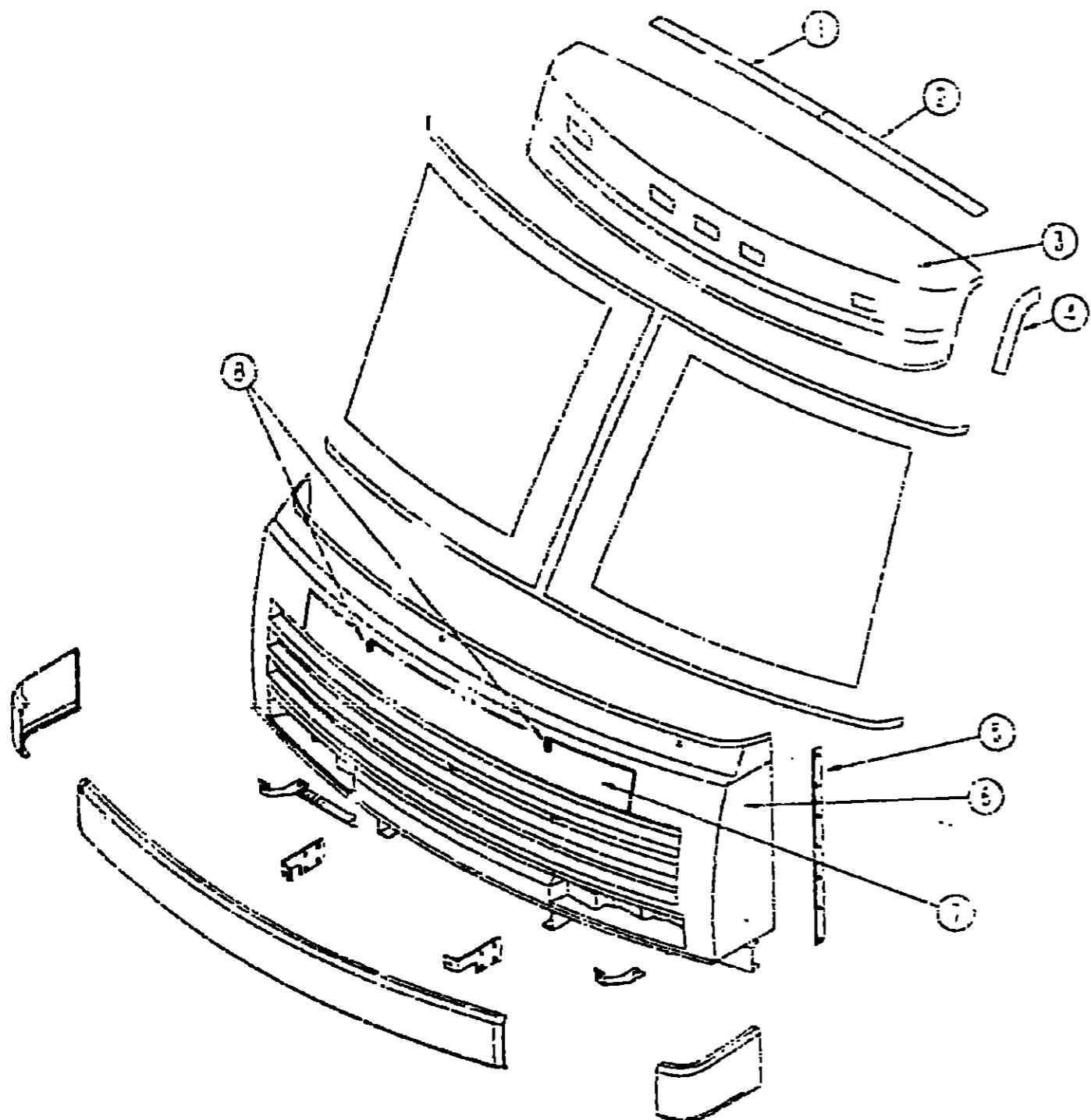
1993 ITASCA
TABLE OF CONTENTS

INTRODUCTION	A-01	A-02
ABBREVIATIONS		A-03
ALPHABETICAL INDEX	A-04	A-06
ICF27PC	A-07	F-02
ICF27PD	F-03	J-18

1993 ICF27RQ INDEX

FLOOR PLAN	F-03	F-04
ACCESSORIES		F-05
AUDIO VIDEO	F-06	F-08
BATH	F-09	F-10
BEDROOM	F-11	F-12
CHASSIS	F-13	F-24
CURTAIN & CUSHION	G-01	G-10
DINETTE	G-11	G-12
DRIVERS COMPARTMENT	G-13	G-17
ELECTRICAL	G-18	G-24
EXTERIOR BODY	H-01	H-06
GALLEY	H-09	H-13
GENERATOR	H-14	H-15
HEATING & A/C	H-16	H-20
INTERIOR FINISH	H-21	H-24
LABELS	I-01	I-09
LP		I-10
LOUNGE	I-11	I-12
SEALANTS & FASTENERS	I-13	I-16
WATER & SEWAGE	I-17	I-22
WINDOW, VENT AND EXTERIOR DOOR	I-23	J-15
WINDSHIELD WIPER	J-17	J-18

EXTERIOR BODY GROUP (CONTINUED)
FRONT END COMPONENTS & BUMPER



KEY	PART NUMBER	U/M DESCRIPTION
1	103815-02-C4A	EA TRIM-FRONT CAP, ROOF, RIGHT - ASH GRAY
2	103815-03-C4A	EA TRIM-FRONT CAP, ROOF, LEFT - ASH GRAY
3	1035145-01-D32	EA CAP ASM-FRONT, ASH GRAY
4	103816-02-03A	EA TRIM-FRONT CAP, SIDEWALL, LEFT - ASH GRAY
	103816-01-03A	EA TRIM-FRONT CAP, SIDEWALL, RIGHT - ASH GRAY
5	099222-16-000	EA TRIM-FRONT END, SIDEWALL, DRIVER OR PASSENGER SIDE - ASH GRAY
		FROM: 03-03-90 THRU: 03-09-92
5	099222-22-000	EA TRIM-FRONT END, SIDEWALL, DRIVER OR PASSENGER SIDE - ASH GRAY
		FROM: 05-10-92 THRU: 09-09-99
6	1035126-01-D32	EA FRONT END ASM-W/O HOOD OR HOOD HINGES, ASH GRAY
7	103478-01-D32	EA PANEL ASM HOOD - ASH GRAY
	058786-02-000	EA BOLT-ADJUSTING, HOOD - W/BLACK PAD - 5/16" #18 X 1.25"
		FROM: 02-07-90 THRU: 11-24-93
	058786-01-000	EA BOLT-ADJUSTING, HOOD - W/BLACK PAD - 3/4" #18 X 2"
		FROM: 11-25-92 THRU: 09-09-99
8	102350-02-000	EA LOCK-SINGLE HOLE, VISE ACTION - SOUTHCO 3-55-713-5
	102323-01-000	EA KEY-BARREL, NICKEL PLATED - SOUTHCO 3-55-715-19
	104584-03-000	EA BRACKET ASM-HOOD HINGE, BODY - RIGHT
	104584-04-000	EA BRACKET ASM-HOOD HINGE, BODY - LEFT
	105095-01-000	EA LINK ASM-HINGE, HOOD - INNER RIGHT
	105095-02-000	EA LINK ASM-HINGE, HOOD - INNER LEFT
	104582-02-000	EA LINK ASM-HINGE, HOOD - OUTER
	110690-01-D18	EA PLATE ASM-HEADLAMP, QUAD - PASSENGER - BLACK - STEEL
		FROM: 01-22-93 THRU: 09-09-99
	110692-01-D1A	EA PLATE-HEADLAMP, QUAD - PASSENGER - UNPAINTED - STEEL
		FROM: 01-22-93 THRU: 09-09-99
	110693-02-D1B	EA PLATE ASM-HEADLAMP, QUAD - DRIVER - BLACK - STEEL
		FROM: 01-22-93 THRU: 09-09-99
	110692-02-D1A	EA PLATE-HEADLAMP, QUAD - DRIVER - UNPAINTED - STEEL
		FROM: 01-22-93 THRU: 09-09-99
	110681-01-D1A	EA BRACKET-SPRING, HEADLAMP - DRIVER OR PASSENGER SIDE - UNPAINTED
		FROM: 01-22-93 THRU: 09-09-99
	110782-01-000	EA ANGLE-SUPPORT, HEADLAMP - 25 MM X 22 MM X 163 MM - STEEL - BLACK
		FROM: 01-22-93 THRU: 09-09-99

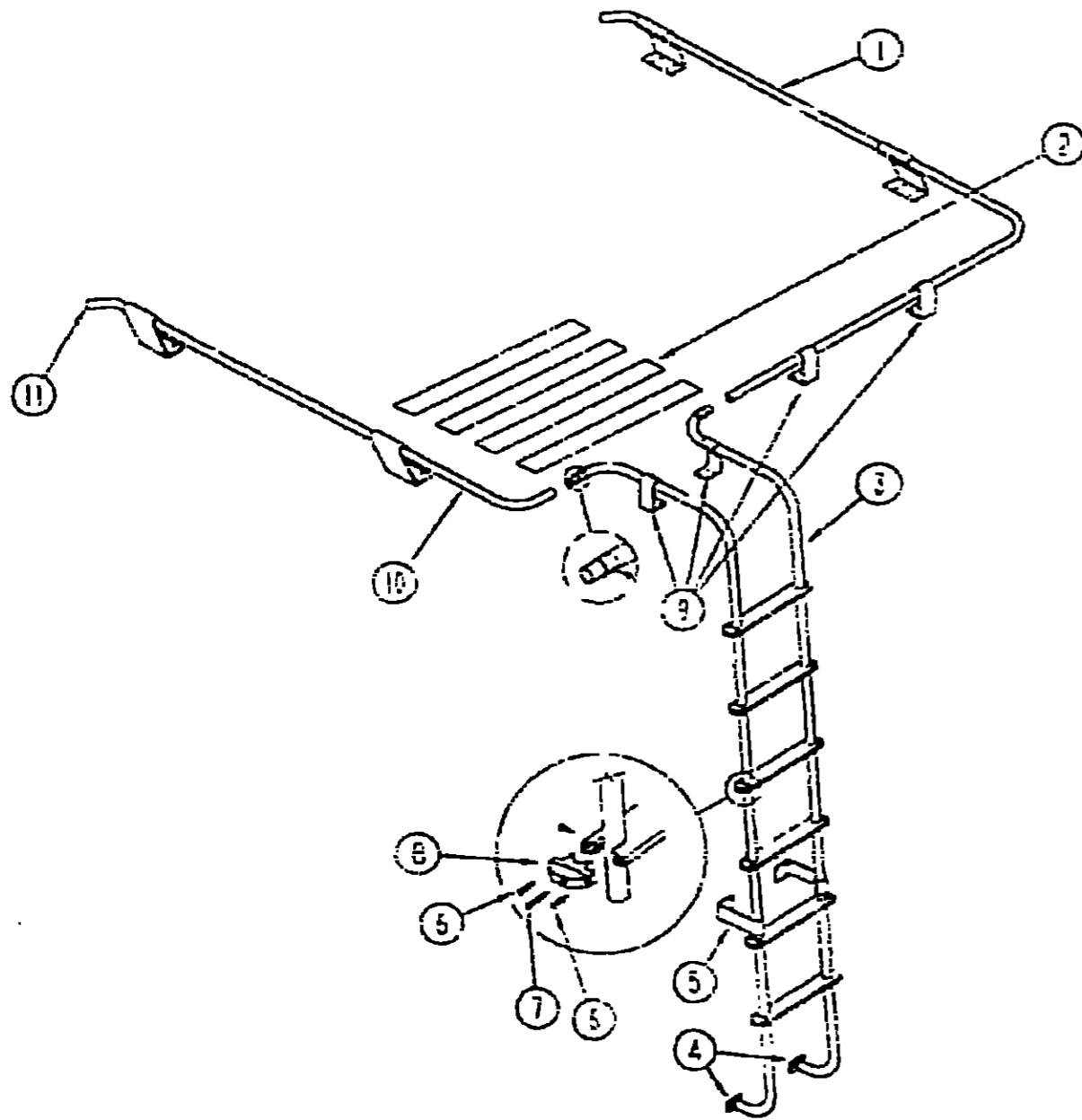
1993 ITASCA
TABLE OF CONTENTS

INTRODUCTION	A-01 -	A-02
ABBREVIATIONS		A-03
ALPHABETICAL INDEX	A-04 -	A-06
ICF27FC	A-07 -	F-02
ICF27RO	F-03 -	J-16

1993 ICF27RQ INDEX

FLOOR PLAN	F-03 -	F-04
ACCESSORIES		F-05
AUDIO VIDEO	F-06 -	F-08
BATH	F-09 -	F-10
BEDROOM	F-11 -	F-12
CHASSIS	F-13 -	F-14
CURTAIN & CUSHION	G-01 -	G-10
DAWETTE	G-11 -	G-12
DRIVERS COMPARTMENT	G-13 -	G-17
ELECTRICAL	G-18 -	G-24
EXTERIOR BODY	H-01 -	H-03
GALLEY	H-09 -	H-13
GENERATOR	H-14 -	H-15
HEATING & A/C	H-16 -	H-21
INTERIOR FINISH	H-21 -	H-24
LABELS	I-01 -	I-09
LP		I-10
LOUNGE	I-11 -	I-12
SEALANTS & FASTENERS	I-13 -	I-15
WATER & SEWAGE	I-17 -	I-22
WINDOW, VENT AND EXTERIOR DOOR	I-23 -	J-16
WINDSHIELD WIPER	J-17 -	J-18

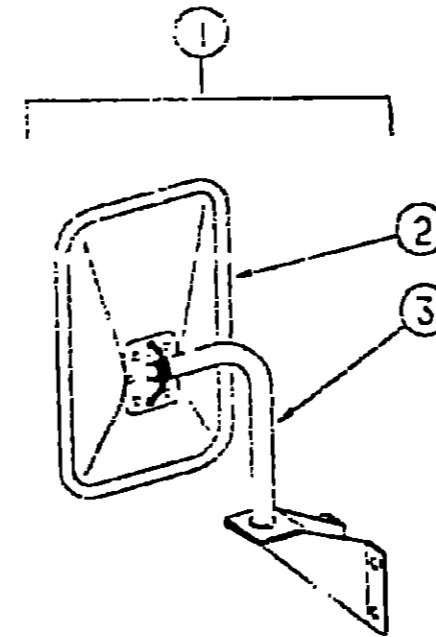
EXTERIOR BODY GROUP (CONTINUED)



LADDER & LUGGAGE RACK

KEY	PART NUMBER	U/M DESCRIPTION
1	107439-05-007	EA RACK ASM-PASSENGER SIDE
2	035527-02-000	EA TAPE-ANTI SLIP, 2" X 60" - W/ADHESIVE
3	102953-01-005	EA LADDER ASM STRAIGHT
4	057125-01-000	EA MOUNTING BRACKET-LADDER, LOWER
5	NOT AVAILABLE	EA STANDOFF-LADDER, BRIGHT DIPPED - LOWER
6	000639-06-107	EA SCREW-SF DR. 6-20 X 5/8 FPH - BLACK
7	000668-10-367	EA SCREW - 10-12 X 2.25 FPH - BLACK
7	000667-10-367	EA SCREW - 10-12 X 2.25 FPH - BLACK
		FROM: 03-01-00 THRU 12-14-07
		FROM: 12-15-02 THRU 09-09-09
8	076920-02-000	EA END CAP-STEP, BLACK
9	NOT AVAILABLE	EA STANDOFF-RACK & LADDER, BRIGHT DIPPED
10	107439-06-007	EA RACK ASM-DRIVER SIDE
11	031114-01-000	EA PLUG-ROUND, RACK & LADDER ENDS - PLASTIC - 1" DIA

EXTERIOR BODY GROUP (CONTINUED)



EXTERIOR MIRROR

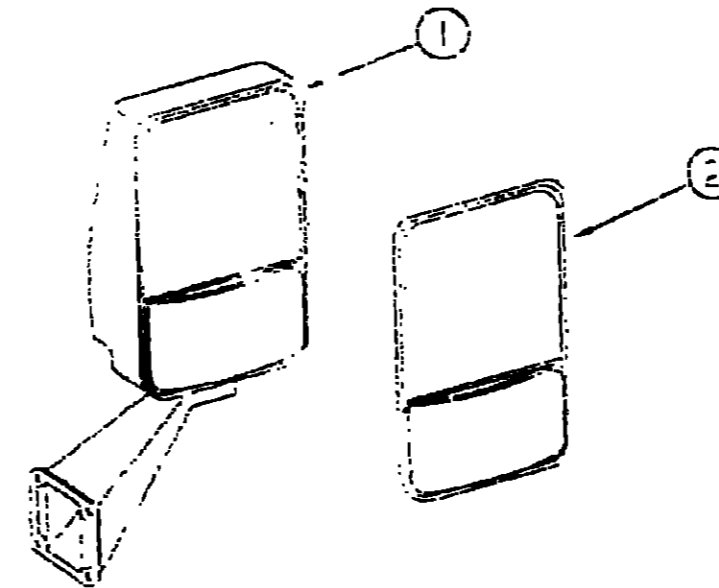
KEY	PART NUMBER	U/M DESCRIPTION
1	105076-01-702	EA MIRROR ASM-LOW MOUNT, DRIVER OR PASSENGER SIDE - VELVAC 713190
2	105076-01-703	EA MIRROR HEAD ONLY-FLAT BLACK, VELVAC 706875-6
	049347-01-700	EA GLASS ONLY-EXTERIOR MIRROR, 7.5" X 10.5" - VELVAC 702381
3	105076-01-704	EA ARM - DT80501-9
	105433-01-000	EA MIRROR-CONVEX, STICK-ON - VELVAC 723068-6

1993 ITASCA
TABLE OF CONTENTS

INTRODUCTION	A-01 -	A-02
ABBREVIATIONS		A-03
ALPHABETICAL INDEX	A-04 -	A-06
ICF27RC	A-07 -	F-02
ICF27RD	F-03 -	J-18

1993 ICF27RQ INDEX

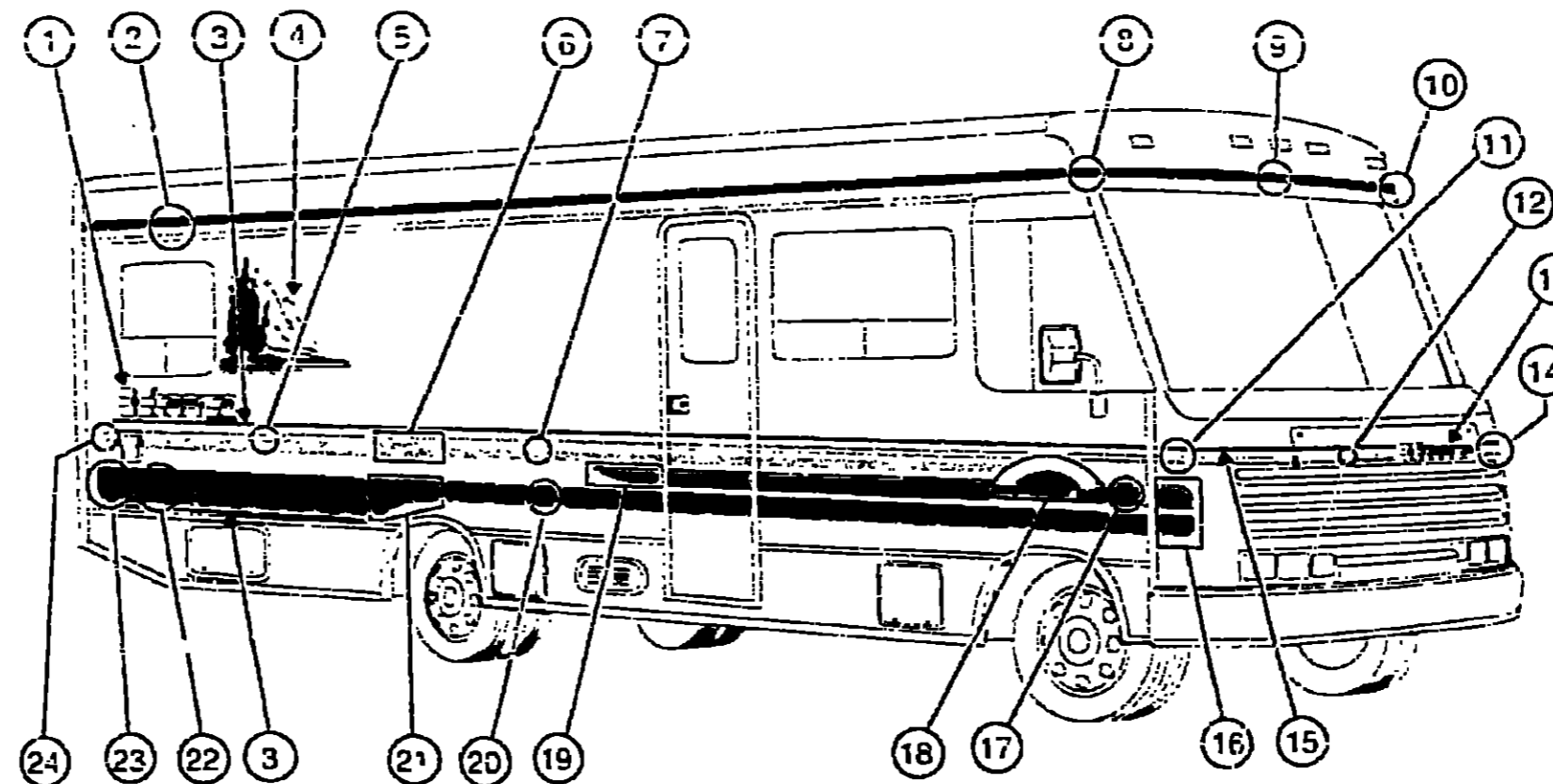
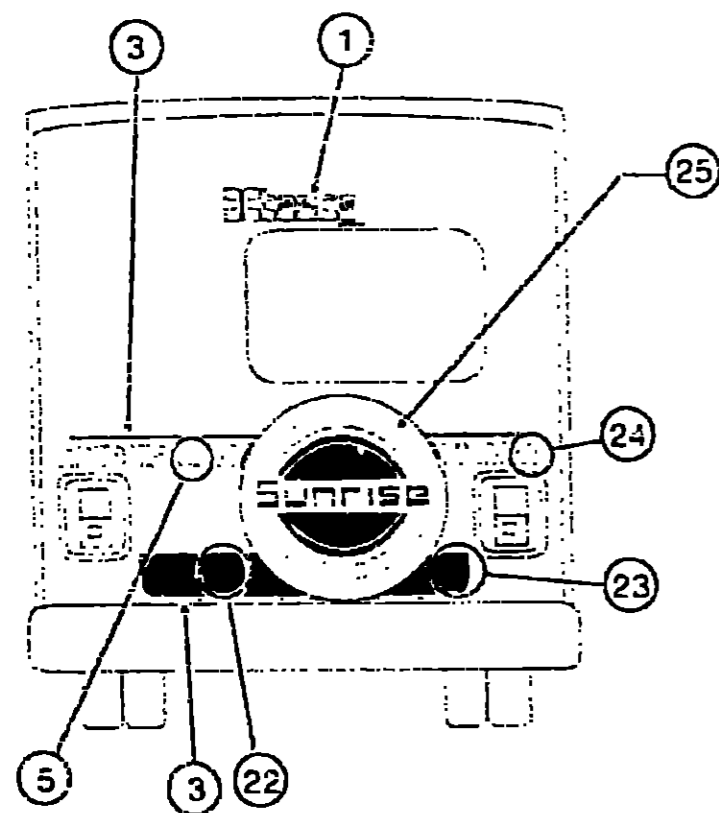
FLOOR PLAN	F-03 -	F-04
ACCESSORIES		F-05
AUDIO VIDEO	F-06 -	F-08
BATH	F-09 -	F-10
BEDROOM	F-11 -	F-12
CHASSIS	F-13 -	F-24
CURTAIN & CUSHION	G-01 -	G-10
DINETTE	G-11 -	G-12
DRIVERS COMPARTMENT	G-13 -	G-17
ELECTRICAL	G-18 -	G-24
EXTERIOR BODY	H-01 -	H-03
GALLEY	H-09 -	H-13
GENERATOR	H-14 -	H-15
HEATING & A/C	H-16 -	H-20
INTERIOR FINISH	H-21 -	H-24
LABELS	I-01 -	I-09
LP		I-10
LOUNGE	I-11 -	I-12
SEALANTS & FASTENERS	I-13 -	I-16
WATER & SEWAGE	I-17 -	I-22
WINDOW, VENT AND		
EXTERIOR DOOR	J-23 -	J-16
WINDSHIELD/WIPER	J-17 -	J-15



OPTIONAL EXTERIOR MIRRORS

KEY	PART NUMBER	U/M DESCRIPTION
1	105015-09-01A	EA MIRROR ASM-PASSENGER SIDE, VELVAC 713126 BLACK
1	105015-10-01A	EA MIRROR ASM-DRIVER SIDE, VELVAC 713125 BLACK
2	105015-01-013	EA KIT-BEZEL & MIRRORS, PASSENGER SIDE
2	105015-02-012	EA KIT-BEZEL & MIRRORS, DRIVER SIDE

EXTERIOR BODY GROUP (CONTINUED)
DECALS & FILM STRIPES



1993 ITASCA
TABLE OF CONTENTS

INTRODUCTION	A-01 -	A-02
ABBREVIATIONS		A-03
ALPHABETICAL INDEX	A-04 -	A-06
ICF27RC	A-07 -	F-02
ICF27RQ	F-03 -	J-18

KEY	PART NUMBER	U/M DESCRIPTION
1	072252-20-000	EA DECAL-LOGO, ITASCA - 6.5' TALL - TURQUOISE
2	093529-14-01A	FT FILM-OVERLAY, 4 STRIPES - 141 MM - BAY TURQUOISE/TURQUOISE/OCEAN SPRAY
3	093521-24-02A	FT FILM-SINGLE STRIPE, 13 MM - OCEAN SPRAY
4	106854-01-01A	EA DECAL-MOUNTAIN SCENE, PASSENGER SIDE - TURQUOISE/BAY TURQUOISE/OCEAN SPRAY
4	106854-02-01A	EA DECAL-MOUNTAIN SCENE, DRIVER SIDE - TURQUOISE/BAY TURQUOISE/OCEAN SPRAY
5	094433-03-01A	FT FILM-OVERLAY, 5 STRIPES - 114 MM - TURQUOISE/BAY TURQUOISE
6	104052-01-01A	EA DECAL-RADIUS, UPPER - PASSENGER SIDE - TURQUOISE/BAY TURQUOISE
	104052-02-01A	EA DECAL-RADIUS, UPPER - DRIVER SIDE - TURQUOISE/BAY TURQUOISE
7	094434-02-01A	FT FILM-OVERLAY, 6 STRIPES - 114 MM - TURQUOISE/BAY TURQUOISE
8	104094-01-02A	EA DECAL-FRONT UPPER CORNER, PASSENGER SIDE - BAY TURQUOISE
9	104095-01-02A	EA DECAL-FRONT UPPER CORNER, DRIVER SIDE - BAY TURQUOISE
10	104094-02-02A	EA DECAL-FRONT UPPER CORNER, PASSENGER SIDE - BAY TURQUOISE
	105149-01-01A	FT DECAL-VINYL STRIPING - 2" - GRILLE AREA
11	104773-01-01A	EA DECAL-FRONT LOWER CORNER - PASSENGER SIDE - OCEAN SPRAY/TURQUOISE/BAY TURQUOISE
12	094433-07-01A	FT FILM-OVERLAY, 5 STRIPES - 114 MM - TURQUOISE/BAY TURQUOISE
13	093729-02-04A	EA DECAL-LOGO, ITASCA - TURQUOISE

KEY	PART NUMBER	U/M DESCRIPTION
14	104773-02-01A	EA DECAL-FRONT LOWER CORNER - DRIVER SIDE - OCEAN SPRAY/TURQUOISE/BAY TURQUOISE
15	093551-33-01A	FT FILM-SINGLE STRIPE, 15 MM - OCEAN SPRAY
16	104772-01-01A	EA DECAL-END CAP, FRONT - PASSENGER SIDE - TURQUOISE/BAY TURQUOISE
	104772-02-01A	EA DECAL-END CAP, FRONT - DRIVER SIDE - TURQUOISE/BAY TURQUOISE
17	094422-02-01A	FT FILM-OVERLAY, 2 STRIPES - 98 MM - TURQUOISE
18	094049-01-01A	EA DECAL-SUNRISE W/RAINBOW
19	104051-01-01A	EA DECAL-TRANSITION, PASSENGER SIDE - TURQUOISE
	104051-02-01A	EA DECAL-TRANSITION, DRIVER SIDE - TURQUOISE
20	094433-04-01A	FT FILM-OVERLAY, 5 STRIPES - 121 MM - TURQUOISE/BAY TURQUOISE
21	104053-01-01A	EA DECAL-RADIUS, PASSENGER SIDE - TURQUOISE/BAY TURQUOISE
	104053-02-01A	EA DECAL-RADIUS, DRIVER SIDE - TURQUOISE/BAY TURQUOISE
22	094433-05-01A	FT FILM-OVERLAY, 5 STRIPES - 216 MM - TURQUOISE/BAY TURQUOISE
23	104055-01-01A	EA DECAL-END CAP, REAR - LARGE - TURQUOISE/BAY TURQUOISE
24	104054-01-01A	EA DECAL-END CAP, REAR - SMALL - TURQUOISE/BAY TURQUOISE
25	105707-01-01A	EA DECAL-COVER, SPARE TIRE
	024075-01-000	EA DECAL-"BY WINNEBAGO INDUSTRIES", BLACK

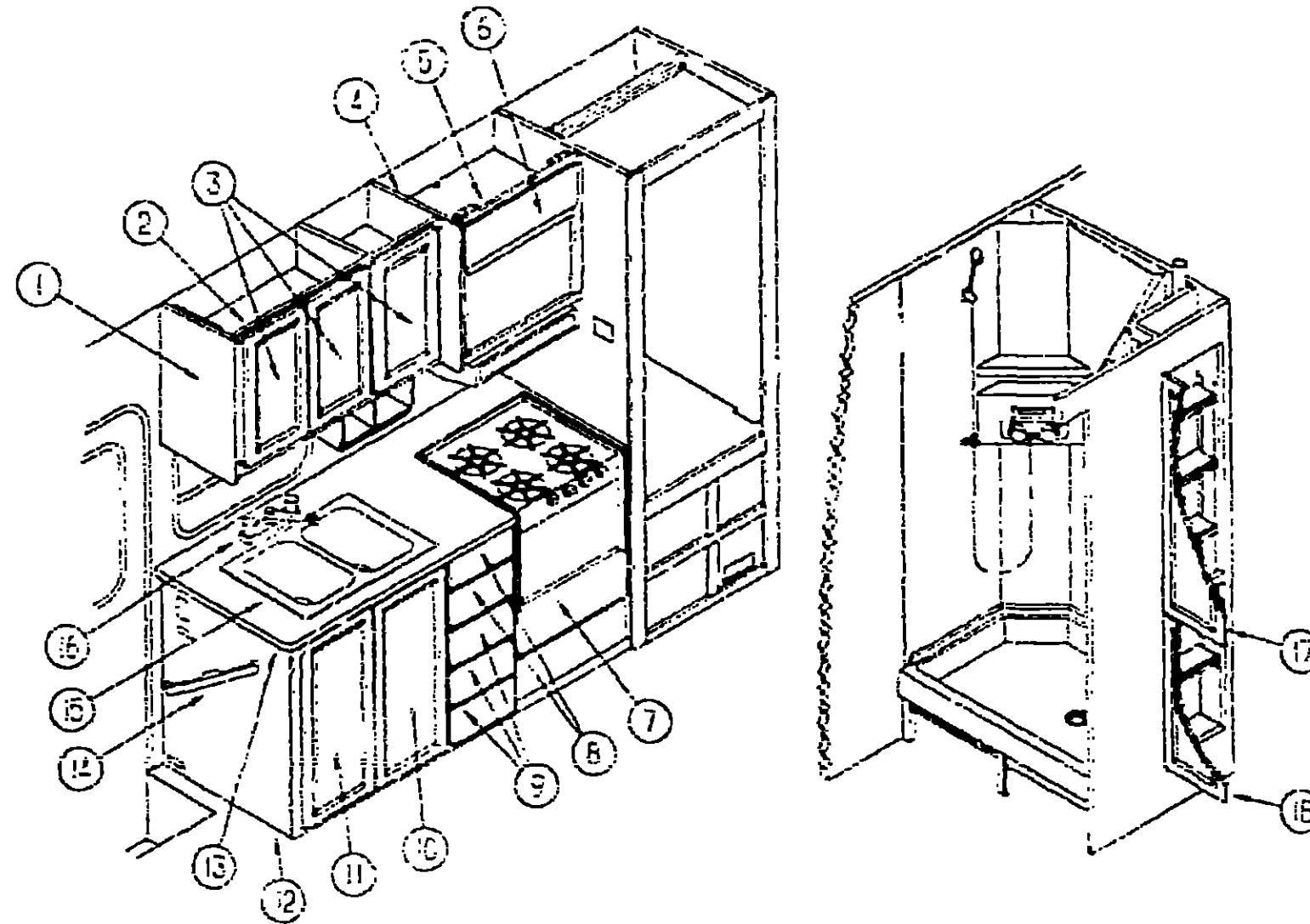
DUPONT COLOR CODES

TURQUOISE	#G9335
OCEAN SPRAY	#G9536
BAY TURQUOISE	#G9337
ASH GRAY	#G9707

1993 ICF27RQ INDEX

FLOOR PLAN	F-03 -	F-04
ACCESSORIES		F-05
AUDIO VIDEO	F-06 -	F-09
BATH	F-09 -	F-10
BEDROOM	F-11 -	F-12
CHASSIS	F-13 -	F-24
CURTAIN & CUSHION	G-01 -	G-10
DINETTE	G-11 -	G-12
DRIVERS COMPARTMENT	G-13 -	G-17
ELECTRICAL	G-18 -	G-24
EXTERIOR BODY	H-01 -	H-03
GALLEY	H-09 -	H-13
GENERATOR	H-14 -	H-15
HEATING & A/C	H-16 -	H-20
INTERIOR FINISH	H-21 -	H-24
LABELS	I-01 -	I-09
LP		I-10
LOUNGE	I-11 -	I-12
SEALANTS & FASTENERS	I-13 -	I-16
WATER & SEWAGE	I-17 -	I-22
WINDOW, VENT AND EXTERIOR DOOR	J-23 -	J-16
WINDSHIELD WIPER	J-17 -	J-18

**GALLEY GROUP
GALLEY CABINETS**



**1993 ITASCA
TABLE OF CONTENTS**

INTRODUCTION	A-01 -	A-02
ABBREVIATIONS		A-03
ALPHABETICAL INDEX	A-04 -	A-05
ICF27RC	A-07 -	F-02
ICF27RQ	F-03 -	J-18

1993 ICF27RQ INDEX

FLOOR PLAN	F-03 -	F-04
ACCESSORIES		F-05
AUDIO VIDEO	F-06 -	F-08
BATH	F-09 -	F-10
SECURITY	F-11 -	F-12
CHASSIS	F-13 -	F-24
CURTAIN & CUSHION	G-01 -	G-10
DIAPETTE	G-11 -	G-12
DRIVERS COMPARTMENT	G-13 -	G-17
ELECTRICAL	G-18 -	G-24
EXTERIOR BODY	H-01 -	H-03
GALLEY	H-09 -	H-13
GENERATOR	H-14 -	H-15
HEATING & A/C	H-16 -	H-20
INTERIOR FINISH	H-21 -	H-24
LABELS	I-01 -	I-03
LP		I-10
LOUNGE	I-11 -	I-12
SEALANTS & FASTENERS	I-13 -	I-16
WATER & SEWAGE	I-17 -	I-22
WINDOW VENT AND EXTERIOR DOOR	I-23 -	J-16
WINDSHIELD WIPER	J-17 -	J-18

KEY	PART NUMBER	U/M DESCRIPTION
1	081319-17-D32	EA CAP-END, OVERHEAD - FRONT
2	P07833-01-D32	EA CABINET-OVERHEAD, W/O DOOR
3	P04746-43-D32	EA DOOR-CABINET, W/O HARDWARE - 305 MM X 555 MM
4	103445-01-01A	EA HOLDER-PAPER TOWEL - PLASTIC - ALMOND
5	081320-14-B03	EA CAP-END, OVERHEAD - FRONT
6	M05019-68-D32	EA CABINET-OVERHEAD W/O DOORS
7	F00520-B2-D32	EA DOOR-CABINET, W/O HARDWARE - 7'1" X 21'5"
8	P07104-A2-D32	EA DRAWER-CABINET, W/O HARDWARE - 180 MM X 555 MM FACE SIZE
9	P07104-92-D32	EA DRAWER-CABINET, W/O HARDWARE - 103 MM X 305 MM FACE SIZE
10	P07104-54-D32	EA DRAWER-CABINET, W/O HARDWARE - 155 MM X 305 MM FACE SIZE
11	P04746-44-D32	EA DOOR-CABINET, W/O HARDWARE - 345 MM X 770 MM
12	P04746-45-D32	EA DOOR-CABINET, W/O HARDWARE - 345 MM X 770 MM
13	P07829-01-D32	EA CABINET-GALLEY, W/COUNTERTOP - W/O DOORS OR DRAWERS
14	107829-11-D32	EA COUNTERTOP-GALLEY CABINET
15	021257-09-000	EA HANDLE-ASSIST, ENTRY DOOR - WOOD - FIN. SHED
16	104113-01-000	EA SINK-DOUBLE, SST
17	092303-01-000	EA STRAINER-SINK
18	103510-01-D32	EA COVER-SINK
19	103243-01-000	EA FAUCET-GALLEY, DUAL CONTROL - 5"
20	P04746-37-D32	EA DOOR-CABINET, W/O HARDWARE - 305 MM X 1015 MM
21	P04746-33-D32	EA DOOR-CABINET, W/O HARDWARE - 305 MM X 650 MM
22	020329-01-000	FT SEAL-T, REFRIGERATOR CABINET - 6" WIDE TOP X 2" YALL
23	003350-01-000	EA GROMMET-RUBBER, 5-8" HOLE X 1 1/2" DIAMETER - BLACK

GALLEY GROUP (CONTINUED)
RANGE HOOD - CANADIAN

KEY	PART NUMBER	U/M	DESCRIPTION
	100255-17-01A	EA	HOOD-RANGE, W/O MONITOR PANEL - VENTLINE - CANADIAN
	090973-01-700	EA	MOTOR - LVS CA508-1
	090973-01-702	EA	BLADE-FAN, LVS VA183-1
	092696-01-709	EA	BULB - 912, VENTLINE VA415
	092696-01-710	EA	SOCKET-LIGHT, VENTLINE CB267-2
	096993-01-700	EA	SWITCH-ON/OFF, VENTLINE 108
	096993-01-702	EA	SWITCH-TWO WAY MOMENTARY, VENTLINE 112
	096993-01-707	EA	FILTER-GREASE, 8" X 8" - LVS CC245
	092696-02-701	EA	LENS-LAMP, VENTLINE CC179
	100255-01-700	EA	HOOD-NOSE LABEL, CC428
	100255-10-01A	EA	METER-HOUR, VENTLINE 150

RANGE HOODS - US

KEY	PART NUMBER	U/M	DESCRIPTION
	100255-18-01A	EA	HOOD-RANGE, W/O MONITOR PANEL - VENTLINE - US TP5500TNAD GENERATOR OPTIONS
	090973-01-700	EA	MOTOR - LVS CA508-1
	090973-01-702	EA	BLADE-FAN, LVS VA183-1
	092696-01-709	EA	BULB - 912, VENTLINE VA415
	092696-01-710	EA	SOCKET-LIGHT, VENTLINE CB267-2
	096993-01-700	EA	SWITCH-ON/OFF, VENTLINE 108
	096993-01-702	EA	SWITCH-TWO WAY MOMENTARY, VENTLINE 112
	096993-01-707	EA	FILTER-GREASE, 8" X 8" - LVS CC245
	092696-02-701	EA	LENS-LAMP, VENTLINE CC179
	100255-01-700	EA	HOOD-NOSE LABEL, CC428
	100255-10-01A	EA	METER-HOUR, VENTLINE 150
	100255-16-01A	EA	HOOD-RANGE, W/O MONITOR PANEL - VENTLINE - US TC5500NAD - STANDARD
	090973-01-700	EA	MOTOR - LVS CA508-1
	090973-01-702	EA	BLADE-FAN, LVS VA183-1
	092696-01-709	EA	BULB - 912, VENTLINE VA415
	092696-01-710	EA	SOCKET-LIGHT, VENTLINE CB267-2
	096993-01-700	EA	SWITCH-ON/OFF, VENTLINE 108
	096993-01-702	EA	SWITCH-TWO WAY MOMENTARY, VENTLINE 112
	096993-01-707	EA	FILTER-GREASE, 8" X 8" - LVS CC245
	092696-02-701	EA	LENS-LAMP, VENTLINE CC179
	100255-01-700	EA	HOOD-NOSE LABEL, CC428

MONITOR PANEL

KEY	PART NUMBER	U/M	DESCRIPTION
	102765-04-01A	EA	PANEL-MONITOR, W/PLUG - FOR 2 TANKS & WATER HEATER - LVS
	075470-01-703	EA	SWITCH-ON/MOMENTARY, JENSEN AND VENTLINE
	096993-01-700	EA	SWITCH-ON/OFF, VENTLINE 108
	102765-04-700	EA	CIRCUIT BOARD, LVS 5076-11

MICROWAVE OVEN

KEY	PART NUMBER	U/M	DESCRIPTION
	091269-04-000	EA	OVEN-MICROWAVE, MAGIC CHEF - MODEL M15-B FROM 03-00-00 THRU 07-19-92
	091269-05-000	EA	OVEN-MICROWAVE, MAGIC CHEF - MODEL DV15-EB FROM 01-20-92 THRU 09-99-99
	094745-01-01A	EA	TRIM-MICROWAVE, LOWER - BLACK
	094774-03-01A	EA	TRIM-MICROWAVE, EITHER SIDE - 1.5" X 14 8" - METAL - BLACK
	094750-01-000	EA	BRACKET-MICROWAVE 90 DEGREE - STEEL
	098916-03-01A	EA	BRACE-MICROWAVE CABINET, LEFT - 9.4" X 7.5" - STEEL
	098916-04-01A	EA	BRACE-MICROWAVE CABINET, RIGHT - 9.4" X 7.5" - STEEL

GALLEY GROUP (CONTINUED)
REFRIGERATOR & LEVEL

KEY	PART NUMBER	U/M	DESCRIPTION
	104188-04-01A	EA	REFRIGERATOR DOUBLE DOOR, 2-WAY - NORCOLD 6162 RH EL
	084478-01-702	EA	CONDENSER THERMOSTAT, NORCOLD 614070
	075017-01-701	EA	FUSE - 3 AMP, NORCOLD 61539922
	075217-01-708	EA	LOWTUM-HUMIDITY, NORCOLD 61521922
	084879-01-700	EA	COOLING UNIT - HORIZONTAL BURNER, NORCOLD 61627227
	084879-01-708	EA	DRY ICE - NORCOLD 614822
	084880-01-701	EA	CONNECTOR-MALE, INLET FITTING - NORCOLD 615256
	084880-01-702	EA	VALVE-GAS, NORCOLD 61551622
	084880-01-720	EA	SPRING - FOR DOOR HANDLE, NORCOLD 61558822
	084880-01-722	EA	CRISPER COVER - NORCOLD 615841
	084880-01-725	EA	HINGE BRACKET, CENTER HINGE, NORCOLD 61587622
	084880-01-731	EA	HINGE PIN, NORCOLD 61578123
	084880-01-732	EA	LATCH, NORCOLD 61575522
	084880-01-734	EA	BRACKET-HINGE, TOP RH - BOTTOM LH - BROWN, NORCOLD 61580827
	084880-01-735	EA	HINGE BRACKET, TOP LH-BOTTOM RH BROWN - NORCOLD 61587937
	084880-01-739	EA	END CAP (SPRING CATCH) BROWN - NORCOLD 61593722
	084880-01-740	EA	END CAP (STOP CATCH) - NORCOLD 61593820
	084880-01-746	EA	CABLE, NORCOLD 61571522
	084880-01-747	EA	PLUG-HOLE, NORCOLD 61582022
	084880-01-749	EA	HINGE BUSHING - NORCOLD 615907
	084880-01-750	EA	THERMISTOR 751 - NORCOLD 61623822
	084880-01-760	EA	CLIP (THERMISTOR) - NORCOLD 61689122
	084880-01-761	EA	END CAP (SPRING CATCH) BLACK - NORCOLD 61593730
	084880-02-700	EA	LOWER FLANGE 8282 & 8283, NORCOLD 61622123
	084880-03-702	EA	HINGE PIN TOP/BOTTOM FEMALE - NORCOLD 61551530
	084880-03-705	EA	BRACKET FIN/INTERIOR REFRIGERATOR LIGHT - NORCOLD 61639722
	084880-03-706	EA	LAMP (BULB) - NORCOLD 61628922
	084880-03-707	EA	COVER FLAMP OR BULB - NORCOLD 61627922
	088248-01-703	EA	BURNER-HORIZONTAL, NORCOLD 61558122
	088248-01-707	EA	ELECTRODE-SENSOR, (HORIZONTAL), NORCOLD 61573322
	088248-01-709	EA	HEATER-AC, (HORIZONTAL) - NORCOLD 615627
	084039-01-700	EA	HEATER-DC, (HORIZONTAL) - 3 WAY - NORCOLD 615828
	084039-01-701	EA	GASKET-LOWER, GRAY - NORCOLD 61557330
	084039-01-702	EA	LINER-DOOR, LOWER - BROWN/WHITE - NORCOLD 61551937-B
	084039-01-703	EA	LINER-DOOR, LOWER - BLACK/WHITE - NORCOLD 61551935-B
	084039-01-704	EA	HANDLE-DOOR, LOWER - BROWN - NORCOLD 61650137
	084039-01-705	EA	HANDLE-DOOR, LOWER - BLACK - NORCOLD 61650138
	084039-01-706	EA	GASKET (GRAY) UPPER - NORCOLD 61557330
	084039-01-708	EA	PLATE-HINGE, LH - BROWN - NORCOLD 61631422
	084039-01-704	EA	PLATE-HINGE, BLACK - NORCOLD 61551430
	084039-01-705	EA	UPPER DOOR LINER (WHITE) BLACK - NORCOLD 61551538-B
	084039-01-706	EA	HANDLE-DOOR, UPPER - BLACK - NORCOLD 61650033
	084039-01-709	EA	PLATE-HINGE, TOP RH - LH BOTTOM - BROWN - NORCOLD 61531322
	084039-01-710	EA	PLATE-HINGE, TOP RH - LH BOTTOM - BLACK - NORCOLD 61631330
	084039-01-722	EA	HOLE PLUG, (BLACK) HINGE HOLES - NORCOLD 61552030
	084039-01-723	EA	HINGE BRACKET, TOP RH-BOTTOM LH BLACK - NORCOLD 61580828
	084039-01-724	EA	BRACKET-HINGE, TOP LH - BOTTOM RH - BLACK - NORCOLD 61580828
	084039-01-725	EA	HINGE PIN, (BLACK) (MALE) - NORCOLD 61578130
	084039-01-726	EA	SHELF-FREEZER EVAPORATOR, NORCOLD 615235
	084039-01-728	EA	HINGE BRACKET-CENTER HINGE, BLACK - NORCOLD 615256
	084039-01-730	EA	HINGE PIN SHAFT, (BLACK) CENTER HINGE - NORCOLD 61565720
	084039-01-732	EA	FRONT COVER, (BLACK) BOTTOM TRIM - NORCOLD 61622130
	084039-01-733	EA	WIRE SHELF, (MIDDLE) - NORCOLD 61557522
	084039-01-734	EA	WIRE SHELF, (TOP) RISER - NORCOLD 61557222
	084039-01-735	EA	INSIDE DRIP TRAY, (WHITE) - NORCOLD 61572530
	084039-01-736	EA	SWITCH-LIGHT, BLACK - NORCOLD 615510
	084039-01-738	EA	SHELF, (CUTOUT) - NORCOLD 61646722

**1993 ITASCA
TABLE OF CONTENTS**

INTRODUCTION	A-01 -	A-02
ABBREVIATIONS		A-03
ALPHABETICAL INDEX	A-04 -	A-05
ICF27RC	F-07 -	F-08
ICF27RO	F-09 -	J-18

1993 ICF27RQ INDEX

FLOOR PLAN	F-05 -	F-04
ACCESSORIES		F-05
AUDIO VIDEO	F-06 -	F-06
BATH	F-08 -	F-10
BEDROOM	F-11 -	F-12
CHASSIS	F-13 -	F-24
CURTAIN & CUSHION	G-01 -	G-10
DINETTE	G-11 -	G-12
DRIVERS COMPARTMENT	G-13 -	G-17
ELECTRICAL	G-18 -	G-24
EXTERIOR BODY	H-01 -	H-07
GALLEY	H-09 -	H-13
GENERATOR	H-14 -	H-15
HEATING & A/C	H-16 -	H-20
INTERIOR FINISH	H-21 -	H-24
LABELS	I-01 -	I-09
LP		I-10
LOUNGE	I-11 -	I-12
SEALANTS & FASTENERS	I-13 -	I-16
WATER & SEWAGE	I-17 -	I-22
WINDOW, VENT AND		
EXTERIOR DOOR	J-23 -	J-16
WINDSHIELD WIPER	J-17 -	J-18

GALLEY GROUP (CONTINUED)
REFRIGERATOR & LEVEL (CONTINUED)

KEY	PART NUMBER	U/M DESCRIPTION
094039-04-700	EA	FRONTED CONTROL BOARD - 2-WAY - NOFCOLD 61647322
094039-04-701	EA	EYEBROW SHELL (2-WAY) - NOFCOLD 61665422
094039-04-702	EA	POWER SUPPLY - 2-WAY - NOFCOLD 61647412
104137-02-700	EA	MODULE-CONTROL CHANNEL - NOFCOLD 61710127
104137-02-700	EA	EYEBROW SHELL (2-WAY) - NOFCOLD 61728122
104137-02-701	EA	HANDLE UPPER DOOR W/DOOR - NOFCOLD 61666722
104137-02-702	EA	FACE-KNOB (WHITE) - NOFCOLD 61650125
104137-02-703	EA	END-DOOR SHELF (WHITE) - NOFCOLD 61664125
104137-02-704	EI	WIRE SHELF (SHORT) - NOFCOLD 61712222
104137-02-707	EA	CRISPER (WHITE) - NOFCOLD 61671225
104137-02-709	EA	VALVE, SHUT-OFF-MANUAL ASM - NOFCOLD 61694922
104137-02-710	EA	PRESSURE TAP - NOFCOLD 61674421
104137-02-711	EA	FUSE, 5 AMP - NOFCOLD 61611222
104137-02-712	EA	FITTING-GAS TUBE CONNECTION - NOFCOLD 61692722
104137-02-713	EA	ORIFICE GASKET - NOFCOLD 61475122
104137-02-714	EA	BURNER ASSEMBLY (5-SLOT) - NOFCOLD 61705222
104137-02-715	EA	SPARK-SENSE ELECTRODE (SINGLE) - NOFCOLD 61672227
104138-04-701	EA	FOAMED CABINET ASSEMBLY, BLACK W/WHITE - NOFCOLD 61725225
055225-02-000	EA	FRAC-TIEDOWN REFRIGERATOR
054450-01-000	EA	LEVEL REFRIGERATOR

RANGE

KEY	PART NUMBER	U/M DESCRIPTION
102022-01-02A	EA	RANGE - 18" 4 BURNER - MAGIC CHEF RT16RA-4
055225-03-705	EA	TRIM-CABINET, LEFT - BLACK - MAGIC CHEF 3501 011-70
055225-03-707	EA	TRIM-CABINET, RIGHT - BLACK - MAGIC CHEF 3501012-70
095507-02-701	EA	INSERT-BURNER (SLOTTED VENT), MAGIC CHEF 7314P015-60
102020-01-700	EA	SHELF-OVEN, MAGIC CHEF - 7501P027-60
102020-01-701	EA	HANDLE-DOOR, MAGIC CHEF - 7701P032-60
102020-01-702	EA	PANEL-MANIFOLD, MAGIC CHEF 2515P020-70
102020-01-704	EA	PANEL-DOOR, BLACK - MAGIC CHEF - 2401F075-70
102020-01-705	EA	BURNER ASSEMBLY-OVEN, MAGIC CHEF 3403W023-45
102020-01-711	EA	GRATE-TOP, MAGIC CHEF 7515P012-60
102020-01-712	EI	KNOB-BURNER VALVE, MAGIC CHEF 7733P044-60
102020-01-713	EA	KNOB-THERMOSTAT, MAGIC CHEF 7731P042-60
102020-01-714	EA	PILC-THERM, MAGIC CHEF 958141
102020-01-715	EA	PIPE-MANIFOLD, MAGIC CHEF 7515P024-60
102020-01-717	EA	THERM-STAT, MAGIC CHEF 7515P024-60
102020-01-718	EA	TOP-MAIN ALUMINUM - MAGIC CHEF 2201F035-64
102020-01-720	EA	VALVE-MERCURY CONTROL, MAGIC CHEF 7501P025-60
102020-01-722	EA	VALVE-TOP BURNER, MAGIC CHEF 7515P025-60
102020-01-723	EA	PILOT-BURNER, MAGIC CHEF 7505P141-60
102020-01-724	EA	BUMPER-MAIN TOP, MAGIC CHEF 2015P025-60
102020-01-725	EA	PIPE-MANIFOLD, MAGIC CHEF 7515P024-60
102020-01-727	EA	REGULATOR-PRESSURE, MAGIC CHEF 7515P031-60
102020-01-728	EA	TRIM-LEFT, FLAT - MAGIC CHEF 3501 022-70
102020-01-727	EA	TRIM-RIGHT, FLAT - MAGIC CHEF 3503W023 70
10545 01-000	EA	BRACKET-TIEDOWN, STOVE - RIGHT
10545 02-000	EA	BRACKET-TIEDOWN, STOVE - LEFT

COFFEE MAKER

KEY	PART NUMBER	U/M DESCRIPTION
103799-01-02A	EA	COFFEE MAKER W/ GLASS POT - GRAY - BLACK & DECOR
103799-01-700	EA	CAPERS-GLASS POT
103799-01-701	EA	BRACKET-COFFEE MAKER, PAIR
104510-01-000	EA	STRIP-COFFEE MAKER

GENERATOR GROUP
4000 WATT LP ONAN EMERALD PLUS - EXPORT

KEY	PART NUMBER	U/M DESCRIPTION
100974-04-000	EA	GENERATOR - 4000 WATT EMERALD PLUS - ONAN BGE-FN29232G
007057-01-000	SF	INSULATION-FIBERGLASS, 1" THICK X 4' - INCREMENTS OF 4 SF
007125-01-000	EA	CLAMP-MUFFLER, 1.52 DIAMETER
007125-02-000	EA	CLAMP-MUFFLER, 1.5" DIA
007125-04-000	EA	CLAMP-MUFFLER, 1.1" DIA
007131-01-000	EA	HANGER-TAILPIPE, 6 SLOTS
072654-05-000	EA	PIPE-EXHAUST, ANGLED - W/FLANGE - 2" ID - ONAN# 154-2539
092272-01-000	EA	MUFFLER-GENERATOR
094059-01-000	EA	VAPOR KIT-LP, GENERATOR
105732-02-000	EA	SPACER-GENERATOR, ONAN
105958-03-000	EA	TRAY ASM-GENERATOR
105958-03-000	EA	PIPE-EXHAUST, GENERATOR

4000 WATT EMERALD PLUS - EXPORT

KEY	PART NUMBER	U/M DESCRIPTION
100974-04-000	EA	GENERATOR - 4000 WATT EMERALD PLUS - ONAN BGE-FN29236G
007125-03-000	EA	CLAMP-MUFFLER, 1.5" DIA
007125-04-000	EA	CLAMP-MUFFLER, 1.1" DIA
007131-01-000	EA	HANGER-TAILPIPE, 6 SLOTS
072654-05-000	EA	PIPE-EXHAUST, ANGLED - W/FLANGE - 2" ID - ONAN# 154-2539
092272-01-000	EA	MUFFLER-GENERATOR
094059-01-000	EA	SPACER-GENERATOR, ONAN
105732-02-000	EA	TRAY ASM-GENERATOR
105958-03-000	EA	PIPE-EXHAUST, GENERATOR
007057-01-000	SF	INSULATION-FIBERGLASS, 1" THICK X 4' - INCREMENTS OF 4 SF

4000 WATT KOHLER LOW PROFILE

KEY	PART NUMBER	U/M DESCRIPTION
105523-01-000	EA	GENERATOR - 4000 W, LOW PROFILE - KOHLER 4CKM21
007057-01-000	SF	INSULATION-FIBERGLASS, 1" THICK X 4' - INCREMENTS OF 4 SF
007125-02-000	EA	CLAMP-MUFFLER, 1.5" DIA
007125-04-000	EA	CLAMP-MUFFLER, 1.1" DIA
007131-01-000	EA	HANGER-TAILPIPE, 6 SLOTS
105526-01-000	EA	ARRESTER-SPARK, KOHLER 278221
105527-01-000	EA	PIPE-EXHAUST ADAPTER, KOHLER 278524
105530-01-000	EA	MUFFLER-SIDE EXHAUST W/O SPARK KOHLER 278733
105502-01-000	EA	GASKET-EXHAUST, KOHLER-278320
105959-03-000	EA	TRAY ASM-GENERATOR
105959-03-000	EA	PIPE-EXHAUST, GENERATOR

4000 WATT ONAN EMERALD PLUS

KEY	PART NUMBER	U/M DESCRIPTION
100974-01-000	EA	GENERATOR - 4000 W EMERALD PLUS, ONAN BGE-FA25100G
007057-01-000	SF	INSULATION-FIBERGLASS, 1" THICK X 4' - INCREMENTS OF 4 SF
007125-04-000	EA	CLAMP-MUFFLER, 1.1" DIA
007131-01-000	EA	HANGER-TAILPIPE, 6 SLOTS
072654-05-000	EA	PIPE-EXHAUST, ANGLED - W/FLANGE - 2" ID - ONAN# 154-2539
092272-01-000	EA	MUFFLER-GENERATOR
094059-01-000	EA	SPACER-GENERATOR, ONAN
105732-02-000	EA	TRAY ASM-GENERATOR
105958-03-000	EA	PIPE-EXHAUST, GENERATOR

1993 ITASCA
TABLE OF CONTENTS

INTRODUCTION	A-01	A-02
ABBREVIATIONS		A-03
ALPHABETICAL INDEX	A-04	A-05
ICF27PC	A-07	F-02
ICF27RQ	F-03	J-18

1993 ICF27RQ INDEX

FLOOR PLAN	F-03	F-04
ACCESSORIES		F-05
AUDIO VIDEO	F-06	F-08
BATH	F-09	F-10
BEDROOM	F-11	F-12
CHASSIS	F-13	F-24
CURTAIN & CUSHION	G-01	G-10
DINETTE	G-11	G-12
DRIVERS COMPARTMENT	G-13	G-17
ELECTRICAL	G-18	G-24
EXTERIOR BODY	H-01	H-03
GALLEY	H-09	H-13
GENERATOR	H-14	H-15
HEATING & A/C	H-16	H-20
INTERIOR FINISH	H-21	H-24
LABELS	I-01	I-09
LP		I-10
LOUNGE	I-11	I-12
SEALANTS & FASTENERS	I-13	I-15
WATER & SEWAGE	I-17	I-22
WINDOW, VENT AND		
EXTERIOR DOOR	I-23	J-16
WINDSHIELD/WIPER	J-17	J-18

GENERATOR GROUP (CONTINUED)
5000 WATT ONAN EMERALD PLUS

KEY	PART NUMBER	U/M DESCRIPTION
	109303-01-000	EA GENERATOR - 5000 W EMERALD PLUS, ONAN
	007067-01-000	SF INSULATION-FIBERGLASS, 1" THICK X 4" INCREMENTS OF 4 SF
	007125-03-000	EA CLAMP-MUFFLER, 1.5" DIA
	007125-04-000	EA CLAMP-MUFFLER, 1.1" DIA
	007131-01-000	EA HANGER-TAILPIPE, 6 SLOTS
	079654-05-000	EA PIPE-EXHAUST, ANGLED - W/FLANGE - 2" ID - ONAN# 154-2539
	082272-01-000	EA MUFFLER-GENERATOR
	094059-01-000	EA SPACER-GENERATOR, ONAN
	105732-02-000	EA TRAY ASM-GENERATOR
	105958-03-000	EA PIPE-EXHAUST, GENERATOR
	106607-01-000	EA ANGLE-SUPPORT, EXHAUST

HEATING & AIR CONDITIONING GROUP
30,000 BTU SUBURBAN FURNACE & WALL THERMOSTAT

KEY	PART NUMBER	U/M DESCRIPTION
	098669-05-000	EA FURNACE - 30,000 BTU, SUBURBAN SF-30
	099365-01-000	EA THERMOSTAT - WALL FURNACE - SUBURBAN 160922
	092668-01-700	EA CABINET-FRONT
	098668-01-701	EA CABINET ASSEMBLY
	098668-01-704	EA VALVE, (JOHNSON)
	098668-01-705	EA SWITCH-LIMIT
	098668-01-706	EA WHEEL-COMBUSTION AIR
	098668-01-707	EA VENT ASSEMBLY-CAP AND TUBE
	098668-01-708	EA BLOWER ASSEMBLY-COMBUSTION AIR
	098668-01-709	EA MOTOR ASSEMBLY-F.SF-25, SF-30
	098668-01-710	EA BLOWER ASSEMBLY-ROOM AIR
	098668-01-711	EA WHEEL-ROOM AIR
	098668-01-712	EA BOARD-MODULE
	098668-01-713	EA INTAKE VENT TUBE ASSEMBLY
	098668-01-714	EA VALVE-GAS, (WHITE ROGERS) - SUBURBAN 161070
	098668-01-715	EA ELECTRODE ASSEMBLY-SINGLE PROBE - SUBURBAN 232166
	093614-01-01A	EA GRILLE-RETURN AIR, FURNACE - 15 6" X 7 6" - BROWN
	089634-01-733	EA RELAY-TIME DELAY 20 & 30 BTU
	078695-01-709	EA MICROSWITCH ASM F.30 & 34S
	082300-02-701	EA ORIFICE-(MAIN BURNER)
	098668-02-700	EA BURNER ASSEMBLY COMPLETE - (SF-30 SF35), SUBURBAN 010745
	030039-01-709	EA GASKET-OBSERVATION HOLE COVER
	082300-01-704	EA GASKET-ELECTRODE
	098668-09-000	EA DOOR-ACCESS, FURNACE - ASH GRAY - SUBURBAN 520592

25,000 BTU SUBURBAN FURNACE & WALL THERMOSTAT

KEY	PART NUMBER	U/M DESCRIPTION
	098668-04-000	EA FURNACE - 25,000 BTU, SUBURBAN SF-25
	087089-01-708	EA ORIFICE-MAIN BURNER, SUBURBAN 160193
	089634-01-733	EA RELAY-TIME DELAY
	078695-01-709	EA MICROSWITCH - SUBURBAN 230509
	030039-01-709	EA GASKET-OBSERVATION HOLE COVER
	092668-01-704	EA GASKET-ELECTRODE, SUBURBAN 070163
	098668-01-705	EA THERMOSTAT FURNACE, SUBURBAN
	098668-01-706	EA CABINET-FRONT, SUBURBAN 101242
	098668-01-707	EA CABINET ASSEMBLY, SUBURBAN 101299
	098668-01-708	EA VALVE, SUBURBAN 160938
	098668-01-709	EA SWITCH-LIMIT, SUBURBAN 231690
	098668-01-710	EA WHEEL-COMBUSTION AIR, SUBURBAN 250122
	098668-01-711	EA VENT CAP & EXHAUST TUBE ASSEMBLY, SUBURBAN 260193
	098668-01-712	EA BLOWER ASM COMBUSTION AIR, SUBURBAN 350441
	098668-01-713	EA MOTOR ASSEMBLY-FOR SF-25, SF-30 - SUBURBAN 231708
	098668-01-714	EA BLOWER ASSEMBLY ROOM AIR, SUBURBAN 350440
	098668-01-715	EA WHEEL-ROOM AIR - SUBURBAN 350423
	098668-01-716	EA BOARD MODULE, SUBURBAN 231741
	098668-01-717	EA INTAKE VENT TUBE ASSEMBLY - SUBURBAN 251044
	098668-01-718	EA VALVE-GAS, (WHITE ROGERS) - SUBURBAN 161070
	098668-01-719	EA ELECTRODE ASSEMBLY-SINGLE PROBE - SUBURBAN 232166
	093614-01-01A	EA DOOR-ACCESS, FURNACE - ASH GRAY - SUBURBAN 520592
	093614-01-01B	EA GRILLE-RETURN AIR, FURNACE - 15 6" X 7 6" - BROWN

1993 ITASCA
TABLE OF CONTENTS

INTRODUCTION	A-01 -	A-02
ABBREVIATIONS		A-03
ALPHABETICAL INDEX	A-04 -	A-06
ICF27RC	A-07 -	F-02
ICF27RO	F-03 -	J-18

1993 ICF27RO INDEX

FLOOR PLAN	F-03 -	F-04
ACCESSORIES		F-05
AUDIO VIDEO	F-06 -	F-08
BATH	F-09 -	F-10
BEDROOM	F-11 -	F-12
CHASSIS	F-13 -	F-24
CURTAIN & CUSHION	G-01 -	G-10
DINETTE	G-11 -	G-12
DRIVERS COMPARTMENT	G-13 -	G-17
ELECTRICAL	G-18 -	G-24
EXTERIOR BODY	H-01 -	H-08
GALLEY	H-09 -	H-13
GENERATOR	H-14 -	H-15
HEATING & A/C	H-16 -	H-20
INTERIOR FINISH	H-21 -	H-24
LABELS	I-01 -	I-09
LP		I-10
LOUNGE	I-11 -	I-12
SEALANTS & FASTENERS	I-13 -	I-16
WATER & SEWAGE	I-17 -	I-22
WINDOW, VENT AND		
EXTERIOR DOOR	I-23 -	J-16
WINDSHIELD WIPER	J-17 -	J-18

HEATING & AIR CONDITIONING GROUP (CONTINUED)

EVANS REAR HEATER & COMPONENTS

KEY	PART NUMBER	U/M DESCRIPTION
	000108-01-000	FT DUCT HEAT FLEXIBLE - 2" ID - INCREMENTS OF 25"
	003200-01-000	EA TAPE-FURNACE, 1 1/2"
	023146-01-000	EA CLAMP-SCREW TYPE - 4"
	059636-02-000	EA CONNECTOR-DUCT 2" ID
	007108-01-000	FT HOSE-HEATER, 5 3/8" ID
	005042-01-000	FT TULING-VINYL, .65" ID
	056464-04-000	EA REGISTER-W/DAMPER, 4" DIAMETER - PLASTIC - SAND
	056464-05-000	EA REGISTER-W/O DAMPER, 4" DIAMETER - PLASTIC - GOLDEN
	061675-01-000	EA BRACKET-MOTOR AID TUBES, 4" X 1 1/2" - STEEL
	022753-01-000	FT TUBE-ALUMINIZED STEEL, 5/8" - 18 GAUGE
	073059-01-000	EA HOSE - 90 DEGREE, 6 1/4" ID X 4" X 36"
	079059-13-000	EA HOSE - 90 DEGREE, 6 1/4" ID X 4" X 45"
	035081-01-000	EA HOSE-FORMED, 90 DEGREES - 5 5/8" ID
	010227-01-000	EA TEE-BARB, 5/8" OR 3/4" HOSE - PLASTIC
	084405-01-000	EA HEATER ASM-REAR, DUCTED - W/MOTOR AID - EVANS
	084405-01-700	EA HEATER CORE-EVANS* FT200229
	084405-01-701	EA FAN BLADES-EVANS* HV029931
	084405-01-702	EA MOTOR ASM-12 V. EVANS* 200146

AUTO A/C & HEATER COMPONENTS

KEY	PART NUMBER	U/M DESCRIPTION
	007076-01-700	FT HOSE-FLEXIBLE PVC - 2" ID
	007105-01-000	FT HOSE-HEATER, 5 3/8" ID
	007281-01-000	EA HOSE-FLEXIBLE PVC, 2.5" ID X 50"
	007281-01-700	FT HOSE-FLEXIBLE PVC, 2 5/8" ID
	024990-05-000	EA OUTLET-DEFROSTER, W/SWIVEL - 2" DIAMETER - BLACK
	103930-01-000	EA EVAPORATOR/HEATER ASSEMBLY SCS 090-0041
	082227-02-701	EA BRACKET-BOWDEN CABLE MOUNTING, ARA 0409417
	094931-01-702	EA CLAMPS-ROD, 3/16" - MOTIVAIR/SCS ZGG14431
	094931-01-724	EA O'RING-#4, MOTIVAIR/SCS ZGG14581
	103930-01-700	EA ROD-AIR BLEND DOOR, SCS 073-0017
	103930-01-701	EA PANEL-DOOR, FOR AIR BLEND - SCS 071-0123
	103930-01-702	EA GASKET-DOOR, FOR AIR BLEND - SCS 045-0020
	103930-01-713	EA COIL-HEATER, SCS 042-0010
	103930-01-704	EA COIL EVAPORATOR, SCS 041-0017
	103930-01-705	EA VALVE EXPANSION BLOCK
	103930-01-706	EA GASKET-O'RING, #8 - SCS 045-0011
	103930-01-707	EA GASKET-O'RING, #10 - SCS 045-0012
	103930-01-708	EA BRACKET-VACUUM MOTOR, SCS 070-0113
	103930-01-710	EA RESISTOR-FUSED, SCS 035-0026
	103930-01-711	EA THERMOSTAT, SCS 033-0003
	103930-01-712	EA GASKET-O'RING, SCS 045-0010
	103930-01-713	EA FITTING-QUICK CONNECT, #4 - SCS 050-003
	103930-01-714	EA FITTING-SERVICE VALVE, #10 - SCS 050-0031
	103930-01-715	EA SWITCH-BINARY, SCS 032-0030
	103930-01-716	EA SWITCH-PRESSURE, FAN - SCS 032-0029
	103930-01-717	EA WHEEL-CLOCK-WISE, SCS 067-0010
	103930-01-718	EA HOSE #6, SCS 051-0036
	103930-01-719	EA HOSE #10, SCS 051-0017
	103930-01-720	EA MOTOR, SCS 030-0004
	103930-01-721	EA GASKET O-RING #12, SCS 045-0022
	103930-01-722	EA HOSE ASSEMBLY #6 W/FITTINGS & SWITCHES, SCS 035-0072
	103930-02-708	EA MOTOR-VACUUM SERVO, A/C - SCS 030-0002
	103930-12-711	EA FRONT ASM-CASE, SCS 060-00055
	103930-12-712	EA BACK ASM-CASE, SCS 060-00067

HEATING & AIR CONDITIONING GROUP (CONTINUED)

AUTO A/C & HEATER COMPONENTS (CONTINUED)

KEY	PART NUMBER	U/M DESCRIPTION
	103930-04-000	EA CONTROL PLENUM SET - SCS 033-00037
	072341-05-700	EA SWITCH - 4 SPEED, FAN - ARA 0583002
	094931-01-709	EA CLAMPS-ROD, 3/16" - MOTIVAIR/SCS ZGG14431
	103930-02-700	EA PANEL-CONTROL, SCS 022-0019
	103930-02-701	EA VALVE-CONTROL HEAD, SCS 034-0015
	103930-02-702	EA DECAL-CONTROL SETTING, SCS 052-0008
	103930-02-703	EA HARNESS-WIRE CONTROL SCS 036-0048
	103930-02-704	EA HARNESS-VACUUM CONTROL SCS 036-0049
	103930-02-705	EA CABLE-CONTROL, BOWDEN - SCS 074-0011
	103930-02-706	EA CLIP-CABLE, CONTROL - SCS 022-0017
	103930-02-707	EA RELAY, SCS 031-0001
	103930-02-708	EA MOTOR-VACUUM SERVO, A/C - SCS 030-0002
	103930-02-710	EA CANISTER-VACUUM, SCS 054-0002
	103930-02-711	EA VALVE-WATER, SCS 034-00114
	072342-04-000	EA CONDENSER ASM-W/O FANS, ARA 0519377 - DIESEL OPTION
	072341-01-716	EA VALVE-DISCHARGE, 1/2" O'RING - ARA 0548325
	072342-05-701	EA RECEIVER-DRIER, ARA 1272235
	072342-03-705	EA O'RING-SCS 0543513
	072342-03-707	EA O'RING-SCS 045-0010
	072342-03-709	EA O'RING-SCS 045-00012
	072342-03-711	EA FITTING-AEROQUIP W/CHECK, ARA 0059337
	072342-04-700	EA HOSE-DISCHARGE, ARA 0956305
	072342-04-701	EA COIL-CONDENSER, ARA 0519384
	095815-01-702	EA O'RING, #8 - ARA 0059606
	072343-05-000	EA COMPRESSOR-CLUTCH, REAR DISCHARGE - SANKYO - ARA 0529174 DIESEL OPTION
	074026-01-000	EA MOUNT PACKAGE - A/C COMPRESSOR - DIESEL OPTION
	077075-01-000	EA GASKET-INSTRUMENT PANEL TO DEFROSTER PLENUM - 6" X 11 3/4"
	077075-03-000	EA GASKET-INSTRUMENT PANEL TO DEFROSTER PLENUM
	055000-01-000	EA SHIELD-A/C, 6.8" X 3 1/4" - STEEL
	103016-01-000	EA PLENUM-TRANSITION
	103017-01-000	EA PLENUM-DEFROSTER
	103558-01-02A	EA VENT-DEFROSTER, ABS - GRAY
	103796-01-01A	EA LOUVER ASM-A/C CARY PROD - BLACK
	056402-05-000	EA BRACKET-HEATER VENT, ROUND - W/BEND - BLACK
	094831-08-000	EA WIRE ASSEMBLY-AC COMPRESSOR ADAPTER - SCS 036-0054
	103930-05-000	EA MANUAL-OWNERS, HEATER-A/C - SCS 057-0049

**1993 ITASCA
TABLE OF CONTENTS**

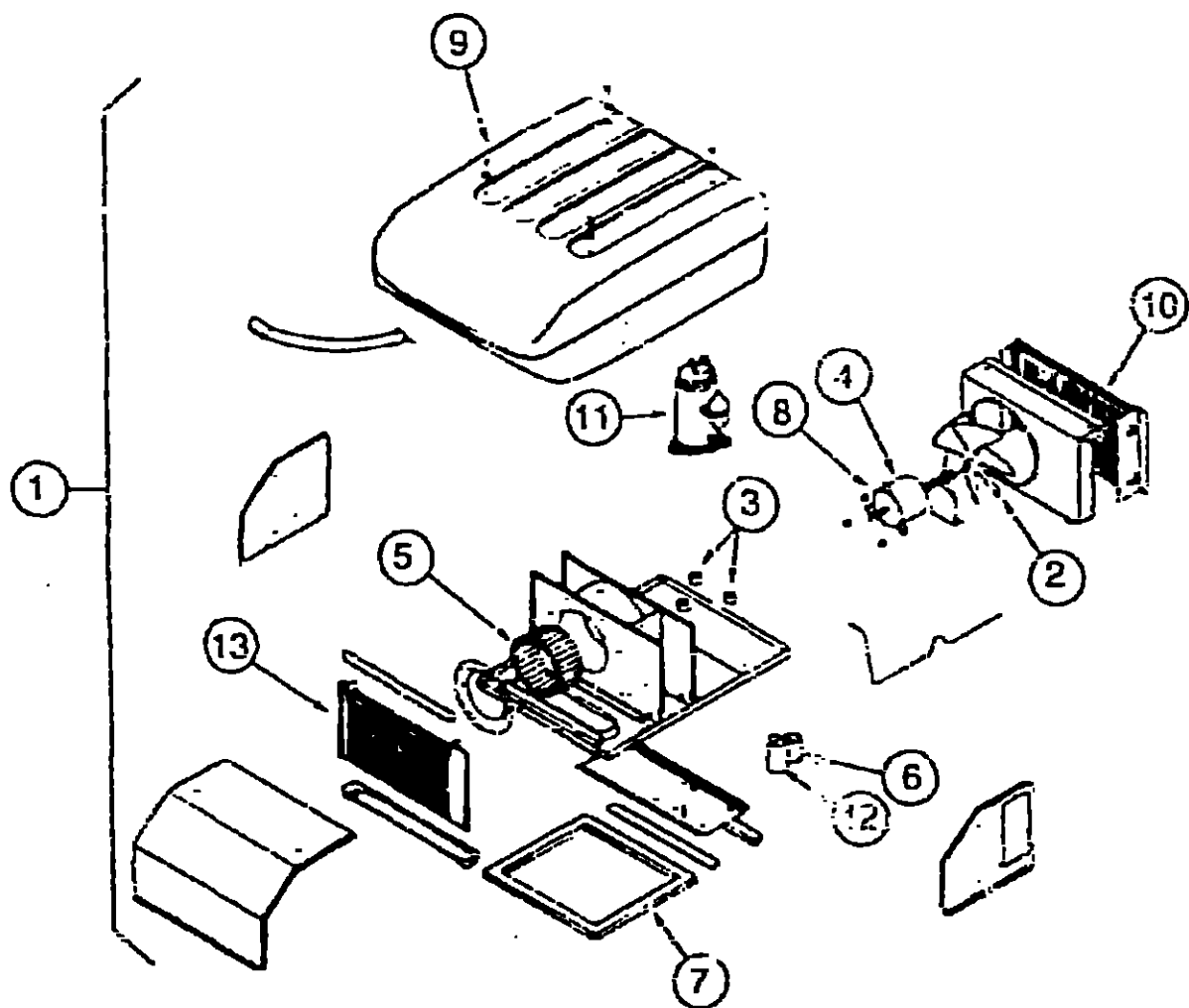
INTRODUCTION	A-01 -	A-02
ABBREVIATIONS		A-03
ALPHABETICAL INDEX	A-04 -	A-06
ICF27RC	A-07 -	F-02
ICF27RQ	F-03 -	J-18

1993 ICF27RQ INDEX

FLOOR PLAN	F-03 -	F-04
ACCESSORIES		F-05
AUDIO VIDEO	F-06 -	F-09
BATH	F-09 -	F-10
BEDROOM	F-11 -	F-12
CHASSIS	F-13 -	F-24
CURTAIN & CUSHION	G-01 -	G-10
DINETTE	G-11 -	G-12
DRIVERS COMPARTMENT	G-13 -	G-17
ELECTRICAL	G-12 -	G-24
EXTERIOR BODY	H-01 -	H-08
GALLEY	H-09 -	H-13
GENERATOR	H-14 -	H-15
HEATING & A/C	H-16 -	H-20
INTERIOR FINISH	H-21 -	H-24
LABELS	I-01 -	I-09
LP		I-10
LOUNGE	I-11 -	I-12
SEALANTS & FASTENERS	I-13 -	I-16
WATER & SEWAGE	I-17 -	I-22
WINDOW, VENT AND		
EXTERIOR DOOR	I-23 -	J-16
WINDSHIELD WIPER	J-17 -	J-18

HEATING & AIR CONDITIONING GROUP (CONTINUED)

HEATING & AIR CONDITIONING GROUP (CONTINUED)
CEILING ASSEMBLY 13,500 BTU A/C



13,500 BTU COLEMAN ROOF A/C

KEY	PART NUMBER	U/M DESCRIPTION
1	105829-01-01A	EA A/C-ROOF, 13,500 TSR HO IVORY - COLEMAN 7333-557
2	093763-01-712	EA FAN BLADE-CONDENSER, COLEMAN 6733-3221
3	105520-01-705	EA FOOT PACKAGE-COMPRESSOR, 3 PER PACKAGE - COLEMAN 6759-5051
4	105829-01-705	EA MOTOR - 115V, 60HZ - COLEMAN 1458-3049
5	105829-01-705	EA IMPELLOR - COLEMAN 1472-1041
6	105829-01-708	EA CAPACITOR-FAN, (7.5MFD.370U) - COLEMAN 1499-5461
7	105829-01-711	EA GASKET PACKAGE - COLEMAN 6792-3301
8	105829-01-715	EA MOTOR MOUNT & SHAFT SEAL KIT - COLEMAN 6792-3351
9	063903-01-703	EA SHROUD-(IVORY/IVORY), W/O LOGO - COLEMAN 6759-4601
10	105829-01-703	EA CONDENSER COIL - COLEMAN 1452-1301
11	105829-01-704	EA COMPRESSOR, RH & LH - COLEMAN 1450-2009
12	105829-01-704	EA OVERLOAD - COLEMAN 6749-3541
13	105829-01-707	EA CAPACITOR-RUN, COMPRESSOR-25MFD/370 - COLEMAN 1499-5561
	105829-01-709	EA EVAPORATOR COIL - COLEMAN 1452-1311
	091225-01-709	EA RELAY-START, COLEMAN 1497-4131
	091225-01-710	EA CAPACITOR-START, COLEMAN 1497-0831
	093306-01-701	EA DECAL PACKAGE-LEFT & RIGHT - COLEMAN 6792B3591
	105829-01-710	EA FILLER PAD-COND AIR SEAL - COLEMAN 6759A3971
	105829-01-712	EA REDUCER-SUCTION LINE, (3/8" X 1/2") - COLEMAN 1215-2161
	105829-01-713	EA SUCTION LINE, (3/8" OD X .032" WALL) - COLEMAN 6792-130
	105829-01-714	EA DISCHARGE LINE ASSEMBLY - COLEMAN 6792-531
	102203-01-000	EA SPRING-SCREW, ROOF A/C GASKET - COLEMAN 6757-150

KEY	PART NUMBER	U/M DESCRIPTION
	105829-01-01A	EA CEILING ASM-A/C COOL TSR HO - COLEMAN 7333-714 IV
	042204-01-709	EA THERMOSTAT-IN 64-OUT 58, COLEMAN 6701-3401
	063903-01-702	EA LOUVER-COLEMAN 6703A5191
	073742-01-701	EA SELECTOR SWITCH (5 TERMINAL), COLEMAN 6759-3251
	073742-01-702	EA DECAL COOL ONLY, COLEMAN 6759C3431
	076303-01-707	EA FILTER - 6" X 14 3/4" X 1/2", 12 PER PKG - COLEMAN 6703A3151
	081605-01-712	EA CEILING SHROUD (IVORY), COLEMAN 6765-5051
	091225-01-713	EA KNOB (2 PER PACKAGE), COLEMAN 6701-3351
	091225-01-717	EA DECAL (THERMOSTAT) COOL ONLY, COLEMAN 6792A3441
	093766-02-701	EA DECAL-LEFT SIDE, COLEMAN 6792-3371
	105829-01-703	EA SINGLE PARTS PACKAGE, COLEMAN 6792-5991
	105829-01-704	EA RETAINER CLIPS F.FILTER, COLEMAN 6792-3141

ROOF A/C-13,500 BTU - EUROPEAN (FROM: 00-00-00 THRU: 08-31-92)

KEY	PART NUMBER	U/M DESCRIPTION
	092440-01-000	EA A/C-ROOF, 13,500 BTU - 220V - 50HZ - COLEMAN 6713C750
	092441-01-000	EA CEILING ASM-A/C, 220V - 50HZ - COLEMAN 6712ET16

ROOF A/C-13,500 BTU - EUROPEAN (FROM: 09-01-92 THRU: 99-99-99)

KEY	PART NUMBER	U/M DESCRIPTION
	105829-02-01A	EA A/C-ROOF, 13,500 TSR 220 IVORY - COLEMAN 7373-597
	053503-01-703	EA SHROUD-COLEMAN 6759-4601
	093306-01-701	EA DECAL PACKAGE-LEFT & RIGHT - COLEMAN 6792B3591
	093763-01-712	EA FAN BLADE-CONDENSER, COLEMAN 6733-3221
	105520-01-705	EA PROTECTOR-OVERLOAD, RH & LH - COLEMAN 6759-3791
	105520-01-705	EA FOOT PACKAGE-COMPRESSOR, 3 PER PACKAGE - COLEMAN 6759-5051
	105829-01-703	EA CONDENSER COIL - COLEMAN 1452-1301
	105829-01-705	EA IMPELLOR - COLEMAN 1472-1041
	105829-01-707	EA CAPACITOR-RUN, COMPRESSOR-25MFD/370 - COLEMAN 1499-5561
	105829-01-708	EA CAPACITOR-FAN, (7.5MFD.370U) - COLEMAN 1499-5461
	105829-01-709	EA EVAPORATOR COIL - COLEMAN 1452-1311
	105829-01-710	EA FILLER PAD-COND AIR SEAL - COLEMAN 6759A3971
	105829-01-711	EA GASKET PACKAGE - COLEMAN 6792-3301
	105829-01-713	EA SUCTION LINE, (3/8" OD X .032" WALL) - COLEMAN 6792-130
	105829-01-714	EA DISCHARGE LINE ASSEMBLY - COLEMAN 6792-531
	105829-01-715	EA MOTOR MOUNT & SHAFT SEAL KIT - COLEMAN 6792-3351
	105829-02-703	EA COMPRESSOR, TECUMSEH - COLEMAN 1452-2029
	105829-02-701	EA MOTOR - COLEMAN 1468-3359
	105829-02-702	EA CAPACITOR-START, COLEMAN 1497-0831
	105829-02-703	EA RELAY-START, COLEMAN 1497-4141
	105829-01-01A	EA CEILING ASM-A/C COOL TSR HO - COLEMAN 7333-714 IV
	042204-01-709	EA THERMOSTAT-IN 64-OUT 58, COLEMAN 6701-3401
	063903-01-702	EA LOUVER-COLEMAN 6703A5191
	073742-01-701	EA SELECTOR SWITCH (5 TERMINAL), COLEMAN 6759-3251
	073742-01-702	EA DECAL COOL ONLY, COLEMAN 6759C3431
	076303-01-707	EA FILTER - 6" X 14 3/4" X 1/2", 12 PER PKG - COLEMAN 6703A3151
	081605-01-712	EA CEILING SHROUD (IVORY), COLEMAN 6765-5051
	091225-01-713	EA KNOB (2 PER PACKAGE), COLEMAN 6701-3351
	091225-01-717	EA DECAL (THERMOSTAT) COOL ONLY, COLEMAN 6792A3441
	093766-02-701	EA DECAL-LEFT SIDE, COLEMAN 6792-3371
	105829-01-703	EA SINGLE PARTS PACKAGE (KNOBS & NUTS) COLEMAN 6792-5991
	105829-01-704	EA RETAINER CLIPS F.FILTER (6 PER) COLEMAN 6792-3141

ROOF A/C COVER

KEY	PART NUMBER	U/M DESCRIPTION
	084077-03-000	EA COVER-BLANK, ROOF A/C - 5.2' X 3.5' - IVORY FROM: 00-00-00 THRU: 10-04-92
	092633-01-02A	EA COVER-BLANK, ROOF A/C - 5.7' X 3.9' - PLASTIC - OFF WHITE FROM: 00-00-00 THRU: 10-04-92
	092633-02-02A	EA COVER-BLANK, ROOF A/C - 5.1' X 5.1' - PLASTIC - OFF WHITE FROM: 10-05-92 THRU: 99-99-99

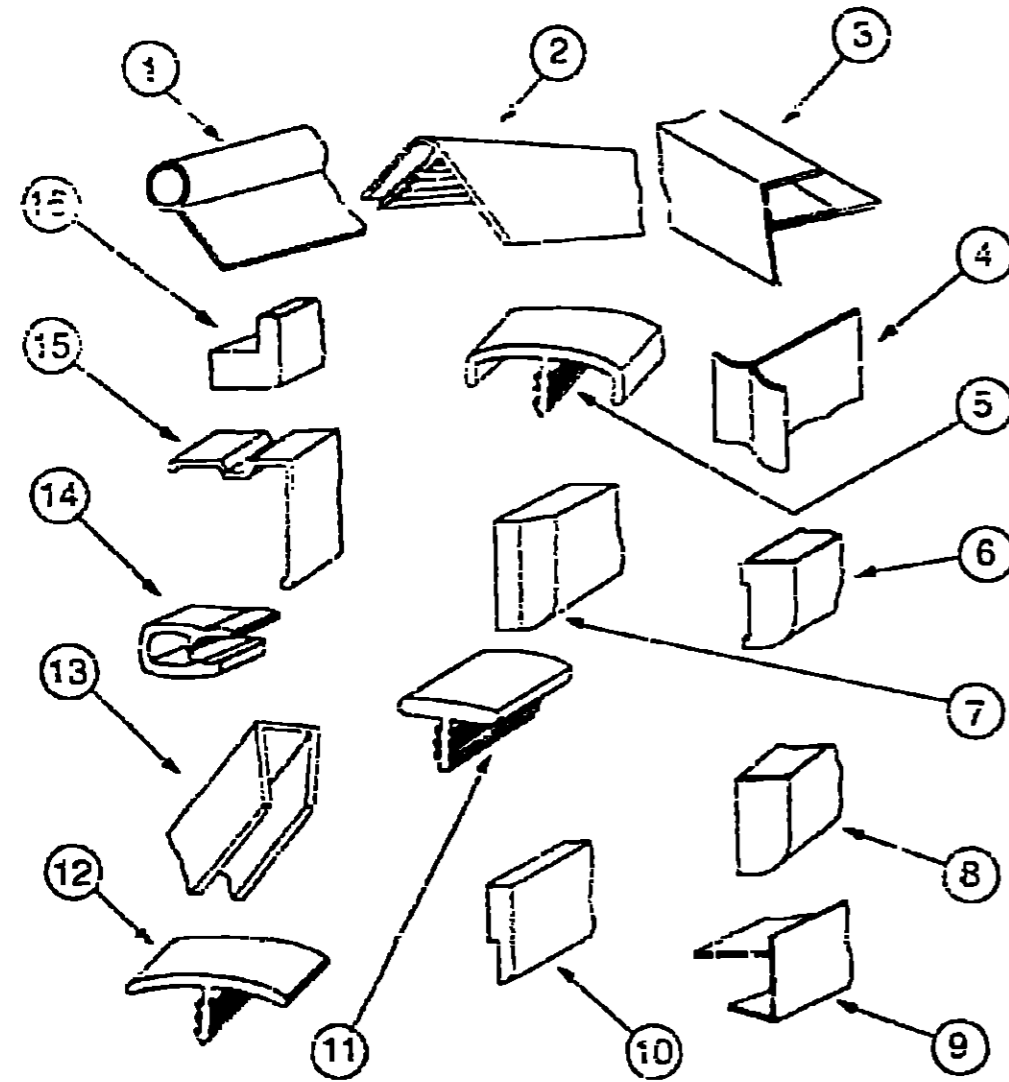
**1993 ITASCA
TABLE OF CONTENTS**

INTRODUCTION	A-01 -	A-02
ABBREVIATIONS		A-03
ALPHABETICAL INDEX	A-04 -	A-05
ICF27FC	A-07 -	F-02
ICF27RQ	F-02 -	J-18

1993 ICF27RQ INDEX

FLOOR PLAN	F-02 -	F-04
ACCESSORIES		F-05
AUDIO VIDEO	F-02 -	F-03
BATH	F-02 -	F-10
BEDROOM	F-10 -	F-12
CHASSIS	F-12 -	F-24
CURTAIN & CUSHION	G-01 -	G-10
DINETTE	G-10 -	G-12
DRIVERS COMPARTMENT	G-12 -	G-17
ELECTRICAL	G-15 -	G-24
EXTERIOR BODY	H-01 -	H-08
GALLEY	H-09 -	H-13
GENERATOR	H-14 -	H-15
HEATING & A/C	H-16 -	H-20
INTERIOR FINISH	H-21 -	H-24
LABELS	I-01 -	I-09
LP		I-10
LOUNGE	I-11 -	I-12
SEALANTS & FASTENERS	I-13 -	I-16
WATER & SEWAGE	I-17 -	I-22
WINDOW, VENT AND EXTERIOR DOOR	I-23 -	J-16
WINDSHIELD WIPER	J-17 -	J-18

INTERIOR FINISH GROUP



MOLDINGS & TRIMS

KEY	PART NUMBER	U/M DESCRIPTION
1	009767-12-000	FT MOLDING-SIDEWALL TO CEILING CABINET - WELTING - OFF WHITE
2	009809-23-000	EA MOLDING-CORNER, OUTSIDE - 1" - PLASTIC - IVORY
2	009809-24-000	EA MOLDING-CORNER, OUTSIDE - 1" - PLASTIC - THOR PECAN
3	009812-25-000	EA MOLDING-CORNER, OUTSIDE - 5" - PLASTIC - PECAN
4	022992-11-000	FT MOLDING-REVERSE COVE, T-SHAPED - VINYL - IVORY
5	083620-07-000	FT MOLDING-T, END CAP EDGE - WEDGE UPS - 75" - THOR PECAN
6	082331-D2-134	EA MOLDING-VINYL WRAPPED, .7" X 1.57" X .84" - WOODGRAIN
6	082331-F2-134	EA MOLDING-VINYL WRAPPED, .7" X 2.5" X 7" - WOODGRAIN
7	100859-01-805	EA MOLDING-TRIM, VINYL FLOOR
8	100818-01-01A	EA MOLDING-VINYL WRAPPED, 1.65" X .5" X 7" - OAK
9	103165-01-02A	FT MOLDING-EDGE, SHELF - .78" WIDE - PLASTIC - REGAL OAK
9	103165-02-02A	FT MOLDING-EDGE, SHELF - 1.3" WIDE - PLASTIC - REGAL OAK
10	104084-01-01A	EA MOLDING-VINYL WRAPPED, 1" X 6" - OAK
11	104676-01-01A	FT T-MOLDING, 5-16" - RIGID
12	105702-01-000	FT T-MOLDING - 1", MODERN IVORY
13	009778-13-000	FT U-CHANNEL-PLASTIC, 1" WIDE X 8" INCREMENTS - THOR PECAN
13	070504-01-000	FT U-CHANNEL-PLASTIC, .065" WIDE - LIGHT BROWN - INCREMENTS OF 8"
13	070504-18-000	FT U-CHANNEL-PLASTIC, .065" WIDE - IVORY - INCREMENTS OF 8"
13	070504-20-000	FT U-CHANNEL-PLASTIC, .815" WIDE - THOR PECAN - INCREMENTS OF 8"
13	070504-22-000	FT U-CHANNEL-PLASTIC, .735" WIDE - THOR PECAN - INCREMENTS OF 8"
		FROM: 00-00-00 THRU: 06-25-92
13	070504-23-000	FT U-CHANNEL-PLASTIC, .875" WIDE - COUNTRY FOREST
14	072355-02-000	EA TRIM-VINYL EDGE - BLACK - GM 14004305
15	082273-01-01A	EA TRIM-CARPET, L-ANGLE - 1.1" X 1.3" X 12" - VINYL - GRAY
15	100812-01-01A	EA MOLDING-VINYL WRAPPED, L-SHAPED - 1.5" X 1.5" X 7" - OAK
	092330-D2-438	EA LUMBER-VINYL WRAPPED, .7" X 1.5" X 9" - WOODGRAIN
	092330-03-000	EA LUMBER-VINYL WRAPPED, 2" X 95" - WOODGRAIN
	092330-05-000	EA LUMBER-VINYL WRAPPED, .7" X 3" X 95" - WOODGRAIN

INTERIOR FINISH GROUP (CONTINUED)
BATT STRIP

KEY	PART NUMBER	U/M DESCRIPTION
	085284-64-000	FT BATT STRIP-DECORATIVE, PLAIN - ADHESIVE BACKED (MAIN WALL)
	085284-65-000	FT BATT STRIP-DECORATIVE, W/FLOWERS - ADHESIVE BACKED (BATH & GALLEY)
	085284-66-000	FT BATT STRIP-WOODGRAIN, ADHESIVE BACKED - FOREST OAK
	088263-70-000	EA BATT STRIP-SHOWER, 8' LONG - OFF WHITE
	088263-76-000	EA BATT STRIP-DECORATIVE, PLAIN - 8' LONG (MAIN WALL)
	088263-77-000	EA BATT STRIP-DECORATIVE, W/FLOWERS - 8' LONG (BATH & GALLEY)
	089733-73-000	EA BATT STRIP-WOODGRAIN, 8' LONG - FOREST OAK
	088229-01-000	EA RETAINER-BATTEN, CEILING - .75" WIDE - 7.6' LONG
	088229-04-000	EA BATTEN-CEILING, 1" WIDE - IVORY - 7.6' LONG

PANELING & PLYWOOD

KEY	PART NUMBER	U/M DESCRIPTION
	074497-20-000	SF PANELING-WOODGRAIN, 4' X 8' - INCREMENTS OF 32 SF
	082272-93-000	SF PANELING-SHOWER, OFF WHITE - 4' X 7' - INCREMENTS OF 28 SQ FT
	082272-95-000	SF PANELING-DECORATIVE, PLAIN - 4' X 7' - INCREMENTS OF 28 SF (MAIN WALL)
	082272-97-000	SF PANELING-DECORATIVE, W/FLOWERS - 4' X 7' - INCREMENTS OF 28 SF (BATH & GALLEY)
	095695-01-000	SF VENEER-FLAT LUANA 48" X 96"
	080215-08-000	SF PANEL - 2 SIDED, 4' X 8' - FOREST OAK - INCREMENTS OF 32 SF
	083813-02-000	SF PLYWOOD-OAK, 1 SIDE FINISHED - 3/16" X 4' X 8' INCREMENTS OF 32 SF
	083297-01-000	SF PLYWOOD-LUAN, OVERLAY GRADE - 4' X 8' - INCREMENTS OF 32 SF
	093531-01-000	SF PLYWOOD-RED OAK, 1/2"

PLASTIC LAMINATE

KEY	PART NUMBER	U/M DESCRIPTION
	074495-45-000	SF LAMINATE-PLASTIC, 5' X 8' - INCREMENTS OF 40 SF
	074492-46-000	SF LAMINATE-PLASTIC, 5' X 8' - INCREMENTS OF 40 SF
	076325-57-000	FT MOLDING-EDGE BAND, 1125 - 1 5/16" X .035"
	076325-59-000	FT MOLDING-EDGE BAND, 1527 - 1 5/16" X .035"

CARPET

KEY	PART NUMBER	U/M DESCRIPTION
	047034-02-000	SF PLASTIC-CARPET, 4' WIDE - CLEAR POLY
	075233-01-000	SY PAD-CARPET, 3'5" X 6' ROLL
	093486-01-000	SY CARPET-COMPARTMENT, 54" WIDE - DARK GRAY
	095050-23-000	SY CARPET - 12' ROLL INCREMENTS OF 4 SY (D32)
	095050-41-000	SY CARPET - 12' ROLL INCREMENTS OF 4 SY (D33)
	095050-42-000	SY CARPET - 12' ROLL INCREMENTS OF 4 SY (D34)

SMOKE DETECTOR, FIRE EXTINGUISHER & CLOCK

KEY	PART NUMBER	U/M DESCRIPTION
	072852-01-000	EA DETECTOR-SMOKE, W/9 VOLT BATTERY - US
	072852-02-000	EA DETECTOR-SMOKE, W/9 VOLT BATTERY - CANADIAN
	094493-01-000	EA EXTINGUISHER-FIRE, DRY W/MOUNTING BRACKET - 10 BC
	094493-01-700	EA BRACKET-MOUNTING, W/PLASTIC STRAP - FIRE EXTINGUISHER
	094493-02-000	EA EXTINGUISHER-FIRE, DRY - 1A1CBC - CANADIAN
	101333-01-000	EA BACKPLATE-CLOCK, 6" X 6" - PLASTIC - BLACK
		FROM: 00-00-00 THRU: 04-18-93
	104764-01-01A	EA CLOCK-WALL, SPARTUS 5615-42
		FROM: 00-00-00 THRU: 04-18-93
	100793-02-01A	EA CLOCK-WALL, 11" DIAMETER - BOLDEN 9983
		FROM: 04-19-93 THRU: 99-99-99

ANTISLIP & FLOOR MATS

KEY	PART NUMBER	U/M DESCRIPTION
	091251-01-000	FT SLIPNOT-ANTISLIP, 1" WIDE (100' ROLL)
	105924-01-C08	EA MAT-FLOOR, 15' X 27" (D32)
	105924-01-D10	EA MAT-FLOOR, 15' X 27" (D33)
	105924-01-D11	EA MAT-FLOOR, 15' X 27" (D34)

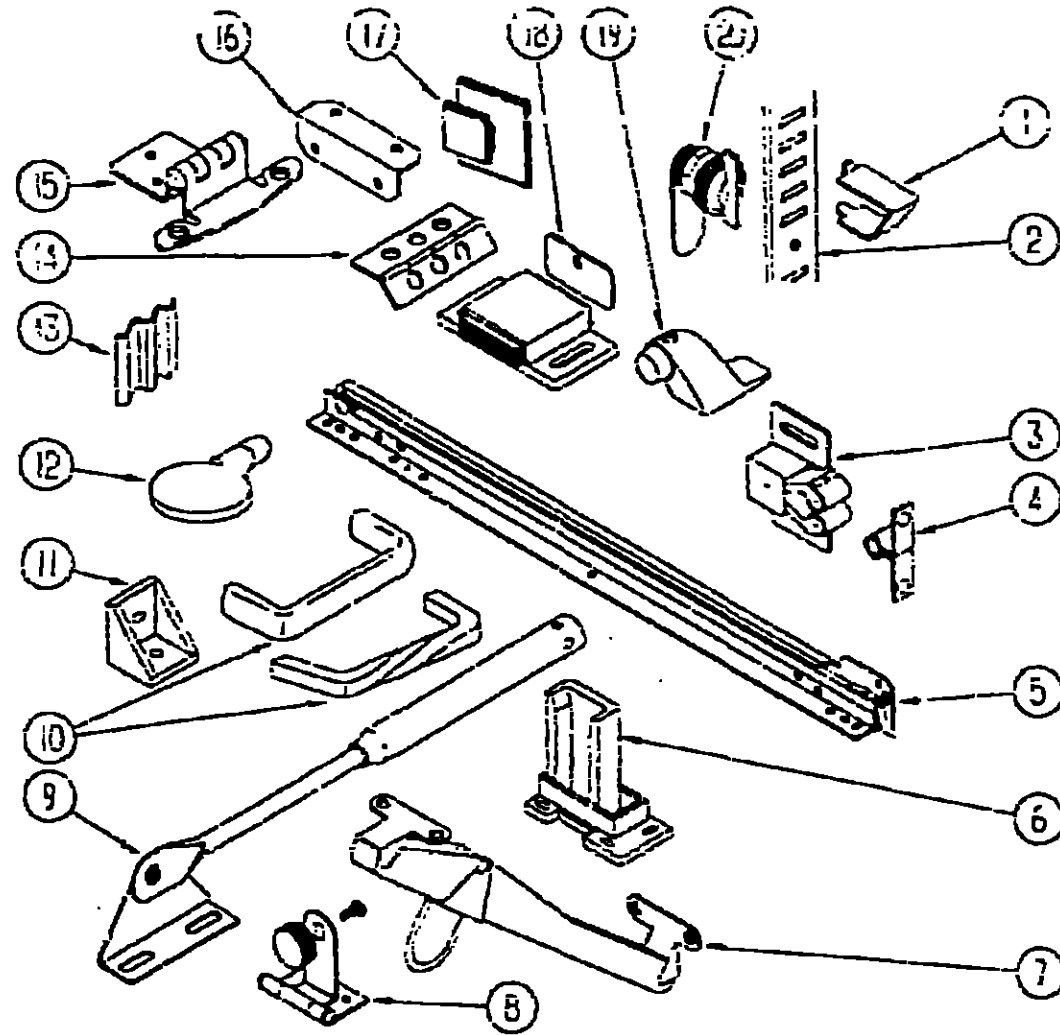
1993 ITASCA
TABLE OF CONTENTS

INTRODUCTION	A-01 -	A-02
ABBREVIATIONS		A-03
ALPHABETICAL INDEX	A-04 -	A-06
ICF27RC	A-07 -	F-02
ICF27RQ	F-03 -	J-16

1993 ICF27RQ INDEX

FLOOR PLAN	F-03 -	F-04
ACCESSORIES		F-05
AUDIO VIDEO	F-06 -	F-08
BATH	F-09 -	F-10
BEDROOM	F-11 -	F-12
CHASSIS	F-13 -	F-24
CURTAIN & CUSHION	G-01 -	G-10
DINETTE	G-11 -	G-12
DRIVERS COMPARTMENT	G-13 -	G-17
ELECTRICAL	G-18 -	G-24
EXTERIOR BODY	H-01 -	H-08
GALLEY	H-09 -	H-13
GENERATOR	H-14 -	H-15
HEATING & A/C	H-16 -	H-20
INTERIOR FINISH	H-21 -	H-24
LABELS	I-01 -	I-09
LP		I-10
LOUNGE	I-11 -	I-12
SEALANTS & FASTENERS	I-13 -	I-16
WATER & SEWAGE	I-17 -	I-22
WINDOW, VENT AND EXTERIOR DOOR	I-23 -	J-16
WINDSHIELD WIPER	J-17 -	J-18

INTERIOR FINISH GROUP (CONTINUED)
CABINET HARDWARE



KEY	PART NUMBER	UOM	DESCRIPTION
1	092979-01-000	EA	CLIP-ADJUSTABLE SHELF
2	092981-01-000	EA	PILASTER-ADJUSTABLE SHELF, 16" LONG
2	092980-02-000	EA	PILASTER-ADJUSTABLE SHELF, 12" LONG
2	092983-04-000	EA	PILASTER-ADJUSTABLE SHELF, 48" LONG
3	092986-03-000	EA	CATCH-SPRING, ROLLER
4	092988-04-000	EA	STRIKE-SPRING STEEL
5	105913-01-000	EA	SLIDE-DRAWER, CABINET - LEFT SIDE - 12"
5	105913-02-000	EA	SLIDE-DRAWER, CABINET - RIGHT SIDE - 12"
5	105913-03-000	EA	SLIDE-DRAWER, DRAWER MOUNT - LEFT SIDE - 12"
5	105913-04-000	EA	SLIDE-DRAWER, DRAWER MOUNT - RIGHT SIDE - 12"
5	105913-05-000	EA	SLIDE-DRAWER, CABINET - LEFT SIDE - 18"
5	105913-06-000	EA	SLIDE-DRAWER, CABINET - RIGHT SIDE - 18"
5	105913-07-000	EA	SLIDE-DRAWER, DRAWER MOUNT - LEFT SIDE - 18"
5	105913-08-000	EA	SLIDE-DRAWER, DRAWER MOUNT - RIGHT SIDE - 18"
5	105913-13-000	EA	SLIDE-DRAWER, CABINET - LEFT SIDE - 14"
5	105913-14-000	EA	SLIDE-DRAWER, CABINET - RIGHT SIDE - 14"
5	105913-15-000	EA	SLIDE-DRAWER, DRAWER MOUNT - LEFT SIDE - 14"
5	105913-16-000	EA	SLIDE-DRAWER, DRAWER MOUNT - RIGHT SIDE - 14"
5	105913-17-000	EA	SLIDE-DRAWER, CABINET - LEFT SIDE - 22"
5	105913-18-000	EA	SLIDE-DRAWER, CABINET - RIGHT SIDE - 22"
5	105913-19-000	EA	SLIDE-DRAWER, DRAWER MOUNT - LEFT SIDE - 22"
5	105913-20-000	EA	SLIDE-DRAWER, DRAWER MOUNT - RIGHT SIDE - 22"
6	107030-01-000	EA	BACKSOCKET-ADJUSTABLE, LEFT
6	107030-02-000	EA	BACKSOCKET-ADJUSTABLE, RIGHT
7	104181-01-01A	EA	SUPPORT-LEAF, 5'3" - EXTENDS TO 7'5" - SAFETY RING - METAL
8	103711-01-01A	EA	HINGE-DOOR, GLASS
	100707-01-000	EA	SPACER-DOOR, GLASS - 5" DIA - 3" HOLE - PLASTIC
	101272-01-000	EA	CATCH-DOOR, GLASS
9	074493-02-000	EA	SUPPORT-PISTON SPRING, CABINET DOOR
10	092545-01-000	EA	PULL-CABINET, BRASS - TWIST - 1.1" X 3.4"
10	109747-01-000	EA	PULL-CABINET, BRASS - 1.1" X 3.5"
			FROM: 00-00-00 THRU: 02-04-89
			FROM: 02-05-93 THRU: 99-99-99
11	065740-01-000	EA	BRACE-CABINET CORNER, PLASTIC
12	101766-01-000	EA	PIN-SUPPORT, GLASS DOOR
13	105037-02-000	EA	FASTENER-WOOD, CORNER - METAL - .5" X .5"
14	009059-01-000	EA	HINGE-DOOR, 2" X 1.4" - BRASS
14	009059-02-000	EA	HINGE-DOOR, 2" X 2.7" - BRASS
14	009063-01-000	EA	HINGE-CONTINUOUS, 1 1/2" X 72" - UNPAINTED
15	108135-01-000	EA	HINGE-CABINET DOOR, BURNISHED BRASS
16	015604-01-000	EA	BRACE-CABINET, 90 DEGREE ANGLE - 2.5" - METAL - UNPAINTED
16	015604-03-000	EA	BRACE-CABINET, 90 DEGREE ANGLE - 2.5" - METAL - BEIGE
16	015604-05-000	EA	BRACE-CABINET, 90 DEGREE ANGLE - 2.5" - METAL - OFF WHITE
16	111886-01-01A	EA	BRACE-CABINET, ANGLE - 2.5" - METAL - BEIGE (FOR DINETTE BACK PADS)
17	102327-01-01A	EA	PULL-MIRROR, SQUARE
18	058254-01-000	EA	CATCH-MAGNETIC, 1.5" X .7"
19	103257-01-000	EA	STOP-DOOR
20	100710-01-01A	EA	LOCK-GLASS DOOR, TWIST TYPE - BRASS
	000G13-06-02G	EA	SCREW, 6-20 X 1/2 PPH - ANTIQUE BRASS
	000G13-06-10G	EA	SCREW, 6-20 X 5/8 PPH - ANTIQUE BRASS
	004354-01-000	EA	BUMPER-RUBBER, .5" DIA - BROWN
	023320-01-000	EA	PAD-FELT, 3.5" DIAMETER - BROWN
	023204-03-000	EA	BUTTON-RETAINING, MIRROR - 5/16" TIP - WALNUT
	094658-01-Y12	EA	HANDLE-BUNK, 2" X 27" - WOOD - OAK
	009146-01-000	EA	PULL-FINGER, .75" DIAMETER - BRASS
	042351-01-000	EA	PLUG-BUTTON, MAHOGANY - 3/8" DIAMETER - WOOD

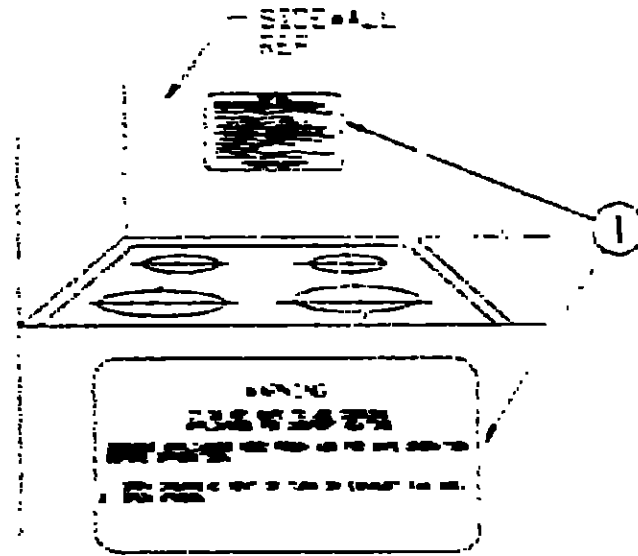
1993 ITASCA
TABLE OF CONTENTS

INTRODUCTION	A-01	A-02
ABBREVIATIONS		A-03
ALPHABETICAL INDEX	A-04	A-05
ICF27RC	A-07	F-02
ICF27RO	F-03	J-18

1993 ICF27RQ INDEX

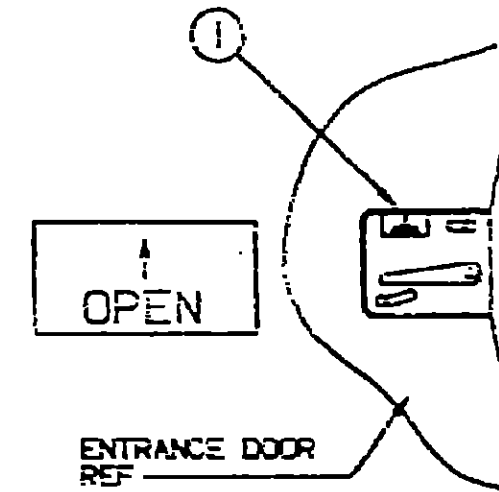
FLOOR PLAN	F-03	F-04
ACCESSORIES		F-05
AUDIO VIDEO	F-05	F-08
BATH	F-09	F-10
BEDROOM	F-11	F-12
CHASSIS	F-13	F-24
CURTAIN & CUSHION	G-01	G-10
DINETTE	G-11	G-12
DRIVERS COMPARTMENT	G-13	G-17
ELECTRICAL	G-18	G-24
EXTERIOR BODY	H-01	H-08
GALLEY	H-03	H-13
GENERATOR	H-14	H-15
HEATING & A/C	H-16	H-20
INTERIOR FINISH	H-21	H-24
LABELS	I-01	I-09
LP		I-10
LOUNGE	I-11	I-12
SEALANTS & FASTENERS	I-13	I-15
WATER & SEWAGE	I-17	I-22
WINDOW, VENT AND		
EXTERIOR DOOR	I-23	J-16
WINDSHIELD WIPER	J-17	J-19

LABELS GROUP



KEY	PART NUMBER	U/M DESCRIPTION
1	001228-01-000	EA LABEL-WARNING STOVE VENT - US
2	001229-01-000	EA LABEL-WARNING STOVE VENT - CANADIAN

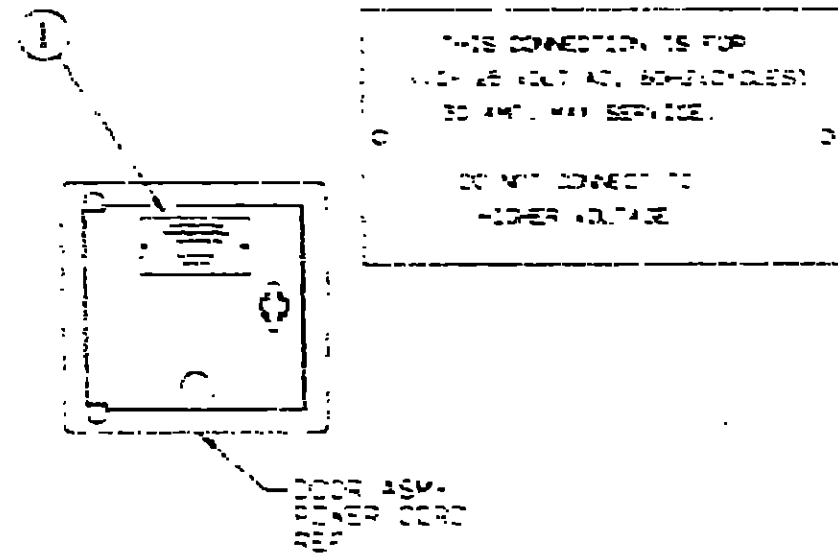
LABELS GROUP (CONTINUED)



KEY	PART NUMBER	U/M DESCRIPTION
1	040944-01-000	EA LABEL-ENTRANCE DOOR "OPEN"

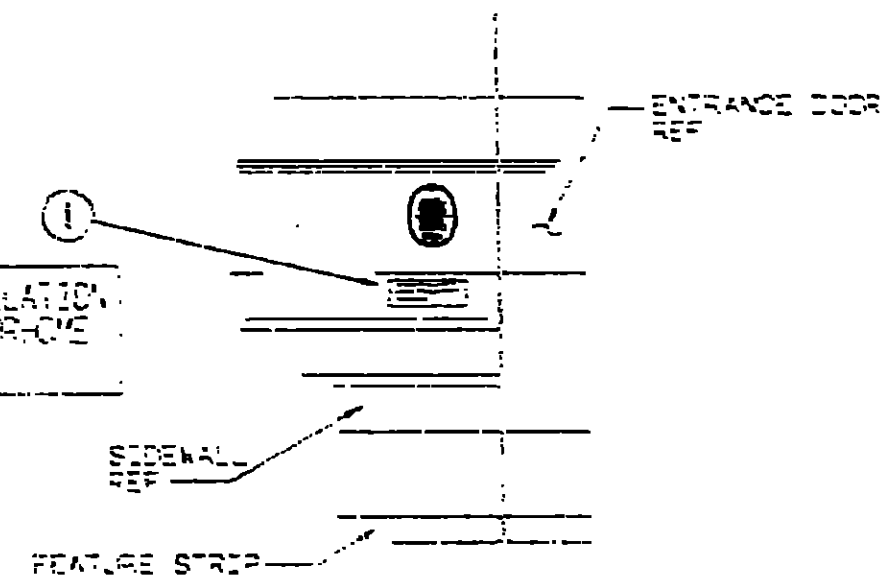
**1993 ITASCA
TABLE OF CONTENTS**

INTRODUCTION	A-01 -	A-02
ABBREVIATIONS		A-03
ALPHABETICAL INDEX	A-04 -	A-06
ICF27RD	A-07 -	F-02
ICF27RD	F-03 -	J-15



KEY	PART NUMBER	U/M DESCRIPTION
1	001228-01-000	EA TAG-ELECTRIC 120V CONNECTION

FOR AWNING INSTALLATION,
CONTACT YOUR MOTORHOME
DEALERSHIP

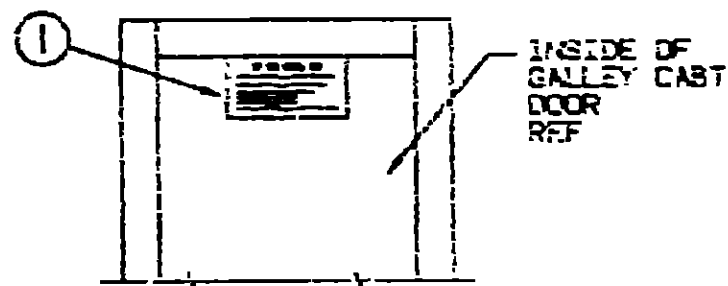


KEY	PART NUMBER	U/M DESCRIPTION
1	002509-01-000	EA LABEL-AWNING INSTALLATION

1993 ICF27RQ INDEX

FLOOR PLAN	F-03 -	F-04
ACCESSORIES	F-05 -	F-06
AUDIO/VIDEO	F-06 -	F-08
BATH	F-09 -	F-10
BEDROOM	F-11 -	F-12
CHASSIS	F-13 -	F-24
CURTAIN & CUSHION	G-01 -	G-10
DINETTE	G-11 -	G-12
DRIVERS COMPARTMENT	G-13 -	G-17
ELECTRICAL	G-18 -	G-24
EXTERIOR BODY	H-01 -	H-13
GALLEY	H-09 -	H-13
GENERATOR	H-14 -	H-15
HEATING & A/C	H-16 -	H-20
INTERIOR FINISH	H-21 -	H-24
LABELS	J-01 -	J-02
LP		J-10
LOUNGE	J-11 -	J-12
SEALANTS & FASTENERS	J-13 -	J-16
WATER & SEWAGE	J-17 -	J-20
WINDOW VENT AND		
EXTERIOR DOOR	J-23 -	J-24
WINDSHIELD WIPER	J-10 -	J-15

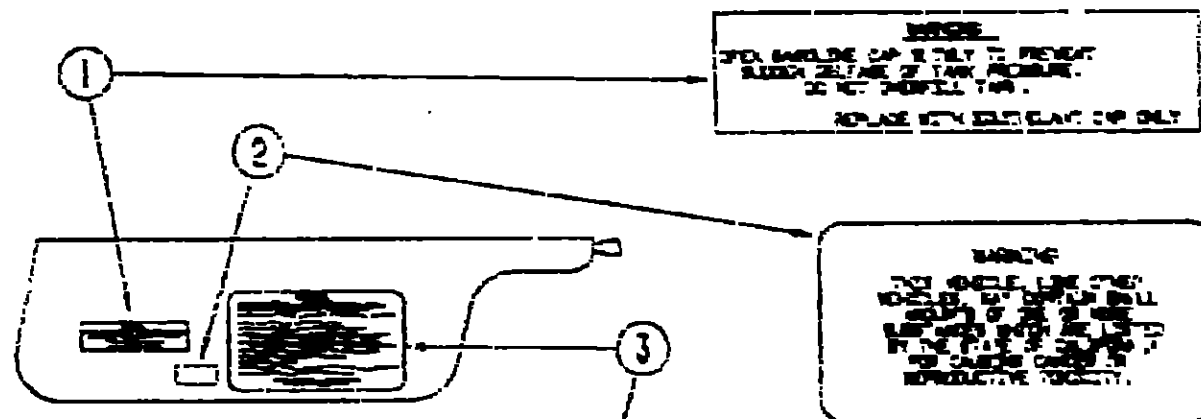
LABELS GROUP (CONTINUED)



IF YOU SMELL GAS

1. EXTINGUISH ANY OPEN FLAME, FUEL LIGHTS AND ALL OPENING MATERIALS.
2. SHUT OFF THE GAS SUPPLY AT THE TANK VALVE OR GAS SUPPLY CONNECTION.
3. OPEN DOORS AND OTHER VENTILATING DEVICES.
4. DO NOT TOUCH ELECTRICAL SWITCHES.
5. LEAVE THE AREA UNTIL GOOD CLEARING.
6. HAVE THE GAS SYSTEM CHECKED AND LEAKAGE SOURCE CORRECTED BEFORE USING AGAIN.

LABELS GROUP (CONTINUED)



CAUTION

THIS MOTOR HOME HAS BEEN DESIGNED, MANUFACTURED AND TESTED WITH CONSIDERATION FOR THE PROTECTION OF YOUR OCCUPANTS. BE NECESSARY, YOU MUST FOLLOW THE FOLLOWING DIRECTIONS FOR YOUR SAFETY AND THE SAFETY OF YOUR PASSENGERS BEFORE STARTING YOUR VEHICLE.

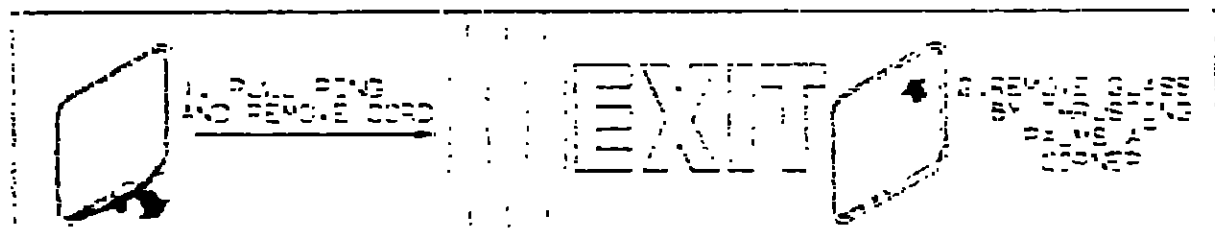
1. UP THE BIRTH- TURN OFF AT TANK FOR TRAVELING. TEST FOR LEAKS UPON ARRIVAL AT DESTINATION. BEFORE LIGHTING PILOTS.
2. WHEELS- CHECK FOR CHANGE AND CHECK AIR PNE FOR TIGHTNESS.
3. TIRERS- CHECK FOR WEAR AND CHANGE AND CHECK FOR RECOMMENDED AIR PRESSURE.
4. LIGHTS- TEST FOR PROPER OPERATION OF ALL INTERIOR AND EXTERIOR LIGHTS INCLUDING DASH LIGHTS, HEADLIGHTS, TAIL LIGHTS, BRAKE LIGHTS, CLEARANCE LIGHTS AND TURN SIGNALS.
5. EXITS- DIRECT PASSENGERS TO EXITS BY EXIT SIGNALS. TEST BOTH LOCKS ON MAIN ENTRANCE DOOR FOR EASE OF OPERATION AND CONTRACT PASSENGERS HOW TO USE BOTH NEARBY EXITS.
6. SEAT BELTS- DIRECT PASSENGERS TO SEATED SEATS AND INSTRUCT USE OF SEAT BELTS.
7. APPLIANCES- TURN OFF AND LATCH OR LOCK DOORS WHERE PROVIDED.
8. LOCKS PANELS- LOCK SECURELY.
9. UTILITY SUPPLY LINES- DISCONNECT ALL ELECTRICAL, WATER AND WATER LINES AND SECURE PROPERLY.
10. ENTRANCE DOOR STOP- PLACE IN RETRACTED POSITION FOR TRAVELING.

READ YOUR MOTOR HOME AND OWNERS MANUAL FOR FURTHER PRECAUTIONS.

**1993 ITASCA
TABLE OF CONTENTS**

INTRODUCTION	A-01 -	A-02
ABBREVIATIONS		A-03
ALPHABETICAL INDEX	A-04 -	A-05
TOPETRO	A-07 -	F-01
TOPETRO	F-03 -	J-15

KEY	PART NUMBER	U/M DESCRIPTION
1	073938-01-000	EA LABEL-POB ODOOR WARNING

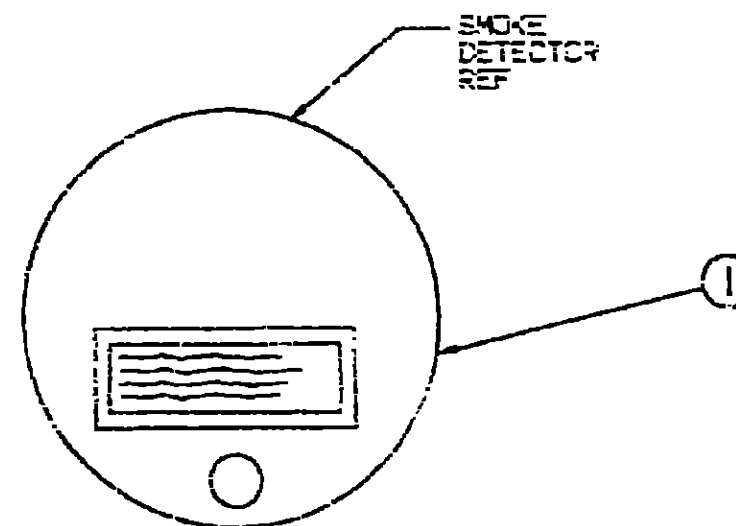
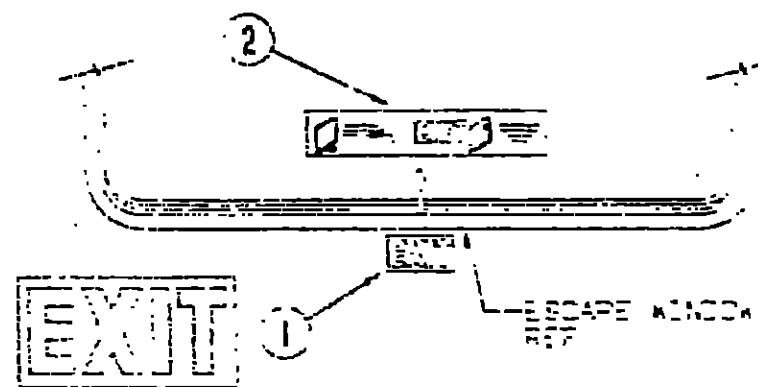


KEY	PART NUMBER	U/M DESCRIPTION
1	157207-000-000	EA LABEL-FUEL CAP REMOVAL
2	073938-01-000	EA LABEL-WARNING, CARBON MONOXIDE
3	073938-01-000	EA LABEL-SAFETY CHECK LIST

1993 ICF27RQ INDEX

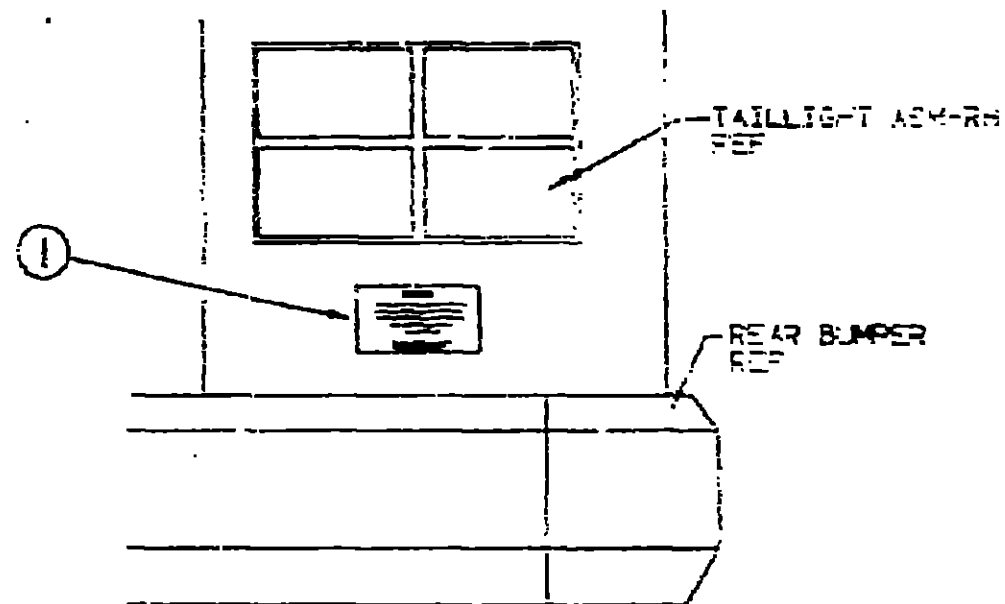
FLOOR PLAN	F-03 -	F-04
ACCESSORIES		F-05
AUDIO VIDEO	F-06 -	F-08
BATH	F-09 -	F-10
BEDROOM	F-11 -	F-12
CHASSIS	F-13 -	F-14
CURTAIN & CUSHION	G-01 -	G-02
DINETTE	G-03 -	G-04
DRIVERS COMPARTMENT	G-05 -	G-07
ELECTRICAL	G-08 -	G-24
EXTERIOR BODY	H-01 -	H-03
GALLEY	H-04 -	H-13
GENERATOR	H-14 -	H-15
HEATING & A/C	H-16 -	H-20
INTERIOR FINISH	H-21 -	H-24
LABELS	I-01 -	I-02
LP		I-03
LOUNGE	J-11 -	J-12
SEALANTS & FASTENERS	J-13 -	J-15
WATER & SEWAGE	J-17 -	J-22
WINDOW VENT AND		
EXTERIOR DOOR	K-03 -	J-15
WINDSHIELD WIPER	J-17 -	J-18

KEY	PART NUMBER	U/M DESCRIPTION
1	039290-01-000	EA LABEL-WARNING, EXIT
2	107571-01-000	EA LABEL-ESCAPE EXIT, WINDOW



KEY	PART NUMBER	U/M DESCRIPTION
1	073938-01-000	EA LABEL-WARNING, SMOKE DETECTOR

LABELS GROUP (CONTINUED)

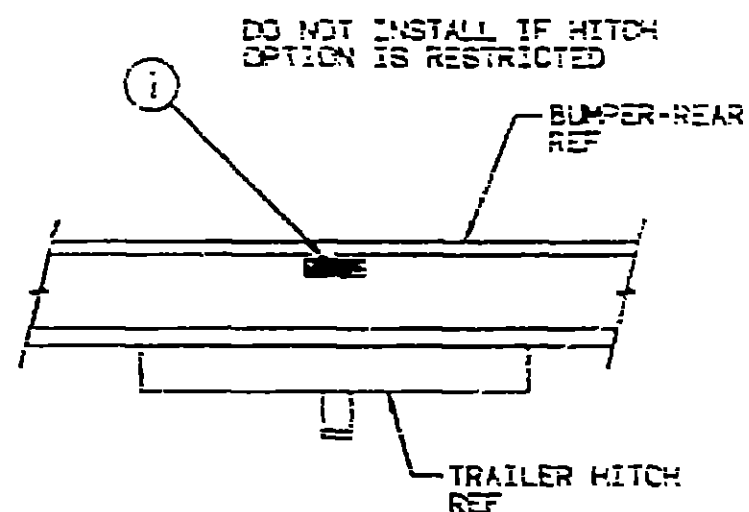


WARNING

DO NOT EXCEED THE VEHICLE WEIGHT RATINGS OR LOADING RECOMMENDATIONS (E.G., GROSS VEHICLE, GROSS AXLE, GROSS COMBINED) OF THE CHASSIS MANUFACTURER OR WENNEBAGO INC.

REFER TO YOUR OWNERS MANUAL, BEFORE LOADING OR TOWING.

KEY PART NUMBER U/M DESCRIPTION
1 075223-01-000 EA LABEL-WARNING INTERIOR LOAD



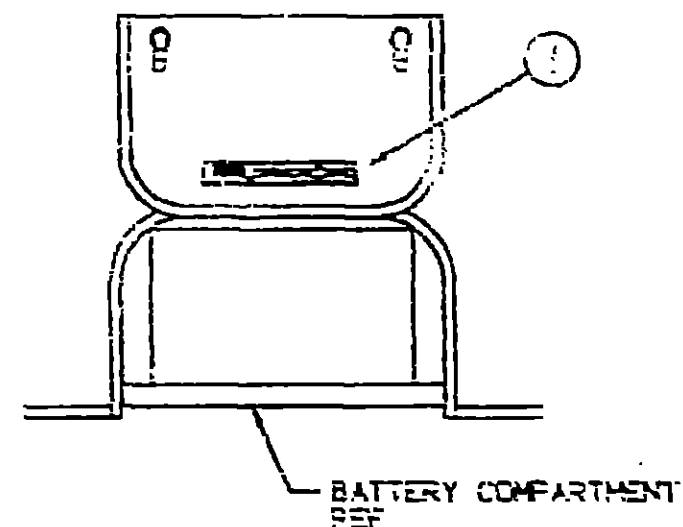
TOWING CAPACITY

TOWED VEHICLE 3500 LB. GROSS MAXIMUM
HITCH BALL 200 LB. MAXIMUM

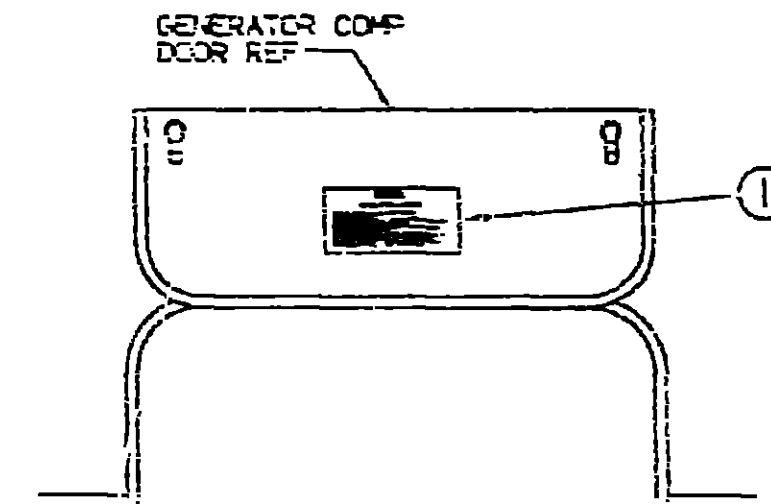
KEY PART NUMBER U/M DESCRIPTION
1 075223-03-000 EA LABEL-TRAILER HITCH

LABELS GROUP (CONTINUED)

WARNING DISCONNECT BATTERIES BEFORE CONNECTING EXTERNAL CHARGING EQUIPMENT.



KEY PART NUMBER U/M DESCRIPTION
1 065748-01-000 EA LABEL-CAUTION, BATTERY CHARGING



WARNING

WHEN ADDING A GENERATOR SET:

HIGH VOLTAGE-NEVER OPEN DOOR WITH BATTERY OR ELECTRICAL COMPONENTS.
HAVE ALL ELECTRICAL INSTALLATION PERFORMED BY A QUALIFIED LICENSED ELECTRICIAN-FOLLOW ALL STATE AND LOCAL CODES.
ONLY INSTALL GENERATOR SET APPROVED FOR R.V. APPLICATION. HAVE IT INSTALLED BY QUALIFIED TECHNICIAN.
TO AVOID HEAT BUILD-UP AND TO MAINTAIN AN ADEQUATE AIR SUPPLY TO THE GENERATOR COMPARTMENT, FOLLOW INSTALLATION INSTRUCTIONS.
GENERATOR DESIGN DISALLOWS BATTERY AIR LOCKS AND MUST NOT TOW A VEHICLE UNDER THE VEHICLE-COVERAGE EXCEPT AWAY FROM VEHICLE.

KEY PART NUMBER U/M DESCRIPTION
1 075143-01-000 EA LABEL-GENERATOR PREP

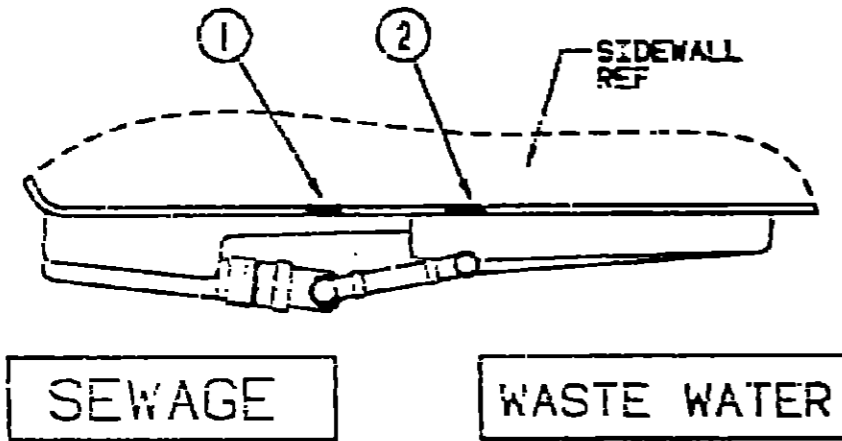
1993 ITASCA
TABLE OF CONTENTS

INTRODUCTION	A-01 -	A-02
ABBREVIATIONS		A-03
ALPHABETICAL INDEX	A-04 -	A-05
ICF27RQ	F-01 -	F-02
CF27RQ	F-03 -	J-18

1993 ICF27RQ INDEX

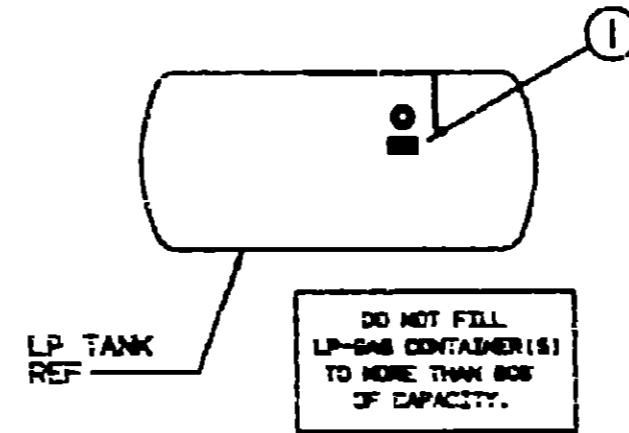
FLOOR PLAN	F-03 -	F-04
ACCESSORIES		F-05
AUDIO VIDEO	F-06 -	F-08
BATH	F-09 -	F-10
BEDROOM	F-11 -	F-12
CHASSIS	F-13 -	F-14
CURTAIN & CUSHION	G-01 -	G-02
DINETTE	G-11 -	G-12
DRIVERS COMPARTMENT	G-13 -	G-17
ELECTRICAL	G-18 -	G-24
EXTERIOR BODY	H-01 -	H-02
GALLEY	H-03 -	H-13
GENERATOR	H-14 -	H-15
HEATING & A/C	H-16 -	H-20
INTERIOR FINISH-LABELS	I-01 -	I-02
LP		I-10
LOUNGE	I-11 -	I-12
SEALANTS & FASTENERS	I-13 -	I-15
WATER & SEWAGE	I-17 -	I-22
WINDOW, VENT AND EXTERIOR DOOR	I-23 -	J-16
WINDSHIELD WIPER	J-17 -	J-18

LABELS GROUP (CONTINUED)



KEY	PART NUMBER	U/M DESCRIPTION
1	006187-01-000	EA LABEL-SEWAGE
2	006188-01-000	EA LABEL-WASTE WATER

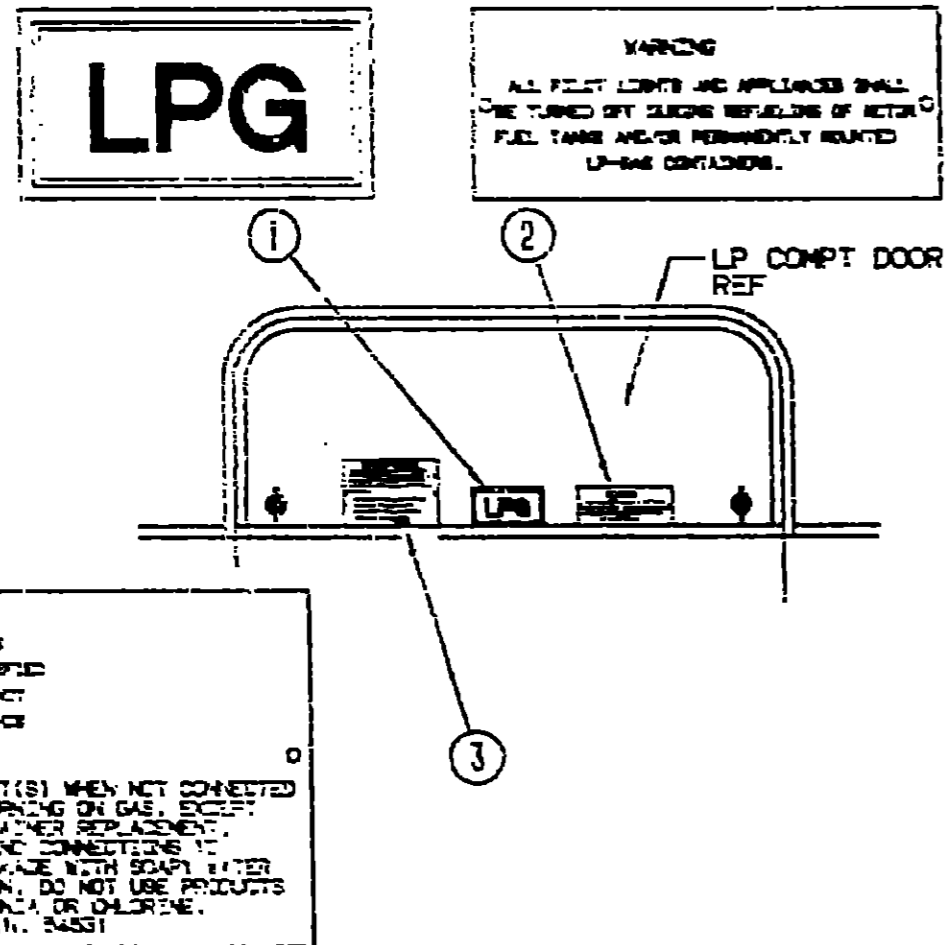
LABELS GROUP (CONTINUED)



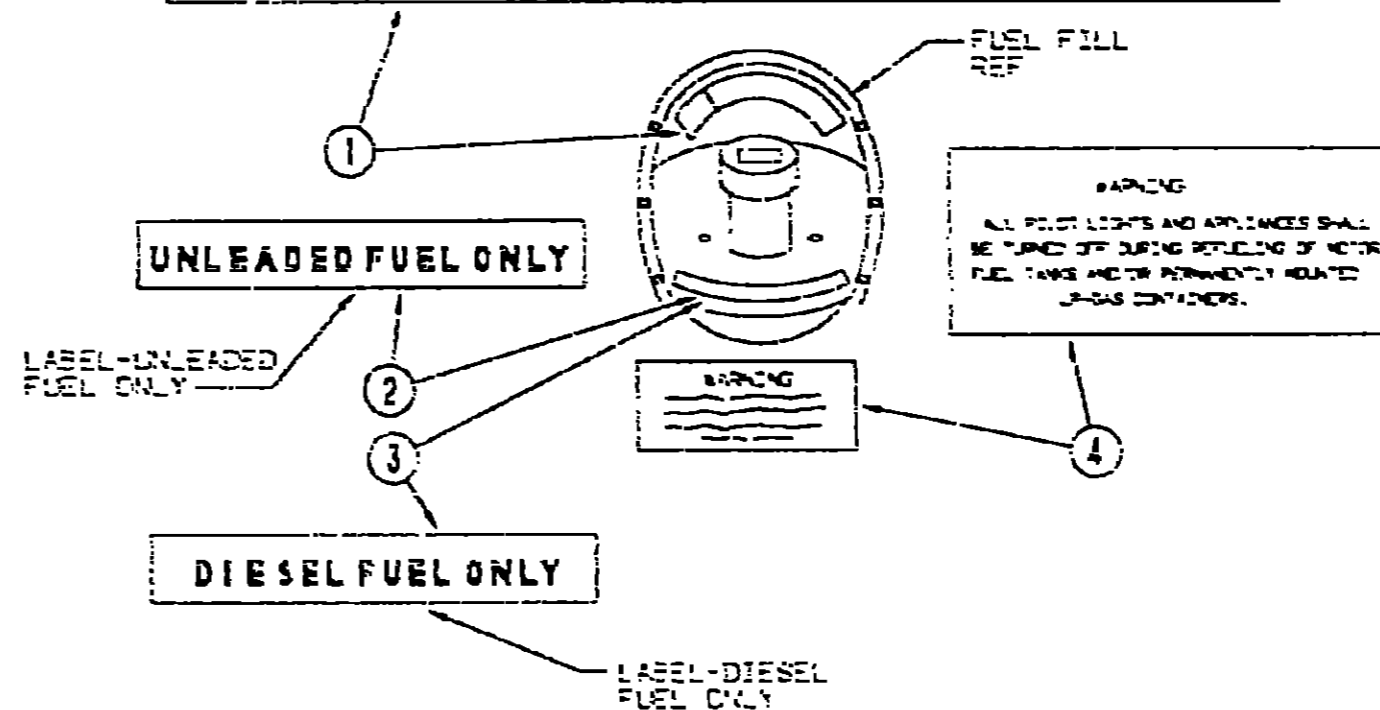
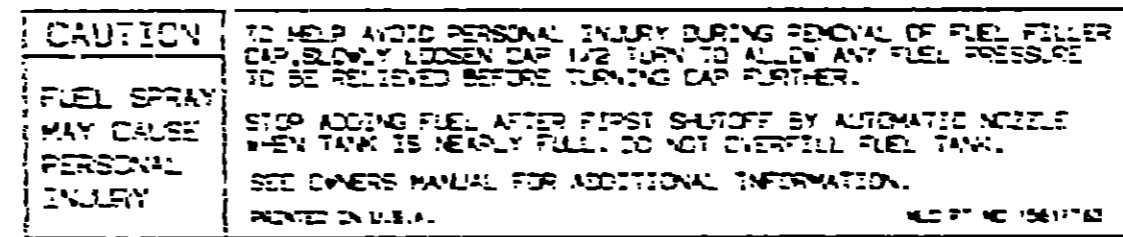
KEY	PART NUMBER	U/M DESCRIPTION
1	073985-01-000	EA LABEL-LPG, 80 LB CAPACITY

**1993 ITASCA
TABLE OF CONTENTS**

INTRODUCTION	A-01 -	A-02
ABBREVIATIONS		A-03
ALPHABETICAL INDEX	A-04 -	A-06
ICF27RC	A-07 -	F-02
ICF27RD	F-03 -	J-18



KEY	PART NUMBER	U/M DESCRIPTION
1	074559-01-000	EA DECAL-LOGO, LPG - RED - CALIF CODE,
2	006040-01-000	EA TAG-GAS REFUELING WARNING
2	006040-02-000	EA TAG-GAS REFUEL WARNING, CANADIAN
3	004581-01-000	EA LABEL-LPG GAS ONLY
3	023769-01-000	EA LABEL-WARNING LPG - CANADIAN



KEY	PART NUMBER	U/M DESCRIPTION
1	057207-05-000	EA LABEL-FUEL CAP REMOVAL
2	006043-01-000	EA LABEL-FUEL, UNLEADED
3	003393-01-000	EA LABEL-DIESEL FUEL
4	006040-01-000	EA TAG-GAS REFUELING WARNING
4	006040-02-000	EA TAG-GAS REFUEL WARNING, CANADIAN

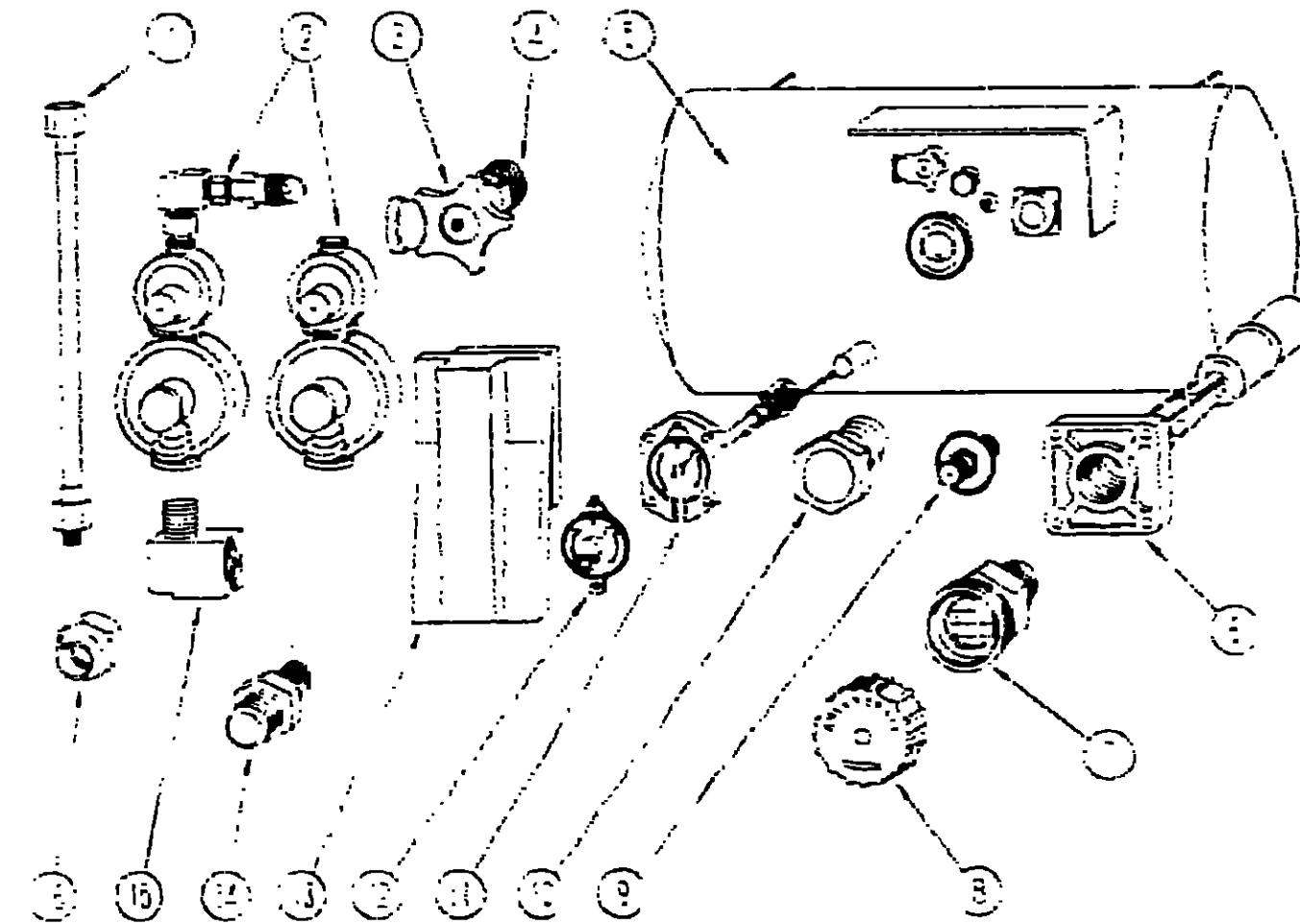
1993 ICF27HQ INDEX

FLOOR PLAN	F-03 -	F-04
ACCESSORIES		F-05
AUDIO VIDEO	F-06 -	F-08
BATH	F-09 -	F-10
BEDROOM	F-11 -	F-12
CHASSIS	F-13 -	F-24
CURTAIN & CUSHION	G-01 -	G-10
DINETTE	G-11 -	G-12
DRIVERS COMPARTMENT	G-13 -	G-17
ELECTRICAL	G-18 -	G-24
EXTERIOR BODY	H-01 -	H-08
GALLEY	H-09 -	H-13
GENERATOR	H-14 -	H-15
HEATING & A/C	H-16 -	H-20
INTERIOR FINISH	H-21 -	H-24
LABELS	I-01 -	I-09
LP		I-10
LOUNGE	I-11 -	I-12
SEALANTS & FASTENERS	I-13 -	I-16
WATER & SEWAGE	I-17 -	I-22
WINDOW, VENT AND		
EXTERIOR DOOR	J-23 -	J-18
WINDSHIELD WIPER	J-17 -	J-18

LABELS GROUP (CONTINUED)
MISCELLANEOUS LABELS

KEY	PART NUMBER	U/M DESCRIPTION
	092235-01-000	EA LABEL-CIRCUIT BREAKER, FRONT
	090342-01-000	EA LABEL-VAPOR RELIEF
	061417-01-000	EA LABEL-FUEL ON FUEL FILL DOOR
	005064-01-000	EA LABEL-SEAT W/O SEATBELT
	091224-02-000	EA LABEL-TRAILER LIGHTING
	091243-01-000	EA LABEL-A/C COVER 'AIR CONDITIONING CIRCUIT ETC'
	096375-03-000	EA LABEL-ELECTRICAL BOX, FRONT
	096379-04-000	EA LABEL-ELECTRICAL BOX, SIDE
	096541-01-000	EA LABEL-FUEL UNLEADED - DASH
	104678-01-000	EA LABEL-OB TREP
	079956-01-000	EA LABEL-WARNING, STOWED MOTION
	111104-01-000	EA LABEL-HITCH, READ MANUAL

LP GROUP



**1993 ITASCA
TABLE OF CONTENTS**

INTRODUCTION	A-01 -	A-02
ABBREVIATIONS		A-03
ALPHABETICAL INDEX	A-04 -	A-05
ICF27RD	A-07 -	F-01
ICF27RQ	F-03 -	J-15

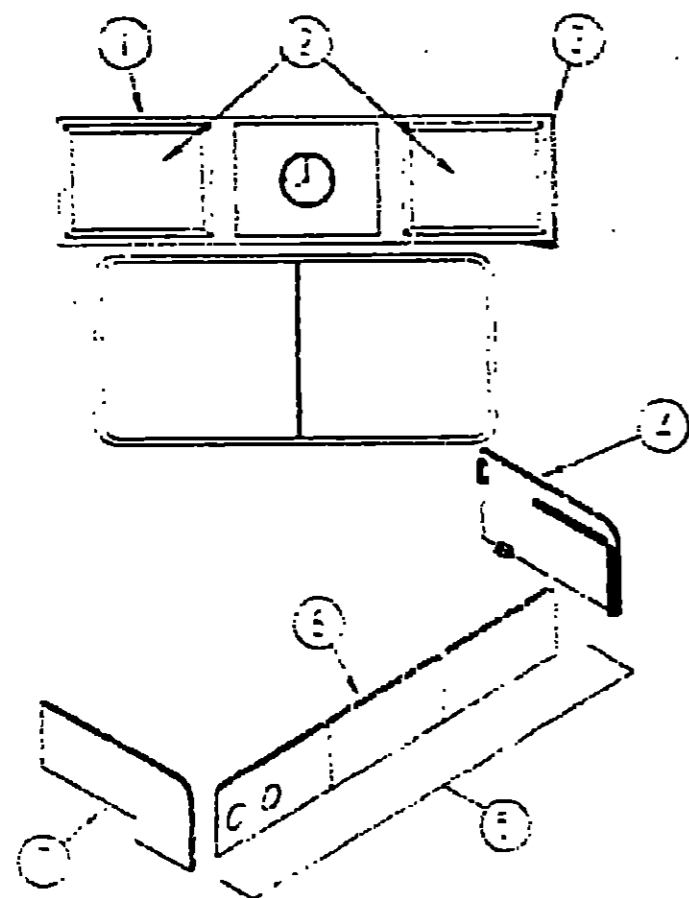
LP TANK COMPONENTS

KEY	PART NUMBER	U/M DESCRIPTION
1	148703-01-000	EA HOSE-LP 3/8" ID X 24' 3/8" MPT X 1/2" F SWANEL - US
2	148703-03-000	EA HOSE-LP 3/8" ID X 24' 3/8" MPT X 1/2" F SWANEL - CANADIAN
3	107460-01-000	EA REGULATOR-TWO STAGE
4	107460-02-000	EA REGULATOR-TWO STAGE - EUROPEAN
5	147401-01-000	EA HANDWHEEL-VAPOR RELIEF VALVE - BRUNNER G-1013A
6	147401-01-212	EA VALVE-SERVICE W/O VAPOR RELIEF 2800PSI
7	097020-01-000	EA TANK-LP 50 LBS BRUNNER - 14" X 32"
8	147401-01-711	EA VALVE - 87" W/FLOAT PLATE BOLTS & CASSET - BRUNNER
9	147401-01-701	EA VALVE-SHORT TAP 1/2" DIA YELLOW CAP - BRUNNER G-1013A
10	147401-01-702	EA CAP-LP FILLER VALVE PLASTIC - YELLOW - BRUNNER G-1013A
11	147401-01-700	EA GAUGE-LIQUID LEVEL 1/2" MPT - BRUNNER G-1013
12	147401-01-713	EA PRESSURE RELIEF VALVE
13	147401-01-707	EA GAUGE-FLOAT W/VISIBLE LIQ - BRUNNER G-1013A
14	147401-01-700	EA TRANSMITTER DIAL 90 DEG
15	108516-01-000	EA COMPARTMENT-LP REGULATOR
16	070320-01-000	EA ADAPTER-BRASS 3/4" F X 1/2" MPT
17	070320-01-000	EA ADAPTER-BRASS 1/2" F X 1/2" MPT
18	066311-01-000	EA ELBOW - 45 DEGREE 3/4" MPT X 1/2" MPT
19	070370-01-000	EA NUT-BRASS 1/2" FEMALE - 108516
20	074250-01-000	EA ADAPTER-BRASS 1/2" F X 1/2" MPT
21	074248-01-000	EA BUSHING-STEEL 1/2" MPT X 1/2" MPT - EXPORT OPTION
22	067749-01-000	EA TEE 3/4" X 3/4" X 1/2" MPT - BRASS
23	067749-01-000	EA GAUGED DIAPHRAGM PRESSURE - MARSHALL TOWN MFG
24	077431-01-000	EA NIPPLE-1/2" X 1/2" FEMALE - WEATHERNEAD - US
25	097430-01-000	EA TUBING-VALVE 1/2" MPT
	095114-01-000	EA ELBOW-BRASS 1/2" X 1/2" X 1/2" MPT - US
	107460-01-000	EA DETECTOR-LP GAS

1993 ICF27R INDEX

FLOOR PLAN	F-03 -	F-04
ACCESSORIES		F-05
AUX VIDEO	F-06 -	F-08
BATH	F-09 -	F-10
BEDROOM	F-11 -	F-12
CHASSIS	F-13 -	F-14
CURTAIN & CUSHION	G-01 -	G-10
DAWETTE	G-11 -	G-12
DRIVERS COMPARTMENT	G-13 -	G-17
ELECTRICAL	G-18 -	G-24
EXTERIOR BODY	H-01 -	H-09
GALLEY	H-09 -	H-13
GENERATOR	H-14 -	H-15
HEATING & AC	H-16 -	H-20
INTERIOR FINISH	H-21 -	H-24
LABELS	J-01 -	J-09
LP		J-10
LOUNGE	I-11 -	I-12
SEALANTS & FASTENERS	I-13 -	I-16
WATER & SEWAGE	I-17 -	I-22
WINDOW, VENT AND		
EXTERIOR DOOR	K-03 -	J-16
WINDSHIELD WIPER	J-17 -	J-18

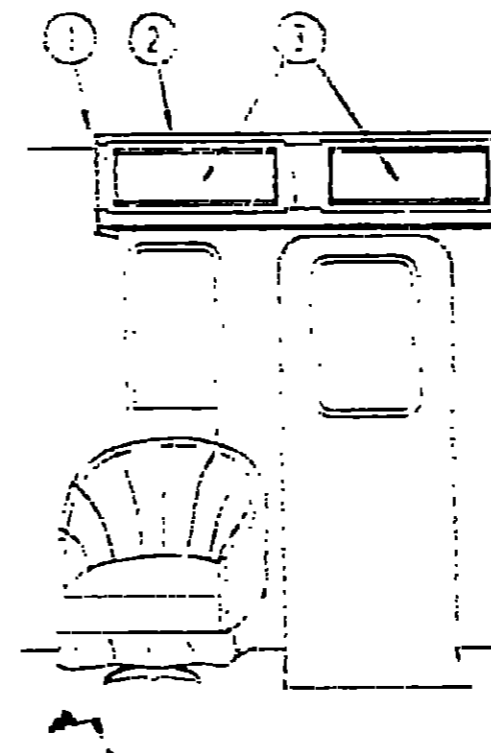
LOUNGE GROUP



DRIVERS SIDE LOUNGE

KEY	PART NUMBER	U/M DESCRIPTION
1	F07233-01-D32	EA CABINET-OVERHEAD, W/O DOORS -D32-D32
1	F07233-01-D34	EA CABINET-OVERHEAD, W/O DOORS -D34
2	M05908-02-D32	EA DOOR-W/O HARDWARE, W MIRROR - 400 MM X 520 MM FROM 08-08-92 THRU 08-08-92
2	R04745-05-D34	EA DOOR-W/O HARDWARE W MIRROR - 400 MM X 520 MM FROM 08-08-92 THRU 08-08-92
3	103123-01-C05	EA CAR-END OVERHEAD CABINET - FRONT
4	M04167-23-D32	EA PANEL-COUCH CABINET - LEFT SIDE - FABRIC COVERED -D32-D32
4	M04167-23-D34	EA PANEL-COUCH CABINET - LEFT SIDE - FABRIC COVERED -D34
5	M04167-31-D32	EA PANEL-COUCH CABINET - FRONT - W DOOR - FABRIC COVERED -D32-D32
5	M04167-31-D34	EA PANEL-COUCH CABINET - FRONT - W DOOR - FABRIC COVERED -D34
6	M04167-33-D32	EA DOOR-CABINET, W/O HARDWARE - 11" X 21 1/2" - FABRIC COVERED -D32-D32
6	M04167-33-D34	EA DOOR-CABINET, W/O HARDWARE - 11" X 21 1/2" - FABRIC COVERED -D34
7	M04167-35-D32	EA PANEL-COUCH CABINET - RIGHT SIDE - W FABRIC -D32-D32
7	M04167-35-D34	EA PANEL-COUCH CABINET - RIGHT SIDE - W FABRIC -D34
	105947-01-000	EA BRACKET-HOLD DOWN, COUCH - CANADIAN
	052525-01-000	EA BRACE-COUCH FLOOR MOUNT - ANGLE 5" LONG - METAL
	053125-01-000	EA BRACE-ANGLE, COUCH - 2 1/2" - BRASS
	051223-01-004	EA TABLE-LOUNGE, 432 MM X 640 MM - W/O HARDWARE
	009340-02-010	EA PEDESTAL TABLE LEG - 17" X 2 1/2" DIA - CHROME
	041194-01-000	EA BASE-TABLE, FLUSH - FLOOR MOUNTED
	009040-03-070	EA BASE-TABLE, RAISED - TABLE MOUNTED
	042438-02-000	EA DOWEL-WOOD, 2" X 2"
	075840-02-000	EA HOLD DOWN CORD-BUNGEE 15"
	077958-01-000	EA RETAINER-NYLON, 5" X 1 1/2"
	062045-01-000	EA CLIP-LEG PEDESTAL - 17" X 2 1/2" DIA FROM 1" TO 1 1/2"

LOUNGE GROUP (CONTINUED)



PASSENGER SIDE LOUNGE

KEY	PART NUMBER	U/M DESCRIPTION
1	103123-03-C05	EA CAR-END OVERHEAD CABINET - FRONT
2	M05613-05-D32	EA CABINET-OVERHEAD, W/O DOORS
3	R04745-01-D32	EA DOOR-CABINET, W/O HARDWARE - 225 MM X 540 MM
	104008-01-C05	EA LID-ENTRANCE STEP COMPARTMENT, 1/2 CARPET
	101223-01-C14	EA BRACKET-CATCH LID - BRASS
	107941-01-024	EA SUPPORT-LID, ENTRANCE STEP - OFF WHITE
	042541-04-000	EA LATCH-BRASS, HASP TYPE - BRASS

**1993 ITASCA
TABLE OF CONTENTS**

INTRODUCTION	A-01 -	A-02
ABBREVIATIONS		A-03
ALPHABETICAL INDEX	A-04 -	A-08
ICF27RC	A-07 -	F-02
ICF27RO	F-03 -	J-15

1993 ICF27RQ INDEX

FLOOR PLAN	F-01 -	F-04
ACCESSORIES		F-05
RADIO VIDEO	F-06 -	F-08
BATH	F-09 -	F-10
BEDROOM	F-11 -	F-12
CHASSIS	F-13 -	F-24
CURTAIN & CUSHION	G-01 -	G-10
DINETTE	G-11 -	G-13
DRIVERS COMPARTMENT	G-14 -	G-17
ELECTRICAL	G-18 -	G-24
EXTERIOR BODY	H-01 -	H-08
GALLEY	H-09 -	H-13
GENERATOR	H-14 -	H-15
HEATING & A/C	H-16 -	H-20
INTERIOR FINISH	H-21 -	H-27
LABELS	I-01 -	I-05
LP		I-10
LOUNGE	J-01 -	J-12
SEALANTS & FASTENERS	J-13 -	J-15
WATER & SEWAGE	J-17 -	J-22
WINDOW, VENT AND		
EXTERIOR DOOR	K-03 -	K-16
WINDSHIELD WIPER	J-17 -	J-15

**SEALANTS & FASTENERS GROUP
ADHESIVE**

KEY	PART NUMBER	U/M DESCRIPTION
	004250-01-000	QT ADHESIVE-ABS CEMENT QUART
	081377-01-000	EA ADHESIVE-CYANOACRYLATE, 10 GRAM TUBE
	081211-01-000	GL ADHESIVE-PROVOTER
	004255-02-000	EA ADHESIVE-S-WETS 1 GAL - W1333
	062217-03-000	EA ADHESIVE-LOCTITE 242 LOCTITE 242 SIDE 41

CLAMPS, GROMMETS AND MISCELLANEOUS FASTENERS

KEY	PART NUMBER	U/M DESCRIPTION
	007101-01-000	EA CLAMP-HOSE, SPRING TYPE - 1 1/2"
	010455-01-000	EA CLAMP-CABLE, 3/16"
	010457-01-000	EA CLAMP-CLOSED, 3/8" ID
	010457-04-000	EA CLAMP-CLOSED, 1/2" ID
	010457-05-000	EA CLAMP-CLOSED, 1/2" ID
	010459-01-000	EA CLAMP-CLOSED, 3/8" ID
	062401-01-000	EA CLAMP-HOSE, WORMGEAR, 25' - 1"
	062401-02-000	EA CLAMP-HOSE, WORMGEAR, 1 1/2' - 2 1/2'
	062401-04-000	EA CLAMP-HOSE, WORMGEAR, 60' - 1 1/2'
	062401-05-000	EA CLAMP-HOSE, WORMGEAR, 2' - 3'
	062401-06-000	EA CLAMP-HOSE, WORMGEAR, 22' - 62"
	062401-11-000	EA CLAMP-HOSE, WORMGEAR, 3 1/2' - 4 1/2'
	075142-02-000	EA CLAMP-GROUNDING, BRONZE SCREWS
	060754-12-000	EA CLAMP-WIRE, NYLON
	060609-01-000	EA CLAMP-WIRE, DUAL EQUAL - 3/8" DIAMETER
	060610-01-000	EA CLAMP-WIRE, DUAL - UNEQUAL DIAMETERS - 7/8" & 1 1/2"
	010181-03-000	EA GROMMET-LP LINE, 3/8" HOLE X 2 1/2" LONG - RUBBER
	010185-03-000	EA GROMMET-LP LINE, 3/8" HOLE X 3 1/4" LONG - RUBBER
	020342-01-000	EA GROMMET-RUBBER, 2" OD
	071035-05-000	EA GROMMET - 1 1/2" ID FITS .157 MATERIAL - MINOR Z-TAC FROM 01-03-93 THRU 01-23-93
	060337-01-000	EA GROMMET-RUBBER, 37" X 34" DIAMETER - BLACK
	060285-01-000	EA SPACER-NYLON, 5" OD X 25" ID
	061211-05-000	EA PLUG-PLASTIC, .185 DIA - NATURAL FROM 01-26-93 THRU 02-02-93
	007055-01-000	EA JOLIF-NYL COATED, 3/8" USED IN WIRING TO CLEARANCE LIGHTS
	020094-04-000	YD VELCRO TAPE-LOOP, 1" WIDE - BLACK
	020095-03-000	YD VELCRO TAPE-HOOK, 1" WIDE - BLACK
	020195-04-000	YD VELCRO TAPE-HOOK, W/ADHESIVE BACK - 1" WIDE - BLACK
	060774-01-000	FT FASTENER-DUAL HOOK, 1" WIDE - ADHESIVE BACK - BLACK
	060774-02-000	FT FASTENER-DUAL HOOK, 1" WIDE - ADHESIVE BACK - BLACK
	006343-01-000	EA TIE-WIRE 6"
	006343-02-000	EA TIE-WIRE 14"
	004347-02-000	EA CLIP-UMAS TREE, FLAT HEAD

**SEALANTS & FASTENERS GROUP (CONTINUED)
NUTS AND BUSHES**

KEY	PART NUMBER	U/M DESCRIPTION
	000014-04-000	EA NUT-HEX, 1/4 - 20, ZNF
	000024-10-000	EA NUT-HEX, SF LK - 10-32 ZN
	000034-04-000	EA NUT-HEX, LN 1/4 - 20 ZN
	000034-16-000	EA NUT-HEX, LK - 3/8 - 16 GRADE C ZN - PREVAILING TORQUE
	000039-04-000	EA NUT-HEX, SER FLG LK 1/4 - 20 ZN
	000039-05-000	EA NUT-HEX, SER FLG LK - 5/16 - 18 ZN
	000039-06-000	EA NUT-HEX, SER FLG LK - 3/8-16 ZN
	000039-07-000	EA NUT-HEX, SER FLG LK - 1/2-13 ZN
	000044-07-000	EA NUT-HEX, SER FLG LK - 7/16-20 ZN
	000046-04-000	EA NUT-HEX, WELD - 1/4-20 PLAIN - SHORT PILOT
	044354-02-000	EA NUT-SPEED, FLAT - ROUND
	060659-07-000	EA NUT-J, #2A - .120-.130 PANEL THICKNESS
	104069-01-000	EA NUT-HEX, HEAVY - 5/8-11 UNC
	040921-04-000	EA NUT-SPEED, U TYPE - NO. 8
	041930-02-000	EA RIVET-POP, AL 1/8 X .155-250 - OFF WHITE DOVE
	060592-02-000	EA RIVET-T, POP - 1/4 X .093-156
	060729-01-000	EA RIVNUT, 1/4 X 20 UNC - .030-.125
	106247-01-000	EA INSERT NUT 5-32 THREAD X 3/4" LONG - STAFAST PRODUCTS

SCREWS

KEY	PART NUMBER	U/M DESCRIPTION
	000G11-05-06B	EA SCREW, 6-20 X 3/8 PPH - ZINC
	000G11-05-08S	EA SCREW, 6-20 X 1/2 PPH - ZINC
	000G11-05-10J	EA SCREW, 6-20 X 5/8 PPH - BRASS
	000G11-05-10B	EA SCREW, 6-20 X 5/8 PPH - ZINC
	000G11-07-06B	EA SCREW, 7-16 X 1/2 PPH - ZINC
	000G11-08-06S	EA SCREW, 8-16 X 3/8 PPH - ZINC
	000G11-08-16T	EA SCREW, 8-16 X 3/4 PPH - BLACK
	000G11-08-16S	EA SCREW, 8-16 X 3/4 PPH - OFF WHITE
	000G11-08-12F	EA SCREW, 8-16 X 7/8 PPH - DARK BROWN
	000G11-08-12D	EA SCREW, 8-16 X 3/4 PPH - BLACK
	000G11-08-12B	EA SCREW, 8-16 X 3/4 PPH - ZINC
	000G11-08-06S	EA SCREW, 8-16 X 1/2 PPH - ZINC
	000G11-08-02S	EA SCREW, 8-16 X 1 1/4 PPH - ZINC
	000G11-10-12S	EA SCREW, 10-16 X 7/8 PPH - OFF WHITE
	000G11-10-16D	EA SCREW, 10-16 X 3/4 PPH - BLACK
	000G11-10-10S	EA SCREW, 10-16 X 2 1/2 PPH CAP - 34927-01-000
	000G11-10-16S	EA SCREW, 10-16 X 1 - PPH - ZINC
	000G12-03-16S	EA SCREW, 8-18 X 1 1/2 PPH - OFF WHITE
	000G13-06-06S	EA SCREW, 6-20 X 3/8 PPH - ZINC
	000G13-06-16J	EA SCREW, 6-20 X 1 1/2 PPH - BRASS
	000G13-06-06G	EA SCREW, 6-20 X 1/2 PPH - ANTIQUE BRASS
	000G13-06-06B	EA SCREW, 6-20 X 1/2 PPH - ZINC
	000G13-06-24J	EA SCREW, 6-20 X 1 1/2 PPH - BRASS
	000G13-07-10H	EA SCREW, 7-19 X 5/8 PPH - BLACK
	000G13-07-12B	EA SCREW, 7-19 X 3/4 PPH - ZINC
	000G13-08-22B	EA SCREW-MACHINE, 8-32 X 1 3/8 PPH - ZINC
	000G13-10-27B	EA SCREW-MACHINE, 10-32 X 1 1/4 PPH - ZINC
	000G13-10-02B	EA SCREW-MACHINE, 10-32 X 1/2 PPH - ZINC
	000G32-10-06B	EA SCREW, 10-32 X 3/8" - PPH - ZINC
	000G39-05-16T	EA SCREW-SF DR, 6-20 X 1 PPH - BLACK
	000G39-05-10T	EA SCREW-SF DR, 6-20 X 5/8 PPH - BLACK
	000G39-08-06B	EA SCREW-SF DR, 8-16 X 1/2 PPH - ZINC
	000G39-08-06B	EA SCREW-SF DR, 8-16 X 3/8 PPH - ZINC
	000G39-08-06T	EA SCREW-SF DR, 8-16 X 1/2 PPH - BLACK
	000G39-08-06S	EA SCREW-SF DR, 8-16 X 1/2 PPH - OFF WHITE
	000G39-08-12B	EA SCREW-SF DR, 8-16 X 3/4 PPH - ZINC
	000G39-08-12T	EA SCREW-SF DR, 8-16 X 3/4 PPH - BLACK

**1993 ITASCA
TABLE OF CONTENTS**

INTRODUCTION	A-01 -	A-02
ABBREVIATIONS		A-03
ALPHABETICAL INDEX	A-04 -	A-06
ICF27RC	A-07 -	F-02
ICF27RQ	F-03 -	J-15

1993 ICF27RQ INDEX

FLOOR PLAN	F-02 -	F-04
ACCESSORIES		F-05
AUDIO VIDEO	F-06 -	F-08
BATH	F-09 -	F-10
BEDROOM	F-11 -	F-13
CHASSIS	F-13 -	F-24
CURTAIN & CUSHION	G-01 -	G-10
DINETTE	G-11 -	G-12
DRIVERS COMPARTMENT	G-13 -	G-17
ELECTRICAL	G-19 -	G-24
EXTERIOR BODY	H-01 -	H-03
GALLEY	H-09 -	H-13
GENERATOR	H-14 -	H-15
HEATING & A/C	H-16 -	H-20
INTERIOR FINISH	H-21 -	H-24
LABELS	I-01 -	I-03
LP		I-10
LOUNGE	I-11 -	I-12
SEALANTS & FASTENERS	I-13 -	I-16
WATER & SEWAGE	I-17 -	I-22
WINDOW, VENT AND		
EXTERIOR DOOR	J-23 -	J-16
WINDSHIELD WIPER	J-17 -	J-18

SEALANTS & FASTENERS GROUP (CONTINUED)
SCREWS (CONTINUED)

KEY	PART NUMBER	U/M DESCRIPTION
	000G55-08-16B	EA SCREW-SF DR. 5-16 X 1 PPH - ZINC
	000G55-08-16T	EA SCREW-SF DR. 5-16 X 1 PPH - BLACK
	000G55-08-32B	EA SCREW-SF DR. 5-16 X 2 PPH - ZINC
	000G55-10-04B	EA SCREW-SF DR. 10-16 X 1/8 PPH - ZINC
	000G55-10-12B	EA SCREW-SF DR. 10-16 X 3/4 PPH - ZINC
	000G55-10-12D	EA SCREW-SF DR. 10-16 X 3/4 PPH - BLACK
	000G55-10-12R	EA SCREW-SF DR. 10-16 X 3/4 PPH - FLUOROCARBON SLURRY
	000G55-10-21B	EA SCREW-SF DR. 10-16 X 1 1/4 PPH ZN
	000G43-06-24B	EA SCREW-MACHINE 5-32 X 1 1/2" ZN
	000G45-08-24T	EA SCREW-MACHINE 5-32 X 1.50" PPH - BLACK
	000G50-04-08B	EA SCREW-MACHINE 1/4-20 X 1/2" PTH - ZINC
	000G50-04-12B	EA SCREW-MACHINE 1/4-20 X 3/4 PPH - ZINC
	000G52-03-16B	EA SCREW-MACHINE 5/16 X 1 1/8" PTH - ZINC
	000G53-04-06B	EA SCREW-MACHINE 1/4-20 X 5/8 PPH - TYP D - UNDERCUT HEAD
	000G54-04-21B	EA SCREW 1/4-20 X 1 1/4 PTH - TYPE 33 - ZINC PLATED
	000G55-12-45B	EA SCREW WOOD. 12-11 X 3/8" - SPECIAL HARDENED
	000G57-05-16J	EA SCREW 5-20 X 1 PPH - BRASS
	000G60-10-25T	EA SCREW-SF DR. 10-16 X 1 7/8 - BLACK
	000G67-10-45B	EA SCREW 10-12 X 3 PPH - ZINC
	000G67-10-36T	EA SCREW 10-12 X 2 2/8 PPH - BLACK - ST-1 GALV PD
		FROM 00-00-00 THRU 00-00-00
		FROM 12-16-99 THRU 99-99-99
	000G67-10-24B	EA SCREW 10-12 X 1 1/2 PPH - ZINC
	000G67-10-30D	EA SCREW 10-12 X 1 1/4 PPH - BLACK
	000G67-10-16B	EA SCREW 10-12 X 1 PPH - ZINC
	000G67-10-12D	EA SCREW 10-12 X 1 7/8" PPH - TAN
	000G67-10-12B	EA SCREW 10-12 X 3/4" PPH - ZINC
	000G67-10-10S	EA SCREW 10-12 X 5/8" - PPH - OFF WHITE
	000G67-10-10R	EA SCREW 10-10 X 5/8 PPH - TYPE A - BEIGE
	000G67-10-10D	EA SCREW 10-12 X 5/8 PPH - BLACK - TYPE A
	000G67-10-10B	EA SCREW 10-12 X 5/8 PPH - ZINC - TYPE A
	000G67-10-36B	EA SCREW 10-12 X 1 1/2 PPH - ZINC
	000G65-06-10G	EA SCREW 6-18 X 5/8 POH - ANTIQUE BRASS
	000G65-10-36T	EA SCREW 10-12 X 2 2/8 POH BLACK
		FROM 00-00-00 THRU 99-99-99
	049465-01-000	EA SCREW 10-16 W WASHER PTH - DARK BROWN
	049465-03-000	EA SCREW 10-16 X 1 PPH W WASHER - OFF WHITE
	049465-04-000	EA SCREW 10-16 X 1 PTH W WASHER - BEIGE
	049465-05-000	EA SCREW 10-16 X 1 PTH W WASHER - GRAY
	075908-01-000	EA SCREW-MACHINE 10-32 X 5/8 PTH - ZINC - EXTERNAL TOOTH
	075908-01-000	EA SCREW 6-32 X 1 1/4 PPH - BLACK

BOLTS

KEY	PART NUMBER	U/M DESCRIPTION
	000C12-05-16B	EA BOLT-HEX 5-16-18 X 1 - ZINC 5
	000C12-05-41B	EA BOLT-HEX 5-16-18 X 4
	000C12-08-16B	EA BOLT-HEX 3-8-18 X 1 - ZINC 5
	000C12-07-20D	EA BOLT-HEX 7-16 - 14 X 1 1/2" - ZINC
	000C12-08-24B	EA BOLT-HEX 1/2-13 X 1 1/2 - ZINC
	000C12-10-24D	EA BOLT-HEX 5/8-11 X 1 1/2 ZN - 5
	000C13-07-42S	EA BOLT-HEX 7-16 - 20 X 3 - ZN 5
	000C18-05-40A	EA BOLT-ELEV. 5-16-18 X 2 1/2" - PL
	000C26-04-10B	EA BOLT-HEX SER FLG - 1/4-20 X 5/8 - ZINC
	000C26-04-14B	EA BOLT-HEX SER FLG - 1/4-20 X 7/8 - ZINC
	000C26-05-12B	EA BOLT-HEX SER FLG - 5/16-18 X 3/4 - ZINC
	000C26-05-12B	EA BOLT-HEX SER FLG - 3/8 - 18 X 3/4 - ZINC
	000C26-05-25B	EA BOLT-HEX SER FLG - 3/8-18 X 1 1/4 - ZINC
	000C27-10-32B	EA BOLT-CARRIAGE 5-8-11 X 2 00
	000G45-05-16B	EA BOLT-LAG 5-16 - 9 X 1 - ZINC
	051357-06-000	EA BOLT-CARRIAGE W/O HOLE - 5-16-18 X 2 5 - ZINC
	100333-01-05A	EA BOLT-CARRIAGE 7-16 - 14 SST C-17 - ASH GRA - BLUMPER BOLT

SEALANTS & FASTENERS GROUP (CONTINUED)
WASHERS

KEY	PART NUMBER	U/M DESCRIPTION
	100B10-01-12	EA WASHER-FL. 0.81" O.D. - ZINC
	100B10-02-01B	EA WASHER-FL. 7/16" O.D. - ZINC
	100B10-02-01B	EA WASHER-FL. 7/16" O.D. - ZINC
	100B10-02-01B	EA WASHER-FL. 7/16" O.D. - ZINC
	014535-01-000	EA WASHER-FL. 1.31" O.D. - ZINC
	035778-02-01D	EA WASHER-FL. 1.31" O.D. - ZINC
	100B10-01-00	EA WASHER-FL. 1.31" O.D. - ZINC

TAPES

KEY	PART NUMBER	U/M DESCRIPTION
	075914-01-000	FT TAPE-CARPET SEAM, HEAT-BOND - 4" WIDE
	075920-01-000	FT TAPE-FOAM, DOUBLE COATED ADHESIVE BACKED - 75" X 216
	075920-02-000	FT TAPE-FOAM, DOUBLE COATED ADHESIVE BACKED - 11" X 105
	075920-03-000	FT TAPE-FOAM, DOUBLE COATED - 105" X 151" X 105"
	085470-01-000	EA TAPE-ALL WINDING WIDE - 3V
	002707-01-000	FT TAPE-SEALER, 5 1/8" X 1 1/2" - INCREMENTS OF 50 FT

SEALERS

KEY	PART NUMBER	U/M DESCRIPTION
	089840-01-000	FT SEALER-RIBBON, 1/4" DIAMETER - INCREMENTS OF 50
	089840-02-000	FT SEALER-RIBBON, 1/2" X 1/8" - INCREMENTS OF 50 OF 50
	089840-03-000	FT SEALER-RIBBON, 3/4" X 1/8" - INCREMENTS OF 50
	089840-07-000	FT SEALER-RIBBON, 3/4" X 1/8" - INCREMENTS OF 50 OF 45"
	089840-09-000	FT SEALER-RIBBON, 1/2" X 1/8" - INCREMENTS OF 50
	089840-12-000	FT SEALER-TAPE, 1 1/2" X 1 1/2" - GRAY
		FROM 00-00-00 THRU 99-99-99
	089840-13-000	FT SEALER-TAPE, 3 3/4" X 2" - BLACK
	100333-14-000	FT SEALER-TAPE, 1 1/2" X 1" - GRAY
		FROM 00-00-99 THRU 99-99-99
	000390-01-000	EA T.P. 1/2 1/2" X 1 1/2" ORIFICE, ELLSWORTH#TS216
	000390-03-000	EA NOZZLE-SILICONE TUBE, 0.5L# D10
	004555-03-000	EA SILICONE TUBE, 300 ML - CLEAR
	004555-16-000	EA SILICONE TUBE, 300 ML - ASH GRAY
	060768-02-000	EA BEDDING COMPOUND-TUBE, WHITE SCUM, UK 5522
	060768-03-000	EA BEDDING COMPOUND-TUBE, CLEAR
	060768-16-000	EA BEDDING COMPOUND-TUBE, GRAY - SCHNEB# 5522
	072559-01-000	EA SEALANT-URETHANE, BLACK - 1.10 - ESSEX 5522
	100333-01-000	EA SEALER-PLUMBABLE, BLACK - COLOR METRIC VS 17
	100333-01-000	EA SEALER-PLUMBABLE - MANNING#05BLACK

**1993 IT'ASC A
TABLE OF CONTENTS**

INTRODUCTION	A-01 -	A-02
ABBREVIATIONS		A-03
ALPHABETICAL INDEX	A-04 -	A-08
CFETRO	A-12 -	F-12
LOPETRO	F-13 -	J-16

1993 ICF2TRQ INDEX

FLOOR PLAN	F-03 -	F-04
ACCESSORIES		F-05
AUDIO VIDEO	F-06 -	F-08
BATH	F-09 -	F-10
BEDROOM	F-11 -	F-12
CHASSIS	F-13 -	F-14
CURTAIN & CUSHION	G-1 -	G-10
DINETTE	G-11 -	G-12
DRIVERS COMPARTMENT	G-13 -	G-17
ELECTRICAL	G-18 -	G-24
ENTER OR BODY	H-01 -	H-02
GALLERY	H-03 -	H-10
GENERATOR	H-11 -	H-15
HEATING & A/C	H-16 -	H-20
INTERIOR FINISH	H-21 -	H-24
LABELS	H-25 -	H-26
LP		H-27
LOUNGE	H-28 -	H-32
SEALANTS & FASTENERS	H-33 -	H-38
WATER & SEWAGE	H-39 -	H-40
WINDOW UNIT W/D		H-41
EXTERIOR	H-42 -	H-43
WINDSHIELD W/FR	H-44 -	H-45

WATER & SEWAGE GROUP
WATER HEATER W/ELECTRIC IGNITION

KEY	PART NUMBER	U/M DESCRIPTION
	051391-03-000	EA HEATER-WATER, W/ELECTRIC IGNITION - ATWOOD 66A-3E
	051391-03-700	EA BRIDGE KIT-W/CLIP, ATWOOD# 92265 & 92269
	051391-03-704	EA VALVE-RELIEF, 1/2" FITTING - ATWOOD# 91604
	051391-03-705	EA FASTENER-DAM LOG, ATWOOD# 92609
	051391-03-707	EA GRILLE-EXHAUST, ATWOOD# 92767
	051391-03-710	EA BURNER-MAIN, 3E ONLY - ATWOOD# 92615
	051391-03-711	EA OFFICE-MAIN BURNER, ATWOOD# 92742
	051391-03-712	EA ELBOW FITTING 45 DEGREE - 3/8" F X 3/8" NPT, ATWOOD# 91044
	051391-03-713	EA DRAIN PLUG, ATWOOD# 91551
	051391-03-714	EA BRIDGE HOLDER, ATWOOD# 91553
	051391-03-715	EA THERMINE P-66A-3E, FRONT MOUNT - ATWOOD# 91605
	051391-04-701	EA THERMOSTAT 12 VDC - 125 PRESST, FRONT MOUNT ONLY - ATWOOD# 91470
	051391-04-702	EA BURNER-MAIN, ATWOOD# 91635
	051391-04-703	EA TANK-INNER, 66A-3E & 6E - FRONT MOUNT - ATWOOD# 91641
	051391-04-704	EA SWITCH-WATER HEATER, REMOTE W/LIGHT - ATWOOD# 91859
	051391-04-705	EA SWITCH-ENERGY CUT-OFF, ATWOOD# 91251
	051391-04-706	EA THERMOSTAT REAR MOUNT, ATWOOD# 91852
	051391-04-707	EA CIRCUIT BOARD-W/BLACK BOX, ATWOOD# 91422
	051391-04-708	EA OFFICE HOLDER-ATWOOD# 91925
	051391-04-709	EA SPARK PROBE ASY, ATWOOD# 91636
	051391-04-710	EA VALVE-RELIEF, 1/2" NPT, ATWOOD# 91605
	051391-04-711	EA THERMOSTAT ASY, FRONT MOUNT, 140 DEGREE - ATWOOD# 91447
	051391-04-712	EA SWITCH-THERMAL CUT-OFF, PER PACKAGE - ATWOOD# 93555
	051391-04-713	EA CIRCUIT BOARD-SPADE TERMINAL - ATWOOD# 93557
	051391-04-714	EA ELECTRICAL SINGLE SPADE CONNECTION - ATWOOD# 93556
	051391-04-715	EA SHOWER VALVE AND BRACKET - ATWOOD# 93579
	051391-04-716	EA TANK-INNER, 66A-3E, FRONT MOUNT - ATWOOD# 91642

WATER HEATER W/MOTOR AID

KEY	PART NUMBER	U/M DESCRIPTION
	051391-03-000	EA HEATER-WATER, W/ELECTRIC IGNITION - ATWOOD 66A-3E
	051391-03-700	EA BRIDGE KIT-W/CLIP, ATWOOD# 92265 & 92269
	051391-03-704	EA VALVE-RELIEF, 1/2" FITTING - ATWOOD# 91604
	051391-03-705	EA FASTENER-DAM LOG, ATWOOD# 92609
	051391-03-707	EA GRILLE-EXHAUST, ATWOOD# 92767
	051391-03-710	EA BURNER-MAIN, 3E ONLY - ATWOOD# 92615
	051391-03-711	EA OFFICE-MAIN BURNER, ATWOOD# 92742
	051391-03-712	EA ELBOW FITTING 45 DEGREE - 3/8" F X 3/8" NPT, ATWOOD# 91044
	051391-03-713	EA DRAIN PLUG, ATWOOD# 91551
	051391-03-714	EA BRIDGE HOLDER, ATWOOD# 91553
	051391-04-701	EA THERMOSTAT 12 VDC - 125 PRESST, FRONT MOUNT ONLY - ATWOOD# 91470
	051391-04-702	EA BURNER-MAIN, ATWOOD# 91635
	051391-04-703	EA TANK-INNER, FRONT MOUNT - 66A-3E & 6E - ATWOOD# 91641
	051391-04-704	EA SWITCH-WATER HEATER, REMOTE W/LIGHT - ATWOOD# 91859
	051391-04-705	EA SWITCH-ENERGY CUT-OFF, ATWOOD# 91251
	051391-04-706	EA THERMOSTAT REAR MOUNT, ATWOOD# 91852
	051391-04-707	EA CIRCUIT BOARD-W/BLACK BOX, ATWOOD# 91422
	051391-04-708	EA OFFICE HOLDER-ATWOOD# 91925
	051391-04-709	EA SPARK PROBE ASY, ATWOOD# 91636
	051391-04-710	EA VALVE-RELIEF, 1/2" NPT, ATWOOD# 91605
	051391-04-711	EA THERMOSTAT ASY, FRONT MOUNT, 140 DEGREE - ATWOOD# 91447
	051391-04-712	EA SWITCH-THERMAL CUT-OFF, PER PACKAGE - ATWOOD# 93555
	051391-04-713	EA CIRCUIT BOARD-SPADE TERMINAL - ATWOOD# 93557
	051391-04-714	EA ELECTRICAL SINGLE SPADE CONNECTION - ATWOOD# 93556
	051391-04-715	EA SHOWER VALVE AND BRACKET - ATWOOD# 93579
	051391-04-716	EA TANK-INNER, 66A-3E, FRONT MOUNT - ATWOOD# 91642
	051391-04-717	EA ELBOW FITTING 45 DEGREE - 3/8" F X 3/8" NPT, ATWOOD# 91044
	051391-04-718	EA DRAIN PLUG, ATWOOD# 91551
	051391-04-719	EA BRIDGE HOLDER, ATWOOD# 91553
	051391-04-720	EA THERMINE P-66A-3E, FRONT MOUNT - ATWOOD# 91605
	051391-04-721	EA THERMOSTAT 12 VDC - 125 PRESST, FRONT MOUNT ONLY - ATWOOD# 91470
	051391-04-722	EA BURNER-MAIN, ATWOOD# 91635
	051391-04-723	EA TANK-INNER, FRONT MOUNT - 66A-3E & 6E - ATWOOD# 91641
	051391-04-724	EA SWITCH-WATER HEATER, REMOTE W/LIGHT - ATWOOD# 91859
	051391-04-725	EA SWITCH-ENERGY CUT-OFF, ATWOOD# 91251
	051391-04-726	EA THERMOSTAT REAR MOUNT, ATWOOD# 91852
	051391-04-727	EA CIRCUIT BOARD-W/BLACK BOX, ATWOOD# 91422
	051391-04-728	EA OFFICE HOLDER-ATWOOD# 91925
	051391-04-729	EA SPARK PROBE ASY, ATWOOD# 91636
	051391-04-730	EA VALVE-RELIEF, 1/2" NPT, ATWOOD# 91605
	051391-04-731	EA THERMOSTAT ASY, FRONT MOUNT, 140 DEGREE - ATWOOD# 91447
	051391-04-732	EA SWITCH-THERMAL CUT-OFF, PER PACKAGE - ATWOOD# 93555
	051391-04-733	EA CIRCUIT BOARD-SPADE TERMINAL - ATWOOD# 93557
	051391-04-734	EA ELECTRICAL SINGLE SPADE CONNECTION - ATWOOD# 93556
	051391-04-735	EA SHOWER VALVE AND BRACKET - ATWOOD# 93579
	051391-04-736	EA TANK-INNER, 66A-3E, FRONT MOUNT - ATWOOD# 91642
	051391-04-737	EA ELBOW FITTING 45 DEGREE - 3/8" F X 3/8" NPT, ATWOOD# 91044
	051391-04-738	EA DRAIN PLUG, ATWOOD# 91551
	051391-04-739	EA BRIDGE HOLDER, ATWOOD# 91553
	051391-04-740	EA THERMINE P-66A-3E, FRONT MOUNT - ATWOOD# 91605
	051391-04-741	EA THERMOSTAT 12 VDC - 125 PRESST, FRONT MOUNT ONLY - ATWOOD# 91470
	051391-04-742	EA BURNER-MAIN, ATWOOD# 91635
	051391-04-743	EA TANK-INNER, FRONT MOUNT - 66A-3E & 6E - ATWOOD# 91641
	051391-04-744	EA SWITCH-WATER HEATER, REMOTE W/LIGHT - ATWOOD# 91859
	051391-04-745	EA SWITCH-ENERGY CUT-OFF, ATWOOD# 91251
	051391-04-746	EA THERMOSTAT REAR MOUNT, ATWOOD# 91852
	051391-04-747	EA CIRCUIT BOARD-W/BLACK BOX, ATWOOD# 91422
	051391-04-748	EA OFFICE HOLDER-ATWOOD# 91925
	051391-04-749	EA SPARK PROBE ASY, ATWOOD# 91636
	051391-04-750	EA VALVE-RELIEF, 1/2" NPT, ATWOOD# 91605
	051391-04-751	EA THERMOSTAT ASY, FRONT MOUNT, 140 DEGREE - ATWOOD# 91447
	051391-04-752	EA SWITCH-THERMAL CUT-OFF, PER PACKAGE - ATWOOD# 93555
	051391-04-753	EA CIRCUIT BOARD-SPADE TERMINAL - ATWOOD# 93557
	051391-04-754	EA ELECTRICAL SINGLE SPADE CONNECTION - ATWOOD# 93556
	051391-04-755	EA SHOWER VALVE AND BRACKET - ATWOOD# 93579
	051391-04-756	EA TANK-INNER, 66A-3E, FRONT MOUNT - ATWOOD# 91642
	051391-04-757	EA ELBOW FITTING 45 DEGREE - 3/8" F X 3/8" NPT, ATWOOD# 91044
	051391-04-758	EA DRAIN PLUG, ATWOOD# 91551
	051391-04-759	EA BRIDGE HOLDER, ATWOOD# 91553
	051391-04-760	EA THERMINE P-66A-3E, FRONT MOUNT - ATWOOD# 91605
	051391-04-761	EA THERMOSTAT 12 VDC - 125 PRESST, FRONT MOUNT ONLY - ATWOOD# 91470
	051391-04-762	EA BURNER-MAIN, ATWOOD# 91635
	051391-04-763	EA TANK-INNER, FRONT MOUNT - 66A-3E & 6E - ATWOOD# 91641
	051391-04-764	EA SWITCH-WATER HEATER, REMOTE W/LIGHT - ATWOOD# 91859
	051391-04-765	EA SWITCH-ENERGY CUT-OFF, ATWOOD# 91251
	051391-04-766	EA THERMOSTAT REAR MOUNT, ATWOOD# 91852
	051391-04-767	EA CIRCUIT BOARD-W/BLACK BOX, ATWOOD# 91422
	051391-04-768	EA OFFICE HOLDER-ATWOOD# 91925
	051391-04-769	EA SPARK PROBE ASY, ATWOOD# 91636
	051391-04-770	EA VALVE-RELIEF, 1/2" NPT, ATWOOD# 91605
	051391-04-771	EA THERMOSTAT ASY, FRONT MOUNT, 140 DEGREE - ATWOOD# 91447
	051391-04-772	EA SWITCH-THERMAL CUT-OFF, PER PACKAGE - ATWOOD# 93555
	051391-04-773	EA CIRCUIT BOARD-SPADE TERMINAL - ATWOOD# 93557
	051391-04-774	EA ELECTRICAL SINGLE SPADE CONNECTION - ATWOOD# 93556
	051391-04-775	EA SHOWER VALVE AND BRACKET - ATWOOD# 93579
	051391-04-776	EA TANK-INNER, 66A-3E, FRONT MOUNT - ATWOOD# 91642
	051391-04-777	EA ELBOW FITTING 45 DEGREE - 3/8" F X 3/8" NPT, ATWOOD# 91044
	051391-04-778	EA DRAIN PLUG, ATWOOD# 91551
	051391-04-779	EA BRIDGE HOLDER, ATWOOD# 91553
	051391-04-780	EA THERMINE P-66A-3E, FRONT MOUNT - ATWOOD# 91605
	051391-04-781	EA THERMOSTAT 12 VDC - 125 PRESST, FRONT MOUNT ONLY - ATWOOD# 91470
	051391-04-782	EA BURNER-MAIN, ATWOOD# 91635
	051391-04-783	EA TANK-INNER, FRONT MOUNT - 66A-3E & 6E - ATWOOD# 91641
	051391-04-784	EA SWITCH-WATER HEATER, REMOTE W/LIGHT - ATWOOD# 91859
	051391-04-785	EA SWITCH-ENERGY CUT-OFF, ATWOOD# 91251
	051391-04-786	EA THERMOSTAT REAR MOUNT, ATWOOD# 91852
	051391-04-787	EA CIRCUIT BOARD-W/BLACK BOX, ATWOOD# 91422
	051391-04-788	EA OFFICE HOLDER-ATWOOD# 91925
	051391-04-789	EA SPARK PROBE ASY, ATWOOD# 91636
	051391-04-790	EA VALVE-RELIEF, 1/2" NPT, ATWOOD# 91605
	051391-04-791	EA THERMOSTAT ASY, FRONT MOUNT, 140 DEGREE - ATWOOD# 91447
	051391-04-792	EA SWITCH-THERMAL CUT-OFF, PER PACKAGE - ATWOOD# 93555
	051391-04-793	EA CIRCUIT BOARD-SPADE TERMINAL - ATWOOD# 93557
	051391-04-794	EA ELECTRICAL SINGLE SPADE CONNECTION - ATWOOD# 93556
	051391-04-795	EA SHOWER VALVE AND BRACKET - ATWOOD# 93579
	051391-04-796	EA TANK-INNER, 66A-3E, FRONT MOUNT - ATWOOD# 91642
	051391-04-797	EA ELBOW FITTING 45 DEGREE - 3/8" F X 3/8" NPT, ATWOOD# 91044
	051391-04-798	EA DRAIN PLUG, ATWOOD# 91551
	051391-04-799	EA BRIDGE HOLDER, ATWOOD# 91553
	051391-04-800	EA THERMINE P-66A-3E, FRONT MOUNT - ATWOOD# 91605

WATER & SEWAGE GROUP (CONTINUED)
WATER HEATER BYPASS

KEY	PART NUMBER	U/M DESCRIPTION
	059729-01-000	EA BYPASS KIT-WATER HEATER, COMPLETE W/VALVE & TUBING - US
	059729-01-700	EA VALVE ONLY-CHECK, PLASTIC - FGV-100 - US
	059729-02-000	EA BYPASS KIT-WATER HEATER, COMPLETE W/VALVE & TUBING - CANADIAN
	059729-02-700	EA VALVE ONLY-CHECK, BRASS - FGV-100 - CANADIAN
	103259-01-000	EA BRACKET-BYPASS, WATER HEATER
	052217-01-000	EA TEE-SWIVEL, 1/2" - PLASTIC
	052255-01-000	EA TEE - 1/2" F X 1/2" MPT X 1/2" F, PLASTIC

EXTERIOR SHOWER

KEY	PART NUMBER	U/M DESCRIPTION
	045125-01-000	EA VALVE DRAIN, PLASTIC - 1/2" FPT
	059120-01-000	EA ELBOW-SWIVEL, 1/2" FPT X 1/2" FLARE - PLASTIC - GRAY
	075241-05-000	EA FAUCET-SHOWER, ECNE
	093527-02-000	EA BRACKET-SQUEEGEE, SHOWER HEAD
	031952-02-000	EA CLIP-GRABBER, 3/4" FROM 10-02-92 THRU 99-99-99
	103092-01-000	EA SHOWER HEAD-W/60" HOSE - US
	103092-02-000	EA SHOWER HEAD-W/60" HOSE - CANADIAN
	103092-01-700	EA BRACKET ONLY-CLEAR, F. SHOWER HEAD - 2325023
	045241-07-000	EA SWITCH-ROCKER, DPDT - ON/ON - BLACK
	103357-02-000	EA SWITCH-ROCKER, DPDT ON/NONE ON - CARLING VDD15000-0

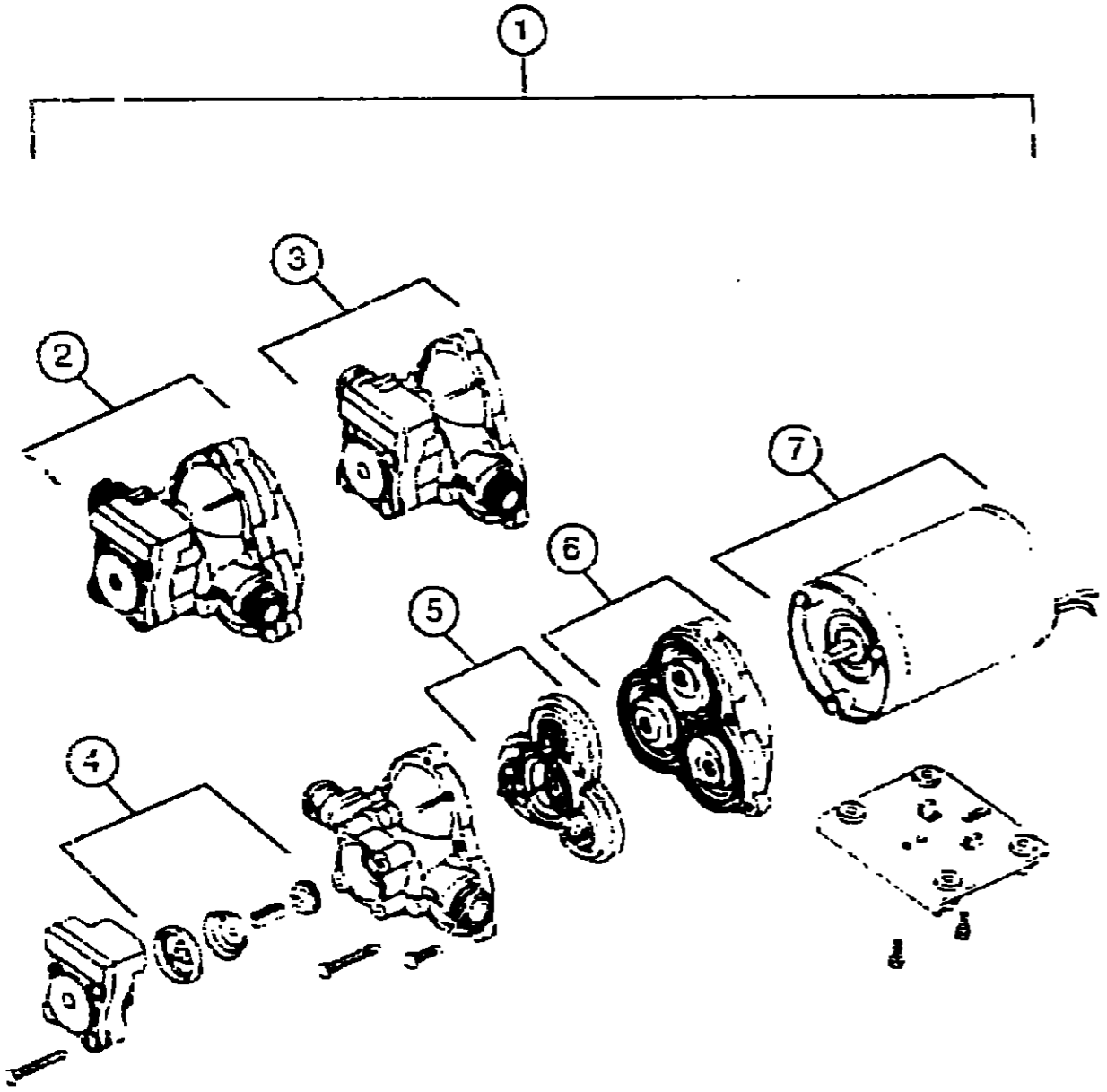
1993 ITASCA
TABLE OF CONTENTS

INTRODUCTION	A-01 -	A-02
ABBREVIATIONS		A-03
ALPHABETICAL INDEX	A-04 -	A-06
ICF27RC	A-07 -	F-02
ICF27RQ	F-03 -	J-15

1993 ICF27RQ INDEX

FLOOR PLAN	F-05 -	F-04
ACCESSORIES		F-05
AUDIO VIDEO	F-06 -	F-08
BATH	F-09 -	F-10
BEDROOM	F-11 -	F-12
CHASSIS	F-13 -	F-24
CURTAIN & CUSHION	G-01 -	G-10
DINETTE	G-11 -	G-12
DRIVERS COMPARTMENT	G-13 -	G-17
ELECTRICAL	G-16 -	G-24
EXTERIOR BODY	H-01 -	H-03
GALLEY	H-09 -	H-13
GENERATOR	H-14 -	H-15
HEATING & A/C	H-16 -	H-20
INTERIOR FINISH	H-21 -	H-24
LABELS	I-01 -	I-09
LP		I-10
LOUNGE	I-11 -	I-12
SEALANTS & FASTENERS	I-13 -	I-15
WATER & SEWAGE	I-17 -	I-22
WINDOW VENT AND		
EXTERIOR DOOR	I-23 -	J-15
WINDSHIELD WIPER	J-17 -	J-18

WATER & SEWAGE GROUP (CONTINUED)



WATER PUMP

KEY	PART NUMBER	U/M DESCRIPTION
1	098607-01-000	EA PUMP-WATER, W/ 5/8" MPT FITTING - FLOW 2.6 GPM - WL
2	098607-01-700	EA PUMP HEAD-REPLACEMENT, SHURFLO® 94-236-05
3	098607-01-702	EP UPPER HOUSING/SWITCH KIT, SHURFLO® 94-237-20
4	098607-01-705	EA CHECK VALVE-KIT, SHURFLO® 94-237-00
5	098607-01-703	EA VALVE ASM, SHURFLO® 94-232-00
6	098607-01-702	EA DIAPHRAGM KIT W/ DRIVE, SHURFLO® 94-236-04
7	098607-01-707	EA MOTOR BASEPLATE REPLACEMENT, SHURFLO® 94-234-03

WATER TANK QUEEN BED

KEY	PART NUMBER	U/M DESCRIPTION
	076825-10-000	EA TANK ASSEMBLY-WATER 54 GL 1016 MM X 634 MM X 343 MM - W FITTINGS
	076825-01-000	EA TANK-WATER, 54 GL 1016 MM X 634 MM X 343 MM - W/O FITTINGS
	039881-01-000	EA SENDING UNIT-W SCREW, WASHER, WELL NUT & TERMINAL RING
	010224-01-000	EA ELBOW - 1 1/4" MPT X 1 1/4" BARB, WATER FILL - PLASTIC
	035559-01-000	EA ELBOW-PLASTIC, 3/8" MPT X 3/8" BARB
	042959-03-000	EA FITTING-WATER TANK, SPINWELD - 1 1/4" MPT - PLASTIC - WHITE
	042959-04-000	EA FITTING-WATER TANK, SPINWELD - 3/8" FPT - PLASTIC - WHITE
	042959-05-000	EA FITTING-WATER TANK, SPINWELD - 1 1/2" FPT - PLASTIC - WHITE
	049032-01-000	EA PATCH-SPINWELD, 3/8" - PLASTIC
	052957-02-000	EA ELBOW-MALE, 1/2" F X 1/2" MPT - PLASTIC - GRAY
	052955-01-000	EA TEE, 1/2" F X 1/2" F X 1/2" F - PLASTIC - GRAY
	055290-01-000	EA ELBOW - 5/8" F X 1/2" MPT
	074462-02-000	FT TUBING-VINYL, 3/8" ID - CLEAR
	077954-02-000	EA FILTER-WATER TANK, SCREEN IN TANK
	079381-01-000	FT TUBING-SMOOTH FLEXIBLE, 1 1/4" ID
	056449-01-000	EA WIRE ASSEMBLY-WATER TANK TO MONITOR PANEL

WATER & SEWAGE GROUP (CONTINUED)

WATER TANK TWIN BED

KEY	PART NUMBER	U/M DESCRIPTION
	077959-06-000	EA TANK ASSEMBLY-WATER 48 GL 1307 MM X 470 MM X 343 MM - W FITTINGS
	077959-01-000	EA TANK-WATER, 48 GL 1307 MM X 470 MM X 343 MM - W/O FITTINGS
	039881-01-000	EA SENDING UNIT-W SCREW, WASHER, WELL NUT & TERMINAL RING
	010224-01-000	EA ADAPTER-HOSE TO PIPE, 3/8" MPT X 3/8" BARB - PLASTIC BLACK
	042959-03-000	EA FITTING-WATER TANK, SPINWELD - 1 1/4" MPT - PLASTIC - WHITE
	042959-04-000	EA FITTING-WATER TANK, SPINWELD - 3/8" FPT - PLASTIC - WHITE
	042959-05-000	EA FITTING-WATER TANK, SPINWELD - 1 1/2" FPT - PLASTIC - WHITE
	044937-01-000	EA ADAPTER-HOSE TO PIPE, 1 1/4" MPT X 1 1/4" BARB-BLACK PLASTIC
	049032-01-000	EA PATCH-SPINWELD, 3/8" - PLASTIC
	055295-02-000	EA TEE - 1/2" F X 1/2" MPT X 5/8" F
	074462-02-000	FT TUBING-VINYL, 3/8" ID - CLEAR
	077954-02-000	EA FILTER-WATER TANK, SCREEN IN TANK
	079381-01-000	FT TUBING-SMOOTH FLEXIBLE, 1 1/4" ID
	056449-01-000	EA WIRE ASSEMBLY-WATER TANK TO MONITOR PANEL

WATER SYSTEM QUEEN BED

KEY	PART NUMBER	U/M DESCRIPTION
	052950-01-000	FT TUBING-POLYBUTYL, 1/2" OD - INCREMENTS OF 20" - BLACK
	079800-02-000	FT TUBING-POLYBUTYL, 5/8" OD - INCREMENTS OF 20" - BLACK
	052952-01-000	EA NUT-PLASTIC, 1/2" F X 1/2" TUBE - GRAY
	052952-02-000	EA NUT-PLASTIC, 5/8" FLARE
	052957-02-000	EA ELBOW-MALE, 1/2" F X 1/2" MPT - PLASTIC - GRAY
	052959-01-000	EA TEE, 1/2" F X 1/2" F X 1/2" F - PLASTIC - GRAY
	052959-02-000	EA CONNECTOR, 1/2" F X 1/2" MPT - PLASTIC - GRAY
	052950-01-000	EA DRAIN VALVE-IN LINE, HEADER - 1/2" F X 1/2" F - GRAY PLASTIC
	052950-03-000	EA DRAIN VALVE-IN LINE, HEADER - 5/8" F X 5/8" F - PLASTIC
	055290-01-000	EA ELBOW - 5/8" F X 1/2" MPT
	057457-01-000	EA ELBOW-UNION, 1/2" X 1/2" FLARE
	057973-01-000	EA TEE-PLASTIC, 1/2" F X 1/2" F X 5/8" F - WATER
	074463-01-000	EA TEE - 4 WAY, 1/2" FLARE - PLASTIC - GRAY
	079317-01-000	EA ADAPTER-SWIVEL, 1/2" TUBE X 1/2" FPT - PLASTIC - GRAY
	098417-01-000	EA CONNECTOR - 5/8" F X 1/2" MPT, PLASTIC - KEVCO
	101514-01-000	EA COUPLING-FEMALE, 1/2" X 1/2" FPT
	106259-01-000	EA CAP-INSERTABLE, 1/2" FLARE
	057859-03-000	EA FILL-WATER, CITY - ASH GRAY

WATER SYSTEM TWIN BED

KEY	PART NUMBER	U/M DESCRIPTION
	039880-01-000	FT TUBING-POLYBUTYL, 1/2" OD - INCREMENTS OF 20" - BLACK
	039880-02-000	FT TUBING-POLYBUTYL, 5/8" OD - INCREMENTS OF 20" - BLACK
	052952-01-000	EA NUT-PLASTIC, 1/2" F X 1/2" TUBE - GRAY
	052952-02-000	EA NUT-PLASTIC, 5/8" FLARE
	052957-02-000	EA ELBOW-MALE, 1/2" F X 1/2" MPT - PLASTIC - GRAY
	052959-01-000	EA TEE, 1/2" F X 1/2" F X 1/2" F - PLASTIC - GRAY
	052959-02-000	EA CONNECTOR, 1/2" F X 1/2" MPT - PLASTIC - GRAY
	052950-01-000	EA DRAIN VALVE-IN LINE, HEADER - 1/2" F X 1/2" F - GRAY PLAS
	052950-03-000	EA DRAIN VALVE-IN LINE, HEADER - 5/8" F X 5/8" F - PLASTIC
	055290-01-000	EA ELBOW - 5/8" F X 1/2" MPT
	057457-01-000	EA ELBOW-UNION, 1/2" X 1/2" FLARE
	057973-01-000	EA TEE-PLASTIC, 1/2" F X 1/2" F X 5/8" F - WATER
	074463-01-000	EA TEE - 4 WAY, 1/2" FLARE - PLASTIC - GRAY
	079317-01-000	EA ADAPTER-SWIVEL, 1/2" TUBE X 1/2" FPT - PLASTIC - GRAY
	098417-01-000	EA CONNECTOR - 5/8" F X 1/2" MPT, PLASTIC - KEVCO
	101514-01-000	EA COUPLING-FEMALE, 1/2" X 1/2" FPT
	106259-01-000	EA CAP-INSERTABLE, 1/2" FLARE
	110915-01-01A	EA FILL-WATER, CITY - KEVCO 64713

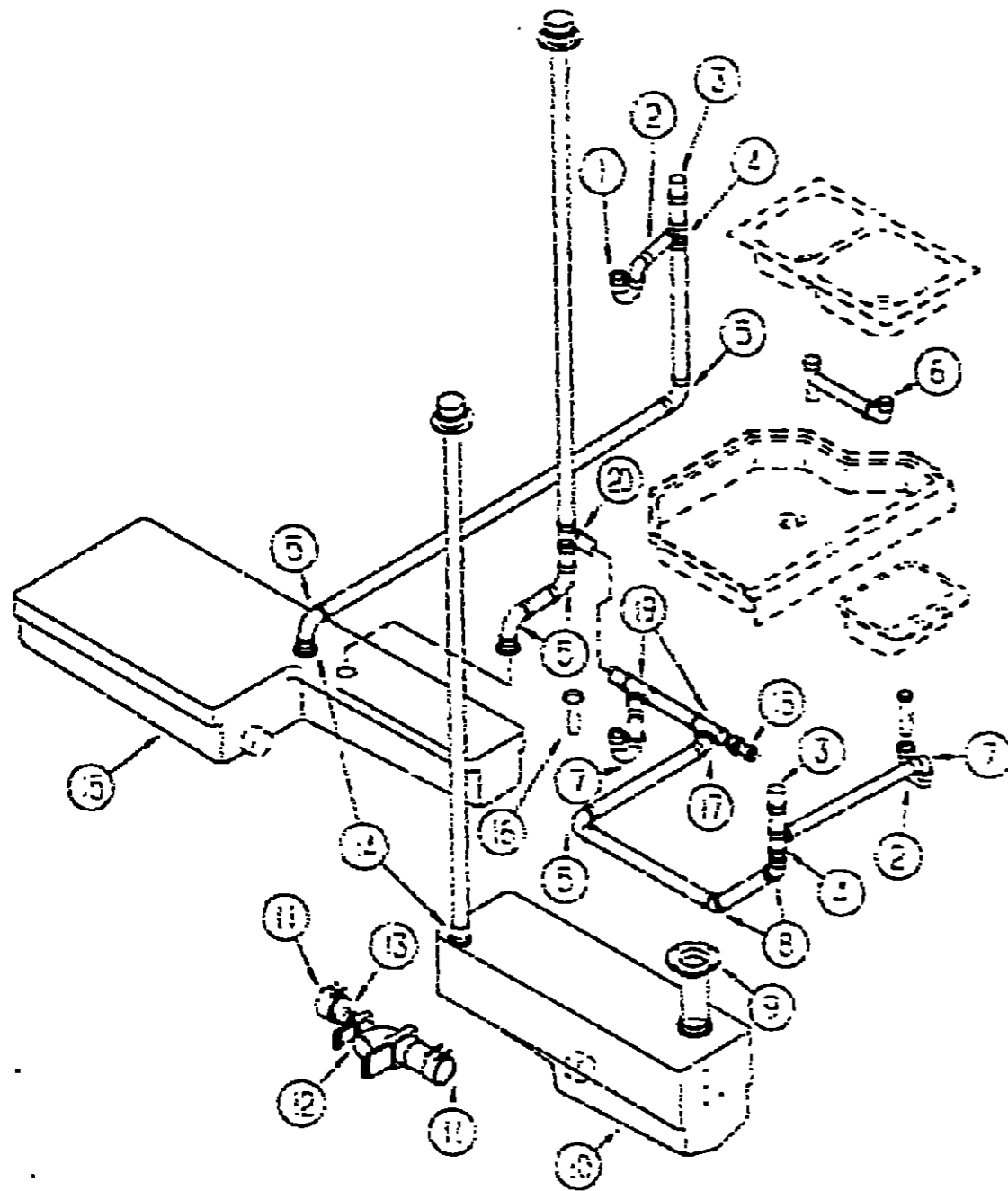
**1993 ITASCA
TABLE OF CONTENTS**

INTRODUCTION	A-01 -	A-02
ABBREVIATIONS		A-03
ALPHABETICAL INDEX	A-04 -	A-05
ICF27RQ	A-07 -	F-02
ICF27RQ	F-03 -	J-15

1993 ICF27RQ INDEX

FLOOR PLAN	F-03 -	F-04
ACCESSORIES		F-05
AUDIO VIDEO	F-06 -	F-08
BATH	F-09 -	F-10
BEDROOM	F-11 -	F-12
CHASSIS	F-13 -	F-24
CURTAIN & CUSHION	G-01 -	G-10
DINETTE	G-01 -	G-12
DRIVERS COMPARTMENT	G-13 -	G-17
ELECTRICAL	G-18 -	G-24
EXTERIOR BODY	H-01 -	H-03
GALLEY	H-09 -	H-13
GENERATOR	H-14 -	H-15
HEATING & A/C	H-16 -	H-23
INTERIOR FINISH	H-21 -	H-24
LABELS	I-01 -	I-09
LP		I-10
LOUNGE	I-11 -	I-12
SEALANTS & FASTENERS	I-13 -	I-16
WATER & SEWAGE	I-17 -	I-22
WINDOW, VENT AND		
EXTERIOR DOOR	J-23 -	J-16
WINDSHIELD WIPER	J-17 -	J-12

WATER & SEWAGE GROUP (CONTINUED)
DRAINAGE SYSTEM



KEY	PART NUMBER	U/M DESCRIPTION
1	011071-01-000	EA P-TRAP-PLASTIC, 1 1/2" - CANADIAN
1	107535-01-000	EA P-TRAP-PLASTIC, 1 1/4" WEXT ARM - US
2	107537-01-000	EA ADAPTER-P-TRAP, 1 1/4" SLIP
2	109571-01-000	EA ADAPTER-P-TRAP, 1 1/2" P X 1 1/4" MPT
3	078955-01-000	EA VENT-MECHANICAL TRAP ARM, ANTI-SIPHON - 2" DIA X 7.5" - PLASTIC
4	010079-01-000	EA TEE-SANITARY, 1 1/2" X 1 1/2" X 1 1/4" H - PLASTIC - BLACK
4	010071-01-000	EA TEE-SANITARY, 1 1/2" HUB X HUB X HUB - PLASTIC - BLACK
5	010008-01-000	EA ELBOW - 90 DEGREE, 1 1/4" BUD - 1 1/2" HUB X HUB - BLACK PLASTIC
6	011091-02-000	EA PIPE-DRAIN, DOUBLE SINK - BAFFLE TEE - 1 1/2" - US ONE PIPE W TEE TO DRAIN BOTH SIDES OF SINK
6	011091-03-000	EA PIPE-DRAIN, W SEALS - DOUBLE SINK - EXTENDS 9" TO 15" - CANADIAN
7	107535-01-000	EA P-TRAP-PLASTIC, 1 1/4" WEXT ARM - US
7	011099-03-700	EA P-TRAP KIT-PLASTIC, 1 1/2" X 1 1/2" - CANADIAN
8	010008-01-000	EA ELBOW - 45 DEGREE, 1.5 BEND - 1 1/2" HUB X HUB - BLACK PLASTIC
9	024576-01-000	EA FLANGE-CLOSET, TOILET - 4" X 3" - FED - US
9	024576-02-000	EA FLANGE-CLOSET, 4" X 3" - ABS - CANADIAN
10	106225-01-000	EA TANK-HOLDING, 30 GALLON - 1144 MM X 354 MM X 426 MM
	061607-01-000	EA GROWVET-HOLDING TANK, 1 1/2" NPS
	061607-02-000	EA GROWVET-HOLDING TANK, 3" NPS
	039551-01-000	EA SENDING UNIT-W SCREW, WASHER, WELL NUT & TERMINAL RING
11	078475-01-000	EA COUPLER-RUBBER, W CLAMPS - 3" X 3"
12	070916-01-000	EA VALVE-DUAL DUVR, W CAP - 3" X 1 1/2" - PLASTIC - BLACK
	070916-01-700	EA VALVE ONLY, 3"
	070916-01-701	EA VALVE ONLY, 1 1/2"
	010201-01-000	EA HOLE-SEWER, 3" ID X 6"
	062415-01-000	EA ADAPTER-SEWER HOSE TO 3" PIPE
	103354-01-000	EA CONNECTOR-HOSE, SEWER
13	062422-01-000	EA ADAPTER-OFFSET REDUCER, 3" X 1 1/2" - PLASTIC - BLACK
14	010115-01-000	EA COUPLING - 1 1/2" HUB X HUB, PLASTIC
15	106375-01-000	EA TANK-HOLDING, 40 GALLON - 1746 MM X 632 MM X 245 MM
	061607-01-000	EA GROWVET-HOLDING TANK, 1 1/2" NPS
	039551-01-000	EA SENDING UNIT-W SCREW, WASHER, WELL NUT & TERMINAL RING
16	011099-02-000	EA TAILPIECE-TUB SHOWER, 1 1/2" X 1 1/4" X 4" - BRASS
17	010051-01-000	EA ELBOW - 45 DEGREE BEND, 1 1/2" SPIGOT AND HUB - PLASTIC - BLACK
18	010122-01-000	EA BUSHING REDUCER, 1 1/2" SMOOTH X 1 1/4" THREAD - PLASTIC - BLACK
18	010165-01-000	EA PLUG-THREADED, 1 1/4" DIAMETER - PLASTIC - BLACK
19	010073-01-000	EA WYE - 45 DEGREE, 1 1/2" HUB X HUB X HUB - PLASTIC - BLACK
20	010071-01-000	EA TEE-SANITARY, 1 1/2" HUB X HUB X HUB - PLASTIC - BLACK

1993 ITASCA
TABLE OF CONTENTS

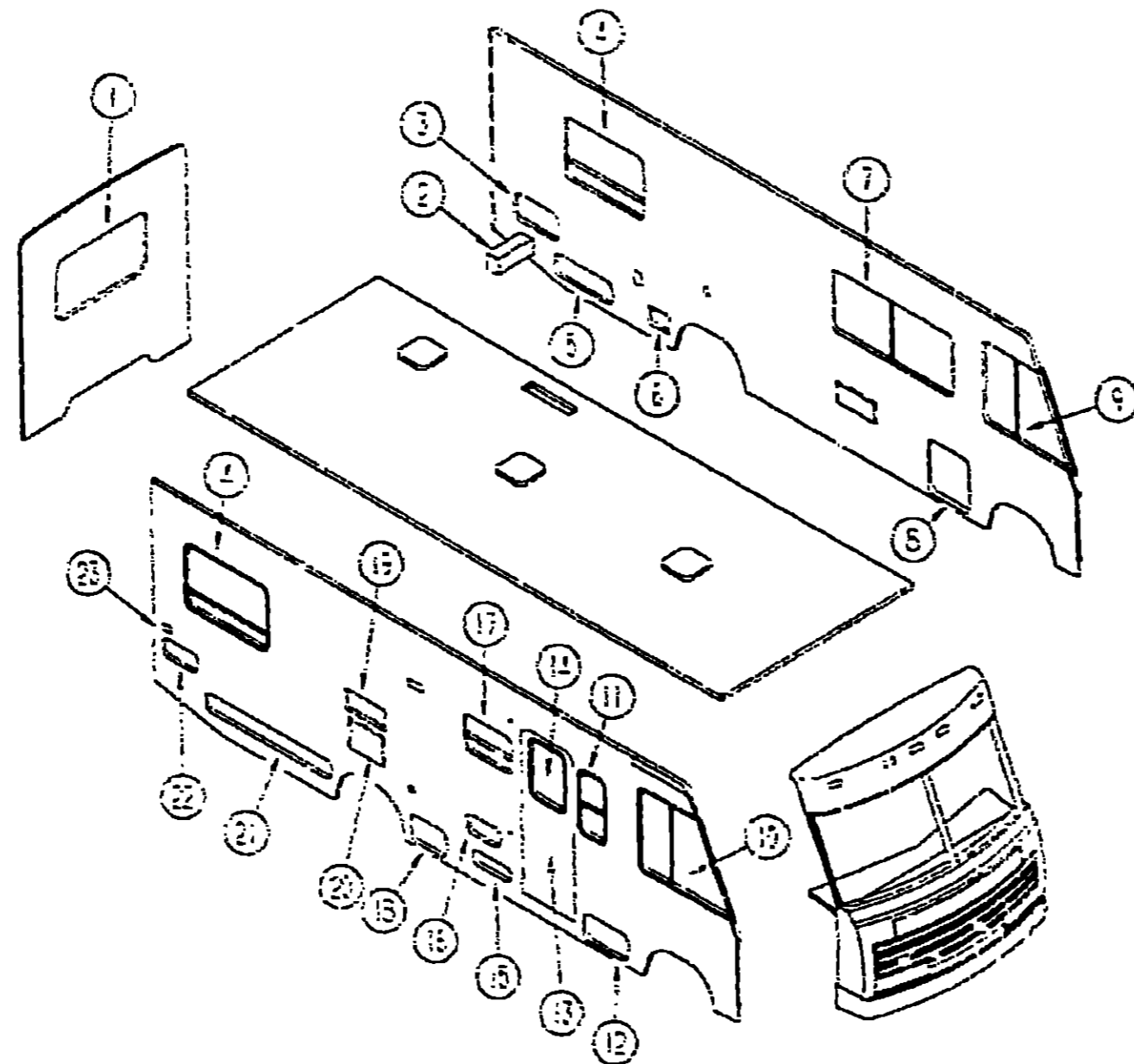
INTRODUCTION	A-01	A-02
ABBREVIATIONS		A-03
ALPHABETICAL INDEX	A-04	A-05
ICF27RC	A-07	F-02
ICF27RQ	F-03	J-15

1993 ICF27RQ INDEX

FLOOR PLAN	F-05	F-04
ACCESSORIES		F-05
AUDIO VIDEO	F-06	F-08
BATH	F-09	F-10
BEDROOM	F-11	F-12
CHASSIS	F-13	F-24
CURTAIN & CUSHION	G-01	G-10
DINETTE	G-11	G-12
DRIVERS COMPARTMENT	G-13	G-17
ELECTRICAL	G-18	G-24
EXTERIOR BODY	H-01	H-03
GALLEY	H-09	H-13
GENERATOR	H-14	H-15
HEATING & A/C	H-16	H-20
INTERIOR FINISH	H-21	H-24
LABELS	I-01	I-09
LP		I-10
LOUNGE	I-11	I-12
SEALANTS & FASTENERS	I-13	I-16
WATER & SEWAGE	I-17	I-22
WINDOW, VENT AND		
EXTERIOR DOOR	J-23	J-16
WINDSHIELD WIPER	J-17	J-18

WINDOW, VENT & EXTERIOR DOOR GROUP

WINDOWS & DOORS



1993 ITASCA TABLE OF CONTENTS

INTRODUCTION	A-01 -	A-02
ABBREVIATIONS		A-03
ALPHABETICAL INDEX	A-04 -	A-06
ICF27RQ	A-07 -	F-09
ICF27RQ	F-10 -	J-15

1993 ICF27RQ INDEX

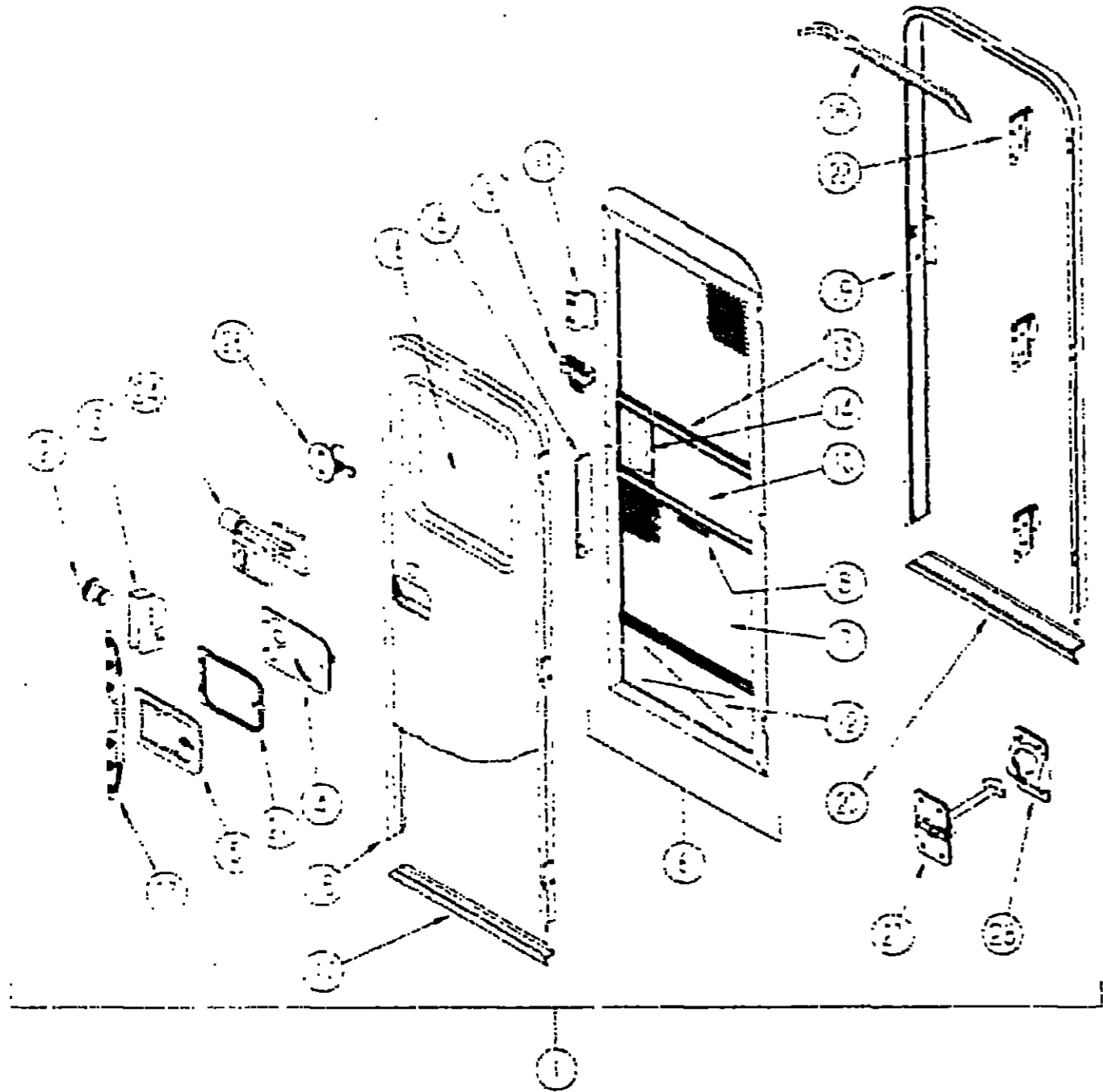
FLOOR PLAN	F-03 -	F-04
ACCESSORIES		F-05
AUDIO VIDEO	F-06 -	F-08
BATH	F-09 -	F-10
BEDROOM	F-11 -	F-12
CHASSIS	F-13 -	F-24
CURTAIN & CUSHION	G-01 -	G-10
DINETTE	G-11 -	G-12
DRIVERS COMPARTMENT	G-13 -	G-17
ELECTRICAL	G-18 -	G-24
EXTERIOR BODY	H-01 -	H-08
GALLEY	H-09 -	H-13
GENERATOR	H-14 -	H-15
HEATING & A/C	H-16 -	H-20
INTERIOR FINISH	H-21 -	H-24
LABELS	I-01 -	I-09
LF		I-10
LOUNGE	I-11 -	I-12
SEALANTS & FASTENERS	I-13 -	I-15
WATER & SEWAGE	I-17 -	I-22
WINDOW, VENT AND EXTERIOR DOOR	I-23 -	J-16
WINDSHIELD WIPER	J-17 -	J-18

KEY	PART NUMBER	U/M DESCRIPTION
1	076528-03-Y12	EA WINDOW-ESCAPE, BACKWALL - 27" X 48" - W/O INSIDE FRAME
2	052423-06-000	EA DOOR-ACCESS, 8 6" X 6 3" - PLASTIC - ASH GRAY - SEWER HOSE DOOR
2	052424-05-000	EA JAMB-DOOR, 8" X 7 7" - PLASTIC - ASH GRAY - SEWER HOSE DOOR
	042442-01-000	EA LOCK-TWIST TYPE, METAL - SEWER HOSE DOOR
3	106987-01-D32	EA DOOR-STORAGE, 22 1" X 11 6" - ASH GRAY - TWIN BEDS OPTION
4	092235-12-Y12	EA WINDOW-TIPOUT, SINGLE - W/O INSIDE FRAME
5	103553-02-D32	EA DOOR-GENERATOR STORAGE, 23 4" X 9 5" - ASH GRAY
6	088734-05-000	EA DOOR-POWER CORD, W/HATCH - ASH GRAY
7	095547-15-02A	EA WINDOW-SLIDING, W/OFF WHITE INSIDE FRAME - EXCEL H263-FRL
8	106987-04-D32	EA DOOR-STORAGE, 22 6" X 21 2" - ASH GRAY
9	103558-01-01A	EA WINDOW-CAB, W/BLACK INSIDE FRAME - DRIVER SIDE - EXCEL H332-ARL FROM 00-07-92 THRU 05-22-92
9	103558-05-01A	EA WINDOW-CAB, W/BLACK INSIDE FRAME - DRIVER SIDE - EXCEL H373-ARL FROM 05-23-92 THRU 93-99-99
10	103558-02-01A	EA WINDOW-CAB, W/BLACK INSIDE FRAME - PASSENGER SIDE - EXCEL H322-ARR FROM 00-07-92 THRU 05-22-92
10	103558-06-01A	EA WINDOW-CAB, W/BLACK INSIDE FRAME - PASSENGER SIDE - EXCEL H373-APR FROM 05-23-92 THRU 93-99-99

KEY	PART NUMBER	U/M DESCRIPTION
11	095544-01-02A	EA WINDOW-VERTICAL SLIDER, W/OFF WHITE INSIDE FRAME - EXCEL H263-PR
12	106987-01-D32	EA DOOR-STORAGE, 22 1" X 11 6" - ASH GRAY
13	M01572-64-D32	EA DOOR-ENTRY W/SCREEN DOOR & JAMB
14	079733-04-T03	EA WINDOW-PICTURE, W/O INSIDE FRAME - 17" X 25"
15	076720-02-D32	EA DOOR-COMPARTMENT, LF - 16 9" X 5 4" - ASH GRAY
16	105118-01-D32	EA DOOR-PATIO ENTERTAINMENT CENTER, 17 5" X 5 1" - ASH GRAY
17	092235-11-Y12	EA WINDOW-TIPOUT, SINGLE - W/O INSIDE FRAME
18	106987-02-D32	EA DOOR-STOR, 22 1" X 11 6" - ASH GRAY
19	034103-07-000	EA DOOR-REFRIGERATOR, VENTED - W/O JAMB - ASH GRAY
19	034104-07-000	EA JAMB-DOOR, REFRIGERATOR - ASH GRAY
	084104-01-700	EA LOCK-MALE, FASTENER - REFRIGERATOR DOOR
	054104-01-701	EA LOCK-FEMALE, FASTENER - REFRIGERATOR DOOR
20	052009-05-000	EA DOOR-WATER HEATER, ASH GRAY - ATWOOD 5576-27
21	106987-12-D32	EA DOOR-STORAGE, 8 6" X 7 5" - ASH GRAY
22	105118-02-D32	EA DOOR-EXTERIOR SHOWER, 17 5" X 7 6" - ASH GRAY
23	051240-10-000	EA DOOR-WATER FILL, LOCKABLE, 4" X 4 5 3" - ASH GRAY

WINDOW, VENT & EXTERIOR DOOR GROUP (CONTINUED)

ENTRY DOOR



KEY	PART NUMBER	U/M DESCRIPTION
1	MC1870-84-000	EA DOOR-ENTRY W SCREEN DOOR & JAMB
2	045558-01-000	EA STRIKE-LOCK ENTRY DOOR - ROUND W/THREADED WASHER
3	039540-01-000	EA LATCH MECHANISM-HOOK, ENTRY DOOR - INTERIOR
4	039715-01-001	EA NUT-SERT, 1/4" DIAMETER - 20 THREADS
5	039979-01-000	EA COVER-INTERIOR LATCH W TRIP ARM - RIGHT - BLACK
	039984-01-000	EA CAP-ROUND, VINYL - 25" ID X 83" LONG - BLACK
	04546-03-000	EA BRACKET-DOOR ANGLE, 5" X 1 9/16" - BEIGE - METAL
6	045017-11-701	EA LATCH-ENTRY DOOR MECHANISM W/LOCK & KEY - BLACK
	045017-11-701	EA KEY-BLANK
	055025-02-000	EA CLIP-ROLLER LATCH CATCH, SCREEN DOOR
	055729-04-000	EA RIVNUT, 10-22 UNF - D10-150
	072693-01-000	EA NUT-SERT-W5 X 0.8
	075671-04-000	FT SEAL-SPONGE, LAZY T SHAPE - W/ADHESIVE STRIPE - 5" WIDE
7	075012-01-001	EA DOOR-SCREEN
8	009293-02-000	SF SCREENING-WINDOW DOOR, 26" - CHARCOAL
9	002284-01-000	FT SPINE-SCREENING, 135" X 135" - BLACK
10	109403-01-000	EA CATCH-ASY-SINGLE ROLLER
11	016454-01-000	EA INSERT-CENTER, LEATHER GRAIN ALUMINUM - UNPAINTED
12	001014-01-015	EA INSERT-CENTER, 10 25/32" X 16 31/32" - UNPAINTED
13	050712-04-000	EA HANDLE-SCREEN DOOR, ALUMINUM - OFF WHITE
14	050712-05-000	EA HANDLE-SCREEN DOOR, ALUMINUM - UNPAINTED
15	075552-03-000	EA KICK PANEL-SCREEN DOOR, LOWER INSERT - UNPAINTED
	075195-01-000	EA TOP PLATE-SCREEN DOOR, CURVED TOP - 4 7/8" X 25 35/64"
16	076777-01-000	EA CHANNEL-SLIDE, SCREEN DOOR CENTER SLIDER COVER
	075085-02-000	EA SLIDER-SCREEN DOOR, OFF WHITE
	075087-02-000	EA STRIKE-SLIDER W/UP FOR ELBOW CATCH - 1 5/8" X 2 5/8" - OFF WHITE
	009016-01-000	EA CATCH-ELBOW, SPRING LOADED - SCREEN DOOR CATCH
		FROM 000000 THRU 01-09-93
17	079735-04-109	EA WINDOW-PICTURE, W/O INSIDE FRAME - 17" X 25"
	075561-01-000	FT SEAL-GLASS, EXTERIOR - 5" WIDE - VINYL - BLACK
	057609-02-000	EA FRAME-WINDOW, INSIDE - ENTRY DOOR - OFF WHITE
	002181-05-000	EA GLASS-PICTURE WINDOW, 11 5/8" X 16 25/32" X 2 1/4"
	051914-01-000	EA BUMPER-RUBBER, ROUND - 4 3/8" DIAMETER - BLACK
18	039743-07-001	EA FRAME-BOTTOM, ENTRY DOOR - 24 5/8" LONG - ASH GRAY
	093540-01-000	FT SEAL-FOAM, CLOSED CELL - 1 1/4" X 1 1/2" X 50"
19	095276-01-04A	EA FRAME-ENTRY DOOR, W/O BOTTOM - ASH GRAY
20	095277-02-04A	EA JAMB-ENTRY DOOR, W BOTTOM - 25 3/8" X 74 5/8" - ASH GRAY
	051049-01-000	EA JAMB-BOTTOM, ENTRY DOOR - 25 3/8" - UNPAINTED
	079207-01-000	EA STRIKER-ROLLER CATCH, WELDED TO DOOR JAMB - 4" X 1 15/16"
21	035510-01-01A	EA PLATE-LATCH, ENTRY DOOR - PLASTIC - BLACK
22	097724-01-04A	EA HINGE-ENTRY DOOR, UNPAINTED
23	093173-01-04A	EA STIFFENER-ENTRY DOOR, SUPPORTS LATCH/STRIKE AREA - UNPAINTED
	100126-02-000	FT SEAL-PILE, ADHESIVE BACK - SCREEN DOOR - GRAY
24	101145-01-01A	EA DEADBOLT-ENTRY DOOR, W 2 KEYS W/O BACK SET BOLT OR SCREWS
	095229-01-000	EA KEY-BLANK FOR DEADBOLT
	101147-01-000	EA BOLT SECURITY, 4 1/2" BACKSET
	102524-01-000	EA BUMPER-RUBBER, FLAT - BLACK
25	044522-31-000	EA CAP-DRIP, ENTRY DOOR - JAMB MOUNTED - ALUMINUM - ASH GRAY
	075859-04-000	EA GARNISH-RADIUS, ENTRY DOOR - OFF WHITE
	077481-02-000	EA COVER-STRIKE, ENTRY DOOR - 5 5/8" X 2 5/8" - PLASTIC - WHITE
	031676-01-000	EA RETAINER-DOOR, 1 9/16" X 5" - METAL
26	100412-01-000	EA CATCH-SCREEN DOOR, THUMB CLIP W/BLACK PLASTIC CAP
27	104099-01-02A	EA CATCH-DOOR HOLDER, STRIKE - GRAY
28	104099-02-02A	EA CATCH-DOOR HOLDER, RETAINER - GRAY
	009126-02-000	FA HANDLE-ASSIST, ENTRY DOOR - BLACK
	076725-01-000	EA COVER-ACCESS HINGE - 6" X 3 1/2" - PLASTIC - BEIGE
	102248-01-000	EA SHIM-DOOR
	093573-07-04A	FT TR-ENTRANCE DOOR, 1 1/4" WIDE X 8" LONG - ASH GRAY PLASTIC

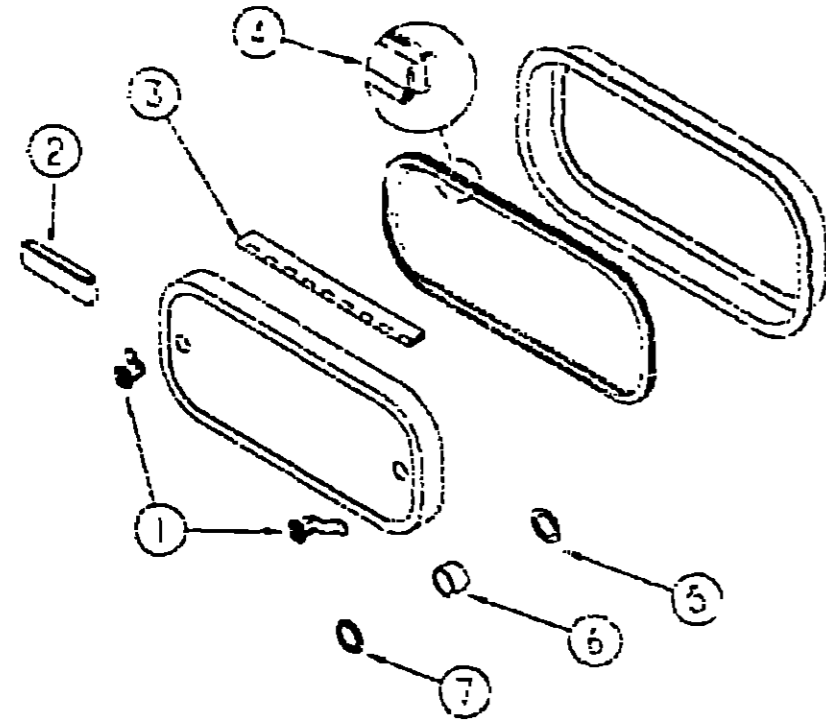
1993 ITASCA
TABLE OF CONTENTS

INTRODUCTION	A-01	A-02
ABBREVIATIONS		A-03
ALPHABETICAL INDEX	A-04	A-05
ICF27PC	A-07	F-02
ICF27RO	F-03	J-12

1993 ICF27RQ INDEX

FLOOR PLAN	F-03	F-04
ACCESSORIES		F-05
AUDIO VIDEO	F-06	F-08
BATH	F-09	F-10
BEDROOM	F-11	F-12
CHASSIS	F-13	F-24
CURTAIN & CUSHION	G-01	G-10
DINETTE	G-11	G-12
DRIVERS COMPARTMENT	G-13	G-17
ELECTRICAL	G-18	G-24
EXTERIOR BODY	H-01	H-03
GALLEY	H-09	H-13
GENERATOR	H-14	H-15
HEATING & A/C	H-16	H-20
INTERIOR FINISH	H-21	H-24
LABELS	I-01	I-03
LP		I-10
LOUNGE	I-11	I-12
SEALANTS & FASTENERS	I-15	I-16
WATER & SEWAGE	I-17	I-22
WINDOW, VENT AND EXTERIOR DOOR	J-03	J-16
WINDSHIELD WIPER	J-17	J-18

WINDOW, VENT & EXTERIOR DOOR GROUP (CONTINUED)



EXTERIOR DOOR COMPONENTS & HOLDERS

KEY	PART NUMBER	U/M DESCRIPTION
1	079165-04-000	EA LOCK-DOOR, KEY TYPE W/O KEYS - 1.0 OFF SET
	002584-01-700	EA KEY BLANK
1	009003-01-000	EA LOCK-TWIST TYPE, W/CLIP
1	079927-03-000	EA LOCK-TWIST TYPE (DOUBLE CAM - 2.10 OFF SET
2	102708-01-000	EA HOLDER-COMPARTMENT/ENTRY DOOR, METAL - MILL FINISH
3	081501-05-000	EA HINGE - 2" X 95", ASH GRAY
3	034007-88-000	EA HINGE-PIANO, 1.5" X 95" - ALUMINUM - ASH GRAY
3	009065-01-000	EA HINGE-PIANO, 1.5" X 95" - ALUMINUM - UNPAINTED
4	004075-07-000	FT SEAL-BUBB W/WIRED U CHANNEL - .3" X .3" CHANNEL - BLACK
5	102833-01-000	EA BEAUTY RING-.07" X .75" ID, STAINLESS STEEL
6	107937-51-001	EA SPACER - .88" X .40" ALUMINUM
7	109934-01-000	EA WASHER - .64" X .752" ID, STAINLESS STEEL
	001914-01-000	EA BUMPER-RUBBER, ROUND - .43" DIAMETER - BLACK
	14892-01-000	FT SEAL - 3/4" X 3/4", ADHESIVE BACK

WINDOW, VENT & EXTERIOR DOOR GROUP (CONTINUED)
POWERED ROOF VENT (FROM: 00-00-00 THRU: 10-04-92)

KEY	PART NUMBER	U/M DESCRIPTION
	000394-01-Y12	EA VENT-ROOF, POWERED
	002825-01-000	EA WEATHER STRIP-ROOF VENT, GRAY
	008195-01-000	EA SWITCH-ROOF VENT, PUSH BUTTON, 12V
	009390-01-000	EA GROMMET-SNAP, 3/8"
	009440-01-000	EA GEAR ARM-VENT COVER, LIFT
	015010-03-000	EA BRACKET-HANDLE, ROOF VENT - OFF WHITE
	015911-01-000	EA TRACK-LIFT ARM, SLIDE - ROOF VENT
	045648-01-000	EA MOTOR-ROOF VENT, 1/8 SHAFT - 12V - JENSEN
	045619-01-000	EA FAN-ROOF VENT 6 BLADES - 6" - JENSEN
	055218-01-000	EA COVER-ROOF VENT
	052639-01-200	EA HINGE-EXTRUSION, ROOF VENT 7"
	052609-01-001	EA HINGE-VENT COVER, 16"
	061603-01-000	EA GROMMET-SNAP, 3/16"ID - 3/8" HOLE - PLASTIC - BLACK
	078785-01-Y12	EA SCREEN-ROOF VENT, POWERED
	002291-02-000	SF SCREENING-ROOF VENT WINDOW, 16" - BLACK
	002298-02-000	FT SPLINE-VENT WINDOW SCREEN, 125 DIAMETER - BLACK
	009439-01-000	EA CRANK HANDLE-ROOF VENT
	009439-03-000	EA EXTENSION-CRANK HANDLE ROOF VENT - 9" - MILL
	009439-04-000	EA SCREW, 8-22 X 1 1/4" - PCH

POWERED ROOF VENT (FROM: 10-05-92 THRU: 99-03-99)

KEY	PART NUMBER	U/M DESCRIPTION
	110051-03-01A	EA VENT-ROOF, POWERED - 2" ROOF - JENSEN 7757 WHE
	045648-01-000	EA MOTOR-ROOF VENT 1/8 SHAFT - 12V - JENSEN
	045619-01-000	EA FAN-ROOF VENT, 6 BLADES - 6" - JENSEN
	084470-01-700	EA COVER-ROOF VENT, JENSEN 7291
	110051-01-700	EA GARNISH W SCREEN & FRAME - 2", JENSEN 29-800-02
	110051-01-702	EA LIFT ASM-VENT LID W/O CRANK, JENSEN RP-100CB
	110051-01-703	EA CRANK, JENSEN RP-1031-B

NONPOWERED ROOF VENT (FROM: 00-00-00 THRU: 10-04-92)

KEY	PART NUMBER	U/M DESCRIPTION
	000395-01-Y12	EA VENT-ROOF, NON-POWERED
	009439-01-000	EA CRANK HANDLE-ROOF VENT
	009439-03-000	EA EXTENSION-CRANK HANDLE ROOF VENT - 9" - MILL
	009439-04-000	EA SCREW, 8-22 X 1 1/4" - PCH
	002525-01-000	EA WEATHER STRIP-ROOF VENT, GRAY
	009440-01-000	EA GEAR ARM-VENT COVER, LIFT
	015910-03-000	EA BRACKET-HANDLE, ROOF VENT - OFF WHITE
	015911-01-000	EA TRACK-LIFT ARM, SLIDE - ROOF VENT
	055218-01-000	EA COVER-ROOF VENT
	052639-01-001	EA HINGE-EXTRUSION, ROOF VENT 7"
	052609-01-200	EA HINGE-VENT COVER, 16"
	078785-01-Y12	EA SCREEN-ROOF VENT, NON POWERED - WHITE
	002291-02-000	SF SCREENING-ROOF VENT WINDOW, 16" - BLACK
	002298-02-000	FT SPLINE-VENT WINDOW SCREEN, 125 DIAMETER - BLACK

NONPOWERED ROOF VENT (FROM: 10-05-92 THRU: 99-09-99)

KEY	PART NUMBER	U/M DESCRIPTION
	110051-01-01A	EA VENT-ROOF, NONPOWERED - 2" ROOF - JENSEN 7724 WHE
	084470-01-700	EA COVER-ROOF VENT, JENSEN 7291
	110051-01-700	EA GARNISH W SCREEN & FRAME - 2", JENSEN 29-800-02
	110051-01-702	EA LIFT ASM-VENT LID W/O CRANK, JENSEN RP-100CB
	110051-01-703	EA CRANK, JENSEN RP-1031-B

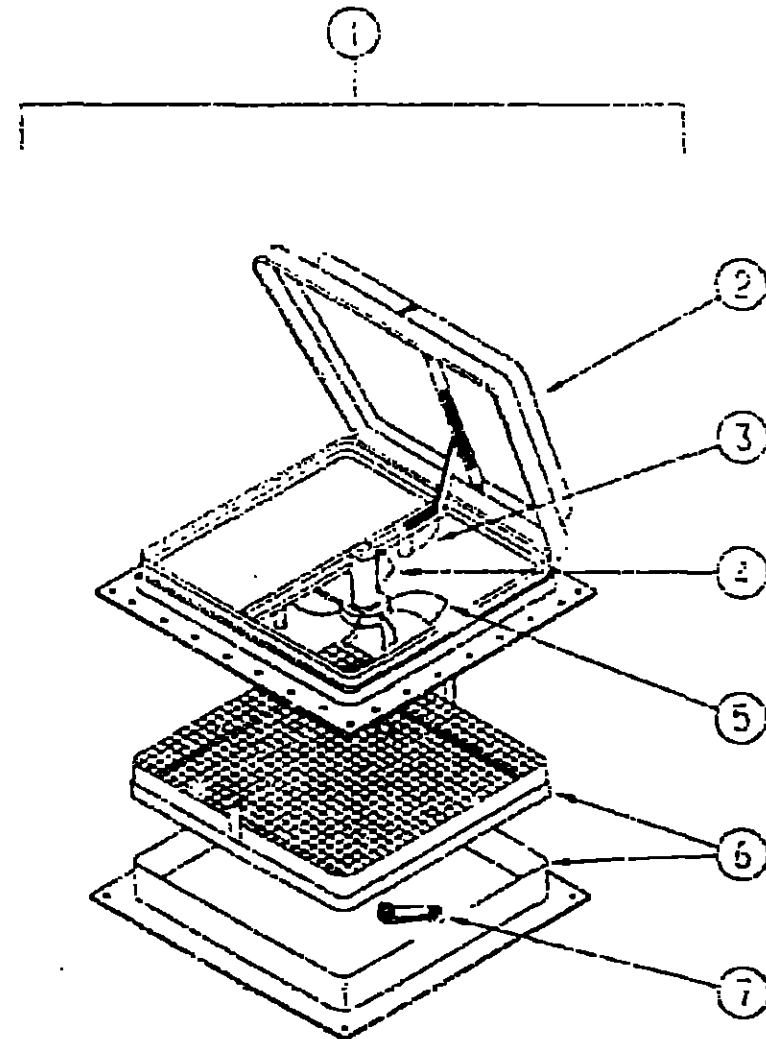
**1993 ITASCA
 TABLE OF CONTENTS**

INTRODUCTION	A-01 -	A-02
ABBREVIATIONS		A-03
ALPHABETICAL INDEX	A-04 -	A-06
ICF27RC	A-07 -	F-02
ICF27RQ	F-03 -	J-16

1993 ICF27RQ INDEX

FLOOR PLAN	F-05 -	F-04
ACCESSORIES		F-05
AUDIO VIDEO	F-06 -	F-08
BATH	F-09 -	F-10
BEDROOM	F-11 -	F-12
CHASSIS	F-13 -	F-24
CURTAIN & CUSHION	G-01 -	G-10
DINETTE	G-11 -	G-12
DRIVERS COMPARTMENT	G-13 -	G-17
ELECTRICAL	G-16 -	G-24
EXTERIOR BODY	H-01 -	H-05
GALLEY	H-02 -	H-13
GENERATOR	H-14 -	H-15
HEATING & A/C	H-16 -	H-20
INTERIOR FINISH	H-21 -	H-24
LABELS	I-01 -	I-03
LP		I-10
LOUNGE	I-11 -	I-12
SEALANTS & FASTENERS	I-13 -	I-16
WATER & SEWAGE	I-17 -	I-22
WINDOW, VENT AND		
EXTERIOR DOOR	I-23 -	J-16
WINDSHIELD WIPER	J-17 -	J-12

WINDOW, VENT & EXTERIOR DOOR GROUP (CONTINUED)



POWERED ROOF VENT - JENSEN - CANADIAN

WINDOW, VENT & EXTERIOR DOOR GROUP (CONTINUED)
VENTS, SHROUDS & ROOF COVERS

KEY	PART NUMBER	U/M DESCRIPTION
	060355-05-000	EA VENT-PLUMBING PIPE ROOF W COVER - ASH GRAY
	064616-05-000	EA SHROUD-RANGE HOOD VENT, PLASTIC - ASH GRAY
	064978-09-000	EA VENT-RANGE HOOD, SHROUD - LVS
	064073-05-000	EA COVER-ROOF VENT, REFRIGERATOR - ASH GRAY - 1.0RCCLD
	064073-04-000	EA BASE-ROOF VENT, REFRIGERATOR - BLACK - 1.0RCCLD
	105022-01-000	EA FLASHING ASM-VENT, REFRIGERATOR

1993 ITASCA
TABLE OF CONTENTS

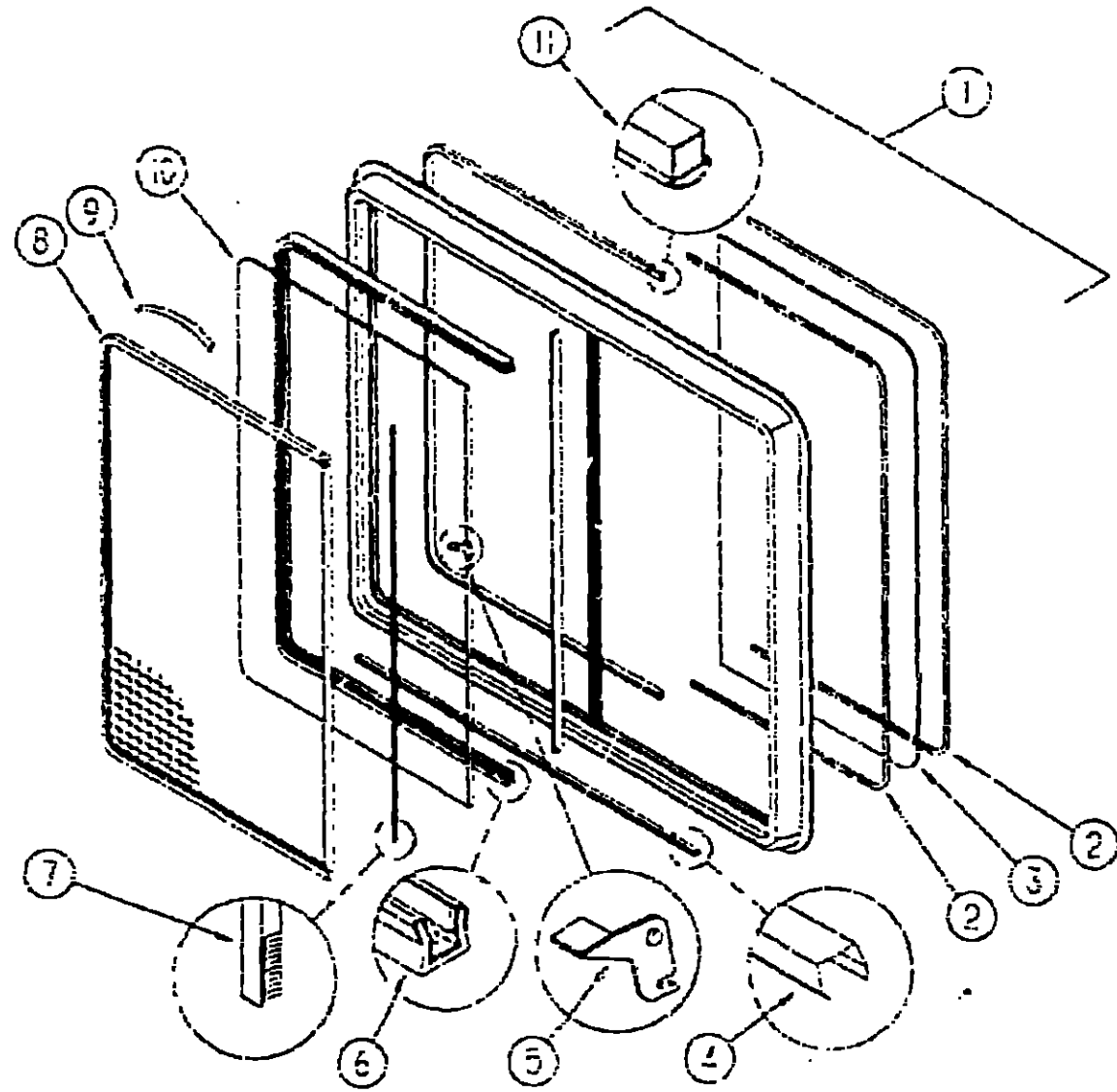
INTRODUCTION	A-01 -	A-02
ABBREVIATIONS		A-02
ALPHABETICAL INDEX	A-04 -	A-06
ICF27RC	A-07 -	F-02
ICF27RQ	F-03 -	J-18

1993 ICF27RQ INDEX

FLOOR PLAN	F-03 -	F-04
ACCESSORIES		F-05
AUDIO VIDEO	F-05 -	F-08
BATH	F-09 -	F-10
BEDROOM	F-11 -	F-12
CHASSIS	F-13 -	F-24
CURTAIN & CUSHION	G-01 -	G-10
DINETTE	G-11 -	G-12
DRIVERS COMPARTMENT	G-13 -	G-17
ELECTRICAL	G-18 -	G-24
EXTERIOR BODY	H-01 -	H-08
GALLEY	H-09 -	H-13
GENERATOR	H-14 -	H-15
HEATING & A/C	H-16 -	H-20
INTERIOR FINISH	H-21 -	H-24
LABELS	I-01 -	I-09
LP		I-10
LOUNGE	I-11 -	I-12
SEALANTS & FASTENERS	I-13 -	I-16
WATER & SEWAGE	I-17 -	I-22
WINDOW, VENT AND EXTERIOR DOOR	I-23 -	J-16
WINDSHIELD WIPER	J-17 -	J-18

KEY	PART NUMBER	U/M DESCRIPTION
1	064459-03-000	EA VENT-ROOF, POWERED - 14" X 14" - 12V JENSEN C-727 - CSA FROM: 03-03-92 THRU: 10-04-92
1	110051-05-01A	EA VENT-ROOF, POWERED - 2" ROOF - CSA - JENSEN C7757 WIRE FROM: 10-05-92 THRU: 99-99-99
2	064470-01-700	EA COVER-ROOF VENT, JENSEN 7291
3	064459-03-706	EA LIFT MECHANISM FROM: 03-03-92 THRU: 10-04-92
3	110051-01-702	EA LIFT ASM-VENT LID W/O CRANK, JENSEN RP-1000B FROM: 10-05-92 THRU: 99-99-99
4	045548-01-000	EA MOTOR-ROOF VENT, 1/8 SHAFT - 12V
5	045549-01-000	EA FAN-ROOF VENT, 6 BLADES - 6"
6	110051-01-701	EA GARNISH W/SCREEN & FRAME-2", JENSEN 29-800-01
7	009439-01-000	EA CRANK HANDLE-ROOF VENT FROM: 03-03-92 THRU: 10-04-92
	110051-01-703	EA CRANK HANDLE-ROOF VENT, JENSEN RP-1031-B FROM: 10-05-92 THRU: 99-99-99
	009439-04-000	EA SCREW 8-32 X 1 1/4" PH
	009439-03-000	EA EXTENSION-CRANK HANDLE ROOF VENT - 9" - MILL FROM: 03-03-92 THRU: 10-04-92

WINDOW, VENT & EXTERIOR DOOR GROUP (CONTINUED)
DINETTE OR COUCH SINGLE SLIDING WINDOW



KEY	PART NUMBER	U/M	DESCRIPTION
	098647-15-02A	EA	WINDOW-HORIZONTAL SLIDER, W/INSIDE FRAME - OFF WHITE-EXCEL H260-PRL
	098647-14-701	EA	FRAME INSIDE, OFF WHITE - EXCEL W260-ST
1	098647-14-700	EA	WINDOW-HORIZONTAL SLIDER, W/O INSIDE FRAME-OFF WHITE-EXCELH260-G6R
2	100922-01-703	FT	STRIP-GLAZING, BUTYL - EXCEL 122-010723
3	098647-14-700	EA	GLASS-STATIONARY - EXCEL 106-011433
4	098644-01-710	FT	TRACK-SCREEN SPACER, 12" LENGTH - EXCEL M401-31
5	098644-01-700	EA	LATCH-REPAIR KIT, EXCEL B901-CK
6	098644-01-708	FT	CHANNEL-PIERCED RUN, EXCEL 122-016543
7	098644-01-711	FT	WEATHERSTRIP-SCREEN BLACK - EXCEL 171-016965
8	098647-14-704	EA	SCREEN W SPRING & WEATHERSTRIP - EXCEL 410-017476
9	098644-01-713	EA	SPRING-SCREEN FRAME (CLIP), PLASTIC - BLACK - EXCEL 226-016955
	098644-01-716	FT	PLUG-FILLER, EXCEL 132-014470
	098644-01-717	FT	SPLINE-SCREEN, EXCEL 132-024716
10	098647-14-703	EA	GLASS-SLIDING, W SASH & LATCH - H260-G9 EXCEL
11	098644-01-706	FT	WEATHERSTRIP, EXCEL 171-010667

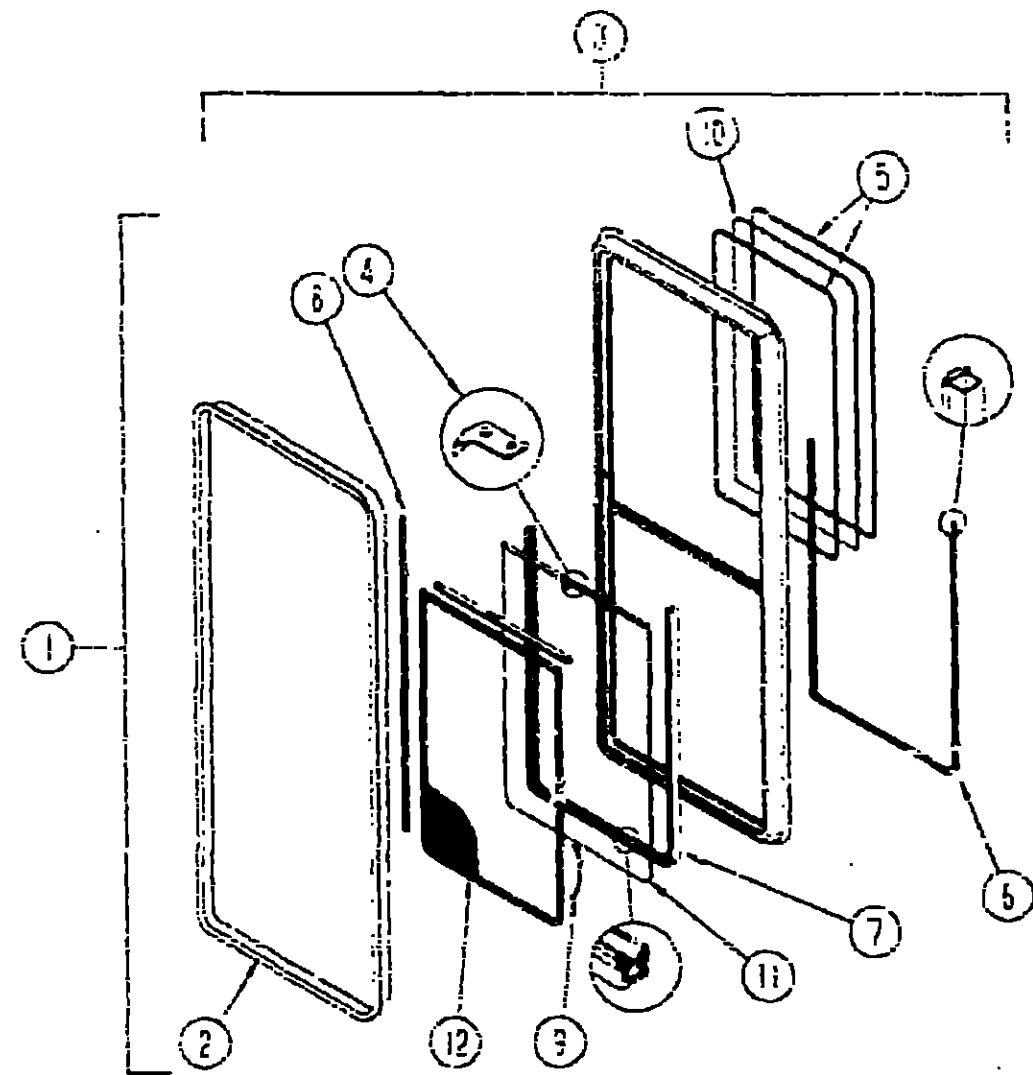
1993 ITASCA
TABLE OF CONTENTS

INTRODUCTION	A-01 -	A-02
ABBREVIATIONS		A-03
ALPHABETICAL INDEX	A-04 -	A-09
ICF27RC	A-07 -	F-02
ICF27RQ	F-03 -	J-18

1993 ICF27RQ INDEX

• LOOR PLAN	F-03 -	F-04
ACCESSORIES		F-05
AUDIO VIDEO	F-06 -	F-08
BATH	F-09 -	F-10
BEDROOM	F-11 -	F-12
CHASSIS	F-13 -	F-24
CURTAIN & CUSHION	G-01 -	G-10
DINETTE	G-11 -	G-12
DRIVERS COMPARTMENT	G-13 -	G-17
ELECTRICAL	G-18 -	G-24
EXTERIOR BODY	H-01 -	H-08
GALLEY	H-09 -	H-13
GENERATOR	H-14 -	H-15
HEATING & A/C	H-16 -	H-20
INTERIOR FINISH	H-21 -	H-24
LABELS	I-01 -	I-09
LP		I-10
LOUNGE	I-11 -	I-12
SEALANTS & FASTENERS	I-13 -	I-16
WATER & SEWAGE	I-17 -	I-22
WINDOW, VENT AND		
EXTERIOR DOOR	J-23 -	J-16
WINDSHIELD WIPER	J-17 -	J-18

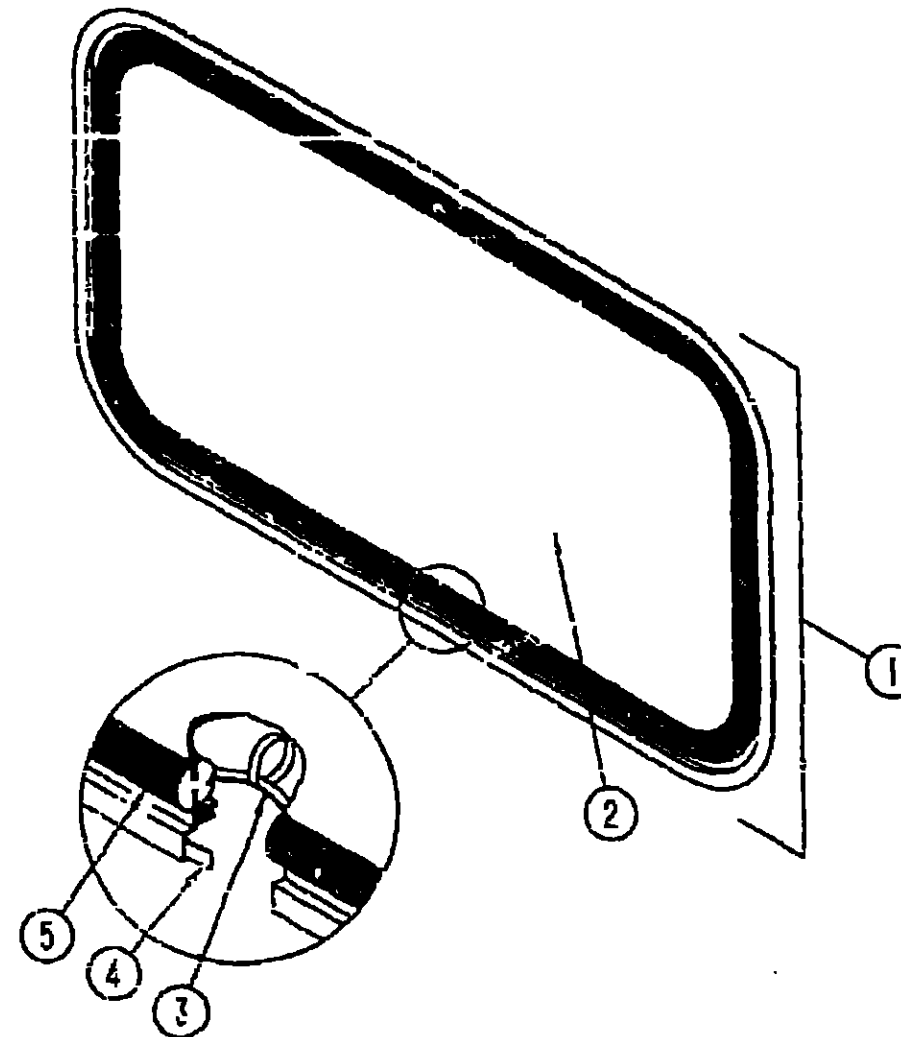
WINDOW, VENT & EXTERIOR DOOR GROUP (CONTINUED)



PASSENGER SIDE SWIVEL CHAIR WINDOW

KEY	PART NUMBER	U/M DESCRIPTION
1	099544-03-02A	EA WINDOW-SLIDER VERTICAL W/INSIDE TRIM - EXCEL H299-PR
2	099544-03-706	EA TRIM-INSIDE, OFF WHITE - EXCEL W299-67
3	099544-03-703	EA WINDOW ASM. W/O INSIDE TRIM - EXCEL H299-G2R
4	099544-01-700	EA LATCH-REPAIR KIT, EXCEL B201-CK
5	100322-01-703	FT STRIP-GLAZING, BUTYL - EXCEL 132-010723
6	099544-01-706	FT WEATHERSTRIP, EXCEL 171-010668
7	099544-01-709	FI CHANNEL-MERGED RUN, EXCEL 122-016543
8	099544-01-710	FT TRACK-SCREEN SPACER, 12' LENGTH - EXCEL M401-31
	099544-01-711	FT WEATHERSTRIP-SCREEN, BLACK - EXCEL 171-016965
9	099544-01-713	EA SPRING-SCREEN FRAME (CLIP), PLASTIC - BLACK
10	099544-03-700	EA GLASS-STATIONARY, EXCEL 108-017631
11	099544-03-701	EA GLASS-SLIDING, W/ SASH & LATCH - EXCEL H299-G9
12	099544-03-702	EA SCREEN W/SPRING & WEATHERSTRIP - EXCEL 410-017634
	099544-01-716	FT PLUG-FILLER, EXCEL 132-014470
	099544-01-717	FT SPLINE-SCREEN, EXCEL 132-004715

WINDOW, VENT & EXTERIOR DOOR GROUP (CONTINUED)



BACKWALL ESCAPE WINDOW

KEY	PART NUMBER	U/M DESCRIPTION
	074316-05-000	EA FRAME-WINDOW, INSIDE - ESCAPE - OFF WHITE
1	076578-03-Y12	EA WINDOW-ESCAPE, 27" X 48" - W/O INSIDE FRAME
2	076337-02-000	EA GLASS-WINDOW, ESCAPE - 44.8" X 23.5"
3	002235-01-000	FT FILLER-WEATHER STRIP, RUBBER - BLACK
	077065-01-702	EA TAPE ASM-ESCAPE WINDOW, RED
4	069640-10-000	FT SEALER-RIBBON, 1/32" X 1 1/2" INCREMENTS OF 90
5	002262-05-000	EA WEATHERSTRIP-WINDOW, 125" X 133.25" - BLACK

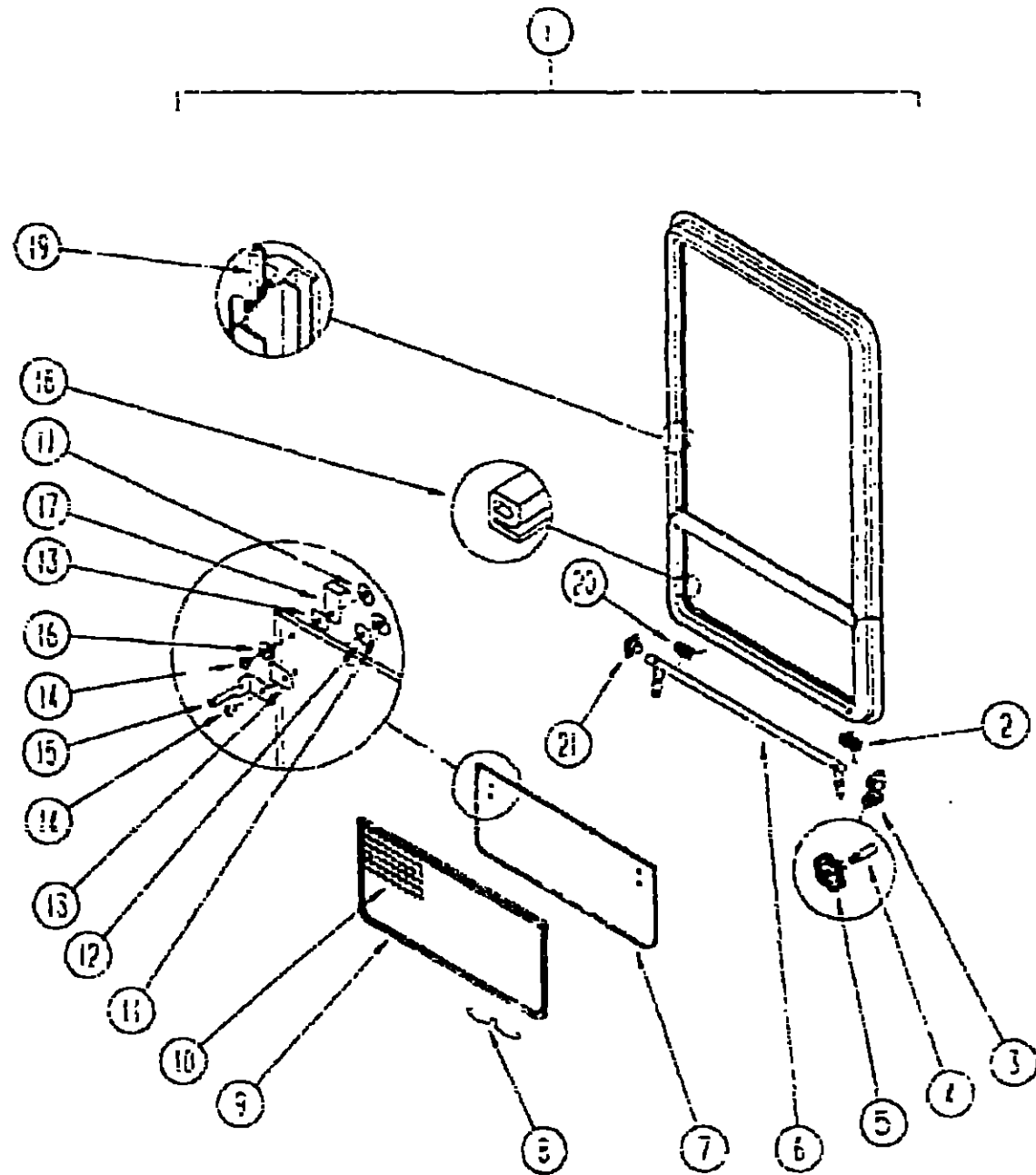
1993 ITASCA
TABLE OF CONTENTS

INTRODUCTION	A-01 -	A-02
ABBREVIATIONS		A-03
ALPHABETICAL INDEX	A-04 -	A-05
ICF27RC	A-07 -	F-02
ICF27RQ	F-03 -	J-15

1993 ICF27RQ INDEX

FLOOR PLAN	F-05 -	F-04
ACCESSORIES		F-06
AUDIO VIDEO	F-06 -	F-08
BATH	F-09 -	F-10
BEDROOM	F-11 -	F-12
CHASSIS	F-13 -	F-24
CURTAIN & CUSHION	G-01 -	G-10
DINETTE	G-11 -	G-12
DRIVERS COMPARTMENT	G-13 -	G-17
ELECTRICAL	G-18 -	G-24
EXTERIOR BODY	H-01 -	H-09
GALLEY	H-09 -	H-13
GENERATOR	H-14 -	H-15
HEATING & A/C	H-16 -	H-20
INTERIOR FINISH	H-21 -	H-24
LABELS	I-01 -	I-09
LP		I-10
LOUNGE	I-11 -	I-17
SEALANTS & FASTENERS	I-13 -	I-15
WATER & SEWAGE	I-17 -	I-22
WINDOW, VENT AND EXTERIOR DOOR	I-23 -	J-16
WINDSHIELD W/ Wiper	J-17 -	J-18

WINDOW, VENT & EXTERIOR DOOR GROUP (CONTINUED)
DRIVER OR PASSENGER SIDE BEDROOM WINDOW



KEY	PART NUMBER	U/M	DESCRIPTION
1	090893-18-02A	EA	FRAME-WINDOW, INSIDE - OFF WHITE
2	092715-12-V12	EA	WINDOW-TIPOUT WINDOW, SIDE FRAME - 30 3/4" X 26 5/8"
3	083915-01-000	EA	SPRING-TORQUE TUBE, RH
4	085302-02-000	EA	OPERATOR-TORQUE, TIPOUT WINDOW - LEFT
5	009459-06-000	EA	EXTENSION-CRANK HANDLE WINDOW ROOF VENT - 9" - BLACK
6	082439-05-000	EA	KNOB-OPERATOR, TIPOUT WINDOW - BLACK
7	009439-07-000	EA	SCREW, 8-32 X 1 1/4 POK - BLACK
8	085150-12-000	EA	TUBE ASM. - TORQUE, WINDOW
9	084059-17-000	EA	GLASS-TIPOUT, 9 2" X 40"
10	100166-01-000	EA	CLIP-SPRING, SCREEN
11	100235-04-B07	EA	SCREEN-SINGLE TIPOUT WINDOW
12	080218-03-000	SF	SCREEN-FIBERGLASS, 12" WIDE
13	100240-01-000	FT	SPLINE-SCREEN, T-SHAPED
14	082722-01-000	EA	T NUT 10-32
15	065927-03-000	EA	SEAL-WINDOW, RUBBER - ROUND - 50" DIA. - BLACK
16	084473-01-000	EA	SEAL-RUBBER, TIPOUT WINDOW
17	086763-01-000	EA	SCREW-WASH, 10 - 32 X 1.4 PTH
18	097578-01-000	EA	LINKAGE-TIPOUT WINDOW
19	081649-01-000	EA	RING - SNAP, 7/32 SHAFT DIAMETER
20	084453-01-000	EA	WASHER - 050 X .50 X .125 - PLASTIC
21	085315-01-000	EA	RIVET-SHOULDER, TIPOUT WINDOW
22	000H14-06-14R	EA	RIVET-MAN, DEL BLIND, 3/16"
23	084453-02-000	EA	WASHER - 1/2 X .50 X .250 - PLASTIC
24	089913-01-000	EA	HINGE-TIPOUT WINDOW, BLACK
25	084057-02-000	FT	SEAL-E SHAPED, SPONGE RUBBER - TIPOUT WINDOW - 4" X 4" - BLACK FROM 00-00-00 THRU 04-04-93
26	084057-03-000	FT	SEAL-E SHAPED, SPONGE RUBBER - TIPOUT WINDOW - 10.6 X 2.6 MM - BLACK FROM 04-05-93 THRU 07-00-93
27	089640-11-000	EA	SEALER-TAPE, 3/16" X 3/8" - BLACK
28	080915-02-000	EA	SPRING-TORQUE TUBE, LH
29	081354-01-000	EA	SLEEVE-TORQUE TUBE, TIPOUT WINDOW - 1 3/4" X 1 2" X 7"

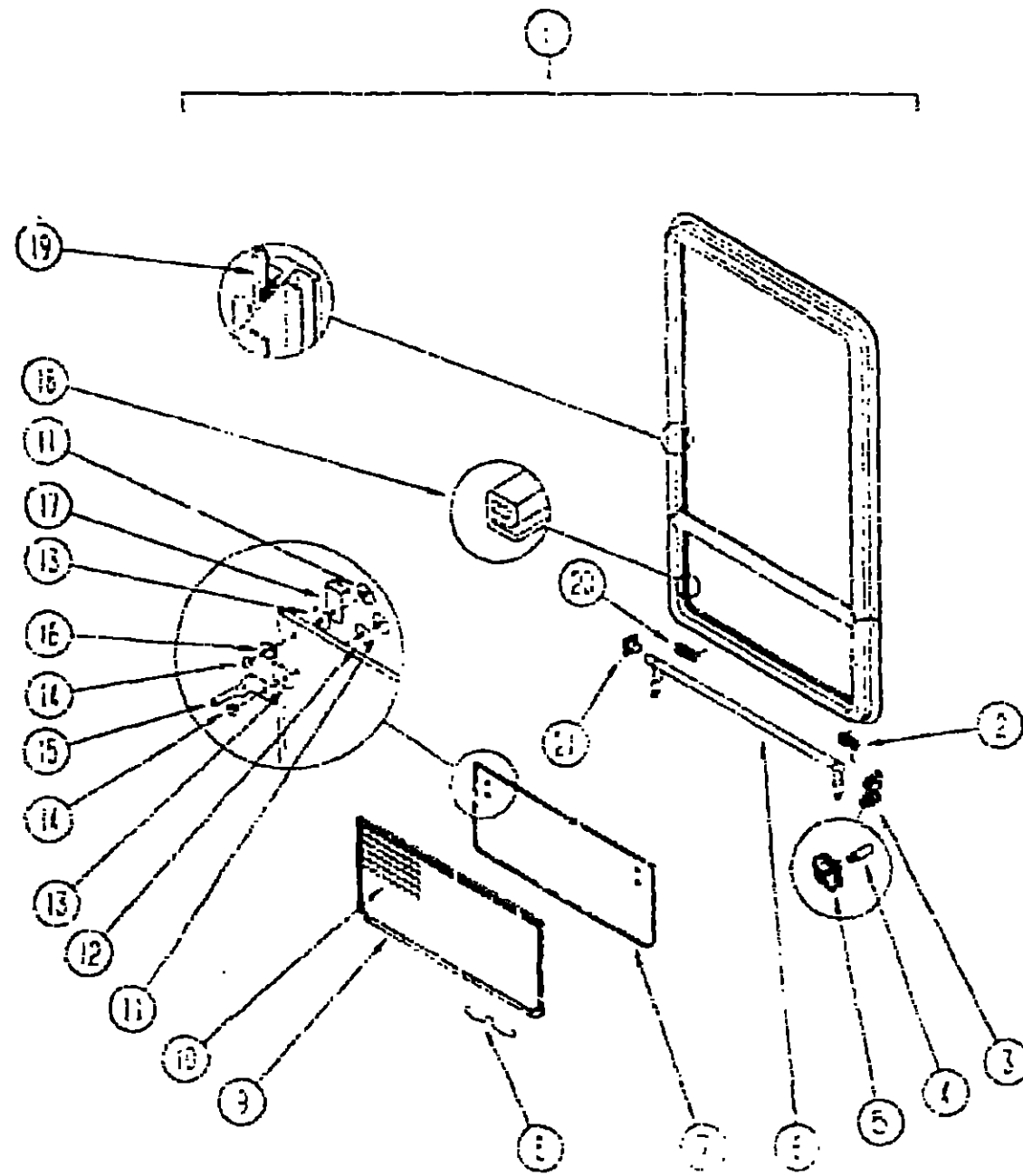
**1993 ITA/CA
TABLE OF CONTENTS**

INTRODUCTION	A-01 -	A-02
ABBREVIATIONS		A-03
ALPHABETICAL INDEX	A-04 -	A-06
ICF27RC	A-07 -	F-02
ICF27RQ	F-03 -	J-16

1993 ICF27RQ INDEX

FLOOR PLAN	F-03 -	F-04
ACCESSORIES		F-05
AUDIO VIDEO	F-06 -	F-08
BATH	F-09 -	F-10
BEDROOM	F-11 -	F-12
CHASSIS	F-13 -	F-24
CURTAINS & CUSHION	G-01 -	G-10
DINETTE	G-11 -	G-12
DRIVERS COMPARTMENT	G-13 -	G-17
ELECTRICAL	G-18 -	G-24
EXTERIOR BODY	H-01 -	H-09
GALLEY	H-09 -	H-13
GENERATOR	H-14 -	H-15
HEATING & A/C	H-16 -	H-20
INTERIOR FINISH	H-21 -	H-24
LABELS	I-01 -	I-03
LP		I-07
LOUNGE	I-11 -	I-12
SEALANTS & FASTENERS	I-13 -	I-16
WATER & SEWAGE	I-17 -	I-22
WINDOW, VENT AND EXTERIOR DOOR	I-23 -	J-15
WINDSHIELD WIPER	J-17 -	J-18

WINDOW, VENT & EXTERIOR DOOR GROUP (CONTINUED)
GALLEY WINDOW



KEY	PART NUMBER	U/M DESCRIPTION
	090993-17-02A	EA FRAME-WINDOW, INSIDE - OFF WHITE
1	092235-11-Y12	EA WINDOW-TIPOUT, W/O INSIDE FRAME - 24 5/8" X 15 5/8"
2	080916-01-000	EA SPRING-TORQUE TUBE, RH
3	035532-02-000	EA OPERATOR-TORQUE, TIPOUT WINDOW - LEFT
4	009439-06-000	EA EXTENSION-WINDOW CONTROL
5	009439-05-000	EA KNOB-OPERATOR, TIPOUT WINDOW - BLACK
	009439-07-000	EA SCREW, 8-32 X 1 1/4 PCH - BLACK
6	083150-10-000	EA TUBE ASM - TORQUE, WINDOW
7	084065-15-000	EA GLASS-TIPOUT, 9 7/8" X 24 5/8"
8	100168-01-000	EA CLIP-SPRING, SCREEN
9	100235-02-B07	EA SCREEN-SINGLE TIPOUT WINDOW
10	060218-03-000	SF SCREEN-FIBERGLASS, 12" WIDE
	100240-01-000	FT SPLINE-SCREEN, T-SHAPED
11	056762-01-000	EA T NUT 10-32
12	085927-03-000	EA SEAL-WINDOW, RUBBER - ROUND - 30" DIA. - BLACK
13	084473-01-000	EA SEAL-RUBBER, TIPOUT WINDOW
14	055763-01-000	EA SCREW-MACH, 10 - 32 X 1 1/4 PTH
15	097572-01-000	EA LINKAGE-TIPOUT WINDOW
	081649-01-000	EA RING - SNAP, 7/32 SHAFT DIA
	084453-01-000	EA WASHER - 060 X 50 X 135 - PLASTIC
	085315-01-000	EA RIVET-SHOULDER, TIPOUT WINDOW
	000H14-05-14R	EA RIVET-MANDREL BLIND, 3/16"
16	084453-02-000	EA WASHER - 060 X 50 X 250 - PLASTIC
17	089913-01-000	EA HINGE-TIPOUT WINDOW, BLACK
18	084067-02-000	FT SEAL-E SHAPED, SPONGE RUBBER - TIPOUT WINDOW - 4" X 4" - BLACK FROM: 00-00-93 THRU 04-04-93
19	069840-11-000	EA SEALER-TAPE, 3/16" X 3/8" - BLACK
20	080916-02-000	EA SPRING-TORQUE TUBE, LH
21	081354-01-000	EA SLEEVE-TORQUE TUBE, TIPOUT WINDOW - 1 3/8" X 1 2" X .7"

**1993 ITASCA
TABLE OF CONTENTS**

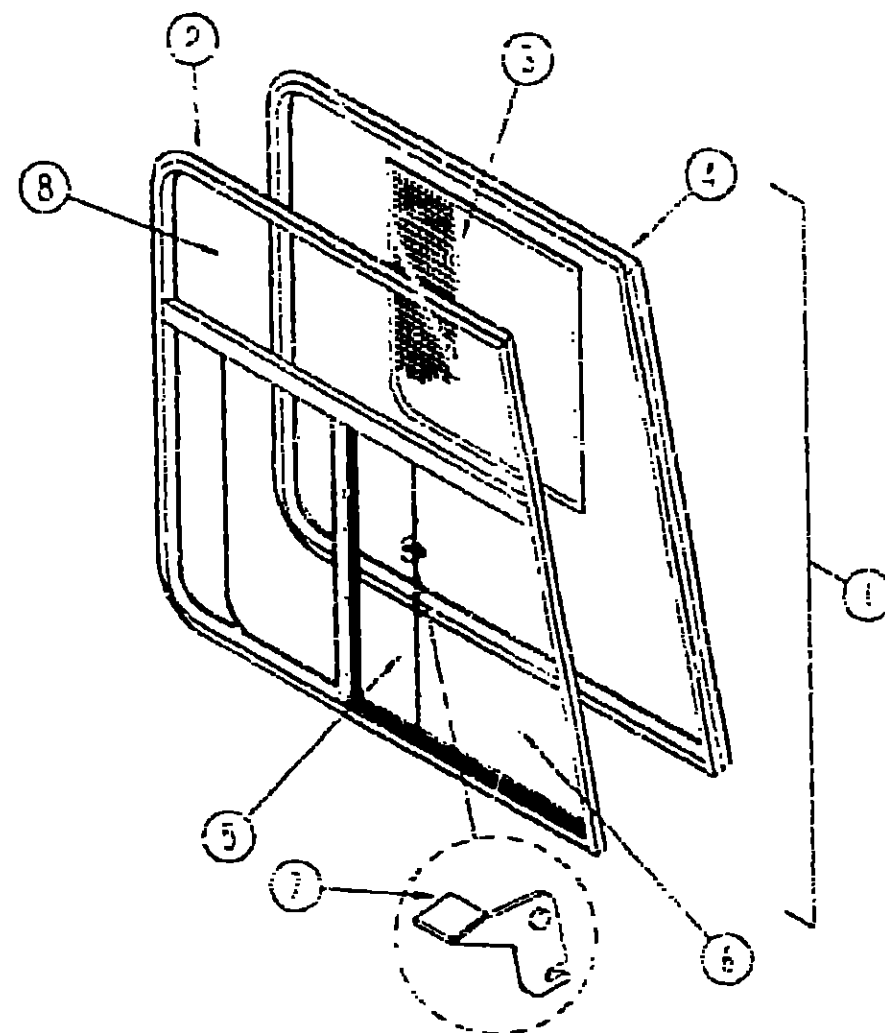
INTRODUCTION	A-01 -	A-02
ABBREVIATIONS		A-03
ALPHABETICAL INDEX	A-04 -	A-05
ICF27RC	A-07 -	F-02
ICF27RQ	F-03 -	J-16

1993 ICF27RQ INDEX

FLOOR PLAN	F-03 -	F-04
ACCESSORIES		F-05
AUDIO VIDEO	F-06 -	F-08
BATH	F-09 -	F-10
BEDROOM	F-11 -	F-12
CHASSIS	F-13 -	F-24
CURTAIN & CUSHION	G-01 -	G-10
DINETTE	G-11 -	G-12
DRIVERS COMPARTMENT	G-13 -	G-17
ELECTRICAL	G-18 -	G-24
EXTERIOR BODY	H-01 -	H-02
GALLEY	H-09 -	H-13
GENERATOR	H-14 -	H-15
HEATING & A/C	H-16 -	H-20
INTERIOR FINISH	H-21 -	H-24
LABELS	I-01 -	I-03
LP		I-10
LOUNGE	I-11 -	I-12
SEALANTS & FASTENERS	I-13 -	I-16
WATER & SEWAGE	I-17 -	I-22
WINDOW, VENT AND EXTERIOR DOOR	I-23 -	J-16
WINDSHIELD WIPER	J-17 -	J-18

WINDOW, VENT & EXTERIOR DOOR GROUP (CONTINUED)

DRIVER & PASSENGER CAB SIDE WINDOWS



KEY	PART NUMBER	U/M DESCRIPTION
1	103658-02-01A	EA WINDOW ASM-CAB, PASSENGER - H322-APR FROM: 03-00-00 THRU: 03-22-92
1	103658-03-01A	EA WINDOW ASM-CAB, PASSENGER - H373-APR FROM: 03-23-92 THRU: 99-99-99
1	103658-01-01A	EA WINDOW ASM-CAB, DRIVER - H 322-ARL FROM: 03-00-00 THRU: 03-22-92
1	103658-05-01A	EA WINDOW ASM-CAB, DRIVER - H 373-ARL FROM: 03-23-92 THRU: 99-99-99
2	103658-02-702	EA WINDOW-SLIDER, CAB - W/O INSIDE FRAME - PASSENGER - H322-A2R EXCEL FROM: 03-00-00 THRU: 03-22-92
2	103658-06-700	EA WINDOW-SLIDER, CAB - W/O INSIDE FRAME - PASSENGER - H373-A2R EXCEL FROM: 03-23-92 THRU: 99-99-99
2	103658-01-704	EA WINDOW-SLIDER, CAB - W/O INSIDE FRAME - DRIVER - H322-A2L EXCEL FROM: 03-00-00 THRU: 03-22-92
2	103658-05-703	EA WINDOW-SLIDER, CAB - W/O INSIDE FRAME - DRIVER - H373-A2L EXCEL FROM: 03-23-92 THRU: 99-99-99
3	103658-02-700	EA SCREEN ASM-WINDOW, PASSENGER - H322-03R EXCEL
3	103658-01-700	EA SCREEN ASM-WINDOW, DRIVER - H322-03L EXCEL
4	103658-02-703	EA FRAME-INSIDE, PASSENGER - H322-67R EXCEL FROM: 03-00-00 THRU: 03-22-92
4	103658-05-700	EA FRAME-INSIDE, PASSENGER - H373-67A77 EXCEL FROM: 03-23-92 THRU: 99-99-99
4	103658-01-705	EA FRAME-INSIDE, DRIVER - H322-67L EXCEL FROM: 03-00-00 THRU: 03-22-92
4	103658-05-702	EA FRAME-INSIDE, DRIVER - H373-67A77 EXCEL FROM: 03-23-92 THRU: 99-99-99
5	103658-02-701	EA GLASS-SLIDING, WSASH & LATCH - PASSENGER - H322-A6R EXCEL
5	103658-01-703	EA GLASS-SLIDING, WSASH & LATCH - DRIVER - H322-A6L EXCEL
6	103658-01-702	EA GLASS-STATIONARY, BOTTOM - 106-017700 EXCEL
7	095644-01-700	EA LATCH-REPAIR KIT
8	103658-01-701	EA GLASS-STATIONARY, TOP - 106-017699 EXCEL FROM: 03-00-00 THRU: 03-22-92
8	103658-05-701	EA GLASS-STATIONARY, TOP - 106-017460 EXCEL FROM: 03-23-92 THRU: 99-99-99
	100322-01-703	FT STRIP-GLAZING, BUTYL - EXCEL 132-010723
	095644-01-705	FT WEATHERSTRIP, EXCEL 171-010558
	095644-01-708	FT CHANNEL-PIERCED RUN, EXCEL 122-016543
	095644-01-710	FT TRACK-SCREEN SPACER, 12' LENGTH - EXCEL M401-31
	095644-01-711	FT WEATHERSTRIP-SCREEN, BLACK - EXCEL 171-016265
	095644-01-715	EA SPRING-SCREEN FRAME (CLIP), PLASTIC - BLACK - EXCEL 226-016255
	095644-01-716	FT PLUG-FILLER, EXCEL 132-014470
	095644-01-717	FT SPLINE-SCREEN EXCEL 132-004715

1993 ITASCA TABLE OF CONTENTS

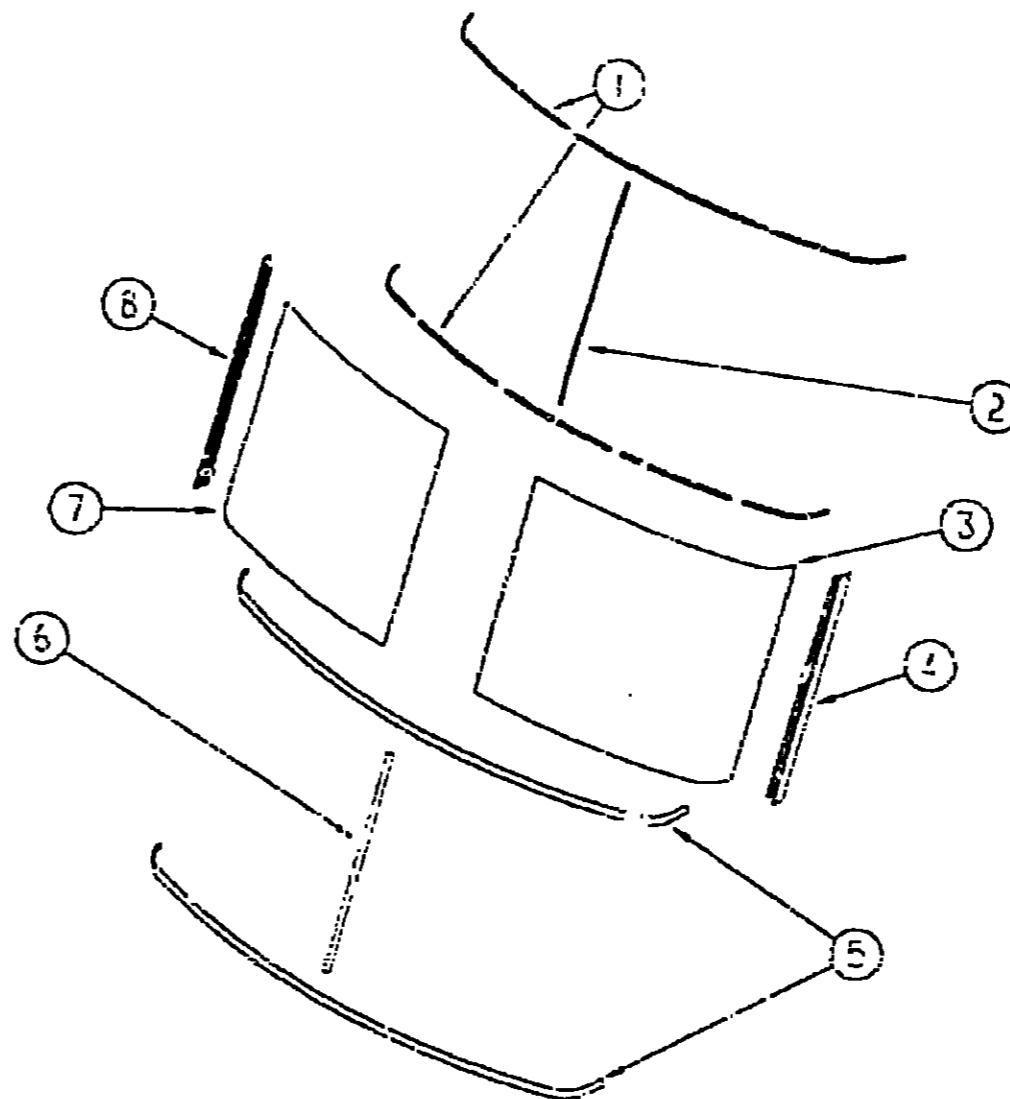
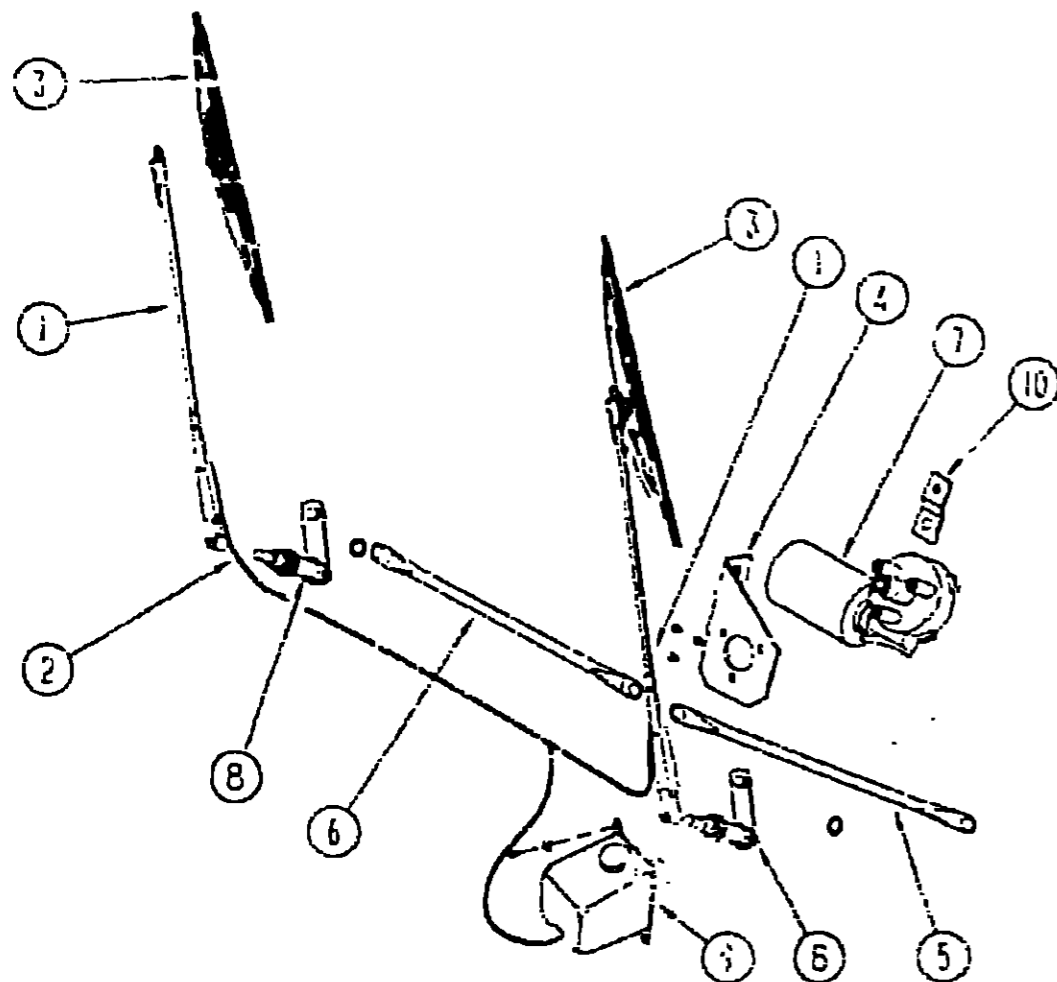
INTRODUCTION	A-01 -	A-02
ABBREVIATIONS		A-03
ALPHABETICAL INDEX	A-04 -	A-06
ICF27RC	A-07 -	F-02
ICF27RQ	F-03 -	J-13

1993 ICF27RQ INDEX

FLOOR PLAN	F-03 -	F-04
ACCESSORIES		F-05
AUDIO VIDEO	F-06 -	F-08
BATH	F-09 -	F-10
BEDROOM	F-11 -	F-12
CHASSIS	F-13 -	F-24
CURTAIN & CUSHION	G-01 -	G-10
DINETTE	G-11 -	G-12
DRIVERS COMPARTMENT	G-13 -	G-17
ELECTRICAL	G-18 -	G-24
EXTERIOR BODY	H-01 -	H-03
GALLEY	H-09 -	H-13
GENERATOR	H-14 -	H-15
HEATING & A/C	H-16 -	H-20
INTERIOR FINISH	H-21 -	H-24
LABELS	I-01 -	I-03
LP		I-10
LOUNGE	I-11 -	I-12
SEALANTS & FASTENERS	I-13 -	I-16
WATER & SEWAGE	I-17 -	I-22
WINDOW, VENT AND		
EXTERIOR DOOR	J-23 -	J-16
WINDSHIELD WIPER	J-17 -	J-13

WINDSHIELD & WIFER GROUP

WINDSHIELD & WIFER GROUP (CONTINUED)



**1993 ITASCA
TABLE OF CONTENTS**

INTRODUCTION	A-01 -	A-02
ABBREVIATIONS		A-03
ALPHABETICAL INDEX	A-04 -	A-05
ICF27RC	A-07 -	F-02
ICF27RQ	F-03 -	J-18

WIPER COMPONENTS

WINDSHIELD MOLDINGS & GLASS

1993 ICF27RQ INDEX

KEY	PART NUMBER	U/M DESCRIPTION
1	103671-01-000	EA ARM-WIPER, 1 ANTOGRAPH - 24"
	036931-01-700	FT HOSE-WIPER, TO BLADE
	095931-01-701	EA NOZZLE-HARDWARE KIT, INCLUDES NOZZEL, NUT, SHORT THREAD SCREW, LONG THREAD SCREW, AND PLASTIC CAP
2	045794-01-000	FT HOSE-WASHER, WINDSHIELD - 5/32" ID - BLACK
3	095924-01-000	EA BLADE-WIPER, 24"
	095924-01-700	EA REFILL-WIPER BLADE, 24" - FAIR
4	104549-01-000	EA BRACKET ASM-WIPER
5	103672-01-000	EA LINK ASM - CONNECTING - DRIVERS
6	103572-02-000	EA LINK ASM - CONNECTING - PASSENGERS
7	104346-01-000	EA MOTOR-WIPER
8	095505-02-000	EA PIVOT & SHAFT ASM-WIPER PASSENGER WINDSHIELD FROM: 00-00-00 THRU 04-20-92
9	095505-05-000	EA PIVOT & SHAFT ASM-WIPER, PASSENGER WINDSHIELD FROM: 04-21-93 THRU 99-99-99
8	095505-03-000	EA PIVOT & SHAFT ASM-WIPER, DRIVER WINDSHIELD FROM: 00-00-00 THRU: 12-12-92
8	095505-06-000	EA PIVOT & SHAFT ASM-WIPER, DRIVER WINDSHIELD FROM: 12-13-92 THRU 99-99-99
	095526-01-000	EA SCREW-HEX, 1/4 - 28
9	056000-02-000	EA WASHER-WINDSHIELD, BOTTLE & PUMP
10	104347-01-000	EA ARM-DRIVE WIPER MOTOR 1.34"
	056000-01-700	F VACUUM HOSE 7.64 - 5/32
	051503-01-000	EA GROMMET-SNAP, 3/16 ID - 3/8 HOLE - PLASTIC - BLACK
	057188-01-000	EA STUD-CRANK WIPER
	110742-01-000	EA GASKET-WIPER

FROM: 01-11-92 THRU: 99-99-99

KEY	PART NUMBER	U/M DESCRIPTION
1	102935-01-000	EA CARRIER-REVEAL, 50" - WINDSHIELD
2	102935-02-000	EA CARRIER-REVEAL, 38" - WINDSHIELD
2	110268-02-000	EA CARRIER-REVEAL, 35" - WINDSHIELD FROM: 00-00-00 THRU: 12-13-92
	110268-05-000	EA CARRIER-REVEAL, 2" - WINDSHIELD FROM: 12-14-92 THRU 99-99-99
	110268-07-000	EA CARRIER-REVEAL, 42 1" - WINDSHIELD FROM: 12-14-92 THRU: 99-99-99
3	085753-04-000	EA GLASS-WINDSHIELD, DRIVER
4	103107-02-01A	EA TRIM - WINDSHIELD - DRIVER SIDE - BLACK
5	102936-01-000	FT MOLDING - REVEAL - WINDSHIELD
6	102936-01-000	FT MOLDING - REVEAL - WINDSHIELD - CENTER
7	085753-02-000	EA GLASS-WINDSHIELD, PASSENGER
8	103107-01-01A	EA TRIM - WINDSHIELD - PASSENGER SIDE - BLACK
	095785-06-000	EA CHANNEL - 49" PCV
	077922-03-000	EA HEADER WINDSHIELD END - RIGHT
	077922-04-000	EA HEADER WINDSHIELD END - LEFT
	077922-05-000	EA HEADER WINDSHIELD - CENTER
	078579-09-000	EA TRIM - WINDSHIELD - UPPER INNER - RIGHT - ASH GRAY
	078579-10-000	EA TRIM - WINDSHIELD - UPPER INNER - LEFT - ASH GRAY
	079765-08-000	EA TRIM - WINDSHIELD - CENTER INNER - ASH GRAY
	077847-02-000	EA SUPPORT - WINDSHIELD - LOWER - W/O BRACKETS
	002328-02-000	EA BLOCK-WINDSHIELD, .052" X 5" X .59"

FLOOR PLAN	F-03 -	F-04
ACCESSORIES		F-05
AUDIO VIDEO	F-06 -	F-08
BATH	F-09 -	F-10
BED-ROOM	F-11 -	F-12
CHASSIS	F-13 -	F-24
CURTAIN & CUSHION	G-01 -	G-10
DINETTE	G-11 -	G-12
DRIVERS COMPARTMENT	G-13 -	G-17
ELECTRICAL	G-18 -	G-24
EXTERIOR BODY	H-01 -	H-05
GALLEY	H-09 -	H-13
GENERATOR	H-14 -	H-15
HEATING & A/C	H-16 -	H-20
INTERIOR FINISH	H-21 -	H-24
LABELS	I-01 -	I-02
LP		I-10
LOUNGE	I-11 -	I-12
SEALANTS & FASTENERS	I-13 -	I-16
WATER & SEWAGE	I-17 -	I-22
WINDOW, VENT AND EXTERIOR DOOR	I-23 -	J-16
WINDSHIELD WIPER	J-17 -	J-18