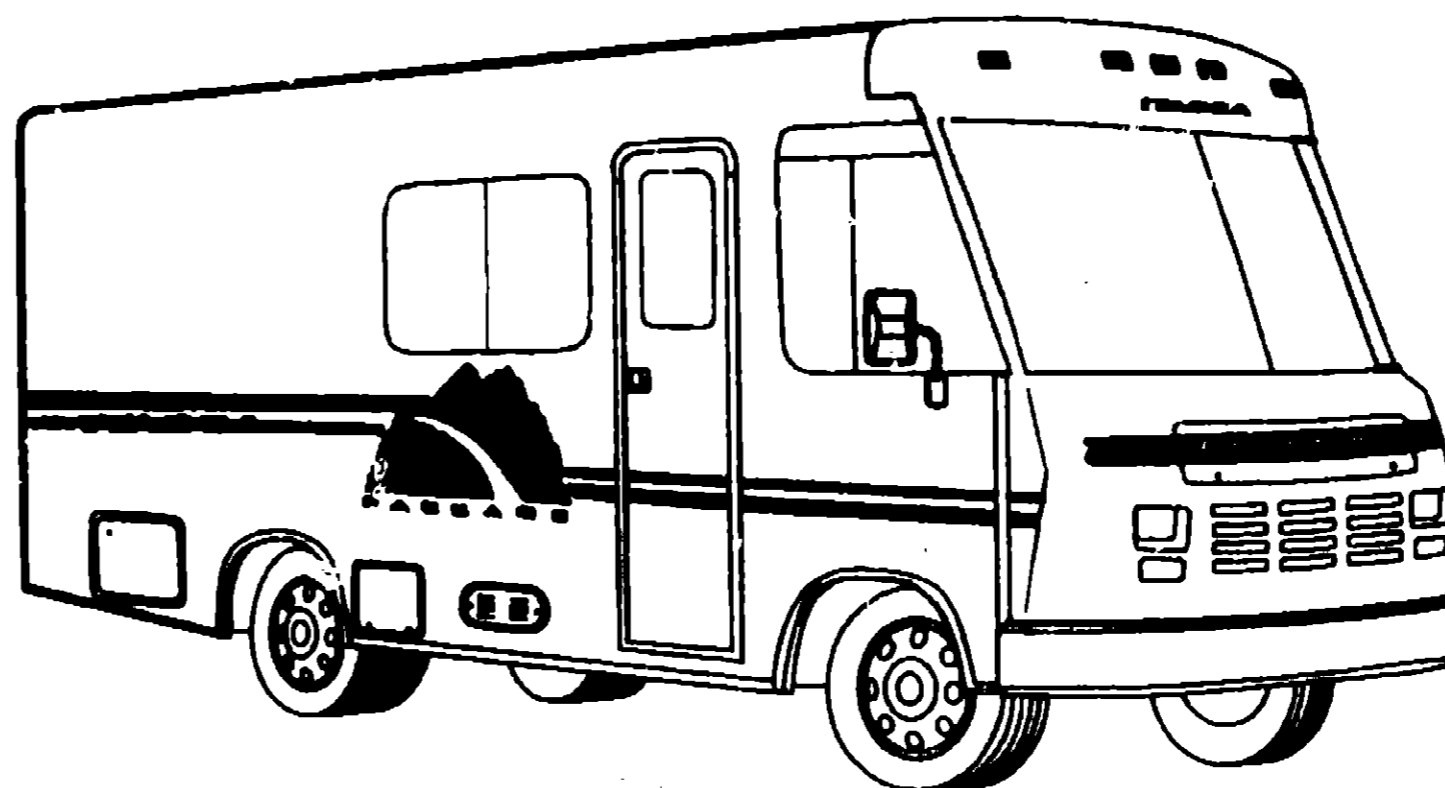


**1993 ITASCA
TABLE OF CONTENTS**

INTRODUCTION	A-01 -	A-02
ABBREVIATIONS		A-03
ALPHABETICAL INDEX	A-04 -	A-06
ICD22RB	A-07 -	D-14
ICD25RU	D-15 -	F-23



1993

ICD22RB

DB1 THRU DB4

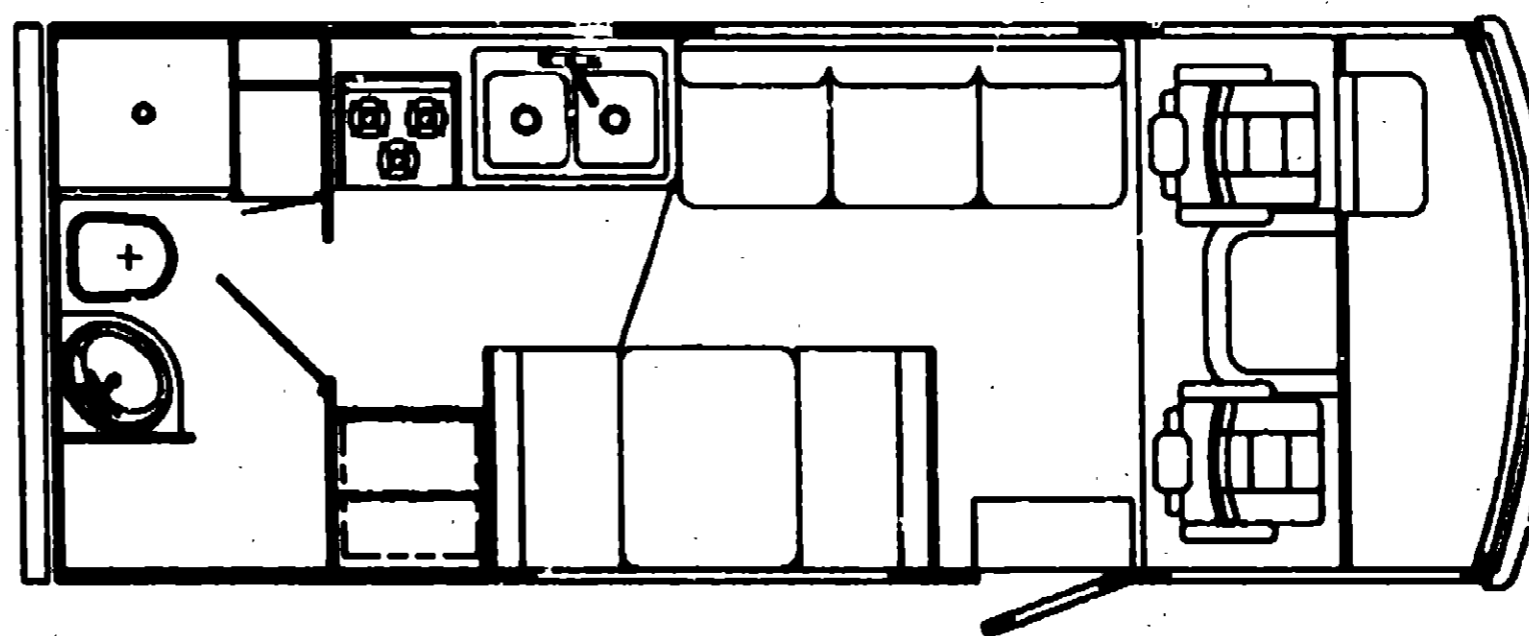
DC1 THRU DC5

DD1 THRU DD5

DE1 THRU DE6

1993 ICD22RB INDEX

FLOOR PLAN	A-07 -	A-08
ACCESSORIES		A-09
AUDIO VIDEO		A-10
BATH	A-11 -	A-12
CHASSIS	A-13 -	A-19
CURTAIN & CUSHION	A-20 -	B-06
CINETTE	B-07 -	B-08
DRIVERS COMPARTMENT	B-09 -	B-11
ELECTRICAL	B-12 -	B-14
EXTERIOR BODY	B-15 -	B-21
GALLEY	B-22 -	B-24
GENERATOR		C-01
HEATING & A/C	C-02 -	C-02
INTERIOR FINISH	C-05 -	C-06
LABELS	C-07 -	C-14
LP	C-15 -	C-16
LOUNGE	C-17 -	C-18
SEALANTS & FASTENERS	C-19 -	C-21
WATER & SEWAGE	C-22 -	C-24
WINDOW, VENT AND EXTERIOR DOOR	D-01 -	D-11
WINDSHIELDWIPER	D-12 -	D-15



ACCESSORIES GROUP

OPERATOR MANUAL

KEY	PART NUMBER	U/M DESCRIPTION
	054188-04-000	EA OPERATOR MANUAL - 16 PASSAGE
	022318-01-000	EA BINDER-3 RING - MOTOR HOME MANUAL
	082318-01-000	EA SOCKET PAGE-3 RING BINDER - PLASTIC
	110281-01-000	DW TOP LEVEL DRAWING - D - 1993

AUDIO VIDEO GROUP

RADIO SYSTEM & ANTENNA

KEY	PART NUMBER	U/M DESCRIPTION
	104089-01-000	EA RADIO-AMFM STEREO - CASSETTE - AUDIOVOX IM-DXF FROM: 00-00-00 THRU: 12-18-82
	087883-01-000	EA RADIO-AMFM STEREO WCASSETTE - AUDIOVOX 14401558 FROM: 12-17-82 THRU: 99-99-99
	110743-01-000	EA SPEAKER-RADIO - FADER CONTROL ASA 1410000 FROM: 12-17-82 THRU: 99-99-99
	073741-03-000	EA SPEAKER-RADIO - OVAL - AUDIOVOX 110-2074 - 4" X 6" FROM: 00-00-00 THRU: 12-20-82
	110489-01-000	EA SPEAKER-4" X 6" - OVAL - MAGNADYNE F48XB-12 FROM: 12-21-82 THRU: 99-99-99
	073741-04-000	EA GRILLE-SPEAKER - OVAL - 4" X 6" - BLACK FROM: 00-00-00 THRU: 12-20-82
	110470-01-01A	EA GRILLE-SPEAKER - OVAL - 4" X 6" - BLACK - MAGNADYNE G45W1 FROM: 12-21-82 THRU: 99-99-99
	N/A	EA SPEAKER - 5" X 7" - FORD F2UF-18814-CD
	077089-02-000	EA CABLE-ANTENNA - RADIO - EXTENSION 98" - ARA 8700987
	080644-01-000	EA ANTENNA-RADIO - 18" RUBBER
	110272-01-000	EA BRACKET-ANTENNA
	106305-01-000	EA WIRE ASM-SPEAKER ADAPTER (FORD) FROM: 00-00-00 THRU: 04-08-83
	081059-02-000	EA WIRE ASM-6-PIN - RADIO - AUDIOVOX 112B-1781

TV ANTENNA & WALL PLATES

KEY	PART NUMBER	U/M DESCRIPTION
	078319-13-000	EA ANTENNA-TV - ROOF - 44.5" - NONPOWERED - WINEGARD W1-5000 FROM: 00-00-00 THRU: 01-15-83
	078319-15-000	EA ANTENNA-TV - ROOF - NONPOWERED - 23.5" - WINEGARD W1-1504 FROM: 01-18-83 THRU: 01-24-83
	078319-01-000	EA ANTENNA-TV - ROOF MOUNT - 44.5" MAST - RVA W02 FROM: 01-25-83 THRU: 99-99-99
	078319-01-700	EA HEAD-ANTENNA - AMPLIFIED - WINEGARD# RVSA U/V
	078319-01-701	EA GEAR-ELEVATING - PLASTIC - WINEGARD# 2200048
	078319-01-702	EA SHAFT ASM-ELEVATING - WINEGARD# RVP-400A
	078319-01-703	EA BEARING-NYLON - 5"OD - WINEGARD# 3200858
	078319-01-706	EA GROMMET-NYLON - 7/8"ID - WINEGARD# 3200858
	078319-01-708	EA CRANK-ELEVATING - W/BET SCREW - WINEGARD# 5755100
	078319-01-707	EA SPRING-HANDLE - WINEGARD# 5160800
	078319-01-709	EA PLATE-DIRECTIONAL - FOR HEAD - WINEGARD# 3200844
	078319-08-000	EA ADAPTOR-CABLE ROOF PLATE - WINEGARD RP-J-1
	086777-01-000	EA WALLPLATE-TV CABLE - W/ANTENNA SWITCH - IVORY FROM: 00-00-00 THRU: 01-24-83
	086777-04-000	EA WALLPLATE-ANTENNAPOWER - BROWN FROM: 01-25-83 THRU: 99-99-99
	078319-03-000	FT CABLE-COAXIAL - 75 OHM
	078319-12-000	EA CONNECTOR-COAXIAL - ONE PIECE

1993 ITASCA TABLE OF CONTENTS

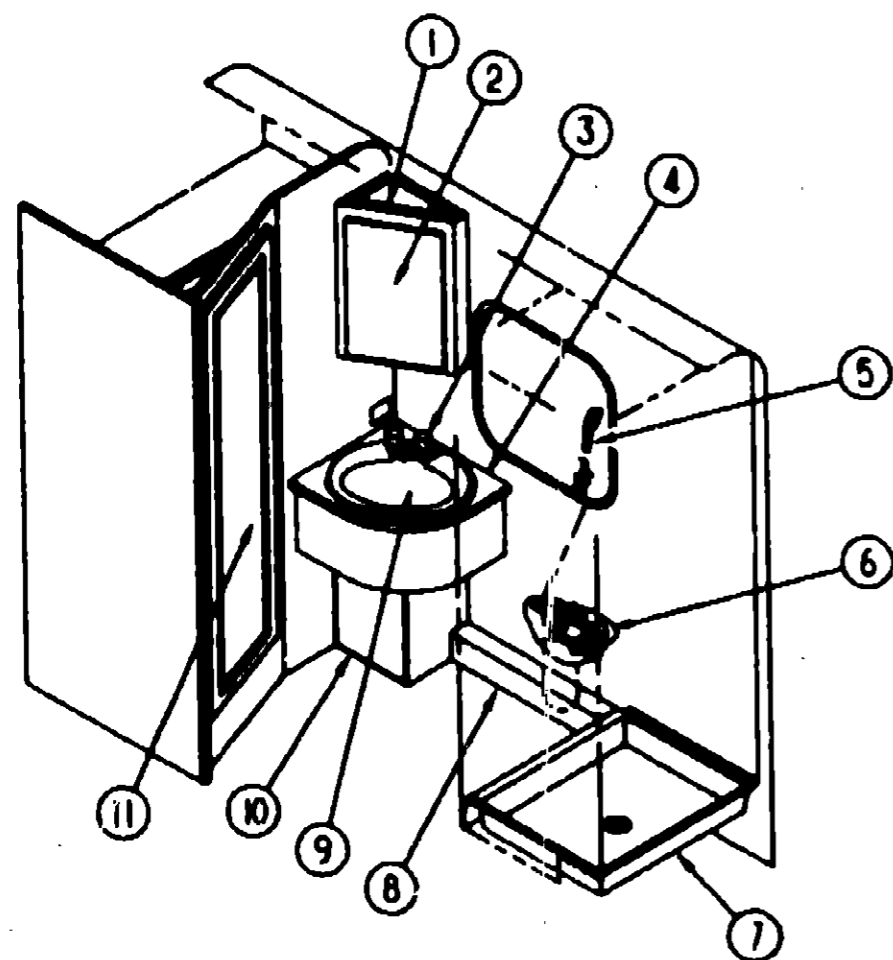
INTRODUCTION	A-01 -	A-02
ABBREVIATIONS		A-03
ALPHABETICAL INDEX	A-04 -	A-08
ICD22RB	A-07 -	D-14
ICD25RU	D-16 -	F-23

1993 ICD22RB INDEX

FLOOR PLAN	A-07 -	A-08
ACCESSORIES		A-09
AUDIO VIDEO		A-10
BATH	A-11 -	A-12
CHASSIS	A-13 -	A-19
CURTAIN & CUSHION	A-20 -	B-06
DINETTE	B-07 -	B-08
DRIVERS COMPARTMENT	B-09 -	B-11
ELECTRICAL	B-12 -	B-14
EXTERIOR BODY	B-15 -	B-21
GALLEY	B-22 -	B-24
GENERATOR		C-01
HEATING & A/C	C-02 -	C-02
INTERIOR FINISH	C-05 -	C-08
LABELS	C-07 -	C-14
LP	C-15 -	C-16
LOUNGE	C-17 -	C-18
SEALANTS & FASTENERS	C-19 -	C-21
WATER & SEWAGE	C-22 -	C-24
WINDOW, VENT AND		
EXTERIOR DOOR	D-01 -	D-11
WINDSHIELDWIPER	D-12 -	D-13

BATH GROUP

BATHROOM CABINET & COMPONENTS



KEY	PART NUMBER	U/M DESCRIPTION
1	109990-01-DB1	EA CABINET ASM-MEDICINE
	109990-11-DB1	EA SHELF ASM - MEDICINE CABINET
2	110140-03-DB1	EA DOOR ASM-MITERED - VINYL WRAP
	068331-A0-000	EA MIRROR-GLASS - SAFETY - 257MM X 472MM
3	109600-01-01A	EA FAUCET-LAVATORY - PARCHMENT
	105218-01-01A	EA SPACER-FAUCET - LAVATORY SINK - 2' X 5.9' - PLASTIC
4	109600-11-DB1	EA COUNTERTOP ASM
5	103002-01-000	EA SHOWER HEAD-WHOSE
5	103002-02-000	EA SHOWER HEAD-WHOSE - CANADIAN
6	109801-01-01A	EA FAUCET-SHOWER CONTROL - PARCHMENT
	078608-01-000	EA PANEL-FAUCET BACK - SHOWER - 5' X 9' - PLASTIC
7	M02570-07-DB1	EA SHOWER PAN ASM-OFF WHITE
	068438-01-000	EA NUT-SLIP - TAILPIECE - 1.8"
	068440-01-000	EA STRAINER-SHOWER - W/ RUBBER WASHER
8	109835-01-DB1	EA CABINET ASM-COVER - PIPE
9	109883-01-01A	EA SINK-LAVATORY - LARGE OVAL - 17" X 20" - OFF WHITE
	108118-01-01A	EA STRAINER-SINK - W/ STOPPER TAILPIECE GASKET & NUT - PLASTIC
10	P09886-01-DB1	EA CABINET ASM-LAVATORY
11	109990-01-DB1	EA DOOR ASM-WARDROBE/BATH
	080728-01-000	EA HANDLE-PULL - TABLE TOP - 1.3" X 4.4" - PLASTIC - BROWN
	084461-01-000	EA CATCH-BATH DOOR - BRASS
	009112-01-000	EA FLANGE-1" ROD - CLOTHES - PLASTIC - OFF WHITE
	042438-01-000	EA DOWEL-WOOD - CLOTHES ROD - 1" DIAMETER X 4'
	110140-02-DB1	EA DOOR ASM-MITERED - VINYL WRAP - LINEN CABINET
	075462-02-000	EA HOLDER-TOILET TISSUE - BRASS
	075453-02-000	EA BAR-TOWEL - 18" BRASS
	100357-01-000	EA ROD-TOWEL - BRASS WENDS BENT FOR BACK OF BATH DOOR

TOILET & PIECE PARTS

KEY	PART NUMBER	U/M DESCRIPTION
	063740-01-000	EA TOILET-HIGH - HAND FLUSH - THETFORD 150120
	063740-01-700	EA LEVER-WATER - THETFORD 12514
	063740-01-701	EA LEVER-FLUSH - THETFORD 12515
	063740-01-706	EA BOLT PACKAGE-CLOSET - THETFORD 12524
	063740-01-710	EA LINK - THETFORD 12513
	063740-01-711	EA SPRING-RETURN LEVER - THETFORD 12523
	063740-01-713	EA SEAL-BALL VALVE TO BOWL - THETFORD 12502
	063740-01-714	EA VALVE ASM-WATER - THETFORD 12492
	063740-01-716	EA SEAT & COVER - IVORY - THETFORD 15017
	063740-01-717	EA TUBE-FLUSH - TOILET - THETFORD 12509
	063740-02-700	EA SEAT & COVER - PARCHMENT - THETFORD 20829
	024878-01-000	EA FLANGE-CLOSET - TOILET - 4" X 3" - RED
	024878-02-000	EA FLANGE-CLOSET - 4" X 3" - ABS - CANADIAN

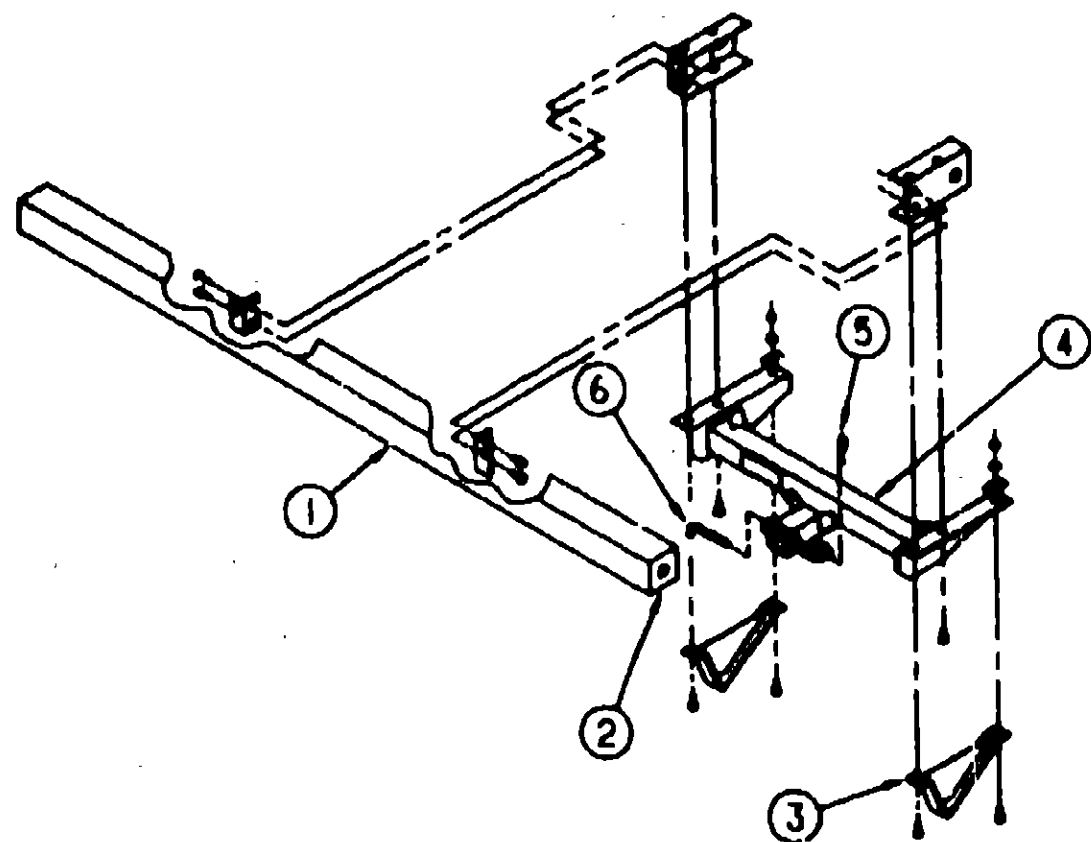
1983 ITASCA TABLE OF CONTENTS

INTRODUCTION	A-01	A-02
ABBREVIATIONS		A-03
ALPHABETICAL INDEX	A-04	A-05
ICD22RB	A-07	D-14
ICD28RU	D-15	F-23

1983 ICD22RB INDEX

FLOOR PLAN	A-37	A-08
ACCESSORIES		A-09
AUDIO VIDEO		A-10
BATH	A-11	A-12
CHASSIS	A-13	A-19
CURTAIN & CUSHION	A-20	B-05
DINETTE	B-07	B-08
DRIVERS COMPARTMENT	B-09	B-11
ELECTRICAL	B-12	B-14
EXTERIOR BODY	B-15	B-21
GALLEY	B-22	B-24
GENERATOR		C-01
HEATING & AC	C-02	C-02
INTERIOR FINISH	C-05	C-08
LABELS	C-07	C-14
LP	C-15	C-16
LOUNGE	C-17	C-18
SEALANTS & FASTENERS	C-19	C-21
WATER & SEWAGE	C-22	C-24
WINDOW, VENT AND EXTERIOR DOOR	D-01	D-11
WINDSHIELD/WIPER	D-12	D-13

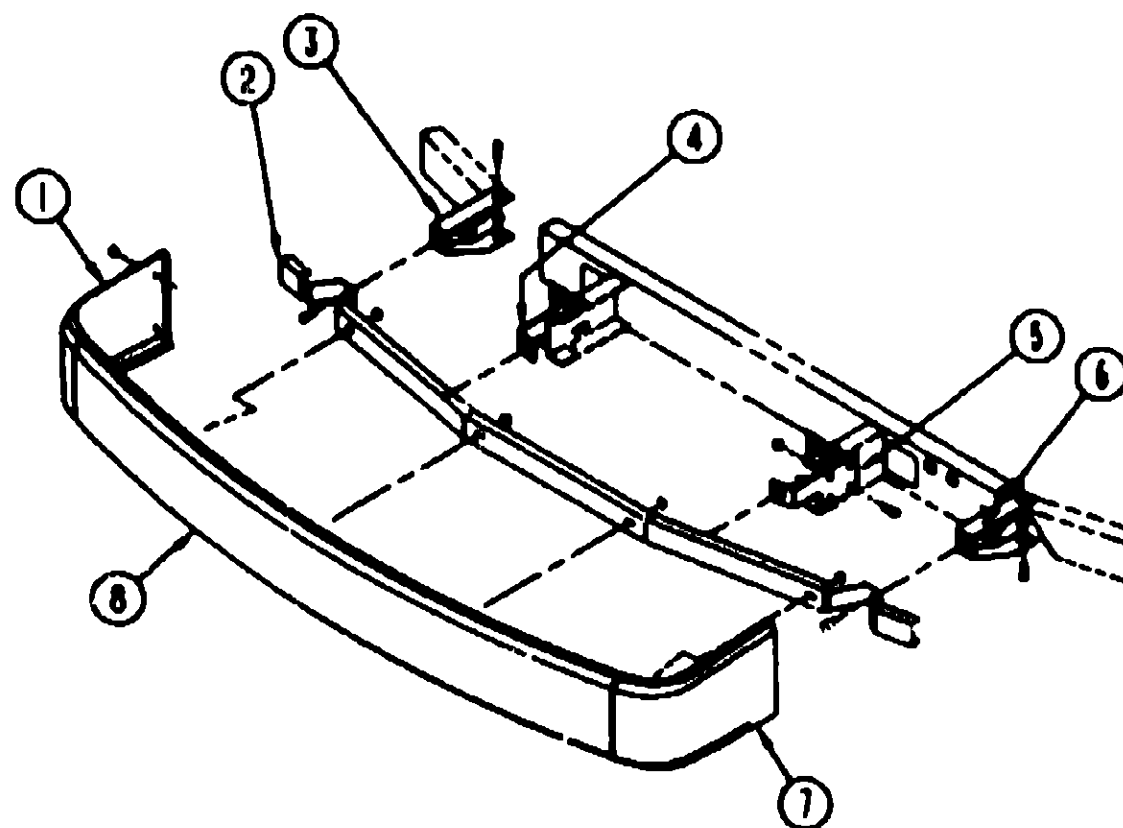
CHASSIS GROUP



REAR BUMPER, TRAILER HITCH & COMPONENTS

KEY	PART NUMBER	U/M	DESCRIPTION
1	110231-01-0B1	EA	BUMPER ASM-REAR
2	039779-01-000	EA	CAP-BUMPER - RUBBER - 4" X 4" - BLACK
3	083378-01-000	EA	PLATE-BUSD - 13.2" X 6" X 2" - STEEL
4	107707-01-000	EA	DRAWBAR ASM-HITCH - CLASS II
5	034513-01-000	EA	PIN-HITCH - 3/16" WIRE
6	034512-01-000	EA	PIN-LOCKING - DRAWBAR
	108738-01-01A	EA	BRACKET-BUMPER MILL
	087744-02-000	EA	HOUSING-TRAILER PIN 48 IN
	087746-01-000	EA	HOUSING-CAP
	087745-02-000	EA	HOUSING-RECEPTACLE - TRAILER - 48" WIRE LENGTH

CHASSIS GROUP (CONTINUED)



FRONT BUMPER

KEY	PART NUMBER	U/M	DESCRIPTION
1	103825-01-01A	EA	PANEL-FACIA -BUMPER FRONT RIGHT - OFF WHITE
2	103512-01-000	EA	CHANNEL ASM-BUMPER
3	103497-01-000	EA	BRACE-BUMPER -FRONT
4	088140-03-00L	EA	SUPPORT-FRONT BUMPER - PASSENGER SIDE - 9.1" X 4" - STEEL
5	088140-04-000	EA	SUPPORT-FRONT BUMPER - DRIVER SIDE - 9.1" X 4" - STEEL
6	103811-01-000	EA	BRACE-BUMPER -FRONT
7	103525-02-01A	EA	PANEL-FACIA -BUMPER FRONT LEFT - OFF WHITE
8	103834-01-C06	EA	BUMPER ASM-FRONT - WRIGHT & LEFT FACIAS
	094382-03-000	EA	CLIP-XMAS TREE -FLAT HEAD

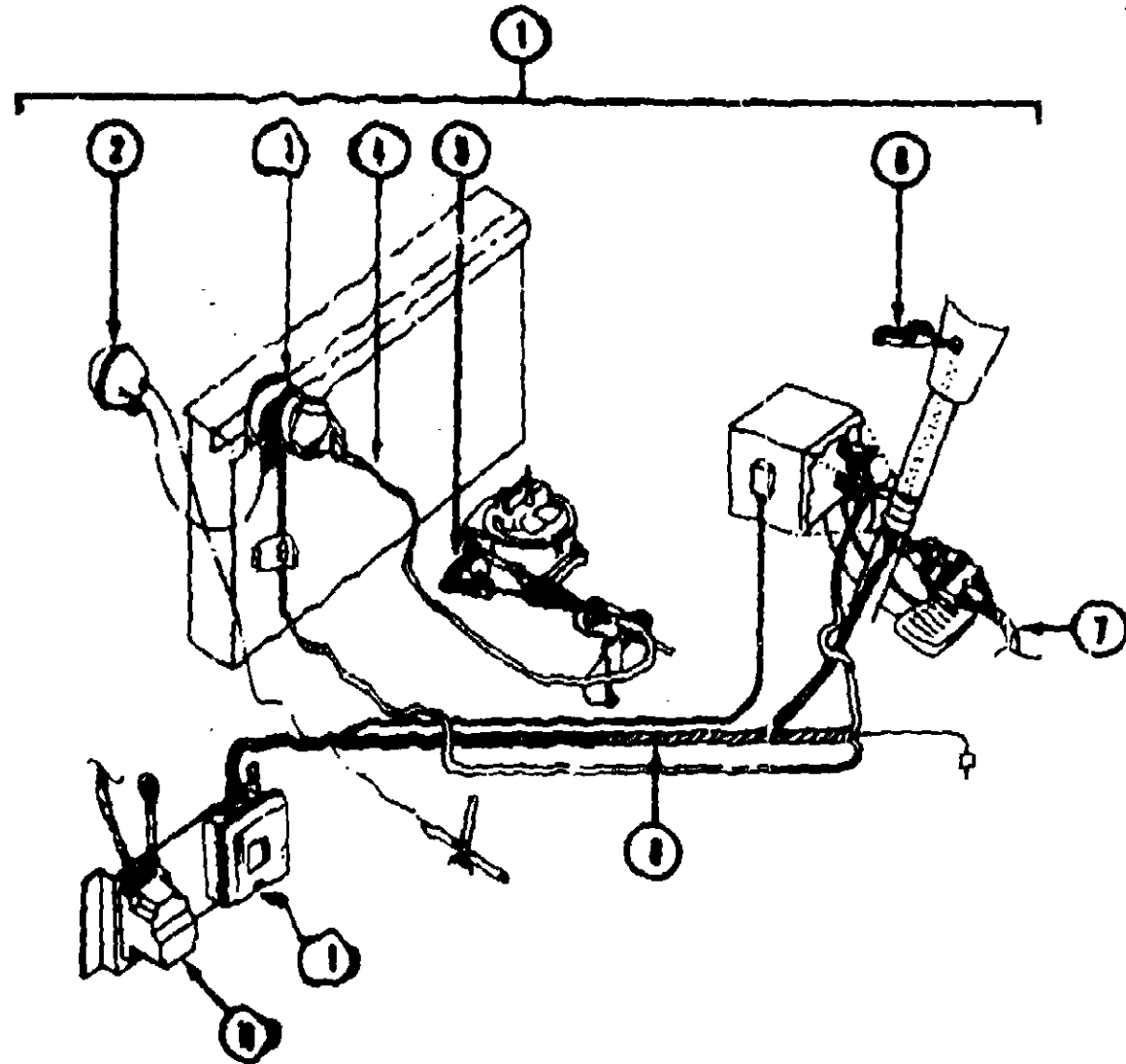
**1993 ITASCA
TABLE OF CONTENTS**

INTRODUCTION	A-01 -	A-02
ABBREVIATIONS		A-03
ALPHABETICAL INDEX	A-04 -	A-06
ICD22RB	A-07 -	D-14
ICD25RU	D-15 -	F-23

1993 ICD22RB INDEX

FLOOR PLAN	A-07 -	A-08
ACCESSORIES		A-09
AUDIO VIDEO		A-10
BATH	A-11 -	A-12
CHASSIS	A-13 -	A-19
CURTAIN & CUSHION	A-20 -	B-08
DIWETTE	B-07 -	B-08
DRIVERS COMPARTMENT	B-09 -	B-11
ELECTRICAL	B-12 -	B-14
EXTERIOR BODY	B-15 -	B-21
GALLEY	B-22 -	B-24
GENERATOR		C-01
HEATING & A/C	C-02 -	C-02
INTERIOR FINISH	C-05 -	C-08
LABELS	C-07 -	C-14
LP	C-15 -	C-18
LOUNGE	C-17 -	C-18
SEALANTS & FASTENERS	C-19 -	C-21
WATER & SEWAGE	C-22 -	C-24
WINDOW, VENT AND		
EXTERIOR DOOR	D-01 -	D-11
WINDSHIELDWIPER	D-12 -	D-13

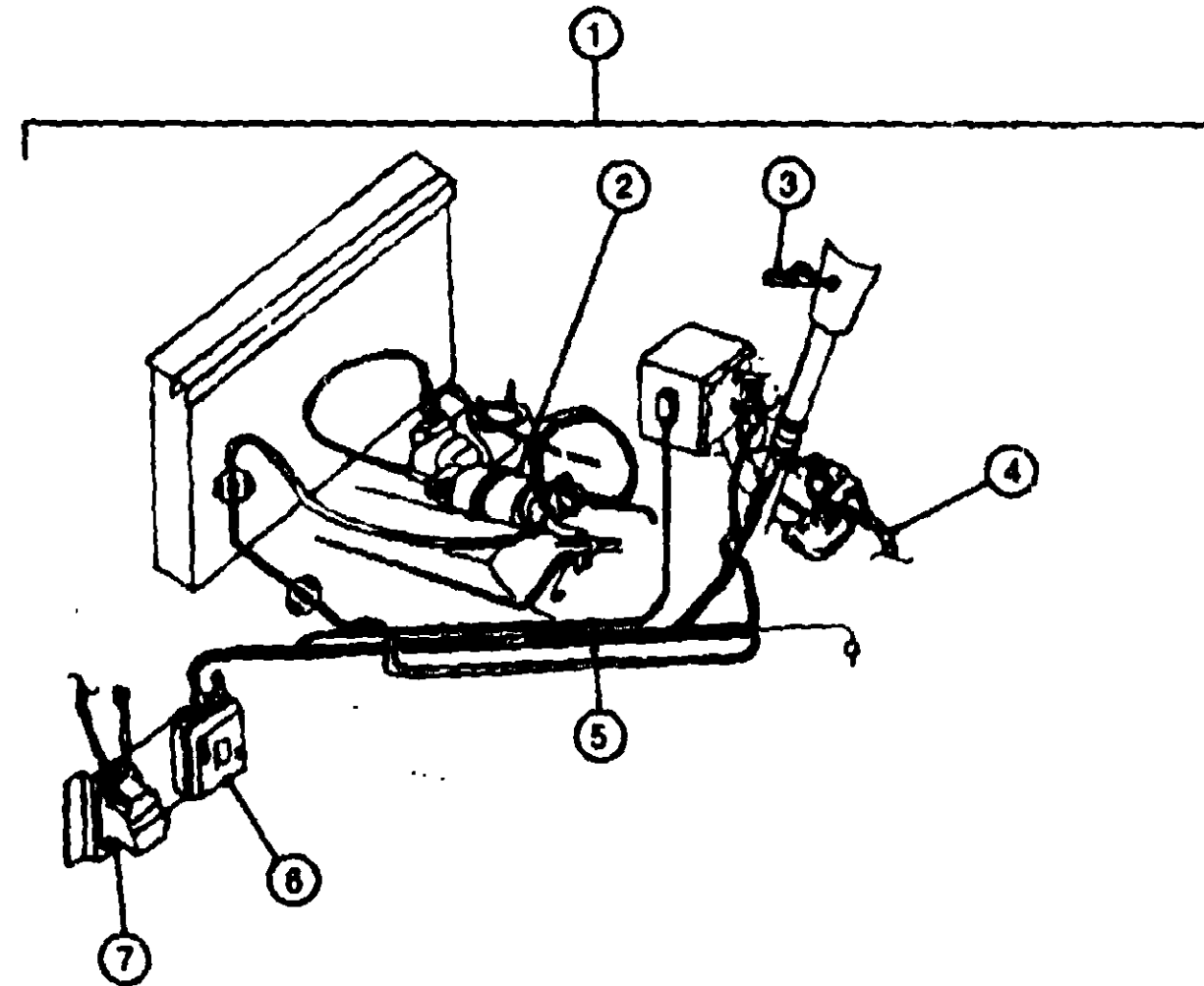
CHASSIS GROUP (CONTINUED)



SPEED CONTROL (GAS)

KEY	PART NUMBER	U/M	DESCRIPTION
1	102382-04-000	EA	SPEED CONTROL - CHEVY - COAST - DANA 59L-111022
2	094389-01-705	EA	VACUUM RESERVOIR - DANA 59C-02249
3	094389-01-708	EA	SERVO - DANA 53D-11116-R
4	102382-01-700	EA	CABLE ONLY - REPLACEMENT - DANA 59C-03001
5	102382-01-705	EA	THROTTLE STUD - DANA 59A-02821
6	102382-01-707	EA	CONTROL SWITCH & LEVER ASM - DANA 53D-08X83-F
7	102382-01-703	EA	HARNES ASM-PIVOT SWITCH TO WIPER CONTROL - DANA 59C-02973
8	102382-01-704	EA	HARNES ASM-MAIN WIRING - DANA 59D-02975
9	102382-01-701	EA	REGULATOR ASM-ELECTRONIC - DANA 57C-08X13-R
10	091900-01-702	EA	WIPER CONTROL MODULE-DANA# 68C-00061
	094883-01-704	EA	HOUSING-4 PIN - SPEED CONTROL - DANA 59C-02291

CHASSIS GROUP (CONTINUED)



SPEED CONTROL (DIESEL)

KEY	PART NUMBER	U/M	DESCRIPTION
1	102382-02-000	EA	SPEED CONTROL - CHEVY DIESEL - DANA 59L111020P
2	094389-01-708	EA	SERVO-DANA# 53D-11116-R
3	102382-02-700	EA	SWITCH & LEVER-CONTROL - DANA 58D-08X83-F
4	102382-01-703	EA	HARNES-PIVOT SWITCH TO WIPER CONTROL - DANA 59C-02973
5	102382-01-704	EA	HARNES-MAIN WIRING - DANA 59D-02975
6	102382-01-701	EA	REGULATOR-ELECTRONIC - DANA 57C-08X13-R
7	091900-01-702	EA	WIPER CONTROL MODULE-DANA# 68C-00061
	094883-01-704	EA	HOUSING-4 PIN - SPEED CONTROL - DANA 59C-02291
	102382-02-701	EA	JUMPER WIRE ASSEMBLY - 59C-3003
	102382-02-702	EA	STOP LAMP-CRUISE RELEASE SW. - 59C-3008 GM15644318
	094389-02-700	EA	CABLE-SERVO - DIESEL - DANA# 59C-2282
	074389-02-701	EA	VACUUM REGULATOR-DIESEL - DANA# 59B-02117
	094389-02-702	EA	EXTENSION-WIRE HARNES - DANA# 59C-02279
	102382-02-700	EA	CONTROL SWITCH & LEVER ASSY. 58D-08X83-F
	094389-01-705	EA	VACUUM RESERVOIR-DANA# 59C-02249
	102382-01-700	EA	CABLE-SERVO - CABLE ONLY - DANA 59C-03001
	102382-01-705	EA	CLIP-THROTTLE RETAINER - DANA 59A-02821

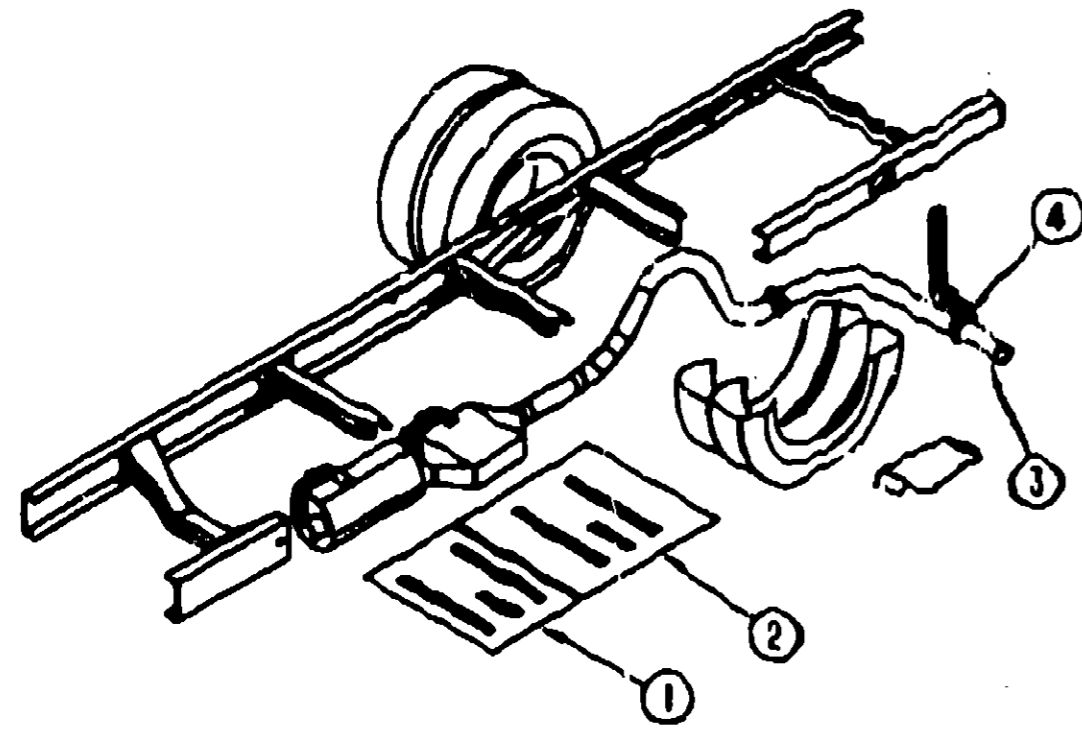
1983 ITASCA
TABLE OF CONTENTS

INTRODUCTION	A-01 - A-02
ABBREVIATIONS	A-03
ALPHABETICAL INDEX	A-04 - A-08
ICD22RB	A-07 - D-14
ICD25RU	D-15 - F-23

1983 ICD22RB INDEX

FLOOR PLAN	A-07 - A-08
ACCESSORIES	A-09
AUDIO VIDEO	A-10
BATH	A-11 - A-12
CHASSIS	A-13 - A-18
CURTAIN & CUSHION	A-20 - B-08
DINETTE	B-07 - B-08
DRIVERS COMPARTMENT	B-09 - B-11
ELECTRICAL	B-12 - B-14
EXTERIOR BODY	B-15 - B-21
GALLEY	B-22 - B-24
GENERATOR	C-01
HEATING & A/C	C-02 - C-12
INTERIOR FINISH	C-05 - C-08
LABELS	C-07 - C-11
LP	C-15 - C-18
LOUNGE	C-17 - C-18
SEALANTS & FASTENERS	C-19 - C-21
WATER & SEWAGE	C-22 - C-24
WINDOW, VENT AND EXTERIOR DOOR	D-01 - D-11
WINDSHIELD/WIPER	D-12 - D-13

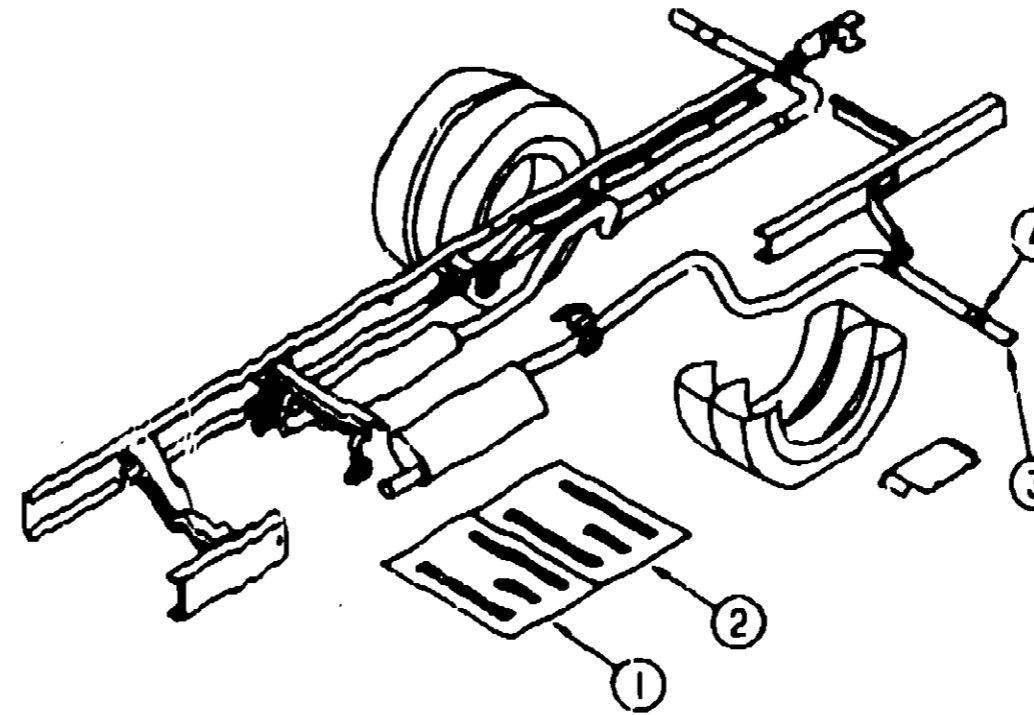
CHASSIS GROUP (CONTINUED)



EXHAUST SYSTEM (GAS)

KEY	PART NUMBER	U/M	DESCRIPTION
1	101544-01-000	EA	SHIELD-HEAT - EXHAUST - 19.7" X 28.9" - STEEL FROM: 00-00-00 THRU: 01-17-83
1	101544-05-000	EA	SHIELD-HEAT - EXHAUST - 19.7" X 28.9" - STEEL FROM: 01-18-83 THRU: 99-99-99
2	101544-02-000	EA	SHIELD-HEAT - EXHAUST - 30" X 28.9" - STEEL
3	088782-06-000	EA	PIPE-EXHAUST - STRAIGHT 3.0 IN
4	094918-01-000	EA	CLAMP-EXHAUST - 3" - GUILLOTINE STYLE

CHASSIS GROUP (CONTINUED)



EXHAUST SYSTEM (DIESEL)

KEY	PART NUMBER	U/M	DESCRIPTION
1	101544-01-000	EA	SHIELD-HEAT - EXHAUST - 19.7" X 28.9" - STEEL FROM: 00-00-00 THRU: 01-17-83
1	101544-05-000	EA	SHIELD-HEAT - EXHAUST - 19.7" X 28.9" - STEEL FROM: 01-18-83 THRU: 99-99-99
2	101544-02-000	EA	SHIELD-HEAT - EXHAUST - 30" X 28.9" - STEEL
3	081618-01-000	EA	EXTENSION-EXHAUST - 2.25" OD X 9.44" - STAINLESS STEEL
4	094918-03-000	EA	CLAMP-EXHAUST - 2.5"

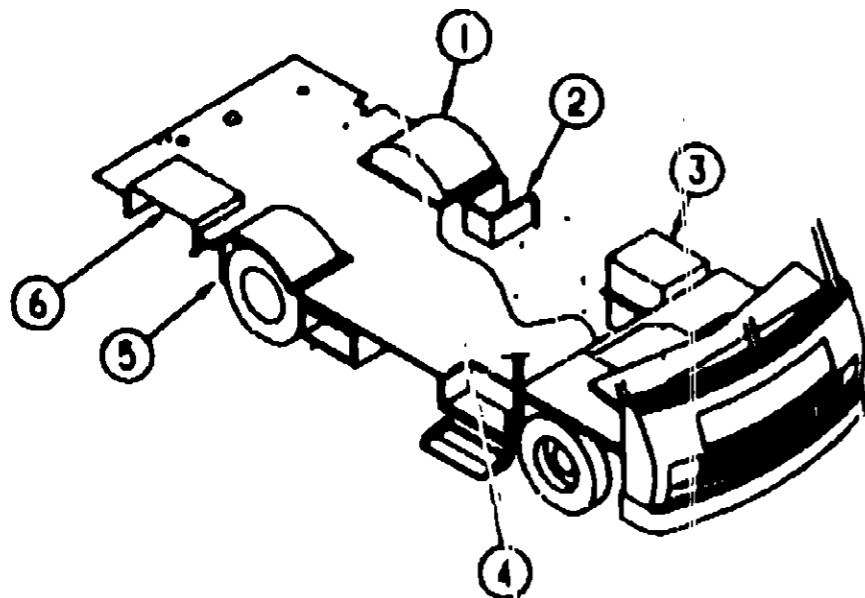
1993 ITASCA
TABLE OF CONTENTS

INTRODUCTION	A-01	A-02
ABBREVIATIONS		A-03
ALPHABETICAL INDEX	A-04	A-08
ICD22RB	A-07	D-14
ICD28RU	C-16	F-23

1993 ICD22RB INDEX

FLOOR PLAN	A-07	A-08
ACCESSORIES		A-09
AUDIO VIDEO		A-10
BATH	A-11	A-12
CHASSIS	A-13	A-19
CURTAIN & CUSHION	A-20	B-06
DINETTE	B-07	B-08
DRIVERS COMPARTMENT	B-09	B-11
ELECTRICAL	B-12	B-14
EXTERIOR BODY	B-15	B-21
GALLEY	B-22	B-24
GENERATOR		C-01
HEATING & AC	C-02	C-02
INTERIOR FINISH	C-05	C-08
LABELS	C-07	C-14
LP	C-16	C-19
LOUNGE	C-17	C-18
SEALANTS & FASTENERS	C-19	C-21
WATER & SEWAGE	C-22	C-24
WINDOW, VENT AND		
EXTERIOR DOOR	D-01	D-11
WINDSHIELDWIPER	D-12	D-13

CHASSIS GROUP (CONTINUED)



STORAGE COMPARTMENTS & WHEELWELLS

KEY	PART NUMBER	U/M DESCRIPTION
1	058080-01-000	EA WHEELWELL-PLASTIC-REAR-BLACK-LEFT OR RIGHT
2	102979-03-000	EA BOX-POWER CORD
3	110184-01-000	EA COMPARTMENT-STORAGE
4	077848-02-000	EA STEP-PULLOUT
	081178-01-000	EA SUPPORT-BASE-ENTRANCE STEP
	078241-01-000	EA BOX-SUPPORT-ENTRY DOOR STEP-29.3" X 12.3" X 11.4"-ST
5	080167-03-000	EA DIRT GUARD-STEEL
6	105471-04-000	EA COMPARTMENT ASM-GENERATOR

WHEELS, TIRES & WHEEL COVER

KEY	PART NUMBER	U/M DESCRIPTION
	088388-08-000	EA WHEEL-STEEL-16" X 6" - 8 HOLE - PRIMED
	040848-03-000	EA TIRE-7.50" X 16" - 8 PLY - POLYESTER - GOODRICH - TUBE TYPE
	061577-03-000	EA STEM-VALVE-TRO 800HP
	083181-14-000	EA WHEEL COVER-4/SET-16"-WHITE-KAPER 2-PLASTIC
	083181-14-700	EA WHEEL COVER-1 ONLY-WHITE WC13

CHASSIS MISCELLANEOUS

KEY	PART NUMBER	U/M DESCRIPTION
	077001-01-000	EA ANGLE-MOUNTING-ROOF PANEL-V ANGLE-3" X 2.4" X 1.5"
	108138-01-000	EA BRACKET-SUPPORT-UPPER-HINGE-RIGHT
	108139-02-000	EA BRACKET-SUPPORT-UPPER-HINGE-LEFT
	078310-01-000	EA BAFFLE-RADIATOR-12" X 15" X 62"-RUBBER
	088489-08-000	EA TIEDOWN-BATTERY-8.4" TUBE
	080808-01-000	EA LUG WRENCH-1.08 X 1.00
	080808-02-000	EA BAR-LEVEL W/GE-LUG WRENCH
	070278-08-000	EA PLATE-ANCHOR-W/7/16 WELD NUT-1.5" X 3.3"
	108804-02-000	EA ANGLE ASM-SOLENOID
	078877-01-000	EA INSULATION-SOUND BARRIER-1.25" X 48" X 54"
	078878-01-000	EA INSULATION-SOUND BARRIER PAD-21.25" X 40.18"

FUEL SYSTEM

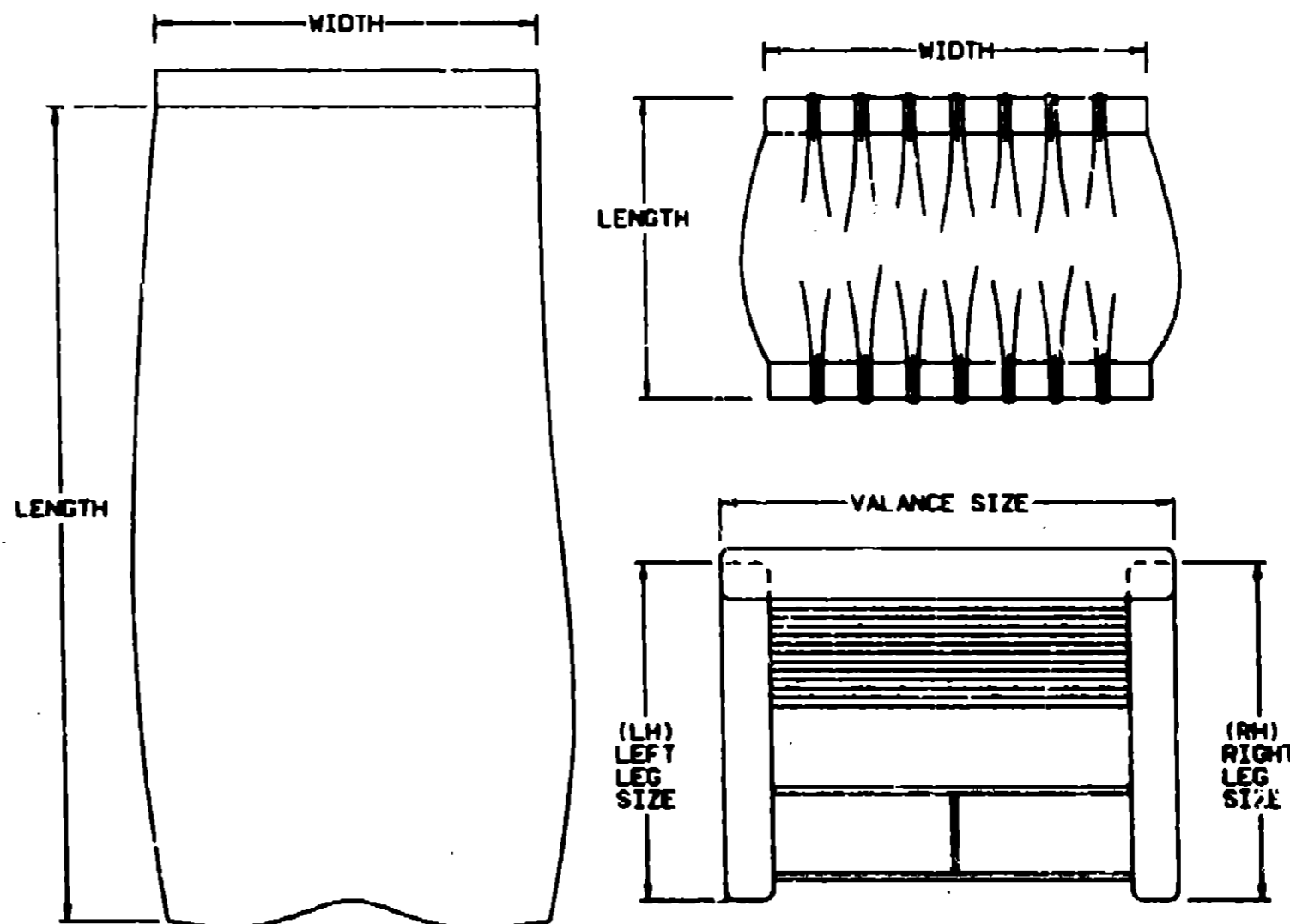
KEY	PART NUMBER	U/M DESCRIPTION
	072447-04-000	EA SHROUD-FUEL FILL-UPPER-PLASTIC
	108801-01-05A	EA SHROUD-FUEL FILL-OFF WHITE
	044817-01-000	FT HOSE-FUEL-3/8" ID
	087028-01-000	FT HOSE-GAS 1/4" ID X 1/4" OD
	088291-01-000	EA STRAP-MOUNTING-FUEL LINE-2" X 32"
	024148-01-000	EA TEE-SAFE-3/16"-PLASTIC

CURTAIN & CUSHION GROUP

NOTICE

IN ORDER TO ASSIST OUR PARTS SALES DEPT. IN PROVIDING INTERIOR SOFTGOODS ITEMS, PLEASE INCLUDE THE SERIAL NUMBER AND THE COLOR CODE NUMBER FROM THE VEHICLE CERTIFICATION LABEL WHEN ORDERING. THIS LABEL IS LOCATED ON THE LEFT SIDEWALL AT THE END OF THE DASH (A-BODY), OR ON THE DRIVER'S DOOR LATCH PLATE (C-BODY).

AN EXAMPLE OF A COLOR CODE NUMBER IS B07, WHICH DESIGNATES AN OVERALL COLOR SCHEME OF A PARTICULAR UNIT. THE COLOR LISTED AFTER THE ITEM DESCRIPTION ON THE MICROFICHE, INDICATES THE OVERALL UNIT COLOR. ORDER THE ITEM YOU DESIRE ACCORDING TO UNIT COLOR CODE.



NOTE: USE THIS ILLUSTRATION WHEN DETERMINING LENGTH AND WIDTH MEASUREMENTS FOR CURTAINS. YOU WILL NOTE THE WIDTH MEASUREMENT IS TAKEN ON THE TOP OF THE CURTAIN WITH THE CURTAIN FULLY EXTENDED. THE LENGTH MEASUREMENT IS TAKEN FROM TOP TO BOTTOM. LEFT AND RIGHT WINDOW LEGS ARE DETERMINED WHEN FACING THE WINDOW.

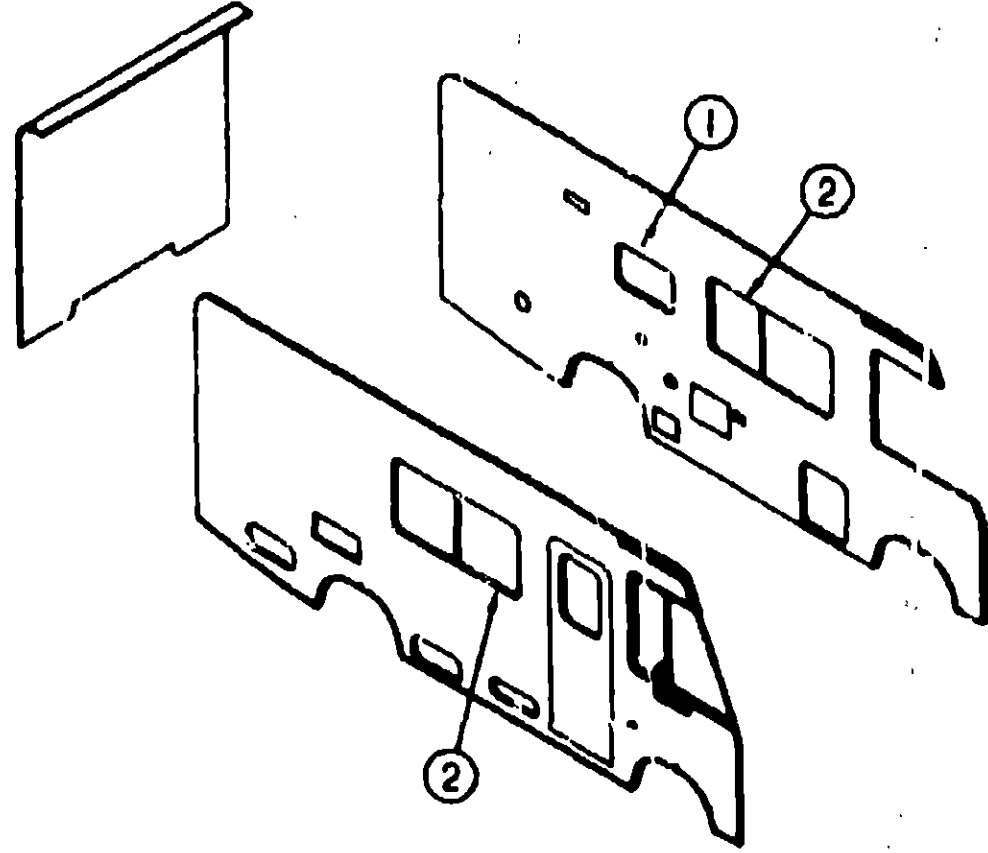
1993 TABCA TABLE OF CONTENTS

INTRODUCTION/ABBREVIATIONS	A-01 - A-02	A-03
ALPHABETIC/L INDEX	A-04 - A-05	A-06
ICD22PB	A-07 - D-14	
ICD28RU	D-15 - F-23	

1993 ICD22PB INDEX

FLOOR PLAN	A-07 - A-10
ACCESSORIES	A-11 - A-12
AUDIO VIDEO	A-13 - A-14
BATH	A-15 - A-16
CHASSIS	A-17 - B-01
CURTAIN & CUSHION	B-02 - B-03
INETTE	B-04 - B-05
DRIVERS COMPARTMENT	B-06 - B-11
ELECTRICAL	B-12 - B-14
EXTERIOR BODY	B-15 - B-21
GALLEY	B-22 - B-24
GENERATOR	C-01
HEATING & AC	C-02 - C-03
INTERIOR FINISH	C-04 - C-05
LABELS	C-06 - C-14
LP	C-15 - C-16
LOUNGE	C-17 - C-18
SEALANTS & FASTENERS	C-19 - C-21
WATER & SEWAGE	C-22 - C-24
WINDOW, VENT AND EXTERIOR DOOR	D-01 - D-11
WINDSHIELDWIPER	D-12 - D-13

CURTAIN & CUSHION GROUP (CONTINUED)



WINDOW TREATMENT

KEY	PART NUMBER	U/M DESCRIPTION
1	083475-32-15A	EA BLIND-MINI - 27 X 18.5 - DROP
1	103353-08-01A	EA BLIND-SLATS - 27"
1	103353-04-000	EA BLIND-MOUNTING CLIP
2	107888-18-DB1	EA VALANCE-CENTRAL - 80" (DB1)
2	107888-18-DB2	EA VALANCE-CENTRAL - 80" (DB2,DB3)
2	107888-18-DB4	EA VALANCE-CENTRAL - 80" (DB4)
2	107888-18-DC1	EA VALANCE-CENTRAL - 80" (DC1)
2	107888-18-DC2	EA VALANCE-CENTRAL - 80" (DC2)
2	107888-18-DC3	EA VALANCE-CENTRAL - 80" (DC3,DC4)
2	107888-18-DC5	EA VALANCE-CENTRAL - 80" (DC5)
2	107888-18-DD1	EA VALANCE-CENTRAL - 80" (DD1)
2	107888-18-DD2	EA VALANCE-CENTRAL - 80" (DD2)
2	107888-18-DD3	EA VALANCE-CENTRAL - 80" (DD3,DD4,DD5)
2	107888-18-DE1	EA VALANCE-CENTRAL - 80" (DE1)
2	107888-18-DE2	EA VALANCE-CENTRAL - 80" (DE2,DE3)
2	107888-18-DE3	EA VALANCE-CENTRAL - 80" (DE3,DE4)
2	107888-18-DE4	EA VALANCE-CENTRAL - 80" (DE4)
2	084481-28-DB1	EA SHADE ASM-PULL-57.25" - W/O BRAID
2	073280-80-DB1	EA CURTAIN ASM-31" X 15" - PLAIN HEM T&S (DB1,DB2,DB3,DB4)
2	073280-80-DC1	EA CURTAIN ASM-31" X 15" - PLAIN HEM T&S (DC1,DC2,DC3)
2	073280-80-DC4	EA CURTAIN ASM-31" X 15" - PLAIN HEM T&S (DC4)
2	073280-80-DC5	EA CURTAIN ASM-31" X 15" - PLAIN HEM T&S (DC5)
2	073280-80-DD1	EA CURTAIN ASM-31" X 15" - PLAIN HEM T&S (DD1,DD2,DD3)
2	073280-80-DD4	EA CURTAIN ASM-31" X 15" - PLAIN HEM T&S (DD4,DD5)
2	073280-80-DE1	EA CURTAIN ASM-31" X 15" - PLAIN HEM T&S (DE1,DE2,DE3,DE4,DE5,DE6)
2	101888-31-DB1	EA CURTAIN-38" X 78" - FRONT WRAPAROUND - RIGHT (DB1,DB2,DB3,DB4)
2	101888-31-DC1	EA CURTAIN-38" X 78" - FRONT WRAPAROUND - RIGHT (DC1,DC2,DC3)
2	101888-31-DC4	EA CURTAIN-38" X 78" - FRONT WRAPAROUND - RIGHT (DC4,DC5)
2	101888-31-DD1	EA CURTAIN-38" X 78" - FRONT WRAPAROUND - RIGHT (DD1,DD2,DD3)
2	101888-31-DD4	EA CURTAIN-38" X 78" - FRONT WRAPAROUND - RIGHT (DD4,DD5)
2	101888-31-DE1	EA CURTAIN-38" X 78" - FRONT WRAPAROUND - RIGHT (DE1,DE2,DE3,DE4,DE5,DE6)

CURTAIN & CUSHION GROUP (CONTINUED)

WINDOW TREATMENT (CONTINUED)

KEY	PART NUMBER	U/M DESCRIPTION
	101888-31-DB1	EA CURTAIN-38" X 78" - FRONT WRAPAROUND - LEFT (DB1,DB2,DB3,DB4)
	101888-31-DC1	EA CURTAIN-38" X 78" - FRONT WRAPAROUND - LEFT (DC1,DC2,DC3)
	101888-31-DC4	EA CURTAIN-38" X 78" - FRONT WRAPAROUND - LEFT (DC4,DC5)
	101888-31-DD1	EA CURTAIN-38" X 78" - FRONT WRAPAROUND - LEFT (DD1,DD2,DD3)
	101888-31-DD4	EA CURTAIN-38" X 78" - FRONT WRAPAROUND - LEFT (DD4,DD5)
	101888-31-DE1	EA CURTAIN-38" X 78" - FRONT WRAPAROUND - LEFT (DE1,DE2,DE3,DE4,DE5,DE6)
	084481-28-DB1	EA CURTAIN-SHOWER - 74" X 40" - GY/COMMET TOP
	073280-80-DB1	EA TIEBACK ASM-6" X 18" W/BRAID (DB1,DB2,DB3,DB4)
	073280-80-DC1	EA TIEBACK ASM-6" X 18" W/BRAID (DC1,DC2,DC3)
	073280-80-DC4	EA TIEBACK ASM-6" X 18" W/BRAID (DC4,DC5)
	073280-80-DD1	EA TIEBACK ASM-6" X 18" W/BRAID (DD1,DD2,DD3)
	073280-80-DD4	EA TIEBACK ASM-6" X 18" W/BRAID (DD4,DD5)
	073280-80-DE1	EA TIEBACK ASM-6" X 18" W/BRAID (DE1,DE2,DE3,DE4,DE5,DE6)
	073280-84-DB1	EA TIEBACK ASM-3" X 16"

FABRICS

KEY	PART NUMBER	U/M DESCRIPTION
	108448-29-000	YD FABRIC-UPHOLSTERY - MAIN - ROCKY BLUE (DB1)
	108448-37-000	YD FABRIC-UPHOLSTERY - MAIN - MEDIA DELFT (DB2,DB3)
	108448-71-000	YD FABRIC-UPHOLSTERY - MAIN - FLOURISH (DB4)
	108448-28-000	YD FABRIC-UPHOLSTERY - MAIN - ROCKY JADE (DC1)
	108448-27-000	YD FABRIC-UPHOLSTERY - MAIN - LONDON JADE (DC2)
	104233-08-001	YD FABRIC-UPHOLSTERY - MAIN - MEDIA JADE (DC3,DC4)
	108448-73-000	YD FABRIC-UPHOLSTERY - MAIN - SATELLITE - TEAL (DC5)
	108448-26-000	YD FABRIC-UPHOLSTERY - MAIN - ROCKY MAPLE (DD1)
	108448-32-000	YD FABRIC-UPHOLSTERY - MAIN - LONDON - MAPLE (DD2)
	104233-15-001	YD FABRIC-UPHOLSTERY - MAIN - MEDIA JADE (DD3,DD4,DD5)
	108448-33-000	YD FABRIC-UPHOLSTERY - MAIN - GERANAMO OLIVE (DE1)
	108448-30-000	YD FABRIC-UPHOLSTERY - MAIN - ROCKY MAUVE (DE2,DE3)
	108448-31-000	YD FABRIC-UPHOLSTERY - MAIN - LONDON MAUVE (DE3,DE4)
	107448-79-000	YD FABRIC-UPHOLSTERY - MAIN - MEDIA EGGPLANT (DE4)
	104233-27-000	YD FABRIC-UPHOLSTERY - PLAIN ACCENT (DB1,DB2,DB3,DB4)
	104233-30-000	YD FABRIC-UPHOLSTERY - PLAIN ACCENT (DC1,DC2,DC3,DC4,DC5)
	104233-28-000	YD FABRIC-UPHOLSTERY - PLAIN ACCENT (DD1,DD2,DD3,DD4,DD5)
	104233-29-000	YD FABRIC-UPHOLSTERY - PLAIN ACCENT (DE1,DE2,DE3,DE4,DE5,DE6)
	104233-15-001	YD FABRIC-UPHOLSTERY - PATTERNED ACCENT - MAPLE (DD1,DD2,DD3,DD4,DD5)
	087272-03-000	YD DRAPERY LINING-54" IVORY - ROCKLAND MILLS
	088273-71-000	YD FABRIC-CURTAIN - PLAIN - MICHELLE (WRAPAROUND)(DB1,DB2,DB3,DB4)
	072333-86-000	YD FABRIC-CURTAIN - MIST (WRAPAROUND)(DC1,DC2,DC3)
	088273-88-000	YD FABRIC-CURTAIN - PLAIN - MICHELLE (WRAPAROUND)(DC4,DC5)
	072333-83-000	YD FABRIC-CURTAIN - TAUPE (WRAPAROUND)(DD1,DD2,DD3)
	105746-89-000	YD FABRIC-CURTAIN - TAUPE (WRAPAROUND)(DD4,DD5)
	088273-89-000	YD FABRIC-CURTAIN - LILAC (WRAPAROUND)(DE1,DE2,DE3,DE4,DE5,DE6)
	108589-01-01A	YD VINYL-LAMINATE MADRID - OFF WHITE - 54"
	108589-02-01A	EA VINYL-LAMINATE MADRID - OFF WHITE - 1/4" X 16" X 96"
	084416-27-000	YD FABRIC-LAMINATE - BLACKOUT - STONEHEDGE - 5444-D4
	103807-01-01A	YD FABRIC-VINYL - 54" WIDE - OFF WHITE

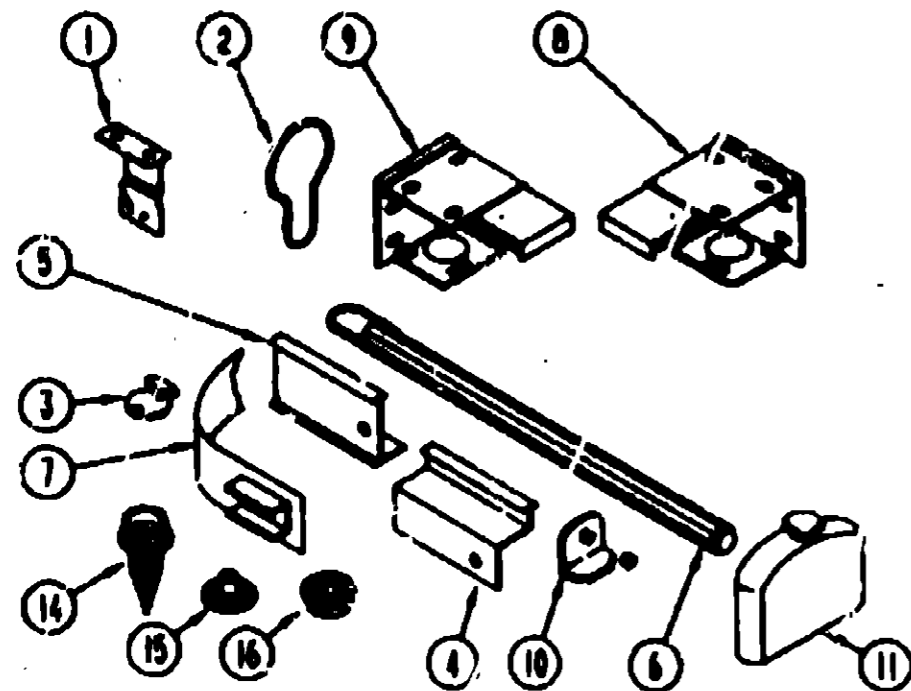
1983 ITASCA TABLE OF CONTENTS

INTRODUCTION	A-01	A-02
ABBREVIATIONS		A-03
ALPHABETICAL INDEX	A-04	A-08
ICD22RB	A-07	D-14
ICD28/AU	D-15	F-23

1983 ICD22RB INDEX

FLOOR PLAN	A-07	A-08
ACCESSORIES		A-09
AUDIO VIDEO		A-10
BATH	A-11	A-12
CHASSIS	A-13	A-19
CURTAIN & CUSHION	A-20	B-08
DINETTE	B-07	B-08
DRIVERS COMPARTMENT	B-09	B-11
ELECTRICAL	B-12	B-14
EXTERIOR BODY	B-15	B-21
GALLEY	B-22	B-24
GENERATOR		C-01
HEATING & A/C	C-02	C-08
INTERIOR FINISH	C-05	C-08
LABELS	C-07	C-14
LP	C-15	C-16
LOUNGE	C-17	C-18
SEALANTS & FASTENERS	C-19	C-21
WATER & SEWAGE	C-22	C-24
WINDOW, VENT AND EXTERIOR DOOR	D-01	D-11
WINDSHIELD/WIPER	D-12	D-13

CURTAIN & CUSHION GROUP (CONTINUED)



CURTAIN, BLIND / HARDWARE & TRACKS

KEY	PART NUMBER	U/M DESCRIPTION
1	084434-01-000	EA BRACKET-MOUNTING - ROLLER SHADE - 1 3/8"
2	008138-02-000	EA HANGER-RING - PIN TYPE - CURTAIN - BRASS
3	102655-01-000	EA CLEAT-CORD - BLIND) - OFF WHITE
4	106324-02-01A	EA TRACK-CURTAIN - W/ARAPAROUND - OFF WHITE
4	105324-03-01A	EA TRACK-CURTAIN - W/ARAPAROUND - OFF WHITE
5	009700-04-001	EA TRACK-CURTAIN - L-SHAPED - 192" LONG - OFF WHITE
6	083475-01-700	EA WAND-BLIND - W/METAL CLIP - 8" LONG
7	101031-01-000	YD TAPE-GLIDE - CURTAIN - 4.25" SPACING
8	083170-01-000	EA BRACKET-BLIND) - RIGHT SIDE
9	083170-02-000	EA BRACKET-BLIND) - LEFT SIDE
10	106644-01-000	EA PULL-SHADE - BRASS
	084433-06-000	FT SLAT-ROLLER SHADE - PLASTIC
	088843-01-000	EA SPRING-RECORD - ROLLER SHADE
11	003475-01-701	EA END CAP-FLAND - W/STUD
14	029130-01-000	EA SCREW-SNAP SOCKET - 8 PH X 5/8"
15	029185-01-000	EA CAP-SNAP - 5/16" O.D. OF PIN
16	029185-01-000	EA SOCKET-SNAP - 9/16" O.D.
	046857-01-000	EA GROMMET-BRASS - 7/16" ID X 1" OD
	088718-01-001	EA BRACE-90 DEGREE - L-ANGLE - 192" - EXTRUDED ALUMINUM
	088084-04-000	YD VELCRO TAPE-LOOP - 1" WIDE - BLACK
	048394-02-000	YD VELCRO TAPE-HOOK - ADHESIVE BACK - .75" WIDE - BEIGE
	088792-02-000	YD VELCRO TAPE-LOOP - ADHESIVE BACKED - .75" WIDE - BEIGE
	088792-01-000	YD VELCRO-HOOK - .75" WIDE - BEIGE
	088003-01-000	EA BRACKET-DRAPERY RETAINING - METAL - RIGHT CHANGE TO FRONT OR REAR
	088003-02-000	EA BRACKET-DRAPERY RETAINING - METAL - LEFT CHANGE TO FRONT OR REAR
	094888-03-01A	EA TRACK-DOOR - FOLDING - 23.6" - OFF WHITE
	108441-01-000	EA HOLD DOWN-BLIND) - HOOK

CURTAIN & CUSHION GROUP (CONTINUED)

WELTING, BUTTON, & ASSIST HANDLE

KEY	PART NUMBER	U/M DESCRIPTION
	079348-04-C28	YD WELT ASM-NARROW - ACCENT (DB1, DB2, DB3, DB4)
	079348-04-D28	YD WELT ASM-NARROW - ACCENT (DC1, DC2, DC3, DC4, DC5)
	079348-04-C08	YD WELT ASM-NARROW - ACCENT (DD1, DD2, DD3, DD4, DD5)
	079348-04-C08	YD WELT ASM-NARROW - ACCENT (DE1, DE2, DE3, DE4, DE5, DE6)
	084415-48-000	YD TRIM-BRAID - W-12 BLUE - #2804 (DB1, DB2, DB3, DB4)
	084415-46-000	YD TRIM-BRAID - W-32 TEAL - #2804 (DC1, DC2, DC3, DC4, DC5)
	084415-47-000	YD TRIM-BRAID - BRO W/ N - 2804-W22 (DD1, DD2, DD3, DD4, DD5)
	084415-44-000	YD TRIM-BRAID - EGGPLANT - 2804-W42 (DE1, DE2, DE3, DE4, DE5, DE6)
	067750-01-000	EA WASHER BRACKET-SEAT BELT - 4" DIAMETER
	088271-02-000	EA BELT-SEAT - 2" X 72" - BLACK
	007021-01-000	EA BELT-SEAT - 2" X 90" - BLACK
	089178-02-000	EA BRACKET-MOUNTING - ASSIST HANDLE - L ANGLE - WHOLE - ST
	070578-11-Y70	EA BUTTON-SNAP TOP - #30 - VINYL - OFF WHITE
	000C16-07-16B	EA BOLT-CARRIAGE - ASSIST HANDLE - 7/16" - 14 X 1" ZINC
	000D20-07-00B	EA NUT-ACORN - ASSIST HANDLE - 7/16" X 14 ZN
	053662-02-AAB	EA HANDLE-ASSIST - INTERIOR - ENTRY DOOR - VINYL - OFF WHITE

FRONT BUNK CUSHIONS

KEY	PART NUMBER	U/M DESCRIPTION
	079145-10-000	EA CUSHION-BUNK - 25" X 80" X 2.5"
	M79145-10-000	EA COVER-BUNK - 25" X 80" X 2.5"

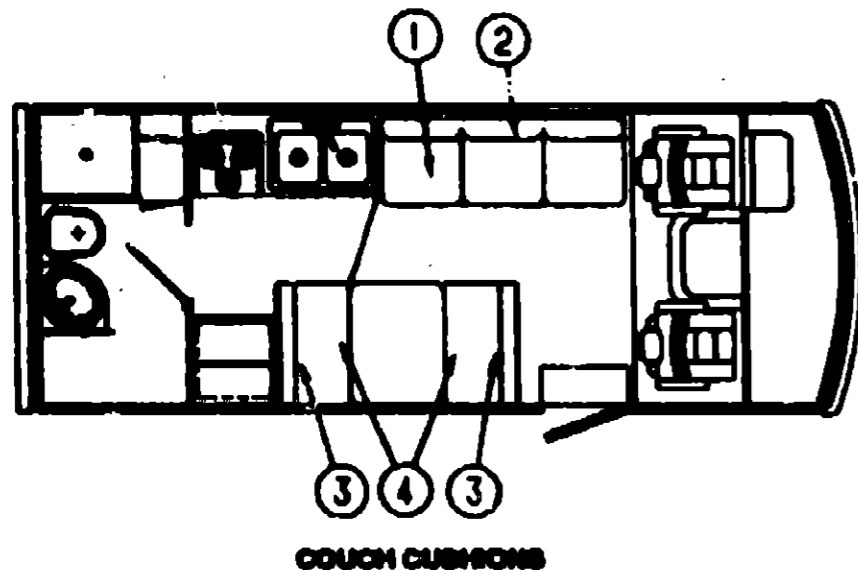
**1993 ITASCA
TABLE OF CONTENTS**

INTRODUCTION	A-01	A-02
ABBREVIATIONS		A-03
ALPHABETICAL INDEX	A-04	A-08
ICD22RB	A-07	D-14
ICD25RU	D-15	F-23

1993 ICD22RB INDEX

FLOOR PLAN	A-07	A-08
ACCESSORIES		A-09
AUDIO VIDEO		A-10
BATH	A-11	A-12
CHASSIS	A-13	A-19
CURTAIN & CUSHION	A-20	A-28
DINETTE	B-07	B-08
DRIVERS COMPARTMENT	B-09	B-11
ELECTRICAL	B-12	B-14
EXTERIOR BODY	B-15	B-21
GALLEY	B-22	B-24
GENERATOR		C-01
HEATING & A/C	C-02	C-02
INTERIOR FINISH	C-05	C-08
LABELS	C-07	C-14
LP	C-15	C-18
LOUNGE	C-17	C-18
SEALANTS & FASTENERS	C-19	C-21
WATER & SEWAGE	C-22	C-24
WINDOW, VENT AND EXTerior DOOR	D-01	D-11
WINDOW WIPER	D-12	D-13

CURTAIN & CUSHION GROUP (CONTINUED)



KEY	PART NUMBER	U/M DESCRIPTION
1	100032-45-DB1	EA SEAT-BED - TUCK SEAT - 74" - W/O ARMS (DB1)
1	100032-45-DB2	EA SEAT-BED - TUCK SEAT - 74" - W/O ARMS (DB2,DB3)
1	100032-45-DB4	EA SEAT-BED - TUCK SEAT - 74" - W/O ARMS (DB4)
1	100032-45-DC1	EA SEAT-BED - TUCK SEAT - 74" - W/O ARMS (DC1)
1	100032-45-DC2	EA SEAT-BED - TUCK SEAT - 74" - W/O ARMS (DC2)
1	100032-45-DC3	EA SEAT-BED - TUCK SEAT - 74" - W/O ARMS (DC3,DC4)
1	100032-45-DC5	EA SEAT-BED - TUCK SEAT - 74" - W/O ARMS (DC5)
1	100032-45-DD1	EA SEAT-BED - TUCK SEAT - 74" - W/O ARMS (DD1)
1	100032-45-DD2	EA SEAT-BED - TUCK SEAT - 74" - W/O ARMS (DD2)
1	100032-45-DD3	EA SEAT-BED - TUCK SEAT - 74" - W/O ARMS (DD3,DD4,DD5)
1	100032-45-DE1	EA SEAT-BED - TUCK SEAT - 74" - W/O ARMS (DE1)
1	100032-45-DE2	EA SEAT-BED - TUCK SEAT - 74" - W/O ARMS (DE2,DE5)
1	100032-45-DE3	EA SEAT-BED - TUCK SEAT - 74" - W/O ARMS (DE3,DE6)
1	100032-45-DE4	EA SEAT-BED - TUCK SEAT - 74" - W/O ARMS (DE4)
1	101085-10-000	EA FRAME-SEAT - 74.75"
1	029098-03-000	EA FRAME-BASE - 74.75"
2	100032-45-DB1	EA SEAT-BED - TUCK BACK - 74" W/O ARMS (DB1)
2	100032-45-DB2	EA SEAT-BED - TUCK BACK - 74" W/O ARMS (DB2,DB3)
2	100032-45-DB4	EA SEAT-BED - TUCK BACK - 74" W/O ARMS (DB4)
2	100032-45-DC1	EA SEAT-BED - TUCK BACK - 74" W/O ARMS (DC1)
2	100032-45-DC2	EA SEAT-BED - TUCK BACK - 74" W/O ARMS (DC2)
2	100032-45-DC3	EA SEAT-BED - TUCK BACK - 74" W/O ARMS (DC3,DC4)
2	100032-45-DC5	EA SEAT-BED - TUCK BACK - 74" W/O ARMS (DC5)
2	100032-45-DD1	EA SEAT-BED - TUCK BACK - 74" W/O ARMS (DD1,DD2)
2	100032-45-DD2	EA SEAT-BED - TUCK BACK - 74" W/O ARMS (DD2)
2	100032-45-DD3	EA SEAT-BED - TUCK BACK - 74" W/O ARMS (DD3,DD4,DD5)
2	100032-45-DE1	EA SEAT-BED - TUCK BACK - 74" W/O ARMS (DE1)
2	100032-45-DE2	EA SEAT-BED - TUCK BACK - 74" W/O ARMS (DE2,DE5)
2	100032-45-DE3	EA SEAT-BED - TUCK BACK - 74" W/O ARMS (DE3,DE6)
2	100032-45-DE4	EA SEAT-BED - TUCK BACK - 74" W/O ARMS (DE4)

CURTAIN & CUSHION GROUP (CONTINUED)

COUCH CUSHIONS (CONTINUED)

KEY	PART NUMBER	U/M DESCRIPTION
	P00032-45-DB1	EA COVER-BED - TUCK BACK - 74" W/O ARMS (DB1)
	P00032-45-DB2	EA COVER-BED - TUCK BACK - 74" W/O ARMS (DB2,DB3)
	P00032-45-DB4	EA COVER-BED - TUCK BACK - 74" W/O ARMS (DB4)
	P00032-45-DC1	EA COVER-BED - TUCK BACK - 74" W/O ARMS (DC1)
	P00032-45-DC2	EA COVER-BED - TUCK BACK - 74" W/O ARMS (DC2)
	P00032-45-DC3	EA COVER-BED - TUCK BACK - 74" W/O ARMS (DC3,DC4)
	P00032-45-DC5	EA COVER-BED - TUCK BACK - 74" W/O ARMS (DC5)
	P00032-45-DD1	EA COVER-BED - TUCK BACK - 74" W/O ARMS (DD1)
	P00032-45-DD2	EA COVER-BED - TUCK BACK - 74" W/O ARMS (DD2)
	P00032-45-DD3	EA COVER-BED - TUCK BACK - 74" W/O ARMS (DD3,DD4,DD5)
	P00032-45-DE1	EA COVER-BED - TUCK BACK - 74" W/O ARMS (DE1)
	P00032-45-DE2	EA COVER-BED - TUCK BACK - 74" W/O ARMS (DE2,DE5)
	P00032-45-DE3	EA COVER-BED - TUCK BACK - 74" W/O ARMS (DE3,DE6)
	P00032-45-DE4	EA COVER-BED - TUCK BACK - 74" W/O ARMS (DE4)
	101085-10-000	EA FRAME-74.5X18 BACK FRAME - JACKKNIFE
	029098-03-000	YD VELCRO TAPE-HOOK - 1" WIDE - BLACK

DINETTE CUSHIONS

KEY	PART NUMBER	U/M DESCRIPTION
3	110151-01-DB1	EA CUSHION-CLUB - 13" X 37.5" X 5" (DB1)
3	110151-01-DB2	EA CUSHION-CLUB - 13" X 37.5" X 5" (DB2,DB3)
3	110151-01-DB4	EA CUSHION-CLUB - 13" X 37.5" X 5" (DB4)
3	110151-01-DC1	EA CUSHION-CLUB - 13" X 37.5" X 5" (DC1)
3	110151-01-DC2	EA CUSHION-CLUB - 13" X 37.5" X 5" (DC2)
3	110151-01-DC3	EA CUSHION-CLUB - 13" X 37.5" X 5" (DC3,DC4)
3	110151-01-DC5	EA CUSHION-CLUB - 13" X 37.5" X 5" (DC5)
3	110151-01-DD1	EA CUSHION-CLUB - 13" X 37.5" X 5" (DD1,DD2)
3	110151-01-DD3	EA CUSHION-CLUB - 13" X 37.5" X 5" (DD3,DD4,DD5)
3	110151-01-DE1	EA CUSHION-CLUB - 13" X 37.5" X 5" (DE1)
3	110151-01-DE2	EA CUSHION-CLUB - 13" X 37.5" X 5" (DE2,DE5)
3	110151-01-DE3	EA CUSHION-CLUB - 13" X 37.5" X 5" (DE3,DE6)
3	110151-01-DE4	EA CUSHION-CLUB - 13" X 37.5" X 5" (DE4)
	P10151-01-DB1	EA COVER-CUSHION - CLUB - 13" X 37.5" X 5" (DB1)
	P10151-01-DB2	EA COVER-CUSHION - CLUB - 13" X 37.5" X 5" (DB2,DB3)
	P10151-01-DB4	EA COVER-CUSHION - CLUB - 13" X 37.5" X 5" (DB4)
	P10151-01-DC1	EA COVER-CUSHION - CLUB - 13" X 37.5" X 5" (DC1)
	P10151-01-DC2	EA COVER-CUSHION - CLUB - 13" X 37.5" X 5" (DC2)
	P10151-01-DC3	EA COVER-CUSHION - CLUB - 13" X 37.5" X 5" (DC3,DC4)
	P10151-01-DC5	EA COVER-CUSHION - CLUB - 13" X 37.5" X 5" (DC5)
	P10151-01-DD1	EA COVER-CUSHION - CLUB - 13" X 37.5" X 5" (DD1,DD2)
	P10151-01-DD3	EA COVER-CUSHION - CLUB - 13" X 37.5" X 5" (DD3,DD4,DD5)
	P10151-01-DE1	EA COVER-CUSHION - CLUB - 13" X 37.5" X 5" (DE1)
	P10151-01-DE2	EA COVER-CUSHION - CLUB - 13" X 37.5" X 5" (DE2,DE5)
	P10151-01-DE3	EA COVER-CUSHION - CLUB - 13" X 37.5" X 5" (DE3,DE6)
	P10151-01-DE4	EA COVER-CUSHION - CLUB - 13" X 37.5" X 5" (DE4)
4	105603-08-DB1	EA CUSHION- 23" X 37.5" X 5" - SEAT (DB1)
4	105603-08-DB2	EA CUSHION- 23" X 37.5" X 5" - SEAT (DB2,DB3)
4	105603-08-DB4	EA CUSHION- 23" X 37.5" X 5" - SEAT (DB4)
4	105603-08-DC1	EA CUSHION- 23" X 37.5" X 5" - SEAT (DC1)
4	105603-08-DC2	EA CUSHION- 23" X 37.5" X 5" - SEAT (DC2)
4	105603-08-DC3	EA CUSHION- 23" X 37.5" X 5" - SEAT (DC3,DC4)
4	105603-08-DC5	EA CUSHION- 23" X 37.5" X 5" - SEAT (DC5)
4	105603-08-DD1	EA CUSHION- 23" X 37.5" X 5" - SEAT (DD1,DD2)
4	105603-08-DD3	EA CUSHION- 23" X 37.5" X 5" - SEAT (DD3,DD4,DD5)
4	105603-08-DE1	EA CUSHION- 23" X 37.5" X 5" - SEAT (DE1)
4	105603-08-DE2	EA CUSHION- 23" X 37.5" X 5" - SEAT (DE2,DE5)
4	105603-08-DE3	EA CUSHION- 23" X 37.5" X 5" - SEAT (DE3,DE6)
4	105603-08-DE4	EA CUSHION- 23" X 37.5" X 5" - SEAT (DE4)

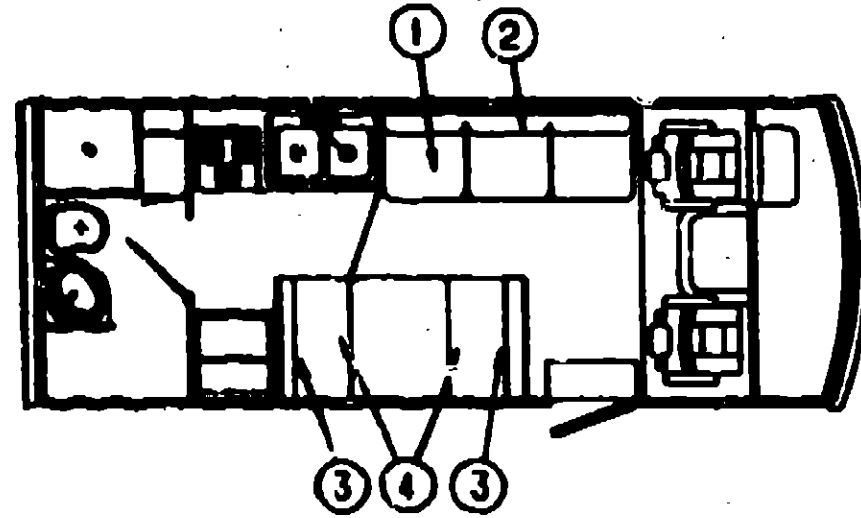
**1993 ITASCA
TABLE OF CONTENTS**

INTRODUCTION	A-01	A-02
ABBREVIATIONS		A-03
ALPHABETICAL INDEX	A-04	A-08
ICD22RB	A-07	D-14
ICD25RU	D-15	F-23

1993 ICD22RB INDEX

FLOOR PLAN	A-07	A-08
ACCESSORIES		A-09
AUDIO VIDEO		A-10
BATH	A-11	A-12
CHASSIS	A-13	A-19
CURTAIN & CUSHION	A-20	B-05
DINETTE	B-07	B-08
DRIVERS COMPARTMENT	B-09	B-11
ELECTRICAL	B-12	B-14
EXTERIOR BODY	B-15	B-21
GALLEY	B-22	B-24
GENERATOR		C-01
HEATING & AC	C-02	C-08
INTERIOR FINISH	C-05	C-08
LABELS	C-07	C-14
LP	C-15	C-18
LOUNGE	C-17	C-18
SEALANTS & FASTENERS	C-19	C-21
WATER & SEWAGE	C-22	C-24
WINDOW, VENT AND EXTERIOR DOOR	D-01	D-11
WINDSHIELDWIPER	D-12	F-13

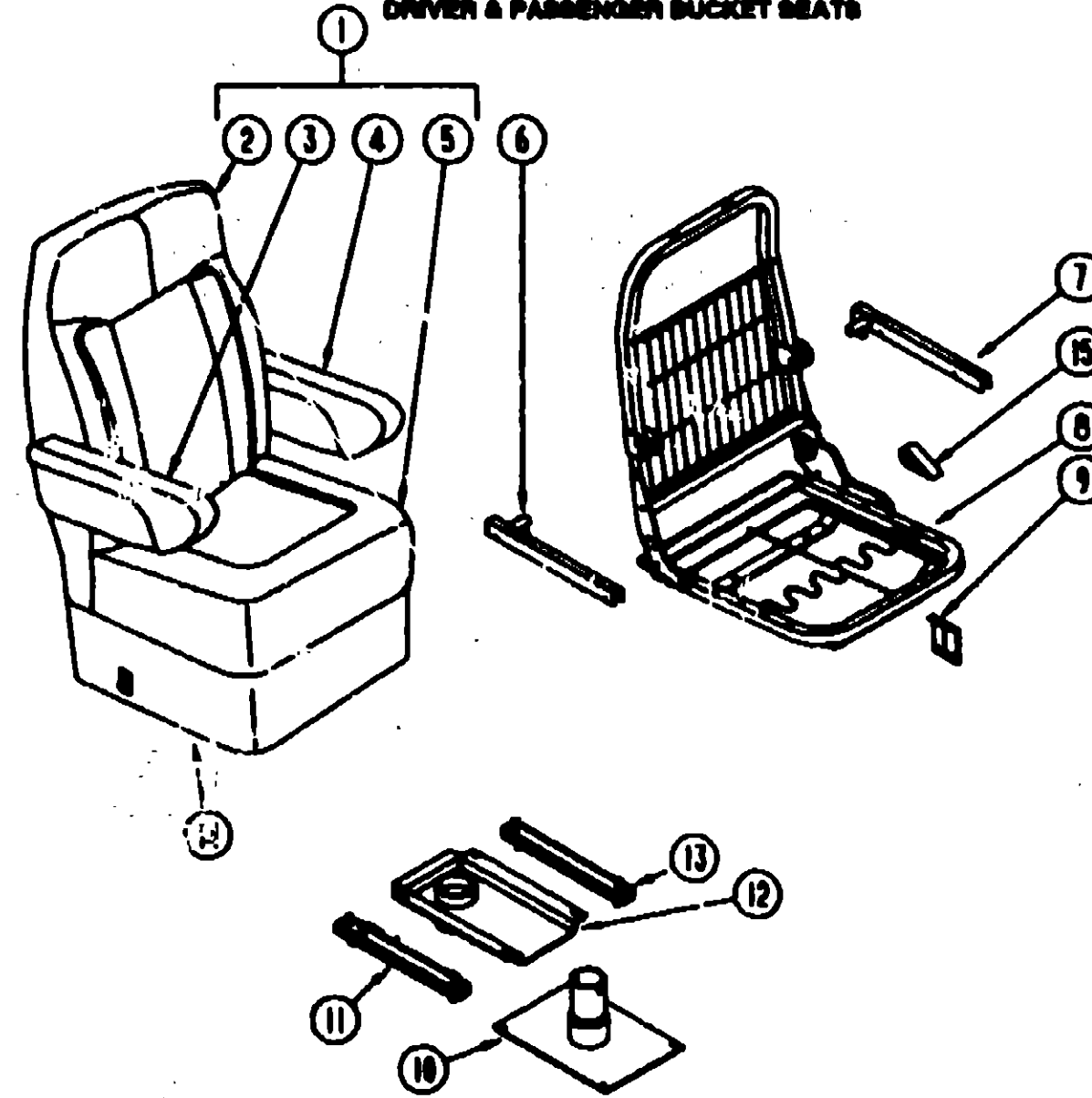
CURTAIN & CUSHION GROUP (CONTINUED)



DINETTE CUSHIONS (CONTINUED)

CURTAIN & CUSHION GROUP (CONTINUED)

DRIVER & PASSENGER BUCKET SEATS



**1983 ITASCA
TABLE OF CONTENTS**

INTRODUCTION	A-01 -	A-02
ABBREVIATIONS		A-03
ALPHABETICAL INDEX	A-04 -	A-06
ICD22FB	A-07 -	D-14
ICD25RU	D-16 -	F-23

KEY	PART NUMBER	U/M	DESCRIPTION
	PO8803-08-DB1	EA	COVER- 23" X 37.5" X 5" - SEAT CUSHION (DB1)
	PO8803-08-DB2	EA	COVER- 23" X 37.5" X 5" - SEAT CUSHION (DB2,DB3)
	PO8803-08-DB4	EA	COVER- 23" X 37.5" X 5" - SEAT CUSHION (DB4)
	PO8803-08-DC1	EA	COVER- 23" X 37.5" X 5" - SEAT CUSHION (DC1)
	PO8803-08-DC2	EA	COVER- 23" X 37.5" X 5" - SEAT CUSHION (DC2)
	PO8803-08-DC3	EA	COVER- 23" X 37.5" X 5" - SEAT CUSHION (DC3,DC4)
	PO8803-08-DC5	EA	COVER- 23" X 37.5" X 5" - SEAT CUSHION (DC5)
	PO8803-08-DD1	EA	COVER- 23" X 37.5" X 5" - SEAT CUSHION (DD1,DD2)
	PO8803-08-DD3	EA	COVER- 23" X 37.5" X 5" - SEAT CUSHION (DD3,DD4,DD5)
	PO8803-08-DE1	EA	COVER- 23" X 37.5" X 5" - SEAT CUSHION (DE1)
	PO8803-08-DE2	EA	COVER- 23" X 37.5" X 5" - SEAT CUSHION (DE2,DE5)
	PO8803-08-DE3	EA	COVER- 23" X 37.5" X 5" - SEAT CUSHION (DE3,DE6)
	PO8803-08-DE4	EA	COVER- 23" X 37.5" X 5" - SEAT CUSHION (DE4)
	078155-01-009	EA	STRAP-SNAP - BACKREST CUSHION

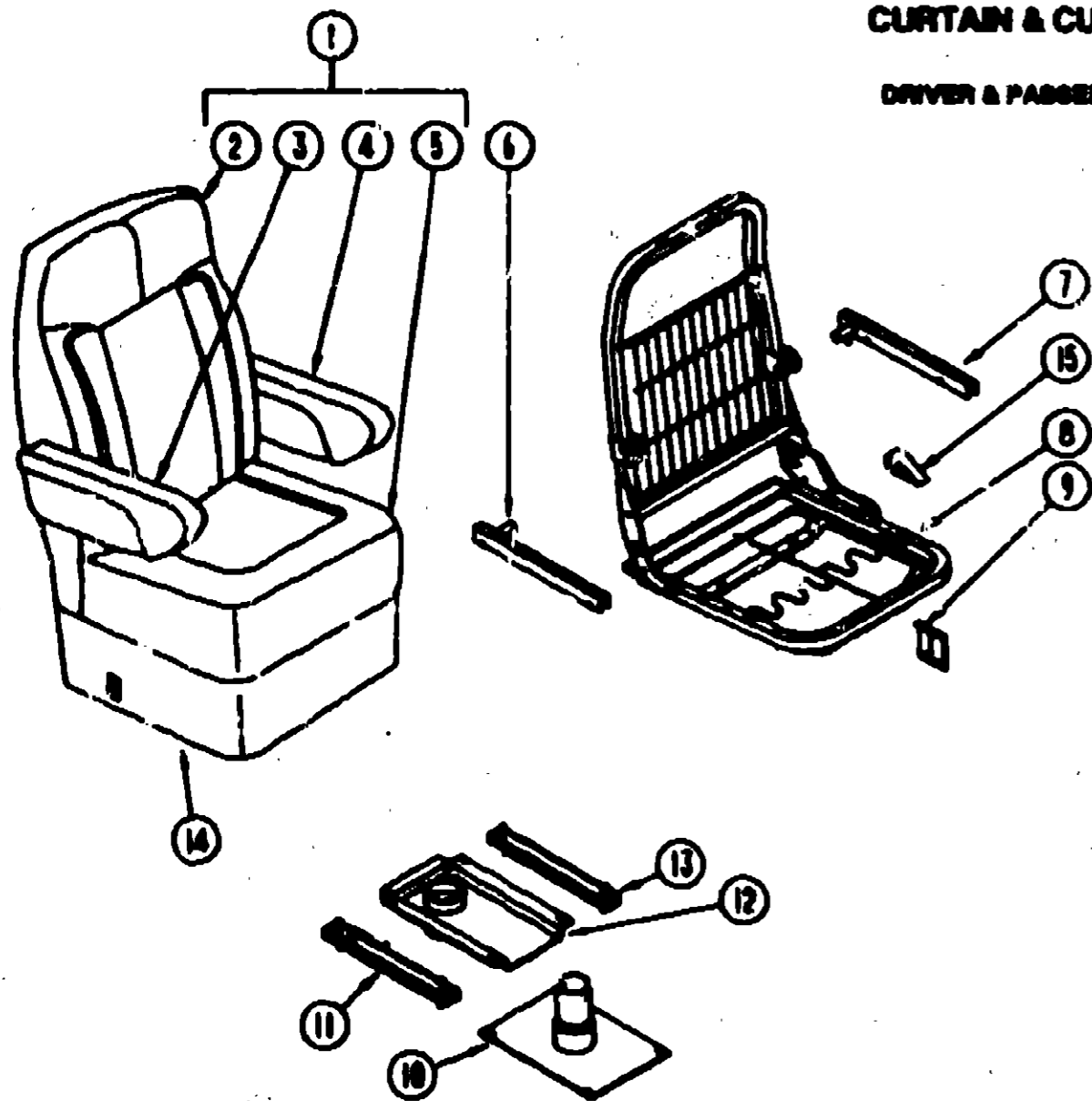
KEY	PART NUMBER	U/M	DESCRIPTION
1	110148-01-DB1	EA	SEAT-ECONOMIZER - FAN ARM (DB1)
1	110148-01-DB2	EA	SEAT-ECONOMIZER - FAN ARM (DB2,DB3)
1	110148-01-DB4	EA	SEAT-ECONOMIZER - FAN ARM (DB4)
1	110148-01-DC1	EA	SEAT-ECONOMIZER - FAN ARM (DC1)
1	110148-01-DC2	EA	SEAT-ECONOMIZER - FAN ARM (DC2)
1	110148-01-DC3	EA	SEAT-ECONOMIZER - FAN ARM (DC3,DC4)
1	110148-01-DC5	EA	SEAT-ECONOMIZER - FAN ARM (DC5)
1	110148-01-DD1	EA	SEAT-ECONOMIZER - FAN ARM (DD1)
1	110148-01-DD2	EA	SEAT-ECONOMIZER - FAN ARM (DD2)
1	110148-01-DD3	EA	SEAT-ECONOMIZER - FAN ARM (DD3,DD4,DD5)
1	110148-01-DE1	EA	SEAT-ECONOMIZER - FAN ARM (DE1)
1	110148-01-DE2	EA	SEAT-ECONOMIZER - FAN ARM (DE2,DE5)
1	110148-01-DE3	EA	SEAT-ECONOMIZER - FAN ARM (DE3,DE6)
1	110148-01-DE4	EA	SEAT-ECONOMIZER - FAN ARM (DE4)
2	M03445-88-DB1	EA	COVER-ECONOMIZER - BACK (DB1)
2	M03445-88-DB2	EA	COVER-ECONOMIZER - BACK (DB2,DB3)
2	M03445-88-DB4	EA	COVER-ECONOMIZER - BACK (DB4)
2	M03445-88-DC1	EA	COVER-ECONOMIZER - BACK (DC1)
2	M03445-88-DC2	EA	COVER-ECONOMIZER - BACK (DC2)
2	M03445-88-DC3	EA	COVER-ECONOMIZER - BACK (DC3,DC4)
2	M03445-88-DC5	EA	COVER-ECONOMIZER - BACK (DC5)
2	M03445-88-DD1	EA	COVER-ECONOMIZER - BACK (DD1)
2	M03445-88-DD2	EA	COVER-ECONOMIZER - BACK (DD2)
2	M03445-88-DD3	EA	COVER-ECONOMIZER - BACK (DD3,DD4,DD5)
2	M03445-88-DE1	EA	COVER-ECONOMIZER - BACK (DE1)
2	M03445-88-DE2	EA	COVER-ECONOMIZER - BACK (DE2,DE5)
2	M03445-88-DE3	EA	COVER-ECONOMIZER - BACK (DE3,DE6)
2	M03445-88-DE4	EA	COVER-ECONOMIZER - BACK (DE4)

1983 ICD22FB INDEX

FLOOR PLAN	A-07 -	A-08
ACCESSORIES		A-09
AUDIO VIDEO		A-10
BATH	A-11 -	A-12
CHASSIS	A-13 -	A-19
CURTAIN & CUSHION	A-20 -	B-06
DINETTE	B-07 -	B-08
DRIVERS COMPARTMENT	B-09 -	B-11
ELECTRICAL	B-12 -	B-14
EXTERIOR BODY	B-15 -	B-21
GALLEY	B-22 -	B-24
GENERATOR		C-01
HEATING & A/C	C-02 -	C-02
INTERIOR FINISH	C-05 -	C-08
LABELS	C-07 -	C-14
LP	C-15 -	C-16
LOUNGE	C-17 -	C-18
SEALANTS & FASTENERS	C-19 -	C-21
WATER & SEWAGE	C-22 -	C-24
WINDOW, VENT AND		
EXTERIOR DOOR	D-01 -	D-11
WINDOWLIFTER	D-12 -	D-13

CURTAIN & CUSHION GROUP (CONTINUED)

DRIVER & PASSENGER BUCKET SEATS (CONTINUED)



KEY	PART NUMBER	U/M	DESCRIPTION
6	081228-11-000	EA	ROD & CHANNEL-ARMREST - RIGHT - METAL
7	081228-07-000	EA	ROD & CHANNEL-ARMREST - LEFT - METAL
	081381-01-000	EA	ROD-ARMREST - METAL - RIGHT OR LEFT HAND
8	M80905-07-000	EA	FRAME-SEAT - BACK AND SPRING
9	097883-03-000	EA	BRACKET-REMOTE - SIDE MOUNT - SINGLE
10	107921-01-000	EA	PEDESTAL ASM-SEAT 9-3/4" - FLEXSTEEL 3080 MSPD
11	088848-01-000	EA	ADJUSTER-BUCKET SEAT W/LOCK - FORWARD AND BACK
12	107921-05-000	EA	TOP PLATE - FLEXSTEEL
	107921-08-000	EA	BEARING KIT - FLEXSTEEL
13	088848-02-000	EA	ADJUSTER-SEAT/CHAIR - W/O LOCK - FORWARD & BACK
	007221-01-000	EA	SPACER-SEAT - ADJUSTER
14	071128-38-DB1	EA	SKIRT ASM-SINGLE - 3" (DB1)
	071128-38-DB2	EA	SKIRT ASM-SINGLE - 3" (DB2/DB3) FROM: 00-00-00 THRU: 01-24-83
	071128-38-DC1	EA	SKIRT ASM-SINGLE - 3" (DC1/DC3) FROM: 00-00-00 THRU: 01-24-83
	071128-38-DC2	EA	SKIRT ASM-SINGLE - 3" (DC2) FROM: 00-00-00 THRU: 01-24-83
	071128-38-DD1	EA	SKIRT ASM-SINGLE - 3" (DD1/DD3) FROM: 00-00-00 THRU: 01-24-83
	071128-38-DD2	EA	SKIRT ASM-SINGLE - 3" (DD2) FROM: 00-00-00 THRU: 01-24-83
	071128-38-DE1	EA	SKIRT ASM-SINGLE - 3" (DE1/DE4) FROM: 00-00-00 THRU: 01-24-83
	071128-38-DE2	EA	SKIRT ASM-SINGLE - 3" (DE2) FROM: 00-00-00 THRU: 01-24-83
	071128-38-DE3	EA	SKIRT ASM-SINGLE - 3" (DE3) FROM: 00-00-00 THRU: 01-24-83
	071128-41-DB1	EA	SKIRT ASM-SINGLE - 7" - W/SLOT (DB1, DB2, DB3, DB4) FROM: 00-00-00 THRU: 01-24-83
	071128-41-DC1	EA	SKIRT ASM-SINGLE - 7" - W/SLOT (DC1, DC2, DC3, DC4, DC5) FROM: 01-25-83 THRU: 88-88-88
	071128-41-DD1	EA	SKIRT ASM-SINGLE - 7" - W/SLOT (DD1, DD2, DD3, DD4, DD5) FROM: 01-25-83 THRU: 88-88-88
	071128-41-DE1	EA	SKIRT ASM-SINGLE - 7" - W/SLOT (DE1, DE2, DE3, DE4, DE5, DE6) FROM: 01-25-83 THRU: 88-88-88
15	080730-03-770	EA	HANDLE KIT-RECLINER

**1983 ITASCA
TABLE OF CONTENTS**

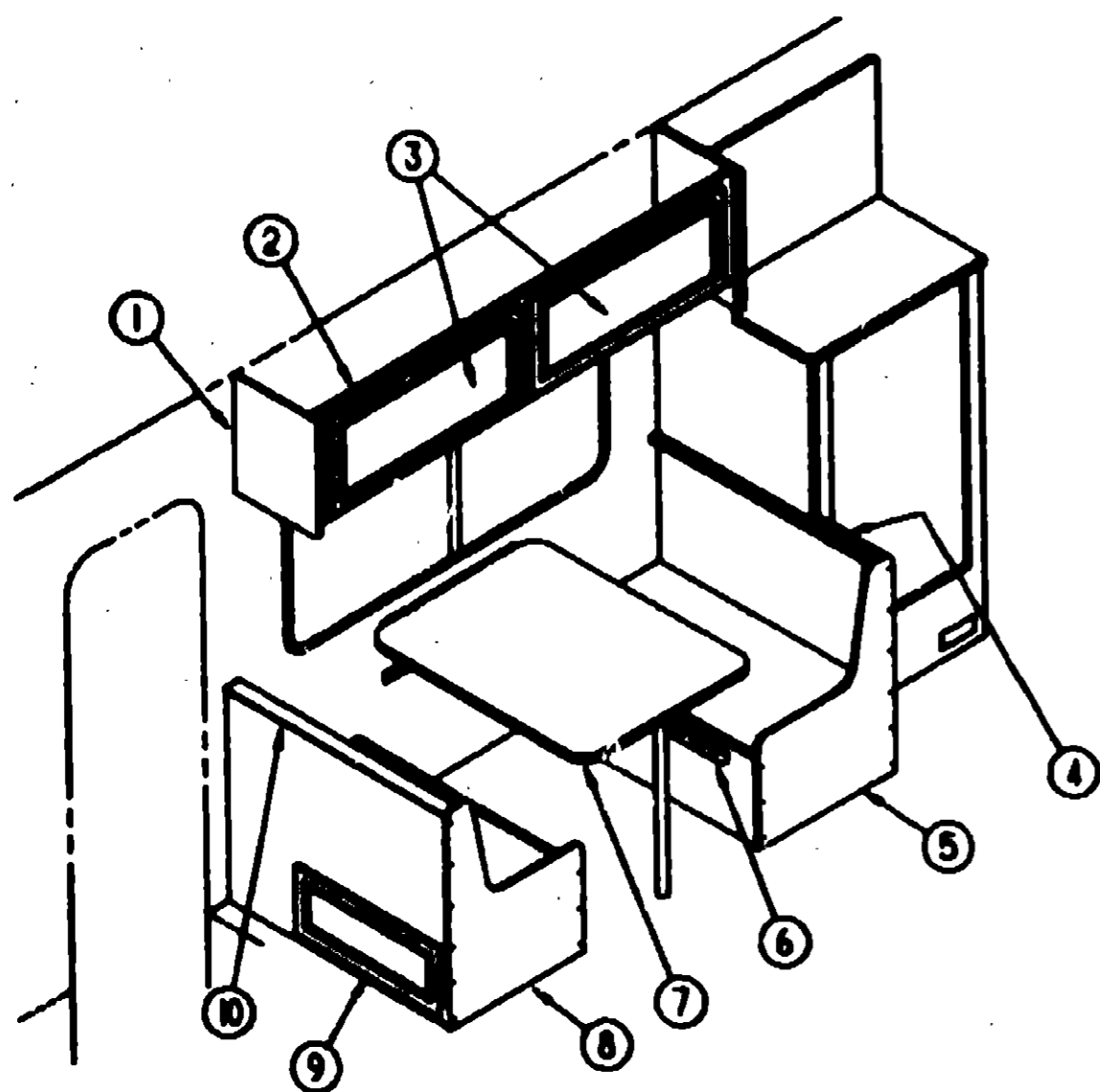
INTRODUCTION	A-01	A-02
ABBREVIATIONS		A-03
ALPHABETICAL INDEX	A-04	A-05
ICD22RB	A-07	D-14
ICD5RU	D-15	F-23

1983 ICD22RB INDEX

FLOOR PLAN	A-07	A-08
ACCESSORIES		A-09
AUDIO VIDEO		A-10
BATH	A-11	A-12
CHASSIS	A-13	A-16
CURTAIN & CUSHION	A-20	B-08
DINETTE	B-07	B-08
DRIVERS COMPARTMENT	B-09	B-11
ELECTRICAL	B-12	B-14
EXTERIOR BODY	B-15	B-21
GALLEY	B-22	B-24
GENERATOR		C-01
HEATING & A/C	C-02	C-02
INTERIOR FINISH	C-05	C-08
LABELS	C-07	C-14
LP	C-15	C-16
LOUNGE	C-17	C-18
SEALANTS & FASTENERS	C-19	C-21
WATER & SEWAGE	C-22	C-24
WINDOW, VENT AND EXTERIOR DOOR	D-01	D-11
WINDSHIELD/WIPER	D-12	D-13

KEY	PART NUMBER	U/M	DESCRIPTION
3	080848-85-DB1	EA	ARMREST-RIGHT - FAN (DB1, DB2, DB3, DB4)
2	080848-85-DC1	EA	ARMREST-RIGHT - FAN (DC1, DC2, DC3, DC4, DC5)
3	080848-85-DD1	EA	ARMREST-RIGHT - FAN (DD1, DD2, DD3, DD4, DD5)
3	080848-85-DE1	EA	ARMREST-RIGHT - FAN (DE1, DE2, DE3, DE4, DE5, DE6)
	M80848-85-DB1	EA	COVER-ARMREST-RIGHT - FAN (DB1, DB2, DB3, DB4)
	M80848-85-DC1	EA	COVER-ARMREST-RIGHT - FAN (DC1, DC2, DC3, DC4, DC5)
	M80848-85-DD1	EA	COVER-ARMREST-RIGHT - FAN (DD1, DD2, DD3, DD4, DD5)
	M80848-85-DE1	EA	COVER-ARMREST-RIGHT - FAN (DE1, DE2, DE3, DE4, DE5, DE6)
4	080848-86-DB1	EA	ARMREST-LEFT - FAN (DB1, DB2, DB3, DB4)
4	080848-86-DC1	EA	ARMREST-LEFT - FAN (DC1, DC2, DC3, DC4, DC5)
4	080848-86-DD1	EA	ARMREST-LEFT - FAN (DD1, DD2, DD3, DD4, DD5)
4	080848-86-DE1	EA	ARMREST-LEFT - FAN (DE1, DE2, DE3, DE4, DE5, DE6)
	M80848-86-DB1	EA	COVER-ARMREST-LEFT - FAN (DB1, DB2, DB3, DB4)
	M80848-86-DC1	EA	COVER-ARMREST-LEFT - FAN (DC1, DC2, DC3, DC4, DC5)
	M80848-86-DD1	EA	COVER-ARMREST-LEFT - FAN (DD1, DD2, DD3, DD4, DD5)
	M80848-86-DE1	EA	COVER-ARMREST-LEFT - FAN (DE1, DE2, DE3, DE4, DE5, DE6)
8	M80448-84-DB1	EA	COVER-ECONOMIZER - SEAT (DB1)
8	M80448-84-DB2	EA	COVER-ECONOMIZER - SEAT (DB2, DB3)
8	M80448-84-DB4	EA	COVER-ECONOMIZER - SEAT (DB4)
8	M80448-84-DC1	EA	COVER-ECONOMIZER - SEAT (DC1)
8	M80448-84-DC2	EA	COVER-ECONOMIZER - SEAT (DC2)
8	M80448-84-DC3	EA	COVER-ECONOMIZER - SEAT (DC3, DC4)
8	M80448-84-DC5	EA	COVER-ECONOMIZER - SEAT (DC5)
8	M80448-84-DD1	EA	COVER-ECONOMIZER - SEAT (DD1)
8	M80448-84-DD2	EA	COVER-ECONOMIZER - SEAT (DD2)
8	M80448-84-DD3	EA	COVER-ECONOMIZER - SEAT (DD3, DD4, DD5)
8	M80448-84-DE1	EA	COVER-ECONOMIZER - SEAT (DE1)
8	M80448-84-DE2	EA	COVER-ECONOMIZER - SEAT (DE2, DE3)
8	M80448-84-DE3	EA	COVER-ECONOMIZER - SEAT (DE3, DE4)
8	M80448-84-DE4	EA	COVER-ECONOMIZER - SEAT (DE4)

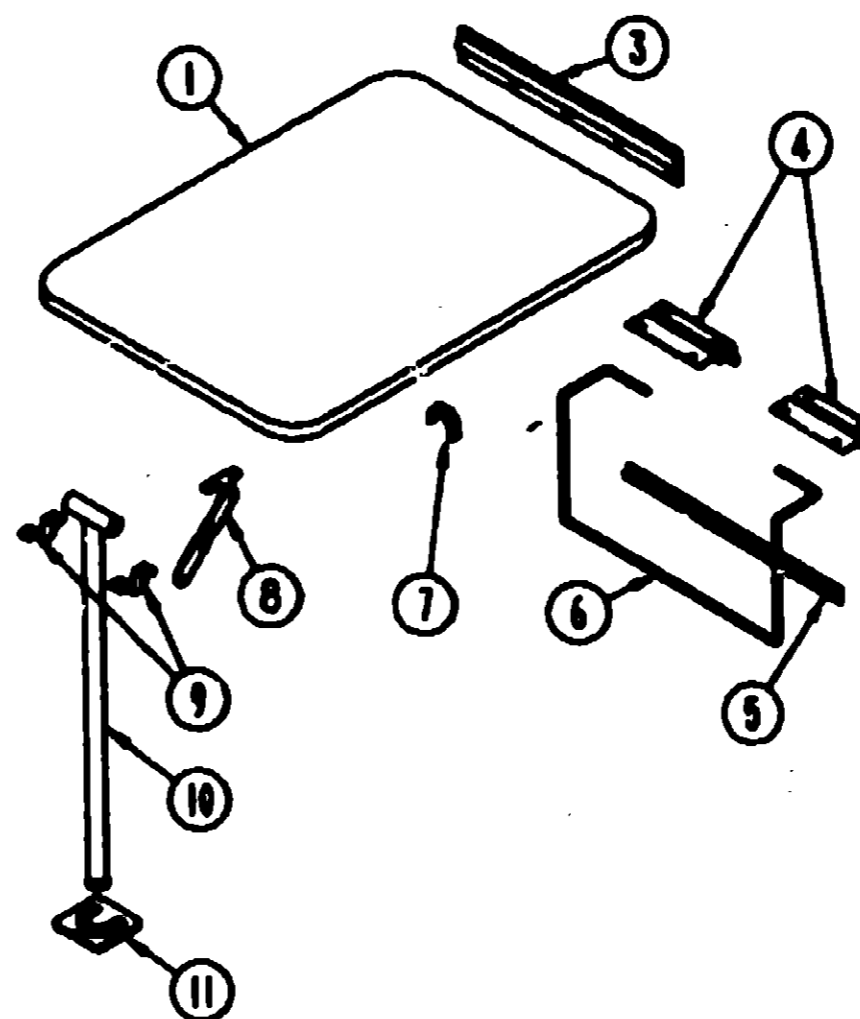
DINETTE GROUP



DINETTE CABINETS

KEY	PART NUMBER	U/M	DESCRIPTION
1	108908-04-DB1	EA	CAP ASM-END - OVERHEAD
2	108930-01-DB1	EA	CABINET ASM-OV:RHEAD - DINETTE
3	110140-05-DB1	EA	DOOR ASM-MITERED - VINYL WRAP
4	108905-02-DB1	EA	PAD ASM-DINETTE (DB1, DB2, DB3, DB4)
4	108906-02-DC1	EA	PAD ASM-DINETTE (DC1, DC2, DC3, DC4, DC5)
4	108906-02-DD1	EA	PAD ASM-DINETTE (DD1, DD2, DD3, DD4, DD5)
4	108906-02-DE1	EA	PAD ASM-DINETTE (DE1, DE2, DE3, DE4, DE5, DE6)
6	MD4175-47-DB1	EA	CABINET-SEATBASE RIGHT
6	081295-01-AAS	EA	SUPPORT-BED - DINETTE - 712 LG
7	MDR115-09-DB1	EA	PANEL KIT-DINETTE TABLE
8	MD4174-48-DB1	EA	CABINET-SEATBASE - LEFT
8	MD4174-49-DB1	EA	CABINET-SEATBACK - LEFT
8	081518-13-DB1	EA	SEAT-DINETTE
9	110140-01-DB1	EA	DOOR ASM-MITERED - VINYL WRAP
10	108905-01-DB1	EA	PAD ASM-DINETTE (DB1, DB2, DB3, DB4)
10	108906-01-DC1	EA	PAD ASM-DINETTE (DC1, DC2, DC3, DC4, DC5)
10	108906-01-DD1	EA	PAD ASM-DINETTE (DD1, DD2, DD3, DD4, DD5)
10	108906-01-DE1	EA	PAD ASM-DINETTE (DE1, DE2, DE3, DE4, DE5, DE6)

DINETTE GROUP (CONTINUED)



DINETTE TABLE

KEY	PART NUMBER	U/M	DESCRIPTION
1	MD2115-36-DB1	EA	PANEL KIT-DINETTE TABLE
3	053200-12-000	EA	SUPPORT-TABLE - 23.80" - OFF WHITE
4	088410-02-000	EA	HANGER-TABLE - OFF WHITE
5	024281-14-000	EA	BRACKET-TABLE LIFT - 22.12" - OFF WHITE
5	002929-01-001	EA	BRACKET-TABLE - MILL
6	024275-12-000	EA	ROD-TABLE LIFT - OFF WHITE
7	024283-01-000	EA	CLIP-LEG - 1" - 1.125" OD - BLACK
8	024282-01-000	EA	BRACE-TABLE LEG - HINGED
9	054060-05-000	EA	HINGE-TABLE LEG - OFF WHITE
10	024275-23-000	EA	LEG ASM-TABLE OFF WHITE
11	049493-12-000	EA	CATCH-TABLE LEG - OFF WHITE
11	049493-11-700	EA	CATCH-LEG - FLOOR MOUNTED - 2.5" X 2.7" - METAL - E-COAT

**1989 ITASCA
TABLE OF CONTENTS**

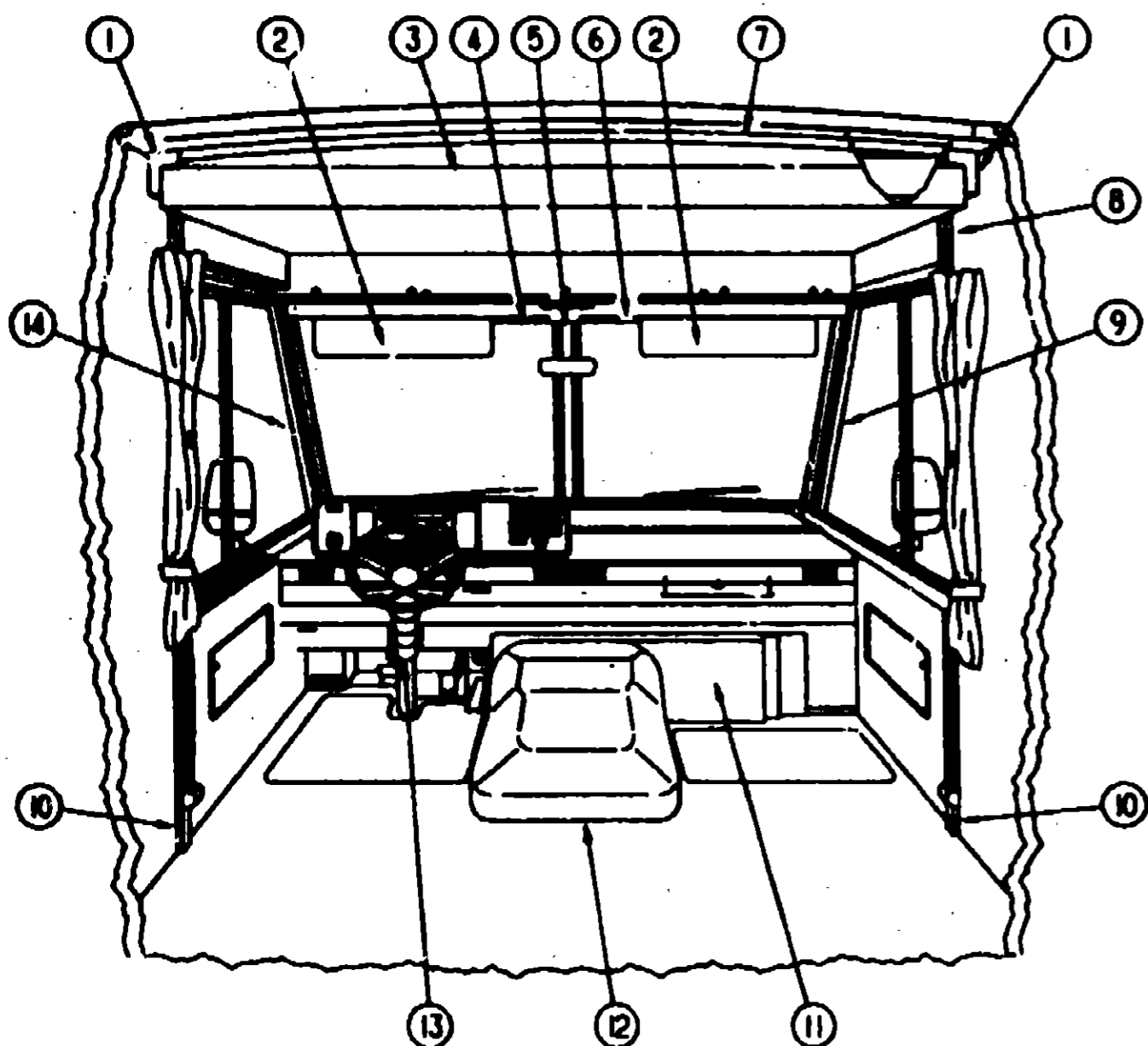
INTRODUCTION	A-01 -	A-02
ABBREVIATIONS		A-03
ALPHABETICAL INDEX	A-04 -	A-05
ICD22RB	A-07 -	D-14
ICD22RU	D-16 -	F-23

1989 ICD22RB INDEX

FLOOR PLAN	A-07 -	A-08
ACCESSORIES		A-09
AUDIO VIDEO		A-10
BATH	A-11 -	A-12
CHASSIS	A-13 -	A-18
CURTAIN & CUSHION	A-20 -	B-08
DINETTE	B-07 -	B-08
DRIVER'S COMPARTMENT	B-09 -	B-11
ELECTRICAL	B-12 -	B-14
EXTERIOR BODY	B-15 -	B-21
GALLEY	B-22 -	B-24
GENERATOR		C-01
HEATING & AC	C-02 -	C-02
INTERIOR FINISH	C-05 -	C-08
LABELS	C-07 -	C-14
LP	C-15 -	C-16
LOUNGE	C-17 -	C-18
SEALANTS & FASTENERS	C-19 -	C-21
WATER & SEWAGE	C-22 -	C-24
WINDOW, VENT AND EXTERIOR DOOR	D-01 -	D-11
WINDOW/SLIDING PER	D-12 -	D-13

DRIVERS COMPARTMENT GROUP

DRIVER'S COMPARTMENT



KEY	PART NUMBER	UOM	DESCRIPTION
1	110088-01-01A	EA	COVER-ROLL BAR - 90 DEG - OFF WHITE
2	082885-18-D12	EA	SUNVISOR ASM - W/O POCKET
	007211-01-000	EA	HINGE-SUNVISOR - 28.5" X 1.5" - METAL
	074011-01-000	EA	CLIP-SUNVISOR - SQUARE - PINCH ON
	102377-01-000	EA	BRACKET-SUNVISOR - 1 PIECE - STEEL
3	110007-01-DB1	EA	BED ASM-BUNK - FRONT
	076780-04-000	EA	BLANK HARDWARE-OVERHEAD
	088717-08-000	EA	TIEDOWN ASM-BUNK
FROM: 00-00-00 THRU: 02-02-83			
4	078678-08-000	EA	TRIM-WINDSHIELD - UPPER - INNER - DRIVER - OFF WHITE
5	079785-07-000	EA	TRIM-WINDSHIELD - CENTER - PRECUT ENDS - OFF WHITE
6	079785-08-000	EA	TRIM-WINDSHIELD - CENTER - UNCLUT - OFF WHITE
5	077022-02-000	EA	HEADER-WINDSHIELD
8	078678-07-000	EA	TRIM-WINDSHIELD - UPPER - INNER - PASSENGER - OFF WHITE
7	024700-51-000	EA	COVER-SIDEWALL ROLL BAR - OFF WHITE - 88.00"
8	110234-01-01A	EA	COVER-ROLL BAR - JOINT - OFF WHITE
9	103831-01-01A	EA	COVER-INTERIOR - A-PILLAR - RIGHT - OFF WHITE
10	024700-48-000	EA	COVER-SIDEWALL ROLL BAR - OFF WHITE - 57"
	024700-44-000	EA	COVER-SIDEWALL ROLL BAR - OFF WHITE - 53"(USED W/SHOULDER HARNESS)
	088271-02-000	EA	BELT-SEAT - 2" X 72" - BLACK
	057789-01-000	EA	WASHER BRACKET-SEAT BELT - 4" DIAMETER
	103881-01-01A	EA	COVER-BRACKET - SEATBELT - OFF WHITE (USED W/SHOULDER HARNESS)
	081980-01-01A	EA	SEAT-BELT-3 POINT - BLACK (USED W/SHOULDER HARNESS)
	024700-80-000	EA	COVER-SIDEWALL ROLL BAR - OFF WHITE - 8"
	024700-46-000	EA	COVER-SIDEWALL ROLL BAR - OFF WHITE - 12.80"(USED W/SHOULDER HARNESS)
11	085757-03-DB1	EA	COVER ASM-HEATER (DB1,DB2,DB3,DB4)
11	085757-03-DC1	EA	COVER ASM-HEATER (DC1,DC2,DC3,DC4,DC5)
11	085757-03-CD1	EA	COVER ASM-HEATER (DD1,DD2,DD3,DD4,DD5)
11	085757-03-DE1	EA	COVER ASM-HEATER (DE1,DE2,DE3,DE4,DE5,DE6)
12	087588-01-000	EA	COVER-MOTOR - W/O CARPET
	038733-01-000	FT	SEAL-MOTOR COVER - RUBBER BULB TYPE - BLACK
	082408-01-000	EA	TRIM-MOTOR COVER - ALUMINUM
	002754-01-001	EA	ANGLE-EXTRUDED - .75" X .75" X 18" - MILL ALUMINUM
	076884-01-000	EA	BRACKET-MOUNTING - MOTOR COVER
	072877-01-000	EA	INSULATION-SOUND BARRIER - LB-1 COMPOSITE
13	103488-08-000	EA	BOOT-COLUMN
	109148-01-000	EA	BOLT-SHOULDER-SEAT BELT
14	103831-02-01A	EA	COVER-INTERIOR - A-PILLAR - LEFT - OFF WHITE

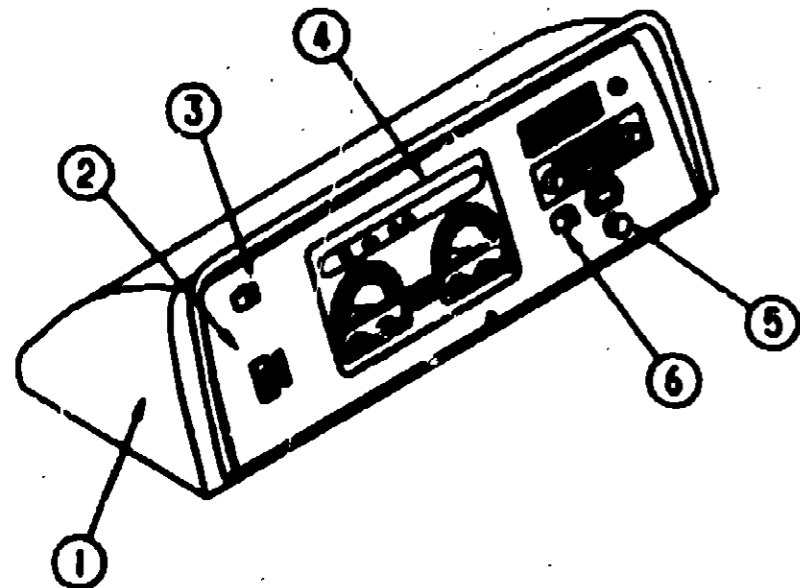
1993 ITASCA TABLE OF CONTENTS

INTRODUCTION	A-01 -	A-02
ABBREVIATIONS		A-03
ALPHABETICAL INDEX	A-04 -	A-08
ICD22RB	A-07 -	D-14
ICD28RU	D-16 -	F-88

1993 ICD22RB INDEX

FLOOR PLAN	A-07 -	A-08
ACCESSORIES		A-09
AUDIO VIDEO		A-10
BATH	A-11 -	A-12
CHASSIS	A-13 -	A-19
CURTAIN & CUSHION	A-20 -	B-06
DINETTE	B-07 -	B-08
DRIVERS COMPARTMENT	B-09 -	B-11
ELECTRICAL	B-12 -	B-14
EXTERIOR BODY	B-15 -	B-21
GALLEY	B-22 -	B-24
GENERATOR		C-01
HEATING & AC	C-02 -	C-02
INTERIOR FINISH	C-05 -	C-08
LABELS	C-07 -	C-14
LP	C-15 -	C-16
LOUNGE	C-17 -	C-18
SEALANTS & FASTENERS	C-19 -	C-21
WATER & SEWAGE	C-22 -	C-24
WINDOW, VENT AND		
EXTERIOR DOOR	D-01 -	D-11
WINDSHIELDWIPER	D-12 -	D-13

DRIVERS COMPARTMENT GROUP (CONTINUED)



INSTRUMENT CLUSTER

KEY	PART NUMBER	U/M DESCRIPTION
1	110088-01-01A	EA PCD-INSTRUMENT PANEL
	079882-01-000	EA SCREW-SOCKET - 8-18 X 1" - BLACK
	108808-01-000	EA BULB-12V NO.74 0.12A WEDGE
	077638-01-000	EA BRACKET-MOUNTING - DASH PANEL - L/SHPED - 2.5" X 1" X 1.5"
	108827-02-000	EA PANEL ASM-DASH - TOP - W/STUD
2	108828-02-01A	EA BEZEL-INSTRUMENT PANEL - BLACK
2	110073-01-01A	EA APPLIQUE-BEZEL - VP - BLACK VELVET
	100138-01-000	EA MODULE-DAYTIME RUNNING LIGHT
	077081-01-000	EA FILM-BLACK - 7 1/2" X 1.75"
	077081-02-000	EA FILM-WHITE .71" X 1.00"
	108816-01-000	FT FILM-PROTECTIVE CLEAR 313 - 34" X 1500' ROLL
3	108357-08-000	EA SWITCH-ROCKER - SPDT ON/OFF/MOM - CARLING VSD1000B-0
3	108358-02-01A	EA COVER-SWITCH W/DIMPLES - CARLING VVAZ000 BLA
4	084788-08-000	EA CLUSTER-INSTRUMENT PANEL - KILOMETERS - GAS - GM #18188386
4	084788-09-000	EA CLUSTER-INSTRUMENT PANEL - KILOMETERS - DIESEL - GM #18181325
5	088284-01-000	EA LIGHTER ASM-CIGARETTE - CASCO C213275
6	108357-07-000	EA SWITCH-ROCKER - SPDT MOM/OFF/MOM - CARLING VSD1000B-0 FROM: 00-00-00 THRU: 12-12-82
8	108357-10-000	EA SWITCH-ROCKER - SPDT MOM/OFF/MOM - CARLING VSD1180B-0 FROM: 12-13-82 THRU: 88-88-88
8	108358-02-01A	EA COVER-SWITCH W/DIMPLES - CARLING VVAZ000 CLA FROM: 00-00-00 THRU: 12-12-82
8	108358-04-01A	EA COVER-SWITCH W/DIMPLES & LENS - CARLING VVAZ000 FROM: 12-13-82 THRU: 88-88-88
	108812-01-01A	EA TRIM-DASH - LOWER - GM - OFF WHITE
	108812-01-03A	EA TRIM-DASH - LOWER - GM - MILL

ELECTRICAL GROUP

INTERIOR LIGHTS

KEY	PART NUMBER	U/M DESCRIPTION
	088024-01-01A	EA LIGHT-DOME - 1 BULB - US - IVORY
	008218-01-000	EA BULB-DOME LIGHT - 12V - NUMBER 1141
	088024-01-700	EA LENS-DOME LIGHT
	088024-03-01A	EA LIGHT-DOME - 2 BULB - IVORY
	008218-01-000	EA BULB-DOME LIGHT - 12V - NUMBER 1141
	068024-01-700	EA LENS-DOME LIGHT

FUSES & CIRCUIT BREAKERS

KEY	PART NUMBER	U/M DESCRIPTION
	082901-02-000	EA FUSE-6 AMPS - AUTOMOTIVE
	082901-05-000	EA FUSE-15 AMPS - AUTOMOTIVE
	008235-01-000	EA FUSE-AUTOMOTIVE - 12V - 15AMP
	088027-01-000	FT FUSE LINK-12 AWG - BELDEN 12 AWG
	083209-01-000	EA CIRCUIT BREAKER-15 AMP - 120V - BW G-15 - CANADIAN
	083209-02-000	EA CIRCUIT BREAKER-15/15AMP - 120V - BW H-15/15
	083209-04-000	EA CIRCUIT BREAKER-30A - 120V - BW L-30
	083209-06-000	EA CIRCUIT BREAKER-30A - 120V - BW J-20
	083809-08-000	EA CIRCUIT BREAKER-30/15 AMP - 120V - BW D-30/15
	083854-01-000	EA CIRCUIT BREAKER-6 AMP - USD 17408-4E12A2A
	083855-02-000	EA CIRCUIT BREAKER-30 AMP - USD 1743C-4E03A2A
	087811-01-000	EA CIRCUIT BREAKER-8AMP - ATC - BLACK

CONDUIT

KEY	PART NUMBER	U/M DESCRIPTION
	041853-01-000	FT CONDUIT-CONVOLUTE SLIT - .870
	041853-05-000	FT CONDUIT-CONVOLUTE SOLID - .82" ID
	041853-07-000	FT CONDUIT-CONVOLUTE - SLIT - .25" ID
	041853-09-000	FT CONDUIT-CONVOLUTE - SLIT - .50" ID

SWITCHES & RECEPTACLES

KEY	PART NUMBER	U/M DESCRIPTION
	088241-03-000	EA SWITCH-BLANK
	007940-01-000	EA RECEPTACLE-SLIDE - 16 TO 12 AWG - FEMALE END
	088707-01-000	EA RECEPTACLE-ELECTRIC - SINGLE - BROWN
	088708-01-000	EA RECEPTACLE-ELECTRIC - DOUBLE - BROWN
	088708-02-000	EA RECEPTACLE-ELECTRIC - DOUBLE - IVORY
	084078-01-000	EA RECEPTACLE-GFI - 15A - 125V - IVORY
	024824-02-000	EA RECEPTACLE-POWER CORD - W/PARTIAL PLATE
	084077-01-000	EA PLATE-COVER - RECEPTACLE - GFI - IVORY
	078723-01-000	EA SPACER-SWITCH - W/O HOLE - 2" X 8" X 2" - METAL - OFF WHITE
	102888-01-B10	EA SPACER-RECEPTACLE - BETWEEN SIDEWALL & PLATE - WOOD

ELECTRICAL BOXES & COVERS

KEY	PART NUMBER	U/M DESCRIPTION
	008288-01-000	EA BOX-PLASTIC ELECTRIC - 3" X 3 1/2"
	008289-01-000	EA BOX-ELECTRIC - STEEL - 4" X 4" - 1/2" & 3/4" KNOCKOUTS
	008288-02-000	EA BOX-ELECTRIC - 4" X 4" - 1/2" & 3/4" KNOCKOUTS - CANADIAN
	008284-01-000	EA COVER-ELECTRICAL BOX - BLANK/STEEL - 4" X 4" - GRAY
	008254-02-000	EA COVER-ELECTRICAL BOX - BLANK STEEL - 4" X 4" - CANADIAN
	088238-01-000	EA COVER-ELECTRICAL BOX - WHOLE - 4" X 4" - GRAY USED WITH 30 AMP RECEPTACLE

**1983 ITASCA
TABLE OF CONTENTS**

INTRODUCTION	A-01	A-02
ABBREVIATIONS		A-03
ALPHABETICAL INDEX	A-04	A-08
ICD22RB	A-07	D-14
ICD28RU	D-16	F-23

1983 ICD22RB INDEX

FLOOR PLAN	A-07	A-08
ACCESSORIES		A-09
AUDIO VIDEO		A-10
BATH	A-11	A-12
CHASSIS	A-13	A-18
CURTAIN & CUSHION	A-20	B-08
DINETTE	B-07	B-08
DRIVERS COMPARTMENT	B-09	B-11
ELECTRICAL	B-12	B-14
EXTERIOR BODY	B-15	B-21
GALLEY	B-22	B-24
GENERATOR		C-01
HEATING & A/C	C-02	C-08
INTERIOR FINISH	C-05	C-08
LABELS	C-07	C-14
LP	C-16	C-18
LOUNGE	C-17	C-18
REALANTS & FASTENERS	C-10	C-21
WATER & SEWAGE	C-22	C-24
WINDOW, VENT AND		D-01
WINDSHIELDWIPER	D-12	D-13

ELECTRICAL GROUP (CONTINUED)

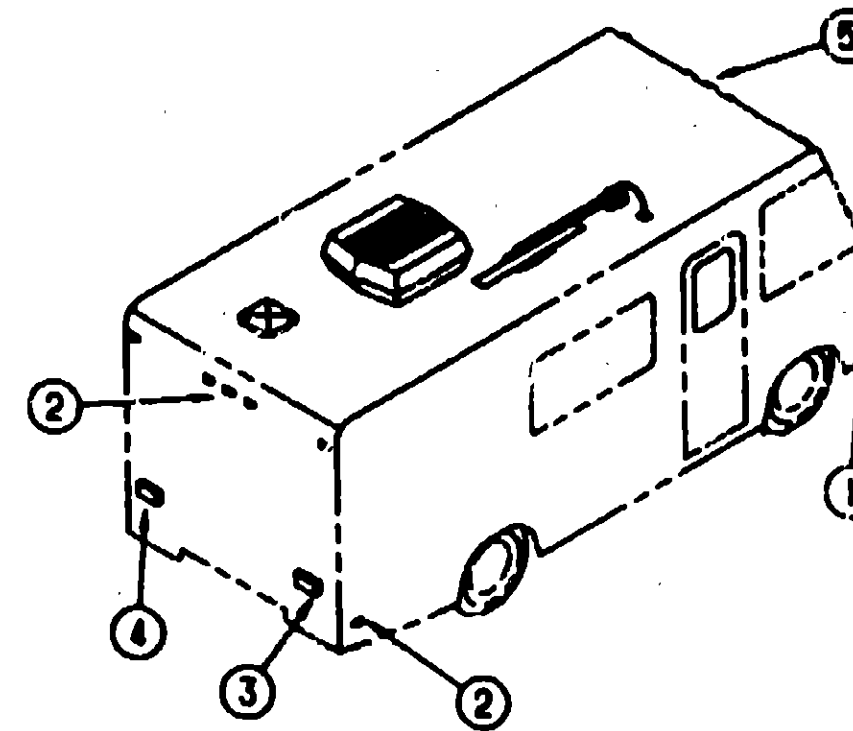
ELECTRICAL CONNECTORS

KEY	PART NUMBER	U/M DESCRIPTION
	077478-08-000	EA BOOT-BATTERY TERMINAL - SINGLE CABLE
	087848-01-000	EA BUSS BAR-2 POSITION - .6" X 1.5" - ALUMINUM
	08811-01-000	EA CONNECTOR-WIRE NUT - INSULATED - RED
	08814-01-000	EA CONNECTOR-WIRE NUT - INSULATED - GRAY
	08828-01-000	EA CONNECTOR-CABLE CLAMPING - 3/4"
	08829-01-000	EA CONNECTOR-PLASTIC - 3/8" AVG
	041483-01-000	EA CONNECTOR-STRAIGHT - 1/2" FLEX CONDUIT
	08828-01-000	EA CONNECTOR-ELECTRICAL PYGTAIL - NYLON - CLEAR
	087741-01-000	EA CONNECTOR BODY-2 CNCT MALE - SERV ELEC 2P-FYL
	007089-01-000	EA FLASHER-SIGNAL - STAT
	088087-01-000	EA HOUSING-AUTO FUSE - NATURAL
	088087-02-000	EA HOUSING-AUTO FUSE - GREEN
	088087-03-000	EA HOUSING-AUTO FUSE - BLACK
	088087-04-000	EA HOUSING-AUTO FUSE - BLUE
	088087-05-000	EA HOUSING-AUTO FUSE - GRAY
	088087-06-000	EA HOUSING-AUTO FUSE - BROWN
	08810-01-000	EA HOUSING-RELAY - BOSCH 3 334 485 008
	088473-05-000	EA HOUSING-PIN - 6 CAVITY - AMP 640585-1
	088473-06-000	EA HOUSING-PIN - 4 CAVITY - AMP 1-480702-0
	088473-10-000	EA HOUSING-PIN - 2 CAVITY - AMP 1-480689-0
	088474-08-000	EA HOUSING-SOCKET - 3 CAVITY - AMP 1-480707-0
	088474-07-007	EA HOUSING-SOCKET - 5 CAVITY - AMP 1-480784-0
	088474-08-07D	EA HOUSING-SOCKET - 4 CAVITY - AMP 1-480708-0
	088474-09-000	EA HOUSING-SOCKET - 3 CAVITY - AMP 1-480701-0
	088474-10-000	EA HOUSING-SOCKET - 2 CAVITY - AMP 1-480689-0
	108008-01-000	EA HOUSING-1 POSITION - FEMALE - PACKARD 12015852
	128985-01-000	EA HOUSING-SWITCH - CARLING VCH
	104100-01-000	EA HOUSING-1 POSITION - 75 AMP - AMP 53884-1
	088475-01-000	EA PIN-CONNECTOR - 14 TO 20 AWG
	088475-01-000	EA SOCKET-CONNECTOR - BRASS - PRE-TIN
	008188-01-000	EA SOLENOID-3 POST - BATTERY CHANGE OVER
	104100-08-000	EA TERMINAL-75 AMP - AMP 53884-1 LOOSE
	047443-01-000	EA TERMINAL-200 RECEPTACLE FIT - INSULATED - 18/14 AWG
	088088-C2-000	EA TERMINAL-PACK-CON - 18/14 AWG
	088418-04-000	EA TERMINAL-RING #10 STUD FIT - INSULATED BARREL #18/14
	008088-01-000	EA TERMINAL-RING - 18/14 WIRE - 3/8" STUD
	008088-01-000	EA TERMINAL-RING - 12/10 WIRE - #10 STUD FIT
	008081-01-000	EA TERMINAL-RING-TONGUE - #4 WIRE - 3/8" STUD - COPPER
	008048-01-000	EA TERMINAL-RING - 3/8" STUD - #2 WIRE

POWER CORD, CONVERTER & WIRE ASSEMBLIES

KEY	PART NUMBER	U/M DESCRIPTION
	108877-01-000	EA LOAD CENTER-120V - 40A - WESCO TT120FLGNM
	083209-01-000	EA CONVERTER-POWER - 32A - 120V/12V - BW 8332
	008082-01-000	EA CORD-POWER - 10/3 - 30 AMP - 25' - CANADIAN
	008084-01-000	EA CORD-POWER - 10/3 - 30 AMP - 25'
	087818-01-000	EA WIRE ASM-MONITOR PANEL - WM4 WIRES & BLACK RESISTOR - LVS
	103891-01-000	EA WIRE ASM-CIRCUIT BREAKER - POWER

ELECTRICAL GROUP (CONTINUED)



EXTERIOR LIGHTS

KEY	PART NUMBER	U/M DESCRIPTION
	042405-03-000	EA BASE-CLEARANCE/SIDEMARKER LIGHT W/BULB - PLASTIC - WHITE
	042405-02-000	EA LENS-CLEARANCE/SIDEMARKER LIGHT - W/REFLEX - AMBER
	008213-01-000	EA BULB-12 V - NO. 57 - .24 AMP
	001983-01-000	EA GASKET-CLEARANCE/SIDEMARKER LIGHT
	042405-03-000	EA BASE-CLEARANCE/SIDEMARKER LIGHT - W/BULB - PLASTIC - WHITE
	042405-01-000	EA LENS-CLEARANCE/SIDEMARKER LIGHT - W/REFLEX - RED
	008213-01-000	EA BULB-12 V - NO. 57 - .24 AMP
	001983-01-000	EA GASKET-CLEARANCE/SIDEMARKER LIGHT
	110458-01-01A	EA LAMP ASM-TAIL-COMBO BLACK - BARGMAN 30-61-110
	110458-02-01A	EA LAMP ASM-TAIL-COMBO W/BRACKET - BARGMAN 30-91-111
	042405-03-000	EA BASE-CLEARANCE/SIDEMARKER LIGHT W/BULB - PLASTIC - WHITE
	042405-02-000	EA LENS-CLEARANCE/SIDEMARKER LIGHT - W/REFLEX - AMBER
	008213-01-000	EA BULB-12 V - NO. 57 - .24 AMP
	001983-01-000	EA GASKET-CLEARANCE/SIDEMARKER LIGHT
	108888-01-000	EA BACKING-LIGHT - ROOF CA ⁹
	070907-01-000	EA HEADLAMP-RECTANGULAR - GM 508801.7
	049359-01-000	EA SPRING-RETAINER - HEADLAMP - GM 488088
	073308-01-000	EA SCREW-ADJUSTING - HEADLAMP
	110780-01-000	EA SCREW ASM-HEADLAMP ADJUSTING - T/MAN B82288-1428

FROM: 00-00-00 THRU: 01-28-83
FROM: 01-28-83 THRU: 09-00-00

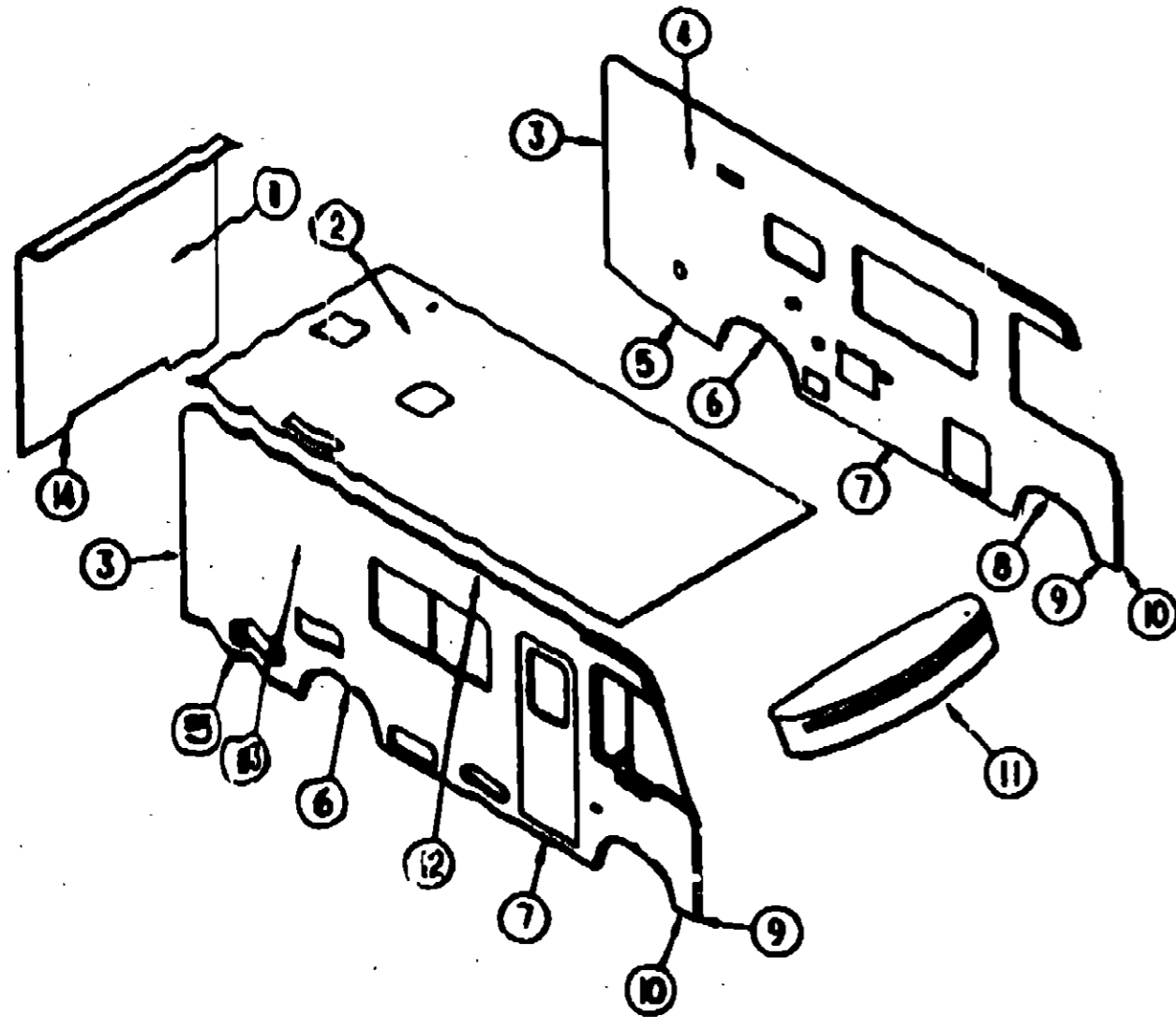
1989 ITASCA TABLE OF CONTENTS

INTRODUCTION	A-01 - A-02
ABBREVIATIONS	A-03
ALPHABETICAL INDEX	A-04 - A-08
ICD22RB	A-07 - D-14
ICD28RU	D-15 - F-23

1989 ICD22RB INDEX

FLOOR PLAN	A-07 - A-08
ACCESSORIES	A-09
AUDIO VIDEO	A-10
BATH	A-11 - A-12
CHASSIS	A-13 - A-19
CURTAIN & CUSHION	A-20 - B-06
DINETTE	B-07 - B-08
DRIVERS COMPARTMENT	B-09 - B-11
ELECTRICAL	B-12 - B-14
EXTERIOR BODY	B-15 - B-21
GALLEY	B-22 - B-24
GENERATOR	C-01
HEATING & A/C	C-02 - C-03
INTERIOR FINISH	C-04 - C-07
LABELS	C-07 - C-14
LP	C-15 - C-16
LOUNGE	C-17 - C-18
SEALANTS & FASTENERS	C-19 - C-21
WATER & SEWAGE	C-22 - C-24
WINDOW, VENT AND	
EXTERIOR DOOR	D-01 - D-11
WINDSHIELDWIPER	D-12 - D-13

EXTERIOR BODY GROUP



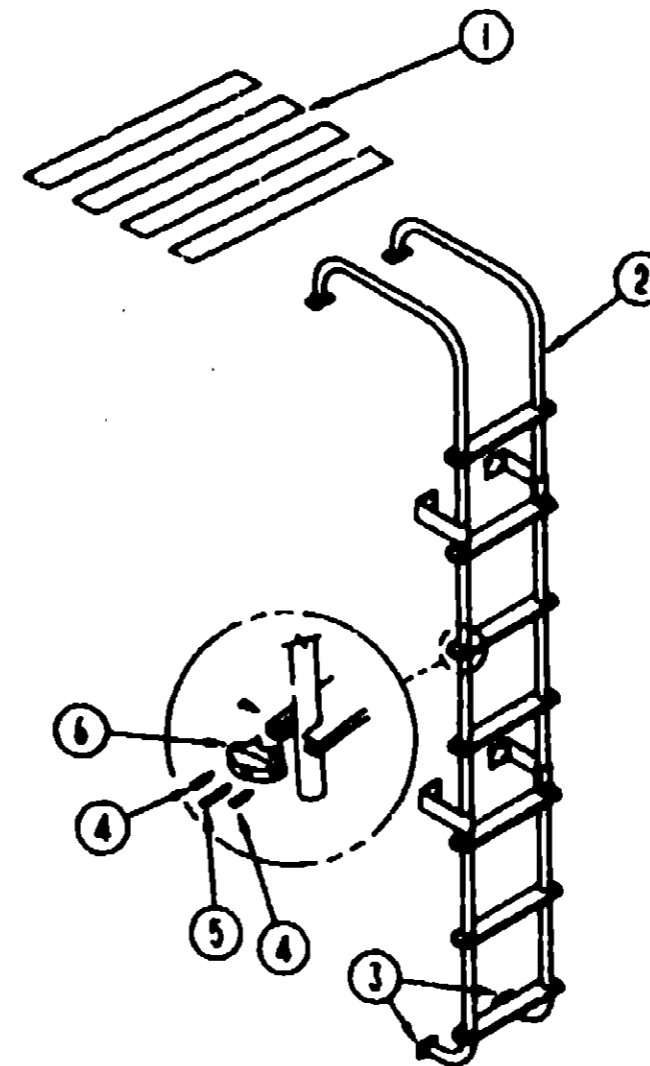
EXTERIOR BODY PANELS AND TRIM

KEY	PART NUMBER	U/M DESCRIPTION
1	MO661-02-001	EA BACKWALL ASM
2	10888-01-061	EA FRONT ASM
3	08884-02-01A	EA TRIM/CONTOUR - OFF WHITE
4	10812-01-01A	FT INSERT-TRIM - VINYL - OFF WHITE
4	10887-01-001	EA SIDEWALL ASM-LEFT
4	MO6738-16-001	EA SIDEWALL ASM-LEFT - EUROPEAN
6	108038-06-01A	EA TRIM SIDEWALL - BOTTOM - REAR - OFF WHITE
6	108073-07-01A	EA TRIM WHEELWELL - REAR - OFF WHITE
7	108089-08-01A	EA TRIM SIDEWALL - BOTTOM - CENTER - OFF WHITE
8	108089-01-01A	EA TRIM WHEELWELL - FRONT - OFF WHITE
9	108000-11-01A	EA TRIM SIDEWALL - FRONT - OFF WHITE
	088180-06-001	EA U-CHANNEL-EXTRUDED - 1.7" X 18" - OFF WHITE - SERRATED
10	108109-01-01A	EA TRIM SIDEWALL - LOW FRONT - OFF WHITE
11	MO6682-01-001	EA CAP ASM-FRONT
12	108888-01-01A	EA PAIR-ARMING - OFF WHITE - 2538 MM
13	108889-01-001	EA SIDEWALL ASM-FRONT
13	MO6738-16-001	EA SIDEWALL ASM-FRONT - EUROPEAN
14	080408-16-000	EA TRIM BACKWALL - LOWER OFF WHITE
	088883-01-000	EA TRIM FIBERGLASS - PANEL - OFF WHITE

FIBERGLASS, STYROFOAM & ALUMINUM

KEY	PART NUMBER	U/M DESCRIPTION
	108889-02-01A	EA FIBERGLASS SHEET 2402 X 8078 - P/ON OFF WHITE
	044487-01-001	EA ALUMINUM SHEET - .018" X 96" X 380" - MILL FINISH
	044487-01-002	EA ALUMINUM SHEET - .018" X 96" X 482" - MILL FINISH
	088674-06-000	SF STYROFOAM - .75" X 48" X 96"
	088670-06-000	SF STYROFOAM - .50" X 24" X 96" - INCREMENTS OF 16 SF
	088680-01-000	SF STYROFOAM - .75" X 24" X 96" - INCREMENTS OF 16 SF
	088676-01-000	FT TUBING-STEEL - .75" X 1.8" X 12.6"

EXTERIOR BODY GROUP (CONTINUED)



LADDER

KEY	PART NUMBER	U/M DESCRIPTION
1	038327-02-000	FT TAPE-ANTI SLIP - 2" X 60"
2	102983-06-001	EA LADDER ASM
3	087186-01-000	EA MOUNTING BRACKET-LADDER - LOWER
4	000039-06-10T	EA SCREW-SF/DR, 6-20 X 5/8" PPH - BLACK
5	000067-10-36T	EA SCREW-10-12 X 2.25" PPH - BLACK
6	076880-02-000	EA END CAP-STEP - BLACK

**1983 ITASCA
TABLE OF CONTENTS**

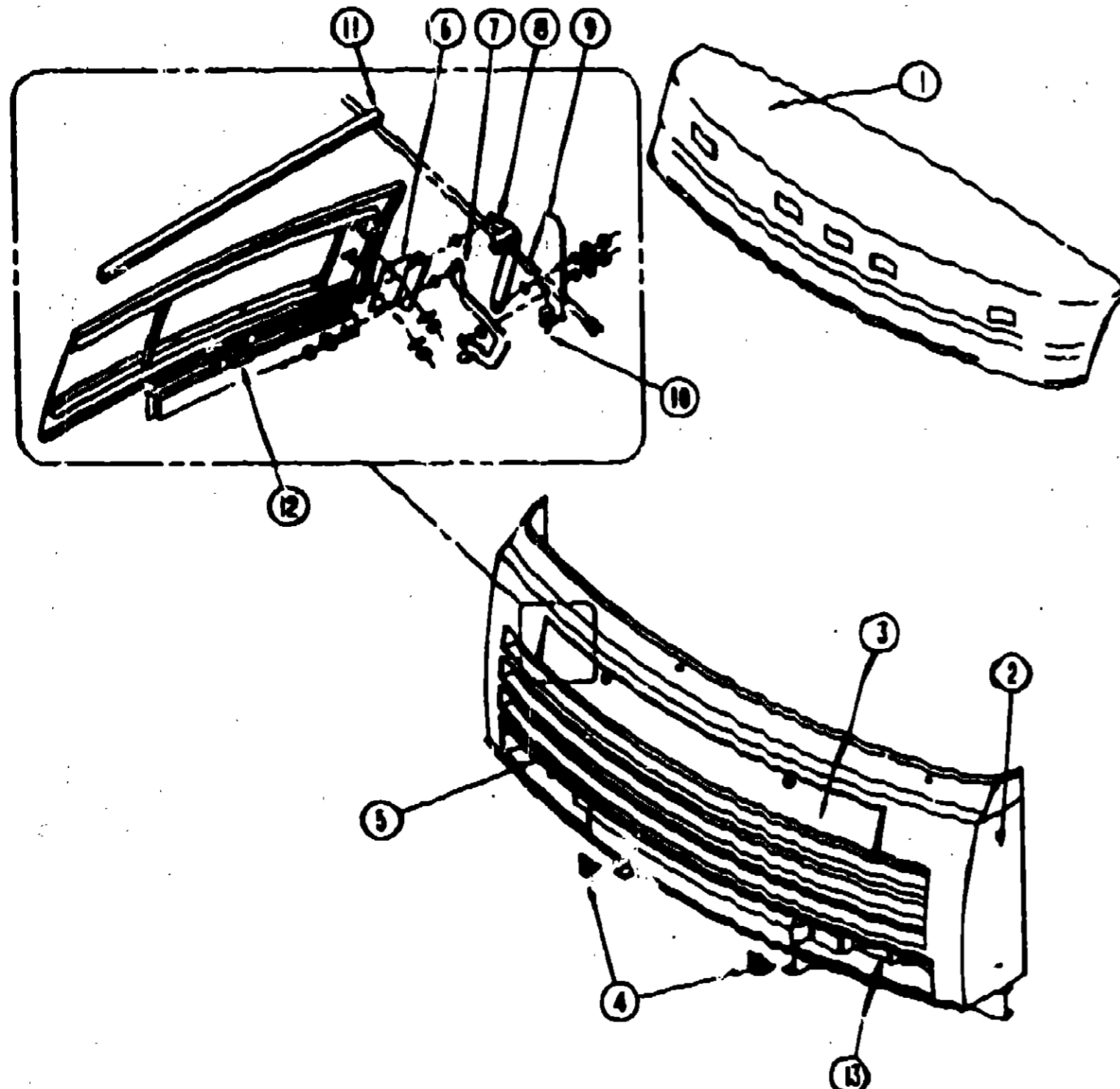
INTRODUCTION	A-01	A-02
ABBREVIATIONS		A-03
ALPHABETICAL INDEX	A-04	A-06
ICD27RB	A-07	D-14
ICD28RU	D-15	F-29

1983 ICD27RB INDEX

FLOOR PLAN	A-07	A-08
ACCESSORIES		A-09
AUDIO VIDEO		A-10
BATH	A-11	A-12
CHASSIS	A-13	A-19
CURTAIN & CUSHION	A-20	B-06
DINETTE	B-07	B-08
DRIVERS COMPARTMENT	B-09	B-11
ELECTRICAL	B-12	B-14
EXTERIOR BODY	B-15	B-31
GALLEY	B-22	B-34
GENERATOR		C-01
HEATING & AC	C-02	C-02
INTERIOR FINISH	C-06	C-08
LABELS	C-07	C-14
LP	C-16	C-16
LOUNGE	C-17	C-18
SEALANTS & FASTENERS	C-19	C-21
WATER & SEWAGE	C-22	C-24
WINDOW, VENT AND EXTERIOR DOOR	D-01	D-11
WINDSHIELDWIPER	D-12	D-13

EXTERIOR BODY GROUP (CONTINUED)

FRONT END COMPONENTS



KEY	PART NUMBER	ITEM DESCRIPTION
1	M08822-01-081 108914-01-01A	EA CAP ASM-FRONT - W/LIGHTS EA PANEL-ROOF CAP - OFF WHITE - W/O LIGHTS
2	M08888-01-181	EA FRONT END ASM-FIBERGLASS - OFF WHITE
3	108931-01-011	EA PANEL ASM-HOOD - OFF WHITE
4	108939-01-000	EA BRACKET-FRONT - LOWER - MOUNTING
5	110712-01-015	EA PLATE ASM-HEADLAMP - DUAL - RIGHT
		FROM: 01-29-83 THRU: 09-89-88
	110891-01-01A	EA BRACKET-SPRING - HEADLAMP MILL
	110711-01-01A	EA PLATE-HEADLAMP - DUAL - RIGHT - MILL
	110784-01-01A	EA BRACKET-HEADLAMP - DUAL - RIGHT - MILL
6	108927-01-000	EA ANGLE-LINK - HOOD - RIGHT
	108927-02-000	EA ANGLE-LINK - HOOD - LEFT
7	108930-03-000	EA LINK ASM-HINGE - HOOD - LOWER - RIGHT
	108930-01-000	EA LINK-HINGE - HOOD - LOWER - RIGHT
	108930-04-000	EA LINK ASM-HINGE - HOOD - LOWER - LEFT
	108930-02-000	EA LINK-HINGE - HOOD - LOWER - LEFT
8	108929-01-000	EA LINK ASM-HINGE - HOOD - UPPER - RIGHT
	108929-02-000	EA LINK ASM-HINGE - HOOD - UPPER - LEFT
9	108928-03-000	EA BRACKET ASM-LINK - HINGE - RIGHT
	108928-04-000	EA BRACKET ASM-LINK - HINGE - LEFT
10	088788-01-000	EA BOLT-ADJUSTING - HOOD - W/BLACK PAD - .31" Ø18 X 2"
10	000038-05-108	EA NUT-HEX - SERVICED FLANGE LOCKING - 5/16 - 18 - ZINC
11	108938-06-000	EA TUBE-TIMING - HOOD HINGE
12	108915-01-01A	EA LATCH-HOOD - FRONT END) BLACK
13	110712-02-015	EA PLATE ASM-HEADLAMP - DUAL - LEFT
		FROM: 01-29-83 THRU: 53-89-88
	110891-01-01A	EA BRACKET-SPRING - HEADLAMP - MILL
	110711-02-01A	EA PLATE-HEADLAMP - DUAL - LEFT - MILL
	110784-02-01A	EA BRACKET-HEADLAMP - DUAL - LEFT - MILL

1983 ITASCA TABLE OF CONTENTS

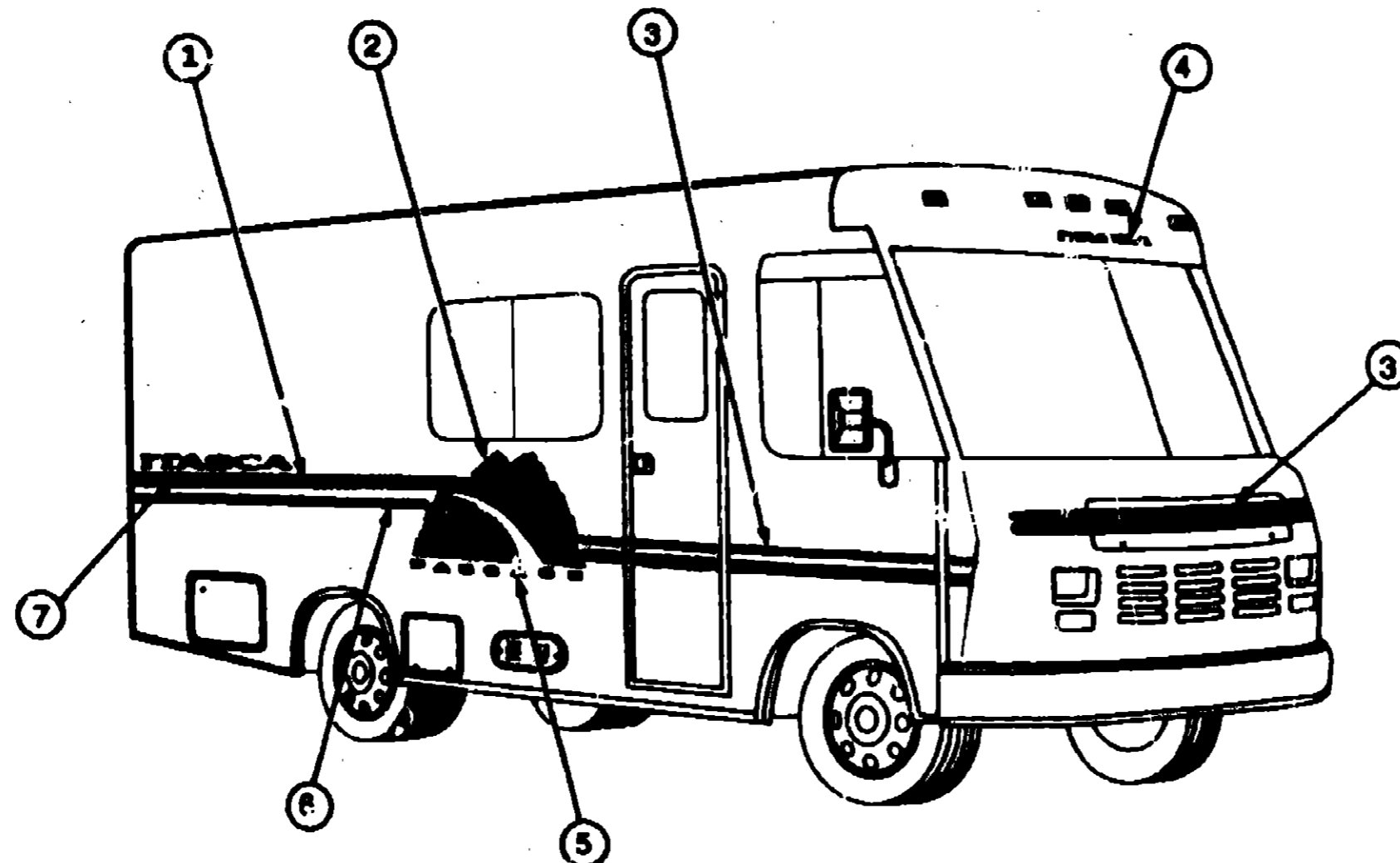
INTRODUCTION	A-01 -	A-02
ABBREVIATIONS		A-03
ALPHABETICAL INDEX	A-04 -	A-06
ICD22FB	A-07 -	D-14
ICD28FU	D-15 -	F-23

1983 ICD22FB INDEX

FLOOR PLAN	A-07 -	A-08
ACCESSORIES		A-09
AUDIO VIDEO		A-10
BATH	A-11 -	A-12
CHASSIS	A-13 -	A-18
CURTAIN & CUSHION	A-20 -	B-08
DINETTE	B-07 -	B-08
DRIVERS COMPARTMENT	B-09 -	B-11
ELECTRICAL	B-12 -	B-14
EXTERIOR BODY	B-15 -	B-21
GALLEY	B-22 -	B-24
GENERATOR		C-01
HEATING & AC	C-02 -	C-02
INTERIOR FINISH	C-05 -	C-08
LABELS	C-07 -	C-14
LP	C-15 -	C-16
LOUNGE	C-17 -	C-18
SEALANTS & FASTENERS	C-19 -	C-21
WATER & SEWAGE	C-22 -	C-24
WINDOW, VENT AND		
EXTERIOR DOOR	D-01 -	D-11
WINDSHIELDWIPER	D-12 -	D-13

EXTERIOR BODY GROUP (CONTINUED)

DECALS & FILM STRIPES



**1983 ITASCA
TABLE OF CONTENTS**

INTRODUCTION	A-01 -	A-02
ABBREVIATIONS		A-03
ALPHABETICAL INDEX	A-04 -	A-08
ICD22RB	A-07 -	D-14
ICD28PU	D-18 -	F-23

1983 ICD22RB INDEX

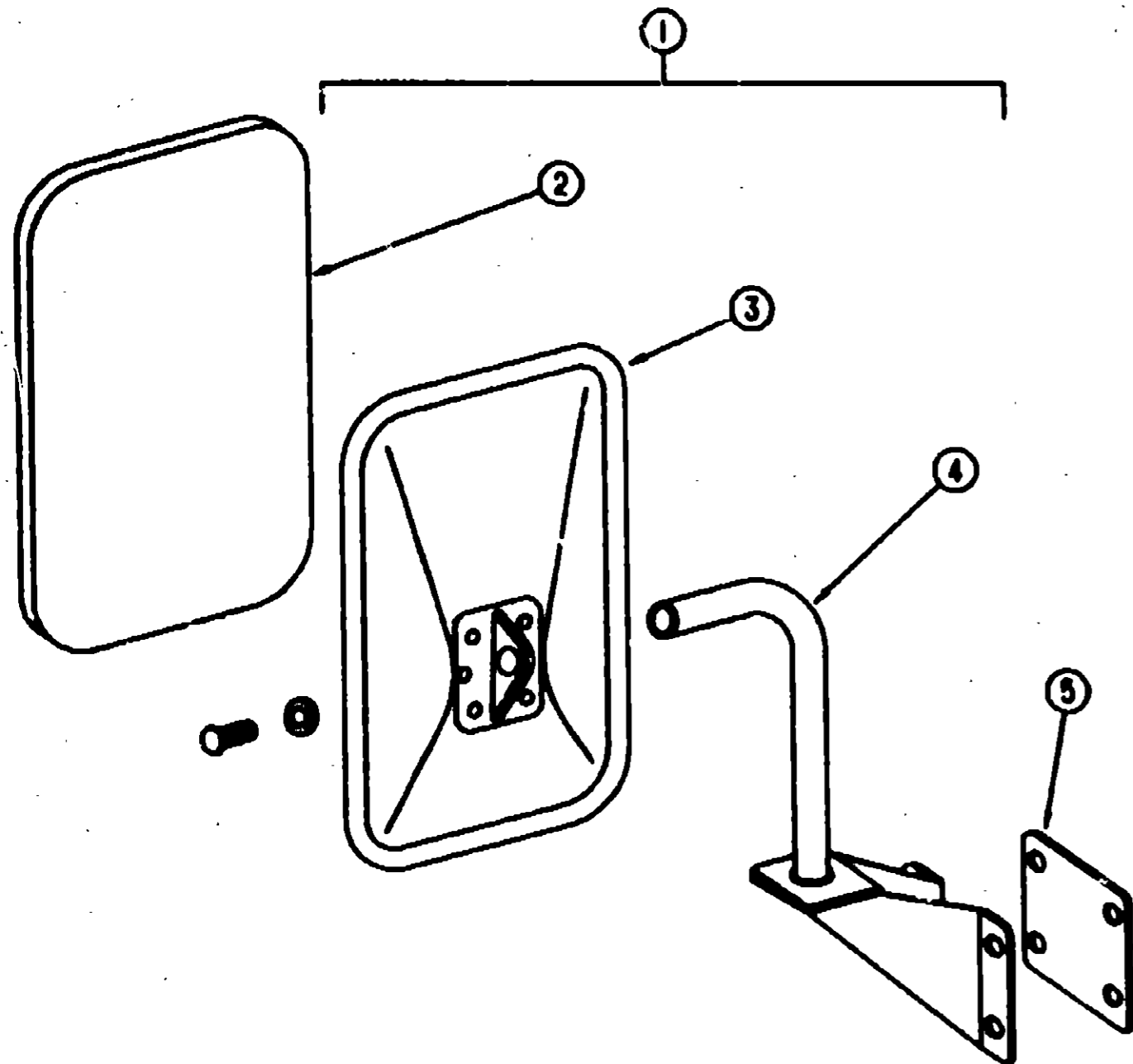
FLOOR PLAN	A-07 -	A-08
ACCESSORIES		A-09
AUDIO VIDEO		A-10
BATH	A-11 -	A-12
CHASSIS	A-13 -	A-19
CURTAIN & CUSHION	A-20 -	B-08
DINETTE	B-07 -	B-08
DRIVERS COMPARTMENT	B-09 -	B-11
ELECTRICAL	B-12 -	B-14
EXTERIOR BODY	B-15 -	B-21
GALLEY	B-22 -	B-24
GENERATOR		C-01
HEATING & AC	C-02 -	C-08
INTERIOR FINISH	C-05 -	C-08
LABELS	C-07 -	C-14
LP	C-15 -	C-16
LOUNGE	C-17 -	C-18
SEALANTS & FASTENERS	C-19 -	C-21
WATER & SEWAGE	C-22 -	C-24
WINDOW, VENT AND EXTERIOR DOOR	D-01 -	D-11
WINDSHIELDWIPER	D-12 -	D-13

KEY	PART NUMBER	UNIT DESCRIPTIONS
1	107388-08-01A	FT FILM-114.3 MM X 180' - ROYAL BLUE
2	108733-01-01A	EA DECAL-SCENE-PASSENGER/BACKWALL-ROYAL BLUE/VIOLET/GREEN/VIOLET BLUE
	108737-08-01A	EA DECAL-SCENE - DRIVER - ROYAL BLUE/VIOLET/LIGHT GREEN/VIOLET BLUE
3	105781-23-01A	FT FILM-MULTI STRIPE - 108.0MM X 180' - VIOLET/ROYAL BLUE
4	078882-35-000	EA DECAL-LOGO - "ITASCA" - 5.00' - ROYAL BLUE/OFF WHITE
5	110888-01-01A	EA DECAL-PASSAGE - ROYAL BLUE/VIOLET
6	107385-02-02A	FT FILM-80.8 MM X 180' - VIOLET
7	078882-35-00C	EA DECAL-LOGO - "ITASCA" - 6.80' - ROYAL BLUE/OFF WHITE
	084075-01-000	EA DECAL-"EY WINNEBAGO INDUSTRIES" - BLACK
	041881-03-000	EA PAINT-LOC W BAKE - OFF WHITE
	044488-08-000	EA PAINT-LOC W BAKE - BEIGE

DUPONT COLOR CODES

ROYAL BLUE	G8843
VIOLET	G8851
LIGHT GREEN	G8848
VIOLET BLUE	K9488

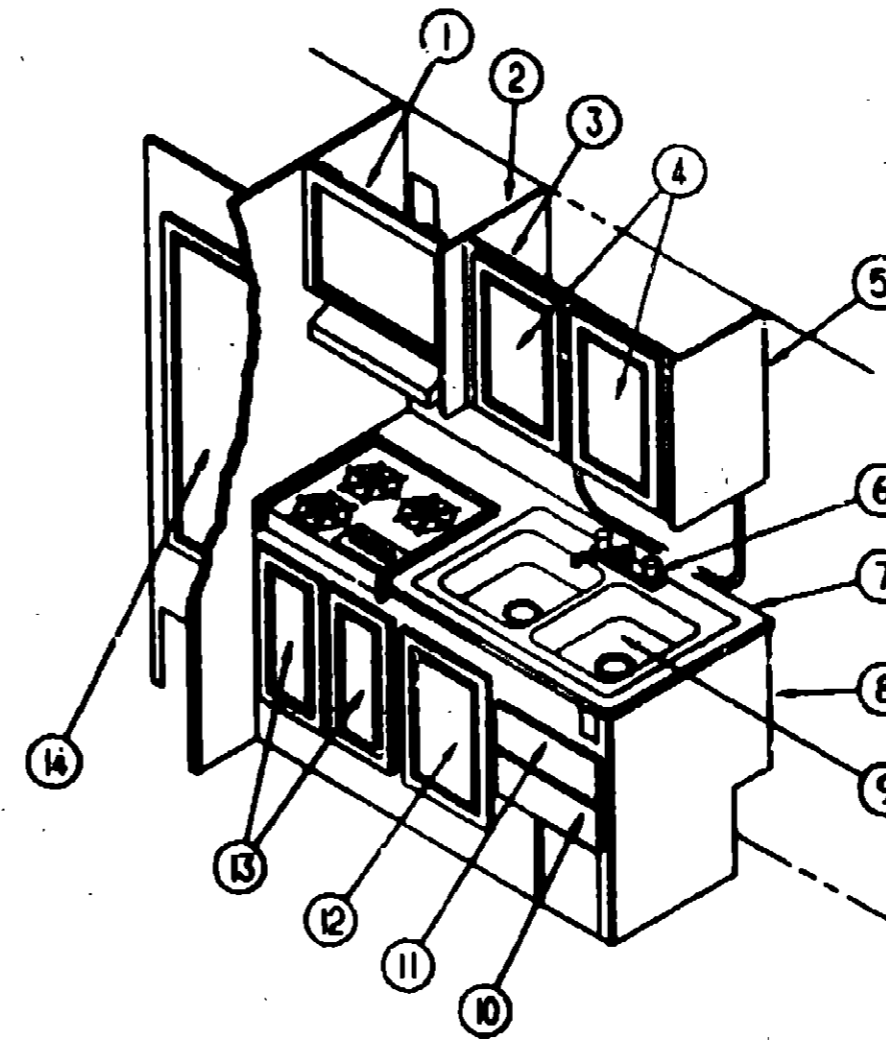
EXTERIOR BODY GROUP (CONTINUED)



EXTERIOR MIRROR

KEY	PART NUMBER	U/M DESCRIPTION
1	108078-01-702	EA MIRROR ASM-LOW MOUNTING - BLACK - 713186 (1 ONLY)
2	048847-01-700	EA GLASS-EXTERIOR MIRROR - 7.5" X 10.5"
3	108078-01-703	EA MIRROR HEAD ONLY - BLACK - 708001-4
4	108078-01-704	EA ARM - 0780821-9
5	110388-01-01A	EA PLATE-MIRROR - OFF-WHITE
6	110388-01-02A	EA PLATE-MIRROR - M.L.

GALLEY GROUP



GALLEY CABINETRY

KEY	PART NUMBER	U/M DESCRIPTION
1	109807-01-081	EA CABINET ASM-MICROWAVE OVERHEAD
2	109808-01-081	EA CAP ASM-END - OVERHEAD
3	109919-01-081	EA CABINET ASM-OVERHEAD - GALLEY
4	110140-10-081	EA DOOR ASM-MITERED - VINYL WRAP
5	109808-02-081	EA CAP ASM-END - OVERHEAD
6	109799-01-01A	EA FAUCET-GALLEY - DUAL CONTROL
7	108882-11-081	EA COUNTERTOP ASM
8	P08892-01-081	EA CABINET ASM-GALLEY
9	109888-01-000	EA SINK-STAINLESS STEEL - DOUBLE - 33X22 - ELKAY KF.F5023322
	092303-01-000	EA STRAINER-SINK
10	P10163-01-081	EA DRAWER COMPLETE-SLIDE
11	P10163-02-081	EA DRAWER COMPLETE-SLIDE
12	110140-04-081	EA DOOR ASM-MITERED - VINYL WRAP
13	110140-08-081	EA DOOR ASM-MITERED - VINYL WRAP
14	110140-02-081	EA DOOR ASM-MITERED - VINYL WRAP - LINEN CABINET
	110012-01-081	EA COVER ASM-SINK
	109853-11-081	EA COUNTERTOP ASM - REFRIGERATOR

**1993 ITASCA
TABLE OF CONTENTS**

INTRODUCTION	A-01 -	A-02
ABBREVIATIONS		A-03
ALPHABETICAL INDEX	A-04 -	A-06
ICD22RB	A-07 -	D-14
ICD22RU	D-15 -	F-23

1993 ICD22RB INDEX

FLOOR PLAN	A-07 -	A-08
ACCESSORIES		A-09
AUDIO VIDEO		A-10
BATH	A-11 -	A-12
CHAIRSES	A-13 -	A-18
CURTAIN & CUSHION	A-20 -	B-06
DINETTE	B-07 -	B-08
DRIVERS COMPARTMENT	B-09 -	B-11
ELECTRICAL	B-12 -	B-14
EXTERIOR BODY	B-15 -	B-21
GALLEY	B-22 -	B-24
GENERATOR		C-01
HEATING & A/C	C-02 -	C-08
INTERIOR FINISH	C-05 -	C-08
LABELS	C-07 -	C-14
LP	C-15 -	C-16
LOUNGE	C-17 -	C-18
SEALANTS & FASTENERS	C-19 -	C-21
WATER & SEWAGE	C-22 -	C-24
WINDOW, VENT AND		
EXTERIOR DOOR	D-01 -	D-11
WINDSHIELD/WIPER	D-12 -	D-13

GALLEY GROUP (CONTINUED)

REFRIGERATOR

KEY	PART NUMBER	UOM	DESCRIPTION
	102221-04-01A	EA	REFRIGERATOR-LARGE SINGLE DOOR 2-WAY - NORCOLD 6082 RIGHT
	084473-01-702	EA	ORIFICE-NORCOLD 61482122
	084473-09-701	EA	HEATER AC - HORIZONTAL BURNER - NORCOLD 618925
	084473-09-718	EA	COOLING UNIT-HORIZONTAL BURNER - NORCOLD 61887137
	084880-01-730	EA	SPRING (FOR DOOR HANDLE) - NORCOLD 6180822
	075217-01-734	EA	FUSE-3 AMP - NORCOLD 6183022
	084880-01-718	EA	VALVE-GAS - NORCOLD 61861822
	084880-01-722	EA	CRISPER COVER - NORCOLD 618841
	084880-01-732	EA	LATCH - NORCOLD 6187822
	084880-01-740	EA	END CAP - STOP CATCH - NORCOLD 61883830
	084880-01-748	EA	CABLE - NORCOLD 61871822
	084880-01-758	EA	THERMISTER 78" W/CLIP - NORCOLD 61888822
	084880-01-780	EA	CLIP-THERMISTER - NORCOLD 61889122
	084880-01-781	EA	END CAP - SPRING CATCH - BLACK - NORCOLD 61889730
	084880-09-702	EA	HINGE PIN TOP/BOTTOM FEMALE - NORCOLD 61880830
	084039-01-704	EA	PLATE-HINGE - BLACK - NORCOLD 61831430
	084039-01-710	EA	PLATE-HINGE - BLACK - NORCOLD 61831330
	084039-01-713	EA	DOOR GASKET - LOWER - GRAY - NORCOLD 61888030
	084039-01-715	EA	LOWER DOOR LINER - BLACK/WHITE - NORCOLD 61881738-B
	084039-01-717	EA	LOWER DOOR HANDLE ASSEMBLY - BLACK - NORCOLD 61848838
	084039-01-722	EA	HOLE PLUG - BLACK - HINGE HOLES - NORCOLD 61882030
	084039-01-723	EA	HINGE BRACKET - TOP RIGHT - BOTTOM LEFT BLACK - NORCOLD 61880838
	084039-01-724	EA	BRACKET-HINGE - TOP LEFT - BOTTOM RIGHT - BLACK - NORCOLD 61880838
	084039-01-725	EA	HINGE PIN - BLACK - MALE - NORCOLD 61578130
	084039-01-732	EA	FRONT COVER - BLACK BOTTOM TRIM - NORCOLD 61882130
	084039-01-738	EA	SHELF - CUTOUT - NORCOLD 61846722
	084039-04-700	EA	PC BOARD-2 WAY - NORCOLD 61847322
	084039-04-701	EA	EYEBROW - SHELL - 2 WAY - NORCOLD 61888822
	084039-04-702	EA	POWER SUPPLY - 2 WAY - NORCOLD 61847422
	102221-01-700	EA	EVAPORATOR DOOR ASM - NORCOLD 61820738
	102221-01-701	EA	FOAMED CAB ASM - BLACK - NORCOLD 61830238
	104137-02-700	EA	MODULE-CONTROL - CHANNEL - NORCOLD 61717037
	102221-04-703	EA	HOLDER -SPRING-RIGHT - WHITE - NORCOLD 61832830
	102221-04-704	EA	TRAY -DRIP - WHITE - NORCOLD 61818830
	102221-04-705	EA	RETAINER FOR GLASS SHELF - NORCOLD 61880822
	102221-04-706	EA	SPRING -TORSION - LEFT - EVAPORATOR DOOR - NORCOLD 61833122
	102221-04-707	EA	HOLDER -SPRING LEFT - WHITE EVAPORATOR - NORCOLD 61832730
	102221-04-708	EA	CLIP MOUNTING - LEFT - WHITE - EVAPORATOR DOOR - NORCOLD 61833030
	102221-04-709	EA	CLIP MOUNTING - RIGHT - WHITE - EVAPORATOR DOOR - NORCOLD 61832830
	102221-04-710	EA	SPRING PIN - NORCOLD 61832822
	102221-04-711	EA	SPRING TORSION - RIGHT - EVAPORATOR DOOR - NORCOLD 61833222
	102221-04-712	EA	HEATER -DC - HORIZONTAL BURNER - NORCOLD 61892822
	104137-08-703	EA	BIN-DILUENT SHELF - WHITE - NORCOLD 61884025
	104137-08-704	EA	BIN-MILK - WHITE - NORCOLD 61578425
	104137-08-705	EA	HANDLE -LOWER DOOR W/DECAL - NORCOLD 61888822
	104137-08-706	EA	WIRE SHELF - SHORT - NORCOLD 61718222
	104137-08-707	EA	CRISPER - WHITE - NORCOLD 61571325
	104137-08-708	EA	VALVE SHUT-OFF-MANUAL ASM - NORCOLD 61884822
	104137-08-710	EA	PRESSURE TAP - NORCOLD 61884422
	104137-08-711	EA	FUSE 5 AMP - NORCOLD 61811822
	104137-08-712	EA	FITTING-GAS TUBE CONNECTION - NORCOLD 61882722
	104137-08-713	EA	ORIFICE GASKET - NORCOLD 61475122
	104137-08-714	EA	BURNER ASSEMBLY (S-SLOT) - NORCOLD 61708222
	104137-08-715	EA	SPARK/SENSE ELECTRODE - BING' E - NORCOLD 61882222
	084480-01-000	EA	LEVEL-REFRIGERATOR
	088228-08-001	EA	PLATE-TIEDOWN - REFRIGERATOR
	088228-08-002	EA	BRACKET ASM-TIEDOWN - REFRIGERATOR

GALLEY GROUP (CONTINUED)

MICROWAVES, RANGE HOOD, & MONITOR PANEL

KEY	PART NUMBER	UOM	DESCRIPTION
	081289-08-000	EA	OVEN-MICROWAVE
	084745-01-01A	EA	TRIM-MICROWAVE - LOWER - BLACK
	084774-03-01A	EA	TRIM-MICROWAVE - EITHER SIDE - 1.5" X 14.8" - METAL - BLACK
	084750-01-000	EA	BRACKET-MICROWAVE - 90 DEGREE - STEEL
	100258-10-01A	EA	METER-HOUR - VENTLINE 180
	103388-01-01A	EA	HOOD-RANGE - NON-POWERED - BLACK - VENTLINE
	082598-01-710	EA	SOCKET-LIGHT - VENTLINE CB257-2
	102386-01-700	EA	SWITCH-PUSH BUTTON - V188-3
	108834-01-01A	EA	PANEL-MONITOR 1 TANK BLACK - LVS W/PLUG

RANGE

KEY	PART NUMBER	UOM	DESCRIPTION
	110404-01-01A	EA	RANGE-3 BURNER W/O OVEN - WEDGEWOOD D368
	110404-01-700	EA	GRATE-REAR DESIGNER - 53303
	110404-01-701	EA	GRATE-FRONT DESIGNER - 53302
	110404-01-702	EA	TOP-COOK

**1989 ITASCA
TABLE OF CONTENTS**

INTRODUCTION	A-01	A-08
ABBREVIATIONS		A-08
ALPHABETICAL INDEX	A-04	A-08
ICD22RE	A-07	D-14
ICD25RU	D-15	F-33

1989 ICD22RE INDEX

FLOOR PLAN	A-07	A-08
ACCESSORIES		A-08
AUDIO VIDEO		A-10
BATH	A-11	A-12
CHASSIS	A-13	A-18
CURTAIN & CUSHION	A-20	B-08
DINETTE	B-07	B-08
DRIVERS COMPARTMENT	B-08	B-11
ELECTRICAL	B-12	B-14
EXTERIOR BODY	B-16	B-21
GALLEY	B-22	B-24
GENERATOR		C-01
HEATING & A/C	C-02	C-12
INTERIOR FINISH	C-05	C-08
LABELS	C-07	C-14
LP	C-15	C-16
LOUNGE	C-17	C-18
SEALANTS & FASTENERS	C-19	C-21
WATER & SEWAGE	C-21	C-24
WINDOW, VENT AND		
EXTERIOR DOOR	D-01	D-11
WINDSHIELD WIPER	D-12	D-13

GENERATOR GROUP

4000 KW ONAN GENERATOR

KEY	PART NUMBER	U/M DESCRIPTION
	107274-01-000	EA GENERATOR-4.0KW EMERALD PLUS - ONAN BQE-FA/281000
	078154-05-000	EA PIPE-EXHAUST - ANGLED - W/FLANGE - 2" ID - ONAN# 154-2530
	088891-08-000	EA PIPE-EXHAUST - GENERATOR - CURVED - 1.5" OD
	081384-02-000	EA MUFFLER-GENERATOR - W/1.5" LONG TAILPIPE
	094829-01-000	EA SPACER-GENERATOR - ONAN
	108728-01-000	EA TRAY ASM-GENERATOR
	007057-01-000	SF INSULATION-FIBERGLASS - 1" THICK X 4' - INCREMENTS OF 4 SF
	007125-03-000	EA CLAMP-MUFFLER - 1.5"
	007125-04-000	EA CLAMP-MUFFLER - 1.1"
	110444-01-000	EA SHIELD-GENERATOR

HEATING & AIR CONDITIONING GROUP

SUBURBAN FURNACE & WALL THERMOSTAT

KEY	PART NUMBER	U/M DESCRIPTION
	101990-01-000	EA FURNACE-17,000 BTU - SUBURBAN DD-17D01
	088834-01-708	EA MODULE BOARD - SUBURBAN# 231487
	088834-01-718	EA VALVE-MANUAL SHUTOFF - SUBURBAN 180740
	101990-01-700	EA MICROSWITCH - SUBURBAN 231759
	101990-01-701	EA COMBUSTION AIR WHEEL - SUBURBAN 360126
	101990-01-702	EA BURNER - SUBURBAN 010763
	101990-01-703	EA ROOM AIR IMPELLER - SUBURBAN 360126
	101990-01-704	EA MOTOR - SUBURBAN 231751
	101990-01-705	EA TIME DELAY RELAY - SUBURBAN 231769
	101990-01-708	EA TERMINAL STRIP - SUBURBAN 231770
	101990-01-707	EA VALVE - SUBURBAN 180862
	101990-01-708	EA ELECTRODE - SUBURBAN 231762
	101990-01-709	EA GRILLE ASSEMBLY - SUBURBAN 030769
	101990-01-710	EA LIMIT SWITCH - SUBURBAN 231768
	101990-01-711	EA ORIFICE - SUBURBAN 530415
	101990-01-713	EA MOTOR GASKET - SUBURBAN 070849
	101990-01-714	EA MICROSWITCH GASKET - SUBURBAN 230877
	101990-01-715	EA COMBUSTION AIR GASKET - FRONT - SUBURBAN 390536
	101990-01-716	EA COMBUSTION AIR GASKET - REAR - SUBURBAN 070060
	101990-01-717	EA MANIFOLD GASKET - SUBURBAN 070847
	101990-01-718	EA BURNER ACCESS DOOR GASKET - SUBURBAN 070860
	101990-01-719	EA MODULE BOARD (IF BEFORE DATE CODE 9112) - SUBURBAN 231328
	088753-01-000	FT TUBE-ALUMINIZED STEEL - 5/8" - 18 GAUGE
	007108-01-000	FT HOSE-HEATER - 5/8" ID - HI-TEMP - FORD ESE-M2D192-A
	101990-03-000	EA VENT-FURNACE - OUTSIDE - 6-9" - SUBURBAN 260199

A/C CONDENSER & COMPRESSOR (DIESEL)

KEY	PART NUMBER	U/M DESCRIPTION
	072342-04-000	EA CONDENSER ASM-W/O FANS - ARA 0519377
	072341-01-718	EA VALVE-DISCHARGE - 1/2" O'RING - ARA 0548325
	072342-03-701	EA RECEIVER-DRIER - ARA 1273235
	094831-01-724	EA O'RING-#4 - MOTIVAIR/SCS ZGG14561
	103830-01-708	EA GASKET-O'RING - #8 - SCS 045-0011
	103830-01-707	EA GASKET-O'RING - #10 - SCS 045-0012
	074013-02-716	EA VALVE-SERVICE - ARA 0058337
	072342-04-700	EA HOSE-DISCHARGE - ARA 0986306
	072342-04-701	EA COIL-CONDENSER - ARA 0519384
	068815-01-702	EA O'RING - #8 - ARA 0058306
	072343-06-000	EA COMPRESSOR-CLUTCH - REAR DISCHARGE - SANKYO - ARA 0529174
	074028-01-000	EA MOUNT PACKAGE - A/C COMPRESSOR - 6.2 DIESEL

AUTO A/C COMPONENTS ADDED TO CHASSIS

KEY	PART NUMBER	U/M DESCRIPTION
	085090-01-000	EA SHIELD-A/C - 6.8" X 3.1" - STEEL
	007078-01-000	EA HOSE-FLEXIBLE PVC - 2" ID - INCREMENTS OF 50'
	007281-01-000	EA HOSE-FLEXIBLE PVC - 2.5" ID X 50' - ATCOFLEX A-182-356
	024990-06-000	EA OUTLET-DEFROSTER-W/SWIVEL - 2" BLACK
	059402-05-000	EA BRACKET-HEATER VENT - ROUND - W/BEND - BLACK
	094831-08-000	EA WIRE ASSEMBLY-A/C COMPRESSOR ADAPTER - SCS 036-0054
	103658-01-01A	EA VENT-DEFROSTER - ABS - OFF WHITE
	103798-01-01A	EA LOUVER ASM-A/C CARY PRODUCTS - BLACK - 268-3B-100-2-4.9
	077075-01-000	EA GASKET-INSTRUMENT PANEL TO DEFROSTER PLENUM - .8" X 11.3"
	077075-03-000	EA GASKET-INSTRUMENT PANEL TO DEFROSTER PLENUM - SPL

1993 ITASCA TABLE OF CONTENTS

INTRODUCTION	A-01	A-02
ABBREVIATIONS		A-03
ALPHABETICAL INDEX	A-04	A-08
ICD22RB	A-07	D-14
ICD28RU	D-15	F-23

1993 ICD22RB INDEX

FLOOR PLAN	A-07	A-08
ACCESSORIES		A-09
AUDIO VIDEO		A-10
BATH	A-11	A-12
CHASSIS	A-13	A-19
CURTAIN & CUSHION	A-20	B-08
DINETTE	B-07	B-08
DRIVERS COMPARTMENT	B-09	B-11
ELECTRICAL	B-12	B-14
EXTERIOR BODY	B-15	B-21
GALLEY	B-22	B-24
GENERATOR		C-01
HEATING & A/C	C-02	C-02
INTERIOR FINISH	C-05	C-06
LABELS	C-07	C-10
LP	C-15	C-16
LOUNGE	C-17	C-18
SEALANTS & FASTENERS	C-19	C-21
WATER & SEWAGE	C-22	C-24
WINDOW, VENT AND		
EXTERIOR DOOR	D-01	D-11
WINDSHIELDWIPER	D-12	D-13

HEATING & AIR CONDITIONING GROUP (CONTINUED)

12,000 BTU COLEMAN ROOF AC

KEY	PART NUMBER	U/M	DESCRIPTION
	10888-01-01A	EA	AC-ROOF -12,000 TBR HO IVORY - COLEMAN 7333-087
	091225-01-708	EA	START RELAY - COLEMAN # 1487-4191
	091225-01-710	EA	START CAPACITOR - COLEMAN # 1487-0881
	08888-01-701	EA	DECAL PACKAGE - LEFT & RIGHT - COLEMAN 879983891
	08888-01-712	EA	COMPRESSOR - COLEMAN 8707C3578
	10888-01-704	EA	COMPRESSOR - RIGHT & LEFT - COLEMAN 14,37-3008
	10888-01-708	EA	FOOT PKG-COMPRESSOR - 3 PER PKG - COLEMAN 8758-3081
	10888-01-700	EA	SHROUD - GRAY - LESS LOGO - COLEMAN 8758-3421
	10888-01-702	EA	SHROUD - BUFF - LESS LOGO - COLEMAN 8758-8411
	10888-01-708	EA	CONDENSER COIL - COLEMAN 1482-1301
	10888-01-704	EA	OVERLOAD - MFR#88888 - COLEMAN 8758-3441
	10888-01-708	EA	MOTOR - 115 - 60HZ - COLEMAN 1488-3048
	10888-01-708	EA	IMPELLOR - COLEMAN 1472-1041
	10888-01-707	EA	RUN CAPACITOR - COMP-25MFD/370 - COLEMAN 1498-8081
	10888-01-708	EA	FAN CAPACITOR - 7.5MFD/370U - COLEMAN 1498-8481
	10888-01-708	EA	EVAPORATOR COIL - COLEMAN 1482-1311
	10888-01-710	EA	FILLER PAD-COND AIR SEAL - COLEMAN 8758A3971
	10888-01-711	EA	GASKET PKG - COLEMAN 8782-3301
	10888-01-712	EA	SUCTION LINE REDUCER - 3/8 X 1/2 - COLEMAN 1215-2181
	10888-01-713	EA	SUCTION LINE - 3/800 X .032 WALL - COLEMAN - 8782-130
	10888-01-714	EA	DISCHARGE LINE ASM - COLEMAN 8782-831
	10888-01-715	EA	MOTOR MOUNT & SHAFT SEAL KIT - COLEMAN 8782-3381
	10888-01-000	EA	SPRING-SCREW - ROOF AC GASKET - COLEMAN 8757-150
	084077-03-000	EA	COVER-BLANK - ROOF AC - 5.2" X 3.5" - IVORY

CEILING ASSEMBLY

KEY	PART NUMBER	U/M	DESCRIPTION
	108891-01-01A	EA	CEILING ASM-AVC COOL TBR HO - COLEMAN # 7330-714 IV
	042204-01-709	EA	THERMOSTAT-IN 84 OUT 88 - COLEMAN # 8701-3401
	073742-01-701	EA	SELECTOR SWITCH - 5 TERMINAL - COLEMAN # 8758-3251
	073742-01-702	EA	DECAL COOL ONLY - COLEMAN # 8758C3431
	076303-01-707	EA	FILTER-8" X 14 3/4" X 1/2" - 12 PER PKG - COLEMAN # 8703A3151
	081808-01-712	EA	CEILING SHROUD - IVORY - COLEMAN # 8788-5081
	081225-01-713	EA	KNOB - 2 PER PACKAGE - COLEMAN # 8701-3351
	081225-01-717	EA	DECAL - THERMOSTAT - COOL ONLY - COLEMAN # 8788A2:41
	083788-02-701	EA	DECAL-LEFT SIDE - COLEMAN # 8788-3971
	108891-01-700	EA	SINGLE PARTS PACKAGE - KNOBS & NUTS - COLEMAN # 8792-5891
	108891-01-701	EA	RETAINER CLIPS FOR FILTER (8 PER) - COLEMAN # 8788-3141
	083803-01-702	EA	LOUVER - COLEMAN # 8703A5191

CONTROL/PLENUM SET

KEY	PART NUMBER	U/M	DESCRIPTION
	10888-11-000	EA	CONTROL/PLENUM SET
	048401-01-700	EA	VALVE-WATER CONTROL - 22488
	084831-01-707	EA	WIRING HARNESS-UNIT - MOTIVAIR/SCS ZGG15050
	084831-01-748	EA	CLAMP-BLEND CABLE - MOTIVAIR/SCS 77000-00
	10888-01-708	EA	MOTOR-VACUUM - SCS 030-0002
	10888-02-700	EA	PANEL-CONTROL - SCS 032-0018
	10888-02-702	EA	DECAL-WINNEBAGO "N" - SCS 058-0008
	10888-02-703	EA	HARNESS-WIRE CONTROL - SCS 038-0048
	10888-02-707	EA	RELAY - SCS 031-0001
	10888-02-710	EA	CANISTER-VACUUM - SCS 054-0002
	10888-11-700	EA	CABLE-DOUBLE - RING - WHOOK - MA1304 - 074-0003

HEATING & AIR CONDITIONING GROUP (CONTINUED)

AC EVAPORATOR

KEY	PART NUMBER	U/M	DESCRIPTION
	110278-01-000	EA	EVAPORATOR/HEATER ASM - SCS 080-00081
	072841-01-702	EA	COIL-EVAPORATOR - ARA 088088
	072841-04-708	EA	MOTOR-BLOWER - SCS 080-00080
	072841-04-707	EA	WHEEL-BLOWER - SCS 0800002
	084831-01-724	EA	ORING-84 - MOTIVAIR/SCS ZGG14881
	10888-01-708	EA	COIL-HEATER - SCS 048-0010
	10888-01-708	EA	GASKET-ORING - #8 - SCS 048-0011
	10888-01-707	EA	GASKET-ORING - #10 - SCS 048-0012
	10888-01-710	EA	RESISTOR-FUSED - SCS 036-0008
	10888-01-711	EA	THERMOSTAT - SCS 033-0008
	10888-01-712	EA	GASKET-ORING - SCS 048-0010
	10888-01-713	EA	FITTING-QUICK CONNECT - #4 - SCS 080-003
	10888-01-714	EA	FITTING-SERVICE VALVE - #10 - SCS 080-0031
	10888-01-715	EA	SWITCH-BINARY - SCS 032-0030
	10888-01-718	EA	SWITCH-PRESSURE - FAN - SCS 032-0028
	10888-01-721	EA	GASKET O-RING #12
	10888-07-701	EA	FERRULE
	110278-01-700	EA	MOTOR - VAC -2.5"ARM - MF 030-0038
	110278-01-701	EA	DOOR ASSEMBLY - RECIRCULATING
	110278-01-702	EA	FITTING - #12 90 FOR X BARB
	110278-01-703	EA	HOSE VENT MOTOR BLOWER
	110278-01-704	EA	VALVE - EXP. EXT EQ. 1.5 TON
	110278-01-705	EA	HOSE - REFG. BARRIER -#88AEJ51
	110278-01-708	EA	FITTING - #8 - 90FO X #8 BARB WSP
	110278-01-707	EA	FITTING #8 - 90OC WCP W/FERRULE
	110278-01-708	EA	HOSE - REFG. BARRIER#103AEJ51
	110278-01-709	EA	FITTING #10 - 90 FOR W/FERRULE
	110278-01-710	EA	FITTING - HOSE #10 SPECIAL
	110278-01-711	EA	GASKET - O-RING - SERVICE VALVE
	10888-06-000	EA	MANUAL-OWNERS - HEATER-AC - SCS 057-0048

**1993 ITASCA
TABLE OF CONTENTS**

INTRODUCTION	A-01	A-02
ABBREVIATIONS		A-08
ALPHABETICAL INDEX	A-04	A-08
ICD22RB	A-07	D-14
ICD28RU	D-18	F-23

1993 ICD22RB INDEX

FLOOR PLAN	A-07	A-08
ACCESSORIES		A-08
AUDIO VIDEO		A-10
BATH	A-11	A-12
CHASSIS	A-13	A-19
CURTAIN & CUSHION	A-20	B-08
DINETTE	B-07	B-08
DRIVERS COMPARTMENT	B-09	B-11
ELECTRICAL	B-12	B-14
EXTERIOR BODY	B-15	B-21
GALLEY	B-22	B-24
GENERATOR		C-01
HEATING & A/C	C-02	C-02
INTERIOR FINISH	C-05	C-08
LABELS	C-07	C-14
LP	C-15	C-18
LOUNGE	C-17	C-18
SEALANTS & FASTENERS	C-19	C-21
WATER & SEWAGE	C-22	C-24
WINDOW, VENT AND		
EXTERIOR DOOR	D-01	D-11
WINDSHIELDWIPER	D-12	D-13

INTERIOR FINISH GROUP

MOLDINGS, BATT STRIPS, & EDGE MOLDING

KEY	PART NUMBER	U/M DESCRIPTION
	08884-08-000	FT BATT STRIP-DECORATIVE - ADHESIVE BACKED - FAHNN
	08884-08-000	FT BATT STRIP-WOODGRAIN - ADHESIVE BACKED - FOREST OAK
	088747-01-000	SF INSULATION-MICROFOAM - 5"
	10887-02-01A	FT MOLDING-DOOR RAIL - T-81/0T - WOODTEK FOREST OAK
	008787-12-000	FT MOLDING-SIDEWALL TO CEILING/CABINET - WELTING - OFF WHITE
	008808-03-000	EA MOLDING-CORNER - OUTSIDE - 1" - PLASTIC - IVORY
	008812-04-000	EA MOLDING-CORNER - OUTSIDE - .8" - PLASTIC - IVORY
	008812-05-000	EA MOLDING-CORNER - OUTSIDE - .8" - PLASTIC - PECAN
	074488-02-000	SF LAMINATE-PLASTIC-WHITE ETHOS PIONITE AW801/SUEDE
	078825-04-000	FT MOLDING-EDGE BAND - 1 5/16" WIDE
	108188-01-02A	FT MOLDING-EDGE - SHELF - .78" WIDE - PLASTIC - REGAL OAK
	108188-02-02A	FT MOLDING-EDGE - SHELF - 1.3" WIDE - PLASTIC - REGAL OAK
	100818-01-01A	EA MOLDING-VINYL WRAPPED - 1.06" X .4" X 7" - REGAL OAK
	104878-01-01A	FT T-MOLDING - 5/16 RIGID - GOLD
	043820-07-000	FT T-MOLDING - END CAP EDGE - WEDGE LIPS - .75" - THOR PECAN
	043743-02-01A	SF PLASTIC-ASS - 20" WIDE ROLL - OFF WHITE

U-CHANNEL & LUMBER

KEY	PART NUMBER	U/M DESCRIPTION
	008778-11-000	FT U-CHANNEL-PLASTIC - 1" WIDE X 8" INCREMENTS - IVORY
	070604-20-000	FT U-CHANNEL-PLASTIC - .815" WIDE - THOR PECAN - INC. OF 8"
	070604-24-000	FT U-EXTRUSION - CHANNEL - .875" - THOR PECAN
	082330-03-000	EA LUMBER-VINYL WRAPPED - 2" X 96" - WOODGRAIN
	088267-01-000	SF PLYWOOD-LUAN - OVERLAY GRADE - 4' X 8' - INC OF 32 SF

SMOKE DETECTOR & FIRE EXTINGUISHER

KEY	PART NUMBER	U/M DESCRIPTION
	072852-01-000	EA DETECTOR-SMOKE - W9 VOLT BATTERY
	072852-02-000	EA DETECTOR-SMOKE - W9 VOLT BATTERY - CANADIAN
	084488-01-300	EA EXTINGUISHER-FIRE - DRY W/MOUNTING BRACKET - 10 BC
	084488-01-700	EA BRACKET-MOUNTING - W/PLASTIC STRAP - FIRE EXTINGUISHER

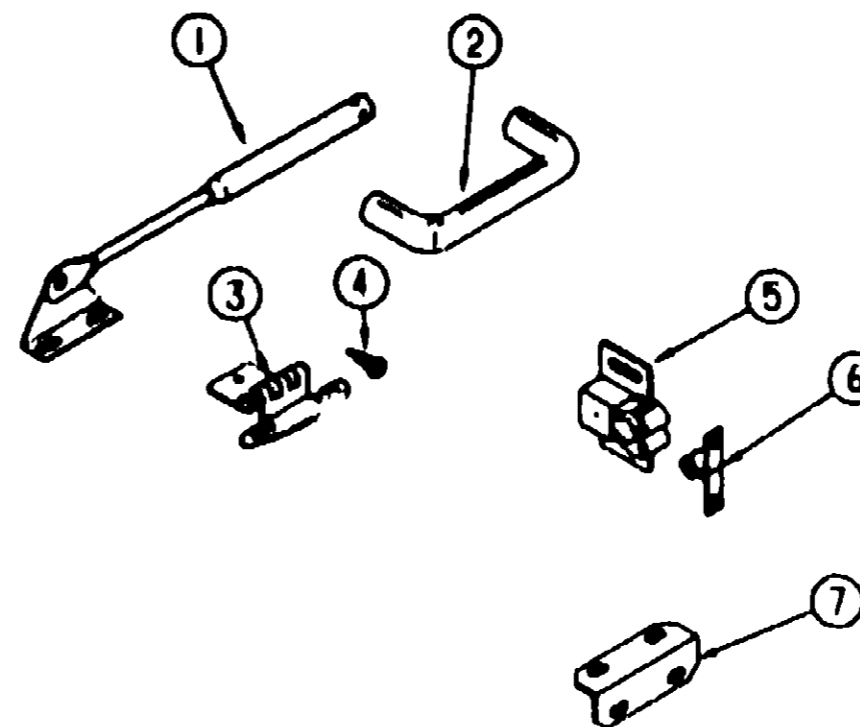
CARPET & PAD

KEY	PART NUMBER	U/M DESCRIPTION
	088080-23-000	SY CARPET-12' ROLL - INCREMENTS OF 4 SY (DB1, DB2, DB3, DB4)
	088080-42-000	SY CARPET-12' ROLL - INCREMENTS OF 4 SY (DC1, DC2, DC3, DC4, DC5)
	088080-33-000	SY CARPET-12' ROLL - INCREMENTS OF 4 SY (DD1, DD2, DD3, DD4, DD5)
	088080-41-000	SY CARPET-12' ROLL - INCREMENTS OF 4 SY (DE1, DE2, DE3, DE4, DE5, DE6)
	102885-11-000	YD TAPE-CARPET BIND - LIGHT TAN #474
	078233-01-000	SY PAD-CARPET - 3/8" X 6" ROLL
	047034-02-000	SF PLASTIC-CARPET - 4" WIDE - CLEAR POLY

PANELING

KEY	PART NUMBER	U/M DESCRIPTION
	074487-19-000	SF PANELING-CEILING - 4' X 8' - INCREMENTS OF 32 SF
	074487-20-000	SF PANELING-WOODGRAIN - 4' X 8' - INCREMENTS OF 32 SF
	078773-08-000	SF PANELING-564 FOREST OAK - 2 SIDE - 3MM X 48 X 96
	088272-84-000	SF PANELING-STONEHEDGE BAY (MAIN)
	088272-85-000	SF PANELING-LAMIE BAY 8423-A2 (BATH)
	088272-86-100	SF PANELING-SHOWER - OFF WHITE - 4' X 7' - INC OF 28 SQ FT
	088888-01-000	SF VENEER-FLAT LUANA - 48 X 96

INTERIOR FINISH GROUP (CONTINUED)



CABINET HARDWARE

KEY	PART NUMBER	U/M DESCRIPTION
	074483-02-000	EA SUPPORT-PISTON SPRING - CABINET DOOR
	109747-01-000	EA PULL-CABINET - BRASS - AMEROCK 78208-3
	108138-01-000	EA HINGE-DOOR - CABINET - BURNISHED BRASS
	078780-01-000	EA SCREW - 8-20 X 1 1/4 PPH - BLACK
	000G13-08-08G	EA SCREW - 8-20 X 1/2" PFH - ANTIQUE BRASS
	000G13-09-10G	EA SCREW - 8-20 X 5/8" PFH - ANTIQUE BRASS
	083588-04-000	EA CATCH-SPRING - ROLLER
	083588-04-000	EA STRIKE-SPRING STEEL
	016804-01-000	EA BRACE-CABINET - ANGLE - 2.5" - METAL - UNPAINTED
	016804-03-000	EA BRACE-CABINET - ANGLE - 2.5" - METAL - BEIGE
	016804-05-000	EA BRACE-CABINET - ANGLE - 2.5" - METAL - OFF WHITE
	004354-01-000	EA BUMPER-RUBBER - .5" DIA - BROWN
	009083-01-000	EA HINGE-CONTINUOUS - 1 1/2" X 72" - UNPAINTED

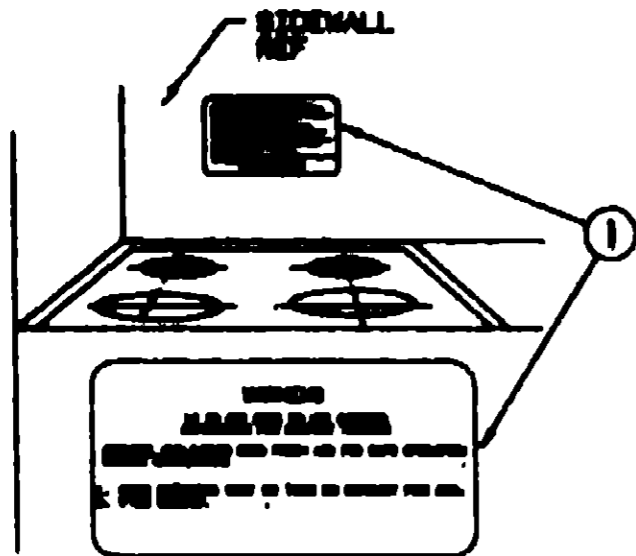
1989 ITASCA TABLE OF CONTENTS

INTRODUCTION	A-01	A-02
ABBREVIATIONS		A-08
ALPHABETICAL INDEX	A-04	A-08
ICD22RB	A-07	D-14
ICD28RU	D-15	F-23

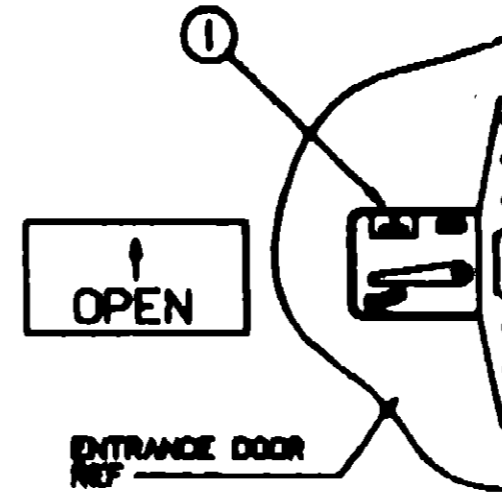
1989 ICD22RB INDEX

FLOOR PLAN	A-07	A-08
ACCESSORIES		A-08
AUDIO VIDEO		A-10
BATH	A-11	A-12
CHASSIS	A-13	A-19
CURTAIN & CUSHION	A-20	B-08
DINETTE	B-07	B-08
DRIVERS COMPARTMENT	B-09	B-11
ELECTRICAL	B-12	B-14
EXTERIOR BODY	B-15	B-21
GALLEY	B-22	B-24
GENERATOR		C-01
HEATING & A/C	C-02	C-02
INTERIOR FINISH	C-05	C-08
LABELS	C-07	C-14
LP	C-15	C-16
LOUNGE	C-17	C-18
SEALANTS & FASTENERS	C-19	C-21
WATER & SEWAGE	C-22	C-24
WINDOW, VENT AND		
EXTERIOR DOOR	D-01	D-11
WINDSHIELDWIPER	D-12	D-13

LABELS GROUP



LABELS GROUP (CONTINUED)

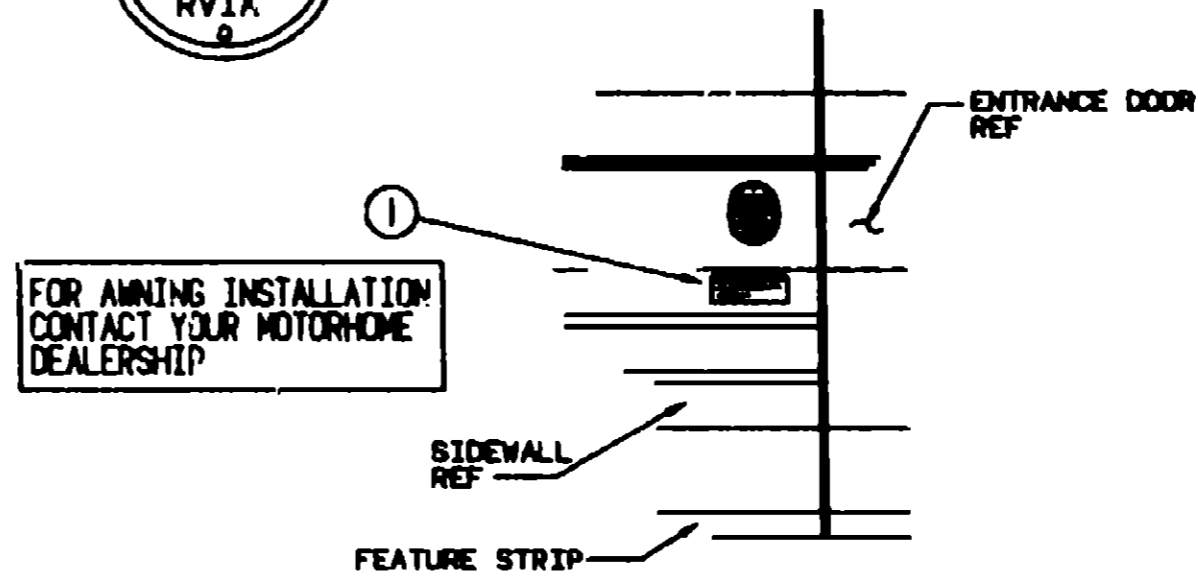
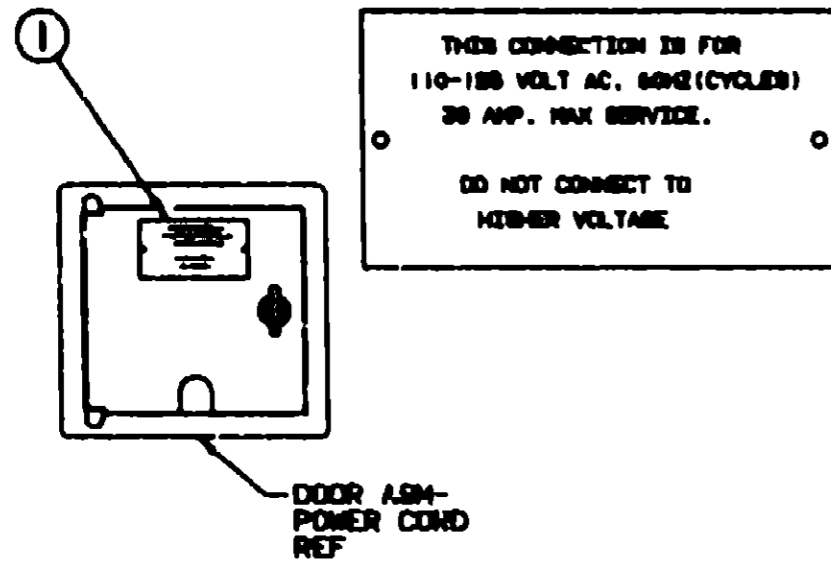


**1989 ITASCA
TABLE OF CONTENTS**

INTRODUCTION	A-01	A-02
ABBREVIATIONS		A-03
ALPHABETICAL INDEX	A-04	A-08
ICD22RB	A-07	D-14
ICD22RU	D-15	F-23

KEY	PART NUMBER	U/M DESCRIPTION
1	040944-01-000	EA LABEL-ENTRANCE DOOR - "OPEN"

KEY	PART NUMBER	U/M DESCRIPTION
1	060225-01-000	EA LABEL-WARNING - STOVE VENT - US
1	060222-01-000	EA LABEL-WARNING - STOVE VENT - CANADIAN



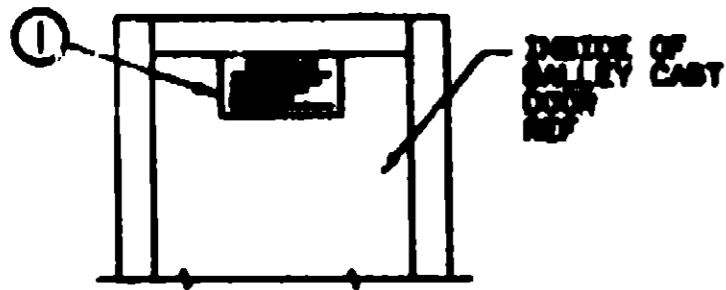
1983 ICD22RB INDEX

FLOOR PLAN	A-07	A-08
ACCESSORIES		A-09
AUDIO VIDEO		A-10
BATH	A-11	A-12
CHASSIS	A-13	A-19
CURTAIN & CUSHION	A-20	B-06
DINETTE	B-07	B-08
DRIVERS COMPARTMENT	B-C9	B-11
ELECTRICAL	B-12	B-14
EXTERIOR BODY	B-15	B-21
GALLEY	B-22	B-24
GENERATOR		C-01
HEATING & A/C	C-02	C-02
INTERIOR FINISH	C-05	C-08
LABELS	C-07	C-14
LP	C-15	C-16
LOUNGE	C-17	C-18
SEALANTS & FASTENERS	C-19	C-21
WATER & SEWAGE	C-22	C-24
WINDOW, VENT AND EXTERIOR DOOR	D-01	D-11
WINDSHIELDAMPER	D-12	D-13

KEY	PART NUMBER	U/M DESCRIPTION
1	099509-01-000	EA LABEL-AWNING INSTALLATION

KEY	PART NUMBER	U/M DESCRIPTION
1	000082-01-000	EA TAG-ELECTRIC - 110V CONNECTION

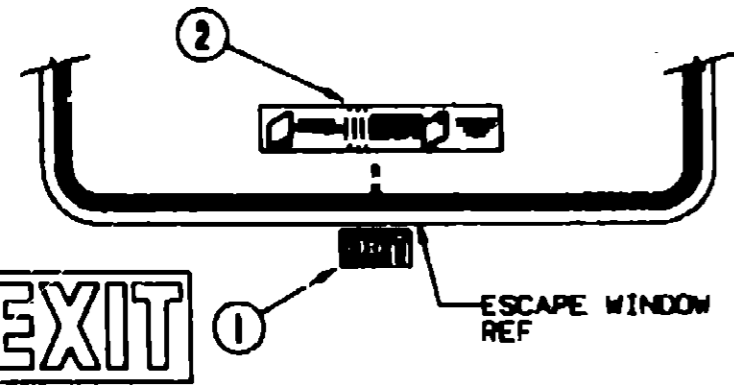
LABELS GROUP (CONTINUED)



IF YOU SMELL GAS

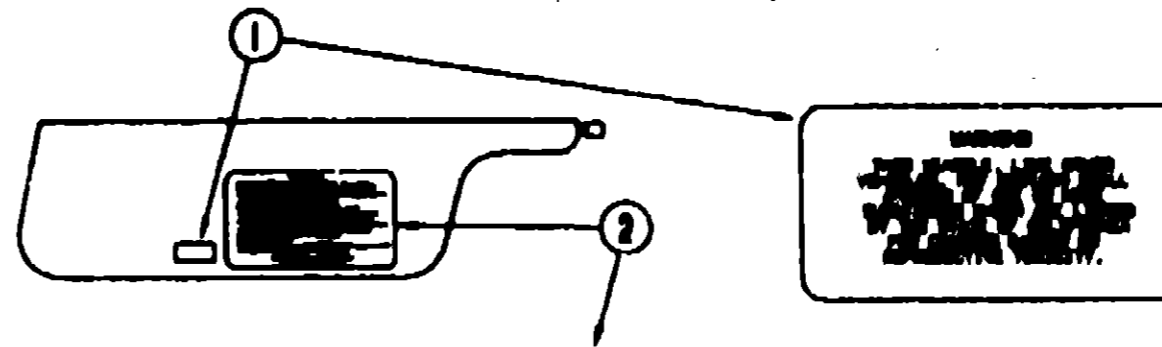
1. **STOP** BY OPEN FLAME, FUEL LEAKS AND ALL OTHERS
2. **TURN OFF THE GAS SUPPLY AT THE MAIN VALVE OR GAS CONTROL VALVE.**
3. **OPEN DOORS AND OTHER VENTILATED OPENINGS.**
4. **DO NOT TOUCH ELECTRICAL SWITCHES.**
5. **LEAVE THE AREA UNTIL THE GAS IS GONE.**
6. **DO NOT RE-ENTER UNTIL ADVISED BY A PERSON WITH APPROPRIATE TRAINING.**

KEY	PART NUMBER	U/M DESCRIPTION
1	073088-01-000	EA LABEL-LPG ODOOR WARNING



KEY	PART NUMBER	U/M DESCRIPTION
1	038280-01-000	EA LABEL-WARNING - EXT
2	107571-01-000	EA LABEL-ESCAPE EXIT - WINDOW

LABELS GROUP (CONTINUED)



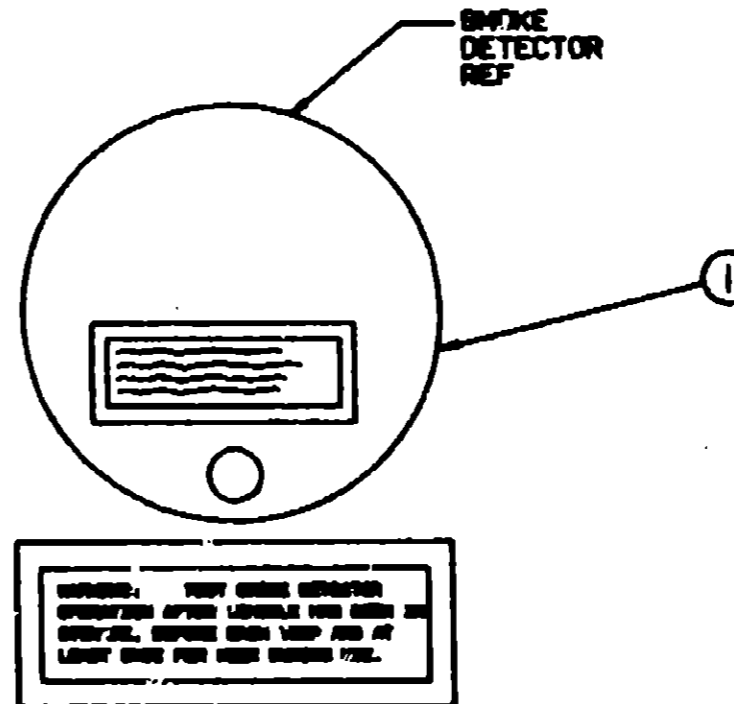
CAUTION

THIS VEHICLE HAS BEEN DESIGNED, MANUFACTURED AND TESTED WITH CARE FOR THE PROTECTION OF IT'S OCCUPANTS. WE REQUEST YOU PERFORM THE FOLLOWING INSPECTIONS FOR YOUR SAFETY AND THE SAFETY OF YOUR PASSENGERS BEFORE STARTING YOUR VEHICLE.

1. **LP GAS SYSTEM-** TURN OFF AT TANK FOR TRAVELING. TEST FOR LEAKS UPON ARRIVAL AT DESTINATION. BEFORE LEAVING VEHICLE.
2. **WHEELS-** INSPECT FOR DAMAGE AND CHECK TIRE PRESSURE.
3. **TIRES-** INSPECT FOR WEAR AND DAMAGE AND CHECK FOR RECOMMENDED AIR PRESSURE.
4. **LIGHTS-** TEST FOR PROPER OPERATION OF ALL INTERIOR AND EXTERIOR LIGHTS INCLUDING BRAKE LIGHTS, HEADLIGHTS, TAIL LIGHTS, SIGNAL LIGHTS, CLEARANCE LIGHTS AND TURN SIGNALS.
5. **EXITS-** INSPECT RELEASE MECHANISM ON EMERGENCY EXIT WINDOW. TEST BOTH LOCKS ON MAIN ENTRANCE DOOR FOR EASE OF OPERATION AND INSTRUCT PASSENGERS HOW TO USE BOTH REARS OF EXIT.
6. **SEAT BELTS-** INSTRUCT PASSENGERS TO SECURELY SEAT AND WEAR USE OF SEAT BELTS.
7. **APPLIANCES-** TURN OFF AND LATCH OR LOCK DOORS WHERE PROVIDED.
8. **LOOSE PARTS-** STORE SECURELY.
9. **UTILITY SUPPLY LINES-** DISCONNECT ALL ELECTRIC, WATER AND WATER LINES AND SECURE PROPERLY.
10. **SHOULDER CHAIR SEAT-** PLACE IN RETRACTED POSITION FOR TRAVELING.

READ THIS VEHICLE HANDBOOK AND OPERATOR'S MANUAL FOR FURTHER PRECAUTIONS

KEY	PART NUMBER	U/M DESCRIPTION
1	060889-01-000	EA LABEL-WARNING - CANCER/TOXICITY
2	058259-01-000	EA LABEL-SAFETY CHECK LIST



KEY	PART NUMBER	U/M DESCRIPTION
1	077888-01-000	EA LABEL-WARNING - SMOKE DETECTOR

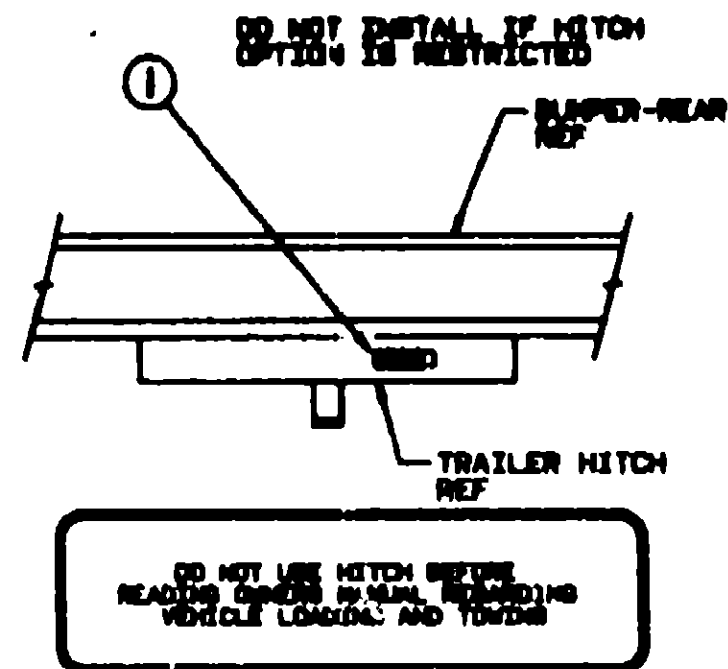
1993 ITASCA TABLE OF CONTENTS

INTRODUCTION	A-01 - A-02
ABBREVIATIONS	A-03
ALPHABETICAL INDEX	A-04 - A-08
ICD22RB	A-07 - D-14
ICD28PU	D-15 - F-23

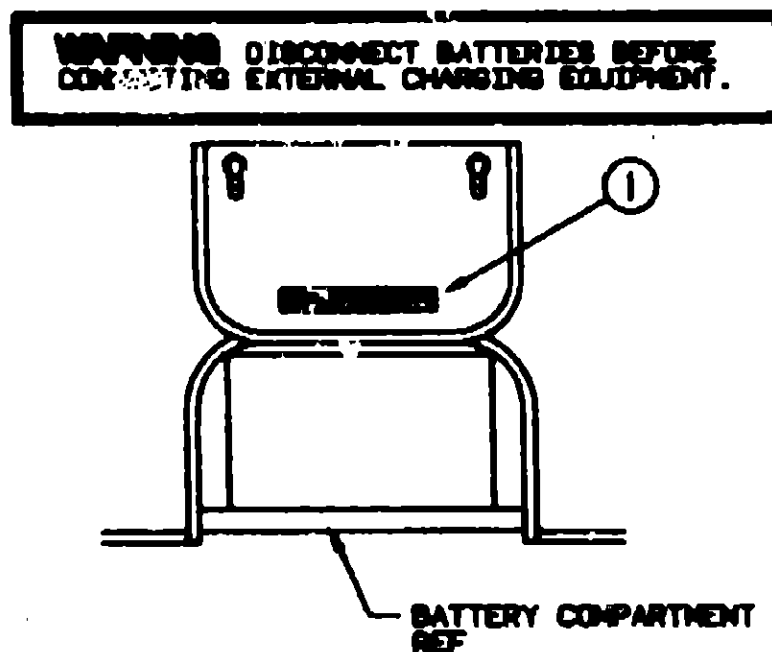
1993 ICD22RB INDEX

FLOOR PLAN	A-07 - A-08
ACCESSORIES	A-09
AUDIO VIDEO	A-10
BATH	A-11 - A-12
CHASSIS	A-13 - A-19
CURTAIN & CUSHION	A-20 - B-06
DINETTE	B-07 - B-08
DRIVERS COMPARTMENT	B-09 - B-11
ELECTRICAL	B-12 - B-14
EXTERIOR BODY	B-15 - B-21
GALLEY	B-22 - B-24
GENERATOR	C-01
HEATING & A/C	C-02 - C-02
INTERIOR FINISH	C-05 - C-06
LABELS	C-07 - C-14
LP	C-15 - C-16
LOUNGE	C-17 - C-18
SEALANTS & FASTENERS	C-19 - C-21
WATER & SEWAGE	C-22 - C-24
WINDOW, VENT AND EXTERIOR DOOR	D-01 - D-11
WINDSHIELDAMPER	D-12 - D-13

LABELS GROUP (CONTINUED)

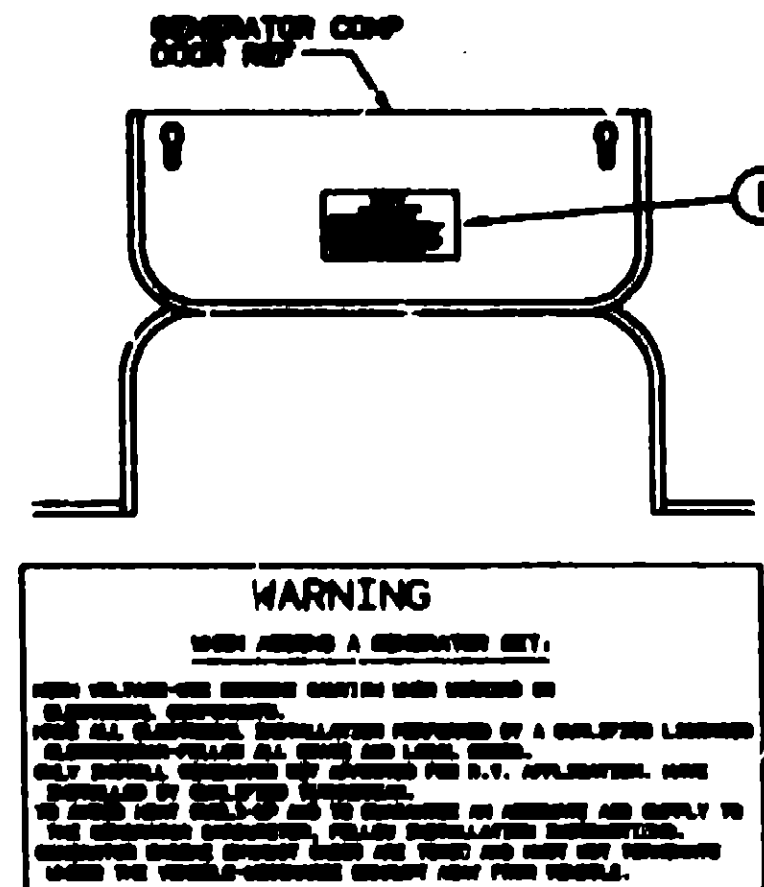


KEY	PART NUMBER	U/M DESCRIPTION	FROM: 00-00-00 THRU: 01-30-93
1	075221-03-000	EA LABEL-TRAILER HITCH	
1	111104-01-000	EA LABEL-HITCH - READ MANUAL	FROM: 01-31-93 THRU: 99-99-99

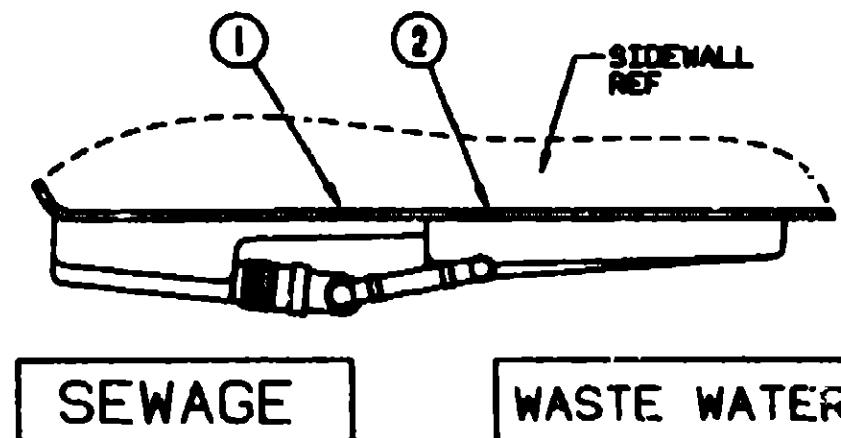


KEY	PART NUMBER	U/M DESCRIPTION
1	086748-01-000	EA LABEL-CAUTION - BATTERY CHARGING

LABELS GROUP (CONTINUED)



KEY	PART NUMBER	U/M DESCRIPTION
1	077510-01-000	EA LABEL-GENERATOR PREP



KEY	PART NUMBER	U/M DESCRIPTION
1	006187-01-000	EA LABEL-SEWAGE
2	006188-01-000	EA LABEL-WASTE WATER

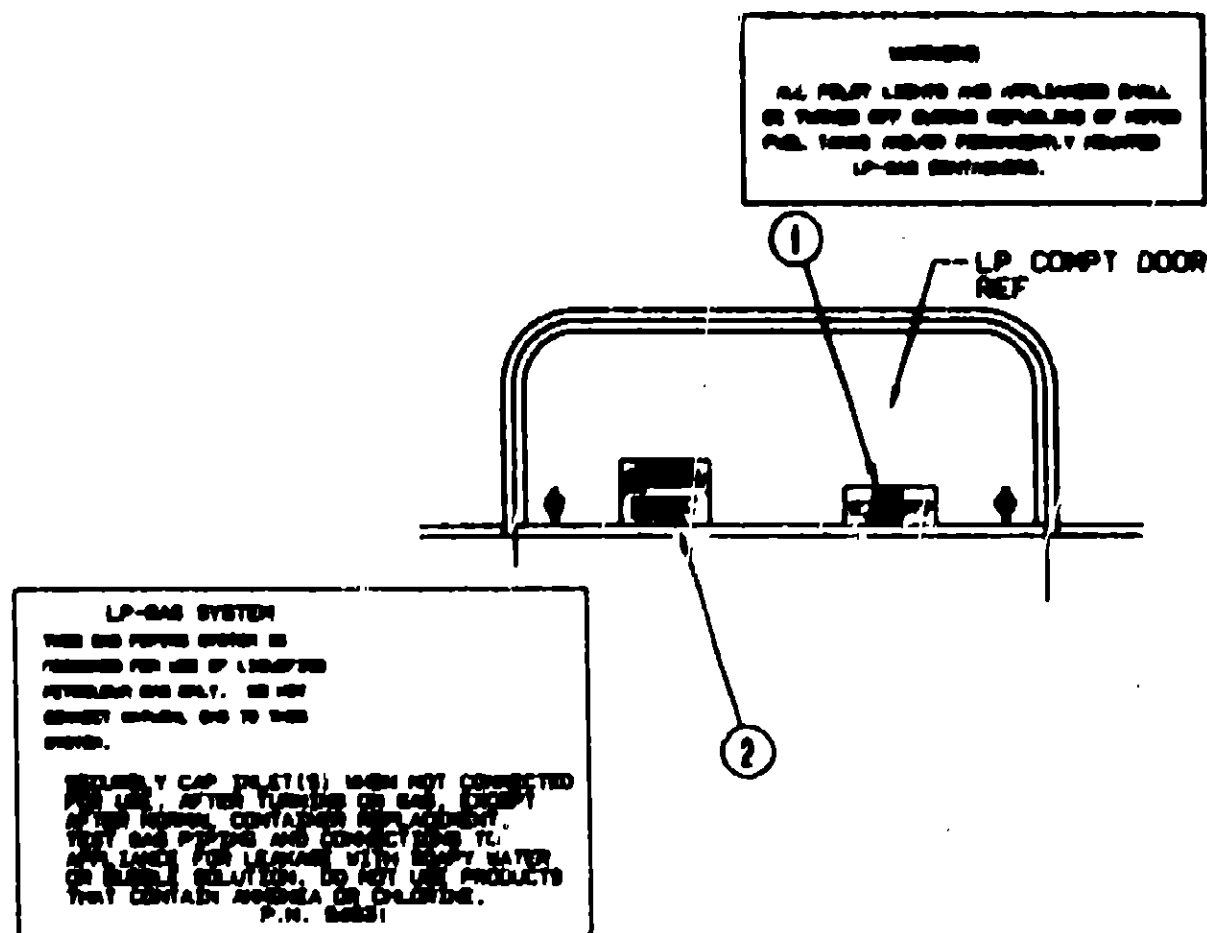
**1993 ITASCA
TABLE OF CONTENTS**

INTRODUCTION	A-01 -	A-02
ABBREVIATIONS		A-03
ALPHABETICAL INDEX	A-04 -	A-06
ICD22RB	A-07 -	D-14
ICD23RU	D-15 -	F-55

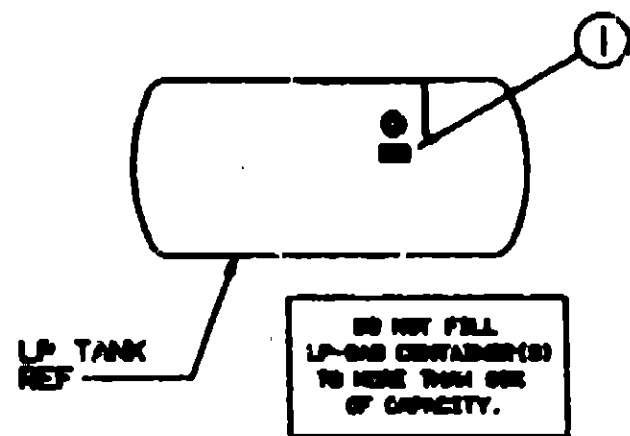
1993 ICD22RB INDEX

FLOOR PLAN	A-07 -	A-08
ACCESSORIES		A-09
AUDIO VIDEO		A-10
BATH	A-11 -	A-12
CHASSIS	A-13 -	A-19
CURTAIN & CUSHION	A-20 -	B-06
DINETTE	B-07 -	B-08
DRIVERS COMPARTMENT	B-09 -	B-11
ELECTRICAL	B-12 -	B-14
EXTERIOR BODY	B-15 -	B-21
GALLEY	B-22 -	B-24
GENERATOR		C-01
HEATING & AC	C-02 -	C-02
INTERIOR FINISH	C-05 -	C-06
LABELS	C-07 -	C-14
LP	C-15 -	C-16
LOUNGE	C-17 -	C-18
SEALANTS & FASTENERS	C-19 -	C-21
WATER & SEWAGE	C-22 -	C-24
WINDOW, VENT AND		
EXTERIOR DOOR	D-01 -	D-11
WINDSHIELDWIPER	D-12 -	D-13

LABELS GROUP (CONTINUED)

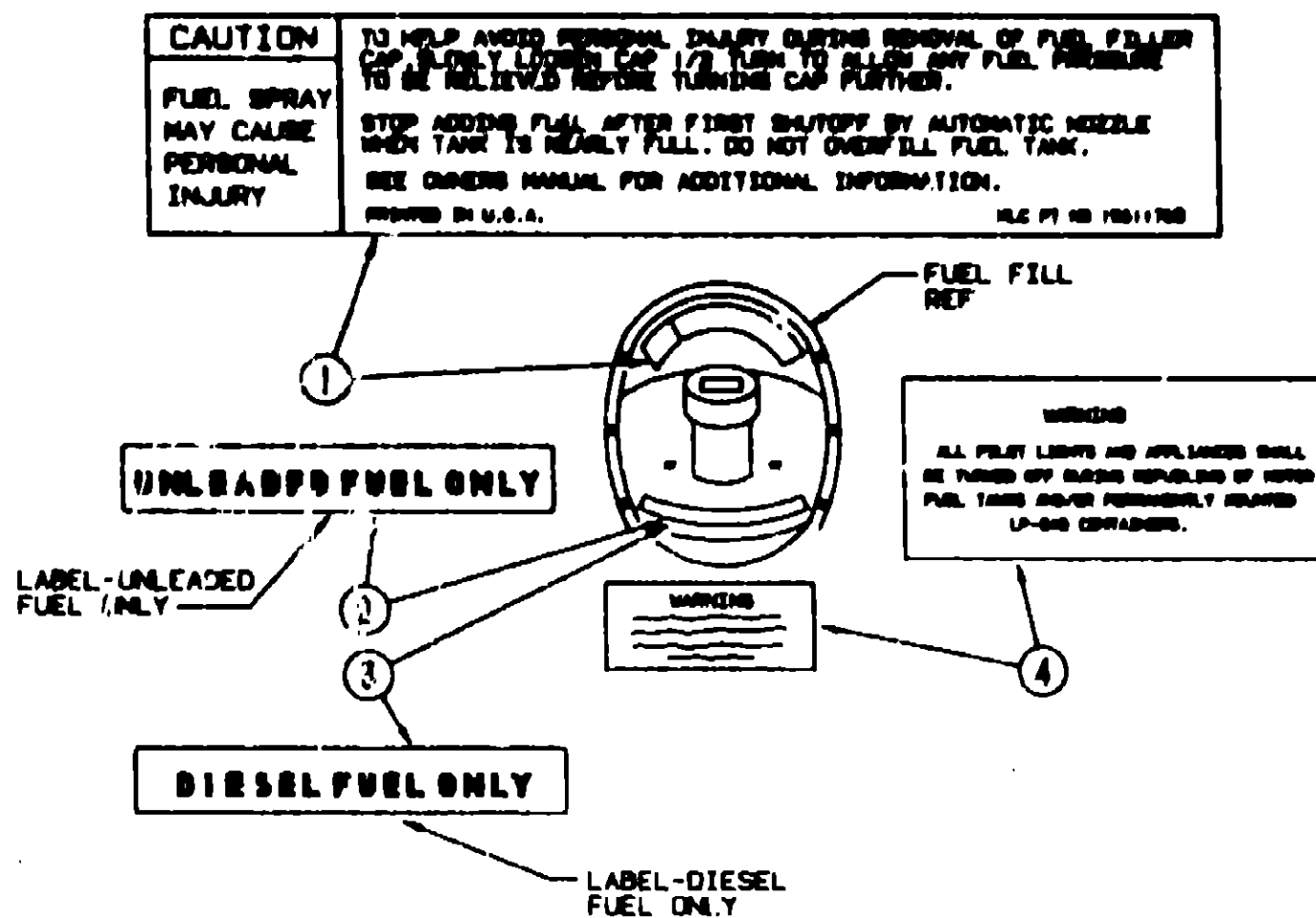


KEY	PART NUMBER	U/M DESCRIPTION
1	008040-01-000	EA TAG-GAS REFUELING WARNING
1	008040-02-000	EA TAG-GAS REFUEL WARNING - CANADIAN
2	054631-01-000	EA LABEL-LP GAS ONLY
2	023789-01-000	EA LABEL-WARNING - LPG - CANADIAN



KEY	PART NUMBER	U/M DESCRIPTION
1	079885-01-000	EA LABEL-LPG 80% CAPACITY

LABELS GROUP (CONTINUED)



KEY	PART NUMBER	U/M DESCRIPTION
1	087207-06-000	EA LABEL-FUEL CAP REMOVAL - GM-15611783
2	082043-01-000	EA LABEL-FUEL - UNLEADED
3	088383-01-000	EA LABEL-DIESEL FUEL-GM---557005
4	008040-01-000	EA TAG-GAS REFUELING WARNING
4	008040-02-000	EA TAG-GAS REFUEL WARNING - CANADIAN

MISCELLANEOUS LABELS

KEY	PART NUMBER	U/M DESCRIPTION
	083236-10-000	EA LABEL-CIRCUIT BREAKER - FRONT
	061808-01-000	EA LABEL-OVERLAY - VEHICLE CERTIFICATION - ADHESIVE BACKED
	088383-01-000	EA LABEL-DIESEL FUEL
	081243-01-000	EA LABEL-A/C COVER - "AIR CONDITIONING CIRCUIT, ETC."
	098841-01-000	EA LABEL-FUEL - UNLEADED - DASH
	111537-01-000	EA LABEL-FUSES

1988 ITASCA TABLE OF CONTENTS

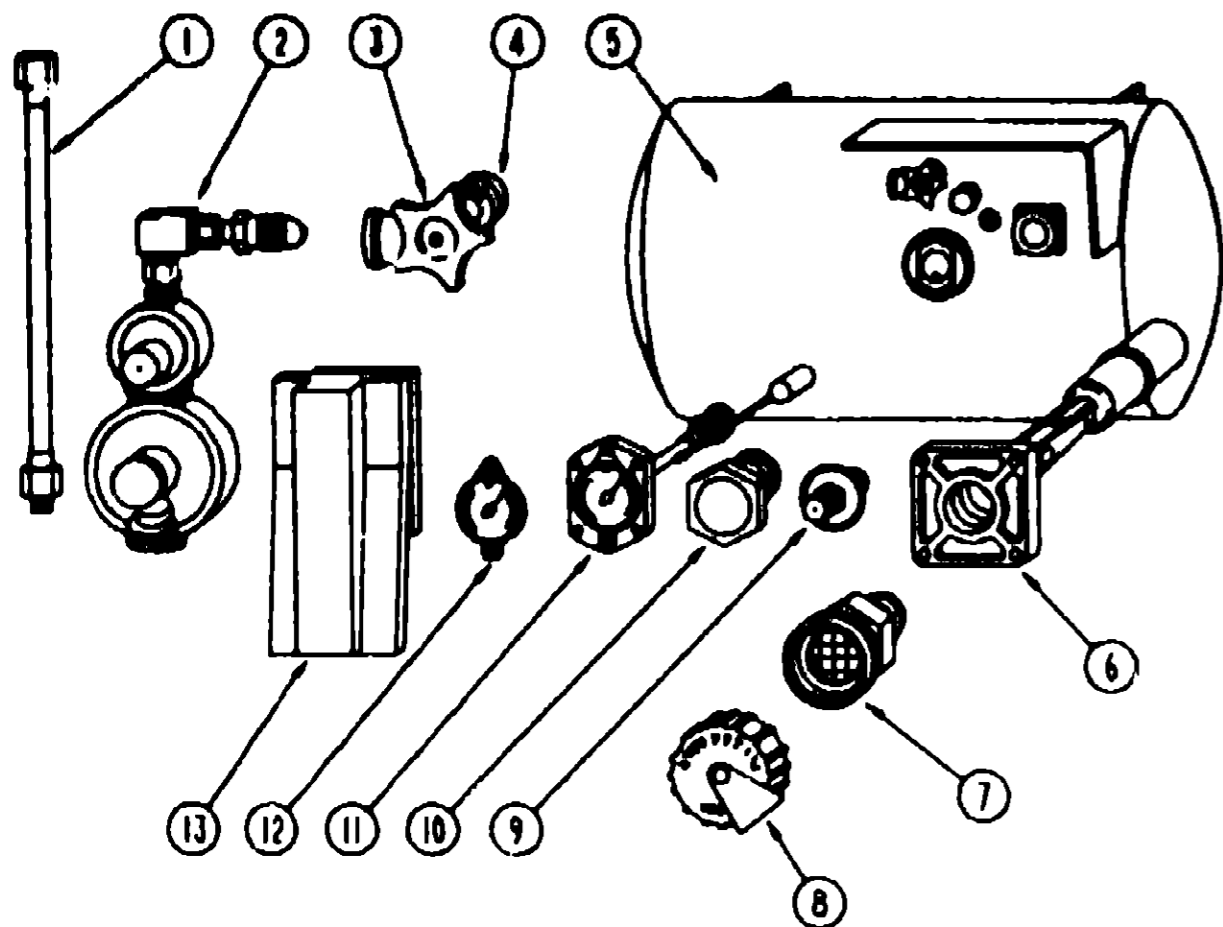
INTRODUCTION	A-01 - A-08
ABBREVIATIONS	A-08
ALPHABETICAL INDEX	A-04 - A-08
ICD22RB	A-07 - D-14
ICD88RU	D-16 - F-28

1988 ICD22RB INDEX

FLOOR PLAN	A-07 - A-08
ACCESSORIES	A-09
AUDIO VIDEO	A-10
BATH	A-11 - A-12
CHASSIS	A-13 - A-19
CURTAIN & CUSHION	A-20 - B-06
DINETTE	B-07 - B-08
DRIVERS COMPARTMENT	B-09 - B-11
ELECTRICAL	B-12 - B-14
EXTERIOR BODY	B-15 - B-21
GALLEY	B-22 - B-24
GENERATOR	C-01
HEATING & A/C	C-02 - C-02
INTERIOR FINISH	C-05 - C-06
LABELS	C-07 - C-14
LP	C-15 - C-16
LOUNGE	C-17 - C-18
SEALANTS & FASTENERS	C-19 - C-21
WATER & SEWAGE	C-22 - C-24
WINDOW, VENT AND EXTERIOR DOOR	D-01 - D-11
WINDSHIELDWIPER	D-12 - D-13

LP GROUP

LP TANK & COMPONENTS



KEY	PART NUMBER	UOM	DESCRIPTION
1	046708-01-007	EA	HOSE-LP - 3/8" ID X 24' - 3/8 MPT X 1/2" F SWIVEL - U.S.
1	046708-02-001	EA	HOSE-LP - 3/8" ID X 24' - 3/8" MPT X 1/2" F SWIVEL - CANADA
2	108180-01-000	EA	REGULATOR-TWO STAGE -MARSHALL BRASS 293-00
3	040421-01-708	EA	HANDWHEEL-SERVICE VALVE - BRUNNER G-1018-A
4	040421-01-708	EA	VALVE-SERVICE W/HANDWHEEL (RE:30 9108CO) - BRUNNER G-1018
5	080480-01-000	EA	TANK-LP - 42LR - 13 DIA X 24 LONG
6	040421-01-711	EA	VALVE-80% W/FLOAT - PLATE - BOLT(S) & GASKET - BRUNNER
7	040421-01-701	EA	VALVE-SHORT LP FILLER W/YELLOW CAP - BRUNNER 78478
8	040421-01-702	EA	CAP-LP FILLER/ VALVE - PLASTIC - YELLOW - BRUNNER G-1014-A
9	040421-01-700	EA	VALVE-LIQUID/LEVEL - 20% LP - BRUNNER G-1013
10	040421-01-713	EA	VALVE-VAPOR ONLY - 29000667
11	074142-01-730	EA	FLOAT GALLIE-SCREW ON-MACHINE 13C-BCR
12	040421-01-708	EA	DIAL-LP TANK VOLUME - VISIBLE FACE (5-1789) - BRUNNER MA-8 ROCHESTER
13	105658-01-100	EA	COMPARTMENT-LP REGULATOR
	040421-01-712	EA	VALVE-SERVICE W/O VAPOR RELIEF - 29000663
	010323-01-000	EA	ADAPTER-BRASS - 3/8" F X 1/2" MPT
	010285-01-000	EA	CROSS - 3/8" F X 3/8" F X 3/8" F X 1/2" FPT - BRASS
	010377-02-000	EA	NUT-BRASS - 3/8" FEMALE - FORGED
	010328-01-000	EA	ADAPTER-BRASS-1/2" F X 1/2" MPT
	086318-C2-000	EA	ELBOW-90 DEGREE - 3/8" MPT TO 3/8" FPT
	036340-01-000	EA	ELBOW - 3/8" MPT X 1/2" F - BRASS
	081842-01-000	EA	TEE - 1/2" MPT X 1/2" FL X 3/8" FL - BRASS
	095824-01-000	EA	ELBOW-90 DEGREE - 1/4" FPT X 1/4" FPT - BRASS
	071391-02-000	EA	NIPPLE-HEX - 1/4" PIPE - 3325X4 WEATHERHEAD
	008042-01-000	FT	TUBING-VINYL - .65" ID
	103613-01-000	EA	DETECTOR-LP GA3

1993 ITASCA TABLE OF CONTENTS

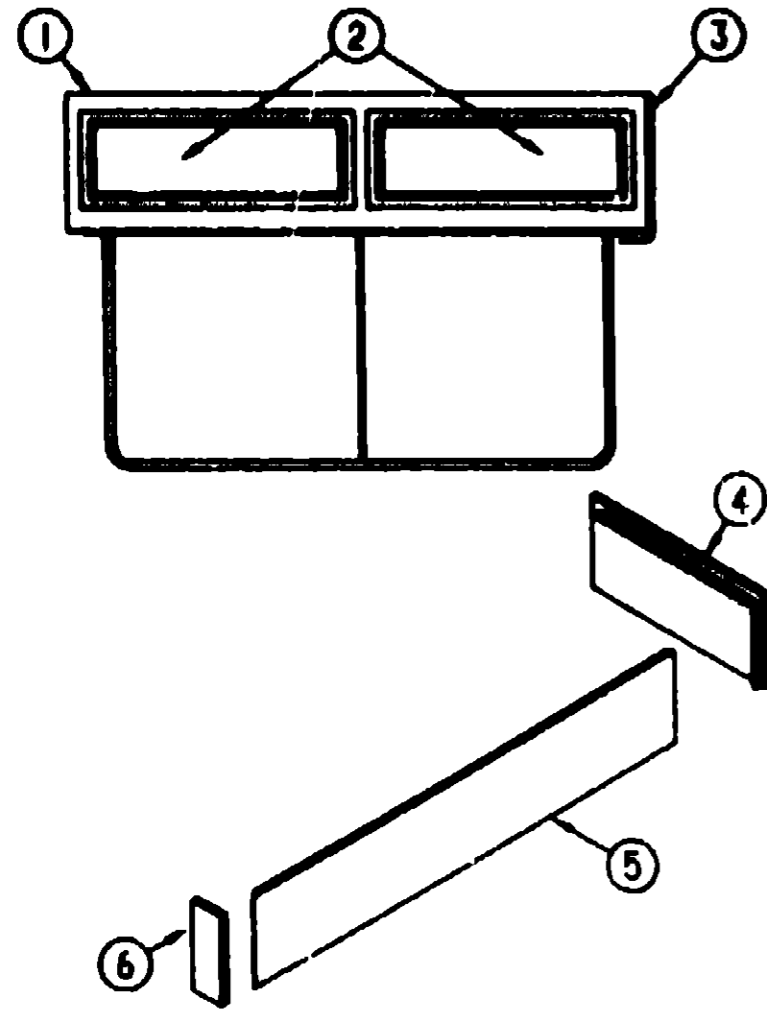
INTRODUCTION	A-01	A-02
ABBREVIATIONS		A-03
ALPHABETICAL INDEX	A-04	A-08
ICD22RB	A-07	D-14
ICD28RU	D-16	F-23

1993 ICD22RB INDEX

FLOOR PLAN	A-07	A-08
ACCESSORIES		A-09
AUDIO VIDEO		A-10
BATH	A-11	A-12
CHASSIS	A-13	A-18
CURTAIN & CUSHION	A-20	B-08
EXNETTE	B-07	B-08
DRIVERS COMPARTMENT	B-09	B-11
ELECTRICAL	B-12	B-14
EXTERIOR BODY	B-15	B-21
GALLEY	B-22	B-24
GENERATOR		C-01
HEATING & A/C	C-02	C-02
INTERIOR FINISH	C-05	C-16
LABELS	C-07	C-14
LP	C-15	C-16
LOUNGE	C-17	C-18
SEALANTS & FASTENERS	C-19	C-21
WATER & SEWAGE	C-22	C-24
WINDOW, VENT AND EXTERIOR DOOR	D-01	D-11
WINDSHIELDWIPER	D-12	D-13

LOUNGE GROUP

LOUNGE CABINETS



KEY	PART NUMBER	UOM	DESCRIPTION
1	10880-02-081	EA	CABINET ASM-OVERHEAD - FRONT - LEFT
2	110140-05-081	EA	DOOR ASM-MITERED,VINYL WRAP
3	10880-03-081	EA	CAP ASM-END,OVERHEAD
4	M04187-72-DB1	EA	CABINET-COUCH (DB1)
4	M04187-72-DB2	EA	CABINET-COUCH (DB2,DB3)
4	M04187-72-DB4	EA	CABINET-COUCH (DB4)
4	M04187-72-DC1	EA	CABINET-COUCH (DC1)
4	M04187-72-DC2	EA	CABINET-COUCH (DC2)
4	M04187-72-DC3	EA	CABINET-COUCH (DC3,DC4)
4	M04187-72-DC5	EA	CABINET-COUCH (DC5)
4	M04187-72-DD1	EA	CABINET-COUCH (DD1)
4	M04187-72-DD2	EA	CABINET-COUCH (DD2)
4	M04187-72-DD3	EA	CABINET-COUCH (DD3,DD4,DD5)
4	M04187-72-DE1	EA	CABINET-COUCH (DE1)
4	M04187-72-DE2	EA	CABINET-COUCH (DE2,DE5)
4	M04187-72-DE3	EA	CABINET-COUCH (DE3,DE6)
4	M04187-72-DE4	EA	CABINET-COUCH (DE4)
5	M04187-71-DB1	EA	CABINET-COUCH (DB1)
5	M04187-71-DB2	EA	CABINET-COUCH (DB2,DB3)
5	M04187-71-DB4	EA	CABINET-COUCH (DB4)
5	M04187-71-DC1	EA	CABINET-COUCH (DC1)
5	M04187-71-DC2	EA	CABINET-COUCH (DC2)
5	M04187-71-DC3	EA	CABINET-COUCH (DC3,DC4)
5	M04187-71-DC5	EA	CABINET-COUCH (DC5)
5	M04187-71-DD1	EA	CABINET-COUCH (DD1)
5	M04187-71-DD2	EA	CABINET-COUCH (DD2)
5	M04187-71-DD3	EA	CABINET-COUCH (DD3,DD4,DD5)
5	M04187-71-DE1	EA	CABINET-COUCH (DE1)
5	M04187-71-DE2	EA	CABINET-COUCH (DE2,DE5)
5	M04187-71-DE3	EA	CABINET-COUCH (DE3,DE6)
5	M04187-71-DE4	EA	CABINET-COUCH (DE4)
6	M04187-73-DB1	EA	CABINET-COUCH (DB1)
6	M04187-73-DB2	EA	CABINET-COUCH (DB2,DB3)
6	M04187-73-DB4	EA	CABINET-COUCH (DB4)
6	M04187-73-DC1	EA	CABINET-COUCH (DC1)
6	M04187-73-DC2	EA	CABINET-COUCH (DC2)
6	M04187-73-DC3	EA	CABINET-COUCH (DC3,DC4)
6	M04187-73-DC5	EA	CABINET-COUCH (DC5)
6	M04187-73-DD1	EA	CABINET-COUCH (DD1)
6	M04187-73-DD2	EA	CABINET-COUCH (DD2)
6	M04187-73-DD3	EA	CABINET-COUCH (DD3,DD4,DD5)
6	M04187-73-DE1	EA	CABINET-COUCH (DE1)
6	M04187-73-DE2	EA	CABINET-COUCH (DE2,DE5)
6	M04187-73-DE3	EA	CABINET-COUCH (DE3,DE6)
6	M04187-73-DE4	EA	CABINET-COUCH (DE4)
	082525-01-000	EA	BRACE-COUCH - FLOOR MOUNT - ANGLE 3' LONG - METAL
	063125-05-000	EA	BRACE-ANGLE - COUCH - 2.5' - BEIGE

1988 ITASCA TABLE OF CONTENTS

INTRODUCTION	A-01 -	A-02
ABBREVIATIONS		A-08
ALPHABETICAL INDEX	A-04 -	A-08
ICD22F8	A-07 -	D-14
ICD22F9	D-16 -	F-23

1988 ICD22F8 INDEX

FLOOR PLAN	A-07 -	A-08
ACCESSORIES		A-09
AUDIO VIDEO		A-10
BATH	A-11 -	A-12
CHASSIS	A-13 -	A-19
CURTAIN & CUSHION	A-20 -	B-06
DINETTE	B-07 -	B-08
DRIVERS COMPARTMENT	B-09 -	B-11
ELECTRICAL	B-12 -	B-14
EXTERIOR BODY	B-15 -	B-21
GALLEY	B-22 -	B-24
GENERATOR		C-01
HEATING & A/C	C-02 -	C-02
INTERIOR FINISH	C-05 -	C-08
LABELS	C-07 -	C-14
LP	C-15 -	C-18
LOUNGE	C-17 -	C-18
SEALANTS & FASTENERS	C-19 -	C-21
WATER & SEWAGE	C-22 -	C-24
WINDOW, VENT AND		
EXTERIOR DOOR	D-01 -	D-11
WINDSHIELDWIPER	D-12 -	D-13

SEALANTS & FASTENERS GROUP

ADHESIVE AND FASTENERS

KEY	PART NUMBER	U/M DESCRIPTION
	08817-08-000	EA ADHESIVE-LOCTITE 248
	08878-08-000	EA BEDDING COMPOUND-TUBE - GRAY - SCHNEIDER 8822
	087211-01-000	GL PROMOTER-ADHESIVE
	08488-08-000	EA SILICONE-TUBE - 300 ML - CLEAR
	08488-08-000	EA SILICONE-TUBE - 300 ML - OFF WHITE
	102322-01-000	EA SEALER-FUMPSABLE - BLACK - COLORMETRIC M8101
	088840-01-000	FT SEALER-RIBBON - 1/4" DIAMETER - INCREMENTS OF 30'
	088840-02-000	FT SEALER-RIBBON - 1/2" X 1/8" - INCREMENTS OF 30' OR 60'
	088840-03-000	FT SEALER-RIBBON - 3/4" X 1/8" - INCREMENTS OF 30'
	088840-07-000	FT SEALER-RIBBON - 2" X 3/8" - INCREMENTS OF 30' OR 45'
	088840-08-000	FT SEALER-RIBBON - 1/32" X 2 1/2" - INCREMENTS OF 30'
	088840-11-000	FT SEALER-TAPE - 3/16" X 3/8" - BLACK
	088840-14-000	FT SEALER-TAPE - 1/16" X 1" - GRAY
	110744-01-000	EA SEALANT-FOAM - POLYURETHANE
	072888-01-000	EA SEALANT-URETHANE - BLACK - 1/10 - ESSEX 652.2
	076314-02-000	FT TAPE-CARPET SEAM - HEAT-BOND - 4" WIDE
	076322-02-000	FT TAPE-FOAM - DOUBLE COATED ADHESIVE BACKED - 1" X 100'
	076322-05-000	FT TAPE-FOAM - DOUBLE COATED - .025" X 1.5" X 100'
	008707-02-000	FT TAPE-SEALER - 5/16" X 1/2" - INCREMENTS OF 50'
	900390-01-000	EA TIP-2 1/2" X 1/8" ORIFICE - ELLSWORTH#TS216
	900390-02-000	EA TIP-6"LN - 1/16" X 1/4" ORIFICE - SEMCO#8807
	900390-03-000	EA NOZZLES-SILICONE TUBE - CSL# D10

BOLTS, NUTS & WASHERS

KEY	PART NUMBER	U/M DESCRIPTION
	051387-08-000	EA BOLT-CARRIAGE - W/O HOLE - 5/16-18 X 9.5 ZINC
	000C12-05-12B	EA BOLT-HEX - 5/16 - 18 X .75" - ZINC 5
	000C12-05-16B	EA BOLT-HEX - 5/16 - 18 X 1" - ZINC 5
	000C12-05-40B	EA BOLT-HEX - 5/16 - 18 X 2.5" - ZINC 5
	000C12-07-20B	EA BOLT-HEX - 7/16 - 14 X 1.25" - ZINC 5
	000C12-08-24B	EA BOLT-HEX - 1/2 - 13 X 1.50" - ZINC 5
	000C13-07-48B	EA BOLT-HEX - 7/16 - 20 X 3" - ZINC 5
	000C28-04-10B	EA BOLT-HEX - SERRATED FLANGE - 1/4-20 X 5/8" - ZINC
	000C28-05-12B	EA BOLT-HEX - SERRATED FLANGE 5/16-18 X 3/4" - ZINC
	000C28-08-28B	EA BOLT-HEX - SERRATED FLANGE 3/8-16 X 1.75" - ZINC
	000D14-05-00B	EA NUT-HEX - 5/16-18 - ZINC 5
	000D24-10-00B	EA NUT-HEX - SELF LOCKING - 10-32 ZINC
	000D39-04-00B	EA NUT-HEX - SERRATED FLANGE LOCKING 1/4" - 20 - ZINC
	000D39-05-00B	EA NUT-HEX - SERRATED FLANGE LOCKING - 5/16" - 18 - ZINC
	000D39-06-00B	EA NUT-HEX - SERRATED FLANGE LOCKING - 3/8" - 16 - ZINC
	000D44-07-00B	EA NUT-HEX - SERRATED FLANGE LOCKING - 7/16" - 20 - ZINC
	104389-01-000	EA NUT-HEX - HEAVY - 5/8" - 11 UNC - SPARE TIRE INSTL
	063253-07-000	EA NUT-J - #8A .120-.130 PNL THICK
	040821-04-000	EA NUT-SPEED - U TYPE - NO. 8 - .59" LENGTH X .44" WIDTH
	044384-02-000	EA NUT-SPEED - FLAT - ROUND
	044533-01-000	EA WASHER-PLASTIC - 1 3/8" OD - FOR BUTTONS
	000E11-07-00B	EA WASHER-LOCKING - 7/16" MEDIUM SPLIT - ZINC
	000E13-20-00B	EA WASHER-FLANGE - 7/16" WIDE - ZINC
	106849-01-000	EA WASHER-SEALING - GALVANIZED - 5/8" ID

SEALANTS & FASTENERS GROUP (CONTINUED)

SCREWS

KEY	PART NUMBER	U/M DESCRIPTION
	000G88-08-100	EA SCREW - 8-18 X 5/8" PFH - ANTIQUE BRASS
	000G11-08-100	EA SCREW - 8-20 X 5/8" PPH - ZINC
	000G19-07-12B	EA SCREW - 7-18 X 3/4" PPH - ZINC
	000G11-08-08B	EA SCREW - 8-18 X 3/8" PPH - ZINC
	000G11-08-08B	EA SCREW - 8-18 X 1/2" PPH - ZINC
	000G11-08-12B	EA SCREW - 8-18 X 3/4" PPH - ZINC
	000G11-08-12D	EA SCREW - 8-18 X 3/4" PPH - BLACK
	000G11-08-12B	EA SCREW - 8-18 X 3/4" PPH - OFF WHITE
	000G11-08-12T	EA SCREW - 8-18 X 3/4" PPH - BLACK
	000G12-08-16B	EA SCREW - 8-18 X 1" PFH - OFF WHITE
	000G13-08-10B	EA SCREW - 8-18 X 5/8" PPH - ZINC
	000G67-10-08B	EA SCREW - 10-12 X 1/2" PPH - ZINC
	000G67-10-10B	EA SCREW - 10-12 X 5/8" PPH - ZINC - TYPE A
	000G67-10-10R	EA SCREW - 10-12 X 5/8" PPH - TYPE A - BEIGE
	000G67-10-10S	EA SCREW - 10-12 X 5/8" PPH - OFF WHITE
	000G67-10-12B	EA SCREW - 10-12 X 3/4" PPH - ZINC
	000G67-10-12D	EA SCREW - 10-12 X .75" PPH - TAN
	000G67-10-20D	EA SCREW - 10-12 X 1.25" PPH - BLACK
	000G67-10-38T	EA SCREW - 10-12 X 2.25" PPH - BLACK
	000G67-10-48B	EA SCREW - 10-12 X 3" PPH - ZINC
	000G57-10-16B	EA SCREW - 10-13 X 1" PFH - ZINC
	000G11-10-12P	EA SCREW - 10-16 X .75" PPH - OFF WHITE
	000G13-10-12B	EA SCREW - 10-18 X 3/4" PFH - ZINC
	000G38-10-12E	EA SCREW - 10-24 X 3/4" PFH - TYPE 23 - CHROME PLATED
	000G19-10-12F	EA SCREW-MACHINE - 10-32 X .75" - PPH - STAINLESS STEEL
	075908-01-000	EA SCREW-MACHINE - 10-32 X .56" PTH - ZINC EXTERNAL TOOTH
	000G18-10-12B	EA SCREW-MACHINE - 10-32 TPI X .75"
	000G19-10-20B	EA SCREW-MACHINE - 10-32 X 1 1/4" PPH - ZINC
	000G50-04-12B	EA SCREW-MACHINE - 1/4-20 X 3/4" PPH - ZINC
	000G53-04-08E	EA SCREW-MACHINE - 1/4-20 X 3/8" PPH - ZINC - UNDERCUT HEAD
	000G39-08-08B	EA SCREW-DR - 8-18 X 1/2" - ZINC
	000G39-08-10T	EA SCREW-SF/DR - 8-20 X 5/8" PPH - BLACK
	000G39-08-16T	EA SCREW-SF/DR - 8-20 X 1" PPH - BLACK
	000G39-08-08T	EA SCREW-SF/DR - 8-18 X .50" PPH - BLACK
	000G39-08-08B	EA SCREW-SF/DR - 8-18 X .50" PPH - ZINC
	000G39-08-08R	EA SCREW-SF/DR - 8-18 X .50" PPH - BEIGE
	000G39-08-08S	EA SCREW-SF/DR - 8-18 X .50" PPH - OFF WHITE
	000G39-08-12B	EA SCREW-SF/DR - 8-18 X 3/4" PPH - ZINC
	000G39-08-16B	EA SCREW-SF/DR - 8-18 X 1" PPH - ZINC
	000G39-08-16T	EA SCREW-SF/DR - 8-18 X 1" PPH - BLACK
	000G39-10-12D	EA SCREW-SF/DR - 10-16 X 3/4" PPH - BLACK
	000G39-10-20B	EA SCREW-SF/DR - 10-16 X 1.25" PPH - ZINC
	000G60-10-28T	EA SCREW-SF/DR - 10-16 X 1.75" - BLACK
	000G42-04-16B	EA SCREW-SF/DR - 1/4-14 X 1" HWH - ZINC
	000G54-04-20B	EA SCREW - 1/4-20 X 1 1/4 PTH - TYPE 23 - ZINC PLATED
	049465-01-000	EA SCREW - 10-18 W/WASHER PTH - DARK BROWN
	098528-01-000	EA SCREW-HEX - 1/4 - 28 UNF

1993 ITASCA TABLE OF CONTENTS

INTRODUCTION	A-01	A-08
ABBREVIATIONS		A-08
ALPHABETICAL INDEX	A-01	A-08
ICD22RB	A-07	D-14
ICD28RU	D-15	F-22

1993 ICD22RB INDEX

FLOOR PLAN	A-07	A-08
ACCESSORIES		A-09
AUDIO VIDEO		A-10
BATH	A-11	A-12
CHASSIS	A-13	A-19
CURTAIN & CUSHION	A-20	B-06
DINETTE	B-07	B-08
DRIVERS COMPARTMENT	B-09	B-11
ELECTRICAL	B-12	B-14
EXTERIOR BODY	B-15	B-21
GALLEY	B-22	B-24
GENERATOR		C-01
HEATING & A/C	C-02	C-02
INTERIOR FINISH	C-05	C-08
LABELS	C-07	C-14
LP	C-15	C-16
LOUNGE	C-17	C-18
SEALANTS & FASTENERS	C-19	C-21
WATER & SEWAGE	C-22	C-24
WINDOW, VENT AND EXTERIOR DOOR	D-01	D-11
WINDSHIELDWIPER	D-12	D-13

SEALANTS & FASTENERS GROUP (CONTINUED)

CLAMPS, GROMMETS AND FASTENERS

KEY	PART NUMBER	U/M DESCRIPTION
	007125-00-000	EA CLAMP-MUFFLER - 1.5" DIA
	007125-04-000	EA CLAMP-MUFFLER - 1.1" DIA
	007125-01-000	EA CLAMP-HOSE - SPRING TYPE - 1/2"
	010487-00-000	EA CLAMP-CLOSED - 1" ID - CUSHIONED
	010487-04-000	EA CLAMP-CLOSED - 1.00 ID ADEL - 946-8717
	010487-08-000	EA CLAMP-CLOSED - 1/2" ID
	010488-01-000	EA CLAMP-CLOSED - 3/8" ID
	062401-01-000	EA CLAMP-HOSE - WORMGEAR .25" - 1"
	062401-08-000	EA CLAMP-HOSE - WORMGEAR .22" - 1"
	062401-08-000	EA CLAMP-HOSE - WORMGEAR .22" - .82"
	062401-08-000	EA CLAMP-HOSE - WORMGEAR 4.08" - 5.0"
	062800-01-000	EA CLAMP-WIRE - DUAL EQUAL - 5/8" DIAMETER
	062910-01-000	EA CLAMP-WIRE - DUAL - UNEQUAL DIAMETERS - .75" & 1.25"
	016188-08-000	EA GROMMET-LP LINE - 3/8" HOLE X 1 1/4" LONG - RUBBER
	061808-01-000	EA GROMMET-SNAP - 3/16" ID - 3/8" HOLE - PLASTIC - BLACK
	023042-01-000	EA GROMMET-RUBBER - 2" OD
	071015-11-000	EA GROMMET-1.00" ID - FITS .12" MATERIAL - MINOR RUBBER Z-3085
	075148-02-000	EA CLAMP-ROUNDING - BRONZE SCREWS
	077066-01-000	EA CLIP-J - VINYL COATED - 3/8" - USED TO SUPPORT WIRING TO LIGHTS
	080734-02-000	EA CLIP-WIRE - NYLON
	084382-02-000	EA CLIP-CHRISTMAS TREE - FLAT HEAD - .5" X .95"
	008343-01-000	EA TIE-WIRE - 6"
	008343-02-000	EA TIE-WIRE - 14"

WATER & SEWAGE GROUP

WATER HEATER

KEY	PART NUMBER	U/M DESCRIPTION
	061381-01-000	EA HEATER-WATER - ATWOOD G8A-9
	061381-01-700	EA HINGE KIT-W/CLIP - ATWOOD # 82888 & 82889
	061381-01-702	EA TANK INNER - G8A-2E, 3E, 6E - WATER HEATER - ATWOOD 91412
	061381-01-704	EA VALVE-RELIEF - 1/2" FITTING - ATWOOD# 91804
	061381-01-705	EA FASTENER-CAMLOC - ATWOOD# 82808
	061381-01-706	EA GRILLE-EXHAUST - ATWOOD# 92707
	061381-01-708	EA BURNER-MAIN - 2E ONLY - ATWOOD# 92515
	061381-01-709	EA PILOT ARM-W/THERMOCOUPLE & TUBE - ATWOOD# 91809
	061381-01-710	EA ORIFICE-MAIN BURNER - ATWOOD# 92742
	061381-01-711	EA ELBOW-ORIFICE - MAIN BURNER - ATWOOD# 92741
	061381-01-712	EA THERMOSTAT-3/8" NPT INLET - ATWOOD# 91801
	061381-01-714	EA ELBOW-45 DEGREE - 3/8" F X 3/8" MPT - ATWOOD 91044
	061381-01-715	EA DRAIN PLUG - ATWOOD# 91881
	111129-01-000	EA WATER HEATER-ELECTRIC - IGNITION - 220V - ATWOOD 94720 ICH25 (EUROPEAN)
	111129-01-700	EA WALL SWITCH PACKAGE - 91208
	111129-01-701	EA PRESSURE DRAIN VALVE 2 BAR - 91190
	111129-01-702	EA PRESSURE DRAIN VALVE 3.5 BAR - 91210
	111129-01-703	EA THERMOSTAT - KIT - 91191
	111129-01-704	EA IGNITION BOARD - 91194
	111129-01-705	EA GAS PRESSURE REGULATOR - W/NO. 10 - 91198
	111129-01-706	EA MAIN BURNER ORIFICE W/FITTING - 91017
	111129-01-707	EA MAIN BURNER KIT - 91204
	111129-01-708	EA SPARK/PROBE IGNITION KIT - 91196
	111129-01-709	EA FLUE ASSEMBLY - 91045
	111129-01-710	EA ACCESS DOOR - W/LOCK - 91203
	111129-01-711	EA CORNER BRACKETS (SET OF 4) - 91928
	111129-01-712	EA HARDWARE KIT - W/LOCK - 91193
	111129-01-713	EA TANK INNER ICH8-6E - 91188
	111129-01-714	EA THERMOSTAT - ELECTRIC - 220V - 91207
	111129-01-715	EA RELAY - 220 V/12 VDC - 91206
	111129-01-716	EA HEATING ELEMENT 220V/500WATT - 91081
	111129-01-717	EA BUSHING - STRAIN RELIEF - 91372

WATER SYSTEM

KEY	PART NUMBER	U/M DESCRIPTION
	079317-01-000	EA ADAPTER-SWIVEL - 1/2" TUBE X 1/2" FPT - PLASTIC - GRAY
	110179-04-000	EA ADAPTER-QUAD PORT X1/2 MPT - FLOJET 20436-001
	052959-01-000	EA CONNECTOR-PLASTIC - 1/2" F X 1/4" MPT
	052959-02-000	EA CONNECTOR - 1/2" F X 1/2" MPT - PLASTIC - GRAY
	052960-01-000	EA DRAIN VALVE-IN LINE - HEADER - 1/2" F X 1/2" F - GRAY PLAS
	110179-03-000	EA ELBOW-90-QUAD PORT X1/2 MPT - FLOJET 20436-007
	052957-01-000	EA ELBOW-PLASTIC - 1/2" F X 3/8" MPT
	052957-02-000	EA ELBOW-MALE - 1/2" F X 1/2" MPT - PLASTIC - GRAY
	057457-01-000	EA ELBOW-UNION - 1/2" X 1/2" FLARE
	085120-01-000	EA ELBOW-SWIVEL - 1/2" FPT X 1/2" FLARE - PLASTIC - GRAY
	010219-01-000	EA ELBOW-1 1/4" MPT X 1 1/4" BARB - WATER FILL - PLASTIC
	035538-01-000	EA ELBOW-PLASTIC - 3/8" MPT X 3/8" BARB
	010230-05-000	EA FILL-CITY-WATER - SURF. SILVER - MARSHALL BRASS 324-00
	052952-01-000	EA NUT-PLASTIC - 1/2" F X 1/2" TUBE - GRAY
	052958-01-000	EA TEE - 1/2" F X 1/2" F X 1/2" F - PLASTIC - GRAY
	083217-01-000	EA TEE-SWIVEL - 1/2" - PLASTIC
	036800-01-000	FT TUBING-POLYBUTYL - 1/2" OD - INCREMENTS OF 20" - BLACK
	074462-02-000	FT TUBING-VINYL - 3/8" ID X 20' - CLEAR
	079381-01-000	FT TUBING-SMOOTH FLEXIBLE - 1 1/4" ID X 20'

**1993 ITASCA
TABLE OF CONTENTS**

INTRODUCTION	A-01	A-02
ABBREVIATIONS		A-03
ALPHABETICAL INDEX	A-04	A-08
ICD22RB	A-07	D-14
ICD88RU	D-15	F-23

1993 ICD22RB INDEX

FLOOR PLAN	A-07	A-08
ACCESSORIES		A-09
AUDIO VIDEO		A-10
BATH	A-11	A-12
CHASSIS	A-13	A-19
CURTAIN & CUSHION	A-20	B-08
DINETTE	B-07	B-08
DRIVERS COMPARTMENT	B-09	B-11
ELECTRICAL	B-12	B-14
EXTERIOR BODY	B-15	B-21
GALLEY	B-22	B-24
GENERATOR		C-01
HEATING & AC	C-02	C-02
INTERIOR FINISH	C-05	C-08
LABELS	C-07	C-14
LP	C-15	C-18
LOUNGE	C-17	C-18
SEALANTS & FASTENERS	C-19	C-21
WATER & SEWAGE	C-22	C-24
WINDOW, VENT AND		
EXTERIOR DOOR	D-01	D-11
WINDSHIELDWIPER	D-12	D-13

WATER & SEWAGE GROUP (CONTINUED)

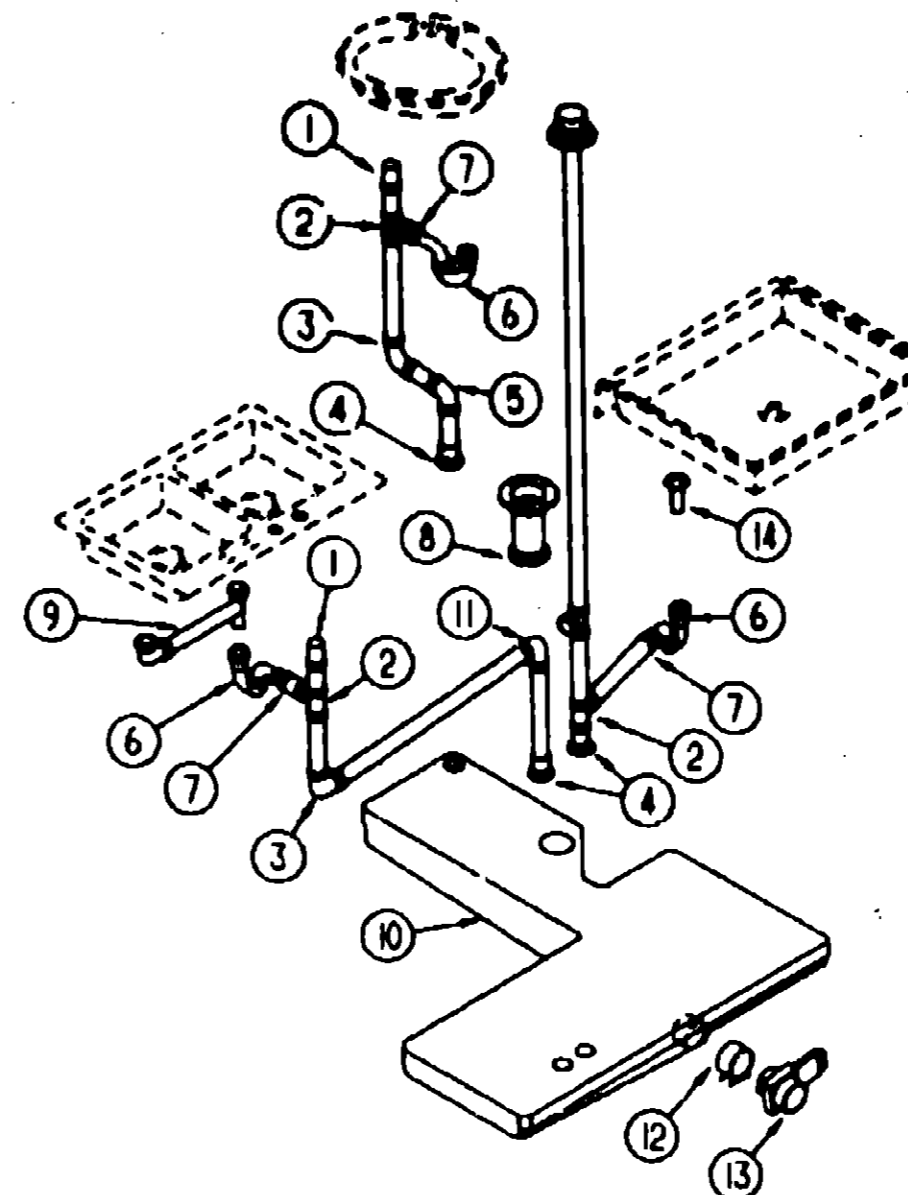
WATER PUMP

KEY	PART NUMBER	UMS DESCRIPTION
	110178-01-000	EA PUMP-WATER - FLOW 3.2GPM (APR) - W/O FITTINGS (US)
	110178-02-000	EA PUMP-WATER - FLOW 3.2GPM - W/O FITTINGS (CSA)
	110178-01-700	EA UPPER HOUSING - 20404-000
	110178-01-701	EA VALVE ASSEMBLY - 20407-000
	110178-01-702	EA DIAPHRAGM - 20408-040
	110178-01-703	EA LOWER HOUSING - 20418-004A
	110178-01-704	EA MOTOR - 2008-034A
	110178-01-705	EA PUMP HEAD - 20408-001A

WATER TANK

KEY	PART NUMBER	UMS DESCRIPTION
	108808-03-000	EA TANK ASM-WATER W/FITTINGS - 30 GAL
	048032-01-000	EA PATCH-SPINWELD - 3/8" - PLASTIC
	042889-03-000	EA FITTING-WATER TANK - SPINWELD - 1 1/4" NPT - PLASTIC - WHITE
	042889-04-000	EA FITTING-WATER TANK - SPINWELD - 3/8" FPT - PLASTIC - WHITE
	042889-05-000	EA FITTING-WATER TANK - SPINWELD - 1/2" FPT - PLASTIC - WHITE
	077064-02-000	EA FILTER-WATER TANK - SCREEN IN TANK

WATER & SEWAGE GROUP (CONTINUED)



DRAINAGE SYSTEM

KEY	PART NUMBER	UMS DESCRIPTION
1	079988-01-000	EA VENT-MECH. TRAP ARM - ANTI-SIPHON - 2" DIA X 7.3" - PLASTIC
2	010071-01-000	EA TEE-SANITARY - 1 1/2" HUB X HUB X HUB - PLASTIC - BLACK
3	010008-01-000	EA ELBOW-90 DEG - 1/4 BEND - 1 1/2" HUB X HUB - BLACK PLASTIC
4	010115-01-000	EA COUPLING-1 1/2" HUB X HUB - PLASTIC
4	081807-01-000	EA GROMMET-HOLDING TANK - 1 1/2" NPS
5	034250-01-000	EA ELBOW-90 DEGREE - LONG TURN - 1 1/2" HUB X HUB - ABS
6	107538-01-000	EA P-TRAP-PLASTIC - 1 1/4" WEXT ARM
8	011068-03-700	EA P-TRAP-KIT - CANADIAN
7	109571-01-000	EA ADAPTER-P-TRAP - 1 1/2" P X 1 1/4" MPT
8	081807-02-000	EA GROMMET-HOLDING TANK - 3" NPS
9	011091-03-000	EA PIPE-DRAIN - W/SEALS - DOUBLE SINK - EXTENDS 9" TO 16"
9	011091-02-000	EA PIPE-DRAIN - DOUBLE SINK - BAFFLE TEE - 1 1/2"
10	109570-01-000	EA TANK-HOLDING - 38 GAL
11	010051-01-000	EA ELBOW-45 DEG BEND - 1 1/2" SPIGOT AND HUB - PLASTIC - BLACK
12	078406-01-000	EA COUPLER-RUBBER - W/CLAMPS - 3" X 3"
13	082418-01-000	EA VALVE-DUMP - W/HANDLE - 3" - PLASTIC - BLACK
13	109480-01-000	EA ADAPTER-PLAS HOSE - SEWER - KEYCO 40738
13	082415-01-010	EA CAP-SEWER - 3" DIAMETER
13	082415-01-700	EA STRING-SEWER CAP - SV7 STRAP
14	011089-02-000	EA TAILPIECE-TUB/SHOWER - 1 1/2" X 1 1/4" X 4" - BRASS
	062884-01-000	EA ADAPTER-NOSE CONE, 3/8" OR 1/2" TUBING - PLASTIC - GRAY
	033781-01-000	EA ELBOW-TURN - 1/4 BEND X 1.5" HUB X 1.5" SPIGOT - BLK PLASTIC

**1993 IT/SCA
TABLE OF CONTENTS**

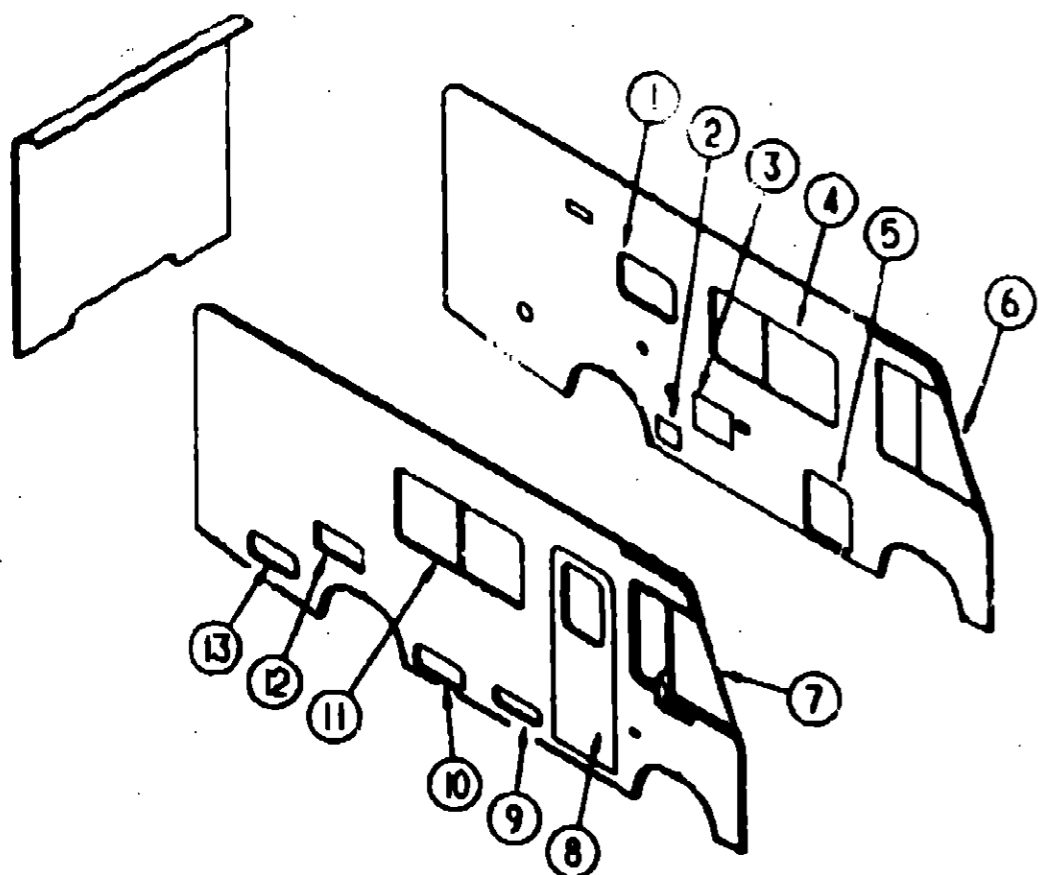
INTRODUCTION	A-01 -	A-08
ABBREVIATIONS		A-08
ALPHABETICAL INDEX	A-04 -	A-08
ICD22RB	A-07 -	C-14
ICD25RU	D-18 -	F-23

1993 ICD22RB INDEX

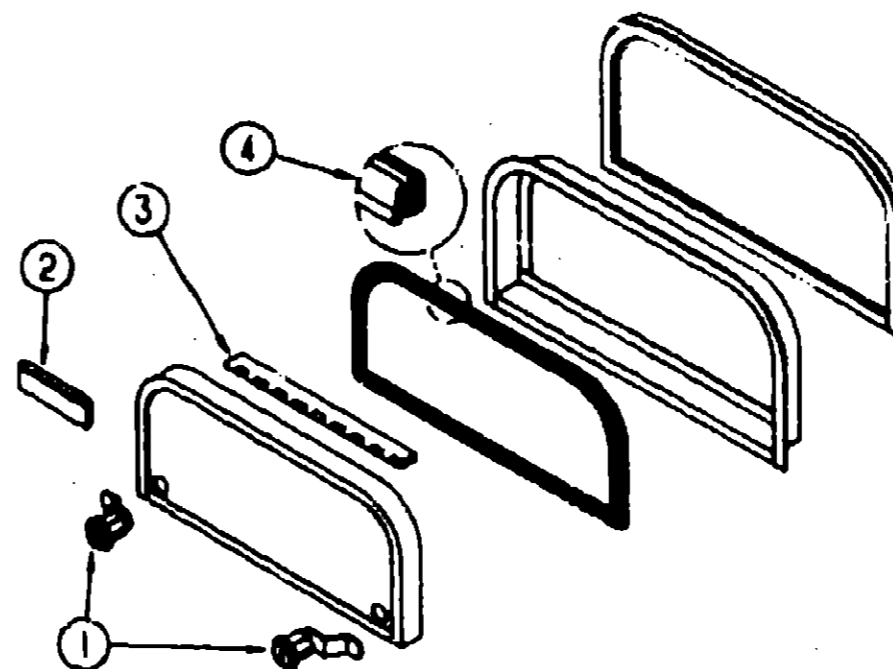
FLOOR PLAN	A-07 -	A-08
ACCESSORIES		A-08
AUDIO VIDEO		A-10
BATH	A-11 -	A-12
CHASSIS	A-13 -	A-19
CURTAIN & CUSHION	A-20 -	B-08
DINETTE	B-07 -	B-08
DRIVERS COMPARTMENT	B-09 -	B-11
ELECTRICAL	B-12 -	B-14
EXTERIOR BODY	B-15 -	B-21
GALLEY	B-22 -	B-24
GENERATOR		C-01
HEATING & A/C	C-02 -	C-02
INTERIOR FINISH	C-05 -	C-08
LABELS	C-07 -	C-14
LP	C-15 -	C-18
LOUNGE	C-17 -	C-18
SEALANTS & FASTENERS	C-19 -	C-21
WATER & SEWAGE	C-22 -	C-24
WINDOW, VENT AND		
EXTERIOR DOOR	D-01 -	D-11
WINDSHIELD/WIPER	D-12 -	D-13

WINDOW, VENT & EXTERIOR DOOR GROUP

WINDOW, VENT & EXTERIOR DOOR GROUP (CONTINUED)



EXTERIOR WINDOWS & DOORS



EXTERIOR DOOR COMPONENTS & HOLDERS

**1983 ITASCA
TABLE OF CONTENTS**

INTRODUCTION	A-01 - A-02
ABBREVIATIONS	A-03
ALPHABETICAL INDEX	A-04 - A-08
ICD22RB	A-07 - D-14
ICD25RU	D-15 - F-23

1983 ICD22RB INDEX

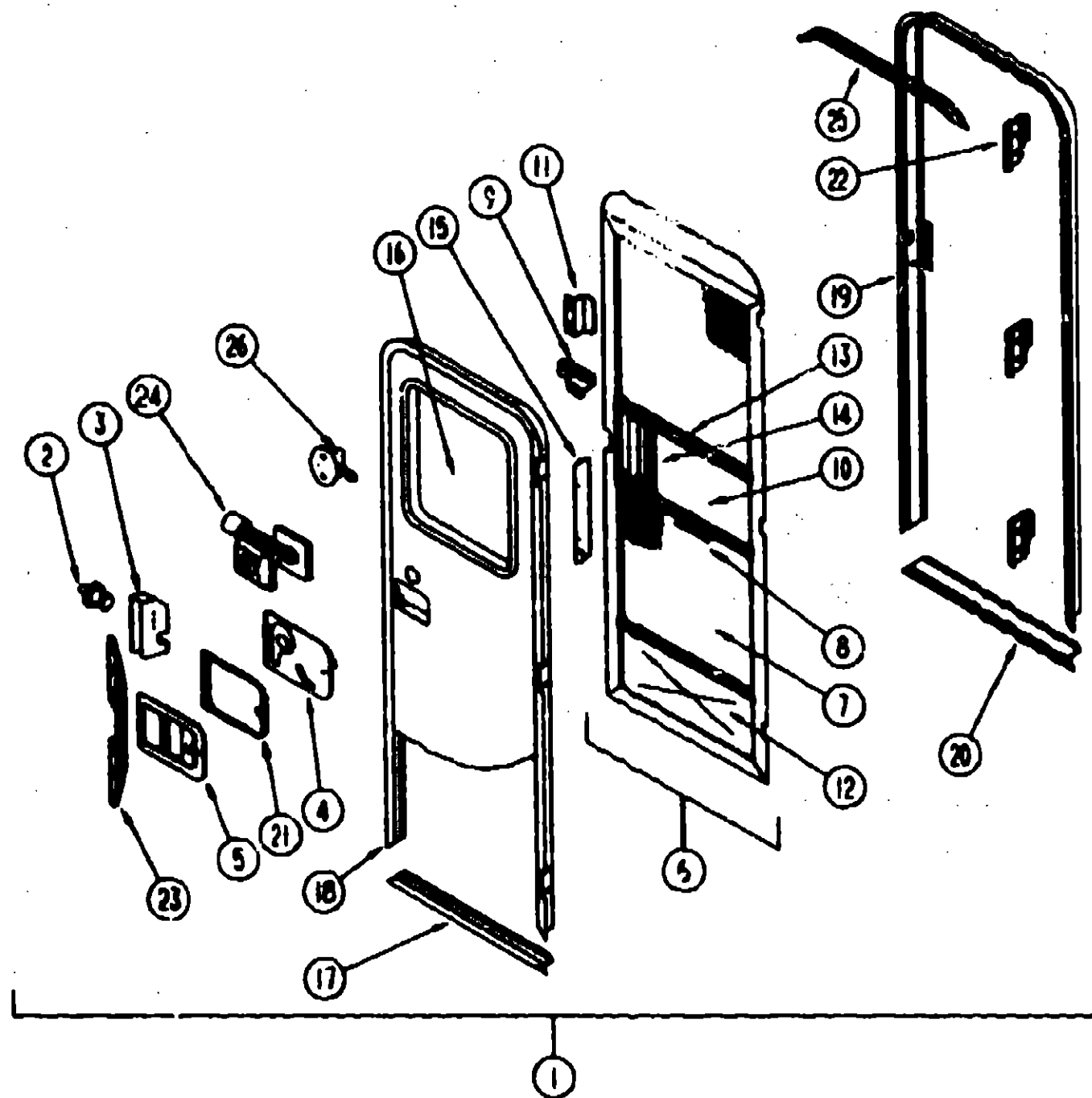
FLOOR PLAN	A-07 - A-08
ACCESSORIES	A-09
AUDIO VIDEO	A-10
BATH	A-11 - A-12
CHASSIS	A-13 - A-18
CURTAIN & CUSHION	A-20 - B-06
DINETTE	B-07 - B-08
DRIVERS COMPARTMENT	B-09 - B-11
ELECTRICAL	B-12 - B-14
EXTERIOR BODY	B-15 - B-21
GALLEY	B-22 - B-24
GENERATOR	C-01
HEATING / A/C	C-02 - C-02
INTERIOR FINISH	C-05 - C-08
LOCKS	C-07 - C-14
LP	C-15 - C-16
LOUNGE	C-17 - C-18
SEALANTS & FASTENERS	C-19 - C-21
WATER & SEWAGE	C-22 - C-24
WINDOW, VENT AND EXTERIOR DOOR	D-01 - D-11
WINDSHIELD/WIPER	D-12 - D-13

KEY	PART NUMBER	UOM DESCRIPTION
1	082236-11-Y12	EA WINDOW-TIPOUT - SINGLE - W/O INSIDE FRAME FROM: 00-00-00 THRU: 01-24-83
1	082847-07-02A	EA WINDOW-SLIDING - W/OFF WHITE INSIDE FRAME - EXCEL B889-PRL FROM: 01-25-83 THRU: 99-99-99
1	111855-08-01A	EA WINDOW ASM-SLIDING - HORIZONTAL - THERMO (EUROPEAN EXCHANGE)
2	085784-01-000	EA DOOR-POWER CORD - W/ SWITCH - OFF WHITE
3	082008-01-000	EA DOOR-WATER HEATER - OFF WHITE - ATWOOD 5576-27
4	110100-01-01A	EA WINDOW ASM-SLIDER - HORIZONTAL
4	111855-02-01A	EA WINDOW ASM-SLIDING - HORIZONTAL - THERMO (EUROPEAN EXCHANGE)
5	104658-09-081	EA DOOR ASM-STORAGE
6	103858-05-01A	EA WINDOW ASM-CAB - DRIVER
7	103858-08-01A	EA WINDOW ASM-CAB - PASSENGER
8	M01870-38-081	EA DOOR-ENTRANCE WINDOW - W/SCREEN - FLAT
9	078720-02-T15	EA DOOR-COMPARTMENT - LP - 18.0" X 5.4" - ALUMINUM - OFF WHITE
10	104658-09-081	EA DOOR ASM-STORAGE
11	110100-02-01A	EA WINDOW ASM-SLIDER - HORIZONTAL
11	111855-01-01A	EA WINDOW ASM-SLIDING - HORIZONTAL - THERMO (EUROPEAN EXCHANGE)
12	084103-09-000	EA DOOR-REFRIGERATOR - VENTED - W/O JAMB - OFF WHITE
	084104-09-000	EA JAMB-DOOR - REFRIGERATOR - OFF WHITE
	084104-01-700	EA LOCK-MALE - FASTENER - REFRIGERATOR DOOR
	084104-01-701	EA LOCK-FEMALE - FASTENER - REFRIGERATOR DOOR
13	104658-07-081	EA DOOR ASM-STORAGE
	081240-08-000	EA DOOR-WATER FILL - LOCKABLE - 4" X 4 5/8" - OFF WHITE

KEY	PART NUMBER	UOM DESCRIPTION
1	078388-03-000	EA LOCK-DOOR - KEY TYPE - W/O KEYS - 2.10 OFF SET
1	078388-05-000	EA LOCK ASM-KEY TYPE W/O KEYS - 1.80 OFF SET
	082884-01-700	EA KEY
1	078927-04-000	EA LOCK ASM-TWIST TYPE 1.80 OVS ILLINOIS LOCK
2	102788-01-000	EA HOLDER-COMPARTMENT/ENTRY DOOR - METAL - MILL FINISH
3	081801-02-000	EA HINGE-2" X 98" - OFF WHITE
	009085-01-000	EA HINGE-ALUMINUM - 1 1/2" X 98" - UNPAINTED
	034007-40-000	EA HINGE-PIANO - 1.5" X 98" - ALUMINUM - OFF WHITE
4	084075-07-000	FT SEAL-BULB - W/WRED U-CHANNEL - .3" X .5" CHANNEL - BLACK
	108850-01-000	FT SEAL-E - 11 X 19 SPONGE RUBBER
	110630-01-000	FT SEAL-SPONGE - .31X.62
	081814-01-000	EA BUMPER-RUBBER - ROUND - .43" DIAMETER - BLACK
	102248-01-000	EA SHIM-DOOR
	008003-01-000	EA LOCK-TWIST TYPE - W/CLIP
	107897-51-001	EA SPACER-88" X 8" - ALUMINUM

WINDOW, VENT & EXTERIOR DOOR GROUP (CONTINUED)

ENTRANCE DOOR



FZY	PART NUMBER	U/M	DESCRIPTION
1	M01870-38-DB1	EA	DOOR-ENTRANCE - W/WINDOW & SCREEN - FLAT
2	036538-01-000	EA	STRIKE-LOCK - ENTRY DOOR - ROUND W/THREADED WASHER
3	036640-01-000	EA	LATCH MECHANISM-HOOK - ENTRY DOOR - INTERIOR
	036715-01-000	EA	NUT-BERT - 1/4" DIAMETER - 20 THREADS
4	036679-04-000	EA	COVER-INTERIOR LATCH - W/TRIP ARM - RIGHT - BLACK
	036684-01-000	EA	CAP-ROUND - VINYL - .28" ID X .82" LONG - BLACK
	041548-03-000	EA	BRACKET-DOOR ANGLE - 5" X 1.8" - BEIGE - METAL
5	048017-11-000	EA	LATCH-ENTRANCE DOOR - MECHANISM W/LOCK & KEY - BLACK
	048017-11-701	EA	KEY - BLANK
	058025-02-000	EA	CLIP-ROLLER LATCH CATCH - SCREEN DOOR
	063729-04-000	EA	RIVNUT - 10-32 UNF - .010-.080
	072893-01-000	EA	NUTBERT-M5 X 0 - 8
	075871-04-000	FT	SEAL-SPONGE - LAZY T SHAPE - W/ADHESIVE STRIPE - .5" WIDE
6	078012-04-AA3	EA	DOOR-SCREEN
7	002293-02-000	SF	SCREENING-WINDOW & DOOR - 25" - CHARCOAL
8	002294-01-000	FT	SPLINE-SCREENING - .135" X .138" - BLACK
	002748-01-000	EA	CORNER KEY-DOOR
9	109403-01-000	EA	CATCH-SINGLE ROLLER - SCREEN DOOR
10	001014-01-013	EA	INSERT-CENTER - 10.25" X 18.31" - UNPAINTED
11	080712-04-000	EA	HANDLE-SCREEN DOOR - ALUMINUM - OFF WHITE
11	080712-05-000	EA	HANDLE-SCREEN DOOR - UNPAINTED
12	078662-05-000	EA	INSERT-SCREEN DOOR - LOWER - UNPAINTED
	078685-02-000	EA	PLATE-SCREEN DOOR
13	078777-03-000	EA	CHANNEL-SLIDE - SCREEN DOOR CENTER SLIDER COVER - 17.4"
14	078088-02-000	EA	SLIDER-SCREEN DOOR - OFF WHITE
15	078087-02-000	EA	STRIKE-SLIDER - W/LIP FOR ELBOW CATCH - 1.5" X 8.8" - OFF WHITE
16	078733-07-AA8	EA	WINDOW-ENTRANCE DOOR - 17" X 25" - FROSTED GLASS
	087808-32-000	EA	FRAME-WINDOW - ENTRANCE DOOR - OFF WHITE
	002181-07-000	EA	GLASS-WINDOW - .182" X 18.25" X 24" - FROSTED
	081814-01-000	EA	BUMPER-RUBBER - ROUND - .43" DIAMETER - BLACK
17	089748-05-000	EA	FRAME-DOOR - ENTRANCE - BOTTOM - OFF WHITE
	080340-01-000	FT	SEAL-FOAM - CLOSED CELL - 1/4" X 1/2" X 50'
18	085276-02-01A	EA	FRAME-DOOR - ENTRANCE - TOP & SIDES - OFF WHITE
19	085277-03-01A	EA	JAMB-ENTRANCE DOOR - OFF WHITE
20	051048-04-000	EA	JAMB-ENTRANCE DOOR - BOTTOM - UNPAINTED
	078207-01-000	EA	STRIKER-ROLLER CATCH - WELDED TO DOOR JAMB - 4" X 1.15"
21	088810-01-01A	EA	PLATE-LATCH - ENTRANCE DOOR - PLASTIC - BLACK
22	087724-01-04A	EA	HINGE-ENTRANCE DOOR - UNPAINTED
23	088173-01-04A	EA	STIFFENER-ENTRANCE DOOR - SUPPORTS LATCH/STRIKE AREA
	100128-02-000	FT	SEAL-PILE - ADHESIVE BACK - SCREEN DOOR - GRAY
24	101145-01-01A	EA	DEADBOLT-ENTRANCE DOOR - W/2 KEYS W/O BACK SET BOLT OR SCREWS
	085228-01-700	EA	KEY BLANK
	101147-01-000	EA	BOLT-SECURITY - 4.12" BACKSET
	088808-01-000	EA	PLUG-TAPERED - FOR DEADBOLT - PLASTIC - .94" DIAMETER - RED
	102824-01-000	EA	BUMPER-RUBBER - FLAT - BLACK
25	044882-28-000	EA	CAP-DRIP - DOOR JAMB MOUNTED - OFF WHITE
	084076-07-000	FT	SEAL-BULB - W/WIRED U-CHANNEL - .3" X .8" CHANNEL - BLACK
	075838-22-000	EA	GARNISH-RADIUS - ENTRANCE DOOR - OFF WHITE
	077481-03-000	EA	COVER-STRIKE - ENTRANCE DOOR - 8.5" X 2.5" - PLASTIC - WHITE
	080340-01-000	FT	SEAL-FOAM - CLOSED CELL - 1/4" X 1/2" X 50'
	091878-01-000	EA	RETAINER-DOOR - 1.8" X .8" - METAL
26	100412-01-000	EA	CATCH-SCREEN DOOR - THUMB CLIP W/BLACK PLASTIC CAP
	104888-01-000	FT	SEAL-3/4 X 3/4 - PRESSURE SENSITIVE ADHESIVE - ONE SIDE
	085748-01-000	EA	PLUG-CAP - 1" DIAMETER
	078870-04-000	FT	COVER-SCREW - WINDOW - VINYL - BLACK

1993 ITASCA TABLE OF CONTENTS

INTRODUCTION	A-01	A-02
ABBREVIATIONS		A-03
ALPHABETICAL INDEX	A-04	A-05
ICD22RB	A-07	D-14
ICD25RU	D-15	F-23

1993 ICD22RB INDEX

FLOOR PLAN	A-37	A-08
ACCESSORIES		A-09
AUDIO VIDEO		A-10
BATH	A-11	A-12
CHASSIS	A-13	A-18
CURTAIN & CUSHION	A-20	B-05
DINETTE	B-07	B-08
DRIVERS COMPARTMENT	B-09	B-11
ELECTRICAL	B-12	B-14
EXTERIOR BODY	B-15	B-21
GALLEY	B-22	B-24
GENERATOR		C-01
HEATING & A/C	C-02	C-02
INTERIOR FINISH	C-05	C-08
LABELS	C-07	C-14
LP	C-15	C-18
LOUNGE	C-17	C-18
SEALANTS & FASTENERS	C-19	C-21
WATER & SEWAGE	C-22	C-24
WINDOW, VENT AND EXTERIOR DOOR	D-01	D-11
WINDSHIELDWASHER	D-12	D-13

WINDOW, VENT & EXTERIOR LOOR GROUP (CONTINUED)

POWERED ROOF VENT

KEY	PART NUMBER	U/M DESCRIPTION
	110051-05-01A	EA VENT-ROOF - POWERED - 2" ROOF - C8A - JENSEN C7757 WHE
	048848-01-000	EA MOTOR-ROOF VENT - 1/8 SHAFT - 12V - JENSEN
	048848-01-000	EA FAN-ROOF VENT - 6 BLADES - 6" - JENSEN
	084470-01-700	EA COVER ROOF VENT - 7291
	110051-01-700	EA SCREEN-ROOF VENT
	110051-01-701	EA GARNISH W/SCREEN & FRAME 2"
	110051-01-702	EA HAND CRANK & OPERATOR ASM.
	110051-01-703	EA HANDLE CRANK

NONPOWERED ROOF VENT

KEY	PART NUMBER	U/M DESCRIPTION
	110051-01-01A	EA VENT-ROOF - NONPOWERED - 2" ROOF - JENSEN 7724 WHE
	084470-01-700	EA COVER ROOF VENT - 7291
	110051-01-700	EA SCREEN-ROOF VENT
	110051-01-701	EA GARNISH W/SCREEN & FRAME 2"
	110051-01-702	EA HAND CRANK & OPERATOR ASM.
	110051-01-703	EA HANDLE CRANK

VENTS & SHROUDS

KEY	PART NUMBER	U/M DESCRIPTION
	083558-03-000	EA VENT-PLUMBING PIPE ROOF - W/COVER - OFF WHITE
	084073-03-000	EA COVER-ROOF VENT - REFRIGERATOR - OFF WHITE - NORCOLD
	084073-04-000	EA BASE-ROOF VENT - REFRIGERATOR - BLACK - NORCOLD
	108028-01-000	EA FLASHING ASM-VENT - REFRIGERATOR
	103386-01-01A	EA VENT-RANGE HOOD - OUTSIDE - OFF WHITE - VENTLINE

WINDOW, VENT & EXTERIOR DOOR GROUP (CONTINUED)

EUROPEAN LOUNGE WINDOW

KEY	PART NUMBER	U/M DESCRIPTION
	111555-02-01A	EA WINDOW ASM-SLIDING - HORIZONTAL - THERMO (EUROPEAN EXCHANGE)
	111555-01-700	EA GLASS INSULATED - STATIONARY & SLIDING
	111555-02-700	EA SCREEN ASM
	111555-01-702	FT TAPE-GLAZING - GLASS - 1/16 X 3/8
	111555-01-703	FT GLAZING-RUBBER - SPLINE
	111555-01-704	FT WATERSHED-RUBBER
	111555-01-705	EA DRAWING SLOT COVER
	111555-01-708	EA SASH LOCK

EUROPEAN DINETTE WINDOW

KEY	PART NUMBER	U/M DESCRIPTION
	111555-08-01A	EA WINDOW ASM-SLIDING - HORIZONTAL - THERMO (EUROPEAN EXCHANGE)
	111555-08-700	EA GLASS INSULATED - STATIONARY & SLIDING
	111555-08-700	EA SCREEN ASM
	111555-01-702	FT TAPE-GLAZING - GLASS - 1/16 X 3/8
	111555-01-703	FT GLAZING-RUBBER - SPLINE
	111555-01-704	FT WATERSHED-RUBBER
	111555-01-705	EA DRAWING SLOT COVER
	111555-01-708	EA SASH LOCK

EUROPEAN GALLEY WINDOW

KEY	PART NUMBER	U/M DESCRIPTION
	111555-01-01A	EA WINDOW ASM-SLIDING - HORIZONTAL - THERMO (EUROPEAN EXCHANGE)
	111555-01-700	EA GLASS INSULATED - STATIONARY & SLIDING
	111555-01-701	EA SCREEN ASM
	111555-01-702	FT TAPE-GLAZING - GLASS - 1/16 X 3/8
	111555-01-703	FT GLAZING-RUBBER - SPLINE
	111555-01-704	FT WATERSHED-RUBBER
	111555-01-705	EA DRAWING SLOT COVER
	111555-01-708	EA SASH LOCK

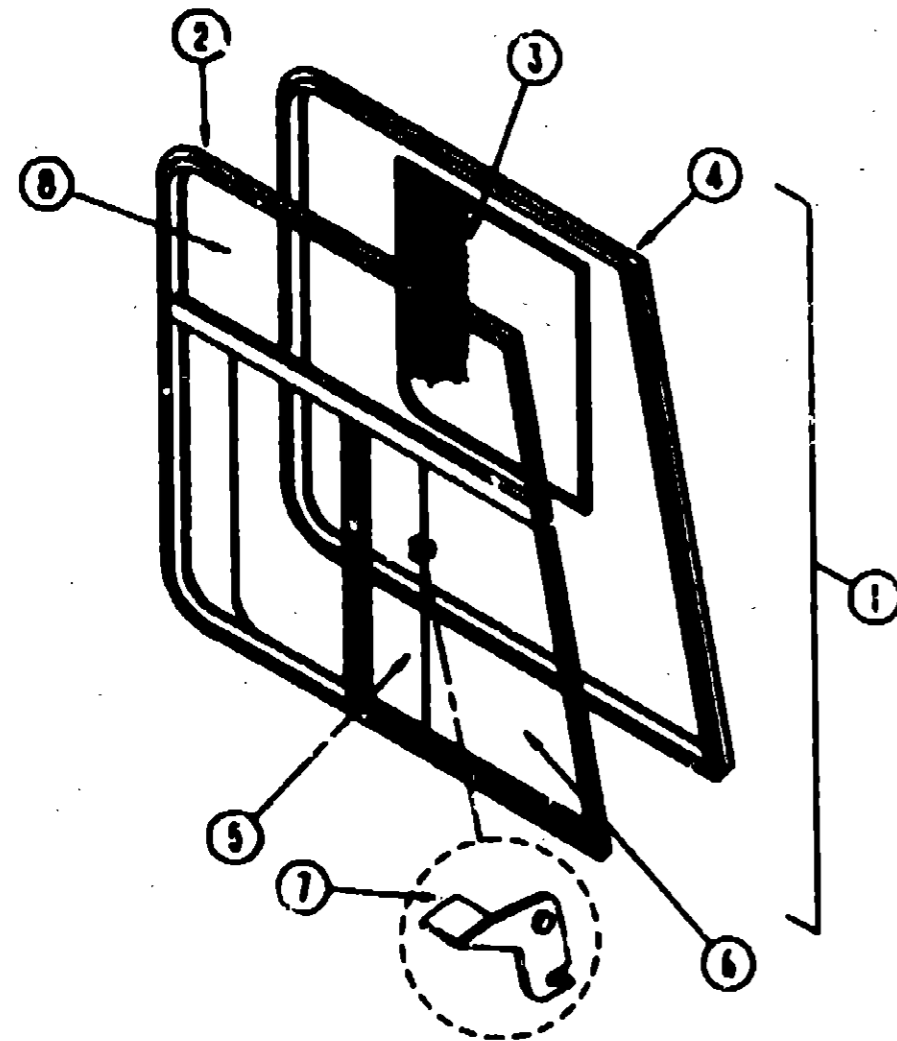
**1983 ITASCA
TABLE OF CONTENTS**

INTRODUCTION	A-01	A-02
ABBREVIATIONS		A-03
ALPHABETICAL INDEX	A-04	A-08
ICD22RB	A-07	D-14
ICD25RU	D-15	F-23

1983 ICD22RB INDEX

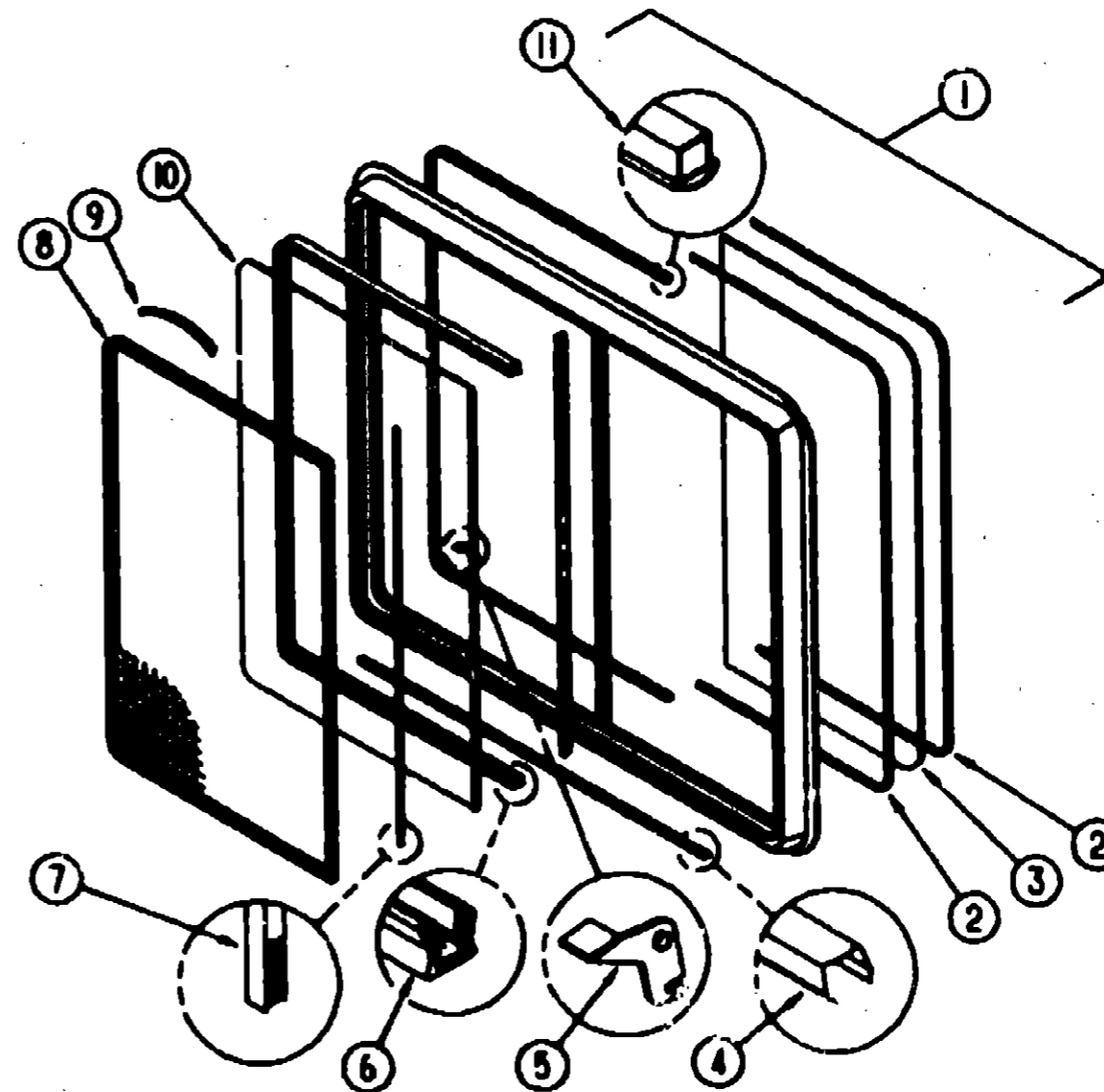
FLOOR PLAN	A-07	A-08
ACCESSORIES		A-09
AUDIO VIDEO		A-10
BATH	A-11	A-12
CHASSIS	A-13	A-16
CURTAIN & CUSHION	A-20	B-08
DINETTE	B-07	B-08
DRIVERS COMPARTMENT	B-09	B-11
ELECTRICAL	B-12	B-14
EXTERIOR BODY	B-15	B-21
GALLEY	B-22	B-24
GENERATOR		C-01
HEATING & AC	C-02	C-02
INTERIOR FINISH	C-05	C-08
LABELS	C-07	C-14
LP	C-15	C-16
LOUNGE	C-17	C-18
SEALANTS & FASTENERS	C-19	C-21
WATER & SEWAGE	C-22	C-24
WINDOW, VENT AND EXTERIOR DOOR	D-01	D-11
WINDSHIELDWIPER	D-12	D-13

WINDOW, VENT & EXTERIOR DOOR GROUP (CONTINUED)



DRIVER & PASSENGER CAB SIDE WINDOWS

WINDOW, VENT & EXTERIOR DOOR GROUP (CONTINUED)



GALLEY SLIDING WINDOW

**1993 ITASCA
TABLE OF CONTENTS**

INTRODUCTION	A-01	A-02
ABBREVIATIONS		A-03
ALPHABETICAL INDEX	A-04	A-08
ICD22RB	A-07	D-14
ICD25RU	D-15	F-23

1993 ICD22RB INDEX

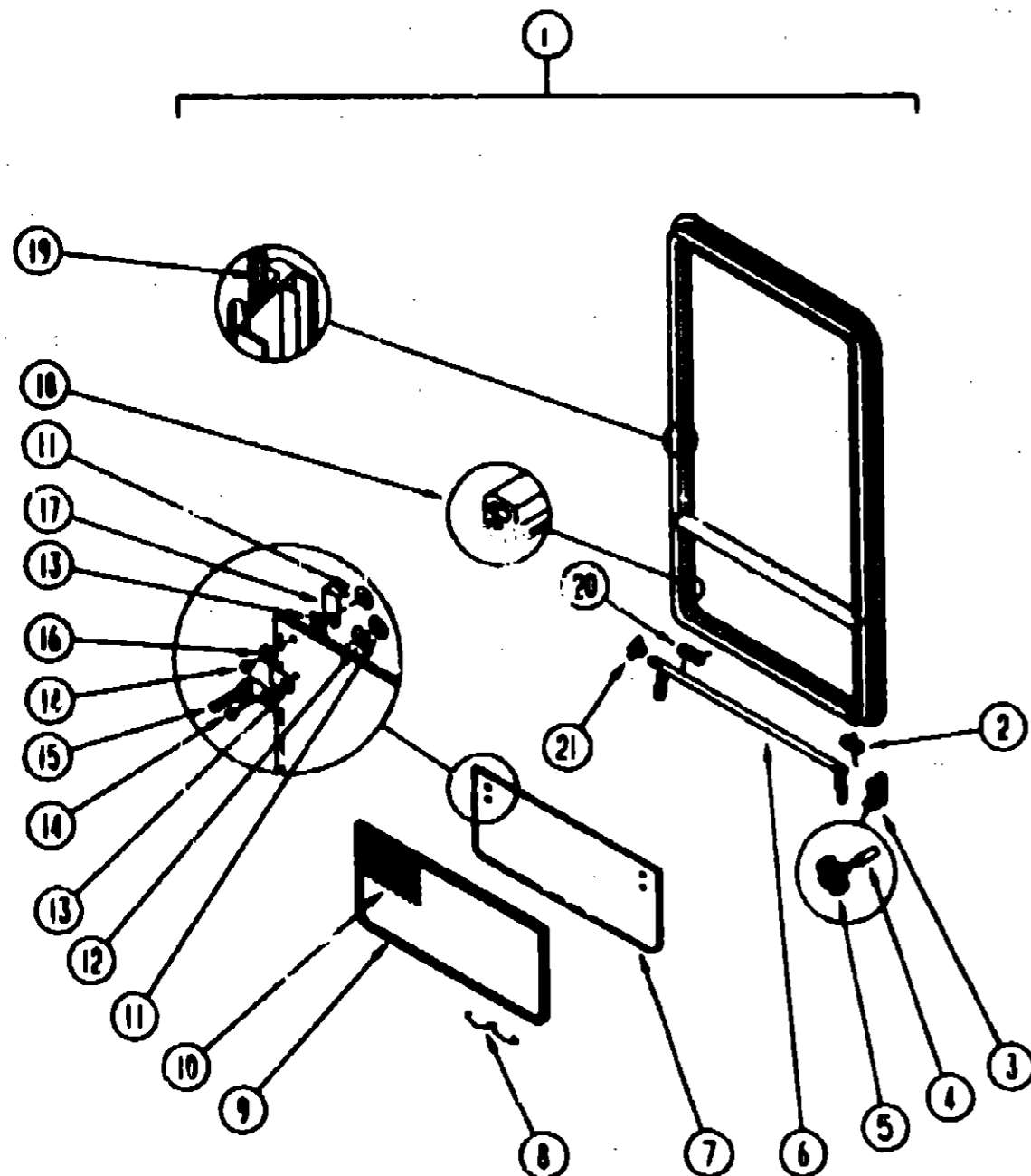
FLOOR PLAN	A-07	A-09
ACCESSORIES		A-09
AUDIO VIDEO		A-10
BATH	A-11	A-12
CHASSIS	A-13	A-19
CURTAIN & CUSHION	A-20	B-08
DINETTE	B-07	B-08
DRIVERS COMPARTMENT	B-09	B-11
ELECTRICAL	B-12	B-14
EXTERIOR BODY	B-15	B-21
GALLEY	B-22	B-24
GENERATOR		C-01
HEATING & A/C	C-02	C-02
INTERIOR FINISH	C-05	C-08
LABELS	C-07	C-14
LP	C-15	C-16
LOUNGE	C-17	C-18
SEALANTS & FASTENERS	C-19	C-21
WATER & SEWAGE	C-22	C-24
WINDOW, VENT AND EXTERIOR DOOR	D-01	D-11
WINDSHIELDWIPER	D-12	D-13

KEY	PART NUMBER	U/M	DESCRIPTION
1	108888-08-01A	EA	WINDOW ASM-CAB - PASSENGER - EXCEL H373-ARR
1	108888-08-01A	EA	WINDOW ASM-CAB - DRIVER - EXCEL H373-ARL
2	108888-08-700	EA	WINDOW-SLIDER - CAB - W/O INSIDE FRAME - PASSENGER - H373-A2RR EXCEL
2	108888-08-700	EA	WINDOW-SLIDER - CAB - W/O INSIDE FRAME - DRIVER - H373-A2L EXCEL
3	108888-08-700	EA	SCREEN ASM-WINDOW - RIGHT - H322-03R EXCEL
3	108888-01-700	EA	SCREEN ASM-WINDOW - LEFT - H322-03L EXCEL
4	108888-08-700	EA	FRAME-INSIDE - PASSENGER - H373-67&77 EXCEL
4	108888-08-700	EA	FRAME-INSIDE - DRIVER - H373-67&77 EXCEL
5	108888-08-701	EA	GLASS-SLIDING - W/BASH&LATCH - H322-ASR EXCEL
5	108888-01-708	EA	GLASS-SLIDING - W/BASH&LATCH - H322-ABL EXCEL
6	108888-01-702	EA	GLASS-STATIONARY - BOTTOM - 108-017700 EXCEL
7	088844-01-700	EA	LATCH-REPAIR KIT
8	108888-08-701	EA	STATIONARY GLASS TOP - 108018480
	088844-01-708	FT	WEATHERSTRIP - EXCEL 171-018888
	088844-01-710	FT	TRACK-SCREEN SPACER - 12 LENGTH - EXCEL M401-31
	088844-01-711	FT	WEATHERSTRIP-SCREEN - BLACK - EXCEL 171-018885
	088844-01-713	FT	SPRING-SCREEN FRAME (CLIP) - PLASTIC - BLACK - EXCEL 228-018888
	088844-01-708	FT	CHANNEL-PIERCED RUN - EXCEL 122-018848
	088844-01-718	FT	PLUG-FILLER - EXCEL 132-014470
	088844-01-717	FT	SPLINE-SCREEN - EXCEL 132-004718
	108874-08-01A	EA	RAIL-DRIP - FRONT - PASSENGER - OFF WHITE
	108874-04-01A	EA	RAIL-DRIP - FRONT - DRIVER - OFF WHITE
	108875-81-001	EA	EXTR-DRIP RAIL - 4877MM - 6083T0

KEY	PART NUMBER	U/M	DESCRIPTION
	088847-07-02A	EA	WINDOW-SLIDING W/OFF WHITE INSIDE FRAME - EXCEL B888-PRL
	088847-08-708	EA	FRAME-INSIDE - OFF WHITE - EXCEL V888-87
1	088847-07-700	EA	WINDOW-SLIDING - SINGLE - W/O INSIDE FRAME - 15" X 23.75" - EXCEL B888-Q2L
2	088844-01-705	FT	GLAZING STRIP - EXCEL M828-12
3	088847-08-700	EA	GLASS-STATIONARY - 10.91" X 13.77" - EXCEL 108-018821
4	088844-01-710	FT	TRACK-SCREEN SPACER - 12 LENGTH - EXCEL M401-31
5	088844-01-700	EA	LATCH-REPAIR KIT - EXCEL B801-CK
6	088844-01-708	FT	CHANNEL-PIERCED RUN - EXCEL 122-018848
7	088844-01-711	FT	WEATHERSTRIP-SCREEN - BLACK - EXCEL 171-018885
8	088847-08-703	EA	SCREEN W/WEATHERSTRIP & FRAME SPRING (CLIP) - EXCEL 410-018
9	088844-01-713	EA	SPRING-SCREEN FRAME (CLIP) - PLASTIC - BLACK - EXCEL 228-018888
10	088847-08-702	EA	GLASS-SLIDING - W/BASH & LATCH - EXCEL B888-Q9
11	088844-01-708	FT	WEATHERSTRIP - EXCEL 171-018888
	088844-01-718	FT	PLUG-FILLER - EXCEL 132-014470
	088844-01-717	FT	SPLINE-SCREEN - EXCEL 132-004718

WINDOW, VENT & EXTERIOR DOOR GROUP (CONTINUED)

GALLEY WINDOW



KEY	PART NUMBER	UOM	DESCRIPTION
	000883-17-02A	EA	RETAINER-WINDOW - OFF WHITE FROM: 00-00-00 THRU: 01-24-83
1	082236-11-Y12	EA	WINDOW-TIPOUT - SINGLE - W/O INSIDE FRAME FROM: 00-00-00 THRU: 01-24-83
2	000330-08-18T	EA	SCREW-SF/DR - 6-20 X 1 PPH - BLACK
3	080918-01-000	EA	SPRING-TORQUE TUBE - RIGHT
4	036302-02-000	EA	OPERATOR-TORQUE - TIPOUT WINDOW - LEFT
5	008439-08-000	EA	EXTENSION-CRANK HANDLE - WINDOW/ROOF VENT - 9" - BLACK
	008439-06-000	EA	KNOB-OPERATOR - TIPOUT WINDOW - BLACK
	008439-07-000	EA	SCREW - 8-32 X 1 1/4 POH - BLACK
6	083180-10-000	EA	TUBE-TORQUE - TIPOUT WINDOW - W/SPRING & ARM - 22.5" LONG
7	084088-15-000	EA	GLASS-TIPOUT - 9.2" X 24.5"
8	100188-01-000	EA	CLIP-SPRING - SCREEN
9	100236-02-807	EA	SCREEN-SINGLE TIPOUT WINDOW
10	080218-03-000	SF	SCREENING-FIBERGLASS - 12" WIDE
	100240-01-000	FT	SPLINE-SCREEN - T-SHAPED
11	086782-01-000	EA	T NUT 10-32
12	088887-03-000	EA	SEAL-WINDOW - RUBBER - ROUND - .80" DIA - BLACK
13	084473-01-000	EA	SEAL-FLAT - W/CENTER HOLE & ADHESIVE SIDE - .8" X .8" - BLK
14	086783-01-000	EA	SCREW-MACH - 10 - 32 X 1/4 PTH
15	087578-01-000	EA	LINKAGE-TIPOUT WINDOW
	081648-01-000	EA	RING-SNAP - 7/32 SHAFT DIAMETER
	084463-02-000	EA	WASHER-.08" X .5" X .25" - PLASTIC
	085315-01-000	EA	RIVET-SHOULDER - TIPOUT WINDOW
16	084463-01-000	EA	WASHER-.08" X .5" X .135" - PLASTIC
17	088813-01-000	EA	HINGE-TIPOUT WINDOW - BLACK
18	084067-02-000	FT	SEAL-E SHAPED - SPONGE - TIPOUT WINDOW - .42" X .38" - BLACK FROM: 00-00-00 THRU: 04-04-83
18	084067-03-000	FT	SEAL-E SHAPED - SPONGE - TIPOUT WINDOW - .42" X .38" - BLACK FROM: 04-06-83 THRU: 99-99-99
19	088840-11-000	EA	SEALER-TAPE - 3/16" X 3/8" BLACK
20	080918-02-000	EA	SPRING-TORQUE TUBE - LEFT
21	081354-01-000	EA	SLEEVE-TORQUE TUBE - TIPOUT WINDOW - 1.3" X 1.2" X .7"
	000H14-08-14R	EA	RIVET-MANDREL BLIND - 3/16"

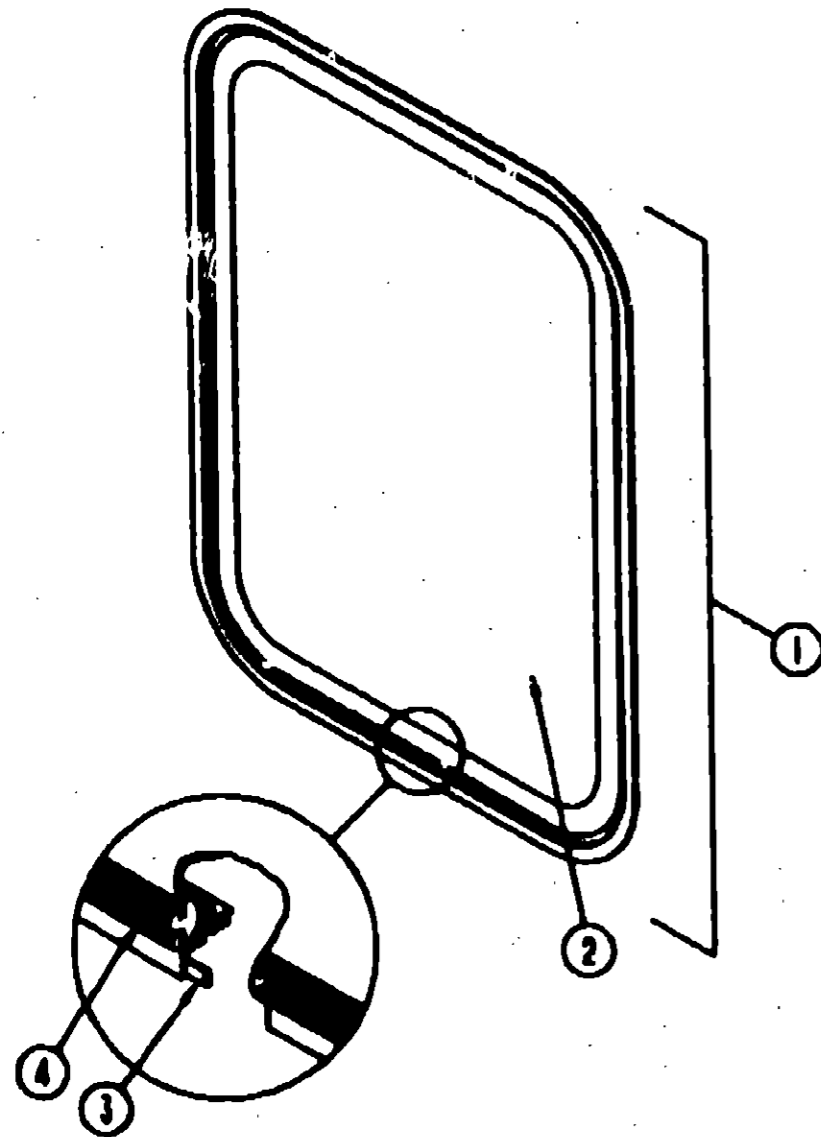
1983 ITASCA TABLE OF CONTENTS

INTRODUCTION	A-01 - A-02
ABBREVIATIONS	A-03
ALPHABETICAL INDEX	A-04 - A-08
ICD22RS	A-07 - U-14
ICD28RU	D-15 - F-23

1983 ICD22RS INDEX

FLOOR PLAN	A-07 - A-08
ACCESSORIES	A-09
AUDIO VIDEO	A-10
BATH	A-11 - A-12
CHASSIS	A-13 - A-18
CURTAIN & CUSHION	A-20 - B-08
DINETTE	B-07 - B-08
DRIVERS COMPARTMENT	B-09 - B-11
ELECTRICAL	B-12 - B-14
EXTERIOR BODY	B-15 - B-21
GALLEY	B-22 - B-24
GENERATOR	C-01
HEATING & AC	C-02 - C-02
INTERIOR FINISH	C-06 - C-08
LABELS	C-07 - C-14
LP	C-15 - C-16
LOUNGE	C-17 - C-18
SEALANTS & FASTENERS	C-19 - C-21
WATER & SEWAGE	C-22 - C-24
WINDOW, VENT AND EXTERIOR DOOR	D-01 - D-11
WINDSHIELDWIPER	D-12 - D-13

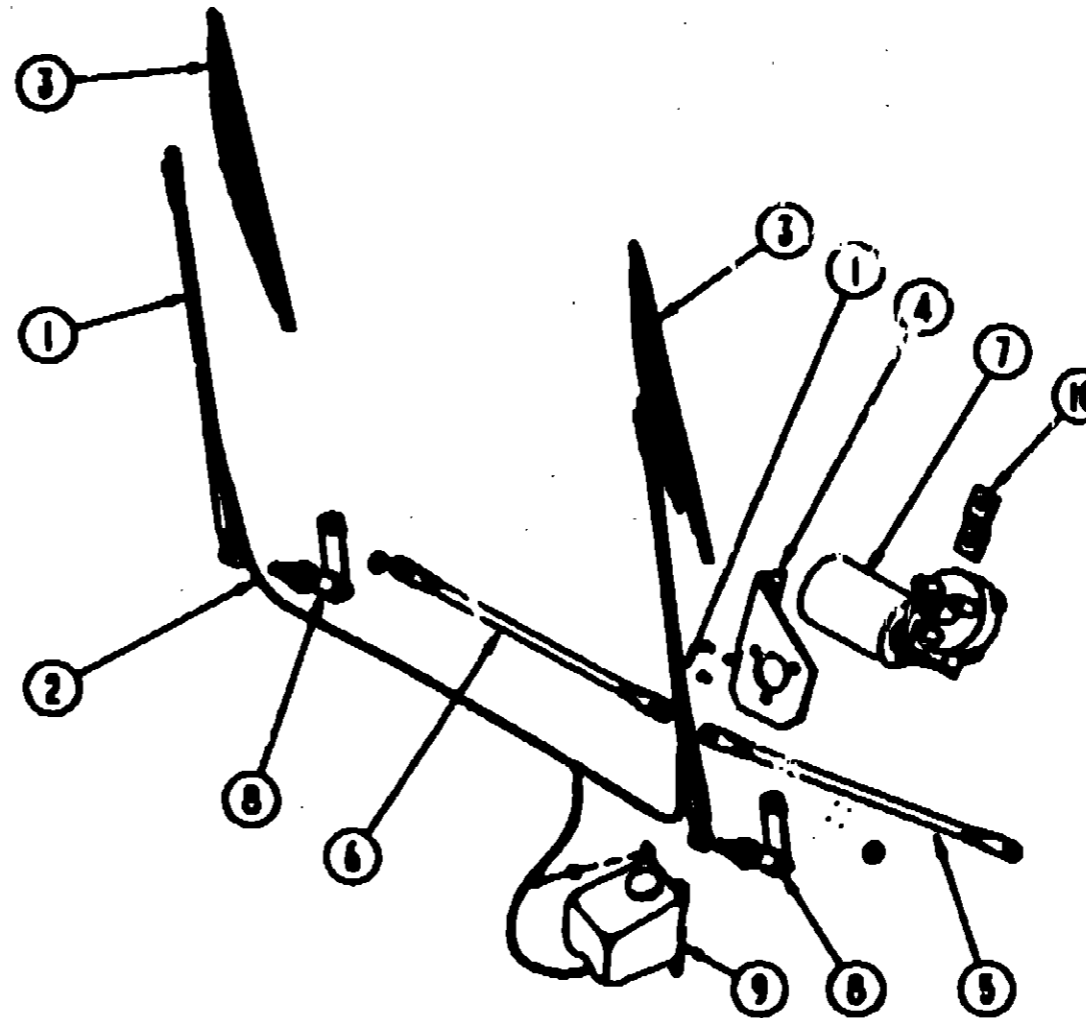
WINDOW, VENT & EXTERIOR DOOR GROUP (CONTINUED)



ENTRY DOOR WINDOW

KEY	PART NUMBER	U&M DESCRIPTION
	087808-02-000	EA FRAME-WINDOW - ENTRY DOOR - OFF WHITE
1	078733-07-AAB	EA WINDOW-ENTRY DOOR - 17" X 25" - FROSTED GLASS
2	088181-07-000	EA GLASS-WINDOW - .182" X 18.25" X 24" - FROSTED
3	088840-11-000	FT SEALER-TAPE - 3/16" X 3/8" BLACK
4	087881-01-000	FT SEAL-GLASS, EXTERIOR - .5" WIDE - VINYL - BLACK
	088218-08-000	FT SPUNE-GLASS, EXTERIOR - VINYL - .18" - BLACK

WINDSHIELD & WIPER GROUP



WIPER COMPONENTS

KEY	PART NUMBER	U&M DESCRIPTION
1	103671-01-000	EA ARM-WIPER - 24" - UT 52179-20LE27WC
	088931-01-700	EA HOSE-WIPER - TO BLADE
	088931-01-701	EA NOZZLE-HARDWARE KIT - INCLUDES NOZZEL,NUT,SCREWS AND PLASTIC CAP
2	046784-01-000	FT HOSE-WASHER - WINDSHIELD - 5/32" ID - BLACK
3	088984-01-000	EA BLADE-WIPER - WINDSHIELD - 24"
4	104548-01-000	EA BRACKET-ARM-WIPER
4	103728-01-000	EA BRACKET-MOTOR - WIPER
	088628-01-000	EA SCREW-HEX - 1/4 - 28
5	103872-01-000	EA LINK-ASM-CONNECTING - 21.85" - DRIVER SIDE - 82508-20-LK25WJ
6	103872-02-000	EA LINK-ASM-CONNECTING 21.85 - PASSENGER SIDE - C2539-20-LK25WJ
7	104385-01-000	EA MOTOR-WIPER - W/1.5" DRIVE ARM
8	088806-02-000	EA PIVOT SHAFT-ASM - PASSENGER - 82137-20-8H25WJ
		FROM: 00-00-00 THRU: 04-21-83
8	088806-08-000	EA PIVOT SHAFT-ASM - DRIVER SIDE - 82870-20-8H25WJ
		FROM: 00-00-00 THRU: 03-08-83
8	088806-07-000	EA PIVOT SHAFT-ASM - PASSENGER - 82801-20-8H25WJ
		FROM: 04-22-83 THRU: 88-88-88
8	088806-08-000	EA PIVOT SHAFT-ASM - DRIVER SIDE - 82800-20-8H25WJ
		FROM: 03-07-88 THRU: 88-88-88
9	058000-02-000	EA WASHER-WINDSHIELD - BOTTLE & PUMP
10	104947-01-000	EA ARM-DRIVE - WIPER MOTOR - 1.54" - 82543-20-LE25WJ
	110178-01-000	EA HOUSING-WIPER MOTOR - UT8237440-EC25WJ
	057188-01-000	EA STUD-CRANK - WIPER - WINDSHIELD - AMBAC 18034348D27WC

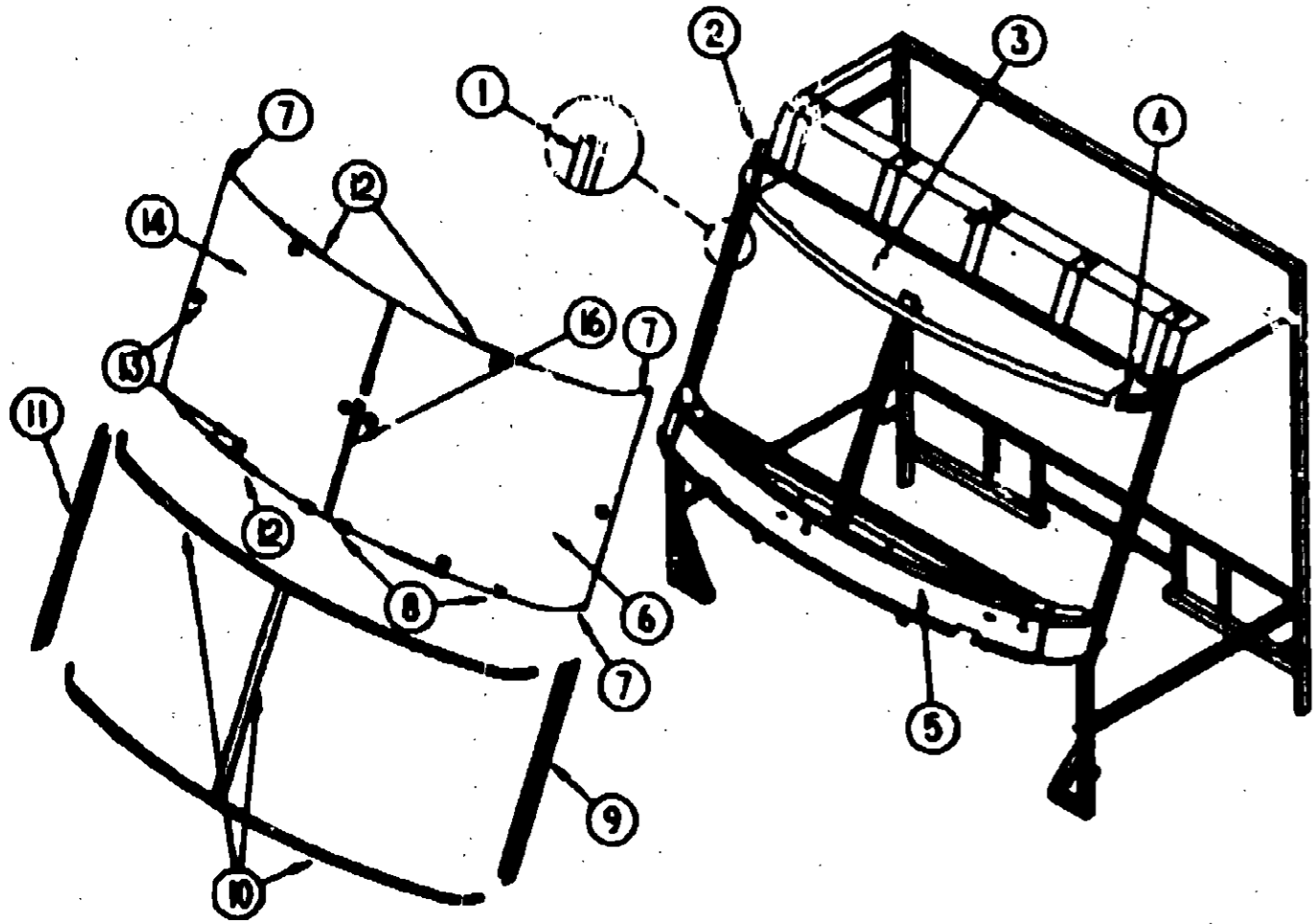
**1989 ITASCA
TABLE OF CONTENTS**

INTRODUCTION	A-01 -	A-02
ABBREVIATIONS		A-03
ALPHABETICAL INDEX	A-04 -	A-08
ICD22RB	A-07 -	D-14
ICD25RU	D-15 -	F-23

1989 ICD22RB INDEX

FLOOR PLAN	A-07 -	A-08
ACCESSORIES		A-09
AUDIO VIDEO		A-10
BATH	A-11 -	A-12
CHASSIS	A-13 -	A-19
CURTAIN & CUSHION	A-20 -	B-08
DINETTE	B-07 -	B-08
DRIVERS COMPARTMENT	B-09 -	B-11
ELECTRICAL	B-12 -	B-14
EXTERIOR BODY	B-15 -	B-21
QUAL'ITY	B-22 -	B-24
GENERATOR		C-01
HEATING & A/C	C-02 -	C-08
INTERIOR FINISH	C-05 -	C-08
LABELS	C-07 -	C-14
LP	C-15 -	C-18
LOUNGE	C-17 -	C-18
SEALANTS & FASTENERS	C-19 -	C-21
WATER & SEWAGE	C-22 -	C-24
WINDOW, VENT AND EXTERIOR DOOR	D-01 -	D-11
WINDSHIELD/WIPER	D-12 -	D-13

WINDSHIELD & WIPER GROUP (CONTINUED)



WINDSHIELD HOLDINGS & GLASS

KEY	PART NUMBER	UOM	DESCRIPTION
1	088788-08-000	EA	CHANNEL - 48" PCV
2	077822-03-000	EA	HEADER-WINDSHIELD - RIGHT END
3	077822-06-000	EA	HEADER-WINDSHIELD - CENTER
4	077822-04-000	EA	HEADER-WINDSHIELD - LEFT END
5	377847-02-000	EA	SUPPORT-WINDSHIELD - LOWER - W/O BRACKETS
6	088783-04-000	EA	GLASS-WINDSHIELD - DRIVER
7	110288-06-000	EA	WINDSHIELD CARRIER - 2"
8	104448-01-000	EA	SUPPORT-WINDSHIELD
9	103107-02-01A	EA	TRIM-WINDSHIELD - SIDE BLACK
10	103888-01-000	FT	MOLDING-REVEAL - WINDSHIELD
11	103107-01-01A	EA	TRIM-WINDSHIELD - SIDE BLK
12	102886-01-000	EA	WINDSHIELD CARRIER - 80"
13	081814-01-000	EA	WIPER-RUBBER - ROUND - 48" DIAMETER - BLACK
14	088788-08-000	EA	GLASS-WINDSHIELD - PASSENGER
18	110288-02-000	EA	WINDSHIELD CARRIER - 38"

FROM: 12-14-82 THRU: 99-99-99

**1983 ITASCA
TABLE OF CONTENTS**

INTRODUCTION	A-01 -	A-02
ABBREVIATIONS		A-03
ALPHABETICAL INDEX	A-04 -	A-08
ICD22RB	A-07 -	D-14
ICD25RU	D-15 -	F-23

1983 ICD22RB INDEX

FLOOR PLAN	A-07 -	A-08
ACCESSORIES		A-09
AUDIO VIDEO		A-10
BATH	A-11 -	A-12
CHASSIS	A-13 -	A-18
CURTAIN & CUSHION	A-20 -	B-08
DINETTE	B-07 -	B-08
DRIVERS COMPARTMENT	B-09 -	B-11
ELECTRICAL	B-12 -	B-14
EXTERIOR BODY	B-16 -	B-21
GALLEY	B-22 -	B-24
GENERATOR		C-01
HEATING & AC	C-02 -	C-02
INTERIOR FINISH	C-06 -	C-08
LABELS	C-07 -	C-14
LP	C-15 -	C-18
LOUNGE	C-17 -	C-18
SEALANTS & FASTENERS	C-19 -	C-21
WATER & SEWAGE	C-22 -	C-24
WINDOW, VENT AND		
EXTERIOR DOOR	D-01 -	D-11
WINDSHIELDWIPER	D-12 -	D-13