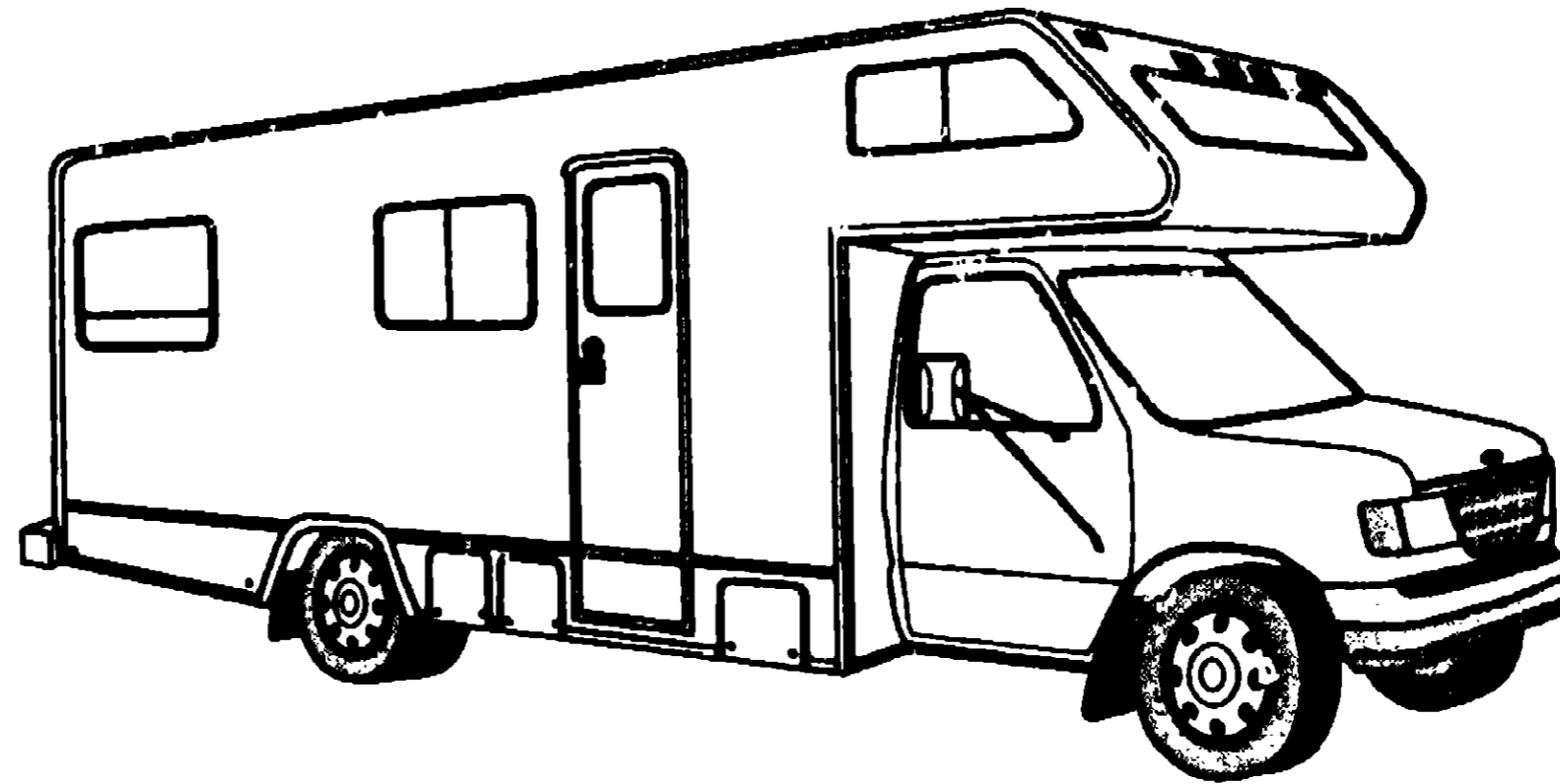


**1993 ITA6CA
TABLE OF CONTENTS**

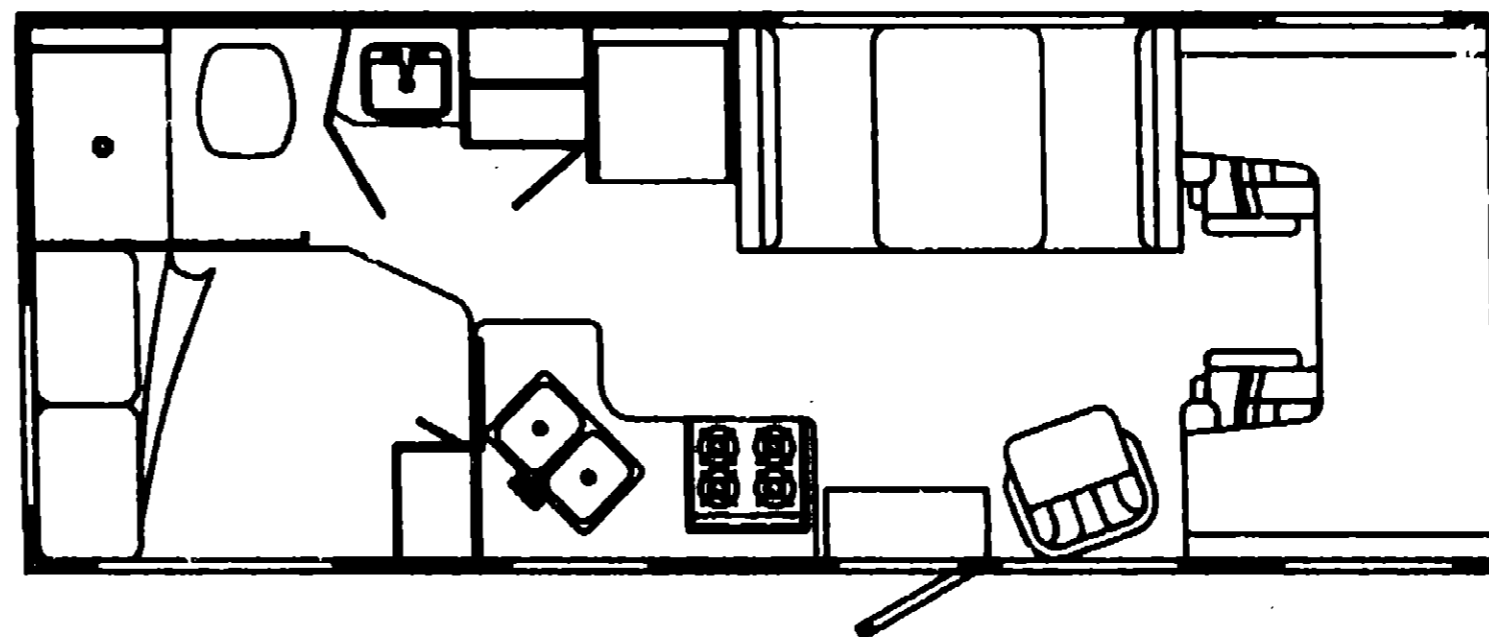
INTRODUCTION	A-01	A-02
ABBREVIATIONS		A-03
ALPHABETICAL INDEX	A-04	A-06
IC424RC	A-07	E-02
IC422RG	E-03	H-18



**1993
IC424RC
D27
D28**

1993 IC424RC INDEX

FLOOR PLAN	A-07	A-08
ACCESSORIES		A-09
AUDIO VIDEO	A-10	A-11
BATH	A-12	A-14
BEDROOM		A-15
CHASSIS	A-18	A-20
CURTAIN & CUSHION	A-21	B-08
DINETTE	B-09	B-10
DRIVERS COMPARTMENT	B-11	B-14
ELECTRICAL	B-15	B-18
EXTERIOR BODY	B-19	C-03
GALLEY	C-04	C-07
GENERATOR		C-08
HEATING & AC	C-09	C-10
INTERIOR FINISH	C-11	C-14
LABELS	C-15	C-22
LP		C-23
LOUNGE		C-24
SEALANTS & FASTENERS	D-01	D-04
WATER & SEWAGE	D-05	D-10
WINDOW, VENT AND EXTERIOR DOOR	D-11	E-02



ACCESSORIES GROUP

OPERATORS MANUAL

KEY	PART NUMBER	U/M DESCRIPTION
	054185-00-000	EA MANUAL-OPERATOR, 1993 SUNDANCER
	082318-01-000	EA BINDER-3 RING, MOTOR HOME MANUAL
	082319-01-000	EA PAGE-POCKET, 3 RING BINDER - PLASTIC
	108272-01-000	DW TOP LEVEL DRAWING - 1993 C-CODY

AUDIO VIDEO GROUP

RADIO SYSTEM & ANTENNA

KEY	PART NUMBER	U/M DESCRIPTION
	090982-01-000	EA RADIO-AM/FM CASSETTE, ELECTRIC TUNE - CHEVY - AUDIOVOX HCC-1035
	091211-01-000	EA MOUNT KIT-RADIO, CHEVY
	108450-01-000	EA RADIO-AM/FM CASSETTE, ELECTRIC TUNE - FORD - AUDIOVOX FD-CXF
	108137-01-000	EA PLUG-ANTENNA HOLE (FORD)
	007004-01-000	EA ANTENNA-RADIO, AUTO - CHEVY ONLY
	089340-02-000	EA GRILLE-SPEAKER, 8.5" SQUARE (OVHD CABINETS)
	089340-03-000	EA SPACER-SPEAKER GRILLE, TAN - MAGNADYNE G614 (OVHD CABINETS)
	094097-01-000	EA SPEAKER-RADIO, W/O GRILLE - 5.25" DIA - AUDIOVOX 110C3030 (OVHD CABINETS)
	087683-01-000	EA RADIO-AM/FM STEREO W/CASSETTE AUDIOVOX 144D1559 (PATIO ENTERTAINMENT)
	090944-01-000	EA ANTENNA-RADIO, 16" RUBBER (PATIO ENTERTAINMENT)
	077089-02-000	EA CABLE-ANTENNA, RADIO - EXTENSION 98" - ARA 8700887
	090862-01-000	EA BRACKET-HAT, ANTENNA - 3.1" X 3.9" - STEEL - BLACK (PATIO ENTERTAINMENT)
	104899-01-004	EA PLATE-RADIO MOUNTING (PATIO ENTERTAINMENT)
	073741-03-000	EA SPEAKER-OVAL, 4" X 6" - AUDIOVOX 110-2074 (PATIO ENTERTAINMENT) FROM: 00-00-00 THRU: 12-20-92
	110489-01-000	EA SPEAKER-OVAL, 4" X 6" - MAGNADYNE F46XB-12 (PATIO ENTERTAINMENT) FROM: 12-21-92 THRU: 99-99-99
	073741-04-000	EA GRILLE-SPEAKER, OVAL - 4" X 6" - AUDIOVOX 138-1157 (PATIO ENTERTAINMENT) FROM: 00-00-00 THRU: 12-20-92
	110470-01-01A	EA GRILLE-SPEAKER, OVAL - 4" X 6" - BLACK - MAGNADYNE G46WI (PATIO ENTERTAINMENT) FROM: 12-21-92 THRU: 99-99-99

1993 ITASCA TABLE OF CONTENTS

INTRODUCTION	A-01	A-02
ABBREVIATIONS		A-03
ALPHABETICAL INDEX	A-04	A-08
IC424RC	A-07	E-02
IC422RG	E-03	H-18

1992 IC424RC INDEX

FLOOR PLAN	A-07	A-08
ACCESSORIES		A-09
AUDIO VIDEO	A-10	A-11
BATH	A-12	A-14
BEDROOM		A-15
CHASSIS	A-16	A-20
CURTAIN & CUSHION	A-21	B-08
DINETTE	B-09	B-10
DRIVERS COMPARTMENT	B-11	B-14
ELECTRICAL	B-15	B-18
EXTERIOR BODY	B-19	C-03
GALLEY	C-04	C-07
GENERATOR		C-08
HEATING & A/C	C-09	C-10
INTERIOR FINISH	C-11	C-14
LABELS	C-15	C-22
LP		C-23
LOUNGE		C-24
SEALANTS & FASTENERS	D-01	D-04
WATER & SEWAGE	D-05	D-10
WINDOW, VENT AND EXTERIOR DOOR	D-11	E-02

AUDIO VIDEO GROUP (CONTINUED)

TV, VCR SYSTEMS & ANTENNA

KEY	PART NUMBER	U/M	DESCRIPTION
	092910-09-000	EA	TV-COLOR, 9" - AC/DC - W/SWIVEL - MAGNAVOX RD0945
	092910-02-700	EA	REMOTE FOR TV
	098448-03-000	EA	VCR-VHS, CABLE READY - REMOTE - MAGNAVOX VR9010 FROM: 00-00-00 THRU: 10-04-92
	098448-03-700	EA	REMOTE FOR MODEL #9010 - 0974888
	098448-04-000	EA	VCR-VHS, CABLE READY - REMOTE - MAGNAVOX VR9110 FROM: 10-05-92 THRU: 99-99-99
	098448-04-700	EA	REMOTE FOR MODEL #9110
	108433-02-000	EA	BRACKET-VCR
	078319-01-000	EA	ANTENNA-TV, ROOF MOUNT - 44.5" MAST - RVA W02
	078319-01-700	EA	HEAD-ANTENNA, AMPLIFIED - WINEGARD# RV5A U/V
	078319-01-701	EA	GEAR-ELEVATING, PLASTIC - WINEGARD# 2200048
	078319-01-702	EA	SHAFT ASM-ELEVATING, WINEGARD# RVP-400A
	078319-01-703	EA	BEARING-NYLON, 5/16" OD - WINEGARD# 3200866
	078319-01-705	EA	GROMMET-NYLON, 7/8" ID - WINEGARD# 3200868
	078319-01-706	EA	CRANK-ELEVATING, W/SCT SCREW - WINEGARD# 5755100
	078319-01-707	EA	SPRING-HANDLE, WINEGARD# 5160800
	078319-01-708	EA	PLATE-DIRECTIONAL, FOR HEAD - WINEGARD #3200844
	078319-08-000	EA	ADAPTER-CABLE ROOF PLATE, WINEGARD RP-J-1
	082134-U1-000	EA	ADAPTER-TV, CABLE TO CABLE - WINEGARD F-81M
	082138-01-000	EA	NUT-HEX JAM 3/8-32, WINEGARD
	078319-08-000	EA	WALLPLATE-CABLE RECEPTACLE, TV - SINGLE - BROWN
	086777-03-000	EA	WALLPLATE-TV CABLE, W/ANTENNA SWITCH - IVORY
	108048-01-000	EA	CABLE TIE-SCREW MOUNT 8" DENNISON 08415
	078319-03-000	FT	CABLE-COAXIAL, 75 OHM
	078319-12-000	EA	CONNECTOR-COAXIAL-ONE PIECE
	086758-01-000	EA	SPLITTER-TV, 2 WAY
	086757-03-000	EA	CONTROL CENTER-SWITCH, VCR/TV - MAGNADYNE VCS-8
	086777-04-000	EA	PLATE-WALL, ANTENNA/POWER - BROWN FROM: 00-00-00 THRU: 04-14-93
	086777-06-000	EA	PLATE-WALL, ANTENNA/POWER - BROWN - WINEGARD RV-0931 FROM: 04-15-93 THRU: 99-99-99

BATH GROUP

EXTERIOR SHOWER COMPONENTS

KEY	PART NUMBER	U/M	DESCRIPTION
	078241-06-000	EA	FAUCET-SHOOWER, BONE (EXTERIOR SHOWER)
	083827-02-000	EA	BRACKET-SQUEEGEE/SHOWER HEAD (EXTERIOR SHOWER)
	103082-01-000	EA	SHOWER HEAD-W/O IN HOSE (EXTERIOR SHOWER)
	103082-01-700	EA	BRACKET-SHOOWER HEAD
	106289-02-000	EA	BRACKET-SUPPORT, FAUCET (EXTERIOR SHOWER)

BATH PRIVACY DOOR

KEY	PART NUMBER	U/M	DESCRIPTION
	105394-01-01A	EA	JAMB-DOOR, EXTRUDED PLASTIC - 7' LONG - OAK
	M87888-09-C03	EA	DOOR-PRIVACY, BATH - W/O HARDWARE FROM: 00-00-00 THRU: 02-21-93
	M87888-17-D04	EA	DOOR-PRIVACY, BATH - W/O HARDWARE FROM: 02-22-93 THRU: 99-99-99
	094485-01-01A	EA	KNOB-DOOR-POLISHED BRASS FROM: 00-00-00 THRU: 09-23-92
	094485-02-01A	EA	KNOB-DOOR-POLISHED BRASS FROM: 09-24-92 THRU: 99-99-99
	103267-01-000	EA	STOP-DOOR

1993 ITASCA TABLE OF CONTENTS

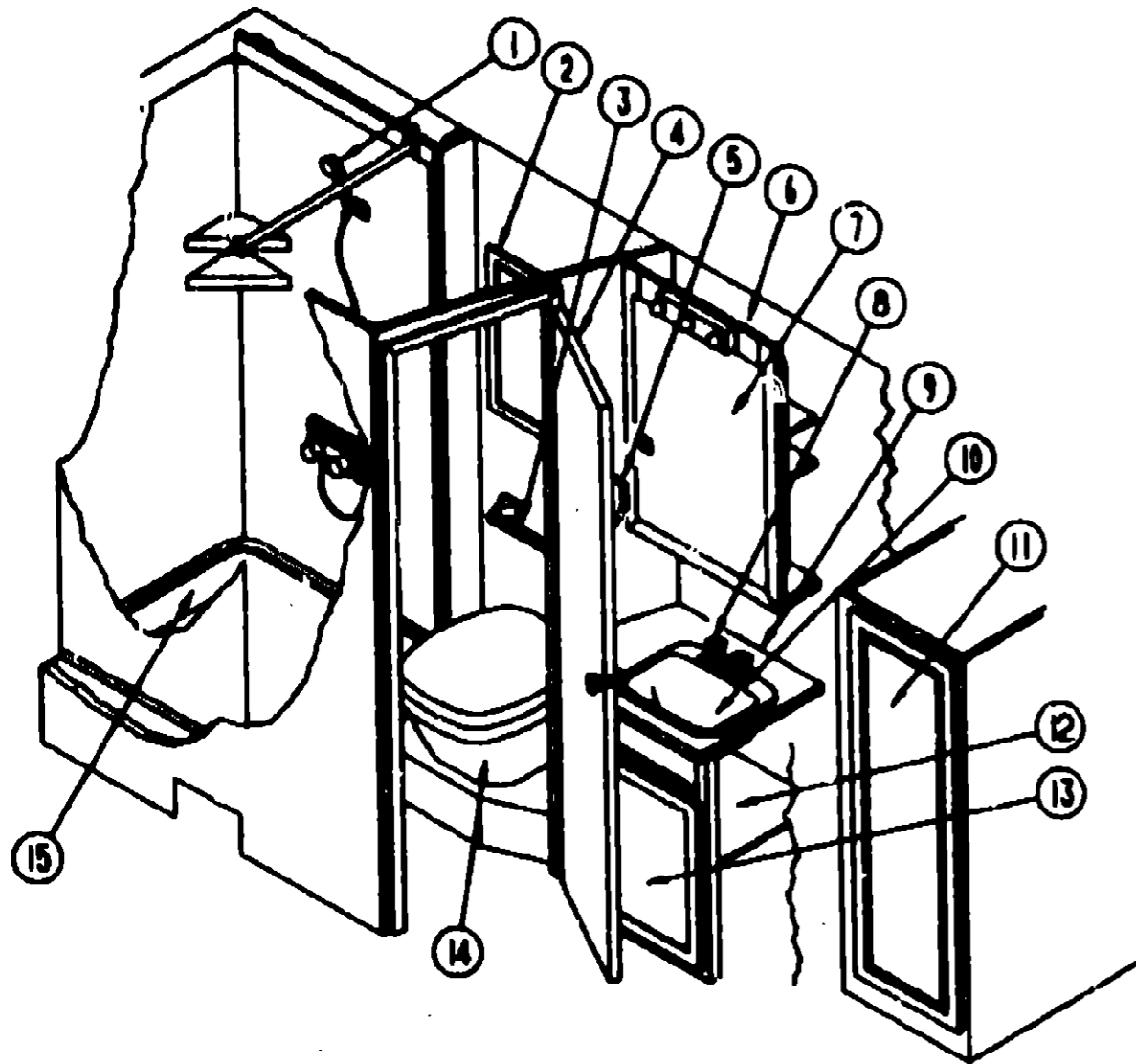
INTRODUCTION	A-01	A-02
ABBREVIATIONS		A-03
ALPHABETICAL INDEX	A-04	A-08
IC424RC	A-07	E-02
IC422RC	E-03	H-18

1993 IC424RC INDEX

FLOOR PLAN	A-07	A-08
ACCESSORIES		A-09
AUDIO VIDEO	A-10	A-11
BATH	A-12	A-14
BEDROOM		A-15
CHASSIS	A-16	A-20
CURTAIN & CUSHION	A-21	B-08
DINETTE	B-09	B-10
DRIVERS COMPARTMENT	B-11	B-14
ELECTRICAL	B-15	B-18
EXTERIOR BODY	B-19	C-03
GALLEY	C-04	C-07
GENERATOR		C-08
HEATING & A/C	C-09	C-10
INTERIOR FINISH	C-11	C-14
LABELS	C-15	C-22
LP		C-23
LOUNGE		C-24
SEALANTS & FASTENERS	D-01	D-04
WATER & SEWAGE	D-05	D-10
WINDOW, VENT AND EXTERIOR DOOR	D-11	E-02

BATH GROUP (CONTINUED)

BATH & SHOWER CABINETS & FIXTURES



KEY	PART NUMBER	U/M DESCRIPTION	
10	068927-01-01A	EA SINK-LAVATORY, RECTANGULAR - PLASTIC - BONE	
	068927-01-700	EA SINK-STOPPER	
	068927-01-701	EA TAILPIECE-SINK STOPPER	
11	P06223-44-004	EA DOOR-CABINET, W/O HARDWARE - 396 X 1155MM	
	042438-01-000	EA DOWEL-WOOD, CLOTHES ROD - 1" DI/METER X 4'	
	091112-01-000	EA FLANGE-1" ROD, CLOTHES - PLASTIC - OFF WHITE	
	091253-01-000	EA GASKET-FAUCET, LAVATORY/GALLEY	
		EA CABINET-LAVATORY, W/O DOOR & HARDWARE (D27)	
12	M06752-01-D27	EA CABINET-LAVATORY, W/O DOOR & HARDWARE (D28)	
12	M06752-01-D04	EA CABINET-LAVATORY, W/O DOOR & HARDWARE (CANADIAN) (D27)	
12	M06752-02-D27	EA CABINET-LAVATORY, W/O DOOR & HARDWARE (CANADIAN) (D28)	
12	M06752-02-D04	EA CABINET-LAVATORY, W/O DOOR & HARDWARE (CANADIAN) (D27)	
12	M06752-01-D27	EA CABINET-LAVATORY, W/O DOOR & HARDWARE (CANADIAN) (D28)	
12	M06752-01-D04	EA CABINET-LAVATORY, W/O DOOR & HARDWARE (CANADIAN) (D27)	
13	P06223-84-C03	EA DOOR-CABINET, W/O HARDWARE - 185 X 555MM	
14	075462-02-000	EA HOLDER-TOILET TISSUE, BRASS	
	067487-01-000	EA TOILET-12.37", IVORY - HAND FLUSH - THETFORD 150110	
	063740-01-700	EA LEVER-WATER, THETFORD 12514	
	063740-01-701	EA LEVER-FLUSH, THETFORD 12515	
	063740-01-706	EA BOLT PACKAGE-CLOSET, THETFORD 12524	
	063740-01-710	EA LINK, THETFORD 12513	
	063740-01-711	EA SPRING-RETURN LEVER, THETFORD 12523	
	063740-01-713	EA SEAL-BALL VALVE TO BOWL, THETFORD 12502	
	063740-01-714	EA VALVE ASM-WATER, THETFORD 12492	
	063740-01-716	EA SEAT & COVER, THETFORD 15017	
	063740-01-717	EA TUBE-FLUSH, TOILET - THETFORD 12509	
	067871-01-000	EA COVER-SCREW, #8 - PLASTIC - OFF WHITE	
	15	M02673-06-B13	EA PAN-SHOWER, 29.8" X 22.7" X 5.7" - OFF WHITE - PLASTIC
		068438-01-000	EA NUT-SLIP, TAILPIECE - 1.5"
	068440-01-000	EA STRAINER-SHOWER, W/RUBBER WASHER	
	069735-01-000	EA WASHER-STRAINER TO TAILPIECE, PLASTIC - 1.5"	

1993 ITASCA TABLE OF CONTENTS

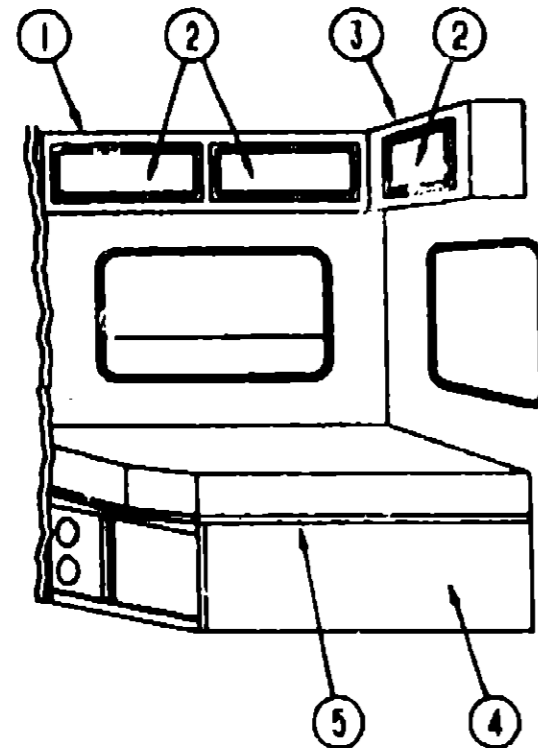
INTRODUCTION	A-01 - A-02
ABBREVIATIONS	A-03
ALPHABETICAL INDEX	A-04 - A-08
IC424RC	A-07 - E-02
IC422RG	E-03 - H-16

1993 IC424RC INDEX

FLOOR PLAN	A-07 - A-08
ACCESSORIES	A-09
AUDIO VIDEO	A-10 - A-11
BATH	A-12 - A-14
BEDROOM	A-15
CHASSIS	A-16 - A-20
CURTAIN & CUSHION	A-21 - B-08
DINETTE	B-09 - B-10
DRIVERS COMPARTMENT	B-11 - B-14
ELECTRICAL	B-15 - B-18
EXTERIOR BODY	B-19 - C-03
GALLEY	C-04 - C-07
GENERATOR	C-08
HEATING & A/C	C-09 - C-10
INTERIOR FINISH	C-11 - C-14
LABELS	C-15 - C-22
LP	C-23
LOUNGE	C-24
SEALANTS & FASTENERS	D-01 - D-04
WATER & SEWAGE	D-05 - D-10
WINDOW, VENT AND EXTERIOR DOOR	D-11 - E-02

KEY	PART NUMBER	U/M DESCRIPTION
1	103082-01-000	EA HEAD-SHOWER, W/O IN HOSE
	103082-01-700	EA BRACKET-SHOWER HEAD
	075241-06-000	EA FAUCET-SHOWER, BONE
	075808-01-000	EA PANEL-FAUCET BACK, SHOWER - 5" X 8" - PLASTIC
	068331-21-000	EA MIRROR-GLASS, SAFETY - 438 X 838MM
	075453-02-000	EA BAR-TOWEL, 18" BRASS
	M87889-08-C03	EA DOOR-BATH PRIVACY, W/O HARDWARE
075454-02-000	EA RING-TOWEL, W/MOUNTING HARDWARE - BRASS	
109978-02-C03	EA CABINET-MEDICINE, W/O DOOR & HARDWARE	
7	P03881-01-C03	EA DOOR-CABINET, W/MIRROR - W/O HARDWARE - 15.5" X 29.5"
	068448-10-B05	EA MIRROR-WOOD FRAMED
	M03480-11-000	EA TRIM-MIRROR, WOOD - OAK
	068331-32-000	EA MIRROR-GLASS, SAFETY - 13.6" X 27.6"
8	078240-08-000	EA FAUCET-LAVATORY, BONE
9	107154-11-D05	EA COUNTERTOP-CABINET, LAVATORY (D27)
9	107154-11-D04	EA COUNTERTOP-CABINET, LAVATORY (D28)

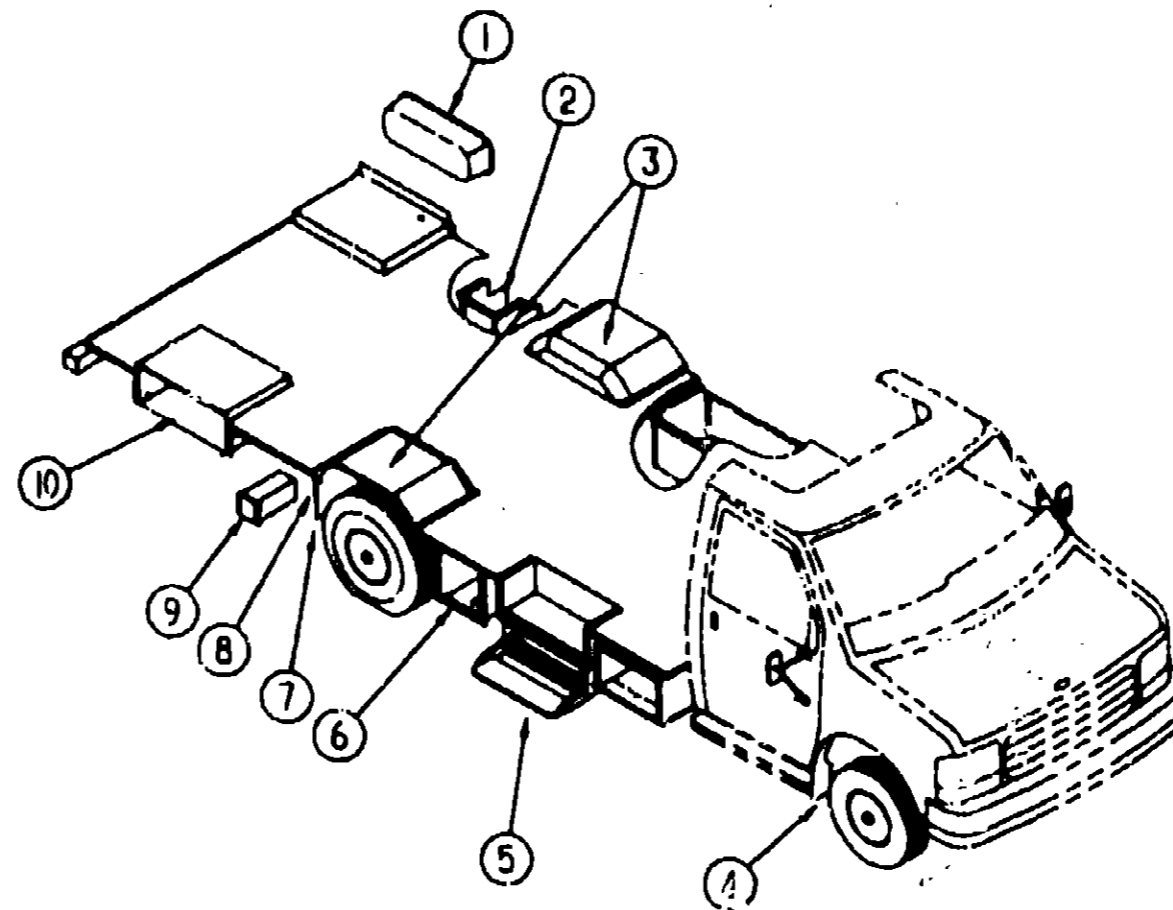
BEDROOM GROUP



DOUBLE BEDROOM

KEY	PART NUMBER	U/M	DESCRIPTION
1	M05778-38-D27	EA	CABINET-OVERHEAD, REAR RIGHT - W/O DOOR & HARDWARE
1	M05778-38-D28	EA	CABINET-OVERHEAD, REAR RIGHT - W/O DOOR & HARDWARE
2	P05223-42-D04	EA	DOOR-CABINET, W/O HARDWARE - 400 X 710MM
3	M05778-39-D27	EA	CABINET-OVERHEAD, REAR - W/O DOOR & HARDWARE
3	M05778-39-D28	EA	CABINET-OVERHEAD, REAR - W/O DOOR & HARDWARE
4	P07083-01-C52	EA	CABINET DOUBLE BED, W/O CABINET TOPS
4	P05223-38-C03	EA	DOOR-CABINET, BED CABINET - W/O HARDWARE - 305 X 555MM
6	M05747-02-C52	EA	TOP-CABINET, DOUBLE BED - DRIVER SIDE
5	M05747-01-000	EA	TOP-CABINET, DOUBLE BED - PASSENGER SIDE
5	089076-03-000	EA	SUPPORT-BED, H-CHANNEL - 1.06" X 72.7" - ALUMINUM - BEIGE

CHASSIS GROUP



COMPARTMENTS

KEY	PART NUMBER	U/M	DESCRIPTION
1	106208-01-01A	EA	COMPARTMENT-SHOWER, EXTERIOR - OFF WHITE
2	101868-08-000	EA	COMPARTMENT-POWER CORD (CHEVY)
2	101868-07-000	EA	COMPARTMENT-POWER CORD (FORD)
3	086322-01-000	EA	WHEELWELL-PLASTIC
4	084089-01-700	EA	FLAP-MUD, FRONT - SET OF 2 RUBBER - BLACK
5	077848-02-000	EA	STEP-PULLOUT
	076241-09-000	EA	SUPPORT-STEP, ENTRY DOOR
	091176-01-000	EA	SUPPORT-BASE, ENTRANCE STEP
6	106203-02-000	EA	COMPARTMENT-BATTERY
	084993-01-000	EA	STRAP-BATTERY, 1100MM LONG
	084993-02-000	EA	STRAP-BATTERY, 1400MM LONG87
7	017518-01-000	EA	FLAP-MUD, 14" X 18" - BLACK - REAR
8	046731-04-C00	EA	GUARD-ROCK, REAR
9	085987-01-000	EA	COMPARTMENT-SEWER HOSE, 6' X 6.8" X 17.8" - PLASTIC
10	105471-04-000	EA	COMPARTMENT-GENERATOR
	085460-02-000	EA	TIEDOWN-BATTERY, 14.3 TUBE
	068027-01-000	FT	SEAL - D SHAPED, HOLLOW - SPONGE RUBBER - BLACK
	081420-01-000	EA	PLUG-PLASTIC, 1.75" - BROWN
	077931-01-000	EA	CAP-PLASTIC, 58" ID - BLACK

1993 ITASCA TABLE OF CONTENTS

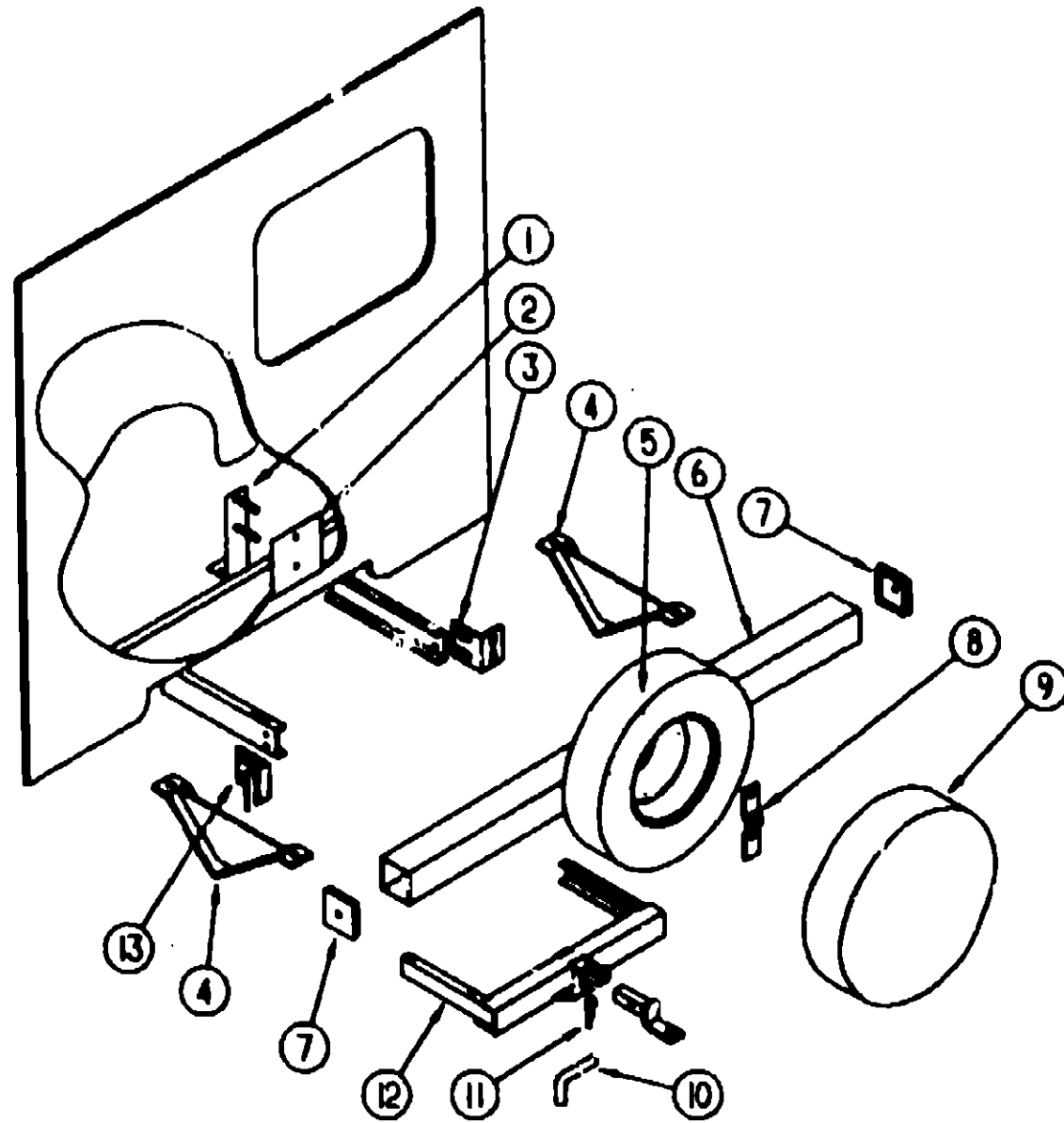
INTRODUCTION	A-01 - A-02
ABBREVIATIONS	A-03
ALPHABETICAL INDEX	A-04 - A-06
IC424RC	A-07 - E-02
IC422RG	E-03 - H-18

1993 IC424RC INDEX

FLOOR PLAN	A-07 - A-08
ACCESSORIES	A-09
AUDIO VIDEO	A-10 - A-11
BATH	A-12 - A-14
BEDROOM	A-15
CHASSIS	A-16 - A-20
CURTAIN & CUSHION	A-21 - B-08
DINETTE	B-09 - B-10
DRIVERS COMPARTMENT	B-11 - B-14
ELECTRICAL	B-15 - B-18
EXTERIOR BODY	B-19 - C-03
GALLEY	C-04 - C-07
GENERATOR	C-08
HEATING & A/C	C-09 - C-10
INTERIOR FINISH	C-11 - C-14
LABELS	C-15 - C-22
LP	C-23
LOUNGE	C-24
SEALANTS & FASTENERS	D-01 - D-04
WATER & SEWAGE	D-05 - D-10
WINDOW, VENT AND EXTERIOR DOOR	D-11 - E-02

CHASSIS GROUP (CONTINUED)

REAR BUMPER, HITCH & SPARE TIRE CARRIER



KEY	PART NUMBER	U/M	DESCRIPTION
1	106209-06-C62	EA	BRACKET ASM-SPARE TIRE
2	106208-01-000	EA	PLATE-SPARE TIRE
3	104420-01-000	EA	SUPPORT-ANGLE, BUMPER REAR-RIGHT
4	083378-01-000	EA	PLATE-SKID, 13.2" X 8" X 2" - STEEL
5	108715-01-000	EA	TIRE-LT 225/75R16 LRD, 650 AS - GENERAL 0104924 (CHEVY) RIM IS CHASSIS PROVIDED
5	070917-04-000	EA	TIRE-LT 215 - 65R16 LRD - 4RS - FIRESTONE 273295 (CHEVY)
5	083425-08-000	EA	TIRE-LT225/75R16 LRD, MICHELIN XCH4 (FORD) FROM: 00-00-00 THRU: 10-05-92
5	083425-09-000	EA	TIRE-LT225/75R16 LRD, MICHELIN XCH4 (FORD) FROM: 10-09-92 THRU: 99-99-99
5	063817-03-000	EA	WHEEL-STEEL, 16.0X8 - ACCURIDE 28818 (FORD)
	051377-01-000	EA	STEM-VALVE, TR 500
	051377-03-000	EA	STEM-VALVE, TR 800
	077030-02-000	EA	EXTENSION-VALVE STEM, 1.25"
	096012-03-000	EA	EXTENSION-VALVE STEM, DUAL WHEEL
	080208-01-000	EA	WRENCH-LUG, 1.08 X 1.00 - CHEVY
	080208-02-000	EA	BAR-LEVERAGE, LUG WRENCH - CHEVY
	109818-01-000	EA	KNOB-HOLD DOWN, JACK - FORD (MOUNTED UNDER HOOD) JACK IS CHASSIS PROVIDED & MOUNTED UNDER HOOD
	112356-01-000	EA	WRENCH-LUG, 7/8 - L-SHAPE (FORD CHASSIS PROVIDED EARLIER) FROM: 05-10-92 THRU: 99-99-99
6	103422-02-01A	EA	BUMPER-SQUARE, ALUMINUM-OFF WHITE
7	039779-01-000	EA	CAP-BUMPER, RUBBER - 4" X 4" - BLACK
8	105531-02-000	EA	RETAINER ASM-SPARE TIRE
9	104408-08-D27	EA	COVER-TIRE, 32" MINNIE WINNIE - SILKSCREENED - OFF WHITE
10	034512-01-000	EA	PIN-LOCKING, DRAWBAR
11	034513-01-000	EA	PIN-HITCH, 3/16" WIRE
12	077617-02-000	EA	HITCH-TRAILER, W/O DRAWBAR - 41.1" WIDE - STEEL - BLACK
	077613-01-000	EA	DRAWBAR ASM ONLY
13	104420-02-000	EA	SUPPORT-ANGLE, BUMPER REAR-LEFT
	097744-01-000	EA	HOUSING-TRAILER PIN, 12"
	097744-02-000	EA	HOUSING-TRAILER PIN-48"
	097748-01-000	EA	HOUSING CAP-TRAILER PIN
	097745-01-000	EA	HOUSING-TRAILER RECEPTACLE-12"
	097745-02-000	EA	HOUSING-RECEPTACLE, TRAILER - 48" WIRE LENGTH

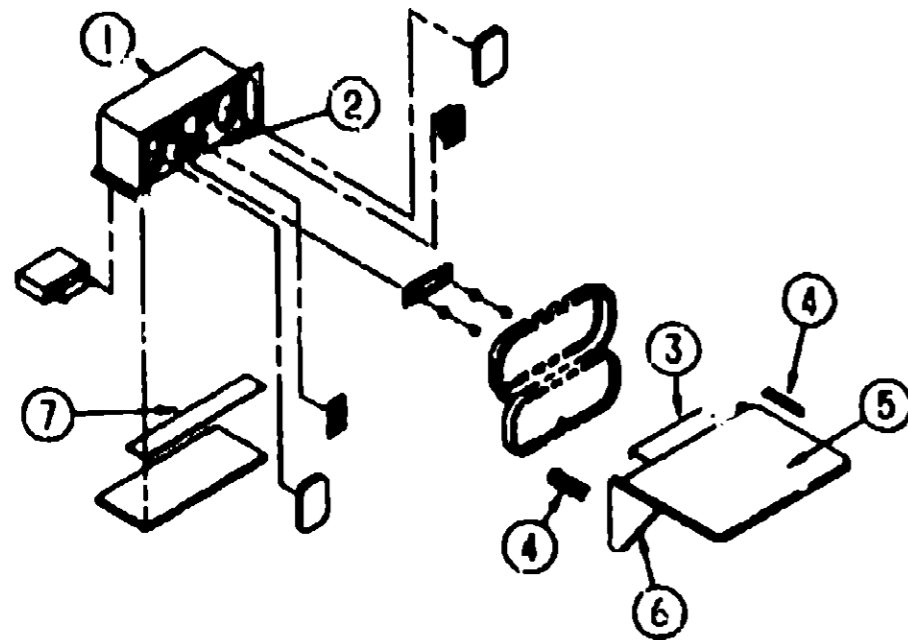
1993 ITASCA TABLE OF CONTENTS

INTRODUCTION	A-01 - A-02
ABBREVIATIONS	A-03
ALPHABETICAL INDEX	A-04 - A-06
IC424RC	A-07 - E-02
IC422RG	E-03 - H-18

1993 IC424RC INDEX

FLOOR PLAN	A-07 - A-08
ACCESSORIES	A-09
AUDIO VIDEO	A-10 - A-11
BATH	A-12 - A-14
BEDROOM	A-15
CHASSIS	A-16 - A-20
CURTAIN & CUSHION	A-21 - B-08
DINETTE	B-09 - B-10
DRIVERS COMPARTMENT	B-11 - B-14
ELECTRICAL	B-15 - B-18
EXTERIOR BODY	B-19 - C-03
GALLEY	C-04 - C-07
GENERATOR	C-08
HEATING & A/C	C-09 - C-10
INTERIOR FINISH	C-11 - C-14
LABELS	C-15 - C-22
LP	C-23
LOUNGE	C-24
SEALANTS & FASTENERS	D-01 - D-04
WATER & SEWAGE	D-05 - D-10
WINDOW, VENT AND EXTERIOR DOOR	D-11 - E-02

CHASSIS GROUP (CONTINUED)



ENTERTAINMENT COMPARTMENT

KEY	PART NUMBER	U/M DESCRIPTION
1	104897-01-01A	EA BOX-ENTERTAINMENT CENTER, OFF WHITE
2	104899-01-004	EA PLATE-RADIO MOUNTING
3	105377-01-01A 105377-01-03A	EA BRACKET-TABLE HANGER - OFF WHITE EA BRACKET-TABLE HANGER - MILL
4	105376-01-02A	EA HINGE-CONTINUOUS, 2" X 140MM - OFF WHITE
5	105230-11-005	EA SHELF ASM.
6	105230-12-009	EA SUPPORT ASM.
7	104898-01-01A	EA PLATE-PLASTIC BOTTOM, OFF WHITE

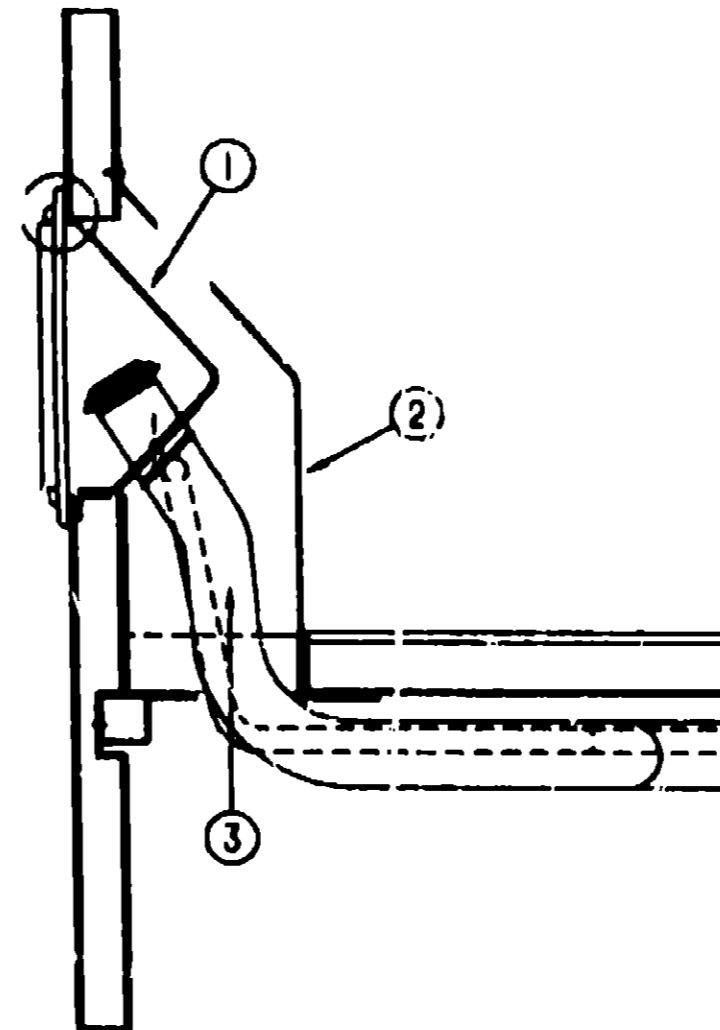
EXHAUST SYSTEM

KEY	PART NUMBER	U/M DESCRIPTION
	091182-01-000	EA SHIELD-HEAT, LP

WHEEL LINERS & COVERS

KEY	PART NUMBER	U/M DESCRIPTION
	108088-01-000	EA COVER-WHEEL, 16" - SET OF 4 - DICOR #SHUB16
	108088-01-700	EA COVER-WHEEL, 16" - 1 ONLY - SHUB16-1 DICOR
	091209-11-000	EA LINER-WHEEL, SET 4 E360 - KAPER II (FORD ONLY)
	091209-10-700	EA COVER-AXLE, FRONT - 8 LUG - FORD
	091209-10-701	EA COVER-AXLE, REAR - 6 LUG - FORD
	091209-10-704	EA NUT-LUG, W/WASHER - SHORT - KAPER 52
	091209-10-706	EA COVER-LUG NUT
	091209-10-708	EA GASKET-FRONT AXLE COVER, RUBBER
	091209-11-700	EA LINER-WHEEL, FRONT - 8 LUG - FORD
	091209-11-701	EA LINER-WHEEL, REAR - 8 LUG - FORD
	091209-11-702	EA NUT-LUG, W/WASHER - LONG - KAPER 51

CHASSIS GROUP (CONTINUED)



FUEL SYSTEM COMPONENTS

KEY	PART NUMBER	U/M DESCRIPTION
1	093854-01-02A	EA SHROUD-FUEL FILL, PLASTIC - OFF WHITE
2	078140-08-000	EA SHROUD-FUEL FILL, UPPER - PLASTIC
3	074631-03-000	EA NECK-FUEL FILL, MAIN - CHEVY
		FROM: 00-00-00 THRU: 05-30-03
3	074890-04-000	EA NECK-FUEL FILL, MAIN - CHEVY
		FROM: 05-31-93 THRU: 99-99-99
3	106412-01-000	EA NECK-FUEL FILL, MAIN - FORD - GAS
3	106412-02-000	EA NECK-FUEL FILL, MAIN - FORD - DIESEL
	078200-01-000	EA GASKET-FUEL FILL, 3.5"OD X 2"ID
	007083-01-000	FT HOSE-GAS 1/4"ID X 1/2"OD
	044317-01-000	FT HOSE-FUEL 3/8" ID
	087289-01-000	EA TEE-1/4" X 1/4" X 1/4", BRASS

**1993 ITASCA
TABLE OF CONTENTS**

INTRODUCTION	A-01 - A-02
ABBREVIATIONS	A-03
ALPHABETICAL INDEX	A-04 - A-08
IC424RC	A-07 - E-02
IC422RC	E-03 - H-16

1993 IC424RC INDEX

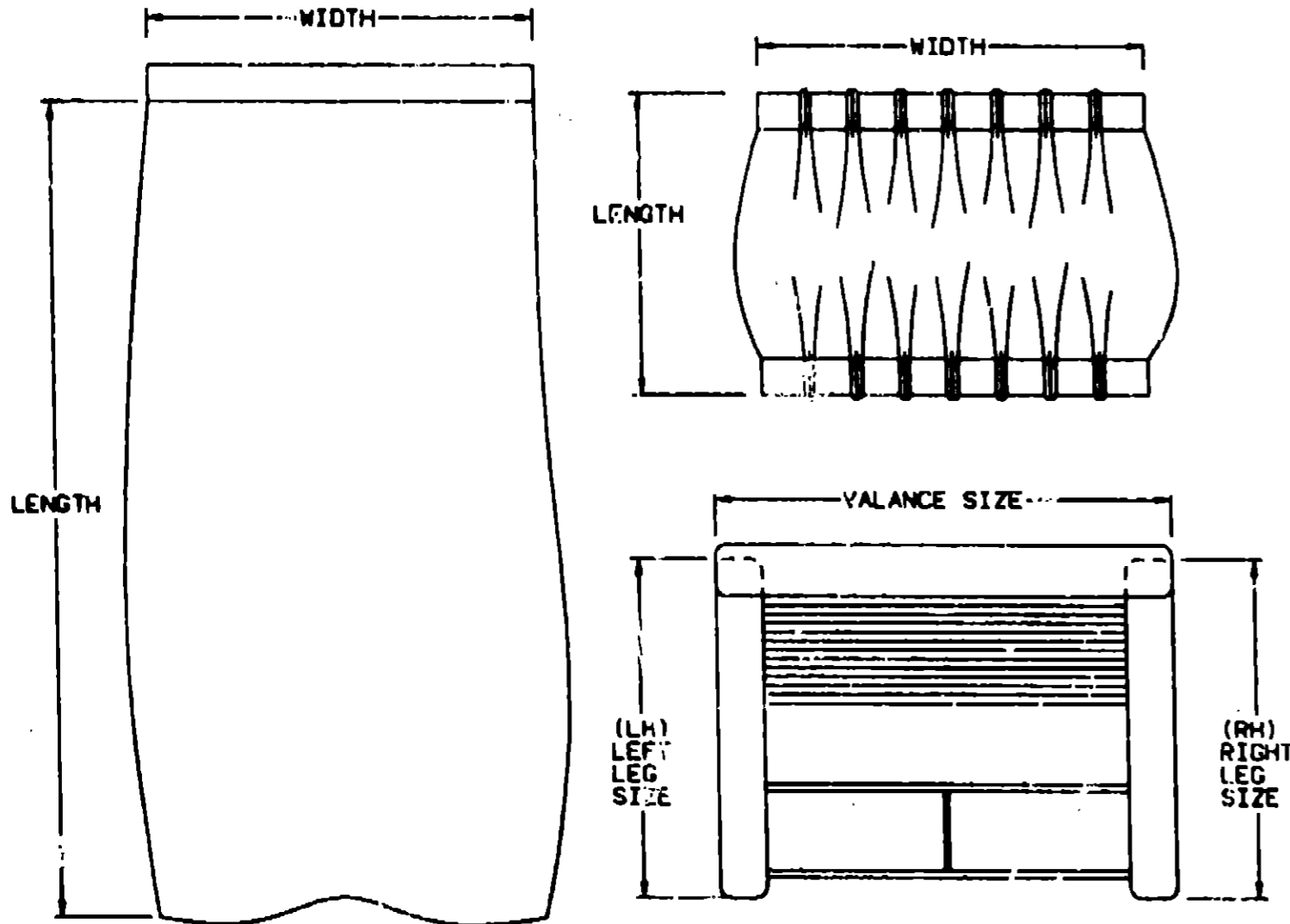
FLOOR PLAN	A-07 - A-08
ACCESSORIES	A-09
AUDIO VIDEO	A-10 - A-11
BATH	A-12 - A-14
BEDROOM	A-15
CHASSIS	A-16 - A-20
CURTAIN & CUSHION	A-21 - B-08
DINETTE	B-09 - B-10
DRIVERS COMPARTMENT	B-11 - B-14
ELECTRICAL	B-15 - B-16
EXTERIOR BODY	B-19 - C-03
GALLEY	C-04 - C-07
GENERATOR	C-08
HEATING & AC	C-09 - C-10
INTERIOR FINISH	C-11 - C-14
LABELS	C-15 - C-22
LP	C-23
LOUNGE	C-24
SEALANTS & FASTENERS	D-01 - D-04
WATER & SEWAGE	D-05 - D-10
WINDOW, VENT AND EXTERIOR DOOR	D-11 - E-02

CURTAIN & CUSHION GROUP

NOTICE

IN ORDER TO ASSIST OUR PARTS SALES DEPT. IN PROVIDING INTERIOR SOFTWARE ITEMS, PLEASE INCLUDE THE SERIAL NUMBER AND THE COLOR CODE NUMBER FROM THE VEHICLE CERTIFICATION LABEL WITH ORDER NO. THIS LABEL IS LOCATED ON THE LEFT SIDEWALL AT THE END OF THE DASH (A-BODY), OR ON THE DRIVER'S DOOR LATCH PLATE (C-BODY).

AN EXAMPLE OF A COLOR CODE NUMBER IS B07, WHICH DESIGNATES AN OVERALL COLOR SCHEME OF A PARTICULAR UNIT. THE COLOR LISTED AFTER THE ITEM DESCRIPTION ON THE MICROFICHE, INDICATES THE OVERALL UNIT COLOR. ORDER THE ITEM YOU DESIRE ACCORDING TO UNIT COLOR CODE.



NOTE: USE THIS ILLUSTRATION WHEN DETERMINING LENGTH AND WIDTH MEASUREMENTS FOR CURTAINS. YOU WILL NOTE THE WIDTH MEASUREMENT IS TAKEN ON THE TOP OF THE CURTAIN WITH THE CURTAIN FULLY EXTENDED. THE LENGTH MEASUREMENT IS TAKEN FROM TOP TO BOTTOM. LEFT AND RIGHT WINDOW LEGS ARE DETERMINED WHEN FACING

CURTAIN & CUSHION GROUP (CONTINUED)

FABRICS

KEY	PART NUMBER	U/M	DESCRIPTION
	072333-12-000	YD	FABRIC-DRAPERY, BIRCHWOOD SLATE (D27)
	072333-13-000	YD	FABRIC-DRAPERY, BIRCHWOOD TAUPE (D28)
	072333-08-000	YD	FABRIC-DRAPERY, GALAXY ANTIQUE WHITE (D27, D28)
	087272-01-000	YD	FABRIC-LINING, CURTAIN - 48" WIDE - IVORY
	087272-03-000	YD	FABRIC-LINING, CURTAIN - 54" WIDE - IVORY
	088273-87-000	YD	FABRIC-BEDSPREAD/CURTAIN, PLAIN - 54" WIDE - SLATE (D27)
	088273-88-000	YD	FABRIC-BEDSPREAD/CURTAIN, PLAIN - 54" WIDE - LILAC (D28)
	103907-01-01A	YD	FABRIC-VINYL, 64" WIDE - OFF WHITE
	104233-31-000	YD	FABRIC-UPHOLSTERY/CURTAIN, PLAIN VELOUR - 54" WIDE - BLUE (D27)
	104233-28-000	YD	FABRIC-UPHOLSTERY/CURTAIN, PLAIN VELOUR - 54" WIDE - BROWN (D28)
	104233-70-000	YD	FABRIC-UPHOLSTERY, STRIPED WOVEN - 54" WIDE - STEEL (D27)
	106448-10-000	YD	FABRIC-UPHOLSTERY, STRIPED WOVEN - 54" WIDE - WHEAT (D28)
	104233-79-000	YD	FABRIC-UPHOLSTERY, WOVEN PATTERN - 54" WIDE - BLUE/BEIGE (D27)
	104233-81-000	YD	FABRIC-UPHOLSTERY, PATTERN VELOUR - 54" WIDE - BROWNS/BLUE (D28)
	104233-80-000	YD	FABRIC-UPHOLSTERY, PATTERN VELOUR - 54" WIDE - BLUE (D27)
	104233-82-000	YD	FABRIC-UPHOLSTERY, TEXTURED PATTERN VELOUR - 54" WIDE - BROWN (D28)
	105715-17-000	YD	FABRIC-BEDSPREAD/CURTAIN, PATTERN - CREAM/GOLD/PINK/GREEN (D27)
	105745-08-000	YD	FABRIC-BEDSPREAD/CURTAIN, PATTERN - GRAY/MAUVE/TAN (D28)

1993 ITASCA TABLE OF CONTENTS

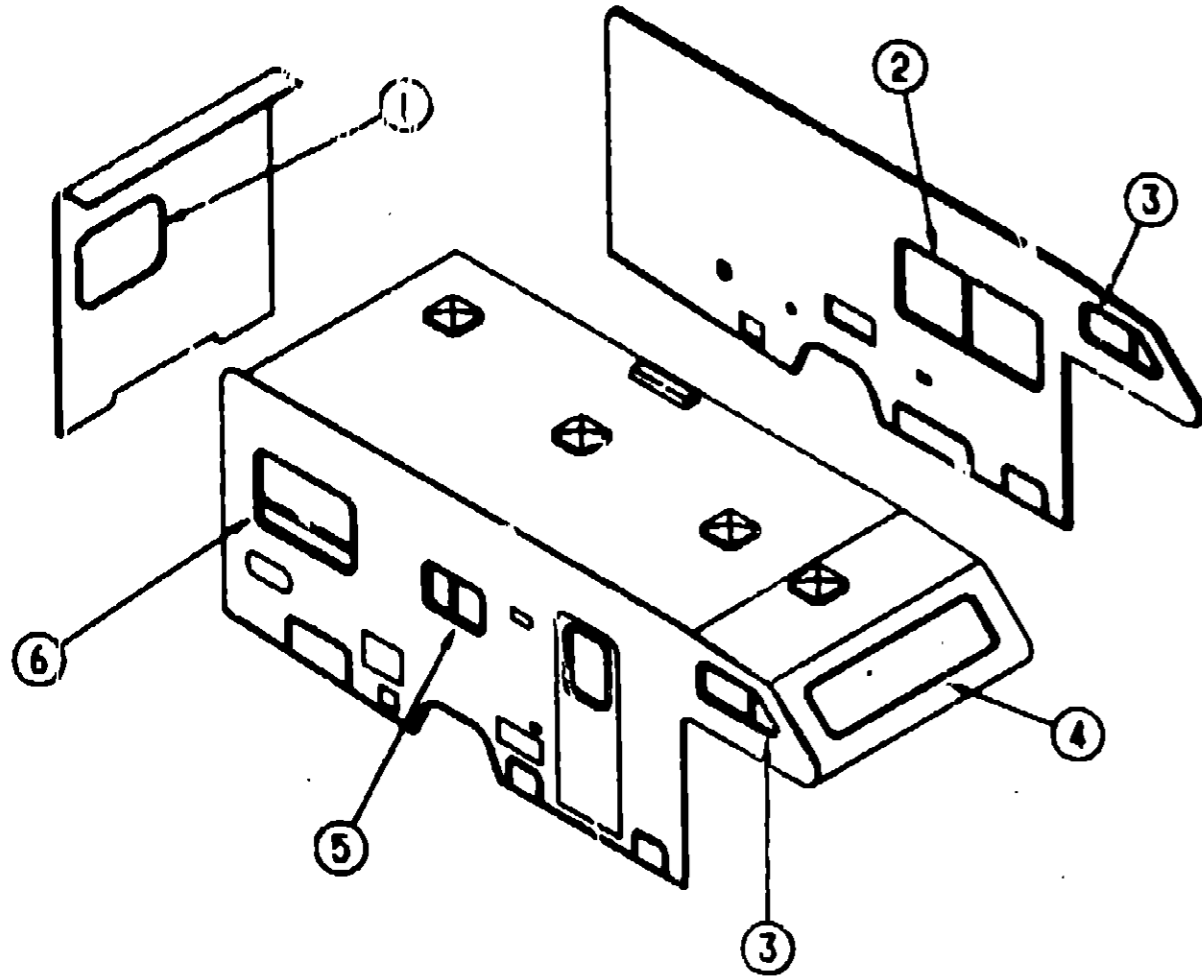
INTRODUCTION	A-01 - A-02
ABBREVIATIONS	A-03
ALPHABETICAL INDEX	A-04 - A-08
IC424FC	A-07 - E-02
IC422FG	E-03 - H-16

1993 IC424RC INDEX

FLOOR PLAN	A-07 - A-08
ACCESSORIES	A-09
AUDIO VIDEO	A-10 - A-11
BATH	A-12 - A-14
BEDROOM	A-15
CHASSIS	A-18 - A-20
CURTAIN & CUSHION	A-21 - B-08
DINETTE	B-09 - B-10
DRIVERS COMPARTMENT	B-11 - B-14
ELECTRICAL	B-15 - B-18
EXTERIOR BODY	B-19 - C-03
GALLEY	C-04 - C-07
GENERATOR	C-08
HEATING & A/C	C-09 - C-10
INTERIOR FINISH	C-11 - C-14
LABELS	C-15 - C-22
LP	C-23
LOUNGE	C-24
SEALANTS & FASTENERS	D-01 - D-04
WATER & SEWAGE	D-05 - D-10
WINDOW, VENT AND EXTERIOR DOOR	D-11 - E-02

CURTAIN & CUSHION GROUP (CONTINUED)

CURTAINS & WINDOW TREATMENT



**1993 ITASCA
TABLE OF CONTENTS**

INTRODUCTION	A-01 - A-02
ABBREVIATIONS	A-03
ALPHABETICAL INDEX	A-04 - A-08
IC424RC	A-07 - E-02
IC422RG	E-03 - H-16

KEY	PART NUMBER	U/M	DESCRIPTION
4	101034-15-D27	EA	CURTAIN-DARTED TAPE TOP & BOTTOM, 21" X 48" FROM: 00-00-00 THRU: 09-13-92
4	101034-20-D27	EA	CURTAIN-DARTED TAPE TOP & BOTTOM, RIGHT - 21" X 60" FROM: 09-14-92 THRU: 99-99-99
4	101034-21-D27	EA	CURTAIN-DARTED TAPE TOP & BOTTOM, LEFT - 21" X 60" FROM: 07-14-92 THRU: 99-99-99
4	101034-15-D28	EA	CURTAIN-DARTED TAPE TOP & BOTTOM, 21" X 48" FROM: 00-00-00 THRU: 09-13-92
4	101034-20-D28	EA	CURTAIN-DARTED TAPE TOP & BOTTOM, RIGHT - 21" X 60" FROM: 09-14-92 THRU: 99-99-99
4	101034-21-D28	EA	CURTAIN-DARTED TAPE TOP & BOTTOM, LEFT - 21" X 60" FROM: 09-14-92 THRU: 99-99-99
5	109353-03-01A	EA	SLATS-BLIND, 27" - GLOSS FAWN (D27)
5	109353-03-02A	EA	SLATS-BLIND, 27" - PURE SILVER (D28)
5	109353-04-000	EA	CLIP-VALANCE, SLAT MOUNTING - CLEAR PLASTIC - PAIR
5	093475-32-15A	EA	BLIND-MINI, 27" X 18.5" DROP - GLOSS FAWN (D27)
5	093475-32-16A	EA	BLIND-MINI, 27" X 18.5" DROP - PURE SILVER (D28)
5	109041-17-02A	EA	BLIND-MINI, 28.5" X 18.5" - GLOSS FAWN (D27) (EUROPEAN WINDOW OPTION)
5	109041-17-01A	EA	BLIND-MINI, 28.5" X 18.5" - PURE SILVER (D28) (EUROPEAN WINDOW OPTION)
6	107978-05-D27	EA	VALANCE-WINDOW, 45"
6	107978-05-D28	EA	VALANCE-WINDOW, 45"
6	104157-01-C06	EA	LEG-CURTAIN, 27" - RIGHT (D27)
6	104157-01-C04	EA	LEG-CURTAIN, 27" - RIGHT (D28)
6	104157-02-C05	EA	LEG-CURTAIN, 27" - LEFT (D27)
6	104157-02-C04	EA	LEG-CURTAIN, 27" - LEFT (D28)
6	093475-99-01A	EA	BLIND-MINI, 41" X 28.5" DROP - GLOSS FAWN (D27)
6	093475-99-02A	EA	BLIND-MINI, 41" X 28.5" DROP - PURE SILVER (D28)
6	073280-52-D27	EA	TIEBACK-CURTAIN, 3" X 15" - GATHERED
6	073280-52-D28	EA	TIEBACK-CURTAIN, 3" X 15" - GATHERED
6	084481-19-B85	EA	CURTAIN-SHOWER, 60" X 42" (D27)
6	084481-19-B86	EA	CURTAIN-SHOWER, 60" X 42" (D28)
6	073280-54-C09	EA	TIEBACK-CURTAIN, SHOWER - 3" X 16" (D27)
6	073280-54-C10	EA	TIEBACK-CURTAIN, SHOWER - 3" X 16" (D28)
6	101868-39-D27	EA	CURTAIN-TAPE TOP, PASSENGER WINDSHIELD PRIVACY - 35" X 50"
6	101868-39-D28	EA	CURTAIN-TAPE TOP, PASSENGER WINDSHIELD PRIVACY - 35" X 50"
6	101868-40-D27	EA	CURTAIN-TAPE TOP, DRIVER WINDSHIELD PRIVACY - 35" X 50"
6	101868-40-D28	EA	CURTAIN-TAPE TOP, DRIVER WINDSHIELD PRIVACY - 35" X 50"
6	073280-23-D27	EA	TIEBACK-CURTAIN, WINDSHIELD PRIVACY - 3" X 16" (D27)
6	073280-23-D28	EA	TIEBACK-CURTAIN, WINDSHIELD PRIVACY - 3" X 16" (D28)
6	101868-38-D27	EA	CURTAIN-TAPE TOP, BEDROOM PRIVACY - 70" X 60"
6	101868-38-D28	EA	CURTAIN-TAPE TOP, BEDROOM PRIVACY - 70" X 60"
6	073280-59-D27	EA	TIEBACK-CURTAIN, BEDROOM PRIVACY - 4" X 15"
6	073280-59-D28	EA	TIEBACK-CURTAIN, BEDROOM PRIVACY - 4" X 15"
6	076892-18-D27	EA	CURTAIN-SNAP TOP, BUNK PRIVACY - 60" X 72"
6	076892-18-D28	EA	CURTAIN-SNAP TOP, BUNK PRIVACY - 60" X 72"
6	067534-01-C00	EA	TIEBACK/TIEDOWN-BED/CURTAIN/DOOR, 6" - PLASTIC - CLEAR

1993 IC424RC INDEX

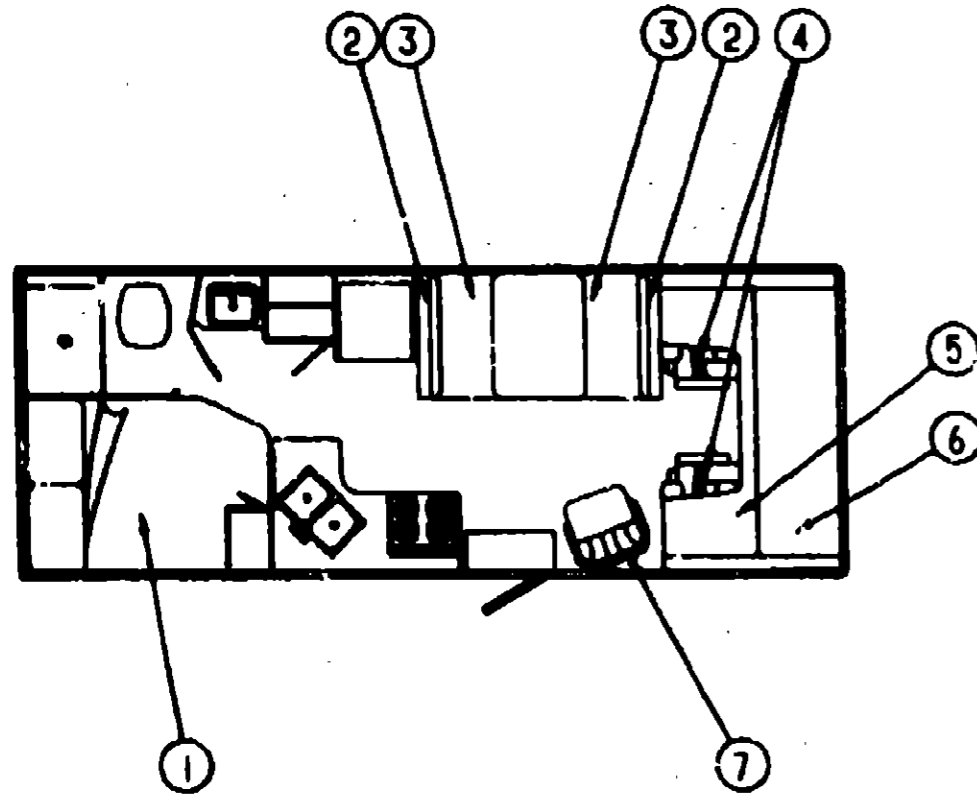
FLOOR PLAN	A-07 - A-08
ACCESSORIES	A-09
AUDIO VIDEO	A-10 - A-11
BATH	A-12 - A-14
BEDROOMS	A-15
CHASSIS	A-16 - A-20
CURTAIN & CUSHION	A-21 - B-08
DINETTE	B-09 - B-10
DRIVERS COMPARTMENT	B-11 - B-14
ELECTRICAL	B-15 - B-18
EXTERIOR BODY	B-19 - C-03
GALLEY	C-04 - C-07
GENERATOR	C-08
HEATING & A/C	C-09 - C-10
INTERIOR FINISH	C-11 - C-14
LABELS	C-15 - C-22
LP	C-23
LOUNGE	C-24
SEALANTS & FASTENERS	D-01 - D-04
WATER & SEWAGE	D-05 - D-10
WINDOW, VENT AND EXTERIOR DOOR	D-11 - E-02

KEY	PART NUMBER	U/M	DESCRIPTION
1	107978-04-D27	EA	VALANCE-WINDOW, 41"
1	107978-04-D28	EA	VALANCE-WINDOW, 41"
1	104157-01-C06	EA	LEG-CURTAIN, 27" - RIGHT (D27)
1	104157-01-C04	EA	LEG-CURTAIN, 27" - RIGHT (D28)
1	104157-02-C05	EA	LEG-CURTAIN, 27" - LEFT (D27)
1	104157-02-C04	EA	LEG-CURTAIN, 27" - LEFT (D28)
1	093475-78-04A	EA	BLIND-MINI, 36" X 28" DROP - GLOSS FAWN (D27)
1	093475-78-05A	EA	BLIND-MINI, 36" X 28" DROP - PURE SILVER (D28)
1	073280-52-D27	EA	TIEBACK-CURTAIN, 3" X 15" - GATHERED
1	073280-52-D28	EA	TIEBACK-CURTAIN, 3" X 15" - GATHERED
2	107978-01-D27	EA	VALANCE-WINDOW, 35"
2	107978-01-D28	EA	VALANCE-WINDOW, 35"
2	109041-01-01A	EA	BLIND-MINI, 32" X 28.5" - GLOSS FAWN (D27)
2	109041-01-02A	EA	BLIND-MINI, 32" X 28.5" - PURE SILVER (D28)
3	101034-14-D27	EA	CURTAIN-DARTED TAPE TOP & BOTTOM, 16" X 28" FROM: 00-00-00 THRU: 09-13-92
3	101034-22-D27	EA	CURTAIN-DARTED TAPE TOP & BOTTOM, RIGHT - 16" X 28" FROM: 09-14-92 THRU: 99-99-99
3	101034-23-D27	EA	CURTAIN-DARTED TAPE TOP & BOTTOM, LEFT - 16" X 28" FROM: 09-14-92 THRU: 99-99-99
3	101034-14-D28	EA	CURTAIN-DARTED TAPE TOP & BOTTOM, 16" X 28" FROM: 00-00-00 THRU: 09-13-92
3	101034-22-D28	EA	CURTAIN-DARTED TAPE TOP & BOTTOM, RIGHT - 16" X 28" FROM: 09-14-92 THRU: 99-99-99
3	101034-23-D28	EA	CURTAIN-DARTED TAPE TOP & BOTTOM, LEFT - 16" X 28" FROM: 09-14-92 THRU: 99-99-99

CURTAIN & CUSHION GROUP (CONTINUED)

BUCKET SEATS

**1993 ITASCA
TABLE OF CONTENTS**



KEY	PART NUMBER	U/M DESCRIPTION
4	093450-32-D27	EA SEAT-BUCKET, DRIVER - W/O PEDESTALS & SKIRTS (CHEVY)
4	093450-33-D27	EA SEAT-BUCKET, PASSENGER - W/O PEDESTALS & SKIRTS (CHEVY)
4	093450-32-D28	EA SEAT-BUCKET, DRIVER - W/O PEDESTALS & SKIRTS (CHEVY) FROM: 00-00-00 THRU: 08-25-92
4	093450-43-D28	EA SEAT-BUCKET, DRIVER - W/O PEDESTALS & SKIRTS (CHEVY) FROM: 08-28-92 THRU: 99-99-99
4	093450-33-D28	EA SEAT-BUCKET, PASSENGER - W/O PEDESTALS & SKIRTS (CHEVY) FROM: 00-00-00 THRU: 08-25-92
4	093450-44-D28	EA SEAT-BUCKET, PASSENGER - W/O PEDESTALS & SKIRTS (CHEVY) FROM: 08-28-92 THRU: 99-99-99
4	093450-37-D27	EA SEAT-BUCKET, DR/PASS - W/O PEDESTALS & SKIRTS (FORD)
4	093450-37-D28	EA SEAT-BUCKET, DR/PASS - W/O PEDESTALS & SKIRTS (FORD) FROM: 00-00-00 THRU: 08-25-92
4	093450-48-D28	EA SEAT-BUCKET, DR/PASS - W/O PEDESTALS & SKIRTS (FORD) FROM: 08-28-92 THRU: 99-99-99
4	093450-40-D27	EA SEAT-BUCKET, DRIVER - W/O PEDESTALS & SKIRTS (CHEVY RECLINING OPTION) FROM: 00-00-00 THRU: 99-99-99
4	093450-40-D28	EA SEAT-BUCKET, DRIVER - W/O PEDESTALS & SKIRTS (CHEVY RECLINING OPTION) FROM: 00-00-00 THRU: 08-25-92
4	093450-45-D28	EA SEAT-BUCKET, DRIVER - W/O PEDESTALS & SKIRTS (CHEVY RECLINING OPTION) FROM: 08-28-92 THRU: 99-99-99
4	093450-41-D27	EA SEAT-BUCKET, PASS - W/O PEDESTALS & SKIRTS (CHEVY RECLINING OPTION) FROM: 00-00-00 THRU: 99-99-99
4	093450-41-D28	EA SEAT-BUCKET, PASS - W/O PEDESTALS & SKIRTS (CHEVY RECLINING OPTION) FROM: 00-00-00 THRU: 08-25-92
4	093450-46-D28	EA SEAT-BUCKET, PASS - W/O PEDESTALS & SKIRTS (CHEVY RECLINING OPTION) FROM: 08-28-92 THRU: 99-99-99
4	093450-42-D27	EA SEAT-BUCKET, DR/PASS - W/O PEDESTALS & SKIRTS (FORD RECLINING OPTION) FROM: 00-00-00 THRU: 99-99-99
4	093450-42-D28	EA SEAT-BUCKET, DR/PASS - W/O PEDESTALS & SKIRTS (FORD RECLINING OPTION) FROM: 00-00-00 THRU: 08-25-92
4	093450-47-D28	EA SEAT-BUCKET, DR/PASS - W/O PEDESTALS & SKIRTS (FORD RECLINING OPTION) FROM: 08-28-92 THRU: 99-99-99

INTRODUCTION	A-01	A-02
ABBREVIATIONS		A-03
ALPHABETICAL INDEX	A-04	A-05
IC424RC	A-07	E-02
IC422P.G	E-03	H-16

DOUBLE BEDSPREAD, PILLOW & MATTRESS

KEY	PART NUMBER	U/M DESCRIPTION
1	083888-06-D27	EA BEDSPREAD-DOUBLE, 54" - LEFT CUT CORNERS
1	083888-06-D28	EA BEDSPREAD-DOUBLE, 54" - LEFT CUT CORNERS
	104888-08-D27	EA SHAM-PILLOW, W/FLANGE
	104888-08-D28	EA SHAM-PILLOW, W/FLANGE
	101123-09-000	EA MATTRESS-FOAM, 53" X 74" - W/CUT CORNER
	P01123-03-000	EA COVER-MATTRESS, FOAM, 53" X 74" - W/CUT CORNER

DINETTE CUSHIONS

KEY	PART NUMBER	U/M DESCRIPTION
2	108141-01-D27	EA CUSHION-BACKREST, 13.5" X 38" X 5"
2	108141-01-D28	EA CUSHION-BACKREST, 13.5" X 38" X 5"
2	P08141-01-D27	EA COVER-CUSHION, BACKREST - 13.5" X 38" X 5"
2	P08141-01-D28	EA COVER-CUSHION, BACKREST - 13.5" X 38" X 5"
	078185-01-000	EA STRAP-SNAP, BACKREST CUSHION
3	088827-87-D27	EA CUSHION-SEATBASE, 23" X 38" X 5"
3	088827-87-D28	EA CUSHION-SEATBASE, 23" X 38" X 5"
	M88827-87-D27	EA COVER-CUSHION, SEATBASE - 23" X 38" X 5"
	M88827-87-D28	EA COVER-CUSHION, SEATBASE - 23" X 38" X 5"

BUNK CUSHIONS

KEY	PART NUMBER	U/M DESCRIPTION
5	106573-01-D27	EA CUSHION-BUNK, REAR - 27" X 23" X 80" X 5"
5	106573-01-D28	EA CUSHION-BUNK, REAR - 27" X 23" X 80" X 5"
	P06573-10-D27	EA COVER-CUSHION, BUNK - REAR - 27" X 23" X 80" X 5"
	P06573-08-D28	EA COVER-CUSHION, BUNK - REAR - 27" X 23" X 80" X 5"
6	106573-09-D27	EA CUSHION-BUNK, FRONT - 32.5" X 80" X 5"
6	106573-09-D28	EA CUSHION-BUNK, FRONT - 32.5" X 80" X 5"
	P06573-09-D27	EA COVER-CUSHION, BUNK - FRONT - 32.5" X 80" X 5"
	P06573-07-D28	EA COVER-CUSHION, BUNK - FRONT - 32.5" X 80" X 5"

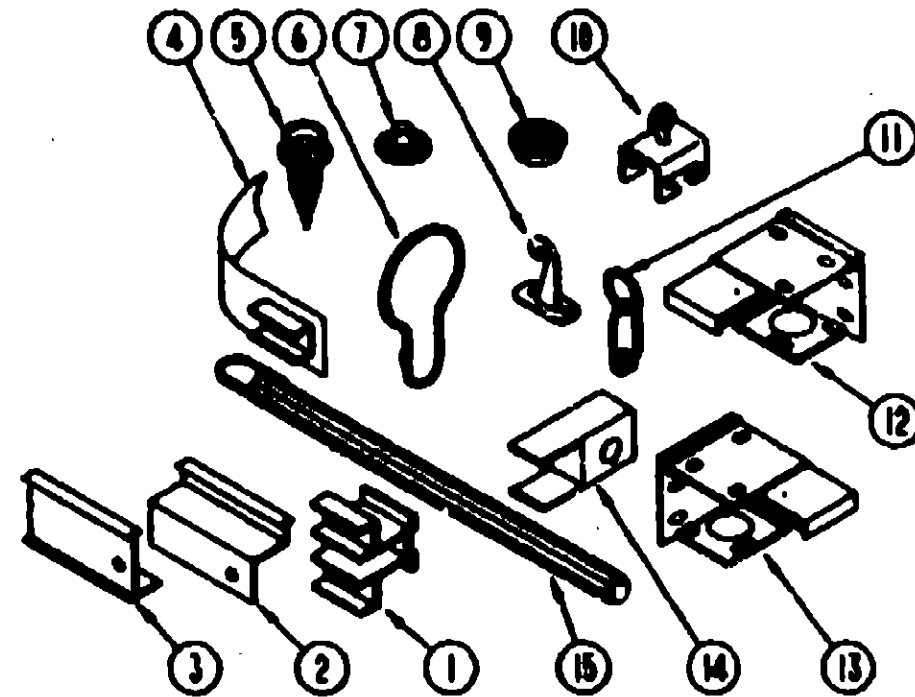
SWIVEL CHAIR

KEY	PART NUMBER	U/M DESCRIPTION
7	107957-01-D27	EA CHAIR-SWIVEL, W/O PEDESTAL & SKIRT
7	107957-03-D28	EA CHAIR-SWIVEL, W/O PEDESTAL & SKIRT

1993 IC424RC INDEX

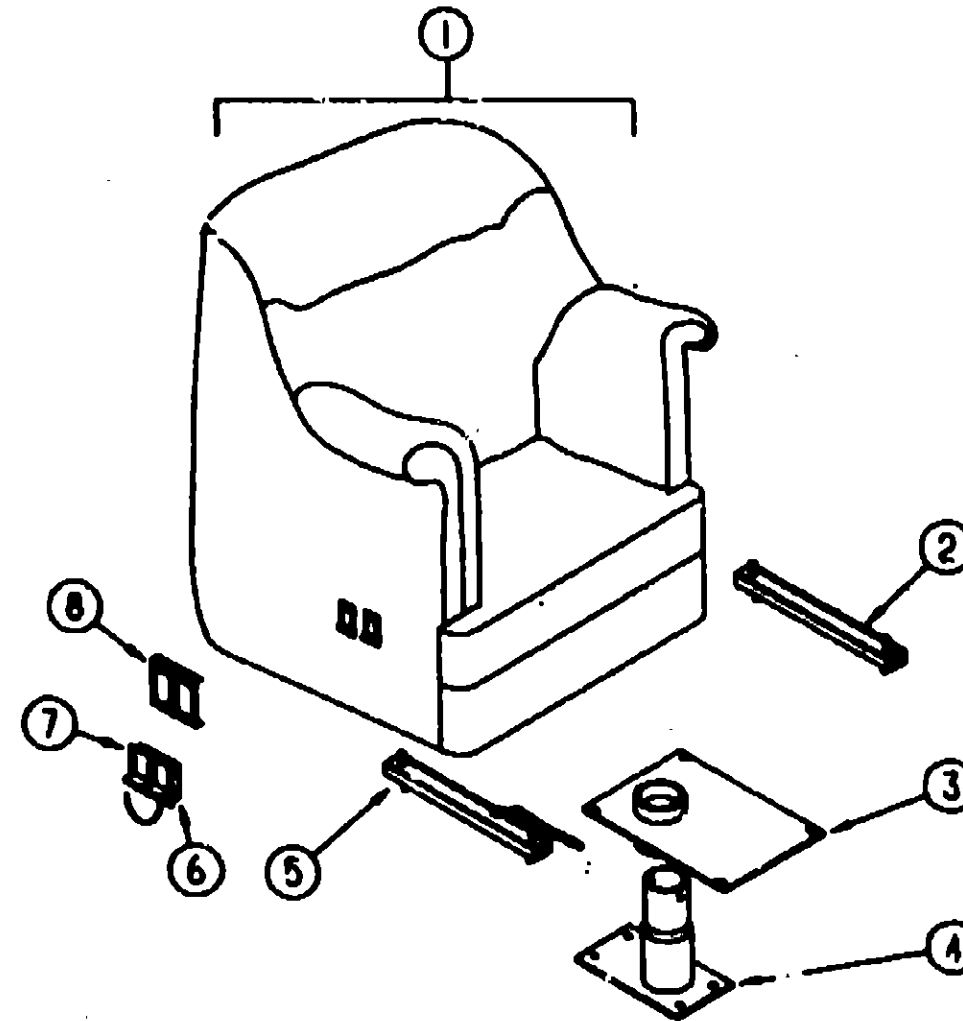
FLOOR PLAN	A-07	A-08
ACCESSORIES		A-09
AUDIO VIDEO	A-10	A-11
BATH	A-12	A-14
BEDROOM		A-15
CHASSIS	A-16	A-20
CURTAIN & CUSHION	A-21	B-08
DINETTE	B-09	B-10
DRIVERS COMPARTMENT	B-11	B-14
ELECTRICAL	B-15	B-18
EXTERIOR BODY	B-19	C-03
GALLEY	C-04	C-07
GENERATION		C-08
HEATING & A/C	C-09	C-10
INTERIOR FINISH	C-11	C-14
LABELS	C-15	C-22
LP		C-23
LOUNGE		C-24
SEALANTS & FASTENERS	D-01	D-04
WATER & SEWAGE	D-05	D-10
WINDOW, VENT AND EXTERIOR DOOR	D-11	E-02

CURTAIN & CUSHION GROUP (CONTINUED)



CURTAIN & BLIND HARDWARE

CURTAIN & CUSHION GROUP (CONTINUED)



SWIVEL CHAIR

**1983 ITASCA
TABLE OF CONTENTS**

INTRODUCTION	A-01	A-02
ABBREVIATIONS		A-03
ALPHABETICAL INDEX	A-04	A-08
IC424RC	A-07	E-02
IC422RG	E-03	H-16

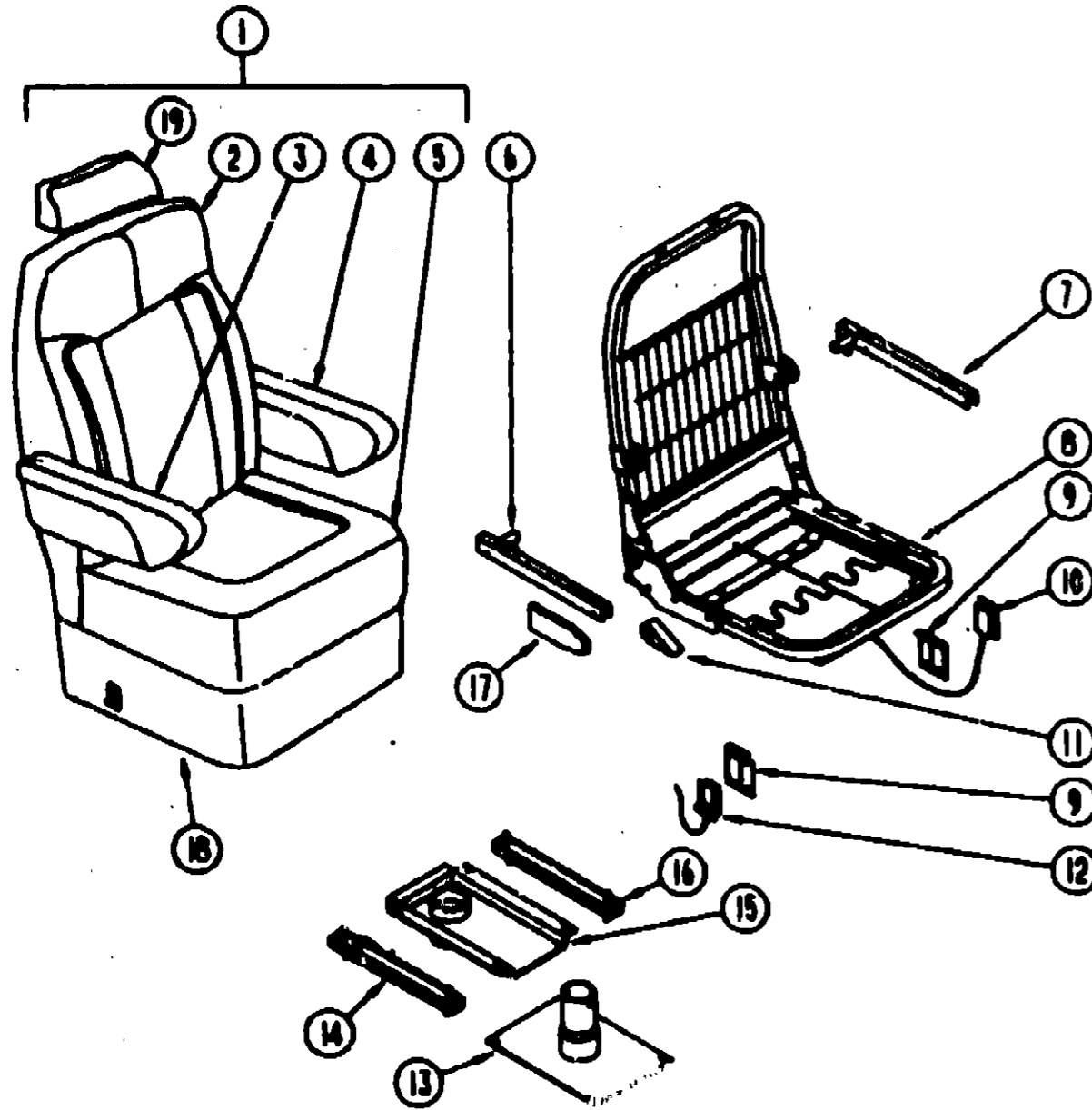
1983 IC424RC INDEX

FLOOR PLAN	A-07	A-08
ACCESSORIES		A-09
AUDIO VIDEO	A-10	A-11
BATH	A-12	A-14
BEDROOM		A-15
CHASSIS	A-19	A-20
CURTAIN & CUSHION	A-21	B-08
DINETTE	B-09	B-10
DRIVERS COMPARTMENT	B-11	B-14
ELECTRICAL	B-15	B-18
EXTERIOR BODY	B-19	C-03
GALLEY	C-04	C-07
GENERATOR		C-08
HEATING & A/C	C-09	C-10
INTERIOR FINISH	C-11	C-14
LABELS	C-15	C-22
LP		C-23
LOUNGE		C-24
SEALANTS & FASTENERS	D-01	D-04
WATER & SEWAGE	D-05	D-10
WINDOW, VENT AND EXTERIOR DOOR	D-11	E-02

KEY	PART NUMBER	U/M	DESCRIPTION
1	10133-03-000	FT	TRACK-WALL, WHITE - CT225 - SHAPCO
2	105480-05-01A	EA	TRACK-CURTAIN, 88" LONG - OFF WHITE
3	008700-04-001	EA	TRACK-CURTAIN, L-SHAPED - 182" LONG - OFF WHITE
4	002484-05-01A	EA	TRACK-CURTAIN, SHOWER - OFF WHITE
5	101031-01-000	YD	TAPE-GLIDE, CURTAIN - 4.25" SPACING
6	028130-01-000	EA	SCREW-SNAP SOCKET, 8 PH X 5/8"
7	009138-02-000	EA	HANGER-RING, PIN TYPE - CURTAIN - BRASS
8	009185-01-000	EA	CAP-SNAP, NICKEL
9	108441-01-000	EA	HOLD DOWN-BLIND, HOOK
10	009188-01-000	EA	SOCKET-SNAP FASTENER, NICKEL
11	006702-01-000	EA	END STOP-CURTAIN CARRIER, L ROD
12	009701-01-000	EA	CARRIER-CURTAIN, L ROD
13	009170-01-000	EA	BRACKET-BLIND, RIGHT SIDE
14	009170-02-000	EA	BRACKET-BLIND, LEFT SIDE
15	101033-02-000	EA	END CAP-TRACK, CLEAR
16	009475-01-700	EA	WAND-BLIND, W/ METAL CLIP - 8" LONG
	009475-01-701	FA	END CAP-BLIND, W/STUD
	108885-01-000	EA	CLEAT-CORD, BLIND - PLASTIC - OFF WHITE
	048957-01-000	EA	GROMMET-BRASS, 7/16" ID X 1" OD
	048984-02-000	YD	VELCRO TAPE HOOK, ADHESIVE BACK - .75" WIDE - BEIGE
	009718-01-001	EA	BRACE-90 DEGREE L-ANGLE, 182" - EXTRUDED ALUMINUM
	075848-01-000	EA	BRACE-ANGLE, WHOLE8 - 1" X 1.5" X 20" - ALUMINUM - BEIGE
	075843-02-000	EA	BRACE-ANGLE, WHOLE8 - 1" X 1.5" X 14" - ALUMINUM - BEIGE
	009782-01-000	YD	VELCRO-HOOK, .75" WIDE - BEIGE
	009782-02-000	YD	VELCRO TAPE-LOOP, ADHESIVE BACKED - .75" WIDE - BEIGE

KEY	PART NUMBER	U/M	DESCRIPTION
1	107957-01-D27	EA	CHAIR-SWIVEL, W/O PEDESTAL & SKIRT
1	107957-03-D28	EA	CHAIR-SWIVEL, W/O PEDESTAL & SKIRT
	P07957-01-D27	EA	COVER-CHAIR, SWIVEL
	P07957-03-D28	EA	CHAIR-SWIVEL, W/O PEDESTAL & SKIRT
2	009248-06-000	EA	ADJUSTER-SWIVEL CHAIR, MANUAL - FORWARD & BACK
3	107921-08-000	EA	TOP PLATE-W/O SEAT BELT BAR - FLEXSTEEL 2750POTP
4	107921-06-000	EA	BEARING KIT, FLEXSTEEL
	1081-02-000	EA	BASE-PEDESTAL, W/10" EXTENSION
			FROM: 00-00-00 THRU: 08-20-82
4	107921-01-000	EA	BASE-PEDESTAL, W/9.75" EXTENSION - FLEXSTEEL 3080 MSPD
			FROM: 08-24-82 THRU: 08-00-88
	009482-01-000	EA	SHROUD-PEDESTAL, 13" - PLASTIC - BLACK
			FROM: 00-00-00 THRU: 08-23-82
5	009248-06-000	EA	ADJUSTER-SWIVEL CHAIR, FORWARD & BACK - SCHROCK
	009248-05-700	EA	SPRING-REMOTE SLIDE ADJUSTER, 9ST-TS-108-5
	009248-05-701	EA	CLIP ONLY-CABLE ASM., SLIDE ADJUSTER
6	108049-01-000	EA	CABLE-SWIVEL, W/SWITCH, 28" - FLEXSTEEL PED 23802
	108049-02-000	EA	CLIP-CABLE, PEDESTAL - FLEXSTEEL 2592-CA
7	009388-04-000	EA	CABLE-SLIDE, W/SWITCH - BUCKET SEAT
8	007983-02-000	EA	BRACKET-MOUNT, REMOTE
	107977-01-D27	EA	SKIRT-CHAIR, SWIVEL
	107977-03-D28	EA	SKIRT-CHAIR, SWIVEL
	007221-01-000	EA	SPACER-SEAT, ADJUSTER - 4 USED PER SWIVEL CHAIR

CURTAIN & CUSHION GROUP (CONTINUED)



BUCKET SEATS

KEY	PART NUMBER	U/M DESCRIPTION
1	093460-40-D28	EA SEAT-BUCKET, DRIVER - W/O PEDESTALS & SKIRTS (CHEVY RECLINING OPTION) FROM: 00-00-00 THRU: 08-25-92
1	093460-46-D28	EA SEAT-BUCKET, DRIVER - W/O PEDESTALS & SKIRTS (CHEVY RECLINING OPTION) FROM: 08-26-92 THRU: 99-99-99
1	093460-41-D27	EA SEAT-BUCKET, PASS - W/O PEDESTALS & SKIRTS (CHEVY RECLINING OPTION) FROM: 00-00-00 THRU: 99-99-99
1	093460-41-D28	EA SEAT-BUCKET, PASS - W/O PEDESTALS & SKIRTS (CHEVY RECLINING OPTION) FROM: 00-00-00 THRU: 08-25-92
1	093460-46-D28	EA SEAT-BUCKET, PASS - W/O PEDESTALS & SKIRTS (CHEVY RECLINING OPTION) FROM: 08-26-92 THRU: 99-99-99
1	093460-42-D27	EA SEAT-BUCKET, DRVPASS - W/O PEDESTALS & SKIRTS (FORD RECLINING OPTION) FROM: 00-00-00 THRU: 99-99-99
1	093460-42-D28	EA SEAT-BUCKET, DRVPASS - W/O PEDESTALS & SKIRTS (FORD RECLINING OPTION) FROM: 00-00-00 THRU: 08-25-92
1	093460-47-D28	EA SEAT-BUCKET, DRVPASS - W/O PEDESTALS & SKIRTS (FORD RECLINING OPTION) FROM: 08-26-92 THRU: 99-99-99
2	M03445-22-D27	EA COVER-BACK, BUCKET SEAT (CHEVY)
2	M03445-22-D28	EA COVER-BACK, BUCKET SEAT (CHEVY) FROM: 00-00-00 THRU: 08-25-92
2	M03445-88-D28	EA COVER-BACK, BUCKET SEAT (CHEVY) FROM: 08-26-92 THRU: 99-99-99
2	M03445-88-D27	EA COVER-BACK, BUCKET SEAT (FORD)
2	M03445-88-D28	EA COVER-BACK, BUCKET SEAT (FORD) FROM: 00-00-00 THRU: 08-25-92
2	M03445-88-D28	EA COVER-BACK, BUCKET SEAT (FORD) FROM: 08-26-92 THRU: 99-99-99
3	080243-49-D27	EA ARMREST-RIGHT SIDE, BUCKET SEAT
3	080243-49-D28	EA ARMREST-RIGHT SIDE, BUCKET SEAT
	M80243-49-D27	EA COVER-ARMREST, RIGHT SIDE
	M80243-49-D28	EA COVER-ARMREST, RIGHT SIDE
4	080243-60-D27	EA ARMREST-LEFT SIDE, BUCKET SEAT
4	080243-60-D28	EA ARMREST-LEFT SIDE, BUCKET SEAT
	M80243-60-D27	EA COVER-ARMREST, LEFT SIDE
	M80243-60-D28	EA COVER-ARMREST, LEFT SIDE
5	M03445-23-D27	EA COVER-SEAT, BUCKET SEAT (CHEVY)
5	M03445-23-D28	EA COVER-SEAT, BUCKET SEAT (CHEVY) FROM: 00-00-00 THRU: 08-25-92
5	M03445-P7-D28	EA COVER-SEAT, BUCKET SEAT (CHEVY) FROM: 08-26-92 THRU: 99-99-99
5	M03445-87-D27	EA COVER-SEAT, BUCKET SEAT (FORD)
5	M03445-87-D28	EA COVER-SEAT, BUCKET SEAT (FORD) FROM: 00-00-00 THRU: 08-25-92
7	M03445-86-D28	EA COVER-SEAT, BUCKET SEAT (FORD) FROM: 08-26-92 THRU: 99-99-99
6	081288-01-000	EA ROD & CHANNEL-ARMREST- RIGHT - METAL
7	081288-02-000	EA ROD & CHANNEL-ARMREST- LEFT - METAL
	081361-01-000	EA ROD-ARMREST- METAL - RIGHT OR LEFT HAND

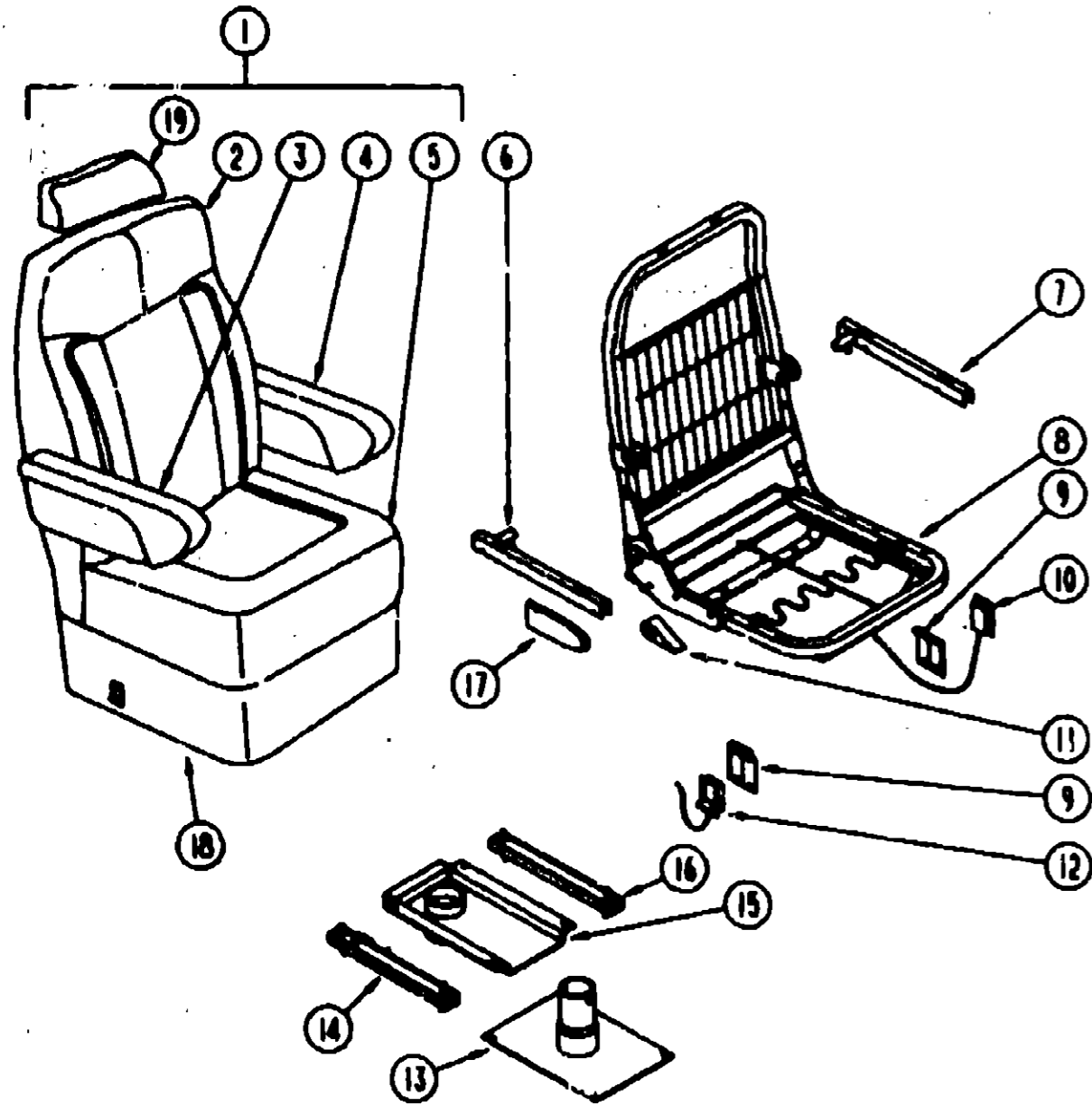
**1993 ITASCA
TABLE OF CONTENTS**

INTRODUCTION	A-01	A-02
ABBREVIATIONS		A-03
ALPHABETICAL INDEX	A-04	A-08
IC424RC	A-07	E-02
IC422RG	E-03	H-16

1993 IC424RC INDEX

FLOOR PLAN	A-07	A-08
ACCESSORIES		A-09
AUDIO VIDEO	A-10	A-11
BATH	A-12	A-14
BEDROOM		A-16
CHASSIS	A-18	A-20
CURTAIN & CUSHION	A-21	B-08
DINETTE	B-09	B-10
DRIVERS COMPARTMENT	B-11	B-14
ELECTRICAL	B-15	B-18
EXTERIOR BODY	B-19	C-03
GALLEY	C-04	C-07
GENERATOR		C-08
HEATING & A/C	C-09	C-10
INTERIOR FINISH	C-11	C-14
LABELS	C-15	C-22
LP		C-23
LOUNGE		C-24
SEALANTS & FASTENERS	D-01	D-04
WATER & SEWAGE	D-05	D-10
WINDOW, VENT AND EXTERIOR DOOR	D-11	F-02

CURTAIN & CUSHION GROUP (CONTINUED)



BUCKET SEATS (CONTINUED)

KEY	PART NUMBER	U/M DESCRIPTION
8	M80608-08-000	EA FRAME-SEAT & BACK & SPRING
8	M80608-08-000	EA FRAME-SEAT & BACK & SPRING - RECLINING
9	087883-03-000	EA BRACKET-REMOTE- SIDE MOUNT - SINGLE
10	088388-04-000	EA SWITCH & CABLE-SLIDE, 8HROCK
	080730-08-000	EA RECLINER-SEAT BACK, LEFT HAND
11	080730-04-700	EA HANDLE KIT-RECLINER
	080730-04-000	EA SCREW-RECLINER, HANDLE - KEIPER 300818-07
12	108048-01-000	EA SWITCH & CABLE-SWIVEL, 28" - FLEXSTEEL PED 23002
	108048-02-000	EA CLIP-CABLE, PEDESTAL - FLEXSTEEL 2482-CA
13	088885-41-000	EA PLATE-BASE
		FROM: 03-00-00 THRU: 02-21-83
	092885-02-000	EA PEDESTAL-LOWER, W/EXTENSION - 8" X 8" - STEEL (CHEVY) MOUNTS BETWEEN UPPER PEDESTAL AND BASEPLATE
		FROM: 00-00-00 THRU: 02-21-83
	088885-03-000	EA PEDESTAL-LOWER, W/EXTENSION - 8" X 8" - STEEL (FORD) MOUNTS BETWEEN UPPER PEDESTAL AND BASEPLATE
		FROM: 00-00-00 THRU: 02-21-83
	088885-28-000	EA BAR-SEATBELT, 18" LONG
		FROM: 00-00-00 THRU: 02-21-83

CURTAIN & CUSHION GROUP (CONTINUED)

BUCKET SEATS (CONTINUED)

KEY	PART NUMBER	U/M DESCRIPTION
13	107821-10-000	EA PEDESTAL ASM.-SEAT, CHEVY DRIVER - W/BASE PLATE, EXTENSION & TOP PLATE FLEXSTEEL 2963-PDDB FROM: 02-22-83 THRU: 99-99-99
13	107821-11-000	EA PEDESTAL ASM.-SEAT, CHEVY PASS - W/BASE PLATE, EXTENSION & TOP PLATE FLEXSTEEL 2964-PDPB FROM: 02-22-83 THRU: 99-99-99
13	107821-08-000	EA PEDESTAL ASM.-SEAT FORD, W/BASE PLATE, EXTENSION & TOP PLATE FLEXSTEEL 3067-PDDB FROM: 02-22-83 THRU: 99-99-99
14	088248-05-000	EA ADJUSTER-SEAT/CHAIR, W/REMOTE - FORWARD & BACK
	088248-06-700	EA SPRING-ADJUSTER, FOR REMOTE
	088248-06-701	EA CLIP-CABLE, FOR REMOTE
15	083481-04-000	EA TOP PLATE-PEDESTAL, BUCKET SEAT - W/O SEATBELT BAR FROM: 00-00-00 THRU: 02-21-83
15	107821-05-000	EA TOP PLATE-PEDESTAL, CHEVY BUCKET SEAT - W/SEATBELT BAR FROM: 02-22-83 THRU: 99-99-99
15	107821-06-000	EA TOP PLATE-PEDESTAL, FORD BUCKET SEAT - W/SEATBELT BAR FROM: 02-22-83 THRU: 99-99-99
	107821-08-000	EA BEARING KIT, PEDESTAL FROM: 02-22-83 THRU: 99-99-99
16	088248-02-000	EA ADJUSTER-SEAT/CHAIR, W/O LOCK - FORWARD & BACK
17	088288-08-000	EA SHIELD-CABLE, REMOTE RECLINER - BUCKET SEAT
18	071128-41-D27	EA SHORT-BUCKET SEAT, 7" SINGLE (D27)
18	071128-41-D28	EA SHORT-BUCKET SEAT, 7" SINGLE (D28)
19	086288-01-D09	EA HEADREST-BUCKET SEAT (D27)
19	086288-01-D36	EA HEADREST-BUCKET SEAT (D28)
	M86288-01-D09	EA COVER-HEADREST, BUCKET SEAT (D27)
	M86288-01-D36	EA COVER-HEADREST, BUCKET SEAT (D28)
19	086288-03-D09	EA HEADREST-BUCKET SEAT - RECLINING SEAT - MONOGRAM (D27)
19	086288-03-D28	EA HEADREST-BUCKET SEAT - RECLINING SEAT - MONOGRAM (D28)
	M86288-03-D09	EA COVER-HEADREST, BUCKET SEAT - RECLINING SEAT - MONOGRAM (D27)
	M86288-03-D28	EA COVER-HEADREST, BUCKET SEAT - RECLINING SEAT - MONOGRAM (D28)
	081172-01-000	EA TRIM-HEADREST, PLASTIC - BLACK
	091313-01-000	EA GROMMET-HEADREST

ASSIST HANDLE & SEATBELTS

KEY	PART NUMBER	U/M DESCRIPTION
	078348-04-D09	YD VELTING-FABRIC (D27)
	078348-04-D28	YD VELTING-FABRIC (D28)
	057534-01-000	EA TIEBACK/TIEDOWN-BED/CURTAIN/DOOR, 8" - CLEAR PLASTIC
	053662-02-AA8	EA HANDLE-ASSIST, INTERIOR - ENTRY DOOR - VINYL - OFF WHITE
	089178-02-000	EA BRACKET-MOUNTING, ASSIST HANDLE - L ANGLE - WHOLES - ST
	000C18-07-188	EA BOLT-CARRIAGE, ASSIST HANDLE - 7/16" - 14 X 1" ZN
	000D20-07-008	EA NUT-ACORN, ASSIST HANDLE - 7/16" X 14 ZN
	027759-01-000	EA WASHER BRACKET-SEAT BELT, 4" DIAMETER
	007021-01-000	EA BELT-SEAT, 2" X 90" - BLACK

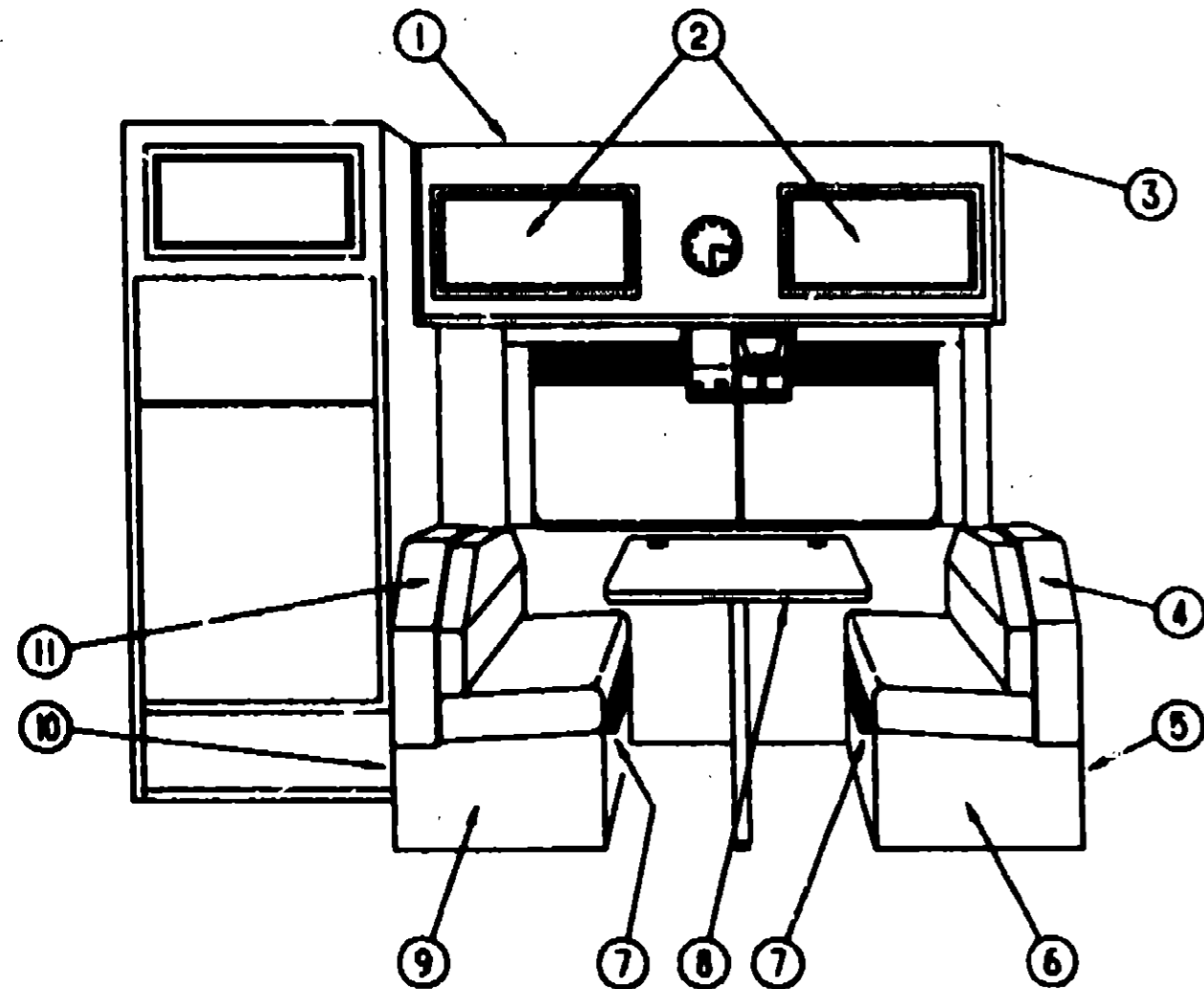
**1983 ITASCA
TABLE OF CONTENTS**

INTRODUCTION	A-01 - A-02
ABBREVIATIONS	A-03
ALPHABETICAL INDEX	A-04 - A-08
IC4247C	A-07 - E-08
IC4227G	E-03 - H-18

1983 IC4247C INDEX

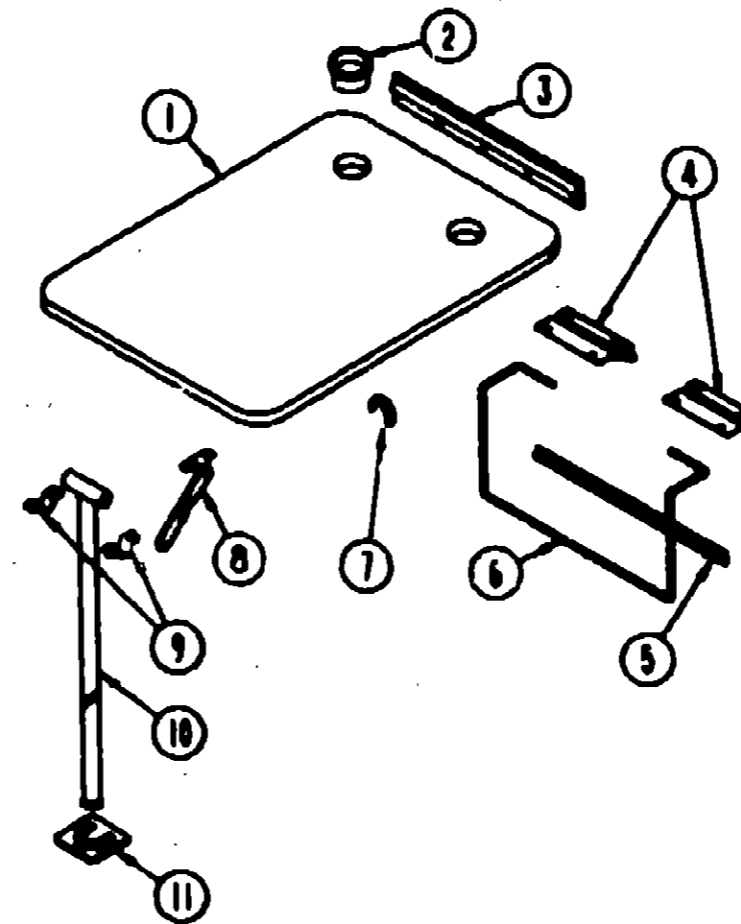
FLOOR PLAN	A-07 - A-08
ACCESSORIES	A-09
AUDIO VIDEO	A-10 - A-11
BATH	A-12 - A-14
BEDROOM	A-15
CHASSIS	A-16 - A-20
CURTAIN & CUSHION	A-21 - B-08
DINETTE	B-09 - B-10
DRIVERS COMPARTMENT	B-11 - B-14
ELECTRICAL	B-15 - B-18
EXTERIOR BODY	B-19 - C-03
GALLEY	C-04 - C-07
GENERATOR	C-08
HEATING & A/C	C-09 - C-10
INTERIOR FINISH	C-11 - C-14
LABELS	C-15 - C-22
LP	C-23
LOUNGE	C-24
SEALANTS & FASTENERS	D-01 - D-04
WATER & SEWAGE	D-05 - D-10
WINDOW, VENT AND EXTERIOR DOOR	D-11 - E-02

DINETTE GROUP



DINETTE CABINETS, TABLE & PADS

DINETTE GROUP (CONTINUED)



DINETTE TABLE & HARDWARE

**1983 ITASCA
TABLE OF CONTENTS**

INTRODUCTION	A-01 - A-02
ABBREVIATIONS	A-03
ALPHABETICAL INDEX	A-04 - A-08
IC424RC	A-07 - E-02
IC422PG	E-03 - H-16

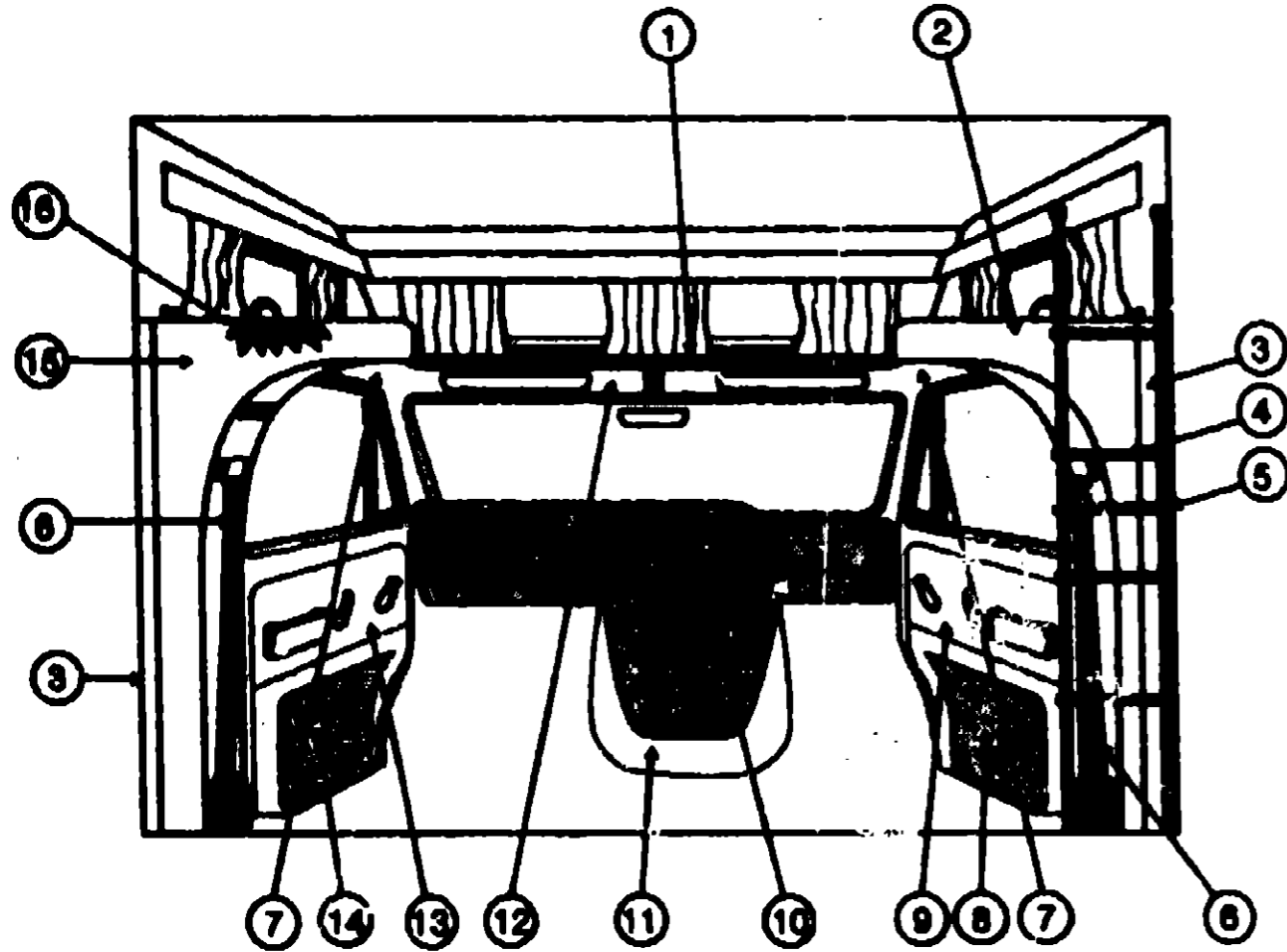
1983 IC424RC INDEX

FLOOR PLAN	A-07 - A-08
ACCESSORIES	A-09
AUDIO VIDEO	A-10 - A-11
BATH	A-12 - A-14
BEDROOM	A-15
CHASSIS	A-16 - A-20
CURTAIN & CUSHION	A-21 - B-08
DINETTE	B-09 - B-10
DRIVERS COMPARTMENT	B-11 - B-14
ELECTRICAL	B-15 - B-18
EXTERIOR BODY	B-19 - C-03
GALLEY	C-04 - C-07
GENERATOR	C-08
HEATING & A/C	C-09 - C-10
INTERIOR FINISH	C-11 - C-14
LABELS	C-15 - C-22
LP	C-23
LOUNGE	C-24
SEALANTS & FASTENERS	D-01 - D-04
WATER & SEWAGE	D-05 - D-10
WINDOW, VENT AND EXTERIOR DOOR	D-11 - E-02

KEY	PART NUMBER	U/M DESCRIPTION
1	108887-01-D27	EA CABINET-OVERHEAD, DINETTE - W/O DOOR & HARDWARE (D27) FROM: 00-00-00 THRU: 11-22-82
1	110447-01-D04	EA CABINET-OVERHEAD, DINETTE - W/O DOOR & HARDWARE (D27) FROM: 11-23-82 THRU: 04-18-83
1	110447-02-D04	EA CABINET-OVERHEAD, DINETTE - W/O DOOR & HARDWARE (D27) FROM: 04-19-83 THRU: 09-09-89
1	108887-01-D28	EA CABINET-OVERHEAD, DINETTE - W/O DOOR & HARDWARE (D28) FROM: 00-00-00 THRU: 11-22-82
1	110447-01-D28	EA CABINET-OVERHEAD, DINETTE - W/O DOOR & HARDWARE (D28) FROM: 11-23-82 THRU: 04-18-83
1	110447-02-D28	EA CABINET-OVERHEAD, DINETTE - W/O DOOR & HARDWARE (D28) FROM: 04-19-83 THRU: 09-09-89
2	P05223-45-D04	EA DOOR-CABINET, W/O HARDWARE - 400 X 710MM (MIRRORED)
2	P05223-42-D04	EA DOOR-CABINET, W/O HARDWARE - 400 X 710MM (WOOD PANEL)
3	104324-08-C82	EA END CAP-CABINET, OVERHEAD
4	104787-01-D09	EA PAD-BACKREST, RIGHT SIDE (D27)
4	104787-01-D11	EA PAD-BACKREST, RIGHT SIDE (D28)
5	MD4174-28-C82	EA CABINET-BACKREST, RIGHT SIDE
6	MD4175-29-C03	EA CABINET-SEATBASE, RIGHT SIDE
6	081518-01-B08	EA SEAT ARM
7	081288-01-A48	EA SUPPORT-BED, DINETTE - 28"
8	MD2115-09-D09	EA TABLE-DINETTE (D27)
8	MD2115-09-D28	EA TABLE-DINETTE (D28)
9	MD4175-30-C03	EA CABINET-SEATBASE, LEFT SIDE
9	081518-01-B08	EA SEAT ARM
10	MD4174-28-C82	EA CABINET-BACKREST, LEFT SIDE
11	104787-02-D27	EA PAD-BACKREST, LEFT SIDE
11	104787-02-D28	EA PAD-BACKREST, LEFT SIDE

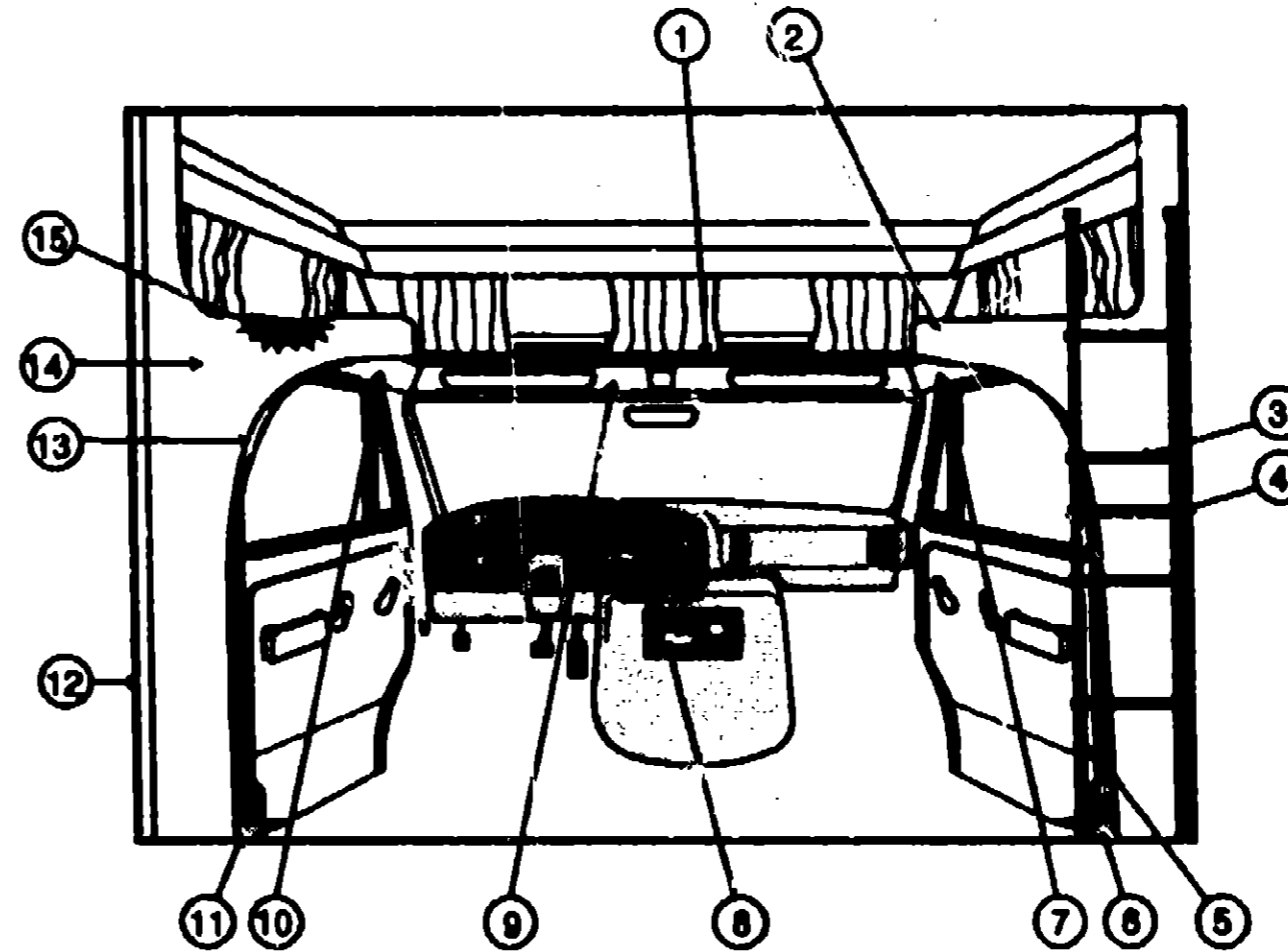
KEY	PART NUMBER	U/M DESCRIPTION
1	MD2115-09-D09	EA TABLE-DINETTE (D27)
1	MD2115-09-D28	EA TABLE-DINETTE (D28)
2	064781-05-000	EA HOLDER-CUP, TWO STEP - OFF WHITE
3	053200-13-000	EA BRACKET-TABLE SUPPORT, UPPER WALL MOUNTED - 18.5" - OFF WHITE
4	088410-02-000	EA BRACKET-LIFT, TABLE MOUNTED - OFF WHITE
5	024281-15-000	EA BRACKET-LIFT ROD, LOWER WALL MOUNTED - 17.12" - OFF WHITE
6	024275-13-000	EA ROD-TABLE LIFT, 8" X 18.5" - OFF WHITE
7	024283-01-000	EA CLIP-LEG, 1" - 1.125" OD - BLACK
8	024282-01-000	EA BRACE-TABLE LEG, HINGED
9	064060-06-000	EA CLAMP-SADDLE, LEG HINGE - OFF WHITE
10	024278-23-000	EA LEG-TABLE, METAL - OFF WHITE
11	048483-11-700	EA CATCH-LEG-FLOOR MOUNTED - 2.5' X 2.7' - METAL - E-COAT

DRIVERS COMPARTMENT



CHEVY DRIVERS COMPARTMENT

DRIVERS COMPARTMENT (CONTINUED)



FORD DRIVERS COMPARTMENT

**1993 ITASCA
TABLE OF CONTENTS**

INTRODUCTION	A-01	A-02
ABBREVIATIONS		A-03
ALPHABETICAL INDEX	A-04	A-06
IC424RC	A-07	E-02
IC422RG	E-03	H-16

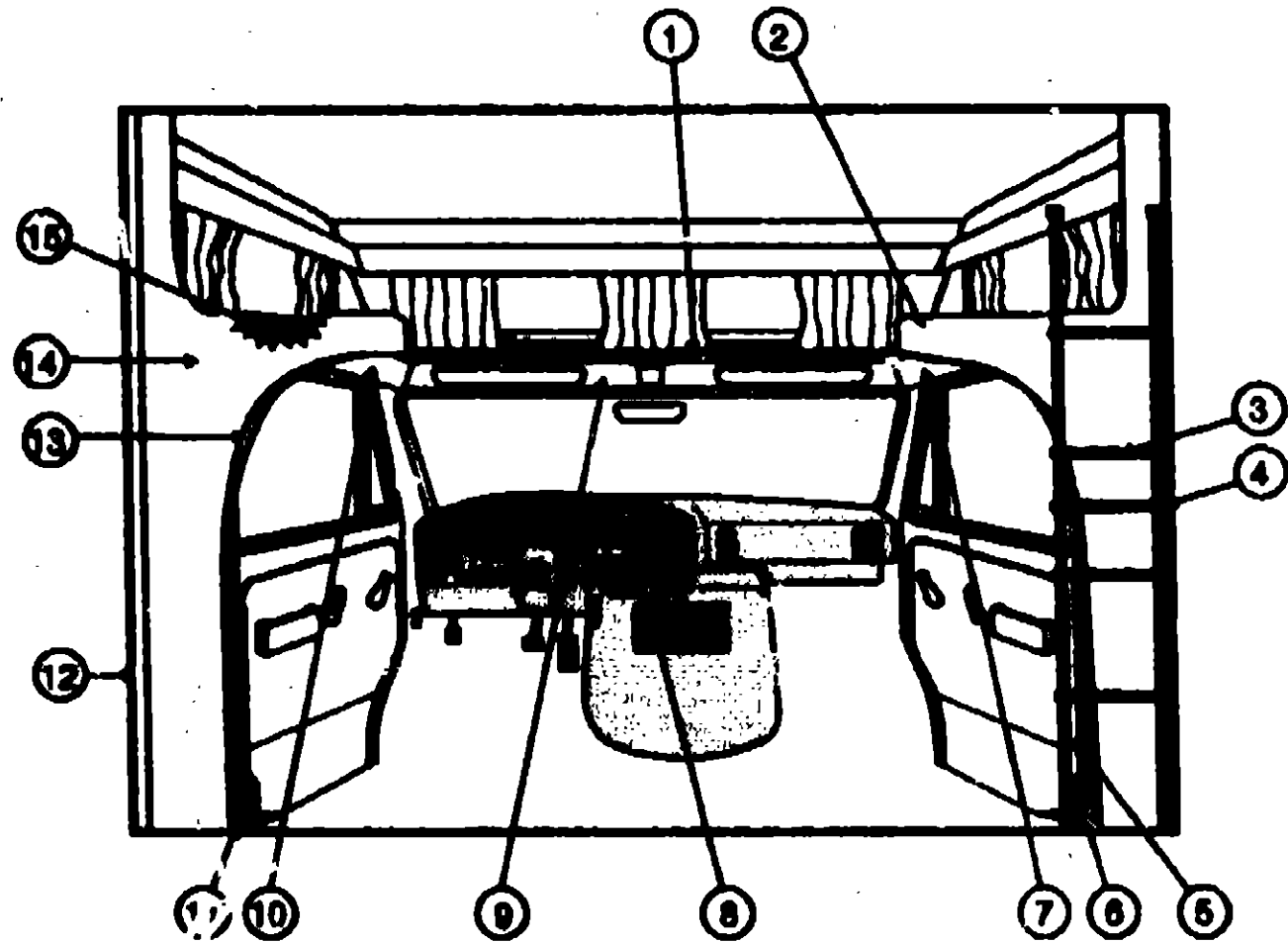
KEY	PART NUMBER	U/M	DESCRIPTION
1	108444-01-01A	EA	TRIM-SLEEPERBOARD, INNER OFF WHITE
			FROM: 00-00-00 THRU: 09-05-92
1	079800-07-000	EA	TRIM-SLEEPERBOARD, INNER - METAL - OFF WHITE
			FROM: 09-08-92 THRU: 99-99-99
1	080742-03-000	FT	TRIM-VINYL, SLEEPER BOARD - OFF WHITE
2	108884-01-D27	EA	WINGWALL ASM-INNER, RIGHT
2	108884-01-D28	EA	WINGWALL ASM-INNER, RIGHT
3	082081-28-C43	EA	COVER-WINGWALL, VINYL TRIM - OFF WHITE
4	108026-01-01A	EA	LADDER-BUNK, BLACK - 1434 MM
5	089026-01-700	EA	BRACKET SET, BUNK LADDER
6	089888-03-000	EA	STRAP ASM-TIEDOWN, BUNK LADDER
6	078302-03-000	EA	BELT-SEAT, DRIVER AND PASSENGER
	087932-03-000	EA	BRACKET ASM-SHOULDER HARNESS, ANGLE W/WELD NUT & GUSSET - LEFT
	087932-04-000	EA	BRACKET ASM-SHOULDER HARNESS, ANGLE W/WELD NUT & GUSSET - RIGHT
7	081826-02-A48	EA	HEADLINER-VINYL COVERED, SIDE - 2 USED - OFF WHITE
8	082662-08-B28	EA	PANEL-DOOR, CAB (D27)
8	082662-08-C43	EA	PANEL-DOOR, CAB (D28)
9	089491-01-D27	EA	PANEL-SIDE, DOOR - RIGHT
9	089491-01-D28	EA	PANEL-SIDE, DOOR - RIGHT
10	100616-01-B27	EA	TRAY-BEVERAGE (D04)
10	100616-01-B05	EA	TRAY-BEVERAGE (D05)
	048888-03-000	EA	ASHTRAY-CHROME, WCOVER
11	074891-07-B27	EA	COVER-MOTOR (D04)
11	074891-07-B28	EA	COVER-MOTOR (D05)
12	081826-01-B05	EA	HEADLINER-VINYL COVERED, FRONT - OFF WHITE
13	089492-01-D27	EA	PANEL-SIDE, DOOR - LEFT
13	089492-01-D28	EA	PANEL-SIDE, DOOR - LEFT
14	082662-08-B28	EA	PANEL-DOOR, CAB (D27)
14	082662-08-C43	EA	PANEL-DOOR, CAB (D28)
15	108884-01-D27	EA	WINGWALL ASM-INNER, LEFT
15	108884-01-D28	EA	WINGWALL ASM-INNER, LEFT
16	108884-02-D27	EA	CABINET-HAMPER, FRONT
			FROM: 09-08-92 THRU: 99-99-99
16	108884-02-D28	EA	CABINET-HAMPER, FRONT
			FROM: 09-08-92 THRU: 99-99-99

KEY	PART NUMBER	U/M	DESCRIPTION
1	108444-01-01A	EA	TRIM-SLEEPERBOARD, INNER - OFF WHITE
			FROM: 00-00-00 THRU: 09-05-92
1	079800-07-000	EA	TRIM-SLEEPERBOARD, INNER - OFF WHITE
			FROM: 09-08-92 THRU: 99-99-99
1	080742-03-000	FT	TRIM-VINYL, SLEEPER BOARD - OFF WHITE
2	108440-03-D27	EA	WINGWALL ASM-INNER, RIGHT
2	108440-03-D28	EA	WINGWALL ASM-INNER, RIGHT
2	108803-01-D27	EA	WINGWALL ASM-INNER, UPPER
2	108803-01-D28	EA	WINGWALL ASM-INNER, UPPER
2	108805-03-L27	EA	WINGWALL ASM-INNER, RIGHT LOWER
2	108805-03-D28	EA	WINGWALL ASM-INNER, RIGHT LOWER
	108446-01-C52	EA	TRIM ASM-WINGWALL WRAP, RIGHT - BETWEEN CAB STEEL & B PILLAR TRIM
	108804-01-D27	EA	CAP-SLEEPERBOARD, DRIVER/PASSENGER SIDE - 80 X 588MM
			FROM: 03-08-92 THRU: 99-99-99
	108804-01-D28	EA	CAP-SLEEPERBOARD, DRIVER/PASSENGER SIDE - 80 X 588MM
			FROM: 09-08-92 THRU: 99-99-99
3	108026-02-01A	EA	LADDER-BUNK, BLACK - 1434 MM
	108026-01-700	EA	BRACKET SET FOR BUNK LADDER
4	089888-03-000	EA	STRAP ASM-TIEDOWN, BUNK LADDER
5	108446-01-C52	EA	TRIM ASM-CAB, B-PILLAR - RIGHT
6	108431-01-01A	EA	COVER-BELT BELT RECOIL, RIGHT - OFF WHITE
7	108447-01-C52	EA	TRIM ASM-CAB DOOR, UPPER - RIGHT
8	108888-01-D04	EA	TRAY-BEVERAGE, OAK
9	108448-01-C52	EA	HEADLINER-VINYL COVERED, FRONT - OFF WHITE

1993 IC424RC INDEX

FLOOR PLAN	A-07	A-08
ACCESSORIES		A-09
AUDIO VIDEO	A-10	A-11
BATH	A-12	A-14
BEDROOM		A-15
CHASSIS	A-16	A-20
CURTAIN & CUSHION	A-21	D-08
DINETTE	B-09	B-10
DRIVERS COMPARTMENT	B-11	B-14
ELECTRICAL	B-15	B-18
EXTERIOR BODY	B-19	C-03
GALLEY	C-04	C-07
GENERATOR		C-08
HEATING & A/C	C-09	C-10
INTERIOR FINISH	C-11	C-14
LABELS	C-15	C-22
LP		C-23
LOUNGE		C-24
SEALANTS & FASTENERS	D-01	D-04
WATER & SEWAGE	D-05	D-10
WINDOW, VENT AND EXTERIOR DOOR	D-11	E-02

DRIVERS COMPARTMENT (CONTINUED)



FORD DRIVERS COMPARTMENT (CONTINUED)

KEY	PART NUMBER	U/M	DESCRIPTION
10	108447-08-C82	EA	TRIM ASM-CAB DOOR, UPPER - LEFT
11	108491-08-D1A	EA	COVER-SEATBELT RECOIL, LEFT - OFF WHITE
12	088081-80-C09	EA	COVER-WINGWALL, 2002MM LONG - VINYL - OFF WHITE
13	108446-02-C82	EA	TRIM AS V-CAB, B-PILLAR - RIGHT
14	108440-04-D27	EA	WINGWALL ASM-INNER, LEFT
14	108440-04-D28	EA	WINGWALL ASM-INNER, LEFT
14	108803-01-D27	EA	WINGWALL ASM-INNER, UPPER
14	106803-01-D28	EA	WINGWALL ASM-INNER, UPPER
14	108805-04-D27	EA	WINGWALL ASM-INNER, RIGHT
14	108805-04-D28	EA	WINGWALL ASM-INNER, RIGHT
16	108446-02-C82	EA	TRIM ASM-WINGWALL WRAP, LEFT - BETWEEN CAB STEEL & B PILLAR TRIM
16	108884-01-D27	EA	CABINET-HAMPER, FRONT
16	108884-01-D28	EA	CABINET-HAMPER, FRONT

DRIVERS COMPARTMENT (CONTINUED)

INSTRUMENT CLUSTERS

KEY	PART NUMBER	U/M	DESCRIPTION
	084795-05-000	EA	CLUSTER-INSTRUMENT PANEL, KILOMETER - 92 GAS CHEVY
	084795-06-000	EA	CLUSTER-INSTRUMENT PANEL, KILOMETER - 92 DIESEL CHEVY
	084795-03-000	EA	CLUSTER-INSTRUMENT PANEL, KILOMETER - FORD 92 E350
	084795-04-000	EA	CLUSTER-INSTRUMENT PANEL, KILOMETER - FORD 93 E350
	084795-01-000	EA	SPEEDOMETER-KILOMETER (FORD)
	048885-01-000	EA	PLAQUE-MOUNTING, SWITCH - BATTERY/FUEL (SWITCHES (CHEVY)
	081082-01-000	EA	PLAQUE-MOUNTING, BATTERY/FUEL SWITCH - 2.4' X 1.4' - BLACK (FORD)
	107138-01-000	EA	MODULE-DAYTIME RUNNING LIGHT
	024461-01-000	EA	SWITCH-BATTERY, BATT/DUAL/MOM

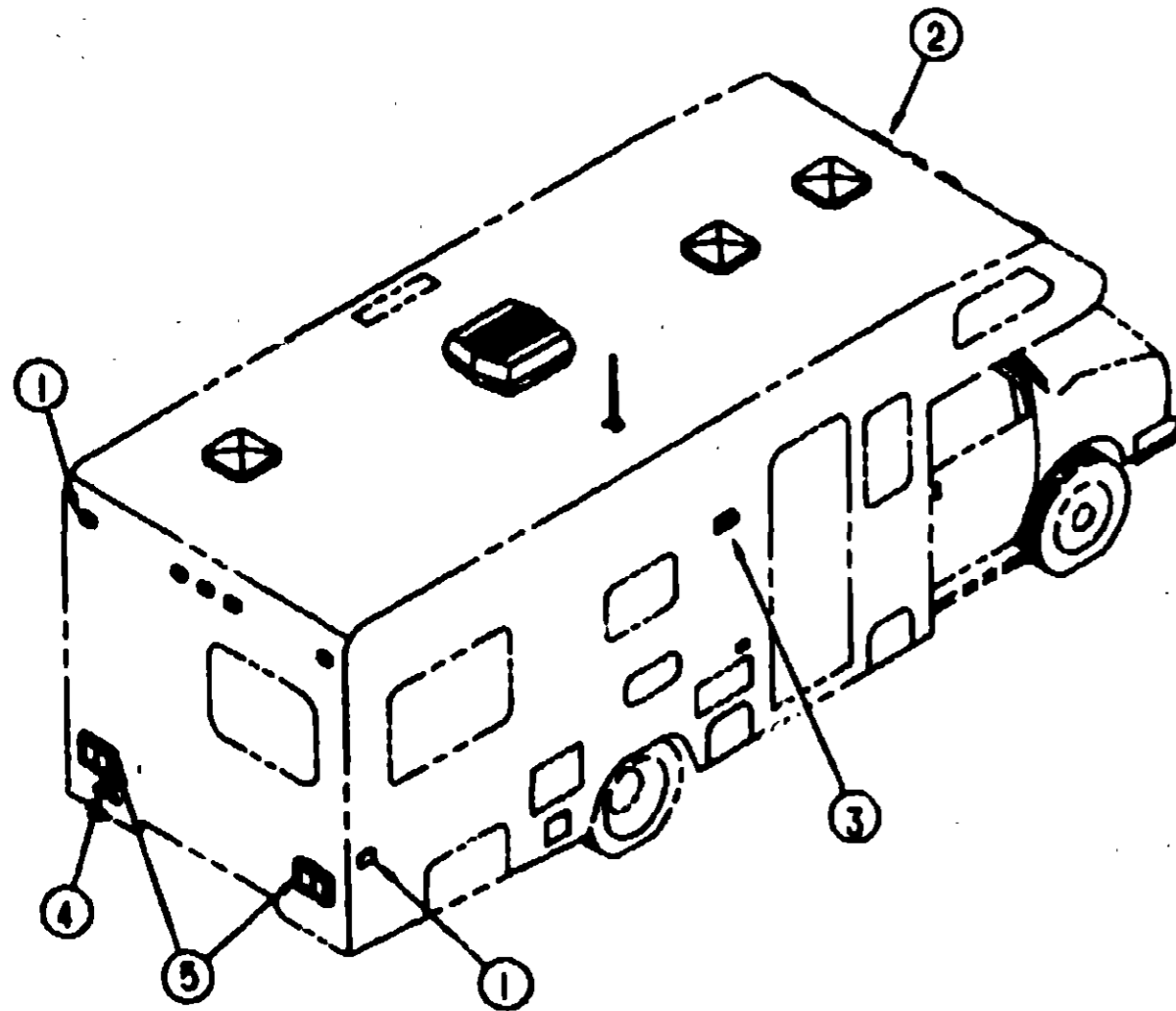
**1993 ITASCA
TABLE OF CONTENTS**

INTRODUCTION	A-01 - A-02
ABBREVIATIONS	A-03
ALPHABETICAL INDEX	A-04 - A-06
IC424RC	A-07 - E-02
IC422RG	E-03 - H-16

1993 IC424RC INDEX

FLOOR PLAN	A-07 - A-08
ACCESSORIES	A-09
AUDIO VIDEO	A-10 - A-11
BATH	A-12 - A-14
BEDROOM	A-15
CHASSIS	A-16 - A-20
CURTAIN & CUSHION	A-21 - B-08
DINETTE	B-09 - B-10
DRIVERS COMPARTMENT	B-11 - B-14
ELECTRICAL	B-15 - B-17
EXTERIOR BODY	B-18 - C-03
GALLEY	C-04 - C-07
GENERATOR	C-08
HEATING & AC	C-09 - C-10
INTERIOR FINISH	C-11 - C-14
LABELS	C-15 - C-22
LP	C-23
LOUNGE	C-24
SEALANTS & FASTENERS	D-01 - D-04
WATER & SEWAGE	D-05 - D-10
WINDOW, VENT AND	
EXTERIOR DOOR	D-11 - E-02

ELECTRICAL GROUP



EXTERIOR LIGHTS

KEY	PART NUMBER	U/M	DESCRIPTION
1	081883-01-000	EA	GASKET-CLEARANCE/SIDEMARKER LIGHT
1	049405-01-000	EA	LENS-CLEARANCE/SIDEMARKER LIGHT, W/REFLEX - RED
1	049405-03-000	EA	BASE-CLEARANCE/SIDEMARKER LIGHT, W/BULB - PLASTIC - WHITE FROM: 00-00-00 THRU: 05-18-93
1	111102-01-000	EA	BASE-CLEARANCE/SIDEMARKER LIGHT, W/BULB - PLASTIC FROM: 05-17-93 THRU: 99-99-99
	008213-01-000	EA	BULB 1156, NO. 57 - .24 AMP
2	081883-01-000	EA	GASKET-CLEARANCE/SIDEMARKER LIGHT
2	049405-02-000	EA	LENS-CLEARANCE/SIDEMARKER LIGHT, W/REFLEX - AMBER
2	049405-03-000	EA	BASE-CLEARANCE/SIDEMARKER LIGHT, W/BULB - PLASTIC - WHITE
	008213-01-000	EA	BULB-12 V, NO. 57 - .24 AMP
3	097917-01-01A	EA	LIGHT-PORCH, ENTRY DOOR - OFF WHITE
3	008215-01-000	EA	BULB-12V-#1003, 94AMP
3	087917-01-700	EA	LENS-LIGHT, PORCH
4	089482-01-000	EA	LIGHT-LICENSE PLATE, W/BRACKET
	089432-08-000	EA	BRACKET-LIGHT, LICENSE PLATE
6	081838-01-000	EA	TAILLIGHT-DOUBLE, W/BLACK TRIM - DRIVER & PASS SIDE
	037984-01-000	EA	BULB# 1156 (BACK UP & TURN SIGNAL)
	037985-01-000	EA	BULB# 2057 OR 1157 (BRAKE LIGHT)
8	081838-01-700	EA	LENS-TAILLIGHT, RED
8	081838-01-701	EA	LENS-TAILLIGHT, W/BACKUP
	108388-01-01A	EA	POD-TAILLIGHT, OFF WHITE

ELECTRICAL GROUP (CONTINUED)

INTERIOR LIGHTS

KEY	PART NUMBER	U/M	DESCRIPTION
	081424-01-000	EA	LIGHT-ASLE, 12V - RECTANGULAR
	008103-01-000	EA	BULB-DASH/ASLE LIGHT, #53 - 12 V - .12 AMP
	088024-01-01A	EA	LIGHT-DOME, 1 BULB - US - IVORY
	008218-01-000	EA	BULB-DOME LIGHT, 12V - NUMBER 1141
	088024-01-700	EA	LENS-DOME LIGHT
	088024-03-01A	EA	LIGHT-DOME, 2 BULB - IVORY
	008218-01-000	EA	BULB-DOME LIGHT, 12V - NUMBER 1141
	088024-01-700	EA	LENS-DOME LIGHT
	088380-01-000	EA	LIGHT-SURFACE MOUNT, 12V - JENSEN 1230
	088380-01-700	EA	BULB-12V, C WATT
	087984-01-000	EA	LIGHT-WARDROBE/CLOSET, W/SWITCH
	087984-01-700	EA	BULB-WARDROBE/CLOSET LIGHT

SWITCHES, RECEPTACLES & COVER PLATES

KEY	PART NUMBER	U/M	DESCRIPTION
	075723-01-000	EA	BLOCK-SWITCH, SPACER W/O HOLE
	087734-01-01A	EA	EXTENSION-RECEPTACLE, 3.2" X 5" X .7" - PLASTIC - IVORY
	087734-01-02A	EA	EXTENSION-RECEPTACLE, 3.2" X 5" X .7" - PLASTIC - BROWN
	075738-02-000	EA	COVER-EXTERIOR RECEPTACLE, OFF WHITE
	007940-01-000	EA	RECEPTACLE-SLIDE, 18 TO 12 AWG - FEMALE END
	024824-02-000	EA	RECEPTACLE-POWER CORD, W/PARTIAL PLATE
	058707-01-000	EA	RECEPTACLE-ELECTRIC, SINGLE - BROWN
	058708-01-000	EA	RECEPTACLE-ELECTRIC, DOUBLE - BROWN
	058708-02-000	EA	RECEPTACLE-ELECTRIC, DOUBLE - IVORY
	080015-02-000	EA	RECEPTACLE-FLAG, .185 - 18/14 GA - AMP 3
	080015-03-000	EA	RECEPTACLE-FLAG, .260 - 14/18 GA
	084078-01-000	EA	RECEPTACLE-GFI, 15A - 125V - IVORY
	084078-02-000	EA	RECEPTACLE-GFI, 15A - 125V - BROWN
	086198-01-01A	EA	SPACER-SWITCH, 2.9" X 3.4" - PLASTIC - DARK BROWN
	102588-01-B10	EA	SPACER-RECEPTACLE, BETWEEN SIDEWALL & PLATE - WOOD
	077942-01-000	EA	SWITCH-DUMMY - BLACK
	078084-01-000	EA	SWITCH-ON/OFF ROCKER, 2 PRONGS - BROWN
	079384-03-000	EA	SWITCH-ON/OFF ROCKER, 3 PRONGS - BROWN
	108355-01-000	EA	HOUSING-SWITCH, CARLING VCH
	108357-08-000	EA	SWITCH-ROCKER, DPDT ON/NONE/ON - VDD1500C-0
	108358-02-01A	EA	ACTUATOR-SWITCH, DMPLE II - CARLING VV42000 BLA
	084077-01-000	EA	PLATE-COVER, RECEPTACLE - GFI - IVORY
	084077-02-000	EA	PLATE-COVER, RECEPTACLE - GFI - BROWN
	088351-01-01A	EA	PLATE-SWITCH, 1 GANG - POLISHED BRASS
	054520-04-000	EA	COVER-ANGLED, W/O HOLE - 3.8" X 4.5" - PLASTIC - OFF WHITE

CONTROL CENTER & CONVERTER

KEY	PART NUMBER	U/M	DESCRIPTION
	083208-01-000	EA	CONVERTER-POWER, 32A - 120V/12V - BW 8132
	094809-01-000	EA	CENTER-LOAD, 240V - 125 AMP - TPL412CT (EXPORT OPTION)

WIRING ASSEMBLIES

KEY	PART NUMBER	U/M	DESCRIPTION
	103328-08-000	EA	WIRE ASM-PUMP, EXTERIOR SHOWER
	108851-01-000	EA	WIRE ASM-DAYTIME RUNNING LIGHTS-W/FUSE

**1993 ITASCA
TABLE OF CONTENTS**

INTRODUCTION	A-01 - A-02
ABBREVIATIONS	A-03
ALPHABETICAL INDEX	A-04 - A-28
IC424RC	A-07 - E-02
IC422RG	E-03 - H-18

1993 IC424RC INDEX

FLOOR PLAN	A-01 - A-08
ACCESSORIES	A-09
AUDIO VIDEO	A-10 - A-11
BATH	A-12 - A-14
BEDROOM	A-15
CHASSIS	A-16 - A-20
CURTAIN & CUSHION	A-21 - B-08
DINETTE	B-09 - B-10
DRIVERS COMPARTMENT	B-11 - B-14
ELECTRICAL	B-15 - B-18
EXTERIOR BODY	B-19 - C-08
GALLEY	C-04 - C-07
GENERATOR	C-09
HEATING & AC	C-08 - C-10
INTERIOR FINISH	C-11 - C-14
LABELS	C-15 - C-22
LP	C-23
LOUNGE	C-24
SEALANTS & FASTENERS	D-01 - D-04
WATER & SEWAGE	D-05 - D-10
WINDOW, VENT AND EXTERIOR DOOR	D-11 - E-02

ELECTRICAL GROUP (CONTINUED)

FUSES & CIRCUIT BREAKERS

KEY	PART NUMBER	U/M	DESCRIPTION
	082801-02-000	EA	FUSE-5 AMP-AUTOMOTIVE
	082801-05-000	EA	FUSE-15 AMP-AUTOMOTIVE
	082835-01-000	EA	FUSE-15 AMP-AUTOMOTIVE-12V
	100341-01-000	EA	FUSE HOLDER-IN LINE TYPE
	082837-01-000	EA	HOUSING-AUTO FUSE NATIONAL
	082838-02-000	EA	TERMINAL-PACK-CORNER 18/14 AWG
	107185-01-01A	EA	BOX-CIRCUIT BREAKER MOUNT-BLACK
	082854-01-000	EA	BREAKER-CIRCUIT, 6 AMP - HOUSE CONTROL PANEL
	083208-01-000	EA	BREAKER-CIRCUIT, 15 AMP - 120V - BW G-15(CANADIAN)
	083208-03-000	EA	BREAKER-CIRCUIT, 15/20AMP - 120V - BW - 0-15/20
	083208-04-000	EA	BREAKER-CIRCUIT, 10AMP - 120V - BW L-30
	083208-02-000	EA	BREAKER-CIRCUIT, 15/15AMP - 120V - BW H-15/15
	083208-08-000	EA	BREAKER-CIRCUIT, 30/15 AMP - 120V - BW D-30/15
	084810-01-000	EA	BREAKER-CIRCUIT, 30AMP - 120V - GE THQL2130
	084811-01-000	EA	BREAKER-CIRCUIT, 20/20AMP - 120V - GE THQL2120
	083855-02-000	EA	BREAKER-CIRCUIT, 30 AMP - HOUSE CONTROL PANEL

ELECTRIC BOXES, COVERS & POWER CORDS

KEY	PART NUMBER	U/M	DESCRIPTION
	082888-01-000	EA	BOX-PLASTIC ELECTRIC, 3.94" X 3.13" X 1.81"
	082889-01-000	EA	BOX-ELECTRIC, STEEL - 1/2" AND 3/4" KNOCKOUTS - 4" X 4"
	082890-02-000	EA	BOX-ELECTRIC, 4" X 4" - 1/2" & 3/4" KNOCKOUTS - CANADIAN
	088049-01-000	EA	BOX-ELECTRIC SWITCH, 2" X 3" X 2.25"
	081910-01-000	EA	BOX-ELECTRIC, 3.75" X 3.5" X 1.75" - PLASTIC
	081910-02-000	EA	BOX-ELECTRIC, 57 X28MM - PLASTIC
	082803-01-000	EA	BOX-ELECTRIC, STEEL - 4" X 2 1/8" X 2 1/8"
	073828-04-000	EA	COVER-ELECTRIC, 10.4" X 7.8" - PLASTIC - BEIGE
	087948-01-000	EA	BUSS BAR-2 POSITION, .6" X 1.5" - ALUMINUM
	082854-01-000	EA	CORD-POWER, 10/3 - 30 AMP - 25'
	082852-01-000	EA	CORD-POWER, 10/3 - 30 AMP - 25' - CANADIAN
	082838-01-000	EA	COVER-ELECTRICAL BOX, WHOLE - 4" X 4" - GRAY - USED W/30 AMP RECEPTACLE
	082834-02-000	EA	COVER-ELECTRICAL BOX, BLANK STEEL - 4" X 4" - CANADIAN
	081888-01-000	EA	SOLENOID-3 POST, BATTERY CHANGE OVER

CONDUIT

KEY	PART NUMBER	U/M	DESCRIPTION
	041863-01-000	FT	CONDUIT-CONVOLUTE SLIT - .5" ID
	041863-02-000	FT	CONDUIT-CONVOLUTE SLIT - 1" ID (CLOTHES ROD COVER)
	041863-03-000	FT	CONDUIT-CONVOLUTE SLIT - .62" ID
	041863-04-000	FT	CONDUIT-CONVOLUTE SLIT - .375" ID
	041863-05-000	FT	CONDUIT-CONVOLUTE SLIT - .25" ID
	041863-06-000	FT	CONDUIT-CONVOLUTE SLIT - 1.50" ID
	041863-08-000	FT	CONDUIT-CONVOLUTE SLIT - .50" ID
	041863-10-000	FT	CONDUIT-CONVOLUTE SLIT - .75" ID
	041863-11-000	FT	CONDUIT-CONVOLUTE SLIT - 1.00" ID
	041863-12-000	FT	CONDUIT-CONVOLUTE NON SLIT - 1.1" ID

ELECTRICAL GROUP (CONTINUED)

CONNECTORS, HOUSINGS, & TERMINALS

KEY	PART NUMBER	U/M	DESCRIPTION
	007942-01-000	EA	TAB-WIRE, 18 TO 14 AWG
	007949-01-000	EA	TAB-HOUSING, 1 POSITION
	008312-01-000	EA	CONNECTOR-WIRE NUT, INSULATED - BLUE
	008355-01-000	EA	CONNECTOR-CABLE CLAMPING, 3/4"
	068028-01-000	EA	CONNECTOR-ELECTRICAL PIGTAIL, NYLON - CLEAR
	088475-01-000	EA	CONNECTOR-PIN, 14 TO 20 AWG
	088475-02-000	EA	CONNECTOR-PIN, 10 TO 12 AWG
	008358-01-000	EA	CONNECTOR-PLASTIC, 3/8" AVG
	088478-01-000	EA	CONNECTOR-SOCKET, BRASS - PRE-TIN
	088478-02-000	EA	CONNECTOR-SOCKET, 12-10 GA - PHOS. BRZ - PRE-TIN
	088420-01-000	EA	CONNECTOR-SWIVEL, 1/2" FPT X 5/8" TUBE - PLASTIC
	008311-01-000	EA	CONNECTOR-WIRE NUT, INSULATED - RED
	008314-01-000	EA	CONNECTOR-WIRE NUT, INSULATED - GRAY
	063910-01-000	EA	HOUSING-RELAY, BOSCH 3 334 485 008
	088473-01-000	EA	HOUSING-PIN, 4 ROWS OF 3
	088473-03-000	EA	HOUSING-PIN, 9 POSITION
	088473-05-000	EA	HOUSING-PIN, 6 POSITION (SINGLE ROW)
	088473-06-000	EA	HOUSING-PIN, 6 POSITION (TWO ROWS OF THREE)
	088473-07-000	EA	HOUSING-PIN, 5 CAVITY AMP 1-480783-0
	088473-08-000	EA	HOUSING-PIN, 4 POSITION
	088473-09-000	EA	HOUSING-PIN, 3 POSITION (SINGLE ROW)
	088473-10-000	EA	HOUSING-PIN, 2 POSITION
	088474-03-000	EA	HOUSING-SOCKET, 9 POSITION
	088474-06-000	EA	HOUSING-SOCKET, 8 POSITION (2 ROWS OF THREE)
	088474-07-000	EA	HOUSING-SOCKET, 5 CAVITY AMP 1-480784-0
	088474-08-000	EA	HOUSING-SOCKET, 4 POSITION (SINGLE ROW)
	088474-09-000	EA	HOUSING-SOCKET, 3 POSITION
	088474-10-000	EA	HOUSING-SOCKET, 2 POSITION
	008328-01-000	EA	TERMINAL-RING, 18/14 WIRE - 3/8" STUD
	008328-01-000	EA	TERMINAL-RING, 12/10 WIRE - #10 STUD FIT
	008331-01-000	EA	TERMINAL-RING, TONGUE - #4 WIRE - 3/8" STUD - COPPER
	008348-01-000	EA	TERMINAL-RING, 3/8" STUD - #2 WIRE CONNECTS CABLE TO DISCONNECT RELAY AND BATTERY
	035418-04-000	EA	TERMINAL-RING #10 STUD FIT, INSULATED BARREL #18/14
	047443-01-000	EA	TERMINAL-250 RECEPTACLE FIT, INSULATED - 18/14 AWG
	047443-02-000	EA	TERMINAL-250 RECEPTACLE FIT, INSULATED - 12/10 AWG
	090971-01-000	EA	SPLICE-CABLE, 110V
	090971-02-000	EA	SPLICE-CABLE, 110V - TAP

**1993 ITASCA
TABLE OF CONTENT'S**

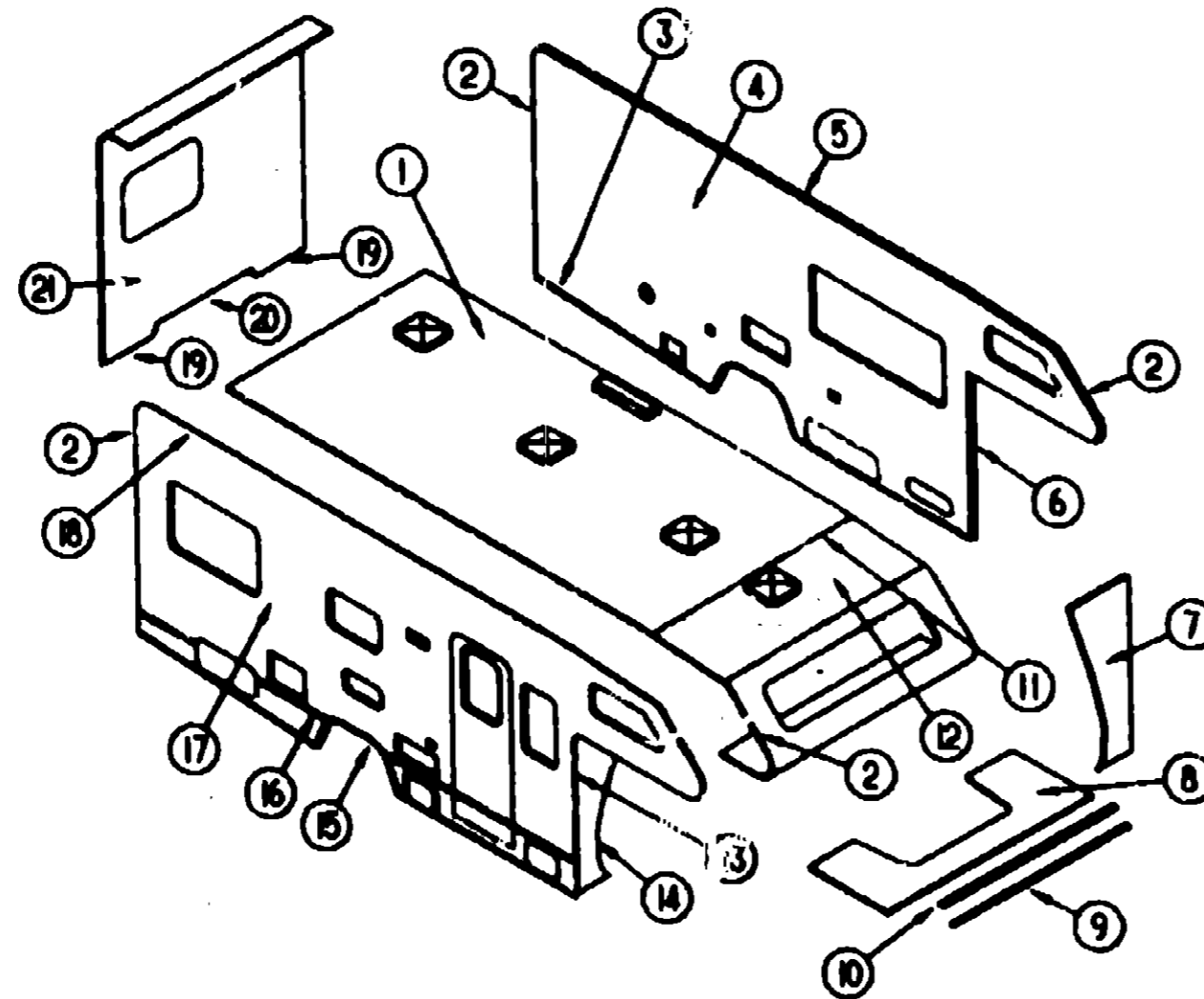
INTRODUCTION	A-01	A-02
ABBREVIATIONS		A-03
ALPHABETICAL INDEX	A-04	A-08
IC424RC	A-07	E-02
IC422RG	E-03	H-16

1993 IC424RC INDEX

FLOOR PLAN	A-07	A-08
ACCESSORIES		A-09
AUDIO VIDEO	A-10	A-11
BATH	A-12	A-14
BEDROOM		A-16
CHASSIS	A-18	A-20
CURTAIN & CUSHION	A-21	B-03
DINETTE	B-09	B-10
DRIVERS COMPARTMENT	B-11	B-14
ELECTRICAL	B-15	B-18
EXTERIOR BODY	B-19	C-08
GALLEY	C-04	C-07
GENERATOR		C-09
HEATING & AC	C-09	C-10
INTERIOR FINISH	C-11	C-14
LABELS	C-15	C-22
LP		C-23
LOUNGE		C-24
SEALANTS & FASTENERS	D-01	D-04
WATER & SEWAGE	D-05	D-10
WINDOW, VENT AND EXTERIOR DOOR	D-11	E-08

EXTERIOR BODY GROUP

EXTERIOR BODY PANELS



1993 ITASCA TABLE OF CONTENTS

INTRODUCTION	A-01	A-02
ABBREVIATIONS		A-03
ALPHABETICAL INDEX	A-04	A-06
IC424RC	A-07	E-02
IC422RG	E-03	H-16

1993 IC424RC INDEX

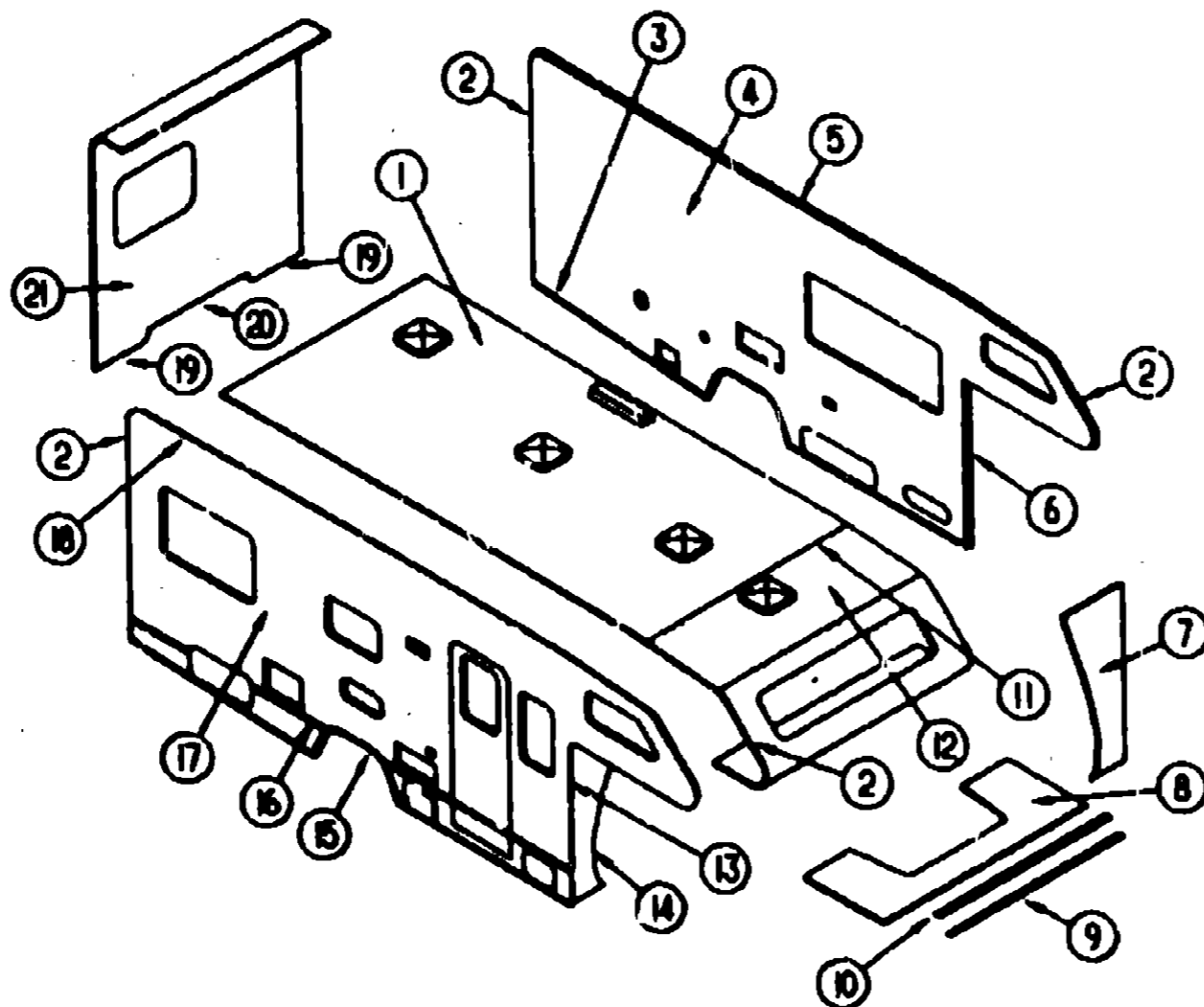
FLOOR PLAN	A-07	A-08
ACCESSORIES		A-09
AUDIO VIDEO	A-10	A-11
BATH	A-12	A-14
BEDROOM		A-15
CHASSIS	A-16	A-20
CURTAIN & CUSHION	A-21	B-08
DINETTE	B-09	B-10
DRIVERS COMPARTMENT	E-11	B-14
ELECTRICAL	B-15	B-18
EXTERIOR BODY	B-19	C-03
GALLEY	C-07	C-07
GENERATOR		C-08
HEATING & AC	C-09	C-10
INTERIOR FINISH	C-11	C-14
LABELS	C-15	C-22
LP		C-23
LOUNGE		C-24
SEALANTS & FASTENERS	D-01	D-04
WATER & SEWAGE	D-05	D-10
WINDOW, VENT AND EXTERIOR DOOR	D-11	E-02

KEY	PART NUMBER	U/M	DESCRIPTION
1	F08884-02-D27	EA	ROOF ASM WBASES FROM: 00-00-00 THRU: 09-05-92
1	F08879-02-D27	EA	ROOF ASM WBASES FROM: 09-08-92 THRU: 99-99-99
2	088864-01-01A	EA	TRIM-CONTOUR- W/O VINYL INSERT - 108" - OFF WHITE
2	105312-01-01A	FT	INSERT-TRIM, VINYL - OFF WHITE
3	088072-55-001	EA	U-CHANNEL, EXTRUDED - 4877MM LONG - OFF WHITE
3	088072-55-002	EA	U-CHANNEL, EXTRUDED - 2913MM LONG - OFF WHITE
4	F08844-01-D27	EA	SEAWALL-DRIVER SIDE, W/O WINDOW & DOORS FROM: 00-00-00 THRU: 09-05-92
4	F08730-01-D27	EA	SEAWALL-DRIVER SIDE, W/O WINDOW & DOORS FROM: 09-08-92 THRU: 99-99-99
4	F08844-01-D28	EA	SEAWALL-DRIVER SIDE, W/O WINDOW & DOORS FROM: 00-00-00 THRU: 09-05-92
4	F08730-01-D28	EA	SEAWALL-DRIVER SIDE, W/O WINDOW & DOORS FROM: 09-08-92 THRU: 99-99-99
4	F08730-12-D27	EA	SEAWALL-DRIVER SIDE, W/O WINDOW & DOORS (EUROPE EXPORT)
4	F08730-12-D28	EA	SEAWALL-DRIVER SIDE, W/O WINDOW & DOORS (EUROPE EXPORT)
5	088884-01-01A	EA	TRIM-CONTOUR, ROOF TO SEAWALL - DR OR PASS - 120"
	084875-54-003	EA	STEEL-ANGLE, ROOF JOINT - 1220MM LONG - OFF WHITE
	084875-54-004	EA	STEEL-ANGLE, ROOF JOINT - 848MM LONG - OFF WHITE

KEY	PART NUMBER	U/M	DESCRIPTION
6	104479-04-01A	EA	TRIM-CONTOUR, FRONT - DRIVER - OFF WHITE FROM: 00-00-00 THRU: 09-05-92
6	104479-06-01A	EA	TRIM-CONTOUR, FRONT - DRIVER - OFF WHITE FROM: 09-01-92 THRU: 99-99-99
7	F08017-02-C03	EA	WINGWALL-DRIVER SIDE, W/OUSSET (CHEVY) FROM: 00-00-00 THRU: 09-05-92
7	F08858-02-D04	EA	WINGWALL-DRIVER SIDE (CHEVY) FROM: 09-08-92 THRU: 99-99-99
7	108438-02-C03	EA	WINGWALL-DRIVER SIDE, W/OUSSET (FORD) FROM: 00-00-00 THRU: 09-05-92
7	108859-02-D04	EA	WINGWALL-DRIVER SIDE (FORD) FROM: 09-08-92 THRU: 99-99-99
	088334-01-000	FT	VINYL-EXTERIOR, BETWEEN WINGWALL & CAB SEAL - WHITE
8	F08443-01-C03	EA	SLEEPERBOARD ASM FROM: 00-00-00 THRU: 09-05-92
8	F08858-01-D29	EA	SLEEPERBOARD ASM FROM: 09-08-92 THRU: 99-99-99
9	100086-02-01A	EA	TRIM-SLEEPERBOARD, 2" X 90.7" - OFF WHITE
10	100086-03-01A	EA	TRIM-SLEEPERBOARD, FLAT - 2.5" X 87.5" - OFF WHITE
11	078880-01-000	EA	TRIM-ROOF TO FRONT CAP

EXTERIOR BODY GROUP (CONTINUED)

EXTERIOR BODY PANELS (CONTINUED)



**1993 ITASCA
TABLE OF CONTENTS**

INTRODUCTION	A-01 - A-02
ABBREVIATIONS	A-03
ALPHABETICAL INDEX	A-04 - A-06
IC424RC	A-07 - E-02
IC422RG	E-03 - H-18

1993 IC424RC INDEX

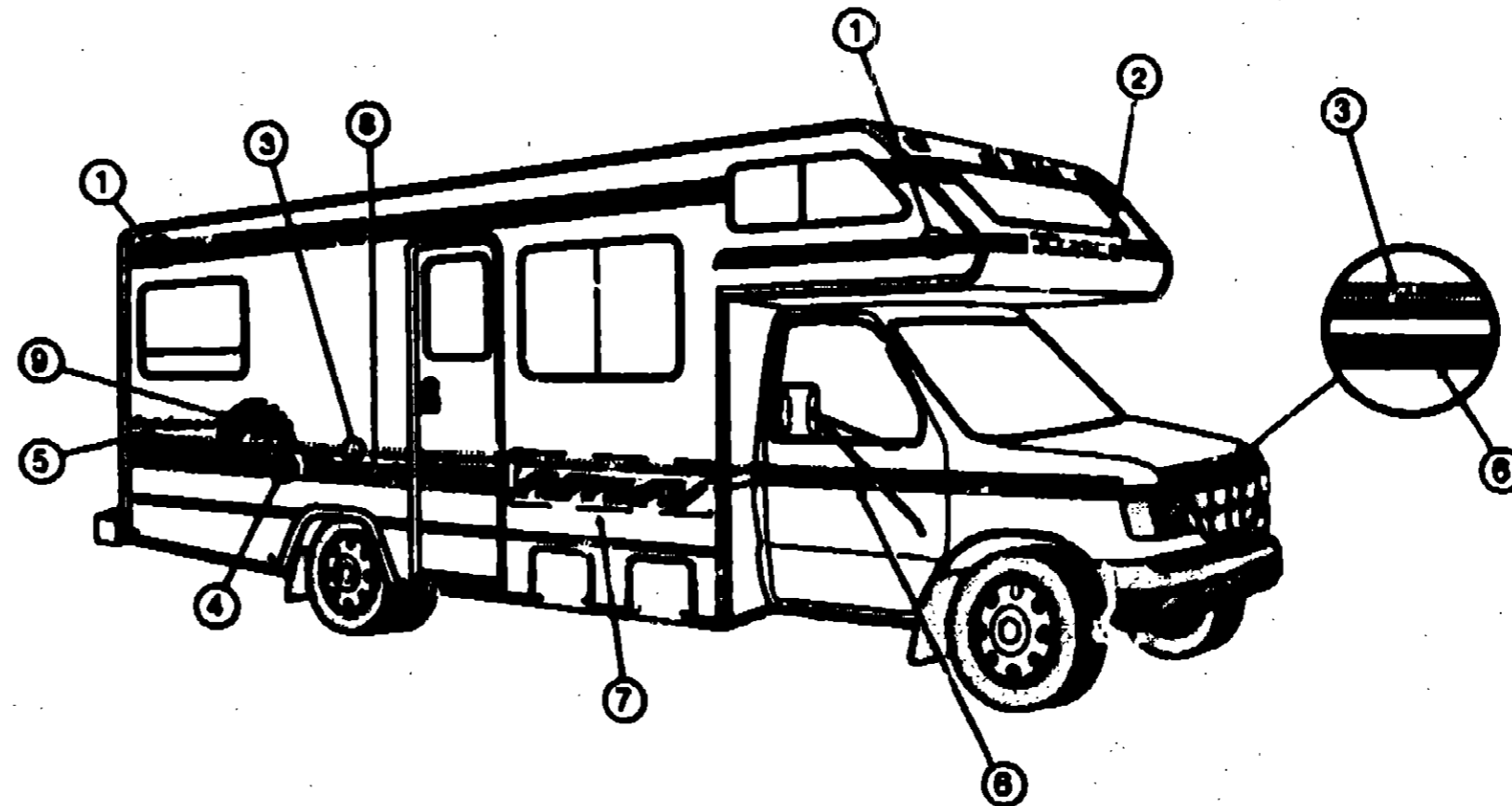
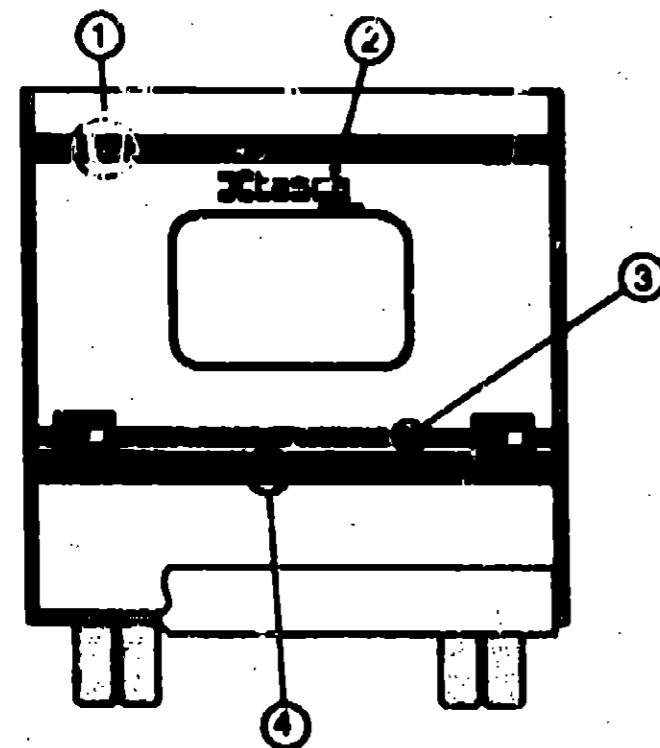
FLOOR PLAN	A-07 - A-08
ACCESSORIES	A-09
AUDIO VIDEO	A-10 - A-11
BATH	A-12 - A-14
BEDROOM	A-15
CHASSIS	A-16 - A-20
CURTAIN & CUSHION	A-21 - B-08
DINETTE	B-09 - B-10
DRIVERS COMPARTMENT	B-11 - B-14
ELECTRICAL	B-15 - B-18
EXTERIOR BODY	B-19 - C-03
GALLEY	C-04 - C-07
GENERATOR	C-08
HEATING & A/C	C-09 - C-10
INTERIOR FINISH	C-11 - C-14
LABELS	C-15 - C-22
LP	C-23
LOUNGE	C-24
SEALS, FITS & FASTENERS	D-01 - D-04
WATER & SEWAGE	D-05 - D-10
WINDOW, VENT AND EXTERIOR DOOR	D-11 - E-02

KEY	PART NUMBER	U/M	DESCRIPTION
12	M75177-01-700	EA	CAP-FRONT, OVERHEAD CAB TO FIRST BEAM OF ROOF
13	104479-03-01A	EA	TRIM-CONTOUR, FRONT - DRIVER - OFF WHITE FROM: 00-00-00 THRU: 09-05-92
13	104479-05-01A	EA	TRIM-CONTOUR, FRONT - DRIVER - OFF WHITE FROM: 09-08-92 THRU: 99-99-99
14	P08017-01-003	EA	WINGWALL-PASSENGER SIDE (CHEVY) FROM: 00-00-00 THRU: 03-06-92
14	P08888-01-001	EA	WINGWALL-PASSENGER SIDE (CHEVY) FROM: 00-08-92 THRU: 99-19-99
14	108438-01-003	EA	WINGWALL-PASSENGER SIDE (FORD) FROM: 00-00-00 THRU: 09-05-92
14	108889-01-001	EA	WINGWALL-PASSENGER SIDE (FORD) FROM: 09-09-92 THRU: 99-99-99
	082334-01-000	FT	VINYL-EXTERIOR, BETWEEN WINGWALL & CAB SEAL - WHITE
18	108100-02-01A	EA	TRIM-WHEELWELL, DRIVER-PASSENGER SIDE - OFF WHITE
18	009731-01-000	EA	END CAP-FEATURE STRIP FROM: 00-00-00 THRU: 09-07-92
18	108881-01-01A	EA	END CAP-FEATURE STRIP FROM: 09-08-92 THRU: 99-99-99
18	001080-02-008	EA	INSERT-FEATURE STRIP, 17" LONG - OFF WHITE FROM: 00-00-00 THRU: 09-07-92
18	108312-01-01A	EA	INSERT-FEATURE STRIP, 17" LONG - VINYL - OFF WHITE FROM: 09-08-92 THRU: 99-99-99

KEY	PART NUMBER	U/M	DESCRIPTION
18	002444-04-002	EA	STRIP-FEATURE, W/O INSERT - 15' LONG - OFF WHITE FROM: 00-00-00 THRU: 09-07-92
16	108880-01-01A	EA	STRIP-FEATURE, W/O INSERT - 15' LONG - OFF WHITE FROM: 09-08-92 THRU: 99-99-99
17	P08843-01-D27	EA	SIDEWALL-PASSENGER SIDE, W/O WINDOWS & DOORS FROM: 00-00-00 THRU: 05-92
17	P08719-01-D27	EA	SIDEWALL-PASSENGER SIDE, W/O WINDOWS & DOORS FROM: 09-08-92 THRU: 99-99-99
17	P08843-01-D28	EA	SIDEWALL-PASSENGER SIDE, W/O WINDOWS & DOORS FROM: 00-00-00 THRU: 09-05-92
17	P08719-01-D28	EA	SIDEWALL-PASSENGER SIDE, W/O WINDOWS & DOORS FROM: 09-08-92 THRU: 99-99-99
17	P06730-11-D27	EA	SIDEWALL-PASSENGER SIDE, W/O WINDOWS & DOORS (EUROPE EXPORT)
17	P06730-11-D28	EA	SIDEWALL-PASSENGER SIDE, W/O WINDOWS & DOORS (EUROPE EXPORT)
18	100483-01-01A	EA	TRIM-CONTOUR, ROOF TO SIDEWALL (AWNING) - OFF WHITE
	098883-65-001	EA	RAIL-AWNING, 10' LONG - OFF WHITE
19	103334-02-01A	EA	TRIM-BACKWALL, LOWER - OFF WHITE
20	103336-02-01A	EA	TRIM-BACKWALL, LOWER-OFF WHITE
21	P08873-01-D27	EA	BACKWALL ASM
21	P08873-01-D28	EA	BACKWALL ASM
	002368-01-001	EA	U-CHANNEL - 1" X 1 1/2" - BERRATED - MILL FINISHED ALUMINUM
	002728-01-001	EA	U-CHANNEL, GARNISH - 1.38" X 1 1/2" - BERRATED - MILL ALUMINUM
	002761-01-001	EA	ANGLE-EXTRUDED, .75" X .75" X 1 1/2" - MILL ALUMINUM

EXTERIOR BODY GROUP (CONTINUED)

DECALS, STRIPES & PAINT



1989 ITASCA TABLE OF CONTENTS

INTRODUCTION	A-01	A-02
ABBREVIATIONS		A-03
ALPHABETICAL INDEX	A-04	A-05
IC424RC	A-07	E-02
IC422RG	E-03	H-18

KEY	PART NUMBER	UOM	DESCRIPTION
1	084443-18-01A	FT	MULTISTRIPE, 108MM WIDE - 3 LINES - ORANGE/BLUE/TURQUOISE
2	078982-32-000	EA	DECAL-LOGO, ITASCA - 5" - BLUE/TURQUOISE
	084075-01-000	EA	DECAL-"BY WINNEBAGO INDUSTRIES", BLACK
3	105781-11-01A	FT	MULTISTRIPE, 80.8MM WIDE - 2 LINES - ORANGE/ORANGE FROM: 00-00-00 THRU: 08-16-92
3	105781-11-03A	FT	MULTISTRIPE, 80.8MM WIDE - 2 LINES - TURQUOISE/ORANGE FROM: 08-17-92 THRU: 99-99-99
4	105781-12-01A	FT	MULTISTRIPE, 171.8MM WIDE - 2 LINES - BLUE/TURQUOISE
5	105518-01-02A	EA	DECAL-LOGO, SUNDANCER, LARGE - TURQUOISE/BLUE
6	107388-05-01A	FT	STRIPE, 9.5MM WIDE - TURQUOISE
7	107542-01-01A	EA	DECAL-TECHNIFADE, PASSENGER SIDE - BLUE/TEAL/TURQUOISE
7	107542-01-02A	EA	DECAL-TECHNIFADE, DRIVER SIDE - BLUE/TEAL/TURQUOISE
8	078982-32-01A	EA	DECAL-LOGO, ITASCA - 5" - OFF WHITE/TURQUOISE
9	107385-01-01A	EA	DECAL-SUN, PASSENGER SIDE - ORANGE
9	107385-01-02A	EA	DECAL-SUN, DRIVER SIDE - ORANGE
	041581-08-000	EA	PAINT-LOW BAKE, 16 OZ SPRAY CAN - OFF WHITE
	044488-08-000	EA	PAINT-LOW BAKE, 16 OZ SPRAY CAN - BEIGE

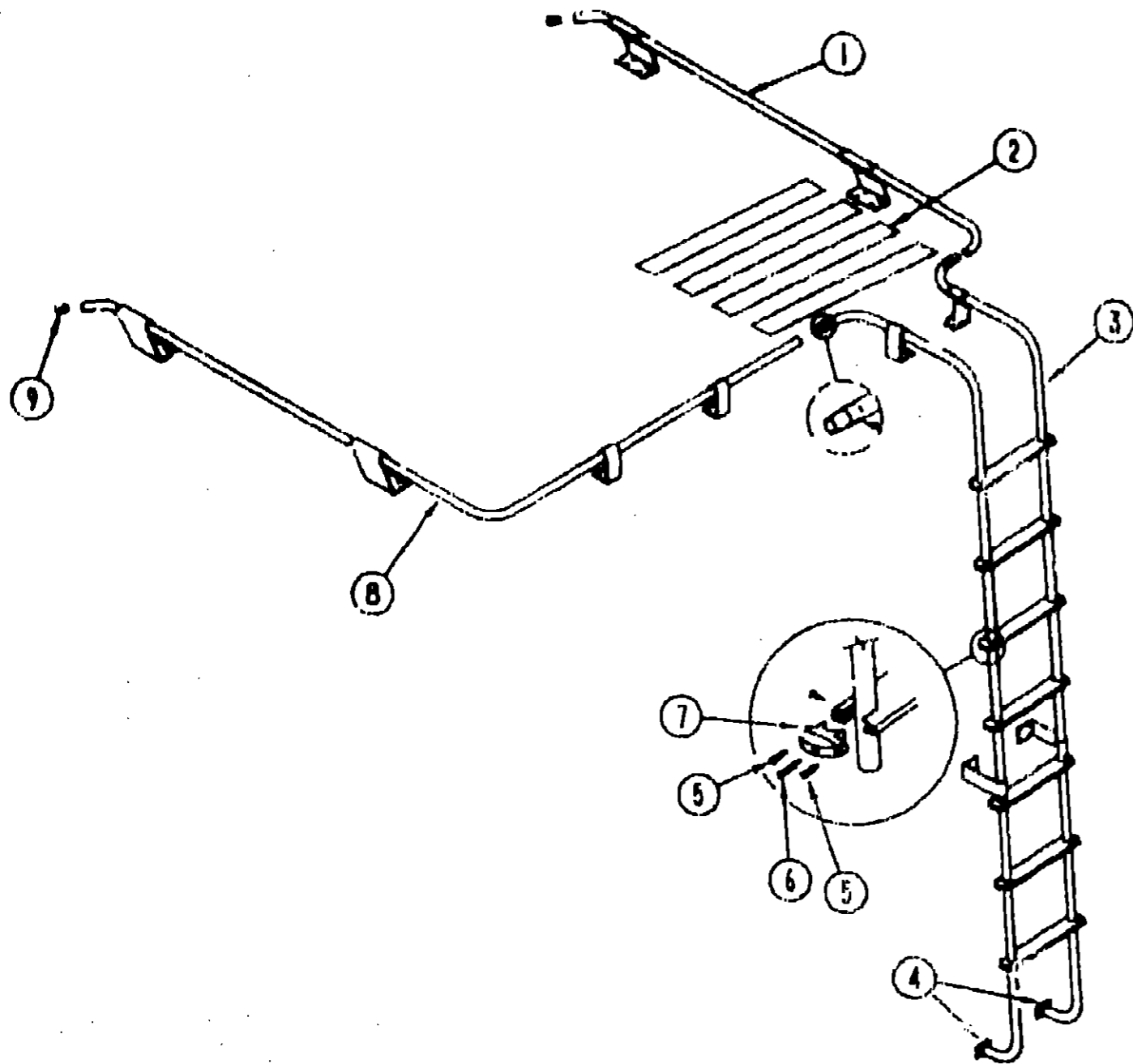
DUPONT COLOR CODES

TROPICAL BLUE	G3841
CARIBBEAN TEAL	G883E
BURNT ORANGE	G985S
OFF WHITE	L8723A
BEIGE	L8726A

1989 IC424RC INDEX

FLOOR PLAN	A-07	A-08
ACCESSORIES		A-09
AUDIO VIDEO	A-10	A-11
BATH	A-12	A-14
BEDROOM		A-15
CHASSIS	A-16	A-20
CURTAIN & CUSHION	A-21	B-08
DINETTE	B-09	B-10
DRIVERS COMPARTMENT	B-11	B-14
ELECTRICAL	B-15	B-17
EXTERIOR BODY	B-19	B-23
GALLEY	C-04	C-07
GENERATOR		C-08
HEATING & A/C	C-09	C-10
INTERIOR FINISH	C-11	C-14
WHEELS	C-15	C-18
LP		C-23
LOUNGE		C-24
SEALANTS & FASTENERS	D-01	D-04
WATER & SEWAGE	D-05	D-10
WINDOW, VENT AND EXTERIOR DOOR	D-11	E-02

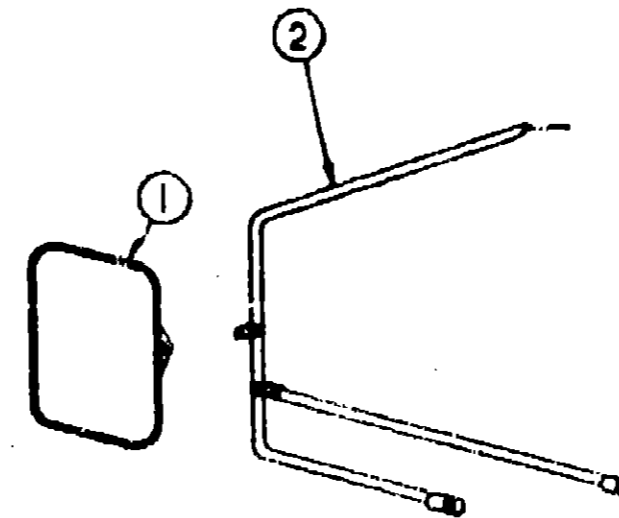
EXTERIOR BODY GROUP (CONTINUED)



RACK & LADDER

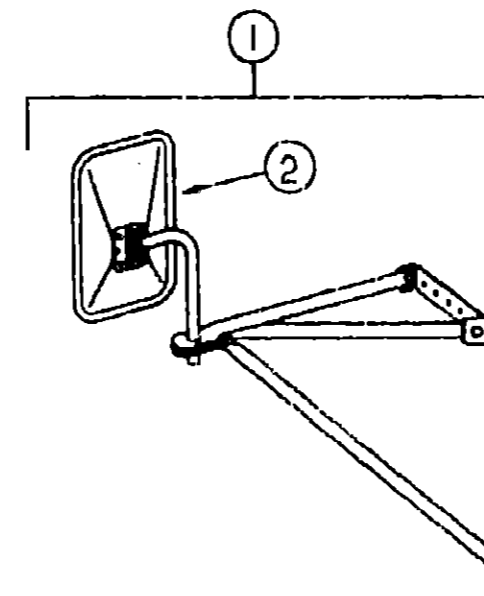
KEY	PART NUMBER	U/M DESCRIPTION
1	107438-06-C07	EA RACK-LUGGAGE, PASSENGER SIDE
	068726-02-000	EA BUMPER-.68" DIA X .40", BLACK
2	038327-01-000	EA TAPE-ANTI SLIP, 2" X 6"
3	102053-02-C03	EA LADDER ASM
4	067165-01-000	EA MOUNTING BRACKET-LADDER, LOWER
5	000339-06-107	EA SCREW-SF/DR, 6-20 X 5/8 PPH - BLACK
6	000088-10-38T	EA SCREW-10-12 X 2.25 PPH BLACK
7	078889-02-000	EA END CAP-STEP, BLACK
8	107438-09-C03	EA RACK-LUGGAGE, DRIVER SIDE
9	081114-01-000	EA PLUG-ROUND, RACK & LADDER ENDS - PLASTIC - 1" DIA.

EXTERIOR BODY GROUP (CONTINUED)



CHEVROLET EXTERIOR MIRRORS

KEY	PART NUMBER	U/M DESCRIPTION
1	049347-01-000	EA MIRROR HEAD-EXTERIOR, 10 1/2" X 7 1/2" - STAINLESS STEEL
	049347-01-700	EA GLASS-MIRROR HEAD
2	062047-01-000	EA ARM-WEST COAST MIRROR



FORD EXTERIOR MIRRORS

KEY	PART NUMBER	U/M DESCRIPTION
1	106860-01-01A	EA MIRROR-EXTERIOR, HEAD LOW MOUNT - OFF WHITE
2	106860-01-700	EA HEAD-MIRROR, EXTERIOR
	106860-01-701	EA ARM
	106860-01-703	EA BRACE LOWER FORWARD - DRIVER
	106860-01-704	EA BRACE LOWER FORWARD - PASSENGER
	106860-01-702	EA HARDWARE PACKAGE
	008643-01-007	EA MIRROR-EXTERIOR CONVEX, ADHESIVE BACKED

**1993 ITASCA
TABLE OF CONTENTS**

INTRODUCTION	A-01 - A-02
ABBREVIATIONS	A-03
ALPHABETICAL INDEX	A-04 - A-06
IC424RC	A-07 - E-02
IC422RG	E-03 - H-16

1993 IC424RC INDEX

FLOOR PLAN	A-07 - A-08
ACCESSORIES	A-09
AUDIO VIDEO	A-10 - A-11
BATH	A-12 - A-14
BEDROOM	A-15
CHASSIS	A-16 - A-20
CURTAIN & CUSHION	A-21 - B-08
DINETTE	B-09 - B-10
DRIVERS COMPARTMENT	B-11 - B-14
ELECTRICAL	B-15 - B-18
EXTERIOR BODY	B-19 - C-03
GALLEY	C-04 - C-07
GENERATOR	C-08
HEATING & A/C	C-09 - C-10
INTERIOR FINISH	C-11 - C-14
LABELS	C-15 - C-22
LP	C-23
LOUNGE	C-24
SEALANTS & FASTENERS	D-01 - D-04
WATER & SEWAGE	D-05 - D-10
WINDOW, VENT AND EXTERIOR DOOR	D-11 - E-02

EXTERIOR BODY GROUP (CONTINUED)

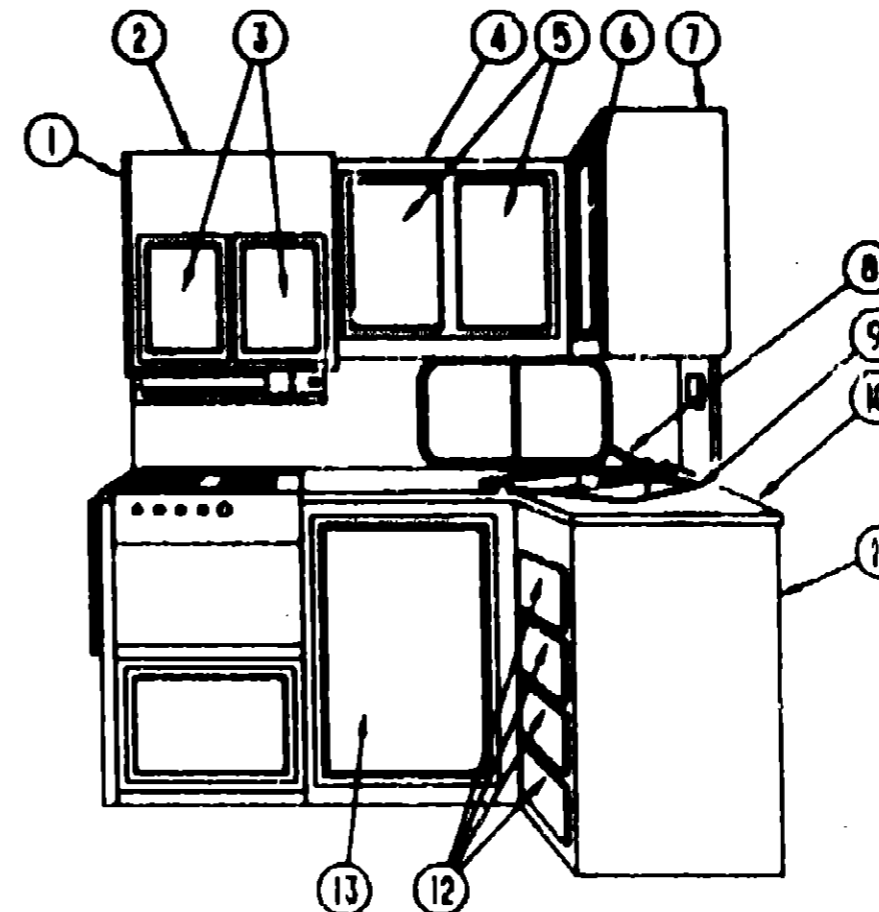
RUNNING BOARDS

KEY	PART NUMBER	U/M DESCRIPTION
	072884-18-000	EA RUNNING BOARD SET-CHEVY, 27" - KEMBERLY RB0027B FROM: 00-00-00 THRU: 01-08-93
	072884-18-700	EA BOARD-RUNNING, 27" - W/TAPE - CHEVY - KEMBERLY K-3 MISC008
	072884-18-701	EA MUDFLAP-RUNNING BOARD, CHEVY - LEFT HAND FRONT - KEMBERLY MF4BOX
	072884-18-702	EA MUDFLAP-RUNNING BOARD, CHEVY - RIGHT HAND FRONT - KEMBERLY MF4BOX
	072884-18-703	EA END CAP-RUNNING BOARD, CHEVY - LEFT HAND - KEMBERLY RBEC401B
	072884-18-704	EA END CAP-RUNNING BOARD, CHEVY - RIGHT HAND - KEMBERLY RBEC401B
	072884-18-705	EA BAG-HARDWARE, RUNNING BOARD - CHEVY - KEMBERLY RBDS BG
	072884-28-000	EA RUNNING BOARDSET-CHEVY, 27" - KEMBERLY K12 18627 FROM: 01-07-93 THRU: 99-99-99
	072884-20-000	EA RUNNING BOARD SET-FORD, 30" - KEMBERLY K-7 (STANDARD) FROM: 00-00-00 THRU: 01-31-93
	072884-27-000	EA RUNNING BOARD SET-FORD, 30" - KEMBERLY K-12 (STANDARD) FROM: 02-01-93 THRU: 99-99-99
	101398-01-000	EA BOARD-RUNNING, FORD - PASSENGER SIDE (JAPAN EXPORT ONLY)
	101398-02-000	EA BOARD-RUNNING, FORD - DRIVER SIDE (JAPAN EXPORT ONLY)
	101398-03-000	EA KIT-HARDWARE, FORD (JAPAN EXPORT ONLY)

FIBERGLASS & STYROFOAM

KEY	PART NUMBER	U/M DESCRIPTION
	077517-24-000	EA SHEET-FIBERGLASS, FLAT - 48" X 96" - OFF WHITE
	078054-H1-000	EA SHEET-FIBERGLASS, 2438 X 2501MM - OFF WHITE
	078054-F3-000	EA SHEET-FIBERGLASS, 2438 X 2438MM - OFF WHITE
	000870-03-000	SF STYROFOAM-1.34 X 48" X 96" - INCREMENTS OF 32 SF
	000870-05-000	SF STYROFOAM-5" X 24" X 96" - INCREMENTS OF 18 SF
	083574-01-000	SF STYROFOAM-DOW TYPE 5M - 1.5" X 24" X 95.25" - INC OF 14 S
	083574-02-000	SF STYROFOAM-DOW TYPE 5M - 1.5" X 24" X 90.5" - INC OF 15 SF
	083574-03-000	SF STYROFOAM-3/4" X 48" X 96" - INCREMENTS OF 32 SF

GALLEY GROUP



GALLEY CABINETS & FIXTURES

KEY	PART NUMBER	U/M DESCRIPTION
	090329-01-000	FT SEAL-T, REFRIGERATOR CABINET - 6" WIDE TOP X 2" TAIL
	103251-02-01A	EA INSERT-ACRYLIC BLACK - 19.53 X 16.06
	103251-03-01A	EA INSERT-ACRYLIC BLACK - 19.53 X 32.20
	103251-04-01A	EA INSERT-ACRYLIC BLACK - 19.53 X 39.20 (LARGE REFRIGERATOR OPTION ONLY)
1	106887-17-D04	EA END CAP-CABINET, OVERHEAD
2	M05778-47-D04	EA CABINET-OVERHEAD, W/O DOORS & HARDWARE - MICROWAVE
2	M05778-46-D04	EA CABINET-OVERHEAD, W/O DOORS & HARDWARE - RANGE
3	P05223-40-D04	EA DOOR-CABINET, W/O HARDWARE - 275 X 365MM
4	106885-01-C03	EA CABINET-OVERHEAD, W/O DOORS & HARDWARE - SINK
5	P05223-41-D04	EA DOOR-CABINET, W/O HARDWARE - 255 X 640MM
6	P05223-46-D04	EA DOOR-CABINET, W/O HARDWARE - 360 X 650MM
7	M05778-34-D04	EA CABINET-OVERHEAD, W/O DOORS & HARDWARE - CENTER
8	103243-01-000	EA FAUCET-GALLEY, SINGLE CONTROL
9	104113-01-000	EA SINK-STAINLESS STEEL, DOUBLE
	092303-01-000	EA STRAINER-SINK, GALLEY W/BASKET
10	107351-13-D05	EA COUNTERTOP-CABINET, GALLEY (D27)
10	107351-13-D04	EA COUNTERTOP-CABINET, GALLEY (D28)
11	M05789-01-D05	EA CABINET-GALLEY, W/O DOORS & HARDWARE (D27)
11	M05789-01-D04	EA CABINET-GALLEY, W/O DOORS & HARDWARE (D28)
12	P07104-80-D04	EA DRAWER-CABINET, W/O HARDWARE
13	P05223-37-C03	EA DOOR-CABINET, W/O HARDWARE - 400 X 710MM
	080812-04-D09	EA EXTENSION ASM-GALLEY (D27)
	080812-04-D32	EA EXTENSION ASM-GALLEY (D28)
	103610-01-D09	EA COVER-SINK (D27)
	103510-01-D32	EA COVER-SINK (D28)

1993 ITASCA TABLE OF CONTENTS

INTRODUCTION	A-01 - A-02
ABBREVIATIONS	A-03
ALPHABETICAL INDEX	A-04 - A-08
IC424RC	A-07 - E-02
IC424RG	E-03 - H-18

1993 IC424RC INDEX

FLOOR PLAN	A-07 - A-08
ACCESSORIES	A-09
AUDIO VIDEO	A-10 - A-11
BATH	A-12 - A-14
BEDROOM	A-15
CHASSIS	A-16 - A-20
CURTAIN & CUSHION	A-21 - B-08
DINETTE	B-09 - B-10
DRIVERS COMPARTMENT	B-11 - B-14
ELECTRICAL	B-15 - B-18
EXTERIOR BODY	B-19 - C-03
GALLEY	C-04 - C-07
GENERATOR	C-08
HEATING & A/C	C-09 - C-10
INTERIOR FINISH	C-11 - C-14
LABELS	C-15 - C-22
LP	C-23
LOUNGE	C-24
SEALANTS & FASTENERS	D-01 - D-04
WATER & SEWAGE	D-05 - D-10
WINDOW, VENT AND EXTERIOR DOOR	D-11 - E-02

GALLEY GROUP (CONTINUED)

RANGE HOOD

KEY	PART NUMBER	U/M DESCRIPTION
	100888-16-01A	EA HOOD-RANGE, W/O MONITOR PANEL - VENTLINE - US TC84008NAD (STANDARD)
	100888-17-01A	EA HOOD-RANGE, W/O MONITOR PANEL-VENTLINE-CBA-TC84008NAC (CANADIAN)
	100888-18-01A	EA HOOD-RANGE, W/O MONITOR PANEL-VENTLINE-US-TP86007NAD (GENERATOR OPTION)
	090873-01-700	EA MOTOR, LVS CA808-1
	090873-01-702	EA BLADE-FAN, LVS VA183-1
	092888-01-709	EA BULB-812, VENTLINE VA415
	092888-01-710	EA SOCKET-LIGHT, VENTLINE CB287-2
	098883-01-700	EA SWITCH-ON/OFF, VENTLINE 109
	098883-01-702	EA SWITCH-TWO WAY MOMENTARY, VENTLINE 112
	098883-01-707	EA FILTER-GREASE, 8" X 8" - LVS CC248
	098883-01-708	EA LENS-LAMP, VENTLINE CC179
	100258-01-700	EA HOOD NOSE LABEL
	100258-10-01A	EA METER-HOUR, VENTLINE 150
	063752-01-000	EA SHROUD-RANGE, 18.5' X 20.6' X 18.2' - METAL - OFF WHITE

RANGE

KEY	PART NUMBER	U/M DESCRIPTION
	055516-03-000	EA BRACKET-TIEDOWN, RANGE W/OVEN - RIGHT FROM: 00-00-00 THRU: 01-03-93
	105458-03-000	EA BRACKET-TIEDOWN, STOVE - RIGHT FROM: 01-04-93 THRU: 99-99-99
	055516-04-000	EA BRACKET-TIEDOWN, RANGE W/OVEN - LEFT FROM: 00-00-00 THRU: 01-03-93
	105458-04-000	EA BRACKET-TIEDOWN, STOVE - LEFT FROM: 01-04-93 THRU: 99-99-99
	102022-01-02A	EA RANGE-18", 4 BURNER - MAGIC CHEF BT1CRA-4Z
	055282-03-705	EA TRIM-CABINET, LEFT - BLACK - MAGIC CHEF 3608F011-70
	055282-03-707	EA TRIM-CABINET, RIGHT - BLACK - MAGIC CHEF 3608F012-70
	068507-02-701	EA INSERT-BURNER (SLOTTED VENT), MAGIC CHEF 721P015-60
	102020-01-700	EA SHELF-OVEN, MAGIC CHEF - 7801P027-60
	102020-01-701	EA HANDLE-DOOR, MAGIC CHEF - 7701P082-60
	102020-01-702	EA PANEL-MANIFOLD, MAGIC CHEF 2616F080-70
	102020-01-704	EA PANEL-DOOR, BLACK - MAGIC CHEF - 2401F075-70
	102020-01-708	EA BURNER ASSEMBLY-OVEN, MAGIC CHEF 3403W003-45
	102020-01-711	EA GRATE-TOP, MAGIC CHEF 7518P012-60
	102020-01-712	EA KNOB-BURNER VALVE, MAGIC CHEF 7733P044-60
	102020-01-713	EA KNOB-THERMOSTAT, MAGIC CHEF 7731P042-60
	102020-01-714	EA PILOT-OVEN, MAGIC CHEF 988-143
	102020-01-715	EA PIPE-MANIFOLD, MAGIC CHEF 7513P095-60
	102020-01-717	EA THERMOSTAT, MAGIC CHEF 7515P024-60
	102020-01-718	EA TOP-MAIN, ALMOND - MAGIC CHEF 2001F085-84
	102020-01-720	EA VALVE-MERCURY CONTROL, MAGIC CHEF 7501P056-60
	102020-01-722	EA VALVE-TOP BURNER, MAGIC CHEF 7502P095-60
	102020-01-723	EA PILOT-BURNER, MAGIC CHEF 7505P147-60
	102020-01-724	EA BUMPER-MAIN TOP, MAGIC CHEF 8003P008-60
	102022-01-702	EA PIPE-MANIFOLD, MAGIC CHEF 7513P098-60
	102022-01-703	EA REGULATOR-PRESSURE, MAGIC CHEF 7510P031-60
	102022-01-706	EA TRIM-LEFT, FLAT - MAGIC CHEF 3608W022-70
	102022-01-707	EA TRIM-RIGHT, FLAT - MAGIC CHEF 3608W023-70

GALLEY GROUP (CONTINUED)

MONITOR PANEL

KEY	PART NUMBER	U/M DESCRIPTION
	102786-04-01A	EA MONITOR PANEL, W/PLUG - FOR 2 TANKS & WATER HEATER - LVS
	102786-02-01A	EA MONITOR PANEL, W/PLUG - FOR 2 TANKS - LVS
	097817-01-702	EA SWITCH-1/WAY, ALMOND - LVS 107
	097817-01-703	EA CIRCUIT BOARD - LVS 8078-01
	102786-01-700	EA SWITCH-ON-ON, ALMOND - 110-01
	097818-01-000	EA WIRE ASM-MONITOR PANEL, W/4 WIRES & BLACK RESISTOR - LVS

MICROWAVE & COFFEE MAKER

KEY	PART NUMBER	U/M DESCRIPTION
	091289-04-000	EA OVEN-MICROWAVE, MAGIC CHEF M15-B FROM: 00-00-00 THRU: 07-19-92
	091289-06-000	EA OVEN-MICROWAVE, MAGIC CHEFDM15-58 FROM: 07-20-92 THRU: 99-99-99
	094745-01-01A	EA TRIM-MICROWAVE, LOWER - BLACK
	094774-03-01A	EA TRIM-MICROWAVE, EITHER SIDE - 1.5' X 14.8' - METAL - BLACK
	098918-03-01A	EA BRACE-MICROWAVE CABINET, LEFT - 9.4' X 7.5' - STEEL
	098918-04-01A	EA BRACE-MICROWAVE CABINET, RIGHT - 9.4' X 7.5' - STEEL
	094750-01-000	EA BRACKET-MICROWAVE, 60 DEGREE - STEEL
	103799-01-01A	EA MAKER-COFFEE, ALMOND FROM: 00-00-00 THRU: 07-06-92
	103799-01-02A	EA MAKER-COFFEE, GRAY - W/GLASS POT FROM: 07-06-92 THRU: 99-99-99
	104810-01-000	EA STRAP ASM-COFFEE MAKER

REFRIGERATOR

KEY	PART NUMBER	U/M DESCRIPTION
	093648-01-000	EA BRACKET-TIEDOWN, REFRIGERATOR
	093648-02-000	EA BRACKET-TIEDOWN, REFRIGERATOR
	054450-01-000	EA LEVEL-REFRIGERATOR
	104138-04-01A	EA REFRIGERATOR, SMALL DOUBLE DOOR - 2-WAY - NORCOLD 8182 RH BL
	075217-01-734	EA FUSE-3 AMP, NORCOLD 61538822
	075217-01-738	EA SWITCH-HUMIDITY, NORCOLD 61525822
	084879-03-700	EA COOLING UNIT - HORIZONTAL BURNER, NORCOLD 81887237
	084880-01-713	EA CONNECTOR-MALE, INLET FITTING - NORCOLD 615256
	084880-01-715	EA VALVE-SHUT OFF, MANUAL - NORCOLD 81897922
	084880-01-718	EA VALVE-GAS, NORCOLD 61551822
	084880-01-722	EA CRISPER COVER - NORCOLD 615641
	084880-01-726	EA HINGE BRACKET (CTR HINGE), NORCOLD 61588523
	084880-01-731	EA HINGE PIN, NORCOLD 61578123
	084880-01-732	EA LATCH, NORCOLD 61578522
	084880-01-733	EA BRACKET-HINGE, TOP RH - BOTTOM LH - BROWN NORCOLD 61580837
	084880-01-735	EA HINGE BRKT, TOP LH-BTM RH BRN - NORCOLD 61580937
	084880-01-739	EA END CAP (SPRING CATCH) BRN - NORCOLD 61593722
	084880-01-740	EA END CAP (STOP CATCH), NORCOLD 61593830
	084880-01-746	EA CABLE, NORCOLD 61571522
	084880-01-747	EA PLUG-HOLE, NORCOLD 61582022
	084880-01-749	EA HINGE BUSHING - NORCOLD 615807
	084880-01-753	EA THERMISTER 78" - NORCOLD 61583822
	084880-01-781	EA END CAP (SPRING CATCH) BLACK 61593730
	084880-02-700	EA LOWER FLANGE 898348883, NORCOLD 81622123
	084880-03-705	EA BRACKET F/INT. RERIG LIGHT - NORCOLD 61629722
	084880-03-706	EA LAMP (BULB) - NORCOLD 61629922

**1993 ITABCA
TABLE OF CONTENTS**

INTRODUCTION	A-01	A-02
ABBREVIATIONS		A-08
ALPHABETICAL INDEX	A-04	A-08
IC424RC	A-07	E-02
IC422RG	E-03	H-16

1993 IC424RC INDEX

FLOOR PLAN	A-07	A-08
ACCESSORIES		A-09
AUDIO VIDEO	A-10	A-11
BATH	A-12	A-14
BEDROOM		A-15
CHASSIS	A-18	A-20
CURTAIN & CUSHION	A-21	B-08
DINETTE	B-09	B-10
DRIVERS COMPARTMENT	B-11	B-14
ELECTRICAL	B-15	B-18
EXTERIOR BODY	B-19	C-03
GALLEY	C-04	C-07
GENERATOR		C-08
HEATING & A/C	C-09	C-10
INTERIOR FINISH	C-11	C-14
LABELS	C-15	C-22
LP		C-23
LOUNGE		C-24
SEALANTS & FASTENERS	D-01	D-04
WATER & SEWAGE	D-06	D-10
WINDOW, VENT AND EXTERIOR DOOR	D-11	E-02

GALLEY GROUP (CONTINUED)

REFRIGERATOR (CONTINUED)

KEY	PART NUMBER	U/M	DESCRIPTION
	084880-09-707	EA	COVER FLAMP OR BULB - NORCOLD 8157322
	088848-01-708	EA	BURNER-HORIZONTAL, NORCOLD 8157322
	088848-01-707	EA	ELECTRODE-SENSOR, (HORIZONTAL), NORCOLD 8157322
	088848-01-708	EA	ELECTRODE-IGNITION, (HORIZONTAL) - NORCOLD 8157322
	088848-01-708	EA	HEATER-AC, (HORIZONTAL) - NORCOLD 815827
	088848-01-710	EA	HEATER-DC, (HORIZONTAL) - 3 WAY - NORCOLD 815828
	091088-01-700	EA	GASKET-LOWER, GRAY - NORCOLD 81587830
	094038-01-701	EA	LINER-DOOR, LOWER - BROWN/WHITE - NORCOLD 81581937-B
	094038-01-702	EA	LINER-DOOR, LOWER - BLACK/WHITE - NORCOLD 81581938-B
	094038-01-703	EA	HANDLE-DOOR, LOWER - BROWN - NORCOLD 81880137
	094038-01-704	EA	HANDLE-DOOR, LOWER - BLACK - NORCOLD 81880138
	094038-01-708	EA	CAB ASM-BLK, WHITE LINER - WITH FRAME - NORCOLD 81883138
	094038-01-703	EA	PLATE-HINGE, LH - BROWN - NORCOLD 81831422
	094038-01-704	EA	PLATE-HINGE, BLACK - NORCOLD 81831430
	094038-01-709	EA	PLATE-HINGE, TOP RH - LH BOTTOM - BROWN - NORCOLD 81831322
	094038-01-710	EA	PLATE-HINGE, BLACK - NORCOLD 81831330
	094038-01-712	EA	DOOR BIN(GRAY)SILVER BORDER - NORCOLD 81584080
	094038-01-718	EA	MILK BIN (GRAY)W/SILVER TRIM - NORCOLD 8157948C
	094038-01-719	EA	DAIRY KEEPER (GRAY)SILVER TRIM, NORCOLD 81580-80
	094038-01-722	EA	HOLE PLUG (BLK) HINGE HOLES - NORCOLD 81582030
	094038-01-723	EA	HINGE BRKT, TOP RH-BTM LH BLK - NORCOLD 81580838
	094038-01-724	EA	BRACKET-HINGE, TOP LH - BOTTOM RH - BLK - NORCOLD 81580938
	094038-01-726	EA	HINGE PIN (BLACK)(MALE) - NORCOLD 81578130
	094038-01-728	EA	SHELF-FREEZER EVAPORATOR, NORCOLD 815238
	094038-01-730	EA	HINGE PIN SHAFT(BLK) CTR HGE - NORCOLD 81588730
	094038-01-732	EA	FRONT COVER(BLK) BTM TRIM - NORCOLD 81822130
	094038-01-733	EA	WIRE SHELF (MIDDLE) - NORCOLD 81583822
	094038-01-734	EA	WIRE SHELF (TOP) WRISER - NORCOLD 81583722
	094038-01-735	EA	INSIDE DRIP TRAY (WHITE), NORCOLD 81572830
	094038-01-738	EA	SWITCH-LIGHT, BLACK - NORCOLD 815810
	094038-01-739	EA	SHELF (CUTOUT), NORCOLD 81848722
	094038-04-700	EA	PC BOARD-2 WAY, NORCOLD 81547322
	094038-04-701	EA	EYEBROW (SHEIL) 2 WAY - NORCOLD 81888822
	094038-04-702	EA	POWER SUPPLY (2 WAY) - NORCOLD 81847422

GENERATOR GROUP

4.0 KW KOHLER GENERATOR

KEY	PART NUMBER	U/M	DESCRIPTION
	108823-01-000	EA	GENERATOR-4KW/ LOW PROFILE, KOHLER 4CKM21
	108732-01-000	EA	TRAY-GENERATOR
	088484-01-000	EA	BRACKET-EXHAUST, W/DOUBLE BEND
	108828-01-000	EA	ARRESTER-SPARK, KOHLER 278821
	108826-01-000	EA	MUFFLER-FRONT EXHAUST, W/O SPARK - KOHLER 278734
	108172-01-000	EA	PIPE-EXHAUST ADAPTER
	008401-01-000	EA	STRAP-CONDUIT, 3/4" - 1 HOLE - GALVANIZED STEEL
	007087-01-000	SF	INSULATION-FIBERGLASS, 1" THICK X 4' - INCREMENTS OF 4 SF
	007131-01-000	EA	HANGER-TAILPIPE, 8 SLOTS
	007125-04-000	EA	CLAMP-MUFFLER, 1.1" DIA
	007125-01-000	EA	CLAMP-MUFFLER, 1.62 DIAMETER

4.0 KW ONAN GENERATOR

KEY	PART NUMBER	U/M	DESCRIPTION
	100974-01-000	EA	GENERATOR-4.0KW EMERALD PLUS, ONAN BGE-FA26100G
	105732-01-000	EA	TRAY-GENERATOR
	081384-01-000	EA	MUFFLER-GENERATOR, W/ 8.5" LONG TAILPIPE
	088252-01-000	EA	PIPE-EXHAUST, W/2 BOLT HOLE FLANGE
	088484-01-000	EA	BRACKET-EXHAUST, W/DOUBLE BEND
	094059-01-000	EA	SPACER-GENERATOR, ONAN
	008401-01-000	EA	STRAP-CONDUIT, 3/4" - 1 HOLE - GALVANIZED STEEL
	007087-01-000	SF	INSULATION-FIBERGLASS, 1" THICK X 4' - INCREMENTS OF 4 SF
	007131-01-000	EA	HANGER-TAILPIPE, 8 SLOTS
	007125-04-000	EA	CLAMP-MUFFLER, 1.1" DIA
	007125-01-000	EA	CLAMP-MUFFLER, 1.62 DIAMETER

4.0 KW ONAN GENERATOR - EXPORT OPTION

KEY	PART NUMBER	U/M	DESCRIPTION
	100974-04-000	EA	GENERATOR-4.0KW EMERALD PLUS, ONAN BGE-FW29236G
	105732-01-000	EA	TRAY-GENERATOR
	078854-01-700	EA	HINGE KIT-ONAN, EMERALD - ONAN 406-0589
	007087-01-000	SF	INSULATION-FIBERGLASS, 1" THICK X 4' - INCREMENTS OF 4 SF
	081384-01-000	EA	MUFFLER-GENERATOR, W/8.5" LONG TAILPIPE
	093511-01-000	EA	VAPOR KIT-LP, GENERATOR
	094059-01-000	EA	SPACER-GENERATOR, ONAN
	093591-02-000	EA	PIPE-EXHAUST, GENERATOR - CURVED - 1.5' OD
	078045-01-000	EA	STRAP-SUPPORT, GENERATOR - 4 HOLE
	084385-01-000	EA	STRAP-SUPPORT, GENERATOR - 2 HOLE
	008401-01-000	EA	STRAP-CONDUIT, 3/4" - 1 HOLE - GALVANIZED STEEL
	007131-01-000	EA	HANGER-TAILPIPE, 8 SLOTS
	007125-04-000	EA	CLAMP-MUFFLER, 1.1" DIA
	007125-01-000	EA	CLAMP-MUFFLER, 1.62 DIAMETER

1993 ITASCA TABLE OF CONTENTS

INTRODUCTION	A-01	A-02
ABBREVIATIONS		A-03
ALPHABETICAL INDEX	A-04	A-08
IC424RC	A-07	E-02
IC428RG	E-03	H-18

1993 IC424RC INDEX

FLOOR PLAN	A-07	A-08
ACCESSORIES		A-09
AUDIO VIDEO	A-10	A-11
BATH	A-12	A-14
BEDROOM		A-15
CHASSIS	A-18	A-20
CURTAIN & CUSHION	A-21	B-08
DINETTE	B-09	B-10
DRIVERS COMPARTMENT	B-11	B-14
ELECTRICAL	B-15	B-18
EXTERIOR BODY	B-19	C-03
GALLEY	C-04	C-07
GENERATOR		C-08
HEATING & A/C	C-09	C-10
INTERIOR FINISH	C-11	C-14
LABELS	C-15	C-22
LP		C-23
LOUNGE		C-24
SEALANTS & FASTENERS	D-01	D-04
WATER & SEWAGE	D-05	D-10
WINDOW, VENT AND		
EXTERIOR DOOR	D-11	E-02

HEATING & AIR CONDITIONING GROUP

SUBURBAN 28000 BTU FURNACE

KEY	PART NUMBER	U/M DESCRIPTION
	08888-04-000	EA FURNACE-28000 BTU, SUBURBAN SF-28
	08888-01-728	EA RELAY, TIME DELAY 20430 BTU - SUBURBAN 231202
	07888-01-708	EA MICRO SWITCH (FOR MODELS 30 & 348), SUBURBAN#230609
	04008-01-708	EA OFFICE-MAIN BURNER, SUBURBAN# 180189
	08008-01-706	EA GASKET, OBSERVATION HOLE CUR, 070387
	08200-01-704	EA GASKET-ELECTRODE, SUBURBAN 070183
	08888-01-700	EA CABINET FRONT, SUBURBAN 101-42
	08888-01-701	EA CABINET ASM, SUBURBAN 101299
	08888-01-702	EA ELECTRODE, SUBURBAN 231740
	08888-01-703	EA BURNER ASM, COMP.(SF-25) - SUBURBAN 010782
	08888-01-704	EA VALVE, SUBURBAN 180908
	08888-01-705	EA SWITCH-LIMIT, SUBURBAN 231830
	08888-01-708	EA WHEEL-COMBUSTION AIR, SUBURBAN 350122
	08888-01-707	EA VENT CAP & EXHAUST TUBE ASM, SUBURBAN 280193
	08888-01-708	EA FLOWER ASM (COMBUSTION AIR), SUBURBAN 390441
	08888-01-709	EA MOTOR ASM, FOR SF-25, SF-30 - SUBURBAN 231708
	08888-01-710	EA BLOWER ASM (ROOM AIR), SUBURBAN 390440
	08888-01-711	EA WHEEL, ROOM AIR - SUBURBAN 350123
	08888-01-712	EA BOARD-MODULE, SUBURBAN 231741
	08888-01-713	EA INTAKE VENT TUBE ASM, SUBURBAN - 051044
	08888-08-000	EA DOOR-ACCESS, FURNACE - OFF WHITE - SUBURBAN 520574
	083385-01-000	EA THERMOSTAT-WALL, FURNACE - SUBURBAN 0180302

REAR HEATER

KEY	PART NUMBER	U/M DESCRIPTION
	084405-01-000	EA HEATER ASM-REAR, DUCTED, W/MOTOR AID, EVANS
	084405-01-700	EA HEATER CORE, FT20229
	084405-01-701	EA FAN, HVD20931
	084405-01-702	EA MOTOR-12 VOLT ASSY, R0200180
	C37202-01-000	EA SWITCH-4 POSITION, W/KNOB
	088076-01-000	EA DECAL-AUTO AIR & REAR HEATER

HEATING SYSTEM

KEY	PART NUMBER	U/M DESCRIPTION
	056464-05-000	EA REGISTER-PLASTIC, W/O DAMPER - 4" DIAMETER - GOLDEN
	009198-01-000	FT DUCT-HEAT, FLEXIBLE - 4" ID X 25 FT
	009200-01-000	EA TAPE-FURNACE, 1 1/2"
	023148-01-000	EA CLAMP-SCREW TYPE, 4"
	088638-02-000	EA CONNECTOR-DUCT, 4" ID - SUBURBAN 05C715
	079059-01-000	EA HOSE-90 DEGREE, 5/8" ID X 4" X 36"
	079059-02-000	EA HOSE-90 DEGREE, .61" ID X 4" X 8"
	079059-03-000	EA HOSE-90 DEGREE, .61" ID X 4" X 18"
	007108-01-000	FT HOSE-HEATER, 5/8" ID - HI-TEMP - FORD ESE-M2D192-A
	088753-01-000	FT TUBE-ALUMINIZED STEEL, 5/8" - 18 GAUGE
	008042-01-000	FT TUBING-VINYL, .85" ID

HEATING & AIR CONDITIONING GROUP (CONTINUED)

ROOF A/C

KEY	PART NUMBER	U/M DESCRIPTION
	10889-01-01A	EA AC-ROOF, 13,800 T8R HO - IVORY - COLEMAN 7330-887
	091225-01-708	EA START RELAY, COLEMAN 1487-4131
	091225-01-710	EA START CAPACITOR, COLEMAN# 1497-0881
	093308-01-701	EA DECAL PACKAGE, LEFT & RIGHT - COLEMAN 8798B3591
	093308-01-712	EA COMPRESSOR, COLEMAN 8707C3570
	10889-01-704	EA COMPRESSOR, RIGHT & LEFT - COLEMAN 1480-2009
	10889-01-708	EA FOOT PACKAGE-COMPRESSOR, 3 PER PACKAGE - COLEMAN 8759-3081
	10889-01-700	EA SHROUD (GREY/GREY) LESS LOGO - COLEMAN 8759-8421
	10889-01-702	EA SHROUD (BUFF/BUFF) LESS LOGO - COLEMAN 8759-8411
	10889-01-703	EA CONDENSER COIL, COLEMAN 1482-1301
	10889-01-704	EA OVERLOAD (MRA#88889, COLEMAN 8759-3541
	10889-01-705	EA MOTOR (115, 60HZ), COLEMAN 1488-3049
	10889-01-708	EA IMPELLOR, COLEMAN 1472-1041
	10889-01-707	EA RUN CAPACITOR (COMP-25MFD/370), COLEMAN 1499-5881
	10889-01-708	EA FAN CAPACITOR (7.8MFD/370U), COLEMAN 1499-3481
	10889-01-709	EA EVAPORATOR COIL, COLEMAN 1452-1311
	10889-01-710	EA FILLER PAD-CONDITION AIR SEAL, COLEMAN 8759A3971
	10889-01-711	EA GASKET PACKAGE, COLEMAN 8792-3301
	10889-01-712	EA SUCTION LINE REDUCER (3/8 X 1/2), COLEMAN 1215-2181
	10889-01-713	EA SUCTION LINE (3/8OD X .032 WALL), COLEMAN 8792-130
	10889-01-714	EA DISCHARGE LINE ASM., COLEMAN 8792-531
	10889-01-715	EA MOTOR MOUNT & SHAFT SEAL KIT, COLEMAN 8792-3381
	108891-01-01A	EA CEILING ASM-A/C COOL T8R HO, COLEMAN 7330-714 IV
	042204-01-709	EA THERMOSTAT-IN 84 OUT 58, COLEMAN 8701-3401
	073742-01-701	EA SELECTOR SWITCH (5 TERMINAL), COLEMAN 8759-3251
	073742-01-702	EA DECAL COOL ONLY, COLEMAN 8759C3431
	075303-01-707	EA FILTER-8" X 14 3/4" X 1/2", 12 PER PACKAGE - COLEMAN 8703A3151
	081808-01-712	EA CEILING SHROUD (IVORY), COLEMAN 8789-5081
	091225-01-713	EA KNOB (2 PER PACKAGE), COLEMAN 8701-3351
	091225-01-717	EA DECAL (THERMOSTAT) COOL ONLY, COLEMAN 8799A3441
	093788-02-701	EA DECAL-LEFT SIDE, COLEMAN 8799-3971
	108891-01-700	EA SINGLE PARTS PACKAGE (KNOBS & NUTS), COLEMAN 8792-5991
	108891-01-701	EA RETAINER CLIPS FOR FILTER (8 PER PACKAGE), COLEMAN 8799-3141
	102289-01-000	EA SPRING-SCREW, ROOF A/C GASKET - COLEMAN 8757-150
	022758-03-000	EA COVER-BLANK, ROOF A/C - PLASTIC - OFF WHITE
	022758-02-000	EA COVER-PROTECTIVE, 5.5' ENDS X 8.2" - PLASTIC - OFF WHITE

A/C-13800 BTU-EUROPE

KEY	PART NUMBER	U/M DESCRIPTION
	092440-01-000	EA AC-ROOF, 13500 BTU - 220V - 50HZ - COLEMAN# 8713C750 FROM: 00-00-00 THRU: 08-31-92
	092441-01-000	EA CEILING ASM-A/C, 220V - 50HZ - COLEMAN# 8712ET18 FROM: 00-00-00 THRU: 08-31-92
	10889-02-01A	EA AC-ROOF, 13500 BTU - 220V - T8R - IVORY - COLEMAN 7373-587 FROM: 09-01-92 THRU: 99-99-99
	108891-01-01A	EA CEILING ASM-A/C, COOL - T8R - IVORY - COLEMAN 7330-714 FROM: 09-01-92 THRU: 99-99-99
	042204-01-709	EA THERMOSTAT-IN 84 OUT 58, COLEMAN 8701-3401
	073742-01-701	EA SELECTOR SWITCH (5 TERMINAL), COLEMAN 8759-3251
	073742-01-702	EA DECAL COOL ONLY, COLEMAN 8759C3431
	075303-01-707	EA FILTER-8" X 14 3/4" X 1/2", 12 PER PKG - COLEMAN 8703A3151
	081808-01-712	EA CEILING SHROUD (IVORY), COLEMAN 8789-5081
	091225-01-713	EA KNOB (2 PER PACKAGE), COLEMAN 8701-3351
	091225-01-717	EA DECAL (THERMOSTAT) COOL ONLY, COLEMAN 8799A3441
	093788-02-701	EA DECAL-LEFT SIDE, COLEMAN 8799-3971
	108891-01-700	EA SINGLE PARTS PACKAGE (KNOBS & NUTS), COLEMAN 8792-5991
	108891-01-701	EA RETAINER CLIPS FOR FILTER (8 PER PACKAGE), COLEMAN 8799-3141
	102289-01-000	EA SPRING-SCREW, ROOF A/C GASKET - COLEMAN 8757-150
	022758-03-000	EA COVER-BLANK, ROOF A/C - PLASTIC - OFF WHITE
	022758-02-000	EA COVER-PROTECTIVE, 5.5' ENDS X 8.2" - PLASTIC - OFF WHITE

**1993 ITASCA
TABLE OF CONTENTS**

INTRODUCTION	A-01	A-02
ABBREVIATIONS		A-08
ALPHABETICAL INDEX	A-04	A-08
IC424RC	A-07	E-02
IC422RC	E-03	H-18

1993 IC424RC INDEX

FLOOR PLAN	A-07	A-09
ACCESSORIES		A-09
AUDIO VIDEO	A-10	A-11
BATH	A-12	A-14
BEDROOM		A-15
CHAIR/SSIS	A-18	A-20
CURTAIN & CUSHION	A-21	B-08
DINETTE	B-09	B-10
DRIVERS COMPARTMENT	B-11	B-14
ELECTRICAL	B-15	B-18
EXTERIOR BODY	B-19	C-03
GALLEY	C-04	C-07
GENERATOR		C-08
HEATING & A/C	C-09	C-10
INTERIOR FINISH	C-11	C-14
LABELS	C-15	C-22
LP		C-23
LOUNGE		C-24
SEALANTS & FASTENERS	D-01	D-04
WATER & SEWAGE	D-05	D-10
WINDOW, VENT AND EXTERIOR DOOR	D-11	E-02

INTERIOR FINISH GROUP

MOLDINGS & TRIMS

KEY	PART NUMBER	U/M DESCRIPTION
	008787-18-000	FT MOLDING-SIDEWALL TO CEILING/CABINET - WELTING - OFF WHITE
	008778-11-000	EA U-CHANNEL-PLASTIC, 1" WIDE X 8" LONG - IVORY
	008808-21-000	EA MOLDING-CORNER, OUTSIDE - 1" - PLASTIC - WOODGRAIN
	008809-23-000	EA MOLDING-CORNER, OUTSIDE - 1" - PLASTIC - IVORY
	008809-24-000	EA MOLDING-CORNER, OUTSIDE - 1" - PLASTIC - THOR PECAN
	008809-25-000	EA MOLDING-CORNER, OUTSIDE - 1" - PLASTIC - OFF WHITE
	008812-26-000	EA MOLDING-CORNER, OUTSIDE - 8" - PLASTIC - PECAN
	022982-01-000	FT MOLDING-REVERSE COVE, T-SHAPED - VINYL - WHITE
	022982-11-000	FT MOLDING-REVERSE COVE, T-SHAPED - VINYL - IVORY
	070804-01-000	FT U-CHANNEL-PLASTIC, .086" WIDE - LIGHT BROWN - INC. OF 8"
	070804-20-000	FT U-CHANNEL-PLASTIC, .816" WIDE - THOR PECAN - INC. OF 8"
	078325-18-000	FT MOLDING-EDGE BAND, 1 5/16" WIDE - WOODGRAIN - REGAL OAK
	078325-37-000	FT MOLDING-EDGE BAND, 1138MM WIDE (D27)
	078325-38-000	FT MOLDING-EDGE BAND, 1138MM WIDE (D28)
	078325-39-000	FT MOLDING-EDGE BAND, 1527MM WIDE (D27)
	078325-40-000	FT MOLDING-EDGE BAND, 1527MM WIDE (D28)
	081294-02-000	EA MOLDING-SHELF, NOTCHED WOOD - 8" LONG
	083820-07-000	FT MOLDING-T, END CAP EDGE - WEDGE LIPS - .75" - THOR PECAN
	083820-09-000	FT MOLDING-T, END CAP EDGE - WEDGE LIPS - .75" - MODERN IVORY
	086284-81-000	FT BATT STRIP-DECORATIVE, MAIN WALL - ADHESIVE BACKED (D27)
	086284-88-000	FT BATT STRIP-DECORATIVE, MAIN WALL - ADHESIVE BACKED (D28)
	086284-82-000	FT BATT STRIP-DECORATIVE, BATHGALLEY WALL - ADHESIVE BACKED (D27)
	086284-85-000	FT BATT STRIP-DECORATIVE, BATHGALLEY WALL - ADHESIVE BACKED (D28)
	086284-89-000	FT BATT STRIP-DECORATIVE, CEILING - ADHESIVE BACKED - FAWN
	086284-86-000	FT BATT STRIP-DECORATIVE, PLAIN - ADHESIVE BACKED - FOREST OAK
	086748-01-000	FT TRIM-J, CARPET - 1.2" X 5" ANGLE - 10" LONG - PVC - BEIGE
	088229-01-000	EA RETAINER-BATTEN, CEILING - .75" WIDE - 7.6" EA
	089733-78-000	EA BATT STRIP-WOODGRAIN, 8" LONG - FOREST OAK
	088283-71-000	EA BATT STRIP-CEILING, 8" LONG - TROWELL WORK FAWN
	088283-83-000	EA BATT STRIP-DECORATIVE, PLAIN - MAIN WALL - 8" LONG (D27)
	088283-87-000	EA BATT STRIP-DECORATIVE, PLAIN - MAIN WALL - 8" LONG (D28)
	088283-84-000	EA BATT STRIP-DECORATIVE, WFLOWERS - BATHGALLEY WALL - 8" LONG (D27)
	088283-88-000	EA BATT STRIP-DECORATIVE, WFLOWERS - BATHGALLEY WALL - 8" LONG (D28)
	088283-78-000	EA BATT STRIP-DECORATIVE, SHOWER - ANTIQUE WHITE - 8" LONG (D28)
	092330-D2-438	EA LUMBER-VINYL WRAPPED, .7" X 1.5" X 8" - WOODGRAIN
	092330-03-000	EA LUMBER-VINYL WRAPPED, 2" X 8" - WOODGRAIN - REGAL OAK
	092330-05-000	EA LUMBER-VINYL WRAPPED, 2.8" X 8" - WOODGRAIN - REGAL OAK
	022331-D2-134	EA MOLDING-VINYL WRAPPED, .7" X 1.5" X 84" - WOODGRAIN
	092331-F2-134	EA MOLDING-VINYL WRAPPED, .7" X 2.5" X 7" - WOODGRAIN
	092331-F2-438	EA MOLDING-VINYL WRAPPED, .7" X 2.5" X 88" - WOODGRAIN
	104876-01-01A	FT MOLDING-T, 5/16" RIGID - GOLD
	105004-01-01A	EA MOLDING-VINYL WRAP, 1" X 8" - REGAL OAK
	105709-01-000	FT MOLDING-T, 1" - PLASTIC - MODERN IVORY
	100040-01-000	EA LUMBER-VINYL WRAPPED, .7" X 1.5" X 8" - RAMBLING OAK
	100340-03-000	EA LUMBER-VINYL WRAPPED, .7" X 2" X 8" - RAMBLING OAK
	100041-02-000	EA MOLDING-VINYL WRAPPED, .7" X 2.5" X 84" - RAMBLING OAK
	100859-01-825	EA TRIM-FLOOR, 72" X 1" X 1/2" - WOOD

INTERIOR FINISH GROUP (CONTINUED)

PANELING, LAMINATES & PLASTIC

KEY	PART NUMBER	U/M DESCRIPTION
	074487-18-000	BF PANELING-CEILING, 4' X 8' - INCREMENTS OF 32 BF
	074487-20-000	BF PANELING-WOODGRAIN, 4' X 8' - INCREMENTS OF 32 BF
	074488-84-000	BF LAMINATE-PLASTIC, 8' X 8' - REGAL OAK
	074488-48-000	BF LAMINATE-PLASTIC, 8' X 8' - TAUPE MATRIX (D27)
	074488-45-000	BF LAMINATE-PLASTIC, 8' X 8' - FAVORITE MIX (D28)
	088272-88-000	BF PANELING-BATHSHOWER, 4' X 7" - ANTIQUE WHITE
	088272-86-000	BF PANELING-BATHGALLEY, 4' X 7" - KEW GARDEN (D27)
	088272-88-000	BF PANELING-BATHGALLEY, 4' X 7" - GLORIA PASTEL (D28)
	088272-84-000	BF PANELING-MAIN, 4' X 7" - BOMFAY (D27)
	088272-89-000	BF PANELING-MAIN, 4' X 7" - POMPEII (D28)
	088267-01-000	BF PLYWOOD-LUAN, OVERLAY GRADE - 4' X 8'
	093743-02-01A	BF PLASTIC-ABS, 20" WIDE ROLL - OFF WHITE
	093743-03-01A	BF PLASTIC-ABS, 10.8" WIDE - OFF WHITE
	098531-01-000	BF PLYWOOD-RED OAK, 1/2"

CARPETING & FLOOR MATS

KEY	PART NUMBER	U/M DESCRIPTION
	098080-33-000	BY CARPET-ROLL 12' WIDE - LIGHT BROWN (D27)
	098080-42-000	BY CARPET-ROLL 12' WIDE - SPECIAL TEAL (D28)
	093488-01-000	BY CARPET-COMPARTMENT, 14" WIDE - DARK GRAY
	102896-04-000	YD TAPE-CARPET BIND, BLUE (D04)
	102896-10-000	YD TAPE-CARPET BIND, FAWN (D05)
	047034-02-000	BF PLASTIC-CARPET, 4" WIDE - CLEAR POLY
	075233-01-000	SY PAD-CARPET, 3/8" X 6" ROLL
	040089-01-000	EA MAT-FLOOR, WITASCA LOGO - 10.5' X 26' - RUBBER - BLACK FROM: 00-00-10 THRU: 04-25-93
	081075-04-000	EA MAT-FLOOR, WITASCA LOGO - 10.5' X 26' - RUBBER - GRAY FROM: 04-28-93 THRU: 99-99-99
	108884-03-000	EA MAT-FLOOR, FRONT - RH - T - FORD
	108884-04-000	EA MAT-FLOOR, FRONT - L - T - FORD

FIRE EXTINGUISHER, SMOKE DETECTOR & CLOCK

KEY	PART NUMBER	U/M DESCRIPTION
	072852-01-000	EA DETECTOR-SMOKE, W/9 VOLT BATTERY
	072852-02-000	EA DETECTOR-SMOKE, W/9 VOLT BATTERY (CANADIAN)
	094499-01-000	EA EXTINGUISHER-FIRE, DRY W/MOUNTING BRACKET - 10 SC
	094499-02-000	EA EXTINGUISHER-FIRE, DRY - 1A10BC - CANADIAN
	094499-01-700	EA BRACKET-MOUNTING, W/PLASTIC STRAP - FIRE EXTINGUISHER
	104784-01-01A	EA CLOCK-WALL, SPARTUS
	100783-02-01A	EA CLOCK-WALL, BOLDEN - ROUND 11" FROM: 00-00-00 THRU: 04-18-93 FROM: 04-19-93 THRU: 99-99-99

**1993 ITASCA
TABLE OF CONTENTS**

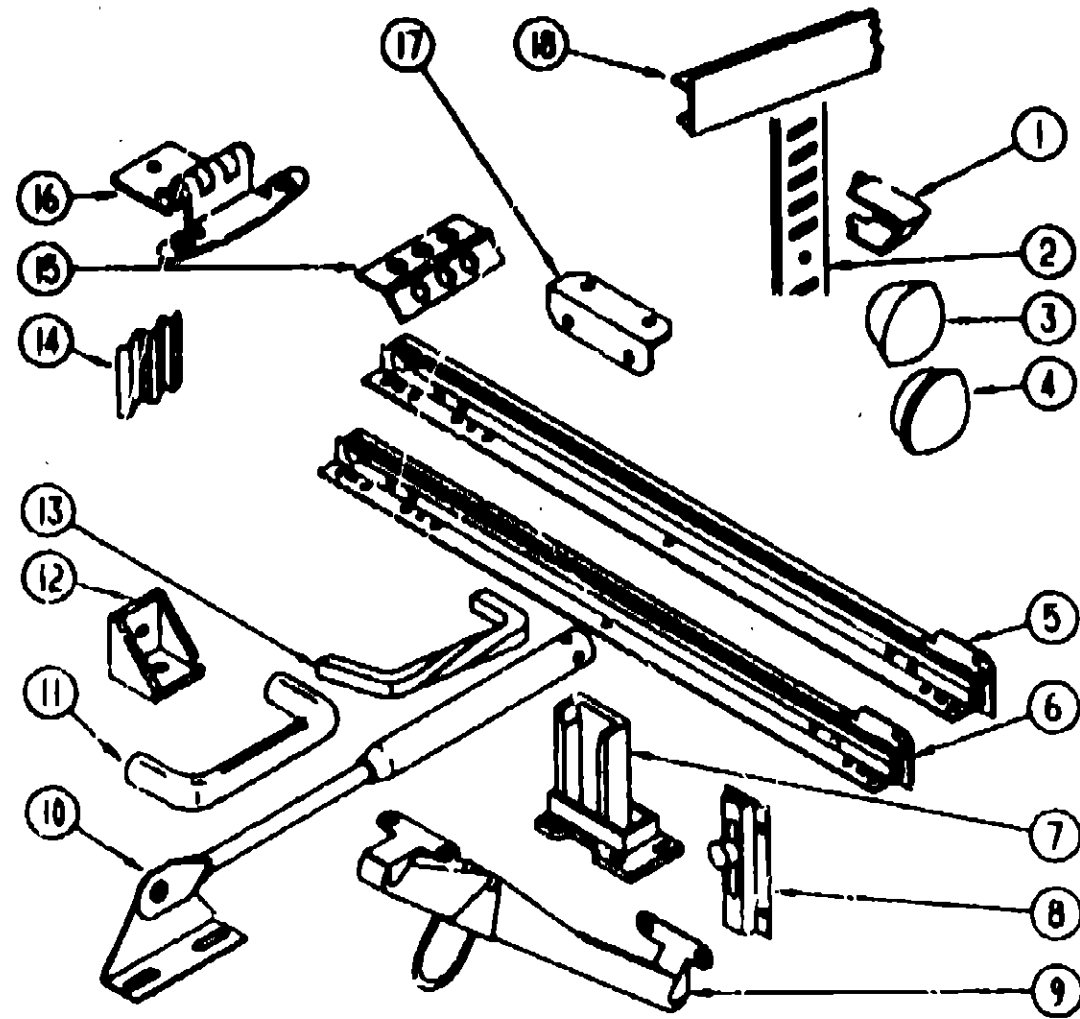
INTRODUCTION	A-01 - A-02
ABBREVIATIONS	A-03
ALPHABETICAL INDEX	A-04 - A-08
IC424RC	A-07 - E-02
IC422RQ	E-03 - H-18

1993 IC424RC INDEX

FLOOR PLAN	A-07 - A-08
ACCESSORIES	A-09
AUDIO VIDEO	A-10 - A-11
BATH	A-12 - A-14
BEDROOM	A-15
CHASSIS	A-16 - A-20
CURTAIN & CUSHION	A-21 - B-08
DINETTE	B-09 - B-10
DRIVERS COMPARTMENT	B-11 - B-14
ELECTRICAL	B-15 - B-18
EXTERIOR BODY	B-19 - C-03
GALLEY	C-04 - C-07
GENERATOR	C-08
HEATING & A/C	C-09 - C-10
INTERIOR FINISH	C-11 - C-14
LABELS	C-15 - C-22
LP	C-23
LOUNGE	C-24
SEALANTS & FASTENERS	D-01 - D-04
WATER & SEWAGE	D-05 - D-10
WINDOW, VENT AND EXTERIOR DOOR	D-11 - E-02

INTERIOR FINISH GROUP (CONTINUED)

CABINET & TABLE HARDWARE



KEY	PART NUMBER	U/M	DESCRIPTION
6	108813-01-000	EA	SLIDE-DRAWER, CABINET MOUNTED - LEFT SIDE - 12"
6	108813-02-000	EA	SLIDE-DRAWER, CABINET MOUNTED - RIGHT SIDE - 12"
6	108813-03-000	EA	SLIDE-DRAWER, DRAWER MOUNTED - LEFT SIDE - 12"
6	108813-04-000	EA	SLIDE-DRAWER, DRAWER MOUNTED - RIGHT SIDE - 12"
6	108813-05-000	EA	SLIDE-DRAWER, CABINET MOUNTED - LEFT SIDE - 18"
6	108813-06-000	EA	SLIDE-DRAWER, CABINET MOUNTED - RIGHT SIDE - 18"
6	108813-11-000	EA	SLIDE-DRAWER, DRAWER MOUNTED - LEFT SIDE - 18"
6	108813-12-000	EA	SLIDE-DRAWER, DRAWER MOUNTED - RIGHT SIDE - 18"
7	107080-01-000	EA	BACKSOCKET-ADJUSTABLE, LEFT SIDE
7	107080-02-000	EA	BACKSOCKET-ADJUSTABLE, RIGHT SIDE
8	081804-01-000	EA	SLIDE-BOLT, ANTIQUE BRASS
9	104181-01-01A	EA	SUPPORT-LEAF, 5.3' - EXTENDS TO 7.5' - SAFETY RING - METAL
10	074493-02-000	EA	SUPPORT-PISTON SPRING, CABINET DOOR
11	109747-01-000	EA	PULL-CABINET, ANTIQUE BRASS
			FROM: 02-05-93 THRU: 99-99-99
12	086740-01-000	EA	BRACE-CABINET CORNER, PLASTIC
13	098846-01-000	EA	PULL-CABINET, BRASS - TWIST - 1.1' X 3.4'
			FROM: 00-00-00 THRU: 02-31-93
14	106037-02-000	EA	FASTENER-WOOD, CORNER - METAL - .5" X .8"
15	009058-01-000	EA	HINGE-DOOR, 2" X 1.4" - BRASS
15	009058-02-000	EA	HINGE-DOOR, 2" X 2.7" - BRASS
15	009083-01-000	EA	HINGE-CONTINUOUS, 1 1/2" X 72" - UNPAINTED
16	108138-01-000	EA	HINGE-DOOR, CABINET - BURNISHED BRASS
	000013-08-08G	EA	SCREW-6-20 X 5/8 PFH, ANTIQUE BRASS (HINGE 108138-01-000)
17	018804-01-000	EA	BRACE-CABINET, ANGLE - 2.5" - METAL - UNPAINTED
17	018804-03-000	EA	BRACE-CABINET, ANGLE - 2.5" - METAL - BEIGE
18	103186-01-02A	FT	MOLDING-SHELF EDGE, PLASTIC - REGAL OAK
	076790-01-000	EA	SCREW, 8-20 X 1 1/4 PPH - BLACK
	004354-01-000	EA	BUMPER-RUBBER, .5" DIA - BROWN
	023320-01-000	EA	PAD-FELT, 3/8" DIAMETER - BROWN
	009112-01-000	EA	FLANGE-1" ROD, CLOTHES - PLASTIC - OFF WHITE
	002788-01-001	EA	ANGLE-EXTRUDED, 1" X 1.5" X 17" - ALUMINUM

1993 ITASCA TABLE OF CONTENTS

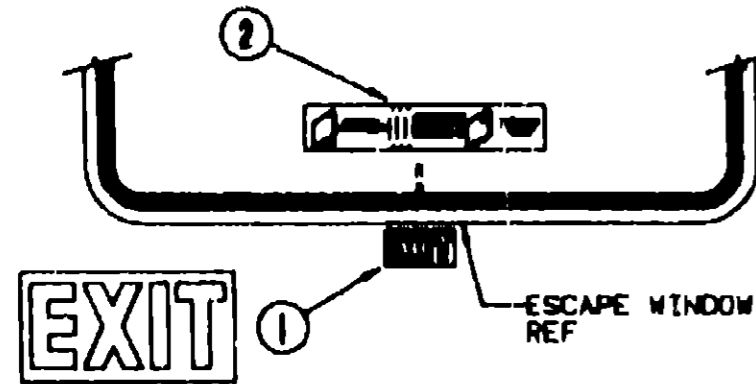
INTRODUCTION	A-01	A-02
ABBREVIATIONS		A-03
ALPHABETICAL INDEX	A-04	A-05
IC424RC	A-07	E-02
IC422RG	E-03	H-10

1993 IC424RC INDEX

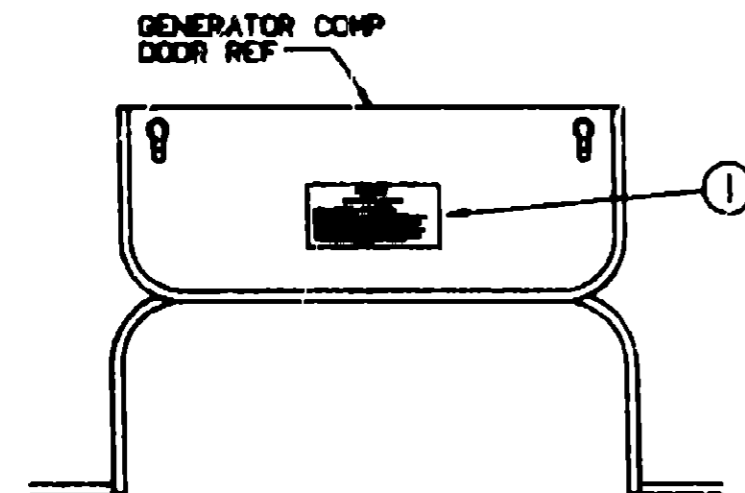
FLOOR PLAN	A-07	A-08
ACCESSORIES		A-09
AUDIO VIDEO	A-10	A-11
BATH	A-12	A-14
BEDROOM		A-15
CHASSIS	A-16	A-20
CURTAIN & CUSHION	A-21	B-08
DINETTE	B-09	B-10
DRIVERS COMPARTMENT	B-11	B-14
ELECTRICAL	B-15	B-18
EXTERIOR BODY	B-19	C-03
GALLEY	C-04	C-07
GENERATOR		C-08
HEATING & A/C	C-09	C-10
INTERIOR FINISH	C-11	C-14
LABELS	C-15	C-22
LP		C-23
LOUNGE		C-24
SEALANTS & FASTENERS	D-01	D-04
WATER & SEWAGE	D-05	D-10
WINDOW, VENT AND EXTERIOR DOOR	D-11	E-02

KEY	PART NUMBER	U/M	DESCRIPTION
1	098879-01-000	EA	CLIP-ADJUSTABLE SHELF
2	098880-01-000	EA	PILASTER-ADJUSTABLE SHELF, 18" LONG
2	098880-04-000	EA	PILASTER-ADJUSTABLE SHELF, 48" LONG
3	042388-01-000	EA	PLUG-BUTTON, MAHOGANY - 3/8" DIAMETER - WOOD
4	074045-07-000	EA	PLUG-WOOD, 1/2"
5	101810-03-000	EA	SLIDE-DRAWER, CABINET MOUNTED - SET OF 2 - 12" LONG
6	101810-04-000	EA	SLIDE-DRAWER, DRAWER MOUNTED - SET OF 2 - 12" LONG

LABELS GROUP



KEY	PART NUMBER	U/M DESCRIPTION
1	038260-01-000	EA LABEL-WARNING-EXIT
2	107571-01-000	EA LABEL-EXIT-ESCAPE WINDOW



WARNING

WHEN ADDING A GENERATOR SET:

HIGH VOLTAGE—USE EXTREME CAUTION WHEN WORKING ON ELECTRICAL EQUIPMENT.

HAVE ALL ELECTRICAL INSTALLATION PERFORMED BY A QUALIFIED LICENSED ELECTRICIAN—FOLLOW ALL STATE AND LOCAL CODES.

ONLY INSTALL GENERATOR SET APPROVED FOR R.V. APPLICATION. HAVE INSTALLED BY QUALIFIED TECHNICIAN.

TO AVOID HEAT BUILD-UP AND TO GUARANTEE AN ADEQUATE AIR SUPPLY TO THE GENERATOR COMPARTMENT, FOLLOW INSTALLATION INSTRUCTIONS.

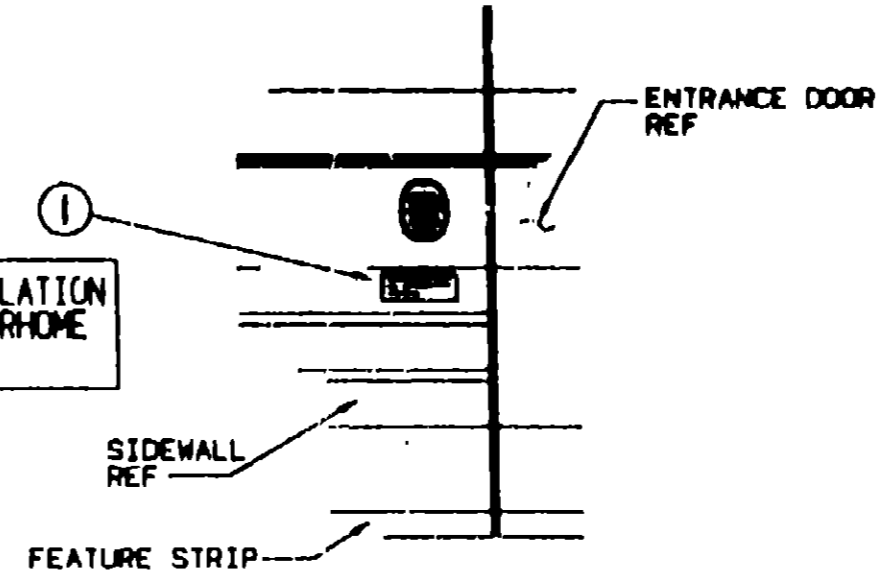
GENERATOR EXHAUST SYSTEMS ARE TOXIC AND MUST NOT TERMINATE UNDER THE VEHICLE—GENERATOR EXHAUST MUST REMAIN OUTSIDE VEHICLE.

KEY	PART NUMBER	U/M DESCRIPTION
1	077810-01-000	EA LABEL-GENERATOR PREF

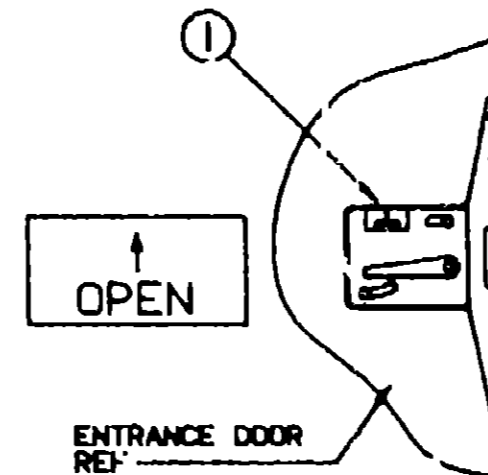
LABELS GROUP (CONTINUED)



FOR AWNING INSTALLATION CONTACT YOUR MOTORHOME DEALERSHIP



KEY	PART NUMBER	U/M DESCRIPTION
1	099509-01-000	EA LABEL-AWNING INSTALLATION



KEY	PART NUMBER	U/M DESCRIPTION
1	040944-01-000	EA LABEL-ENTRANCE DOOR, "OPEN"

**1993 ITASCA
TABLE OF CONTENTS**

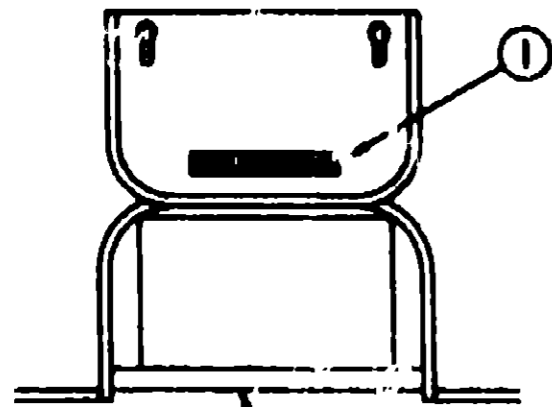
INTRODUCTION	A-01 - A-02
ABBREVIATIONS	A-03
ALPHABETICAL INDEX	A-04 - A-08
IC424RC	A-07 - E-02
IC422RG	E-03 - H-18

1993 IC424RC INDEX

FLOOR PLAN	A-07 - A-08
ACCESSORIES	A-09
AUDIO VIDEO	A-10 - A-11
BATH	A-12 - A-14
BEDROOM	A-15
CHASSIS	A-16 - A-20
CURTAIN & CUSHION	A-21 - B-08
DINETTE	B-09 - B-10
DRIVERS COMPARTMENT	B-11 - B-14
ELECTRICAL	B-15 - B-18
EXTERIOR BODY	B-19 - C-03
GALLEY	C-04 - C-07
GENERATOR	C-08
HEATING & A/C	C-09 - C-10
INTERIOR FINISH	C-11 - C-14
LABELS	C-15 - C-22
LP	C-23
LOUNGE	C-24
SEALANTS & FASTENERS	D-01 - D-04
WATER & SEWAGE	D-05 - D-10
WINDOW, VENT AND EXTERIOR DOOR	D-11 - E-02

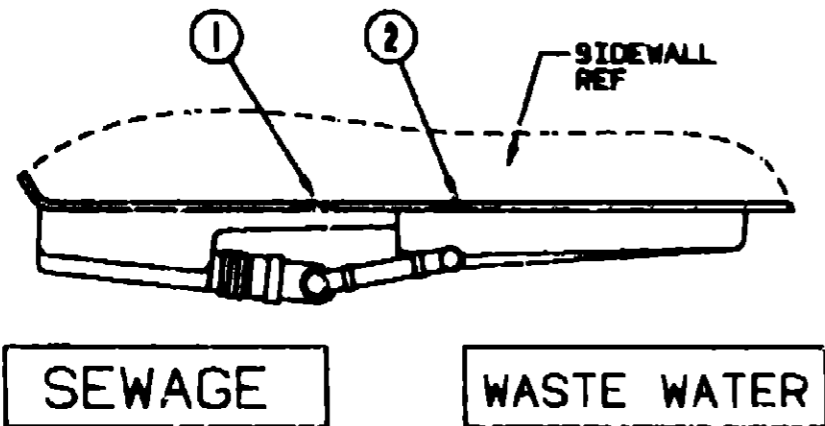
LABELS GROUP (CONTINUED)

WARNING DISCONNECT BATTERIES BEFORE CONNECTING EXTERNAL CHARGING EQUIPMENT.



BATTERY COMPARTMENT REF

KEY PART NUMBER U/M DESCRIPTION
1 081748-01-000 EA LABEL-CAUTION-BATTERY CHARGING



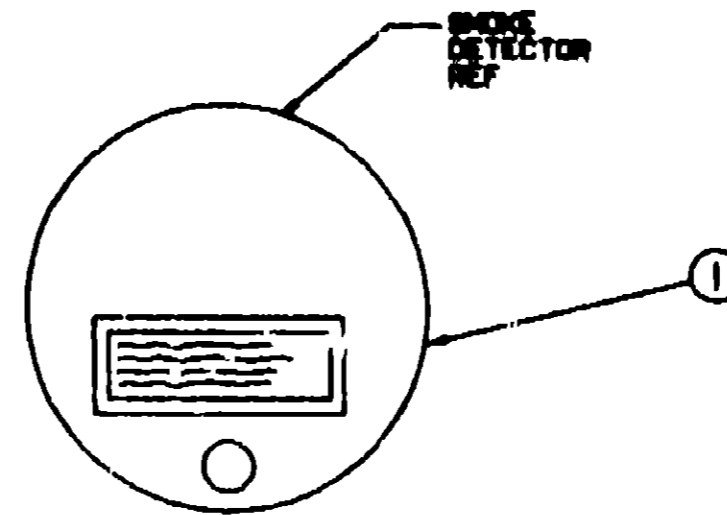
SIDEWALL REF

SEWAGE

WASTE WATER

KEY PART NUMBER U/M DESCRIPTION
1 003187-01-000 EA LABEL-SEWAGE
2 003188-01-000 EA LABEL-WASTE WATER

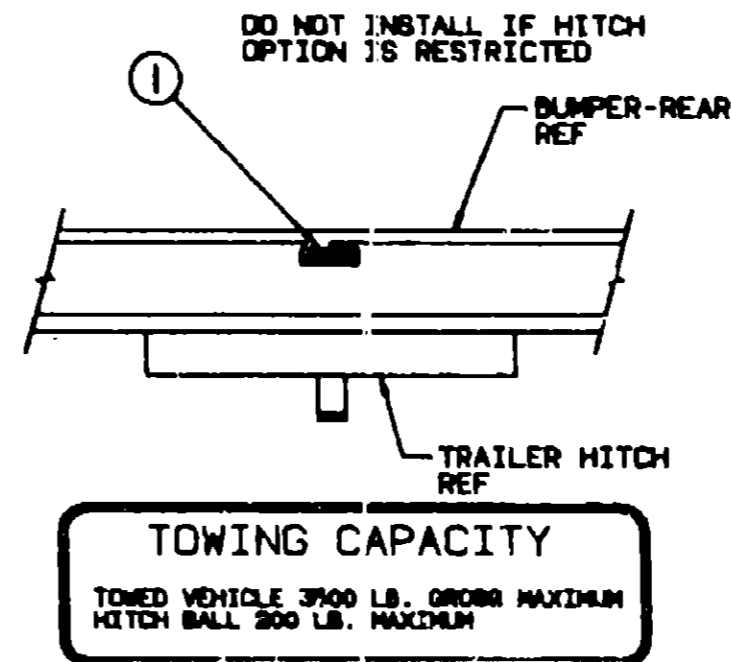
LABELS GROUP (CONTINUED)



SMOKE DETECTOR REF

WARNING: THIS SMOKE DETECTOR OPERATES AFTER VEHICLE HAS BEEN IN STORAGE. BEFORE EACH TRIP AND AT LEAST ONCE PER WEEK BATTERY LIFE.

KEY PART NUMBER U/M DESCRIPTION
1 077958-01-000 EA LABEL-WARNING-SMOKE DETECTOR



DO NOT INSTALL IF HITCH OPTION IS RESTRICTED

BUMPER-REAR REF

TRAILER HITCH REF

TOWING CAPACITY

TOWED VEHICLE 3700 LB. GROSS MAXIMUM
HITCH BALL 200 LB. MAXIMUM

KEY PART NUMBER U/M DESCRIPTION
1 075221-01-000 EA LABEL-TOWING CAPACITY

**1993 ITASCA
TABLE OF CONTENTS**

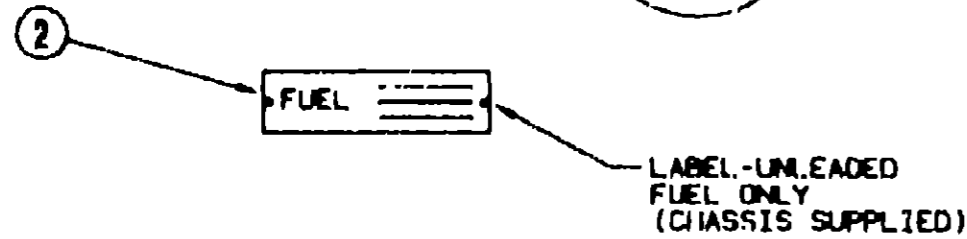
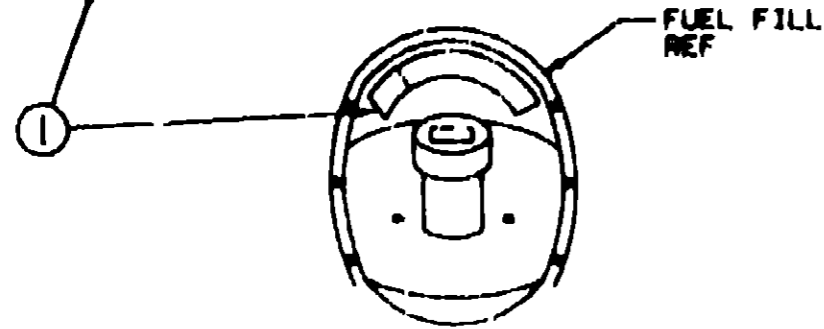
INTRODUCTION	A-01 - A-02
ABBREVIATIONS	A-03
ALPHABETICAL INDEX	A-04 - A-06
IC424RC	A-07 - E-02
IC422RG	E-03 - H-18

1993 IC424RC INDEX

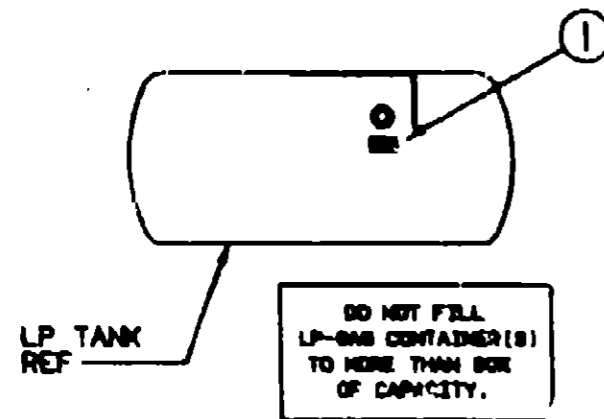
FLOOR PLAN	A-07 - A-08
ACCESSORIES	A-09
AUDIO VIDEO	A-10 - A-11
BATH	A-12 - A-14
BEDROOM	A-15
CHASSIS	A-16 - A-20
CURTAIN & CUSHION	A-21 - B-08
DINETTE	B-09 - B-10
DRIVERS COMPARTMENT	B-11 - B-14
ELECTRICAL	B-15 - B-18
EXTERIOR BODY	B-19 - C-03
GALLEY	C-04 - C-07
GENERATOR	C-08
HEATING & A/C	C-09 - C-10
INTERIOR FINISH	C-11 - C-14
LABELS	C-15 - C-22
LP	C-23
LOUNGE	C-24
SEALANTS & FASTENERS	D-01 - D-04
WATER & SEWAGE	D-05 - D-10
WINDOW, VENT AND EXTERIOR DOOR	D-11 - E-02

LABELS GROUP (CONTINUED)

CAUTION	TO HELP AVOID PERSONAL INJURY DURING REMOVAL OF FUEL FILLER CAP, ONLY TURN CAP 1/8 TURN TO ALLOW ANY FUEL PRESSURE TO BE RELIEVED BEFORE TURNING CAP FURTHER.
FUEL SPRAY MAY CAUSE PERSONAL INJURY	STOP ADDING FUEL AFTER FIRST SHUTOFF BY AUTOMATIC NOZZLE WHEN TANK IS NEARLY FULL. DO NOT OVERFILL FUEL TANK. SEE OWNER'S MANUAL FOR ADDITIONAL INFORMATION. POWERED BY U.S.A. REG. PT. NO. 19811783

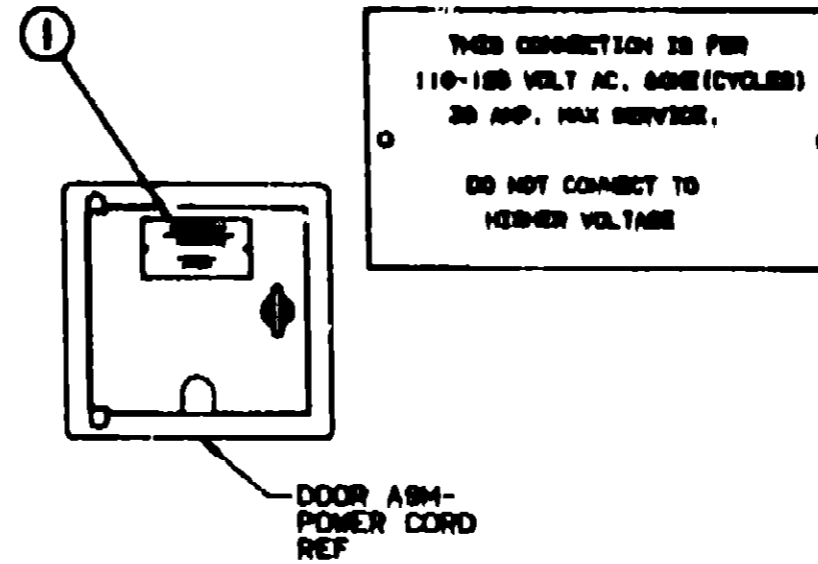


KEY	PART NUMBER	U/M DESCRIPTION
1	087207-06-000	EA LABEL-GAS OVERFILL
2	082043-01-000	EA LABEL-FUEL-UNLEADED

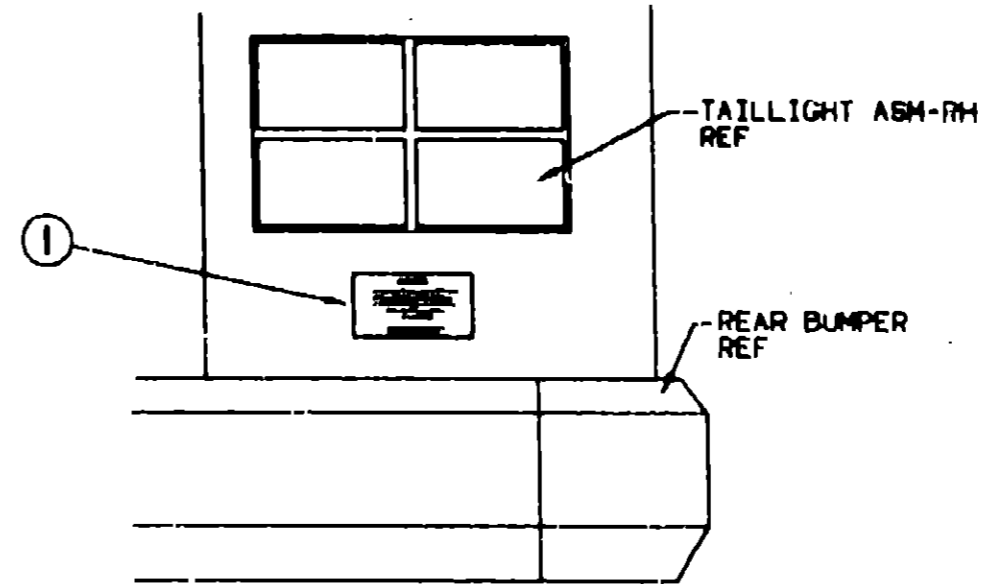


KEY	PART NUMBER	U/M DESCRIPTION
1	054531-01-000	EA LABEL-LP GAS ONLY

LABELS GROUP (CONTINUED)



KEY	PART NUMBER	U/M DESCRIPTION
1	008082-01-000	EA TAG-ELECTRIC-110V CONNECTION



WARNING

DO NOT EXCEED THE VEHICLE WEIGHT RATINGS OR LOADING RECOMMENDATIONS (E.G., GROSS VEHICLE, GROSS AXLE, GROSS COMBINED) OF THE CHASSIS MANUFACTURER OR WINNEBAGO INC.

REFER TO YOUR OWNERS MANUAL, BEFORE LOADING OR TOWING.

KEY	PART NUMBER	U/M DESCRIPTION
1	075220-01-000	EA LABEL-WARNING-EXTERIOR LOAD

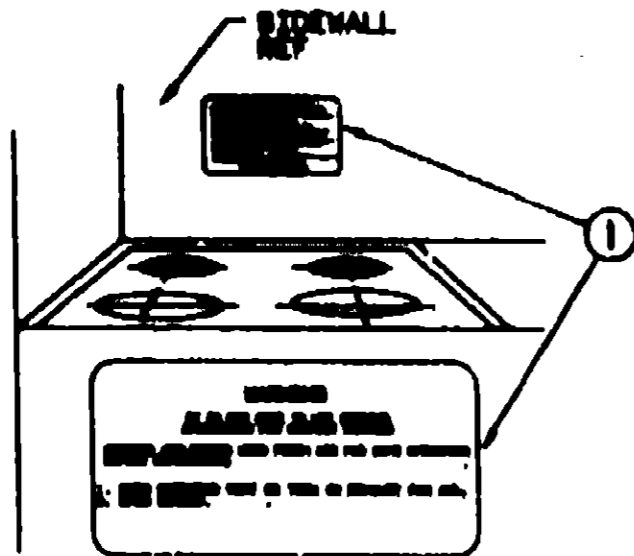
1993 ITASCA TABLE OF CONTENTS

INTRODUCTION	A-01 - A-02
ABBREVIATIONS	A-03
ALPHABETICAL INDEX	A-04 - A-06
IC424RC	A-07 - E-02
IC422PG	E-03 - H-16

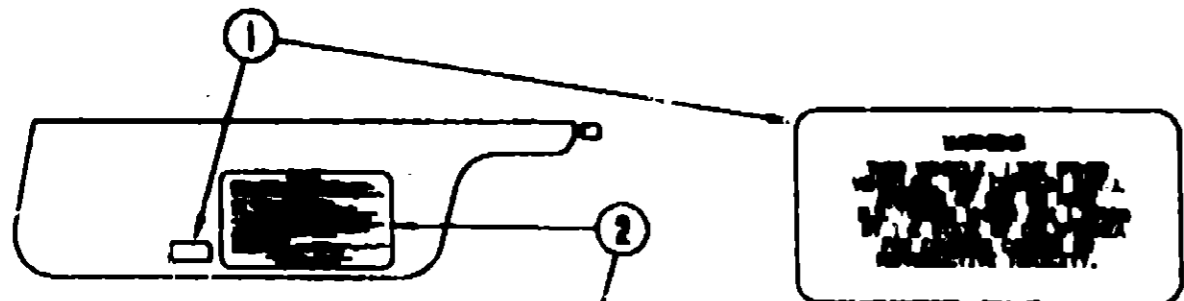
1993 IC424RC INDEX

FLOOR PLAN	A-07 - A-08
ACCESSORIES	A-09
AUDIO VIDEO	A-10 - A-11
BATH	A-12 - A-14
BEDROOM	A-15
CHASSIS	A-16 - A-20
CURTAIN & CUSHION	A-21 - B-08
DINETTE	B-09 - B-10
DRIVERS COMPARTMENT	B-11 - B-14
ELECTRICAL	B-15 - B-19
EXTERIOR BODY	C-01 - C-03
GALLEY	C-04 - C-07
GENERATOR	C-08
HEATING & A/C	C-09 - C-10
INTERIOR FINISH	C-11 - C-14
LABELS	C-15 - C-22
LP	C-23
LOUNGE	C-24
SEALANTS & FASTENERS	D-01 - D-04
WATER & SEWAGE	D-05 - D-10
WINDOW, VENT AND EXTERIOR DOOR	D-11 - E-02

LABELS GROUP (CONTINUED)



KEY	PART NUMBER	U/M DESCRIPTION
1	060225-01-000	EA LABEL-WARNING-2TOVE VENT - US



CAUTION

THIS KEYS HAVE BEEN DESIGNED, MANUFACTURED AND TESTED WITH CARE FOR THE PROTECTION OF IT'S OPERATORS. WE REQUEST YOU PERFORM THE FOLLOWING INSPECTIONS FOR YOUR SAFETY AND THE SAFETY OF YOUR PASSENGERS IN THE OPERATED VEHICLE.

- LP GAS SYSTEM-** TURN OFF AT TANK FOR TRAVELING. TEST FOR LEAKS UPON ARRIVAL AT DESTINATION. BEFORE LIGHTING PILOTS.
- WHEELS-** INSPECT FOR DAMAGE AND CHECK LUB OILS FOR TIGHTNESS.
- TIRES-** INSPECT FOR WEAR AND GARNISH AND CHECK FOR RECOMMENDED AIR PRESSURE.
- LIGHTS-** TEST FOR PROPER OPERATION OF ALL INTERIOR AND EXTERIOR LIGHTS INCLUDING MAIN LIGHTS, HORNLIGHTS, TAIL LIGHTS, BRAKE LIGHTS, CLEARANCE LIGHTS AND TURN SIGNALS.
- EXITS-** INSPECT RELEASE MECHANISM ON EMERGENCY EXIT DEVICES. TEST BOTH LIGHTS ON EACH DEVICES FOR EACH OF OPERATION AND SUPPORT PASSENGERS HOW TO USE BOTH KINDS OF EXIT.
- SEAT BELTS-** INSPECT PASSENGERS TO CORRECTLY WEAR AND RELEASE USE OF SEAT BELTS.
- APPLIANCE-** TURN OFF AND LATCH OR LOCK DEVICES WHEN PROVIDED.
- LARGE PANELS-** STOW SECURELY.
- UTILITY SUPPLY LINES-** DISCONNECT ALL ELECTRICAL, WATER AND WATER LINES AND SECURE PROPERLY.
- BURNING OILY STOP-** PLACE IN RETRACTED POSITION FOR TRAVELING.

READ VEHICLE USER MANUAL AND CHECKED OWNER'S MANUAL FOR FURTHER PRECAUTIONS

KEY	PART NUMBER	U/M DESCRIPTION
1	060886-01-000	EA LABEL-WARNING-CANCER/TOXICITY
2	060225-01-000	EA LABEL-SAFETY CHECK LIST

LABELS GROUP (CONTINUED)

MISCELLANEOUS LABELS

KEY	PART NUMBER	U/M DESCRIPTION
	104238-01-000	EA LABEL-GENERATOR CIRCUIT
	008084-01-000	EA LABEL-BEAT W/O SEATBELT (US)
	008084-02-000	EA LABEL-BEAT W/O SEATBELT (CSA); NOT INTENDED FOR USE WHILE COACH IN MOTION
	091224-02-000	EA LABEL-TRAILER LIGHTING
	091243-01-000	EA LABEL-A/C COVER, "AIR CONDITIONING CIRCUIT, ETC."
	091243-02-000	EA LABEL-COVER, "MICROWAVE CIRCUIT, ETC."
	093253-08-000	EA LABEL-CIRCUIT BREAKER
	098841-01-000	EA LABEL-FUEL, UNLEADED - DASH
	098875-01-000	EA DECAL-AUTO AIR & REAR HEATER
	074669-01-000	EA DECAL-LOGO, LPG - RED - (CALIF CODE)
	073008-01-000	EA LABEL-LPG ODOR WARNING
	087207-08-000	EA LABEL-GAS OVERFILL, WARNING
	087236-01-000	EA LABEL-CABLE, INPUT
	081417-01-000	EA LABEL-FUEL ON FUEL FILL DOOR
	008040-01-000	EA TAG-GAS REFUELING WARNING-US
	008040-02-000	EA TAG-GAS REFUEL WARNING-CANADIAN

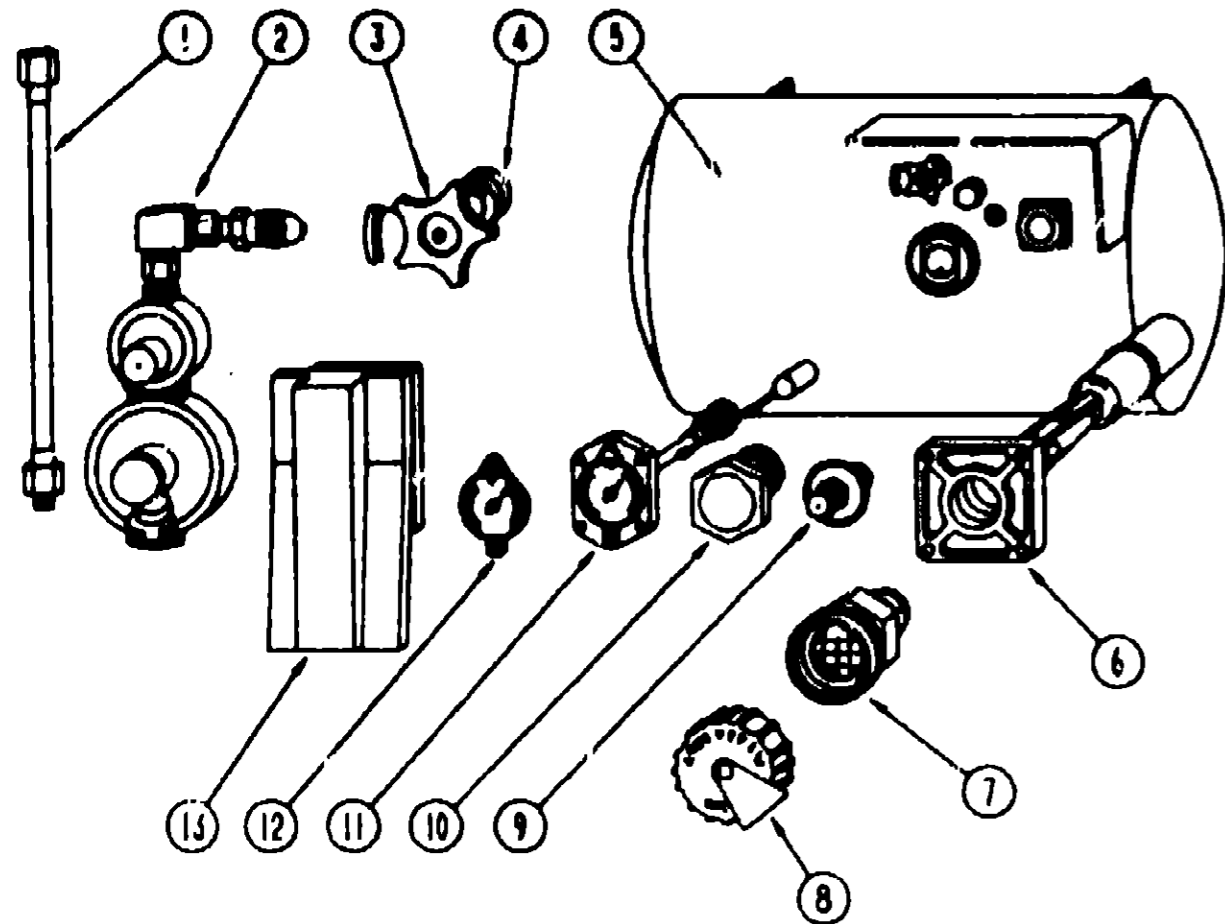
**1993 ITASCA
TABLE OF CONTENTS**

INTRODUCTION	A-01 - A-02
ABBREVIATIONS	A-03
ALPHABETICAL INDEX	A-04 - A-08
INDEX	A-07 - E-02
IC424RC	E-03 - H-18

1993 IC424RC INDEX

FLOOR PLAN	A-07 - A-08
ACCESSORIES	A-09
AUDIO VIDEO	A-10 - A-11
BATH	A-12 - A-14
BEDROOM	A-15
CHASSIS	A-16 - A-20
CURTAIN & CUSHION	A-21 - B-09
DINETTE	B-09 - B-10
DRIVERS COMPARTMENT	B-11 - B-14
ELECTRICAL	B-15 - C-18
EXTERIOR BODY	B-19 - C-03
GALLEY	C-04 - C-07
GENERATOR	C-08
HEATING & A/C	C-09 - C-10
INTERIOR FINISH	C-11 - C-14
LABELS	C-15 - C-22
LP	C-23
LOUNGE	C-24
SEALANTS & FASTENERS	D-01 - D-04
WATER & SEWAGE	D-05 - D-10
WINDOW, VENT AND EXTERIOR DOOR	D-11 - E-02

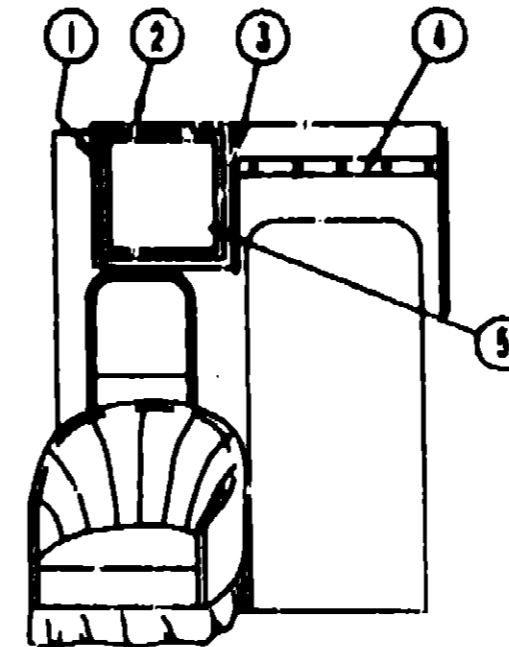
LP GROUP



LP SYSTEM

KEY	PART NUMBER	U/M DESCRIPTION
1	045703-01-000	EA HOSE-LP - 3/8" ID X 24" - 3/8 MPT X 1/2 F SWIVEL - U.S.
1	045703-02-000	EA HOSE-LP - 3/8" ID X 24" - 3/8" MPT X 1/2" F SWIVEL - CANADA
2	108150-01-000	EA REGULATOR-TWO STAGE, W/BRASS 293-00
3	040421-01-708	EA HANDWHEEL-SERVICE VALVE - BRUNNER G-1015-A
4	040421-01-712	EA VALVE-SERVICE W/O VAPOR RELIEF - 29000853
5	080450-01-000	EA TANK-LP, 42 LB - 13" DIA X 24" LONG
6	040421-01-711	EA VALVE-80% W/FLOAT - PLATE - BOLTS & GASKET - BRUNNER
7	040421-01-701	EA VALVE-SHORT LP FILLER W/YELLOW CAP - BRUNNER 75478
8	040421-01-702	EA CAP-LP FILLER VALVE - PLASTIC - YELLOW - BRUNNER G-1014-A
9	040421-01-700	EA VALVE-LIQUID LEVEL - 20% LP - BRUNNER G-1013
10	040421-01-713	EA VALVE-VAPOR ONLY - 29000687
11	074142-01-700	EA FLOAT GAUGE-SCREW ON-MACHINE 13C-SCR
12	040421-01-706	EA DIAL-LP TANK VOLUME - VISIBLE FACE (5-1789) - BRUNNER MA-8 ROCHESTER
13	106858-01-000	EA COMPARTMENT-LP REGULATOR
	010323-01-000	EA ADAPTER-BRASS - 3/8" F X 1/2" MPT
	010285-01-000	EA CROSS - 3/8" F X 3/8" F X 3/8" F X 1/2" FPT - BRASS
	010377-02-000	EA NUT-BRASS - 3/8" FEMALE - FORGED
	010380-02-000	EA NUT-BRASS - 1/2" FEMALE - FORGED
	010329-01-000	EA ADAPTER-BRASS-1/2" F X 1/2" MPT
	085318-02-000	EA ELBOW-90 DEGREE - 3/8" MPT TO 3/8" FPT
	010285-01-000	EA ELBOW-90 DEGREE, BRASS - 3/8" F X 1/2" FPT
	081842-01-000	EA TEE - 1/2" MPT X 1/2" FL X 3/8" FL - BRASS
	085824-01-000	EA ELBOW-90 DEGREE - 1/4" FPT X 1/4" FPT - BRASS
	071381-02-000	EA NIPPLE-HEX, 1/4" PIPE - 3325X4 WEATHERHEAD
	008042-01-000	FT TUBING-VINYL, 86" ID
	103813-01-000	EA DETECTOR-LEAK, LP GAS

LOUNGE GROUP



PASSENGER SIDE LOUNGE CABINETS

KEY	PART NUMBER	U/M DESCRIPTION
1	104335-09-C03	EA END CAP-CABINET, OVERHEAD
1	104335-22-C52	EA END CAP-CABINET, OVERHEAD (TV CABINET)
2	M05778-35-D27	EA CABINET-OVERHEAD, W/O DOORS & HARDWARE
2	M05778-35-D28	EA CABINET-OVERHEAD, W/O DOORS & HARDWARE
2	M05778-41-D28	EA CABINET-OVERHEAD, W/O DOORS & HARDWARE (TV CABINET)
2	M05778-41-D28	EA CABINET-OVERHEAD, W/O DOORS & HARDWARE (TV CABINET)
3	104335-08-C52	EA END CAP-CABINET, OVERHEAD
3	104335-21-C52	EA END CAP-CABINET, OVERHEAD (TV CABINET)
4	105847-05-C05	EA HOLDER-KEY RING
	103130-01-000	EA HOOK-CUP, BRASS - 1.25"
5	P05223-43-D04	EA DOOR-CABINET, W/O HARDWARE - 400 X 520MM

**1983 ITASCA
TABLE OF CONTENTS**

INTRODUCTION	A-01 - A-06
ABBREVIATIONS	A-08
ALPHABETIC/L INDEX	A-04 - A-06
IC424RC	A-07 - E-04
IC422RG	E-03 - H-18

1983 IC424RC INDEX

FLOOR PLAN	A-07 - A-08
ACCESSORIES	A-09
AUDIO VIDEO	A-10 - A-11
BATH	A-12 - A-14
BEDROOM	A-15
CHASSIS	A-18 - A-20
CURTAIN & CUSHION	A-21 - B-08
DINETTE	B-09 - B-10
DRIVERS COMPARTMENT	B-11 - B-14
ELECTRICAL	B-15 - B-18
EXTERIOR BODY	B-19 - C-03
GALLEY	C-04 - C-07
GENERATOR	C-08
HEATING & A/C	C-09 - C-10
INTERIOR FINISH	C-11 - C-14
LABELS	C-15 - C-22
LP	C-23
LOUNGE	C-24
SEALANTS & FASTENERS	D-01 - D-06
WATER & SEWAGE	D-05 - D-10
WINDOW, VENT AND EXTERIOR DOOR	D-11 - E-02

SEALANTS & FASTENERS GROUP (CONTINUED)

SCREWS (CONTINUED)

KEY	PART NUMBER	U/M	DESCRIPTION
	000039-10-308	EA	SCREW-SF/DR, 10-18 X 1 1/4 PPH ZN
	000039-10-328	EA	SCREW-SF/DR, 10-18 X 2.00 PPH - ZN
	000039-10-321	EA	SCREW-SF/DR, 10-18 X 2.00 PPH - ZN PLATE-PASS BLACK
	000039-12-12E	EA	SCREW-SF/DR, 12 - 14 X 3/4 PPH - CHROME
	000042-04-128	EA	SCREW-SF/DR, 1/4 - 14 X 3/4 HWH ZN
	000042-04-188	EA	SCREW-SF/DR, 1/4-14 X 1 HWH - ZN
	000080-04-128	EA	SCREW-MACHINE, 1/4-20 X 3/4 PPH ZN
	000083-04-088	EA	SCREW-MACHINE, 1/4-20 X 3/8 PPH ZN - UNDERCUT HEAD
	000084-04-308	EA	SCREW, 1/4-20 X 1 1/4 PTH - TYPE 23 - ZINC PLATED
	000088-12-488	EA	SCREW-WOOD, 12 - 11 X 3 POH - SPECIAL HARDENED
	000080-10-38T	EA	SCREW-SF/DR, 10-18 X 1.75 - BLACK
	000087-10-088	EA	SCREW, 10-12 X 1/2 PPH ZN
	000087-10-08R	EA	SCREW, 10-12 X 1/2 PPH - BEIGE - TYPE A
	000087-10-108	EA	SCREW, 10-12 X 5/8 PPH ZN - TYPE A
	000087-10-10D	EA	SCREW, 10-12 X 5/8 PPH - BLACK - TYPE A
	000087-10-10R	EA	SCREW, 10-12 X 5/8 PPH - TYPE A - BEIGE
	000087-10-10S	EA	SCREW, 10-12 X 5/8" - PPH - OFF WHITE
	000087-10-120	EA	SCREW, 10-12 X 3/4" PPH - TAN
	000087-10-12B	EA	SCREW, 10-12 X 3/4" PPH - ZN
	000087-10-12P	EA	SCREW, 10-12 X .75" - PPH - DARK BROWN
	000087-10-12R	EA	SCREW, 10-12 X .75 PPH - BEIGE
	000087-10-188	EA	SCREW, 10-12 X 1 PPH - ZN
	000087-10-18P	EA	SCREW, 10-12 X 1 PPH - DARK BROWN
	000087-10-20D	EA	SCREW, 10-12 X 1 1/4 PPH - BLACK
	000087-10-24S	EA	SCREW, 10-12 X 1 1/2 PPH - ZN
	000087-10-28B	EA	SCREW, 10-12 X 2 PPH - ZN
	000088-08-10S	EA	SCREW, 8-18 X 5/8 POH - ANTIQUE BRASS
	000088-10-38T	EA	SCREW-10-12 X 2.25 POH BLACK
	048488-03-000	EA	SCREW, 10-18 X 1 POH W/WASHER - OFF WHITE
	048488-04-000	EA	SCREW, 10-18 X 1 PTH W/WASHER - BEIGE
	074048-01-000	EA	SCREW, 8-18 X 1 1/2 PPH, BRONZE
	078808-01-000	EA	SCREW-MACHINE, 10-32 X .88 PTH - ZINC EXTERNAL TOOTH
	087721-01-000	EA	SCREW-FLAT HEAD, TAPPING - 1/4" X 1 1/4" LG ZN
	101388-01-01A	EA	SCREW-MACHINE, 8-32 X 4 - POH - BRASS - FOR EXTENDED KNOB

SEALANTS & FASTENERS GROUP (CONTINUED)

CLAMPS, GROMMETS, CLIPS, HOLDERS & RIVETS

KEY	PART NUMBER	U/M	DESCRIPTION
	000H18-04-08R	EA	RIVET-POP, AL 1/8 X .313-.375
	007181-01-000	EA	CLAMP-HOSE, SPRING TYPE - 1/2"
	010495-01-000	EA	CLAMP-CABLE, 8/16"
	010495-02-000	EA	CLAMP-CABLE, 3/8"
	010497-01-000	EA	CLAMP-CLOSED, 5/8" ID
	010499-01-000	EA	CLAMP-CLOSED, 3/8" ID
	018188-03-000	EA	GROMMET-L/P LINE, 3/8" HOLE X 2 1/2" LONG - RUBBER
	018188-05-000	EA	GROMMET-L/P LINE, 3/8" HOLE X 1 1/4" LONG - RUBBER
	023842-01-000	EA	GROMMET-RUBBER, 2" OD
	058134-01-000	EA	HOLDER-RING, 3.6" DIAMETER - METAL
	058134-02-000	EA	HOLDER-RING, 1.8" DIAMETER - METAL
	082401-01-000	EA	CLAMP-HOSE, WORMGEAR, 25" - 1"
	082401-02-000	EA	CLAMP-HOSE, WORMGEAR, 1.58" - 2.5"
	082401-04-000	EA	CLAMP-HOSE, WORMGEAR, .89" - 1.25"
	082401-08-000	EA	CLAMP-HOSE, WORMGEAR, 22" - .62"
	088582-02-000	EA	RIVET-T, (POP) - 1/4 X .093 - .156
	071015-11-000	EA	GROMMET-1.00" ID, FITS .12 MATL - MINOR RUBBER Z-3065
	071015-26-000	EA	GROMMET-RUBBER, 1.5" ID X 2.12" OD W/.08" GROOVE - BLACK
	071015-31-000	EA	GROMMET-RUBBER, .89" ID X 1.31" OD W/.12" GROOVE - BLACK
	075148-02-000	EA	CLAMP-GROUNDING, BRONZE SCREWS
	077863-01-000	EA	GROMMET-EDGE LINER, FITS 1"
	080734-02-000	EA	CLIP-WIRE, NYLON
	082148-01-000	EA	STUD-CLINCH, 3/8" X 24 X 1.12 GD6
	083809-01-000	EA	CLAMP-WIRE, DUAL EQUAL - 5/8" DIAMETER
	083810-01-000	EA	CLAMP-WIRE, DUAL - UNEQUAL DIAMETERS - .75" & 1.25"
	085774-01-000	FT	FASTENER-DUAL HOOK, 1" WIDE - ADHESIVE BACK - BLACK
	085774-02-000	FT	FASTENER-DUAL LOOP, 1" WIDE - ADHESIVE BACK - BLACK
	081962-01-000	EA	CLIP-GRIPPER, 1"
	101447-01-000	EA	CLIP-U TYPE, TINNEMAN - HOLDS SHOWER SURROUND TOGETHER

**1993 ITASCA
TABLE OF CONTENTS**

INTRODUCTION	A-01 - A-02
ABBREVIATIONS	A-03
ALPHABETICAL INDEX	A-04 - A-06
IC424RC	A-07 - E-02
IC422RG	E-03 - H-18

1993 IC424RC INDEX

FLOOR PLAN	A-07 - A-08
ACCESSORIES	A-09
AUDIO VIDEO	A-10 - A-11
BATH	A-12 - A-14
BEDROOM	A-15
CHASSIS	A-18 - A-20
CURTAIN & CUSHION	A-21 - B-08
DINETTE	B-09 - B-10
DRIVERS COMPARTMENT	B-11 - B-14
ELECTRICAL	B-15 - B-18
EXTERIOR BODY	B-19 - C-03
GALLEY	C-04 - C-07
GENERATOR	C-08
HEATING & A/C	C-09 - C-10
INTERIOR FINISH	C-11 - C-14
LABELS	C-15 - C-22
LP	C-23
LOUNGE	C-24
SEALANTS & FASTENERS	D-01 - D-04
WATER & SEWAGE	D-05 - D-10
WINDOW, VENT AND EXTERIOR DOOR	D-11 - E-02

WATER & SEWAGE GROUP

FRONT FRESH WATER TANK

KEY	PART NUMBER	U/M	DESCRIPTION
	074510-03-000	EA	TANK-WATER, W/FITTINGS - 15 GALLON - 33.4" X 11.4" X 10.6"
	074510-01-000	EA	TANK-WATER, W/O FITTINGS - 18 GALLON - 33.4" X 11.4" X 10.
	036539-01-000	EA	ELBOW-PLASTIC, 3/8" MPT X 3/8" BARB
	040032-01-000	EA	PATCH-SPINWELD, 3/8" - PLASTIC
	062999-02-000	EA	CONNECTOR, 1/2" F X 1/2" MPT - PLASTIC - GRAY
	042999-02-000	EA	FITTING-WATER TANK, SPINWELD - 1/2" NPT - PLASTIC - WHITE
	042999-04-000	EA	FITTING-WATER TANK, SPINWELD - 3/8" FPT - PLASTIC - WHITE
	042999-05-000	EA	FITTING-WATER TANK, SPINWELD - 1/2" FPT - PLASTIC - WHITE
	077954-02-000	EA	FILTER-WATER TANK, SCREEN IN TANK
	079981-01-000	FT	TUBING-SMOOTH FLEXIBLE, 1 1/4" ID

REAR FRESH WATER TANK

KEY	PART NUMBER	U/M	DESCRIPTION
	053820-10-000	EA	TANK-WATER, W/FITTINGS - 18 GALLON - 27" X 17.2" X 10"
	053820-01-000	EA	TANK-WATER, 18 GALLON - W/O FITTINGS - 17.2" X 27" X 10"
	030881-01-000	EA	BENDING UNIT-W/SCREW, WASHER, WELL NUT & TERMINAL RING
	023441-01-000	EA	TEE-BARB, 3/8" - PLASTIC
	036539-01-000	EA	ELBOW-PLASTIC, 3/8" MPT X 3/8" BARB
	062999-01-000	EA	TEE-1/2" F X 1/2" MPT X 1/2" F - PLASTIC
	062999-02-000	EA	CONNECTOR, 1/2" F X 1/2" MPT - PLASTIC - GRAY
	042999-02-000	EA	FITTING-WATER TANK, SPINWELD - 1 1/4" NPT - PLASTIC - WHITE
	042999-04-000	EA	FITTING-WATER TANK, SPINWELD - 3/8" FPT - PLASTIC - WHITE
	042999-05-000	EA	FITTING-WATER TANK, SPINWELD - 1/2" FPT - PLASTIC - WHITE
	040032-01-000	EA	PATCH-SPINWELD, 3/8" - PLASTIC
	077954-02-000	EA	FILTER-WATER TANK, SCREEN IN TANK

WATER SYSTEM

KEY	PART NUMBER	U/M	DESCRIPTION
	087888-04-000	EA	FILL-WATER, CITY - OFF WHITE
	088448-01-000	EA	WIRE ASSEMBLY-WATER TANK TO MONITOR PANEL
	046128-01-000	EA	VALVE-DRAIN, PLASTIC - 1/2" FPT
	082990-01-000	EA	DRAIN VALVE-IN LINE, HEADER - 1/2" F X 1/2" F - GRAY PLASB
	082990-02-000	EA	DRAIN VALVE-IN LINE, HEADER - 5/8" F X 5/8" F - PLASTIC
	062999-02-000	EA	CONNECTOR, 1/2" F X 1/2" MPT - PLASTIC - GRAY
	082999-03-000	EA	CONNECTOR, 1/2" F X 3/8" MPT - PLASTIC - GRAY
	010219-01-000	EA	ELBOW-1 1/4" MPT X 1 1/4" BARB, PLASTIC
	067457-01-000	EA	ELBOW-UNION, 1/2" X 1/2" FLARE
	085120-01-000	EA	ELBOW-SWIVEL, 1/2" FPT X 1/2" FLARE - PLASTIC - GRAY
	082997-02-000	EA	ELBOW-MALE, 1/2" F X 1/2" MPT - PLASTIC - GRAY
	082990-01-000	EA	ELBOW-5/8" F X 1/2" MPT
	082992-01-000	EA	NUT-PLASTIC, 1/2" F X 1/2" TUBE - GRAY
	062993-02-000	EA	NUT-PLASTIC, 5/8" FLARE
	082994-02-000	EA	TEE-5/8" F X 5/8" F X 1/2" MPT - PLASTIC
	082995-02-000	EA	TEE-5/8" F X 1/2" MPT X 5/8" F, PLASTIC
	082996-01-000	EA	TEE, 1/2" F X 1/2" F X 1/2" F - PLASTIC - GRAY
	057874-01-000	EA	TEE-5/8" F X 1/2" F X 1/2" F, PLASTIC
	074489-01-000	EA	TEE-4 WAY, 1/2" FLARE - PLASTIC - GRAY
	082996-01-000	EA	TEE-WATER, 1/2" F X 1/2" F X 1/2" MPT - PLASTIC - GRAY
	074488-02-000	FT	TUBING-VINYL, 3/8" ID - CLEAR
	079981-01-000	FT	TUBING-SMOOTH FLEXIBLE, 1 1/4" ID
	089990-01-000	FT	TUBING-POLYBUTYL, 1/2" OD - INCREMENTS OF 20' - BLACK
	089990-02-000	FT	TUBING-POLYBUTYL, 3/8" OD - INCREMENTS OF 20' - BLACK
	082994-01-000	EA	ADAPTER NOSE CONE, 3/8" OR 1/2" TUBING - PLASTIC - GRAY
	079917-01-000	EA	ADAPTER-SWIVEL, 1/2" TUBE X 1/2" FPT - PLASTIC - GRAY
	111914-01-000	EA	COUPLING-FEMALE, 1/2" X 1/2" FPT
	102999-01-000	EA	CAP-INSERTABLE 1/2" FLARE - KEVOC 84398 BONNET

WATER & SEWAGE GROUP (CONTINUED)

EXTERIOR SHOWER

KEY	PART NUMBER	U/M	DESCRIPTION
	103082-01-000	EA	HEAD-SHOWER, W/60 IN HOSE (US & CANADIAN)
	103082-01-700	EA	BRACKET-SHOWER HEAD
	075241-05-000	EA	FAUCET-SHOWER, BONE
	106289-02-000	EA	BRACKET-SUPPORT, FAUCET
	091952-02-000	EA	CLIP-GRIPPER, 3/4"

WATER PUMP

KEY	PART NUMBER	U/M	DESCRIPTION
	098807-01-000	EA	PUMP-WATER, W/5" MPT FITTING - SHURFLO 2.8 GPM, UL
	098807-01-700	EA	PUMPHEAD-REPLACEMENT - 94-238-08
	098807-01-701	EA	DRIVE ASSEMBLY - 94-234-03
	098807-01-702	EA	DIAPHRAGM KIT - 94-233-10
	098807-01-703	EA	VALVE ASSEMBLY - 94-232-00
	098807-01-704	EA	HOUSING-UPPER - 94-231-01
	098807-01-705	EA	CHECK VALVE KIT - 94-237-00
	098807-01-708	EA	UPPER HOUSING/SWITCH KIT - 94-231-20
	098807-01-707	EA	MOTOR/BASEPLATE REPLACEMENT - 94-235-03

1993 ITASCA TABLE OF CONTENTS

INTRODUCTION	A-01	A-02
ABBREVIATIONS		A-03
ALPHABETICAL INDEX	A-04	A-08
IC424RC	A-07	E-02
IC422RG	E-03	H-15

1993 IC424RC INDEX

FLOOR PLAN	A-07	A-08
ACCESSORIES		A-09
AUDIO VIDEO	A-10	A-11
BATH	A-12	A-14
BEDROOM		A-15
CHASSIS	A-16	A-20
CURTAIN & CUSHION	A-21	B-08
DINETTE	B-09	B-10
DRIVERS COMPARTMENT	B-11	B-14
ELECTRICAL	B-15	B-18
EXTERIOR BODY	B-19	C-03
GALLEY	C-04	C-07
GENERATOR		C-08
HEATING & AC	C-09	C-10
INTERIOR FINISH	C-11	C-14
LABELS	C-15	C-22
LP		C-23
LOUNGE		C-24
SEALANTS & FASTENERS	D-01	D-04
WATER & SEWAGE	D-05	D-10
WINDOW, VENT AND EXTERIOR DOOR	D-11	E-02

WATER & SEWAGE GROUP (CONTINUED)

WATER HEATER W/MOTOR AND

KEY	PART NUMBER	U/M	DESCRIPTION
	051391-03-000	EA	HEATER-WATER, W/ELECTRIC IGNITION - ATWOOD G6A-3E
	051391-01-700	EA	HINGE KIT-W/CLIP, ATWOOD 92599 & 92559
	051391-01-704	EA	VALVE-RELIEF, 1/2" FITTING - ATWOOD 91804
	051391-01-705	EA	FASTENER-CAMLOC, ATWOOD 92809
	051391-01-706	EA	GRILLE-EXHAUST, ATWOOD 92787
	051391-01-708	EA	BURNER-MAIN, 3E ONLY - ATWOOD 92815
	051391-01-710	EA	ORIFICE-MAIN BURNER, ATWOOD 92742
	051391-01-715	EA	DRAIN PLUG, ATWOOD 91881
	051391-04-700	EA	TANK-INNER (G6A-3E), FRONT MOUNT - ATWOOD 91608
	051391-04-701	EA	THERMOSTAT 12 VDC-120 PRESET, ATWOOD 91470
	051391-04-709	EA	TANK-INNER, G6A-4E & 6E - FRONT MOUNT - ATWOOD 91641
	051393-01-702	EA	SWITCH-ENERGY CUT-OFF, ATWOOD 91951
	051393-01-703	EA	THERMOSTAT-REAR MOUNT, ATWOOD 91462
	051393-01-704	EA	CIRCUIT BOARD-W/BLACK BOX, ATWOOD 91420
	051393-01-705	EA	ORIFICE HOLDER-ATWOOD 91925
	051393-01-716	EA	SPARK & PROBE ASM, ATWOOD 91608
	051393-01-718	FA	VALVE-DUAL SOLENOID, ATWOOD 91605
	051393-01-721	EA	ECO&THERMOSTAT ASM-FRONT MOUNT, 140 DEGREE - ATWOOD 91447
	051393-03-700	EA	TANK-INNER (G6A-3E), REAR MT - ATWOOD 91409
	057657-01-000	EA	SWITCH-WATER HEATER, ATWOOD 91959

WATER HEATER W/MOTOR AND REAR HEATER

KEY	PART NUMBER	U/M	DESCRIPTION
	051393-01-000	EA	HEATER-WATER-W/MOTOR AND-ATWOOD G/H6-3E, G/H6-4E, OR G/H6-6E
	051391-01-700	EA	HINGE KIT-W/CLIP, ATWOOD 92599 & 92559
	051391-01-704	EA	VALVE-RELIEF, 1/2" FITTING - ATWOOD 91804
	051391-01-705	EA	FASTENER-CAMLOC, ATWOOD 92809
	051391-01-706	EA	GRILLE-EXHAUST, ATWOOD 92787
	051391-01-708	EA	BURNER-MAIN, 3E ONLY - ATWOOD 92815
	051391-01-710	EA	ORIFICE-MAIN BURNER, ATWOOD 92742
	051391-01-714	EA	ELBOW-45 DEGREE, 3/8" F X 3/8" MPT - ATWOOD 91044
	051391-01-715	EA	DRAIN PLUG, ATWOOD 91881
	051391-04-701	EA	THERMOSTAT 12 VDC-120 PRESET, ATWOOD 91470
	051391-04-704	EA	TANK-INNER, FRONT MOUNT - G/H6-4E & 6E - ATWOOD 91642
	051393-01-700	EA	TANK-INNER, 3E FRONT MOUNT - ATWOOD 91023
	051393-01-702	EA	SWITCH-ENERGY CUT-OFF, ATWOOD 91951

STANDARD WATER HEATER

KEY	PART NUMBER	U/M	DESCRIPTION
	051391-01-000	EA	HEATER-WATER, ATWOOD G6A-3
	051391-01-700	EA	HINGE KIT-W/CLIP, ATWOOD 92599 & 92559
	051391-01-702	EA	TANK-INNER, G6A-2E - 3E - 6E - WATER HEATER, ATWOOD 91412
	051391-01-704	EA	VALVE-RELIEF, 1/2" FITTING - ATWOOD 91804
	051391-01-705	EA	FASTENER-CAMLOC, ATWOOD 92809
	051391-01-706	EA	GRILLE-EXHAUST, ATWOOD 92787
	051391-01-708	EA	BURNER-MAIN, 3E ONLY - ATWOOD 92815
	051391-01-709	EA	PILOT ASM-W/THERMOCOUPLER & TUBE, 91603 ATWOOD 91214
	051391-01-710	EA	ORIFICE-MAIN BURNER, ATWOOD 92742
	051391-01-711	EA	ELBOW-ORIFICE, MAIN BURNER - 92741 ATWOOD
	051391-01-712	EA	THERMOSTAT-3/8" NPT INLET, 91801 ATWOOD 91048
	051391-01-714	EA	ELBOW-45 DEGREE, 3/8" F X 3/8" MPT - ATWOOD 91044
	051391-01-715	EA	DRAIN PLUG, ATWOOD 91881

WATER & SEWAGE GROUP (CONTINUED)

EUROPEAN EXPORT WATER HEATER

KEY	PART NUMBER	U/M	DESCRIPTION
	111129-01-000	EA	HEATER-WATER, ELECTRIC IGNITION - 220V - ATWOOD 94720 ICH8E
	111129-01-700	EA	PACKAGE-WALL SWITCH, ATWOOD 91208
	111129-01-701	EA	PRESSURE/DRAIN VALVE, 2 BAR - ATWOOD 91190
	111129-01-702	EA	PRESSURE DRAIN VALVE, 3.5 BAR - ATWOOD 91210
	111129-01-703	EA	THERMOSTAT, (80°) ECO (82°) KIT - ATWOOD 91191
	111129-01-704	EA	BOARD-IGNITION, ATWOOD 91194
	111129-01-705	EA	REGULATOR-GAS PRESSURE, W/NO.10 - ATWOOD 91198
	111129-01-706	EA	OFFICE-WALL SWITCH, W/FITTING - ATWOOD 91017
	111129-01-707	EA	KIT-WALL SWITCH, ATWOOD 91204
	111129-01-708	EA	KIT-IGNITION, SPARK/PCB/E - ATWOOD 91195
	111129-01-709	EA	FLUE ASSEMBLY, ATWOOD 91045
	111129-01-710	EA	ACCESS DOOR, W/LOCK - ATWOOD 91203
	111129-01-711	EA	CORNER BRACKETS (SET OF 4) - ATWOOD 91028
	111129-01-712	EA	HARDWARE KIT, W/LOCK - ATWOOD 91193
	111129-01-713	EA	TANK INNER, ICH8-6E - ATWOOD 91199
	111129-01-714	EA	THERMOSTAT, ELECTRIC - 220V - ATWOOD 91207
	111129-01-715	EA	RELAY, 220 V/12 VDC - ATWOOD 91206
	111129-01-716	EA	ELEMENT-HEATING, 220V/500WATT - ATWOOD 91081
	111129-01-717	EA	BUSHING, STRAIN RELIEF - ATWOOD 91372

1993 ITASCA TABLE OF CONTENTS

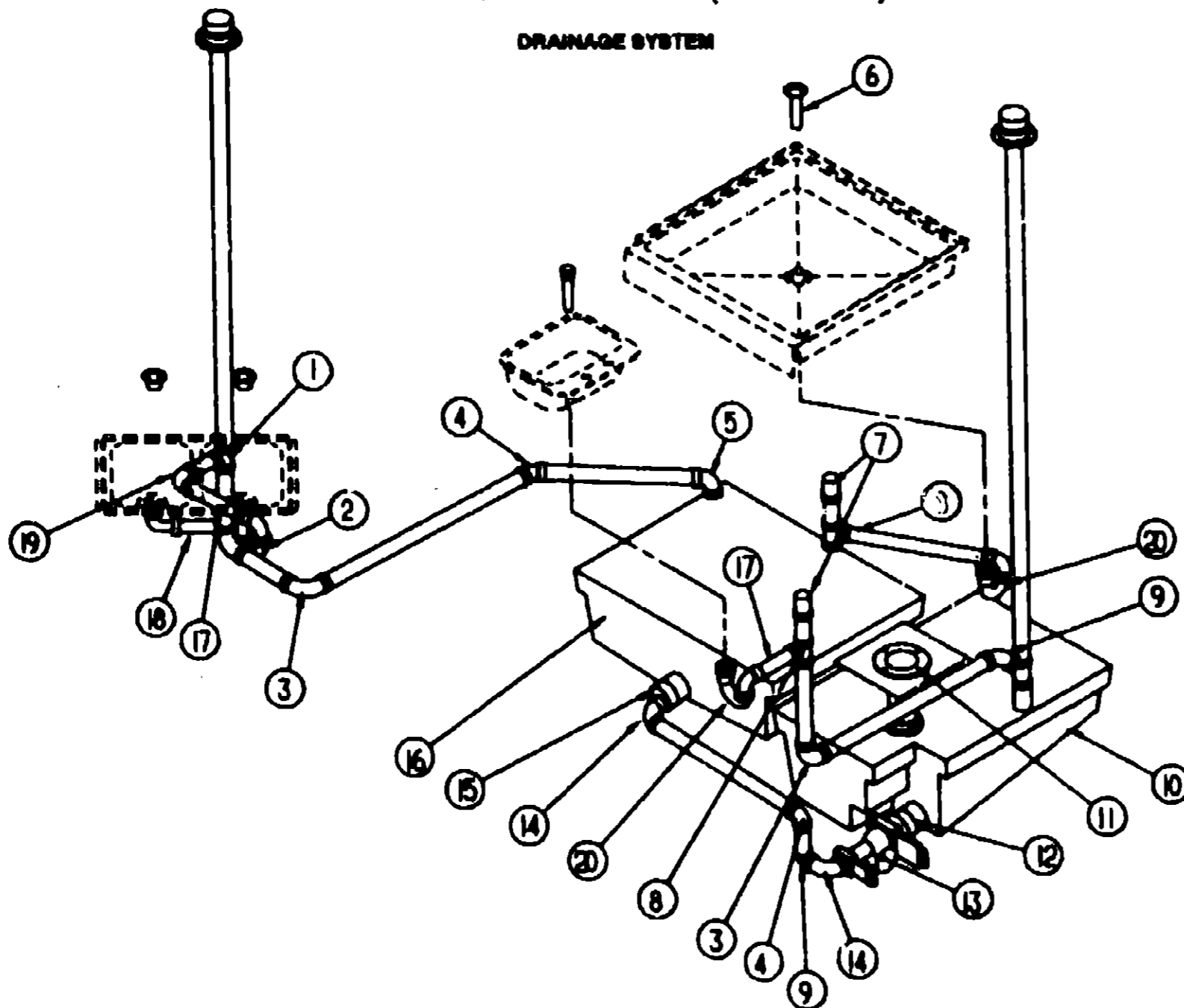
INTRODUCTION	A-01	A-02
ABBREVIATIONS		A-03
ALPHABETICAL INDEX	A-04	A-06
IC424RC	A-07	E-02
IC422RG	E-03	H-16

1993 IC424RC INDEX

FLOOR PLAN	A-07	A-08
ACCESSORIES		A-09
AUDIO VIDEO	A-10	A-11
BATH	A-12	A-14
BEDROOM		A-15
CHASSIS	A-16	A-20
CURTAIN & CUSHION	A-21	B-08
DINETTE	B-09	B-10
DRIVERS COMPARTMENT	B-11	B-14
ELECTRICAL	B-15	B-18
EXTERIOR BODY	B-19	C-03
GALLEY	C-04	C-07
GENERATOR		C-08
HEATING & A/C	C-09	C-10
INTERIOR FINISH	C-11	C-14
LABELS	C-15	C-22
LP		C-23
LOUNGE		C-24
SEALANTS & FASTENERS	D-01	D-04
WATER & SEWAGE	D-05	D-10
WINDOW, VENT AND EXTERIOR DOOR	D-11	E-02

WATER & SEWAGE GROUP (CONTINUED)

DRAINAGE SYSTEM



1993 ITASCA TABLE OF CONTENTS

INTRODUCTION	A-01 - A-02
ABBREVIATIONS	A-03
ALPHABETICAL INDEX	A-04 - A-08
IC424RC	A-07 - E-02
IC422RG	E-03 - H-18

1993 IC424RC INDEX

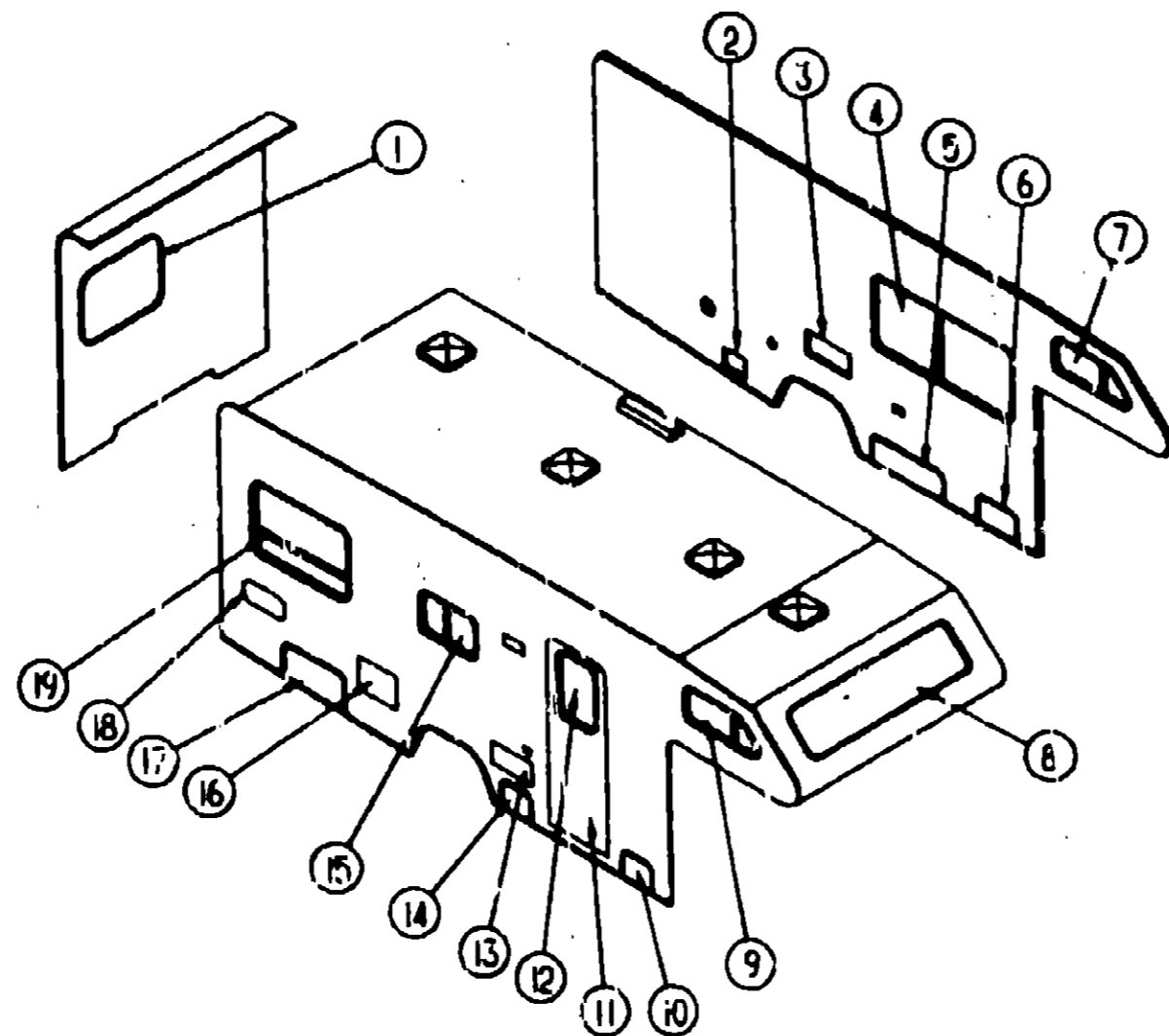
FLOOR PLAN	A-07 - A-08
ACCESSORIES	A-09
AUDIO VIDEO	A-10 - A-11
BATH	A-12 - A-14
BEDROOM	A-15
CHASSIS	A-16 - A-20
CURTAIN & CUSHION	A-21 - D-08
DINETTE	B-09 - B-10
DRIVERS COMPARTMENT	B-11 - B-14
ELECTRICAL	B-15 - B-18
EXTERIOR BODY	B-19 - C-03
GALLEY	C-04 - C-07
GENERATOR	C-08
HEATING & A/C	C-09 - C-10
INTERIOR FINISH	C-11 - C-14
LABELS	C-15 - C-22
LP	C-23
LOUNGE	C-24
SEALANTS & FASTENERS	D-01 - D-04
WATER & SEWAGE	D-05 - D-10
WINDOW, VENT AND EXTERIOR DOOR	D-11 - E-02

KEY	PART NUMBER	UOM	DESCRIPTION
1	010071-01-000	EA	TEE-SANITARY, 1 1/2" HUB X HUB X HUB - PLASTIC - BLACK
2	107838-01-000	EA	P TRAP-PLASTIC, 1 1/4" WEXT ARM
2	083395-01-000	EA	P TRAP-PLASTIC, 1 1/4" - H X H UNION (CANADIAN)
3	010008-01-000	EA	ELBOW-90 DEGREE, 1/4 BEND - 1 1/2" HUB X HUB - BLACK PLASTIC
4	010008-01-000	EA	ELBOW-45 DEGREE, 1/8 BEND - 1 1/2" HUB X HUB - BLACK PLASTIC
5	034280-01-000	EA	ELBOW-90 DEGREE, LONG, URN - 1 1/2" HUB X HUB - ABS
6	011089-02-000	EA	TAILPIECE-TUB/SHOWER, 1 1/2" X 1 1/4" X 4" - BRASS
	088438-01-000	EA	NUT-SLIP, TAILPIECE - 1.8"
	088440-01-000	EA	STRAINER-SHOWER, W/FLUIDER WASHER
	089735-01-000	EA	WASHER-STRAINER TO TAILPIECE, PLASTIC, 1.8"
7	078889-01-000	EA	VENT-MECH. TRAP ARM, ANTI-SIPHON - 2" DIA X 7.3" - PLASTIC
8	010078-01-000	EA	TEE-SANITARY - 1 1/2" X 1 1/2" X 1 1/4" H - PLASTIC - BLACK
9	010081-01-000	EA	ELBOW-45 DEGREE BEND, 1 1/2" SPIGOT AND HUB - PLASTIC - BLACK
10	074870-01-000	EA	TANK-HOLDING, W/O GROMMETS - 30 GAL. - 28.8" X 13.3" X 23"
	081807-01-000	EA	GROMMET-HOLDING TANK, 1 1/2" NPS
	081807-02-000	EA	GROMMET-HOLDING TANK, 3" NPS
11	088841-01-000	EA	FLANGE-CLOSET, 4" X 3"
12	078408-01-000	EA	COUPLER-RUBBER, W/CLAMPS - 3" X 3"

KEY	PART NUMBER	UOM	DESCRIPTION
13	070918-01-000	EA	VALVE-DUAL DUMP, W/CAP - 3" X 1 1/2" - PLASTIC - BLACK
	070918-01-700	EA	VALVE ONLY, 3"
	070918-01-701	EA	VALVE ONLY, 1 1/2"
	010201-01-000	EA	HOSE-SEWER, 3" ID X 8'
	082418-01-000	EA	ADAPTER-SEWER HOSE TO 3" PIPE
14	033781-01-000	EA	ELBOW-TURN, 1/4 BEND X 1.8" HUB X 1.8" SPIGOT - BLK PLASTIC
15	082422-01-000	EA	ADAPTER-OFFSET REDUCER, 3" X 1 1/2" - PLASTIC - BLACK
16	074881-01-000	EA	TANK-HOLDING, W/O GROMMETS - 35 GALLON - 36" X 11" X 27"
	081807-01-000	EA	GROMMET-HOLDING TANK, 1 1/2" NPS
17	107837-01-000	EA	ADAPTER-P TRAP, 1 1/4" SLIP
18	011091-02-000	EA	PIPE-DRAIN, DOUBLE SINK - BAFFLE TEE - 1 1/2" ONE PIPE W/TEE TO DRAIN BOTH SIDES OF SINK
18	011091-03-000	EA	PIPE-DRAIN, W/SEALS - DOUBLE SINK - EXTENDS 9" TO 18" (CANADIAN)
19	031111-01-000	EA	ELBOW-90 DEGREE, 1/4 BEND - 1 1/4" - PLASTIC
20	107838-01-000	EA	P TRAP-PLASTIC, 1 1/4" WEXT ARM
20	011088-02-000	EA	P TRAP-PLASTIC, 1 1/4" (CANADIAN)
	080787-01-000	EA	ADAPTER-CLEANOUT, NISCO 8803-2
	081208-01-000	EA	WASHER-RUBBER, 08" X .78" X .5"
	010188-01-000	EA	PLUG-THREADED, 1 1/4" DIAMETER - PLASTIC - BLACK

WINDOW, VENT & EXTERIOR DOOR GROUP

WINDOWS & DOORS



1993 ITASCA TABLE OF CONTENTS

INTRODUCTION	A-01 - A-02
ABBREVIATIONS	A-03
ALPHABETICAL INDEX	A-04 - A-05
IC424RC	A-07 - E-02
IC422RG	E-03 - H-18

1993 IC424RC INDEX

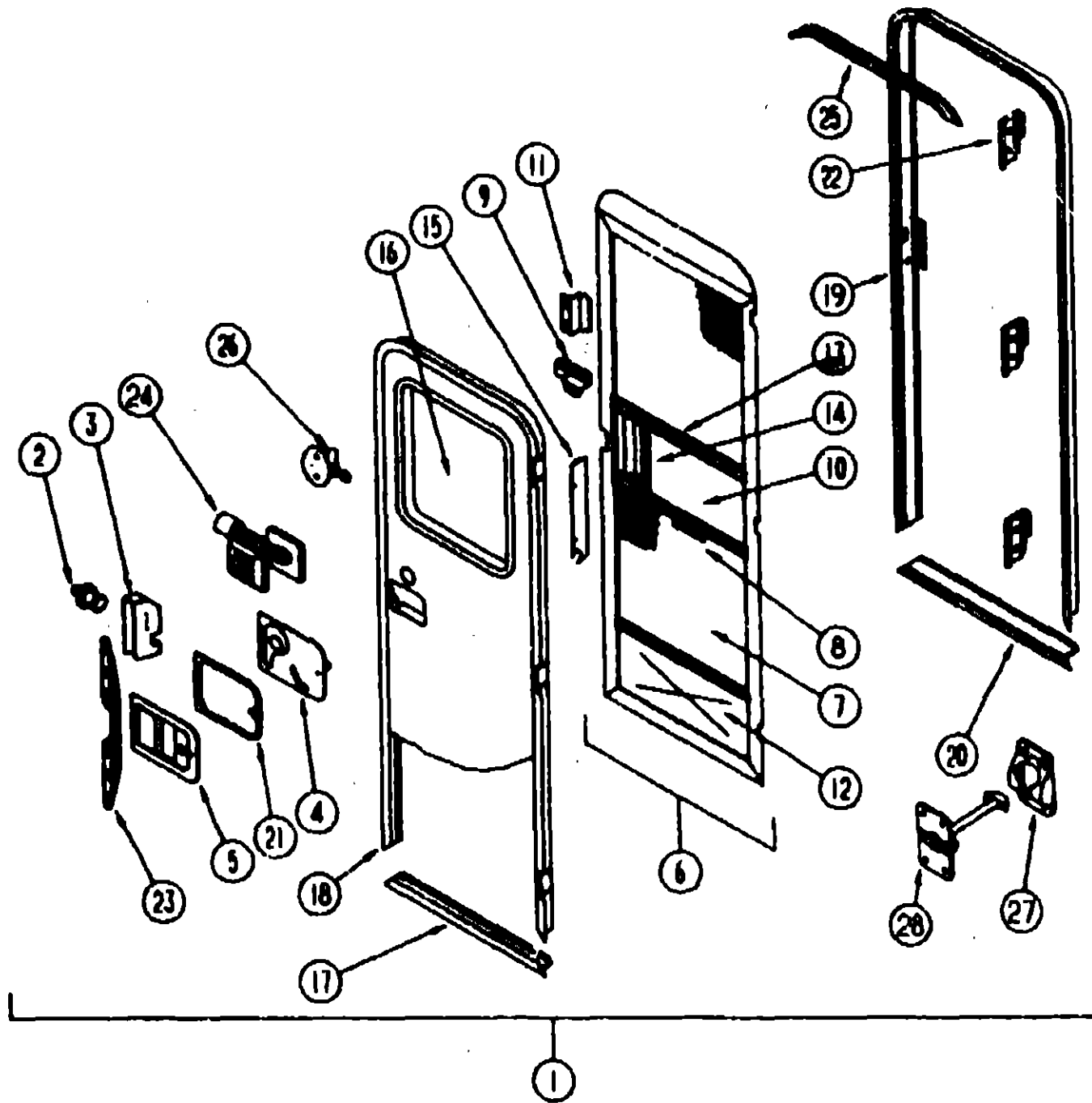
FLOOR PLAN	A-07 - A-08
ACCESSORIES	A-09
AUDIO VIDEO	A-10 - A-11
BATH	A-12 - A-14
BEDROOM	A-15
CHASSIS	A-16 - A-20
CURTAIN & CUSHION	A-21 - B-08
DINETTE	B-09 - B-10
DRIVERS COMPARTMENT	B-11 - B-14
ELECTRICAL	B-15 - B-18
EXTERIOR BODY	B-19 - C-03
GALLEY	C-04 - C-07
GENERATOR	C-08
HEATING & A/C	C-09 - C-10
INTERIOR FINISH	C-11 - C-14
LABELS	C-15 - C-22
LP	C-23
LOUNGE	C-24
SEALANTS & FASTENERS	D-01 - D-04
WATER & SEWAGE	D-05 - D-10
WINDOW, VENT AND EXTERIOR DOOR	D-11 - E-02

KEY	PART NUMBER	U/M	DESCRIPTION
1	078628-01-C06	EA	WINDOW-ESCAPE, W/O INSIDE FRAME
2	088794-01-000	EA	DOOR-POWER CORD - WHATCH - OFF WHITE
3	084108-03-000	EA	DOOR-REFRIGERATOR, VENTED - OFF WHITE
	084104-03-000	EA	JAMB-DOOR, REFRIGERATOR - OFF WHITE
	084104-01-700	EA	LOCK-MALE, FASTENER - REFRIGERATOR DOOR
	084104-01-701	EA	LOCK-FEMALE, FASTENER - REFRIGERATOR DOOR
4	088847-10-02A	EA	WINDOW-HORIZONTAL SLIDER, WINSIDE FRAME
	111555-02-01A	EA	WINDOW-HORIZONTAL SLIDER, WINSID FRAME (EUROPEAN EXCHANGE)
5	108987-23-D04	EA	DOOR-COMPARTMENT, STORAGE
6	078720-02-T15	EA	DOOR-COMPARTMENT, LP - 18.9" X 5.4" - ALUMINUM - OFF WHITE
	088003-01-000	EA	LOCK-TWIST TYPE, W/CLIP
7	088847-19-01A	EA	WINDOW-SLIDER, WINSIDE FRAME - DRIVER
8	103313-01-806	EA	WINDOW-PICTURE, W/O INSIDE FRAME
9	088847-18-01A	EA	WINDOW-SLIDER, WINSIDE FRAME - PASSENGER

KEY	PART NUMBER	U/M	DESCRIPTION
10	108987-23-D04	EA	DOOR-COMPARTMENT, LOWER - FRONT
11	M01870-32-D27	EA	DOOR-ENTRY, W/WINDOW, SCREEN & JAMB - OFF WHITE
11	M01870-32-D28	EA	DOOR-ENTRY, W/WINDOW, SCREEN & JAMB - OFF WHITE
12	078733-07-AA8	EA	WINDOW-ENTRY DOOR, W/O INSIDE FRAME - 17" X 25" - FROSTED GLASS
13	105118-01-C06	EA	DOOR-COMPARTMENT, ENTERTAINMENT
14	105174-08-C03	EA	DOOR-COMPARTMENT, LOWER - FRONT
14	105174-18-D04	EA	DOOR-COMPARTMENT, LOWER - FRONT
			FROM: 00-00-00 THRU: 11-29-92
			FROM: 11-30-92 THRU: 99-99-99
15	088847-08-02A	EA	WINDOW-HORIZONTAL SLIDER, WINSIDE FRAME
15	111555-02-01A	EA	WINDOW-HORIZONTAL SLIDER, WINSIDE FRAME (EUROPEAN EXCHANGE)
16	062009-01-000	EA	DOOR-WATER HEATER - OFF WHITE - ATWOOD 5575-27
17	108987-21-D04	EA	DOOR-COMPARTMENT, LOWER - REAR
18	105118-02-C06	EA	DOOR-COMPARTMENT, EXTERIOR SHOWER
19	082235-12-Y12	EA	WINDOW-SINGLE TIPOUT, W/O INSIDE FRAME
19	111555-03-01A	EA	WINDOW-HORIZONTAL SLIDER, WINSIDE FRAME (EUROPEAN EXCHANGE)
	081240-03-000	EA	DOOR-WATER FILL-LOCKABLE-4" X 4 5/8" - OFF WHITE
	082884-01-700	EA	KEY-SINGLE

WINDOW, VENT & EXTERIOR DOOR GROUP (CONTINUED)

ENTRY DOOR



KEY	PART NUMBER	U/M	DESCRIPTION
1	M01870-32-027	EA	DOOR-ENTRY, W/WINDOW- SCREEN & JAMB - OFF WHITE
1	M01870-32-028	EA	DOOR-ENTRY, W/WINDOW- SCREEN & JAMB - OFF WHITE
2	038538-01-000	EA	STRIKE-LOCK, ENTRY DOOR - ROUND/THREADED WASHER
3	038540-01-000	EA	LATCH MECHANISM-HOOK, ENTRY DOOR - INTERIOR
	038715-01-000	EA	NUT-BERT, 1/4" DIAMETER - 20 THREADS
4	038879-04-000	EA	COVER-INTERIOR LATCH, W/TRIP ARM - RIGHT - BLACK
	038984-01-000	EA	CAP-ROUND, VINYL - .28" ID X .82" LONG - BLACK
	041548-03-000	EA	BRACKET-DOOR ANGLE, 5" X 1.8" - BEIGE - METAL
5	048017-11-000	EA	LATCH-ENTRY DOOR, MECHANISM W/LOCK & KEY - BLACK
	048017-11-701	EA	KEY-BLANK, ROUND TOP - SILVER - TRIMARK
	086748-01-000	EA	PLUG-CAP, 1.8" DIAMETER
	058025-02-000	EA	CLIP-ROLLER, LATCH CATCH - SCREEN DOOR
	083728-04-000	EA	RIVNUT, 10-32 UNF - 010-080
	072893-01-000	EA	NUT-BERT-M8 X 0.8
	078671-04-000	FT	SEAL-SPONGE, LAZY T SHAPE - W/ADHESIVE STRIPE - .5" WIDE
8	078012-01-U01	EA	DOOR-SCREEN
7	002293-02-000	SF	SCREENING-WINDOW/DOOR, 28" - CHARCOAL
8	002284-01-000	FT	SPUNE-SCREENING, .135" X .138" - BLACK
	002748-01-000	EA	CORNER KEY-DOOR
9	108403-01-000	EA	CATCH-SINGLE ROLLER, SCREEN DOOR
10	001014-01-013	EA	INSERT-CENTER, 10.25" X 18.31" - UNPAINTED
11	080712-04-000	EA	HANDLE-SCREEN DOOR, ALUMINUM - OFF WHITE
11	080712-06-000	EA	HANDLE-SCREEN DOOR, UNPAINTED
12	078662-03-000	EA	INSERT-SCREEN DOOR, LOWER - MILL
	078685-01-000	EA	PLATE-SCREEN DOOR
13	078777-01-000	EA	CHANNEL-SLIDE, SCREEN DOOR CENTER SLIDER COVER - 17.4"
14	078088-02-U00	EA	SLIDER-SCREEN DOOR, OFF WHITE
15	078087-02-000	EA	STRIKE-SLIDER, W/UP FOR ELBOW CATCH - 1.5" X 8.8"
16	087809-32-000	EA	FRAME-WINDOW, ENTRY DOOR - OFF WHITE
18	078733-07-AA8	EA	WINDOW-ENTRY DOOR, 17" X 25" - FROSTED GLASS
18	080218-02-000	FT	SPUNE-GLASS, EXTERIOR - VINYL - .19" - BLACK
18	002181-07-000	EA	GLASS-WINDOW, .182" X 18.25" X 24" - FROSTED
18	087861-01-000	FT	SEAL-GLASS, EXTERIOR - .5" WIDE - VINYL - BLACK
	081914-01-000	EA	BUMPER-RUBBER, ROUND - .43" DIAMETER - BLACK
17	088748-01-000	EA	FRAME-DOOR, ENTRANCE - BOTTOM - OFF WHITE
	090340-01-000	FT	SEAL-FOAM, CLOSED CELL - 1/4" X 1/2" X 60"
18	086278-01-01A	EA	FRAME-DOOR, ENTRANCE - TOP & SIDES - OFF WHITE
19	096277-02-01A	EA	JAMB-ENTRY DOOR, 25.9" X 74.6" W/BOTTOM - OFF WHITE
	086278-01-01A	EA	JAMB-DOOR, ENTRANCE - 25.9" X 74.6" - UNPAINTED
20	051049-01-000	EA	JAMB-DOOR, ENTRANCE - BOTTOM - 25.9" - UNPAINTED
	078207-01-000	EA	STRIKER-ROLLER CATCH, WELDED TO DOOR JAMB - .4" X 1.15"
21	088910-01-01A	EA	PLATE-ATCH, ENTRY DOOR - PLASTIC - BLACK
22	007724-01-04A	EA	HINGE-ENTRY DOOR, UNPAINTED
23	088173-01-04A	EA	STIFFENER-ENTRY DOOR, SUPPORTS LATCH/STRIKE
	100128-02-000	FT	SEAL-PILE, ADHESIVE BACK - SCREEN DOOR - GRAY
24	101145-01-01A	EA	DEADBOLT-ENTRY DOOR, W/2 KEYS W/O BOLT OR SCREWS
	086226-01-700	EA	KEY BLANK
	101147-01-000	EA	BOLT-SECURITY, 4.12" BACKSET
	102524-01-000	EA	BUMPER-RUBBER, FLAT - BLACK
25	044582-02-000	EA	CAP-DRIP, DOOR JAMB MOUNTED - OFF WHITE
	078638-11-000	EA	GARNISH-ENTRANCE DOOR, OFF WHITE
26	100412-01-000	EA	CATCH-SCREEN DOOR, THUMB CLIP W/BLACK PLASTIC CAP
	077481-01-000	EA	COVER-STRIKE, ENTRY DOOR - 8.5" X 2.5" - PLASTIC - WHITE
27	104088-01-01A	EA	CATCH-DOOR HOLDER, RETAINER - PLASTIC - OFF WHITE
28	104088-01-01A	EA	CATCH-DOOR HOLDER, STRIKE - PLASTIC - OFF WHITE
	009128-02-000	EA	HANDLE-ASSIST-ENTRY DOOR - BLACK

1993 ITASCA TABLE OF CONTENTS

INTRODUCTION	A-01 - A-02
ABBREVIATIONS	A-03
ALPHABETICAL INDEX	A-04 - A-08
IC424RC	A-07 - E-02
IC422FG	E-03 - H-18

1993 IC424RC INDEX

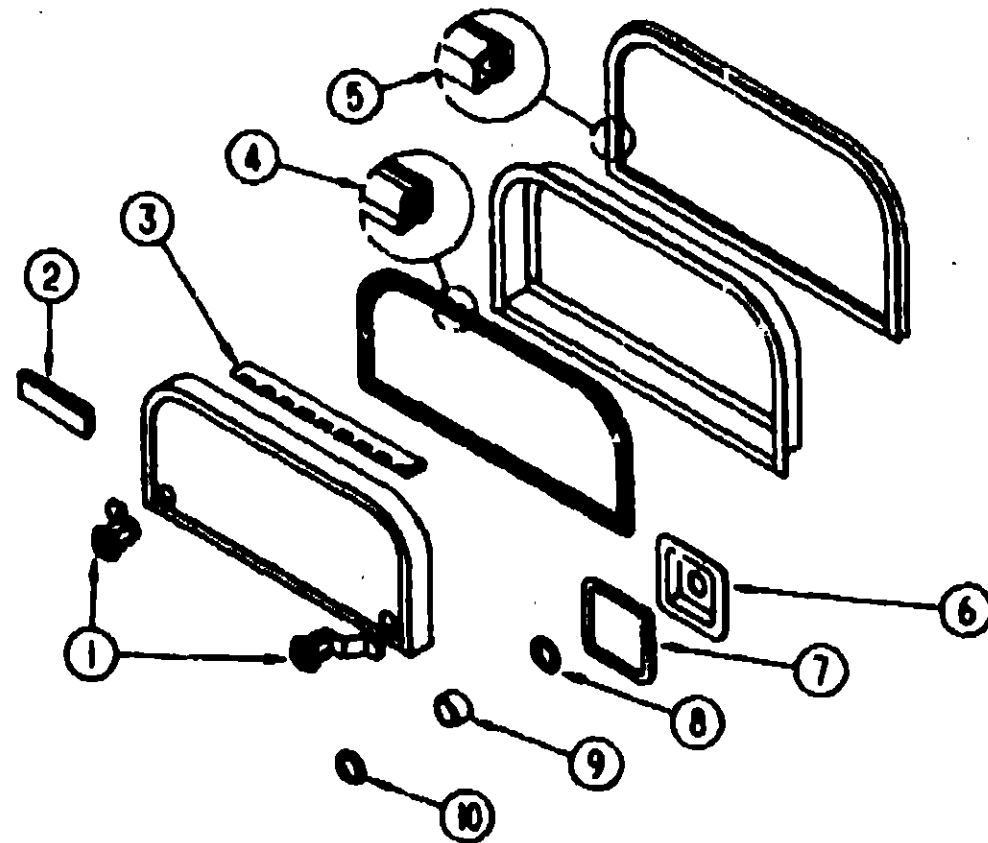
FLOOR PLAN	A-07 - A-08
ACCESSORIES	A-09
AUDIO VIDEO	A-10 - A-11
BATH	A-12 - A-14
BEDROOM	A-15
CHASSIS	A-16 - A-20
CURTAIN & CUSHION	A-21 - B-08
DINETTE	B-09 - B-10
DRIVERS COMPARTMENT	B-11 - B-14
ELECTRICAL	B-15 - B-18
EXTERIOR BODY	B-19 - C-03
GALLEY	C-04 - C-07
GENERATOR	C-08
HEATING & AC	C-09 - C-10
INTERIOR FINISH	C-11 - C-14
LABELS	C-15 - C-22
LP	C-23
LOUNGE	C-24
SEALANTS & FASTENERS	D-01 - D-04
WATER & SEWAGE	D-05 - D-10
WINDOW, VENT AND EXTERIOR DOOR	D-11 - E-02

WINDOW, VENT & EXTERIOR DOOR GROUP (CONTINUED)

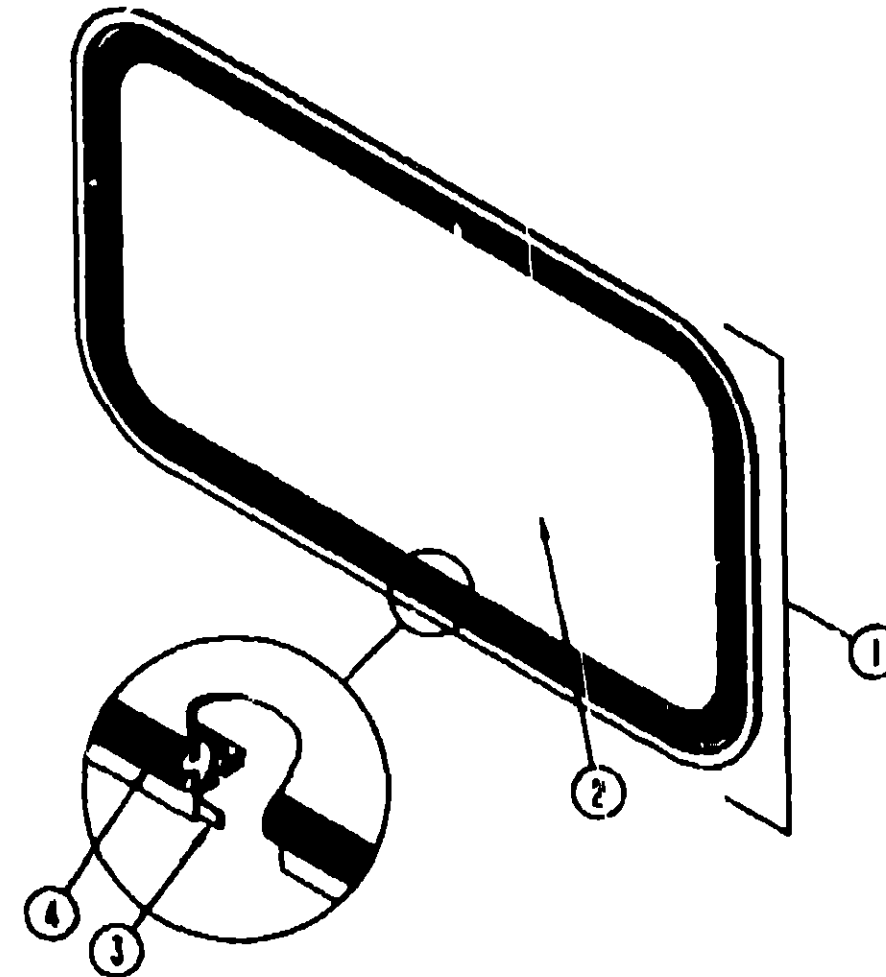
WINDOW, VENT & EXTERIOR DOOR GROUP (CONTINUED)

1993 ITASCA
TABLE OF CONTENTS

INTRODUCTION	A-01 - A-02
ABBREVIATIONS	A-03
ALPHABETICAL INDEX	A-04 - A-08
IC424RC	A-07 - E-02
IC422RG	E-03 - H-18



EXTERIOR DOORS



OVERHEAD BUNK FRONT WINDOW

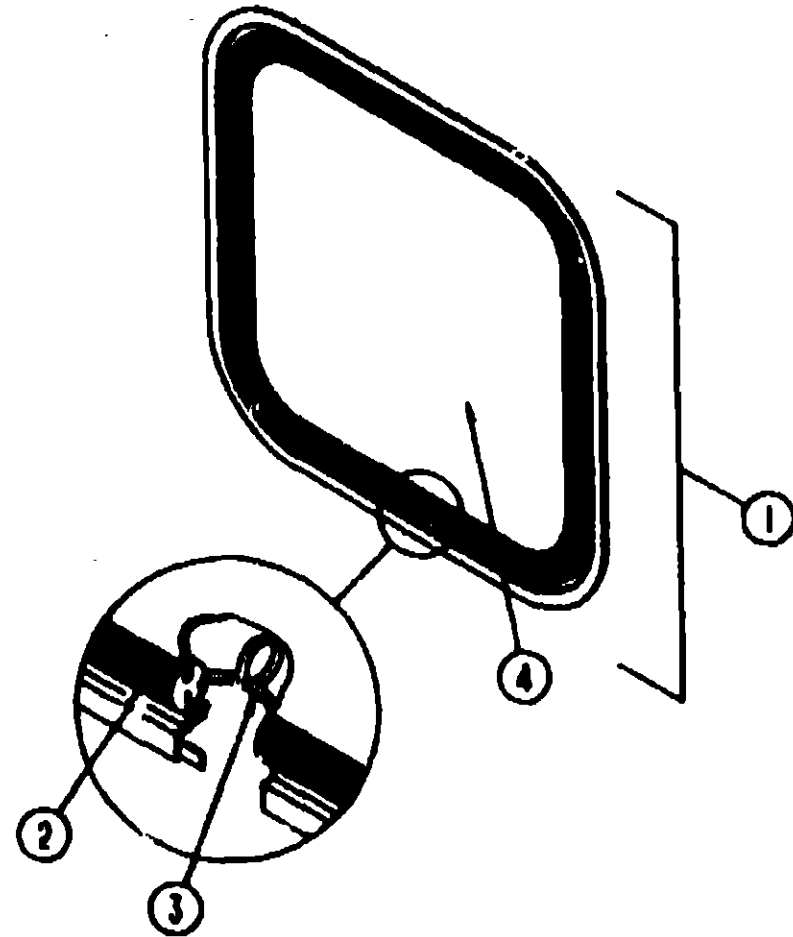
1993 IC424RC INDEX

FLOOR PLAN	A-07 - A-08
ACCESSORIES	A-09
AUDIO VIDEO	A-10 - A-11
BATH	A-12 - A-14
BEDROOM	A-15
CHASSIS	A-18 - A-20
CURTAIN & CUSHION	A-21 - B-08
DINETTE	B-09 - B-10
DRIVERS COMPARTMENT	B-11 - B-14
ELECTRICAL	B-15 - B-18
EXTERIOR BODY	B-19 - C-03
GALLEY	C-04 - C-07
GENERATOR	C-08
HEATING & A/C	C-09 - C-10
INTERIOR FINISH	C-11 - C-14
LABELS	C-15 - C-22
LP	C-23
LOUNGE	C-24
SEALANTS & FASTENERS	D-01 - D-04
WATER & SEWAGE	D-05 - D-10
WINDOW, VENT AND EXTERIOR DOOR	D-11 - E-02

KEY	PART NUMBER	U/M	DESCRIPTION
1	078398-04-000	EA	LOCK-DOOR, KEY TYPE W/O KEYS - 1.80 OFF SET (ENTERTAINMENT & EXTERIOR SHOWER DOORS ONLY)
1	078398-05-000	EA	LOCK-DOOR, KEY TYPE W/O KEYS - 1.80 OFF SET
	082894-01-700	EA	KEY - BLANK
	008003-01-000	EA	LOCK-DOOR, TWIST TYPE - W/CLIP
	078827-04-000	EA	LOCK-DOOR, TWIST TYPE - 1.80 OFF SET
2	102788-01-000	EA	HOLDER-COMPARTMENT/ENTRY DOOR, METAL - MILL FINISH
3	081801-02-000	EA	HINGE-PIANO, CONTINUOUS - 2" X 98" OFF WHITE
	008088-01-000	EA	HINGE-CONTINUOUS, 1 1/2" X 98" - UNPAINTED
	084007-40-000	EA	HINGE-CONTINUOUS, 1 1/2" X 98" - ALUMINUM - OFF WHITE
4	084075-07-000	FT	SEAL-BULB, W/W RIB U CHANNEL - .3" X .5" CHANNEL - BLACK
5	081832-02-000	FT	SEAL-BULB, DOOR - W/W RIB CARRIER - .8" WIDE - RUBBER - BLACK
	088087-01-000	FT	SEAL-D SHAPED, HOLLOW - SPONGE RUBBER - BLACK
	088418-01-000	FT	SEAL-D SHAPED, W/W RIB ADHESIVE - .4" X .1" - SPONGE RUBBER - BLACK
			FROM: 00-00-00 THRU: 03-14-93
	088340-01-000	FT	SEAL-FOAM, CLOSED CELL - 1/4" X 1/2" X 80'
	104888-01-000	FT	SEAL-ADHESIVE BACK, 3/4" X 3/4"
6	087111-01-01A	EA	POCKET-LOCK, VALANCE - OFF WHITE
7	088888-01-000	EA	GASKET-LOCK POCKET
8	108884-01-000	EA	WASHER, .840X.782ID SST - HUDSON LOCK
9	107887-81-001	EA	SPACER-EXTRUDED, 0018 - 94
10	108888-01-000	EA	RING-BEAUTY, .870 X .782ID - SST - HUDSON LOCK
	087217-85-001	EA	U-CHANNEL, 17.8LONG - OFF WHITE
	081878-01-000	EA	RETAINER-DOOR, 1.8" X .8" - METAL

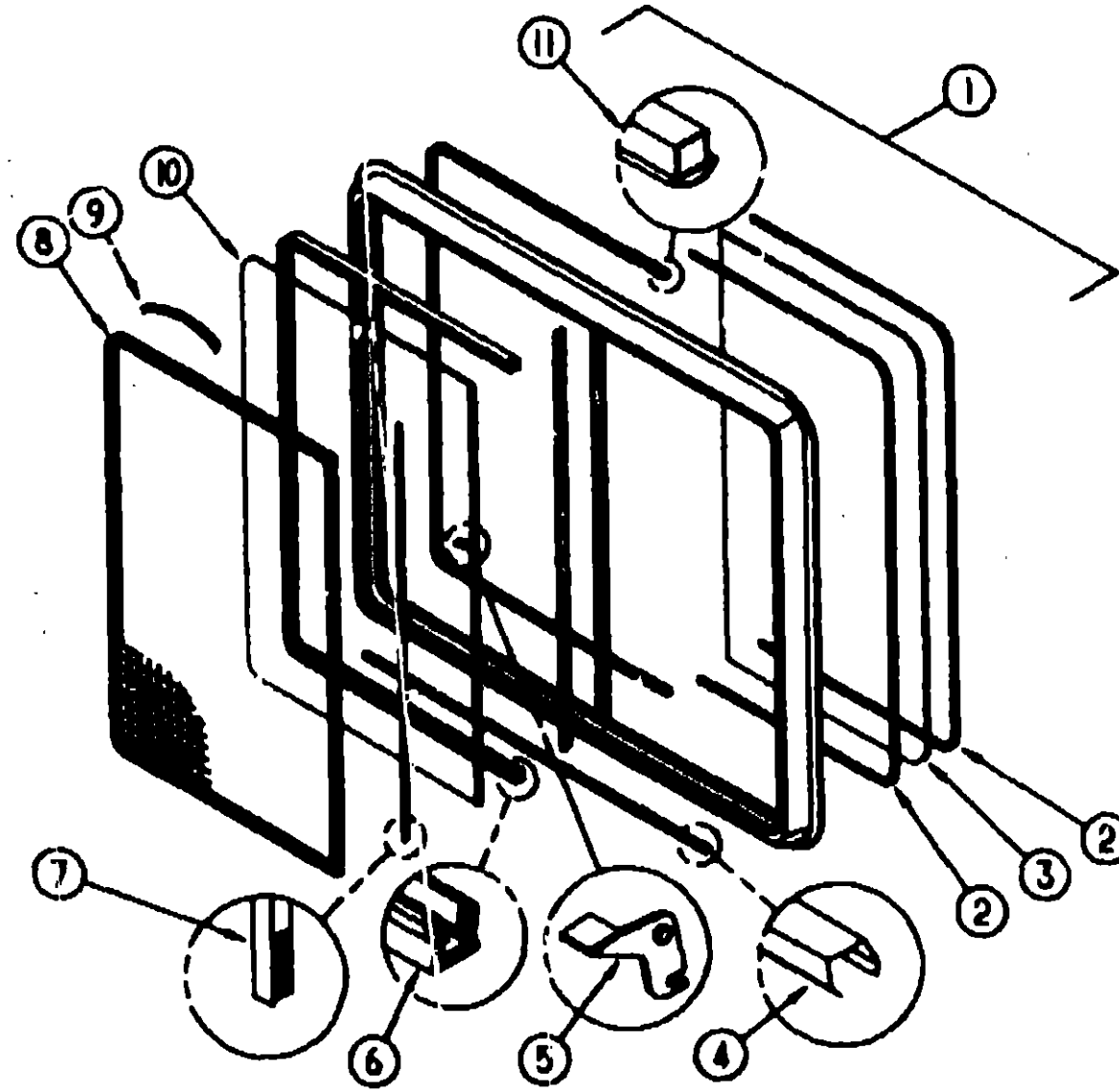
KEY	PART NUMBER	U/M	DESCRIPTION
	087809-33-000	EA	FRAME-INSIDE, WINDOW
1	103313-01-B06	EA	WINDOW-PICTURE, W/O INSIDE FRAME
2	002181-15-000	EA	GLASS-PICTURE, 11.25" X 58.1" - GRAY
3	088840-11-000	FT	SEALER-TAPE, 3/18" X 3/8" - BLACK
4	009154-01-000	FT	CHANNEL-GLAZING, STATIONARY GLASS - .82" X .45" - BLACK

WINDOW, VENT & EXTERIOR DOOR GROUP (CONTINUED)



BACKWALL ESCAPE WINDOW

WINDOW, VENT & EXTERIOR DOOR GROUP (CONTINUED)



DINETTE SINGLE SLIDING WINDOW

1993 ITA51A
TABLE OF CONTENTS

INTRODUCTION	A-11	A-02
ABBREVIATIONS		A-03
ALPHABETICAL INDEX	A-04	A-05
IC424RC	A-07	E-02
IC422RG	E-03	H-16

1993 IC424RC INDEX

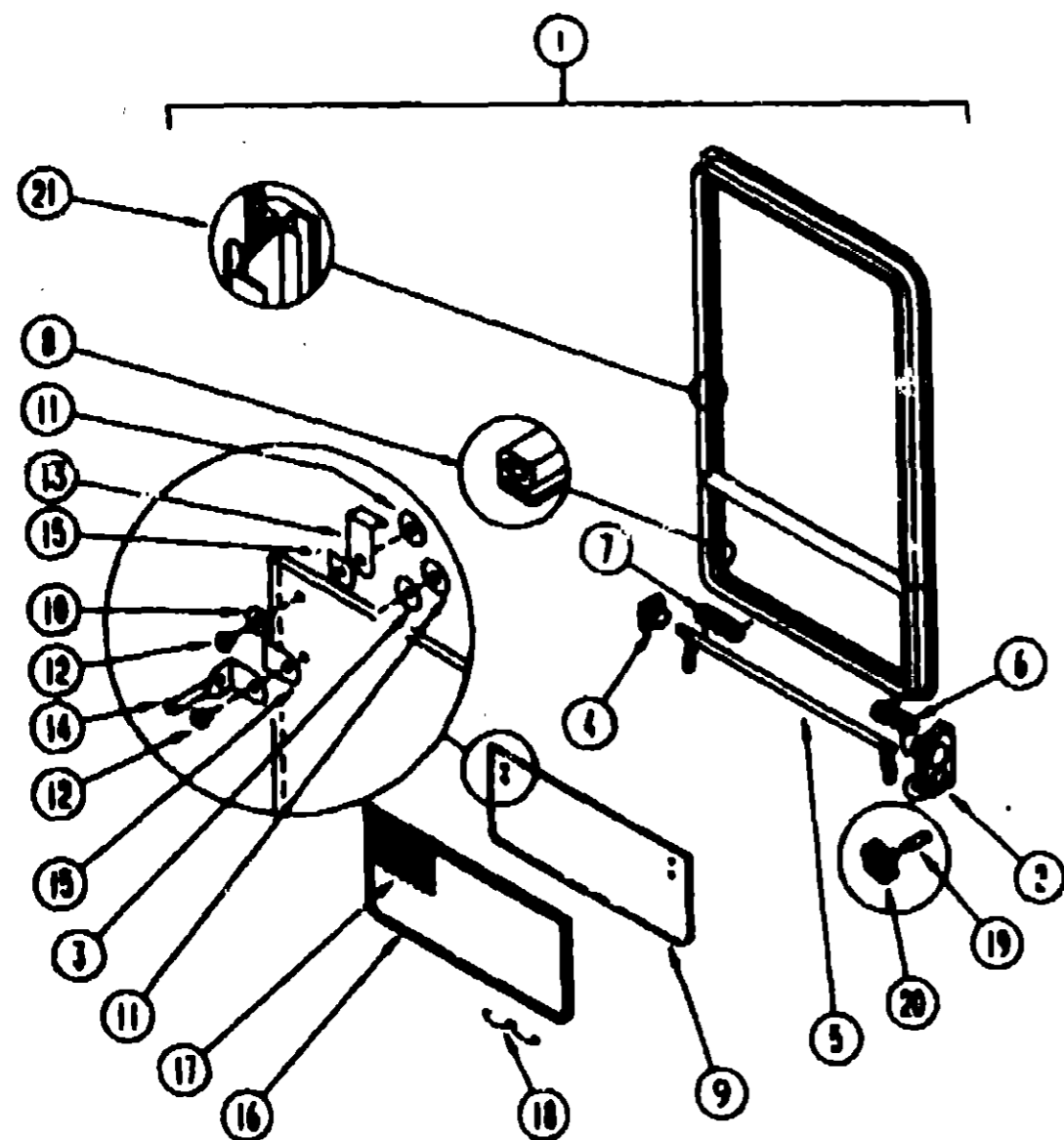
FLOOR PLAN	A-07	A-08
ACCESSORIES		A-09
AUDIO VIDEO	A-10	A-11
BATH	A-12	A-14
BEDROOM		A-15
CHASSIS	A-16	A-20
CURTAIN & CUSHION	A-21	B-08
DINETTE	B-09	B-10
DRIVERS COMPARTMENT	B-11	B-14
ELECTRICAL	B-16	B-18
EXTERIOR BODY	B-19	C-03
GALLEY	C-04	C-07
GENERATOR		C-08
HEATING & AC	C-09	C-10
INTERIOR FINISH	C-11	C-14
LABELS	C-16	C-22
LP		C-23
LOUNGE		C-24
SEALANTS & FASTENERS	D-01	D-04
WATER & SEWAGE	D-06	D-10
WINDOW, VENT AND EXTERIOR DOOR	D-11	E-02

KEY	PART NUMBER	U/M DESCRIPTION
	074816-09-000	EA FRAME-INSIDE, ESCAPE - OFF WHITE
	074816-07-000	EA FRAME-INSIDE, ESCAPE - BLACK (EUROPEAN EXCHANGE)
1	076939-04-005	EA WINDOW-ESCAPE, REAR - 27" X 48"
2	002292-08-000	EA WEATHERSTRIP, 126" X 133.25" - BLACK
	077088-01-702	EA TAPE ARM-ESCAPE, WINDOW
3	002295-01-000	FT FILLER-WEATHER STRIP, RUBBER - BLACK
4	076937-09-000	EA GLASS-WINDOW, ESCAPE - 832.8 X 597.8MM

KEY	PART NUMBER	U/M DESCRIPTION
	098647-10-02A	EA WINDOW-HORIZONTAL SLIDER, WINSIDE FRAME
	098647-09-704	EA FRAME-INSIDE, OFF-WHITE - W024-67 EXCEL-WHITE
1	098647-10-700	EA WINDOW-HORIZONTAL SLIDER, W/O INSIDE FRAME - BLACK
2	098644-01-705	FT GLAZING STRIP, EXCEL M928-12
3	098647-09-700	EA GLASS-STATIONARY - 118-017183 EXCEL
4	098644-01-710	FT TRACK-SCREEN SPACE/12" LENGTH - EXCEL M401-31
5	098644-01-700	EA LATCH REPAIR KIT
6	098644-01-708	FT CHANNEL-PIERCED RUN EXCEL 122-016643
7	098644-01-711	FT WEATHERSTRIP-SCREEN BLACK - EXCEL 171-010085
8	098647-09-705	EA SCREEN W/S PRING&WEATHER STRIP - 410-016484 EXCEL
9	098644-01-713	EA SPRING-SCREEN FRAME (DINETTE) PLASTIC - BLACK - EXCEL 228-016988
	098644-01-716	FT PLUG-FILLER, EXCEL 132-014470
	098644-01-717	FT SPLINE-SCREEN MFG, EXCEL R2-004718
10	098647-09-701	EA GLASS-SLIDING, W/BASH LATCH - H024-09 EXCEL
11	098644-01-708	FT WEATHERSTRIP, EXCEL 171-010088
	111665-02-01A	EA WINDOW-HORIZONTAL SLIDER, WINSIDE FRAME - THERMOPANE (EUROPEAN)
	111665-01-700	EA GLASS-INSULATED, STATIONARY & SLIDING - RSR18032
	111665-01-702	FT TAPE-GLAZING, 1/16 X 3/8 - 803
	111665-01-703	FT GLAZING-RUBBER, (SPLINE) - 11188
	111665-01-704	FT WATERPROOF-RUBBER, 81.5
	111665-01-705	EA DRAWN SLOT COVER (ALL)
	111665-01-706	EA BASH LOCK, 880801
	111665-02-700	EA SCREEN ARM-LH - P/1116650301A

WINDOW, VENT & EXTERIOR DOOR GROUP (CONTINUED)

BEDROOM TIPOUT WINDOW



KEY	PART NUMBER	U/M	DESCRIPTION
1	090993-18-C2A	EA	FRAME-INSIDE, WINDOW RETAINER - OFF WHITE
1	092236-12-Y12	EA	WINDOW-SINGLE TIPOUT, W/O INSIDE FRAME - BLACK
	000H14-08-1-1R	EA	RIVET-MANDREL, BLIND - 3/16"
2	096302-02-000	EA	OPERATOR-TORQUE, TIPOUT WINDOW - LEFT
3	099927-03-000	EA	SEAL-WINDOW, RUBBER - ROUND - .80" DIA. - BLACK
4	091354-01-000	EA	SLEEVE-TORQUE TUBE, TIPOUT WINDOW - 1.3" X 1.2" X .7"
	091849-01-000	EA	RING-SNAP, 7/32 SHAFT DIAMETER
5	093150-12-000	EA	TUBE ASM-TORQUE, WINDOW
6	090918-01-010	EA	SPRING-TORQUE TUBE, LEFT
7	090918-02-010	EA	SPRING-TORQUE TUBE, RIGHT
8	094087-02-000	FT	SEAL-E SHAPE'D, SPONGE - TIPOUT WINDOW - .42" X .38" - BLACK
9	094088-17-000	EA	GLASS-TIPOUT, 9.2" X 28"
10	091463-02-000	EA	WASHER, .08" X .5" X .25" - PLASTIC
11	096782-01-000	EA	T NUT, 10-32
12	096783-01-000	EA	SCREW-MACHINE, 10 - 32 X 1/4 PTH
13	099913-01-000	EA	HINGE-TIPOUT WINDOW, BLACK
14	097575-01-000	EA	LINKAGE-TIPOUT WINDOW
	094453-01-000	EA	WASHER, .08" X .5" X .135" - PLASTIC
16	094473-01-000	EA	SEAL-FLAT, W/CENTER HOLE & ADHESIVE SIDE - .8" X .9" - BLK
	095315-01-000	EA	RIVET-SHOULDER, TIPOUT WINDOW
18	100236-04-B07	EA	SCREEN-SINGLE, TIPOUT WINDOW
17	090218-03-000	SF	SCREENING-FIBERGLASS, 12" WIDE
18	100189-01-000	EA	CLIP-SPRING, SCREEN
	100240-01-000	FT	SPLINE-SCREEN, T-SHAPED
19	009439-06-000	EA	EXTENSION-CRANK HANDLE, WINDOW/ROOF VENT - BLACK
20	009439-06-000	EA	KNOB-OPERATOR, TIPOUT WINDOW - W/SPRING & ARM
	009479-07-000	EA	SCREW, 8-32 X 1 1/4 PH - BLACK
21	099940-11-000	FT	TAPE-SEALER, 3/16" X 3/8" - BLACK
	111555-03-01A	EA	WINDOW-HORIZONTAL SLIDER, RH (EUROPEAN)
	111555-01-702	FT	TAPE-GLAZING, 1/16 X 3/8 - 800
	111555-01-703	FT	GLAZING-RUBBER, (SPLINE) - 8156
	111555-01-704	FT	WATERSHED-RUBBER, 8156
	111555-01-706	EA	DRAWIN SLOT COVER (ALL)
	111555-01-708	EA	SASH LOCK, 630801
	111555-03-700	EA	GLASS-INSULATED, STATIONARY & SLIDING - RSR150J3
	111555-03-701	EA	SCREEN ASM-RH, F/1115550301A

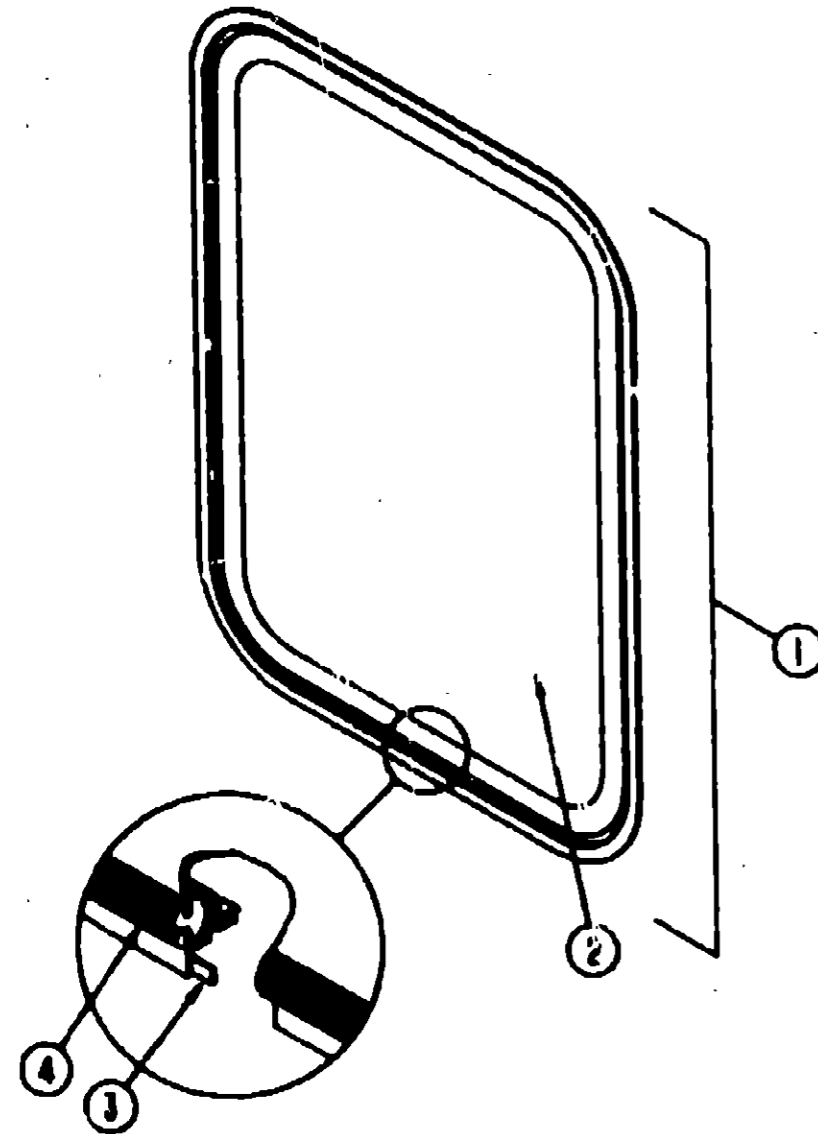
1993 ITASCA TABLE OF CONTENTS

INTRODUCTION	A-01 - A-02
ABBREVIATIONS	A-03
ALPHABETICAL INDEX	A-04 - A-08
IC424RC	A-07 - E-02
IC422RG	E-03 - H-16

1993 IC424RC INDEX

FLOOR PLAN	A-07 - A-08
ACCESSORIES	A-09
AUDIO VIDEO	A-10 - A-11
BATH	A-12 - A-14
BEDROOM	A-15
CHASSIS	A-16 - A-20
CURTAIN & CUSHION	A-21 - B-08
DINETTE	B-09 - B-10
DRIVERS COMPARTMENT	B-11 - B-14
ELECTRICAL	B-15 - B-18
EXTERIOR BODY	B-19 - C-03
GALLEY	C-04 - C-07
GENERATOR	C-08
HEATING & AC	C-09 - C-10
INTERIOR FINISH	C-11 - C-14
LABELS	C-15 - C-22
LP	C-23
LOUNGE	C-24
SEALANTS & FASTENERS	D-01 - D-04
WATER & SEWAGE	D-05 - D-10
WINDOW, VENT AND EXTERIOR DOOR	D-11 - E-02

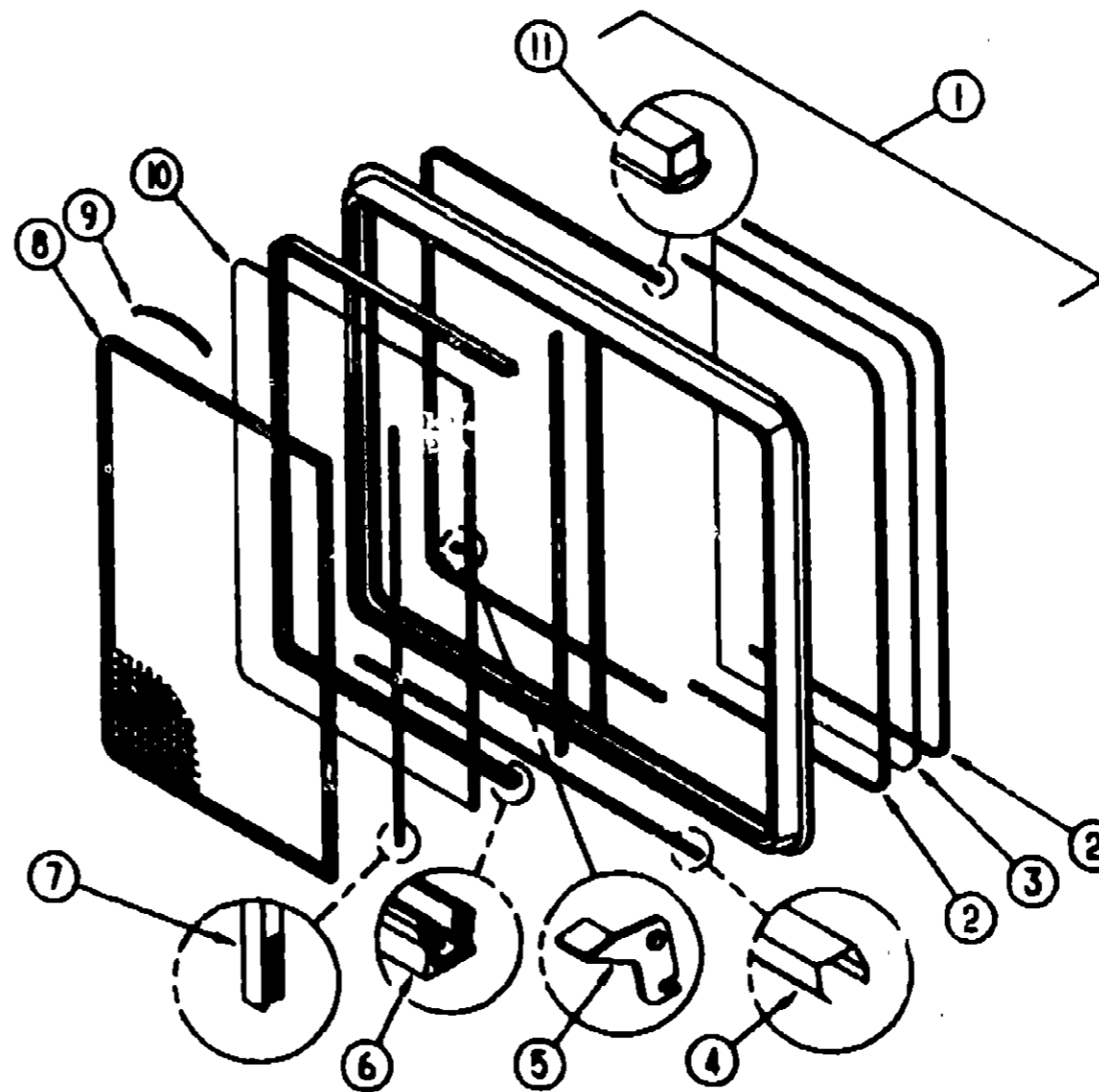
WINDOW, VENT & EXTERIOR DOOR GROUP (CONTINUED)



ENTRY DOOR WINDOW

KEY	PART NUMBER	U/M	DESCRIPTION
	067808-32-000	EA	FRAME-WINDOW, ENTRY DOOR - OFF WHITE
	067808-37-000	EA	FRAME-WINDOW, ENTRY DOOR - BLACK (EUROPEAN EXCHANGE)
1	079723-07-AAB	EA	WINDOW-ENTRY DOOR, 17" X 25" - FROSTED GLASS
2	002181-07-000	EA	GLASS-WINDOW, .182" X 18.25" X 24" - FROSTED
3	080218-02-000	FT	SPLINE-GLASS, EXTERIOR - VINYL - .19" - BLACK
4	067881-01-000	FT	BEAL-GLASS, EXTERIOR - .5" WIDE - VINYL - BLACK

WINDOW, VENT & EXTERIOR DOOR GROUP (CONTINUED)



GALLEY SLIDING WINDOW

KEY	PART NUMBER	U/M	DESCRIPTION
	068647-06-02A	EA	WINDOW-HORIZONTAL SLIDER, WINSIDE FRAME - OFF WHITE
	068647-06-706	EA	FRAME-INSIDE, W024-87 EXCEL - WHITE
1	068647-06-706	EA	WINDOW-HORIZONTAL SLIDER, W/O INSIDE FRAME - LEFT - OFF WHITE
2	068644-01-706	FT	GLAZING STRIP, EXCEL M928-12
3	068647-06-700	EA	GLASS-STATIONARY - 108-018821 EXCEL
4	068644-01-710	FT	TRACK-SCREEN SPACER 12" LENGTH - EXCEL M401-31
5	068644-01-700	EA	LATCH REPAIR KIT
6	068644-01-708	FT	CHANNEL-PIERCED RUN EXCEL 122-018643
7	068644-01-711	FT	WEATHERSTRIP-SCREEN BLACK - EXCEL 171-018888
8	068647-06-703	EA	SCREEN W/SPRING&WEATHERSTRIP - 410-018477 EXCEL
9	068644-01-713	EA	SPRING-SCREEN FRAME (CLIP) PLASTIC - BLACK - EXCEL 228-018888
	068644-01-718	FT	PLUG-FILLER, EXCEL 132-014470
	068644-01-717	FT	SPLINE-SCREEN MFG, EXCEL 32-004718
10	068647-06-702	EA	GLASS-SLIDING, W/BASH&LATCH - 410-018477 EXCEL
11	068644-01-708	FT	WEATHERSTRIP, EXCEL 171-018888
	111888-08-01A	EA	WINDOW-HORIZONTAL SLIDER, WINSIDE FRAME (EUROPEAN)
	111888-01-702	FT	TAPE-GLAZING, 1/16 X 3/8 - 800
	111888-01-708	FT	GLAZING-RUBBER, (SPLINE) - 8188
	111888-01-704	FT	WATERSHED-RUBBER, 8188
	111888-01-706	EA	DRAWN SLOT COVER (ALL)
	111888-01-708	EA	BASH LOCK, 830801
	111888-08-700	EA	GLASS-INSULATED, STATIONARY & SLIDING - R&R18034
	111888-08-701	EA	SCREEN ASM-PH, F/1118880801A

**1993 ITASCA
TABLE OF CONTENTS**

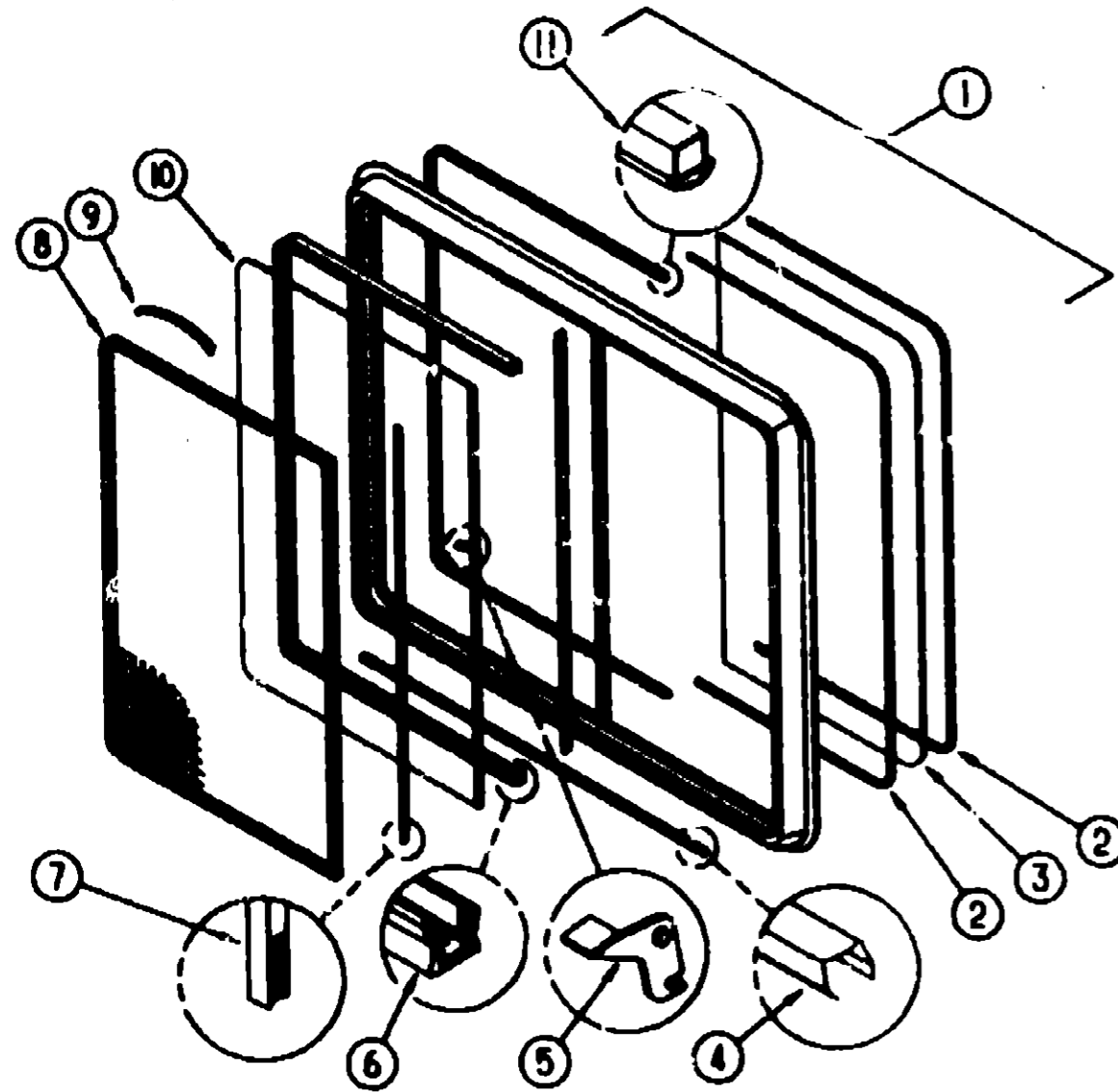
INTRODUCTION	A-01 - A-02
ABBREVIATIONS	A-03
ALPHABETICAL INDEX	A-04 - A-08
IC424RC	A-07 - E-02
IC422RG	E-03 - H-18

1993 IC424RC INDEX

FLOOR PLAN	A-07 - A-08
ACCESSORIES	A-09
AUDIO VIDEO	A-10 - A-11
BATH	A-12 - A-14
BEDROOM	A-15
CHASSIS	A-16 - A-20
CURTAIN & CURTAIN	A-21 - B-08
DINETTE	B-09 - B-10
DRIVERS COMPARTMENT	B-11 - B-14
ELECTRICAL	B-15 - B-18
EXTERIOR BODY	B-19 - C-03
GALLEY	C-04 - C-07
GENERATOR	C-08
HEATING & A/C	C-09 - C-10
INTERIOR FINISH	C-11 - C-14
LABELS	C-15 - C-22
LP	C-23
LOUNGE	C-24
SEALANTS & FASTENERS	D-01 - D-04
WATER & SEWAGE	D-05 - D-10
WINDOW, VENT AND EXTERIOR DOOR	D-11 - E-02

WINDOW, VENT & EXTERIOR DOOR GROUP (CONTINUED)

OVERHEAD BUNK SLIDING WINDOWS



KEY	PART NUMBER	U/M	DESCRIPTION
	000647-18-01A	EA	WINDOW-SLIDING, WINSIDE FRAME - PASSENGER SIDE - EXCEL B061-PFR
	000647-19-01A	EA	WINDOW-SLIDING, WINSIDE FRAME - DRIVER SIDE - EXCEL B061-PRL
	000647-18-700	EA	FRAME-WINDOW, INSIDE - WHITE - EXCEL V061-67
1	000647-18-702	EA	WINDOW-SLIDING, W/O INSIDE FRAME - PASSENGER SIDE - EXCEL B061-G2R
1	000647-19-700	EA	WINDOW-SLIDING, W/O INSIDE FRAME - DRIVER SIDE - EXCEL B061-G2R
2	000644-01-706	FT	GLAZING STRIP, EXCEL M026-12
3	000647-18-701	EA	GLASS-STATIONARY, EXCEL 100011829
4	000644-01-710	FT	TRACK-SCREEN SPACER 12" LENGTH - EXCEL M401-31
5	000644-01-700	EA	LATCH REPAIR KIT
6	000644-01-708	FT	CHANNEL-PIERCED RUN EXCEL 122-016543
7	000644-01-711	FT	WEATHERSTRIP-SCREEN BLACK - EXCEL 171-010005
8	000646-03-706	EA	SCREEN W/SPRING&WEATHERSTRIP - 410015475 EXCEL
9	000644-01-713	EA	SPRING-SCREEN FRAME (CLIP) PLASTIC - BLACK - EXCEL 226-010000
	000644-01-716	FT	PLUG-FILLER, EXCEL 132-014470
	000644-01-717	FT	SPLINE-SCREEN MFG, EXCEL 32-004718
10	000646-01-702	EA	GLASS-SLIDING, W/ASH & LOCK - EXCEL B046-G0
11	000644-01-708	FT	WEATHERSTRIP, EXCEL 171-010008

1993 ITASCA TABLE OF CONTENTS

INTRODUCTION	A-01	A-02
ABBREVIATIONS		A-03
ALPHABETICAL INDEX	A-04	A-06
IC424RC	A-07	E-02
IC422RG	E-03	H-16

1993 IC424RC INDEX

FLOOR PLAN	A-07	A-08
ACCESSORIES		A-09
AUDIO VIDEO	A-10	A-11
BATH	A-12	A-14
BEDROOM		A-16
CHASSIS	A-18	A-20
CURTAIN & CUSHION	A-21	B-08
DINETTE	B-09	B-10
DRIVERS COMPARTMENT	B-11	B-14
ELECTRICAL	B-15	B-18
EXTERIOR BODY	B-19	C-03
GALLEY	C-04	C-07
GENERATOR		C-09
HEATING & A/C	C-09	C-10
INTERIOR FINISH	C-11	C-14
LABELS	C-15	C-22
LP		C-23
LOUNGE		C-24
SEALANTS & FASTENERS	D-01	D-04
WATER & SEWAGE	D-05	D-10
WINDOW, VENT AND EXTERIOR DOOR	D-11	E-02

WINDOW, VENT & EXTERIOR DOOR GROUP (CONTINUED)

POWERED ROOF VENT

KEY	PART NUMBER	U/M	DESCRIPTION
	009439-01-000	EA	CRANK HANDLE-ROOF VENT
	009439-04-000	EA	SCREW 8-32 X 1 1/4" PH
	009439-06-000	EA	KNOB-ROOF VENT MILL
	009439-08-000	EA	EXTENSION-CRANK HANDLE ROOF VENT - 8" - MILL
	009894-01-Y12	EA	VENT-ROOF POWERED
FROM: 00-00-00 THRU: 10-04-92			
	066218-01-000	EA	COVER-ROOF VENT, PLASTIC
	002828-01-000	EA	WEATHER STRIP-ROOF VENT GRAY
	009188-01-000	EA	SWITCH-ROOF VENT PUSH BUTTON 12V
	009948-01-000	EA	TIE-WIRE 8"
	009988-01-000	EA	GROMMET-SNAP 3/8"
	009440-01-000	EA	GEAR/ARM-VENT COVER LIFT
	018911-01-000	EA	TRACK-LIFT ARM SLIDE - ROOF VENT
	048948-01-000	EA	MOTOR-ROOF VENT 1/8 SHAFT - 12V - JENSEN
	048948-01-000	EA	FAN-ROOF VENT 8 BLADES - 8" - JENSEN
	089839-01-001	EA	HINGE-VENT COVER 18"
	089839-01-800	EA	HINGE-EXTRUSION ROOF VENT 7"
	081003-01-000	EA	GROMMET-SNAP 3/16" ID - 3/8" HOLE - PLASTIC - BLACK
	078788-01-Y12	EA	SCREEN-ROOF VENT POWERED
	002291-02-000	SF	SCREENING-ROOF VENT/WINDOW 18" - BLACK
	002298-02-000	FT	SPLINE-VENT/WINDOW SCREEN 128 DIAMETER - BLACK
	084489-08-000	EA	VENT-ROOF, POWERED - 14" X 14" - 12V - JENSEN C-727 (CANADIAN)
FROM: 00-00-00 THRU: 10-04-92			
	048948-01-000	EA	MOTOR-ROOF VENT, 1/8 SHAFT - 12V - JENSEN
	048948-01-000	EA	FAN-ROOF VENT, 8 BLADES - 8" - JENSEN
	084489-03-702	EA	LID-VENT, WHITE - JENSEN 290-WH
	084489-03-708	EA	MECHANISM-LIFT, ROOF VENT - JENSEN RP-1022
	110061-01-701	EA	GARNISH W/SCREEN & FRAME-2", JENSEN 29-800-01 FITS 1" AND 2" THICK ROOFS
	110061-08-01A	EA	VENT-ROOF, POWERED - 2" ROOF - JENSEN 7767
FROM: 10-05-92 THRU: 99-99-99			
	110061-08-01A	EA	VENT-ROOF, POWERED - 2" ROOF - JENSEN C7767 (CANADIAN)
FROM: 10-05-92 THRU: 99-99-99			
	048948-01-000	EA	MOTOR-12V NONVENTED 1/8 SFT
	048948-01-000	EA	FAN-PLASTIC, 8" - 8 BLADED
	084470-01-700	EA	COVER ROOF VENT, JENSEN 7291
	110061-01-701	EA	GARNISH W/SCREEN & FRAME 2", JENSEN 29-800-01
	110061-01-702	EA	HAND CRANK & OPERATOR ASM., JENSEN RP-1000B
	110061-01-703	EA	HANDLE CRANK, JENSEN RP1031-B

WINDOW, VENT & EXTERIOR DOOR GROUP (CONTINUED)

NONPOWERED ROOF VENT

KEY	PART NUMBER	U/M	DESCRIPTION
	009439-01-000	EA	CRANK HANDLE-ROOF VENT
	009439-04-000	EA	SCREW 8-32 X 1 1/4" PH
	009439-06-000	EA	KNOB-ROOF VENT MILL
	009439-08-000	EA	EXTENSION-CRANK HANDLE ROOF VENT - 8" - MILL
	019439-04-000	EA	SCREW 8-32 X 1 1/4" PH
	010986-01-Y12	EA	VENT-ROOF NONPOWERED
FROM: 00-00-00 THRU: 10-04-92			
	066218-01-000	EA	COVER-ROOF VENT, PLASTIC
	002828-01-000	EA	WEATHER STRIP-ROOF VENT GRAY
	009440-01-000	EA	GEAR/ARM-VENT COVER LIFT
	018911-01-000	EA	TRACK-LIFT ARM SLIDE - ROOF VENT
	069839-01-001	EA	HINGE-VENT COVER 18"
	069839-01-800	EA	HINGE-EXTRUSION ROOF VENT 7"
	078788-01-Y12	EA	SCREEN-ROOF VENT NON POWERED - WHITE
	002291-02-000	SF	SCREENING-ROOF VENT/WINDOW 18" - BLACK
	002298-02-000	FT	SPLINE-VENT/WINDOW SCREEN 128 DIAMETER - BLACK
	110061-01-01A	EA	VENT-ROOF, NONPOWERED - 2" ROOF - JENSEN 7724
FROM: 10-05-92 THRU: 99-99-99			
	064470-01-700	EA	COVER ROOF VENT, JENSEN 7291
	110061-01-701	EA	GARNISH W/SCREEN & FRAME 2", JENSEN 29-800-01
	110061-01-702	EA	HAND CRANK & OPERATOR ASM., JENSEN RP-1000B
	110061-01-703	EA	HANDLE CRANK, JENSEN RP-1031-B

VENTS, SHROUDS AND ROOF COVERS

KEY	PART NUMBER	U/M	DESCRIPTION
	084073-04-000	EA	BASE-VENT, REFRIGERATOR - ROOF - NORCOLD - OFF WHITE
	084073-03-000	EA	CAP-VENT, REFRIGERATOR - ROOF - NORCOLD - BLACK
	084878-08-000	EA	VENT-RANGE HOOD, EXTERIOR - SHORT - LVS
	084816-01-000	EA	SHROUD-RANGE HOOD VENT, OFF WHITE
	083668-03-000	EA	VENT-PLUMBING PIPE ROOF W/COVER - OFF WHITE
	080608-01-000	EA	PANEL-SKYLITE, INNER - PLEXIGLASS - 23.25" X 20.3"
	090507-01-000	EA	PANEL-SKYLIGHT, OUTER - PLEXIGLASS - 23.25" X 20.3"

**1989 ITASCA
TABLE OF CONTENTS**

INTRODUCTION	A-01 - A-02
ABBREVIATIONS	A-03
ALPHABETICAL INDEX	A-04 - A-08
IC424RC	A-07 - E-02
IC422RG	E-03 - H-18

1989 IC424RC INDEX

FLOOR PLAN	A-07 - A-08
ACCESSORIES	A-09
AUDIO VIDEO	A-10 - A-11
BATH	A-12 - A-14
BEDROOM	A-15
CHASSIS	A-16 - A-20
CURTAIN & CUSHION	A-21 - B-08
DINETTE	B-09 - B-10
DRIVERS COMPARTMENT	B-11 - B-14
ELECTRICAL	B-15 - B-18
EXTERIOR BODY	B-19 - C-09
GALLEY	C-04 - C-07
GENERATOR	C-08
HEATING & A/C	C-09 - C-10
INTERIOR FINISH	C-11 - C-14
LABELS	C-15 - C-22
LP	C-23
LOUNGE	C-24
SEALANTS & FASTENERS	D-01 - D-04
WATER & SEWAGE	D-05 - D-10
WINDOW, VENT AND EXTERIOR DOOR	D-11 - E-02