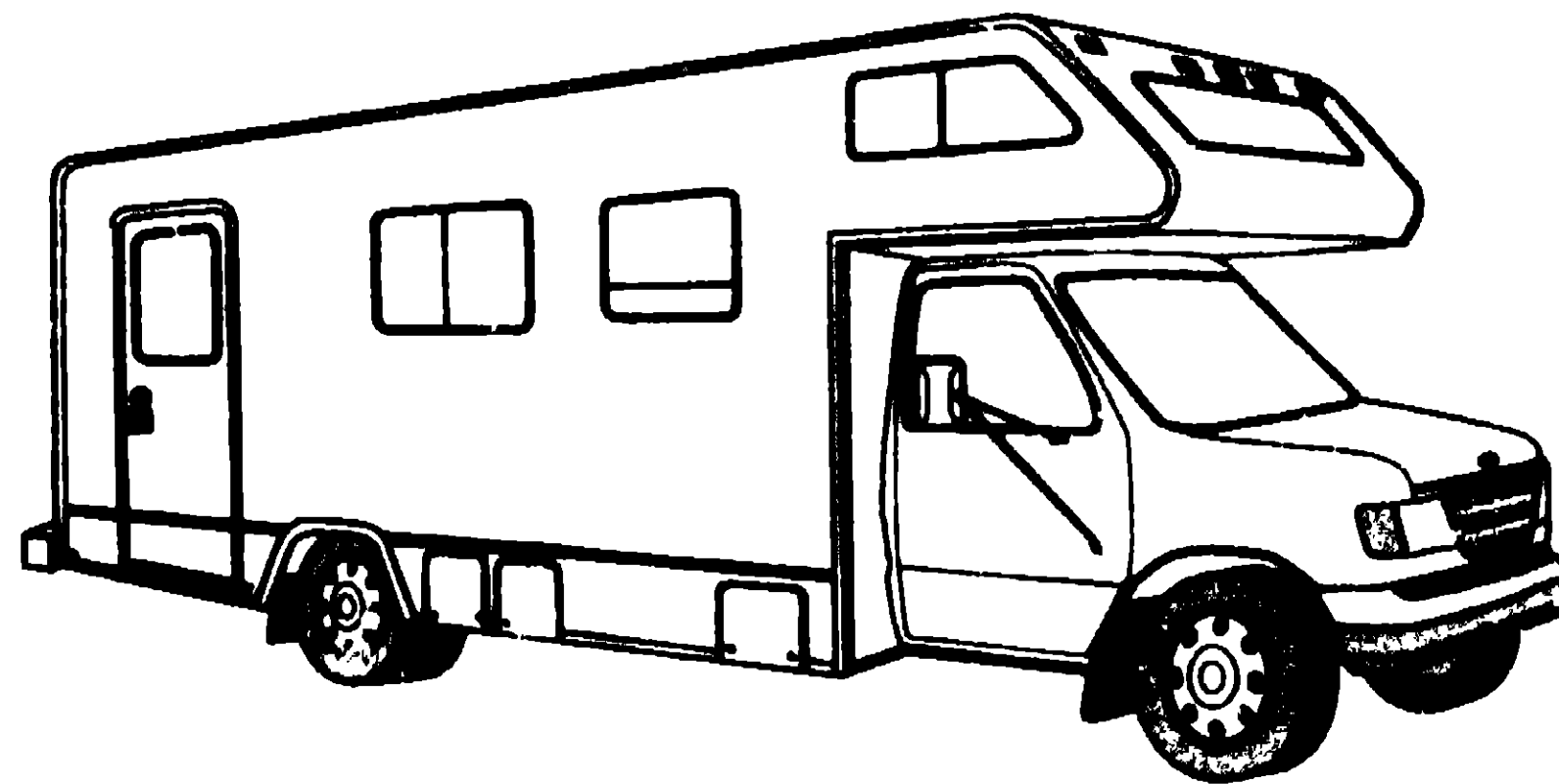


**1993 ITASCA
TABLE OF CONTENTS**

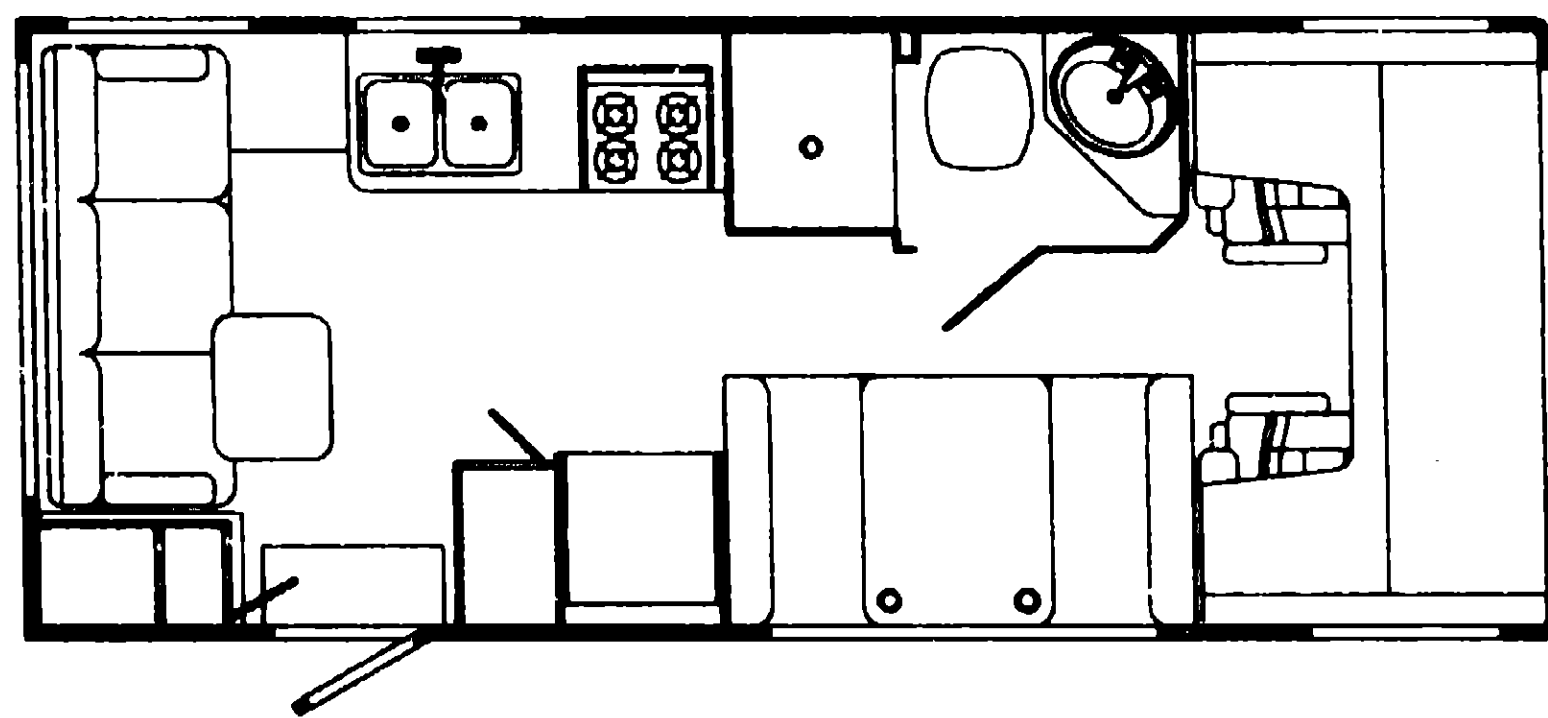
INTRODUCTION	A-01	A-02
ABBREVIATIONS		A-03
ALPHABETICAL INDEX	A-04	A-05
IC424RC	A-07	E-02
IC422RG	E-03	H-16



**1993
IC422RG
D27
D28**

1993 IC422RG INDEX

FLOOR PLAN	E-03	E-04
ACCESSORIES		E-05
AUDIO VIDEO		E-06
BATH	E-07	E-08
CHASSIS	E-09	E-13
CURTAIN & CUSHION	E-14	E-24
DINETTE	F-01	F-02
DRIVERS COMPARTMENT	F-03	F-08
ELECTRICAL	F-07	F-10
EXTERIOR BODY	F-11	F-19
GALLEY	F-20	F-23
GENERATOR		F-24
HEATING & AC	G-01	G-02
INTERIOR FINISH	G-03	G-05
LABELS	G-06	G-13
LP		G-14
LOUNGE		G-15
SEALANTS & FASTENERS	G-16	G-19
WATER & SEWAGE	G-20	G-24
WINDOW, VENT AND EXTERIOR DOOR	H-01	H-16



ACCESSORIES GROUP

OPERATORS MANUAL

KEY	PART NUMBER	UOM	DESCRIPTION
	084188-00-00	EA	MANUAL-OPERATOR, 1988 BLINDANCEP
	088918-01-000	EA	BINDER-3 RING, MOTOR HOME MANUAL
	088918-01-000	EA	PAGE-POCKET, 3 RING BINDER - PLASTIC
	108878-01-000	DW	TOP LEVEL DRAWING - 1988 C-BODY

AUDIO VIDEO GROUP

RADIO SYSTEMS & ANTENNA

KEY	PART NUMBER	UOM	DESCRIPTION
	080888-01-000	EA	RADIO-AMFM CASSETTE, ELECTRIC TUNE - CHEVY - AUDIOVOX HCC-1038
	081211-01-000	EA	MOUNT KIT-RADIO, CHEVY
	108480-01-000	EA	RADIO-AMFM CASSETTE, ELECTRIC TUNE - FORD - AUDIOVOX FD-CXF
	108137-01-000	EA	PLUG-ANTENNA HOLE (FORD)
	007004-01-000	EA	ANTENNA-RADIO, AUTO - CHEVY ONLY
	088340-02-000	EA	GRILLE-SPEAKER, 8.8" SQUARE (OVHD CABINETS)
	088340-03-000	EA	SPACER-SPEAKER GRILLE, TAN - MAGNADYNE G814 (OVHD CABINETS)
	084087-01-000	EA	SPEAKER-RADIO, W/O GRILLE - 6.25" DIA - AUDIOVOX 110C3030 (OVHD CABINETS)
	087889-01-000	EA	RADIO-AMFM STEREO W/CASSETTE AUDIOVOX 144D1568 (PATIO ENTERTAINMENT)
	080944-01-000	EA	ANTENNA-RADIO, 18" RUBBER (PATIO ENTERTAINMENT)
	077088-02-000	EA	CABLE-ANTENNA, RADIO - EXTENSION 88" - ARA 8700887
	080882-01-000	EA	BRACKET-HAT, ANTENNA - 3.1" X 3.8" - STEEL - BLACK (PATIO ENTERTAINMENT)
	104888-01-004	EA	PLATE-RADIO MOUNTING (PATIO ENTERTAINMENT)
	073741-03-000	EA	SPEAKER-OVAL, 4" X 8" - AUDIOVOX 110-2074 (PATIO ENTERTAINMENT) FROM: 00-00-00 THRU: 12-20-82
	110488-01-000	EA	SPEAKER-OVAL, 4" X 8" - MAGNADYNE F48XB-12 (PATIO ENTERTAINMENT) FROM: 12-21-82 THRU: 99-99-99
	073741-04-000	EA	GRILLE-SPEAKER, OVAL - 4" X 8" - AUDIOVOX 138-1157 (PATIO ENTERTAINMENT) FROM: 00-00-00 THRU: 12-20-82
	110470-01-01A	EA	GRILLE-SPEAKER, OVAL - 4" X 8" - BLACK - MAGNADYNE G48VM (PATIO ENTERTAINMENT) FROM: 12-21-82 THRU: 99-99-99

TV ANTENNA

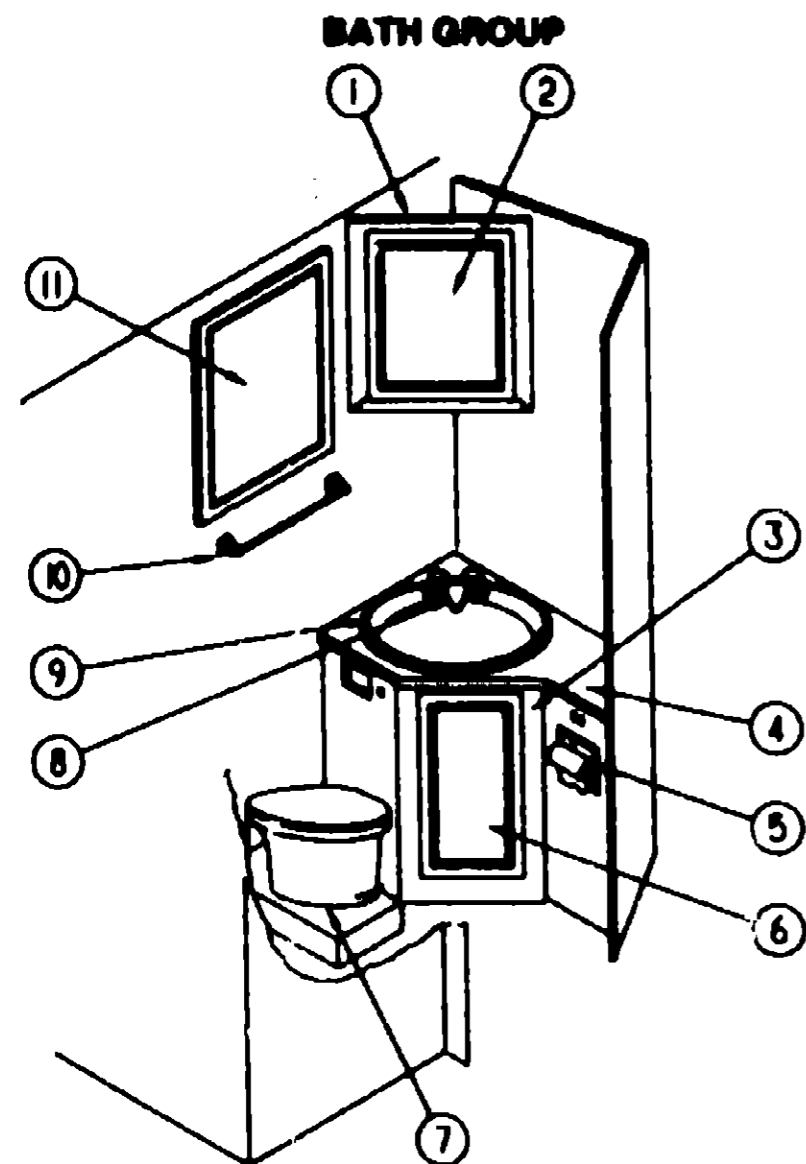
KEY	PART NUMBER	UOM	DESCRIPTION
	078319-01-000	EA	ANTENNA-TV, ROOF MOUNT - 44.5' MAST - RVA W02
	078319-01-700	EA	HEAD-ANTENNA, AMPLIFIED - WINEGARD RV8A UV
	078319-01-701	EA	GEAR-ELEVATING, PLASTIC - WINEGARD 2200048
	078319-01-702	EA	SHAFT ASM-ELEVATING, WINEGARD RVP-400A
	078319-01-703	EA	BEARING-NYLON, 5"OD - WINEGARD 3200658
	078319-01-705	EA	GROMMET-NYLON, 7/8"ID - WINEGARD 3200658
	078319-01-708	EA	CRANK-ELEVATING, W/SET SCREW - WINEGARD 5755100
	078319-01-707	EA	SPRING-HANDLE, WINEGARD 5180800
	078319-01-709	EA	PLATE-DIRECTIONAL, FOR HEAD - WINEGARD 3200844
	078319-08-000	EA	ADAPTOR-CABLE ROOF PLATE, WINEGARD RPJ-1
	078319-03-000	FT	CABLE-COAXIAL, 75 OHM
	078319-12-000	EA	CONNECTOR-COAXIAL, ONE PIECE
	078319-09-000	EA	WALLPLATE-CABLE RECEPTACLE, TV - SINGLE - BROWN
	086787-03-000	EA	CONTROL CENTER, SWITCH - VCR/TV - MAGNADYNE VCS - 8
	088788-01-000	EA	SPLITTER-TV, 2 WAY
	083252-01-01A	EA	PLATE-WALL, CABLE - BEIGE

1988 ITASCA TABLE OF CONTENTS

INTRODUCTION	A-01 - A-02
ABBREVIATIONS	A-03
ALPHABETICAL INDEX	A-04 - A-06
IC-3MPC	A-07 - E-02
IC422RG	E-03 - H-18

1988 IC422RG INDEX

FLOOR PLAN	E-03 - E-04
ACCESSORIES	E-05
AUDIO VIDEO	E-08
BATH	E-07 - E-08
CHASSIS	E-09 - E-13
CURTAIN & CUSHION	E-14 - E-24
DINETTE	F-01 - F-02
DRIVERS COMPARTMENT	F-03 - F-06
ELECTRICAL	F-07 - F-10
EXTERIOR BODY	F-11 - F-18
GALLEY	F-20 - F-23
GENERATOR	F-24
HEATING & A/C	G-01 - G-02
INTERIOR FINISH	G-03 - G-05
LABELS	G-06 - G-13
LP	G-14
LOUNGE	G-15
SEALANTS & FASTENERS	G-16 - G-19
WATER & SEWAGE	G-20 - G-24
WINDOW, VENT AND EXTERIOR DOOR	H-01 - H-18



BATH CABINETS & FIXTURES

KEY	PART NUMBER	U/M DESCRIPTION
1	M08940-01-003	EA CABINET-MEDICINE, W/O DOOR & HARDWARE
2	P05223-03-004	EA DOOR-CABINET, W/O HARDWARE - 395 X 750MM
3	P08067-01-006	EA CABINET-LAVATORY, W/O DOOR & HARDWARE (D27)
3	P08067-01-004	EA CABINET-LAVATORY, W/O DOOR & HARDWARE (D28)
4	108067-12-006	EA COUNTERTOP-CABINET, LAVATORY (C27)
4	108067-12-004	EA COUNTERTOP-CABINET, LAVATORY (D28)
5	075462-02-000	EA HOLDER-TOILET TISSUE, BRASS
6	P05223-16-003	EA DOOR-CABINET, W/O HARDWARE - 360 X 850MM
7	083740-01-000	EA TOILET-HIGH, AND FLUSH - THETFORD 180120
	083740-01-700	EA LEVER-WATER, THETFORD 12514
	083740-01-701	EA LEVER-FLUSH, THETFORD 12515
	083740-01-708	EA BOLT PACKAGE-CLOSET, THETFORD 12524
	083740-01-710	EA LINK, THETFORD 12513
	083740-01-711	EA SPRING-RETURN LEVER, THETFORD 12523
	083740-01-713	EA SEAL-BALL VALVE TO BOWL, THETFORD 12502
	083740-01-714	EA VALVE ASM-WATER, THETFORD 12482
	083740-01-718	EA SEAT & COVER, THETFORD 18017
	083740-01-717	EA TUBE-FLUSH, TOILET - 12509 THETFORD
	083740-02-700	EA RING & COVER SEAT, PARCHMENT - 20829 THETFORD
	084678-01-000	EA FLANGE-CLOSET, TOILET - 4" X 3" - RED
8	075840-08-000	EA FAUCET-LAVATORY, BONE
	081288-01-000	EA GASKET-FAUCET, LAVATORY/GALLEY
5	088827-01-01A	EA SINK-LAVATORY, RECTANGULAR - PLASTIC - BONE
	088827-01-700	EA SINK-STOPPER
	088827-01-701	EA TAILPIECE-SINK
10	075468-02-000	EA BAR-TOWEL, 18" BRASS
	081288-02-000	FT SEAL-ADHESIVE BACKED FOAM, 18" X 1.5" WIDE
11	888881-01-000	EA MIRROR-GLASS, SAFETY - 18" X 28"
	075464-02-000	EA RING-TOWEL, W/MOUNTING HARDWARE - BRASS

BATH GROUP (CONTINUED)

SKYLIGHT & SHOWER COMPONENTS

KEY	PART NUMBER	U/M DESCRIPTION
	080807-01-000	EA PANEL-SKYLIGHT, OUTER - PLEXIGLASS - 23.28" X 20.3"
	080808-01-000	EA PANEL-SKYLIGHT, INNER - PLEXIGLASS - 23.2" X 20.3"
	103082-01-000	EA HEAD-SHOWER, W/O HOSE
	075241-05-000	EA FAUCET-SHOWER, BONE
	075808-01-000	EA PANEL-FAUCET BACK, SHOWER - 5" X 9" - PLASTIC
	M02873-08-B13	EA PAN-SHOWER, 29.8" X 22.7" X 5.7" - OFF WHITE - PLASTIC
	088438-01-000	EA NUT-SLIP, TAILPIECE - 1.8"
	088440-01-000	EA STRAINER-SHOWER, W/RUBBER WASHER
	088738-01-000	EA WASHER-STRAINER TO TAILPIECE PLASTIC, 1.5"
	067871-01-000	EA COVER-SCREW, #8 - PLASTIC - OFF WHITE
	106707-01-01A	EA CADDY-SHOWER
	106722-01-01A	EA COVER-PIPE, 2110MM X 128MM - VACUUM FORMED PLASTIC - OW

BATH PRIVACY DOOR

KEY	PART NUMBER	U/M DESCRIPTION	
	105384-01-01A	EA JAMB-DOOR, EXTRUDED PLASTIC - 7' LONG - OAK	
	M87888-01-004	EA DOOR-PRIVACY, BATH - W/O HARDWARE	
	094485-01-01A	EA KNOB-DOOR, POLISHED BRASS	FROM: 00-00-00 THRU: 08-23-82
	094485-02-01A	EA KNOB-DOOR, POLISHED BRASS	FROM: 08-24-82 THRU: 09-09-89
	103257-01-000	EA STOP-DOOR	

EXTERIOR SHOWER COMPONENTS

KEY	PART NUMBER	U/M DESCRIPTION
	075241-05-000	EA FAUCET-SHOWER, BONE (EXTERIOR SHOWER)
	083627-02-000	EA BRACKET-SQUEEGEE/SHOWER HEAD (EXTERIOR SHOWER)
	103082-01-000	EA SHOWER HEAD-W/O IN HOSE (EXTERIOR SHOWER)
	103082-01-700	EA BRACKET-SHOWER HEAD

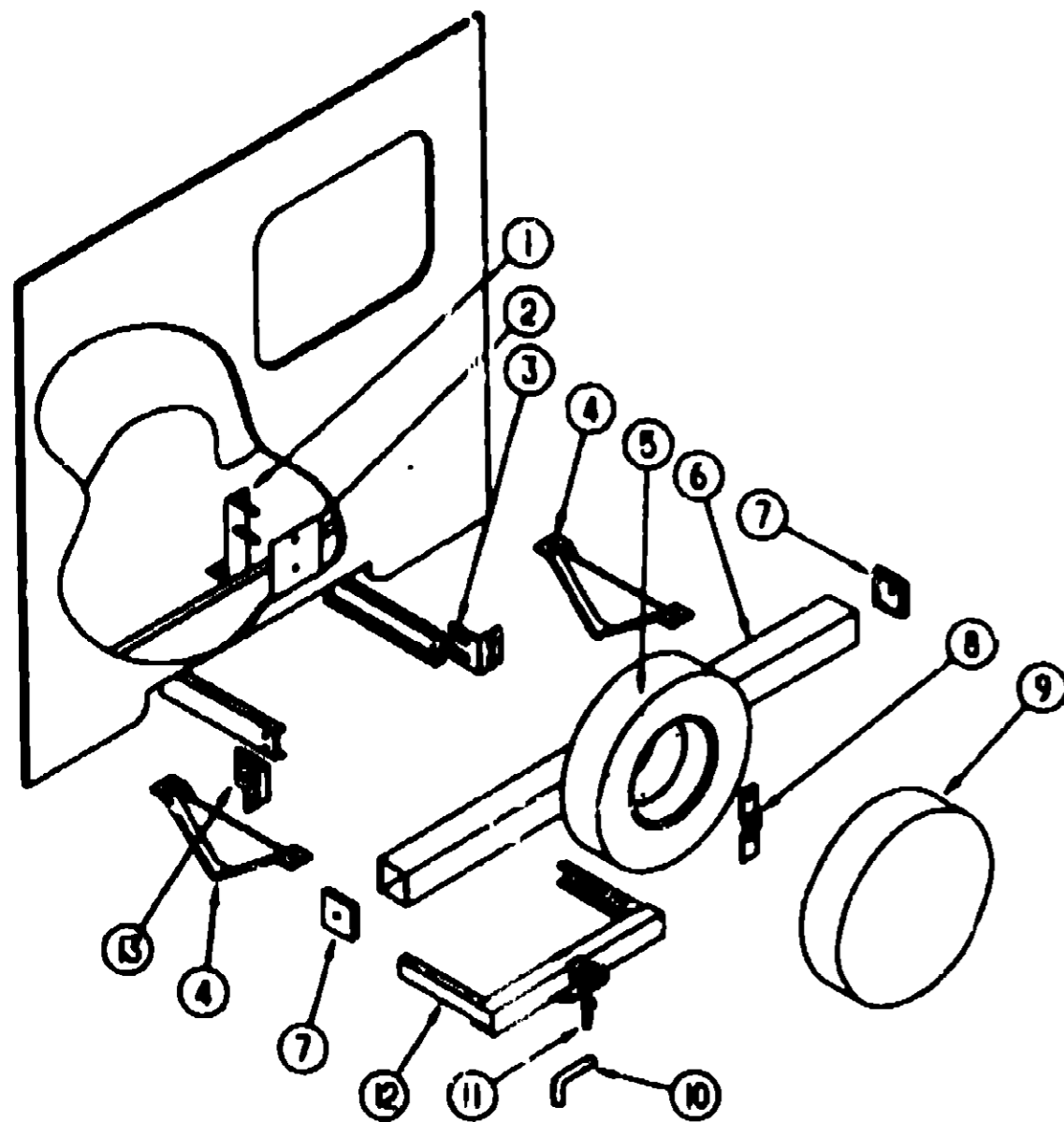
1983 ITASCA
TABLE OF CONTENTS

INTRODUCTION	A-01 - A-02
ABBREVIATIONS	A-03
ALPHABETICAL INDEX	A-04 - A-08
IC424RC	A-07 - E-02
IC422RG	E-03 - H-16

1983 IC422RG INDEX

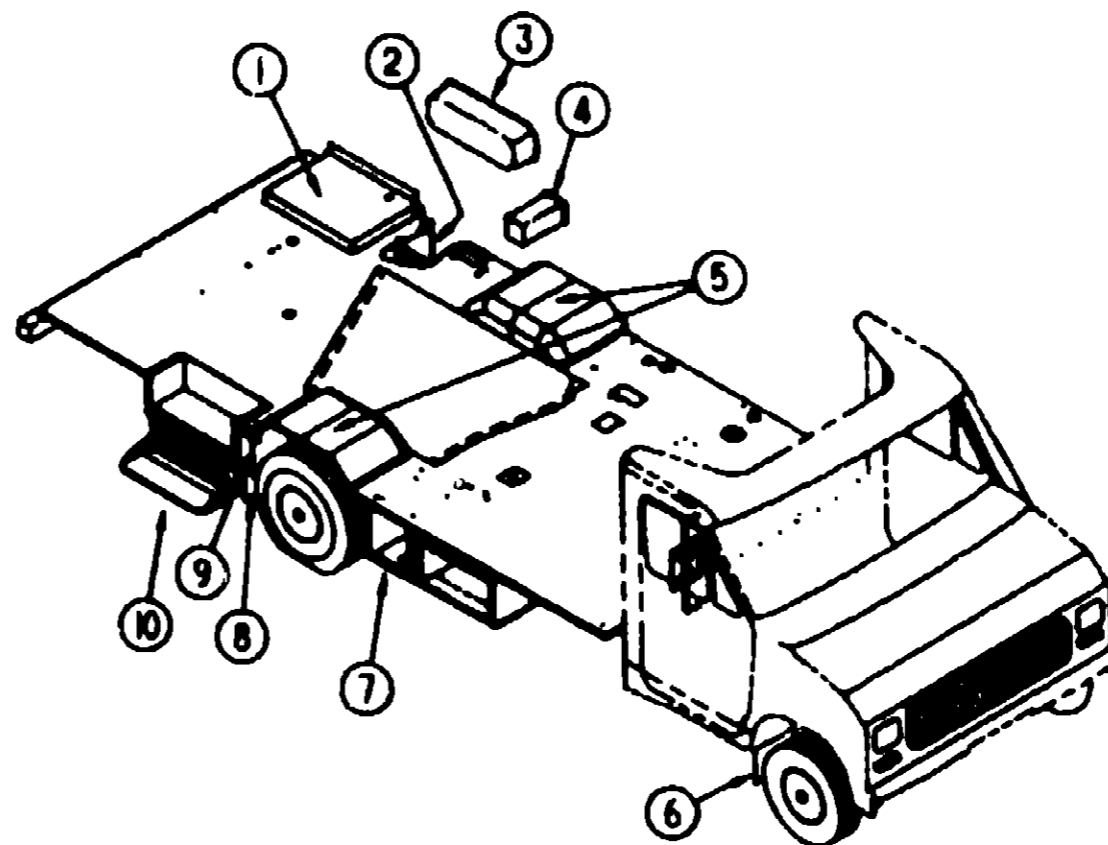
FLOOR PLAN	E-03 - E-04
ACCESSORIES	E-05
AUDIO VIDEO	E-06
BATH	E-07 - E-08
CHASSIS	E-09 - E-13
CURTAIN & CUSHION	E-14 - E-24
DINETTE	F-01 - F-02
DRIVERS COMPARTMENT	F-03 - F-06
ELECTRICAL	F-07 - F-10
EXTERIOR BODY	F-11 - F-19
GALLEY	F-20 - F-23
GENERATOR	F-24
HEATING & AC	G-01 - G-02
INTERIOR FINISH	G-03 - G-05
LABELS	G-06 - G-13
LP	G-14
LOUNGE	G-15
SEALANTS & FASTENERS	G-16 - G-19
WATER & SEWAGE	G-20 - G-24
WINDOW, VENT AND EXTERIOR DOOR	H-01 - H-16

CHASSIS GROUP



REAR BUMPER, HITCH & SPARE TIRE CARRIER

KEY	PART NUMBER	U/M	DESCRIPTION
8	106631-02-000	EA	RETAINER ASM-SPARE TIRE
9	104408-08-087	EA	COVER-TIRE, 32" BLINDANGER - SILKSCREENED - OFF WHITE
10	034812-01-000	EA	PIN-LOCKING, DRAWBAR
11	034813-01-000	EA	PIN-HITCH, 3/16" WIRE
12	077817-02-000	EA	HITCH-TRAILER, W/O DRAWBAR - 41.1" WIDE - STEEL - BLACK
13	104480-08-000	EA	SUPPORT-ANGLE, BUMPER REAR-LEFT
	087744-01-000	EA	HOUSING-TRAILER PIN, 12"
	087744-02-000	EA	HOUSING-TRAILER PIN-48"
	087745-01-000	EA	HOUSING CAP-TRAILER PIN
	087745-01-000	EA	HOUSING-TRAILER RECEPTACLE-12"
	087745-02-000	EA	HOUSING-RECEPTACLE, TRAILER - 48" WIRE LENGTH



COMPARTMENTS

KEY	PART NUMBER	U/M	DESCRIPTION
1	106471-07-000	EA	COMPARTMENT-GENERATOR
2	101869-05-000	EA	COMPARTMENT-POWER CORD
3	106308-01-01A	EA	COMPARTMENT-SHOWER, EXTERIOR - OFF WHITE
4	086887-01-000	EA	COMPARTMENT-SEWER HOSE, 6" X 6.6" X 17.8" - PLASTIC
5	086322-01-000	EA	WHEELWELL-PLASTIC
6	084088-01-700	EA	FLAP-MUD, FRONT - SET OF 2 RUBBER - BLACK
7	106303-02-000	EA	COMPARTMENT-BATTERY
	084883-01-000	EA	STRAP-BATTERY, 1100MM LONG
	084883-02-000	EA	STRAP-BATTERY, 1400MM LONG87
8	017516-01-000	EA	FLAP-MUD, 14" X 18" - BLACK - REAR
9	046731-04-000	EA	GUARD-ROCK, REAR
10	077848-02-000	EA	STEP-PULLOUT
	078841-08-000	EA	SUPPORT-STEP, ENTRY DOOR
	081178-01-000	EA	SUPPORT-BASE, ENTRANCE STEP
	088027-01-000	FT	SEAL - D SHAPED, HOLLOW - SPONGE RUBBER - BLACK
	081420-01-000	EA	PLUG-PLASTIC, 1.75" - BROWN
	077831-01-000	EA	CAP-PLASTIC, .88" ID - BLACK

1983 ITASCA TABLE OF CONTENTS

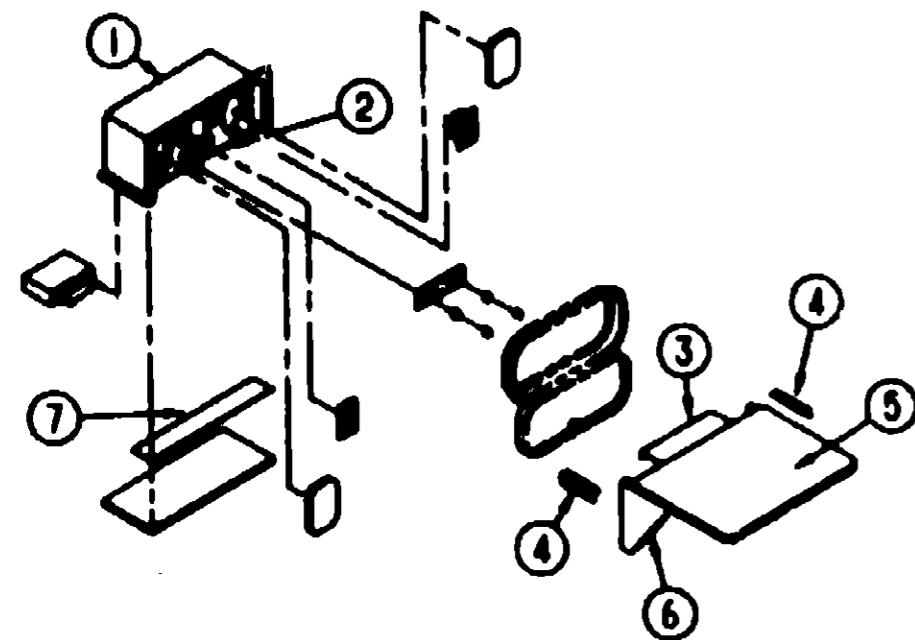
INTRODUCTION	A-01	A-02
ABBREVIATIONS		A-03
ALPHABETICAL INDEX	A-04	A-08
IC424RC	A-07	E-02
IC422RJA	E-03	H-16

1983 IC422RG INDEX

FLOOR PLAN	E-08	E-04
ACCESSORIES		E-06
AUDIO VIDEO		E-08
BATH	E-07	E-08
CHASSIS	E-09	E-13
CURTAIN & CUSHION	E-14	E-24
DINETTE	F-01	F-02
DRIVERS COMPARTMENT	F-03	F-08
ELECTRICAL	F-07	F-10
EXTERIOR BODY	F-11	F-18
GALLEY	F-20	F-23
GENERATOR		F-24
HEATING & A/C	G-01	G-02
INTERIOR FINISH	G-08	G-08
LABELS	G-08	G-13
LP		G-14
LOUNGE		G-15
SEALANTS & FASTENERS	G-16	G-19
WATER & SEWAGE	G-20	G-24
WINDOW, VENT AND EXTERIOR DOOR	H-01	H-16

KEY	PART NUMBER	U/M	DESCRIPTION
1	106308-05-C62	EA	BRACKET ASM-SPARE TIRE
2	106308-01-000	EA	PLATE-SPARE TIRE
3	104480-01-000	EA	SUPPORT-ANGLE, BUMPER REAR-RIGHT
4	083378-01-000	EA	PLATE-ENG, 13.2" X 8" X 2" - STEEL
5	106716-01-000	EA	TIRE-LT 225/75R16 LRD, 800 AS - GENERAL 0104824 (CHEVY) RIM IS CHASSIS PROVIDED
5	070817-04-000	EA	TIRE-LT 215 - 88R16 LRD - 4RS - FIRESTONE 273285 (CHEVY)
6	083428-08-000	EA	TIRE-LT225/75R16 LRD, MICHELIN XCH4 (FORD) FROM: 00-00-00 THRU: 10-05-82
6	039428-08-000	EA	TIRE-LT225/75R16 LRD, MICHELIN XCH4 (FORD) FROM: 10-05-82 THRU: 09-09-89
6	083817-08-000	EA	WHEEL-STEEL, 16.018 - ACCURIDE 28816 (FORD)
	051377-01-000	EA	STEM-VALVE, TR 800
	051377-02-000	EA	STEM-VALVE, TR 800
	077030-02-000	EA	EXTENSION-VALVE STEM, 1.25"
	088012-02-000	EA	EXTENSION-VALVE STEM, DUAL WHEEL
	080808-01-000	EA	WRENCH-LUG, 1.08 X 1.00 - CHEVY
	080808-02-000	EA	BAR-LEVERAGE, LUG WRENCH - CHEVY
	106816-01-000	EA	KNOB-HOLD DOWN, JACK - FORD (MOUNTED UNDER HOOD) JACK IS CHASSIS PROVIDED & MOUNTED UNDER HOOD
	112888-01-000	EA	WRENCH-LUG, 7/8 - L-SHAPE (FORD CHASSIS (PROVIDED EARLIER)) FROM: 08-10-85 THRU: 08-08-89
6	103483-02-01A	EA	BUMPER-SQUARE, ALUMINUM-OFF WHITE
7	083778-01-000	EA	CAP-BUMPER, RUBBER - 4" X 4" - BLACK

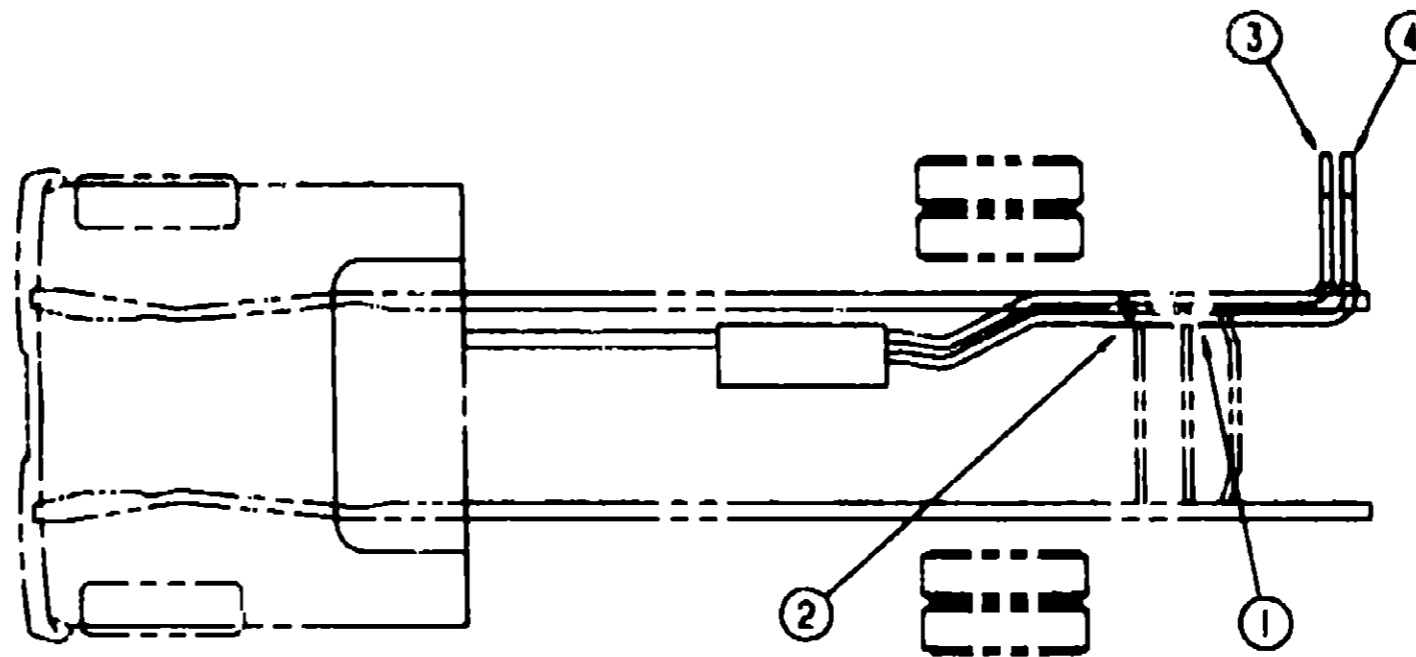
CHASSIS GROUP (CONTINUED)



ENTERTAINMENT COMPARTMENT

KEY	PART NUMBER	U/M	DESCRIPTION
1	104887-01-01A	EA	BOX-ENTERTAINMENT CENTER, OFF WHITE
2	104888-01-004	EA	PLATE-RADIO MOUNTING
3	105377-01-01A	EA	BRACKET-TABLE HANGER - OFF WHITE
	105377-01-03A	EA	BRACKET-TABLE HANGER - MILL
4	105378-01-02A	EA	HINGE-CONTINUOUS, 2" X 140MM - OFF WHITE
5	105230-11-005	EA	SHELF ASM.
6	105230-12-009	EA	SUPPORT ASM.
7	104888-01-01A	EA	PLATE-PLASTIC BOTTOM, OFF WHITE

CHASSIS GROUP (CONTINUED)



**FORD EXHAUST SYSTEM
(CHEVY EXHAUST SYSTEM IS CHASSIS PROVIDED)**

KEY	PART NUMBER	U/M	DESCRIPTION
	081762-05-000	EA	EXTENSION-EXHAUST, STRAIGHT - 3" OD X 7.9' LONG - SST
1	111848-02-000	EA	SHIELD-HEAT, EXHAUST - REAR MOST FUEL TANK STRAP (FORD) FROM: 10-20-92 THRU: 03-07-93
2	111848-01-000	EA	SHIELD-HEAT, EXHAUST - FRONT MOST FUEL TANK STRAP (FORD) FROM: 05-03-93 THRU: 99-99-99
	101894-02-000	EA	PIPE-EXHAUST, TAIL - FORD - REAR (DIESEL) FROM: 05-03-93 THRU: 99-99-99
	101894-01-000	EA	PIPE-EXHAUST, TAIL - FORD - REAR
3	111838-01-000	EA	PIPE-EXHAUST, TAIL - FORD - DUAL FROM: 00-00-00 THRU: 03-07-93
4	111838-02-000	EA	PIPE-EXHAUST, TAIL - FORD - DUAL FROM: 03-09-93 THRU: 99-99-99
	107125-11-000	EA	CLAMP-MUFFLER, 2.75" DIAMETER
	107125-09-000	EA	CLAMP-MUFFLER, 3" DIA

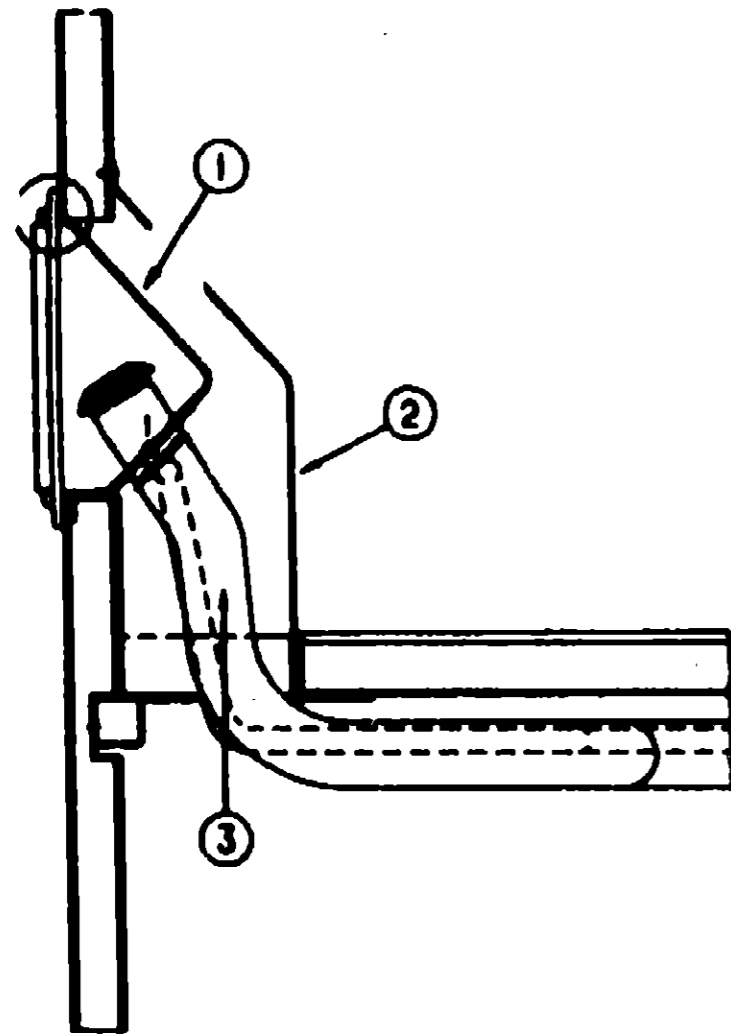
**1993 ITASCA
TABLE OF CONTENTS**

INTRODUCTION	A-01	A-02
ABBREVIATIONS		A-03
ALPHABETICAL INDEX	A-04	A-05
IC424PC	A-07	E-02
IC422RG	E-03	H-16

1993 IC422RG INDEX

FLOOR PLAN	E-03	E-04
ACCESSORIES		E-05
AUDIO VIDEO		E-08
BATH	E-07	E-08
CHASSIS	E-09	E-13
CURTAIN & CUSHION	E-14	E-24
DINETTE	F-01	F-02
DRIVERS COMPARTMENT	F-03	F-06
ELECTRICAL	F-07	F-10
EXTERIOR BODY	F-11	F-19
GALLEY	F-20	F-23
GENERATOR		F-24
HEATING & AC	G-01	G-02
INTERIOR FINISH	G-03	G-05
LABELS	G-08	G-13
LP		G-14
LOUNGE		G-15
SEALANTS & FASTENERS	G-16	G-19
WATER & SEWAGE	G-20	G-24
WINDOW, VENT AND EXTERIOR DOOR	H-01	H-16

CHASSIS GROUP (CONTINUED)



FUEL SYSTEM COMPONENTS

KEY	PART NUMBER	U/M	DESCRIPTION
1	086884-01-02A	EA	SHROUD-FUEL FILL, PLASTIC - OFF WHITE
2	078040-06-000	EA	SHROUD-FUEL FILL, UPPER - PLASTIC
3	076227-04-000	EA	NECK-FUEL FILL, MAIN - CHEVY
3	108413-01-000	EA	NECK-FUEL FILL, MAIN - FORD - GAS
3	108413-02-000	EA	NECK-FUEL FILL, MAIN - FORD - DIESEL
	078800-01-000	EA	GASKET-FUEL FILL, 3.5"OD X 2"ID
	007089-01-000	FT	HOSE-GAS 1/4"ID X 1/2"OD
	087289-01-000	EA	TEE-1/4" X 1/4" X 1/4", BRASS
	084884-01-000	EA	PLUG-BRASS, 3/8"

WHEEL LINERS & COVERS

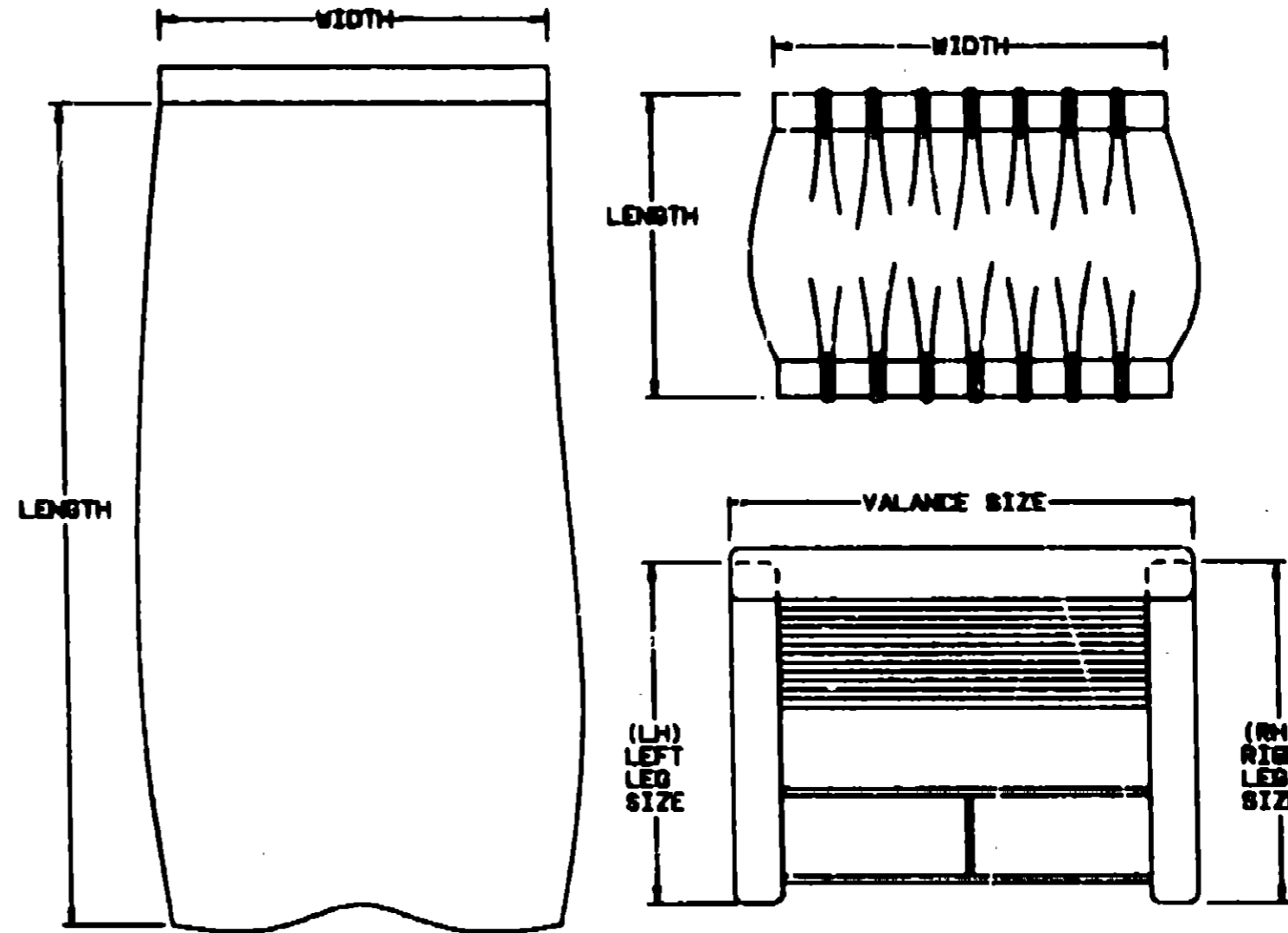
KEY	PART NUMBER	U/M	DESCRIPTION
	108088-01-000	EA	COVER-WHEEL, 16" - SET OF 4 - DICOR 8SHUB16
	108088-01-700	EA	COVER-WHEEL, 16" - 1 ONLY - SHUB16-1 DICOR
	091209-11-000	EA	LINER-WHEEL, SET 4 E380 - KAPER II (FORD ONLY)
	091209-10-700	EA	COVER-AJLE, FRONT - 8 LUG - FORD
	091209-10-701	EA	COVER-AJLE, REAR - 8 LUG - FORD
	091209-10-704	EA	NUT-LUG, W/WASHER - SHORT - KAPER 82
	091209-10-706	EA	COVER-LUG NUT
	091209-10-708	EA	GASKET-FRONT AXLE COVER, RUBBER
	091209-11-700	EA	LINER-WHEEL, FRONT - 8 LUG - FORD
	091209-11-701	EA	LINER-WHEEL, REAR - 8 LUG - FORD
	091209-11-702	EA	NUT-LUG, W/WASHER - LONG - KAPER 81

CURTAIN & CUSHION GROUP

NOTICE

IN ORDER TO ASSIST OUR PARTS SALES DEPT. IN PROVIDING INTERIOR SOFTWARE ITEMS, PLEASE INCLUDE THE SERIAL NUMBER AND THE COLOR CODE NUMBER FROM THE VEHICLE CERTIFICATION LABEL WHEN ORDERING. THIS LABEL IS LOCATED ON THE LEFT SIDEWALL AT THE END OF THE DASH (A-BODY), OR ON THE DRIVER'S DOOR LATCH PLATE (C-BODY).

AN EXAMPLE OF A COLOR CODE NUMBER IS 807, WHICH DESIGNATES AN OVERALL COLOR SCHEME OF A PARTICULAR UNIT. THE COLOR LISTED AFTER THE ITEM DESCRIPTION ON THE MICROFICHE, INDICATES THE OVERALL UNIT COLOR. ORDER THE ITEM YOU DESIRE ACCORDING TO UNIT COLOR CODE.



NOTE: USE THIS ILLUSTRATION WHEN DETERMINING LENGTH AND WIDTH MEASUREMENTS FOR CURTAINS. YOU WILL NOTE THE WIDTH MEASUREMENT IS TAKEN ON THE TOP OF THE CURTAIN WITH THE CURTAIN FULLY EXTENDED. THE LENGTH MEASUREMENT IS TAKEN FROM TOP TO BOTTOM. LEFT AND RIGHT WINDOW LEGS ARE DETERMINED WHEN FACING WINDOW.

**1983 ITASCA
TABLE OF CONTENTS**

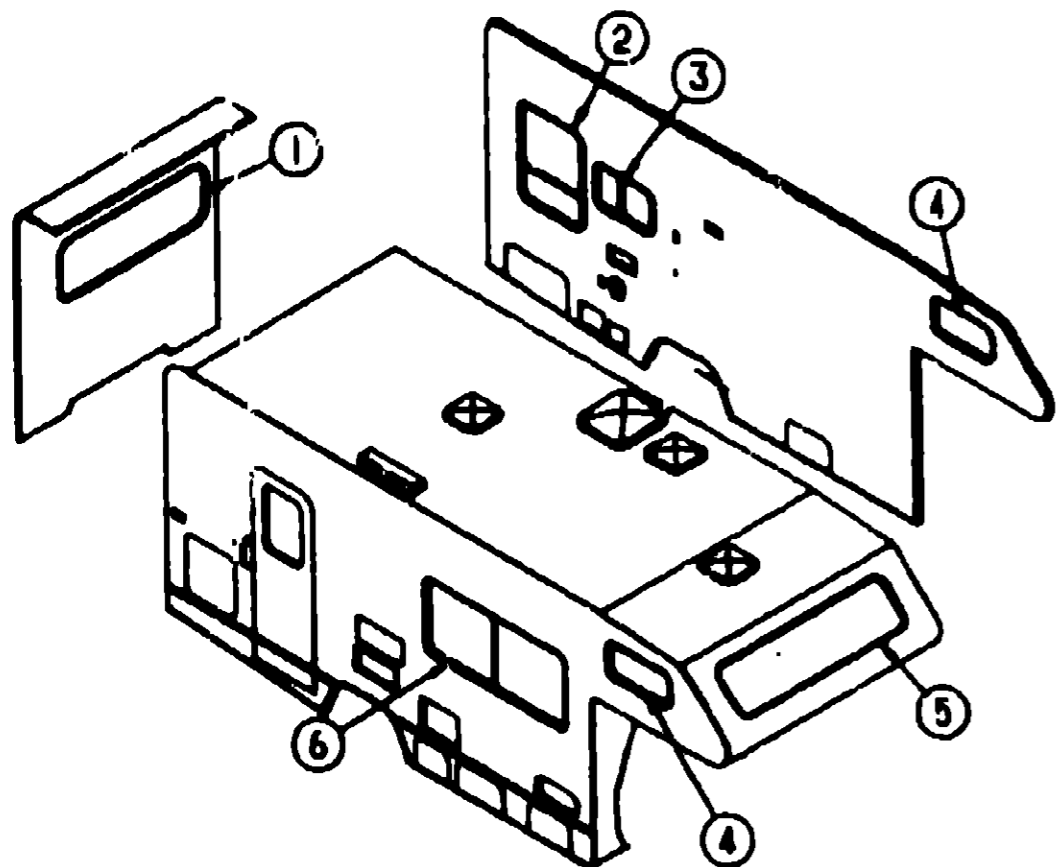
INTRODUCTION	A-01 - A-02
ABBREVIATIONS	A-03
ALPHABETICAL INDEX	A-04 - A-08
IC484RC	A-07 - E-02
IC422RG	E-03 - I-16

1983 IC422RG INDEX

FLOOR PLAN	E-03 - E-04
ACCESSORIES	E-05
AUDIO VIDEO	E-06
BATH	E-07 - E-08
CHASSIS	E-09 - E-13
CURTAIN & CUSHION	E-14 - E-24
DINETTE	F-01 - F-02
DRIVERS COMPARTMENT	F-03 - F-08
ELECTRICAL	F-07 - F-10
EXTERIOR BODY	F-11 - F-18
GALLEY	F-20 - F-23
GENERATOR	F-24
HEATING & A/C	G-01 - G-02
INTERIOR FINISH	G-03 - G-05
LABELS	G-06 - G-13
LP	G-14
LOUNGE	G-15
SEALANTS & FASTENERS	G-16 - G-19
WATER & SEWAGE	G-20 - G-24
WINDOW, VENT AND EXTERIOR DOOR	H-01 - H-16

CURTAIN & CUSHION GROUP (CONTINUED)

CURTAINS & WINDOW TREATMENT



KEY	PART NUMBER	U/M	DESCRIPTION
1	107976-07-D27	EA	VALANCE-WINDOW, 72.5"
1	107976-07-D28	EA	VALANCE-WINDOW, 72.5"
1	109041-02-01A	EA	BLIND-MINI, 71" X 24.5" - GLOSS FAWN (D27)
1	109041-02-02A	EA	BLIND-MINI, 71" X 24.5" - PURE SILVER (D28)
2	107976-08-D27	EA	VALANCE-WINDOW, 31.7"
2	107976-08-D28	EA	VALANCE-WINDOW, 31.7"
2	083475-64-05A	EA	BLIND-MINI, 29.5" X 38" DROP - GLOSS FAWN (D27)
2	083475-64-06A	EA	BLIND-MINI, 29.5" X 38" DROP - PURE SILVER (D28)
2	109041-17-02A	EA	BLIND-MINI, 28.5" X 18.5" DROP - EUROPEAN EXCHANGE ONLY (D27)
2	109041-17-01A	EA	BLIND-MINI, 28.5" X 18.5" DROP - EUROPEAN EXCHANGE ONLY (D28)
3	109363-03-01A	EA	SLATS-BLIND, 27" - GLOSS FAWN
3	109363-04-000	EA	CLIP-VALANCE, SLAT MOUNTING - CLEAR PLASTIC - PAIR
3	083475-32-16A	EA	BLIND-MINI, 27" X 18.5" DROP - GLOSS FAWN (D27)
3	083475-32-16A	EA	BLIND-MINI, 27" X 18.5" DROP - PURE SILVER (D28)
3	109041-17-02A	EA	BLIND-MINI, 28.5" X 18.5" DROP - EUROPEAN EXCHANGE ONLY (D27)
3	109041-17-01A	EA	BLIND-MINI, 28.5" X 18.5" DROP - EUROPEAN EXCHANGE ONLY (D28)

KEY	PART NUMBER	U/M	DESCRIPTION
4	101034-14-D27	EA	CURTAIN-DARTED TAPE TOP & BOTTOM, 18" X 28" FROM: 00-00-00 THRU: 09-13-92
4	101034-22-D27	EA	CURTAIN-DARTED TAPE TOP & BOTTOM, RIGHT - 18" X 21" FROM: 09-14-92 THRU: 99-99-99
4	101034-23-D27	EA	CURTAIN-DARTED TAPE TOP & BOTTOM, LEFT - 18" X 28" FROM: 09-14-92 THRU: 99-99-99
4	101034-14-D28	EA	CURTAIN-DARTED TAPE TOP & BOTTOM, 18" X 28" FROM: 00-00-00 THRU: 09-13-92
4	101034-22-D28	EA	CURTAIN-DARTED TAPE TOP & BOTTOM, RIGHT - 18" X 21" FROM: 09-14-92 THRU: 99-99-99
4	101034-23-D28	EA	CURTAIN-DARTED TAPE TOP & BOTTOM, LEFT - 18" X 28" FROM: 09-14-92 THRU: 99-99-99
5	101034-15-D27	EA	CURTAIN-DARTED TAPE TOP & BOTTOM, 21" X 45" FROM: 00-00-00 THRU: 09-13-92
5	101034-20-D27	EA	CURTAIN-DARTED TAPE TOP & BOTTOM, RIGHT - 21" X 60" FROM: 09-14-92 THRU: 99-99-99
5	101034-21-D27	EA	CURTAIN-DARTED TAPE TOP & BOTTOM, LEFT - 21" X 60" FROM: 09-14-92 THRU: 99-99-99
5	101034-15-D28	EA	CURTAIN-DARTED TAPE TOP & BOTTOM, 21" X 45" FROM: 00-00-00 THRU: 09-13-92
5	101034-20-D28	EA	CURTAIN-DARTED TAPE TOP & BOTTOM, RIGHT - 21" X 60" FROM: 09-14-92 THRU: 99-99-99
5	101034-21-D28	EA	CURTAIN-DARTED TAPE TOP & BOTTOM, LEFT - 21" X 60" FROM: 09-14-92 THRU: 99-99-99
6	107976-01-D27	EA	VALANCE-WINDOW, 65"
6	107976-01-D28	EA	VALANCE-WINDOW, 65"
6	109041-01-01A	EA	BLIND-MINI, 62" X 28.5" - GLOSS FAWN (D27)
6	109041-01-02A	EA	BLIND-MINI, 62" X 28.5" - PURE SILVER (D28)
	084481-19-085	EA	CURTAIN-SHOWER, 60" X 42" (D27)
	084481-19-086	EA	CURTAIN-SHOWER, 60" X 42" (D28)
	073280-54-C09	EA	TIEBACK-CURTAIN, SHOWER - 3" X 18" (D27)
	073280-54-C10	EA	TIEBACK-CURTAIN, SHOWER - 3" X 18" (D28)
	101668-37-D27	EA	CURTAIN-TAPE TOP, PASSENGER WINDSHIELD PRIVACY - 30" X 50" FROM: 00-00-00 THRU: 07-12-92
	101668-37-D28	EA	CURTAIN-TAPE TOP, PASSENGER WINDSHIELD PRIVACY - 35" X 50" FROM: 07-13-92 THRU: 99-99-99
	101668-39-D27	EA	CURTAIN-TAPE TOP, PASSENGER WINDSHIELD PRIVACY - 30" X 50" FROM: 00-00-00 THRU: 07-12-92
	101668-39-D28	EA	CURTAIN-TAPE TOP, PASSENGER WINDSHIELD PRIVACY - 35" X 50" FROM: 07-13-92 THRU: 99-99-99
	101668-38-D27	EA	CURTAIN-TAPE TOP, DRIVER WINDSHIELD PRIVACY - 30" X 50" FROM: 00-00-00 THRU: 07-12-92
	101668-40-D27	EA	CURTAIN-TAPE TOP, DRIVER WINDSHIELD PRIVACY - 35" X 50" FROM: 07-13-92 THRU: 99-99-99
	101668-38-D28	EA	CURTAIN-TAPE TOP, DRIVER WINDSHIELD PRIVACY - 30" X 50" FROM: 00-00-00 THRU: 07-12-92
	101668-40-D28	EA	CURTAIN-TAPE TOP, DRIVER WINDSHIELD PRIVACY - 35" X 50" FROM: 07-13-92 THRU: 99-99-99
	073280-23-D27	EA	TIEBACK-CURTAIN, WINDSHIELD PRIVACY - 3" X 18" (D27)
	073280-23-D28	EA	TIEBACK-CURTAIN, WINDSHIELD PRIVACY - 3" X 18" (D28)
	076892-18-D27	EA	CURTAIN-SNAP TOP, BUNK PRIVACY - 50" X 72"
	076892-18-D28	EA	CURTAIN-SNAP TOP, BUNK PRIVACY - 50" X 72"
	057534-01-000	EA	TIEBACK/TIEDOWN-BED/CURTAIN/DOOR, 6" - PLASTIC - CLEAR

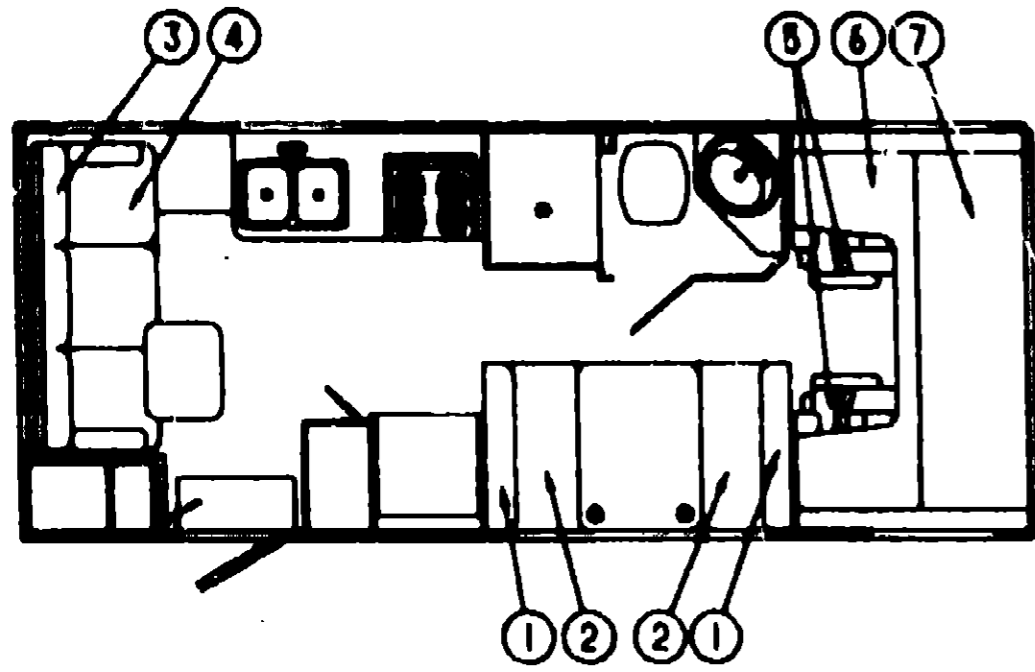
**1993 ITASCA
TABLE OF CONTENTS**

INTRODUCTION	A-01 - A-02
ABBREVIATIONS	A-03
ALPHABETICAL INDEX	A-04 - A-08
IC424RC	A-07 - E-02
IC422RG	E-03 - H-16

1993 IC422RG INDEX

FLOOR PLAN	E-03 - E-04
ACCESSORIES	E-05
AUDIO VIDEO	E-06
BATH	E-07 - E-08
CHASSIS	E-09 - E-13
CURTAIN & CUSHION	E-14 - E-24
DINETTE	F-01 - F-02
DRIVERS COMPARTMENT	F-03 - F-08
ELECTRICAL	F-07 - F-10
EXTERIOR BODY	F-11 - F-19
GALLEY	F-20 - F-23
GENERATOR	F-24
HEATING & AC	G-01 - G-02
INTERIOR FINISH	G-03 - G-05
LABELS	G-06 - G-13
LP	G-14
LOUNGE	G-15
SEALANTS & FASTENERS	G-16 - G-19
WATER & SEWAGE	G-20 - G-24
WINDOW, VENT AND EXTERIOR DOOR	H-01 - H-16

CURTAIN & CUSHION GROUP (CONTINUED)



DINETTE CUSHIONS

KEY	PART NUMBER	U/M DESCRIPTION
1	108141-02-D27	EA CUSHION-BACKREST, 13.5" X 38" X 5"
1	106141-02-D28	EA CUSHION-BACKREST, 13.5" X 38" X 5"
	P08141-02-D27	EA COVER-CUSHION, BACKREST - 13.5" X 38" X 5"
	P08141-02-D28	EA COVER-CUSHION, BACKREST - 13.5" X 38" X 5"
	078155-01-000	EA STRAP-SNAP, BACKREST CUSHION
2	108803-01-D27	EA CUSHION-SEATBASE, 23" X 38" X 5"
2	108803-01-D28	EA CUSHION-SEATBASE, 23" X 38" X 5"
	P08803-01-D27	EA COVER-CUSHION, SEATBASE - 23" X 38" X 5"
	P08803-01-D28	EA COVER-CUSHION, SEATBASE - 23" X 38" X 5"

COUCH

KEY	PART NUMBER	U/M DESCRIPTION
3	100032-42-D27	EA BACKREST-COUCH, 74" - W/O ARMRESTS
3	100032-42-D28	EA BACKREST-COUCH, 74" - W/O ARMS
	P00032-42-D27	EA COVER-BACKREST, COUCH - 74" - W/O ARMS
	P00032-2-D28	EA COVER-BACKREST, COUCH - 74" - W/O ARMS
	101085-10-000	EA FRAME-BACK, 74.5" X 18"
4	100032-43-D27	EA SEAT-COUCH, 74" - W/O ARMRESTS
4	100032-43-D28	EA SEAT-COUCH, 74" - W/O ARMRESTS
	P00032-43-D27	EA COVER-SEAT, COUCH - 74" - W/O ARMRESTS
	P00032-43-D28	EA COVER-SEAT, COUCH - 74" - W/O ARMRESTS
	101085-04-000	EA FRAME-SEAT, 74.75"
	101085-08-000	EA FRAME-BASE, 74.75"

THROW PILLOW

KEY	PART NUMBER	U/M DESCRIPTION
	108888-08-D27	EA PILLOW-THROW, 15" X 15"
	108888-08-D28	EA PILLOW-THROW, 15" X 15"

FROM: 00-00-00 THRU: 07-13-82

FROM: 00-00-00 THRU: 07-13-82

BUCKET SEATS

KEY	PART NUMBER	U/M DESCRIPTION
5	083480-32-D27	EA SEAT-BUCKET, DRIVER - W/O PEDESTALS & SKIRTS (CHEVY)
5	083480-33-D27	EA SEAT-BUCKET, PASSENGER - W/O PEDESTALS & SKIRTS (CHEVY)
5	083480-32-D28	EA SEAT-BUCKET, DRIVER - W/O PEDESTALS & SKIRTS (CHEVY) FROM: 00-00-00 THRU: 08-25-82
5	083480-48-D28	EA SEAT-BUCKET, DRIVER - W/O PEDESTALS & SKIRTS (CHEVY) FROM: 08-28-82 THRU: 08-09-89
5	083480-33-D28	EA SEAT-BUCKET, PASSENGER - W/O PEDESTALS & SKIRTS (CHEVY) FROM: 00-00-00 THRU: 08-25-82
5	083480-44-D28	EA SEAT-BUCKET, PASSENGER - W/O PEDESTALS & SKIRTS (CHEVY) FROM: 08-28-82 THRU: 09-09-89
5	083480-37-D27	EA SEAT-BUCKET, DRVPASS - W/O PEDESTALS & SKIRTS (FORD)
5	083480-37-D28	EA SEAT-BUCKET, DRVPASS - W/O PEDESTALS & SKIRTS (FORD) FROM: 00-00-00 THRU: 08-21-82
5	083480-48-D28	EA SEAT-BUCKET, DRVPASS - W/O PEDESTALS & SKIRTS (FORD) FROM: 08-28-82 THRU: 09-01-89
5	083480-34-D27	EA SEAT-BUCKET, DRIVER - W/O PEDESTALS & SKIRTS (CHEVY RECLINING OPTION) FROM: 00-00-00 THRU: 08-21-82
5	083480-40-D27	EA SEAT-BUCKET, DRIVER - W/O PEDESTALS & SKIRTS (CHEVY RECLINING OPTION) FROM: 08-22-82 THRU: 09-09-89
5	083480-34-D28	EA SEAT-BUCKET, DRIVER - W/O PEDESTALS & SKIRTS (CHEVY RECLINING OPTION) FROM: 00-00-00 THRU: 08-21-82
5	083480-40-D28	EA SEAT-BUCKET, DRIVER - W/O PEDESTALS & SKIRTS (CHEVY RECLINING OPTION) FROM: 08-22-82 THRU: 08-25-82
5	083480-45-D28	EA SEAT-BUCKET, DRIVER - W/O PEDESTALS & SKIRTS (CHEVY RECLINING OPTION) FROM: 08-28-82 THRU: 09-09-89
5	083480-36-D27	EA SEAT-BUCKET, PASS - W/O PEDESTALS & SKIRTS (CHEVY RECLINING OPTION) FROM: 00-00-00 THRU: 08-21-82
5	083480-41-D27	EA SEAT-BUCKET, PASS - W/O PEDESTALS & SKIRTS (CHEVY RECLINING OPTION) FROM: 08-22-82 THRU: 09-06-89
5	083480-36-D28	EA SEAT-BUCKET, PASS - W/O PEDESTALS & SKIRTS (CHEVY RECLINING OPTION) FROM: 00-00-00 THRU: 08-21-82
5	083480-41-D28	EA SEAT-BUCKET, PASS - W/O PEDESTALS & SKIRTS (CHEVY RECLINING OPTION) FROM: 08-22-82 THRU: 08-25-82
5	083480-46-D28	EA SEAT-BUCKET, PASS - W/O PEDESTALS & SKIRTS (CHEVY RECLINING OPTION) FROM: 08-28-82 THRU: 09-09-89
5	083480-31-D27	EA SEAT-BUCKET, DRVPASS - W/O PEDESTALS & SKIRTS (FORD RECLINING OPTION) FROM: 00-00-00 THRU: 08-21-82
5	083480-42-D27	EA SEAT-BUCKET, DRVPASS - W/O PEDESTALS & SKIRTS (FORD RECLINING OPTION) FROM: 08-22-82 THRU: 09-09-89
5	083480-31-D28	EA SEAT-BUCKET, DRVPASS - W/O PEDESTALS & SKIRTS (FORD RECLINING OPTION) FROM: 00-00-00 THRU: 08-21-82
5	083480-42-D28	EA SEAT-BUCKET, DRVPASS - W/O PEDESTALS & SKIRTS (FORD RECLINING OPTION) FROM: 08-22-82 THRU: 08-25-82
5	083480-47-D28	EA SEAT-BUCKET, DRVPASS - W/O PEDESTALS & SKIRTS (FORD RECLINING OPTION) FROM: 08-28-82 THRU: 09-09-89

BUNK CUSHIONS

KEY	PART NUMBER	U/M DESCRIPTION
6	105573-10-D27	EA CUSHION-BUNK, REAR - 27" X 23" X 80" X 5"
6	105573-10-D28	EA CUSHION-BUNK, REAR - 27" X 23" X 80" X 5"
	P05573-10-D27	EA COVER-CUSHION, BUNK - REAR - 27" X 23" X 80" X 5"
	P05573-08-D28	EA COVER-CUSHION, BUNK - REAR - 27" X 23" X 80" X 5"
7	105573-08-D27	EA CUSHION-BUNK, FRONT - 32.5" X 80" X 5"
7	105573-07-D28	EA CUSHION-BUNK, FRONT - 32.5" X 80" X 5"
	P05573-08-D27	EA COVER-CUSHION, BUNK - FRONT - 32.5" X 80" X 5"
	P05573-07-D28	EA COVER-CUSHION, BUNK - FRONT - 32.5" X 80" X 5"

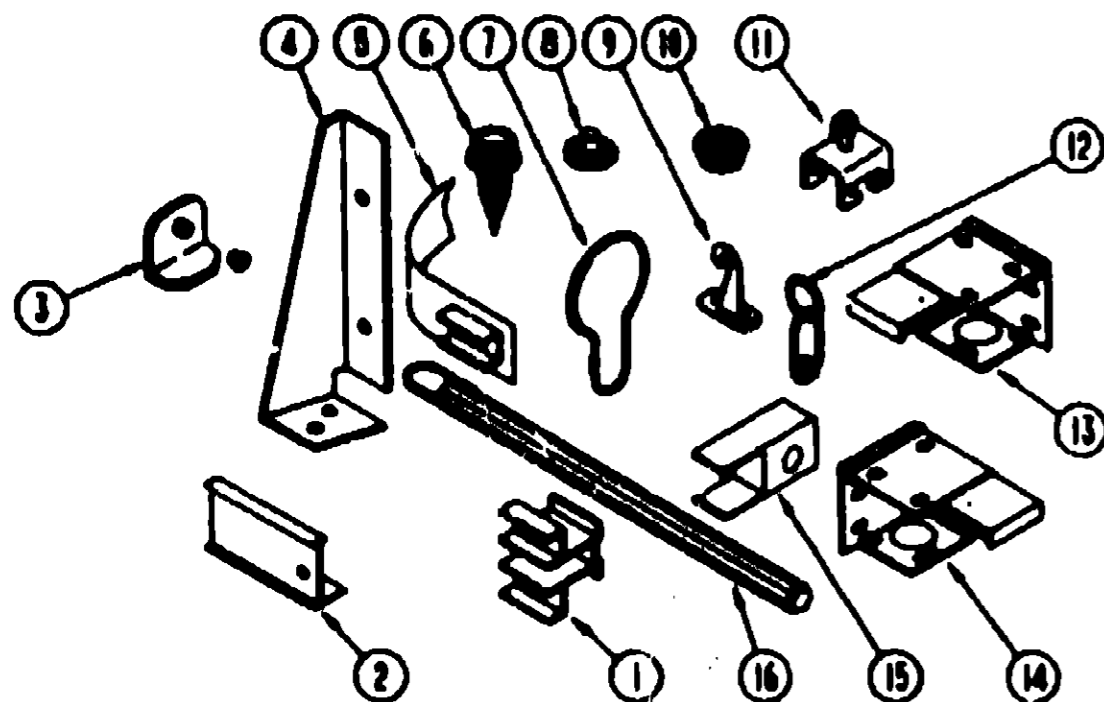
**1988 ITASCA
TABLE OF CONTENTS**

INTRODUCTION	A-01 - A-02
ABBREVIATIONS	A-03
ALPHABETICAL INDEX	A-04 - A-08
IC424RC	A-07 - E-02
IC422RG	E-03 - H-18

1988 IC422RG INDEX

FLOOR PLAN	E-03 - E-04
ACCESSORIES	E-05
AUDIO VIDEO	E-06
BATH	E-07 - E-08
CHASSIS	E-09 - E-13
CURTAIN & CUSHION	E-14 - E-34
DINETTE	F-01 - F-02
DRIVERS COMPARTMENT	F-03 - F-08
ELECTRICAL	F-07 - F-10
EXTERIOR BODY	F-11 - F-19
GALLEY	F-20 - F-23
GENERATOR	F-24
HEATING & AC	G-01 - G-02
INTERIOR FINISH	G-03 - G-06
LABELS	G-08 - G-13
LP	G-14
LOUNGE	G-15
SEALANTS & FASTENERS	G-16 - G-19
WATER & SEWAGE	G-20 - G-24
WINDOW, VENT AND EXTERIOR DOOR	H-01 - H-18

CURTAIN & CUSHION GROUP (CONTINUED)



CURTAIN & BLIND HARDWARE

KEY	PART NUMBER	U/M DESCRIPTION
1	101033-03-000	FT TRACK-WALL, WHITE - CT225 - SHAPCO
2	082484-05-01A	EA TRACK-CURTAIN, OFF WHITE
2	009700-04-001	EA TRACK-CURTAIN, L-SHAPED - 192" LONG - OFF WHITE
3	102855-01-000	EA CLEAT-CORD, BLIND - OFF WHITE
4	078827-04-000	EA BRACKET-BED/BUNK, 2.8" X 1.8" TRIANGLE - METAL - OFF WHITE
5	101081-01-000	YD TAPE-GUIDE, CURTAIN - 4.25" SPACING
6	029130-01-000	EA SCREW-SNAP SOCKET, 8 PH X 5/8"
7	009136-02-000	EA HANGER-RING, PIN TYPE - CURTAIN - BRASS
8	029155-01-000	EA CAP-SNAP, NICKEL
9	109441-01-000	EA HOLD-DOWN-BLIND, HOOK
10	029199-01-000	EA SOCKET-SNAP FASTENER, NICKEL
11	009702-01-000	EA END STOP-CURTAIN CARRIER, L ROD
12	009701-01-000	EA CARRIER-CURTAIN, L ROD
13	083170-01-000	EA BRACKET-BLIND, RIGHT SIDE
14	083170-02-000	EA BRACKET-BLIND, LEFT SIDE
15	101083-02-000	EA END CAP-TRACK, CLEAR
16	089475-01-700	EA WAND-BLIND, W/METAL CLIP - 8" LONG
	089475-01-701	EA END CAP-BLIND, W/STUD
	048987-01-000	EA GROMMET-BRASS, 7/16" ID X 1" OD
	048984-02-000	YD VELCRO TAPE-HOOK, ADHESIVE BACK - .75" WIDE - BEIGE
	088003-01-000	EA BRACKET-DRAPEY RETAINING, RIGHT - METAL
	088003-02-000	EA BRACKET-DRAPEY RETAINING, LEFT - METAL
	088718-01-001	EA BRACE-90 DEGREE L-ANGLE, 192" - EXTRUDED ALUMINUM
	078943-01-000	EA BRACE-ANGLE, WHOLELS - 1" X 1.5" X 20" - ALUMINUM - BEIGE
	078943-02-000	EA BRACE-ANGLE, WHOLELS - 1" X 1.5" X 14" - ALUMINUM - BEIGE
	078782-01-000	YD VELCRO-HOOK, .75" WIDE - BEIGE
	086792-02-000	YD VELCRO TAPE-LOOP, ADHESIVE BACKED - .75" WIDE - BEIGE

CURTAIN & CUSHION GROUP (CONTINUED)

FABRICS

KEY	PART NUMBER	U/M DESCRIPTION
	072333-82-000	YD FABRIC-DRAPEY, BIRCHWOOD SLATE (D27)
	072333-83-000	YD FABRIC-DRAPEY, BIRCHWOOD TAUPE (D28)
	072333-88-000	YD FABRIC-DRAPEY, GALAXY ANTIQUE WHITE (D27, D28)
	087272-01-000	YD FABRIC-LINING, CURTAIN - 48" WIDE - IVORY
	087272-03-000	YD FABRIC-LINING, CURTAIN - 54" WIDE - IVORY
	088273-87-000	YD FABRIC-BEDSPREAD/CURTAIN, PLAIN - 54" WIDE - SLATE (D27)
	088273-88-000	YD FABRIC-BEDSPREAD/CURTAIN, PLAIN - 54" WIDE - LILAC (D28)
	103907-01-01A	YD FABRIC-VINYL, 54" WIDE - OFF WHITE
	104233-91-000	YD FABRIC-UPHOLSTERY/CURTAIN, PLAIN VELOUR - 54" WIDE - BLUE (D27)
	104233-28-000	YD FABRIC-UPHOLSTERY/CURTAIN, PLAIN VELOUR - 54" WIDE - BROWN (D28)
	104233-70-0-0	YD FABRIC-UPHOLSTERY, STRIPED WOVEN - 54" WIDE - STEEL (D27)
	108448-10-000	YD FABRIC-UPHOLSTERY, STRIPED WOVEN - 54" WIDE - WHEAT (D28)
	104233-79-000	YD FABRIC-UPHOLSTERY, WOVEN PATTERN - 54" WIDE - BLUE/BEIGE (D27)
	104233-81-000	YD FABRIC-UPHOLSTERY, PATTERN VELOUR - 54" WIDE - BROWNS/BLUE (D28)
	104233-80-000	YD FABRIC-UPHOLSTERY, PATTERN VELOUR - 54" WIDE - BLUE (D27)
	104233-82-000	YD FABRIC-UPHOLSTERY, TEXTURED PATTERN VELOUR - 54" WIDE - BROWN (D28)
	105746-17-000	YD FABRIC-BEDSPREAD/CURTAIN, PATTERN - CREAM/GOLD/PINK/GREEN (D27)
	105746-08-000	YD FABRIC-BEDSPREAD/CURTAIN, PATTERN - GRAY/MAUVE/TAN (D28)

ASSIST HANDLE & SEATBELTS

KEY	PART NUMBER	U/M DESCRIPTION
	078346-04-009	YD WELTING-FABRIC (D27)
	078346-04-028	YD WELTING-FABRIC (D28)
	067534-01-000	EA TIEBACK/TIEDOWN-BED/CURTAIN/DOOR, 8" - CLEAR PLASTIC
	063652-02-AA8	EA HANDLE-ASSIST, INTERIOR - ENTRY DOOR - VINYL - OFF WHITE
	089178-02-000	EA BRACKET-MOUNTING, ASSIST HANDLE - L ANGLE - WHOLELS - ST
	000018-07-18B	EA BOLT-CARRIAGE, ASSIST HANDLE - 7/16" - 14 X 1" ZN
	000020-07-00B	EA NUT-ACORN, ASSIST HANDLE - 7/16" X 14 ZN
	057759-01-000	EA WASHER BRACKET-SEAT BELT, 4" DIAMETER
	007021-01-000	EA BELT-SEAT, 2" X 90" - BLACK

**1993 ITASCA
TABLE OF CONTENTS**

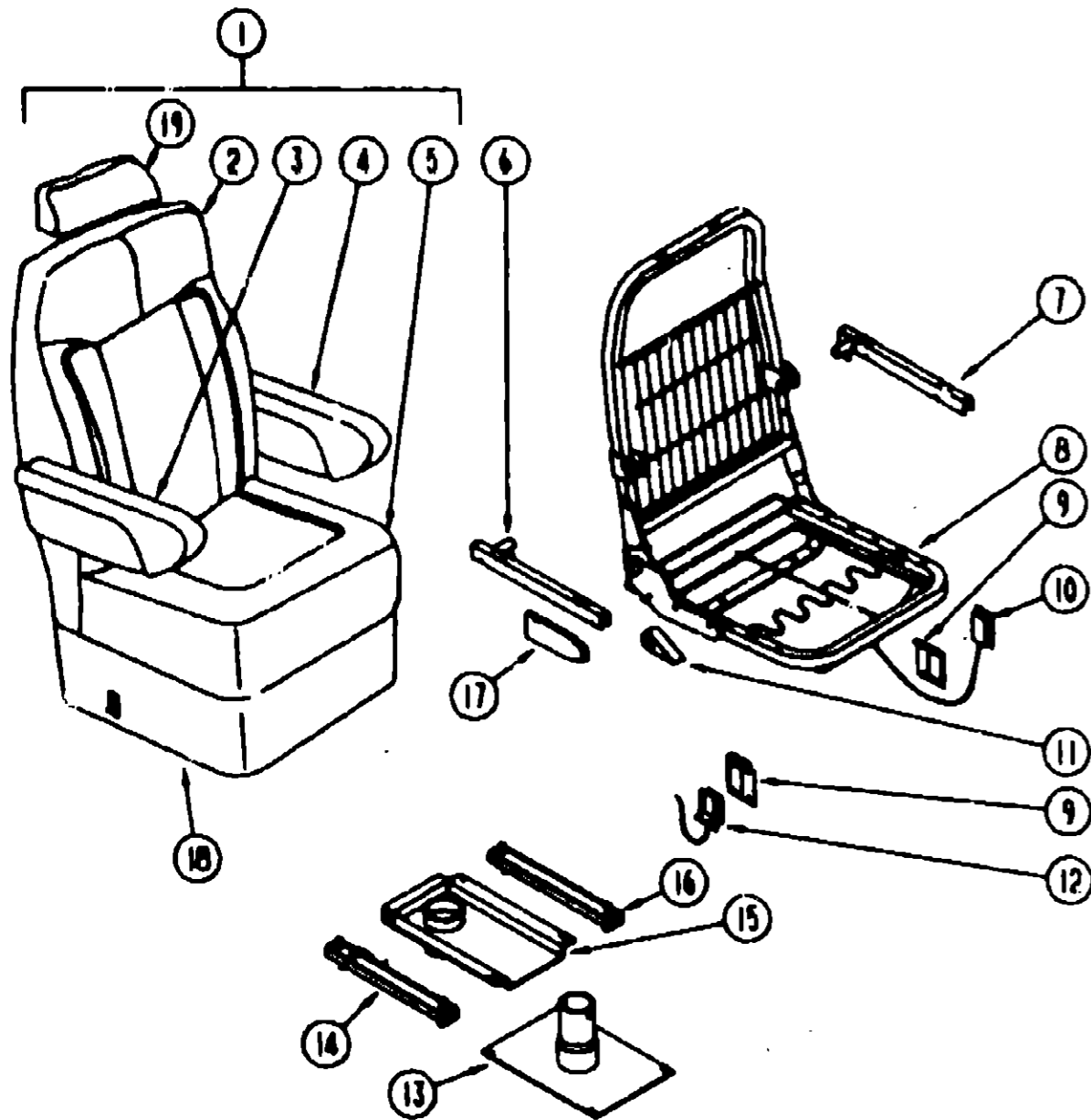
INTRODUCTION	A-01 - A-02
ABBREVIATIONS	A-03
ALPHABETICAL INDEX	A-04 - A-08
IC424RC	A-07 - E-02
IC422RG	E-03 - H-18

1993 IC422RG INDEX

FLOOR PLAN	E-03 - E-04
ACCESSORIES	E-05
AUDIO VIDEO	E-08
BATH	E-07 - E-08
CHASSIS	E-09 - E-13
CURTAIN & CUSHION	E-14 - E-24
DINETTE	F-01 - F-02
DRIVERS COMPARTMENT	F-03 - F-08
ELECTRICAL	F-07 - F-10
EXTERIOR BODY	F-11 - F-19
GALLEY	F-20 - F-23
GENERATOR	F-24
HEATING & AC	G-01 - G-02
INTERIOR FINISH	G-03 - G-05
LABELS	G-08 - G-13
LP	G-14
LOUNGE	G-15
SEALANTS & FASTENERS	G-16 - G-19
WATER & SEWAGE	G-20 - G-24
WINDOW, VENT AND EXTERIOR DOOR	H-01 - H-18

CURTAIN & CUSHION GROUP (CONTINUED)

BUCKET SEATS



**1993 ITASCA
TABLE OF CONTENTS**

INTRODUCTION	A-01	A-02
ABBREVIATIONS		A-03
ALPHABETICAL INDEX	A-04	A-06
IC424RC	A-07	E-02
IC427RG	E-03	H-16

1993 IC427RG INDEX

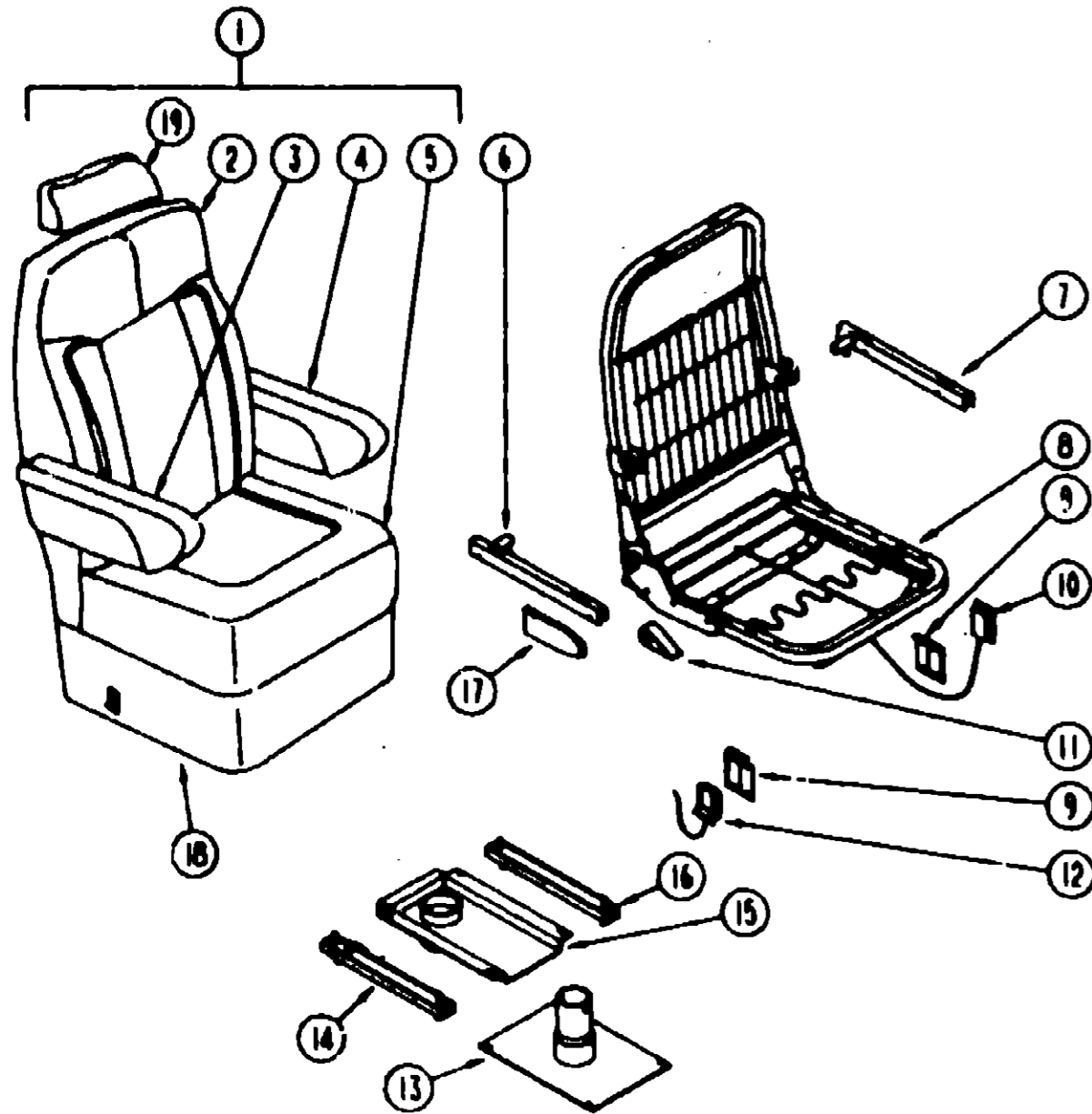
FLOOR PLAN	E-03	E-04
ACCESSORIES		E-05
AUDIO VIDEO		E-08
BATH	E-07	E-08
CHASSIS	E-09	E-13
CURTAIN & CUSHION	E-14	E-24
DINETTE	F-01	F-02
DRIVERS COMPARTMENT	F-03	F-06
ELECTRICAL	F-07	F-10
EXTERIOR BODY	F-11	F-19
GALLEY	F-20	F-23
GENERATOR		F-24
HEATING & AC	G-01	G-02
INTERIOR FINISH	G-03	G-05
LABELS	G-08	G-13
LP		G-14
LOUNGE		G-15
SEALANTS & FASTENERS	G-16	G-19
WATER & SEWAGE	G-20	G-24
WINDOW, VENT AND EXTERIOR DOOR	H-01	H-16

KEY	PART NUMBER	U/M DESCRIPTION
1	083480-34-D28	EA SEAT-BUCKET, DRIVER - W/O PEDESTALS & SKIRTS (CHEVY RECLINING OPTION) FROM: 00-00-00 THRU: 08-21-92
1	083480-40-D28	EA SEAT-BUCKET, DRIVER - W/O PEDESTALS & SKIRTS (CHEVY RECLINING OPTION) FROM: 08-22-92 THRU: 08-25-92
1	083480-45-D28	EA SEAT-BUCKET, DRIVER - W/O PEDESTALS & SKIRTS (CHEVY RECLINING OPTION) FROM: 08-26-92 THRU: 99-99-99
1	083460-36-D27	EA SEAT-BUCKET, PASS - W/O PEDESTALS & SKIRTS (CHEVY RECLINING OPTION) FROM: 00-00-00 THRU: 08-21-92
1	083480-41-D27	EA SEAT-BUCKET, PASS - W/O PEDESTALS & SKIRTS (CHEVY RECLINING OPTION) FROM: 08-22-92 THRU: 99-99-99
1	083460-35-D28	EA SEAT-BUCKET, PASS - W/O PEDESTALS & SKIRTS (CHEVY RECLINING OPTION) FROM: 00-00-00 THRU: 08-21-92
1	083460-41-D28	EA SEAT-BUCKET, PASS - W/O PEDESTALS & SKIRTS (CHEVY RECLINING OPTION) FROM: 08-22-92 THRU: 08-25-92
1	083460-46-D28	EA SEAT-BUCKET, PASS - W/O PEDESTALS & SKIRTS (CHEVY RECLINING OPTION) FROM: 08-26-92 THRU: 99-99-99
1	083460-31-D27	EA SEAT-BUCKET, DRVPASS - W/O PEDESTALS & SKIRTS (FORD RECLINING OPTION) FROM: 00-00-00 THRU: 08-21-92
1	083460-42-D27	EA SEAT-BUCKET, DRVPASS - W/O PEDESTALS & SKIRTS (FORD RECLINING OPTION) FROM: 08-22-92 THRU: 99-99-99
1	083460-31-D28	EA SEAT-BUCKET, DRVPASS - W/O PEDESTALS & SKIRTS (FORD RECLINING OPTION) FROM: 00-00-00 THRU: 08-21-92
1	083460-42-D28	EA SEAT-BUCKET, DRVPASS - W/O PEDESTALS & SKIRTS (FORD RECLINING OPTION) FROM: 08-22-92 THRU: 08-25-92
1	083480-47-D28	EA SEAT-BUCKET, DRVPASS - W/O PEDESTALS & SKIRTS (FORD RECLINING OPTION) FROM: 08-26-92 THRU: 99-99-99
2	M03445-22-D27	EA COVER-BACK, BUCKET SEAT (CHEVY) FROM: 00-00-00 THRU: 08-25-92
2	M03445-22-D28	EA COVER-BACK, BUCKET SEAT (CHEVY) FROM: 08-26-92 THRU: 99-99-99
2	M03445-88-D28	EA COVER-BACK, BUCKET SEAT (CHEVY) FROM: 08-26-92 THRU: 99-99-99
2	M03445-88-D27	EA COVER-BACK, BUCKET SEAT (FORD) FROM: 00-00-00 THRU: 08-25-92
2	M03445-88-D28	EA COVER-BACK, BUCKET SEAT (FORD) FROM: 08-26-92 THRU: 99-99-99
3	080243-49-D27	EA ARMREST-RIGHT SIDE, BUCKET SEAT
3	080243-49-D28	EA ARMREST-RIGHT SIDE, BUCKET SEAT
	M80243-49-D27	EA COVER-ARMREST, RIGHT SIDE
	M80243-49-D28	EA COVER-ARMREST, RIGHT SIDE
4	080243-50-D27	EA ARMREST-LEFT SIDE, BUCKET SEAT
4	080243-50-D28	EA ARMREST-LEFT SIDE, BUCKET SEAT
	M80243-50-D27	EA COVER-ARMREST, LEFT SIDE
	M80243-50-D28	EA COVER-ARMREST, LEFT SIDE
5	M03445-23-D27	EA COVER-SEAT, BUCKET SEAT (CHEVY) FROM: 00-00-00 THRU: 08-25-92
5	M03445-23-D28	EA COVER-SEAT, BUCKET SEAT (CHEVY) FROM: 08-26-92 THRU: 99-99-99
5	M03445-89-D28	EA COVER-SEAT, BUCKET SEAT (CHEVY) FROM: 08-26-92 THRU: 99-99-99
5	M03445-87-D27	EA COVER-SEAT, BUCKET SEAT (FORD) FROM: 00-00-00 THRU: 08-25-92
5	M03445-87-D28	EA COVER-SEAT, BUCKET SEAT (FORD) FROM: 08-26-92 THRU: 99-99-99
5	M03445-89-D28	EA COVER-SEAT, BUCKET SEAT (FORD) FROM: 08-26-92 THRU: 99-99-99
6	081288-01-000	EA ROD & CHANNEL-ARMREST- RIGHT - METAL
7	081288-02-000	EA ROD & CHANNEL-ARMREST- LEFT - METAL
	081381-01-000	EA ROD-ARMREST- METAL - RIGHT OR LEFT HAND

KEY	PART NUMBER	U/M DESCRIPTION
1	083430-32-D27	EA SEAT-BUCKET, DRIVER - W/O PEDESTALS & SKIRTS (CHEVY)
1	083460-33-D27	EA SEAT-BUCKET, PASSENGER - W/O PEDESTALS & SKIRTS (CHEVY)
1	083480-32-D28	EA SEAT-BUCKET, DRIVER - W/O PEDESTALS & SKIRTS (CHEVY) FROM: 00-00-00 THRU: 08-25-92
1	083480-43-D28	EA SEAT-BUCKET, DRIVER - W/O PEDESTALS & SKIRTS (CHEVY) FROM: 08-26-92 THRU: 99-99-99
1	083460-33-D28	EA SEAT-BUCKET, PASSENGER - W/O PEDESTALS & SKIRTS (CHEVY) FROM: 00-00-00 THRU: 08-25-92
1	083480-44-D28	EA SEAT-BUCKET, PASSENGER - W/O PEDESTALS & SKIRTS (CHEVY) FROM: 08-26-92 THRU: 99-99-99
1	080430-37-D27	EA SEAT-BUCKET, DRVPASS - W/O PEDESTALS & SKIRTS (FORD)
1	080430-37-D28	EA SEAT-BUCKET, DRVPASS - W/O PEDESTALS & SKIRTS (FORD) FROM: 00-00-00 THRU: 08-25-92
1	083460-48-D28	EA SEAT-BUCKET, DRVPASS - W/O PEDESTALS & SKIRTS (FORD) FROM: 08-26-92 THRU: 99-99-99
1	083480-34-D27	EA SEAT-BUCKET, DRIVER - W/O PEDESTALS & SKIRTS (CHEVY RECLINING OPTION) FROM: 00-00-00 THRU: 08-21-92
1	083480-40-D27	EA SEAT-BUCKET, DRIVER - W/O PEDESTALS & SKIRTS (CHEVY RECLINING OPTION) FROM: 08-22-92 THRU: 99-99-99

CURTAIN & CUSHION GROUP (CONTINUED)

BUCKET SEATS (CONTINUED)



KEY	PART NUMBER	U/M DESCRIPTION
13	107921-10-000	EA PEDESTAL ASM.-SEAT, CHEVY DRIVER - W/BASE PLATE, EXTENSION & TOP PLATE FLEXSTEEL 2963-PDD8 FROM: 02-22-93 THRU: 99-99-99
13	107921-11-000	EA PEDESTAL ASM.-SEAT, CHEVY PASS - W/BASE PLATE, EXTENSION & TOP PLATE FLEXSTEEL 2964-DPS FROM: 02-22-93 THRU: 99-99-99
13	107921-09-000	EA PEDESTAL ASM.-SEAT FORD, W/BASE PLATE, EXTENSION & TOP PLATE FLEXSTEEL 3087-PDMD FROM: 02-22-93 THRU: 99-99-99
14	089248-06-000	EA ADJUSTER-SEAT/CHAIR, W/REMOTE - FORWARD & BACK
	089248-06-700	EA SPRING-ADJUSTER, FOR REMOTE
	089248-06-701	EA CLIP-CABLE, FOR REMOTE
15	083481-04-000	EA TOP PLATE-PEDESTAL, BUCKET SEAT - W/O SEATBELT BAR FROM: 00-00-00 THRU: 02-21-93
15	107921-05-000	EA TOP PLATE-PEDESTAL, CHEVY BUCKET SEAT - W/SEATBELT BAR FROM: 02-22-93 THRU: 99-99-99
15	107921-08-000	EA TOP PLATE-PEDESTAL, FORD BUCKET SEAT - W/SEATBELT BAR FROM: 02-22-93 THRU: 99-99-99
	107921-06-000	EA BEARING KIT, PEDESTAL FROM: 02-22-93 THRU: 99-99-99
16	089248-02-000	EA ADJUSTER-SEAT/CHAIR, W/O LOCK - FORWARD & BACK
17	086399-08-000	EA SHIELD-CABLE, REMOTE RECLINER - BUCKET SEAT
18	071128-41-D27	EA SKIRT-BUCKET SEAT, 7" SINGLE (D27)
18	071128-41-D28	EA SKIRT-BUCKET SEAT, 7" SINGLE (D28)
19	086288-01-D09	EA HEADREST-BUCKET SEAT (D27)
19	086288-01-D36	EA HEADREST-BUCKET SEAT (D28)
	M86288-01-D09	EA COVER-HEADREST, BUCKET SEAT (D27)
	M86288-01-D36	EA COVER-HEADREST, BUCKET SEAT (D28)
19	086288-03-D09	EA HEADREST-BUCKET SEAT - RECLINING SEAT - MONOGRAM (D27)
19	086288-03-D28	EA HEADREST-BUCKET SEAT - RECLINING SEAT - MONOGRAM (D28)
	M86288-03-D09	EA COVER-HEADREST, BUCKET SEAT - RECLINING SEAT - MONOGRAM (D27)
	M86288-03-D28	EA COVER-HEADREST, BUCKET SEAT - RECLINING SEAT - MONOGRAM (D28)
	081172-01-000	EA TRIM-HEADREST, PLASTIC - BLACK
	091313-01-000	EA GROMMET-HEADREST

**1993 ITASCA
TABLE OF CONTENTS**

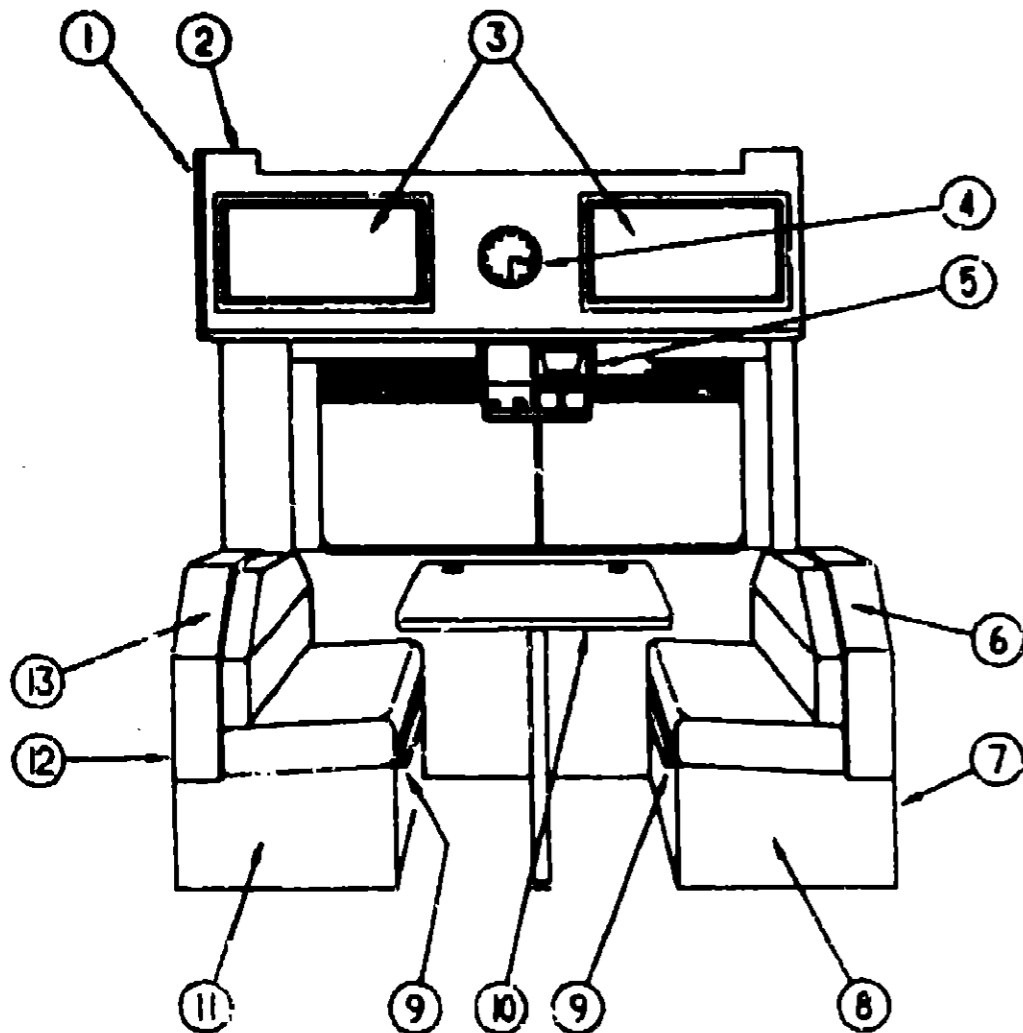
INTRODUCTION	A-01 - A-02
ABBREVIATIONS	A-03
ALPHABETICAL INDEX	A-04 - A-08
IC422RG	A-07 - E-02
IC422RS	E-03 - H-18

1993 IC422RG INDEX

FLOOR PLAN	E-03 - E-04
ACCESSORIES	E-05
AUDIO VIDEO	E-06
BATH	E-07 - E-08
CHASSIS	E-09 - E-13
CURTAIN & CUSHION	E-14 - E-24
DINETTE	F-01 - F-02
DRIVERS COMPARTMENT	F-03 - F-06
ELECTRICAL	F-07 - F-10
EXTERIOR BODY	F-11 - F-19
GALLEY	F-20 - F-23
GENERATOR	F-24
HEATING & A/C	G-01 - G-02
INTERIOR FINISH	G-03 - G-05
LABELS	G-06 - G-13
LP	G-14
LOUNGE	G-15
SEALANTS & FASTENERS	G-16 - G-19
WATER & SEWAGE	G-20 - G-24
WINDOW, VENT AND EXTERIOR DOOR	H-01 - H-18

KEY	PART NUMBER	U/M DESCRIPTION
8	M80008-08-000	EA FRAME-SEAT & BACK & SPRING
8	M80008-08-000	EA FRAME-SEAT & BACK & SPRING - RECLINING
9	097883-03-000	EA BRACKET-REMOTE- SIDE MOUNT - SINGLE
10	089388-04-000	EA SWITCH & CABLE-SLIDE, SHROCK
	101125-01-000	EA RECLINER-SEAT BACK, LEFT HAND REMOTE FROM: 00-00-00 THRU: 06-21-92
	080730-02-000	EA RECLINER-SEAT BACK, LEFT HAND FROM: 08-22-92 THRU: 99-99-99
11	080730-03-700	EA HANDLE KIT-RECLINER
	080730-04-000	EA SCREW-RECLINER, HANDLE - KEIPER 300818-07
12	108049-01-000	EA SWITCH & CABLE-SWIVEL, 28" - FLEXSTEEL PED 23802
	108049-02-000	EA CLIP-CABLE, PEDESTAL - FLEXSTEEL 2592-CA
13	089585-41-000	EA PLATE-PASE FROM: 00-00-00 THRU: 02-21-93
	089585-02-000	EA PEDESTAL-LOWER, W/EXTENSION - 9" X 5" - STEEL (CHEVY) MOUNTS BETWEEN UPPER PEDESTAL AND BASEPLATE FROM: 00-00-00 THRU: 02-21-93
	089585-03-000	EA PEDESTAL-LOWER, W/EXTENSION - 9" X 5" - STEEL (FORD) MOUNTS BETWEEN UPPER PEDESTAL AND BASEPLATE FROM: 07-30-00 THRU: 02-21-93
	089995-29-000	EA BAR-SEATBELT, 18" LONG FROM: 00-00-00 THRU: 02-21-93

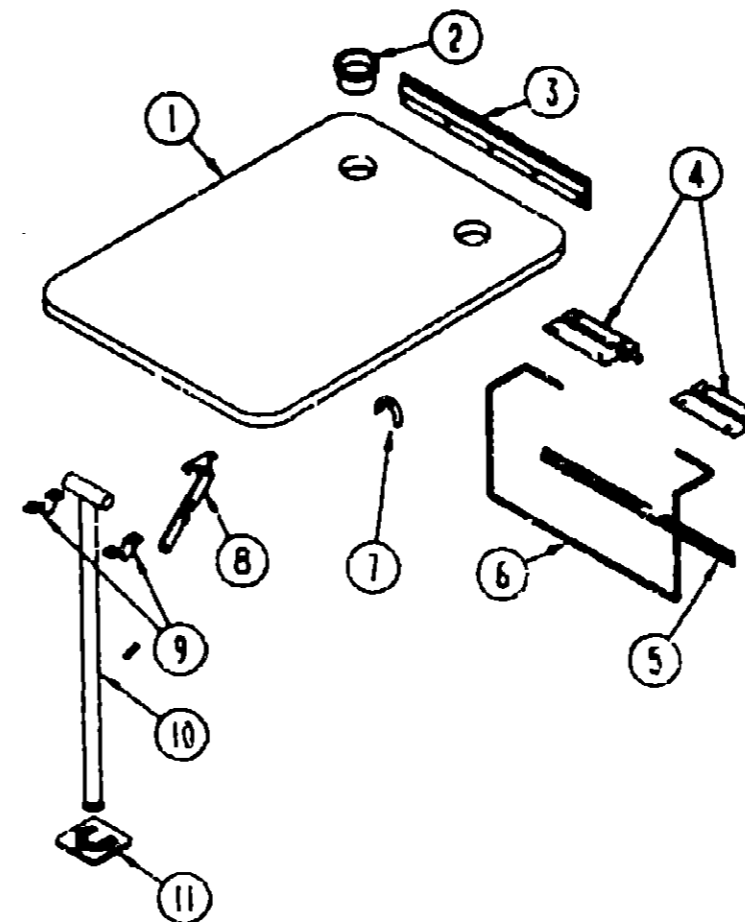
DINETTE GROUP



DINETTE CABINETS & FIXTURES

KEY	PART NUMBER	U/M DESCRIPTION
1	104335-09-C03	EA END CAP-CABINET, OVERHEAD
2	M05778-10-D27	EA CABINET-OVERHEAD, DINETTE - W/O DOOR & HARDWARE FROM: 00-00-00 THRU: 11-22-92
2	M05778-54-D27	EA CABINET-OVERHEAD, DINETTE - W/O DOOR & HARDWARE FROM: 11-23-92 THRU: 99-99-99
2	M05778-10-D28	EA CABINET-OVERHEAD, DINETTE - W/O DOOR & HARDWARE FROM: 00-00-00 THRU: 11-22-92
2	M05778-64-D28	EA CABINET-OVERHEAD, DINETTE - W/O DOOR & HARDWARE FROM: 11-23-92 THRU: 99-99-99
3	P05223-42-D04	EA DOOR-CABINET, W/O HARDWARE - 400 X 710MM
4	104784-01-01A	EA CLOCK-WALL, SPARTIUS 5616-42 FROM: 00-00-00 THRU: 04-18-93
4	101333-01-000	EA BACKPLATE-CLOCK, 6" X 6" - PLASTIC - BLACK FROM: 00-00-00 THRU: 04-18-93
4	100793-02-01A	EA CLOCK-WALL, 11" DIAMETER - BOLDEN 9988 FROM: 04-19-93 THRU: 93-99-99
5	103790-01-02A	EA MAKER-COFFEE, GRAY - W/GLASS PUT
8	104787-01-D09	EA PAD-BACKREST, RIGHT SIDE (D27)
8	104787-01-D11	EA PAD-BACKREST, RIGHT SIDE (D28)
7	M04174-17-C03	EA CABINET-BACKREST, RIGHT SIDE
8	M04175-17-C03	EA CABINET-SEATBASE, RIGHT SIDE
	081518-01-B03	EA SEAT ASM
9	081295-01-AA8	EA SUPPORT-BED, DINETTE - 28"
10	M81299-10-D05	EA TABLE-DINETTE, W/O HARDWARE (D27)
10	M81299-10-D04	EA TABLE-DINETTE, W/O HARDWARE (D28)
11	M04175-18-C03	EA CABINET-SEATBASE, LEFT SIDE
	081518-01-B03	EA SEAT ASM
12	M04174-18-C03	EA CABINET-BACKREST, LEFT SIDE
13	104787-02-D27	EA PAD-BACKREST, LEFT SIDE
13	104787-02-D28	EA PAD-BACKREST, LEFT SIDE

DINETTE GROUP (CONTINUED)



DINETTE TABLE & HARDWARE

KEY	PART NUMBER	U/M DESCRIPTION
1	M81299-10-D05	EA TABLE-DINETTE, W/O HARDWARE (D27)
1	M81299-10-D04	EA TABLE-DINETTE, W/O HARDWARE (D28)
2	064781-06-000	EA HOLDER-CUP, TWO STEP - OFF WHITE
3	053200-12-000	EA BRACKET-TABLE SUPPORT, UPPER WALL MOUNTED - 23 5" - OFF WHITE
4	088410-02-000	EA BRACKET-LIFT, TABLE MOUNTED - OFF WHITE
5	024281-14-000	EA BRACKET-LIFT ROD, LOWER WALL MOUNTED - 22 12" - OFF WHITE
6	024275-12-000	EA ROD-TABLE LIFT, OFF WHITE
7	024283-01-000	EA CLIP-LEG, 1" - 1.125" OD - BLACK
8	024282-01-000	EA BRACE-TABLE LEG, HINGED
9	064050-05-000	EA CLAMP-SADDLE, LEG HINGE - OFF WHITE
10	024278-22-000	EA LEG-TABLE, METAL - OFF WHITE
11	049493-12-000	EA CATCH-LEG-FLOOR MOUNTED - 2 5" X 2 7" - METAL - OFF WHITE
11	049493-11-700	EA CATCH-LEG-FLOOR MOUNTED - 2 5" X 2 7" - METAL - E-COAT

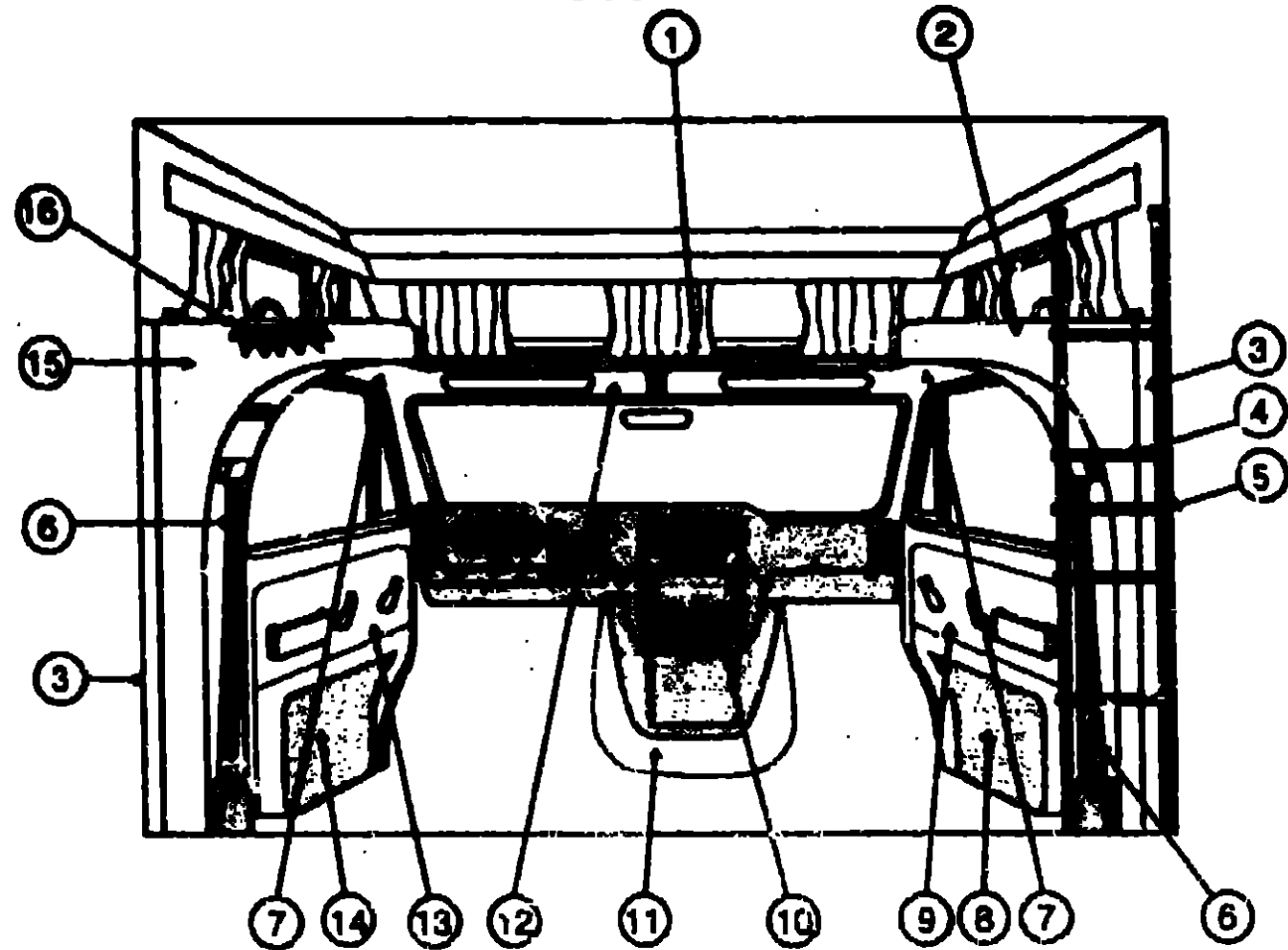
**1993 ITASCA
TABLE OF CONTENTS**

INTRODUCTION	A-01 - A-02
ABBREVIATIONS	A-03
ALPHABETICAL INDEX	A-04 - A-08
IC424RC	A-07 - E-02
IC422RG	E-03 - H-16

1993 IC422RG INDEX

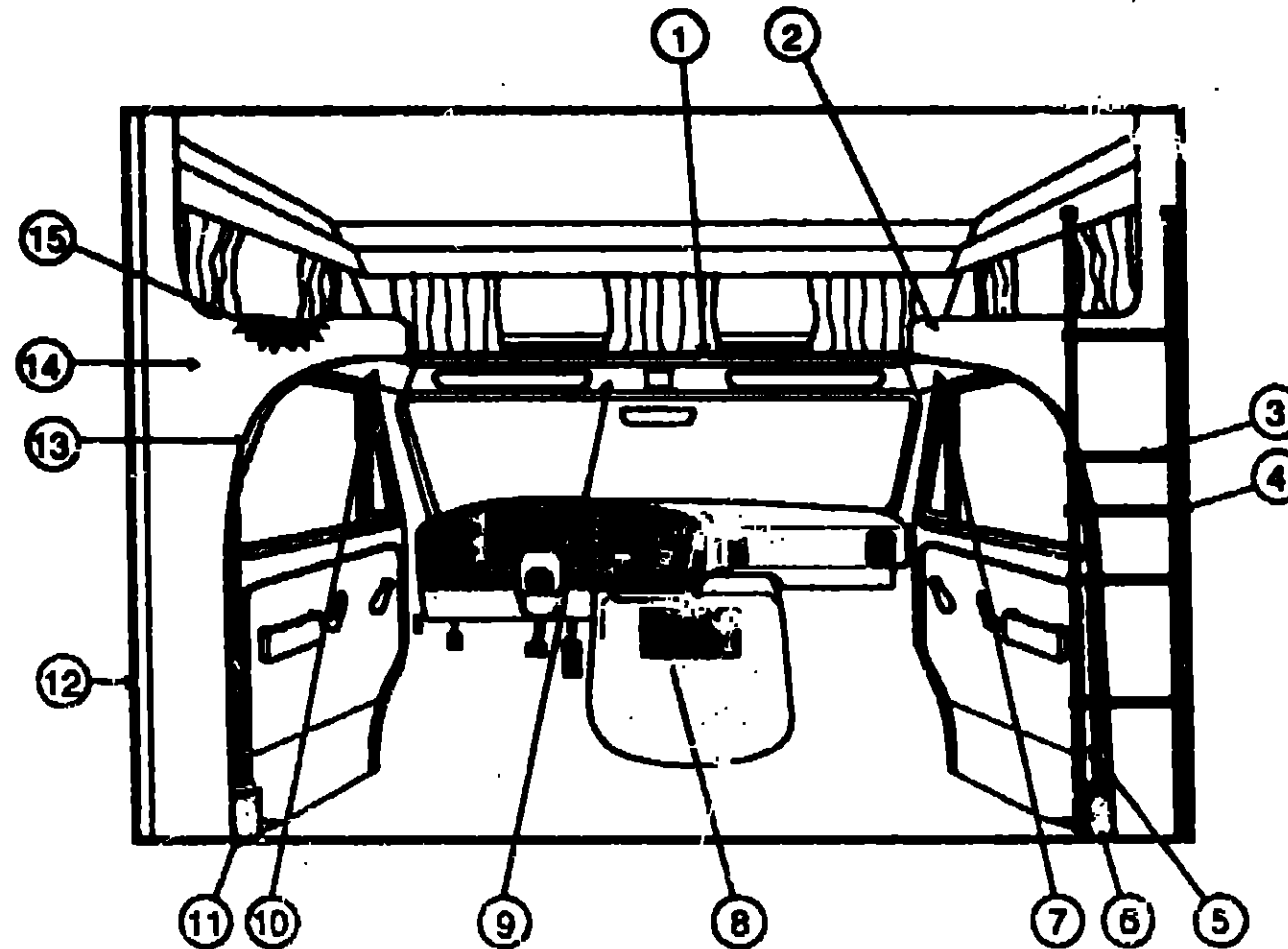
FLOOR PLAN	E-03 - E-04
ACCESSORIES	E-05
AUDIO VIDEO	E-06
BATH	E-07 - E-08
CHASSIS	E-09 - E-13
CURTAIN & CUSHION	E-14 - E-24
DINETTE	F-01 - F-02
DRIVERS COMPARTMENT	F-03 - F-06
ELECTRICAL	F-07 - F-10
EXTERIOR BODY	F-11 - F-19
GALLEY	F-20 - F-23
GENERATOR	F-24
HEATING & A/C	G-01 - G-02
INTERIOR FINISH	G-03 - G-05
LABELS	G-06 - G-13
LP	G-14
LOUNGE	G-15
SEALANTS & FASTENERS	G-16 - G-19
WATER & SEWAGE	G-20 - G-24
WINDOW, VENT AND EXTERIOR DOOR	H-01 - H-16

DRIVERS COMPARTMENT



CHEVY DRIVERS COMPARTMENT

DRIVERS COMPARTMENT (CONTINUED)



FORD DRIVERS COMPARTMENT

**1983 IC422RG
TABLE OF CONTENTS**

INTRODUCTION	A-01 - A-02
ABBREVIATIONS	A-03
ALPHABETICAL INDEX	A-04 - A-08
IC424RC	A-07 - E-02
IC422RG	E-03 - H-16

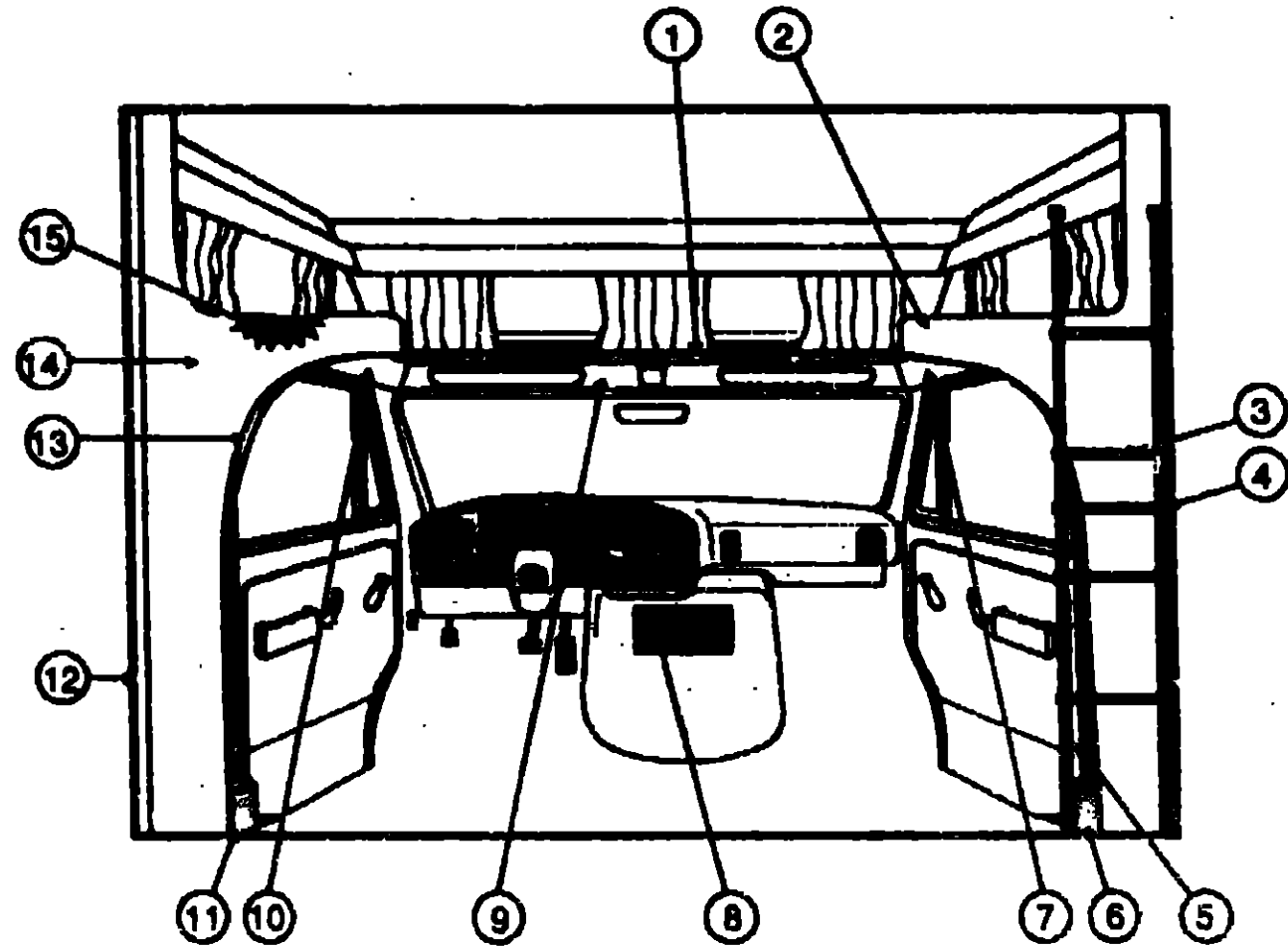
1983 IC422RG INDEX

FLOOR PLAN	E-03 - E-04
ACCESSORIES	E-05
AUDIO VIDEO	E-06
BATH	E-07 - E-08
CHASSIS	E-09 - E-13
CURTAIN & CUSHION	F-01 - F-02
DINETTE	F-14 - F-24
DRIVERS COMPARTMENT	F-03 - F-06
ELECTRICAL	F-07 - F-10
EXTERIOR BODY	F-11 - F-19
GALLEY	F-20 - F-23
GENERATOR	F-24
HEATING & A/C	G-01 - G-02
INTERIOR FINISH	G-03 - G-05
LABELS	G-06 - G-13
LP	G-14
LOUNGE	G-15
SEALANTS & FASTENERS	G-16 - G-19
WATER & SEWAGE	G-20 - G-24
WINDOW, VENT AND EXTERIOR DOOR	H-01 - H-16

KEY	PART NUMBER	U/M DESCRIPTION
1	106444-01-01A	EA TRIM-SLEEPERBOARD, INNER OFF WHITE FROM: 00-00-00 THRU: 09-05-92
1	079800-07-000	EA TRIM-SLEEPERBOARD, INNER - MET./L - OFF WHITE FROM: 09-06-92 THRU: 99-99-99
1	080742-03-000	FT TRIM-VINYL, SLEEPER BOARD - OFF WHITE
2	105864-01-D27	EA WINGWALL ASM-INNER, RIGHT
2	106864-01-D26	EA WINGWALL ASM-INNER, RIGHT
3	092081-26-C03	EA COVER-WINGWALL, VINYL TRIM - OFF WHITE
4	106025-01-01A	EA LADDER-BUNK, BLACK - 1434 MM
4	106025-01-700	EA BRACKET SET, F/BUNK LADDER
5	099856-03-000	EA STRAP ASM-TIEDOWN, BUNK LADDER
6	076302-03-000	EA BELT-SEAT, DRIVER AND PASSENGER
6	087932-03-000	EA BRACKET ASM-SHOULDER HARNESS, ANGLE W/WELDED NUT & GUSSET - LEFT
6	087932-04-000	EA BRACKET ASM-SHOULDER HARNESS, ANGLE W/WELDED NUT & GUSSET - RIGHT
7	091825-02-A35	EA HEADLINER-VINYL COVERED, SIDE - 2 USED - OFF WHITE
8	082552-02-B06	EA PANEL-DOOR, CAB (D27)
8	082552-02-C43	EA PANEL-DOOR, CAB (D28)
9	059491-01-D27	EA PANEL-SIDE, DOOR - RIGHT
9	059491-01-D28	EA PANEL-SIDE, DOOR - RIGHT
10	100516-01-B27	EA TRAY-BEVERAGE (D04)
10	100516-01-B55	EA TRAY-BEVERAGE (D05)
10	046866-03-000	EA ASHTRAY-CHROME, W/COVER
11	074891-07-B27	EA COVER-MOTOR (D04)
11	074891-07-B06	EA COVER-MOTOR (D05)
12	091629-01-D05	EA HEADLINER-VINYL COVERED, FRONT - OFF WHITE
13	059492-01-D27	EA PANEL-SIDE, DOOR - LEFT
13	059492-01-D28	EA PANEL-SIDE, DOOR - LEFT
14	082552-03-B06	EA PANEL-DOOR, CAB (D27)
14	082552-03-C43	EA PANEL-DOOR, CAB (D28)
15	106834-02-D27	EA WINGWALL ASM-INNER, LEFT
15	106864-02-D26	EA WINGWALL ASM-INNER, LEFT
16	106894-02-D27	EA CABINET-PANFEL, FRONT FROM: 09-06-92 THRU: 99-99-99
16	106894-02-D28	EA CABINET-PANFEL, FRONT FROM: 09-06-92 THRU: 99-99-99

KEY	PART NUMBER	U/M DESCRIPTION
1	106444-01-01A	EA TRIM-SLEEPERBOARD, INNER - OFF WHITE FROM: 00-00-00 THRU: 09-05-92
1	079800-07-000	EA TRIM-SLEEPERBOARD, INNER - OFF WHITE FROM: 09-06-92 THRU: 99-99-99
1	080742-03-000	FT TRIM-VINYL, SLEEPER BOARD - OFF WHITE
2	106440-03-D27	EA WINGWALL ASM-INNER, RIGHT
2	106440-03-D28	EA WINGWALL ASM-INNER, RIGHT FROM: 00-00-00 THRU: 09-05-92
2	109803-01-D27	EA WINGWALL ASM-INNER, UPPER FROM: 00-00-00 THRU: 09-05-92
2	109803-01-D28	EA WINGWALL ASM-INNER, UPPER FROM: 09-06-92 THRU: 99-99-99
2	109805-03-D27	EA WINGWALL ASM-INNER, RIGHT LOWER FROM: 09-06-92 THRU: 99-99-99
2	109805-03-D28	EA WINGWALL ASM-INNER, RIGHT LOWER FROM: 09-06-92 THRU: 99-99-99
2	106445-01-C52	EA TRIM ASM-WINGWALL WRAP, RIGHT - BETWEEN CAB STEEL & B PILLAR TRIM
2	103804-01-D27	EA CAP-SLEEPERBOARD, DRIVER/PASSENGER SIDE - 80 X 596MM FROM: 09-06-92 THRU: 99-99-99
2	103804-01-D28	EA CAP-SLEEPERBOARD, DRIVER/PASSENGER SIDE - 80 X 596MM FROM: 09-05-92 THRU: 99-99-99
3	106025-02-01A	EA LADDER-BUNK, BLACK - 1434 MM
3	106025-01-700	EA BRACKET SET FOR BUNK LADDER
4	099856-03-000	EA STRAP ASM-TIEDOWN, BUNK LADDER
5	106448-01-C52	EA TRIM ASM-CAB, B-PILLAR - RIGHT
6	106431-01-01A	EA COVER-SEATBELT RECOIL, RIGHT - OFF WHITE
7	106447-01-C52	EA TRIM ASM-CAB DOOR, UPPER - RIGHT
8	106999-01-D01	EA TRAY-BEVERAGE, OAK
8	106448-01-C52	EA HEADLINER-VINYL COVERED, FRONT - OFF WHITE

DRIVERS COMPARTMENT (CONTINUED)



FORD DRIVERS COMPARTMENT (CONTINUED)

KEY	PART NUMBER	UIM DESCRIPTION
10	106447-02-C52	EA TRIM ASM-CAB DOOR, UPPER - LEFT
11	106431-02-G1A	EA COVER-SEATBELT RECOIL, LEFT - OFF WHITE
12	082081-20-C03	EA COVER-WINGWALL, 2002MM LONG - VINYL - OFF WHITE
13	106446-02-C52	EA TRIM ASM-CAB, B-PILLAR - RIGHT
14	106440-04-D27	EA WINGWALL ASM-INNER, LEFT
14	106440-04-D28	EA WINGWALL ASM-INNER, LEFT
14	109803-01-D27	EA WINGWALL ASM-INNER, UPPER
14	109803-01-D28	EA WINGWALL ASM-INNER, UPPER
14	109805-04-D27	EA WINGWALL ASM-INNER, RIGHT
14	109805-04-D28	EA WINGWALL ASM-INNER, RIGHT
15	106445-02-C52	EA TRIM ASM-WINGWALL WRAP, LEFT - BETWEEN CAB STEEL & B PILLAR TRIM
15	109894-01-D27	EA CABINET-HAMPER, FRONT
15	109894-01-D28	EA CABINET-HAMPER, FRONT

DRIVERS COMPARTMENT (CONTINUED)

INSTRUMENT CLUSTERS

KEY	PART NUMBER	UIM DESCRIPTION
	094795-05-000	EA CLUSTER-INSTRUMENT PANEL, KILOMETER - 92 GAS CHEVY
	094795-08-000	EA CLUSTER-INSTRUMENT PANEL, KILOMETER - 92 DIESEL CHEVY
	094795-03-000	EA CLUSTER-INSTRUMENT PANEL, KILOMETER - FORD 92 E360
	094795-04-000	EA CLUSTER-INSTRUMENT PANEL, KILOMETER - FORD 93 E350
	094795-01-000	EA SPEEDOMETER-KILOMETER (FORD)
	16885-01-000	EA PLAQUE-MOUNTING, SWITCH - BATTERY/FUEL SWITCHES (CHEVY)
	11082-01-000	EA PLAQUE-MOUNTING, BATTERY/FUEL SWITCH - 2.4" X 1.4" - BLACK (FORD)
	100138-01-000	EA MODULE-DAYTIME RUNNING LIGHT
	024461-01-000	EA SWITCH-BATTERY, BATT/DUAL/MOM

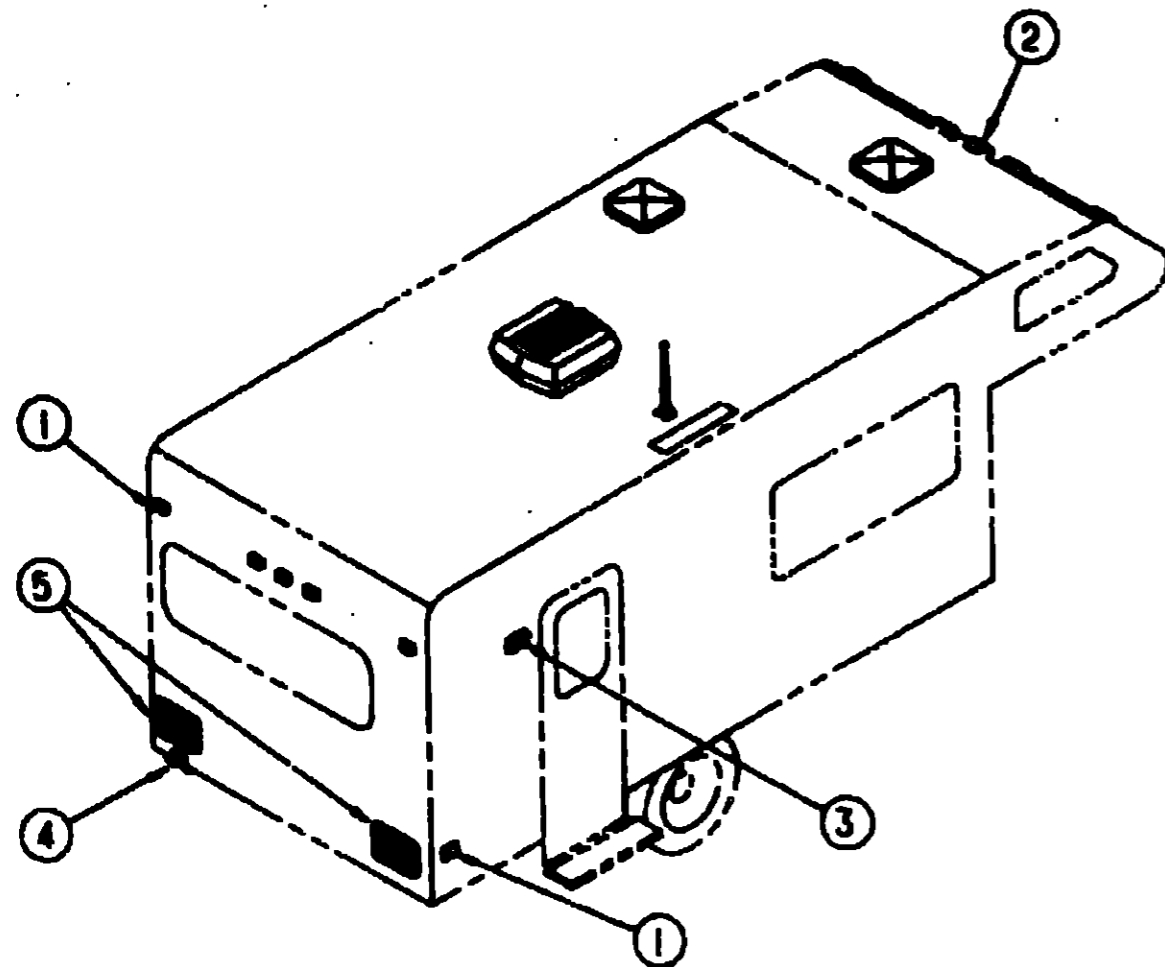
**1993 ITASCA
TABLE OF CONTENTS**

INTRODUCTION	A-01 - A-02
ABBREVIATIONS	A-03
ALPHABETICAL INDEX	A-04 - A-06
IC424RC	A-07 - E-02
IC422RG	E-03 - H-16

1993 IC422RG INDEX

FLOOR PLAN	E-03 - E-04
ACCESSORIES	E-05
AUDIO VIDEO	E-06
BATH	E-07 - E-08
CHASSIS	E-09 - E-13
CURTAIN & CUSHION	E-14 - E-24
DINETTE	F-01 - F-02
DRIVERS COMPARTMENT	F-03 - F-06
ELECTRICAL	F-07 - F-10
EXTERIOR BODY	F-11 - F-19
GALLEY	F-20 - F-23
GENERATOR	F-24
HEATING & A/C	G-01 - G-02
INTERIOR FINISH	G-03 - G-06
LABELS	G-06 - G-13
LP	G-14
LOUNGE	G-15
SEALANTS & FASTENERS	G-16 - G-19
WATER & SEWAGE	G-20 - G-24
WINDOW, VENT AND EXTERIOR DOOR	H-01 - H-16

ELECTRICAL GROUP



EXTERIOR LIGHTS

KEY	PART NUMBER	U/M	DESCRIPTION
1	091983-01-000	EA	GASKET-CLEARANCE/SIDEMARKER LIGHT
1	042405-01-000	EA	LENS-CLEARANCE/SIDEMARKER LIGHT, W/REFLEX - RED
1	042405-03-000	EA	BASE-CLEARANCE/SIDEMARKER LIGHT, W/BULB - PLASTIC - WHITE
1	111102-01-000	EA	BASE-CLEARANCE/SIDEMARKER LIGHT, W/BULB - PLASTIC
			FROM: 00-00-00 THRU: 05-16-93
			FROM: 05-17-93 THRU: 99-99-99
	008213-01-000	EA	BULB-12 V, NO. 57 - .24 AMP
2	091983-01-000	EA	GASKET-CLEARANCE/SIDEMARKER LIGHT
2	042405-02-000	EA	LENS-CLEARANCE/SIDEMARKER LIGHT, W/REFLEX - AMBER
2	042405-03-000	EA	BASE-CLEARANCE/SIDEMARKER LIGHT, W/BULB - PLASTIC - WHITE
	008213-01-000	EA	BULB-12 V, NO. 57 - .24 AMP
3	097917-01-01A	EA	LIGHT-PORCH, ENTRY DOOR - OFF WHITE
3	008215-01-000	EA	BULB-12V-#1003, 94AMP
3	097917-01-700	EA	LENS-LIGHT, PORCH
4	088432-01-000	EA	LIGHT-LICENSE PLATE, W/BRACKET
	088432-03-000	EA	BRACKET-LIGHT, LICENSE PLATE
5	081638-01-000	EA	TAILLIGHT-DOUBLE, W/BLACK TRIM - DRIVER & PASS SIDE
	037834-01-000	EA	BULB# 1156 (BACK UP & TURN SIGNAL)
	037836-01-000	EA	BULB# 2057 OR 1157 (BRAKE LIGHT)
5	081638-01-700	EA	LENS-TAILLIGHT, RED
5	081638-01-701	EA	LENS-TAILLIGHT, W/BACKUP
	103355-01-01A	EA	POD-TAILLIGHT, OFF WHITE

ELECTRICAL GROUP (CONTINUED)

INTERIOR LIGHTS

KEY	PART NUMBER	U/M	DESCRIPTION
	008108-01-000	EA	BULB-DASH/INSTRUMENT LIGHT, #53 - 12 V - .12 AMP
	088024-01-01A	EA	LIGHT-DOME, 1 BULB - US - IVORY
	008218-01-000	EA	BULB-DOME LIGHT, 12V - NUMBER 1141
	088024-01-700	EA	LENS-DOME LIGHT
	088024-03-01A	EA	LIGHT-DOME, 2 BULB - IVORY
	008218-01-000	EA	BULB-DOME LIGHT, 12V - NUMBER 1141
	088024-01-700	EA	LENS-DOME LIGHT
	088280-01-000	EA	LIGHT-SURFACE MOUNT, 12V - JENSEN 1238
	088280-01-700	EA	BULB-12V, 8 WATT

SWITCHES, RECEPTACLES & COVER PLATES

KEY	PART NUMBER	U/M	DESCRIPTION
	075723-01-000	EA	BLOCK-SWITCH, SPACER W/O HOLE
	097734-01-01A	EA	EXTENSION-RECEPTACLE, 3.2" X 5" X .7" - PLASTIC - IVORY
	097734-01-02A	EA	EXTENSION-RECEPTACLE, 3.2" X 5" X .7" - PLASTIC - BROWN
	075738-02-000	EA	COVER-EXTERIOR RECEPTACLE, OFF WHITE
	007940-01-000	EA	RECEPTACLE-SLIDE, 18 TO 12 AWG - FEMALE END
	024824-02-000	EA	RECEPTACLE-POWER CORD, W/PARTIAL PLATE
	058707-01-000	EA	RECEPTACLE-ELECTRIC, SINGLE - BROWN
	058708-01-000	EA	RECEPTACLE-ELECTRIC, DOUBLE - BROWN
	058708-02-000	EA	RECEPTACLE-ELECTRIC, DOUBLE - IVORY
	080015-02-000	EA	RECEPTACLE-FLAG, .185 - 16/14 GA - AMP 3
	080015-03-000	EA	RECEPTACLE-FLAG, .250 - 14/16 GA
	084076-01-000	EA	RECEPTACLE-GFI, 15A - 125V - IVORY
	084076-02-000	EA	RECEPTACLE-GFI, 15A - 125V - BROWN
	095189-01-01A	EA	SPACER-SWITCH, 2.3" X 3.4" - PLASTIC - DARK BROWN
	102568-01-B10	EA	SPACER-RECEPTACLE, BETWEEN SIDEWALL & PLATE - W/O HOLE
	077942-01-000	EA	SWITCH-DUMMY, BLACK
	078384-01-000	EA	SWITCH-ON/OFF ROCKER, 2 PRONGS - BROWN
	078384-03-000	EA	SWITCH-ON/OFF ROCKER, 3 PRONGS - BROWN
	108355-01-000	EA	HOUSING-SWITCH, CARLING VCH
	098241-07-000	EA	SWITCH-ROCKER, DPDT - ON/OFF - BLACK
	108357-08-000	EA	SWITCH-ROCKER, DPDT ON/NONE/ON - VDD1S00C-0
	108356-02-01A	EA	ACTUATOR-SWITCH, DIMPLE II - CARLING VVAZC00 BLACK
	108355-01-000	EA	HOUSING-SWITCH
	084077-01-000	EA	PLATE-COVER, RECEPTACLE - GFI - IVORY
	084077-02-000	EA	PLATE-COVER, RECEPTACLE - GFI - BROWN
	098351-01-01A	EA	PLATE-SWITCH, 1 GANG - POLISHED BRASS
	098351-06-01A	EA	PLATE-SWITCH, 2 GANG - W/LABEL - POLISHED BRASS
	054520-04-000	EA	COVER-ANGLED, W/O HOLE - 3.6" X 4.5" - PLASTIC - OFF WHITE

CONTROL CENTER & CONVERTER

KEY	PART NUMBER	U/M	DESCRIPTION
	083208-01-000	EA	CONVERTER-POWER, 32A - 120V/12V - BW 6332
	094809-01-000	EA	CENTER-LOAD, 240V - 125 AMP - TPL412GT (EXPORT OPTION)

WIRING ASSEMBLIES

KEY	PART NUMBER	U/M	DESCRIPTION
	100051-01-000	EA	WIRE ASM-DAYTIME RUNNING LIGHTS-W/FUSE

**1993 ITASCA
TABLE OF CONTENTS**

INTRODUCTION	A-01 - A-02
ABBREVIATIONS	A-03
ALPHABETICAL INDEX	A-04 - A-06
IC424RC	A-07 - E-02
IC422RG	E-03 - H-18

1993 IC422RG INDEX

FLOOR PLAN	E-03 - E-04
ACCESSORIES	E-05
AUDIO VIDEO	E-06
BATH	E-07 - E-08
CHASSIS	E-09 - E-13
CURTAIN & CUSHION	E-14 - E-24
DINETTE	F-01 - F-02
DRIVERS COMPARTMENT	F-03 - F-06
ELECTRICAL	F-07 - F-10
EXTERIOR BODY	F-11 - F-19
GALLEY	F-20 - F-23
GENERATOR	F-24
HEATING & A/C	G-01 - G-02
INTERIOR FINISH	G-03 - G-06
LABELS	G-08 - G-13
LP	G-14
LOUNGE	G-15
SEALANTS & FASTENERS	G-18 - G-19
WATER & SEWAGE	G-20 - G-24
WINDOW, VENT AND EXTERIOR DOOR	H-01 - H-18

ELECTRICAL GROUP (CONTINUED)

FUSES & CIRCUIT BREAKERS

KEY	PART NUMBER	U/M	DESCRIPTION
	08801-08-000	EA	FUSE-5 AMP-AUTOMOTIVE
	08801-08-000	EA	FUSE-15 AMP-AUTOMOTIVE
	08826-01-000	EA	FUSE-15 AMP-AUTOMOTIVE-12V
	100841-01-000	EA	FUSE HOLDER-IN LINE TYPE
	08807-01-000	EA	HOUSING-AUTO FUSE, NATURAL
	08808-08-000	EA	TERMINAL-PACK CON. - 16/14 AWG
	107185-01-01A	EA	BOX-CIRCUIT BREAKER MOUNT-BLACK
	08864-01-000	EA	BREAKER-CIRCUIT, 8 AMP - HOUSE CONTROL PANEL
	08809-01-000	EA	BREAKER-CIRCUIT, 15 AMP - 120V - BW G-15(CANADIAN)
	08809-08-000	EA	BREAKER-CIRCUIT, 15/20AMP - 120V - BW - 0-15/20
	08809-04-000	EA	BREAKER-CIRCUIT, 30AMP - 120V - BW L-30
	08809-08-000	EA	BREAKER-CIRCUIT, 15/15AMP - 120V - BW H-15/15
	08809-08-000	EA	BREAKER-CIRCUIT, 30/15 AMP - 120V - BW D-30/15
	08809-08-000	EA	BREAKER-CIRCUIT, BLANK - BW
	08810-01-000	EA	BREAKER-CIRCUIT, 30AMP - 120V - GE THQL2130
	08811-01-000	EA	BREAKER-CIRCUIT, 20/20AMP - 120V - GE THQL2120
	08865-02-000	EA	BREAKER-CIRCUIT, 30 AMP - HOUSE CONTROL PANEL

ELECTRIC BOXES, COVERS & POWER CORDS

KEY	PART NUMBER	U/M	DESCRIPTION
	08828-01-000	EA	BOX-PLASTIC ELECTRIC, 3.84" X 3.13" X 1.81"
	08828-01-000	EA	BOX-ELECTRIC, STEEL - 1/2" AND 3/4" KNOCKOUTS - 4" X 4"
	08828-02-000	EA	BOX-ELECTRIC, 4" X 4" - 1/2" & 3/4" KNOCKOUTS - CANADIAN
	08848-01-000	EA	BOX-ELECTRIC SWITCH, 2" X 3" X 2.25"
	081810-01-000	EA	BOX-ELECTRIC, 3.75" X 3.5" X 1.75" - PLASTIC
	081810-02-000	EA	BOX-ELECTRIC, 57 X88MM - PLASTIC
	08803-01-000	EA	BOX-ELECTRIC, STEEL - 4" X 2 1/8" X 2 1/8"
	073828-04-000	EA	COVER-ELECTRIC, 10.4" X 7.8" - PLASTIC - BEIGE
	087948-01-000	EA	BUS BAR-2 POSITION, 8" X 1.5" - ALUMINUM
	08804-01-000	EA	CORD-POWER, 10/3 - 30 AMP - 25'
	08805-01-000	EA	CORD-POWER, 10/3 - 30 AMP - 25' - CANADIAN
	08823-01-000	EA	COVER-ELECTRICAL BOX, WHOLE - 4" X 4" - GRAY - USED W/30 AMP RECEPTACLE
	08824-02-000	EA	COVER-ELECTRICAL BOX, BLANK STEEL - 4" X 4" - CANADIAN
	08818-01-000	EA	SOLENOID-3 POST, BATTERY CHANGE OVER

CONDUIT

KEY	PART NUMBER	U/M	DESCRIPTION
	041853-01-000	FT	CONDUIT-CONVOLUTE SLIT - .5" ID
	041853-03-000	FT	CONDUIT-CONVOLUTE SLIT - 1" ID (CLOTHES ROD COVER)
	041853-05-000	FT	CONDUIT-CONVOLUTE SLIT - .82" ID
	041853-08-000	FT	CONDUIT-CONVOLUTE SLIT - .375" ID
	041853-07-000	FT	CONDUIT-CONVOLUTE SLIT - .25" ID
	041853-08-000	FT	CONDUIT-CONVOLUTE SLIT - 1.50" ID
	041853-09-000	FT	CONDUIT-CONVOLUTE SLIT - .50" ID
	041853-10-000	FT	CONDUIT-CONVOLUTE SLIT - .75" ID
	041853-11-000	FT	CONDUIT-CONVOLUTE SLIT - 1.08" ID
	041853-12-000	FT	CONDUIT-CONVOLUTE NON SLIT - 1.1" ID

ELECTRICAL GROUP (CONTINUED)

CONNECTORS, HOUSINGS, & TERMINALS

KEY	PART NUMBER	U/M	DESCRIPTION
	007842-01-000	EA	TAB WIRE, 18 TO 14 AWG
	007848-01-000	EA	TAB-HOUSING, 1 POSITION
	00812-01-000	EA	CONNECTOR-WIRE NUT, INSULATED - BLUE
	00855-01-000	EA	CONNECTOR-CABLE CLAMPING, 3/4"
	088028-01-000	EA	CONNECTOR-ELECTRICAL PIGTAIL, NYLON - CLEAR
	088475-01-000	EA	CONNECTOR-PIN, 14 TO 20 AWG
	088475-02-000	EA	CONNECTOR-PIN, 10 TO 12 AWG
	00888-01-000	EA	CONNECTOR-PLASTIC, 3/8" AVG
	088478-01-000	EA	CONNECTOR-SOCKET, BRASS - PRE-TIN
	088478-02-000	EA	CONNECTOR-SOCKET, 12-10 GA - PHOS. BRZ - PRE-TIN
	088420-01-000	EA	CONNECTOR-SWIVEL, 1/2" FPT X 5/8" TUBE - PLASTIC
	008311-01-000	EA	CONNECTOR-WIRE NUT, INSULATED - RED
	008314-01-000	EA	CONNECTOR-WIRE NUT, INSULATED - GRAY
	083810-01-000	EA	HOUSING-RELAY, BOSCH 3 334 485 008
	088473-01-000	EA	HOUSING-PIN, 4 ROWS OF 3
	088473-03-000	EA	HOUSING-PIN, 9 POSITION
	088473-05-000	EA	HOUSING-PIN, 6 POSITION (SINGLE ROW)
	088473-06-000	EA	HOUSING-PIN, 6 POSITION (TWO ROWS OF THREE)
	088473-07-000	EA	HOUSING-PIN, 5 CAVITY AMP 1-480763-0
	088473-08-000	EA	HOUSING-PIN, 4 POSITION
	088473-09-000	EA	HOUSING-PIN, 3 POSITION (SINGLE ROW)
	088473-10-000	EA	HOUSING-PIN, 2 POSITION
	088474-03-000	EA	HOUSING-SOCKET, 9 POSITION
	088474-08-000	EA	HOUSING-SOCKET, 6 POSITION (2 ROWS OF THREE)
	088474-07-000	EA	HOUSING-SOCKET, 5 CAVITY AMP 1-480764-0
	088474-08-000	EA	HOUSING-SOCKET, 4 POSITION (SINGLE ROW)
	088474-09-000	EA	HOUSING-SOCKET, 3 POSITION
	088474-10-000	EA	HOUSING-SOCKET, 2 POSITION
	008328-01-000	EA	TERMINAL-RING, 18/14 WIRE - 3/8" STUD
	008328-01-000	EA	TERMINAL-RING, 12/10 WIRE - #10 STUD FIT
	008331-01-000	EA	TERMINAL-RING, TONGUE - #4 WIRE - 3/8" STUD - COPPER
	008348-01-000	EA	TERMINAL-RING, 3/8" STUD - #2 WIRE CONNECTS CABLE TO DISCONNECT RELAY AND BATTERY
	035418-04-000	EA	TERMINAL-RING #10 STUD FIT, INSULATED BARREL #16/14
	047443-01-000	EA	TERMINAL-.250 RECEPTACLE FIT, INSULATED - 18/14 AWG
	047443-02-000	EA	TERMINAL-.250 RECEPTACLE FIT, INSULATED - 12/10 AWG
	090971-01-000	EA	SPLICE-CABLE, 110V
	090971-02-000	EA	SPLICE-CABLE, 110V - TAP

**1983 ITASCA
TABLE OF CONTENTS**

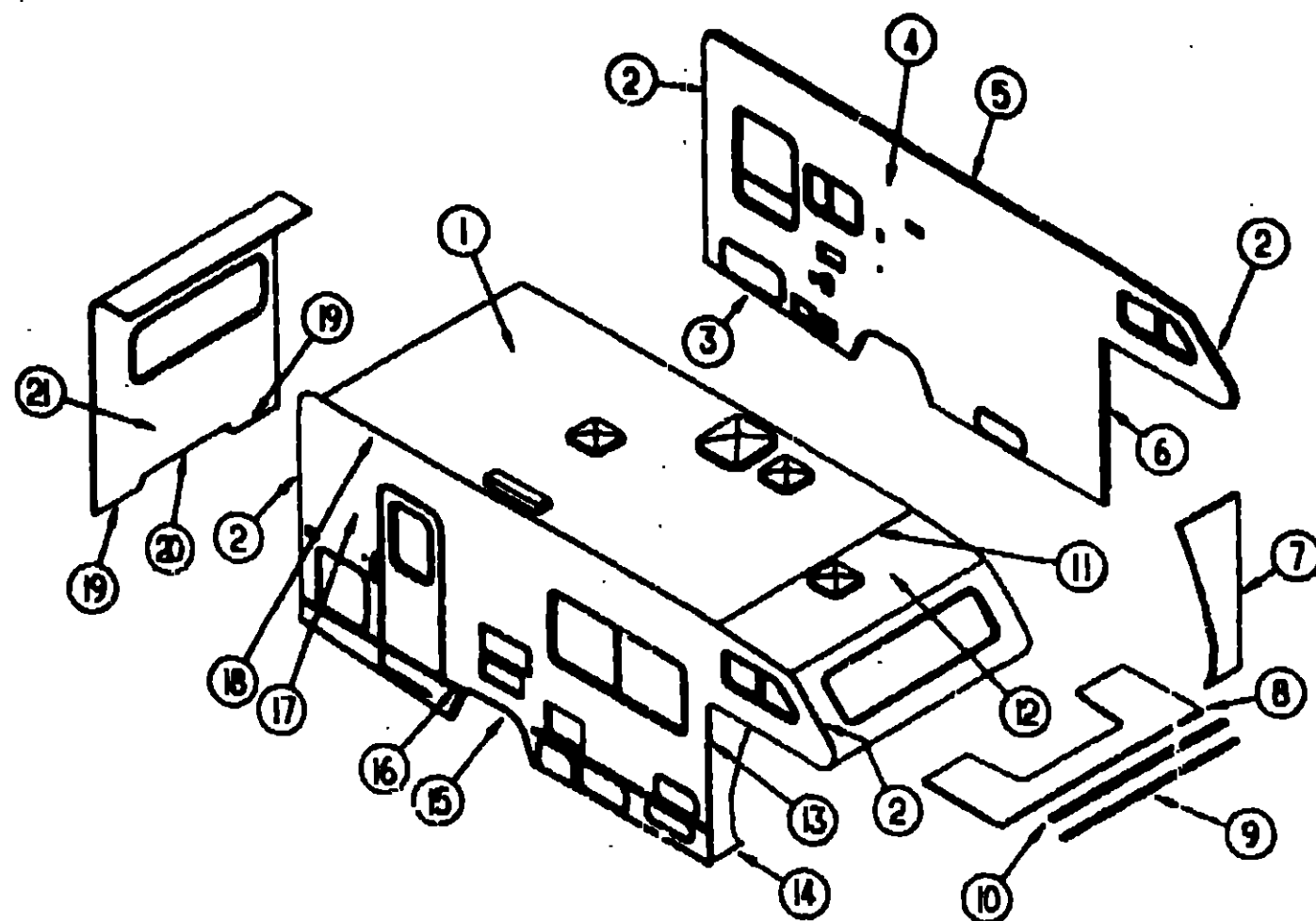
INTRODUCTION	A-01 - A-02
ABBREVIATIONS	A-03
ALPHABETICAL INDEX	A-04 - A-08
IC424RC	A-07 - E-02
IC422RG	E-03 - H-18

1983 IC422RG INDEX

FLOOR PLAN	E-03 - E-04
ACCESSORIES	E-05
AUDIO VIDEO	E-06
BATH	E-07 - E-08
CHASSIS	E-09 - E-13
CURTAIN & CUSHION	E-14 - E-24
DINETTE	F-01 - F-02
DRIVERS COMPARTMENT	F-03 - F-06
ELECTRICAL	F-07 - F-10
EXTERIOR BODY	F-11 - F-19
GALLEY	F-20 - F-23
GENERATOR	F-24
HEATING & A/C	G-01 - G-02
INTERIOR FINISH	G-03 - G-05
LABELS	G-06 - G-13
LP	G-14
LOUNGE	G-15
SEALANTS & FASTENERS	G-16 - G-19
WATER & SEWAGE	G-20 - G-24
WINDOW, VENT AND EXTERIOR DOOR	H-01 - H-16

EXTERIOR BODY GROUP

EXTERIOR BODY PANELS



1993 ITASCA TABLE OF CONTENTS

INTRODUCTION	A-01	A-02
ABBREVIATIONS		A-03
ALPHABETICAL INDEX	A-04	A-08
IC424RG	A-07	E-02
IC422RG	E-03	H-16

1993 IC422RG INDEX

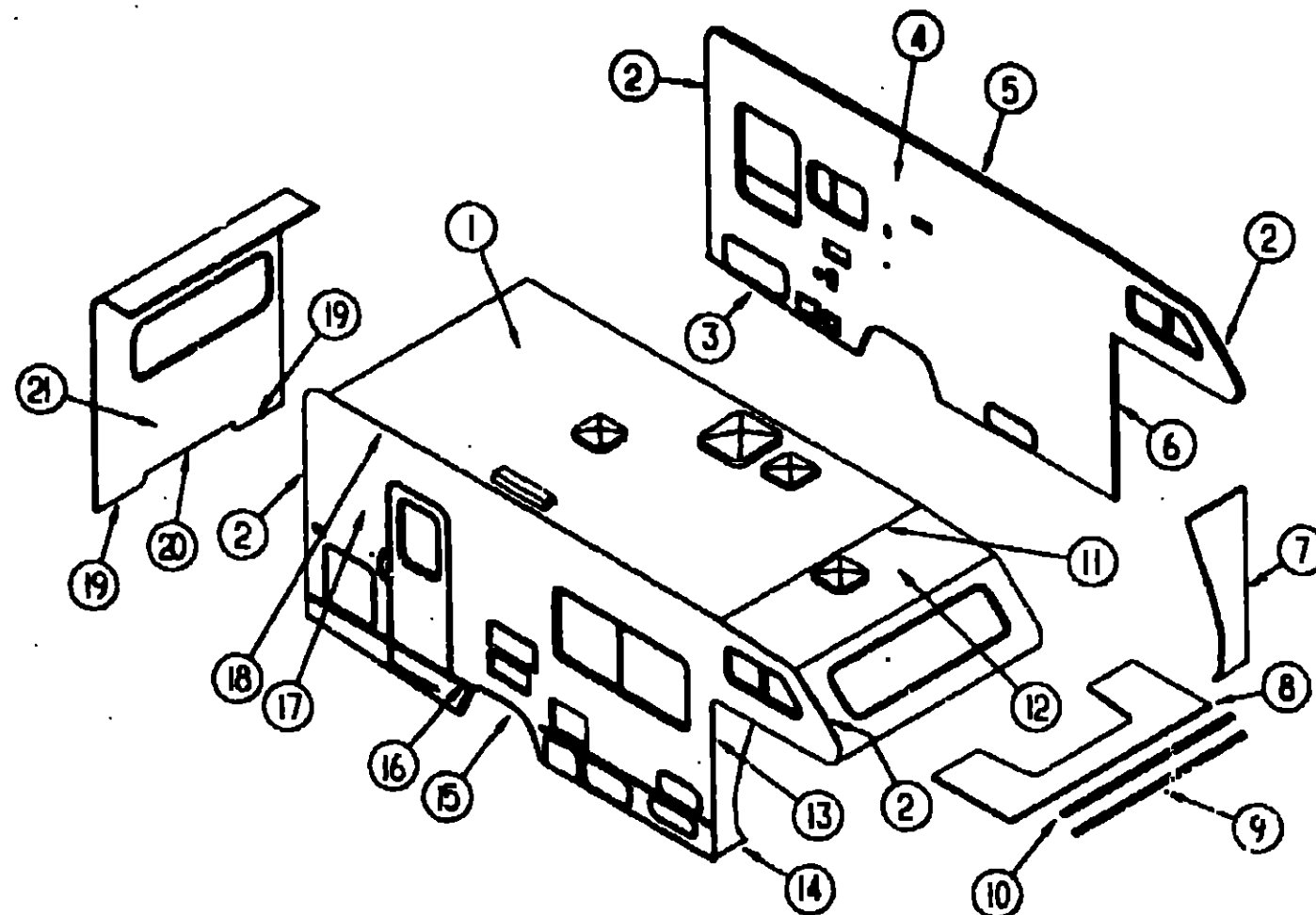
FLOOR PLAN	E-03	E-04
ACCESSORIES		E-05
AUDIO VIDEO		E-08
BATH	E-07	E-08
CHASSIS	E-09	E-13
CURTAIN & CUSHION	E-14	E-24
DINETTE	F-01	F-02
DRIVERS COMPARTMENT	F-03	F-08
ELECTRICAL	F-07	F-10
EXTERIOR BODY	F-11	F-19
GALLEY	F-20	F-23
GENERATOR		F-24
HEATING & A/C	G-01	G-02
INTERIOR FINISH	G-03	G-05
LABELS	G-06	G-13
LP		G-14
LOUNGE		G-15
SEALANTS & FASTENERS	G-16	G-18
WATER & SEWAGE	G-20	G-24
WINDOW, VENT AND EXTERIOR DOOR	H-01	H-16

KEY	PART NUMBER	U/M DESCRIPTION	
1	P08879-01-D27	EA ROOF ASM W/BASES	FROM: 00-00-00 THRU: 09-05-92
1	P08878-01-D27	EA ROOF ASM W/BASES	FROM: 09-06-92 THRU: 99-99-99
2	098854-01-01A	EA TRIM-CONTOUR- W/O VINYL INSERT - 108" - OFF WHITE	
2	105312-01-01A	FT INSERT-TRIM, VINYL - OFF WHITE	
3	098072-55-001	EA U-CHANNEL, EXTRUDED - 4877MM LONG - OFF WHITE	
3	098072-55-002	EA U-CHANNEL, EXTRUDED - 2900MM LONG - OFF WHITE	
4	P08842-01-D27	EA SIDEWALL-DRIVER SIDE, W/O WINDOW & DOORS	FROM: 00-00-00 THRU: 09-05-92
4	P09718-01-D27	EA SIDEWALL-DRIVER SIDE, W/O WINDOW & DOORS	FROM: 09-06-92 THRU: 99-99-99
4	P08842-01-D28	EA SIDEWALL-DRIVER SIDE, W/O WINDOW & DOORS	FROM: 00-00-00 THRU: 09-05-92
4	P09718-01-D28	EA SIDEWALL-DRIVER SIDE, W/O WINDOW & DOORS	FROM: 09-06-92 THRU: 99-99-99
4	P05739-08-D27	EA SIDEWALL-DRIVER SIDE, W/O WINDOW & DOORS (EUROPE EXPORT)	FROM: 00-00-00 THRU: 09-05-92
4	P05739-10-D27	EA SIDEWALL-DRIVER SIDE, W/O WINDOW & DOORS (EUROPE EXPORT)	FROM: 09-06-92 THRU: 99-99-99
4	P05739-08-D28	EA SIDEWALL-DRIVER SIDE, W/O WINDOW & DOORS (EUROPE EXPORT)	FROM: 00-00-00 THRU: 09-05-92
4	P05739-10-D28	EA SIDEWALL-DRIVER SIDE, W/O WINDOW & DOORS (EUROPE EXPORT)	FROM: 09-06-92 THRU: 99-99-99

KEY	PART NUMBER	U/M DESCRIPTION	
5	096864-01-01A	EA TRIM-CONTOUR, ROOF TO SIDEWALL - DR OR PASS - 120"	
	064675-54-003	EA STEEL-ANGLE, ROOF JOINT - 1220MM LONG - OFF WHITE	
	064675-54-004	EA STEEL-ANGLE, ROOF JOINT - 545MM LONG - OFF WHITE	
6	104479-04-01A	EA TRIM-CONTOUR, FRONT - DRIVER - OFF WHITE	FROM: 00-00-00 THRU: 09-05-92
6	104479-06-01A	EA TRIM-CONTOUR, FRONT - DRIVER - OFF WHITE	FROM: 09-06-92 THRU: 99-99-99
7	P05017-02-C03	EA WINGWALL-DRIVER SIDE, W/GUSSET (CHEVY)	FROM: 00-00-00 THRU: 09-05-92
7	P09858-02-D04	EA WINGWALL-DRIVER SIDE (CHEVY)	FROM: 09-06-92 THRU: 99-99-99
7	106438-02-C03	EA WINGWALL-DRIVER SIDE, W/GUSSET (FORD)	FROM: 00-00-00 THRU: 09-05-92
7	109659-02-D04	EA WINGWALL-DRIVER SIDE (FORD)	FROM: 09-06-92 THRU: 99-99-99
	089334-01-000	FT VINYL-EXTERIOR, BETWEEN WINGWALL & CAB SEAL - WHITE	
8	P06443-01-C03	EA SLEEPERBOARD ASM	FROM: 00-00-00 THRU: 09-05-92
8	P09658-01-D29	EA SLEEPERBOARD ASM	FROM: 09-06-92 THRU: 99-99-99
9	100086-02-01A	EA TRIM-SLEEPERBOARD, 2' X 90.7" - OFF WHITE	
10	100085-03-01A	EA TRIM-SLEEPERBOARD, FLAT - 2.5' X 87.5" - OFF WHITE	
11	078580-01-000	EA TRIM-ROOF TO FRONT CAP	
12	M76177-01-700	EA CAP-FRONT, OVERHEAD CAB TO FIRST SEAM OF ROOF	
13	104479-03-01A	EA TRIM-CONTOUR, FRONT - DRIVER - OFF WHITE	FROM: 00-00-00 THRU: 09-05-92
13	104479-05-01A	EA TRIM-CONTOUR, FRONT - DRIVER - OFF WHITE	FROM: 09-06-92 THRU: 99-99-99

EXTERIOR BODY GROUP (CONTINUED)

EXTERIOR BODY PANELS (CONTINUED)



**1993 ITASCA
TABLE OF CONTENTS**

INTRODUCTION	A-01 - A-02
ABBREVIATIONS	A-03
ALPHABETICAL INDEX	A-04 - A-08
IC424RC	A-07 - E-02
IC422RG	E-03 - H-16

1993 IC422RG INDEX

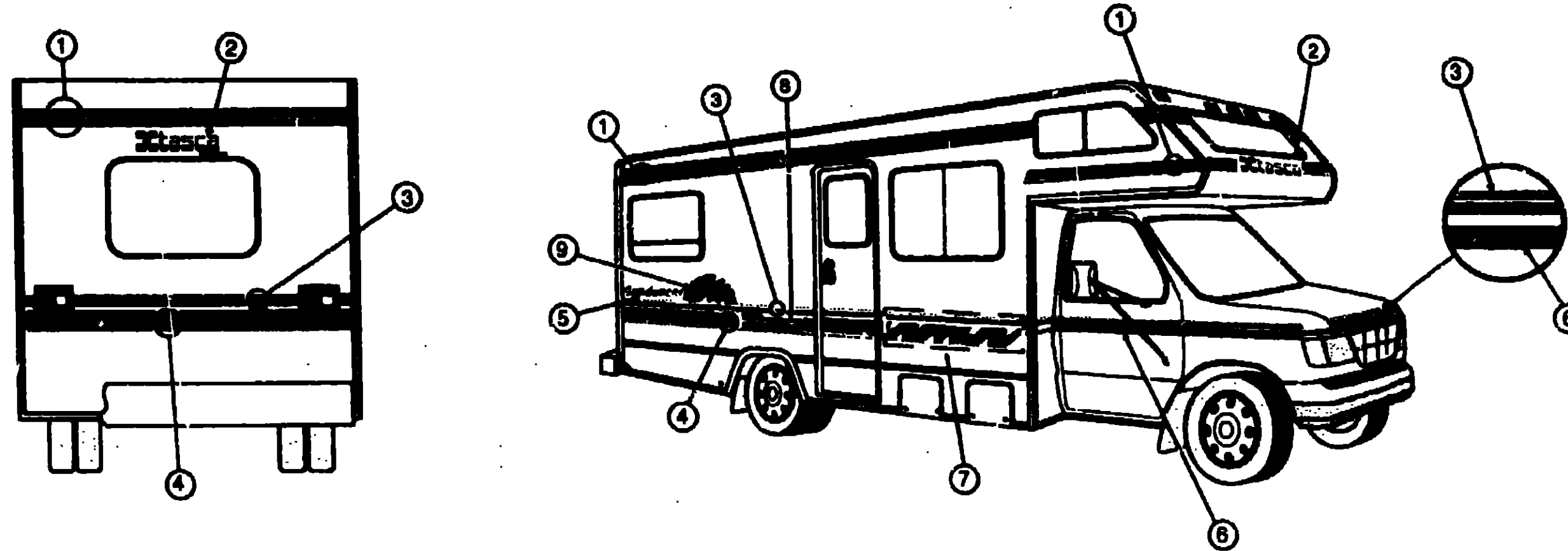
FLOOR PLAN	E-03 - E-04
ACCESSORIES	E-05
AUDIO VIDEO	E-06
BATH	E-07 - E-08
CHASSIS	E-09 - E-13
CURTAIN & CUSHION	E-14 - E-24
DINETTE	F-01 - F-02
DRIVER'S COMPARTMENT	F-03 - F-06
ELECTRICAL	F-07 - F-10
EXTERIOR BODY	F-11 - F-19
GALLEY	F-20 - F-23
GENERATOR	F-24
HEATING & A/C	G-01 - G-02
INTERIOR FINISH	G-03 - G-05
LABELS	G-06 - G-17
LP	G-14
LOUNGE	G-15
SEALANTS & FASTENERS	G-16 - G-19
WATER & SEWAGE	G-20 - G-24
WINDOW, VENT AND EXTERIOR DOOR	H-01 - H-16

KEY	PART NUMBER	U/M	DESCRIPTION
14	P05017-01-C03	EA	WINGWALL-PASSENGER SIDE (CHEVY) FROM: 00-00-00 THRU: 09-05-92
14	P06658-01-D04	EA	WINGWALL-PASSENGER SIDE (CHEVY) FROM: 09-06-92 THRU: 09-99-99
14	106438-01-C03	EA	WINGWALL-PASSENGER SIDE (FORD) FROM: 00-00-00 THRU: 09-05-92
14	106659-01-D04	EA	WINGWALL-PASSENGER SIDE (FORD) FROM: 09-06-92 THRU: 09-99-99
	060334-01-000	FT	VINYL-EXTERIOR, BETWEEN WINGWALL & CAB SEAL - WHITE
15	105100-02-01A	EA	TRIM-WHEELWELL, DRIVER & PASSENGER SIDE - OFF WHITE
16	009731-01-000	EA	END CAP-FEATURE STRIP FROM: 00-00-00 THRU: 09-07-92
16	106651-01-01A	EA	END CAP-FEATURE STRIP FROM: 09-08-92 THRU: 09-99-99
16	001030-02-003	EA	INSERT-FEATURE STRIP, 17' LONG - OFF WHITE FROM: 00-00-00 THRU: 09-07-92
16	105312-01-01A	EA	INSERT-FEATURE STRIP, 17' LONG - VINYL - OFF WHITE FROM: 09-08-92 THRU: 09-99-99
16	002444-04-002	EA	STRIP-FEATURE, W/O INSERT - 15' LONG - OFF WHITE FROM: 00-00-00 THRU: 09-07-92
16	106660-01-01A	EA	STRIP-FEATURE, W/O INSERT - 15' LONG - OFF WHITE FROM: 09-08-92 THRU: 09-99-99

KEY	PART NUMBER	U/M	DESCRIPTION
17	P06841-01-D27	EA	SEAWALL-PASSENGER SIDE, W/O WINDOWS & DOORS FROM: 00-00-00 THRU: 09-05-92
17	P09717-01-D27	EA	SEAWALL-PASSENGER SIDE, W/O WINDOWS & DOORS FROM: 09-06-92 THRU: 09-99-99
17	P06841-01-D28	EA	SEAWALL-PASSENGER SIDE, W/O WINDOWS & DOORS FROM: 00-00-00 THRU: 09-05-92
17	P09717-01-D28	EA	SEAWALL-PASSENGER SIDE, W/O WINDOWS & DOORS FROM: 09-06-92 THRU: 09-99-99
17	P05739-05-D27	EA	SEAWALL-PASSENGER SIDE, W/O WINDOWS & DOORS (EUROPE EXPORT) FROM: 00-00-00 THRU: 09-05-92
17	P05739-09-D27	EA	SEAWALL-PASSENGER SIDE, W/O WINDOWS & DOORS (EUROPE EXPORT) FROM: 09-06-92 THRU: 09-99-99
17	P05739-05-D28	EA	SEAWALL-PASSENGER SIDE, W/O WINDOWS & DOORS (EUROPE EXPORT) FROM: 00-00-00 THRU: 09-05-92
17	P05739-09-D28	EA	SEAWALL-PASSENGER SIDE, W/O WINDOWS & DOORS (EUROPE EXPORT) FROM: 09-06-92 THRU: 09-99-99
18	100483-01-01A	EA	TRIM-CONTOUR, ROOF TO SEAWALL (AWNING) - OFF WHITE
	099583-55-001	EA	RAIL-AWNING, 10' LONG - OFF WHITE
19	103334-02-01A	EA	TRIM-BACKWALL, LOWER - OFF WHITE
20	103335-02-01A	EA	TRIM-BACKWALL, LOWER-OFF WHITE
21	P04790-01-D27	EA	BACKWALL ASM
21	P04790-01-D28	EA	BACKWALL ASM
	002365-01-001	EA	U-CHANNEL- 1" X 18" - SERRATED - MILL FINISHED ALUMINUM
	002728-01-001	EA	U-CHANNEL, GARNISH - 1.38" X 19" - SERRATED - MILL ALUMINUM
	002754-01-001	EA	ANGLE-EXTRUDED, .75" X .75" X 18" - MILL ALUMINUM

EXTERIOR BODY GROUP (CONTINUED)

DECALS, STRIPES & PAINT



1993 ITASCA TABLE OF CONTENTS

INTRODUCTION	A-01 - A-02
ABBREVIATIONS	A-03
ALPHABETICAL INDEX	A-04 - A-08
IC424RC	A-07 - E-02
IC422RG	E-03 - H-16

1993 IC422RG INDEX

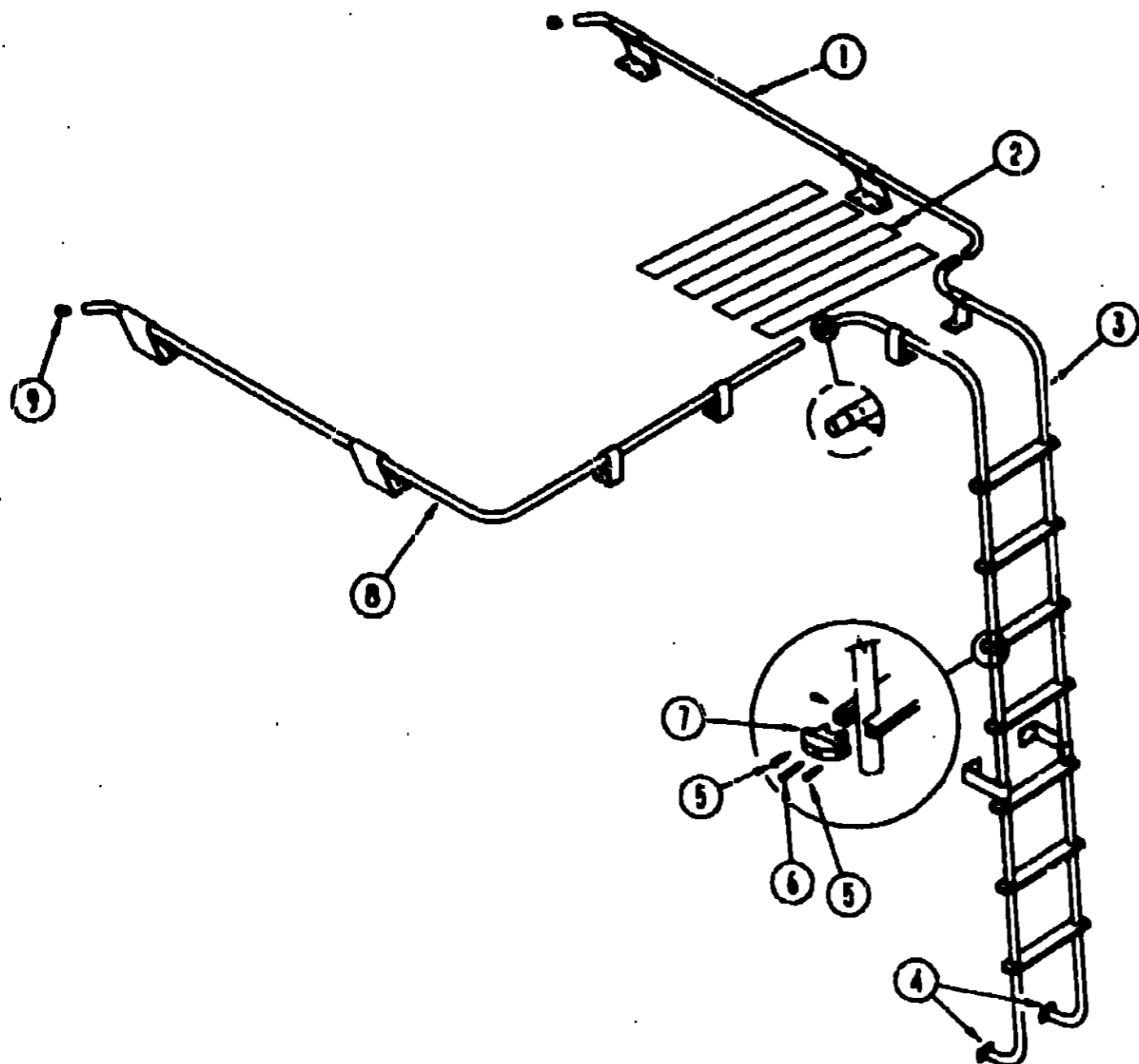
FLOOR PLAN	E-03 - E-04
ACCESSORIES	E-05
AUDIO VIDEO	E-06
BATH	E-07 - E-08
CHASSIS	E-09 - E-13
CURTAIN & CUSHION	E-14 - E-24
DINETTE	F-01 - F-02
DRIVERS COMPARTMENT	F-03 - F-06
ELECTRICAL	F-07 - F-10
EXTERIOR BODY	F-11 - F-19
GALLEY	F-20 - F-23
GENERATOR	F-24
HEATING & A/C	G-01 - G-02
INTERIOR FINISH	G-03 - G-05
LABELS	G-06 - G-13
LP	G-14
LOUNGE	G-15
SEALANTS & FASTENERS	G-16 - G-19
WATER & SEWAGE	G-20 - G-24
WINDOW, VENT AND EXTERIOR DOOR	H-01 - H-16

KEY	PART NUMBER	U/M	DESCRIPTION
1	094443-16-01A	FT	MULTISTRIPE, 108MM WIDE - 3 LINES - ORANGE/BLUE/TURQUOISE
2	078852-32-000	EA	DECAL-LOGO, ITASCA - 5" - BLUE/TURQUOISE
	084075-01-000	EA	DECAL-"BY WINNEBAGO INDUSTRIES", BLACK
3	105781-11-01A	FT	MULTISTRIPE, 50.8MM WIDE - 2 LINES - ORANGE/ORANGE FROM: 00-00-00 THRU: 08-16-92
3	105781-11-03A	FT	MULTISTRIPE, 50.8MM WIDE - 2 LINES - TURQUOISE/ORANGE FROM: 08-17-92 THRU: 99-99-99
4	105781-12-01A	FT	MULTISTRIPE, 171.5MM WIDE - 2 LINES - BLUE/TURQUOISE
5	105519-01-02A	EA	DECAL-LOGO, SUNDANCER, LARGE - TURQUOISE/BLUE
5	107385-05-01A	FT	STRIPE, 9.5MM WIDE - TURQUOISE
7	107552-01-01A	EA	DECAL-TECHNIFADE, PASSENGER SIDE - BLUE/TEAL/TURQUOISE
7	107552-02-01A	EA	DECAL-TECHNIFADE, DRIVER SIDE - BLUE/TEAL/TURQUOISE
8	078852-31-000	EA	DECAL-LOGO, ITASCA - 5" - OFF WHITE/TURQUOISE
8	107553-01-01A	EA	DECAL-SUN, PASSENGER SIDE - ORANGE
9	107553-02-01A	EA	DECAL-SUN, DRIVER SIDE - ORANGE
	041561-03-000	EA	PAINT-LOW BAKE, 18 OZ SPRAY CAN - OFF WHITE
	044488-03-000	EA	PAINT-LOW BAKE, 16 OZ SPRAY CAN - BEIGE

DUPONT COLOR CODES

TROPICAL BLUE	G9841
CARRIBEAN TEAL	G9835
BURNT ORANGE	G9853
OFF WHITE	L8723A
BEIGE	L8728A

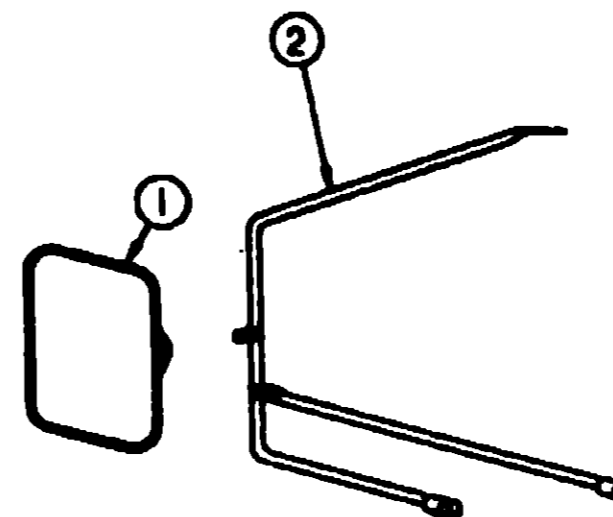
EXTERIOR BODY GROUP (CONTINUED)



RACK & LADDER

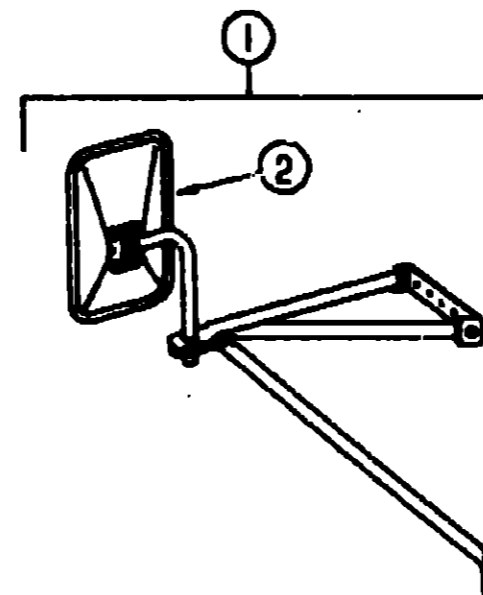
KEY	PART NUMBER	U/M DESCRIPTION
1	107438-05-C17	EA RACK-LUGGAGE, PASSENGER SIDE
	069728-02-000	EA BUMPER-.88"DIA X .40", BLACK
2	038327-01-000	EA TAPE-ANTI SLIP, 2" X 60"
3	102953-02-C03	EA LADDER ASM
4	087165-01-000	EA MOUNTING BRACKET-LADDER, LOWER
5	000339-08-10T	EA SCREW-SF/DR, 6-20 X 5/8 PPH - BLACK
6	000668-10-36T	EA SCREW-10-12 X 2.25 POH BLACK
7	076880-02-000	EA END CAP-STEP, BLACK
8	107438-09-C03	EA RACK-LUGGAGE, DRIVER SIDE
9	081114-01-000	EA PLUG-ROUND, RACK & LADDER ENDS - PLASTIC - 1" DIA.

EXTERIOR BODY GROUP (CONTINUED)



CHEVROLET EXTERIOR MIRRORS

KEY	PART NUMBER	U/M DESCRIPTION
1	049347-01-000	EA MIRROR HEAD-EXTERIOR, 10 1/2" X 7 1/2" - STAINLESS STEEL
	049347-01-700	EA GLASS-MIRROR HEAD
2	062047-01-000	EA ARM-WEST COAST MIRROR
	105439-01-000	EA MIRROR-CONVEX, STICK ON



FORD EXTERIOR MIRRORS

KEY	PART NUMBER	U/M DESCRIPTION
1	106880-01-01A	EA MIRROR-EXTERIOR, HEAD LOW MOUNT - OFF WHITE
2	106880-01-700	EA HEAD-MIRROR, EXTERIOR
	106880-01-701	EA ARM
	106880-01-703	EA BRACE LOWER FORWARD - DRIVER
	106880-01-704	EA BRACE LOWER FORWARD - PASSENGER
	106880-01-702	EA HARDWARE PACKAGE
	008043-01-000	EA MIRROR-EXTERIOR CONVEX, ADHESIVE BACKED

**1983 ITASCA
TABLE OF CONTENTS**

INTRODUCTION	A-01 - A-02
ABBREVIATIONS	A-03
ALPHABETICAL INDEX	A-04 - A-08
IC42MRC	A-07 - E-02
IC422RG	E-03 - H-18

1983 IC422RG INDEX

FLOOR PLAN	E-03 - E-04
ACCESSORIES	E-05
AUDIO VIDEO	E-06
BATH	E-07 - E-08
CHASSIS	E-09 - E-13
CURTAIN & CUSHION	E-14 - E-24
DINETTE	F-01 - F-02
DRIVERS COMPARTMENT	F-03 - F-08
ELECTRICAL	F-07 - F-10
EXTERIOR BODY	F-11 - F-19
GALLEY	F-20 - F-23
GENERATOR	F-24
HEATING & A/C	G-01 - G-02
INTERIOR FINISH	G-03 - G-05
LABELS	G-06 - G-13
LP	G-14
LOUNGE	G-15
SEALANTS & FASTENERS	G-16 - G-19
WATER & SEWAGE	G-20 - G-24
WINDOW, VENT AND EXTERIOR DOOR	H-01 - H-18

EXTERIOR BODY GROUP (CONTINUED)

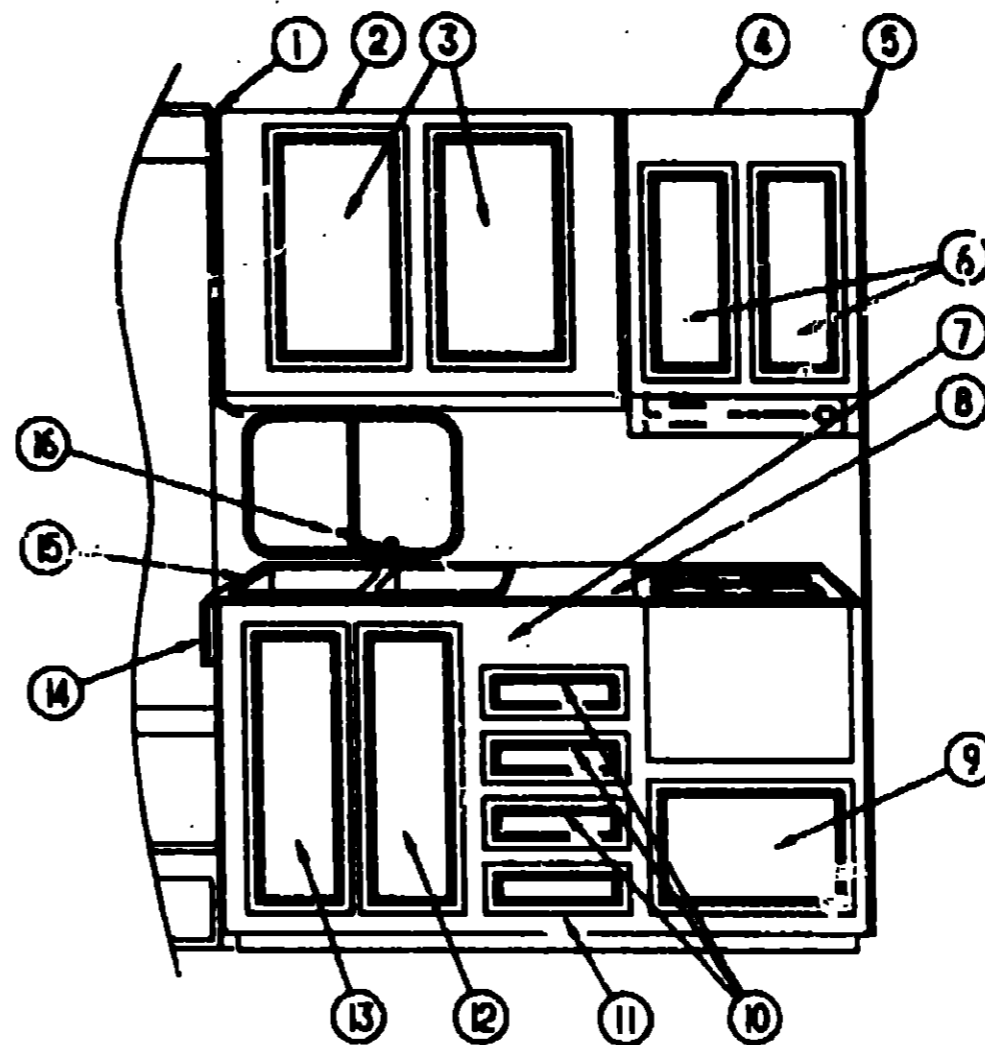
RUNNING BOARDS

KEY	PART NUMBER	U/M	DESCRIPTION
	672884-18-000	EA	RUNNING BOARD SET-CHEVY, 27' - KEMBERLY RB3027B FROM: 00-00-00 THRU: 01-08-89
	072884-18-700	EA	BOARD-RUNNING, 27' - WTAPE - CHEVY - KEMBERLY K-2 MISC08
	072884-18-701	EA	MUDFLAP-RUNNING BOARD, CHEVY - LEFT HAND FRONT - KEMBERLY MF480X
	072884-18-702	EA	MUDFLAP-RUNNING BOARD, CHEVY - RIGHT HAND FRONT - KEMBERLY MF480X
	072884-18-703	EA	END CAP-RUNNING BOARD, CHEVY - LEFT HAND - KEMBERLY RBEC401B
	072884-18-704	EA	END CAP-RUNNING BOARD, CHEVY - RIGHT HAND - KEMBERLY RBEC401B
	072884-18-7C.5	EA	BAG-HARDWARE, RUNNING BOARD - CHEVY - KEMBERLY RBDS BG
	072884-28-000	EA	RUNNING BOARD SET-CHEVY, 27' - KEMBERLY K12 15627 FROM: 01-07-89 THRU: 99-99-99
	072884-30-000	EA	RUNNING BOARD SET-FORD, 39' - KEMBERLY K-7 (STANDARD) FROM: 00-00-00 THRU: 01-31-89
	072884-27-000	EA	RUNNING BOARD SET-FORD, 39' - KEMBERLY K-12 (STANDARD) FROM: 02-01-89 THRU: 99-99-99
	101388-01-000	EA	BOARD-RUNNING, FORD - PASSENGER SIDE (JAPAN EXPORT ONLY)
	101388-02-000	EA	BOARD-RUNNING, FORD - DRIVER SIDE (JAPAN EXPORT ONLY)
	101388-03-000	EA	KIT-HARDWARE, FORD (JAPAN EXPORT ONLY)

FIBERGLASS & STYROFOAM

KEY	PART NUMBER	U/M	DESCRIPTION
	077517-24-000	EA	SHEET-FIBERGLASS, FLAT - 48' X 96' - OFF WHITE
	078064-H1-000	EA	SHEET-FIBERGLASS, 2438 X 2591MM - OFF WHITE
	078064-F3-000	EA	SHEET-FIBERGLASS, 2438 X 2438MM - OFF WHITE
	000870-03-000	SF	STYROFOAM-1.34 X 48' X 96' - INCREMENTS OF 32 SF
	000870-05-000	SF	STYROFOAM-1.5' X 24' X 96' - INCREMENTS OF 16 SF
	083674-01-000	SF	STYROFOAM-DOW TYPE SM - 1.5' X 24' X 85.25' - INC OF 14 S
	083674-02-000	SF	STYROFOAM-DOW TYPE SM - 1.5' X 24' X 90.5' - INC OF 15 SF
	083674-03-000	SF	STYROFOAM-3/4' X 48' X 96' - INCREMENTS OF 32 SF

GALLEY GROUP



GALLEY CABINETS & FIXTURES

KEY	PART NUMBER	U/M	DESCRIPTION
	104335-16-C03	EA	END CAP-CABINET, OVERHEAD
	105054-01-D27	EA	CABINET-OVERHEAD, W/O DOOR & HARDWARE
	105054-01-D28	EA	CABINET-OVERHEAD, W/O DOOR & HARDWARE
	P05223-48-D04	EA	DOOR-CABINET, W/O HARDWARE - 390 X 650MM
	M05778-44-D04	EA	CABINET-OVERHEAD RANGE, W/O DOOR & HARDWARE
	M05778-45-D04	EA	CABINET-OVERHEAD MICROWAVE, W/O DOOR & HARDWARE
	104335-13-C03	EA	END CAP-CABINET, OVERHEAD
	P05223-40-D04	EA	DOOR-CABINET, W/O HARDWARE - 275 X 365MM
	M05797-01-D05	EA	CABINET-GALLEY, W/O DOOR & HARDWARE (D27)
	M05797-01-D04	EA	CABINET-GALLEY, W/O DOOR & HARDWARE (D28)
	080549-16-C03	EA	PANEL-DOOR, WHOLE (INSIDE CABINET)
	107822-11-D05	EA	COUNTERTOP-CABINET, GALLEY (D27)
	107822-11-D04	EA	COUNTERTOP-CABINET, GALLEY (D28)
	P05223-03-C03	EA	DOOR-CABINET, W/O HARDWARE - 555 X 390MM
	P07104-D9-D04	EA	DRAWER-CABINET, W/O HARDWARE
	P07104-D8-D04	EA	DRAWER-CABINET, W/O HARDWARE
	P05223-14-C03	EA	DOOR-CABINET, W/O HARDWARE - 305 X 660MM
	P05223-15-C03	EA	DOOR-CABINET, W/O HARDWARE - 505 X 660MM
	080812-04-D09	EA	EXTENSION-COUNTERTOP, GALLEY (D27)
	080812-04-D32	EA	EXTENSION-COUNTERTOP, GALLEY (D28)
	104113-01-000	EA	SINK-DOWTYPE, STAINLESS STEEL
	082303-01-000	EA	STRAINER-SINK
	103810-01-D09	EA	COVER-SINK (D27)
	103810-01-D32	EA	COVER-SINK (D28)
	103243-01-000	EA	FAUCET-GALLEY, DUAL CONTROL - 6" CENTERSET
	080329-01-000	FT	SEAL-T, REFRIGERATOR CABINET - 8" WIDE TOP X 2" TAIL

**1993 ITASCA
TABLE OF CONTENTS**

INTRODUCTION	A-01 - A-02
ABBREVIATIONS	A-03
ALPHABETICAL INDEX	A-04 - A-08
IC422RG	A-07 - E-02
IC422RG	E-03 - H-16

1993 IC422RG INDEX

FLOOR PLAN	E-03 - E-04
ACCESSORIES	E-05
AUDIO VIDEO	E-06
BATH	E-07 - E-08
CHASSIS	E-09 - E-13
CURTAIN & CUSHION	E-14 - E-24
DINETTE	F-01 - F-02
DRIVERS COMPARTMENT	F-03 - F-06
ELECTRICAL	F-07 - F-10
EXTERIOR BODY	F-11 - F-19
GALLEY	F-20 - F-23
GENERATOR	F-24
HEATING & A/C	G-01 - G-02
INTERIOR FINISH	G-03 - G-05
LABELS	G-06 - G-13
LP	G-14
LOUNGE	G-15
SEALANTS & FASTENERS	G-16 - G-19
WATER & SEWAGE	G-20 - G-24
WINDOW, VENT AND EXTERIOR DOOR	H-01 - H-16

GALLEY GROUP (CONTINUED)

RANGE HOOD

KEY	PART NUMBER	U/M DESCRIPTION
	100258-16-01A	EA HOOD-RANGE, W/O MONITOR PANEL - VENTLINE - US TCSS008NAD (STANDARD)
	100258-17-01A	EA HOOD-RANGE, W/O MONITOR PANEL-VENTLINE-CSA-TCSS008NAC (CANADIAN)
	100258-18-01A	EA HOOD-RANGE, W/O MONITOR PANEL-VENTLINE-US-TPSS007NAD (W/GENERATOR OPTION)
	080873-01-700	EA MOTOR, LVS CAS08-1
	080873-01-702	EA BLADE-FAN, LVS VA183-1
	080888-01-708	EA BULB-912, VENTLINE VA115
	080888-01-710	EA SOCKET-LIGHT, VENTLINE CB267-2
	080883-01-700	EA SWITCH-ON/OFF, VENTLINE 108
	080883-01-702	EA SWITCH-TWO WAY MOMENTARY, VENTLINE 112
	080883-01-707	EA FILTER-GREASE, 8" X 8" - LVS CC248
	080883-01-708	EA LENS LAMP, VENTLINE CC178
	100258-01-700	EA HOOD NOSE LABEL
	100258-10-01A	EA METER-HOUR, VENTLINE 150
	063732-01-010	EA SHROUD-RANGE, 18.5" X 20.8" X 18.2" - METAL - OFF WHITE

RANGE

KEY	PART NUMBER	U/M DESCRIPTION
	054518-03-000	EA BRACKET-TIEDOWN, RANGE WOVEN - RIGHT FROM: 00-00-00 THRU: 01-03-93
	054518-03-000	EA BRACKET-TIEDOWN, STOVE - RIGHT FROM: 01-04-93 THRU: 99-99-99
	05516-04-000	EA BRACKET-TIEDOWN, RANGE WOVEN - LEFT FROM: 00-00-00 THRU: 01-03-93
	105458-04-000	EA BRACKET-TIEDOWN, STOVE - LEFT FROM: 01-04-93 THRU: 99-99-99
	102022-01-02A	EA RANGE-18", 4 BURNER - MAGIC CHEF 5T16RA-4Z
	055282-03-705	EA TRIM-CABINET, LEFT - BLACK - MAGIC CHEF 35087-011-70
	055282-03-707	EA TRIM-CABINET, RIGHT - BLACK - MAGIC CHEF 3518F012-70
	088507-02-701	EA INSERT-BURNER (SLOTTED VENT), MAGIC CHEF 7214P015-60
	102020-01-700	EA SHELF-OVEN, MAGIC CHEF - 7801-P027-60
	102020-01-701	EA HANDLE-DOOR, MAGIC CHEF - 7701P092-60
	102020-01-702	EA PANEL-MANIFOLD, MAGIC CHEF 2618F080-70
	102020-01-704	EA PANEL-DOOR, BLACK - MAGIC CHEF - 2401F075-70
	102020-01-708	EA BURNER ASSEMBLY-OVEN, MAGIC CHEF 3403W003-45
	102020-01-711	EA GRATE-TOP, MAGIC CHEF 7518P012-60
	102020-01-712	EA KNOB-BURNER VALVE, MAGIC CHEF 7733P044-60
	102020-01-713	EA KNOB-THERMOSTAT, MAGIC CHEF 7731P042-60
	102020-01-714	EA PILOT-OVEN, MAGIC CHEF 988-143
	102020-01-715	EA PIPE-MANIFOLD, MAGIC CHEF 7513P095-60
	102020-01-717	EA THERMOSTAT, MAGIC CHEF 7515P024-60
	102020-01-718	EA TOP-MAIN, ALMOND - MAGIC CHEF 2001F085-84
	102020-01-720	EA VALVE-MERCURY CONTROL, MAGIC CHEF 7501P056-60
	102020-01-722	EA VALVE-TOP BURNER, MAGIC CHEF 7502P095-60
	102020-01-723	EA PILOT-BURNER, MAGIC CHEF 7505P147-60
	102020-01-724	EA BUMPER MAIN TOP, MAGIC CHEF 8003P008-60
	102022-01-702	EA PIPE-MANIFOLD, MAGIC CHEF 7513P096-60
	102022-01-703	EA REGULATOR-PRESSURE, MAGIC CHEF 7510P031-60
	102022-01-706	EA TRIM-LEFT, FLAT - MAGIC CHEF 3808W022-70
	102022-01-707	EA TRIM-RIGHT, FLAT - MAGIC CHEF 3808W023-70

GALLEY GROUP (CONTINUED)

MONITOR PANEL

KEY	PART NUMBER	U/M DESCRIPTION
	102785-04-01A	EA MONITOR PANEL, W/PLUG - FOR 2 TANKS & WATER HEATER - LVS
	102785-02-01A	EA MONITOR PANEL, W/PLUG - FOR 2 TANKS - LVS
	097817-01-702	EA SWITCH-1/WAY, ALMOND - LVS 107
	097817-01-703	EA CIRCUIT BOARD - LVS 5078-01
	102785-01-700	EA SWITCH-ON-ON, ALMOND - 110-01
	097818-01-000	EA WIRE ASM-MONITOR PANEL, W/4 WIRES & BLACK RESISTOR - LVS

MICROWAVE & COFFEE MAKER

KEY	PART NUMBER	U/M DESCRIPTION
	091269-04-000	EA OVEN-MICROWAVE, MAGIC CHEF M15-E FROM: 00-00-00 THRU: 07-19-92
	091269-06-000	EA OVEN-MICROWAVE, MAGIC CHEFDM15-58 FROM: 07-20-92 THRU: 99-99-99
	094745-01-01A	EA TRIM-MICROWAVE, LOWER - BLACK
	094774-03-01A	EA TRIM-MICROWAVE, EITHER SIDE - 1.5" X 14.8" - METAL - BLACK
	098916-03-01A	EA BRACE-MICROWAVE CABINET, LEFT - 9.4" X 7.5" - STEEL
	098916-04-01A	EA BRACE-MICROWAVE CABINET, RIGHT - 9.4" X 7.5" - STEEL
	094750-01-000	EA BRACKET-MICROWAVE, 90 DEGREE - STEEL
	103799-01-01A	EA MAKER-COFFEE, ALMOND FROM: 00-00-00 THRU: 07-05-92
	103799-01-02A	EA MAKER-COFFEE, GRAY - W/GLASS POT FROM: 07-06-92 THRU: 99-99-99
	104610-01-000	EA STRAP ASM-COFFEE MAKER

NORCOLD 6162 REFRIGERATOR

KEY	PART NUMBER	U/M DESCRIPTION
	093645-01-000	EA BRACKET-TIEDOWN, REFRIGERATOR
	093645-02-000	EA BRACKET-TIEDOWN, REFRIGERATOR
	054450-01-000	EA LEVEL-REFRIGERATOR
	104138-04-01A	EA REFRIGERATOR, SMALL DOUBLE DOOR - 2-WAY - NORCOLD 6162 RH BL
	075217-01-734	EA FUSE-3 AMP, NORCOLD 61538822
	075217-01-738	EA SWITCH-HUMIDITY, NORCOLD 61525922
	084879-03-700	EA COOLING UNIT - HORIZONTAL BURNER, NORCOLD 61697237
	084880-01-713	EA CONNECTOR-MALE, INLET FITTING - NORCOLD 615256
	084880-01-715	EA VALVE-SHUT OFF, MANUAL - NORCOLD 61697922
	084880-01-718	EA VALVE-GAS, NORCOLD 61551822
	084880-01-722	EA CRISPER COVER - NORCOLD 615641
	084880-01-726	EA HINGE BRACKET (CTR HINGE), NORCOLD 61566523
	084880-01-731	EA HINGE PIN, NORCOLD 61578123
	034890-01-732	EA LATCH, NORCOLD 61578522
	084880-01-734	EA BRACKET-HINGE, TOP RH - BOTTOM LH - BROWN NORCOLD 61580837
	084880-01-735	EA HINGE BRKT, TOP LH-BTM RH BRN - NORCOLD 61580937
	084080-01-738	EA END CAP (SPRING CATCH) BRN - NORCOLD 61593722
	084880-01-740	EA END CAP (STOP CATCH), NORCOLD 61593830
	084880-01-746	EA CABLE, NORCOLD 61571522
	084880-01-747	EA PLUG-HOLE, NORCOLD 61582022
	084880-01-749	EA HINGE BUSHING - NORCOLD 615807
	084880-01-753	EA THERMISTER 78" - NORCOLD 61693822
	084880-01-761	EA END CAP (SPRING CATCH) BLACK 61593730
	084880-02-700	EA LOWER FLANGE 8863&8883 NORCOLD 61622123
	084880-03-705	EA BRACKET F/INT. REFRIG LIGHT - NORCOLD 61629722
	084880-03-706	EA LAMP (BULB) - NORCOLD 61628622

**1993 ITASCA
TABLE OF CONTENTS**

INTRODUCTION	A-01	A-02
ABBREVIATIONS		A-03
ALPHABETICAL INDEX	A-04	A-08
IC424RC	A-07	E-02
IC422RG	E-03	H-16

1993 IC422RG INDEX

FLOOR PLAN	E-03	E-04
ACCESSORIES		E-05
AUDIO VIDEO		E-08
BATH	E-07	E-08
CHASSIS	E-09	E-13
CURTAIN & CUSHION	E-14	E-24
DINETTE	F-01	F-02
DRIVERS COMPARTMENT	F-03	F-06
ELECTRICAL	F-07	F-10
EXTERIOR BODY	F-11	F-19
GALLEY	F-20	F-23
GENERATOR		F-24
HEATING & A/C	G-01	G-02
INTERIOR FINISH	G-03	G-05
LABELS	G-08	G-13
LP		G-14
LOUNGE		G-15
SEALANTS & FASTENERS	G-16	G-19
WATER & SEWAGE	G-20	G-24
WINDOW, VENT AND EXTERIOR DOOR	H-01	H-16

GALLEY GROUP (CONTINUED)

NORCOLD 6162 REFRIGERATOR (CONTINUED)

KEY	PART NUMBER	U/M	DESCRIPTION
	094039-01-707	EA	COVER FLAMP OR BULB - NORCOLD 61627922
	094039-01-708	EA	BURNER-HORIZONTAL, NORCOLD 61588122
	094039-01-707	EA	ELECTRODE-SENSOR, (HORIZONTAL), NORCOLD 61573322
	094039-01-708	EA	ELECTRODE-IGNITION, (HORIZONTAL) - NORCOLD 61573222
	094039-01-709	EA	HEATER-AC, (HORIZONTAL) - NORCOLD 615827
	094039-01-710	EA	HEATER-DC, (HORIZONTAL) - 3 WAY - NORCOLD 615828
	094039-01-700	EA	GASKET-LOWER, GRAY - NORCOLD 61567930
	094039-01-701	EA	LINER-DOOR, LOWER - BROWN/WHITE - NORCOLD 61581937-B
	094039-01-702	EA	LINER-DOOR, LOWER - BLACK/WHITE - NORCOLD 61581938-B
	094039-01-703	EA	HANDLE-DOOR, LOWER - BROWN - NORCOLD 61650137
	094039-01-704	EA	HANDLE-DOOR, LOWER - BLACK - NORCOLD 61650138
	094039-01-706	EA	CAB ASM-BLK, WHITE LINER - WITH FRAME - NORCOLD 61663138
	094039-01-703	EA	PLATE-HINGE, LH - BROWN - NORCOLD 61631422
	094039-01-704	EA	PLATE-HINGE, BLACK - NORCOLD 61631430
	094039-01-709	EA	PLATE-HINGE, TOP RH - LH BOTTOM - BROWN - NORCOLD 61631322
	094039-01-710	EA	PLATE-HINGE, BLACK - NORCOLD 61631330
	094039-01-712	EA	DOOR BKT (GRAY) SILVER BORDER - NORCOLD 61564060
	094039-01-718	EA	MILK BIN (GRAY) W/ SILVER TRIM - NORCOLD 61579460
	094039-01-719	EA	DAIRY KEEPER (GRAY) SILVER TRIM, NORCOLD 61580460
	094039-01-722	EA	HOLE PLUG (BLK) HINGE HOLES - NORCOLD 61582030
	094039-01-723	EA	HINGE BRKT, TOP RH - BTM LH BLK - NORCOLD 61580838
	094039-01-724	EA	BRACKET-HINGE, TOP LH - BOTTOM RH - BLK - NORCOLD 61580938
	094039-01-725	EA	HINGE PIN (BLACK) (M.I.E.) - NORCOLD 61578130
	094039-01-726	EA	SHELF-FREEZER EVAPORATOR, NORCOLD 615236
	094039-01-730	EA	HINGE PIN SHAFT (BLK) CTR HGE - NORCOLD 61566730
	094039-01-732	EA	FRONT COVER (BLK) BTM TRIM - NORCOLD 61622130
	094039-01-733	EA	WIRE SHELF (MIDDLE) - NORCOLD 61563822
	094039-01-734	EA	WIRE SHELF (TOP) W/FISER - NORCOLD 61563722
	094039-01-735	EA	INSIDE DRIP TRAY (WHITE), NORCOLD 61572630
	094039-01-736	EA	SWITCH-LIGHT, BLACK - NORCOLD 615810
	094039-01-739	EA	SHELF (CUTOFF), NORCOLD 61646722
	094039-04-700	EA	PC BOARD-2 WAY, NORCOLD 61647322
	094039-04-701	EA	EYEBROW (SHELL) 2 WAY - NORCOLD 61669822
	094039-04-702	EA	POWER SUPPLY (2 WAY) - NORCOLD 61647422

GENERATOR GROUP

4.0 KW KOHLER GENERATOR

KEY	PART NUMBER	U/M	DESCRIPTION
	105623-01-000	EA	GENERATOR-4KW LOW PROFILE, KOHLER 4CKM21
	105732-01-000	EA	TRAY-GENERATOR
	086494-01-000	EA	BRACKET-EXHAUST, W/DOUBLE BEND
	105626-01-000	EA	ARRESTER-SPARK, KOHLER 278621
	105529-01-000	EA	MUFFLER-FRONT EXHAUST, W/O SPARK - KOHLER 278734
	105527-01-000	EA	PIPE-EXHAUST ADAPTER, KOHLER 278524 (U.S. ONLY)
	106172-01-000	EA	PIPE-EXHAUST ADAPTER
	008401-01-000	EA	STRAP-CONDUIT, 3/4" - 1 HOLE - GALVANIZED STEEL
	007067-01-000	SF	INSULATION-FIBERGLASS, 1" THICK X 4' - INCREMENTS OF 4 SF
	007131-01-000	EA	HANGER-TAILPIPE, 6 SLOTS
	007125-04-000	EA	CLAMP-MUFFLER, 1.1" DIA
	007125-01-000	EA	CLAMP-MUFFLER, 1.62 DIAMETER

4.0 KW ONAN GENERATOR

KEY	PART NUMBER	U/M	DESCRIPTION
	100974-01-000	EA	GENERATOR-4.0KW EMERALD PLUS, ONAN BGE-FA26100G
	105732-01-000	EA	TRAY-GENERATOR
	081364-01-000	EA	MUFFLER-GENERATOR, W/ 8.5" LONG TAILPIPE
	086252-01-000	EA	PIPE-EXHAUST, W/2 BOLT HOLE FLANGE
	079654-05-000	EA	PIPE-EXHAUST, ANGLED - W/FLANGE - 2" ID ONAN 154-2539
	086494-01-000	EA	BRACKET-EXHAUST, W/DOUBLE BEND
	094059-01-000	EA	SPACER-GENERATOR, ONAN
	008401-01-000	EA	STRAP-CONDUIT, 3/4" - 1 HOLE - GALVANIZED STEEL
	007067-01-000	SF	INSULATION-FIBERGLASS, 1" THICK X 4' - INCREMENTS OF 4 SF
	007131-01-000	EA	HANGER-TAILPIPE, 6 SLOTS
	007125-04-000	EA	CLAMP-MUFFLER, 1.1" DIA
	007125-01-000	EA	CLAMP-MUFFLER, 1.62 DIAMETER

4.0 KW ONAN GENERATOR - EXPORT OPTION

KEY	PART NUMBER	U/M	DESCRIPTION
	100974-04-000	EA	GENERATOR-4.0KW EMERALD PLUS, ONAN BGE-FN29236G
	105732-01-000	EA	TRAY-GENERATOR
	079654-05-000	EA	PIPE-EXHAUST, ANGLED - W/FLANGE - 2" ID ONAN 154-2539
	036252-01-000	EA	PIPE-EXHAUST, W/2 BOLT HOLE FLANGE
	086494-01-000	EA	BRACKET-EXHAUST, W/DOUBLE BEND
	081364-01-000	EA	MUFFLER-GENERATOR, W/8.5" LONG TAILPIPE
	094059-01-000	EA	SPACER-GENERATOR, ONAN
	093591-02-000	EA	PIPE-EXHAUST, GENERATOR - CURVED - 1.5" OD
	008401-01-000	EA	STRAP-CONDUIT, 3/4" - 1 HOLE - GALVANIZED STEEL
	007131-01-000	EA	HANGER-TAILPIPE, 6 SLOTS
	007125-04-000	EA	CLAMP-MUFFLER, 1.1" DIA
	007125-01-000	EA	CLAMP-MUFFLER, 1.62 DIAMETER
	007067-01-000	SF	INSULATION-FIBERGLASS, 1" THICK X 4' - INCREMENTS OF 4 SF

1993 ITASCA TABLE OF CONTENTS

INTRODUCTION	A-01	-	A-02
ABBREVIATIONS			A-03
ALPHABETICAL INDEX	A-04	-	A-06
IC424RC	A-07	-	E-12
IC422RG	E-03	-	H-18

1993 IC422RG INDEX

FLOOR PLAN	E-03	-	E-04
ACCESSORIES			E-05
AUDIO VIDEO			E-06
BATH	E-07	-	E-08
CHASSIS	E-09	-	E-13
CURTAIN & CUSHION	E-14	-	E-24
DINETTE	F-01	-	F-02
DRIVERS COMPARTMENT	F-03	-	F-06
ELECTRICAL	F-07	-	F-10
EXTERIOR BODY	F-11	-	F-19
GALLEY	F-20	-	F-23
GENERATOR			F-24
HEATING & A/C	G-01	-	G-02
INTERIOR FINISH	G-03	-	G-06
LABELS	G-06	-	G-13
LP			G-14
LOUNGE			G-15
SEALANTS & FASTENERS	G-16	-	G-19
WATER & SEWAGE	G-20	-	G-24
WINDOW, VENT AND			
EXTERIOR DOOR	H-01	-	H-18

HEATING & AIR CONDITIONING GROUP

HEATING & AIR CONDITIONING GROUP (CONTINUED)

SUBURBAN 25000 BTU FURNACE

KEY	PART NUMBER	U/M	DESCRIPTION
	068888-04-000	EA	FURNACE-25000 BTU, SUBURBAN SF-25
	018734-01-733	EA	RELAY, TIME DELAY 20&30 BTU - SUBURBAN 231202
	078888-01-709	EA	MICRO SWITCH (FOR MODELS 30 & 34S), SUBURBAN#230509
	090099-01-703	EA	ORFICE-MAIN BURNER, SUBURBAN# 180193
	090099-01-709	EA	GASKET, CONSERVATION HOLE CUR. 070367
	022300-01-704	EA	GASKET-ELECTRODE, SUBURBAN 070183
	098888-01-700	EA	CABINET FRONT, SUBURBAN 101242
	098888-01-701	EA	CABINET ASM, SUBURBAN 101299
	098888-01-702	EA	ELECTRODE, SUBURBAN 231740
	098888-01-703	EA	BURNER ASM, COMP (SF-25) - SUBURBAN 010762
	098888-01-704	EA	VALVE, SUBURBAN 160936
	098888-01-705	EA	SWITCH-LIMIT, SUBURBAN 231630
	098888-01-706	EA	WHEEL-COMBUSTION AIR, SUBURBAN 350122
	098888-01-707	EA	VENT CAP & EXHAUST TUBE ASM, SUBURBAN 260193
	098888-01-708	EA	BLOWER ASM (COMBUSTION AIR), SUBURBAN 390441
	098888-01-709	EA	MOTOR ASM, FOR SF-25, SF-30 - SUBURBAN 231706
	098888-01-710	EA	BLOWER ASM (ROOM AIR), SUBURBAN 390440
	098888-01-711	EA	WHEEL, ROOM AIR - SUBURBAN 350123
	098888-01-712	EA	BOARD-MODULE, SUBURBAN 231741
	098888-01-713	EA	INTAKE VENT TUBE ASM, SUBURBAN - 051044
	098888-06-000	EA	DOOR-ACCESS, FURNACE - OFF WHITE - SUBURBAN 520574
	093366-01-000	EA	THERMOSTAT-WALL, FURNACE - SUBURBAN 0180902

REAR HEATER

KEY	PART NUMBER	U/M	DESCRIPTION
	084405-01-000	EA	HEATER ASM-REAR, DUCTED, W/MOTOR A/D, EVANS
	064406-01-700	EA	HEATER CORE, FT200229
	084406-01-701	EA	FAN, HV029931
	084406-01-702	EA	MOTOR-12 VOLT ASSY, R0200180
	087202-01-000	EA	SWITCH-4 POSITION, W/KNOB
	099076-01-000	EA	DECAL-AUTO AIR & REAR HEATER

HEATING SYSTEM

KEY	PART NUMBER	U/M	DESCRIPTION
	056464-06-000	EA	REGISTER-PLASTIC, W/O DAMPER - 4" DIAMETER - GOLDEN
	093814-01-01A	EA	GRILLE-RETURN AIR, FURNACE - 15.6" X 7.6" - BROWN
	009198-01-000	FT	DUCT-HEAT, FLEXIBLE - 4" ID X 25 FT
	009200-01-000	EA	TAPE-FURNACE, 1 1/2"
	023119-01-000	EA	CLAMP-SCREW TYPE, 4"
	089215-02-000	EA	CONNECTOR-DUCT, 4" ID - SUBURBAN 050715
	079059-01-000	EA	HOSE-90 DEGREE, 5/8" ID X 4" X 36"
	079059-02-000	EA	HOSE-90 DEGREE, 5/8" ID X 4" X 6"
	079059-03-000	EA	HOSE-90 DEGREE, 5/8" ID X 4" X 18"
	007108-01-000	FT	HOSE-HEATER, 5/8" ID - HI-TEMP - FORD ESE-M2D192-A
	088753-01-000	FT	TUBE-ALUMINIZED STEEL, 5/8" - 18 GAUGE
	008042-01-000	FT	TUBING-VINYL, 65" ID

ROOF A/C

KEY	PART NUMBER	U/M	DESCRIPTION
	118889-01-01A	EA	AC-ROOF, 13,500 TSR HO - IVORY - COLEMAN 7333-887
	091225-01-709	EA	START RELAY, COLEMAN 1497-4131
	091225-01-710	EA	START CAPACITOR, COLEMAN# 1497-0891
	093308-01-701	EA	DECAL PACKAGE, LEFT & RIGHT - COLEMAN 679883691
	093308-01-712	EA	COMPRESSOR, COLEMAN 670703579
	105620-01-704	EA	COMPRESSOR, RIGHT & LEFT - COLEMAN 1450-2009
	105620-01-708	EA	FOOT PACKAGE-COMPRESSOR, 3 PER PACKAGE - COLEMAN 6759-3081
	108889-01-700	EA	SHROUD (GREY/GREY) LESS LOGO - COLEMAN 6759-6421
	108889-01-702	EA	SHROUD (BUFF/BUFF) LESS LOGO - COLEMAN 6759-6411
	108889-01-703	EA	CONDENSER COIL, COLEMAN 1452-1301
	108889-01-704	EA	OVERLOAD (MRA#098693, COLEMAN 6759-3541
	108889-01-705	EA	MOTOR (115, 60HZ), COLEMAN 1458-3049
	108889-01-706	EA	IMPELLOR, COLEMAN 1472-1041
	108889-01-707	EA	RUN CAPACITOR (COMP-25MFD/370), COLEMAN 1499-5661
	108889-01-708	EA	FAN CAPACITOR (7.5MFD/370V), COLEMAN 1499-5461
	108889-01-709	EA	EVAPORATOR COIL, COLEMAN 1452-1311
	108889-01-710	EA	FILLER PAD-COMBUSTION AIR SEAL, COLEMAN 6759A3971
	108889-01-711	EA	GASKET PACKAGE, COLEMAN 6792-3301
	108889-01-712	EA	SUCTION LINE REDUCER (3/8 X 1/2), COLEMAN 1215-2181
	108889-01-713	EA	SUCTION LINE (3/8 OD X .032 WALL), COLEMAN 6792-130
	108889-01-714	EA	DISCHARGE LINE ASM., COLEMAN 6792-531
	108889-01-715	EA	MOTOR MOUNT & SHAFT SEAL KIT, COLEMAN 6792-3361
	108891-01-01A	EA	CEILING ASM-AC COOL TSR HO, COLEMAN 7330-714 IV
	042204-01-709	EA	THERMOSTAT-IN 64 OUT 58, COLEMAN 6701-3401
	073742-01-701	EA	SELECTOR SWITCH (5 TERMINAL), COLEMAN 6759-3251
	073742-01-702	EA	DECAL COOL ONLY, COLEMAN 6759C3431
	076303-01-707	EA	FILTER-6" X 14 3/4" X 1/2", 12 PER PACKAGE - COLEMAN 6703A3151
	081808-01-712	EA	CEILING SHROUD (IVORY), COLEMAN 6769-5061
	091225-01-717	EA	KNOB (2 PER PACKAGE), COLEMAN 6701-3351
	093768-02-701	EA	DECAL (THERMOSTAT) COOL ONLY, COLEMAN 6799A3441
	108891-01-700	EA	DECAL-LEFT SIDE, COLEMAN 6799-3971
	108891-01-701	EA	SINGLE PARTS PACKAGE (KNOBS & NUTS), COLEMAN 6792-5991
	102289-01-000	EA	RETAINER CLIPS FOR FILTER (6 PER PACKAGE), COLEMAN 6799-3141
	022756-03-000	EA	SPRING-SCREW, ROOF A/C GASKET - COLEMAN 6757-150
	022756-02-000	EA	COVER-BLANK, ROOF A/C - PLASTIC - OFF WHITE
		EA	COVER-PROTECTIVE, 5.5" ENDS X 8.2" - PLASTIC - OFF WHITE

A/C-13500 BTU-EUROPE

KEY	PART NUMBER	U/M	DESCRIPTION
	092440-01-000	EA	AC ROOF, 13500 BTU - 220V - 50HZ - COLEMAN# 6713C750 FROM: 00-00-00 THRU: 08-31-92
	092441-01-000	EA	CEILING ASM-AC, 220V - 50HZ - COLEMAN# 6712ET16 FROM: 00-00-00 THRU: 08-31-92
	108889-02-01A	EA	AC-ROOF, 13500 BTU - 220V - TSR - IVORY - COLEMAN 7373-597 FROM: 09-01-92 THRU: 99-99-99
	108891-01-01A	EA	CEILING ASM-AC, COOL - TSR - IVORY - COLEMAN 7330-714 FROM: 09-01-92 THRU: 99-99-99
	042204-01-709	EA	THERMOSTAT-IN 64 OUT 58, COLEMAN 6701-3401
	073742-01-701	EA	SELECTOR SWITCH (5 TERMINAL), COLEMAN 6759-3251
	073742-01-702	EA	DECAL COOL ONLY, COLEMAN 6759C3431
	076303-01-707	EA	FILTER-6" X 14 3/4" X 1/2", 12 PER PKG - COLEMAN 6703A3151
	081808-01-712	EA	CEILING SHROUD (IVORY), COLEMAN 6769-5061
	091225-01-713	EA	KNOB (2 PER PACKAGE), COLEMAN 6701-3351
	091225-01-717	EA	DECAL (THERMOSTAT) COOL ONLY, COLEMAN 6799A3441
	093768-02-701	EA	DECAL-LEFT SIDE, COLEMAN 6799-3971
	108891-01-700	EA	SINGLE PARTS PACKAGE (KNOBS & NUTS), COLEMAN 6792-5991
	108891-01-701	EA	RETAINER CLIPS FOR FILTER (6 PER PACKAGE), COLEMAN 6799-3141
	102289-01-000	EA	SPRING-SCREW, ROOF A/C GASKET - COLEMAN 6757-150
	022756-03-000	EA	COVER-BLANK, ROOF A/C - PLASTIC - OFF WHITE
	022756-02-000	EA	COVER-PROTECTIVE, 5.5" ENDS X 8.2" - PLASTIC - OFF WHITE

1993 ITASCA TABLE OF CONTENTS

INTRODUCTION	A-01 - A-02
ABBREVIATIONS	A-03
ALPHABETICAL INDEX	A-04 - A-06
IC424RC	A-07 - E-02
IC422RG	E-03 - H-16

1993 IC422RG INDEX

FLOOR PLAN	E-03 - E-04
ACCESSORIES	E-05
AUDIO VIDEO	E-06
BATH	E-07 - E-08
CHASSIS	E-09 - E-13
CURTAIN & CUSHION	E-14 - E-24
DINETTE	F-01 - F-02
DRIVERS COMPARTMENT	F-03 - F-08
ELECTRICAL	F-07 - F-10
EXTERIOR BODY	F-11 - F-19
GALLEY	F-20 - F-23
GENERATOR	F-24
HEATING & A/C	G-01 - G-02
INTERIOR FINISH	G-03 - G-06
LABELS	G-06 - G-13
LP	G-14
LOUNGE	G-15
SEALANTS & FASTENERS	G-16 - G-19
WATER & SEWAGE	G-20 - G-24
WINDOW, VENT AND EXTERIOR DOOR	H-01 - H-16

INTERIOR FINISH GROUP

MOLDINGS & TRIMS

KEY	PART NUMBER	U/M DESCRIPTION
	008767-12-000	FT MOLDING-SIDEWALL TO CEILING/CABINET - WELTING - OFF WHITE
	008778-11-000	EA U CHANNEL-PLASTIC, 1" WIDE X 8' LONG - IVORY
	008808-21-000	EA MOLDING-CORNER, OUTSIDE - 1" - PLASTIC - WOODGRAIN
	008809-23-000	EA MOLDING-CORNER, OUTSIDE - 1" - PLASTIC - IVORY
	008809-24-000	EA MOLDING-CORNER, OUTSIDE - 1" - PLASTIC - THOR PECAN
	008809-25-000	EA MOLDING-CORNER, OUTSIDE - 1" - PLASTIC - OFF WHITE
	008812-25-000	EA MOLDING-CORNER, OUTSIDE - .5" - PLASTIC - PECAN
	022982-01-000	FT MOLDING-REVERSE COVE, T-SHAPED - VINYL - WHITE
	022982-11-000	FT MOLDING-REVERSE COVE, T-SHAPED - VINYL - IVORY
	070604-01-000	FT U-CHANNEL-PLASTIC, .085" WIDE - LIGHT BROWN - INC. OF 8'
	070604-21-000	FT U-CHANNEL-PLASTIC, .815" WIDE - THOR PECAN - INC. OF 6'
	076325-18-000	FT MOLDING-EDGE BAND, 1 5/16" WIDE - WOODGRAIN - REGAL OAK
	076325-37-000	FT MOLDING-EDGE BAND, 1138MM WIDE (D27)
	076325-38-000	FT MOLDING-EDGE BAND, 1138MM WIDE (D28)
	076325-39-000	FT MOLDING-EDGE BAND, 1527MM WIDE (D27)
	076325-40-000	FT MOLDING-EDGE BAND, 1527MM WIDE (D28)
	081294-02-000	EA MOLDING-SHELF, NOTCHED WOOD - 8' LONG
	083820-07-000	FT MOLDING-T, END CAP EDGE - WEDGE LIPS - .75" - THOR PECAN
	083820-08-000	FT MOLDING-T, END CAP EDGE - WEDGE LIPS - .75" - MODERN IVORY
	085284-51-000	FT BATT STRIP-DECORATIVE, MAIN WALL - ADHESIVE BACKED (D27)
	085284-58-000	FT BATT STRIP-DECORATIVE, MAIN WALL - ADHESIVE BACKED (D28)
	085284-52-000	FT BATT STRIP-DECORATIVE, BATH/GALLEY WALL - ADHESIVE BACKED (D27)
	085284-55-000	FT BATT STRIP-DECORATIVE, BATH/GALLEY WALL - ADHESIVE BACKED (D28)
	085284-59-000	FT BATT STRIP-DECORATIVE, CEILING - ADHESIVE BACKED - FAWN
	085284-68-000	FT BATT STRIP-DECORATIVE, PLAIN - ADHESIVE BACKED - FOREST OAK
	085748-01-000	FT TRIM-J, CARPET - 1.2" X .5" ANGLE - 10' LONG - PVC - BEIGE
	088229-01-000	EA RETAINER-BATTEN, CEILING - .75" WIDE - 7.6' LONG
	088263-79-000	EA BATT STRIP-WOODGRAIN, 8' LONG - FOREST OAK
	088263-71-000	EA BATT STRIP-CEILING, 8' LONG - TROWELL WORK FAWN
	088263-63-000	EA BATT STRIP-DECORATIVE, PLAIN - MAIN WALL - 8' LONG (D27)
	088263-67-000	EA BATT STRIP-DECORATIVE, PLAIN - MAIN WALL - 8' LONG (D28)
	088263-84-000	EA BATT STRIP-DECORATIVE, W/FLOWERS - BATH/GALLEY WALL - 8' LONG (D27)
	088263-88-000	EA BATT STRIP-DECORATIVE, W/FLOWERS - BATH/GALLEY WALL - 8' LONG (D28)
	088263-78-000	EA BATT STRIP-DECORATIVE, SHOWER - ANTIQUE WHITE - 8' LONG (D28)
	092330-02-038	EA LUMBER-VINYL WRAPPED, .7" X 1.5" X 9' - WOODGRAIN
	092330-03-000	EA LUMBER-VINYL WRAPPED, 2" X 96" - WOODGRAIN - REGAL OAK
	092330-05-000	EA LUMBER-VINYL WRAPPED, 2.9" X 96" - WOODGRAIN - REGAL OAK
	092331-02-134	EA MOLDING-VINYL WRAPPED, .7" X 1.57" X 84" - WOODGRAIN
	092331-F2-134	EA MOLDING-VINYL WRAPPED, .7" X 2.5" X 7" - WOODGRAIN
	092331-F2-438	EA MOLDING-VINYL WRAPPED, .7" X 2.5" X 95" - WOODGRAIN
	104678-01-01A	FT MOLDING-T, 5/16" RIGID - GOLD
	105004-01-01A	EA MOLDING-VINYL WRAP, 1" X 8" - REGAL OAK
	105709-01-000	FT MOLDING-T, 1" - PLASTIC - MODERN IVORY
	100040-01-000	EA LUMBER-VINYL WRAPPED, .7" X 1.5" X 8" - RAMBLING OAK
	100040-03-000	EA LUMBER-VINYL WRAPPED, .7" X 2" X 8" - RAMBLING OAK
	100041-02-000	EA MOLDING-VINYL WRAPPED, .7" X 2.5" X 84" - RAMBLING OAK
	100889-01-425	EA TRIM-FLOOR, 72" X 1" X 1/2" - WOOD

INTERIOR FINISH GROUP (CONTINUED)

PANELING, LAMINATES & PLASTIC

KEY	PART NUMBER	U/M DESCRIPTION
	074487-18-000	SF PANELING-CEILING, 4' X 8' - INCREMENTS OF 32 SF
	074487-20-000	SF PANELING-WOODGRAIN, 4' X 8' - INCREMENTS OF 32 SF
	074488-24-000	SF LAMINATE-PLASTIC, 5' X 8' - REGAL OAK
	074489-46-000	SF LAMINATE-PLASTIC, 5' X 8' - TAUPE MATRIX (D27)
	074489-45-000	SF LAMINATE-PLASTIC, 5' X 8' - FAVORITE MIX (D28)
	088272-98-000	SF PANELING-BATH/SHOWER, 4' X 7" - ANTIQUE WHITE
	088272-85-000	SF PANELING-BATH/GALLEY, 4' X 7" - KEW GARDEN (D27)
	088272-98-000	SF PANELING-BATH/GALLEY, 4' X 7" - GLORIA PASTEL (D28)
	088272-54-000	SF PANELING-MAIN, 4' X 7" - BOMBAY (D27)
	088272-69-000	SF PANELING-MAIN, 4' X 7" - POMPEII (D28)
	088297-01-000	SF PLYWOOD-LUAN, OVERLAY GRADE - 4' X 8'
	093743-02-01A	SF PLASTIC-ABS, 20" WIDE ROLL - OFF WHITE
	093743-03-01A	SF PLASTIC-ABS, 10.8" WIDE - OFF WHITE
	098531-01-000	SF PLYWOOD-RED OAK, 1/2"

CARPETING & FLOOR MATS

KEY	PART NUMBER	U/M DESCRIPTION
	096060-33-000	SY CARPET-ROLL 12' WIDE - LIGHT BROWN (D27)
	096060-42-000	SY CARPET-ROLL 12' WIDE - SPECIAL TEAL (D28)
	093486-01-000	SY CARPET-COMPARTMENT, 54" WIDE - DARK GRAY
	102595-04-000	YD TAPE-CARPET BIND, BLUE (D04)
	102595-10-000	YD TAPE-CARPET BIND, FAWN (D05)
	047034-02-000	SF PLASTIC-CARPET, 4' WIDE - CLEAR POLI
	075233-01-000	SY PAD-CARPET, 3/8" X 8' ROLL
	040059-01-000	EA MAT-FLOOR, W/TASCA LOGO - 10.5" X 26" - RUBBER - BLACK FROM: 00-00-00 THRU: 04-25-93
	081075-04-000	EA MAT-FLOOR, W/TASCA LOGO - 10.5" X 26" - RUBBER - GRAY FROM: 04-26-93 THRU: 99-99-99
	108884-03-000	EA MAT-FLOOR, FRONT - RH - 7" - FORD
	108884-04-000	EA MAT-FLOOR, FRONT - LH - 7" - FORD

FIRE EXTINGUISHER, SMOKE DETECTOR & CLOCK

KEY	PART NUMBER	U/M DESCRIPTION
	072952-01-000	EA DETECTOR-SMOKE, W/9 VOLT BATTERY
	072852-02-000	EA DETECTOR-SMOKE, W/9 VOLT BATTERY (CANADIAN)
	094499-01-000	EA EXTINGUISHER-FIRE, DRY W/MOUNTING BRACKET - 10 BC
	094499-02-000	EA EXTINGUISHER-FIRE, DRY - 1A10BC - CANADIAN
	094489-01-700	EA BRACKET-MOUNTING, W/PLASTIC STRAP - FIRE EXTINGUISHER
	104764-01-01A	EA CLOCK-WALL, SPARTUS FROM: 00-00-00 THRU: 04-18-93
	100793-02-01A	EA CLOCK-WALL, BOLDEN - ROUND 11" FROM: 04-19-93 THRU: 99-99-99

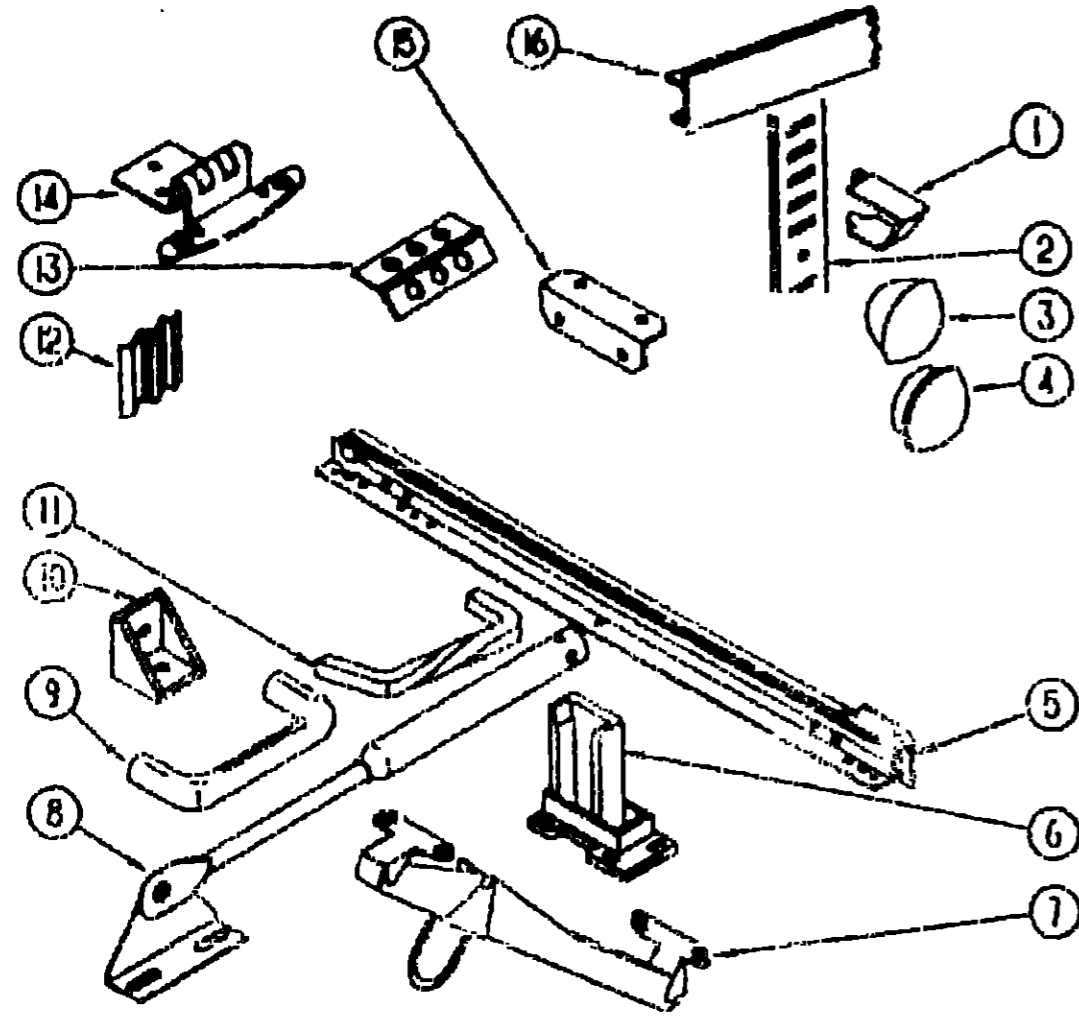
**1993 ITABCA
TABLE OF CONTENTS**

INTRODUCTION	A-01 - A-02
ABBREVIATIONS	A-03
ALPHABETICAL INDEX	A-04 - A-05
IC424RC	A-07 - E-02
IC422RG	E-03 - H-16

1993 IC422RG INDEX

FLOOR PLAN	E-03 - E-04
ACCESSORIES	E-05
AUDIO VIDEO	E-06
BATH	E-07 - E-08
CHASSIS	E-09 - E-13
CURTAIN & CUSHION	E-14 - E-24
DINETTE	F-01 - F-02
DRIVERS COMPARTMENT	F-03 - F-06
ELECTRICAL	F-07 - F-10
EXTERIOR BODY	F-11 - F-19
GALLEY	F-20 - F-23
GENERATOR	F-24
HEATING & A/C	G-01 - G-02
INTERIOR FINISH	G-03 - G-05
LABELS	G-06 - G-13
LP	G-14
LOUNGE	G-15
SEALANTS & FASTENERS	G-16 - G-19
WATER & SEWAGE	G-20 - G-24
WINDOW, VENT AND EXTERIOR DOOR	H-01 - H-16

INTERIOR FINISH GROUP (CONTINUED)



CABINET & TABLE HARDWARE

LABELS GROUP

MISCELLANEOUS LABELS

KEY	PART NUMBER	U/M	DESCRIPTION
	104236-01-000	EA	LABEL-GENERATOR CIRCUIT
	008064-01-000	EA	LABEL-SEAT TWO SEATBELT (US)
	009064-02-000	EA	LABEL-SEAT TWO SEATBELT (CSA)
			NOT INTENDED FOR USE WHILE COACH IN MOTION
	035709-01-000	EA	LABEL-NO STORAGE
	061224-02-000	EA	LABEL-TRAILER LIGHTING
	091243-01-000	EA	LABEL-A/C COVER, "AIR CONDITIONING CIRCUIT ETC."
	091243-02-000	EA	LABEL-COVER, "MICROWAVE CIRCUIT ETC."
	092236-08-000	EA	LABEL-CIRCUIT BREAKER
	092641-01-000	EA	LABEL-FUEL, UNLEADED - DASH
	092976-01-000	EA	DECAL-AUTO AIR & REAR HEATER
	074558-01-000	EA	DECAL-LOGO, LPG - RED - (CALIF CODE)
	073968-01-000	EA	LABEL-LPG ODOR WARNING
	087207-08-000	EA	LABEL-GAS OVERFILL, WARNING
	087236-01-000	EA	LABEL-CABLE, INPUT
	061417-01-000	EA	LABEL-FUEL, ON FUEL FILL DOOR
	006040-01-000	EA	TAG-GAS REFUELING WARNING-US
	006040-02-000	EA	TAG-GAS REFUEL WARNING-CANADIAN

**1993 ITASCA
TABLE OF CONTENTS**

INTRODUCTION	A-01 - A-02
ABBREVIATIONS	A-03
ALPHABETICAL INDEX	A-04 - A-08
IC424RG	A-07 - E-02
IC422RG	E-03 - H-16

1993 IC422RG INDEX

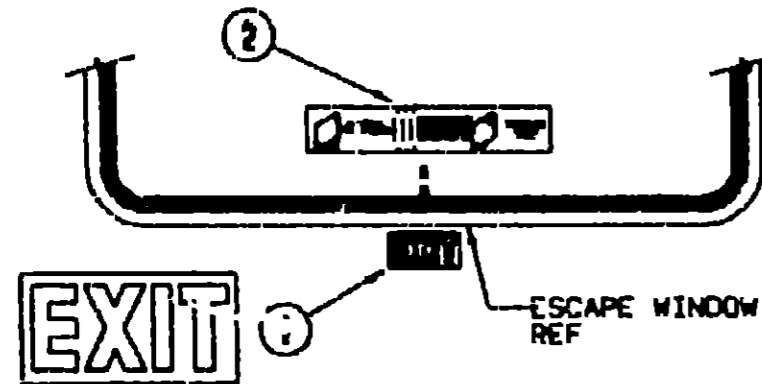
FLOOR PLAN	E-03 - E-04
ACCESSORIES	E-05
AUDIO VIDEO	E-06
BATH	E-07 - E-08
CHASSIS	E-09 - E-13
CURTAIN & CUSHION	E-14 - E-24
DINETTE	F-01 - F-02
DRIVERS COMPARTMENT	F-03 - F-08
ELECTRICAL	F-07 - F-10
EXTERIOR BODY	F-11 - F-19
GALLEY	F-20 - F-23
GENERATOR	F-24
HEATING & A/C	G-01 - G-02
INTERIOR FINISH	G-03 - G-06
LABELS	G-06 - G-13
LP	G-14
LOUNGE	G-15
SEALANTS & FASTENERS	G-16 - G-19
WATER & SEWAGE	G-20 - G-24
WINDOW, VENT AND EXTERIOR DOOR	H-01 - H-16

KEY	PART NUMBER	U/M	DESCRIPTION
1	096979-01-000	EA	CLIP-ADJUSTABLE SHELF
2	096980-01-000	EA	PILASTER-ADJUSTABLE SHELF, 18" LONG
3	042356-01-000	EA	PLUG-BUTTON, MAHOGANY - 3/8" DIAMETER - WOOD
4	074045-07-000	EA	PLUG-WOOD, 1/2"
5	106913-05-000	EA	SLIDE-DRAWER, CABINET MOUNTED - LEFT SIDE - 18"
5	106913-06-000	EA	SLIDE-DRAWER, CABINET MOUNTED - RIGHT SIDE - 10"
5	106913-07-000	EA	SLIDE-DRAWER, DRAWER MOUNTED - LEFT SIDE - 18"
5	106913-08-000	EA	SLIDE-DRAWER, DRAWER MOUNTED - RIGHT SIDE - 18"
6	107030-01-000	EA	BACKSOCKET-ADJUSTABLE, LEFT SIDE
6	107030-02-000	EA	BACKSOCKET-ADJUSTABLE, RIGHT SIDE
7	104181-01-01A	EA	SUPPORT-LEAF, 5.3' - EXTENDS TO 7.5' - SAFETY RING - METAL
8	074493-02-000	EA	SUPPORT-PISTON SPRING, CABINET DOOR
9	109747-01-000	EA	PULL-CABINET, ANTIQUE BRASS
10	065740-01-000	EA	BRACE-CABINET CORNER, PLASTIC
11	096645-01-000	EA	PULL-CABINET, BRASS - TWIST - 1.1" X 3.4"
12	105037-02-000	EA	FASTENER-WOOD, CORNER - METAL - .5" X .6"
13	009059-01-000	EA	HINGE-DOOR, 2' X 1.4' - BRASS
13	009059-02-000	EA	HINGE-DOOR, 2' X 2.7' - BRASS
13	009063-01-000	EA	HINGE-CONTINUOUS, 1 1/2" X 72" - UNPAINTED
14	108138-01-000	EA	HINGE-DOOR, CABINET - BURNISHED BRASS
14	000213-08-08G	EA	SCREW-6-20 X 5/8 PPH, ANTIQUE BRASS (HINGE 108138-01-000)
15	018804-01-000	EA	BRACE-CABINET, ANGLE - 2.5" - METAL - UNPAINTED
15	018804-03-000	EA	BRACE-CABINET, ANGLE - 2.5" - METAL - BEIGE
16	103189-01-02A	FT	MOLDING-SHELF EDGE, PLASTIC - REGAL OAK
	009148-01-000	EA	PULL-FINGER, .75" DIAMETER - BRASS
	078780-01-000	EA	SCREW, 6-20 X 1 1/4 PPH - BLACK
	004354-01-000	EA	BUMPER-RUBBER, .5" DIA - BROWN
	023320-01-000	EA	PAD-FELT, 3/8" DIAMETER - BROWN
	042438-01-000	EA	DOWEL-WOOD, CLOTHES ROD - 1" DIAMETER X 4'
	009112-01-000	EA	FLANGE-1" ROD, CLOTHES - PLASTIC - OFF WHITE

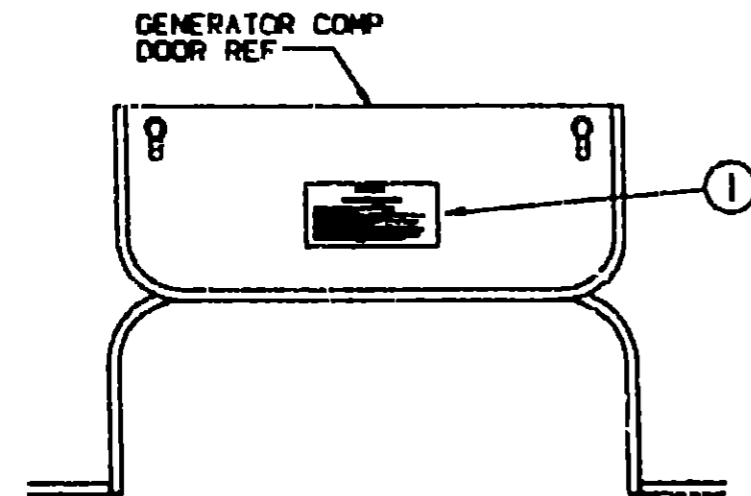
FROM: 02-05-93 THRU: 93-99-99

FROM: 00-00-00 THRU: 02-04-93

LABELS GROUP (CONTINUED)



KEY	PART NUMBER	U/M	DESCRIPTION
1	038223-01-000	EA	LABEL-WARNING-EXIT
2	107571-01-000	EA	LABEL-EXIT-ESCAPE WINDOW



WARNING

WHEN ADDING A GENERATOR SET:

HIGH VOLTAGE - USE EXTREME CAUTION WHEN WORKING ON ELECTRICAL EQUIPMENT.

HAVE ALL ELECTRICAL INSTALLATION PERFORMED BY A QUALIFIED LICENSED ELECTRICIAN-POLICE BY ALL STATE AND LOCAL ORDINANCES.

ONLY INSTALL GENERATOR SET APPROVED FOR S.V. APPLICATION. MAKE SURE IT IS INSTALLED BY QUALIFIED TECHNICIAN.

TO AVOID HEAT BUILD-UP AND TO ASSURE AN ADEQUATE AIR SUPPLY TO THE GENERATOR COMPARTMENT, FOLLOW INSTALLATION INSTRUCTIONS.

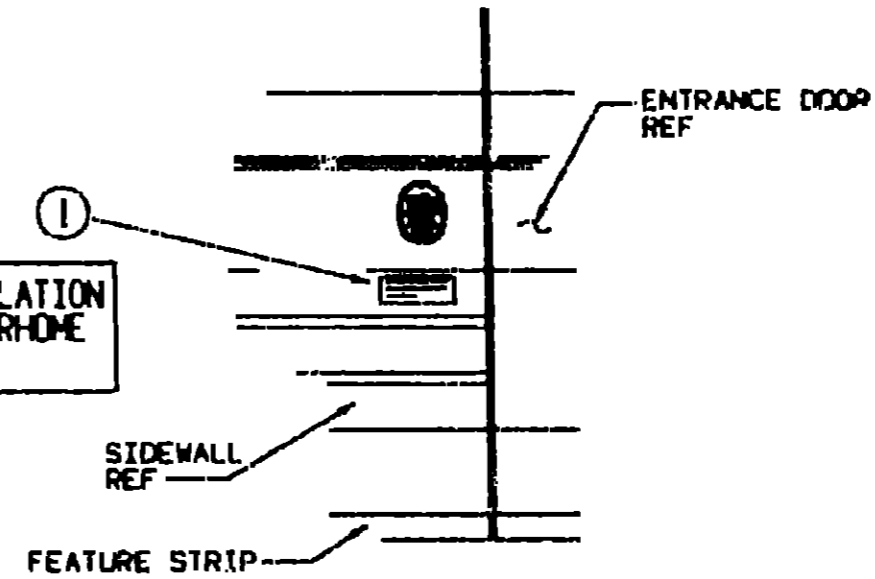
GENERATOR SETS SHOULD BE KEPT AWAY FROM THE VEHICLE AND NOT USED WHILE THE VEHICLE IS IN MOTION.

KEY	PART NUMBER	U/M	DESCRIPTION
1	077510-01-000	EA	LABEL-GENERATOR PREP

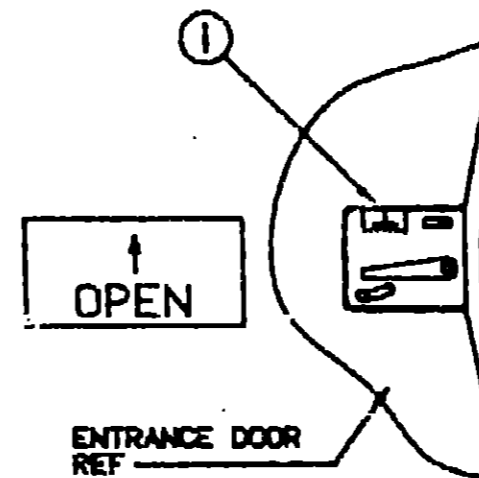
LABELS GROUP (CONTINUED)



FOR AWNING INSTALLATION CONTACT YOUR MOTORHOME DEALERSHIP



KEY	PART NUMBER	U/M	DESCRIPTION
1	099509-01-000	EA	LABEL-AWNING INSTALLATION



KEY	PART NUMBER	U/M	DESCRIPTION
1	040944-01-000	EA	LABEL-ENTRANCE DOOR, "OPEN"

1993 ITASCA TABLE OF CONTENTS

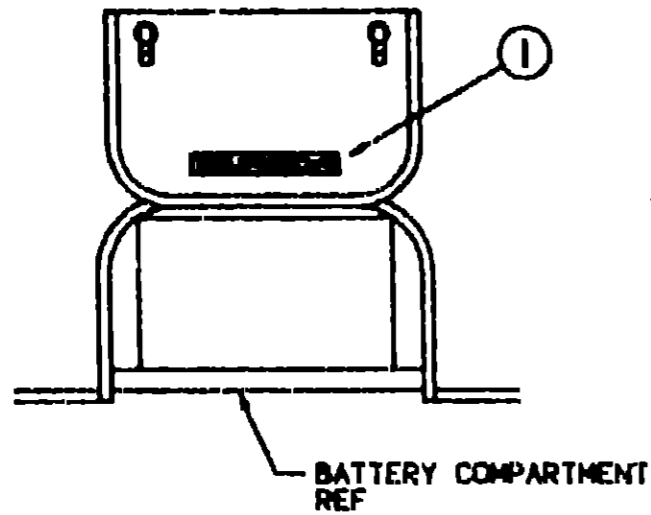
INTRODUCTION	A-01	A-02
ABBREVIATIONS	A-03	A-03
ALPHABETICAL INDEX	A-04	A-08
IC424RC	A-07	E-02
IC422RG	E-03	H-16

1993 IC422RG INDEX

FLOOR PLAN	E-03	E-04
ACCESSORIES		E-05
AUDIO VIDEO		E-06
BATH	E-07	E-08
CHASSIS	E-09	E-13
CURTAIN & CUSHION	E-14	E-24
DINETTE	F-01	F-02
DRIVERS COMPARTMENT	F-03	F-06
ELECTRICAL	F-07	F-10
EXTERIOR BODY	F-11	F-19
GALLEY	F-20	F-23
GENERATOR		F-24
HEATING & A/C	G-01	G-02
INTERIOR FINISH	G-03	G-05
LABELS	G-06	G-13
LP		G-14
LOUNGE		G-15
SEALANTS & FASTENERS	G-16	G-19
WATER & SEWAGE	G-20	G-24
WINDOW, VENT AND EXTERIOR DOOR	H-01	H-16

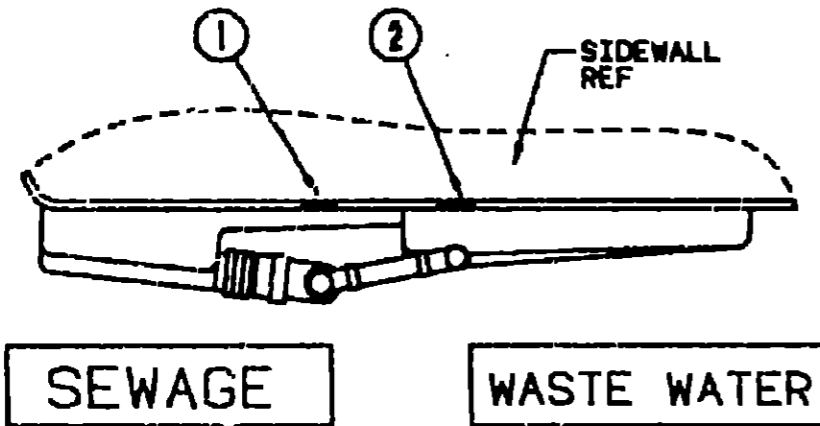
LABELS GROUP (CONTINUED)

WARNING: DISCONNECT BATTERIES BEFORE CONNECTING EXTERNAL CHARGING EQUIPMENT.



BATTERY COMPARTMENT REF

KEY PART NUMBER U/M DESCRIPTION
1 085748-01-000 EA LABEL-CAUTION-BATTERY CHARGING

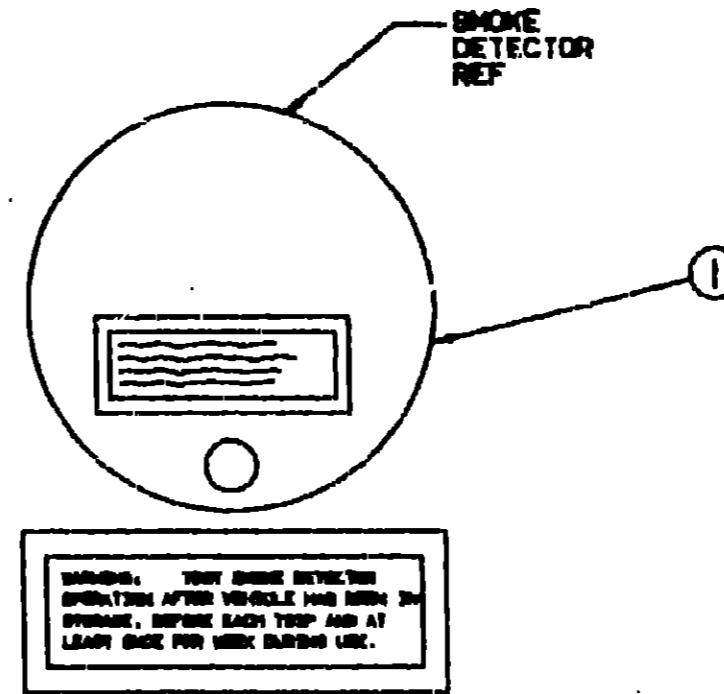


SEWAGE

WASTE WATER

KEY PART NUMBER U/M DESCRIPTION
1 006187-01-000 EA LABEL-SEWAGE
2 006188-01-000 EA LABEL-WASTE WATER

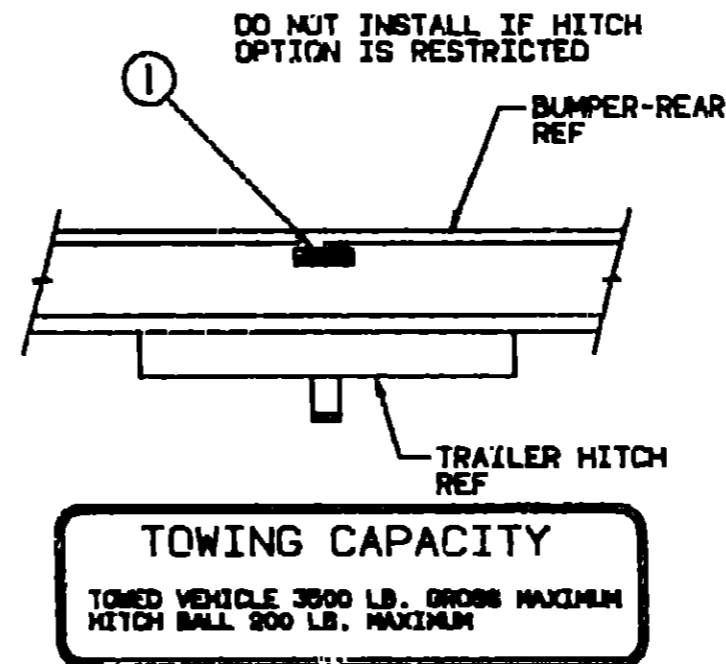
LABELS GROUP (CONTINUED)



SMOKE DETECTOR REF

WARNING: TEST SMOKE DETECTOR OPERATION AFTER VEHICLE HAS BEEN IN STORAGE. BEFORE EACH TRIP AND AT LEAST ONCE PER WEEK DURING USE.

KEY PART NUMBER U/M DESCRIPTION
1 077958-01-000 EA LABEL-WARNING-SMOKE DETECTOR



DO NOT INSTALL IF HITCH OPTION IS RESTRICTED

BUMPER-REAR REF

TRAILER HITCH REF

TOWING CAPACITY

TOWED VEHICLE 3500 LB. GROSS MAXIMUM
HITCH BALL 200 LB. MAXIMUM

KEY PART NUMBER U/M DESCRIPTION
1 075221-01-000 EA LABEL-TOWING CAPACITY

**1993 ITASCA
TABLE OF CONTENTS**

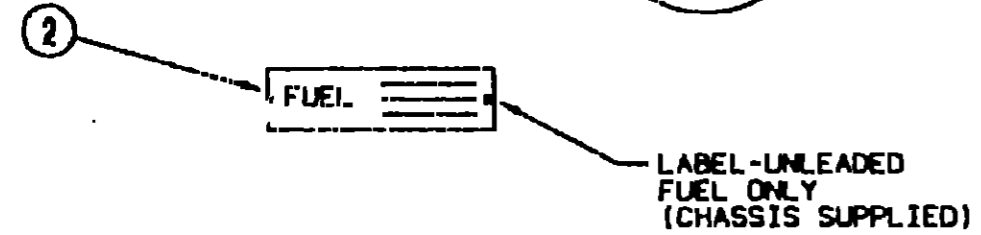
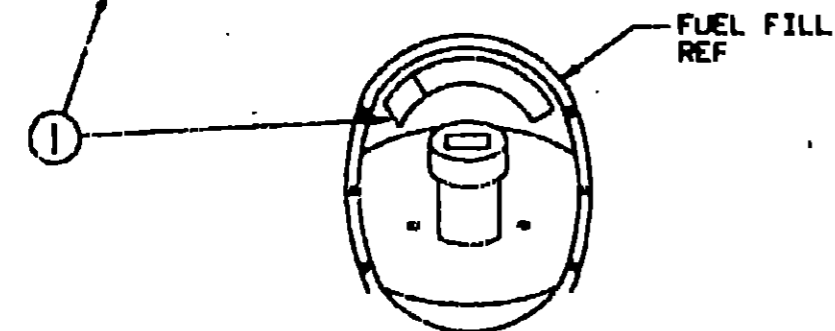
INTRODUCTION	A-01 - A-02
ABBREVIATIONS	A-03
ALPHABETICAL INDEX	A-04 - A-08
IC424RC	A-07 - E-02
IC422RG	E-03 - H-18

1993 IC422RG INDEX

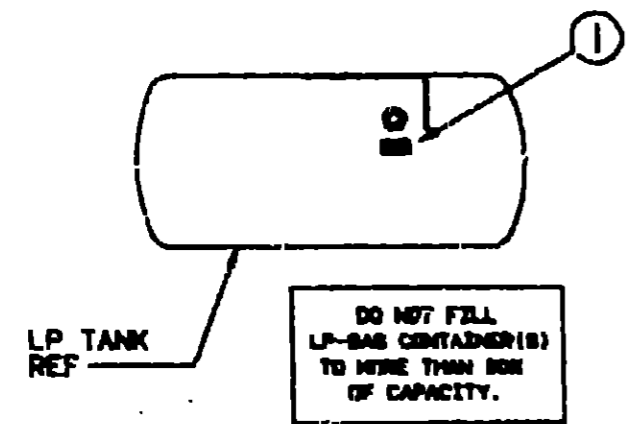
FLOOR PLAN	E-03 - E-04
ACCESSORIES	E-05
AUDIO VIDEO	E-08
BATH	E-07 - E-08
CHASSIS	E-09 - E-13
CURTAIN & CUSHION	E-14 - E-24
DINETTE	F-01 - F-02
DRIVERS COMPARTMENT	F-03 - F-06
ELECTRICAL	F-07 - F-10
EXTERIOR BODY	F-11 - F-19
GALLEY	F-20 - F-23
GENERATOR	F-24
HEATING & A/C	G-01 - G-02
INTERIOR FINISH	G-03 - G-06
LABELS	G-06 - G-13
LP	G-14
LOUNGE	G-15
SEALANTS & FASTENERS	G-16 - G-19
WATER & SEWAGE	G-20 - G-24
WINDOW, VENT AND EXTERIOR DOOR	H-01 - H-18

LABELS GROUP (CONTINUED)

CAUTION	TO HELP AVOID PERSONAL INJURY DURING REMOVAL OF FUEL FILLER CAP, ONLY LOOSEN CAP 1/2 TURN TO ALLOW ANY FUEL PRESSURE TO BE RELIEVED BEFORE TURNING CAP FURTHER.
FUEL SPRAY MAY CAUSE PERSONAL INJURY	STOP ADDING FUEL AFTER FIRST SHUTOFF BY AUTOMATIC NOZZLE WHEN TANK IS NEARLY FULL. DO NOT OVERFILL FUEL TANK. SEE OWNERS MANUAL FOR ADDITIONAL INFORMATION.
	PRINTED IN U.S.A. M.C. PT. NO. 1911763

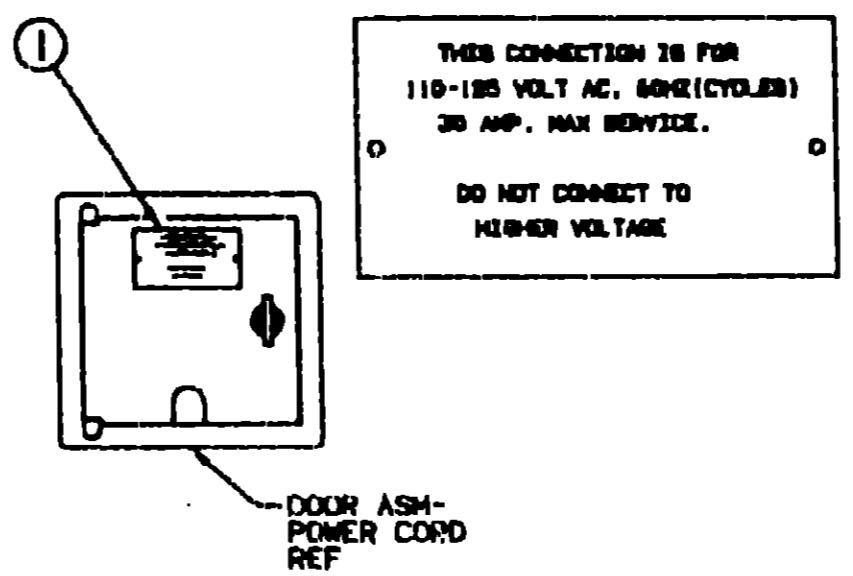


KEY PART NUMBER	U/M DESCRIPTION
1 087207-05-000	EA LABEL-GAS OVERFILL
2 062043-01-000	EA LABEL-FUEL-UNLEADED

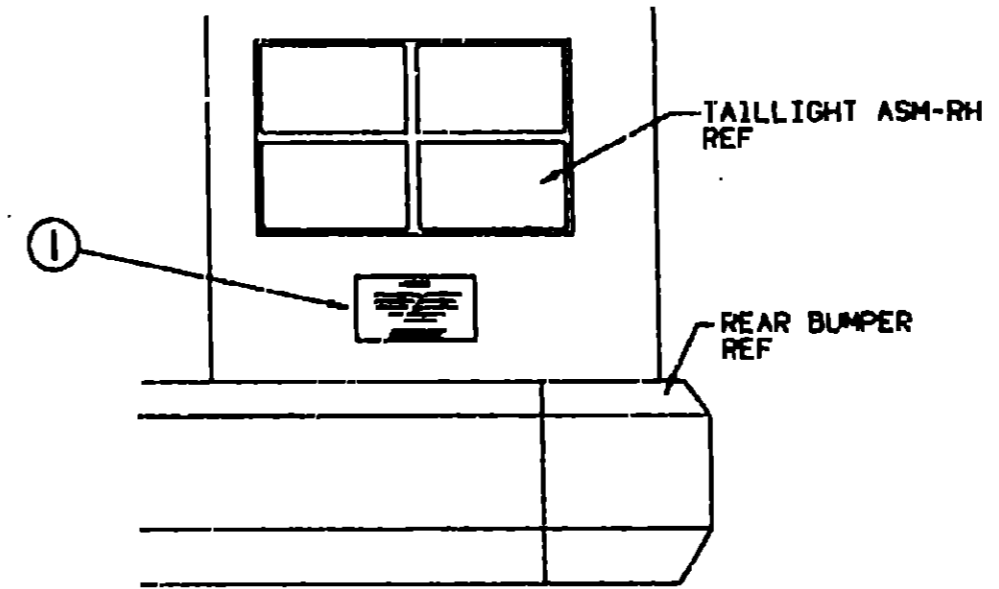


KEY PART NUMBER	U/M DESCRIPTION
1 054531-01-000	EA LABEL-LP GAS ONLY

LABELS GROUP (CONTINUED)



KEY PART NUMBER	U/M DESCRIPTION
1 006082-01-000	EA TAG-ELECTRIC-110V CONNECTION



WARNING

DO NOT EXCEED THE VEHICLE WEIGHT RATINGS OR LOADING RECOMMENDATIONS (E.G., GROSS VEHICLE, GROSS AXLE, GROSS COMBINED) OF THE CHASSIS MANUFACTURER OR WINNEBAGO INC.

REFER TO YOUR OWNERS MANUAL, BEFORE LOADING OR TOWING.

KEY PART NUMBER	U/M DESCRIPTION
1 075223-01-000	EA LABEL-WARNING-EXTERIOR LOAD

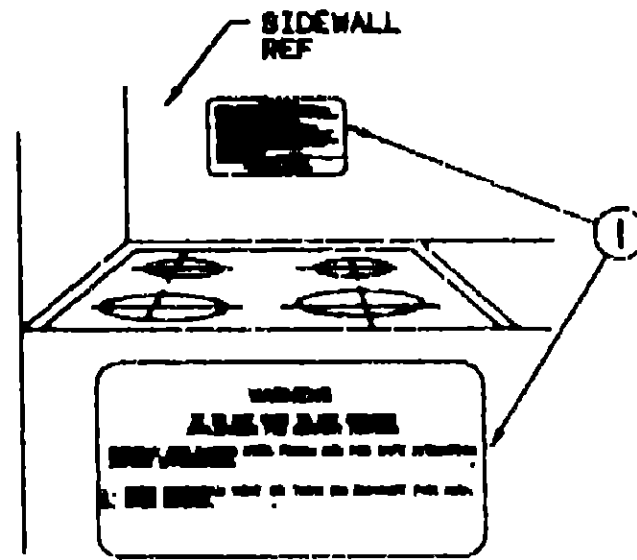
1993 ITASCA TABLE OF CONTENTS

INTRODUCTION	A-01 - A-02
ABBREVIATIONS	A-03
ALPHABETICAL INDEX	A-04 - A-06
IC424RG	A-07 - E-02
IC422RG	E-03 - H-16

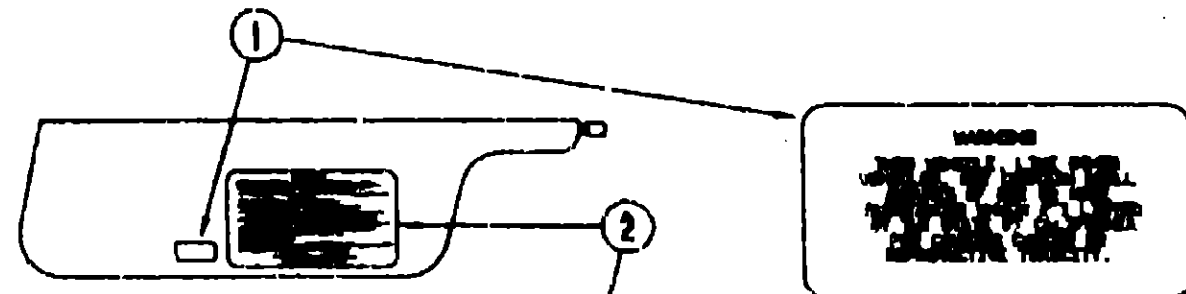
1993 IC422RG INDEX

FLOOR PLAN	E-03 - E-04
ACCESSORIES	E-05
AUDIO VIDEO	E-06
BATH	E-07 - E-08
CHASSIS	E-09 - E-13
CURTAIN & CUSHION	E-14 - E-24
DINETTE	F-01 - F-02
DRIVERS COMPARTMENT	F-03 - F-06
ELECTRICAL	F-07 - F-10
EXTERIOR BODY	F-11 - F-19
GALLEY	F-20 - F-23
GENERATOR	F-24
HEATING & A/C	G-01 - G-02
INTERIOR FINISH	G-03 - G-05
LABELS	G-06 - G-13
LP	G-14
LOUNGE	G-15
SEALANTS & FASTENERS	G-16 - G-19
WATER & SEWAGE	G-20 - G-24
WINDOW, VENT AND EXTERIOR DOOR	H-01 - H-16

LABELS GROUP (CONTINUED)



KEY PART NUMBER	U/M DESCRIPTION
1 060225-01-000	EA LABEL-WARNING-STOVE VENT - US



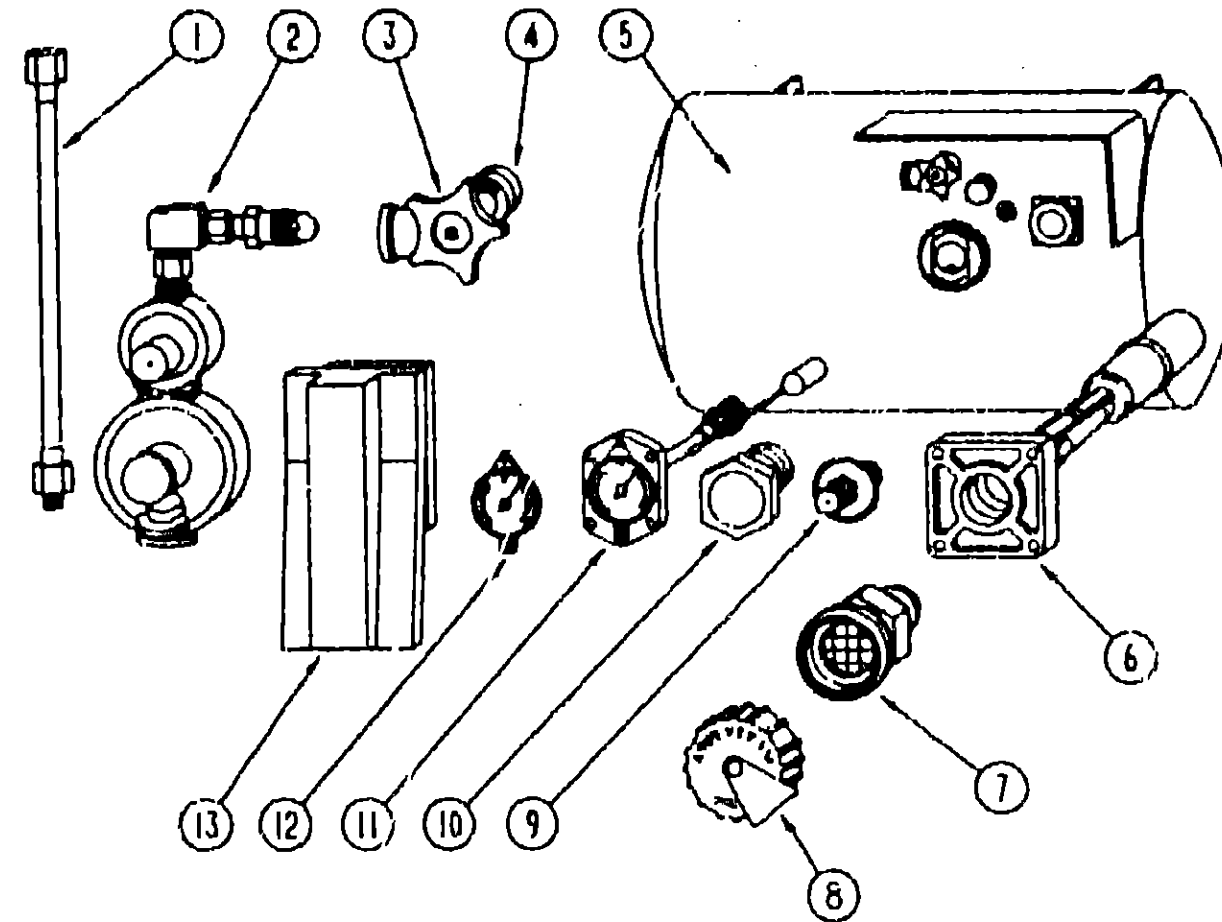
CAUTION

THIS INSTRUMENT HORN HAS BEEN DESIGNED, MANUFACTURED AND TESTED WITH CARE FOR THE PROTECTION OF IT'S OPERATORS. WE REQUEST YOU PERFORM THE FOLLOWING INSPECTIONS FOR YOUR SAFETY AND THE SAFETY OF YOUR PASSENGERS BEFORE STARTING YOUR VEHICLE.

- 1. LP GAS SYSTEM-** TURN OFF AT TANK FOR TRAVELING. TEST FOR LEAKS UPON ARRIVAL AT DESTINATION. BEFORE LIGHTING PILONS.
- 2. WHEELS-** INSPECT FOR DAMAGE AND CHECK TIRE CUPS FOR TEMPERATURE.
- 3. TIRES-** INSPECT FOR WEAR AND DAMAGE AND CHECK FOR RECOMMENDED AIR PRESSURE.
- 4. LIGHTS-** TEST FOR PROPER OPERATION OF ALL EXTERIOR AND INTERIOR LIGHTS INCLUDING BURN LIGHTS, HEADLIGHTS, TAIL LIGHTS, BRAKE LIGHTS, CLEARANCE LIGHTS AND TURN SIGNALS.
- 5. SEATBELTS-** INSPECT RELEASE MECHANISM OF EMERGENCY EXIT SEATBELTS. TEST BOTH LEADS ON EACH SEATBELT FOR EACH OF OPERATOR AND INSPECT PASSENGER HOW TO USE BOTH HEADS OF SEATBELT.
- 6. SEAT BELTS-** INSECT PASSENGERS TO WEAR SEATBELTS AND REMAIN USE OF SEAT BELTS.
- 7. APPLIANCES-** TURN OFF AND LATCH OR LOCK WHEN BEING POSITIONED.
- 8. LAZER PANELS-** STREVE SECURELY.
- 9. UTILITY SUPPLY LINES-** DISCONNECT ALL ELECTRIC, GAS AND WATER LINES AND SECURE PROPERLY.
- 10. SWIVEL SEAT STOP-** PLACE IN RETRACTED POSITION FOR TRAVELING.

READ THIS INSTRUMENT AND CHECKS ENGINE'S MANUAL FOR FURTHER PRECAUTIONS

LP GROUP



KEY PART NUMBER	U/M DESCRIPTION
1 045703-01-000	EA HOSE-LP - 3/8" ID X 24' - 3/8 MPT X 1/2 F SWIVEL - U.S.
1 045703-02-000	EA HOSE-LP - 3/8" ID X 24' - 3/8" MPT X 1/2" F SWIVEL - CANADA
2 106150-01-000	EA REGULATOR-TWO STAGE, M'BRASS 293-00
3 040421-01-706	EA HANDWHEEL-SERVICE VALVE - BRUNNER G-1015-A
4 040421-01-712	EA VALVE-SERVICE W/O VAPOR RELIEF - 29000653
5 060450-01-000	EA TANK-LP, 42 LB - 13" DIA X 24" LONG
6 040421-01-711	EA VALVE-80% W/FLOAT - PLATE - BOLTS & GASKET - BRUNNER
7 040421-01-701	EA VALVE-SHORT LP FILLER W/YELLOW CAP - BRUNNER 75478
8 040421-01-702	EA CAP-LP FILLER VALVE - PLASTIC - YELLOW - BRUNNER G-1014-A
9 040421-01-700	EA VALVE-LIQUID LEVEL - 20% LP - BRUNNER G-1013
10 040421-01-713	EA VALVE-VAPOR ONLY - 29000687
11 074142-01-700	EA FLOAT GUAGE-SCREW ON-MACHINE 13C-SCR
12 040421-01-705	EA DIAL-LP TANK VOLUME - VISIBLE FACE (5-17B9) - BRUNNER MA-8 ROCHESTER
13 105658-01-000	EA COMPARTMENT-LP REGULATOR
010323-01-000	EA ADAPTER-BRASS - 3/8" F X 1/2" MPT
010265-01-000	EA CROSS - 3/3" F X 3/8" F X 3/8" F X 1/2" FPT - BRASS
010377-02-000	EA NUT-BRASS - 3/8" FEMALE - FORGED
065318-02-000	EA ELBOW-90 DEGREE - 3/8" MPT TO 3/8" FPT
010265-01-000	EA ELBOW-90 DEGREE, BRASS - 3/8" F X 1/2" FPT
081642-01-000	EA TEE - 1/2" MPT X 1/2" FL X 3/8" FL - BRASS
095624-01-000	EA ELBOW-90 DEGREE - 1/4" FPT X 1/4" FPT - BRASS
071391-02-000	EA NIPPLE-HEX, 1/4" PIPE - 3325X4 WEATHERHEAD
008042-01-000	FT TUBING-VINYL, .66" ID
103813-01-000	EA DETECTOR-LEAK, LP GAS

**1993 ITASCA
TABLE OF CONTENTS**

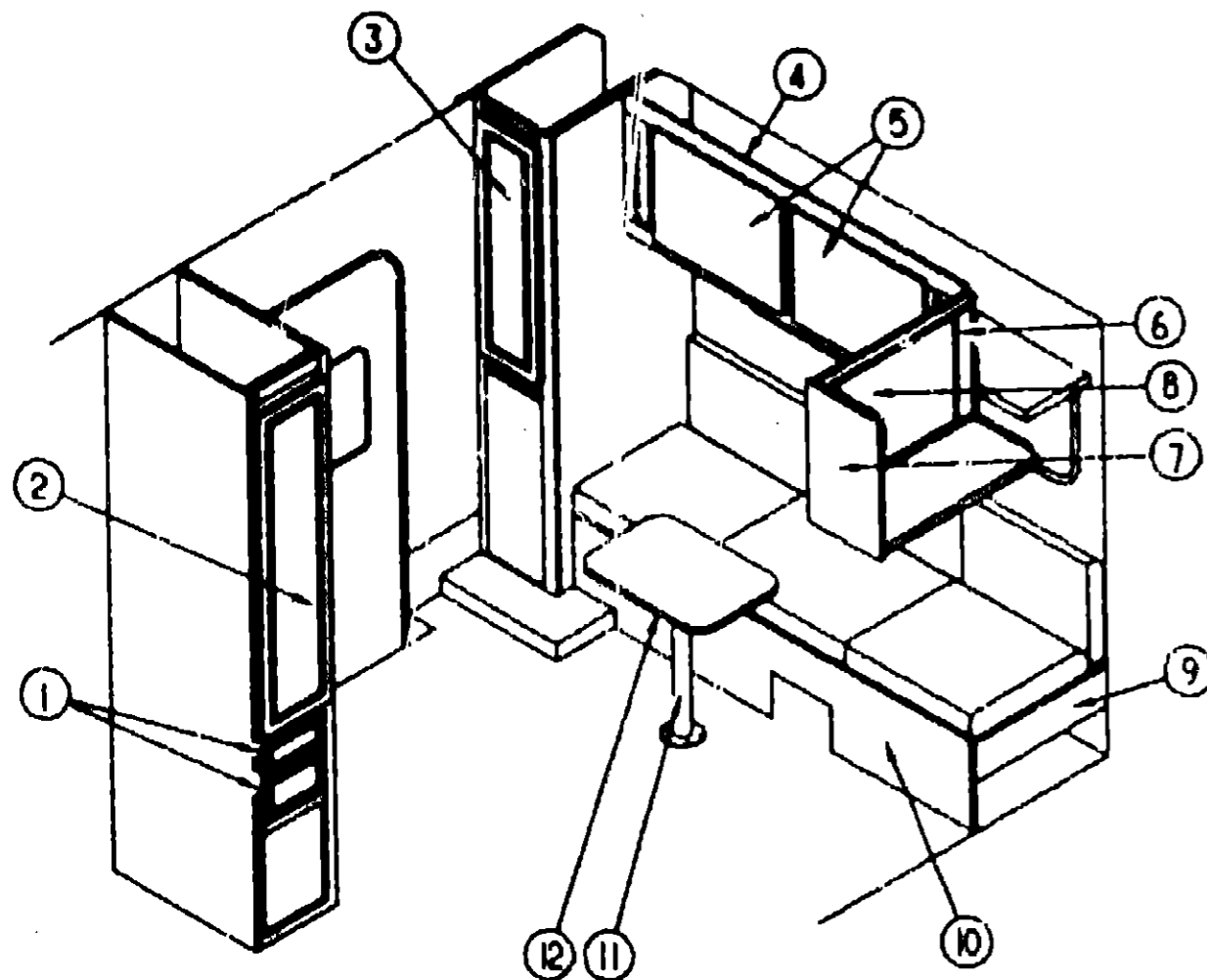
INTRODUCTION	A-01 - A-02
ABBREVIATIONS	A-03
ALPHABETICAL INDEX	A-04 - A-08
IC424RC	A-07 - E-02
IC422RG	E-03 - H-16

1993 IC422RG INDEX

FLOOR PLAN	E-03 - E-04
ACCESSORIES	E-05
AUDIO VIDEO	E-06
BATH	E-07 - E-08
CHASSIS	E-09 - E-13
CURTAIN & CUSHION	E-14 - E-24
DINETTE	F-01 - F-02
DRIVERS COMPARTMENT	F-03 - F-08
ELECTRICAL	F-07 - F-10
EXTERIOR BODY	F-11 - F-19
GALLEY	F-20 - F-23
GENERATOR	F-24
HEATING & A/C	G-01 - G-02
INTERIOR FINISH	G-03 - G-05
LABELS	G-06 - G-13
LP	G-14
LOUNGE	G-15
SEALANTS & FASTENERS	G-16 - G-19
WATER & SEWAGE	G-20 - G-24
WINDOW, VENT AND EXTERIOR DOOR	H-01 - H-16

KEY PART NUMBER	U/M DESCRIPTION
1 066699-01-000	EA LABEL-WARNING-CANCER/TOXICITY
2 066259-01-000	EA LABEL-SAFETY CHECK LIST

LOUNGE GROUP



REAR LOUNGE CABINETS & TABLE

KEY	PART NUMBER	U/M	DESCRIPTION
1	P07104-E0-D04	EA	DRAWER-CABINET, W/O HARDWARE
2	P05223-48-D04	EA	DOOR-CABINET, W/O HARDWARE - 305 X 1220MM
3	P05223-47-D04	EA	DOOR-CABINET, W/O HARDWARE - 305 X 1220MM
	042438-01-000	EA	DOWEL-WOOD, CLOTHES ROD - 1" DIAMETER X 4'
	009112-01-000	EA	FLANGE-1" ROD, CLOTHES - PLASTIC - OFF WHITE
4	105051-01-D27	EA	CABINET-REAR OVERHEAD - W/O DOOR & HARDWARE
4	105051-01-D28	EA	CABINET-REAR OVERHEAD - W/O DOOR & HARDWARE
5	P05223-46-D04	EA	DOOR-CABINET, W/O HARDWARE - 400 X 710MM (MIRRORED)
5	P05223-42-D04	EA	DOOR-CABINET, W/O HARDWARE - 400 X 710MM (WOOD PANEL)
6	M06778-12-D27	EA	CABINET-REAR LEFT OVERHEAD - W/O DOOR & HARDWARE
6	M06778-12-D28	EA	CABINET-REAR LEFT OVERHEAD - W/O DOOR & HARDWARE
7	104335-15-D04	EA	END CAP-CABINET, OVERHEAD
8	P05223-42-D04	EA	DOOR-CABINET, W/O HARDWARE - 400 X 710MM (WOOD PANEL)
9	M04187-53-D27	EA	SIDE-COUCH, W/FABRIC (2 USED)
9	M04187-53-D28	EA	SIDE-COUCH, W/FABRIC (2 USED)
10	M04187-52-D27	EA	FACE-COUCH CABINET, W/FABRIC
10	M04187-52-D28	EA	FACE-COUCH CABINET, W/FABRIC
	050101-01-002	EA	CORNER KEY-EXTRUDED, L-SHAPED - .92" - ALUMINUM
	106947-01-000	EA	BRACKET-HOLD DOWN, COUCH
	082525-02-000	EA	BRACE-COUCH, FLOOR MOUNT - ANGLE 3" LONG - METAL
11	009040-02-000	EA	TABLE LEG-PEDESTAL, 27.5" X 2.25" DIA - CHROME
	009040-03-000	EA	BASE-TABLE, RAISED - TABLE MOUNTED
	041194-01-000	EA	BASE-TABLE, FLUSH - FLOOR MOUNTED
	082048-01-000	EA	CLIP-LEG, PEDESTAL - 1.7" X 2.2" - DIA. FROM 2" TO 2.5"
	059093-01-C63	EA	PLUG ASM-PEDESTAL TABLE (D04)
	059093-01-C04	EA	PLUG ASM-PEDESTAL TABLE (D05)
	002829-01-001	EA	BRACKET-TABLE, EXTRUDED
	042438-02-000	EA	DOWEL-WOOD, 2" X 2"
	079340-01-000	EA	CORD-BUNGIE, 24"
12	081288-01-D06	EA	TABLE-PEDESTAL, W/O HARDWARE - 17" X 24" (D27)
12	081288-01-D04	EA	TABLE-PEDESTAL, W/O HARDWARE - 17" X 24" (D28)

SEALANTS & FASTENERS GROUP

ADHESIVE & FASTENERS

KEY	PART NUMBER	U/M	DESCRIPTION
	004020-01-000	QT	ADHESIVE-ABS CEMENT, QUART
	034562-02-000	EA	SILICONE-TUBE, 300 ML - W/O NOZZLE - CLEAR
	034552-06-000	EA	SILICONE-TUBE, 300 ML - W/O NOZZLE - OFF WHITE
	900390-01-000	EA	TIP-2 1/2" X 1/8" ORIFICE
	900390-02-000	EA	TIP-6" LN, 1/16" X 1/4" ORIFICE
	900390-03-000	EA	NOZZLES-#CSL D10
	002707-02-000	FT	TAPE-SEALER, 6/16" X 1/2"
	053788-02-000	EA	BEDDING COMPOUND-TUBE, WHITE SCHNEE# 5522
	053788-06-000	EA	BEDDING COMPOUND-TUBE, CLEAR
	053788-08-000	EA	BEDDING COMPOUND-TUBE, GRAY - SCHNEE# 5522
	063642-01-000	FT	TAPE-ADHESIVE, 10 MM X 1.5" WIDE X 180'
	069640-01-000	FT	SEALER-RIBBON, 1/4" DIAMETER
	069640-02-000	FT	SEALER-RIBBON, 1/2" X 1/8"
	069640-03-000	FT	SEALER-RIBBON, 5/16" X 1/8"
	069640-06-000	FT	SEALER-RIBBON, 3/4" X 1/8"
	069640-07-000	FT	SEALER-RIBBON, 2" X 3/32"
	069640-10-000	FT	SEALER-RIBBON, 1/32" X 1 1/2"
	069640-11-000	FT	SEALER-TAPE, 3/16" X 3/8", BLACK - MANUS
	069640-12-000	FT	SEALER-TAPE, 1/8" X 1.5" GRAY - MANUS
	069640-14-000	FT	SEALER-TAPE, 1/16" X 1" GRAY - MANUS
	072889-01-000	EA	SEALANT-URETHANE, BLACK - 1/10 - ESSEX 552.2
	076314-02-000	FT	TAPE-CARPET SEAM, HEAT-BOND - 4" WIDE
	076322-01-000	FT	TAPE-FOAM, DOUBLE COATED ADHESIVE BACKED - .75" X 216'
	076322-02-000	FT	TAPE-FOAM, DOUBLE COATED ADHESIVE BACKED - 1" X 108'
	076322-03-000	FT	TAPE-FOAM, DOUBLE COATED ADHESIVE BACKED - .5" X 108'
	076322-05-000	FT	TAPE-FOAM, DOUBLE COATED ADHESIVE BACKED - .025" X 1.5" X 108'
	087211-01-000	GL	PROMOTER-ADHESIVE
	091255-02-000	FT	SEAL-ADHESIVE BACKED FOAM, .18" THICK X 1.5" WIDE
	094401-01-000	EA	SEALER-BODY SEAM SEALER, 3M FLEXICLEAR
	102352-01-000	EA	SEALER-PUMPABLE, BLACK - COLORIMETRIC MS101
	108716-01-000	EA	SILICONE-TUBE, OFF WHITE LEVEL - CSL 510

BOLTS, NUTS & WASHERS

KEY	PART NUMBER	U/M	DESCRIPTION
	000G45-05-16B	EA	BOLT-LAG 5/16 - 8 X 1 ZN
	0MC31K-08-020	EA	BOLT-HEX, SER FLANGE - M8 X 020
	000C12-05-16B	EA	BOLT-HEX, 5/16-18 X 1 - ZINC 5
	000C12-06-32B	EA	BOLT-HEX-3/8-16 X 2 LG, ZN 5
	000C12-07-20B	EA	BOLT-HEX, 7/16-14 X 1 1/4, ZN 5
	000C12-07-24B	EA	BOLT-HEX, 7/16-14 X 1.50, ZN 5 - MC-90
	000C12-08-24B	EA	BOLT-HEX, 1/2-13 X 1 1/2 - ZN 5
	000C12-10-24B	EA	BOLT-HEX, 5/8-11 X 1 1/2 ZN - 5
	000C12-10-64B	EA	BOLT-HEX, 5/8-11 X 4 ZN - 5
	000C13-07-48B	EA	BOLT-HEX, 7/16 - 20 X 3 - ZN 5
	000C18-05-40A	EA	BOLT-ELEV, 5/16"-18 X 2 1/2" PL
	000C18-06-48B	EA	BOLT-ELEV, 3/8-16 X 3 ZN - GDE 5
	000C26-04-10B	EA	BOLT-HEX, SER FLG - 1/4-20 X 5/8 ZINC
	000C26-05-12B	EA	BOLT-HEX-SER FLG 5/16-18 X 3/4 - ZN
	051387-06-000	EA	BOLT-CARRIAGE, W/O HOLE - 5/16 - 18 X 8.5 - ZINC
	000D24-10-00B	EA	NUT-HEX, SF/LK - 10-32 ZN
	000D28-09-00B	EA	NUT-HEX, SF/LK - 9/16 - 12 ZN
	000D39-04-00B	EA	NUT-HEX, SER FLG LK 1/4 - 20 ZN
	000D39-05-00B	EA	NUT-HEX, SER FLG LK - 5/16 - 18 ZN
	000D39-06-00B	EA	NUT-HEX, SER FLG LK - 3/8-16 ZN
	000D39-08-00B	EA	NUT-HEX, SER FLG LK - 1/2-13 ZN
	000D44-07-00B	EA	NUT-HEX, SER FLG LK - 7/16-20 ZN
	044364-02-000	EA	NUT-SPEED, FLAT - ROUND
	084081-02-000	EA	NUT-WING, 5/8" X 11 THREAD
	000E11-07-00B	EA	WASHER-LK, 7/16 MED SPLIT ZN 05114-01-000

**1993 ITASCA
TABLE OF CONTENTS**

INTRODUCTION	A-01 - A-02
ABBREVIATIONS	A-03
ALPHABETICAL INDEX	A-04 - A-06
IC424RC	A-07 - E-02
IC422RG	E-03 - H-16

1993 IC422RG INDEX

FLOOR PLAN	E-03 - E-04
ACCESSORIES	E-05
AUDIO VIDEO	E-06
BATH	E-07 - E-08
CHASSIS	E-09 - E-13
CURTAIN & CUSHION	E-14 - E-24
DINETTE	F-01 - F-02
DRIVERS COMPARTMENT	F-03 - F-06
ELECTRICAL	F-07 - F-10
EXTERIOR BODY	F-11 - F-19
GALLEY	F-20 - F-23
GENERATOR	F-24
HEATING & A/C	G-01 - G-02
INTERIOR FINISH	G-03 - G-06
LABELS	G-06 - G-13
LP	G-14
LOUNGE	G-15
SEALANTS & FASTENERS	G-16 - G-19
WATER & SEWAGE	G-20 - G-24
WINDOW, VENT AND EXTERIOR DOOR	H-01 - H-16

SEALANTS & FASTENERS GROUP (CONTINUED)

CLAMP'S, GROMMETS, CLIPS, HOLDERS & RIVETS

KEY	PART NUMBER	U/M DESCRIPTION
	088882-02-000	EA RIVET-T. (POP) - 1/4 X .228 - .158
	071015-11-000	EA GROMMET-1.00" ID, FITS .12 MATL - MINOR RUBBER Z-3085
	071015-28-000	EA GROMMET-RUBBER, 1.5" ID X 2.12" OD W/.08" GROOVE - BLACK
	071015-31-000	EA GROMMET-RUBBER, .64" ID X 1.31" OD W/.12" GROOVE - BLACK
	075148-02-000	EA CLAMP-GROUNDING, BRONZE SCREWS
	077863-01-000	EA GROMMET-EDGE LINEH, FITS 1"
	080734-02-000	EA CLIP-WIRE, NYLON
	082149-01-000	EA STUD-CLINCH, 3/8" X .34 X 1.12 GDS
	083608-01-000	EA CLAMP-WIRE, DUAL EQUAL - 5/8" DIAMETER
	083610-01-000	EA CLAMP-WIRE, DUAL - UNEQUAL DIAMETERS - .75" & 1.25"
	085774-01-000	FT FASTENER-DUAL HOOK, 1" WIDE - ADHESIVE BACK - BLACK
	085774-02-000	FT FASTENER-DUAL LOOP, 1" WIDE - ADHESIVE BACK - BLACK
	091952-01-000	EA CLIP-GRIPPER, 1"
	101447-01-000	EA CLIP-U TYPE, TINNEMAN - HOLDS SHOWER SURROUND TOGETHER

WATER & SEWAGE GROUP

FRESH WATER TANK

KEY	PART NUMBER	U/M DESCRIPTION
	081787-03-000	EA TANK ASM-WATER, 34 GAL
	042989-03-000	EA FITTING-WATER TANK, SPINWELD - 1 1/4" MPT - PLASTIC - WHITE
	042989-04-000	EA FITTING-WATER TANK, SPINWELD - 3/8" FPT - PLASTIC - WHITE
	042989-05-000	EA FITTING-WATER TANK, SPINWELD - 1/2" FPT - PLASTIC - WHITE
	049012-01-000	EA PATCH-SPINWELD, 3/8" - PLASTIC
	077954-02-000	EA FILTER-WATER TANK, SCREEN IN TANK
	066449-01-000	EA WIRE ASSEMBLY-WATER TANK TO MONITOR PANEL
	039881-01-000	EA SENDING UNIT-W/SCREW, WASHER, WELL NUT & TERMINAL RING

WATER SYSTEM

KEY	PART NUMBER	U/M DESCRIPTION
	087659-04-000	EA FILL-WATER, CITY - OFF WHITE
	046128-01-000	EA VALVE-DRAIN, PLASTIC - 1/2" FPT
	052960-01-000	EA DRAIN VALVE-IN LINE, HEADER - 1/2" F X 1/2" F - GRAY PLAS
	093193-01-000	EA DRAIN VALVE-IN LINE, HEADER-1/2" F X 1/2" F X 1/2" F X 1/2" MPT
	052959-02-000	EA CONNECTOR, 1/2" F X 1/2" MPT - PLASTIC - GRAY
	098417-01-000	EA CONNECTOR-5/8" F X 1/2" MPT, PLASTIC - KEVCO
	101814-01-000	EA COUPLING-FEMALE, 1/2" X 1/2" FPT
	057457-01-000	EA ELBOW-UNION, 1/2" X 1/2" FLARE
	052957-02-000	EA ELBOW-MALE, 1/2" F X 1/2" MPT - PLASTIC - GRAY
	055290-01-000	EA ELBOW-5/8" F X 1/2" MPT
	065120-01-000	EA ELBOW-SWIVEL, 1/2" FPT X 1/2" FLARE - PLASTIC - GRAY
	106000-01-000	EA CAP-FEMALE W/CONE .50 - KEVCO TC3F
	106258-01-000	EA CAP-INSERTABLE 1/2 FLARIE - KEVCO 64398 BONNET
	052952-01-000	EA NUT-PLASTIC, 1/2" F X 1/2" TUBE - GRAY
	052952-02-000	EA NUT-PLASTIC, 5/8" FLARE
	052953-01-000	EA NUT-FAUCET, 1/2" TUBE X 1/2" FPT - PLASTIC - GRAY
	010224-01-000	EA ADAPTER-HOSE TO PIPE, 3/8" MPT X 3/8" BARB - PLASTIC BLACK
	044827-01-000	EA ADAPTER-HOSL TO PIPE, 1 1/4" MPT X 1 1/4" BARB-BLACK PLASTIC
	052954-01-000	EA ADAPTER-NOSE CONE, 3/8" OR 1/2" TUBING - PLASTIC - GRAY
	079317-01-000	EA ADAPTER-SWIVEL, 1/2" TUBE X 1/2" FPT - PLASTIC - GRAY
	052955-03-000	EA TEE-5/8" F X 5/8" F X 1/2" MPT - PLASTIC
	055292-01-000	EA TEE-PLASTIC, 5/8" F X 5/8" F X 1/2" F
	052955-01-000	EA TEE-WATER, 1/2" F X 1/2" F X 1/2" MPT - PLASTIC - GRAY
	074462-02-000	FT TUBING-VINYL, 3/8" ID - CLEAR
	079381-01-000	FT TUBING-SMOOTH FLEXIBLE, 1 1/4" ID
	039800-01-000	FT TUBING-POLYBUTYL, 1/2" OD - INCREMENTS OF 20' - BLACK
	039800-02-000	FT TUBING-POLYBUTYL, 5/8" OD - INCREMENTS OF 20' - BLACK

WATER PUMP

KEY	PART NUMBER	U/M DESCRIPTION
	098607-01-000	EA PUMP-WATER, W/5" MPT FITTING - SHURFLO 2.8 GPM, UL
	098607-01-700	EA HEAD-PUMP, REPLACEMENT - SHURFLO 94-236-08
	098607-01-701	EA DRIVE ASSEMBLY, SHURFLO 94-234-03
	098607-01-702	EA DIAPHRAGM KIT, SHURFLO 94-233-10
	098607-01-703	EA VALVE ASSEMBLY, SHURFLO 94-232-00
	098607-01-704	EA HOUSING-UPPER, SHURFLO 94-231-01
	098607-01-705	EA CHECK VALVE KIT, SHURFLO 94-237-00
	098607-01-706	EA UPPER HOUSING SWITCH KIT, SHURFLO 94-231-20
	098607-01-707	EA MOTOR/BASEPLATE REPLACEMENT, SHURFLO 94-235-03

**1993 ITASCA
TABLE OF CONTENTS**

INTRODUCTION	A-01 - A-02
ABBREVIATIONS	A-03
ALPHABETICAL INDEX	A-04 - A-08
IC424RC	A-07 - E-02
IC422RG	E-03 - H-16

1993 IC422RG INDEX

FLOOR PLAN	E-03 - E-04
ACCESSORIES	E-05
AUDIO VIDEO	E-06
BATH	E-07 - E-08
CHASSIS	E-09 - E-13
CURTAIN & CUSHION	E-14 - E-21
DINETTE	F-01 - F-02
DRIVERS COMPARTMENT	F-03 - F-06
ELECTRICAL	F-07 - F-10
EXTERIOR BODY	F-11 - F-19
GALLEY	F-20 - F-23
GENERATOR	F-24
HEATING & A/C	G-01 - G-02
INTERIOR FINISH	G-03 - G-05
LABELS	G-06 - G-13
LP	G-14
LOUNGE	G-15
SEALANTS & FASTENERS	G-16 - G-19
WATER & SEWAGE	G-20 - G-24
WINDOW, VENT AND EXTERIOR DOOR	H-01 - H-16

WATER & SEWAGE GROUP (CONTINUED)

EXTERIOR SHOWER

KEY	PART NUMBER	U/M	DESCRIPTION
	103082-01-000	EA	HEAD-SHOWER, W/60 IN HOSE (US & CANADIAN)
	103082-01-700	EA	BRACKET-SHOWER HEAD
	073241-05-000	EA	FAUCET-SHOWER, BONE
	105288-02-000	EA	BRACKET-SUPPORT, FAUCET
	091952-02-000	EA	CLIP GRIPPER, 3/4"

WATER HEATER WITHOUT MOTOR AID

KEY	PART NUMBER	U/M	DESCRIPTION
	051391-03-000	EA	HEATER-WATER, W/ELECTRIC IGNITION - ATWOOD G6A-3E
	051391-01-700	EA	HINGE KIT-W/CLIP, ATWOOD 92568 & 92559
	051391-01-704	EA	VALVE-RELIEF, 1/2" FITTING - ATWOOD 91604
	051391-01-705	EA	FASTENER-CAMLOC, ATWOOD 92609
	051391-01-706	EA	GRILLE-EXHAUST, ATWOOD 92787
	051391-01-708	EA	BURNER-MAIN, 3E ONLY - ATWOOD 92615
	051391-01-710	EA	ORIFICE-MAIN BURNER, ATWOOD 92742
	051391-01-715	EA	DRAIN PLUG, ATWOOD 91561
	051391-04-700	EA	TANK-INNER (G6A-3E), FRONT MOUNT - ATWOOD 91608
	051391-04-701	EA	THERMOSTAT, 12 VDC-120 PRESET - ATWOOD 91470
	051391-04-706	EA	TANK-INNER, G6A-4E & 6E - FRONT MOUNT - ATWOOD 91641
	097967-01-000	EA	SWITCH-WATER HEATER, ATWOOD 91959
	051393-01-703	EA	THERMOSTAT-REAR MOUNT, ATWOOD 91952
	051393-01-704	EA	CIRCUIT BOARD, W/BLACK BOX - ATWOOD 91420
	051393-01-705	EA	ORIFICE HOLDER, ATWOOD 91925
	051393-01-716	EA	SPARK & PROBE ASM, ATWOOD 91806
	051393-01-718	EA	VALVE-DUAL SOLENOID, ATWOOD 91605
	051393-01-721	EA	ECO&THERMOSTAT ASM, FRONT MOUNT - 140 DEGREE - ATWOOD 91447
	051393-03-700	EA	TANK-INNER, (G6A-3E) - REAR MOUNT - ATWOOD 91409

WATER HEATER W/MOTOR AID

KEY	PART NUMBER	U/M	DESCRIPTION
	051393-01-000	EA	HEATER-WATER, W/MOTOR AID-ATWOOD GH6-3E, GH6-4E, OR GH6-6E
	051391-01-700	EA	HINGE KIT, W/CLIP - ATWOOD 92568 & 92559
	051391-01-704	EA	VALVE-RELIEF, 1/2" FITTING - ATWOOD 91604
	051391-01-705	EA	FASTENER-CAMLOC, ATWOOD 92609
	051391-01-706	EA	GRILLE-EXHAUST, ATWOOD 92787
	051391-01-708	EA	BURNER-MAIN, 3E ONLY - ATWOOD 92615
	051391-01-710	EA	ORIFICE-MAIN BURNER, ATWOOD 92742
	051391-01-714	EA	ELBOW-45 DEGREE, 3/8" F X 3/8" MPT - ATWOOD 91044
	051391-01-715	EA	DRAIN PLUG, ATWOOD 91561
	051391-04-701	EA	THERMOSTAT, 12 VDC-120 PRESET - ATWOOD 91470
	051391-04-704	EA	TANK-INNER, FRONT MOUNT - GH6-4E & 6E - ATWOOD 91642
	051393-01-700	EA	TANK-INNER, 3E FRONT MOUNT - ATWOOD 91023
	097967-01-000	EA	SWITCH-WATER HEATER, ATWOOD 91959
	051393-01-703	EA	THERMOSTAT, REAR MOUNT - ATWOOD 91952
	051393-01-704	EA	CIRCUIT BOARD, W/BLACK BOX - ATWOOD 91420
	051393-01-705	EA	ORIFICE HOLDER, ATWOOD 91925
	051393-01-714	EA	TANK-INNER, (GH6-3E) - REAR MOUNT - ATWOOD 91408
	051393-01-716	EA	SPARK & PROBE ASM, ATWOOD 91806
	051393-01-718	EA	VALVE-DUAL SOLENOID, ATWOOD 91605
	051393-01-721	EA	ECO & THERMOSTAT ASM, FRONT MOUNT - 140 DEGREE - ATWOOD 91447
	110438-01-000	EA	VALVE-CHECK, BRASS

WATER & SEWAGE GROUP (CONTINUED)

WATER HEATER

KEY	PART NUMBER	U/M	DESCRIPTION
	051391-01-000	EA	HEATER-WATER, ATWOOD G6A-3
	051391-01-700	EA	HINGE KIT, W/CLIP - ATWOOD 92568 & 92559
	051391-01-702	EA	TANK-INNER, G6A-2E, 3E, 6E - WATER HEATER - ATWOOD 91412
	051391-01-704	EA	VALVE-RELIEF, 1/2" FITTING - ATWOOD 91604
	051391-01-705	EA	FASTENER-CAMLOC, ATWOOD 92609
	051391-01-706	EA	GRILLE-EXHAUST, ATWOOD 92787
	051391-01-708	EA	BURNER-MAIN, 3E ONLY - ATWOOD 92615
	051391-01-709	EA	PILOT ASM, W/THERMOCOUPLER & TUBE - 91603 ATWOOD 91214
	051391-01-710	EA	ORIFICE-MAIN BURNER, ATWOOD 92742
	051391-01-711	EA	ELBOW-ORIFICE, MAIN BURNER - 92741 ATWOOD
	051391-01-712	EA	THERMOSTAT, 3/8" NPT INLET - 91601 ATWOOD 91043
	051391-01-714	EA	ELBOW-45 DEGREE, 3/8" F X 3/8" MPT - ATWOOD 91044
	051391-01-715	EA	DRAIN PLUG, ATWOOD 91661

**1993 ITASCA
TABLE OF CONTENTS**

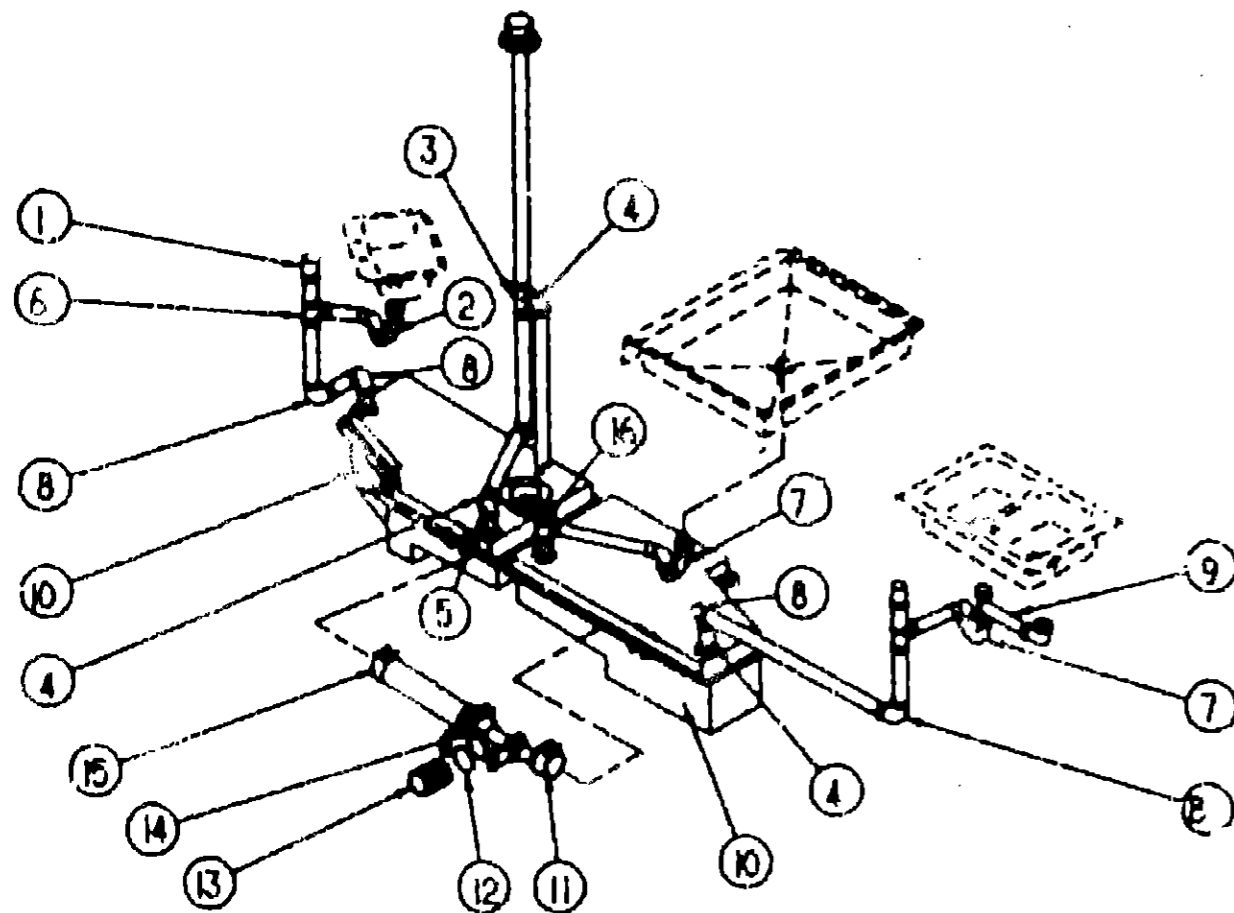
INTRODUCTION	A-01	A-02
ABBREVIATIONS		A-03
ALPHABETICAL INDEX	A-04	A-06
IC424RG	A-07	E-02
IC422RG	E-03	H-16

1993 IC422RG INDEX

FLOOR PLAN	E-03	E-04
ACCESSORIES		E-06
AUDIO VIDEO		E-08
BATH	E-07	E-08
CHASSIS	E-09	E-13
CURTAIN & CUSHION	E-14	E-24
DINETTE	F-01	F-02
DRIVERS COMPARTMENT	F-03	F-06
ELECTRICAL	F-07	F-10
EXTERIOR BODY	F-11	F-19
GALLEY	F-20	F-23
GENERATOR		F-24
HEATING & A/C	G-01	G-02
INTERIOR FINISH	G-03	G-06
LABELS	G-08	G-13
LP		G-14
LOUNGE		G-15
SEALANTS & FASTENERS	G-16	G-19
WATER & SEWAGE	G-20	G-24
WINDOW, VENT AND		
EXTERIOR DOOR	H-01	H-16

WATER & SEWAGE (CONT'D) (CONTINUED)

DRAINAGE SYSTEM



KEY	PART NUMBER	U/M	DESCRIPTION
1	079988-01-000	EA	VENT-MECH. TRAP ARM, ANTI-SIPHON - 2" DIA X 7.3' - PLASTIC
2	011088-01-000	EA	P-TRAP-PLAS 1 1/4"
2	011088-02-000	EA	P-TRAP-1 1/4" HUB X SLIP JOINT, W/UNION - ABS - CANADIAN
3	010073-01-000	EA	WYE-45 DEGREE, 1 1/2" HUB X HUB X HUB - PLASTIC - BLACK
4	010051-01-000	EA	ELBOW-45 DEG BEND, 1 1/2" SPIGOT AND HUB - PLASTIC - BLACK
5	010008-01-000	EA	ELBOW-45 DEG, 1/8 BEND - 1 1/2" HUB X HUB - BLACK PLASTIC
6	010079-01-000	EA	TEE-SANITARY, 1 1/2" X 1 1/2" X 1 1/4" H - PLASTIC - BLACK
7	011066-03-000	EA	P-TRAP, 1 1/2" TRAP X 1 1/4" SOCKET - PLASTIC
7	011065-02-000	EA	P-TRAP-1 1/4" HUB X SLIP JOINT, W/UNION - ABS - CANADIAN
8	010008-01-000	EA	ELBOW-90 DEG, 1/4 BEND - 1 1/2" HUB X HUB - BLACK PLASTIC
	053335-01-000	EA	P-TRAP-1 1/4" HUB X HUB, W/UNION - CANADIAN
	107537-01-000	EA	P-TRAP ADAPTER-1 1/4" SLIP
	107538-01-000	EA	P-TRAP-PLASTIC, 1 1/4" WEXT ARM
9	011091-03-000	EA	PIPE-DRAIN, W/SEALS - DOUBLE SINK - EXTENDS 9" TO 16"
9	011091-02-000	EA	PIPE-DRAIN, DOUBLE SINK - BAFFLE TEE - 1 1/2" ONE PIPE W/TEE TO DRAIN BOTH SIDES OF SINK
10	083269-01-000	EA	TANK-HOLDING, 25 GALLON - 19.4" X 35.4" X 12.1"
	061807-01-000	EA	GROMMET-HOLDING TANK, 1 1/2" NPS
	061807-02-000	EA	GROMMET-HOLDING TANK, 3" NPS
11	082422-01-000	EA	ADAPTER-OFFSET REDUCER, 3" X 1 1/2" - PLASTIC - BLACK
12	082418-01-000	EA	ADAPTER-SEWER HOSE TO 3" PIPE
13	010201-01-000	EA	HOSE-SEWER, 3" ID X 8'
14	070916-01-000	EA	VALVE-DUAL DUMP, W/CAP - 3" X 1 1/2" - PLASTIC - BLACK
	062415-01-000	EA	CAP-SEWER, 3" DIAMETER
15	078406-01-000	EA	COUPLER-RUBBER, W/CLAMPS - 3" X 3"
16	010071-01-000	EA	TEE-SANITARY, 1 1/2" HUB X HUB X HUB - PLASTIC - BLACK

1993 ITABCA TABLE OF CONTENTS

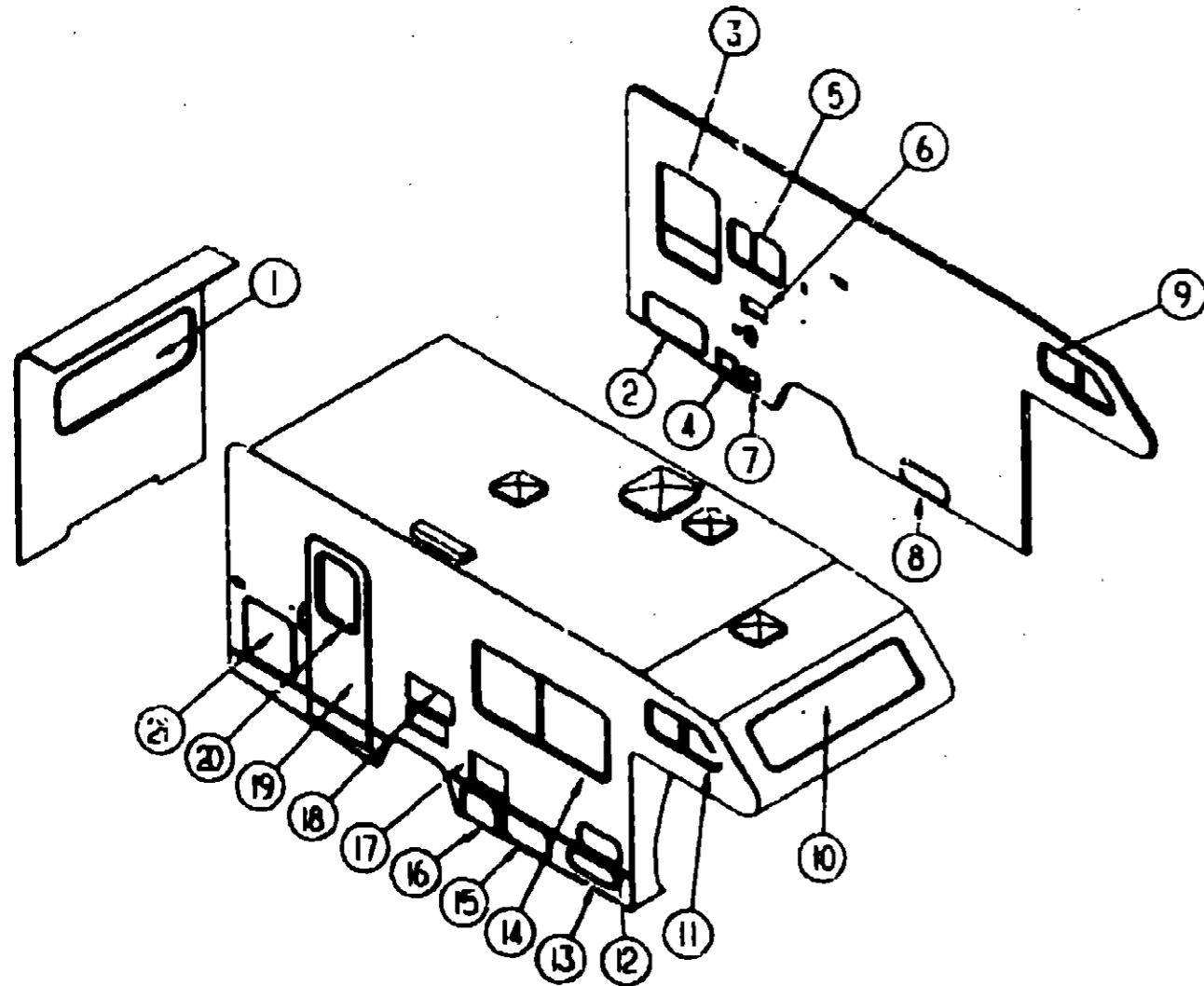
INTRODUCTION	A-01 - A-02
ABBREVIATIONS	A-03
ALPHABETICAL INDEX	A-04 - A-08
IC424RG	A-07 - E-02
IC422RG	E-03 - H-16

1993 IC422RG INDEX

FLOOR PLAN	E-03 - E-04
ACCESSORIES	E-05
AUDIO VIDEO	E-08
BATH	E-07 - E-08
CHASSIS	E-09 - E-13
CURTAIN & CUSHION	E-14 - E-24
GINETTE	F-01 - F-02
DRIVERS COMPARTMENT	F-03 - F-08
ELECTRICAL	F-07 - F-10
EXTERIOR BODY	F-11 - F-19
GALLEY	F-20 - F-23
GENERATOR	F-24
HEATING & A/C	G-01 - G-02
INTERIOR FINISH	G-03 - G-05
LABELS	G-06 - G-13
LP	G-14
LOUNGE	G-15
SEALANTS & FASTENERS	G-16 - G-19
WATER & SEWAGE	G-20 - G-24
WINDOW, VENT AND EXTERIOR DOOR	H-01 - H-16

WINDOW, VENT & EXTERIOR DOOR GROUP

WINDOWS & DOORS



KEY	PART NUMBER	U/M	DESCRIPTION
1	078538-01-TD3	EA	WINDOW-ESCAPE, W/O INSIDE FRAME
2	108897-21-D04	EA	DOOR-COMPARTMENT, LOWER - REAR
3	082235-03-Y12	EA	WINDOW-SINGLE TIPOUT, W/O INSIDE FRAME
3	111555-05-01A	EA	WINDOW-HORIZONTAL SLIDER, WINSIDE FRAME (EUROPEAN EXCHANGE)
4	C83794-01-000	EA	DOOR-COMPARTMENT, POWER CORD - WATCH - OFF WHITE
5	083847-07-02A	EA	WINDOW-HORIZONTAL SLIDER, WINSIDE FRAME
5	111555-08-01A	EA	WINDOW-HORIZONTAL SLIDER, WINSIDE FRAME (EUROPEAN EXCHANGE)
6	105118-02-C05	EA	DOOR-COMPARTMENT, EXTERIOR SHOWER
	003003-01-000	EA	LOCK-TWIST TYPE, W/CLIP
7	082423-01-000	EA	DOOR-HOSE COMPARTMENT, 8.8" X 6.3" - PLASTIC - OFF WHITE
7	052524-01-000	EA	JAMB-DOOR, 8" X 7.7" - PLASTIC - OFF WHITE
	042442-01-000	EA	LOCK-TWIST TYPE, METAL
8	101087-03-D04	EA	DOOR-COMPARTMENT, LOWER - FRONT
9	081848-08-01A	EA	WINDOW-SLANTED SLIDER, WINSIDE FRAME - DRIVER
			FROM: 00-00-00 THRU: 07-12-92
9	081847-19-01A	EA	WINDOW-SLIDER, WINSIDE FRAME - DRIVER
			FROM: 07-13-92 THRU: 99-99-99
10	100313-01-B06	EA	WINDOW-PICTURE, W/O INSIDE FRAME
11	081848-05-01A	EA	WINDOW-SLANTED SLIDER, WINSIDE FRAME - PASSENGER
			FROM: 00-00-00 THRU: 07-12-92
11	083847-18-01A	EA	WINDOW-SLIDER, WINSIDE FRAME - PASSENGER
			FROM: 07-13-92 THRU: 99-99-99
12	105118-01-C05	EA	DOOR-COMPARTMENT, ENTERTAINMENT
13	078720-02-T15	EA	DOOR-COMPARTMENT, LP - 16.0" X 5.4" - ALUMINUM - OFF WHITE
14	083847-09-02A	EA	WINDOW-HORIZONTAL SLIDER, WINSIDE FRAME
14	111555-01-01A	EA	WINDOW-HORIZONTAL SLIDER, WINSIDE FRAME (EUROPEAN EXCHANGE)
15	108987-20-D04	EA	DOOR-COMPARTMENT, STORAGE
16	105174-09-C03	EA	DOOR-COMPARTMENT, LOWER - FRONT
			FROM: 00-00-00 THRU: 11-29-92
16	105174-18-D04	EA	DOOR-COMPARTMENT, LOWER - FRONT
			FROM: 11-30-92 THRU: 99-99-99
17	052009-01-000	EA	DOOR-WATER HEATER - OFF WHITE - ATWOOD 5576-27
18	084103-03-000	EA	DOOR-REFRIGERATOR, VENTED - OFF WHITE
	084104-03-030	EA	JAMB-DOOR, REFRIGERATOR - OFF WHITE
	084104-01-700	EA	LOCK-MALE, FASTENER - REFRIGERATOR DOOR
	084104-01-701	EA	LOCK-FEMALE, FASTENER - REFRIGERATOR DOOR
19	NO1870-32-D27	EA	DOOR-ENTRY, WINDOW, SCREEN & JAMB - OFF WHITE
19	NO1870-32-D28	EA	DOOR-ENTRY, WINDOW, SCREEN & JAMB - OFF WHITE
20	079733-07-AAB	EA	WINDOW-ENTRY DOOR, W/O INSIDE FRAME - 17" X 25" - FROSTED GLASS
21	079678-15-C05	EA	DOOR-COMPARTMENT, STORAGE
	081240-03-000	EA	DOOR-WATER FILL-LOCKABLE-4" X 4.56" - OFF WHITE
	082884-01-700	EA	KEY-SINGLE

1993 ITASCA TABLE OF CONTENTS

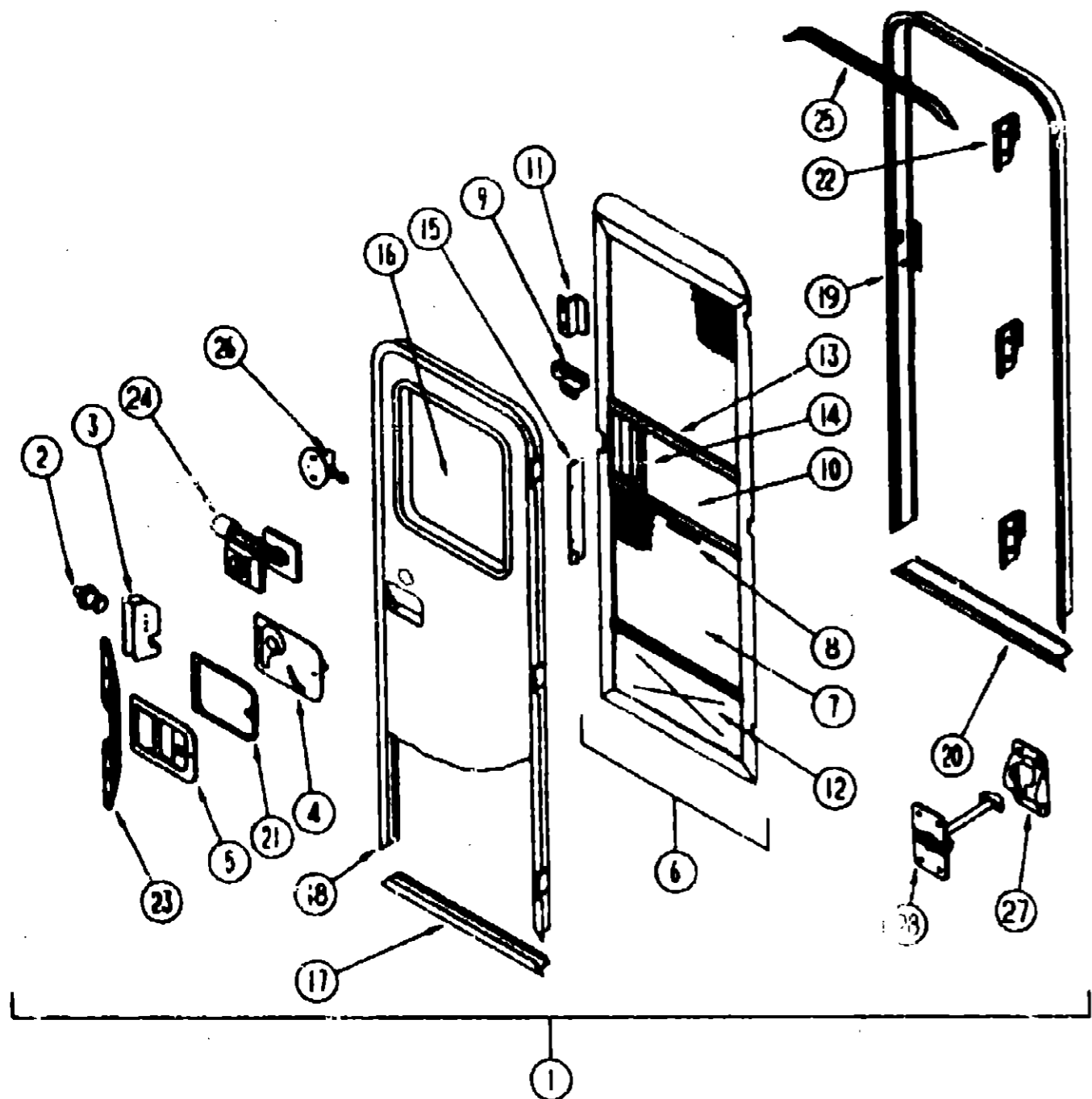
INTRODUCTION	A-01 - A-02
ABBREVIATIONS	A-03
ALPHABETICAL INDEX	A-04 - A-08
IC424RC	A-07 - E-02
IC422RG	E-03 - H-16

1993 IC422RG INDEX

FLOOR PLAN	E-03 - E-04
ACCESSORIES	E-05
AUDIO VIDEO	E-06
BATH	E-07 - E-08
CHASSIS	E-09 - E-13
CURTAIN & CUSHION	E-14 - E-24
DINETTE	F-01 - F-02
DRIVERS COMPARTMENT	F-03 - F-08
ELECTRICAL	F-07 - F-10
EXTERIOR BODY	F-11 - F-19
GALLEY	F-20 - F-23
GENERATOR	F-24
HEATING & AC	G-01 - G-02
INTERIOR FINISH	G-03 - G-06
LABELS	G-06 - G-13
LP	G-14
LOUNGE	G-15
SEALANTS & FASTENERS	G-18 - G-19
WATER & SEWAGE	G-20 - G-24
WINDOW, VENT AND EXTERIOR DOOR	H-01 - H-16

WINDOW, VENT & EXTERIOR DOOR GROUP (CONTINUED)

ENTRY DOOR



KEY	PART NUMBER	U/M	DESCRIPTION
1	M01870-52-027	EA	DOOR-ENTRY, W/WINDOW- SCREEN & JAMB - OFF WHITE
1	M01870-32-028	EA	DOOR-ENTRY, W/WINDOW- SCREEN & JAMB - OFF WHITE
2	039539-01-000	EA	STRIKE-LOCK, ENTRY DOOR - ROUND/THREADED WASHER
3	039540-01-000	EA	LATCH MECHANISM-HOOK, ENTRY DOOR - INTERIOR
	039715-01-000	EA	NUT-SERT, 1/4" DIAMETER) - 20 THREADS
4	039979-04-000	EA	COVER-INTERIOR LATCH, W/TRIP ARM - RIGHT - BLACK
	039984-01-000	EA	CAP-ROUND, VINYL - .28" ID X .62" LONG - BLACK
	041548-03-000	EA	BRACKET-DOOR ANGLE, 5" X 1.9" - BEIGE - METAL
5	045017-11-000	EA	LATCH-ENTRY DOOR, MECHANISM W/LOCK & KEY - BLACK
	045017-11-701	EA	KEY-BLANK, ROUND TOP - SILVER - TRIMARK
	058748-01-000	EA	PLUG-CAP, 1.5" DIAMETER
	058025-02-000	EA	CLIP-ROLLER, LATCH CATCH - SCREEN DOOR
	063729-04-000	EA	RIVNUT, 10-32 UNF - 010-080
	072993-01-000	EA	NUTSERT-MS X 0.8
	075871-04-000	FT	SEAL-SPONGE, LAZY T SHAPE - W/ADHESIVE STRIPE - .5" WIDE
6	079012-01-001	EA	DOOR-SCREEN
7	002293-02-000	SF	SCREENING-WINDOW/DOOR, 28" - CHARCOAL
8	002294-01-000	FT	SPLINE-SCREENING, .135" X .138" - BLACK
	002748-01-000	EA	CORNER KEY-DOOR
9	109403-01-000	EA	CATCH-SINGLE ROLLER, SCREEN DOOR
10	001014-01-013	EA	INSERT-CENTER, 10.25" X 18.31" - UNPAINTED
11	050712-04-000	EA	HANDLE-SCREEN DOOR, ALUMINUM - OFF WHITE
11	050712-05-000	EA	HANDLE-SCREEN DOOR, UNPAINTED
12	078562-03-000	EA	INSERT-SCREEN DOOR, LOWER - MILL.
	078585-01-000	EA	PLATE-SCREEN DOOR
13	078777-01-000	EA	CHANNEL-SLIDE, SCREEN DOOR CENTER SLIDER COVER - 17.4"
14	079088-02-000	EA	SLIDER-SCREEN DOOR, OFF WHITE
15	079087-02-000	EA	STRIKE-SLIDER, W/LIP FOR ELBOW CATCH - 1.5" X 8.8"
16	057809-32-000	EA	FRAME-WINDOW, ENTRY DOOR - OFF WHITE
16	079733-07-AA8	EA	WINDOW-ENTRY DOOR, 17" X 25" - FROSTED GLASS
16	060218-02-000	FT	SPLINE-GLASS, EXTERIOR - VINYL - .18" - BLACK
16	002181-07-000	EA	GLASS-WINDOW, .182" X 18.25" X 24" - FROSTED
16	087981-01-000	FT	SEAL-GLASS, EXTERIOR - .5" WIDE - VINYL - BLACK
	081914-01-000	EA	BUMPER-RUBBER, ROUND - .43" DIAMETER - BLACK
17	089748-01-000	EA	FRAME-DOOR, ENTRANCE - BOTTOM - OFF WHITE
	090340-01-000	FT	SEAL-FOAM, CLOSED CELL - 1/4" X 1/2" X 50"
18	095278-01-01A	EA	FRAME-DOOR, ENTRANCE - TOP & SIDES - OFF WHITE
19	095277-02-01A	EA	JAMB-ENTRY DOOR, 25.9" X 74.5" W/BOTTOM - OFF WHITE
	095279-01-01A	EA	JAMB-DOOR, ENTRANCE - 25.9" X 74.6" - UNPAINTED
20	051049-01-000	EA	JAMB-DOOR, ENTRANCE - BOTTOM - 25.9 - UNPAINTED
	079207-01-000	EA	STRIKER-ROLLER CATCH, WELDED TO DOOR JAMB - .4" X 1.15"
21	098810-01-01A	EA	PLATE-LATCH, ENTRY DOOR - PLASTIC - BLACK
22	097724-01-04A	EA	HINGE-ENTRY DOOR, UNPAINTED
23	098173-01-04A	EA	STIFFENER-ENTRY DOOR, SUPPORTS LATCH/STRIKE
	100128-02-000	FT	SEAL-PILE, ADHESIVE BACK - SCREEN DOOR - GRAY
24	101145-01-01A	EA	DEADBOLT-ENTRY DOOR, W/2 KEYS W/O BOLT OR SCREWS
	095229-01-700	EA	KEY BLANK
	101147-01-000	EA	BOLT-SECURITY, 4.12" BACKSET
	102824-01-000	EA	BUMPER-RUBBER, FLAT - BLACK
25	044882-02-000	EA	CAP-DRIP, DOOR JAMB MOUNTED - OFF WHITE
	075639-19-000	EA	GARNISH-ENTRANCE DOOR, OFF WHITE
26	107412-01-000	EA	CATCH-SCREEN DOOR, THUMB CLIP W/BLACK PLASTIC CAP
	077481-03-000	EA	COVER-STRIKE, ENTRY DOOR - 6.5" X 2.5" - PLASTIC - WHITE
27	104088-02-01A	EA	CATCH-DOOR HOLDER, RETAINER - PLASTIC - OFF WHITE
28	104088-01-01A	EA	CATCH-DOOR HOLDER, STRIKE - PLASTIC - OFF WHITE
	099128-02-000	EA	HANDLE-ASSIST-ENTRY DOOR - BLACK

1993 ITASCA TABLE OF CONTENTS

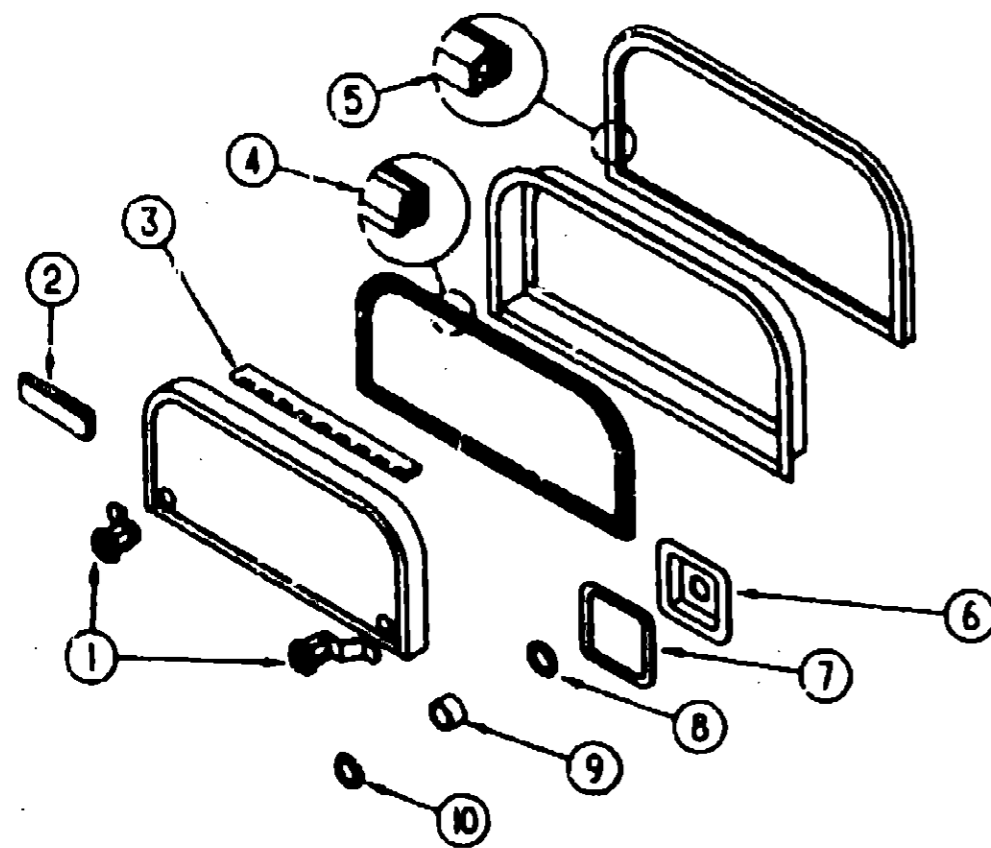
INTRODUCTION	A-01 - A-02
ABBREVIATIONS	A-03
ALPHABETICAL INDEX	A-04 - A-06
IC424RC	A-07 - E-02
IC422RG	E-03 - H-16

1993 IC422RG INDEX

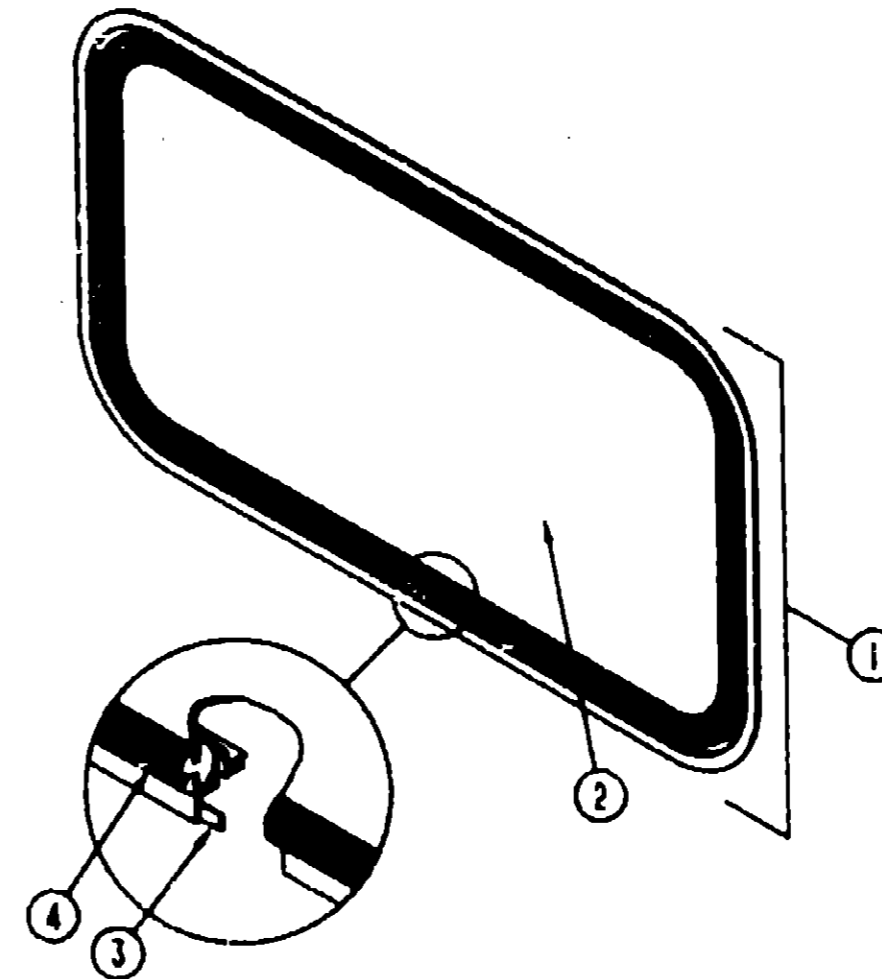
FLOOR PLAN	E-03 - E-04
ACCESSORIES	E-05
AUDIO VIDEO	E-06
BATH	E-07 - E-08
CHASSIS	E-09 - E-13
CURTAIN & CUSHION	E-14 - E-24
DNETTE	F-01 - F-02
DRIVERS COMPARTMENT	F-03 - F-06
ELECTRICAL	F-07 - F-10
EXTERIOR BODY	F-11 - F-19
GALLEY	F-20 - F-23
GENERATOR	F-24
HEATING & AC	G-01 - G-02
INTERIOR FINISH	G-03 - G-06
LABELS	G-08 - G-13
LP	G-14
LOUNGE	G-15
SEALANTS & FASTENERS	G-18 - G-19
WATER & SEWAGE	G-20 - G-24
WINDOW, VENT AND EXTERIOR DOOR	H-01 - H-16

1993 ITASCA
TABLE OF CONTENTS

INTRODUCTION	A-01	-	I-02
ABBREVIATIONS			A-03
ALPHABETICAL INDEX	A-04	-	A-08
IC424RC	A-07	-	E-02
IC422RG	E-03	-	H-18



EXTERIOR DOORS



OVERHEAD BUNK FRONT WINDOW

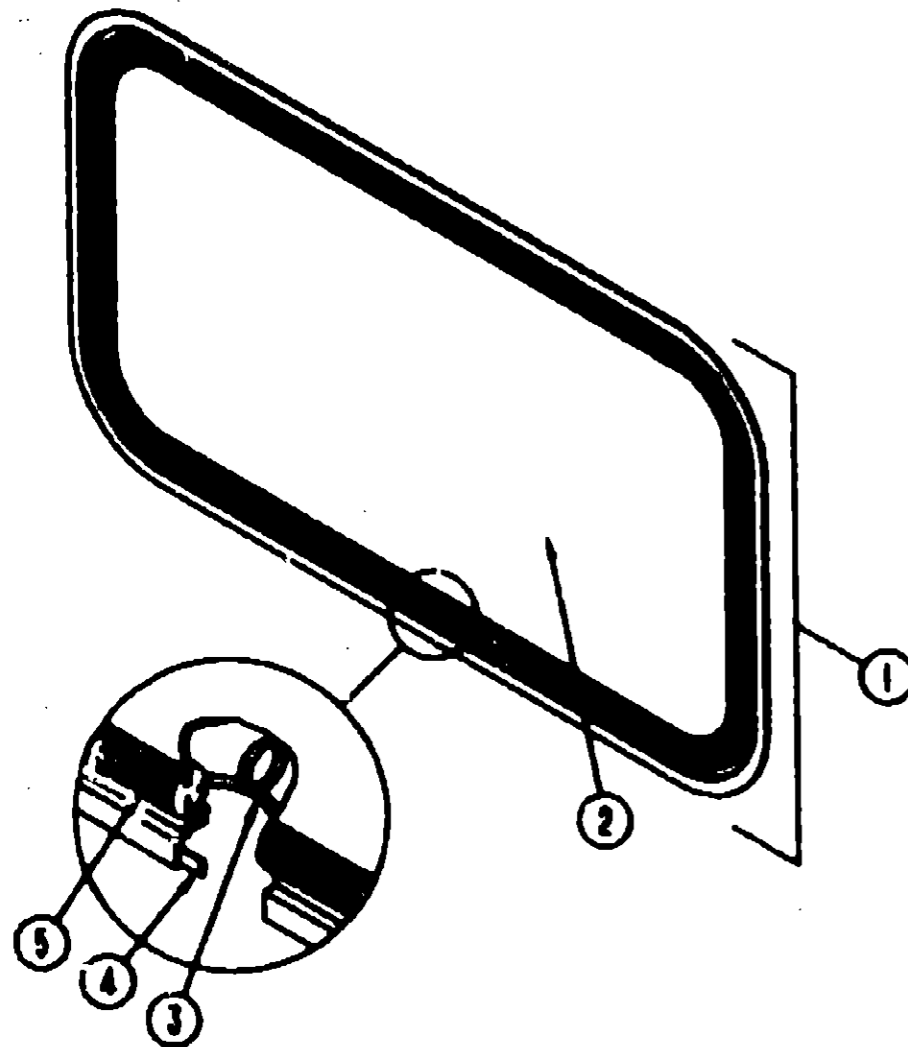
1993 IC422RG INDEX

FLOOR PLAN	E-03	-	E-04
ACCESSORIES			E-06
AUDIO VIDEO			E-08
BATH	E-07	-	E-08
CHASSIS	E-09	-	E-13
CURTAIN & CUSHION	E-14	-	E-24
DINETTE	F-01	-	F-02
DRIVERS COMPARTMENT	F-03	-	F-08
ELECTRICAL	F-07	-	F-10
EXTERIOR BODY	F-11	-	F-19
GALLEY	F-20	-	F-23
GENERATOR			F-24
HEATING & A/C	G-01	-	G-02
INTERIOR FINISH	G-03	-	G-06
LABELS	G-08	-	G-13
LP			G-14
LOUNGE			G-16
SEALANTS & FASTENERS	G-18	-	G-19
WATER & SEWAGE	G-20	-	G-24
WINDOW, VENT AND EXTERIOR DOOR	H-01	-	H-18

KEY	PART NUMBER	U/M	DESCRIPTION
1	078389-04-000	EA	LOCK-DOOR, KEY TYPE W/O KEYS - 1.80 OFF SET (ENTERTAINMENT & EXTERIOR SHOWER DOORS ONLY)
1	079388-05-000	EA	LOCK-DOOR, KEY TYPE W/O KEYS - 1.80 OFF SET
	082884-01-700	EA	KEY - BLANK
	008003-01-000	EA	LOCK-DOOR, TWIST TYPE - W/CLIP
	079827-04-000	EA	LOCK-DOOR, TWIST TYPE - 1.80 OFF SET
2	102788-01-000	EA	HOLDER-COMPARTMENT/ENTRY DOOR, METAL - MILL FINISH
3	081801-02-000	EA	HINGE-PIANO, CONTINUOUS - 2" X 98" OFF WHITE
	008086-01-000	EA	HINGE-CONTINUOUS, 1 1/2" X 98" - UNPAINTED
	004007-40-000	EA	HINGE-CONTINUOUS, 1 1/2" X 98" - ALUMINUM - OFF WHITE
4	007078-07-000	FT	SEAL-BULB, W/WIRED U CHANNEL - .3" X .5" CHANNEL - BLACK
5	051032-02-000	FT	SEAL-BULB, DOOR - W/WIRE CARRIER - .8" WIDE - RUBBER - BLACK
	058027-01-000	FT	SEAL-D SHAPED, HOLLOW - SPONGE RUBBER - BLACK
	089418-01-000	FT	SEAL-D SHAPED, W/SIDE ADHESIVE - .4" X .1" - SPONGE RUBBER - BLACK FROM: 00-00-00 THRU: 03-14-93 FROM: 03-15-93 THRU: 99-99-99
	080340-01-000	FT	SEAL-FOAM, CLOSED CELL - 1/4" X 1/2" X 50'
	104882-01-000	FT	SEAL-ADHESIVE BACK, 3/4" X 3/4"
6	087111-01-01A	EA	POCKET-LOCK, VALANCE - OFF WHITE
7	088338-01-000	EA	GASKET-LOCK POCKET
8	108884-01-000	EA	WASHER, 840X 782ID SST - HUDSON LOCK
9	107887-61-001	EA	SPACER-EXTRUDED, 001S - 24
10	108888-01-000	EA	RING-BEAUTY, 870 X 780ID - SST - HUDSON LOCK
	088817-85-001	EA	U-CHANNEL, 17.6" LONG - OFF WHITE
	081878-01-000	EA	RETAINER-DOOR, 1.8" X .8" - METAL

KEY	PART NUMBER	U/M	DESCRIPTION
	087809-33-000	EA	FRAME-INSIDE, WINDOW
	103313-01-805	EA	WINDOW-PICTURE, W/O INSIDE FRAME
1	002181-15-000	EA	GLASS-PICTURE, 11.25" X 58.1" - GRAY
2	089840-11-000	FT	SEALER-TAPE, 3/16" X 3/8" - BLACK
3	069154-01-000	FT	CHANNEL-GLAZING, STATIONARY GLASS - .62" X .45" - BLACK

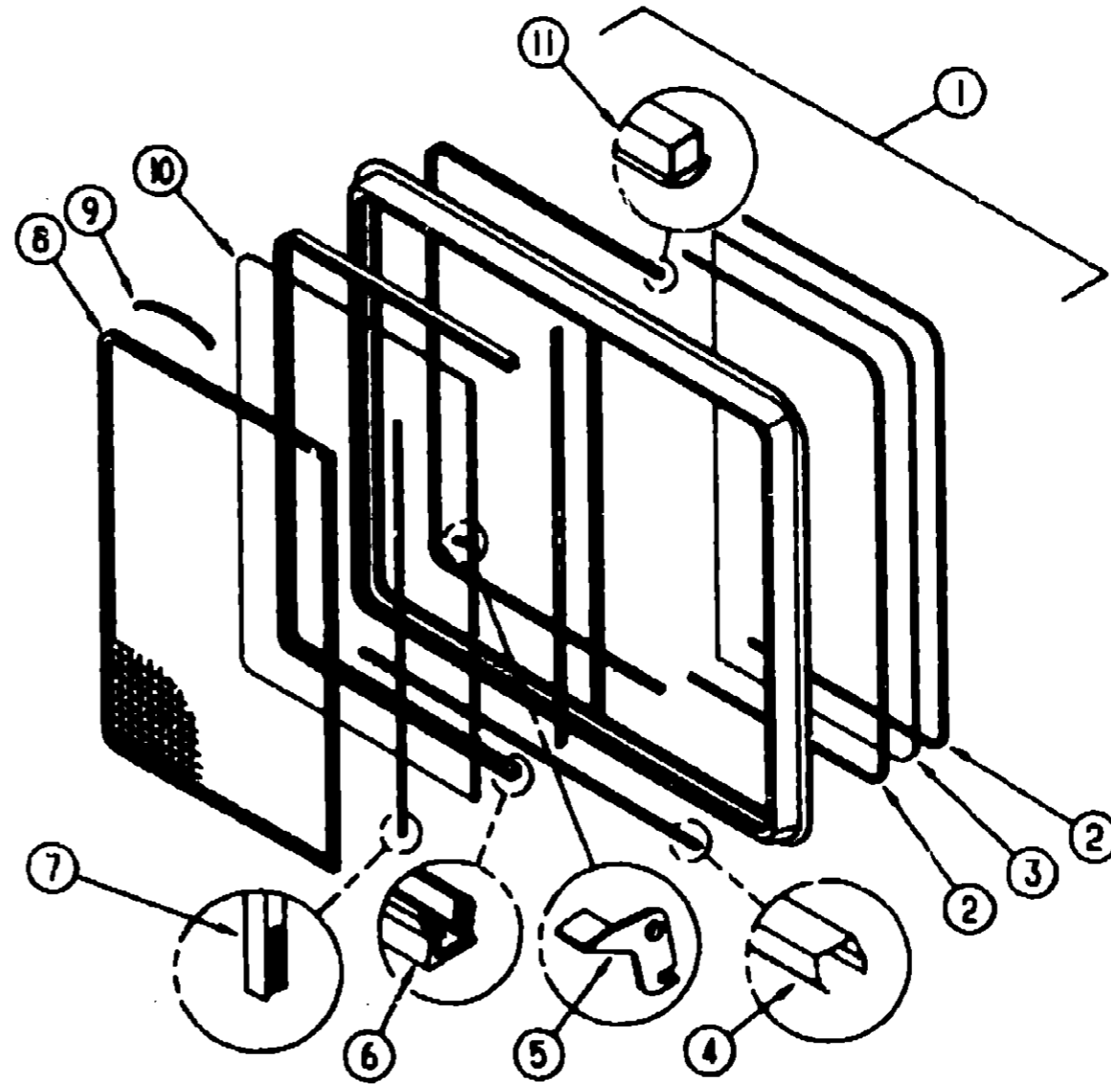
WINDOW, VENT & EXTERIOR DOOR GROUP (CONTINUED)



BACKWALL ESCAPE WINDOW

KEY	PART NUMBER	U/M	DESCRIPTION
	043027-13-000	EA	FRAME-WINDOW, INSIDE - 68" X 24.5" - OFF WHITE
1	078536-01-T03	EA	WINDOW-ESCAPE, BACKWALL - 23" X 68"
2	002179-01-000	EA	GLASS, 19.6" X 64.8"
3	002285-01-000	FT	FILLER-WEATHER STRIP, RUBBER - BLACK
	077088-01-702	EA	RED POLY, .005 X .500"
4	088840-10-000	FT	SEALER-RIBBON, 1/32" X 1 1/2" INCREMENTS OF 90°
5	002282-08-000	EA	WEATHERSTRIP-WINDOW, .125" - BLACK

WINDOW, VENT & EXTERIOR DOOR GROUP (CONTINUED)



DINETTE SINGLE SLIDING WINDOW

KEY	PART NUMBER	U/M	DESCRIPTION
	088647-09-02A	EA	WINDOW-HORIZONTAL SLIDER, WINSIDE FRAME
	088647-09-704	EA	FRAME-INSIDE, OFF-WHITE - W024-67 EXCEL-WHITE
1	088647-09-703	EA	WINDOW-HORIZONTAL SLIDER, W/O INSIDE FRAME - BLACK
2	088844-01-705	FT	GLAZING STRIP, EXCEL M026-12
3	088647-09-700	EA	GLASS-STATIONARY - 108-017193 EXCEL
4	088844-01-710	FT	TRACK-SCREEN SPACER 12" LENGTH - EXCEL M401-31
5	088844-01-700	EA	LATCH REPAIR KIT
6	088844-01-708	FT	CHANNEL-PIERCED RUN EXCEL 122-018643
7	088844-01-711	FT	WEATHERSTRIP-SCREEN BLACK - EXCEL 171-018985
8	088647-09-705	EA	SCREEN W/SPRING&WEATHERSTRIP - 410-018484 EXCEL
9	088844-01-713	EA	SPRING-SCREEN FRAME (CLIP) PLASTIC - BLACK - EXCEL 228-018988
	088844-01-718	FT	PLUG-FILLER, EXCEL 132-014470
	088844-01-717	FT	SPLINE-SCREEN MFG, EXCEL 32-004718
10	088647-09-701	EA	GLASS-SLIDING, W/BASH&LATCH - H024-09 EXCEL
11	088844-01-708	FT	WEATHERSTRIP, EXCEL 171-018988
	111565-01-01A	EA	WINDOW-HORIZONTAL SLIDER, WINSIDE FRAME - THERMOPANE (EUROPEAN)
	111565-01-700	EA	GLASS-INSULATED, STATIONARY & SLIDING - RSR15032
	111565-01-702	FT	TAPE-GLAZING, 1/16 X 3/8 - 600
	111565-01-703	FT	GLAZING-RUBBER, (SPLINE) - 8158
	111565-01-704	FT	WATERPROOF-RUBBER, 8155
	111565-01-706	EA	DRAWN SLOT COVER (ALL)
	111565-01-708	EA	BASH LOCK, W30801
	111565-01-701	EA	SCREEN ASM-FH - F/1115650101A

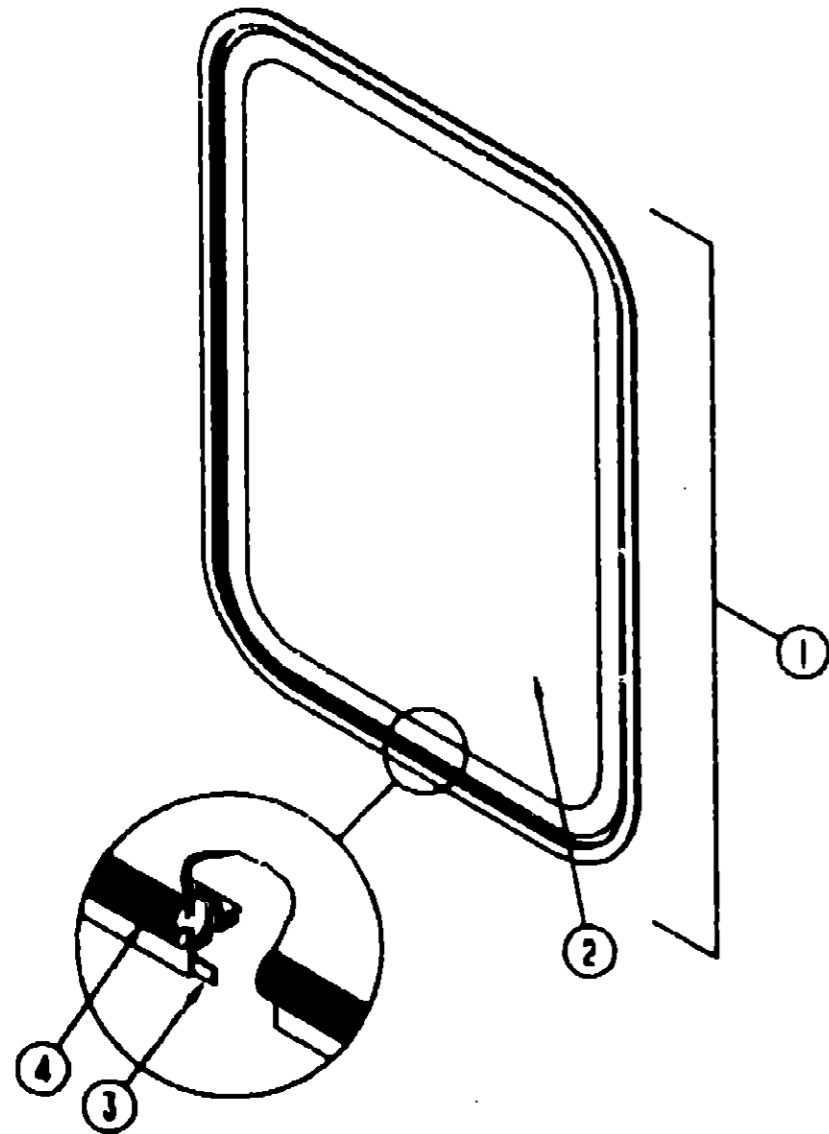
1993 ITASCA
TABLE OF CONTENTS

INTRODUCTION	A-01 - A-02
ABBREVIATIONS	A-03
ALPHABETICAL INDEX	A-04 - A-08
IC424RC	A-07 - E-02
IC422RG	E-03 - H-16

1993 IC422RG INDEX

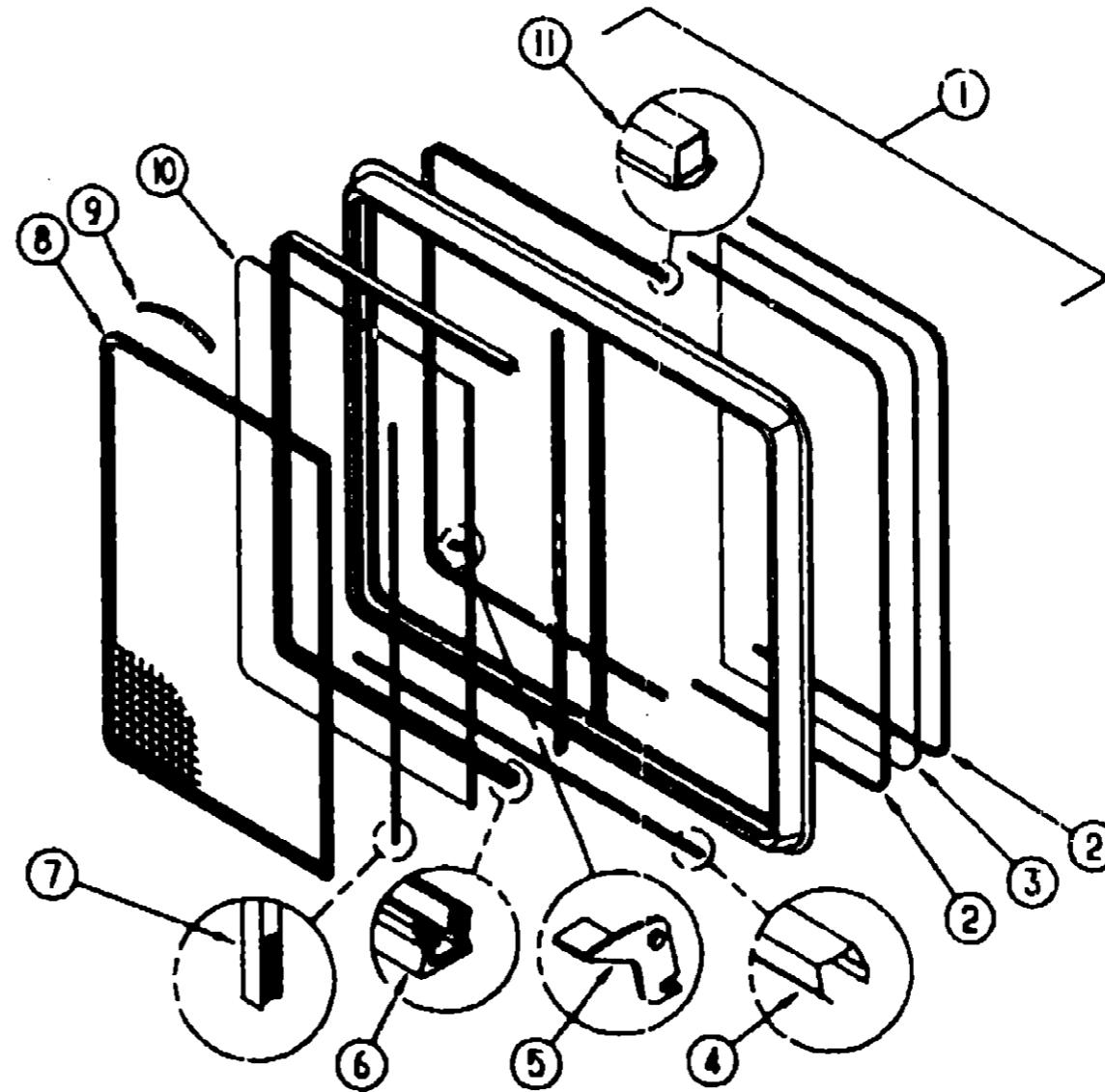
FLOOR PLAN	E-03 - E-04
ACCESSORIES	E-06
AUDIO VIDEO	E-08
BATH	E-07 - E-08
CHASSIS	E-09 - E-13
CURTAIN & CUSHION	E-14 - E-24
DINETTE	F-01 - F-02
DRIVERS COMPARTMENT	F-03 - F-06
ELECTRICAL	F-07 - F-10
EXTERIOR BODY	F-11 - F-19
GALLEY	F-20 - F-23
GENERATOR	F-24
HEATING & A/C	G-01 - G-02
INTERIOR FINISH	G-03 - G-06
LABELS	G-08 - G-13
LP	G-14
LOUNGE	G-15
SEALANTS & FASTENERS	G-18 - G-19
WATER & SEWAGE	G-20 - G-24
WINDOW, VENT AND EXTERIOR DOOR	H-01 - H-16

WINDOW, VENT & EXTERIOR DOOR GROUP (CONTINUED)



ENTRY DOOR WINDOW

WINDOW, VENT & EXTERIOR DOOR GROUP (CONTINUED)



GALLEY SLIDING WINDOW

1993 ITASCA
TABLE OF CONTENTS

INTRODUCTION	A-01 - A-02
ABBREVIATIONS	A-03
ALPHABETICAL INDEX	A-04 - A-06
IC424RC	A-07 - E-02
IC422RG	E-03 - H-16

1993 IC422RG INDEX

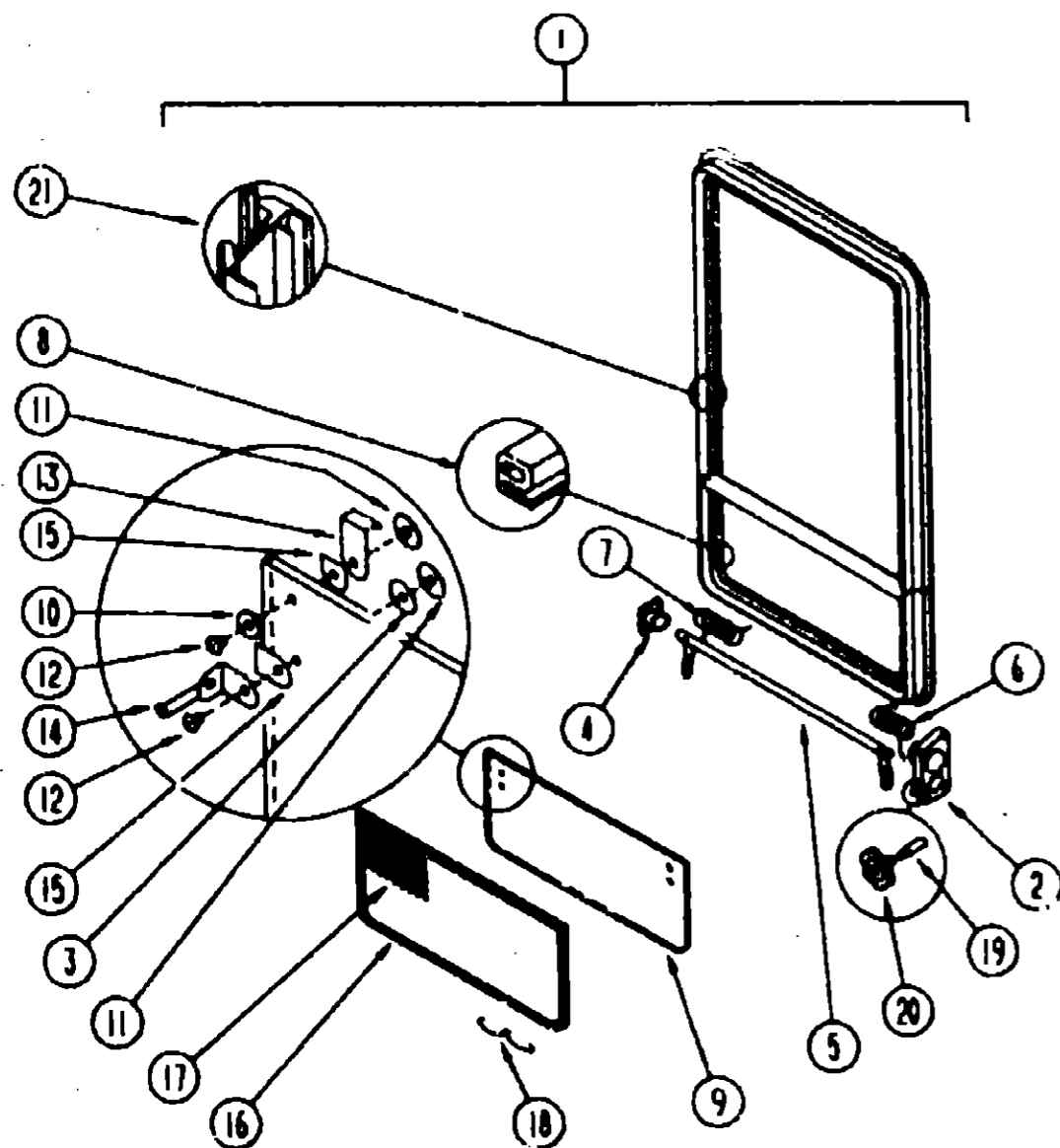
FLOOR PLAN	E-03 - E-04
ACCESSORIES	E-05
AUDIO VIDEO	E-06
BATH	E-07 - E-08
CHASSIS	E-09 - E-13
CURTAIN & CUSHION	E-14 - E-24
DINETTE	F-01 - F-02
DRIVERS COMPARTMENT	F-03 - F-08
ELECTRICAL	F-07 - F-10
EXTERIOR BODY	F-11 - F-19
GALLEY	F-20 - F-23
GENERATOR	F-24
HEATING & A/C	G-01 - G-02
INTERIOR FINISH	G-03 - G-05
LABELS	G-06 - G-13
LP	G-14
LOUNGE	G-15
SEALANTS & FASTENERS	G-16 - G-19
WATER & SEWAGE	G-20 - G-24
WINDOW, VENT AND EXTERIOR DOOR	H-01 - H-16

KEY	PART NUMBER	U/M	DESCRIPTION
	087609-32-000	EA	FRAME-WINDOW, ENTRY DOOR - OFF WHITE
	087609-27-000	EA	FRAME-WINDOW, ENTRY DOOR - BLACK (EUROPEAN EXCHANGE)
1	078733-07-AA8	EA	WINDOW-ENTRY DOOR, 17" X 25" - FROSTED GLASS
2	002181-07-000	EA	GLASS-WINDOW, 18.2" X 18.25" X 24" - FROSTED
3	060216-02-000	FT	SPLINE-GLASS, EXTERIOR - VINYL - .19" - BLACK
4	087581-01-000	FT	SEAL-GLASS, EXTERIOR - 5" WIDE - VINYL - BLACK

KEY	PART NUMBER	U/M	DESCRIPTION
	098647-07-02A	EA	WINDOW-HORIZONTAL SLIDER, W/INSIDE FRAME - OFF WHITE
	098647-06-706	EA	FRAME-INSIDE, W/24-67 EXCEL - WHITE
1	098647-07-700	EA	WINDOW-HORIZONTAL SLIDER, W/O INSIDE FRAME - LEFT - OFF WHITE
2	098644-01-705	FT	GLAZING STRIP, EXCEL M826-12
3	098647-06-700	EA	GLASS-STATIONARY - 106-018921 EXCEL
4	098644-01-710	FT	TRACK-SCREEN SPACER 12" LENGTH - EXCEL M401-31
5	098644-01-700	EA	LATCH REPAIR KIT
6	098644-01-708	FT	CHANNEL-PIERCED RUN EXCEL 122-018643
7	098644-01-711	FT	WEATHERSTRIP-SCREEN BLACK - EXCEL 171-018985
8	098647-06-703	EA	SCREEN W/SPRING&WEATHERSTRIP - 410-018477 EXCEL
9	098644-01-713	EA	SPRING-SCREEN FRAME (CLIP) PLASTIC - BLACK - EXCEL 226-018988
	098644-01-718	FT	PLUG-FILLER, EXCEL 132-014470
	098644-01-717	FT	SPLINE-SCREEN MFG, EXCEL 32-004718
10	098647-06-702	EA	GLASS-SLIDING, W/BASH&LATCH - 410-018477 EXCEL
11	098644-01-706	FT	WEATHERSTRIP, EXCEL 171-018988
	111556-08-01A	EA	WINDOW-HORIZONTAL SLIDER, W/INSIDE FRAME (EUROPEAN)
	111556-01-702	FT	TAPE-GLAZING, 1/16 X 3/8 - 600
	111556-01-703	FT	GLAZING-RUBBER, (SPLINE) - 8156
	111556-01-704	FT	WATERSHED-RUBBER, 8156
	111556-01-705	EA	DRAWN SLOT COVER (ALL)
	111556-01-708	EA	RASH LOCK, 830801
	111556-06-700	EA	GLASS-INSULATED, STATIONARY & SLIDING - PBR13054
	111556-08-700	EA	SCREEN ABA-LH, F/1115560801A

WINDOW, VENT & EXTERIOR DOOR GROUP (CONTINUED)

LOUNGE TIPOUT WINDOW



KEY	PART NUMBER	UM	DESCRIPTION
	000893-03-02A	EA	FRAME-INSIDE, WINDOW RETAINER - OFF WHITE
1	082235-03-Y12	EA	WINDOW-SINGLE TIPOUT, TWO INSIDE FRAME - BLACK
	000H14-08-14R	EA	RIVET-MANDREL, BLIND - 3/16"
2	035302-02-000	EA	OPERATOR-TORQUE, TIPOUT WINDOW - LEFT
3	088827-03-000	EA	SEAL-WINDOW, RUBBER - ROUND - .80" DIA. - BLACK
4	081354-01-000	EA	BLEEVE-TORQUE TUBE, TIPOUT WINDOW - 1.3" X 1.2" X .7"
	081649-01-000	EA	RING-SNAP, 7/32 SHAFT DIAMETER
5	083150-11-000	EA	TUBE ASM-TORQUE, WINDOW
6	080918-01-000	EA	SPRING-TORQUE TUBE, LEFT
7	080918-02-000	EA	SPRING-TORQUE TUBE, RIGHT
8	084067-02-000	FT	SEAL-E SHAPED, SPONGE - TIPOUT WINDOW - .42" X .38" - BLACK
			FROM: 00-00-00 THRU: 04-04-93
8	084067-03-000	FT	SEAL-E SHAPED, SPONGE - TIPOUT WINDOW - .42" X .38" - BLACK
			FROM: 04-05-93 THRU: 99-99-99
9	084088-18-000	EA	GLASS-TIPOUT, 9 2" X 26"
10	084453-02-000	EA	WASHER, .06" X .5" X .25" - PLASTIC
11	086782-01-000	EA	T NUT, 10-32
12	088783-01-000	EA	SCREW-MACHINE, 10 - 32 X 1/4 PTH
13	089913-01-000	EA	HINGE-TIPOUT WINDOW, BLACK
14	0897578-01-000	EA	LINKAGE-TIPOUT WINDOW
	084453-01-000	EA	WASHER, .06" X .5" X .135" - PLASTIC
15	084473-01-000	EA	SEAL-FLAT, W/CENTER HOLE & ADHESIVE SIDE - .8" X .9" - BLK
	085315-01-000	EA	RIVET-SHOULDER, TIPOUT WINDOW
16	100235-03-807	EA	SCREEN-SINGLE, TIPOUT WINDOW
17	080218-03-000	SF	SCREENING-FIBERGLASS, 12" WIDE
18	100188-01-000	EA	CLIP-SPRING, SCREEN
	100240-01-000	FT	SPLINE-SCREEN, T-SHAPED
19	009439-08-000	EA	EXTENSION-CRANK HANDLE, WINDOW/ROOF VENT - BLACK
20	009439-35-000	EA	KNOB-OPERATOR, TIPOUT WINDOW - W/SPRING & ARM
	009439-07-000	EA	SCREW, 8-32 X 1 1/4 POH - BLACK
21	088840-11-000	FT	TAPE-SEALER, 3/16" X 3/8" - BLACK
	111555-05-01A	EA	WINDOW-HORIZONTAL SLIDER, RH (EUROPEAN)
	111555-01-702	FT	TAPE-GLAZING, 1/16 X 3/8 - 600
	111555-01-703	FT	GLAZING-RUBBER, (SPLINE) - 8158
	111555-01-704	FT	WATERSHED-RUBBER, 8155
	111555-01-705	EA	DRAWIN SLOT COVER (ALL)
	111555-01-708	EA	SASH LOCK, 830201
	111555-05-700	EA	GLASS-INSULATED, UPPER - RSR23003
	111555-05-701	EA	GLASS-INSULATED, LOWER - RSR23004

1993 ITASCA TABLE OF CONTENTS

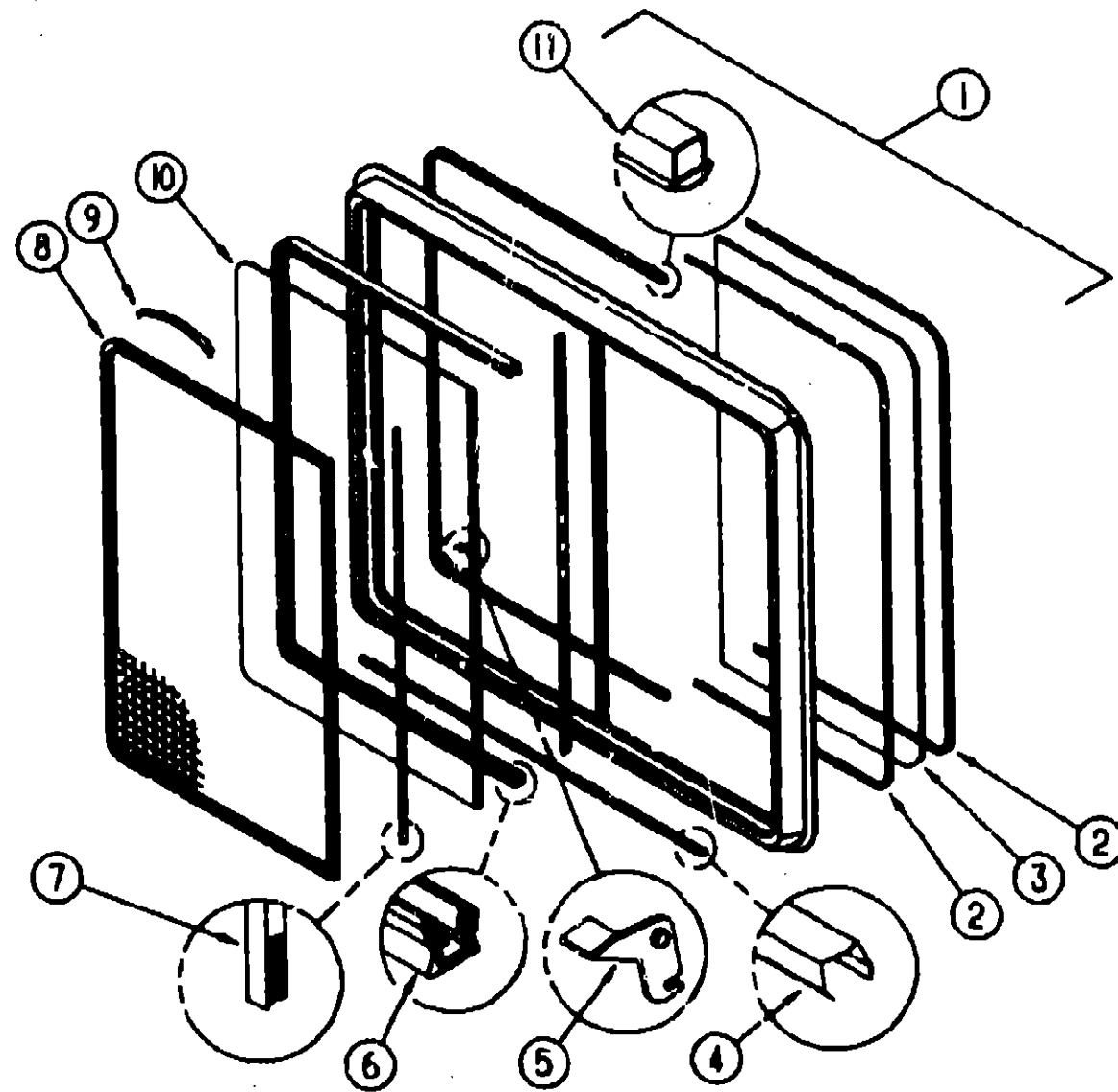
INTRODUCTION	A-01 - A-02
ABBREVIATIONS	A-03
ALPHABETICAL INDEX	A-04 - A-08
IC424RC	A-07 - E-02
IC422RG	E-03 - H-16

1993 IC422RG INDEX

FLOOR PLAN	E-03 - E-04
ACCESSORIES	E-05
AUDIO VIDEO	E-08
BATH	E-07 - E-08
CHASSIS	E-09 - E-13
CURTAIN & CUSHION	E-14 - E-24
DINETTE	F-01 - F-02
DRIVERS COMPARTMENT	F-03 - F-08
ELECTRICAL	F-07 - F-10
EXTERIOR BODY	F-11 - F-19
GALLEY	F-20 - F-23
GENERATOR	F-24
HEATING & A/C	G-01 - G-02
INTERIOR FINISH	G-03 - G-06
LABELS	G-08 - G-11
LP	G-14
LOUNGE	G-15
SEALANTS & FASTENERS	G-16 - G-19
WATER & SEWAGE	G-20 - G-24
WINDOW, VENT AND EXTERIOR DOOR	H-01 - H-16

WINDOW, VENT & EXTERIOR DOOR GROUP (CONTINUED)

OVERHEAD BUNK SLIDING WINDOWS



SLANTED SLIDER
FROM: 08-08-08 THRU: 07-12-02

SLIDER WINDOW
FROM: 07-13-02 THRU: 08-08-08

1993 ITASCA
TABLE OF CONTENTS

INTRODUCTION	A-01 - A-02
ABBREVIATIONS	A-03
ALPHABETICAL INDEX	A-04 - A-06
IC424RC	A-07 - E-02
IC422RG	E-03 - H-16

1993 IC422RG INDEX

FLOOR PLAN	E-03 - E-04
ACCESSORIES	E-05
AUDIO VIDEO	E-06
BATH	E-07 - E-08
CHASSIS	E-09 - E-13
CURTAIN & CUSHION	E-14 - E-24
DINETTE	F-01 - F-02
DRIVERS COMPARTMENT	F-03 - F-08
ELECTRICAL	F-07 - F-10
EXTERIOR BODY	F-11 - F-19
GALLEY	F-20 - F-23
GENERATOR	F-24
HEATING & A/C	G-01 - G-02
INTERIOR FINISH	G-03 - G-06
LABELS	G-08 - G-13
LP	G-14
LOUNGE	G-15
SEALANTS & FASTENERS	G-16 - G-19
WATER & SEWAGE	G-20 - G-24
WINDOW, VENT AND EXTERIOR DOOR	H-01 - H-16

KEY	PART NUMBER	U/M	DESCRIPTION
	088646-05-01A	EA	WINDOW-SLANTED SLIDER, WINSIDE FRAME - PASSENGER SIDE
	088646-06-01A	EA	WINDOW-SLANTED SLIDER, WINSIDE FRAME - DRIVER SIDE
	088644-01-707	EA	FRAME-INSIDE, PASSENGER - OFF WHITE
	088646-02-702	EA	FRAME-INSIDE, DRIVER - OFF WHITE
2	088644-01-705	FT	GLAZING STRIP, EXCEL M926-12
3	088646-05-700	EA	GLASS-STATIONARY - 108-015285 EXCEL
4	088644-01-710	FT	TRACK-SCREEN SPACER 12' LENGTH - EXCEL M401-31
5	088644-01-700	EA	LATCH REPAIR KIT
6	088644-01-708	FT	CHANNEL-PIERCED RUN EXCEL 122-018543
7	088644-01-711	FT	WEATHERSTRIP-SCREEN BLACK - EXCEL 171-018885
8	088646-01-704	EA	SCREEN W/SPRING&WEATHERSTRIP - 410-018475 EXCEL
9	088644-01-713	EA	SPRING-SCREEN FRAME (CLIP) PLASTIC - BLACK - EXCEL 228-018886
	088644-01-718	FT	PLUG-FILLER, EXCEL 132-014470
	088644-01-717	FT	SPLINE-SCREEN MFG, EXCEL 32-004718
10	088646-05-701	EA	GLASS-SLIDING, W/WASH&LATCH - B948-G8 EXCEL
11	088644-01-708	FT	WEATHERSTRIP, EXCEL 171-018888

KEY	PART NUMBER	U/M	DESCRIPTION
	088647-18-01A	EA	WINDOW-SLIDING, WINSIDE FRAME - PASSENGER SIDE - EXCEL B951-PFR
	088647-19-01A	EA	WINDOW-SLIDING, WINSIDE FRAME - DRIVER SIDE - EXCEL B951-PRL
	088647-18-700	EA	FRAME-WINDOW, INSIDE - WHITE - EXCEL V951-87
1	088647-18-702	EA	WINDOW-SLIDING, W/O INSIDE FRAME - PASSENGER SIDE - EXCEL B951-G2R
2	088644-01-705	FT	GLAZING STRIP, EXCEL M926-12
3	088647-18-701	EA	GLASS-STATIONARY, EXCEL 108011829
4	088644-01-710	FT	TRACK-SCREEN SPACER 12' LENGTH - EXCEL M401-31
5	088644-01-700	EA	LATCH REPAIR KIT
6	088644-01-708	FT	CHANNEL-PIERCED RUN EXCEL 122-018543
7	088644-01-711	FT	WEATHERSTRIP-SCREEN BLACK - EXCEL 171-018885
8	088646-03-706	EA	SCREEN W/SPRING&WEATHERSTRIP - 410018475 EXCEL
9	088644-01-713	EA	SPRING-SCREEN FRAME (CLIP) PLASTIC - BLACK - EXCEL 228-018886
	088644-01-718	FT	PLUG-FILLER, EXCEL 132-014470
	088644-01-717	FT	SPLINE-SCREEN MFG, EXCEL 32-004718
10	088646-01-702	EA	GLASS-SLIDING, W/WASH & LOCK - EXCEL B948-G9
11	088644-01-708	FT	WEATHERSTRIP, EXCEL 171-018888

WINDOW, VENT & EXTERIOR DOOR GROUP (CONTINUED)

POWERED ROOF VENT

KEY	PART NUMBER	U/M DESCRIPTION
	009439-01-000	EA CRANK HANDLE-ROOF VENT
	009439-04-000	EA SCREW 8-32 X 1 1/4" POH
	009439-02-000	EA KNOB-ROOF VENT MILL
	009439-03-000	EA EXTENSION-CRANK HANDLE ROOF VENT - 9" - MILL
	090394-01-Y12	EA VENT-ROOF POWERED
FROM: 00-00-00 THRU: 10-04-92		
	056218-01-000	EA COVER-ROOF VENT, PLASTIC
	002825-01-000	EA WEATHER STRIP-ROOF VENT GRAY
	008195-01-000	EA SWITCH-ROOF VENT PUSH BUTTON 12V
	008343-01-000	EA TIE-WIRE 6"
	008388-01-000	EA GROMMET-SNAP 3/8"
	009440-01-000	EA GEAR/ARM-VENT COVER LIFT
	015911-01-000	EA TRACK-LIFT ARM SLIDE - ROOF VENT
	048648-01-000	EA MOTOR-ROOF VENT 1/8 SHAFT - 12V - JENSEN
	048649-01-000	EA FAN-ROOF VENT 6 BLADES - 6" - JENSEN
	052839-01-001	EA HINGE-VENT COVER 16"
	052839-01-200	EA HINGE-EXTRUSION ROOF VENT 7"
	061803-01-000	EA GROMMET-SNAP 3/16"ID - 3/8" HOLE - PLASTIC - BLACK
	078786-01-Y12	EA SCREEN-ROOF VENT POWERED
	002291-02-000	SF SCREENING ROOF VENT/WINDOW 16" - BLACK
	002298-02-000	FT SPLINE-VENT/WINDOW SCREEN 128 DIAMETER - BLACK
	110051-03-01A	EA VENT-ROOF, POWERED - 2" ROOF - JENSEN 7757
FROM: 10-05-92 THRU: 99-99-99		
	048648-01-000	EA MOTOR-12V NONVENTED 1/8 SFT
	048649-01-000	EA FAN-PLASTIC, 6" - 6 BLADED
	084470-01-700	EA COVER ROOF VENT, JENSEN 7291
	110051-01-701	EA GARNISH W/SCREEN & FRAME 2", JENSEN 29-800-01
	110051-01-702	EA HAND CRANK & OPERATOR ASM., JENSEN RP-10000B
	110051-01-703	EA HANDLE CRANK, JENSEN RP1031-B

WINDOW, VENT & EXTERIOR DOOR GROUP (CONTINUED)

NONPOWERED ROOF VENT

KEY	PART NUMBER	U/M DESCRIPTION
	009439-01-000	EA CRANK HANDLE-ROOF VENT
	009439-04-000	EA SCREW 8-32 X 1 1/4" POH
	009439-02-000	EA KNOB-ROOF VENT MILL
	009439-03-000	EA EXTENSION-CRANK HANDLE ROOF VENT - 9" - MILL
	009439-04-000	EA SCREW 8-32 X 1 1/4" POH
	090395-01-Y12	EA VENT-ROOF NONPOWERED
FROM: 00-00-00 THRU: 10-04-92		
	056218-01-000	EA COVER-ROOF VENT, PLASTIC
	002825-01-000	EA WEATHER STRIP-ROOF VENT GRAY
	009440-01-000	EA GEAR/ARM-VENT COVER LIFT
	015911-01-000	EA TRACK-LIFT ARM SLIDE - ROOF VENT
	052839-01-001	EA HINGE-VENT COVER 16"
	052839-01-200	EA HINGE-EXTRUSION ROOF VENT 7"
	078786-01-Y12	EA SCREEN-ROOF VENT NON POWERED - WHITE
	002291-02-000	SF SCREENING-ROOF VENT/WINDOW 16" - BLACK
	002298-02-000	FT SPLINE-VENT/WINDOW SCREEN 128 DIAMETER - BLACK
	110051-01-01A	EA VENT-ROOF, NONPOWERED - 2" ROOF - JENSEN 7724
FROM: 10-05-92 THRU: 99-99-99		
	064470-01-700	EA COVER ROOF VENT, JENSEN 7291
	110051-01-701	EA GARNISH W/SCREEN & FRAME 2", JENSEN 29-800-01
	110051-01-702	EA HAND CRANK & OPERATOR ASM., JENSEN RP-10000B
	110051-01-703	EA HANDLE CRANK, JENSEN RP-1031-B

VENTS, SHROUDS AND ROOF COVERS

KEY	PART NUMBER	U/M DESCRIPTION
	084073-04-000	EA BASE-VENT, REFRIGERATOR - ROOF - NORCOLD - OFF WHITE
	084073-03-000	EA CAP-VENT, REFRIGERATOR - ROOF - NORCOLD - BLACK
	084878-09-000	EA VENT-RANGE HOOD, EXTERIOR - SHORT - LVS
	084516-01-000	EA SHROUD-RANGE HOOD VENT, OFF WHITE
	083558-03-000	EA VENT-PLUMBING PIPE ROOF W/COVER - OFF WHITE
	080508-01-000	EA PANEL-SKYLITE, INNER - PLEXIGLASS - 23.25" X 20.3"
	080507-01-000	EA PANEL-SKYLIGHT, OUTER - PLEXIGLASS - 23.25" X 20.3"

**1993 ITASCA
TABLE OF CONTENTS**

INTRODUCTION	A-01 - A-02
ABBREVIATIONS	A-03
ALPHABETICAL INDEX	A-04 - A-08
IC424RC	A-07 - E-02
IC422RG	E-03 - H-16

1993 IC422RG INDEX

FLOOR PLAN	E-03 - E-04
ACCESSORIES	E-05
AUDIO VIDEO	E-06
BATH	E-07 - E-08
CHASSIS	E-09 - E-13
CURTAIN & CUSHION	E-14 - E-24
DINETTE	F-01 - F-02
DRIVERS COMPARTMENT	F-03 - F-08
ELECTRICAL	F-07 - F-10
EXTERIOR BODY	F-11 - F-19
GALLEY	F-20 - F-23
GENERATOR	F-24
HEATING & A/C	G-01 - G-02
INTERIOR FINISH	G-03 - G-05
LABELS	G-06 - G-13
LP	G-14
LOUNGE	G-15
SEALANTS & FASTENERS	G-16 - G-19
WATER & SEWAGE	G-20 - G-24
WINDOW, VENT AND EXTERIOR DOOR	H-01 - H-16