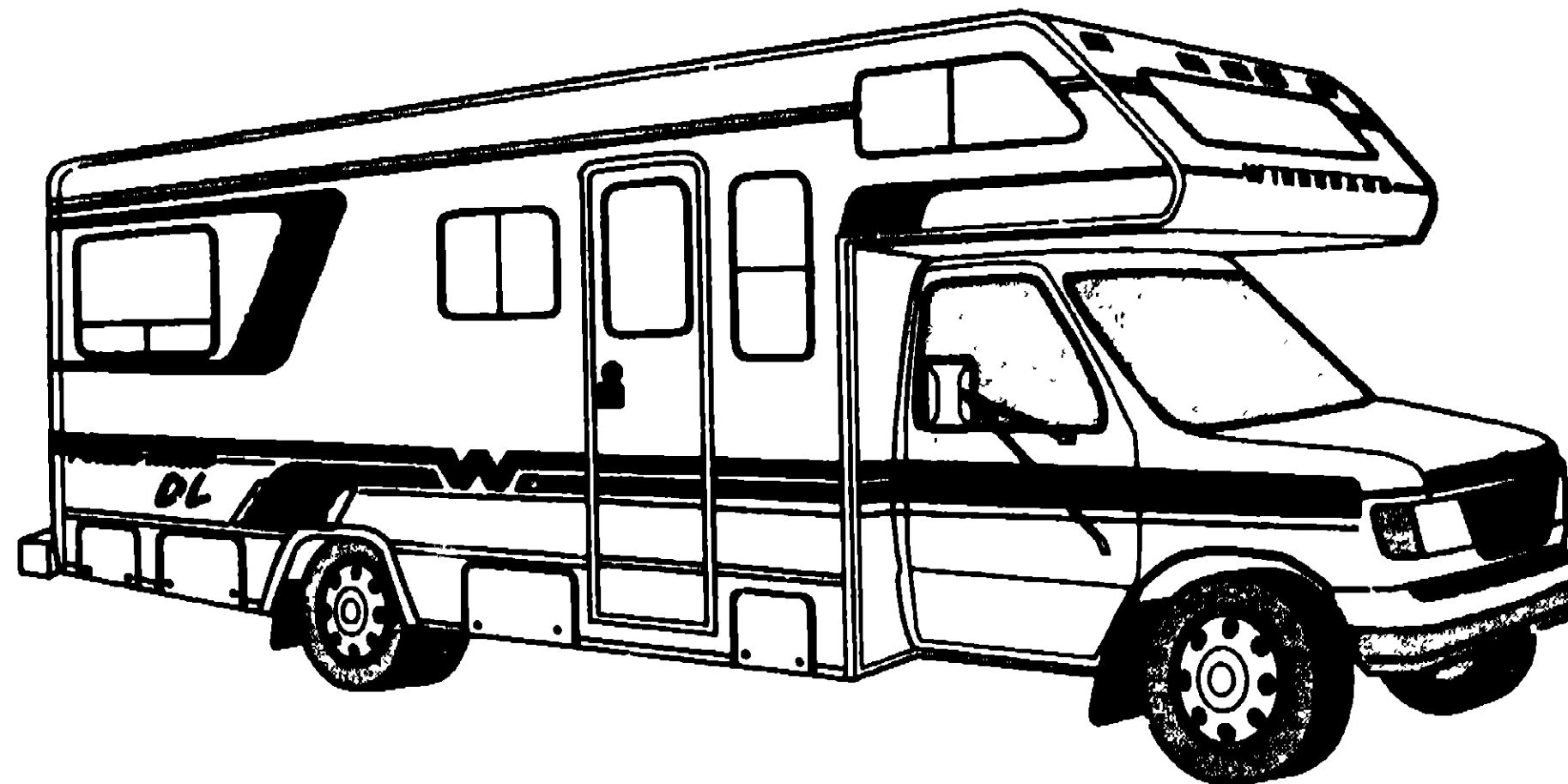


**1992 WINNEBAGO
TABLE OF CONTENTS**

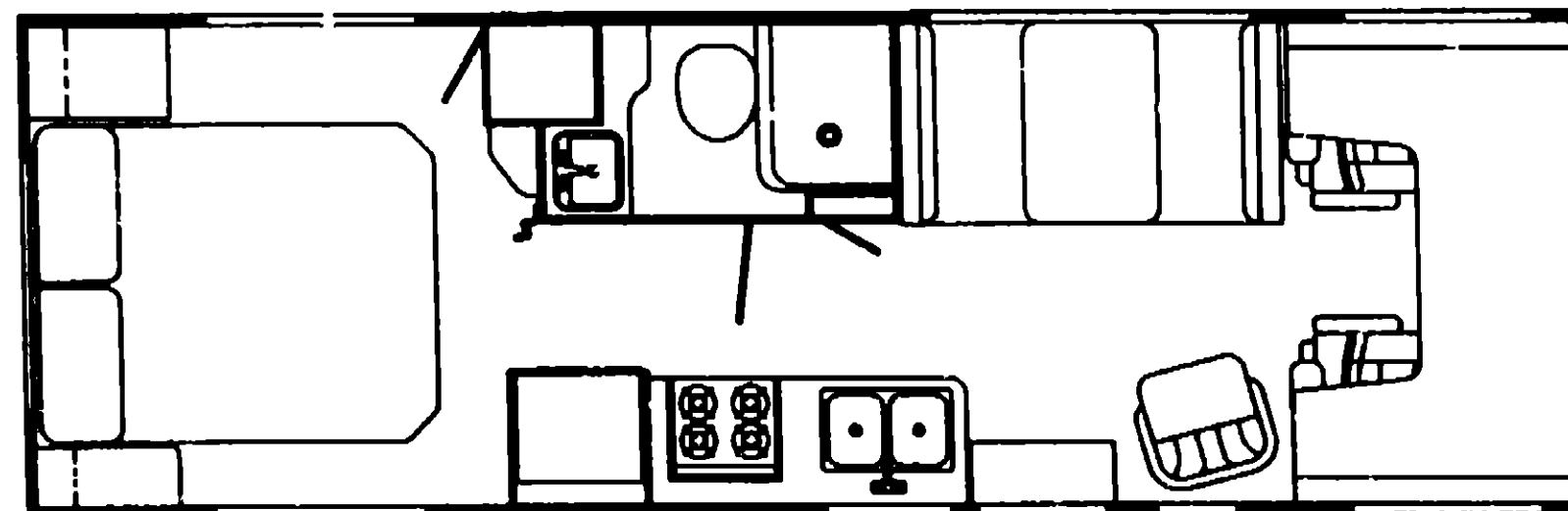
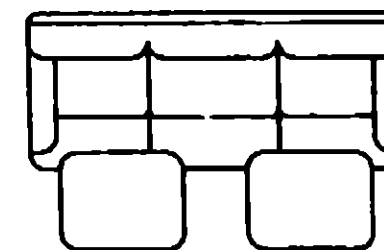
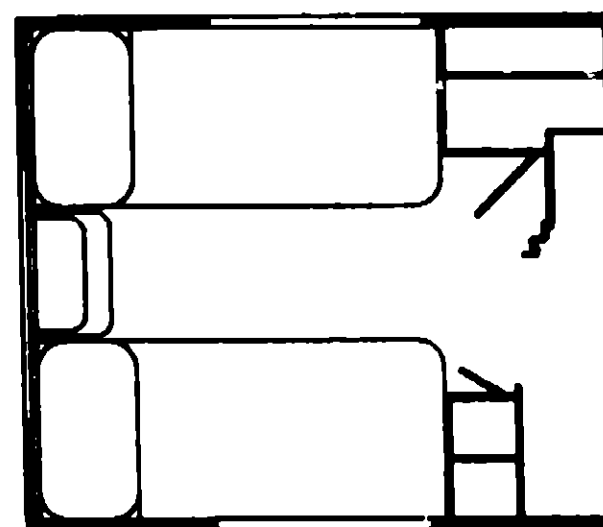
INTRODUCTION	A-01 - A-02
ABBREVIATIONS	A-03
ALPHABETICAL INDEX	A-04 - A-06
WF527RQ	A-07 - D-24
WF527RC	E-01 - H-16



**1992
WF527RQ
C52
C53**

1992 WF527RQ INDEX

FLOOR PLAN	A-07 - A-08
ACCESSORIES	A-09
AUDIO VIDEO	A-10
BATH	A-11 - A-12
BEDROOM	A-13 - A-17
CHASSIS	A-18 - A-22
CURTAIN & CUSHION	A-23 - B-06
DINETTE	B-09 - B-10
DRIVERS	B-11 - B-12
ELECTRICAL	B-13 - B-16
EXTERIOR BODY	B-17 - B-24
GALLEY	C-01 - C-06
GENERATOR	C-08
HEATING & A/C	C-07 - C-08
INTERIOR FINISH	C-09 - C-12
LABEL	C-13 - C-19
LP	C-20
LOUNGE	C-21 - C-22
SEALANTS & FASTENERS	C-23 - D-01
WATER & SEWAGE	D-02 - D-06
WINDOW, VENT AND EXTERIOR DOOR	D-07 - D-24



ACCESSORIES GROUP

OPERATORS MANUAL

KEY	PART NUMBER	U/M DESCRIPTION
	054185-79-000	EA MANUAL-OPERATOR, 1992 MINNIE WINNIE - 500 SERIES
	082318-01-000	EA BINDER-3 RING, MOTOR HOME MANUAL
	082319-01-000	EA POCKET PAGE-3 RING BINDER, PLASTIC
	108351-01-000	DW TOP LEVEL DRAWING NUMBER FOR 1992 C-BODIES

AUDIO VIDEO GROUP

RADIO & ANTENNA COMPONENTS

KEY	PART NUMBER	U/M DESCRIPTION
	079385-02-000	EA KIT-RADIO MOUNTING, FORD
	080982-01-000	EA RADIO-AM/FM CASSETTE, ELECTRIC TUNE - AUDIOVOX HCC-1035 FROM: 00-00-00 THRU: 10-08-91
	081069-02-000	EA WIRE ASM-8-PIN, RADIO - AUDIOVOX 112B-1781 FROM: 00-00-00 THRU: 10-08-91
	108460-01-000	EA RADIO-AM/FM CASSETTE, ELECTRONIC TUNE - FORD - AUDIOVOX FD-CXF FROM: 10-07-91 THRU: 99-99-99
	108461-01-000	EA MOUNTING KIT-RADIO, FORD AUDIOVOX FD-ECO-82 FROM: 10-07-91 THRU: 99-99-99
	108137-01-000	EA PLUG-ANTENNA HOLE (FORD)
	089340-02-000	EA GRILLE-SPEAKER, 6.5" SQUARE (OVHD CABINETS)
	089340-03-000	EA SPACER-SPEAKER GRILLE, TAN - MAGNADYNE G614 (OVHD CABINETS)
	084097-01-000	EA SPEAKER-RADIO, W/O GRILLE - 5.25" DIA - AUDIOVOX 110C3030 (OVHD CABINETS)
	073741-04-000	EA GRILLE-SPEAKER, OVAL - 4" X 6" - BLACK (PATIO ENTERTAINMENT)
	077089-02-000	EA CABLE-ANTENNA, RADIO - EXTENSION 98" - ARA 8700887 (PATIO ENTERTAINMENT)
	087883-01-000	FA RADIO-AM/FM STEREO W/CASSETTE AUDIOVOX 144D1550 (PATIO ENTERTAINMENT)
	080944-01-000	EA ANTENNA-RADIO, 18" RUBBER (PATIO ENTERTAINMENT)
	080862-01-000	EA BRACKET-HAT, ANTENNA - 3.1" X 3.9" - STEEL - BLACK (PATIO ENTERTAINMENT)
	104899-01-C05	EA PLATE-RADIO MOUNTING (PATIO ENTERTAINMENT)
	105230-11-C05	EA SHELF ASM (PATIO ENTERTAINMENT)
	105230-12-C52	EA SUPPORT ASM (PATIO ENTERTAINMENT)
	105377-01-01A	EA BRACKET-TABLE HANGER - OFF WHITE (PATIO ENTERTAINMENT)
	105377-01-03A	EA BRACKET-TABLE HANGER - MILL (PATIO ENTERTAINMENT)

TV, VCR SYSTEMS & ANTENNA

KEY	PART NUMBER	U/M DESCRIPTION
	082310-01-000	EA TV-COLOR, 9" - AC/DC - W/REMOTE - MAGNAVOX CH3940 FROM: 00-00-00 THRU: 01-26-92
	082310-01-700	EA REMOTE FOR RK3855 - 0822335
	082310-03-000	EA TV-COLOR-9" AC/DC W/SWIVEL MAGNAVOX RJO945 FROM: 01-27-92 THRU: 99-99-99
	082310-02-700	EA REMOTE FOR TV - 0822334
	088446-03-000	EA VCR-VHS, CABLE READY - REMOTE - MAGNAVOX VR8010
	088446-03-700	EA REMOTE FOR MODEL 89010 - 0874588
	108433-01-000	EA BRACKET-VCR
	078319-01-000	EA ANTENNA-TV, ROOF MOUNT - 44.5" MAST - RVA W02
	078319-01-700	EA HEAD-ANTENNA, AMPLIFIED - WINEGARD# RV5A L/V
	078319-01-701	EA GEAR-ELEVATING, PLASTIC - WINEGARD# 2200048
	078319-01-702	EA SHAFT ASM-ELEVATING, WINEGARD# RVP-400A
	078319-01-703	EA BEARING-NYLON, 5"OD - WINEGARD# 3200858
	078319-01-705	EA GROMMET-NYLON, 7/8"ID - WINEGARD# 3200858
	078319-01-706	EA CRANK-ELEVATING, W/SET SCREW - WINEGARD# 5756100
	078319-01-707	EA SPRING-HANDLE, WINEGARD# 5180800
	078319-01-709	EA PLATE-DIRECTIONAL, FOR HEAD - WINEGARD #3200844
	078319-08-000	EA ADAPTOR-CABLE ROOF PLATE, WINEGARD RPJ-1
	082134-01-000	EA ADAPTER-TV, CABLE TO CABLE - WINEGARD F-81M
	082138-01-000	EA NUT-HEX JAM 3/8-32, WINEGARD
	078319-08-000	EA WALLPLATE-CABLE RECEPTACLE, TV - SINGLE - IVORY
	086777-02-000	EA WALLPLATE-TV CABLE, W/ANTENNA SWITCH - BROWN
	078319-03-000	FT CABLE-COAXIAL, 75 OHM
	078319-12-000	EA CONNECTOR-COAXIAL - ONE PIECE
	086756-01-000	EA SPLITTER-TV, 2 WAY
	086757-03-000	EA CONTROL CENTER-SWITCH, VCR/TV - MAGNADYNE VCS-8
	086777-04-000	EA PLATE-WALL, ANTENNA/POWER - BROWN

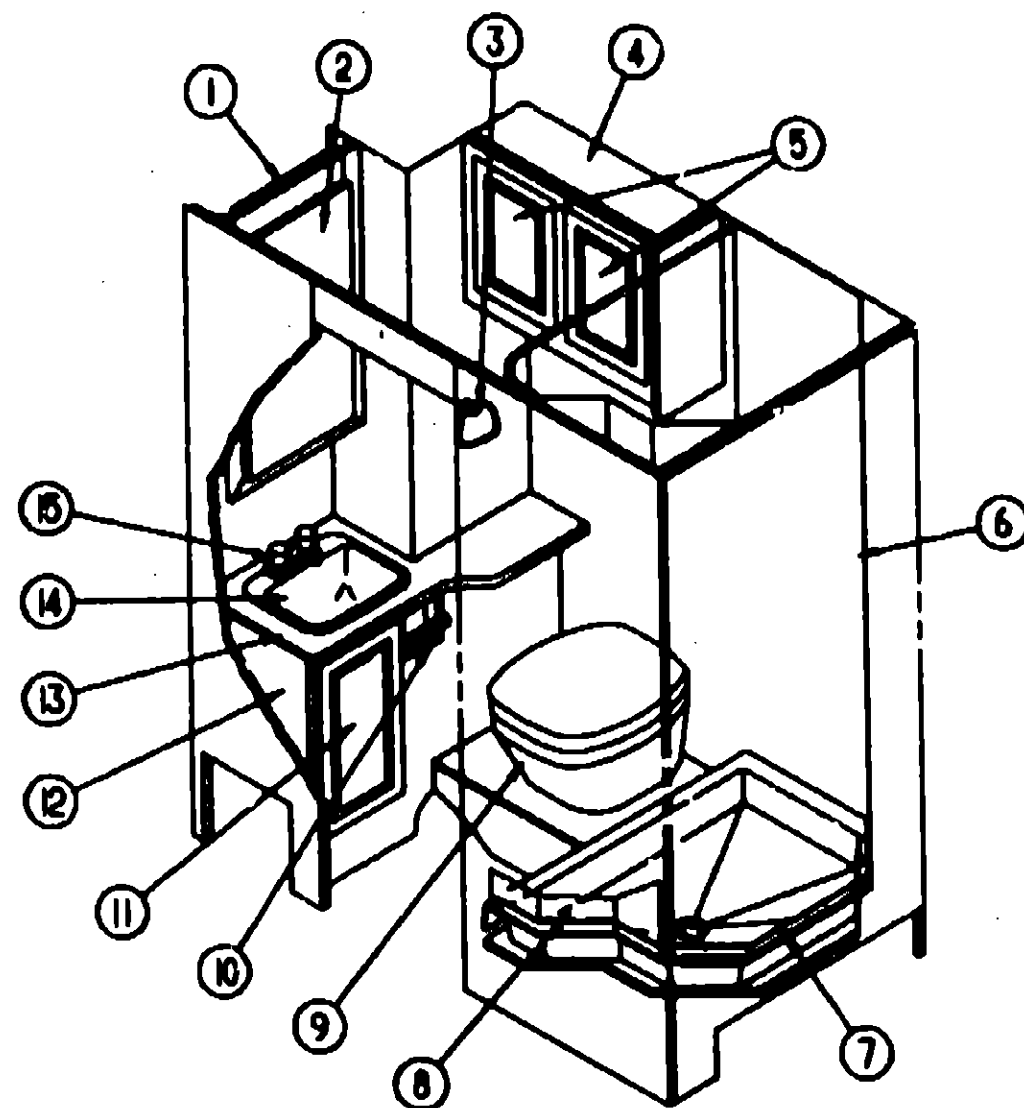
1992 WINNEBAGO TABLE OF CONTENTS

INTRODUCTION	A-01 - A-02
ABBREVIATIONS	A-03
ALPHABETICAL INDEX	A-04 - A-08
WF827RQ	A-07 - D-24
WF827RC	E-01 - H-16

1992 WF827RQ INDEX

FLOOR PLAN	A-07 - A-08
ACCESSORIES	A-09
AUDIO VIDEO	A-10
BATH	A-11 - A-12
BEDROOM	A-13 - A-17
CHASSIS	A-18 - A-22
CURTAIN & CUSHION	A-23 - B-08
DINETTE	B-09 - B-10
DRIVERS	B-11 - B-12
ELECTRICAL	B-13 - B-16
EXTERIOR BODY	B-17 - B-24
GALLEY	C-01 - C-05
GENERATOR	C-06
HEATING & AC	C-07 - C-08
INTERIOR FINISH	C-09 - C-12
LABEL	C-13 - C-19
LP	C-20
LOUNGE	C-21 - C-22
SEALANTS & FASTENERS	C-23 - D-01
WATER & SEWAGE	D-02 - D-06
WINDOW, VENT AND EXTERIOR DOOR	D-07 - D-24

BATH GROUP



BATH CABINETS & FIXTURES

KEY	PART NUMBER	U/M DESCRIPTION
1	105350-01-003	EA CABINET-OVERHEAD, MEDICINE - W/O DOOR
2	P03561-01-B85	EA DOOR-CABINET, W/O HARDWARE - 395 X 750MM
	093446-10-B06	EA MIRROR-WOOD FRAMED
	068331-32-000	EA MIRROR-GLASS, SAFETY - 13.6" X 27.8"
	M03460-11-000	EA TRIM-MIRROR, WOOD - OAK
3	075454-02-000	EA RING-TOWEL, W/MOUNTING HARDWARE - BRASS
4	103129-01-B86	EA CABINET-OVERHEAD, W/O DOORS & HARDWARE
	104335-05-C52	EA END CAP-CABINET, OVERHEAD
5	P04748-29-C52	EA DOOR-CABINET, W/O HARDWARE - 325 X 450MM
6	102803-01-01A	EA SURROUND-SHOWER, LARGE 3 SIDED SECTION - OFF WHITE
	103092-01-000	EA SHOWER HEAD-W/O IN HOSE (US & CANADIAN)
	075241-05-000	EA FAUCET-SHOWER, BONE
	075808-01-000	EA PANEL-FAUCET BACK, SHOWER - 5" X 8" - PLASTIC
7	M02673-02-B05	EA PAN-SHOWER, OFF WHITE
	088440-01-000	EA STRAINER-SHOWER, W/RUBBER WASHER
	089735-01-000	EA WASHER-STRAINER TO TAILPIECE PLASTIC, 1.5"
	011089-02-000	EA TAILPIECE-TUB/SHOWER, 1 1/2" X 1 1/4" X 4" - BRASS
	068438-01-000	EA NUT-SLIP, TAILPIECE - 1.5"
	057871-01-000	EA COVER-SCREWK, #8 - PLASTIC - OFF WHITE
8	102804-01-01A	EA SURROUND-SHOWER, SMALLER SECTION - OFF WHITE

BATH GROUP (CONTINUED)

BATH CABINETS & FIXTURES (CONTINUED)

KEY	PART NUMBER	U/M DESCRIPTION
9	067487-01-000	EA TOILET-12.37", IVORY - HAND FLUSH - THETFORD 180110
	063740-01-700	EA LEVER-WATER, THETFORD 12514
	063740-01-701	EA LEVER-FLUSH, THETFORD 12518
	063740-01-708	EA BOLT PACKAGE-CLOSET, THETFORD 12524
	063740-01-710	EA LINK-THETFORD 12513
	063740-01-711	EA SPRING-RETURN LEVER, THETFORD 12523
	063740-01-713	EA SEAL-BALL VALVE TO BOWL, THETFORD 12502
	063740-01-714	EA VALVE ASM-WATER, THETFORD 12492
	063740-01-716	EA BEAT & COVER, THETFORD 18017
	063740-01-717	EA TUBE-FLUSH, TOILET - 12509 THETFORD
	063641-01-000	EA FLANGE-CLOSET, 4" X 3"
10	085278-01-000	EA HOLDER-TOILET TISSUE, RECESSED - BRASS
11	P04748-51-C82	EA DOOR-CABINET, W/O HARDWARE - 305 X 556MM
12	P03128-01-C62	EA CABINET-LAVATORY, W/O DOOR & HARDWARE
12	P03128-01-C63	EA CABINET-LAVATORY, W/O DOOR & HARDWARE
13	103128-11-C82	EA COUNTERTOP ASSEMBLY
13	103128-11-C83	EA COUNTERTOP ASSEMBLY
14	088927-01-01A	EA SINK-LAVATORY, RECTANGULAR - PLASTIC - BONE
	088927-01-700	EA SINK-STOPPER
	088927-01-701	EA TAILPIECE-SINK
15	075240-08-000	EA FAUCET-LAVATORY, BONE
	091253-01-000	EA GASKET-FAUCET, LAVATORY/GALLEY
	106218-01-01A	EA SPACER-FAUCET, LAVATORY SINK - 2" X 5.9" - ABS PLASTIC O/W
		FROM: 00-00-00 THRU: 10-13-91
	075463-02-000	EA BAR-TOWEL-18" BRASS
	075236-37-B85	EA PANEL-ACCESS, 260 X 445MM

BATH PRIVACY DOOR

KEY	PART NUMBER	U/M DESCRIPTION
	P06398-01-C52	EA DOOR-PRIVACY, BATH
	102089-13-B07	EA WOOD RAIL-TOWEL RACK, RIGHT SIDE - 28"
	102089-14-B07	EA WOOD RAIL-TOWEL RACK, LEFT SIDE - 28"
	100357-01-000	EA ROD-TOWEL, BRASS WENDS BENT FOR BACK OF BATH DOOR
	064485-01-01A	EA KNOB-DOOR-POLISHED BRASS

EXTERIOR SHOWER COMPONENTS

KEY	PART NUMBER	U/M DESCRIPTION
	075241-05-000	EA FAUCET-SHOWER, ONE (EXTERIOR SHOWER)
	106289-02-000	EA BRACKET-SUPPORT, FAUCET (EXTERIOR SHOWER)
	091952-02-000	EA CLIP-GRIPPER, 3/4" (EXTERIOR SHOWER)

**1992 WINNEBAGO
TABLE OF CONTENTS**

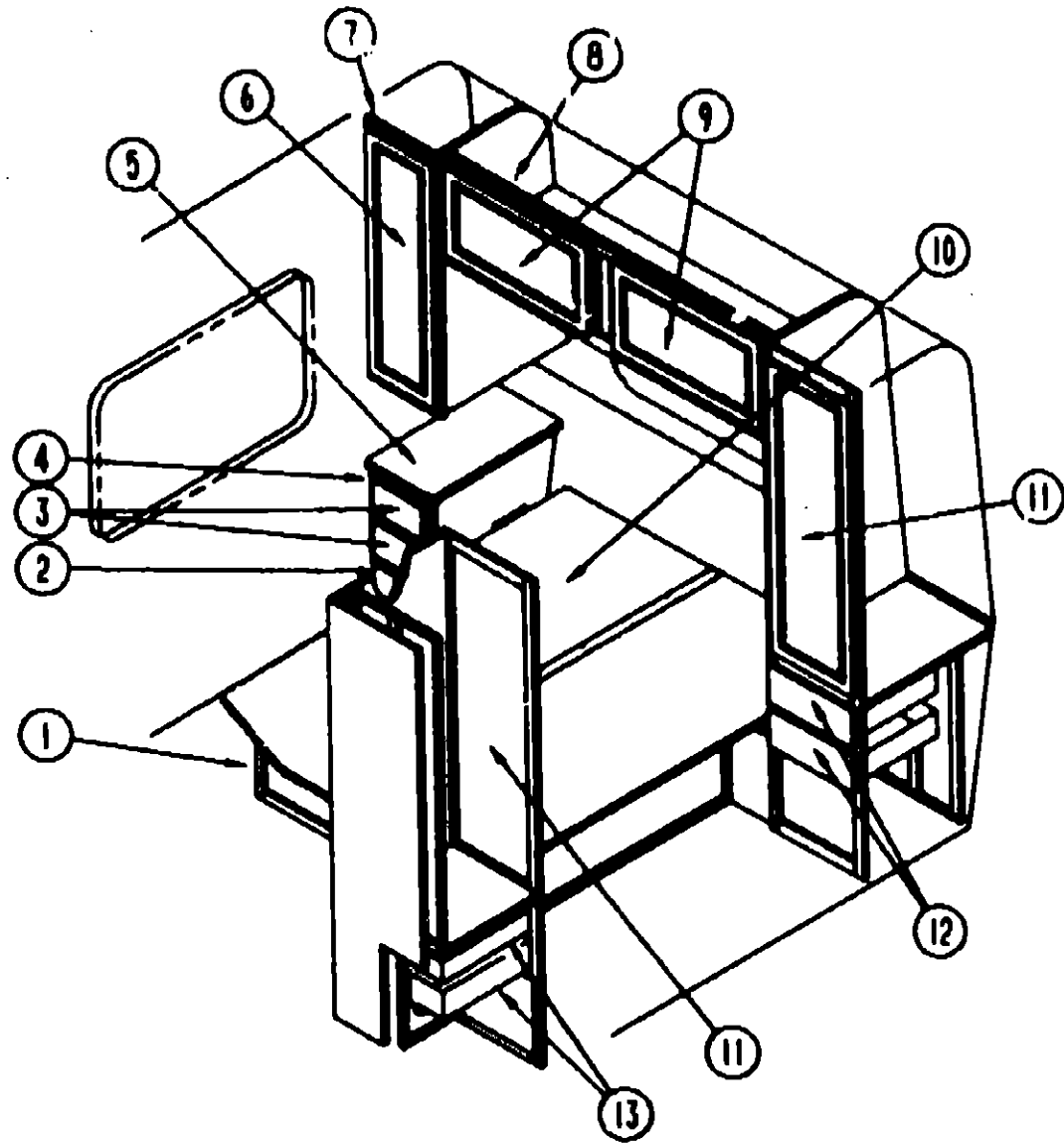
INTRODUCTION	A-01	A-02
ABBREVIATIONS		A-03
ALPHABETICAL INDEX	A-04	A-06
WF527RQ	A-07	D-24
WF527RC	E-01	H-16

1992 WF527RQ INDEX

FLOOR PLAN	A-07	A-08
ACCESSORIES		A-09
AUDIO VIDEO		A-10
BATH	A-11	A-12
BEDROOM	A-13	A-17
CHASSIS	A-18	A-22
CURTAIN & CUSHION	A-23	B-08
DINETTE	B-09	B-10
DRIVERS	B-11	B-12
ELECTRICAL	B-13	B-16
EXTERIOR BODY	B-17	B-24
GALLEY	C-01	C-05
GENERATOR		C-06
HEATING & A/C	C-07	C-08
INTERIOR FINISH	C-09	C-12
LABEL	C-13	C-19
LP		C-20
LOUNGE	C-21	C-22
SEALANTS & FASTENERS	C-23	D-01
WATER & SEWAGE	D-02	D-06
WINDOW, VENT AND EXTERIOR DOOR	D-07	D-24

BEDROOM GROUP

QUEEN BEDROOM CABINETS & FOLDING PR/ACY DOOR



KEY	PART NUMBER	U/M	DESCRIPTION
1	P03078-01-B08	EA	CABINET-QUEEN BED
2	P03397-Q4-C62	EA	DRAWER-CABINET, W/O HARDWARE - RADIUS - 214 X 284MM
3	P03397-F9-C62	EA	DRAWER-CABINET, W/O HARDWARE - RADIUS - 214 X 404MM
4	106278-01-C62	EA	CABINET-NIGHTSTAND, W/O DOORS & HARDWARE
4	106278-01-C63	EA	CABINET-NIGHTSTAND, W/O DOORS & HARDWARE
5	106278-11-C62	EA	COUNTERTOP ASSEMBLY
6	106278-11-C63	EA	COUNTERTOP ASSEMBLY
6	P04748-28-C62	EA	DOOR-CABINET, W/O HARDWARE - 306 X 1015MM
7	P06279-01-C03	EA	CABINET-SHIRT CLOSET - RIGHT
8	M06624-03-C62	EA	CABINET-OVERHEAD, W/O DOOR & HARDWARE - REAR
9	P04748-04-C62	EA	DOOR-CABINET, W/O HARDWARE - 400 X 710MM
10	M06118-02-000	EA	TOP-QUEEN BED, PASSENGER SIDE
	M06118-01-806	EA	TOP-QUEEN BED, DRIVER SIDE
	057206-03-000	EA	ANGLE-SUPPORT, BED - 1" X 1.5" X 74" - METAL - OFF WHITE
	057480-02-000	EA	STJD-BALL, GAS SPRING - 10MM - 6/16" - 18
	057480-03-000	FA	CLIP-SAFETY, WIREFORM TYPE - GAS SPRING
	057480-04-000	EA	SPRING-GAS
	068199-02-Y12	EA	HINGE-BED, TOP LIFT - METAL - BEIGE
	069024-01-000	EA	SUPPORT-SPRING, TO FLOOR - 6.9" WIDE BASE X 7" HIGH - ST
	069025-01-000	EA	SUPPORT-SPRING, TO BED - ANGLE 1.5" X 11.8" LONG - STEEL
11	P04748-31-C62	EA	DOOR-CABINET, W/O HARDWARE - 390 X 1250MM
12	P03397-Q2-C62	EA	DRAWER-CABINET, W/O HARDWARE - RADIUS - 354 X 404MM
13	P03397-F1-C62	EA	DRAWER-CABINET, W/O HARDWARE - RADIUS - 354 X 470MM
	009112-01-000	EA	FLANGE-1" ROD, CLOTHES - PLASTIC - OFF WHITE
	042438-01-000	EA	DOWEL-WOOD, CLOTHES ROD - 1" DIAMETER X 4'
	041963-12-000	EA	CONDUIT-CONVOLITE, NON SUT 1.1" ID
	103195-01-C62	EA	SHELF-MAKE UP (C62)
	103195-01-887	EA	SHELF-MAKE UP (C63)
	058331-27-000	EA	MIRROR-SAFETY GLASS-11.8" X 45.7"
	042488-10-000	EA	DOOR-FOLDING - FABRIC - 37" X 75" - OFF WHITE
	080224-01-703	EA	LATCH & CATCH ASSEMBLY - ALUMINUM
	080224-01-706	EA	CATCH-DOOR JAMB, ALUMINUM

1992 WINNEBAGO TABLE OF CONTENTS

INTRODUCTION	A-01 - A-02
ABBREVIATIONS	A-03
ALPHABETICAL INDEX	A-04 - A-08
WF527RQ	A-07 - D-24
WF527RC	E-01 - H-18

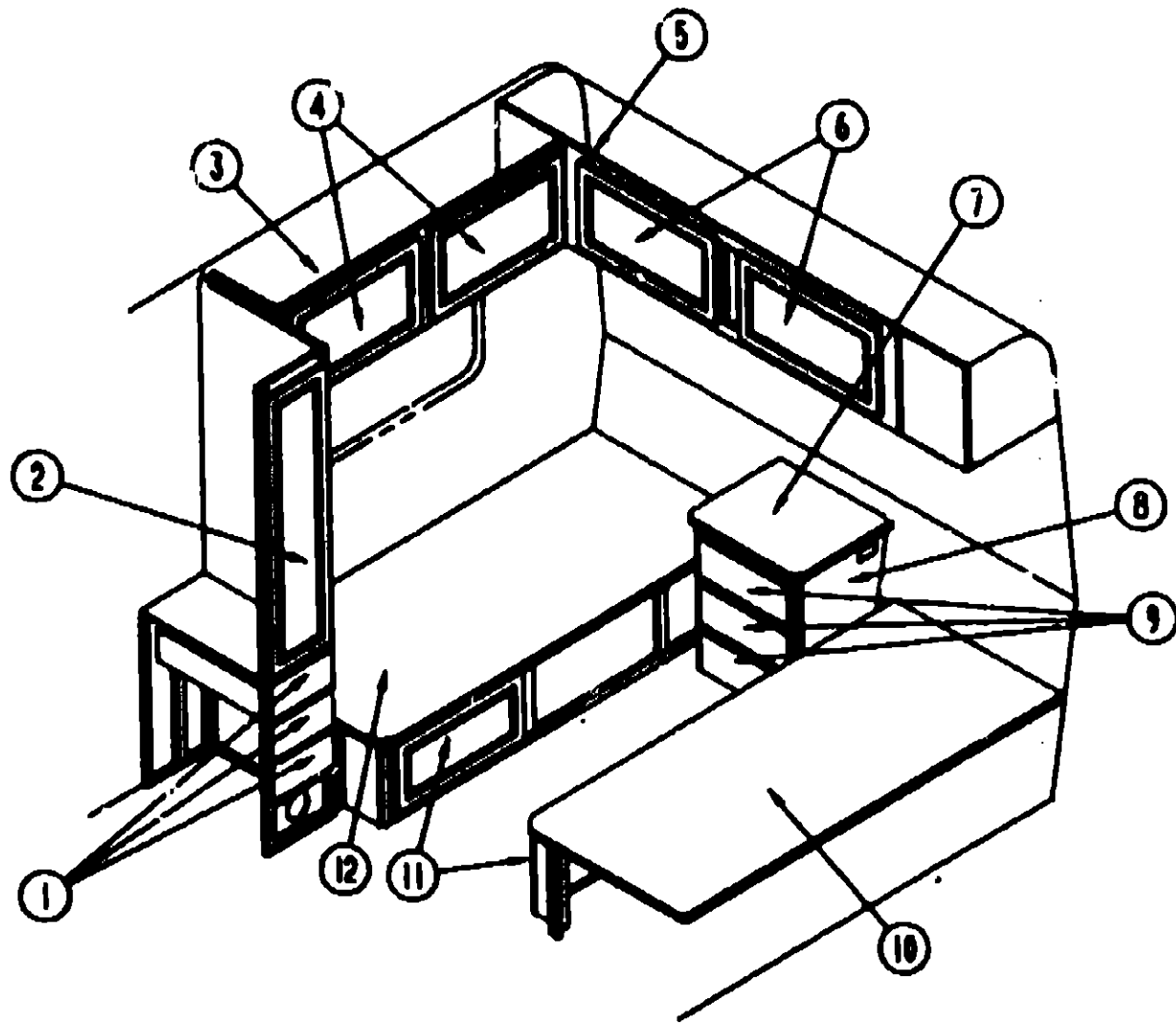
1992 WF527RQ INDEX

FLOOR PLAN	A-07 - A-08
ACCESSORIES	A-09
AUDIO VIDEO	A-10
BATH	A-11 - A-12
BEDROOM	A-13 - A-17
CHASSIS	A-18 - A-22
CURTAIN & CUSHION	A-23 - B-08
DINETTE	B-09 - B-10
DRIVERS	B-11 - B-12
ELECTRICAL	B-13 - B-16
EXTERIOR BODY	B-17 - B-24
GALLEY	C-01 - C-06
GENERATOR	C-08
HEATING & AC	C-07 - C-08
INTERIOR FINISH	C-09 - C-12
LABEL	C-13 - C-19
LP	C-20
LOUNGE	C-21 - C-22
SEALANTS & FASTENERS	C-23 - D-01
WATER & SEWAGE	D-02 - D-08
WINDOW, VENT AND EXTERIOR DOOR	D-07 - D-24

BEDROOM GROUP (CONTINUED)

TWIN BEDROOM CABINET, WALL MIRROR & FOLDING PRIVACY DOOR

KEY	PART NUMBER	U/M	DESCRIPTION
1	P03397-F5-C52	EA	DRAWER-CABINET, W/O HARDWARE - 288 X 500MM
	P03397-F3-C52	EA	DRAWER-CABINET, W/O HARDWARE - 354 X 536MM (DRIVER'S WARDROBE)
2	P04748-28-C52	EA	DOOR-CABINET, W/O HARDWARE - 305 X 1220MM
3	M05624-05-C52	EA	CABINET-OVERHEAD, W/O DOORS & HARDWARE - REAR - RIGHT
3	M05624-05-C53	EA	CABINET-OVERHEAD, W/O DOORS & HARDWARE - REAR - RIGHT
4	P04748-02-C05	EA	DOOR-CABINET, W/O HARDWARE - 400 X 820MM
	M05624-04-C52	EA	CABINET-OVERHEAD, W/O DOORS & HARDWARE - REAR - LEFT
	M05624-04-C53	EA	CABINET-OVERHEAD, W/O DOORS & HARDWARE - REAR - LEFT
	P04748-03-C52	EA	DOOR-CABINET, W/O HARDWARE - 400 X 710MM
5	M05624-07-C52	EA	CABINET-OVERHEAD, W/O DOORS & HARDWARE - REAR
5	M05624-07-C53	EA	CABINET-OVERHEAD, W/O DOORS & HARDWARE - REAR
6	P04748-04-C52	EA	DOOR-CABINET, W/O HARDWARE - 400 X 710MM
7	105298-11-C52	EA	COUNTERTOP ASSEMBLY
7	105298-11-C53	EA	COUNTERTOP ASSEMBLY
8	105298-01-C52	EA	CABINET-NIGHTSTAND, W/O DOORS & HARDWARE
8	105298-01-C53	EA	CABINET-NIGHTSTAND, W/O DOORS & HARDWARE
9	P03397-F7-C52	EA	DRAWER-CABINET, W/O HARDWARE - RADIUS - 422 X 248 MM
10	M05138-04-000	EA	TOP-CABINET, TWIN BED - LEFT
	P05287-01-C03	EA	CABINET-TWIN BED, LEFT
11	P04748-23-C52	EA	DOOR-CABINET, W/O HARDWARE - 305 X 660MM
12	M05138-03-000	EA	TOP-CABINET, TWIN BED - RIGHT
	P05288-01-C03	EA	CABINET-TWIN BED, RIGHT
	P05298-01-C52	EA	CABINET-SHIRT CLOSET, W/O DOOR & HARDWARE - DRIVER SIDE
	P04748-28-C52	EA	DOOR-CABINET, W/O HARDWARE - 305 X 1018MM
	009112-01-000	EA	FLANGE-1" ROD, CLOTHES - PLASTIC - OFF WHITE
	042438-01-000	EA	DOWEL-WOOD, CLOTHES ROD - 1" DIAMETER X 4'
	041153-12-000	EA	CONDUIT-CONVOLITE, NON SLIT 1.1" ID
	083448-07-AB1	EA	MIRROR-WOOD FRAMED, 13.6" X 47.4"
	058331-27-000	EA	MIRROR-SAFETY GLASS, 11.8" X 45.7"
	M03480-07-000	EA	TRIM-MIRROR, WOOD - OAK
	042488-10-000	EA	DOOR-FOLDING, FABRIC - 37" X 75" - OFF WHITE
	080224-01-703	EA	LATCH & CATCH ASSEMBLY - ALUMINUM
	080224-01-705	EA	CATCH-DOOR JAMB, ALUMINUM



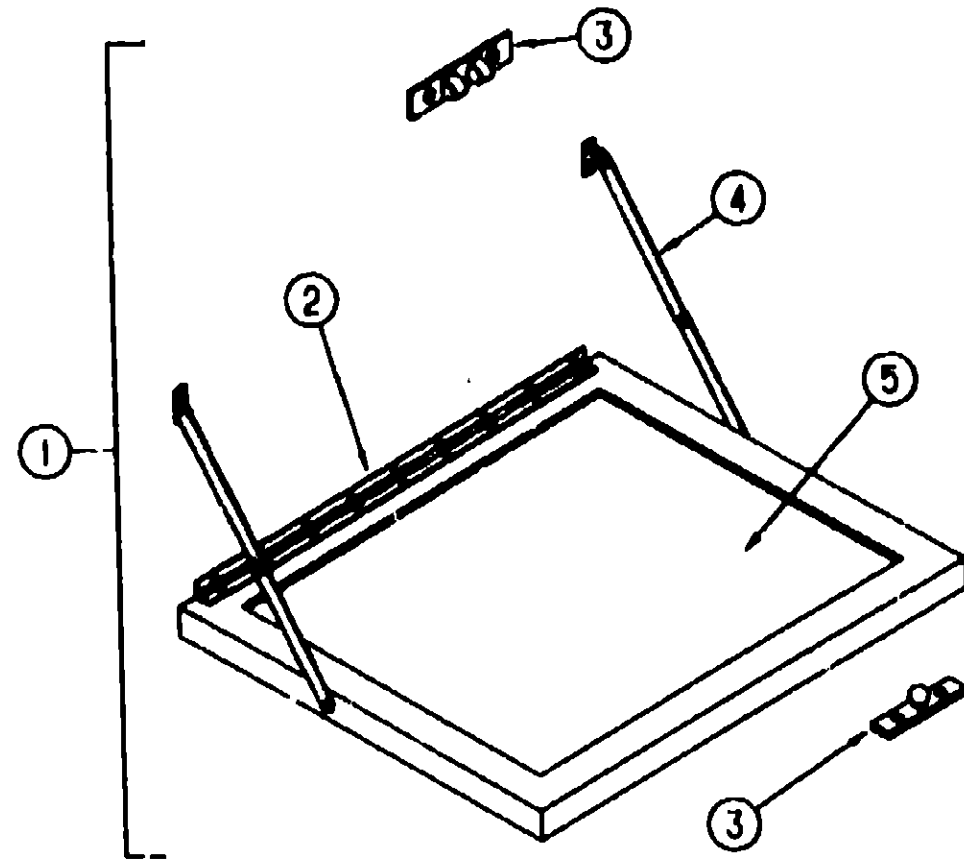
1992 WINNEBAGO TABLE OF CONTENTS

INTRODUCTION	A-01 - A-02
ABBREVIATIONS	A-03
ALPHABETICAL INDEX	A-04 - A-06
WF527RQ	A-07 - D-24
WF527RC	E-01 - H-16

1992 WF527RQ INDEX

FLOOR PLAN	A-07 - A-08
ACCESSORIES	A-09
AUDIO VIDEO	A-10
BATH	A-11 - A-12
BEDROOM	A-13 - A-17
CHASSIS	A-18 - A-22
CURTAIN & CURTAIN	A-23 - B-06
DINETTE	B-09 - B-10
DRIVERS	B-11 - B-12
ELECTRICAL	B-13 - B-16
EXTERIOR BODY	B-17 - B-24
GALLEY	C-01 - C-06
GENERATOR	C-06
HEATING & AC	C-07 - C-08
INTERIOR FINISH	C-09 - C-12
LABEL	C-13 - C-19
LP	C-20
LOUNGE	C-21 - C-22
SEALANTS & FASTENERS	C-23 - D-01
WATER & SEWAGE	D-02 - D-06
WINDOW, VENT AND EXTERIOR DOOR	D-07 - D-24

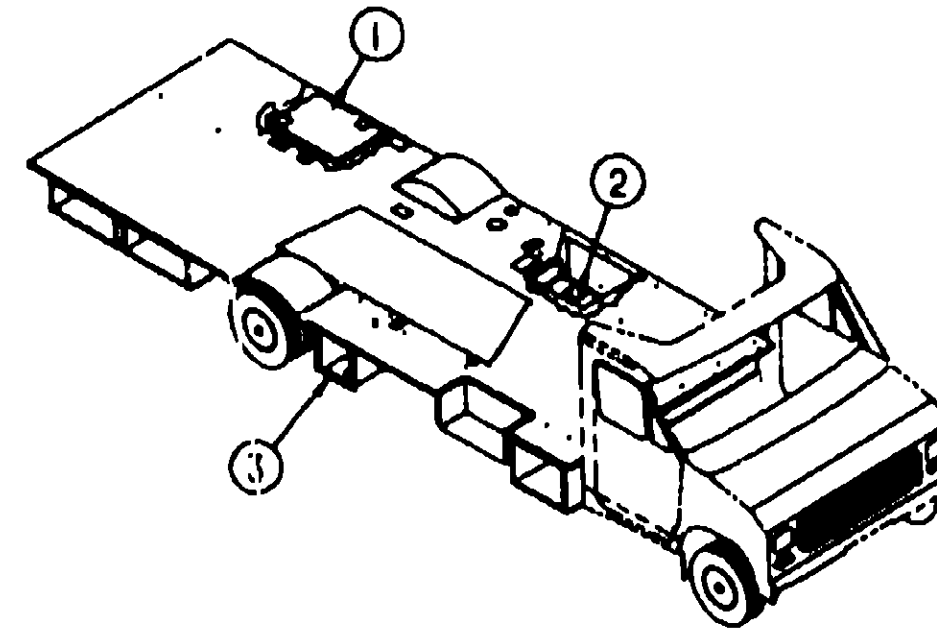
BEDROOM GROUP (CONTINUED)



TV STAND

KEY	PART NUMBER	U/M DESCRIPTION
1	084357-02-807	EA TV STAND ASSEMBLY
2	084413-01-000	EA HINGE-CONTINUOUS, W/WHIGLERS
3	084451-01-000	EA CATCH-TV SHELF, BRASS
4	084412-01-000	EA SUPPORT-HINGED
5	084358-04-000	EA INSERT-TV STAND, W/SUPPORT HINGE - METAL - TAN FROM: 00-00-00 THRU 05-24-82
5	084358-08-000	EA INSERT-TV STAND, W/SUPPORT HINGE - METAL - OFF WHITE FROM 05-25-82 THRU 99-99-99
5	058331-14-000	EA MIRROR-GLASS, SAFETY - 14" X 12.7"

CHASSIS GROUP



COMPARTMENTS, PLUGS & SEALS

KEY	PART NUMBER	U/M DESCRIPTION
1	105471-08-000	EA COMPARTMENT-GENERATOR
1	078137-02-000	EA TRAY-STORAGE COMPARTMENT, 27 1/8" WIDE X 21" DEEP
2	103838-01-000	EA DOOR-DRAINAGE COMPARTMENT, 7.8" X 7.8" - STEEL
	074470-02-000	EA PIN-PULL, HINGE RELEASE - LEFT SIDE
3	105203-01-000	EA COMPARTMENT-BATTERY
	084993-01-000	EA STRAP-BATTERY
	085450-02-000	EA TIEDOWN-BATTERY, 14.3" TUBE
	085450-05-000	EA TIEDOWN-BATTERY, 8.4" TUBE
	104897-01-01A	EA BOX-ENTERTAINMENT CENTER - OFF WHITE
	104897-02-01A	EA BOX-ENTERTAINMENT CENTER - OFF WHITE
	104898-01-01A	EA PLATE-PLASTIC BOTTOM - OFF WHITE
	058748-01-000	EA PLUG-CAP, 1.5" DIAMETER - BLACK
	058027-01-000	FT SEAL D SHAPED - HOLLOW - SPONGE RUBBER - BLACK
	081420-01-000	EA PLUG-PLASTIC, 1.75" - BROWN
	077953-01-000	EA GROMMET-EDGE LINER, FITS 1"
	088270-01-000	FT SEAL-BULB, W/WIRE RIGID U-CHANNEL - 5" - RUBBER - BLACK

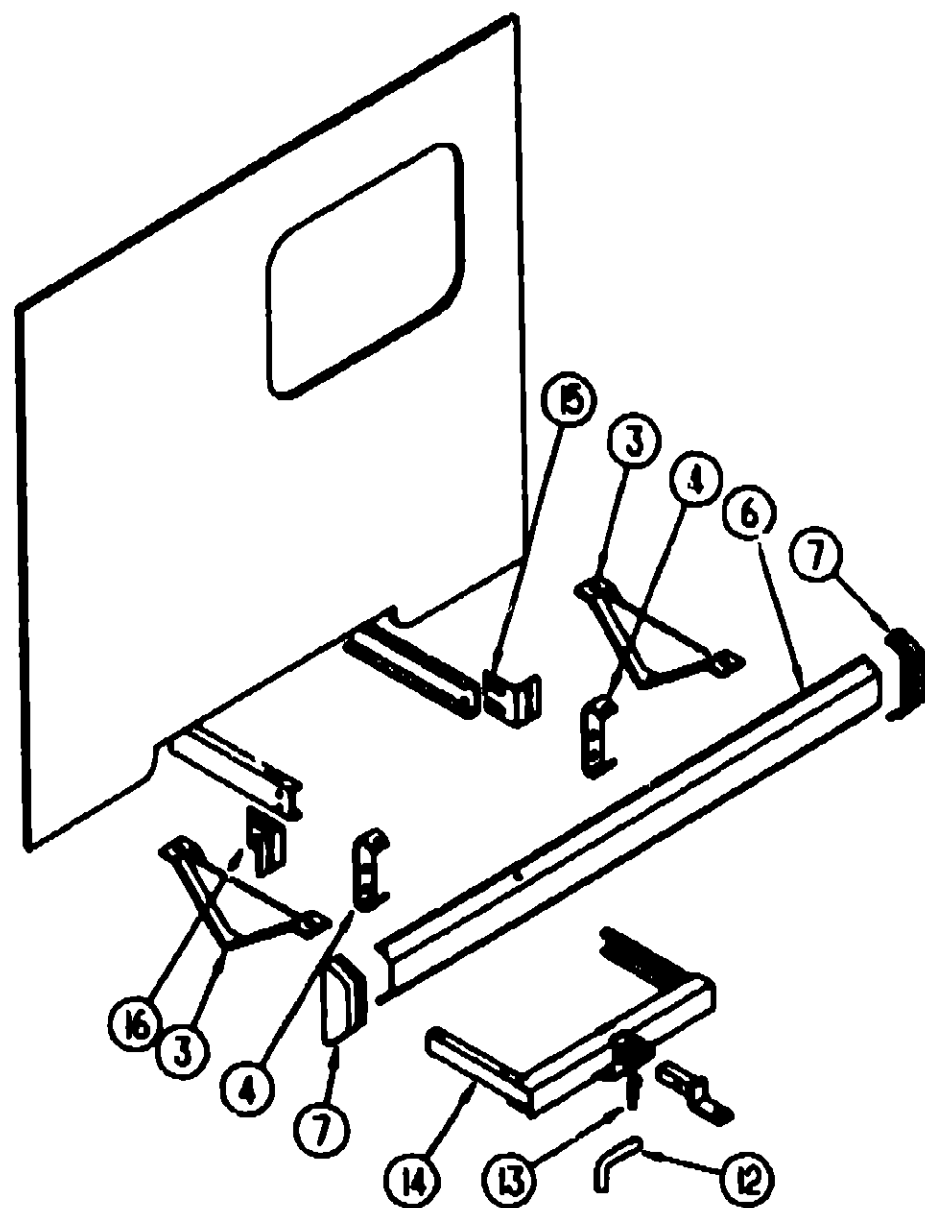
**1992 WINNEBAGO
TABLE OF CONTENTS**

INTRODUCTION	A-01 - A-02
ABBREVIATIONS	A-03
ALPHABETICAL INDEX	A-04 - A-06
WF527RQ	A-07 - D-24
WF527RC	E-01 - H-16

1992 WF527RQ INDEX

FLOOR PLAN	A-07 - A-08
ACCESSORIES	A-09
AUDIO VIDEO	A-10
BATH	A-11 - A-12
BEDROOM	A-13 - A-17
CHASSIS	A-18 - A-22
CURTAIN & CUSHION	A-23 - B-06
DINETTE	B-09 - B-10
DRIVERS	B-11 - B-12
ELECTRICAL	B-13 - B-16
EXTERIOR BODY	B-17 - B-24
GALLEY	C-01 - C-05
GENERATOR	C-06
HEATING & A/C	C-07 - C-08
INTERIOR FINISH	C-09 - C-12
LABEL	C-13 - C-19
LP	C-20
LOUNGE	C-21 - C-22
SEALANTS & FASTENERS	C-23 - D-01
WATER & SEWAGE	D-02 - D-06
WINDOW, VENT AND EXTERIOR DOOR	D-07 - D-24

CHASSIS GROUP (CONTINUED)



REAR BUMPER, SKID PLATE & TRAILER HITCH

KEY	PART NUMBER	U/M DESCRIPTION
3	083378-01-000	EA PLATE-SKID, 13 2" X 8" X 2" - STEEL
4	078670-02-000	EA BRACKET-BUMPER, REAR - 2" X 8" - BENT ENDS - STEEL BLACK (2 USED)
6	103088-02-02A	EA BUMPER-REAR, OFF WHITE
7	108147-01-01A	EA CAP-END, BUMPER - OFF WHITE
12	034612-01-000	EA PIN-LOCKING, DRAWBAR
13	034613-01-000	EA PIN-HITCH, 3/16" WIRE
14	077817-02-000	EA HITCH-TRAILER, W/O DRAWBAR - 41 1" WIDE - STEEL - BLACK
	077813-01-000	EA DRAWBAR-HITCH, TRAILER TOWING
	087744-01-000	EA HOUSING-TRAILER PIN, 12"
	087744-02-000	EA HOUSING-TRAILER PIN, 48"
	087745-01-000	EA HOUSING-TRAILER RECP, 12"
	087746-01-000	EA HOUSING CAP-TRAILER PIN
	087745-02-000	EA HOUSING-RECEPTACLE, TRAILER - 48" WIRE LENGTH
15	106833-01-000	EA BRACKET-BUMPER, REAR
16	106833-02-000	EA BRACKET-BUMPER, REAR

CHASSIS GROUP (CONTINUED)

EXHAUST SYSTEM COMPONENTS

KEY	PART NUMBER	U/M DESCRIPTION
	007125-01-000	EA CLAMP-MUFFLER, 1.62 DIAMETER
	001182-03-000	EA HEAT SHIELD
	004918-03-000	EA CLAMP-EXHAUST, 2 5"
	006783-04-000	EA PIPE-EXHAUST

FUEL SYSTEM COMPONENTS

KEY	PART NUMBER	U/M DESCRIPTION
	078040-04-000	EA BNRCLD-FUEL FILL, UPPER
	078200-01-000	EA GASKET-FUEL FILL, 3.5"OD X 2 1/2"
	106388-01-000	EA FUEL LINE ASM-FORD, 5/16 HP
	106389-01-000	EA FUEL LINE ASM-FORD, 3/8 HP
	007083-01-000	FT HO E-GAS 1/4"ID X 1/2"OD
	024138-01-000	FT HO SE-FUEL, 5/16" ID
	044317-01-000	FT HO SE-FUEL, 3/8" ID

SUSPENSION SYSTEMS

KEY	PART NUMBER	U/M DESCRIPTION
	100332-01-000	EA PLATE-VALVE, AIR SPRING (FORD)
	108067-01-000	EA AIRSPRING-4IN DIA TWIN (FORD)
	108067-03-700	EA REPAIR KIT FOR TAPPED PISTON

ENTRY STEPS

KEY	PART NUMBER	U/M DESCRIPTION
	077848-02-000	EA STEP-PULLOUT
	078241-08-000	EA SUPPORT-STEP, ENTRY DOOR
	081178-01-000	EA SUPPORT-BASE, ENTRANCE STEP
	084708-01-01A	EA STEP-ENTRY DOOR, ELECTRIC - SINGLE - KWIKEE 2813
	084707-02-700	EA MOTOR REPLACEMENT KIT
	084707-02-702	EA GEAR KIT
	084707-02-703	EA PARTS KIT (BEARINGS & PINS)
	084707-02-704	EA MOTOR CONNECTOR KIT
	084707-02-706	EA CONTROL UNIT (ORANGE)
	084707-03-700	EA LINKAGE ASM FOR 28 SERIES
	100312-01-000	EA SWITCH-DOOR JAMB, ELECTRIC ENTRY STEP - METAL

DRIVESHAFT

KEY	PART NUMBER	U/M DESCRIPTION
	103853-02-000	EA DRIVESHAFT-FRONT, FORD - 176"/188" - DANA 910084-814.4
		FROM 00-00-00 THRU 11-10-91
	103853-08-000	EA DRIVESHAFT ASM-BALANCED PAIR - 188" WHEELBASE (158)
		FROM 11-11-91 THRU 99-99-99
	074833-01-000	EA SPACER-BEARING, DRIVESHAFT - 2" X 8" X 5" THICK

**1992 WINNEBAGO
TABLE OF CONTENTS**

INTRODUCTION	A-01 - A-02
ABBREVIATIONS	A-03
ALPHABETICAL INDEX	A-04 - A-06
WF527RQ	A-07 - D-24
WF527RC	E-01 - H-18

1992 WF527RQ INDEX

FLOOR PLAN	A-07 - A-08
ACCESSORIES	A-09
AUDIO VIDEO	A-10
BATH	A-11 - A-12
BEDROOM	A-13 - A-17
CHASSIS	A-18 - A-22
CURTAIN & CUSHION	A-23 - B-08
DINETTE	B-09 - B-10
DRIVERS	B-11 - B-12
ELECTRICAL	B-13 - B-16
EXTERIOR BODY	B-17 - B-24
GALLEY	C-01 - C-05
GENERATOR	C-06
HEATING & A/C	C-07 - C-08
INTERIOR FINISH	C-09 - C-12
LABEL	C-13 - C-19
LP	C-20
LOUNGE	C-21 - C-22
SEALANTS & FASTENERS	C-23 - D-01
WATER & SEWAGE	D-02 - D-08
WINDOW, VENT AND EXTERIOR DOOR	D-07 - D-24

CHASSIS GROUP (CONTINUED)

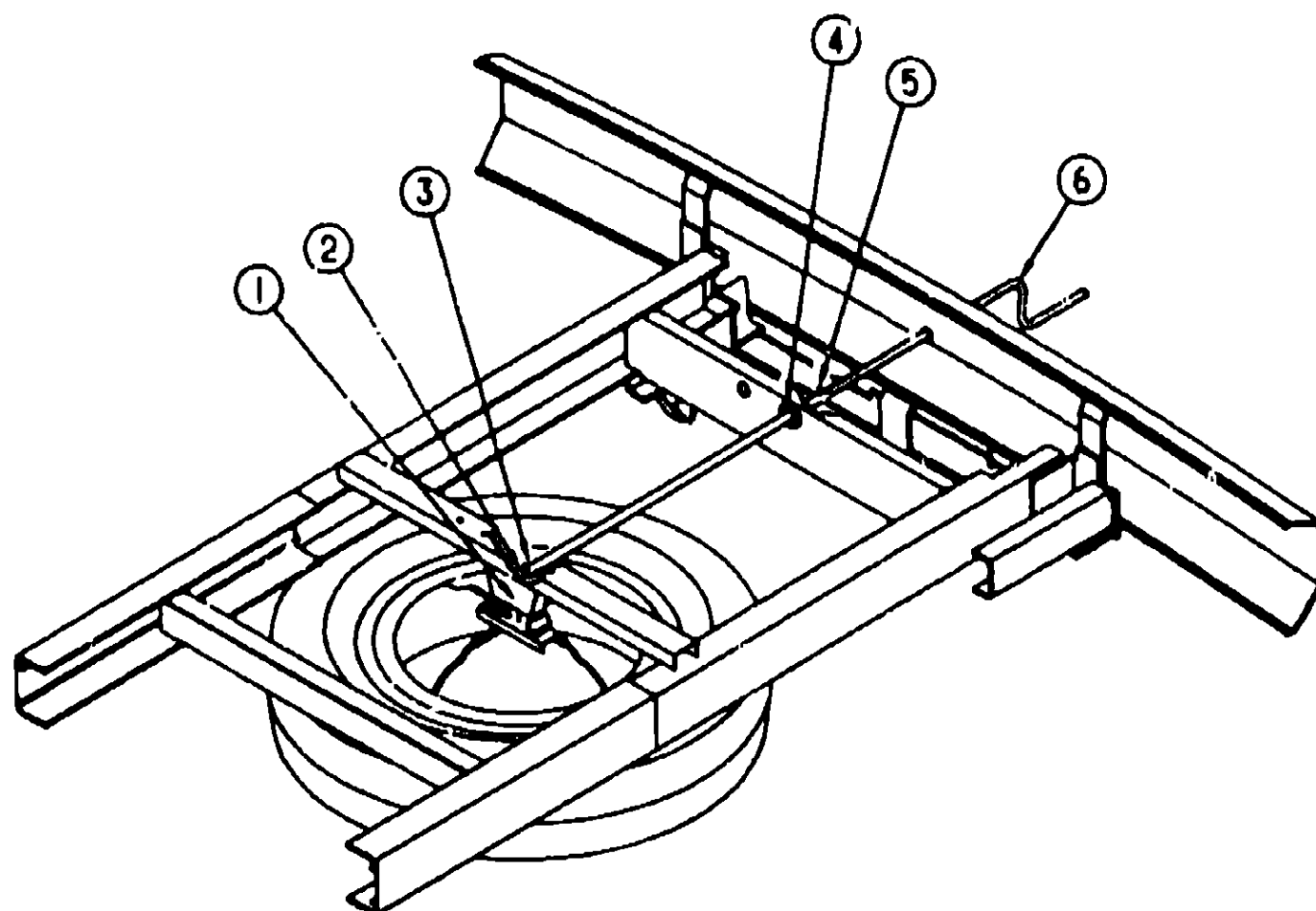
CHASSIS GROUP (CONTINUED)

MUDFLAPS, DIRT GUARD, WHEELWELL & UNION

KEY	PART NUMBER	U/M DESCRIPTION
	108141-01-000	EA FLAP-MUD, WHOLES & WINNEBAGO LOGO - BLACK
	017516-01-000	EA FLAP-MUD, 14" X 18" - BLACK
	045731-04-000	EA GUARD-ROCK, REAR
	102782-01-000	EA WHEELWELL-PLASTIC
	085771-03-000	EA NUT-HEX, FL. PREV. TORQUE - C, GRADE G DRIVER SHAFT
	088498-01-000	EA UNION-INVERTED FLARE, BRASS - 3/16 - 3/8 - 24 THD - BRAKE LINE

**1992 WINNEBAGO
TABLE OF CONTENTS**

INTRODUCTION	A-01 - A-02
ABBREVIATIONS	A-03
ALPHABETICAL INDEX	A-04 - A-08
WF527RQ	A-07 - D-24
WF527RC	E-01 - H-16



SPARE TIRE HOIST

WHEEL LINERS & COVERS

KEY	PART NUMBER	U/M DESCRIPTION
	091209-11-000	EA LINER-WHEEL, SET 4 E350-KAPER II (FORD)
	091209-10-700	EA COVER-AXLE, FRONT - 8 LUG - FORD
	091209-10-701	EA COVER-AXLE, REAR - 8 LUG - FORD
	091209-01-704	EA COVER-LUG NUT
	091209-11-700	EA LINER-WHEEL, FRONT - 8 LUG - FORD
	091209-11-701	EA LINER-WHEEL, REAR - 8 LUG - FORD
	083181-01-000	EA COVER-WHEEL, 16" - SET OF FOUR
	083181-01-700	EA COVER-WHEEL, 16" - 8 LUG - 1 ONLY

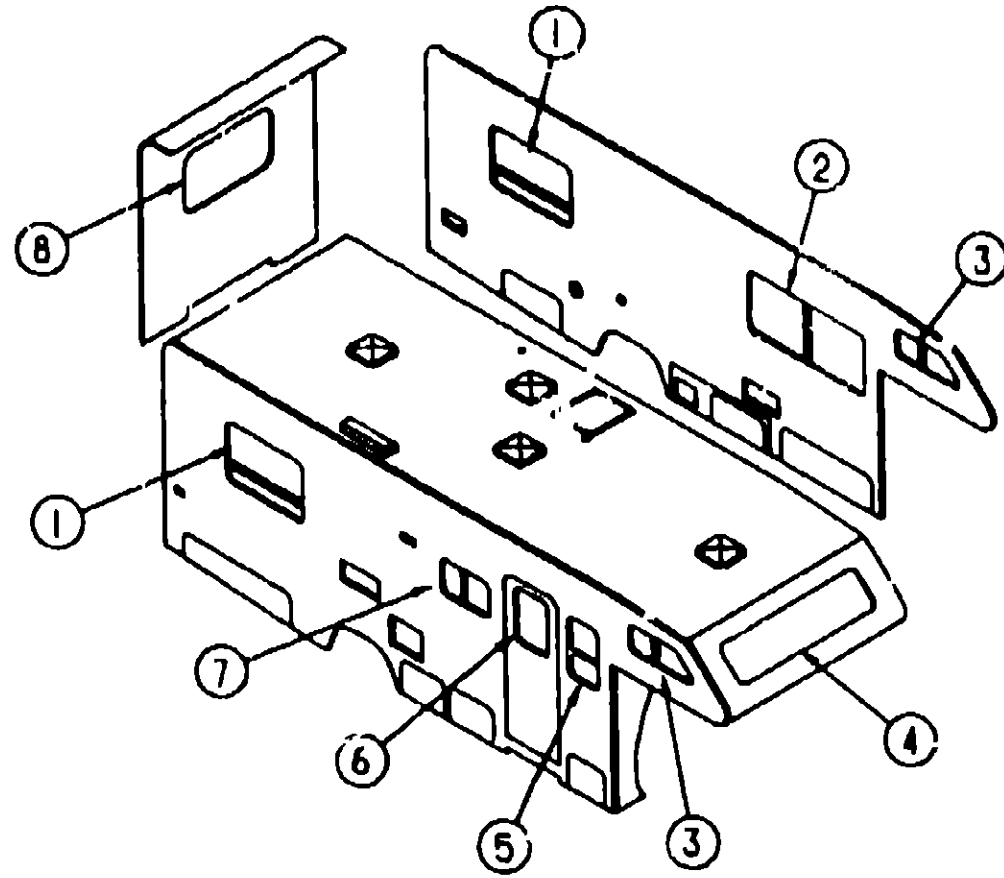
1992 WF527RQ INDEX

FLOOR PLAN	A-07 - A-08
ACCESSORIES	A-09
AUDIO VIDEO	A-10
BATH	A-11 - A-12
BEDROOM	A-13 - A-17
CHASSIS	A-18 - A-22
CURTAIN & CUSHION	A-23 - B-08
DINETTE	B-09 - B-10
DRIVERS	B-11 - B-12
ELECTRICAL	B-13 - B-16
EXTERIOR BODY	B-17 - B-24
GALLEY	C-01 - C-05
GENERATOR	C-06
HEATING & AC	C-07 - C-08
INTERIOR FINISH	C-09 - C-12
LABEL	C-13 - C-19
LP	C-20
LOUNGE	C-21 - C-22
SEALANTS & FASTENERS	C-23 - D-01
WATER & SEWAGE	D-02 - D-06
WINDOW, VENT AND EXTERIOR DOOR	D-07 - D-24

KEY	PART NUMBER	U/M DESCRIPTION
1	083287-01-000	EA HOIST-SPARE TIRE
2	000F10-08-32B	EA PIN-COTTER, 3/16 X 2.00 ZN
3	083375-04-000	EA EXTENSION-TIRE HOIST
4	071015-11-000	EA GROMMET-RUBBER, 1" ID X 1.75" OD W/ 12" GROOVE - BLACK
5	005778-01-000	EA PIN-ROLL, 125 DIA X .750
6	083378-01-000	EA HANDLE-CRANK, TIRE HOIST
	083425-08-000	EA TIRE-LT225/75R16 LRD - MICHELIN XCH4
	077030-02-000	EA EXTENSION-VALVE STEM, 1.25"
	085012-03-000	EA EXTENSION-VALVE STEM, DUAL WHEEL
	083617-03-000	EA WHEEL-STEEL 16 OX8, ACCURIDE 28818

CURTAIN & CUSHION GROUP

CURTAINS & WINDOW TREATMENT



KEY	PART NUMBER	U/M DESCRIPTION
3	097878-36-C62	EA VALANCE-WINDOW, DRIVER SIDE - 5.5' X 43" - W/BRASS TRIM
3	097878-36-C63	EA VALANCE-WINDOW, DRIVER SIDE - 5.5' X 43" - W/BRASS TRIM
3	097878-35-C62	EA VALANCE-WINDOW, PASSENGER SIDE - 5.5' X 43" - W/BRASS TRIM
3	097878-35-C63	EA VALANCE-WINDOW, PASSENGER SIDE - 5.5' X 43" - W/BRASS TRIM
3	101034-13-C52	EA CURTAIN-TAPE TOP & BOTTOM, DARTED - 18" X 28"
3	101034-13-C53	EA CURTAIN-TAPE TOP & BOTTOM, DARTED - 18" X 28"
4	097878-34-C62	EA VALANCE-WINDOW, FLAT - 7" X 85.5" W/BRASS TRIM
4	097878-34-C63	EA VALANCE-WINDOW, FLAT - 7" X 85.5" W/BRASS TRIM
4	101034-12-C52	EA CURTAIN-TAPE TOP & BOTTOM, DARTED - 22" X 45"
4	101034-12-C53	EA CURTAIN-TAPE TOP & BOTTOM, DARTED - 22" X 45"
5	103986-13-C52	EA VALANCE-WINDOW, 19" - TWO TONED (C52) FROM: 00-00-00 THRU 12-15-91
5	103986-36-C52	EA VALANCE-WINDOW, 19" - TWO TONED (CF2) FROM: 12-16-91 THRU 99-99-99
5	103986-13-C53	EA VALANCE-WINDOW, 19" - TWO TONED (C53)
5	093475-89-01A	EA BLIND-MINI, 17.5" X 29.5" (C52)
5	093475-89-03A	EA BLIND-MINI, 17.5" X 29.5" (C53)
6	103986-37-C52	EA VALANCE-WINDOW, 31.25" - FLAT - TWO TONED (ENTRY DOOR) FROM: 00-00-00 THRU 12-15-91
6	103986-36-C52	EA VALANCE-WINDOW, 31.25" - FLAT - TWO TONED (ENTRY DOOR) FROM: 12-16-91 THRU 99-99-99
6	103986-37-C53	EA VALANCE-WINDOW, 31.25" - FLAT - TWO TONED (ENTRY DOOR)
6	084755-57-C03	EA SHADE-WINDOW, ROLLER PULL TYPE - 27.25" (ENTRY DOOR)
7	103986-05-C52	EA VALANCE-WINDOW, 28.5" - TWO TONED (C52) FROM: 00-00-00 THRU 12-15-91
7	103986-39-C52	EA VALANCE-WINDOW, 28.5" - TWO TONED (C52) FROM: 12-16-91 THRU 99-99-99
7	103986-05-C53	EA VALANCE-WINDOW, 28.5" - TWO TONED (C53)
7	093475-90-01A	EA BLIND-MINI, 27" X 17.5" (C52)
7	093475-90-02A	EA BLIND-MINI, 27" X 17.5" (C53)
8	104165-03-C52	EA VALANCE-WINDOW, 52" - W/DOUBLE RUFFLE
8	104165-03-C53	EA VALANCE-WINDOW, 52" - W/DOUBLE RUFFLE
8	104157-01-C52	EA CURTAINLEG-WINDOW, 27" - RIGHT (C52)
8	104157-01-C05	EA CURTAINLEG-WINDOW, 27" - RIGHT (C53)
8	104157-02-C52	EA CURTAINLEG-WINDOW, 27" - LEFT (C52)
8	104157-02-C05	EA CURTAINLEG-WINDOW, 27" - LEFT (C53)
8	093475-68-04A	EA BLIND-MINI, 48" X 27" (C52)
8	093475-68-02A	EA BLIND-MINI, 48" X 27" (C53)
8	073260-52-C52	EA TIEBACK - 3" X 15" - GATHERED
8	073260-52-C53	EA TIEBACK - 3" X 15" - GATHERED
	101688-05-885	EA CURTAIN-WINDSHIELD PRIVACY, 30" X 50" - RIGHT - TAPE TOP
	101688-06-885	EA CURTAIN-WINDSHIELD PRIVACY, 30" X 50" - LEFT - TAPE TOP
	073260-49-886	EA TIEBACK-CURTAIN, 3" X 18" (C52)
	073260-49-888	EA TIEBACK-CURTAIN, 3" X 18" (C53)
	076892-08-885	EA CURTAINAIN-SHAP TOP- WINGWALL PRIVACY - 40" X 72" - BEIGE
	084481-24-C02	EA CURTAIN-SHOWER, 72" X 42" - GROMMET TOP (C52)
	084481-24-C24	EA CURTAIN-SHOWER, 72" X 42" - GROMMET TOP (C53)
	073260-54-C09	EA TIEBACK-CURTAIN, 3" X 16" (C52)
	073260-54-C30	EA TIEBACK-CURTAIN, 3" X 16" (C53)
	057534-01-000	EA TIEBACK/TIEDOWN-BED/CURTAIN, 6" - PLASTIC - CLEAR

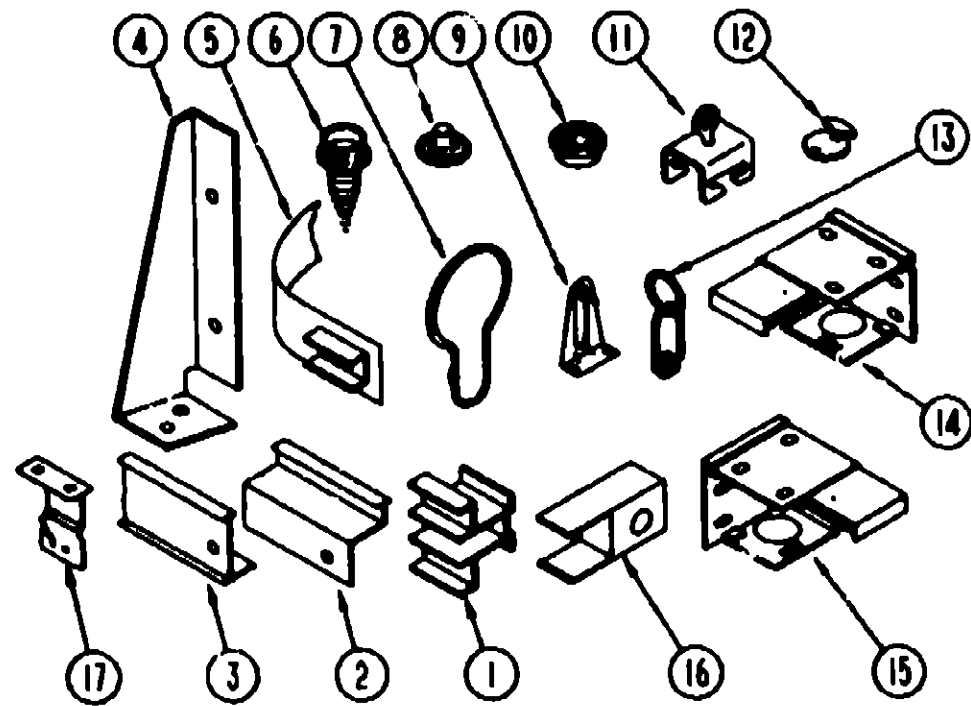
1992 WINNEBAGO TABLE OF CONTENTS

INTRODUCTION	A-01 - A-02
ABBREVIATIONS	A-03
ALPHABETICAL INDEX	A-04 - A-08
WF527RQ	A-07 - D-24
WF527RC	E-01 - H-16

1992 WF527RQ INDEX

FLOOR PLAN	A-07 - A-08
ACCESSORIES	A-09
AUDIO VIDEO	A-10
BATH	A-11 - A-12
BEDROOM	A-13 - A-17
CHASSIS	A-18 - A-22
CURTAIN & CUSHION	A-23 - B-08
DINETTE	B-09 - B-10
DRIVERS	B-11 - B-12
ELECTRICAL	B-13 - B-16
EXTERIOR BODY	B-17 - B-24
GALLEY	C-01 - C-05
GENERATOR	C-06
HEATING & A/C	C-07 - C-08
INTERIOR FINISH	C-09 - C-12
LABEL	C-13 - C-19
LP	C-20
LOUNGE	C-21 - C-22
SEALANTS & FASTENERS	C-23 - D-01
WATER & SEWAGE	D-02 - D-08
WINDOW, VENT AND EXTERIOR DOOR	D-07 - D-24

CURTAIN & CUSHION GROUP (CONTINUED)



CURTAIN BLIND HARDWARE & TRACKS

KEY	PART NUMBER	U/M DESCRIPTION
1	101033-03-000	EA TRACK-CURTAIN, WALL - WHITE - SHAPCO CT225
2	106450-02-01A	EA TRACK-CURTAIN, 48" LONG - ALUMINUM - OFF WHITE
2	106450-05-01A	EA TRACK-CURTAIN, 79" LONG - ALUMINUM - OFF WHITE
2	106450-08-01A	EA TRACK-CURTAIN, 88" LONG - ALUMINUM - OFF WHITE
2	106450-08-01A	EA TRACK-CURTAIN, 38" LONG - ALUMINUM - OFF WHITE
3	092484-04-01A	EA TRACK-SHOWER - OFF WHITE
3	009700-04-002	EA TRACK, L-SHAPED - 195 2" - OFF WHITE
	048867-01-000	EA GROMMET-BRASS, 7/16" ID X 1" OD
	048394-02-000	YD VELCRO 1/4" E-HOOK, ADHESIVE BACK - 75" WIDE - BEIGE
	088716-01-001	EA BRACE 90 DEGREE L-ANGLE, 182" - EXTRUDED ALUMINUM
	075943-02-000	EA BRACE-ANGLE, WHOLES - 1" X 1.5" X 14" - ALUMINUM - BEIGE
4	078827-02-000	EA PANEL-LEG, 2 9" X 1 8" TRIANGLE - LEFT SIDE
	089522-03-000	EA PANEL-LEG, TWO SIDE 27" LONG - PLASTIC - BLACK
5	101031-01-000	YD TAPE-GLIDE, CURTAIN - 4 25" SPACING
6	029130-01-000	EA SCREW-SNAP SOCKET, 8 PH X 5/8"
7	009138-02-000	EA HANGER-RING, PIN TYPE - CURTAIN - BRASS
8	029155-01-000	EA CAP-SNAP, NICKEL
9	095591-02-000	EA BRACKET-HOLD DOWN, W/PIN - BLIND - METAL
10	029155-01-000	EA SOCKET-SNAP FASTENER, NICKEL
11	009702-01-001	EA END STOP-CURTAIN CARRIER, L ROD
12	102555-01-000	EA CLEAT-CORD, BLIND - OFF WHITE
13	009701-01-000	EA CARRIER-CURTAIN, L ROD
14	083170-01-000	EA BRACKET-BLIND, RIGHT SIDE
15	083170-02-000	EA BRACKET-BLIND, LEFT SIDE
16	101033-02-000	EA END CAP-TRACK, CLEAR
	084434-01-000	EA BRACKET-MOUNTING, ROLLER SHADE - 1 3/8"
	084432-06-000	FT SLAT-ROLLER SHADE, PLASTIC
	084433-01-700	EA SPRING-REWIND, ROLLER SHADE
	105544-01-000	EA PULL-SHADE, BRASS
	103986-01-000	FT TRIM-VALANCE, U-CHANNELANEL - 75" WIDE - BRASS
	088792-01-000	YD VELCRO-HOOK, 75" WIDE - BEIGE
	088792-02-000	YD VELCRO TAPE-LOOP, ADHESIVE BACKED - .75" WIDE - BEIGE

CURTAIN & CUSHION GROUP (CONTINUED)

ASSIST HANDLE, BUTTONS & SEATBELTS

KEY	PART NUMBER	U/M DESCRIPTION
	070578-08-C52	EA BUTTON ASM-#30, VINYL
	070578-10-C53	EA BUTTON-SCREW STUD, #30 (C52)
	078349-01-C53	EA BUTTON-SCREW STUD, #30 (C53)
	079349-01-B88	YD WELTING-FABRIC (C52)
	084415-27-000	YD WELTING-FABRIC (C53)
	084415-30-000	YD TRIM-BRAID, CURTAIN - BROWN (C52)
	057534-01-000	YD TRIM-BRAID, CURTAIN - BLUE (C53)
	053552-02-AA8	EA TIEBACK/TIEDOWN-BED/CURTAIN/DOOR, 6" - CLEAR PLASTIC
	089178-02-000	EA HANDLE-ASSIST, INTERIOR - ENTRY DOOR - VINYL - OFF WHITE
	000C16-07-168	EA BRACKET-MOUNTING, ASSIST HANDLE - L ANGLE - WHOLES - ST
	000D20-07-008	EA BOLT-CARRIAGE, ASSIST HANDLE - 7/16" - 14 X 1" ZN
	007021-01-000	EA NUT-ACORN, ASSIST HANDLE - 7/16" X 14 ZN
	057759-01-000	EA BELT-SEAT, 2" X 90" - BLACK
		EA WASHER BRACKET-SEAT BELT, 4" DIAMETER

FABRICS

KEY	PART NUMBER	U/M DESCRIPTION
	072333-82-000	YD FABRIC-CURTAIN, 54" WIDE - BEIGE (C52, C53)
	075244-04-000	YD FABRIC-VINYL, SHOWER CURTAIN - 72" WIDE - SALMON (C52)
	075244-05-000	YD FABRIC-VINYL, SHOWER CURTAIN - 72" WIDE - BLUE (C53)
	079880-01-000	YD FABRIC-VINYL, 54" WIDE - BEIGE (C52, C53)
	103907-01-01A	YD FABRIC-VINYL, 54" WIDE - OFF WHITE (C52, C53)
	104233-28-000	YD FABRIC-UPHOLSTERY/CURTAIN, PLAIN VELOUR - 54" WIDE - BROWN (C52)
	088008-85-000	YD FABRIC-UPHOLSTERY/CURTAIN, PLAIN - 54" WIDE - BLUE (C53)
	104233-04-000	YD FABRIC-UPHOLSTERY, PATTERNED VELOUR - 54" WIDE - BROWN (C52)
	104233-20-000	YD FABRIC-UPHOLSTERY, WOVEN PATTERN - 54" WIDE - BLUE (C53)
	104233-03-000	YD FABRIC-UPHOLSTERY, CHECKERED VELOUR - 54" WIDE - BROWN (C52)
	104233-21-000	YD FABRIC-UPHOLSTERY, STRIPPED VELOUR - 54" WIDE - BLUE (C53)
	088008-81-000	YD FABRIC-UPHOLSTERY, DOTTED VELOUR - 54" WIDE (C52)
	104233-23-000	YD FABRIC-UPHOLSTERY, WOVEN PATTERN - 54" WIDE - BLUE (C53)
	088008-82-000	YD FABRIC-UPHOLSTERY, WOVEN PATTERN - 54" WIDE - MULTI COLORED (C52)
	104233-27-000	YD FABRIC-UPHOLSTERY, PLAIN VELOUR - 54" WIDE - BLUE (C53)
	104233-50-000	YD FABRIC-UPHOLSTERY, BLACK - FOR PIPING TRIM (C52)
	088273-84-000	YD FABRIC-BEDSPREAD, 54" WIDE - BROWN/BLUE PATTERN (C52)
	088273-89-000	YD FABRIC-BEDSPREAD, 54" WIDE - LILAC - PLAIN (C52)
	088273-95-000	YD FABRIC-BEDSPREAD, 54" WIDE - BLUE/PURPLE PATTERN (C53)

THROW PILLOWS

KEY	PART NUMBER	U/M DESCRIPTION
	103869-01-B88	EA PILLOW ASM-16X16 THROW (C52)
	103869-01-C53	EA PILLOW ASM-16X16 THROW (C53)
	104259-01-C07	EA PILLOW ASM-15X15 W/RUFFLE (C52)
	104259-01-C06	EA PILLOW ASM-15X15 W/RUFFLE (C53)

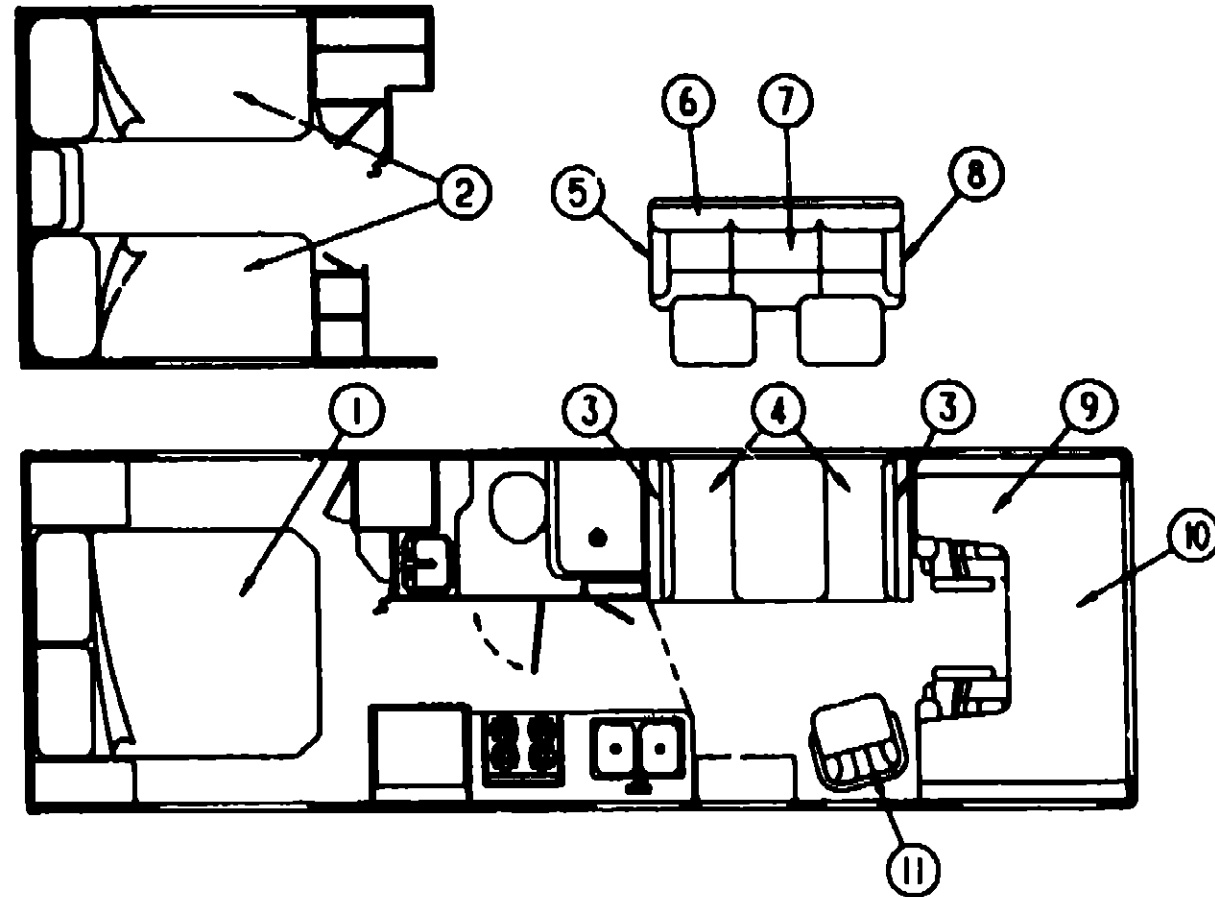
**1992 WINNEBAGO
TABLE OF CONTENTS**

INTRODUCTION	A-01	A-02
ABBREVIATIONS		A-03
ALPHABETICAL INDEX	A-04	A-08
WF527RQ	A-07	D-24
WF527RC	E-01	H-16

1992 WF527RQ INDEX

FLOOR PLAN	A-07	A-08
ACCESSORIES		A-09
AUDIO VIDEO		A-10
BATH	A-11	A-12
BEDROOM	A-13	A-17
CHASSIS	A-18	A-22
CURTAIN & CUSHION	A-23	B-08
DINETTE	B-09	B-10
DRIVERS	B-11	B-12
ELECTRICAL	B-13	B-16
EXTERIOR BODY	B-17	B-24
GALLEY	C-01	C-05
GENERATOR		C-06
HEATING & A/C	C-07	C-08
INTERIOR FINISH	C-09	C-12
LABEL	C-13	C-19
LP		C-20
LOUNGE	C-21	C-22
SEALANTS & FASTENERS	C-23	D-01
WATER & SEWAGE	D-02	D-06
WINDOW, VENT AND EXTERIOR DOOR	D-07	D-24

CURTAIN & CUSHION GROUP (CONTINUED)



QUEEN BEDSPREAD, PILLOW & MATTRESS

KEY	PART NUMBER	U/M DESCRIPTION
1	081997-09-C07	EA PILLOW SHAM-W/4" RUFFLE (C62)
1	081997-09-C08	EA PILLOW SHAM-W/4" RUFFLE (C63)
1	082371-24-C62	EA BEDSPREAD-QUEEN, 60" W/8" RUFFLE FROM: 00-00-00 THRU: 02-09-92
1	082371-27-C62	EA BEDSPREAD-QUEEN, 60" W/8" RUFFLE - CUT CORNERS FROM: 02-10-92 THRU: 99-99-99
1	082371-24-C63	EA BEDSPREAD-QUEEN, 60" W/8" RUFFLE FROM 00-00-00 THRU 02-09-92
1	082371-27-C63	EA BEDSPREAD-QUEEN, 60" W/8" RUFFLE - CUT CORNERS FROM 02-10-92 THRU 99-99-99
1	088178-09-000	EA MATTRESS-INNERSPRING, 59" X 74" - SEALY - CUT CORNERS

TWIN BEDSPREAD, PILLOW & MATTRESS

KEY	PART NUMBER	U/M DESCRIPTION
2	081997-09-C07	EA PILLOW SHAM-W/4" RUFFLE (C62)
2	081997-09-C08	EA PILLOW SHAM-W/4" RUFFLE (C63)
2	102410-06-C07	EA BEDSPREAD-TWIN, 33" W/8" RUFFLE - RIGHT SIDE (C62)
2	102410-06-C08	EA BEDSPREAD-TWIN, 33" W/8" RUFFLE - RIGHT SIDE (C63)
2	102410-07-C07	EA BEDSPREAD-TWIN, 33" W/8" RUFFLE - LEFT SIDE (C62)
2	102410-07-C08	EA BEDSPREAD-TWIN, 33" W/8" RUFFLE - LEFT SIDE (C63)
2	088178-01-000	EA MATTRESS-TWIN, 32" X 74"

DINETTE CUSHIONS

KEY	PART NUMBER	U/M DESCRIPTION
3	104184-01-C07	EA CUSHION-BACKREST, 13 5" X 38" X 5" (C62) FROM 00-00-00 THRU 12-01-91
3	104184-08-C07	EA CUSHION-BACKREST, 13 5" X 38" X 5" (C62) FROM: 12-02-91 THRU 99-99-99
3	104184-01-C08	EA CUSHION-BACKREST, 13 5" X 38" X 5" (C63) FROM: 00-00-00 THRU 12-01-91
3	104184-08-C08	EA CUSHION-BACKREST, 13 5" X 38" X 5" (C63) FROM: 12-02-91 THRU 99-99-99
	P04184-01-C07	EA COVER-CUSHION, BACKREST - 13 5" X 38" X 5" (C62) FROM 00-00-00 THRU 12-01-91
	P04184-08-C07	EA COVER-CUSHION, BACKREST - 13 5" X 38" X 5" (C62) FROM: 12-02-91 THRU 99-99-99
	P04184-01-C08	EA COVER-CUSHION, BACKREST - 13 5" X 38" X 5" (C63) FROM: 00-00-00 THRU 12-01-91
	P04184-08-C08	EA COVER-CUSHION, BACKREST - 13 5" X 38" X 5" (C63) FROM 12-02-91 THRU 99-99-99
	078155-01-000	EA STRAP-SNAP, BACKREST CUSHION
4	104184-02-C62	EA CUSHION-SEATBASE, 23" X 38" X 5"
4	104184-02-C63	EA CUSHION-SEATBASE, 23" X 38" X 5"
	P04184-02-C62	EA COVER-CUSHION, SEATBASE - 23" X 38" X 5"
	P04184-02-C63	EA COVER-CUSHION, SEATBASE - 23" X 38" X 5"

COUCH

KEY	PART NUMBER	U/M DESCRIPTION
5	101238-03-C62	EA ARMREST-COUCH, RIGHT SIDE
5	101238-03-C63	EA ARMREST-COUCH, RIGHT SIDE
	P01238-03-C62	EA COVER-ARMREST, RIGHT SIDE
	P01238-03-C63	EA COVER-ARMREST, RIGHT SIDE
	101085-07-000	EA FRAME-ARMREST BRACKET, RIGHT SIDE
	101388-03-000	EA BARCKET-ARMREST, COUCH - RIGHT SIDE
	101568-01-000	EA BARCKET-ARMREST, COUCH - RIGHT SIDE
6	100032-19-C62	EA BACKREST-COUCH, W/ARMRESTS - 69 5"
6	100032-19-C63	EA BACKREST-COUCH, W/ARMRESTS - 68 5"
	P00032-19-C62	EA COVER-BACKREST, W/ARMRESTS - 68 5"
	P00032-19-C63	EA COVER-BACKREST, W/ARMRESTS - 68 5"
	101085-02-000	EA FRAME-BACK, COUCH - 68 5"
7	100032-20-C62	EA SEAT-COUCH, W/O BACKREST - 68 5"
7	100032-20-C63	EA SEAT-COUCH, W/O BACKREST - 68 5"
	P00032-20-C62	EA COVER-SEAT, COUCH - 68 5"
	P00032-20-C63	EA COVER-SEAT, COUCH - 68 5"
	101085-01-000	EA FRAME-SEAT, COUCH - 68 5"
	101085-03-000	EA FRAME-BASE, COUCH - 68 5"
	103613-12-805	EA SUPPORT ASSEMBLY-COUCH
8	101238-04-C62	EA ARMREST-COUCH, LEFT SIDE
8	101238-04-C63	EA ARMREST-COUCH, LEFT SIDE
	P01238-04-C62	EA COVER-ARMREST, LEFT SIDE
	P01238-04-C63	EA COVER-ARMREST, LEFT SIDE
	101085-08-000	EA FRAME-ARMREST BRACKET, LEFT SIDE
	101568-04-000	EA BARCKET-ARMREST, COUCH - LEFT SIDE
	101568-02-000	EA BARCKET-ARMREST, COUCH - LEFT SIDE

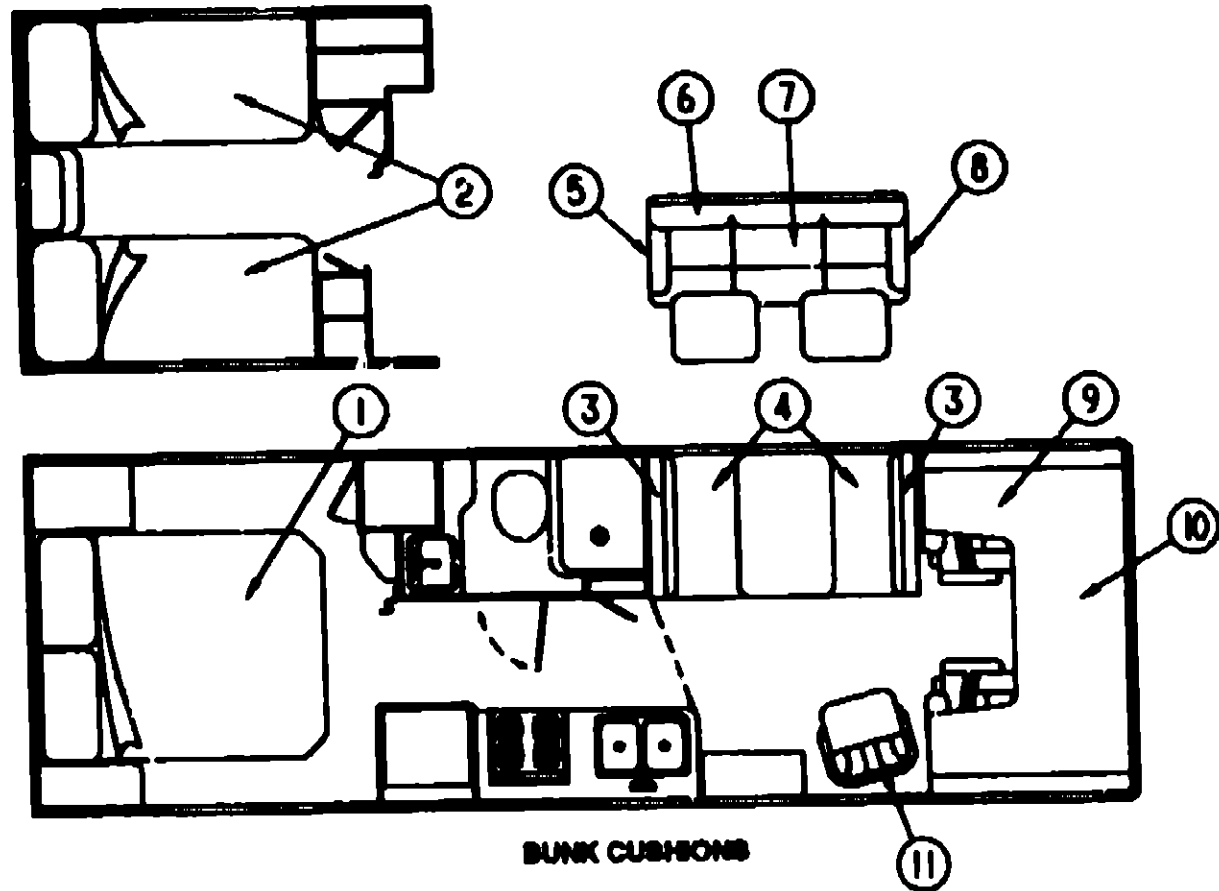
**1992 WINNEBAGO
TABLE OF CONTENTS**

INTRODUCTION	A-01 - A-02
ABBREVIATIONS	A-03
ALPHABETICAL INDEX	A-04 - A-08
WF527RQ	A-07 - D-24
WF527RC	E-01 - H-18

1992 WF527RQ INDEX

FLOOR PLAN	A-07 - A-08
ACCESSORIES	A-09
AUDIO VIDEO	A-10
BATH	A-11 - A-12
BEDROOM	A-13 - A-17
CHASSIS	A-18 - A-22
CURTAIN & CUSHION	A-23 - B-08
DINETTE	B-09 - B-10
DRIVERS	B-11 - B-12
ELECTRICAL	B-13 - B-16
EXTERIOR BODY	B-17 - B-24
GALLEY	C-01 - C-05
GENERATOR	C-06
HEATING & A/C	C-07 - C-08
INTERIOR FINISH	C-09 - C-12
LABEL	C-13 - C-19
LP	C-20
LOUNGE	C-21 - C-22
SEALANTS & FASTENERS	C-23 - D-01
WATER & SEWAGE	D-02 - D-08
WINDOW, VENT AND EXTERIOR DOOR	D-07 - D-24

CURTAIN & CUSHION GROUP (CONTINUED)



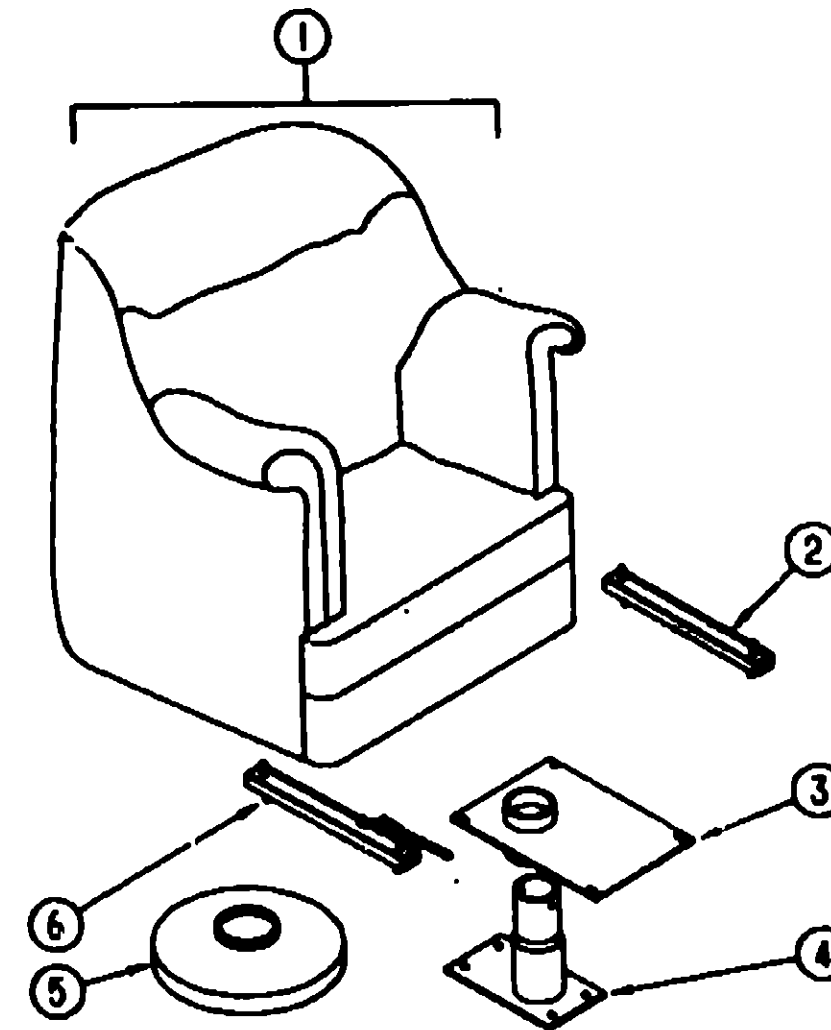
BUNK CUSHIONS

KEY	PART NUMBER	U/M DESCRIPTION
9	106573-05-C52	EA CUSHION-BUNK, REAR - 28" X 79" X 5" FROM: 00-00-00 THRU 01-12-92
9	106573-10-C52	EA CUSHION-BUNK, REAR - 27" X 23" X 80" X 5" FROM: 01-13-92 THRU 99-99-99
9	106573-05-C53	EA CUSHION-BUNK, REAR - 28" X 79" X 5" FROM: 00-00-00 THRU 01-12-92
9	106573-10-C53	EA CUSHION-BUNK, REAR - 27" X 23" X 80" X 5" FROM 01-13-92 THRU 99-99-99
P06573-06-C52	EA COVER-CUSHION, BUNK - REAR - 28" X 79" X 5" FROM 00-00-00 THRU 01-12-92	
P06573-10-C52	EA COVER-CUSHION, BUNK - REAR - 27" X 23" X 80" X 5" FROM: 01-13-92 THRU 99-99-99	
P06573-06-C53	EA COVER-CUSHION, BUNK - REAR - 28" X 79" X 5" FROM 00-00-00 THRU 01-12-92	
P06573-10-C53	EA COVER-CUSHION, BUNK - REAR - 27" X 23" X 80" X 5" FROM: 01-13-92 THRU 99-99-99	
10	106573-04-C52	EA CUSHION-BUNK, FRONT - 32" X 79" X 5" FROM 00-00-00 THRU 01-12-92
10	106573-09-C52	EA CUSHION-BUNK, FRONT - 32 5" X 80" X 5" FROM 01-13-92 THRU 99-99-99
10	106573-04-C53	EA CUSHION-BUNK, FRONT - 32" X 79" X 5" FROM 00-00-00 THRU 01-12-92
10	106573-09-C53	EA CUSHION-BUNK, FRONT - 32 5" X 80" X 5" FROM: 01-13-92 THRU 99-99-99
P06573-04-C52	EA COVER-CUSHION, BUNK - FRONT - 32" X 79" X 5" FROM: 00-00-00 THRU 01-12-92	
P06573-09-C52	EA COVER-CUSHION, BUNK - FRONT - 32 5" X 80" X 5" FROM: 01-13-92 THRU 99-99-99	
P06573-04-C53	EA COVER-CUSHION, BUNK - FRONT - 32" X 79" X 5" FROM 00-00-00 THRU 01-12-92	
P06573-09-C53	EA COVER-CUSHION, BUNK - FRONT - 32 5" X 80" X 5" FROM 01-13-92 THRU 99-99-99	

SWIVEL CHAIR

KEY	PART NUMBER	U/M DESCRIPTION
11	098429-11-C52	EA CHAIR-SWIVEL, W/O SKIRT
11	098429-09-C53	EA CHAIR-SWIVEL, W/O SKIRT

CURTAIN & CUSHION GROUP (CONTINUED)



SWIVEL CHAIR

KEY	PART NUMBER	U/M DESCRIPTION
1	098429-11-C52	EA CHAIR-SWIVEL, W/O SKIRT
1	098429-09-C53	EA CHAIR-SWIVEL, W/O SKIRT
	M98429-11-C52	EA COVER-SWIVEL CHAIR
	M98429-09-C53	EA COVER-SWIVEL CHAIR
	089368-04-000	EA CABLE-SWIVEL, W/SWITCH - BUCKET SEAT
	099202-04-C07	EA SKIRT ASM (C52)
	099202-04-C08	EA SKIRT ASM (C53)
2	099246-06-000	EA ADJUSTER-SWIVEL CHAIR, MANUAL - FORWARD & BACK
3	093481-04-000	EA TOP PLATE-PEDESTAL, BUCKET SEAT - W/O SEATBELT BAR
4	093481-02-000	EA BASE-PEDESTAL, W/10" EXTENSION
5	093482-01-000	EA SHROUD-PEDESTAL, 13" - PLASTIC - BLACK
6	099246-07-000	EA ADJUSTER-SWIVEL CHAIR, W/LOCKING ARM - FORWARD & BACK
	007221-01-000	EA SPACER-SEAT, ADJUSTER - 4 USED PER SWIVEL CHAIR

**1992 WINNEBAGO
TABLE OF CONTENTS**

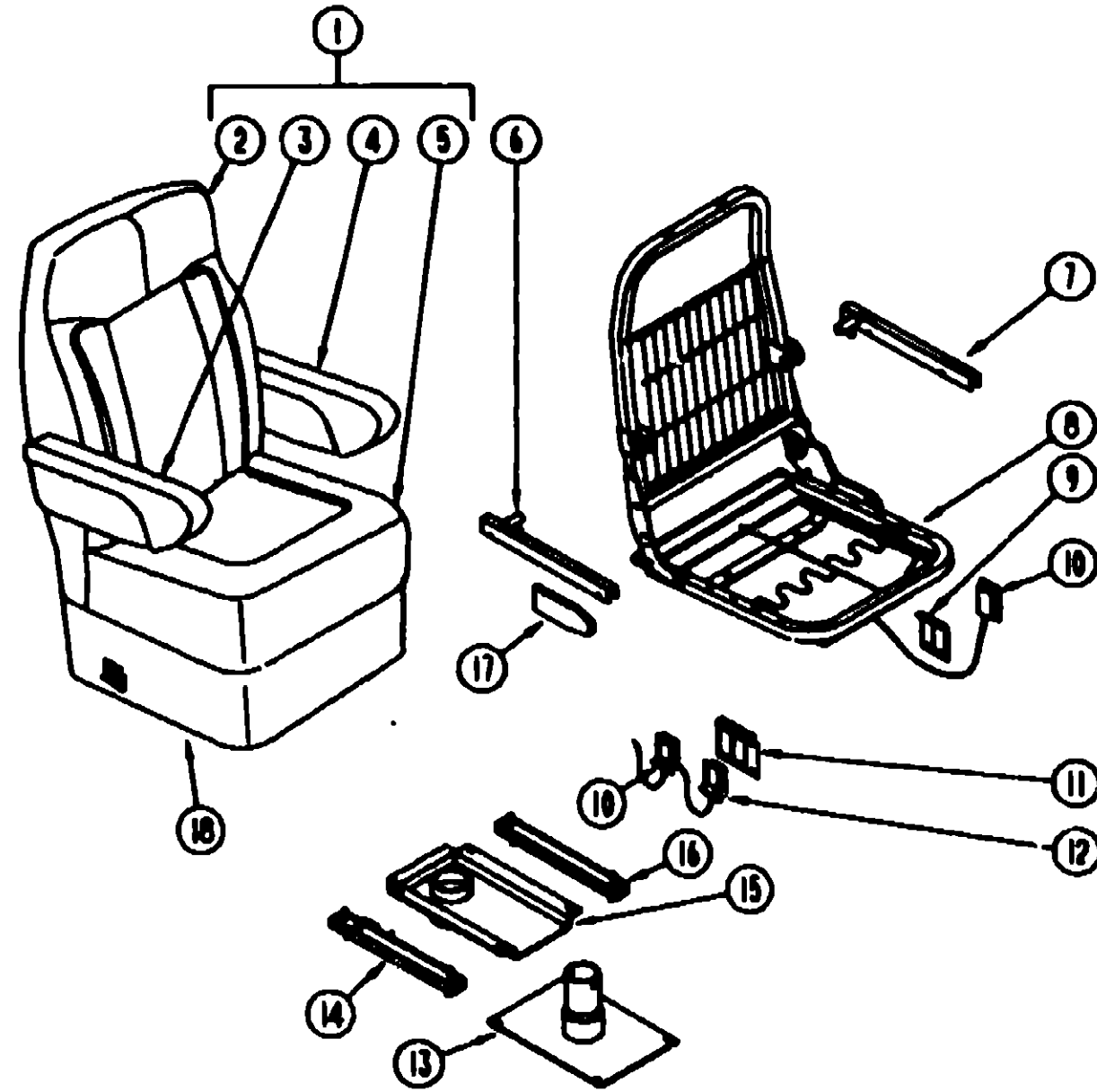
INTRODUCTION	A-01 - A-02
ABBREVIATIONS	A-03
ALPHABETICAL INDEX	A-04 - A-06
WF527RQ	A-07 - D-24
WF527RC	E-01 - H-16

1992 WF527RQ INDEX

FLOOR PLAN	A-07 - A-08
ACCESSORIES	A-09
AUDIO VIDEO	A-10
BATH	A-11 - A-12
BEDROOM	A-13 - A-17
CHASSIS	A-18 - A-22
CURTAIN & CUSHION	A-23 - B-08
DINETTE	B-09 - B-10
DRIVERS	B-11 - B-12
ELECTRICAL	B-13 - B-16
EXTERIOR BODY	B-17 - B-24
GALLEY	C-01 - C-05
GENERATOR	C-06
HEATING & A/C	C-07 - C-08
INTERIOR FINISH	C-09 - C-12
LABEL	C-13 - C-19
LP	C-20
LOUNGE	C-21 - C-22
SEALANTS & FASTENERS	C-23 - D-01
WATER & SEWAGE	D-02 - D-05
WINDOW, VENT AND EXTERIOR DOOR	D-07 - D-24

CURTAIN, CUSHION GROUP (CONTINUED)

BUCKET SEATS



KEY	PART NUMBER	U/M	DESCRIPTION
3	080243-49-C62	EA	ARMREST-RIGHT(C62)
3	080243-49-C63	EA	ARMREST-RIGHT (C63)
	M80243-49-C62	EA	COVER-ARMREST-RIGHT(C62)
	M80243-49-C63	EA	COVER-ARMREST-RIGHT(C63)
4	080243-60-C62	EA	ARMREST-LEFT(C62)
4	080243-60-C63	EA	ARMREST-LEFT(C63)
	M80243-60-C62	EA	COVER-ARMREST-LEFT (C62)
	M80243-60-C63	EA	COVER-ARMREST-LEFT(C63)
5	M03446-23-C62	EA	COVER-SEAT-BUCKET(C62)
5	M03446-23-C63	EA	COVER-SEAT-BUCKET(C63)
6	081288-01-000	EA	ROD & CHANNEL-ARMREST- RIGHT - METAL
7	081288-02-000	EA	ROD & CHANNEL-ARMREST- LEFT - METAL
	081381-01-000	EA	ROD-ARMREST- METAL - RIGHT OR LEFT HAND
8	M80906-06-000	EA	FRAME SEAT&BACK&SPRING
8	M80906-06-000	EA	FRAME-SEAT&BACK&SPRING -RECLINING
	101125-01-000	EA	RECLINER-SEAT BACK- LEFT HAND REMOTE
9	097883-03-000	EA	BRACKET-REMOTE- SIDE MOUNT - SINGLE
10	080388-04-000	EA	CABLE-SWIVEL- W/SWITCHL - BUCKET SEAT
11	097883-02-000	EA	BRACKET-MOUNT- REMOTE
12	089388-05-000	EA	CABLE-RECLINER- W/SWITCHL - BUCKET SEAT
13	080685-02-000	EA	PLATE-SUB- BASE - BUCKET SEAT - 12" X 13" - STEEL
			FROM 00-00-00 THRU 10-06-91
13	080685-41-000	EA	PLATE-SUB- BASE - BUCKET SEAT - 12" X 13" - STEEL
			FROM 10-07-91 THRU 99-99-99
14	080246-05-000	EA	ADJUSTER-SEAT/CHAIR- W/REMOTE - FORWARD & BACK
	080246-05-700	EA	SPRING-ADJUSTER- FOR REMOTE
	080246-05-701	EA	CLIP-CABLE- FOR REMOTE
15	083481-04-000	EA	TOP PLATE-PEDESTAL- BUCKET SEAT - W/O SEATBELT BAR
16	080246-02-000	EA	ADJUSTER-SEAT/CHAIR- W/O LOCK - FORWARD & BACK
	080685-03-000	EA	PEDESTAL-LOWER- W/EXTENSION - 9" X 5" - STEEL
17	080388-08-000	EA	SHIELD-CABLE- REMOTE RECLINER - BUCKET SEAT
18	071128-24-886	EA	SKIRT-BUCKET SEAT (C62)
18	071128-24-888	EA	SKIRT-BUCKET SEAT (C63)

HEADREST FOR JAPAN EXPORT

KEY	PART NUMBER	U/M	DESCRIPTION
	085288-02-C62	EA	HEADREST ASM-STRATON
	085288-02-C63	EA	HEADREST ASM-STRATON
	M85288-02-C62	EA	COVER ASM-HEADREST,STRATON
	M85288-02-C63	EA	COVER ASM-HEADREST,STRATON
	081172-01-000	EA	TRIM-HEADREST, PLASTIC - BLACK
	081313-01-000	EA	GROMMET-HEADREST

1992 WINNEBAGO TABLE OF CONTENTS

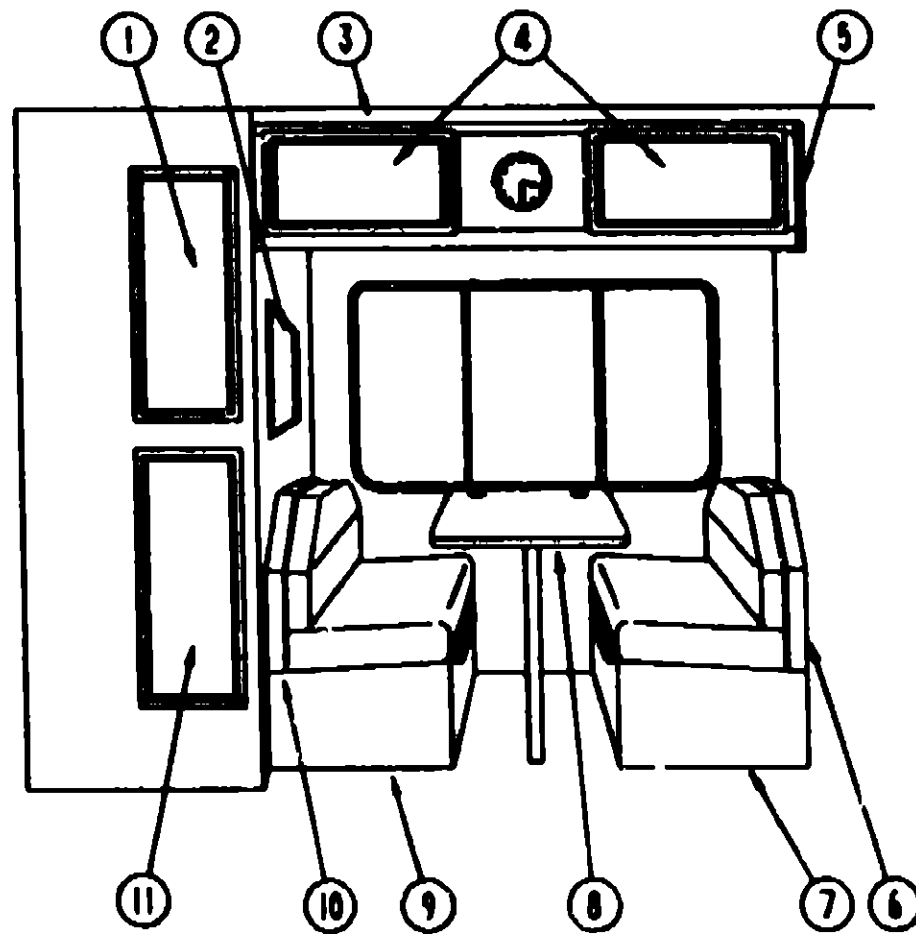
INTRODUCTION	A-01 - A-02
ABBREVIATIONS	A-03
ALPHABETICAL INDEX	A-04 - A-08
WF827RQ	A-07 - D-34
WF827RC	E-01 - H-16

1992 WF827RQ INDEX

FLOOR PLAN	A-07 - A-08
ACCESSORIES	A-09
AUDIO VIDEO	A-10
BATH	A-11 - A-12
BEDROOM	A-13 - A-17
CHASSIS	A-18 - A-22
CURTAIN & CUSHION	A-23 - B-08
DINETTE	B-09 - B-10
DRIVERS	B-11 - B-12
ELECTRICAL	B-13 - B-16
EXTERIOR BODY	B-17 - B-24
GALLEY	C-01 - C-05
GENERATOR	C-06
HEATING & A/C	C-07 - C-08
INTERIOR FINISH	C-09 - C-12
LABEL	C-13 - C-19
LP	C-20
LOUNGE	C-21 - C-22
SEALANTS & FASTENERS	C-23 - D-01
WATER & SEWAGE	D-02 - D-06
WINDOW, VENT AND EXTERIOR DOOR	D-07 - D-34

KEY	PART NUMBER	U/M	DESCRIPTION
1	083480-23-C62	EA	SEAT-BUCKET-W/RIGHT ARMREST(C62)
1	083480-23-C63	EA	SEAT-BUCKET-W/RIGHT ARMREST(C63)
1	083480-24-C62	EA	SEAT-BUCKET-W/LEFT ARMREST(C62)
1	083480-24-C63	EA	SEAT-BUCKET-W/LEFT ARMREST(C63)
1	083480-25-C62	EA	SEAT-BUCKET-W/RIGHT ARMREST-RECLINING(C62)
1	083480-25-C63	EA	SEAT-BUCKET-W/RIGHT ARMREST-RECLINING(C63)
1	083480-26-C62	EA	SEAT-BUCKET-W/LEFT ARMREST-RECLINING(C62)
1	083480-26-C63	EA	SEAT-BUCKET-W/LEFT ARMREST-RECLINING(C63)
2	M03446-22-C62	EA	COVER-BACK-BUCKET (C62)
2	M03446-22-C63	EA	COVER-BACK-BUCKET(C63)

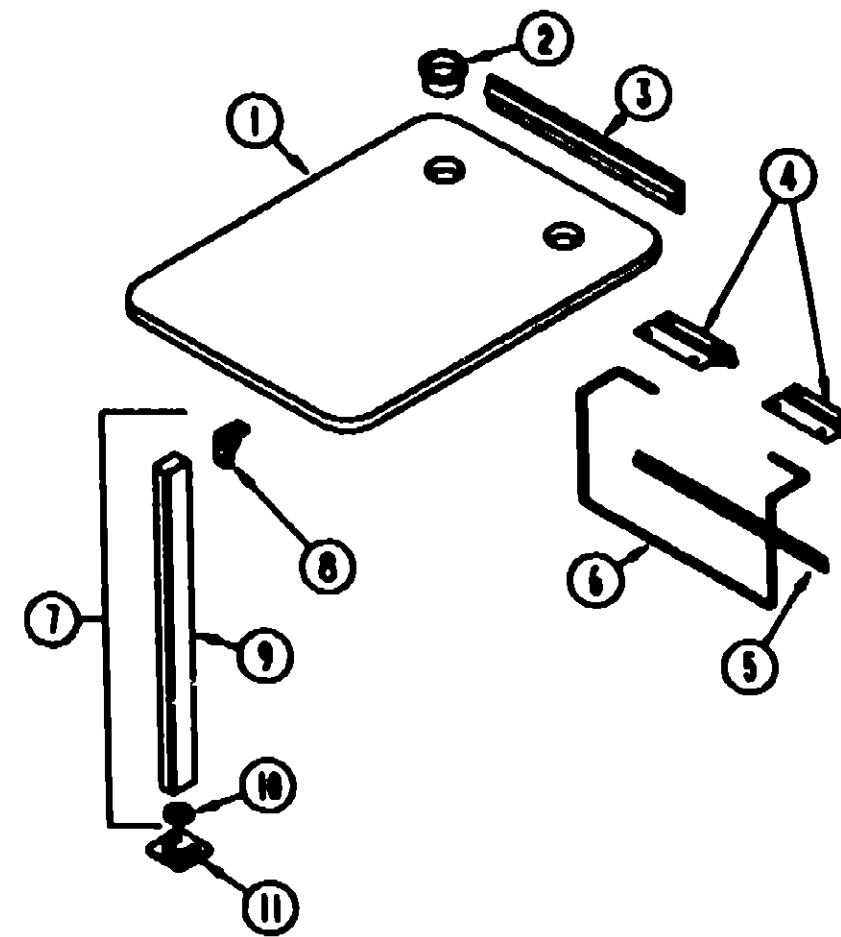
DINETTE GROUP



CABINETS, PADS & TABLE

KEY	PART NUMBER	U/M	DESCRIPTION
1	P04748-27-C62	EA	DOOR-CABINET, W/O HARDWARE - 305 X 1015 MM
2	083446-04-Y15	EA	MIRROR-WOOD FRAMED
	C88331-01-000	EA	MIRROR-SAFETY GLASS, 18" X 28"
	M03480-04-000	EA	TRIM-MIRROR, WOOD - OAK
3	M08824-02-C62	EA	CABINET-OVERHEAD, W/O DOOR & HARDWARE
3	M08824-02-C63	EA	CABINET-OVERHEAD, W/O DOOR & HARDWARE
4	P04748-05-C62	EA	DOOR-CABINET, W/O HARDWARE - 400 X 620MM
5	104336-08-C62	EA	END CAP-CABINET, OVERHEAD
6	M04174-12-C07	EA	CABINET-BACKREST, RIGHT SIDE
	104787-01-C62	EA	PAD-BACKREST, DINETTE (C62)
	104787-01-C63	EA	PAD-BACKREST, DINETTE (C63)
7	M04175-12-C07	EA	CABINET-SEATBASE, RIGHT SIDE
	081266-01-AA8	EA	SUPPORT-TABLE, MOUNTED TO BOTH SEATBASE CABINETS
8	M03475-04-C62	EA	TABLE-DINETTE, W/O HARDWARE
8	M03475-04-C63	EA	TABLE-DINETTE, W/O HARDWARE
9	M04175-18-C03	EA	CABINET-SEATBASE, LEFT SIDE
10	104787-02-C62	EA	PAD-BACKREST, DINETTE (C62)
10	104787-02-C63	EA	PAD-BACKREST, DINETTE (C63)
11	P04748-29-C62	EA	DOOR-CABINET, W/O HARDWARE - 305 X 680MM

DINETTE GROUP (CONTINUED)



DINETTE TABLE

KEY	PART NUMBER	U/M	DESCRIPTION
1	M03475-04-C62	EA	TABLE-DINETTE, W/O HARDWARE
1	M03475-04-C63	EA	TABLE-DINETTE, W/O HARDWARE
2	084781-08-000	EA	HOLDER-CUP, TWO STEP - OFF WHITE
3	063200-09-000	EA	BRACKET-TABLE SUPPORT, UPPER WALL MOUNTED - 18 5" - BEIGE
4	088410-01-000	EA	BRACKET-LIFT, TABLE MOUNTED - BEIGE
5	024281-11-000	EA	BRACKET-LIFT ROD, LOWER WALL MOUNTED - 17 12" - BEIGE
6	024273-11-000	EA	ROD-TABLE LIFT, 8" X 18 5" - BEIGE
7	082708-08-C11	EA	LEG ASM-TABLE
8	083660-01-000	EA	BRACKET-HINGE, MOUNTS TO LEG & TABLE TOP - 1 7" X 2 0"
9	082707-01-01A	EA	MOLDING-OAK, REGAL
10	082683-01-04A	EA	CATCH-LEG, LEG MOUNTED - ROUND - 1.4" DIA - METAL - BEIGE
11	048488-11-700	EA	CATCH-LEG, FLOOR MOUNTED - 2.5" X 2 7" - METAL - E-COAT

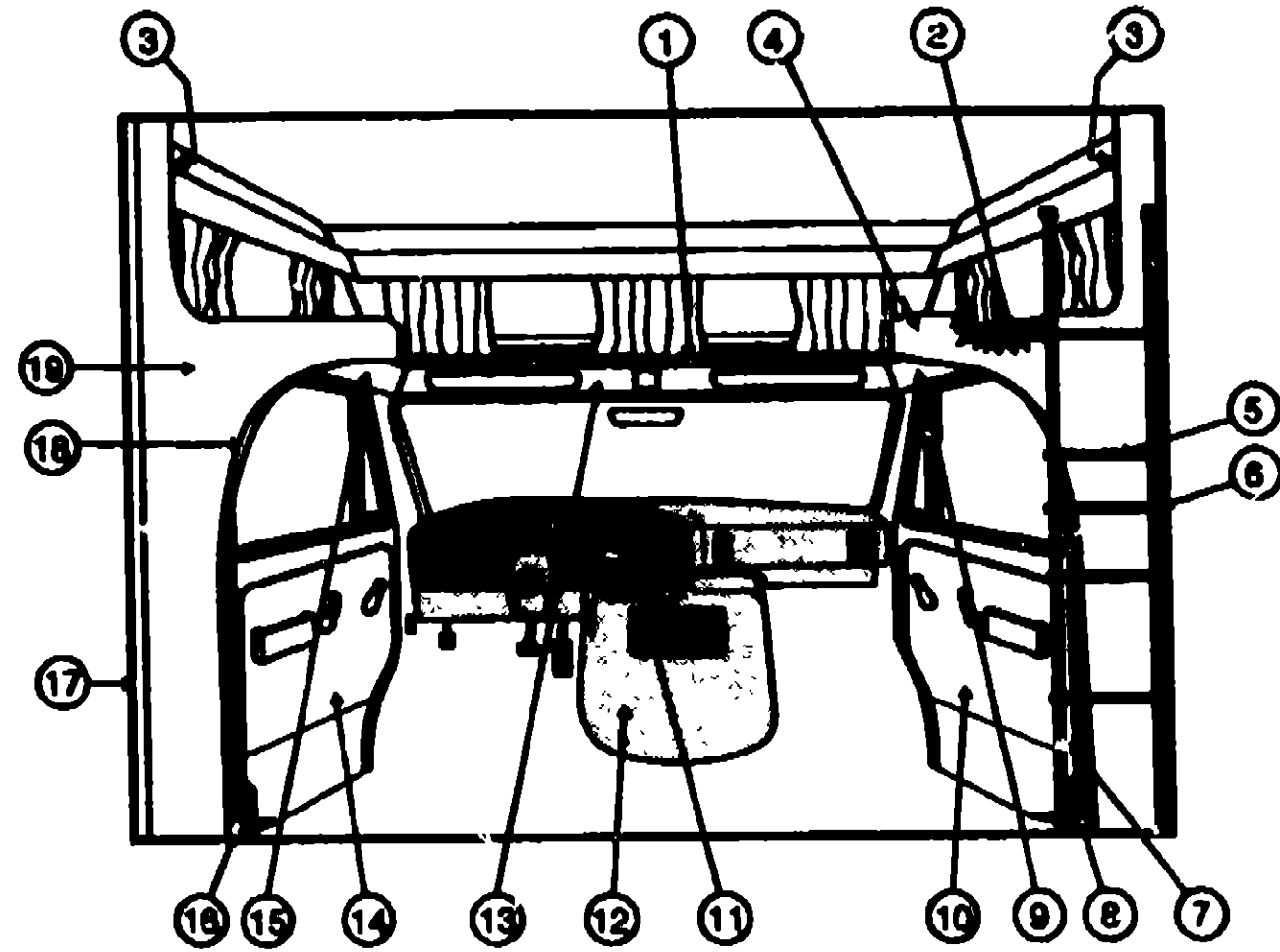
**1992 WINNEBAGO
TABLE OF CONTENTS**

INTRODUCTION	A-01 - A-02
ABBREVIATIONS	A-03
ALPHABETICAL INDEX	A-04 - A-08
WF527RQ	A-07 - D-24
WF527RC	E-01 - H-16

1992 WF527RQ INDEX

FLOOR PLAN	A-07 - A-08
ACCESSORIES	A-09
AUDIO VIDEO	A-10
BATH	A-11 - A-12
BEDROOM	A-13 - A-17
CHASSIS	A-18 - A-22
CURTAIN & CUSHION	A-23 - B-08
DINETTE	B-09 - B-10
DRIVERS	B-11 - B-12
ELECTRICAL	B-13 - B-16
EXTERIOR BODY	B-17 - B-24
GALLEY	C-01 - C-05
GENERATOR	C-06
HEATING & AC	C-07 - C-08
INTERIOR FINISH	C-09 - C-12
LABEL	C-13 - C-19
LP	C-20
LOUNGE	C-21 - C-22
SEALANTS & FASTENERS	C-23 - D-01
WATER & SEWAGE	D-02 - D-08
WINDOW, VENT AND EXTERIOR DOOR	D-07 - D-24

DRIVERS COMPARTMENT GROUP



DRIVERS COMPARTMENT

KEY	PART NUMBER	U/M DESCRIPTION
1	108444-01-01A	EA TRIM-SLEEPERBOARD, INNER - OFF WHITE
1	080742-03-000	FT TRIM-VINYL, SLEEPER BOARD - OFF WHITE
2	108777-01-C62	EA PAD ASM-BUNK, OVERHEAD (FORD) (C&2)
2	108777-01-C24	EA PAD ASM-BUNK, OVERHEAD (FORD) (C&3)
2	082071-10-C62	EA COVER-WINGWALL
2	082071-12-C62	EA COVER-WINGWALL
4	108742-01-C62	EA WINGWALL ASM-INNER, RIGHT (FORD)
4	108440-03-C62	EA WINGWALL ASM-INNER, RIGHT (FORD)
4	108445-01-C62	EA TRIM ASM-WINGWALL WRAP, RIGHT (FORD)
5	108025-02-01A	EA LADDER-BUNK, BLACK - 1434 MM
5	108025-01-700	EA BRACKET SET F/BUNK LADDER
6	080868-03-000	EA STRAP ASM-TIEDOWN, BUNK LADDER
7	108448-01-C62	EA TRIM ASM-CAB, B-PILLAR - RIGHT (FORD)
8	108431-01-01A	EA COVER-SEATBELT, RIGHT - OFF WHITE (FORD)
9	081825-02-AA5	EA HEADLINER-VINYL COVERED, SIDE - 2 USED - OFF WHITE (FORD)
9	108447-01-C62	EA TRIM ASM-CAB DOOR, UPPER - RIGHT (FORD)
10	108432-01-C62	EA PANEL ASM-DOOR, INNER, RIGHT (FORD)
10	108432-01-C63	EA PANEL ASM-DOOR, INNER, RIGHT (FORD)

DRIVERS COMPARTMENT GROUP (CONTINUED)

DRIVERS COMPARTMENT (CONTINUED)

KEY	PART NUMBER	U/M DESCRIPTION
11	108834-01-C09	EA TRAY ASM-BEVERAGE (FORD)
11	107134-02-C70	EA TRAY-BEVERAGE, OAK - W/CASSETTE (FORD)
12	080865-23-C62	EA COVER-MOTOR, W/POCKET (FORD)
12	080865-23-C63	EA COVER-MOTOR, W/POCKET (FORD)
13	048828-03-000	EA ASHTRAY-CHROME, W/COVER
13	081831-01-X08	EA HEADLINER-VINYL COVERED, FRONT - OFF WHITE (FORD)
13	108448-01-C62	EA HEADLINER-VINYL COVERED, FRONT - OFF WHITE (FORD)
14	108432-02-C62	EA PANEL ASM-DOOR, INNER, LEFT (FORD)
14	108432-02-C63	EA PANEL ASM-DOOR, INNER, LEFT (FORD)
15	081825-02-AA5	EA HEADLINER-VINYL COVERED, SIDE - 2 USED - OFF WHITE (FORD)
15	108447-02-C62	EA TRIM ASM-CAB DOOR, UPPER - LEFT (FORD)
16	081871-06-000	EA COVER-SEATBELT, OFF WHITE
16	108431-02-01A	EA COVER-SEATBELT, LEFT - OFF WHITE (FORD)
17	082081-28-C43	EA COVER-WINGWALL, 1348MM LONG - VINYL - OFF WHITE - DRIVER SIDE
17	082081-20-C62	EA COVER-WINGWALL, 2002MM LONG - VINYL - OFF WHITE - PASSENGER SIDE
18	108448-02-C62	EA TRIM ASM-CAB, B-PILLAR, RIGHT (FORD)
19	108742-02-C62	EA WINGWALL ASM-INNER, LEFT (FORD)
19	108440-04-C62	EA WINGWALL ASM-INNER, LEFT (FORD)
19	108445-02-C62	EA TRIM ASM-WINGWALL WRAP, LEFT (FORD)

INSTRUMENT CLUSTERS

KEY	PART NUMBER	U/M DESCRIPTION
	084796-02-000	EA CLUSTER-INSTRUMENT PANEL, KILOMETER - FOUZ-17265-B (FORD)
	084796-03-000	EA CLUSTER-INSTRUMENT PANEL, KILOMETER - FORD F2UF10848BF (FORD)
	084796-01-000	EA SPEEDOMETER-KILOMETER (FORD)
	081082-01-000	EA PLAQUE-MOUNTING, BATTERY/FUEL SWITCH - 2 4" X 1 4" - BLK (FORD)
	100138-01-000	EA MODULE-DAYTIME RUNNING LIGHT
	024461-01-000	EA SWITCH-BATT, BATT/DUAL/MOM

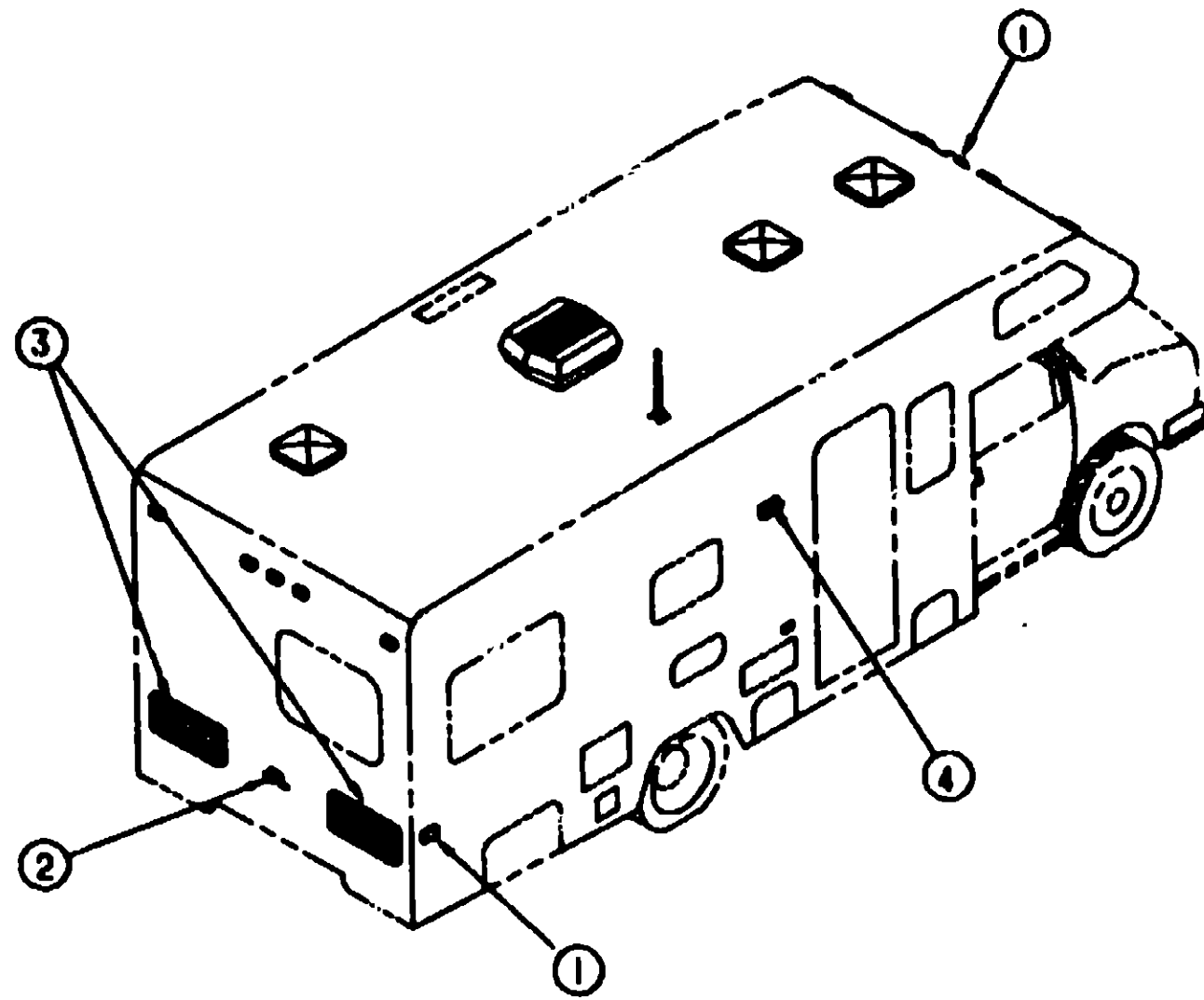
1992 WINNEBAGO TABLE OF CONTENTS

INTRODUCTION	A-01 - A-02
ABBREVIATIONS	A-03 - A-04
ALPHABETICAL INDEX	A-04 - A-08
WF527RQ	A-07 - D-24
WF527RC	E-01 - H-18

1992 WF527RQ INDEX

FLOOR PLAN	A-07 - A-08
ACCESSORIES	A-09
AUDIO VIDEO	A-10
BATH	A-11 - A-12
BEDROOM	A-13 - A-17
CHASSIS	A-18 - A-22
CURTAIN & CUSHION	A-23 - B-08
DINETTE	B-09 - B-10
DRIVERS	B-11 - B-12
ELECTRICAL	B-13 - B-16
EXTERIOR BODY	B-17 - B-24
GALLEY	C-01 - C-05
GENERATOR	C-06
HEATING & A/C	C-07 - C-08
INTERIOR FINISH	C-09 - C-12
LABEL	C-13 - C-19
LP	C-20
LOUNGE	C-21 - C-22
SEALANTS & FASTENERS	C-23 - D-01
WATER & SEWAGE	D-02 - D-08
WINDOW, VENT AND EXTERIOR DOOR	D-07 - D-24

ELECTRICAL GROUP



EXTERIOR LIGHTS

KEY	PART NUMBER	U/M DESCRIPTION
1	042406-02-000	EA LENS-CLEARANCE/SIDEMARKER LIGHT, W/REFLEX - AMBER
1	042406-03-000	EA BASE-CLEARANCE/SIDEMARKER LIGHT, W/BULB - PLASTIC - WHITE
1	008213-01-000	EA BULB
	091995-01-000	EA GASKET-CLEARANCE/SIDEMARKER LIGHT
	042406-01-000	EA LENS-CLEARANCE/SIDEMARKER LIGHT, W/REFLEX - RED
	042406-03-000	EA BASE-CLEARANCE/SIDEMARKER LIGHT, W/BULB - PLASTIC - WHITE
	008213-01-000	EA BULB
2	088432-01-000	EA LIGHT-LICENSE PLATE, W/BACKET
3	103546-01-01A	EA TAIL LIGHT ASM-TRIPLE, HORIZONTAL - BARGMAN 30-84-103
	037834-01-000	EA BULB-12V NO1166 2.10AMP
	037835-01-000	EA BULB-12V NO1157 2.10AMP
	081838-01-70C	EA LENS-TAILLIGHT (RED)
	103546-01-700	EA LENS-BACKUP
4	097917-01-01A	EA LIGHT-PORCH, ENTRY DOOR - OFF WHITE
	008215-01-000	EA BULB
	097917-01-700	EA LENS

ELECTRICAL GROUP (CONTINUED)

INTERIOR LIGHTS & BULBS

KEY	PART NUMBER	U/M DESCRIPTION
	104173-01-01A	EA LIGHT-DESIGNER, BRASS - #01-905 *A.W ASPLUND
	104172-01-01A	EA LIGHT-BULLET, BEIGE - #787 SERIES
		BULB #93 12V
	088280-01-000	EA LIGHT-SURFACE MOUNT, 12V - JENSEN 1238
	088280-01-700	EA BULB-12 VOLT, 8 WATT
	078424-02-000	EA LIGHT-FLUORESCENT, 12V DC - 18" - ALMOND
	091937-03-000	EA BULB-FLUORESCENT LIGHT, 12V - THIN LITE 738
	078424-02-701	EA LENS-LIGHT, FLOURESCENT - 18"
	082189-01-000	EA LIGHT-MAKE-UP, 3 BULB - JENSEN X148-168R
	081833-01-700	EA BULB-MAKE UP LIGHT, JENSEN
	088024-01-01A	EA LIGHT-DOME, 1 BULB - US - IVORY
	088024-03-01A	EA LIGHT-DOME, 2 BULB - IVORY
	008218-01-000	EA BULB
	088024-01-700	EA LENS-DOME LIGHT
	088280-01-000	EA LIGHT-SURFACE MOUNT, 12V - JENSEN 1238
	088280-01-700	EA BULB-12 VOLT, 8 WATT

SWITCHES & RECEPTACLES

KEY	PART NUMBER	U/M DESCRIPTION
	079384-01-000	EA SWITCH-ON/OFF ROCKER, 2 PRONGS - BROWN
	079384-03-000	EA SWITCH-ON/OFF ROCKER, 3 PRONGS - BROWN
	088241-07-00C	EA SWITCH-ROCKER, DPDT - ON/OFF - BLACK
	108388-02-01A	EA ACTUATOR-SWITCH, DIMPLE II-CARLING VVAZ000 BLA
	108367-08-000	EA SWITCH-ROCKER, DPDT - ON/OFF - CARLING VDD1800C-0
	088351-01-01A	EA PLATE-SWITCH, 1 GANG - POLISHED BRASS
	088351-02-01A	EA PLATE-SWITCH, 2 GANG - POLISHED BRASS
	088351-05-01A	EA PLATE-SWITCH, 3 GANG - POLISH BRASS - JENSEN
	088351-08-01A	EA PLATE-SWITCH, 2 GANG W/LABEL - JENSEN - POLISHED BRASS
	081984-02-000	EA PLATE-SWITCH, EXTERIOR SHOWER
	061888-01-01A	EA SPACER-SWITCH, 2 3" X 3.4" - PLASTIC - DARK BROWN
	075723-01-000	EA SPACER-SWITCH, W/O HOLE - .2" X .9" X 2" - METAL - OFF WHITE
	075723-02-000	EA SPACER-SWITCH, WHOLE - .2" X .9" X 2" - METAL - OFF WHITE
		FOR ELECTRIC STEP DOOR JAMB SWITCH
	084078-02-000	EA RECEPTACLE-GFI, 15A - 125V - BROWN
	084077-01-000	EA PLATE-COVER, RECEPTACLE - GFI - IVORY
	068707-01-000	EA RECEPTACLE-ELECTRIC, SINGLE - BROWN
	068708-01-000	EA RECEPTACLE-ELECTRIC, DOUBLE - BROWN
	068708-02-000	EA RECEPTACLE-ELECTRIC, DOUBLE - IVORY
	102588-01-B10	EA SPACER-RECEPTACLE, BETWEEN SIDEWALL & PLATE - WOOD
	097734-01-01A	EA EXTENSION-RECEPTACLE, 3 2" X 5" X .7" - PLASTIC - IVORY
	024824-02-000	EA RECEPTACLE-POWER CORD, W/PARTIAL PLATE
	075738-02-000	EA COVER-EXTERIOR RECEPTACLE, OFF WHITE

CONVERTORS & LOAD CENTER

KEY	PART NUMBER	U/M DESCRIPTION
	083208-01-000	EA CONVERTOR-POWER, 32A - 120V/12V - BW 8332
	061816-01-000	EA CONVERTER-40 AMP, W/CHARGER - B-W 32400P
	094809-01-000	EA CENTER-LOAD, 240V - 125A - TPL412CT

1992 WINNEBA30 TABLE OF CONTENTS

INTRODUCTION	A-01 - A-02
ABBREVIATIONS	A-03
ALPHABETICAL INDEX	A-04 - A-08
WF527RQ	A-07 - D-24
WF527RC	E-01 - H-18

1992 WF527RQ INDEX

FLOOR PLAN	A-07 - A-08
ACCESSORIES	A-09
AUDIO VIDEO	A-10
BATH	A-11 - A-12
BEDROOM	A-13 - A-17
CHASSIS	A-18 - A-22
CURTAIN & CUSHION	A-23 - B-08
DINETTE	B-09 - B-10
DRIVERS	B-11 - B-12
ELECTRICAL	B-13 - B-18
EXTERIOR BODY	B-17 - B-24
GALLEY	C-01 - C-06
GENERATOR	C-06
HEATING & AC	C-07 - C-08
INTERIOR FINISH	C-09 - C-12
LABEL	C-13 - C-18
LP	C-20
LOUNGE	C-21 - C-22
SEALANTS & FASTENERS	C-23 - D-01
WATER & SEWAGE	D-02 - D-08
WINDOW, VENT AND EXTERIOR DOOR	D-07 - D-24

ELECTRICAL GROUP (CONTINUED)

SOLENOID, FUSES & CIRCUIT BREAKERS

KEY	PART NUMBER	U/M	DESCRIPTION
	008189-01-000	EA	SOLENOID-3 POST, BATTERY CHANGE OVER
	008910-01-000	EA	HOUSING-RELAY, BOSCH 9 334 485 008
	008235-01-000	EA	FUSE-AUTOMOTIVE, 12V - 15AMP
	008901-02-000	EA	FUSE-5 AMP, AUTOMOTIVE
	008901-05-000	EA	FUSE-15 AMPS, AUTOMOTIVE
	100941-01-000	EA	FUSE HOLDER-IN LINE TYPE - WESCO 8931-89230
	008211-01-000	EA	BREAKER-CIRCUIT, 12V - 6AMP
			FROM: 00-00-00 THRU: 12-05-91
	008954-01-000	EA	BREAKER-CIRCUIT, 8 AMP - HOUSE CONTROL PANEL
			FROM: 12-05-91 THRU: 99-99-99
	008288-01-000	EA	BREAKER-CIRCUIT, W/MOUNT - 30A - 12V
			FROM: 00-00-00 THRU: 12-05-91
	008855-02-000	EA	BREAKER-CIRCUIT, 30 AMP - HOUSE CONTROL PANEL
			FROM: 12-05-91 THRU: 99-99-99
	008283-02-000	EA	BAR-BUSS, CIRCUIT BREAKER
			FROM: 00-00-00 THRU: 12-05-91
	008855-01-000	EA	BREAKER-CIRCUIT, 25 AMP
			FROM: 12-05-91 THRU: 99-99-99
	008209-01-000	EA	BREAKER-CIRCUIT, 15 AMP, 120V - BW G-18 - CANADIAN
	008209-03-000	EA	BREAKER-CIRCUIT, 15/20AMP, 120V - BW O-15/20
	008209-04-000	EA	BREAKER-CIRCUIT, 30A - 120V - BW L-30
	008209-05-000	EA	BREAKER-CIRCUIT, 20A - 120V - BW J-20
	008209-06-000	EA	BREAKER-CIRCUIT, 30/15 AMP - 120V - BW D-30/15
	008209-08-000	EA	BREAKER-CIRCUIT, BLANK - BW
	004810-01-000	EA	BREAKER-CIRCUIT, DOUBLE 30 AMP - GE THOL2130
	004811-01-000	EA	BREAKER-CIRCUIT, DOUBLE 20 AMP - GE THOL2120

POWER CORDS & ELECTRIC BOXES

KEY	PART NUMBER	U/M	DESCRIPTION
	008082-01-000	EA	CORD-POWER, 10/3 - 30 AMP - 25' - CANADIAN
	008084-01-000	EA	CORD-POWER, 10/3 - 30 AMP - 25'
	008288-01-000	EA	BOX-PLASTIC ELECTRIC, 3" X 3 1/2"
	008288-01-000	EA	BOX-ELECTRIC, STEEL - 1/2" AND 3/4" KNOCKOUTS - 4" X 4"
	008289-02-000	EA	BOX-ELECTRICAL, 4" X 4" - 1/2" & 3/4" KNOCKOUTS - CANADIAN
	001910-01-000	EA	BOX-ELECTRIC, 3.75" X 3 5/8" X 1 7/8" - PLASTIC
	008803-01-000	EA	BOX-ELECTRIC, 4" X 2 1/8" X 2 1/8" - STEEL
	107185-01-01A	EA	BOX-CIRCUIT BREAKER, MOUNTING - BLACK
			FROM: 12-05-91 THRU: 99-99-99
	008049-01-000	EA	BOX-ELECTRIC SWITCH, 2" X 3" X 2 25"
	008294-02-000	EA	COVER-ELECTRICAL BOX, BLANK STEEL - 4" X 4" - CANADIAN
	008238-01-000	EA	COVER-ELECTRICAL BOX, WHOLE - 4" X 4" - GRAY USED WITH 30 AMP RECEPTACLE

WIRE ASSEMBLIES

KEY	PART NUMBER	U/M	DESCRIPTION
	007816-01-000	EA	WIRE ASM-MONITOR PANEL, W/4 WIRES & BLACK RESISTOR - LVS
	100159-02-000	EA	WIRE ASM-DAYTIME RUNNING LIGHTS, W/FUSE
			FROM: 00-00-00 THRU: 10-08-91
	108851-01-000	EA	WIRE ASM-DAYTIME RUNNING LIGHTS, W/FUSE
			FROM: 10-07-91 THRU: 99-99-99
	103328-03-000	EA	WIRE ASM-PUMP, EXTERIOR SHOWER
	105308-01-000	EA	WIRE ASM-MONITOR PANEL ADAPT

ELECTRICAL GROUP (CONTINUED)

CONNECTORS & CONDUIT

KEY	PART NUMBER	U/M	DESCRIPTION
	007940-01-000	EA	RECEPTACLE-SLIDE, 18 TO 12 AWG - FEMALE END
	008015-02-000	EA	RECEPTACLE-FLAG, .185 - 18/14 GA - AMP 3
	008015-03-000	EA	RECEPTACLE-FLAG, .200 - 14/18 GA
	008311-01-000	EA	CONNECTOR-WIRE NUT, INSULATED - RED
	008314-01-000	EA	CONNECTOR-WIRE NUT, INSULATED - GRAY
	008430-01-000	EA	CONNECTOR-SWIVEL, 1/2" FPT X 5/8" TUBE - PLASTIC
	008355-01-000	EA	CONNECTOR-CABLE CLAMPING, 3/4"
	008392-01-000	EA	CONNECTOR-PLASTIC, 3/8" AVG
	041480-01-000	EA	CONNECTOR-STRAIGHT, 1/2" FLEX CONDUIT
	008029-01-000	EA	CONNECTOR-ELECTRICAL PIGTAIL, NYLON - CLEAR
	008328-01-000	EA	TERMINAL-RING, 18/14 WIRE - 3/8" STUD
	008329-01-000	EA	TERMINAL-RING, 12/10 WIRE - #10 STUD FIT
	008331-01-000	EA	TERMINAL-RING, TONGUE - #4 WIRE - 3/8" STUD - COPPER
	008349-01-000	EA	TERMINAL-RING, 3/8" STUD - #2 WIRE
			CONNECTS CABLE TO DISCONNECT RELAY AND BATTERY
	035416-04-000	EA	TERMINAL-RING #10 STUD FIT, INSULATED BARREL #18/14
	047443-01-000	EA	TERMINAL - 250 RECEPT FIT, INSULATED - 18/14 AWG
	047443-02-000	EA	TERMINAL - 250 RECEPT FIT, INSULATED - 12/10 AWG
	007949-01-000	EA	BUSS BAR-2 POSITION, 5" X 1 5/8" - ALUMINUM
	008475-01-000	EA	PIN-CONNECTOR, 14 TO 20 AWG
	008475-02-000	EA	PIN-CONNECTOR, 10 TO 12 AWG
	008473-01-000	EA	PIN-HOUSING, 4 ROWS OF 3
	008473-05-000	EA	PIN-HOUSING, 6 POSITION (SINGLE ROW)
	008473-08-000	EA	PIN-HOUSING, 6 POSITION (TWO ROWS OF THREE)
	008473-09-000	EA	PIN-HOUSING, 3 POSITION (SINGLE ROW)
	008473-10-000	EA	PIN-HOUSING, 2 POSITION
	008473-03-000	EA	HOUSING-PIN, 9-POSITION
	008473-07-000	EA	HOUSING-PIN, 5 CAVITY - AMP 1-480763-0
	008473-08-000	EA	HOUSING-PIN, 4 POSITION
	008474-02-000	EA	HOUSING-SOCKET, 15 POSITION (3 ROWS OF 5)
	008474-03-000	EA	HOUSING-SOCKET, 9-POSITION
	008474-07-000	EA	HOUSING-SOCKET, 5 CAVITY - AMP 1-480764-0
	008474-08-000	EA	HOUSING-SOCKET, 3 POSITION
	008474-10-000	EA	HOUSING-SOCKET, 2 POSITION
	008474-06-000	EA	SOCKET-HOUSING, 6 POSITION (2 ROWS OF THREE)
	008474-09-000	EA	SOCKET-HOUSING, 4 POSITION (SINGLE ROW)
	008476-01-000	EA	SOCKET-CONNECTOR, BRASS - PRE-TIN
	008476-02-000	EA	SOCKET-CONNECTOR, 12-10 GA - PHOS. BRZ - PRE-TIN
	041953-01-000	FT	CONDUIT-CONVOLUTE SLIT, .57" ID
	041953-01-000	FT	CONDUIT-CONVOLUTE SLIT, .57" ID
	041953-03-000	FT	CONDUIT-CONVOLUTE SLIT, 1" ID (CLOTHES ROD COVER)
	041953-05-000	FT	CONDUIT-CONVOLUTE, SLIT .375" ID
	041953-07-000	FT	CONDUIT-CONVOLUTE, SLIT - .25" ID
	041953-08-000	FT	CONDUIT-CONVOLUTE, SLIT, 1.80" ID
	041953-09-000	FT	CONDUIT-CONVOLUTE, SLIT .80" ID
	041953-10-000	FT	CONDUIT-CONVOLUTE, SLIT - .78" ID
	041953-11-000	FT	CONDUIT-CONVOLUTE, SLIT - 1.08" ID
	041953-12-000	FT	CONDUIT-CONVOLUTE, NON SLIT 1.1" ID

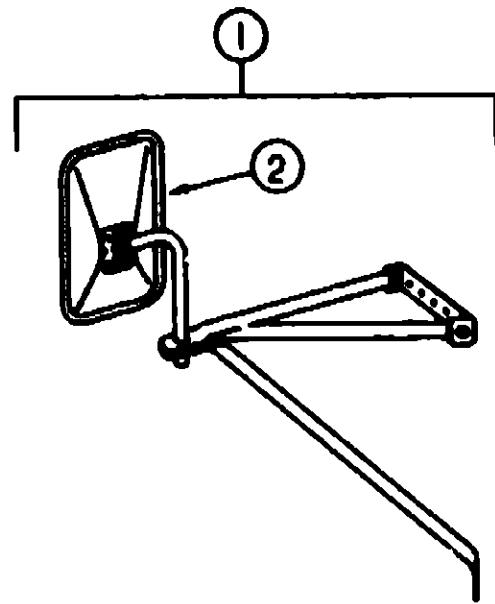
**1992 WINNEBAGO
TABLE OF CONTENTS**

INTRODUCTION	A-01 - A-02
ABBREVIATIONS	A-03
ALPHABETICAL INDEX	A-04 - A-08
WF527RQ	A-07 - D-24
WF527RC	E-01 - H-16

1992 WF527RQ INDEX

FLOOR PLAN	A-07 - A-08
ACCESSORIES	A-09
AUDIO VIDEO	A-10
BATH	A-11 - A-12
BEDROOM	A-13 - A-17
CHASSIS	A-18 - A-22
CURTAIN & CUSHION	A-23 - B-08
DINETTE	B-09 - B-10
DRIVERS	B-11 - B-12
ELECTRICAL	B-13 - B-16
EXTERIOR BODY	B-17 - B-24
GALLEY	C-01 - C-05
GENERATOR	C-06
HEATING & A/C	C-07 - C-08
INTERIOR FINISH	C-09 - C-12
LABEL	C-13 - C-19
LP	C-20
LOUNGE	C-21 - C-22
SEALANTS & FASTENERS	C-23 - D-01
WATER & SEWAGE	D-02 - D-06
WINDOW, VENT AND EXTERIOR DOOR	D-07 - D-24

EXTERIOR BODY GROUP



EXTERIOR MIRRORS

KEY	PART NUMBER	U/M DESCRIPTION
1	108880-02-01A	EA MIRROR ASM-STAR HEAD, LOW MOUNT - VELVAC #713157 (FORD)
2	108880-02-700	EA MIRROR HEAD ONLY, DRIVER SIDE - STAR - VELVAC D747283-9
2	108880-02-701	EA MIRROR HEAD ONLY, PASS SIDE - STAR - VELVAC D747284-9
	108880-02-702	EA GLASS-FLAT, VELVAC 702088-8
	108880-01-702	EA HARDWARE PKG (F/REG & STAR) VELVAC 748230
	108880-01-703	EA BRACE-LOWER FORWARD - LEFT SIDE - OFF WHITE VELVAC D7808910
	108880-01-704	EA BRACE-LOWER FORWARD - RIGHT SIDE - OFF WHITE VELVAC D7808920
	105439-01-000	EA MIRROR-CONVEX, STICK ON

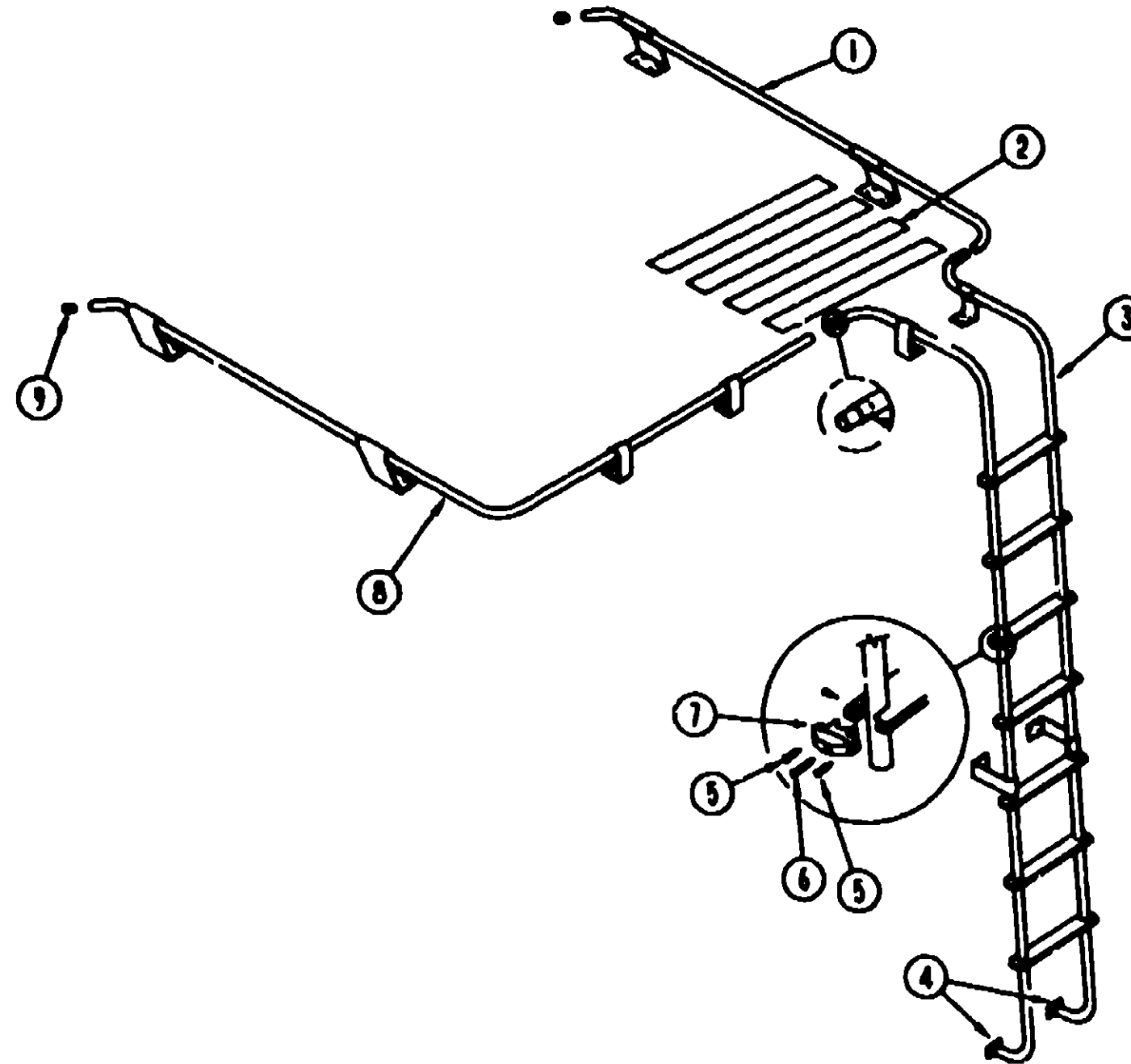
RUNNING BOARDS

KEY	PART NUMBER	U/M DESCRIPTION
	072884-20-000	EA RUNNING BOARD SET-FORD, 36" - KEMBERLY K-7
	108461-01-000	EA RUNNING BOARD, FORD - RIGHT SIDE - QUALITY COMP
	108461-02-000	EA RUNNING BOARD, FORD - LEFT SIDE - QUALITY COMP
	108461-03-000	EA HARDWARE KIT-RUNNING BOARD - QUALITY COMP

ASSIST HANDLE & BUMPER

KEY	PART NUMBER	U/M DESCRIPTION
	009126-02-000	EA HANDLE-ASSIST, ENTRY DOOR - BLACK
	089728-02-000	EA BUMPER- 66" DIA X 40", BLACK

EXTERIOR BODY GROUP (CONTINUED)



RACK & LADDER

KEY	PART NUMBER	U/M DESCRIPTION	DATE RANGE
1	081026-15-C06	EA RACK ASM-PASSENGER SIDE	FROM: 00-00-00 THRU: 03-01-92
1	107438-05-C07	EA RACK ASM-PASSENGER SIDE	FROM: 03-02-92 THRU 99-99-99
	089728-02-000	EA BUMPER- 66" DIA X 40", BLACK	
2	038327-01-000	EA TAPE-ANTI SLIP, 2" X 60"	
3	102953-02-C03	EA LADDER AS'Y	
4	067185-01-000	EA MOUNTING BRACKET-LADDER, LOWER	
5	000G39-08-10T	EA SCREW-SF/DR, 6-20 X 5/8 PPH - BLACK	
6	000G88-10-38T	EA SCREW-10-12 X 2 25 POH BLACK	
7	076880-02-000	EA END CAP-STEP, BLACK	
8	081026-19-C03	EA RACK ASM-DRIVER SIDE	FROM: 00-00-00 THRU: 03-01-92
8	107438-09-C03	EA RACK ASM-DRIVER SIDE	FROM: 03-02-92 THRU 99-99-99
9	081114-01-000	EA PLUG-ROUND, RACK & LADDER ENDS - PLASTIC - 1" DIA.	

**1992 WINNEBAGO
TABLE OF CONTENTS**

INTRODUCTION	A-01 - A-02
ABBREVIATIONS	A-03
ALPHABETICAL INDEX	A-04 - A-08
WF527RQ	A-07 - D-24
WF527RC	E-01 - H-16

1992 WF527RQ INDEX

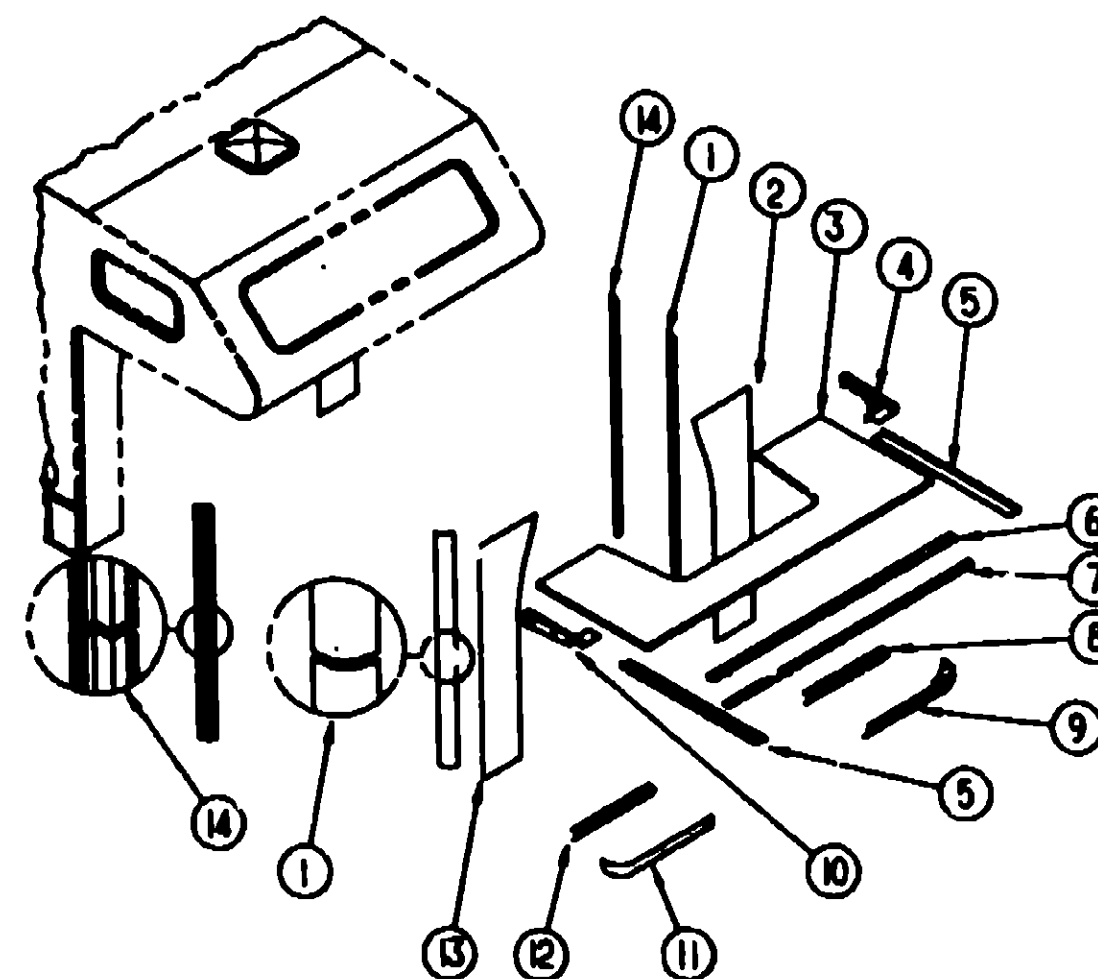
FLOOR PLAN	A-07 - A-08
ACCESSORIES	A-09
AUDIO VIDEO	A-10
BATH	A-11 - A-12
BEDROOM	A-13 - A-17
CHASSIS	A-18 - A-22
CURTAIN & CUSHION	A-23 - B-08
DI:LETTE	B-09 - B-10
DRIVERS	B-11 - B-12
ELECTRICAL	B-13 - B-16
EXTERIOR BODY	B-17 - B-24
GALLEY	C-01 - C-06
GENERATOR	C-08
HEATING & A/C	C-07 - C-08
INTERIOR FINISH	C-09 - C-12
LABEL	C-13 - C-19
LP	C-20
LOUNGE	C-21 - C-22
SEALANTS & FASTENERS	C-23 - D-01
WATER & SEWAGE	D-02 - D-08
WINDOW, VENT AND EXTERIOR DOOR	D-07 - D-24

EXTERIOR BODY GROUP (CONTINUED)

FIBERGLASS, STYROFOAM & U CHANNEL

KEY	PART NUMBER	U/M DESCRIPTION
	078064-G7-001	SF SHEET-FIBERGLASS, 41" X 324" - OFF WHITE
	078064-H1-000	EA SHEET-FIBERGLASS, 2438 X 2591MM - OFF WHITE
	078064-D8-001	EA SHEET-FIBERGLASS, 5' X 24' - OFF WHITE
		FROM 00-00-00 THRU 05-16-92
	078064-F3-000	EA SHEET-FIBERGLASS, 2438 X 2438MM - OFF WHITE
		FROM 05-19-92 THRU 99-99-99
	107397-01-01A	SF FIBERGLASS FLEX PANEL 104" X 600" - KEMILITE OFF WHITE
		FROM 00-00-00 THRU 04-19-92
	078064-D3-001	EA SHEET-FIBERGLASS, 48" X 96" - OFF WHITE
		FROM: 04-20-92 THRU 99-99-99
	077517-24-000	EA SHEET-FIBERGLASS, FLAT - 48" X 96" - OFF WHITE
	083674-02-000	SF STYROFOAM-1 5" X 24" X 90 5"
	083674-03-000	SF STYROFOAM-3/4" X 48" X 96"
	000870-03-000	SF STYROFOAM-1.34" X 48" X 96" - INCREMENTS OF 32 SF
	000870-06-000	SF STYROFOAM-.5" X 24" X 96" - INCREMENTS OF 16 SF
	002386-01-001	EA U-CHANNEL, 1" X 18" - SERRATED - MILL FINISHED ALUMINUM
	002754-01-001	EA ANGLE-EXTRUDED, .75" X 75" X 18" - MILL ALUMINUM
	002728-01-001	EA GARNISH-U-CHANNEL, 1 3/8" X 18" - SERRATED - MILL ALUMINUM
	002779-01-001	EA U-CHANNEL-EXTRUDED, ALUMINUM
	066278-51-259	FT TUBING-STEEL, 75" X 1 5" X 12 5"
	068287-01-000	FT CHANNEL-STEEL, WHOLE - SIDEWALL STIFFENER - 2" X 20"

EXTERIOR BODY GROUP (CONTINUED)



FORD WINGWALLS, SLEEPERBOARD & TRIM

KEY	PART NUMBER	U/M DESCRIPTION
1	108037-01-01A	EA COVER-WINGWALL, CURVED - OFF WHITE
2	108439-04-C52	EA WINGWALL ASM, DRIVER SIDE - W/GUSSET
		FROM: 00-00-00 THRU: 03-15-92
2	108040-04-C52	EA WINGWALL ASM, DRIVER SIDE - W/GUSSET
		FROM: 03-15-92 THRU: 99-99-99
3	108443-01-C03	EA SLEEPERBOARD ASM
4	104444-02-01A	EA COVER-TRIM, WINGWALL - LEFT - OFF WHITE
5	106312-01-C1A	FT INSERT-TRIM, VINYL - OFF WHITE
5	098854-01-01A	EA TRIM-CONTOUR, W/O VINYL INSERT - 108" - OFF WHITE
6	100086-03-01A	EA TRIM-SLEEPERBOARD, FLAT - 2.5" X 87 5" - OFF WHITE
7	100088-02-01A	EA TRIM-SLEEPERBOARD, 2" X 90 7" - OFF WHITE
8	108146-01-01A	EA SUPPORT-COVER, WINGWALL - OFF WHITE (FORD)
9	108144-02-C52	EA COVER ASM-WINGWALL, W/SUPPORT - LEFT - OFF WHITE (FORD)
9	108146-02-01A	EA COVER-ASM-WINGWALL, W/O SUPPORT - LEFT - OFF WHITE (FORD)
10	104444-01-01A	EA COVER-TRIM, WINGWALL - RIGHT - OFF WHITE
11	108144-01-C52	EA COVER ASM-WINGWALL, W/SUPPORT - RIGHT - OFF WHITE (FORD)
11	108146-01-01A	EA COVER ASM-WINGWALL, W/O SUPPORT - RIGHT - OFF WHITE (FORD)
12	108146-01-01A	EA SUPPORT-COVER, WINGWALL - OFF WHITE (FORD)
13	108439-03-C52	EA WINGWALL ASM, PASSENGER SIDE - W/GUSSET
		FROM: 00-00-00 THRU: 03-15-92
13	108040-03-C52	EA WINGWALL ASM, PASSENGER SIDE - W/GUSSET
		FROM: 03-15-92 THRU: 99-99-99
14	106015-01-01A	EA TRIM-WINGWALL, CURVED - OFF WHITE
	089394-01-000	FT VINYL-EXTERIOR, BETWEEN WINGWALL & CAB SEAL - WHITE

**1992 WINNEBAGO
TABLE OF CONTENTS**

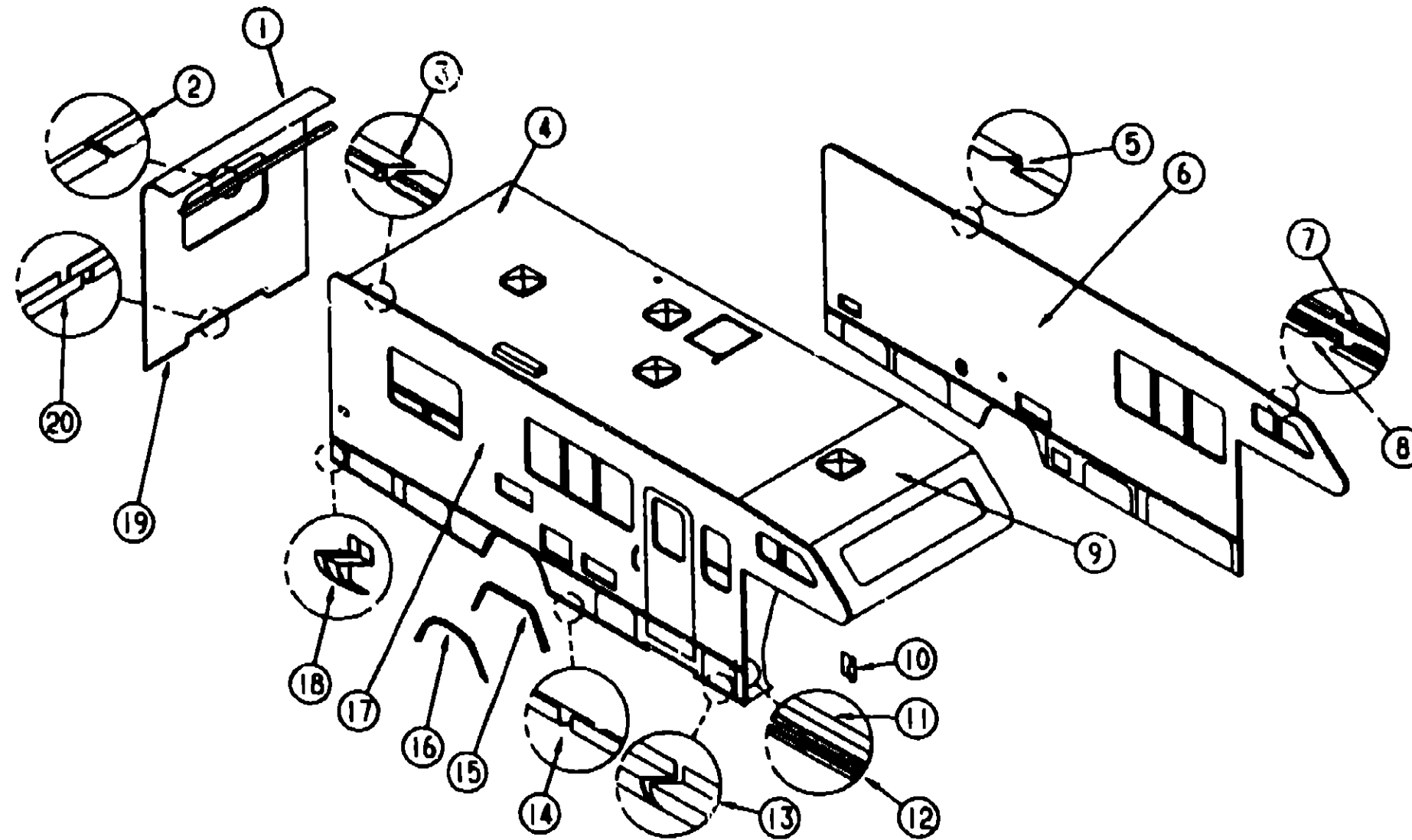
INTRODUCTION	A-01 - A-02
ABBREVIATIONS	A-03
ALPHABETICAL INDEX	A-04 - A-06
WFS27RQ	A-07 - D-24
WFS27RC	E-01 - H-18

1992 WFS27RQ INDEX

FLOOR PLAN	A-07 - A-08
ACCESSORIES	A-09
AUDIO VIDEO	A-10
BATH	A-11 - A-12
BEDROOM	A-13 - A-17
CHASSIS	A-18 - A-22
CURTAIN & CUSHION	A-23 - B-08
DINETTE	B-09 - B-10
DRIVERS	B-11 - B-12
ELECTRICAL	B-13 - B-16
EXTERIOR BODY	B-17 - B-24
GALLEY	C-01 - C-06
GENERATOR	C-08
HEATING & A/C	C-07 - C-08
INTERIOR FINISH	C-09 - C-12
LABEL	C-13 - C-19
LP	C-20
LOUNGE	C-21 - C-22
SEALANTS & FASTENERS	C-23 - D-01
WATER & SEWAGE	D-02 - D-06
WINDOW, VENT AND EXTERIOR DOOR	D-07 - D-24

EXTERIOR BODY GROUP (CONTINUED)

EXTERIOR PANELS & TRIMS



1992 WINNEBAGO TABLE OF CONTENTS

INTRODUCTION	A-01 - A-02
ABBREVIATIONS	A-03
ALPHABETICAL INDEX	A-04 - A-05
WF527RQ	A-07 - D-24
WF527RC	E-01 - H-16

1992 WF527RQ INDEX

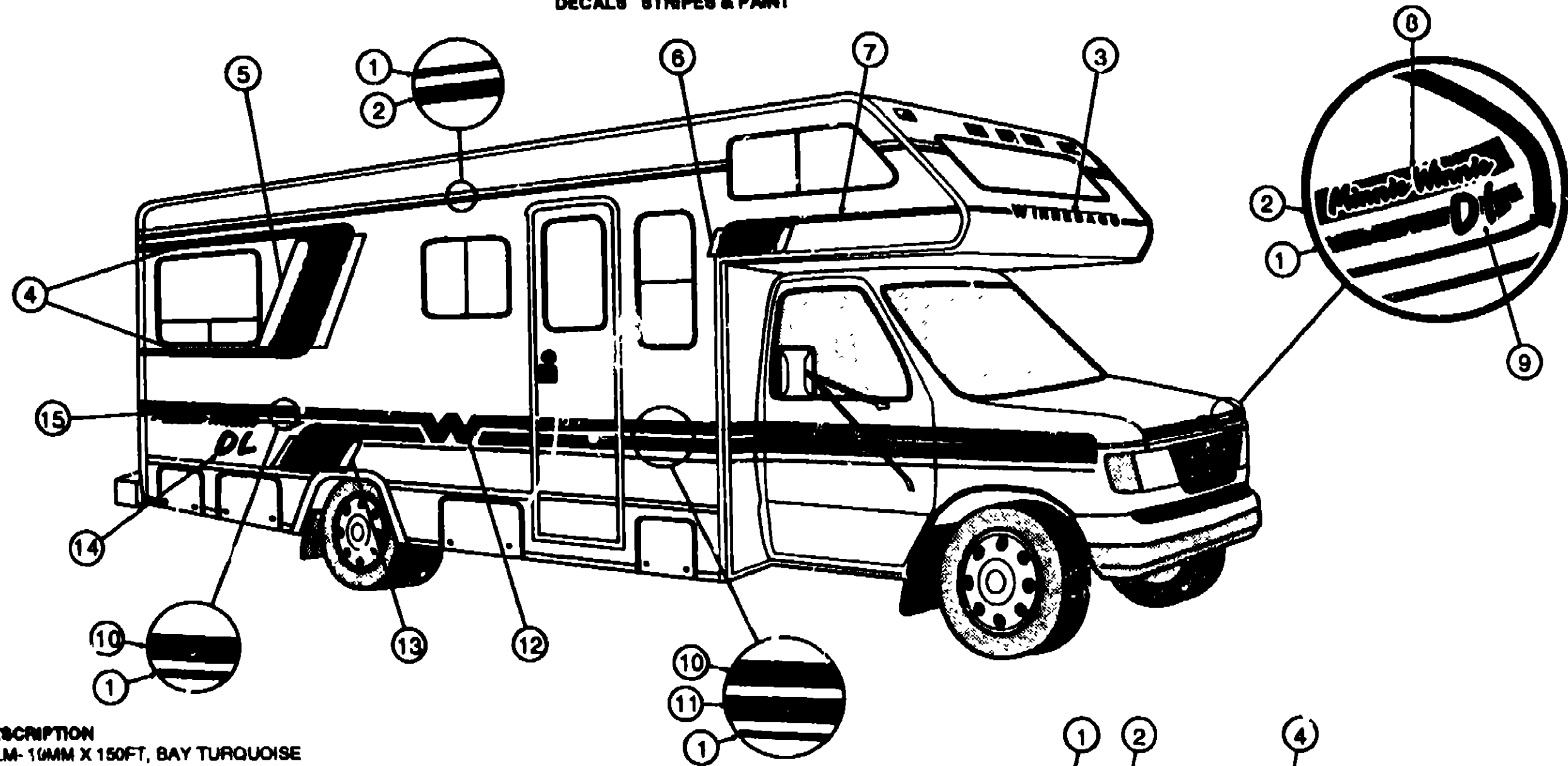
FLOOR PLAN	A-07 - A-08
ACCESSORIES	A-09
AUDIO VIDEO	A-10
BATH	A-11 - A-12
BEDROOM	A-13 - A-17
CHASSIS	A-18 - A-22
CURTAIN & CUSHION	A-23 - B-08
DINETTE	B-09 - B-10
DRIVERS	B-11 - B-12
ELECTRICAL	B-13 - B-16
EXTERIOR BODY	B-17 - B-24
GALLEY	C-01 - C-05
GENERATOR	C-06
HEATING & A/C	C-07 - C-08
INTERIOR FINISH	C-09 - C-12
LABEL	C-13 - C-19
LP	C-20
LOUNGE	C-21 - C-22
SEALANTS & FASTENERS	C-23 - D-01
WATER & SEWAGE	D-02 - D-05
WINDOW, VENT AND EXTERIOR DOOR	D-07 - D-24

KEY	PART NUMBER	U/M	DESCRIPTION
1	P05217-01-C52	EA	BACKWALL ASM W/BASES
2	078580-01-000	EA	TRIM-ROOF TO BACKWALL
3	100483-01-01A	EA	TRIM-CONTOUR, ROOF (AWNING) - OFF WHITE
3	000563-55-001	EA	RAIL-AWNING, 10' EA - OFF WHITE
4	P05035-01-C52	EA	ROOF ASM W/BASES
5	000804-01-01A	EA	TRIM-CONTOUR, ROOF TO SIDEWALL - DR OR PASS - 120°
6	P04441-01-C52	EA	SIDEWALL ASM-DRIVER SIDE
7	105312-01-01A	FT	INSERT-TRIM, VINYL - OFF WHITE
8	000854-01-01A	EA	TRIM-CONTOUR, W/O VINYL INSERT - 100° - OFF WHITE DR OR PASS - FRONT OVERHEAD CAB SECTION FROM ROOF TO WINGWALL - REAR - BACKWALL TO SIDEWALL VERTICAL SECTION
9	M78177-01-700	EA	SECTION-ROOF, OVER CAB TO FIRST ROOF SEAM
10	009731-01-000	EA	END CAP-FEATURE STRIP
11	001030-02-003	EA	INSERT-FEATURE STRIP, 17' LONG - OFF WHITE
12	002444-04-002	EA	STRIP-FEATURE, W/O INSERT - 15' LONG - OFF WHITE
	002444-01-020	EA	FEATURE STRIP-WHOLES, OFF WHITE
13	104749-55-001	EA	EXTR-ROCKER PANEL, OFF WHITE - 487MM
14	091182-55-003	EA	TRIM-SIDEWALL, ANGLED - 487MM - OFF WHITE

KEY	PART NUMBER	U/M	DESCRIPTION
15	105100-01-01A	EA	TRIM-WHEELWELL, OFF WHITE FROM 00-00-00 THRU 04-15-92
15	105107-02-01A	EA	TRIM-WHEELWELL, OFF WHITE FROM: 04-16-92 THRU 99-99-99
18	105220-02-01A	EA	TRIM-WHEELWELL, REAR - OFF WHITE
17	P04440-01-C52	EA	SIDEWALL ASM-PASSENGER SIDE
	105025-03-C52	EA	TRIM-SIDEWALL, ENTRY DOOR
13	108108-01-01A	EA	CAP-END, ROCKER PANEL - OFF WHITE
18	108108-02-01A	EA	CAP-END, ROCKER PANEL - OFF WHITE
19	103334-02-01A	EA	TRIM-BACKWALL, LOWER - OFF WHITE
	002365-01-001	EA	U-CHANNEL, 1" X 18" - SERRATED - MILL FINISHED ALUMINUM
	103335-02-01A	EA	TRIM-BACKWALL, LOWER - OFF WHITE
	002365-01-001	EA	U-CHANNEL, 1" X 18" - SERRATED - MILL FINISHED ALUMINUM
	002754-01-001	EA	ANGLE-EXTRUDED, .75" X .75" X 18" - MILL ALUMINUM
	002728-01-001	EA	GARNISH-U-CHANNEL, 1.38" X 18" - SERRATED - MILL ALUMINUM
	002779-01-001	EA	EXTR-U CHANNEL, 1.75X192.00 - RIBBED

EXTERIOR BODY GROUP (CONTINUED)

DECALS STRIPES & PAINT

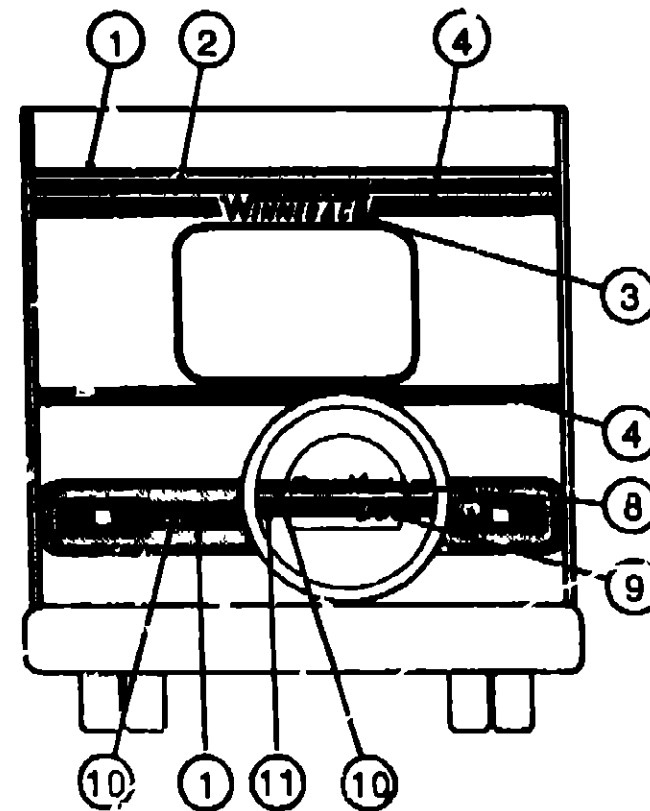


1992 WINNEBAGO TABLE OF CONTENTS

INTRODUCTION	A-01 - A-02
ABBREVIATIONS	A-03
ALPHABETICAL INDEX	A-04 - A-08
WF527RQ	A-07 - D-24
WF527RC	E-01 - H-18

1992 WF527RQ INDEX

FLOOR PLAN	A-07 - A-08
ACCESSORIES	A-09
AUDIO VIDEO	A-10
BATH	A-11 - A-12
BEDROOM	A-13 - A-17
CHASSIS	A-18 - A-22
CURTAIN & CUSHION	A-23 - B-08
DINETTE	B-09 - B-10
DRIVERS	B-11 - B-12
ELECTRICAL	B-13 - B-18
EXTERIOR BODY	B-17 - B-24
GALLEY	C-01 - C-05
GENERATOR	C-06
HEATING & A/C	C-07 - C-08
INTERIOR FINISH	C-09 - C-12
LABEL	C-13 - C-18
LP	C-20
LOUNGE	C-21 - C-22
SEALANTS & FASTENERS	C-23 - D-01
WATER & SEWAGE	D-02 - D-06
WINDOW, VENT AND EXTERIOR DOOR	D-07 - D-24

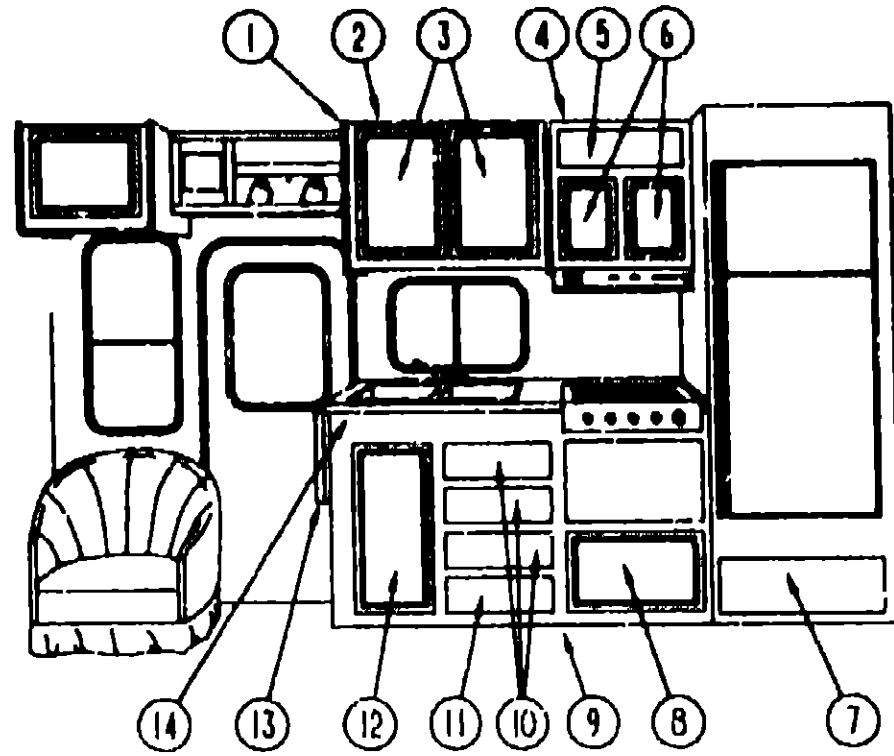


KEY	PART NUMBER	U/M DESCRIPTION
1	093681-27-03A	FT FILM- 10MM X 150FT, BAY TURQUOISE
2	093681-14-01A	FT STRIPE-1 LINE, 1 5" WIDE - DARK PLUM
3	057313-44-000	EA DECAL-LOGO, "WINNEBAGO" - 2 8" TALL - BLUE
4	093681-35-01A	FT FILM- 57MM X 150FT, DELFT BLUE
5	105482-01-01A	EA DECAL-ANGLE,LARGE RIGHT - DELFT BLUE/GREY
	105482-02-01A	EA DECAL-ANGLF,LARGE - LEFT - DELFT BLUE/GREY
6	105484-01-01A	EA DECAL-ANGLE, OVERHEAD - RIGHT - DELFT BLUE/GREY
	105484-02-01A	EA DECAL-ANGLE, OVERHEAD - LEFT - DELFT BLUE/GREY
7	093681-17-06A	FT FILM- 38MM X 150FT, DELFT BLUE
	105480-02-01A	EA DECAL-LOGO, MINNIE WINNIE - OFF WHITE/DARK PLUM/BLUE TURQUOISE
8	108002-02-01A	EA DECAL-LOGO, "DL" - SMALL - OFF WHT/DARK PLUM/BLUE TURQUOISE
10	093681-35-02A	FT FILM- 57MM X 150FT, DARK PLUM
11	093681-20-02A	FT FILM- 89MM X 150FT, DELFT BLUE
12	093681-07-01A	EA DECAL-FLYING W, 165 HIGH - DARK PLUM
13	105483-01-01A	EA DECAL-ANGLE, WHEEL - RIGHT - DELFT BLUE/GREY
	105483-02-01A	EA DECAL-ANGLE, WHEEL - LEFT - DELFT BLUE/GREY
14	108002-01-01A	EA DECAL-LOGO, "DL" - OFF WHITE/DARK PLUM/BLUE TURQUOISE
15	105480-01-01A	EA DECAL-LOGO, MINNIE WINNIE - OFF WHITE/DARK PLUM/BLUE TURQUOISE
	084075-01-000	EA DECAL-"BY WINNEBAGO INDUSTRIES", BLACK
	074669-01-000	EA DECAL-LOGO, LPG - RED - (CALIF CODE)

DUPONT COLOR CODES

DARK PLUM	K9455
DELFT BLUE	K9460
BAY TURQUOISE	G9837
OFF WHITE	L8723
GREY	H9283

GALLEY GROUP



CABINETS & FIXTURES

GALLEY GROUP (CONTINUED)

LARGE NORCOLD 682 REFRIGERATOR

**1992 WINNEBAGO
TABLE OF CONTENTS**

INTRODUCTION	A-01	A-02
ABBREVIATIONS		A-03
ALPHABETICAL INDEX	A-04	A-08
WF527RQ	A-07	D-24
WF527RC	E-01	H-16

KEY	PART NUMBER	U/M	DESCRIPTION
	104137-02-01A	EA	REFRIGERATOR-LARGE DOUBLE DOOR 2-WAY - NORCOLD 682 RH BLK
	084473-01-702	EA	ORIFICE-NORCOLD 81452122
	084880-01-715	EA	VALVE-SHUT OFF, MANUAL - NORCOLD# 81897922
	075217-01-734	EA	FUSE-3 AMP, NORCOLD# 81538822
	075217-01-738	EA	SWITCH-HUMIDITY, NORCOLD 81525822
	084880-01-713	EA	CONNECTOR-MALE, INLET FITTING - NORCOLD# 815258
	084880-01-715	EA	VALVE-SHUT OFF, MANUAL - NORCOLD# 81897922
	084880-01-718	EA	VALVE-GAS, NORCOLD 81551822
	084880-01-722	EA	CRISPER COVER - NORCOLD 815841
	084880-01-728	EA	HINGE BRACKET (CTR HINGE), NORCOLD 81588523
	084880-01-731	EA	HINGE PIN, NORCOLD 81578123
	084880-01-732	EA	LATCH, NORCOLD 81578522
	084880-01-734	EA	BRACKET-HINGE, TOP RH - BOTTOM LH - BROWN NORCOLD 81580837
	084880-01-735	EA	HINGE BRKT, TOP LH-BTM RH BRN - NORCOLD 81580937
	084880-01-739	EA	END CAP (SPRING CATCH) BRN - NORCOLD 81593722
	084880-01-740	EA	END CAP (STOP CATCH) - NORCOLD 81593830
	084880-01-744	EA	HINGE PIN SHAFT (CTR HINGE), NORCOLD 81586723
	084880-01-748	EA	CABLE, NORCOLD 81571522
	084880-01-747	EA	PLUG-HOLE, NORCOLD 81582022
	084880-01-749	EA	HINGE BUSHING - NORCOLD 815807
	084880-01-753	EA	THERMISTER 78" W/CLIP - NORCOLD 81893822
	084880-01-781	EA	END CAP (SPRING CATCH) BLACK 81593730
	084880-02-700	EA	LOWER FLANGE 8683&8683, NORCOLD 81622123
	084880-03-701	EA	COOLING UNIT (HORIZ BURNER) - NORCOLD 81887337
	084880-03-705	EA	BRACKET FANT RERIG LIGHT - NORCOLD 81829722
	084880-03-708	EA	LAMP (BULB) - NORCOLD 81828922
	084880-03-707	EA	COVER F/LAMP OR BULB - NORCOLD 81827922
	088248-01-706	EA	BURNER-HORIZONTAL, NORCOLD 81588122
	088248-01-707	EA	ELECTRODE-SENSOR, (HORIZONTAL), NORCOLD# 81573322
	088248-01-708	EA	ELECTRODE-IGNITION, (HORIZONTAL) - NORCOLD# 81573222
	088248-01-709	EA	HEATER-AC, (HORIZONTAL) - NORCOLD# 815627
	094039-01-700	EA	PC BOARD-3-WAY, NORCOLD 81647522
	094039-01-701	EA	EYEBROW-SHELL, 3-WAY - BLK - PLASTIC - NORCOLD 81669922
	094039-01-703	EA	PLATE-HINGE, LH - BROWN - NORCOLD 81631422
	094039-01-704	EA	PLATE-HINGE, BLACK - NORCOLD 81631430
	094039-01-709	EA	PLATE-HINGE, TOP RH - LH BOTTOM - BROWN - NORCOLD 81631322
	094039-01-710	EA	PLATE-HINGE, BLACK - NORCOLD 81631330
	094039-01-712	EA	DOOR BIN (GRAY) SILVER BORDER - NORCOLD 81584060
	094039-01-713	EA	DOOR GASKET (LOWER) GRAY - NORCOLD 81588030
	094039-01-714	EA	LOWER DOOR LINER (BRN/WHT) - NORCOLD# 81581737-B
	094039-01-715	EA	LOWER DOOR LINER (BLK/WHT) - NORCOLD 81581738-B
	094039-01-716	EA	LOWER DOOR HANDLE ASSY (BRN) - NORCOLD# 81649937
	094039-01-717	EA	LOWER DOOR HANDLE ASSY (BLK) - NORCOLD 81649938
	094039-01-718	EA	MILK BIN (GRAY) W/SILVER TRIM - NORCOLD 81579460
	094039-01-719	EA	DAIRY KEEPER (GRAY) SILVER TR 81580460
	094039-01-720	EA	CAB ASSEMBLY (BRN FRAME/WHT LINER) - NORCOLD# 81663237
	094039-01-721	EA	CAB ASSY (BLK FRAME WHT LINER) - NORCOLD 81663238
	094039-01-722	EA	HOLE PLUG (BLK) HINGE HOLES - NORCOLD 81582030
	094039-01-723	EA	HINGE BRKT, TOP RH-BTM LH BLK - NORCOLD 81580838
	094039-01-724	EA	BRACKET-HINGE, TOP LH - BOTTOM RH - BLK - NORCOLD 81580938
	094039-01-725	EA	HINGE PIN (BLACK) (MALE) - NORCOLD 81578130
	094039-01-728	EA	SHELF-FREEZER EVAPORATOR, NORCOLD 815238
	094039-01-730	EA	HINGE PIN SHAFT (BLK) CTR HGE - NORCOLD 81586730
	094039-01-731	EA	CRISPER (GRAY) SILVER TRIM - NORCOLD 81571390
	094039-01-732	EA	FRONT COVER (BLK) BTM TRIM - NORCOLD 81822130
	094039-01-733	EA	WIRE SHELF (MIDDLE) - NORCOLD 81563822
	094039-01-734	EA	WIRE SHELF (TOP) WRISER - NORCOLD 81583722
	094039-01-735	EA	INSIDE DRIP TRAY (WHITE) - NORCOLD 81572830
	094039-01-738	EA	SWITCH-LIGHT, BLACK - NORCOLD 815810

1992 WF527RQ INDEX

FLOOR PLAN	A-07	A-08
ACCESSORIES		A-09
AUDIO VIDEO		A-10
BATH	A-11	A-12
BEDROOM	A-13	A-17
CHASSIS	A-18	A-22
CURTAIN & CUSHION	A-23	B-08
DINETTE	B-09	B-10
DRIVERS	B-11	B-12
ELECTRICAL	B-13	B-18
EXTERIOR BODY	B-17	B-24
GALLEY	C-01	C-05
GENERATOR		C-08
HEATING & A/C	C-07	C-08
INTERIOR FINISH	C-09	C-12
LABEL	C-13	C-19
LP		C-20
LOUNGE	C-21	C-22
SEALANTS & FASTENERS	C-23	D-01
WATER & SEWAGE	D-02	D-06
WINDOW, VENT AND EXTERIOR DOOR	D-07	D-24

KEY	PART NUMBER	U/M	DESCRIPTION
1	104335-04-C52	EA	END CAP-OVERHEAD
2	P02558-01-B05	EA	CABINET-OVERHEAD, W/O DOORS & HARDWARE
3	P04746-30-C52	EA	DOOR-CABINET, W/O HARDWARE - 380 X 555MM
4	M05624-22-C52	EA	CABINET-OVERHEAD, RANGE
4	M05624-23-C52	EA	CABINET-OVERHEAD, MICROWAVE
	104335-02-C52	EA	CAP ASM-END-OVERHEAD
5	P00520 A8-C05	EA	DOOR-CABINET, W/O HARDWARE - 180 X 555MM
6	P04746-32-C52	EA	DOOR-CABINET, W/O HARDWARE - 275 X 365MM
	103251-02-01A	EA	INSERT-ACRYLIC, 19 53" X 16 03" - REFRIGERATOR CABINET - BLACK
	103251-03-01A	EA	INSERT-ACRYLIC, 19 53" X 32 2" - REFRIGERATOR CABINET - BLACK
	103251-04-01A	EA	INSERT-ACRYLIC, 19 53" X 39 2" - REFRIGERATOR CABINET - BLACK
7	P03397-E6-C52	EA	DRAWER-CABINET, W/O HARDWARE - 92 X 520MM
	090329-01-000	FT	SEAL-T- REFRIGERATOR CABINET - 6" WIDE TOP X 2" TAIL
8	P04746-24-C52	EA	DOOR-CABINET, W/O HARDWARE - 555 X 380MM
9	M05632-02-C52	EA	CABINET-GALLEY, W/O EXTENTION, DOORS & HARDWARE
9	M05632-02-C53	EA	CABINET-GALLEY, W/O EXTENTION, DOORS & HARDWARE
	092303-01-000	EA	STRAINER-SINK
	104114-01-01A	EA	FAUCET-GALLEY, SINGLE CONTROL
	104113-01-000	EA	SINK-DOUBLE, STAINLESS STEEL
	103610-01-C05	EA	COVER-SINK (C52)
	103610-01-C08	EA	COVER-SINK (C53)
10	P03397-E8-C52	EA	DRAWER-CABINET, W/O HARDWARE - 412 X 298MM
11	P03397-G6-C52	EA	DRAWER-CABINET, W/O HARDWARE - 412 X 200MM
12	P04746-25-C52	EA	DOOR-CABINET, W/O HARDWARE - 365 X 680MM
13	080812-04-C05	EA	EXTENSION-GALLEY (C52)
13	080812-04-B87	EA	EXTENSION-GALLEY (C53)
	009049-01-000	EA	SUPPORT-EXTENSION, GALLEY COUNTERTOP
	104181 01 01A	EA	SUPPORT-EXTENSION, GALLEY COUNTERTOP FROM 00-00-00 THRU 10-06-91 FROM 10-07-92 THRU 99-99-99
14	105237-11-C52	EA	COUNTERTOP ASSEMBLY (C52)
14	105237-11-C23	EA	COUNTERTOP ASSEMBLY (C53)
	100081-01-01A	EA	TRAY-SILVERWARE, 9" X 13 3" - PLASTIC - ALMOND - RUBBERMAID

GALLEY GROUP (CONTINUED)

LARGE NORCOLD 662 REFRIGERATOR (CONTINUED)

KEY	PART NUMBER	U/M	DESCRIPTION
	094039-01-739	EA	SHELF (CUTOUT) - NORCOLD 61848722
	094039-01-742	EA	TRAY-F/CUTOUT SHELF, NORCOLD 61880922
	094039-04-700	EA	PC BOARD-2 WAY, NORCOLD# 61647322
	094039-04-702	EA	POWER SUPPLY (2 WAY) - NORCOLD 61647422
	093846-01-000	EA	BRACKET ASM-TIEDOWN, REFRIGERATOR
	093846-02-000	EA	BRACKET ASM-TIEDOWN, REFRIGERATOR
	064460-01-000	EA	LEVEL-REFRIGERATOR

SMALL NORCOLD 662 REFRIGERATOR

KEY	PART NUMBER	U/M	DESCRIPTION
	104136-02-01A	EA	REFRIG-SMALL DBL DOOR 2-WAY - NORCOLD 662 RH BLK
	075217-01-734	EA	FUSE-3 AMP, NORCOLD 61538822
	075217-01-738	EA	SWITCH-HUMIDITY, NORCOLD 61525422
	084879-03-700	EA	COOLING UNIT - HORIZONTAL BURNER, NORCOLD# 61687237
	084880-01-713	EA	CONNECTOR-MALE, INLET FITTING - NORCOLD# 615256
	084880-01-716	EA	VALVE-SHUT OFF, MANUAL - NORCOLD# 61697922
	084880-01-718	EA	VALVE-GAS, NORCOLD 61551822
	084880-01-722	EA	CRISPER COVER - NORCOLD 615641
	084880-01-728	EA	HINGE BRACKET (CTR HINGE), NORCOLD 61586523
	084880-01-731	EA	HINGE PIN, NORCOLD 61578123
	084880-01-732	EA	LATCH, NORCOLD 61578522
	084880-01-734	EA	BRACKET-HINGE, TOP RH - BOTTOM LH - BROWN NORCOLD 61580837
	084880-01-735	EA	HINGE BRKT, TOP LH-BTM RH BRN - NORCOLD 61580937
	084880-01-739	EA	END CAP (SPRING CATCH) BROWN - NORCOLD 61543722
	004880-01-740	EA	END CAP (STOP CATCH) - NORCOLD 61593830
	084880-01-748	EA	CABLE, NORCOLD 61571522
	084880-01-747	EA	PLUG-HOLE, NORCOLD 61582022
	084880-01-749	EA	HINGE BUSHING - NORCOLD 615807
	084880-01-753	EA	THERMISTER 78° W/CLIP - NORCOLD 61693822
	084880-01-761	EA	END CAP (SPRING CATCH) BLACK 61593730
	084880-02-700	EA	LOWER FLANGE 6663&6663, NORCOLD 61622123
	084880-03-705	EA	BRACKET F/INT REFRIG LIGHT - NORCOLD 61629722
	084880-03-706	EA	LAMP (BULB) - NORCOLD 61628922
	084880-03-707	EA	COVER F/LAMP OR BULB - NORCOLD 61627922
	088248-01-706	EA	BURNER-HORIZONTAL, NORCOLD 61588122
	088248-01-707	EA	ELECTRODE-SENSOR, (HORIZONTAL), NORCOLD# 61573322
	088248-01-708	EA	ELECTRODE-IGNITION, (HORIZONTAL) - NORCOLD# 61573222
	088248-01-709	EA	HEATER-AC, (HORIZONTAL) - NORCOLD# 615627
	088248-01-710	EA	HEATER-DC, (HORIZONTAL) - 3 WAY - NORCOLD# 615628
	094038-01-700	EA	GASKET-LOWER, GRAY - NORCOLD 61567930
	094038-01-701	EA	LINER-DOOR, LOWER - BROWN/WHITE - NORCOLD 61581837-B
	094038-01-702	EA	LINER-DOOR, LOWER - BLACK/WHITE - NORCOLD 61581938-B
	094038-01-703	EA	HANDLE-DOOR, LOWER - BROWN - NORCOLD 61650137
	094038-01-704	EA	HANDLE-DOOR, LOWER - BLACK - NORCOLD 61650138
	094038-01-706	EA	CAB ASM-BLK, WHITE LINER - WITH FRAME - NORCOLD 61663138
	094038-01-703	EA	PLATE-HINGE, LH - BROWN - NORCOLD 61631422
	094039-01-704	EA	PLATE-HINGE, BLACK - NORCOLD 61631430
	094039-01-709	EA	PLATE-HINGE, TOP RH - LH BOTTOM - BROWN - NORCOLD 61631322
	094039-01-710	EA	PLATE-HINGE, BLACK - NORCOLD 61631330
	094039-01-712	EA	DOOR BIN (GRAY) SILVER BORDER - NORCOLD 61564060
	094039-01-718	EA	MILK BIN (GRAY) W/SILVER TRIM - NORCOLD 61579460
	094039-01-719	EA	DAIRY KEEPER (GRAY) SILVER TR 61580460
	094039-01-722	EA	HOLE PLUG (BLK) HINGE HOLES - NORCOLD 61582030
	094039-01-723	EA	HINGE BRKT, TOP RH-BTM LH BLK - NORCOLD 61580838
	094039-01-724	EA	BRACKET-HINGE, TOP LH - BOTTOM RH - BLK - NORCOLD 61580938
	094039-01-725	EA	HINGE PIN (BLACK)(MALE) - NORCOLD 61578130
	094039-01-728	EA	SHELF-FREEZER EVAPORATOR, NORCOLD 615236

GALLEY GROUP (CONTINUED)

SMALL NORCOLD 662 REFRIGERATOR (CONTINUED)

KEY	PART NUMBER	U/M	DESCRIPTION
	094039-01-730	EA	HINGE PIN SHAFT (BLK) CTR HGE - NORCOLD 61688730
	094039-01-732	EA	FRONT COVER (BLK) BTM TRIM - NORCOLD 61622130
	094039-01-733	EA	WIRE SHELF (MIDDLE) - NORCOLD 61663822
	094039-01-734	EA	WIRE SHELF (TOP) WRIBER - NORCOLD 61663722
	094039-01-735	EA	INSIDE DRIP TRAY (WHITE) - NORCOLD 61572830
	094039-01-738	EA	SWITCH-LIGHT, BLACK - NORCOLD 615810
	094039-01-739	EA	SHELF (CUTOUT) - NORCOLD 61648722
	094039-04-700	EA	PC BOARD-2 WAY NORCOLD# 61647322
	094039-04-701	EA	EYEBROW (SHELL) 2 WAY - NORCOLD 61669822
	094039-04-702	EA	POWER SUPPLY (2 WAY) - NORCOLD 61647422
	093846-01-000	EA	BRACKET ASM-TIEDOWN, REFRIGERATOR
	093846-02-000	EA	BRACKET ASM-TIEDOWN, REFRIGERATOR
	064460-01-000	EA	LEVEL-REFRIGERATOR

RANGE HOODS

KEY	PART NUMBER	U/M	DESCRIPTION
	100258-22-02A	EA	HOOD-RANGE 22W W/MONITOR PANEL - VENTLINE US
	100258-23-02A	EA	HOOD-RANGE 22W W/MONITOR PANEL - VENTUNE CSA
	075470-01-703	EA	SWITCH-ON/MOMENTARY, JENSEN RP1018
	090973-01-700	EA	MOTOR - LVS CA508-1
	090973-01-702	EA	BLADE-FAN, LVS VA183-1
	092898-01-701	EA	KNOB-LEVER, CABLE - PLASTIC - BLACK - VENTLINE CC225
	092898-01-702	EA	RESISTOR-WIRE, VENTLINE L7314
	092898-01-709	EA	BULB-912, VENTLINE VA415
	092898-01-710	EA	SOCKET-LIGHT, VENTLINE CB267-2
	098983-01-700	EA	SWITCH-ON/OFF, VENTLINE 108
	098983-01-702	EA	SWITCH-TWO WAY MOMENTARY, VENTLINE 112
	098983-01-703	EA	SWITCH-ON/ON - JENSEN 115
	098983-01-707	EA	FILTER-GREASE, 8" X 8" - LVS CC246
	098983-01-708	EA	LENS-LAMP, VENTLINE CC179
	100258-04-701	EA	BEZEL-SWITCH LEVER, CABLE TO VENT - VENTLINE CC118
	100258-04-702	EA	SWITCH-LEVER, W/CABLE - VENTLINE CB547-1
	100258-10-700	EA	METER-HOUR, VENTLINE 150
	100258-11-700	EA	CIRCUIT BOARD, VENTLINE 5079-01
	100258-12-700	EA	PANEL ASM, VENTLINE 9078
	100258-10-01A	EA	METER-HOUR, VENTLINE 150

1992 WINNEBAGO TABLE OF CONTENTS

INTRODUCTION	A-01	A-02
ABBREVIATIONS		A-03
ALPHABETICAL INDEX	A-04	A-08
WF527RQ	A-07	D-24
WF527RC	E-01	H-16

1992 WF527RQ INDEX

FLOOR PLAN	A-07	A-08
ACCESSORIES		A-09
AUDIO VIDEO		A-10
BATH	A-11	A-12
BEDROOM	A-13	A-17
CHASSIS	A-18	A-22
CURTAIN & CUSHION	A-23	B-08
DINETTE	B-09	B-10
DRIVERS	B-11	B-12
ELECTRICAL	B-13	B-18
EXTERIOR BODY	B-17	B-24
GALLEY	C-01	C-05
GENERATOR		C-06
HEATING & A/C	C-07	C-08
INTERIOR FINISH	C-09	C-12
LABEL	C-13	C-19
LP		C-20
LOUNGE	C-21	C-27
SEALANTS & FASTENERS	C-23	D-01
WATER & SEWAGE	D-02	D-06
WINDOW, VENT AND EXTERIOR DOOR	D-07	D-24

GALLEY GROUP (CONTINUED)

MAGIC CHEF RANGE

KEY	PART NUMBER	U/M	DESCRIPTION
	109022-01-03A	EA	RANGE-18" 4 BURNER BLACK - MAGIC CHEF
	066382-03-705	EA	TRIM-CABINET, LEFT - BLACK - MAGIC CHEF 3808F011-70
	066382-03-707	EA	TRIM-CABINET, RIGHT - BLACK - MAGIC CHEF 3808F012-70
	088807-02-701	EA	INSERT-BURNER (SLOTTED VENT), MAGIC CHEF 7214P015-80
	102020-01-700	EA	SHelf-OVEN, MAGIC CHEF - 7801-P027-80
	102020-01-701	EA	HANDLE-DOOR, MAGIC CHEF - 7701P092-80
	102020-01-702	EA	PANEL-MANIFOLD, MAGIC CHEF 2818F080-70
	102020-01-704	EA	PANEL-DOOR, BLACK - MAGIC CHEF - 2401F075-70
	102020-01-708	EA	BURNER ASSEMBLY-OVEN, MAGIC CHEF 3403W003-45
	102020-01-711	EA	GRATE-TOP, MAGIC CHEF 7518P012-80
	102020-01-712	EA	KNOB-BURNER VALVE, MAGIC CHEF 7733P044-80
	102020-01-713	EA	KNOB-THERMOSTAT, MAGIC CHEF 7731P042-80
	102020-01-714	EA	PILOT-OVEN, MAGIC CHEF 888-143
	102020-01-715	EA	PIPE-MANIFOLD, MAGIC CHEF 7513P095-80
	102020-01-717	EA	THERMOSTAT, MAGIC CHEF 7515P024-80
	102020-01-718	EA	TOP-MAIN, ALMOND - MAGIC CHEF 2001F085-84
	102020-01-719	EA	TOP-MAIN, BLACK - MAGIC CHEF 2001F086-80
	102020-01-720	EA	VALVE-MERCURY CONTROL, MAGIC CHEF 7501P055-80
	102020-01-722	EA	VALVE-TOP BURNER, MAGIC CHEF 7502P095-80
	102020-01-723	EA	PILOT-BURNER, MAGIC CHEF 7305P147-80
	102020-01-724	EA	BUMPER-MAIN TOP, MAGIC CHEF 8003P008-80
	102022-01-702	EA	PIPE-MANIFOLD, MAGIC CHEF 7513P095-80
	102022-01-703	EA	REGULATOR-PRESSURE, MAGIC CHEF 7510P031-80
	102022-01-708	EA	TRIM-LEFT, FLAT - MAGIC CHEF 3808W022-70
	102022-01-707	EA	TRIM-RIGHT, FLAT - MAGIC CHEF 3808W023-70
	066518-03-000	EA	BRACKET-REAR TIEDOWN, RANGE WOVEN
	066518-04-000	EA	BRACKET-FRONT TIEDOWN, RANGE WOVEN

MICROWAVE OVEN

KEY	PART NUMBER	U/M	DESCRIPTION
	091289-05-000	EA	OVEN-MICROWAVE, MAGIC CHEF M15E-9PB
	094745-01-01A	EA	TRIM-MICROWAVE, LOWER - BLACK
	094774-03-01A	EA	TRIM-MICROWAVE, EITHER SIDE - 1 5" X 14 8" - METAL - BLACK
	098918-03-01A	EA	BRACE-MICROWAVE CABINET, LEFT - 9 4" X 7 5" - STEEL
	098918-04-01A	EA	BRACE-MICROWAVE CABINET, RIGHT - 9 4" X 7 5" - STEEL
	094750-01-000	EA	BRACKET-MICROWAVE, 90 DEGHEE - STEEL

FROM 03-04-91 THRU 99-99-99

COFFEE MAKER

KEY	PART NUMBER	U/M	DESCRIPTION
	103799-01-02A	EA	COFFEE MAKER, ALMOND
	104610-01-000	EA	STRV. ASM-COFFEE MAKER

GENERATOR GROUP

4 KW KOHLER GENERATOR

KEY	PART NUMBER	U/M	DESCRIPTION
	106623-01-000	EA	GENERATOR-4KW, LOW PROFILE - KOHLER 4CKM21
	106627-01-000	EA	PIPE-EXHAUST ADAPTER, KOHLER 278624
	106628-01-000	EA	MUFFLER-FRONT EXHAUST, 'NO SPARK - KOHLER 278734
	106802-01-000	EA	GASKET-EXHAUST, KOHLER-278320
	105732-01-000	EA	TRAY ASM-GENERATOR
	106528-01-000	EA	ARRESTER-SPARK, KOHLER 278821
	108172-01-000	EA	PIPE-EXHAUST ADAPTER
	007087-01-000	SF	INSULATION-FIBERGLASS - 1" THICK X 4' - INCREMENTS OF 4 SF

4 KW ONAN GENERATOR

KEY	PART NUMBER	U/M	DESCRIPTION
	100974-01-000	EA	GENERATOR-4.0KW EMERALD PLUS, ONAN BGE-FA/281003
	105732-01-000	EA	TRAY ASM-GENERATOR
	079854-05-000	EA	PIPE-EXHAUST, ANGLED - W/FLANGE - 2" ID - ONAN# 154-2539
	081384-01-000	EA	MUFFLER-GENERATOR, W/8.5' LONG TAILPIPE
	088252-01-000	EA	PIPE-EXHAUST, W/2 BOLT HOLE FLANGE
	088494-01-000	EA	BRACKET-EXHAUST, W/DOUBLE BEND
	094059-01-000	EA	SPACER-GENERATOR, ONAN
	078045-01-000	EA	STRAP-SUPPORT, GENERATOR - 4 HOLE
	084385-01-000	EA	STRAP-SUPPORT, GENERATOR - 2 HOLE
	007087-01-000	SF	INSULATION-FIBERGLASS, 1" THICK X 4' - INCREMENTS OF 4 SF

1992 WINNEBAGO TABLE OF CONTENTS

INTRODUCTION	A-01	-	A-02
ABBREVIATIONS			A-08
ALPHABETICAL INDEX	A-04	-	A-08
WF527RQ	A-07	-	D-24
WF527RC	E-01	-	H-18

1992 WF527RQ INDEX

FLOOR PLAN	A-07	-	A-08
ACCESSORIES			A-09
AUDIO VIDEO			A-10
BATH	A-11	-	A-12
BEDROOM	A-13	-	A-17
CHASSIS	A-18	-	A-22
CURTAIN & CUSHION	A-23	-	B-08
DINETTE	B-09	-	B-10
DRIVERS	B-11	-	B-12
ELECTRICAL	B-13	-	B-16
EXTERIOR BODY	B-17	-	B-24
GALLEY	C-01	-	C-05
GENERATOR			C-06
HEATING & A/C	C-07	-	C-08
INTERIOR FINISH	C-09	-	C-12
LABEL	C-13	-	C-19
LP			C-20
LOUNGE	C-21	-	C-22
SEALANTS & FASTENERS	C-23	-	D-01
WATER & SEWAGE	D-02	-	D-08
WINDOW, VENT AND EXTERIOR DOOR	D-07	-	D-24

HEATING & AIR CONDITIONING GROUP

HEATING & AIR CONDITIONING GROUP (CONTINUED)

FURNACE

KEY	PART NUMBER	U/M DESCRIPTION
	082286-01-000	EA THERMOSTAT-WALL, FURNACE - SUBURBAN 0180877
	082288-06-000	EA FURNACE-30000 BTU - SUBURBAN 8F-30
	082294-01-733	EA RELAY, TIME DELAY 20&30 BTU, SUBURBAN 231202
	078888-01-708	EA MICRO SWITCH (FOR MODEL 30 & 348) - SUBURBAN 230609
	080088-01-708	EA GASKET, OBSERVATION HOLE CUR. - SUBURBAN 070387
	082300-01-704	EA GASKET-ELECTRODE, SUBURBAN 070183
	082300-02-701	EA OFFICE, MAIN BURNER - SUBURBAN 1A0214
	082308-01-700	EA CABINET FRONT, SUBURBAN 101242
	082308-01-701	EA CABINET ASM, SUBURBAN 101289
	082308-01-702	EA ELECTRODE, SUBURBAN 231740
	082308-01-704	EA VALVE, SUBURBAN 180888
	082308-01-705	EA SWITCH-LIMIT, SUBURBAN 231630
	082308-01-706	EA WHEEL-COMBUSTION AIR, SUBURBAN 350122
	082308-01-707	EA VENT CAP & EXHAUST TUBE ASM, SUBURBAN 280183
	082308-01-708	EA BLOWER ASM (COMBUSTION AIR), SUBURBAN 380441
	082308-01-709	EA MOTOR ASM - FOR 8F-25, 8F-30 - SUBURBAN 231708
	082308-01-710	EA BLOWER ASM (ROOM AIR), SUBURBAN 380440
	082308-01-711	EA WHEEL, ROOM AIR - SUBURBAN 350123
	082308-01-712	EA BOARD-MODULE, SUBURBAN 231741
	082308-01-713	EA INTAKE VENT TUBE ASM - SUBURBAN 061044
	082309-02-700	EA BURNER ASM COMPLETE (8F-30/8F35), SUBURBAN 010746
	082308-06-000	EA DOOR ACCESS, FURNACE - OFF WHITE - SUBURBAN 520674

REAR HEATER

KEY	PART NUMBER	U/M DESCRIPTION
	084405-01-000	EA HEATER ASM-REAR, DUCTED - W/MOTOR AID - EVANS
	084405-01-700	EA HEATER CORE
	084405-01-701	EA FAN
	084405-11-702	EA MOTOR-12 VOLT ASSY
	087202-11-000	EA SWITCH-4 POSITION, W/KNOB
	088078-01-000	EA DECAL-AUTO AIR & REAR HEATER

HEATING COMPONENTS

KEY	PART NUMBER	U/M DESCRIPTION
	023145-01-000	EA CLAMP-SCREW TYPE - 4"
	068636-02-000	EA CONNECTOR-DUCT- 4" ID - SUBURBAN 050715
	009198-01-000	FT DUCT-HEAT-FLEXIBLE - 4" ID X 25 FT
	083814-01-01A	EA GRILLE-RETURN AIR- FURNACE - 15 8" X 11 8" - BROWN
	079059-01-000	EA HOSE-90 DEGREE- 5/8" ID X 4" X 36"
	079059-13-000	EA HOSE-90 DEGREE- 81" ID X 4" X 48"
	079059-01-000	EA HOSE-90 DEGREE- 5/8" ID X 4" X 36"
	007108-01-000	FT HOSE-HEATER- 5/8" ID - HI-TEMP - FORD ESE-M2D182-A
	068484-05-000	EA REGISTER-PLASTIC W/O DAMPER - 4" DIAMETER - GOLDEN
	008200-01-000	EA TAPE-FURNACE, 1 1/2"
	089387-01-000	EA TEE-4" OD, 7" LONG - METAL
	078778-01-000	EA TEE-BARB, 5/8" X 5/8" X 5/8"
	088753-01-000	FT TUBE-ALUMINIZED STEEL, 5/8" - 18 GAUGE
	008042-01-000	FT TUBING-VINYL, 85" ID

ROOF A/C

KEY	PART NUMBER	U/M DESCRIPTION
	083783-01-04A	EA AC-ROOF, 138000 BTU - OFF WHITE - COLEMAN 87580707/8789E7
	083783-04-700	EA SHROUD-ROOF A/C, V/O LOGOS - COLEMAN 8758-4801
	083308-01-701	EA DECAL PKG, LEFT&RIGHT, COLEMAN# 87583381
	078908-01-712	EA MOTOR, COLEMAN# 8707A3119
	081225-01-708	EA START RELAY, COLEMAN# 1487-4131
	081225-01-710	EA START CAPACITOR, COLEMAN# 1487-0881
	073742-02-704	EA RUN CAPACITOR (COMPRESSOR), COLEMAN# 1488-4881
	083783-01-702	EA OVERLOAD, COLEMAN# 8758-3281
	083783-01-703	EA IMPELLOR-7" DIA X 2 8" WIDE, COLEMAN# 8758-3271
	083783-01-704	EA CAPACITOR-FAN, COLEMAN# 1488-3481
	083783-01-707	EA EVAPORATOR COIL-COLEMAN# 1482-1351
	083783-01-708	EA CONDENSER COIL-COLEMAN# 1482-1251
	083783-01-711	EA GASKET PACKAGE, COLEMAN# 8758-3281
	083783-01-712	EA FAN BLADE-CONDENSER, COLEMAN# 8733-3221
	083783-01-713	EA COMPRESSOR-E SERIES, COLEMAN# 8758-3688
	083784-01-000	EA CEILING ASM-AC COOL ONLY, T8R - COLEMAN 87580714
	042204-01-709	EA THERMOSTAT IN-84, OUT-88, COLEMAN# 8701-3401
	042205-01-702	EA THERMOSTAT IN-88, OUT-88, COLEMAN# 8703-3401
	073742-01-701	EA SELECTOR SWITCH (5 TERMINAL), COLEMAN# 8758-3251
	073742-01-702	EA DECAL COOL ONLY, COLEMAN# 8758C3431
	083783-01-703	EA DECAL HEAT&COOL, COLEMAN# 8758-3481
	081806-01-708	EA LIMIT SWITCH (OPEN 180, CLOSE 110), COLEMAN# 8703-304
	081225-01-713	EA KNOB (2 PER PACKAGE), COLEMAN# 8701-3351
	078303-01-707	EA FILTER-8" X 14 3/4" X 1/2", 12 PER PKG COLEMAN# 8703A3151
	081225-01-717	EA DECAL (THERMOSTAT) COOL ONLY, COLEMAN# 8789A3441
	081806-01-712	EA CEILING SHROUD (IVORY), COLEMAN# 8789-5081
	083783-01-705	EA DECAL-HEAT/COOL THERMOSTAT, COLEMAN# 8789A3471
	083783-01-706	EA HEAT ELEMENT-COLEMAN# 8788-3321
	083783-01-710	EA SINGLE PARTS PACKAGE, COLEMAN# 8758-5841
	102289-01-000	EA SPRING-SCREW ROOF A/C GASKET - COLEMAN 8757-150
	022758-02-000	EA COVER-PROTECTIVE, 5 5" ENDS X 8 2" - PLASTIC - OFF WHITE
	022758-03-000	EA COVER-AC - PLASTIC - OFF WHITE

AC-13800 BTU-EUROPE

KEY	PART NUMBER	U/M DESCRIPTION
	092440-01-000	EA AC-ROOF, 13500 BTU - 220V - 50HZ - COLEMAN# 8713C750
	092441-01-000	EA CEILING ASM-AC, 220V - 50HZ - COLEMAN# 8712ET18
	102289-01-000	EA SPRING-SCREW, ROOF A/C GASKET - COLEMAN 8757-150
	084077 03-000	EA COVER-BLANK, ROOF A/C - 5 2" X 3 5" - IVORY

**1992 WINNEBAGO
TABLE OF CONTENTS**

INTRODUCTION	A-01 - A-02
ABBREVIATIONS	A-03
ALPHABETICAL INDEX	A-04 - A-08
WF527RQ	A-07 - D-84
WF527RC	E-01 - H-18

1992 WF527RQ INDEX

FLOOR PLAN	A-07 - A-08
ACCESSORIES	A-09
AUDIO VIDEO	A-10
BATH	A-11 - A-12
BEDROOM	A-13 - A-17
CHASSIS	A-18 - A-22
CURTAIN & CUSHION	A-23 - B-08
DINETTE	B-09 - B-10
DRIVERS	B-11 - B-12
ELECTRICAL	B-13 - B-18
EXTERIOR BODY	B-17 - B-24
GALLEY	C-01 - C-05
GENERATOR	C-06
HEATING & A/C	C-07 - C-08
INTERIOR FINISH	C-09 - C-12
LABEL	C-13 - C-14
LP	C-20
LOUNGE	C-21 - C-22
SEALANTS & FASTENERS	C-23 - D-01
WATER & SEWAGE	D-C2 - D-08
WINDOW, VENT AND EXTERIOR DOOR	D-07 - D-24

INTERIOR FINISH GROUP

MOLDINGS & TRIMS

KEY	PART NUMBER	U/M	DESCRIPTION
	008787-12-000	FT	MOLDING-SIDEWALL TO CEILING/CABINET, WELTING - OFF WHITE
	008808-22-000	EA	MOLDING-CORNER, OUTSIDE - 1" - PLASTIC - IVORY
	008808-24-000	EA	MOLDING-CORNER, OUTSIDE - 1" - PLASTIC - THOR PECAN
	008812-25-000	EA	MOLDING-CORNER, OUTSIDE - .5" - PLASTIC - PECAN
	078812-24-000	EA	MOLDING-PLASTIC, OUTSIDE CORNER - .80" - MODERN IVORY
	082882-01-000	FT	MOLDING-REVERSE COVE, T-SHAPED - VINYL - WHITE
	082882-11-000	FT	MOLDING-REVERSE COVE, T-SHAPED - VINYL - IVORY
	070804-01-000	FT	U-CHANNEL-PLASTIC, .085" WIDE - LIGHT BROWN - INC OF 8"
	070804-20-000	FT	U-CHANNEL-PLASTIC, .815" WIDE - THOR PECAN - INC OF 8"
	008778-11-000	FT	U CHANNEL-PLASTIC 1" WIDE X 8" INCREMENTS - IVORY
	075248-01-000	EA	RAILING-OAK, 72" EA - UNFINISHED
	075325-18-000	FT	MOLDING-EDGE BAND, 1 5/16" WIDE - WOODGRAIN - REGAL OAK
	075325-32-000	FT	MOLDING-EDGE BAND, 1 5/16" WIDE - TAUPE (C62)
	075325-34-000	FT	MOLDING-EDGE BAND, 1 5/16" WIDE (C63)
	075325-33-000	FT	MOLDING-EDGE BAND, 575 X 024 X 800MM - TAUPE (C62)
	075325-35-000	FT	MOLDING-EDGE BAND, 575 X 024 X 800MM - ORCHID (C63)
	081294-02-000	EA	MOLDING-SHELF, NOTCHED WOOD - 6" LONG
	008815-09-000	FT	T-MOLDING, .75" - IVORY
	083820-07-000	FT	T-MOLDING, END CAP EDGE - WEDGE LIPS - .75" - THOR PECAN
	083820-09-000	FT	T-MOLDING, 3/4 WEND CAP EDGE - MODERN IVORY
	104875-01-01A	FT	T-MOLDING, 5/16 - RIGID
	085748-01-000	FT	TRIM-J, CARPET - 1 2" X .5" ANGLE - 10' LONG - PVC - BEIGE
	082707-01-01A	EA	MOLDING-WOOD, TABLE LEG - 27" - REGAL OAK
	083873-01-02A	EA	TRIM-CARPET, L-ANGLE - 1 1" X 1.3" X 12" - VINYL - TAN
	088204-02-01A	EA	TRIM-J, 5" EXPOSED - 1" X 52.1" LONG - METAL - OFF WHITE
	100858-01-AB1	EA	TRIM-FLOOR, 72" X 1" X 1/2" - WOOD
	082331-D2-134	EA	MOLDING-VINYL WRAPPED, .7" X 1 57" X 84" - WOODGRAIN
	082331-F2-134	EA	MOLDING-VINYL WRAPPED, 7" X 2 5" X 7" - WOODGRAIN
	100818-01-01A	EA	MOLDING-VINYL WRAPPED, 1 85" X .4" X 7" - REGAL OAK
	100819-01-01A	EA	MOLDING-VINYL WRAPPED, L-SHAPED - 1 5" X 1 5" X 7" - OAK
	103185-01-02A	FT	MOLDING-EDGE, SHELF - 78" WIDE - PLASTIC - REGAL OAK
	105004-01-01A	EA	MOLDING-VINYL WRAP - REGAL OAK
	105618-01-01A	FT	MOLDING-EDGE, 5/16 - GOLD WADHESIVE
	082330-D2-438	EA	LUMBER-VINYL WRAPPED, .7" X 1 5" X 8" - WOODGRAIN
	082330-E2-438	EA	LUMBER-VINYL WRAPPED, .7" X 2" X 98" - WOODGRAIN
	082330-03-000	EA	LUMBER-VINYL WRAPPED, 2" X 98" - WOODGRAIN
	082330-05-000	EA	LUMBER-VINYL WRAPPED - REGAL OAK
	088733-70-000	EA	BATT STRIP-WOODGRAIN, 8" EA - REGAL OAK
			FROM 00-00-00 THRU. 02-23-92
	088733-80-000	EA	BATT-STRIP, WOODGRAIN - 8" - WINNI OAK
			FROM 02-24-92 THRU 99-99-99
	079853-04-000	EA	BATT STRIP-KERFED, WOODGRAIN
	085284-03-000	FT	BATT STRIP-WOODGRAIN, ADHESIVE BACKED - REGAL OAK
			FROM 00-00-00 THRU 02-23-92
	085284-88-000	FT	BATT STRIP-WOODGRAIN, ADHESIVE BACKED - FOREST OAK
			FROM 02-24-92 THRU 99-99-99
	085284-48-000	FT	BATT STRIP-TAPE, MARBLE - DEWBERRY DECOR (MAIN WALL)
	085284-45-000	FT	BATT STRIP-TAPE, FRONDS - DEWBERRY DECOR (BATH & GALLEY)
	085229-01-000	EA	RETAINER-BATTEN, CEILING - 75" WIDE - 7 6" EA
	085229-04-000	EA	BATTEN-CEILING, 1" WIDE - IVORY - 7 6" EA
	088283-81-000	EA	BATT-STRIP, MARBLE - DEWBERRY DECOR (MAIN WALL)
	088283-82-000	EA	BATT-STRIP, FRONDS - DEWBERRY DECOR (BATH & GALLEY)
	088283-71-000	EA	BATT STRIP-DECORATIVE, 8" - FAWN - TROWELL WORK

INTERIOR FINISH GROUP (CONTINUED)

PANELING, LAMINATED & PLASTIC

KEY	PART NUMBER	U/M	DESCRIPTION
	000885-84-000	BF	PARTICLE BOARD-3/8" X 48" X 96", FOREST OAK - VINYL 2 SIDES
	000885-88-000	BF	PARTICLE BOARD-3/4" X 80" X 96", FOREST OAK - VINYL 2 SIDES
	082818-02-000	BF	PLYWOOD-OAK, 1 SIDE FINISHED - 3/16" X 4' X 8' (32 BF)
	082827-01-000	BF	PLYWOOD-LUAN, OVERLAY GRADE - 4" X 8' (32 BF)
	088888-01-000	BF	VENEER-FLAT LUANA, 48" X 96"
	074437-18-000	BF	PANELING-CEILING, 4' X 8' - 1/4" OF 32 BF
	074487-20-700	BF	PANELING-WOODGRAIN, 4' X 8' - INCREMENTS OF 32 BF
	088272-72-000	BF	PANELING-SHOWER, OFF WHITE - 4' X 7' - INC. OF 28 BF
			FROM 00-00-00 THRU: 03-15-92
	088272-88-000	BF	PANELING-SHOWER, ANTIQUE WHITE, 4' X 7' - 1/4" OF 28 BF
			FROM: 03-15-92 THRU: 99-99-99
	088272-82-000	BF	PANELING-MARBLE DEWBERRY, 3MM X 48" X 84" DECOR (MAIN WALL)
	088272-85-000	BF	PANELING-FRONS DEWBERRY, 3MM X 48" X 84" DECOR (BATH & GALLEY)
	088951-03-000	YD	VINYL-CEILING, DIAMOND DESIGN - 54" WIDE
	074488-41-000	BF	LAMINATE-PLASTIC, 5' X 8' - GREY/BEIGE - INC OF 40 BF (C62)
	083743-02-01A	BF	LAMINATE-PLASTIC, 5' X 8' - ORCHID MIST - INC. OF 40 BF (C63)
	083743-03-01A	BF	PLASTIC-ABS, 20" WIDE ROLL - OFF WHITE
		BF	PLASTIC-ABS, 10.8" WIDE - OFF WHITE

CARPETING & FLOOR MATS

KEY	PART NUMBER	U/M	DESCRIPTION
	088080-33-000	8Y	CARPET-12' ROLL, INCREMENTS OF 4 8Y - BROWN SPECIAL (C62)
	088080-23-000	8Y	CARPET-12' ROLL, INCREMENTS OF 4 8Y - BLUE MIST (C63)
	047034-02-000	8F	PLASTIC-CARPET, 4" WIDE - CLEAR POLY - MINIMUM ORDER 1,000 8F
	075233-01-000	8Y	PAD-CARPET, 3/8" X 8' ROLL
	081075-03-000	EA	MAT-FLOOR ENTRANCE, WINNEBAGO - PLASTICOLOR GRAY
	108884-01-000	EA	MAT-FLOOR, PASSENGER - "W" - FORD
	108884-02-000	EA	MAT-FLOOR, DRIVER - "W" - FORD

FIRE EXTINGUISHER, SMOKE DETECTOR & CLOCK

KEY	PART NUMBER	U/M	DESCRIPTION
	072852-01-000	EA	DETECTOR-SMOKE, W/9 VOLT BATTERY
	072852-02-000	EA	DETECTOR-SMOKE, W/9 VOLT BATTERY (CANADIAN)
	094499-01-000	EA	EXTINGUISHER-FIRE, DRY W/MOUNTING BRACKET - 10 BC
	094499-02-000	EA	EXTINGUISHER-FIRE, DRY - 1A10BC - CANADIAN
	094499-01-700	EA	BRACKET-MOUNTING, W/PLASTIC STRAP - FIRE EXTINGUISHER
	100793-01-01A	EA	CLOCK-WALL, OVAL - 9 5" X 11 1" (USED W/BACKPLATE)
	101333-01-000	EA	BACKPLATE-CLOCK, 8" X 8" - PLASTIC - BLACK
	104784-01-01A	EA	CLOCK-WALL, SPARTUS 5818-42

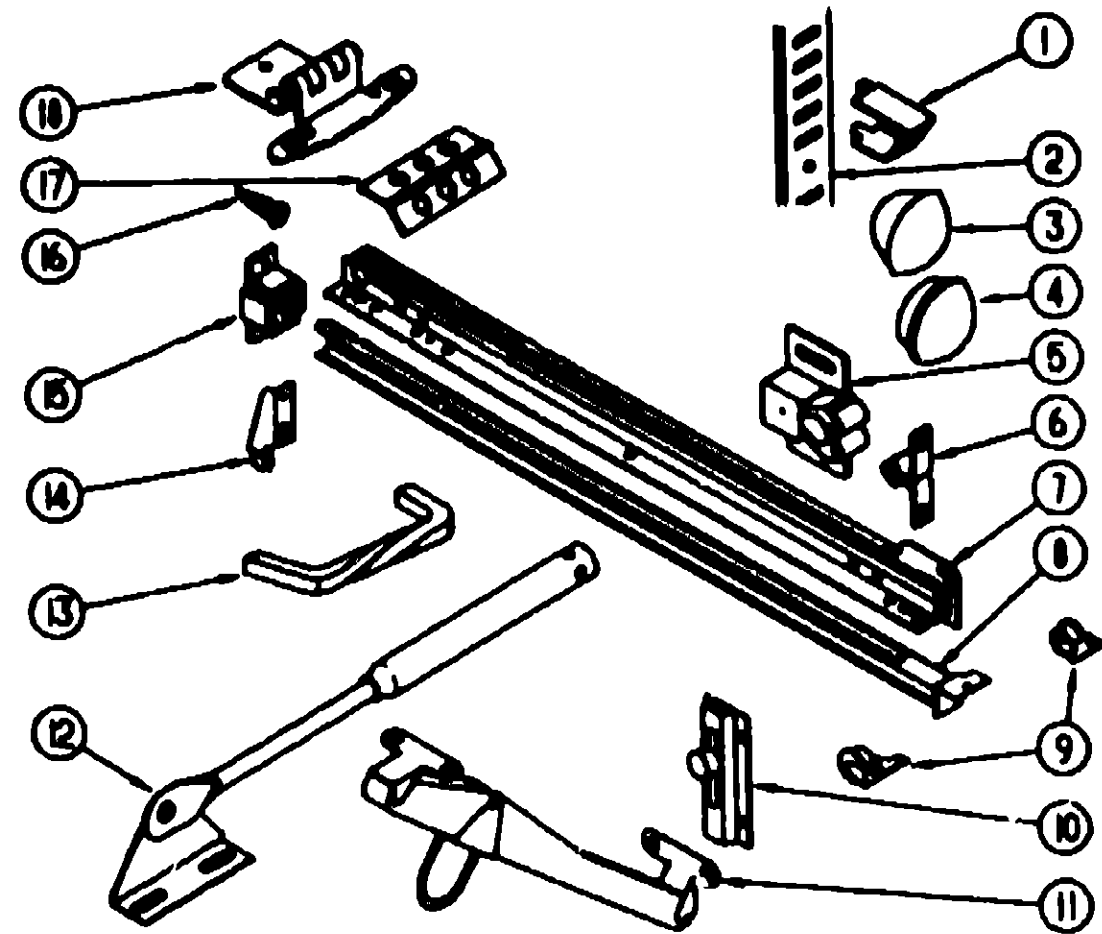
**1992 WINNEBAGO
TABLE OF CONTENTS**

INTRODUCTION	A-01	-	A-02
ABBREVIATIONS			A-08
ALPHABETICAL INDEX	A-04	-	A-08
WF527RQ	A-07	-	D-94
WF527RC	E-01	-	H-18

1992 WF527RQ INDEX

FLOOR PLAN	A-07	-	A-08
ACCESSORIES			A-09
AUDIO VIDEO			A-10
BATH	A-11	-	A-12
BEDROOM	A-13	-	A-17
CHASSIS	A-18	-	A-22
CURTAIN & CUSHION	A-23	-	B-08
DINETTE	B-09	-	B-10
DRIVERS	B-11	-	B-12
ELECTRICAL	B-13	-	B-16
EXTERIOR BODY	B-17	-	B-24
GALLEY	C-01	-	C-05
GENERATOR			C-08
HEATING & A/C	C-07	-	C-08
INTERIOR FINISH	C-09	-	C-12
LABEL	C-13	-	C-19
LP			C-20
LOUNGE	C-21	-	C-22
SEALANTS & FASTENERS	C-23	-	D-01
WATER & SEWAGE	D-02	-	D-08
WINDOW, VENT AND EXTERIOR DOOR	D-07	-	D-24

INTERIOR FINISH GROUP (CONTINUED)



CABINET & TABLE HARDWARE

KEY	PART NUMBER	U/M	DESCRIPTION
1	008979-01-000	EA	CLIP-ADJUSTABLE SHELF
2	008980-01-000	EA	PILASTER-ADJUSTABLE SHELF, 18" LONG
3	042355-01-000	EA	PLUG-BUTTON, MAHOGANY - 3/8" DIAMETER - WOOD
4	074045-07-000	EA	PLUG-WOOD, 1/2"
5	083585-03-000	EA	CATCH-SPRING, ROLLER
6	083588-04-000	EA	STRIKE-SPRING STEEL
7	101910-03-000	EA	SLIDE-DRAWER, CABINET MOUNTED - SET OF 2 - 12" LONG
7	101910-04-000	EA	SLIDE-DRAWER, DRAWER MOUNTED - SET OF 2 - 12" LONG
8	102827-05-000	EA	TRACK-DRAWER, 22 8" LONG
9	102827-03-000	EA	ROLLER-DRAWER, NYLON - PAIR
10	081804-01-000	EA	SLIDE-BOLT, ANTIQUE BRASS
11	104181-01-01A	EA	SUPPORT-LEAF, 5 3" - EXTENDS TO 7 5" - SAFETY FINL. - METAL
12	074483-02-000	EA	SUPPORT-PISTON SPRING, CABINET DOOR
13	103855-01-000	EA	PULL-CABINET, BRASS - 3" ON CENTER
14	102827-02-000	EA	BRACKET-ROLLER, DRAWER - REAR
15	102827-04-000	EA	BRACKET-MOUNTING, DRAWER - REAR

INTERIOR FINISH GROUP (CONTINUED)

CABINET & TABLE HARDWARE (CONTINUED)

KEY	PART NUMBER	U/M	DESCRIPTION
16	000013-08-100	EA	SCREW-8-20 X 5/8 PPH, ANTIQUE L'ASS (HINGE 089777-02-000)
16	000013-08-080	EA	SCREW-8-20 X 5/8 PPH, ANTIQUE BRASS (HINGE 108138-01-000)
17	008089-01-000	EA	HINGE-DOOR, 2" X 1.4" - BRASS
17	008089-12-000	EA	HINGE-DOOR, 2" X 2.7" - BRASS
18	089777-02-000	EA	HINGE-CABINET DOOR, BURNISHED BRASS
18	108138-01-000	EA	HINGE-DOOR, CABINET - BURNISHED BRASS
			FROM: 00-00-00 THRU: 04-18-82
			FROM: 04-17-82 THRU: 99-99-99
	008089-01-000	EA	HINGE-CONTINUOUS, 1 1/2" X 7 1/2" - UNPAINTED
	085740-01-000	EA	BRACE-CABINET CORNER, PLASTIC
	018804-01-000	EA	BRACE-CABINET, ANGLE - 2.5" - METAL - UNPAINTED
	018804-03-000	EA	BRACE-CABINET, ANGLE - 2.5" - METAL - BEIGE
	078827-04-000	EA	BRACKET-BUNK/BED, 2.8" X 1.8" TRIANGLE - METAL - OFF WHITE
	078790-01-000	EA	SCREW, 8-20 X 1 1/4 PPH - BLACK
	083204-02-000	EA	BUTTON-RETAINING, MIRROR - 3/16" TIP - WALNUT
	004354-01-000	EA	BUMPER-PLUBBER, 5" DIA - BROWN
	023320-01-000	EA	PAD-FELT, 3/8" DIAMETER - BROWN
	104888-01-000	EA	CATCH-WOOD, VINYL FACE CABINET
	104888-02-000	EA	CATCH-WOOD, LAMINATED FACE
	108037-02-000	LA	FASTENER-WOOD, CORNER - METAL - 5" X 6"
	008112-01-000	EA	FLANGE-1" ROD, CLOTHES - PLASTIC - OFF WHITE
	042438-01-000	EA	DOWEL-WOOD, CLOTHES ROD - 1" DIAMETER X 4"
	042438-02-000	EA	DOWEL-WOOD, 2" X 2"
	078840-01-000	EA	CORD-BUNGIE, 24"
	041255-02-000	FT	SEAL-ADHESIVE BACKED FOAM, 18" THICK X 1 5" WIDE
	103130-01-000	EA	HOOK-CUP, BRASS - 1 25"
	084487-01-000	EA	GUIDE-POCKET, SLIDING DOOR - WALL MOUNTED

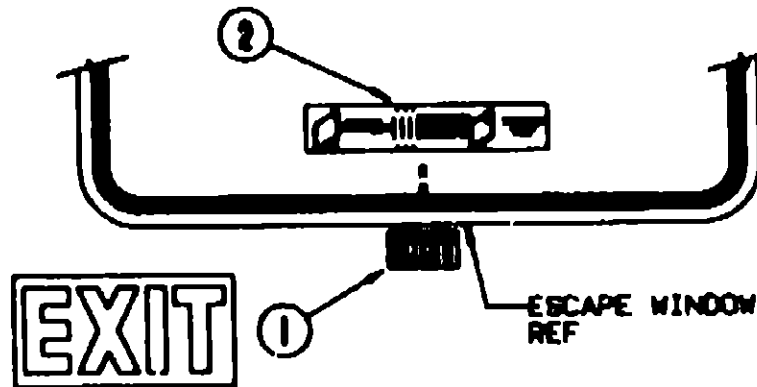
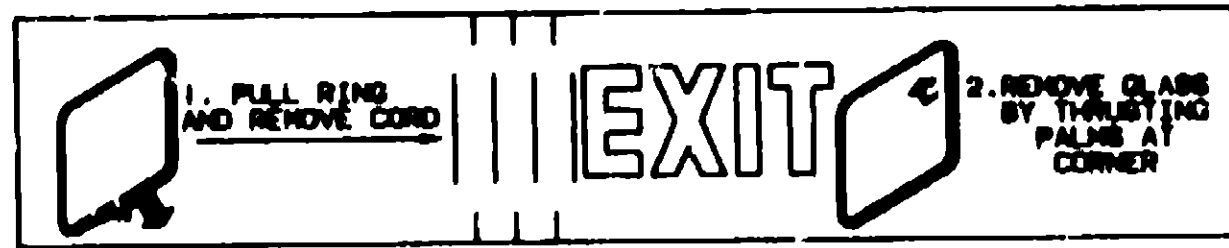
**1992 WINNEBAGO
TABLE OF CONTENTS**

INTRODUCTION	A-01 - A-02
ABBREVIATIONS	A-03
ALPHABETICAL INDEX	A-04 - A-05
WF527RQ	A-07 - D-84
WF527RC	E-01 - H-18

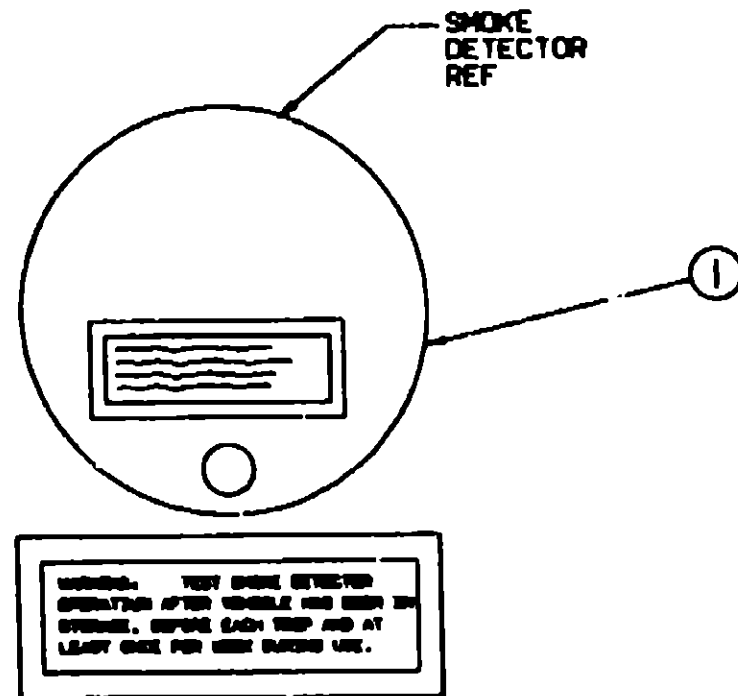
1992 WF527RQ INDEX

FLOOR PLAN	A-07 - A-08
ACCESSORIES	A-09
AUDIO VIDEO	A-10
BATH	A-11 - A-12
BEDROOM	A-13 - A-17
CHASSIS	A-18 - A-22
CURTAIN & CUSHION	A-23 - B-08
DINETTE	B-09 - B-10
DRIVERS	B-11 - B-12
ELECTRICAL	B-13 - B-16
EXTERIOR BODY	B-17 - B-24
GALLEY	C-01 - C-05
GENERATOR	C-06
HEATING & A/C	C-07 - C-08
INTERIOR FINISH	C-09 - C-12
LABEL	C-13 - C-19
LP	C-20
LOUNGE	C-21 - C-22
SEALANTS & FASTENERS	C-23 - D-01
WATER & SEWAGE	D-02 - D-05
WINDOW, VENT AND EXTERIOR DOOR	D-07 - D-24

LABEL GROUP

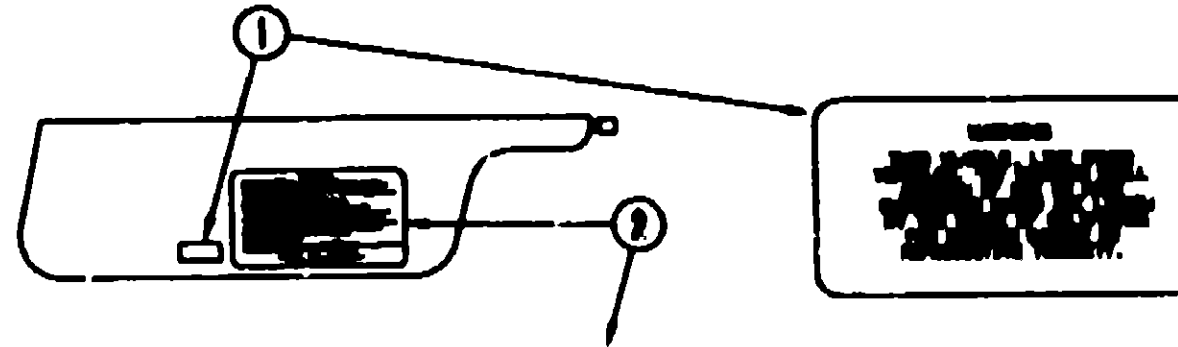


KEY	PART NUMBER	U/M DESCRIPTION
1	038280-01-000	EA LABEL-WARNING, EXIT
2	107571-01-000	EA LABEL-ESCAPE EXIT, WINDOW



KEY	PART NUMBER	U/M DESCRIPTION
1	077668-01-000	EA LABEL-WARNING, SMOKE DETECTOR

LABEL GROUP (CONTINUED)



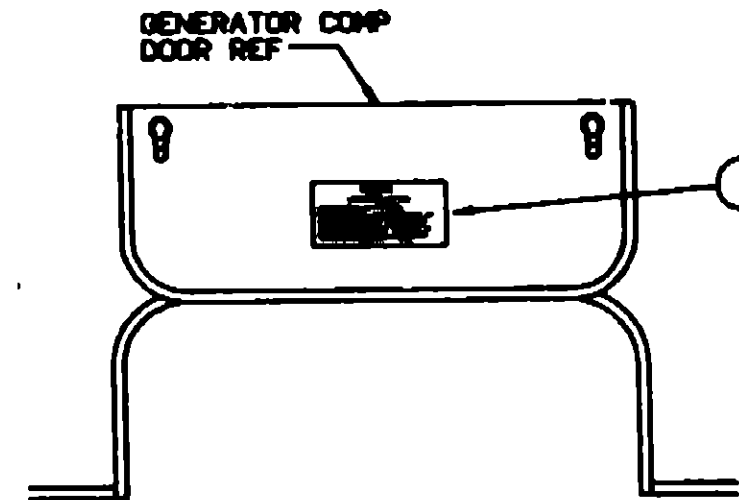
CAUTION

THIS VEHICLE HAS BEEN EQUIPPED, MANUFACTURED AND TESTED WITH ASSUMED PER THE PROVISIONS OF IT'S DESIGN. IT IS ASSUMED YOU WILL FOLLOW THE FOLLOWING INSTRUCTIONS FOR YOUR SAFETY AND THE SAFETY OF YOUR PASSENGERS BEFORE OPERATING THIS VEHICLE.

1. LP GAS SYSTEM- TURN OFF AT THIS FOR TRAVELING, BUT FOR LEAKS AFTER ARRIVAL AT DESTINATION, REMOVE LEAKING PARTS.
2. WHEELS- INSPECT FOR DAMAGE AND CHECK LUB RATS FOR TIGHTNESS.
3. TIRES- INSPECT FOR HOLE AND DAMAGE AND CHECK FOR INFLATION, AIR PRESSURE.
4. LIGHTS- TEST FOR PROPER OPERATION OF ALL STOPPED AND TURNING LIGHTS INCLUDING BRAKE LIGHTS, HEADLIGHTS, TAIL LIGHTS, SIGNAL LIGHTS, BACKUP LIGHTS AND TURN SIGNALS.
5. BATTERY- INSPECT BATTERY TERMINALS ON GENERATOR BATTERY UNITS, TEST BATTERY CHARGE BEFORE EACH TRIP FOR STATE OF CHARGE AND BATTERY PERFORMANCE USE TO USE EACH KIND OF BATT.
6. BATT BOLT- CHECK PERFORMANCE TO GENERATOR BATT AND BATTERY USE OF BATT BOLT.
7. APPLIANCE- TURN OFF AND LATCH ON LAST TRIP BEFORE DEPARTURE.
8. LEAKS CHECK- CHECK REGULARLY.
9. SAFETY SUPPLY LINE- CHECK ALL BATTERY, CHARGE AND WATER LINE AND MAKE PROPERLY.
10. BATTERY BATT STOP- PLACE IN RETRACTED POSITION FOR TRAVELING.

READ YOUR OWNER HANDBOOK AND OWNER'S MANUAL FOR FURTHER PRECAUTIONS

KEY	PART NUMBER	U/M DESCRIPTION
1	000880-01-000	EA LABEL-WARNING, CANCER/TOXICITY
2	066250-01-000	EA LABEL-SAFETY CHECK LIST



WARNING

WHEN ADDING A GENERATOR SET:

NEVER VOLTAGE-USE EXCEPT WITH VOLTAGE OR ELECTRICAL EQUIPMENT.

NEVER ALL ELECTRICAL INSTALLATION PERFORMED BY A QUALIFIED LICENSED ELECTRICIAN-FOLLOW ALL CODES AND LOCAL CODES.

ONLY INSTALL GENERATOR SET APPROVED FOR R.V. APPLICATIONS HAVE APPROVED BY QUALIFIED TECHNICIAN.

TO AVOID FIRE HAZARD AND TO ENSURE AN ADEQUATE AIR SUPPLY TO THE GENERATOR COMPARTMENT, FOLLOW INSTALLATION INSTRUCTIONS.

OPERATOR SHOULD CHECK BATTERIES ARE TIGHT AND MUST NOT RECHARGE UNDER THE VEHICLE-GENERATOR SHOULD RUN FROM VEHICLE.

KEY	PART NUMBER	U/M DESCRIPTION
1	077510-01-000	EA LABEL-GENERATOR PREP

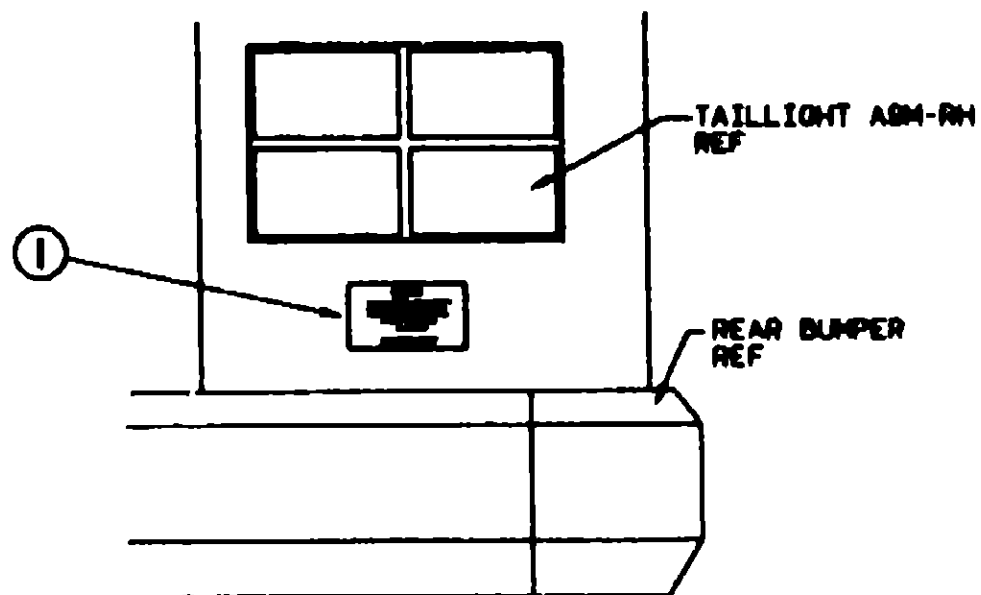
1992 WINNEBAGO TABLE OF CONTENTS

INTRODUCTION	A-01 - A-02
ABBREVIATIONS	A-03 - A-08
ALPHABETICAL INDEX	A-04 - A-08
WF527RQ	A-07 - D-24
WF527RC	E-01 - H-16

1992 WF527RQ INDEX

FLOOR PLAN	A-07 - A-08
ACCESSORIES	A-09
AUDIO VIDEO	A-10
BATH	A-11 - A-12
BEDROOM	A-13 - A-17
CHASSIS	A-18 - A-22
CURTAIN & CUSHION	A-23 - B-08
DINETTE	B-09 - B-10
DRIVERS	B-11 - B-12
ELECTRICAL	B-13 - B-16
EXTERIOR BODY	B-17 - B-24
GALLEY	C-01 - C-06
GENERATOR	C-08
HEATING & A/C	C-07 - C-08
INTERIOR FINISH	C-09 - C-12
LABEL	C-13 - C-19
LP	C-20
LOUNGE	C-21 - C-22
SEALANTS & FASTENERS	C-23 - D-01
WATER & SEWAGE	D-02 - D-06
WINDOW, VENT AND EXTERIOR DOOR	D-07 - D-24

LABEL GROUP (CONTINUED)

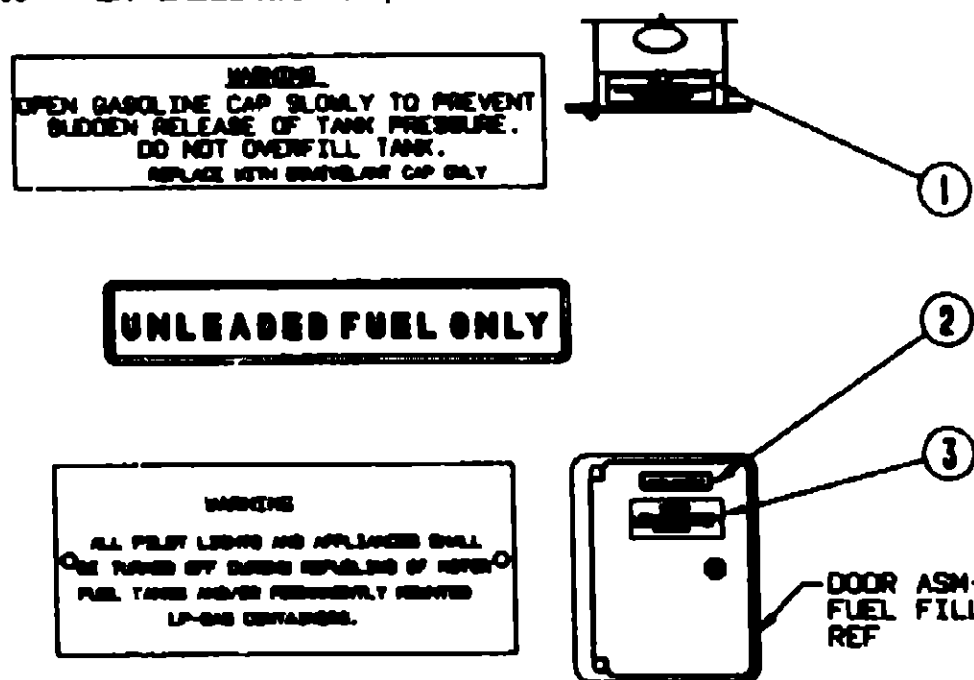


WARNING

DO NOT EXCEED THE VEHICLE WEIGHT RATINGS OR LOADING RECOMMENDATIONS (E.G., GROSS VEHICLE, GROSS AXLE, GROSS COMBINED) OF THE CHASSIS MANUFACTURER OR WINNEBAGO INC.

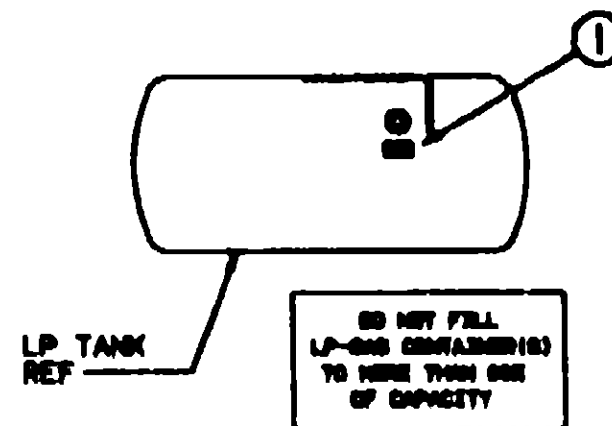
REFER TO YOUR OWNERS MANUAL, BEFORE LOADING OR TOWING.

KEY PART NUMBER U/M DESCRIPTION
 1 075220-01-000 EA LABEL-WARNING, EXTERIOR LOAD

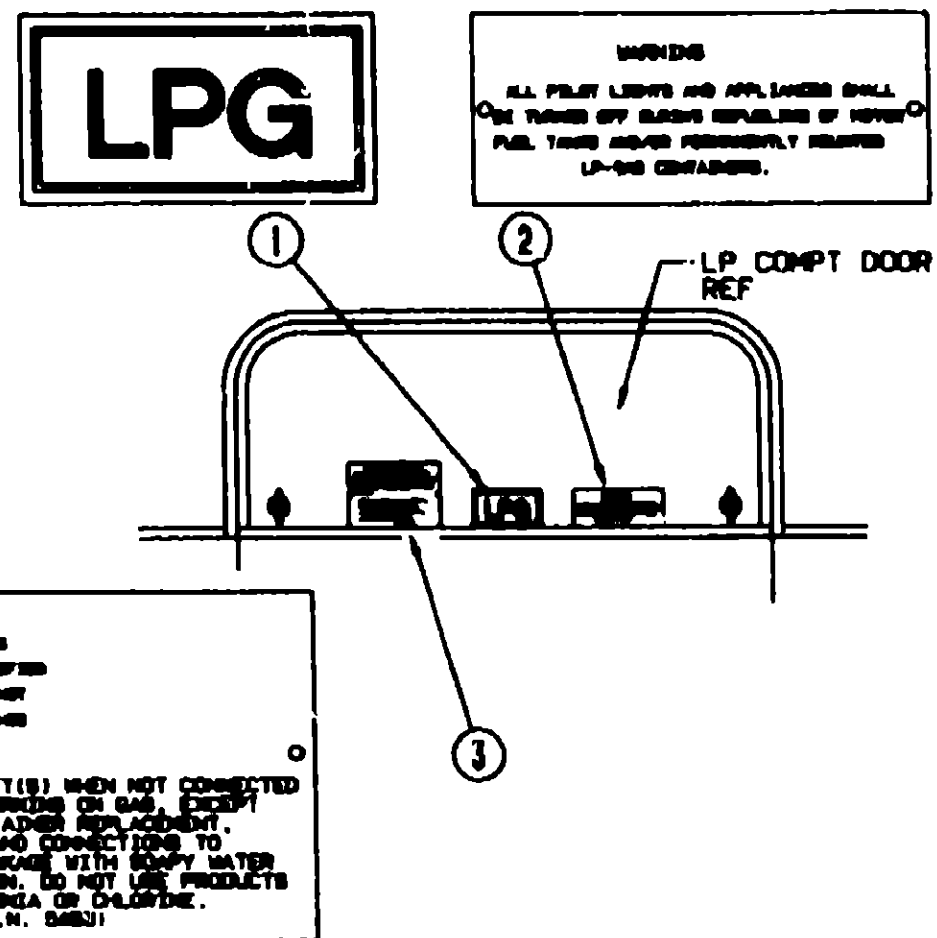


KEY PART NUMBER U/M DESCRIPTION
 1 087207-05-000 EA LABEL-FUEL CAP REMOVAL
 2 082043-01-000 EA LABEL-FUEL, UNLEADED
 3 008040-01-000 EA TAG-GAS REFUELING WARNING
 3 008040-02-000 EA TAG-GAS REFUEL WARNING, CANADIAN

LABEL GROUP (CONTINUED)



KEY PART NUMBER U/M DESCRIPTION
 1 079065-01-000 EA LABEL-LPG 80 CAPACITY



KEY PART NUMBER U/M DESCRIPTION
 1 074559-01-000 EA DECAL-LOGO, LPG - RED - (CALIF CODE)
 2 008040-01-000 EA TAG-GAS REFUELING WARNING
 2 008040-02-000 EA TAG-GAS REFUEL WARNING, CANADIAN
 3 054531-01-000 EA LABEL-LP GAS ONLY
 3 023799-01-000 EA LABEL-WARNING, LPG - CANADIAN

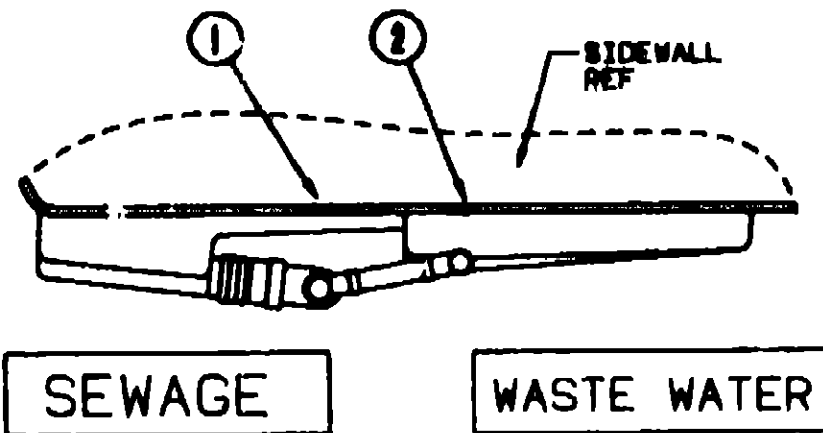
1992 WINNEBAGO TABLE OF CONTENTS

INTRODUCTION	A-01 - A-02
ABBREVIATIONS	A-03 - A-08
ALPHABETICAL INDEX	A-04 - A-08
WF527RQ	A-07 - D-24
WF637RC	E-01 - H-16

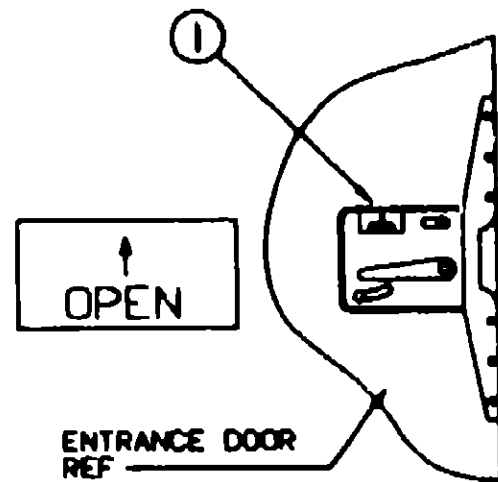
1992 WF527RQ INDEX

FLOOR PLAN	A-07 - A-08
ACCESSORIES	A-09
AUDIO VIDEO	A-10
BATH	A-11 - A-12
BEDROOM	A-13 - A-17
CHASSIS	A-18 - A-22
CURTAIN & CUSHION	A-23 - B-08
DINETTE	B-09 - B-10
DRIVERS	B-11 - B-12
ELECTRICAL	B-13 - B-18
EXTERIOR BODY	B-17 - B-24
GALLEY	C-01 - C-05
GENERATOR	C-06
HEATING & A/C	C-07 - C-08
INTERIOR FINISH	C-09 - C-12
LABEL	C-13 - C-19
LP	C-20
LOUNGE	C-21 - C-22
SEALANTS & FASTENERS	C-23 - D-01
WATER & SEWAGE	D-02 - D-06
WINDOW, VENT AND EXTERIOR DOOR	D-07 - D-24

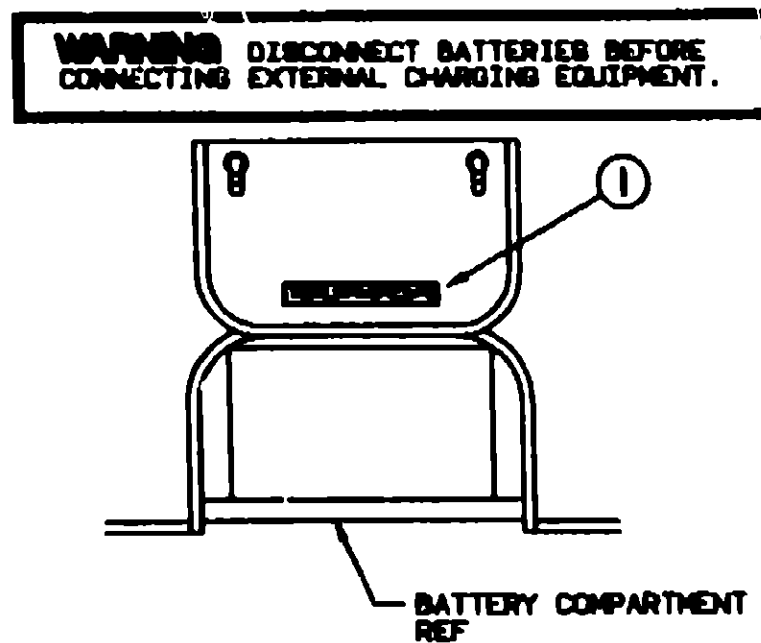
LABEL GROUP (CONTINUED)



KEY	PART NUMBER	U/M DESCRIPTION
1	008187-01-000	EA LABEL-SEWAGE
2	008188-01-000	EA LABEL-WASTE WATER

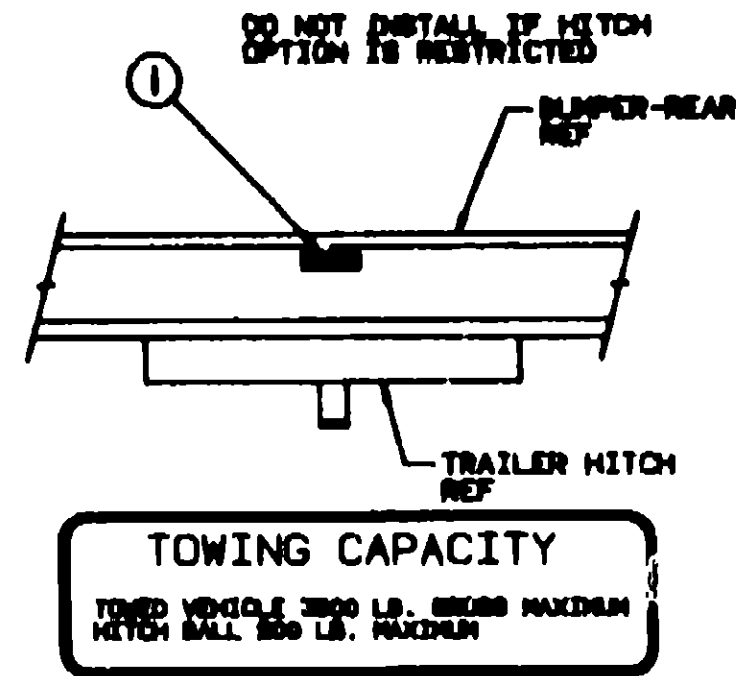


KEY	PART NUMBER	U/M DESCRIPTION
1	040944-01-000	EA LABEL-ENTRANCE DOOR, "OPEN"

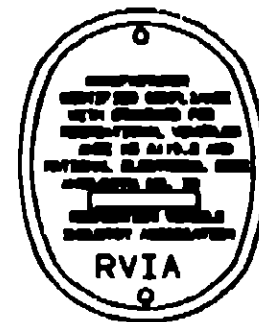


KEY	PART NUMBER	U/M DESCRIPTION
1	005748-01-000	EA LABEL-CAUTION, BATTERY CHARGING

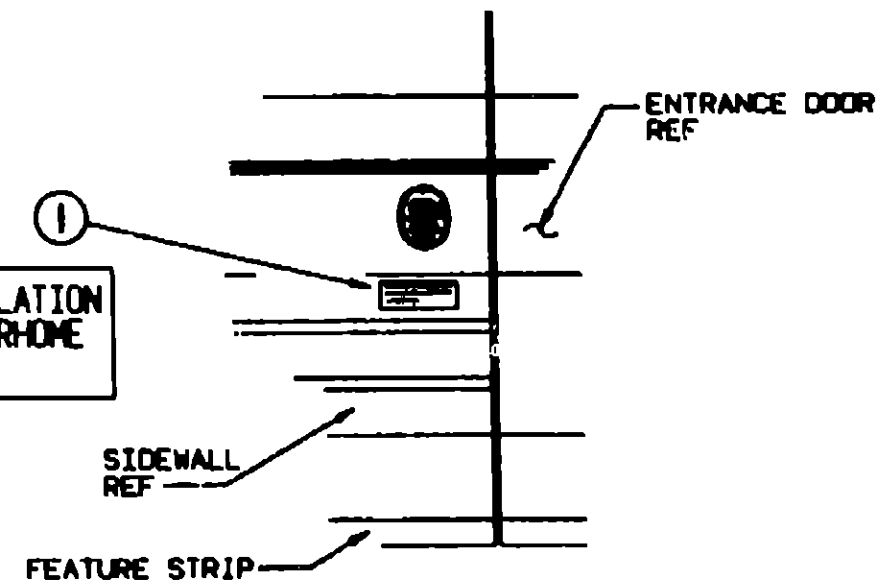
LABEL GROUP (CONTINUED)



KEY	PART NUMBER	U/M DESCRIPTION
1	075221-01-000	EA LABEL-TOWING CAPACITY



FOR AWNING INSTALLATION CONTACT YOUR MOTORHOME DEALERSHIP



KEY	PART NUMBER	U/M DESCRIPTION
1	009509-01-000	EA LABEL-AWNING INSTALLATION

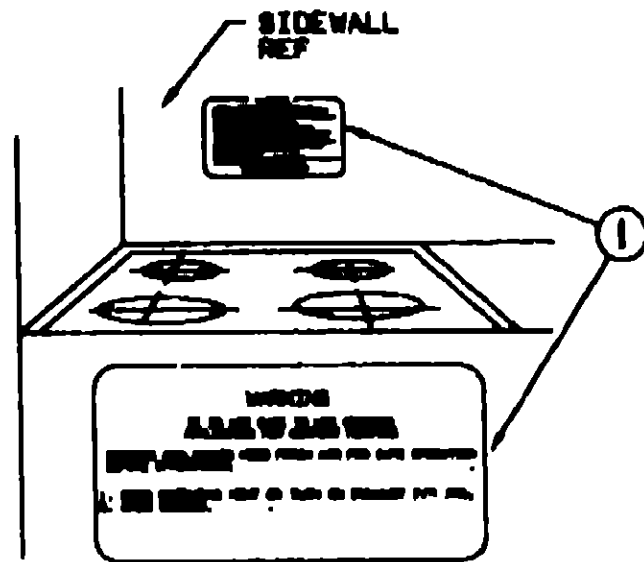
1992 WINNEBAGO TABLE OF CONTENTS

INTRODUCTION	A-01 - A-02
ABBREVIATIONS	A-03
ALPHABETICAL INDEX	A-04 - A-08
WF527RQ	A-07 - D-24
WF527RC	E-01 - H-16

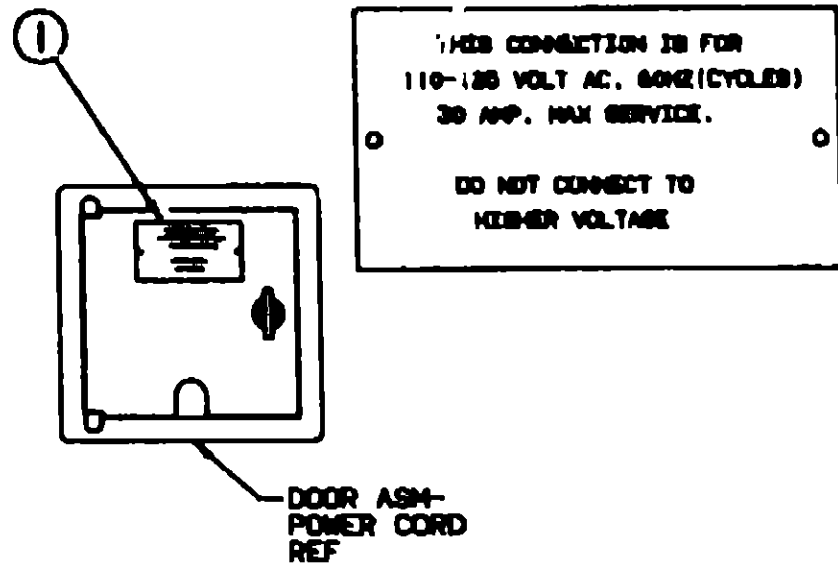
1992 WF527RQ INDEX

FLOOR PLAN	A-07 - A-09
ACCESSORIES	A-09
AUDIO VIDEO	A-10
BATH	A-11 - A-12
BEDROOM	A-13 - A-17
CHASSIS	A-18 - A-22
CURTAIN & CUSHION	A-23 - B-08
DINETTE	B-09 - B-10
DRIVERS	B-11 - B-12
ELECTRICAL	B-13 - B-16
EXTERIOR BODY	B-17 - B-24
GALLEY	C-01 - C-05
GENERATOR	C-06
HEATING & AC	C-07 - C-08
INTERIOR FINISH	C-09 - C-12
LABEL	C-13 - C-19
LP	C-20
LOUNGE	C-21 - C-22
SEALANTS & FASTENERS	C-23 - D-01
WATER & SEWAGE	D-02 - D-06
WINDOW, VENT AND EXTERIOR DOOR	D-07 - D-24

LABEL GROUP (CONTINUED)



KEY	PART NUMBER	U/M DESCRIPTION
1	050225-01-000	EA LABEL-WARNING, STOVE VENT - US
1	060222-01-000	EA LABEL-WARNING, STOVE VENT - CANADIAN

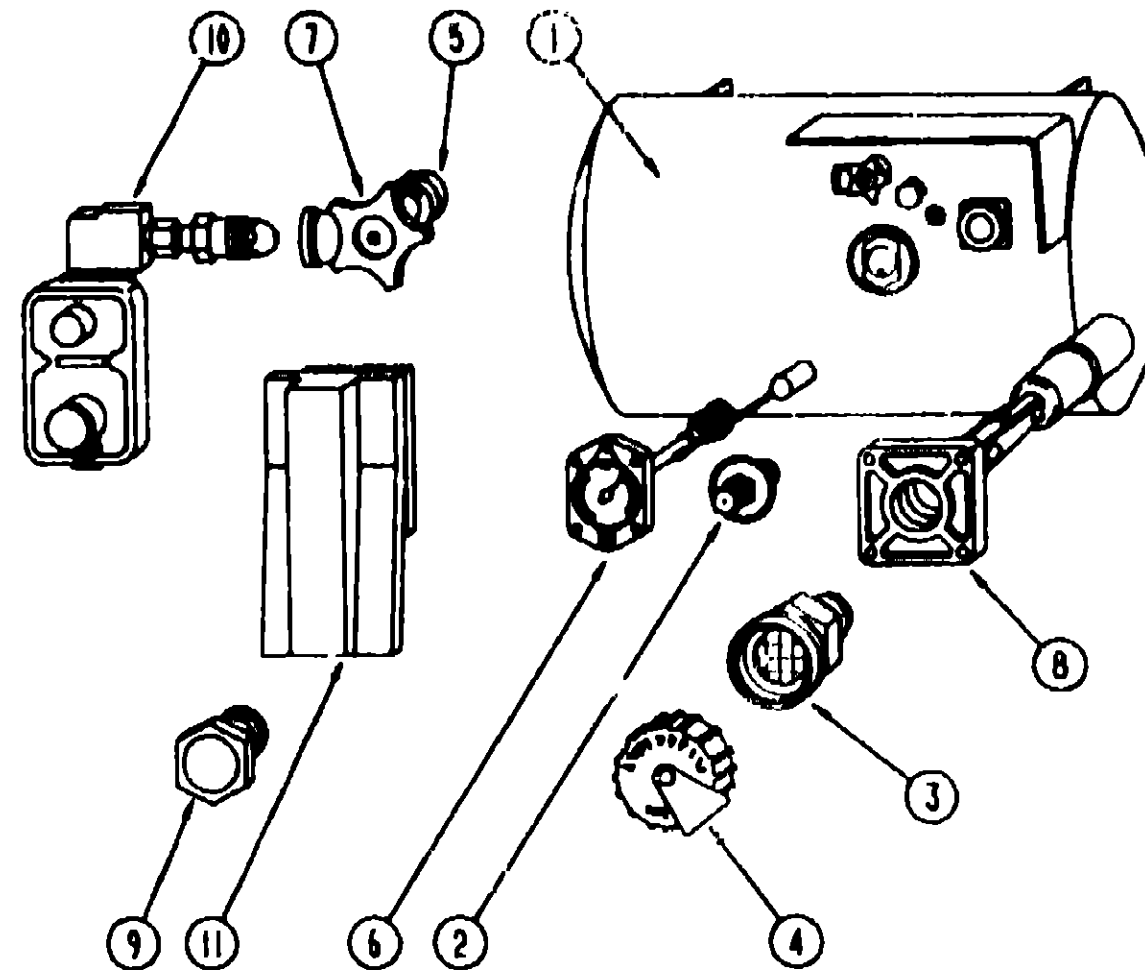


KEY	PART NUMBER	U/M DESCRIPTION
1	008062-01-000	EA TAG-ELECTRIC, 110V CONNECTION

MISCELLANEOUS LABELS

KEY	PART NUMBER	U/M DESCRIPTION
	R77005-87-899	EA LABEL-FUEL, "UNLEADED" - RNO 7700587899
	008064-01-000	EA LABEL-SEAT W/O SEATBELT NOT INTENDED FOR USE WHILE COACH IN MOTION
	008064-02-000	EA LABEL-SEAT W/O SEATBELT (CANADIAN)
	036709-01-000	EA LABEL-NO STORAGE
	061417-01-000	EA LABEL-FUEL ON FUEL FILL DOOR
	061608-C1-000	EA LABEL-OVERLAY, VEHICLE CERTIFICATION - ADHESIVE BACKED
	073898-01-000	EA LABEL-LPG ODOR WARNING
	087236-01-000	EA LABEL-CABLE, INPUT
	091224-02-000	EA LABEL-TRAILER LIGHTING
	091243-01-000	EA LABEL-AC COVER, "AIR CONDITIONING CIRCUIT ETC"
	093236-08-000	EA LABEL-CIRCUIT BREAKER
	098641-01-000	EA LABEL-FUEL, UNLEADED - DAF:1
	104236-01-000	EA LABEL-GENERATOR CIRCUIT

LP GROUP



LP TANK & COMPONENTS

KEY	PART NUMBER	U/M DESCRIPTION
1	097821-01-000	EA TANK-LP, 60 LB BRUNNER - 14" X 30"
2	040421-01-700	EA VALVE-LIQUID LEVEL, 20% LP - BRUNNER G-1013
3	040421-01-701	EA VALVE-SHORT LP FILLER W/YELLOW CAP - BRUNNER 75478
4	040421-01-702	EA CAP-LP FILLER VALVE, PLASTIC - YELLOW - BRUNNER G-1014-A
5	040421-01-703	EA VALVE-SERVICE, W/VAPOR RELIEF
6	040421-01-707	EA GAUGE-FLOAT W/VISIBLE DIAL - BRUNNER MA-9 8244-4
7	040421-01-708	EA HANDWHEEL-SERVICE VALVE, BRUNNER G-1015-A
8	040421-01-711	EA VALVE-80% W/FLOAT, PLATE, BOLTS & GASKET - BRUNNER
9	040421-01-713	EA VALVE-VAPOR ONLY - 29000667
10	108150-01-000	EA REGULATOR-TWO STAGE - M'BRASS 293-00
	105858-01-000	EA COMPARTMENT-LP REGULATOR
11	061936-01-000	EA COVER-COMPARTMENT, LP REGULATOR - BLACK
	040440-02-000	EA TRANSMITTER-DIAL, 0-90 OHM
	065741-01-000	EA GAUGE-DIAPHRAGM PRESSURE - MARSHALLTOWN MFG
	103613-01-000	EA DETECTOR-LP GAS
	024250-01-000	EA ADAPTER-BRASS, 3/8" F X 1/2" FPT
	045703-01-000	EA HOSE-LP, 3/8" ID X 24" - 3/8" MPT X 1/2" F SWIVEL - U S
	045703-02-000	EA HOSE-LP, 3/8" ID X 24" - 3/8" MPT X 1/2" F SWIVEL - CANADA
	065742-01-000	EA TEE, 3/8" F X 3/8" F X 25" FPT - BRASS
	010377-02-000	EA NUT-BRASS, 3/8" FEMALE - FORGED
	065824-01-000	EA ELBOW-90 DEGREE, 1/4" FPT X 1/4" FPT - BRASS
	065318-02-000	EA ELBOW-90 DEGREE, 3/8" MPT TO 3/8" FPT
	071391-02-000	EA NIPPLE-HEX, 1/4" PIPE - 3325X4 WEATHERHEAD
	084884-01-000	EA PLUG-BRASS, 3/8"

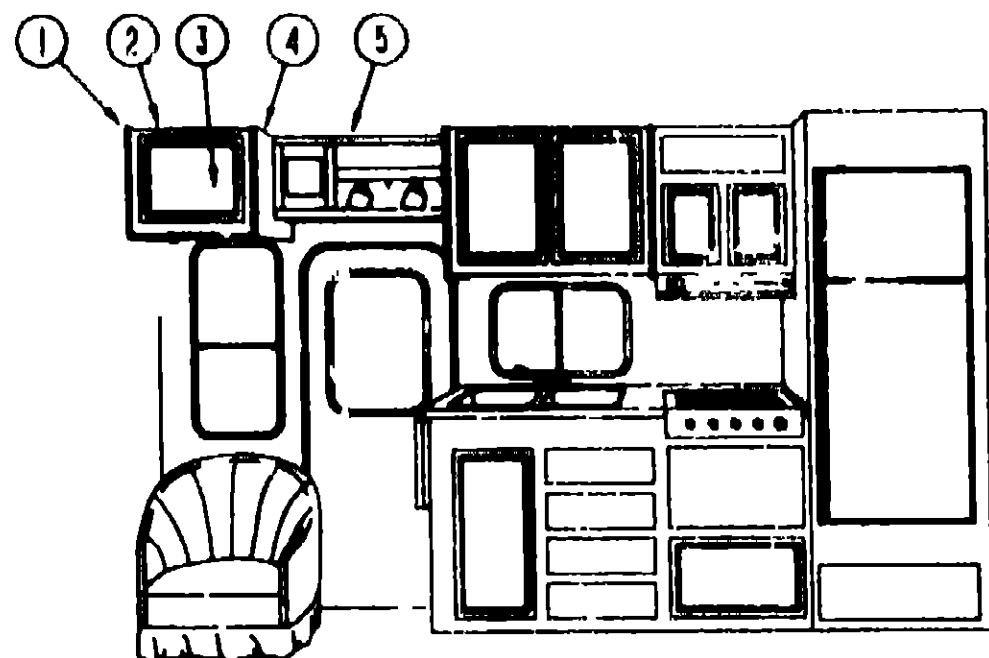
**1992 WINNEBAGO
TABLE OF CONTENTS**

INTRODUCTION	A-01	A-02
ABBREVIATIONS		A-03
ALPHABETICAL INDEX	A-04	A-08
WF527RQ	A-07	D-24
WF527RC	E-01	H-16

1992 WF527RQ INDEX

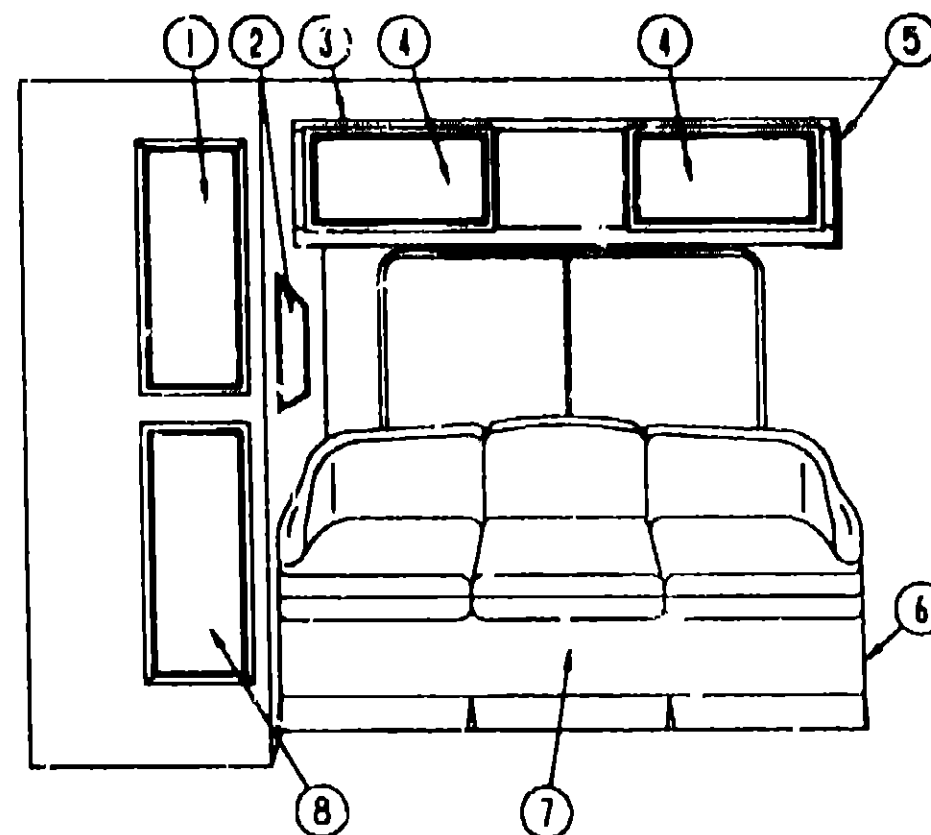
FLOOR PLAN	A-07	A-08
ACCESSORIES		A-09
AUDIO VIDEO		A-10
BATH	A-11	A-12
BEDROOM	A-13	A-17
CHASSIS	A-18	A-22
CURTAIN & CUSHION	A-23	B-06
DINETTE	B-09	B-10
DRIVERS	B-11	B-12
ELECTRICAL	B-13	B-18
EXTERIOR BODY	D-17	B-24
GALLEY	C-01	C-05
GENERATOR		C-06
HEATING & AC	C-07	C-08
INTERIOR FINISH	C-09	C-12
LABEL	C-13	C-19
LP		C-20
LOUNGE	C-21	C-22
SEALANTS & FASTENERS	C-23	D-01
WATER & SEWAGE	D-02	D-06
WINDOW, VENT AND EXTERIOR DOOR	D-07	D-24

LOUNGE GROUP



OVERHEAD CABINETS

LOUNGE GROUP (CONTINUED)



CABINETS & TABLE

1992 WINNEBAGO TABLE OF CONTENTS

INTRODUCTION	A-01 - A-02
ABBREVIATIONS	A-03
ALPHABETICAL INDEX	A-04 - A-06
WF527RQ	A-07 - D-24
WF527RC	E-01 - H-16

KEY	PART NUMBER	U/M	DESCRIPTION
1	104335-07-C52	EA	END CAP-CABINET, OVERHEAD
1	104335-18-C03	EA	END CAP-CABINET, OVERHEAD (TV OPTION)
2	M05624-01-C52	EA	CABINET-OVERHEAD, W/O DOOR & HARDWARE - FRONT - RIGHT
2	M05624-26-C52	EA	CABINET-OVERHEAD, W/O DOOR & HARDWARE (TV OPTION)
	106452-11-C03	EA	SHELF ASM
	081801-01-000	EA	SLIDE-BOLT, ANTIQUE BRASS
	101910-03-000	EA	SLIDE-DRAWER, CABINET MOUNTED - SET OF 2 - 12" LONG
	101910-04-000	EA	SLIDE-DRAWER, DRAWER MOUNTED - SET OF 2 - 12"
3	P04746-02-C05	EA	DOOR-CABINET, W/O HARDWARE - 400 X 520MM
4	104335-08-C52	EA	END CAP-CABINET, OVERHEAD
4	104335-17-C03	EA	END CAP-CABINET, OVERHEAD (TV OPTION)
5	P05254-01-C03	EA	CABINET-OVERHEAD, ENTRANCE DOOR
	105847-04-C05	EA	HOLDER-KEY RING
	103130-01-000	EA	HOOK-KEY RING, BRASS - 1 25"

KEY	PART NUMBER	U/M	DESCRIPTION
1	P04746-27-C52	EA	DOOR-CABINET, W/O HARDWARE - 305 X 1015 MM
2	093446-04-Y15	EA	MIRROR-WOOD FRAMED
	058331-01-000	EA	MIRROR-SAFETY GLASS, 15" X 26"
	M03450-04-000	EA	TRIM-MIRROR, WOOD - OAK
3	M05624-02-C52	EA	CABINET-OVERHEAD, W/O DOOR & HARDWARE
3	M05624-02-C53	EA	CABINET-OVERHEAD, W/O DOOR & HARDWARE
4	P04746-05-C52	EA	DOOR-CABINET, W/O HARDWARE - 400 X 520MM
5	104335-06-C52	EA	END CAP-CABINET, OVERHEAD
6	M04187-18-C52	EA	CABINET-COUCH W/FABRIC
6	M04187-18-C53	EA	CABINET-COUCH W/FABRIC
7	M04187-17-C52	EA	CABINET-COUCH W/FABRIC
7	M04187-17-C53	EA	CABINET-COUCH W/FABRIC
	082525-02-000	EA	BRACE-COUCH, FLOOR MOUNT - ANGLE 3" LONG - METAL
	050101-01-002	EA	EXTR-CORNER KEY, L-SHAPED - 192" - ALUMINUM
	083125-03-000	EA	BRACE-COUCH, TAN
8	P04746-69-C52	EA	DOOR-CABINET, W/O HARDWARE - 305 X 860MM
	081298-01-B85	EA	TABLE-PEDESTAL, W/O HARDWARE & LEG (C52)
	081298-01-C53	EA	TABLE-PEDESTAL, W/O HARDWARE & LEG (C53)
	009040-02-000	EA	LEG-TABLE, 27 5" X 2 25" DIA - CHROME
	041184-01-000	EA	BASE-TABLE, FLUSH - FLOOR MOUNTED
	062048-01-000	EA	CLIP-LEG, PEDESTAL - 1 7" X 2 2" - DIA. FROM 2" TO 2 5"
	042438-02-000	EA	DOWEL-WOOD, 2" X 2"
	078840-01-000	EA	CORD-BUNGIE, 24"

1992 WF527RQ INDEX

FLOOR PLAN	A-07 - A-08
ACCESSORIES	A-09
AUDIO VIDEO	A-10
BATH	A-11 - A-12
BEDROOM	A-13 - A-17
CHASSIS	A-18 - A-22
CURTAIN & CUSHION	A-23 - B-09
DINETTE	B-09 - B-10
DRIVERS	B-11 - B-12
ELECTRICAL	B-13 - B-16
EXTERIOR BODY	B-17 - B-24
GALLEY	C-01 - C-05
GENERATOR	C-06
HEATING & A/C	C-07 - C-08
INTERIOR FINISH	C-09 - C-12
LABEL	C-13 - C-19
LP	C-20
LOUNGE	C-21 - C-22
SEALANTS & FASTENERS	C-23 - D-01
WATER & SEWAGE	D-02 - D-06
WINDOW, VENT AND EXTERIOR DOOR	D-07 - D-24

SEALANTS & FASTENERS GROUP

ADHESIVE & FASTENERS

KEY	PART NUMBER	U/M	DESCRIPTION
	034552-02-000	EA	SILICONE-TUBE, 300 ML - CLEAR
	034552-06-000	EA	SILICONE-TUBE, 300 ML - OFF WHITE
	063786-02-000	EA	BEDDING COMPOUND-TUBE, WHITE
	063786-06-000	EA	BEDDING COMPOUND-TUBE, CLEAR
	063786-08-000	EA	BEDDING COMPOUND-TUBE, GRAY - SCHNEE # 5522
	063842-01-000	FT	TAPE-ADHESIVE, 10MM X 1.5" WIDE
	069840-01-000	FT	SEALER-RIBBON, 1/4" DIAMETER - INCREMENTS OF 30'
	069840-02-000	FT	SEALER-RIBBON, 1/2" X 1/8" - INCREMENTS OF 30' OR 60'
	069840-03-000	FT	SEALER-RIBBON, 3/4" X 1/8" - INCREMENTS OF 60'
	069840-06-000	FT	SEALER-RIBBON, 5/16" DIAMETER - INCREMENTS OF 25'
	069840-10-000	FT	SEALER-RIBBON, 1/32" X 1 1/2" INCREMENTS OF 90'
	069840-11-000	FT	SEALER-TAPE, 3/16" X 3/8", BLACK - MANUS
	069840-12-000	FT	SEALER-TAPE, 1/8" X 1.5" GRAY - MANUS
	069840-14-000	FT	SEALER-TAPE, 1/16" X 1" GRAY - MANUS
	072889-01-000	EA	SEALANT-URETHANE, BLACK - 1/10 - ESSEX 552 2
	078314-02-000	FT	TAPE-CARPET SEAM, HEAT-BOND - 4" WIDE
	078322-01-000	FT	TAPE-FOAM, DOUBLE COATED ADHESIVE BACKED - .75" X 218'
	078322-02-000	FT	TAPE-FOAM, DOUBLE COATED ADHESIVE BACKED - 1" X 108'
	078322-03-000	FT	TAPE-FOAM, DOUBLE COATED ADHESIVE BACKED - .5" X 108'
	078322-05-000	FT	TAPE-FOAM, DOUBLE COATED - .025" X 1 5"
	087211-01-000	GL	PROMOTER-ADHESIVE
	091255-02-000	FT	SEAL-ADHESIVE BACKED FOAM, .18" THICK X 1 5" WIDE
	091401-01-000	EA	SEALER-BODY SEAM SEALER, 3M FLEXICLEAR
	102352-01-000	EA	SEALER-PUMPABLE, BLACK - COLORIMETRIC MS101

BOLTS, NUTS & WASHERS

KEY	PART NUMBER	U/M	DESCRIPTION
	0MC31K-08-020	EA	BOLT-HEX, SER FLANGE - M8 X 020
	070C12-05-16B	EA	BOLT-HEX, 5/16-18 X 1 - ZINC 5
	000C12-06-32B	EA	BOLT-HEX-3/8-16X2LG,ZN 5
	000C12-07-24B	EA	BOLT-HEX,7/16-14X1 50,ZN 5 - MC-90
	000C12-08-24B	EA	BOLT-HEX, 1/2-13 X 1 1/2 - ZN 5
	000C12-10-24B	EA	BOLT-HEX, 5/8-11 X 1 1/2 ZN - 5
	000C13-07-48B	EA	BOLT-HEX, 7/16 - 20 X 3 - ZN 5
	000C18-05-40A	EA	BOLT-ELEV-5/16-18X21/2 PL
	000C18-06-48B	EA	BOLT-ELEV, 3/8-18 X 3 ZN - GDE 5
	000C26-04-10B	EA	BOLT-HEX, SER FLG - 1/4-20 X 5/8 ZINC
	000C26-05-12B	EA	BOLT-HEX-SER FLG 5/16-18X3/4 ZN
	000G45-05-16B	EA	BOLT-LAG, 5/16 - 9 X 1 ZN
	005200-01-000	EA	BOLT-BUMPER, RD HD SQ NECK - W/SST CAP - 7/16 - 14 X 1 1/4
	051387-06-000	EA	BOLT-CARRIAGE, W/O HOLE - 5/16-18 X 9 5 ZN
	000D14-05-00B	EA	NUT-HEX, 5/16-18 - ZN 5
	000D24-10-00B	EA	NUT-HEX, SF/LK - 10-32 ZN
	000D39-04-00B	EA	NUT-HEX, SER FLG LK 1/4 - 20 ZN
	000D39-05-00B	EA	NUT-HEX, SER FLG LK - 5/16 - 18 ZN
	000D39-06-00B	EA	NUT-HEX, SER FLG LK - 3/8-18 ZN
	000D39-08-00B	EA	NUT-HEX, SER FLG LK - 1/2-13 ZN
	000D44-07-00B	EA	NUT-HEX, SER FLG LK - 7/16-20 ZN
	000E13-11-00B	EA	WASHER-FLARE, 3/16" WIDE - ZN
	000E13-14-00B	EA	WASHER-FL, 1/4" WIDE ZN
	000E13-20-00B	EA	WASHER-FL, 7/16 WIDE ZN
	000E13-21-00B	EA	WASHER-FL, W/2 NAR ZN
	000E14-10-00B	EA	WASHER-LK, NO 10 EXT TOOTH - ZN
	041322-01-000	EA	WASHER-FL, 15/32 IC X 23/8 OD FOR SEAT BELT MT
	044533-01-000	EA	WASHER-PLASTIC, 1 3/8"OD - FOR BUTTONS

SEALANTS & FASTENERS GROUP (CONTINUED)

SCREWS

KEY	PART NUMBER	U/M	DESCRIPTION
	087721-01-000	EA	SCREW-FLAT HEAD, TAPPING - 1/4" X 1 1/4" LG ZN
	075908-01-000	EA	SCREW-MACHINE, 10-32 X .58 PTH - ZINC EXTERNAL TOOTH
	074048-01-000	EA	SCREW-8-18X1 1/2 PFH,BRONZE REF.G13-08-24B
	000G11-08-10J	EA	SCREW, 6-20 X 5/8 PPH - BRASS
	000G11-07-08B	EA	SCREW, 7-19 X 1/2 PPH - ZN
	000G11-08-06B	EA	SCREW, 8-18 X 3/8 PPH ZN
	000G11-08-08B	EA	SCREW, 8-18 X 1/2 PPH - ZN
	000G11-08-12B	EA	SCREW, 8-18 X 3/4 PPH ZN
	000G11-08-12D	EA	SCREW, 8-18 X 3/4 PPH - BLACK
	000G11-08-12E	EA	SCREW-8-18X.75 PPH CHROME ES0025 4
	000G11-08-12P	EA	SCREW, 8-18 X .75 PPH - DARK BROWN
	000G11-08-12R	EA	SCREW, 8-18 X 3/4 PPH - BEIGE
	000G11-08-12S	EA	SCREW-8-18 X 75 PPH, OFF WHITE
	000G11-08-12T	EA	SCREW, 8-18 X 3/4 PPH - BLACK
	000G11-08-16S	EA	SCREW, 8-18 X 1 00 PPH - OFF WHITE
	000G11-10-12R	EA	SCREW, 10-16 X 3/4 PPH - BEIGE
	000G11-10-12S	EA	SCREW-10-16X.75 PPH OFF WHT
	000G12-08-09T	EA	SCREW, 8-20 X .50 POH - BLACK
	000G12-08-12R	EA	SCREW-8-18X 75OH - BEIGE
	000G12-08-12S	EA	SCREW-8-18X 75 POH OFF WHITE
	000G13-08-08B	EA	SCREW, 8-20 X 1/2 PFH ZN
	000G13-08-08G	EA	SCREW-8 - 20 X .50 PFH ANTIQUE BRASS
	000G13-08-18J	EA	SCREW, 8-20 X 1 00 PFH - BRASS
	000G13-07-12B	EA	SCREW, 7-19 X 3/4 PFH ZN
	000G13-08-16B	EA	SCREW, 8-18 X 1 PFH - ZN
	000G13-10-12B	EA	SCREW, 10-16 X 3/4 PFH ZN
	000G18-08-16B	EA	SCREW-MACHINE, 8 X 32 X 1, PPH ZN
	000G18-08-22B	EA	SCREW-MACH, 8-32 X 1 3/8 PPH ZN
	000G32-10-08B	EA	SCREW-10-32 X 2/8" - PPH - ZINC
	000G39-05-08B	EA	SCREW-DR-6-18X1/2 ZN
	000G39-06-10T	EA	SCREW-SF/DR, 6-20 X 5/8 PPH - BLACK
	000G39-06-10T	EA	SCREW-SF/DR, 6-20 X 5/8 PPH - BLACK
	000G39-06-16T	EA	SCREW-SF/DR, 6-20 X 1 PPH - BLACK
	000G39-08-06B	EA	SCREW-SF/DR, 8-18 X 3/8 PPH ZN
	000G39-08-08B	EA	SCREW-SF/DR, 8-18 X 1/2 PPH ZN
	000G39-08-08E	EA	SCREW-SF/DR, 8-18 X 1/2 PPH - CHROME
	000G39-08-08R	EA	SCREW-SF/DR, 8-18 X 1/2 PPH - BEIGE
	000G39-08-08S	EA	SCREW-SF/DR, 8-18 X 1/2 PPH - OFF WHITE
	000G39-08-12B	EA	SCREW-SF/DR, 8-18 X 3/4 PPH ZN
	000G39-08-16B	EA	SCREW-SF/DR, 8-18 X 1 PPH ZN
	000G39-08-16S	EA	SCREW-SF/DR, 8-18 X 1 00 PPH, OFF WHITE
	000G39-08-24B	EA	SCREW-SF/DR, 8-18 X 1 1/2 PPH ZN
	000G39-10-12D	EA	SCREW-SF/DR, 10-16 X 3/4 PPH - BLACK
	000G39-10-12R	EA	SCREW-SF/DR, 10-16 X 3/4 PPH - BEIGE
	000G39-10-20B	EA	SCREW-SF/DR, 10-16 X 1 1/4 PPH ZN
	000G39-12-12E	EA	SCREW-SF/DR, 12 - 14 X 3/4 PPH - CHROME
	000G42-04-12B	EA	SCREW-SF/DR 1/4-14X3/4HWH ZN
	000G42-04-16B	EA	SCREW-SF/DR, 1/4-14 X 1 HWH - ZN
	000G50-04-12B	EA	SCREW-MACH, 1/4-20 X 3/4 PPH ZN
	000G53-04-08R	EA	SCREW-MACHINE, 1/4-20 X 3/8 PPH ZN - UNDERCLUT HEAD
	000G54-04-20B	EA	SCREW, 1/4-20 X 1 1/4 PTH - TYPE 23 - ZINC PLATED
	000G56-12-48B	EA	SCREW-WOOD, 12 - 11 X 3 POH - SPECIAL HARDENED
	000G60-10-28T	EA	SCREW-SF/DR, 10-16 X 1 75 - BLACK
	000G67-10-08B	EA	SCREW, 10-12 X 1/2 PPH ZN
	000G67-10-08R	EA	SCREW, 10-12 X 1/2 PPH - BEIGE - TYPE A
	000G67-10-10B	EA	SCREW, 10-12 X 5/8 PPH ZN - TYPE A
	000G67-10-10D	EA	SCREW, 10-12 X 5/8 PPH - BLACK - TYPE A
	000G67-10-10R	EA	SCREW, 10-12 X 5/8 PPH - TYPE A - BEIGE

**1992 WINNEBAGO
TABLE OF CONTENTS**

INTRODUCTION	A-01	A-02
ABBREVIATIONS		A-03
ALPHABETICAL INDEX	A-04	A-06
WF527RQ	A-07	D-24
WF527RC	E-01	H-18

1992 WF527RQ INDEX

FLOOR PLAN	A-07	A-08
ACCESSORIES		A-09
AUDIO VIDEO		A-10
BATH	A-11	A-12
BEDROOM	A-13	A-17
CHASSIS	A-18	A-22
CURTAIN & CUSHION	A-23	B-08
DINETTE	B-09	B-10
DRIVERS	B-11	B-12
ELECTRICAL	B-13	B-16
EXTERIOR BODY	B-17	B-24
GALLEY	C-01	C-05
GENERATOR		C-06
HEATING & A/C	C-07	C-08
INTERIOR FINISH	C-09	C-12
LABEL	C-13	C-19
LP		C-20
LOUNGE	C-21	C-22
SEALANTS & FASTENERS	C-23	D-01
WATER & SEWAGE	D-02	D-06
WINDOW, VENT AND EXTERIOR DOOR	D-07	D-24

SEALANTS & FASTENERS GROUP (CONTINUED)

SCREWS (CONTINUED)

KEY	PART NUMBER	U/M	DESCRIPTION
	000G67-10-10S	EA	SCREW, 10-12 X 5/8" - PPH - OFF WHITE
	000G67-10-12B	EA	SCREW, 10-12 X 3/4" PPH - ZN
	000G67-10-12P	EA	SCREW, 10-12 X .75" - PPH - DARK BROWN
	000G67-10-12R	EA	SCREW, 10-12 X .75" PPH - BEIGE
	000G67-10-16B	EA	SCREW, 10-12 X 1 PPH - ZN
	000G67-10-16P	EA	SCREW, 10-12 X 1 PPH - DARK BROWN
	000G67-10-20D	EA	SCREW, 10-12 X 1 1/4 PPH - BLACK
	000G67-10-24B	EA	SCREW, 10-12 X 1 1/2 PPH - ZN
	000G67-10-32B	EA	SCREW, 10-12 X 2 PPH - ZN
	000G67-08-10G	EA	SCREW, 8-18 X 5/8 POH - ANTIQUE BRASS
	000G67-10-36T	EA	SCREW, 10-12 X 2 25 POH BLACK
	04065-04-000	EA	SCREW, 10-18 X 1 PTH W/WASHER - BEIGE

CLAMPS, GROMMETS & CLIPS

KEY	PART NUMBER	U/M	DESCRIPTION
	000H18-04-08R	EA	RIVET-POP, AL 1/8 X 313-375
	007161-01-000	EA	CLAMP-HOSE, SPRING TYPE - 1/2"
	010495-01-000	EA	CLAMP-CABLE, 9/16"
	010497-01-000	EA	CLAMP-CLOSED, 5/8" ID
	010497-03-000	EA	CLAMP-CLOSED, 1" ID - CUSHIONED
	010499-01-000	EA	CLAMP-CLOSED, 3/8" ID
	023942-01-000	EA	GROMMET-RUBBER, 2" OD
	044364-02-000	EA	NUT-SPEED, FLAT - ROUND
	062401-01-000	EA	CLAMP-HOSE, WORMGEAR 25" - 1"
	062401-02-000	EA	CLAMP-HOSE, WORMGEAR, 1.56" - 2.5"
	062401-04-000	EA	CLAMP-HOSE, WORMGEAR 69" - 1.25"
	062401-08-000	EA	CLAMP-HOSE, WORMGEAR 22" - 62"
	071015-11-000	EA	GROMMET-RUBBER, 1" ID X 1.75" OD W/ 12" GROOVE - BLACK
	071015-26-000	EA	GROMMET-RUBBER, 1.5" ID X 2.12" OD W/ .08" GROOVE - BLACK
	071015-30-000	EA	GROMMET-RUBBER, 31" ID X 81" OD W/ .12" GROOVE - BLACK
	075148-02-000	EA	CLAMP-GROUNDING, BRONZE SCREWS
	080211-05-000	EA	CLIP-CHRISTMAS TREE-38MM - FASNAP 09-280297
	080734-02-000	EA	CLIP-WIRE, NYLON
	082148-01-000	EA	STUD-CLINCH, 3/8" X 24 X 1.12 GD6
	083809-01-000	EA	CLAMP-WIRE, DUAL EQUAL - 5/8" DIAMETER
	083810-01-000	EA	CLAMP-WIRE, DUAL - UNEQUAL DIAMETERS - 75" & 1.25"
	085774-01-000	FT	FASTENER-DUAL HOOK, 1" WIDE - ADHESIVE BACK - BLACK
	085774-02-000	FT	FASTENER-DUAL LOOP, 1" WIDE - ADHESIVE BACK - BLACK
	084362-02-000	EA	CLIP-CHRISTMAS TREE, FLAT HEAD - .5" X .95"
	101447-01-000	EA	CLIP-U TYPE, TINNEMAN HOLDS SHOWER SURROUND TOGETHER

WATER & SEWAGE GROUP

FRESH WATER TANK

KEY	PART NUMBER	U/M	DESCRIPTION
	034214-07-000	EA	TANK-WATER, W/FITTINGS - 31 GALLON - 30" X 24" X 12.7"
	077954-02-000	EA	FILTER-WATER TANK, SCREEN IN TANK
	042989-03-000	EA	FITTING-WATER TANK, SPINWELD - 1 1/4"NPT - PLASTIC - WHITE
	042989-04-000	EA	FITTING-WATER TANK, SPINWELD - 3/8" FPT - PLASTIC - WHITE
	042989-05-000	EA	FITTING-WATER TANK, SPINWELD - 1/2" FPT - PLASTIC - WHITE
	049032-01-000	EA	PATCH-SPINWELD, 3/8" - PLASTIC
	039861-01-000	EA	SENDING UNIT, W/SCREW, WASHER, WELL NUT AND TERMINAL RING

WATER SYSTEM

KEY	PART NUMBER	U/M	DESCRIPTION
	036522-02-000	EA	CAP-BRASS, 1/2" FLARE
	108000-01-000	EA	CAP-FEMALE, W/CONE - .50 - KEYCO TC3F
	010224-01-000	EA	ADAPTER-HOSE TO PIPE, 3/8" MPT X 3/8" BARB - PLASTIC BLACK
	044927-01-000	EA	ADAPTER-HOSE TO PIPE, 1 1/4" MPT X 1 1/4" BARB - BLACK PLASTIC
	052954-01-000	EA	ADAPTER-HOSE CONE, 3/8" OR 1/2" TUBING PLASTIC - GRAY
	079317-01-000	EA	ADAPTER-SWIVEL, 1/2" TUBE X 1/2" FPT - PLASTIC - GRAY
	108268-01-000	EA	CAP-INSERTABLE, 1/2" FLARE
	098417-01-000	EA	CONNECTOR-5/8" F X 1/2" MPT, PLASTIC - KEYCO
	101814-01-000	EA	COUPLING-FEMALE, 1/2" X 1/2" FPT
	052980-01-000	EA	DRAIN VALVE-IN LINE, HEADER - 1/2" F X 1/2" F - GRAY PLASTIC
	052980-03-000	EA	DRAIN VALVE-IN LINE, HEADER - 5/8" F X 5/8" F - PLASTIC
	052981-02-000	EA	DRAIN VALVE-IN LINE, HEADER - 1/2" MPT X 1/2" F X 1/2" F X 1/2" F - PLASTIC
	065290-01-000	EA	ELBOW-5/8" F X 1/2" MPT
	062357-02-000	EA	ELBOW-MALE, 1/2" F X 1/2" MPT - PLASTIC - GRAY
	087859-04-000	EA	FILL-WATER CITY, OFF WHITE
	046128-01-000	EA	VALVE-DRAIN PLASTIC, 1/2" FPT
	065120-01-000	EA	ELBOW-SWIVEL, 1/2" FPT X 1/2" FLARE - PLASTIC - GRAY
	052953-01-000	EA	NUT-FAUCET, 1/2" TUBE X 1/2" FPT - PLASTIC - GRAY
	052952-01-000	EA	NUT-PLASTIC, 1/2" F X 1/2" TUBE - GRAY
	062952-02-000	EA	NUT-PLASTIC, 5/8" FLARE
	039798-01-000	EA	TEE-1/2"MPT X 1/2"MPT X 1/2"MPT, PLASTIC
	062958-01-000	EA	TEE- 1/2" F X 1/2" F X 1/2" F, PLASTIC - GRAY
	065291-01-000	EA	TEE-PLASTIC, 5/8" F X 5/8" F X 5/8" F
	065293-01-000	EA	TEE-PLASTIC, 5/8" F X 1/2" F X 5/8" F
	067973-01-000	EA	TEE-PLASTIC, 1/2" F X 1/2" F X 5/8" F - WATER
	067974-01-000	EA	TEE-5/8" F X 1/2" F X 1/2" F, PLASTIC
	039800-01-000	FT	TUBING-POLYBUTYL, 1/2" OD - INCREMENTS OF 20" - BLACK
	039800-02-000	FT	TUBING POLYBUTYL, 5/8" OD - INCREMENTS OF 20" - BLACK
	079381-01-000	FT	TUBING-SMOOTH FLEXIBLE, 1 1/4" ID
	074462-02-000	FT	TUBING-VINYL, 3/8" ID - CLEAR

**1992 WINNEBAGO
TABLE OF CONTENTS**

INTRODUCTION	A-01	A-02
ABBREVIATIONS		A-03
ALPHABETICAL INDEX	A-04	A-08
WF527RQ	A-07	D-24
WF527RC	E-01	H-16

1992 WF527RQ INDEX

FLOOR PLAN	A-07	A-08
ACCESSORIES		A-09
AUDIO VIDEO		A-10
BATH	A-11	A-12
BEDROOM	A-13	A-17
CHASSIS	A-18	A-22
CURTAIN & CUSHION	A-23	B-08
DINETTE	B-09	B-10
DRIVERS	B-11	B-12
ELECTRICAL	B-13	B-18
EXTERIOR BODY	B-17	B-24
GALLEY	C-01	C-05
GENERATOR		C-06
HEATING & A/C	C-07	C-08
INTERIOR FINISH	C-09	C-12
LABEL	C-13	C-19
LP		C-20
LOUNGE	C-21	C-22
SEALANTS & FASTENERS	C-23	D-01
WATER & SEWAGE	D-02	D-06
WINDOW, VENT AND EXTERIOR DOOR	D-07	D-24

WATER & SEWAGE GROUP (CONTINUED)

WATER HEATER W/O MOTOR AID

KEY	PART NUMBER	U/M	DESCRIPTION
	051391-03-000	EA	HEATER-WATER, W/ELECTRIC IGNITION - ATWOOD G&A-3E
	051391-01-700	EA	HINGE KIT-W/CLIP, ATWOOD # 92589 & 92559
	051391-01-704	EA	VALVE-RELIEF, 1/2" FITTING - ATWOOD# 91804
	051391-01-705	EA	FASTENER-CAMLOC, ATWOOD# 92809
	051391-01-708	EA	GRILLE-EXHAUST, ATWOOD# 92787
	051391-01-708	EA	BURNER-MAIN, 3E ONLY - ATWOOD# 92815
	051391-01-710	EA	ORIFICE-MAIN BURNER, ATWOOD# 92742
	051391-01-715	EA	DRAIN PLUG, ATWOOD# 91561
	051391-04-700	EA	TANK-INNER (G&A-3E), FRT MT - ATWOOD# 91808
	051391-04-701	EA	THERMOSTAT 12 VDC-120 PRESET, ATWOOD# 91470
	051391-04-708	EA	TANK-INNER, G&A-4E & 6E - FRONT MOUNT - ATWOOD# 91841
	051393-01-702	EA	SWITCH-ENERGY CUT-OFF, ATWOOD# 91951
	051393-01-703	EA	THERMOSTAT-REAR MOUNT, ATWOOD# 91952
	051393-01-704	EA	CIRCUIT BOARD-W/BLACK BOX, ATWOOD# 91420
	051393-01-705	EA	ORIFICE HOLDER-ATWOOD# 91925
	051393-01-718	EA	SPARK & PROBE ASM, ATWOOD# 91808
	051393-01-718	EA	VALVE-DUAL SOLENOID, ATWOOD# 91805
	051393-01-721	EA	ECO&THERMOSTAT ASM-FRONT MOUNT, 140 DEGREE - ATWOOD# 91447
	051393-03-700	EA	TANK-INNER (G&A-3E), REAR MT - ATWOOD# 91409
	097987-01-000	EA	SWITCH-WATER HEATER, ATWOOD 91959

WATER HEATER W/MOTOR AID & REAR HEATER

KEY	PART NUMBER	U/M	DESCRIPTION
	051393-01-000	EA	HEATER-WATER-W/MOTOR AID-ATWOOD GH8-3E, GH8-4E, OR GH8-6E
	051391-01-700	EA	HINGE KIT-W/CLIP, ATWOOD # 92589 & 92559
	051391-01-704	EA	VALVE-RELIEF, 1/2" FITTING - ATWOOD# 91804
	051391-01-705	EA	FASTENER-CAMLOC, ATWOOD# 92809
	051391-01-708	EA	GRILLE-EXHAUST, ATWOOD# 92787
	051391-01-708	EA	BURNER-MAIN, 3E ONLY - ATWOOD# 92815
	051391-01-710	EA	ORIFICE-MAIN BURNER, ATWOOD# 92742
	051391-01-714	EA	ELBOW-45 DEGREE, 3/8" X 3/8" MPT - ATWOOD 91044
	051391-01-715	EA	DRAIN PLUG, ATWOOD# 91561
	051391-04-701	EA	THERMOSTAT 12 VDC-120 PRESET, ATWOOD# 91470
	051391-04-704	EA	TANK-INNER, FRONT MOUNT - GH8-4E & 6E - ATWOOD 91842
	051393-01-700	EA	TANK-INNER, 3E FRONT MOUNT - ATWOOD# 91023
	051393-01-702	EA	SWITCH-ENERGY CUT-OFF, ATWOOD# 91951
	051393-01-703	EA	THERMOSTAT-REAR MOUNT, ATWOOD# 91952
	051393-01-704	EA	CIRCUIT BOARD-W/BLACK BOX, ATWOOD# 91420
	051393-01-705	EA	ORIFICE HOLDER-ATWOOD# 91925
	051393-01-714	EA	TANK-INNER (GH8-3E), REAR MOUNT - ATWOOD# 91408
	051393-01-718	EA	SPARK & PROBE ASM, ATWOOD# 91808
	051393-01-718	EA	VALVE-DUAL SOLENOID, ATWOOD# 91805
	051393-01-721	EA	ECO&THERMOSTAT ASM-FRONT MOUNT, 140 DEGREE - ATWOOD# 91447

WATER & SEWAGE GROUP (CONTINUED)

WATER PUMP

KEY	PART NUMBER	U/M	DESCRIPTION
	098807-01-000	EA	PUMP-WATER, W/ 5" MPT FITTING - FLOW 2.8 GPM - UL
	098807-01-700	EA	PUMPHEAD-REPLACEMENT
	098807-01-701	EA	DRIVE ASSEMBLY
	098807-01-702	EA	DIAPHRAGM KIT
	098807-01-703	EA	VALVE ASSEMBLY
	098807-01-704	EA	HOUSING-UPPER
	098807-01-705	EA	CHECK VALVE KIT
	098807-01-706	EA	UPPER HOUSING/SWITCH KIT
	098807-01-707	EA	MOTOR/BASEPLATE REPLACEMENT

**1992 WINNEBAGO
TABLE OF CONTENTS**

INTRODUCTION	A-01	A-02
ABBREVIATIONS		A-03
ALPHABETICAL INDEX	A-04	A-08
WF527RQ	A-07	D-24
WF527RC	E-01	H-16

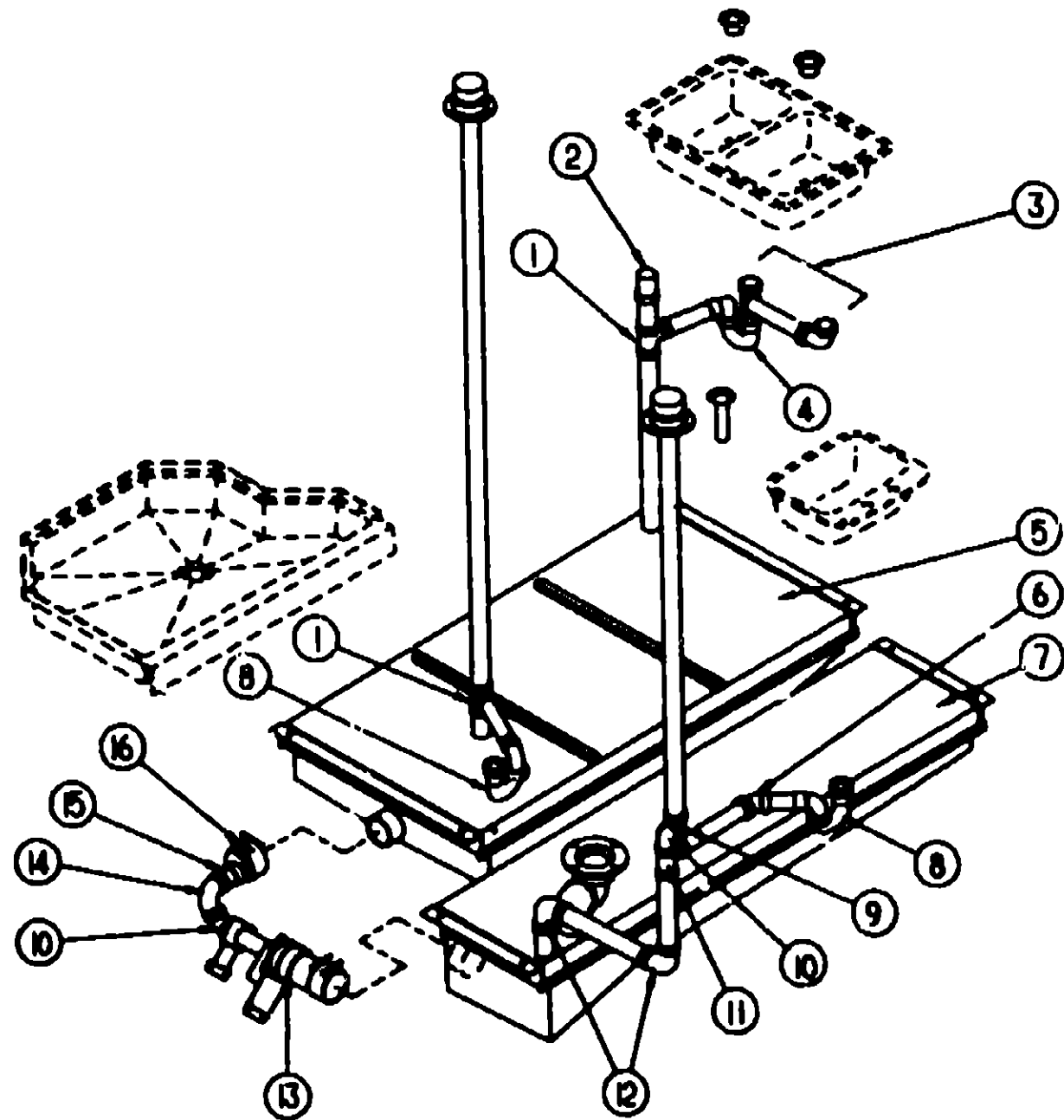
1992 WF527RQ INDEX

FLOOR PLAN	A-07	A-08
ACCESSORIES		A-09
AUDIO VIDEO		A-10
BATH	A-11	A-12
BEDROOM	A-13	A-17
CHASSIS	A-18	A-22
CURTAIN & CUSHION	A-23	B-08
DINETTE	B-09	B-10
DRIVERS	B-11	B-12
ELECTRICAL	B-13	B-18
EXTERIOR BODY	B-17	B-24
GALLEY	C-01	C-05
GENERATOR		C-06
HEATING & AC	C-07	C-08
INTERIOR FINISH	C-09	C-12
LABEL	C-13	C-18
LP		C-20
LOUNGE	C-21	C-22
SEALANTS & FASTENERS	C-23	D-01
WATER & SEWAGE	D-02	D-06
WINDOW, VENT AND EXTERIOR DOOR	D-07	D-24

WATER & SEWAGE GROUP (CONTINUED)

DRAINAGE SYSTEM

KEY	PART NUMBER	U/M	DESCRIPTION
1	010079-01-000	EA	TEE-SANITARY, 1 1/2" X 1 1/2" X 1 1/4" H - PLASTIC - BLACK
2	079068-01-000	EA	VENT-MECH TRAP ARM, ANTI-SIPHON - 2" DIA X 7 3" - PLASTIC
3	011091-02-000	EA	PIPE-DRAIN, W/SEALS - DOUBLE SINK - EXTENDS 9" TO 16"
	011071-01-000	EA	P-TRAP, 1 1/2 - PLASTIC (CSA)
	010121-01-000	EA	BUSHING-REDUCER, 1 1/2"SMOOTH X 1/4"HUB - PLASTIC - BLACK (CSA)
	037101-02-000	EA	ELBOW-PLASTIC, 1/4 BEND VENT 1 1/2"HUB (CSA)
	033302-02-000	EA	ADAPTER ASM-STRAINER, 1 1/2" - ABS (CSA)
4	011066-03-700	EA	P-TRAP, 1 1/2" TRAP X 1 1/4" SOCKET - PLASTIC (US) FROM: 00-00-00 THRU 02-16-92
4	107537-01-000	EA	ADAPTER-P TRAP, 1 1/4" SLIP (US) FROM 02-17-92 THRU 99-99-99
4	107538-01-000	EA	P TRAP-PLASTIC, 1 1/4" WEXT ARM (US) FROM 02-17-92 THRU 99-99-99
4	053336-01-000	EA	P TRAP-1 1/4" HUB X HUB, W/UNION (CSA) FROM 00-00-00 THRU 02-16-92
4	011071-01-000	EA	P-TRAP-1 1/2 - PLASTIC (CSA) FROM: 02-17-92 THRU 99-99-99
5	102782-01-000	EA	TANK-HOLDING, 42 GALLON - 57.4" X 8 4" X 29"
6	010000-01-000	EA	ELBOW-45 DEG, 1/8 BEND - 1 1/4" HUB X HUB - BLACK PLASTIC
7	102781-01-000	EA	TANK-HOLDING, 28 GALLON - 68.9" X 17.7" X 15 7"
8	011066-03-700	EA	P-TRAP, 1 1/2" TRAP X 1 1/4" SOCKET - PLASTIC (US) FROM: 00-00-00 THRU 02-16-92
8	107537-01-000	EA	ADAPTER-P TRAP, 1 1/4" SLIP (US) FROM 02-17-92 THRU 99-99-99
8	107538-01-000	EA	P TRAP-PLASTIC, 1 1/4" WEXT ARM (US) FROM: 02-17-92 THRU 99-99-99
8	011066-02-000	EA	P TRAP-1 1/4" HUB X SLIP JOINT, W/UNION - ABS (CSA)
9	010008-01-000	EA	ELBOW-45 DEG, 1/8 BEND - 1 1/2" HUB X HUB - BLACK PLASTIC
10	010061-01-000	EA	ELBOW-45 DEG BEND, 1 1/2" SPIGOT AND HUB - PLASTIC - BLACK
11	010079-01-000	EA	TEE-SANITARY, 1 1/2" X 1 1/2" X 1 1/4" H - PLASTIC - BLACK
12	010008-01-000	EA	ELBOW-90 DEG, 1/4 BEND - 1 1/2" HUB X HUB - BLACK PLASTIC
13	070918-01-000	EA	VALVE-DUAL DUMP-W/CAP - 3" X 1 1/2" - PLASTIC - BLACK
	062418-01-000	EA	ADAPTER-SEWER HOSE TO 3" PIPE
	010201-01-000	EA	HOSE-SEWER, 3" ID X 8'
14	033781-01-000	EA	ELBOW-TURN, 1/4 BEND X 1 5"HUB X 1 5"SPIGOT - BLK PLASTIC
15	062422-01-000	EA	ADAPTER-OFFSET REDUCER, 3" X 1 1/2" - PLASTIC - BLACK
18	078408-01-000	EA	COUPLER-RUBBER, W/CLAMP - 3" X 3"
	010081-01-000	EA	ELBOW-45 DEGREE, STREET - 1/8 BEND - 3" 8 X H - PLASTIC
	010071-01-000	EA	TEE-SANITARY, 1 1/2" HUB X HUB X HUB - PLASTIC - BLACK
	010121-01-000	EA	BUSHING-REDUCER, 1 1/2"SMOOTH X 1/4"HUB - PLASTIC - BLACK
	033302-02-000	EA	ADAPTER ASM-STRAINER, 1 1/2" - ABS - CANADIAN
	037101-02-000	EA	ELBOW-PLASTIC, 1/4 BEND VENT 1 1/2"HUB - CSA
	081607-01-000	EA	GROMMET-HOLDING TANK, 1 1/2" NPS
	081607-02-000	EA	GROMMET-HOLDING TANK, 3" NPS



1992 WINNEBAGO TABLE OF CONTENTS

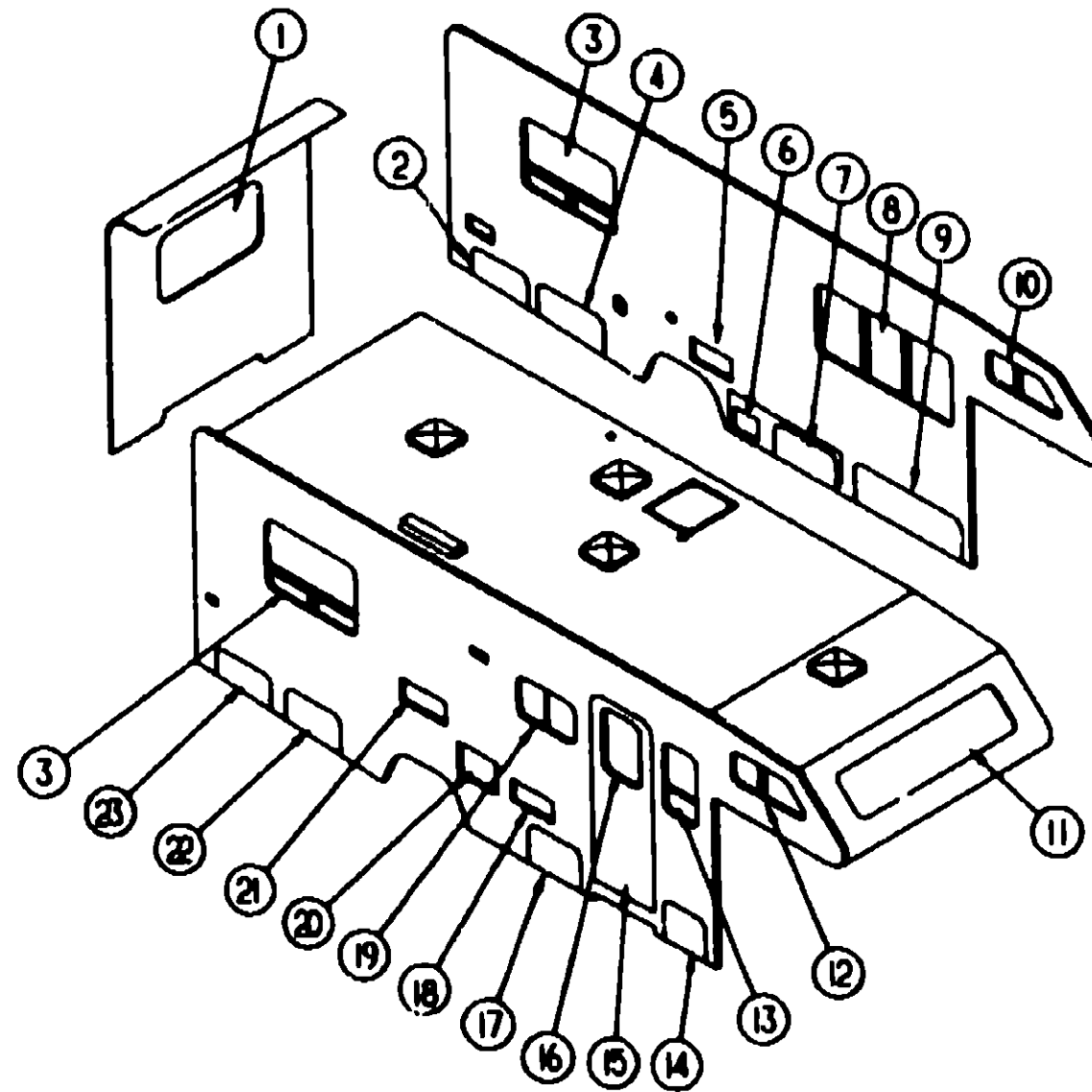
INTRODUCTION	A-01 - A-02
ABBREVIATIONS	A-03
ALPHABETICAL INDEX	A-04 - A-08
WF527RQ	A-07 - D-24
WF527RC	E-01 - H-16

1992 WF527RQ INDEX

FLOOR PLAN	A-07 - A-08
ACCESSORIES	A-09
AUDIO VIDEO	A-10
BATH	A-11 - A-12
BEDROOM	A-13 - A-17
CHASSIS	A-18 - A-22
CURTAIN & CUSHION	A-23 - B-08
DINETTE	B-09 - B-10
DRIVERS	B-11 - B-12
ELECTRICAL	B-13 - B-16
EXTERIOR BODY	B-17 - B-24
GALLEY	C-01 - C-06
GENERATOR	C-08
HEATING & A/C	C-07 - C-08
INTERIOR FINISH	C-09 - C-12
LABEL	C-13 - C-19
LP	C-20
LOUNGE	C-21 - C-22
SEALANTS & FASTENERS	C-23 - D-01
WATER & SEWAGE	D-02 - D-08
WINDOW, VENT AND EXTERIOR DOOR	D-07 - D-24

WINDOW, VENT & EXTERIOR DOOR GROUP

WINDOWS & DOORS



1992 WINNEBAGO TABLE OF CONTENTS

INTRODUCTION	A-01 - A-02
ABBREVIATIONS	A-03
ALPHABETICAL INDEX	A-04 - A-08
WF527RQ	A-07 - D-24
WF527RC	E-01 - H-16

1992 WF527RQ INDEX

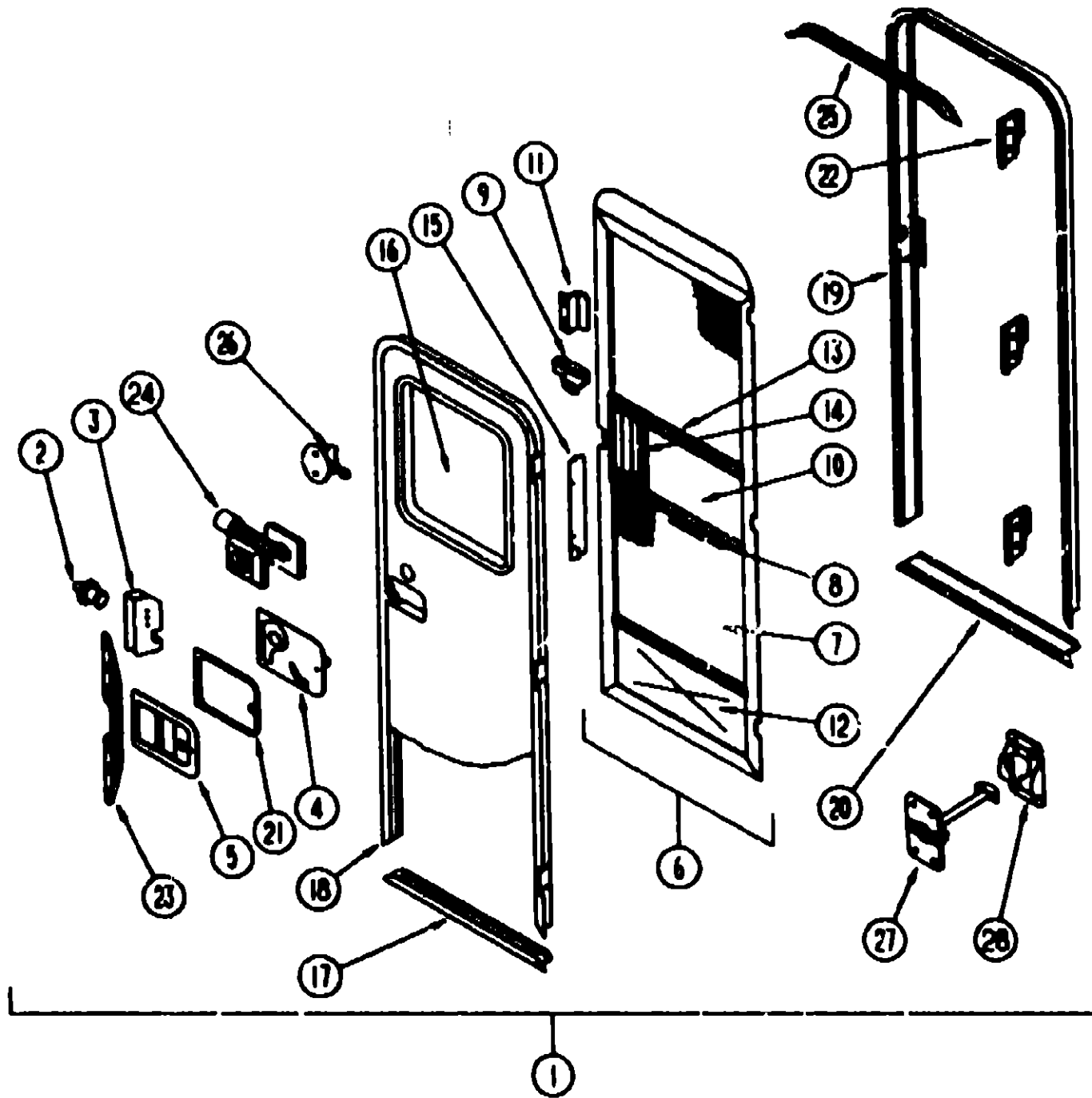
FLOOR PLAN	A-07 - A-08
ACCESSORIES	A-09
AUDIO VIDEO	A-10
BATH	A-11 - A-12
BEDROOM	A-13 - A-17
CHASSIS	A-18 - A-22
CURTAIN & CUSHION	A-23 - B-08
DINETTE	B-09 - B-10
DRIVERS	B-11 - B-12
ELECTRICAL	B-13 - B-16
EXTERIOR BODY	B-17 - B-24
GALLEY	C-01 - C-06
GENERATOR	C-08
HEATING & A/C	C-07 - C-08
INTERIOR FINISH	C-09 - C-12
LABEL	C-13 - C-16
LP	C-20
LOUNGE	C-21 - C-22
SEALANTS & FASTENERS	C-23 - D-01
WATER & SEWAGE	D-02 - D-08
WINDOW, VENT AND EXTERIOR DOOR	D-07 - D-24

KEY	PART NUMBER	U/M	DESCRIPTION
1	079828-03-Y12	EA	WINDOW-ESCAPE, 27" X 48" - W/O INSIDE FRAME
2	105175-04-C62	EA	DOOR-COMPARTMENT, LOWER - REAR
3	082235-12-Y12	EA	WINDOW-TIPOUT, SINGLE - W/O INSIDE FRAME
4	105175-03-C03	EA	DOOR ASM-LOWER-REAR
4	105175-13-C03	EA	DOOR ASM-LOWER-REAR
			FROM 00-00-00 THRU 11-18-91
			FROM 11-18-91 THRU 08-08-99
6	105118-02-C05	EA	DOOR-EXTERIOR SHOWER
	P08300-01-C03	EA	PANEL-ACCESS, EXTERIOR SEWER
8	088784-01-000	EA	DOOR-POWER CORD, WATCH - OFF WHITE
7	105174-10-C03	EA	DOOR-COMPARTMENT, LOWER - FRONT
8	088847-10-02A	EA	WINDOW-SLIDER, HORIZONTAL - W/INSIDE TRIM - BLACK
9	105174-03-C03	EA	DOOR-COMPARTMENT, LOWER - FRONT
10	100922-08-700	EA	WINDOW-VENTED, 12" X 36.8" - W/O INSIDE FRAME - EXCEL CH19-DK L
11	103913-01-805	EA	WINDOW-PICTURE, W/O INSIDE FRAME
12	100922-01-720	EA	WINDOW-VENTED, 12" X 36.8" - W/O INSIDE FRAME - EXCEL CH19-DK R
13	088844-05-01A	EA	WINDOW-SLIDER, RAISED - W/INSIDE FRAME - EXCEL H250-PR

KEY	PART NUMBER	U/M	DESCRIPTION
14	105174-01-C03	EA	DOOR-COMPARTMENT, LOWER - FRONT
15	M01870-63-C62	EA	DOOR-ENTRY, W/WINDOW, SCREEN & JAMB - OFF WHITE
16	079733-04-T03	EA	WINDOW-ENTRY DOOR, 17" X 25" - W/O INSIDE FRAME
17	105174-02-C03	EA	DOOR-COMPARTMENT, LOWER - FRONT
18	105118-01-C05	EA	DOOR-EXTERIOR ENTERTAINMENT
19	082235-11-Y12	EA	WINDOW-TIPOUT, SINGLE - W/O INSIDE FRAME
20	062008-01-000	EA	DOOR-WATER HEATER, OFF WHITE - ATWOOD 5678-27
21	084103-03-000	EA	DOOR-VENT-REFRIGERATOR - OFF WHITE
	084104-03-000	EA	JAMB-DOOR-REFRIGERATOR-OFF WHITE
	084104-01-700	EA	LOCK-MALE, FASTENER - REFRIGERATOR DOOR
	084104-01-701	EA	LOCK-FEMALE, FASTENER - REFRIGERATOR DOOR
22	105175-01-C62	EA	DOOR-COMPARTMENT, LOWER - REAR
23	105175-02-C62	EA	DOOR-COMPARTMENT, LOWER - REAR
	081240-03-000	EA	DOOR-WATER FILL-LOCKABLE-4" X 4 5/8" - OFF WHITE
	078010-03-000	EA	DOOR-FUEL FILL, W/JAMB - OFF WHITE
	077983-01-000	EA	GASKET-DOOR, FUEL FILL - 10 1" X 8" - WF-8A

WINDOW, VENT & EXTERIOR DOOR GROUP (CONTINUED)

ENTRY DOOR



KEY	PART NUMBER	U&S DESCRIPTION
5	048017-11-000	EA LATCH-ENTRY DOOR, MECHANISM W/LOCK & KEY - BLACK
	048017-11-701	EA KEY BLANK
	068025-02-000	EA CLIP-ROLLER LATCH CATCH, SCREEN DOOR
	083729-04-000	EA RIVNUT, 10-32 UNF - .010-080
	072889-01-000	EA NUT-BERT-MS X 0, 8
	075871-04-000	FT SEAL-SPONGE, LAZY T SHAPE - W/ADHESIVE STRIPE - 5" WIDE
6	078012-01-U01	EA DOOR-SCREEN
7	002298-02-000	SF SCREENING-WINDOW/DOOR, 28" - CHARCOAL
8	002294-01-000	FT SPLINE-SCREENING, .136" X .138" - BLACK
	002748-01-000	EA CORNER KEY-DOOR
9	108403-01-000	EA CATCH-ASM-SINGLE ROLLER
10	018484-01-000	EA INSERT-CENTER, LEATHER GRAIN ALUMINUM - UNPAINTED
10	001014-01-013	EA INSERT-CENTER, 10.25" X 16.31" - UNPAINTED
11	060712-04-000	EA HANDLE-SCREEN DOOR, ALUMINUM - OFF WHITE
11	080712-06-000	EA HANDLE-SCREEN DOOR, UNPAINTED
12	078862-03-000	EA KICK PANEL-SCREEN DOOR, LOWER INSERT - UNPAINTED
	078888-01-000	EA TOP PLATE-SCREEN DOOR, CURVED TOP - 4.7" X 25.36"
13	078777-01-000	EA CHANNEL-SLIDE, SCREEN DOOR CENTER SLIDER COVER
14	077178-02-000	EA SLIDER-SCREEN DOOR, OFF WHITE
15	077147-02-000	EA STRIKE-SLIDER, W/FLIP FOR ELBOW CATCH - 1.5" X 8.6" - OFF WHITE
	008018-01-000	EA CATCH-ELBOW, SPRING LOADED - SCREEN DOOR CATCH
16	078733-04-T03	EA WINDOW-PICTURE, W/O INSIDE FRAME - 17" X 28"
	081914-01-000	EA BUMPER-RUBBER, ROUND - .43" DIAMETER - BLACK
17	088748-01-000	EA FRAME-BOTTOM, ENTRY DOOR - 24.8" LONG - OFF WHITE
	060340-01-000	FT SEAL-FOAM, CLOSED CELL - 1/4" X 1/2" X 50'
18	088278-01-01A	EA FRAME-ENTRY DOOR, W/O BOTTOM - OFF WHITE
19	088277-02-01A	EA JAMB-ENTRY DOOR, W/BOTTOM - 28.9" X 74.5" - OFF WHITE
20	051048-01-000	EA JAMB-BOTTOM, ENTRY DOOR - 25.9" - UNPAINTED
	078207-01-000	EA STRIKER-ROLLER CATCH, WELDED TO DOOR JAMB - 4" X 1.15"
	088278-01-01A	EA JAMB-DOOR, ENTRANCE - 28.9" X 74.5" - UNPAINTED
21	088810-01-01A	EA PLATE-LATCH, ENTRY DOOR - PLASTIC - BLACK
22	087724-01-04A	EA HINGE-ENTRY DOOR, UNPAINTED
23	088173-01-04A	EA STIFFENER-ENTRY DOOR, SUPPORTS LATCH/STRIKE AREA - UNPAINTED
	100128-02-000	FT SEAL-PILE, ADHESIVE BACK - SCREEN DOOR - GRAY
24	101148-01-01A	EA DEADBOLT-ENTRY DOOR, W/2 KEYS W/O BACK SET BOLT OR SCREWS
	086229-01-700	EA KEY BLANK FOR DEADBOLT
	101147-01-000	EA BOLT-SECURITY, 4.12" BACKSET
	102824-01-000	EA BUMPER-RUBBER, FLAT - BLACK
25	044882-02-000	EA CAP-DRIP, ENTRY DOOR - JAMB MOUNTED - ALUMINUM - OFF WHITE
	084076-07-000	FT SEAL-BULB, W/WIRED U CHANNEL - 3" X 5" CHANNEL - BLACK
	078838-18-000	EA GARNISH-RADIUS, ENT DOOR Q/W '82 W/F427RQ
	077481-08-000	EA COVER-STRIKE, ENTRY DOOR - 8.6" X 2.8" - PLASTIC - WHITE
	080340-01-000	FT SEAL-FOAM, CLOSED CELL - 1/4" X 1/2" X 50'
	081878-01-000	EA RETAINER-DOOR, 1.8" X 8" - METAL
26	104012-01-000	EA CATCH-SCREEN DOOR, THUMB CLIP W/BLACK PLASTIC CAP
	104882-01-000	FT SEAL-ADHESIVE BACK, 3/4" X 3/4"
27	104098-01-01A	EA CATCH-DOOR HOLDER, STRIKE
28	104088-02-01A	EA CATCH-DOOR HOLDER, RETAINER

1982 WINNEBAGO TABLE OF CONTENTS

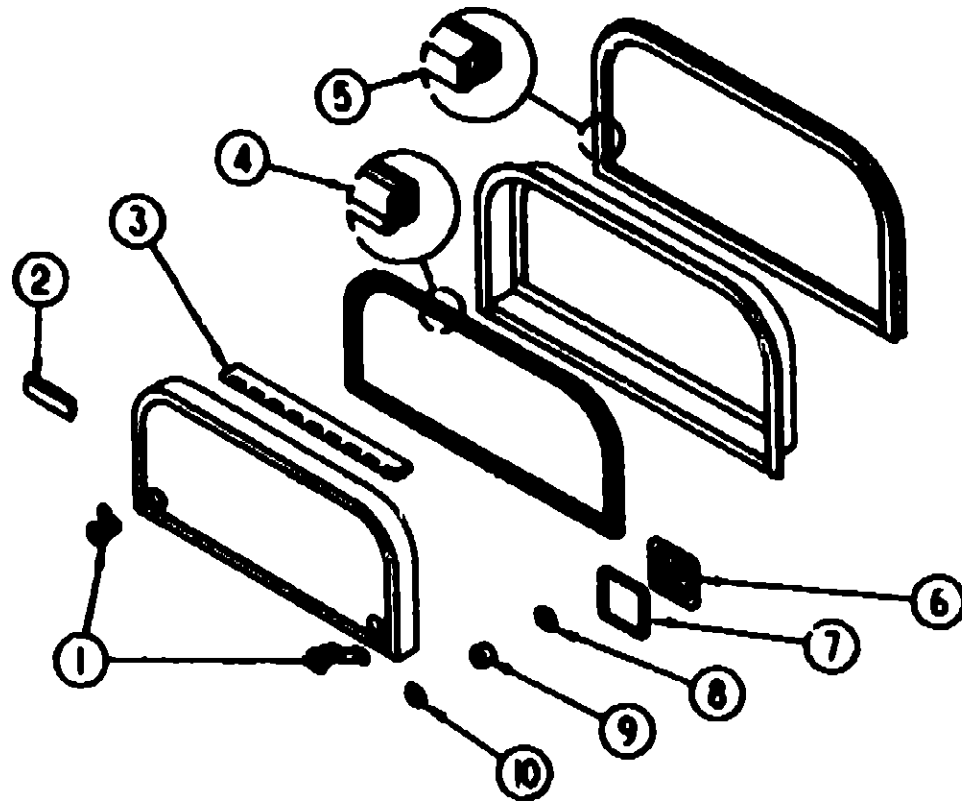
INTRODUCTION	A-01 - A-02
ABBREVIATIONS	A-03
ALPHABETICAL INDEX	A-04 - A-06
WF827RQ	A-07 - D-34
WF827RC	E-01 - H-16

1982 WF827RQ INDEX

FLOOR PLAN	A-07 - A-08
ACCESSORIES	A-09
AUDIO VIDEO	A-10
BATH	A-11 - A-12
BEDROOM	A-13 - A-17
CHASSIS	A-18 - A-22
CURTAIN & CUSHION	A-23 - B-08
DINETTE	B-09 - B-10
DRIVERS	B-11 - B-12
ELECTRICAL	B-13 - B-16
EXTERIOR BODY	B-17 - B-24
GALLEY	C-01 - C-05
GENERATOR	C-06
HEATING & A/C	C-07 - C-08
INTERIOR FINISH	C-09 - C-12
LABEL	C-13 - C-18
LP	C-19
LOUNGE	C-21 - C-22
SEALANTS & FASTENERS	C-23 - D-01
WATER & SEWAGE	D-02 - D-08
WINDOW, VENT AND EXTERIOR DOOR	D-07 - D-34

KEY	PART NUMBER	U&S DESCRIPTION
1	M01870-63-C62	EA DOOR-ENTRY W/SCREEN DOOR & JAMB
2	088638-01-000	EA STRIKE-LOCK, ENTRY DOOR - ROUND W/THREADED WASHER
3	088640-01-000	EA LATCH MECHANISM-HOOK, ENTRY DOOR - INTERIOR
	088718-01-000	EA NUT-BERT, 1/4" DIAMETER - 20 THREADS
4	088873-04-000	EA COVER-INTERIOR LATCH, W/TRIP ARM - RIGHT - BLACK
	088884-01-000	EA CAP-ROUND, VINYL - .28" ID X .62" LONG - BLACK
	041848-03-000	EA BRACKET-DOOR ANGLE, 5" X 1.8" - BEIGE - METAL

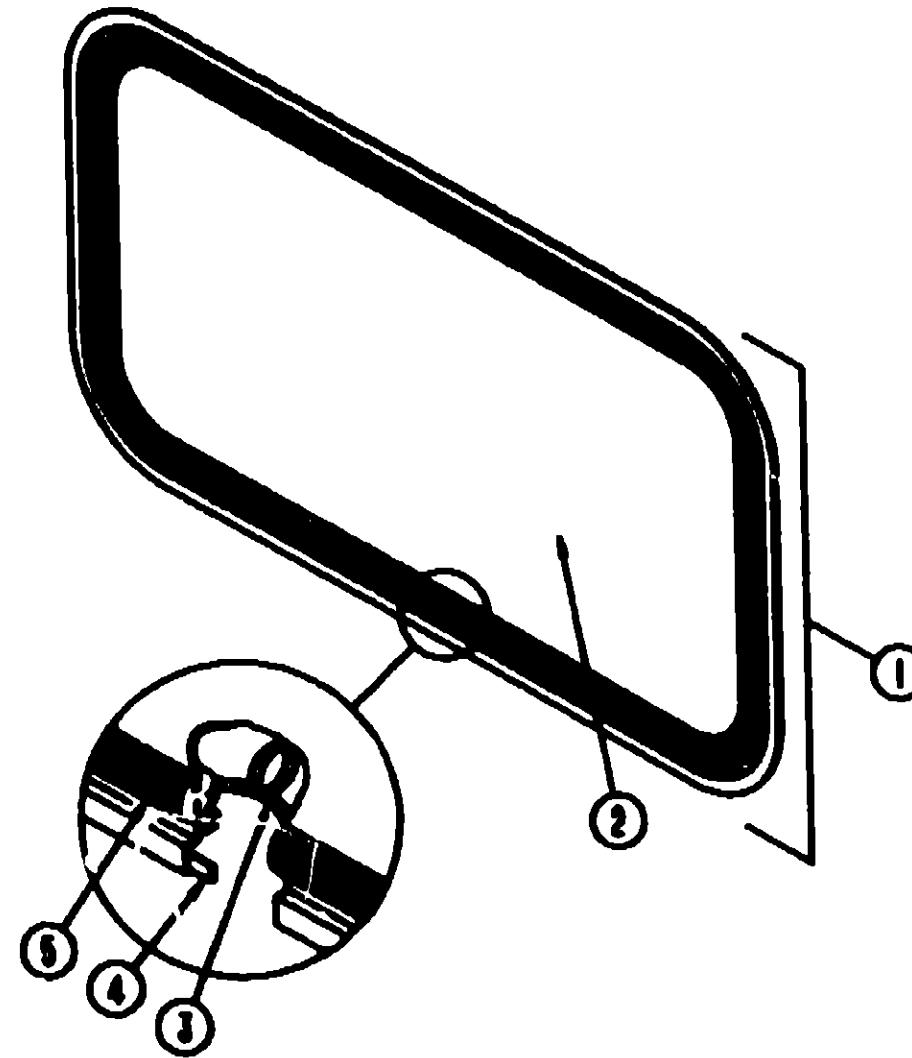
WINDOW, VENT & EXTERIOR DOOR GROUP (CONTINUED)



EXTERIOR DOOR COMPONENTS & HOLDERS

KEY	PART NUMBER	U/M DESCRIPTION
1	07888-04-000	EA LOCK-DOOR, KEY TYPE W/O KEYS - 1.9 OFF SET
1	07888-08-000	EA LOCK ASM-KEY TYPE W/O KEYS 1.80 OFF SET FROM: 00-00-00 THRU: 02-19-82
	08284-01-700	EA KEY BLANK
1	07887-08-000	EA LOCK-TWIST TYPE, DOUBLE CAM - 2 10 OFF SET FROM: 00-00-00 THRU: 02-19-82
1	07887-04-000	FA LOCK ASM-TWIST TYPE 1.80 O/S ILLINOIS LOCK FROM: 03-30-82 THRU: 99-99-99
2	10278-01-000	EA HOLDER-COMPARTMENT/ENTRY DOOR, METAL - MILL FINISH
3	10897-01-02A	EA HINGE-CONTINUOUS, 2" X 140MM - OFF WHITE
	081801-02-000	EA HINGE-2" X 88", OFF WHITE
	084413-01-000	EA HINGE-CONTINUOUS, ALUMINUM - 1" X 72" - WHOLE
4	084076-07-000	FT SEAL-BULB, W/WIRE U CHANNEL - 3" X .6" CHANNEL - BLACK
5	081832-02-000	FT SEAL-BULB, DOOR - W/WIRE CARRIER - 8" WIDE - RUBBER - BLACK
6	087111-01-01A	EA POCKET-LOCK, VALANCE - OFF WHITE
7	088328-01-000	EA GASKET-LOCK POCKET
8	108894-01-000	EA WASHER 840X.7880 SST - HUDSON LOCK
9	107887-51-001	EA EXTR-SPACER, 0018, 24
10	108833-01-700	EA BEAUTY RING .8707.7800 SST - HUDSON LOCK
	088217-56-001	EA U-CHANNEL, 17 8" - OFF WHITE

WINDOW, VENT & EXTERIOR DOOR GROUP (CONTINUED)



BACKWALL ESCAPE WINDOW

KEY	PART NUMBER	U/M DESCRIPTION
	074818-08-000	EA FRAME-WINDOW, INSIDE - ESCAPE - OFF WHITE
1	07888-03-Y12	EA WINDOW-ESCAPE, BACKWALL - W/O INSIDE FRAME
2	07887-08-000	EA GLASS-WINDOW, 44.8" X 23.8"
3	00288-01-000	FT FILLER-WEATHER STRIP, RUBBER - BLACK
	077088-01-702	EA RED POLY 60SX 800MX180'ROLL
4	088840-10-000	FT SEALER-RIBBON, 1/32" X 1 1/2" INCREMENTS OF 90'
5	00282-04-000	EA WEATHERSTRIP-WINDOW, .125" X 108.25" - VULCANIZED - BLACK

1992 WINNEBAGO
TABLE OF CONTENTS

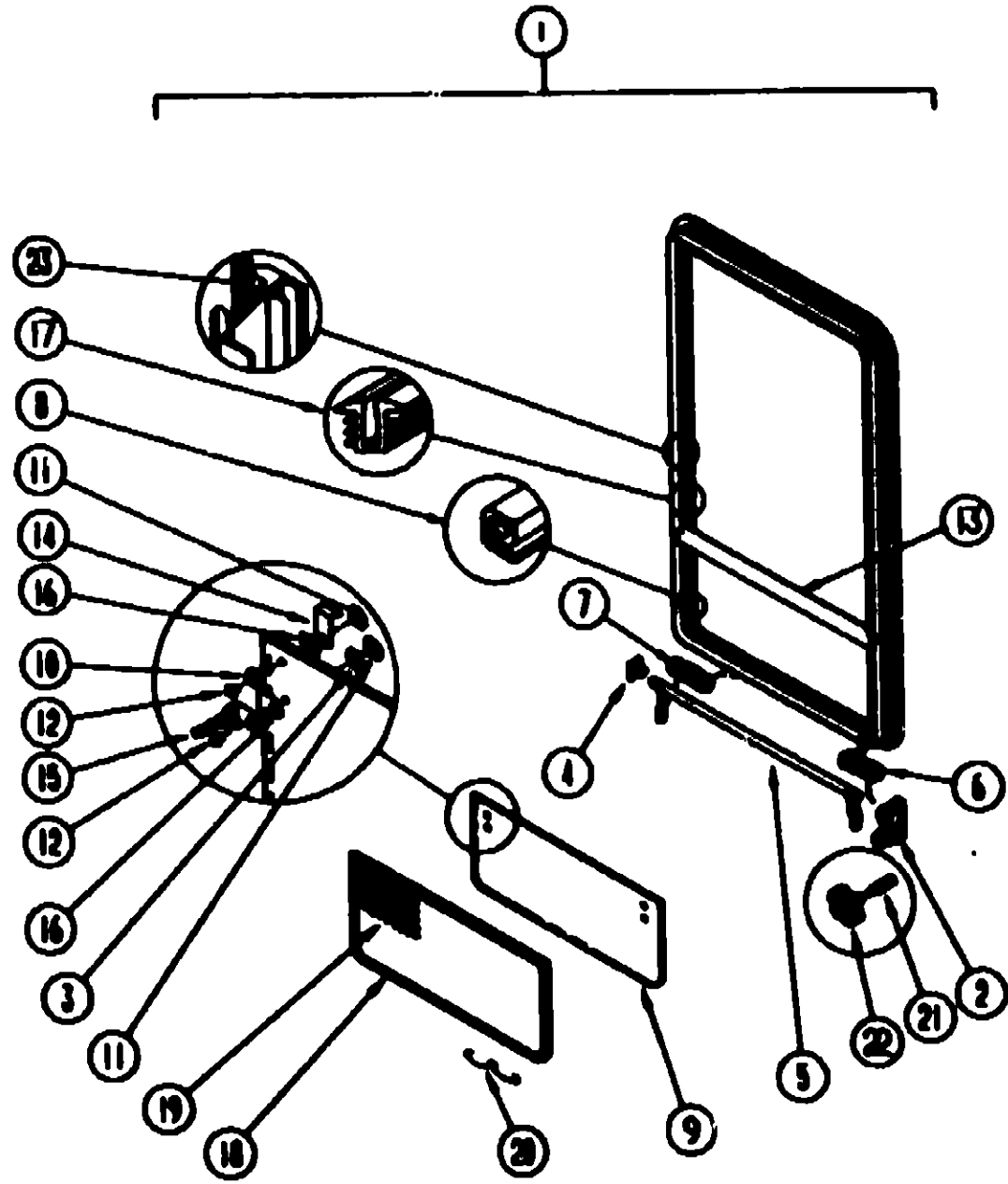
INTRODUCTION	A-01 - A-02
ABBREVIATIONS	A-03
ALPHABETICAL INDEX	A-04 - A-08
WF527RQ	A-07 - D-24
WF527RC	E-01 - H-18

1992 WF527RQ INDEX

FLOOR PLAN	A-07 - A-08
ACCESSORIES	A-09
AUDIO VIDEO	A-10
BATH	A-11 - A-12
BEDROOM	A-13 - A-17
CHASSIS	A-18 - A-22
CURTAIN & CUSHION	A-23 - B-08
DINETTE	B-09 - B-10
DRIVERS	B-11 - B-12
ELECTRICAL	B-13 - B-16
EXTERIOR BODY	B-17 - B-24
GALLEY	C-01 - C-05
GENERATOR	C-06
HEATING & A/C	C-07 - C-08
INTERIOR FINISH	C-09 - C-12
LABEL	C-13 - C-18
LP	C-19
LOUNGE	C-21 - C-22
SEALANTS & FASTENERS	C-23 - D-01
WATER & SEWAGE	D-02 - D-06
WINDOW, VENT AND EXTERIOR DOOR	D-07 - D-24

WINDOW, VENT & EXTERIOR DOOR GROUP (CONTINUED)

DRIVER & PASSENGER SIDE BEDROOM WINDOW



KEY	PART NUMBER	U/M	DESCRIPTION
1	080883-18-02A	EA	FRAME-INSIDE, WINDOW RETAINER - OFF WHITE
1	082235-12-Y12	EA	WINDOW-TIPOUT, TWO INSIDE FRAME
2	000H14-08-14R	EA	RIVET-MANDREL BLIND, 3/16"
3	035302-02-000	EA	OPERATOR-TORQUE, TIPOUT WINDOW -
3	089927-09-000	EA	SEAL-WINDOW, RUBBER - ROUND - .80" DIA. - BLACK
4	081364-01-000	EA	SLEEVE-TORQUE TUBE, TIPOUT WINDOW - 1.3" X 1.2" X 7"
5	081649-01-000	EA	RING-SNAP, 7/32 SHAFT DIAMETER
6	083150-12-000	EA	TUBE-TORQUE, TIPOUT WINDOW - W/SPRING & ARM - 22.5" LONG
6	080918-01-000	EA	SPRING-TORQUE TUBE, LEFT
7	080918-02-000	EA	SPRING-TORQUE TUBE, RIGHT
8	084067-02-000	FT	SEAL-E SHAPED, SPONGE - TIPOUT WINDOW - 42" X .38"-BLACK
9	084068-17-000	EA	GLASS-TIPOUT, 9 2" X 24 5"
10	084463-02-000	EA	WASHER-.06" X .5" X .25" - PLASTIC
11	086762-01-000	EA	T NUT 10-32
12	086763-01-000	EA	SCREW-MACH, 10 - 32 X 1/4 PTH
13	087888-04-01A	EA	MULLION-HORIZONTAL, TIPOUT - BLACK
14	088913-01-000	EA	HINGE-TIPOUT WINDOW, BLACK
15	087576-01-000	EA	LINKAGE-TIPOUT WINDOW
16	084463-01-000	EA	WASHER-.06" X .5" X .135" - PLASTIC
16	084473-01-000	EA	SEAL-FLAT, W/CENTER HOLE & ADHESIVE SIDE - .8" X 9" - BLK
16	088318-01-000	EA	RIVET-SHOULDER, TIPOUT WINDOW
17	088164-01-000	FT	CHANNEL-GLAZING, STATIONARY GLASS - 62" X 45" - BLACK
18	100226-04-807	EA	SCREEN-SINGLE TIPOUT WINDOW
19	080218-03-000	SF	SCREENING-FIBERGLASS, 12" WIDE
20	100189-01-000	EA	CLIP-SPRING, SCREEN
20	100240-01-000	FT	SPUNE-SCREEN, T-SHAPED
21	008439-08-000	EA	EXTENSION-CRANK HANDLE, WINDOW /ROOF VENT - BLACK
22	008439-05-000	EA	KNOB-OPERATOR, TIPOUT WINDOW - W/SPRING & ARM
22	008439-07-000	EA	SCREW, 8-32 X 1 1/4 POH - BLACK
23	088840-11-000	FT	TAPE-SEALER, 3/16" X 3/8" - BLACK

1982 WINNEBAGO TABLE OF CONTENTS

INTRODUCTION	A-01 - A-02
ABBREVIATIONS	A-03
ALPHABETICAL INDEX	A-04 - A-08
WF527RQ	A-07 - D-24
WF527RC	E-01 - H-13

1982 WF527RQ INDEX

FLOOR PLAN	A-07 - A-08
ACCESSORIES	A-09
AUDIO VIDEO	A-10
BATH	A-11 - A-12
BEDROOM	A-13 - A-17
CHASSIS	A-18 - A-22
CURTAIN & CUSHION	A-23 - B-08
DINETTE	B-09 - B-10
DRIVERS	B-11 - B-12
ELECTRICAL	B-13 - B-16
EXTERIOR BODY	B-17 - B-24
GALLEY	C-01 - C-06
GENERATOR	C-08
HEATING & AC	C-07 - C-08
INTERIOR FINISH	C-09 - C-12
LABEL	C-13 - C-19
LP	C-20
LOUNGE	C-21 - C-22
SEALANTS & FASTENERS	C-23 - D-01
WATER & SEWAGE	D-02 - D-06
WINDOW, VENT AND EXTERIOR DOOR	D-07 - D-24

WINDOW, VENT & EXTERIOR DOOR GROUP (CONTINUED)

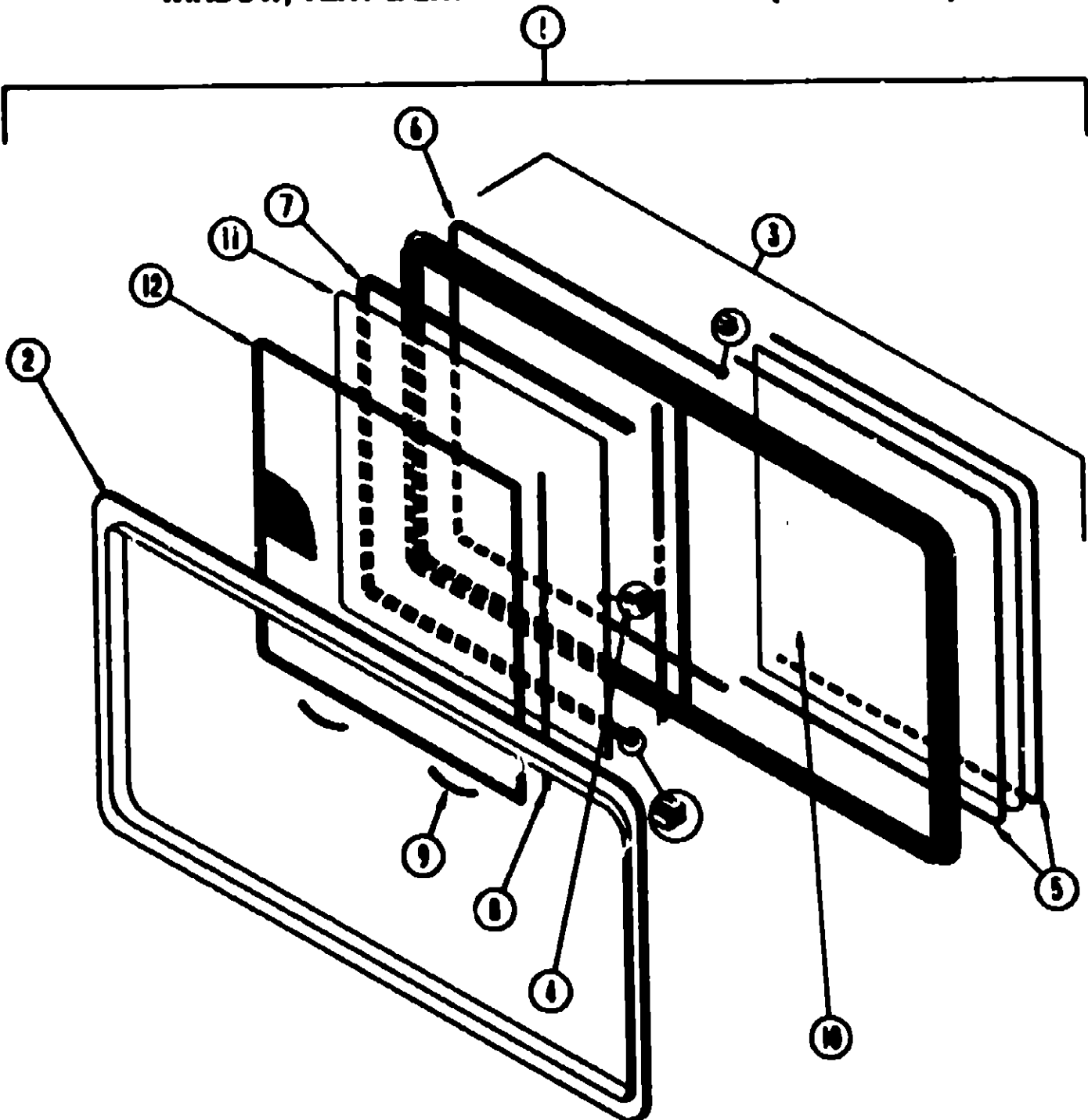
WINDOW, VENT & EXTERIOR DOOR GROUP (CONTINUED)

1992 WINNEBAGO
TABLE OF CONTENTS

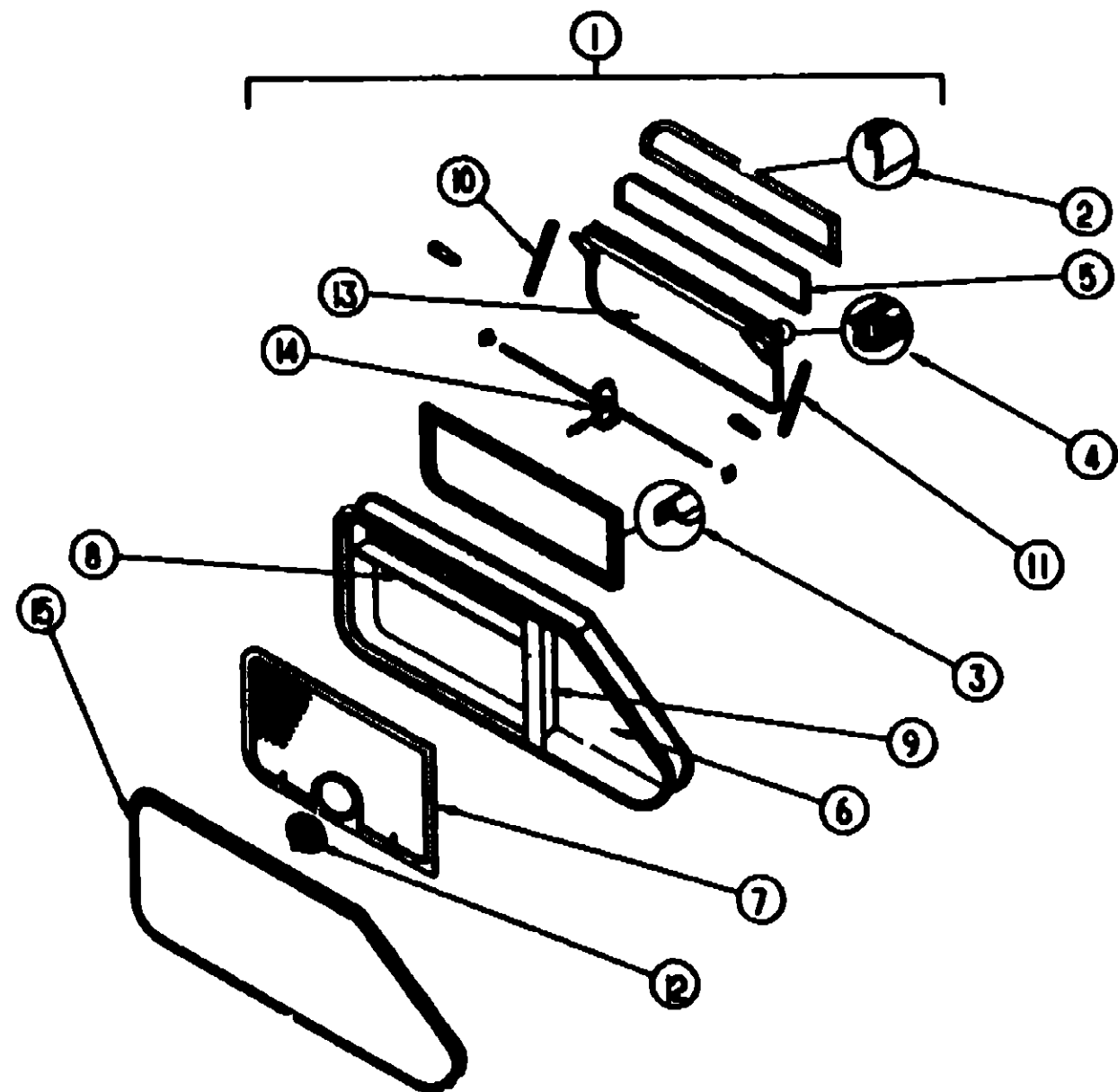
INTRODUCTION	A-01 - A-02
ABBREVIATIONS	A-03
ALPHABETICAL INDEX	A-04 - A-08
WF827RQ	A-07 - D-24
WF827RC	E-01 - H-18

1992 WF827RQ INDEX

FLOOR PLAN	A-07 - A-08
ACCESSORIES	A-09
AUDIO VIDEO	A-10
BATH	A-11 - A-12
BEDROOM	A-13 - A-17
CHASSIS	A-18 - A-22
CURTAIN & CUSHION	A-23 - B-08
DINETTE	B-09 - B-10
DRIVERS	B-11 - B-12
ELECTRICAL	B-13 - B-16
EXTERIOR BODY	B-17 - B-24
GALLEY	C-01 - C-05
GENERATOR	C-06
HEATING & AC	C-07 - C-08
INTERIOR FINISH	C-09 - C-12
LABEL	C-13 - C-18
LP	C-19
LOUNGE	C-21 - C-22
SEALANTS & FASTENERS	C-23 - D-01
WATER & SEWAGE	D-02 - D-08
WINDOW, VENT AND EXTERIOR DOOR	D-07 - D-24



DINETTE OR COUCH SINGLE SLIDING WINDOW

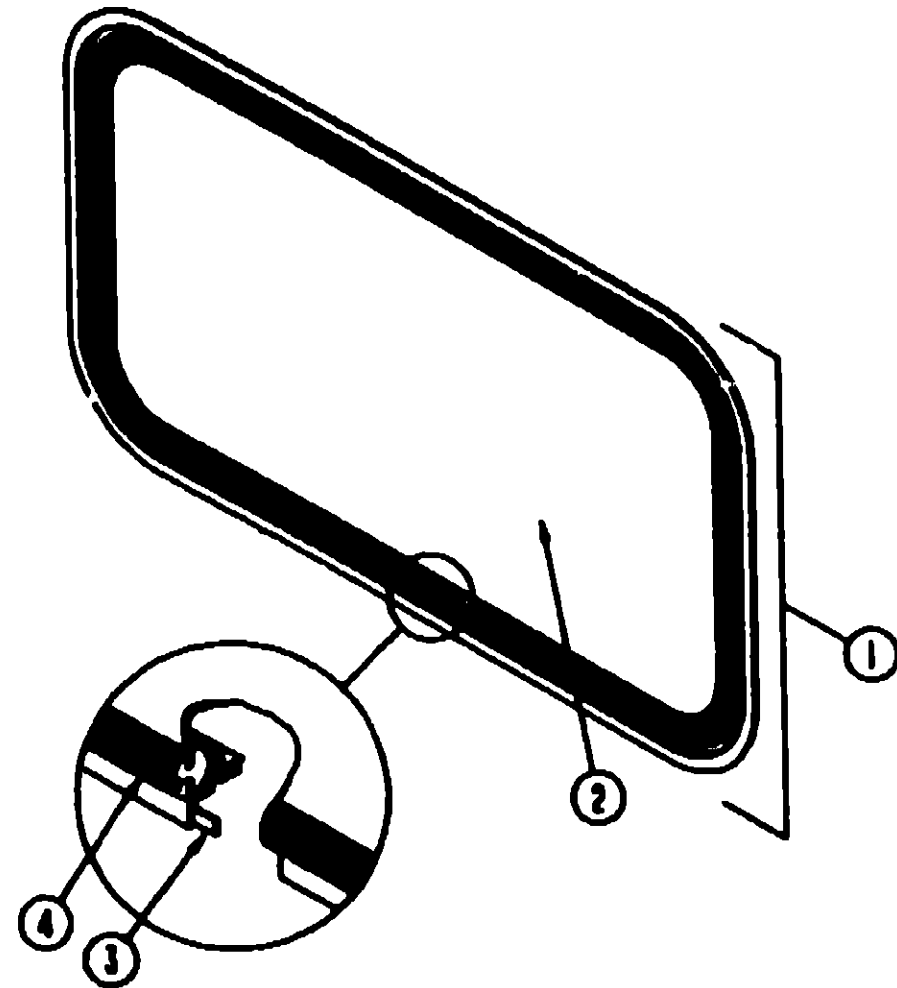


DRIVER SIDE OVERHEAD BUNK WINDOW

KEY	PART NUMBER	U/M	DESCRIPTION
1	08847-10-02A	EA	WINDOW-SLIDER, HORIZONTAL - W/INSIDE FRAME - BLACK
2	08847-08-704	EA	TRIM-INSIDE (OFF-WHITE) - W084-07 EXCEL-WHITE
3	08847-10-700	EA	WINDOW-SINGLE SLIDER - LEFT (W/O INSIDE FRAME)
4	08844-01-700	EA	LATCH REPAIR KIT
5	08844-01-705	FT	GLAZING STRIP, EXCEL M888-12
6	08844-01-708	FT	WEATHERSTRIP EXCEL 171-010888
7	08844-01-708	FT	CHANNEL-PIERCED RAIL EXCEL 122-018643
8	08844-01-710	FT	TRACK-SCREEN SPACER 12' LENGTH - EXCEL L401-31
9	08844-01-711	FT	WEATHERSTRIP-SCREEN BLACK - EXCEL 171-01088C
10	08844-01-713	EA	SPRING-SCREEN FRAME (CLIP) PLASTIC - BLACK - EXCEL 228-010888
11	08844-01-716	FT	PLUG-FILLER, EXCEL 132-014470
12	08844-01-717	FT	SPLINE-SCREEN MFG, EXCEL 38-004718
13	08847-08-700	EA	GLASS-STATIONARY - 108-017199 EXCEL
14	08847-08-701	EA	GLASS-SLIDING, W/ASHLATCH - H084-08 EXCEL
15	08847-08-705	EA	SCREEN W/SPRING&WEATHERSTRIP - 410-010484 EXCEL

KEY	PART NUMBER	U/M	DESCRIPTION
1	100322-02-700	EA	WINDOW-VENTED, 12" X 36.8 W/O INSIDE FRAME - EXCEL CH19-DK L
2	08844-01-716	FT	PLUG-FILLER, EXCEL 132-014470
3	100322-01-701	FT	SEAL-VENT, EXCEL 122-018071
4	100322-01-702	FT	WEATHERSTRIP-HORIZONTAL RAIL, EXCEL 132-018878
	100322-01-703	EA	STRIP-GLAZING,BUTYL EXCEL 132-010723
	100322-01-704	EA	TAPE-BUTYL, EXCEL 154-018093
5	100322-01-705	EA	GLASS-STATIONARY, SMALL TOP - EXCEL 108-017284
6	100322-01-708	EA	GLASS-STATIONARY, LARGE FRONT - EXCEL 108-017285
7	100322-01-709	EA	SCREEN-DRIVER SIDE, EXCEL 410-017289 L
8	100322-01-712	EA	RAIL-HORIZONTAL, EXCEL CH08-19 R OR L
9	100322-01-713	EA	BAR-DIVISION, VERTICAL - EXCEL CH19-30 R OR L
10	100322-01-714	EA	SUPPORT-TORQUE BAR, EXCEL 130-018878 (L)
11	100322-01-718	EA	SUPPORT-TORQUE BAR, CENTER RAIL - EXCEL 130-018880
	100322-01-717	EA	E-RING, EXCEL 248-018878
12	100322-01-718	EA	HANDLE-DIAL, EXCEL 410-018081
13	100322-01-722	EA	GLASS ASM.-VENT, LEFT - EXCEL CH19-08L
14	100322-01-723	EA	OPERATOR ASM.-VENT GLASS, LEFT - EXCEL CH19-18L
15	100322-02-701	EA	FRAME-INSIDE, LEFT - WHITE - EXCEL V888-80L

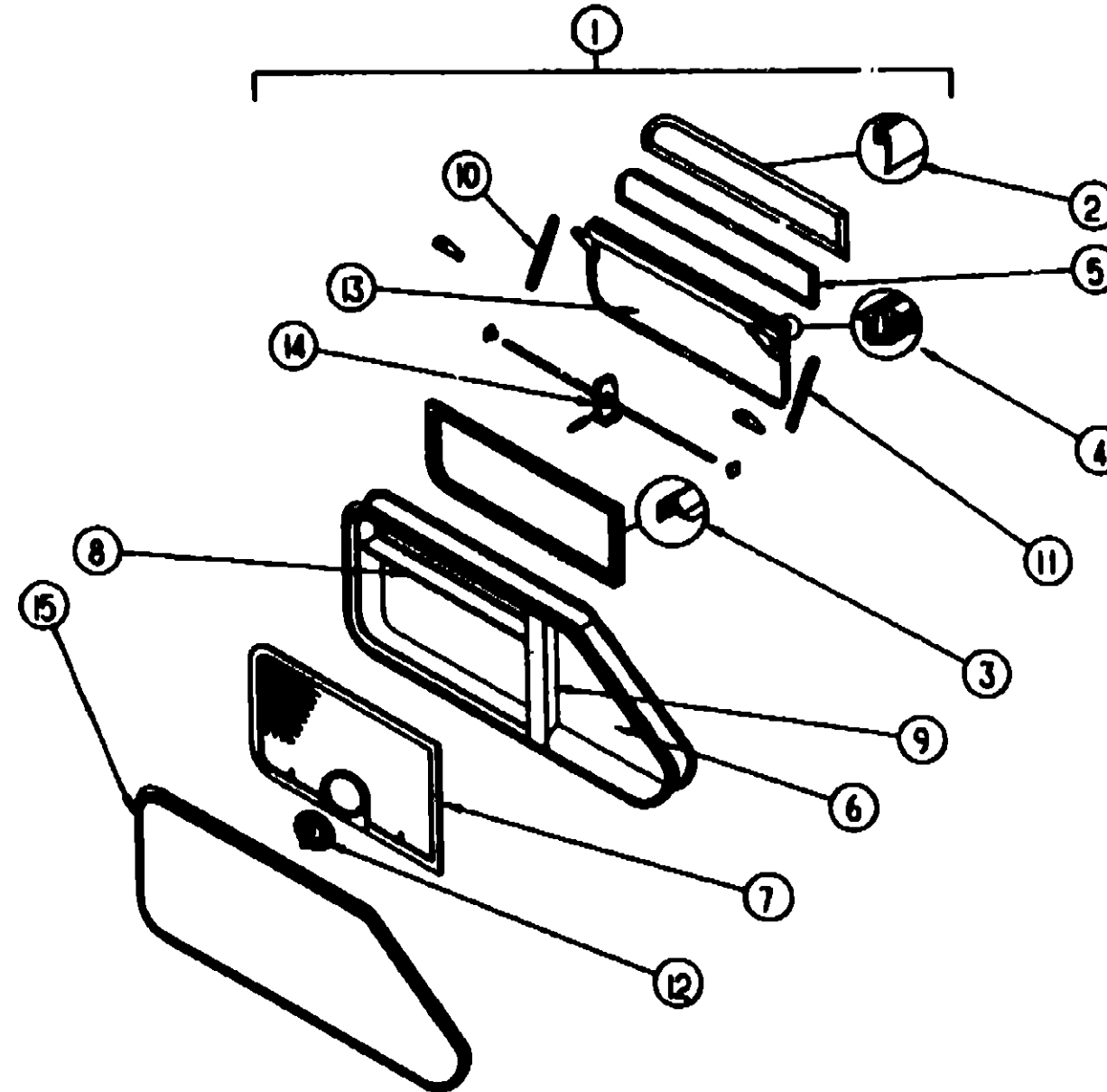
WINDOW, VENT & EXTERIOR DOOR GROUP (CONTINUED)



OVERHEAD BUNK FRONT WINDOW

KEY	PART NUMBER	U/M	DESCRIPTION
	087808-33-000	EA	FRAME-INSIDE WINDOW
1	100313-01-806	EA	WINDOW-PICTURE, W/O INSIDE FRAME
2	002181-16-000	EA	GLASS-PICTURE, 11 25" X 68 1" - GRAY
3	088840-11-000	FT	SEALER-TAPE, 3/16" X 3/8" - BLACK
4	088164-01-000	FT	CHANNEL-GLAZING STATIONARY GLASS - 82" X 45" - BLACK

WINDOW, VENT & EXTERIOR DOOR GROUP (CONTINUED)



PASSENGER SIDE OVERHEAD BUNK WINDOW

KEY	PART NUMBER	U/M	DESCRIPTION
1	100322-01-730	EA	WINDOW-VENTED, 12" X 35.8 W/O INSIDE FRAME - EXCEL CH19-DK R
2	088844-01-718	FT	PLUG-FILLER, EXCEL 132-014470
3	100322-01-701	FT	SEAL-VENT, EXCEL 122-018071
4	100322-01-702	FT	WEATHERSTRIP-HORIZONTAL RAIL, EXCEL 132-016878
	100322-01-703	EA	STRIP-GLAZING, BUTYL, EXCEL 132-010723
	100322-01-704	EA	TAPE-BUTYL, EXCEL 164-018083
5	100322-01-706	EA	GLASS-STATIONARY, SMALL TOP - EXCEL 108-017284
6	100322-01-708	EA	GLASS-STATIONARY, LARGE FRONT - EXCEL 108-017286
7	100322-01-709	EA	SCREEN-PASSENGER SIDE, EXCEL 410-017270 R
8	100322-01-712	EA	RAIL-HORIZONTAL, EXCEL CH05-18 R OR L
9	100322-01-713	EA	BAR-DIVISION, VERTICAL - EXCEL CH19-20 R OR L
10	100322-01-716	EA	SUPPORT-TORQUE BAR, EXCEL 130-018879 (R)
11	100322-01-718	EA	SUPPORT-TORQUE BAR, CENTER RAIL - EXCEL 130-018730
	100322-01-717	EA	E-RING, EXCEL 246-018878
12	100322-01-718	EA	HANDLE-DIAL, EXCEL 410-018081
13	100322-01-707	EA	GLASS-VENT, RIGHT - EXCEL CH19-D8R
14	100322-01-711	EA	OPERATOR-VENT, BUS ASSEMBLY - EXCEL CH05-18 R OR L
15	100322-01-724	EA	FRAME-INSIDE, RIGHT - WHITE V888-80R EXCEL

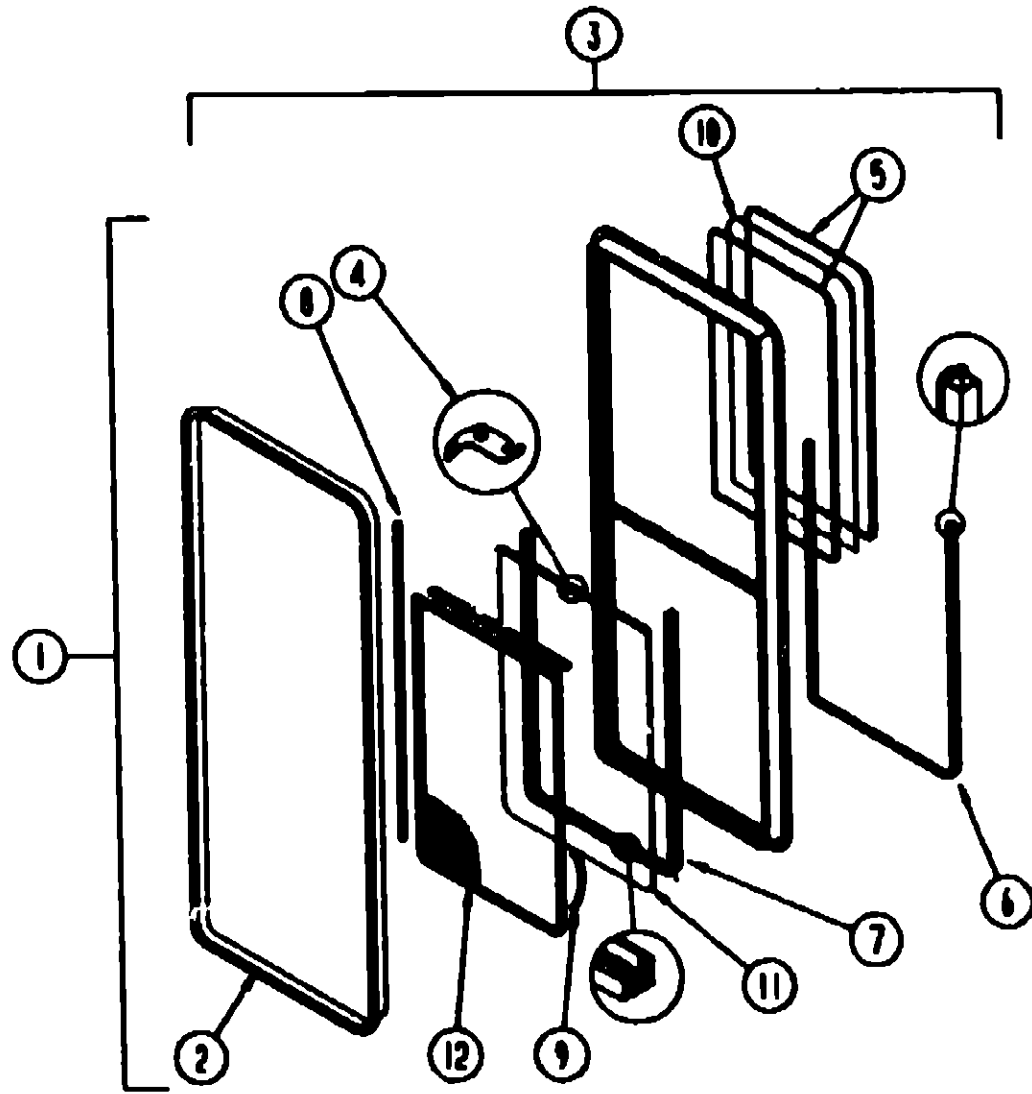
1992 WINNEBAGO
TABLE OF CONTENTS

INTRODUCTION	A-01 - A-02
ABBREVIATIONS	A-03
ALPHABETICAL INDEX	A-04 - A-08
WF527RQ	A-07 - D-24
WF527RC	E-01 - H-16

1992 WF527RQ INDEX

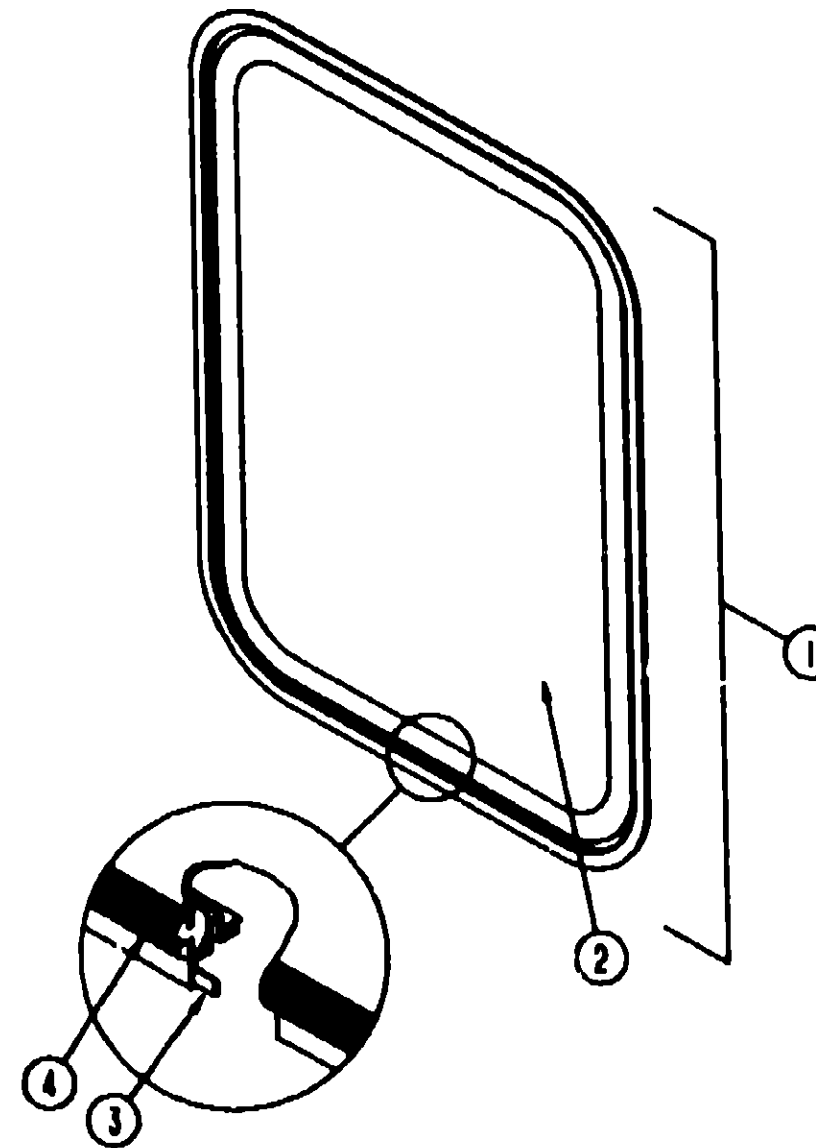
FLOOR PLAN	A-07 - A-08
ACCESSORIES	A-09
AUDIO VIDEO	A-10
BATH	A-11 - A-12
BEDROOM	A-13 - A-17
CHASSIS	A-18 - A-22
CURTAIN & CUSHION	A-23 - B-08
DINETTE	B-09 - B-10
DRIVERS	B-11 - B-12
ELECTRICAL	B-13 - B-16
EXTERIOR BODY	B-17 - B-24
GALLEY	C-01 - C-06
GENERATOR	C-06
HEATING & A/C	C-07 - C-08
INTERIOR FINISH	C-09 - C-12
LABEL	C-13 - C-16
LP	C-20
LOUNGE	C-21 - C-22
SEALANTS & FASTENERS	C-23 - D-01
WATER & SEWAGE	D-02 - D-08
WINDOW, VENT AND EXTERIOR DOOR	D-07 - D-24

WINDOW, VENT & EXTERIOR DOOR GROUP (CONTINUED)



PASSENGER SIDE SWIVEL CHAIR WINDOW

WINDOW, VENT & EXTERIOR DOOR GROUP (CONTINUED)



ENTRY DOOR WINDOW

1982 WINNEBAGO
TABLE OF CONTENTS

INTRODUCTION	A-01 - A-02
ABBREVIATIONS	A-03
ALPHABETICAL INDEX	A-04 - A-06
WFS27RQ	A-07 - D-24
WFS27RC	E-01 - H-16

1982 WFS27RQ INDEX

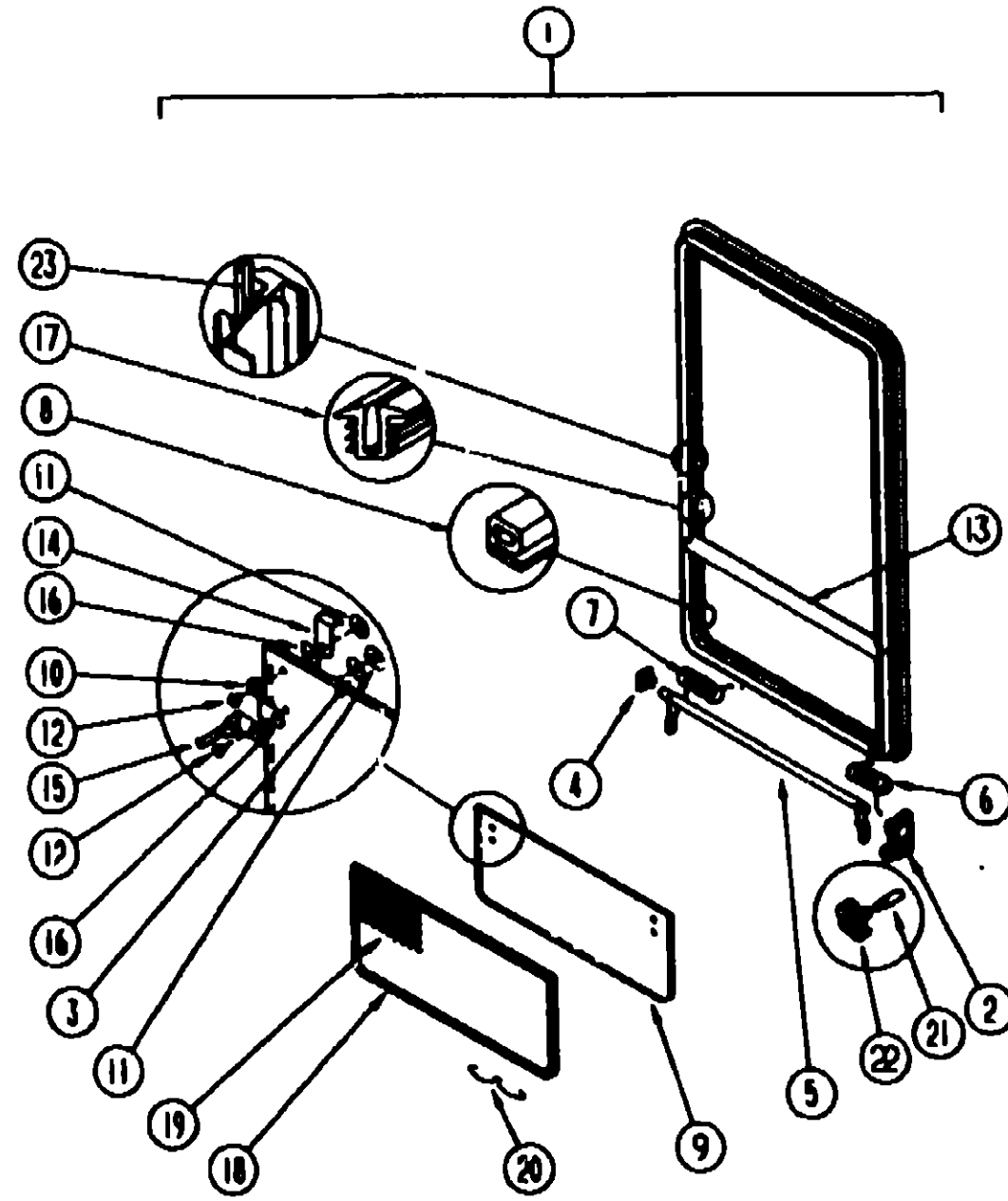
FLOOR PLAN	A-07 - A-08
ACCESSORIES	A-09
AUDIO VIDEO	A-10
BATH	A-11 - A-12
BEDROOM	A-13 - A-17
CHASSIS	A-18 - A-22
CURTAIN & CUSHION	A-23 - B-06
DINETTE	B-08 - B-10
DRIVERS	B-11 - B-12
ELECTRICAL	B-13 - B-16
EXTERIOR BODY	B-17 - B-24
GALLEY	C-01 - C-05
GENERATOR	C-06
HEATING & A/C	C-07 - C-08
INTERIOR FINISH	C-09 - C-12
LABEL	C-13 - C-19
LP	C-20
LOUNGE	C-21 - C-22
SEALANTS & FASTENERS	C-23 - D-01
WATER & SEWAGE	D-02 - D-06
WINDOW, VENT AND EXTERIOR DOOR	D-07 - D-24

KEY	PART NUMBER	U/M DESCRIPTION
1	088844-06-01A	EA WINDOW-SLIDER, VERTICAL WINDSIDE TRIM - EXCEL H280-PR
2	088844-06-700	EA TRIM-INSIDE (OFF-WHITE) - EXCEL W280-87
3	088844-06-704	EA WINDOW ASM, W/O INSIDE TRIM - EXCEL H280-Q2R
4	088844-01-700	EA LATCH-REPAIR KIT, EXCEL 8901-CK
5	088844-01-708	FT GLAZING STRIP, EXCEL M888-12
6	088844-01-708	FT WEATHERSTRIP, EXCEL 171-01888
7	088844-01-708	FT CHANNEL-PIERCED FLN, EXCEL 122-018543
8	088844-01-710	FT TRACK-SCREEN SPACER, 12' LENGTH - EXCEL M401-31
9	088844-01-711	FT WEATHERSTRIP-SCREEN, BLACK - EXCEL 171-018885
10	088844-01-713	EA SPRING-SCREEN FRAME (CLIP), PLASTIC - BLACK
11	088844-01-716	FT PLUG-FILLER, EXCEL 122-014470
12	088844-01-717	FT SPLINE-SCREEN MFG, EXCEL 122-004718
10	088844-06-701	EA STATIONARY GLASS, EXCEL 108-018018
11	088844-06-702	EA BLIDE ASM, EXCEL 8928-08
12	088844-06-703	EA SCREEN ASM, EXCEL 410-018478

KEY	PART NUMBER	U/M DESCRIPTION
	087808-32-000	EA FRAME-WINDOW, ENTRY DOOR - OFF WHITE
1	079733-04-TD3	EA WINDOW-PICTURE, W/O INSIDE FRAME - 17" X 25"
2	002181-06-000	EA GLASS-PICTURE WINDOW, .115" X 18 25" X 24"
3	088840-11-000	FT SEALER-TAPE, 3/16"X3/8" BLACK
4	087881-01-000	FT SEAL-GLASS, EXTERIOR - .5" WIDE - VINYL - BLACK

WINDOW, VENT & EXTERIOR DOOR GROUP (CONTINUED)

GALLEY WINDOW



KEY	PART NUMBER	U/M	DESCRIPTION
	090903-17-02A	EA	FRAME-INSIDE, WINDOW RETAINER - OFF WHITE
1	092236-11-Y12	EA	WINDOW-TIPOUT, SINGLE - W/O INSIDE FRAME
	000H14-08-14R	EA	RIVET-MANDREL BLIND, 3/16"
2	035302-02-000	EA	OPERATOR-TORQUE, TIPOUT WINDOW -
3	088927-03-000	EA	SEAL-WINDOW, RUBBER - ROUND - 80° DIA. - BLACK
4	081354-01-000	EA	SLEEVE-TORQUE TUBE, TIPOUT WINDOW - 1 3/4" X 1 2" X .7"
	081649-01-000	EA	RING-SNAP, 7/32 SHAFT DIAMETER
5	083150-10-000	EA	TUBE-TORQUE, TIPOUT WINDOW - W/SPRING & ARM - 22 5" LONG
6	080918-01-000	EA	SPRING-TORQUE TUBE, LEFT
7	080918-02-000	EA	SPRING-TORQUE TUBE, RIGHT
8	084087-02-000	FT	SEAL-E SHAPED, SPONGE TIPOUT WINDOW - .42" X 38" -BLACK
9	084089-15-000	EA	GLASS-TIPOUT, 9.2" X 24.5"
10	084453-02-000	EA	WASHER-.08" X .5" X .25" - PLASTIC
11	086782-01-000	EA	T NUT 10-32
12	086783-01-000	EA	SCREW-MACH, 10 - 32 X 1/4 PTH
13	087580-02-01A	EA	MULLION-HORIZONTAL, TIPOUT - BLACK
14	089913-01-000	EA	HINGE-TIPOUT WINDOW, BLACK
15	097578-01-000	EA	LINKAGE-TIPOUT WINDOW
	084453-01-000	EA	WASHER-.08" X .5" X .135" - PLASTIC
16	084473-01-000	EA	SEAL-FLAT, W/CENTER HOLE & ADHESIVE SIDE - 8" X .9" - BLK
	085315-01-000	EA	RIVET-SHOULDER, TIPOUT WINDOW
17	089154-01-000	FT	CHANNEL-GLAZING, STATIONARY GLASS - 62" X .45" - BLACK
18	100236-02-807	EA	SCREEN-SINGLE TIPOUT WINDOW
19	080218-03-000	SF	SCREENING-FIBERGLASS, 12" WIDE
20	100168-01-000	EA	CLIP-SPRING, SCREEN
	100240-01-000	FT	SPLINE-SCREEN, T-SHAPED
21	009439-08-000	EA	EXTENSION-CRANK HANDLE, WINDOW /ROOF VENT - BLACK
22	009439-06-000	EA	KNOB-OPERATOR, TIPOUT WINDOW - W/SPRING & ARM
	009439-07-000	EA	SCREW, 8-32 X 1 1/4 POH - BLACK
23	088840-11-000	FT	TAPE-SEALER, 3/16" X 3/8" - BLACK

1992 WINNEBAGO TABLE OF CONTENTS

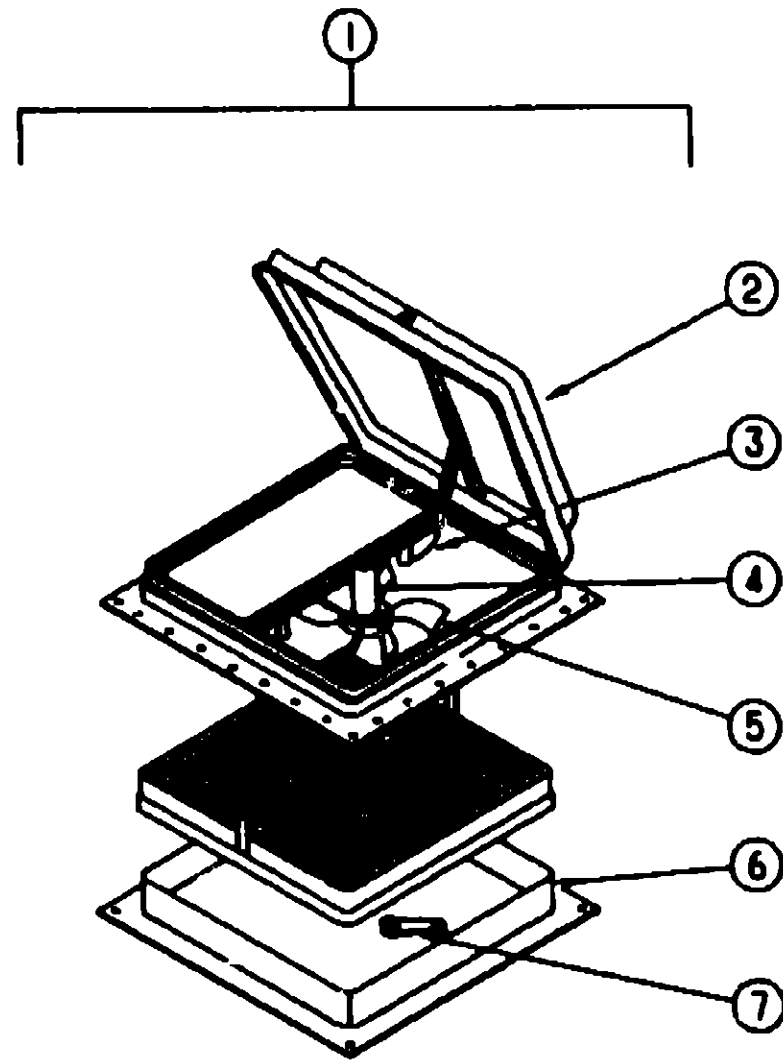
INTRODUCTION	A-01 - A-02
ABBREVIATIONS	A-03
ALPHABETICAL INDEX	A-04 - A-06
WF527RQ	A-07 - D-24
WF527RC	E-01 - H-16

1992 WF527RQ INDEX

FLOOR PLAN	A-07 - A-08
ACCESSORIES	A-09
AUDIO VIDEO	A-10
BATH	A-11 - A-12
BEDROOM	A-13 - A-17
CHASSIS	A-18 - A-22
CURTAIN & CUSHION	A-23 - B-08
DINETTE	B-09 - B-10
DRIVERS	B-11 - B-12
ELECTRICAL	B-13 - B-16
EXTERIOR BODY	B-17 - B-24
GALLEY	C-01 - C-05
GENERATOR	C-06
HEATING & A/C	C-07 - C-08
INTERIOR FINISH	C-09 - C-12
LABEL	C-13 - C-19
LP	C-20
LOUNGE	C-21 - C-22
SEALANTS & FASTENERS	C-23 - D-01
WATER & SEWAGE	D-02 - D-06
WINDOW, VENT AND EXTERIOR DOOR	D-07 - D-24

WINDOW, VENT & EXTERIOR DOOR GROUP (CONTINUED)

WINDOW, VENT & EXTERIOR DOOR GROUP (CONTINUED)



JENSEN POWERED ROOF VENT

KEY	PART NUMBER	U/M DESCRIPTION
	009439-01-000	EA CRANK HANDLE-ROOF VENT
	009439-04-000	EA SCREW 8-32 X 1 1/4" POH
	009439-02-000	EA KNOB-ROOF VENT MILL
	009439-03-000	EA EXTENSION-CRANK HANDLE ROOF VENT - 9° - MILL
	009439-04-000	EA SCREW 8-32 X 1 1/4" POH
	C80394-01-Y12	EA VENT-ROOF POWERED
	055218-01-000	EA COVER-ROOF VENT, PLASTIC
	002825-01-000	EA WEATHER STRIP-ROOF VENT GRAY
	008196-01-000	EA SWITCH-ROOF VENT PUSH BUTTON 12V
	008343-01-000	EA TIE-WIRE 6"
	U38388-01-000	EA GROMMET-SNAP 3/8"
	009440-01-000	EA GEAR/ARM-VENT COVER LIFT
	015911-01-000	EA TRACK-LIFT ARM SLIDE - ROOF VENT
	048848-01-000	EA MOTOR-ROOF VENT 1/8 SHAFT - 12V - JENSEN
	048849-01-000	EA FAN-ROOF VENT 6 BLADES - 6° - JENSEN
	052836-01-001	EA HINGE-VENT COVER 18"
	052839-01-200	EA HINGE-EXTRUSION ROOF VENT 7"
	081803-01-000	EA GROMMET-SNAP 3/16"ID - 3/8" HOLE - PLASTIC - BLACK
	078785-01-Y12	EA SCREEN-ROOF VENT POWERED
	002291-02-000	SF SCREENING-ROOF VENT/WINDOW 18" - BLACK
	002298-02-000	FT SPLINE-VENT/WINDOW SCREEN 128 DIAMETER - BLACK

NONPOWERED ROOF VENT

KEY	PART NUMBER	U/M DESCRIPTION
	009439-01-000	EA CRANK HANDLE-ROOF VENT
	009439-04-000	EA SCREW 8-32 X 1 1/4" POH
	009439-02-000	EA KNOB-ROOF VENT MILL
	009439-03-000	EA EXTENSION-CRANK HANDLE ROOF VENT - 9° - MILL
	009439-04-000	EA SCREW 8-32 X 1 1/4" POH
	090395-01-Y12	EA VENT-ROOF NONPOWERED
	055218-01-000	EA COVER-ROOF VENT, PLASTIC
	002825-01-000	EA WEATHER STRIP-ROOF VENT GRAY
	009440-01-000	EA GEAR/ARM-VENT COVER LIFT
	015911-01-000	EA TRACK-LIFT ARM SLIDE - ROOF VENT
	052839-01-001	EA HINGE-VENT COVER 18"
	052839-01-200	EA HINGE-EXTRUSION ROOF VENT 7"
	078786-01-Y12	EA SCREEN-ROOF VENT NON POWERED - WHITE
	002291-02-000	SF SCREENING-ROOF VENT/WINDOW 18" - BLACK
	002298-02-000	FT SPLINE-VENT/WINDOW SCREEN 128 DIAMETER - BLACK

VENTS, SHROUDS & ROOF COVERS

KEY	PART NUMBER	U/M DESCRIPTION
	083558-03-000	EA VENT-PLUMBING PIPE ROOF WCOVER - OFF WHITE
	083752-01-000	EA SHROUD-RANGE, 18 5" X 20 8" X 18 2" - METAL - OFF WHITE
	084818-01-000	EA SHROUD-RANGE HOOD VENT, PLASTIC - OFF WHITE
	084878-08-000	EA VENT-RANGE HOOD, SHORT - LVS
	084073-03-000	EA COVER-ROOF VENT, REFRIGERATOR - OFF WHITE - NORCOLD
	084073-04-000	EA BASE-ROOF VENT, REFRIGERATOR - BLACK - NORCOLD

**1992 WINNEBAGO
TABLE OF CONTENTS**

INTRODUCTION	A-01 - A-02
ABBREVIATIONS	A-03
ALPHABETICAL INDEX	A-04 - A-08
WF527RQ	A-07 - D-24
WF527RC	E-01 - H-18

1992 WF527RQ INDEX

FLOOR PLAN	A-07 - A-08
ACCESSORIES	A-09
AUDIO VIDEO	A-10
BATH	A-11 - A-12
BEDROOM	A-13 - A-17
CHASSIS	A-18 - A-22
CURTAIN & CUSHION	A-23 - B-08
DINETTE	B-09 - B-10
DRIVERS	B-11 - B-12
ELECTRICAL	B-13 - B-16
EXTERIOR BODY	B-17 - B-24
GALLEY	C-01 - C-06
GENERATOR	C-08
HEATING & A/C	C-07 - C-08
INTERIOR FINISH	C-09 - C-12
LABEL	C-13 - C-19
LP	C-20
LOUNGE	C-21 - C-22
SEALANTS & FASTENERS	C-23 - D-01
WATER & SEWAGE	D-02 - D-08
WINDOW, VENT AND EXTERIOR DOOR	D-07 - D-24

KEY	PART NUMBER	U/M DESCRIPTION
1	084489-08-000	EA VENT-ROOF, POWERED - 14" X 14" - 12V - CANADIAN
2	084489-03-702	EA LID-VENT WHITE
3	084489-03-708	EA LIFT MECHANISM
4	048848-01-000	EA MOTOR-ROOF VENT, 1/8 SHAFT - 12V
5	048849-01-000	EA FAN-ROOF VENT, 6 BLADES - 6°
6	084489-03-705	EA GARNISH, VENT 2 5 IN WIDE
7	009439-01-000	EA CRANK HANDLE-ROOF VENT

FANTASTIC ROOF VENTILATOR

KEY	PART NUMBER	U/M DESCRIPTION
	084079-03-000	EA VENT-CEILING, POWERED EXHAUST - OFF WHITE - FANTASTIC VENT
	084079-01-700	EA VENT COVER - FANTASTIC 1020-19
	084079-01-703	EA CRANK-EXTERIOR, FANTASTIC 1080-09
	084079-01-704	EA BLADE-FAN, FANTASTIC 1070-00
	084079-01-705	EA MOTOR, FANTASTIC 1080-00
	084079-01-708	EA PLUG-12 VOLT, FANTASTIC 1080
	084079-01-707	EA SWITCH-SAFETY, FANTASTIC 1120-00
	084079-01-709	EA SWITCH-ON & OFF, MAIN POWER - FANTASTIC 1100-00
	084079-01-711	EA H-MOLDING, MOTOR MOUNT - PLASTIC - FANTASTIC
	084079-01-712	EA GARNISH INT. FIN 17/8 - OFF WHITE