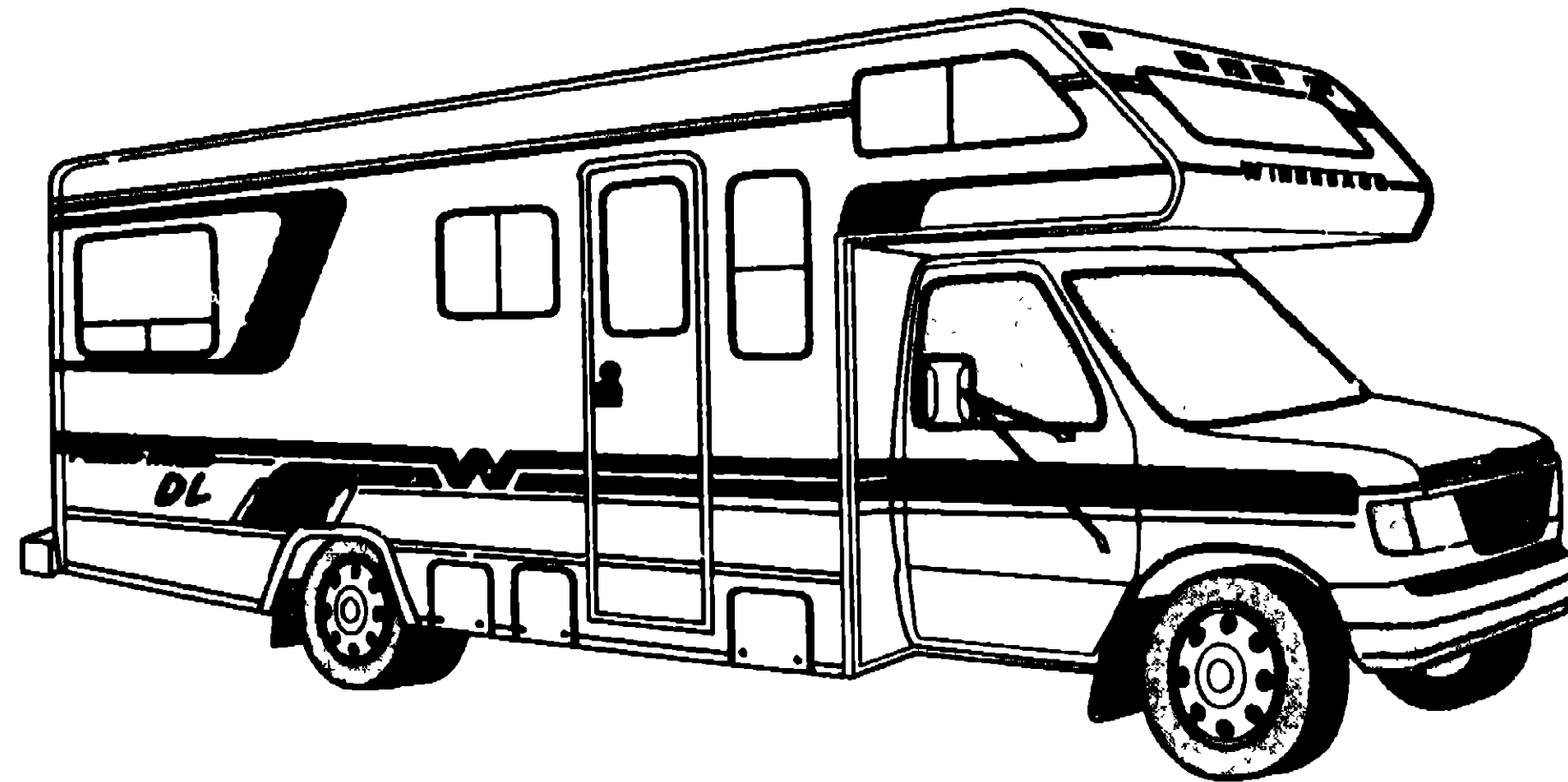


**1992 WINNEBAGO
TABLE OF CONTENTS**

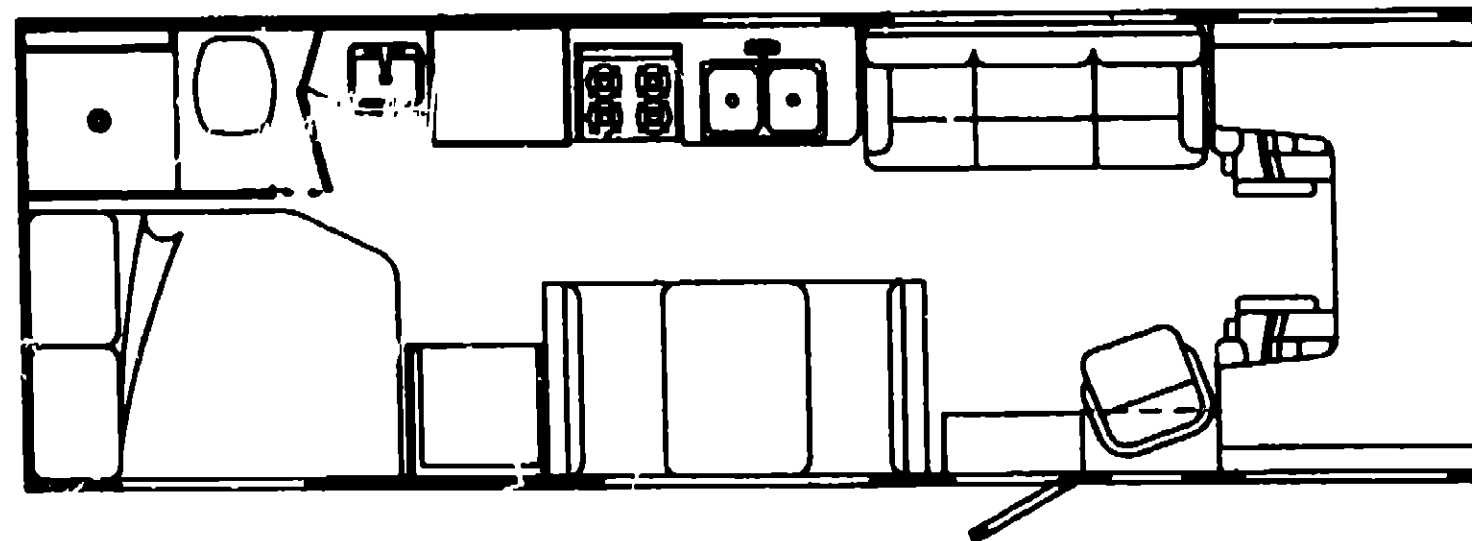
INTRODUCTION	A-01 - A-02
ABBREVIATIONS	A-03
ALPHABETICAL INDEX	A-04 - A-08
WF527RQ	A-07 - D-24
WF527RC	E-01 - H-18



**1992
WF527RC
C52
C53**

1992 WF527RC INDEX

FLOOR PLAN	E-01 - E-02
ACCESSORIES	E-03
AUDIO VIDEO	E-04
BATH	E-05 - E-06
BEDROOM	E-07 - E-08
CHASSIS	E-09 - E-13
CURTAIN & CUSHION	E-14 - E-22
DINETTE	E-23 - E-24
DRIVERS	F-01 - F-02
ELECTRICAL	F-03 - F-06
EXTERIOR BODY	F-07 - F-14
GALLEY	F-15 - F-19
GENERATOR	F-20
HEATING & A/C	F-21 - F-22
INTERIOR FINISH	F-23 - G-02
LABEL	G-03 - G-09
LP	G-10
LOUNGE	G-11 - G-12
SEALANTS & FASTENERS	G-13 - G-15
WATER & SEWAGE	G-16 - G-20
WINDOW, VENT AND EXTERIOR DOOR	G-21 - H-15



ACCESSORIES GROUP

OPERATORS MANUAL

KEY	PART NUMBER	U/M DESCRIPTION
	064185-79-000	EA MANUAL-OPERATOR, 1992 MINNIE WINNIE - 500 SERIES
	082318-01-000	EA BINDER-3 RING, MOTOR HOME MANUAL
	082319-01-000	EA POCKET PAGE-3 RING BINDER, PLASTIC
	106361-01-000	DW TOP LEVEL DRAWING NUMBER FOR 1992 C-BODIES

AUDIO VIDEO GROUP

RADIO & ANTENNA COMPONENTS

KEY	PART NUMBER	U/M DESCRIPTION
	078385-02-000	EA KIT-RADIO MOUNTING, FORD FROM: 00-00-00 THRU 10-08-91
	090982-01-000	EA RADIO-AM/FM CASSETTE, ELECTRIC TUNE - AUDIOVOX HCC-1035 FROM: 00-00-00 THRU 10-08-91
	081059-02-000	EA WIRE ASM-9-PIN, RADIO - AUDIOVOX 1128-1781
	106460-01-000	EA RADIO-AM/FM CASSETTE, ELECTRONIC TUNE - FORD - AUDIOVOX FD-CXF FROM 10-07-91 THRU 99-99-99
	106461-01-000	EA MOUNTING KIT-RADIO, FORD AUDIOVOX FD-ECO-92 FROM 10-07-91 THRU 99-99-99
	108137-01-000	EA PLL G-ANTENNA HOLE (FORD)
	088340-02-000	EA GRILLE-SPEAKER, 8.5" SQUARE (OVHD CABINETS)
	088340-03-000	EA SPACER-SPEAKER GRILLE, TAN - MAGNADYNE G614 (OVHD CABINETS)
	094097-01-000	EA SPEAKER-RADIO, W/O GRILLE - 5 25" DIA - AUDIOVOX 110C3030 (OVHD CABINETS)
	073741-04-000	EA GRILLE-SPEAKER, OVAL - 4" X 6" - BLACK (PATIO ENTERTAINMENT)
	077089-02-000	EA CABLE-ANTENNA, RADIO - EXTENSION 98" - ARA 6700867 (PATIO ENTERTAINMENT)
	087883-01-000	EA RADIO-AM/FM STEREO W/CASSETTE AUDIOVOX 144D1559 (PATIO ENTERTAINMENT)
	090944-01-000	EA ANTENNA-RADIO, 18" RUBBER (PATIO ENTERTAINMENT)
	090862-01-000	EA BRACKET-HAT, ANTENNA - 3 1" X 3 9" - STEEL - BLACK (PATIO ENTERTAINMENT)
	104899-01-C05	EA PLATE-RADIO MOUNTING (PATIO ENTERTAINMENT)
	106230-11-C06	EA SHELF ASM (PATIO ENTERTAINMENT)
	106230-12-C52	EA SUPPORT ASM (PATIO ENTERTAINMENT)
	106377-01-01A	EA BRACKET-TABLE HANGER - OFF WHITE (PATIO ENTERTAINMENT)
	106377-01-03A	EA BRACKET-TABLE HANGER - MILL (PATIO ENTERTAINMENT)

1992 WINNEBAGO TABLE OF CONTENTS

INTRODUCTION	A-01	A-02
ABBREVIATIONS		A-08
ALPHABETICAL INDEX	A-04	A-08
WF527RC	A-07	D-24
WF527RC	E-01	H-18

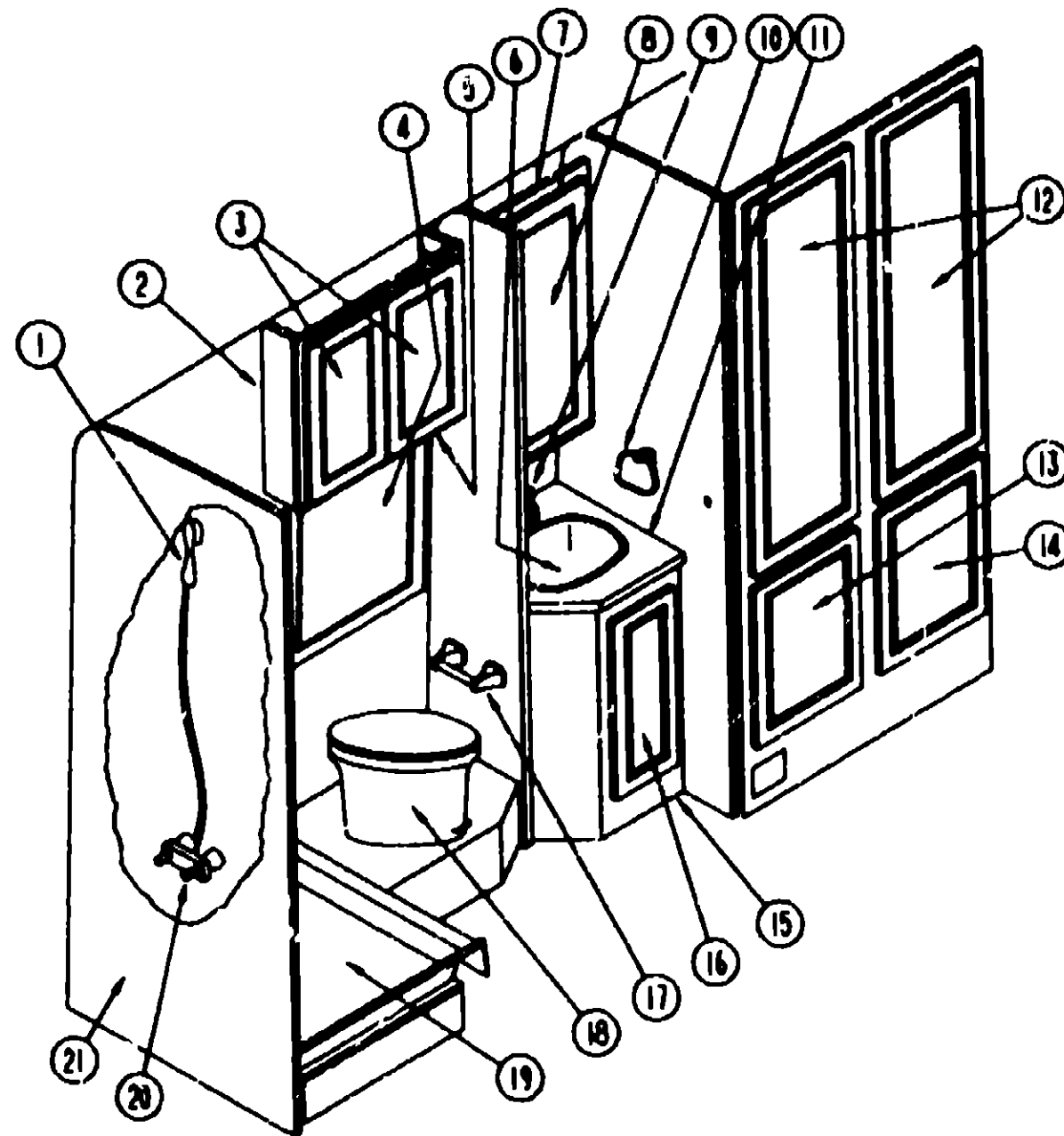
TV, VCR SYSTEMS & ANTENNA

KEY	PART NUMBER	U/M DESCRIPTION
	082310-01-000	EA TV-COLOR, 8" - AC/DC - W/REMOTE - MAGNAVOX CH3940 FROM 00-00-00 THRU 01-28-92
	082310-01-700	EA REMOTE FOR RK3955 -0822335
	082310-03-000	EA TV-COLOR-9" AC/DC W/SWIVEL MAGNAVOX F.D0845 FROM 01-27-92 THRU 99-99-99
	082310-02-700	EA REMOTE FOR TV -0822334
	088448-03-000	EA VCR-VHS, CABLE READY - REMOTE - MAGNAVOX VR8010
	088448-03-700	EA REMOTE FOR MODEL #8010 -0874588
	106433-01-000	EA BRACKET-VCR
	078319-01-000	EA ANTENNA-TV, ROOF MOUNT - 44 5' MAST - RVA W02
	078319-01-700	EA HEAD-ANTENNA, AMPLIFIED - WINEGARD# RVSA UV
	078319-01-701	EA GEAR-ELEVATING, PLASTIC - WINEGARD# 2200048
	078319-01-702	EA SHAFT AGM-ELEVATING, WINEGARD# RVP-400A
	078319-01-703	EA BEARING-NYLON, 5"OD - WINEGARD# 3200858
	078319-01-706	EA GROMMET-NYLON, 7/8"ID - WINEGARD# 3200858
	078319-01-708	EA CRANK-ELEVATING, W/SET SCREW - WINEGARD# 5755100
	078319-01-707	EA SPRING-HANDLE, WINEGARD# 5180000
	078319-01-709	EA PLATE-DIRECTIONAL, FOR HEAD - WINEGARD #3200854
	078319-08-000	EA ADAPTOR-CABLE ROOF PLATE, WINEGARD RPJ-1
	082134-01-000	EA ADAPTER-TV, CABLE TO CABLE - WINEGARD F-81M
	082138-01-000	EA NUT-HEX JAM 3/8-32, WINEGARD
	078319-08-000	EA WALLPLATE-CABLE RECEPTACLE, TV - SINGLE - IVORY
	088777-02-000	EA WALLPLATE-TV CABLE, W/ANTENNA SWITCH - BROWN
	078319-03-000	FT CABLE-COAXIAL, 75 OHM
	078319-12-000	EA CONNECTOR-COAXIAL - ONE PIECE
	086756-01-000	EA SPLITTER-TV, 2 WAY
	086757-03-000	EA CONTROL CENTER-SWITCH, VCR/TV - MAGNADYNE VCS-8
	086777-04-000	EA PLATE-WALL, ANTENNA/POWER - BROWN

1992 WF527RC INDEX

FLOOR PLAN	E-01	E-02
ACCESSORIES		E-03
AUDIO VIDEO		E-04
BATH	E-05	E-08
BEDROOM	E-07	E-08
CHASSIS	E-09	E-13
CURTAIN & CUSHION	E-14	E-22
DINETTE	E-23	E-24
DRIVERS	F-01	F-02
ELECTRICAL	F-03	F-08
EXTERIOR BODY	F-07	F-14
GALLEY	F-15	F-19
GENERATOR		F-20
HEATING & AC	F-21	F-22
INTERIOR FINISH	F-23	G-02
LABEL	G-03	G-06
LP		G-10
LOUNGE	G-11	G-12
SEALANTS & FASTENERS	G-13	G-15
WATER & SEWAGE	G-16	G-20
WINDOW, VENT AND EXTERIOR DOOR	G-21	H-15

BATH GROUP



BATH & SHOWER CABINETS & FIXTURES

KEY	PART NUMBER	U/M DESCRIPTION
1	103092-01-000	EA SHOWER HEAD-W/60 IN HOSE
2	P05767-01-C62	EA CABINET-OVERHEAD, W/O DOORS & HARDWARE
3	P04746-08-C62	EA DOOR-CABINET, W/O HARDWARE - 295 X 500MM
4	083446-04-Y16	EA MIRROR-WOOD FRAMED
	M03450-04-000	EA TRIM-MIRROR, WOOD - OAK
	068331-01-000	EA MIRROR-GLASS, SAFETY - 18" X 26"
5	07E453-02-000	EA BAR-TOWEL, 18" BRASS
6	088927-01-01A	EA SINK-LAVATORY, RECTANGULAR - PLASTIC - BONE
	088927-01-700	EA SINK-STOPPER
	088927-01-701	EA TAILPIECE-SINK
7	102821-01-C05	EA CABINET ASM-MEDICINE
8	102326-02-000	EA DOOR-MIRROR, 500 X 750MM
	102327-01-01A	EA PULL-DOOR, SQUARE
9	075240-08-000	EA FAUCET-LAVATORY-BONE
10	075454-02-000	EA RING-TOWEL-W/MOUNTING HARDWARE - BRASS
11	105843-11-C62	EA COUNTERTOP ASM
	105843-11-C63	EA COUNTERTOP ASM
12	P04746-53-C52	EA DOOR-CABINET, W/O HARDWARE - 305 X 1015MM
13	P04746-51-C52	EA DOOR-CABINET, W/O HARDWARE - 305 X 555MM
14	P04746-22-C62	EA DOOR-CABINET, W/O HARDWARE - 305 X 555MM

BATH GROUP (CONTINUED)

BATH & SHOWER CABINETS & FIXTURES (CONTINUED)

KEY	PART NUMBER	U/M DESCRIPTION
15	M05884-01-C62	EA CABINET-LAVATORY, W/O DOOR & HARDWARE - US
15	M05884-01-C63	EA CABINET-LAVATORY, W/O DOOR & HARDWARE - US
15	M05884-02-C62	EA CABINET-LAVATORY, W/O DOOR & HARDWARE - C&A
15	M05884-02-C63	EA CABINET-LAVATORY, W/O DOOR & HARDWARE - C&A
18	P04746-80-C62	EA DOOR-CABINET, W/O HARDWARE - 385 X 865MM FROM: 00-00-00 THRU 04-19-82
18	P04746-21-C05	EA DOOR-CABINET, W/O HARDWARE - 385 X 865MM FROM: 04-20-81 THRU 99-99-99
17	075462-02-000	EA HOLDER-TOILET TISSUE, BRASS
18	087467-01-000	EA TOILET-12 3/4", IVORY - HAND FLUSH - THETFORD 180110
	083740-01-700	EA LEVER-WATER, THETFORD 12514
	083740-01-701	EA LEVER-FLUSH, THETFORD 12518
	083740-01-708	EA BOLT PACKAGE-CLOSET, THETFORD 12524
	083740-01-710	EA LINK-THETFORD 12513
	083740-01-711	EA SPRING-RETURN LEVER, THETFORD 12523
	083740-01-713	EA SEAL-BALL VALVE TO BOWL, THETFORD 12802
	083740-01-714	EA VALVE ASM-WATER, THETFORD 12482
	083740-01-716	EA BEAT & COVER, THETFORD 15017
	083740-01-717	EA TUBE-FLUSH, TOILET - 12509 THETFORD
	024678-01-000	EA FLANGE-CLOSET, TOILET - 4" X 3" - RED - US
	024678-02-000	EA FLANGE-CLOSET, TOILET - 4" X 3" - RED - C&A
19	M02429-08-000	EA PAN-SHOWER, OFF WHITE
	086436-01-000	EA NUT-SLIP, TAILPIECE - 1 5"
	086440-01-000	EA STRAINER-SHOWER, W/RUBBER WASHER
	089736-01-000	EA WASHER-STRAINER TO TAILPIECE PLASTIC- 1 5"
	011089-02-000	EA TAILPIECE-TUB/SHOWER, 1 1/2" X 1 1/4" X 4" - BRASS
	086436-01-000	EA NUT-SLIP, TAILPIECE - 1 5"
20	075241-05-000	EA FAUCET-SHOWER, BONE
	075608-01-000	EA PANEL-FAUCET BACK, SHOWER - 5" X 9" - PLASTIC
	057871-01-000	EA COVER-SCREW, #8 - PLASTIC - OFF WHITE
21	102046-01-01A	EA SURROUND-SHOWER, THREE SIDED - OFF WHITE

BATH PRIVACY DOOR

KEY	PART NUMBER	U/M DESCRIPTION
	P05398-01-C62	EA DOOR-PRIVACY, BATH
	100357-01-000	EA ROD-TOWEL, BRASS W/ENDS BENT FOR BACK OF BATH DOOR
	102089-13-807	EA WOOD RAIL - TOWEL RACK - RIGHT SIDE - 28" LONG
	102089-14-807	EA WOOD RAIL - TOWEL RACK - LEFT SIDE - 28" LONG
	094465-01-01A	EA KNOB-DOOR-POLISHED BRASS

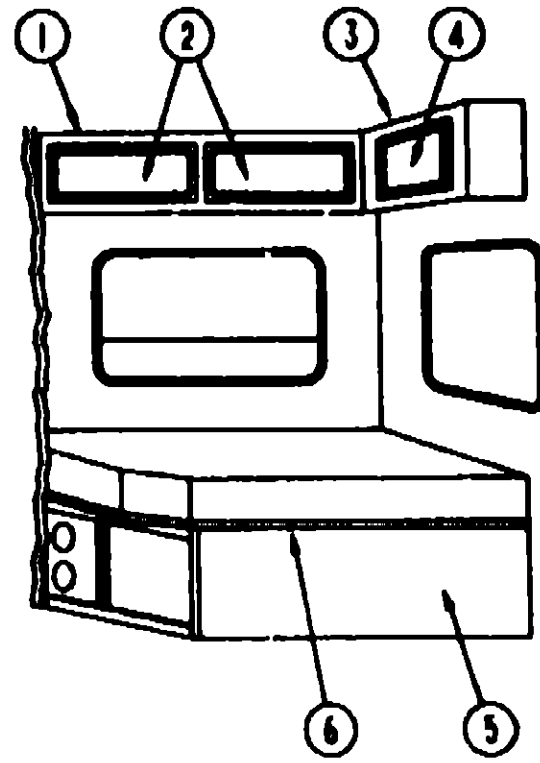
1992 WINNEBAGO TABLE OF CONTENTS

INTRODUCTION	A-01 - A-02
ABBREVIATIONS	A-03
ALPHABETICAL INDEX	A-04 - A-08
WF527RC	A-07 - D-24
WF527RC	E-01 - H-16

1992 WF527RC INDEX

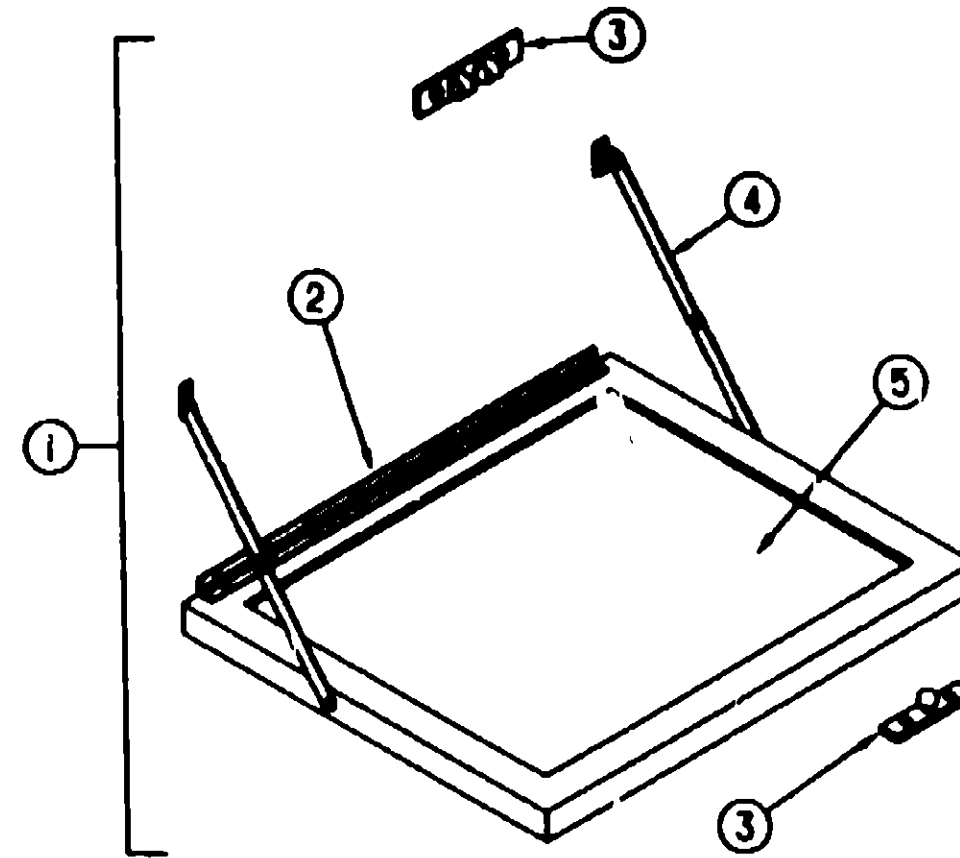
FLOOR PLAN	E-01 - E-02
ACCESSORIES	E-03
AUDIO VIDEO	E-04
BATH	E-05 - E-08
BEDROOM	E-07 - E-08
CHASSIS	E-09 - E-13
CURTAIN & CUSHION	E-14 - E-22
DINETTE	E-23 - E-24
DRIVERS	F-01 - F-02
ELECTRICAL	F-03 - F-08
EXTERIOR BODY	F-07 - F-14
GALLEY	F-15 - F-19
GENERATOR	F-20
HEATING & A/C	F-21 - F-22
INTERIOR FINISH	F-23 - G-02
LABEL	G-03 - G-08
LP	G-10
LOUNGE	G-11 - G-12
SEALANTS & FASTENERS	G-13 - G-15
WATER & SEWAGE	G-16 - G-20
WINDOW, VENT AND EXTERIOR DOOR	G-21 - H-16

BEDROOM GROUP



DOUBLE BEDROOM

BEDROOM GROUP (CONTINUED)



TV STAND

**1992 WINNEBAGO
TABLE OF CONTENTS**

INTRODUCTION	A-01 - A-02
ABBREVIATIONS	A-03 - A-08
ALPHABETICAL INDEX	A-04 - A-08
WF827RG	A-07 - D-84
WF827RC	E-01 - H-18

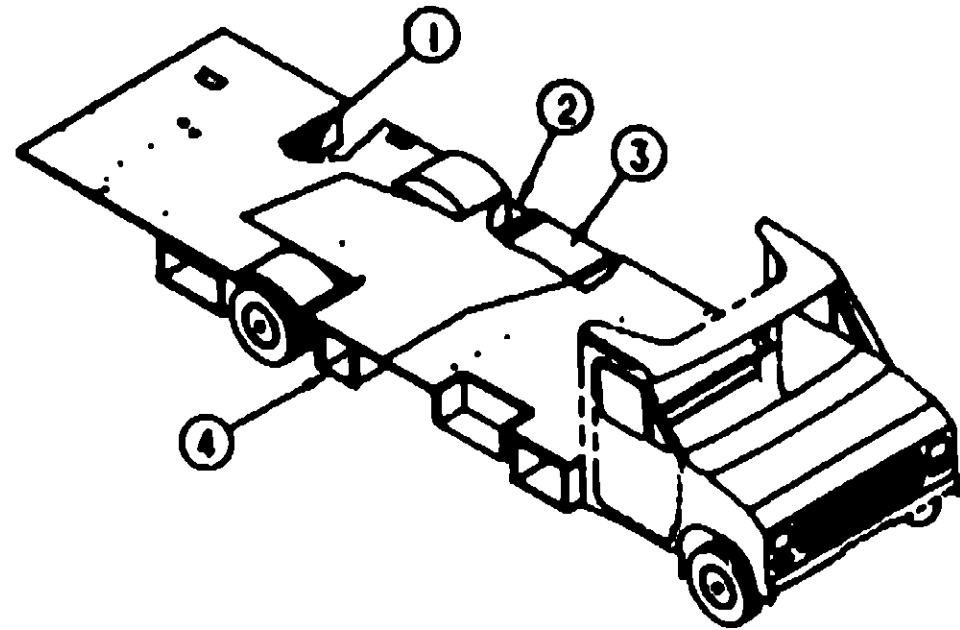
1992 WF827RC INDEX

FLOOR PLAN	E-01 - E-02
ACCESSORIES	E-03
AUDIO VIDEO	E-04
BATH	E-05 - E-08
BEDROOM	E-07 - E-08
CHASSIS	E-09 - E-13
CURTAIN & CUSHION	E-14 - E-22
DINETTE	E-23 - E-24
DRIVERS	F-01 - F-02
ELECTRICAL	F-03 - F-08
EXTERIOR BODY	F-07 - F-14
GALLEY	F-15 - F-19
GENERATOR	F-20
HEATING & A/C	F-21 - F-22
INTERIOR FINISH	F-23 - G-02
LABEL	G-03 - G-08
LP	G-10
LOUNGE	G-11 - G-12
SEALANTS & FASTENERS	G-13 - G-15
WATER & SEWAGE	G-16 - G-20
WINDOW, VENT AND EXTERIOR DOOR	G-21 - H-18

KEY	PART NUMBER	U/M	DESCRIPTION
1	M08824-18-C62	EA	CABINET-OVERHEAD, W/O DOORS & HARDWARE - RIGHT REAR
2	P04748-03-C06	EA	DOOR-CABINET, W/O HARDWARE - 400 X 710MM
3	M08824-18-C62	EA	CABINET-OVERHEAD, W/O DOORS & HARDWARE - REAR
3	M06824-19-C63	EA	CABINET-OVERHEAD, W/O DOORS & HARDWARE - REAR
4	P04748-14-C62	EA	DOOR-CABINET, W/O HARDWARE - 400 X 710MM
5	P08802-01-C62	EA	CABINET-DOUBLE BED
5	108230-01-C62	EA	DIVIDER-CABINET, DOUBLE BED
6	M08889-02-000	EA	TOP-DOUBLE BED, DRIVER SIDE
	M08889-01-C62	EA	TOP-DOUBLE BED, PASSENGER SIDE
	057480-02-000	EA	BALL STUD-10MM BALL, 5/16 - 18 - GAS SPRING
	057480-03-000	EA	SAFETY CLIP-WIREFORM TYPE, GAS SPRING
	057480-04-000	EA	SPRING-GAS

KEY	PART NUMBER	U/M	DESCRIPTION
1	084357-02-807	EA	TV STAND ASM
2	084413-01-000	EA	HINGE-CONTINUOUS, W/WHOLE
3	084461-01-000	EA	CATCH-TV SHELF, BRASS
4	084412-01-000	EA	SUPPORT-HINGED
5	084368-04-000	EA	INSERT-TV STAND, W/SUPPORT HINGE - METAL - TAN FROM 00-00-00 THRU 06-24-82
5	084368-08-000	EA	INSERT-TV STAND, W/SUPPORT HINGE - METAL - OFF WHITE FROM 06-25-82 THRU 99-99-99
5	068331-14-000	EA	MIRROR-GLASS, SAFETY - 14' X 12.7'

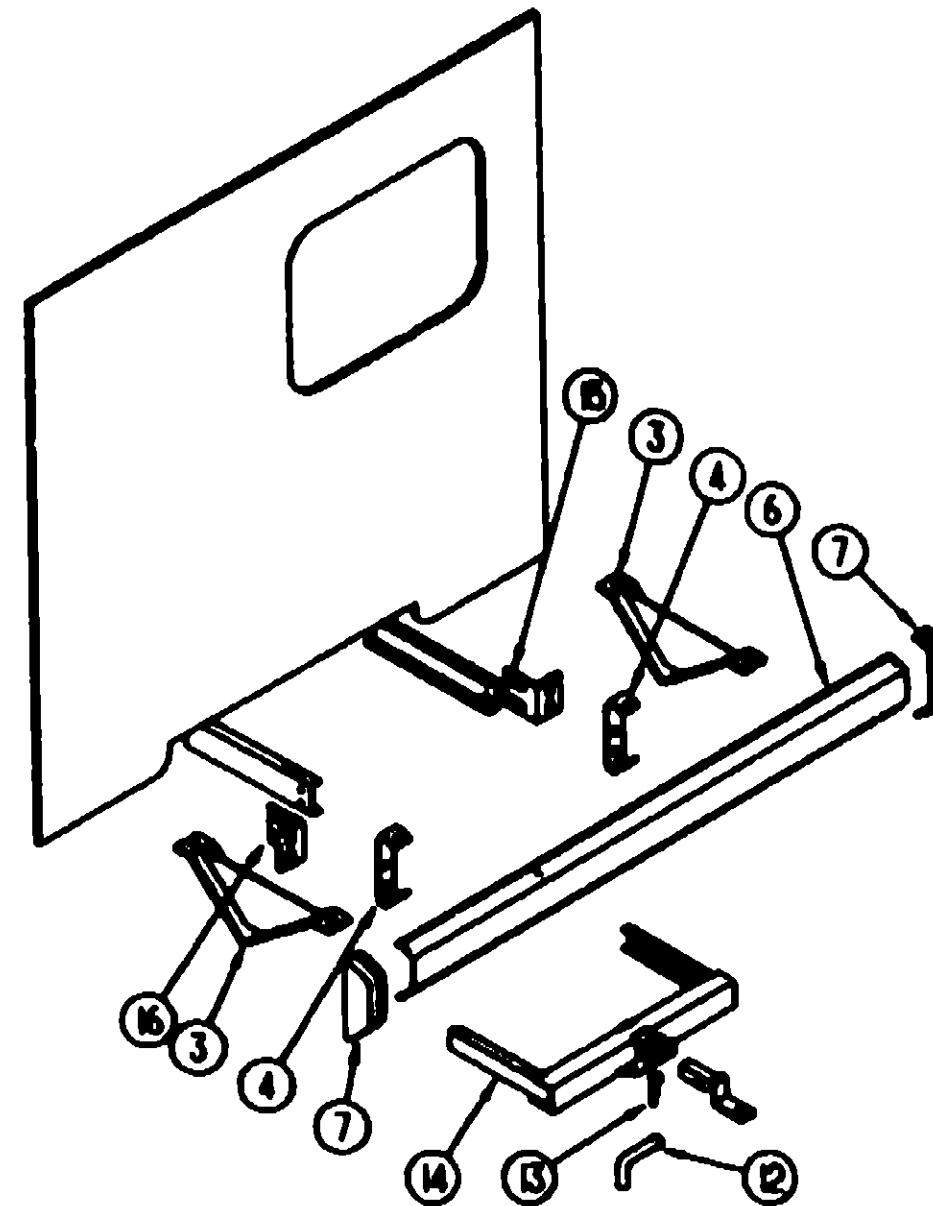
CHASSIS GROUP



COMPARTMENTS, PLUGS & SEALS

KEY	PART NUMBER	U/M	DESCRIPTION
1	108338-01-000	EA	DOOR-DRAINAGE COMPARTMENT, 7 8" X 7 8" - STEEL
	074470-02-000	EA	PIN-PULL, HINGE RELEASE - LEFT SIDE
2	108978-01-000	EA	BOX-POWER CORD
3	106471-05-000	EA	COMPARTMENT-GENERATOR
3	078137-02-000	EA	TRAY-STORAGE COMPARTMENT, 27 18" WIDE X 21" DEEP
4	108908-01-000	EA	COMPARTMENT-BATTERY
	084888-01-000	EA	STRAP-BATTERY
	086480-02-000	EA	TIEDOWN-BATTERY, 14 3" TUBE
			FROM 00-00-00 THRU 01-14-82
	086480-05-000	EA	TIEDOWN-BATTERY, 8 4" TUBE
	104897-01-01A	EA	BOX-ENTERTAINMENT CENTER - OFF WHITE
	104898-01-01A	EA	PLATE-PLASTIC BOTTOM - OFF WHITE
	088748-01-000	EA	PLUG-CAP, 1 5" DIAMETER - BLACK
	088027-01-000	FT	SEAL, D SHAPED - HOLLOW - SPONGE RUBBER - BLACK
	081430-01-000	EA	PLUG-PLASTIC, 1 78" - BROWN
	077853-01-000	EA	GROMMET-EDGE LINER, FITS 1"
	088270-01-000	FT	SEAL-BULB, W/WIRE RIGID U-CHANNEL - 6" - RUBBER - BLACK

CHASSIS GROUP (CONTINUED)



REAR BUMPER, SKID PLATE & TRAILER HITCH

KEY	PART NUMBER	U/M	DESCRIPTION
3	083378-01-000	EA	PLATE-SKID, 13.2" X 6" X 2" - STEEL
4	078670-02-000	EA	BRACKET-BUMPER, REAR - 2" X 8" - BENT ENDS - STEEL BLACK (2 USED)
8	103088-02-02A	EA	BUMPER-REAR, OFF WHITE
7	108147-01-01A	EA	CAP-END, BUMPER - OFF WHITE
12	034612-01-000	EA	PIN-LOCKING, DRAWBAR
13	034613-01-000	EA	PIN-HITCH, 3/16" WIRE
14	077817-02-000	EA	HITCH-TRAILER, W/O DRAWBAR - 41 1" WIDE - STEEL - BLACK
	077813-01-000	EA	DRAWBAR-HITCH, TRAILER TOWING
			FROM 00-00-00 THRU 02-02-82
	087744-01-000	EA	HOUSING-TRAILER PIN, 12"
	087744-02-000	EA	HOUSING-TRAILER PIN, 48"
	087745-01-000	EA	HOUSING-TRAILER RECP, 12"
	087746-01-000	EA	HOUSING CAP-TRAILER PIN
	087746-02-000	EA	HOUSING-RECEPTACLE, TRAILER - 48" WIRE LENGTH
15	106833-01-000	EA	BRACKET-BUMPER, REAR
16	106833-02-000	EA	BRACKET BUMPER, REAR

1982 WINNEBAGO TABLE OF CONTENTS

INTRODUCTION	A-01	A-02
ABBREVIATIONS		A-03
ALPHABETICAL INDEX	A-04	A-05
WF827RO	A-07	D-84
WF827RC	E-01	H-18

1982 WF827RC INDEX

FLOOR PLAN	E-01	E-02
ACCESSORIES		E-03
AUDIO VIDEO		E-04
BATH	E-05	E-06
BEDROOM	E-07	E-08
CHASSIS	E-09	E-13
CURTAIN & CUSHION	E-14	E-22
DINETTE	E-23	E-24
DRIVERS	F-01	F-02
ELECTRICAL	F-03	F-08
EXTERIOR BODY	F-07	F-14
GALLEY	F-15	F-19
GENERATOR		F-20
HEATING & A/C	F-21	F-22
INTERIOR FINISH	F-23	G-02
LABEL	G-03	G-09
LP		G-10
LOUNGE	G-11	G-12
SEALANTS & FASTENERS	G-13	G-15
WATER & SEWAGE	G-16	G-20
WINDOW, VENT AND EXTERIOR DOOR	G-21	H-18

CHASSIS GROUP (CONTINUED)

EXHAUST SYSTEM COMPONENTS

KEY	PART NUMBER	U/M	DESCRIPTION
	007185-01-000	EA	CLAMP-MUFFLER, 1 82 DIAMETER
	001182-08-000	EA	HEAT SHIELD
	004918-08-000	EA	CLAMP-EXHAUST, 2 5"
	006789-04-000	EA	PIPE-EXHAUST

FUEL SYSTEM COMPONENTS

KEY	PART NUMBER	U/M	DESCRIPTION
	072447-04-000	EA	SHROUD-FUEL FILL, UPPER - PLASTIC
	078040-08-000	EA	SHROUD-FUEL FILL, UPPER
	083308-04-000	EA	SHROUD-FUEL FILL, LOWER
	078800-01-000	EA	GASKET-FUEL FILL, 3 5"OD X 2 1/2"
	108388-01-000	EA	FUEL LINE ASM-FORD, 5/16 I/P
	108389-01-000	EA	FUEL LINE ASM-FORD, 3/8 HP
	007083-01-000	FT	HOSE-GAS 1 1/4"OD X 1/2"OD
	004138-01-000	FT	HOSE-FUEL, 5/16" ID
	044317-01-000	FT	HOSE-FUEL, 3/8" ID

SUSPENSION SYSTEMS

KEY	PART NUMBER	U/M	DESCRIPTION
	100932-01-000	EA	PLATE-VALVE, AIR SPRING (FORD)
	108087-01-000	EA	AIRSPRING-4IN.DIA TWIN (FORD)
	108087-03-700	EA	REPAIR KIT FOR TAPPED PISTON

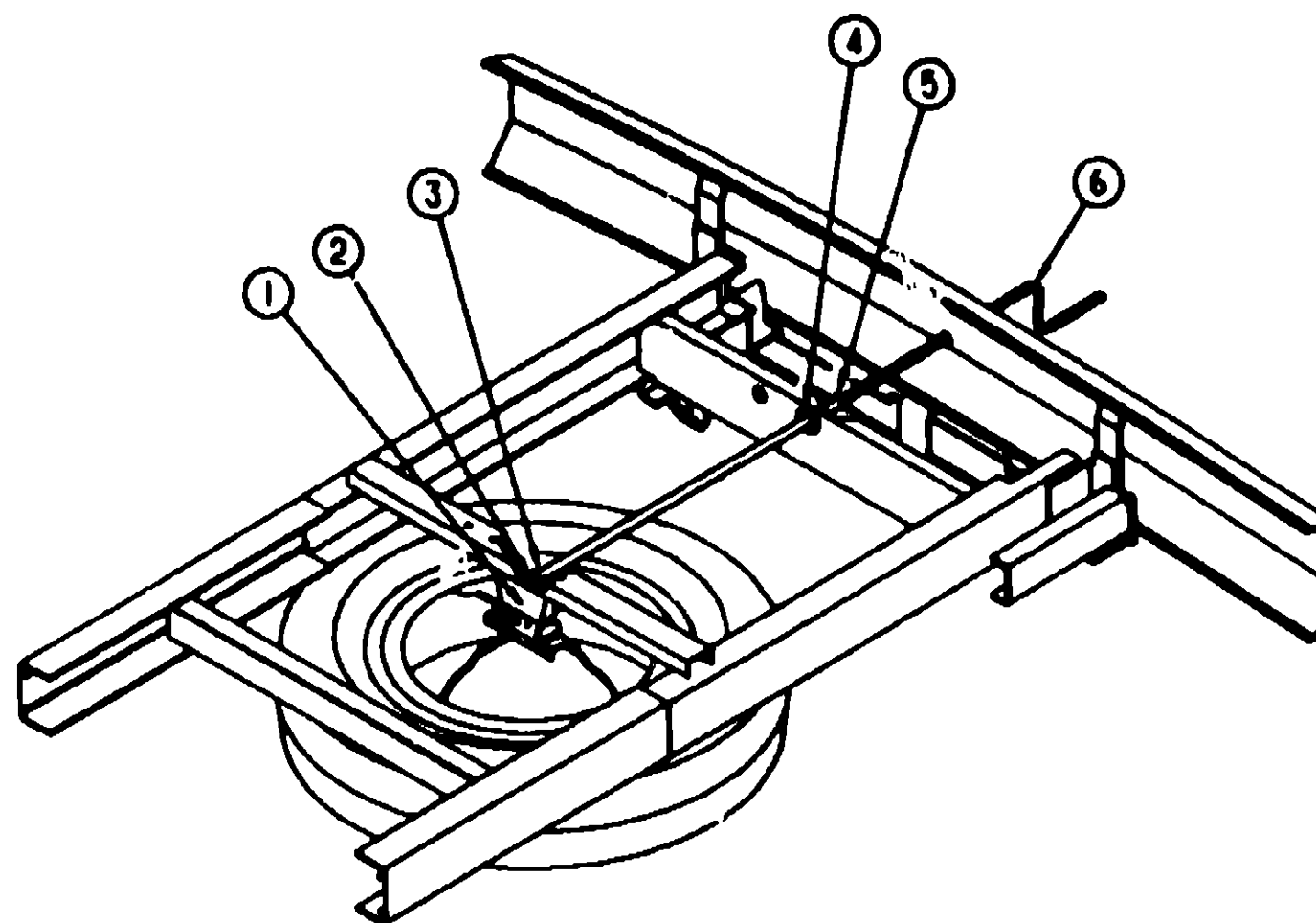
ENTRY STEPS

KEY	PART NUMBER	U/M	DESCRIPTION
	077848-02-000	EA	STEP-PULLOUT
	078241-08-000	EA	SUPPORT-STEP, ENTRY DOOR
	081178-01-000	EA	SUPPORT-BASE, ENTRANCE STEP
	084708-01-01A	EA	STEP-ENTRY DOOR, ELECTRIC - SINGLE - KWIKEE 2813
	084707-02-700	EA	MOTOR REPLACEMENT KIT
	084707-02-702	EA	GEAR KIT
	084707-02-703	EA	PARTS KIT (BEARINGS & PINS)
	084707-02-704	EA	MOTOR CONNECTOR KIT
	084707-02-705	EA	CONTROL UNIT (ORANGE)
	084707-08-700	EA	LINKAGE ASM FOR 28 SERIES
	100312-01-000	EA	SWITCH-DOOR JAMB, ELECTRIC ENTRY STEP - METAL

DRIVESHAFT

KEY	PART NUMBER	U/M	DESCRIPTION
	103853-02-000	EA	DRIVESHAFT-FRONT, FORD - 178"/188" - DANA 910084-814 4
			FROM: 00-00-00 THRU: 11-10-91
	103853-08-000	EA	DRIVESHAFT ASM-BALANCED PAIR - 188" WHEELBASE (188)
			FROM: 11-11-91 THRU: 00-00-00
	074833-01-000	EA	SPACER-BEARING, DRIVESHAFT - 2" X 8" X .5" THICK

CHASSIS GROUP (CONTINUED)



SPARE TIRE HOIST

KEY	PART NUMBER	U/M	DESCRIPTION
1	083287-01-000	EA	HOIST-SPARE TIRE
2	000F10-08-32B	EA	PIN-COTTER, 3/16 X 2 00 ZN
3	083375-04-000	EA	EXTENSION-TIRE HOIST
4	071015-11-000	EA	GROMMET-RUBBER, 1" ID X 1 75" OD W.12" GROOVE - BLACK
5	036776-01-000	EA	PIN-ROLL, .125 DIA X 780
6	083378-01-000	EA	HANDLE-CRANK, TIRE HOIST
	083425-08-000	EA	TIRE-LT225/75R16 LPD - MICHELIN XCH4
	077030-02-000	EA	EXTENSION-VALVE STEM, 1.25"
	086012-05-000	EA	EXTENSION-VALVE STEM, DUAL WHEEL
	083817-03-000	EA	WHEEL-STEEL 18.0X8, ACCUPIDE 28816

1992 W098BAGO TABLE OF CONTENTS

INTRODUCTION	A-01 - A-02
ABBREVIATIONS	A-03
ALPHABETICAL INDEX	A-04 - A-08
WF827RC	A-07 - D-84
WF827RC	E-01 - H-18

1992 WF827RC INDEX

FLOOR PLAN	E-01 - E-02
ACCESSORIES	E-03
AUDIO VIDEO	E-04
BATH	E-05 - E-06
BEDROOM	E-07 - E-08
CHASSIS	E-09 - E-13
CURTAIN & CUSHION	E-14 - E-22
DINETTE	E-23 - E-34
DRIVERS	F-01 - F-02
ELECTRICAL	F-03 - F-08
EXTERIOR BODY	F-07 - F-14
GALLEY	F-15 - F-18
GENERATOR	F-20
HEATING & AC	F-21 - F-22
INTERIOR FINISH	F-23 - G-02
LABEL	G-03 - G-08
LP	G-10
LOUNGE	G-11 - G-12
SEALANTS & FASTENERS	G-13 - G-15
WATER & SEWAGE	G-16 - G-20
WINDOW, VENT AND EXTERIOR DOOR	G-21 - H-18

CHASSIS GROUP (CONTINUED)

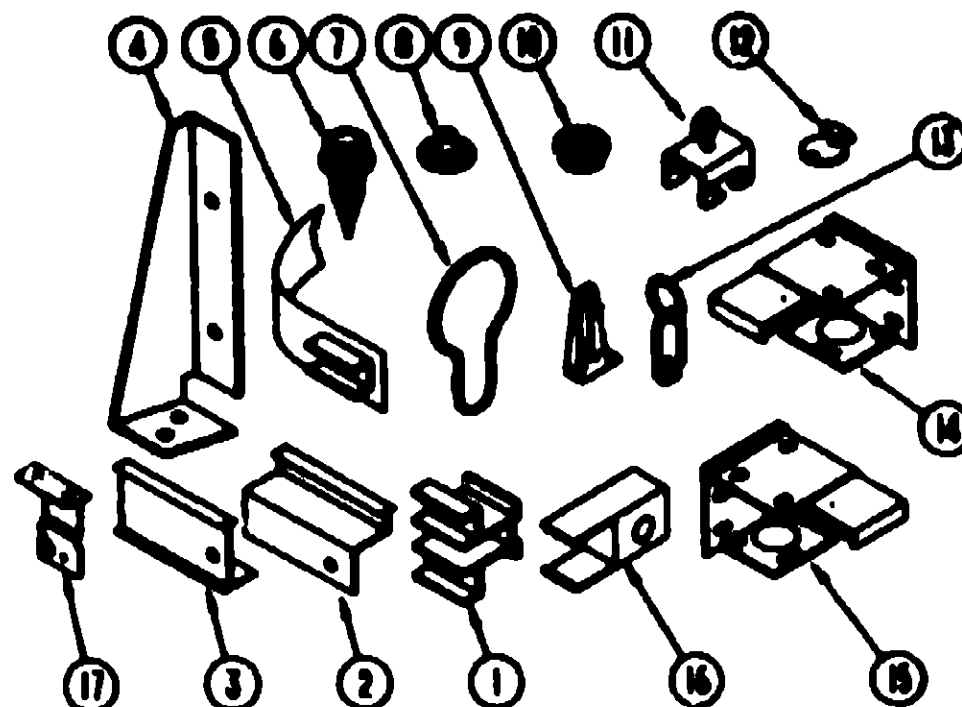
MUDFLAPS, DIRT GUARDS, WHEELWELL & UNION

KEY	PART NUMBER	U/M	DESCRIPTION
	094709-01-01A	EA	FLAP-MUD, WHOLES & WINNEBAGO LOGO - BLACK
	017519-01-000	EA	FLAP-MUD, 14" X 18" - BLACK
	045731-04-000	EA	GUARD-ROCK, REAR
	102709-01-000	EA	WHEELWELL-PLASTIC
	085771-09-000	EA	NUT-HEX, FL. PREV. TORQUE - GRADE 8 DRIVER SHAFT
	089499-01-000	EA	UNION-INVERTED FLARE, BRASS - 3/16 - 3/8 - 24 THD - BRAKE LINE

WHEEL LINERS & COVERS

KEY	PART NUMBER	U/M	DESCRIPTION
	091209-11-000	EA	LINER-WHEEL, SET 4 EX80-KAPER II (FORD)
	091209-10-700	EA	COVER-AXLE, FRONT - 8 LUG - FORD
	091209-10-701	EA	COVER-AXLE, REAR - 8 LUG - FORD
	091209-01-704	EA	COVER-LUG NUT
	091209-11-700	EA	LINER-WHEEL, FRONT - 8 LUG - FORD
	091209-11-701	EA	LINER-WHEEL, REAR - 8 LUG - FORD
	083181-01-000	EA	COVER-WHEEL, 16" - SET OF FOUR
	083181-01-700	EA	COVER-WHEEL, 16" - 8 LUG - 1 ONLY

CURTAIN & CUSHION GROUP



1992 WINNEBAGO TABLE OF CONTENTS

INTRODUCTION	A-01	A-02
ABBREVIATIONS		A-03
ALPHABETICAL INDEX	A-04	A-05
WFB27RC	A-07	D-04
WFB27RC	E-01	H-16

CURTAIN, BLIND HARDWARE & TRACKS

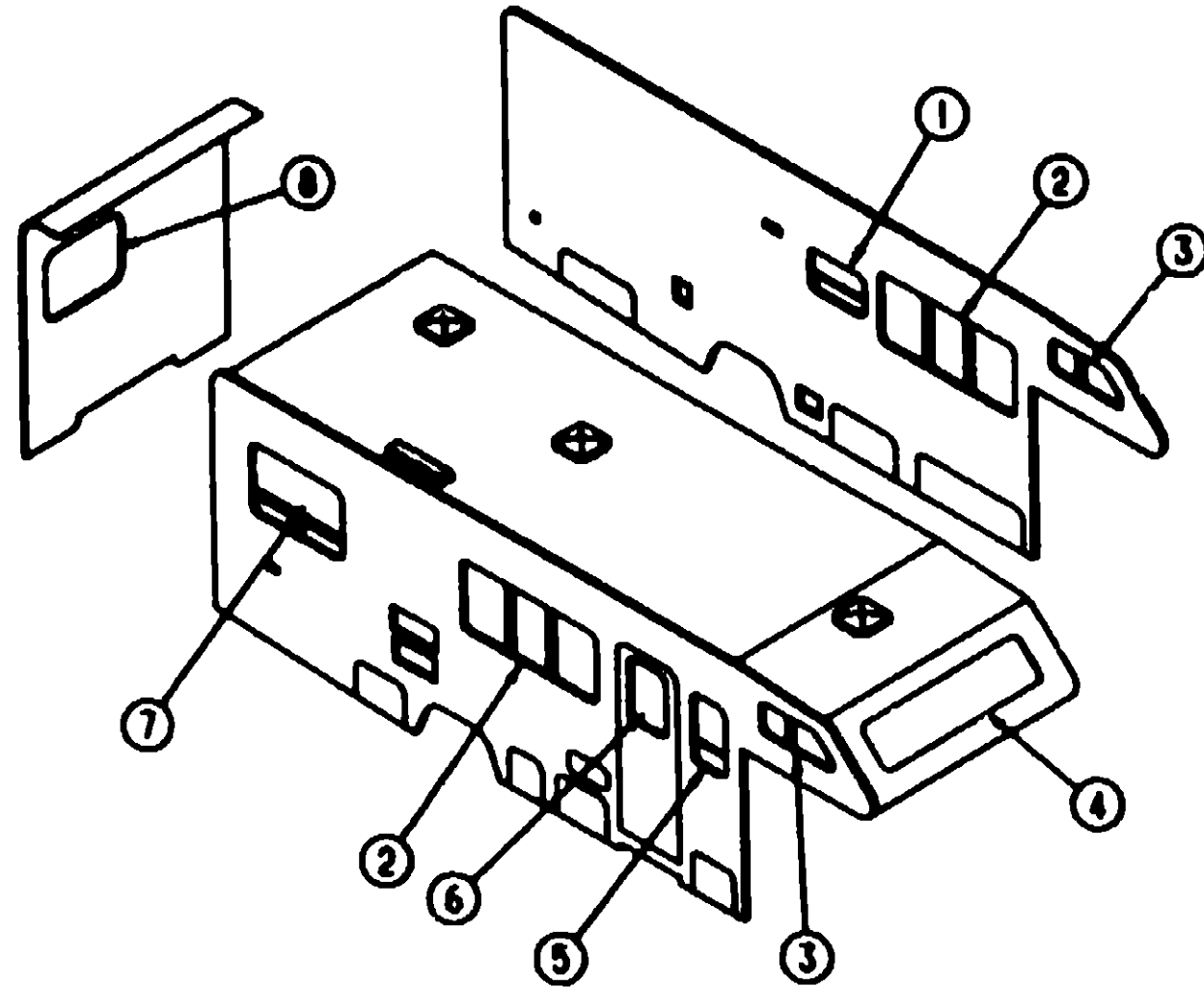
KEY	PART NUMBER	U/M	DESCRIPTION
1	101033-09-000	EA	TRACK-CURTAIN, WALL - WHITE - SHAPCO CT225
2	105460-02-01A	EA	TRACK-CURTAIN, 48" LONG - ALUMINUM - OFF WHITE
2	105460-05-01A	EA	TRACK-CURTAIN, 78" LONG - ALUMINUM - OFF WHITE
2	105460-08-01A	EA	TRACK-CURTAIN, 88" LONG - ALUMINUM - OFF WHITE
2	105460-07-01A	EA	TRACK-CURTAIN, 41.3" LONG - ALUMINUM - OFF WHITE
2	105460-09-01A	EA	TRACK-CURTAIN, 38" LONG - ALUMINUM - OFF WHITE
3	089494-06-01A	EA	TRACK-SHOWER - OFF WHITE
3	009700-04-002	EA	TRACK, L-SHAPED - 185.2" - OFF WHITE
	048997-01-000	EA	GROMMET-BRASS, 7/16" ID X 1" OD
	048384-02-000	YD	VELCRO TAPE-HOOK, ADHESIVE BACK - .75" WIDE - BEIGE
	085718-01-001	EA	BRACE-90 DEGREE L-ANGLE, 182" - EXTRUDED ALUMINUM
	075943-02-000	EA	BRACE-ANGLE, WHOLES - 1" X 1 1/8" X 14" - ALUMINUM - BEIGE
4	076927-02-000	EA	BRACKET-LEG, 2 1/8" X 1 1/8" TRIANGLE - LEFT SIDE
	089922-03-000	EA	PANEL-LEG, TWO SIDE 27" LONG - PLASTIC - BLACK
5	101031-01-000	YD	TAPE-GLIDE, CURTAIN - 4.25" SPACING
6	089130-01-000	EA	SCREW-SNAP SOCKET, 8 PH X 5/8"
7	009138-02-000	EA	HANGER-RING, PIN TYPE - CURTAIN - BRASS
8	089155-01-000	EA	CAP-SNAP, NICKEL
9	088991-02-000	EA	BRACKET-HOLD DOWN, W/PIN - BLIND - METAL
10	089189-01-000	EA	SOCKET-SNAP FASTENER, NICKEL
11	009702-01-000	EA	END STOP-CURTAIN CARRIER, L ROD
12	108595-01-000	EA	CLEAT-CORD, BLIND - OFF WHITE
13	009701-01-000	EA	CARRIER-CURTAIN, L ROD
14	089170-01-000	EA	BRACKET-BLIND, RIGHT SIDE
15	089170-02-000	EA	BRACKET-BLIND, LEFT SIDE
16	101033-09-000	EA	END CAP-TRACK, CLEAR
17	084434-01-000	EA	BRACKET-MOUNTING, ROLLER SHADE - 1 3/8"
	084432-09-000	FT	SLAT-ROLLER SHADE, PLASTIC
	084433-01-700	EA	SPRING-REWIND, ROLLER SHADE
	108544-01-000	EA	PULL-SHADE, BRASS
	108888-01-000	FT	TRIM-VALANCE, U-CHANNEL - 75" WIDE - BRASS
	085792-01-000	YD	VELCRO-HOOK, .75" WIDE - BEIGE
	085792-02-000	YD	VELCRO TAPE-LOOP, ADHESIVE BACKED - 75" WIDE - BEIGE

1992 WFB27RC INDEX

FLOOR PLAN	E-01	E-02
ACCESSORIES		E-03
AUDIO VIDEO		E-04
BATH	E-05	E-06
BEDROOM	E-07	E-08
CHASSIS	E-09	F-13
CURTAIN & CUSHION	E-14	E-22
DINETTE	E-23	E-24
DRIVERS	F-01	F-02
ELECTRICAL	F-03	F-08
EXTERIOR BODY	F-07	F-14
GALLEY	F-15	F-19
GENERATOR		F-20
HEATING & AC	F-21	F-22
INTERIOR FINISH	F-23	G-02
LABEL	G-03	G-09
LP		G-10
LOUNGE	G-11	G-12
SEALANTS & FASTENERS	G-13	G-18
WATER & SEWAGE	G-19	G-20
WINDOW, VENT AND EXTERIOR DOOR	G-21	H-16

CURTAIN & CUSHION GROUP (CONTINUED)

CURTAINS & WINDOW TREATMENT



KEY	PART NUMBER	UNIT DESCRIPTION
3	087878-88-C82	EA VALANCE-WINDOW, DRIVER SIDE - 8.5" X 43" - WBRASS TRIM
3	087878-89-C82	EA VALANCE-WINDOW, DRIVER SIDE - 8.5" X 43" - WBRASS TRIM
3	087878-85-C82	EA VALANCE-WINDOW, PASSENGER SIDE - 8.5" X 43" - WBRASS TRIM
3	087878-86-C82	EA VALANCE-WINDOW, PASSENGER SIDE - 8.5" X 43" - WBRASS TRIM
3	101084-13-C82	EA CURTAIN-TAPE TOP & BOTTOM, DARTED - 16" X 26"
3	101084-13-C83	EA CURTAIN-TAPE TOP & BOTTOM, DARTED - 16" X 26"
4	087878-34-C82	EA VALANCE-WINDOW, FLAT - 7" X 85.5" WBRASS TRIM
4	087878-34-C83	EA VALANCE-WINDOW, FLAT - 7" X 85.5" WBRASS TRIM
4	101084-12-C82	EA CURTAIN-TAPE TOP & BOTTOM, DARTED - 25" X 45"
4	101084-12-C83	EA CURTAIN-TAPE TOP & BOTTOM, DARTED - 25" X 45"
8	103888-21-C82	EA VALANCE-WINDOW, 31" - TWO TONED (C82) FROM: 00-00-00 THRU: 12-15-01
8	103888-40-C82	EA VALANCE-WINDOW, 20" - TWO TONED (C82) FROM: 12-16-01 THRU: 08-08-00
8	103888-21-C83	EA VALANCE-WINDOW, 31" - TWO TONED (C83)
8	088475-88-01A	EA BLIND-MINI, 17.5" X 29.5" (C82)
8	088475-88-03A	EA BLIND-MINI, 17.5" X 29.5" (C83)
8	103888-37-C82	EA VALANCE-WINDOW, 31.25" - FLAT - TWO TONED (ENTRY DOOR) FROM: 00-00-00 THRU: 12-15-01
8	103888-38-C82	EA VALANCE-WINDOW, 31.25" - FLAT - TWO TONED (ENTRY DOOR) FROM: 12-16-01 THRU: 02-08-00
8	103888-37-C83	EA VALANCE-WINDOW, 31.25" - FLAT - TWO TONED (ENTRY DOOR)
8	084756-67-C07	EA SHADE-WINDOW, ROLLER FULL TYPE - 27.25" (ENTRY DOOR)
7	104348-01-C82	EA TOPPER-VALANCE, GATHERED
7	104348-01-C83	EA TOPPER-VALANCE, GATHERED
7	104158-02-C82	EA VALANCE-WINDOW, 45" - WIDDOUBLE RUFFLE
7	104158-08-C83	EA VALANCE-WINDOW, 45" - WIDDOUBLE RUFFLE
7	104157-01-C82	EA CURTAINLEG-WINDOW, 27" - RIGHT (C82)
7	104157-01-C05	EA CURTAINLEG-WINDOW, 27" - RIGHT (C83)
7	104157-02-C82	EA CURTAINLEG-WINDOW, 27" - LEFT (C82)
7	104157-02-C05	EA CURTAINLEG-WINDOW, 27" - LEFT (C83)
7	088475-78-08A	EA BLIND-MINI, 42" X 28" (C82)
7	088475-78-01A	EA BLIND-MINI, 42" X 28" (C83)
7	073280-62-C82	EA TIEBACK - 3" X 15" - GATHERED
7	073280-62-C83	EA TIEBACK - 3" X 15" - GATHERED
8	104348-01-C82	EA TOPPER-VALANCE, GATHERED
8	104348-01-C83	EA TOPPER-VALANCE, GATHERED
8	104158-01-C82	EA VALANCE-WINDOW, 41" - WIDDOUBLE RUFFLE
8	104158-01-C83	EA VALANCE-WINDOW, 41" - WIDDOUBLE RUFFLE
8	104157-01-C82	EA CURTAINLEG-WINDOW, 27" - RIGHT (C82)
8	104157-01-C05	EA CURTAINLEG-WINDOW, 27" - RIGHT (C83)
8	104157-02-C82	EA CURTAINLEG-WINDOW, 27" - LEFT (C82)
8	104157-02-C05	EA CURTAINLEG-WINDOW, 27" - LEFT (C83)
8	088475-78-03A	EA BLIND-MINI, 38" X 28" (C82)
8	088475-78-01A	EA BLIND-MINI, 38" X 28" (C83)
8	073280-62-C82	EA TIEBACK - 3" X 15" - GATHERED
8	073280-62-C83	EA TIEBACK - 3" X 15" - GATHERED
8	101888-05-885	EA CURTAIN-WINDSHIELD PRIVACY, 30" X 80" - RIGHT - TAPE TOP
8	101888-08-885	EA CURTAIN-WINDSHIELD PRIVACY, 30" X 80" - LEFT - TAPE TOP
8	101888-80-C08	EA CURTAIN-TAPE TOP, PRIVACY - 70" X 30"
8	073280-48-888	EA TIEBACK-CURTAIN, 3" X 18" (C82)
8	073280-48-889	EA TIEBACK-CURTAIN, 3" X 18" (C83)
8	078882-08-888	EA CURTAIN-SNAP TOP- WINDOWALL PRIVACY - 40" X 72" - BEIGE
8	084481-80-C05	EA CURTAIN-SHOWER, 72" X 42" - GROMMET TOP (C82)
8	084481-80-C25	EA CURTAIN-SHOWER, 72" X 42" - GROMMET TOP (C83)
8	073280-64-C08	EA TIEBACK-CURTAIN, 3" X 18" (C82)
8	073280-64-C30	EA TIEBACK-CURTAIN, 3" X 18" (C83)
8	067834-01-000	EA TIEBACK/TEDOWN-BED/CURTAIN, 6" - PLASTIC - CLEAR

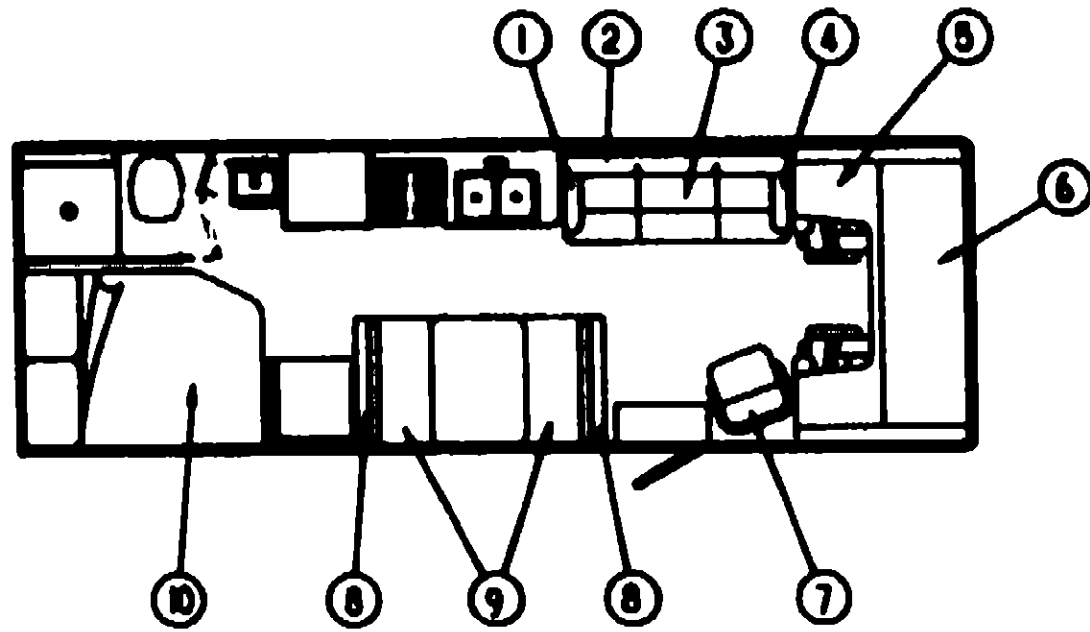
1992 WFRBAGO TABLE OF CONTENTS

INTRODUCTION	A-01	H-02
ABBREVIATIONS		A-08
ALPHABETICAL INDEX	A-04 -	A-08
WFRB77Q	A-07 -	D-04
WFRB77C	E-01 -	H-16

1992 WFRB77RC INDEX

FLOOR PLAN	E-01	E-02
ACCESSORIES		E-03
AUDIO VIDEO		E-04
BATH	E-05	E-08
BEDROOM	E-07	E-08
CHASSIS	E-09	E-13
CURTAIN & CUSHION	E-14	E-22
DINETTE	E-23	E-34
DRIVERS	F-01	F-02
ELECTRICAL	F-03	F-05
EXTERIOR BODY	F-07	F-14
GALLEY	F-15	F-18
GENERATOR		F-20
HEATING & A/C	F-21	F-22
INTERIOR FINISH	F-23	G-02
LABEL	G-03	G-08
LP		G-10
LOUNGE	G-11	G-12
SEALANTS & FASTENERS	G-13	G-16
WATER & SEWAGE	G-18	G-20
WINDOW, VENT AND EXTERIOR DOOR	G-21	H-15

CURTAIN & CUSHION GROUP (CONTINUED)



COUCH

KEY	PART NUMBER	U/M DESCRIPTION
1	101238-09-C62	EA ARMREST-COUCH, RIGHT SIDE
1	101238-09-C63	EA ARMREST-COUCH, RIGHT SIDE
	P01238-09-C62	EA COVER-ARMREST, RIGHT SIDE
	P01238-09-C63	EA COVER-ARMREST, RIGHT SIDE
	101085-07-000	EA FRAME-ARMREST BRACKET, RIGHT SIDE
	101888-09-000	EA BRACKET-ARMREST, COUCH - RIGHT SIDE
	101888-01-000	EA BRACKET-ARMREST, COUCH - RIGHT SIDE
2	100082-19-C62	EA BACKREST-COUCH, W/ARMRESTS - 68.5"
2	100082-19-C63	EA BACKREST-COUCH, W/ARMRESTS - 68.5"
	P00082-19-C62	EA COVER-BACKREST, W/ARMRESTS - 68.5"
	P00082-19-C63	EA COVER-BACKREST, W/ARMRESTS - 68.5"
	101085-02-000	EA FRAME-BACK, COUCH - 68.5"
3	100082-30-C62	EA SEAT-COUCH, W/O BACKREST - 68.5"
3	100082-30-C63	EA SEAT-COUCH, W/O BACKREST - 68.5"
	P00082-30-C62	EA COVER-SEAT, COUCH - 68.5"
	P00082-30-C63	EA COVER-SEAT, COUCH - 68.5"
	101085-01-000	EA FRAME-SEAT, COUCH - 68.5"
	101085-03-000	EA FRAME-BASE, COUCH - 68.5"
	108513-12-806	EA SUPPORT ASSEMBLY-COUCH
4	101238-04-C62	EA ARMREST-COUCH, LEFT SIDE
4	101238-04-C63	EA ARMREST-COUCH, LEFT SIDE
	P01238-04-C62	EA COVER-ARMREST, LEFT SIDE
	P01238-04-C63	EA COVER-ARMREST, LEFT SIDE
	101085-08-000	EA FRAME-ARMREST BRACKET, LEFT SIDE
	101888-04-000	EA BRACKET-ARMREST, COUCH - LEFT SIDE
	101888-02-000	EA BRACKET-ARMREST, COUCH - LEFT SIDE

BUNK CUSHIONS

KEY	PART NUMBER	U/M DESCRIPTION
8	108573-05-C62	EA CUSHION-BUNK, REAR - 28" X 78" X 5" FROM: 00-00-00 THRU: 01-12-82
8	108573-10-C62	EA CUSHION-BUNK, REAR - 27" X 23" X 80" X 5" FROM: 01-13-82 THRU: 99-99-99
8	108573-05-C63	EA CUSHION-BUNK, REAR - 28" X 78" X 5" FROM: 00-00-00 THRU: 01-12-82
8	108573-10-C63	EA CUSHION-BUNK, REAR - 27" X 23" X 80" X 5" FROM: 01-13-82 THRU: 99-99-99
	P08573-05-C62	EA COVER-CUSHION, BUNK - REAR - 28" X 78" X 5" FROM: 00-00-00 THRU: 01-12-82
	P08573-10-C62	EA COVER-CUSHION, BUNK - REAR - 27" X 23" X 80" X 5" FROM: 01-13-82 THRU: 99-99-99

BUNK CUSHIONS (CONTINUED)

KEY	PART NUMBER	U/M DESCRIPTION
	P08573-05-C63	EA COVER-CUSHION, BUNK - REAR - 28" X 78" X 5" FROM: 00-00-00 THRU: 01-12-82
	P08573-10-C63	EA COVER-CUSHION, BUNK - REAR - 27" X 23" X 80" X 5" FROM: 01-13-82 THRU: 99-99-99
8	108573-04-C62	EA CUSHION-BUNK, FRONT - 32.5" X 80" X 5" FROM: 00-00-00 THRU: 01-12-82
8	108573-09-C62	EA CUSHION-BUNK, FRONT - 32.5" X 80" X 5" FROM: 01-13-82 THRU: 99-99-99
8	108573-04-C63	EA CUSHION-BUNK, FRONT - 32" X 78" X 5" FROM: 00-00-00 THRU: 01-12-82
8	108573-09-C63	EA CUSHION-BUNK, FRONT - 32.5" X 80" X 5" FROM: 01-13-82 THRU: 99-99-99
	P08573-04-C62	EA COVER-CUSHION, BUNK - FRONT - 32" X 78" X 5" FROM: 00-00-00 THRU: 01-12-82
	P08573-09-C62	EA COVER-CUSHION, BUNK - FRONT - 32.5" X 80" X 5" FROM: 01-13-82 THRU: 99-99-99
	P08573-04-C63	EA COVER-CUSHION, BUNK - FRONT - 32" X 78" X 5" FROM: 00-00-00 THRU: 01-12-82
	P08573-09-C63	EA COVER-CUSHION, BUNK - FRONT - 32.5" X 80" X 5" FROM: 01-13-82 THRU: 99-99-99

SWIVEL CHAIR

KEY	PART NUMBER	U/M DESCRIPTION
7	088428-08-C62	EA CHAIR-SWIVEL, W/O SHIRT
7	088428-08-C63	EA CHAIR-SWIVEL, W/O SHIRT

DINETTE CUSHIONS

KEY	PART NUMBER	U/M DESCRIPTION
8	104164-01-C07	EA CUSHION-BACKREST, 13.5" X 38" X 5" (C62) FROM: 00-00-00 THRU: 12-01-81
8	104164-08-C07	EA CUSHION-BACKREST, 13.5" X 38" X 5" (C62) FROM: 12-02-81 THRU: 99-99-99
8	104164-01-C08	EA CUSHION-BACKREST, 13.5" X 38" X 5" (C63) FROM: 00-00-00 THRU: 12-01-81
8	104164-08-C08	EA CUSHION-BACKREST, 13.5" X 38" X 5" (C63) FROM: 12-02-81 THRU: 99-99-99
	P04164-01-C07	EA COVER-CUSHION, BACKREST - 13.5" X 38" X 5" (C62) FROM: 00-00-00 THRU: 12-01-81
	P04164-08-C07	EA COVER-CUSHION, BACKREST - 13.5" X 38" X 5" (C62) FROM: 12-02-81 THRU: 99-99-99
	P04164-01-C08	EA COVER-CUSHION, BACKREST - 13.5" X 38" X 5" (C63) FROM: 00-00-00 THRU: 12-01-81
	P04164-08-C08	EA COVER-CUSHION, BACKREST - 13.5" X 38" X 5" (C63) FROM: 12-02-81 THRU: 99-99-99
	078185-01-000	EA STRAP-SNAP, BACKREST CUSHION
9	104164-04-C62	EA CUSHION-SEATBASE, 23" X 38" X 5"
9	104164-04-C63	EA CUSHION-SEATBASE, 23" X 38" X 5"
	P04164-04-C62	EA COVER-CUSHION, SEATBASE - 23" X 38" X 5"
	P04164-04-C63	EA COVER-CUSHION, SEATBASE - 23" X 38" X 5"

DOUBLE BEDSPREAD, PILLOW & MATTRESS

KEY	PART NUMBER	U/M DESCRIPTION
10	081887-08-007	EA PILLOW SHAM-W/FRUFFLE (C62)
10	081887-08-008	EA PILLOW SHAM-W/FRUFFLE (C63)
10	082371-18-C62	EA BEDSPREAD-DOUBLE, 54" W/8" RUFFLE - CUT CORNER
10	082371-18-C63	EA BEDSPREAD-DOUBLE, 54" W/8" RUFFLE - CUT CORNER
10	088178-08-000	EA MATTRESS-INNERSPRING, 63" X 74" - SEALY - CUT CORNER

**1982 WINNEBAGO
TABLE OF CONTENTS**

INTRODUCTION	A-01 - A-02
ABBREVIATIONS	A-03 - A-03
ALPHABETICAL INDEX	A-04 - A-08
WFS27RC	A-07 - D-04
WFS27RC	E-01 - H-18

1982 WFS27RC INDEX

FLOOR PLAN	E-01 - E-02
ACCESSORIES	E-03 - E-03
AUDIO VIDEO	E-04 - E-04
BATH	E-05 - E-05
BEDROOM	E-07 - E-08
CHASSIS	E-09 - E-13
CURTAIN & CUSHION	E-14 - E-22
DINETTE	E-23 - E-24
DRIVERS	F-01 - F-02
ELECTRICAL	F-03 - F-08
EXTERIOR BODY	F-07 - F-14
GALLEY	F-15 - F-19
GENERATOR	F-20 - F-20
HEATING & A/C	F-21 - F-22
INTERIOR FINISH	F-23 - G-02
LABEL	G-03 - G-08
LP	G-10 - G-10
LOUNGE	G-11 - G-12
SEALANTS & FASTENERS	G-13 - G-15
WATER & SEWAGE	G-16 - G-20
WINDOW, VENT AND EXTERIOR DOOR	G-21 - H-18

CURTAIN & CUSHION GROUP (CONTINUED)

ASSIST HANDLE, BUTTONS & SEATBELTS

KEY	PART NUMBER	U/M	DESCRIPTION
	070578-08-C82	EA	BUTTON ASM-880, VINYL
	070578-10-C83	EA	BUTTON-SCREW STUD, 880 (C82)
	070578-10-888	EA	BUTTON-SCREW STUD, 880 (C83)
	070549-01-C82	YD	WELTING-FABRIC (C82)
	070549-01-888	YD	WELTING-FABRIC (C83)
	084418-87-000	YD	TRIM-BRAID, CURTAIN - BROWN (C82)
	084418-80-000	YD	TRIM-BRAID, CURTAIN - BLUE (C83)
	057634-01-000	EA	TIEBACK/TIE-DOWN-BED/CURTAIN/DOOR, 6" - CLEAR PLASTIC
	083882-08-A48	EA	HANDLE-ASSIST, INTERIOR - ENTRY DOOR - VINYL - OFF WHITE
	089178-08-000	EA	BRACKET-MOUNTING, ASSIST HANDLE - L ANGLE - WHOLE8 - ST
	000C18-07-188	EA	BOLT-CARRIAGE, ASSIST HANDLE - 7/16" - 14 X 1" ZN
	000C80-07-008	EA	NUT-ACORN, ASSIST HANDLE - 7/16" X 14 ZN
	007021-01-000	EA	BELT-SEAT, 2" X 80" - BLACK
	057788-01-000	EA	WASHER BRACKET-SEAT BELT, 4" DIAMETER

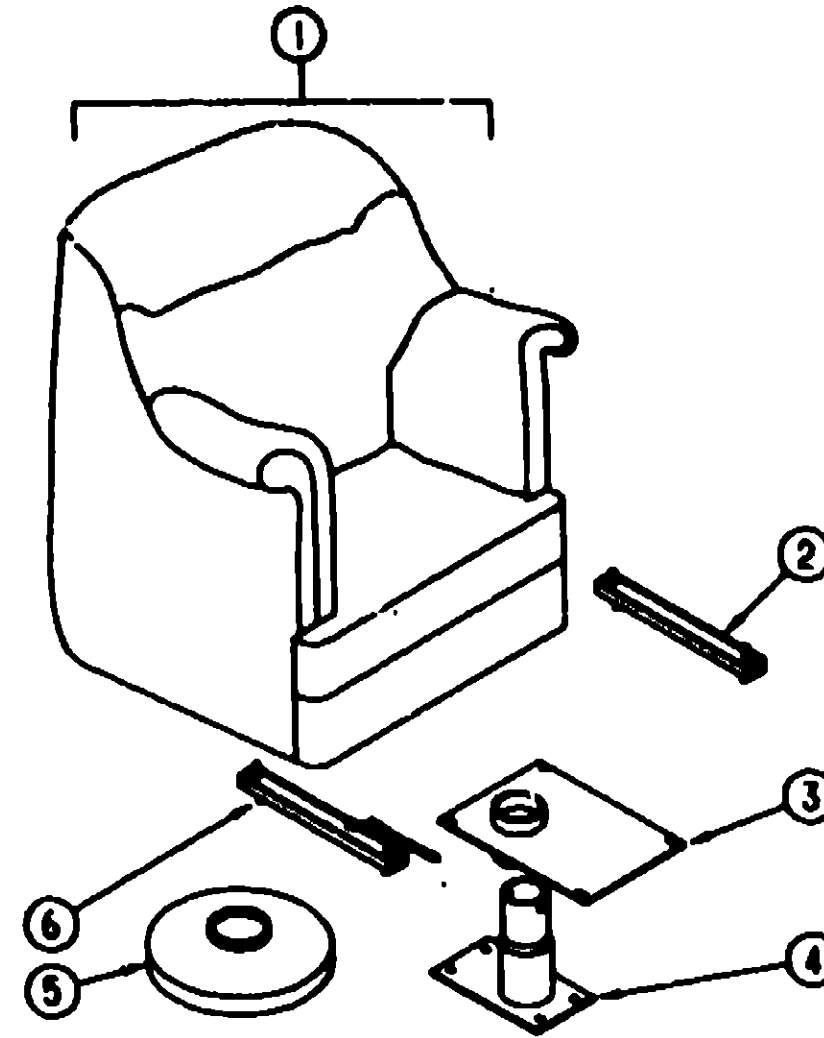
FABRICS

KEY	PART NUMBER	U/M	DESCRIPTION
	072233-82-000	YD	FABRIC-CURTAIN, 54" WIDE - BEIGE (C82, C83)
	078244-04-000	YD	FABRIC-VINYL, SHOWER CURTAIN - 72" WIDE - SALMON (C82)
	078244-05-000	YD	FABRIC-VINYL, SHOWER CURTAIN - 72" WIDE - BLUE (C83)
	078880-01-000	YD	FABRIC-VINYL, 54" WIDE - BEIGE (C82, C83)
	102807-01-01A	YD	FABRIC-VINYL, 54" WIDE - OFF WHITE (C82, C83)
	104233-28-000	YD	FABRIC-UPHOLSTERY/CURTAIN, PLAIN VELOUR - 54" WIDE - BROWN (C82)
	088008-85-000	YD	FABRIC-UPHOLSTERY/CURTAIN, PLAIN - 54" WIDE - BLUE (C83)
	104233-04-000	YD	FABRIC-UPHOLSTERY, PATTERNED VELOUR - 54" WIDE - BROWN (C82)
	104233-80-000	YD	FABRIC-UPHOLSTERY, WOVEN PATTERN - 54" WIDE - BLUE (C83)
	104233-03-000	YD	FABRIC-UPHOLSTERY, CHECKERED VELOUR - 54" WIDE - BROWN (C82)
	104233-21-000	YD	FABRIC-UPHOLSTERY, STRIPPED VELOUR - 54" WIDE - BLUE (C83)
	088008-81-000	YD	FABRIC-UPHOLSTERY, DOTTED VELOUR - 54" WIDE (C82)
	104233-23-000	YD	FABRIC-UPHOLSTERY, WOVEN PATTERN - 54" WIDE - BLUE (C83)
	088008-82-000	YD	FABRIC-UPHOLSTERY, WOVEN PATTERN - 54" WIDE - MULTI COLORED (C82)
	104233-27-000	YD	FABRIC-UPHOLSTERY, PLAIN VELOUR - 54" WIDE - BLUE (C83)
	104233-80-000	YD	FABRIC-UPHOLSTERY, BLACK - FOR PIPING TRIM (C82)
	088273-84-000	YD	FABRIC-BEDSPREAD, 54" WIDE - BROWNBUE PATTERN (C82)
	088273-86-000	YD	FABRIC-BEDSPREAD, 54" WIDE - LILAC - PLAIN (C82)
	088273-85-000	YD	FABRIC-BEDSPREAD, 54" WIDE - BLUE/PURPLE PATTERN (C83)

THROW PILLOWS

KEY	PART NUMBER	U/M	DESCRIPTION
	108888-01-888	EA	PILLOW ASM-16X16 THROW (C82)
	108888-01-C83	EA	PILLOW ASM-16X16 THROW (C83)
	104233-01-C07	EA	PILLOW ASM-15X15 W/RUFFLE (C82)
	104233-01-C06	EA	PILLOW ASM-15X15 W/RUFFLE (C83)

CURTAIN & CUSHION GROUP (CONTINUED)



SWIVEL CHAIR

KEY	PART NUMBER	U/M	DESCRIPTION
1	088429-11-C82	EA	CHAIR-SWIVEL, W/O SHIRT
1	088429-08-C83	EA	CHAIR-SWIVEL, W/O SHIRT
	M88429-11-C82	EA	COVER-SWIVEL CHAIR
	M88429-08-C83	EA	COVER-SWIVEL CHAIR
	088888-04-000	EA	CABLE-SWIVEL, W/SWITCH - BUCKET SEAT
	088802-04-C07	EA	SHIRT ASM (C82)
	088802-04-C08	EA	SHIRT ASM (C83)
2	088248-08-000	EA	ADJUSTER-SWIVEL CHAIR, MANUAL - FORWARD & BACK
3	083481-04-000	EA	TOP PLATE-PEDESTAL, BUCKET SEAT - W/O SEATBELT BAR
4	083481-02-000	EA	BASE-PEDESTAL, W/10" EXTENSION
5	088482-01-000	EA	SHROUD-PEDESTAL, 13" - PLASTIC - BLACK
6	088248-07-000	EA	ADJUSTER-SWIVEL CHAIR, W/LOCKING ARM - FORWARD & BACK
	007221-01-070	EA	SPACER-SEAT, ADJUSTER - 4 USED PER SWIVEL CHAIR

**1992 WINNEBAGO
TABLE OF CONTENTS**

INTRODUCTION	A-01 - A-02
ABBREVIATIONS	A-03
ALPHABETICAL INDEX	A-04 - A-08
WF827RQ	A-07 - D-84
WF827RC	E-01 - H-18

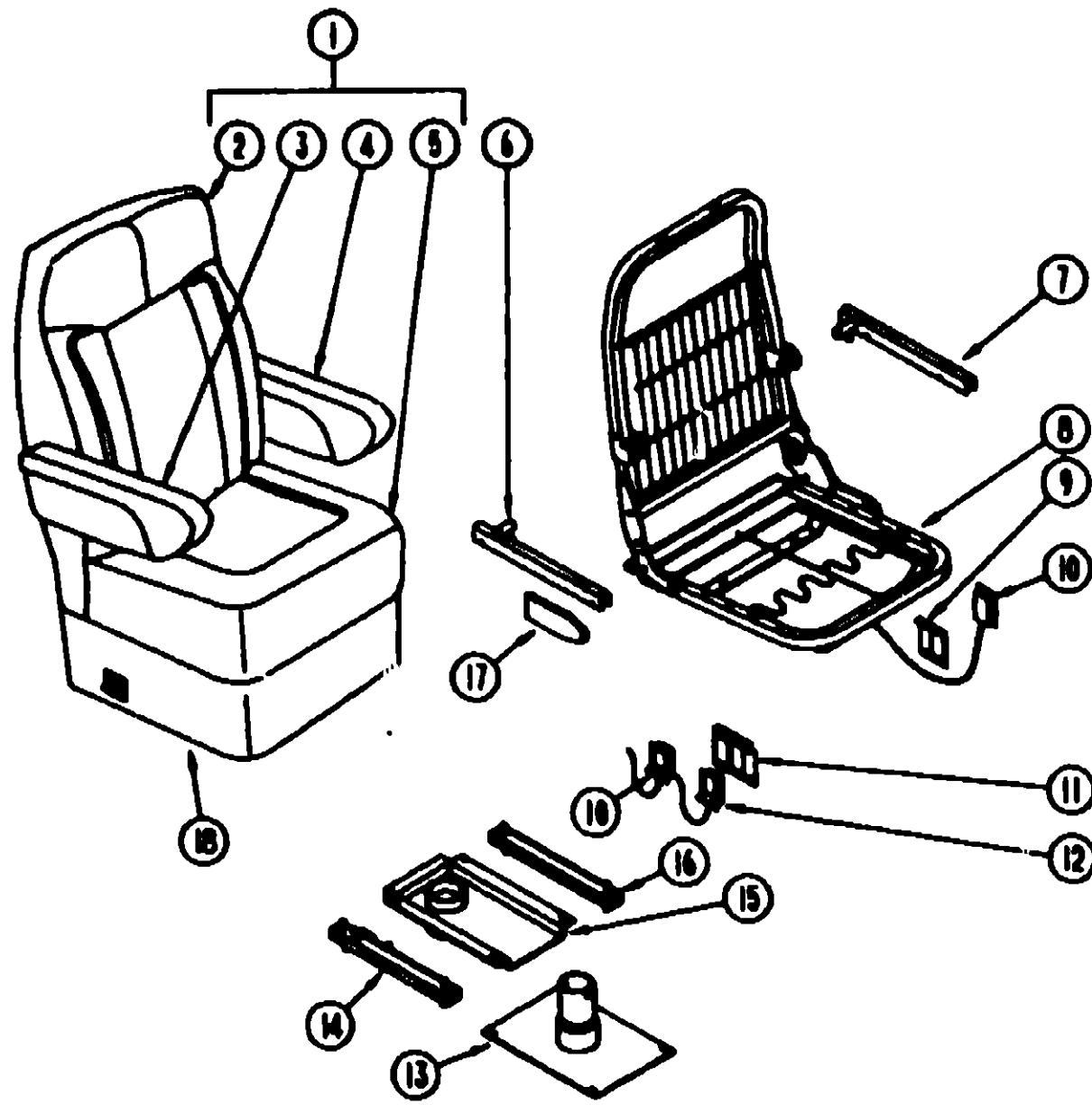
1992 WF827RC INDEX

FLOOR PLAN	E-01 - E-02
ACCESSORIES	E-03
AUDIO VIDEO	E-04
BATH	E-05 - E-08
BEDROOM	E-07 - E-08
CHASSIS	E-09 - E-13
CURTAIN & CUSHION	E-14 - E-22
DINETTE	E-23 - E-34
DRIVERS	F-01 - F-02
ELECTRICAL	F-03 - F-08
EXTERIOR BODY	F-07 - F-14
GALLEY	F-15 - F-18
GENERATOR	F-20
HEATING & A/C	F-21 - F-22
INTERIOR FINISH	F-23 - G-02
LABEL	G-03 - G-08
LP	G-10
LOUNGE	G-11 - G-12
SEALANTS & FASTENERS	G-13 - G-15
WATER & SEWAGE	G-16 - G-20
WINDOW, VENT AND EXTERIOR DOOR	G-21 - H-15

CURTAIN & CUSHION GROUP (CONTINUED)

BUCKET SEATS

KEY	PART NUMBER	UOM	DESCRIPTION
1	089480-23-C82	EA	SEAT-BUCKET-W/RIGHT ARMREST(C82)
1	089480-23-C83	EA	SEAT-BUCKET-W/RIGHT ARMREST(C83)
1	089480-24-C82	EA	SEAT-BUCKET-W/LEFT ARMREST(C82)
1	089480-24-C83	EA	SEAT-BUCKET-W/LEFT ARMREST(C83)
1	089480-25-C82	EA	SEAT-BUCKET-W/RIGHT ARMREST-RECLINING(C82)
1	089480-25-C83	EA	SEAT-BUCKET-W/RIGHT ARMREST-RECLINING(C83)
1	089480-26-C82	EA	SEAT-BUCKET-W/LEFT ARMREST-RECLINING(C82)
1	089480-26-C83	EA	SEAT-BUCKET-W/LEFT ARMREST-RECLINING(C83)
2	M03446-22-C82	EA	COVER-BACK-BUCKET (C82)
2	M03446-22-C83	EA	COVER-BACK-BUCKET(C83)
3	080243-49-C82	EA	ARMREST-RIGHT(C82)
3	080243-49-C83	EA	ARMREST-RIGHT (C83)
	M80243-49-C82	EA	COVER-ARMREST-RIGHT(C82)
	M80243-49-C83	EA	COVER-ARMREST-RIGHT(C83)
4	080243-80-C82	EA	ARMREST-LEFT(C82)
4	080243-80-C83	EA	ARMREST-LEFT(C83)
	M80243-80-C82	EA	COVER-ARMREST- LEFT (C82)
	M80243-80-C83	EA	COVER-ARMREST- LEFT(C83)
5	M03446-23-C82	EA	COVER-SEAT- BUCKET(C82)
5	M03446-23-C83	EA	COVER-SEAT- BUCKET(C83)
6	081288-01-000	EA	ROD & CHANNEL-ARMREST- RIGHT - METAL
7	081288-02-000	EA	ROD & CHANNEL-ARMREST- LEFT - METAL
	081381-01-000	EA	ROD-ARMREST- METAL - RIGHT OR LEFT HAND
8	M80908-08-000	EA	FRAME-SEAT&BACK&SPRING
8	M80908-06-000	EA	FRAME-SEAT&BACK&SPRING -RECLINING
	101125-01-000	EA	RECLINER-SEAT BACK- LEFT HAND REMOTE
9	087883-03-000	EA	BRACKET-REMOTE- SIDE MOUNT - SINGLE
10	089388-04-000	EA	CABLE-SWIVEL- W/SWITCH - BUCKET SEAT
11	087883-02-000	EA	BRACKET-MOUNT- REMOTE
12	089388-06-000	EA	CABLE-RECLINER- W/SWITCHL - BUCKET SEAT
13	089585-02-000	EA	PLATE-SUB- BASE - BUCKET SEAT - 12" X 13" - STEEL
13	089585-41-000	EA	PLATE-SUB- BASE - BUCKET SEAT - 12" X 13" - STEEL FROM 00-00-00 THRU 10-06-91
14	089248-05-000	EA	ADJUSTER-SEAT/CHAIR- W/REMOTE - FORWARD & BACK
	089248-06-700	EA	SFRING-ADJUSTER- FOR REMOTE
	089248-06-701	EA	CLIP-CABLE- FOR REMOTE
15	083481-04-000	EA	TOP PLATE-PEDESTAL- BUCKET SEAT - W/O SEATBELT BAR
16	089248-02-000	EA	ADJUSTER-SEAT/CHAIR- W/O LOCK - FORWARD & BACK
	089585-03-000	EA	PEDESTAL-LOWER- W/EXTENSION - 9" X 5" - STEEL
17	089388-08-000	EA	SHIELD-CABLE- REMOTE RECLINER - BUCKET SEAT
18	071128-24-898	EA	SHORT-BUCKET SEAT (C82)
18	071128-24-898	EA	SHORT-BUCKET SEAT (C83)



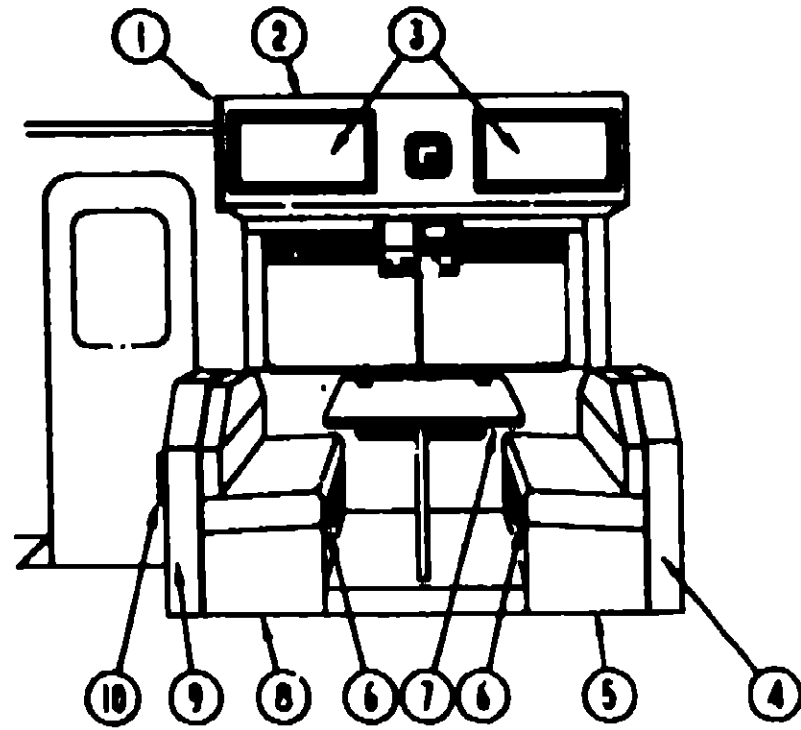
1992 WINNEBAGO TABLE OF CONTENTS

INTRODUCTION	A-01 - A-02
ABBREVIATIONS	A-03
ALPHABETICAL INDEX	A-04 - A-08
WF527RC	A-07 - D-94
WF527RC	E-01 - H-18

1992 WF527RC INDEX

FLOOR PLAN	E-01 - E-02
ACCESSORIES	E-03
AUDIO VIDEO	E-04
BATH	E-05 - E-06
BEDROOM	E-07 - E-08
CHASSIS	E-09 - E-13
CURTAIN & CUSHION	E-14 - E-22
DINETTE	E-23 - E-24
DRIVERS	F-01 - F-02
ELECTRICAL	F-03 - F-06
EXTERIOR BODY	F-07 - F-14
GALLEY	F-15 - F-19
GENERATOR	F-20
HEATING & A/C	F-21 - F-22
INTERIOR FINISH	F-23 - G-02
LABEL	G-03 - G-08
LP	G-10
LOUNGE	G-11 - G-12
SEALANTS & FASTENERS	G-13 - G-16
WATER & SEWAGE	G-18 - G-20
WINDOW, VENT AND EXTERIOR DOOR	G-21 - H-16

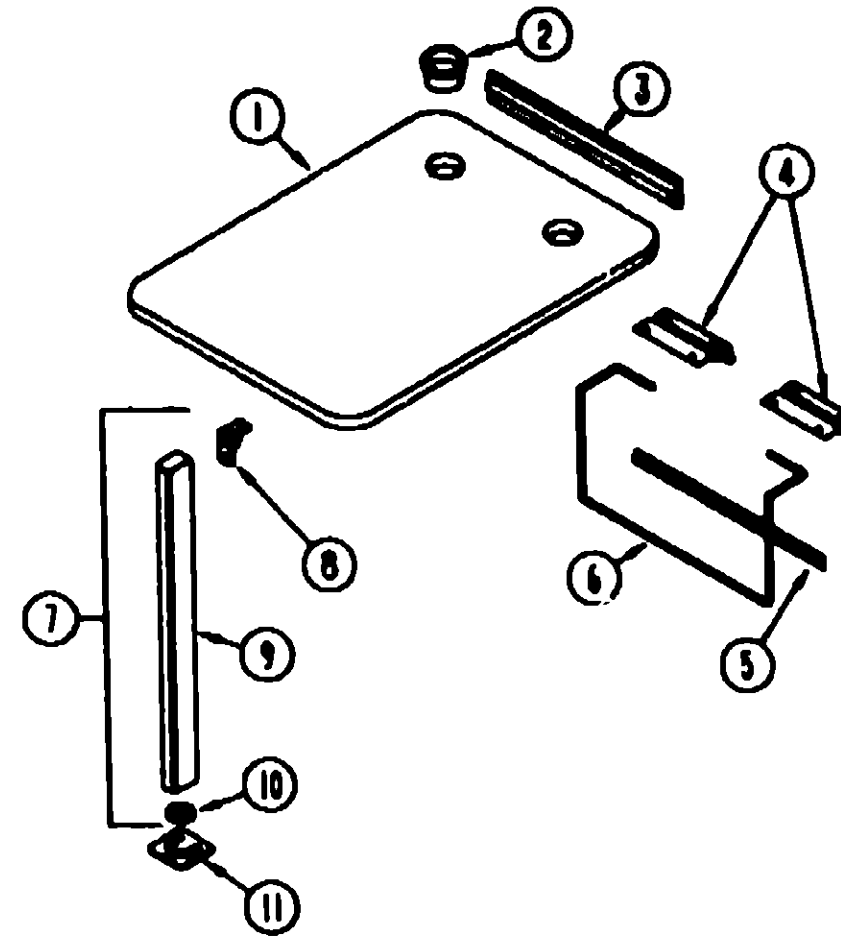
DINETTE GROUP



CABINETS, PADS & TABLE

KEY	PART NUMBER	U/M	DESCRIPTION
1	104335-07-C52	EA	END CAP-CABINET, OVERHEAD
2	M05824-17-C52	EA	CABINET-OVERHEAD, W/DOORS & HARDWARE
2	M05824-17-C53	EA	CABINET-OVERHEAD, W/O DOORS & HARDWARE
3	P04748-03-C05	EA	DOOR-CABINET, W/O HARDWARE - 400 X 710MM
	104787-01-C52	EA	PAD-BACKREST (C52)
	104787-01-C28	EA	PAD-BACKREST (C53)
4	M04174-21-C52	EA	CABINET-BACKREST, RIGHT SIDE
5	M04175-21-C52	EA	CABINET-SEATBASE, RIGHT SIDE
	081518-07-B03	EA	TOP-SEATBASE, RIGHT SIDE
6	081205-01-AA8	EA	SUPPORT-rod, DINETTE - 712MM LONG
7	M02115-09-C05	EA	TABLE-DINETTE, W/O EDGE BAND (C52)
7	M02115-09-C12	EA	TABLE-DINETTE, W/O EDGE BAND (C53)
8	M04175-22-C52	EA	CABINET-SEATBASE, LEFT SIDE
	103608-11-C05	EA	TOP-SEATBASE, LEFT SIDE
9	M04174-22-C52	EA	CABINET-BACKREST, LEFT SIDE
	104787-02-C52	EA	PAD-BACKREST
	104787-02-C53	EA	PAD-BACKREST
10	081257-08-000	EA	HANDLE-ASSIST, WOOD - MOUNTED TO BACK OF DINETTE

DINETTE GROUP (CONTINUED)



DINETTE TABLE

KEY	PART NUMBER	U/M	DESCRIPTION
1	M02115-09-C05	EA	TABLE-DINETTE, W/O EDGE BAND (C52)
1	M02115-09-C12	EA	TABLE-DINETTE, W/O EDGE BAND (C53)
2	084781-08-000	EA	HOLDER-CUP, TWO STEP - OFF WHITE
3	063200-05-000	EA	BRACKET-TABLE SUPPORT, UPPER WALL MOUNTED - 23 5" - BEIGE
4	088410-01-000	EA	BRACKET-LIFT, TABLE MOUNTED - BEIGE
5	024281-07-000	EA	BRACKET-LIFT ROD, LOWER WALL MOUNTED - 22 1/2" - BEIGE
6	024275-05-000	EA	ROD-TABLE LIFT, 8" X 23 5" - BEIGE
7	092708-08-C11	EA	LEG ASM-TABLE
8	093550-01-000	EA	BRACKET-HINGE, MOUNTS TO LEG & TABLE TOP - 1 7" X 2 6"
9	092707-04-01A	EA	MOLDING-OAK, REGAL
10	092593-01-04A	EA	CATCH-LEG, LEG MOUNTED - ROUND - 1 4" DIA - METAL - BEIGE
11	049493-11-700	EA	CATCH-LEG, FLOOR MOUNTED - 2 5" X 2 7" - METAL - E-COAT

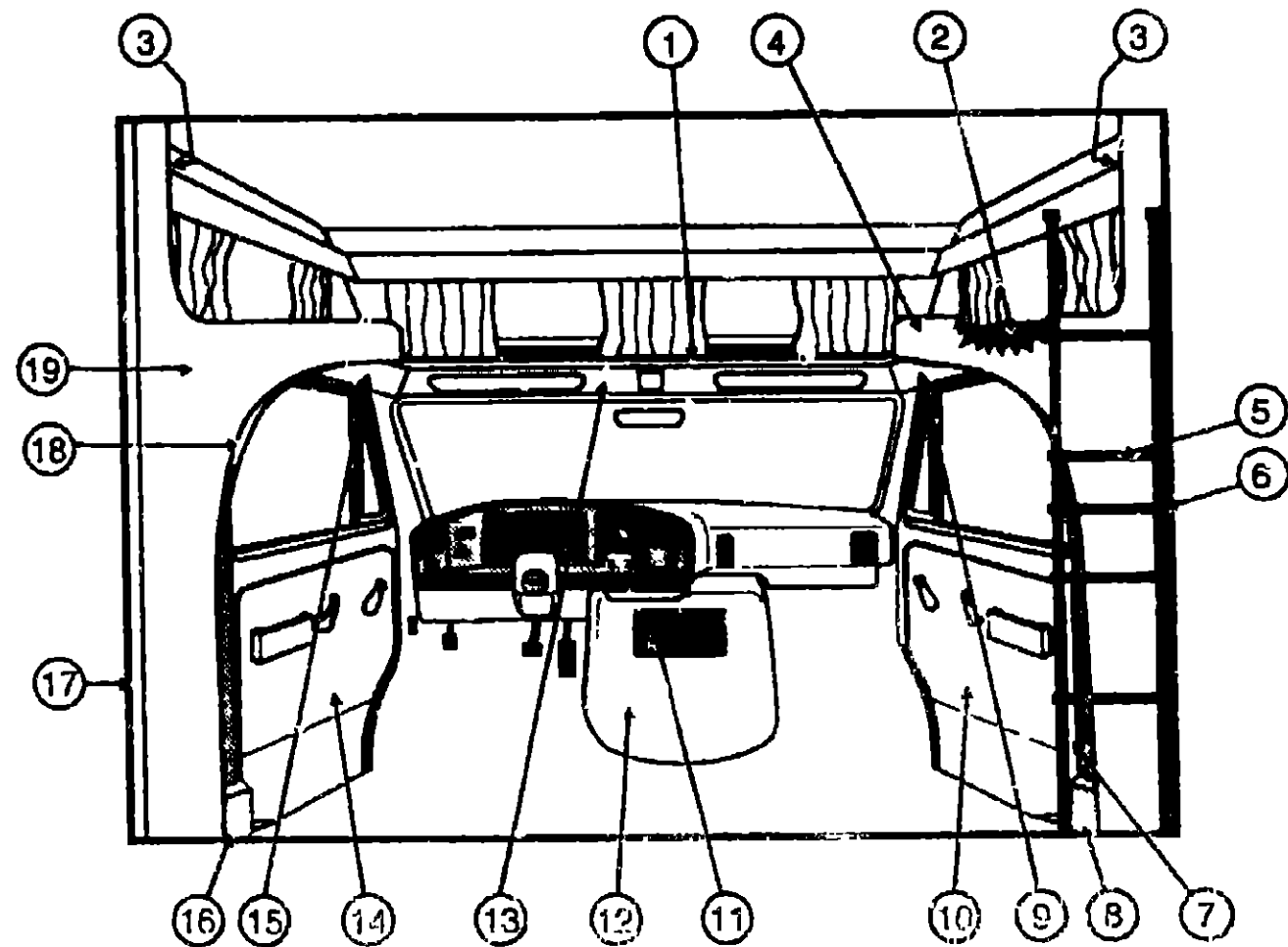
1992 WINNEBAGO TABLE OF CONTENTS

INTRODUCTION	A-01 - A-02
ABBREVIATIONS	A-03
ALPHABETICAL INDEX	A-04 - A-08
WF527RQ	A-07 - D-24
WF527RC	E-01 - H-16

1992 WF527RC INDEX

FLOOR PLAN	E-01 - E-02
ACCESSORIES	E-03
AUDIO VIDEO	E-04
BATH	E-05 - E-06
BEDROOM	E-07 - E-08
CHASSIS	E-09 - E-13
CURTAIN & CUSHION	E-14 - E-22
DINETTE	E-23 - E-24
DRIVERS	F-01 - F-02
ELECTRICAL	F-03 - F-06
EXTERIOR BODY	F-07 - F-14
GALLEY	F-15 - F-19
GENERATOR	F-20
HEATING & A/C	F-21 - F-22
INTERIOR FINISH	F-23 - G-02
LABEL	G-03 - G-09
LP	G-10
LOUNGE	G-11 - G-12
SEALANTS & FASTENERS	G-13 - G-15
WATER & SEWAGE	G-16 - G-20
WINDOW, VENT AND EXTERIOR DOOR	G-21 - H-15

DRIVERS COMPARTMENT GROUP



DRIVERS COMPARTMENT

KEY	PART NUMBER	U/M DESCRIPTION
1	106444-01-01A	EA TRIM-SLEEPERBOARD, INNER - OFF WHITE
1	080742-03-000	FT TRIM VINYL, SLEEPER BOARD - OFF WHITE
2	105777-01-C52	EA PAD ASM-BUNK, OVERHEAD (FORD) (C52)
2	105777-01-C24	EA PAD ASM-BUNK, OVERHEAD (FORD) (C53)
3	082071-10-C52	EA COVER-WINGWALL
3	082071-12-C52	EA COVER-WINGWALL
4	105742-01-C52	EA WINGWALL ASM-INNER, RIGHT (FORD)
4	106440-03-C52	EA WINGWALL ASM-INNER, RIGHT (FORD)
	106445-01-C52	EA TRIM ASM-WINGWALL WRAP, RIGHT (FORD)
		BETWEEN CAB STEEL & B PILLAR TRIM
5	106025-02-01A	EA LADDER-BUNK, BLACK - 1434 MM
	106025-01-700	EA BRACKET SET F/BUNK LADDER
6	099856-03-000	EA STR/P ASM-TIEDOWN, BUNK LADDER
7	106446-01-C52	EA TRIM ASM-CAB, B-PILLAR - RIGHT (FORD)
8	106431-01-01A	EA COVER-SEATBELT, RIGHT - OFF WHITE (FORD)
9	091825-02-AA5	EA HEADLINER-VINYL COVERED, SIDE - 2 USED - OFF WHITE (FORD)
9	106447-01-C52	EA TRIM ASM-CAB DOOR, UPPER - RIGHT (FORD)
10	106432-01-C52	EA PANEL ASM-DOOR INNER, RIGHT (FORD)
10	106432-01-C53	EA PANEL ASM-DOOR, INNER, RIGHT (FORD)

DRIVERS COMPARTMENT GROUP (CONTINUED)

DRIVERS COMPARTMENT (CONTINUED)

KEY	PART NUMBER	U/M DESCRIPTION
11	106634-01-C03	EA TRAY ASM-BEVERAGE (FORD)
11	107134-02-C70	EA TRAY-BEVERAGE, OAK - W/CASSETTE (FORD)
12	069885-23-C52	EA COVER-MOTOR, W/POCKET (FORD)
12	069885-23-C53	EA COVER-MOTOR, W/POCKET (FORD)
	046886-03-000	EA ASHTRAY-CHROME, W/COVER
13	091831-01-X08	EA HEADLINER-VINYL COVERED, FRONT - OFF WHITE (FORD)
13	106448-01-C52	EA HEADLINER-VINYL COVERED, FRONT - OFF WHITE (FORD)
14	106432-02-C52	EA PANEL ASM-DOOR, INNER, LEFT (FORD)
14	106432-02-C53	EA PANEL ASM-DOOR, INNER, LEFT (FORD)
15	091825-02-AA5	EA HEADLINER-VINYL COVERED, SIDE - 2 USED - OFF WHITE (FORD)
15	106447-02-C52	EA TRIM ASM-CAB DOOR, UPPER - LEFT (FORD)
13	091871-05-000	EA COVER-SEATBELT, OFF WHITE
16	106431-02-01A	EA COVER-SEATBELT, LEFT - OFF WHITE (FORD)
17	082081-18-C43	EA COVER-WINGWALL, 880MM LONG - VINYL - OFF WHITE - DRIVER SIDE
	082081-20-C52	EA COVER-WINGWALL, 2002MM LONG - VINYL - OFF WHITE - PASSENGER SIDE
18	106446-02-C52	EA TRIM ASM-CAB, B-PILLAR, RIGHT (FORD)
19	105742-02-C52	EA WINGWALL ASM-INNER, LEFT (FORD)
19	106440-04-C52	EA WINGWALL ASM-INNER, LEFT (FORD)
	106445-02-C52	EA THIM ASM-WINGWALL WRAP, LEFT (FORD)
		BETWEEN CAB STEEL & B PILLAR TRIM

INSTRUMENT CLUSTERS

KEY	PART NUMBER	U/M DESCRIPTION
	094795-02-000	EA CLUSTER-INSTRUMENT PANEL, KILOMETER - FOUZ-17255-B (FORD)
	094795-03-000	EA CLUSTER-INSTRUMENT PANEL, KILOMETER - FORD F2UF108498F (FORD)
	094795-01-000	EA SPEEDOMETER-KILOMETER (FORD)
	081082-01-000	EA PLAQUE-MOUNTING, BATTERY/FUEL SWITCH - 2 4" X 1 4" - BLK (FORD)
	100138-01-000	EA MODULE-DAYTIME RUNNING LIGHT
	024461-01-000	EA SWITCH-BATT, BATT/DUAL/MOM

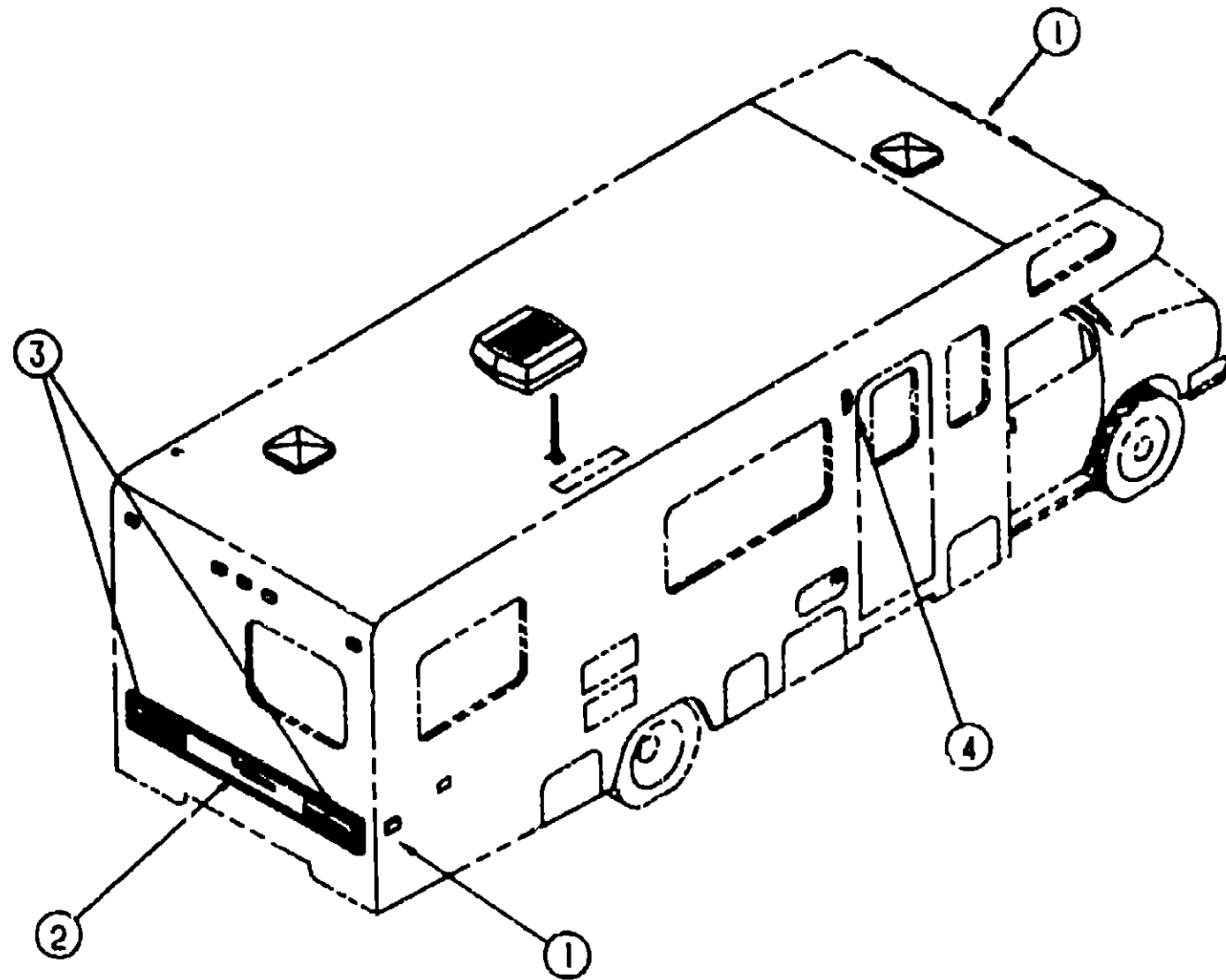
**1992 WINNEBAGO
TABLE OF CONTENTS**

INTRODUCTION	A-01 - A-02
ABBREVIATIONS	A-03
ALPHABETICAL INDEX	A-04 - A-08
WF527RC	A-07 - D-24
WF527RC	E-01 - H-16

1992 WF527RC INDEX

FLOOR PLAN	E-01 - E-02
ACCESSORIES	E-03
AUDIO VIDEO	E-04
BATH	E-05 - E-06
BEDROOM	E-07 - E-08
CHASSIS	E-09 - E-13
CURTAIN & CUSHION	E-14 - E-22
DINETTE	E-23 - E-24
DRIVERS	F-01 - F-02
ELECTRICAL	F-03 - F-06
EXTERIOR BODY	F-07 - F-14
GALLEY	F-15 - F-19
GENERATOR	F-20
HEATING & A/C	F-21 - F-22
INTERIOR FINISH	F-23 - G-02
LABEL	G-03 - G-09
LP	G-10
LOUNGE	G-11 - G-12
SEALANTS & FASTENERS	G-13 - G-15
WATER & SEWAGE	G-16 - G-20
WINDOW, VENT AND EXTERIOR DOOR	G-21 - H-15

ELECTRICAL GROUP



EXTERIOR LIGHTS

KEY	PART NUMBER	U/M DESCRIPTION
1	042405-02-000	EA LENS-CLEARANCE/SIDEMARKER LIGHT, W/REFLEX - AMBER
1	042405-03-000	EA BASE-CLEARANCE/SIDEMARKER LIGHT, W/BULB - PLASTIC - WHITE
1	008213-01-000	EA BULB
	091983-01-000	EA GASKET-CLEARANCE/SIDEMARKER LIGHT
	042405-01-000	EA LENS-CLEARANCE/SIDEMARKER LIGHT, W/REFLEX - RED
	042405-03-000	EA BASE-CLEARANCE/SIDEMARKER LIGHT, W/BULB - PLASTIC - WHITE
	008213-01-000	EA BULB
2	066432-01-000	EA LIGHT-LICENSE PLATE, W/BACKET
3	103545-01-01A	EA TAIL LIGHT ASM-TRIPLE, HORIZONTAL - BARGMAN 30-84-103
	037934-01-000	EA BULB-12V NO1156 2 10AMP
	037935-01-000	EA BULB-12V NO1157 2 10AMP
	081538-01-700	EA LENS-TAILLIGHT (RED)
	103545-01-700	EA LENS-BACKUP
4	097917-01-01A	EA LIGHT-PORCH, ENTRY DOOR - OFF WHITE
	008215-01-000	EA BULB
	097917-01-700	EA LENS

ELECTRICAL GROUP (CONTINUED)

INTERIOR LIGHTS & BULBS

KEY	PART NUMBER	U/M DESCRIPTION
	104173-01-01A	EA LIGHT-DESIGNER, BRASS - #81-905 *A.W ASPLUND
	104172-01-01A	EA LIGHT-BULLET, BEIGE - #787 SERIES
		BULB #93 12V
	061424-01-000	EA LIGHT-AISLE, 12V - RECTANGULAR
	008103-01-000	EA BULB-DASH/AISLE LIGHT, #63 - 12 V - 12 AMP
	078424-02-000	EA LIGHT-FLUORESCENT, 12V DC - 18" - ALMOND
	091937-03-000	EA BULB-FLUORESCENT LIGHT, 12V - THIN LITE 736
	078424-02-701	EA LENS-LIGHT, FLOURESCENT - 18"
	082159-01-000	EA LIGHT-MAKE-UP, 3 BULB - JENSEN X146-168R
	081633-01-700	EA BULB-MAKE UP LIGHT, JENSEN
	098024-01-01A	EA LIGHT-DOME, 1 BULB - US - IVORY
	098024-03-01A	EA LIGHT-DOME, 2 BULB - IVORY
	008218-01-000	EA BULB
	098024-01-700	EA LENS-DOME LIGHT
	086280-01-000	EA LIGHT-SURFACE MOUNT, 12V - JENSEN 1235
	086280-01-700	EA BULB-12 VOLT, 6 WATT

SWITCHES & RECEPTACLES

KEY	PART NUMBER	U/M DESCRIPTION
	079364-01-000	EA SWITCH-ON/OFF ROCKER, 2 PRONGS - BROWN
	079364-03-000	EA SWITCH-ON/OFF ROCKER, 3 PRONGS - BROWN
	096241-07-000	EA SWITCH-ROCKER, DPDT - ON/OFF - BLACK
	108356-02-01A	EA ACTUATOR-SWITCH, DIMPLE II-CARLING WVAZC00 BLA
	108357-00-000	EA SWITCH-ROCKER, DPDT - ON/NONE/ON - CARLING VDD1500C-0
	098351-01-01A	EA PLATE-SWITCH, 1 GANG - POLISHED BRASS
	098351-02-01A	EA PLATE-SWITCH, 2 GANG - POLISHED BRASS
	098351-05-01A	EA PLATE-SWITCH, 3 GANG - POLISH BRASS - JENSEN
	098351-06-01A	EA PLATE-SWITCH, 2 GANG W/LADEL - JENSEN - POLISHED BRASS
	081994-02-000	EA PLATE-SWITCH, EXTERIOR SHOWER
	095188-01-01A	EA SPACER-SWITCH, 2 3" X 3.4" - PLASTIC - DARK BROWN
	095188-02-01A	EA SPACER-SWITCH, 2 3" X 4 1" - PLASTIC - DARK BROWN
	075723-01-000	EA SPACER-SWITCH, W/O HOLE - 2" X 9" X 2" - METAL - OFF WHITE
	075723-02-000	EA SPACER-SWITCH, W/HOLE - 2" X 9" X 2" - METAL - OFF WHITE
		FOR ELECTRIC STEP DOOR JAMB SWITCH
	084076-01-000	EA RECEPTACLE-GFI, 15A - 125V - IVORY
	084077-01-000	EA PLATE-COVER, RECEPTACLE - GFI - IVORY
	058707-01-000	EA RECEPTACLE-ELECTRIC, SINGLE - BROWN
	058708-01-000	EA RECEPTACLE-ELECTRIC, DOUBLE - BROWN
	058708-02-000	EA RECEPTACLE-ELECTRIC, DOUBLE - IVORY
	102568-01-210	EA SPACER RECEPTACLE, BETWEEN SIDEWALL & PLATE - WOOD
	097734-01-02A	EA EXTENSION-RECEPTACLE, 3 2" X 5" X 7" - PLASTIC - IVORY
	024924-02-000	EA RECEPTACLE-POWER CORID, W/PARTIAL PLATE
	075736-02-000	EA COVER-EXTERIOR RECEPTACLE, OFF WHITE

CONVERTORS & LOAD CENTER

KEY	PART NUMBER	U/M DESCRIPTION
	083208-01-000	EA CONVERTOR-POWER, 32A - 120V/12V - BW 6332

1992 WINNEBAGO TABLE OF CONTENTS

INTRODUCTION	A-01 -	A-02
ABBREVIATIONS		A-03
ALPHABETICAL INDEX	A-04 -	A-08
WF527RQ	A-07 -	D-24
WF527RC	E-01 -	H 18

1992 WF527RC INDEX

FLOOR PLAN	E-01 -	E-02
ACCESSORIES		E-03
AUDIO VIDEO		E-04
BATH	E-05 -	E-06
BEDROOM	E-07 -	E-08
CHASSIS	E-09 -	E-13
CURTAIN & CUSHION	E-14 -	E-22
DINETTE	E-23 -	E-24
DRIVERS	F-01 -	F-02
ELECTRICAL	F-03 -	F-06
EXTERIOR BODY	F-07 -	F-14
GALLEY	F-15 -	F-19
GENERATOR		F-20
HEATING & A/C	F-21 -	F-22
INTERIOR FINISH	F-23 -	G-02
LABEL	G-03 -	G-09
LP		G-10
LOUNGE	G-11 -	G-12
SEALANTS & FASTENERS	G-13 -	G-15
WATER & SEWAGE	G-16 -	G-20
WINDOW, VENT AND EXTERIOR DOOR	G-21 -	H-13

ELECTRICAL GROUP (CONTINUED)

SOLENOID, FUSES & CIRCUIT BREAKERS

KEY	PART NUMBER	U/M	DESCRIPTION
	008188-01-000	EA	SOLENOID-3 POST, BATTERY CHANGE OVER
	083710-01-000	EA	HOUSING-RELAY, BOSCH 3 334 485 008
	008236-01-000	EA	FUSE-AUTOMOTIVE, 12V - 15AMP
	082901-02-000	EA	FUSE-5 AMP, AUTOMOTIVE
	082901-05-000	EA	FUSE-15 AMPS, AUTOMOTIVE
	100341-01-000	EA	FUSE HOLDER-IN LINE TYPE - WESCO 8831-92020
	008211-01-000	EA	BREAKER-CIRCUIT, 12V - 6AMP
	083854-01-000	EA	BREAKER-CIRCUIT, 6 AMP - HOUSE CONTROL PANEL FROM 00-00-00 THRU 12-05-91
	008288-01-000	EA	BREAKER-CIRCUIT, W/MOUNT - 30A - 12V FROM 12-08-91 THRU 99-99-99
	083655-02-000	EA	BREAKER-CIRCUIT, 30 AMP - HOUSE CONTROL PANEL FROM 00-00-00 THRU 12-05-91
	050283-02-000	EA	BAR-BUSS, CIRCUIT BREAKER FROM 12-08-91 THRU 99-99-99
	083655-01-000	EA	BREAKER-CIRCUIT, 25 AMP FROM 00-00-00 THRU 12-05-91
	083209-01-000	EA	BREAKER-CIRCUIT, 15 AMP, 120V - B.V G-15 - CANADIAN FROM 12-06-91 THRU 99-99-99
	083209-03-000	EA	BREAKER-CIRCUIT, 15/20AMP, 120V - BW 0-15/20
	083209-04-000	EA	BREAKER-CIRCUIT, 30A - 120V - BW L-30
	083209-05-000	EA	BREAKER-CIRCUIT, 20A - 120V - BW J-20
	033209-06-000	EA	BREAKER-CIRCUIT, 30/15 AMP - 120V - BW D-30/15

POWER CORDS & ELECTRIC BOXES

KEY	PART NUMBER	U/M	DESCRIPTION
	008052-01-000	EA	CORD-POWER, 10/3 - 30 AMP - 25' - CANADIAN
	008054-01-000	EA	CORD-POWER, 10/3 - 30 AMP - 25'
	008288-01-000	EA	BOX-PLASTIC ELECTRIC, 3" X 3 1/2"
	008289-01-000	EA	BOX-ELECTRIC, STEEL - 1/2" AND 3/4" KNOCKOUTS - 4" X 4"
	008289-02-000	EA	BOX-ELECTRICAL, 4" X 4" - 1/2" & 3/4" KNOCKOUTS - CANADIAN
	091910-01-000	EA	BOX-ELECTRIC, 3 7/8" X 3 5/8" X 1 7/8" - PLASTIC
	083803-01-000	EA	BOX-ELECTRIC, 4" X 2 1/8" X 2 1/8" - STEEL
	107165-01-01A	EA	BOX-CIRCUIT BREAKER, MOUNTING - BLACK FROM 12-06-91 THRU 99-99-99
	058049-01-000	EA	BOX-ELECTRIC SWITCH, 2" X 3" X 2 25"
	008294 01-000	EA	COVER-ELECTRIC BOX, BLANK/STEEL - 4" X 4" - GRAY
	008294-02-000	EA	COVER-ELECTRICAL BOX, BLANK STEEL - 4" X 4" - CANADIAN
	069238-01-000	EA	COVER-ELECTRICAL BOX, W/HOLE - 4" X 4" - GRAY USED WITH 30 AMP RECEPTACLE

WIRE ASSEMBLIES

KEY	PART NUMBER	U/M	DESCRIPTION
	097618-01-000	EA	WIRE ASM-MONITOR PANEL, W/4 WIRES & BLACK RESISTOR - LVS
	100159-02-000	EA	WIRE ASM-DAYTIME RUNNING LIGHTS, W/FUSE FROM 00-00-00 THRU 10-06-91
	106851-01-000	EA	WIRE ASM-DAYTIME RUNNING LIGHTS W/FUSE FROM 10-07-91 THRU 99-99-99
	103328-08-000	EA	WIRE ASM-PUMP, EXTERIOR SHOWRE
	105306-01-000	EA	WIRE ASM-MONITOR PANEL ADAPT

ELECTRICAL GROUP (CONTINUED)

CONNECTORS & CONDUIT

KEY	PART NUMBER	U/M	DESCRIPTION
	077479-02-000	EA	BOOT-BATTERY TERMINAL, SINGLE CABLE
	007940-01-000	EA	RECEPTACLE-SLIDE, 18 TO 12 AWG - FEMALE END
	080015-02-000	EA	RECEPTACLE-FLAG, .185 - 18/14 GA - AMP 3
	080015-03-000	EA	RECEPTACLE-FLAG, .280 - 14/16 GA
	008311-01-000	EA	CONNECTOR-WIRE NUT, INSULATED - RED
	008314-01-000	EA	CONNECTOR-WIRE NUT, INSULATED - GRAY
	088420-01-000	EA	CONNECTOR-SWIVEL, 1/2" FPT X 5/8" TUBE - PLASTIC
	008355-01-000	EA	CONNECTOR-CABLE CLAMPING, 3/4"
	008356-01-000	EA	CONNECTOR-PLASTIC, 3/8" AVG
	041480-01-000	EA	CONNECTOR-STRAIGHT, 1/2" FLEX CONDUIT
	058028-01-000	EA	CONNECTOR-ELECTRICAL PIGTAIL, NYLON - CLEAR
	008328-01-000	EA	TERMINAL-RING, 18/14 WIRE - 3/8" STUD
	008328-01-000	EA	TERMINAL-RING, 12/10 WIRE - #10 STUD FIT
	008331-01-000	EA	TERMINAL-RING, TONGUE - #4 WIRE - 3/8" STUD - COPPER
	038348-01-000	EA	TERMINAL-RING, 3/8" STUD - #2 WIRE CONNECTS CABLE TO DISCONNECT RELAY AND BATTERY
	035416-04-000	EA	TERMINAL-RING #10 STUD FIT, INSULATED BARREL #18/14
	047443-01-000	EA	TERMINAL-250 RECEP FIT, INSULATED - 18/14 AWG
	047443-02-000	EA	TERMINAL-250 RECEP FIT, INSULATED - 12/10 AWG
	087949-01-000	EA	BUSS BAR-2 POSITION, 6" X 1 5/8" - ALUMINUM
	088475-01-000	EA	PIN-CONNECTOR, 14 TO 20 AWG
	088475-02-000	EA	PIN-CONNECTOR, 10 TO 12 AWG
	088473-05-000	EA	PIN-HOUSING, 6 POSITION (SINGLE ROW)
	088473-06-000	EA	PIN-HOUSING, 6 POSITION (TWO ROWS OF THREE)
	088473-09-000	EA	PIN-HOUSING, 3 POSITION (SINGLE ROW)
	088473-10-000	EA	PIN-HOUSING, 2 POSITION
	088473-03-000	EA	HOUSING-PIN, 9-POSITION
	088473-07-000	EA	HOUSING-PIN, 5 CAVITY - AMP 1-480763-0
	088473-08-000	EA	HOUSING-PIN, 4 POSITION
	088474-02-000	EA	HOUSING-SOCKET, 15 POSITION (3 ROWS OF 5)
	088474-03-000	EA	HOUSING-SOCKET, 9-POSITION
	088474-07-000	EA	HOUSING-SOCKET, 5 CAVITY - AMP 1-480764-0
	088474-09-000	EA	HOUSING-SOCKET, 3 POSITION
	088474-10-000	EA	HOUSING-SOCKET, 2 POSITION
	088474-06-000	EA	SOCKET-HOUSING, 6 POSITION (2 ROWS OF THREE)
	088474-08-000	EA	SOCKET-HOUSING, 4 POSITION (SINGLE ROW)
	088476-01-000	EA	SOCKET-CONNECTOR, BRASS - PRE-TIN
	088476-02-000	EA	SOCKET-CONNECTOR, 12-10 GA - PHOS BRZ - PRE-TIN
	090971-01-000	EA	SPLICE-CABLE, 110V
	090971-02-000	EA	SPLICE-CABLE, 110V - TAP
	041953-01-000	FT	CONDUIT-CONVOLUTE SLIT, 5" ID
	041953-01-000	FT	CONDUIT-CONVOLUTE SLIT, 5" ID
	041953-03-000	FT	CONDUIT-CONVOLUTE SLIT, 1" ID (CLOTHES ROD COVER)
	041953-08-000	FT	CONDUIT-CONVOLUTE, SLIT 375" ID
	041953 07-000	FT	CONDUIT-CONVOLUTE, SLIT - 25" ID
	041953-08-000	FT	CONDUIT-CONVOLUTE, SLIT, 1.50" ID
	041953-09-000	FT	CONDUIT-CONVOLUTE, SLIT 50" ID
	041953-10-000	FT	CONDUIT-CONVOLUTE, SLIT - 75" ID
	041953-11-000	FT	CONDUIT-CONVOLUTE, SLIT- 1 (1/4)" ID
	041953-12-000	FT	CONDUIT-CONVOLUTE, NON SLIT 1.1" ID

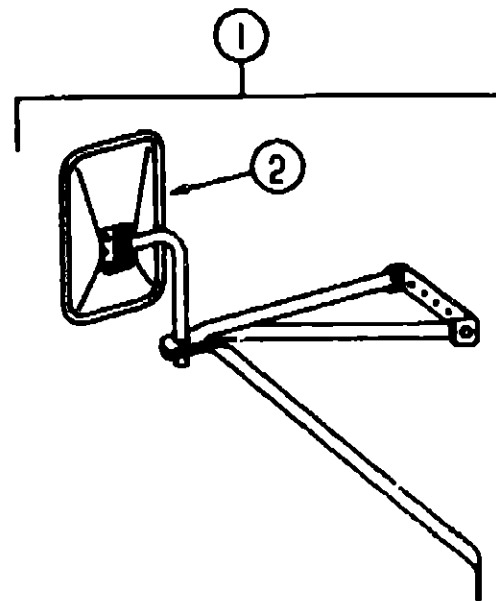
**1992 WINNEBAGO
TABLE OF CONTENTS**

INTRODUCTION	A-01 - A-02
ABBREVIATIONS	A-03
ALPHABETICAL INDEX	A-04 - A-08
WF527RQ	A-07 - D-24
WF527RC	E-01 - H-18

1992 WF527RC INDEX

FLOOR PLAN	E-01 - E-02
ACCESSORIES	E-03
AUDIO VIDEO	E-04
BATH	E-05 - E-08
BEDROOM	E-07 - E-08
CHASSIS	E-09 - E-13
CURTAIN & CUSHION	E-14 - E-22
DINETTE	E-23 - E-24
DRIVERS	F-01 - F-02
ELECTRICAL	F-03 - F-06
EXTERIOR BODY	F-07 - F-14
GALLEY	F-15 - F-19
GENERATOR	F-20
HEATING & A/C	F-21 - F-22
INTERIOR FINISH	F-23 - G-02
LABEL	G-03 - G-09
LP	G-10
LOUNGE	G-11 - G-12
SEALANTS & FASTENERS	G-13 - G-15
WATER & SEWAGE	G-16 - G-20
WINDOW, VENT AND EXTERIOR LOOR	G-21 - H-15

EXTERIOR BODY GROUP



EXTERIOR MIRRORS

KEY	PART NUMBER	U/M DESCRIPTION
1	106880-02-01A	EA MIRROR ASM-STAR HEAD, LOW MOUNT - VELVAC #713157 (FORD)
2	106880-02-700	EA MIRROR HEAD ONLY, DRIVER SIDE - STAR - VELVAC D747283-9
2	106880-02-701	EA MIRROR HEAD ONLY, PASS SIDE - STAR - VELVAC D747284-9
	106880-02-702	EA GLASS-FLAT, VELVAC 702086-8
	105439-01-000	EA MIRROR-CONVEX, STICK ON

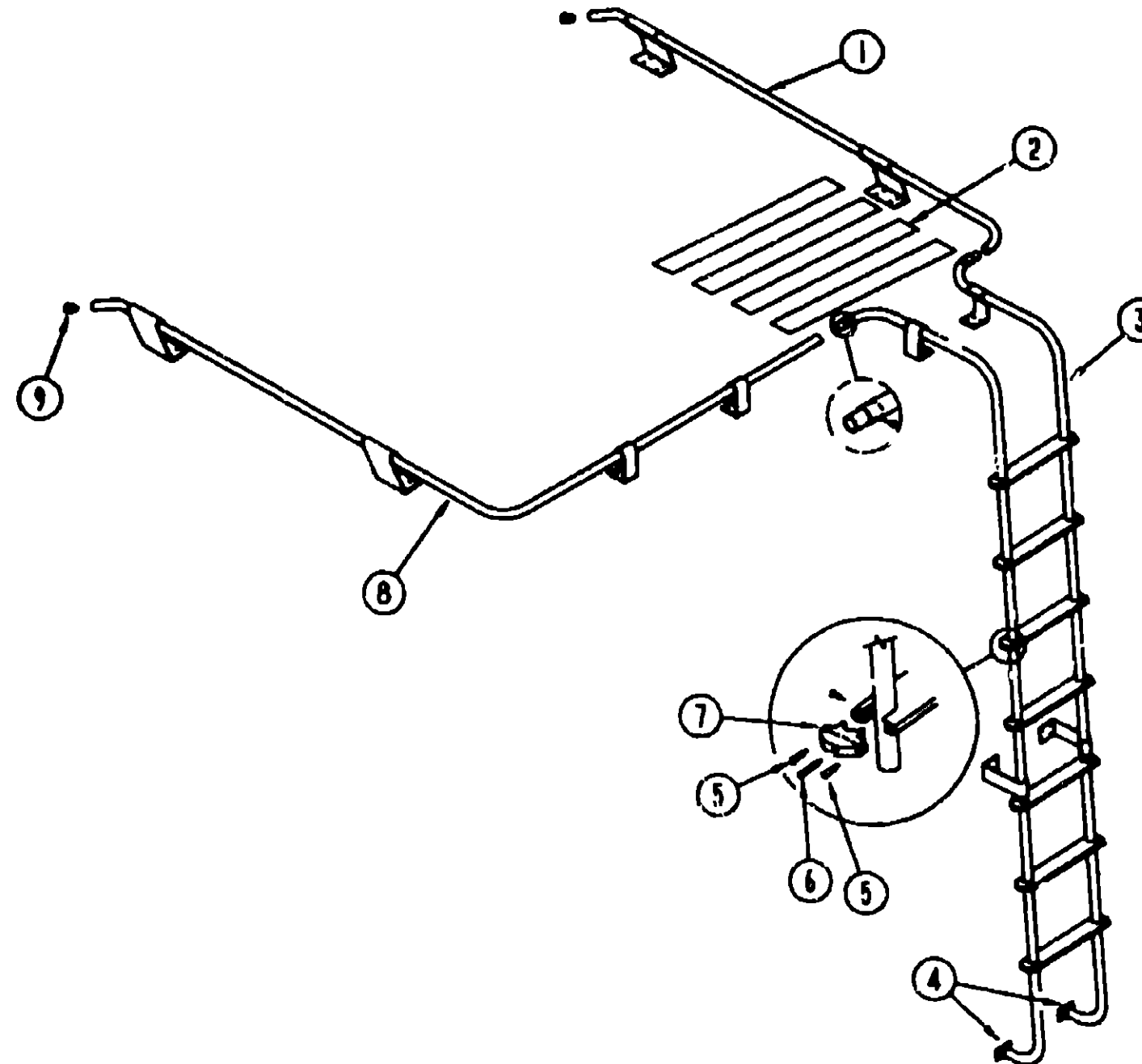
RUNNING BOARDS

KEY	PART NUMBER	U/M DESCRIPTION
	072884-20-000	EA RUNNING BOARD SET-FORD, 39" - KEMBEFLY K-7
	106461-01-000	EA RUNNING BOARD, FORD - RIGHT SIDE - QUALITY COMP
	106461-02-000	EA RUNNING BOARD, FORD - LEFT SIDE - QUALITY COMP
	106461-03-000	EA HARDWARE KIT-RUNNING BOARD - QUALITY COMP

ASSIST HANDLE & BUMPER

KEY	PART NUMBER	U/M DESCRIPTION
	009126-02-000	EA HANDLE-ASSIST, ENTRY DOOR - BLACK
	069726-02-000	EA BUMPER- 88"DIA X 40", BLACK

EXTERIOR BODY GROUP (CONTINUED)



RACK & LADDER

KEY	PART NUMBER	U/M DESCRIPTION	
1	081026-15-C05	EA RACK ASM-PASSENGER SIDE	FROM 00-00-00 THRU 03-01-92
1	107439-05-C07	EA RACK ASM-PASSENGER SIDE	FROM 03-02-92 THRU 99-99-99
	069726-02-000	EA BUMPER- 88"DIA X 40", BLACK	
2	038327-01-000	EA TAPE-ANTI SLIP, 2" X 60"	
3	102953-02-CU3	EA LADDER ASM	
4	067165-01-000	EA MOUNTING BRACKET-LADDER, LOWER	
5	000339-06-10T	EA SCREW-SF/DR, 6-20 X 5/8 PPH - BLACK	
6	000068-10-361	EA SCREW-10-12 X 2 25 POH BLACK	
7	078980-02-000	EA END CAP-STEP, BLK	
8	081026-19-C03	EA RACK ASM-DRIVER SIDE	FROM 00-00-00 THRU 03-01-92
8	107139-09-C03	EA RACK ASM-DRIVER SIDE	FROM 03-02-92 THRU 99-99-99
9	081114-01-000	EA PLUG-ROUND, RACK & LADDER ENDS - PLASTIC - 1" DIA.	

**1992 WINNEBAGO
TABLE OF CONTENTS**

INTRODUCTION	A-01 - A-02
ABBREVIATIONS	A-03
ALPHABETICAL INDEX	A-04 - A-08
WF527RQ	A-07 - D-24
WF527RC	E-01 - H-16

1992 WF527RC INDEX

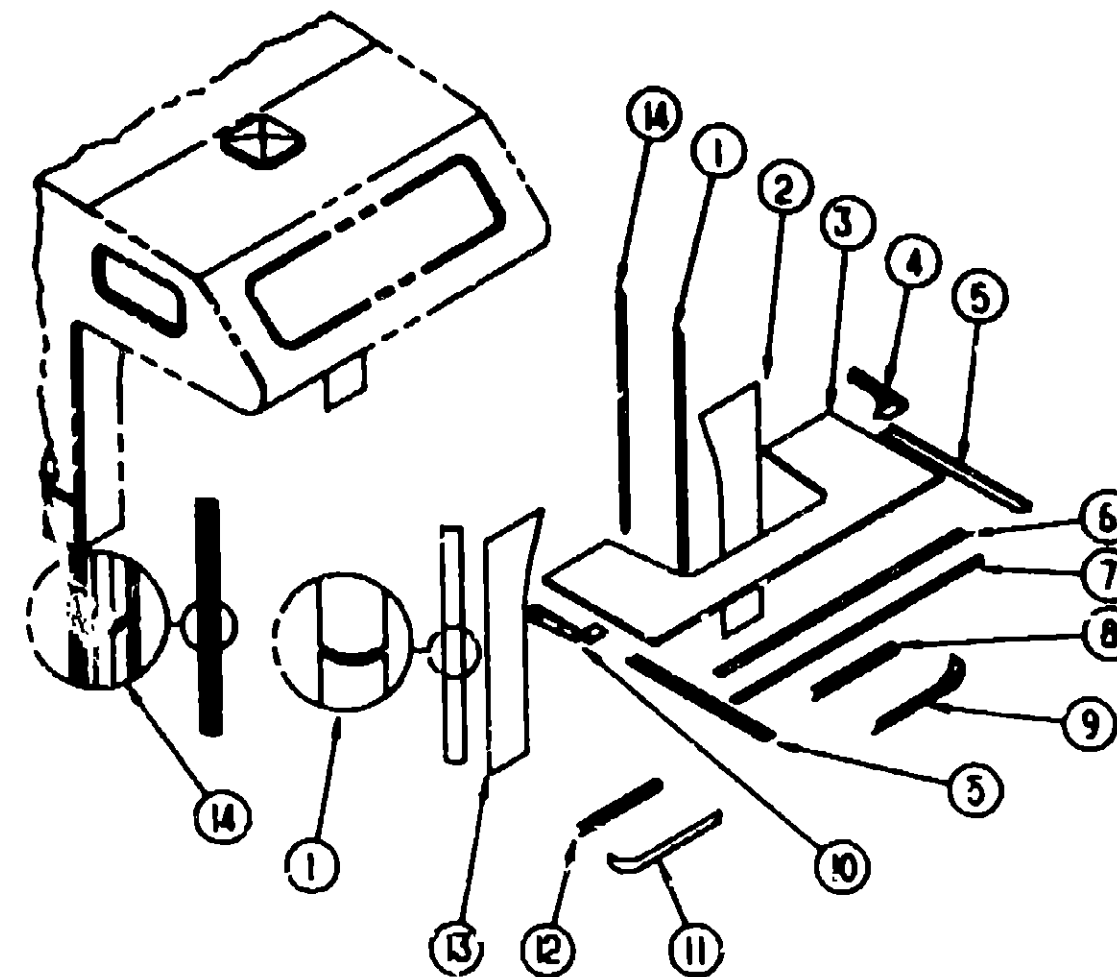
FLOOR PLAN	E-01 - E-02
ACCESSORIES	E-03
AUDIO VIDEO	E-04
BATH	E-05 - E-06
BEDROOM	E-07 - E-08
CHASSIS	E-09 - E-13
CURTAIN & CUSHION	E-14 - E-22
DINETTE	E-23 - E-24
DRIVERS	F-01 - F-02
ELECTRICAL	F-03 - F-06
EXTERIOR BODY	F-07 - F-14
GALLEY	F-15 - F-19
GENERATOR	F-20
HEATING & A/C	F-21 - F-22
INTERIOR FINISH	F-23 - G-02
LABEL	G-03 - G-09
LP	G-10
LOUNGE	G-11 - G-12
SEALANTS & FASTENERS	G-13 - G-15
WATER & SEWAGE	G-16 - G-20
WINDOW, VENT AND EXTERIOR DOOR	G-21 - H-15

EXTERIOR BODY GROUP (CONTINUED)

FIBERGLASS, STYROFOAM & U CHANNEL

KEY	PART NUMBER	U/M DESCRIPTION
	078054-G7-001	EA SHEET-FIBERGLASS, 41" X 324" - OFF WHITE
	078054-H1-000	EA SHEET-FIBERGLASS, 2438MM X 2591MM - OFF WHITE
	078054-D8-001	EA SHEET-FIBERGLASS, 6' X 24' - OFF WHITE
		FROM: 00-00-00 THRU 06-18-92
	078054-F3-000	EA SHEET-FIBERGLASS, 2438MM X 2438MM - OFF WHITE
		FROM 06-18-92 THRU 99-99-99
	107337-01-01A	SF PANEL-FIBERGLASS, 104" X 50" - KEMLITE OFF WHITE
		FROM 00-00-00 THRU 04-18-92
	078054-D3-001	EA SHEET-FIBERGLASS, 48" X 96" - OFF WHITE
		FROM: 04-20-92 THRU 99-99-99
	077517-24-000	EA SHEET-FIBERGLASS, FLAT - 48" X 96" - OFF WHITE
	063674-02-000	SF STYROFOAM-1 5" X 24" X 90 5"
	063674-03-000	SF STYROFOAM-3/4" X 48" X 96"
	000870-03-000	SF STYROFOAM-1.34" X 48" X 96" - INCREMENTS OF 32 SF
	000870-05-000	SF STYROFOAM-5" X 24" X 96" - INCREMENTS OF 16 SF
	002365-01-001	EA U-CHANNEL, 1" X 18" - SERRATED - MILL FINISHED ALUMINUM
	002754-01-001	EA ANGLE-EXTRUDED, 75" X 75" X 18" - MILL ALUMINUM
	002726-01-001	EA GARNISH-U-CHANNEL, 1 3/8" X 19" - SERRATED - MILL ALUMINUM
	002779-01-001	EA U-CHANNEL-EXTRUDED, ALUMINUM
	065278-51-259	FT TUBING-STEEL, 75" X 1 5" X 12.5"
	068287-01-000	FT CHANNEL-STEEL WHOLES - SIDEWALL STIFFENER - 2" X 20"

EXTERIOR BODY GROUP (CONTINUED)



**1992 WINNEBAGO
TABLE OF CONTENTS**

INTRODUCTION	A-01 - A-02
ABBREVIATIONS	A-03
ALPHABETICAL INDEX	A-04 - A-08
WF527RC	A-07 - D-24
WF527RC	E-01 - H-16

FORD WINGWALLS, SLEEPERBOARD & TRIM

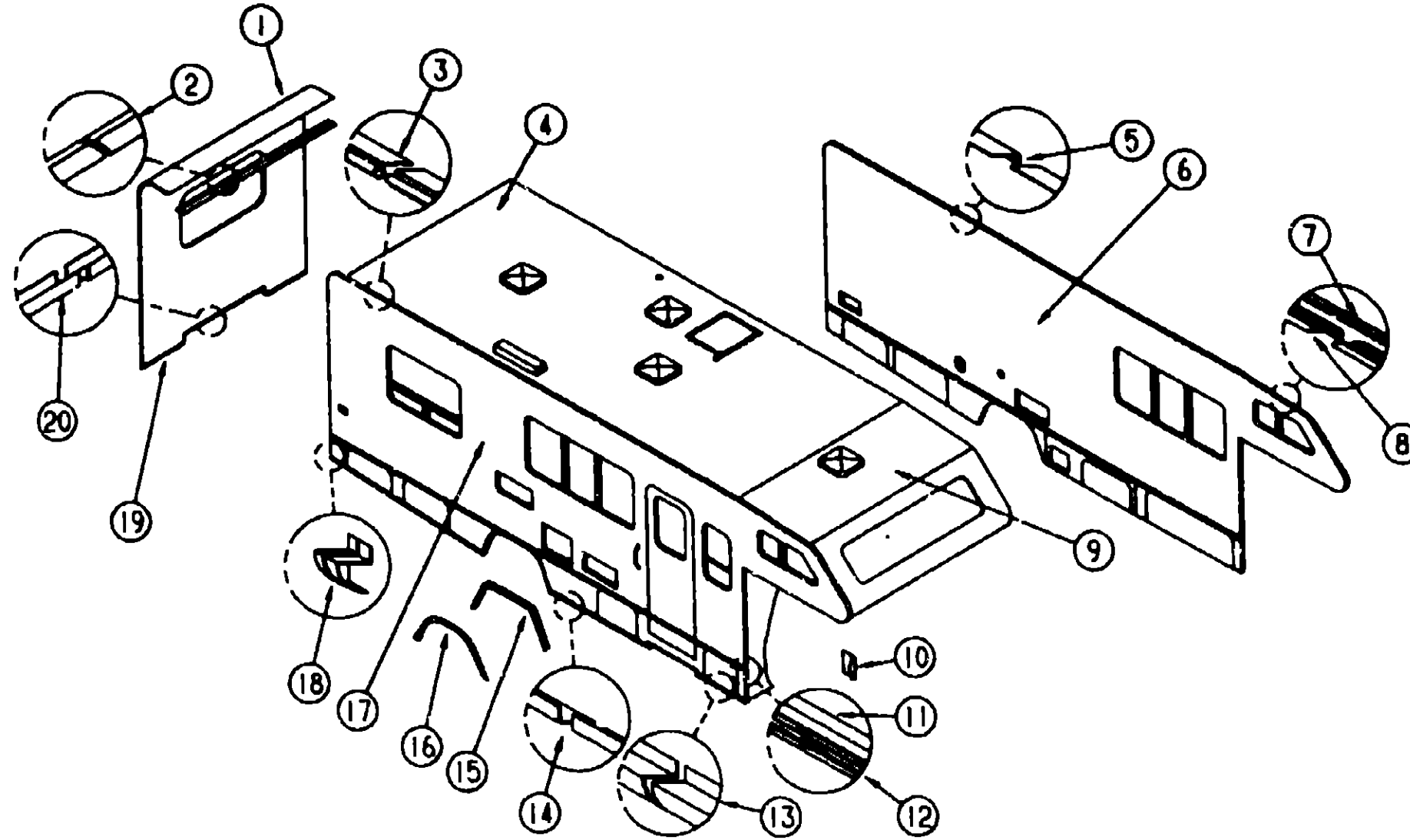
KEY	PART NUMBER	U/M DESCRIPTION
1	108037-01-01A	EA COVER-WINGWALL, CURVED - OFF WHITE
2	108439-04-C52	EA WINGWALL ASM, DRIVER SIDE - WGUSSET
		FROM: 00-00-00 THRU 03-15-92
2	108040-04-C52	EA WINGWALL ASM, DRIVER SIDE - WGUSSET
		FROM: 03-16-92 THRU: 99-99-99
3	P06443-01-C03	EA SLEEPERBOARD ASM
4	104444-02-01A	EA COVER-TRIM, WINGWALL - LEFT - OFF WHITE
5	105312-01-01A	FT INSERT-TRIM, VINYL - OFF WHITE
5	096354-01-01A	EA TRIM-CONTOUR, W/O VINYL INSERT - 108" - OFF WHITE
6	100086-03-01A	EA TRIM-SLEEPERBOARD, FLAT - 2 5" X 87 5" - OFF WHITE
7	100086-02-01A	EA TRIM-SLEEPERBOARD, 2" X 90 7" - OFF WHITE
8	106146-01-01A	EA SUPPORT-COVER, WINGWALL - OFF WHITE (FORD)
9	106144-02-C52	EA COVER ASM-WINGWALL, W/SUPPORT - LEFT - OFF WHITE (FORD)
9	106145-02-01A	EA COVER-ASM-WINGWALL, W/O SUPPORT - LEFT - OFF WHITE (FORD)
10	104444-01-01A	EA COVER-TRIM, WINGWALL - RIGHT - OFF WHITE
11	106144-01-C52	EA COVER ASM-WINGWALL, W/SUPPORT - RIGHT - OFF WHITE (FORD)
11	106145-01-01A	EA COVER ASM-WINGWALL, W/O SUPPORT - RIGHT - OFF WHITE (FORD)
12	106146-01-01A	EA SUPPORT-COVER, WINGWALL - OFF WHITE (FORD)
13	108439-03-C52	EA WINGWALL ASM, PASSENGER SIDE - WGUSSET
		FROM: 00-00-00 THRU: 03-15-92
13	108040-03-C52	EA WINGWALL ASM, PASSENGER SIDE - WGUSSET
		FROM: 03-16-92 THRU: 99-99-99
14	105015-01-01A	EA TRIM-WINGWALL, CURVED - OFF WHITE
	069334-01-000	FT VINYL-EXTERIOR, BETWEEN WINGWALL & CAB SEAL - WHITE

1992 WF527RC INDEX

FLOOR PLAN	E-01 - E-02
ACCESSORIES	E-03
AUDIO VIDEO	E-04
BATH	E-05 - E-08
BEDROOM	E-07 - E-08
CHASSIS	E-09 - E-13
CURTAIN & CUSHION	E-14 - E-22
DINETTE	E-23 - E-24
DRIVERS	F-01 - F-02
ELECTRICAL	F-03 - F-08
EXTERIOR BODY	F-07 - F-14
GALLEY	F-15 - F-19
GENERATOR	F-20
HEATING & A/C	F-21 - F-22
INTERIOR FINISH	F-23 - G-02
LABEL	G-03 - G-09
LP	G-10
LOUNGE	G-11 - G-12
SEALANTS & FASTENERS	G-13 - G-15
WATER & SEWAGE	G-16 - G-20
WINDOW, VENT AND EXTERIOR DOOR	G-21 - H-15

EXTERIOR BODY GROUP (CONTINUED)

EXTERIOR PANELS & TRIMS



1992 WINNEBAGO TABLE OF CONTENTS

INTRODUCTION	A-01 - A-02
ABBREVIATIONS	A-03
ALPHABETICAL INDEX	A-04 - A-06
WF527RQ	A-07 - D-24
WF527RC	E-01 - H-16

1992 WF527RC INDEX

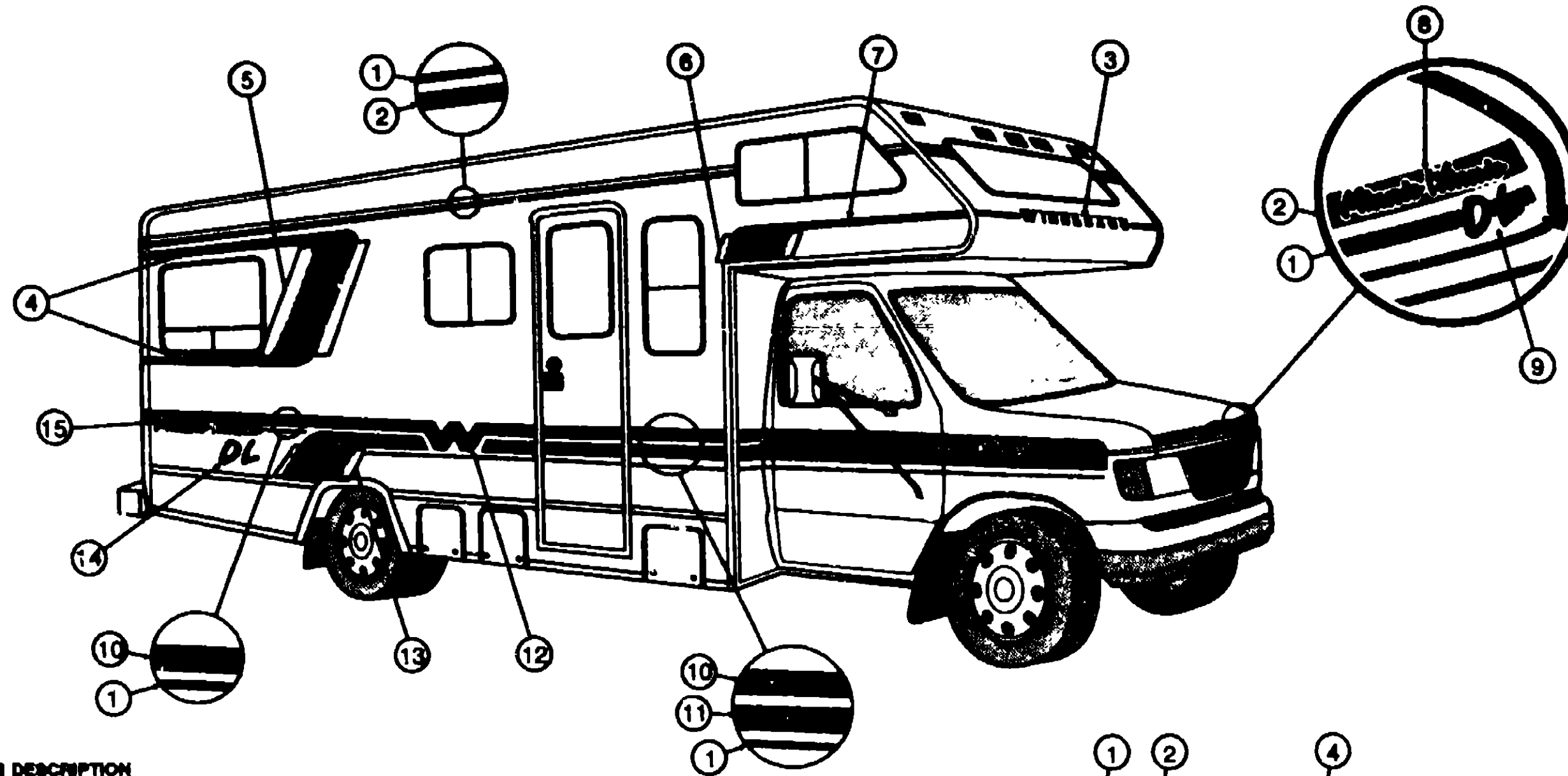
FLOOR PLAN	E-01 - E-02
ACCESSORIES	E-03
AUDIO VIDEO	E-04
BATH	E-05 - E-06
BEDROOM	E-07 - E-08
CHASSIS	E-09 - E-13
CURTAIN & CUSHION	E-14 - E-22
DINETTE	E-23 - E-24
DRIVERS	F-01 - F-02
ELECTRICAL	F-03 - F-06
EXTERIOR BODY	F-07 - F-14
GALLEY	F-15 - F-19
GENERATOR	F-20
HEATING & A/C	F-21 - F-22
INTERIOR FINISH	F-23 - G-02
LABEL	G-03 - G-09
LP	G-10
LOUNGE	G-11 - G-12
SEALANTS & FASTENERS	G-13 - G-15
WATER & SEWAGE	G-16 - G-20
WINDOW, VENT AND EXTERIOR DOOR	G-21 - H-15

KEY	PART NUMBER	U/M DESCRIPTION
1	M05699-02-C52	EA BACKWALL ASM W/BASES
2	078580-01-000	EA TRIM-ROOF TO BACKWALL
3	100463-01-01A	EA TRIM-CONTOUR, ROOF (AWNING) - OFF WHITE
3	099683-55-001	EA RAIL-AWNING, 10' EA - OFF WHITE
4	P05334-01-C52	EA POOF ASM W/BASES
5	098854-01-01A	EA TRIM-CONTOUR, ROOF TO SIDEWALL - DR OR PASS - 120°
6	P05333-01-C52	EA SIDEWALL ASM-DRIVER SIDE
7	105312-01-01A	FT INSERT-TRIM, VINYL - OFF WHITE
8	098854-01-01A	EA TRIM-CONTOUR, W/O VINYL INSERT - 108° - OFF WHITE DR OR PASS - FRONT OVERHEAD CAB SECTION FROM ROOF TO WINGWALL - REAR - BACKWALL TO SIDEWALL VERTICAL SECTION
9	M76177-01-700	EA SECTION-ROOF, OVER CAB TO FIRST ROOF SEAM
10	009731-01-000	EA END CAP-FEATURE STRIP
11	001030-02-003	EA INSERT-FEATURE STRIP, 17' LONG - OFF WHITE
12	002444-04-002	EA STRIP-FEATURE, W/O INSERT - 15' LONG - OFF WHITE
	002444-01-020	EA FEATURE STRIP-WHOLES, OFF WHITE
13	104749-55-001	EA EXTR-ROCKER PANEL, OFF WHITE - 4877MM

KEY	PART NUMBER	U/M DESCRIPTION
14	091182-55-003	EA TRIM-SIDEWALL, ANGLED - 4877MM LONG - OFF WHITE
15	105100-01-01A	EA TRIM-WHEELWELL, ALUMINUM - OFF WHITE FROM 00-00-00 THRU 04-15-92
15	105100-02-01A	EA TRIM-WHEELWELL, ALUMINUM - OFF WHITE FROM 04-16-92 THRU 99-99-99
16	105220-02-01A	EA TRIM-WHEELWELL, REAR - PLASTIC - OFF WHITE
17	P05332-01-C52	EA SIDEWALL ASM-PASSENGER SIDE
	105025-04C52	EA TRIM-SIDEWALL, BELOW ENTRY DOOR
18	106106-01-01A	EA CAP-END, ROCKER PANEL - OFF WHITE
18	106106-02-01A	EA CAP-END, ROCKER PANEL - OFF WHITE
19	1C3334-02-01A	EA TRIM-BACKWALL, LOWER - OFF WHITE
	002385-01-001	EA U-CHANNEL, 1" X 18" - SERRATED - MILL FINISHED ALUMINUM
20	103235-02-01A	EA TRIM-BACKWALL, LOWER - OFF WHITE
	002385-01-001	EA U-CHANNEL, 1" X 18" - SERRATED - MILL FINISHED ALUMINUM
	002754-01-001	EA ANGLE-EXTRUDED, 75° X 75° X 18" - MILL ALUMINUM
	002726-01-001	EA GARNISH-U-CHANNEL, 1 3/8" X 10" - SERRATED - MILL ALUMINUM
	002779-01-001	EA U-CHANNEL-EXTRUDED, 1 7/8 X 182 00 - RIBBED

EXTERIOR BODY GROUP (CONTINUED)

DECALS STRIPES & PAINT

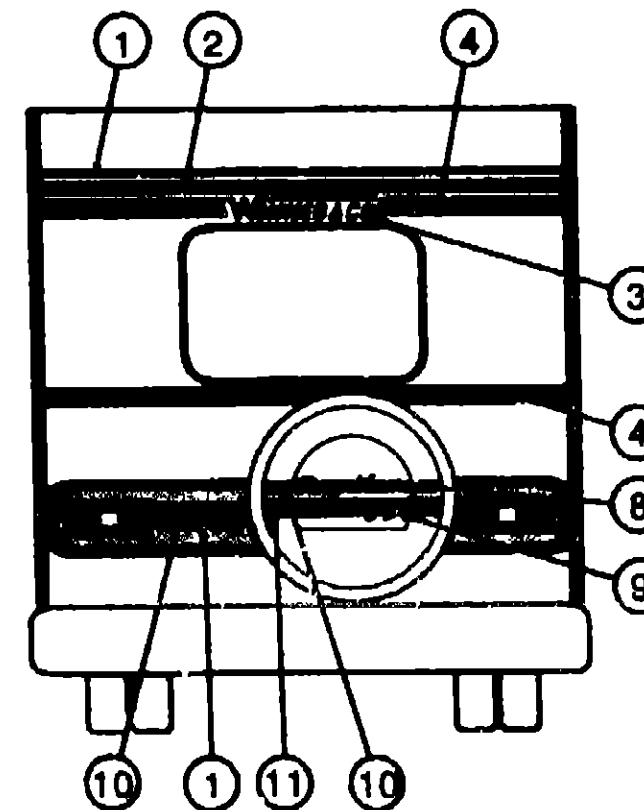


1992 WINNEBAGO TABLE OF CONTENTS

INTRODUCTION	A-01 - A-02
ABBREVIATIONS	A-03 - A-03
ALPHABETICAL INDEX	A-04 - A-08
WF527RQ	A-07 - D-24
WF527RC	E-01 - H-16

1992 WF527RC INDEX

FLOOR PLAN	E-01 - E-02
ACCESSORIES	E-03 - E-03
AUDIO VIDEO	E-04 - E-04
BATH	E-05 - E-06
BEDROOM	E-07 - E-08
CHASSIS	E-09 - E-13
CURTAIN & CUSHION	E-14 - E-22
DINETTE	E-23 - E-24
DRIVERS	F-01 - F-02
ELECTRICAL	F-03 - F-06
EXTERIOR BODY	F-07 - F-14
GALLEY	F-15 - F-19
GENERATOR	F-20 - F-20
HEATING & AC	F-21 - F-22
INTERIOR FINISH	F-23 - G-02
LABEL	G-03 - G-09
LP	G-10 - G-10
LOUNGE	G-11 - G-12
SEALANTS & FASTENERS	G-13 - G-15
WATER & SEWAGE	G-16 - G-20
WINDOW, VENT AND EXTERIOR DOOR	G-21 - H-15

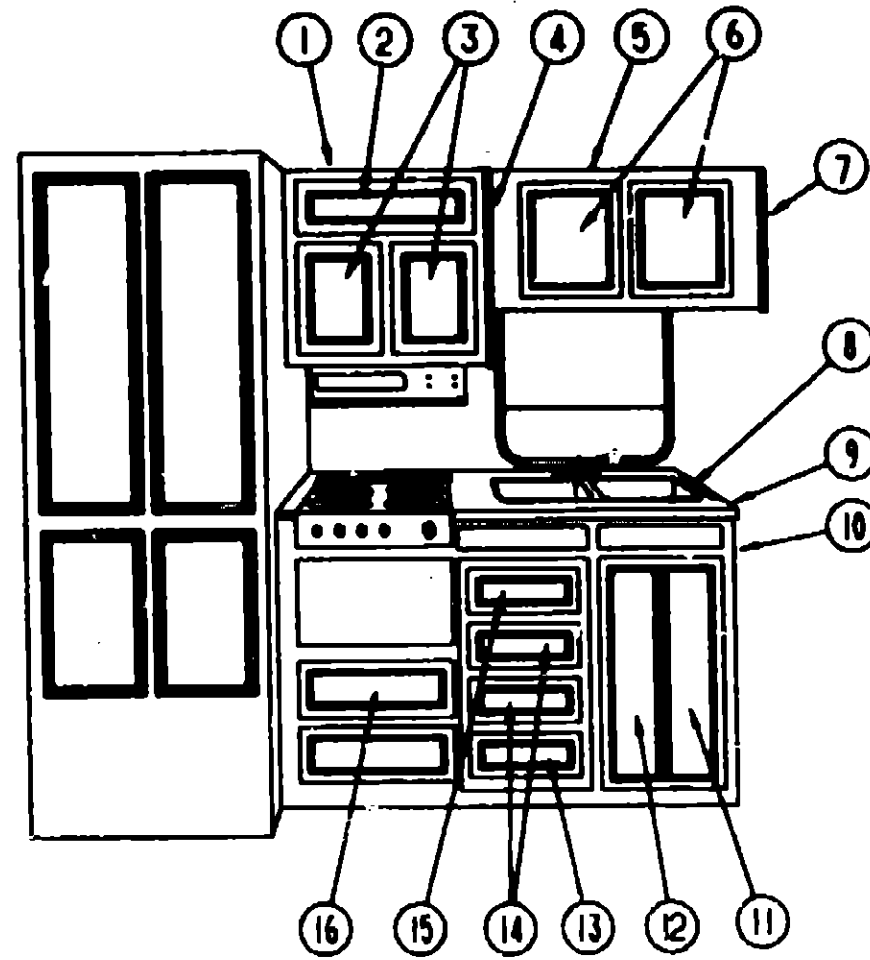


KEY	PART NUMBER	U/M	DESCRIPTION
1	093681-27-03A	FT	FILM- 19MM X 150FT, BAY TURQUOISE
2	093681-14-01A	FT	STRIPE-1 LINE, 1 5" WIDE - DARK PLUM
3	050313-44-000	EA	DECAL-LOGO, "WINNEBAGO" - 2 8" TALL - BLUE
4	093681-35-01A	FT	FILM- 57MM X 150FT, DELFT BLUE
5	105482-01-01A	EA	DECAL-ANGLE,LARGE - RIGHT - DELFT BLUE/GREY
	105482-02-01A	EA	DECAL-ANGLE,LARGE - LEFT - DELFT BLUE/GREY
6	105484-01-01A	EA	DECAL-ANGLE, OVERHEAD - RIGHT - DELFT BLUE/GREY
	105484-02-01A	EA	DECAL-ANGLE, OVERHEAD - LEFT - DELFT BLUE/GREY
7	093681-14-05A	FT	FILM- 39MM X 150FT, DELFT BLUE
8	105480-02-01A	EA	DECAL-LOGO, MINNIE WINNIE - OFF WHITE/DARK PLUM/BLUE TURQUOISE
9	108002-02-01A	EA	DECAL-LOGO, "DL" - SMALL - OFF WHIT/DARK PLUM/BLUE TURQUOISE
10	093681-35-02A	FT	FILM- 57MM X 150FT, DARK PLUM
11	093681-20-02A	FT	FILM- 89MM X 150FT, DELFT BLUE
12	093691-07-01A	EA	DECAL-FLYING W, 185 HIGH - DARK PLUM
13	105483-01-01A	EA	DECAL-ANGLE, WHEEL - RIGHT - DELFT BLUE/GREY
	105483-02-01A	EA	DECAL-ANGLE, WHEEL - LEFT - DELFT BLUE/GREY
14	108002-01-01A	EA	DECAL-LC GO, "DL" - OFF WHITE/DARK PLUM/BLUE TURQUOISE
15	105480-01-01A	EA	DECAL-LOGO, MINNIE WINNIE - OFF WHITE/DARK PLUM/BLUE TURQUOISE
	084075-01-000	EA	DECAL-"BY WINNEBAGO INDUSTRIES", BLACK
	074559-01-000	EA	DECAL-LOGO, LPG - RED - (CALIF CODE)

DUPONT COLOR CODES

DARK PLUM	K9455
DELFT BLUE	K9490
BAY TURQUOISE	G9837
OFF WHITE	L8723
GREY	H9283

GALLEY GROUP



CABINETS & FIXTURES

KEY	PART NUMBER	UOM	DESCRIPTION
1	M05824-24-C52	EA	CABINET-OVERHEAD, RANGE - W/O DOORS & HARDWARE
1	M05824-15-C52	EA	CABINET-OVERHEAD, MICROWAVE - W/O DOORS & HARDWARE
2	P00520-A8-C05	EA	DOOR-CABINET, W/O HARDWARE - 180 X 555MM
3	P04746-32-C52	EA	DOOR-CABINET, W/O HARDWARE - 275 X 386MM
4	104335-01-C52	EA	END CAP-CABINET, OVERHEAD
5	P05770-01-C52	EA	CABINET-OVERHEAD, SINK - W/O DOORS & HARDWARE
6	P04746-07-C06	EA	DOOR-CABINET, W/O HARDWARE - 385 X 555MM
7	104335-03-C52	EA	END CAP-CABINET, OVERHEAD
8	088335-02-C05	EA	RAIL-GALLEY, 22.2" LONG (C52)
8	088335-02-C25	EA	RAIL-GALLEY, 22.2" LONG (C53)
9	106532-11-C52	EA	COUNTERTOP-CABINET, GALLEY
9	105532-11-C53	EA	COUNTERTOP-CABINET, GALLEY
10	M05883-02-C52	EA	CABINET-GALLEY, W/O DOORS & HARDWARE
10	M05883-02-C53	EA	CABINET-GALLEY, W/O DOORS & HARDWARE
11	P04746-11-C52	EA	DOOR-CABINET, W/O HARDWARE - 230 X 875MM
12	P04746-12-C62	EA	DOOR-CABINET, W/O HARDWARE - 230 X 875MM
13	P03397-79-C09	EA	DRAWER-CABINET, W/O HARDWARE - 270 X 386MM
14	P03397-H8-C52	EA	DRAWER-CABINET, W/O HARDWARE - 270 X 464MM
15	P03397-K1-C09	EA	DRAWER-CABINET, W/O HARDWARE - 270 X 464MM
16	P03397-H2-C52	EA	DRAWER-CABINET, W/O HARDWARE - 522 X 405MM
	103251-02-01A	EA	INSERT-ACRYLIC, 19.53" X 18.08" - REFRIGERATOR CABINET - BLACK
	103251-03-01A	EA	INSERT-ACRYLIC, 19.53" X 32.2" - REFRIGERATOR CABINET - BLACK
	103251-04-01A	EA	INSERT-ACRYLIC, 19.53" X 39.2" - REFRIGERATOR CABINET - BLACK
	090329-01-000	FT	SEAL-T-REFRIGERATOR CABINET - .6" WIDE TOP X 2" TAIL
	082303-01-000	EA	STRAINER-SINK
	104114-01-01A	EA	FAUCET-GALLEY, SINGLE CONTROL
	104113-01-000	EA	SINK-DOUBLE, STAINLESS STEEL
	103810-01-C05	EA	COVER-SINK (C52)
	103810-01-C08	EA	COVER-SINK (C53)
	100081-01-01A	EA	TRAY-SILVERWARE, 9" X 13.3" - PLASTIC - ALMOND - RUBBERMAID

GALLEY GROUP (CONTINUED)

LARGE NORCOLD 682 REFRIGERATOR

KEY	PART NUMBER	UOM	DESCRIPTION
	104137-02-01A	EA	REFRIGERATOR-LARGE DOUBLE DOOR 2-WAY - NORCOLD 682 RH BLK
	084473-01-702	EA	ORIFICE-NORCOLD 61482122
	084880-01-715	EA	VALVE-SHUT OFF, MANUAL - NORCOLD# 61897922
	075217-01-734	EA	FUSE-3 AMP, NORCOLD# 61538822
	075217-01-738	EA	SWITCH-HUMIDITY, NORCOLD 61535822
	084880-01-713	EA	CONNECTOR-MALE, INLET FITTING - NORCOLD# 615258
	084880-01-715	EA	VALVE-SHUT OFF, MANUAL - NORCOLD# 61897922
	084880-01-718	EA	VALVE-GAS, NORCOLD 61551822
	084880-01-722	EA	CRISPER COVER - NORCOLD 615841
	084880-01-726	EA	HINGE BRACKET (CTR HINGE), NORCOLD 61588523
	084880-01-731	EA	HINGE PIN, NORCOLD 61578123
	084880-01-732	EA	LATCH, NORCOLD 61578522
	084880-01-734	EA	BRACKET-HINGE, TOP RH - BOTTOM LH - BROWN NORCOLD 61580837
	084880-01-735	EA	HINGE BRKT, TOP LH-BTM RH BRN - NORCOLD 61580837
	084880-01-739	EA	END CAP (SPRING CATCH) BRN - NORCOLD 61503722
	084880-01-740	EA	END CAP (STOP CATCH) - NORCOLD 61583830
	084880-01-744	EA	HINGE PIN SHAFT (CTR HINGE), NORCOLD 61588723
	084880-01-746	EA	CABLE, NORCOLD 61571522
	084880-01-747	EA	PLUG-HOLE, NORCOLD 61582022
	084880-01-749	EA	HINGE BUSHING - NORCOLD 615807
	084880-01-753	EA	THERMISTER 78" W/CLIP - NORCOLD 61803822
	084880-01-761	EA	END CAP (SPRING CATCH) BLACK 61503730
	084880-02-700	EA	LOWER FLANGE 83838883, NORCOLD 61622123
	084880-03-701	EA	COOLING UNIT (HORIZ BURNER) - NORCOLD 61687337
	084880-03-705	EA	BRACKET FANT. REFRIG LIGHT - NORCOLD 61629722
	084880-03-706	EA	LAMP (BULB) - NORCOLD 61028922
	084880-03-707	EA	COVER FLAMP OR BULB - NORCOLD 61627922
	088248-01-703	EA	BURNER-HORIZONTAL, NORCOLD 61588122
	088248-01-707	EA	ELECTRODE-SENSOR, (HORIZONTAL), NORCOLD# 61573322
	088248-01-708	EA	ELECTRODE-IGNITION, (HORIZONTAL) - NORCOLD# 61573222
	088248-01-709	EA	HEATER-AC, (HORIZONTAL) - NORCOLD# 615827
	094039-01-700	EA	PC BOARD-3-WAY, NORCOLD 61547522
	094039-01-701	EA	EYEBROW-SHELL, 3-WAY - BLK - PLASTIC - NORCOLD 61889922
	094039-01-703	EA	PLATE-HINGE, LH - BROWN - NORCOLD 61631422
	094039-01-704	EA	PLATE-HINGE, BLACK - NORCOLD 61631430
	094039-01-709	EA	PLATE-HINGE, TOP RH - LH BOTTOM - BROWN - NORCOLD 61631322
	094039-01-710	EA	PLATE-HINGE, BLACK - NORCOLD 61631330
	094039-01-712	EA	DOOR BIN (GRAY) SILVER BORDER - NORCOLD 61584060
	094039-01-713	EA	DOOR GASKET (LOWER) GRAY - NORCOLD 61588030
	094039-01-714	EA	LOWER DOOR LINER (BRN/WHT) - NORCOLD# 61581737-B
	094039-01-715	EA	LOWER DOOR LINER (BLK/WHT) - NORCOLD 61581738-B
	094039-01-716	EA	LOWER DOOR HANDLE ASSY (BRN) - NORCOLD# 61849837
	094039-01-717	EA	LOWER DOOR HANDLE ASSY (BLK) - NORCOLD 61648338
	094039-01-718	EA	MILK BIN (GRAY) W/SILVER TRIM - NORCOLD 61579460
	094039-01-719	EA	DAIRY KEEPER (GRAY) SILVER TR 61580460
	094039-01-720	EA	CAB ASSEMBLY (BRN FRAME/WHT LINER) - NORCOLD# 61663237
	094039-01-721	EA	CAB ASSY (BLK FRAME WHT LINER - NORCOLD 61663238
	094039-01-722	EA	HOLE PLUG (BLK) HINGE HOLES - NORCOLD 61582030
	094039-01-723	EA	HINGE BRKT, TOP RH-BTM LH BLK - NORCOLD 61580838
	094039-01-724	EA	BRACKET-HINGE, TOP LH - BOTTOM RH - BLK - NORCOLD 61580838
	094039-01-725	EA	HINGE PIN (BLACK) (MALE) - NORCOLD 61578130
	094039-01-726	EA	SHELF-FREEZER EVAPORATOR, NORCOLD 615226
	094039-01-730	EA	HINGE PIN SHAFT (BLK) CTR HGE - NORCOLD 61588730
	094039-01-731	EA	CRISPER (GRAY) SILVER TRIM - NORCOLD 61571360
	094039-01-732	EA	FRONT COVER (BLK) BTM TRIM - NORCOLD 61622130
	094039-01-733	EA	WIRE SHELF (MIDDLE) - NORCOLD 61583822
	094039-01-734	EA	WIRE SHELF (TOP) WRISER - NORCOLD 61583722
	094039-01-735	EA	INSIDE DRIP TRAY (WHITE) - NORCOLD 61572830
	094039-01-736	EA	SWITCH-LIGHT, BLACK - NORCOLD 615810

**1992 WINNEBAGO
TABLE OF CONTENTS**

INTRODUCTION	A-01 - A-02
ABBREVIATIONS	A-03
ALPHABETICAL INDEX	A-04 - A-08
WF527RC	A-07 - D-24
WF527RC	E-01 - H-18

1992 WF527RC INDEX

FLOOR PLAN	E-01 - E-02
ACCESSORIES	E-03
AUDIO VIDEO	E-04
BATH	E-05 - E-08
BEDROOM	E-07 - E-08
CHASSIS	E-09 - E-13
CURTAIN & CUSHION	E-14 - E-22
DINETTE	E-23 - E-24
DRIVERS	F-01 - F-02
ELECTRICAL	F-03 - F-06
EXTERIOR BODY	F-07 - F-14
GALLEY	F-15 - F-19
GENERATOR	F-20
HEATING & A/C	F-21 - F-22
INTERIOR FINISH	F-23 - G-02
LABEL	G-03 - G-09
LP	G-10
LOUNGE	G-11 - G-12
SEALANTS & FASTENERS	G-13 - G-15
WATER & SEWAGE	G-16 - G-20
WINDOW, VENT AND EXTERIOR DOOR	G-21 - H-15

GALLEY GROUP (CONTINUED)

LARGE NORCOLD 662 REFRIGERATOR (CONTINUED)

KEY	PART NUMBER	U/M	DESCRIPTION
	094039-01-739	EA	SHelf (CUTOUT) - NORCOLD 61646722
	094039-01-742	EA	TRAY-F/CUTOUT SHELF, NORCOLD 61660922
	094039-04-700	EA	PC BOARD-2 WAY, NORCOLD 61647322
	094039-04-702	EA	POWER SUPPLY (2 WAY) - NORCOLD 61647422
	093848-01-000	EA	BRACKET ASM-TIEDOWN, REFRIGERATOR
	093848-02-000	EA	BRACKET ASM-TIEDOWN, REFRIGERATOR
	054450-01-000	EA	LEVEL-REFRIGERATOR

SMALL NORCOLD 662 REFRIGERATOR

KEY	PART NUMBER	U/M	DESCRIPTION
	104138-02-01A	EA	REFRIG-SMALL DBL DOOR 2-WAY - NORCOLD 662 RH BLK
	076217-01-734	EA	FUSE-3 AMP, NORCOLD 61538822
	075217-01-738	EA	SWITCH-HUMIDITY, NORCOLD 61525822
	084679-03-700	EA	COOLING UNIT - HORIZONTAL BURNER, NORCOLD 61687237
	094880-01-713	EA	CONNECTOR-MALE, INLET FITTING - NORCOLD 615258
	094880-01-715	EA	VALVE-SHUT OFF, MANUAL - NORCOLD 61687822
	094880-01-718	EA	VALVE-GAS, NORCOLD 61551822
	094880-01-722	EA	CRISPER COVER - NORCOLD 615841
	094880-01-725	EA	HINGE BRACKET (CTR HINGE), NORCOLD 61588523
	094880-01-731	EA	HINGE PIN, NORCOLD 61578123
	094880-01-732	EA	LATCH, NORCOLD 61578522
	094880-01-734	EA	BRACKET-HINGE, TOP RH - BOTTOM LH - BROWN NORCOLD 61580837
	094880-01-735	EA	HINGE BRKT, TOP LH-BTM RH BRN - NORCOLD 61580837
	094880-01-739	EA	END CAP (SPRING CATCH) BROWN - NORCOLD 61593722
	094880-01-740	EA	END CAP (STOP CATCH) - NORCOLD 61593830
	094880-01-745	EA	CABLE, NORCOLD 61571522
	094880-01-747	EA	PLUG-HOLE, NORCOLD 61582022
	094880-01-749	EA	HINGE BUSHING - NORCOLD 615807
	094880-01-753	EA	THERMISTER 78° W/CLIP - NORCOLD 61600822
	094880-01-781	EA	END CAP (SPRING CATCH) BLACK - 61583730
	094880-02-700	EA	LOWER FLANGE 8863&8883, NORCOLD 61622123
	094880-03-705	EA	BRACKET FANT REFRIG LIGHT - NORCOLD 61629722
	094880-03-708	EA	LAMP (BULB) - NORCOLD 61628922
	094880-03-707	EA	COVER FLAMP OR BULB - NORCOLD 61627922
	088248-01-708	EA	BURNER-HORIZONTAL, NORCOLD 61588122
	088248-01-707	EA	ELECTRODE-SENSOR, (HORIZONTAL), NORCOLD 61573322
	088248-01-708	EA	ELECTRODE-IGNITION, (HORIZONTAL) - NORCOLD 61573222
	088248-01-709	EA	HEATER-AC, (HORIZONTAL) - NORCOLD 615827
	088248-01-710	EA	HEATER-DC, (HORIZONTAL) - 3 WAY - NORCOLD 615628
	094039-01-700	EA	GASKET-LOWER, GRAY - NORCOLD 61587830
	094039-01-701	EA	LINER-DOOR, LOWER - BROWN/WHITE - NORCOLD 61581937-B
	094039-01-702	EA	LINER-DOOR, LOWER - BLACK/WHITE - NORCOLD 61581938-B
	094039-01-703	EA	HANDLE-DOOR, LOWER - BROWN - NORCOLD 61650137
	094039-01-704	EA	HANDLE-DOOR, LOWER - BLACK - NORCOLD 61650138
	094039-01-706	EA	CAB ASM-BLK, WHITE LINER - WITH FRAME - NORCOLD 61663138
	094039-01-703	EA	PLATE-HINGE, LH - BROWN - NORCOLD 61631422
	094039-01-704	EA	PLATE-HINGE, BLACK - NORCOLD 61631430
	094039-01-709	EA	PLATE-HINGE, TOP RH - LH BOTTOM - BROWN - NORCOLD 61631322
	094039-01-710	EA	PLATE-HINGE, BLACK - NORCOLD 61631330
	094039-01-712	EA	DOOR BIN (GRAY) SILVER BORDER - NORCOLD 61584080
	094039-01-718	EA	MILK BIN (GRAY) SILVER TRIM - NORCOLD 61576480
	094039-01-719	EA	DAIRY KEEPER (GRAY) SILVER TR - 61580480
	094039-01-722	EA	HOLE PLUG (BLK) HINGE HOLES - NORCOLD 61582030
	094039-01-723	EA	HINGE BRKT, TOP RH-BTM LH BLK - NORCOLD 61580838
	094039-01-724	EA	BRACKET-HINGE, TOP LH - BOTTOM RH - BLK - NORCOLD 61580938
	094039-01-725	EA	HINGE PIN (BLACK)(M/LE) - NORCOLD 61578130
	094039-01-726	EA	SHELF-FREEZER EVAPORATOR, NORCOLD 615236

GALLEY GROUP (CONTINUED)

SMALL NORCOLD 662 REFRIGERATOR (CONTINUED)

KEY	PART NUMBER	U/M	DESCRIPTION
	094039-01-730	EA	HINGE PIN SHAFT (BLK) CTR HGE - NORCOLD 61588730
	094039-01-732	EA	FRONT COVER (BLK) BTM TRIM - NORCOLD 61622130
	094039-01-733	EA	WIRE SHELF (MIDDLE) - NORCOLD 61583822
	094039-01-734	EA	WIRE SHELF (TOP) W/FRIGER - NORCOLD 61583722
	094039-01-735	EA	INSIDE DRIP TRAY (WHITE) - NORCOLD 61572830
	094039-01-738	EA	SWITCH-LIGHT, BLACK - NORCOLD 615810
	094039-01-739	EA	SHELF (CUTOUT) - NORCOLD 61646722
	094039-04-700	EA	PC BOARD-2 WAY, NORCOLD 61647322
	094039-04-701	EA	EYEBROW (SHELL) 2 WAY - NORCOLD 61660922
	094039-04-702	EA	POWER SUPPLY (2 WAY) - NORCOLD 61647422
	093848-01-000	EA	BRACKET ASM-TIEDOWN, REFRIGERATOR
	093848-02-000	EA	BRACKET ASM-TIEDOWN, REFRIGERATOR
	054450-C1-000	EA	LEVEL-REFRIGERATOR

RANGE HOODS

KEY	PART NUMBER	U/M	DESCRIPTION
	100258-22-02A	EA	HOOD-RANGE 22W W/MONITOR PANEL - VENTLINE US
	100258-23-02A	EA	HOOD-RANGE 22W W/MONITOR PANEL - VENTLINE CSA
	075470-01-703	EA	SWITCH-ON/MOMENTARY, JENSEN RP1016
	090973-01-700	EA	MOTOR - LVS CA508-1
	090973-01-702	EA	BLADE-FAN, LVS VA183-1
	092896-01-701	EA	KNOB-LEVER, CABLE - PLASTIC - BLACK - VENTLINE CC225
	092896-01-702	EA	RESISTOR-WIRE, VENTLINE L7314
	092896-01-709	EA	BULB-812, VENTLINE VA415
	092896-01-710	EA	SOCKET-LIGHT, VENTLINE CB267-2
	096983-01-700	EA	SWITCH-ON/OFF, VENTLINE 108
	096983-01-702	EA	SWITCH-TWO WAY MOMENTARY, VENTLINE 112
	096983-01-703	EA	SWITCH-ON/VON - JENSEN 115
	096983-01-707	EA	FILTER-OIL, 8" X 8" - LVS CC248
	096983-01-708	EA	LENS-LAMP, VENTLINE CC179
	100258-04-701	EA	BEZEL-SWITCH LEVER, CABLE TO VENT - VENTLINE CC116
	100258-04-702	EA	SWITCH-LEVER, W/CABLE - VENTLINE CBS47-1
	100258-10-700	EA	METER-HOUR, VENTLINE 150
	100258-11-700	EA	CIRCUIT BOARD, VENTLINE 5070-01
	100258-12-700	EA	PANEL ASM, VENTLINE 9078
	100258-10-01A	EA	METER-HOUR, VENTLINE 150

1992 WINNEBAGO TABLE OF CONTENTS

INTRODUCTION	A-01	A-02
ABBREVIATIONS		A-03
ALPHABETICAL INDEX	A-04	A-08
WF527RC	A-07	D-24
WF527RC	E-01	H-16

1992 WF527RC INDEX

FLOOR PLAN	E-01	E-02
ACCESSORIES		E-03
AUDIO VIDEO		E-04
BATH	E-05	E-08
BEDROOM	E-07	E-08
CHASSIS	E-09	E-13
CURTAIN & CUSHION	E-14	E-22
DINETTE	E-23	E-24
DRIVERS	F-01	F-02
ELECTRICAL	F-03	F-06
EXTERIOR BODY	F-07	F-14
GALLEY	F-15	F-19
GENERATOR		F-20
HEATING & A/C	F-21	F-22
INTERIOR FINISH	F-23	G-02
LABEL	G-03	G-09
LP		G-10
LOUNGE	G-11	G-12
SEALANTS & FASTENERS	G-13	G-15
WATER & SEWAGE	G-18	G-20
WINDOW, VENT AND EXTERIOR DOOR	G-21	H-15

GALLEY GROUP (CONTINUED)

MAGIC CHEF RANGE

KEY	PART NUMBER	U/M DESCRIPTION
	108022-01-03A	EA RANGE-18" 4 BURNER BLACK - MAGIC CHEF
	055282-03-705	EA TRIM-CABINET, LEFT - BLACK - MAGIC CHEF 3808F011-70
	055282-03-707	EA TRIM-CABINET, RIGHT - BLACK - MAGIC CHEF 3803F012-70
	088807-02-701	EA INSERT-BURNER (SLOTTED VENT), MAGIC CHEF 7214P015-80
	108020-01-700	EA SHELF-OVEN, MAGIC CHEF - 7801-P027-80
	108020-01-701	EA HANDLE-DOOR, MAGIC CHEF - 7701P082-80
	108020-01-702	EA PANEL-MANIFOLD, MAGIC CHEF 2818F080-70
	102020-01-704	EA PANEL-DOOR, BLACK - MAGIC CHEF - 2401F075-70
	102020-01-708	EA BURNER ASSEMBLY-OVEN, MAGIC CHEF 3403W003-46
	102020-01-711	EA GRATE-TOP, MAGIC CHEF 7518P012-80
	102020-01-712	EA KNOB-BURNER VALVE, MAGIC CHEF 7733P044-80
	102020-01-713	EA KNOB-THERMOSTAT, MAGIC CHEF 7731P042-80
	102020-01-714	EA PILOT-OVEN, MAGIC CHEF 988-143
	102020-01-715	EA PIPE-MANIFOLD, MAGIC CHEF 7513P085-80
	102020-01-717	EA THERMOSTAT, MAGIC CHEF 7515P024-80
	102020-01-718	EA TOP-MAIN, ALMOND - MAGIC CHEF 2001F085-84
	102020-01-719	EA TOP-MAIN, BLACK - MAGIC CHEF 2001F085-80
	102020-01-720	EA VALVE-MERCURY CONTROL, MAGIC CHEF 7501P058-80
	102020-01-722	EA VALVE-TOP BURNER, MAGIC CHEF 7502P085-80
	102020-01-723	EA PILOT-BURNER, MAGIC CHEF 7505P147-80
	102020-01-724	EA BUMPER-MAIN TOP, MAGIC CHEF 8003P008-80
	102022-01-702	EA PIPE-MANIFOLD, MAGIC CHEF 7513P088-80
	102022-01-703	EA REGULATOR-PRESSURE, MAGIC CHEF 7510P031-80
	102022-01-708	EA TRIM-LEFT, FLAT - MAGIC CHEF 3808W022-70
	102022-01-707	EA TRIM-RIGHT, FLAT - MAGIC CHEF 3808W023-70
	065518-03-000	EA BRACKET-REAR TIEDOWN, RANGE WOVEN
	055518-04-000	EA BRACKET-FRONT TIEDOWN, RANGE WOVEN

MICROWAVE OVEN

KEY	PART NUMBER	U/M DESCRIPTION
	091289-06-000	EA OVEN-MICROWAVE, MAGIC CHEF M15E-8PB
	094745-01-01A	EA TRIM-MICROWAVE, LOWER - BLACK
	094774-03-01A	EA TRIM-MICROWAVE, EITHER SIDE - 1 5" X 14 8" - METAL - BLACK
	088918-03-01A	EA BRACE-MICROWAVE CABINET, LEFT - 9 4" X 7 5" - STEEL
	088918-04-01A	EA BRACE-MICROWAVE CABINET, RIGHT - 9 4" X 7 5" - STEEL
	094750-01-000	EA BRACKET-MICROWAVE, 90 DEGREE - STEEL

FROM 03-04-91 THRU 99-99-99

COFFEE MAKER

KEY	PART NUMBER	U/M DESCRIPTION
	103799-01-02A	EA COFFEE MAKER, ALMOND
	104810-01-000	EA STRAP ASM-COFFEE MAKER

GENERATOR GROUP

4 KW KOHLER GENERATOR

KEY	PART NUMBER	U/M DESCRIPTION
	106629-01-000	EA GENERATOR-4KW LOW PROFILE, KOHLER 4C10M21
	106629-01-000	EA ARRESTER-SPARK, KOHLER 278821
	106629-01-000	EA MUFFLER-FRONT EXHAUST, W/O SPARK - KOHLER 278734
	105732-01-000	EA TRAY ASM-GENERATOR
	108172-01-000	EA PIPE-EXHAUST ADAPTER
	007057-01-000	SF INSULATION-FIBERGLASS, 1" THICK X 4' - INCREMENTS OF 4 SF

4 KW ONAN GENERATOR

KEY	PART NUMBER	U/M DESCRIPTION
	100974-01-000	EA GENERATOR-4 KW EMERALD PLUS, ONAN BGE-FA/26100G
	105732-01-000	EA TRAY ASM-GENERATOR
	081384-01-000	EA MUFFLER-GENERATOR, W/8 5' LONG TAILPIPE
	088252-01-000	EA PIPE-EXHAUST, W/2 BOLT HOLE FLANGE
	088494-01-000	EA BRACKET-EXHAUST, W/DOUBLE BEND
	094069-01-000	EA SPACER-GENERATOR, ONAN
	007125-04-000	EA CLAMP-MUFFLER - 1 1" DIA.

**1992 WINNEBAGO
TABLE OF CONTENTS**

INTRODUCTION	A-01 - A-08
ABBREVIATIONS	A-08
ALPHABETICAL INDEX	A-04 - A-08
WF527RC	A-07 - D-24
WF527RC	E-01 - H-18

1992 WF527RC INDEX

FLOOR PLAN	E-01 - E-02
ACCESSORIES	E-03
AUDIO VIDEO	E-04
BATH	E-05 - E-06
BEDROOM	E-07 - E-08
CHASSIS	E-09 - E-13
CURTAIN & CUSHION	E-14 - E-22
DINETTE	E-23 - E-24
DRIVERS	F-01 - F-02
ELECTRICAL	F-03 - F-06
EXTERIOR BODY	F-07 - F-14
GALLEY	F-15 - F-19
GENERATOR	F-20
HEATING & A/C	F-21 - F-22
INTERIOR FINISH	F-23 - G-02
LABEL	G-03 - G-09
LP	G-10
LOUNGE	G-11 - G-12
SEALANTS & FASTENERS	G-13 - G-15
WATER & SEWAGE	G-16 - G-20
WINDOW, VENT AND EXTERIOR DOOR	G-21 - H-15

HEATING & AIR CONDITIONING GROUP

FURNACE

KEY	PART NUMBER	U/M DESCRIPTION
	083386-01-000	EA THERMOSTAT-WALL, FURNACE - SUBURBAN 0180002
	088888-05-000	EA FURNACE-30000 BTU - SUBURBAN SF-30
	088834-01-733	EA RELAY, TIME DELAY 20A30 BTU, SUBURBAN 231202
	075886-01-709	EA MICRO SWITCH (FOR MODELS 30 & 34S) - SUBURBAN 230500
	080036-01-708	EA GASKET, OBSERVATION HOLE CUR - SUBURBAN 070367
	082300-01-704	EA GASKET-ELECTRODE, SUBURBAN 070163
	082300-02-701	EA OFFICE, MAIN BURNER - SUBURBAN 180214
	088888-01-700	EA CABINET FRONT SUBURBAN 101242
	088888-01-701	EA CABINET ASM, SUBURBAN 101289
	088888-01-702	EA ELECTRODE, SUBURBAN 231740
	088888-01-704	EA VALVE, SUBURBAN 180838
	088888-01-705	EA SWITCH-LIMIT, SUBURBAN 231630
	088888-01-708	EA WHEEL-COMBUSTION AIR, SUBURBAN 350122
	088888-01-707	EA VENT CAP & EXHAUST TUBE ASM, SUBURBAN 280183
	088888-01-708	EA BLOWER ASM (COMBUSTION AIR), SUBURBAN 380441
	088888-01-709	EA MOTOR ASM -FOR SF-25, SF-30 - SUBURBAN 231708
	088888-01-710	EA BLOWER ASM (ROOM AIR), SUBURBAN 380440
	088888-01-711	EA WHEEL, ROOM AIR - SUBURBAN 350123
	088888-01-712	EA BOARD-MODULE, SUBURBAN 231741
	088888-01-713	EA INTAKE VENT TUBE ASM - SUBURBAN 051044
	088888-02-700	EA BURNER ASM COMPLETE (SF-30/SF35), SUBURBAN 010745
	088888-05-000	EA DOOR-ACCESS, FURNACE - OFF WHITE - SUBURBAN 520574

REAR HEATER

KEY	PART NUMBER	U/M DESCRIPTION
	084405-01-000	EA HEATER ASM-REAR, DUCTED - W/MOTOR AID - EVANS
	084405-01-700	EA HEATER CORE
	084405-01-701	EA FAN
	084405-01-702	EA MOTOR-12 VOLT ASSY
	087202-01-000	EA SWITCH-4 POSITION, W/KNOB
	088076-01-000	EA DECAL-AUTO AIR & REAR HEATER

HEATING COMPONENTS

KEY	PART NUMBER	U/M DESCRIPTION
	023146-01-000	EA CLAMP-SCREW TYPE - 4"
	068836-02-000	EA CONNECTOR-DUCT- 4" ID - SUBURBAN 050715
	009188-01-000	FT DUCT-HEAT-FLEXIBLE - 4" ID X 25 FT
	082777-01-000	EA ADAPTER-DUCT, 4"
	083814-01-01A	EA GRILLE-RETURN AIR- FURNACE - 15 8" X 7 6" - BROWN
	079058-01-000	EA HOSE-90 DEGREE- 5/8" ID X 4" X 36"
	079058-13-000	EA HOSE-90 DEGREE- 61" ID X 4" X 48"
	079058-01-000	EA HOSE-90 DEGREE- 5/8" ID X 4" X 36"
	007108-01-000	FT HOSE-HEATER- 5/8" ID - HI-TEMP - FORD ESE-M2D192-A
	056484-05-000	EA REGISTER-PLASTIC W/O DAMPER - 4" DIAMETER - GOLDEN
	008200-01-000	EA TAPE-FURNACE, 1 1/2"
	088367-01-000	EA TEE-4" OD, 7" LONG - METAL
	086753-01-000	FT TUBE-ALUMINIZED STEEL, 5/8" - 18 GAUGE
	008042-01-000	FT TUBING-VINYL, 65" ID

HEATING & AIR CONDITIONING GROUP (CONTINUED)

ROOF A/C

KEY	PART NUMBER	U/M DESCRIPTION
	085783-01-04A	EA A/C-ROOF, 13500 BTU - OFF WHITE - COLEMAN 67580707/675807
	083783-04-700	EA SHROUD-ROOF A/C, W/O LOGOS - COLEMAN 6758-4801
	083308-01-701	EA DECAL PKG. LEFT&RIGHT, COLEMAN# 6792B3581
	076303-01-712	EA MOTOR, COLEMAN# 6707A3119
	081225-01-709	EA START RELAY, COLEMAN# 1487-4131
	081225-01-710	EA START CAPACITOR, COLEMAN# 1487-0881
	073742-02-704	EA RUN CAPACITOR (COMPRESSOR), COLEMAN# 1489-4681
	083783-01-702	EA OVERLOAD, COLEMAN# 6758-3831
	083783-01-703	EA IMPELLOR-7" DIA X 2 8" WIDE, COLEMAN# 6758-3271
	083783-01-704	EA CAPACITOR-FAN, COLEMAN# 1489-3481
	083783-01-707	EA EVAPORATOR COIL-COLEMAN# 1452-1351
	083783-01-708	EA CONDENSER COIL-COLEMAN# 1452-1251
	083783-01-711	EA GASKET PACKAGE, COLEMAN# 6758-3281
	083783-01-712	EA FAN BLADE-CONDENSER, COLEMAN# 6733-3221
	083783-01-713	EA COMPRESSOR-E SERIES, COLEMAN# 6758-3889
	083784-01-000	EA CEILING ASM-A/C COOL ONLY, TSR - COLEMAN 67580714
	042204-01-709	EA THERMOSTAT IN-84, OUT-58, COLEMAN# 6701-3401
	042205-01-702	EA THERMOSTAT IN-89, OUT-58, COLEMAN# 6703-3401
	073742-01-701	EA SELECTOR SWITCH (5 TERMINAL), COLEMAN# 6758-3251
	073742-01-702	EA DECAL COOL ONLY, COLEMAN# 6758C3431
	083783-01-703	EA DECAL HEAT&COOL, COLEMAN# 6758-3481
	081608-01-708	EA LIMIT SWITCH (OPEN 180, CLOSE 110), COLEMAN# 6703-304
	091225-01-713	EA KNOB (2 PER PACKAGE), COLEMAN# 6701-3351
	076303-01-707	EA FILTER-8" X 14 3/4" X 1/2", 12 PER PKG COLEMAN# 6703A3151
	081225-01-717	EA DECAL (THERMOSTAT) COOL ONLY, COLEMAN# 6799A3441
	081608-01-712	EA CEILING SHROUD (IVORY), COLEMAN# 6788-5081
	083783-01-705	EA DECAL-HEAT/COOL THERMOSTAT, COLEMAN# 6799A3471
	083783-01-706	EA HEAT ELEMENT-COLEMAN# 6798-3321
	083783-01-710	EA SINGLE PARTS PACKAGE, COLEMAN# 6758-5841
	102289-01-000	EA SPRING-SCREW ROOF A/C GASKET - COLEMAN 6757-150
	022756-02-000	EA COVER-PROTECTIVE, 5 5" ENDS X 8 2" - PLASTIC - OFF WHITE
	022756-03-000	EA COVER-A/C - PLASTIC - OFF WHITE

A/C-13500 BTU-EUROPE

KEY	PART NUMBER	U/M DESCRIPTION
	082440-01-000	EA A/C-ROOF, 13500 BTU - 220V - 50HZ - COLEMAN# 6713C750
	082441-01-000	EA CEILING ASM-A/C, 220V - 50HZ - COLEMAN# 6712ET16
	102289-01-000	EA SPRING-SCREW, ROOF A/C GASKET - COLEMAN 6757-150
	084077-03-000	EA COVER-BLANK, ROOF A/C - 5 2" X 3 5" - IVORY

1982 WINNEBAGO TABLE OF CONTENTS

INTRODUCTION	A-01	A-02
ABBREVIATIONS		A-03
ALPHABETICAL INDEX	A-04	A-05
WF527RC	A-07	D-24
WF527RC	E-01	H-16

1992 WF527RC INDEX

FLOOR PLAN	E-01	E-02
ACCESSORIES		E-03
AUDIO VIDEO		E-04
BATH	E-05	E-08
BEDROOM	E-07	E-08
CHASSIS	E-09	E-13
CURTAIN & CUSHION	E-14	E-22
DINETTE	E-23	E-24
DRIVERS	F-01	F-02
ELECTRICAL	F-03	F-08
EXTERIOR BODY	F-07	F-14
GALLEY	F-15	F-19
GENERATOR		F-20
HEATING & A/C	F-21	F-22
INTERIOR FINISH	F-23	G-02
LABEL	G-03	G-09
LP		G-10
LOUNGE	G-11	G-12
SEALANTS & FASTENERS	G-13	G-15
WATER & SEWAGE	G-16	G-20
WINDOW, VENT AND EXTERIOR DOOR	G-21	H-15

INTERIOR FINISH GROUP

MOLDINGS & TRIMS

KEY	PART NUMBER	U/M DESCRIPTION
	009767-12-000	FT MOLDING-SIDEWALL TO CEILING/CABINET, WELTING - OFF WHITE
	009809-23-000	EA MOLDING-CORNER, OUTSIDE - 1" - PLASTIC - IVORY
	009809-24-000	EA MOLDING-CORNER, OUTSIDE - 1" - PLASTIC - THOR PECAN
	009812-25-000	EA MOLDING-CORNER, OUTSIDE - 5" - PLASTIC - PECAN
	009812-24-000	EA MOLDING-PLASTIC, OUTSIDE CORNER - .50" - MODERN IVORY
	022992-01-000	FT MOLDING-REVERSE COVE, T-SHAPED - VINYL - WHITE
	022992-11-000	FT MOLDING-REVERSE COVE, T-SHAPED - VINYL - IVORY
	070504-01-000	FT U-CHANNEL-PLASTIC, .065" WIDE - LIGHT BROWN - INC OF 8"
	070504-20-000	FT U-CHANNEL-PLASTIC, .815" WIDE - THOR PECAN - INC OF 8"
	009776-11-000	FT U-CHANNEL-PLASTIC 1" WIDE X 8" INCREMENTS - IVORY
	075249-01-000	EA RAILING-OAK, 72" EA - UNFINISHED
	076325-16-000	FT MOLDING-EDGE BAND, 1 5/16" WIDE - WOODGRAIN - REGAL OAK
	076325-32-000	FT MOLDING-EDGE BAND TAUPE, 1-5/16X.030X800 (C52)
	076325-34-000	FT MOLDING-EDGE BAND, 1 5/16" WIDE (C53)
	076325-33-000	FT MOLDING-EDGE BAND TAUPE, .875X.024X800 (C52)
	076325-35-000	FT MOLDING-EDGE BAND ORCHID, .875X.024X800 (C53)
	081294-02-000	EA MOLDING-SHELF, NOTCHED WOOD - 6" LONG
	009815-09-000	FT MOLDING-T, 75" - IVORY
	083620-07-000	FT MOLDING-T, END CAP EDGE - WEDGE LIPS - 75" - THOR PECAN
	083620-09-000	FT T-MOLDING, 3/4 WEDGE LIPS - MODERN IVORY
	104678-01-01A	FT T-MOLDING, 5/16 - RIGID
	085746-01-000	FT TRIM-J, CARPET - 1 2" X .5" ANGLE - 10' LONG - PVC - BEIGE
	092707-01-01A	EA MOLDING-WOOD, TABLE LEG - 27" - REGAL OAK
	093873-01-02A	EA TRIM-CARPET, L-ANGLE - 1 1" X 1 3" X 12" - VINYL - TAN
	096204-02-01A	EA TRIM-J, 5" EXPOSED - 1" X 52 1" LONG - METAL - OFF WHITE
	100859-01-AB1	EA TRIM-FLOOR, 72" X 1" X 1/2" - WOOD
	092331-D2-134	EA MOLDING-VINYL WRAPPED, 7" X 1.57" X .84" - WOODGRAIN
	092331-F2-134	EA MOLDING-VINYL WRAPPED, .7" X 2 5" X 7" - WOODGRAIN
	100818-01-01A	EA MOLDING-VINYL WRAPPED, 1 65" X 4" X 7" - REGAL OAK
	100819-01-01A	EA MOLDING-VINYL WRAPPED, L-SHAPED - 1 5" X 1.5" X 7" - OAK
	103186-01-02A	FT MOLDING-EDGE, SHELF - 78" WIDE - PLASTIC - REGAL OAK
	105004-01-01A	EA MOLDING-VINYL WRAP - REGAL OAK
	105818-01-01A	FT MOLDING-EDGE, 5/16 - GOLD W/ADHESIVE
	092330-D2-438	EA LUMBER-VINYL WRAPPED, 7" X 1 5" X 9" - WOODGRAIN
	092330-E2-438	EA LUMBER-VINYL WRAPPED, 7" X 2" X 96" - WOODGRAIN
	092330-03-000	EA LUMBER-VINYL WRAPPED, 2" X 96" - WOODGRAIN
	092330-05-000	EA LUMBER-VINYL WRAPPED - REGAL OAK
	069733-70-000	EA BATT STRIP-WOODGRAIN, 8' EA - REGAL OAK
		FROM 00-00-00 THRU 02-23-92
	069733-80-000	EA BATT STRIP-WOODGRAIN - 8' - WINNI OAK
		FROM 02-24 92 THRU 99-99-99
	079653-04-000	EA BATT STRIP-KERFED, WOODGRAIN
	085284-03-000	FT BATT STRIP-WOODGRAIN, ADHESIVE BACKED - REGAL OAK
		FROM 00-00 00 THRU 02-23-92
	085284-66-000	FT BATT STRIP-WOODGRAIN, ADHESIVE BACKED - FOREST OAK
		FROM 02-24-92 THRU 99-99-99
	085284-49-000	FT BATT STRIP-TAPE, MARBLE - DEWBERRY DECOR (MAIN WALL)
	085284-45-000	FT BATT STRIP-TAPE, FRONDS - DEWBERRY DECOR (BATH & GALLEY)
	086229-01-000	EA RETAINER-BATTEN, CEILING - 75" WIDE - 7 6" EA
	086229-04-000	EA BATTEN-CEILING, 1" WIDE - IVORY - 7 6" EA
	088263-61-000	EA BATT STRIP-MARBLE - DEWBERRY DECOR (MAIN WALL)
	088263-62-000	EA BATT STRIP-FRONS - DEWBERRY DECOR (BATH & GALLEY)
	088263-71-000	EA BATT STRIP-DECORATIVE, FAWN - TROWELL WORK

INTERIOR FINISH GROUP (CONTINUED)

PANELING, LAMINATES & PLASTIC

KEY	PART NUMBER	U/M DESCRIPTION
	000885-54-000	SF PARTICLE BOARD-3/8" X 48" X 96", FOREST OAK - VINYL 2 SIDES
	000885-59-000	SF PARTICLE BOARD-3/4" X 80" X 96", FOREST OAK - VINYL 2 SIDES
	083818-02-000	SF PLYWOOD-OAK, 1 SIDE FINISHED - 3/16" X 4' X 8' (32 SF)
	088297-01-000	SF PLYWOOD-LUAN, OVERLAY GRADE - 4' X 8' (32 SF)
	085688-01-000	SF VENEER-FLAT LUANA, 48" X 96"
	074497-19-000	SF PANELING-CEILING, 4' X 8' - INC OF 32 SF
	074497-20-000	SF PANELING-WOODGRAIN, 4' X 8' - INCREMENTS OF 32 SF
	088272-72-000	SF PANELING-SHOWER, OFF WHITE - 4' X 7' - INC OF 28 SF
		FROM 00-00-00 THRU 03-15-92
	088272-99-000	SF PANELING-SHOWER, ANTIQUE WHITE, 4' X 7' - INC OF 28 SQ FT
		FROM 03-16-92 THRU 99 99-99
	088272-82-000	SF PANELING-MARBLE DEWBERRY, 3MM X 48" X 84" DECOR (MAIN WALL)
	088272-83-000	SF PANELING-FRONS DEWBERRY, 3MM X 48" X 84" DECOR (BATH & GALLEY)
	089351-33-000	YD VINYL-CEILING, DIAMOND DESIGN - 54" WIDE
	074498-39-000	SF LAMINATE-PLASTIC, 5' X 8' - GREY/BEIGE - INC OF 40 SF (C52)
	074498-41-000	SF LAMINATE-PLASTIC, 5' X 8' - ORCHID MIST - INC OF 40 SF (C53)
	093743-02-01A	SF PLASTIC-ABS 20" WIDE ROLL - OFF WHITE
	093743-03-01A	SF PLASTIC-ABS, 10 8" WIDE - OFF WHITE

CARPETING & FLOOR MATS

KEY	PART NUMBER	U/M DESCRIPTION
	096060-33-000	SY CARPET-12' ROLL, INCREMENTS OF 4 SY - BROWN SPECIAL (C52)
	096060-23-000	SY CARPET-12' ROLL, INCREMENTS OF 4 SY - BLUE MIST (C53)
	047034-02-000	SF PLASTIC-CARPET, 4"WIDE - CLEAR POLY - MINIMUM ORDER 1,600 SF
	075233-01-000	SY PAD-CARPET, 3/8" X 6' ROLL
	081075-03-000	EA MAT-FLOOR ENTRANCE, WINNEBAGO - PLASTICOLOR GRAY
	106884-01-000	EA MAT-FLOOR, PASSENGER - "W" - FORD
	106884-02-000	EA MAT-FLOOR, DRIVER - "W" - FORD

FIRE EXTINGUISHER, SMOKE DETECTOR & CLOCK

KEY	PART NUMBER	U/M DESCRIPTION
	072852-01-000	EA DETECTOR-SMOKE, W/9 VOLT BATTERY
	072852-02-000	EA DETECTOR-SMOKE, W/9 VOLT BATTERY (CANADIAN)
	094499-01-000	EA EXTINGUISHER-FIRE, DRY W/MOUNTING BRACKET - 10 BC
	094499-02-000	EA EXTINGUISHER-FIRE, DRY - 1/10BC - CANADIAN
	094499-01-700	EA BRACKET-MOUNTING, W/PLASTIC STRAP - FIRE EXTINGUISHER
	100793-01-01A	EA CLOCK-WALL, OVAL - 9 5" X 11 1" (USED W/BACKPLATE)
	101333-01-000	EA BACKPLATE-CLOCK, 6" X 6" - PLASTIC - BLACK

**1992 WINNEBAGO
TABLE OF CONTENTS**

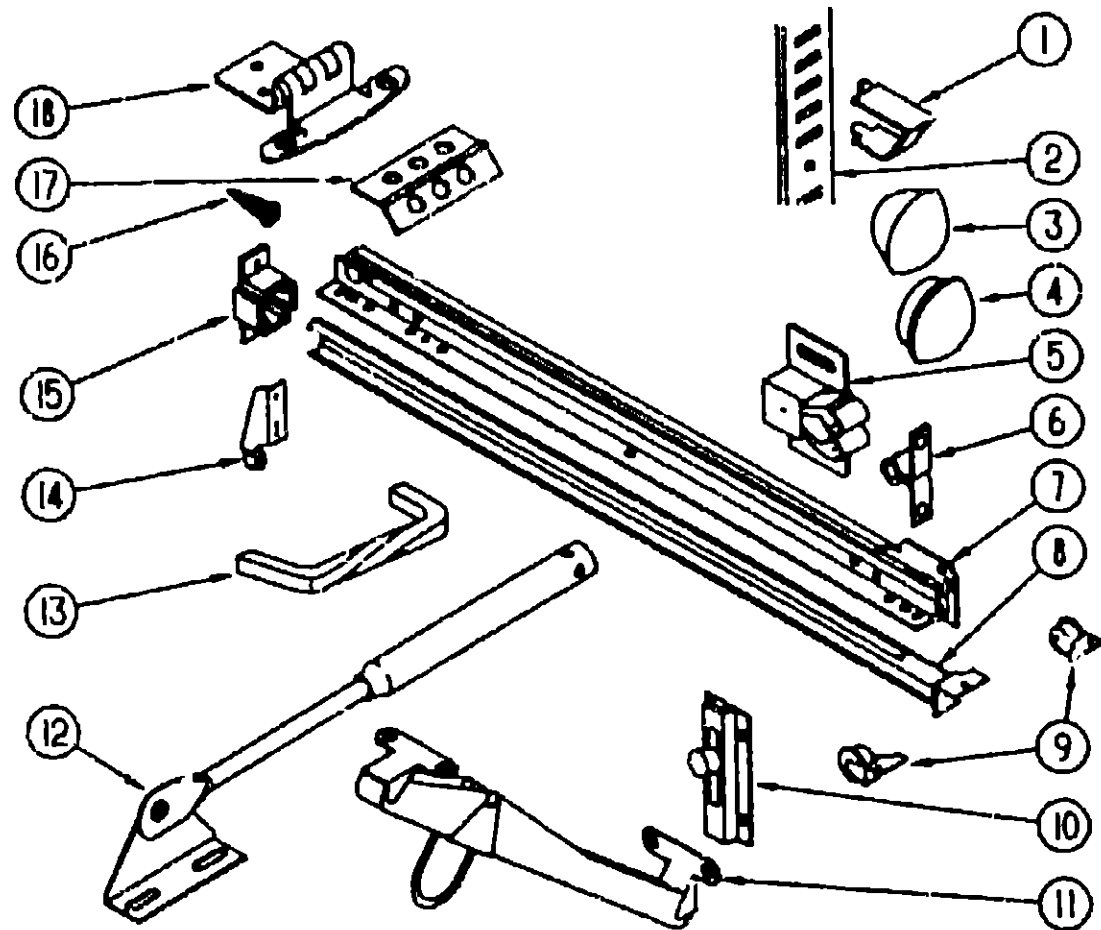
INTRODUCTION	A-01	-	A-02
ABBREVIATIONS			A-03
ALPHABETICAL INDEX	A-04	-	A-08
WF527RC	A-07	-	D-24
WF527RC	E-01	-	H-18

1992 WF527RC INDEX

FLOOR PLAN	E-01	-	E-02
ACCESSORIES			E-03
AUDIO VIDEO			E-04
BATH	E-05	-	E-06
BEDROOM	E-07	-	E-08
CHASSIS	E-09	-	E-13
CURTAIN & CUSHION	E-14	-	E-22
DINETTE	E-23	-	E-24
DRIVERS	F-01	-	F-02
ELECTRICAL	F-03	-	F-06
EXTERIOR BODY	F-07	-	F-14
GALLEY	F-15	-	F-19
GENERATOR			F-20
HEATING & A/C	F-21	-	F-22
INTERIOR FINISH	F-23	-	G-02
LABEL	G-03	-	G-09
LP			G-10
LOUNGE	G-11	-	G-12
SEALANTS & FASTENERS	G-13	-	G-15
WATER & SEWAGE	G-16	-	G-20
WINDOW, VENT AND EXTERIOR DOOR	G-21	-	H-15

INTERIOR FINISH GROUP (CONTINUED)

CABINET & TABLE HARDWARE



KEY	PART NUMBER	U/M DESCRIPTION
16	070613-06-10G	EA SCREW-6-20 X 5/8 PPH, ANTIQUE BRASS (HINGE 059777-02-000)
16	070613-06-08G	EA SCREW-6-20 X 5/8 PPH, ANTIQUE BRASS (HINGE 108138-01-000)
17	007059-02-000	EA HINGE-DOOR, 2" X 2.7" - BRASS
13	059777-02-000	EA HINGE-CABINET DOOR, BURNISHED BRASS FROM 00-00-00 THRU 04-16-92
18	108138-01-000	EA HINGE-DOOR, CABINET - BURNISHED BRASS FROM 04-17-92 THRU 99-99-99
	009063-01-000	EA HINGE-CONTINUOUS, 1 1/2" X 72" - UNPAINTED
	065740-01-000	EA BRACE-CABINET CORNER, PLASTIC
	016604-01-000	EA BRACE-CABINET, ANGLE - 25° - METAL - UNPAINTED
	016604-03-000	EA BRACE-CABINET, ANGLE - 25° - METAL - BEIGE
	076827-04-000	EA BRACKET-BUNK/BED, 2 9/16" X 1 8/16" TRIANGLE - METAL - OFF WHITE
	076790-01-000	EA SCREW, 6-20 X 1 1/4 PPH - BLACK
	083204-02-000	EA BUTTON-RETAINING, MIRROR - 3/16" TIP - WALNUT
	004354-01-000	EA BUMPER-RUBBER, .5" DIA - BROWN
	023320-01-000	EA PAD-FELT, 3/8" DIAMETER - BROWN
	104886-01-000	EA CATCH-WOOD, VINYL FACE CABINET
	104886-02-000	EA CATCH-WOOD, LAMINATED FACE
	105037-02-000	EA FASTENER-WOOD, CORNER - METAL - .5" X 6"
	009112-01-000	EA FLANGE-1" ROD, CLOTHES - PLASTIC - OFF WHITE
	042438-01-000	EA DOWEL-WOOD, CLOTHES ROD - 1" DIAMETER X 4"
	042438-02-000	EA DOWEL-WOOD, 2" X 2"
	076840-01-000	EA CORD-BUNGIE, 24"
	091255-02-000	FT SEAL-ADHESIVE BACKED FOAM, 18" THICK X 15" WIDE
	103130-01-000	EA HOOK-CUP, BRASS - 1.25"
	064467-01-000	EA GUIDE-POCKET, SLIDING DOOR - WALL MOUNTED
	088254-01-000	EA CATCH-MAGNETIC, 1 8/16" X 7"
	102327-01-01A	EA PULL-MIRROR, SQUARE

1992 WINNEBAGO TABLE OF CONTENTS

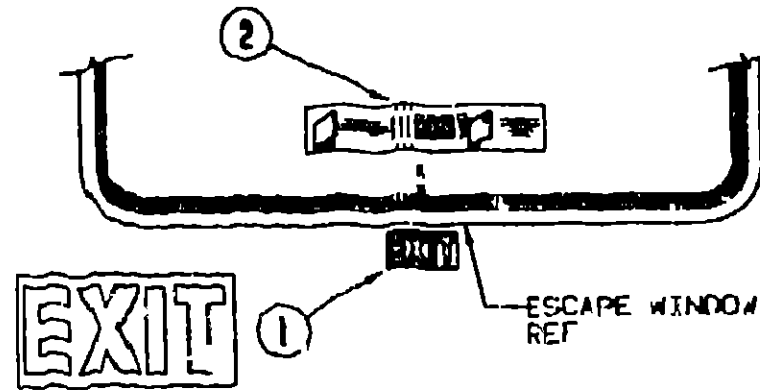
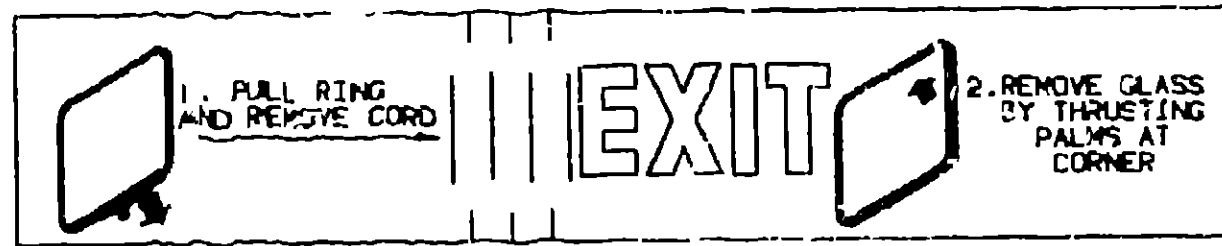
INTRODUCTION	A-01 - A-02
ABBREVIATIONS	A-03
ALPHABETICAL INDEX	A-04 - A-06
WF527RD	A-07 - D-24
WF527RC	E-01 - H-16

1992 WF527RC INDEX

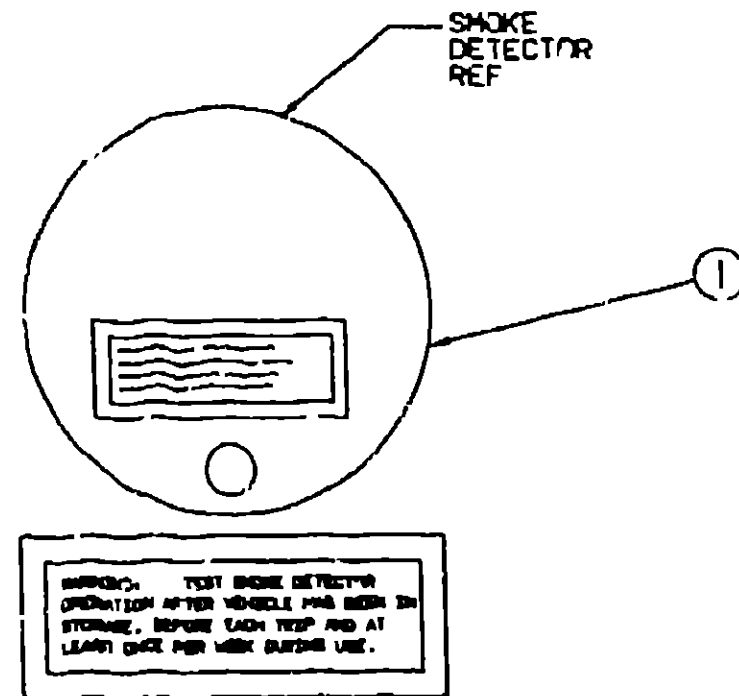
FLOOR PLAN	E-01 - E-02
ACCESSORIES	E-03
AUDIO VIDEO	E-04
BATH	E-05 - E-06
BEDROOM	E-07 - E-08
CHASSIS	E-09 - E-13
CURTAIN & CUSHION	E-14 - E-22
DINETTE	E-23 - E-24
DRIVERS	F-01 - F-02
ELECTRICAL	F-03 - F-06
EXTERIOR BODY	F-07 - F-14
GALLEY	F-15 - F-19
GENERATOR	F-20
HEATING & A/C	F-21 - F-22
INTERIOR FINISH	F-23 - G-02
LABEL	G-03 - G-09
LP	G-10
LOUNGE	G-11 - G-12
SEALANTS & FASTENERS	G-13 - G-15
WATER & SEWAGE	G-16 - G-20
WINDOW, VENT AND EXTERIOR DOOR	G-21 - H-15

KEY	PART NUMBER	U/M DESCRIPTION
1	096979-01-000	EA CLIP-ADJUSTABLE SHELF
2	098580-01-000	EA PILASTER-ADJUSTABLE SHELF, 18" LONG
3	042356-01-000	EA PLUG-BUTTON, MAHOGANY - 3/8" DIAMETER - WOOD
4	074045-07-000	EA PLUG-WOOD, 1/2"
5	093586-03-000	EA CATCH-SPRING, ROLLER
6	093586-04-000	EA STRIKE-SPRING STEEL
7	101910-03-000	EA SLIDE-DRAWER, CABINET MOUNTED - SET OF 2 - 12" LONG
7	101910-04-000	EA SLIDE-DRAWER, DRAWER MOUNTED - SET OF 2 - 12" LONG
8	102827-05-000	EA TRACK-DRAWER, 22 6/8" LONG
9	102827-03-000	EA ROLLER-DRAWER, NYLON - PAIR
10	061804-01-000	EA SLIDE-BOLT, ANTIQUE BRASS
11	104101-01-01A	EA SUPPORT-LEAF, 5 3/4" - EXTENDS TO 7 5/8" - SAFETY RING - METAL
12	074463-02-000	EA SUPPORT-PISTON SPRING, CABINET DOOR
13	103856-01-000	EA PULL-CABINET, BRASS - 3" ON CENTER
	100995-01-000	EA BACKPLATE-PULL, 5 7/8" BRASS
14	102827-02-000	EA BRACKET-ROLLER, DRAWER - REAR
15	102827-04-000	EA BRACKET-MOUNTING, DRAWER - REAR

LABEL GROUP

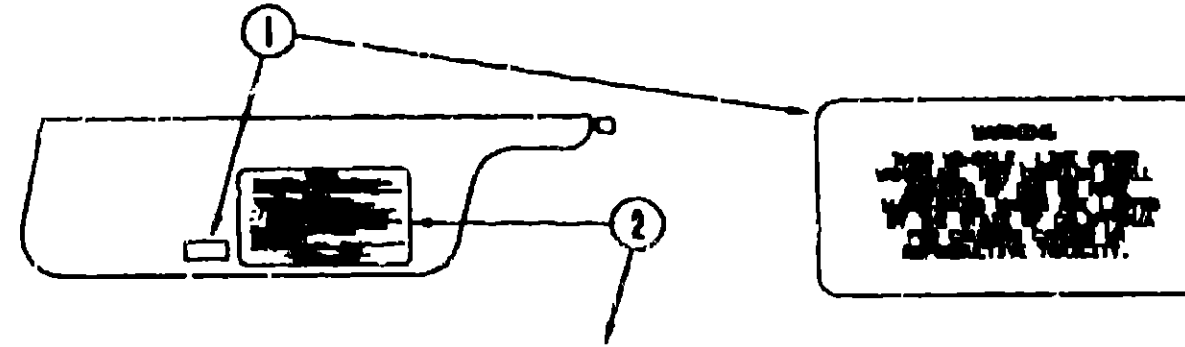


KEY	PART NUMBER	U/M DESCRIPTION
1	039290-01-000	EA LABEL-WARNING, EXIT
2	107571-01-000	EA LABEL-ESCAPE EXIT, WINDOW



KEY	PART NUMBER	U/M DESCRIPTION
1	077958-01-000	EA LABEL-WARNING, SMOKE DETECTOR

LABEL GROUP (CONTINUED)



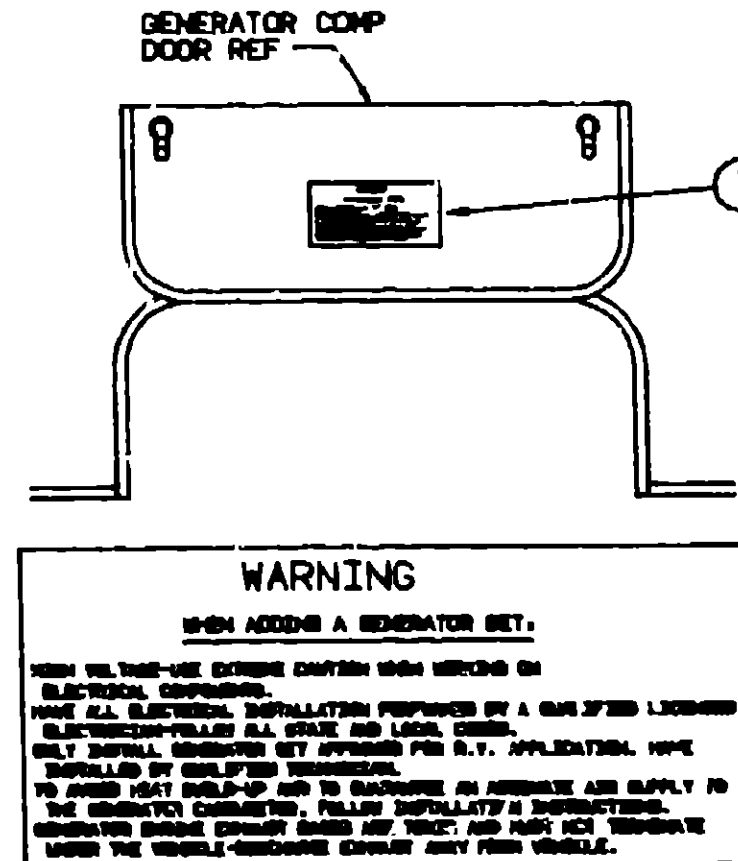
CAUTION

THIS VEHICLE HAS BEEN DESIGNED, MANUFACTURED AND TESTED WITH CONCERN FOR THE PROTECTION OF IT'S OCCUPANTS. BE NECESSARY YOU PERFORM THE FOLLOWING INSPECTIONS FOR YOUR SAFETY AND THE SAFETY OF YOUR PASSENGERS BEFORE STARTING YOUR VEHICLE.

1. LP GAS SYSTEM- TURN OFF AT TAKE FOR TRAVELING. TEST FOR LEAKS UPON ARRIVAL AT DESTINATION. BEFORE LEAVING FLARE.
2. WHEELS- INSPECT FOR DAMAGE AND CHECK LUB RARE FOR TIGHTNESS.
3. TIRES- INSPECT FOR WEAR AND DAMAGE AND CHECK PSI RECOMMENDED AIR PRESSURE.
4. LIGHTS- TEST FOR PROPER OPERATION OF ALL INTERIOR AND EXTERIOR LIGHTS INCLUDING BRAKE LIGHTS, HEADLIGHTS, TAIL LIGHTS, SIGNAL LIGHTS, CLEARANCE LIGHTS AND TURN SIGNALS.
5. EXITS- INSPECT RELEASE MECHANISM IN EMERGENCY EXIT WINDOW. TEST BOTH LOCKS ON EACH ENTRANCE DOOR FOR EASE OF OPENING AND INSTRUCT PASSENGERS HOW TO USE BOTH MEANS OF EXIT.
6. SEAT BELTS- INSTRUCT PASSENGERS TO OCCUPY SEATS AND REGULAR USE OF SEAT BELTS.
7. APPLIANCES- TURN OFF AND LATCH OR LOCK DOORS WHERE PROVIDED.
8. LOOSE PACKS- STORE SECURELY.
9. UTILITY SUPPLY LINES- DISCONNECT ALL ELECTRIC, GENSER AND WATER LINES AND SECURE PROPERLY.
10. OVERCAX DOOR STOP- PLACE IN RETRACTED POSITION FOR TRAVELING.

READ YOUR OWNER HANDBOOK AND CHECK OWNER'S MANUAL FOR FURTHER PRECAUTIONS

KEY	PART NUMBER	U/M DESCRIPTION
1	099689-01-000	EA LABEL-WARNING, CANCER/TOXICITY
2	056258-01-000	EA LABEL-SAFETY CHECK LIST



KEY	PART NUMBER	U/M DESCRIPTION
1	077510-01-000	EA LABEL-GENERATOR PREP

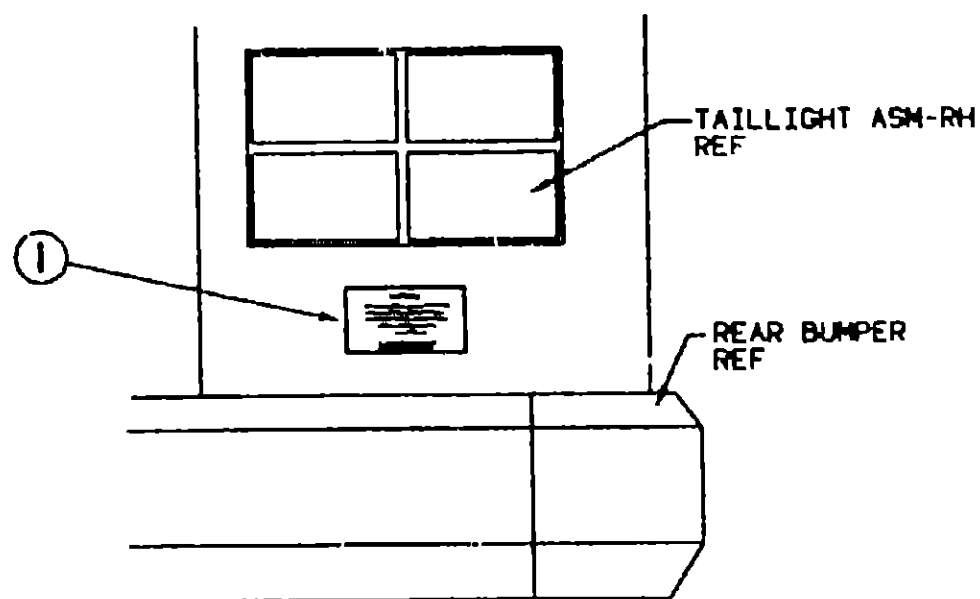
1992 WINNEBAGO TABLE OF CONTENTS

INTRODUCTION	A-01 - A-02
ABBREVIATIONS	A-03
ALPHABETICAL INDEX	A-04 - A-06
WF527RC	A-07 - D-24
WF527HC	E-01 - H-18

1992 WF527RC INDEX

FLOOR PLAN	E-01 - E-02
ACCESSORIES	E-03
AUDIO VIDEO	E-04
BATH	E-05 - E-06
BEDROOM	E-07 - E-08
CHASSIS	E-09 - E-13
CURTAIN & CUSHION	E-14 - E-22
DINETTE	E-23 - E-24
DRIVERS	F-01 - F-02
ELECTRICAL	F-03 - F-06
EXTERIOR BODY	F-07 - F-14
GALLEY	F-15 - F-19
GENERATOR	F-20
HEATING & A/C	F-21 - F-22
INTERIOR FINISH	F-23 - G-02
LABEL	G-03 - G-09
LP	G-10
LOUNGE	G-11 - G-12
SEALANTS & FASTENERS	G-13 - G-15
WATER & SEWAGE	G-16 - G-20
WINDOW, VENT AND EXTERIOR DOOR	G-21 - H-15

LABEL GROUP (CONTINUED)

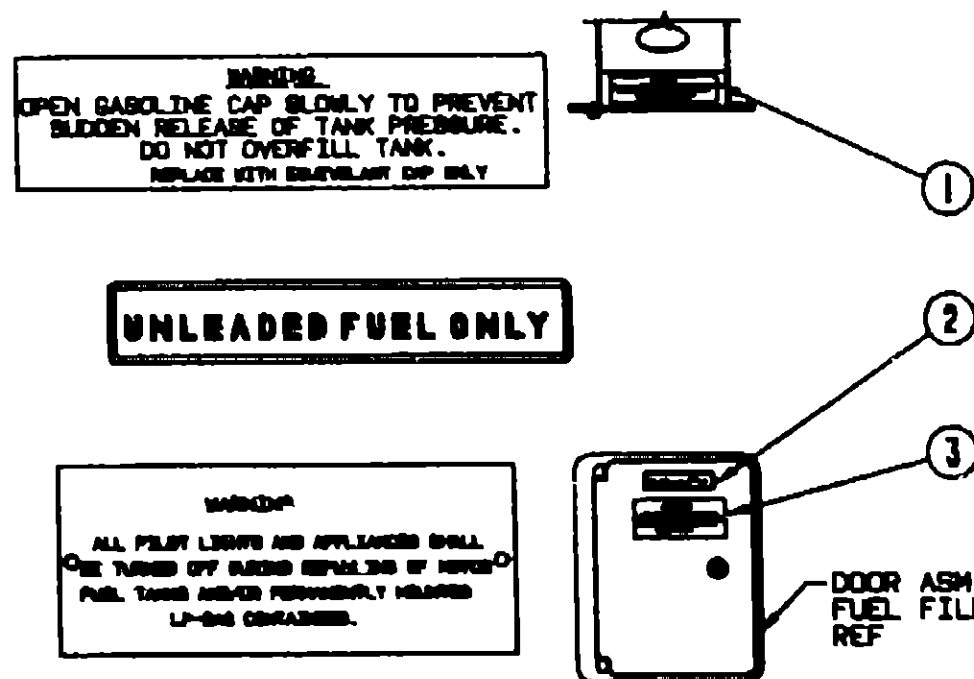


WARNING

DO NOT EXCEED THE VEHICLE WEIGHT RATINGS OR LOADING RECOMMENDATIONS (E.G., GROSS VEHICLE, GROSS AXLE, GROSS COMBINED) OF THE CHASSIS MANUFACTURER OR WINNEBAGO INC.

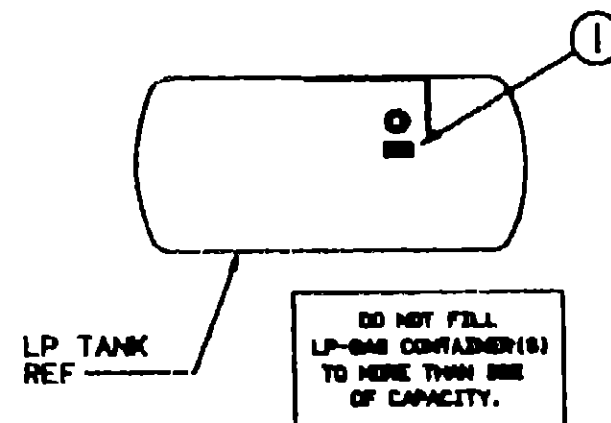
REFER TO YOUR OWNERS MANUAL, BEFORE LOADING OR TOWING.

KEY PART NUMBER U/M DESCRIPTION
 1 075220-01-000 EA LABEL-WARNING, EXTERIOR LOAD

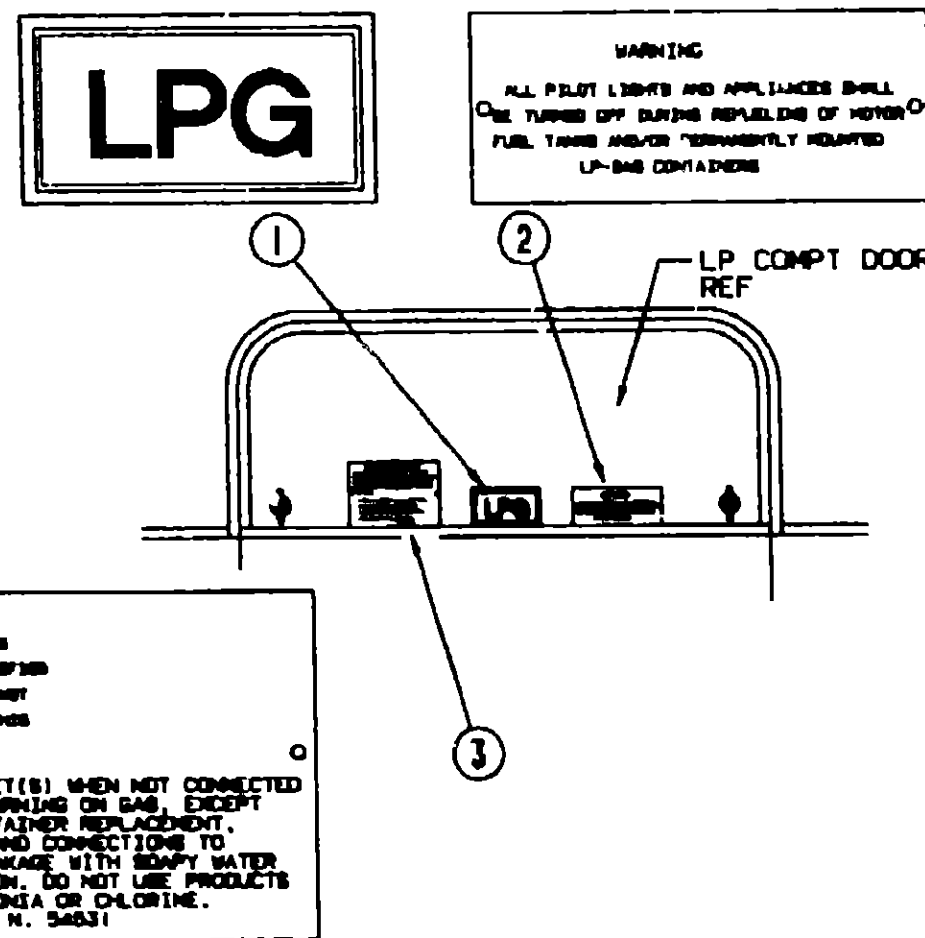


KEY PART NUMBER U/M DESCRIPTION
 1 087207-06-000 EA LABEL-FUEL CAP REMOVAL
 2 082043-01-000 EA LABEL-FUEL UNLEADED
 3 008040-01-000 EA TAG-GAS REFUELING WARNING
 3 008040-02-000 EA TAG-GAS REFUEL WARNING, CANADIAN

LABEL GROUP (CONTINUED)



KEY PART NUMBER U/M DESCRIPTION
 1 079965-01-000 EA LABEL-LPG 80 CAPACITY



KEY PART NUMBER U/M DESCRIPTION
 1 074559-01-000 EA DECAL-LOGO, LPG - REL' - (CALIF CODE)
 2 008040-01-000 EA TAG-GAS REFUELING WARNING
 2 008040-02-000 EA TAG-GAS REFUEL WARNING, CANADIAN
 3 054531-01-000 EA LABEL-LP GAS ONLY
 3 023769-01-000 EA LABEL-WARNING, LPG - CANADIAN

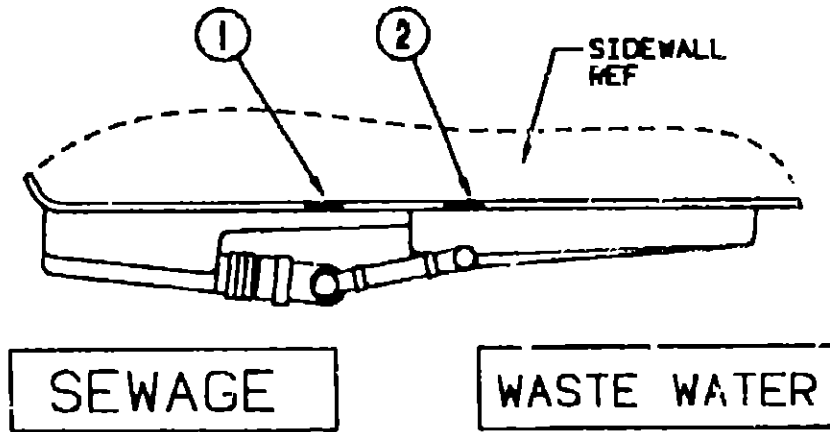
1992 WINNEBAGO TABLE OF CONTENTS

INTRODUCTION	A-01 - A-02
ABBREVIATIONS	A-03
ALPHABETICAL INDEX	A-04 - A-08
WF527RQ	A-07 - D-24
WF527RC	E-01 - H-18

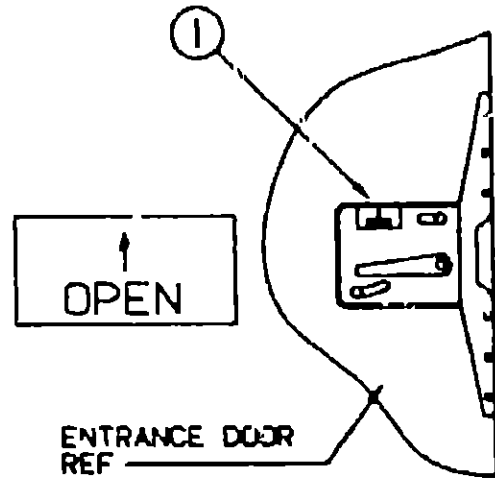
1992 WF527RC INDEX

FLOOR PLAN	E-01 - E-02
ACCESSORIES	E-03
AUDIO VIDEO	E-04
BATH	E-06 - E-08
BEDROOM	E-07 - E-08
CHASSIS	E-09 - E-13
CURTAIN & CUSHION	E-14 - E-22
DINETTE	E-23 - E-24
DRIVERS	F-01 - F-02
ELECTRICAL	F-03 - F-08
EXTERIOR BODY	F-07 - F-14
GALLEY	F-15 - F-19
GENERATOR	F-20
HEATING & A/C	F-21 - F-22
INTERIOR FINISH	F-23 - G-02
LABEL	G-03 - G-09
LP	G-10
LOUNGE	G-11 - G-12
SEALANTS & FASTENERS	G-13 - G-15
WATER & SEWAGE	G-16 - G-20
WINDOW, VENT AND EXTERIOR DOOR	G-21 - H-15

LABEL GROUP (CONTINUED)

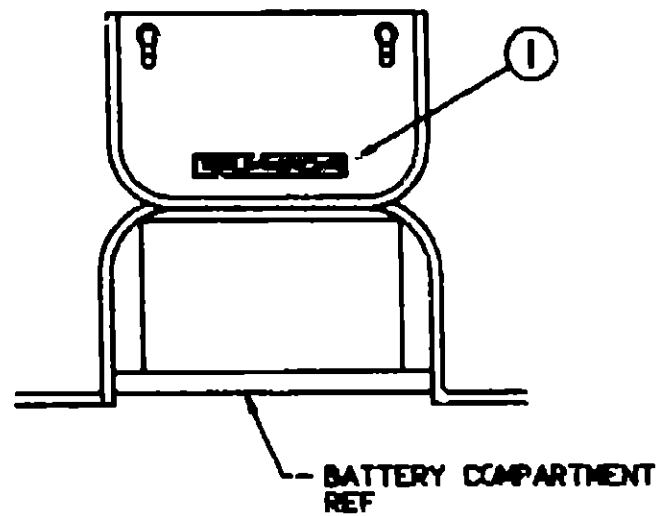


KEY	PART NUMBER	U/M DESCRIPTION
1	008187-01-000	EA LABEL-SEWAGE
2	008188-01-000	EA LABEL-WASTE WATER



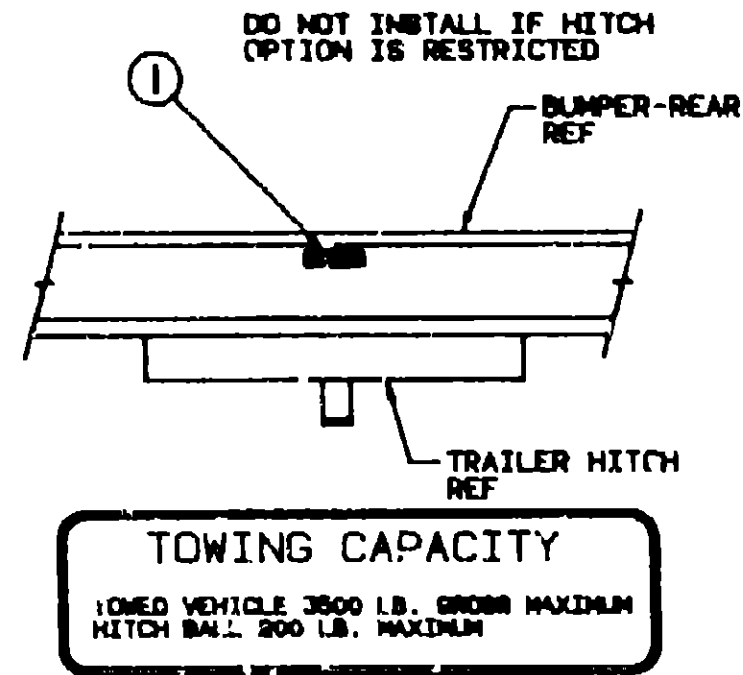
KEY	PART NUMBER	U/M DESCRIPTION
1	040944-01-000	EA LABEL-ENTRANCE DOOR, "OPEN"

WARNING DISCONNECT BATTERIES BEFORE CONNECTING EXTERNAL CHARGING EQUIPMENT.

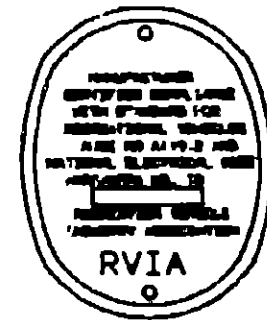


KEY	PART NUMBER	U/M DESCRIPTION
1	005748-01-000	EA LABEL-CAUTION, BATTERY CHARGING

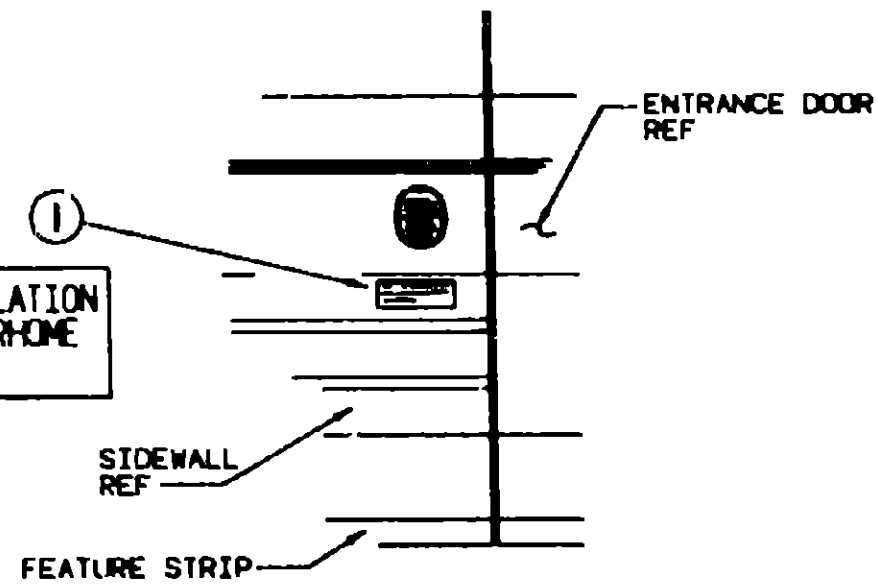
LABEL GROUP (CONTINUED)



KEY	PART NUMBER	U/M DESCRIPTION
1	075221-01-000	EA LABEL-TOWING CAPACITY



FOR AWNING INSTALLATION CONTACT YOUR MOTORHOME DEALERSHIP



KEY	PART NUMBER	U/M DESCRIPTION
1	009509-01-000	EA LABEL-AWNING INSTALLATION

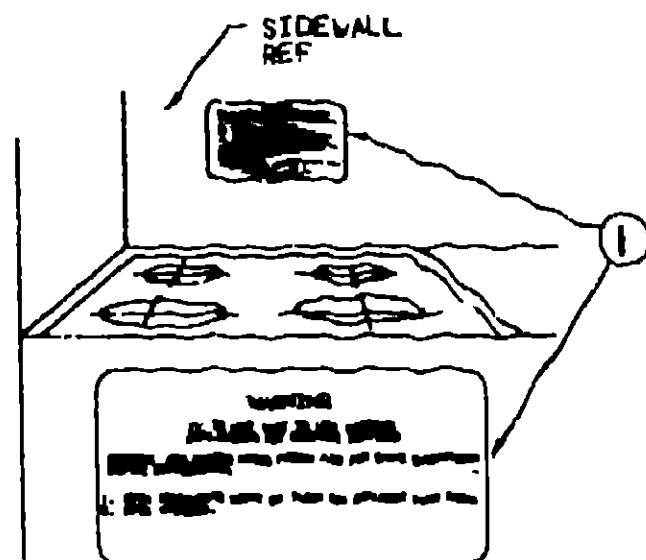
1992 WINNEBAGO TABLE OF CONTENTS

INTRODUCTION	A-01 - A-02
ABBREVIATIONS	A-03
ALPHABETICAL INDEX	A-04 - A-08
WF527RQ	A-07 - D-24
WF527RC	E-01 - H-16

1992 WF527RC INDEX

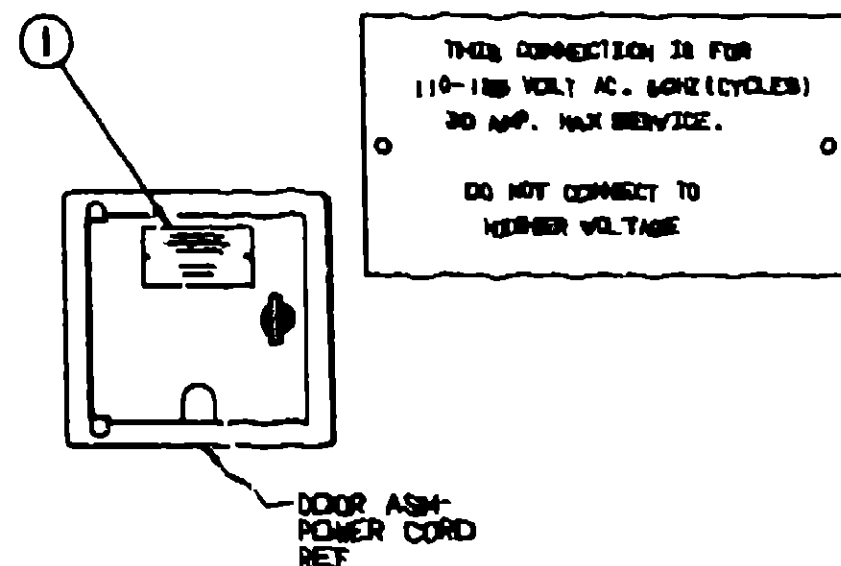
FLOOR PLAN	E-01 - E-02
ACCESSORIES	E-03
AUDIO VIDEO	E-04
BATH	E-05 - E-06
BEDROOM	E-07 - E-08
CHASSIS	E-09 - E-13
CURTAIN & CUSHION	E-14 - E-22
DINETTE	E-23 - E-24
DRIVERS	F-01 - F-02
ELECTRICAL	F-03 - F-06
EXTERIOR BODY	F-07 - F-14
GALLEY	F-15 - F-19
GENERATOR	F-20
HEATING & A/C	F-21 - F-22
INTERIOR FINISH	F-23 - G-02
LABEL	G-03 - G-09
LP	G-10
LOUNGE	G-11 - G-12
SEALANTS & FASTENERS	G-13 - G-15
WATER & SEWAGE	G-16 - G-20
WINDOW, VENT AND EXTERIOR DOOR	G-21 - H-15

LABEL GROUP (CONTINUED)



SIDEWALL REF

KEY	PART NUMBER	U/M DESCRIPTION
1	050225-01-000	EA LABEL-WARNING, STOVE VENT - US
1	050222-01-000	EA LABEL-WARNING, STOVE VENT - CANADIAN

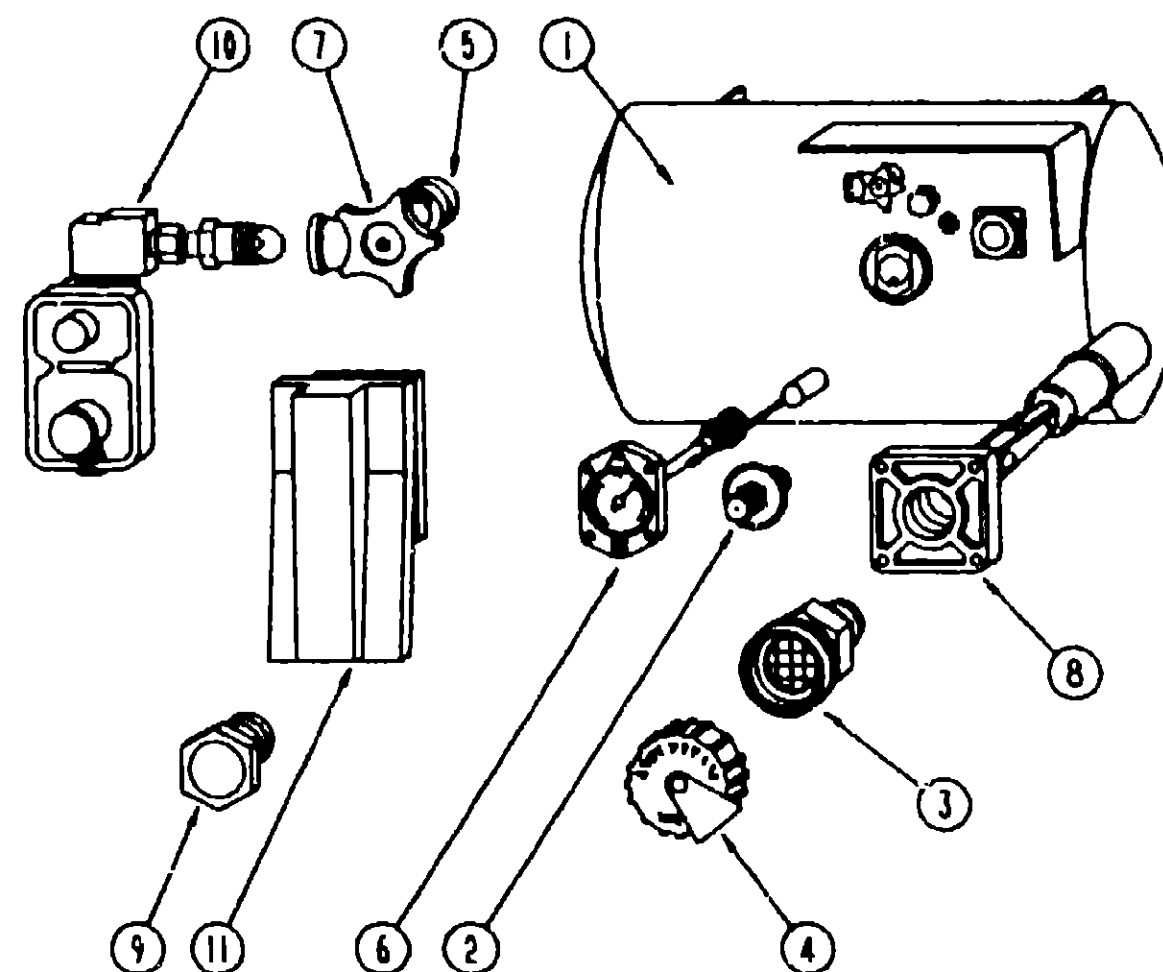


KEY	PART NUMBER	U/M DESCRIPTION
1	008062-01-000	EA TAG-ELECTRIC, 110V CONNECTION

MISCELLANEOUS LABELS

KEY	PART NUMBER	U/M DESCRIPTION
	R77005-87-898	EA LABEL-FUEL, "UNLEADED" - PNO 7700587898
	008084-01-000	EA LABEL-SEAT AND SEATBELT NOT INTENDED FOR USE WHILE COACH IN MOTION
	008084-02-000	EA LABEL-SEAT AND SEATBELT (CANADIAN)
	035708-01-000	EA LABEL-NO STORAGE
	051417-01-000	EA LABEL-FUEL ON FUEL FILL DOOR
	051808-01-000	EA LABEL-OVERLAY, VEHICLE CERTIFICATION - ADHESIVE BACKED
	073888-01-000	EA LABEL-LPG ODOOR WARNING
	057238-01-000	EA LABEL-CABLE, INPUT
	051224-02-000	EA LABEL-TRAILER LIGHTING
	051243-01-000	EA LABEL-AC COVER, "AIR CONDITIONING CIRCUIT, ETC"
	053238-05-000	EA LABEL-CIRCUIT BREAKER
	058841-01-000	EA LABEL-FUEL, UNLEADED - DASH
	104238-01-000	EA LABEL-GENERATOR CIRCUIT

LP GROUP



LP TANK & COMPONENTS

KEY	PART NUMBER	U/M DESCRIPTION
1	057821-01-000	EA TANK-LP, 80 LB BRUNNER - 14" X 30"
2	040421-01-700	EA VALVE-LIQUID LEVEL, 20% LP - BRUNNER G-1013
3	040421-01-701	EA VALVE-SHORT LP FILLER W/YELLOW CAP - BRUNNER 75478
4	040421-01-702	EA CAP-LP FILLER VALVE, PLASTIC - YELLOW - BRUNNER G-1014-A
5	040421-01-703	EA VALVE-SERVICE, W/VAPOR RELIEF
6	040421-01-707	EA GAUGE-FLOAT W/VISIBLE DIAL - BRUNNER MA-9 8244-4
7	040421-01-708	EA HANDWHEEL-SERVICE VALVE, BRUNNER G-1015-A
8	040421-01-711	EA VALVE 20% W/FLOAT, PLATE, BOLTS & GASKET - BRUNNER
9	040421-01-713	EA VALVE-VAPOR ONLY - 29000587
10	105150-01-000	EA REGULATOR-TWO STAGE - M'BRASS 293-00
	105858-01-000	EA COMPARTMENT-LP REGULATOR
11	051838-01-000	EA COVER-COMPARTMENT, LP REGULATOR - BLACK
	040440-02-000	EA TRANSMITTER-DIAL, 0-90 OHM
	055741-01-000	EA GAUGE-DIAPHRAGM PRESSURE - MARSHALLTOWN MFG
	103813-01-000	EA DETECTOR-LP GAS
	010323-01-000	EA ADAPTER-BRASS, 3/8 F X 1/2 MPT
	045703-01-000	EA HOSE-LP, 3/8" ID X 24' - 3/8 MPT X 1/2" F SWIVEL - U S
	045703-02-000	EA HOSE-LP, 3/8" ID X 24' - 3/8" MPT X 1/2" F SWIVEL - CANADA
	055742-01-000	EA TEE, 3/8 F X 3/8 F X 25FPT - BRASS
	010377-02-000	EA NUT-BRASS, 3/8 FEMALE - FORGED
	010380-01-000	EA NUT-BRASS, 1/2" FEMALE - FORGED
	055824-01-000	EA ELBOW-90 DEGREE, 1/4" FPT X 1/4" FPT - BRASS
	055318-02-000	EA ELBOW-90 DEGREE, 3/8" MPT X 3/8" FPT
	036340-01-000	EA ELBOW-3/8" MPT X 1/2" F - BRASS
	071391-02-000	EA NIPPLE-HEX, 1/4 PIPE - 3325X4 WEATHERHEAD
	054884-01-000	EA PLUG-BRASS, 3/8"

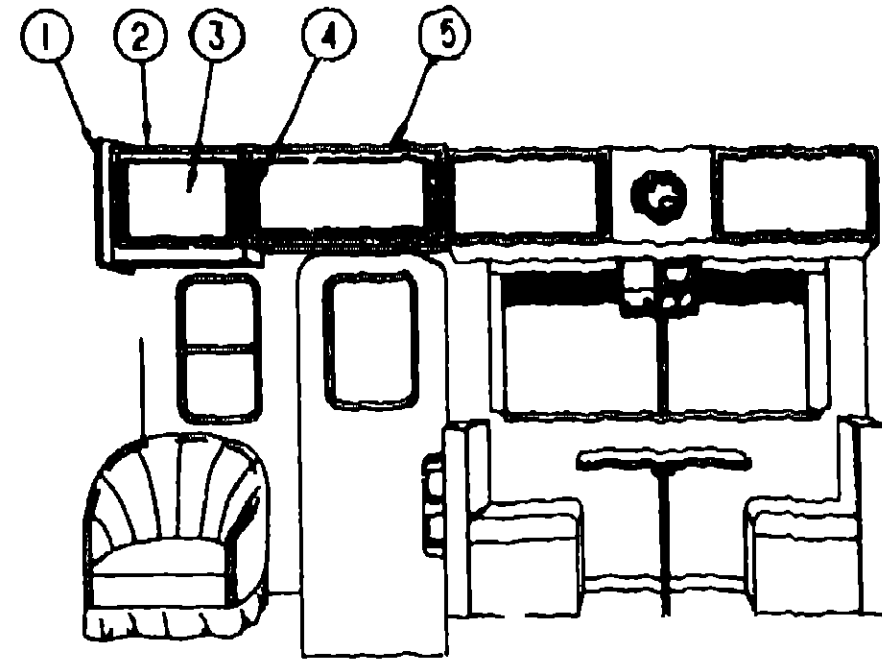
1992 WINNEBAGO TABLE OF CONTENTS

INTRODUCTION	A-01 - A-02
ABBREVIATIONS	A-03
ALPHABETICAL INDEX	A-04 - A-06
WF527RC	A-07 - D-24
WF527RC	E-01 - H-16

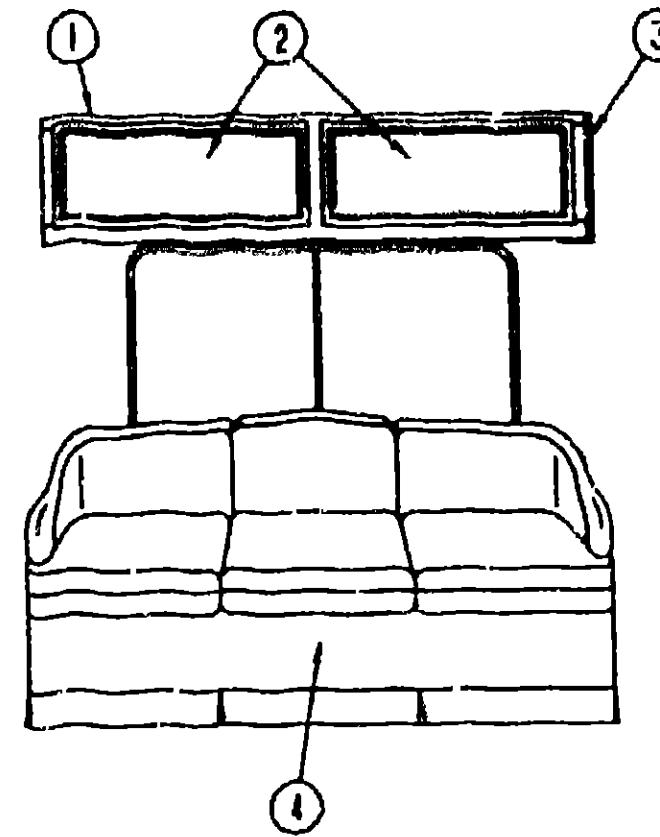
1992 WF527RC INDEX

FLOOR PLAN	E-01 - E-02
ACCESSORIES	E-03
AUDIO VIDEO	F-04
BATH	E-05 - E-06
BEDROOM	E-07 - E-08
CHASSIS	E-09 - E-13
CURTAIN & CUSHION	E-14 - E-22
DINETTE	E-23 - E-24
DRIVERS	F-01 - F-02
ELECTRICAL	F-03 - F-06
EXTERIOR BODY	F-07 - F-14
GALLEY	F-15 - F-19
GENERATOR	F-20
HEATING & AC	F-21 - F-22
INTERIOR FINISH	F-23 - G-02
LABEL	G-03 - G-08
LP	G-10
LOUNGE	G-11 - G-12
SEALANT, J & FASTENERS	G-13 - G-15
WATER & SEWAGE	G-16 - G-20
WINDOW, VENT AND EXTERIOR DOOR	G-21 - H-15

LOUNGE GROUP



LOUNGE GROUP (CONTINUED)



**1992 WINNEBAGO
TABLE OF CONTENTS**

INTRODUCTION	A-01 - A-02
ABBREVIATIONS	A-03
ALPHABETICAL INDEX	A-04 - A-08
WF527RC	A-07 - D-24
WF527RC	E-01 - H-16

OVERHEAD CABINETS

KEY	PART NUMBER	U/M	DESCRIPTION
1	104335-07-C52	EA	END CAP-CABINET, OVERHEAD
1	104335-18-C03	EA	END CAP-CABINET, OVERHEAD (TV OPTION)
2	M05624-01-C52	EA	CABINET-OVERHEAD, W/O DOOR & HARDWARE - FRONT - RIGHT
2	M05624-26-C52	EA	CABINET-OVERHEAD, W/O DOOR & HARDWARE (TV OPTION)
	109452-11-C03	EA	SHLEF ASM
	081804-01-000	EA	SLIDE-BOLT, ANTIQUE BRASS
	101810-03-000	EA	SLIDE-DRAWER, CABINET MOUNTED - SET OF 2 - 12" LONG
	101810-04-000	EA	SLIDE-DRAWER, DRAWER MOUNTED - SET OF 2 - 12"
3	P04746-02-C05	EA	DOOR-CABINET, W/O HARDWARE - 400 X 520MM
4	104335-06-C52	EA	END CAP-CABINET, OVERHEAD
4	104335-17-C03	EA	END CAP-CABINET, OVERHEAD (TV OPTION)
5	P05254-01-C03	EA	CABINET-OVERHEAD, ENTRANCE DOOR
	105847-04-C06	EA	HOLDER-KEY RING
	103130-01-000	EA	HOOK-KEY RING, BRASS - 125'

CABINETS & TABLE

KEY	PART NUMBER	U/M	DESCRIPTION
1	M05624-18-C52	EA	CABINET-OVERHEAD, W/O DOOR & HARDWARE
1	M05624-18-C53	EA	CABINET-OVERHEAD, W/O DOOR & HARDWARE
2	P04746-04-C52	EA	DOOR-CABINET, W/O HARDWARE - 400 X 710MM
3	104335-08-C52	EA	END CAP-CABINET, OVERHEAD
4	P05793-01-C52	EA	CABINET-COUCH W/FABRIC
4	FJ5793-01-C53	EA	CABINET-COUCH W/FABRIC
	103513-12-B05	EA	SUPPORT ASM-COUCH
	082525-02-000	EA	BRACE-COUCH, FLOOR MOUNT - ANGLE 3" LONG - METAL
	060101-01-002	EA	EXTR-CORNER KEY, L-SHAPED - 192" - ALUMINUM
	083125-03-000	EA	BRACE-COUCH, TAN

1992 WF527RC INDEX

FLOOR PLAN	E-01 - E-02
ACCESSORIES	E-03
AUDIO VIDEO	E-04
BATH	E-05 - E-08
BEDROOM	E-07 - E-08
CHASSIS	E-09 - E-13
CURTAIN & CUSHION	E-14 - E-22
DINETTE	E-23 - E-24
DRIVERS	F-01 - F-02
ELECTRICAL	F-03 - F-08
EXTERIOR BODY	F-07 - F-14
GALLEY	F-15 - F-19
GENERATOR	F-20
HEATING & AC	F-21 - F-22
INTERIOR FINISH	F-23 - G-02
LABEL	G-03 - G-09
LP	G-10
LOUNGE	G-11 - G-12
SEALANTS & FASTENERS	G-13 - G-15
WATER & SEWAGE	G-16 - G-20
WINDOW, VENT AND EXTERIOR DOOR	G-21 - H-15

SEALANTS & FASTENERS GROUP

ADHESIVE & FASTENERS

KEY	PART NUMBER	U/M	DESCRIPTION
	034552-02-000	EA	SILICONE-TUBE, 300 ML - CLEAR
	034552-08-000	EA	SILICONE-TUBE, 300 ML - OFF WHITE
	053788-02-000	EA	BEDDING COMPOUND-TUBE, WHITE
	053788-05-000	EA	BEDDING COMPOUND-TUBE, CLEAR
	053788-08-000	EA	BEDDING COMPOUND-TUBE, GRAY - SCHNEE # 5522
	063842-01-000	FT	TAPE-ADHESIVE, 10MM X 1 5/8" WIDE
	069840-01-000	FT	SEALER-RIBBON, 1/4" DIAMETER - INCREMENTS OF 30'
	069840-02-000	FT	SEALER-RIBBON, 1/2" X 1/8" - INCREMENTS OF 30' OR 60'
	069840-03-000	FT	SEALER-RIBBON, 3/4" X 1/8" - INCREMENTS OF 60'
	069840-05-000	FT	SEALER-RIBBON, 5/16" DIAMETER - INCREMENTS OF 25'
	069840-10-000	FT	SEALER-RIBBON, 1/32" X 1 1/2" INCREMENTS OF 90'
	069840-11-000	FT	SEALER-TAPE, 3/16" X 3/8", BLACK - MANUS
	069840-12-000	FT	SEALER-TAPE, 1/8" X 1 5/8" GRAY - MANUS
	069840-14-000	FT	SEALER-TAPE, 1/16" X 1" GRAY - MANUS
	072889-01-000	EA	SEALANT-URETHANE, BLACK - 1/10 - ESSEX 552 2
	076314-02-000	FT	TAPE-CARPET SEAM, HEAT-BOND - 4" WIDE
	076322-01-000	FT	TAPE-FOAM, DOUBLE COATED ADHESIVE BACKED - 75" X 216"
	076322-02-000	FT	TAPE-FOAM, DOUBLE COATED ADHESIVE BACKED - 1" X 108"
	076322-03-000	FT	TAPE-FOAM, DOUBLE COATED ADHESIVE BACKED - 5" X 108"
	076322-05-000	FT	TAPE-FOAM, DOUBLE COATED - 025" X 1 5/8"
	087211-01-000	GL	PROMOTER-ADHESIVE
	091255-02-000	FT	SEAL-ADHESIVE BACKED FOAM, 18" THICK X 1 5/8" WIDE
	094401-01-000	EA	SEALER-BODY SEAM SEALER, 3M FLEXICLEAR
	102352-01-000	EA	SEALER-PUMPABLE, BLACK - COLORIMETRIC MS101

BOLTS, NUTS & WASHERS

KEY	PART NUMBER	U/M	DESCRIPTION
	0MC31K-08-020	EA	BOLT-HEX, SER FLANGE - M8 X 020
	000C12-05-16B	EA	BOLT-HEX, 5/16-18 X 1 - ZINC 5
	000C12-08-32B	EA	BOLT-HEX-3/8-18X2LG,ZN 5
	000C12-07-24B	EA	BOLT-HEX,7/16-14X1 50,ZN 5 - MC-90
	000C12-08-24B	EA	BOLT-HEX, 1/2-13 X 1 1/2 - ZN 5
	000C12-10-24B	EA	BOLT-HEX, 5/8-11 X 1 1/2 ZN - 5
	000C13-07-48B	EA	BOLT-HEX, 7/16 - 20 X 3 - ZN 5
	000C18-05-40A	EA	BOLT-ELEV-5/16-18X21/2 PL
	000C18-08-48B	EA	BOLT-ELEV, 3/8-18 X 3 ZN - GDE 5
	000C28-04-10R	EA	BOLT-HEX, SER FLG - 1/4-20 X 5/8 ZINC
	000C28-05-12B	EA	BOLT-HEX-SER FLG 5/16-10X3/4 - ZN
	000C28-06-16B	EA	BOLT-HEX - SER FLG 3/8 - 16 X 1
	000G45-05-16B	EA	BOLT-LAG, 5/16 - 9 X 1 ZN
	005200-01-000	EA	BOLT-BUMPER, PD HD SQ NECK - WSSST CAP - 7/16 - 14 X 1 1/4
	051387-08-000	EA	BOLT-CARRIAGE, W/O HOLE - 5/16-18 X 9 5 ZN
	000D14-05-00B	EA	NUT-HEX, 5/16-18 - ZN 5
	000D24-10-00B	EA	NUT-HEX, SF/LK - 10-32 ZN
	000D39-04-00B	EA	NUT-HEX, SER FLG LK 1/4 - 20 ZN
	000D39-05-00B	EA	NUT-HEX, SER FLG LK - 5/16 - 18 ZN
	000D39-06-00B	EA	NUT-HEX, SER FLG LK - 3/8-18 ZN
	000D39-08-00B	EA	NUT-HEX, SER FLG LK - 1/2-13 ZN
	000D44-07-00B	EA	NUT-HEX, SER FLG LK - 7/16-20 ZN
	000E13-11-00B	EA	WASHER-FLARE, 3/16" WIDE - ZN
	000E13-14-00B	EA	WASHER-FL, 1/4" WIDE ZN
	000E13-20-00B	EA	WASHER-FL, 7/16 WIDE ZN
	000E13-21-00B	EA	WASHER-FL, W/2 NAR ZN
	000E14-10-00B	EA	WASHER-LK, NO 10 EXT TOOTH - ZN
	041322-01-000	EA	WASHER-FL, 15/32 ID X 23/8 OD FOR SEAT BELT MT
	044533-01-000	EA	WASHER-PLASTIC, 1 3/8"OD - FOR BUTTONS

SEALANTS & FASTENERS GROUP (CONTINUED)

SCREWS

KEY	PART NUMBER	U/M	DESCRIPTION
	087721-01-000	EA	SCREW-FLAT HEAD, TAPPING - 1/4" X 1 1/4" LG ZN
	075808-01-000	EA	SCREW-MACHINE, 10-32 X 58 PTH - ZINC EXTERNAL TOOTH
	074048-01-000	EA	SCREW-8-18X1 1/2 PFH,BRONZE REF G13-08-24B
	000G11-08-10J	EA	SCREW, 8-20 X 5/8 PPH - BRASS
	000G11-07-08B	EA	SCREW, 7-19 X 1/2 PPH - ZN
	000G11-08-08B	EA	SCREW, 8-18 X 3/8 PPH ZN
	000G11-08-08B	EA	SCREW, 8-18 X 1/2 PPH - ZN
	000G11-08-12B	EA	SCREW, 8-18 X 3/4 PPH ZN
	000G11-08-12D	EA	SCREW, 8-18 X 3/4 PPH - BLACK
	000G11-08-12E	EA	SCREW-8-18X.75 PPH CHROME ES0025 4
	000G11-08-12P	EA	SCREW, 8-18 X 75 PPH - DARK BROWN
	000G11-08-12R	EA	SCREW, 8-18 X 3/4 PPH - BEIGE
	000G11-08-12S	EA	SCREW-8-18 X 75 PPH OFF WHITE
	000G11-08-12T	EA	SCREW, 8-18 X 3/4 PPH - BLACK
	000G11-08-18S	EA	SCREW, 8-18 X 1 00 PPH - OFF WHITE
	000G11-10-12R	EA	SCREW, 10-18 X 3/4 PPH - BEIGE
	000G11-10-12S	EA	SCREW-10-18X.75 PPH OFF WHT
	000G12-08-08T	EA	SCREW, 8-20 X .50 POH - BLACK
	000G12-08-12R	EA	SCREW-8-18X.75OH - BEIGE
	000G12-08-12S	EA	SCREW-8-18X.75 POH OFF WHITE
	000G13-08-08B	EA	SCREW, 8-20 X 1/2 PFH ZN
	000G13-08-08G	EA	SCREW-8 - 20 X 50 PFH ANTIQUE BRASS
	000G13-08-16J	EA	SCREW, 8-20 X 1 00 PFH - BRASS
	000G13-07-12B	EA	SCREW, 7-19 X 3/4 PFH ZN
	000G13-08-16B	EA	SCREW, 8-18 X 1 PFH - ZN
	000G13-10-12B	EA	SCREW, 10-18 X 3/4 PFH ZN
	000G18-08-16B	EA	SCREW-MACHINE, 8 X 32 X 1, PPH ZN
	000G18-08-22B	EA	SCREW-MACH, 8-32 X 1 3/8 PPH ZN
	000G32-10-06B	EA	SCREW-10-32 X 3/8" - PPH - ZINC
	000G39-08-08B	EA	SCREW-DR-8-18X1/2 ZN
	000G39-08-10T	EA	SCREW-SF/DR, 8-20 X 5/8 PPH - BLACK
	000G39-08-10T	EA	SCREW-SF/DR, 8-20 X 5/8 PPH - BLACK
	000G39-08-16T	EA	SCREW-SF/DR, 8-20 X 1 PPH - BLACK
	000G39-08-08B	EA	SCREW-SF/DR, 8-18 X 3/8 PPH ZN
	000G39-08-08B	EA	SCREW-SF/DR, 8-18 X 1/2 PPH ZN
	000G39-08-08E	EA	SCREW-SF/DR, 8-18 X 1/2 PPH - CHROME
	000G39-08-08R	EA	SCREW-SF/DR, 8-18 X 1/2 PPH - BEIGE
	000G39-08-08S	EA	SCREW-SF/DR, 8-18 X 1/2 PPH - OFF WHITE
	000G39-08-12B	EA	SCREW-SF/DR, 8-18 X 3/4 PPH ZN
	000G39-08-16B	EA	SCREW-SF/DR, 8-18 X 1 PPH ZN
	000G39-08-16S	EA	SCREW-SF/DR, 8-18 X 1 00 PPH, OFF WHITE
	000G39-08-24B	EA	SCREW-SF/DR, 8-18 X 1 1/2 PPH ZN
	000G39-10-12D	EA	SCREW-SF/DR, 10-16 X 3/4 PPH - BLACK
	000G39-10-12R	EA	SCREW-SF/DR, 10-16 X 3/4 PPH - BEIGE
	000G39-10-20B	EA	SCREW-SF/DR, 10-16 X 1 1/4 PPH ZN
	000G39-12-12E	EA	SCREW-SF/DR, 12 - 14 X 3/4 PPH - CHROME
	000G42-04-12B	EA	SCREW-SF/DR 1/4-14X3/4HWH ZN
	000G42-04-16B	EA	SCREW-SF/DR, 1/4-14 X 1 HWH - ZN
	000G50-04-12B	EA	SCREW-MACH, 1/4-20 X 3/4 PPH ZN
	000G53-04-08B	EA	SCREW-MACHINE, 1/4-20 X 3/8 PPH ZN - UNDERCUT HEAD
	000G54-04-20B	EA	SCREW, 1/4-20 X 1 1/4 PTH - TYPE 23 - ZINC PLATED
	000G68-12-48B	EA	SCREW-WOOD, 12 - 11 X 3 POH - SPECIAL HARDENED
	000G69-10-26T	EA	SCREW-SF/DR, 10-18 X 1 75 - BLACK
	000G67-10-08B	EA	SCREW, 10-12 X 1/2 PPH ZN
	000G67-10-08R	EA	SCREW, 10-12 X 1/2 PPH - BEIGE - TYPE A
	000G67-10-10B	EA	SCREW, 10-12 X 5/8 PPH ZN - TYPE A
	000G67-10-10D	EA	SCREW, 10-12 X 5/8 PPH - BLACK - TYPE A
	000G67-10-10R	EA	SCREW, 10-12 X 5/8 PPH - TYPE A - BEIGE

1992 WHNEBAGO TABLE OF CONTENTS

INTRODUCTION	A-01	A-02
ABBREVIATIONS		A-03
ALPHABETICAL INDEX	A-04	A-08
WF527RQ	A-07	D-24
WF527RC	E-01	H-16

1992 WF527RC INDEX

FLOOR PLAN	E-01	E-02
ACCESSORIES		E-03
AUDIO VIDEO		E-04
BATH	E-05	E-08
BEDROOM	E-07	E-08
CHASSIS	E-09	E-13
CURTAIN & CUSHION	E-14	E-22
DINETTE	E-23	E-24
DRIVERS	F-01	F-02
ELECTRICAL	F-03	F-08
EXTERIOR BODY	F-07	F-14
GALLEY	F-15	F-19
GENERATOR		F-20
HEATING & A/C	F-21	F-22
INTERIOR FINISH	F-23	G-02
LABEL	G-03	G-03
LP		G-10
LOUNGE	G-11	G-12
SEALANTS & FASTENERS	G-13	G-15
WATER & SEWAGE	G-16	G-20
WINDOW, VENT AND EXTERIOR DOOR	G-21	H-16

SEALANTS & FASTENERS GROUP (CONTINUED)

SCREWS (CONTINUED)

KEY	PART NUMBER	U/M DESCRIPTION
	000G87-10-10S	EA SCREW, 10-12 X 5/8" - PPH - OFF WHITE
	000G87-10-12B	EA SCREW, 10-12 X 3/4" PPH - ZN
	000G87-10-12P	EA SCREW, 10-12 X 7/8" - PPH - DARK BROWN
	000G87-10-12R	EA SCREW, 10-12 X 7/8 PPH - BEIGE
	000G87-10-16B	EA SCREW, 10-12 X 1 PPH - ZN
	000G87-10-16P	EA SCREW, 10-12 X 1 PPH - DARK BROWN
	000G87-10-20D	EA SCREW, 10-12 X 1 1/4 PPH - BLACK
	000G87-10-24B	EA SCREW, 10-12 X 1 1/2 PPH - ZN
	000G87-10-32B	EA SCREW, 10-12 X 2 PPH - ZN
	000G88-06-10G	EA SCREW, 8-18 X 5/8 POH - ANTIQUE BRASS
	000G88-10-38T	EA SCREW, 10-12 X 2 25 POH BLACK
	048485-04-000	EA SCREW, 10-16 X 1 PTH W/WASHER - BEIGE

CLAMPS, GROMMETS & CLIPS

KEY	PART NUMBER	U/M DESCRIPTION
	000H16-04-08R	EA RIVET-POP, AL 1/8 X 313-375
	007161-01-000	EA CLAMP-HOSE, SPRING TYPE - 1/2"
	010485-01-000	EA CLAMP-CABLE, 9/16"
	010487-01-000	EA CLAMP-CLOSED, 5/8" ID
	010487-03-000	EA CLAMP-CLOSED, 1" ID - CUSHIONED
	010489-01-000	EA CLAMP-CLOSED, 3/8" ID
	023942-01-000	EA GROMMET-RUBBER, 2" OD
	044384-02-000	EA NUT-SPEED, FLAT - ROUND
	082401-01-000	EA CLAMP-HOSE, WORMGEAR 25" - 1"
	082401-02-000	EA CLAMP-HOSE, WORMGEAR, 1 5/8" - 2 5/8"
	082401-04-000	EA CLAMP-HOSE, WORMGEAR 69" - 1 25"
	082401-06-000	EA CLAMP-HOSE, WORMGEAR 72" - 62"
	018188-03-000	EA GROMMET-L/P LINE, 3/8" HOLE X 2 1/8" DIAMETER - RUBBER
	071015-11-000	EA GROMMET-RUBBER, 1" ID X 1 7/8" OD W/ 12" GROOVE - BLACK
	071015-17-000	EA GROMMET-RUBBER, 1 5/8" ID X 2 12" OD W/ 08" GROOVE - BLACK
	071015-30-000	EA GROMMET-RUBBER, 31" ID X 81" OD W/ 12" GROOVE - BLACK
	075148-02-000	EA CLAMP-GROUNDING, BRONZE SCREWS
	080211-05-000	EA CLIP-CHRISTMAS TREE-36MM - FASNAP 09-280297
	080734-02-000	EA CLIP-WIRE, NYLON
	082149-01-000	EA STUD-CLINCH, 3/8" X 24 X 1 12 GDS
	083808-01-000	EA CLAMP-WIRE, DUAL EQUAL - 5/8" DIAMETER
	083810-01-000	EA CLAMP-WIRE, DUAL - UNEQUAL DIAMETERS - 75" & 1 25"
	085774-01-000	FT FASTENER-DUAL HOOK, 1" WIDE - ADHESIVE BACK - BLACK
	085774-02-000	FT FASTENER-DUAL LOOP, 1" WIDE - ADHESIVE BACK - BLACK
	094382-02-000	EA CLIP-CHRISTMAS TREE, FLAT HEAD - 5" X 95"
	101447-01-000	EA CLIP-U TYPE, TINNEMAN HOLDS SHOWER SURROUND TOGETHER

WATER & SEWAGE GROUP

FRESH WATER TANK

KEY	PART NUMBER	U/M DESCRIPTION
	064214-08-000	EA TANK-WATER, W/FITTINGS - 61 GALLON
	077054-62-000	EA FILTER-WATER TANK, SCREEN IN TANK
	042989-03-000	EA FITTING-WATER TANK, SPINWELD - 1 1/4" NPT - PLASTIC - WHITE
	042989-04-000	EA FITTING-WATER TANK, SPINWELD - 3/8" FPT - PLASTIC - WHITE
	042989-05-000	EA FITTING-WATER TANK, SPINWELD - 1/2" FPT - PLASTIC - WHITE
	049032-01-000	EA PATCH-SPINWELD, 3/8" - PLASTIC
	039861-01-000	EA SENDING UNIT, W/SCREW - WASHER - WELL NUT AND TERMINAL RING

WATER SYSTEM

KEY	PART NUMBER	U/M DESCRIPTION
	036522-02-000	EA CAP BRASS, 1/2" FLARE
	106000-01-000	EA CAP FEMALE, W/CONE 50 KEVCO TC3F
	010224-01-000	EA ADAPTER-HOSE TO PIPE, 3/8" MPT X 3/8" BARB - PLASTIC BLACK
	044927-01-000	EA ADAPTER-HOSE TO PIPE, 1 1/4" MPT X 1 1/4" BARB - BLACK PLASTIC
	052954-01-000	EA ADAPTER-NOSE CONE, 3/8" OR 1/2" TUBING - PLASTIC - GRAY
	079317-01-000	EA ADAPTER-SWIVEL, 1/2" TUBE X 1/2" FPT - PLASTIC - GRAY
	106258-01-000	EA CAP-INSERTABLE, 1/2" FLARE
	032953-03-000	EA CONNECTOR, 1/2" F X 3/8" MPT - PLASTIC - GRAY
	101814-01-000	EA COUPLING FEMALE, 1/2" X 1/2" FPT
	052960-01-000	EA DRAIN VALVE-IN LINE HEADER, 1/2" F X 1/2" F - GRAY PLAS
	055290-01-000	EA ELBOW, 5/8" F X 1/2" MPT
	052957-02-000	EA ELBOW-MALE, 1/2" F X 1/2" MPT - PLASTIC - GRAY
	087850-04-000	EA FILL-WATER CITY, OFF WHITE
	048128-01-000	EA VALVE-DRAIN, PLASTIC - 1/2" FPT
	065120-01-000	EA ELBOW-SWIVEL, 1/2" FPT X 1/2" FLARE - PLASTIC - GRAY
	052952-01-000	EA NUT-PLASTIC, 1/2" F X 1/2" TUBE - GRAY
	052952-02-000	EA NUT-PLASTIC, 5/8" FLARE
	039798-01-000	EA TEE-1/2" MPT X 1/2" MPT X 1/2" MPT, PLASTIC
	052959-01-000	EA TEE-1/2" F X 1/2" F X 1/2" F, PLASTIC - GRAY
	052955-01-000	EA TEE-1/2" F X 1/2" F X 1/2" MPT, PLASTIC - GRAY
	052956-01-000	EA TEE-1/2" F X 1/2" MPT X 1/2" F, PLASTIC
	055291-01-000	EA TEE-PLASTIC, 5/8" F X 5/8" F X 5/8" F
	065293-01-000	EA TEE-PLASTIC, 5/8" F X 1/2" F X 5/8" F
	067974-01-000	EA TEE-5/8" F X 1/2" F X 1/2" F, PLASTIC
	074463-02-000	EA TEE-4 WAY, 1/2" FLARE X 1/2" MPT - PLASTIC - GRAY
	074463-03-000	EA TEE-4 WAY, 1/2" FLARE X 1/2" MPT
	039800-01-000	FT TUBING-POLYBUTYL, 1/2" OD - INCREMENTS OF 20" - BLACK
	039800-02-000	FT TUBING-POLYBUTYL, 5/8" OD - INCREMENTS OF 20" - BLACK
	079381-01-000	FT TUBING-SMOOTH, FLEXIBLE 1 1/4" ID
	074462-02-000	FT TUBING-VINYL, 3/8" ID - CLEAR

1992 WINNEBAGO TABLE OF CONTENTS

INTRODUCTION	A-01 - A-02
ABBREVIATIONS	A-03
ALPHABETICAL INDEX	A-04 - A-06
WF527RC	A-07 - D-24
WF527RG	E-01 - H-18

1992 WF527RC INDEX

FLOOR PLAN	E-01 - E-02
ACCESSORIES	E-03
AUDIO VIDEO	E-04
BATH	E-05 - E-06
BEDROOM	E-07 - E-08
CHASSIS	E-09 - E-13
CURTAIN & CUSHION	E-14 - E-22
DINETTE	E-23 - E-24
DRIVERS	F-01 - F-02
ELECTRICAL	F-03 - F-08
EXTERIOR BODY	F-07 - F-14
GALLEY	F-15 - F-19
GENERATOR	F-20
HEATING & A/C	F-21 - F-22
INTERIOR FINISH	F-23 - G-02
LABEL	G-03 - G-09
LP	G-10
LOUNGE	G-11 - G-12
SEALANTS & FASTENERS	G-13 - G-15
WATER & SEWAGE	G-16 - G-20
WINDOW, VENT AND EXTERIOR DOOR	G-21 - H-15

WATER & SEWAGE GROUP (CONTINUED)

WATER HEATER W/MOTOR AID

KEY	PART NUMBER	U/M DESCRIPTION
	051391-03-000	EA HEATER-WATER, WELECTRIC IGNITION - ATWOOD G&A-3E
	051391-01-700	EA HINGE KIT-W/CLIP, ATWOOD # 92500 & 92550
	051391-01-704	EA VALVE-RELIEF, 1/2" FITTING - ATWOOD# 91804
	051391-01-705	EA FASTENER-CAMLOC, ATWOOD# 92809
	051391-01-706	EA GRILLE-EXHAUST, ATWOOD# 92787
	051391-01-708	EA BURNER-MAIN, 3E ONLY - ATWOOD# 92815
	051391-01-710	EA ORIFICE-MAIN BURNER, ATWOOD# 92742
	051391-01-715	EA DRAIN PLUG, ATWOOD# 91581
	051391-04-700	EA TANK-INNER (G&A-3E), FRT MT - ATWOOD# 91806
	051391-04-701	EA THERMOSTAT 12 VDC-120 PRESET, ATWOOD# 91470
	051391-04-702	EA TANK-INNER, G&A-4E & 6E - FRONT MOUNT - ATWOOD# 91641
	051393-01-702	EA SWITCH-ENERGY CUT-OFF, ATWOOD# 91951
	051393-01-703	EA THERMOSTAT-REAR MOUNT, ATWOOD# 91952
	051393-01-704	EA CIRCUIT BOARD-W/BLACK BOX, ATWOOD# 91420
	051393-01-705	EA ORIFICE HOLDER-ATWOOD# 91925
	051393-01-716	EA SPARK & PROBE ASM, ATWOOD# 91808
	051393-01-718	EA VALVE-DUAL SOLENOID, ATWOOD# 91805
	051393-01-721	EA ECO&THERMOSTAT ASM-FRONT MOUNT, 140 DEGREE - ATWOOD# 91447
	061393-03-700	EA TANK-INNER (G&A-3E), REAR MT - ATWOOD# 91409
	087987-01-000	EA SWITCH-WATER HEATER, ATWOOD 91959

WATER HEATER W/MOTOR AID & REAR HEATER

KEY	PART NUMBER	U/M DESCRIPTION
	061393-01-000	EA HEATER WATER-W/MOTOR AID-ATWOOD GH6-3E, GH6-4E, OR GH6-6E
	051391-01-700	EA HINGE KIT-W/CLIP, ATWOOD # 92500 & 92550
	051391-01-704	EA VALVE-RELIEF, 1/2" FITTING - ATWOOD# 91804
	051391-01-705	EA FASTENER-CAMLOC, ATWOOD# 92809
	051391-01-706	EA GRILLE-EXHAUST, ATWOOD# 92787
	051391-01-708	EA BURNER-MAIN, 3E ONLY - ATWOOD# 92815
	051391-01-710	EA ORIFICE-MAIN BURNER, ATWOOD# 92742
	051391-01-714	EA ELBOW-45 DEGREE, 3/8" X 3/8" MPT - ATWOOD 91044
	051391-01-715	EA DRAIN PLUG, ATWOOD# 91581
	051391-04-701	EA THERMOSTAT 12 VDC-120 PRESET, ATWOOD# 91470
	051391-04-704	EA TANK-INNER, FRONT MOUNT - GH6-4E & 6E - ATWOOD 91642
	051393-01-700	EA TANK-INNER, 3E FRONT MOUNT - ATWOOD# 91023
	051393-01-702	EA SWITCH-ENERGY CUT-OFF, ATWOOD# 91951
	051393-01-703	EA THERMOSTAT-REAR MOUNT, ATWOOD# 91952
	051393-01-704	EA CIRCUIT BOARD-W/BLACK BOX, ATWOOD# 91420
	051393-01-705	EA ORIFICE HOLDER ATWOOD# 91925
	051393-01-714	EA TANK-INNER (GH6-3E), REAR MOUNT - ATWOOD# 91408
	051393-01-716	EA SPARK & PROBE ASM, ATWOOD# 91808
	051393-01-718	EA VALVE-DUAL SOLENOID, ATWOOD# 91805
	051393-01-721	EA ECO&THERMOSTAT ASM-FRONT MOUNT, 140 DEGREE - ATWOOD# 91447

WATER & SEWAGE GROUP (CONTINUED)

WATER PUMP

KEY	PART NUMBER	U/M DESCRIPTION
	098807-01-000	EA PUMP-WATER, W/ 5" MPT FITTING - FLOW 2.8 GPM - UL
	098807-01-700	EA PUMPHEAD-REPLACEMENT
	098807-01-701	EA DRIVE ASSEMBLY
	098807-01-702	EA DIAPHRAGM KIT
	098807-01-703	EA VALVE ASSEMBLY
	098807-01-704	EA HOUSING UPPER
	098807-01-705	EA CHECK VALVE KIT
	098807-01-708	EA UPPER HOUSING/SWITCH KIT
	098807-01-707	EA MOTOR/BASEPLATE REPLACEMENT

**1992 WINNEBAGO
TABLE OF CONTENTS**

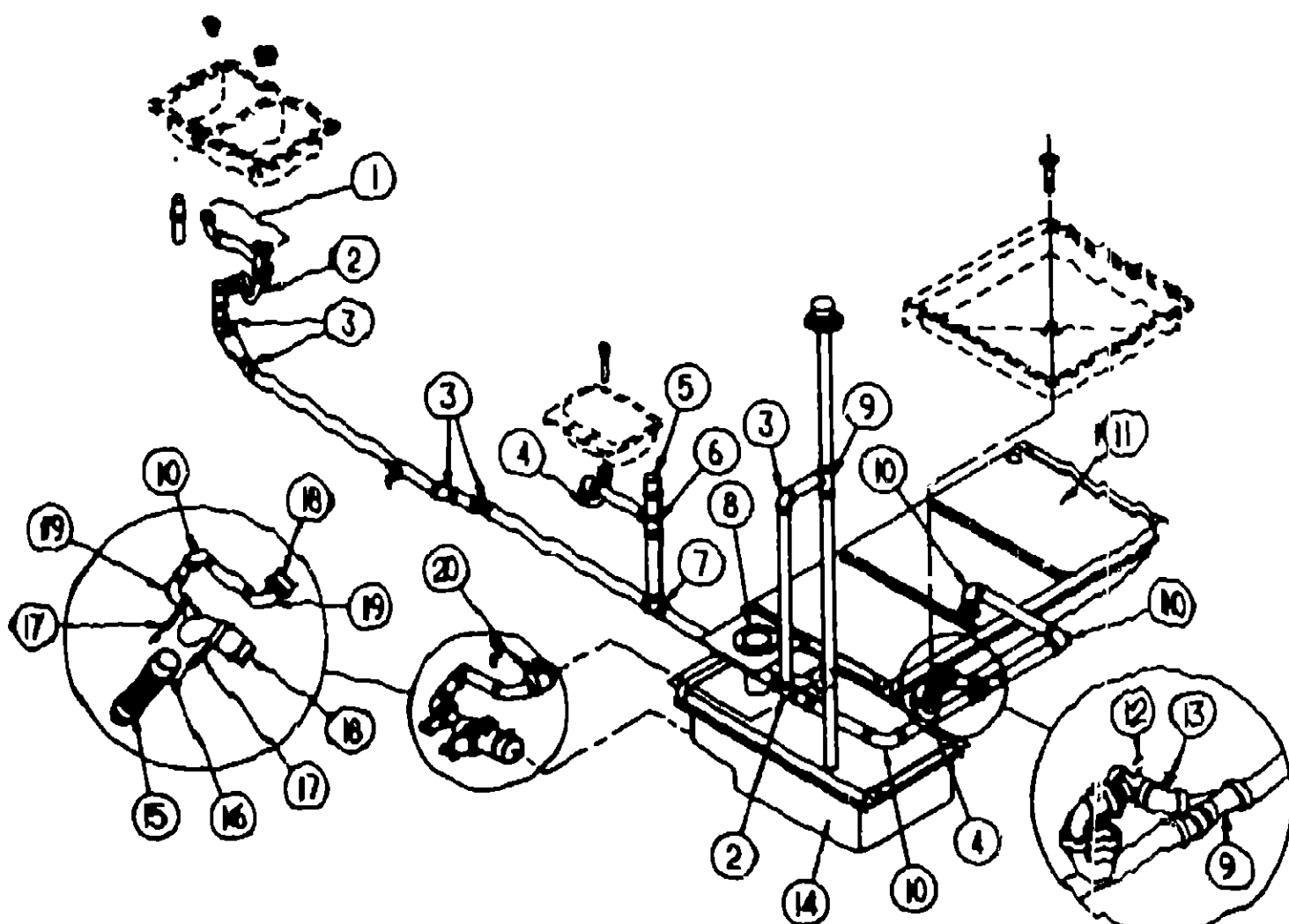
INTRODUCTION	A-01 - A-02
ABBREVIATIONS	A-03
ALPHABETICAL INDEX	A-04 - A-08
WF527RC	A-07 - D-24
WF527RC	E-01 - H-18

1992 WF527RC INDEX

FLOOR PLAN	E-01 - E-02
ACCESSORIES	E-03
AUDIO VIDEO	E-04
BATH	E-05 - E-06
BEDROOM	E-07 - E-08
CHASSIS	E-09 - E-13
CURTAIN & CUSHION	E-14 - E-22
DINETTE	E-23 - E-24
DRIVERS	F-01 - F-02
ELECTRICAL	F-03 - F-08
EXTERIOR BODY	F-07 - F-14
GALLEY	F-15 - F-19
GENERATOR	F-20
HEATING & A/C	F-21 - F-22
INTERIOR FINISH	F-23 - G-02
LABEL	G-03 - G-09
LP	G-10
LOUNGE	G-11 - G-12
SEALANTS & FASTENERS	G-13 - G-15
WATER & SEWAGE	G-16 - G-20
WINDOW, VENT AND EXTERIOR DOOR	G-21 - H-15

WATER & SEWAGE GROUP (CONTINUED)

DRAINAGE SYSTEM



KEY	PART NUMBER	U/M	DESCRIPTION
1	011091-02-000	EA	PIPE-DRAIN, W/SEALS - DOUBLE SINK - EXTENDS 9" TO 16"
1	011071-01-000	EA	P-TRAP, 1 1/2" - PLASTIC (CSA)
1	010121-01-000	EA	BUSHING-REDUCER, 1 1/2" SMOOTH X 1/4" HUB - PLASTIC - BLACK (CSA)
1	037101-02-000	EA	ELBOW-PLASTIC, 1/4 BEND VENT 1 1/2" HUB (CSA)
1	033302-02-000	EA	ADAPTER ASM-STRAINER, 1 1/2" - ABS (CSA)
2	011066-03-700	EA	P-TRAP, 1 1/2" TRAP X 1 1/4" SOCKET - PLASTIC (US) FROM 00-00-00 THRU 02-16-92
2	053335-01-000	EA	P TRAP-1 1/4" HUB X HUB, W/UNION (CSA) FROM 00-00-00 THRU 02-16-92
2	107537-01-000	EA	P TRAP ADAPTER-1 1/4" SLIP (US) FROM 02-17-92 THRU 99-99-99
2	107538-01-000	EA	P TRAP-PLASTIC, 1 1/4" W/EXT. ARM (US) FROM 02-17-92 THRU 99-99-99
2	011071-01-000	EA	P TRAP-1 1/2" - PLASTIC (CSA) FROM 02-17-92 THRU 99-99-99
3	010006-01-000	EA	ELBOW-45 DEG, 1/8 BEND - 1 1/2" HUB X HUB - BLACK PLASTIC
4	011066-03-700	EA	P-TRAP, 1 1/2" TRAP X 1 1/4" SOCKET - PLASTIC (US) FROM 00-00-00 THRU 02-16-92
4	107537-01-000	EA	P TRAP ADAPTER-1 1/4" SLIP (US) FROM 02-17-92 THRU 99-99-99
4	107538-01-000	EA	P TRAP-PLASTIC, 1 1/4" W/EXT. ARM (US) FROM 02-17-92 THRU 99-99-99
4	011066-02-000	EA	P TRAP-1 1/4" HUB X SLIP JOINT, W/UNION - ABS (CSA)
5	079988-01-000	EA	VENT-MECH TRAP ARM, ANTI-SIPHON - 2" DIA X 7' 3" - PLASTIC
6	010079-01-000	EA	TEE-SANITARY, 1 1/2" X 1 1/2" X 1 1/4" H - PLASTIC - BLACK
7	010071-01-000	EA	TEE-SANITARY, 1 1/2" HUB X HUB X HUB - PLASTIC - BLACK
8	081807-02-000	EA	GROMMET-HOLDING TANK, 3" NPS
9	010073-01-000	EA	WYE-45 DEGREE, 1 1/2" HUB X HUB X HUB - PLASTIC - BLACK
10	010006-01-000	EA	ELBOW-90 DEG, 1/4 BEND - 1 1/2" HUB X HUB - BLACK PLASTIC
10	081807-01-000	EA	GROMMET-HOLDING TANK, 1 1/2" NPS
11	102762-03-000	EA	TANK-HOLDING, 42 GALLON - 57 4" X 8 4" X 29"
12	010079-01-000	EA	TEE-SANITARY, 1 1/2" X 1 1/2" X 1 1/4" H - PLASTIC - BLACK
	010123-01-000	EA	BUSHING, -2" X 1 1/2" HUB - PLASTIC
13	010051-01-000	EA	ELBOW-45 DEG BEND, 1 1/2" SPIGOT AND HUB - PLASTIC - BLACK
14	104763-02-000	EA	TANK-HOLD'NG, 32 GALLON
15	010201-01-000	EA	HOSE-SEVERER, 3" ID X 8"
16	082418-01-000	EA	ADAPTER-SEWER HOSE TO 3" PIPE
17	079918-01-000	EA	VALVE-DUAL DUMP, W/CAP - 3" X 1 1/2" - PLASTIC - BLACK
18	079406-01-000	EA	COUPLER-RUBBER, W/CLAMPS - 3" X 3"
19	033781-01-000	EA	ELBOW-TURN, 1/4 BEND X 1 5/8" HUB X 1 5/8" SPIGOT - BLK PLASTIC
20	062422-01-000	EA	ADAPTER-OFFSET REDUCER, 3" X 1 1/2" - PLASTIC - BLACK
	010121-01-000	EA	BUSHING-REDUCER, 1 1/2" SMOOTH X 1/4" HUB - BLACK PLASTIC
	033302-02-000	EA	ADAPTER ASM, STRAINER - 1 1/2" - CSA
	037101-02-000	EA	ELBOW-PLASTIC, 1/4 BEND VENT 1 1/2" HUB - CSA
	034250-01-000	EA	ELBOW-90 DEGREE, LONG TURN - 1 1/2" HUB X HUB - ABS

1992 WINNEBAGO TABLE OF CONTENTS

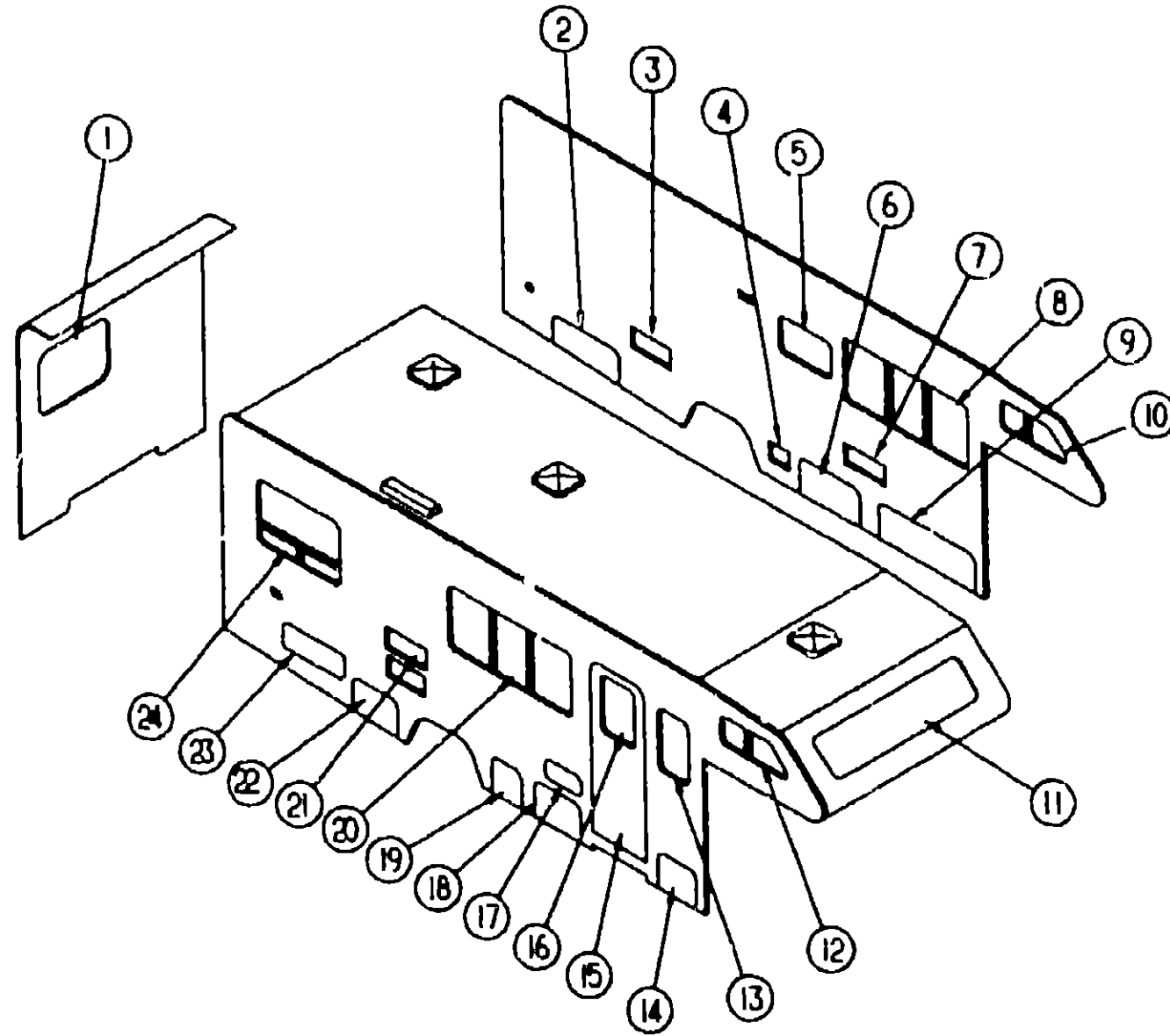
INTRODUCTION	A-01 - A-02
ABBREVIATIONS	A-03
ALPHABETICAL INDEX	A-04 - A-08
WF527RQ	A-07 - D-24
WF527RC	E-01 - H-16

1992 WF527RC INDEX

FLOOR PLAN	E-01 - E-02
ACCESSORIES	E-03
AUDIO VIDEO	E-04
BATH	E-05 - E-08
BEDROOM	E-07 - E-08
CHASSIS	E-09 - E-13
CURTAIN & CUSHION	E-14 - E-22
DINETTE	E-23 - E-24
DRIVERS	F-01 - F-02
ELECTRICAL	F-03 - F-06
EXTERIOR BODY	F-07 - F-14
GALLEY	F-15 - F-19
GENERATOR	F-20
HEATING & A/C	F-21 - F-22
INTERIOR FINISH	F-23 - G-02
LABEL	G-03 - G-09
LP	G-10
LOUNGE	G-11 - G-12
SEALANTS & FASTENERS	G-13 - G-15
WATER & SEWAGE	G-16 - G-20
WINDOW, VENT AND EXTERIOR DOOR	G-21 - H-15

WINDOW, VENT & EXTERIOR DOOR GROUP

WINDOWS & DOORS



1992 WINNEBAGO TABLE OF CONTENTS

INTRODUCTION	A-01 - A-02
ABBREVIATIONS	A-03
ALPHABETICAL INDEX	A-04 - A-08
WF527RQ	A-07 - D-24
WF527RC	E-01 - H-16

1992 WF527RC INDEX

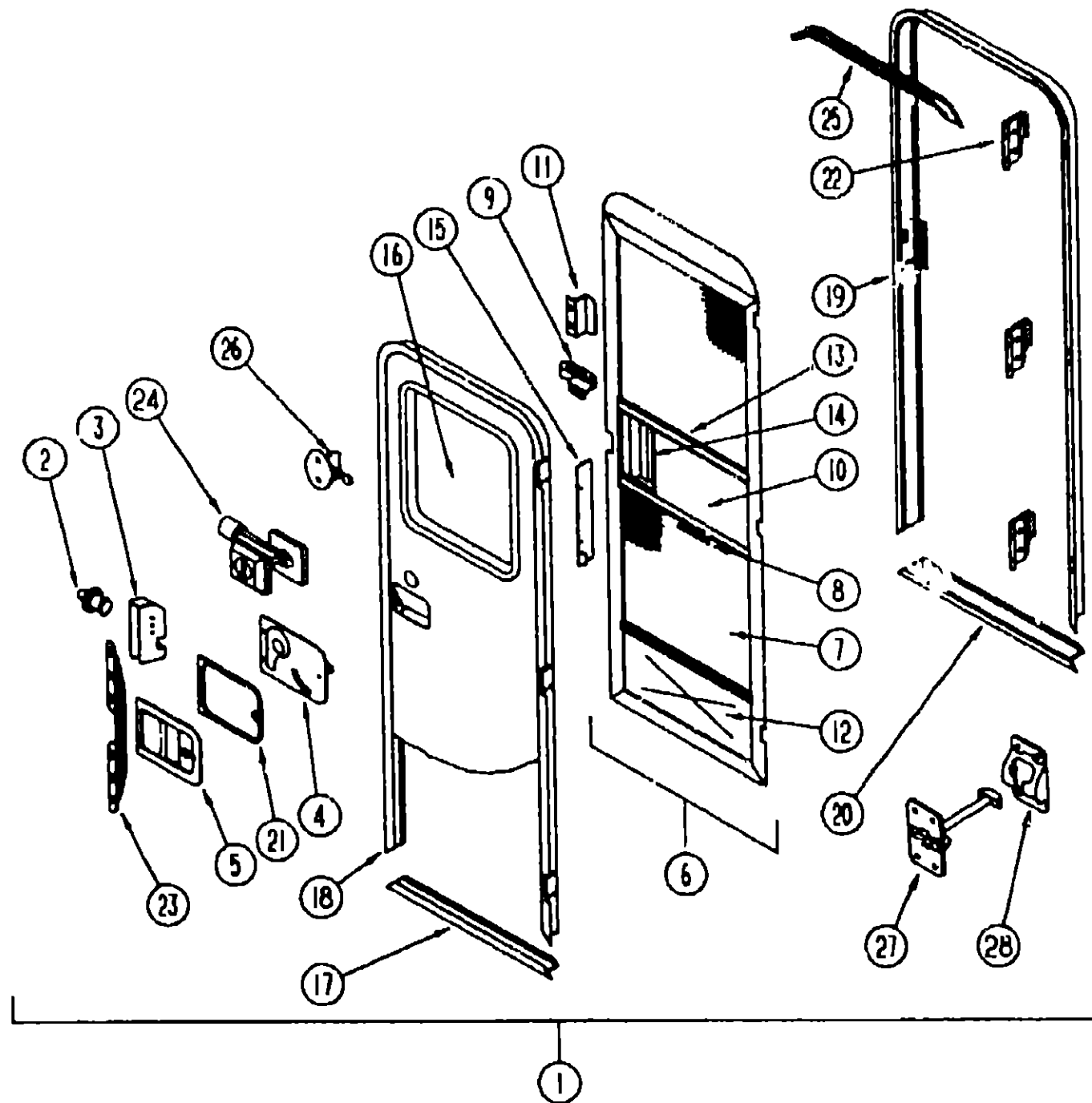
FLOOR PLAN	E-01 - E-02
ACCESSORIES	E-03
AUDIO VIDEO	E-04
BATH	E-05 - E-06
BEDROOM	E-07 - E-08
CHASSIS	E-09 - E-13
CURTAIN & CUSHION	E-14 - E-22
DINETTE	E-23 - E-24
DRIVERS	F-01 - F-02
ELECTRICAL	F-03 - F-06
EXTERIOR BODY	F-07 - F-14
GALLEY	F-15 - F-19
GENERATOR	F-20
HEATING & A/C	F-21 - F-22
INTERIOR FINISH	F-23 - G-02
LABEL	G-03 - G-09
LP	G-10
LOUNGE	G-11 - G-12
SEALANTS & FASTENERS	G-13 - G-15
WATER & SEWAGE	G-16 - G-20
WINDOW, VENT AND EXTERIOR DOOR	G-21 - H-15

KEY	PART NUMBER	U/M	DESCRIPTION
1	078528-04-C05	EA	WINDOW-ESCAPE, W/O INSIDE FRAME
2	105175-06-C52	EA	DOOR-COMPARTMENT, LOWER - REAR
3	105118-02-C05	EA	DOOR-COMPARTMENT, EXTERIOR SHOWER
4	088794-01-000	EA	DOOR-POWER CORD, WHATCH - OFF WHITE
5	092235-11-Y12	EA	WINDOW-TIPOUT, SINGLE - W/O INSIDE FRAME
6	105174-05-C52	EA	DOOR-COMPARTMENT, LOWER - FRONT
7	052009-01-000	EA	DOOR-WATER HEATER, OFF WHITE - ATWOOD 5576-27
8	098647-10-02A	EA	WINDOW-SLIDER, HORIZONTAL - W/INSIDE TRIM - BLACK
9	105174-03-C03	EA	DOOR-COMPARTMENT, LOWER - FRONT
10	100322-02-700	EA	WINDOW-VENTED, 12" X 35 8" - W/O INSIDE FRAME - EXCEL CH19-DK L
11	103313-01-B05	EA	WINDOW-PICTURE, W/O INSIDE FRAME
12	100322-01-720	EA	WINDOW-VENTED, 12" X 35 8" - W/O INSIDE FRAME - EXCEL CH19-DK R
13	098644-05-01A	EA	WINDOW-SLIDER, RAISED - W/INSIDE FRAME - EXCEL H250-PR

KEY	PART NUMBER	U/M	DESCRIPTION
14	105174-01-C03	EA	DOOR-COMPARTMENT, LOWER - FRONT
15	M01870-83-C52	EA	DOOR-ENTRY, W/WINDOW, SCREEN & JAMB - OFF WHITE
16	079733-04-T03	EA	WINDOW-ENTRY DOOR, 17" X 25" - W/O INSIDE FRAME
17	105118-01-C05	EA	DOOR-COMPARTMENT, EXTERIOR ENTERTAINMENT
18	105174-02-C03	EA	DOOR-COMPARTMENT, LOWER - FRONT
19	105174-04-C03	EA	DOOR-COMPARTMENT, LOWER - FRONT
20	098647-09-02A	EA	WINDOW-SLIDER, HORIZONTAL - W/INSIDE TRIM - BLACK
21	084103-03-000	EA	DOOR-VENT-REFRIGERATOR - OFF WHITE
	084104-03-000	EA	JAMB-DOOR-REFRIGERATOR-OFF WHITE
	084104-01-700	EA	LOCK-MALE, FASTENER - REFRIGERATOR DOOR
	084104-01-701	EA	LOCK-FEMALE, FASTENER - REFRIGERATOR DOOR
22	105175-06-C52	EA	DOOR-COMPARTMENT, LOWER - REAR
23	079678-07-X08	EA	DOOR-COMPARTMENT, 27" X 12" - OFF WHITE
24	092235-12-Y12	EA	WINDOW-TIPOUT- SINGLE - W/O INSIDE FRAME
	081240-03-000	EA	DOOR-WATER FILL-LOCKABLE-4" X 4 5/8" - OFF WHITE
	078010-03-000	EA	DOOR-FUEL FILL, W/JAMB - OFF WHITE
	077983-31-000	EA	GASKET-DOOR, FUEL FILL - 10 1" X 8" - W/PSA

WINDOW, VENT & EXTERIOR DOOR GROUP (CONTINUED)

ENTRY DOOR



1992 WINNEBAGO TABLE OF CONTENTS

INTRODUCTION	A-01 - A-02
ABBREVIATIONS	A-03
ALPHABETICAL INDEX	A-04 - A-06
WF527RC	A-07 - D-24
WF527RC	E-01 - H-16

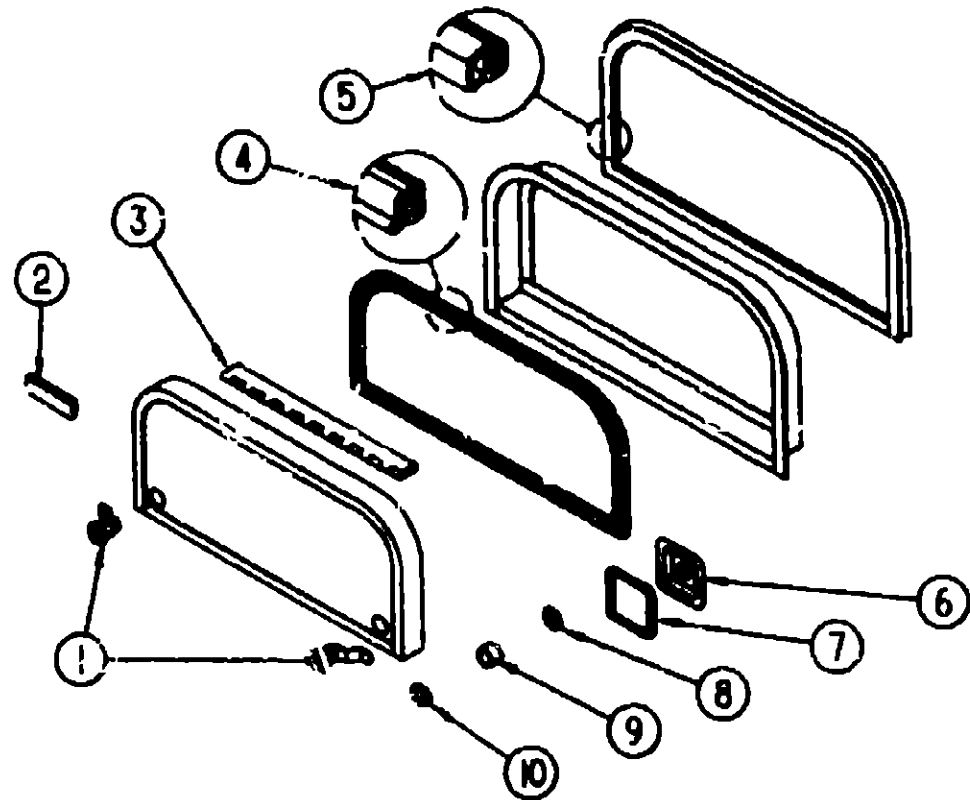
1992 WF527RC INDEX

FLOOR PLAN	E-01 - E-02
ACCESSORIES	E-03
AUDIO VIDEO	E-04
BATH	E-05 - E-06
BEDROOM	E-07 - E-08
CHASSIS	E-09 - E-13
CURTAIN & CUSHION	E-14 - E-22
DINETTE	E-23 - E-24
DRIVERS	F-01 - F-02
ELECTRICAL	F-03 - F-06
EXTERIOR BODY	F-07 - F-14
GALLEY	F-15 - F-19
GENERATOR	F-20
HEATING & A/C	F-21 - F-22
INTERIOR FINISH	F-23 - G-02
LABEL	G-03 - G-09
LP	G-10
LOUNGE	G-11 - G-12
SEALANTS & FASTENERS	G-13 - G-15
WATER & SEWAGE	G-16 - G-20
WINDOW, VENT AND EXTERIOR DOOR	G-21 - H-15

KEY	PART NUMBER	U/M DESCRIPTION
1	M01870-63-CS2	EA DOOR-ENTRY WSCREEN DOOR & JAMB
2	039539-01-000	EA STRIKE-LOCK, ENTRY DOOR - ROUND WTHREADED WASHER
3	039540-01-000	EA LATCH MECHANISM-HOOK, ENTRY DOOR - INTERIOR
	039715-01-000	EA NUT-SERT, 1/4" DIAMETER - 20 THREADS
4	039979-04-000	EA COVER-INTERIOR LATCH, WTRIP ARM - RIGHT - BLACK
	039984-01-000	EA CAP-ROUND, VINYL - 28" ID X 62" LONG - BLACK
	041546-03-000	EA BRACKET-DOOR ANGLE, 5" X 1 9" - BEIGE - METAL

KEY	PART NUMBER	U/M DESCRIPTION
5	045017-11-000	EA LATCH-ENTRY DOOR, MECHANISM W/LOCK & KEY - BLACK
	045017-11-701	EA KEY BLANK
	058025-02-000	EA CLIP-ROLLER LATCH CATCH, SCREEN DOOR
	063729-04-000	EA RIVNUT, 10-32 UNF - 010-080
	072893-01-000	EA NUTSERT-M5 X 0,8
	075671-04-000	FT SEAL-SPONGE, LAZY T SHAPE - W/ADHESIVE STRIPE - 5" WIDE
6	079012-01-U01	EA DOOR-SCREEN
7	002293-02-000	SF SCREENING-WINDOW/DOOR, 26" - CHARCOAL
8	002294-01-000	FT SPLINE-SCREENING, 133" X 138" - BLACK
	002748-01-000	EA CORNER KEY-DOOR
9	109403-01-000	EA CATCH-ASM-SINGLE ROLLER
10	016454-01-000	EA INSERT-CENTER, LEATHER GRAIN ALUMINUM - UNPAINTED
10	001014-01-013	EA INSERT-CENTER, 10 25" X 16 31" - UNPAINTED
11	050712-04-000	EA HANDLE-SCREEN DOOR, ALUMINUM - OFF WHITE
11	050712-05-000	EA HANDLE-SCREEN DOOR, UNPAINTED
12	078552-03-000	EA KICK PANEL-SCREEN DOOR, LOWER INSERT - UNPAINTED
	078595-01-000	EA TOP PLATE-SCREEN DOOR, CURVED TOP - 4 7" X 25 35"
13	078777-01-000	EA CHANNEL-SLIDE, SCREEN DOOR CENTER SLIDER COVER
14	079086-02-000	EA SLIDER-SCREEN DOOR, OFF WHITE
15	079087-02-000	EA STRIKE-SLIDER, W/LIP FOR ELBOW CATCH - 1 5" X 8 6" - OFF WHITE
	009016-01-000	EA CATCH-ELBOW, SPRING LOADED - SCREEN DOOR CATCH
16	079733-04-T03	EA WINDOW-PICTURE, W/O INSIDE FRAME - 17" X 25"
	081914-01-000	EA BUMPER-RUBBER, ROUND - 43" DIAMETER - BLACK
17	089748-01-000	EA FRAME-BOTTOM, ENTRY DOOR - 24 8" LONG - OFF WHITE
	090340-01-000	FT SEAL-FOAM, CLOSED CELL - 1/4" X 1/2" X 50"
18	095276-01-01A	EA FRAME-ENTRY DOOR, W/O BOTTOM - OFF WHITE
19	095277-02-01A	EA JAMB-ENTRY DOOR, W/BOTTOM - 25 9" X 74 5" - OFF WHITE
20	051049-01-000	EA JAMB-BOTTOM, ENTRY DOOR - 25 9" - UNPAINTED
	079207-01-000	EA STRIKER-ROLLER CATCH, WELDED TO DOOR JAMB - 4" X 1 15"
	095278-01-01A	EA JAMB-DOOR, ENTRANCE - 25.9" X 74.6" - UNPAINTED
21	096810-01-01A	EA PLATE-LATCH, ENTRY DOOR - PLASTIC - BLACK
22	097724-01-04A	EA HINGE-ENTRY DOOR, UNPAINTED
23	098173-01-04A	EA STIFFENER-ENTRY DOOR, SUPPORTS LATCH/STRIKE AREA - UNPAINTED
	100128-02-000	FT SEAL-PILE, ADHESIVE BACK - SCREEN DOOR - GRAY
24	101145-01-01A	EA DEADBOLT-ENTRY DOOR, W/2 KEYS W/O BACK SET BOLT OR SCREWS
	095229-01-700	EA KEY BLANK FOR DEADBOLT
	101147-01-000	EA BOLT-SECURITY, 4 12" BACKSET
	102524-01-000	EA BUMPER-RUBBER, FLAT - BLACK
25	044582-C2-000	EA CAP-DRIP, ENTRY DOOR - JAMB MOUNTED - ALUMINUM - OFF WHITE
	064075-07-000	FT SEAL-BULB, W/WIRED U CHANNEL - 3" X 5" CHANNEL - BLACK
	075639-19-000	EA GARNISH-RADIUS, ENT DOOR ORN. '92 W/F427RQ
	077461-03-000	EA COVER-STRIKE, ENTRY DOOR - 6 5" X 2 5" - PLASTIC - WHITE
	090340-01-000	FT SEAL-FOAM, CLOSED CELL - 1/4" X 1/2" X 50"
	091876-01-000	EA RETAINER-DOOR, 1 9" X 9" - METAL
26	100412-01-000	EA CATCH-SCREEN DOOR, THUMB CLIP W/BLACK PLASTIC CAP
	104692-01-000	FT SEAL-ADHESIVE BACK, 3/4" X 34"
27	104099-01-01A	EA CATCH-DOOR HOLDER, STRIKE
28	104099-02-01A	EA CATCH-DOOR HOLDER, RETAINER

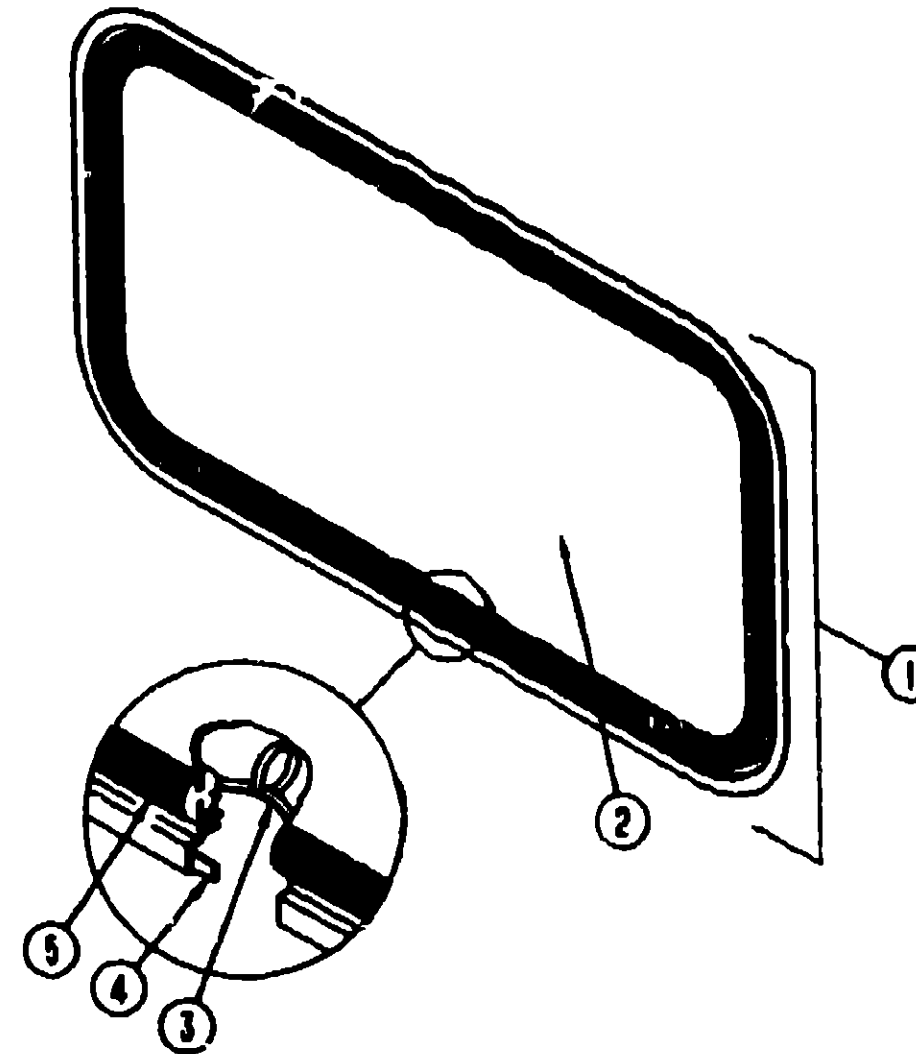
WINDOW, VENT & EXTERIOR DOOR GROUP (CONTINUED)



EXTERIOR DOOR COMPONENTS & HOLDERS

KEY	PART NUMBER	U/M DESCRIPTION
1	079366-04-000	EA LOCK-DOOR, KEY TYPE W/O KEYS - 1.9 OFF SET
		FROM 00-00-00 THRU 02-19-92
1	079366-05-000	EA LOCK ASM-KEY TYPE W/O KEYS 1.60 OFF SET
		FROM 02-20-92 THRU 99-99-99
	082684-01-700	EA KEY BLANK
1	079927-43-000	EA LOCK-TWIST TYPE, DOUBLE CAM - 2.10 OFF SET
		FROM 00-00-00 THRU 02-19-92
1	079927-04-000	EA LOCK ASM-TWIST TYPE 1.60 O/S ILLINOIS LOCK
		FROM 02-20-92 THRU 99-99-99
2	102768-01-000	EA HOLDER-COMPARTMENT/ENTRY DOOR, METAL - MILL FINISH
3	105376-01-02A	EA HINGE-CONTINUOUS, 2" X 140MM - OFF WHITE
	081801-02-000	EA HINGE-2" X 98", OFF WHITE
	084413-01-000	EA HINGE-CONTINUOUS, ALUMINUM - 1" X 72" - V/HOLES
4	064075-07-000	FT SEAL-BULB, W/WIRED U CHANNEL - 3" X 5" CHANNEL - BLACK
5	061632-02-000	FT SEAL-BULB, DOOR - W/WIRE CARRIER - 8" WIDE - RUBBER BLACK
6	097111-01-01A	EA POCKET-LOCK, VALANCE OFF WHITE
7	098338-01-000	EA GASKET-LOCK POCKET
8	109834-01-000	EA WASHER 640X.752ID SST - HUDSON LOCK
9	107997-51-001	EA EXTR-SPACER, 0015, 24
10	109833-01-000	EA BEAUTY RING 670X.760ID SST - HUDSON LOCK
	098217-55-001	EA U-CHANNEL, 17.5" - OFF WHITE

WINDOW, VENT & EXTERIOR DOOR GROUP (CONTINUED)



BACKWALL ESCAPE WINDOW

KEY	PART NUMBER	U/M DESCRIPTION
	074816-09-000	EA FRAME-WINDOW, INSIDE - ESCAPE - OFF WHITE
1	078528-04-C05	EA WINDOW-ESCAPE, BACKWALL - W/O INSIDE FRAME
2	076337-09-000	EA GLASS-WINDOW, 41.8" X 23.5"
3	002285-01-000	FT FILLER-WEATHER STRIP, RUBBER - BLACK
	077066-01-702	EA RED POLY 005 X .500 IN X 150' ROLL
4	069640-10-000	FT SEALER-RIBBON, 1/32" X 1 1/2" INCREMENTS OF 90'
5	002282-04-000	EA WEATHERSTRIP-WINDOW, 125" X 108.25" - VULCANIZED - BLACK

1992 WINNEBAGO
TABLE OF CONTENTS

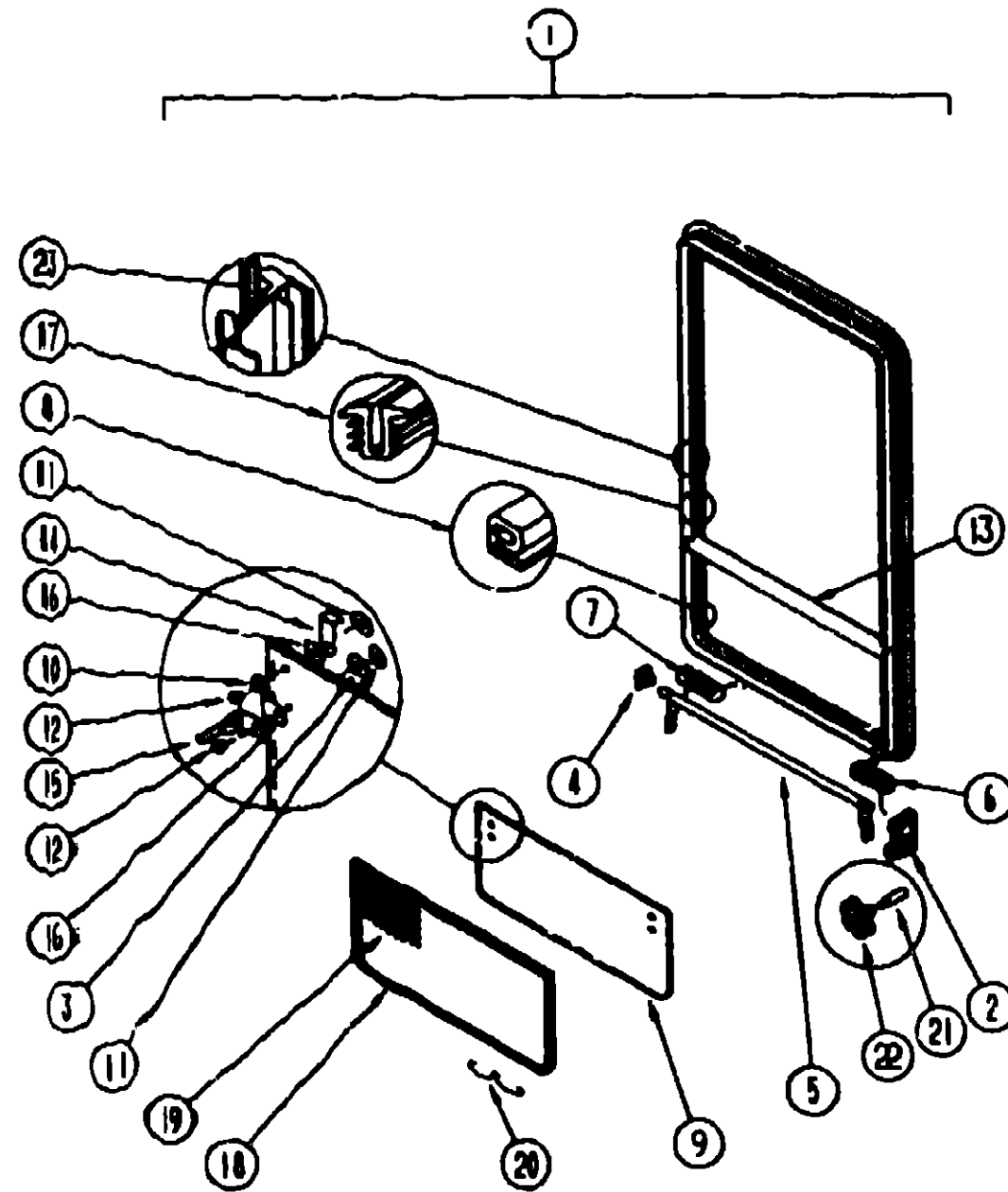
INTRODUCTION	A-01	A-02
ABBREVIATIONS		A-03
ALPHABETICAL INDEX	A-04	A-05
WF527RC	A-07	D-24
WF527RC	E-01	H-18

1992 WF527RC INDEX

FLOOR PLAN	E-01	E-02
ACCESSORIES		E-03
AUDIO VIDEO		E-04
BATH	E-05	E-06
BEDROOM	E-07	E-08
CHASSIS	E-09	E-13
CURTAIN & CUSHION	E-14	E-22
DINETTE	E-23	E-24
DRIVERS	F-01	F-02
ELECTRICAL	F-03	F-06
EXTERIOR BODY	F-07	F-14
GALLEY	F-15	F-19
GENERATOR		F-20
HEATING & A/C	F-21	F-22
INTERIOR FINISH	F-23	G-02
LABEL	G-03	G-09
LP		G-10
LOUNGE	G-11	G-12
SEALANTS & FASTENERS	G-13	G-15
WATER & SEWAGE	G-16	G-20
WINDOW, VENT AND EXTERIOR DOOR	G-21	H-15

WINDOW, VENT & EXTERIOR DOOR GROUP (CONTINUED)

PASSENGER SIDE BEDROOM WINDOW



KEY	PART NUMBER	U/M	DESCRIPTION
1	060893-18-02A	EA	FRAME-INSIDE, WINDOW RETAINER - OFF WHITE
2	082235-12-Y12	EA	RIVET-MANDREL BLIND, 3/16"
3	000H14-08-14R	EA	RIVET-MANDREL BLIND, 3/16"
4	035302-02-000	EA	OPERATOR-TORQUE, TIPOUT WINDOW -
5	088927-03-000	EA	SEAL-WINDOW, RUBBER - ROUND - 80" DIA. - BLACK
6	081354-01-000	EA	SLEEVE-TORQUE TUBE, TIPOUT WINDOW - 1 3/4" X 1 2" X 7"
7	081649-01-000	EA	RING-SNAP, 7/32 SHAFI T DIAMETER
8	083150-12-000	EA	TUBE-TORQUE, TIPOUT WINDOW - W/SPRING & ARM - 22 5" LONG
9	080918-01-000	EA	SPRING-TORQUE TUBE, LEFT
10	080918-02-000	EA	SPRING-TORQUE TUBE, RIGHT
11	084057-02-000	FT	SEAL-E SHAPED, SPONGE - TIPOUT WINDOW - 42" X 38"-BLACK
12	084058-17-000	EA	GLASS-TIPOUT, 9 2" X 24 5"
13	084453-02-000	EA	WASHER-.08" X 5" X 25" - PLASTIC
14	088782-01-000	EA	T NUT 10-32
15	088783-01-000	EA	SCREW-MACH, 10 - 32 X 1/4 PTH
16	087568-04-01A	EA	MULLION-HORIZONTAL, TIPOUT - BLACK
17	089913-01-000	EA	HINGE-TIPOUT WINDOW, BLACK
18	097578-01-000	EA	LINKAGE-TIPOUT WINDOW
19	084453-01-000	EA	WASHER-.05" X .5" X .135" - PLASTIC
20	084473-01-000	EA	SEAL-FLAT, W/CENTER HOLE & ADHESIVE SIDE - 8" X 6" - BLK
21	085315-01-000	EA	RIVET-SHOULDER, TIPOUT WINDOW
22	099154-01-000	FT	CHANNEL-GLAZING, STATIONARY GLASS - 62" X 45" - BLACK
23	100235-04-B07	EA	SCREEN-SINGLE TIPOUT WINDOW
	080218-03-000	SF	SCREENING-FIBERGLASS, 12" WIDE
	100168-01-000	EA	CLIP-SPRING, SCREEN
	100240-01-000	FT	SPLINE-SCREEN, T-SHAPED
	009439-08-000	EA	EXTENSION-CRANK; HANDLE, WINDOW /ROOF VENT - BLACK
	009439-05-00C	EA	KNOB-OPERATOR, TIPOUT WINDOW - W/SPRING & ARM
	009439-07-000	EA	SCREW, 8-32 X 1 1/4 POH - BLACK
	069640-11-000	FT	TAPE-SEALER, 3/16" X 3/8" - BLACK

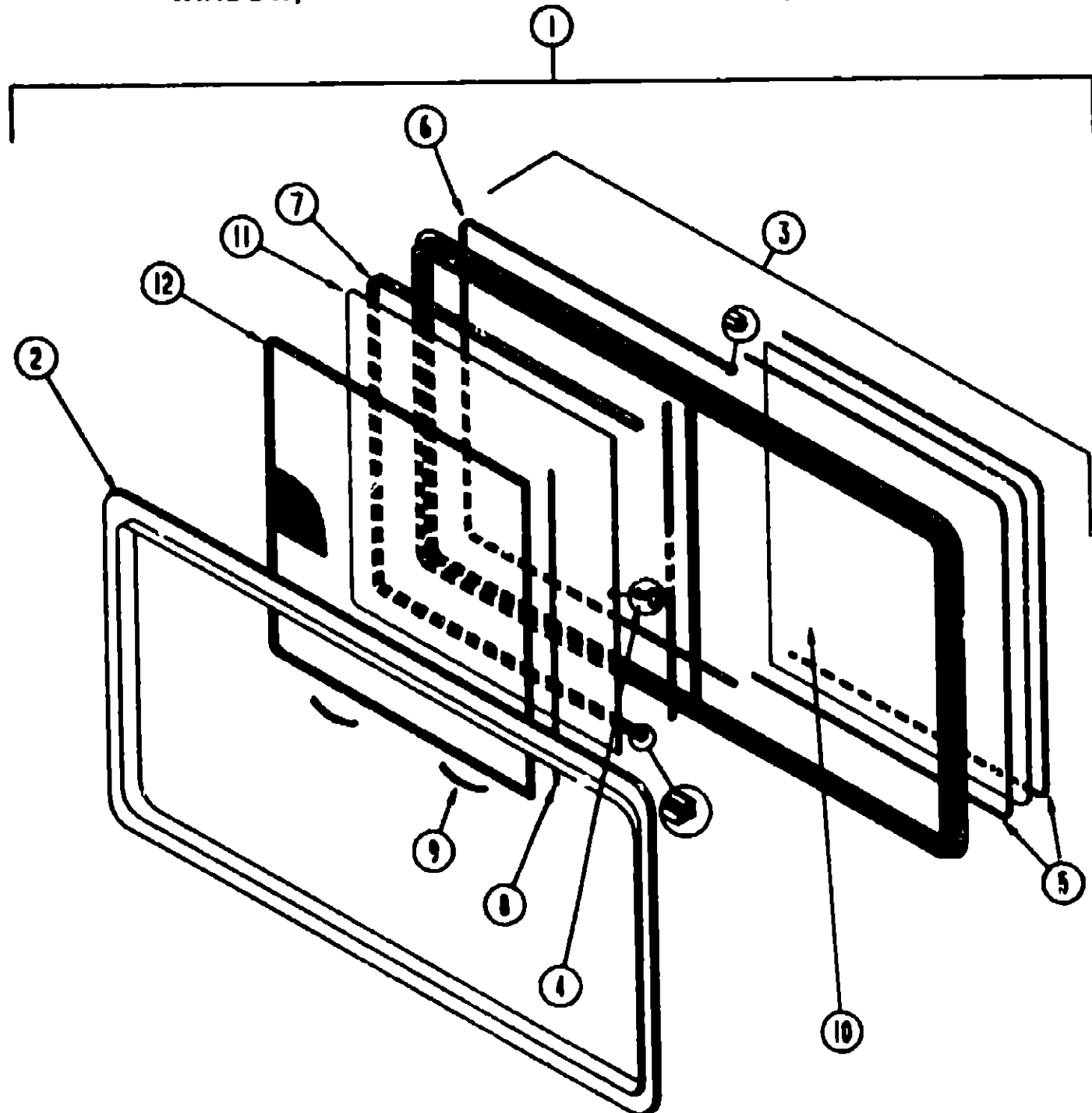
1992 WINNEBAGO TABLE OF CONTENTS

INTRODUCTION	A-01 - A-02
ABBREVIATIONS	A-03
ALPHABETICAL INDEX	A-04 - A-08
WF527RC	A-07 - D-24
WF527RC	E-01 - H-16

1992 WF527RC INDEX

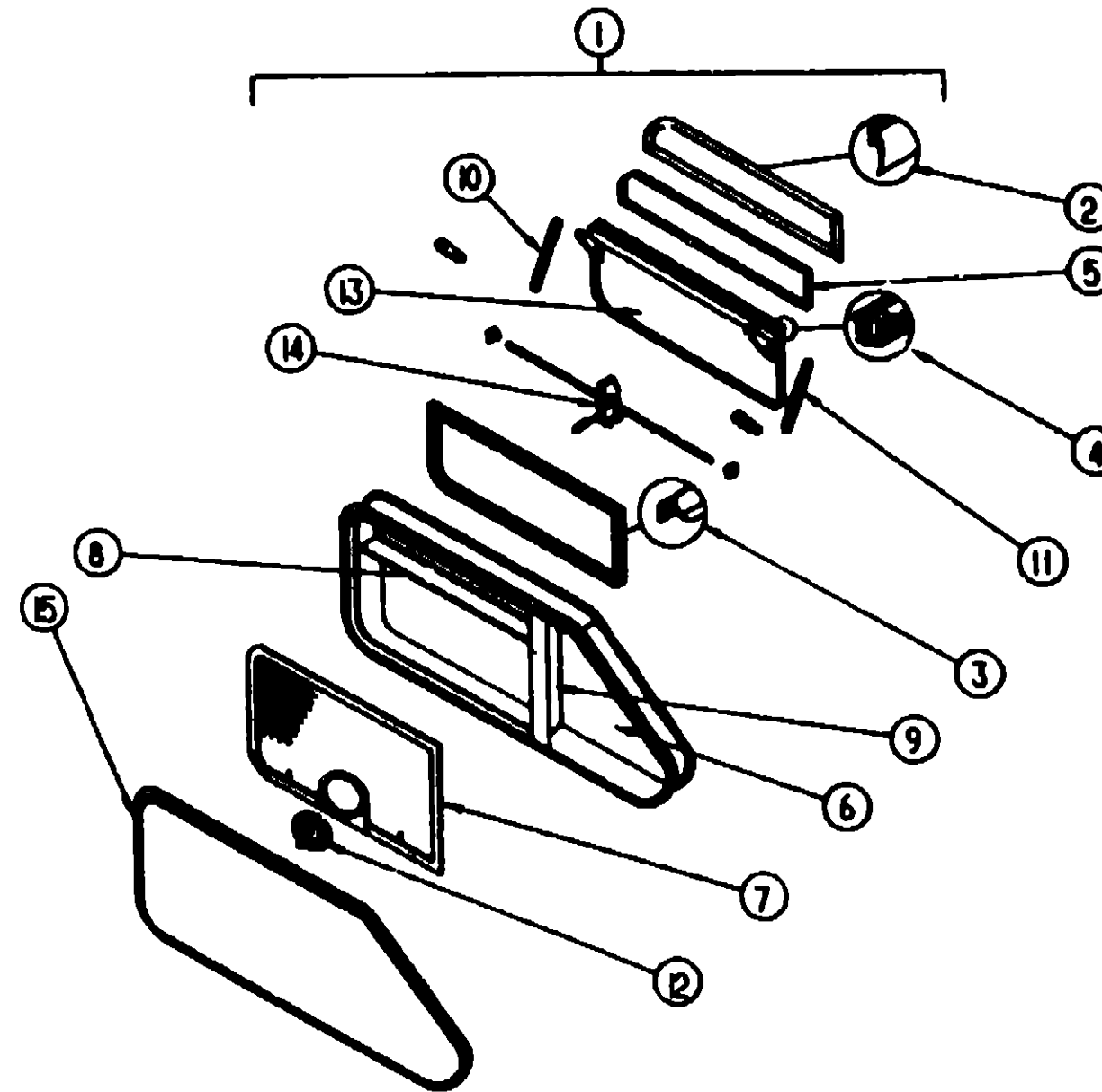
FLOOR PLAN	E-01 - E-02
ACCESSORIES	E-03
AUDIO VIDEO	E-04
BATH	E-05 - E-08
BEDROOM	E-07 - E-08
CHASSIS	E-09 - E-13
CURTAIN & CUSHION	E-14 - E-22
DINETTE	E-23 - E-24
DRIVERS	F-01 - F-02
ELECTRICAL	F-03 - F-08
EXTERIOR BODY	F-07 - F-14
GALLEY	F-15 - F-19
GENERATOR	F-20
HEATING & AC	F-21 - F-22
INTERIOR FINISH	F-23 - G-02
LABEL.	G-03 - G-09
LP	G-10
LOUNGE	G-11 - G-12
SEALANTS & FASTENERS	G-13 - G-15
WATER & SEWAGE	G-16 - G-20
WINDOW, VENT AND EXTERIOR DOOR	G-21 - H-15

WINDOW, VENT & EXTERIOR DOOR GROUP (CONTINUED)



DRIVER SIDE COUCH WINDOW

WINDOW, VENT & EXTERIOR DOOR GROUP (CONTINUED)



DRIVER SIDE OVERHEAD BUNK WINDOW

1982 WINNEBAGO
TABLE OF CONTENTS

INTRODUCTION	A-01 - A-02
ABBREVIATIONS	A-03
ALPHABETICAL INDEX	A-04 - A-08
WF527RQ	A-07 - D-24
WF527RC	E-01 - H-16

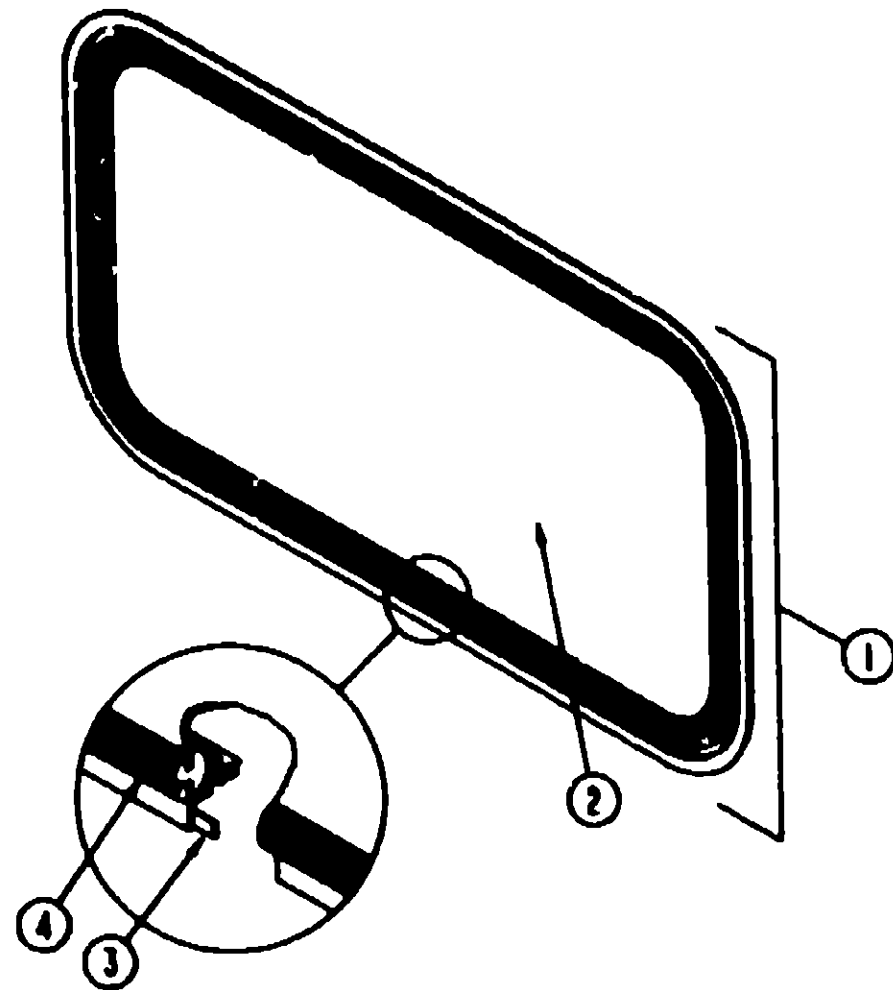
1982 WF527RC INDEX

FLOOR PLAN	E-01 - E-02
ACCESSORIES	E-03
AUDIO VIDEO	E-04
BATH	E-05 - E-08
BEDROOM	E-07 - E-08
CHASSIS	E-09 - E-13
CURTAIN & CUSHION	E-14 - E-22
DINETTE	E-23 - E-24
DRIVERS	F-01 - F-02
ELECTRICAL	F-03 - F-08
EXTERIOR BODY	F-07 - F-14
GALLEY	F-15 - F-19
GENERATOR	F-20
HEATING & AC	F-21 - F-22
INTERIOR FINISH	F-23 - G-02
LABEL	G-03 - G-08
LP	G-10
LOUNGE	G-11 - G-12
SEALANTS & FASTENERS	G-13 - G-15
WATER & SEWAGE	G-16 - G-20
WINDOW, VENT AND EXTERIOR DOOR	G-21 - H-16

KEY	PART NUMBER	U/M	DESCRIPTION
1	088647-10-02A	EA	WINDOW-SLIDER, HORIZONTAL - W/INSIDE FRAME - BLACK
2	088647-09-704	EA	TRIM-INSIDE (OFF-WHITE) - W024-67 EXCEL-WHITE
3	088647-10-700	EA	WINDOW-SINGLE SLIDER - LEFT (W/O INSIDE FRAME)
4	088644-01-700	EA	LATCH REPAIR KIT
5	088641-01-705	FT	GLAZING STRIP, EXCEL M926-12
6	088644-01-706	FT	WEATHERSTRIP EXCEL 171-01888
7	088644-01-708	FT	CHANNEL-PIERCED RUN EXCEL 122-018543
8	088644-01-710	FT	TRACK-SCREEN SPACER 12' LENGTH - EXCEL M401-31
	088644-01-711	FT	WEATHERSTRIP-SCREEN BLACK - EXCEL 171-01885
9	088644-01-713	EA	SPRING-SCREEN FRAME (CLIP) PLASTIC - BLACK - EXCEL 226-018888
	088644-01-716	FT	PLUG-FILLER, EXCEL 132-014470
	088644-01-717	FT	SPLINE-SCREEN MFG, EXCEL 32-004718
10	088647-09-700	EA	GLASS-STATIONARY - 106-017193 EXCEL
11	088647-09-701	EA	GLASS-SLIDING, W/SASH&LATCH - H024-G9 EXCEL
12	088647-09-705	EA	SCREEN W/SPRING&WEATHERSTRIP - 410-018484 EXCEL

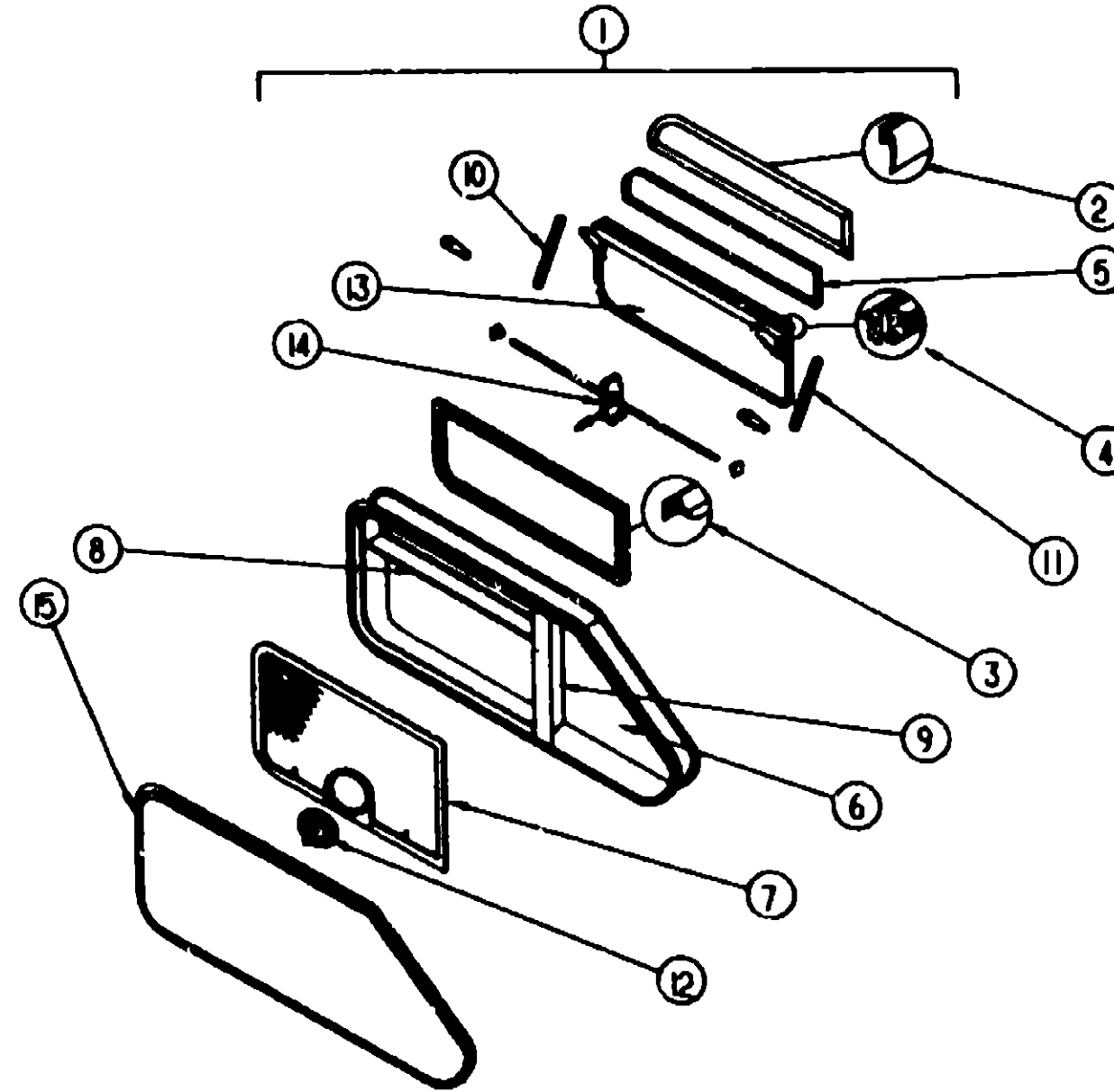
KEY	PART NUMBER	U/M	DESCRIPTION
1	100322-02-700	EA	WINDOW-VENTED, 12" X 35 8 W/O INSIDE FRAME - EXCEL CH19-DK L
2	088644-01-716	FT	PLUG-FILLER, EXCEL 132-014470
3	100322-01-701	FT	SEAL-VENT, EXCEL 122-018071
4	100322-01-702	FT	WEATHERSTRIP-HORIZONTAL RAIL, EXCEL 132-015978
	100322-01-703	EA	STRIP-GLAZING,BUTYL EXCEL 132-010723
	100322-01-704	EA	TAPE-BUTYL, EXCEL 154-018083
5	100322-01-705	EA	GLASS-STATIONARY, SMALL TOP - EXCEL 106-017284
6	100322-01-708	EA	GLASS-STATIONARY, LARGE FRONT - EXCEL 106-017285
7	100322-01-708	EA	SCREEN-DRIVER SIDE, EXCEL 410-017289 L
8	100322-01-712	EA	RAIL-HORIZONTAL, EXCEL CH05-19 R OR L
9	100322-01-713	EA	BAR-DIVISION, VERTICAL - EXCEL CH19-20 R OR L
10	100322-01-714	EA	SUPPORT-TORQUE BAR, EXCEL 130-015978 (L)
11	100322-01-716	EA	SUPPORT-TORQUE BAR, CENTER RAIL - EXCEL 130-015980
	100322-01-717	EA	E-RING, EXCEL 246-015975
12	100322-01-718	EA	HANDLE-DIAL, EXCEL 410-018081
13	100322-01-722	EA	GLASS ASM -VENT, LEFT - EXCEL CH19-08L
14	100322-01-723	EA	OPERATOR ASM -VENT GLASS, LEFT - EXCEL CH19-15L
15	100322-02-701	EA	FRAME-INSIDE, LEFT - WHITE - EXCEL V888-80L

WINDOW, VENT & EXTERIOR DOOR GROUP (CONTINUED)



OVERHEAD BUNK FRONT WINDOW

WINDOW, VENT & EXTERIOR DOOR GROUP (CONTINUED)



PASSENGER SIDE OVERHEAD BUNK WINDOW

1992 WINNEBAGO
TABLE OF CONTENTS

INTRODUCTION	A-01 - A-02
ABBREVIATIONS	A-03
ALPHABETICAL INDEX	A-04 - A-08
WF527RQ	A-07 - D-24
WF527RC	E-01 - H-16

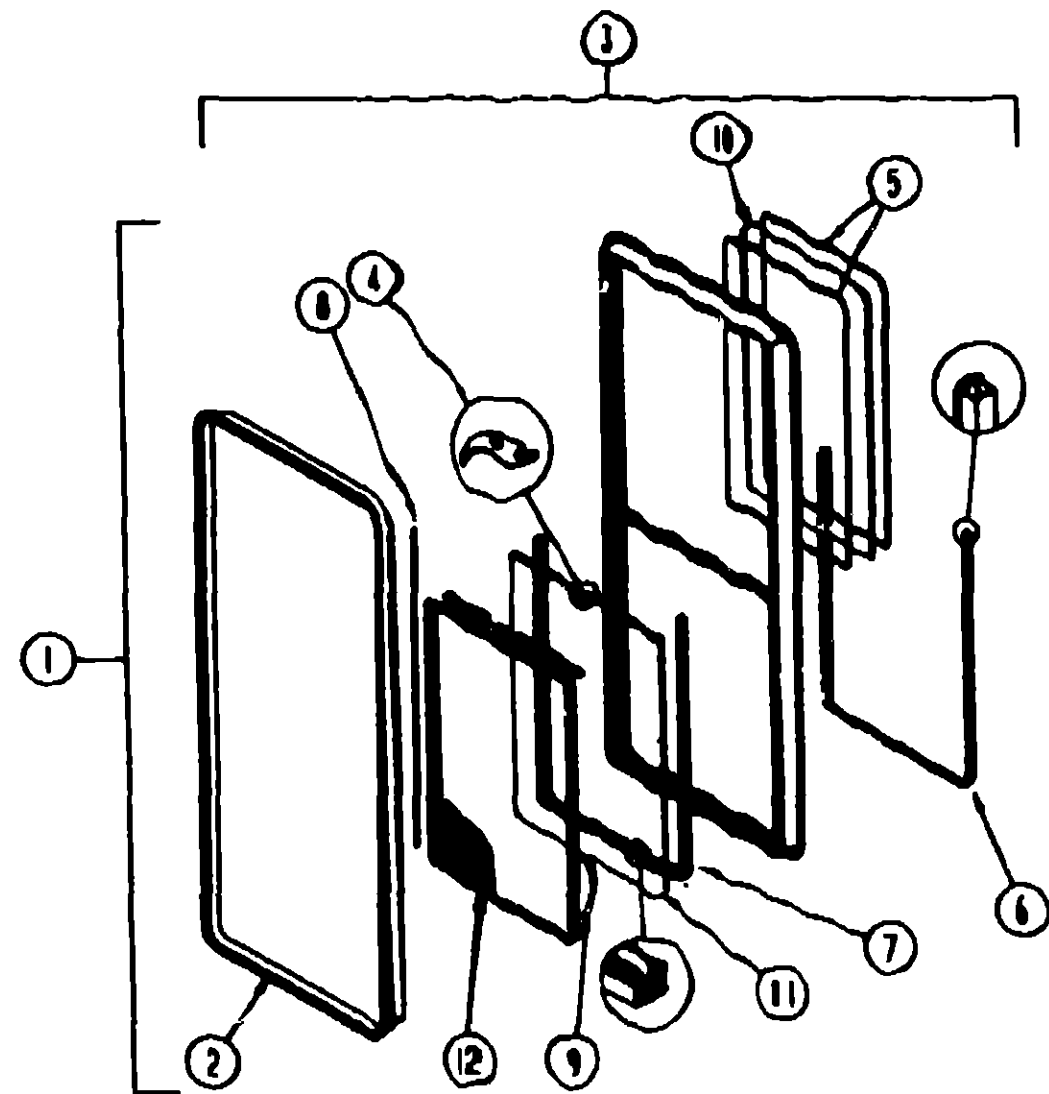
1992 WF527RC INDEX

FLOOR PLAN	E-01 - E-02
ACCESSORIES	E-03
AUDIO VIDEO	E-04
BATH	E-05 - E-06
BEDROOM	E-07 - E-08
CHASSIS	E-09 - E-13
CURTAIN & CUSHION	E-14 - E-22
DINETTE	E-23 - E-24
DRIVERS	F-01 - F-02
ELECTRICAL	F-03 - F-06
EXTERIOR BODY	F-07 - F-14
GALLEY	F-15 - F-18
GENERATOR	F-20
HEATING & AC	F-21 - F-22
INTERIOR FINISH	F-23 - G-02
LABEL	G-03 - G-08
LP	G-10
LOUNGE	G-11 - G-12
SEALANTS & FASTENERS	G-13 - G-15
WATER & SEWAGE	G-16 - G-20
WINDOW, VENT AND EXTERIOR DOOR	G-21 - H-15

KEY	PART NUMBER	U/M DESCRIPTION
	067809-33-000	EA FRAME-INSIDE WINDOW
1	103313-01-B05	EA WINDOW-PICTURE, W/O INSIDE FRAME
2	002181-15-000	EA GLASS-PICTURE, 11 25" X 58 1" - GRAY
3	088640-11-000	FT SEALER-TAPE, 3/16" X 3/8" - BLACK
4	068154-01-000	FT CHANNEL-GLAZING STATIONARY GLASS - 62" X 46" - BLACK

KEY	PART NUMBER	U/M DESCRIPTION
1	100322-01-720	EA WINDOW-VENTED, 12" X 35 8 W/O INSIDE FRAME - EXCEL CH19-DK R
2	088644-01-718	FT PLUG-FILLER, EXCEL 132-014470
3	100322-01-701	FT SEAL-VENT, EXCEL 122-018071
4	100322-01-702	FT WEATHERSTRIP-HORIZONTAL RAIL, EXCEL 132-015978
	100322-01-703	EA STRIP-GLAZING, BUTYL EXCEL 132-010723
	100322-01-704	EA TAPE-BUTYL, EXCEL 154-018083
5	100322-01-705	EA GLASS-STATIONARY, SMALL TOP - EXCEL 108-017284
6	100322-01-708	EA GLASS-STATIONARY, LARGE FRONT - EXCEL 108-017285
7	100322-01-709	EA SCREEN-PASSENGER SIDE, EXCEL 410-017270 R
8	100322-01-712	EA RAIL-HORIZONTAL, EXCEL CH05-19 R OR L
9	100322-01-713	EA BAR-DIVISION, VERTICAL - EXCEL CH19-20 R OR L
10	100322-01-715	EA SUPPORT-TORQUE BAR, EXCEL 130-015979 (R)
11	100322-01-716	EA SUPPORT-TORQUE BAR, CENTER RAIL - EXCEL 130-015980
	100322-01-717	EA E-RING, EXCEL 248-015975
12	100322-01-718	EA HANDLE-DIAL, EXCEL 410-018081
13	100322-01-707	EA GLASS-VENT, RIGHT - EXCEL CH19-D8R
14	100322-01-711	EA OPERATOR-VENT, SUB ASSEMBLY - EXCEL CH05-15 R OR L
15	100322-01-724	EA FRAME-INSIDE, RIGHT - WHITE V088-60R EXCEL

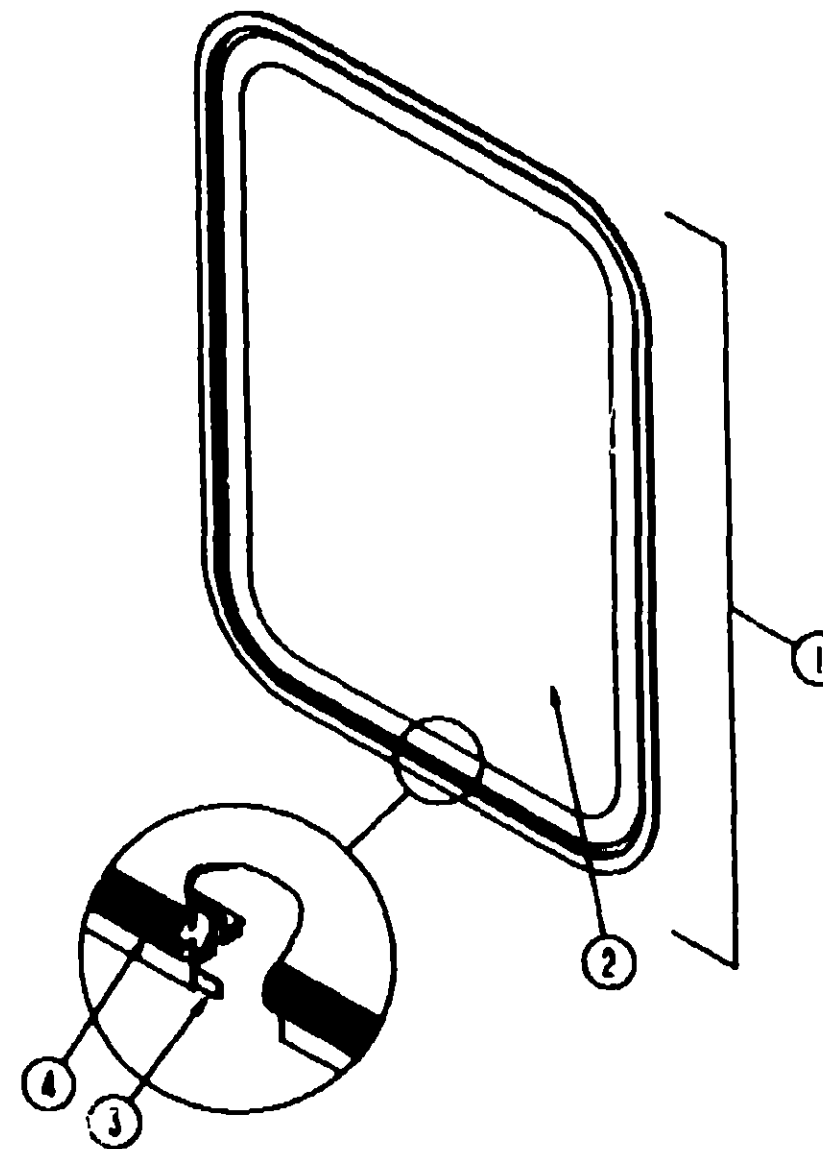
WINDOW, VENT & EXTERIOR DOOR GROUP (CONTINUED)



PASSENGER SIDE SWIVEL CHAIR WINDOW

KEY	PART NUMBER	U/M	DESCRIPTION
1	088844-05-01A	EA	WINDOW-SLIDER, VERTICAL WINDSIDE TRIM - EXCEL H250-PF
2	088844-05-700	EA	TRIM-INSIDE (OFF-WHITE) - EXCEL W250-07
3	088844-05-704	EA	WINDOW ASM W/O INSIDE TRIM - EXCEL H250-Q2R
4	088844-01-700	EA	LATCH-REPAIR KIT, EXCEL B001-CK
5	088844-01-705	FT	GLAZING STRIP, EXCEL M028-12
6	088844-01-708	FT	WEATHERSTRIP, EXCEL 171-010888
7	088844-01-708	FT	CHANNEL-PERFORC RUN, EXCEL 122-018543
8	088844-01-710	FT	TRACK-SCREEN SPACER, 12" LENGTH - EXCEL M401-31
	088844-01-711	FT	WEATHERSTRIP-SCREEN, BLACK - EXCEL 171-010885
9	088844-01-713	EA	SPRING-SCREEN FRAME (CLIP), PLASTIC - BLACK
	088844-01-716	FT	PLUG-FILLER, EXCEL 132-014470
	088844-01-717	FT	SPLINE-SCREEN MFG, EXCEL 132-004715
10	088844-05-701	EA	STATIONARY GLASS, EXCEL 108-018013
11	088844-05-702	EA	SLIDE ARM, EXCEL B038-09
12	088844-05-703	EA	SCREEN ASM, EXCEL 410-018478

WINDOW, VENT & EXTERIOR DOOR GROUP (CONTINUED)



ENTRY DOOR WINDOW

KEY	PART NUMBER	U/M	DESCRIPTION
	087809-32-000	EA	FRAME-WINDOW, ENTRY DOOR - OFF WHITE
1	079733-04-T03	EA	WINDOW-PICTURE, W/O INSIDE FRAME - 17" X 25"
2	002181-08-000	EA	GLASS-PICTURE WINDOW, 115" X 18 25" X 24"
3	08884C-11-000	FT	SEALER-TAPE, 3/16" X 3/8" BLACK
4	087581-01-000	FT	SEAL-GLASS, EXTERIOR - 5" WIDE - VINYL - BLACK

1992 WINNEBAGO
TABLE OF CONTENTS

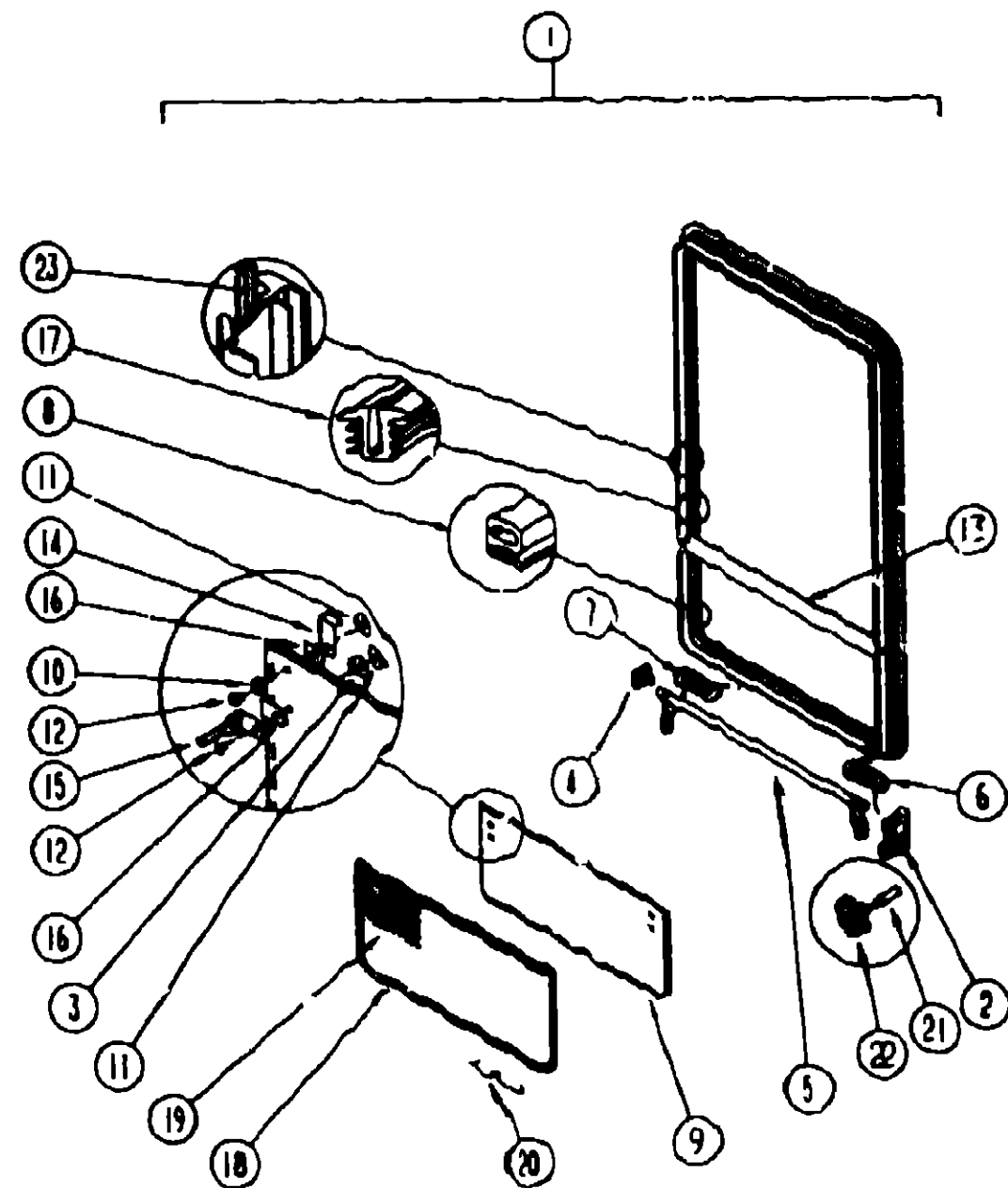
INTRODUCTION	A-01 - A-02
ABBREVIATIONS	A-03
ALPHABETICAL INDEX	A-04 - A-08
WF827RQ	A-07 - D-24
WF827RC	E-01 - H-16

1992 WF827RC INDEX

FLOOR PLAN	E-01 - E-02
ACCESSORIES	E-03
AUDIO VIDEO	E-04
BATH	E-05 - E-06
BEDROOM	E-07 - E-08
CHASSIS	E-09 - E-13
CURTAIN & CUSHION	E-14 - E-22
DINETTE	E-23 - E-24
DRIVERS	F-01 - F-02
ELECTRICAL	F-03 - F-08
EXTERIOR BODY	F-07 - F-14
GALLEY	F-15 - F-18
GENERATOR	F-19
HEATING & A/C	F-21 - F-22
INTERIOR FINISH	F-23 - G-02
LABEL	G-03 - G-09
LP	G-10
LOUNGE	G-11 - G-12
SEALANTS & FASTENERS	G-13 - G-15
WATER & SEWAGE	G-16 - G-20
WINDOW, VENT AND EXTERIOR DOOR	G-21 - H-15

WINDOW, VENT & EXTERIOR DOOR GROUP (CONTINUED)

GALLEY WINDOW



KEY	PART NUMBER	UNIT DESCRIPTION
1	00000-17-02A	EA FRAME-INSIDE, WINDOW RETAINER - OFF WHITE
1	002235-11-V12	EA WINDOW-TIPOUT, SINGLE - W/O INSIDE FRAME
	000H14-03-14F	EA RIVET-MANDREL BLIND, 3/16"
2	005302-02-000	EA OPERATOR-TORQUE, TIPOUT WINDOW -
3	000027-09-000	EA SEAL-WINDOW, RUBBER - ROUND - 80" DIA. - BLACK
4	001354-01-000	EA SLEEVE-TORQUE TUBE, TIPOUT WINDOW - 1 3/4" X 1 2" X .7"
5	001649-01-000	EA RING-SNAP, 7/32 SHAFT DIAMETER
6	003190-10-000	EA TUBE-TORQUE, TIPOUT WINDOW - W/SPRING & ARM - 22.5" LONG
7	000016-01-000	EA SPRING-TORQUE TUBE, LEFT
8	000016-02-000	EA SPRING-TORQUE TUBE, RIGHT
9	004057-02-000	FT SEAL-E SHAPED, SPONGE - TIPOUT WINDOW - 42" X 38" - BLACK
10	004058-15-000	EA GLASS-TIPOUT, 8.2" X 24.5"
11	004453-02-000	EA WASHER-08" X .5" X 25" - PLASTIC
12	000782-01-000	EA T NUT 10-32
13	000783-01-000	EA SCREW-MACH, 10 - 32 X 1/4 PTH
14	007508-02-01A	EA MULLION-HORIZONTAL, TIPOUT - BLACK
15	000013-01-000	EA HINGE-TIPOUT WINDOW, BLACK
16	007578-01-000	EA LINKAGE-TIPOUT WINDOW
17	004453-01-000	EA WASHER-08" X .5" X 135" - PLASTIC
18	004473-01-000	EA SEAL-FLAT, W/CENTER HOLE & ADHESIVE SIDE - 8" X 9" - BLK
19	005315-01-000	EA RIVET-SHOULDER, TIPOUT WINDOW
20	000154-01-000	FT CHANNEL-GLAZING, STATIONARY GLASS - 62" X 45" - BLACK
21	100235-02-807	EA SCREEN-SINGLE TIPOUT WINDOW
22	000218-03-000	SF SCREENING-FIBERGLASS, 12" WIDE
23	100188-01-000	EA CUP-SPRING, SCREEN
	100240-01-000	FT SPLINE-SCREEN, T-SHAPED
	000439-08-000	EA EXTENSION-CRANK HANDLE, WINDOW/ROOF VENT - BLACK
	000439-05-000	EA KNOB-OPERATOR, TIPOUT WINDOW - W/SPRING & ARM
	000439-07-000	EA SCREW, 8-32 X 1 1/4 POH - BLACK
	000640-11-000	FT TAPE-SEALER, 3/16" X 3/8" - BLACK

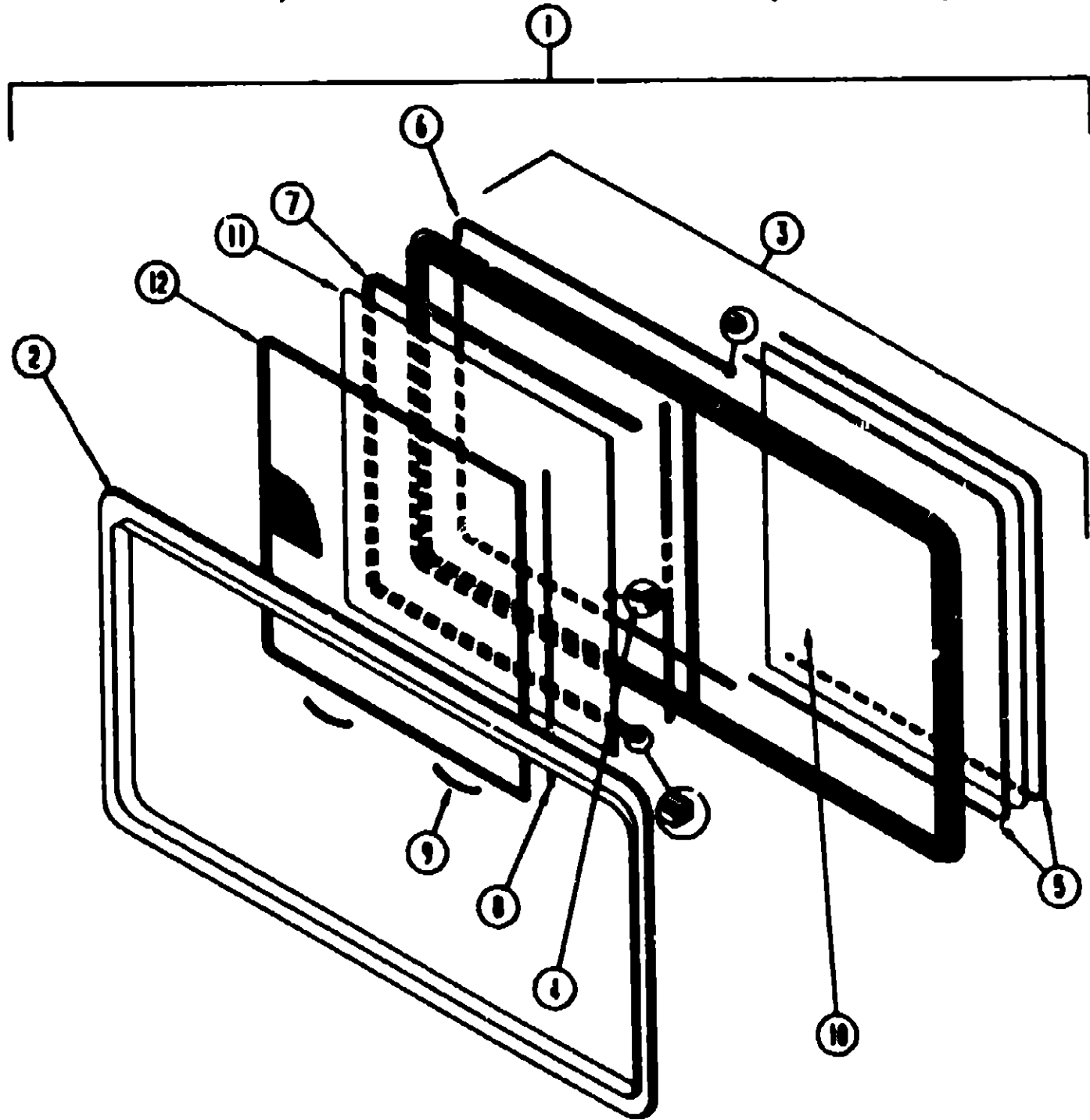
1992 WINNEBAGO TABLE OF CONTENTS

INTRODUCTION	A-01 - A-02
ABBREVIATIONS	A-03
ALPHABETICAL INDEX	A-04 - A-08
WFS27RC	A-07 - D-24
WFS27RC	E-01 - H-18

1992 WFS27RC INDEX

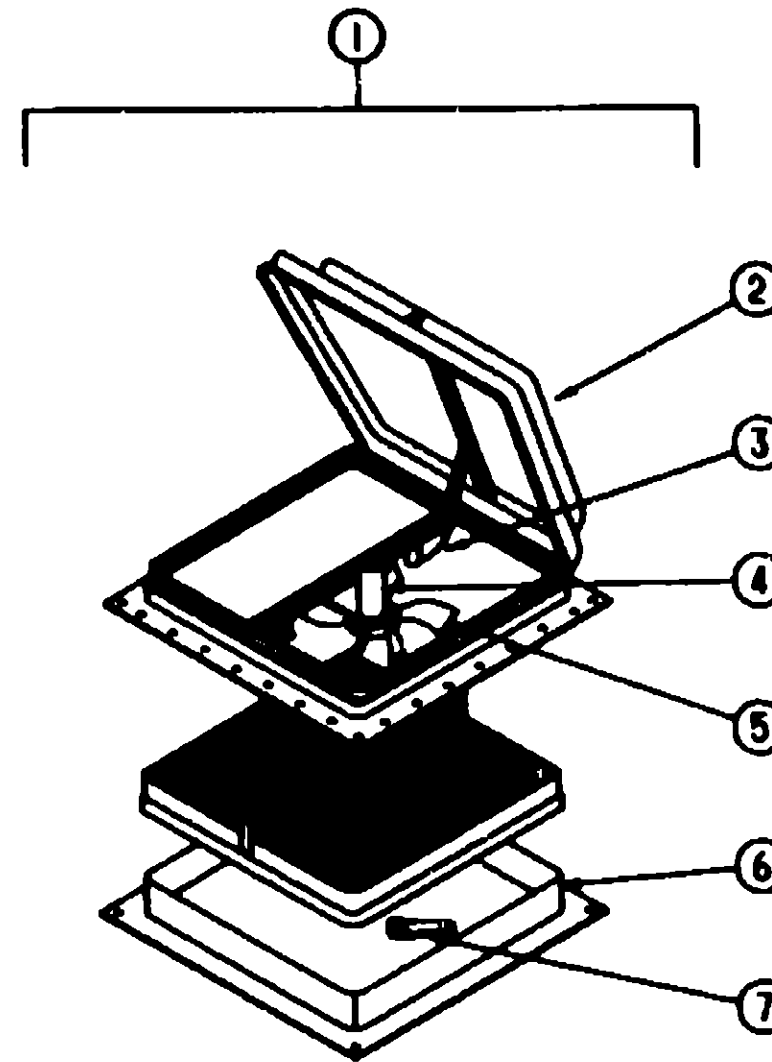
FLOOR PLAN	E-01 - E-02
ACCESSORIES	E-03
AUDIO VIDEO	E-04
BATH	E-05 - E-06
BEDROOM	E-07 - E-08
CHASSIS	E-09 - E-13
CURTAIN & CUSHION	E-14 - E-22
DINETTE	E-23 - E-24
DRIVERS	F-01 - F-02
ELECTRICAL	F-03 - F-06
EXTERIOR BODY	F-07 - F-14
GALLEY	F-15 - F-19
GENERATOR	F-20
HEATING & AC	F-21 - F-22
INTERIOR FINISH	F-23 - G-02
LABEL	G-03 - G-08
LP	G-10
LOUNGE	G-11 - G-12
SEALANTS & FASTENERS	G-13 - G-15
WATER & SEWAGE	G-16 - G-20
WINDOW, VENT AND EXTERIOR DOOR	G-21 - H-18

WINDOW, VENT & EXTERIOR DOOR GROUP (CONTINUED)



PASSENGER SIDE DINETTE WINDOW

WINDOW, VENT & EXTERIOR DOOR GROUP (CONTINUED)



JENSEN POWERED ROOF VENT

KEY	PART NUMBER	U/M DESCRIPTION
1	084489-08-000	EA VENT-ROOF, POWERED - 14" X 14" - 12V - CANADIAN
2	084489-03-702	EA LID-VENT WHITE
3	084489-03-708	EA LIFT MECHANISM
4	048848-01-000	EA MOTOR-ROOF VENT, 1/8 SHAFT - 12V
5	048848-01-000	EA FAN-ROOF VENT, 8 BLADES - 8"
6	084489-03-705	EA GARNISH, VENT 2.5 IN WIDE
7	009439-01-000	EA CRANK HANDLE-ROOF VENT

FANTASTIC ROOF VENTILATOR

KEY	PART NUMBER	U/M DESCRIPTION
	084079-03-000	EA VENT-CEILING, POWERED EXHAUST - OFF WHITE - FANTASTIC VENT
	084079-01-700	EA VENT COVER - FANTASTIC 1080-10
	084079-01-703	EA CRANK-EXTERIOR, FANTASTIC 1080-08
	084079-01-704	EA BLADE-FAN, FANTASTIC 1070-00
	084079-01-705	EA MOTOR, FANTASTIC 1080-00
	084079-01-708	EA PLUG-12 VOLT, FANTASTIC 1080
	084079-01-707	EA SWITCH-SAFETY, FANTASTIC 1120-00
	084079-01-709	EA SWITCH-ON & OFF, MAIN POWER - FANTASTIC 1100-00
	084079-01-711	EA H-MOLDING, MOTOR MOUNT - PLASTIC - FANTASTIC
	084079-01-712	EA GARNISH INT FIN 17/8 - OFF WHITE

**1982 WINNEBAGO
TABLE OF CONTENTS**

INTRODUCTION	A-01 - A-02
ABBREVIATIONS	A-03
ALPHABETICAL INDEX	A-04 - A-08
WFS27RQ	A-07 - D-24
WFS27RC	E-01 - H-18

1982 WFS27RC INDEX

FLOOR PLAN	E-01 - E-02
ACCESSORIES	E-03
AUDIO VIDEO	E-04
BATH	E-05 - E-08
BEDROOM	E-07 - E-08
CHASSIS	E-09 - E-13
CURTAIN & CUSHION	E-14 - E-22
DINETTE	E-23 - E-24
DRIVERS	F-01 - F-02
ELECTRICAL	F-03 - F-08
EXTERIOR BODY	F-07 - F-14
GALLEY	F-15 - F-19
GENERATOR	F-20
HEATING & AC	F-21 - F-22
INTERIOR FINISH	F-23 - G-02
LABEL	G-03 - G-08
LP	G-10
LOUNGE	G-11 - G-12
SEALANTS & FASTENERS	G-13 - G-15
WATER & SEWAGE	G-16 - G-20
WINDOW, VENT AND EXTERIOR DOOR	G-21 - H-18

KEY	PART NUMBER	U/M DESCRIPTION
1	088847-08-02A	EA WINDOW-SLIDER, HORIZONTAL - WINDSIDE FRAME - BLACK
2	088847-08-704	EA TRIM-INSIDE (OFF-WHITE) - W024-87 EXCEL-WHITE
3	088847-08-703	EA WINDOW-SINGLE SLIDER - LEFT (W/O INSIDE FRAME)
4	088844-01-700	EA LATCH REPAIR KIT
5	088844-01-705	FT GLAZING STRIP, EXCEL M888-12
6	088844-01-708	FT WEATHERSTRIP EXCEL 171-018888
7	088844-01-708	FT CHANNEL-PIERCED RUN EXCEL 122-018843
8	088844-01-710	FT TRACK-SCREEN SPACER 12" LENGTH - EXCEL M401-31
	088844-01-711	FT WEATHERSTRIP-SCREEN BLACK - EXCEL 171-018888
9	088844-01-713	EA SPRING-SCREEN FRAME (CLIP) PLASTIC - BLACK - EXCEL 228-018888
	088844-01-716	FT PLUG-FILLER, EXCEL 132-014470
	088844-01-717	FT SPLINE-SCREEN MFG, EXCEL 32-004718
10	088847-08-700	EA GLASS-STATIONARY - 108-017198 EXCEL
11	088847-08-701	EA GLASS-SLIDING, W/BASHLATCH - H024-08 EXCEL
12	088847-08-705	EA SCREEN W/SPRING&WEATHERSTRIP - 410-018484 EXCEL

WINDOW, VENT & EXTERIOR DOOR GROUP (CONTINUED)

POWERED ROOF VENT

KEY	PART NUMBER	UOM DESCRIPTION
	008438-01-000	EA CRANK HANDLE-ROOF VENT
	008438-04-000	EA SCREW 8-32 X 1 1/4" POH
	008438-02-000	EA KNOB-ROOF VENT MILL
	008438-03-000	EA EXTENSION-CRANK HANDLE ROOF VENT - 8" - MILL
	008438-04-000	EA SCREW 8-32 X 1 1/4" POH
	080884-01-Y12	EA VENT-ROOF POWERED
	065218-01-000	EA COVER-ROOF VENT, PLASTIC
	008825-01-000	EA WEATHER STRIP-ROOF VENT GRAY
	008186-01-000	EA SWITCH-ROOF VENT PUSH BUTTON 12V
	008343-01-000	EA TIE-WIRE 6"
	008388-01-000	EA GROMMET-SNAP 3/8"
	008440-01-000	EA GEAR/ARM-VENT COVER LIFT
	018811-01-000	EA TRACK-LIFT ARM SLIDE - ROOF VENT
	048848-01-000	EA MOTOR-ROOF VENT 1/8 SHAFT - 12V - JENSEN
	048848-01-000	EA FAN-ROOF VENT 6 BLADES - 6" - JENSEN
	062838-01-001	EA HINGE-VENT COVER 16"
	062838-01-200	EA HINGE-EXTRUSION ROOF VENT 7"
	081808-01-000	EA GROMMET-SNAP 3/16"ID - 3/8" HOLE - PLASTIC - BLACK
	078786-01-Y12	EA SCREEN-ROOF VENT POWERED
	002291-02-000	SF SCREENING-ROOF VENT/WINDOW 16" - BLACK
	002298-02-000	FT SPLINE-VENT/WINDOW SCREEN 128 DIAMETER - BLACK

NONPOWERED ROOF VENT

KEY	PART NUMBER	UOM DESCRIPTION
	008438-01-000	EA CRANK HANDLE-ROOF VENT
	008438-04-000	EA SCREW 8-32 X 1 1/4" POH
	008438-02-000	EA KNOB-ROOF VENT MILL
	008438-03-000	EA EXTENSION-CRANK HANDLE ROOF VENT - 8" - MILL
	008438-04-000	EA SCREW 8-32 X 1 1/4" POH
	080886-01-Y12	EA VENT-ROOF NONPOWERED
	065218-01-000	EA COVER-ROOF VENT, PLASTIC
	008825-01-000	EA WEATHER STRIP-ROOF VENT GRAY
	008440-01-000	EA GEAR/ARM-VENT COVER LIFT
	018811-01-000	EA TRACK-LIFT ARM SLIDE - ROOF VENT
	062838-01-001	EA HINGE-VENT COVER 16"
	062838-01-200	EA HINGE-EXTRUSION ROOF VENT 7"
	078786-01-Y12	EA SCREEN-ROOF VENT NON POWERED - WHITE
	002291-02-000	SF SCREENING-ROOF VENT/WINDOW 16" - BLACK
	002298-02-000	FT SPLINE-VENT/WINDOW SCREEN 128 DIAMETER - BLACK

VENTS, SHROUDS & ROOF COVERS

KEY	PART NUMBER	UOM DESCRIPTION
	083588-03-000	EA VENT-PLUMBING PIPE ROOF WCOVER - OFF WHITE
	083782-01-000	EA SHROUD-RANGE, 18 5" X 20 6" X 16 2" - METAL - OFF WHITE
	084818-01-000	EA SHROUD-RANGE HOOD VENT, PLASTIC - OFF WHITE
	084878-03-000	EA VENT-RANGE HOOD, SHORT - LVS
	084073-03-000	EA COVER-ROOF VENT, REFRIGERATOR - OFF WHITE - NORCOLL
	084073-04-000	EA BASE-ROOF VENT, REFRIGERATOR - BLACK - NORCOLD

1992 WINNERAGO TABLE OF CONTENTS

INTRODUCTION	A-01 - A-02
ABBREVIATIONS	A-03
ALPHABETICAL INDEX	A-04 - A-08
WF527RQ	A-07 - D-24
WF527RC	E-01 - H-18

1992 WF527RC INDEX

FLOOR PLAN	E-01 - E-02
ACCESSORIES	E-03
AUDIO VIDEO	E-04
BATH	E-05 - E-08
BEDROOM	E-07 - E-08
CHASSIS	E-09 - E-13
CURTAIN & CUSHION	E-14 - E-22
DINETTE	E-23 - E-24
DRIVERS	F-01 - F-02
ELECTRICAL	F-03 - F-06
EXTERIOR BODY	F-07 - F-14
GALLEY	F-15 - F-19
GENERATOR	F-20
HEATING & A/C	F-21 - F-22
INTERIOR FINISH	F-23 - G-02
LABEL	G-03 - G-08
LP	G-10
LOUNGE	G-11 - G-12
SEALANTS & FASTENERS	G-13 - G-15
WATER & SEWAGE	G-16 - G-20
WINDOW, VENT AND EXTERIOR DOOR	G-21 - H-15