

**1992 WINNEBAGO
TABLE OF CONTENTS**

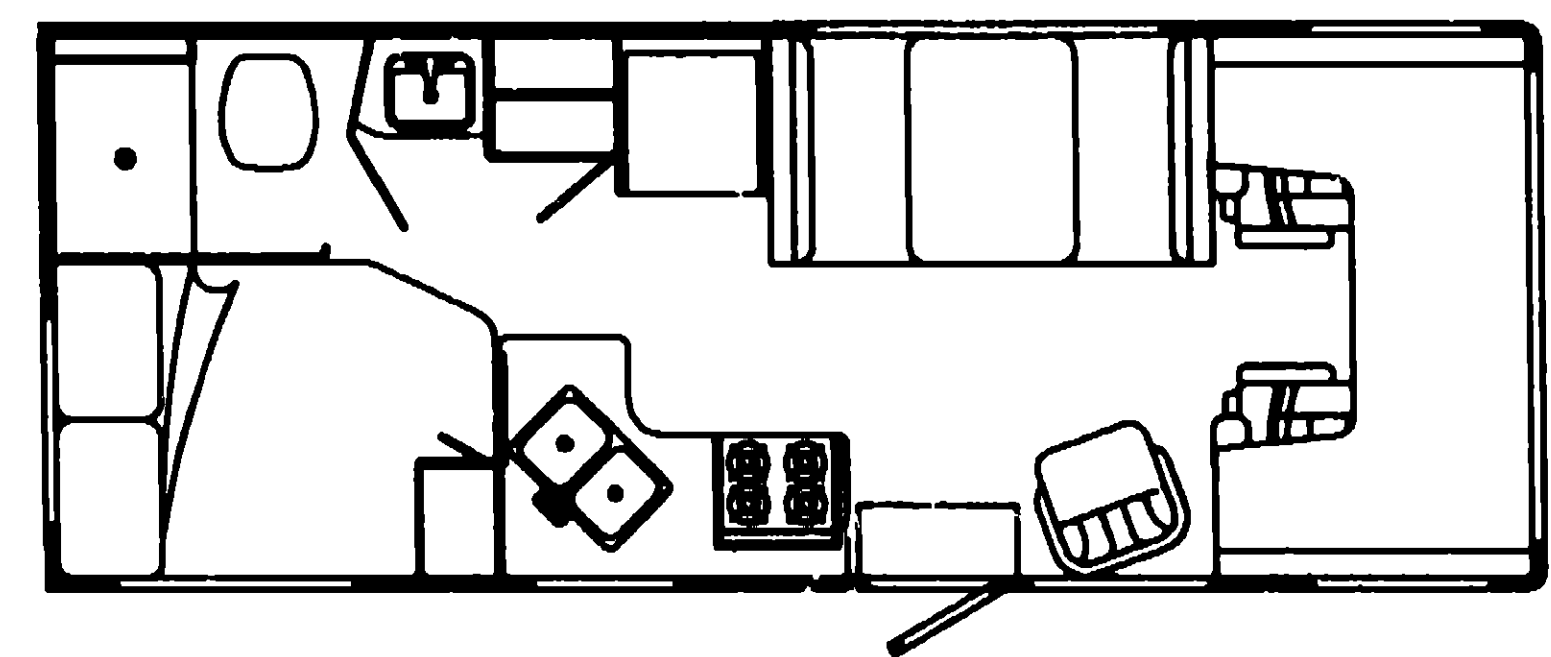
INTRODUCTION	A-01 -	A-02
ABBREVIATIONS		A-03
ALPHABETICAL INDEX	A-04 -	A-08
WC522RG	A-07 -	D-18
WF524RC	D-19 -	H-08

**1992
WF524RC
C52
C53**



1992 WF524RC INDEX

FLOOR PLAN	D-19 -	D-20
ACCESSORIES		D-21
AUDIO VIDEO		D-22
BATH	D-23 -	D-24
BEDROOM	E-01 -	E-02
CHASSIS	E-03 -	E-06
CURTAIN & CUSHION	E-07 -	E-16
DINETTE	E-18 -	E-17
DRIVERS	E-18 -	E-19
ELECTRICAL	E-20 -	E-23
EXTERIOR BODY	E-24 -	F-08
GALLEY	F-07 -	F-12
GENERATOR		F-13
HEATING & A/C	F-14 -	F-15
INTERIOR FINISH	F-16 -	F-19
LABEL	F-20 -	G-02
LP		G-03
LOUNGE		G-04
SEALANTS & FASTENERS	G-05 -	G-07
WATER & SEWAGE	G-08 -	G-12
WINDOW, VENT AND EXTERIOR DOOR	G-13 -	H-08



ACCESSORIES GROUP

OPERATORS MANUAL

KEY	PART NUMBER	U/M DESCRIPTION
	064185-79-000	EA MANUAL-OPERATOR, 1992 MINNIE WINNIE, 500 SERIES
	082318-01-000	EA BINDER-3 RING, MOTOR HOME MANUAL
	082319-01-000	EA POCKET PAGE-3 RING BINDER, PLASTIC
	106351-01-000	DW TOP LEVEL DRAWING NUMBER

AUDIO VIDEO GROUP

RADIO & ANTENNA COMPONENTS

KEY	PART NUMBER	U/M DESCRIPTION
	108450-02-000	EA RADIO-AM/FM CASS.ELECT AUDIOVOX/FD-CXD (FORD)
	108451-01-000	EA MOUNTING KIT-RADIO FORD AUDIOVOX FD-ECO-82 (FORD)
	081059-02-000	EA WIRE ASM-9-PIN, RADIO - AUDIOVOX 112B-1761 (FORD)
	108137-01-000	EA PLUG-ANTENNA HOLE, 92 E350 (FORD)
	088340-02-000	EA GRILLE-SPEAKER, 6 5" SQUARE (OVHD CABINETS)
	088340-03-000	EA SPACER-SPEAKER GRILLE, TAN MAGNADYNE G514 (OVHD CABINETS)
	094087-01-000	EA SPEAKER-RADIO, W/O GRILLE - 5 25" DIA - AUDIOVOX 110C3030 (OVHD CABINETS)
	073741-04-000	EA GRILLE-SPEAKER, OVAL - 4" X 6" - BLACK (PATIO ENTERTAINMENT)
	077088-02-000	EA CABLE-ANTENNA, RADIO - EXTENSION 98" - ARA 6700887 (PATIO ENTERTAINMENT)
	087883-01-000	EA RADIO-AM/FM STEREO WCASSETTE AUDIOVOX 144D1550 (PATIO ENTERTAINMENT)
	090944-01-000	EA ANTENNA-RADIO, 18" RUBBER (PATIO ENTERTAINMENT)
	090982-01-000	EA BRACKET-HAT, ANTENNA - 3.1" X 3 9" - STEEL - BLACK (PATIO ENTERTAINMENT)
	104899-01-C06	EA PLATE-RADIO MOUNTING (PATIO ENTERTAINMENT)
	106230-11-C06	EA SHELF ASM (PATIO ENTERTAINMENT)
	106230-12-C52	EA SUPPORT ASM (PATIO ENTERTAINMENT)
	106377-01-01A	EA BRACKET-TABLE HANGER - OFF WHITE (PATIO ENTERTAINMENT)
	106377-01-03A	EA BRACKET-TABLE HANGER - MILL (PATIO ENTERTAINMENT)

TV, ANTENNA & VCR SYSTEMS

KEY	PART NUMBER	U/M DESCRIPTION
	092310-03-000	EA TV-COLOR, 9" - ,AC/DC W/SWIVEL - MAGNAVOX R00845
	092310-02-700	EA REMOTE F/TV
	088448-03-000	EA VCR-VHS, CABLE READY - REMOTE - MAGNAVOX VR9010
	088448-03-700	EA REMOTE F/MODEL #9010
	088757-03-000	EA CONTROL CENTER-SWITCH, VCR/TV - MAGNADYNE VCS-6
	088777-03-000	EA PLATE-WALL, CABLE - W/TV ANTENNA SWITCH & BOOSTER - IVORY
	078319-09-000	EA WALLPLATE-CABLE RECEPTACLE, TV - SINGLE - BROWN
	088758-01-000	EA SPLITTER-TV, 2 WAY
	082134-01-000	EA ADAPTER-TV, CABLE TO CABLE - WINEGARD F-81M
	078319-08-000	EA ADAPTOR-CABLE ROOF PLATE, WINEGARD RPJ-1
	078319-03-000	FT CABLE-COAXIAL, 75 OHM
	078319-12-000	EA CONNECTOR-COAXIAL, ONE PIECE
	082138-01-000	EA NUT-HEX JAM 3/8-32 - WINEGARD
	078319-01-000	EA ANTENNA-TV, ROOF MOUNT - 44 5" MAST - RVA W02
	078319-01-700	EA HEAD-ANTENNA, AMPLIFIED - WINEGARD# RV8A U/V
	078319-01-701	EA GEAR-ELEVATING, PLASTIC - WINEGARD# 2200046
	078319-01-702	EA SHAFT ASM-ELEVATING, WINEGARD# RVP-400A
	078319-01-703	EA BEARING-NYLON, 5"OD - WINEGARD# 3200866
	078319-01-705	EA GROMMET-NYLON, 7/8"ID - WINEGARD# 3200866
	078319-01-708	EA CRANK-ELEVATING, W/SET SCREW - WINEGARD# 5755100
	078319-01-707	EA SPRING-HANDLE, WINEGARD# 5180800
	078319-01-709	EA PLATE-DIRECTIONAL, FOR HEAD - WINEGARD #3200844
	078319-01-708	EA CRANK-ELEVATING, W/SET SCREW - WINEGARD# 5755100

1992 WINNEBAGO

TABLE OF CONTENTS

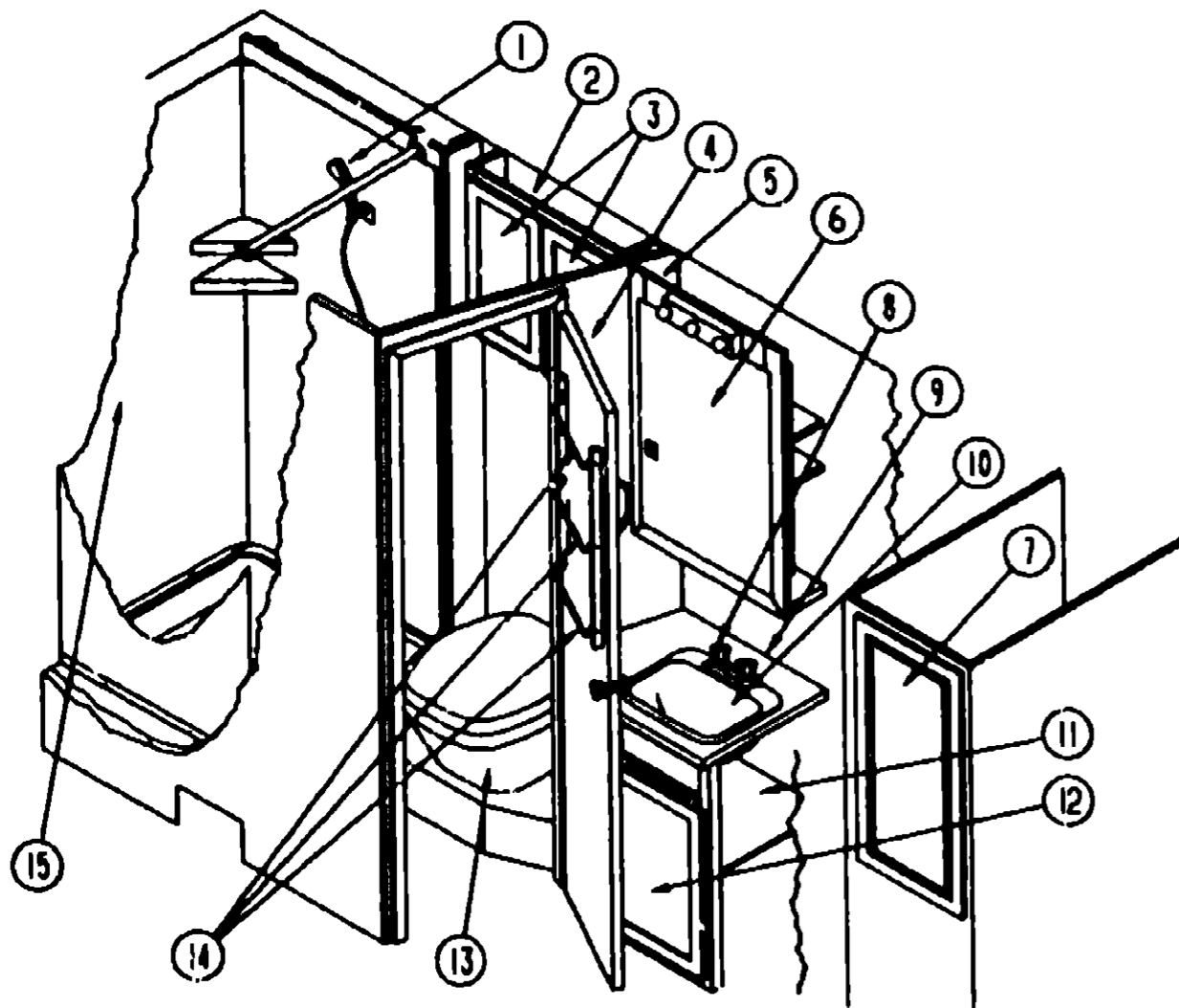
INTRODUCTION	A-11 -	A-02
ABBREVIATIONS		A-03
ALPHABETICAL INDEX	A-04 -	A-06
WC524RC	A-07 -	D-18
WF524RC	D-19 -	H-08

1992 WF524RC INDEX

FLOOR PLAN	D-19 -	D-20
ACCESSORIES		D-21
AUDIO VIDEO		D-22
BATH	D-23 -	D-24
BEDROOM	E-01 -	E-02
CHASSIS	E-03 -	E-06
CURTAIN & CUSHION	E-07 -	E-15
DINETTE	E-16 -	E-17
DRIVERS	E-18 -	E-19
ELECTRICAL	E-20 -	E-23
EXTERIOR BODY	E-24 -	F-08
GALLEY	F-07 -	F-12
GENERATOR		F-13
HEATING & A/C	F-14 -	F-15
INTERIOR FINISH	F-16 -	F-19
LABEL	F-20 -	G-02
LP		G-03
LOUNGE		G-04
SEALANTS & FASTENERS	G-05 -	G-07
WATER & SEWAGE	G-08 -	G-12
WINDOW, VENT AND EXTERIOR DOOR	G-13 -	H-08

BATH GROUP

BATH & SHOWER CABINETS & FIXTURES



KEY	PART NUMBER	U/M DESCRIPTION
10	066927-01-01A	EA SINK-LAVATORY, RECTANGULAR - PLASTIC - BONE
	066927-01-700	EA SINK-STOPPER
	066927-01-701	EA TAILPIECE-SINK STOPPER
11	M05752-01-C52	EA CABINET ASM-LAVATORY
11	M05752-01-C53	EA CABINET ASM-LAVATORY
11	M05752-02-C52	EA CABINET ASM-LAVATORY (CANADIAN)
11	M05752-02-C53	EA CABINET ASM-LAVATORY (CANADIAN)
12	P04746-00-C52	EA DOOR-CABINET, W/O HARDWARE - 365 X 555MM
		FROM 00-00-00 THRU 04-19-92
12	P04746-21-C05	EA DOOR-CABINET, W/O HARDWARE - 340 X 555MM
		FROM 04-20-92 THRU 99-99-99
	075452-02-000	EA HOLDER-TOILET TISSUE, BRASS
	075454-02-000	EA RING-TOWEL, W/MOUNTING HARDWARE - BRASS
13	067487-01-000	EA TOILET-12 3/4", IVORY - HAND FLUSH - THETFORD 150110
	063740-01-700	EA LEVER-WATER, THETFORD 12514
	063740-01-701	EA LEVER-FLUSH, THETFORD 12515
	063740-01-708	EA BOLT PACKAGE-CLOSET, THETFORD 12524
	063740-01-710	EA LINK, THETFORD 12513
	063740-01-711	EA SPRING-RETURN LEVER, THETFORD 12523
	063740-01-713	EA SEAL-BALL VALVE TO BOWL, THETFORD 12502
	063740-01-714	EA VALVE ASM-WATER, THETFORD 12492
	063740-01-718	EA SEAT & COVER, THETFORD 15017
	C53740-01-717	EA TUBE-FLUSH, TOILET 12509 THETFORD
14	100357-01-000	EA ROD-TOWEL, BRASS W/ENDS BENT FOR BACK OF BATH DOOR
	102086-13-807	EA MOUNT-ROD, RIGHT SIDE - FOR TOWEL RODS - 26" LONG - WOOD
	102086-14-807	EA MOUNT-ROD, LEFT SIDE - FOR TOWEL RODS - 26" LONG - WOOD
	042356-01-000	EA PLUG-BUTTON, MAHOGANY - 3/8" DIAMETER - WOOD
15	105829-01-01A	EA SURROUND-SHOWER, OFF WHITE
	057871-01-000	EA COVER-SCREW, #8 - PLASTIC - OFF WHITE
	M02673-05-B13	EA PAN-SHOWER, 29 8/8" X 22 7/8" X 5.7" - OFF WHITE - PLASTIC

1992 WINNEBA

TABLE OF CONTENT

INTRODUCTION	A-0
ABBREVIATIONS	
ALPHABETICAL INDEX	A-0
WC522RG	A-0
WF524RC	D-11

1992 WF524RC

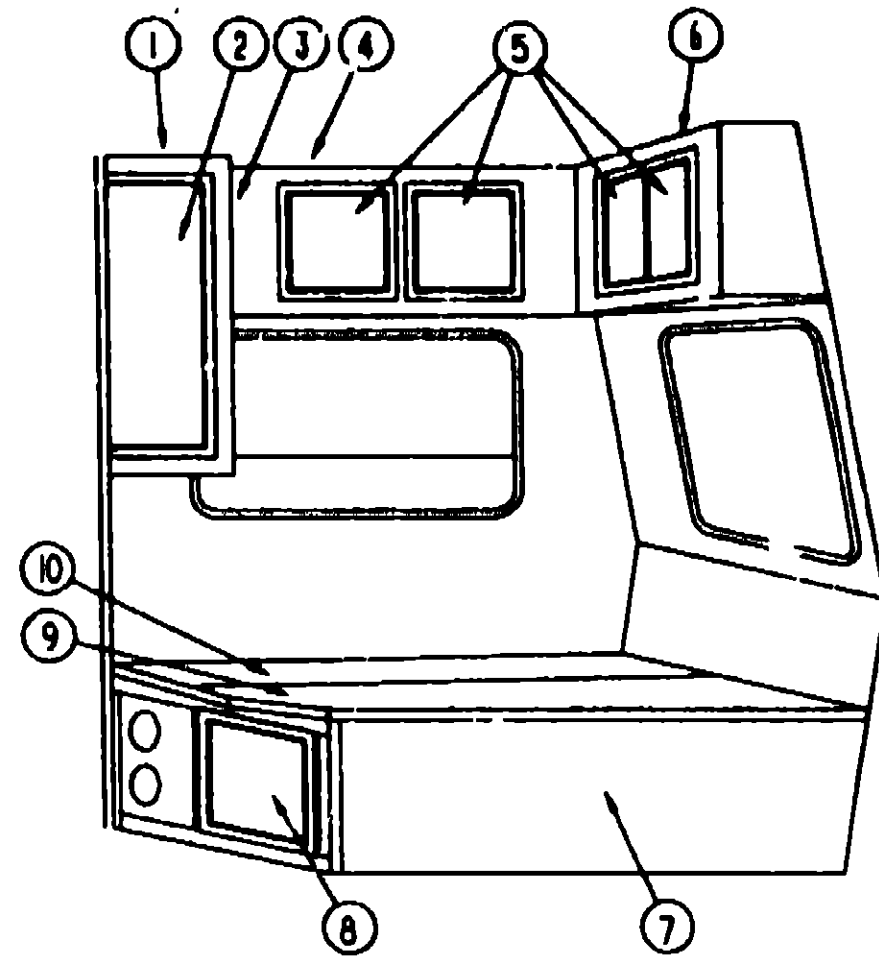
FLOOR PLAN
ACCESSORIES
AUDIO VIDEO
BATH
BEDROOM
CHASSIS
CURTAIN & CUSHION
DINETTE
DRIVERS
ELECTRICAL
EXTERIOR BODY
GALLEY
GENERATOR
HEATING & A/C
INTERIOR FINISH
LABEL
LP
LOUNGE
SEALANTS & FASTENERS
WATER & SEWAGE
WINDOW, VENT AND
EXTERIOR DOOR

KEY	PART NUMBER	U/M DESCRIPTION
1	103092-01-000	EA SHOWER HEAD-W/80 IN HOSE
	075241-05-000	EA FAUCET-SHOWER, BONE
	075608-01-000	EA PANEL-FAUCET BACK, SHOWER - 5" X 9" - PLASTIC
2	P05787-01-C52	EA CABINET-STORAGE, W/O DOORS & HARDWARE - BATH
3	P04746-00-C52	EA DOOR-CABINET, W/O HARDWARE - 285 X 500MM
	075453-02-000	EA BAR-TOWEL, 18" BRASS
4	P05398-01-C52	EA DOOR ASM-BATH W/O LOCK
	068331-27-000	EA MIRROR-SAFETY GLASS, 11 8" X 45 7"
5	106978-01-C52	EA CABINET ASM-MEDICINE, W/O DOOR & HARDWARE
6	P03861-01-B95	EA DOOR-CABINET, W/MIRROR - W/O HARDWARE - 15 5" X 29 5"
	093448-10-D05	EA MIRROR-WOOD FRAMED
	M03480-11-000	EA TRIM-MIRROR, WOOD - OAK
	058331-32-000	EA MIRROR-GLASS, SAFETY - 13 8" X 27 8"
7	P04746-75-C52	EA DOOR-CABINET, W/O HARDWARE - 395 X 1155MM
	042438-01-000	EA DOWEL-WOOD, CLOTHES ROD - 1" DIAMETER X 4'
	009112-01-000	EA FLANGE-1" ROD, CLOTHES - PLASTIC - OFF WHITE
8	075240-06-000	EA FAUCET-LAVATORY, BONE
	061253-01-000	EA GASKET-FAUCET, LAVATORY/GALLEY
9	107154-11-C52	EA COUNTERTOP ASM
9	107154-11-C51	EA COUNTERTOP ASM

EXTERIOR SHOWER COMPONENTS

KEY	PART NUMBER	U/M DESCRIPTION
	075241-05-000	EA FAUCET-SHOWER, BONE (EXTERIOR SHOWER)
	083527-02-000	EA BRACKET-SQUEEGEE/SHOWER HEAD (EXTERIOR SHOWER)
	103092-01-000	EA SHOWER HEAD-W/80 IN HOSE (EXTERIOR SHOWER)
	106289-02-000	EA BRACKET-SUPPORT, FAUCET (EXTERIOR SHOWER)

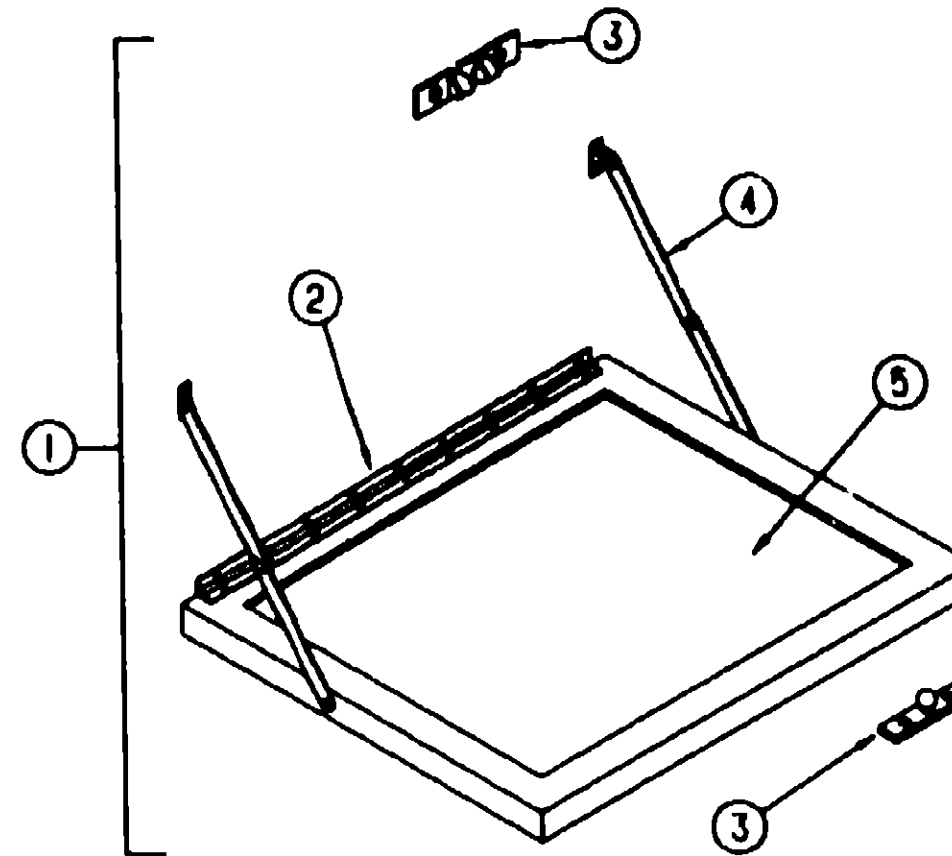
BEDROOM GROUP



BEDROOM CABINETS & FOLDING PRIVACY DOOR

KEY	PART NUMBER	U/M DESCRIPTION
1	106236-01-C52	EA CABINET ASM SHIRT CLOSET
2	P04746-26-C52	EA DOOR-CABINET, W/O HARDWARE - 305 X 1015MM
3	104335-09-C03	EA END CAP-CABINET, OVERHEAD
4	M06624-39-C52	EA CABINET ASM-OVERHEAD, REAR - RIGHT
4	M06624-39-C53	EA CABINET ASM-OVERHEAD, REAR - RIGHT
5	P04746-66-C52	EA DOOR-CABINET, W/O HARDWARE - 305 X 475MM
6	M06624-39-C52	EA CABINET ASM-OVERHEAD, REAR
6	M06624-39-C53	EA CABINET ASM-OVERHEAD, REAR
7	P07083-01-C52	EA CABINET ASM-DOUBLE BED
8	P04746-74-C52	EA DOOR-CABINET, W/O HARDWARE - 305 X 556MM
9	M05747-02-C52	EA DOUBLE BED TOP DETAIL B (W/CUT CORNER)
10	M05747-01-000	EA DOUBLE BED TOP DETAIL A
	042488-08-000	EA DOOR-FOLDING, WOVEN OAK - 75" X 50"
	042488-04-700	EA LEAD EDGE & CATCH ASSEMBLY

BEDROOM GROUP (CONTINUED)



TV STAND

KEY	PART NUMBER	U/M DESCRIPTION
1	084357-02-C52	EA TV STAND ASM
2	084413-01-000	EA HINGE-CONTINUOUS, WWWHOLES
3	084451-01-000	EA CATCH-TV SHELF, BRASS
4	084412-01-000	EA SUPPORT-HINGED
5	084358-04-000	EA INSERT-TV STAND, W/SUPPORT HINGE - METAL - TAN FROM 00-00-00 THRU 05-24-92
5	084358-08-000	EA INSERT-TV STAND, W/SUPPORT HINGE - METAL - OFF WHITE FROM 05-25-92 THRU 99-99-99
5	058331-14-000	EA MIRROR-GLASS, SAFETY - 14" X 12.7"

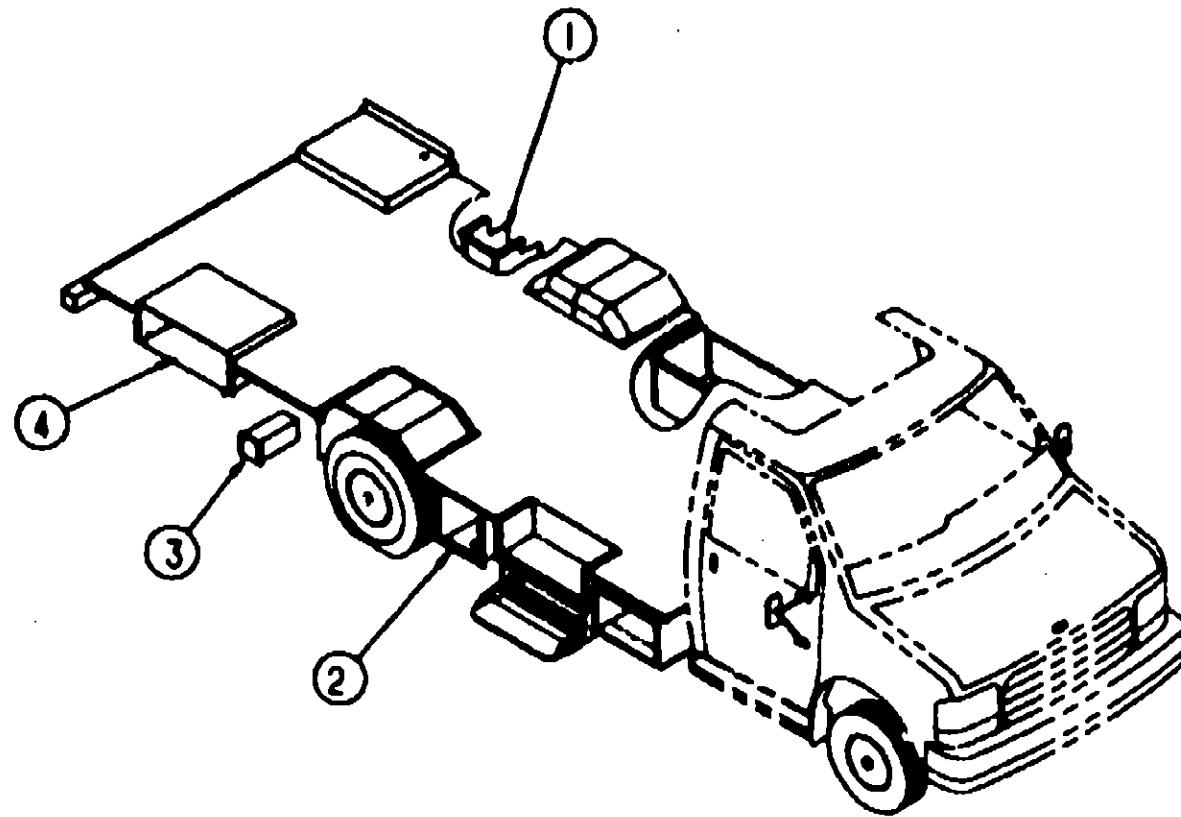
**1992 WINNEBAGO
TABLE OF CONTENTS**

INTRODUCTION	A-01	A-02
ABBREVIATIONS		A-03
ALPHABETICAL INDEX	A-04	A-06
WC622P2	A-07	D-18
WF524RC	D-19	H-08

1992 WF524RC INDEX

FLOOR PLAN	D-19	D-20
ACCESSORIES		D-21
AUDIO VIDEO		D-22
BATH	D-23	D-24
BEDROOM	E-01	E-02
CHASSIS	E-03	E-06
CURTAIN & CUSHION	E-07	E-16
DINETTE	E-16	E-17
DRIVERS	E-18	E-19
ELECTRICAL	E-20	E-23
EXTERIOR BODY	E-24	F-06
GALLEY	F-07	F-12
GENERATOR		F-13
HEATING & A/C	F-14	F-16
INTERIOR FINISH	F-16	F-19
LABEL	F-20	G-02
LP		G-03
LOUNGE		G-04
SEALANTS & FASTENERS	G-05	G-07
WATER & SEWAGE	G-08	G-12
WINDOW, VENT AND EXTERIOR DOOR	G-13	H-08

CHASSIS GROUP



COMPARTMENTS

KEY	PART NUMBER	U/M DESCRIPTION
1	101888-07-000	EA COMPARTMENT ASM-POWER,CORD
2	106203-02-000	EA COMPARTMENT-BATTERY
	084883-01-000	EA STRAP-BATTERY
	104887-01-01A	EA BOX-ENTERTAINMENT CENTER - OFF WHITE
	104888-01-01A	EA PLATE-PLASWTC BOTTOM - OFF WHITE
3	085887-01-000	EA COMPARTMENT-SEWER HOSE, 8' X 8.6' X 17.8' - PLASTIC
4	105471-04-000	EA COMPARTMENT ASM-GENERATOR
	106208-01-01A	EA COMPARTMENT-SHOWER, EXTERIOR - OFF WHITE
	058027-01-000	FT SEAL, D SHAPED - HOLLOW - SPONGE RUBBER - BLACK
	081420-01-000	EA PLUG-PLASTIC, 1.75" - BROWN
	077831-01-000	EA CAP-PLASTIC, .56" ID - BLACK
	077853-01-000	EA GROMMET-EDGE LINER, FITS 1"

CHASSIS GROUP (CONTINUED)

FUEL SYSTEM

KEY	PART NUMBER	U/M DESCRIPTION
	078040-08-000	EA SHROUD-FUEL FILL, UPPER
	083578-01-000	EA BOOT-FUEL FILL, RUBBER
	007083-01-000	FT HOSE-GAS 1/4"ID X 1/2"OD
	007111-02-000	EA HOSE-FUEL FILL, 2.00 ID

SUSPENSION SYSTEMS

KEY	PART NUMBER	U/M DESCRIPTION
	100332-01-000	EA PLATE-VALVE, AIR SPRING (FORD)
	108087-01-000	EA AIRSPRING-4IN.DIA TWIN (FORD)
	108087-03-700	EA REPAIR KIT F/TAPPEDPISTON

ENTRY STEPS

KEY	PART NUMBER	U/M DESCRIPTION
	077848-02-000	EA STEP-PULLOUT
	081178-01-000	EA SUPPORT-BASE-ENTRANCE STEP
	084708-01-01A	EA STEP-ENTRY DOOR, ELECTRIC - SINGLE - KWIKEE 2813
	084707-02-700	EA MOTOR REPLACEMENT KIT
	084707-02-702	EA GEAR KIT
	084707-02-703	EA PARTS KIT (BEARINGS & PINS)
	084707-02-704	EA MOTOR CONNECTOR KIT
	084707-02-705	EA CONTROL UNIT (ORANGE)
	084707-03-700	EA LINKAGE ASM F/28 SERIES
	100312-01-000	EA SWITCH-DOOR JAMB, ELECTRIC ENTRY STEP - METAL

**1992 WINNEBAGO
TABLE OF CONTENTS**

INTRODUCTION	A-01	A-02
ABBREVIATIONS		A-03
ALPHABETICAL INDEX	A-04	A-08
WC822RQ	A-07	D-18
WF824RC	D-18	H-08

1992 WF824RC INDEX

FLOOR PLAN	D-18	D-20
ACCESSORIES		D-21
AUDIO VIDEO		D-22
BATH	D-23	D-24
BEDROOM	E-01	E-02
CHASSIS	E-03	E-06
CURTAIN & CUSHION	E-07	E-15
DINETTE	E-16	E-17
DRIVERS	E-18	E-19
ELECTRICAL	E-20	E-23
EXTERIOR BODY	E-24	F-08
GALLEY	F-07	F-12
GENERATOR		F-13
HEATING & A/C	F-14	F-15
INTERIOR FINISH	F-16	F-19
LABEL	F-20	G-02
LP		G-03
LOUNGE		G-04
SEALANTS & FASTENERS	G-05	G-07
WATER & SEWAGE	G-08	G-12
WINDOW, VENT AND EXTERIOR DOOR	G-13	H-08

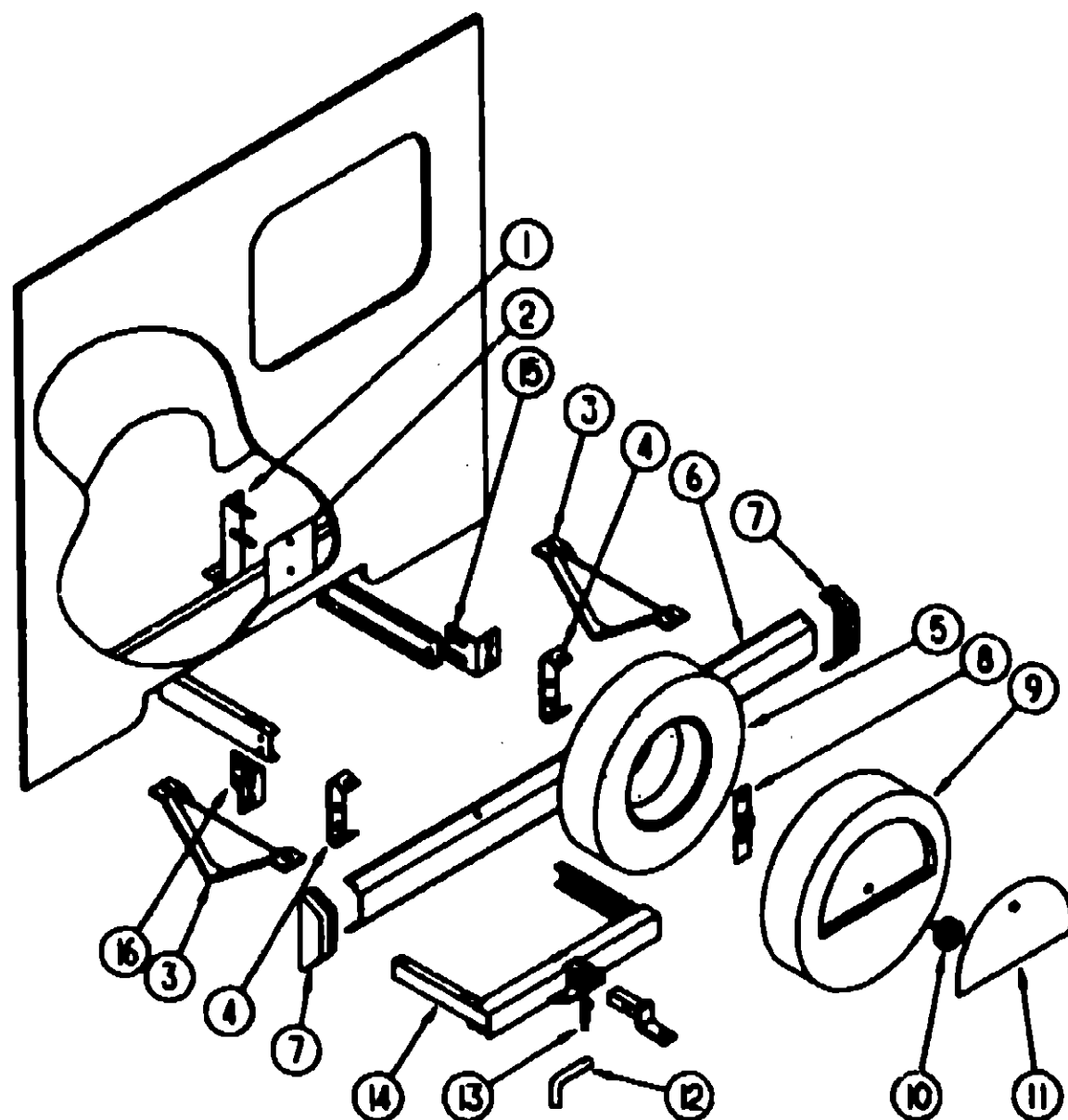
CHASSIS GROUP (CONTINUED)

CHASSIS GROUP (CONTINUED)

SPARE TIRE & TRAILER HITCH (CONTINUED)

**1992 WINNEBAGO
TABLE OF CONTENTS**

INTRODUCTION	A-01 - A-02
ABBREVIATIONS	A-03
ALPHABETICAL INDEX	A-04 - A-06
WC822RG	A-07 - D-18
WF824RC	D-19 - H-08



KEY	PART NUMBER	U/M	DESCRIPTION
10	084082-02-000	EA	NUT-RETAINING, WHEEL COVER
11	M08D47-01-T96	EA	PANEL-DOOR, TIRE COVER
	077408-02-000	EA	LOCK-KEY TYPE
	082884-01-700	EA	KEY-COMPARTMENT DOOR LOCK, BH024
12	034512-01-000	EA	PIN-LOCKING, DRAWBAR
13	034513-01-000	EA	PIN-HITCH, 3/16" WIRE
14	077817-02-000	EA	HITCH-TRAILER, W/O DRAWBAR - 41.1" WIDE - STEEL - BLACK
15	106633-01-000	EA	BRACKET-BUMPER, REAR
16	106633-02-000	EA	BRACKET-BUMPER, REAR
	097744-01-000	EA	HOUSING-TRAILER PIN, 12"
	097744-02-000	EA	HOUSING-TRAILER PIN, 48"
	097745-01-000	EA	HOUSING-TRAILER RECP, 12"
	097745-01-000	EA	HOUSING CAP-TRAILER PIN
	097745-02-000	EA	HOUSING-RECEPTACLE, TRAILER - 48" WIRE LENGTH

MUD FLAPS, ROCK GUARDS & WHEELWELLS

KEY	PART NUMBER	U/M	DESCRIPTION
	017516-01-000	EA	FLAP-MUD, 14" X 18" - BLACK
	045731-04-000	EA	GUARD-ROCK, REAR
	066322-01-000	EA	WHEELWELL-REAR, DRIVER OR PASSENGER - PLASTIC

WHEEL LINERS

KEY	PART NUMBER	U/M	DESCRIPTION
	091209-11-000	EA	LINER-WHEEL, SET 4 E360, KAPER II #1804-F0L8 (FORD)
	091209-10-700	EA	COVER-AXLE, FRONT - 8 LUG - FORD
	091209-10-701	EA	COVER-AXLE, REAR - 8 LUG - FORD
	091209-10-705	EA	COVER-LUG NUT
	091209-11-700	EA	LINER-WHEEL, FRONT - 8 LUG - FORD
	091209-11-701	EA	LINER-WHEEL, REAR - 8 LUG - FORD

SPARE TIRE & TRAILER HITCH

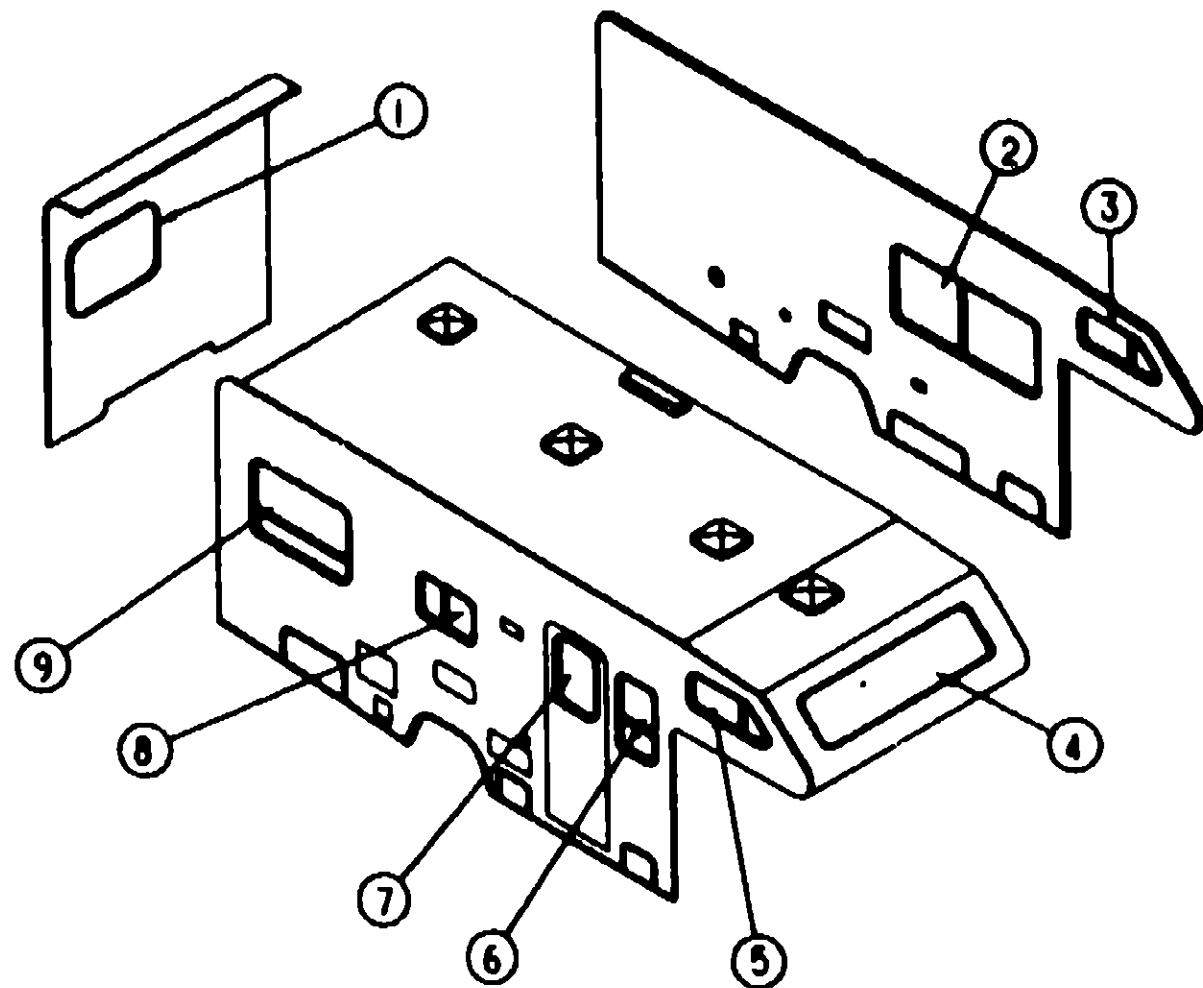
KEY	PART NUMBER	U/M	DESCRIPTION
1	105209-08-000	EA	BRACKET ASM-SPARE TIRE (FORD)
1	105209-02-000	EA	BRACKET-SUPPORT, SPARE TIRE - W/O BOLTS
2	105208-01-000	EA	PLATE-SPARE TIRE
3	063376-01-000	EA	PLATE-SKID, 13.2" X 6" X 2" - STEEL
4	078670-02-000	EA	BRACKET-BUMPER, REAR - 2" X 8" - DENT ENDS - STEEL - BLK (2 USED)
5	083425-08-000	EA	TIRE-LT225/75R16 LRD, MICHELIN XC14 (FORD)
5	083817-03-000	EA	WHEEL-STL 16.0X8, 82 E360, ACCURIDE 28618 (FORD)
	077030-02-000	EA	EXTENSION-VALVE STEM, 1.25"
	095012-03-000	EA	EXTENSION-VALVE STEM, DUAL WHEEL
6	103008-02-02A	EA	BUMPER-REAR, OFF WHITE
7	108147-01-01A	EA	CAP-END, BUMPER - OFF WHITE
8	106631-02-000	EA	RETAINER ASM-SPARE TIRE
9	078799-01-000	EA	COVER-TIRE, OFF WHITE

1992 WF824RC INDEX

FLOOR PLAN	D-19 - D-20
ACCESSORIES	- D-21
AUDIO VIDEO	- D-22
BATH	D-23 - D-24
BEDROOM	E-01 - E-02
CHASSIS	E-03 - E-06
CURTAIN & CUSHION	E-07 - E-15
DINETTE	E-16 - E-17
DRIVERS	E-18 - E-19
ELECTRICAL	E-20 - E-23
EXTERIOR BODY	E-24 - F-06
GALLEY	F-07 - F-12
GENERATOR	- F-13
HEATING & A/C	F-14 - F-15
INTERIOR FINISH	F-16 - F-19
LABEL	F-20 - G-02
LP	- G-03
LOUNGE	- G-04
SEALANTS & FASTENERS	G-05 - G-07
WATER & SEWAGE	G-08 - G-12
WINDOW, VENT AND EXTERIOR DOOR	G-13 - H-08

CURTAIN, CUSHION GROUP

WINDOW TREATMENT



KEY	PART NUMBER	UMB DESCRIPTION
4	087878-34-C82	EA VALANCE-WINDOW, FLAT - 7 X 85.8 U-BRASS BOTTOM (C82)
4	087878-34-C83	EA VALANCE-WINDOW, FLAT - 7 X 85.8 U-BRASS BOTTOM (C83)
4	101034-12-C82	EA CURTAIN-WINDOW, 22 X 48 - DARTED TAPE TOP - BRAID ON BOTTOM (C82)
4	101034-12-C44	EA CURTAIN-WINDOW, 22 X 48 - DARTED TAPE TOP (C83)
8	087878-35-C82	EA VALANCE-WINDOW, RIGHT - 8.8 X 48 - U-BRASS ON BOTTOM (C82)
8	087878-35-C83	EA VALANCE-WINDOW, RIGHT - 8.8 X 48 - U-BRASS ON BOTTOM (C83)
8	101034-13-C82	EA CURTAIN-WINDOW, 18 X 28 - DARTED TAPE TOP - BRAID ON BOTTOM (C82)
8	101034-13-C44	EA CURTAIN-WINDOW, 18 X 28 - DARTED TAPE TOP (C83)
8	103888-21-C82	EA VALANCE-WINDOW, 20" W/BRASS U-CHANNEL (C82)
		FROM: 00-00-00 THRU 12-01-91
8	103888-40-C82	EA VALANCE-WINDOW, 20" - 2-TONED (C82)
		FROM: 12-02-91 THRU 99-99-99
8	103888-21-C83	EA VALANCE-WINDOW, 20" W/BRASS U-CHANNEL (C83)
8	083475-89-01A	EA BLIND-MINI, 17.5 X 29.5 DROP - TAUPE (C82)
8	073475-89-03A	EA BLIND-MINI, 17.5 X 29.5 DROP (C83)
7	103888-38-C82	EA VALANCE-WINDOW, 31.25 - FLAT - 2-TONED (C82)
		FROM 00-00-00 THRU 12-01-91
7	103888-37-C82	EA VALANCE-WINDOW, 31.25 - FLAT - 2-TONED (C82)
		FROM: 12-02-91 THRU 99-99-99
7	103888-37-C83	EA VALANCE-WINDOW, 31.25 - FLAT - 2-TONED (C83)
7	084785-57-C03	EA SHADE-WINDOW, ROLLER PULL TYPE - 27.25"
8	083475-80-01A	EA BLIND-MINI, 27 X 17.5 DROP - TAUPE W/GULF (C82)
8	083475-80-02A	EA BLIND-MINI, 27 X 17.5 DROP (C83)
8	104158-02-C82	EA VALANCE-WINDOW, 46" W/DOUBLE RUFFLE (C82)
9	104158-02-C83	EA VALANCE-WINDOW, 46" W/DOUBLE RUFFLE (C83)
9	104157-01-C82	EA CURTAIN LEG-WINDOW, 27" - RIGHT (C82)
9	104157-01-C05	EA CURTAIN LEG-WINDOW, 27" - RIGHT (C83)
9	104157-02-C82	EA CURTAIN LEG-WINDOW, 27" - LEFT (C82)
9	104157-02-C05	EA CURTAIN LEG-WINDOW, 27" - LEFT (C83)
	083475-01-700	EA WAND-BLIND, W/METAL CLIP - 8" LONG
	083475-01-701	EA END CAP-BLIND, W/STUD
9	083475-79-03A	EA BLIND-MINI, 42 X 28 DROP - TAUPE (C82)
9	083475-79-01A	EA BLIND-MINI, 42 X 28 DROP (C83)
	084481-24-C03	EA CURTAIN-SHOWER, 72 X 42 - GROMMET TOP (C82)
	084481-24-C24	EA CURTAIN-SHOWER, 72 X 42 (C83)
	070882-08-B85	EA CURTAIN-SNAP TOP, WINGWALL PRIVACY - 40" X 72" - BEIGE
	101888-05-B85	EA CURTAIN-WINDSHIELD, 30 X 80 - PASSENGER - TAPE TOP
	101888-08-B85	EA CURTAIN-WINDSHIELD, 30 X 80 - DRIVER - TAPE TOP
	101888-20-C08	EA CURTAIN-BUNK PRIVACY, 70 X 80 TAPE TOP
	057534-01-000	EA TIEBACK/TIEDOWN-BED/CURTAIN/DOOR, 6" - PLASTIC - CLEAR
	073280-48-B88	EA TIEBACK-CURTAIN, 3" X 18" (C82)
	073280-48-C44	EA TIEBACK-CURTAIN, 3" X 18" (C83)
	073280-52-C52	EA TIEBACK ASM-3 X 15 GATHERED
	073280-52-C83	EA TIEBACK ASM-3 X 15 GATHERED
	073280-54-C08	EA TIEBACK ASM-3 X 16 (C82)
	073280-54-C30	EA TIEBACK ASM-3 X 16 (C83)
	073280-55-C08	EA TIEBACK ASM-4 X 15 (C82)
	073280-55-C28	EA TIEBACK ASM-4 X 15 (C83)

1992 WINNEBAGO TABLE OF CONTENTS

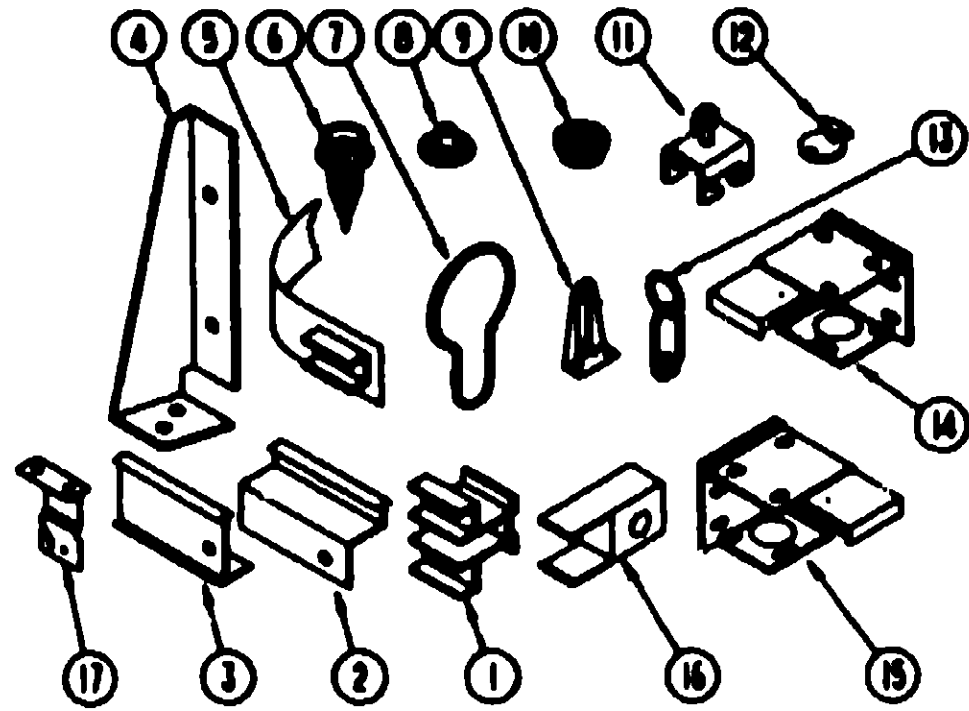
INTRODUCTION	A-01	A-02
ABBREVIATIONS		A-03
ALPHABETICAL INDEX	A-04	A-05
WC82FR0	A-07	D-18
WF824RC	D-19	H-08

1992 WF824RC INDEX

FLOOR PLAN	D-19	D-20
ACCESSORIES		D-21
AUDIO VIDEO		D-22
BATH	D-23	D-24
BEDROOM	E-01	E-02
CHASSIS	E-03	E-08
CURTAIN & CUSHION	E-07	E-15
DINETTE	E-16	E-17
DRIVERS	E-18	E-19
ELECTRICAL	E-20	E-23
EXTERIOR BODY	E-24	F-08
GALLEY	F-07	F-12
GENERATOR		F-13
HEATING & A/C	F-14	F-15
INTERIOR FINISH	F-16	F-19
LABEL	F-20	G-02
LP		G-03
LOUNGE		G-04
SEALANTS & FASTENERS	G-05	G-07
WATER & SEWAGE	G-08	G-12
WINDOW, VENT AND EXTERIOR DOOR	G-13	H-08

KEY	PART NUMBER	UMB DESCRIPTION
1	104158-01-C82	EA VALANCE-WINDOW, 41" W/DOUBLE RUFFLE (C82)
1	104158-01-C83	EA VALANCE-WINDOW, 41" W/DOUBLE RUFFLE (C83)
1	104157-01-C82	EA CURTAIN LEG-WINDOW, 27" - RIGHT (C82)
1	104157-01-C05	EA CURTAIN LEG-WINDOW, 27" - RIGHT (C83)
1	104157-02-C82	EA CURTAIN LEG-WINDOW, 27" - LEFT (C82)
1	104157-02-C05	EA CURTAIN LEG-WINDOW, 27" - LEFT (C83)
1	083475-78-03A	EA BLIND-MINI, 38 X 28 DROP (C82)
1	083475-78-01A	EA BLIND-MINI, 38 X 28 DROP (C83)
2	103888-27-C82	EA VALANCE-WINDOW, 65" W/BRASS U-CHANNEL (C82)
		FROM 00-00-00 THRU 12-01-91
2	103888-39-C82	EA VALANCE-WINDOW, 28.5" - 2-TONED (C82)
		FROM: 12-02-91 THRU 99-99-99
2	103888-27-C83	EA VALANCE-WINDOW, 65" W/BRASS U-CHANNEL (C83)
2	100281-45-C08	EA LEG-WINDOW, RIGHT - W/U-BRASS - NO HOLE - 27" (C82)
2	100281-45-C24	EA LEG-WINDOW, RIGHT - W/U-BRASS - NO HOLE - 27" (C83)
2	100281-45-C08	EA LEG-WINDOW, LEFT - W/U-BRASS - NO HOLE - 27" (C82)
2	100281-45-C24	EA LEG-WINDOW, LEFT - W/U-BRASS - NO HOLE - 27" (C83)
2	083475-78-03A	EA BLIND-MINI, 80 X 28.5 DROP - TAUPE (C82)
2	083475-78-01A	EA BLIND-MINI, 80 X 28.5 DROP (C83)
3	087878-38-C82	EA VALANCE-WINDOW, LEFT - 5.5 X 43 - U-BRASS ON BOTTOM (C82)
3	087878-38-C83	EA VALANCE-WINDOW, LEFT - 5.5 X 43 - U-BRASS ON BOTTOM (C83)
3	101034-13-C82	EA CURTAIN-WINDOW, 18 X 28 - DARTED TAPE TOP - BRAID ON BOTTOM (C82)
3	101034-13-C44	EA CURTAIN-WINDOW, 18 X 28 - DARTED TAPE TOP (C83)

CURTAIN, CUSHION GROUP (CONTINUED)



CURTAIN, BLIND HARDWARE & TRACKS

KEY	PART NUMBER	U/M DESCRIPTION
1	101033-09-00	EA TRACK-CURTAIN, WALL - WHITE - SHAPCO CT225
2	105480-02-01A	EA TRACK-CURTAIN, 48" LONG - ALUMINUM - OFF WHITE
2	105480-05-01A	EA TRACK-CURTAIN, 78" LONG - ALUMINUM - OFF WHITE
2	105480-06-01A	EA TRACK-CURTAIN, 88" LONG - ALUMINUM - OFF WHITE
2	105480-07-01A	EA TRACK-CURTAIN, 41 3/4" LONG - ALUMINUM - OFF WHITE
2	105480-08-01A	EA TRACK-CURTAIN, 38" LONG - ALUMINUM - OFF WHITE
3	082484-06-01A	EA TRACK-SHOWER - OFF WHITE
3	008700-04-002	EA TRACK, L-SHAPED - 185.2" - OFF WHITE
	048887-01-000	EA GROMMET-BRASS - 7/16" ID X 1" OD
	048384-02-000	YD VELCRO TAPE-HOOK, ADHESIVE BACK - 75" WIDE - BEIGE
	088718-01-001	EA BRACE-90 DEGREE L-ANGLE, 180° - EXTRUDED ALUMINUM
4	078827-02-000	EA BRACKET-LEG, 2.8" X 1.8" TRIANGLE - LEFT SIDE
	088822-03-000	EA PANEL-LEG, TWO SIDE 27" LONG - PLASTIC - BLACK
5	101031-01-000	YD TAPE-GLIDE, CURTAIN - 4.25" SPACING
6	029130-01-000	EA SCREW-SNAP SOCKET, 8 PH X 5/8"
7	009138-02-000	EA HANGER-RING, PIN TYPE - CURTAIN - BRASS
8	029155-01-000	EA CAP-SNAP, NICKEL
9	085681-02-000	EA BRACKET-HOLD DOWN, W/PIN - BLIND - METAL
10	029158-01-000	EA SOCKET-SNAP FASTENER, NICKEL
11	009702-01-000	EA END STOP-CURTAIN CARRIER, L ROD
12	102566-01-000	EA CLEAT-CORD, BLIND - OFF WHITE
13	008701-01-000	EA CARRIER-CURTAIN, L ROD
14	083170-01-000	EA BRACKET-BLIND, RIGHT SIDE
15	083170-02-000	EA BRACKET-BLIND, LEFT SIDE
16	101033-02-000	EA END CAP-TRACK, CLEAR
17	084434-01-000	EA BRACKET-MOUNTING, ROLLER SHADE - 1 3/8"
	084432-08-000	FT SLAT-ROLLER SHADE, PLASTIC
	084433-01-700	EA SPRING-REWIND, ROLLER SHADE
	103888-01-000	FT TRIM-VALANCE, U-CHANNELANNEL - 75" WIDE - BRASS
	088782-01-000	YD VELCRO-HOOK .75" WIDE - BEIGE
	088782-02-000	YD VELCRO TAPE-LOOP, ADHESIVE BACKED - 75" WIDE - BEIGE

CURTAIN, CUSHION GROUP (CONTINUED)

THROW PILLOWS

KEY	PART NUMBER	U/M DESCRIPTION
	104288-01-007	EA PILLOW ASM-14 X 14 W/PUFFLE (CS2)
	104288-01-008	EA PILLOW ASM-14 X 14 W/PUPPLE (CS2)

ASSIST HANDLE, BUTTONS & SEATBELTS

KEY	PART NUMBER	U/M DESCRIPTION
	070578-08-082	EA BUTTON ASM-880, VINYL
	070578-10-083	EA BUTTON-SCREW STUD, 880 (CS2)
	070578-10-888	EA BUTTON-SCREW STUD, 880 (CS3)
	078848-01-083	YD WELTING-FABRIC (CS2)
	078848-01-888	YD WELTING-FABRIC (CS3)
	084418-27-000	YD TRIM-BRAID, CURTAIN - BROWN (CS2)
	084418-30-000	YD TRIM-BRAID, CURTAIN - BLUE (CS3)
	057834-01-000	EA TIEBACK/TIEDOWN-BED/CURTAIN/DOOR, 6" - CLEAR PLASTIC
	063562-02-AA8	EA HANDLE-ASSIST, INTERIOR - ENTRY DOOR - VINYL - OFF WHITE
	088178-02-000	EA BRACKET-MOUNTING, ASSIST HANDLE - L ANGLE - WHOLE6 - ST
	000C18-07-188	EA BOLT-CARRIAGE, ASSIST HANDLE - 7/16" - 14 X 1" ZN
	000D26-07-008	EA NUT-ACORN, ASSIST HANDLE - 7/16" X 14 ZN
	007021-01-000	EA BELT-SEAT, 2" X 80" - BLACK
	067788-01-000	EA WASHER BRACKET-SEAT BELT, 4" DIAMETER

FABRICS

KEY	PART NUMBER	U/M DESCRIPTION
	072338-82-000	YD FABRIC-CURTAIN, 64" WIDE - BEIGE (CS2, CS3)
	075244-04-000	YD FABRIC-VINYL, SHOWER CURTAIN - 72" WIDE - SALMON (CS2)
	075244-05-000	YD FABRIC-VINYL, SHOWER CURTAIN - 72" WIDE - BLUE (CS3)
	078880-01-000	YD FABRIC-VINYL, 64" WIDE - BEIGE (CS2, CS3)
	103807-01-01A	YD FABRIC-VINYL, 64" WIDE - OFF WHITE (CS2, CS3)
	104233-28-000	YD FABRIC-UPHOLSTERY/CURTAIN, PLAIN VELOUR - 64" WIDE - BROWN (CS2)
	088008-85-000	YD FABRIC-UPHOLSTERY/CURTAIN, PLAIN - 64" WIDE - BLUE (CS3)
	104233-04-000	YD FABRIC-UPHOLSTERY, PATTERNED VELOUR - 64" WIDE - BROWN (CS2)
	104233-80-000	YD FABRIC-UPHOLSTERY, WOVEN PATTERN - 64" WIDE - BLUE (CS3)
	104233-03-000	YD FABRIC-UPHOLSTERY, CHECKERED VELOUR - 64" WIDE - BROWN (CS2)
	104233-21-000	YD FABRIC-UPHOLSTERY, STRIPPED VELOUR - 64" WIDE - BLUE (CS3)
	088008-81-000	YD FABRIC-UPHOLSTERY, DOTTED VELOUR - 1/4" WIDE (CS2)
	104233-23-000	YD FABRIC-UPHOLSTERY, WOVEN PATTERN - 64" WIDE - BLUE (CS3)
	088008-82-000	YD FABRIC-UPHOLSTERY, WOVEN PATTERN - 64" WIDE - MULTI COLORED (CS2)
	104233-27-000	YD FABRIC-UPHOLSTERY, PLAIN VELOUR - 64" WIDE - BLUE (CS3)
	104233-80-000	YD FABRIC-UPHOLSTERY, BLACK - FOR PIPING TRIM (CS2)
	088273-84-000	YD FABRIC-BEDSPREAD, 64" WIDE - BROWNBUE PATTERN (CS2)
	088273-88-000	YD FABRIC-BEDSPREAD, 64" WIDE - LILAC - PLAIN (CS2)
	088273-85-000	YD FABRIC-BEDSPREAD, 64" WIDE - BLUE/PURPLE PATTERN (CS3)

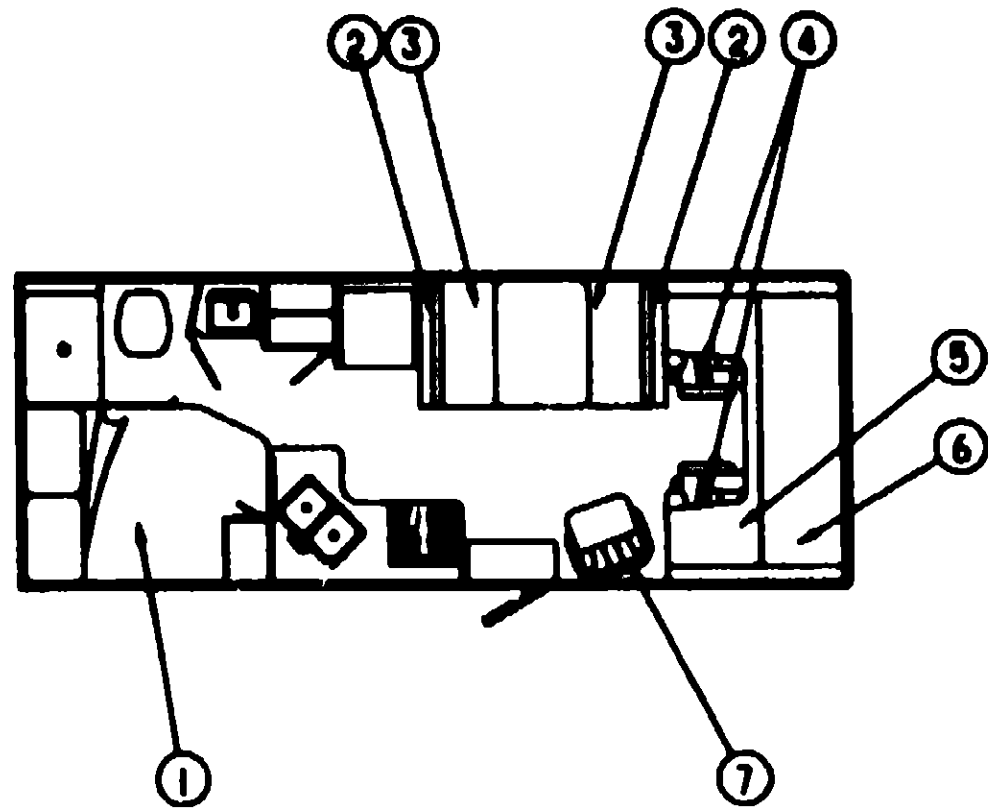
**1982 WINNEBAGO
TABLE OF CONTENTS**

INTRODUCTION	A-01 -	A-02
ABBREVIATIONS		A-03
ALPHABETICAL INDEX	A-04 -	A-06
WCSZPG	A-07 -	D-18
WFS24RC	D-19 -	H-08

1982 WFS24RC INDEX

FLOOR PLAN	D-19 -	D-20
ACCESSORIES		D-21
AUDIO VIDEO		D-22
BATH	D-23 -	D-24
BEDROOM	E-01 -	E-02
CHASSIS	E-03 -	E-06
CURTAIN & CUSHION	E-07 -	E-15
DINETTE	E-16 -	E-17
DRIVERS	E-18 -	E-19
ELECTRICAL	E-20 -	E-23
EXTERIOR BODY	E-24 -	F-08
GALLEY	F-07 -	F-12
GENERATOR		F-13
HEATING & A/C	F-14 -	F-16
INTERIOR FINISH	F-18 -	F-19
LABEL	F-20 -	G-02
LP		G-03
LOUNGE		G-04
SEALANTS & FASTENERS	G-05 -	G-07
WATER & SEWAGE	G-08 -	G-12
WINDOW, VENT AND EXTERIOR DOOR	G-13 -	H-08

CURTAIN, CUSHION GROUP (CONTINUED)



BEDSPREAD & MATTRESS

KEY	PART NUMBER	U/M DESCRIPTION
1	082371-18-C82	EA BEDSPREAD-DOUBLE, 64"
1	082371-18-C83	EA BEDSPREAD-DOUBLE, 64"
	102181-08-C07	EA SHAM-PILLOW, W/PILLOW (C82)
	102181-08-C08	EA SHAM-PILLOW, W/PILLOW (C83)
	081887-08-C07	EA SHAM-PILLOW, W/O PILLOW (C82)
	081887-08-C08	EA SHAM-PILLOW, W/O PILLOW (C83)
1	088178-08-000	EA MATTRESS-DOUBLE, INNERSPRING - 53" X 74"

DINETTE CUSHIONS

KEY	PART NUMBER	U/M DESCRIPTION
2	104184-01-C07	EA CUSHION-BACKREST, 13 5 X 38 X 5 (C82) FROM: 00-00-00 THRU 12-01-91
2	104184-01-C08	EA CUSHION-BACKREST, 13 5 X 38 X 5 (C83) FROM: 00-00-00 THRU 12-01-91
	P04184-01-C07	EA COVER-CUSHION, BACKREST - 13 5 X 38 X 5 (C82) FROM: 01-00-00 THRU 12-01-91
	P04184-01-C08	EA COVER-CUSHION, BACKREST - 13 5 X 38 X 5 (C83) FROM: 00-00-00 THRU 12-01-91
2	104184-08-C07	EA CUSHION-BACKREST, 13 5 X 38 X 5 (C82) FROM 12-02-91 THRU 99-99-99
2	104184-08-C08	EA CUSHION-BACKREST, 13 5 X 38 X 5 (C83) FROM 12-02-91 THRU 99-99-99
	P04184-08-C07	EA COVER-CUSHION, BACKREST - 13 5 X 38 X 5 (C82) FROM: 12-02-91 THRU 99-99-99
	P04184-08-C08	EA COVER-CUSHION, BACKREST - 13 5 X 38 X 5 (C83) FROM 12-02-91 THRU 99-99-99
	078155-01-000	EA STRAP-SNAP, BACKREST CUSHION
3	104184-04-C82	EA CUSHION-SEATBASE, 23 X 38 X 5
3	104184-04-C83	EA CUSHION-SEATBASE, 23 X 38 X 5
	P04184-04-C82	EA COVER-CUSHION, SEATBASE - 23 X 38 X 5
	P04184-04-C83	EA COVER-CUSHION, SEATBASE - 23 X 38 X 5

BUCKET SEATS

KEY	PART NUMBER	U/M DESCRIPTION
4	088480-88-C82	EA SEAT-BUCKET-WRIGHT ARMREST(C82)
4	088480-88-C83	EA SEAT-BUCKET-WRIGHT ARMREST(C83)
4	088480-84-C82	EA SEAT-BUCKET-WLEFT ARMREST(C82)
4	088480-84-C83	EA SEAT-BUCKET-WLEFT ARMREST(C83)
4	088480-88-C82	EA SEAT-BUCKET-WRIGHT ARMREST-RECLINING(C82)
4	088480-88-C83	EA SEAT-BUCKET-WRIGHT ARMREST-RECLINING(C83)
4	088480-84-C82	EA SEAT-BUCKET-WLEFT ARMREST-RECLINING(C82)
4	088480-84-C83	EA SEAT-BUCKET-WLEFT ARMREST-RECLINING(C83)

BUNK CUSHIONS

KEY	PART NUMBER	U/M DESCRIPTION
5	105573-08-C82	EA CUSHION-BUNK, REAR - 28" X 78" X 5" FROM: 00-00-00 THRU 01-12-92
5	105573-08-C83	EA CUSHION-BUNK, REAR - 28" X 78" X 5" FROM: 00-00-00 THRU 01-12-92
	P05573-08-C82	EA COVER-CUSHION, BUNK - REAR - 28" X 78" X 5" FROM: 00-00-00 THRU 01-12-92
	P05573-08-C83	EA COVER-CUSHION, BUNK - REAR - 28" X 78" X 5" FROM: 00-00-00 THRU 01-12-92
5	105573-10-C82	EA CUSHION-BUNK, REAR - 27" X 23" X 80" X 5" FROM 00-00-00 THRU 01-12-92
5	105573-10-C83	EA CUSHION-BUNK, REAR - 27" X 23" X 80" X 5" FROM 01-13-92 THRU 99-99-99
	P05573-10-C82	EA COVER-CUSHION, BUNK - REAR - 27" X 23" X 80" X 5" FROM: 01-13-92 THRU 99-99-99
	P05573-10-C83	EA COVER-CUSHION, BUNK - REAR - 27" X 23" X 80" X 5" FROM: 01-13-92 THRU 99-99-99
6	105573-04-C82	EA CUSHION-BUNK, FRONT - 32" X 78" X 5" FROM: 00-00-00 THRU 01-12-92
6	105573-04-C83	EA CUSHION-BUNK, FRONT - 32" X 78" X 5" FROM: 00-00-00 THRU 01-12-92
	P05573-04-C82	EA COVER-CUSHION, BUNK - FRONT - 32" X 78" X 5" FROM: 00-00-00 THRU 01-12-92
	P05573-04-C83	EA COVER-CUSHION, BUNK - FRONT - 32" X 78" X 5" FROM: 00-00-00 THRU 01-12-92
6	105573-09-C82	EA CUSHION-BUNK, FRONT - 32.5" X 80" X 5" FROM: 01-13-92 THRU 99-99-99
6	105573-09-C83	EA CUSHION-BUNK, FRONT - 32.5" X 80" X 5" FROM 01-13-92 THRU 99-99-99
	P05573-09-C82	EA COVER-CUSHION, BUNK - FRONT - 32.5" X 80" X 5" FROM: 01-13-92 THRU 99-99-99
	P05573-09-C83	EA COVER-CUSHION, BUNK - FRONT - 32.5" X 80" X 5" FROM: 01-13-92 THRU 99-99-99

SWIVEL CHAIR

KEY	PART NUMBER	U/M DESCRIPTION
7	088428-11-C82	EA CHAIR-SWIVEL, W/O SKIRT
7	088428-08-C83	EA CHAIR-SWIVEL, W/O SKIRT

**1992 WINNEBAGO
TABLE OF CONTENTS**

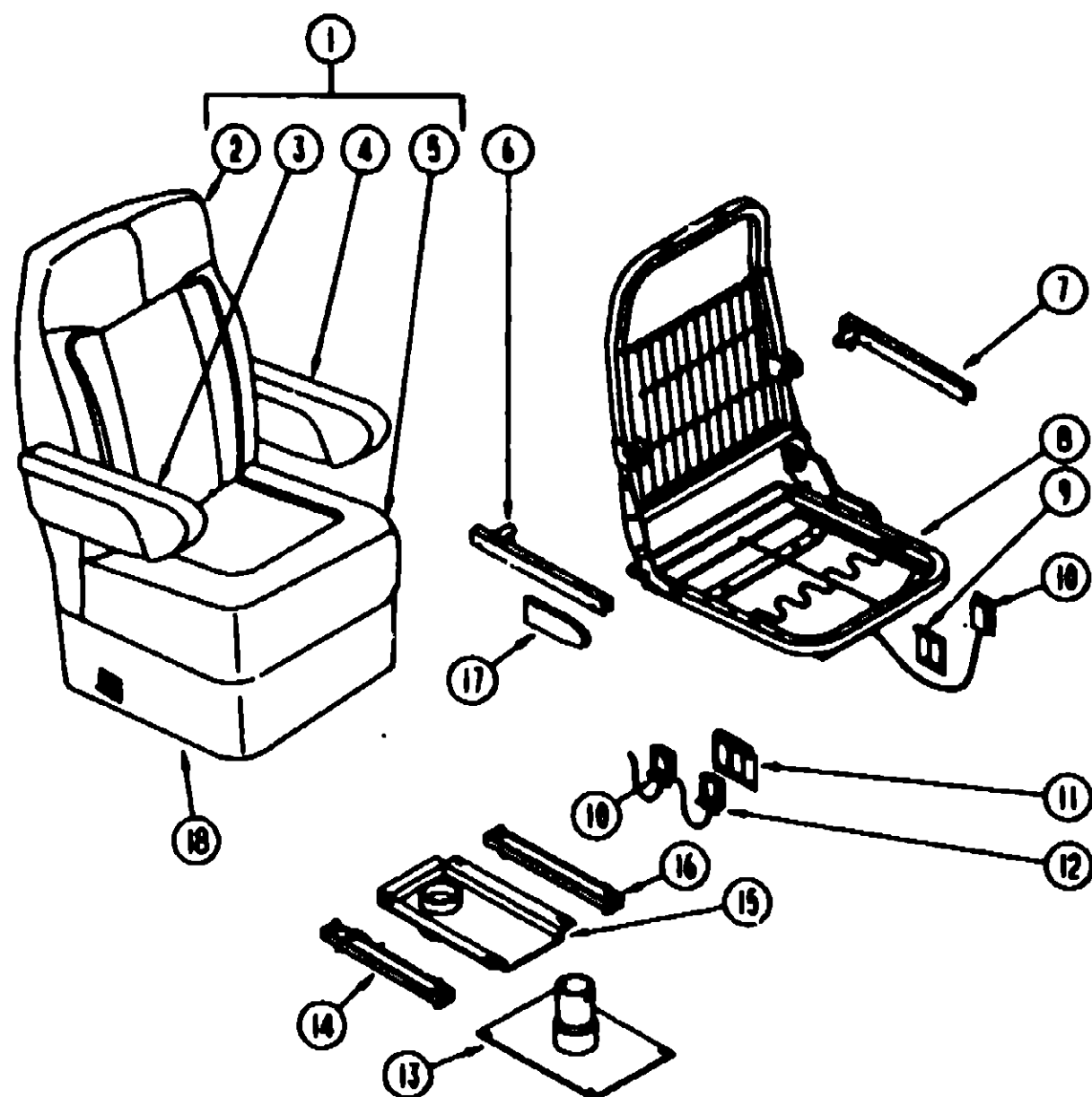
INTRODUCTION	A-01 - A-02
ABBREVIATIONS	A-03
ALPHABETICAL INDEX	A-04 - A-08
WC828FG	A-07 - D-18
WF824RC	D-19 - H-08

1992 WF824RC INDEX

FLOOR PLAN	D-19 - D-20
ACCESSORIES	- D-21
AUDIO VIDEO	- D-22
BATH	D-23 - D-24
BEDROOM	E-01 - E-02
CHASSIS	E-03 - E-08
CURTAIN & CUSHION	E-07 - E-15
DINETTE	E-16 - E-17
DRIVERS	E-18 - E-19
ELECTRICAL	E-20 - E-23
EXTERIOR BODY	E-24 - F-06
GALLEY	F-07 - F-12
GENERATOR	- F-13
HEATING & AC	F-14 - F-15
INTERIOR FINISH	F-16 - F-19
LABEL	F-20 - G-02
LP	- G-03
LOUNGE	- G-04
SEALANTS & FASTENERS	G-05 - G-07
WATER & SEWAGE	G-08 - G-12
WINDOW, VENT AND EXTERIOR DOOR	G-13 - H-08

CURTAIN, CUSHION GROUP (CONTINUED)

BUCKET SEATS



KEY	PART NUMBER	U/M	DESCRIPTION
3	08048-48-C82	EA	ARMREST-RIGHT(C82)
3	08048-48-C83	EA	ARMREST-RIGHT (C83)
	M8043-48-C82	EA	COVER-ARMREST-RIGHT(C82)
	M8043-48-C83	EA	COVER-ARMREST-RIGHT(C83)
4	08048-80-C82	EA	ARMREST-LEFT(C82)
4	08048-80-C83	EA	ARMREST-LEFT(C83)
	M8043-80-C82	EA	COVER-ARMREST- LEFT (C82)
	M8043-80-C83	EA	COVER-ARMREST- LEFT(C83)
8	M03445-23-C82	EA	COVER-SEAT- BUCKET(C82)
8	M03445-23-C83	EA	COVER-SEAT- BUCKET(C83)
8	081288-01-000	EA	ROD & CHANNELANEL-ARMREST- RIGHT - METAL
7	081288-08-000	EA	ROD & CHANNELANEL-ARMREST- LEFT - METAL
	081381-01-000	EA	ROD-ARMREST- METAL - RIGHT OR LEFT HAND
8	M80808-08-000	EA	FRAME-SEAT&BACK&SPRING
8	M80808-08-000	EA	FRAME-SEAT&BACK&SPRING -RECLINING
	101125-01-000	EA	RECLINER-SEAT BACK- LEFT HAND REMOTE
9	087883-03-000	EA	BRACKET-REMOTE- SIDE MOUNT - SINGLE
10	088888-04-000	EA	CABLE-SWIVEL- W/SWITCHANNEL - BUCKET SEAT
11	087883-02-000	EA	BRACKET MOUNT- REMOTE
12	088888-05-000	EA	CABLE-RECLINER- W/SWITCHANNEL - BUCKET SEAT
13	088888-02-000	EA	PLATE-SUB- BASE - BUCKET SEAT - 12" X 13" - STEEL
			FROM: 00-00-00 THRU 10-08-81
13	088888-41-000	EA	PLATE-SUB- BASE - BUCKET SEAT - 12" X 13" - STEEL
			FROM: 10-07-81 THRU 82-88-88
14	088248-05-000	EA	ADJUSTER-SEAT/CHANNELAIR- W/REMOTE - FORWARD & BACK
	088248-05-700	EA	SPRING-ADJUSTER- FOR REMOTE
	088248-05-701	EA	CLIP-CABLE- FOR REMOTE
15	082481-04-000	EA	TOP PLATE-PEDESTAL- BUCKET SEAT - W/O SEATBELT BAR
16	088248-02-000	EA	ADJUSTER-SEAT/CHANNELAIR- W/O LOCK - FORWARD & BACK
	088888-03-000	EA	PEDESTAL-LOWER- W/EXTENSION - 8" X 8" - STEEL
17	088388-08-000	EA	SHIELD-CABLE- REMOTE RECLINER - BUCKET SEAT
18	071128-24-888	EA	SHORT-BUCKET SEAT (C82)
18	071128-24-888	EA	SHORT-BUCKET SEAT (C83)

**1982 WINNEBAGO
TABLE OF CONTENTS**

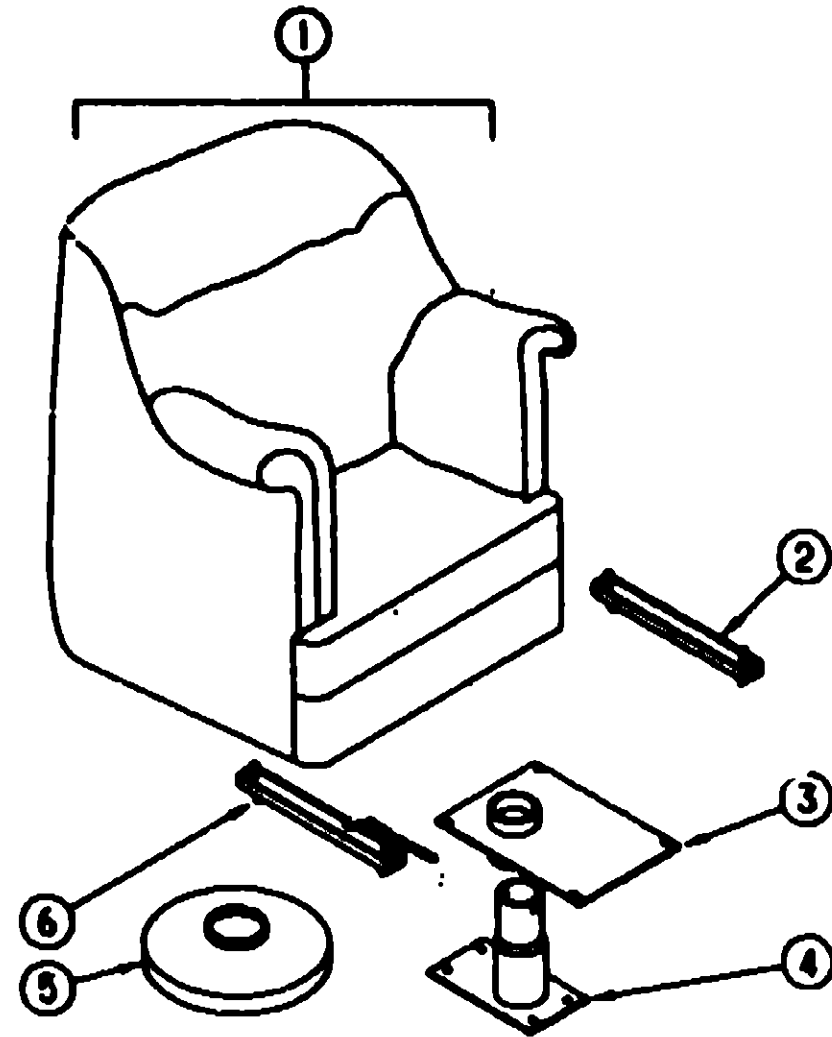
INTRODUCTION	A-01 - A-02
ABBREVIATIONS	A-03
ALPHABETICAL INDEX	A-04 - A-08
WC229G	A-07 - D-18
WFS24RC	D-19 - H-08

1982 WFS24RC INDEX

FLOOR PLAN	D-19 - D-20
ACCESSORIES	- D-21
AUDIO VIDEO	- D-22
BATH	D-23 - D-24
BEDROOM	E-01 - E-02
CHASSIS	E-03 - E-08
CURTAIN & CUSHION	E-07 - E-16
DINETTE	E-16 - E-17
DRIVERS	E-18 - E-19
ELECTRICAL	E-20 - E-23
EXTERIOR BODY	E-24 - F-08
GALLEY	F-07 - F-12
GENERATOR	- F-13
HEATING & AC	F-14 - F-15
INTERIOR FINISH	F-16 - F-18
LABEL	F-20 - G-02
LP	- G-03
LOUNGE	- G-04
SEALANTS & FASTENERS	G-05 - G-07
WATER & SEWAGE	G-08 - G-12
WINDOW, VENT AND EXTERIOR DOOR	G-13 - H-08

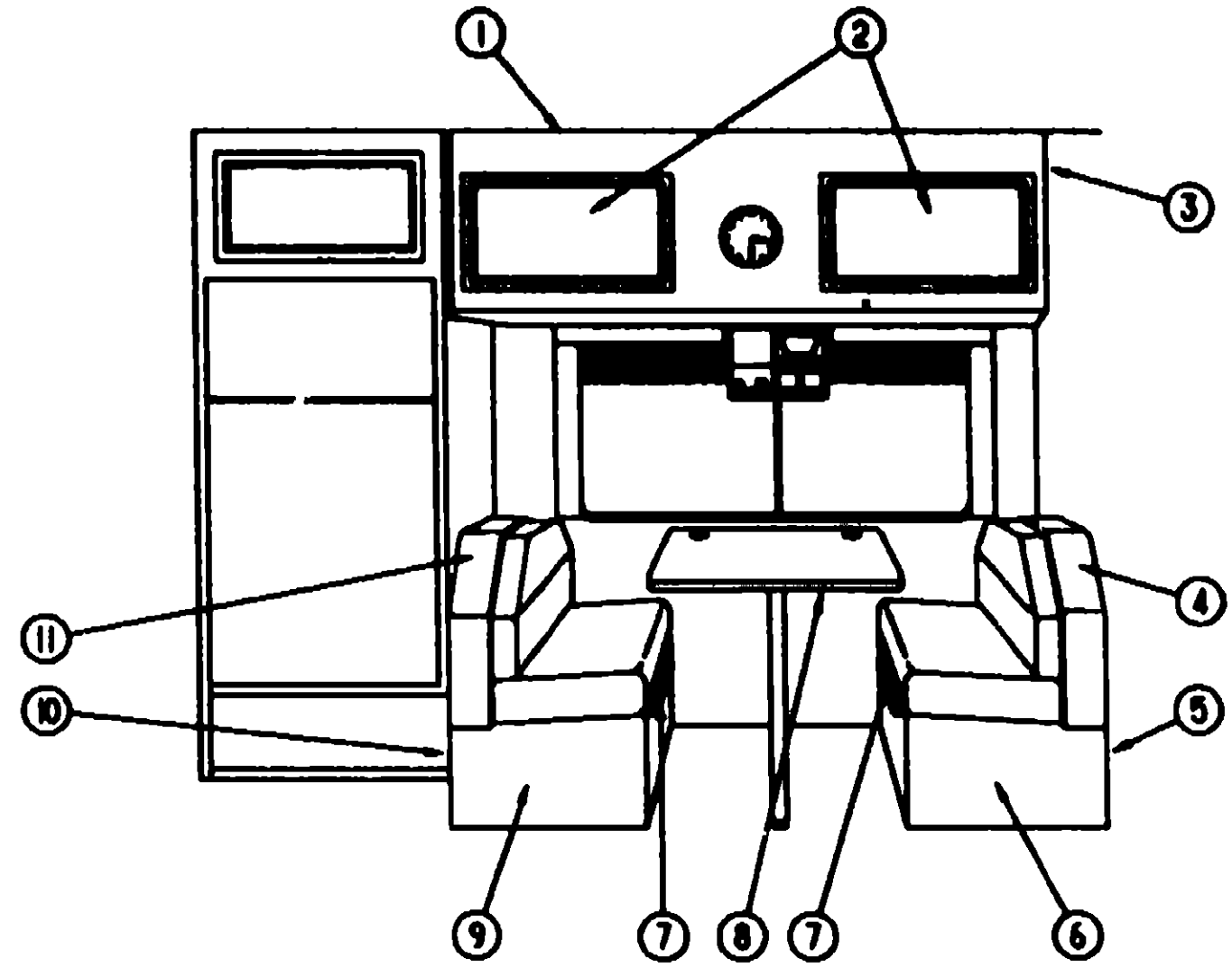
KEY	PART NUMBER	U/M	DESCRIPTION
1	083460-23-C82	EA	SEAT-BUCKET-W/RIGHT ARMREST(C82)
1	083460-23-C83	EA	SEAT-BUCKET-W/RIGHT ARMREST(C83)
1	083460-24-C82	EA	SEAT-BUCKET-W/LEFT ARMREST(C82)
1	083460-24-C83	EA	SEAT-BUCKET-W/LEFT ARMREST(C83)
1	083460-25-C82	EA	SEAT-BUCKET-W/RIGHT ARMREST-RECLINING(C82)
1	083460-25-C83	EA	SEAT-BUCKET-W/RIGHT ARMREST-RECLINING(C83)
1	083460-26-C82	EA	SEAT-BUCKET-W/LEFT ARMREST-RECLINING(C82)
1	083460-26-C83	EA	SEAT-BUCKET-W/LEFT ARMREST-RECLINING(C83)
2	M03445-22-C82	EA	COVER-BACK-BUCKET (C82)
2	M03445-22-C83	EA	COVER-BACK-BUCKET(C83)

CURTAIN, CUSHION GROUP (CONTINUED)



SWIVEL CHAIR

DINETTE GROUP



CABINETS, TABLE, PADS & WALL MIRROR

**1982 WINNEBAGO
TABLE OF CONTENTS**

INTRODUCTION	A-01 -	A-02
ABBREVIATIONS		A-03
ALPHABETICAL INDEX	A-04 -	A-05
WC22P70	A-07 -	D-10
WF224PC	D-10 -	H-05

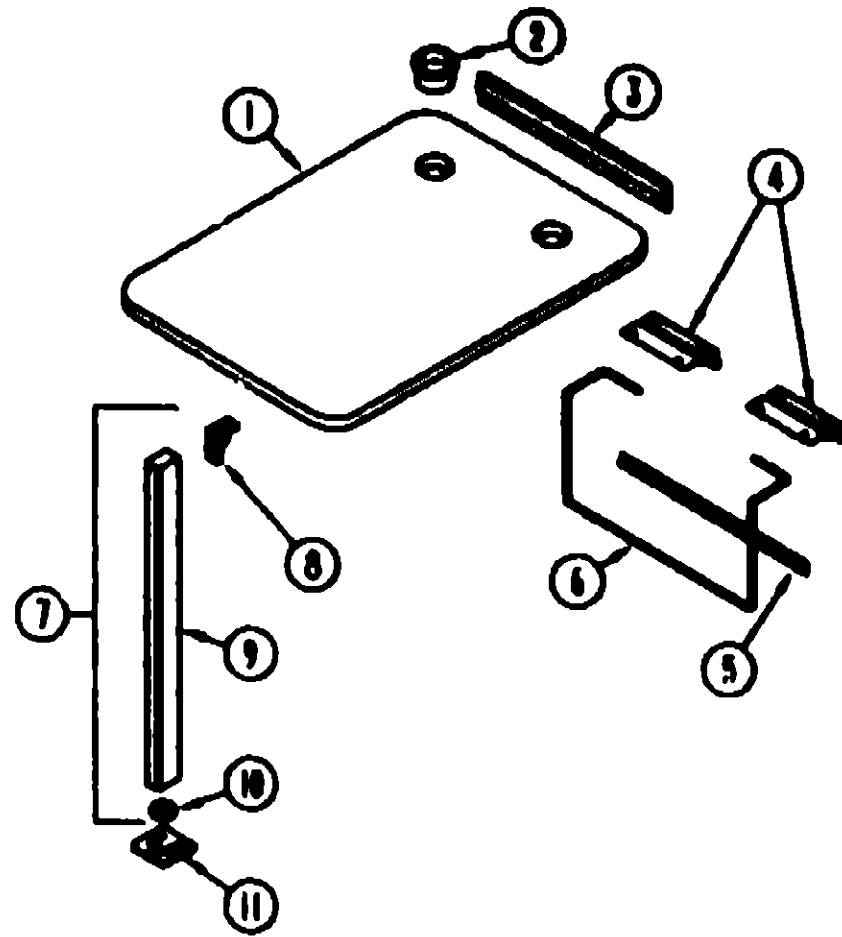
1982 WF224PC INDEX

FLOOR PLAN	D-10 -	D-20
ACCESSORIES		D-21
AUDIO VIDEO		D-22
BATH	D-23 -	D-24
BEDROOM	E-01 -	E-02
CHASSIS	E-03 -	E-05
CURTAIN & CUSHION	E-07 -	E-15
DINETTE	E-16 -	E-17
DRIVERS	E-18 -	E-19
ELECTRICAL	E-20 -	E-23
EXTERIOR BODY	E-24 -	F-05
GALLEY	F-07 -	F-12
GENERATOR		F-13
HEATING & A/C	F-14 -	F-15
INTERIOR FINISH	F-16 -	F-19
LABEL	F-20 -	G-02
LP		G-03
LOUNGE		G-04
SEALANTS & FASTENERS	G-05 -	G-07
WATER & SEWAGE	G-08 -	G-12
WINDOW, VENT AND EXTERIOR DOOR	G-13 -	H-06

KEY	PART NUMBER	U/M DESCRIPTION
1	088429-11-C52	EA CHAIR-SWIVEL, W/O SHORT
1	088429-09-C53	EA CHAIR-SWIVEL, W/O SHORT
	M08429-11-C52	EA COVER-SWIVEL CHAIR
	M08429-09-C53	EA COVER-SWIVEL CHAIR
	088998-04-000	EA CABLF-SWIVEL, W/SWITCH - BUCKET SEAT
	088908-04-C07	EA SHORT ASM (C52)
	088908-04-C08	EA SHORT ASM (C53)
2	088948-08-000	EA ADJLSTER-SWIVEL CHAIR, MANUAL - FORWARD & BACK
3	088481-04-000	EA TOP PLATE-PEDESTAL, BUCKET SEAT - W/O SEATBELT BAR
4	088481-02-000	EA BASE-PEDESTAL, W/10" EXTENSION
5	088482-01-000	EA SHROUD-PEDESTAL, 13" - PLASTIC - BLACK
6	088948-07-000	EA ADJLSTER-SWIVEL CHAIR, W/LOCKING ARM - FORWARD & BACK
	007221-01-000	EA SPACER-SEAT, ADJLSTER - 4 USED PER SWIVEL CHAIR

KEY	PART NUMBER	U/M DESCRIPTION
1	M08924-40-C52	EA CABINET-OVERHEAD, DINETTE
1	M08924-40-C53	EA CABINET-OVERHEAD, DINETTE
2	P04748-04-C52	EA DOOR-CABINET, W/O HARDWARE - 400 X 710MM
3	104335-08-C52	EA END CAP-CABINET, OVERHEAD
4	104787-01-C04	EA PAD-BACKREST, RIGHT SIDE (C52)
4	104787-01-C28	EA PAD-BACKREST, RIGHT SIDE (C53)
5	M04174-28-C52	EA CABINET-BACKREST, RIGHT SIDE
6	M04175-29-C52	EA CABINET-SEATBASE, RIGHT SIDE
	103688-11-C05	EA SEAT ASM
7	081285-01-AA8	EA SUPPORT-BED, DINETTE
8	M02115-09-C06	EA TABLE-DINETTE (C52)
8	M02115-09-C12	EA TABLE-DINETTE (C53)
9	M04175-30-C52	EA CABINET-SEATBASE, LEFT SIDE
	103688-11-C05	EA SEAT ASM
10	M04174-29-C52	EA CABINET-BACKREST, LEFT SIDE
11	104787-02-C52	EA PAD-BACKREST, LEFT SIDE
11	104787-02-C53	EA PAD-BACKREST, LEFT SIDE
	058331-47-000	EA MIRROR-GLASS, SAFETY - 552 X 384MM

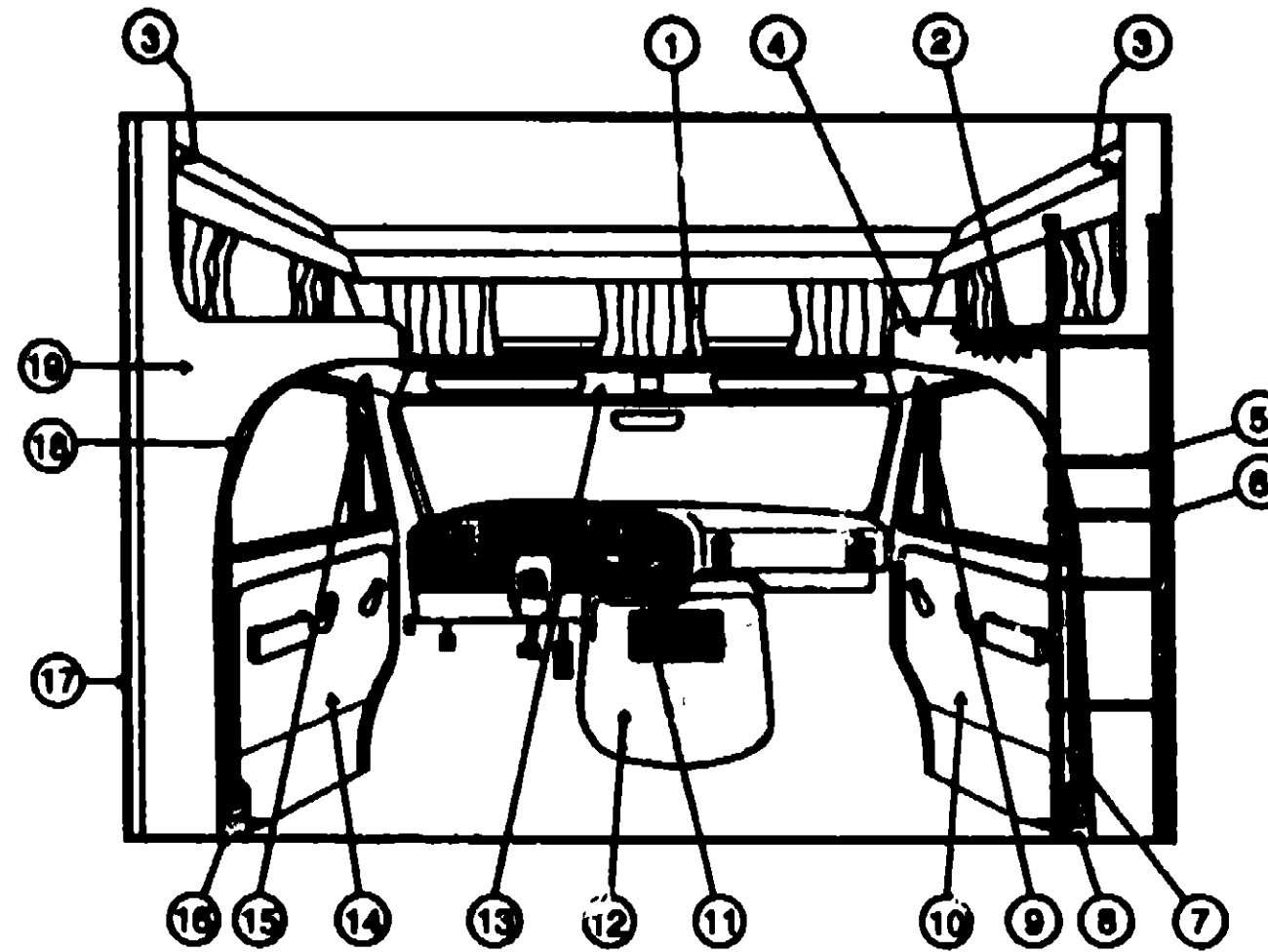
DINETTE GROUP



DINETTE TABLE

KEY	PART NUMBER	U/M DESCRIPTION
1	M02115-08-C06	EA TABLE-DINETTE (C62)
1	M02115-08-C12	EA TABLE-DINETTE (C63)
2	084781-08-000	EA HOLDER-CUP, TWO STEP - OFF WHITE
3	053200-06-000	EA BRACKET-TABLE SUPPORT, UPPER WALL MOUNTED - 23.5" - BEIGE
4	088410-01-000	EA BRACKET-LIFT, TABLE MOUNTED - BEIGE
5	024281-07-000	EA BRACKET-LIFT ROD, LOWER WALL MOUNTED - 22 1/2" - BEIGE
7	024275-06-000	EA ROD-TABLE LIFT, 8" X 23.5" - BEIGE
7	082708-08-C11	EA LEG ASM-TABLE
8	083650-01-000	EA BRACKET-HINGE, MOUNTS TO LEG & TABLE TOP - 1.7" X 2.6"
9	082707-01-01A	EA MOLDING-OAK, REGAL
10	082583-01-04A	EA CATCH-LEG, LEG MOUNTED - ROUND - 1 1/4" DIA - METAL - BEIGE
11	048483-11-700	EA CATCH-LEG, FLOOR MOUNTED - 2.5" X 2 7/8" - METAL - E-COAT

DRIVERS COMPARTMENT GROUP



FORD DRIVERS COMPARTMENT

KEY	PART NUMBER	U/M DESCRIPTION
1	108444-01-01A	EA TRIM-SLEEPERBOARD, INNER - OFF WHITE
1	080742-03-000	FT TRIM-VINYL, SLEEPER BOARD - OFF WHITE
2	105777-01-C62	EA PAD ASM-BUNK, OVERHEAD (FORD) (C62)
2	105777-01-C63	EA PAD ASM-BUNK, OVERHEAD (FORD) (C63)
3	082071-12-C62	EA COVER-WINGWALL
4	108440-03-C62	EA WINGWALL ASM-INNER, RIGHT (FORD)
	108445-01-C62	EA TRIM ASM-WINGWALL WRAP, RIGHT (FORD) BETWEEN CAB STEEL & B PILLAR TRIM
5	108025-01-01A	EA LADDER-BUNK, BLACK - 1434 MM
	108025-01-700	EA BRACKET SET F/BUNK LADDER
J	082666-03-000	EA STRAP ASM-TIEDOWN, BUNK LADDER
7	108448-01-C62	EA TRIM ASM-CAB, B-PILLAR - RIGHT (FORD)
8	108431-01-01A	EA COVER-SEATBELT, RIGHT - OFF WHITE (FORD)
9	108447-01-C62	EA TRIM ASM-CAB DOOR, UPPER - RIGHT (FORD)
10	108432-01-C62	EA PANEL ASM-DOOR, INNER, RIGHT (FORD)
10	108432-01-C63	EA PANEL ASM-DOOR, INNER, RIGHT (FORD)
11	107134-02-C70	EA TRAY-BEVERAGE, OAK - W/CASSETTE HOLDER (FORD)
	048886-03-000	EA ASHTRAY-CHROME, W/COVER
12	088885-23-C04	EA COVER-MOTOR, W/POCKET (C62)
12	088885-23-C24	EA COVER-MOTOR, W/POCKET (C63)
13	108448-01-C62	EA HEADLINER-VINYL COVERED, FRONT - OFF WHITE (FORD)
14	108432-02-C62	EA PANEL ASM-DOOR, INNER, LEFT (FORD)
14	108432-02-C63	EA PANEL ASM-DOOR, INNER, LEFT (FORD)
15	108447-02-C62	EA TRIM ASM-CAB DOOR, UPPER - LEFT (FORD)
16	108431-02-01A	EA COVER-SEATBELT, LEFT - OFF WHITE (FORD)
17	082081-29-C43	EA COVER-WINGWALL, 8' 6" LONG - VINYL - OFF WHITE (1 USED ON EACH SIDE)
18	108448-02-C62	EA TRIM ASM-CAB, B-PILLAR, RIGHT (FORD)
19	108440-04-C62	EA WINGWALL ASM-INNER, LEFT (FORD)
	108445-02-C62	EA TRIM ASM-WINGWALL WRAP, LEFT (FORD) BETWEEN CAB STEEL & B PILLAR TRIM

1982 WINNEBAGO TABLE OF CONTENTS

INTRODUCTION	A-01 - A-02
ABBREVIATIONS	A-03
ALPHABETICAL INDEX	A-04 - A-05
WCS24RC	A-07 - D-18
WF824RC	D-19 - H-08

1982 WF824RC INDEX

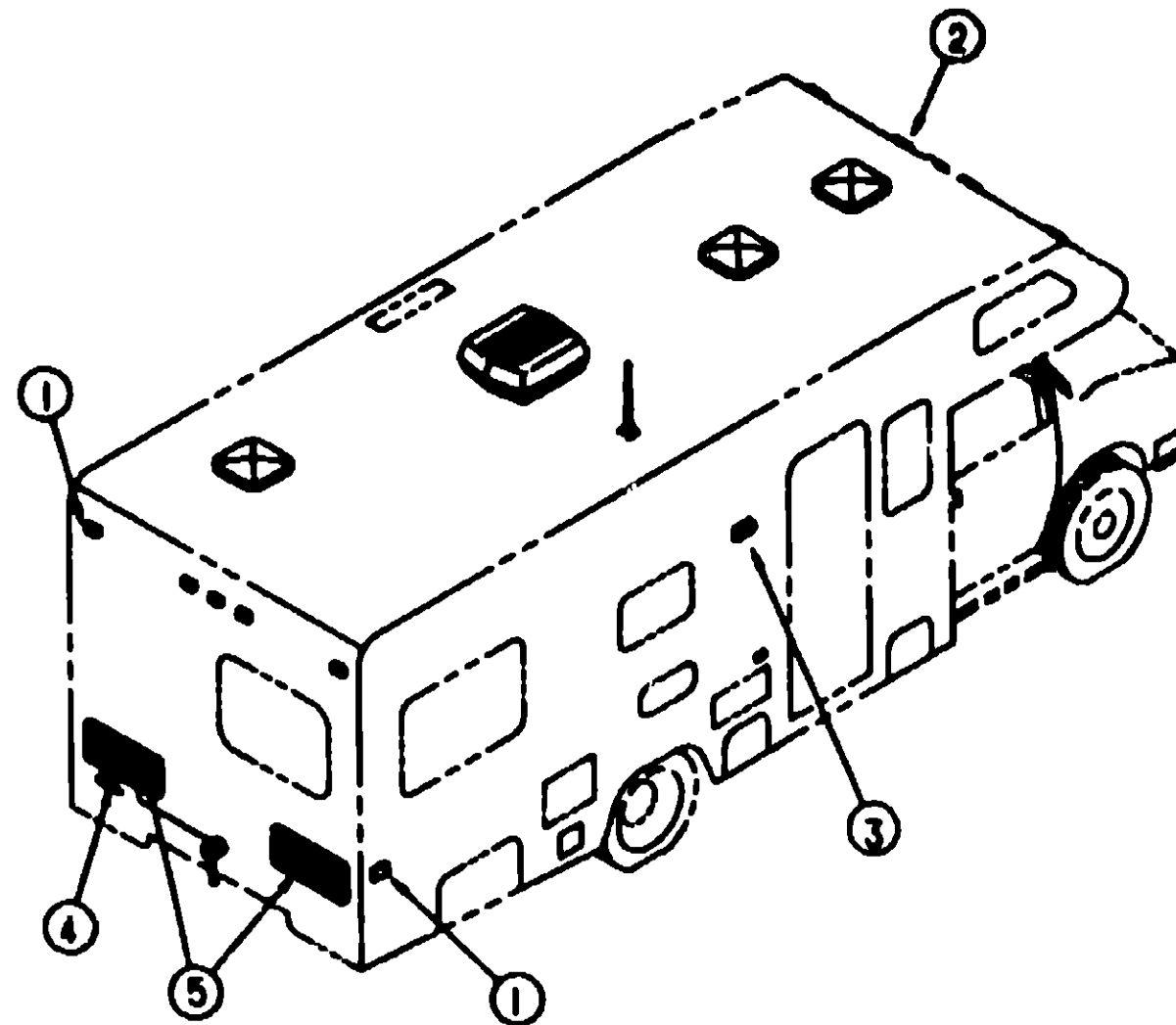
FLOOR PLAN	D-19 - D-20
ACCESSORIES	- D-21
AUDIO VIDEO	- D-22
BATH	D-23 - D-24
BEDROOM	E-01 - E-02
CHASSIS	E-03 - E-08
CURTAIN & CUSHION	E-07 - E-16
DINETTE	E-16 - E-17
DRIVERS	E-18 - E-19
ELECTRICAL	E-20 - E-23
EXTERIOR BODY	E-24 - F-06
GALLEY	F-07 - F-12
GENERATOR	- F-13
HEATING & A/C	F-14 - F-15
INTERIOR FINISH	F-16 - F-19
LABEL	F-20 - G-02
LP	- G-03
LOUNGE	- G-04
SEALANTS & FASTENERS	G-05 - G-07
WATER & SEWAGE	G-08 - G-12
WINDOW, VENT AND EXTERIOR DOOR	G-13 - H-08

DRIVERS COMPARTMENT GROUP

INSTRUMENT CLUSTERS

KEY	PART NUMBER	U/M DESCRIPTION
	084787-08-000	EA CLUSTER-INSTRUMENT PANEL, KILOMETER, GM-8808814 (CHEVY)
	048888-01-000	EA PLAQUE-SWITCH-MOUNTING, BAY & FUEL SWITCHES (CHEVY)
	084788-09-000	EA CLUSTER-INSTRUMENT PANEL, KILOMETER - FOUZ-17288-B (FORD) FROM: 00-00-00 THRU: 10-08-91
	084786-03-000	EA CLUSTER-INSTRUMENT PANEL, KILOMETER - FORD F2UF108488F (FORD) FROM: 10-07-91 THRU 99-99-99
	084786-01-000	EA SPEEDOMETER-KILOMETER (FORD)
	081082-01-000	EA PLAQUE-MOUNTING, BATTERY/FUEL SWITCH - 2 4" X 1 4" - BLK (FORD)
	100138-01-000	EA MODULE-DAYTIME RUNNING LIGHT
	084481-01-000	EA SWITCH-BATT, BATT/DUAL/MOM

ELECTRICAL GROUP



EXTERIOR LIGHTS

KEY	PART NUMBER	U/M DESCRIPTION
1	042405-01-000	EA LENS-CLEARANCE/SIDEMARKER LIGHT, W/REFLEX - RED
1	042405-03-000	EA BASE-CLEARANCE/SIDEMARKER LIGHT W/BULB - PLASTIC - WHITE
1	008213-01-000	EA BULB
2	042405-02-000	EA LENS-CLEARANCE/SIDEMARKER LIGHT - W/REFLEX - AMBER
2	042405-03-000	EA BASE-CLEARANCE/SIDEMARKER LIGHT W/BULB - PLASTIC - WHITE
2	008213-01-000	EA BULB
	091883-01-000	EA GASKET-CLEARANCE/SIDEMARKER LIGHT
3	087917-01-01A	EA LIGHT-PORCH, ENTRY DOOR - OFF WHITE
	008216-01-000	EA BULB
	087917-01-700	EA LENS
4	088432-01-000	EA LIGHT-LICENSE PLATE, W/BACKET
5	103545-01-01A	EA TAIL LIGHT ASM-TRIPLE, HORIZONTAL - BARGMAN 30-84-103
	037834-01-000	EA BULB-12V NO1198 2.10AMP
	037835-01-000	EA BULB-12V NO1167 2.10AMP
	081838-01-700	EA LENS TAILLIGHT (RED)
	103545-01-700	EA LENS-BACKUP
5	105848-01-01A	EA TRIM-TAIL LIGHT, REAR - LIGHT GRAY

1992 WINNEBAGO TABLE OF CONTENTS

INTRODUCTION	A-01 -	A-08
ABBREVIATIONS		A-08
ALPHABETICAL INDEX	A-04 -	A-08
WCSZRG	A-37 -	D-18
WF524RC	D-19 -	H-08

1992 WF524RC INDEX

FLOOR PLAN	D-19 -	D-20
ACCESSORIES		D-21
AUDIO VIDEO		D-22
BATH	D-23 -	D-24
BEDROOM	E-01 -	E-02
CHASSIS	E-03 -	E-08
CURTAIN & CUSHION	E-07 -	E-16
DINETTE	E-16 -	E-17
DRIVERS	E-18 -	E-19
ELECTRICAL	E-20 -	E-23
EXTERIOR BODY	E-24 -	F-08
GALLEY	F-07 -	F-12
GENERATOR		F-13
HEATING & AC	F-14 -	F-16
INTERIOR FINISH	F-18 -	F-19
LABEL	F-20 -	G-02
LP		G-03
LOUNGE		G-04
SEALANTS & FASTENERS	G-05 -	G-07
WATER & SEWAGE	G-08 -	G-12
WINDOW, VENT AND EXTERIOR DOOR	G-13 -	H-08

ELECTRICAL GROUP (CONTINUED)

INTERIOR LIGHTS & BULBS

KEY	PART NUMBER	U/M	DESCRIPTION
	104173-01-01A	EA	LIGHT-DESIGNER, BRASS - #81-006 *A.W. ASPLUND
	104172-01-01A	EA	LIGHT-BULLET, BEIGE - #787 SERIES BULB #88 12V
	081424-01-000	EA	LIGHT-AISLE, 12V - RECTANGULAR
	008103-01-000	EA	BULB
	078424-02-000	EA	LIGHT-FLUORESCENT, 12V DC - 18" - ALMOND
	081637-03-000	EA	BULB-FLUORESCENT LIGHT, 12V - THIN LITE 738
	078424-02-701	EA	LENS-LIGHT, FLOURESCENT - 18"
	082168-01-000	EA	LIGHT-MAKE-UP, 3 BULB - JENSEN X148-168R
	081633-01-700	EA	BULB-MAKE UP LIGHT, JENSEN
	087884-01-000	EA	LIGHT-WARDROBE/CLOSET, W/SWITCH
	087884-01-700	EA	BULB - GE881
	088024-01-01A	EA	LIGHT-DOME, 1 BULB - US - IVORY
	088024-03-01A	EA	LIGHT-DOME, 2 BULB - IVORY
	088218-01-000	EA	BULB
	088024-01-700	EA	LENS-DOME LIGHT
	088280-01-000	EA	LIGHT-SURFACE MOUNT, 12V - JENSEN 1238
	088280-01-700	EA	BULB-12 VOLT, 8 WATT

SWITCHES & RECEPTACLES

KEY	PART NUMBER	U/M	DESCRIPTION
	100912-01-000	EA	SWITCH-DOOR JAMB, ELECTRIC ENTRY STEP - METAL
	075723-01-000	EA	SPACER-SWITCH, W/O HOLE - 2"X.87X2" - METAL - OFF WHITE
	075723-02-000	EA	SPACER-SWITCH, WHOLE - 2" X .8" X 2" - METAL - OFF WHITE FOR ELECTRIC STEP DOOR JAMB SWITCH
	086188-01-01A	EA	SPACER-SWITCH, 2.3" X 3.4" - PLASTIC - DARK BROWN
	086188-02-01A	EA	SPACER-SWITCH, 2 3" X 4 1" - PLASTIC - DARK BROWN
	078384-01-000	EA	SWITCH-ON/OFF ROCKER, 2 PRONGS - BROWN
	078384-03-000	EA	SWITCH-ON/OFF ROCKER, 3 PRONGS - BROWN
	088241-07-000	EA	SWITCH-ROCKER, DPDT - ON/OFF - BLACK
	088351-01-01A	EA	PLATE-SWITCH, 1 GANG - POLISHED BRASS
	088351-02-01A	EA	PLATE-SWITCH, 2 GANG - POLISHED BRASS
	088351-05-01A	EA	PLATE-SWITCH, 3 GANG - POLISH BRASS - JENSEN
	088351-08-01A	EA	PLATE-SWITCH, 2 GANG W/LABEL - JENSEN - POLISHED BRASS
	108357-08-000	EA	SWITCH-ROCKER, DPDT ON/NONE/ON
	108356-02-01A	EA	ACTUATOR-SWITCH DIMPLE II - CARLING VVAZC00 BLACK
	108355-01-000	EA	HOUSING-SWITCH
	084076-01-000	EA	RECEPTACLE-GFI, 15A - 125V - IVORY
	084077-01-000	EA	PLATE-COVER, RECEPTACLE - GFI - IVORY
	087734-01-02A	EA	EXTENSION-RECEPTACLE, 3.2" X 5" X .7" - PLASTIC - BROWN
	102588-01-B10	EA	SPACER-RECEPTACLE, BETWEEN SIDEWALL & PLATE - WOOD
	058707-01-000	EA	RECEPTACLE-ELECTRIC, SINGLE - BROWN
	058708-01-000	EA	RECEPTACLE-ELECTRIC, DOUBLE - BROWN
	058708-02-000	EA	RECEPTACLE-ELECTRIC, DOUBLE - IVORY
	075738-02-000	EA	COVER-EXTERIOR RECEPTACLE, OFF WHITE
	054250-01-000	EA	COVER-ANGLED, W/O HOLE - 3 6" X 4 5" - PLASTIC - BEIGE ELECTRICAL PLATE SUPPORT
	054250-04-000	EA	COVER-ANGLED, W/O HOLE - 3 6" X 4 5" - PLASTIC - OFF WHITE ELECTRICAL PLATE SUPPORT

CONTROL CENTER & POWER CONVERTER

KEY	PART NUMBER	U/M	DESCRIPTION
	083208-01-000	EA	CONVERTOR-POWER 32A - 120V/12V - BW 6332
	083208-01-000	EA	CONVERTOR-POWER, 32A - 120V/12V - BW 6332
	094809-01-000	EA	CENTER-LOAD, 240V - 125A - TPL412CT

ELECTRICAL GROUP (CONTINUED)

CIRCUIT BREAKERS & FUSES

KEY	PART NUMBER	U/M	DESCRIPTION
	008211-01-000	EA	BREAKER-CIRCUIT, 12V - 6AMP
	008288-01-000	EA	BREAKER-CIRCUIT, W/MOUNT -30A - 12V
	008236-01-000	EA	FUSE-AUTOMOTIVE, 12V - 15AMP
	008277-01-000	EA	FUSE-HOLDER, PANEL MOUNT - BLACK
	082801-08-000	EA	FUSE-5 AMP, AUTOMOTIVE
	082801-05-000	EA	FUSE-15 AMP, AUTOMOTIVE
	083208-01-000	EA	CIRCUIT BREAKER-15 AMP, 120V - BW G-15 - CANDIAN
	083208-02-000	EA	CIRCUIT BREAKER-15/15AMP, 120V - BW H-15/15
	083208-03-000	EA	CIRCUIT BREAKER-15/20AMP, 120V - BW O-15/20
	083208-04-000	EA	CIRCUIT BREAKER-30A, 120V - BW L-30
	083208-08-000	EA	CIRCUIT BREAKER-30/15 AMP, 120V - BW D-30/15
	083208-08-07J	EA	BREAKER-CIRCUIT, BLANK - 5W
	083854-01-000	EA	CIRCUIT BREAKER-5 AMP, HOUSE CONTROL PANEL
	083855-01-000	EA	CIRCUIT BREAKER-25 AMP
	083857-02-000	EA	CIRCUIT BREAKER-30 AMP, HOUSE CONTROL PANEL
	084710-01-000	EA	BREAKER-CIRCUIT, DOUBLE 30 AMP - GE THOL2130
	084811-01-000	EA	BREAKER-CIRCUIT, DOUBLE 20 AMP - GE THOL2120
	107186-01-01A	EA	BOX-CIRCUIT BREAKER MNT BLK

ELECTRIC CORDS & BOXES

KEY	PART NUMBER	U/M	DESCRIPTION
	008052-01-000	EA	CORD-POWER 10/3 - 30 AMP - 25' (CSA)
	008052-01-000	EA	CORD-POWER, 10/3 - 30 AMP - 25' - CANADIAN
	008054-01-000	EA	CORD-POWER, 10/3 - 30 AMP - 25'
	008288-01-000	EA	BOX-PLASTIC ELECTRIC, 3" X 3 1/2"
	008283-02-000	EA	BOX-ELECTRIC, PLASTIC - 3 84" X 3 13" X 1 81"
	008288-01-000	EA	BOX-ELECTRIC, STEEL - 1/2" AND 3/4" KNOCKOUTS - 4" X 4"
	008289-02-000	EA	BOX-ELECTRICAL, 4" X 4" - 1/2" & 3/4" KNOCKOUTS - CANDIAN
	008294-01-000	EA	COVER-ELECTRICAL BOX, BLANK/STEEL - 4" X 4" - GRAY
	008294-02-000	EA	COVER-ELECTRICAL BOX, BLANK STEEL - 4" X 4" - CANADIAN
	058048-01-000	EA	BOX-ELECTRIC SWITCH, 2" X 3" X 2.25"
	080238-01-000	EA	COVER-ELECTRICAL BOX, WHOLE - 4" X 4" - GRAY USED WITH 30 AMP RECEPTACLE
	081810-01-000	EA	BOX-ELECTRIC, 3 75" X 3.5" X 1.75" - PLASTIC
	083003-01-000	EA	BOX-ELEC-STL 4X2 1/8X2 1/8 STL CTY 58371 1/2

WIRE ASSEMBLIES

KEY	PART NUMBER	U/M	DESCRIPTION
	100158-02-000	EA	WIRE ASM-DAYTIME RUNNING LIGHTS, W/FUSE
	103328-08-000	EA	WIRE ASM-PUMP, EXTERIOR SHOWER
	088448-01-000	EA	WIRE ASSEMBLY-WATER TANK TO MONITOR PANEL
	105308-01-000	EA	WIRE ASM-MONITOR PANEL ADAPT

1992 WINNEBAGO TABLE OF CONTENTS

INTRODUCTION	A-01	A-02
ABBREVIATIONS		A-03
ALPHABETICAL INDEX	A-04	A-08
WC822RC	A-07	D-18
WF824RC	D-19	H-08

1992 WF824RC INDEX

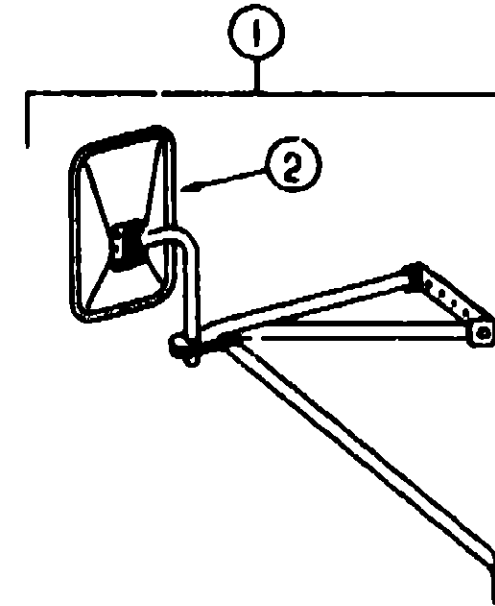
FLOOR PLAN	D-19	D-20
ACCESSORIES		D-21
AUDIO VIDEO		D-22
BATH	D-23	D-24
BEDROOM	E-01	E-02
CHASSIS	E-03	E-08
CURTAIN & CUSHION	E-07	E-15
DINETTE	E-16	E-17
DRIVERS	E-18	E-19
ELECTRICAL	E-20	E-23
EXTERIOR BODY	E-24	F-08
GALLEY	F-07	F-12
GENERATOR		F-13
HEATING & AC	F-14	F-15
INTERIOR FINISH	F-16	F-19
LABEL	F-20	G-02
LP		G-03
LOUNGE		G-04
SEALANTS & FASTENERS	G-05	G-07
WATER & SEWAGE	G-08	G-12
WINDOW, VENT AND EXTERIOR DOOR	G-13	H-08

ELECTRICAL GROUP (CONTINUED)

ELECTRIC CONNECTORS & CONDUIT

KEY	PART NUMBER	U/M	DESCRIPTION
	007940-01-000	EA	RECEPTACLE-SLIDE 18 TO 12 AWG - FEMALE END
	007942-01-000	EA	TAB-WIRE, 18 TO 14 AWG
	007948-01-000	EA	TAB-HOUSING, 1 POSITION
	088474-10-000	EA	HOUSING-SOCKET 2 POSITION
	007940-01-000	EA	RECEPTACLE-SLIDE, 18 TO 12 AWG - FEMALE END
	008188-01-000	EA	SOLDER-NO.3 POST, BATTERY CHANGE OVER
	008311-01-000	EA	CONNECTOR-WIRE NUT, INSULATED - RED
	008314-01-000	EA	CONNECTOR-WIRE NUT, INSULATED - GRAY
	008328-01-000	EA	TERMINAL-RING, 18/14 WIRE - 3/8" STUD
	008328-01-000	EA	TERMINAL-RING, 12/10 WIRE - #10 STUD FIT
	018391-01-000	EA	TERMINAL-RING, TONGUE - #4 WIRE - 3/8" STUD - COPPER
	008348-01-000	EA	TERMINAL-RING, 3/8" STUD - #2 WIRE
			CONNECTS CABLE TO DISCONNECT RELAY AND BATTERY
	036116-04-000	EA	TERMINAL-RING #10 STUD FIT, INSULATED BARREL#18/1
	008275-01-000	EA	CONNECTOR-CABLE CLAMPING, 3/4"
	008361-01-000	EA	CONNECTOR-PLASTIC, 3/8" AVG
	024924-12-000	EA	RECEPTACLE-POWER CORD, W/PARTIAL PLATE
	041953-11-000	FT	CONDUIT-CONVOLUTE SLIT, 5/8" ID
	041953-01-000	FT	CONDUIT-CONVOLUTE SLIT, 5/8" ID
	041953-03-000	FT	CONDUIT-CONVOLUTE SLIT, 1" ID (CLOTHES ROD COVR)
	041953-05-000	FT	CONDUIT-CONVOLUTE SOLID, 82" ID
	041953-06-000	FT	CONDUIT-CONVOLUTE, SLIT 3/75" ID
	041953-07-000	FT	CONDUIT-CONVOLUTE, SLIT - 25" ID
	041953-08-000	FT	CONDUIT-CONVOLUTE, SLIT, 1 5" ID
	041953-09-000	FT	CONDUIT-CONVOLUTE, SLIT 50" ID
	041953-10-000	FT	CONDUIT-CONVOLUTE, SLIT - 75" ID
	041953-11-000	FT	CONDUIT-CONVOLUTE, SLIT- 1 06" ID
	041953-12-000	FT	CONDUIT-CONVOLUTE, NON SLIT 1.1" ID
	047443-01-000	EA	TERMINAL-.250 RECEPT FIT, INSULATED - 18/14 AWG
	047443-02-000	EA	TERMINAL-.250 RECEPT FIT, INSULATED - 12/10 AWG
	050283-02-000	EA	BAR-BUSS, CIRCUIT BREAKER
	058028-01-000	EA	CONNECTOR-ELECTRICAL PIGTAIL, NYLON - CLEAR
	082036-02-000	EA	TERMINAL-PACK-CON, 18/14 AWG
	082037-01-000	EA	HOUSING-ALTO FUSE, NATURAL
	083910-01-000	EA	HOUSING-RELAY, BOSCH 3 334 485 008
	077479-01-000	EA	BOOT-BATTERY TERMINAL, DOUBLE CABLE
	080015-02-000	EA	RECEPTACLE-FLAG, 185 - 18/14 GA - AMP 3
	080015-03-000	EA	RECEPTACLE-FLAG, 250 - 14/18 GA
	087949-01-000	EA	BUSS BAR-2 POSITION, .6" X 1 5" - ALUMINUM
	088473-01-000	EA	PIN-HOUSING, 4 ROWS OF 3
	088473-03-000	EA	PIN-HOUSING, 4 ROWS OF 3
	088473-05-000	EA	PIN-HOUSING, 6 POSITION (SINGLE ROW)
	088473-06-000	EA	PIN-HOUSING, 6 POSITION (TWO ROWS OF THREE)
	088473-07-000	EA	HOUSING-PIN, 5 CAVITY, AMP 1-480763-0
	088473-08-000	EA	HOUSING-PIN, 4 POSITION
	088473-09-000	EA	PIN-HOUSING, 3 POSITION (SINGLE ROW)
	088473-10-000	EA	PIN-HOUSING, 2 POSITION
	088474-02-000	EA	HOUSING-SOCKET, 15 POSITION (3 ROWS OF 5)
	088474-06-000	EA	SOCKET-HOUSING, 6 POSITION (2 ROWS OF THREE)
	088474-07-000	EA	HOUSING-SOCKET, 5 CAVITY, AMP 1-480764-0
	088474-08-000	EA	SOCKET-HOUSING, 4 POSITION (SINGLE ROW)
	088474-09-000	EA	HOUSING-SOCKET, 3 POSITION
	088474-10-000	EA	HOUSING-SOCKET, 2 POSITION
	088475-01-000	EA	PIN-CONNECTOR, 14 TO 20 AWG
	088475-02-000	EA	PIN-CONNECTOR, 10 TO 12 AWG
	088476-01-000	EA	SOCKET-CONNECTOR, BRASS - PRE-TIN
	088476-02-000	EA	SOCKET-CONNECTOR, 12-10 GA - PHOS BRZ - PRE-TIN
	080971-01-000	EA	SPLICE-CABLE, 110V
	100341-01-000	EA	FUSE HOLDER-IN LINE TYPE WESCO 8931-82020

EXTERIOR BODY GROUP



EXTERIOR MIRRORS

KEY	PART NUMBER	U/M	DESCRIPTION
1	106880-02-01A	EA	MIRROR ASM-STAR HEAD, LOW MOUNT - VELVAC #713157 (FORD)
2	106880-02-700	EA	MIRROR HEAD ONLY, DRIVER SIDE - STAR - VELVAC D747283-9
2	106880-02-701	EA	MIRROR HEAD ONLY, PASS SIDE - STAR - VELVAC D747284-9
	106880-02-702	EA	GLASS-FLAT, VELVAC 702088-8

RUNNING BOARDS

KEY	PART NUMBER	U/M	DESCRIPTION
	072884-20-000	EA	RUNNING BOARD SET-FORD, 39" - KEMBERLY K-7

ASSIST HANDLE & BUMPER

KEY	PART NUMBER	U/M	DESCRIPTION
	009128-02-000	EA	HANDLE-ASSIST, ENTRY DOOR - BLACK
	089728-02-000	EA	BUMPER-88"DIA X 40", BLACK

FIBERGLASS, STYROFOAM & U CHANNEL

KEY	PART NUMBER	U/M	DESCRIPTION
	078054-G7-000	SF	FIBERGLASS COIL 41" X 500FT - OFF WHITE
	078054-H1-000	EA	FIBERGLASS SHEET 2438 X 2500 - OFF WHITE
	078054-G7-000	SF	FIBERGLASS COIL 41" X 500FT - OFF WHITE
	078054-D6-001	EA	SHEET-FIBERGLASS, 5' X 24' - OFF WHITE
			FROM: 00-00-00 THRU 05-18-92
	078054-F3-000	EA	FIBERGLASS SHEET - 2438 X 2438 - OFF WHITE
			FROM: 05-19-92 THRU 09-09-99
	107337-01-017	SF	FIBERGLASS FLEX PANEL 104" X 500" - KEMLITE OFF WHITE
			FROM: 00-00-00 THRU 04-19-92
	078054-G7-001	EA	SHEET-FIBERGLASS, 40" X 96" - OFF WHITE
			FROM: 04-20-92 THRU 09-09-99
	077517-24-000	EA	SHEET-FIBERGLASS, FLAT - 48" X 96" - OFF WHITE
	083574-03-000	SF	STYROFOAM-3/4" X 48" X 96"
	000870-03-000	SF	STYROFOAM-1 3/4" X 48" X 96" - INCREMENTS OF 32 SF
	000870-06-000	SF	STYROFOAM-5" X 24" X 96", INCREMENTS OF 16 SF
	002385-01-001	EA	U-CHANNEL, 1" X 1 1/2" SERRATED - MILL FINISHED ALUMINUM
	002754-01-001	EA	ANGLE-FYTRUDER, 75" X 75" X 18" - MILL ALUMINUM
	002728-01-001	EA	GARNISH-U-CHANNEL, 1 3/8" X 18" - SERRATED - MILL ALUMINUM
	002779-01-001	EA	EXTR-U CHANNEL
	055278-51-259	FT	TUBING-STEEL, 75" X 1 5" X 12 5"

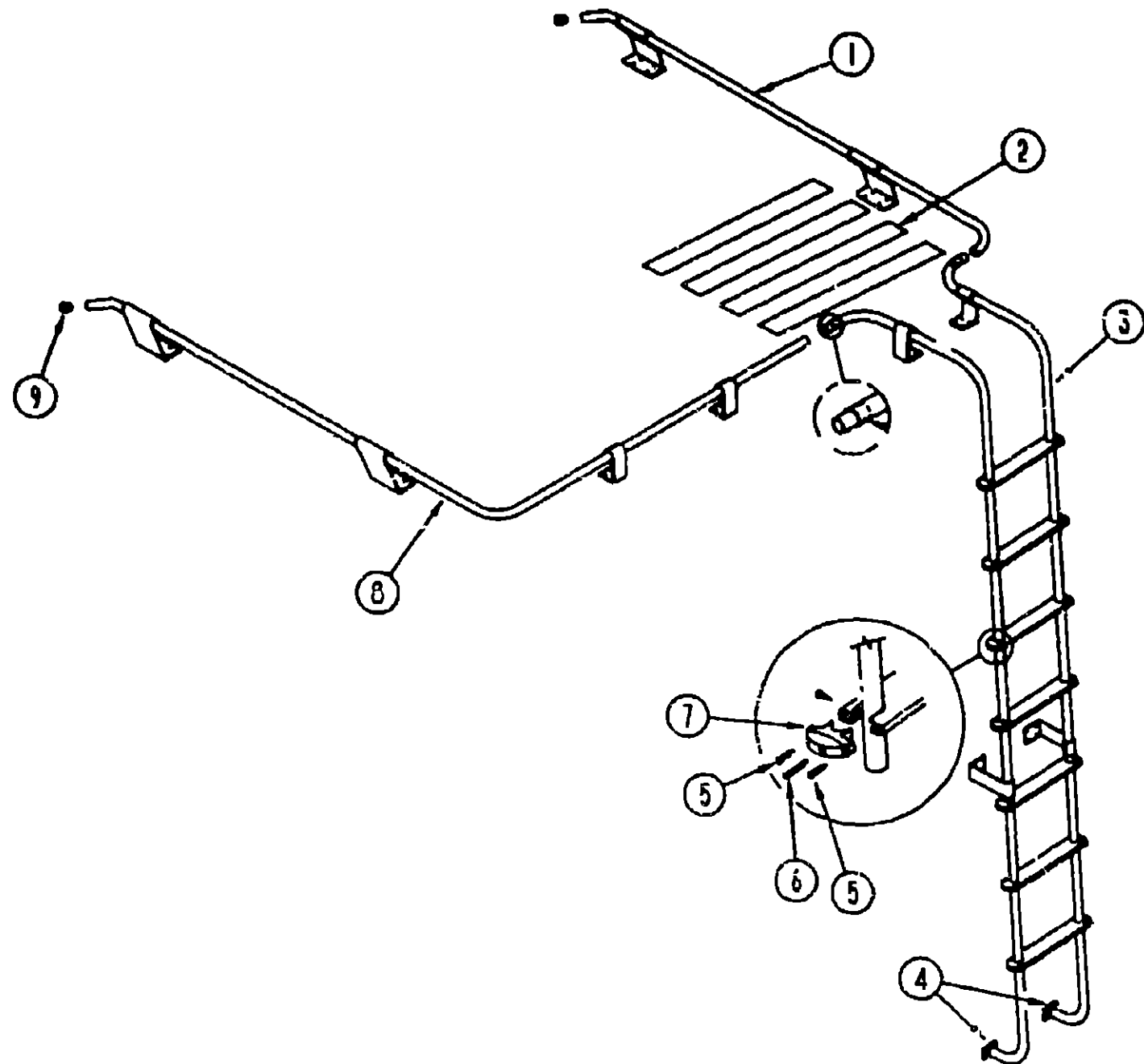
1992 WINNEBAGO TABLE OF CONTENTS

INTRODUCTION	A-01 -	A-02
ABBREVIATIONS		A-03
ALPHABETICAL INDEX	A-04 -	A-08
WC622RC	A-07 -	D-18
WF524RC	D-19 -	H-08

1992 WF524RC INDEX

FLOOR PLAN	D-19 -	D-20
ACCESSORIES		D-21
AUDIO VIDEO		D-22
BATH	D-23 -	D-24
BEDROOM	E-01 -	E-02
CHASSIS	E-03 -	E-08
CURTAIN & CUSHION	E-07 -	E-15
DINETTE	E-16 -	E-17
DRIVERS	E-18 -	E-19
ELECTRICAL	E-20 -	E-23
EXTERIOR BODY	E-24 -	F-08
GALLEY	F-07 -	F-12
GENERATOR		F-13
HEATING & A/C	F-14 -	F-15
INTERIOR FINISH	F-16 -	F-19
LABEL	F-20 -	G-02
LP		G-03
LOUNGE		G-04
SEALANTS & FASTENERS	G-05 -	G-07
WATER & SEWAGE	G-08 -	G-12
WINDOW, VENT AND EXTERIOR DOOR	G-13 -	H-08

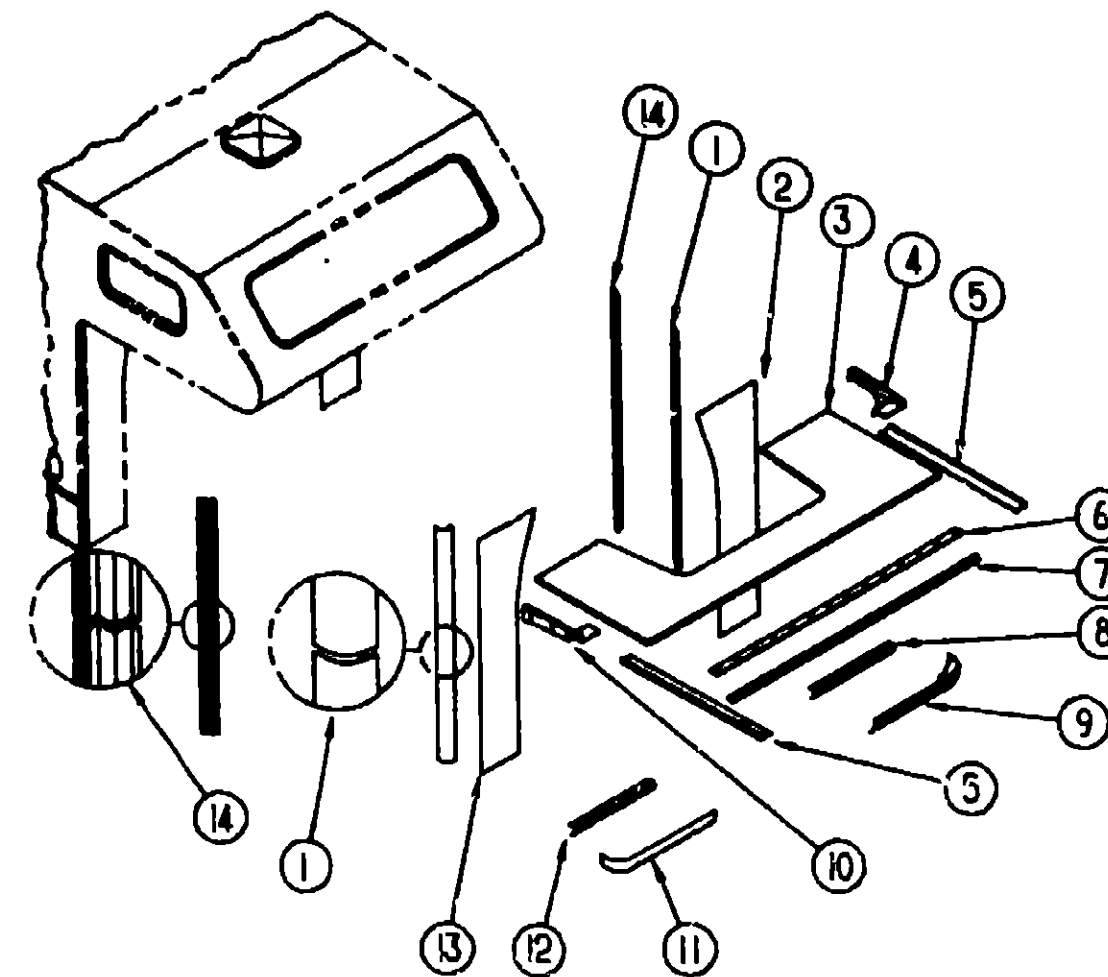
EXTERIOR BODY GROUP (CONTINUED)



LUGGAGE RACK & LADDERS

KEY	PART NUMBER	U/M DESCRIPTION
1	081026-15-C05	EA RACK ASM-PASSENGER SIDE FROM 00-00-00 THRU 03-01-92
1	107438-05-C07	EA RACK ASM-PASSENGER SIDE FROM 03-02-92 THRU 99-99-99
2	038327-01-000	EA TAPE-ANTI SLIP, 2" X 60"
3	102953-02-C03	EA LADDER ASM
4	067165-01-000	EA MOUNTING BRACKET-LADDER, LOWER
5	000G39-06-10T	EA SCREW-SF/DR-6-20X5/8PPHBLACK
6	000G58-10-36T	EA SCREW-10-12X2.25 PCH BLACK
7	076090-02-000	EA END CAP-STEP, BLACK
8	081026-19-C03	EA RACK ASM-DRIVER SIDE FROM 00-00-00 THRU 03-01-92
8	107438-09-C03	EA RACK ASM-DRIVER SIDE FROM 03-02-92 THRU 99-99-99
9	081114-01-000	EA PLG-ROUND, RACK & LADDER ENDS - PLASTIC - 1" DIA.

EXTERIOR BODY GROUP (CONTINUED)



FORD WINGWALLS, SLEEPERBOARD & TRIM

KEY	PART NUMBER	U/M DESCRIPTION
1	108037-01-01A	EA COVER-WINGWALL, CURVED - OFF WHITE
2	106439-02-C52	EA WINGWALL ASM, DRIVER SIDE - W/GUSSET FROM: 00-00-00 THRU: 03-15-92
2	108040-02-C52	EA WINGWALL ASM, DRIVER SIDE - W/GUSSET FROM: 03-16-92 THRU: 99-99-99
3	P06443-01-C03	EA SLEEPERBOARD ASM
4	104444-02-01A	EA COVER-TRIM, WINGWALL - LEFT - OFF WHITE
5	105312-01-01A	FT INSERT-TRIM, VINYL - OFF WHITE
5	096854-01-01A	EA TRIM-CONTOUR, W/O VINYL INSERT - 108" - OFF WHITE
6	100085-03-01A	EA TRIM-SLEEPERBOARD, FLAT - 2 5' X 87 5" - OFF WHITE
7	100086-02-01A	EA TRIM SLEEPERBOARD, 2" X 90 7" - OFF WHITE
8	106145-01-01A	EA SUPPORT-COVER, WINGWALL - OFF WHITE (FORD)
9	106144-02-C52	EA COVER ASM-WINGWALL, W/SUPPORT - LEFT - OFF WHITE (FORD)
9	106145-02-01A	EA COVER-ASM-WINGWALL, W/O SUPPORT - LEFT - OFF WHITE (FORD)
10	104444-01-01A	EA COVER-TRIM, WINGWALL - RIGHT - OFF WHITE
11	106144-01-C52	EA COVER ASM-WINGWALL, W/SUPPORT - RIGHT - OFF WHITE (FORD)
11	106145-01-01A	EA COVER ASM-WINGWALL, W/O SUPPORT - RIGHT - OFF WHITE (FORD)
12	106146-01-01A	EA SUPPORT-COVER, WINGWALL - OFF WHITE (FORD)
13	106439-01-C52	EA WINGWALL ASM, PASSENGER SIDE - W/GUSSET FROM: 00-00-00 THRU: 03-15-92
13	108040-01-C52	EA WINGWALL ASM, PASSENGER SIDE - W/GUSSET FROM: 03-16-92 THRU 99-99-99
14	105015-01-01A	EA TRIM-WINGWALL, CURVED - OFF WHITE
	089334-01-000	FT VINYL-EXTERIOR, BETWEEN WINGWALL & CAB SEAL - WHITE

**1992 WINNEBAGO
TABLE OF CONTENTS**

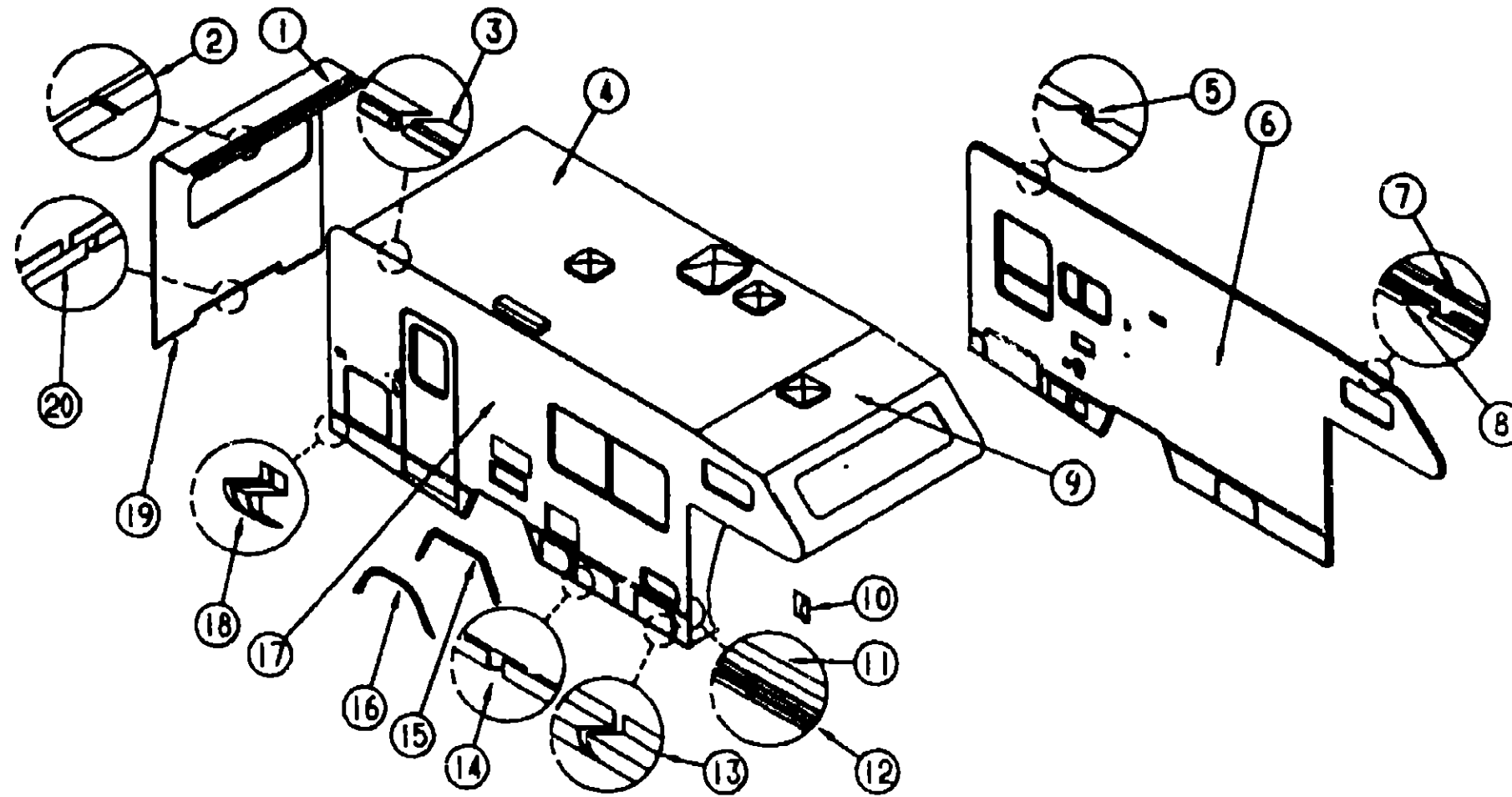
INTRODUCTION	A-01 -	A-02
ABBREVIATIONS		A-03
ALPHABETICAL INDEX	A-04 -	A-06
WC522RG	A-07 -	D-18
WF524RC	D-19 -	H-06

1992 WF524RC INDEX

FLOOR PLAN	D-19 -	D-20
ACCESSORIES		D-21
AUDIO VIDEO		D-22
BATH	D-23 -	D-24
BEDROOM	E-01 -	E-02
CHASSIS	E-03 -	E-06
CURTAIN & CUSHION	E-07 -	E-15
DINETTE	E-16 -	E-17
DRIVERS	E-18 -	E-19
ELECTRICAL	E-20 -	E-23
EXTERIOR BODY	E-24 -	F-06
GALLEY	F-07 -	F-12
GENERATOR		F-13
HEATING & A/C	F-14 -	F-15
INTERIOR FINISH	F-16 -	F-19
LABEL	F-20 -	G-02
LP		G-03
LOUNGE		G-04
SEALANTS & FASTENERS	G-05 -	G-07
WATER & SEWAGE	G-09 -	G-12
WINDOW, VENT AND EXTERIOR DOOR	G-13 -	H-06

EXTERIOR BODY GROUP (CONTINUED)

EXTERIOR PANELS & TRIMS



1992 WINNEBAGO TABLE OF CONTENTS

INTRODUCTION	A-01 -	A-02
ABBREVIATIONS		A-03
ALPHABETICAL INDEX	A-04 -	A-08
WC522RG	A-07 -	D-18
WF524RC	D-19 -	H-08

1992 WF524RC INDEX

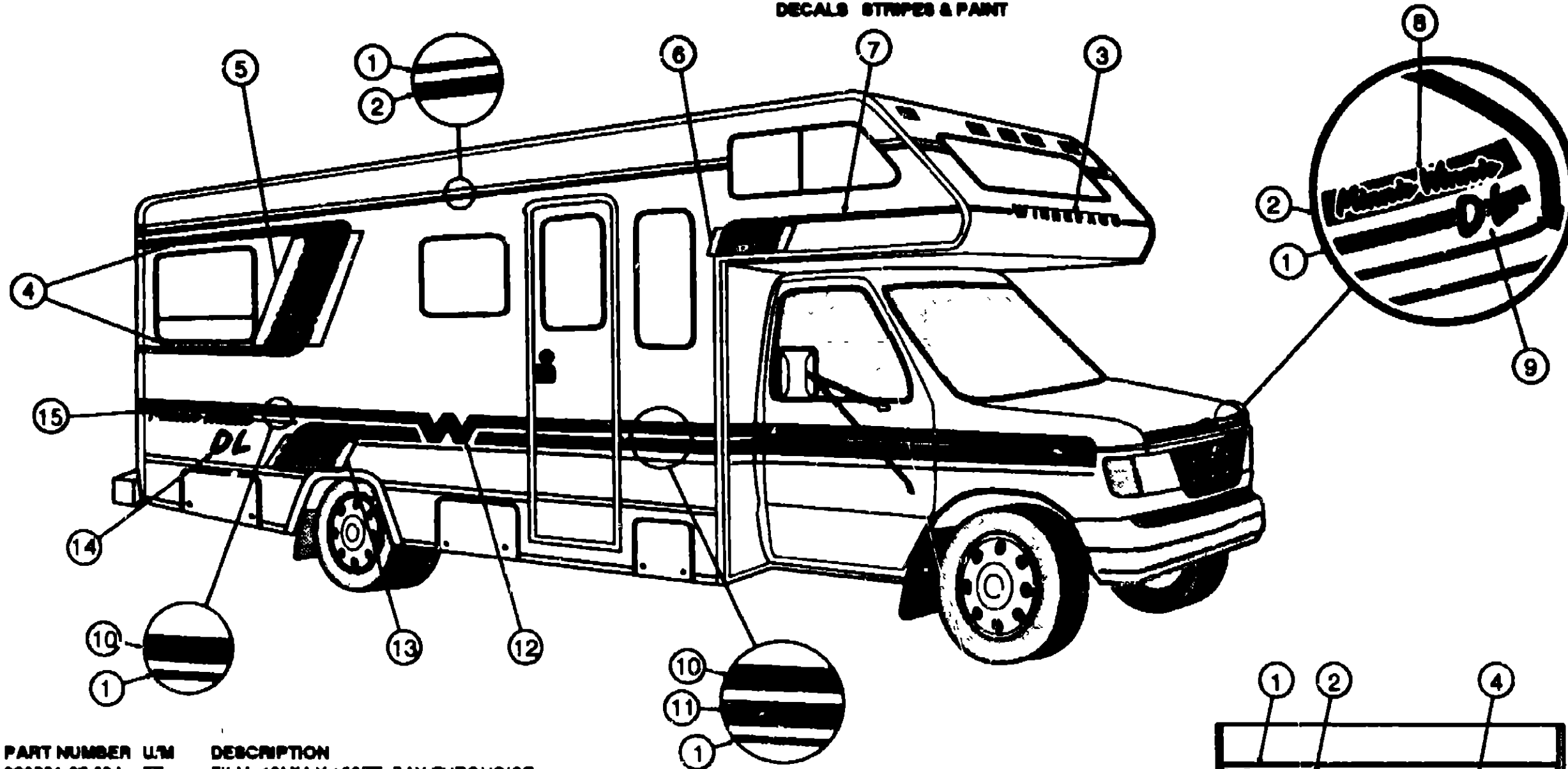
FLOOR PLAN	D-19 -	D-20
ACCESSORIES		- D-21
AUDIO VIDEO		- D-22
BATH	D-23 -	D-24
BEDROOM	E-01 -	E-02
CHASSIS	E-03 -	E-08
CURTAIN & CUSHION	E-07 -	E-15
DINETTE	E-16 -	E-17
DRIVERS	E-18 -	E-19
ELECTRICAL	E-20 -	E-23
EXTERIOR BODY	E-24 -	F-08
GALLEY	F-07 -	F-12
GENERATOR		- F-13
HEATING & A/C	F-14 -	F-15
INTERIOR FINISH	F-16 -	F-19
LABEL	F-20 -	G-02
LP		- G-03
LOUNGE		- G-04
SEALANTS & FASTENERS	G-05 -	G-07
WATER & SEWAGE	G-08 -	G-12
WINDOW, VENT AND EXTERIOR DOOR	G-13 -	H-08

KEY	PART NUMBER	U/M	DESCRIPTION
1	P06873-01-C52	EA	BACKWALL ASM W/BASES
2	078580-01-000	EA	TRIM-ROOF TO BACKWALL
3	100483-01-01A	EA	TRIM-CONTOUR, ROOF (AWNING) - OFF WHITE
3	099583-55-001	EA	RAIL-AWNING, 10' EA - OFF WHITE
4	P06864-01-C52	EA	ROOF ASM W/BASES
5	096864-01-01A	EA	TRIM-CONTOUR, ROOF TO SIDEWALL - DR OR PASS - 120"
6	P06308-01-C52	EA	SIDEWALL ASM-DRIVER SIDE
7	105312-01-01A	FT	INSERT-TRIM, VINYL - OFF WHITE
8	096854-01-01A	EA	TRIM-CONTOUR, W/O VINYL INSERT - 108" - OFF WHITE DR OR PASS - FRONT OVERHEAD CAB SECTION FROM ROOF TO WINGWALL - REAR - BACKWALL TO SIDEWALL VERTICAL SECTION
9	M76177-01-700	EA	SECTION-ROOF, OVER CAB TO FIRST ROOF SEAM
10	009731-01-000	EA	END CAP-FEATURE STRIP
11	001030-02-003	EA	INSERT-FEATURE STRIP, 17' LONG - OFF WHITE
12	002444-04-002	EA	STRIP-FEATURE, W/O INSERT - 15' LONG - OFF WHITE
	002444-01-020	EA	FEATURE STRIP-WHOLES, OFF WHITE

KEY	PART NUMBER	U/M	DESCRIPTION
13	104749-55-001	EA	EXTR-ROCKER PANEL, OFF WHITE - 487MM
14	105099-12-01A	EA	TRIM-SIDEWALL, BEVELED - 140MM - OFF WHITE
14	105099-13-01A	EA	TRIM-SIDEWALL, BEVELED - 2064MM - OFF WHITE
14	105099-14-01A	EA	TRIM-SIDEWALL, BEVELED - 694MM - OFF WHITE
	091182-55-003	EA	ANGLE, 4877 - OFF WHITE
15	105100-01-01A	EA	TRIM-WHEELWELL, OFF WHITE
			FROM 00-00-00 THRU 04-15-92
15	105100-02-01A	EA	TRIM-WHEELWELL, OFF WHITE
			FROM 04-16-92 THRU 99-99-99
16	105220-01-01A	EA	TRIM-WHEELWELL, REAR - OFF WHITE
17	P06308-01-C52	EA	SIDEWALL ASM-PASSENGER SIDE
18	106106-01-01A	EA	CAP-END, ROCKER PANEL - OFF WHITE
18	106106-02-01A	EA	CAP-END, ROCKER PANEL - OFF WHITE
19	103334-02-01A	EA	TRIM-BACKWALL, LOWER - OFF WHITE
	002365-01-001	EA	U-CHANNEL, 1" X 18" - SERRATED - MILL FINISHED ALUMINUM
20	103335-02-01A	EA	TRIM-BACKWALL, LOWER - OFF WHITE
	002365-01-001	EA	U-CHANNEL, 1" X 18" - SERRATED - MILL FINISHED ALUMINUM
	002754-01-001	EA	ANGLE-EXTRUDED, 75° X 75° X 18" - MILL ALUMINUM
	002726-01-001	EA	GARNISH-U-CHANNEL, 1 3/8" X 18" - SERRATED - MILL ALUMINUM
	002779-01-001	EA	EXTR-U CHANNEL, 1 7/8" X 192.00 - RIBBED

EXTERIOR BODY GROUP (CONTINUED)

DECALS STRIPES & PAINT

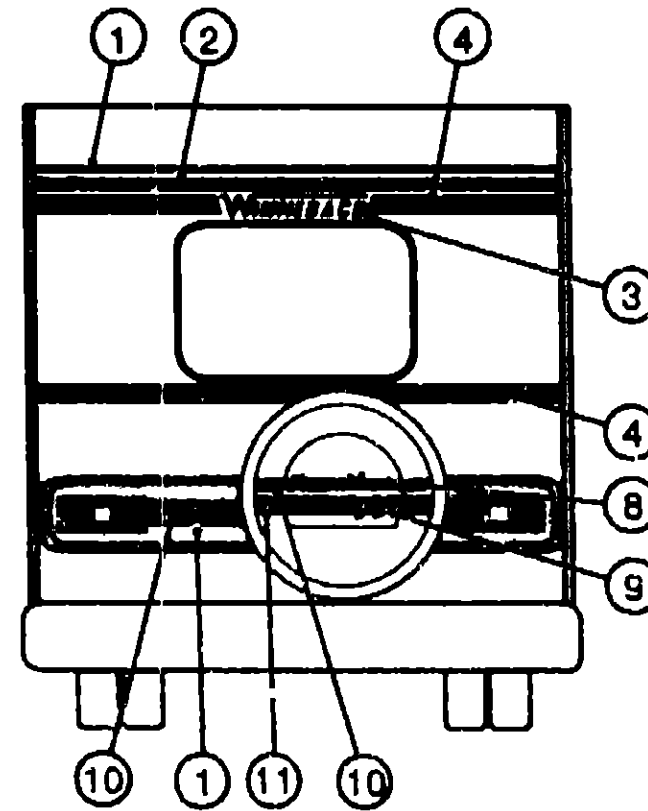


1992 WINNEBAGO TABLE OF CONTENTS

INTRODUCTION	A-01 -	A-02
ABBREVIATIONS		A-03
ALPHABETICAL INDEX	A-04 -	A-06
WC522RG	A-07 -	D-18
WF524RC	D-19 -	H-06

1992 WF524RC INDEX

FLOOR PLAN	D-19 -	D-20
ACCESSORIES		D-21
AUDIO VIDEO		D-22
BATH	D-23 -	D-24
BEDROOM	E-01 -	E-02
CHASSIS	E-03 -	E-06
CURTAIN & CUSHION	E-07 -	E-15
DINETTE	E-16 -	E-17
DRIVERS	E-18 -	E-19
ELECTRICAL	E-20 -	E-23
EXTERIOR BODY	E-24 -	F-06
GALLEY	F-07 -	F-12
GENERATOR		F-13
HEATING & A/C	F-14 -	F-15
INTERIOR FINISH	F-16 -	F-19
LABEL	F-20 -	G-02
LP		G-03
LOUNGE		G-04
SEALANTS & FASTENERS	G-05 -	G-07
WATER & SEWAGE	G-08 -	G-12
WINDOW, VENT AND EXTERIOR DOOR	G-13 -	H-06



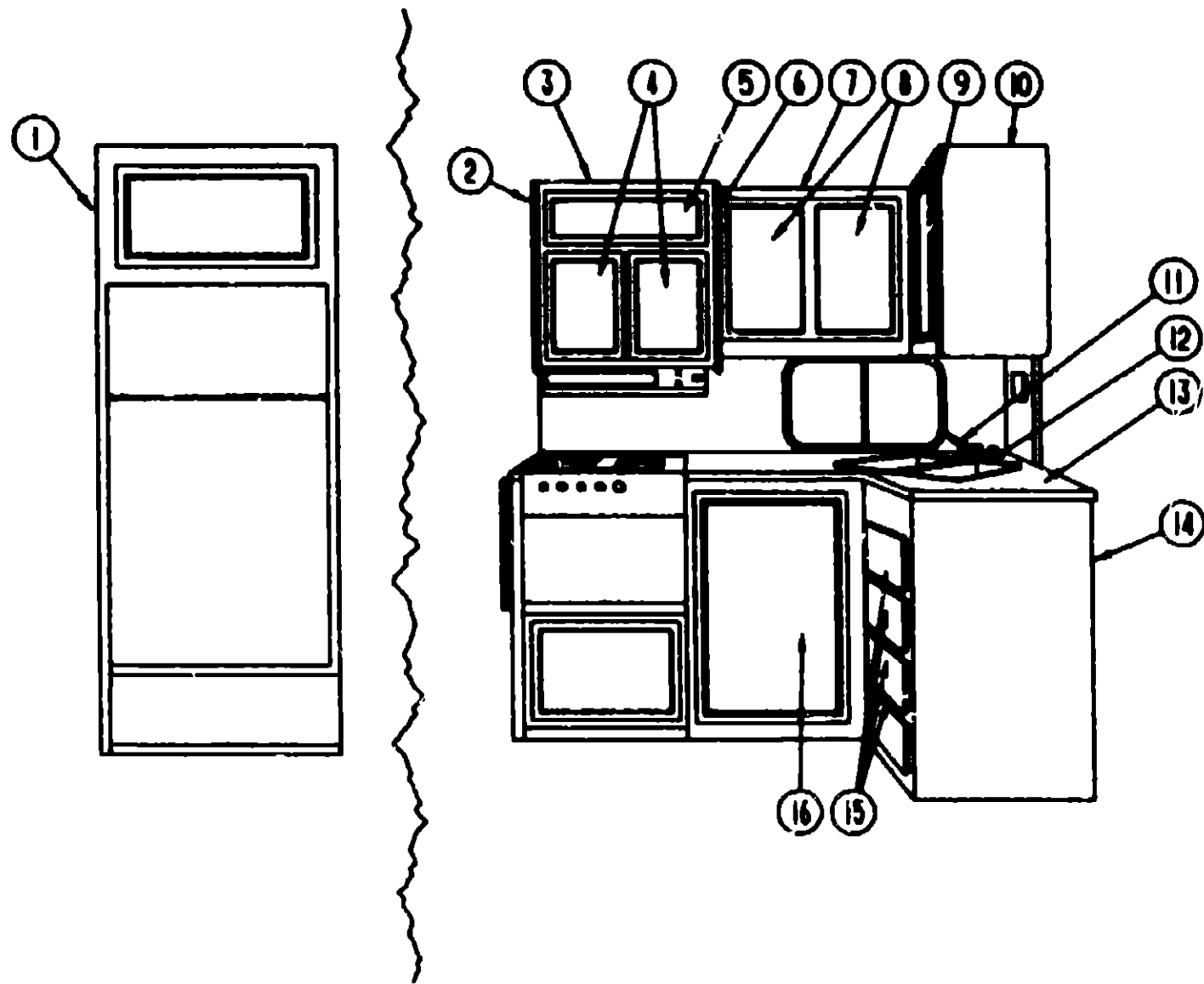
KEY	PART NUMBER	U/M	DESCRIPTION
1	093681-27-03A	FT	FILM- 19MM X 150FT, BAY TURQUOISE
2	093681-14-01A	FT	STRIPE-1 LINE, 1 5" WIDE - DARK PLUM
3	050313-44-000	EA	DECAL-LOGO, "WINNEBAGO" - 2 8" TALL - BLUE
4	093681-35-01A	FT	FILM- 57MM X 150FT, DELFT BLUE
5	105482-01-01A	EA	DECAL-ANGLE, LARGE - RIGHT - DELFT BLUE/GREY
	105482-02-01A	EA	DECAL-ANGLE, LARGE - LEFT - DELFT BLUE/GREY
6	105484-01-01A	EA	DECAL-ANGLE, OVERHEAD - RIGHT - DELFT BLUE/GREY
	105484-02-01A	EA	DECAL-ANGLE, OVERHEAD - LEFT - DELFT BLUE/GREY
7	093681-14-05A	FT	FILM- 38MM X 150FT, DELFT BLUE
8	105480-02-01A	EA	DECAL-LOGO, MINNIE WINNIE - OFF WHITE/DARK PLUM/BLUE TURQUOISE
9	106002-02-01A	EA	DECAL-LOGO, "DL" - SMALL - OFF WHT/DARK PLUM/BLUE TURQUOISE
10	093681-35-02A	FT	FILM- 57MM X 150FT, DARK PLUM
11	093681-20-02A	FT	FILM- 89MM X 150FT, DELFT BLUE
12	093681-07-01A	EA	DECAL-FLYING W, 165 HIGH - DARK PLUM
13	105483-01-01A	EA	DECAL-ANGLE, WHEEL - RIGHT - DELFT BLUE/GREY
	105483-02-01A	EA	DECAL-ANGLE, WHEEL - LEFT - DELFT BLUE/GREY
14	106002-01-01A	EA	DECAL-LOGO, "DL" - OFF WHITE/DARK PLUM/BLUE TURQUOISE
15	105480-01-01A	EA	DECAL-LOGO, MINNIE WINNIE - OFF WHITE/DARK PLUM/BLUE TURQUOISE
	084075-01-000	EA	DECAL-"BY WINNEBAGO INDUSTRIES", BLACK
	074559-01-000	EA	DECAL-LOGO, LPG - RED - (CALIF CODE)

DUPONT COLOR CODES

DARK PLUM	K9455
DELFT BLUE	K9460
BAY TURQUOISE	G9837
OFF WHITE	L8723
GREY	H9283

GALLEY GROUP

GALLEY CABINETS & FIXTURES



1992 WINNEBAGO TABLE OF CONTENTS

INTRODUCTION	A-01 -	A-02
ABBREVIATIONS		A-03
ALPHABETICAL INDEX	A-04 -	A-05
WC622RG	A-07 -	D-18
WF524RC	D-19 -	H-06

1992 WF524RC INDEX

FLOOR PLAN	D-19 -	D-20
ACCESSORIES		D-21
AUDIO VIDEO		D-22
BATH	D-23 -	D-24
BEDROOM	E-01 -	E-02
CHASSIS	E-03 -	E-06
CURTAIN & CUSHION	E-07 -	E-15
DINETTE	E-16 -	E-17
DRIVERS	E-18 -	F-19
ELECTRICAL	E-20 -	E-23
EXTERIOR BODY	E-24 -	F-06
GALLEY	F-07 -	F-12
GENERATOR		F-13
HEATING & A/C	F-14 -	F-15
INTERIOR FINISH	F-16 -	F-19
LABEL	F-20 -	G-02
LP		G-03
LOUNGE		G-04
SEALANTS & FASTENERS	G-05 -	G-07
WATER & SEWAGE	G-08 -	G-12
WINDOW, VENT AND EXTERIOR DOOR	G-13 -	H-06

KEY	PART NUMBER	U/M DESCRIPTION
1	P04746-76-C52	EA DOOR-CABINET, W/O HARDWARE - 256 X 640MM
	090329-01-000	FT SEAL-T, REFRIGERATOR CABINET - 8" WIDE TOP X 2" TAIL
	103251-02-01A	EA INSERT-ACRYLIC BLACK - 19 53 X 16 00
	103251-03-01A	EA INSERT-ACRYLIC BLACK - 19 53 X 32 20
	103251-04-01A	EA INSERT-ACRYLIC BLACK - 19 53 X 39 20 (LARGE REFRIGERATOR OPTION ONLY)
2	104335-13-C52	EA END CAP-CABINET, OVERHEAD
3	M05624-37-C52	EA CABINET-OVERHEAD, W/O DOORS & HARDWARE - MICROWAVE
3	M05624-36-C52	EA CABINET-OVERHEAD, W/O DOORS & HARDWARE - RANGE
4	P04746-32-C52	EA DOOR-CABINET, W/O HARDWARE - 275 X 365MM
5	P04746-38-C52	EA DOOR-CABINET, W/O HARDWARE - 280 X 555MM
6	104335-12-C52	EA END CAP-CABINET, OVERHEAD
7	106885-01-C52	EA CABINET-OVERHEAD, W/O DOORS & HARDWARE - SINK
8	P04746-73-C52	EA DOOR-CABINET, W/O HARDWARE - 255 X 640MM
9	P04746-37-C52	EA DOOR-CABINET, W/O HARDWARE - 390 X 650MM

KEY	PART NUMBER	U/M DESCRIPTION
10	M05624-34-C52	EA CABINET-OVERHEAD, W/O DOORS & HARDWARE - CENTER
11	104114-01-01A	EA FAUCET-GALLEY, SGL CONTROL
12	104113-01-000	EA SINK-STAINLESS STEEL, DOUBLE
	068437-01-000	EA STRAINER-SINK, GALLEY W/BASKET
13	107054-13-C52	EA COUNTERTOP ASM
14	P07054-01-C52	EA CABINET-GALLEY, W/O DOORS & HARDWARE
15	P03397-K4-C52	EA DRAWER ASM-CABINET, 250 X 405MM
16	P04746-77-C52	EA DOOR-CABINET, W/O HARDWARE - 400 X 710MM
	080812-04-C05	EA EXTENSION ASM-GALLEY
	100081-01-01A	EA TRAY-SILVERWARE, 8" X 13 3" - PLAS - ALMOND - RUBBERMAID
	103610-01-C05	EA COVER ASM-SINK

GALLEY GROUP (CONTINUED)

LARGE NORCOLD 662 REFRIGERATOR

KEY	PART NUMBER	U/M	DESCRIPTION
	104137-03-01A	EA	REFRIGERATOR-2 WAY, LARGE DOUBLE DOOR - NORCOLD 662 LH BLACK
	084473-01-702	EA	ORFICE - NORCOLD 6EG-2 - NORCOLD 61482122
	075217-01-733	EA	SHUT-OFF COCK 838&8310 EG-3 - NORCOLD 61538222
	075217-01-734	EA	FUSE,3AMP 838&8310 EG-3 - NORCOLD 61538222
	075217-01-738	EA	SWITCH ROCKER 3-POS BLK(HUM) - NORCOLD 61525822
	084880-01-713	EA	MALE CONNECTOR(INLET FITTING) - NORCOLD 615258222
	084880-01-718	EA	GAS VALVE (ASCO) - NORCOLD 61551822
	084880-01-722	EA	CRISPER COVER - NORCOLD 61584122
	084880-01-731	EA	HINGE PIN - NORCOLD 61578123
	084880-01-732	EA	LATCH - NORCOLD 61578522
	084880-01-734	EA	HINGE BRKT, TOP RH-BTM LH BRN - NORCOLD 61580837
	084880-01-735	EA	HINGE BRKT, TOP LH-BTM RH BRN - NORCOLD 61580837
	084880-01-739	EA	END CAP (SPRING CATCH) BRN - NORCOLD 61583722
	084880-01-740	EA	END CAP (STOP CATCH) - NORCOLD 61583830
	084880-01-748	EA	CABLE - NORCOLD 61571522
	084880-01-747	EA	HOLE PLUG - NORCOLD 61582022
	084880-01-749	EA	HINGE BUSHING - NORCOLD 61580722
	084880-01-753	EA	THERMISTER-78" W/O CLIP - NORCOLD 61887822
	084880-01-781	EA	END CAP (SPRING CATCH) BLACK - NORCOLD 61583730
	084880-02-700	EA	LOWER FLANGE 8883&8883 - NORCOLD 61822123
	084880-03-701	EA	COOLING UNIT (HORIZ BURNER) - NORCOLD 61887337
	084880-03-705	EA	BRACKET FANT RERIG LIGHT - NORCOLD 61829722
	084880-03-708	EA	LAMP (BULB) - NORCOLD 61828822
	084880-03-737	EA	COVER FLAMP OR BULB - NORCOLD 61827922
	088248-01-708	EA	BURNER (HORIZONTAL) - NORCOLD 61588122
	088248-01-707	EA	SENSOR ELECTRODE (HORIZONTAL) - NORCOLD 61573322
	088248-01-708	EA	SPARK ELECTRODE (HORIZONTAL) - NORCOLD 61573222
	088248-01-709	EA	HEATER AC (HORIZONTAL) - NORCOLD 61582722
	084039-01-700	EA	PC BOARD (3 WAY) ASSY - NORCOLD 61847522
	084039-01-701	EA	EYEBROW (3 WAY) SHELL - NORCOLD 61888822
	084039-01-703	EA	HINGE PLATE (BRN) LH - NORCOLD 61831422
	084039-01-704	EA	HINGE PLATE (BLK) LH - NORCOLD 61831430
	084039-01-709	EA	HINGE PLATE(BRN) RHTOP LHBTM - NORCOLD 61831322
	084039-01-710	EA	HINGE PLATE(BLK) RHTOP LHBTM - NORCOLD 61831330
	084039-01-712	EA	DOOR BIN(GRAY)SILVER BORDER - NORCOLD 61584080
	084039-01-713	EA	DOOR GASKET(LOWER) GRAY - NORCOLD 61588030
	084039-01-714	EA	LOWER DOOR LINER (BRN/WHT) - NORCOLD 61581737-B
	084039-01-715	EA	LOWER DOOR LINER (BLK/WHT) - NORCOLD 61581738-B
	084039-01-716	EA	LOWER DOOR HANDLY ASSY (BRN) - NORCOLD 61849937
	084039-01-717	EA	LOWER DOOR HANDLE ASSY (BLK) - NORCOLD 61849938
	084039-01-718	EA	MILK BIN (GRAY)W/SILVER TRIM - NORCOLD 61579480
	084039-01-719	EA	DAIRY KEEPER (GRAY)SILVER TR - NORCOLD 61580400
	084039-01-720	EA	CAB ASSY(BRN FRAME/WHT LINER - NORCOLD 61883237
	084039-01-721	EA	CAB ASSY(BLK FRAME WHT LINER - NORCOLD 61883238
	084039-01-722	EA	HOLE PLUG (BLK) HINGE HOLES - NORCOLD 61582030
	084039-01-723	EA	HINGE BRKT, TOP RH-BTM LH BLK - NORCOLD 61580838
	084039-01-715	EA	LOWER DOOR LINER (BLK/WHT) - NORCOLD 61581738-B
	084039-01-716	EA	LOWER DOOR HANDLY ASSY (BRN) - NORCOLD 61849937
	084039-01-717	EA	LOWER DOOR HANDLE ASSY (BLK) - NORCOLD 61849938
	084039-01-718	EA	MILK BIN (GRAY)W/SILVER TRIM - NORCOLD 61579480
	084039-01-719	EA	DAIRY KEEPER (GRAY)SILVER TR - NORCOLD 61580400
	084039-01-720	EA	CAB ASSY(BRN FRAME/WHT LINER - NORCOLD 61883237
	084039-01-721	EA	CAB ASSY(BLK FRAME WHT LINER - NORCOLD 61883238
	084039-01-722	EA	HOLE PLUG (BLK) HINGE HOLES - NORCOLD 61582030
	084039-01-723	EA	HINGE BRKT, TOP RH-BTM LH BLK - NORCOLD 61580838
	084039-01-724	EA	HINGE BRKT TOP LH-BTM RH BLK - NORCOLD 61580938
	084039-01-725	EA	HINGE PIN (BLACK)(MALE) - NORCOLD 61578130
	084039-01-726	EA	EVAPORATOR SHELF - NORCOLD 61523622
	084039-01-727	EA	HINGE BRKT(BRN) CTR HINGE - NORCOLD 61588523
	084039-01-728	EA	HINGE BRKT(BLK) CTR HINGE NORCOLD 61588530

GALLEY GROUP (CONTINUED)

LARGE NORCOLD 662 REFRIGERATOR (CONTINUED)

KEY	PART NUMBER	U/M	DESCRIPTION
	084039-01-729	EA	HINGE PIN SHAFT(BRN)CTR HING - NORCOLD 61888723
	084039-01-730	EA	HINGE PIN SHAFT(BLK) CTR HGE - NORCOLD 61888730
	084039-01-731	EA	CRISPER (GRAY) SILVER TRIM - NORCOLD 61571380
	084039-01-732	EA	FRONT COVER(BLK) BTM TRIM - NORCOLD 61822130
	084039-01-733	EA	WIRE SHELF (MIDDLE) - NORCOLD 61583822
	084039-01-734	EA	WIPE SHELF (TOP) W/FRISER - NORCOLD 61583722
	084039-01-735	EA	INSIDE DRIP TRAY (WHITE) - NORCOLD 61572830
	084039-01-738	EA	LIGHT SWITCH (BLACK) - NORCOLD 61881022
	084039-01-738	EA	MANUAL SHUT-OFF HARPER WYMAN - NORCOLD 61835822
	084039-01-739	EA	SHELF (CUTOFF) - NORCOLD 61848722
	084039-01-741	EA	TRAY-SHELF, PLASTIC - GRAY - NORCOLD 61880822
	084039-04-700	EA	PC BOARD (2 WAY) - NORCOLD 61847322
	084039-04-702	EA	POWER SUPPLY (2 WAY) - NORCOLD 61847422

SMALL NORCOLD 662 REFRIGERATOR

KEY	PART NUMBER	U/M	DESCRIPTION
	104138-03-01A	EA	REFRIG-SMALL DBL DOOR 2-WAY - NORCOLD 662 LH BLK
	075217-01-734	EA	FUSE-3 AMP, NORCOLD 61538822
	075217-01-738	EA	SWITCH-HUMIDITY, NORCOLD 61525822
	084879-03-700	EA	COOLING UNIT - HORIZONTAL BURNER, NORCOLD 61887237
	084880-01-713	EA	CONNECTOR-MALE, INLET FITTING - NORCOLD 618258
	084880-01-715	EA	VALVE-SHUT OFF, MANUAL - NORCOLD 61887922
	084880-01-718	EA	VALVE-GAS, NORCOLD 61551822
	084880-01-722	EA	CRISPER COVER - NORCOLD 615841
	084880-01-728	EA	HINGE BRACKET (CTR HINGE), NORCOLD 61588623
	084880-01-731	EA	HINGE PIN, NORCOLD - NORCOLD 61578123
	084880-01-732	EA	LATCH, NORCOLD - NORCOLD 61578522
	084880-01-734	EA	BRACKET-HINGE, TOP RH - BOTTOM LH - BROWN, NORCOLD 61580837
	084880-01-735	EA	HINGE BRKT, TOP LH-BTM RH BRN - NORCOLD 61580837
	084880-01-739	EA	END CAP (SPRING CATCH) BRN - NORCOLD 61583722
	084880-01-740	EA	END CAP (STOP CATCH) - NORCOLD 61583830
	084880-01-746	EA	CABLE, NORCOLD - NORCOLD 61571522
	084880-01-747	EA	PLUG-HOLE, NORCOLD - NORCOLD 61582022
	084880-01-749	EA	HINGE BUSHING - NORCOLD 615807
	084880-01-753	EA	THERMISTER 78" W/CLIP - NORCOLD 61883822
	084880-01-781	EA	END CAP (SPRING CATCH) BLACK - NORCOLD 61583730
	084880-02-700	EA	LOWER FLANGE 8883&8883, NORCOLD 61822123
	084880-03-705	EA	BRACKET FANT RERIG LIGHT - NORCOLD 61829722
	084880-03-708	EA	LAMP (B'LB) - NORCOLD 61828822
	084880-03-707	EA	COVER FLAMP OR BULB - NORCOLD 61827922
	088248-01-708	EA	BURNER-HORIZONTAL, NORCOLD 61588122
	088248-01-707	EA	ELECTRODE-SENSOR, (HORIZONTAL), NORCOLD 61573322
	088248-01-708	EA	ELECTRODE-IGNITION, (HORIZONTAL) - NORCOLD 61573222
	088248-01-709	EA	HEATER-AC, (HORIZONTAL) - NORCOLD 615827
	088248-01-710	EA	HEATER-DC, (HORIZONTAL) - 3 WAY - NORCOLD 615828
	084038-01-700	EA	GASKET-LOWER, GRAY - NORCOLD 61587830
	084038-01-701	EA	LINER-DOOR, LOWER - BROWN/WHITE - NORCOLD 61581837-B
	084038-01-702	EA	LINER-DOOR, LOWER - BLACK/WHITE - NORCOLD 61581838-B
	084038-01-703	EA	HANDLE-DOOR, LOWER - BROWN - NORCOLD 61850137
	084038-01-704	EA	HANDLE-DOOR, LOWER - BLACK - NORCOLD 61850138
	084038-01-708	EA	CAB ASM-BLK, WHITE LINER - WITH FRAME - NORCOLD 61883138
	084039-01-703	EA	PLATE-HINGE, LH - BROWN - NORCOLD 61831422
	084039-01-704	EA	PLATE-HINGE, BLACK - NORCOLD 61831430
	084039-01-709	EA	PLATE-HINGE, TOP RH - LH BOTTOM - BROWN - NORCOLD 61831322
	084039-01-710	EA	PLATE-HINGE, BLACK - NORCOLD 61831330
	084039-01-712	EA	DOOR BIN(GRAY)SILVER BORDER - NORCOLD 61584080
	084039-01-718	EA	MILK BIN (GRAY)W/SILVER TRIM - NORCOLD 61579480

**1982 WINNEBAGO
TABLE OF CONTENTS**

INTRODUCTION	A-01	A-02
ABBREVIATIONS		A-03
ALPHABETICAL INDEX	A-04	A-05
WFS24RC	A-07	D-18
WF524RC	D-19	H-08

1982 WF524RC INDEX

FLOOR PLAN	D-19	D-20
ACCESSORIES		D-21
AUDIO VIDEO		D-22
BATH	D-23	D-24
BEDROOM	E-01	E-02
CHASSIS	E-03	E-06
CURTAIN & CUSHION	E-07	E-15
DINETTE	E-16	E-17
DRIVERS	E-18	E-19
ELECTRICAL	E-20	E-23
EXTERIOR BODY	E-24	F-08
GALLEY	F-07	F-12
GENERATOR		F-13
HEATING & A/C	F-14	F-15
INTERIOR FINISH	F-16	F-19
LABEL	F-20	G-02
L ²		G-03
L'DUNGE		G-04
SEALANTS & FASTENERS	G-05	G-17
WATER & SEWAGE	G-08	G-12
WINDOW, VENT AND EXTERIOR DOOR	G-13	H-08

GALLEY GROUP (CONTINUED)

SMALL NORCOLD 612 REFRIGERATOR (CONTINUED)

KEY	PART NUMBER	U/M	DESCRIPTION
	094039-01-719	EA	DAIRY KEEPER (GRAY)SILVER TR - NORCOLD 61580480
	094039-01-722	EA	HOLE PLUG (BLK) HINGE HOLES - NORCOLD 61580300
	094039-01-723	EA	HINGE BRKT, TOP RH-BTM LH BLK - NORCOLD 61580338
	094039-01-724	EA	BRACKET-HINGE, TOP LH - BOTTOM RH - BLK - NORCOLD 61580338
	094039-01-725	EA	HINGE PIN (BLACK)(MALE) - NORCOLD 61578130
	094039-01-728	EA	SHELF-FREEZER EVAPORATOR, NORCOLD 615228
	094039-01-730	EA	HINGE PIN SHAFT(BLK) CTR HGE - NORCOLD 61585730
	094039-01-732	EA	FRONT COVER(BLK) BTM TRIM - NORCOLD 61622130
	094039-01-733	EA	WIRE SHELF (MIDDLE) - NORCOLD 61583822
	094039-01-734	EA	WIRE SHELF (TOP) W/FRISER - NORCOLD 61583722
	094039-01-735	EA	INSIDE DRIP TRAY (WHITE) - NORCOLD 61572830
	094039-01-736	EA	SWITCH-LIGHT, BLACK - NORCOLD 615810
	094039-01-739	EA	SHELF (CUTOUT) - NORCOLD 61646722
	094039-04-700	EA	PC BOARD-2 WAY, NORCOLD - NORCOLD 61647322
	094039-04-701	EA	EYEBROW (SHELL) 2 WAY - NORCOLD 61658822
	094039-04-702	EA	POWER SUPPLY (2 WAY) - NORCOLD 61647422
	093646-01-000	EA	BRACKET ASM-TIEDOWN, REFRIGERATOR - RIGHT
	093646-02-000	EA	BRACKET ASM-TIEDOWN, REFRIGERATOR - LEFT
	064460-01-000	EA	LEVEL-REFRIGERATOR

RANGE HOODS

KEY	PART NUMBER	U/M	DESCRIPTION
	100258-22-02A	EA	HOOD-RANGE 22W W/MONITOR PANEL, VENTLINE (US)
	100258-23-02A	EA	HOOD-RANGE 22W W/MONITOR PANEL, VENTLINE (CSA)
	075470-01-703	EA	SWITCH-ON-MOMENTARY - VENTLINE RP1018
	090973-01-700	EA	MOTOR 12 VOLT CSA-UL APPVD - VENTLINE CA508-1
	090973-01-702	EA	BLADE-FAN - VENTLINE VA183-1
	092898-01-701	EA	PLASTIC KNOB F/CABLE - VENTLINE CC 225
	092898-01-702	EA	RESISTOR/WIRE ASSY - VENTLINE L7314
	092898-01-709	EA	LAMP #912 - VENTLINE VA415
	092898-01-710	EA	LAMP HOLDER - VENTLINE CB287-2
	096983-01-700	EA	SWITCH-ON-OFF - VENTLINE 108
	096983-01-702	EA	SWITCH-TWO WAY MOM - VENTLINE 112
	096983-01-703	EA	SWITCH ON-ON - VENTLINE 115
	096983-01-707	EA	MESH FILTER - VENTLINE CC246
	096983-01-708	EA	LAMP LENS - VENTLINE CC179
	100258-04-702	EA	SWITCH OR LEVER W/CABLE ASSY - VENTLINE CB647-1
	100258-10-700	EA	HOUR METER ONLY(PARTS SALES) - VENTLINE 150
	100258-11-700	EA	CIRCUIT BOARD - VENTLINE 5079-01
	100258-12-700	EA	PANEL ASM - VENTLINE 9078
	097818-01-000	EA	WIRE ASM-MONITOR PANEL, W/4 WIRES OR BLACK RESISTOR - LVS

GALLEY GROUP (CONTINUED)

MAGIC CHEF RANGE

KEY	PART NUMBER	U/M	DESCRIPTION
	103022-01-03A	EA	RANGE-16" 4 BURNER BLACK - MAGIC CHEF
	066282-03-706	EA	TRIM CAB LT. BLK BT18 - MAGIC CHEF 3808F011-70
	066282-03-707	EA	TRIM CAB RT. BLK BT18 - MAGIC CHEF 3808F012-70
	099607-02-701	EA	INSERT, BURNER (SLOTTED VENT) - MAGIC CHEF 7214P016-80
	102020-01-700	EA	SHELF-OVEN - MAGIC CHEF 7801-P027-80
	102020-01-701	EA	HANDLE, DOOR - MAGIC CHEF 7701P082-80
	102020-01-702	EA	PANEL, MANIFOLD - MAGIC CHEF 2818F080-70
	102020-01-704	EA	PANEL, DOOR (BLACK) SPEC 48 - MAGIC CHEF 2401F075-70
	102020-01-708	EA	BURNER ASSEMBLY (OVEN) - MAGIC CHEF 3403W003-45
	102020-01-711	EA	GRATE, TOP - MAGIC CHEF 7518P012-80
	102020-01-712	EA	KNOB, BURNER VALVE - MAGIC CHEF 7733P044-80
	102020-01-713	EA	KNOB, THERMOSTAT - MAGIC CHEF 7731P042-80
	102020-01-714	EA	PILOT, OVEN - MAGIC CHEF 888-148
	102020-01-715	EA	PIPE, MANIFOLD - MAGIC CHEF 7513P085-80
	102020-01-717	EA	THERMOSTAT - MAGIC CHEF 7515P024-80K
	102020-01-718	EA	TOP, MAIN (ALMOND) - MAGIC CHEF 2001F086-84
	102020-01-719	EA	TOP, MAIN (BLACK) - MAGIC CHEF 2001F086-80
	102020-01-720	EA	VALVE, MERCURY CONTROL - MAGIC CHEF 7501P068-80
	102020-01-722	EA	VALVE, TOP BURNER - MAGIC CHEF 7502P085-80
	102020-01-723	EA	PILOT, BURNER - MAGIC CHEF 7506P170-80
	102020-01-724	EA	BUMPER, MAIN TOP - MAGIC CHEF 8003P008-80
	102022-01-702	EA	PIPE, MANIFOLD - MAGIC CHEF 7513P085-80
	102022-01-703	EA	REGULATOR, PRESSURE - MAGIC CHEF 7510P031-80
	102022-01-708	EA	TRIM (LEFT) FLAT - MAGIC CHEF 3808W022-70
	102022-01-707	EA	TRIM (RIGHT) FLAT - MAGIC CHEF 3808W023-70
	055518-03-000	EA	BRACKET-REAR TIEDOWN, RANGE W/OVEN - RIGHT
	055518-04-000	EA	BRACKET-FRONT TIEDOWN, RANGE W/OVEN - LEFT

MICROWAVE OVEN

KEY	PART NUMBER	U/M	DESCRIPTION
	091289-05-000	EA	OVEN-MICROWAVE, MAGIC CHEF M15E-9PB
	094746-01-01A	EA	TRIM-MICROWAVE, LOWER - BLACK
	094774-03-01A	EA	TRIM-MICROWAVE, EITHER SIDE - 1 5" X 14 8" - METAL - BLACK
	094750-01-000	EA	BRACKET-MICROWAVE, 90 DEGREE - STEEL
	099918-08-01A	EA	BRACE-MICROWAVE CABINET, LEFT
	099918-07-01A	EA	BRACE-MICROWAVE CABINET, RIGHT

COFFEE MAKER & PLASTIC DRAWER

KEY	PART NUMBER	U/M	DESCRIPTION
	103799-01-02A	EA	COFFEE MAKER-ALMOND
	104610-01-000	EA	STRAP ASM-COFFEE MAKER
	077404-02-000	EA	DRAWER-PLASTIC, 20" X 12 7" - BEIGE
	094067-01-01A	EA	DIVIDER-DRAWER, PLASTIC

1992 WINNEBAGO

TABLE OF CONTENTS

INTRODUCTION	A-01	A-02
ABBREVIATIONS		A-03
ALPHABETICAL INDEX	A-04	A-08
WC622RG	A-07	D-18
WF524RC	D-19	H-08

1992 WF524RC INDEX

FLOOR PLAN	D-18	D-20
ACCESSORIES		D-21
AUDIO/VIDEO		D-22
BATH	D-23	D-24
BEDROOM	E-01	E-02
CHASSIS	E-03	E-06
CURTAIN & CUSHION	E-07	E-15
DINETTE	E-16	E-17
DRIVERS	E-18	E-19
ELECTRICAL	E-20	E-23
EXTERIOR BODY	E-24	F-06
GALLEY	F-07	F-12
GENERATOR		F-13
HEATING & A/C	F-14	F-15
INTERIOR FINISH	F-16	F-19
LABEL	F-20	G-02
LP		G-03
LOUNGE		G-04
SEALANTS & FASTENERS	G-05	G-07
WATER & SEWAGE	G-08	G-12
WINDOW, VENT AND EXTERIOR DOOR	G-13	H-08

GENERATOR GROUP

4.0 KW KOHLER GENERATOR

KEY	PART NUMBER	U/M DESCRIPTION
	105623-01-000	EA GENERATOR-4KW LOW PROFILE - KOHLER 4CKM21
	105628-01-000	EA ARRESTER-SPARK, KOHLER 278921
	105629-01-000	EA MUFFLER-FRONT EXHAUST, W/O SPARK - KOHLER 278734
	105732-01-000	EA TRAY ASM-GENERATOR
	108172-01-000	EA PIPE-EXHAUST ADAPTER
	007067-01-000	SF INSULATION-FIBERGLASS, 1" THICK X 4' - INCREMENTS OF 4 SF
	086484-01-000	EA BRACKET-EXHAUST, W/DOUBLE BEND
	007125-04-000	EA CLAMP-MUFFLER, 1.1" DIA
	008401-01-000	EA STRAP-CONDUIT, 3/4" - 1 HOLE - GALVANIZED STEEL

3.5 KW ONAN EXPORT GENERATOR

KEY	PART NUMBER	U/M DESCRIPTION
	100974-04-000	EA GENERATOR-4 KW EMERALD PLUS ONAN BGE-FW28238G WITH ONAN TRAY #M03-2218
	079854-05-000	EA PIPE-EXHAUST, ANGLED - W/FLANGE - 2" ID - ONAN# 154-2530
	079854-01-700	EA HINGE KIT-ONAN, EMERALD - ONAN 408-0688
	081384-01-000	EA MUFFLER-GENERATOR, W/O 5" LONG TAILPIPE
	083691-02-000	EA PIPE-EXHAUST, GENERATOR - CURVED - 1.5" OD
	007067-01-000	SF INSULATION-FIBERGLASS, 1" THICK X 4' - INCREMENTS OF 4 SF
	078045-01-000	EA STRAP-SUPPORT, GENERATOR - 4 HOLE
	084385-01-000	EA STRAP-SUPPORT, GENERATOR - 2 HOLE
	084059-01-000	EA SPACER-GENERATOR, ONAN
	007125-04-000	EA CLAMP-MUFFLER, 1.1" DIA
	008401-01-000	EA STRAP-CONDUIT, 3/4" - 1 HOLE - GALVANIZED STEEL

4.0 KW ONAN GENERATOR

KEY	PART NUMBER	U/M DESCRIPTION
	100974-01-000	EA GENERATOR-4 KW EMERALD PLUS, ONAN BGE-FA/28100G WITH ONAN GENERATOR TRAY #M03-2218
	105732-01-000	EA TRAY ASM-GENERATOR
	081384-01-000	EA MUFFLER-GENERATOR, W/O 5" LONG TAILPIPE
	086252-01-000	EA PIPE-EXHAUST, W/2 BOLT HOLE FLANGE
	086484-01-000	EA BRACKET-EXHAUST, W/DOUBLE BEND
	007067-01-000	SF INSULATION-FIBERGLASS, 1" THICK X 4' - INCREMENTS OF 4 SF
	084059-01-000	EA SPACER-GENERATOR, ONAN
	007125-04-000	EA CLAMP-MUFFLER, 1.1" DIA
	008401-01-000	EA STRAP-CONDUIT, 3/4" - 1 HOLE - GALVANIZED STEEL

HEATING & AIR CONDITIONING GROUP

SUBURBAN 28000 BTU FURNACE

KEY	PART NUMBER	U/M DESCRIPTION
	088888-04-000	EA FURNACE-28000 BTU, SUBURBAN SF-25
	088834-01-733	EA RELAY, TIME DELAY 20&30 BTU, SUBURBAN 231202
	078895-01-709	EA MICRO SWITCH (FOR MODELS 30 & 34S) - SUBURBAN#230609
	080039-01-708	EA OFFICE, MAIN BURNER, SUBURBAN# 180183
	080039-01-709	EA GASKET, OBSERVATION HOLE CUR 070367
	082300-01-704	EA GASKET-ELECTRODE, SUBURBAN 070163
	088888-01-700	EA CABINET FRONT, SUBURBAN 101242
	088888-01-701	EA CABINET ASM, SUBURBAN 101299
	088888-01-702	EA ELECTRODE, SUBURBAN 231740
	088888-01-703	EA BURNER ASM, COMP.(SF-25) 010782
	088888-01-704	EA VALVE, SUBURBAN 180838
	088888-01-705	EA SWITCH-LIMIT, SUBURBAN 231630
	088888-01-706	EA WHEEL-COMBUSTION AIR, SUBURBAN 350122
	088888-01-707	EA VENT CAP & EXHAUST TUBE ASM, SUBURBAN 280193
	088888-01-708	EA BLOWER ASM (COMBUSTION AIR), SUBURBAN 390441
	088888-01-709	EA MOTOR ASM -FOR SF-25, SF-30 - SUBURBAN 231706
	088888-01-710	EA BLOWER ASM (ROOM AIR), SUBURBAN 390440
	088888-01-711	EA WHEEL, ROOM AIR - SUBURBAN 350123
	088888-01-712	EA BOARD-MODULE, SUBURBAN 231741
	088888-01-713	EA INTAKE VENT TUBE ASM - SUBURBAN 051044
	088888-08-000	EA DOOR-ACCESS, FURNACE - OFF WHITE - SUBURBAN 520574
	083365-01-000	EA THERMOSTAT-WALL, FURNACE - SUBURBAN 0168902

SUBURBAN 30000 BTU FURNACE

KEY	PART NUMBER	U/M DESCRIPTION
	088888-06-000	EA FURNACE-30000 BTU SUBURBAN SF-30
	088834-01-733	EA RELAY, TIME DELAY 20&30 BTU, SUBURBAN 231202
	078895-01-709	EA MICRO SWITCH (FOR MODELS 30 & 34S) - SUBURBAN #230609
	080039-01-709	EA GASKET, OBSERVATION HOLE CUR 070367
	082300-01-704	EA GASKET-ELECTRODE, SUBURBAN 070163
	082300-02-701	EA OFFICE, MAIN BURNER - SUBURBAN 180211
	088888-01-700	EA CABINET FRONT, SUBURBAN 101242
	088888-01-701	EA CABINET ASM, SUBURBAN 101299
	088888-01-702	EA ELECTRODE, SUBURBAN 231740
	088888-01-704	EA VALVE, SUBURBAN 180838
	088888-01-705	EA SWITCH-LIMIT, SUBURBAN 231630
	088888-01-706	EA WHEEL-COMBUSTION AIR, SUBURBAN 350122
	088888-01-707	EA VENT CAP & EXHAUST TUBE ASM, SUBURBAN 280193
	088888-01-708	EA BLOWER ASM (COMBUSTION AIR), SUBURBAN 390441
	088888-01-709	EA MOTOR ASM -FOR SF-25, SF-30 - SUBURBAN 231706
	088888-01-710	EA BLOWER ASM (ROOM AIR), SUBURBAN 390440
	088888-01-711	EA WHEEL, ROOM AIR - SUBURBAN 350123
	088888-01-712	EA BOARD-MODULE, SUBURBAN 231741
	088888-01-713	EA INTAKE VENT TUBE ASM - SUBURBAN 051044
	088888-02-700	EA BURNER ASM COMPLETE (SF-30/SF35) SUBURBAN 010745

REAR HEATER

KEY	PART NUMBER	U/M DESCRIPTION
	084405-01-000	EA HEATER ASM-REAR, DUCTED - W/MOTOR AID - EVANS
	084405-01-700	EA HEATER CORE
	084405-01-701	EA FAN
	084405-01-702	EA MOTOR, 12 VOLT #SSY

1982 WINNEBAGO

TABLE OF CONTENTS

INTRODUCTION	A-01 -	A-02
ABBREVIATIONS		A-03
ALPHABETICAL INDEX	A-04 -	A-08
WC822RG	A-07 -	D-18
WF824RC	D-19 -	H-08

1982 WF824RC INDEX

FLOOR PLAN	D-19 -	D-20
ACCESSORIES		D-21
AUDIO VIDEO		D-22
BATH	D-23 -	D-24
BEDROOM	E-01 -	E-02
CHASSIS	E-03 -	E-06
CURTAIN & CUSHION	E-07 -	E-15
DINETTE	E-16 -	E-17
DRIVERS	E-18 -	E-19
ELECTRICAL	E-20 -	E-23
EXTERIOR BODY	E-24 -	F-06
GALLEY	F-07 -	F-12
GENERATOR		F-13
HEATING & A/C	F-14 -	F-15
INTERIOR FINISH	F-16 -	F-19
LABEL	F-20 -	G-02
LP		G-03
LOUNGE		G-04
SEALANTS & FASTENERS	G-05 -	G-07
WATER & SEWAGE	G-08 -	G-12
WINDOW, VENT AND EXTERIOR DOOR	G-13 -	H-08

HEATING & AIR CONDITIONING GROUP (CONTINUED)

HEATING SYSTEM COMPONENTS

KEY	PART NUMBER	U/M	DESCRIPTION
	084406-01-000	EA	HEATER ASM-REAR, DUCTED - W/MOTOR AID - EVANS
	083814-01-000	EA	GRILLE-RETURN AIR, FURNACE - 15 6" X 7 6" - BROWN
	068484-05-000	EA	REGISTER-PLASTIC W/O DAMPER - 4" DIAMETER - GOLDEN
	068484-06-000	EA	REGISTER-PLASTIC W/O DAMPER - 4" DIAMETER - GOLDEN
	009168-01-000	FT	DUCT-HEAT, FLEXIBLE - 4" ID X 25 FT
	008200-01-000	EA	TAPE-FURNACE, 1 1/2"
	023148-01-000	EA	CLAMP-SCREW TYPE - 4"
	088838-02-000	EA	CONNECTOR-DUCT, 4" ID - SUBURBAN 060715
	078068-01-000	EA	HOSE-90 DEGREE, 5/8" ID X 4" X 36"
	078068-02-000	EA	HOSE-90 DEGREE, 81" ID X 4" X 6"
	007108-01-000	FT	HOSE-HEATER, 5/8" ID - HI-TEMP - FORD ESE-M2D182-A
	088753-01-000	FT	TUBE-ALUMINIZED STEEL, 5/8" - 18 GAUGE
	008042-01-000	FT	TUBING-VINYL, 85" ID

ROOF A/C

KEY	PART NUMBER	U/M	DESCRIPTION
	083783-01-04A	EA	A/C-ROOF, 135000 BTU - OFF WHITE - COLEMAN 67580707/8758E7
	083783-04-700	EA	SHROUD-ROOF A/C, W/O LOGOS - COLEMAN 6758-4801
	083308-01-701	EA	SHROUD PKG. LEFT&RIGHT, COLEMAN# 6798B3691
	078303-01-712	EA	MOTOR, COLEMAN# 6707A3118
	091225-01-708	EA	START RELAY, COLEMAN# 1497-4131
	081225-01-710	EA	START CAPACITOR, COLEMAN# 1497-0881
	073742-02-704	EA	RUN CAPACITOR (COMPRESSOR), COLEMAN# 1499-4881
	083783-01-702	EA	OVERLOAD, COLEMAN# 6758-3891
	083783-01-703	EA	IMPELLOR-7" DIA X 2 8" WIDE, COLEMAN# 6758-3271
	083783-01-704	EA	CAPACITOR-FAN, COLEMAN# 1499-3451
	083783-01-707	EA	EVAPORATOR COIL-COLEMAN# 1452-1351
	083783-01-708	EA	CONDENSER COIL-COLEMAN# 1452-1251
	083783-01-711	EA	GASKET PACKAGE, COLEMAN# 6758-3281
	083783-01-712	EA	FAN BLADE-CONDENSER, COLEMAN# 6733-3221
	083783-01-713	EA	COMPRESSOR-E SERIES, COLEMAN# 6758-3988
	083784-01-000	EA	CEILING ASM-A/C COOL ONLY, TSR - COLEMAN 67580714
	042204-01-708	EA	THERMOSTAT IN-84,OUT-58, COLEMAN# 6701-3401
	042205-01-702	EA	THERMOSTAT IN-89,OUT-58, COLEMAN# 6703-3401
	073742-01-701	EA	SELECTOR SWITCH (5 TERMINAL), COLEMAN# 6758-3251
	073742-01-702	EA	DECAL COOL ONLY, COLEMAN# 6758C3431
	083783-01-703	EA	DECAL HEAT&COOL, COLEMAN# 6758-3481
	081808-01-708	EA	LIMIT SWITCH (OPEN 180,CLOSE 110), COLEMAN# 6703-304
	091225-01-713	EA	KNOB (2 PER PACKAGE), COLEMAN# 6701-3351
	078303-01-707	EA	FILTER-8" X 14 3/4" X 1/2", 12 PER PKG COLEMAN# 6703A3151
	091225-01-717	EA	DECAL (THERMOSTAT) COOL ONLY, COLEMAN# 6799A3441
	081808-01-712	EA	CEILING SHROUD (IVORY), COLEMAN# 6788-5081
	083783-01-705	EA	DECAL-HEAT/COOL THERMOSTAT, COLEMAN# 6799A3471
	083783-01-706	EA	HEAT ELEMENT-COLEMAN# 6788-3321
	083783-01-710	EA	SINGLE PARTS PACKAGE, COLEMAN# 6758-5841
	102289-01-000	EA	SPRING-SCREW ROOF A/C GASKET - COLEMAN 6757-150
	022756-02-000	EA	COVER-PROTECTIVE, 5 5" ENDS X 8 2" - PLASTIC - OFF WHITE
	022756-03-000	EA	COVER-A/C - PLASTIC - OFF WHITE

EUROPEAN ROOF A/C

KEY	PART NUMBER	U/M	DESCRIPTION
	082440-01-000	EA	A/C-ROOF, 13500 BTU - 220V - 50HZ - COLEMAN# 6713C750
	082441-01-000	EA	CEILING ASM-A/C, 220V - 50HZ - COLEMAN# 6712ET18
	102289-01-000	EA	SPRING-SCREW ROOF A/C GASKET - COLEMAN 6757-150

INTERIOR FINISH GROUP

MOLDINGS & TRIMS

KEY	PART NUMBER	U/M	DESCRIPTION
	008787-12-000	FT	MOLDING-SIDEWALL TO CEILING/CABINET - WELTING - OFF WHITE
	008808-23-000	EA	MOLDING-CORNER, OUTSIDE - 1" - PLASTIC - IVORY
	008808-24-000	EA	MOLDING-CORNER, OUTSIDE - 1" - PLASTIC - THOR PECAN
	008812-25-000	EA	MOLDING-CORNER, OUTSIDE - .5" - PLASTIC - PECAN
	008812-24-000	EA	MOLDING-PLASTIC, O/S CORNER - 80" - MODERN IVORY
	022882-01-000	FT	MOLDING-REVERSE COVE, T-SHAPED - VINYL - WHITE
	022882-11-000	FT	MOLDING-REVERSE COVE, T-SHAPED - VINYL - IVORY
	070604-01-000	FT	U-CHANNEL-PLASTIC, .088" WIDE - LIGHT BROWN - INC OF 8"
	070604-20-000	FT	U-CHANNEL-PLASTIC, .815" WIDE - THOR PECAN - INC OF 8"
	008778-11-000	FT	U CHANNEL-PLASTIC 1" WIDE X 8" INCREMENTS - IVORY
	078248-01-000	EA	RAILING-OAK, 72" EA - UNFINISHED
	078325-18-000	FT	MOLDING-EDGE BAND, 1 5/16" WIDE - WOODGRAIN - REGAL OAK
	078325-32-000	FT	MOLDING-EDGE BAND TAUPE, 1-5/16X.030X800 (C52)
	078325-34-000	FT	MOLDING-EDGE BAND, 1 5/16" WIDE (C63)
	078325-33-000	FT	MOLDING-EDGE BAND TAUPE, 875X.024X800 (C52)
	078325-35-000	FT	MOLDING EDGE BAND ORCHID, 875X.024X800 (C63)
	081294-02-000	EA	MOLDING-SHELF, NOTCHED WOOD - 8" LONG
	008815-08-000	FT	MOLDING-T, 78" - IVORY
	083820-07-000	FT	MOLDING-T, END CAP EDGE - WEDGE LIPS - .75" - THOR PECAN
	083820-08-000	FT	T-MOLDING, 3/4 WEDGE LIPS - MODERN IVORY
	104878-01-01A	FT	T-MOLDING, 5/16 - RIGID
	085748-01-000	FT	TRIM-J, CARPET - 1 2" X 5" ANGLE - 10' LONG - PVC - BEIGE
	082707-01-01A	EA	MOLDING-WOOD, TABLE LEG - 27" - REGAL OAK
	083873-01-02A	EA	TRIM-CARPET, L-ANGLE - 1 1" X 1 3" X 12" - VINYL - TAN
	086304-02-01A	EA	TRIM-J, 5" EXPOSED - 1" X 52 1" LONG - METAL - OFF WHITE
	100858-01-A81	EA	TRIM-FLOOR, 72" X 1" X 1/2" - WOOD
	082331-D2-134	EA	MOLDING-VINYL WRAPPED, .7" X 1 57" X 84" - WOODGRAIN
	082331-F2-134	EA	MOLDING-VINYL WRAPPED, 7" X 2.5" X 7" - WOODGRAIN
	100818-01-01A	EA	MOLDING-VINYL WRAPPED, 1 65" X 4" X 7" - REGAL OAK
	100818-01-01A	EA	MOLDING-VINYL WRAPPED, L-SHAPED - 1 5" X 1 5" X 7" - OAK
	103188-01-02A	FT	MOLDING-EDGE, SHELF - .78" WIDE - PLASTIC - REGAL OAK
	105004-01-01A	EA	MOLDING-VINYL WRAP - REGAL OAK
	105818-01-01A	FT	MOLDING-EDGE, 5/16 - GOLD WADHESIVE
	082330-D2-438	EA	LUMBER-VINYL WRAPPED, 7" X 1 5" X 8" - WOODGRAIN
	082330-E2-438	EA	LUMBER-VINYL WRAPPED, 7" X 2" X 98" - WOODGRAIN
	082330-U3-000	EA	LUMBER-VINYL WRAPPED, 2" X 98" - WOODGRAIN
	082330-05-000	EA	LUMBER-VINYL WRAPPED - REGAL OAK
	088733-70-000	EA	BATT STRIP-WOODGRAIN, 8" EA - REGAL OAK
	088733-80-000	EA	BATT-STRIP, WOODGRAIN - 8" - WINNI OAK
	078853-04-000	EA	BATT STRIP-KERFED, WOODGRAIN
	085284-03-000	FT	BATT STRIP-WOODGRAIN, ADHESIVE BACKED - REGAL OAK
	085284-86-000	FT	BATT STRIP-WOODGRAIN, ADHESIVE BACKED - FOREST OAK
	085284-48-000	FT	BATT STRIP-TAPE, MARBLE - DEWBERRY DECOR (MAIN WALL)
	085284-45-000	FT	BATT STRIP-TAPE, FRONDS - DEWBERRY DECOR (BATH & GALLEY)
	088229-01-000	EA	RETAINER-BATTEN, CEILING - 75" WIDE - 7 6" EA
	088229-04-000	EA	BATTEN-CEILING, 1" WIDE - IVORY - 7 6" EA
	088253-81-000	EA	BATT-STRIP, MARBLE - DEWBERRY DECOR (MAIN WALL)
	088253-82-000	EA	BATT-STRIP, FRONDS - DEWBERRY DECOR (BATH & GALLEY)
	088253-71-000	EA	BATT STRIP-DECORATIVE, 8" - FAWN - TROWELL WORK

1982 WINNEBAGO

TABLE OF CONTENTS

INTRODUCTION	A-01 -	A-02
ABBREVIATIONS		A-03
ALPHABETICAL INDEX	A-04 -	A-08
WC522RG	A-07 -	D-18
WF524RC	D-18 -	H-08

1982 WF524RC INDEX

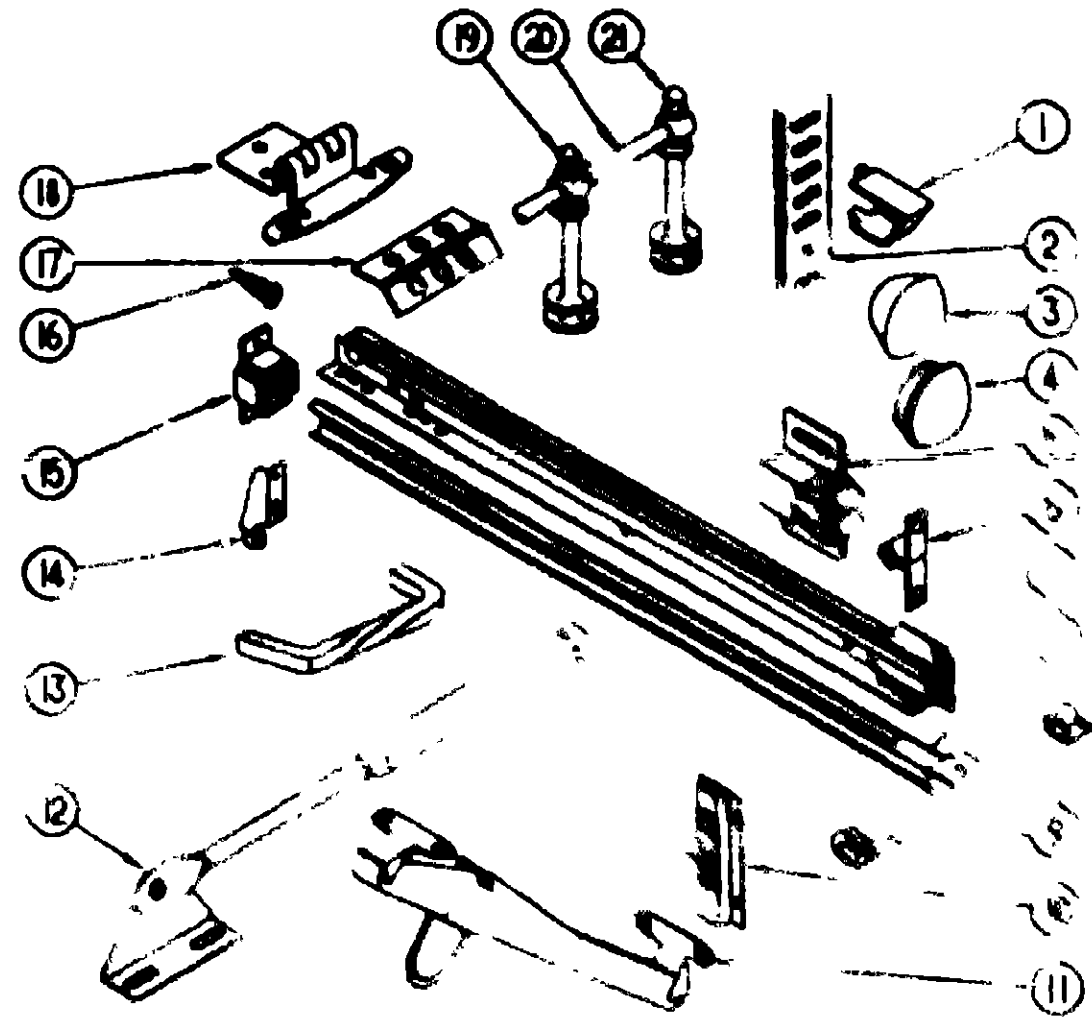
FLOOR PLAN	D-19 -	D-20
ACCESSORIES		D-21
AUDIO VIDEO		D-22
BATH	D-23 -	D-24
BEDROOM	E-01 -	E-02
CHASSIS	E-03 -	E-08
CURTAIN & CUSHION	E-07 -	E-15
DINETTE	E-18 -	E-17
DRIVERS	E-18 -	E-19
ELECTRICAL	E-20 -	E-23
EXTERIOR BODY	F-24 -	F-06
GALLEY	F-07 -	F-12
GENERATOR		F-13
HEATING & A/C	F-14 -	F-15
INTERIOR FINISH	F-15 -	F-18
LABEL	F-20 -	G-02
LP		G-03
LOUNGE		G-04
SEALING & FASTENERS	G-05 -	G-07
WATER & SEWAGE	G-08 -	G-12
WINDSH, VENT AND		
EXTERIOR DOOR	G-13 -	H-05

INTERIOR FINISH GROUP (CONTINUED)

INTERIOR FINISH GROUP (CONTINUED)

CABINET & TABLE HARDWARE (CONTINUED)

**1992 WINNEBAGO
TABLE OF CONTENTS**



CABINET & TABLE HARDWARE

INTRODUCTION	A-01 -	A-02
ABBREVIATIONS		A-03
ALPHABETICAL INDEX	A-04 -	A-08
WC522RG	A-07 -	D-18
WF524RC	D-19 -	H-08

1992 WF524RC INDEX

FLOOR PLAN	D-19 -	D-20
ACCESSORIES		D-21
AUDIO VIDEO		D-22
BATH	D-23 -	D-24
BEDROOM	E-01 -	E-02
CHASSIS	E-03 -	E-08
CURTAIN & CUSHION	E-07 -	E-15
DINETTE	E-16 -	E-17
DRIVERS	E-18 -	E-19
ELECTRICAL	E-20 -	E-23
EXTERIOR BODY	E-24 -	F-06
GALLEY	F-07 -	F-12
GENERATOR		F-13
HEATING & A/C	F-14 -	F-15
INTERIOR FINISH	F-16 -	F-19
LABEL	F-20 -	G-02
LP		G-03
LOUNGE		G-04
SEALANTS & FASTENERS	G-05 -	G-07
WATER & SEWAGE	G-08 -	G-12
WINDOW, VENT AND EXTERIOR DOOR	G-13 -	H-06

KEY	PART NUMBER	U/M	DESCRIPTION
16	000G13-08-10G	EA	SCREW-6-20 X 5/8 PFH, ANTIQUE BRASS (HINGE 089777-02-000)
16	000G13-08-08G	EA	SCREW-6-20 X 5/8 PFH, ANTIQUE BRASS (HINGE 108138-01-000)
17	08088-01-000	EA	HINGE-DOOR, 2" X 4" - BRASS
17	08088-02-000	EA	HINGE-DOOR, 2" X 2 7/8" - BRASS
18	059777-02-000	EA	HINGE-CABINET DOOR, BURNISHED BRASS
			FROM 00-00-00 THRU 04-16-92
	108740-01-000	EA	HINGE-DOOR, 2 1/2" X 2 1/2" - BURNISHED BRASS
			FROM 04-17-92 THRU 99-99-99
19	084070-01-000	EA	PULL-CENTER, BRASS
20	084071-01-000	EA	PULL-CENTER, 1 1/2" LONG
20	084071-02-000	EA	PULL-CENTER, 2" LONG
21	084070-02-000	EA	PULL-CENTER, 2 1/2" - BRASS
	009083-01-000	EA	HINGE-CONTINUOUS, 1 1/2" X 7/2" - UNPAINTED
	086740-01-000	EA	BRACE-CABINET CORNER, PLASTIC
	08694-01-000	EA	BRACE-CABINET, ANGLE - 2 5/8" - METAL - UNPAINTED
	08694-03-000	EA	BRACE-CABINET, ANGLE - 2 5/8" - METAL - BEIGE
	0827-04-000	EA	BRACKET-BUNKBED, 2 9/16" X 1 9/16" TRIANGLE - METAL - OFF WHITE
	078790-01-000	EA	SCREW, 6-20 X 1 1/4 PPH - BLACK
	J83204-02-000	EA	BUTTON-RETAINING, MIRROR - 3/16" TIP - WALNUT
	004354-01-000	EA	BUMPER-RUBBER, 5" DIA - BROWN
	023320-01-000	EA	PAD-FELT 3/8" DIAMETER - BROWN
	104886-01-000	EA	CATCH-WOOD, VINYL FACE CABINET
	104886-02-000	EA	CATCH-WOOD, LAMINATED FACE
	005037-02-000	EA	FASTENER-WOOD CORNER - METAL - 5" X 5"
	006134-01-000	EA	FLANGE-1" ROD, CLOTHES - PLASTIC - OFF WHITE
	042438-01-000	EA	DOWEL-WOOD, CLOTHES ROD - 1" DIAMETER X 4"
	042438-02-000	EA	DOWEL-WOOD, 2" DIA
	078840-01-000	BT	CORD-BUNGIE, 24"
	091255-02-000	BT	SEAL-ADHESIVE BACKED FOAM, 1/8" THICK X 1 5/8" WIDE
	103130-01-000	BT	HOOK-CUP, BRASS - 1 25"
	068487-01-000	EA	GUIDE-POCKET, SLIDING DOOR - WALL MOUNTED

PANELING, LAMINATES & PLASTIC

KEY	PART NUMBER	U/M	DESCRIPTION
	000685-54-000	SF	PART BD-3/8X48X96 FOREST OAK - VINYL 2 SIDES
	000685-59-000	SF	PART BD-3/4X60X96, FOREST OAK - VINYL 2 SIDES
	089918-02-000	SF	PLYWOOD-OAK, 1 SIDE FINISHED - 3/16" X 4' X 8' (32 SF)
	089917-01-000	SF	PLYWOOD-LUANA, OVERLAY GRADE - 4' X 8' (32 SF)
	046688-01-000	SF	VENEER-FLAT LUANA, 1/8" - 96
	074417-19-000	SF	PANELING CEILING, 1/2" - INC OF 32 SF
	074417-20-000	SF	PANELING-WOODGRAIN, 4' X 8' - INCREMENTS OF 32 SF
	089272-72-000	SF	PANELING-SHOWER, OFF WHITE - 4' X 7' - INC OF 28 SF
			FROM 00-00-00 THRU 03-15-92
	088272-98-000	SF	PANELING-SHOWER, ANTIQUE WHITE, 4' X 7' - INC OF 28 SQ FT
			FROM 03-16-92 THRU 99-99-99
	088272-82-000	SF	PANELING-MARBLE DEWBERRY, 3MMX48X84 DECOR (MAIN WALL)
	088272-83-000	SF	PANELING-FRONS DEWBERRY, 3MMX48X84 DECOR (BATH & GALLEY)
	069351-03-000	YD	VINYL-CEILING, DIAMOND DESIGN - 54" WIDE
	074498-39-000	SF	LAMINATE-PLASTIC, 5' X 8' - GREY/BEIGE - INC OF 40 SF (C52)
	074498-41-000	SF	LAMINATE-PLASTIC, 5' X 8' - ORCHID MIST - INC OF 40 SF (C53)
	093743-02-01A	SF	PLASTIC-ABS, 20" WIDE ROLL - OFF WHITE
	093743-03-01A	SF	PLASTIC-ABS, 10 8" WIDE - OFF WHITE

INTERIOR FINISH GROUP (CONTINUED)

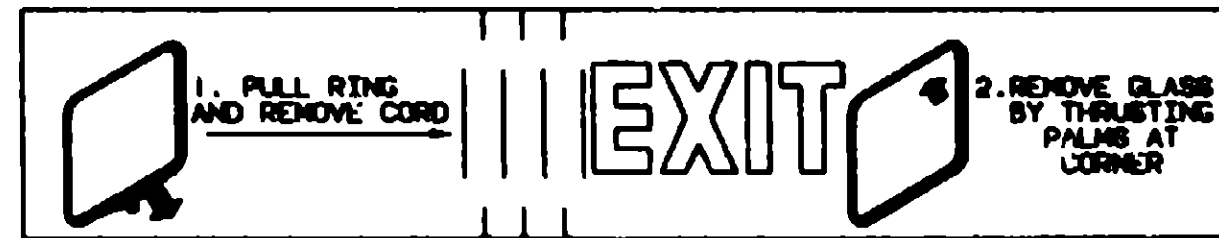
LABEL GROUP

CARPETING & FLOOR MATS

KEY	PART NUMBER	U/M	DESCRIPTION
	090080-33-010	SY	CARPET-12' ROLL, INCREMENTS OF 4 SY - BROWN SPECIAL (C52)
	090080-23-000	SY	CARPET-12' ROLL, INCREMENTS OF 4 SY (C53)
	047094-02-000	SF	PLASTIC-CARPET, 4' WIDE - CLEAR POLY - MINIMUM ORDER 1,800 SF
	075233-01-000	SY	PAD-CARPET, 3/8" X 6' ROLL
	081075-03-000	EA	MAT-FLOOR ENTRANCE, WINNEBAGO PLASTICOLOR GRAY
	108884-01-000	EA	MAT-FLOOR, PASSENGER - "W" - FORD
	108884-02-000	EA	MAT-FLOOR, DRIVER - "W" - FORD

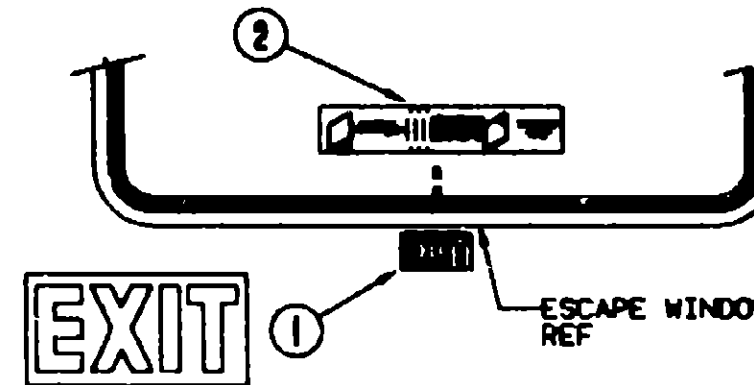
FIRE EXTINGUISHER, SMOKE DETECTOR & CLOCK

KEY	PART NUMBER	U/M	DESCRIPTION
	072852-01-000	EA	DETECTOR-SMOKE, W/9 VOLT BATTERY
	072852-02-000	EA	DETECTOR-SMOKE, W/9 VOLT BATTERY (CANADIAN)
	084469-01-000	EA	EXTINGUISHER-FIRE, DRY W/MOUNTING BRACKET - 10 BC
	084469-02-000	EA	EXTINGUISHER-FIRE, DRY - 1A10BC - CANADIAN
	084469-01-700	EA	BRACKET-MOUNTING, W/PLASTIC STRAP - FIRE EXTINGUISHER
	100793-01-01A	EA	CLOCK-WALL, OVAL - 9 5" X 11 1" (USED W/BACKPLATE)
	101333-01-000	EA	BACKPLATE-CLOCK, 8" X 8" - PLASTIC - BLACK
	104784-01-01A	EA	CLOCK-WALL, SPARTUS 5618-42

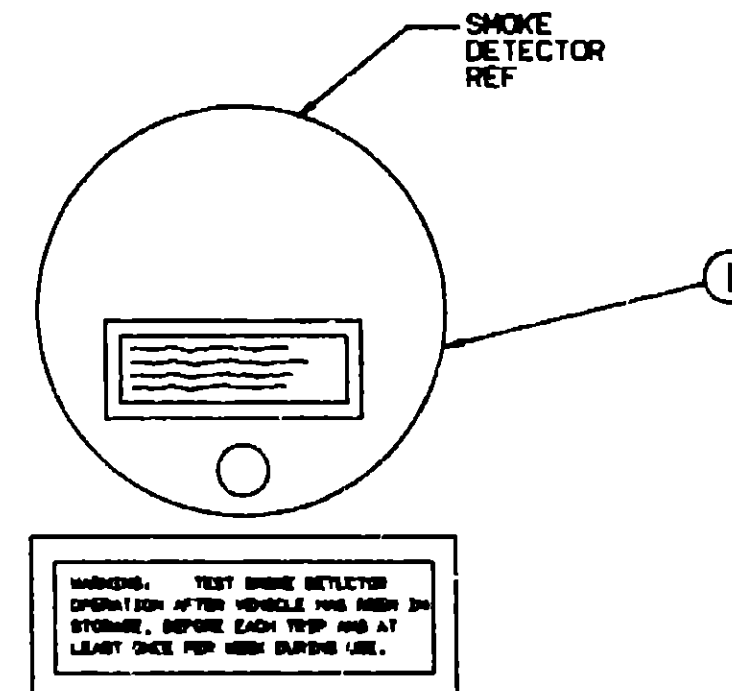


**1992 WINNEBAGO
TABLE OF CONTENTS**

INTRODUCTION	A-01 -	A-02
ABBREVIATIONS		A-03
ALPHABETICAL INDEX	A-04 -	A-08
WCS22RG	A-07 -	D-18
WF524RC	D-18 -	H-08



KEY	PART NUMBER	U/M	DESCRIPTION
1	039290-01-000	EA	LABEL-WARNING, EXIT
2	107571-01-000	EA	LABEL-ESCAPE EXIT, WINDOW

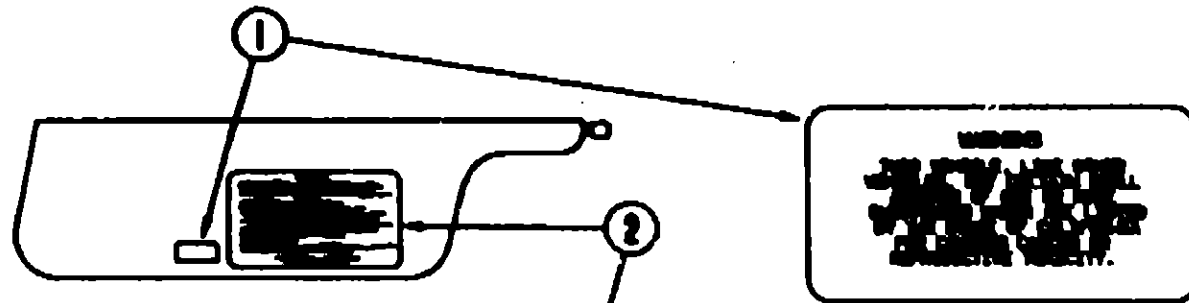


KEY	PART NUMBER	U/M	DESCRIPTION
1	077956-01-000	EA	LABEL-WARNING, SMOKE DETECTOR

1992 WF524RC INDEX

FLOOR PLAN	D-19 -	D-20
ACCESSORIES		D-21
AUDIO VIDEO		D-22
BATH	D-23 -	D-24
BEDROOM	E-01 -	E-02
CHASSIS	E-03 -	E-08
CURTAIN & CUSHION	E-07 -	E-15
DINETTE	E-16 -	E-17
DRIVERS	E-18 -	E-19
ELECTRICAL	E-20 -	E-23
EXTERIOR BODY	E-24 -	F-08
GALLEY	F-07 -	F-12
GENERATOR		F-13
HEATING & A/C	F-14 -	F-15
INTERIOR FINISH	F-16 -	F-19
LABEL	F-20 -	G-02
LP		G-03
LOUNGE		G-04
SEALANTS & FASTENERS	G-05 -	G-07
WATER & SEWAGE	G-08 -	G-12
WINDOW, VENT AND EXTERIOR DOOR	G-13 -	H-08

LABEL GROUP (CONTINUED)



WARNING
DO NOT EXCEED THE VEHICLE WEIGHT RATINGS OR LOADING RECOMMENDATIONS (E.G., GROSS VEHICLE, GROSS AXLE, GROSS COMBINED) OF THE CHASSIS MANUFACTURER OR WINNEBAGO IND.

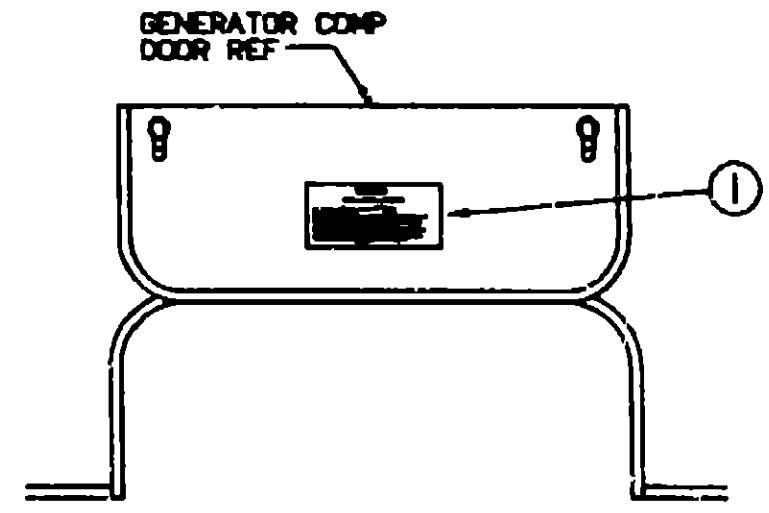
CAUTION

THIS VEHICLE HAS BEEN DESIGNED, MANUFACTURED AND TESTED WITH CARE FOR THE PROTECTION OF IT'S OCCUPANTS. BE RESPONSIVE YOU PERFORM THE FOLLOWING INSPECTIONS FOR YOUR SAFETY AND THE SAFETY OF YOUR PASSENGERS BEFORE STARTING YOUR VEHICLE.

1. LP GAS SYSTEM- TURN OFF AT TANK FOR TRAVELING. TEST FOR LEAKS UPON ARRIVAL AT DESTINATION. BEFORE LIGHTING PILOTS.
2. WHEELS- INSPECT FOR DAMAGE AND CHECK LUG NUTS FOR TIGHTNESS.
3. TIRES- INSPECT FOR WEAR AND DAMAGE AND CHECK FOR RECOMMENDED AIR PRESSURE.
4. LIGHTING- TEST FOR PROPER OPERATION OF ALL INTERIOR AND EXTERIOR LIGHTS INCLUDING DASH LIGHTS, HEADLIGHTS, TAIL LIGHTS, BRAKE LIGHTS, CLEARANCE LIGHTS AND TURN SIGNALS.
5. EXITS- INSPECT RELEASE MECHANISM ON EMERGENCY EXIT WINDOW. TEST BOTH LOCKS ON MAIN ENTRANCE DOOR FOR EASE OF OPERATION AND INSTRUCT PASSENGERS HOW TO USE BOTH REARS OF EXIT.
6. SEAT BELTS- INSTRUCT PASSENGERS TO SEIZE SEAT BELTS AND ENSURE USE OF SEAT BELTS.
7. APPLIANCES- TURN OFF AND LATCH OR LOCK DOORS WHERE PROVIDED.
8. LOOSE PARCELS- STORE SECURELY.
9. UTILITY SUPPLY LINES- DISCONNECT ALL ELECTRIC, SEWER AND WATER LINES AND SECURE PROPERLY.
10. ENTRANCE DOOR STOP- PLACE IN RESTRICTED POSITION FOR TRAVELING.

READ YOUR OWNER HANDBOOK AND CHASSIS OWNER'S MANUAL FOR FURTHER PRECAUTIONS

KEY	PART NUMBER	U/M DESCRIPTION
1	099689-01-000	EA LABEL-WARNING, CANCER/TOXICITY
2	058259-01-000	EA LABEL-SAFETY CHECK LIST



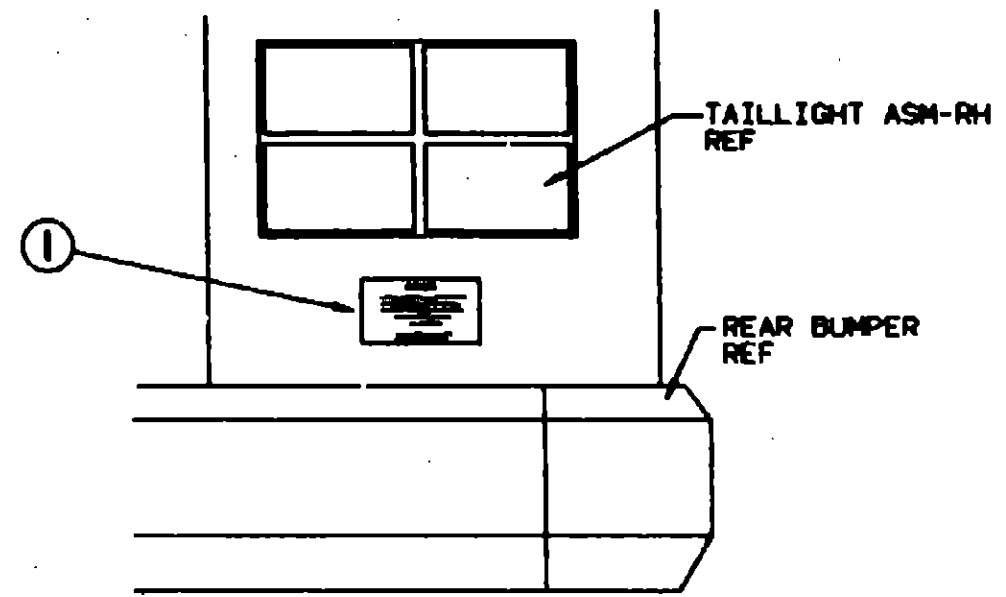
WARNING

WHEN ADDING A GENERATOR SET:

HIGH VOLTAGE-USE EXTREME CAUTION WHEN WORKING ON ELECTRICAL COMPONENTS.
 HAVE ALL ELECTRICAL INSTALLATION PERFORMED BY A QUALIFIED LICENSED ELECTRICIAN-FOLLOW ALL STATE AND LOCAL CODES.
 ONLY INSTALL GENERATOR SET APPROVED FOR R.V. APPLICATION. HAVE INSTALLED BY QUALIFIED TECHNICIAN.
 TO AVOID HEAT BUILD-UP AND TO ENSURE AN ADEQUATE AIR SUPPLY TO THE GENERATOR COMPARTMENT, FOLLOW INSTALLATION INSTRUCTIONS.
 GENERATOR EXHAUST GASES ARE TOXIC AND MUST NOT REMAIN UNDER THE VEHICLE-ENSURE EXHAUST AWAY FROM VEHICLE.

KEY	PART NUMBER	U/M DESCRIPTION
1	077510-01-000	EA LABEL-GENERATOR PREP

LABEL GROUP (CONTINUED)



WARNING

DO NOT EXCEED THE VEHICLE WEIGHT RATINGS OR LOADING RECOMMENDATIONS (E.G., GROSS VEHICLE, GROSS AXLE, GROSS COMBINED) OF THE CHASSIS MANUFACTURER OR WINNEBAGO IND.

REFER TO YOUR OWNERS MANUAL, BEFORE LOADING OR TOWING.

KEY	PART NUMBER	U/M DESCRIPTION
1	075220-01-000	EA LABEL-WARNING, EXTERIOR LOAD

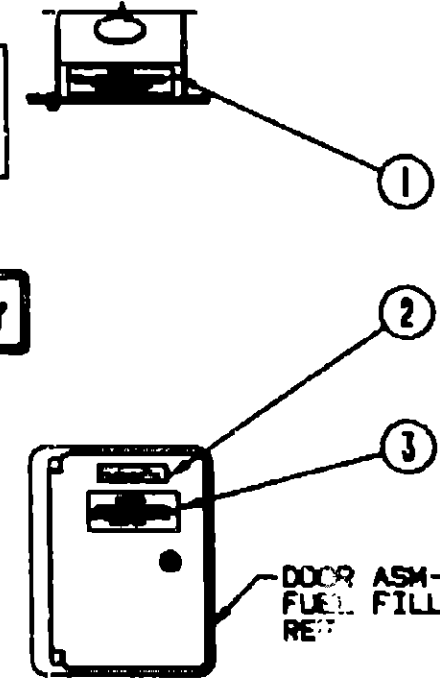
WARNING

OPEN GASOLINE CAP SLOWLY TO PREVENT SUDDEN RELEASE OF TANK PRESSURE. DO NOT OVERFILL TANK. REPLACE WITH IDENTICAL CAP ONLY.

UNLEADED FUEL ONLY

WARNING

ALL PILOT LIGHTS AND APPLIANCES SHALL BE TURNED OFF DURING REFUELING OF MOTOR FUEL TANKS NEVER PERMANENTLY RELIANT LP-GAS CONTAINERS.



KEY	PART NUMBER	U/M DESCRIPTION
1	074559-01-000	EA DECAL-LOGO, LPG - RED - (CALIF CODE)
2	006040-01-000	EA TAG-GAS REFUELING WARNING
2	006040-02-000	EA TAG-GAS REFUEL WARNING, CANADIAN
3	054531-01-000	EA LABEL-LP GAS ONLY
F-21 3	023789-01-000	EA LABEL-WARNING, LPG - CANADIAN

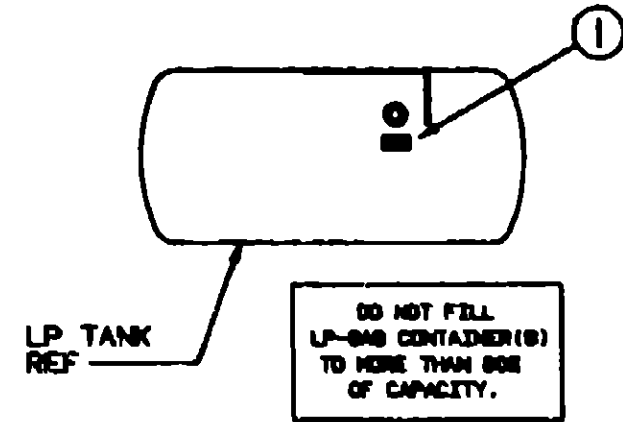
1992 WINNEBAGO TABLE OF CONTENTS

INTRODUCTION	A-01	A-02
ABBREVIATIONS		A-03
ALPHABETICAL INDEX	A-04	A-06
W522HG	A-07	D-18
WF524RC	D-19	H-06

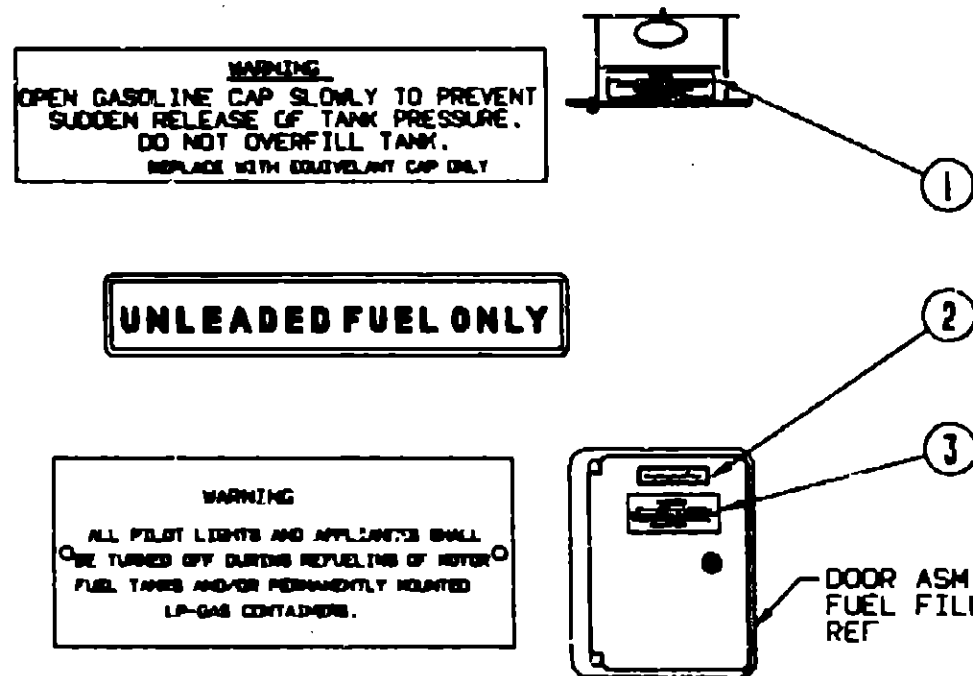
1992 WF524RC INDEX

FLOOR PLAN	D-19	D-20
ACCESSORIES		D-21
AUDIO VIDEO		D-22
BATH	D-23	D-24
BEDROOM	E-01	E-02
CHASSIS	E-03	E-06
CURTAIN & CUSHION	E-07	E-15
DINETTE	E-16	E-17
DRIVERS	E-18	E-19
ELECTRICAL	E-20	E-23
EXTERIOR BODY	E-24	F-06
GALLEY	F-07	F-12
GENERATOR		F-13
HEATING & A/C	F-14	F-15
INTERIOR FINISH	F-16	F-19
LABEL	F-20	G-02
LP		G-03
LOUNGE		G-04
SEALANTS & FASTENERS	G-05	G-07
WATER & SEWAGE	G-08	G-12
WINDOW, VENT AND EXTERIOR DOOR	G-13	H-06

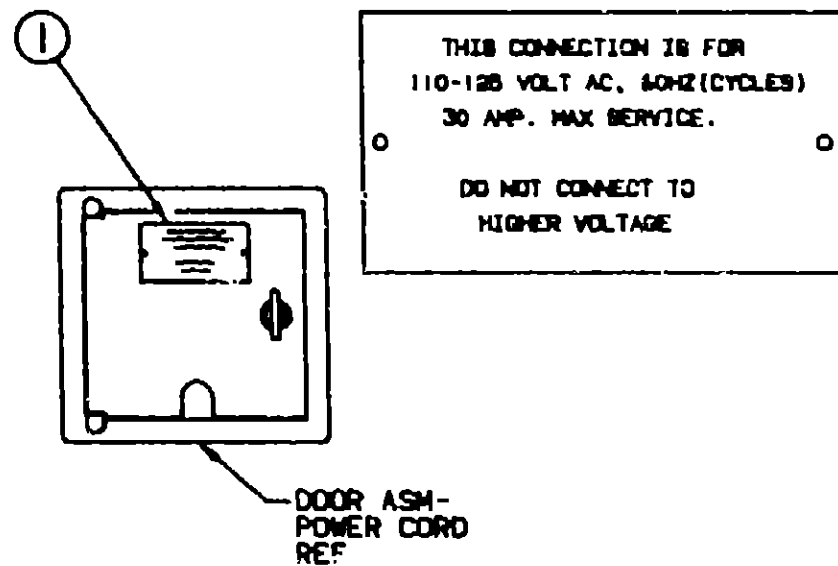
LABEL GROUP (CONTINUED)



KEY	PART NUMBER	U/M DESCRIPTION
1	079985-01-000	EA LABEL-LPG 80 CAPACITY

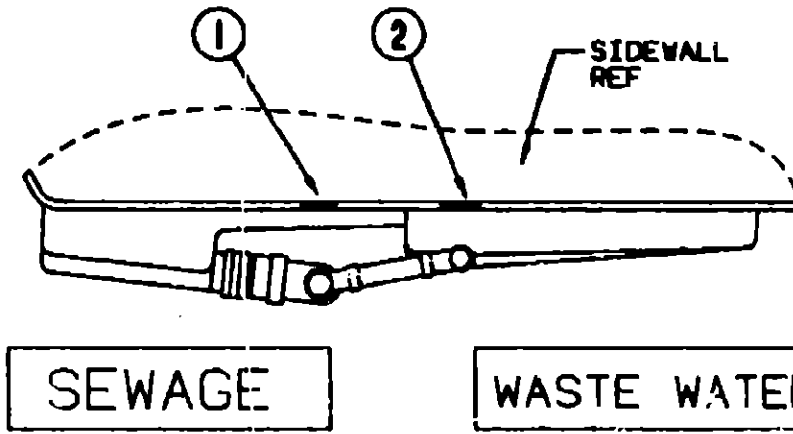


KEY	PART NUMBER	U/M DESCRIPTION
1	097207-05-000	EA LABEL-FUEL CAP REMOVAL
2	062043-01-000	EA LABEL-FUEL UNLEADED
3	006040-01-000	EA TAG-GAS REFUELING WARNING
3	006040-02-000	EA TAG-GAS REFUEL WARNING, CANADIAN

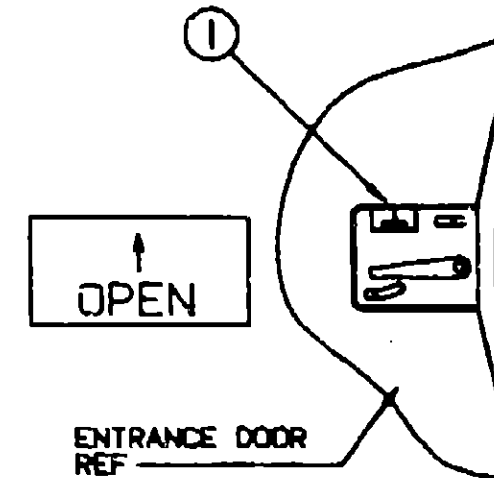


KEY	PART NUMBER	U/M DESCRIPTION
1	005062-01-000	EA TAG-ELECTRIC, 110V CONNECTION

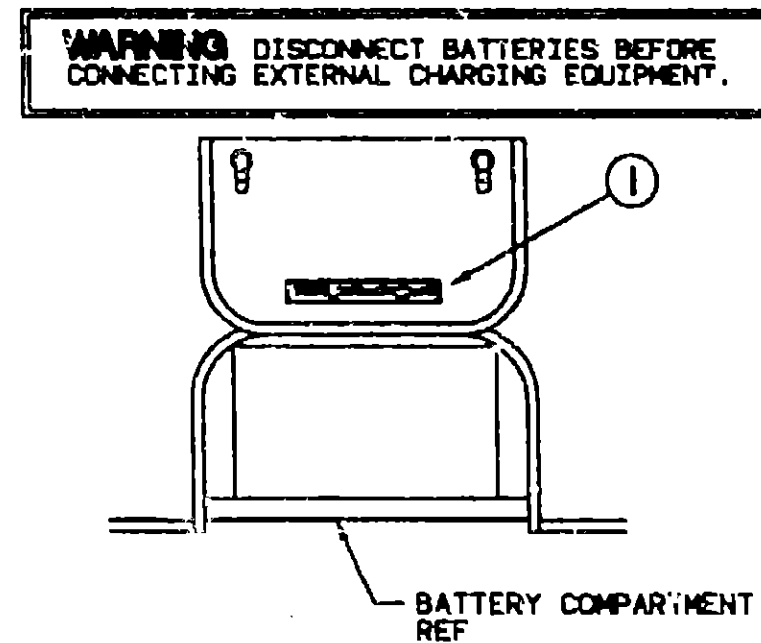
LABEL GROUP (CONTINUED)



KEY	PART NUMBER	U/M DESCRIPTION
1	008187-01-000	EA LABEL-SEWAGE
2	008188-01-000	EA LABEL-WASTE WATER



KEY	PART NUMBER	U/M DESCRIPTION
1	040344-01-000	EA LABEL-ENTRANCE DOOR, "OPEN"



KEY	PART NUMBER	U/M DESCRIPTION
1	065748-01-000	EA LABEL-CAUTION, BATTERY CHARGING

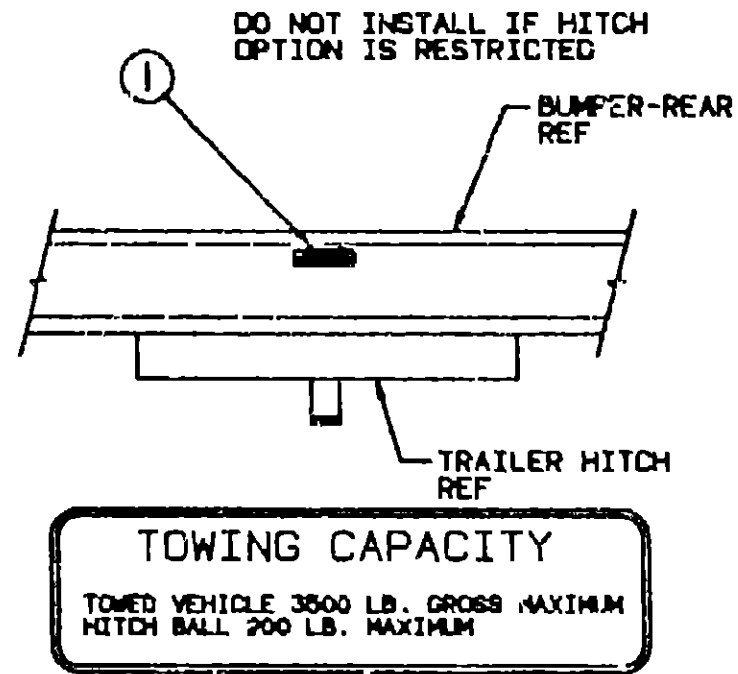
**1992 WINNEBAGO
TABLE OF CONTENTS**

INTRODUCTION	A-01 - A-02
ABBREVIATIONS	A-03
ALPHABETICAL INDEX	A-04 - A-06
WC522RG	A-07 - D-18
WF524RC	D-19 - H-08

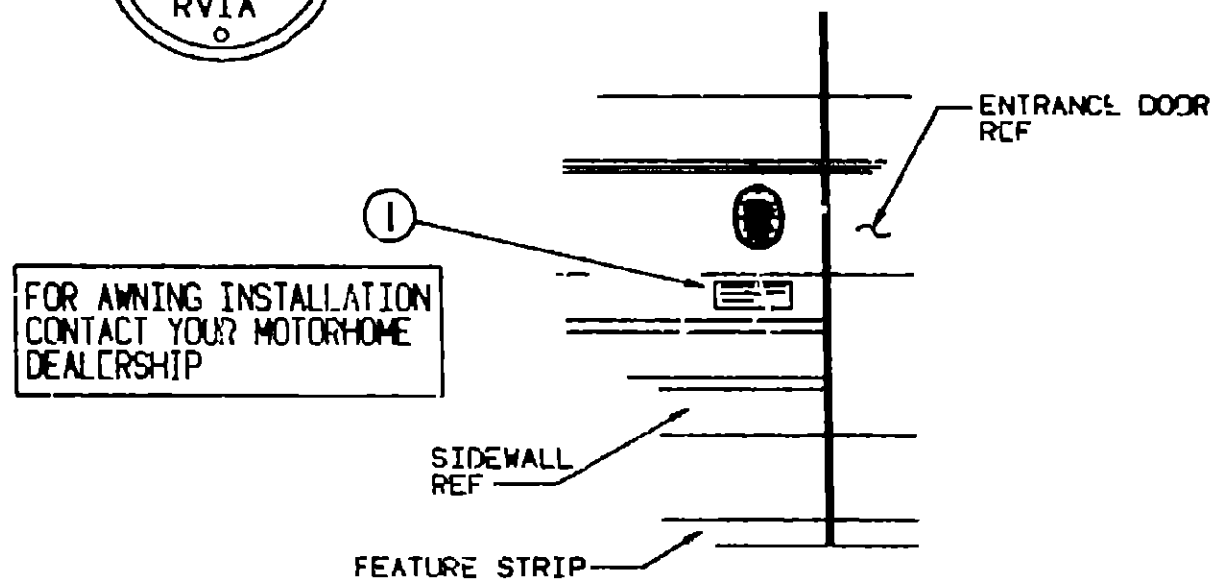
1992 WF524RC INDEX

FLOOR PLAN	D-19 - D-20
ACCESSORIES	- D-21
AUDIO VIDEO	- D-22
BATH	D-23 - D-24
BEDROOM	E-01 - E-02
CHASSIS	E-03 - E-06
CURTAIN & CUSHION	E-07 - E-15
DINETTE	E-16 - E-17
DRIVERS	E-18 - E-19
ELECTRICAL	E-20 - E-23
EXTERIOR BODY	E-24 - F-06
GALLEY	F-07 - F-12
GENERATOR	- F-13
HEATING & A/C	F-14 - F-15
INTERIOR FINISH	F-16 - F-19
LABEL	F-20 - G-02
LP	- G-03
LOUNGE	- G-04
SEALANTS & FASTENERS	G-05 - G-07
WATER & SEWAGE	G-08 - G-12
WINDOW, VENT AND EXTERIOR DOOR	G-13 - H-06

LABEL GROUP (CONTINUED)

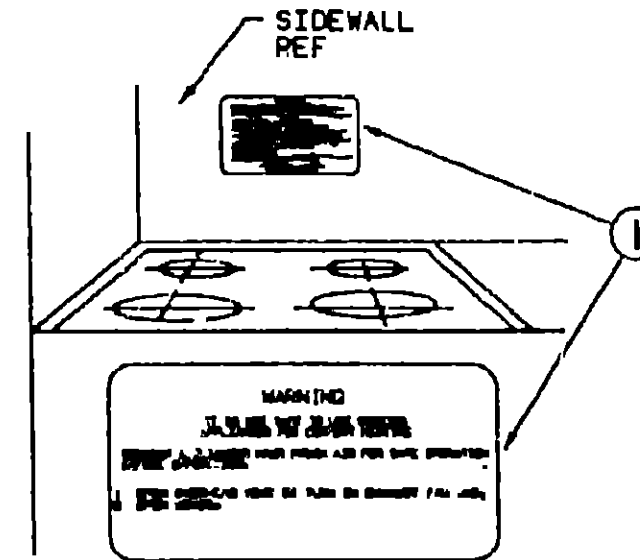


KEY	PART NUMBER	U/M DESCRIPTION
1	075221-01-000	EA LABEL-TOWING CAPACITY



KEY	PART NUMBER	U/M DESCRIPTION
1	099509-01-000	EA LABEL-AWNING INSTALLATION

LABEL GROUP (CONTINUED)



KEY	PART NUMBER	U/M DESCRIPTION
1	050225-01-000	EA LABEL-WARNING, STOVE VENT - US
1	050222-01-000	EA LABEL-WARNING, STOVE VENT - CANADIAN

MISCELLANEOUS LABELS

KEY	PART NUMBER	U/M DESCRIPTION
	R77005-87-699	EA LABEL-FUEL, "UNLEADED" - RNO 7700587699
	006064-01-000	EA LABEL-SEAT W/O SEATBELT NOT INTENDED FOR USE WHILE COACH IN MOTION
	006064-02-000	EA LABEL-SEAT W/O SEATBELT (CANADIAN)
	035709-01-000	EA LABEL NO STORAGE
	061417-01-000	EA LABEL-FUEL ON FUEL FILL DOOR
	061606-01-000	EA LABEL-OVERLAY, VEHICLE CERTIFICATION - ADHESIVE BACKED
	073398-01-000	EA LABEL-LPG ODOR WARNING
	087236-01-000	EA LABEL-CABLE, INPUT
	091224-02-000	EA LABEL-TRAILER LIGHTING
	091243-01-000	EA LABEL-AC COVER, "AIR CONDITIONING CIRCUIT ETC"
	093236-08-000	EA LABEL-CIRCUIT BREAKER
	098641-01-000	EA LABEL-FUEL, UNLEADED - DASH
	104236-01-000	EA LABEL-GENERATOR CIRCUIT

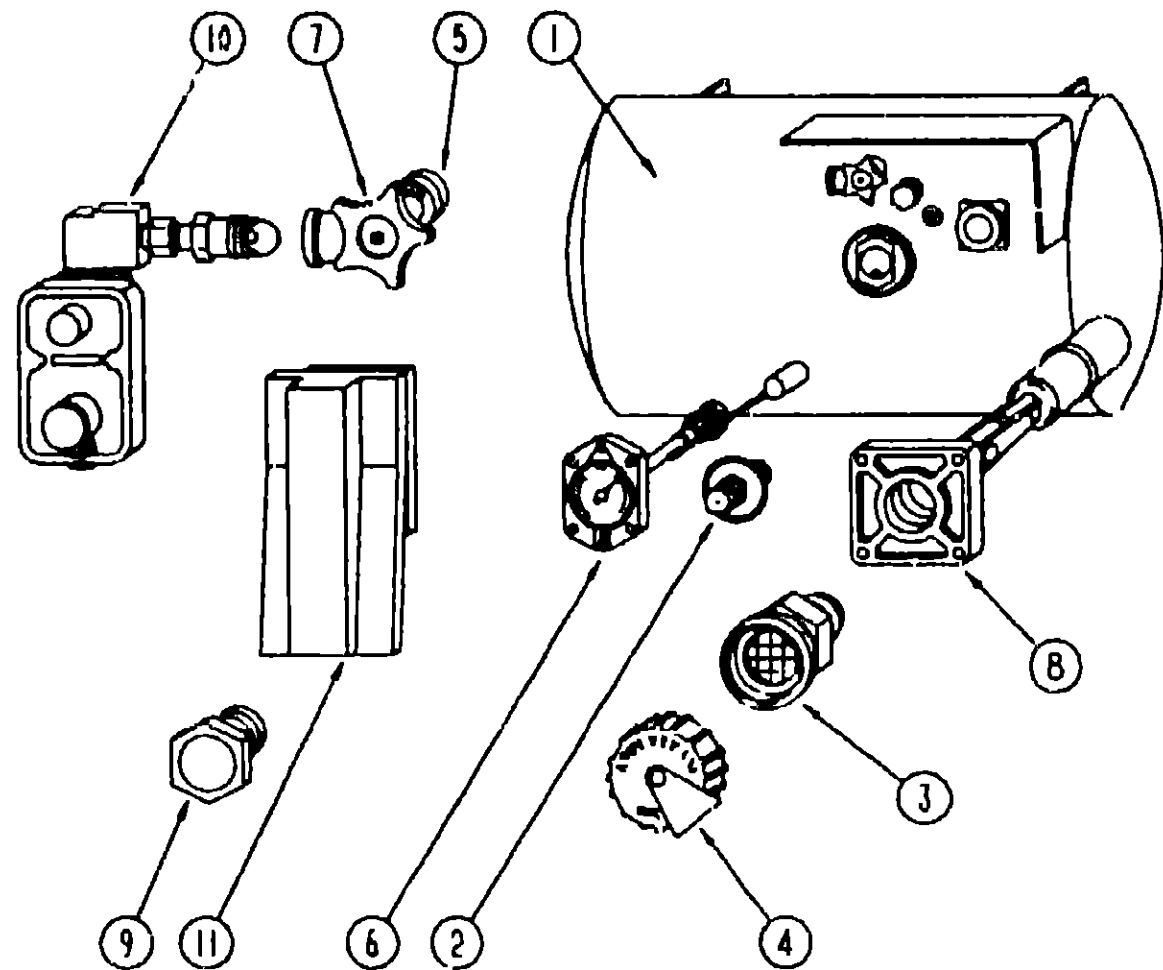
**1992 WINNEBAGO
TABLE OF CONTENTS**

INTRODUCTION	A-01 -	A-02
ABBREVIATIONS		A-03
ALPHABETICAL INDEX	A-04 -	A-06
WC522RG	A-07 -	D-18
WF524RC	D-19 -	H-08

1992 WF524RC INDEX

FLOOR PLAN	D-19 -	D-20
ACCESSORIES		D-21
AUDIO VIDEO		D-22
BATH	D-23 -	D-24
BEDROOM	E-01 -	E-02
CHASSIS	E-03 -	E-06
CURTAIN & CUSHION	E-07 -	E-15
DINETTE	E-16 -	E-17
DRIVERS	E-18 -	E-19
ELECTRICAL	E-20 -	E-23
EXTERIOR BODY	E-24 -	F-06
GALLEY	F-07 -	F-12
GENERATOR		F-13
HEATING & A/C	F-14 -	F-15
INTERIOR FINISH	F-16 -	F-19
LABEL	F-20 -	G-02
LP		G-03
LOUNGE		G-04
SEALANTS & FASTENERS	G-05 -	G-07
WATER & SEWAGE	G-08 -	G-12
WINDOW, VENT AND EXTERIOR DOOR	G-13 -	H-06

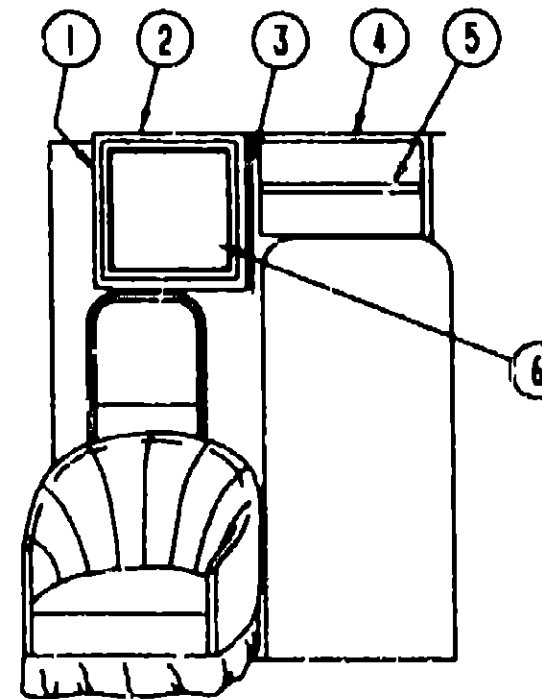
LP GROUP



LP TANK & COMPONENTS

KEY	PART NUMBER	U/M DESCRIPTION
1	097821-01-000	EA TANK-LP, 60 LB BRUNNER - 14' X 20'
2	040421-01-700	EA VALVE-LIQUID LEVEL, 20% LP - BRUNNER G-1013
3	040421-01-701	EA VALVE-SHORT LP FILLER W/YELLOW CAP - BRUNNER 7547B
4	040421-01-702	EA CAP-LP FILLER VALVE, PLASTIC - YELLOW - BRUNNER G-1014-A
5	040421-01-703	EA VALVE-SERVICE, W/VAPOR RELIEF
6	040421-01-707	EA GAUGE-FLOAT W/VISIBLE DIAL - BRUNNER MA-9 6244-4
7	040421-01-708	EA HANDWHEEL-SERVICE VALVE, BRUNNER G-1015-A
8	040421-01-711	EA VALVE-80% W/FLOAT, PLATE, BOLTS & GASKET - BRUNNER
9	040421-01-713	EA VALVE-VAPOR ONLY - 29000587
10	106150-01-000	EA REGULATOR-TWO STAGE - M/BRASS 293-00
	105658-01-000	EA COMPARTMENT-LP REGULATOR
11	081938-01-000	EA COVER-COMPARTMENT, LP REGULATOR - BLACK
	040440-02-000	EA TRANSMITTER-DIAL, 0-90 OHM
	065741-01-000	EA GAUGE-DIAPHRAGM PRESSURE - MARSHALLTOWN MFG
	103613-01-000	EA DETECTOR-LP GAS
	045703-01-000	EA HOSE-LP, 3/8" ID X 24' - 3/8" MPT X 1/2" F SWIVEL - U S
	045703-02-000	EA HOSE-LP, 3/8" ID X 24' - 3/8" MPT X 1/2" F SWIVEL - CANADA
	010323-01-000	EA ADAPTER-BRASS, 3/8" F X 1/2" MPT
	010326-01-000	EA ADAPTER-FLARE, W/CONE GASKET - 3/8" FEMALE X 1/2" MALE
	065742-01-000	EA TEE, 3/8" F X 3/8" F X 25FPT - BRASS
	010377-02-000	EA NUT-BRASS, 3/8" FEMALE - FORGED
	010380-02-000	EA NUT-BRASS, 1/2" FEMALE - FORGED
	095624-01-000	EA ELBOW-90 DEGREE, 1/4" FPT X 1/4" FPT - BRASS
	065318-02-000	EA ELBOW-90 DEGREE, 3/8" MPT TO 3/8" FPT
	010251-01-000	EA ELBOW-BRASS, 90 DEGREE - 3/8" F X 3/8" MPT
	071391-02-000	EA NIPPLE-HEX, 1/4" PIPE - 3325X4 WEATHERHEAD
	064884-01-000	EA PLUG-BRASS, 3/8"

LOUNGE GROUP



OVERHEAD CABINETS

KEY	PART NUMBER	U/M DESCRIPTION
1	104335-09-C03	EA END CAP-CABINET, OVERHEAD
1	104335-22-C52	EA END CAP-CABINET, OVERHEAD (TV CABINET)
2	M05624-35-C52	EA CABINET-OVERHEAD, W/O DOORS & HARDWARE
2	M05624-41-C52	EA CABINET-OVERHEAD, W/O DOORS & HARDWARE (TV CABINET)
2	M05624-41-C53	EA CABINET-OVERHEAD, W/O DOORS & HARDWARE (TV CABINET)
3	104335-08-C52	EA END CAP-CABINET, OVERHEAD
3	104335-21-C52	EA END CAP-CABINET, OVERHEAD (TV CABINET)
4	P05254-01-C03	EA CABINET-OVERHEAD - ENTRANCE
5	105847-04-C05	EA KEY RING HOLDER
	103130-01-000	EA HOOK-CUP, BRASS - 1 25"
6	P04746-02-C05	EA DOOR-CABINET, W/O HARDWARE - 400 X 520MM

**1992 WINNEBAGO
TABLE OF CONTENTS**

INTRODUCTION	A-01 -	A-02
ABBREVIATIONS		A-03
ALPHABETICAL INDEX	A-04 -	A-08
WC522RG	A-07 -	D-18
WF524RC	D-19 -	H-08

1992 WF524RC INDEX

FLOOR PLAN	D-19 -	D-20
ACCESSORIES		D-21
AUDIO VIDEO		D-22
BATH	D-23 -	D-24
BEDROOM	E-01 -	E-02
CHASSIS	E-03 -	E-08
CURTAIN & CUSHION	E-07 -	E-15
DINETTE	E-16 -	E-17
DRIVERS	E-18 -	E-19
ELECTRICAL	E-20 -	E-23
EXTERIOR BODY	E 24 -	F-08
GALLEY	F-07 -	F-12
GENERATOR		F-13
HEATING & A/C	F-14 -	F-15
INTERIOR FINISH	F-16 -	F-19
LABEL	F-20 -	G-02
LP		G-03
LOUNGE		G-04
SEALANTS & FASTENERS	G-05 -	G-07
WATER & SEWAGE	G-08 -	G-12
WINDOW, VENT AND EXTERIOR DOOR	G-13 -	H-08

SEALANTS & FASTENERS GROUP

ADHESIVE AND FASTENERS

KEY	PART NUMBER	U/M	DESCRIPTION
	004027-01-000	QT	ADHESIVE-ABS CEMENT, QUART
	034552-02-000	EA	SILICONE-TUBE, 300 ML - CLEAR
	034552-08-000	EA	SILICONE-TUBE 300ML, OFF WHITE
	053788-02-000	EA	BEDDING COMPOUND-TUBE, WHITE
	053788-08-000	EA	BEDDING COMPOUND-TUBE, CLEAR
	053788-08-000	EA	BEDDING COMPOUND-TUBE, GRAY - SCHNEE # 5522
	083842-01-000	FT	TAPE-ADHESIVE, 10MM X 1 5- WIDE
	089640-01-000	FT	SEALER RIBBON, 1/4" DIAMETER - INCREMENTS OF 30'
	089640-02-000	FT	SEALER-RIBBON, 1/2" X 1/8" - INCREMENTS OF 30' OR 80'
	089640-03-000	FT	SEALER-RIBBON, 3/4" X 1/8" - INCREMENTS OF 80'
	089640-08-000	FT	SEALER RIBBON, 5/16" DIAMETER - INCREMENTS OF 25'
	089640-11-000	FT	SEALER-RIBBON, 3/16" X 3/8" - INCREMENTS OF 30' OR 45'
	089640-10-000	FT	SEALER-RIBBON, 1/32" X 1 1/2" INCREMENTS OF 90'
	089640-12-000	FT	SEALER-TAPE, 1/8"X1 5" - GRAY - MANUS
	089640-14-000	FT	SEALER-TAPE, 1/16"X1" - GRAY - MANUS
	072889-01-000	EA	SEALANT-URETHANE, BLACK - 1/10 - ESSEX 552 2
	078322-05-000	FT	TAPE-FOAM, DOUBLE COATED - 025" X 1 5"
	078314-02-000	FT	TAPE-CARPET SEAM, HEAT-BOND - 4" WIDE
	078322-01-000	FT	TAPE-FOAM, DOUBLE COATED ADHESIVE BACKED - 75" X 218"
	078322-02-000	FT	TAPE-FOAM, DOUBLE COATED ADHESIVE BACKED - 1' X 108"
	078322-03-000	FT	TAPE-FOAM, DOUBLE COATED ADHESIVE BACKED - 5' X 108"
	087211-01-000	GL	PROMOTER-ADHESIVE
	094401-01-000	EA	SEALER-BODY SEAM SEALER, 3M FLEXICLEAR
	102362-01-000	EA	SEALER-PUMPABLE, BLACK - COLORIMETRIC MS101

BOLTS, NUTS, WASHERS & SCREWS

KEY	PART NUMBER	U/M	DESCRIPTION
	0MC31K-08-020	EA	BOLT-HEX, SER FLANGE - M8 X 020
	000C12-05-16R	EA	BOLT-HEX, 5/16-18 X 1 - ZINC 5
	000C12-06-32B	EA	BOLT-HEX-3/8-18X2LG,ZN 5
	000C12-07-20B	EA	BOLT-HEX, 7/16 - 14 X 1 1/4" - ZN5
	000C12-08-24B	EA	BOLT-HEX, 1/2-13 X 1 1/2 - ZN 5
	000C13-07-48B	EA	BOLT-HEX, 7/16 - 20 X 3 - ZN 5
	000C18-05-40A	EA	BOLT-ELEV-5/16-18X21/2 PL - 33410-01-000
	000C18-06-48B	EA	BOLT-ELEV, 3/8-18 X 3 ZN - GDE 5
	000C26-04-10B	EA	BOLT-HEX, SER FLG - 1/4-20 X 5/8 ZINC
	000C26-05-12B	EA	BOLT-HEX-SER FLG 5/16-18X3/4 - ZN
	005200-01-000	EA	BOLT-BUMPER, RD HD SQ NECK - W/SST CAP - 7/16 - 14 X 1 1/4
	051387-06-000	EA	BOLT-CARRIAGE, W/O HOLE - 5/16-18 X 9 5 ZN
	000D24-10-00B	EA	NUT-HEX, SFLK - 10-32 ZN
	000D29-09-00B	EA	NUT-HEX SELFLOCK 9/16-12 ZN - MC-90 CHASSIS
	000D39-04-00B	EA	NUT-HEX, SER FLG LK 1/4 - 20 ZN
	000D39-05-00B	EA	NUT-HEX, SER FLG LK - 5/16 - 18 ZN
	000D39-06-00B	EA	NUT-HEX, SER FLG LK - 3/8-16 ZN
	000D39-08-00B	EA	NUT-HEX, SER FLG LK - 1/2-13 ZN
	000D44-07-00B	EA	NUT-HEX, SER FLG LK - 7/16-20 ZN
	000E13-20-00B	EA	WASHER-FL-7/16 WIDE ZN - 5094-01 5115-01
	044533-01-000	EA	WASHER-PLASTIC, 1 3/8"OD - FOR BUTTONS
	049485-03-000	EA	SCREW, 10-18 X 1 POH W/WASHER - OFF WHITE
	049485-04-000	EA	SCREW, 10-18 X 1 PTH W/WASHER - BEIGE
	0MG22B-03-00B	EA	SCREW-MACH,M3 0X5X8 PPH ZN
	000G11-08-10B	EA	SCREW, 8-20 X 5/8 PPH ZN
	000G11-08-10J	EA	SCREW, 8-20 X 5/8 PPH - BRASS
	000G11-07-08B	EA	SCREW, 7-19 X 1/2 PPH - ZN
	000G11-08-08B	EA	SCREW, 8-18 X 1/2 PPH - ZN
	000G11-08-12B	EA	SCREW, 8-18 X 3/4 PPH ZN
	000G11-08-120	EA	SCREW, 8-18 X 3/4 PPH - BLACK
	000G11-08-12E	EA	SCREW-8-18X.75 PPH CHROME - ES0025 4

SEALANTS & FASTENERS GROUP (CONTINUED)

SCREWS

KEY	PART NUMBER	U/M	DESCRIPTION
	000G11-08-12R	EA	SCREW, 8-18 X 3/4 PPH - BEIGE
	000G11-08-12S	EA	SCREW-8-18 X .75 PPH, OFF WHITE
	000G11-08-12T	EA	SCREW, 8-18 X 3/4 PPH - BLACK
	000G11-08-18S	EA	SCREW, 8-18 X 1 00 PPH - OFF WHITE
	000G11-10-12D	EA	SCREW, 10-18 X 3/4 PPH - BLACK
	000G11-10-12S	EA	SCREW-10-18X 75 PPH OFF WHIT
	000G11-10-18B	EA	SCREW, 10-18 X 1 - PPH ZN
	000G11-10-24P	EA	SCREW, 10-18 X 1 1/2 PPH - DARK BROWN
	000G12-08-12S	EA	SCREW-8-18X 75 POH OFF WHITE
	000G13-08-08B	EA	SCREW, 8-20 X 1/2 PFH ZN
	000G13-08-08G	EA	SCREW-8 - 20 X 50 PFH ANTIQUE BRASS
	000G13-08-16J	EA	SCREW, 8-20 X 1 00 PFH - BRASS
	000G13-08-16R	EA	SCREW, 8-20 X 1 PFH - BEIGE
	000G13-07-12B	EA	SCREW, 7-16 X 3/4 PFH ZN
	000G13-08-16B	EA	SCREW, 8-18 X 1 PFH - ZN
	000G18-08-16B	EA	SCREW-MACHINE, 8 X 32 X 1, PPH ZN
	000G18-08-22B	EA	SCREW-MACH, 8-32 X 1 3/8 PPH ZN
	000G32-10-08B	EA	SCREW-10-32 X 3/8" - PPH - ZINC
	000G39-08-08B	EA	SCREW-DR-8-18X1/2 ZN
	000G39-08-10T	EA	SCREW-SF/DR, 8-20 X 5/8 PPH - BLACK
	000G39-08-10T	EA	SCREW-SF/DR, 8-20 X 5/8 PPH - BLACK
	000G39-08-16T	EA	SCREW-SF/DR, 8-20 X 1 PPH - BLACK
	000G39-08-08B	EA	SCREW-SF/DR, 8-18 X 1/2 PPH ZN
	000G39-08-08R	EA	SCREW-SF/DR, 8-18 X 1/2 PPH - BEIGE
	000G39-08-08S	EA	SCREW-SF/DR, 8-18 X 1/2 PPH - OFF WHITE
	000G39-08-12B	EA	SCREW-SF/DR, 8-18 X 3/4 PPH ZN
	000G39-08-16B	EA	SCREW-SF/DR, 8-18 X 1 PPH ZN
	000G39-08-18S	EA	SCREW-SF/DR - 8 18 X 1.00 PPH, OFF WHITE
	000G39-08-24B	EA	SCREW-SF/DR, 8-18 X 1 1/2 PPH ZN
	000G39-08-24S	EA	SCREW-SF/DR-8-18X1 50,OFF WHITE
	000G39-10-10S	EA	SCREW-SF/DR, 10-16 X .82" - PPH - OFF WHITE
	000G39-10-12D	EA	SCREW-SF/DR, 10-16 X 3/4 PPH - BLACK
	000G39-10-20B	EA	SCREW-SF/DR, 10-16 X 1 1/4 PPH ZN
	000G39-12-12E	EA	SCREW-SF/DR, 12 - 14 X 3/4 PPH - CHROME
	000G42-04-12B	EA	SCREW-SF/DR 1/4-14X3/4HWH ZN
	000G42-04-16B	EA	SCREW-SF/DR 1/4-14 X 1 HWH ZN
	000G50-04-12B	EA	SCREW-MACH, 1/4-20 X 3/4 PPH ZN
	000G53-04-08B	EA	SCREW-MACHINE, 1/4-20 X 3/8 PPH ZN - UNDERCUT HEAD
	000G54-04-20B	EA	SCREW, 1/4-20 X 1 1/4 PTH - TYPE 23 - ZINC PLATED
	000G80-10-28T	EA	SCREW-SF/DR, 10-16 X 1 75 - BLACK
	000G87-10-08B	EA	SCREW, 10-12 X 1/2 PPH ZN
	000G87-10-08R	EA	SCREW, 10-12 X 1/2 PPH - BEIGE - TYPE A
	000G87-10-10B	EA	SCREW-10-12 X 5/8 PPH ZN - TYPE A
	000G87-10-10D	EA	SCREW-10, 12 X 5/8 PPH - BLACK - TYPE A
	000G87-10-10R	EA	SCREW, 10-12 X 5/8 PPH - TYPE A - BEIGE
	000G87-10-12B	EA	SCREW, 10-12 X 3/4 PPH, - ZN
	000G87-10-12P	EA	SCREW, 10-12 X .75" - PPH - DARK BROWN
	000G87-10-12R	EA	SCREW, 10-12 X 75 PPH - BEIGE
	000G87-10-18B	EA	SCREW, 10-12 X 1 PPH - ZN
	000G87-10-24B	EA	SCREW, 10-12 X 1 1/2 PPH - ZN
	000G87-10-32B	EA	SCREW, NO 10 - 12 X 2 PPH ZN
	000G88-08-10G	EA	SCREW-8-18 X 5/8 POH, ANTIQUE BRASS
	000G88-10-36T	EA	SCREW-10-12 X 2.25 POH BLACK
	075808-01-000	EA	SCREW-MACHINE, 10-32 X 58 PTH - ZINC EXTERNAL TOOTH
	087721-01-000	EA	SCREW-FLAT HEAD, TAPPING - 1/4" X 1 1/4" LG ZN
	074016-01-000	EA	SCREW-8-18X1 1/2 PFH,BRONZE REF G13-08-24B

1992 WINNEBAGO

TABLE OF CONTENTS

INTRODUCTION	A-01	A-02
ABBREVIATIONS		A-03
ALPHABETICAL INDEX	A-04	A-06
WC522RC	A-07	D-18
WF524RC	D-19	H-06

1992 WF524RC INDEX

FLOOR PLAN	D-19	D-21
ACCESSORIES		D-21
AUDIO VIDEO		D-22
BATH	D-23	D-24
BEDROOM	E-01	E-02
CHASSIS	E-03	E-06
CURTAIN & CUSHION	E-07	E-15
DINETTE	E-16	E-17
DRIVERS	E-18	E-19
ELECTRICAL	E-20	E-23
EXTERIOR BODY	E-24	F-06
GALLEY	F-07	F-12
GENERATOR		F-13
HEATING & AC	F-14	F-15
INTERIOR FINISH	F-16	F-19
LABEL	F-20	G-02
LP		G-03
LOUNGE		G-04
SEALANTS & FASTENERS	G-05	G-07
WATER & SEWAGE	G-08	G-12
WINDOW, VENT AND EXTERIOR DECOR	G-13	H-06

SEALANTS & FASTENERS GROUP (CONTINUED)

CLAMPS, GROMMETS, CLIPS & FASTENERS

KEY	PART NUMBER	U/M DESCRIPTION
	007181-01-000	EA CLAMP-HOSE, SPRING TYPE - 1/2"
	010495-01-000	EA CLAMP-CABLE, 9/16"
	010495-02-000	EA CLAMP-CABLE, 3/8-
	010497-01-000	EA CLAMP-CLOSED, 5/8"ID
	010497-03-000	EA CLAMP-CLOSED, 1" ID - CUSHIONED
	010499-01-000	EA CLAMP-CLOSED, 3/8" ID
	016188-03-000	EA GROMMET-L/P LINE - 3/8" HOLE X 2 1/8" DIAMETER - RUBBER
	023942-01-000	EA GROMMET-RUBBER, 2" OD
	056134-02-000	EA HOLDER-RING, 1 8" DIAMETER - METAL
	062401-01-000	EA CLAMP-HOSE, WORMGEAR 25" - 1"
	062401-02-000	EA CLAMP-HOSE, WORMGEAR, 1 5/8" - 2 5'
	062401-04-000	EA CLAMP-HOSE, WORMGEAR 89" - 1 25"
	062401-06-000	EA CLAMP-HOSE, WORMGEAR 22" - 62"
	000H16-04-06R	EA RIVET-POP, AL 1/8 X .313- .375
	069592-02-000	EA RIVET-T, (POP) - 1/4 X .093 - .156
	071015-11-000	EA GROMMET-RUBBER, 1" ID X 1 7/8" OD W/ 12" GROOVE - BLACK
	075148-02-000	EA CLAMP-GROUNDING, BRONZE SCREWS
	080211-05-000	EA CLIP-XMAS TREE-36MM FASNAP 09-280297
	080734-02-000	EA CLIP-WIRE, NYLON
	082149-01-000	EA STUD-CLINCH, 3/8" X 24 X 1 12 GC5
	083809-01-000	EA CLAMP-WIRE, DUAL EQUAL - 5/8" DIAMETER
	083810-01-000	EA CLAMP-WIRE, DUAL - UNEQUAL DIAMETERS - 75" & 1 25"
	085774-01-000	FT FASTENER-DUAL HOOK, 1" WIDE - ADHESIVE BACK - BLACK
	085774-02-000	FT FASTENER-DUAL LOOP, 1" WIDE - ADHESIVE BACK - BLACK

WATER & SEWAGE GROUP

FRONT FRESH WATER TANK

KEY	PART NUMBER	U/M DESCRIPTION
	074510-03-000	EA TANK-WATER, W/FITTINGS - 18 GALLON - 33 4" X 11 4" X 10 8"
	074510-01-000	EA TANK-WATER, W/O FITTINGS - 33 4" X 11 4" X 10
	025539-01-000	EA ELBOW-PLASTIC, 3/8"MPT X 3/8"BARB
	049032-01-000	EA PATCH-SPINWELD, 3/8" - PLASTIC
	052959-02-000	EA CONNECTOR, 1/2" F X 1/2" MPT - PLASTIC - GRAY
	042989-02-000	EA FITTING-WATER TANK, SPINWELD - 1/2" NPT - PLASTIC - WHITE
	042989-04-000	EA FITTING-WATER TANK, SPINWELD - 3/8" FPT - PLASTIC - WHITE
	042989-06-000	EA FITTING-WATER TANK, SPINWELD - 1/2" FPT - PLASTIC - WHITE
	077954-02-000	EA FILTER-WATER TANK, SCREEN IN TANK
	079381-01-000	FT TUBING-SMOOTH FLEXIBLE, 1 1/4" ID

REAR FRESH WATER TANK

KEY	PART NUMBER	U/M DESCRIPTION
	053520-10-000	EA TANK-WATER, W/FITTINGS - 10 GALLON - 27" X 17 2" X 10"
	053520-01-000	EA TANK-WATER, 10 GALLON - W/O FITTINGS - 17 2" X 27" X 10"
	039881-01-000	EA SENDING UNIT-W/SCREW, WASHER, WELL NUT & TERMINAL RING
	023441-01-000	EA TEE-BARB, 3/8" - PLASTIC
	035539-01-000	EA ELBOW-PLASTIC, 3/8"MPT X 3/8"BARB
	052958-01-000	EA TEE-1/2" F X 1/2" MPT X 1/2" F - PLASTIC
	052959-02-000	EA CONNECTOR, 1/2" F X 1/2" MPT - PLASTIC - GRAY
	042989-03-000	EA FITTING-WATER TANK, SPINWELD - 1 1/4"NPT - PLASTIC - WHITE
	042989-04-000	EA FITTING-WATER TANK, SPINWELD - 3/8" FPT - PLASTIC - WHITE
	042989-06-000	EA FITTING-WATER TANK, SPINWELD - 1/2" FPT - PLASTIC - WHITE
	049032-01-000	EA PATCH-SPINWELD, 3/8" - PLASTIC
	077954-02-000	EA FILTER-WATER TANK, SCREEN IN TANK

WATER SYSTEM

KEY	PART NUMBER	U/M DESCRIPTION
	087859-04-000	EA FILL-WATER, CITY - OFF WHITE
	096449-01-000	EA WIRE ASSEMBLY-WATER TANK TO MONITOR PANEL
	042128-01-000	EA VALVE-DRAIN, PLASTIC - 1/2" FPT
	052980-01-000	EA DRAIN VALVE-IN LINE, HEADER - 1/2" F X 1/2" F - GRAY PLAS
	052980-03-000	EA DRAIN VALVE-IN LINE, HEADER - 5/8" F X 5/8" F - PLASTIC
	052959-02-000	EA CONNECTOR, 1/2" F X 1/2" MPT - PLASTIC - GRAY
	052959-03-000	EA CONNECTOR, 1/2" F X 3/8" MPT - PLASTIC - GRAY
	010219-01-000	EA ELBOW-1 1/4" MPT X 1 1/4" BARB, PLASTIC
	067457-01-000	EA ELBOW-UNION, 1/2" X 1/2" FLARE
	085120-01-000	EA ELBOW-SWIVEL, 1/2" FPT X 1/2" FLARE - PLASTIC - GRAY
	052957-02-000	EA ELBOW-MALE, 1/2" F X 1/2" MPT - PLASTIC - GRAY
	065290-01-000	EA ELBOW-5/8" F X 1/2" MPT
	052952-01-000	EA NUT-PLASTIC, 1/2" F X 1/2" TUBE - GRAY
	052952-02-000	EA NUT-PLASTIC, 5/8" FLARE
	052955-03-000	EA TEE-5/8" F X 5/8" F X 1/2" MPT - PLASTIC
	052958-02-000	EA TEE-5/8" F X 1/2" MPT X 5/8" F, PLASTIC
	052958-01-000	EA TEE, 1/2" F X 1/2" F X 1/2" F - PLASTIC - GRAY
	057974-01-000	EA TEE-5/8" F X 1/2" F X 1/2" F, PLASTIC
	074483-01-000	EA TEE-4 WAY, 1/2" FLARE - PLASTIC - GRAY
	052955-01-000	EA TEE-WATER, 1/2" F X 1/2" F X 1/2" MPT - PLASTIC - GRAY
	074482-02-000	FT TUBING-VINYL, 3/8" ID - CLEAR
	079381-01-000	FT TUBING-SMOOTH FLEXIBLE, 1 1/4" ID
	039800-01-000	FT TUBING-POLYBUTYL, 1/2" OD - INCREMENTS OF 20' - BLACK
	039800-02-000	FT TUBING-POLYBUTYL, 5/8" OD - INCREMENTS OF 20' - BLACK
	052954-01-000	EA ADAPTER-NOSE CONE, 3/8" OR 1/2" TUBING - PLASTIC - GRAY
	079317-01-000	EA ADAPTER-SWIVEL, 1/2" TUBE X 1/2" FPT - PLASTIC - GRAY
	101814-01-000	EA COUPLING-FEMALE, 1/2" X 1/2" FPT
	108258-01-000	EA CAP-INSERTABLE 1/2 FLARE - KEVCO 64388 BONNET

**1992 WINNEBAGO
TABLE OF CONTENTS**

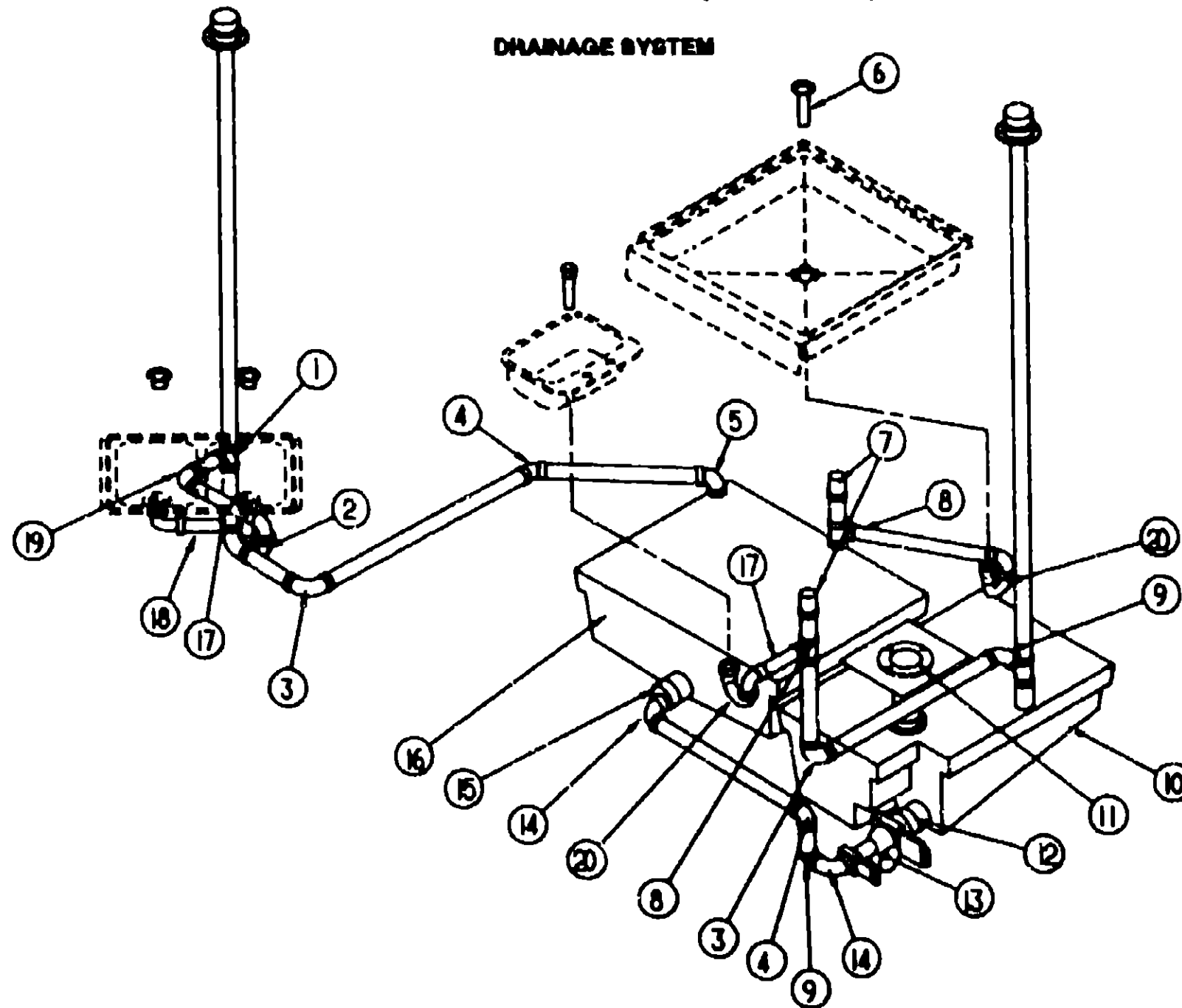
INTRODUCTION	A-01	A-02
ABBREVIATIONS		A-03
ALPHABETICAL INDEX	A-04	A-08
WC522RG	A-07	D-18
WF524RC	D-19	H-08

1992 WF524RC INDEX

FLOOR PLAN	D-19	D-20
ACCESSORIES		D-21
AUDIO VIDEO		D-22
BATH	D-23	D-24
BEDROOM	E-01	E-02
CHASSIS	E-03	E-08
CURTAIN & CUSHION	E-07	E-15
DINETTE	E-16	E-17
DRIVERS	F-18	E-19
ELECTRICAL	E-20	E-23
EXTERIOR BODY	E-24	F-08
GALLEY	F-07	F-12
GENERATOR		F-13
HEATING & A/C	F-14	F-15
INTERIOR FINISH	F-16	F-19
LABEL	F-20	G-02
LP		G-03
LOUNGE		G-04
SEALANTS & FASTENERS	G-05	G-07
WATER & SEWAGE	G-08	G-12
WINDOW, VENT AND EXTERIOR DOOR	G-13	H-08

WATER & SEWAGE GROUP (CONTINUED)

DRAINAGE SYSTEM



1992 WINNEBAGO TABLE OF CONTENTS

INTRODUCTION	A-01 -	A-02
ABBREVIATIONS		A-03
ALPHABETICAL INDEX	A-04 -	A-06
WC&22RG	A-07 -	D-18
WF524RC	D-19 -	H-08

1992 WF524RC INDEX

FLOOR PLAN	D-16 -	D-20
ACCESSORIES		D-21
AUDIO VIDEO		D-22
BATH	D-23 -	D-24
BEDROOM	E-01 -	E-02
CHASSIS	E-03 -	E-06
CURTAIN & CUSHION	E-07 -	E-15
DINETTE	E-16 -	E-17
DRIVERS	E-18 -	E-19
ELECTRICAL	E-20 -	E-23
EXTERIOR BODY	F-24 -	F-06
GALLEY	F-07 -	F-12
GENERATOR		F-13
HEATING & A/C	F-14 -	F-15
INTERIOR FINISH	F-16 -	F-19
LABEL	F-20 -	G-02
LP		G-03
LOUNGE		G-04
SEALANTS & FASTENERS	G-05 -	G-07
WATER & SEWAGE	G-08 -	G-12
WINDOW, VENT AND EXTERIOR DOOR	G-13 -	H-08

KEY	PART NUMBER	U/M DESCRIPTION
1	010071-01-000	EA TEE-SANITARY, 1 1/2" HUB X HUB X HUB - PLASTIC - BLACK
2	107538-01-000	EA P TRAP-PLASTIC, 1 1/4" W/EXT ARM
2	063335-01-000	EA P TRAP-PLASTIC, 1 1/4" - H X H W/UNION (CANADIAN)
3	010008-01-000	EA ELBOW-90 DEG, 1/4 BEND - 1 1/2" HUB X HUB - BLACK PLASTIC
4	010008-01-000	EA ELBOW-45 DEG, 1/8 BEND - 1 1/2" HUB X HUB - BLACK PLASTIC
5	034260-01-000	EA ELBOW-90 DEGREE, LONG TURN - 1 1/2" HUB X HUB - ABS
6	011089-02-000	EA TAILPIECE-TUB/SHOWER, 1 1/2" X 1 1/4" X 4" - BRASS
	068438-01-000	EA NUT-SLIP, TAILPIECE - 1 5"
	068440-01-000	EA STRAINER-SHOWER, W/RUBBER WASHER
	068735-01-000	EA WASHER-STRAINER TO TAILPIECE PLASTIC, 1 5"
7	079888-01-000	EA VENT-MECH TRAP ARM, ANTI-SIPHON - 2" DIA X 7 3" - PLASTIC
8	010079-01-000	EA TEE-SANITARY, 1 1/2" X 1 1/2" X 1 1/4" H - PLASTIC - BLACK
9	010051-01-000	EA ELBOW-45 DEG BEND, 1 1/2" SPIGOT AND HUB - PLASTIC - BLACK
10	074870-01-000	EA TANK-HOLDING, W/O GROMMETS - 30 GAL - 36 5" X 13 3" X 23"
	061807-01-000	EA GROMMET-HOLDING TANK, 1 1/2" NPS
	061807-02-000	EA GROMMET-HOLDING TANK, 3" NPS
11	063641-01-000	EA FLANGE-CLOSET, 4" X 3"
12	078408-01-000	EA COUPLER-RUBBER, W/CLAMPS - 3" X 3"

KEY	PART NUMBER	U/M DESCRIPTION
13	070918-01-000	EA VALVE-DUAL DUMP, W/CAP - 3" X 1 1/2" - PLASTIC - BLACK
	070918-01-700	EA VALVE ONLY, 3"
	070918-01-701	EA VALVE ONLY, 1 1/2"
	010201-01-000	EA HOSE-SEWER, 3" ID X 8'
	062416-01-000	EA ADAPTER-SEWER HOSE TO 3" PIPE
14	033781-01-000	EA ELBOW-TURN, 1/4 BEND X 1.5" HUB X 1 5" SPIGOT - BLK PLASTIC
15	062422-01-000	EA ADAPTER-OFFSET REDUCER, 3" X 1 1/2" - PLASTIC - BLACK
16	074881-01-000	EA TANK-HOLDING, W/O GROMMETS - 36 GALLON - 36" X 11" X 27"
	061807-01-000	EA GROMMET-HOLDING TANK, 1 1/2" NPS
17	107537-01-000	EA P TRAP /ADAPTER-1 1/4" SLIP
18	011091-02-000	EA PIPE-DRAIN, DOUBLE SINK - BAFFLE TEE - 1 1/2" ONE PIPE W/TEE TO DRAIN BOTH SIDES OF SINK
18	011091-03-000	EA PIPE-DRAIN, W/SEALS - DOUBLE SINK - EXTENDS 9" TO 16"(CANADIAN)
19	031111-01-000	EA ELBOW-90 DEGREE, 1/4 BEND - 1 1/4" - PLASTIC
20	107538-01-000	EA P TRAP-PLASTIC, 1 1/4" W/EXT ARM
20	011088-02-000	EA P TRAP-PLASTIC, 1 1/4" (CANADIAN)
	060787-01-000	EA ADAPTER-CLEANOUT - NIBCO 5803-2
	061208-01-000	EA WASHER-RUBBER, 08" X 75" X 5"
	010188-01-000	EA PLUG-THREADED, 1 1/4" DIAMETER - PLASTIC - BLACK

WATER & SEWAGE GROUP (CONTINUED)

WATER HEATERS WITH & WITHOUT MOTOR AID

KEY	PART NUMBER	U/M DESCRIPTION
	051393-01-000	EA HEATER-WATER, W/MOTOR AID, PILOTLESS IGNITION ATWOOD G8A-3E, G8A-4E OR G8A-6E
	051391-01-700	EA HINGE KIT-W/CLIP, ATWOOD # 92568 & 92559
	051391-01-704	EA VALVE-RELIEF, 1/2" FITTING - ATWOOD# 91804
	051391-01-705	EA FASTENER-CAMLOC, ATWOOD# 92809
	051391-01-708	EA GRILLE-EXHAUST, ATWOOD# 92787
	051391-01-708	EA BURNER-MAIN, 3E ONLY - ATWOOD# 92815
	051391-01-710	EA ORIFICE-MAIN BURNER, ATWOOD# 92742
	051391-01-714	EA ELBOW-45 DEGREE, 3/8" X 3/8" MPT - ATWOOD 91044
	051391-01-715	EA DRAIN PLUG, ATWOOD# 91561
	051391-04-701	EA THERMOSTAT 12 VDC-120 PRESET, ATWOOD# 91470
	051391-04-704	EA TANK-INNER, FRONT MOUNT - G8A-4E & 6E - ATWOOD 91642
	051393-01-700	EA TANK-INNER, 3E FRONT MOUNT - ATWOOD# 91023
	051393-01-702	EA SWITCH-ENERGY CUT-OFF, ATWOOD# 91951
	051393-01-703	EA THERMOSTAT-REAR MOUNT, ATWOOD# 91952
	051393-01-704	EA CIRCUIT BOARD-W/BLACK BOX, ATWOOD# 91420
	051393-01-705	EA ORIFICE HOLDER-ATWOOD# 91925
	051393-01-714	EA TANK-INNER (G8A-3E), REAR MOUNT - ATWOOD# 91408
	051393-01-716	EA SPARK & PROBE ASM, ATWOOD# 91808
	051393-01-718	EA VALVE-DUAL SOLENOID, ATWOOD# 91805
	051393-01-721	EA ECO&THERMOSTAT ASM-FRONT MOUNT, 140 DEGREE - ATWOOD# 91447
	051391-03-000	EA HEATER-WATER, W/ELECTRIC IGNITION - ATWOOD G8A-3E
	051391-01-700	EA HINGE KIT-W/CLIP, ATWOOD # 92568 & 92559
	051391-01-704	EA VALVE-RELIEF, 1/2" FITTING - ATWOOD# 91804
	051391-01-705	EA FASTENER-CAMLOC, ATWOOD# 92809
	051391-01-708	EA GRILLE-EXHAUST, ATWOOD# 92787
	051391-01-708	EA BURNER-MAIN, 3E ONLY - ATWOOD# 92815
	051391-01-710	EA ORIFICE-MAIN BURNER, ATWOOD# 92742
	051391-01-715	EA DRAIN PLUG, ATWOOD# 91561
	051391-04-700	EA TANK-INNER (G8A-3E), FRT MT - ATWOOD# 91608
	051391-04-701	EA THERMOSTAT 12 VDC-120 PRESET, ATWOOD# 91470
	051391-04-708	EA TANK-INNER, G8A-4E & 6E - FRONT MOUNT - ATWOOD# 91641
	051393-01-702	EA SWITCH-ENERGY CUT-OFF, ATWOOD# 91951
	051393-01-703	EA THERMOSTAT-REAR MOUNT, ATWOOD# 91952
	051393-01-704	EA CIRCUIT BOARD-W/BLACK BOX, ATWOOD# 91420
	051393-01-705	EA ORIFICE HOLDER-ATWOOD# 91925
	051393-01-716	EA SPARK & PROBE ASM, ATWOOD# 91808
	051393-01-718	EA VALVE-DUAL SOLENOID, ATWOOD# 91805
	051393-01-721	EA ECO&THERMOSTAT ASM-FRONT MOUNT, 140 DEGREE - ATWOOD# 91447
	051393-03-700	EA TANK-INNER (G8A-3E), REAR MT - ATWOOD# 91408

WATER & SEWAGE GROUP (CONTINUED)

WATER PUMP

KEY	PART NUMBER	U/M DESCRIPTION
	098807-01-000	EA PUMP-WATER W/5" MPT FITTING - FLOW 28 GPM - UL
	098807-01-700	EA PUMPHEAD-REPLACEMENT SHURFLO# 94-236-08
	098807-01-701	EA DRIVE ASM SHURFLO# 94-234-03
	098807-01-702	EA DIAPHRAGM-KIT SHURFLO# 94-233-10
	098807-01-703	EA VALVE ASM SHURFLO# 94-232-00
	098807-01-706	EA HOUSING-UPPER SHURFLO# 94-231-01
	098807-01-706	EA CHECK VALVE-KIT SHURFLO# 94-237-00
	098807-01-706	EA SWITCH ASM-COMplete SHURFLO# 94-230-00
	098807-01-707	EA MOTOR/BASEPLATE REPLACEMENT SHURFLO# 94-227-03

**1992 WINNEBAGO
TABLE OF CONTENTS**

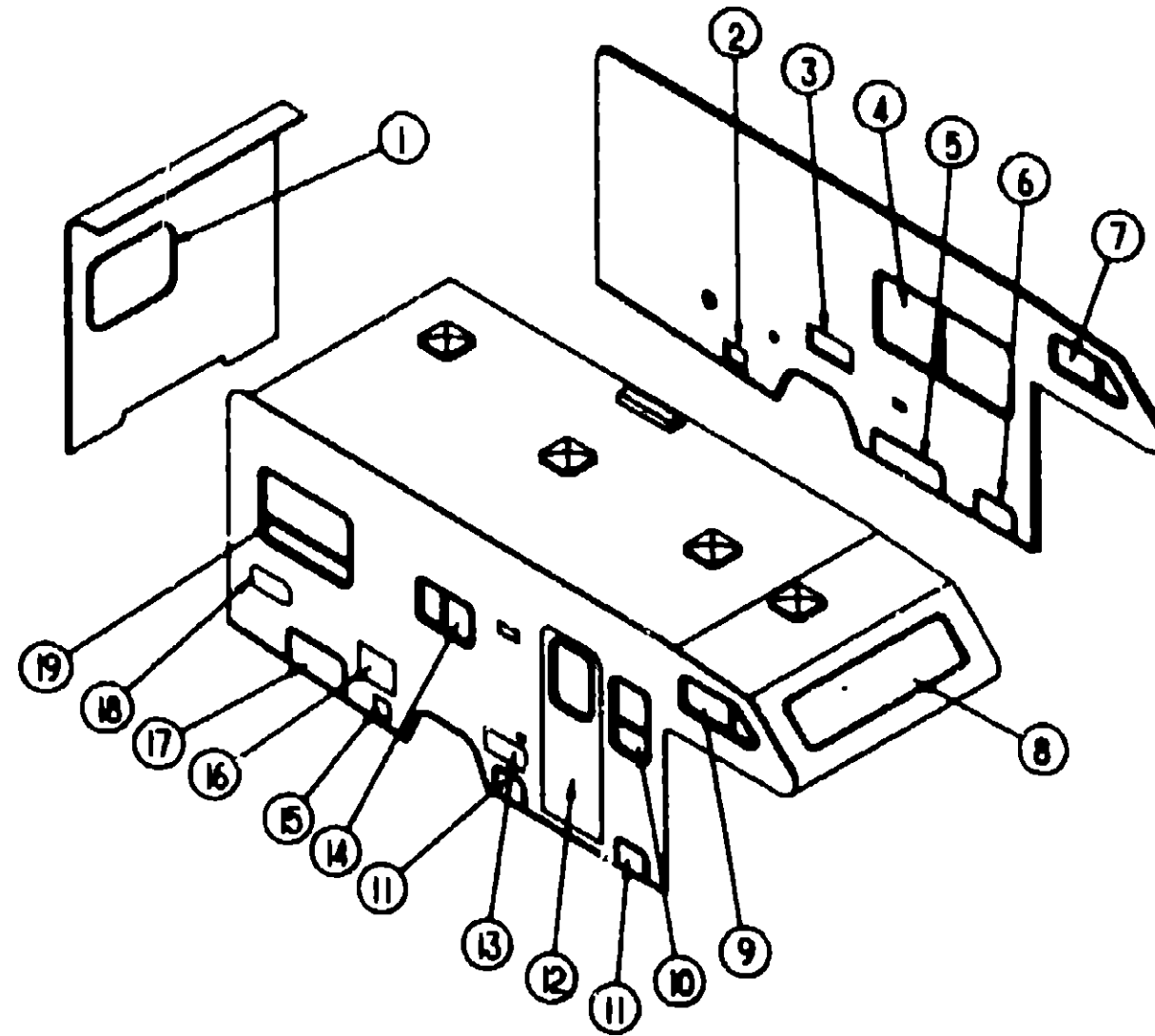
INTRODUCTION	A-01	A-02
ABBREVIATIONS		A-03
ALPHABETICAL INDEX	A-04	A-08
WC522RC	A-07	D-18
WF524RC	D-19	H-08

1992 WF524RC INDEX

FLOOR PLAN	D-19	D-20
ACCESSORIES		D-21
AUDIO VIDEO		D-22
BATH	D-23	D-24
BEDROOM	E-01	E-02
CHASSIS	E-03	E-08
CURTAIN & CUSHION	E-07	E-15
UNETTE	E-16	E-17
DRIVERS	E-16	E-19
ELECTRICAL	E-20	E-23
EXTERIOR BODY	E-24	F-08
GALLEY	F-07	F-12
GENERATOR		F-13
HEATING & A/C	F-14	F-15
INTERIOR FINISH	F-16	F-19
LABEL	F-20	G-02
LP		G-03
LOUNGE		G-04
SEALANTS & FASTENERS	G-05	G-07
WATER & SEWAGE	G-08	G-12
WINDOW, VENT AND EXTERIOR DOOR	G-13	H-08

WINDOW, VENT & EXTERIOR DOOR GROUP

WINDOWS & DOORS



1992 WINNEBAGO TABLE OF CONTENTS

INTRODUCTION	A-01 -	A-02
ABBREVIATIONS		A-03
ALPHABETICAL INDEX	A-04 -	A-08
WC522RG	A-07 -	D-18
WF524RC	D-19 -	H-08

1992 WF524RC INDEX

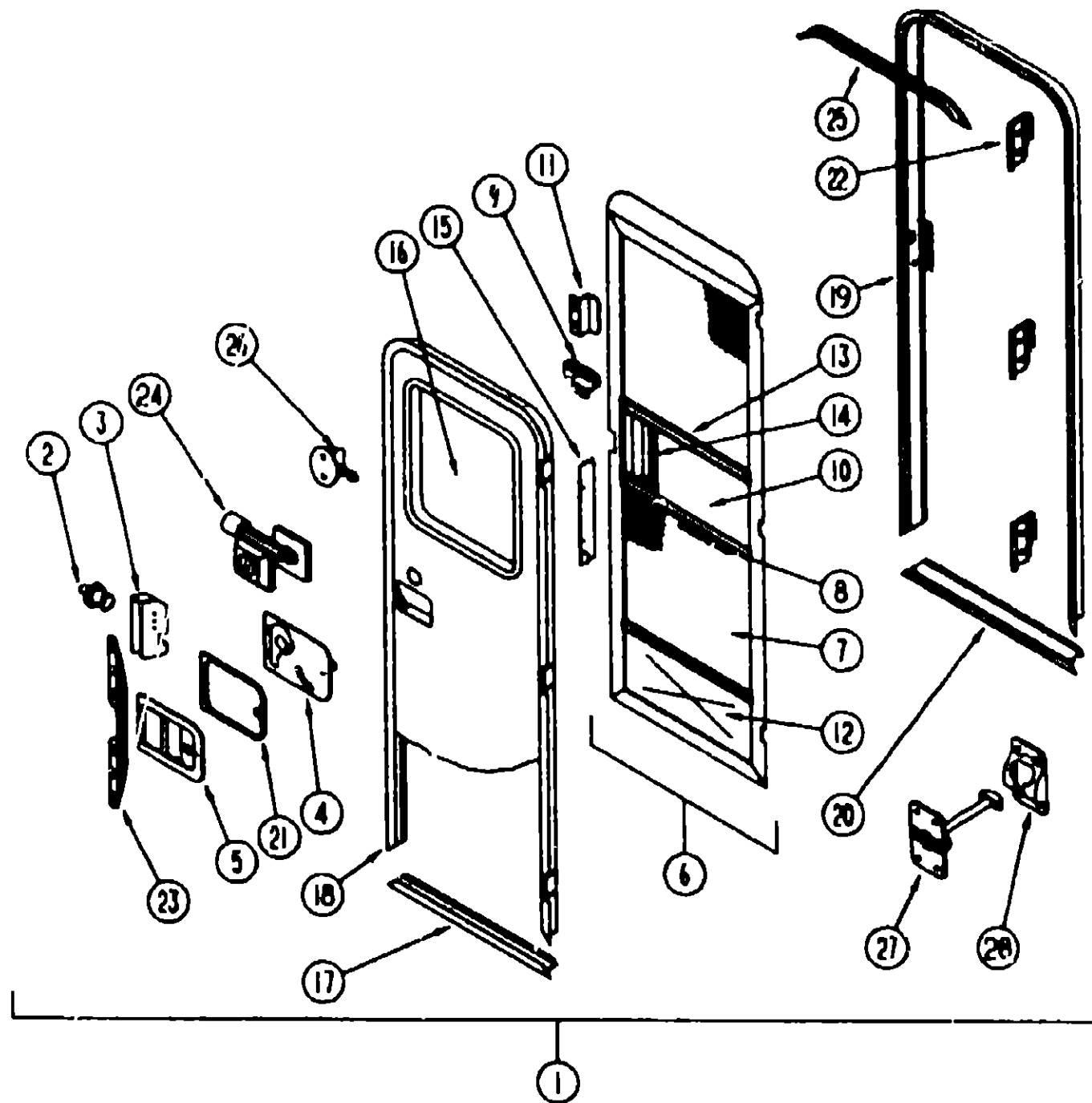
FLOOR PLAN	D-19 -	D-20
ACCESSORIES		D-21
AUDIO VIDEO		D-22
BATH	D-23 -	D-24
BEDROOM	E-01 -	E-02
CHASSIS	E-03 -	E-08
CURTAIN & CUSHION	E-07 -	E-15
DINETTE	E-16 -	E-17
DRIVERS	E-18 -	E-19
ELECTRICAL	E-20 -	E-23
EXTERIOR BODY	E-24 -	F-08
GALLEY	F-07 -	F-12
GENERATOR		F-13
HEATING & A/C	F-14 -	F-15
INTERIOR FINISH	F-16 -	F-19
LABEL	F-20 -	G-02
LP		G-03
LOUNGE		G-04
SEALANTS & FASTENERS	G-05 -	G-07
WATER & SEWAGE	G-08 -	G-12
WINDOW, VENT AND EXTERIOR DOOR	G-13 -	H-08

KEY	PART NUMBER	U/M	DESCRIPTION
1	078528-04-C06	EA	WINDOW ASM-ESCAPE, W/O INSIDE FRAME
2	088784-01-000	EA	DOOR-POWER CORD, WHATCH - OFF WHITE
3	084103-03-000	EA	DOOR-REFRIGERATOR, VENTED - W/O JAMB - OFF WHITE
3	084104-01-700	EA	LOCK-MALE, FASTENER - REFRIGERATOR DOOR
3	084104-01-701	EA	LOCK-FEMALE, FASTENER - REFRIGERATOR DOOR
3	084104-03-000	EA	JAMB-DOOR, REFRIGERATOR - OFF WHITE
4	088847-10-02A	EA	WINDOW ASM-SLIDER, HORIZONTAL - W/INSIDE FRAME - EXCEL H024-PRL
5	105174-11-C03	EA	DOOR ASM-LOWER, FRONT
6	105174-07-C03	EA	DOOR ASM-LOWER, FRONT
7	100322-02-700	EA	WINDOW-VENTED, 12" X 36 8" - W/O INSIDE FRAME - EXCEL CH19-DK L
8	103313-01-806	EA	WINDOW-PICTURE, W/O INSIDE FRAME
9	100322-01-720	EA	WINDOW-VENTED, 12" X 36 8" - W/O INSIDE FRAME - EXCEL CH19-DK R
10	088844-05-01A	EA	WINDOW ASM-SLIDER, VERTICAL - W/INSIDE FRAME - EXCEL H260-PR

KEY	PART NUMBER	U/M	DESCRIPTION
11	105174-09-C03	EA	DOOR ASM-LOWER, FRONT
12	M01870-63-C52	EA	DOOR-ENTRY, W/SCREEN DOOR & JAMB
13	105118-01-C06	EA	DOOR ASM-EXTERIOR ENTERTAINMENT
14	082235-11-Y12	EA	WINDOW-TIPOUT, SINGLE - W/O INSIDE FRAME
	078010-03-000	EA	DOOR-FUEL FILL, W/JAMB - OFF WHITE
	081240-03-000	EA	DOOR-WATER FILL, LOCKABLE, 4" X 4 5/8" - OFF WHITE
15	052423-01-000	EA	DOOR-ACCESS, 8 6" X 8 3" - PLASTIC - OFF WHITE
15	052424-01-000	EA	JAMB-DOOR, 8" X 7.7" - PLASTIC - OFF WHITE
16	052009-01-000	EA	DOOR-WATER HEATER, OFF WHITE - ATWOOD 5578-27
17	105175-12-C62	EA	DOOR ASM-LOWER, REAR
18	105118-02-C06	EA	DOOR ASM-EXTERIOR SHOWER
19	082235-12-Y12	EA	WINDOW-TIPOUT, SINGLE - W/O INSIDE FRAME

WINDOW, VENT & EXTERIOR DOOR GROUP (CONTINUED)

ENTRY DOOR



KEY	PART NUMBER	U/M DESCRIPTION
8	079012-01-U01	EA DOOR-SCREEN
7	002292-02-000	SF SCREENING-WINDOW/DOOR, 26" - CHARCOAL
8	002294-01-000	FT SPLINE-SCREENING, .135" X 138" - BLACK
	002748-01-000	EA CORNER KEY-DOOR
9	109403-01-000	EA CATCH ASM-SINGLE ROLLER
10	018464-01-000	EA INSERT-CENTER, LEATHER GRAIN ALUMINUM - UNPAINTED
10	001014-01-013	EA INSERT-CENTER, 10 25" X 13 31" - UNPAINTED
11	060712-04-000	EA HANDLE-SCREEN DOOR, ALUMINUM - OFF WHITE
11	060712-06-000	EA HANDLE-SCREEN DOOR, UNPAINTED
12	078562-03-000	EA KICK PANEL-SCREEN DOOR, LOWER INSERT - UNPAINTED
	078565-01-000	EA TOP PLATE-SCREEN DOOR, CURVED TOP - 4 7" X 25 36"
13	078777-01-000	EA CHANNEL-SLIDE, SCREEN DOOR CENTER SLIDER COVER
14	079088-02-000	EA SLIDER-SCREEN DOOR, OFF WHITE
15	079087-02-000	EA STRIKE-SLIDER, W/JP FOR ELBOW CATCH - 1 5" X 8 8" - OFF WHITE
	008013-01-000	EA CATCH-ELBOW, SPRING LOADED - SCREEN DOOR CATCH
16	079733-04-T03	EA WINDOW-PICTURE, W/O INSIDE FRAME - 17" X 25"
	081914-01-000	EA BUMPER-RUBBER, ROUND - 43" DIAMETER - BLACK
17	089748-01-000	EA FRAME-BOTTOM, ENTRY DOOR - 24 8" LONG - OFF WHITE
	090340-01-000	FT SEAL-FOAM, CLOSED CELL - 1/4" X 1/2" X 50'
18	036278-01-01A	EA FRAME-ENTRY DOOR, W/O BOTTOM - OFF WHITE
19	065277-02-01A	EA JAMB-ENTRY DOOR, W/BOTTOM - 25 9" X 74 5" - OFF WHITE
20	051049-01-000	EA JAMB-BOTTOM, ENTRY DOOR - 26 9" - UNPAINTED
	079207-01-000	EA STRIKER-ROLLER CATCH, WELDED TO DOOR JAMB - 4" X 1 15"
	095278-01-01A	EA JAMB-DOOR, ENTRANCE - 25 9" X 74 6" - UNPAINTED
21	098810-01-01A	EA PLATE-LATCH, ENTRY DOOR - PLASTIC - BLACK
22	097724-01-04A	EA HINGE-ENTRY DOOR, UNPAINTED
23	098173-01-04A	EA STIFFENER-ENTRY DOOR, SUPPORTS LATCH/STRIKE AREA - UNPAINTED
	100128-02-000	FT SEAL-PILE, ADHESIVE BACK - SCREEN DOOR - GRAY
24	101145-01-01A	EA DEADBOLT-ENTRY DOOR, W/2 KEYS W/O BACK SET BOLT OR SCREWS
	095229-01-700	EA KEY BLANK FOR DEADBOLT
	101147-01-000	EA BOLT-SECURITY, 4 12" BACKSET
	102524-01-000	EA BUMPER-RUBBER, FLAT - BLACK
25	044682-02-000	EA CAP-DRIP, ENTRY DOOR - JAMB MOUNTED - ALUMINUM - OFF WHITE
	084075-07-000	FT SEAL-BULB, W/WIRED U CHANNEL - 3" X 5" CHANNEL - BLACK
	075639-19-000	EA GARNISH-RADIUS, ENT DOOR O/W "82 W/427RQ
	077481-03-000	EA COVER-STRIKE, ENTRY DOOR - 8 5" X 2 5" - PLASTIC - WHITE
	090340-01-000	FT SEAL-FOAM, CLOSED CELL - 1/4" X 1/2" X 50'
	091878-01-000	EA RETAINER-DOOR, 1 9" X 8" - METAL
26	100412-01-000	EA CATCH-SCREEN DOOR, THUMB CLIP W/BLACK PLASTIC CAP
	104692-01-000	FT SEAL-ADHESIVE BACK, 3/4" X 34"
27	104099-01-01A	EA CATCH-DOOR HOLDER, STRIKE
28	104099-02-01A	EA CATCH-DOOR HOLDER, RETAINER

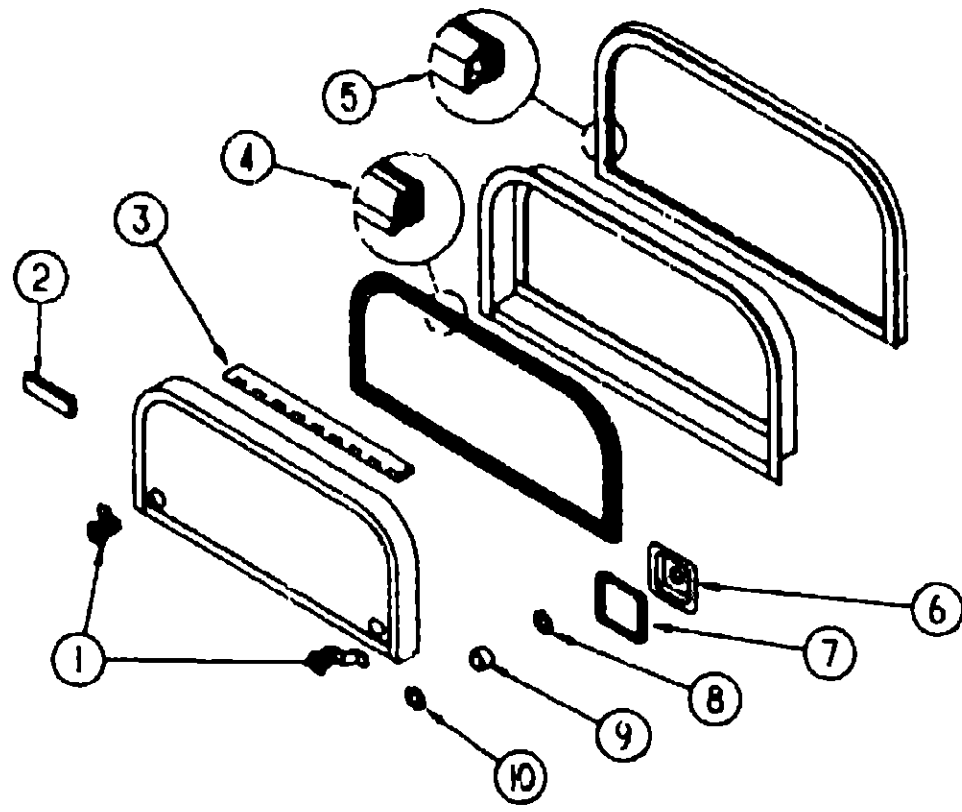
1992 WINNEBAGO TABLE OF CONTENTS

INTRODUCTION	A-01	A-02
ABBREVIATIONS		A-03
ALPHABETICAL INDEX	A-04	A-08
WC522RG	A-07	D-18
WF524RC	D-19	H-08

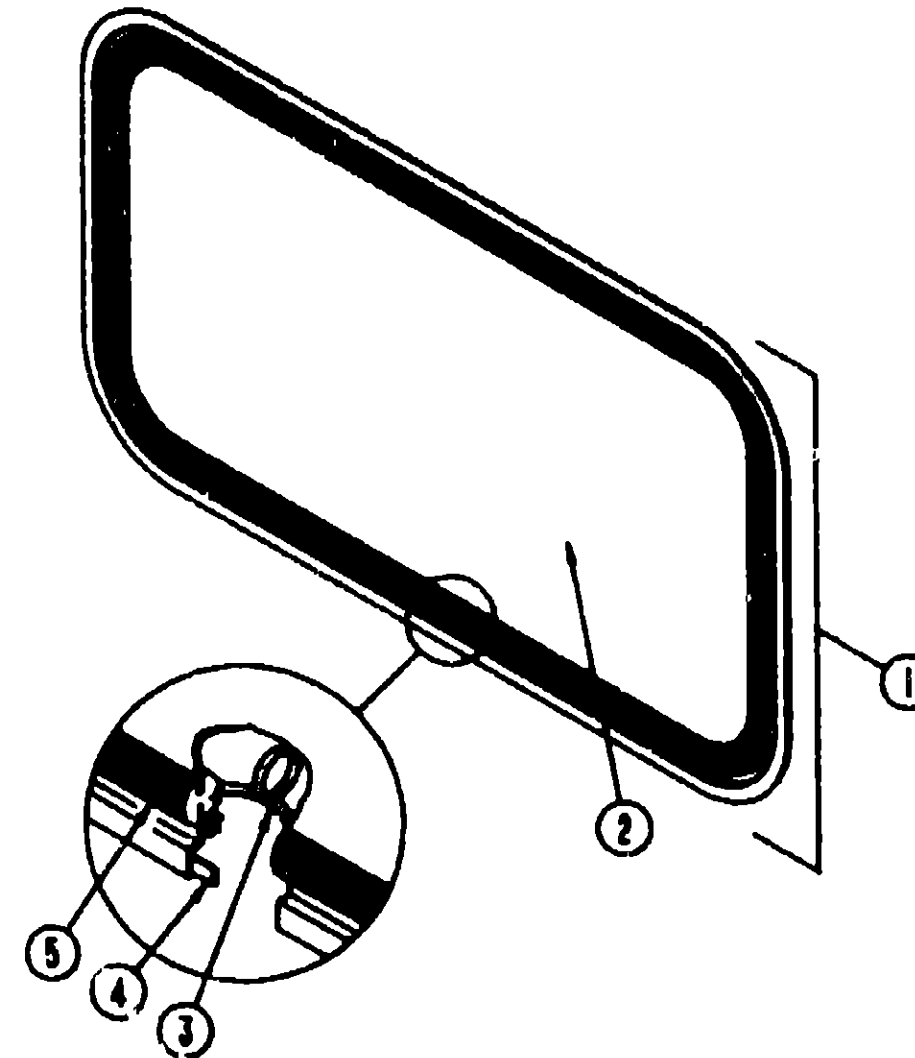
1992 WF524RC INDEX

FLOOR PLAN	D-19	D-20
ACCESSORIES		D-21
AUDIO VIDEO		D-22
BATH	D-23	D-24
BEDROOM	E-01	E-02
CHASSIS	E-03	E-06
CURTAIN & CUSHION	E-07	E-15
DINETTE	E-16	E-17
DRIVERS	E-18	E-19
ELECTRICAL	E-20	E-23
EXTERIOR BODY	E-24	F-06
GALLEY	F-07	F-12
GENERATOR		F-13
HEATING & AC	F-14	F-15
INTERIOR FINISH	F-16	F-19
LABEL	F-20	G-02
LP		G-03
LOUNGE		G-04
SEALANTS & FASTENERS	G-05	G-07
WATER & SEWAGE	G-08	G-12
WINDOW, VENT AND EXTERIOR DOOR	G-13	H-08

KEY	PART NUMBER	U/M DESCRIPTION
1	MK1870-63-C52	EA DOOR-ENTRY W/SCREEN DOOR & JAMB
2	009639-01-000	EA STRIKE-LOCK, ENTRY DOOR - ROUND W/THREADED WASHER
3	039640-01-000	EA LATCH MECHANISM+HOOK, ENTRY DOOR - INTERIOR
	039715-01-000	EA NUT-SERT, 1/4" DIAMETER - 20 THREADS
4	039879-04-000	EA COVER-INTERIOR LATCH, W/TRIP ARM - RIGHT - BLACK
	039884-01-000	EA CAP-ROUND, VINYL - 28" ID X 62" LONG - BLACK
	041546-03-000	EA BRACKET-DOOR ANGLE, 5" X 1 9" - BEIGE - METAL
5	045017-11-000	EA LATCH-ENTRY DOOR, MECHANISM W/LOCK & KEY - BLACK
	045017-11-701	EA KEY BLANK
	058025-02-000	EA CLIP-ROUND, VINYL - 28" ID X 62" LONG - BLACK
	063729-04-000	EA RIVNUT, 10-32 UNF - 010-080
	072893-01-000	EA NUTSERT-M6 X 0, 8
	075671-04-000	FT SEAL-SPONGE, LAZY T SHAPE - W/ADHESIVE STRIPE - 5" WIDE



EXTERIOR DOOR COMPONENTS & HOLDERS



BEDROOM ESCAPE WINDOW

1992 WINNEBAGO
TABLE OF CONTENTS

INTRODUCTION	A-01 -	A-02
ABBREVIATIONS		A-03
ALPHABETICAL INDEX	A-04 -	A-08
WC522RG	A-07 -	D-18
WF524RC	D-19 -	H-08

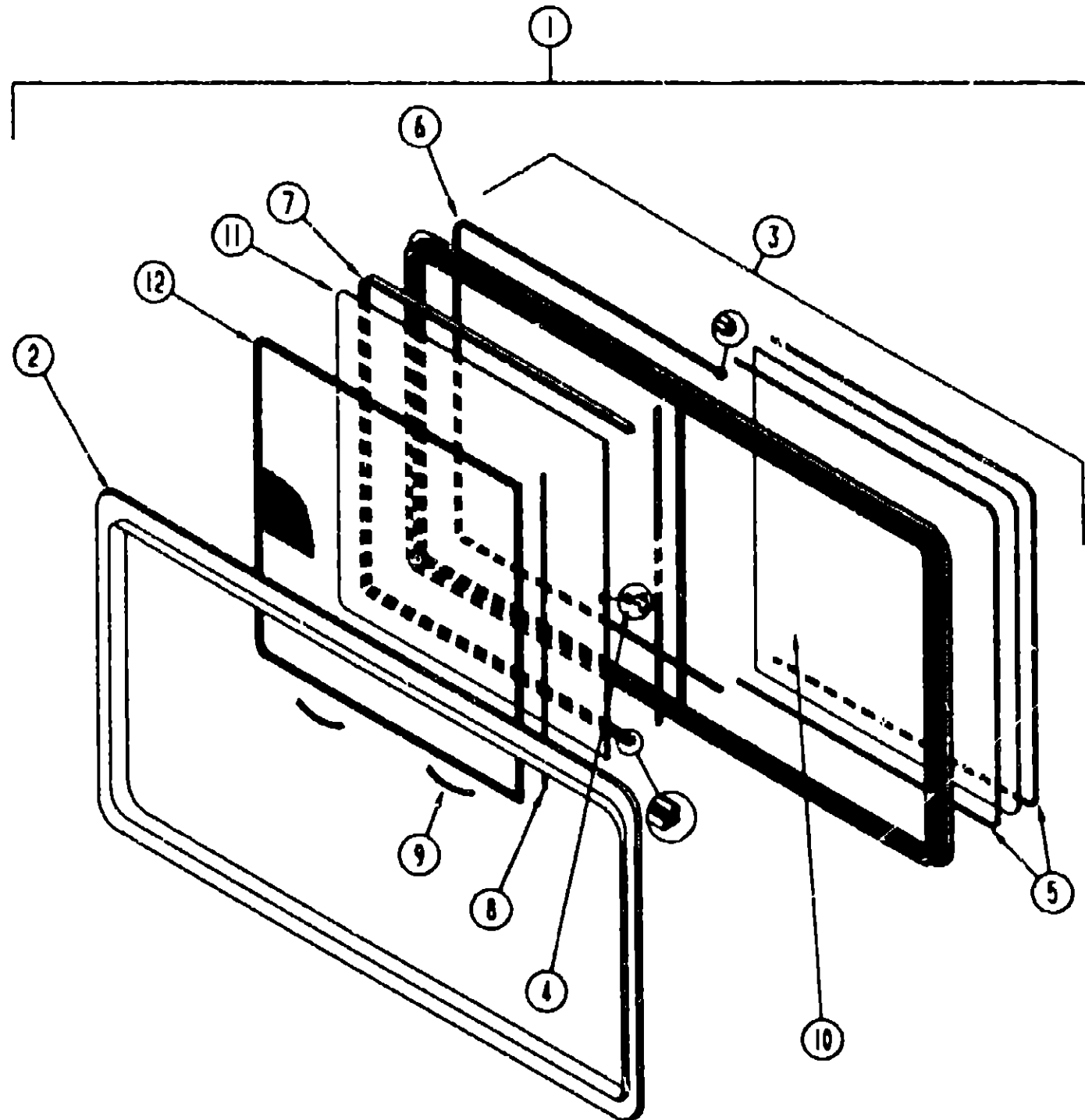
1992 WF524RC INDEX

FLOOR PLAN	D-19 -	D-20
ACCESSORIES		D-21
AUDIO VIDEO		D-22
BATH	D-23 -	D-24
BEDROOM	E-01 -	E-02
CHASSIS	E-03 -	E-08
CURTAIN & CUSHION	E-07 -	E-15
DINETTE	E-16 -	E-17
DRIVERS	E-18 -	E-19
ELECTRICAL	E-20 -	E-23
EXTERIOR BODY	E-24 -	F-06
GALLEY	F-07 -	F-12
GENERATOR		F-13
HEATING & A/C	F-14 -	F-15
INTERIOR FINISH	F-16 -	F-19
LABEL	F-20 -	G-02
LP		G-03
LOUNGE		G-04
SEALANTS & FASTENERS	G-05 -	G-07
WATER & SEWAGE	G-08 -	G-12
WINDOW, VENT AND EXTERIOR DOOR	G-13 -	H-08

KEY	PART NUMBER	U/M DESCRIPTION
1	079388-04-000	EA LOCK-DOOR, KEY TYPE W/O KEYS - 1.9 OFF SET FROM 00-00-00 THRU 02-19-92
1	079388-05-000	EA LOCK ASM-KEY TYPE W/O KEYS 1.80 OFF SET FROM 02-20-92 THRU 99-99-99
	082884-01-700	EA KEY BLANK
1	079927-03-000	EA LOCK-TWIST TYPE, DOUBLE CAM - 2 10 OFF SET FROM 00-00-00 THRU 02-19-92
1	079927-04-000	EA LOCK ASM-TWIST TYPE 1 C/O S ILLINOIS LOCK FROM 02-20-92 THRU 99-99-99
2	102768-01-000	EA HOLDER-COMPARTMENT/ENTRY DOOR, METAL - MILL FINISH
3	105376-01-02A	EA HINGE-CONTIN, 2"X140MM - OFF WHITE
	081801-02-000	EA HINGE-2" X 96", OFF WHITE
	084413-01-000	EA HINGE-CONTINUOUS, ALUMINUM - 1" X 72" - WHOLE
4	084075-07-000	FT SEAL-BULB, W/WIRE U CHANNEL - 3" X 5" CHANNEL - BLACK
5	081632-02-000	FT SEAL-BULB, DOOR - W/WIRE CARRIER - 8" WIDE - RUBBER - BLACK
6	097111-01-01A	EA POCKET-LOCK, VALANCE - OFF WHITE
7	086338-01-000	EA GASKET-LOCK POCKET
8	109834-01-000	EA WASHER .640X.752ID SST - HUDSON LOCK
9	107997-51-001	EA EXTR-SPACER, 0015, 24
10	109833-01-000	EA BEAUTY RING .670X.760ID SST - HUDSON LOCK
	086217-55-001	EA U-CHANNEL, 17 5' - OFF WHITE

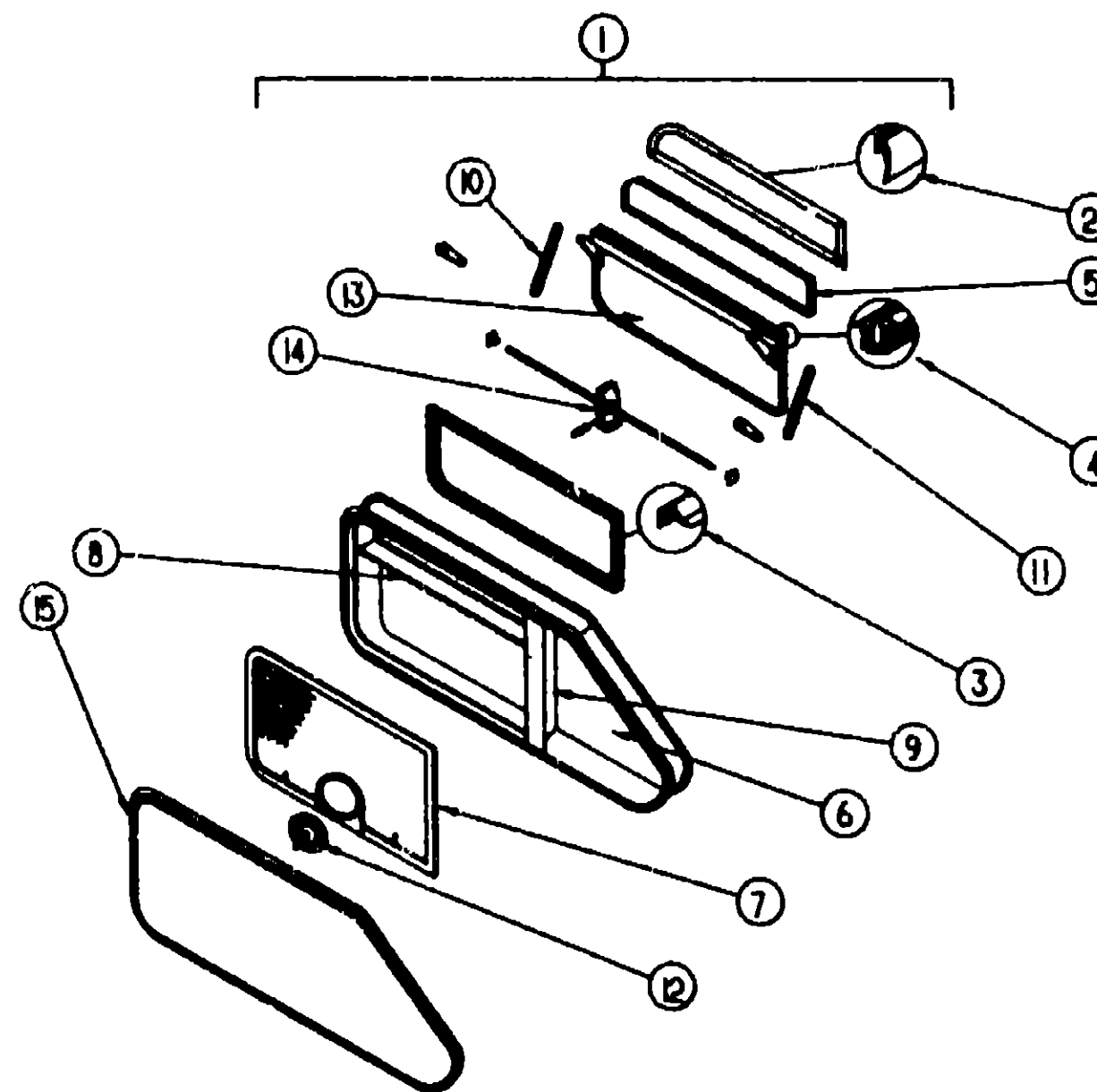
KEY	PART NUMBER	U/M DESCRIPTION
	074816-09-000	EA FRAME-WINDOW, INSIDE - ESCAPE - OFF WHITE
1	078528-04-C05	EA WINDOW-ESCAPE, BACKWALL
2	078337-09-000	EA GLASS-WINDOW, 832.6 X 597.8MM
3	002285-01-000	FT FILLER-WEATHER STRIP, RUBBER - BLACK
	077086-01-702	EA RED POLY 005X.500INX.150'ROLL
4	089840-10-000	FT SEALER-RIBBON, 1/32" X 1 1/2" INCREMENTS OF 90'
5	002282-04-000	EA WEATHERSTRIP-WINDOW, .125" X 109.25" - VULCANIZED - BLACK

WINDOW, VENT & EXTERIOR DOOR GROUP (CONTINUED)



DRIVER SIDE DINETTE WINDOW

WINDOW, VENT & EXTERIOR DOOR GROUP (CONTINUED)



DRIVER SIDE OVERHEAD BUNK WINDOW

1992 WINNEBAGO
TABLE OF CONTENTS

INTRODUCTION	A-01 -	A-02
ABBREVIATIONS		A-03
ALPHABETICAL INDEX	A-04 -	A-08
WC522RG	A-07 -	D-18
WF524RC	D-19 -	H-08

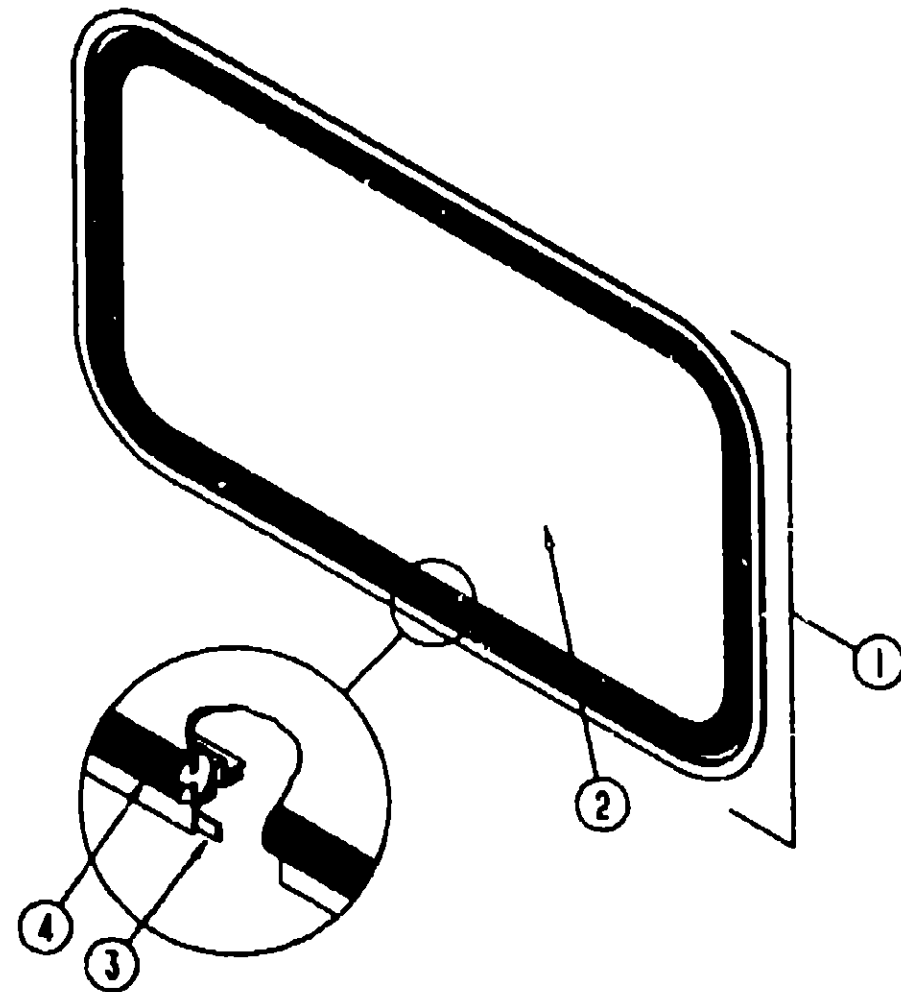
1992 WF524RC INDEX

FLOOR PLAN	D-19 -	D-20
ACCESSORIES		D-21
AUDIO VIDEO		D-22
BATH	D-23 -	D-24
BEDROOM	E-01 -	E-02
CHASSIS	E-03 -	E-08
CURTAIN & CUSHION	E-07 -	E-15
DINETTE	E-16 -	E-17
DRIVERS	E-18 -	E-19
ELECTRICAL	E-20 -	E-23
EXTERIOR BODY	E-24 -	F-01
GALLEY	F-07 -	F-12
GENERATOR		F-13
HEATING & A/C	F-14 -	F-15
INTERIOR FINISH	F-16 -	F-19
LABEL	F-20 -	G-02
LP		G-03
LOUNGE		G-04
SEALANTS & FASTENERS	G-05 -	G-07
WATER & SEWAGE	G-08 -	G-12
WINDOW, VENT AND EXTERIOR DOOR	G-13 -	H-08

KEY	PART NUMBER	U/M DESCRIPTION
1	100322-02-700	EA WINDOW-VENTED, 12" X 35 8 W/O INSIDE FRAME - EXCEL CH19-OK L
2	098644-01-716	EA PLUG-FILLER, EXCEL 132-014470
3	100322-01-701	FT SEAL-VENT, EXCEL 122-018071
4	100322-01-702	FT WEATHERSTRIP-HORIZONTAL RAIL, EXCEL 132-015976
	100322-01-703	EA STRIP-GLAZING,BUTYL EXCEL 132-010723
	100322-01-704	EA TAPE-BUTYL, EXCEL 154-018083
5	100322-01-705	EA GLASS-STATIONARY, SMALL TOP - EXCEL 108-017264
6	100322-01-703	EA GLASS-STATIONARY, LARGE FRONT - EXCEL 108-017265
7	100322-01-708	EA SCREEN-DRIVER SIDE, EXCEL 410-017266 L
8	100322-01-712	EA RAIL-HORIZONTAL, EXCEL CH05-19 R OR L
9	100322-01-713	EA BAR-DIVISION, VERTICAL - EXCEL CH19-20 R OR L
10	100322-01-714	EA SUPPORT-TORQUE BAR, EXCEL 130-015978 (L)
11	100322-01-716	EA SUPPORT-TORQUE BAR, CENTER RAIL - EXCEL 130-015980
	100322-01-717	EA E-RING, EXCEL 245-015975
12	100322-01-718	EA HANDLE-DIAL, EXCEL 410-018061
13	100322-01-722	EA GLASS ASM.-VENT, LEFT - EXCEL CH19-08L
14	100322-01-723	EA OPERATOR ASM.-VENT GLASS, LEFT - EXCEL CH19-15L
15	100322-02-701	EA FRAME-INSIDE, LEFT - WHITE - EXCEL V808-80L

KEY	PART NUMBER	U/M DESCRIPTION
1	098647-10-02A	EA WINDOW ASM-SLIDER, HORIZONTAL W/INSIDE TRIM - EXCEL H024-PRL
2	098647-09-704	EA TRIM-INSIDE (OFF-WHITE) - W024-87 EXCEL WHITE
3	098647-10-700	EA WINDOW-SINGLE SLIDER, LEFT W/O INSIDE TRIM - H024-G2L EXCEL
4	098644-01-700	EA LATCH-REPAIR KIT, EXCEL B801-CK
5	098644-01-705	FT GLAZING STRIP, EXCEL M828-12
6	098644-01-706	FT WEATHERSTRIP, EXCEL 171-010888
7	098644-01-708	FT CHANNEL-PIERCED RUN, EXCEL 122-018543
8	098644-01-710	FT TRACK-SCREEN SPACER, 12' LENGTH - EXCEL M401-31
	098644-01-711	FT WEATHERSTRIP-SCREEN, BLACK - EXCEL 171-016985
9	098644-01-713	EA SPRING-SCREEN FRAME (CLIP), PLASTIC - BLACK
	098644-01-716	FT PLUG-FILLER, EXCEL 132-014470
	098644-01-717	FT SPLINE-SCREEN MFG - EXCEL 32-004716
10	098647-09-700	EA GLASS-STATIONARY - 108-017183 EXCEL
11	098647-09-701	EA GLASS-SLIDING, W/BASH & LATCH - H024-G9 EXCEL
12	098647-09-705	EA SCREEN W/SPRING & WEATHERSTRIP - 410-018484 EXCEL

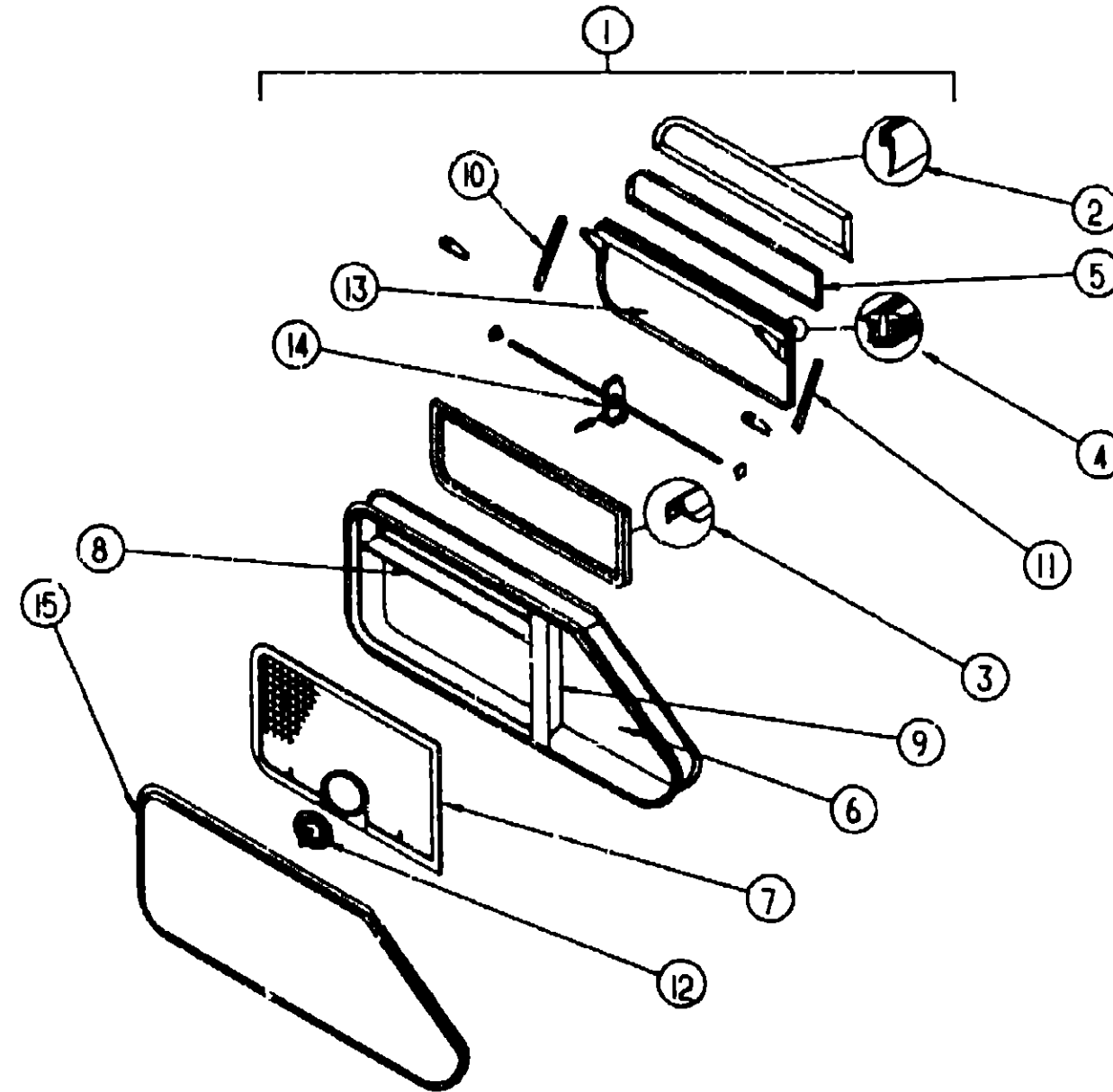
WINDOW, VENT & EXTERIOR DOOR GROUP (CONTINUED)



OVERHEAD BUNK FRONT WINDOW

KEY	PART NUMBER	U/M	DESCRIPTION
	067909-33-000	EA	FRAME-INSIDE WINDOW
1	103313-01-B05	EA	WINDOW ASM-PICTURE
2	002181-15-000	EA	GLASS-PICTURE 11 25" X 58 1" - GRAY
3	089840-11-000	FT	SEALER-TAPE, 3/16" X 3/8" BLACK
4	099154-01-000	FT	CHANNEL-GLAZING STATIONARY GLASS - 62" X 45" - BLACK

WINDOW, VENT & EXTERIOR DOOR GROUP (CONTINUED)



PASSENGER SIDE OVERHEAD BUNK WINDOW

KEY	PART NUMBER	U/M	DESCRIPTION
1	100322-01-720	EA	WINDOW-VENTED, 12" X 35 8 W/O INSIDE FRAME - EXCEL CH19-DK R
2	098644-01-716	FT	PLUG-FILLER, EXCEL 132-014470
3	100322-01-701	FT	SEAL-VENT, EXCEL 122-018071
4	100322-01-702	FT	WEATHERSTRIP-HORIZONTAL RAIL, EXCEL 132-015976
	100322-01-703	EA	STRIP-GLAZING, BUTYL, EXCEL 132-010723
	100322-01-704	EA	TAPE-BUTYL, EXCEL 154-018083
5	100322-01-705	EA	GLASS-STATIONARY, SMALL TOP - EXCEL 106-017264
6	100322-01-706	EA	GLASS-STATIONARY, LARGE FRONT - EXCEL 106-017265
7	100322-01-709	EA	SCREEN-PASSENGER SIDE, EXCEL 410-017270 R
8	100322-01-712	EA	RAIL-HORIZONTAL, EXCEL CH05-19 R OR L
9	100322-01-713	EA	BAR-DIVISION, VERTICAL - EXCEL CH19-20 R OR L
10	100322-01-715	EA	SUPPORT-TORQUE BAR, EXCEL 130-015979 (R)
11	100322-01-716	EA	SUPPORT-TORQUE BAR, CENTER RAIL - EXCEL 130-015980
	100322-01-717	EA	E-RING, EXCEL 245-015975
12	100322-01-718	EA	HANDLE-DIAL, EXCEL 410-018081
13	100322-01-707	EA	GLASS-VENT, RIGHT - EXCEL CH19-D6R
14	100322-01-711	EA	OPERATOR-VENT, SUB ASSEMBLY - EXCEL CH05-15 R OR L
15	100322-01-724	EA	FRAME-INSIDE, RIGHT - WHITE V988-00R EXCEL

1992 WINNEBAGO
TABLE OF CONTENTS

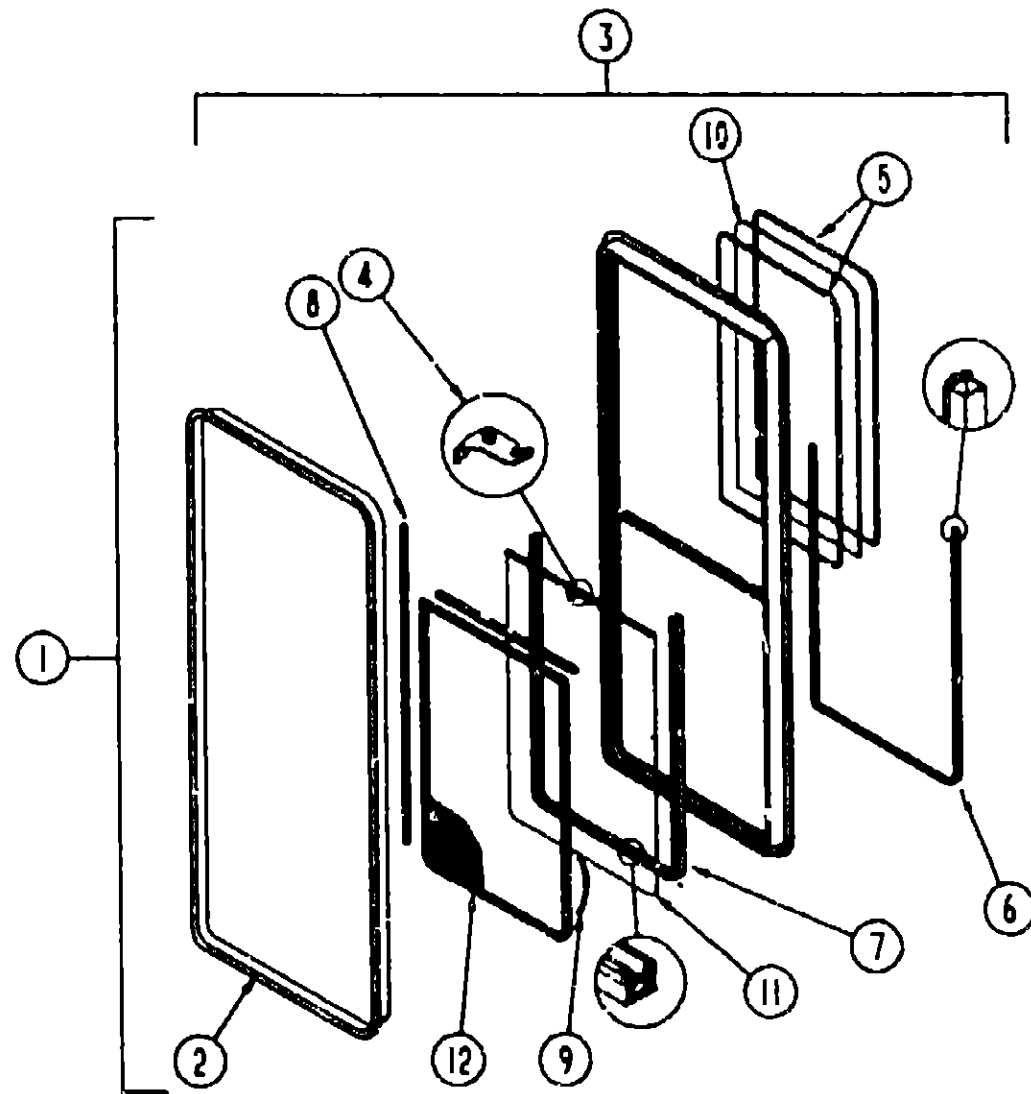
INTRODUCTION	A-01 -	A-02
ABBREVIATIONS		A-03
ALPHABETICAL INDEX	A-04 -	A-06
WC522RG	A-07 -	D-18
WF524RC	D-19 -	H-06

1992 WF524RC INDEX

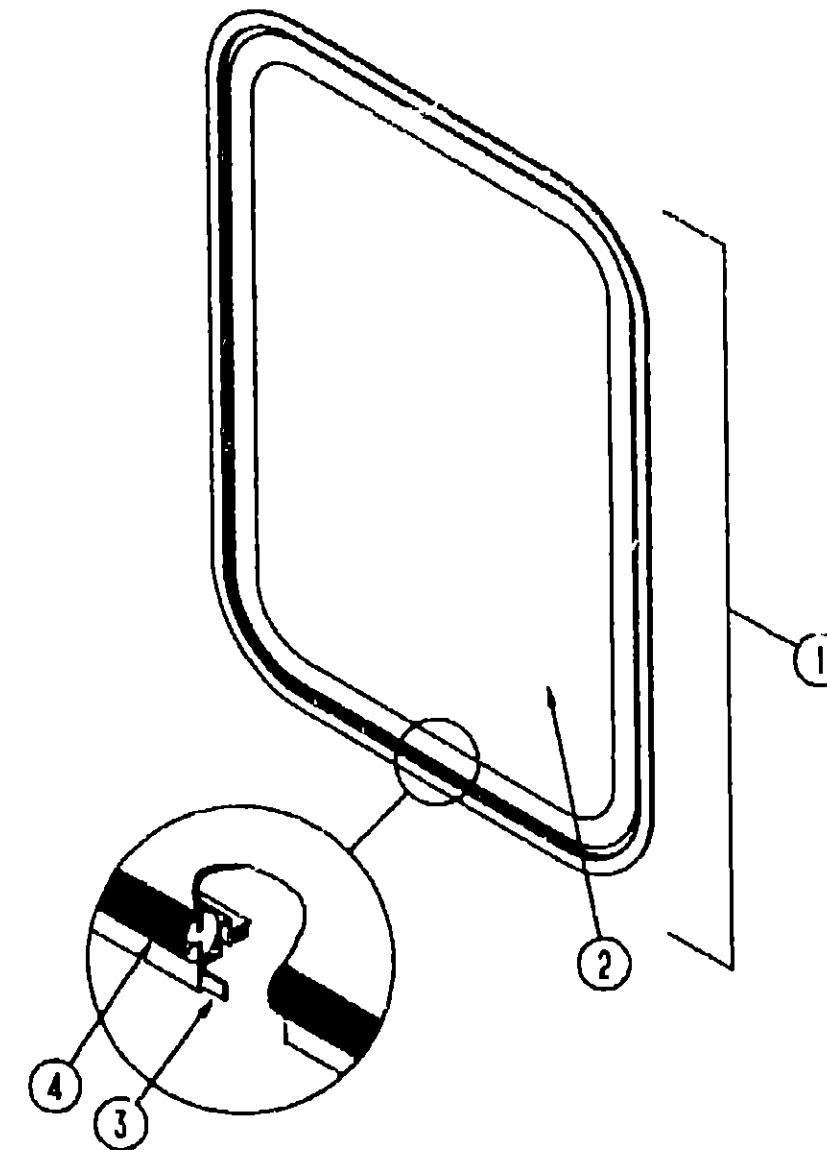
FLOOR PLAN	D-19 -	D-20
ACCESSORIES		- D-21
AUDIO VIDEO		- D-22
BATH	D-23 -	D-24
BEDROOM	E-01 -	E-02
CHASSIS	E-03 -	E-06
CURTAIN & CUSHION	E-07 -	E-15
DINETTE	E-16 -	E-17
DRIVERS	E-18 -	E-19
ELECTRICAL	E-20 -	E-23
EXTERIOR BODY	E-24 -	F-06
GALLEY	F-07 -	F-12
GENERATOR		- F-13
HEATING & A/C	F-14 -	F-15
INTERIOR FINISH	F-16 -	F-19
LABEL	F-20 -	G-02
LP		- G-03
LOUNGE		- G-04
SEALANTS & FASTENERS	G-05 -	G-07
WATER & SEWAGE	G-08 -	G-12
WINDOW, VENT AND EXTERIOR DOOR	G-13 -	H-06

1992 WINNEBAGO
TABLE OF CONTENTS

INTRODUCTION	A-01 -	A-02
ABBREVIATIONS		A-03
ALPHABETICAL INDEX	A-04 -	A-08
WC522RG	A-07 -	D-18
WF524RC	D-19 -	H-08



PASSENGER SIDE LOUNGE WINDOW



ENTRY DOOR WINDOW

1992 WF524RC INDEX

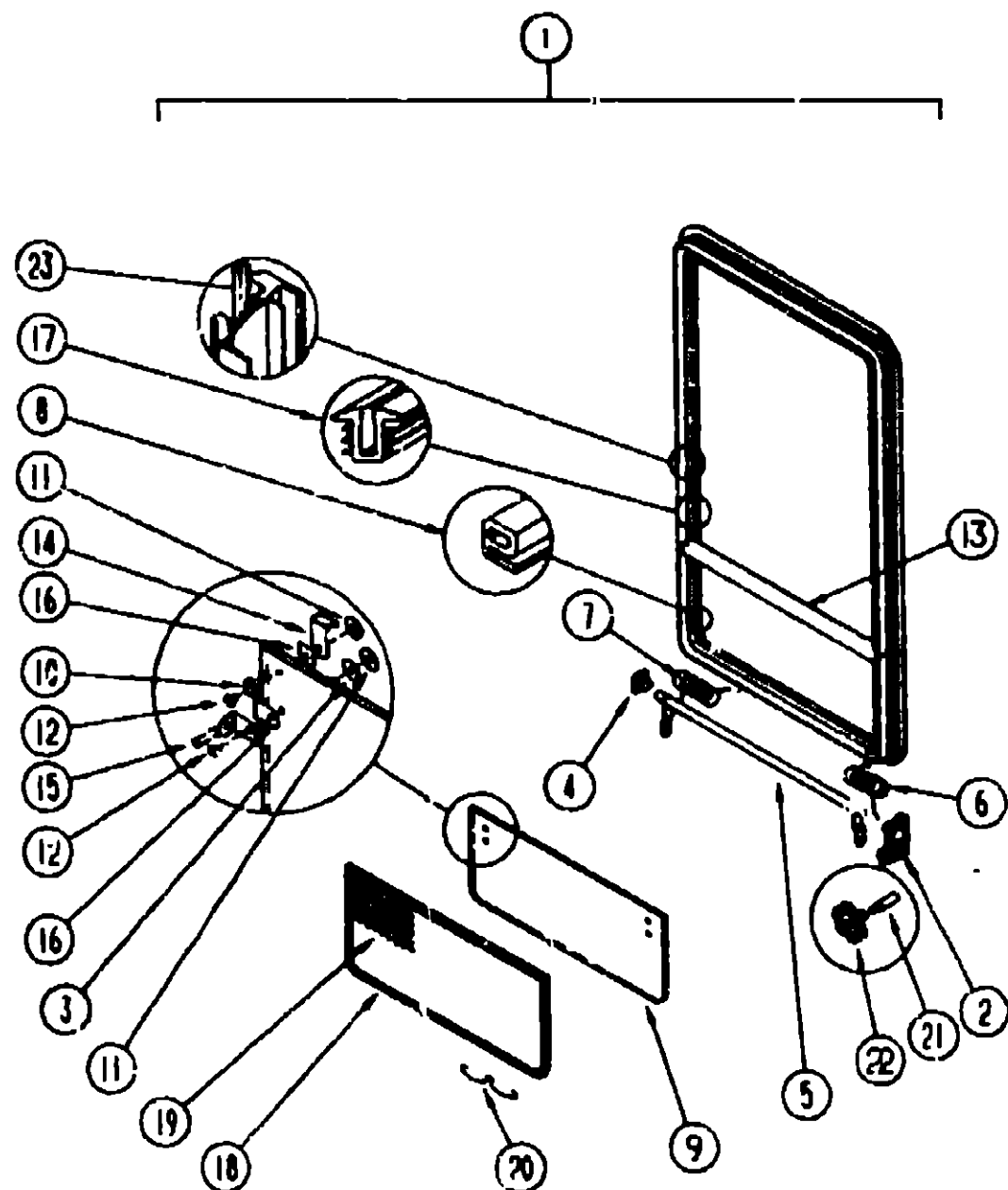
FLOOR PLAN	D-19 -	D-20
ACCESSORIES		- D-21
AUDIO VIDEO		- D-22
BATH	D-23 -	D-24
BEDROOM	E-01 -	E-02
CHASSIS	E-03 -	E-08
CURTAIN & CUSHION	E-07 -	E-15
DINETTE	E-16 -	E-17
DRIVERS	E-18 -	E-19
ELECTRICAL	E-20 -	F-23
EXTERIOR BODY	E-24 -	F-06
GALLEY	F-07 -	F-12
GENERATOR		- F-13
HEATING & A/C	F-14 -	F-15
INTERIOR FINISH	F-16 -	F-19
LABEL	F-20 -	G-02
LP		- G-03
LOUNGE		- G-04
SEALANTS & FASTENERS	G-05 -	G-07
WATER & SEWAGE	G-08 -	G-12
WINDOW, VENT AND EXTERIOR DOOR	G-13 -	H-08

KEY	PART NUMBER	U/M DESCRIPTION
1	098644-05-01A	EA WINDOW ASM-SLIDER, VERTICAL W/INSIDE TRIM - EXCEL H250-PR
2	098644-05-700	EA TRIM-INSIDE (OFF-WHITE) - EXCEL W250-67
3	098644-05-704	EA WINDOW ASM W/O INSIDE TRIM - EXCEL H250-G2R
4	098644-01-700	EA LATCH-REPAIR KIT, EXCEL B801-CK
5	098644-01-705	FT GLAZING STRIP, EXCEL M926-12
6	098644-01-706	FT WEATHERSTRIP, EXCEL 171-010-68
7	098644-01-708	FT CHANNEL-PIERCED RUN, EXCEL 122-016543
8	098644-01-710	FT TRACK-SCREEN SPACER, 12' LENGTH - EXCEL M401-31
	098644-01-711	FT WEATHERSTRIP-SCREEN, BLACK - EXCEL 171-016965
9	098644-01-713	EA SPRING-SCREEN FRAME (CLIP), PLASTIC - BLACK
	098644-01-716	FT PLUG-FILLER, EXCEL 132-014470
	098644-01-717	FT SPLINE-SCREEN MFG - EXCEL 132-004718
10	098644-05-701	EA STATIONARY GLASS - EXCEL 106-018013
11	098644-05-702	EA SLIDE ASM - EXCEL B938-G9
12	098644-05-703	EA SCREEN ASM - EXCEL 410-016478

KEY	PART NUMBER	U/M DESCRIPTION
	067509-32-000	EA FRAME-WINDOW, ENTRY DOOR - OFF WHITE
1	079733-04-T03	EA WINDOW-PICTURE, W/O INSIDE FRAME - 17" X 25"
2	002181-06-000	EA GLASS-PICTURE WINDOW, .115" X 16.25" X 24"
3	069640-11-000	FT SEALER-TAPE, 3/16" X 3/8" BLACK
4	027561-01-000	FT SEAL-GLASS, EXTERIOR - 5" WIDE - VINYL - BLACK

WINDOW, VENT & EXTERIOR DOOR GROUP (CONTINUED)

GALLEY WINDOW



KEY	PART NUMBER	U/M	DESCRIPTION
	060693-17-02A	EA	FRAME-INSIDE, WINDOW RETAINER - OFF WHITE
1	062235-11-Y12	EA	WINDOW-TIPOUT, SINGLE - W/O INSIDE FRAME
	000H14-06-14R	EA	RIVET-MANDREL BLIND, 3/16"
2	036302-02-010	EA	OPERATOR-TORQUE, TIPOUT WINDOW -
3	068927-03-000	EA	SEAL-WINDOW, RUBBER - ROUND - 80" DIA. - BLACK
4	081354-01-000	EA	SLEEVE-TORQUE TUBE, TIPOUT WINDOW - 1 3" X 1 2" X .7"
	081846-01-000	EA	RING-SNAP, 7/32 SHAFT DIAMETER
5	083150-10-000	EA	TUBE-TORQUE, TIPOUT WINDOW - W/SPRING & ARM - 22.5" LONG
6	080918-01-000	EA	SPRING-TORQUE TUBE, LEFT
7	080918-02-000	EA	SPRING-TORQUE TUBE, RIGHT
8	084057-02-000	FT	SEAL-E SHAPED, SPONGE - TIPOUT WINDOW - 42" X 38" - BLACK
9	084088-15-000	EA	GLASS-TIPOUT, 9 2" X 24 5"
10	084463-02-000	EA	WASHER- 08" X .5" X 25" - PLASTIC
11	086782-01-000	EA	T NUT 10-32
12	086783-01-000	EA	SCREW-MACH, 10 - 32 X 1/4 PTH
13	087586-02-01A	EA	MULLION-HORIZONTAL, TIPOUT - BLACK
14	089913-01-000	EA	HINGE-TIPOUT WINDOW, BLACK
15	087578-01-000	EA	LINKAGE-TIPOUT WINDOW
	084453-01-000	EA	WASHER- 08" X 5" X 135" - PLASTIC
16	084473-01-000	EA	SEAL-FLAT, W/CENTER HOLE & ADHESIVE SIDE - .8" X 9" - BLK
	085315-01-000	EA	RIVET-SHOULDER, TIPOUT WINDOW
17	099154-01-000	FT	CHANNEL-GLAZING, STATIONARY GLASS - 52" X 45" - BLACK
18	100236-02-B07	EA	SCREEN-SINGLE TIPOUT WINDOW
19	080218-03-001	SF	SCREENING-FIBERGLASS, 12" WIDE
20	100168-01-000	EA	CLIP-SPRING, SCREEN
	100240-01-000	FT	SPUNE-SCREEN, T-SHAPED
21	009439-06-000	EA	EXTENSION-CRANK HANDLE, WINDOW / ROOF VENT - BLACK
22	009439-05-000	EA	KNOB-OPERATOR, TIPOUT WINDOW - W/SPRING & ARM
	009439-07-000	EA	SCREW, 8-32 X 1 1/4 PPH - BLACK
23	099840-11-000	FT	TAPE-SEALER, 3/16" X 3/8" - BLACK

1992 WINNEBAGO TABLE OF CONTENTS

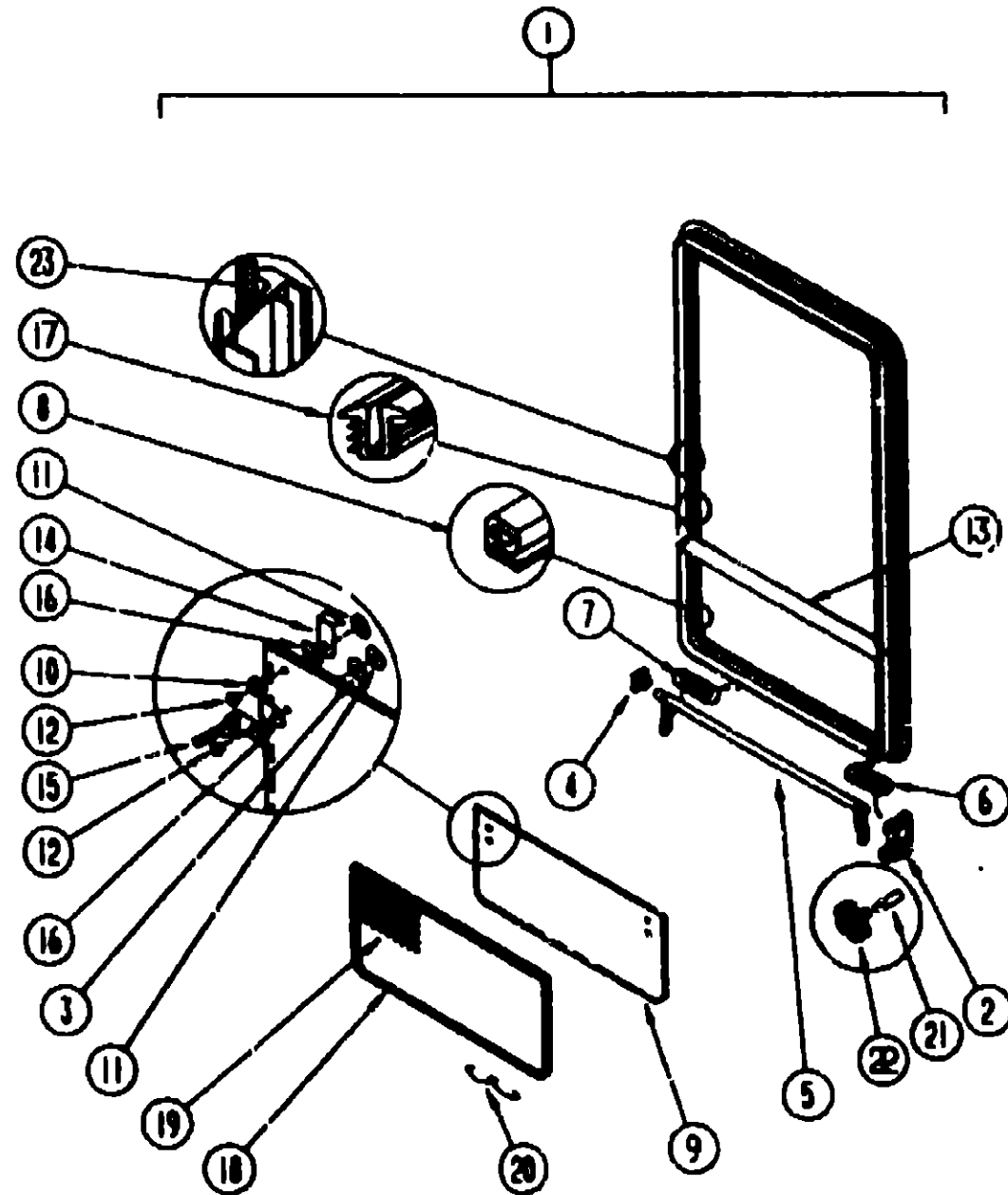
INTRODUCTION	A-01 -	A-02
ABBREVIATIONS		A-03
ALPHABETICAL INDEX	A-04 -	A-06
WC522RG	A-07 -	D-18
WF524RC	D-19 -	H-08

1992 WF524RC INDEX

FLOOR PLAN	D-19 -	D-20
ACCESSORIES		D-21
AUDIO VIDEO		D-22
BATH	D-23 -	D-24
BEDROOM	E-01 -	E-02
CHASSIS	E-03 -	F-06
CURTAIN & CUSHION	E-07 -	E-15
DINETTE	E-16 -	E-17
DRIVERS	E-18 -	E-19
ELECTRICAL	E-20 -	E-23
EXTERIOR BODY	E-24 -	F-06
GALLEY	F-07 -	F-12
GENERATOR		F-13
HEATING & A/C	F-14 -	F-15
INTERIOR FINISH	F-16 -	F-19
LABEL	F-20 -	G-02
LP		G-03
LOUNGE		G-04
SEALANTS & FASTENERS	G-05 -	G-07
WATER & SEWAGE	G-08 -	G-12
WINDOW, VENT AND EXTERIOR DOOR	G-13 -	H-08

WINDOW, VENT & EXTERIOR DOOR GROUP (CONTINUED)

PASSENGER SIDE BEDROOM WINDOW



KEY	PART NUMBER	U/M	DESCRIPTION
	060893-18-02A	EA	FRAME-INSIDE, WINDOW RETAINER - OFF WHITE
1	062235-12-Y12	EA	WINDOW-TIPOUT, SINGLE - W/O INSIDE FRAME
	000H14-06-14R	EA	RIVET-MANDREL BLIND, 3/16"
2	036302-02-000	EA	OPERATOR-TORQUE, TIPOUT WINDOW -
3	068827-C3-000	EA	SEAL-WINDOW, RUBBER - ROUND - 80" DIA. - BLACK
4	061354-01-000	EA	SLEEVE-TORQUE TUBE, TIPOUT WINDOW - 1 3/4" X 1 2" X .7"
	061848-01-000	EA	RING-SNAP, 7/32 SHAFT DIAMETER
5	063150-12-000	EA	TUBE-TORQUE, TIPOUT WINDOW - W/SPRING & ARM - 22 5" LONG
6	060916-01-000	EA	SPRING-TORQUE TUBE, LEFT
7	060918-02-000	EA	SPRING-TORQUE TUBE, RIGHT
8	064067-02-000	FT	SEAL-E SHAPED, SPONGE - TIPOUT WINDOW - 42" X 38" - BLACK
9	064068-17-000	EA	GLASS-TIPOUT, 9 2" X 24 5"
10	064453-02-000	EA	WASHER- 08" X 5" X 25" - PLASTIC
11	066782-01-000	EA	T NUT 10-32
12	066783-01-000	FA	SCREW-MACH, 10 - 32 X 1/4 PTH
13	067586-04-01A	EA	MULLION-HORIZONTAL, TIPOUT - BLACK
14	069913-01-000	EA	HINGE-TIPOUT WINDOW, BLACK
15	067578-01-000	EA	LINKAGE-TIPOUT WINDOW
	064453-01-000	EA	WASHER- 08" X 5" X 135" - PLASTIC
16	064473-01-000	EA	SEAL-FLAT, W/CENTER HOLE & ADHESIVE SIDE - 8" X 9" - BLK
17	065315-01-000	EA	RIVET-SHOULDER, TIPOUT WINDOW
18	099154-01-000	FT	CHANNEL-GLAZING, STATIONARY GLASS - 62" X 45" - BLACK
19	100235-04-007	EA	SCREEN-SINGLE TIPOUT WINDOW
20	060218-03-000	SF	SCREENING-FIBERGLASS, 12" WIDE
	100166-01-000	EA	CLIP-SPRING, SCREEN
	100240-01-000	FT	S-PLINE-SCREEN, T-SHAPED
21	006439-08-100	EA	EXTENSION-CRANK HANDLE, WINDOW /ROOF VENT - BLACK
22	009439-06-300	EA	KNOB-OPERATOR, TIPOUT WINDOW - W/SPRING & ARM
	009439-07-000	EA	SCREW, 8-32 X 1 1/4 POH - BLACK
23	069840-11-000	FT	TAPE-SEALER, 3/16" X 3/8" - BLACK

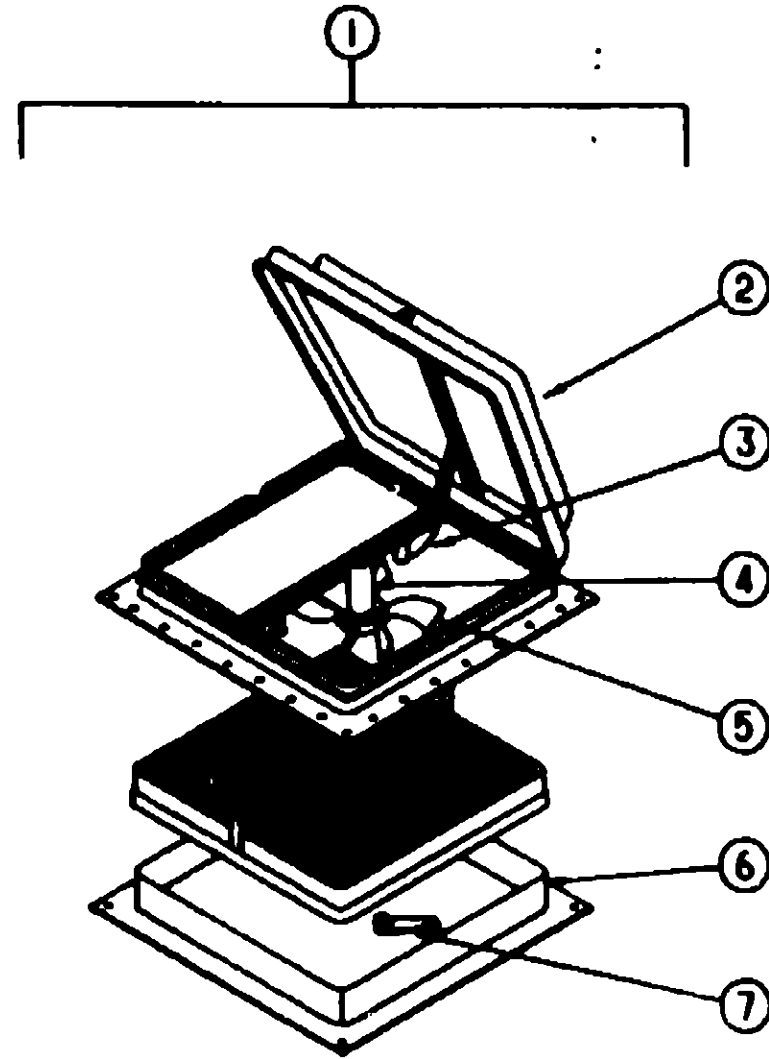
1992 WINNEBAGO TABLE OF CONTENTS

INTRODUCTION	A-01	A-02
ABBREVIATIONS		A-03
ALPHABETICAL INDEX	A-04	A-06
WFS24RC	A-07	D-18
WFS24RC	D-19	H-06

1992 WFS24RC INDEX

FLOOR PLAN	D-19	D-20
ACCESSORIES		D-21
AUDIO VIDEO		D-22
BATH	D-23	D-24
BEDROOM	E-01	E-02
CHASSIS	E-03	E-06
CURTAIN & CUSHION	E-07	E-15
DINETTE	E-16	E-17
DRIVERS	E-18	E-19
ELECTRICAL	E-20	E-23
EXTERIOR BODY	E-24	F-06
GALLEY	F-07	F-12
GENERATOR		F-13
HEATING & A/C	F-14	F-15
INTERIOR FINISH	F-16	F-19
LABEL	F-20	G-02
LP		G-03
LOUNGE		G-04
SEALANTS & FASTENERS	G-05	G-07
WATER & SEWAGE	G-08	G-12
WINDOW, VENT AND EXTERIOR DOOR	G-13	H-06

WINDOW, VENT & EXTERIOR DOOR GROUP (CONTINUED)



JENSEN POWERED ROOF VENT

KEY	PART NUMBER	U/M DESCRIPTION
1	064469-08-000	EA VENT-ROOF, POWERED - 14" X 14" - 12V - CANADIAN
2	064469-03-702	EA LID-VENT WHITE
3	064469-03-708	EA LIFT MECHANISM
4	048648-01-000	EA MOTOR-ROOF VENT, 1/8 SHAFT - 12V
5	048648-01-000	EA FAN-ROOF VENT, 8 BLADES - 6"
6	064469-03-706	EA GARNISH, VENT 2 5/8 IN WIDE
7	009439-01-000	EA CRANK HANDLE-ROOF VENT

FANTASTIC ROOF VENTILATOR

KEY	PART NUMBER	U/M DESCRIPTION
	084079-03-000	EA VENT-CEILING, POWERED EXHAUST - OFF WHITE - FANTASTIC VENT
	084079-01-700	EA VENT COVER - FANTASTIC 1020-18
	084079-01-703	EA CRANK-EXTERIOR, FANTASTIC 1080-09
	084079-01-704	EA BLADE-FAN, FANTASTIC 1070-00
	084079-01-705	EA MOTOR, FANTASTIC 1080-00
	084079-01-706	EA PLUG-12 VOLT, FANTASTIC 1090
	084079-01-707	EA SWITCH-SAFETY, FANTASTIC 1120 00
	084079-01-709	EA SWITCH-ON & OFF, MAIN POWER - FANTASTIC 1100 00
	084079-01-711	EA H-MOLDING, MOTOR MOUNT - PLASTIC FANTASTIC
	084079-01-712	EA GARNISH INT FIN 17/8 - OFF WHITE

WINDOW, VENT & EXTERIOR DOOR GROUP (CONTINUED)

POWERED ROOF VENT

KEY	PART NUMBER	U/M DESCRIPTION
	009439-01-000	EA CRANK HANDLE-ROOF VENT
	009439-04-000	EA SCREW 8-32 X 1 1/4" POH
	009439-02-000	EA KNOB-ROOF VENT MILL
	009439-03-000	EA EXTENSION-CRANK HANDLE ROOF VENT - 9" - MILL
	009439-04-000	EA SCREW 8-32 X 1 1/4" POH
	080394-01-Y12	EA VENT-ROOF POWERED
	066218-01-000	EA COVER-ROOF VENT, PLASTIC
	002825-01-000	EA WEATHER STRIP-ROOF VENT GRAY
	008196-01-000	EA SWITCH-ROOF VENT PUSH BUTTON 12V
	008343-01-000	EA TIE-WIRE 6"
	008398-01-000	EA GROMMET-SNAP 3/8"
	009440-01-000	EA GEAR/ARM-VENT COVER LIFT
	015911-01-000	EA TRACK-LIFT ARM SLIDE - ROOF VENT
	048648-01-000	EA MOTOR-ROOF VENT 1/8 SHAFT - 12V - JENSEN
	048648-01-000	EA FAN-ROOF VENT 8 BLADES - 6" - JENSEN
	062639-01-001	EA HINGE-VENT COVER 16"
	062639-01-200	EA HINGE-EXTRUSION ROOF VENT 7"
	061803-01-000	EA GROMMET-SNAP 3/16"ID - 3/8" HOLE - PLASTIC - BLACK
	078788-01-Y12	EA SCREEN-ROOF VENT POWERED
	002291-02-000	SF SCREENING-ROOF VENT/WINDOW 16" - BLACK
	002298-02-000	FT SPLINE-VENT/WINDOW SCREEN 128 DIAMETER - BLACK

NONPOWERED ROOF VENT

KEY	PART NUMBER	U/M DESCRIPTION
	009439-01-000	EA CRANK HANDLE-ROOF VENT
	009439-04-000	EA SCREW 8-32 X 1 1/4" POH
	009439-02-000	EA KNOB-ROOF VENT MILL
	009439-03-000	EA EXTENSION-CRANK HANDLE ROOF VENT - 9" - MILL
	009439-04-000	EA SCREW 8-32 X 1 1/4" POH
	080395-01-Y12	EA VENT-ROOF NONPOWERED
	066218-01-000	EA COVER-ROOF VENT, PLASTIC
	002825-01-000	EA WEATHER STRIP-ROOF VENT GRAY
	009440-01-000	EA GEAR/ARM-VENT COVER LIFT
	015911-01-000	EA TRACK-LIFT ARM SLIDE - ROOF VENT
	062639-01-001	EA HINGE-VENT COVER 16"
	062639-01-200	EA HINGE-EXTRUSION ROOF VENT 7"
	078788-01-Y12	EA SCREEN-ROOF VENT NON POWERED - WHITE
	002291-02-000	SF SCREENING-ROOF VENT/WINDOW 16" - BLACK
	002298-02-000	FT SPLINE-VENT/WINDOW SCREEN 128 DIAMETER - BLACK

VENTS, SHROUDS & ROOF COVERS

KEY	PART NUMBER	U/M DESCRIPTION
	083568-03-000	EA VENT-PLUMBING PIPE ROOF WCOVER - OFF WHITE
	083752-01-000	EA SHROUD-RANGE, 18 5" X 20 6" X 16 2" - METAL - OFF WHITE
	084616-01-000	EA SHROUD-RANGE HOOD VENT, PLASTIC - OFF WHITE
	084878-09-000	EA VENT-RANGE HOOD, SHORT - LVS
	084073-03-000	EA COVER-ROOF VENT, REFRIGERATOR - OFF WHITE - NORCOLD
	084073-04-000	EA BASE-ROOF VENT, REFRIGERATOR - BLACK - NORCOLD

**1982 WINNEBAGO
TABLE OF CONTENTS**

INTRODUCTION	A-01 - A-02
ABBREVIATIONS	A-03
ALPHABETICAL INDEX	A-04 - A-08
WCS22RG	A-07 - D-18
WFS24RC	D-19 - H-08

1982 WFS24RC INDEX

FLOOR PLAN	D-19 - D-20
ACCESSORIES	- D-21
AUDIO VIDEO	- G-22
BATH	D-23 - D-24
BEDROOM	E-01 - E-02
CHASSIS	E-03 - E-08
CURTAIN & CUSHION	E-07 - E-16
DINETTE	E-16 - E-17
DRIVERS	E-16 - E-19
ELECTRICAL	E-20 - E-23
EXTERIOR BODY	E-24 - F-08
GALLEY	F-07 - F-12
GENERATOR	- F-13
HEATING & A/C	F-14 - F-16
INTERIOR FINISH	F-16 - F-19
LABEL	F-20 - G-02
LP	- G-03
LOUNGE	- G-04
SEALANTS & FASTENERS	G-05 - G-07
WATER & SEWAGE	G-08 - G-12
WINDOW, VENT AND EXTERIOR DOOR	G-13 - H-08