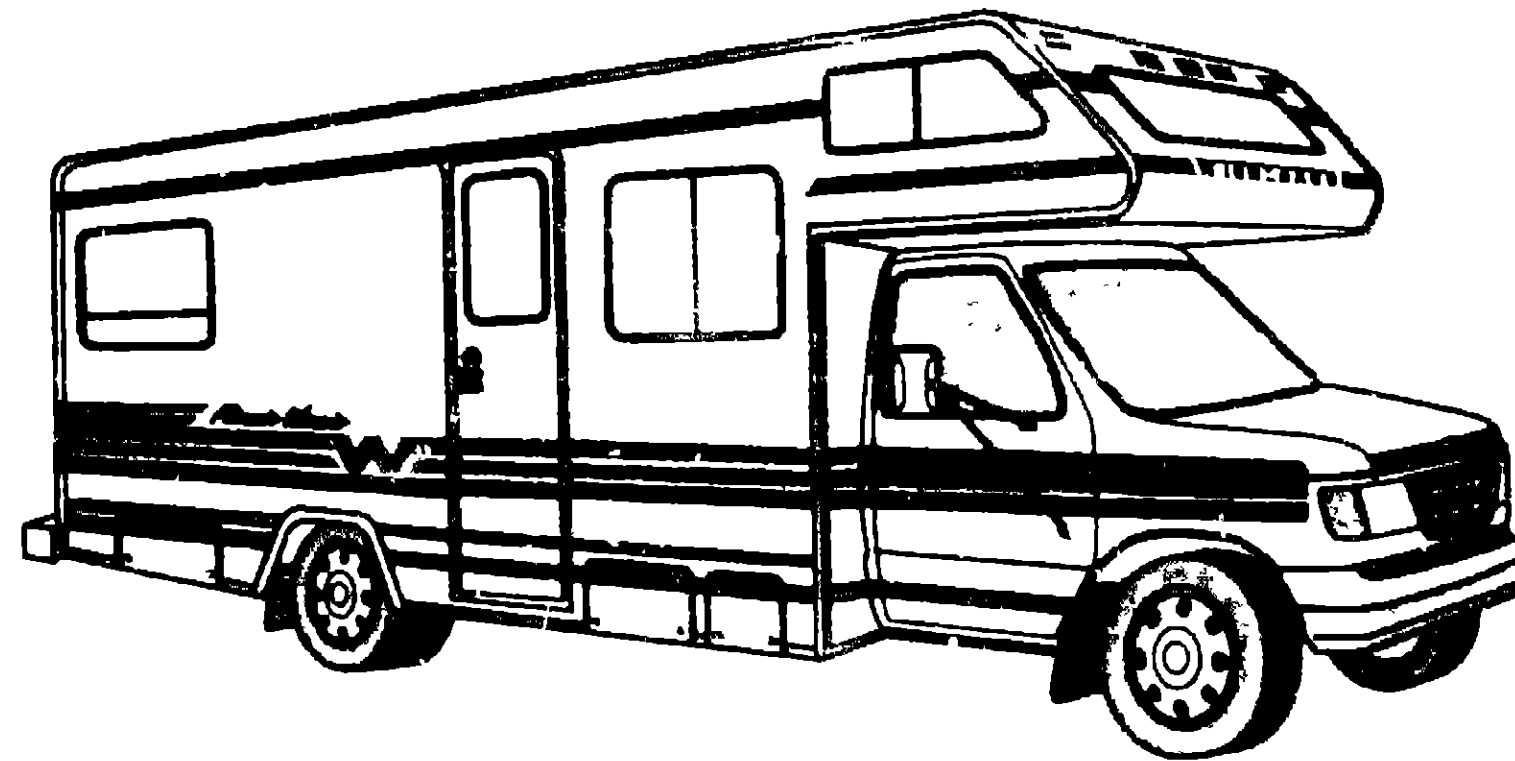
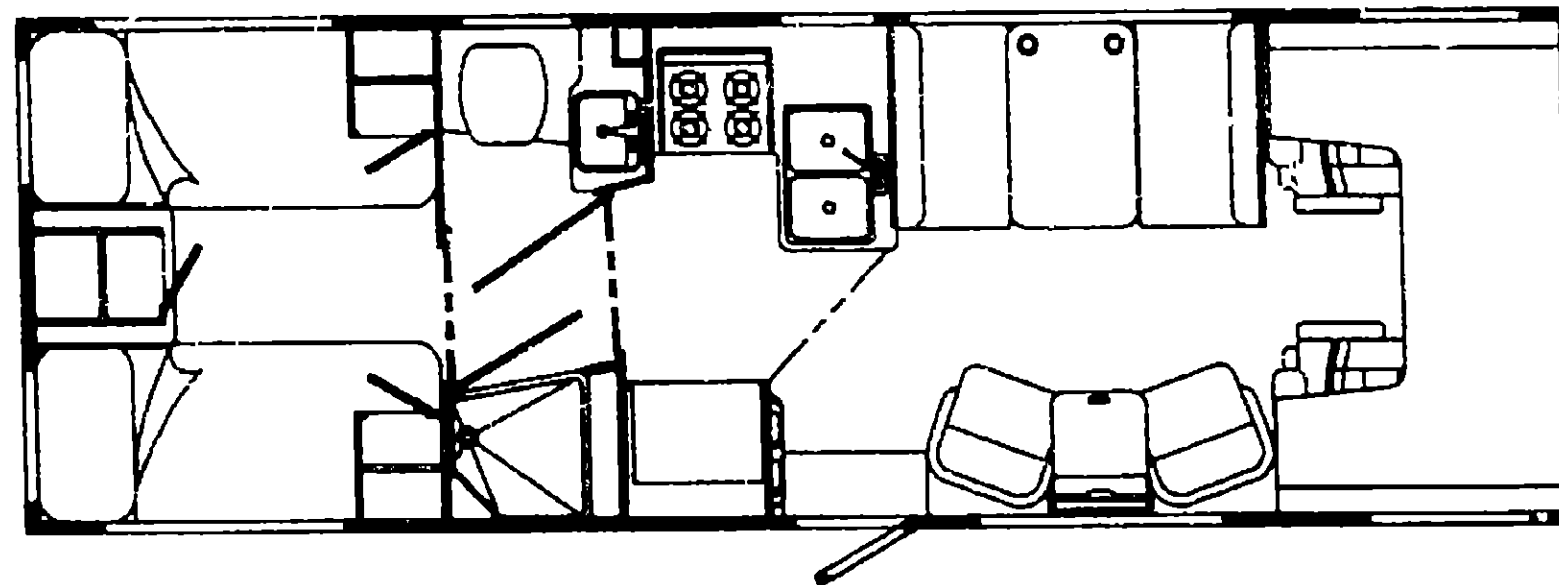
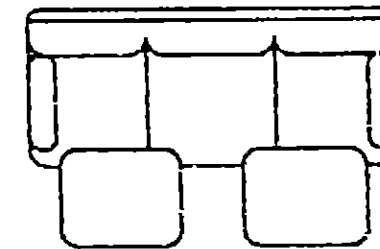
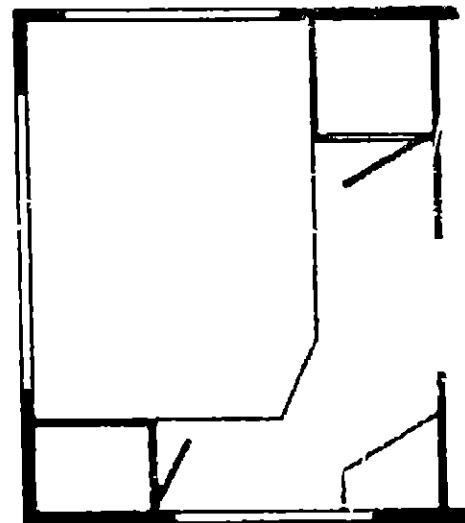


**1992 WINNEBAGO
TABLE OF CONTENTS**

INTRODUCTION	A-01 - A-02
ABBREVIATIONS	A-03
ALPHABETICAL INDEX	A-04 - A-08
WF427RQ	A-07 - D-14
WF427RC	D-15 - G-20
WF427RT	G-21 - K-03



**1992
WF427RT
C03
C04**



1992 WF427RT INDEX

FLOOR PLAN	G-21 - G-22
ACCESSORIES	G-23
AUDIO VIDEO	G-24
BATH	H-01 - H-02
BEDROOM	H-03 - H-04
CHASSIS	H-05 - H-07
CURTAIN & CUSHION	H-08 - H-15
DINETTE	H-16 - H-17
DRIVERS	H-18 - H-20
ELECTRICAL	H-21 - H-24
EXTERIOR BODY	I-01 - I-07
GALLEY	I-08 - I-11
GENERATOR	I-12
HEATING & A/C	I-13 - I-14
INTERIOR FINISH	I-15 - I-18
LABEL	I-19 - J-02
LP	J-03
LOUNGE	J-04 - J-05
SEALANTS & FASTENERS	J-06 - J-08
WATER & SEWAGE	J-09 - J-12
WINDOW, VENT AND EXTERIOR DOOR	J-13 - K-03

ACCESSORIES GROUP

OPERATORS MANUAL

KEY	PART NUMBER	U/M DESCRIPTION
	054185-04-000	EA MANUAL-OPERATOR-1992 MINNIE WINNIE
	092318-01-000	EA BINDER-3 RING- MOTOR HOME MANUAL
	092319-01-000	EA POCKET PAGE-3 RING BINDER- PLASTIC
	106351-01-000	DW TOP LEVEL DRAWING - 1992 C-BODY

AUDIO VIDEO GROUP

RADIO SYSTEM COMPONENTS & ANTENNA

KEY	PART NUMBER	U/M DESCRIPTION
	106450-01-000	EA RADIO-AM/FM CASSETTE-ELECT FORD - AUDIOVOX FD-CXF
	106451-01-000	EA MOUNTING KIT-RADIO FORD AUDIOVOX FD-ECO-92
	108137-01-000	EA PLUG-ANTENNA HOLE-92 E360
	089340-02-000	EA GRILLE-SPEAKER- 6 5" SQUARE
	089340-03-000	EA GRILLE-SPEAKER-SPACER TAN - MAGNADYNE G514
	094097-01-000	EA SPEAKER-RADIO- W/O GRILLE - 5.25" DIA - AUDIOVOX 110C3030

TV, VCR SYSTEMS & ANTENNA

KEY	PART NUMBER	U/M DESCRIPTION
	092310-01-000	EA TV-COLOR-9" - AC/DC - W/REMOTE - MAGNAVOX CH3943 FROM 00-00-00 THRU 01-26-92
	092310-01-700	EA REMOTE F/RK3955 -0822335
	092310-03-000	EA TV-COLOR-9"-AC/DC W/SWIVEL - MAGNAVOX RDO945 FROM 01-27-92 THRU 99-99-99
	092310-02-700	EA REMOTE F/TV -0822334
	098446-03-000	EA VCR-VHS- CABLE READY - REMOTE - MAGNAVOX VR9010
	098446-03-700	EA REMOTE F/MODEL #9310 -0974588
	106433-01-000	EA BRACKET-VCR
	076319-01-000	EA ANTENNA-TV- ROOF MOUNT - 44 5" MAST - RVA W02
	076319-01-700	EA HEAD-ANTENNA- AMPLIFIED - WINEGARD# RVSA U/V
	076319-01-701	EA GEAR-ELEVATING- PLASTIC - WINEGARD# 220004E
	076319-01-702	EA SHAFT ASM-ELEVATING- WINEGARD# RVP-400A
	076319-01-703	EA REAPING-NYLON- 5"OD - WINEGARD# 3200656
	076319-01-705	EA GROMMET-NYLON- 7/8"ID - WINEGARD# 3200658
	076319-01-706	EA CRANK-ELEVATING- W/SET SCREW - WINEGARD# 5755100
	076319-01-707	EA SPRING-HANDLE- WINEGARD# 5150600
	076319-01-709	EA PLATE-DIRECTIONAL- FOR HEAD - WINEGARD #3200644
	076319-06-000	EA ADAPTOR-CABLE ROOF PLATE- WINEGARD RPJ-1
	082134-01-000	EA ADAPTER-TV- CABLE TO CABLE - WINEGARD F-81M
	082136-01-000	EA NUT-HEX JAM 3-8-32- WINEGARD
	076319-03-000	FT CABLE-COAXIAL- 75 OHM
	076319-12-000	EA CONNECTOR-COAXIAL- ONE PIECE
	086757-03-000	EA CONTROL CENTER-SWITCH- VCR/TV - MAGNADYNE VCS-6
	086777-04-000	EA PLATE-WALL - ANTENNA/POWER - BROWN

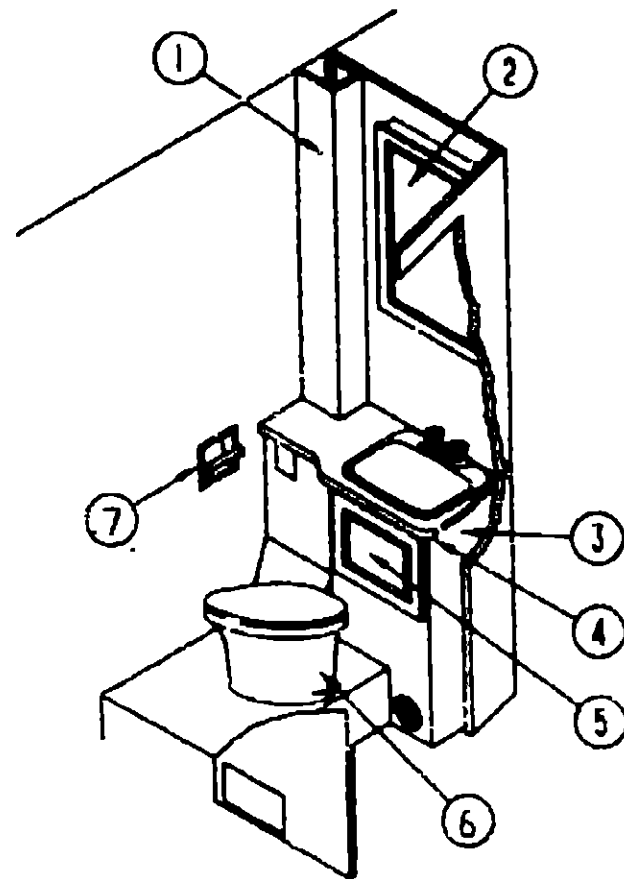
1992 WINNEBAGO TABLE OF CONTENTS

INTRODUCTION	A-01	- A-02
ABBREVIATIONS		A-03
ALPHABETICAL INDEX	A-04	- A-06
WF427RQ	A-07	- D-14
WF427RC	D-15	- G-20
WF427RT	G-21	- K-03

1992 WF427RT INDEX

FLOOR PLAN	G-21	- G-22
ACCESSORIES		G-23
AUDIO VIDEO		G-24
BATH	H-01	- H-02
BEDROOM	H-03	- H-04
CHASSIS	H-05	- H-07
CURTAIN & CUSHION	H-08	- H-15
DINETTE	H-16	- H-17
DRIVERS	H-18	- H-20
ELECTRICAL	H-21	- H-24
EXTERIOR BODY	I-01	- I-07
GALLEY	I-08	- I-11
GENERATOR		I-12
HEATING & A/C	I-13	- I-14
INTERIOR FINISH	I-15	- I-18
LABEL	I-19	- J-02
LP		J-03
LOUNGE	J-04	- J-05
SEALANTS & FASTENERS	J-06	- J-08
WATER & SEWAGE	J-09	- J-12
WINDOW, VENT AND EXTERIOR DOOR	J-13	- K-03

PATH GROUP



BATH & SHOWER CABINETRY & HARDWARE

KEY	PART NUMBER	U/M	DESCRIPTION
1	085927-02-C03	EA	CABINET ASM. - PIPE COVER
2	108744-01-C03	EA	CABINET ASM-MEDICINE
2	103851-01-C00	EA	DOOR ASM-W/MIRROR - W/O HARDWARE - 385 X750
3	M02359-02-C03	EA	CABINET ASM-LAVATORY(JS)
3	M04043-01-C03	EA	CABINET ASM-LAVATORY(CSA)
	075240-08-000	EA	FAUCET-LAVATORY- BONE
	081253-01-000	EA	GASKET-FAUCET- LAVATORY/GALLEY
	088927-01-01A	EA	SINK-LAVATORY- RECTANGULAR - PLASTIC - BONE
	088927-01-700	EA	SINK-STOPPER
	088927-01-701	EA	TAILPIECE-SINK
	081253-01-000	EA	GASKET-FAUCET- LAVATORY/GALLEY
4	082359-13-C03	EA	COUNTERTOP ASM
5	P05223-61-C03	EA	DOOR ASM-W/O HARDWARE - ROUNDED - 365 X 455
6	087487-01-000	EA	TOILET-12.37" - IVORY - HAND FLUSH - THETFORD 150110
	083740-01-700	EA	LEVER-WATER- THETFORD 12514
	083740-01-701	EA	LEVER-FLUSH- THETFORD 12515
	083740-01-708	EA	BOLT PACKAGE-CLOSET- THETFORD 12524
	083740-01-710	EA	LINK- THETFORD 12513
	083740-01-711	EA	SPRING-RETURN LEVER- THETFORD 12523
	083740-01-713	EA	SEAL-BALL VALVE TO BOWL- THETFORD 12502
	083740-01-714	EA	VALVE ASIA-WATER- THETFORD 12482
	083740-01-716	EA	SEAT & COVER- IVORY - THETFORD 15017
	083740-01-717	EA	TUBE-FLUSH- TOILET - THETFORD 12509
	024876-01-000	EA	FLANGE-CLOSET- TOILET - 4" X 3" - RED
	024876-02-000	EA	FLANGE-CLOSET- 4" X 3" - ABS - CANADIAN
7	075452-02-000	EA	HOLDER-TOILET TISSUE- BRASS
	075454-02-000	EA	RING-TOWEL- W/MOUNTING HARDWARE - BRASS

BATH GROUP (CONTINUED)

BATH & SHOWER CABINETRY & HARDWARE (CONTINUED)

KEY	PART NUMBER	U/M	DESCRIPTION
	075241-05-000	EA	FAUCET-SHOWER - BONE
	081614-02-000	EA	DISH-SOAP- W/PLASTIC COVER - BRASS
	075453-02-000	EA	BAR-TOWEL- 18" BRASS
	103092-01-000	EA	SHOWER HEAD-W/60" HOSE
	075808-01-000	EA	PANEL-FAUCET BACK- SHOWER - 5" X 9" - PLASTIC
	M02873-03-X81	EA	PAN-SHOWER- 28 1" X 31.9" - PLASTIC - OFF WHITE
	088440-01-000	EA	STRAINER-SHOWER, W/RUBBER WASHER
	089735-01-000	EA	WASHER-STRAINER TO TAILPIECE PLASTIC, 1.5"
	011089-02-000	EA	TAILPIECE-TUB/SHOWER, 1 1/2" X 1 1/4" X 4" - BRASS
	088436-01-000	EA	NUT-SLIP, TAILPIECE - 1.5"
	089735-01-000	EA	WASHER STRAINER TO TAILPIECE PLASTIC, 1.5"
	088436-01-000	EA	STRAINER-NUT
	057671-01-000	EA	COVER-SCREW- #8 - PLASTIC - OFF WHITE
	080507-01-000	EA	PANEL-SKYLIGHT- OUTER - PLEXIGLASS - 23.25" X 20 3"
	080508-01-000	EA	PANEL-SKYLITE- INNER - PLEXIGLASS - 23.25" X 20 3"
	083527-02-000	EA	BRACKET-SQUEEGEE/SHOWER HEAD (EXTERIOR SHOWER)

FROM 10-02-82 THRU 99-99-99

BATH PRIVACY DOOR

KEY	PART NUMBER	U/M	DESCRIPTION
	M82429-08-B86	EA	DOOR ASM-BATHROOM - W/O HARDWARE
	M82429-07-B85	EA	DOOR ASM-SHOWER/BATH - W/O HARDWARE
	0C9151-01-000	EA	GUARD-WARP- CABINET/PRIVACY DOOR - 48"
	058335-02-000	EA	LATCH-BATHROOM DOOR
	108138-01-000	EA	HINGE-BURNISHED BRASS

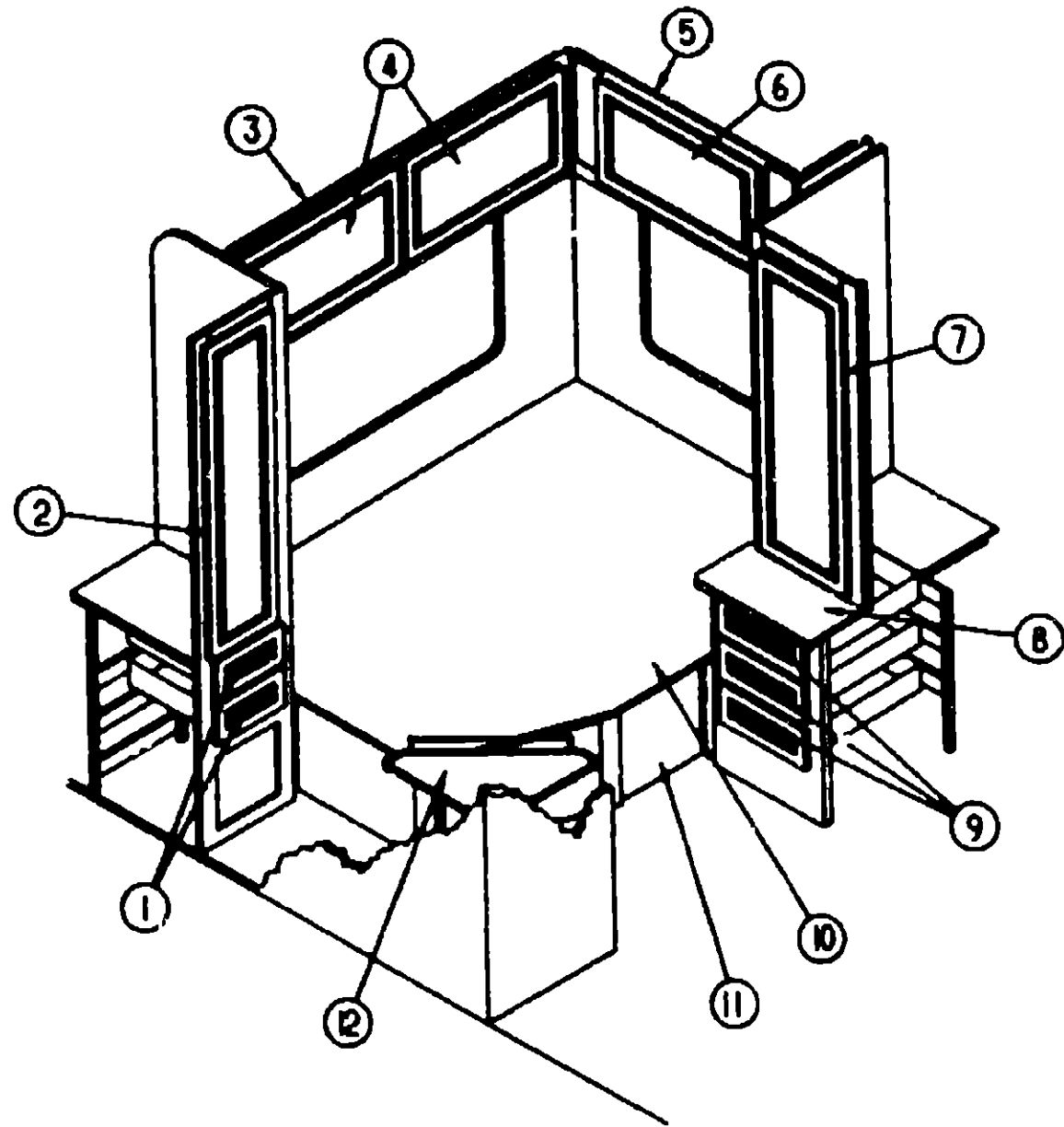
1992 WINNEBAGO TABLE OF CONTENTS

INTRODUCTION	A-01 - A-02
ABBREVIATIONS	A-03
ALPHABETICAL INDEX	A-04 - A-08
WF427RQ	A-07 - D-14
WF427FC	D-15 - G-20
WF427RT	G-21 - K-03

1992 WF427RT INDEX

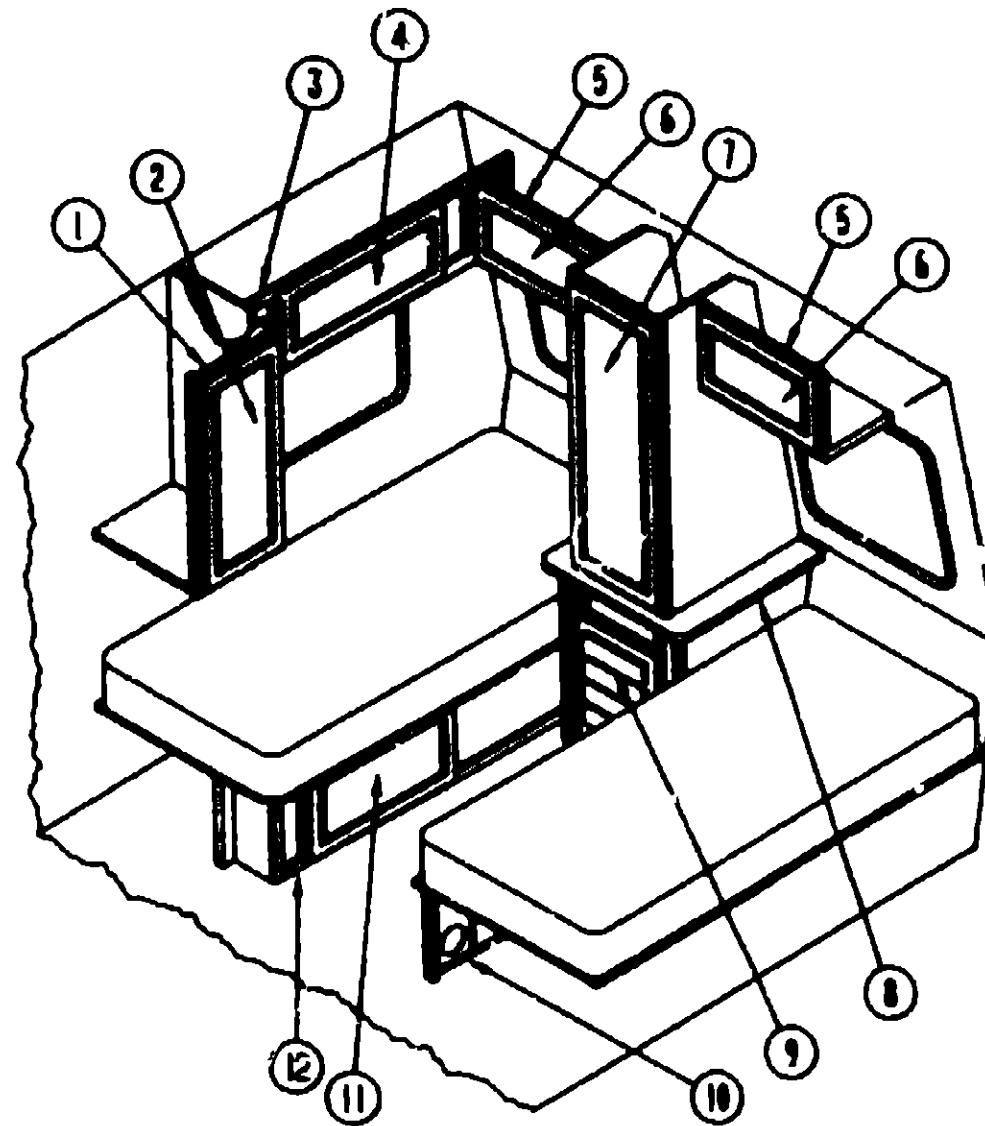
FLOOR PLAN	G-21 - G-22
ACCESSORIES	G-23
AUDIO VIDEO	G-24
BATH	H-01 - H-02
BEDROOM	H-03 - H-04
CHASSIS	H-05 - H-07
CURTAIN & CUSHION	H-08 - H-15
DINETTE	H-16 - H-17
DRIVERS	H-18 - H-20
ELECTRICAL	H-21 - H-24
EXTERIOR BODY	I-01 - I-07
GALLEY	I-08 - I-11
GENERATOR	I-12
HEATING & AC	I-13 - I-14
INTERIOR FINISH	I-15 - I-18
LABEL	I-19 - J-02
LP	J-03
LOUNGE	J-04 - J-05
SEALANTS & FASTENERS	J-06 - J-08
WATER & SEWAGE	J-09 - J-12
WINDOW, VENT AND EXTERIOR DOOR	J-13 - K-03

BEDROOM GROUP



DOUBLE BEDROOM

BEDROOM GROUP (CONTINUED)



TWIN BEDROOM

**1992 WINNEBAGO
TABLE OF CONTENTS**

INTRODUCTION	A-01	A-02
ABBREVIATIONS		A-03
ALPHABETICAL INDEX	A-04	A-08
WF427RQ	A-07	D-14
WF427RC	D-15	G-20
WF427RT	G-21	K-08

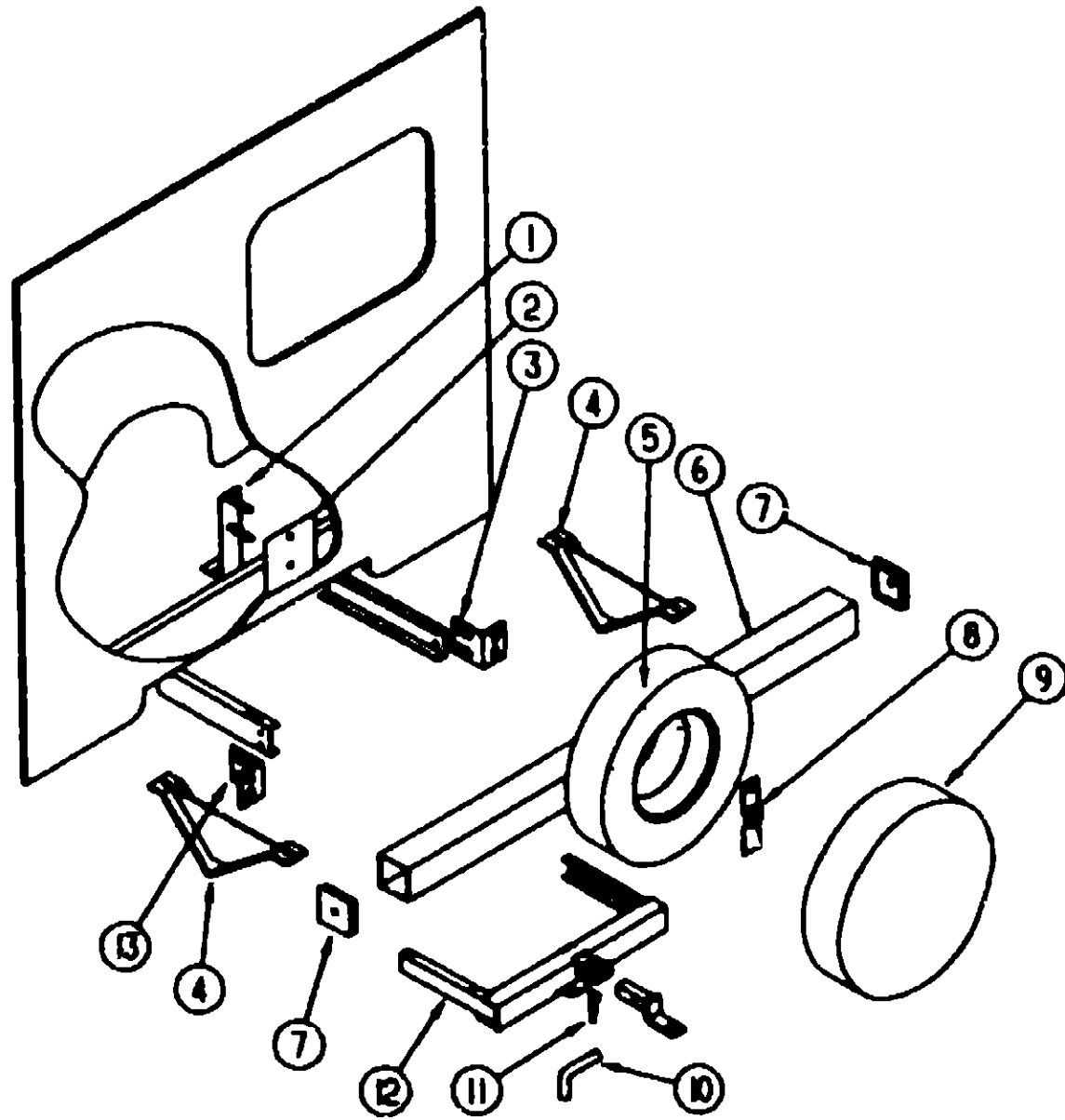
1992 WF427RT INDEX

FLOOR PLAN	G-21	G-22
ACCESSORIES		G-23
AUDIO VIDEO		G-24
BATH	H-01	H-02
BEDROOM	H-03	H-04
CHASSIS	H-05	H-07
CURTAIN & CUSHION	H-08	H-15
DINETTE	H-16	H-17
DRIVERS	H-18	H-20
ELECTRICAL	H-21	H-24
EXTERIOR BODY	I-01	I-07
GALLEY	I-08	I-11
GENERATOR		I-12
HEATING & A/C	I-13	I-14
INTERIOR FINISH	I-15	I-18
LABEL	I-19	J-02
LP		J-03
LOUNGE	J-04	J-05
SEALANTS & FASTENERS	J-06	J-08
WATER & SEWAGE	J-09	J-12
WINDOW, VENT AND EXTERIOR DOOR	J-13	K-03

KEY	PART NUMBER	U/M	DESCRIPTION
1	P07104-53-C03	EA	DRAWER ASM - RADIUS
2	P05223-19-C03	EA	DOOR ASM-W/O HARDWARE-ROUNDED - 305 X 1220
3	M05623-42-C03	EA	CABINET ASM-OVERHEAD-REAR SIDE
4	P05223-06-C03	EA	DOOR ASM-W/O HARDWARE-ROUNDED - 400 X 710
5	M05623-43-C03	EA	CABINET ASM-OVERHEAD-REAR
5	M05623-43-C04	EA	CABINET ASM-OVERHEAD-REAR
6	P05223-05-C05	EA	DOOR ASM-W/O HARDWARE-ROUNDED - 400 X 710
7	P05223-27-C03	EA	DOOR ASM-W/O HARDWARE-ROUNDED - 395 X 1155
8	107352-12-C03	EA	COUNTERTOP ASM
9	107104-B1-C03	EA	DRAWER ASM - RADIUS
10	M05775-01-000	EA	CABINET ASM-BED TOP
	057480-02-000	EA	BALL STUD-10MM BALL-5/16-18 - GAS SPRING
	057480-03-000	EA	SAFETY CLIP-WIREFORM TYPE - GAS SPRING
	057480-04-000	EA	GAS SPRING - FANZL
11	P07399-01-C03	EA	CABINET ASM-DOUBLE BED
	P05223-62-C03	EA	DOOR ASM-W/O HARDWARE-ROUNDED - 340X555
12	107535-01-C03	EA	SHIELF ASM - TV STAND
	078827-04-000	EA	BRACKET-TV STAND - 2.8" X 1/8" TRIANGLE - METAL - OFF WHITE
	078827-05-000	EA	BRACKET-TV STAND

KEY	PART NUMBER	U/M	DESCRIPTION
1	106531-01-C03	EA	CABINET ASM-SHIRT CLOSET-PASSENGER'S SIDE
	106532-01-C03	EA	CABINET ASM-SHIRT CLOSET-DRIVER'S SIDE
2	P05223-07-C03	EA	DOOR ASM-W/O HARDWARE-ROUNDED - 305 X 1015
3	M05623-29-C03	EA	CABINET ASM-OVERHEAD - REAR-PASSENGER'S SIDE
	104335-07-C03	EA	CAP ASM-END-OVERHEAD
	M05623-28-C03	EA	CABINET ASM-OVERHEAD - REAR-DRIVER'S SIDE
	104335-06-C03	EA	CAP ASM-END-OVERHEAD
4	P05223-05-C03	EA	DOOR ASM-W/O HARDWARE-ROUNDED - 400 X 710
5	M05623-27-C03	EA	CABINET ASM-OVERHEAD - REAR
6	P05223-11-C03	EA	DOOR ASM-W/O HARDWARE-ROUNDED - 400 X 520
7	P05723-32-C03	EA	DOOR ASM-W/O HARDWARE-ROUNDED - 395 X 1155
8	106756-11-C03	EA	COUNTERTOP
9	P07104-03-C03	EA	DRAWER COMPLETE-SLIDE-RADIUS
10	P03806-01-C03	EA	CABINET ASM-TWIN BED-DRIVER'S SIDE
	M05738-01-C03	EA	TWIN BED TOP ASM-DRIVER'S SIDE
11	P05223-02-C03	EA	DOOR ASM-W/O HARDWARE-ROUNDED - 305 X 800
12	P06805-01-C03	EA	CABINET ASM-TWIN BED-PASSENGER'S SIDE
	M05738-02-C03	EA	TWIN BED TOP ASM-PASSENGER'S SIDE

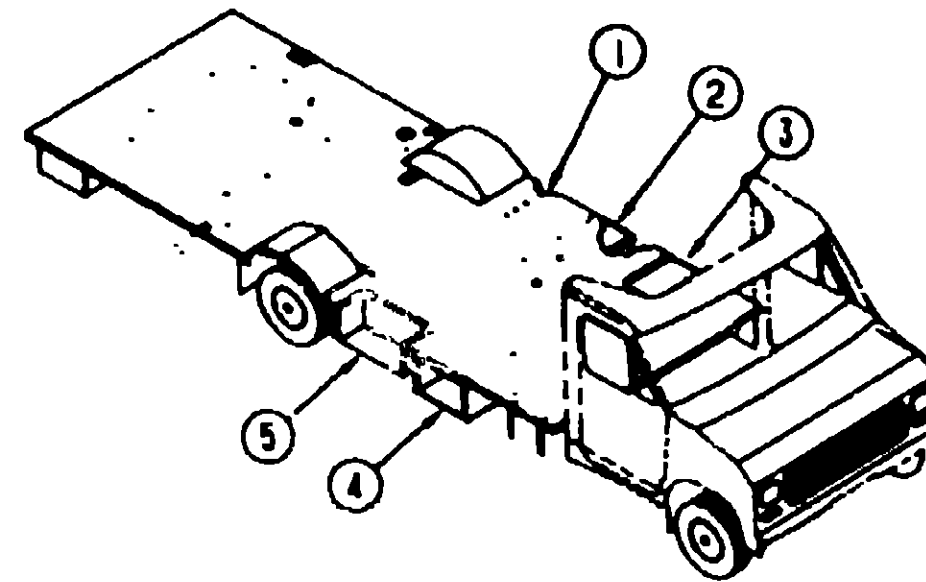
CHASSIS GROUP



REAR BUMPER, TOWING & SPARE TIRE CARRIER

KEY	PART NUMBER	UOM	DESCRIPTION
1	105208-08-C52	EA	BRACKET ASM-SPARE TIRE
2	105208-01-000	EA	PLATE-SPARE TIRE
3	104420-01-000	EA	SUPPORT-ANGLE-BUMPER REAR-RIGHT
4	083378-01-000	EA	PLATE-SKID-13.2" X 6" X 2" - STEEL
5	070917-04-000	EA	TIRE-FIRESTONE- LT 215 - 85R16 LRD - 4RS (273295)
5	083425-08-000	EA	TIRE-LT225/75R16 LRD MICHELIN XCH4
6	103422-02-01A	EA	BUMPER-SQUARE-ALUMINUM-OFF WHITE
7	039779-01-000	EA	CAP-BUMPER-RUBBER - 4" X 4" - BLACK
8	105531-02-000	EA	RETAINER ASM-SPARE TIRE
9	104408-05-C03	EA	COVER-TIRE-32"MINNIE WINNIE -SILKSCREENED-OFF WHITE
10	034512-01-000	EA	PIN-LOCKING-DRAWBAR
11	034513-01-000	EA	PIN-HITCH-3/16" WIRE
12	077817-02-000	EA	HITCH-TRAILER-W/O DRAWBAR - 41.1" WIDE - STEEL - BLACK
12	077813-01-000	EA	DRAWBAR-HITCH-TRAILER TOWING
			FROM: 00-00-00 THRU 02-02-82
13	104420-02-000	EA	SUPPORT-ANGLE-BUMPER REAR-LEFT
	087744-01-000	EA	HOUSING-TRAILER PIN-12"
	087744-02-000	EA	HOUSING-TRAILER PIN-48"
	087745-01-000	EA	HOUSING-TRAILER RECEPTACLE-12"
	087746-01-000	EA	HOUSING CAP-TRAILER PIN
	087745-02-000	EA	HOUSING-RECEPTACLE-TRAILER - 48" WIRE LENGTH

CHASSIS GROUP (CONTINUED)



COMPARTMENTS & TRAYS

KEY	PART NUMBER	UOM	DESCRIPTION
1	101870-02-000	EA	COMPARTMENT ASM-POWER CORD
2	104858-04-000	EA	COMPARTMENT ASM-STORAGE
3	105471-05-000	EA	COMPARTMENT ASM-GENERATOR
			FROM: 00-00-00 THRU 03-11-82
3	105471-08-000	EA	COMPARTMENT ASM GENERATOR
			FROM: 03-12-82 THRU 99-99-99
4	105203-02-000	EA	COMPARTMENT-BATTERY
	084883-01-000	EA	STRAP-BATTERY
5	077848-01-000	EA	STEP-PULLOUT- W/BRACKETS - BLACK
5	077848-02-000	EA	STEP-PULLOUT
5	091176-01-000	EA	SUPPORT-BASE-ENTRANCE STEP
5	078241-10-000	EA	SUPPORT-STEP- ENTRY DOOR
	078241-01-000	EA	BOX-SUPPORT- ENTRY DOOR STEP
			FROM: 00-00-00 THRU 02-03-82
	108208-01-01A	EA	COMPARTMENT-EXTERIOR SHOWER, OFF WHITE PLASTIC
	058027-01-000	FT	SEAL- D SHAPED - HOLLOW - SPONGE RUBBER - BLACK
	088270-01-000	FT	SEAL-BULB- W/WIRE RIGID U-CHANNEL - .5" - RUBBER - BLACK
	056748-01-000	EA	PLUG-CAP, 1 5" DIAMETER - BLACK
	009063-01-000	EA	HINGE-ALUMINUM - NO HOLES - 1 1/16" X 6" - UNPAINTED

CHASSIS MISCELLANEOUS

KEY	PART NUMBER	UOM	DESCRIPTION
	091182-01-000	EA	HEAT SHIELD
	084883-01-000	EA	STRAP-BATTERY
	088488-01-000	EA	UNION-INVERTED FLARE- BRASS - 3/16-BRAKE LINE

MUDFLAPS, TIRES AND WHEELS

KEY	PART NUMBER	UOM	DESCRIPTION
	017516-01-000	EA	FLAP-MUD- 14" X 18" - BLACK
	045731-04-000	EA	GUARD-ROCK- REAR
	056278-51-259	EA	TUBING-STEEL - .75" X 1.5" X 12.5"
	084089-01-700	EA	FLAP-MUD- FRONT - SET OF 2 - RUBBER - BLACK
	051377-01-000	EA	STEM-VALVE- TR 500
	077030-02-000	EA	EXTENSION-VALVE STEM- 1 25"
	085012-03-000	EA	EXTENSION-VALVE STEM- DUAL WHEEL
	070917-04-000	EA	TIRE-FIRESTONE- LT 215 - 85R16 LRD - 4RS (273295)
	083425-08-000	EA	TIRE-LT225/75R16 LRD MICHELIN XCH4
	083817-01-000	EA	WHEEL-FORD- 6 00 X 16 0 - 8 HOLE - FIRESTONE
	083817-05-000	EA	WHEEL-STEEL-16.0X8 - ACCURIDE 28818
	088322-01-000	EA	WHEELWELL-PLASTIC

1982 WINNEBAGO TABLE OF CONTENTS

INTRODUCTION	A-01 - A-02
ABBREVIATIONS	A-03
ALPHABETICAL INDEX	A-04 - A-08
WF427RQ	A-07 - D-14
WF427RC	D-15 - G-30
WF427RT	G-21 - K-08

1982 WF427RT INDEX

FLOOR PLAN	G-21 - G-22
ACCESSORIES	G-23
AUDIO VIDEO	G-24
BATH	H-01 - H-02
BEDROOM	H-03 - H-04
CHASSIS	H-05 - H-07
CURTAIN & CUSHION	H-08 - H-15
DINETTE	H-16 - H-17
DRIVERS	H-18 - H-20
ELECTRICAL	H-21 - H-24
EXTERIOR BODY	I-01 - I-07
GALLEY	I-08 - I-11
GENERATOR	I-12
HEATING & A/C	I-13 - I-14
INTERIOR FINISH	I-15 - I-18
LABEL	I-19 - J-02
LP	J-03
LOUNGE	J-04 - J-05
SEALANTS & FASTENERS	J-06 - J-08
WATER & SEWAGE	J-09 - J-12
WINDOW, VENT AND EXTERIOR DOOR	J-13 - K-08

CHASSIS GROUP (CONTINUED)

DRIVESHAFT

KEY	PART NUMBER	U/M	DESCRIPTION
	103853-08-700	EA	DRIVESHAFT ASM-BALANCED PAIR E380188*WB(158)
	074833-01-000	EA	SPACER-BEARING-DRIVESHAFT - 2" X 8" X .5" THICK

WHEEL LINERS & COVERS

KEY	PART NUMBER	U/M	DESCRIPTION
	081208-11-000	EA	LINER-WHEEL-SET 4 E350- KAPER II (FORD)
	081208-10-700	EA	COVER-AXLE-FRONT - 8 LUG - FORD
	081208-10-701	EA	COVER-AXLE-REAR - 8 LUG - FORD
	081208-10-705	EA	COVER-LUG NUT
	081208-11-700	EA	LINER-WHEEL-FRONT - 8 LUG - FORD
	081208-11-701	EA	LINER-WHEEL- REAR - 8 LUG - FORD
	083181-01-000	EA	COVER-WHEEL- 18" - SET OF FOUR
	083181-01-700	EA	COVER-WHEEL- 18" - 8 LUG - 1 ONLY

FUEL SYSTEM COMPONENTS

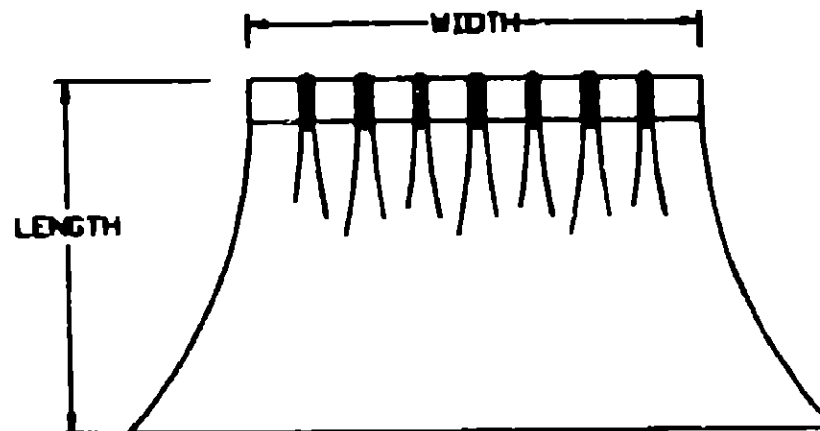
KEY	PART NUMBER	U/M	DESCRIPTION
	007053-01-000	FT	HOSE - GAS - 1/4"ID X 1/2"OD
	024138-01-000	FT	HOSE - FUEL - 5/16" ID
			FROM 00-00-00 THRU 02-27-82
	078040-05-000	EA	SHROUD - FUEL FILL - UPPER
	078200-01-000	EA	GASKET - FUEL FILL - 3.5"OD X 2"ID
	102851-01-02A	EA	SHROUD - FUEL FILL - OFF WHITE

CURTAIN & CUSHION GROUP

NOTICE

IN ORDER TO ASSIST OUR PARTS SALES DEPT. IN PROVIDING INTERIOR SOFTWARE ITEMS, PLEASE INCLUDE THE SERIAL NUMBER AND THE COLOR CODE NUMBER FROM THE VEHICLE CERTIFICATION LABEL WHEN ORDERING. THIS LABEL IS LOCATED ON THE LEFT SIDEWALL AT THE END OF THE DASH (A-BODY), OR ON THE DRIVER'S DOOR LATCH PLATE (C-BODY)

AN EXAMPLE OF A COLOR CODE NUMBER IS 607, WHICH DESIGNATES AN OVERALL COLOR SCHEME OF A PARTICULAR UNIT. THE COLOR LISTED AFTER THE ITEM DESCRIPTION ON THE MICROFICHE, INDICATES THE OVERALL UNIT COLOR. ORDER THE ITEM YOU DESIRE ACCORDING TO UNIT COLOR CODE.



NOTE. USE THIS ILLUSTRATION WHEN DETERMINING LENGTH AND WIDTH MEASUREMENTS FOR CURTAINS. YOU WILL NOTE THE WIDTH MEASUREMENT IS TAKEN ON THE TOP OF THE CURTAIN WITH THE CURTAIN FULLY EXTENDED. THE LENGTH MEASUREMENT IS TAKEN FROM TOP TO BOTTOM.

FABRIC

KEY	PART NUMBER	U/M	DESCRIPTION
	072333-82-000	YD	FABRIC-CURTAIN- 54" WIDE - BEIGE
	103807-01-01A	YD	FABRIC-VINYL- 54" WIDE - OFF WHITE
	075244-04-000	YD	FABRIC-VINYL-SHOWER CURTAIN - 72" WIDE - SALMON(C03)
	075244-06-000	YD	FABRIC-VINYL-SHOWER CURTAIN - 72" WIDE - TEAL(C04)
	088273-88-000	YD	FABRIC-CURTAIN/BEDSPREAD-PATTERNED - 54" WIDE(C03)
	088273-89-000	YD	FABRIC-CURTAIN/BEDSPREAD-PATTERNED - 54" WIDE(C04)
	088273-72-000	YD	FABRIC-CURTAIN/BEDSPREAD-PLAIN - 54" WIDE(C03)
	088273-86-000	YD	FABRIC-CURTAIN/BEDSPREAD-PLAIN - 54" WIDE(C04)
	088008-77-000	YD	FABRIC-UPHOLSTERY- STRIPED VELOUR - 54" WIDE(C03)
	088008-81-000	YD	FABRIC-UPHOLSTERY- DOTTED VELOUR - 54" WIDE(C04)
	104233-12-000	YD	FABRIC-UPHOLSTERY-SANIBEL-QUARTZ(C03)
	088008-76-000	YD	FABRIC-UPHOLSTERY- PATTERNED VELOUR - 54" WIDE(C04)
	104233-28-000	YD	FABRIC-UPHOLSTERY-PLAIN VELOUR-54"-EGGPLANT 588(C03) (DINETTE PAD)
	104233-26-000	YD	FABRIC-UPHOLSTERY- SMOKEY(C04)(DINETTE PAD)
	104233-24-000	YD	FABRIC-UPHOLSTERY-VANDERBILT-ICE BLUE(C03)
	104233-22-000	YD	FABRIC-UPHOLSTERY-VANDERBILT-AURORA(C04)
	104233-29-000	YD	FABRIC-UPHOLSTERY-PLAIN VELOUR-54"-EGGPLANT 588(C03)(MOTOR COVER)
	104233-25-000	YD	FABRIC-UPHOLSTERY-SMOKEY(C04)(MOTOR COVER)

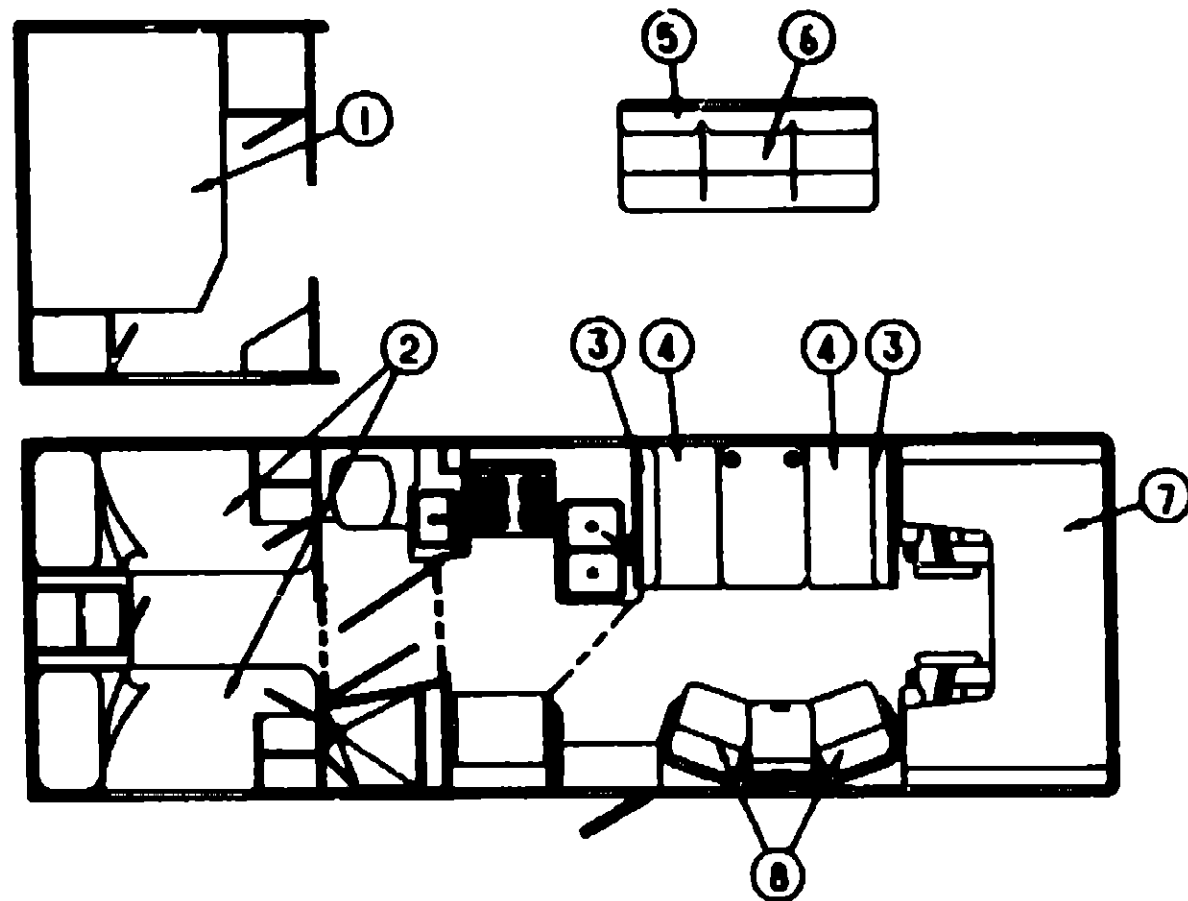
1982 WINNEBAGO TABLE OF CONTENTS

INTRODUCTION	A-01 - A-02
ABBREVIATIONS	A-03
ALPHABETICAL INDEX	A-04 - A-06
WF427RQ	A-07 - D-14
WF427RC	D-15 - G-30
WF427RT	G-21 - K-03

1982 WF427RT INDEX

FLOOR PLAN	G-21 - G-22
ACCESSORIES	G-23
AUDIO VIDEO	G-24
BATH	H-01 - H-02
BEDROOM	H-03 - H-04
CHASSIS	H-05 - H-07
CURTAIN & CUSHION	H-08 - H-15
DINETTE	H-16 - H-17
DRIVERS	H-18 - H-20
ELECTRICAL	H-21 - H-24
EXTERIOR BODY	I-01 - I-07
GALLEY	I-08 - I-11
GENERATOR	I-12
HEATING & AC	I-13 - I-14
INTERIOR FINISH	I-15 - I-18
LABEL	I-19 - J-02
LP	J-03
LOUNGE	J-04 - J-05
SEALANTS & FASTENERS	J-06 - J-08
WATER & SEWAGE	J-09 - J-12
WINDOW, VENT AND EXTERIOR DOOR	J-13 - K-03

CURTAIN & CUSHION GROUP (CONTINUED)



DOUBLE BEDSPREAD, PILLOW & MATTRESS

KEY	PART NUMBER	UOM	DESCRIPTION
1	085385-08-888	EA	BEDSPREAD-54" THROW W/ ROUNDED CORNER (C03)
1	085385-08-888	EA	BEDSPREAD-54" THROW W/ ROUNDED CORNER (C04)
1	101123-03-000	EA	MATTRESS-DOUBLE- 53" X 74"
1	P01123-03-000	EA	COVER-MATTRESS-DOUBLE- 53" X 74"
	104178-02-C03	EA	SHAM ASM-PILLOW W/1/2"WELT
	104178-02-C04	EA	SHAM ASM-PILLOW W/1/2"WELT

TWIN BEDSPREAD, PILLOW & MATTRESS

KEY	PART NUMBER	UOM	DESCRIPTION
2	085385-07-C03	EA	BEDSPREAD-33" THROW W/ ROUNDED CORNER (C03)
2	085385-07-C04	EA	BEDSPREAD-33" THROW W/ ROUNDED CORNER (C04)
2	101123-02-000	EA	MATTRESS-TWIN- 32" X 74"
2	P01123-03-000	EA	COVER-MATTRESS-TWIN- 32" X 74"
	104178-02-C03	EA	SHAM ASM-PILLOW W/1/2"WELT
	104178-02-C04	EA	SHAM ASM-PILLOW W/1/2"WELT

DINETTE CUSHIONS

KEY	PART NUMBER	UOM	DESCRIPTION
3	104148-01-C05	EA	CUSHION- 13.5 X 38 X 5-FAN VICTORIAN(C03)
3	104148-01-C06	EA	CUSHION- 13.5 X 38 X 5-FAN VICTORIAN(C04)
	P04148-01-C05	EA	COVER- 13.5 X 38 X 5-FAN VICTORIA(C03)
	P04148-01-C06	EA	COVER- 13.5 X 38 X 5-FAN VICTORIA(C04)
4	088827-88-CA8	EA	CUSHION- 21 X 38 X 5-DINETTE SEAT(C03)
4	088827-88-888	EA	CUSHION- 21 X 38 X 5-DINETTE SEAT(C04)
	M88827-88-CA8	EA	COVER- 21 X 38 X 5-DINETTE SEAT(C03)
	M88827-88-888	EA	COVER- 21 X 38 X 5-DINETTE SEAT(C04)
	078158-01-000	EA	STRAP-SNAP- BACKREST CUSHION

CURTAIN & CUSHION GROUP (CONTINUED)

COUCH

KEY	PART NUMBER	UOM	DESCRIPTION
5	100082-11-CA8	EA	BED-PRESTO-FAN BACK- 88.5"(C03)
5	100082-11-C10	EA	BED-PRESTO-FAN BACK- 88.5"(C04)
	P00082-11-CA8	EA	COVER-PRESTO-FAN BACK- 88.5"(C03)
	P00082-11-C10	EA	COVER-PRESTO-FAN BACK- 88.5"(C04)
	101085-02-000	EA	FRAME-BACK- COUCH - 88.5"
8	100082-12-CA8	EA	BED-PRESTO-FAN SEAT- 88.5"(C03)
8	100082-12-C10	EA	BED-PRESTO-FAN SEAT- 88.5"(C04)
	P00082-12-CA8	EA	COVER-PRESTO-FAN SEAT- 88.5"(C03)
	P00082-12-C10	EA	COVER-PRESTO-FAN SEAT- 88.5"(C04)
	101085-01-000	EA	FRAME-SEAT- COUCH - 88.5"
	101085-03-000	EA	FRAME-BASE- COUCH - 88.5"

BUNK CUSHIONS

KEY	PART NUMBER	UOM	DESCRIPTION
7	105573-01-C03	EA	CUSHION-OVERHEAD-FRONT- 32 X 79 X 5 FROM: 00-00-00 THRU: 01-12-82
7	105573-01-C04	EA	CUSHION-OVERHEAD-FRONT- 32 X 79 X 5 FROM: 00-00-00 THRU: 01-12-82
	P05573-01-C03	EA	COVER-OVERHEAD-FRONT- 32 X 79 X 5 FROM: 00-00-00 THRU: 01-12-82
	P05573-01-C04	EA	COVER-OVERHEAD-FRONT- 32 X 79 X 5 FROM: 00-00-00 THRU: 01-12-82
7	105573-02-C03	EA	CUSHION-OVERHEAD-REAR- 28 X 79 X 5 FROM: 00-00-00 THRU: 01-12-82
7	105573-02-C04	EA	CUSHION-OVERHEAD-REAR- 28 X 79 X 5 FROM: 00-00-00 THRU: 01-12-82
	P05573-02-C03	EA	COVER-OVERHEAD-REAR- 28 X 79 X 5 FROM: 00-00-00 THRU: 01-12-82
	P05573-02-C04	EA	COVER-OVERHEAD-REAR- 28 X 79 X 5 FROM: 00-00-00 THRU: 01-12-82
7	105573-07-C03	EA	CUSHION-OVERHEAD-FRONT- 32.5 X 80 X 5 FROM: 01-13-82 THRU: 99-99-99
7	105573-07-C04	EA	CUSHION-OVERHEAD-FRONT- 32.5 X 80 X 5 FROM: 01-13-82 THRU: 99-99-99
	P05573-07-C03	EA	COVER-OVERHEAD-FRONT- 32.5 X 80 X 5 FROM: 01-13-82 THRU: 99-99-99
	P05573-07-C04	EA	COVER-OVERHEAD-FRONT- 32.5 X 80 X 5 FROM: 01-13-82 THRU: 99-99-99
7	105573-08-C03	EA	CUSHION-OVERHEAD-REAR- 27 X 23 X 80 X 5 FROM: 01-13-82 THRU: 99-99-99
7	105573-08-C04	EA	CUSHION-OVERHEAD-REAR- 27 X 23 X 80 X 5 FROM: 01-13-82 THRU: 99-99-99
	P05573-08-C03	EA	COVER-OVERHEAD-REAR- 27 X 23 X 80 X 5 FROM: 01-13-82 THRU: 99-99-99
	P05573-08-C04	EA	COVER-OVERHEAD-REAR- 27 X 23 X 80 X 5 FROM: 01-13-82 THRU: 99-99-99
	102885-12-000	YD	TAPE-CART BIND-8474 LT TAN ESHOO 1 1/4"

SWIVEL CHAIR

KEY	PART NUMBER	UOM	DESCRIPTION
8	088428-07-888	EA	CHAIR-SWIVEL, W/O BASE, PIPE, PLATE OR SKIRT(C03)
8	088428-07-888	EA	CHAIR-SWIVEL, W/O BASE, PIPE, PLATE OR SKIRT(C04)
	M88428-07-888	EA	COVER-SWIVEL CHAIR(C03)
	M88428-07-888	EA	COVER-SWIVEL CHAIR(C04)
	088202-04-888	EA	SKIRT-SWIVEL CHAIR(C03)
	088202-04-888	EA	SKIRT-SWIVEL CHAIR(C04)
	030585-03-000	EA	PEDESTAL-LOWER-W/EXTENSION - 9" X 5" - STEEL
	083481-02-000	EA	BASE-PEDESTAL-W/10" EXTENSION
	007221-01-000	EA	SPACER-SEAT-ADJUSTER
	088248-06-000	EA	ADJUSTER-SWIVEL CHAIR- MANUAL - FORWARD & BACK
	088248-07-000	EA	ADJUSTER-SWIVEL CHAIR-W/LOCKING ARM - FORWARD & BACK
	083482-01-000	EA	SHROUD-PEDESTAL-13" - PLASTIC - BLACK

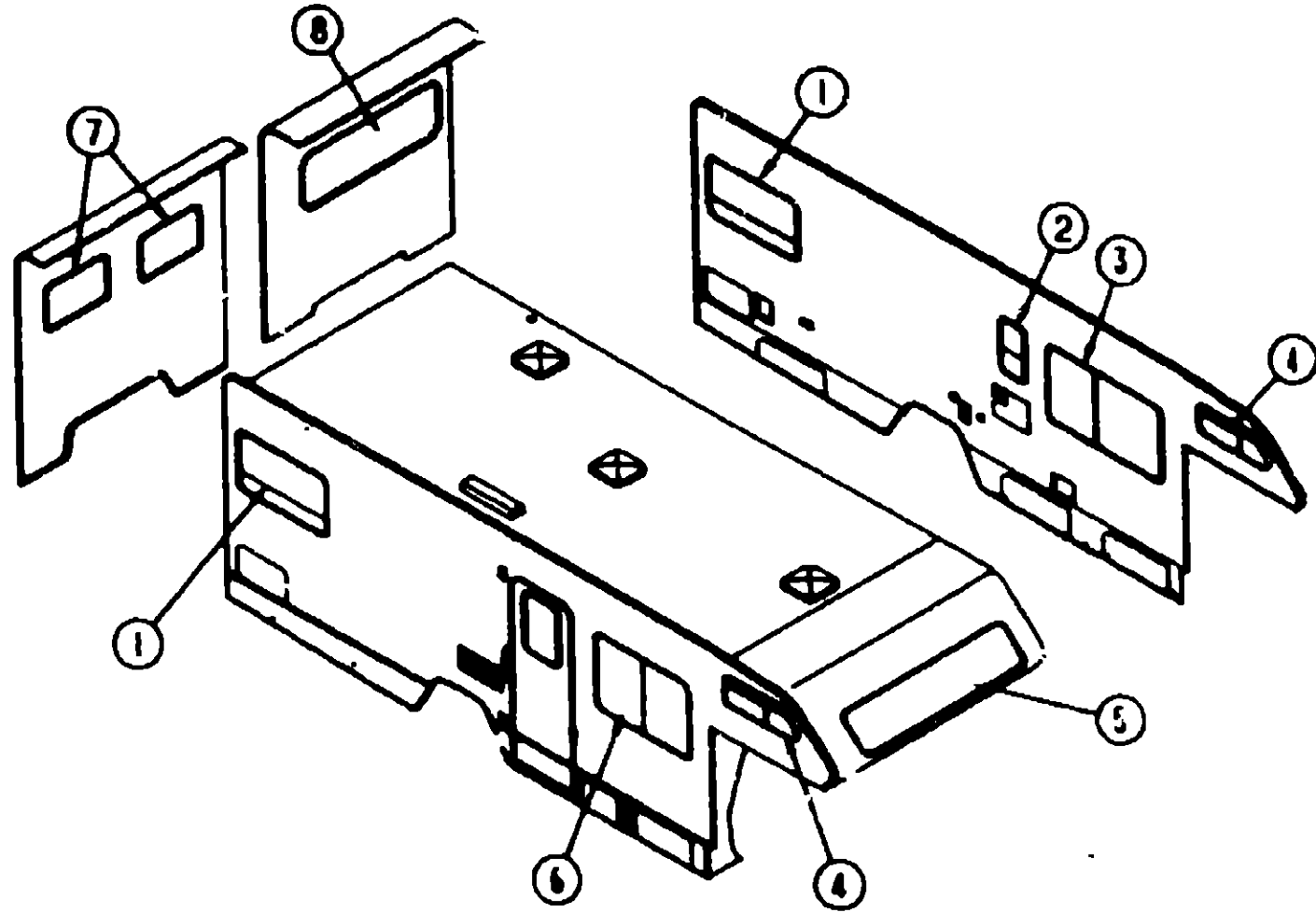
**1982 WINNEBAGO
TABLE OF CONTENTS**

INTRODUCTION	A-01 - A-02
ABBREVIATIONS	A-03
ALPHABETICAL INDEX	A-04 - A-08
WF-427RQ	A-07 - D-14
WF-427RC	D-15 - G-20
WF-427RT	G-21 - K-03

1982 WF-427RT INDEX

FLOOR PLAN	G-21 - G-22
ACCESSORIES	G-23
AUDIO VIDEO	G-24
BATH	H-01 - H-02
BEDROOM	H-03 - H-04
CHASSIS	H-05 - H-07
CURTAIN & CUSHION	H-08 - H-15
DINETTE	H-16 - H-17
DRIVERS	H-18 - H-20
ELECTRICAL	H-21 - H-24
EXTERIOR BODY	I-01 - I-07
GALLEY	I-08 - I-11
GENERATOR	I-12
HEATING & AC	I-13 - I-14
INTERIOR FINISH	I-15 - I-18
LABEL	I-19 - J-02
LP	J-03
LOUNGE	J-04 - J-05
SEALANTS & FASTENERS	J-06 - J-08
WATER & SEWAGE	J-09 - J-12
WINDOW, VENT AND EXTERIOR DOOR	J-13 - K-03

CURTAIN & CUSHION GROUP (CONTINUED)



CURTAINS & WINDOW TREATMENT

KEY	PART NUMBER	U/M DESCRIPTION
1	078882-10-C03	EA CURTAIN ASM- 28 X 20 - PLAIN HEM T&B
1	078882-10-C04	EA CURTAIN ASM- 28 X 20 - PLAIN HEM T&B
1	108207-02-C08	EA VALANCE- 47" -W/DOUBLE WELT
1	108207-02-C04	EA VALANCE- 47" -W/DOUBLE WELT
1	084755-78-C03	EA SHADE ASM-PULL- 44.25 - NO TRIM
2	108223-02-C08	EA VALANCE ASM- 18" RODEWAY
2	108223-02-C04	EA VALANCE ASM- 18" RODEWAY
2	084755-85-C03	EA SHADE ASM-PULL- 18.25 - W/BRAID TRIM
2	084755-85-C04	EA SHADE ASM-PULL- 18.25 - W/BRAID TRIM
3	078882-11-C03	EA CURTAIN ASM- 28 X 20 - PLAIN HEM T&B
3	078882-11-C04	EA CURTAIN ASM- 28 X 20 - PLAIN HEM T&B
3	108223-08-C03	EA VALANCE ASM- 44" RODEWAY
3	108223-08-C04	EA VALANCE ASM- 44" RODEWAY
3	084755-09-C03	EA SHADE ASM-PULL- 42.25 - LINEN
3	084755-09-C04	EA SHADE ASM-PULL- 42.25 - LINEN
4	101034-08-C09	EA CURTAIN ASM- 18" X 28"-TAPE TOP & BOTTOM
4	101034-08-C10	EA CURTAIN ASM- 18" X 28"-TAPE TOP & BOTTOM
5	101034-11-C03	EA CURTAIN ASM- 21 X 45-DARTED TAPE T&B
5	101034-11-C04	EA CURTAIN ASM- 21 X 45-DARTED TAPE T&B
6	078882-09-C03	EA CURTAIN ASM- 31 X 20-PLAIN HEM T&B
6	078882-09-C04	EA CURTAIN ASM- 31 X 20-PLAIN HEM T&B
6	108223-01-C03	EA VALANCE ASM- 85" RODEWAY
6	108223-01-C04	EA VALANCE ASM- 85" RODEWAY
6	084755-81-C03	EA SHADE ASM-PULL- 82.25 -W/BRAID
6	084755-81-C04	EA SHADE ASM-PULL- 82.25 -W/BRAID

CURTAIN & CUSHION GROUP (CONTINUED)

CURTAINS & WINDOW TREATMENT (CONT)

KEY	PART NUMBER	U/M DESCRIPTION
7	078882-11-C03	EA CURTAIN ASM- 28 X 20 - PLAIN HEM T&B
7	078882-11-C04	EA CURTAIN ASM- 28 X 20 - PLAIN HEM T&B
7	108207-05-C03	EA VALANCE- 28" -W/DOUBLE WELT
7	108207-05-C04	EA VALANCE- 28" -W/DOUBLE WELT
7	084755-39-C03	EA SHADE ASM-PULL- 38.25-LINEN-NO TRIM
8	108207-01-C03	EA VALANCE- 62" -W/DOUBLE WELT
8	108207-01-C04	EA VALANCE- 62" -W/DOUBLE WELT
8	084755-77-C03	EA SHADE-PULL- 49.25" WIDE - BEIGE
	078882-08-B85	EA CURTAIN-SNAP TOP-WINGWALL PRIVACY - 40" X 72" - BEIGE
	084481-10-B85	EA CURTAIN ASM-SHOWER-VINYL - 32 X 70
	084481-10-B88	EA CURTAIN ASM-SHOWER-VINYL - 32 X 70
	101888-05-B85	EA CURTAIN ASM- 30 X 60-RIGHT - TAPE TOP
	101888-05-B85	EA CURTAIN ASM- 30 X 60-LEFT - TAPE TOP
	073280-54-C09	EA TIEBACK-CURTAIN - 3" X 18"
	073280-54-C10	EA TIEBACK-CURTAIN - 3" X 18"
	073280-48-B85	EA TIEBACK-CURTAIN - 3" X 18"
	073280-48-B88	EA TIEBACK-CURTAIN - 3" X 18"
	057534-01-000	EA TIEBACK - CLEAR PLASTIC

ASSIST HANDLE & SEATBELTS

KEY	PART NUMBER	U/M DESCRIPTION
	078349-01-C03	YD WELTING-FABRIC(C03)
	078349-01-C11	YD WELTING-FABRIC(C04)
	084415-31-000	YD TRIM-BRAID-CURTAIN - PLUM(C03)
	084415-27-000	YD TRIM-BRAID-CURTAIN - BROWN(C04)
	057534-01-000	EA TIEBACK/TIEDOWN-BED/CURTAIN/DOOR- 6" - CLEAR PLASTIC
	053552-02-AA8	EA HANDLE-ASSIST- INTERIOR - ENTRY DOOR - VINYL - OFF WHITE
	089178-02-000	EA BRACKET-MOUNTING- ASSIST HANDLE - L ANGLE - WHOLESALE - ST
	000C16-07-188	EA BOLT-CARRIAGE- ASSIST HANDLE - 7/16" - 14 X 1" ZN
	000D20-07-008	EA NUT-ACORN-ASSIST HANDLE - 7/16" X 14 ZN
	057758-01-000	EA WASHER BRACKET-SEAT BELT- 4" DIAMETER
	007021-01-000	EA BELT-SEAT- 2" X 90" - BLACK

**1982 WINNEBAGO
TABLE OF CONTENTS**

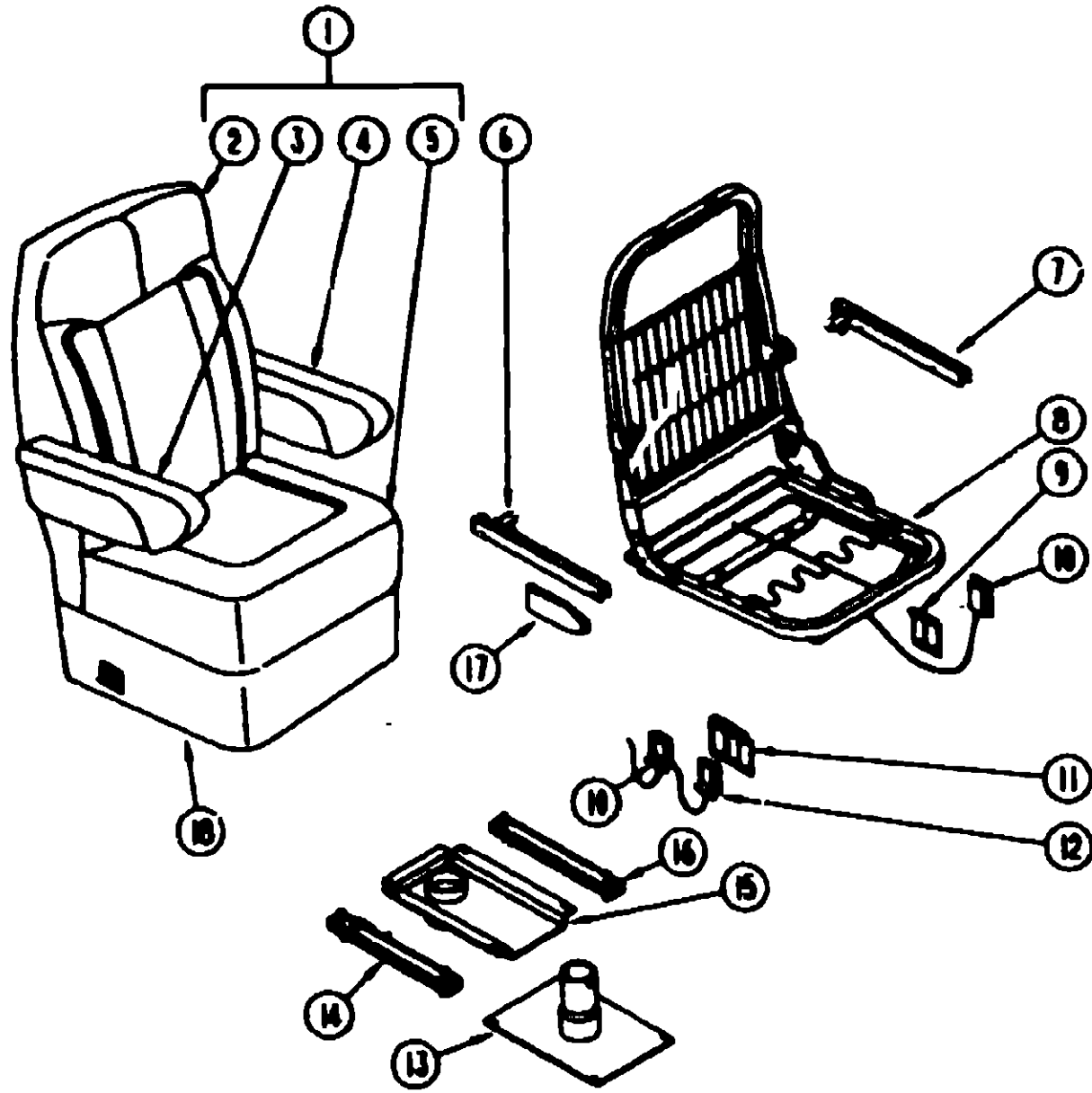
INTRODUCTION	A-01 - A-02
ABBREVIATIONS	A-03 - A-03
ALPHABETICAL INDEX	A-04 - A-06
WF427RQ	A-07 - D-14
WF427RC	D-15 - G-20
WF427RT	G-21 - K-08

1982 WF427RT INDEX

FLOOR PLAN	G-21 - G-22
ACCESSORIES	G-23 - G-23
AUDIO VIDEO	G-24 - G-24
BATH	H-01 - H-02
BEDROOM	H-03 - H-04
CHASSIS	H-05 - H-07
CURTAIN & CUSHION	H-08 - H-15
DINETTE	H-16 - H-17
DRIVERS	H-18 - H-20
ELECTRICAL	H-21 - H-24
EXTERIOR BODY	I-01 - I-07
GALLEY	I-08 - I-11
GENERATOR	I-12 - I-12
HEATING & A/C	I-13 - I-14
INTERIOR FINISH	I-15 - I-18
LABEL	I-19 - J-02
LP	J-03 - J-03
LOUNGE	J-04 - J-05
SEALANTS & FASTENERS	J-06 - J-08
WATER & SEWAGE	J-09 - J-12
WINDOW, VENT AND EXTERIOR DOOR	J-13 - K-08

CURTAIN & CUSHION GROUP (CONTINUED)

BUCKET SEATS



KEY	PART NUMBER	UOM	DESCRIPTION
1	089480-23-C03	EA	SEAT-BUCKET-W/RIGHT ARMREST(C03)
1	089480-23-C04	EA	SEAT-BUCKET-W/RIGHT ARMREST(C04)
1	089480-24-C03	EA	SEAT-BUCKET-W/LEFT ARMREST(C03)
1	089480-24-C04	EA	SEAT-BUCKET-W/LEFT ARMREST(C04)
1	089480-25-C03	EA	SEAT-BUCKET-W/RIGHT ARMREST-RECLINING(C03)
1	089480-25-C04	EA	SEAT-BUCKET-W/RIGHT ARMREST-RECLINING(C04)
1	089480-26-C03	EA	SEAT-BUCKET-W/LEFT ARMREST-RECLINING(C03)
1	089480-26-C04	EA	SEAT-BUCKET-W/LEFT ARMREST-RECLINING(C04)
2	M03445-22-C03	EA	COVER-BACK-BUCKET (C03)
2	M03445-22-008	EA	COVER-BACK-BUCKET(C04)
3	080243-49-C03	EA	ARMREST-RIGHT(C03)
3	080243-49-C11	EA	ARMREST-RIGHT (C04)
	M00243-49-C03	EA	COVER-ARMREST-RIGHT(C03)
	M00243-49-C11	EA	COVER-ARMREST-RIGHT(C04)
4	080243-50-C03	EA	ARMREST-LEFT(C03)
4	080243-50-C11	EA	ARMREST-LEFT(C04)
	M00243-50-C03	EA	COVER-ARMREST- LEFT (C03)
	M00243-50-C11	EA	COVER-ARMREST- LEFT(C04)
5	M03445-23-C03	EA	COVER-SEAT- BUCKET(C03)
5	M03445-23-008	EA	COVER-SEAT- BUCKET(C04)
6	081288-01-000	EA	ROD & CHANNEL-ARMREST- RIGHT - METAL
7	081288-02-000	EA	ROD & CHANNEL-ARMREST- LEFT - METAL
	081381-01-000	EA	ROD-ARMREST- METAL - RIGHT OR LEFT HAND
8	M00808-06-000	EA	FRAME-SEAT&BACK&SPRING
8	M00808-05-000	EA	FRAME-SEAT&BACK&SPRING -RECLINING
	101125-01-000	EA	RECLINER-SEAT BACK- LEFT HAND REMOTE
9	067883-03-000	EA	BRACKET-REMOTE- SIDE MOUNT - SINGLE
10	089388-04-000	EA	CABLE-SWIVEL- W/SWITCH - BUCKET SEAT
11	087883-02-000	EA	BRACKET-MOUNT- REMOTE
12	089388-05-000	EA	CABLE-RECLINER- W/SWITCH - BUCKET SEAT
13	089385-41-000	EA	PLATE-SUB- BASE - BUCKET SEAT - 12" X 13" - STEEL
14	089348-05-000	EA	ADJUSTER-SEAT/CHAIR- W/REMOTE - FORWARD & BACK
	089348-05-700	EA	SPRING-ADJUSTER- FOR REMOTE
	089348-05-701	EA	CLIP-CABLE- FOR REMOTE
15	083481-04-000	EA	TOP PLATE-PEDESTAL- BUCKET SEAT - W/O SEATBELT BAR
16	089348-02-000	EA	ADJUSTER-SEAT/CHAIR- W/O LOCK - FORWARD & BACK
	089385-03-000	EA	PEDESTAL-LOWER- W/EXTENSION - 8" X 5" - STEEL
17	089388-08-000	EA	SHIELD-CABLE- REMOTE RECLINER - BUCKET SEAT
18	071128-24-C03	EA	SHORT-BUCKET SEAT (C03)
18	071128-24-C11	EA	SHORT-BUCKET SEAT (C04)

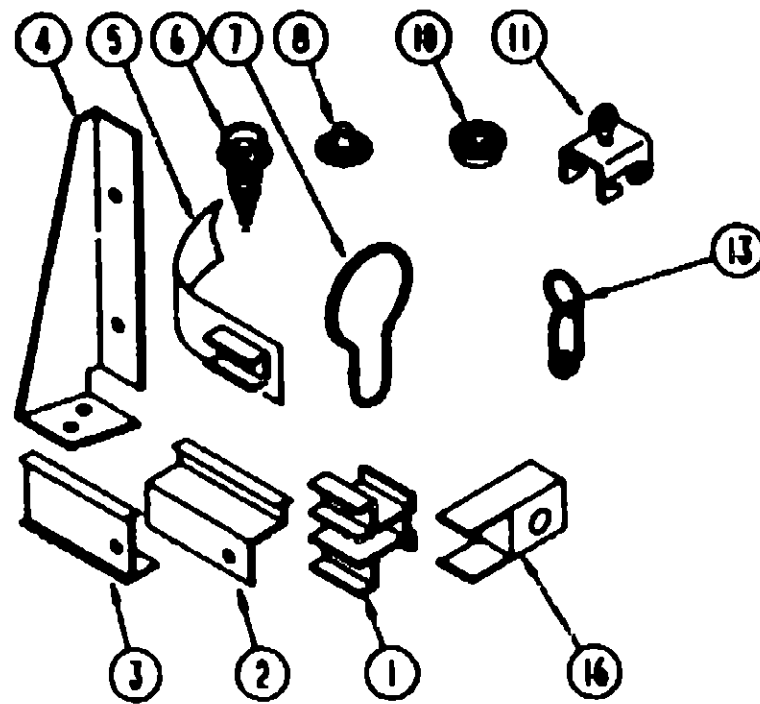
**1992 WINNEBAGO
TABLE OF CONTENTS**

INTRODUCTION	A-01 - A-02
ABBREVIATIONS	A-03
ALPHABETICAL INDEX	A-04 - A-08
WF427RO	A-07 - D-14
WF427RC	D-15 - G-20
WF427RT	G-21 - K-08

1992 WF427RT INDEX

FLOOR PLAN	G-21 - G-22
ACCESSORIES	G-23
AUDIO VIDEO	G-24
BATH	H-01 - H-02
BEDROOM	H-03 - H-04
CHASSIS	H-05 - H-07
CURTAIN & CUSHION	H-08 - H-15
DINETTE	H-16 - H-17
DRIVERS	H-18 - H-20
ELECTRICAL	H-21 - H-24
EXTERIOR BODY	I-01 - I-07
GALLEY	I-08 - I-11
GENERATOR	I-12
HEATING & A/C	I-13 - I-14
INTERIOR FINISH	I-15 - I-18
LABEL	I-19 - J-02
LP	J-03
LOUNGE	J-04 - J-05
SEALANTS & FASTENERS	J-06 - J-08
WATER & SEWAGE	J-09 - J-12
WINDOW, VENT AND EXTERIOR DOOR	J-13 - K-03

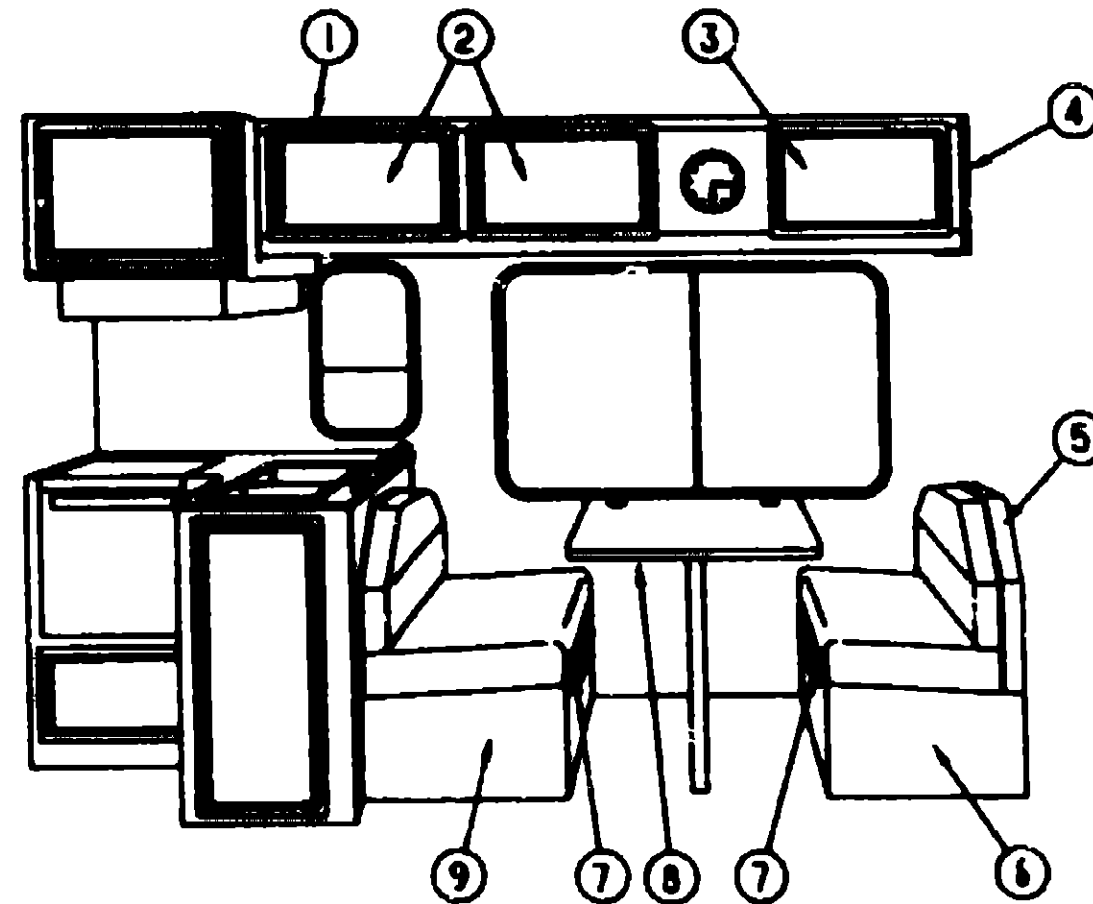
CURTAIN & CUSHION GROUP (CONTINUED)



CURTAIN & BLIND HARDWARE

KEY	PART NUMBER	UOM	DESCRIPTION
1	101033-03-000	FT	TRACK-WALL- WHITE- CT225 SHAPCO
2	105450-05-01A	FA	TRACK-CURTAIN OFF WHITE
3	022484-01-01A	EA	TRACK-CURTAIN- OFF WHITE
4	078827-04-000	EA	BRACKET-CURTAIN-W/WOOD OFF WHITE
5	101031-01-000	YD	TAPE-GLIDE-CURTAIN - 4.25" SPACING
6	029130-01-000	EA	SCREW-SNAP SOCKET- 8 PH X 5/8"
7	008138-02-000	EA	HANGER-RING- PIN TYPE - CURTAIN - BRASS
8	029155-01-000	EA	CAP-SNAP- NICKEL
10	029158-01-000	EA	SOCKET-SNAP FASTENER- NICKEL
11	008702-01-000	EA	END STOP-CURTAIN CARRIER- L ROD
13	008701-01-000	EA	CARRIER-CURTAIN-L ROD
15	101033-02-000	EA	END CAP-TRACK- CLEAR
	048857-01-000	EA	GROMMET-BRASS - 7/16" ID X 1" OD
	048394-02-000	YD	VELCRO TAPE-HOOK- ADHESIVE BACK - .75" WIDE - BEIGE
	058003-01-000	EA	BRACKET-DRAPERY RETAINING- RIGHT - METAL
	058003-02-000	EA	BRACKET-DRAPERY RETAINING- LEFT - METAL
	088716-01-001	EA	BRACE-90 DEGREE L-ANGLE- 1/2" - EXTRUDED ALUMINUM
	075943-02-000	EA	BRACE-ANGLE- WHOLE8 - 1" X 1.5" X 14" - ALUMINUM - BEIGE
	084432-06-000	FT	SLAT-ROLLER SHADE- PLASTIC
	084433-05-000	EA	SHADE-ROLLER-72.25"
	084434-01-000	EA	BRACKET-MOUNTING-ROLLER SHADE - 1 3/8"
	088782-01-000	YD	VELCRO-HOOK-.75" WIDE - BEIGE
	088782-02-000	YD	VELCRO TAPE-LOOP- ADHESIVE BACKED - .75" WIDE - BEIGE
	088843-01-000	EA	SPRING-REWIND- ROLLER SHADE
	108544-01-000	EA	PULL-SHADE-BRASS

DINETTE GROUP



DINETTE CABINETS & TABLE

KEY	PART NUMBER	UOM	DESCRIPTION
1	M06823-30-C03	EA	CABINET ASM-OVERHEAD DINETTE
1	M06823-30-C04	EA	CABINET ASM-OVERHEAD DINETTE
2	P06223-11-C03	EA	DOOR ASM-W/O HARDWARE-ROUNDED - 4000320
3	P06223-04-C03	EA	DOOR ASM-W/O HARDWARE-ROUNDED - 4000320
4	104335-23-C03	EA	CAP ASM-END - OVERHEAD
5	M04174-27-C03	EA	CABINET-SEATBACK-RIGHT
5	081518-16-C03	EA	PAD ASM-DINETTE(C03)
5	081518-16-B06	EA	PAD ASM-DINETTE(C04)
6	M04175-27-C03	EA	CABINET-SEATBASE-RIGHT
	081518-01-B03	EA	SEAT-TOP-DINETTE - PLYWOOD
7	081295-01-AA8	EA	SUPPORT-BED-DINETTE
8	M81299-08-C03	EA	TABLE-DINETTE
9	M04175-28-C03	EA	CABINET-SEATBASE-LEFT
	081518-01-B03	EA	SEAT-TOP-DINETTE - PLYWOOD

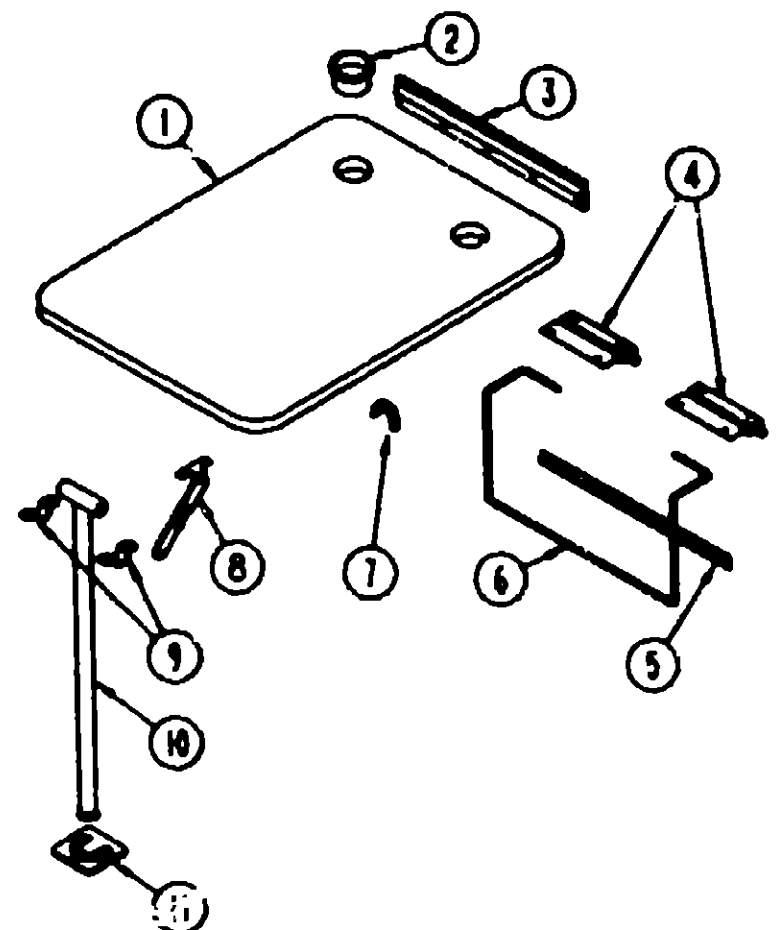
**1992 WISNEBAGO
TABLE OF CONTENTS**

INTRODUCTION	A-01 - A-02
ABBREVIATIONS	A-03 - A-05
ALPHABETICAL INDEX	A-04 - A-05
WF427RO	A-07 - D-14
WF427RC	D-15 - G-03
WF427RT	G-21 - K-08

1992 WF427RT INDEX

FLOOR PLAN	G-21 - G-22
ACCESSORIES	G-23
AUDIO VIDEO	G-24
BATH	H-01 - H-02
BEDROOM	H-03 - H-04
CHAISES	H-05 - H-07
CURTAIN & CUSHION	H-08 - H-15
DINETTE	H-16 - H-17
DRIVERS	H-18 - H-20
ELECTRICAL	H-21 - H-24
EXTERIOR BODY	I-01 - I-07
GALLEY	I-08 - I-11
GENERATOR	I-12
HEATING & AC	I-13 - I-14
INTERIOR FINISH	I-15 - I-18
LABEL	I-19 - J-02
LP	J-03
LOUNGE	J-04 - J-06
SEALANTS & FASTENERS	J-08 - J-09
WATER & SEWAGE	J-08 - J-12
WINDOW, VENT AND EXTERIOR DOOR	J-13 - K-08

DINETTE GROUP (CONTINUED)



DINETTE TABLE & HARDWARE

KEY	PART NUMBER	U/M	DESCRIPTION
1	MS1288-08-003	EA	TABLE-DINETTE
2	064781-08-000	EA	HOLDER-CUP-TWO STEP - OFF WHITE
3	053200-08-000	EA	BRACKET-TABLE SUPPORT-UPPER WALL MOUNTED - 18.5" - BEIGE
4	088410-01-000	EA	BRACKET-LIFT-TABLE MOUNTED - BEIGE
5	024281-11-000	EA	BRACKET-LIFT ROD-LOWER WALL MOUNTED - 17.12" - BEIGE
6	024275-11-000	EA	ROD-TABLE LIFT-8" X 18.5" - BEIGE
7	024283-01-000	EA	CLIP-LEG-1" - 1.125" OD - BLACK
8	024282-01-000	EA	BRACE-TABLE LEG-HINGED
9	084060-03-000	EA	CLAMP-SADDLE-LEG HINGE - BEIGE
10	024278-21-000	EA	LEG-TABLE- METAL - BEIGE
11	048483-11-700	EA	CATCH-LEG-FLOOR MOUNTED - 2.5" X 2.7" - METAL - E-COAT

DRIVERS COMPARTMENT GROUP

DASH, GAUGES & SWITCHES

KEY	PART NUMBER	U/M	DESCRIPTION
	084785-08-000	EA	CLUSTER-IP-104-82 E360 - FORD F2UF108488F (CSA)
	100138-01-000	EA	MODULE-DAYTIME RUNNING LIGHT
	024481-01-000	EA	SWITCH-BATTERY - BATT/DUAL/BOM
	081082-01-000	EA	PLAQUE-MOUNTING- BATTERY/FUEL SWITCH - 2.4" X 1.4" - BLK

**1992 WINNEBAGO
TABLE OF CONTENTS**

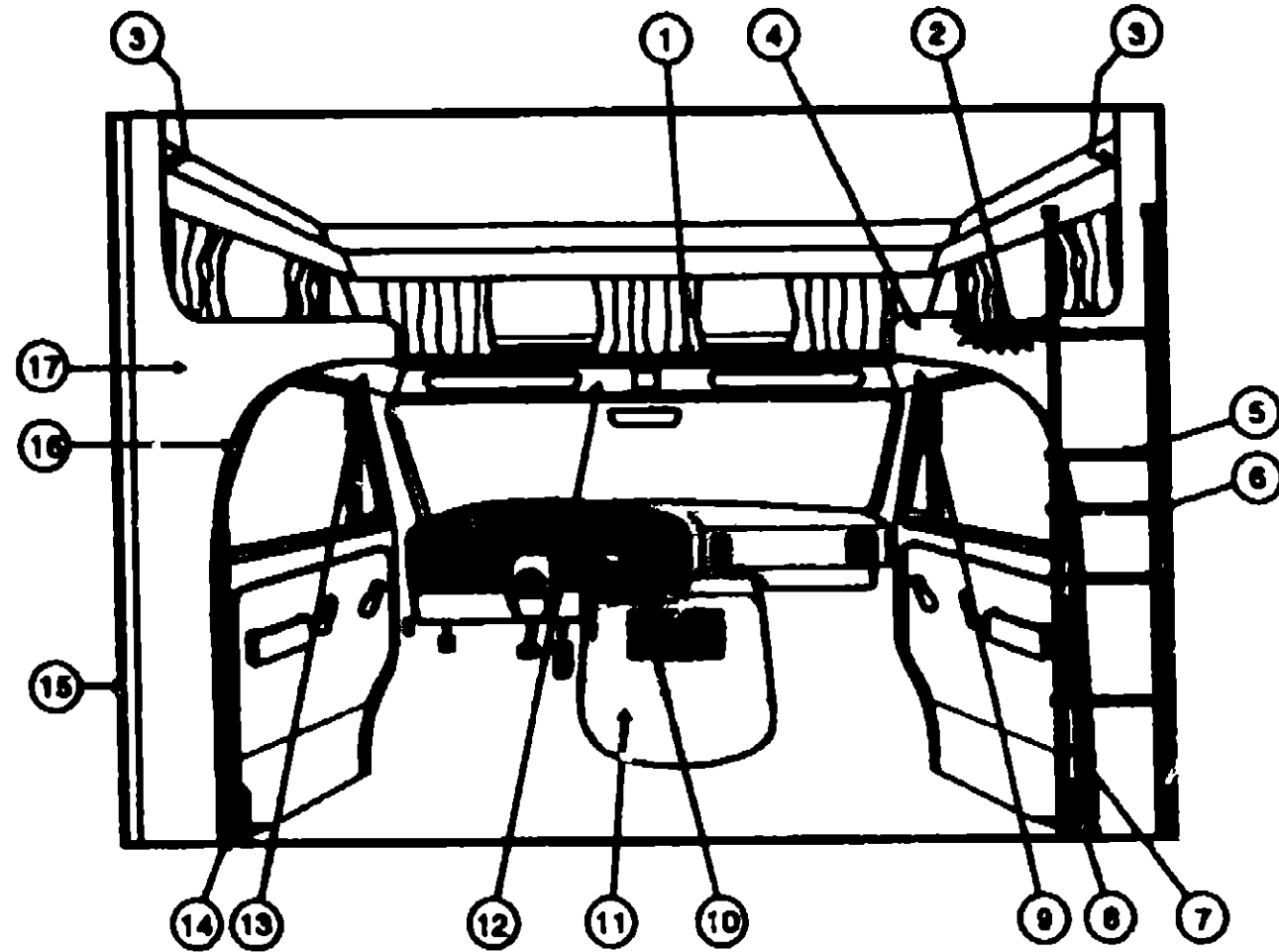
INTRODUCTION	A-01 - A-02
ABBREVIATIONS	A-03
ALPHABETICAL INDEX	A-04 - A-08
WF427RQ	A-07 - D-14
WF427RC	D-15 - G-20
WF427RT	G-21 - K-08

1992 WF427RT INDEX

FLOOR PLAN	G-21 - G-22
ACCESSORIES	G-23
AUDIO VIDEO	G-24
BATH	H-01 - H-02
BEDROOM	H-03 - H-04
CHASSIS	H-05 - H-07
CURTAIN & CUSHION	H-08 - H-15
DINETTE	H-16 - H-17
DRIVERS	H-18 - H-20
ELECTRICAL	H-21 - H-24
EXTERIOR BODY	I-01 - I-07
GALLEY	I-08 - I-11
GENERATOR	I-12
HEATING & AC	I-13 - I-14
INTERIOR FINISH	I-15 - I-18
LABEL	I-19 - J-02
LP	J-03
LOUNGE	J-04 - J-05
SEALANTS & FASTENERS	J-06 - J-08
WATER & SEWAGE	J-09 - J-12
WINDOW, VENT AND EXTERIOR DOOR	J-13 - K-03

DRIVERS COMPARTMENT GROUP (CONTINUED)

DRIVER COMPARTMENT



KEY	PART NUMBER	UOM	DESCRIPTION
1	108444-01-01A	EA	TRIM-SLEEPER BOARD-INNER-OFF WHITE
1	080742-13-000	FT	TRIM-VINYL-SLEEPER BOARD-OFF WHITE
2	108777-01-C08	EA	PAD ASM-BUNK-OVERHEAD
2	108777-01-C04	EA	PAD ASM-BUNK-OVERHEAD
3	082071-12-C08	EA	TRIM-WINGWALL- 31 5" X 5.5" - VINYL COVERED
4	108440-01-C08	EA	WINGWALL ASM-INNER-RIGHT
	108446-01-C08	EA	TRIM ASM-WINGWALL WRAP-RIGHT
5	108025-01-01A	EA	LADDER-BUNK(BLACK)-1434 MM
	108025-01-700	EA	BRACKET SET FABUNK LADDER 08-0030-00
6	088888-03-000	EA	STRAP ASM - LADDER
7	108446-01-C08	EA	TRIM ASM-CAB-B-PILLAR-RIGHT
8	108431-01-01A	EA	COVER-SEAT BELT-RIGHT-OFF WHITE
9	108447-01-C08	EA	TRIM ASM-CAB DOOR-UPPER-RIGHT
10	108834-01-C08	EA	TRAY ASM-BEVERAGE
10	107134-02-C70	EA	TRAY-BEVERAGE-OAK FORD - WPCASSETTE HOLDER
			FROM: 00-00-00 THRU: 01-28-82
			FROM: 01-27-82 THRU: 08-08-88
	048886-03-000	EA	ASHTRAY-CHROME- WCOVER
11	088885-23-C03	EA	COVER-MOTOR-WPOCKET-FORD
11	088885-23-C04	EA	COVER-MOTOR-WPOCKET-FORD
12	108448-01-C52	EA	HEADLINER-VINYL COVERED - FRONT - OFF WHITE
13	108447-02-C08	EA	TRIM ASM-CAB DOOR-UPPER-LEFT
14	108431-02-01A	EA	COVER-SEAT BELT-LEFT - OFF WHITE
15	082081-18-C08	EA	TRIM-WINGWALL- 1.5" X 22.4" - VINYL COVERED
	082081-20-C08	EA	TRIM-WINGWALL- 1.5" X 78 5" - VINYL COVERED (DRIVER SIDE)
16	108446-02-C08	EA	TRIM ASM-CAB-B-PILLAR-RIGHT
17	108440-02-C08	EA	WINGWALL ASM-INNER-LEFT
	108446-02-C08	EA	TRIM ASM-WINGWALL WRAP-LEFT

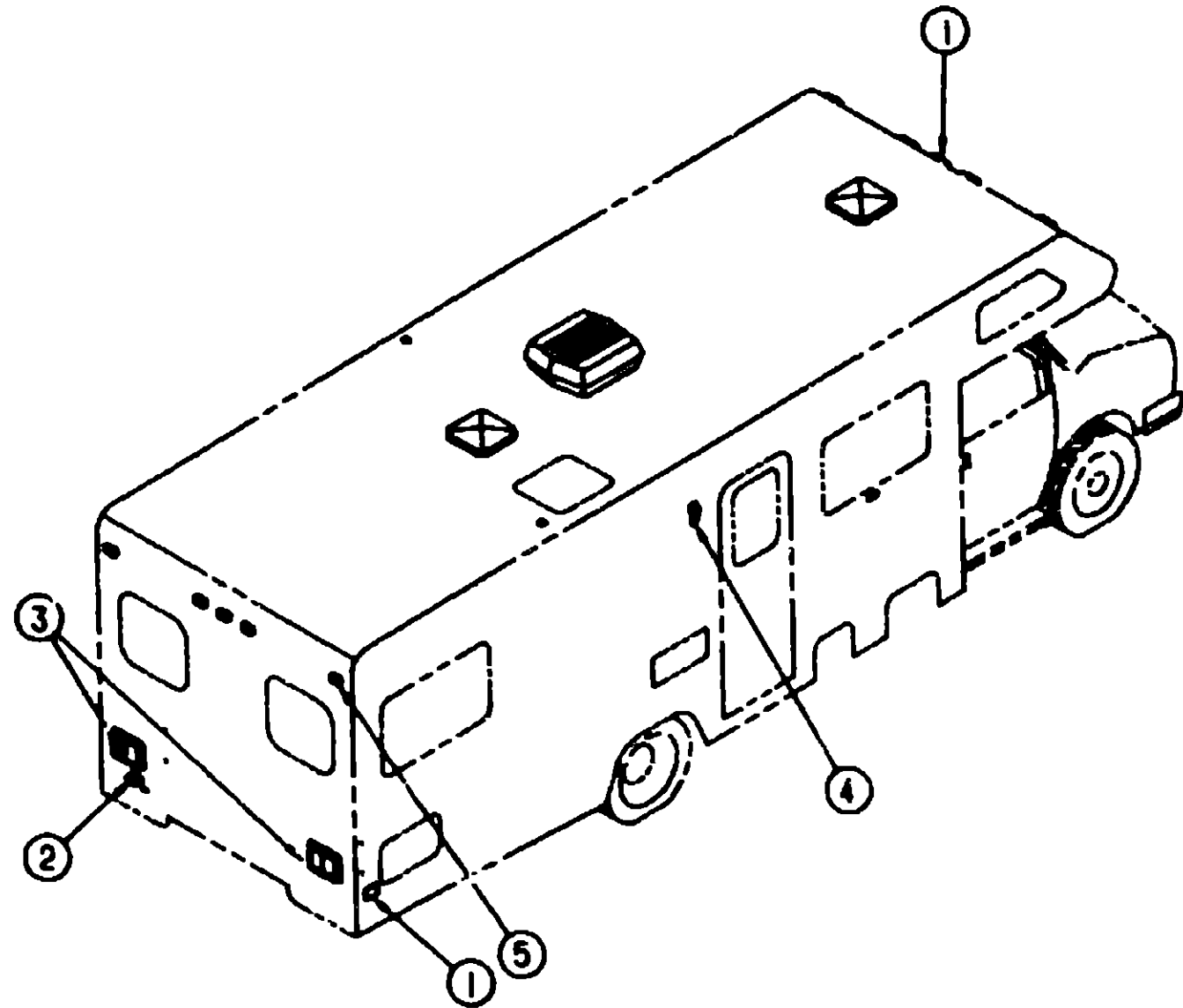
1982 WINNEBAGO TABLE OF CONTENTS

INTRODUCTION	A-01 - A-02
ABBREVIATIONS	A-03
ALPHABETICAL INDEX	A-04 - A-08
WF427RQ	A-07 - D-14
WF427RC	D-15 - G-20
WF427RT	G-21 - K-03

1982 WF427RT INDEX

FLOOR PLAN	G-21 - G-22
ACCESSORIES	G-23
AUDIO VIDEO	G-24
BATH	H-01 - H-02
BEDROOM	H-03 - H-04
CHASSIS	H-05 - H-07
CURTAIN & CUSHION	H-08 - H-15
DINETTE	H-16 - H-17
DRIVERS	H-18 - H-20
ELECTRICAL	H-21 - H-24
EXTERIOR BODY	I-01 - I-07
GALLEY	I-08 - I-11
GENERATOR	I-12
HEATING & A/C	I-13 - I-14
INTERIOR FINISH	I-15 - I-18
LABEL	I-19 - J-02
LP	J-03
LOUNGE	J-04 - J-05
SEALANT'S & FASTENERS	J-06 - J-08
WATER & SEWAGE	J-09 - J-12
WINDOW, VENT AND EXTERIOR DOOR	J-13 - K-03

ELECTRICAL GROUP



EXTERIOR LIGHTS

KEY	PART NUMBER	U/M DESCRIPTION
1	001983-01-000	EA GASKET-CLEARANCE/SIDEMARKER LIGHT
1	042405-02-000	EA LENS-CLEARANCE/SIDEMARKER LIGHT W/REFLEX - AMBER
1	042405-03-000	EA BASE-CLEARANCE/SIDEMARKER LIGHT W/BULB - PLASTIC - WHITE
	008213-01-000	EA BULB -12 V - NO. 57 - .24 AMP
2	008432-01-000	EA LIGHT-LICENSE PLATE W/RACKET
3	001638-01-000	EA TAILLIGHT-DOUBLE - W/BLACK TRIM - DRIVER & PASS SIDE
	037834-01-000	EA BULB# 1156 (BACK UP & TURN SIGNAL)
	037835-01-000	EA BULB# 2057 OR 1157 (BRAKE LIGHT)
3	001638-01-700	EA LENS-TAILLIGHT - RED
3	001638-01-701	EA LENS-TAILLIGHT - W/BACKUP
	103355-01-01A	EA POD-TAILLIGHT OFF WHITE
4	007917-01-01A	EA LIGHT-PORCH ENTRY DOOR - OFF WHITE
4	008215-01-000	EA BULB-12V-#1033-04AMP
4	007917-01-700	EA LENS-LIGHT PORCH
5	042405-03-000	EA BASE-CLEARANCE/SIDEMARKER LIGHT W/BULB - PLASTIC - WHITE
5	001983-01-000	EA GASKET-CLEARANCE/SIDEMARKER LIGHT
5	042405-01-000	EA LENS-CLEARANCE/SIDEMARKER LIGHT W/REFLEX - RED

ELECTRICAL GROUP (CONTINUED)

ELECTRIC BOXES & POWER CORDS

KEY	PART NUMBER	U/M DESCRIPTION
	008288-01-000	EA BOX-PLASTIC ELECTRIC - 3" X 3 1/2"
	008288-02-000	EA BOX-PLASTIC ELECTRIC - 3.94" X 3.13" X 1.81"
	008289-01-000	EA BOX-ELECTRIC - STEEL - 1/2" AND 3/4" KNOCKOUTS - 4" X 4"
	008289-02-000	EA BOX-ELECTRIC - 4" X 4" - 1/2" & 3/4" KNOCKOUTS - CANADIAN
	058048-01-000	EA BOX-ELECTRIC SWITCH - 2" X 3" X 2.25"
	001810-01-000	EA BOX-ELECTRIC - 3.75" X 3.5" X 1.75" - PLASTIC
	003003-01-000	EA BOX-ELEC-STL 4X2 1/8X2 1/8 STL CTY 58371 1/2
	007948-01-000	EA BUSS BAR-2 POSITION - .6" X 1.5" - ALUMINUM
		FROM: 12-08-91 THRU 00-00-00
	008054-01-000	EA CORD-POWER - 10/3 - 30 AMP - 25'
	008052-01-000	EA CORD-POWER - 10/3 - 30 AMP - 25' - CANADIAN
	008238-01-000	EA COVER-ELECTRICAL BOX - WHOLE - 4" X 4" - GRAY USED WITH 30 AMP RECEPTACLE
	008294-01-000	EA COVER-ELECTRIC 'L BOX - BLANK STEEL - 4" X 4" - GRAY
	008294-02-000	EA COVER-ELECTRICAL BOX - BLANK STEEL - 4" X 4" - CANADIAN
	008188-01-000	EA SOLENOID-3 POST - BATTERY CHANGE OVER

WIRING ASSEMBLIES

KEY	PART NUMBER	U/M DESCRIPTION
	103328-08-000	EA WIRE ASM-PUMP-EXTERIOR SHOWER
	008448-01-000	EA WIRE ASM- WATER TANK TO MONITOR PANEL
	108851-01-000	EA WIRE ASM-DAYTIME RUNNING LIGHTS-W/FUSE

SWITCHES & RECEPTACLES

KEY	PART NUMBER	U/M DESCRIPTION
	075723-01-000	EA BLOCK-SWITCH - SPACER W/O HOLE
	007734-01-02A	EA EXTENSION-RECEPTACLE - 3.2" X 5" X .7" - PLASTIC - BROWN
	075738-02-000	EA COVER-EXTERIOR RECEPTACLE - OFF WHITE
	007940-01-000	EA RECEPTACLE-SLIDE - 18 TO 12 AWG - FEMALE END
	024824-02-000	EA RECEPTACLE-POWER CORD - W/PARTIAL PLATE
	058707-01-000	EA RECEPTACLE-ELECTRIC - SINGLE - BROWN
	058708-01-000	EA RECEPTACLE-ELECTRIC - DOUBLE - BROWN
	080015-02-000	EA RECEPTACLE-FLAG - .185 - 18/14 GA - AMP 3
	080015-03-000	EA RECEPTACLE-FLAG - .250 - 14/16 GA
	084076-01-070	EA RECEPTACLE-GFI - 15A - 125V - IVORY
	005188-01-01A	EA SPACER-SWITCH - 2.3" X 3.4" - PLASTIC - DARK BROWN
	102588-01-810	EA SPACER-RECEPTACLE - BETWEEN SIDEWALL & PLATE - WOOD
	008241-07-000	EA SWITCH-ROCKER - DPDT - ON/OFF - BLACK
	079364-01-000	EA SWITCH-ON/OFF ROCKER - 2 PRONGS - BROWN
	004077-01-000	EA PLATE-COVER - RECEPTACLE - GFI - IVORY
	004250-04-000	EA COVER - ANGLED - W/O HOLE - 3.6" X 4.5" - PLASTIC - OFF WHITE
	008351-01-01A	EA PLATE-SWITCH - 1 GANG - POLISHED BRASS
	008351-02-01A	EA PLATE-SWITCH - 2 GANG - POLISHED BRASS

CONTROL CENTER/POWER CONVERTER

KEY	PART NUMBER	U/M DESCRIPTION
	094806-01-000	EA CONTROL CENTER - 240V - 125A - TPL412CT
	002815-01-000	EA CONVERTER - 40 AMP - W/CHARGER - B-W 32400P

1992 WINNEBAGO TABLE OF CONTENTS

INTRODUCTION	A-01 - A-02
ABBREVIATIONS	A-03
ALPHABETICAL INDEX	A-04 - A-06
WF427RQ	A-07 - D-14
WF427RC	D-15 - G-20
WF427RT	G-21 - K-03

1992 WF427RT INDEX

FLOOR PLAN	G-21 - G-22
ACCESSORIES	G-23
AUDIO VIDEO	G-24
BATH	H-01 - H-02
BEDROOM	H-03 - H-04
CHASSIS	H-05 - H-07
CURTAIN & CUSHION	H-08 - H-15
DINETTE	H-16 - H-17
DRIVERS	H-18 - H-20
ELECTRICAL	H-21 - H-24
EXTERIOR BODY	I-01 - I-07
GALLEY	I-08 - I-11
GENERATOR	I-12
HEATING & A/C	I-13 - I-14
INTERIOR FINISH	I-15 - I-18
LABEL	I-19 - J-02
LP	J-03
LOUNGE	J-04 - J-05
SEALANTS & FASTENERS	J-06 - J-08
WATER & SEWAGE	J-09 - J-12
WINDOW, VENT AND EXTERIOR DOOR	J-13 - K-03

ELECTRICAL GROUP (CONTINUED)

FUSES & CIRCUIT BREAKERS

KEY	PART NUMBER	U/M	DESCRIPTION
	082901-02-000	EA	FUSE-5 AMP-AUTOMOTIVE
	082901-05-000	EA	FUSE-15 AMPS-AUTOMOTIVE
	008235-01-000	EA	FUSE-15 AMP-AUTOMOTIVE-12V
	100341-01-000	EA	FUSE HOLDER-IN LINE TYPE
	107185-01-01A	EA	BOX-CIRCUIT BREAKER MOUNT-BLACK
			FROM: 12-08-91 THRU 99-99-99
	008211-01-000	EA	CIRCUIT-BREAKER-12V - 6AMP
			FROM: 00-00-00 THRU 12-05-91
	083854-01-000	EA	CIRCUIT BREAKER-6 AMP - HOUSE CONTROL PANEL
			FROM: 12-08-91 THRU 99-99-99
	083209-01-000	EA	CIRCUIT BREAKER-15 AMP - 120V - BW G-1S(CANADIAN)
	083209-02-000	EA	CIRCUIT BREAKER-15/15AMP - 120V - BW - H-15/15
	083209-03-000	EA	CIRCUIT BREAKER-15/20AMP - 120V - BW - D-15/20
	083209-06-000	EA	CIRCUIT BREAKER-30/15 AMP - 120V - BW D-30/15
	083855-02-000	EA	CIRCUIT BREAKER-30 AMP - HOUSE CONTROL PANEL
	083209-04-000	EA	CIRCUIT BREAKER-30A - 120V - BW L-30
	094810-01-000	EA	CIRCUIT BREAKER-DOUBLE-20 AMP - GE THOL2130
	094811-01-000	EA	CIRCUIT BREAKER-DOUBLE-30 AMP - GE THOL2120

CONDUIT

KEY	PART NUMBER	U/M	DESCRIPTION
	041953-01-000	FT	CONDUIT-CONVOLUTE SLIT - 5" ID
	041953-03-000	FT	CONDUIT-CONVOLUTE SLIT - 1" ID (CLOTHES ROD COVER)
	041953-06-000	FT	CONDUIT-CONVOLUTE SLIT - .375" ID
	041953-07-000	FT	CONDUIT-CONVOLUTE SLIT - .25" ID
	041953-08-000	FT	CONDUIT-CONVOLUTE SLIT - 1.50" ID
	041953-09-000	FT	CONDUIT-CONVOLUTE SLIT - 50" ID
	041953-10-000	FT	CONDUIT-CONVOLUTE SLIT - .75" ID
	041953-11-000	FT	CONDUIT-CONVOLUTE SLIT - 1.06" ID

INTERIOR LIGHTS

KEY	PART NUMBER	U/M	DESCRIPTION
	088024-01-01A	EA	LIGHT-DOME - 1 BULB - US - IVORY
	088024-03-01A	EA	LIGHT-DOME - 2 BULB - IVORY
	008218-01-000	EA	BULB-DOME LIGHT - 12V - NUMBER 1141
	088024-01-700	EA	LENS-DOME LIGHT

ELECTRICAL GROUP (CONTINUED)

CONNECTORS, HOUSINGS, & TERMINALS

KEY	PART NUMBER	U/M	DESCRIPTION
	008355-01-000	EA	CONNECTOR-CABLE CLAMPING - 3/4"
	058028-01-000	EA	CONNECTOR-ELECTRICAL PIGTAIL - NYLON - CLEAR
	088475-01-000	EA	CONNECTOR-PIN-14 TO 20 AWG
	088475-02-000	EA	CONNECTOR-PIN- 10 TO 12 AWG
	008356-01-000	EA	CONNECTOR-PLASTIC - 3/8" AVG
	088476-01-000	EA	CONNECTOR-SOCKET- BRASS - PRE-TIN
	088476-02-000	EA	CONNECTOR-SOCKET-12-10 GA - PHOS. BRZ - PRE-TIN
	088314-01-000	EA	CONNECTOR-WIRE NUT - INSULATED - GRAY
	063910-01-000	EA	HOUSING-RELAY - BOSCH 3 334 485 008
	088473-05-000	EA	HOUSING-PIN-6 POSITION (SINGLE ROW)
	088473-06-000	EA	HOUSING-PIN-6 POSITION (TWO ROWS OF THREE)
	088473-08-000	EA	HOUSING-PIN-4 POSITION
	088473-09-000	EA	HOUSING-PIN-3 POSITION (SINGLE ROW)
			FROM: 12-12-91 THRU 99-99-99
	088473-10-000	EA	HOUSING-PIN-2 POSITION
	088474-06-000	EA	HOUSING-SOCKET-6 POSITION (2 ROWS OF THREE)
	088474-07-000	EA	HOUSING-SOCKET - 5 CAVITY AMP 1-480764-0
	088474-08-000	EA	HOUSING-SOCKET-4 POSITION (SINGLE ROW)
	088474-09-000	EA	HOUSING-SOCKET-3 POSITION
	088474-10-000	EA	HOUSING-SOCKET-2 POSITION
	008326-01-000	EA	TERMINAL-RING - 16/14 WIRE - 3/8" STUD
	008328-01-000	EA	TERMINAL-RING - 12/10 WIRE - #10 STUD FIT
	008331-01-000	EA	TERMINAL-RING - TONGUE - #4 WIRE - 3/8" STUD - COPPER
	008348-01-000	EA	TERMINAL-RING - 3/8" STUD - #2 WIRE
			CONNECTS CABLE TO DISCONNECT RELAY AND BATTERY
	035416-04-000	EA	TERMINAL-RING #10 STUD FIT - INSULATED BARREL #16/14
	047443-01-000	EA	TERMINAL- 250 RECEP. FIT - INSULATED - 16/14 AWG
	047443-02-000	EA	TERMINAL-250 RECEP FIT - INSULATED - 12/10 AWG
	077476-02-000	EA	BOOT-BATTERY TERMINAL-SINGLE CABLE
	090971-01-000	EA	SPLICE-CABLE-110 VOLT
	090971-02-000	EA	SPLICE-CABLE-110 VOLT - TAP

1992 WINNEBAGO TABLE OF CONTENTS

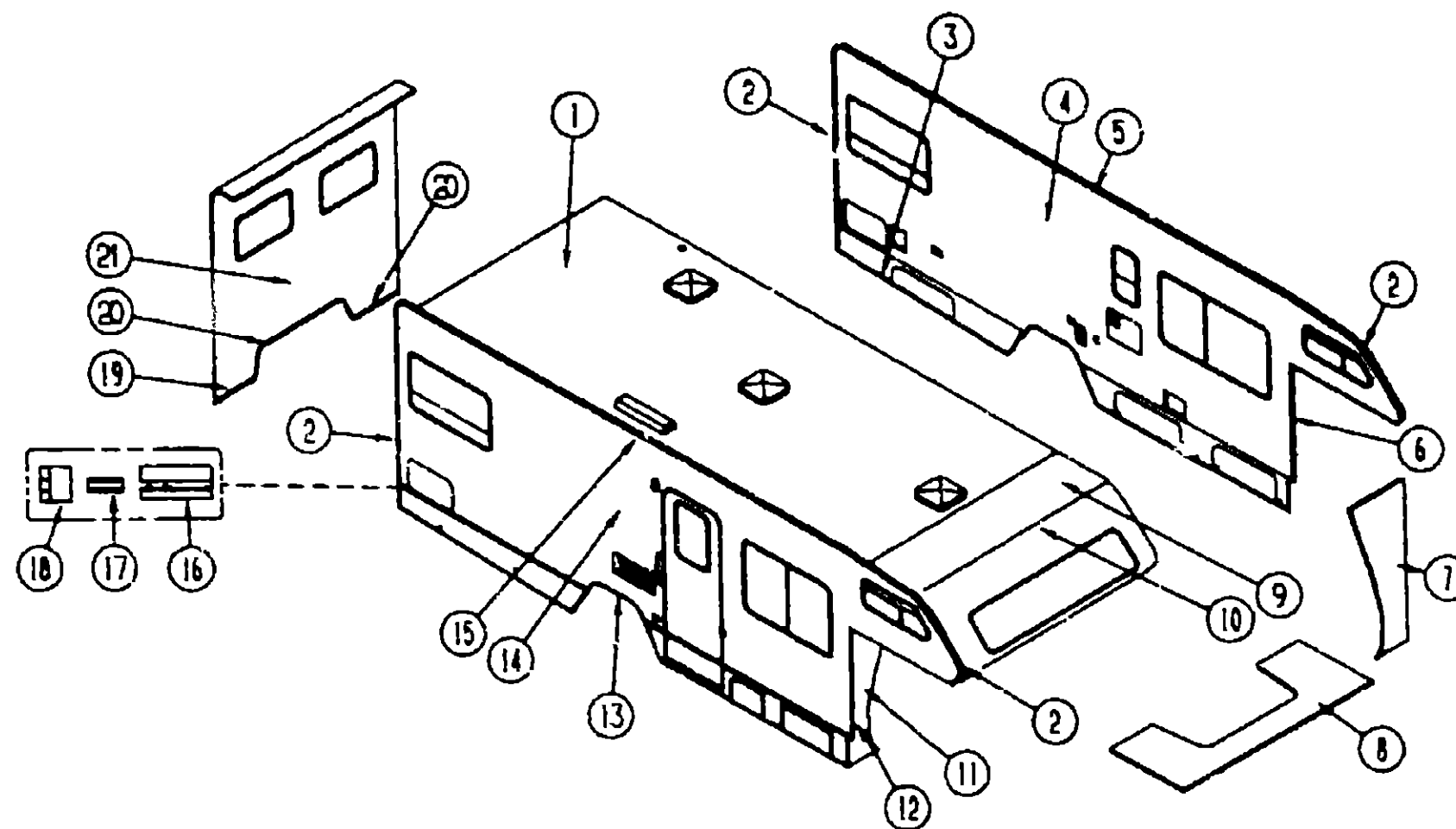
INTRODUCTION	A-01	-	A-02
ABBREVIATIONS			A-03
ALPHABETICAL INDEX	A-04	-	A-08
WF427R2	A-07	-	D-14
WF427RC	D-15	-	G-20
WF427RT	G-21	-	K-03

1992 WF427RT INDEX

FLOOR PLAN	G-21	-	G-22
ACCESSORIES			G-23
AUDIO VIDEO			G-24
BATH	H-01	-	H-02
BEDROOM	H-03	-	H-04
CHASSIS	H-05	-	H-07
CURTAIN & CUSHION	H-08	-	H-15
DINETTE	H-16	-	H-17
DRIVERS	H-18	-	H-20
ELECTRICAL	H-21	-	H-24
EXTERIOR BODY	I-01	-	I-07
GALLEY	I-08	-	I-11
GENERATOR			I-12
HEATING & A/C	I-13	-	I-14
INTERIOR FINISH	I-15	-	I-18
LABEL	I-19	-	J-02
LP			J-03
LOUNGE	J-04	-	J-05
SEALANTS & FASTENERS	J-06	-	J-08
WATER & SEWAGE	J-09	-	J-12
WINDOW, VENT AND EXTERIOR DOOR	J-13	-	K-03

EXTERIOR BODY GROUP

EXTERIOR BODY PANELS



1992 WINNEBAGO TABLE OF CONTENTS

INTRODUCTION	A-01 - A-02
ABBREVIATIONS	A-03
ALPHABETICAL INDEX	A-04 - A-06
WF427RQ	A-07 - D-14
WF427RC	D-15 - G-20
WF427RT	G-21 - K-03

1992 WF427RT INDEX

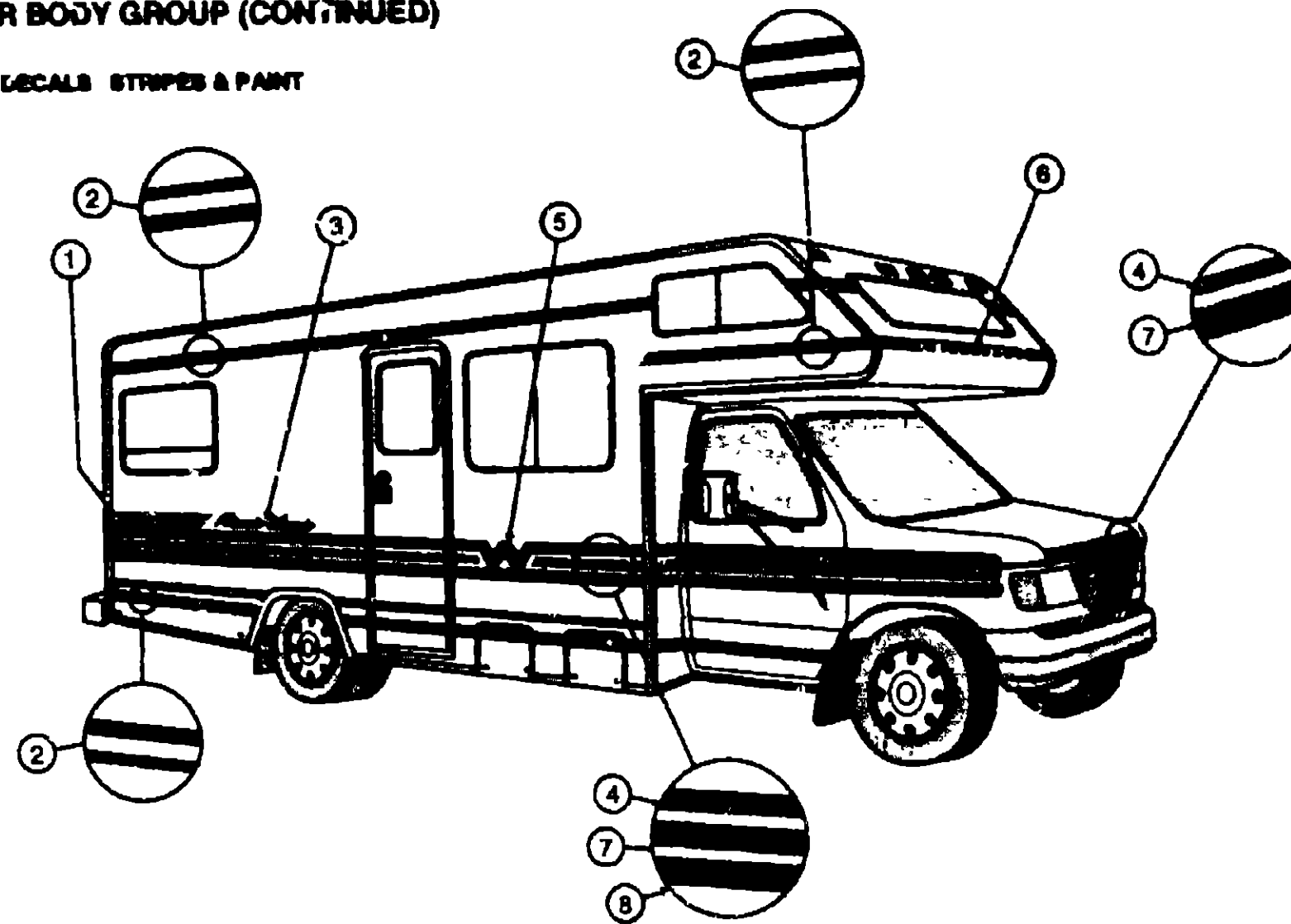
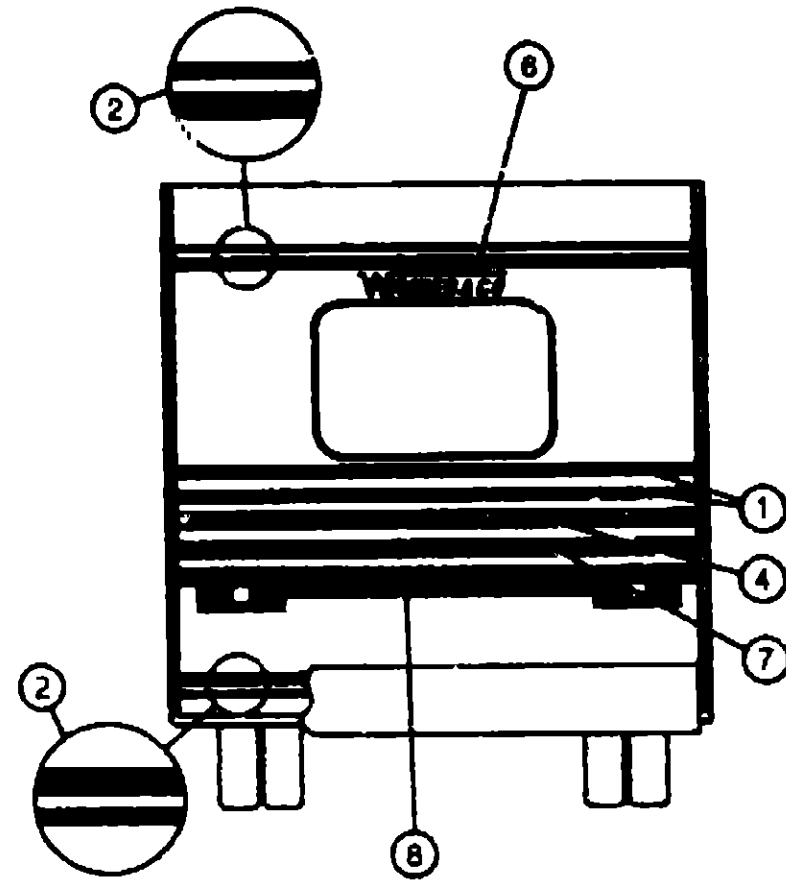
FLOOR PLAN	G-21 - G-22
ACCESSORIES	G-23
AUDIO VIDEO	G-24
BATH	H-01 - H-02
BEDROOM	H-03 - H-04
CHASSIS	H-05 - H-07
CURTAIN & CUSHION	H-08 - H-15
DINETTE	H-16 - H-17
DRIVERS	H-18 - H-20
ELECTRICAL	H-21 - H-24
EXTERIOR BODY	I-01 - I-07
GALLEY	I-08 - I-11
GENERATOR	I-12
HEATING & A/C	I-13 - I-14
INTERIOR FINISH	I-15 - I-18
LABEL	I-19 - J-02
LP	J-03
LOUNGE	J-04 - J-05
SEALANTS & FASTENERS	J-06 - J-08
WATER & SEWAGE	J-09 - J-12
WINDOW, VENT AND EXTERIOR DOOR	J-13 - K-03

KEY	PART NUMBER	U/M	DESCRIPTION
1	P06691-01-C03	EA	ROOF ASM W/BASES
2	096954-01-01A	EA	TRIM-CONTOUR - W/O VINYL INSERT - 108" - OFF WHITE
	10S312-01-01A	FT	INSERT-TRIM - VINYL - OFF WHITE
3	096072-55-001	EA	EXTR-CHANNEL - OFF WHITE - 4677MM
4	F06631-01-C03	EA	SIDEWALL ASM-LEFT
5	096964-01-01A	EA	TRIM-CONTOUR - ROOF TO SIDEWALL - DR OR PASS - 120"
	064675-54-003	EA	STL-ANG ROOF JOINT 1220 MM-OFF WHITE
6	104479-04-01A	EA	TRIM-CONTOUR-FRONT-DRIVER - OFF WHITE
7	106438-02-C03	EA	WINGWALL ASM - LEFT
	079203-04-000	EA	TRIM-WINGWALL - 13 5" - OFF WHITE
	089334-01-000	FT	VINYL-EXTERIOR - BETWEEN WINGWALL & CAB SEAL - WHITE
8	P06443-01-C03	EA	SLEEPERBOARD ASM
	100065-03-01A	EA	TRIM-SLEEPERBOARD FLAT - 2.5' X 87 5" - OFF WHITE
	100086-02-01A	EA	TRIM-SLEEPERBOARD, 2' X 80 7" - OFF WHITE
9	079580-01-000	EA	TRIM-ROOF TO FRONT CAP
10	M76177-01-700	EA	ROOF - FRONT CAP TO FIRST SEAM
11	104479-03-01A	EA	TRIM-CONTOUR-FRONT-PASSENGER - OFF WHITE

KEY	PART NUMBER	U/M	DESCRIPTION
12	106438-01-C03	EA	WINGWALL ASM - RIGHT
	079203-04-000	EA	TRIM-WINGWALL - 13 5" - OFF WHITE
	089334-01-000	FT	VINYL-EXTERIOR - BETWEEN WINGWALL & CAB SEAL - WHITE
13	105100-01-01A	EA	TRIM-WHEELWELL-OFF WHITE
			FROM: 00-00-00 THRU 04-15-92
13	105100-02-01A	EA	TRIM-WHEELWELL -OFF WHITE
			FROM: 04-16-92 THRU 99-99-99
14	P06530-01-C03	EA	SIDEWALL ASM - RIGHT
15	100483-01-01A	EA	TRIM-CONTOUR - ROOF (AWNING) - OFF WHITE
	099583-55-001	EA	RAIL-AWNING - 10' EA - OFF WHITE
16	002444-01-020	EA	FEATURE STRIP-WHOLES - 182" - OFF WHITE
	002444-04-002	EA	STRIP-FEATURE, W/O INSERT - 15' LONG - OFF WHITE
17	001030-02-003	EA	INSERT-FEATURE STRIP - 17' LONG - OFF WHITE
18	009731-01-000	EA	END CAP-FEATURE STRIP
19	100134-02-01A	EA	TRIM-BACKWALL - LOWER - OFF WHITE
20	103336-02-01A	EA	TRIM-BACKWALL - LOWER-OFF WHITE
21	M06692-01-C03	EA	BACKWALL ASM - TWIN BED
	M06692-02-C03	EA	BACKWALL ASM - DOUBLE BED

EXTERIOR BODY GROUP (CONTINUED)

DECALS STRIPES & PAINT



1992 WINNEBAGO TABLE OF CONTENTS

INTRODUCTION	A-01 - A-02
ABBREVIATIONS	A-03
ALPHABETICAL INDEX	A-04 - A-06
WF427RQ	A-07 - D-14
WF427RC	D-15 - G-20
WF427RT	G-21 - K-03

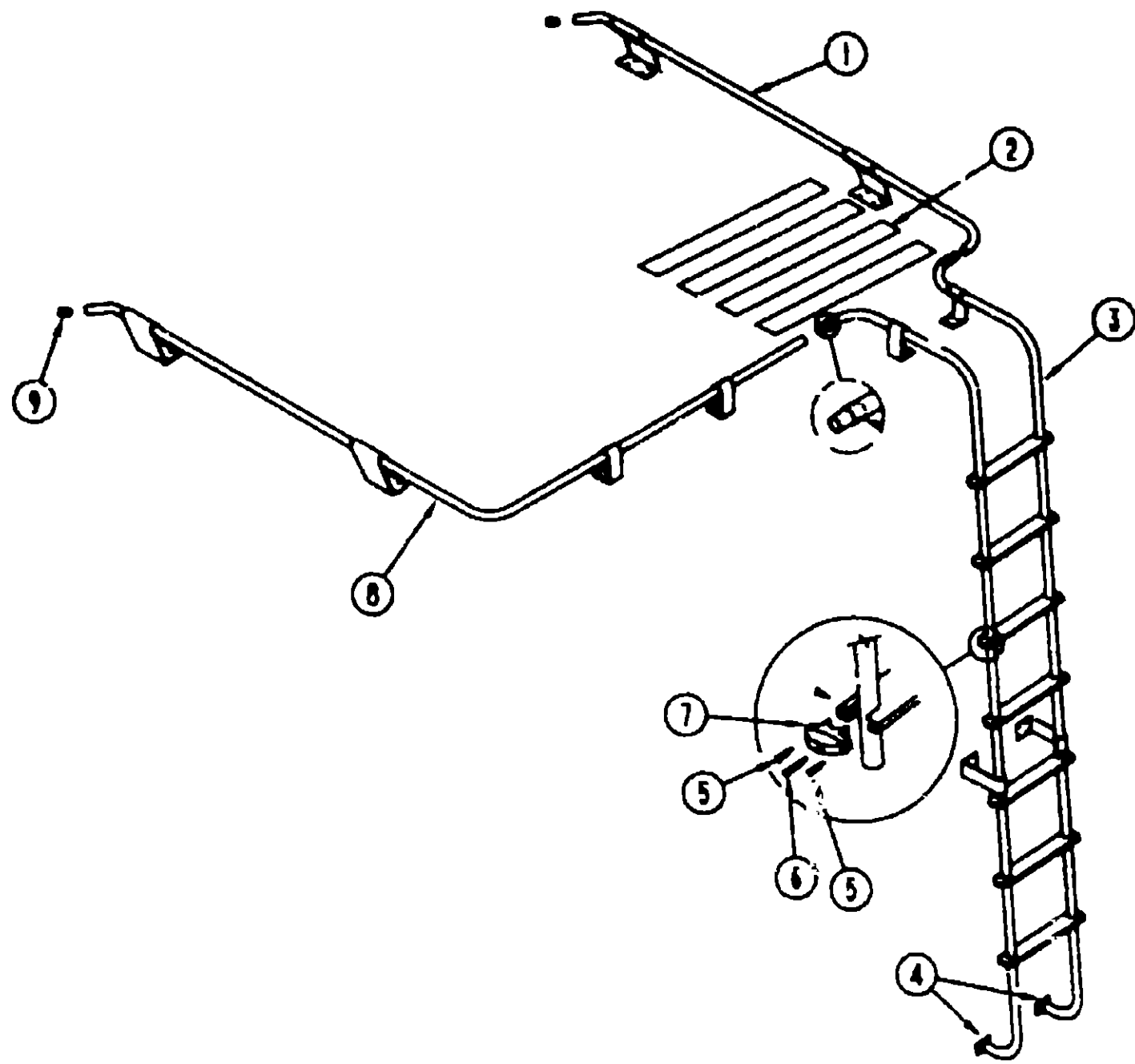
1992 WF427RT INDEX

FLOOR PLAN	G-21 - G-22
ACCESSORIES	G-23
AUDIO VIDEO	G-24
BATH	H-01 - H-02
BEDROOM	H-03 - H-04
CHASSIS	H-05 - H-07
CURTAIN & CUSHION	H-08 - H-15
DINETTE	H-16 - H-17
DRIVERS	H-18 - H-20
ELECTRICAL	H-21 - H-24
EXTERIOR BODY	I-01 - I-07
GALLEY	I-08 - I-11
GENERATOR	I-12
HEATING & A/C	I-13 - I-14
INTERIOR FINISH	I-15 - I-18
LABEL	I-19 - J-02
LP	J-03
LOUNGE	J-04 - J-05
SEALANTS & FASTENERS	J-06 - J-08
WATER & SEWAGE	J-09 - J-12
WINDOW, VENT AND EXTERIOR DOOR	J-13 - K-03

KEY	PART NUMBER	U/M	DESCRIPTION
1	063681-14-01A	FT	STRIPE-1 LINE- 1 5" WIDE - DARK PLUM
2	064434-01-01A	FT	MULTISTRIPE-2 LINES - 2.6" - PLUM & BLUE W/2 NARROW STRIPE
3	105480-01-01A	EA	DECAL-LOGO-MINNIE WINNIE - *OFF WHT/DK PLUM/BTU
4	094422-01-01A	FT	STRIPE-1 LINE- 1 5" - DARK BLUE W/NARROW LIGHTER STRIP
5	093691-03-03A	EA	DECAL-FLYING W - BLUE
6	050313-44-000	EA	DECAL-LOGO- "WINNEBAGO" - 2.8" TALL - BLUE
7	094433-02-02A	FT	STRIPE-1 LINE - 4" - PLUM W/2 NARROW TURQUOISE STRIPES
8	094433-02-01A	FT	STRIPE-1 LINE- 4" - DARK BLUE W/2 NARROW TURQUOISE STRIPES
	P04406-05-000	EA	SILKSCREEN-32"MINNIE W/ W/IE(TIRE COVER)
	041561-03-000	EA	PAINT-LOW BAKE- 16 OZ. SPRAY - OFF WHITE
	041561-03-700	EA	PAINT-LOW BAKE- 6 OZ. BOTTLE W/BRUSH - OFF WHITE
	044486-03-000	EA	PAINT-LOW BAKE- 16 OZ. SPRAY - BEIGE
	044486-03-700	EA	PAINT-LOW BAKE- 6 OZ. BOTTLE W/BRUSH - BEIGE

DUPONT COLOR CODES
 PLUM DUPONT# K8455
 BLUE DUPONT# K9460
 TURQUOISE BAY DUPONT# G9837
 OFF WHITE DUPONT# L8723A
 BEIGE DUPONT# L8729A

EXTERIOR BODY GROUP (CONTINUED)



RACK & LADDER

KEY	PART NUMBER	U/M	DESCRIPTION
1	081026-15-C05	EA	RACK ASM-PASSENGER SIDE FROM 00-00-00 THRU 03-01-92
1	107438-05-C07	EA	RACK ASM-PASSENGER SIDE FROM 03-02-92 THRU 99-99-99
2	066726-02-000	EA	BUMPER-88"DIA X 40", BLACK
3	008327-01-000	EA	TAPE-ANTI SLIP, 2" X 60"
3	102953-02-C62	EA	LADDER ASM (TWIN BED)
3	102953-02-C03	EA	LADDER ASM (DOUBLE BED)
4	067165-01-000	EA	MOUNTING BRACKET-LADDER, LOWER
5	000339-08-10T	EA	SCREW-SF/DR, 6-20 X 5/8 PPH - BLACK
6	000368-10-36T	EA	SCREW-10-12 X 2.25 POH BLACK
7	076982-02-000	EA	END CAP-STEP, BLACK
8	081025-19-C03	EA	RACK ASM-DRIVER SIDE FROM 00-00-00 THRU 03-01-92
8	107438-09-C03	EA	RACK ASM-DRIVER SIDE FROM 03-02-92 THRU 99-99-99
9	081114-01-000	EA	PLUG-ROUND, RACK & LADDER ENDS - PLASTIC - 1" DIA.

EXTERIOR BODY GROUP (CONTINUED)

ASSIST HANDLES AND RUNNING BOARDS

KEY	PART NUMBER	U/M	DESCRIPTION
	009128-02-000	EA	HANDLE-ASSIST-ENTRY DOOR - BLACK
	072884-20-000	EA	SET-RUNNING BOARD - FORD - 40"
	002728-01-001	EA	GARNISH-U-CHANNEL - 1 3/8" X 1 1/8" - SERRATED - MILL ALUMINUM
	002754-01-001	EA	ANGLE-EXTRUDED - .75" X .75" X 18" - MILL ALUMINUM

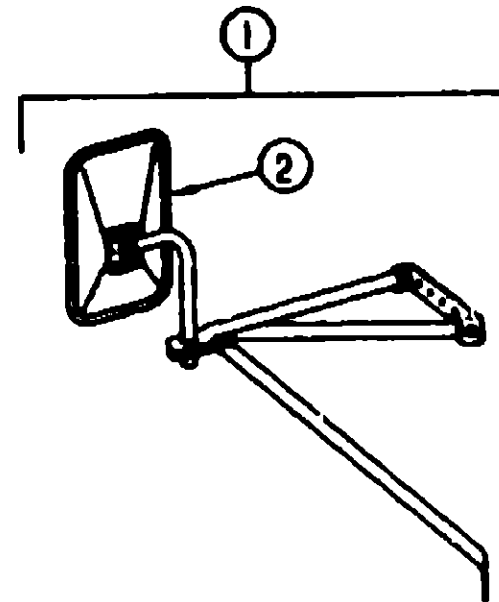
**1992 WINNEBAGO
TABLE OF CONTENTS**

INTRODUCTION	A-01	-	A-02
ABBREVIATIONS			A-03
ALPHABETICAL INDEX	A-04	-	A-08
WF427RQ	A-07	-	D-14
WF427RC	D-15	-	G-20
WF427RT	G-21	-	K-09

1992 WF427RT INDEX

FLOOR PLAN	G-21	-	G-22
ACCESSORIES			G-23
AUDIO VIDEO			G-24
BATH	H-01	-	H-02
BEDROOM	H-03	-	H-04
CHASSIS	H-05	-	H-07
CURTAIN & CUSHION	H-08	-	H-15
DINETTE	H-16	-	H-17
DRIVERS	H-18	-	H-20
ELECTRICAL	H-21	-	H-24
EXTERIOR BODY	I-01	-	I-07
GALLEY	I-06	-	I-11
GENERATOR			I-12
HEATING & AC	I-13	-	I-14
INTERIOR FINISH	I-15	-	I-18
LABEL	I-19	-	J-02
LP			J-03
LOUNGE	J-04	-	J-05
SEALANTS & FASTENERS	J-06	-	J-08
WATER & SEWAGE	J-09	-	J-12
WINDOW, VENT AND EXTERIOR DOOR	J-13	-	K-09

EXTERIOR BODY GROUP (CONTINUED)



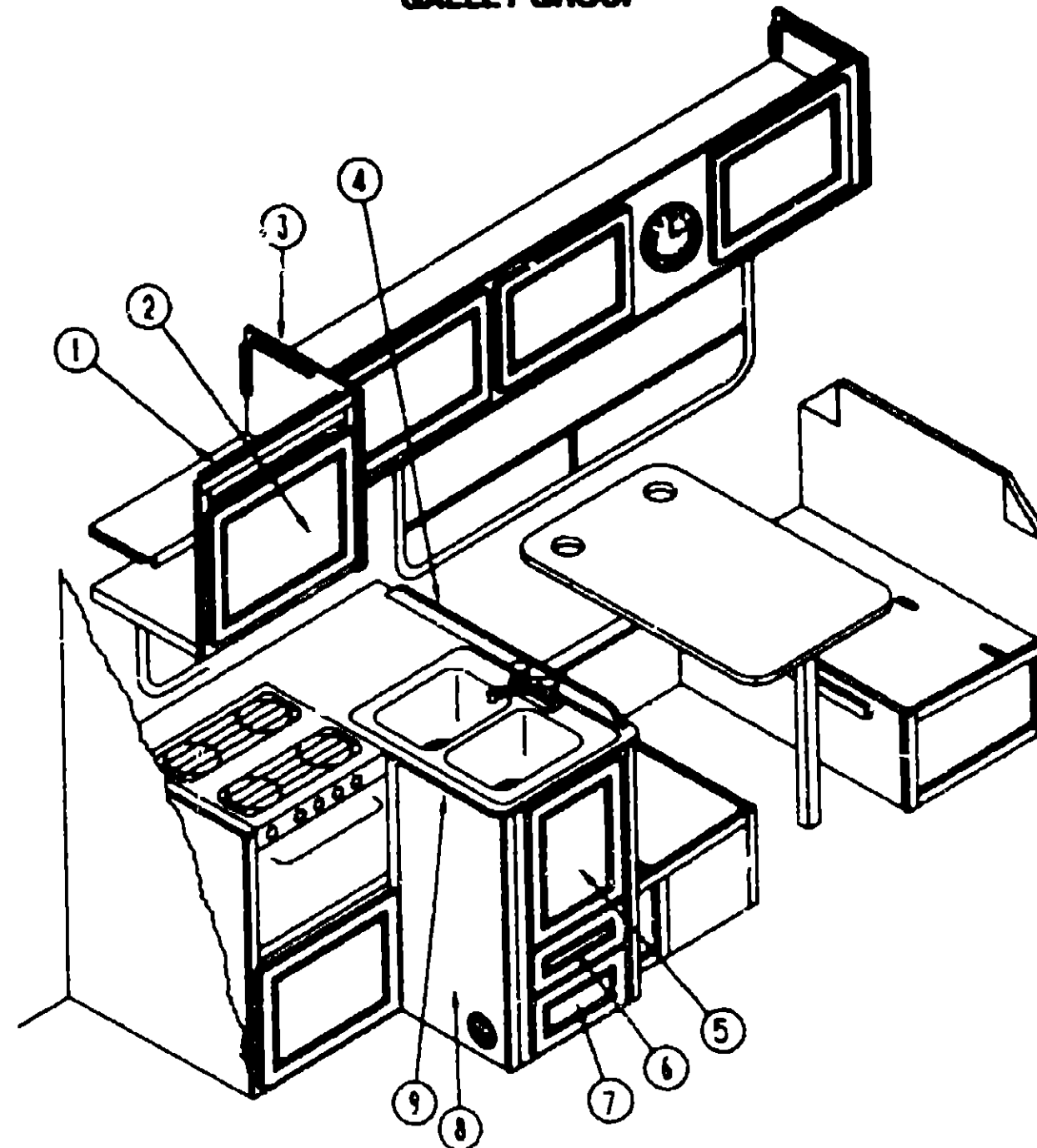
EXTERIOR MIRRORS

KEY	PART NUMBER	U/M DESCRIPTION
1	108880-01-01A	EA MIRROR ASM-REG HEAD LOW MOUNT - OFF WHITE
2	108880-01-700	EA HEAD - MIRROR HEAD
3	108880-01-701	EA ARM
4	108880-01-703	EA BRACE LOWER FORWARD - DRIVER
4	108880-01-704	EA BRACE LOWER FORWARD - PASSENGER
	108880-01-702	EA HARDWARE PKG

FIBERGLASS & STYROFOAM

KEY	PART NUMBER	U/M DESCRIPTION
	077517-23-000	EA FIBERGLASS SHEET-FLAT - 48" X 96" - GRAY
	077517-24-000	EA FIBERGLASS SHEET-FLAT - 48" X 96" - OFF WHITE
	078054-H1-000	EA FIBERGLASS SHEET-2438 X 2591 - OFF WHITE
	078054-F3-000	EA FIBERGLASS SHEET-2438 X 2438 - OFF WHITE
	078054-G7-000	EA FIBERGLASS SHEET-41" X 500" - OFF WHITE
	000870-03-000	SF STYROFOAM-1 3/4 X 48" X 96" - INCREMENTS OF 32 SF
	000870-06-000	SF STYROFOAM-.5" X 24" X 96" - INCREMENTS OF 16 SF
	083574-02-000	SF STYROFOAM, DOW TYPE SM - 1 5/8" X 24" X 90.5" - INC OF 15 SF
	083574-03-000	SF STYROFOAM-3/4" X 48" X 96" - INCREMENTS OF 32 SF
	002385-01-001	EA U-CHANNEL - 1" X 1 1/2" - SERRATED - MILL FINISHED ALUMINUM
	058267-01-000	EA CHANNEL - STEEL WHOLES - SIDEWALL STIFFENER - 2" X 20"
	002726-01-001	EA GARNISH-U-CHANNEL-1.38" X .18" - MILL ALUMINUM
	002754-01-001	EA ANGLE-EXTRUDED- 75" X 75" X 16" - MILL ALUMINUM

GALLEY GROUP



GALLEY CABINETS & COMPONENTS

KEY	PART NUMBER	U/M DESCRIPTION
1	M05823-33-C03	EA CABINET ASM-MICROWAVE-STANDARD
	081321-03-B03	EA CABINET SHELF COMPONENTS
2	P05223-31-C03	EA DOOR ASM-W/O HARDWARE-ROUNDED - 385 X 0555
3	104335-20-C03	EA ENL. CAP-OVERHEAD
4	088335-03-C03	EA GALLEY RAIL- 75" X 1020 MM
5	P05223-33-C03	EA DOOR ASM-W/O HARDWARE-ROUNDED
6	P07104-02-C03	EA DRAWER COMPLETE-SLIDE-RADIUS
7	P07104-01-C03	EA DRAWER COMPLETE-SLIDE-RADIUS
8	P06786-01-C03	EA CABINET ASM-GALLEY
9	108786-11-C03	EA COUNTERTOP ASM
	088437-01-000	EA STRAINER-SINK - GALLEY W/BASKET
	011053-04-000	EA FAUCET-GALLEY - SWING SPOUT 8"
	102561-01-000	EA SINK-STAINLESS STEEL DOUBLE - 17" X 25"
	103810-01-C03	EA COVER ASM-SINK
	090329-01-000	FT SEAL-T. REFRIGERATOR CABINET - 6" WIDE TOP X 2" TALL
	091257-06-000	EA HANDLE-ASSIST-ENTRY DOOR (REFRIGERATOR CABINET)

**1992 WINNEBAGO
TABLE OF CONTENTS**

INTRODUCTION	A-01 - A-02
ABBREVIATIONS	A-03 - A-03
ALPHABETICAL INDEX	A-04 - A-08
WF427RQ	A-07 - D-14
WF427RC	D-15 - G-30
WF427RT	G-21 - K-09

1992 WF427RT INDEX

FLOOR PLAN	G-21 - G-22
ACCESSORIES	G-23 - G-23
AUDIO VIDEO	G-24 - G-24
BATH	H-01 - H-02
BEDROOM	H-03 - H-04
CHASSIS	H-05 - H-07
CURTAIN & CUSHION	H-08 - H-15
DINETTE	H-16 - H-17
DRIVERS	H-18 - H-20
ELECTRICAL	H-21 - H-24
EXTERIOR BODY	I-01 - I-07
GALLEY	I-08 - I-11
GENERATOR	I-12 - I-12
HEATING & AC	I-13 - I-14
INTERIOR FINISH	I-15 - I-18
LABEL	I-19 - J-02
LP	J-03 - J-03
LOUNGE	J-04 - J-05
SEALANTS & FASTENERS	J-06 - J-08
WATER & SEWAGE	J-09 - J-12
WINDOW, VENT AND EXTERIOR DOOR	J-13 - K-09

GALLEY GROUP (CONTINUED)

RANGE HOOD

KEY	PART NUMBER	U/M	DESCRIPTION
	100258-16-01A	EA	HOOD-RANGE-WFO MONITOR PANEL-VENTLINE-US-TC88008NAD
	100258-17-01A	EA	HOOD-RANGE-22W-WFO MONITOR PANEL-VENTLINE-CSA-TC88008NAC
	100258-18-01A	EA	HOOD-RANGE-22W-WFO MONITOR PANEL-VENTLINE-US-TP98007NAD
	080873-01-700	EA	MOTOR - LVS CAS08-1
	080873-01-702	EA	BLADE-FAN- LVS VA18S-1
	080898-01-709	EA	BULB-812- VENTLINE VA415
	080898-01-710	EA	SOCKET-LIGHT- VENTLINE CB287-2
	080893-01-700	EA	SWITCH-ON/OFF- VENTLINE 108
	080893-01-702	EA	SWITCH-TWO WAY MOMENTARY- VENTLINE 112
	080893-01-707	EA	FILTER-GREASE- 8" X 8" - LVS CC248
	080893-01-708	EA	LENS-LAMP- VENTLINE CC178
	100258-01-700	EA	HOOD NOSE LABEL CC428
	100258-10-01A	EA	METER-HOUR- VENTLINE 150

RANGE

KEY	PART NUMBER	U/M	DESCRIPTION
	102022-01-02A	EA	RANGE-16"- 4 BURNER - MAGIC CHEF BT16RA-4Z
	056282-03-705	EA	TRIM CAB LT. BLACK BT16
	056282-03-707	EA	TRIM CAB RT. BLACK BT16
	088507-02-701	EA	INSERT-BURNER (SLOTTED VENT)
	102020-01-700	EA	SHELF-OVEN
	102020-01-701	EA	HANDLE-DOOR
	102020-01-702	EA	PANEL-MANIFOLD
	102020-01-704	EA	PANEL-DOOR (BLACK)
	102020-01-708	EA	BURNER ASSEMBLY (OVEN)
	102020-01-711	EA	GRATE-TOP
	102020-01-712	EA	KNOB-BURNER VALVE
	102020-01-713	EA	KNOB-THERMOSTAT
	102020-01-714	EA	PILOT-OVEN
	102020-01-715	EA	PIPE-MANIFOLD
	102020-01-717	EA	THERMOSTAT
	102020-01-718	EA	TOP-MAIN (ALMOND)
	102020-01-720	EA	VALVE-MERCURY CONTROL
	102020-01-722	EA	VALVE-TOP BURNER
	102020-01-723	EA	PILOT-BURNER
	102020-01-724	EA	BUMPER-MAIN TOP
	102022-01-702	EA	PIPE-MANIFOLD
	102022-01-703	EA	REGULATOR-PRESSURE
	102022-01-706	EA	TRIM (LEFT) FLAT
	102022-01-707	EA	TRIM (RIGHT) FLAT

MONITOR PANEL

KEY	PART NUMBER	U/M	DESCRIPTION
	102765-01-01A	EA	MONITOR PANEL-W/PLUG - FOR 2 TANKS & WATER HEATER - LVS
	102765-02-01A	EA	MONITOR PANEL-W/PLUG - FOR 2 TANKS - LVS
	087816-01-000	EA	WIRE ASM-MONITOR PANEL- W/4 WIRES & BLACK RESISTOR - LVS

GALLEY GROUP (CONTINUED)

COFFEE MAKER, MICROWAVE & TRIMS

KEY	PART NUMBER	U/M	DESCRIPTION
	081288-08-000	EA	OVEN-MICROWAVE - MAGIC CHEF M18E-5B
	084746-01-01A	EA	TRIM-MICROWAVE- LOWER - BLACK
	084774-03-01A	EA	TRIM-MICROWAVE- EITHER SIDE - 1 5" X 14 8" - METAL - BLACK
	084758-02-01A	EA	BRACKET-L-MICROWAVE - 8 1" LONG X 3 8" WIDE - STEEL - TAN
	084790-01-000	EA	BRACKET-MICROWAVE- 90 DEGREE - STEEL
	103763-01-02A	EA	COFFEEMAKER - GRAY
	104810-01-000	EA	STRAP ASM - COFFEE MAKER
	055518-03-000	EA	BRACKET-REAR TIEDOWN - RANGE W/OVEN
	055518-04-000	EA	BRACKET-FRONT TIEDOWN - RANGE W/OVEN
	083848-01-000	EA	BRACKET ASM-TIEDOWN-REFRIGERATOR - RIGHT
	083848-02-000	EA	BRACKET ASM-TIEDOWN-REFRIGERATOR - LEFT
	054460-01-000	EA	LEVEL-REFRIGERATOR
	083752-01-000	EA	SHROUD-RANGE- 18 5" X 20 6" X 16 2" - METAL - OFF WHITE

1982 WINNETAGO TABLE OF CONTENTS

INTRODUCTION	A-01	-	A-02
ABBREVIATIONS			A-03
ALPHABETICAL INDEX	A-04	-	A-08
WF427RO	A-07	-	D-14
WF427RC	D-15	-	G-20
WF427RT	G-21	-	K-08

1982 WF427RT INDEX

FLOOR PLAN	G-21	-	G-22
ACCESSORIES			G-23
AUDIO VIDEO			G-24
BATH	H-01	-	H-02
BEDROOM	H-03	-	H-04
CHASSIS	H-05	-	H-07
CURTAIN & CUSHION	H-08	-	H-15
DINETTE	H-16	-	H-17
DRIVERS	H-18	-	H-20
ELECTRICAL	H-21	-	H-24
EXTERIOR BODY	I-01	-	I-07
GALLEY	I-08	-	I-11
GENERATOR			I-12
HEATING & A/C	I-13	-	I-14
INTERIOR FINISH	I-15	-	I-18
LABEL	I-19	-	J-02
LP			J-03
LOUNGE	J-04	-	J-06
SEALANTS & FASTENERS	J-08	-	J-08
WATER & SEWAGE	J-09	-	J-12
WINDOW, VENT AND EXTERIOR DOOR	J-13	-	K-03

GALLEY GROUP (CONTINUED)

REFRIGERATOR

KEY	PART NUMBER	UOM	DESCRIPTION
	106822-01-01A	EA	REFRIGERATOR-2 WAY- RIGHT HINGED DOOR - NORCOLD 482 BLACK
	084472-01-700	EA	THERMOCOUPLE-NORCOLD 914383
	084473-03-718	EA	SWITCH-3-WAY- FOR EG-2 & EG-3 MODELS - NORCOLD 618113
	084473-03-720	EA	RELIGHTER- NORCOLD 618088
	084473-03-721	EA	COMBINATION CONTROL - NORCOLD 618084
	075217-01-738	EA	SWITCH-HUMIDITY- NORCOLD 61525822
	084879-03-700	EA	COOLING UNIT - HORIZONTAL BURNER- NORCOLD 61687237
	084880-01-705	EA	ORIFICE - NORCOLD 614622
	084880-01-715	EA	VALVE-SHUT OFF- MANUAL - NORCOLD 61687822
	084880-01-722	EA	CRISPER COVER - NORCOLD 615841
	084880-01-732	EA	LATCH- NORCOLD 61578522
	084880-03-705	EA	BRACKET FOR INTERIOR REFRIGERATOR LIGHT - NORCOLD 61629722
	084880-03-708	EA	LAMP (BULB) - NORCOLD 61629822
	084880-03-707	EA	COVER FOR LAMP OR BULB - NORCOLD 61627922
	088248-01-708	EA	BURNER-HORIZONTAL- NORCOLD 61588122
	088248-01-709	EA	HEATER-AC- (HORIZONTAL) - NORCOLD 615827
	088248-01-710	EA	HEATER-DC- (HORIZONTAL) - 3 WAY - NORCOLD 615828
	084038-01-700	EA	GASKET-LOWER- GRAY - NORCOLD 61587830
	084038-01-702	EA	LINER-DOOR- LOWER - BLACK/WHITE - NORCOLD 61581838-B
	084038-01-702	EA	GASKET (GRAY) UPPER - NORCOLD 61567830
	084038-01-704	EA	PLATE-HINGE- BLACK - TOP LEFT - BOTTOM RIGHT - NORCOLD 61631430
	084038-01-710	EA	PLATE-HINGE- BLACK - TOP RIGHT - BOTTOM LEFT - NORCOLD 61631330
	084038-01-722	EA	HOLE PLUG (BLACK) HINGE HOLES - NORCOLD 61582030
	084038-01-723	EA	HINGE BRACKET-TOP RIGHT-BOTTOM LEFT BLACK - NORCOLD 61580838
	084038-01-724	EA	BRACKET-HINGE- TOP LEFT - BOTTOM RIGHT - BLACK - NORCOLD 61580938
	084038-01-725	EA	HINGE PIN (BLACK)(MALE) - NORCOLD 61578130
	084038-01-726	EA	SHLEF-FREEZER EVAPORATOR- NORCOLD 615236
	084038-01-728	EA	HINGE BRACKET(BLACK) CENTER HINGE - NORCOLD 61588530
	084038-01-730	EA	HINGE PIN SHAFT(BLACK) CENTER HINGE - NORCOLD 61586730
	084038-01-732	EA	FRONT COVER(BLACK) BOTTOM TRIM - NORCOLD 61622130
	084038-01-733	EA	WIRE SHELF (MIDDLE) - NORCOLD 61563822
	084038-01-734	EA	WIRE SHELF (TOP) W/FRSE - NORCOLD 61573722
	084038-01-735	EA	INSIDE DRIP TRAY (WHITE) 61572830
	084038-01-736	EA	SWITCH-LIGHT- BLACK - NORCOLD 615810
	103622-01-700	EA	HANDLE ASM-DOOR- UPPER - NORCOLD 61648038
	084880-01-754	EA	JUICE-RACK (SMOKE GRAY) - NORCOLD 61580640
	103622-01-702	EA	BIN-SHELF- DOOR - NORCOLD 61584040
	103622-01-705	EA	HANDLE ASM-DOOR- LOWER - NORCOLD 61648838
	084038-01-718	EA	MILK BIN (GRAY)W/SILVER TRIM - NORCOLD 61579480
	103622-01-707	EA	KEEPER-DAIRY- NORCOLD 61580440
	103622-01-708	EA	CRISPER-NORCOLD 61571340
	103622-01-709	EA	KNOB-SELECTOR- NORCOLD 61641822
	103622-01-710	EA	KNOB-THERMOSTAT- NORCOLD 61642322
	103622-01-711	EA	PANEL-CONTROL- 2-WAY - NORCOLD 61644022
	103622-01-712	EA	INDICATOR-FLAME- NORCOLD 61609022
	103622-01-713	EA	SWITCH-IGNITION- NORCOLD 61648722

GENERATOR GROUP

KOHLER GENERATOR & INSTALLATION PARTS

KEY	PART NUMBER	UOM	DESCRIPTION
	106822-01-000	EA	GENERATOR-4 KW LOW PROFILE - KOHLER 4C10421
	007087-01-000	SF	INSULATION-FIBERGLASS - 1" THICK X 4' - INCREMENTS OF 4 SF
	007125-04-000	EA	CLAMP-MUFFLER - 1.1" DIA
	106528-01-000	EA	ARRESTER-SPARK - KOHLER 278821
	106527-01-000	EA	PIPE-EXHAUST ADAPTER - KOHLER 278524
	106529-01-000	EA	MUFFLER-FRONT EXHAUST- W/0 SPARK - KOHLER 278734
	106802-01-000	EA	GASKET-EXHAUST- KOHLER-278380
	105732-01-000	EA	TRAY ASM - GENERATOR
	108172-01-000	EA	PIPE - EXHAUST ADAPTER
	008401-01-000	EA	STRAP-CONDUIT - 3/4" - 1 HOLE - GALVANIZED STEEL

ONAN GENERATOR & INSTALLATION PARTS

KEY	PART NUMBER	UOM	DESCRIPTION
	100974-01-000	EA	GENERATOR-4 KW EMERALD PLUS- ONAN BGE-FA28100G
	007087-01-000	SF	INSULATION-FIBERGLASS, 1" THICK X 4' - INCREMENTS OF 4 SF
	007125-04-000	EA	CLAMP-MUFFLER, 1.1" DIA
	105732-01-000	EA	TRAY ASM-GENERATOR
	081384-01-000	EA	MUFFLER-GENERATOR- W/0.5" LONG TAILPIPE
	086252-01-000	EA	PIPE-EXHAUST- W/2 BOLT HOLE FLANGE
	086494-01-000	EA	BRACKET-EXHAUST- W/DOUBLE BEND
	084058-01-000	EA	SPACER-GENERATOR- ONAN
	084385-01-000	EA	STRAP-SUPPORT, GENERATOR - 2 HOLE
	078854-05-000	EA	PIPE-EXHAUST, ANGLED - W/FLANGE - 2" ID - ONAN# 154-2538
	008401-01-000	EA	STRAP-CONDUIT-3/4" - 1 HOLE - GALVANIZED STEEL

GENERATOR-3000W EXPORT

KEY	PART NUMBER	UOM	DESCRIPTION
	100974-04-000	EA	GENERATOR-4 KW EMERALD PLUS ONAN BGE-FV28238G WITH ONAN TRAY #403-2218
	007087-01-000	SF	INSULATION-FIBERGLASS, 1" THICK X 4' - INCREMENTS OF 4 SF
	078045-01-000	EA	STRAP-SUPPORT, GENERATOR - 4 HOLE
	078854-05-000	EA	PIPE-EXHAUST, ANGLED - W/FLANGE - 2" ID - ONAN# 154-2538
	078854-01-700	EA	HINGE KIT-ONAN,EMERALD ONAN 408-0589
	081384-01-000	EA	MUFFLER-GENERATOR, W/0.5" LONG TAILPIPE
	084385-01-000	EA	STRAP-SUPPORT, GENERATOR - 2 HOLE
	083581-02-000	EA	PIPE-EXHAUST, GENERATOR - CURVED - 1.5" OD
	084058-01-000	EA	SPACER-GENERATOR, ONAN
	007125-04-000	EA	CLAMP-MUFFLER, 1.1" DIA

1992 WINNEBAGO TABLE OF CONTENTS

INTRODUCTION	A-01	-	A-02
ABBREVIATIONS			A-08
ALPHABETICAL INDEX	A-04	-	A-08
WF427RQ	A-07	-	D-14
WF427RC	D-15	-	G-20
WF427RT	G-21	-	K-03

1992 WF427RT INDEX

FLOOR PLAN	G-21	-	G-22
ACCESSORIES			G-23
AUDIO VIDEO			G-24
BATH	H-01	-	H-02
BEDROOM	H-03	-	H-04
CHASSIS	H-05	-	H-07
CURTAIN & CUSHION	H-08	-	H-15
DINETTE	H-16	-	H-17
DRIVERS	H-18	-	H-20
ELECTRICAL	H-21	-	H-24
EXTERIOR BODY	I-01	-	I-07
GALLEY	I-08	-	I-11
GENERATOR			I-12
HEATING & AC	I-13	-	I-14
INTERIOR FINISH	I-15	-	I-18
LABEL	I-19	-	J-02
LP			J-03
LOUNGE	J-04	-	J-05
SEALANTS & FASTENERS	J-06	-	J-08
WATER & SEWAGE	J-09	-	J-12
WINDOW, VENT AND EXTERIOR DOOR	J-13	-	K-03

HEATING & AIR CONDITIONING GROUP

FURNACE

KEY	PART NUMBER	U/M	DESCRIPTION
	088888-05-000	EA	FURNACE-30000 BTU-SUBURBAN SF-30
	088884-01-733	EA	RELAY-TIME DELAY 20A30 BTU- SUBURBAN 231202
	079888-01-708	EA	MICRO SWITCH (FOR MODELS 30 & 348) - SUBURBAN 230809
	080088-01-708	EA	GASKET-OBSERVATION HOLE CUR 070887
	082300-01-704	EA	GASKET-ELECTRODE- SUBURBAN 070183
	082300-02-701	EA	OFFICE- MAIN BURNER - SUBURBAN 180214
	088888-01-700	EA	CABINET FRONT- SUBURBAN 101242
	088888-01-701	EA	CABINET ASM- SUBURBAN 101288
	088888-01-702	EA	ELECTRODE- SUBURBAN 231740
	088888-01-704	EA	VALVE- SUBURBAN 180888
	088888-01-705	EA	SWITCH-LIMIT- SUBURBAN 231630
	088888-01-708	EA	WHEEL-COMBUSTION AIR- SUBURBAN 350122
	088888-01-707	EA	VENT CAP & EXHAUST TUBE ASM- SUBURBAN 28C 183
	088888-01-708	EA	BLOWER ASM (COMBUSTION AIR)- SUBURBAN 380441
	088888-01-709	EA	MOTOR ASM -FOR SF-25- SF-30- SUBURBAN 231708
	088888-01-710	EA	BLOWER ASM (ROOM AIR)- SUBURBAN 380440
	088888-01-711	EA	WHEEL-ROOM AIR - SUBURBAN 350123
	088888-01-712	EA	BOARD-MODULE- SUBURBAN 231741
	088888-01-713	EA	INTAKE VENT TUBE ASM-SUBURBAN 051044
	088888-02-700	EA	BURNER ASM COMPLETE (SF-30/SF-35)- SUBURBAN 010745
	088834-01-720	EA	ORIFICE-MAIN BURNER- SUBURBAN 0180222
	088888-03-700	EA	MOTOR ASM-SF-35- SUBURBAN 231707
	088888-06-000	EA	DOOR-ACCESS- FURNACE - OFF WHITE - SUBURBAN 520574
	083385-01-000	EA	THERMOSTAT-WALL- FURNACE - SUBURBAN 0180802

HEATING COMPONENTS

KEY	PART NUMBER	U/M	DESCRIPTION
	023146-01-000	EA	CLAMP-SCREW TYPE - 4"
	088836-02-000	EA	CONNECTOR-DUCT- 4" ID - SUBURBAN 050715
	008188-01-000	FT	DUCT-HEAT- FLEXIBLE - 4" ID X 25 FT
	083814-01-01A	EA	GRILLE-RETURN AIR- FURNACE - 15.8" X 7.8" - BROWN
	083081-01-000	EA	HOSE-90 DEGREE- 5/8" ID - FORMED
	079058-01-000	EA	HOSE-90 DEGREE- 5/8" ID X 4' X 3/8"
	079058-02-000	EA	HOSE-90 DEGREE- 81" ID X 4' X 8"
	007108-01-000	FT	HOSE-HEATER- 5/8" ID - HI-TEMP - FORD ESE-M2D182-A
	086484-05-000	EA	REGISTER-PLASTIC W/O DAMPER - 4" DIAMETER - GOLDEN
	008200-01-000	EA	TAPE-FURNACE- 1 1/2"
	088753-01-000	FT	TUBE-ALUMINIZED STEEL- 5/8" - 18 GAUGE
	008042-01-000	FT	TUBING-VINYL- 85" ID

HEATING & AIR CONDITIONING GROUP (CONTINUED)

REAR HEATER

KEY	PART NUMBER	U/M	DESCRIPTION
	084406-01-000	EA	HEATER ASM-REAR- DUCTED - W/MOTOR AND - EVANS
	084406-01-700	EA	HEATER CORE - FT280229
	084406-01-701	EA	FAN - HV028831
	084406-01-702	EA	MOTOR-12 VOLT AS'LY - R0800180
	087302-01-000	EA	SWITCH-4 POSITION- W/MOTOR
	088076-01-000	EA	DECAL-AUTO AIR & REAR HEATER

ROOF A/C

KEY	PART NUMBER	U/M	DESCRIPTION
	083783-01-04A	EA	AC-ROOF- 138000 BTU - OFF WHITE - COLEMAN 6758D707/6758E7
	073742-02-704	EA	RUN CAPACITOR (COMPRESSOR)- COLEMAN 14884881
	078303-01-712	EA	MOTOR- COLEMAN# 6707A 3119
	081225-01-708	EA	START RELAY- COLEMAN# 1487-4131
	081225-01-710	EA	START CAPACITOR- COLEMAN# 1487-0881
	083308-01-701	EA	DECAL PKG. LEFT&RIGHT- COLEMAN 6788B3581
	083783-01-702	EA	OVERLOAD- COLEMAN 86758-3831
	083783-01-703	EA	IMPELLOR-7" DIA X 2.8" WIDE- COLEMAN# 6758-3271
	083783-01-704	EA	CAPACITOR-FAN- COLEMAN# 1488-3481
	083783-01-707	EA	EVAPORATOR COIL-COLEMAN# 1452-1351
	083783-01-708	EA	CONDENSER COIL-COLEMAN# 1452-1251
	083783-01-706	EA	COMPRESSOR-COLEMAN# 6748A3808
	083783-01-712	EA	FAN BLADE-CONDENSER- COLEMAN# 6733-3221
	083783-04-700	EA	SHROUD-ROOF A/C- W/O LOGOS - COLEMAN 6758-4801
	083784-01-000	EA	CEILING ASM-AC COOL ONLY- TSR - COLEMAN 6758D714
	042204-01-708	EA	THERMOSTAT-IN 84 OUT 58- COLEMAN# 6701-3401
	073742-01-701	EA	SELECTOR SWITCH (5 TERMINAL)- COLEMAN# 6758-3251
	078303-01-707	EA	FILTER-6" X 14 3/4" X 1/2" - 12 PER PKG - COLEMAN 6703A3151
	081808-01-712	EA	CEILING SHROUD (IVORY)- COLEMAN# 6788-5081
	081225-01-713	EA	KNOB (2 PER PACKAGE)- COLEMAN# 6701-3351
	081225-01-717	EA	DECAL (THERMOSTAT) COOL ONLY- COLEMAN# 6798A3441
	083783-01-710	EA	SINGLE PARTS PACKAGE- COLEMAN# 6758-5841
	102289-01-000	EA	SPRING-SCREW- ROOF A/C GASKET - COLEMAN 6757-150
	084077-03-000	EA	COVER-BLANK- ROOF AC - 5.2" X 3.5" - IVORY

AC-13800 BTU-EUROPE

KEY	PART NUMBER	U/M	DESCRIPTION
	082440-01-000	EA	AC-ROOF- 13500 BTU - 220V - 50HZ - COLEMAN# 6713C750
	082441-01-000	EA	CEILING ASM-AC- 220V - 50HZ - COLEMAN# 6712ET16
	102289-01-000	EA	SPRING-SCREW- ROOF A/C GASKET - COLEMAN 6757-150
	084077-03-300	EA	COVER-BLANK- ROOF AC - 5.2" X 3.5" - IVORY

**1992 WINNEBAGO
TABLE OF CONTENTS**

INTRODUCTION	A-01	-	A-02
ABBREVIATIONS			A-08
ALPHABETICAL INDEX	A-04	-	A-08
WF427RQ	A-07	-	D-14
WF427RC	D-15	-	G-20
WF427RT	G-21	-	K-08

1992 WF427RT INDEX

FLOOR PLAN	G-21	-	G-22
ACCESSORIES			G-23
AUDIO VIDEO			G-24
BATH	H-01	-	H-02
BEDROOM	H-03	-	H-04
CHASSIS	H-05	-	H-07
CURTAIN & CUSHION	H-08	-	H-15
DINETTE	H-16	-	H-17
DRIVERS	H-18	-	H-20
ELECTRICAL	H-21	-	H-24
EXTERIOR BODY	I-01	-	I-07
GALLEY	I-08	-	I-11
GENERATOR			I-12
HEATING & A/C	I-13	-	I-14
INTERIOR FINISH	I-15	-	I-18
LABEL	I-19	-	J-02
LP			J-03
LOUNGE	J-04	-	J-05
SEALANTS & FASTENERS	J-06	-	J-08
WATER & SEWAGE	J-09	-	J-12
WINDOW, VENT AND EXTERIOR DOOR	J-13	-	K-03

INTERIOR FINISH GROUP

MOLDINGS & TRIMS

KEY	PART NUMBER	U/M	DESCRIPTION
	085284-08-000	FT	BATT STRIP-WOODGRAIN- ADHESIVE BACKED - REGAL OAK FROM: 00-00-00 THRU: 02-23-92
	085284-08-000	FT	BATT STRIP-WOODGRAIN- ADHESIVE BACKED - FOREST OAK FROM: 02-24-92 THRU: 99-99-99
	082333-03-000	EA	BATT STRIP-DECORATIVE - PLAIN - 8' LONG (MAIN WALL)
	085284-51-000	FT	BATT STRIP-DECORATIVE - PLAIN - ADHESIVE BACKED (MAIN WALL)
	082333-04-000	EA	BATT STRIP-DECORATIVE - W/FLOWERS - 8' LONG (GALLEY/BATH)
	085284-41-000	FT	BATT STRIP-DECORATIVE - W/FLOWERS - ADHESIVE BACKED (GALLEY/BATH)
	082333-71-000	EA	BATT STRIP-DECORATIVE - 8' - FAWN (CEILING)
	085284-58-000	FT	STRIP-TAPE-TROWELL WORK (CEILING)
	085284-38-000	EA	BATT STRIP-SHOWER - ADHESIVE BACKED - OFF WHITE
	085284-76-000	EA	BATT STRIP-SHOWER - ADHESIVE BACKED - OFF WHITE
	082330-02-438	EA	LUMBER-VINYL WRAPPED 7' X 15' X 8' - WOODGRAIN
	082330-E2-438	EA	LUMBER-VINYL WRAPPED 7' X 2' X 96" - WOODGRAIN
	082330-03-000	EA	LUMBER-VINYL WRAPPED 2' X 96" - WOODGRAIN
	082330-05-000	EA	LUMBER-VINYL WRAPPED - 820 REGAL OAK
	103186-01-02A	FT	MOLDING-EDGE- SHELF - .78" WIDE - PLASTIC - REGAL OAK
	081294-02-000	FT	MOLDING- SHELF - NOTCHED WOOD - 8' LONG
	008767-12-000	FT	MOLDING-SIDEWALL TO CEILING/CABINET - WELTING - OFF WHITE
	008808-24-000	EA	MOLDING-CORNER- OUTSIDE - 1" - PLASTIC - THOR PECAN
	008812-24-000	EA	MOLDING-CORNER- OUTSIDE - .5" - PLASTIC - IVORY
	008812-25-000	EA	MOLDING-CORNER- OUTSIDE - .5" - PLASTIC - PECAN
	022992-11-000	FT	MOLDING-REVERSE COVE- T-SHAPED - VINYL - IVORY
	082331-02-134	EA	MOLDING-VINYL WRAPPED- 7' X 1 5/8" X 84" - WOODGRAIN
	082331-F2-134	EA	MOLDING-VINYL WRAPPED- .7" X 2.5" X 7" - WOODGRAIN
	082331-F2-438	EA	MOLDING-VINYL WRAPPED- .7" X 2.5" X 96" - WOODGRAIN
	105004-01-01A	EA	MOLDING-VINYL WRAP - REGAL OAK
	075248-01-000	EA	RAILING-OAK- 72" EA - UNFINISHED
	100651-01-AB1	EA	TRIM-FLOOR- 72" X 1" X 1/2" - WOOD
	083620-07-000	FT	T-MOLDING-3/4 WEDGE LIPS-END CAP-THOR PECAN
	083620-09-000	FT	T-MOLDING-3/4 WEDGE LIPS-MODERN IVORY
	105708-01-000	FT	T-MOLDING-1" WEDGE LIPS-MODERN IVORY
	070504-20-000	FT	U-CHANNEL-PLASTIC - .815" WIDE - THOR PECAN - INC OF 8'
	009778-11-000	FT	U-CHANNEL-PLASTIC - 1" WIDE - IVORY - INC. OF 8'
	086228-01-000	EA	RETAINER-BATTEN CEILING - 75" WIDE - 78" EA

CARPETING & FLOOR MATS

KEY	PART NUMBER	U/M	DESCRIPTION
	083080-41-000	SY	CARPET-507-SPECIAL LT EGG PLANT(CO3)
	086180-33-000	SY	CARPET-506-LT BROWN SPECIAL (CO4)
	083418-01-000	SY	CARPET-COMPARTMENT- 54" WIDE - DARK GRAY
	047031-02-000	SF	PLASTIC-CARPET- 4' WIDE - CLEAR POLY - MINIMUM ORDER 1600 SF
	007036-01-000	EA	MAT-FLOOR- WYWINNEBAGO LOGO - 10 5' X 26" - RUBBER - BLACK
	081075-31-000	EA	MAT-FLOOR-ENTRANCE DOOR -WYWINNEBAGO LOGO FROM: 00-00-00 THRU 01-10-92
	081075-01-000	EA	MAT-FLOOR-ENTRANCE-WINNEBAGO - PLASTICOLOR GRAY FROM 01-13-92 THRU. 99-99-99
	083219-01-000	EA	MAT-FLOOR-PASSENGER - "W" FROM: 00-00-00 THRU 01-12-92
	083219-02-000	EA	MAT-FLOOR-DRIVER - "W" FROM 00-00-00 THRU 01-12-92
	108884-01-000	EA	MAT-FLOOR-FRONT-RIGHT-"W"-FORD FROM 01-13-92 THRU 99-99-99
	108884-02-000	EA	MAT-FLOOR-FRONT-LEFT-"W"-FORD FROM: 01-13-92 THRU 99-99-99

INTERIOR FINISH GROUP (CONTINUED)

FIRE EXTINGUISHER, SMOKE DETECTOR & CLOCK

KEY	PART NUMBER	U/M	DESCRIPTION
	084488-01-000	EA	EXTINGUISHER-FIRE- DRY W/MOUNTING BRACKET - 1/2 BC
	084488-02-000	EA	EXTINGUISHER-FIRE- DRY - 1A10BC - CANADIAN
	084488-01-700	EA	BRACKET-MOUNTING- W/PLASTIC STRAP - FIRE EXTINGUISHER
	084851-01-02A	EA	HOLDER-FIRE EXTINGUISHER- RECESSED - GREY FROM: 00-00-00 THRU: 05-04-92
	072852-01-000	EA	DETECTOR-SMOKE - W/9 VOLT BATTERY
	104784-01-01A	EA	CLOCK-WALL - SPARTUS 5816-42
	101333-01-000	EA	BACKPLATE-CLOCK - 6" X 6" - PLASTIC - BLACK

PANELING, LAMINATES & PLASTIC

KEY	PART NUMBER	U/M	DESCRIPTION
	074487-19-000	SF	PANELING-CEILING- 4' X 8' -TROWORKFAWN - INCREMENTS OF 32 SF
	088272-72-000	SF	PANELING-SHOWER- 4' X 7' -OFF WHITE - INCREMENTS OF 28 SF FROM: 00-00-00 THRU: 03-15-92
	088272-88-000	SF	PANELING-SHOWER- 4' X 7' -OFF WHITE - INCREMENTS OF 28 SF FROM: 03-16-92 THRU. 99-99-99
	074487-20-000	SF	PANELING-WOODGRAIN 4' X 8' - FOREST OAK- INCREMENTS OF 32 SF
	088272-84-000	SF	PANELING-DECORATIVE- PLAIN - 4' X 7' - INCREMENTS OF 28 SF
	088272-85-000	SF	PANELING-DECORATIVE- W/FLOWERS - 4' X 7' - INC OF 28 SF
	074488-38-000	SF	LAMINATE-PLASTIC- 5' X 8' - GREY/BEDGE - INC. OF 40 SF
	074488-24-000	SF	LAMINATE-PLASTIC- 5' X 8' - INC. OF 40 SF
	078325-16-000	FT	MOLDING-EDGE BAND- 1 5/16" WIDE - WOODGRAIN - REGAL OAK
	078325-28-000	FT	MOLDING-EDGE BAND- 1 5/16" WIDE
	078325-27-000	FT	MOLDING-EDGE BAND- 1 5/16" WIDE - REGAL OAK
	000885-55-000	SF	PARTICLE BOARD-3/8" X 49" X 87" - 1 SIDE VINYL-FOREST OAK(33 SF)
	000885-54-000	SF	PARTICLE BOARD-3/8" X 47" X 96" - 2 SIDE VINYL-FOREST OAKS (32SF)
	088287-01-000	SF	PLYWOOD-LUAN OVERLAY GRADE - 4' X 8' - INC OF 32 SF
	083743-02-01A	SF	PLASTIC-ABS 20" WIDE ROLL - OFF WHITE
	083743-03-01A	SF	PLASTIC-ABS- 10 8" WIDE - OFF WHITE
	083818-02-000	SF	PLYWOOD-OAK- 1 SIDE FINISHED - 3/16" X 4' X 8' (32 SF)
	085888-01-000	SF	VENEER-FLAT LUANA 48098

**1992 WINNEBAGO
TABLE OF CONTENTS**

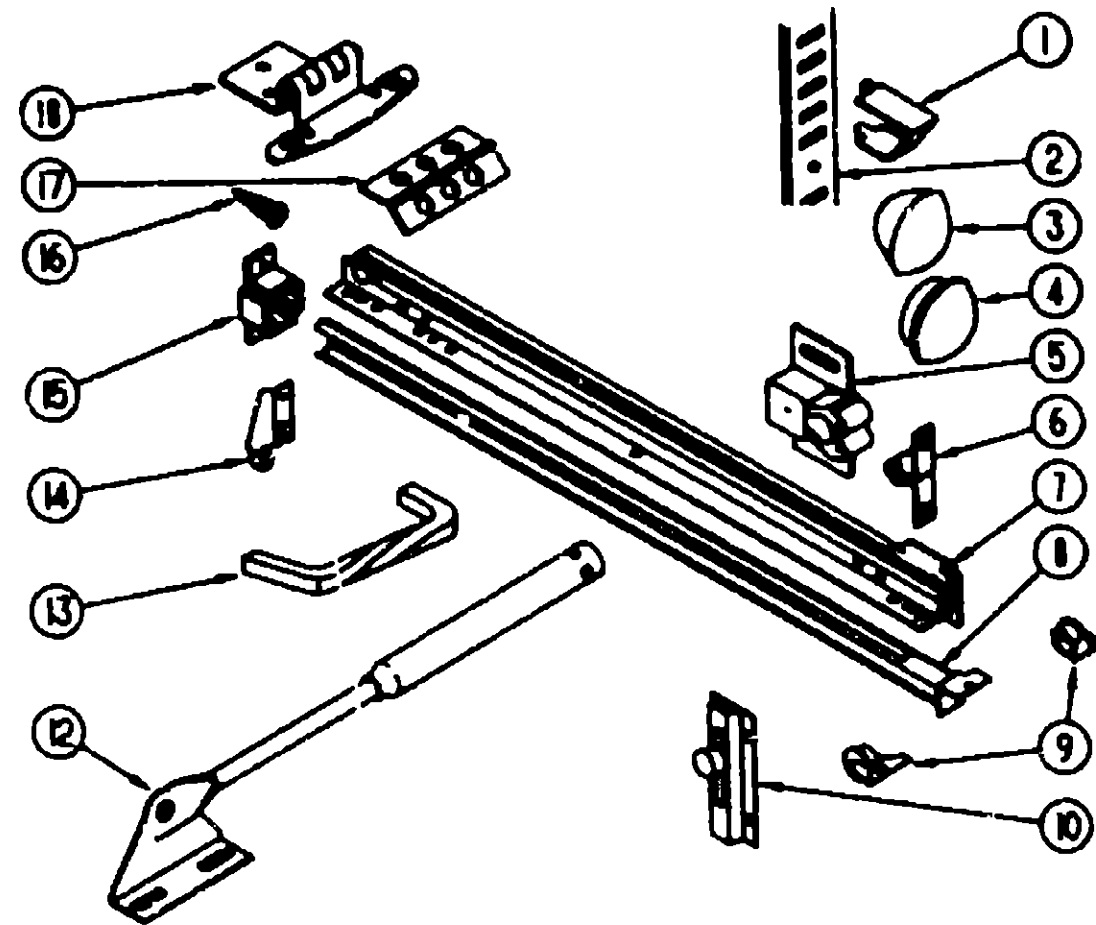
INTRODUCTION	A-01	-	A-02
ABBREVIATIONS			A-03
ALPHABETICAL INDEX	A-04	-	A-08
WF427RQ	A-07	-	D-14
WF427RC	D-15	-	G-20
WF427RT	G-21	-	K-03

1992 WF427RT INDEX

FLOOR PLAN	G-21	-	G-22
ACCESSORIES			G-23
AUDIO VIDEO			G-24
BATH	H-01	-	H-02
BEDROOM	H-03	-	H-04
CHASSIS	H-05	-	H-07
CURTAIN & CUSHION	H-08	-	H-15
DINETTE	H-16	-	H-17
DRIVERS	H-18	-	H-20
ELECTRICAL	H-21	-	H-24
EXTERIOR BODY	I-01	-	I-07
GALLEY	I-08	-	I-11
GENERATOR			I-12
HEATING & A/C	I-13	-	I-14
INTERIOR FINISH	I-15	-	I-18
LABEL	I-19	-	J-02
LP			J-03
LOUNGE	J-04	-	J-05
SEALANTS & FASTENERS	J-06	-	J-08
WATER & SEWAGE	J-09	-	J-12
WINDOW, VENT AND EXTERIOR DOOR	J-13	-	K-03

INTERIOR FINISH GROUP (CONTINUED)

CABINET & TABLE HARDWARE



KEY	PART NUMBER	UNIT DESCRIPTION
1	088978-01-000	EA CLIP-ADJUSTABLE SHELF
2	088980-01-000	EA PLASTER-ADJUSTABLE SHELF- 18" LONG
3	042388-01-000	EA PLUG-BUTTON-MAHOGANY - 3/8" DIAMETER - WOOD
4	074045-07-000	EA PLUG-WOOD-1/2" - NATURAL
5	088988-03-000	EA CATCH-SPRING- ROLLER
6	088988-04-000	EA STRIKE-SPRING STEEL
7	101810-03-000	EA SLIDE-DRAWER-CABINET MOUNTED - SET OF 2 - 12" LONG
7	101810-04-000	EA SLIDE-DRAWER-DRAWER MOUNTED - SET OF 2 - 12" LONG
8	102827-05-000	EA TRACK-DRAWER 22.8" LONG
9	102827-03-000	EA ROLLER-DRAWER NYLON - PAIR
10	081804-01-000	EA SLIDE-BOLT-ANTIQUE BRASS
12	074488-02-000	EA SUPPORT-PISTON SPRING CABINET DOOR
13	088945-01-000	EA PULL-CABINET BRASS - TWIST - 1 1/4" X 3/4"
	100995-C1-000	EA BACKPLATE-PULL CABINET DOOR - 5.7" - BRASS FROM: 12-08-91 THRU 99-06-99
14	102827-02-000	EA BRACKET-ROLLER- DRAWER - REAR
15	102827-04-000	EA BRACKET-MOUNTING DRAWER - REAR
16	000G13-05-10G	EA SCREW-6-20 X 5/8 PPH- ANTIQUE BRASS FROM: 00-00-00 THRU 04-14-82
16	000G13-05-08G	EA SCREW-6-20 X 5/8 PPH- ANTIQUE BRASS FROM: 04-15-82 THRU 99-09-99
17	008058-02-000	EA HINGE-DOOR- 2" X 2.7" - BRASS
18	058777-02-000	EA HINGE-CABINET DOOR- BURNISHED BRASS FROM 00-00-00 THRU 04-18-82
18	108138-01-000	EA HINGE-DOOR CABINET - BURNISHED BRASS FROM: 04-17-82 THRU 99-09-99
	108648-01-000	EA HINGE-BRASS-VARIABLE OVERLAY (OVERHEAD RANGE CABINET)
	023320-01-000	EA PAD-FELT 3/8" DIAMETER - BROWN
	105037-02-000	EA FASTENER-WOOD CORNER - METAL - 5" X 8"
	004354-01-000	EA BUMPER-RUBBER- .5" DIA - BROWN
	008083-01-000	EA HINGE-CONTINUOUS- 1 1/2" X 72" - UNPAINTED
	008086-01-000	EA HINGE-ALUMINUM- NO HOLES - 1 1/8" X 8" - UNPAINTED
	018804-01-000	EA BRACE-CABINET- ANGLE - 2.5" - METAL - UNPAINTED
	018804-03-000	EA BRACE-CABINET- ANGLE - 2.5" - METAL - BEIGE
	085740-01-000	EA BRACE-CABINET CORNER- PLASTIC
	078780-01-000	EA SCREW- 8-20 X 1 1/4 PPH - BLACK
	058783-01-000	FT ROD-CLOTHES SLOTTED - ALUMINUM - 7' LENGTH
	008089-01-000	EA CLIP-MIRROR
	009112-01-000	EA FLANGE-1" ROD- CLOTHES - PLASTIC - OFF WHITE
	042438-01-000	EA DOWEL-WOOD- CLOTHES ROD - 1" DIAMETER X 4'
	042438-02-000	EA DOWEL-WOOD- 2" X 2"
	064781-06-000	EA HOLDER-CUP- TWO STEP - OFF WHITE
	103257-01-000	EA STOP-DOOR
	103130-01-000	EA HOOK-CUP-BRASS-1.25"
	082072-05-AA3	EA SUPPORT - CABINET (BATH)
	078827-04-000	EA BRACKET-BURNISHED - 2 1/2" X 1 1/8" TRIANGLE-METAL-OFF WHITE
	078827-03-000	EA CRACKET-HEADER-SLIDING DOOR-METAL
	104888-01-000	EA CATCH-WOOD-VINYL FACED CABINET
	104888-02-000	EA CATCH-WOOD-LAMINATED FACED CABINET

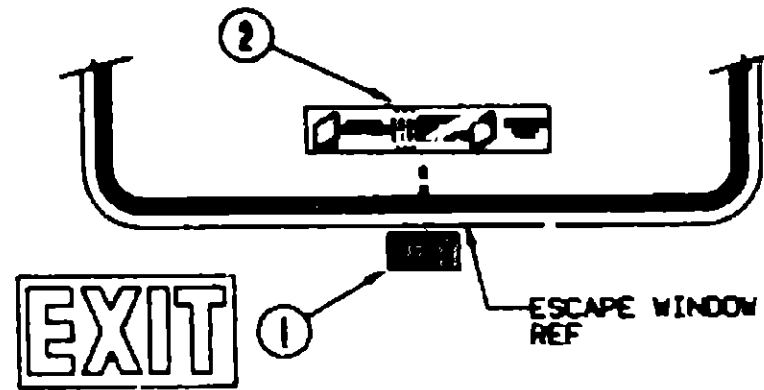
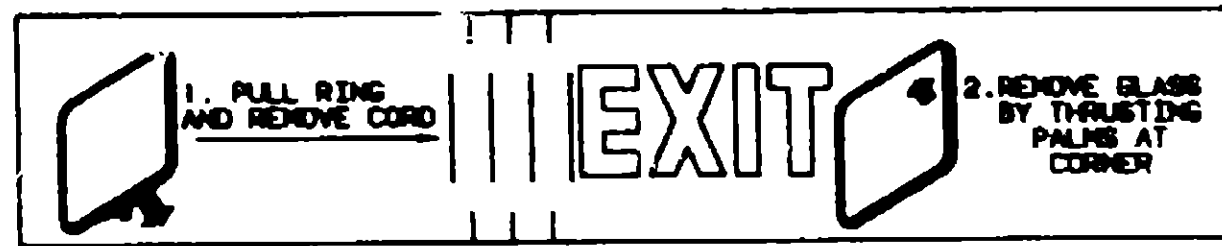
1992 WINNEBAGO TABLE OF CONTENTS

INTRODUCTION	A-01 - A-02
ABBREVIATIONS	A-03
ALPHABETICAL INDEX	A-04 - A-08
WF427RQ	A-07 - D-14
WF427RC	E-15 - G-20
WF427RT	G-21 - K-03

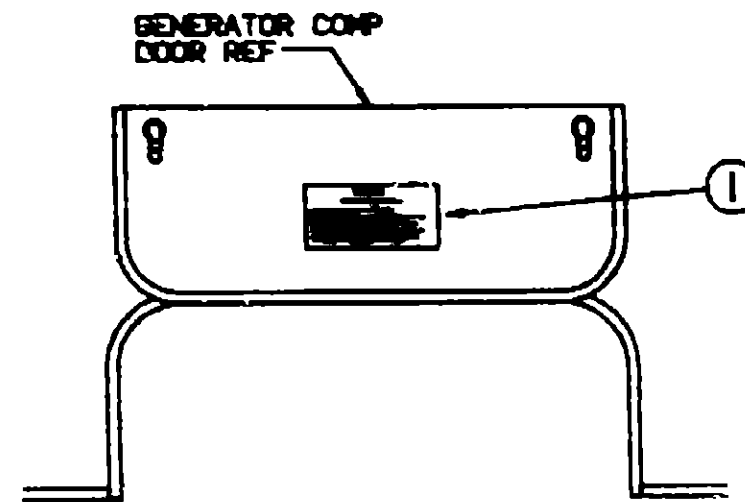
1992 WF427RT INDEX

FLOOR PLAN	G-21 - G-22
ACCESSORIES	G-23
AUDIO VIDEO	G-24
BATH	H-01 - H-02
BEDROOM	H-03 - H-04
CHASSIS	H-05 - H-07
CURTAIN & CUSHION	H-08 - H-15
DINETTE	H-13 - H-17
DRIVERS	H-18 - H-20
ELECTRICAL	H-21 - H-24
EXTERIOR BODY	I-01 - I-07
GALLEY	I-08 - I-11
GENERATOR	I-12
HEATING & A/C	I-13 - I-14
INTERIOR FINISH	I-15 - I-18
LABEL	I-19 - J-02
LP	J-03
LOUNGE	J-04 - J-06
SEALANTS & FASTENERS	J-05 - J-08
WATER & SEWAGE	J-09 - J-12
WINDOW, VENT AND EXTERIOR DOOR	J-13 - K-03

LABELS GROUP



KEY	PART NUMBER	U/M DESCRIPTION
1	038290-01-000	EA LABEL-WARNING-EXIT
2	107571-01-000	EA LABEL-EXIT-ESCAPE WINDOW



WARNING

WHEN ADDING A GENERATOR SET:

NEVER VOLTAGE-USE EXTREME CAUTION WHEN WORKING ON ELECTRICAL CONNECTIONS.

NEVER ALLOW GENERATOR, IMMEDIATELY REPAIRS BY A QUALIFIED LICENSED ELECTRICIAN-FOLLOW ALL WIRING AND LABEL GUIDES.

ONLY INSTALL GENERATOR SET APPROVED FOR R.V. APPLICATION. MAKE SURE IT IS INSTALLED BY QUALIFIED TECHNICIAN.

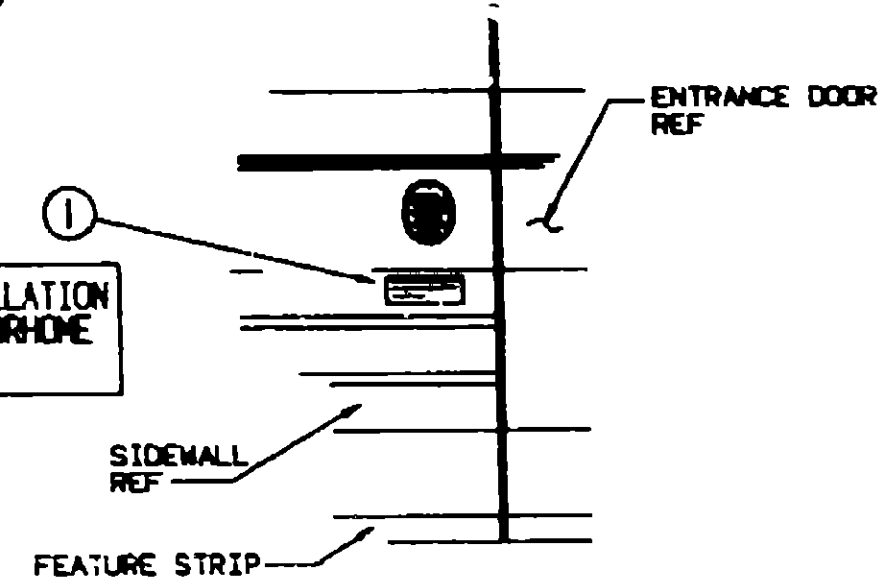
TO AVOID FUEL BUILD-UP AND TO GUARANTEE AN ADEQUATE AIR SUPPLY TO THE GENERATOR COMPARTMENT, FOLLOW INSTALLATION INSTRUCTIONS. GENERATOR EXHAUST SHOULD BE OPEN AND MUST NOT TERMINATE UNDER THE VEHICLE-CHECK THE EXHAUST AWAY FROM VEHICLE.

KEY	PART NUMBER	U/M DESCRIPTION
1	077510-01-000	EA LABEL-GENERATOR PREP

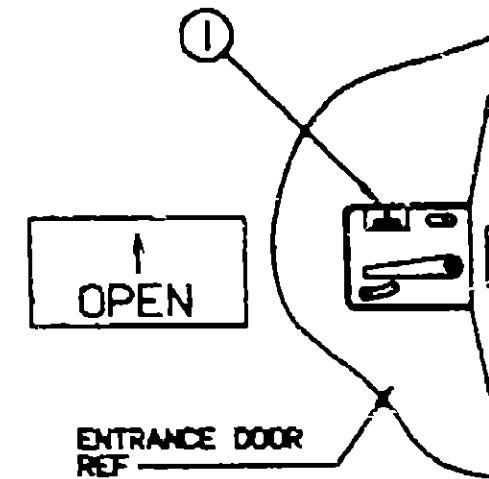
LABELS GROUP (CONTINUED)



FOR AWNING INSTALLATION CONTACT YOUR MOTORHOME DEALERSHIP



KEY	PART NUMBER	U/M DESCRIPTION
1	099508-01-000	EA LABEL-AWNING INSTALLATION



KEY	PART NUMBER	U/M DESCRIPTION
1	040944-01-000	EA LABEL-ENTRANCE DOOR, "OPEN"

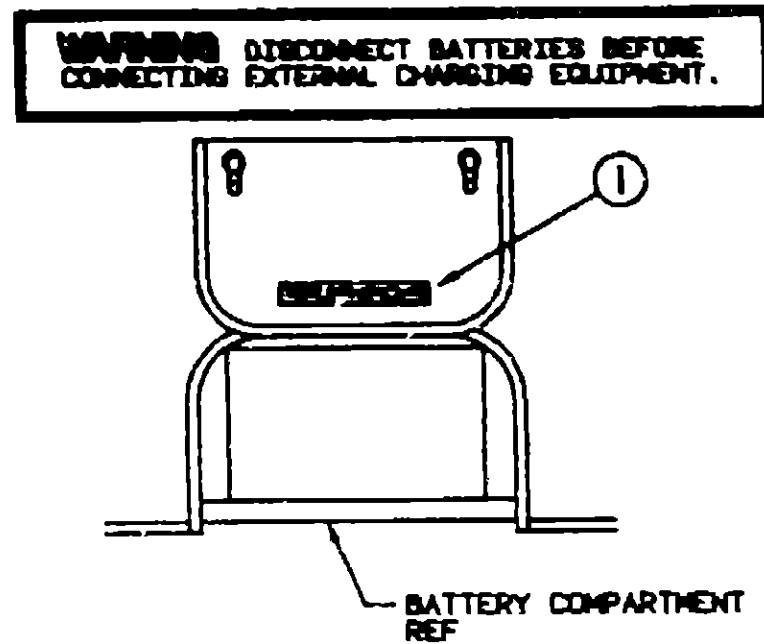
1992 WINNEBAGO TABLE OF CONTENTS

INTRODUCTION	A-01	- A-02
ABBREVIATIONS		A-03
ALPHABETICAL INDEX	A-04	- A-08
WF427RQ	A-07	- D-14
WF427RC	D-15	- G-20
WF427RT	G-21	- K-03

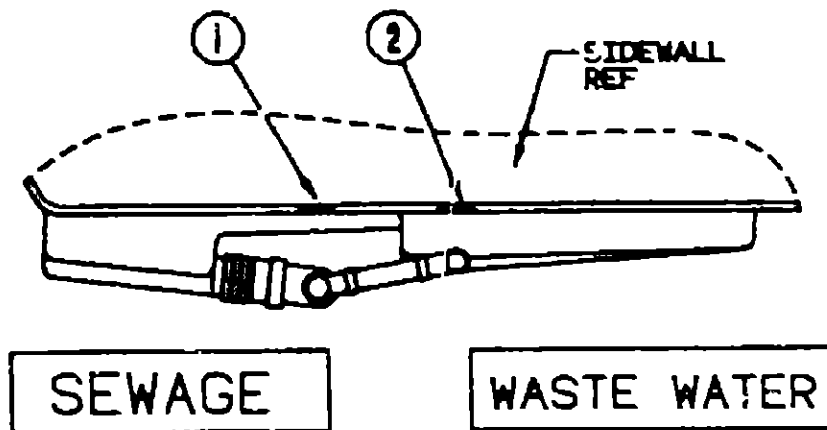
1992 WF427RT INDEX

FLOOR PLAN	G-21	- G-22
ACCESSORIES		G-23
AUDIO VIDEO		G-24
BATH	H-01	- H-02
BEDROOM	H-03	- H-04
CHASSIS	H-05	- H-07
CURTAIN & CUSHION	H-08	- H-15
DINETTE	H-16	- H-17
DRIVERS	H-18	- H-20
ELECTRICAL	H-21	- H-24
EXTERIOR BODY	I-01	- I-07
GALLEY	I-08	- I-11
GENERATOR		I-12
HEATING & A/C	I-13	- I-14
INTERIOR FINISH	I-15	- I-18
LABEL	I-19	- J-02
LP		J-03
LOUNGE	J-04	- J-05
SEALANTS & FASTENERS	J-06	- J-08
WATER & SEWAGE	J-09	- J-12
WINDOW, VENT AND EXTERIOR DOOR	J-13	- K-03

LABELS GROUP (CONTINUED)

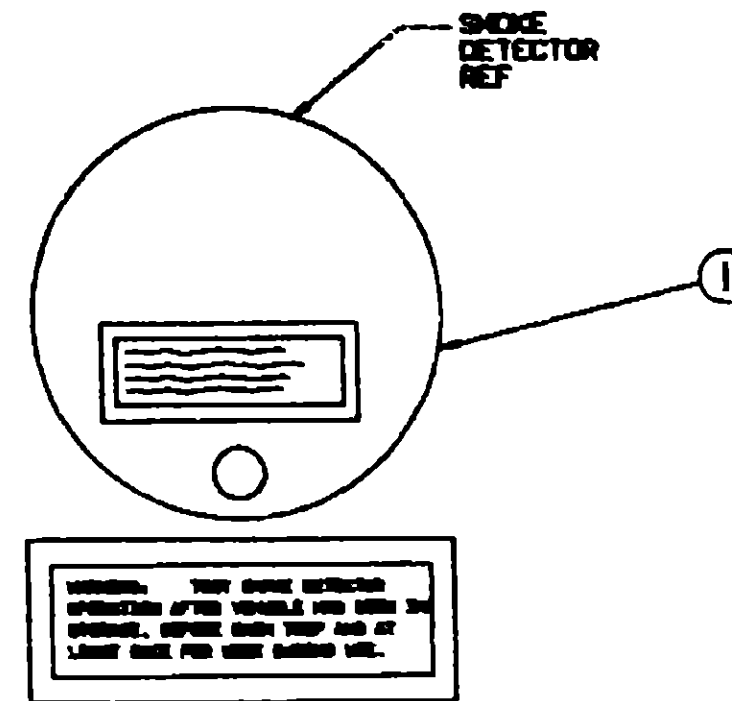


KEY PART NUMBER U/M DESCRIPTION
 1 065748-01-000 EA LABEL-CAUTION-BATTERY CHARGING

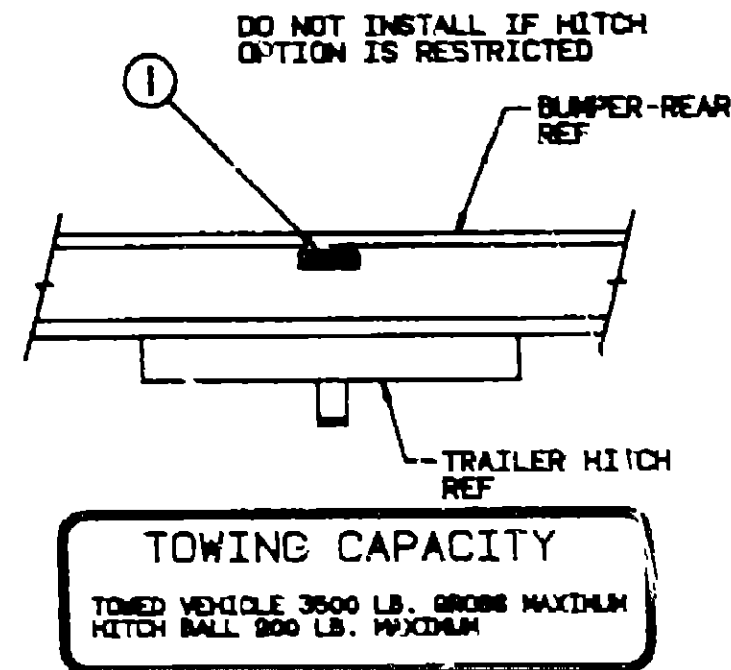


KEY PART NUMBER U/M DESCRIPTION
 1 006187-01-000 EA LABEL-SEWAGE
 2 006188-01-000 EA LABEL-WASTE WATER

LABELS GROUP (CONTINUED)



KEY PART NUMBER U/M DESCRIPTION
 1 077956-01-000 EA LABEL-WARNING-SMOKE DETECTOR



KEY PART NUMBER U/M DESCRIPTION
 1 078221-01-000 EA LABEL-TOWING CAPACITY

1992 WINNEBAGO TABLE OF CONTENTS

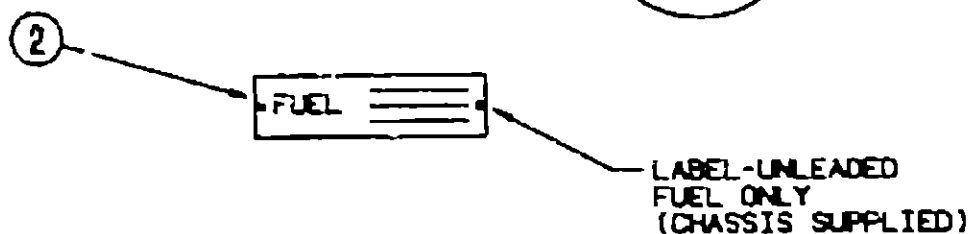
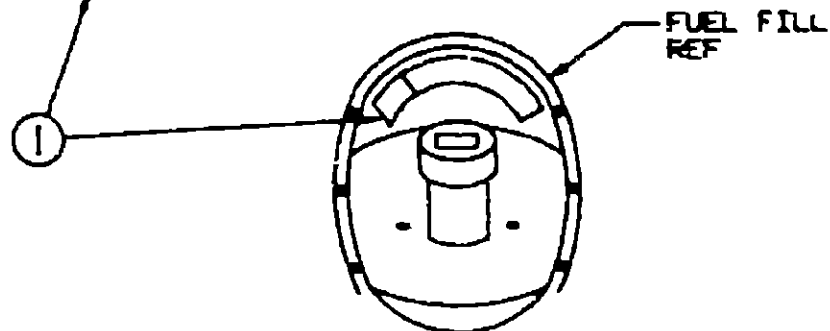
INTRODUCTION	A-01 - A-02
ABBREVIATIONS	A-03
ALPHABETICAL INDEX	A-04 - A-08
WF427RQ	A-07 - D-14
WF427RC	D-15 - G-20
WF427RT	G-21 - K-03

1992 WF427RT INDEX

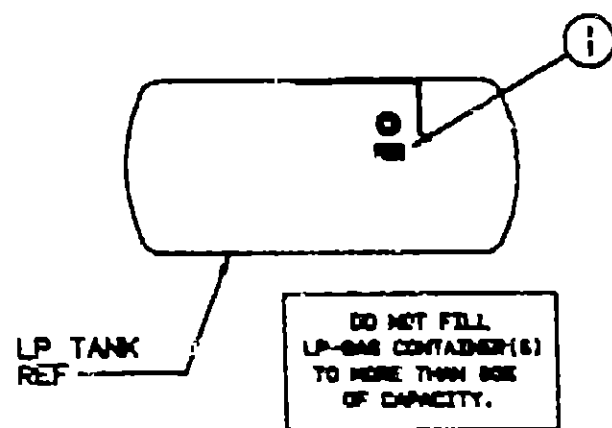
FLOOR PLAN	G-21 - G-22
ACCESSORIES	G-23
AUDIO VIDEO	G-24
BATH	H-01 - H-02
BEDROOM	H-03 - H-04
CHASSIS	H-05 - H-07
CURTAIN & CUSHION	H-08 - H-15
DINETTE	H-16 - H-17
DRIVERS	H-18 - H-20
ELECTRICAL	H-21 - H-24
EXTERIOR BODY	I-01 - I-07
GALLEY	I-08 - I-11
GENERATOR	I-12
HEATING & A/C	I-13 - I-14
INTERIOR FINISH	I-15 - I-18
LABEL	I-19 - J-02
LP	J-03
LOUNGE	J-04 - J-05
SEALANTS & FASTENERS	J-06 - J-08
WATER & SEWAGE	J-09 - J-12
WINDOW, VENT AND EXTERIOR DOOR	J-13 - K-03

LABELS GROUP (CONTINUED)

CAUTION!	TO HELP AVOID PERSONAL INJURY DURING REMOVAL OF FUEL FILLER CAP, SLOWLY LOOSEN CAP 1/2 TURN TO ALLOW ANY FUEL PRESSURE TO BE RELIEVED BEFORE TURNING CAP FURTHER.
FUEL SPRAY MAY CAUSE PERSONAL INJURY	STOP ADDING FUEL AFTER FIRST SHUTOFF BY AUTOMATIC NOZZLE WHEN TANK IS NEARLY FULL. DO NOT OVERFILL FUEL TANK. SEE OWNERS MANUAL FOR ADDITIONAL INFORMATION. PRINTED IN U.S.A. N.C. PT. NO. 12611763

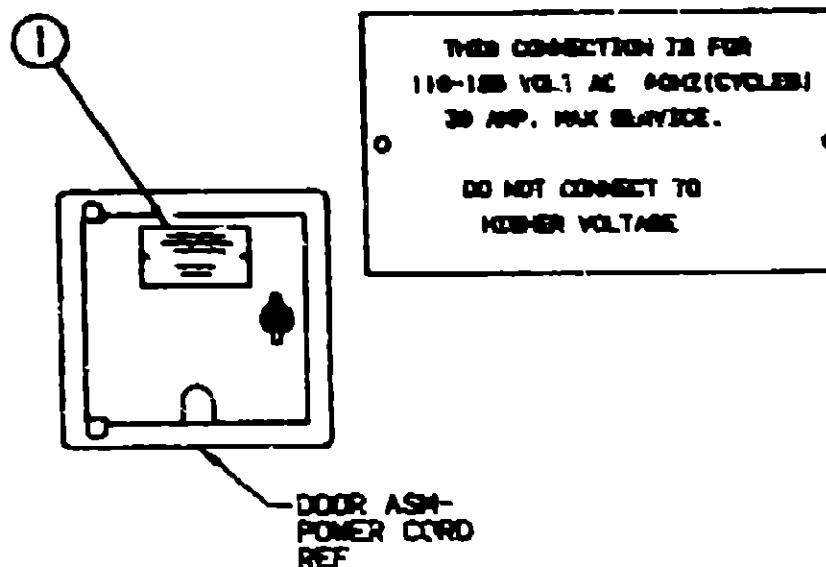


KEY	PART NUMBER	U/M DESCRIPTION
1	087207-06-000	EA LABEL-GAS OVERFILL
2	082043-01-000	EA LABEL-FUEL-UNLEADED

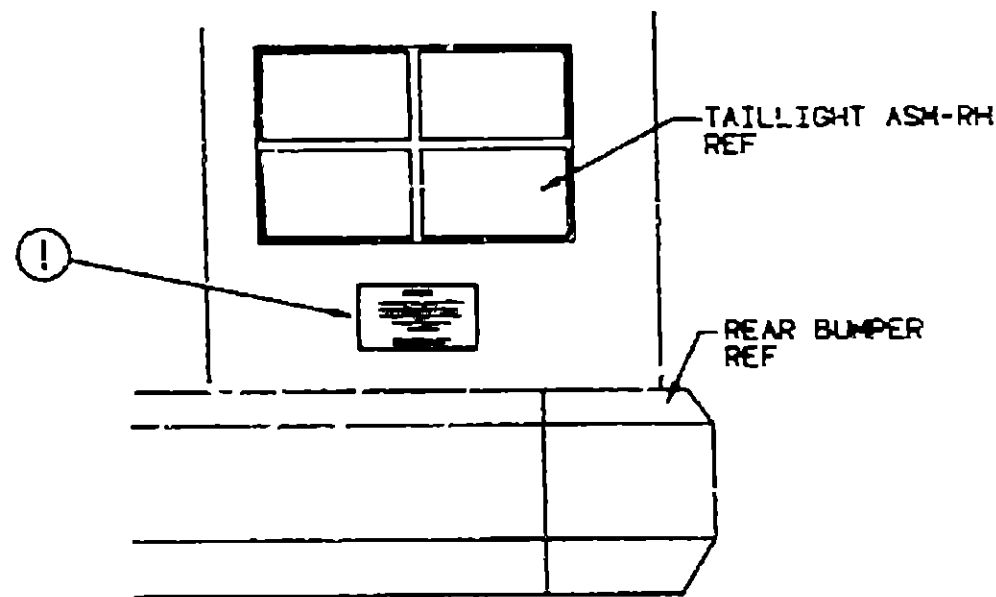


KEY	PART NUMBER	U/M DESCRIPTION
1	054531-01-000	EA LABEL-LP GAS ONLY

LABELS GROUP (CONTINUED)



KEY	PART NUMBER	U/M DESCRIPTION
1	006062-01-000	EA TAG-ELECTRIC-110V CONNECTION



WARNING

DO NOT EXCEED THE VEHICLE WEIGHT RATINGS OR LOADING RECOMMENDATIONS (E.G., GROSS VEHICLE, GROSS AXLE, GROSS COMBINED) OF THE CHASSIS MANUFACTURER OR WINNEBAGO INC.

REFER TO YOUR OWNERS MANUAL, BEFORE LOADING OR TOWING.

KEY	PART NUMBER	U/M DESCRIPTION
1	075220-01-000	EA LABEL-WARNING-EXTERIOR LOAD

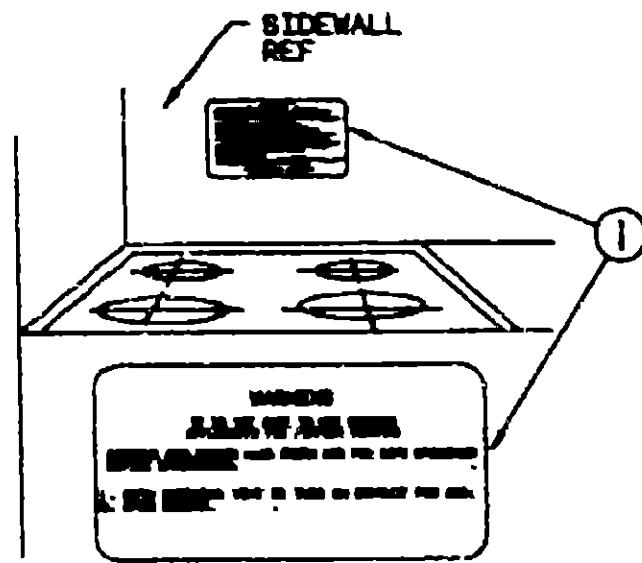
1992 WINNEBAGO TABLE OF CONTENTS

INTRODUCTION	A-01 - A-02
ABBREVIATIONS	A-03
ALPHABETICAL INDEX	A-04 - A-05
WF427RQ	A-07 - D-14
WF427RC	D-15 - G-20
WF427RT	G-21 - K-03

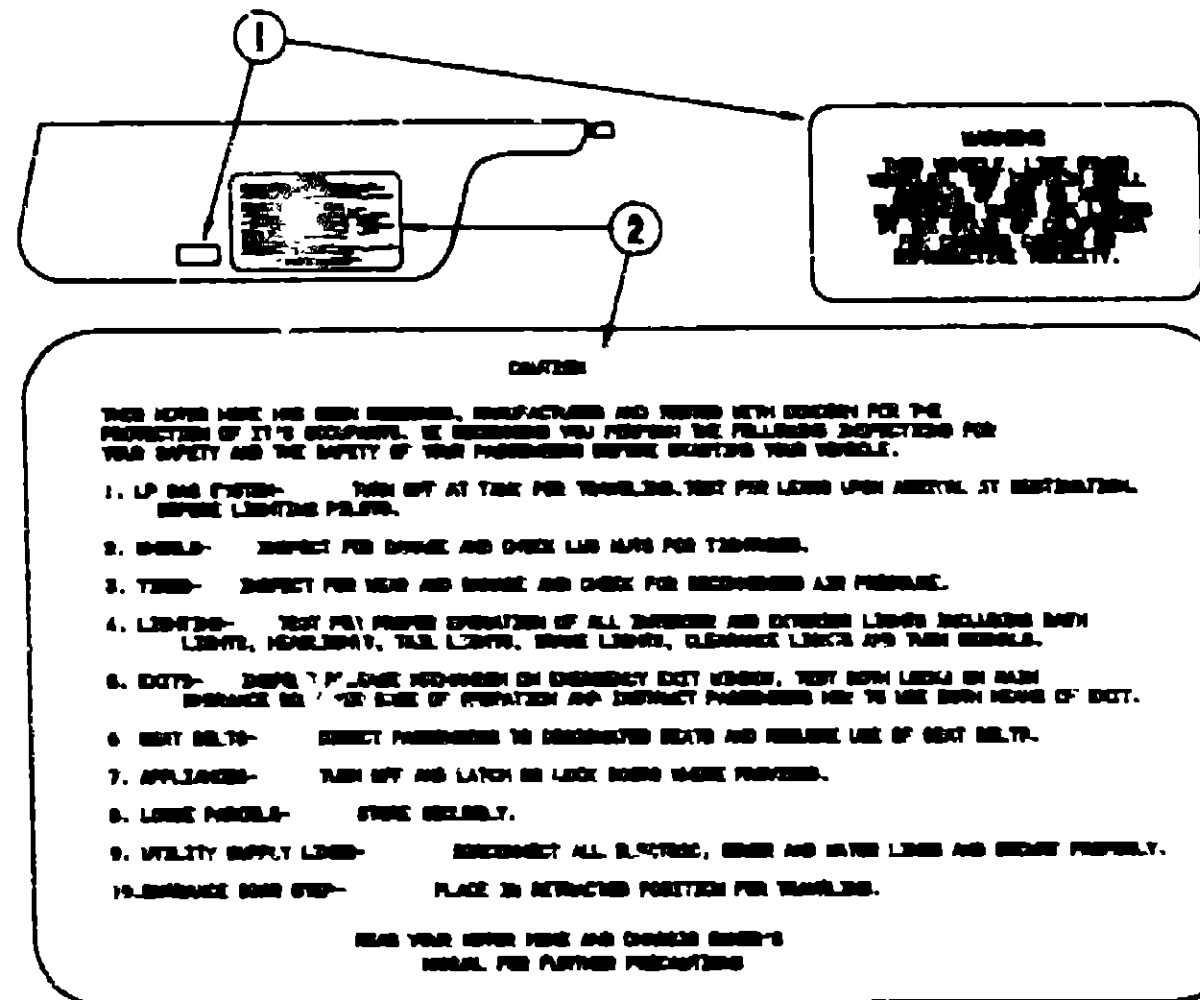
1992 WF427RT INDEX

FLOOR PLAN	G-21 - G-22
ACCESSORIES	G-23
AUDIO VIDEO	G-24
BATH	H-01 - H-02
BEDROOM	H-03 - H-04
CHASSIS	H-05 - H-07
CURTAIN & CUSHION	H-08 - H-15
DINETTE	H-16 - H-17
DRIVERS	H-18 - H-20
ELECTRICAL	H-21 - H-24
EXTERIOR BODY	I-01 - I-07
GALLEY	I-08 - I-11
GENERATOR	I-12
HEATING & A/C	I-13 - I-14
INTERIOR FINISH	I-15 - I-18
LABEL	I-19 - J-02
LP	J-03
LUNGE	J-04 - J-05
SEALANTS & FASTENERS	J-06 - J-08
WATER & SEWAGE	J-09 - J-12
WINDOW, VENT AND EXTERIOR DOOR	J-13 - K-03

LABELS GROUP (CONTINUED)



KEY	PART NUMBER	U/M DESCRIPTION
1	050225-01-000	EA LABEL-WARNING-STOVE VENT - US



KEY	PART NUMBER	U/M DESCRIPTION
1	090889-01-000	EA LABEL-WARNING-CANCER/TOXICIT
2	050259-01-000	EA LABEL-SAFETY CHECK LIST

LABELS GROUP (CONTINUED)

MISCELLANEOUS LABELS

KEY	PART NUMBER	U/M DESCRIPTION
	104236-01-000	EA LABEL-GENERATOR CIRCUIT
	008064-01-000	EA LABEL-SEAT W/O SEATBELT (US); NOT INTENDED FOR USE WHILE COACH IN MOTION
	008064-02-000	EA LABEL-SEAT W/O SEATBELT (CSA); NOT INTENDED FOR USE WHILE COACH IN MOTION
	091224-02-000	EA LABEL-TRAILER LIGHTING
	091243-01-000	EA LABEL-A/C COVER, "AIR CONDITIONING CIRCUIT ETC"
	093236-08-000	EA LABEL-CIRCUIT BREAKER
	098841-01-000	EA LABEL-FUEL, UNLEADED - DASH
	074559-01-000	EA DECAL-LOGO, LPG - RED - (CALIF CODE)
	073998-01-000	EA LABEL-LPG ODOR WARNING
	087236-01-000	EA LABEL-CABLE, INPUT
	081417-01-000	EA LABEL-FUEL ON FUEL FILL DOOR
	008040-01-000	EA TAG-GAS REFUELING WARNING-US
	008040-02-000	EA TAG-GAS REFUEL WARNING-CANADIAN

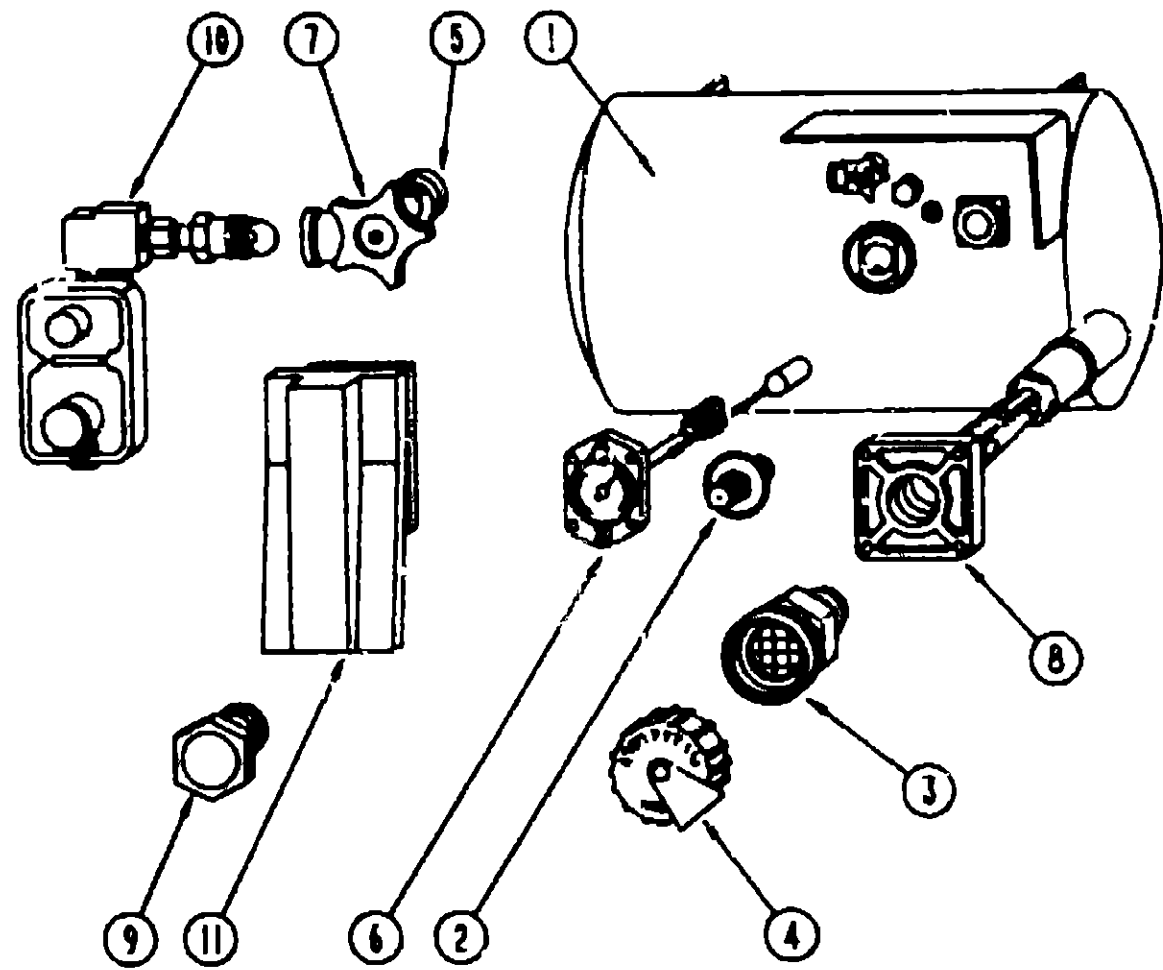
**1992 WINNEBAGO
TABLE OF CONTENTS**

INTRODUCTION	A-01 - A-02
ABBREVIATIONS	A-03
ALPHABETICAL INDEX	A-04 - A-06
WF427RQ	A-07 - D-14
WF427RC	D-15 - G-20
WF427RT	G-21 - K-03

1992 WF427RT INDEX

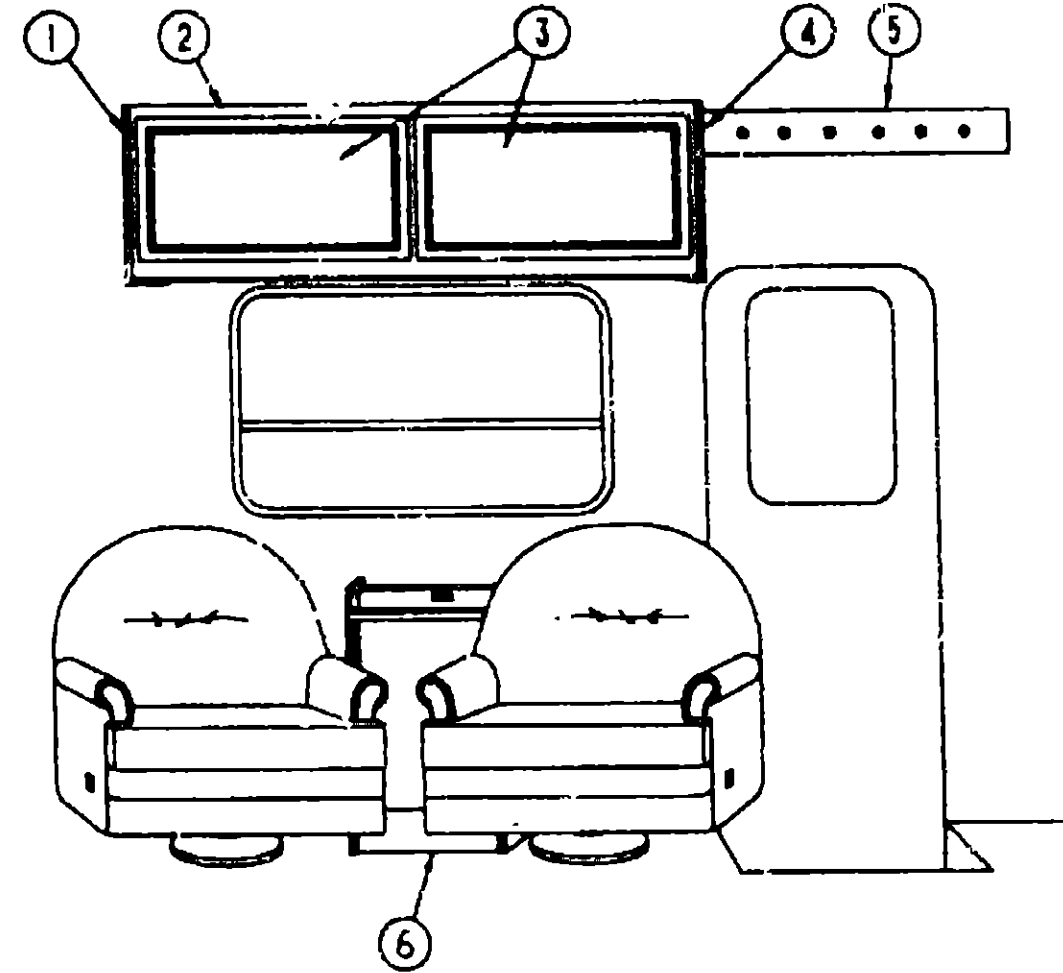
FLOOR PLAN	G-21 - G-22
ACCESSORIES	G-23
AUDIO VIDEO	G-24
BATH	H-01 - H-02
BEDROOM	H-03 - H-04
CHASSIS	H-05 - H-07
CURTAIN & CUSHION	H-08 - H-15
DINETTE	H-16 - H-17
DRIVERS	H-18 - H-20
ELECTRICAL	H-21 - H-24
EXTERIOR BODY	I-01 - I-07
GALLEY	I-08 - I-11
GENERATOR	I-12
HEATING & A/C	I-13 - I-14
INTERIOR FINISH	I-15 - I-18
LABEL	I-19 - J-02
LP	J-03
LOUNGE	J-04 - J-05
SEALANTS & FASTENERS	J-06 - J-08
WATER & SEWAGE	J-09 - J-12
WINDOW, VENT AND EXTERIOR DOOR	J-13 - K-03

LP GROUP



LP TANK & COMPONENTS

LOUNGE GROUP



OVERHEAD & SWIVEL CHAIR CABINETRY

**1992 WINNEBAGO
TABLE OF CONTENTS**

INTRODUCTION	A-01 - A-02
ABBREVIATIONS	A-03
ALPHABETICAL INDEX	A-04 - A-06
WF427RQ	A-07 - D-14
WF427RC	D-15 - G-20
WF427RT	G-21 - K-03

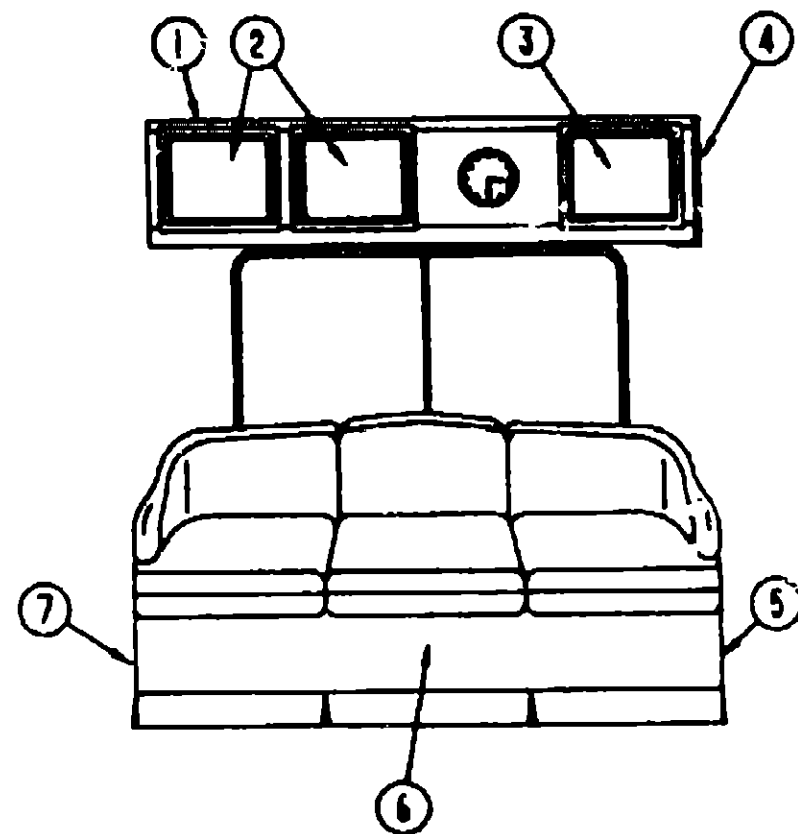
1992 WF427RT INDEX

FLOOR PLAN	G-21 - G-22
ACCESSORIES	G-23
AUDIO VIDEO	G-24
BATH	H-01 - H-02
BEDROOM	H-03 - H-04
CHAISSIS	H-05 - H-07
CURTAIN & CUSHION	H-08 - H-15
DINETTE	H-16 - H-17
DRIVERS	H-18 - H-20
ELECTRICAL	H-21 - H-24
EXTERIOR BODY	I-01 - I-07
GALLEY	I-08 - I-11
GENERATOR	I-12
HEATING & A/C	I-13 - I-14
INTERIOR FINISH	I-15 - I-18
LABEL	I-19 - J-02
LP	J-03
LOUNGE	J-04 - J-05
SEALANTS & FASTENERS	J-06 - J-08
WATER & SEWAGE	J-09 - J-12
WINDOW, VENT AND EXTERIOR DOOR	J-13 - K-03

KEY	PART NUMBER	U/M	DESCRIPTION
1	080450-01-000	EA	TANK-LP-42LB 13DIAX24LONG
2	040421-01-700	EA	VALVE-LIQUID LEVEL-20% LP - BRUNNER G-1013
3	040421-01-701	EA	VALVE-SHORT LP FILLER W/YELLOW CAP - BRUNNER 75478
4	040421-01-702	EA	CAP-LP FILLER VALVE- PLASTIC - YELLOW - BRUNNER G-1014-A
5	040421-01-703	EA	VALVE-SERVICE W/HANDWHEEL (REGO 9108CO) - BRUNNER G-1015
6	040421-01-707	EA	GAUGE-FLOAT W/VISIBLE DIAL - BRUNNER MA-9 C244-4
	040440-02-000	EA	DIAL-TRANSMITTER 0-90 OHM
7	040421-01-708	EA	HANDWHEEL-SERVICE VALVE BRUNNER G-1015-A
8	040421-01-711	EA	VALVE W/PLATE - BOLT & GASKET - 80%
9	040421-01-713	EA	VALVE-LP-3/8" ID X 24" - 3/8" MPT X 1/2" F SWIVEL - CANADA
10	106150-01-000	EA	REGULATOR-TWO STAGE - 293-00
11	105658-01-000	EA	COMPARTMENT-LP REGULATOR
	065741-01-000	EA	GAUGE-DIAPHRAGM PRESSURE - MARSHALLTOWN MFG
	065742-01-000	EA	TEE 3/8" X 3/8" X 25FPT - BRASS
	010377-02-000	EA	NUT-BRASS 3/8 FEMALE - FORGED
	045703-01-000	EA	HOSE-LP- 3/8" ID X 24" - 3/8" MPT X 1/2" F SWIVEL - U S
	045703-02-000	EA	HOSE-LP- 3/8" ID X 24" - 3/8" MPT X 1/2" F SWIVEL - CANADA
	103813-01-000	EA	DETECTOR-LP GAS - CCI 7730/PRE-TELL 1
			FROM 01-20-82 THRU 99-99-99
	085318-02-000	EA	ELBOW-90 DEGREE- 3/8" MPT TO 3/8" FPT
	081838-01-000	EA	COVER-COMPARTMENT-LP REGULATOR - BLACK
	025624-01-000	EA	ELBOW-90 DEGREE- 1/4" FPT X 1/4" FPT - BRASS
	010251-01-000	EA	ELBOW- 90 DEGREE 3/8" F X 3/8" MPT - BRASS
	071381-02-000	EA	NIPPLE-HEX- 1/4 PIPE - 3025X4 WEATHERHEAD
	010323-01-000	EA	ADAPTER-BRASS- 3/8" F X 1/2" MPT
	010380-02-000	EA	NUT-BRASS - 1/2" FEMALE - FORGED
	010377-02-000	EA	NUT-BRASS - 3/8" FEMALE - FORGED

KEY	PART NUMBER	U/M	DESCRIPTION
1	104335-07-CS2	EA	CAP ASM-END-OVERHEAD
1	104335-18-C03	EA	CAP ASM-END-OVERHEAD - W/TV
2	M05623-32-C03	EA	CABINET ASM-OVERHEAD-RIGHT
2	M05623-31-C03	EA	CABINET ASM-OVERHEAD-TV
	106808-13-C03	EA	SHELF ASM
	061804-01-000	EA	SLIDE-BOLT-ANTIQUE BRASS
	101910-03-000	EA	SLIDE-DRAWER-CABINET MOUNTED - SET OF 2 - 12" LONG
	101910-04-000	EA	SLIDE-DRAWER-DRAWER MOUNTED - SET OF 2 - 12"
3	P05223-05-C03	EA	DOOR ASM-W/O HARDWARE-400 X710
4	104335-08-CS2	EA	CAP ASM-END-OVERHEAD
4	104335-17-C03	EA	CAP ASM-END-OVERHEAD - W/TV
5	105847-05-C05	EA	KEY RING HOLDER
	103130-01-000	EA	HOOK-CUP-BRASS - 1.25"
6	M06873-01-C03	EA	TABLE ASM-PULLOUT
	096873-11-B85	EA	PANEL ASM-PULLOUT TOP
	080736-01-000	EA	PULL-RECESSED - 1 25" X 4" - OAK

LOUNGE GROUP (CONTINUED)



LOUNGE CABINET HARDWARE

KEY	PART NUMBER	U/M DESCRIPTION
1	M05823-30-C03	EA CABINET ASM - OVERHEAD DINETTE
1	M05823-30-C04	EA CABINET ASM - OVERHEAD DINETTE
2	P05223-11-C03	EA DOOR ASM - W/O HARDWARE - ROUNDED - 400 X 520
3	P05223-04-C03	EA DOOR ASM - W/O HARDWARE - ROUNDED - 400 X 520
4	104335-23-C05	EA CAP ASM-END - OVERHEAD
5	M04187-12-885	EA PANEL-CABINET - COUCH - LEFT SIDE - W/FABRIC
5	M04187-12-886	EA PANEL-CABINET - COUCH - LEFT SIDE - W/FABRIC
6	M04187-13-885	EA CABINET-COUCH - FRONT - W/FABRIC
6	M04187-13-886	EA CABINET-COUCH - FRONT - W/FABRIC
7	M05029-01-805	EA PANEL ASM
	083125-05-000	EA BRACE-ANGLE - COUCH - 2.5" - BEIGE
	082525-01-000	EA BRACE-COUCH - FLOOR MOUNT - ANGLE 3" LONG - METAL
	105847-01-300	EA BRACKET - HOLD DOWN - COUCH
	050101-01-002	EA EXTR-CORNER KEY L - SHAPED - 192" - ALUMINUM
	083125-03-000	EA BRACE-COUCH - TAN - 2.5"
	083125-05-000	EA BRACE-ANGLE - COUCH - 2.5" - BEIGE
	081298-01-C03	EA TABLE ASM - PEDESTAL
	089040-02-000	EA PEDESTAL TABLE LEG - 27.5" X 2.25" DIA - CHROME
	041184-01-000	EA BASE-TABLE - FLUSH - FLOOR MOUNTED
	082048-01-000	EA CLIP-LEG-PEDESTAL - 1.7" X 2.2" - DIA. - FROM 2 TO 2.5"

SEALANTS & FASTENERS GROUP

ADHESIVE

KEY	PART NUMBER	U/M DESCRIPTION
	004020-01-000	QT ADHESIVE-ABS CEMENT
	034652-02-000	EA SILICONE-TUBE- 300 ML - CLEAR
	034652-06-000	EA SILICONE-TUBE 300ML- OFF WHITE
	053788-02-000	EA BEDDING COMPOUND-TUBE- WHITE
	053788-06-000	EA BEDDING COMPOUND-TUBE- CLEAR
	053788-08-000	EA BEDDING COMPOUND-TUBE- GRAY - SCHNEE # 5622
	083842-01-000	FT TAPE-ADHESIVE- 10MM X 1 5/8" WIDE
	081255-02-000	FT SEAL-ADHESIVE BACKED FOAM- .18" THICK X 1 5/8" WIDE
	089840-01-000	FT SEALER-RIBBON- 1/4" DIAMETER - INCREMENTS OF 30"
	089840-02-000	FT SEALER-RIBBON- 1/2" X 1/8" - INCREMENTS OF 30" OR 60"
	089840-03-000	FT SEALER-RIBBON- 3/4" X 1/8" - INCREMENTS OF 80"
	089840-08-000	FT SEALER-RIBBON- 5/16" DIAMETER - INCREMENTS OF 25"
	089840-10-000	FT SEALER-RIBBON- 1/32" X 1 1/2" INCREMENTS OF 90"
	089840-07-000	FT SEALER-RIBBON- 3/32" DIAMETER - INCREMENTS OF 30" OR 45"
	089840-11-000	FT SEALER-TAPE-3/16"X3/8" BLACK MANUS
	072888-01-000	EA SEALANT-URETHANE- BLACK - 1/10 - ESSEX 552.2
	078322-01-000	FT TAPE-FOAM- DOUBLE COATED ADHESIVE BACKED - 75" X 218"
	078322-02-000	FT TAPE-FOAM- DOUBLE COATED ADHESIVE BACKED - 1" X 108"
	078322-05-000	FT TAPE-FOAM- DOUBLE COATED - .025" X 1 5/8" X 108"
	087211-01-000	GL PROMOTER-ADHESIVE
	102352-01-000	EA SEALER-PUMPABLE BLACK - COLORIMETRIC MS100

BOLTS, NUTS, & WASHERS

KEY	PART NUMBER	U/M DESCRIPTION
	0MC31K-08-020	EA BOLT-HEX- SERRATED FLANGE - M8 X 020
	000C12-05-18B	EA BOLT-HEX- 5/16-18 X 1 - ZINC 5
	000C12-05-84B	EA BOLT-HEX-5/16-18 X 4
	000C12-06-32B	EA BOLT-HEX-3/8-18 X 2 LG-ZINC 5
	000C12-08-24B	EA BOLT-HEX- 1/2-13 X 1 1/2 - ZINC 5
	000C12-10-24B	EA BOLT-HEX- 5/8-11 X 1 1/2 ZINC - 5
	000C12-10-84B	EA BOLT-HEX-5/8-11X4 0-ZINC5
	000C13-07-48B	EA BOLT-HEX- 7/16 - 20 X 3 - ZINC 5
	0G0C18-05-40A	EA BOLT-ELEV-5/16- 18 X 2 1/2 PL - 33410-01-000
	000C18-06-48B	FA BOLT-ELEV- 3/8- 18 X 3 ZINC - GRADE 5
	000C26-04-10B	EA BOLT-HEX- SERRATED FLANGE - 1/4-20 X 5/8 ZINC
	000C26-05-12B	EA BOLT-HEX- SERRATED FLANGE 5/16-18X3/4 ZINC
	000D24-10-00B	EA NUT-HEX- SF/LK - 10-32 ZINC
	000D29-09-00B	EA NUT-HEX SELFLOCK 9/16-12 ZINC
	000D39-04-00B	EA NUT-HEX- SERRATED FLANGE LOCKING 1/4 - 20 ZINC
	000D39-05-00B	EA NUT-HEX- SERRATED FLANGE LOCKING - 5/16 - 18 ZINC
	000D39-06-00B	EA NUT-HEX- SERRATED FLANGE LOCKING - 3/8-18 ZINC
	000D39-08-00B	EA NUT-HEX- SERRATED FLANGE LOCKING - 1/2-13 ZINC
	000D44-07-00B	EA NUT-HEX- SERRATED FLANGE LOCKING - 7/16-20 ZINC
	000E11-07-00B	EA WASHER-LOCKING-7/16 MED SPLIT ZINC 05114-01-000
	000E13-14-00B	EA WASHER-FL- 1/4" WIDE ZINC
	000E13-20-00B	EA WASHER-FL-7/16 WIDE ZINC - 5084-01 3115-01
	000E13-21-00B	EA WASHER-FL - W/2 NAR ZINC
	087277-02-000	EA WASHER-PLASTIC- OFF WHITE
	044523-01-000	EA WASHER-PLASTIC- 1 3/8" OD - FOR BUTTONS
	041322-01-000	EA WASHER-FL-15/32 ID X 23/8 OD - FOR SEAT BELT MOUNT

**1992 WINNEBAGO
TABLE OF CONTENTS**

INTRODUCTION	A-01 - A-02
ABBREVIATIONS	A-03
ALPHABETICAL INDEX	A-04 - A-08
WF427RQ	A-07 - D-14
WF427RC	D-15 - G-20
WF427RT	G-21 - K-03

1992 WF427RT INDEX

FLOOR PLAN	G-21 - G-22
ACCESSORIES	G-23
AUDIO VIDEO	G-24
BATH	H-01 - H-02
BEDROOM	H-03 - H-04
CHASSIS	H-05 - H-07
CURTAIN & CUSHION	H-08 - H-15
DINETTE	H-16 - H-17
DRIVERS	H-18 - H-20
ELECTRICAL	H-21 - H-24
EXTERIOR BODY	I-01 - I-07
GALLEY	I-08 - I-11
GENERATOR	I-12
HEATING & A/C	I-13 - I-14
INTERIOR FINISH	I-15 - I-18
LABEL	I-19 - J-02
LP	J-03
LOUNGE	J-04 - J-05
SEALANTS & FASTENERS	J-06 - J-08
WATER & SEWAGE	J-09 - J-12
WINDOW, VENT AND EXTERIOR DECOR	J-13 - K-03

SEALANTS & FASTENERS GROUP (CONTINUED)

SCREWS

KEY	PART NUMBER	U/M	DESCRIPTION
	000G64-04-20B	EA	SCREW- 1/4-20 X 1 1/4 PTH - TYPE 23 - ZINC PLATED
	000G68-08-10Q	EA	SCREW- 8-18 X 5/8 POH - ANTIQUE BRASS
	000G13-08-08B	EA	SCREW- 8-20 X 3/8 PFH-ZINC
	000G17-08-10B	EA	SCREW- 8-20 X 5/8 PPH-ZINC
	000G11-08-10J	EA	SCREW- 8-20 X 5/8 PPH - BRASS
	000G13-08-08B	EA	SCREW- 8-20 X 1/2 PFH-ZINC
	000G13-08-08G	EA	SCREW- 8-20 X 5/8 PPH ANTIQUE BRASS
	000G11-07-08B	EA	SCREW- 7-18 X 1/2 PPH - ZINC
	000G13-07-12B	EA	SCREW- 7-18 X 3/4 PFH-ZINC
	000G11-08-08B	EA	SCREW- 8-18 X 3/8 PPH - ZINC
	000G11-08-08B	EA	SCREW- 8-18 X 1/2 PPH - ZINC
	000G11-08-12B	EA	SCREW- 8-18 X 3/4 PPH - ZINC
	000G11-08-12D	EA	SCREW- 8-18 X 3/4 PPH - BLACK
	000G11-08-12E	EA	SCREW- 8-18 X .75 PPH - CHROME
	000G11-08-12F	EA	SCREW- 8-18 X .75 PPH - DARK BROWN
	000G11-08-12R	EA	SCREW- 8-18 X 3/4 PPH - BEIGE
	000G11-08-12S	EA	SCREW- 8-18 X .75 PPH - OFF WHITE
	000G12-08-12S	EA	SCREW- 8-18 X .75 POH - OFF WHITE
	000G11-08-12T	EA	SCREW- 8-18 X 3/4 PPH - BLACK
	000G11-08-16S	EA	SCREW- 8-18 X 1.00 PPH - OFF WHITE
	074046-01-000	EA	SCREW- 8-18 X 1/2 PFH, BRONZE REF. G13-08-24S
	000G67-10-08B	EA	SCREW- 10-12 X 1/2 PPH - ZINC
	000G67-10-08R	EA	SCREW- 10-12 X 1/2 PPH - BEIGE - TYPE A
	000G67-10-10B	EA	SCREW- 10-12 X 5/8 PPH - ZINC - TYPE A
	000G67-10-10C	EA	SCREW- 10-12 X 5/8 PPH - BLACK - TYPE A
	000G67-10-10R	EA	SCREW- 10-12 X 5/8 PPH - TYPE A - BEIGE
	000G67-10-10S	EA	SCREW- 10-12 X 5/8 PPH - OFF WHITE
	000G67-10-12B	EA	SCREW- 10-12 X 3/4 PPH - ZINC
	000G67-10-12P	EA	SCREW- 10-12 X .75 PPH - DARK BROWN
	000G67-10-12R	EA	SCREW- 10-12 X .75 PPH - BEIGE
	000G67-10-12D	EA	SCREW- 10-12 X .75 PPH - TAN
	000G67-10-16B	EA	SCREW- 10-12 X 1 PPH - ZINC
	000G67-10-16P	EA	SCREW- 10-12 X 1 PPH - DARK BROWN
	000G67-10-20C	EA	SCREW- 10-12 X 1 1/4 PPH - BLACK
	000G67-10-24B	EA	SCREW- 10-12 X 1 1/2 PPH - ZINC
	000G67-10-32B	EA	SCREW- 10-12 X 2 PPH - ZINC
	000G67-10-36T	EA	SCREW- 10-12 X 2.25 PPH - BLACK
	000G68-10-36T	EA	SCREW- 10-12 X 2.25 POH - BLACK
	000G11-10-12S	EA	SCREW- 10-16 X .75 PPH - OFF WHITE
	049485-04-000	EA	SCREW- 10-16 X 1 PTH W/WASHER - BEIGE
	000G32-10-06B	EA	SCREW- 10-32 X 3/4 PPH - ZINC

SEALANTS & FASTENERS GROUP (CONTINUED)

SCREWS (CONTINUED)

KEY	PART NUMBER	U/M	DESCRIPTION
	000G63-04-08B	EA	SCREW-MACHINE- 1/4-20 X 3/8 PPH ZINC - UNDERCL'T HEAD
	000G18-08-16B	EA	SCREW-MACHINE- 8 X 32 X 1 - PPH - ZINC
	075808-01-000	EA	SCREW-MACHINE- 10-32 X 5/8 PTH - ZINC EXTERNAL TOOTH
	000G18-08-22B	EA	SCREW-MACH- 8-32 X 1 3/8 PPH - ZINC
	000G42-04-12B	EA	SCREW-SF/DR- 1/4-14 X 3/4 HWH-ZINC
	000G42-04-18B	EA	SCREW-SF/DR- 1/4-14 X 1 HWH - ZINC
	000G38-08-08B	EA	SCREW-DR- 8-18 X 1/2 - ZINC
	000G38-08-10T	EA	SCREW-SF/DR- 8-20 X 5/8 PPH - BLACK
	000G38-08-13T	EA	SCREW-SF/DR- 8-20 X 1 PPH - BLACK
	000G38-08-08B	EA	SCREW-SF/DR- 8-18 X 1/2 PPH - ZINC
	000G38-08-08R	EA	SCREW-SF/DR- 8-18 X 1/2 PPH - BEIGE
	000G38-08-08S	EA	SCREW-SF/DR- 8-18 X 1/2 PPH - OFF WHITE
	000G38-08-12B	EA	SCREW-SF/DR- 8-18 X 3/4 PPH - ZINC
	000G38-08-16B	EA	SCREW-SF/DR- 8-18 X 1 PPH - ZINC
	000G38-08-16S	EA	SCREW-SF/DR- 8-18 X 1.00 PPH - OFF WHITE
	000G38-08-24B	EA	SCREW-SF/DR- 8-18 X 1 1/2 PPH - ZINC
	000G38-10-12D	EA	SCREW-SF/DR- 10-16 X 3/4 PPH - BLACK
	000G38-10-12R	EA	SCREW-SF/DR- 10-16 X .75 PPH - FLUOROCARBON SILVER
	000G38-10-20B	EA	SCREW-SF/DR- 10-16 X 1 1/4 PPH-ZINC
	000G40-10-28T	EA	SCREW-SF/DR- 10-18 X 1.75 - BLACK
	000G38-12-12E	EA	SCREW-SF/DR- 12-14 X 3/4 PPH - CHROME
	087771-01-000	EA	SCREW-FLAT HEAD, TAPPING - 1/4" X 1 1/4" LG ZN
	000G45-05-18B	EA	BOLT-LAG 5/16 - 9 X 1 ZINC

CLAMPS, GROMMETS, & CLIPS

KEY	PART NUMBER	U/M	DESCRIPTION
	088582-02-000	EA	RIVET-T, (POP) - 1/4 X .083 - 158
	000H18-04-08R	EA	RIVET-POP- AL 1/8 X 313-375
	007181-01-000	EA	CLAMP-HOSE- SPRING TYPE - 1/2"
	010485-01-000	EA	CLAMP-CABLE- 9/16"
	010497-01-000	EA	CLAMP-CLOSED- 5/8" ID
	010497-03-000	EA	CLAMP-CLOSED- 1" ID - CUSHIONED
	010499-01-000	EA	CLAMP-CLOSED- 3/8" ID
	023842-01-000	EA	GROMMET-RUBBER- 2" OD
	082401-01-000	EA	CLAMP-HOSE- WORMGEAR .25" - 1"
	082401-08-000	EA	CLAMP-HOSE- WORMGEAR .22"-.62"
	071015-11-000	EA	GROMMET-RUBBER- 1" ID X 1.75" OD W/ .12" GROOVE - BLACK
	071015-28-000	EA	GROMMET-RUBBER- 1.5" ID X 2.12" OD W/ .06" GROOVE - BLACK
	075148-02-000	EA	CLAMP-GROUNDING- BRONZE SCREWS
	080734-02-000	EA	CLIP-WIRE- NYLON
	082148-01-000	EA	STUD-CLINCH- 3/8" X 24 X 1.12 GDS
	083808-01-000	EA	CLAMP-WIRE- DUAL EQUAL - 5/8" DIAMETER
	083810-01-000	EA	CLAMP-WIRE- DUAL - UNEQUAL DIAMETERS - 75" & 1 25"
	085774-01-000	FT	FASTENER-DUAL HOOK- 1" WIDE - ADHESIVE BACK - BLACK
	085774-02-000	FT	FASTENER-DUAL LOOP- 1" WIDE - ADHESIVE BACK - BLACK
	058134-02-000	EA	HOLDER-RING, 1.8" DIAMETER - METAL
	105247-01-000	EA	INSERT NUT 6-32 THD X .36 LG STAFAST PRODUCTS

**1992 WINNEBAGO
TABLE OF CONTENTS**

INTRODUCTION	A-01	-	A-02
ABBREVIATIONS			A-03
ALPHABETICAL INDEX	A-04	-	A-08
WF427RQ	A-07	-	D-14
WF427RC	D-15	-	G-20
WF427RT	G-21	-	K-03

1992 WF427RT INDEX

FLOOR PLAN	G-21	-	G-22
ACCESSORIES			G-23
AUDIO VIDEO			G-24
BATH	H-01	-	H-02
BEDROOM	H-03	-	H-04
CHASSIS	H-05	-	H-07
CURTAIN & CUSHION	H-08	-	H-15
DINETTE	H-16	-	H-17
DRIVERS	H-18	-	H-20
ELECTRICAL	H-21	-	H-24
EXTERIOR BODY	I-01	-	I-07
GALLEY	I-08	-	I-11
GENERATOR			I-12
HEATING & A/C	I-13	-	I-14
INTERIOR FINISH	I-15	-	I-18
LABEL	I-19	-	J-02
LP			J-03
LOUNGE	J-04	-	J-05
SEALANTS & FASTENERS	J-06	-	J-08
WATER & SEWAGE	J-09	-	J-12
WINDOW, VENT AND EXTERIOR DOOR	J-13	-	K-03

WATER & SEWAGE GROUP
FRESH WATER TANK

KEY	PART NUMBER	U/M	DESCRIPTION
	084214-01-000	EA	TANK-WATER - W/O FITTINGS - 31 GALLON (TWIN BED)
	084214-05-000	EA	TANK-WATER - W/FITTINGS - 31 GALLON (TWIN BED)
	084214-10-000	EA	TANK-WATER - W/O FITTINGS - 31 GALLON (DOUBLE BED)
	084214-09-000	EA	TANK-WATER - W/FITTINGS - 31 GALLON (DOUBLE BED)
	077954-02-000	EA	FILTER-WATER TANK SCREEN IN TANK
	042989-03-000	EA	FITTING-WATER TANK SPINWELD - 1 1/4" MPT - PLASTIC - WHITE
	042989-04-000	EA	FITTING-WATER TANK SPINWELD - 3/8" FPT - PLASTIC - WHITE
	042989-05-000	EA	FITTING-WATER TANK SPINWELD - 1/2" FPT - PLASTIC - WHITE
	048032-01-000	EA	PATCH-SPINWELD 3/8" - PLASTIC
	038881-01-000	EA	SENDING UNIT W/SCREW - WASHER- WELL NUT AND TERMINAL RING

WATER SYSTEM

KEY	PART NUMBER	U/M	DESCRIPTION
	010224-01-000	EA	ADAPTER-HOSE TO PIPE 3/4" MPT X 3/8" BARB - PLASTIC BLACK
	044827-01-000	EA	ADAPTER-HOSE TO PIPE 1 1/4" MPT X 1 1/4" BARB-BLACK PLASTIC
	052954-01-000	EA	ADAPTER-HOSE CONE- 3/8" OR 1/2" TUBING - PLASTIC - GRAY
	079017-01-000	EA	ADAPTER-SWIVEL 1/2" TUBE X 1/2" FPT - PLASTIC - GRAY
	108258-01-000	EA	CAP-INSERTABLE 1/2 FLARE
	052953-03-000	EA	CONNECTOR- 1/2" F X 3/8" MPT - PLASTIC - GRAY
	052953-02-000	EA	CONNECTOR- 1/2" F X 1/2" MPT - PLASTIC - GRAY
	098417-01-000	EA	CONNECTOR- 5/8" F X 1/2" MPT - PLASTIC
	101814-01-000	EA	COUPLING-FEMALE 1/2" X 1/2" FPT
	052980-01-000	EA	DRAIN VALVE-IN LINE HEADER - 1/2" F X 1/2" F - GRAY PLAS
	035639-01-000	EA	ELBOW-3/8" MPT X 3/8" BARB - PLASTIC
	010219-01-000	EA	ELBOW - 1 1/4" MPT X 1 1/4" BARB - WATER FILL - PLASTIC
	057457-01-000	EA	ELBOW-UNION- 1/2" X 1/2" FLARE
	052957-02-000	EA	ELBOW-MALE- 1/2" F X 1/2" MPT - PLASTIC - GRAY
	087658-04-000	EA	FILL-WATER CITY - OFF WHITE
	087658-01-700	EA	CAP & STRAP-WATER FILL - V8322-00
	048128-01-000	EA	VALVE-DRAIN PLASTIC - 1/2" FPT
	048128-01-000	EA	DRAIN VALVE IN LINE - HEADER - 1/2" F X 1/2" F X 1/2" F X 1/2" F
	085120-01-000	EA	ELBOW-SWIVEL 1/2" FPT X 1/2" FLARE - PLASTIC - GRAY
	052952-01-000	EA	NUT-PLASTIC 1/2" F X 1/2" TUBE - GRAY
	052952-02-000	EA	NUT-PLASTIC 5/8" FLARE
	052953-01-000	EA	NUT-FAUCET - 1/2" TUBE X 1/2" FPT - PLASTIC - GRAY
	039798-01-000	EA	TEE-1/2" MPT X 1/2" MPT X 1/2" MPT PLASTIC
	052958-01-000	EA	TEE 1/2" F X 1/2" F X 1/2" F - PLASTIC - GRAY
	052955-01-000	EA	TEE 1/2" F X 1/2" F X 1/2" MPT - PLASTIC - GRAY
	052956-01-000	EA	TEE 1/2" F X 1/2" MPT X 1/2" F - PLASTIC
	056291-01-000	EA	TEE-PLASTIC 5/8" F X 5/8" F X 5/8" F
	056295-01-000	EA	TEE-PLASTIC- 5/8" F X 1/2" MPT X 1/2" F
	074483-01-000	EA	TEE-4 WAY- 1/2" FLARE - PLASTIC - GRAY
	038800-01-000	FT	TUBING-POLYBUTYL 1/2" OD - INCREMENTS OF 20' - BLACK
	038800-02-000	FT	TUBING-POLYBUTYL 5/8" OD - INCREMENTS OF 20' - BLACK
	078381-01-000	FT	TUBING-SMOOTH FLEXIBLE 1 1/4" ID - INCREMENTS OF 20'
	074482-02-000	FT	TUBING-VINYL 3/8" ID - CLEAR - INCREMENTS OF 20'

WATER PUMP

KEY	PART NUMBER	U/M	DESCRIPTION
	088807-01-000	EA	PUMP-WATER- W/5" MPT FITTING - SHURFLO 2.8 GPM - UL
	088807-01-700	EA	PUMP-HEAD-REPLACEMENT - 94-235-08
	088807-01-701	EA	DRIVE ASSEMBLY - 94-234-03
	088807-01-702	EA	DIAPHRAGM KIT - 94-233-10
	088807-01-703	EA	VALVE ASSEMBLY - 94-232-00
	088807-01-704	EA	HOUSING-UPPER - 94-231-01
	088807-01-705	EA	CHECK VALVE KIT - 94-237-00
	088807-01-708	EA	UPPER HOUSING/SWITCH KIT - 94-231-20
	088807-01-707	EA	MOTOR-BASEPLATE REPLACEMENT - 94-235-03

EXTERIOR SHOWER COMPONENTS

KEY	PART NUMBER	U/M	DESCRIPTION
	075241-05-000	EA	FAUCET-SHOWER-BONE
	081952-02-000	EA	CLIP-GRIPPER- 3/4"

WATER & SEWAGE GROUP (CONTINUED)
WATER HEATER W/WEAR HEATER

KEY	PART NUMBER	U/M	DESCRIPTION
	051391-03-000	EA	HEATER-WATER, W/ELECTRIC IGNITION - ATWOOD G6A-3E
	051391-01-700	EA	HINGE KIT-W/CLIP, ATWOOD # 92588 & 92559
	051391-01-704	EA	VALVE-RELIEF, 1/2" FITTING - ATWOOD# 91804
	051391-01-705	EA	FASTENER-CAMLOC, ATWOOD# 92809
	051391-01-706	EA	GRILLE-EXHAUST, ATWOOD# 92787
	051391-01-708	EA	BURNER-MAIN, 3E ONLY - ATWOOD# 92615
	051391-01-710	EA	ORIFICE-MAIN BURNER, ATWOOD# 92742
	051391-01-715	EA	DRAIN PLUG, ATWOOD# 91581
	051391-04-700	EA	TANK-INNER (G6A-3E), FRNT MT - ATWOOD# 91808
	051391-04-701	EA	THERMOSTAT 12 VDC-120 PRESET, ATWOOD# 91470
	051391-04-708	EA	TANK-INNER, G6A-4E & 6E - FRONT MOUNT - ATWOOD# 91641
	097987-01-000	EA	SWITCH-WATER HEATER, ATWOOD 91959
	051393-01-703	EA	THERMOSTAT-REAR MOUNT, ATWOOD# 91952
	051393-01-704	EA	CIRCUIT BOARD-W/BLACK BOX, ATWOOD# 91420
	051393-01-705	EA	ORIFICE HOLDER-ATWOOD# 91925
	051393-01-718	EA	SPARK & PROBE ASM, ATWOOD# 91808
	051393-01-718	EA	VALVE-DUAL SOLENOID, ATWOOD# 91805
	051393-01-721	EA	ECO&THERMOSTAT ASM-FRONT MOUNT, 140 DEGREE - ATWOOD# 91447
	051393-03-700	EA	TANK INNER (G6A-3E), REAR MT - ATWOOD# 91403

WATER HEATER W/MOTOR AID

KEY	PART NUMBER	U/M	DESCRIPTION
	051393-01-000	EA	HEATER-WATER-W/MOTOR AID-ATWOOD GHS-3E,GHS-4E,OR GHS-6E
	051391-01-700	EA	HINGE KIT-W/CLIP, ATWOOD # 92588 & 92559
	051391-01-704	EA	VALVE-RELIEF, 1/2" FITTING - ATWOOD# 91804
	051391-01-705	EA	FASTENER-CAMLOC, ATWOOD# 92809
	051391-01-708	EA	GRILLE-EXHAUST, ATWOOD# 92787
	051391-01-708	EA	BURNER-MAIN, 3E ONLY - ATWOOD# 92615
	051391-01-710	EA	ORIFICE-MAIN BURNER, ATWOOD# 92742
	051391-01-714	EA	ELBOW-45 DEGREE, 3/8" F X 3/8" MPT - ATWOOD 91044
	051391-01-715	EA	DRAIN PLUG, ATWOOD# 91581
	051391-04-701	EA	THERMOSTAT 12 VDC-120 PRESET, ATWOOD# 91470
	051391-04-704	EA	TANK-INNER, FRONT MOUNT - GHS-4E & 6E - ATWOOD 91642
	051393-01-700	EA	TANK-INNER, 3E FRONT MOUNT - ATWOOD# 91023
	097987-01-000	EA	SWITCH-WATER HEATER, ATWOOD 91959
	051393-01-703	EA	THERMOSTAT-REAR MOUNT, ATWOOD# 91952
	051393-01-704	EA	CIRCUIT BOARD-W/BLACK BOX, ATWOOD# 91420
	051393-01-705	EA	ORIFICE HOLDER-ATWOOD# 91925
	051393-01-714	EA	TANK-INNER (GHS-3E) REAR MOUNT - ATWOOD# 91408
	051393-01-716	EA	SPARK & PROBE ASM, ATWOOD# 91808
	051393-01-718	EA	VALVE-DUAL SOLENOID, ATWOOD# 91805
	051393-01-721	EA	ECO&THERMOSTAT ASM-FRONT MOUNT, 140 DEGREE - ATWOOD# 91447

WATER HEATER

KEY	PART NUMBER	U/M	DESCRIPTION
	051391-01-000	EA	HEATER-WATER, ATWOOD G6A-3
	051391-01-700	EA	HINGE KIT-W/CLIP, ATWOOD # 92588 & 92559
	051391-01-702	EA	TANK-INNER, G6A-2E, 3E, 6E - WATER HEATER - ATWOOD 91412
	051391-01-704	EA	VALVE-RELIEF, 1/2" FITTING - ATWOOD# 91804
	051391-01-705	EA	FASTENER-CAMLOC, ATWOOD# 92809
	051391-01-708	EA	GRILLE-EXHAUST, ATWOOD# 92787
	051391-01-708	EA	BURNER-MAIN, 3E ONLY - ATWOOD# 92615
	051391-01-709	EA	PILOT ASM-W/THERMOCLIP & TUBE 91803 ATWOOD# 91214
	051391-01-710	EA	ORIFICE-MAIN BURNER, ATWOOD# 92742
	051391-01-711	EA	ELBOW-ORIFICE,MAIN BURNER 92741 ATWOOD#
	051391-01-712	EA	THERMOSTAT-3/8" MPT INLET 91801 ATWOOD# 91043
	051391-01-714	EA	ELBOW-45 DEGREE, 3/8" F X 3/8" MPT - ATWOOD 91044
	051391-01-715	EA	DRAIN PLUG, ATWOOD# 91581

1992 WINNEBAGO
TABLE OF CONTENTS

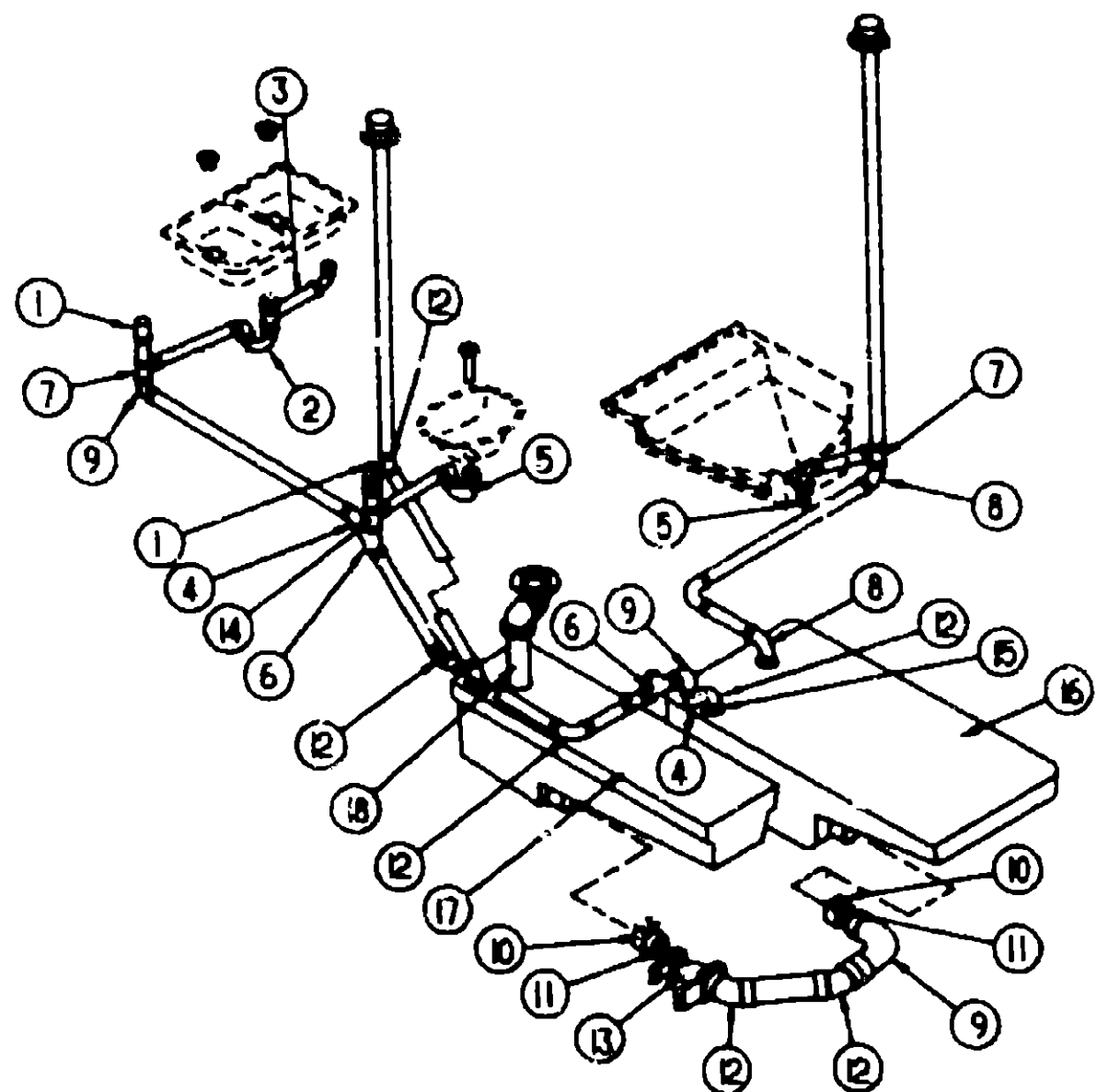
INTRODUCTION	A-01	-	A-02
ABBREVIATIONS			A-03
ALPHABETICAL INDEX	A-04	-	A-08
WF427RQ	A-07	-	D-14
WF427RC	D-15	-	G-20
WF427RT	G-21	-	K-03

1992 WF427RT INDEX

FLOOR PLAN	G-21	-	G-22
ACCESSORIES			G-23
AUDIO VIDEO			G-24
BATH	H-01	-	H-02
BEDROOM	H-03	-	H-04
CHASSIS	H-05	-	H-07
CURTAIN & CUSHION	H-08	-	H-15
DINETTE	H-16	-	H-17
DRIVERS	H-18	-	H-20
ELECTRICAL	H-21	-	H-24
EXTERIOR BODY	I-01	-	I-07
GALLEY	I-08	-	I-11
GENERATOR			I-12
HEATING & A/C	I-13	-	I-14
INTERIOR FINISH	I-15	-	I-18
LABEL	I-19	-	J-02
LP			J-03
LOUNGE	J-04	-	J-05
SEALANTS & FASTENERS	J-06	-	J-08
WATER & SEWAGE	J-09	-	J-12
WINDOW, VENT AND EXTERIOR DOOR	J-13	-	K-03

WATER & SEWAGE GROUP (CONTINUED)

DRAINAGE SYSTEM



KEY	PART NUMBER	UOM	DESCRIPTION
1	079888-01-000	EA	VENT-MECH TRAP ARM - ANTI-SIPHON - 2" DIA X 7.3" - PLASTIC
2	011088-03-000	EA	P TRAP - PLASTIC 1 1/4 & 1 1/2 (US)
2	063335-01-000	EA	P TRAP - PLASTIC 1 1/4 & 1 1/2 (CSA)
2	107532-01-000	EA	P TRAP - PLASTIC 1 1/4 W/EXT ARM (US)
2	107537-01-000	EA	ADAPTER - P TRAP - 1 1/4 SLIP (US)
2	011071-01-000	EA	P TRAP - PLASTIC 1 1/2 (CSA)
2	033302-02-000	EA	ADAPTER ASM-STRAINER, 1 1/2" - ABS - CANADIAN
2	037101-02-000	EA	ELBOW-PLASTIC, 1/4 BEND VENT 1 1/2" HUB - CSA
2	010121-01-000	EA	BUSHING-REDUCER, 1 1/2" SMOOTH X 1 1/4" HUB - PLASTIC - BLACK
3	011091-02-000	EA	PIPE-DRAIN, DOUBLE SINK - BAFFLE TEE - 1 1/2" (US)
3	010071-01-000	EA	TEE-PLAS-1 1/2" HUB X HUB (CSA)
3	010121-01-000	EA	BUSHING-PLAS-RED 1 1/2" SX 1 1/4" H (CSA)
3	037101-02-000	EA	ELBOW-PLAS 1/4 BND VENT 1 1/2" H (CSA)
3	033302-02-000	EA	ADAPTER ASM-SWVC STRAIN 1 1/2" (CSA)
3	011091-03-000	EA	PIPE-DRAIN, W/SEALS - DOUBLE SINK - EXTENDS 8" TO 16" (CSA)
4	010051-01-000	EA	ELBOW-45 DEG BEND, 1 1/2" SPIGOT AND HUB - PLASTIC - BLACK
5	011088-03-000	EA	P TRAP-PLAS 1 1/4 & 1 1/2 (US)
5	107538-01-000	EA	P TRAP-PLAS 1 1/4 W/EXT ARM (US)
5	107537-01-000	EA	ADAPTER - P TRAP - 1 1/4 SLIP (US)
5	011088-02-000	EA	P TRAP-PLAS 1 1/4 (CSA)
6	010073-01-000	EA	WYE-45 DEG W/TEE, 1 1/2" HUB X HUB X HUB - PLASTIC - BLACK
6	010186-01-000	EA	PLUG-THREADED, 1 1/4" DIAMETER - PLASTIC - BLACK
6	010122-01-000	EA	BUSHING-REDUCER, 1 1/2" SMOOTH X 1 1/4" THD - PLASTIC - BLACK
7	010079-01-000	EA	TEE-SANITARY, 1 1/2" X 1 1/2" X 1 1/4" H - PLASTIC - BLACK
8	010008-01-000	EA	ELBOW-90 DEG, 1/4 BEND - 1 1/2" HUB X HUB - BLACK PLASTIC
9	033761-01-000	EA	ELBOW-TURN, 1/4 BEND X 1 1/2" HUB X 1 1/2" SPIGOT - BLK PLASTIC
10	078406-01-000	EA	COUPLER-RUBBER, W/CLAMPS - 3" X 3"
11	062422-01-000	EA	ADAPTER-OFFSET REDUCER, 3" X 1 1/2" - PLASTIC - BLACK
12	010008-01-000	EA	ELBOW-45 DEG, 1/8 BEND - 1 1/2" HUB X HUB - BLACK PLASTIC
13	070016-01-000	EA	VALVE-DUAL DUMP, W/CAP - 3" X 1 1/2" - PLASTIC - BLACK
13	070016-01-700	EA	VALVE ONLY, 3"
13	070016-01-701	EA	VALVE ONLY, 1 1/2"
13	062416-01-000	EA	ADAPTER-SEWER HOSE TO 3" PIPE
13	010201-01-000	EA	HOSE-SEWER, 3" ID X 3"
13	062415-01-000	EA	CAP-SEWER, 3" DIAMETER
13	062415-01-700	EA	STRING-SEWER CAP, 5V7 STRAP
14	038342-01-000	EA	TEE-PLASTIC, 1 1/2" STREET X 1 1/2" HUB X 1 1/2" HUB
14	010121-01-000	EA	BUSHING-REDUCER, 1 1/2" SMOOTH X 1 1/4" HUB - PLASTIC - BLACK
15	081807-01-000	EA	GROMMET-HOLDING TANK, 1 1/2" NPS
16	081804-01-000	EA	TANK-HOLDING, 30 GAL - W/O FITTINGS - 27" X 9 3/4" X 53 9"
17	083041-01-000	EA	TANK-HOLDING, 30 GALLON - 14.5" X 8.3" X 51.9"
18	081807-02-000	EA	GROMMET-HOLDING TANK, 3" NPS
18	061208-01-000	EA	WASHER-RUBBER, .06" X .75" X 5"

1992 WINNEBAGO TABLE OF CONTENTS

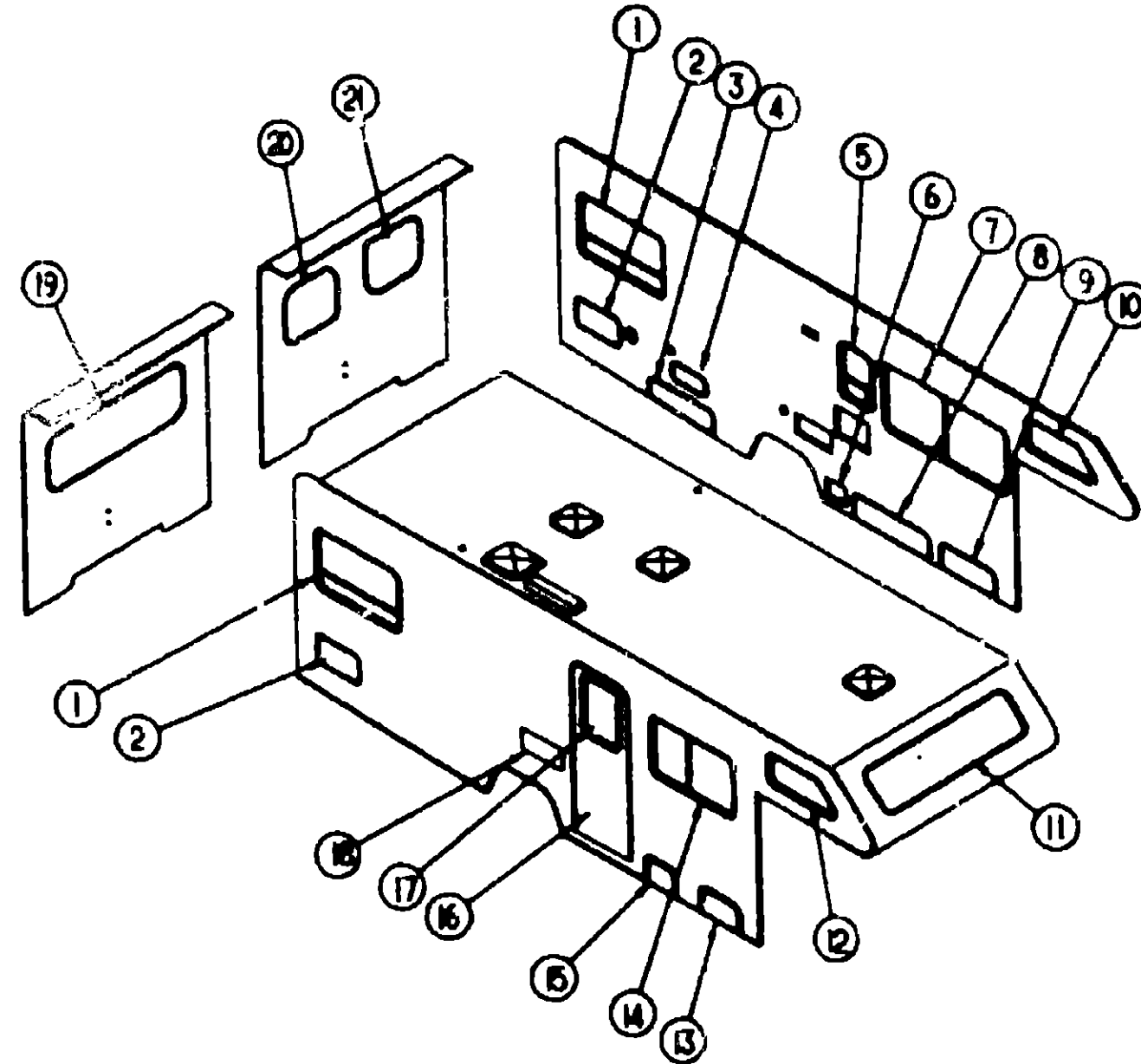
INTRODUCTION	A-01 - A-02
ABBREVIATIONS	A-03
ALPHABETICAL INDEX	A-04 - A-06
WF427RO	A-07 - D-14
WF427RC	D-15 - G-20
WF427RT	G-21 - K-03

1992 WF427RT INDEX

FLOOR PLAN	G-21 - G-22
ACCESSORIES	G-23
AUDIO VIDEO	H-24
BATH	H-01 - H-02
BEDROOM	H-03 - H-04
CHASSIS	H-05 - H-07
CURTAIN & CUSHION	H-08 - H-15
DINETTE	H-16 - H-17
DRIVERS	H-18 - H-20
ELECTRICAL	H-21 - H-24
EXTERIOR BODY	I-01 - I-07
GALLEY	I-08 - I-11
GENERATOR	I-12
HEATING & A/C	I-13 - I-14
INTERIOR FINISH	I-15 - I-18
LABEL	I-19 - J-02
LP	J-03
LOUNGE	J-04 - J-05
SEALANTS & FASTENERS	J-06 - J-08
WATER & SEWAGE	J-09 - J-12
WINDOW, VENT AND EXTERIOR DOOR	J-13 - K-03

WINDOW, VENT & EXTERIOR DOOR GROUP

WINDOWS & DOORS



1982 WINNEBAGO TABLE OF CONTENTS

INTRODUCTION	A-01 - A-02
ABBREVIATIONS	A-03
ALPHABETICAL INDEX	A-04 - A-08
WF427RQ	A-07 - D-14
WF427RC	D-15 - G-20
WF427RT	G-21 - K-00

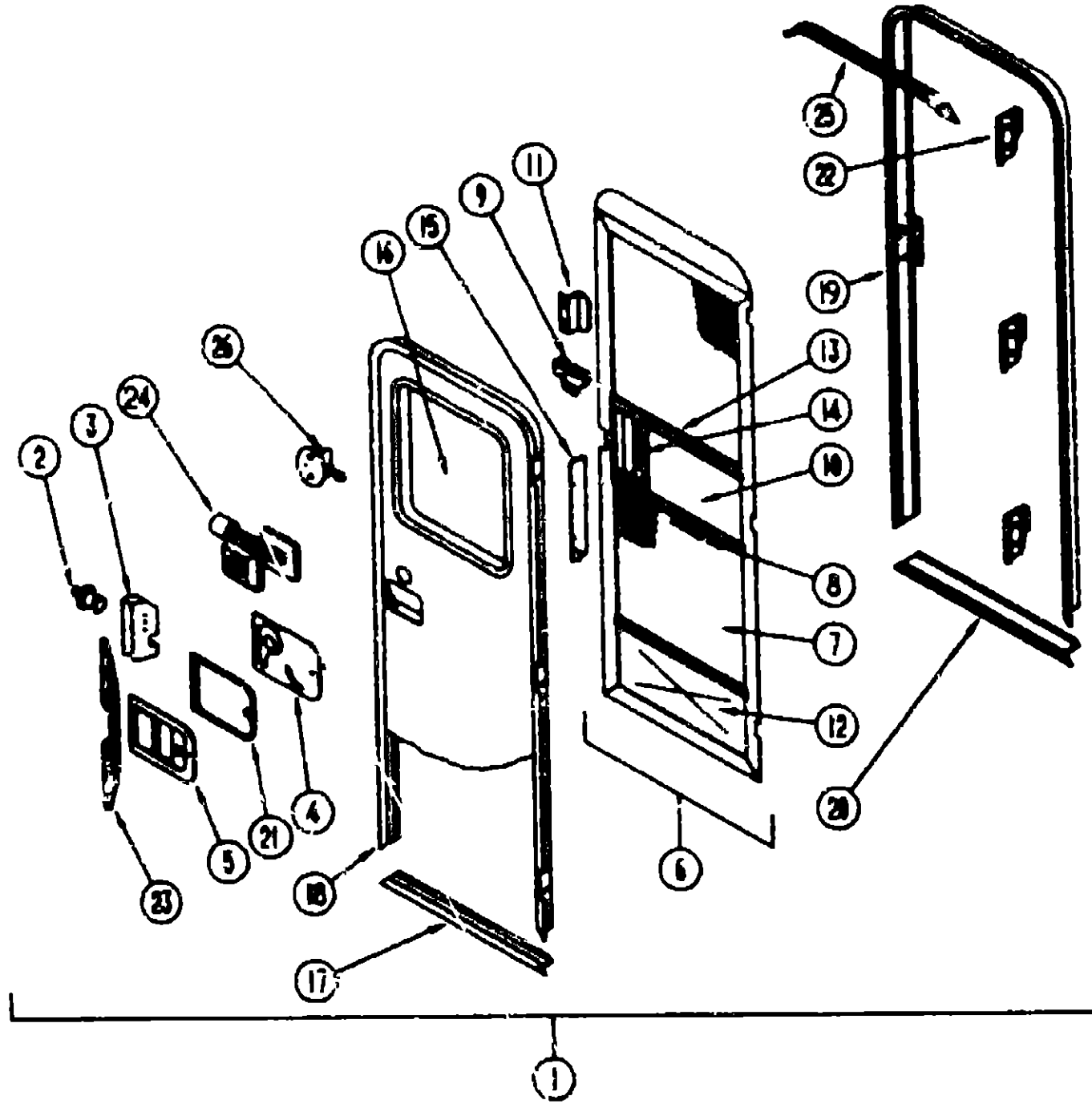
1982 WF427RT INDEX

FLOOR PLAN	G-21 - G-22
ACCESSORIES	G-23
AUDIO VIDEO	G-24
BATH	H-01 - H-02
BEDROOM	H-03 - H-04
CHASSIS	H-05 - H-07
CURTAIN & CUSHION	H-08 - H-15
DINETTE	H-16 - H-17
DRIVERS	H-18 - H-20
ELECTRICAL	H-21 - H-24
EXTERIOR BODY	I-01 - I-07
GALLEY	I-08 - I-11
GENERATOR	I-12
HEATING & AC	I-13 - I-14
INTERIOR FINISH	I-15 - I-18
LABEL	I-19 - J-02
LP	J-03
LOUNGE	J-04 - J-05
SEALANTS & FASTENERS	J-06 - J-08
WATER & SEWAGE	J-09 - J-12
WINDOW, VENT AND EXTERIOR DOOR	J-13 - K-00

KEY	PART NUMBER	UOM	DESCRIPTION
1	092234-07-Y12	EA	WINDOW-TIPOUT- W/O INSIDE FRAME - 24.3" X 40.3"
2	079578-04-C03	EA	DOOR ASM-STORAGE 12.90X22.10
3	105175-11-C03	EA	DOOR ASM-LOWER-REAR
4	105118-02-C05	EA	DOOR-STORAGE- 17.5" X 7.6"
5	088844-01-02A	EA	WINDOW ASM-SLIDER RAISE B/OFF WHITE
6	088794-01-000	EA	DOOR-POWER CORD- WHATCH - OFF WHITE
7	088847-10-02A	EA	WINDOW ASM-SLIDER-HORIZ B/O W
8	105174-14-C03	EA	DOOR ASM-LOWER-FRONT
9	105174-13-C03	EA	DOOR ASM-LOWER-FRONT
10	088846-06-01A	EA	WINDOW ASM-SLANTED SLIDER LH *EXCEL B988-MRL
11	102313-01-B05	EA	WINDOW-PICTURE- W/O INSIDE FRAME
12	088846-06-01A	EA	WINDOW ASM-SLANTED SLIDER RH *EXCEL B988-MRR
13	105174-08-C03	EA	DOOR ASM-LOWER-FRONT
14	088847-05-02A	EA	WINDOW ASM-SLIDER-HORIZ B/O W *1081-PRR

KEY	PART NUMBER	UOM	DESCRIPTION
15	105174-09-C03	EA	DOOR ASM-LOWER-FRONT
16	M01870-32-B95	EA	DOOR-ENTRY- W/WINDOW- SCREEN & JAMB - OFF WHITE
17	079733-07-AA8	EA	WINDOW-ENTRY DOOR 17" X 25" - FROSTED GLASS
18	084103-03-000	EA	DOOR-REFRIGERATOR- VENTED - W/O JAMB - OFF WHITE
	084104-03-000	EA	JAMB-DOOR-REFRIGERATOR-OFFWHITE
	084104-01-700	EA	LOCK-MALE- FASTENER - REFRIGERATOR DOOR
	084104-01-701	EA	LOCK-FEMALE- FASTENER - REFRIGERATOR DOOR
19	078528-03-Y12	EA	WINDOW-ESCAPE- 27" X 48" - W/O INSIDE FRAME
20	078729-03-W17	EA	WINDOW-ESCAPE- REAR - 22" X 24"
21	J79729-02-T03	EA	WINDOW-ESCAPE- REAR - 24" X 22"
	052009-C1-000	EA	DOOR-WATER HEATER- OFF WHITE - ATWOOD 5578-27
	081240-03-000	EA	DOOR-WATER FILL- LOCKABLE- 4" X 4 5/8" - OFF WHITE
	082884-01-700	EA	KEY
	082884-01-700	EA	KEY-SINGLE

WINDOW, VENT & EXTERIOR DOOR GROUP (CONTINUED)



ENTRY DOOR

KEY	PART NUMBER	UOM	DESCRIPTION
1	M01870-32-885	EA	DOOR-ENTRY- W/PWINDOW- SCREEN & JAMB - OFF WHITE
2	038539-01-000	EA	STRIKE-LOCK ENTRY DOOR - ROUND/THREADED WASHER
3	038540-01-000	EA	LATCH MECHANISM-HOOK ENTRY DOOR - INTERIOR
	038716-01-000	EA	NUT-SERT 1/4" DIAMETER - 20 THREADS
4	038878-04-000	EA	COVER-INTERIOR LATCH W/TRIP ARM - RIGHT - BLACK
	038884-01-000	EA	CAP-ROUND VINYL - .28" ID X .82" LONG - BLACK
	041548-03-000	EA	BRACKET-DOOR ANGLE 5" X 1 8" - BEIGE - METAL
5	045017-11-000	EA	LATCH-ENTRY DOOR MECHANISM W/LOCK & KEY - BLACK
	045017-11-701	EA	KEY-BLANK ROUND TOP - SILVER - TRIAMARK
	068748-01-000	EA	PLUG-CAP 1.5" DIAMETER
	068825-02-000	EA	CLIP-ROLLER LATCH CATCH SCREEN DOOR
	063729-04-000	EA	RIVNUT 10-32 UNF - 010- 080
	072883-01-000	EA	NUTSERT-M5 X 0 8
	075871-04-000	FT	SEAL-SPONGE LAZY T SHAPE - W/ADHESIVE STRIPE -.5" WIDE
6	078012-01-U01	EA	DCOR-SCREEN
7	002293-02-000	SF	SCREENING-WINDOW/DOOR 28" - CHARCOAL
8	002284-01-000	FT	SPLINE-SCREENING .135" X .138" - BLACK
	002748-01-000	EA	CORNER KEY-DOOR
9	109403-01-000	EA	CATCH-SINGLE ROLLER SCREEN DOOR
10	001014-01-013	EA	INSERT-CENTER 10.25" X 10.31" - UNPAINTED
11	050712-04-000	EA	HANDLE-SCREEN DOOR ALUMINUM - OFF WHITE
11	050712-05-000	EA	HANDLE-SCREEN DOOR UNPAINTED
12	078552-03-000	EA	INSERT-SCREEN DOOR LOWER - MILL
	078585-01-000	EA	PLATE-SCREEN DOOR
13	078777-01-000	EA	CHANNEL-SLIDE SCREEN DOOR CENTER SLIDER COVER - 17' 4"
14	079088-02-000	EA	SLIDER-SCREEN DOOR OFF WHITE
15	079087-02-000	EA	STRIKE-SLIDER W/ZIP FOR ELBOW CATCH - 1 5" X 8 6"
16	067808-32-000	EA	FRAME-WINDOW-ENTRY DOOR - OFF WHITE
16	078733-07-AA8	EA	WINDOW-ENTRY DOOR 17" X 26" - FROSTED GLASS
16	050216-02-000	FT	SPLINE-GLASS EXTERIOR - VINYL - .18" - BLACK
16	002181-07-000	EA	GLASS-WINDOW .182" X 18 25" X 24" - FROSTED
16	087581-01-000	FT	SEAL-GLASS EXTERIOR - 5" WIDE - VINYL - BLACK
16	021814-01-000	EA	BUMPER-RUBBER ROUND - 43" DIAMETER - BLACK
17	078748-01-000	EA	FRAME-DOOR ENTRANCE - BOTTOM - OFF WHITE
	030340-01-000	FT	SEAL-FOAM CLOSED CELL - 1/4" X 1/2" X 50'
18	085278-01-01A	EA	FRAME-DOOR ENTRANCE - TOP & SIDES - OFF WHITE
18	085277-02-01A	EA	JAMB-ENTRY DOOR - 25.8" X 74.5" W/ BOTTOM - OFF WHITE
	085278-01-01A	EA	JAMB-DOOR- ENTRANCE - 25.8" X 74.8" - UNPAINTED
20	051040-01-000	EA	JAMB-DOOR-ENTRANCE - BOTTOM - 25 8 - UNPAINTED
	078207-01-000	EA	STRIKER-ROLLER CATCH WELDED TO DOOR JAMB -.4" X 1 15"
21	088810-01-01A	EA	PLATE-LATCH ENTRY DOOR - PLASTIC - BLACK
22	087724-01-04A	EA	HINGE-ENTRY DOOR - UNPAINTED
23	038173-01-04A	EA	STIFFENER-ENTRY DOOR SUPPORTS LATCH/STRIKE
	101128-02-000	FT	SEAL-PILE ADHESIVE BACK - SCREEN DOOR - GRAY
24	101145-01-01A	EA	DEADBOLT-ENTRY DOOR W/2 KEYS W/O BOLT OR SCREWS
	085239-01-700	EA	KEY BLANK
	101147-01-000	EA	BOLT-SECURITY 4.12" BACKSET
	102574-01-000	EA	BUMPER-RUBBER FLAT - BLACK
25	044682-02-000	EA	CAP-DRIP DOOR JAMB MOUNTED - OFF WHITE
	075839-19-000	EA	GARNISH-ENTRANCE DOOR OFF WHITE
26	100412-01-000	EA	CATCH SCREEN DOOR THUMB CLIP W/BLACK PLASTIC CAP
	077461-03-000	EA	COVER-STRIKE ENTRY DOOR - 2.5" X 2.5" - PLASTIC - WHITE

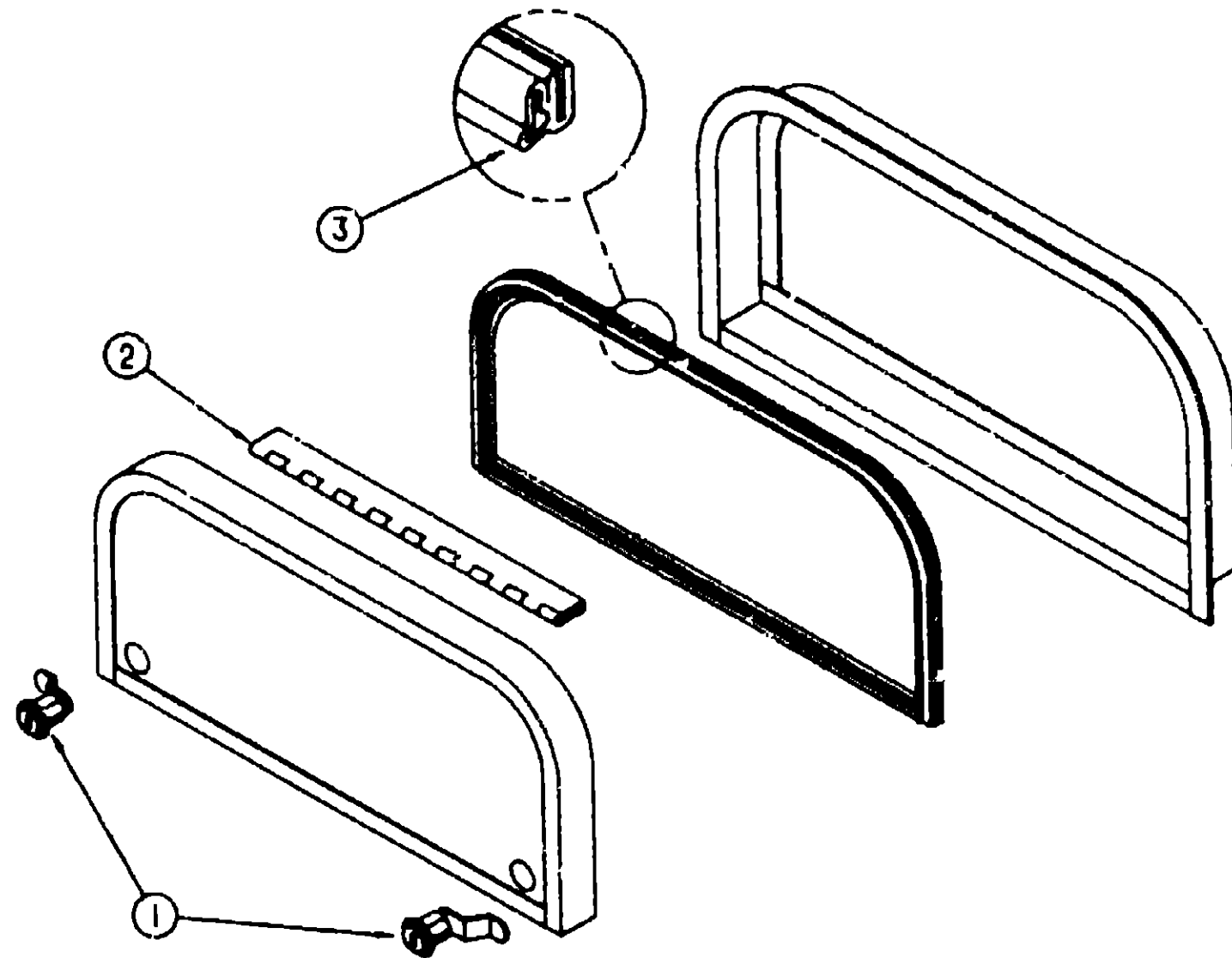
1982 WINNEBAGO TABLE OF CONTENTS

INTRODUCTION	A-01 - A-02
ABBREVIATIONS	A-03
ALPHABETICAL INDEX	A-04 - A-08
WF427RQ	A-07 - D-14
WF427RC	D-15 - G-20
WF427RT	G-21 - K-09

1982 WF427RT INDEX

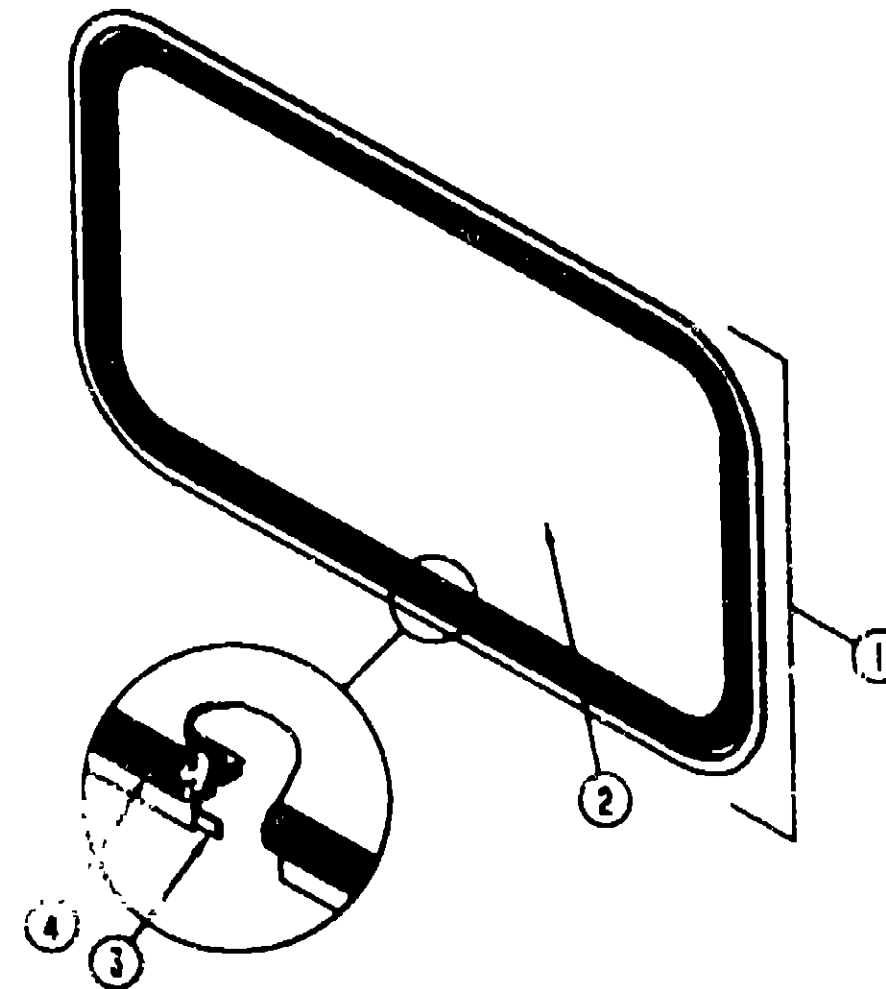
FLOOR PLAN	G-21 - G-22
ACCESSORIES	G-23
AUDIO VIDEO	G-24
BATH	H-01 - H-02
BEDROOM	H-03 - H-04
CHASSIS	H-05 - H-07
CURTAIN & CUSHION	H-08 - H-15
DINETTE	H-16 - H-17
DRIVERS	H-18 - H-20
ELECTRICAL	H-21 - H-24
EXTERIOR BODY	I-01 - I-07
GALLEY	I-08 - I-11
GENERATOR	I-12
HEATING & AC	I-13 - I-14
INTERIOR FINISH	I-15 - I-18
LABEL	I-19 - J-02
LP	J-03
LOUNGE	J-04 - J-05
SEALANTS & FASTENERS	J-06 - J-08
WATER & SEWAGE	J-09 - J-12
WINDOW, VENT AND EXTERIOR DOOR	J-13 - K-06

WINDOW, VENT & EXTERIOR DOOR GROUP (CONTINUED)



EXTERIOR DOORS

WINDOW, VENT & EXTERIOR DOOR GROUP (CONTINUED)



OVERHEAD BUNK FRONT WINDOW

1992 WINNEBAGO
TABLE OF CONTENTS

INTRODUCTION	A-01 - A-02
ABBREVIATIONS	A-03
ALPHABETICAL INDEX	A-04 - A-06
WF427RQ	A-07 - D-14
WF427RC	D-15 - G-20
WF427RT	G-21 - K-03

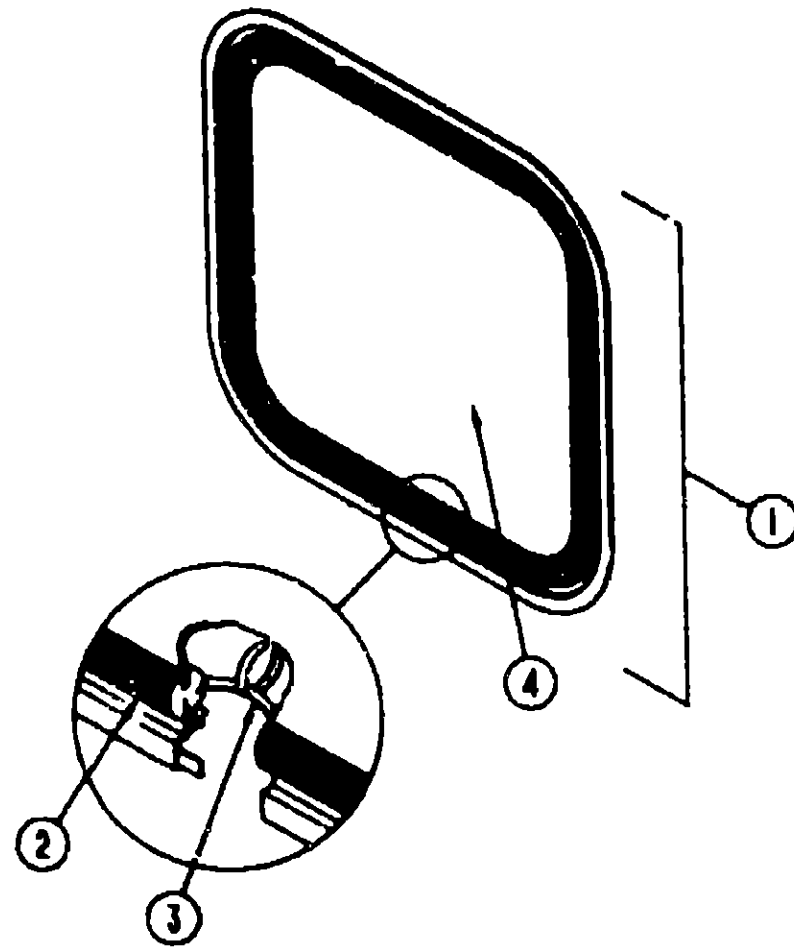
1992 WF427RT INDEX

FLOOR PLAN	G-21 - G-22
ACCESSORIES	G-23
AUDIO VIDEO	G-24
BATH	H-01 - H-02
BEDROOM	H-03 - H-04
CHASSIS	H-05 - H-07
CURTAIN & CUSHION	H-08 - H-15
DINETTE	H-16 - H-17
DRIVERS	H-18 - H-20
ELECTRICAL	H-21 - H-24
EXTERIOR BODY	I-01 - I-07
GALLEY	I-08 - I-11
GENERATOR	I-12
HEATING & AC	I-13 - I-14
INTERIOR FINISH	I-15 - I-18
LABEL	I-19 - J-02
LP	J-03
LOUNGE	J-04 - J-05
SEALANTS & FASTENERS	J-06 - J-08
WATER & SEWAGE	J-09 - J-12
WINDOW, VENT AND EXTERIOR DOOR	J-13 - K-03

KEY	PART NUMBER	UOM	DESCRIPTION
1	079398-04-000	EA	LOCK-DOOR KEY TYPE W/O KEYS - 1.9 OFF SET FROM: 00-00-00 THRU: 02-19-92
	079398-05-000	EA	LOCK ASM-KEY TYPE W/O KEYS 1.800FF SET FROM: 02-20-92 THRU 99-99-99
	082884-01-700	EA	KEY - BLANK
	079927-03-000	EA	LOCK-TWIST TYPE- DOUBLE CAM - 2.10 OFF SET FROM: 00-00-00 THRU: 02-19-92
	079927-04-000	EA	LOCK ASM-TWIST TYPE 1.90 O/S ILLINOIS LOCK FROM 02-20-92 THRU: 99-99-99
2	081801-02-000	EA	HINGE-2" X 95" OFF WHITE
3	084075-07-000	FT	SEAL-BULB W/WIRE U CHANNEL - 3" X .5" CHANNEL - BLACK
	090340-01-000	FT	SEAL-FOAM CLOSED CELL - 1/4" X 1/2" X 90"
	081832-02-000	FT	SEAL-BULB- DOOR - W/WIRE CARRIER - .8" WIDE - RUBBER - BLK
	079398-01-000	FT	SEAL-BULB- W/WIRE U CHANNEL - .37" X .57" CHANNEL - BLK W/ADHESIVE- VENTED BULB SECTION & BULB LIP
	100157-01-000	FT	SEAL-BULB- W/WIRE RIGID U CHANNEL - 1" WIDE - RUBBER - BLK
	087111-01-01A	EA	POCKET-LOCK-VALANCE-OFF WHT
	088338-01-000	EA	GASKET-LOCK POCKET
	088217-55-001	EA	U-CHANNEL - 17.5" - OFF WHITE
	091878-01-030	EA	RETAINER-DOOR-1.9" X .8" - METAL
	102788-01-000	EA	HOLDER-COMPARTMENT/ENTRY DOOR - METAL - MILL FINISH
	104089-01-01A	EA	CATCH-DOOR HOLDER - STRIKE - OFF WHITE
	104089-02-01A	EA	CATCH-DOOR HOLDER - RETAINER - OFF WHITE

KEY	PART NUMBER	UOM	DESCRIPTION
	087809-33-000	EA	FRAME-INSIDE WINDOW
1	103313-01-805	EA	WINDOW ASM-PICTURE
2	002181-15-000	EA	GLASS-PICTURE 11.25" X 58.1" - GRAY
3	089840-11-000	FT	SEALER-TAPE - 3/16" X 3/8" - BLACK
4	089154-01-000	FT	CHANNEL-GLAZING STATIONARY GLASS - .62" X .45" - BLACK

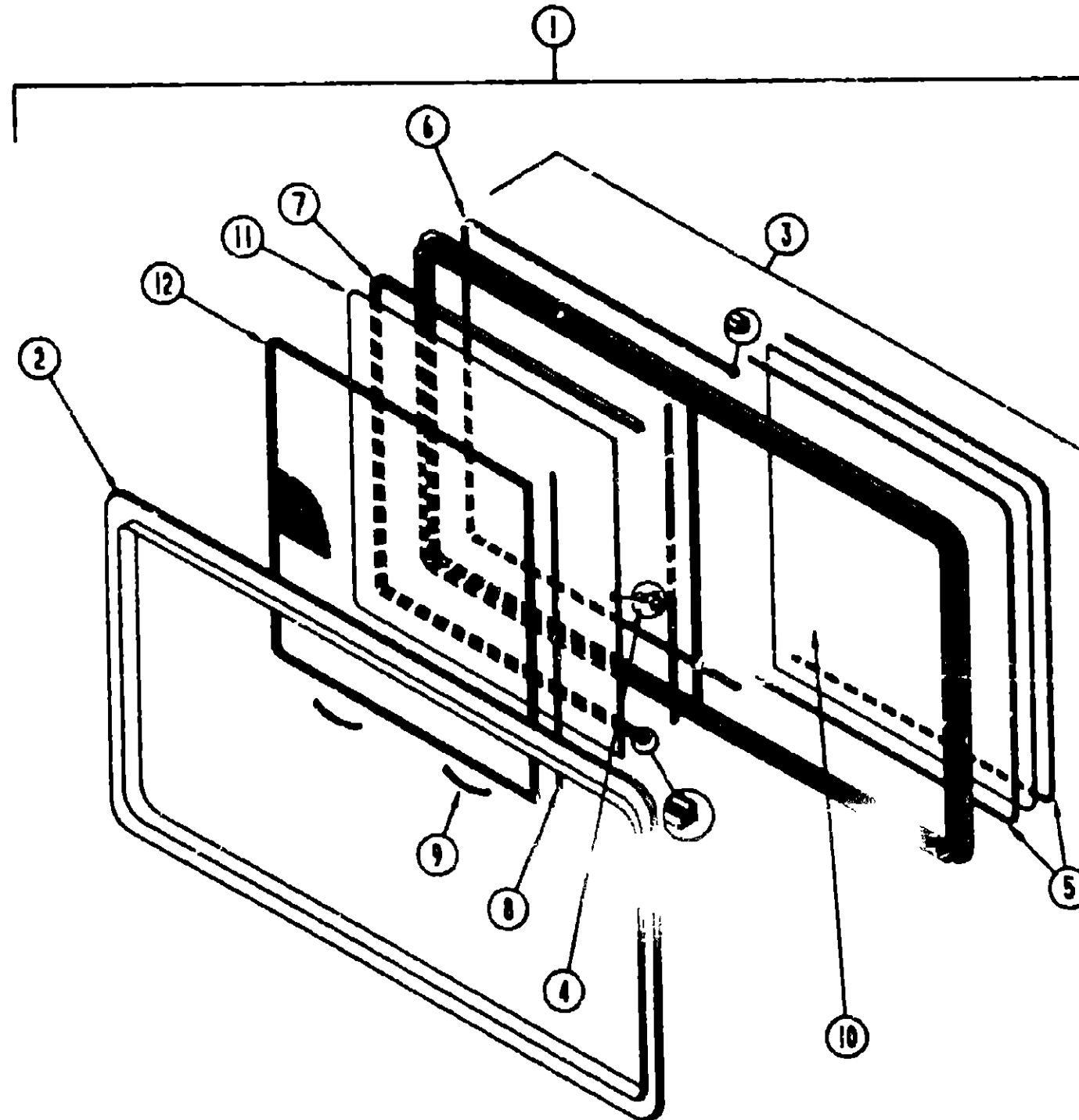
WINDOW, VENT & EXTERIOR DOOR GROUP (CONTINUED)



BACKWALL ESCAPE WINDOW (DOUBLE BED)

KEY	PART NUMBER	U/M	DESCRIPTION
	074816-08-000	EA	FRAME-WINDOW INSIDE - ESCAPE - OFF WHITE
1	078628-03-Y12	EA	WINDOW-ESCAPE REAR - 27" X 48"
2	002282-08-000	EA	WEATHERSTRIP - 125" X 133.25" - BLACK
3	077088-01-702	EA	TAPE ASM-ESCAPE WINDOW
	002285-01-000	FT	FILLER-WEATHER STRIP RUBBER - BLACK
4	078337-08-000	EA	GLASS-WINDOW - ESCAPE - 44 8" X 23.5"

WINDOW, VENT & EXTERIOR DOOR GROUP (CONTINUED)



DINETTE/LOUNGE SLIDING WINDOW

KEY	PART NUMBER	U/M	DESCRIPTION
1	008647-10-02A	EA	WINDOW ASM-SLIDER-HORIZONTAL - BLACK (W/ INSIDE FRAME)
2	008647-09-704	EA	TRIM-INSIDE (OFF-WHITE) - W024-87 EXCEL-WHITE
3	008647-10-700	EA	WINDOW-SINGLE SLIDER - LEFT (W/O INSIDE FRAME)
4	008644-01-700	EA	LATCH REPAIR KIT
5	008644-01-705	FT	GLAZING STRIP - EXCEL M928-12
6	008644-01-706	FT	WEATHERSTRIP - EXCEL 171-010888
7	008644-01-709	FT	CHANNEL-PIERCED RUN - EXCEL 122-018543
8	008644-01-710	FT	TRACK-SCREEN SPACER 12" LENGTH - EXCEL M401-31
	008644-01-711	FT	WEATHERSTRIP-SCREEN BLACK - EXCEL 171-C18885
9	008644-01-713	EA	SPRING-SCREEN FRAME (CLIP) PLASTIC - BLACK - EXCEL 228-018886
	008644-01-719	FT	PLUG-FILLER - EXCEL 132-014470
	008644-01-717	FT	SPLINE-SCREEN MFG - EXCEL 32-004718
10	008647-09-700	EA	GLASS-STATIONARY - 108-017193 EXCEL
11	008647-09-701	EA	GLASS-SLIDING- W/SASH & LATCH - H024-08 EXCEL
12	008647-09-705	EA	SCREEN W/SPRING & WEATHERSTRIP - 410-018484 EXCEL

1982 WINNEBAGO
TABLE OF CONTENTS

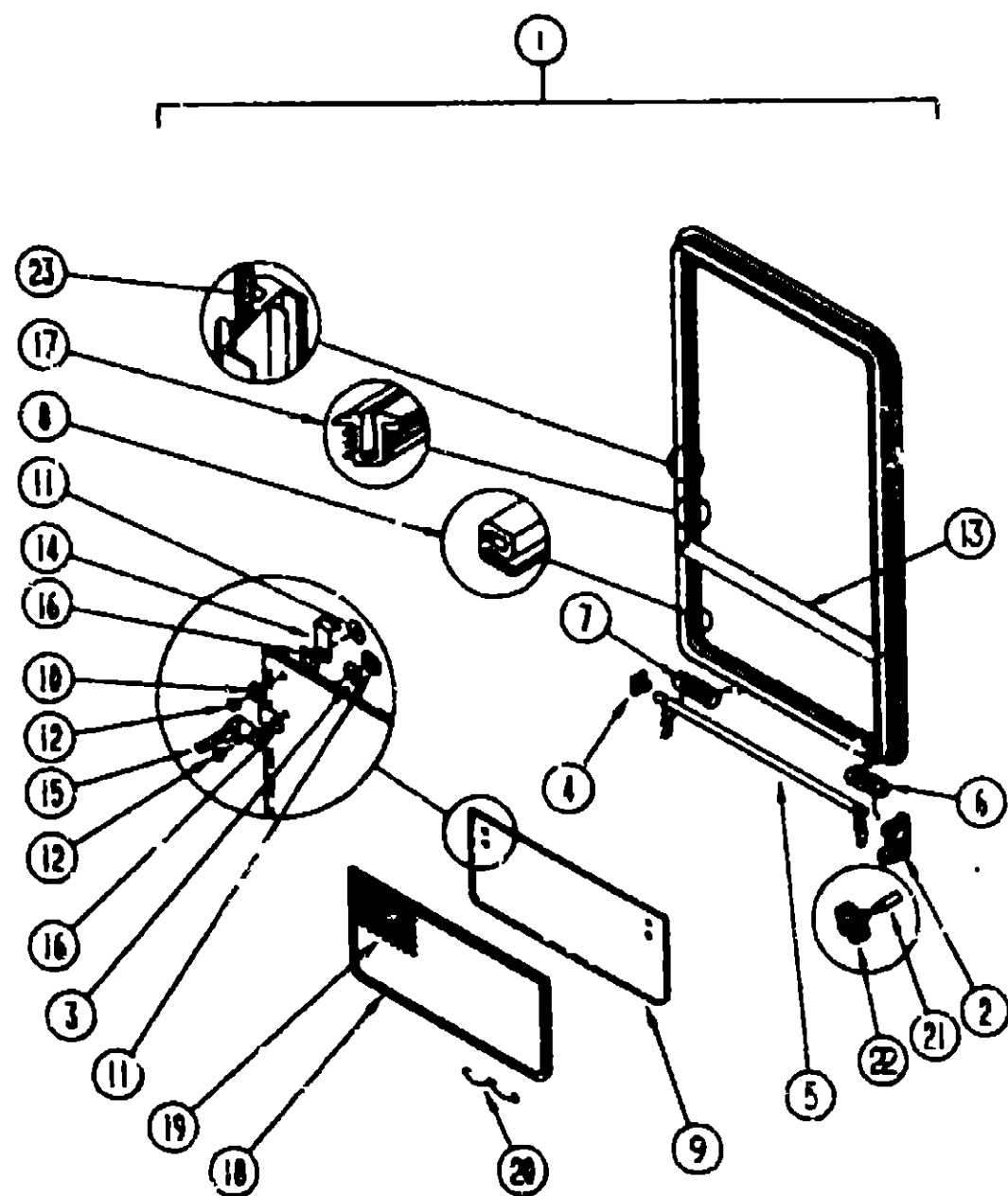
INTRODUCTION	A-01	-	A-02
ABBREVIATIONS			A-03
ALPHABETICAL INDEX	A-04	-	A-08
WF427FG	A-07	-	D-14
WF427FC	D-15	-	G-20
WF427FT	G-21	-	K-03

1982 WINNEBAGO INDEX

FLOOR PLAN	G-21	-	G-22
ACCESSORIES			G-23
AUDIO VIDEO			G-24
BATH	H-01	-	H-02
BEDROOM	H-03	-	H-04
CHASSIS	H-05	-	H-07
CURTAIN & CUSHION	H-08	-	H-15
DINETTE	H-18	-	H-17
DRIVERS	H-18	-	H-20
ELECTRICAL	H-21	-	H-24
EXTERIOR BODY	I-01	-	I-07
GALLEY	I-08	-	I-11
GENERATOR			I-12
HEATING & A/C	I-13	-	I-14
INTERIOR FINISH	I-15	-	I-18
LABEL	I-18	-	J-02
LP			J-03
LOUNGE	J-04	-	J-05
SEALANTS & FASTENERS	J-06	-	J-08
WATER & SEWAGE	J-09	-	J-12
WINDOW, VENT AND EXTERIOR DOOR	J-13	-	K-03

WINDOW, VENT & EXTERIOR DOOR GROUP (CONTINUED)

BEDROOM TIPOUT WINDOW



KEY	PART NUMBER	UOM	DESCRIPTION
1	000883-11-02A	EA	FRAME-INSIDE- WINDOW RETAINER - OFF WHITE
1	002235-07-Y12	EA	WINDOW-TIPOUT- SINGLE - W/O INSIDE FRAME
2	000H14-08-14R	EA	RIVET-MANDREL BLIND - 3/16"
2	035302-02-000	EA	OPERATOR-TORQUE - TIPOUT WINDOW - LEFT
3	088927-03-000	EA	SEAL-WINDOW- RUBBER - ROUND - 80° DIA - BLACK
4	081354-01-000	EA	SLEEVE-TORQUE TUBE - TIPOUT WINDOW - 1.3" X 1.2" X 7"
4	081648-01-000	EA	RING-SNAP - 7/32 SHAFI DIAMETER
5	083150-12-000	EA	TUBE ASM-TORQUE - WINDOW
6	080918-01-000	EA	SPRING-TORQUE TUBE - LEFT
7	080918-02-000	EA	SPRING-TORQUE TUBE - RIGHT
8	084087-02-000	FT	SEAL-E SHAPED - SPONGE - TIPOUT WINDOW - 42" X 38"-BLACK
9	084088-17-000	EA	GLASS-TIPOUT- 9 2" X 28"
10	084453-02-000	EA	WASHER- 06" X 5" X 25" - PLASTIC
11	088782 01-000	EA	T NUT 10-32
12	086783-01-000	EA	SCREW-MACH- 10 - 32 X 1/4 PTH
13	087508-04-01A	EA	MULLION-HORIZONTAL - TIPOUT - BLACK
14	089913-01-000	EA	HINGE-TIPOUT WINDOW - BLACK
15	087578-01-000	EA	LINKAGE-TIPOUT WINDOW
16	084453-01-000	EA	WASHER- 06" X 5" X 135" - PLASTIC
16	084473-01-000	EA	SEAL-FLAT- W/CENTER HOLE & ADHESIVE SIDE - 8" X 9" - BLK
16	085315-01-000	EA	RIVET-SHOULDER - TIPOUT WINDOW
17	099154-01-000	FT	CHANNEL-GLAZING - STATIONARY (GLASS - 62" X 45" - BLACK
18	100235-04-B07	EA	SCREEN-SINGLE TIPOUT WINDOW
19	080218-03-000	SF	SCREENING-FIBERGLASS- 12" WIDE
20	100188-01-000	EA	CLIP-SPRING - SCREEN
20	100240-01-000	FT	SPLINE-SCREEN - T-SHAPED
21	009439-08-060	EA	EXTENSION-CRANK HANDLE - WINDOW /ROOF VENT - BLACK
22	009439-05-000	EA	KNOB-OPERATOR - TIPOUT WINDOW - W/SRING & ARM
22	009439-07-000	EA	SCREW - 8-32 X 1 1/4 POH - BLACK
23	069640-11-000	FT	TAPE-SEALER- 3/16" X 3/8" - BLACK

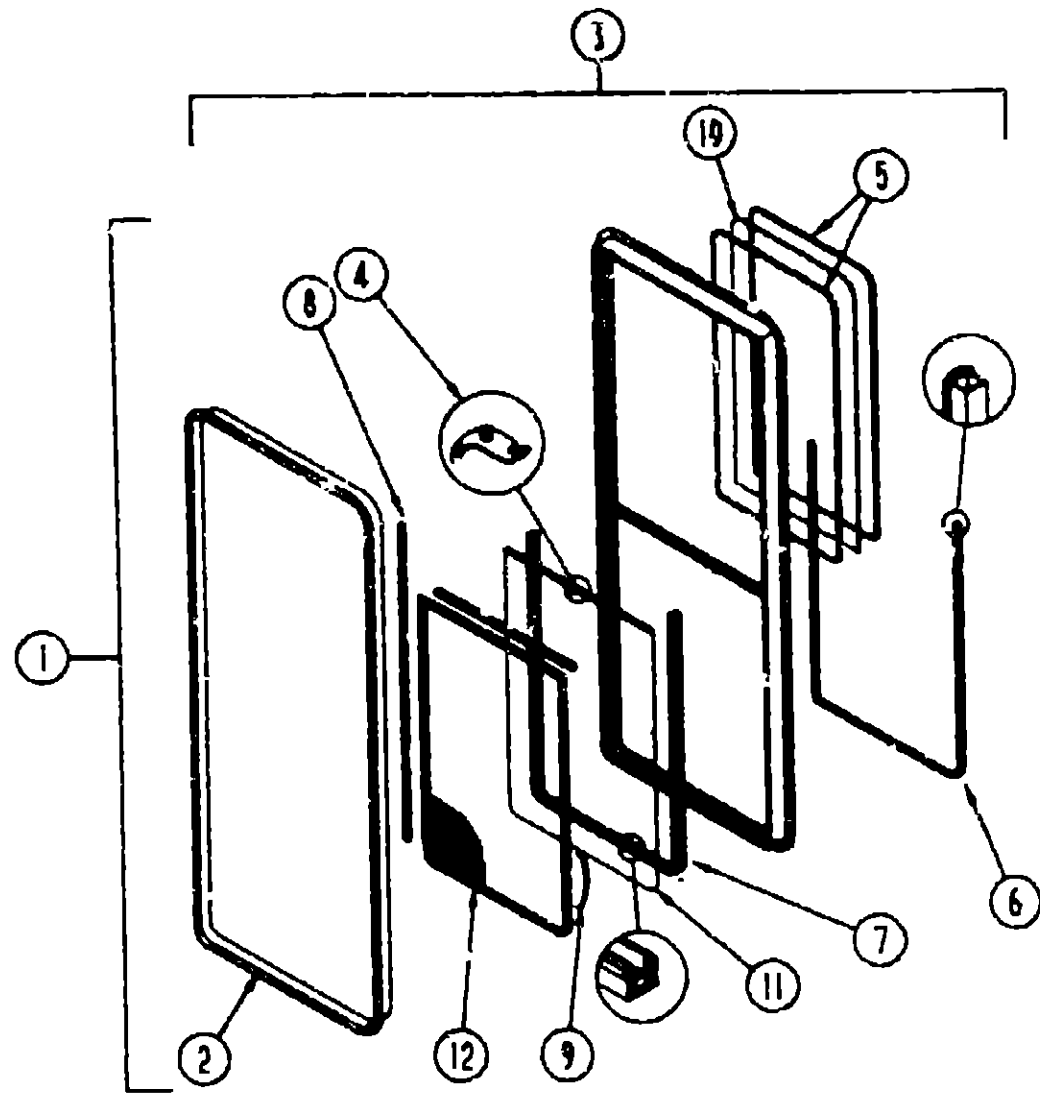
1992 WINNEBAGO TABLE OF CONTENTS

INTRODUCTION	A-01 - A-02
ABBREVIATIONS	A-03
ALPHABETICAL INDEX	A-04 - A-06
WF427RQ	A-07 - D-14
WF427RC	D-15 - G-20
WF427RT	G-21 - K-03

1992 WF427RT INDEX

FLOOR PLAN	G-21 - G-22
ACCESSORIES	G-23
AUDIO VIDEO	G-24
BATH	H-01 - H-02
BEDROOM	H-03 - H-04
CHASSIS	H-05 - H-07
CURTAIN & CUSHION	H-08 - H-15
DINETTE	H-16 - H-17
DRIVERS	H-18 - H-20
ELECTRICAL	H-21 - H-24
EXTERIOR BODY	I-01 - I-07
GALLEY	I-08 - I-11
GENERATOR	I-12
HEATING & A/C	I-13 - I-14
INTERIOR FINISH	I-15 - I-18
LABEL	I-19 - J-02
LP	J-03
LOUNGE	J-04 - J-05
SEALANTS & FASTENERS	J-06 - J-08
WATER & SEWAGE	J-09 - J-12
WINDOW, VENT AND EXTERIOR DOOR	J-13 - K-03

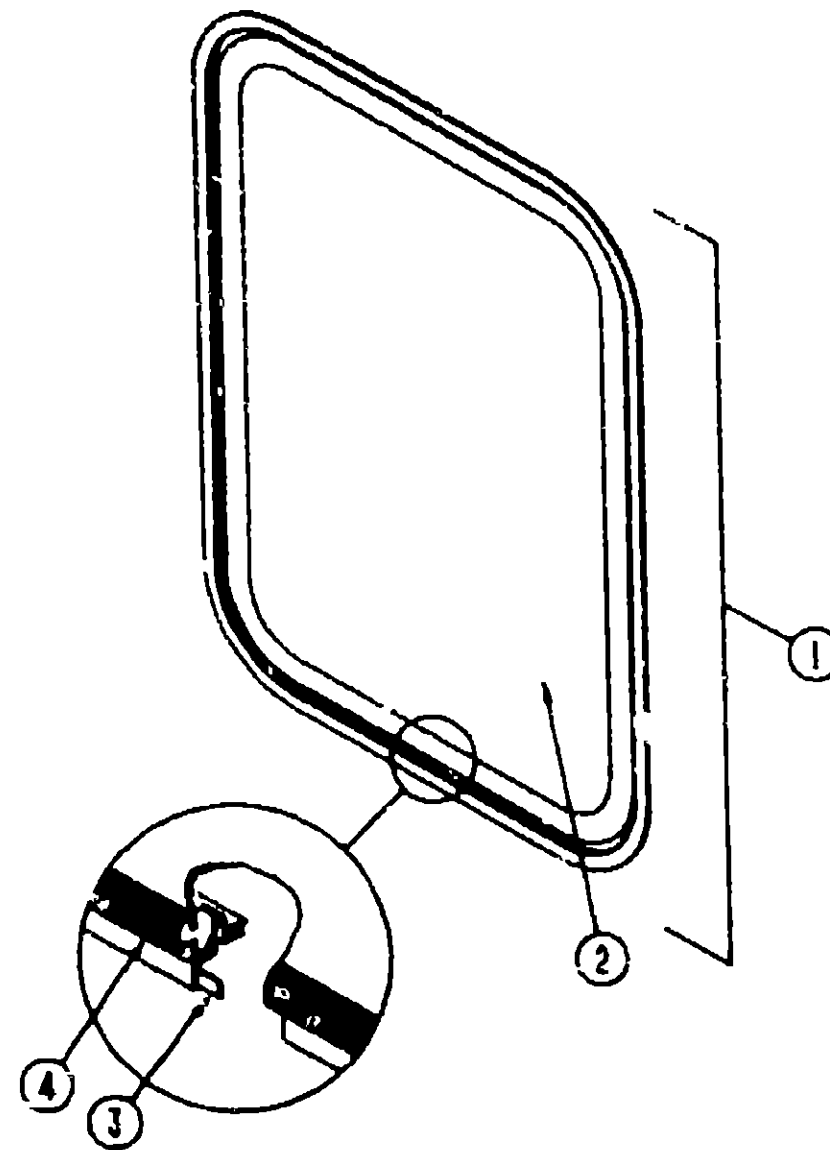
WINDOW, VENT & EXTERIOR DOOR GROUP (CONTINUED)



GALLEY VERTICAL SLIDER WINDOW

KEY	PART NUMBER	U/M	DESCRIPTION
1	098644-01-02A	EA	WINDOW-SLIDING SINGLE - W/INSIDE FRAME - EXCEL H250-PR
2	098644-01-718	EA	TRIM-INSIDE (OFF-WHITE) - V889-87 EXCEL WHITE
3	098644-01-715	EA	WINDOW-SLIDING SINGLE - W/O INSIDE FRAME - EXCEL B089-G2R
4	098644-01-700	EA	LATCH-REPAIR KIT EXCEL B801-CK
5	098644-01-705	FT	GLAZING STRIP - EXCEL M826-12
6	098644-01-706	FT	WEATHERSTRIP - EXCEL 171-018868
7	098644-01-708	FT	CHANNEL-PIERCED RUN - EXCEL 122-018543
8	098644-01-710	FT	TRACK-SCREEN SPACER 12" LENGTH - EXCEL M401-31
	098644-01-711	FT	WEATHERSTRIP-SCREEN BLACK - EXCEL 171-018885
9	098644-01-713	EA	SPRING-SCREEN FRAME (CLIP) PLASTIC - BLACK
	098644-01-716	FT	PLUG-FILLER - EXCEL 132-014470
	098644-01-717	FT	SPLINE-SCREEN - EXCEL 132-004718
10	098644-01-704	EA	GLASS-STATIONARY - EXCEL 106-018013
11	098644-01-709	EA	GLASS-SLIDING- W/SLASH & LATCH - EXCEL B089-G6
12	098644-01-712	EA	SCREEN W/WEATHERSTRIP & FRAME SPRING (CLIP) EXCEL 410-018478
	098644-01-707	EA	LOCKING RAIL

WINDOW, VENT & EXTERIOR DOOR GROUP (CONTINUED)



ENTRY DOOR WINDOW

KEY	PART NUMBER	U/M	DESCRIPTION
1	079733-07-AA8	EA	WINDOW-ENTRY DOOR - 17" X 25" - FROSTED GLASS
2	002181-07-000	EA	GLASS-WINDOW - .182" X 16.25" X 24" - FROSTED
3	050218-02-000	FT	SPLINE GLASS EXTERIOR - VINYL - .19" - BLACK
	087567-01-000	FT	SEAL-GLASS EXTERIOR - 5" WIDE - VINYL - BLACK

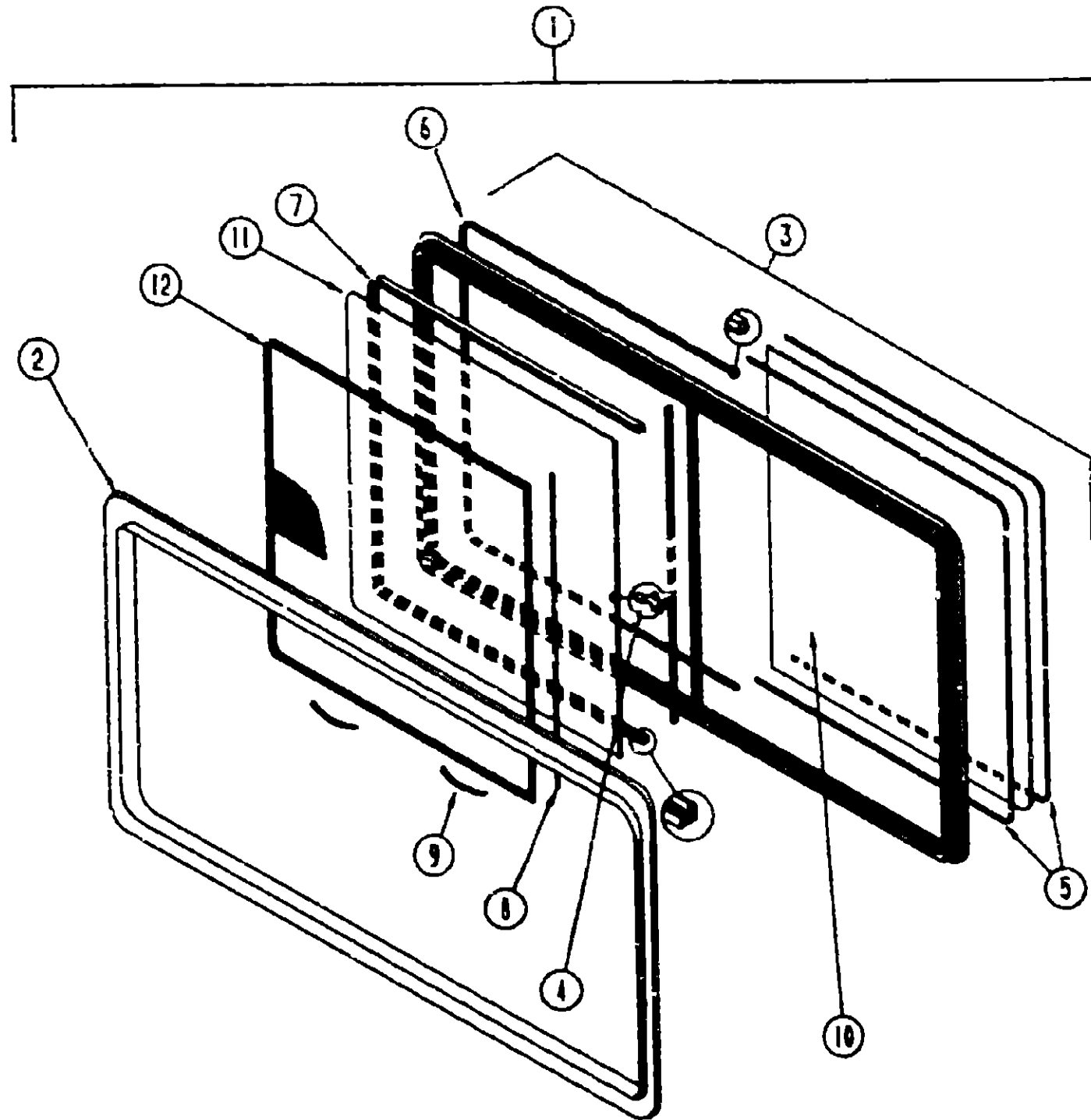
1992 WINNEBAGO
TABLE OF CONTENTS

INTRODUCTION	A-01 - A-02
ABBREVIATIONS	A-03
ALPHABETICAL INDEX	A-04 - A-06
WF427RQ	A-07 - D-14
WF427RC	D-15 - G-20
WF427RT	G-21 - K-03

1992 WF427RT INDEX

FLOOR PLAN	G-21 - G-22
ACCESSORIES	G-23
AUDIO VIDEO	G-24
BATH	H-01 - H-02
BEDROOM	H-03 - H-04
CHASSIS	H-05 - H-07
CURTAIN & CUSHION	H-08 - H-15
DINETTE	H-16 - H-17
DRIVERS	H-18 - H-20
ELECTRICAL	H-21 - H-24
EXTERIOR BODY	I-01 - I-07
GALLEY	I-08 - I-11
GENERATOR	I-12
HEATING & A/C	I-13 - I-14
INTERIOR FINISH	I-15 - I-18
LABEL	I-19 - J-02
LP	J-03
LOUNGE	J-04 - J-05
SEALANTS & FASTENERS	J-06 - J-08
WATER & SEWAGE	J-09 - J-12
WINDOW, VENT AND EXTERIOR DOOR	J-13 - K-03

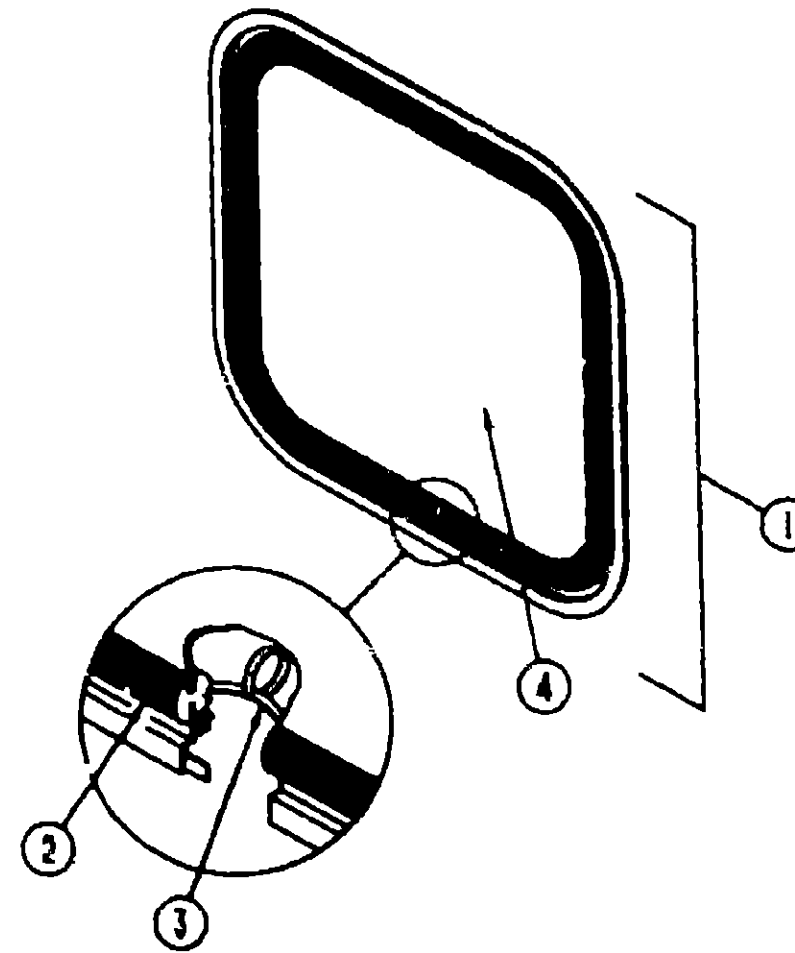
WINDOW, VENT & EXTERIOR DOOR GROUP (CONTINUED)



LOUNGE SLIDING WINDOW

KEY	PART NUMBER	U/M DESCRIPTION
1	088647-05-02A	EA WINDOW ASM-SLIDER-HORIZONTAL - BLACK (W/ INSIDE FRAME)
2	088647-05-707	EA TRIM INSIDE (OFF-WHITE) - W024-67 EXCEL-WHITE
3	088647-05-705	EA WINDOW-SINGLE SLIDER - LEFT (W/O INSIDE FRAME)
4	088644-01-700	EA LATCH REPAIR KIT
5	088644-01-705	FT GLAZING STRIP - EXCEL M926-12
6	088644-01-708	FT WEATHERSTRIP - EXCEL 171-010885
7	088644-01-708	FT CHANNEL-PIERCED RUN - EXCEL 122-016543
8	088644-01-710	FT TRACK-SCREEN SPACER 12' LENGTH - EXCEL M401-31
	088644-01-711	FT WEATHERSTRIP-SCREEN BLACK - EXCEL 171-010885
9	088644-01-713	EA SPRING-SCREEN FRAME (CLIP) PLASTIC - BLACK-EXCEL 228-010862
	088644-01-716	FT PLUG-FILLER - EXCEL 132-014470
	088644-01-717	FT SPLINE-SCREEN MFG - EXCEL 32-004718
10	088647-05-700	EA GLASS-STATIONARY - 106-017199 EXCEL
11	088647-05-702	EA GLASS-SLIDING- W/SASH & LATCH - H024-09 EXCEL
12	088647-05-704	EA SCREEN W/SRING & WEATHERSTRIP - 410-018484 EXCEL

WINDOW, VENT & EXTERIOR DOOR GROUP (CONTINUED)



BACKWALL ESCAPE WINDOW (TWIN BED)

KEY	PART NUMBER	U/M DESCRIPTION
	020748-10-000	EA FRAME-WINDOW- INSIDE - OFF WHITE
1	079729-02-T03	EA WINDOW-ESCAPE- REAR - 22" X 24"
1	079729-03-W17	EA WINDOW-ESCAPE- REAR - 24" X 22"
2	002282-02-000	EA WEATHERSTRIP-WINDOW- .125" VULCANIZED - 79.1' LONG - BLACK
3	077088-01-702	EA TAPE ASM-ESCAPE WINDOW
	002285-01-000	FT FILLER-WEATHER STRIP RUBBER - BLACK
4	041382-03-000	EA GLASS-WINDOW- 1/8" X 21 65" X 19.61"

1992 WINNEBAGO
TABLE OF CONTENTS

INTRODUCTION	A-01 - A-02
ABBREVIATIONS	A-03
ALPHABETICAL INDEX	A-04 - A-06
WF427RQ	A-07 - D-14
WF427RC	D-15 - G-20
WF427RT	G-21 - K-03

1992 WF427RT INDEX

FLOOR PLAN	G-21 - G-22
ACCESSORIES	G-23
AUDIO VIDEO	G-24
BATH	H-01 - H-02
BEDROOM	H-03 - H-04
CHASSIS	H-05 - H-07
CURTAIN & CUSHION	H-08 - H-15
DINETTE	H-16 - H-17
DRIVERS	H-18 - H-20
ELECTRICAL	H-21 - H-24
EXTERIOR BODY	I-01 - I-07
GALLEY	I-08 - I-11
GENERATOR	I-12
HEATING & AC	I-13 - I-14
INTERIOR FINISH	I-15 - I-18
LABEL	I-19 - J-02
LP	J-03
LOUNGE	J-04 - J-05
SEALANTS & FASTENERS	J-06 - J-08
WATER & SEWAGE	J-09 - J-12
WINDOW, VENT AND EXTERIOR DOOR	J-13 - K-03

WINDOW, VENT & EXTERIOR DOOR GROUP (CONTINUED)

BUNK SLANTED SLIDER WINDOWS

KEY	PART NUMBER	U/M	DESCRIPTION
	088646-05-01A	EA	WINDOW-SLANTED SLIDER-PASSENGER SIDE
	088646-05-01A	EA	WINDOW-SLANTED SLIDER-DRIVER SIDE
	088644-01-700	EA	LATCH REPAIR KIT (BLACK)
	088644-01-705	FT	GLAZING STRIP
	088644-01-708	FT	WEATHERSTRIP-GLASS
	088644-01-708	FT	CHANNEL-RUN- PIERCED - GLASS
	088644-01-710	FT	TRACK-SPACER- FOR SCREEN 12'
	088644-01-711	FT	WEATHERSTRIP-SCREEN- BLACK
	088644-01-713	EA	SCREEN CLIPS (METAL)(BLACK)
	088644-01-718	FT	PLUG-FILLER
	088644-01-717	FT	SPLINE-SCREEN ASM
	088646-05-700	EA	STATIONARY GLASS
	088646-05-701	EA	SLIDE ASM
	088646-05-702	EA	SCREEN ASM

VENTS, SHROUDS AND ROOF COVERS

KEY	PART NUMBER	U/M	DESCRIPTION
	110051-01-01A	EA	VENT-ROOF - NONPOWERED - 2" ROOF - JENSEN 7724 WHE
	110051-03-01A	EA	VENT-ROOF - POWERED - 2"ROOF - JENSEN 7757 WHE
	084816-01-000	EA	SHROUD-RANGE HOOD VENT - OFF WHITE
	084878-09-000	EA	VENT-RANGE HOOD - SHORT - LVS
	002291-02-000	SF	SCREENING-ROOF VENT/WINDOW - 16" - BLACK
	002298-02-000	FT	SPLINE-VENT/WINDOW SCREEN - .128 DIAMETER - BLACK
	002291-02-000	SF	SCREENING-ROOF VENT/WINDOW - 16" - BLACK
	002298-02-000	FT	SPLINE-VENT/WINDOW SCREEN - .128 DIAMETER - BLACK
	083558-03-000	EA	VENT-PLUMBING PIPE ROOF - WCOVER - OFF WHITE
	084073-03-000	EA	COVER-ROOF VENT - REFRIGERATOR - OFF WHITE - NORCOLD
	084073-04-000	EA	BASE-ROOF VENT - REFRIGERATOR - BLACK - NORCOLD

1992 WINNEBAGO TABLE OF CONTENTS

INTRODUCTION	A-01	-	A-02
ABBREVIATIONS			A-03
ALPHABETICAL INDEX	A-04	-	A-06
WF427RQ	A-07	-	D-14
WF427RC	D-15	-	G-20
WF427RT	G-21	-	K-03

1992 WF427RT INDEX

FLOOR PLAN	G-21	-	G-22
ACCESSORIES			G-23
AUDIO VIDEO			G-24
BATH	H-01	-	H-02
BEDROOM	H-03	-	H-04
CHASSIS	H-05	-	H-07
CURTAIN & CUSHION	H-08	-	H-15
DINETTE	H-16	-	H-17
DRIVERS	H-18	-	H-20
ELECTRICAL	H-21	-	H-24
EXTERIOR BODY	I-01	-	I-07
GALLEY	I-08	-	I-11
GENERATOR			I-12
HEATING & AC	I-13	-	I-14
INTERIOR FINISH	I-15	-	I-18
LABEL	I-19	-	J-02
LP			J-03
LOUNGE	J-04	-	J-05
SEALANTS & FASTENERS	J-06	-	J-08
WATER & SEWAGE	J-09	-	J-12
WINDOW, VENT AND EXTERIOR DOOR	J-13	-	K-03