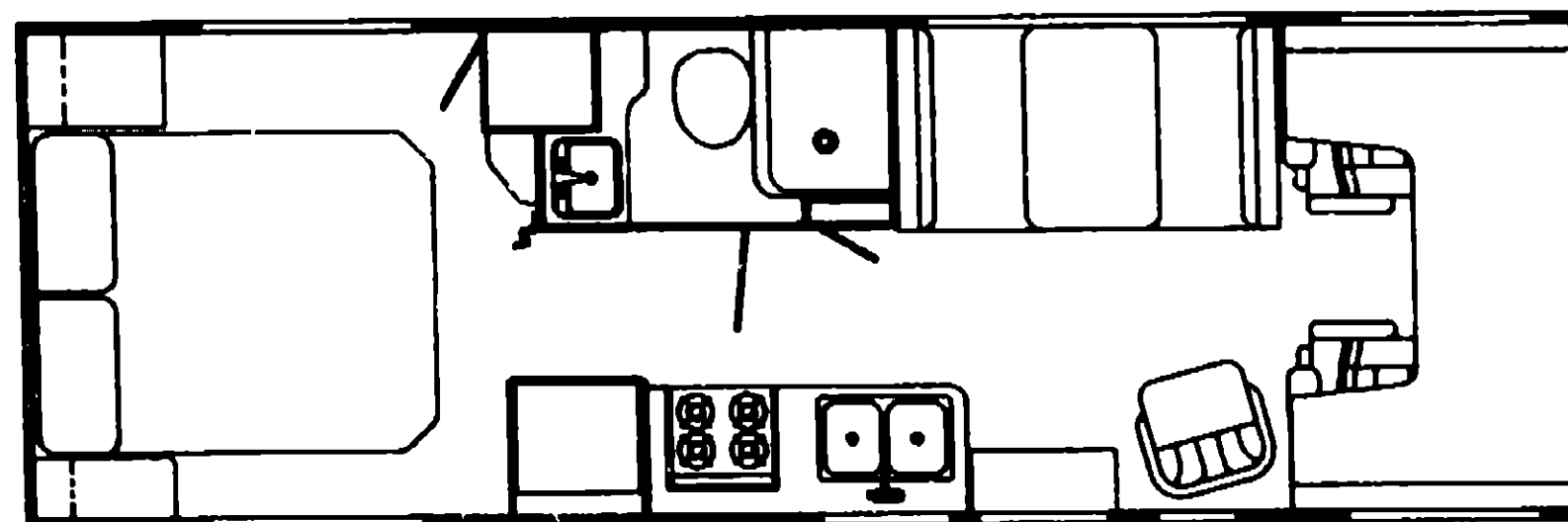
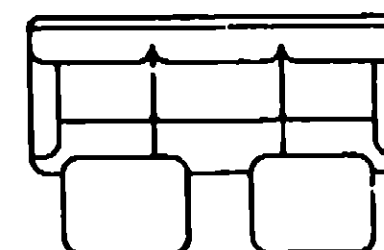
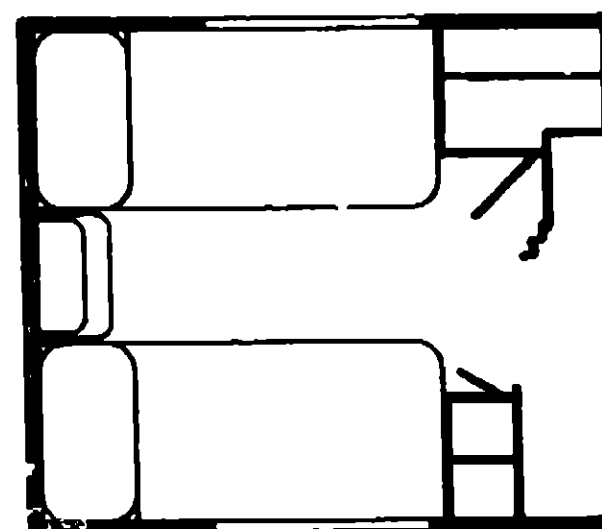


**1992 WINNEBAGO  
TABLE OF CONTENTS**

INTRODUCTION	A-01 - A-02
ABBREVIATIONS	A-03
ALPHABETICAL INDEX	A-04 - A-06
WF427RQ	A-07 - D-14
WF427PC	D-15 - G-20
WF427RT	G-21 - K-03



**1992  
WF427RQ  
C03  
C04**



A-07

**1992 WF427RQ INDEX**

FLOOR PLAN	A-07 - A-08
ACCESSORIES	A-09
AUDIO VIDEO	A-10
BATH	A-11 - A-12
BEDROOM	A-13 - A-14
CHASSIS	A-15 - A-17
CURTAIN & CUSHION	A-18 - B-01
DINETTE	B-02 - B-03
DRIVERS	B-04 - B-06
ELECTRICAL	B-07 - B-10
EXTERIOR BODY	B-11 - B-17
GALLEY	B-18 - B-21
GENERATOR	B-22
HEATING & AC	B-23 - B-24
INTERIOR FINISH	C-01 - C-04
LABEL	C-05 - C-12
LP	C-13
LOUNGE	C-14 - C-15
SEALANTS & FASTENERS	C-16 - C-18
WATER & SEWAGE	C-19 - C-22
WINDOW, VENT AND EXTERIOR DOOR	C-23 - D-14

A-08

## ACCESSORIES GROUP

### OPERATORS MANUAL

KEY	PART NUMBER	U/M	DESCRIPTION
	054185-84-000	EA	MANUAL-OPERATOR-1992 MINNIE WINNIE
	082319-01-000	EA	BINDER-3 RING- MOTOR HOME MANUAL
	082319-01-000	EA	POCKET PAGE-3 RING BINDER- PLASTIC
	108361-01-000	DW	TOP LEVEL DRAWING - 1992 C-BODY

## AUDIO VIDEO GROUP

### RADIO SYSTEM COMPONENTS & ANTENNA

KEY	PART NUMBER	U/M	DESCRIPTION
	078385-02-000	EA	KIT-RADIO MOUNTING- FORD
	081082-01-000	EA	RADIO-AM/FM CASSETTE- ELECTRIC TUNE - AUDIOVOX HCC-1035 FROM: 00-00-00 THRU: 10-08-91
	081059-02-000	EA	WIRE ASM-8-PIN- RADIO - AUDIOVOX 112B-1781 FROM: 00-00-00 THRU 10-08-91
	108450-01-000	EA	RADIO-AM/FM CASSETTE-ELECT FORD - AUDIOVOX FD-CXF FROM: 10-07-91 THRU: 99-99-99
	108451-01-000	EA	MOUNTING KIT-RADIO FORD AUDIOVOX FD-ECO-92 FROM: 10-07-91 THRU: 99-99-99
	108137-01-000	EA	PLUG-ANTENNA HOLE-82 E360
	088340-02-000	EA	GRILLE-SPEAKER- 6 5" SQUARE
	088340-03-000	EA	GRILLE-SPEAKER-SPACER TAN *MAGNADYNE G514
	084097-01-000	EA	SPEAKER-RADIO- W/O GRILLE - 5.25" DIA - AUDIOVOX 110C3030
	105305-01-000	EA	WIRE ASM-SPEAKER ADAPTER(FD) FROM: 00-00-00 THRU 02-18-92

### TV, VCR SYSTEMS & ANTENNA

KEY	PART NUMBER	U/M	DESCRIPTION
	082310-01-000	EA	TV-COLOR- 9" - AC/DC - W/REMOTE - MAGNAVOX CH3940 FROM 00-00-00 THRU 01-28-92
	082310-01-700	EA	REMOTE F/RK3866-0822336
	082310-03-000	EA	TV-COLOR-9"-AC/DC W/SWIVEL MAGNAVOX RDO945 FROM: 01-27-92 THRU 99-99-99
	082310-02-700	EA	REMOTE F/TV -0822334
	088448-03-000	EA	VCR-VHS- CABLE READY - REMOTE - MAGNAVOX VR8010
	088448-03-700	EA	REMOTE F/MODEL #8010 -0874588
	108433-01-000	EA	BRACKET-VCR
	078319-01-000	EA	ANTENNA-TV- ROOF MOUNT - 44 5" MAST - RVA W02
	078319-01-700	EA	HEAD-ANTENNA- AMPLIFIED - WINEGARD# RVSA UV
	078319-01-701	EA	GEAR-ELEVATING- PLASTIC - WINEGARD# 2200048
	078319-01-702	EA	SHAFT ASM-ELEVATING- WINEGARD# RVP-400A
	078319-01-703	EA	BEARING-NYLON- 5"OD - WINEGARD# 3200858
	078319-01-705	EA	GROMMET-NYLON- 7/8"ID - WINEGARD# 3200858
	078319-01-708	EA	CRANK-ELEVATING- W/SET SCREW - WINEGARD# 5755100
	078319-01-707	EA	SPRING-HANDLE- WINEGARD# 5180800
	078319-01-709	EA	PLATE-DIRECTIONAL- FOR HEAD - WINEGARD #3200844
	078319-08-000	EA	ADAPTOR-CABLE ROOF PLATE- WINEGARD RPJ-1
	082134-01-000	EA	ADAPTER-TV- CABLE TO CABLE - WINEGARD F-81M
	082138-01-000	EA	NUT-HEX JAM; 3/8-32- WINEGARD
	086777-02-000	EA	WALLPLATE-TV CABLE- W/ANTENNA SWITCH - BROWN
	078319-03-000	FT	CABLE-COAXIAL- 75 OHM
	078319-12-000	EA	CONNECTOR-COAXIAL- ONE PIECE
	088757-03-000	EA	CONTROL CENTER-SWITCH- VCR/TV - MAGNADYNE VCS-6
	088777-04-000	EA	PLATE-WALL- ANTENNAPOWER - BROWN

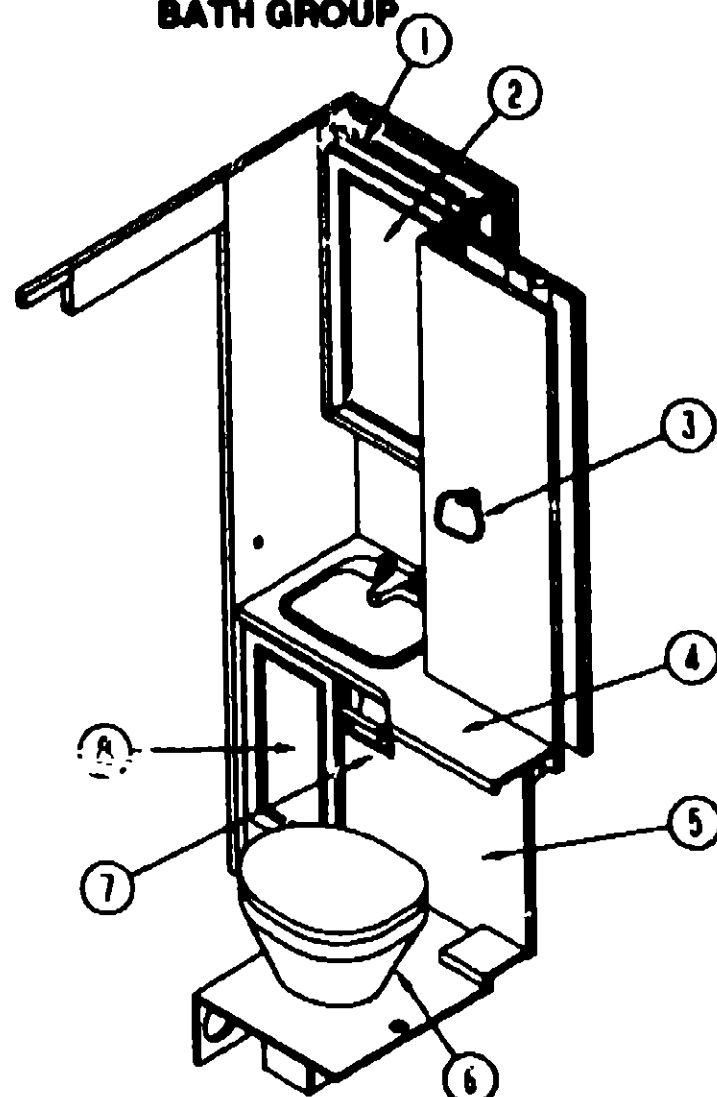
## 1992 WINNEBAGO TABLE OF CONTENTS

INTRODUCTION	A-01 - A-02
ABBREVIATIONS	A-03
ALPHABETICAL INDEX	A-04 - A-08
WF427RQ	A-07 - D-14
WF427RC	D-15 - G-20
WF427RT	G-21 - K-03

## 1992 WF427RQ INDEX

FLOOR PLAN	A-07 - A-08
ACCESSORIES	A-09
AUDIO VIDEO	A-10
BATH	A-11 - A-12
BEDROOM	A-13 - A-14
CHASSIS	A-15 - A-17
CURTAIN & CUSHION	A-18 - B-01
DINETTE	B-02 - B-03
DRIVERS	B-04 - B-08
ELECTRICAL	B-07 - B-10
EXTERIOR BODY	B-11 - B-17
GALLEY	B-18 - B-21
GENERATOR	B-22
HEATING & AC	B-23 - B-24
INTERIOR FINISH	C-01 - C-04
LABEL	C-05 - C-12
LP	C-13
LOUNGE	C-14 - C-15
SEALANTS & FASTENERS	C-16 - C-18
WATER & SEWAGE	C-19 - C-22
WINDOW, TENT AND EXTERIOR DOOR	C-23 - D-14

**BATH GROUP**



**BATH CABINETRY & HARDWARE**

**BATH GROUP (CONTINUED)**

**BATH PRIVACY DOOR**

KEY	PART NUMBER	U/M	DESCRIPTION
	M87888-09-003	EA	DOOR ASM-CABINET-BATH
	094485-01-01A	EA	KNOB-DOOR-POLISHED BRASS

**SHOWER COMPONENTS**

KEY	PART NUMBER	U/M	DESCRIPTION
	075457-02-000	EA	BAR-TOWEL-18" BRASS
	103092-01-000	EA	SHOWER HEAD-WHD IN HOSE(US & CANADIAN)
	075241-05-000	EA	FAUCET-SHOWER-BONE
	075808-01-000	EA	PANEL-FAUCET BACK-SHOWER - 5" X 9" - PLASTIC
	M02873-08-B05	EA	PAN-SHOWER-OFF WHITE
	102803-01-01A	EA	SURROUND-SHOWER-LARGE 3 SIDED SECTION - OFF WHITE
	102804-01-01A	EA	SURROUND-SHOWER-SMALLER SECTION - OFF WHITE
	088438-01-000	EA	NUT-SLIP-TAILPIECE - 1.5"
	088440-01-000	EA	STRAINER-SHOWER-WRUBBER WASHER
	089735-01-000	EA	WASHER-STRAINER TO TAILPIECE PLASTIC- 1.5"
	011089-02-000	EA	TAILPIECE-TUB/SHOWER- 1 1/2" X 1 1/4" X 4" - BRASS
	088438-01-000	EA	NUT-SLIP-TAILPIECE - 1.5"
	057871-01-000	EA	COVER-SCREW-#8 - PLASTIC - OFF WHITE
	075241-05-000	EA	FAUCET-SHOWER-BONE (EXTERIOR SHOWER)
	105289-02-000	EA	BRACKET-SUPPORT-FAUCET (EXTERIOR SHOWER)
	091952-02-000	EA	CLIP-GRIPPER, 3/4" (EXTERIOR SHOWER)

**1992 WINNEBAGO  
TABLE OF CONTENTS**

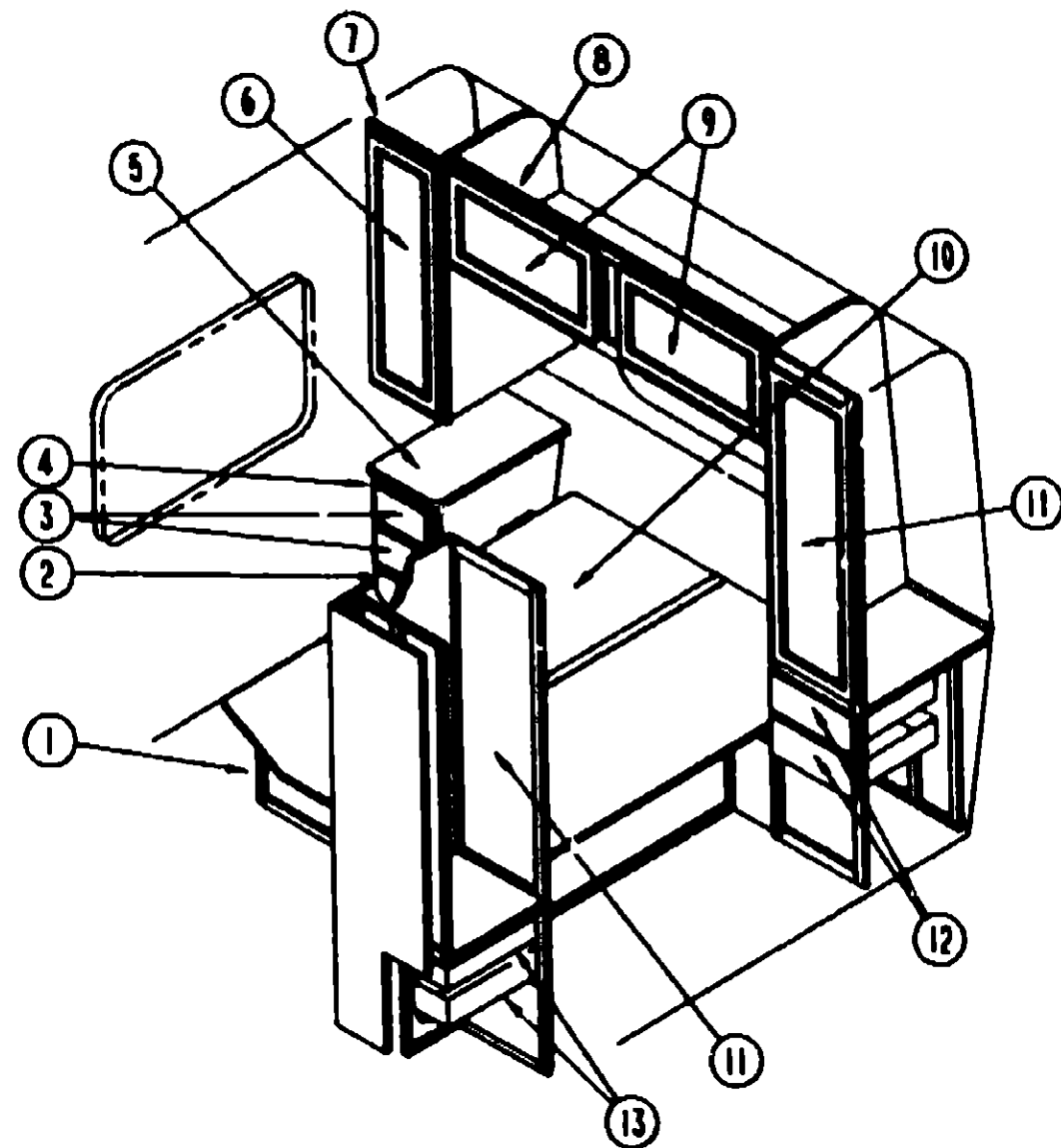
INTRODUCTION	A-01 - A-02
ABBREVIATIONS	A-03
ALPHABETICAL INDEX	A-04 - A-06
WF427RQ	A-07 - D-14
WF427RC	D-15 - G-20
WF427RT	G-21 - K-03

**1992 WF427RQ INDEX**

FLOOR PLAN	A-07 - A-08
ACCESSORIES	A-09
AUDIO VIDEO	A-10
BATH	A-11 - A-12
BEDROOM	A-13 - A-14
CHASSIS	A-15 - A-17
CURTAIN & CUSHION	A-18 - B-01
DINETTE	B-02 - B-03
DRIVERS	B-04 - B-08
ELECTRICAL	B-07 - B-10
EXTERIOR BODY	B-11 - B-17
GALLEY	B-18 - B-21
GENERATOR	B-22
HEATING & AC	B-23 - B-24
INTERIOR FINISH	C-01 - C-04
LABEL	C-05 - C-12
LP	C-13
LOUNGE	C-14 - C-15
SEALANTS & FASTENERS	C-16 - C-18
WATER & SEWAGE	C-19 - C-22
WINDOW, VENT AND EXTERIOR DOOR	C-23 - D-14

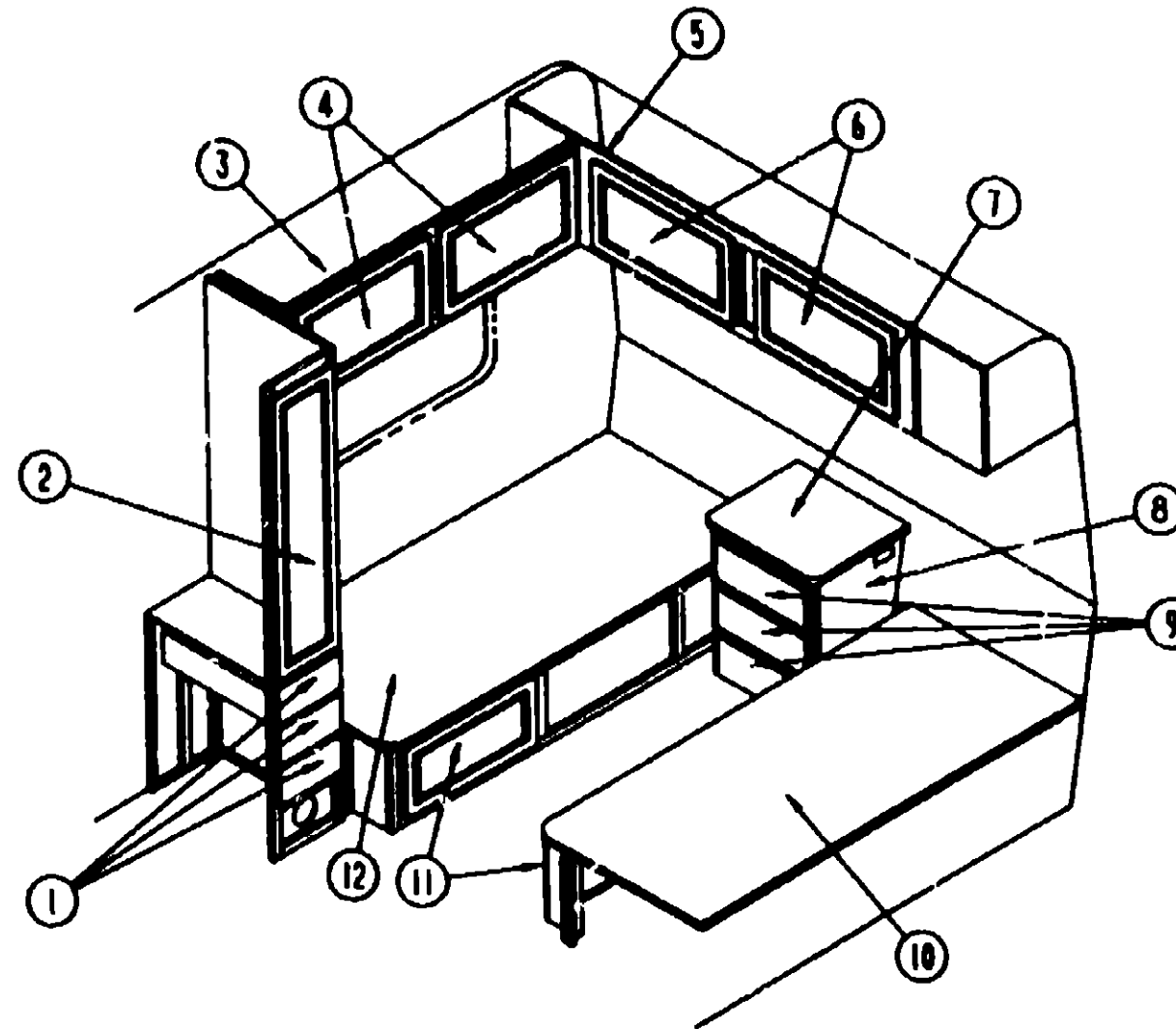
KEY	PART NUMBER	U/M	DESCRIPTION
1	105360-01-003	EA	CABINET ASM-MEDICINE
2	P03881-01-003	EA	DOOR ASM-MIRROR-HARDWARE- 365 X 750
	088331-32-000	EA	MIRROR-GLASS-SAFETY - 13.6" X 27.6"
	M03450-11-000	EA	TRIM-MIRROR-WOOD - OAK
	083446-10-B05	EA	MIRROR-WOOD FRAMED
3	075454-02-000	EA	RING-TOWEL-W/MOUNTING HARDWARE - BRASS
4	103128-11-003	EA	COUNTERTOP ASM
5	P10128-01-003	EA	CABINET ASM-LAVATORY
	075240-08-000	EA	FAUCET-LAVATORY-BONE
	081253-01-000	EA	GASKET-FAUCET-LAVATORY/GALLEY
	105218-01-01A	EA	SPACER-FAUCET-LAVATORY SINK - 2" X 5 9/16" - ABS PLASTIC O/W FROM: 00-00-00 THRU. 10-13-91
	088927-01-01A	EA	SINK-LAVATORY- RECTANGULAR - PLASTIC - BONE
	088927-01-700	EA	SINK-STOPPER
	088927-01-701	EA	TAILPIECE-SINK
6	087487-01-000	EA	TOILET-12.37"- IVORY - HAND FLUSH - THETFORD 180110
	083740-01-700	EA	LEVER-WATER-THETFORD 12514
	083740-01-701	EA	LEVER-FLUSH-THETFORD 12515
	083740-01-708	EA	BOLT PACKAGE-CLOSET-THETFORD 12524
	083740-01-710	EA	LINK-THETFORD 12513
	083740-01-711	EA	SPRING-RETURN LEVER-THETFORD 12523
	083740-01-713	EA	SEAL-BALL VALVE TO BOWL-THETFORD 12502
	083740-01-714	EA	VALVE ASM-WATER-THETFORD 12482
	083740-01-718	EA	SEAT & COVER-THETFORD 15017
	083740-01-717	EA	TUBE-FLUSH-TOILET-12509 THETFORD
	083841-01-000	EA	FLANGE-CLOSET-4" X 3"
7	075462-02-000	EA	HOLDER-TOILET TISSUE-BRASS
8	P05223-01-003	EA	DOOR ASM-W/O HARDWARE-305 X 565
	088331-51-000	EA	MIRROR-GLASS SAFETY-WALL-680 X 1018
	091208-01-000	EA	WASHER-RUBBER- 06" X .75" X .5"
	078238-37-B05	EA	PANEL-ACCESS-250 X 445

**BEDROOM GROUP**



**QUEEN BEDROOM**

**BEDROOM GROUP (CONTINUED)**



**TWIN BEDROOM**

**1992 WINNEBAGO  
TABLE OF CONTENTS**

INTRODUCTION	A-01 - A-02
ABBREVIATIONS	A-03
ALPHABETICAL INDEX	A-04 - A-06
WF427RQ	A-07 - D-14
WF427RC	D-15 - G-30
WF427RT	G-31 - K-03

**1992 WF427RQ INDEX**

FLOOR PLAN	A-07 - A-08
ACCESSORIES	A-09
AUDIO VIDEO	A-10
BATH	A-11 - A-12
BEDROOM	A-13 - A-14
CHASSIS	A-15 - A-17
CURTAIN & CUSHION	A-18 - B-01
DINETTE	B-02 - B-03
DRIVER'S	B-04 - B-08
ELECTRICAL	B-07 - B-10
EXTERIOR BODY	B-11 - B-17
GALLEY	B-18 - B-21
GENERATOR	B-22
HEATING & A/C	B-23 - B-24
INTERIOR FINISH	C-01 - C-04
LABEL	C-05 - C-12
LP	C-13
LOUNGE	C-14 - C-15
SEALANTS & FASTENERS	C-16 - C-18
WATER & SEWAGE	C-19 - C-22
WINDOW, VENT AND EXTERIOR DOOR	C-23 - D-14

KEY	PART NUMBER	QTY	DESCRIPTION
1	P06308-01-C03	EA	CABINET ASM-QUEEN BED BOTTOM
2	F03387-G5-C03	EA	DRAWER ASM-CABINET-RADIUS - 214 X 284
3	P03387-G1-C03	EA	DRAWER ASM-CABINET-RADIUS - 214 X 404
4	106278-01-C03	EA	CABINET ASM-NIGHTSTAND
5	10E278-11-C03	EA	COUNTERTOP ASM
6	P06223-07-C03	EA	DOOR ASM-W/O HARDWARE- 305 X 1015
7	P06278-01-C03	EA	CABINET ASM-SHIRT CLOSET - RIGHT
8	M06823-09-C03	EA	CABINET ASM-OVERHEAD - REAR
9	P06223-08-C03	EA	DOOR ASM-W/O HARDWARE-365 X 680
10	M06831-02-C03	EA	QUEEN BED TOP-PASSENGER SIDE
	M06831-01-C03	EA	QUEEN BED TOP-DRIVER SIDE
	103725-02-000	EA	PROP-BED-AUTO CAM-1158
11	P06223-10-C03	EA	DOOR ASM-W/O HARDWARE-380 X 1250
12	P03387-G3-C03	EA	DRAWER ASM-CABINET-RADIUS - 354 X 404
13	P03387-F2-C03	EA	DRAWER ASM-CABINET-RADIUS - 354 X 470
	109195-01-886	EA	COUNTERTOP-VANITY
	068331-27-000	EA	MIRROR-SAFETY GLASS-11 8" X 45 7"
	042488-10-000	EA	DOOR-FOLDING - FABRIC - 37" X 75" - OFF WHITE
	078238-37-886	EA	PANEL-ACCESS - 250 X 445

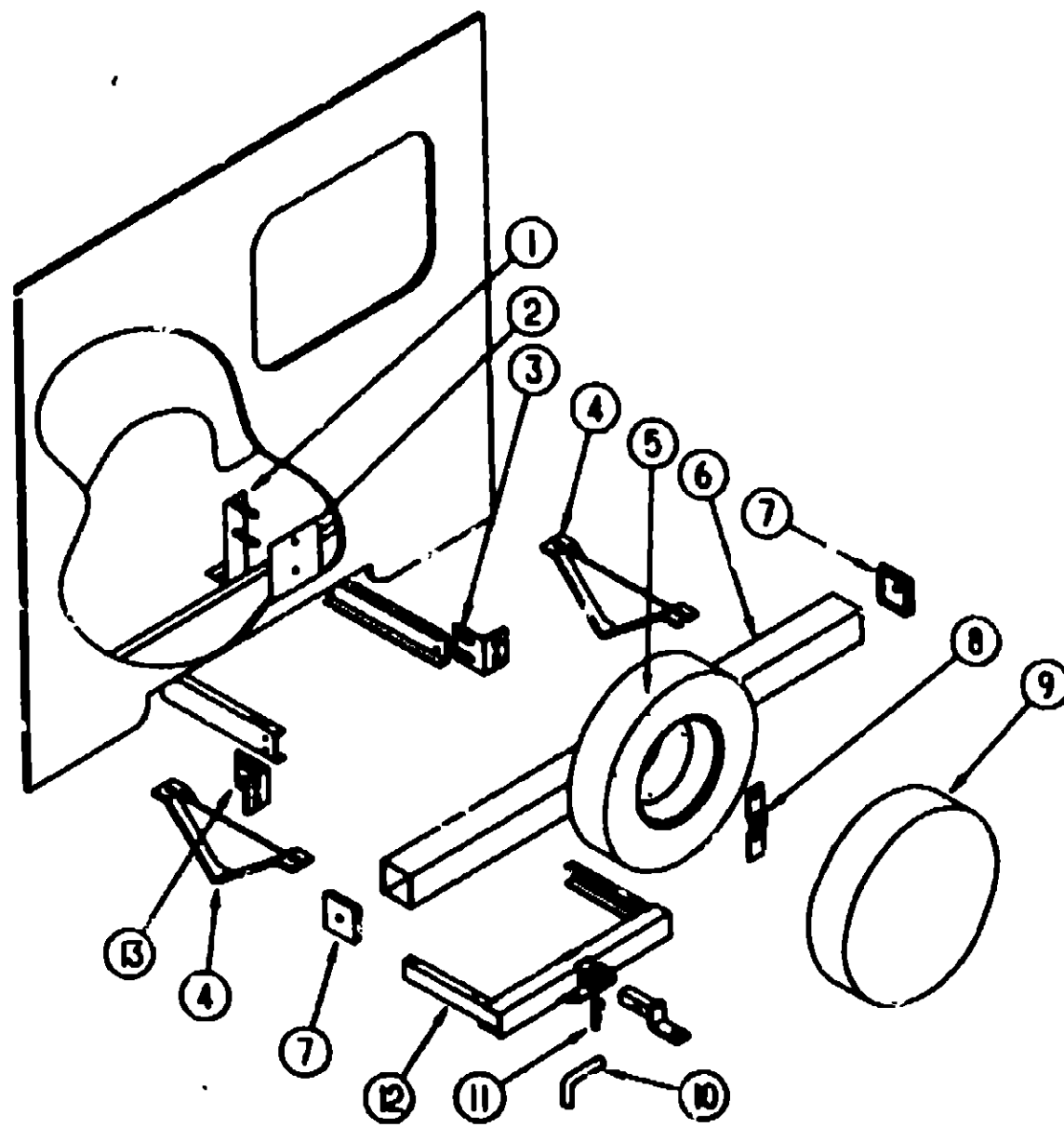
KEY	PART NUMBER	QTY	DESCRIPTION
1	P03387-F6-C03	EA	DRAWER ASM-CABINET-288 X 500
	P03387-F4-C03	EA	DRAWER ASM-CABINET-354 X 538 (DRIVER'S WARDROBE)
2	P06223-08-C03	EA	DOOR ASM-W/O HARDWARE-305 X 1220
3	M06823-05-C03	EA	CABINET ASM-OVERHEAD-REAR-RIGHT
	M06823-06-C04	EA	CABINET ASM-OVERHEAD-REAR-RIGHT
	M06823-08-C03	EA	CABINET ASM-OVERHEAD-REAR-LEFT
	M06823-08-C04	EA	CABINET ASM-OVERHEAD-REAR-LEFT
4	P06223-11-C03	EA	DOOR ASM-W/O HARDWARE-400 X 520
5	M06823-07-C03	EA	CABINET ASM-OVERHEAD-REAR
5	M06823-07-C04	EA	CABINET ASM-OVERHEAD-REAR
6	P06223-13-C03	EA	DOOR ASM-W/O HARDWARE-400 X 710
7	10E278-11-C03	EA	COUNTERTOP ASM
8	10E278-01-C03	EA	CABINET ASM-NIGHTSTAND
9	P03387-F8-C03	EA	DRAWER ASM-CABINET-RADIUS-422 X 248
10	M05138-04-000	EA	CABINET ASM-TWIN BED-TOP-LEFT
	P06287-01-C03	EA	CABINET ASM-TWIN BED-LEFT
11	P06223-02-C03	EA	DOOR ASM-W/O HARDWARE-305 X 680
12	M05138-03-000	EA	CABINET ASM-TWIN BED-TOP RIGHT
	P06288-01-C03	EA	CABINET ASM-TWIN BED-RIGHT
	042488-10-000	EA	DOOR-FOLDING- FABRIC - 37" X 75" - OFF WHITE

**CHASSIS GROUP**

**CHASSIS GROUP (CONTINUED)**

**COMPARTMENTS & TRAYS**

**1992 WINNEBAGO  
TABLE OF CONTENTS**



**REAR BUMPER, TOWING & SPARE TIRE CARRIER**

KEY	PART NUMBER	U/M DESCRIPTION
	068027-01-000	FT SEAL-D SHAPED-HOLLOW-SPONGE RUBBER-BLACK
	081420-01-000	EA PLUG-PLASTIC-1.75"-BROWN
	077963-01-000	EA GROMMET-EDGE LINER-FITS 1"
	088270-01-000	FT SEAL-BULB-W/WIRE RIGID U-CHANNEL-5"-RUBBER-BLACK
	103639-01-000	EA DOOR-DRAINAGE COMPARTMENT-7 1/2" X 7 1/2"-STEEL
	074470-02-000	EA PIN-PULL-HINGE REL-TABE-LEFT SIDE
	105471-08-000	EA COMPARTMENT ASM-GENERATOR
	008085-01-000	EA HINGE-ALUMINUM-NO HOLES-1 1/16" X 8"-UNPAINTED

**EXHAUST SYSTEM COMPONENTS**

KEY	PART NUMBER	U/M DESCRIPTION
	007125-01-000	EA CLAMP-MUFFLER-1.62 DIAMETER
	091182-03-000	EA HEAT SHIELD
	094918-03-000	EA CLAMP-EXHAUST-2.5"
	096753-04-000	EA PIPE-EXHAUST (FORD)

**CHASSIS MISCELLANEOUS**

KEY	PART NUMBER	U/M DESCRIPTION
	066450-05-000	EA TIEDOWN-BATTERY-8.4" TUBE
	084993-01-000	EA STRAP-BATTERY
	086498-01-000	EA UNION-INVERTED FLARE-BRASS-3/16-BRAKE LINE

FROM: 00-00-00 THRU 12-02-91

**MUDFLAPS, TIRES AND WHEELS**

KEY	PART NUMBER	U/M DESCRIPTION
	017516-01-000	EA FLAP-MUD-14" X 16"-BLACK
	045731-04-000	EA GUARD-ROCK-REAR
	056278-61-259	EA TUBING-STEEL-.75" X 1.5" X 12.5"
	064089-01-700	EA FLAP-MUD-FRONT-SET OF 2-RUBBER-BLACK
	051377-01-000	EA STEM-VALVE-TR 500
	077030-02-000	EA EXTENSION-VALVE STEM-1.25"
	096012-03-000	EA EXTENSION-VALVE STEM-DUAL WHEEL
	070817-04-000	EA TIRE-FIRESTONE-LT 215-85R16 LRD-4RS (273295)
	083425-08-000	EA TIRE-LT225/75R16 LRD MICHELIN XCH4
	063617-01-000	EA WHEEL-FORD-8 00 X 16 0-8 HOLE-FIRESTONE
	063817-03-000	EA WHEEL-STEEL-16.00X8-ACCURIDE 28818
	102782-01-000	EA WHEELWELL-PLASTIC

**DRIVESHAFT**

KEY	PART NUMBER	U/M DESCRIPTION
	103853-04-000	FA DRIVESHAFT-FRONT-FORD-175/188"-DANA 910884-814 4
	103853-06-700	EA DRIVESHAFT ASM-BALANCED PAIR E350188"WB(150)
	074833-01-000	EA SPACER-BEARING-DRIVESHAFT-2" X 8" X 5" THICK

FROM: 00-00-00 THRU 11-10-91  
FROM: 11-11-91 THRU 99-99-99

**WHEEL LINERS & COVERS**

KEY	PART NUMBER	U/M DESCRIPTION
	091209-11-000	EA LINER-WHEEL-SET 4 E350-KAPER II (FORD)
	091209-10-700	EA COVER-AXLE-FRONT-8 LUG-FORD
	091209-10-701	EA COVER-AXLE-REAR-8 LUG-FORD
	091209-10-705	EA COVER-LUG NUT
	091209-11-700	EA LINER-WHEEL-FRONT-8 LUG-FORD
	091209-11-701	EA LINER-WHEEL-REAR-8 LUG-FORD
	083181-01-000	EA COVER-WHEEL-16"-SET OF FOUR
	083181-01-700	EA COVER-WHEEL-16"-8 LUG-1 ONLY

INTRODUCTION	A-01 - A-02
ABBREVIATIONS	A-03
ALPHABETICAL INDEX	A-04 - A-08
WF427RQ	A-07 - D-14
WF427RC	D-15 - G-20
WF427RT	G-21 - K-03

**1992 WF427RQ INDEX**

FLOOR PLAN	A-07 - A-08
ACCESSORIES	A-09
AUDIO VIDEO	A-10
BATH	A-11 - A-12
BEDROOM	A-13 - A-14
CHASSIS	A-15 - A-17
CURTAIN & CUSHION	A-18 - B-01
DINETTE	B-02 - B-03
DRIVERS	B-04 - B-08
ELECTRICAL	B-07 - B-10
EXTERIOR BODY	B-11 - B-17
GALLEY	B-18 - B-21
GENERATOR	B-22
HEATING & A/C	B-23 - B-24
INTERIOR FINISH	C-01 - C-04
LABEL	C-05 - C-12
LP	C-13
LOUNGE	C-14 - C-15
SEALANTS & FASTENERS	C-16 - C-18
WATER & SEWAGE	C-19 - C-22
WINDOW, VENT AND EXTERIOR DOOR	C-23 - D-14

KEY	PART NUMBER	U/M DESCRIPTION
1	105209-05-C62	EA BRACKET ASM-SPARE TIRE
2	105209-01-000	EA PLATE-SPARE TIRE
3	104420-01-000	EA SUPPORT-ANGLE-BUMPER REAR-RIGHT
4	083378-01-000	EA PLATE-SHOD-13.2" X 6" X 2"-STEEL
5	070817-04-000	EA TIRE-FIRESTONE-LT 215-85R16 LRD-4RS (273295)
5	096012-03-000	EA TIRE-LT225/75R16 LRD MICHELIN XCH4
6	103422-02-01A	EA BUMPER-SQUARE-ALUMINUM-OFF WHITE
7	038779-01-000	EA CAP-BUMPER-RUBBER-4" X 4"-BLACK
8	105531-02-000	EA RETAINER ASM-SPARE TIRE
8	104408-05-003	EA COVER-TIRE-32"MINNIE WINNIE-SILKSCREENED-OFF WHITE
10	034512-01-000	EA PIN-LOCKING-DRAWBAR
11	074513-01-000	EA PIN-HITCH-3/16" WIRE
12	077617-02-000	EA HITCH-TRAILER-W/O DRAWBAR-41.1" WIDE-STEEL-BLACK
	077613-01-000	EA DRAWBAR ASM ONLY
		FROM 00-00-00 THRU 02-02-92
13	104420-02-000	EA SUPPORT-ANGLE-BUMPER REAR-LEFT
	087744-01-000	EA HOUSING-TRAILER PIN-12"
	087744-02-000	EA HOUSING-TRAILER PIN-48"
	087745-01-000	EA HOUSING-TRAILER RECEPTACLE-12"
	087746-01-000	EA HOUSING CAP-TRAILER PIN
	087745-02-000	EA HOUSING-RECEPTACLE-TRAILER-48" WIRE LENGTH

## CHASSIS GROUP (CONTINUED)

### FUEL SYSTEM COMPONENTS

KEY	PART NUMBER	U/M	DESCRIPTION	
	007053-01-000	FT	HOSE-GAS 1/4" ID X 1/2" OD	
	106388-01-000	EA	FUEL LINE ASM-FORD-5/16 HP	
	106389-01-000	EA	FUEL LINE ASM-FORD-3/8 HP	FROM: 10-07-91 THRU 99-99-99
	024136-01-000	FT	HOSE-FUEL - 5/16" ID	
	044317-01-000	FT	HOSE-FUEL - 3/8" ID	
	060105-02-000	EA	NECK-FILLER-FUEL	FROM: 00-00-00 THRU 10-06-91
	076040-04-000	EA	SHROUD-FUEL FILL- UPPER	
	076200-01-000	EA	GASKET-FUEL FILL - 3 5/8" OD X 2 1/4" ID	
	102851-01-02A	EA	SHROUD-FUEL FILL-OFF WHITE	FROM: 00-00-00 THRU 04-19-92
	006854-01-02A	EA	SHROUD-FUEL FILL-OFF WHITE	FROM: 04-20-92 THRU 99-99-99

### ENTRY STEPS

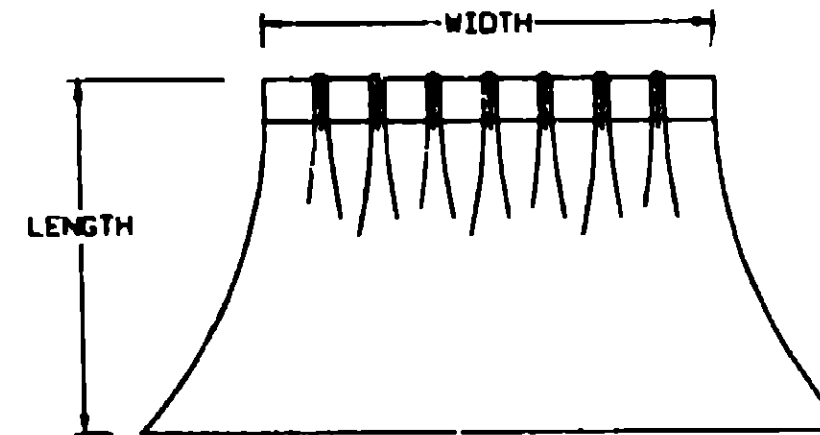
KEY	PART NUMBER	U/M	DESCRIPTION
	077646-01-000	EA	STEP-PULLOUT- W/BRACKETS - BLACK
	077646-02-000	EA	STEP-PULLOUT
	091176-01-000	EA	SUPPORT-BASE-ENTRANCE STEP
	078241-09-000	EA	SUPPORT-STEP- ENTRY DOOR

## CURTAIN & CUSHION GROUP

### NOTICE

IN ORDER TO ASSIST OUR PARTS SALES DEPT IN PROVIDING INTERIOR SOFTWARE ITEMS, PLEASE INCLUDE THE SERIAL NUMBER AND THE COLOR CODE NUMBER FROM THE VEHICLE CERTIFICATION LABEL WHEN ORDERING. THIS LABEL IS LOCATED ON THE LEFT SIDEWALL AT THE END OF THE DASH (A-BODY), OR ON THE DRIVER'S DOOR LATCH PLATE (C-BODY).

AN EXAMPLE OF A COLOR CODE NUMBER IS B07, WHICH DESIGNATES AN OVERALL COLOR SCHEME OF A PARTICULAR UNIT. THE COLOR LISTED AFTER THE ITEM DESCRIPTION ON THE MICROFICHE, INDICATES THE OVERALL UNIT COLOR. ORDER THE ITEM YOU DESIRE ACCORDING TO UNIT COLOR CODE.



NOTE: USE THIS ILLUSTRATION WHEN DETERMINING LENGTH AND WIDTH MEASUREMENTS FOR CURTAINS. YOU WILL NOTE THE WIDTH MEASUREMENT IS TAKEN ON THE TOP OF THE CURTAIN WITH THE CURTAIN FULLY EXTENDED. THE LENGTH MEASUREMENT IS TAKEN FROM TOP TO BOTTOM.

### FABRIC

KEY	PART NUMBER	U/M	DESCRIPTION
	072333-82-000	YD	FABRIC-CURTAIN- 54" WIDE - BEIGE
	103607-01-01A	YD	FABRIC-VINYL- 54" WIDE - OFF WHITE
	075244-04-000	YD	FABRIC-VINYL- SHOWER CURTAIN - 72" WIDE - SALMON(C03)
	075244-06-000	YD	FABRIC-VINYL- SHOWER CURTAIN - 72" WIDE - TEAL(C04)
	088273-89-000	YD	FABRIC-CURTAIN/BEDSPREAD-PATTERNED - 54" WIDE(C03)
	088273-89-000	YD	FABRIC-CURTAIN/BEDSPREAD-PATTERNED - 54" WIDE(C04)
	088273-72-000	YD	FABRIC-CURTAIN/BEDSPREAD-PLAIN - 54" WIDE(C03)
	088273-86-000	YD	FABRIC-CURTAIN/BEDSPREAD-PLAIN - 54" WIDE(C04)
	096008-77-000	YD	FABRIC-UPHOLSTERY- STRIPED VELOUR - 54" WIDE(C03)
	096008-81-000	YD	FABRIC-UPHOLSTERY- DOTTED VELOUR - 54" WIDE(C04)
	104233-12-000	YD	FABRIC-UPHOLSTERY-SANIBEL-QUARTZ(C03)
	096008-79-000	YD	FABRIC-UPHOLSTERY- PATTERNED VELOUR - 54" WIDE(C04)
	096008-78-000	YD	FABRIC-UPHOLSTERY- PLAIN VELOUR - 54" - EGGPLANT(C03)(DINETTE PAD) FROM: 00-00-00 THRU 09-08-91
	104233-29-000	YD	FABRIC-UPHOLSTERY-PLAIN VELOUR-54"-EGGPLANT 589(C03) (DINETTE PAD) FROM: 09-08-91 THRU 99-99-99
	104233-14-000	YD	FABRIC-UPHOLSTERY-STARLIGHT-COCOA(C04)(DINETTE PAD) FROM: 00-00-00 THRU 11-03-91
	104233-28-000	YD	FABRIC-UPHOLSTERY- SMOKEY(C04)(DINETTE PAD) FROM: 11-04-91 THRU 99-99-99
	104233-24-000	YD	FABRIC-UPHOLSTERY-VANDERBILT-ICE BLUE(C03)
	104233-22-000	YD	FABRIC-UPHOLSTERY-VANDERBILT-AURORA(C04)
	104233-29-000	YD	FABRIC-UPHOLSTERY-PLAIN VELOUR-54"-EGGPLANT 589(C03)(MOTOR COVER)
	104233-26-000	YD	FABRIC-UPHOLSTERY- SMOKEY(C04)(MOTOR COVER)

## 1992 WYNEBAGO TABLE OF CONTENTS

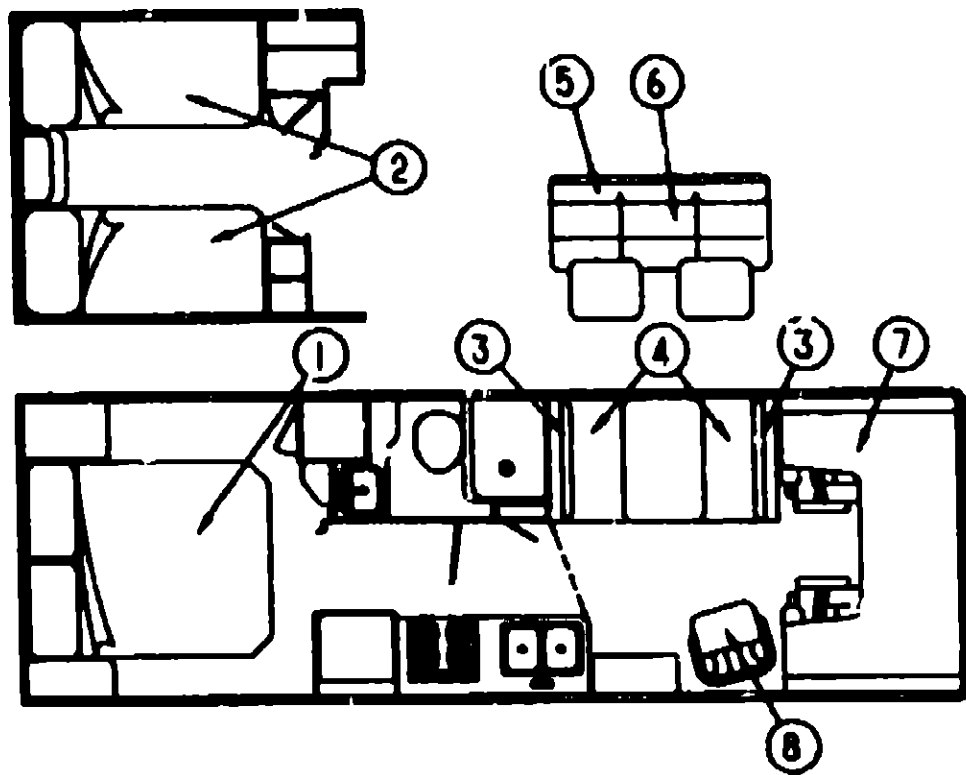
INTRODUCTION	A-01	A-02
ABBREVIATIONS		A-03
ALPHABETICAL INDEX	A-04	A-08
WF427RQ	A-07	D-14
WF427RC	D-15	G-20
WF427RT	G-21	K-03

## 1992 WF427RQ INDEX

FLOOR PLAN	A-07	A-08
ACCESSORIES		A-09
AUDIO VIDEO		A-10
BATH	A-11	A-12
BEDROOM	A-13	A-14
CHASSIS	A-15	A-17
CURTAIN & CUSHION	A-18	B-01
DINETTE	B-02	B-03
DRIVERS	B-04	B-05
ELECTRICAL	B-07	B-10
EXTERIOR BODY	B-11	B-17
GALLEY	B-18	B-21
GENERATOR		B-22
HEATING & A/C	B-23	B-24
INTERIOR FINISH	C-01	C-04
LABEL	C-05	C-12
LP		C-13
LOUNGE	C-14	C-15
SEALANTS & FASTENERS	C-16	C-18
WATER & SEWAGE	C-19	C-22
WINDOW, VENT AND EXTERIOR DOOR	C-23	D-14

**CURTAIN & CUSHION GROUP (CONTINUED)**

**CURTAIN & CUSHION GROUP (CONTINUED)  
COUCH**



**QUEEN BEDSPREAD, PILLOW & MATTRESS**

KEY	PART NUMBER	U/M DESCRIPTION
1	085385-09-C03	EA BEDSPREAD-60"THROW W/ROUNDED CORNER
1	085385-09-C04	EA BEDSPREAD-60"THROW W/ROUNDED CORNER
1	101123-05-000	EA MATTRESS-QUEEN- 59" X 74" - FOAM
	P01123-05-000	EA COVER-MATTRESS-QUEEN- 59" X 74" - FOAM
	104178-02-C03	EA SHAM ASM-PILLOW W/1/2"WELT
	104178-02-C04	EA SHAM ASM-PILLOW W/1/2"WELT

**TWIN BEDSPREAD, PILLOW & MATTRESS**

KEY	PART NUMBER	U/M DESCRIPTION
2	085385-07-C03	EA BEDSPREAD-33"THROW W/ROUNDED CORNER
2	085385-07-C04	EA BEDSPREAD-33"THROW W/ROUNDED CORNER
2	101123-02-000	EA MATTRESS-TWIN- 32" X 74" - FOAM
	P01123-02-000	EA COVER-MATTRESS-TWIN- 32" X 74" - FOAM
	P01123-02-000	EA COVER-MATTRESS- 32" X 74"
	104178-02-C03	EA SHAM ASM-PILLOW W/1/2"WELT
	104178-02-C04	EA SHAM ASM-PILLOW W/1/2"WELT

**DINETTE CUSHIONS**

KEY	PART NUMBER	U/M DESCRIPTION
3	104148-01-C05	EA CUSHION-13.5X38X5-FAN VICTORIAN(C03)
3	104148-01-C06	EA CUSHION-13.5X38X5-FAN VICTORIAN(C04)
	P04148-01-C05	EA COVER-13.5X38X5-FAN VICTORIA(C03)
	104148-01-C08	EA COVER-13.5X38X5-FAN VICTORIA(C04)
4	088927-88-CA9	EA CUSHION-21X38X5-DINETTE SEAT(C03)
4	088927-88-888	EA CUSHION- 21X38X5-DINETTE SEAT(C04)
	M88927-88-CA9	EA COVER-21X38X5-DINETTE SEAT(C03)
	M88927-88-888	EA COVER-21X38X5-DINETTE SEAT(C04)
	078155-01-000	EA STRAP-SNAP- BACKREST CUSHION

KEY	PART NUMBER	U/M DESCRIPTION
5	100032-11-CA9	EA BED-PRESTO-FAN BACK-68.5"(C03)
6	100032-11-C10	EA BED-PRESTO-FAN BACK-68.5"(C04)
	P00032-11-CA9	EA COVER-PRESTO-FAN BACK-68.5(C03)
	P00032-11-C10	EA COVER-PRESTO-FAN BACK-68.5(C04)
	101085-02-000	EA FRAME-BACK- COUCH - 68.5"
6	100032-12-CA9	EA BED-PRESTO-FAN SEAT-68.5"(C03)
6	100032-12-C10	EA BED-PRESTO-FAN SEAT-68.5"(C04)
	P00032-12-CA9	EA COVER-PRESTO-FAN SEAT-68.5"(C03)
	P00032-12-C10	EA COVER-PRESTO-FAN SEAT-68.5(C04)
	101085-01-000	EA FRAME-SEAT- COUCH - 68.5"
	101085-03-000	EA FRAME-BASE- COUCH - 68.5"
	103513-12-806	EA COUCH SUPPORT ASM

**BUNK CUSHIONS**

KEY	PART NUMBER	U/M DESCRIPTION
7	105573-01-C03	EA CUSHION-OVERHEAD-FRONT-32X79X5 FROM 00-00-00 THRU 01-12-92
7	105573-01-C04	EA CUSHION-OVERHEAD-FRONT-32X79X5 FROM 00-00-00 THRU 01-12-92
	P05573-01-C03	EA COVER-OVERHEAD-FRONT-32X79X5 FROM 00-00-00 THRU 01-12-92
	P05573-01-C04	EA COVER-OVERHEAD-FRONT-32X79X5 FROM 00-00-00 THRU 01-12-92
7	105573-02-C03	EA CUSHION-OVERHEAD-REAR-28X79X5 FROM 00-00-00 THRU 01-12-92
7	105573-02-C04	EA CUSHION-OVERHEAD-REAR-28X79X5 FROM 00-00-00 THRU 01-12-92
	P05573-02-C03	EA COVER-OVERHEAD-REAR-28X79X5 FROM 00-00-00 THRU 01-12-92
	P05573-02-C04	EA COVER-OVERHEAD-REAR-28X79X5 FROM 00-00-00 THRU 01-12-92
7	105573-07-C03	EA CUSHION-OVERHEAD-FRONT-32.5X80X5 FROM 01-13-92 THRU 99-99-99
7	105573-07-C04	EA CUSHION-OVERHEAD-FRONT-32.5X80X5 FROM 01-13-92 THRU 99-99-99
	P05573-07-C03	EA COVER-OVERHEAD-FRONT-32.5X80X5 FROM 01-13-92 THRU 99-99-99
	P05573-07-C04	EA COVER-OVERHEAD-FRONT-32.5X80X5 FROM 01-13-92 THRU 99-99-99
7	105573-08-C03	EA CUSHION-OVERHEAD-REAR-27X23X80X5 FROM 01-13-92 THRU 99-99-99
7	105573-08-C04	EA CUSHION-OVERHEAD-REAR-27X23X80X5 FROM 01-13-92 THRU 99-99-99
	P05573-08-C03	EA COVER-OVERHEAD-REAR-27X23X80X5 FROM 01-13-92 THRU 99-99-99
	P05573-08-C04	EA COVER-OVERHEAD-REAR-27X23X80X5 FROM 01-13-92 THRU 99-99-99
	102895-12-000	YD TAPE-CART BIND-8474 LT TAN ESHCO 1 1/4" FROM 09-01-91 THRU 99-99-99

**SWIVEL CHAIR**

KEY	PART NUMBER	U/M DESCRIPTION
8	088429-07-885	EA CHAIR-SWIVEL, W/O BASE, PIPE, PLATE OR SKIRT(C03)
8	088429-07-886	EA CHAIR-SWIVEL, W/O BASE, PIPE, PLATE OR SKIRT(C04)
	M88429-07-885	EA COVER-SWIVEL CHAIR(C03)
	M88429-07-886	EA COVER-SWIVEL CHAIR(C04)
	099202-04-885	EA SKIRT-SWIVEL CHAIR(C03)
	099202-04-886	EA SKIRT-SWIVEL CHAIR(C04)
	088585-03-000	EA PEDESTAL-CHAIR-W/EXTENSION - 9" X 5" - STEEL
	083481-02-000	EA BASE-PEDESTAL-W/10" EXTENSION
	007221-01-000	EA SPACER-SEAT-ADJUSTER
	088248-08-000	EA ADJUSTER-SWIVEL CHAIR- MANUAL - FORWARD & BACK
	088248-07-000	EA ADJUSTER-SWIVEL CHAIR-W/LOCKING ARM - FORWARD & BACK
	083482-01-000	EA SHROUD-PEDESTAL-13" - PLASTIC - BLACK

**1992 WINNEBAGO  
TABLE OF CONTENTS**

INTRODUCTION	A-01 - A-02
ABBREVIATIONS	A-03
ALPHABETICAL INDEX	A-04 - A-08
WF427RQ	A-07 - D-14
WF427RC	D-15 - G-20
WF427RT	G-21 - K-03

**1992 WF427RQ INDEX**

FLOOR PLAN	A-07 - A-08
ACCESSORIES	A-09
AUDIO VIDEO	A-10
BATH	A-11 - A-12
BEDROOM	A-13 - A-14
CHASSIS	A-15 - A-17
CURTAIN & CUSHION	A-18 - B-01
DINETTE	B-02 - B-03
DRIVERS	B-04 - B-06
ELECTRICAL	B-07 - B-10
EXTERIOR BODY	B-11 - B-17
GALLEY	B-18 - 21
GENERATOR	B-22
HEATING & AC	B-23 - B-24
INTERIOR FINISH	C-01 - C-04
LABEL	C-05 - C-12
LP	C-13
LOUNGE	C-14 - C-15
SEALANTS & FASTENERS	C-16 - C-18
WATER & SEWAGE	C-19 - C-22
WINDOW, VENT AND EXTERIOR DOOR	C-23 - D-14

**CURTAIN & CUSHION GROUP (CONTINUED)**

**CURTAIN & CUSHION GROUP (CONTINUED)**

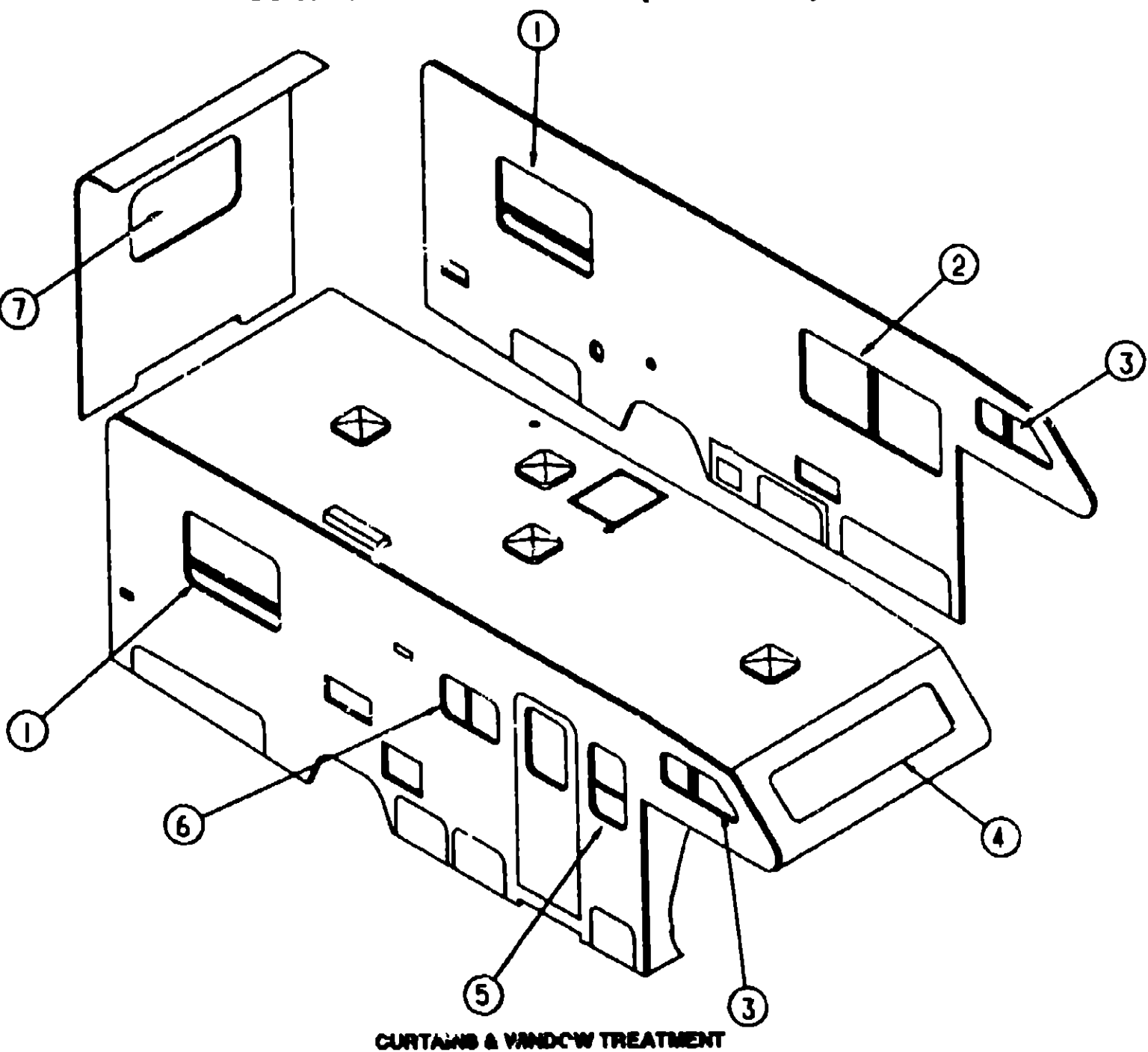
**CURTAINS & WINDOW TREATMENT (CONT)**

**1992 WINNEBAGO  
TABLE OF CONTENTS**

INTRODUCTION	A-01 - A-02
ABBREVIATIONS	A-03
ALPHABETICAL INDEX	A-04 - A-08
WF427RQ	A-07 - D-14
WF427RC	D-15 - G-20
WF427RT	G-21 - K-03

**1992 WF427RQ INDEX**

FLOOR PLAN	A-07 - A-08
ACCESSORIES	A-09
AUDIO VIDEO	A-10
BATH	A-11 - A-12
BEDROOM	A-13 - A-14
CHASSIS	A-15 - A-17
CURTAIN & CUSHION	A-18 - B-01
DINETTE	B-02 - B-03
DRIVERS	B-04 - B-08
ELECTRICAL	B-07 - B-10
EXTERIOR BODY	B-11 - B-17
GALLEY	B-18 - B-21
GENERATOR	B-22
HEATING & A/C	B-23 - B-24
INTERIOR FINISH	C-01 - C-04
LABEL	C-05 - C-12
LP	C-13
LOUNGE	C-14 - C-15
SEALANTS & FASTENERS	C-16 - C-18
WATER & SEWAGE	C-19 - C-22
WINDOW, VENT AND EXTERIOR DOOR	C-23 - D-14



**CURTAINS & WINDOW TREATMENT**

KEY	PART NUMBER	U/M	DESCRIPTION
5	106203-02-C03	EA	VALANCE ASM-19" RODEWAY
5	106203-02-C04	EA	VALANCE ASM-19" RODEWAY
5	076892-09-C03	EA	CURTAIN ASM-31X20-PLAIN HEM T&B
5	076892-09-C04	EA	CURTAIN ASM-31X20-PLAIN HEM T&B
5	084755-71-C03	EA	SHADE ASM-PULL-17 25-NO TRIM, FROM 00-00-00 THRU 10-31-91
5	084755-83-C03	EA	SHADE ASM-PULL-17.25-W/BRAID FROM 11-01-91 THRU 99-99-99
5	084755-83-C04	EA	SHADE ASM-PULL-17 25-W/BRAID FROM 11-01-91 THRU 99-99-99
6	106203-03-C03	EA	VALANCE ASM-28" RODEWAY
6	106203-03-C04	EA	VALANCE ASM-28" RODEWAY
6	084755-39-C03	EA	SHADE ASM-PULL-28 25-LINEN NO TRIM FROM 00-00-00 THRU 10-31-91
6	084755-84-C03	EA	SHADE ASM-PULL-28 25-W/BRAID FROM 11-01-91 THRU 99-99-99
6	084755-84-C04	EA	SHADE ASM-PULL-28 25-W/BRAID FROM 11-01-91 THRU 99-99-99
7	106207-01-C03	EA	VALANCE-52"-W/DBL WELT
7	106207-01-C04	EA	VALANCE-52"-W/DBL WELT
7	076892-09-C03	EA	CURTAIN ASM-31X20-PLAIN HEM T&B
7	076892-09-C04	EA	CURTAIN ASM-31X20-PLAIN HEM T&B
7	084755-77-C03	EA	SHADE ASM-PULL-49 25-NO TRIM
	101668-14-B85	EA	CURTAIN-TAPE TOP- PASSENGER - 30" X 50" - BEIGE(C03) FROM 00-00-00 THRU 09-22-91
	101668-14-B86	EA	CURTAIN-TAPE TOP- PASSENGER - 30" X 50" - BEIGE(C04) FROM 00-00-00 THRU 09-22-91
	101668-15-B85	EA	CURTAIN-TAPE TOP- DRIVER - 30" X 50" - BEIGE(C03) FROM 00-00-00 THRU 09-22-91
	101668-15-B86	EA	CURTAIN-TAPE TOP- DRIVER - 30" X 50" - BEIGE(C04) FROM 00-00-00 THRU 09-22-91
	101668-05-B85	EA	CURTAIN ASM-30X50 RIGHT- TAPE TOP FROM 09-23-91 THRU 99-99-99
	101668-06-B85	EA	CURTAIN ASM-30X50 LEFT- TAPE TOP FROM 09-23-91 THRU 99-99-99
	076892-06-B85	EA	CURTAIN-SNAP TOP- WINGWALL PRIVACY - 40" X 72" - BEIGE
	084481-24-C03	EA	CURTAIN ASM-SHOWER-72 X42
	084481-24-C04	EA	CURTAIN ASM-SHOWER-72 X42
	073280-49-B85	EA	TIEBACK-CURTAIN- 3" X 18" (C03)
	073280-49-B86	EA	TIEBACK-CURTAIN- 3" X 18" (C04)
	073280-54-C09	EA	TIEBACK ASM-3X16 (C03)
	073280-54-C10	EA	TIEBACK ASM-3X16(C04)
	057534-01-000	EA	TIEBACK - CLEAR PLASTIC

**ASSIST HANDLE & SEATBELTS**

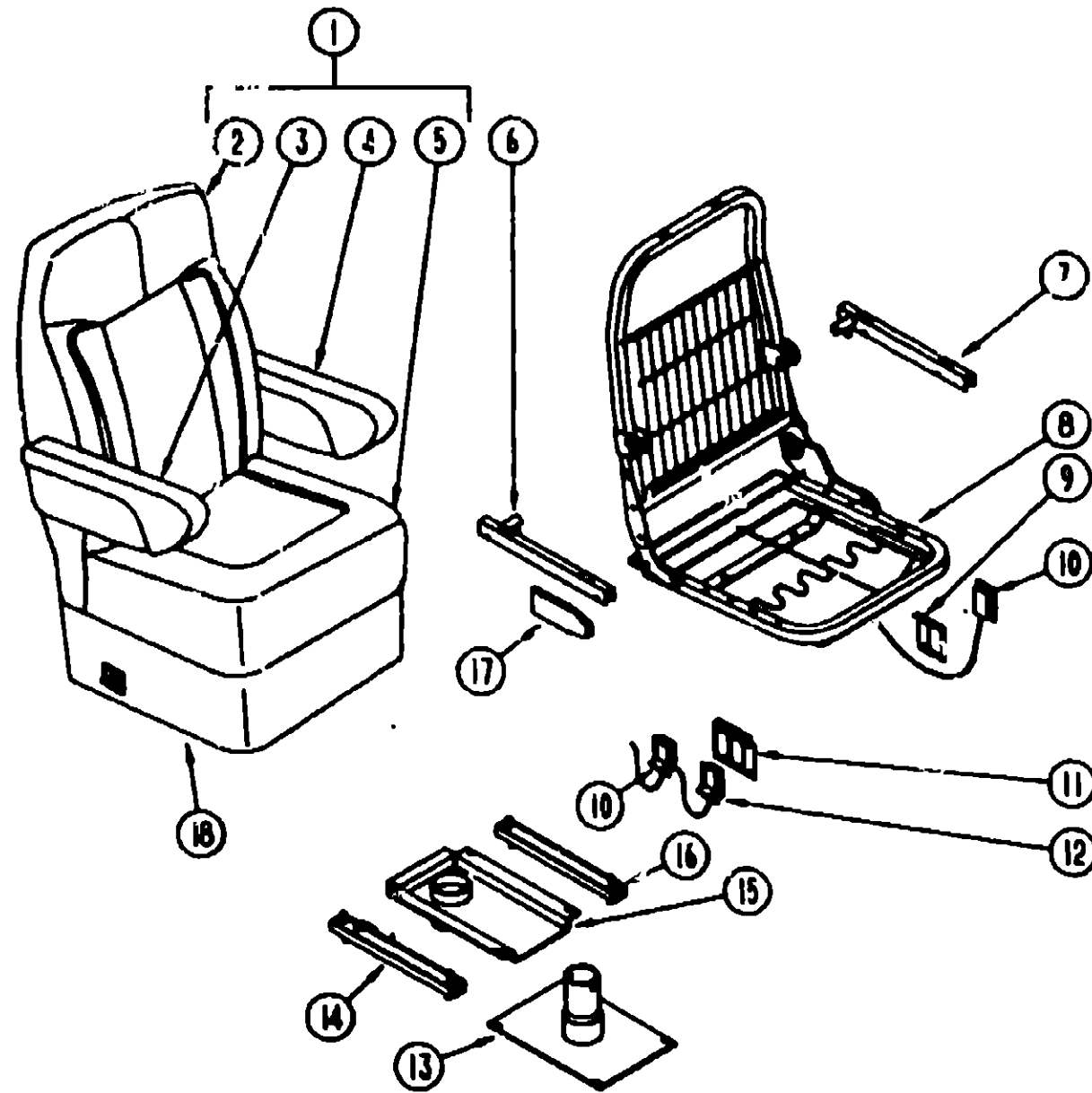
KEY	PART NUMBER	U/M	DESCRIPTION
	079349-01-B85	YD	WELTING-FABRIC(C03)
	079349-01-B86	YD	WELTING-FABRIC(C04)
	079349-03-B85	YD	WELTING-FABRIC(C03)
	079349-03-B86	YD	WELTING-FABRIC(C04)
	084415-31-000	YD	TRIM-BRAID-CURTAIN - PLUM(C03)
	084415-27-000	YD	TRIM-BRAID-CURTAIN - BROWN(C04)
	057534-01-000	EA	TIEBACK/TIEDOWN-BED/CURTAIN/DOOR- 8" - CLEAR PLASTIC
	053552-02-AA8	EA	HANDLE-ASSIST- INTERIOR - ENTRY DOOR - VINYL - OFF WHITE
	089178-02-000	EA	BRACKET-MOUNTING- ASSIST HANDLE - L ANGLE - HOLES - ST
	000C16-07-168	EA	BOLT-CARRIAGE- ASSIST HANDLE - 7/16" - 1/4 X 1" ZN
	000D20-07-008	EA	NUT-ACORN-ASSIST HANDLE - 7/16" X 1/4 ZN
	057759-01-000	EA	WASHER BRACKET-SEAT BELT- 4" DIAMETER
	007021-01-000	EA	BELT-SEAT- 2" X 90" - BLACK FROM 11-01-91 THRU 99-99-99

KEY	PART NUMBER	U/M	DESCRIPTION
1	106207-02-C03	EA	VALANCE-47"-W/DBL WELT
1	106207-02-C04	EA	VALANCE-47"-W/DBL WELT
1	104348-03-C03	EA	VALANCE ASM-TOPPER-W1/2"WEL
1	104348-03-C04	EA	VALANCE ASM-TOPPER-W1/2"WEL
1	076892-09-C03	EA	CURTAIN ASM-31X20-PLAIN HEM T&B
1	076892-09-C04	EA	CURTAIN ASM-31X20-PLAIN HEM T&B
1	084755-76-C03	EA	SHADE ASM-PULL-44.25-NO TRIM
2	106203-01-C03	EA	VALANCE ASM-65" RODEWAY
2	106203-01-C04	EA	VALANCE ASM-65" RODEWAY
2	076892-09-C03	EA	CURTAIN ASM-31X20-PLAIN HEM T&B
2	076892-09-C04	EA	CURTAIN ASM-31X20-PLAIN HEM T&B
2	084755-76-C03	EA	SHADE ASM-PULL-62.25-NO TRIM FROM 00-00-00 THRU 10-31-91
2	084755-81-C03	EA	SHADE ASM-PULL-62 25-W/BRAID FROM 11-01-91 THRU 99-99-99
2	084755-81-C04	EA	SHADE ASM-PULL-62.25-W/BRAID FROM 11-01-91 THRU 99-99-99
3	101034-06-C09	EA	CURTAIN-18X28-SMALL DARTED TAPE T&B W/BRAID TRIM (C03)
3	101034-06-C10	EA	CURTAIN-18X28-SMALL DARTED TAPE T&B W/BRAID TRIM (C04)
4	101034-11-C03	EA	CURTAIN-21X45-DARTED TAPE T&B W/BRAID
4	101034-11-C04	EA	CURTAIN-21X45-DARTED TAPE T&B W/BRAID



## CURTAIN & CUSHION GROUP (CONTINUED)

### BUCKET SEATS



KEY	PART NUMBER	U/M	DESCRIPTION
1	093450-23-C03	EA	SEAT-BUCKET-W/RIGHT ARMREST(C03)
1	093450-23-C04	EA	SEAT-BUCKET-W/RIGHT ARMREST(C04)
1	093450-24-C03	EA	SEAT-BUCKET-W/LEFT ARMREST(C03)
1	093450-24-C04	EA	SEAT-BUCKET-W/LEFT ARMREST(C04)
1	093450-25-C03	EA	SEAT-BUCKET-W/RIGHT ARMREST-RECLINING(C03)
1	093450-25-C04	EA	SEAT-BUCKET-W/RIGHT ARMREST-RECLINING(C04)
1	093450-26-C03	EA	SEAT-BUCKET-W/LEFT ARMREST-RECLINING(C03)
1	093450-26-C04	EA	SEAT-BUCKET-W/LEFT ARMREST-RECLINING(C04)
2	M03445-22-C03	EA	COVER-BACK-BUCKET (C03)
2	M03445-22-B88	EA	COVER-BACK-BUCKET (C04)
3	080243-49-C03	EA	ARMREST-RIGHT (C03)
3	080243-49-C11	EA	ARMREST-RIGHT (C04)
	M80243-49-C03	EA	COVER-ARMREST-RIGHT(C03)
	M80243-49-C11	EA	COVER-ARMREST-RIGHT(C04)
4	080243-50-C03	EA	ARMREST-LEFT(C03)
4	080243-50-C11	EA	ARMREST-LEFT(C04)
	M80243-50-C03	EA	COVER-ARMREST-LEFT (C03)
	M80243-50-C11	EA	COVER-ARMREST-LEFT(C04)
5	M03445-23-C03	EA	COVER-SEAT- BUCKET(C03)
5	M03445-23-B88	EA	COVER-SEAT- BUCKET(C04)
6	081268-01-000	EA	ROD & CHANNEL-ARMREST- RIGHT - METAL
7	081268-02-000	EA	ROD & CHANNEL-ARMREST- LEFT - METAL
	081361-01-000	EA	ROD-ARMREST- METAL - RIGHT OR LEFT HAND
8	M80908-06-000	EA	FRAME-SEAT&BACK&SPRING
8	M80908-05-000	EA	FRAME-SEAT&BACK&SPRING -RECLINING
	101125-01-000	EA	RECLINER-SEAT BACK- LEFT HAND REMOTE
9	097683-03-000	EA	BRACKET-REMOTE- SIDE MOUNT - SINGLE
10	089368-04-000	EA	CABLE-SWIVEL- W/SWITCH - BUCKET SEAT
11	097683-02-000	EA	BRACKET-MOUNT- REMOTE
12	089368-05-000	EA	CABLE-RECLINER- W/SWITCH - BUCKET SEAT
13	069585-02-000	EA	PLATE-SUB- BASE - BUCKET SEAT - 12" X 13" - STEEL
			FROM 00-00-00 THRU 10-08-91
			FROM 10-07-91 THRU 99-99-99
13	069585-41-000	EA	PLATE-SUB- BASE - BUCKET SEAT - 12" X 13" - STEEL
14	069246-05-000	EA	ADJUSTER-SEAT/CHAIR- W/REMOTE - FORWARD & BACK
	069246-05-700	EA	SPRING-ADJUSTER- FOR REMOTE
	069246-05-701	EA	CLIP-CABLE- FOR REMOTE
15	063481-04-000	EA	TOP PLATE-PEDESTAL- BUCKET SEAT - W/O SEAT BELT BAR
16	069246-02-000	EA	ADJUSTER-SEAT/CHAIR- W/O LOCK - FORWARD & BACK
	069585-03-000	EA	PEDESTAL-LOWER- W/EXTENSION - 9" X 5" - STEEL
17	089369-08-000	EA	SHIELD-CABLE- REMOTE RECLINER - BUCKET SEAT
18	071126-24-B85	EA	SKIRT-BUCKET SEAT (C03)
18	071126-24-B88	EA	SKIRT-BUCKET SEAT (C04)
	085288-02-B85	EA	HEADREST-BUCKET SEAT (C03)
	085288-02-B88	EA	HEADREST-BUCKET SEAT(C04)
	M85288-02-B85	EA	COVER-HEADREST (C03)
	M85288-02-B88	EA	COVER-HEADREST(C04)
	061172-01-000	EA	TRIM-HEADREST- PLASTIC - BLACK
	091313-01-000	EA	GROMMET-HEADREST

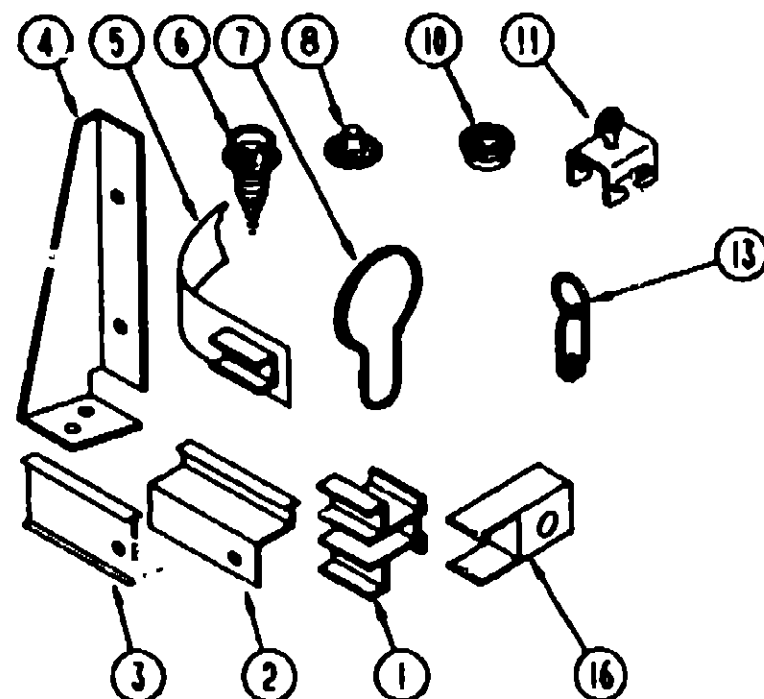
## 1992 WINNEBAGO TABLE OF CONTENTS

INTRODUCTION	A-01 - A-02
ABBREVIATIONS	A-03
ALPHABETICAL INDEX	A-04 - A-08
WF427RQ	A-07 - D-14
WF427RC	D-15 - G-20
WF427RT	G-21 - K-03

## 1992 WF427RQ INDEX

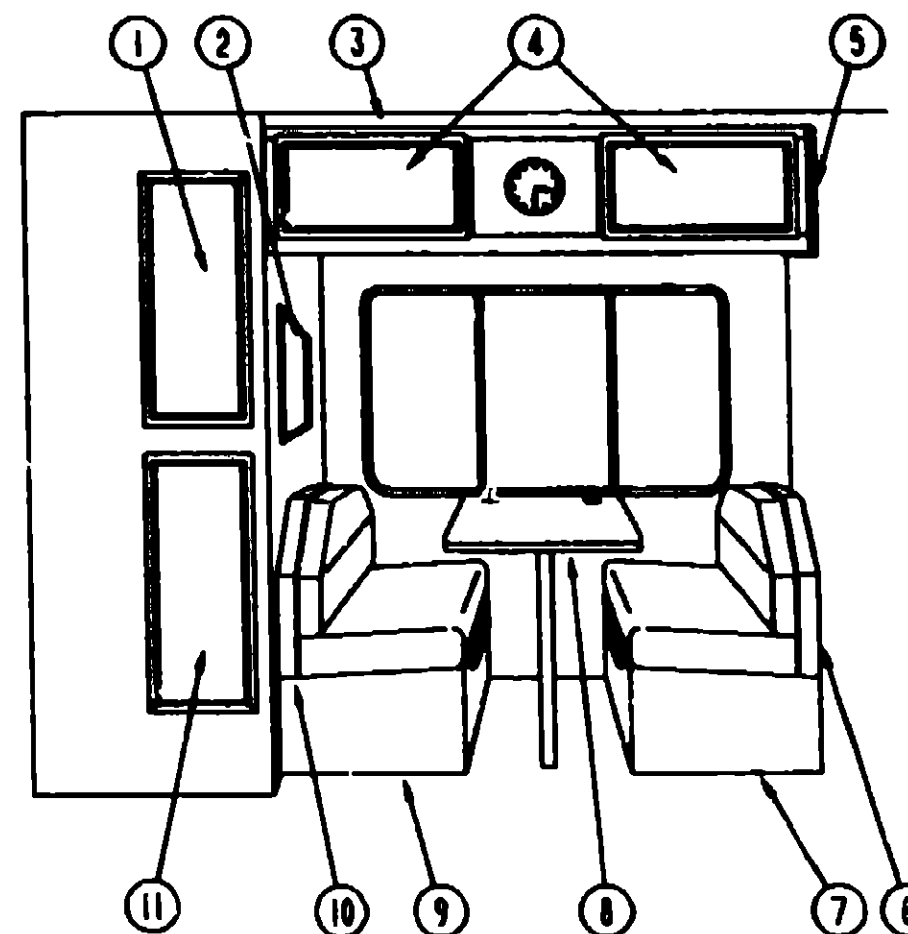
FLOOR PLAN	A-07 - A-08
ACCESSORIES	A-09
AUDIO VIDEO	A-10
BATH	A-11 - A-12
BEDROOM	A-13 - A-14
CHASSIS	A-15 - A-17
CURTAIN & CUSHION	A-18 - B-01
DINETTE	B-02 - B-03
DRIVERS	B-04 - B-06
ELECTRICAL	B-07 - B-10
EXTERIOR BODY	B-11 - B-17
GALLEY	B-18 - B-21
GENERATOR	B-22
HEATING & A/C	B-23 - B-24
INTERIOR FINISH	C-01 - C-04
LABEL	C-05 - C-12
LP	C-13
LOUNGE	C-14 - C-15
SEALANTS & FASTENERS	C-16 - C-18
WATER & SEWAGE	C-19 - C-22
WINDOW, VENT AND EXTERIOR DOOR	C-23 - D-14

**CURTAIN & CUSHION GROUP (CONTINUED)**



**CURTAIN & BLIND HARDWARE**

**DINETTE GROUP**



**CABINETS & TABLE**

**1992 WINNEBAGO  
TABLE OF CONTENTS**

INTRODUCTION	A-01 - A-02
ABBREVIATIONS	A-03
ALPHABETICAL INDEX	A-04 - A-08
WF427RQ	A-07 - D-14
WF427RC	D-15 - G-20
WF427RT	G-21 - K-03

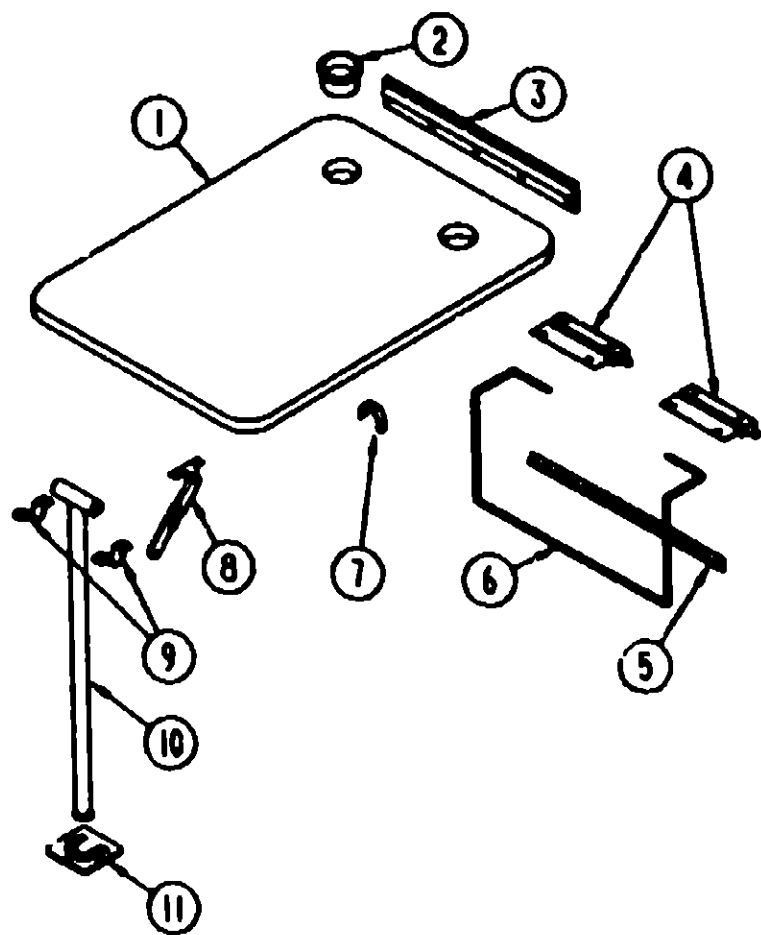
**1992 WF427RQ INDEX**

FLOOR PLAN	A-37 - A-08
ACCESSORIES	A-09
AUDIO VIDEO	A-10
BATH	A-11 - A-12
BEDROOM	A-13 - A-14
CHASSIS	A-15 - A-17
CURTAIN & CUSHION	A-18 - B-01
DINETTE	B-02 - B-03
DRIVERS	B-04 - B-06
ELECTRICAL	B-07 - B-10
EXTERIOR BODY	B-11 - B-17
GALLEY	B-18 - B-21
GENERATOR	B-22
HEATING & A/C	B-23 - B-24
INTERIOR FINISH	C-01 - C-04
LABEL	C-05 - C-12
LP	C-13
LOUNGE	C-14 - C-15
SEALANTS & FASTENERS	C-16 - C-18
WATER & SEWAGE	C-19 - C-22
WINDOW, VENT AND EXTERIOR DOOR	C-23 - D-14

KEY	PART NUMBER	U/M	DESCRIPTION
1	101033-03-000	FT	TRACK-WALL- WHITE- CT225 SHAPCO
2	105450-06-01A	EA	TRACK-CURTAIN OFF WHITE
3	092464-04-01A	EA	TRACK-CURTAIN- OFF WHITE
4	076827-04-000	EA	BRACKET-CURTAIN-W/WOOD OFF WHITE
5	101031-01-000	YD	TAPE-GLIDE-CURTAIN - 4.25" SPACING
6	029130-01-000	EA	SCREW-SNA... SOCKET- 9 PH X 5/8"
7	009136-02-000	EA	HANGER-RING- PIN TYPE - CURTAIN - BRASS
8	029155-01-000	EA	CAP-SNAP- NICKEL
10	029156-01-000	EA	SOCKET-SNAP FASTENER- NICKEL
11	009702-01-000	EA	END STOP-CURTAIN CARRIER- L ROD
13	009701-01-000	EA	CARRIER-CURTAIN-L ROD
16	101033-02-000	EA	END CAP-TRACK- CLEAR
	048867-01-000	EA	GROMMET-BRASS - 7/16" ID X 1" OD
	048394-02-000	YD	VELCRO TAPE-HOOK- ADHESIVE BACK - 75" WIDE - BEIGE
	058003-01-000	EA	BRACKET-DRAPERY RETAINING- RIGHT - METAL
	058003-02-000	EA	BRACKET-DRAPERY RETAINING- LEFT - METAL
	068716-01-001	EA	BRACE-90 DEGREE L-ANGLE- 182" - EXTRUDED ALUMINUM
	075943-02-000	EA	BRACE-ANGLE- WHOLES - 1" X 1 5" X 14" - ALUMINUM - BEIGE
	084432-06-000	FT	SLAT-ROLLER SHADE- PLASTIC
	084433-05-000	EA	SHADE-ROLLER-72.25"
	084434-01-000	EA	BRACKET-MOUNTING-ROLLER SHADE - 1 3/8"
	088722-01-000	YD	VELCRO-HOOK-.75" WIDE - BEIGE
	088792-02-000	YD	VELCRO TAPE-LOOP- ADHESIVE BACKED - .75" WIDE - BEIGE
	088843-01-000	EA	SPRING-REWIND- ROLLER SHADE
	087253-01-000	EA	PULL-ROLLER SHADE-PLASTIC - CLEAR
			FROM 00-01-00 THRU 08-29-91
	106544-01-000	EA	PULL-SHADE-BRASS
			FROM 09-30-91 THRU 99-99-99

KEY	PART NUMBER	U/M	DESCRIPTION
1	P05223-07-C03	EA	DOOR ASM-W/O HARDWARE-305 X 1015
2	068331-01-000	EA	MIRROR-GLASS-SAFETY - 10" X 26"
3	M05823-02-C03	EA	CABINET ASM-OVERHEAD DINETTE
3	M05823-02-C04	EA	CABINET ASM-OVERHEAD DINETTE
4	P05223-04-C03	EA	DOOR ASM-W/O HARDWARE-400 X 520
5	104335-06-C62	EA	CAP ASM-END-OVERHEAD
6	M04174-12-C07	EA	CABINET-SEATBACK-RIGHT
	104787-01-C06	EA	PAD ASM-DINETTE(C03)
	104787-01-C04	EA	PAD ASM-DINETTE(C04)
7	M04175-12-C07	EA	CABINET-SEATBASE-RIGHT
	081295-01-AAB	EA	SUPPORT-BED-DINETTE
8	M01299-06-C03	EA	TABLE-DINETTE
9	M04175-16-C03	EA	CABINET-SEATBASE-LEFT
10	104787-02-C03	EA	PAD ASM-DINETTE(C03)
10	104787-02-C04	EA	PAD ASM-DINETTE (C04)
11	P05223-07-C03	EA	DOOR ASM-W/O HARDWARE-305 X 1015

**DINETTE GROUP (CONTINUED)**



**DINETTE TABLE & HARDWARE**

KEY	PART NUMBER	U/M	DESCRIPTION
1	M81288-08-C03	EA	TABLE-DINETTE
2	084781-08-000	EA	HOLDER-CUP-TWO STEP - OFF WHITE
3	053200-09-000	EA	BRACKET-TABLE SUPPORT-UPPER WALL MOUNTED - 18 5" - BEIGE
4	088410-01-000	EA	BRACKET-LIFT-TABLE MOUNTED - BEIGE
5	024281-11-000	EA	BRACKET-LIFT ROD-LOWER WALL MOUNTED - 17.12" - BEIGE
6	024275-11-000	EA	ROD-TABLE LIFT-8" X 18 5" - BEIGE
7	024283-01-000	EA	CLIP-LEG-1" - 1.125" OD - BLACK
8	024282-01-000	EA	BRACE-TABLE LEG-HINGED
9	084050-03-000	EA	CLAMP-SADDLE-LEG HINGE - BEIGE
10	024278-21-000	EA	LEG-TABLE-METAL - BEIGE
11	049493-11-700	EA	CATCH-LEG-FLOOR MOUNTED - 2.5" X 2.7" - METAL - E-COAT

**DRIVERS COMPARTMENT GROUP**

**DASH, GAUGES & SWITCHES**

KEY	PART NUMBER	U/M	DESCRIPTION
	084795-02-000	EA	CLUSTER-INSTRUMENT PANEL-KILOMETER - FOUZ-17255-8 (CSA) FROM: 03-00-00 THRU: 10-08-91
	084795-03-000	EA	CLUSTER-IP-KM-82 5350 - FORD F2UF108488F (CSA) FROM: 10-07-91 THRU 98-99-99
	100138-01-000	EA	MODULE-DAYTIME RUNNING LIGHT
	084795-01-000	EA	SPEEDOMETER-KILOMETER
	024481-01-000	EA	SWITCH-BATTERY - BATT/DUAL/MOM
	081082-01-000	EA	PLAQUE-MOUNTING- BATTERY/FUEL SWITCH - 2.4" X 1.4" - BLK

**1992 WINNEBAGO  
TABLE OF CONTENTS**

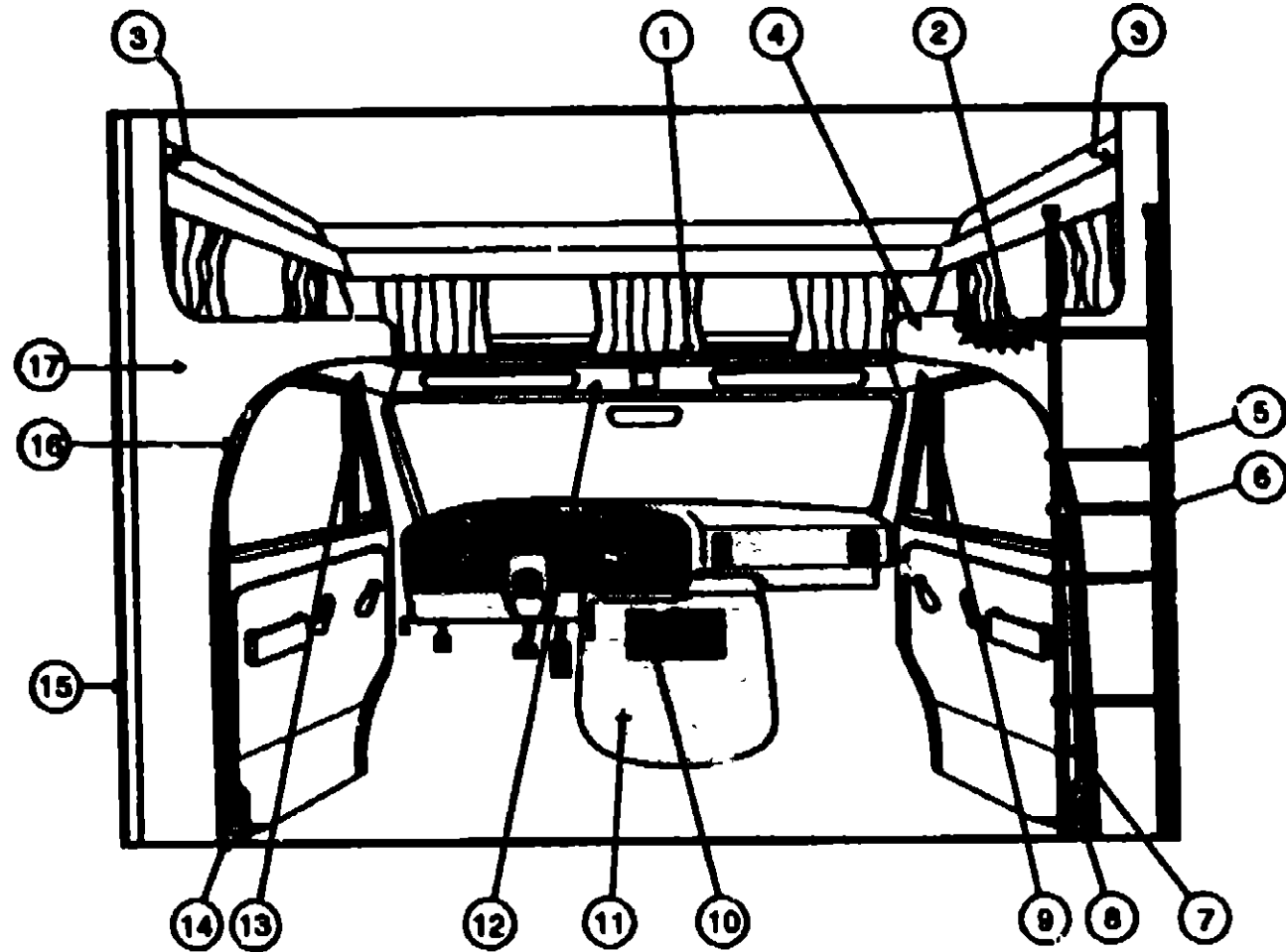
INTRODUCTION	A-01 - A-02
ABBREVIATIONS	A-03
ALPHABETICAL INDEX	A-04 - A-08
WF427RQ	A-07 - D-14
WF427RC	D-15 - G-20
WF427RT	G-21 - K-03

**1992 WF427RQ INDEX**

FLOOR PLAN	A-07 - A-08
ACCESSORIES	A-09
AUDIO VIDEO	A-10
BATT	A-11 - A-12
BEDROOM	A-13 - A-14
CHASSIS	A-15 - A-17
CURTAIN & CUSHION	A-18 - B-01
DINETTE	B-02 - B-03
DRIVERS	B-04 - B-08
ELECTRICAL	B-07 - B-10
EXTERIOR BODY	B-11 - B-17
GALLEY	B-18 - B-21
GENERATOR	B-22
HEATING & AC	B-23 - B-24
INTERIOR FINISH	C-01 - C-04
LABEL	C-05 - C-12
LP	C-13
LOUNGE	C-14 - C-15
SEALANTS & FASTENERS	C-16 - C-18
WATER & SEWAGE	C-19 - C-22
WINDOW, VENT AND EXTERIOR DOOR	C-23 - D-14

# DRIVERS COMPARTMENT GROUP (CONTINUED)

## DRIVER COMPARTMENT



KEY	PART NUMBER	UOM	DESCRIPTION
1	07000-04-000	EA	TRIM-SLEEPER BOARD-INNER-METAL-OFF WHITE FROM: 00-00-00 THRU: 10-08-91
1	108444-01-01A	EA	TRIM-SLEEPER BOARD-INNER-OFF WHITE FROM: 10-07-91 THRU: 99-99-99
1	080742-03-000	FT	TRIM-VINYL-SLEEPER BOARD-OFF WHITE
2	105777-01-C03	EA	PAD ASM-BUNK-OVERHEAD
2	105777-01-C04	EA	PAD ASM-BUNK-OVERHEAD
3	082071-12-805	EA	TRIM-WINGWALL-31.5" X 5.5"-VINYL COVERED
4	105740-01-C03	EA	WINGWALL ASM-INNER-RIGHT FROM: 00-00-00 THRU: 10-08-91
4	108440-03-C03	EA	WINGWALL ASM-INNER-RIGHT FROM: 10-07-91 THRU: 99-99-99
	108446-01-C52	EA	TRIM ASM-WINGWALL WRAP-RIGHT FROM: 10-07-91 THRU: 99-99-99
5	108025-02-01A	EA	LADDER-BUNK(BLACK)-1322 MM
	108025-01-700	EA	BRACKET SET F/BUNK LADDER 08-0030-00
6	080868-03-000	EA	STRAP ASM-LADDER
7	108446-01-C52	EA	TRIM ASM-CAB-B-PILLAR-RIGHT FROM: 10-07-91 THRU: 99-99-99
8	108431-01-01A	EA	COVER-SEAT BELT-RIGHT-OFF WHITE FROM: 10-07-91 THRU: 99-99-99
9	081825-02-AA5	EA	HEADLINER-VINYL COVERED-2 USED-2-4" X 23.5"-OFF WHITE FROM: 00-00-00 THRU: 10-08-91
9	108447-01-C52	EA	TRIM ASM-CAB DOOR-UPPER-RIGHT FROM: 10-07-91 THRU: 99-99-99
10	108634-01-C03	EA	TRAY ASM-BEVERAGE FROM: 00-00-00 THRU: 01-28-92
10	107134-02-C70	EA	TRAY-BEVERAGE-OAK FORD-W/CASSETTE HOLDER FROM: 01-27-92 THRU: 99-99-99
	04726-03-000	EA	ASHTRAY-CHROME-W/COVER
11	080885-23-C03	EA	COVER-MOTOR-W/POCKET-FORD
11	080885-23-C04	EA	COVER-MOTOR-W/POCKET-FORD
12	091031-C1-805	EA	HEADLINER-VINYL COVERED-FRONT-OFF WHITE FROM: 00-00-00 THRU: 10-08-91
12	108448-01-C52	EA	HEADLINER-VINYL COVERED-FRONT-OFF WHITE FROM: 10-07-91 THRU: 99-99-99
13	081825-02-AA5	EA	HEADLINER-VINYL COVERED-FRONT-4" X 23.5"-OFF WHITE FROM: 00-00-00 THRU: 10-08-91
13	108447-02-C52	EA	TRIM ASM-CAB DOOR-UPPER-LEFT FROM: 10-07-91 THRU: 99-99-99
14	091871-05-000	EA	COVER-SEAT BELT-OFF WHITE FROM: 00-00-00 THRU: 10-08-91
14	108431-02-01A	EA	COVER-SEAT BELT-LEFT-OFF WHITE FROM: 10-07-91 THRU: 99-99-99
15	082081-20-805	EA	TRIM-WINGWALL-15" X 78.8"-VINYL COVERED
16	108448-02-C52	EA	TRIM ASM-CAB-B-PILLAR-RIGHT FROM: 10-07-91 THRU: 99-99-99
17	105740-02-C03	EA	WINGWALL ASM-INNER-LEFT FROM: 00-00-00 THRU: 10-08-91
17	108440-04-C03	EA	WINGWALL ASM-INNER-LEFT FROM: 10-07-91 THRU: 99-99-99
	108446-02-C52	EA	TRIM ASM-WINGWALL WRAP-LEFT FROM: 10-07-91 THRU: 99-99-99

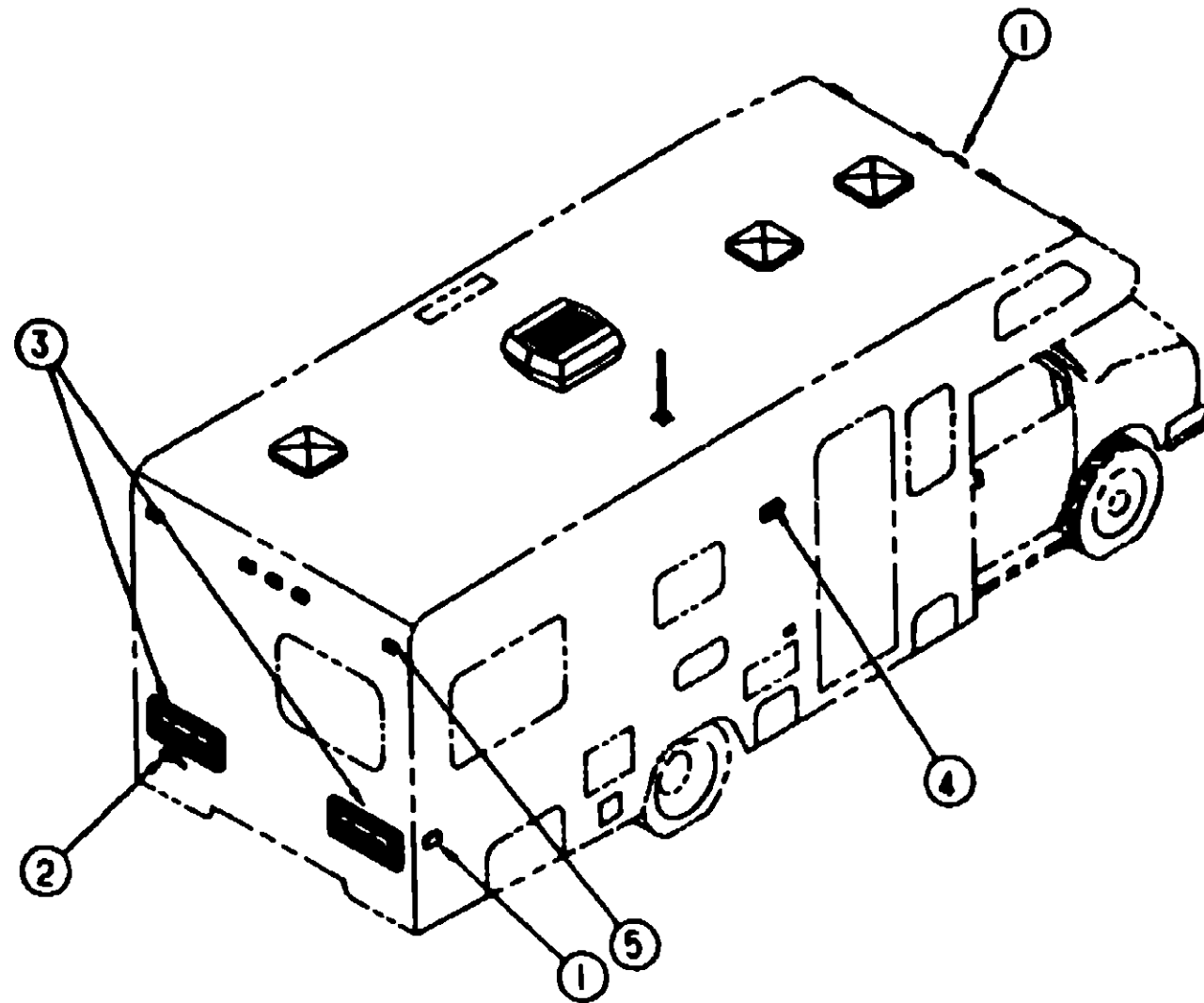
## 1992 WINNEBAGO TABLE OF CONTENTS

INTRODUCTION	A-01 - A-02
ABBREVIATIONS	A-03
ALPHABETICAL INDEX	A-04 - A-08
WF427RQ	A-07 - D-14
WF427RC	D-16 - G-30
WF427RT	G-21 - K-03

## 1992 WF427RQ INDEX

FLOOR PLAN	A-07 - A-08
ACCESSORIES	A-09
AUDIO VIDEO	A-10
BATH	A-11 - A-12
BEDROOM	A-13 - A-14
CHASSIS	A-15 - A-17
CURTAIN & CUSHION	A-18 - B-01
DINETTE	B-02 - B-03
DRIVERS	B-04 - B-06
ELECTRICAL	B-07 - B-10
EXTERIOR BODY	B-11 - B-17
GALLEY	B-18 - B-21
GENERATOR	B-22
HEATING & A/C	B-23 - B-24
INTERIOR FINISH	C-01 - C-04
LABEL	C-05 - C-12
LP	C-13
LOUNGE	C-14 - C-15
SEALANTS & FASTENERS	C-16 - C-18
WATER & SEWAGE	C-19 - C-22
WINDOW, VENT AND EXTERIOR DOOR	C-23 - D-14

## ELECTRICAL GROUP



### EXTERIOR LIGHTS

KEY	PART NUMBER	U/M DESCRIPTION
1	091983-01-000	EA GASKET-CLEARANCE/SIDEMARKER LIGHT
1	042405-02-000	EA LENS-CLEARANCE/SIDEMARKER LIGHT W/REFLEX - AMBER
1	042405-03-000	EA BASE-CLEARANCE/SIDEMARKER LIGHT W/BULB - PLASTIC - WHITE
	008213-01-000	EA BULB -12 V, NO 57 - 24 AMP
2	088432-01-000	EA LIGHT-LICENSE PLATE W/BACKET
3	081638-01-000	EA TAILLIGHT-DOUBLE- W/BLACK TRIM -DRIVER & PASS SIDE
	037934-01-000	EA BULB# 1158 (BACK UP & TURN SIGNAL)
	037935-01-000	EA BULB# 2057 OR 1157 (BRAKE LIGHT)
3	081638-01-700	EA LENS-TAILLIGHT - RED
3	081638-01-701	EA LENS-TAILLIGHT - W/BACKUP
	103355-01-01A	EA POD-TAILLIGHT OFF WHITE
4	097917-01-01A	EA LIGHT-PORCH ENTRY DOOR - OFF WHITE
4	008215-01-000	EA BULB-12V-#1003-94A 117
4	097917-01-700	EA LENS-LIGHT PORCH
5	091983-01-000	EA GASKET-CLEARANCE/SIDEMARKER LIGHT
5	042405-01-000	EA LENS-CLEARANCE/SIDEMARKER LIGHT W/REFLEX - RED
5	042405-03-000	EA BASE-CLEARANCE/SIDEMARKER LIGHT W/BULB - PLASTIC - WHITE
	008213-01-000	EA BULB -12 V, NO 57 - 24 AMP

## ELECTRICAL GROUP (CONTINUED)

### ELECTRIC BOXES & POWER CORDS

KEY	PART NUMBER	U/M DESCRIPTION
	008289-01-000	EA BOX-PLASTIC ELECTRIC, 3" X 3 1/2"
	008289-01-000	EA BOX-ELECTRIC, STEEL - 1/2" AND 3/4" KNOCKOUTS - 4" X 4"
	008289-02-000	EA BOX-ELECTRIC, 4" X 4" - 1/2" & 3/4" KNOCKOUTS - CANADIAN
	058049-01-000	EA BOX-ELECTRIC SWITCH, 2" X 3" X 2.25"
	091910-01-000	EA BOX-ELECTRIC, 3.75" X 3.5" X 1.75" - PLASTIC
	093803-01-000	EA BOX-ELEC-STL 4X2 1/8X2 1/8 STL CTY 58371 1/2
	087949-01-000	EA BUSS BAR-2 POSITION, .6" X 1 5" - ALUMINUM
		FROM: 12-08-91 THRU: 99-99-99
	008054-01-000	EA CORD-POWER, 10/3 - 30 AMP - 25'
	008052-01-000	EA CORD-POWER, 10/3 - 30 AMP - 25' - CANADIAN
	089238-01-000	EA COVER-ELECTRICAL BOX, WHOLE - 4" X 4" - GRAY
		USED WITH 30 AMP RECEPTACLE
	008294-02-000	EA COVER-ELECTRICAL BOX, BLANK STEEL - 4" X 4" - CANADIAN
	008188-01-000	EA SOLENOID-3 POST, BATTERY CHANGE OVER

### WIRING ASSEMBLIES

KEY	PART NUMBER	U/M DESCRIPTION
	103328-08-000	EA WIRE ASM-PUMP-EXTERIOR SHOWER
	100159-02-000	EA WIRE ASM-DAYTIME RUNNING LIGHTS-W/FUSE
		FROM: 00-00-00 THRU 10-08-91
	108851-01-000	EA WIRE ASM-DAYTIME RUNNING LIGHTS-W/FUSE
		FROM: 10-07-91 THRU 99-99-99

### SWITCHES & RECEPTACLES

KEY	PART NUMBER	U/M DESCRIPTION
	075723-01-000	EA BLOCK-SWITCH, SPACER W/O HOLE
	097734-01-01A	EA EXTENSION-RECEPTACLE, 3.2" X 5" X .7" - PLASTIC - IVORY
	075736-02-000	EA COVER-EXTERIOR RECEPTACLE, OFF WHITE
	007940-01-000	EA RECEPTACLE-SLIDE, 18 TO 12 AWG - FEMALE END
	024924-02-000	EA RECEPTACLE-POWER CORD, W/PARTIAL PLATE
	058707-01-000	EA RECEPTACLE-ELECTRIC, SINGLE - BROWN
	058708-01-000	EA RECEPTACLE-ELECTRIC, DOUBLE - BROWN
	058708-02-000	EA RECEPTACLE-ELECTRIC, DOUBLE - IVORY
	080015-02-000	EA RECEPTACLE-FLAG, .185 - 18/14 GA - AMP 3
	080015-03-000	EA RECEPTACLE-FLAG, .250 - 14/18 GA
	084076-01-000	EA RECEPTACLE-GFI, 15A - 125V - IVORY
	085188-01-01A	EA SPACER-SWITCH, 2.3" X 3.4" - PLASTIC - DARK BROWN
	102569-01-810	EA SPACER-RECEPTACLE, BETWEEN SIDEWALL & PLATE - WOOD
	098241-07-000	EA SWITCH-ROCKER, DPDT - ON/OFF - BLACK
		FROM: 00-00-00 THRU: 06-14-92
	079384-01-000	EA SWITCH-ON/OFF ROCKER, 2 PRONGS - BROWN
	108355-01-000	EA HOUSING-SWITCH CARLING VCH
		FROM: 07-02-92 THRU: 99-99-99
	108357-08-000	EA SWITCH-ROCKER, DPDT ON/NONE/ON VDD1900C-0
		FROM 08-15-92 THRU 99-99-99
	108358-02-01A	EA ACTUATOR-SWITCH DIMPLE II CARLING VVAZC00 BLA
		FROM 08-15-92 THRU: 99-99-99
	084077-01-000	EA PLATE-COVER, RECEPTACLE - GFI - IVORY
	098351-01-01A	EA PLATE-SWITCH, 1 GANG - POLISHED BRASS
	098351-08-01A	EA PLATE-SWITCH, 2 GANG W/LABEL - JENSEN - POLISHED BRASS

### CONTROL CENTER & CONVERTOR

KEY	PART NUMBER	U/M DESCRIPTION
	094809-01-000	EA CENTER-LOAD, 240V - 125A - TPL412CT
	083208-01-000	EA CONVERTOR-POWER, 32A - 120V/12V - BW 6332
	092815-01-000	EA CONVERTER-40 AMP, W/CHARGER - B-W 32400P

## 1992 WINNEBAGO TABLE OF CONTENTS

INTRODUCTION	A-01 - A-02
ABBREVIATIONS	A-03
ALPHABETICAL INDEX	A-04 - A-08
WF427RQ	A-07 - D-14
WF427RC	D-15 - G-30
WF427RT	G-31 - K-09

## 1992 WF427RQ INDEX

FLOOR PLAN	A-07 - A-08
ACCESSORIES	A-09
AUDIO VIDEO	A-10
BATH	A-11 - A-12
BEDROOM	A-13 - A-14
CHASSIS	A-15 - A-17
CURTAIN & CUSHION	A-18 - B-01
DINETTE	B-02 - B-03
DRIVERS	B-04 - B-05
ELECTRICAL	B-07 - B-10
EXTERIOR BODY	B-11 - B-17
GALLEY	B-18 - B-21
GENERATOR	B-22
HEATING & A/C	B-23 - B-24
INTERIOR FINISH	C-01 - C-04
LABEL	C-05 - C-12
LP	C-13
LOUNGE	C-14 - C-15
SEALANTS & FASTENERS	C-16 - C-18
WATER & SEWAGE	C-19 - C-22
WINDOW, VENT AND EXTERIOR DOOR	C-23 - D-14

**ELECTRICAL GROUP (CONTINUED)**

**FUSES & CIRCUIT BREAKERS**

KEY	PART NUMBER	UOM	DESCRIPTION
	082901-02-000	EA	FUSE-5 AMP-AUTOMOTIVE
	082901-05-007	EA	FUSE-15 AMPS-AUTOMOTIVE
	082905-01-000	EA	FUSE-15 AMP-AUTOMOTIVE-12V
	100341-01-000	EA	FUSE HOLDER-IN LINE TYPE
	082037-01-000	EA	HOUSING-AUTO FUSE, NATURAL
	107185-01-01A	EA	BOX-CIRCUIT BREAKER MOUNT-BLACK FROM: 12-08-81 THRU: 09-09-89
	08211-01-000	EA	CIRCUIT-BREAKER-12V - 6AMP FROM: 00-00-00 THRU: 12-05-81
	083864-01-000	EA	CIRCUIT BREAKER-6 AMP, HOUSE CONTROL PANEL FROM: 12-08-81 THRU: 09-09-89
	083209-01-000	EA	CIRCUIT BREAKER-16 AMP, 120V - BW G-15(CANADIAN)
	083209-03-000	EA	CIRCUIT BREAKER-15/20AMP, 120V - BW - 0-15/20
	084811-01-000	EA	CIRCUIT-BREAKER-DOUBLE 30 AMP - GE THOL2120
	083209-05-000	EA	CIRCUIT BREAKER-20A, 120V - BW J-20
	083209-06-000	EA	CIRCUIT BREAKER-30/15 AMP, 120V - BW D-30/15
	082288-01-000	EA	CIRCUIT-BREAKER- W/MOUNT -30A - 12V FROM: 00-00-00 THRU: 12-05-81
	083865-02-000	EA	CIRCUIT BREAKER-30 AMP, HOUSE CONTROL PANEL FROM: 12-08-81 THRU: 09-09-89
	084810-01-000	EA	CIRCUIT-BREAKER-DOUBLE 30 AMP - GE THOL2130
	083209-04-000	EA	CIRCUIT BREAKER-30A, 120V - BW L-30
	083209-08-000	EA	CIRCUIT-BREAKER-BLANK - BW

**CONDUIT**

KEY	PART NUMBER	UOM	DESCRIPTION
	041853-01-000	FT	CONDUIT-CONVOLUTE SLIT - 5" ID
	041853-03-000	FT	CONDUIT-CONVOLUTE SLIT - 1" ID (CLOTHES ROD COVER)
	041853-06-000	FT	CONDUIT-CONVOLUTE SLIT - .375" ID
	041853-07-000	FT	CONDUIT-CONVOLUTE SLIT - .25" ID
	041853-08-000	FT	CONDUIT-CONVOLUTE SLIT - 1.50" ID
	041853-09-000	FT	CONDUIT-CONVOLUTE SLIT - .50" ID
	041853-10-000	FT	CONDUIT-CONVOLUTE SLIT - .75" ID
	041853-11-000	FT	CONDUIT-CONVOLUTE SLIT - 1.06" ID
	041853-12-000	FT	CONDUIT-CONVOLUTE NON SLIT - 1.1" ID

**INTERIOR LIGHTS**

KEY	PART NUMBER	UOM	DESCRIPTION
	088103-01-000	EA	BULB-DASH/DAISIE LIGHT, #53 - 12 V - 12 AMP
	088024-01-01A	EA	LIGHT-DOME, 1 BULB - US - IVORY
	088218-01-000	EA	BULB-DOME LIGHT, 12V - NUMBER 1141
	088024-01-700	EA	LENS-DOME LIGHT
	088024-03-01A	EA	LIGHT-DOME, 2 BULB - IVORY
	088218-01-000	EA	BULB-DOME LIGHT, 12V - NUMBER 1141
	088024-01-700	EA	LENS-DOME LIGHT
	104173-01-01A	EA	LIGHT-BULLET-BEIGE
	104173-01-01A	EA	LIGHT-DESIGNER-BRASS

**ELECTRICAL GROUP (CONTINUED)**

**CONNECTORS, HOUSINGS, & TERMINALS**

KEY	PART NUMBER	UOM	DESCRIPTION
	082985-01-000	EA	CONNECTOR-CABLE CLAMPING, 3/4"
	088089-01-000	EA	CONNECTOR-ELECTRICAL PIGTAIL, NYLON - CLEAR
	088475-01-000	EA	CONNECTOR-PIN-14 TO 30 AWG
	088475-02-000	EA	CONNECTOR-PIN- 10 TO 12 AWG
	088168-01-000	EA	CONNECTOR-PLASTIC, 3/8" AVG
	088476-01-000	EA	CONNECTOR-SOCKET- BRASS - PRE-TIN
	088476-02-000	EA	CONNECTOR-SOCKET-12-10 GA - PHOS. BRZ - PRE-TIN
	088430-01-000	EA	CONNECTOR-SWIVEL, 1/2" FPT X 5/8" TUBE - PLASTIC
	088311-01-000	EA	CONNECTOR-WIRE NUT, INSULATED - RED
	088314-01-000	EA	CONNECTOR-WIRE NUT, INSULATED - GRAY
	083910-01-000	EA	HOUSING-RELAY, BOSCH 3 324 485 008
	088473-01-000	EA	HOUSING-PIN-4 ROWS OF 3
	088473-03-000	EA	HOUSING-PIN-6 POSITION
	088473-05-000	EA	HOUSING-PIN-6 POSITION (SINGLE ROW)
	088473-06-000	EA	HOUSING-PIN-6 POSITION (TWO ROWS OF THREE)
	088473-07-000	EA	HOUSING-PIN-5 CAVITY AMP 1-480783-0
	088473-08-100	EA	HOUSING-PIN-4 POSITION
	088473-09-100	EA	HOUSING-PIN-3 POSITION (SINGLE ROW) FROM: 12-12-81 THRU: 09-09-89
	088473-10-000	EA	HOUSING-PIN-2 POSITION
	088474-09-000	EA	HOUSING-SOCKET-6 POSITION
	088474-06-000	EA	HOUSING-SOCKET-6 POSITION (2 ROWS OF THREE)
	088474-07-000	EA	HOUSING-SOCKET, 5 CAVITY AMP 1-480784-0
	088474-08-000	EA	HOUSING-SOCKET-4 POSITION (SINGLE ROW)
	088474-09-000	EA	HOUSING-SOCKET-3 POSITION
	088474-10-000	EA	HOUSING-SOCKET-2 POSITION
	088328-01-000	EA	TERMINAL-RING, 18/14 WIRE - 3/8" STUD
	088328-01-000	EA	TERMINAL-RING, 12/10 WIRE - #10 STUD FIT
	088331-01-000	EA	TERMINAL-RING, TONGUE - #4 WIRE - 3/8" STUD - COPPER
	088348-01-000	EA	TERMINAL-RING, 3/8" STUD - #2 WIRE CONNECTS CABLE TO DISCONNECT RELAY AND BATTERY
	035416-04-000	EA	TERMINAL-RING #10 STUD FIT, INSULATED BARREL #18/14
	047443-01-000	EA	TERMINAL-.250 RECEP. FIT, INSULATED - 18/14 AWG
	047444-02-000	EA	TERMINAL-.250 RECEP FIT, INSULATED - 12/10 AWG FROM: 04-01-81 THRU: 07-01-82
	060003-02-000	EA	TERMINAL-PIN, 18-14 AWG ETC B-278X(0.176)
	082038-02-000	EA	TERMINAL-PACK-CON, 18/14 AWG

**1982 WINNEBAGO  
TABLE OF CONTENTS**

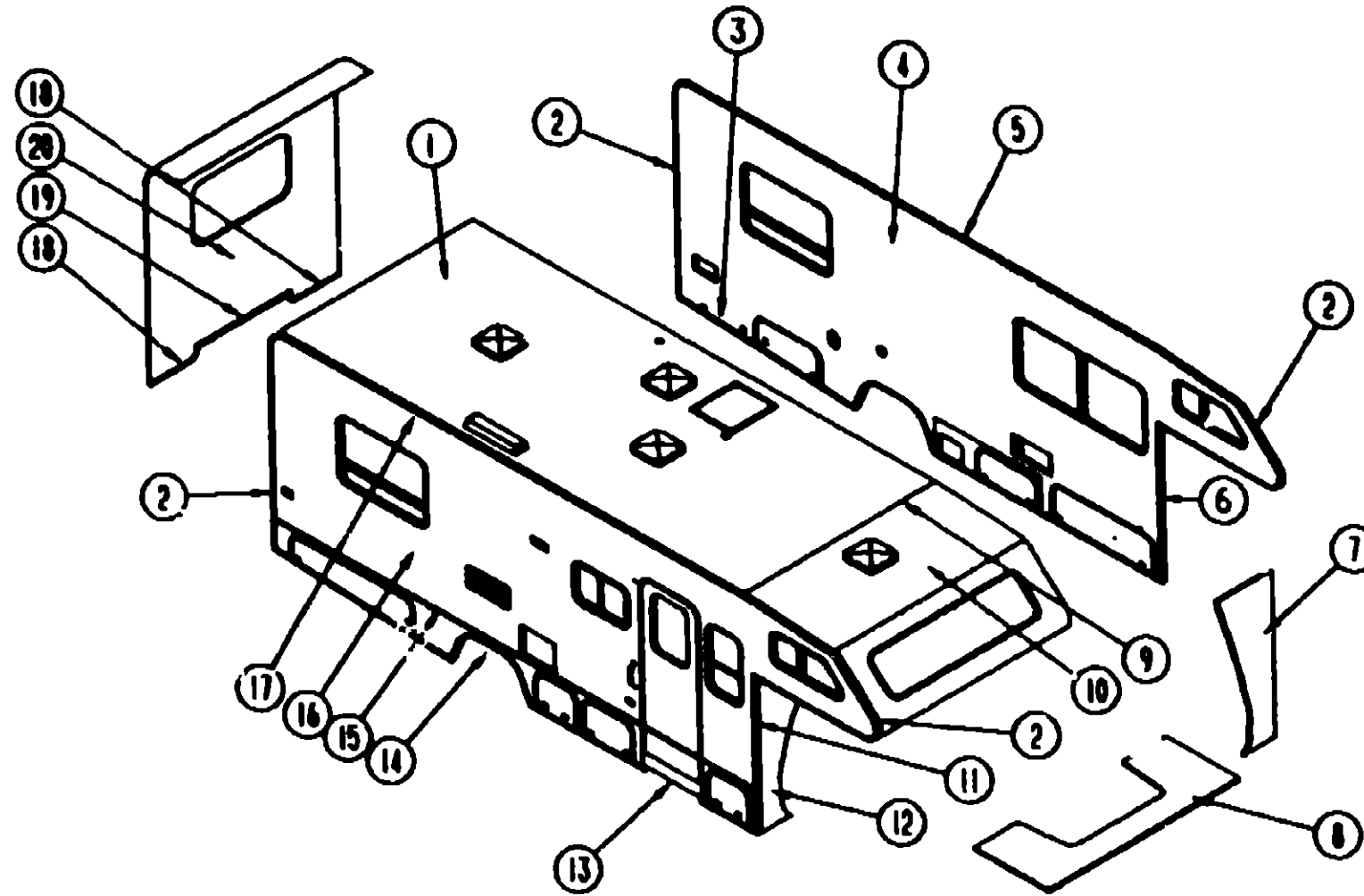
INTRODUCTION	A-01 - A-02
ABBREVIATIONS	A-03
ALPHABETICAL INDEX	A-04 - A-08
WF427RQ	A-07 - D-14
WF427RC	D-15 - G-20
WF427RT	G-21 - K-08

**1982 WF427RQ INDEX**

FLOOR PLAN	A-07 - A-08
ACCESSORIES	A-09
AUDIO VIDEO	A-10
BATH	A-11 - A-12
BEDROOM	A-13 - A-14
CHASSIS	A-15 - A-17
CURTAIN & CUSHION	A-18 - B-01
DINETTE	B-02 - B-03
DRIVERS	B-04 - B-06
ELECTRICAL	B-07 - B-10
EXTERIOR BODY	B-11 - B-17
GALLEY	B-18 - B-21
GENERATOR	B-22
HEATING & AC	B-23 - B-24
INTERIOR FINISH	C-01 - C-04
LABEL	C-05 - C-12
LP	C-13
LOUNGE	C-14 - C-15
SEALANTS & FASTENERS	C-16 - C-18
WATER & SEWAGE	C-19 - C-22
WINDOW, VENT AND EXTERIOR DOOR	C-23 - D-14

# EXTERIOR BODY GROUP

## EXTERIOR BODY PANELS



## 1992 WINNEBAGO TABLE OF CONTENTS

INTRODUCTION	A-01 - A-02
ABBREVIATIONS	A-03
ALPHABETICAL INDEX	A-04 - A-08
WF427RQ	A-07 - D-14
WF427RC	D-15 - G-30
WF427RT	G-31 - K-03

## 1992 WF427RQ INDEX

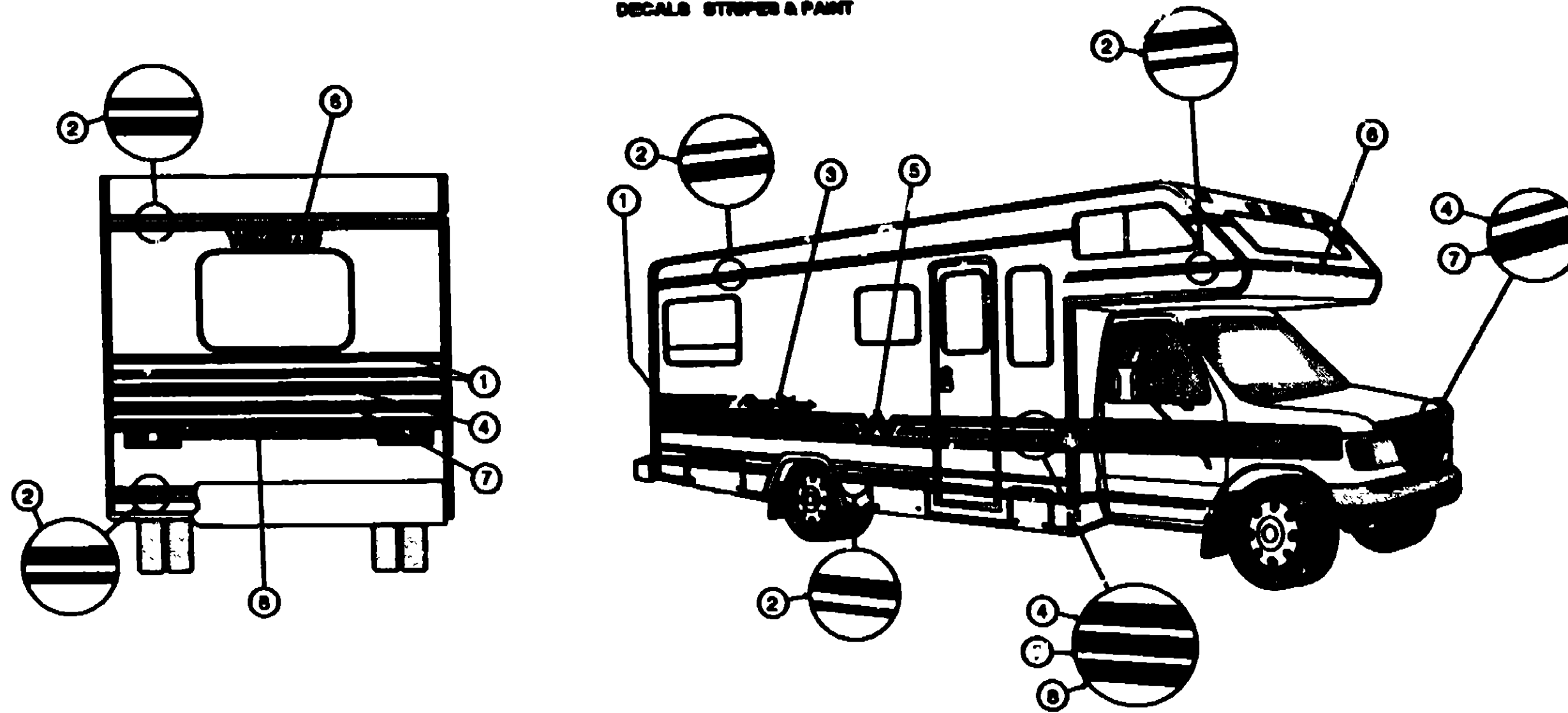
FLOOR PLAN	A-07 - A-08
ACCESSORIES	A-09
AUDIO VIDEO	A-10
BATH	A-11 - A-12
BEDROOM	A-13 - A-14
CHASSIS	A-15 - A-17
CURTAIN & CUSHION	A-18 - B-01
DINETTE	B-02 - B-03
DRIVERS	B-04 - B-06
ELECTRICAL	B-07 - B-10
EXTERIOR BODY	B-11 - B-17
GALLEY	B-18 - B-21
GENERATOR	B-22
HEATING & AC	B-23 - B-24
INTERIOR FINISH	C-01 - C-04
LABEL	C-05 - C-12
LP	C-13
LOUNGE	C-14 - C-15
SEALANTS & FASTENERS	C-16 - C-18
WATER & SEWAGE	C-19 - C-22
WINDOW, VENT AND EXTERIOR DOOR	C-23 - D-14

KEY	PART NUMBER	U/M	DESCRIPTION
1	P06035-02-C03	EA	ROOF ASM W/BASES
2	088854-01-01A	EA	TRIM-CONTOUR- W/O VINYL INSERT - 108" - OFF WHITE
2	079290-01-01A	FT	INSERT-VINYL- ON EXTERIOR TRIM - 81" - OFF WHITE FROM 00-00-00 THRU 09-30-91
2	105312-01-01A	FT	INSERT-TRIM- VINYL - OFF WHITE FROM 10-01-91 THRU 99-99-99
3	008072-55-001	EA	EXTR-CHANNEL - OFF WHITE 4877MM
4	P05189-01-C03	EA	SIDEWALL ASM-LEFT
5	088854-01-01A	EA	TRIM-CONTOUR- ROOF TO SIDEWALL - DR OR PASS - 120"
6	084675-54-004	EA	STEEL-ANGLE - ROOF JOIN" - 0546 MM-OFF WHITE
8	104479-04-01A	EA	TRIM-CONTOUR-FRONT- DRIVER - OFF WHITE
7	P06018-04-C03	EA	WINGWALL ASM-LH W/GUSSET FROM 00-00-00 THRU 10-08-91
7	1C9438-04-C03	EA	WINGWALL ASM-LH FROM 10-07-91 THRU 99-99-99
	079203-03-000	EA	TRIM-WINGWALL- 14.2" - OFF WHITE
	088334-01-000	FT	VINYL-EXTERIOR- BETWEEN WINGWALL & CAB SEAL - WHITE
8	P03290-01-805	EA	SLEEPERBOARD-OVERHEAD CAB FROM 00-00-00 THRU 10-08-91
8	P06443-01-C03	EA	SLEEPERBOARD ASM FROM 10-07-91 THRU 99-99-99
	100085-03-01A	EA	TRIM-SLEEPERBOARD- FLAT - 2.5" X 87.5" - OFF WHITE
	100085-02-01A	EA	TRIM-SLEEPERBOARD- 2" X 90.7" - OFF WHITE
9	078580-01-000	EA	TRIM-ROOF TO FRONT CAP

KEY	PART NUMBER	U/M	DESCRIPTION
10	M78177-01-700	EA	ROOF - FRONT CAP TO FIRST SEAM
11	104479-03-01A	EA	TRIM-CONTOUR-FRONT- PASSENGER - OFF WHITE
12	P06018-03-C03	EA	WINGWALL ASM-RH W/GUSSET FROM 00-00-00 THRU 10-08-91
12	106438-03-C03	EA	WINGWALL ASM-RH FROM 10-07-91 THRU 99-99-99
	079203-03-000	EA	TRIM-WINGWALL- 14.2" - OFF WHITE
	088334-01-000	FT	VINYL-EXTERIOR- BETWEEN WINGWALL & CAB SEAL - WHITE
13	106025-01-C03	EA	TRIM ASM-SIDEWALL
14	105100-01-01A	EA	TRIM-WHEELWELL-OFF WHITE FROM 00-00-00 THRU 04-15-92
14	105100-02-01A	EA	TRIM-WHEELWELL -OFF WHITE FROM 04-16-92 THRU 99-99-99
15	009731-01-000	EA	END CAP-FEATURE STRIP
	002444-01-020	EA	FEATURE STRIP-WHOLES - 182" - OFF WHITE
	002444-04-002	EA	STRIP-FEATURE- W/O INSERT - 15' LONG - OFF WHITE
16	P05187-01-C03	EA	SIDEWALL ASM - RIGHT
17	100483-01-01A	EA	TRIM-CONTOUR- ROOF (AWNING) - OFF WHITE
	088583-55-001	EA	RAIL-AWNING- 10' EA - OFF WHITE
18	103334-02-01A	EA	TRIM-BACKWALL-LOWER - OFF WHITE
19	103335-02-01A	EA	TRIM-BACKWALL-LOWER-OFF WHITE
20	P05217-02-C03	EA	BACKWALL ASM
	002365-01-001	EA	U-CHANNEL- 1" X 18" - SERRATED - MILL FINISHED ALUMINUM

EXTERIOR BODY GROUP (CONTINUED)

DECALS, STRIPES & PAINT



1982 WINNEBAGO  
TABLE OF CONTENTS

INTRODUCTION	A-01 - A-02
ABBREVIATIONS	A-03
ALPHABETICAL INDEX	A-04 - A-05
WF427RQ	A-07 - D-14
WF427RC	D-15 - G-30
WF427RT	G-31 - K-03

1982 WF427RQ INDEX

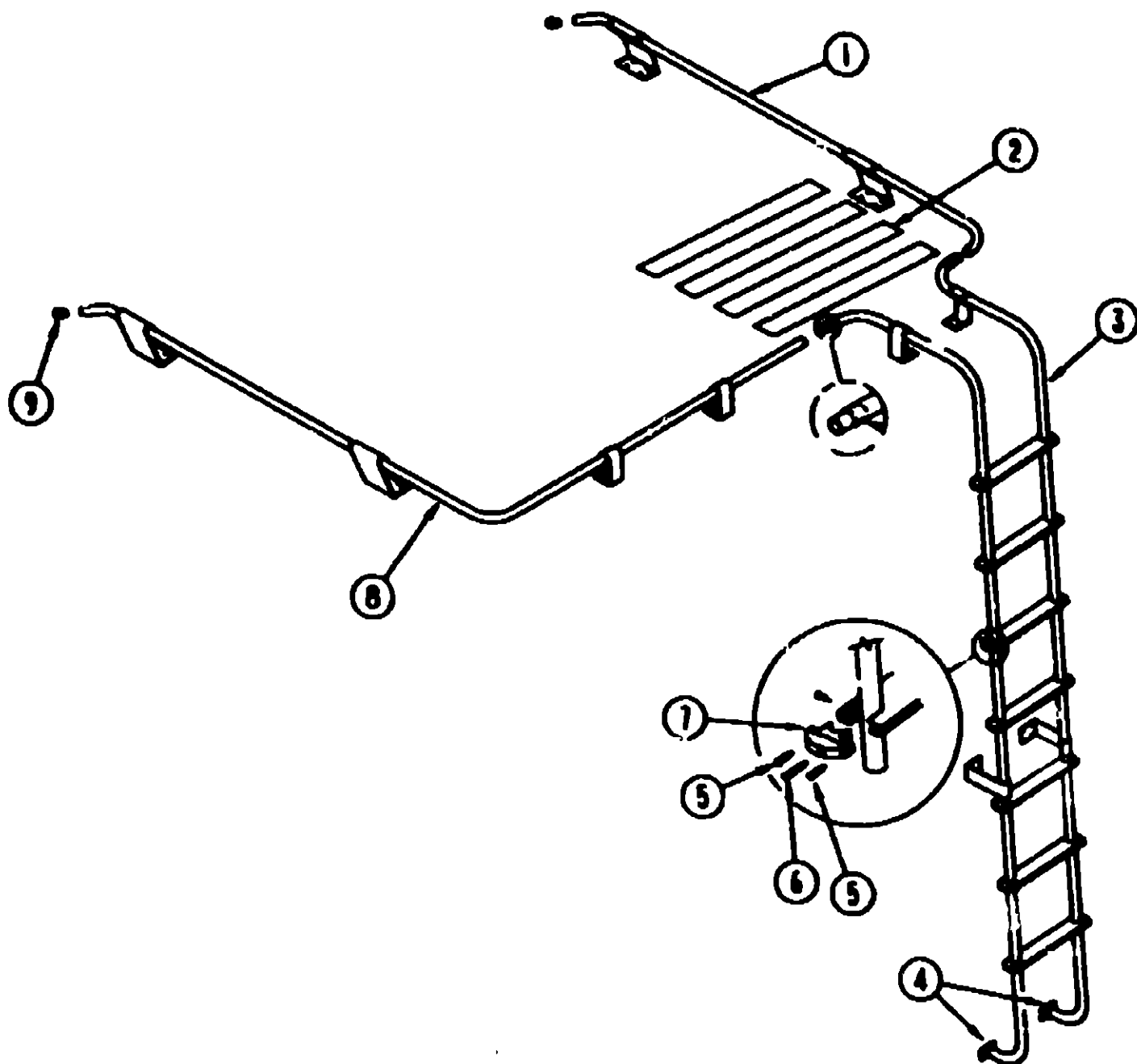
FLOOR PLAN	A-07 - A-08
ACCESSORIES	A-09
AUDIO VIDEO	A-10
BATH	A-11 - A-12
BEDROOM	A-13 - A-14
CHASSIS	A-15 - A-17
CURTAIN & CUSHION	A-18 - B-01
DINETTE	B-02 - B-03
DRIVERS	B-04 - B-06
ELECTRICAL	B-07 - B-10
EXTERIOR BODY	B-11 - B-17
GALLEY	B-18 - B-21
GENERATOR	B-22
HEATING & A/C	B-23 - B-24
INTERIOR FINISH	C-01 - C-04
LABEL	C-05 - C-12
LP	C-13
LOUNGE	C-14 - C-15
SEALANTS & FASTENERS	C-16 - C-18
WATER & SEWAGE	C-19 - C-22
WINDOW, VENT AND EXTERIOR DOOR	C-23 - D-14

KEY	PART NUMBER	UNIT DESCRIPTION
1	083881-14-01A	FT STRIPE-1 LINE- 1.5" WIDE - DARK PLUM
2	084434-01-01A	FT MULTISTRIPE-2 LINES - 2.6" - PLUM & BLUE W/2 NARROW STRIPE
3	105480-01-01A	EA DECAL-LOGO-MINIE WINNIE "OFF WHT/DK PLUM/STU
4	084422-01-01A	FT STRIPE-1 LINE- 1.5" - DARK BLUE W/NARROW LIGHTER STRIP
5	083881-03-03A	EA DECAL-FLYING W - BLUE
6	080313-44-000	EA DECAL-LOGO- "WINNEBAGO" - 2.8" TALL - BLUE
7	084433-02-02A	FT STRIPE-1 LINE - 4" - PLUM W/2 NARROW TURQUOISE STRIPES
8	084433-02-01A	FT STRIPE-1 LINE- 4" - DARK BLUE W/2 NARROW TURQUOISE STRIPES
	P04408-05-000	EA SILKSCREEN-32"MINNIE WINNIE(TIRE COVER)
	004308-01-000	EA PAINT-SPRAY- BLACK
	041881-03-000	EA PAINT-LOW BAKE- 16 OZ. SPRAY - OFF WHITE
	041881-03-700	EA PAINT-LOW BAKE- 8 OZ. BOTTLE W/BRUSH - OFF WHITE
	044488-03-000	EA PAINT-LOW BAKE- 16 OZ. SPRAY - BEIGE
	044488-03-700	EA PAINT-LOW BAKE- 8 OZ. BOTTLE W/BRUSH - BEIGE

DUPONT COLOR CODES  
 PLUM DUPONT® K0458  
 BLUE DUPONT® K0480  
 TURQUOISE BAY DUPONT® G8837  
 OFF WHITE DUPONT® L8723A  
 BEIGE DUPONT® L8729A



**EXTERIOR BODY GROUP (CONTINUED)**



**RACK & LADDER**

KEY	PART NUMBER	U/M	DESCRIPTION
1	081028-15-C05	EA	RACK ASM-PASSENGER SIDE FROM: 00-00-00 THRU 03-01-92
1	107438-05-C07	EA	RACK ASM-PASSENGER SIDE FROM: 03-02-92 THRU 99-99-99
2	088728-02-000	EA	BUMPER-88"DIA X 40" - BLACK
3	038327-01-000	EJ	TAPE-ANTI SLIP- 2" X 60"
3	102863-02-C03	EA	LADDER ASM
4	087185-01-000	EA	MOUNTING BRACKET-LADDER- LOWER
5	000039-08-10T	EA	SCREW-SF/DF- 8-20 X 5/8 PPH - BLACK
6	000088-10-38T	EA	SCREW-10-12 X 2.25 POH BLACK
7	078880-02-000	EA	END CAP-STEP- BLACK
8	081028-19-C08	EA	RACK ASM-DRIVER SIDE FROM: 00-00-00 THRU 03-01-92
8	107438-08-C03	EA	RACK ASM-DRIVER SIDE FROM: 03-02-92 THRU 99-99-99
9	C91114-01-000	EA	PLUG-ROUND- RACK & LADDER ENDS - PLASTIC - 1" DIA.

**EXTERIOR BODY GROUP (CONTINUED)**

**ASSIST HANDLES AND RUNNING BOARDS**

KEY	PART NUMBER	U/M	DESCRIPTION
	009126-02-000	EA	HANDLE-ASSIST-ENTRY DOOR - BLACK
	101398-01-000	EA	RUNNING BOARD - FORD - PASSENGER SIDE FROM: 00-00-00 THRU: 10-08-91
	101398-02-000	EA	RUNNING BOARD - FORD - DRIVER SIDE FROM: 00-00-00 THRU: 10-08-91
	101398-03-000	EA	KIT-HARDWARE - FORD RUNNING BOARD FROM: 00-00-001 THRU: 10-08-91
	108461-C1-000	EA	RUNNING BOARD - FORD RIGHT-QUALITY COMP FROM: 10-07-91 THRU: 99-99-99
	108461-C2-000	EA	RUNNING BOARD - FORD-LEFT-QUALITY COMP FROM: 10-07-91 THRU: 99-99-99
	108461-C3-000	EA	HARDWARE-KIT RUNNING BOARD - QUALITY FROM: 10-07-91 THRU 99-99-99
	072884-20-000	EA	SET-RUNNING BOARD - FORD - 40"
	002728-01-001	EA	GARNISH-U-CHANNEL - 1 3/8" X 1 1/2" - SERRATED - MILL ALUMINUM
	002754-01-001	EA	ANGLE-EXTRUDED - 75° X .75" X 1 1/2" - MILL ALUMINUM

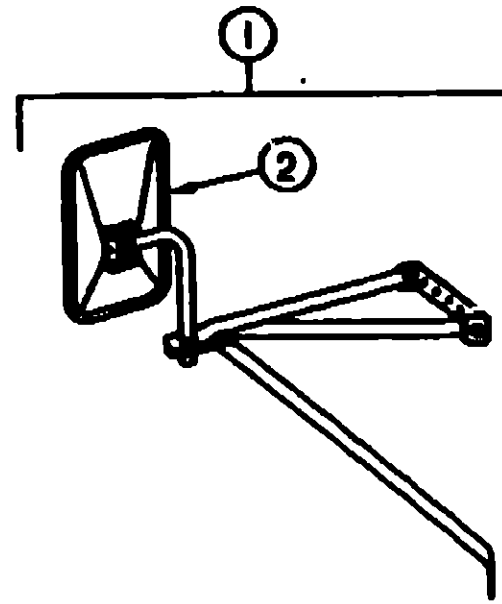
**1992 WINNEBAGO  
TABLE OF CONTENTS**

INTRODUCTION	A-01 - A-02
ABBREVIATIONS	A-03
ALPHABETICAL INDEX	A-04 - A-05
WF427RQ	A-07 - D-14
WF427RC	D-15 - G-20
WF427RT	G-21 - K-08

**1992 WF427RQ INDEX**

FLOOR PLAN	A-07 - A-08
ACCESSORIES	A-09
AUDIO VIDEO	A-10
BATH	A-11 - A-12
BEDROOM	A-13 - A-14
CHASSIS	A-15 - A-17
CURTAIN & CUSHION	A-18 - B-01
CINETTE	B-02 - B-03
DRIVERS	B-04 - B-05
ELECTRICAL	B-07 - B-10
EXTERIOR LIGHT	B-11 - B-17
GALLEY	B-18 - B-21
GENERATOR	B-22
HEATING & AC	B-23 - B-24
INTERIOR FINISH	C-01 - C-04
LABEL	C-05 - C-12
LP	C-13
LOUNGE	C-14 - C-15
SEALANTS & FASTENERS	C-16 - C-18
WATER & SEWAGE	C-19 - C-22
WINDOW, VENT AND EXTERIOR DOOR	C-23 - D-14

**EXTERIOR BODY GROUP (CONTINUED)**



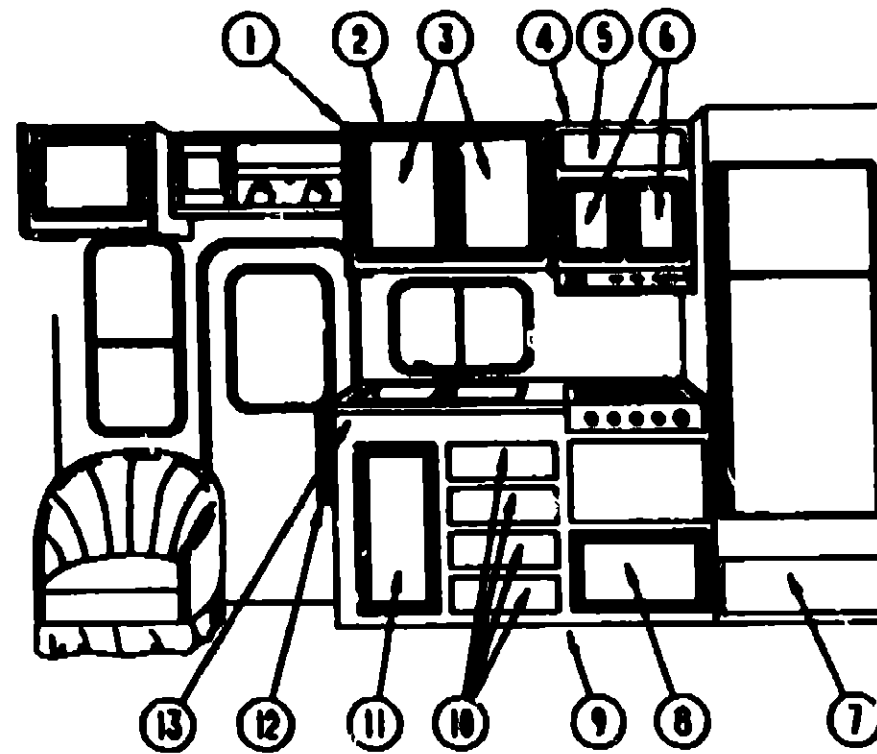
**EXTERIOR MIRRORS**

KEY	PART NUMBER	U/M	DESCRIPTION
1	048347-01-000	EA	MIRROR HEAD-EXTERIOR-10 5" X 7 5"- STAINLESS STEEL
1	108880-01-01A	EA	MIRROR ASM-REG HEAD LOW MOUNT - OFF WHITE
2	048347-01-700	EA	GLASS-MIRROR REPLACEMENT
2	108880-01-700	EA	HEAD - MIRROR HEAD
3	082047-01-000	EA	ARM-WEST COAST MIRROR
3	108880-01-701	EA	ARM
4	108880-01-703	EA	BRACE LOWER FORWARD - DRIVER
4	108880-01-704	EA	BRACE LOWER FORWARD - PASSENGER
	108880-01-702	EA	HARDWARE PKG

**FIBERGLASS & STYROFOAM**

KEY	PART NUMBER	U/M	DESCRIPTION
	077517-23-000	EA	FIBERGLASS SHEET-FLAT - 48" X 96" - GRAY
	077517-24-000	EA	FIBERGLASS SHEET- FLAT - 48" X 96" - OFF WHITE
	078054-H1-000	EA	FIBERGLASS SHEET-2438 X 2581 - OFF WHITE
	078054-F3-000	EA	FIBERGLASS SHEET-2438 X 2438 - OFF WHITE
	000870-03-000	SF	STYROFOAM-1 34 X 48" X 96" - INCREMENTS OF 32 SF
	000870-05-000	SF	STYROFOAM-.5" X 24" X 96" - INCREMENTS OF 16 SF
	083574-01-000	SF	STYROFOAM- DOW TYPE SM - 1.5" X 24" X 96 25" - INC OF 14 SF
	083574-02-000	SF	STYROFOAM- DOW TYPE SM - 1 5" X 24" X 90 5" - INC OF 15 SF
	083574-03-000	SF	STYROFOAM-3/4" X 48" X 96" - INCREMENTS OF 32 SF

**GALLEY GROUP**



**GALLEY CABINETS & COMPONENTS**

KEY	PART NUMBER	U/M	DESCRIPTION
1	081280-36-806	EA	END CAP-OVERHEAD
1	104335-04-C62	EA	END CAP-OVERHEAD
			FROM: 00-00-00 THRU: 08-29-01
2	P02558-01-805	EA	CABINET-OVERHEAD - W/O DOORS OR HARDWARE
3	P05223-09-C03	EA	DOOR ASM-W/O HARDWARE- 380 X 555
4	M05823-22-C03	EA	CABINET ASM-MICROWAVE-STANDARD
4	M05823-23-C03	EA	CABINET ASM-MICROWAVE-OPTIONAL
	104335-02-C62	EA	CAP ASM-END-OVERHEAD
5	P05223-A8-C03	EA	DOOR ASM-W/O HARDWARE- 180 X 555
6	P05223-12-C03	EA	DOOR ASM-W/O HARDWARE- 275 X 385
7	P03397-E7-C03	EA	DRAWER ASM-CABINET-RADIUS - 592 X 520
	080329-01-000	FT	SEAL-T- REFRIGERATOR CABINET - 6" WIDE TOP X 2" TAIL
8	P05223-03-C03	EA	DOOR ASM-W/O HARDWARE- 555 X 380
9	M06832-01-C03	EA	CABINET ASM-GALLEY-W/O EXTENSION
	082303-01-000	EA	STRAINER-SINK
	103243-01-000	EA	FAUCET-GALLEY-DUAL CONTROL - 8 IN CENTERSET
	104113-01-000	EA	SINK-SST-DOUBLE
	103610-01-C03	EA	COVER ASM-SINK
10	P03397-E9-C03	EA	DRAWER ASM-W/O HARDWARE- 412 X 288
11	P05223-06-C03	EA	DOOR ASM-W/O HARDWARE- 385 X 680
12	080812-04-C03	EA	EXTENSION ASM-GALLEY
	088049-01-000	EA	SUPPORT-EXTENSION - GALLEY COUNTERTOP
			FROM 00-00-00 THRU 10-06-01
	104181-01-01A	EA	SUPPORT-EXTENSION - GALLEY COUNTERTOP
			FROM: 10-07-02 THRU 99-99-99
13	105237-11-C03	EA	COUNTERTOP ASM
	P02558-01-805	EA	CABINET-OVERHEAD- W/O DOORS OR HARDWARE
	088380-01-000	EA	GROMMET-RUBBER- 5/8" HOLE X 1 1/2" DIAMETER - BLACK

**1992 WINNEBAGO  
TABLE OF CONTENTS**

INTRODUCTION	A-01 - A-02
ABBREVIATIONS	A-03
ALPHABETICAL INDEX	A-04 - A-06
WF427RQ	A-07 - D-14
WF427RC	D-15 - G-30
WF427RT	G-31 - K-08

**1992 WF427RQ INDEX**

FLOOR PLAN	A-07 - A-08
ACCESSORIES	A-09
AUDIO/VIDEO	A-10
BATH	A-11 - A-12
BEDROOM	A-13 - A-14
CHASSIS	A-15 - A-17
CURTAIN & CUSHION	A-18 - B-01
CINETTE	B-02 - B-03
DRIVERS	B-04 - B-06
ELECTRICAL	B-07 - B-10
EXTERIOR BODY	B-11 - B-17
GALLEY	B-18 - B-21
GENERATOR	B-22
HEATING & A/C	B-23 - B-24
INTERIOR FINISH	C-01 - C-04
LABEL	C-05 - C-12
LP	C-13
LOUNGE	C-14 - C-15
SEALANTS & FASTENERS	C-16 - C-18
WATER & SEWAGE	C-19 - C-22
WINDOW, VENT AND EXTERIOR DOOR	C-23 - D-14

## GALLEY GROUP (CONTINUED)

### RANGE HOOD

KEY	PART NUMBER	U/M DESCRIPTION
	100258-01-01A	EA HOOD-RANGE-W/O MONITOR PANEL-VENTLINE-US FROM: 00-00-00 THRU: 09-01-91
	100258-02-01A	EA HOOD-RANGE-W/O MONITOR PANEL-VENTLINE-CANADIAN FROM: 00-00-00 THRU: 09-01-91
	100258-03-01A	EA HOOD-RANGE-W/O MONITOR PANEL-VENTLINE-US-TCS4002 FROM: 00-00-00 THRU: 09-01-91
	100258-16-01A	EA HOOD-RANGE-W/O MONITOR PANEL-VENTLINE-US-TCS6000NAD FROM: 09-02-91 THRU: 99-99-99
	100258-17-01A	EA HOOD-RANGE-22W-W/O MONITOR PANEL-VENTLINE-C8A-TCS6000NAC FROM: 09-12-91 THRU: 99-99-99
	100258-18-01A	EA HOOD-RANGE-22W-W/O MONITOR PANEL-VENTLINE-US-T786007NAD FROM: 09-02-91 THRU: 99-99-99
	090973-01-700	EA MOTOR - LVS CA508-1
	090973-01-702	EA BLADE-FAN- LVS VA183-1
	092898-01-709	EA BULB-012- VENTLINE VA415
	092898-01-710	EA SOCKET-LIGHT- VENTLINE CB267-2
	099983-01-700	EA SWITCH-ON/OFF- VENTLINE 108
	099983-01-702	EA SWITCH-TWO WAY MOMENTARY- VENTLINE 112
	099983-01-707	EA FILTER-GREASE- 8" X 8" - LVS CC246
	099983-01-708	EA LENS-LAMP- VENTLINE CC179
	100258-01-700	EA HOOD NOSE LABEL CC428
	100258-10-01A	EA METER-HOUR- VENTLINE 150

### RANGE

KEY	PART NUMBER	U/M DESCRIPTION
	102022-01-02A	EA RANGE-18"- 4 BURNER - MAGIC CHEF BT16RA-4Z
	C55282-03-705	EA TRIM CAB LT. BLACK BT18
	055282-03-707	EA TRIM CAB RT. BLACK BT18
	099907-02-701	EA INSERT-BURNER (SLOTTED VENT)
	102020-01-700	EA SHELF-OVEN
	102020-01-701	EA HANDLE-DOOR
	102020-01-702	EA PANEL-MAINFOLD
	102020-01-704	EA PANEL-DOOR (BLACK)
	102020-01-708	EA BURNER ASSEMBLY (OVEN)
	102020-01-711	EA GRATE-TOP
	102020-01-712	EA KNOB-BURNER VALVE
	102020-01-713	EA KNOB-THERMOSTAT
	102020-01-714	EA PILOT-OVEN
	102020-01-715	EA PIPE-MANIFOLD
	102020-01-717	EA THERMOSTAT
	102020-01-718	EA TOP-MAIN (ALMOND)
	102020-01-720	EA VALVE-MERCURY CONTROL
	102020-01-722	EA VALVE-TOP BURNER
	102020-01-723	EA PILOT-BURNER
	102020-01-724	EA BUMPER-MAIN TOP
	102022-01-702	EA PIPE-MANIFOLD
	102022-01-703	EA REGULATOR-PRESSURE
	102022-01-706	EA TRIM (LEFT) FLAT
	102022-01-707	EA TRIM (RIGHT) FLAT

### MONITOR PANEL

KEY	PART NUMBER	U/M DESCRIPTION
	102785-04-01A	EA MONITOR PANEL-W/PLUG - FOR 2 TANKS & WATER HEATER - LVS
	102785-02-01A	EA MONITOR PANEL-W/PLUG - FOR 2 TANKS - LVS
	097818-01-000	EA WIRE ASM-MONITOR PANEL - W/4 WIRES & BLACK RESISTOR - LVS

## GALLEY GROUP (CONTINUED)

### COFFEE MAKER, MICROWAVE, & TRIMS

KEY	PART NUMBER	U/M DESCRIPTION
	099918-03-01A	EA BRACE-MICROWAVE CABINET- LEFT - 9.4" X 7.5" - STEEL
	099918-04-01A	EA BRACE-MICROWAVE CABINET- RIGHT - 9.4" X 7.5" - STEEL
	091289-08-000	EA OVEN-MICROWAVE - MAGIC CHEF M15E-58
	094745-01-01A	EA TRIM-MICROWAVE- LOWER - BLACK
	094774-03-01A	EA TRIM-MICROWAVE- EITHER SIDE - 1.5" X 14.8" - METAL - BLACK
	094750-01-000	EA BRACKET-MICROWAVE- 90 DEGREE - STEEL FROM: 03-04-91 THRU: 99-99-99
	103789-01-02A	EA COFFEEMAKER - GRAY
	104610-01-000	EA STRAP ASM-COFFEE MAKER
	055516-03-000	EA BRACKET-REAR TIEDOWN- RANGE WOVEN
	055516-04-000	EA BRACKET-FRONT TIEDOWN- RANGE WOVEN
	093848-01-010	EA BRACKET ASM-TIEDOWN-REFRIGERATOR - RIGHT
	093848-02-000	EA BRACKET ASM-TIEDOWN-REFRIGERATOR - LEFT
	054480-01-000	EA LEVEL-REFRIGERATOR
	063752-01-000	EA SHROUD-RANGE- 18.5" X 20.6" X 18.2" - METAL - OFF WHITE
	007125-04-000	EA CLAMP-MUFFLER-1.1" DIA

## 1992 WINNEBAGO TABLE OF CONTENTS

INTRODUCTION	A-01 - A-02
ABBREVIATIONS	A-03
ALPHABETICAL INDEX	A-04 - A-06
WF427RQ	A-07 - D-14
WF427RC	D-15 - G-20
WF427RT	G-21 - K-09

## 1992 WF427RQ INDEX

FLOOR PLAN	A-07 - A-08
ACCESSORIES	A-09
AUDIO VIDEO	A-10
BATH	A-11 - A-12
BEDROOM	A-13 - A-14
CHASSIS	A-15 - A-17
CURTAIN & CUSHION	A-18 - B-01
DINETTE	B-02 - B-03
DRIVERS	B-04 - B-06
ELECTRICAL	B-07 - B-10
EXTERIOR BODY	B-11 - B-17
GALLEY	B-18 - B-21
GENERATOR	B-22
HEATING & AC	B-23 - B-24
INTERIOR FINISH	C-01 - C-04
LABEL	C-05 - C-12
LP	C-13
LOUNGE	C-14 - C-15
SEALANTS & FASTENERS	C-16 - C-18
WATER & SEWAGE	C-19 - C-22
WINDOW, VENT AND EXTERIOR DOOR	C-23 - D-14

**GALLEY GROUP (CONTINUED)**

**REFRIGERATOR**

KEY	PART NUMBER	U/M	DESCRIPTION
	103622-01-01A	EA	REFRIGERATOR-2 WAY- RIGHT HINGED DOOR - NORCOLD 462 BLACK
	084472-01-700	EA	THERMOCOUPLE-NORCOLD 614363
	084473-03-716	EA	SWITCH-3-WAY- FOR EG-2 & EG-3 MODELS - NORCOLD 616113
	084473-03-720	EA	RELIGHTER- NORCOLD 616088
	084473-03-721	EA	COMBINATION CONTROL - NORCOLD 616084
	075217-01-738	EA	SWITCH-HUMIDITY- NORCOLD 61525822
	084679-03-700	EA	COOLING UNIT - HORIZONTAL BURNER- NORCOLD 61687237
	084680-01-705	EA	ORIFICE - NORCOLD 614522
	084680-01-715	EA	VALVE-SHUT OFF- MANUAL - NORCOLD 61607922
	084680-01-722	EA	CRISPER COVER - NORCOLD 615841
	084680-01-732	EA	LATCH- NORCOLD 61578522
	084680-03-705	EA	BRACKET FOR INTERIOR REFRIGERATOR LIGHT - NORCOLD 61629722
	084680-03-706	EA	LAMP (BULB) - NORCOLD 61628922
	084680-03-707	EA	COVER FOR LAMP OR BULB - NORCOLD 61627922
	088248-01-706	EA	BURNER-HORIZONTAL- NORCOLD 61588122
	088248-01-709	EA	HEATER-AC- (HORIZONTAL) - NORCOLD 615627
	088248-01-710	EA	HEATER-DC- (HORIZONTAL) - 3 WAY - NORCOLD 615628
	084038-01-700	EA	GASKET-LOWER- GRAY - NORCOLD 61587830
	084038-01-702	EA	LINER-DOOR- LOWER - BLACK/WHITE - NORCOLD 61581838-B
	084038-01-702	EA	GASKET (GRAY) UPPER - NORCOLD 61587830
	084038-01-704	EA	PLATE-HINGE- BLACK - TOP LEFT - BOTTOM RIGHT - NORCOLD 61631430
	084038-01-710	EA	PLATE-HINGE- BLACK - TOP RIGHT - BOTTOM LEFT - NORCOLD 61631330
	084038-01-722	EA	HOLE PLUG (BLACK) HINGE HOLES - NORCOLD 61582030
	084038-01-723	EA	HINGE BRACKET-TOP RIGHT-BOTTOM LEFT BLACK - NORCOLD 61580838
	084038-01-724	EA	BRACKET-HINGE- TOP LEFT - BOTTOM RIGHT - BLACK - NORCOLD 61580638
	084038-01-725	EA	HINGE PIN (BLACK)(MALE) - NORCOLD 61578130
	084038-01-728	EA	SHELF-FREEZER EVAPORATOR- NORCOLD 61523C
	084038-01-728	EA	HINGE BRACKET(BLACK) CENTER HINGE - NORCOLD 61588530
	084038-01-730	EA	HINGE FIN SHAFT(BLACK) CENTER HINGE - NORCOLD 61588730
	084038-01-732	EA	FRONT COVER(BLACK) BOTTOM TRIM - NORCOLD 61622130
	084038-01-733	EA	WIRE SHELF (MIDDLE) - NORCOLD 61583822
	084038-01-734	EA	WIRE SHELF (TOP) W/FRISER - NORCOLD 61583722
	084038-01-735	EA	INSIDE DRIP TRAY (WHITE) 61572830
	084038-01-736	EA	SWITCH-LIGHT- BLACK - NORCOLD 615810
	103622-01-700	EA	HANDLE ASM-DOOR- UPPER - NORCOLD 61648036
	084680-01-754	EA	JUICE-RACK (SMOKE GRAY) - NORCOLD 61580540
	103622-01-702	EA	BIN-SHELF- DOOR - NORCOLD 61584040
	103622-01-705	EA	HANDLE ASM-DOOR- LOWER - NORCOLD 61648038
	084038-01-718	EA	MILK BIN (GRAY)W/SILVER TRIM - NORCOLD 61579480
	103622-01-707	EA	KEEPER-DAIRY- NORCOLD 61570440
	103622-01-708	EA	CRISPER-NORCOLD 61571340
	103622-01-709	EA	KNOB-SELECTOR- NORCOLD 61641822
	103622-01-710	EA	KNOB-THERMOSTAT- NORCOLD 61642322
	103622-01-711	EA	PANEL-CONTRCL- 2-WAY - NORCOLD 61644022
	103622-01-712	EA	INDICATOR-FLAME- NORCOLD 61608022
	103622-01-713	EA	SWITCH-IGNITION- NORCOLD 61648722

**GENERATOR GROUP**

**KOHLER GENERATOR & INSTALLATION PARTS**

KEY	PART NUMBER	U/M	DESCRIPTION
	105523-01-000	EA	GENERATOR-4KW LOW PROFILE KOHLER 4CKM21
	007057-01-000	SF	INSULATION-FIBERGLASS - 1" THICK X 4" - INCREMENTS OF 4 SF
	105526-01-000	EA	ARRESTER-SPARK - KOHLER 278521
	105527-01-000	EA	PIPE-EXHAUST ADAPTER - KOHLER 278524
	105529-01-000	EA	MUFFLER-FRONT EXHAUST - W/O SPARK - KOHLER 278734
	105802-01-000	EA	GASKET-EXHAUST - KOHLER-278320
	105732-01-000	EA	TRAY ASM-GENERATOR
	108172-01-000	EA	PIPE-EXHAUST ADAPTER

**ONAN GENERATOR & INSTALLATION PARTS**

KEY	PART NUMBER	U/M	DESCRIPTION
	100974-01-000	EA	GENERATOR-4 DKW EMERALD PLUS - ONAN BGE-FA26100G
	105732-01-000	EA	TRAY ASM-GENERATOR
	078854-05-000	EA	PIPE-EXHAUST - ANGLED - W/FLANGE - 2" ID - ONAN# 154-2539
	081384-01-000	EA	MUFFLER-GENERATOR - W/8 5" LONG TAILPIPE
	088252-01-000	EA	PIPE-EXHAUST - W/2 BOLT HOLE FLANGE
	086484-01-000	EA	BRACKET-EXHAUST - W/DOUBLE BEND
	094059-01-000	EA	SPACER-GENERATOR - ONAN
	078045-01-000	EA	STRAP-SUPPORT-GENERATOR - 4 HOLE
	084365-01-000	EA	STRAP-SUPPORT-GENERATOR - 2 HOLE

**1992 WINNEBAGO  
TABLE OF CONTENTS**

INTRODUCTION	A-01	A-02
ABBREVIATIONS		A-03
ALPHABETICAL INDEX	A-04	A-08
WF427RQ	D-07	D-14
WF427RC	D-15	G-20
WF427RT	G-21	K-03

**1992 WF427RQ INDEX**

FLOOR PLAN	A-07	A-08
ACCESSORIES		A-09
AUDIO VIDEO		A-10
BATH	A-11	A-12
BEDROOM	A-13	A-14
CHASSIS	A-15	A-17
CURTAIN & CUSHION	A-18	B-01
DINETTE	B-02	B-03
DRIVERS	B-04	B-06
ELECTRICAL	B-07	B-10
EXTERIOR BODY	B-11	B-17
GALLEY	B-18	B-21
GENERATOR		B-22
HEATING & A/C	B-23	B-24
INTERIOR FINISH	C-01	C-04
LABEL	C-05	C-12
LP		C-13
LOUNGE	C-14	C-15
SEALANTS & FASTENERS	C-16	C-19
WATER & SEWAGE	C-19	C-22
WINDOW, VENT AND EXTERIOR DOOR	C-23	D-14

**HEATING & AIR CONDITIONING GROUP**

**FURNACE**

KEY	PART NUMBER	U/M	DESCRIPTION
	066666-05-000	EA	FURNACE-30000 BTU-SUBURBAN SF-30
	066634-01-733	EA	RELAY-TIME DELAY 20&30 BTU- SUBURBAN 231202
	075605-01-709	EA	MICRO SWITCH (FOR MODELS 30 & 34S) - SUBURBAN 230509
	060036-01-709	EA	GASKET-OBSERVATION HOLE COVER 070367
	062300-01-704	EA	GASKET-ELECTRODE- SUBURBAN 070163
	062300-02-701	EA	ORIFICE- MAIN BURNER - SUBURBAN 180214
	066666-01-700	EA	CABINET FRONT- SUBURBAN 101242
	066666-01-701	EA	CABINET ASM- SUBURBAN 101269
	066666-01-702	EA	ELECTRODE- SUBURBAN 231740
	066666-01-704	EA	VALVE- SUBURBAN 180636
	066666-01-705	EA	SWITCH-LIMIT- SUBURBAN 231630
	066666-01-706	EA	WHEEL-COMBUSTION AIR- SUBURBAN 350122
	066666-01-707	EA	VENT CAP & EXHAUST TUBE ASM- SUBURBAN 260163
	066666-01-708	EA	BLOWER ASM (COMBUSTION AIR)- SUBURBAN 360441
	066666-01-709	EA	MOTOR ASM -FOR SF-25- SF-30 - SUBURBAN 231706
	066666-01-710	EA	BLOWER ASM (ROOM AIR)- SUBURBAN 390440
	066666-01-711	EA	WHEEL-ROOM AIR - SUBURBAN 350123
	066666-01-712	EA	BOARD-MODULE- SUBURBAN 231741
	066666-01-713	EA	INTAKE VENT TUBE ASM-SUBURBAN 051044
	066666-02-700	EA	BURNER ASM COMPLETE (SF 30/SF35)- SUBURBAN 010745
	066634-01-720	EA	ORIFICE-MAIN BURNER- SUBURBAN 0180222
	066666-03-700	EA	MOTOR ASM-SF-35- SUBURBAN 231707
	066666-06-000	EA	DOOR-ACCESS- FURNACE - OFF WHITE - SUBURBAN 520574
	063365-01-000	EA	THERMOSTAT-WALL- FURNACE - SUBURBAN 0180602

**HEATING COMPONENTS**

KEY	PART NUMBER	U/M	DESCRIPTION
	023146-01-000	EA	CLAMP-SCREW TYPE - 4"
	066636-02-000	EA	CONNECTOR-DUCT- 4" ID - SUBURBAN 050715
	009188-01-000	FT	DUCT-HEAT-FLEXIBLE - 4" ID X 25 FT
	063614-01-01A	EA	GRILLE-RETURN AIR- FURNACE - 15 6" X 7 6" - BROWN
	079059-01-000	EA	HOSE-90 DEGREE- 5/8" ID X 4" X 36"
	079059-13-000	EA	HOSE-90 DEGREE- 5/8" ID X 4" X 48"
	007108-01-000	FT	HOSE-HEATER- 5/8" ID - HI-TEMP - FORD ESE-M2D192-A
	056464-05-000	EA	REGISTER-PLASTIC W/O DAMPER - 4" DIAMETER - GOLDEN
	006200-01-000	EA	TAPE-FURNACE- 1 1/2"
	066367-01-000	EA	TEE-4" OD- 7" LONG - METAL
	066753-01-000	FT	TUBE-ALUMINIZED STEEL- 5/8" - 18 GAUGE
	066042-01-000	FT	TUBING-VINYL- 65" ID

**HEATING & AIR CONDITIONING GROUP (CONTINUED)**

**REAR HEATER**

KEY	PART NUMBER	U/M	DESCRIPTION
	064405-01-000	EA	HEATER ASM-REAR- DUCTED - W/MOTOR A/D - EVANS
	064405-01-700	EA	HEATER CORE - FT200229
	064405-01-701	EA	FAN - HV020631
	064405-01-702	EA	MOTOR-12 VOLT ASSY - R0200180
	067202-01-000	EA	SWITCH-4 POSITION- W/MOTOR
	066076-01-000	EA	DECAL-AUTO AIR & REAR HEATER

**ROOF A/C**

KEY	PART NUMBER	U/M	DESCRIPTION
	063763-01-04A	EA	A/C-ROOF- 135000 BTU - OFF WHITE - COLEMAN 67590707/67590E7
	073742-02-704	EA	RUN CAPACITOR (COMPRESSOR)- COLEMAN 14994661
	076303-01-712	EA	MOTOR- COLEMAN# 6707A3119
	091225-01-709	EA	START RELAY- COLEMAN# 1497-4131
	091225-01-710	EA	START CAPACITOR- COLEMAN# 1497-0P91
	093306-01-701	EA	DECAL PKG LEFT&RIGHT- COLEMAN 6796B3591
	063763-01-702	EA	OVERLOAD- COLEMAN #6759-3931
	063763-01-703	EA	IMPELLOR-7" DIA X 2.8" THK- COLEMAN# 6759-3271
	063763-01-704	EA	CAPACITOR-FAN- COLEMAN# 1499-3461
	063763-01-707	EA	EVAPORATOR COIL-COLEMAN# 1452-1351
	063763-01-708	EA	CONDENSER COIL-COLEMAN# 1452-1251
	063763-01-709	EA	COMPRESSOR-COLEMAN# 6749A3609
	063763-01-712	EA	FAN BLADE-CONDENSER- COLEMAN# 6733-3221
	063763-04-700	EA	SHROUD-ROOF A/C- W/O LOGOS - COLEMAN 6759-4601
	063764-01-000	EA	CEILING ASM-A/C COOL ONLY- TSR - COLEMAN 67590714
	042204-01-709	EA	THERMOSTAT-IN 64 OUT 52- COLEMAN# 6701-3401
	073742-01-701	EA	SELECTOR SWITCH (5 TERMINAL)- COLEMAN# 6759-3251
	076303-01-707	EA	FILTER-6" X 14 3/4" X 1/2" - 12 PER PKG - COLEMAN 6703A3151
	061606-01-712	EA	CEILING SHROUD (IVORY)- COLEMAN# 6769-5061
	091225-01-713	EA	KNIFE (2 PER PACKAGE)- COLEMAN# 6701-3351
	091225-01-717	EA	DECAL (THERMOSTAT) COOL ONLY- COLEMAN# 6799A3441
	063763-01-710	EA	SINGLE PARTS PACKAGE- COLEMAN# 6759-5841
	102289-01-000	EA	SPRING-SCREW- ROOF A/C GASKET - COLEMAN 6757-150
	064077-03-000	EA	COVER-BLANK- ROOF A/C - 5 2" X 3 5" - IVORY

**A/C-13500 BTU-EUROPE**

KEY	PART NUMBER	U/M	DESCRIPTION
	062440-01-000	EA	A/C-ROOF- 13500 BTU - 220V - 50HZ - COLEMAN# 6713C750
	092441-01-000	EA	CEILING ASM-A/C- 220V - 50HZ - COLEMAN# 6712ET16
	102289-01-000	EA	SPRING-SCREW- ROOF A/C GASKET - COLEMAN 6757-150
	064077-03-000	EA	COVER-BLANK- ROOF A/C - 5 2" X 3 5" - IVORY

**1992 WINNEBAGO  
TABLE OF CONTENTS**

INTRODUCTION	A-01	A-02
ABBREVIATIONS		A-03
ALPHABETICAL INDEX	A-04	A-06
WF427RQ	A-07	D-14
WF427RC	D-15	G-20
WF427RT	G-21	K-03

**1992 WF427RQ INDEX**

FLOOR PLAN	A-07	A-08
ACCESSORIES		A-09
AUDIO VIDEO		A-10
BATH	A-11	A-12
BEDROOM	A-13	A-14
CHASSIS	A-15	A-17
CURTAIN & CUSHION	A-18	B-01
DINETTE	B-02	B-03
DRIVERS	B-04	B-08
ELECTRICAL	B-07	B-10
EXTERIOR BODY	B-11	B-17
GALLEY	B-18	B-21
GENERATOR		B-22
HEATING & A/C	B-23	B-24
INTERIOR FINISH	C-01	C-04
LABEL	C-05	C-12
LP		C-13
LOUNGE	C-14	C-15
SEALANTS & FASTENERS	C-16	C-18
WATER & SEWAGE	C-19	C-22
WINDOW, VENT AND EXTERIOR DOOR	C-23	D-14

**INTERIOR FINISH GROUP**

**MOLDINGS & TRIMS**

KEY	PART NUMBER	U/M	DESCRIPTION
	085284-03-000	FT	BATT STRIP-WOODGRAIN, ADHESIVE BACKED - REGAL OAK FROM: 00-00-00 THRU 02-23-92
	085284-68-000	FT	BATT STRIP-WOODGRAIN, ADHESIVE BACKED - FOREST OAK FROM: 02-24-92 THRU 99-99-99
	088283-63-000	EA	BATT STRIP-DECORATIVE - PLAIN - 8' LONG (MAIN WALL)
	085284-51-000	FT	BATT STRIP-DECORATIVE - PLAIN - ADHESIVE BACKED (MAIN WALL)
	088283-64-000	EA	BATT STRIP-DECORATIVE - W/FLOWERS - 8' LONG (GALLEY/BATH)
	085284-41-000	FT	BATT STRIP-DECORATIVE - W/FLOWERS - ADHESIVE BACKED (GALLEY/BATH)
	088283-71-000	EA	BATT STRIP-DECORATIVE - 8' - FAWN (CEILING)
	085284-59-000	FT	STRIP-TAPE-TROWELL WORK (CEILING)
	082330-D2-438	EA	LUMBER-VINYL WRAPPED 7' X 15' X 9' - WOODGRAIN
	082330-F2-438	EA	LUMBER-VINYL WRAPPED 7' X 2' X 96' - WOODGRAIN
	082330-03-000	EA	LUMBER-VINYL WRAPPED 2' X 96' - WOODGRAIN
	082330-05-000	EA	LUMBER-VINYL WRAPPED 629 REGAL OAK
	103186-01-02A	FT	MOLDING-EDGE, SHELF - .75" WIDE - PLASTIC - REGAL OAK
	009787-12-000	FT	MOLDING-SIDEWALL TO CEILING/CABINET - WELTING - OFF WHITE
	009808-23-000	EA	MOLDING-CORNER, OUTSIDE - 1" - PLASTIC - IVORY
	009808-24-000	EA	MOLDING-CORNER, OUTSIDE - 1" - PLASTIC - THOR PECAN
	009812-25-000	EA	MOLDING-CORNER, OUTSIDE - .5" - PLASTIC - PECAN
	022992-11-000	FT	MOLDING-REVERSE COVE, T-SHAPED - VINYL - IVORY
	092331-D2-134	EA	MOLDING-VINYL WRAPPED, .7" X 1 57" X 84" - WOODGRAIN
	092331-F2-134	EA	MOLDING-VINYL WRAPPED, .7" X 2.5" X 7" - WOODGRAIN
	092331-F2-438	EA	MOLDING-VINYL WRAPPED, .7" X 2.5" X 96" - WOODGRAIN
	105004-01-01A	EA	MOLDING-VINYL WRAP *REGAL OAK
	075249-01-000	EA	RAILING-OAK, 72" EA - UNFINISHED
	085746-01-000	FT	TRIM-J, CARPET - 1 2" X 5" ANGLE - 10" LONG - PVC - BEIGE
	100659-01-AB1	EA	TRIM-FLOOR, 72" X 1" X 1/2" - WOOD
	083620-07-000	FT	T-MOLDING-3/4 WEDGE LIPS- END CAP- THOR PECAN
	083620-09-000	FT	T-MOLDING-3/4 WEDGE LIPS-MODERN IVORY
	105709-01-000	FT	T-MOLDING-1" WEDGE LIPS-MODERN IVORY
	070504-20-000	FT	U-CHANNEL-PLASTIC, 815" WIDE - THOR PECAN - INC OF 8'
	086229-01-000	EA	RETAINER-BATTEN CEILING - 75" WIDE - 76" EA

**CARPETING & FLOOR MATS**

KEY	PART NUMBER	U/M	DESCRIPTION
	096060-24-000	SY	CARPET-12' ROLL- INCREMENTS OF 4 SY - EGG PLANT (CO3) FROM 00-00-00 THRU 08-04-91
	096060-41-000	SY	CARPET-507-SPECIAL LT EGG PLANT(CO3) FROM 08-05-91 THRU 99-99-99
	096060-25-000	SY	CARPET-503-BROWN(CO4) FROM 00-00-00 THRU 07-28-91
	096060-33-000	SY	CARPET-506-LT BROWN SPECIAL (CO4) FROM 07-29-91 THRU 99-99-99
	093486-01-000	SY	CARPET-COMPARTMENT- 54" WIDE - DARK GRAY
	047034-02-000	SF	PLASTIC-CARPET - 4 WIDE - CLEAR POLY- MINIMUM ORDER 1600 SF
	007038-01-000	EA	MAT-FLOOR-W/WINNEBAGO LOGO - 10 5" X 26" - RUBBER - BLACK
	081075-01-000	EA	MAT-FLOOR-ENTRANCE DOOR - W/WINNEBAGO LOGO FROM 00-00-00 THRU 01-10-92
	081075-03-000	EA	MAT-FLOOR-ENTRANCE-WINNEBAGO - PLASTICOLOR GRAY FROM 01-13-92 THRU 99-99-99
	083219-01-000	EA	MAT-FLOOR-PASSENGER - "W" FROM 00-00-00 THRU 01-12-92
	083219-02-000	EA	MAT-FLOOR-DRIVER - "W" FROM: 00-00-00 THRU 01-12-92
	106884-01-000	EA	MAT-FLOOR-FRONT-RIGHT-"W"-FORD FROM 01-13-92 THRU 99-99-99
	106884-02-000	EA	MAT-FLOOR-FRONT-LEFT-"W"-FORD FROM 01-13-92 THRU 99-99-99

**INTERIOR FINISH GROUP (CONTINUED)**

**FIRE EXTINGUISHER, SMOKE DETECTOR & CLOCK**

KEY	PART NUMBER	U/M	DESCRIPTION
	084489-01-000	EA	EXTINGUISHER-FIRE- DRY W/MOUNTING BRACKET - 10 BC
	084489-02-000	EA	EXTINGUISHER-FIRE- DRY - 1A10BC - CANADIAN
	084489-01-700	EA	BRACKET-MOUNTING- W/PLASTIC STRAP - FIRE EXTINGUISHER
	084861-01-02A	EA	HOLDER-FIRE EXTINGUISHER- RECESSED - GREY FROM: 00-00-00 THRU 05-04-92
	072852-01-000	EA	DETECTOR-SMOKE- W/9 VOLT BATTERY(US)
	072852-02-000	EA	DETECTOR SMOKE, W/9 VOLT BATTERY(CSA)
	104784-01-01A	EA	CLOCK-WALL SPARTUS 5818-42
	101333-01-000	EA	BACKPLATE-CLOCK, 8" X 8" - PLASTIC - BLACK

**PANELING, LAMINATES & PLASTIC**

KEY	PART NUMBER	U/M	DESCRIPTION
	074497-19-000	SF	PANELING-CEILING- 4' X 8' - TROWORKFAWN - INCREMENTS OF 32 SF
	074497-20-000	SF	PANELING-WOODGRAIN 4' X 8' - FOREST OAK- INCREMENTS OF 32 SF
	074497-17-000	SF	PANELING-WOODGRAIN- 4' X 8' - RAMBLING OAK- INCREMENTS OF 32 SF FROM 00-00-00 THRU 11-03-91
	074497-21-000	SF	PANELING-WOODGRAIN- 4' X 8' - WINNI OAK- INCREMENTS OF 32 SF FROM 11-04-91 THRU 99-99-99
	088272-84-000	SF	PANELING-DECORATIVE- PLAIN - 4' X 7' - INCREMENTS OF 28 SF
	088272-85-000	SF	PANELING-DECORATIVE- W/FLOWERS - 4' X 7' - INC. OF 28 SF
	074498-39-000	SF	LAMINATE-PLASTIC- 5' X 8' - GREY/BEIGE - INC OF 40 SF
	076325-18-000	FT	MOLDING-EDGE BAND, 1 5/16" WIDE - WOODGRAIN - REGAL OAK
	076325-28-000	FT	MOLDING-EDGE BAND, 1 5/16" WIDE
	000885-34-000	SF	PARTICLE BOARD-3/8 X 48" X 97"- 1 SIDE VINYL-LIGHT OAK(33 SF) FROM: 00-00-00 THRU. 11-03-91
	000885-55-000	SF	PARTICLE BOARD-3/8 X 48" X 97"- 1 SIDE VINYL-FOREST OAK(33 SF) FROM 11-04-91 THRU 99-99-99
	000885-54-000	SF	PART BD-3/8 X 48 X 96 - FOREST OAK VINYL 2 SIDES
	089297-01-000	SF	PLYWOOD-LUAN OVERLAY GRADE - 4' X 8' - INC OF 32 SF
	093743-02-01A	SF	PLASTIC-ABS 20" WIDE ROLL - OFF WHITE
	093743-03-01A	SF	PLASTIC-ABS- 10 8" WIDE - OFF WHITE
	083618-02-000	SF	PLYWOOD-OAK- 1 SIDE FINISHED - 3/16" X 4' X 8' (32 SF)
	095688-01-000	SF	VENEER-FLAT LUANA 48X96

**1992 WINNEBAGO  
TABLE OF CONTENTS**

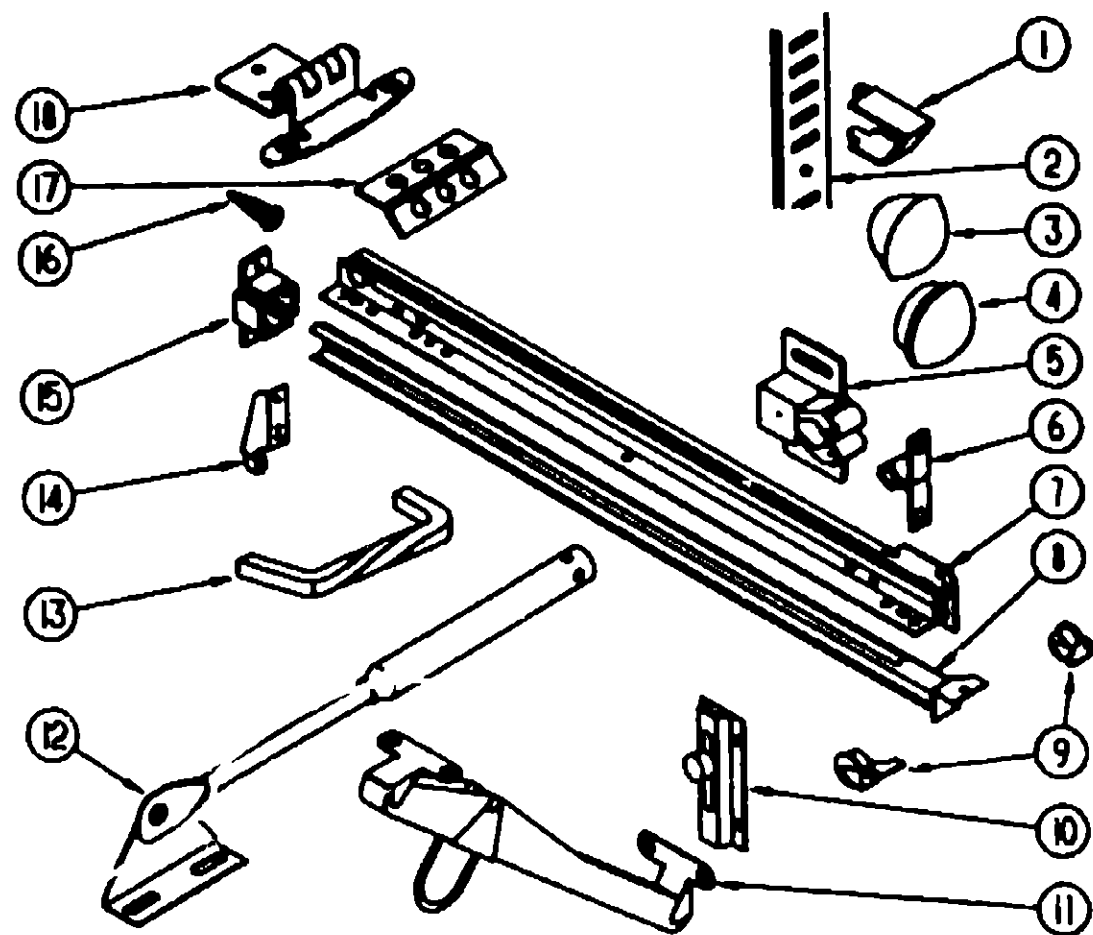
INTRODUCTION	A-01	A-02
ABBREVIATIONS		A-03
ALPHABETICAL INDEX	A-04	A-08
WF427RQ	A-07	D-14
WF427RC	D-15	G-20
WF427RT	G-21	K-03

**1992 WF427RQ INDEX**

FLOOR PLAN	A-07	A-08
ACCESSORIES		A-09
AUDIO VIDEO		A-10
BATH	A-11	A-12
BEDROOM	A-13	A-14
CHASSIS	A-15	A-17
CURTAIN & CUSHION	A-18	B-01
DINETTE	B-02	B-03
DRIVERS	B-04	B-06
ELECTRICAL	B-07	B-10
EXTERIOR BODY	B-11	B-17
GALLEY	B-18	B-21
GENERATOR		B-22
HEATING & A/C	B-23	B-24
INTERIOR FINISH	C-01	C-04
LABEL	C-05	C-12
LP		C-13
LOUNGE	C-14	C-15
SEALANTS & FASTENERS	C-16	C-18
WATER & SEWAGE	C-19	C-22
WINDOW, VENT AND EXTERIOR DOOR	C-22	D-14

# INTERIOR FINISH GROUP (CONTINUED)

## CABINET & TABLE HARDWARE



KEY	PART NUMBER	U/M	DESCRIPTION
1	088978-01-000	EA	CLIP-ADJUSTABLE SHELF
2	088980-01-000	EA	PILASTER-ADJUSTABLE SHELF- 18" LONG
3	042358-01-000	EA	PLUG-BUTTON-MAHOGANY - 3/8" DIAMETER - WOOD
4	074045-07-000	EA	PLUG-WOOD-1/2" - NATURAL
5	083588-03-000	EA	CATCH-SPRING- ROLLER
6	083588-04-000	EA	STRIKE-SPRING STEEL
7	101910-03-000	EA	SLIDE-DRAWER-CABINET MOUNTED - SET OF 2 - 12" LONG
7	101910-04-000	EA	SLIDE-DRAWER-DRAWER MOUNTED - SET OF 2 - 12" LONG
8	102827-06-000	EA	TRACK-DRAWER 22.6" LONG
9	102827-03-000	EA	ROLLER-DRAWER NYLON - PAIR
10	081804-01-000	EA	SLIDE-BOLT-ANTIQUE BRASS
11	104181-01-000	EA	SUPPORT-LEAF-5 3' - EXTENDS TO 7 5' - SAFETY RING - METAL
12	074483-02-000	EA	SUPPORT-PISTON SPRING CABINET DOOR
13	098645-01-000	EA	FULL-CABINET BRASS - TWIST - 1.1" X 3 4"
	100995-01-000	EA	BACKPLATE-PULL CABINET DOOR - 5 7" - BRASS
			FROM 12-09-91 THRU 99-99-99
14	102827-02-000	EA	BRACKET-ROLLER- DRAWER - REAR
15	102827-04-000	EA	BRACKET-MOUNTING DRAWER - REAR
16	000G13-06-10G	EA	SCREW-8-20 X 5/8 PFH- ANTIQUE BRASS
			FROM 00-00-00 THRU 04-14-92
16	000G13-06-08G	EA	SCREW-8-20 X 5/8 PFH- ANTIQUE BRASS
			FROM 04-15-92 THRU 99-99-99
17	009059-02-000	EA	HINGE-DOOR- 2" X 2.7" - BRASS
18	059777-02-000	EA	HINGE-CABINET DOOR- BURNISHED BRASS
			FROM 00-00-00 THRU 04-16-92
18	108138-01-000	EA	HINGE-DOOR CABINET - BURNISHED BRASS
			FROM 04-17-92 THRU 99-99-99
	108649-01-000	EA	HINGE-BRASS-VARIABLE OVERLAY (OVERHEAD RANGE CABINET)
	023320-01-000	EA	PAD-FELT 3/8" DIAMETER - BROWN
	105037-02-000	EA	FASTENER-WOOD CORNER - METAL - 5" X 6"
	004354-01-000	EA	BUMPER-RUBBER- .5" DIA - BROWN
	009063-01-000	EA	HINGE-CONTINUOUS- 1 1/2" X 72" - UNPAINTED
	009066-01-000	EA	HINGE-ALUMINUM- NO HOLES - 1 1/16" X 6" - UNPAINTED
	018604-01-000	EA	BRACE-CABINET- ANGLE - 2.5" - METAL - UNPAINTED
	018604-03-000	EA	BRACE-CABINET- ANGLE - 2.5" - METAL - BEIGE
	065740-01-000	EA	BRACE-CABINET CORNER- PLASTIC
	076790-01-000	EA	SCREW- 8-20 X 1 1/4 PPH - BLACK
	059783-01-000	FT	ROD-CLOTHES SLOTTED - ALUMINUM - 7' LENGTH
	009089-01-000	EA	CLIP-MIRROR
	009112-01-000	EA	FLANGE-1" ROD- CLOTHES - PLASTIC - OFF WHITE
	042438-01-000	EA	DOWEL-WOOD- CLOTHES ROD - 1" DIAMETER X 4'
	042438-02-000	EA	DOWEL-WOOD- 2" X 2"
	064781-06-000	EA	HOLDER-CUP- TWO STEP - OFF WHITE
	103257-01-000	EA	STOP-DOOR
	103130-01-000	EA	HOOK-CUP-BRASS-1 25"
	076827-04-000	EA	BRACKET-BUNK/BED - 2.9" X 1 8" TRIANGLE-METAL-OFF WHITE
	104886-01-000	EA	CATCH-WOOD-VINYL FACED CABINET
	104886-02-000	EA	CATCH-WOOD-LAMINATED FACED CABINET

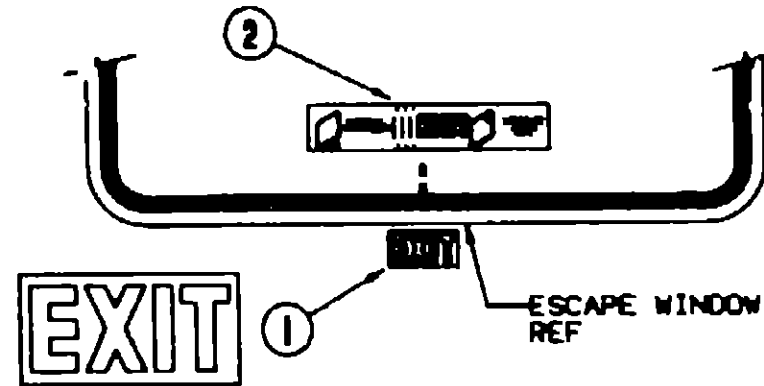
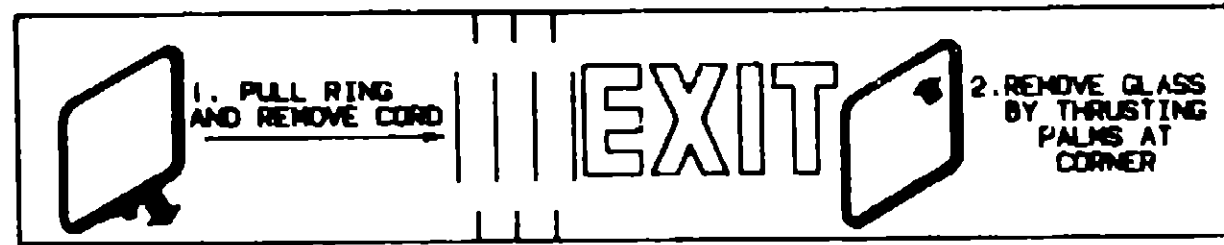
## 1992 WINNEBAGO TABLE OF CONTENTS

INTRODUCTION	A-01 - A-02
ABBREVIATIONS	A-03
ALPHABETICAL INDEX	A-04 - A-08
WF427RQ	A-07 - D-14
WF427RC	D-15 - G-20
WF427RT	G-21 - K-03

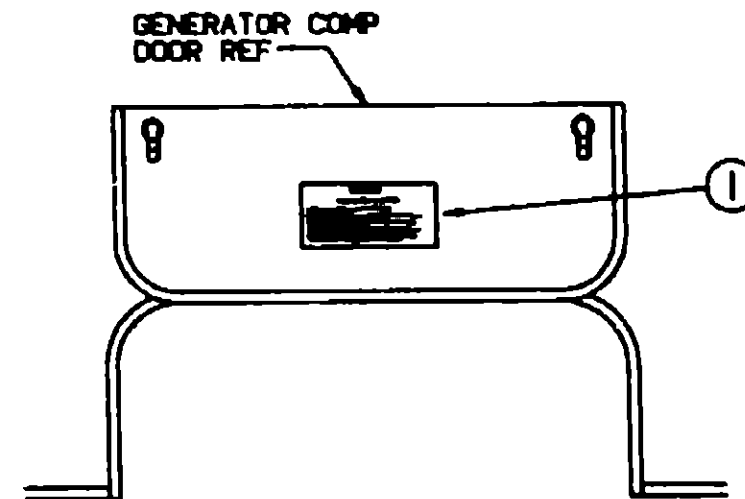
## 1992 WF427RQ INDEX

FLOOR PLAN	A-07 - A-08
ACCESSORIES	A-09
AUDIO VIDEO	A-10
BATH	A-11 - A-12
BEDROOM	A-13 - A-14
CHASSIS	A-15 - A-17
CURTAIN & CUSHION	A-18 - B-01
DINETTE	B-02 - B-03
DRIVERS	B-04 - B-06
ELECTRICAL	B-07 - B-10
EXTERIOR BODY	B-11 - B-17
GALLEY	B-18 - B-21
GENERATOR	B-22
HEATING & A/C	B-23 - B-24
INTERIOR FINISH	C-01 - C-04
LABEL	C-05 - C-12
LP	C-13
LOUNGE	C-14 - C-15
SEALANTS & FASTENERS	C-16 - C-18
WATER & SEWAGE	C-19 - C-22
WINDOW, VENT & D EXTERIOR DOOR	C-23 - D-14

**LABELS GROUP**



KEY	PART NUMBER	U/M DESCRIPTION
1	030290-01-000	EA LABEL-WARNING-EXIT
2	107571-01-000	EA LABEL-EXIT-ESCAPE WINDOW



**WARNING**

**WHEN ADDING A GENERATOR SET:**

NEVER VEHICLE-USE EXTENSIVE CRAFTSMAN WHEN WORKING ON ELECTRICAL COMPONENTS.

HAVE ALL ELECTRICAL INSTALLATION PERFORMED BY A QUALIFIED LICENSED ELECTRICIAN-FOLLOW ALL STATE AND LOCAL CODES.

ONLY SMALL GENERATOR SET APPROVED FOR R.V. APPLICATIONS HAVE BEEN TESTED BY QUALIFIED TECHNICIANS.

TO AVOID HEAT BUILD-UP AND TO GUARANTEE AN ADEQUATE AIR SUPPLY TO THE GENERATOR OPERATOR, FOLLOW INSTALLATION INSTRUCTIONS.

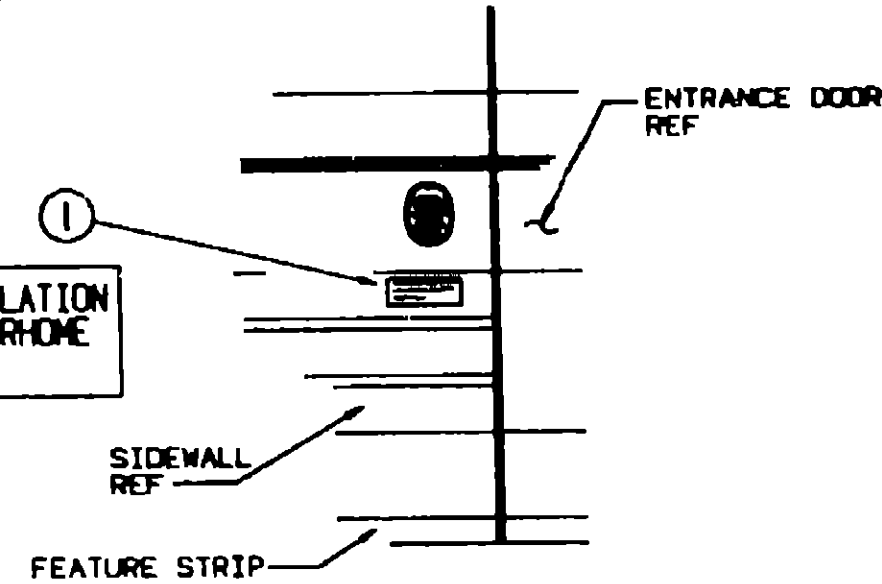
OPERATOR SHOULD WEAR AN EYE PROTECTIVE DEVICE AND MUST NOT OPERATE NEAR THE VEHICLE-GENERATOR EXHAUST ANYTIME FROM VEHICLE.

KEY	PART NUMBER	U/M DESCRIPTION
1	077510-01-000	EA LABEL-GENERATOR PREP

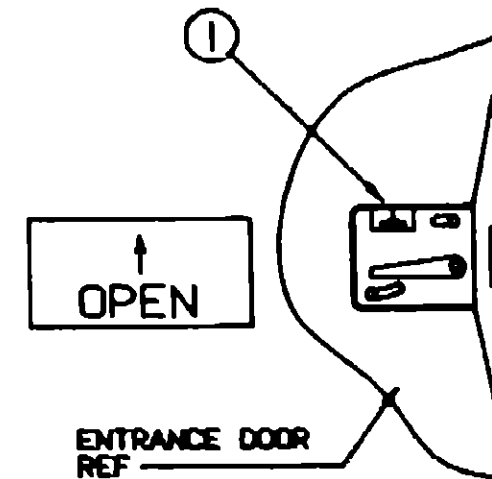
**LABELS GROUP (CONTINUED)**



FOR AWNING INSTALLATION CONTACT YOUR MOTORHOME DEALERSHIP



KEY	PART NUMBER	U/M DESCRIPTION
1	090509-01-000	EA LABEL-AWNING INSTALLATION



KEY	PART NUMBER	U/M DESCRIPTION
1	040944-01-000	EA LABEL-ENTRANCE DOOR, "OPEN"

**1992 WINNEBAGO TABLE OF CONTENTS**

INTRODUCTION	A-01 - A-02
ABBREVIATIONS	A-03
ALPHABETICAL INDEX	A-04 - A-05
WF427RQ	A-07 - D-14
WF427RC	D-15 - G-20
WF427RT	G-21 - K-03

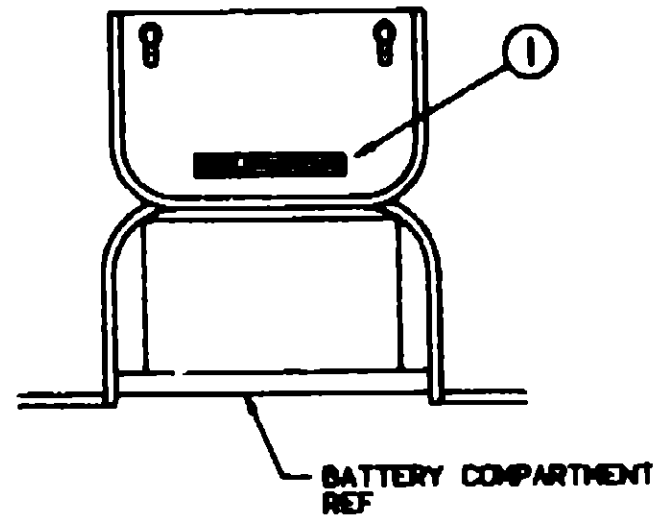
**1992 WF427RQ INDEX**

FLOOR PLAN	A-07 - A-08
ACCESSORIES	A-09
AUDIO VIDEO	A-10
BATH	A-11 - A-12
BEDROOM	A-13 - A-14
CHASSIS	A-15 - A-17
CURTAIN & CUSHION	A-18 - B-01
DINETTE	B-02 - B-03
DRIVERS	B-04 - B-06
ELECTRICAL	B-07 - B-10
EXTERIOR BODY	B-11 - B-17
GALLEY	B-18 - B-21
GENERATOR	B-22
HEATING & AC	B-23 - B-24
INTERIOR FINISH	C-01 - C-04
LABEL	C-05 - C-12
LP	C-13
LOUNGE	C-14 - C-15
SEALANTS & FASTENERS	C-16 - C-18
WATER & SEWAGE	C-19 - C-22
WINDOW, VENT AND EXTERIOR DOOR	C-23 - D-14

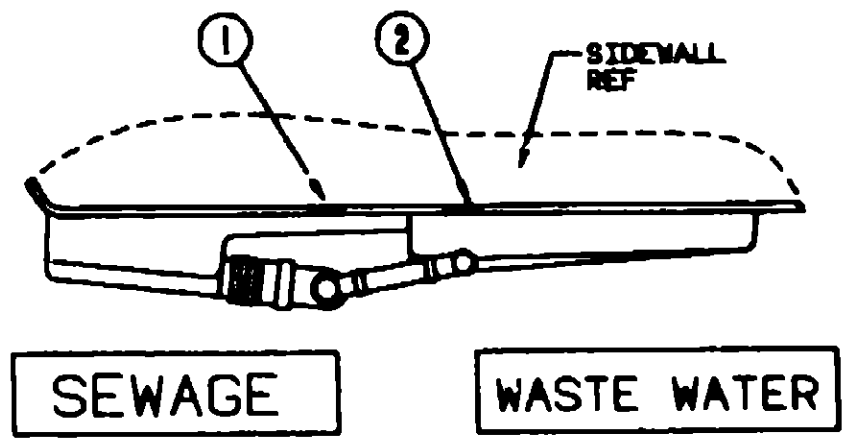


**LABELS GROUP (CONTINUED)**

**WARNING** DISCONNECT BATTERIES BEFORE CONNECTING EXTERNAL CHARGING EQUIPMENT.

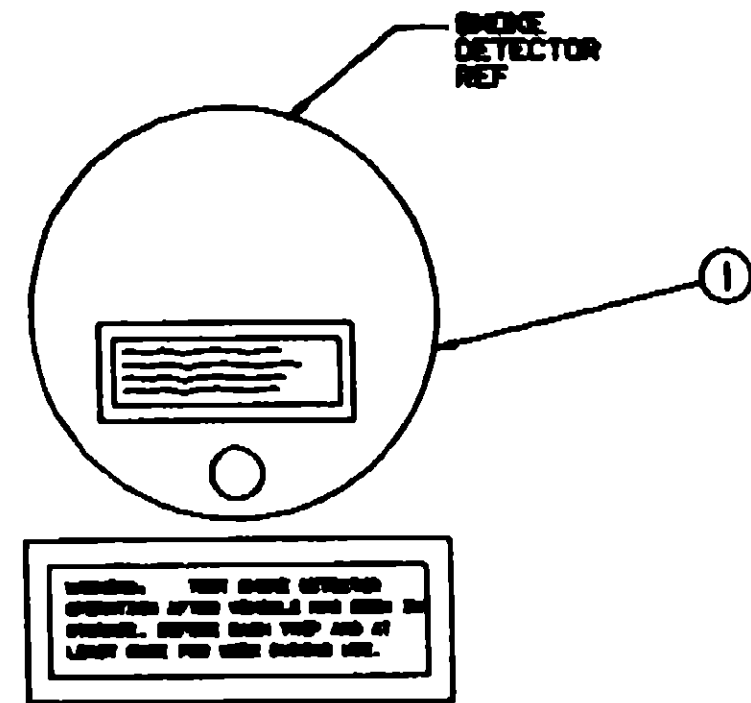


KEY PART NUMBER U/M DESCRIPTION  
 1 085748-01-000 EA LABEL-CAUTION-BATTERY CHARGING

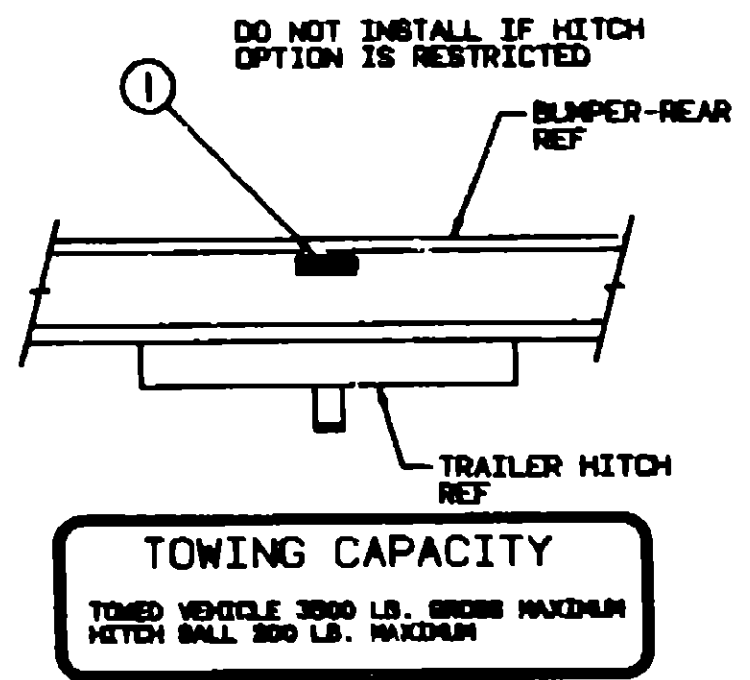


KEY PART NUMBER U/M DESCRIPTION  
 1 008187-01-000 EA LABEL-SEWAGE  
 2 008188-01-000 EA LABEL-WASTE WATER

**LABELS GROUP (CONTINUED)**



KEY PART NUMBER U/M DESCRIPTION  
 1 077856-01-000 EA LABEL-WARNING-SMOKE DETECTOR



KEY PART NUMBER U/M DESCRIPTION  
 1 075221-01-000 EA LABEL-TOWING CAPACITY

**1992 WINNEBAGO TABLE OF CONTENTS**

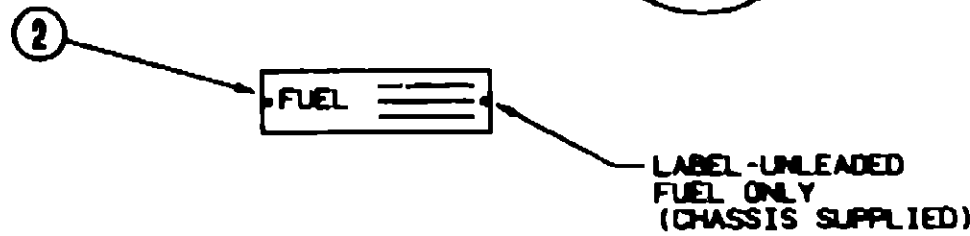
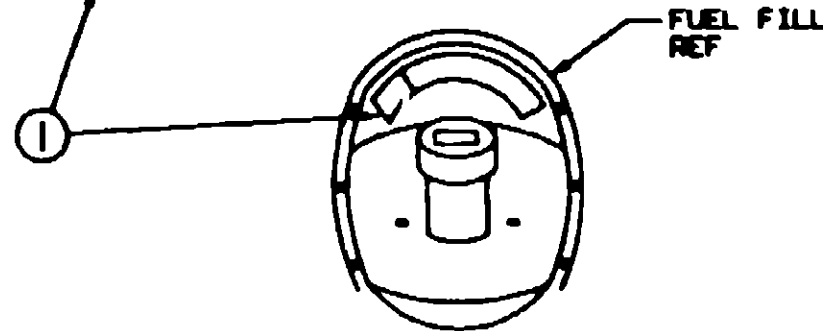
INTRODUCTION	A-01 - A-02
ABBREVIATIONS	A-03
ALPHABETICAL INDEX	A-04 - A-08
WF427RQ	A-07 - D-14
WF427RC	D-15 - G-20
WF427RT	G-21 - K-08

**1992 WF427RQ INDEX**

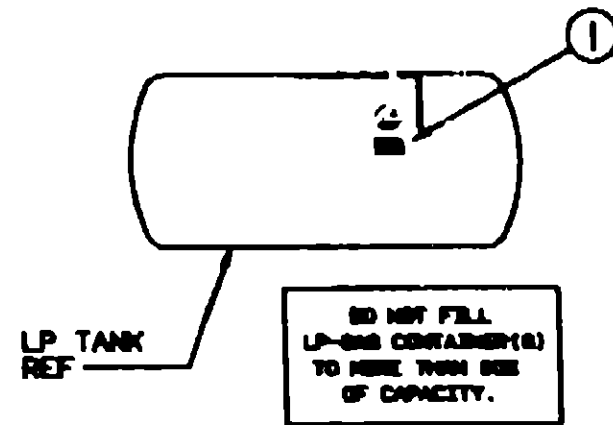
FLOOR PLAN	A-07 - A-08
ACCESSORIES	A-09
AUDIO VIDEO	A-10
BATH	A-11 - A-12
BEDROOM	A-13 - A-14
CHASSIS	A-15 - A-17
CURTAIN & CUSHION	A-18 - B-01
DINETTE	B-02 - B-03
DRIVERS	B-04 - B-06
ELECTRICAL	B-07 - B-10
EXTERIOR BODY	B-11 - B-17
GALLEY	B-18 - B-21
GENERATOR	B-22
HEATING & A/C	B-23 - B-24
INTERIOR FINISH	C-01 - C-04
LABEL	C-05 - C-12
LP	C-13
LOUNGE	C-14 - C-15
SEALANTS & FASTENERS	C-16 - C-18
WATER & SEWAGE	C-19 - C-22
WINDOW, VENT AND EXTERIOR DOOR	C-23 - D-14

**LABELS GROUP (CONTINUED)**

<b>CAUTION</b>	TO HELP AVOID PERSONAL INJURY DURING REMOVAL OF FUEL FILLER CAP, SLOWLY LOOSEN CAP 1/2 TURN TO ALLOW ANY FUEL PRESSURE TO BE RELIEVED BEFORE TURNING CAP FURTHER.
<b>FUEL SPRAY MAY CAUSE PERSONAL INJURY</b>	STOP ADDING FUEL AFTER FIRST SHUTOFF BY AUTOMATIC NOZZLE WHEN TANK IS NEARLY FULL. DO NOT OVERFILL FUEL TANK. SEE OWNERS MANUAL FOR ADDITIONAL INFORMATION. PRINTED IN U.S.A.      I.L.C. PT. NO. 1241762

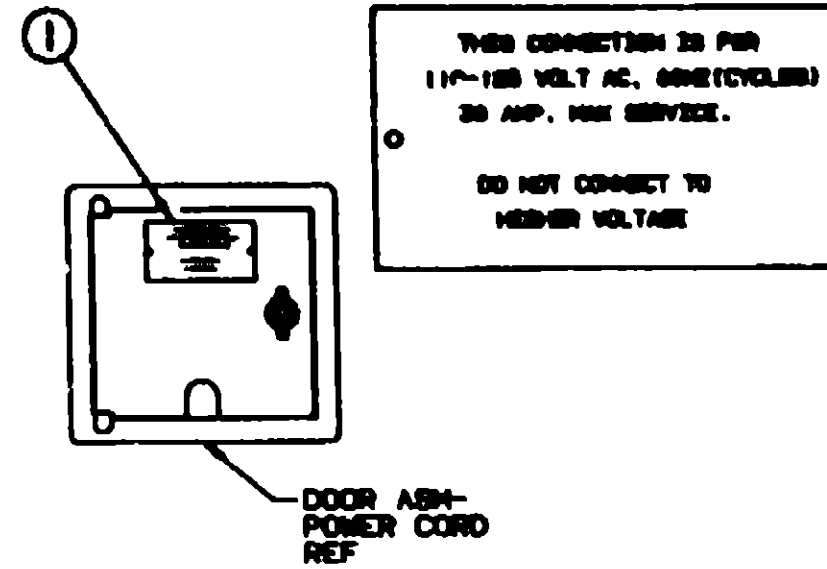


KEY	PART NUMBER	U/M DESCRIPTION
1	067207-08-000	EA LABEL-GAS OVERFILL
2	062043-01-000	EA LABEL-FUEL-UNLEADED

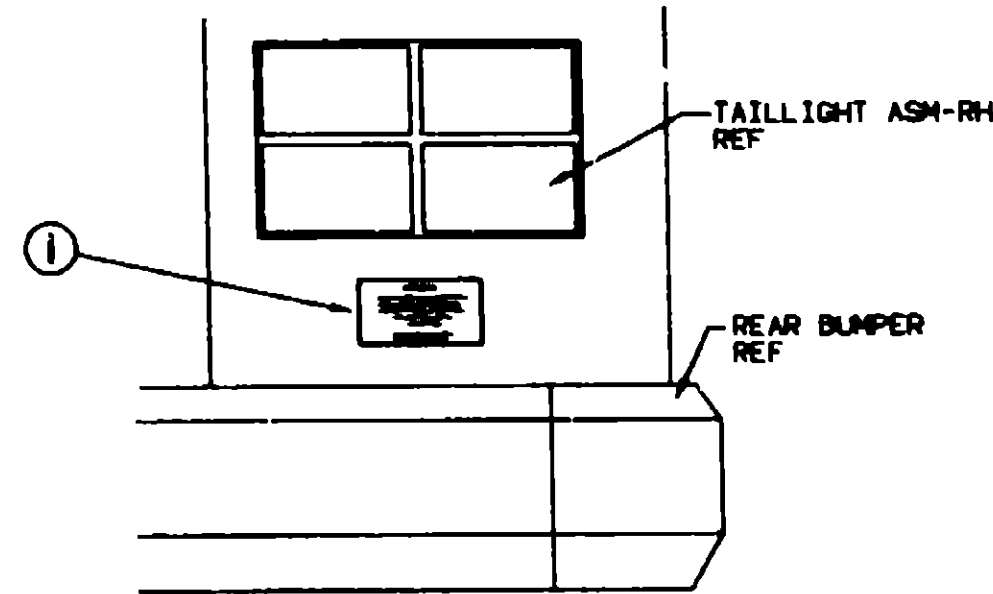


KEY	PART NUMBER	U/M DESCRIPTION
1	054531-01-000	EA LABEL-LP GAS ONLY

**LABELS GROUP (CONTINUED)**



KEY	PART NUMBER	U/M DESCRIPTION
1	008082-01-000	EA TAG-ELECTRIC-110V CONNECTION



**WARNING**

DO NOT EXCEED THE VEHICLE WEIGHT RATINGS OR LOADING RECOMMENDATIONS (E.G., GROSS VEHICLE, GROSS AXLE, GROSS COMBINED) OF THE CHASSIS MANUFACTURER OR WINNEBAGO INC.

REFER TO YOUR OWNERS MANUAL, BEFORE LOADING OR TOWING.

KEY	PART NUMBER	U/M DESCRIPTION
1	075220-01-000	EA LABEL-WARNING-EXTERIOR LOAD

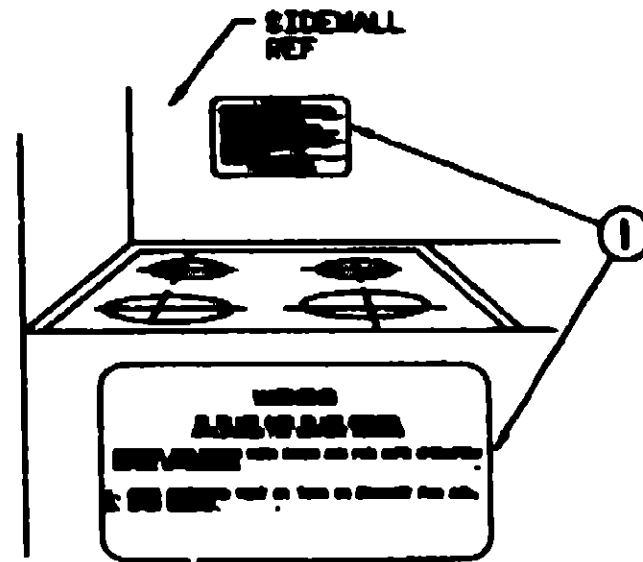
**1992 WINNEBAGO TABLE OF CONTENTS**

INTRODUCTION	A-01 - A-02
ABBREVIATIONS	A-03
ALPHABETICAL INDEX	A-04 - A-08
WF427RQ	A-07 - D-14
WF427RC	D-15 - G-20
WF427RT	G-21 - K-08

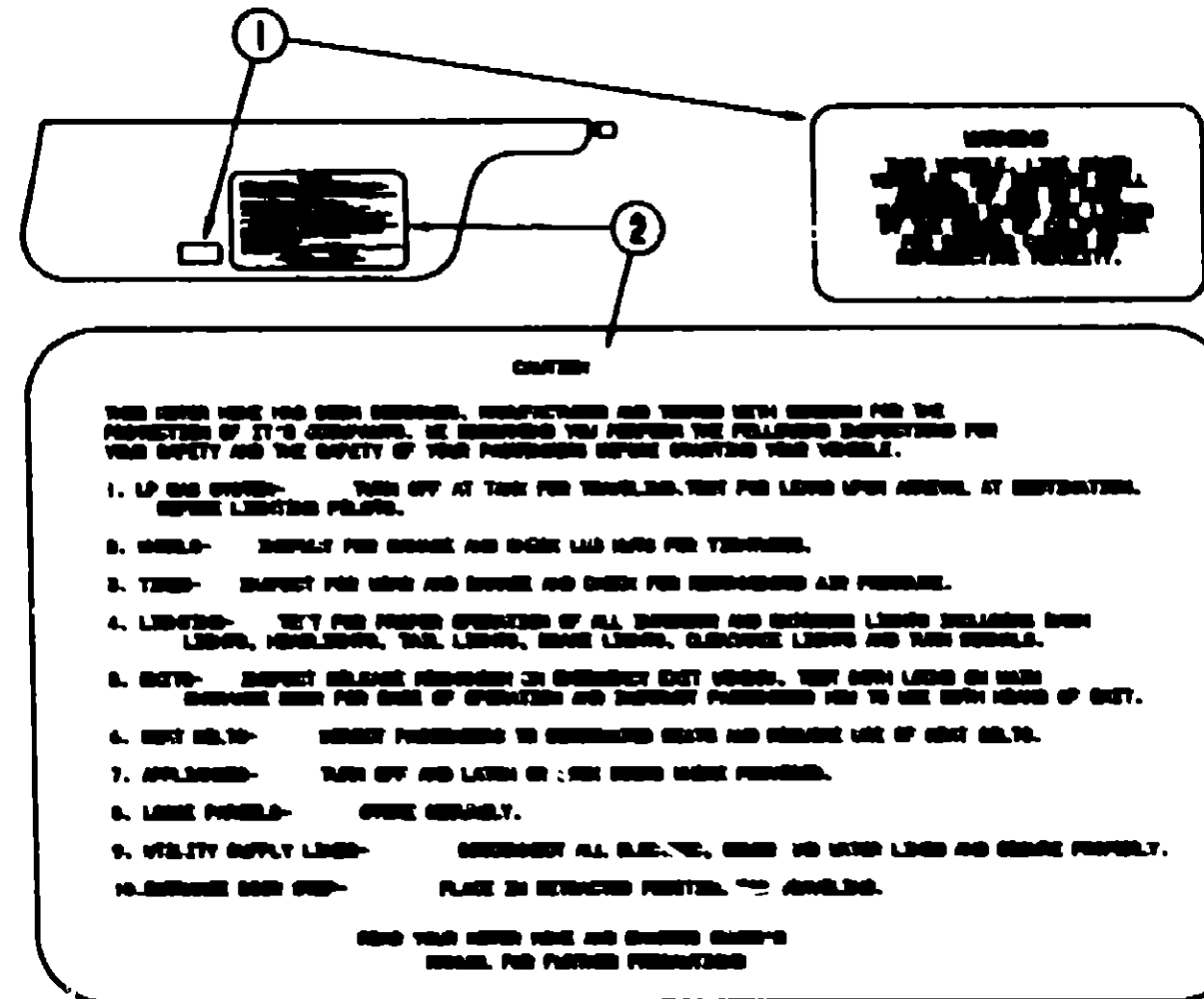
**1992 WF427RQ INDEX**

FLOOR PLAN	A-07 - A-08
ACCESSORIES	A-09
AUDIO VIDEO	A-10
BATH	A-11 - A-12
BEDROOM	A-13 - A-14
CHASSIS	A-15 - A-17
CURTAIN & CUSHION	A-18 - B-01
DINETTE	B-02 - B-03
DRIVERS	B-04 - B-06
ELECTRICAL	B-07 - B-10
EXTERIOR BODY	B-11 - B-17
GALLEY	B-18 - B-21
GENERATOR	B-22
HEATING & AC	B-23 - B-24
INTERIOR FINISH	C-01 - C-04
LABEL	C-05 - C-12
LP	C-13
LOUNGE	C-14 - C-15
SEALANTS & FASTENERS	C-16 - C-18
WATER & SEWAGE	C-19 - C-22
WINDOW, VENT AND EXTERIOR DOOR	C-23 - D-14

**LABELS GROUP (CONTINUED)**



KEY	PART NUMBER	U/M DESCRIPTION
1	050225-01-000	EA LABEL-WARNING-STOVE VENT - US



KEY	PART NUMBER	U/M DESCRIPTION
1	050889-01-000	EA LABEL-WARNING-CANCER/TOXICITY
2	050259-01-000	EA LABEL-SAFETY CHECK LIST

**LABELS GROUP (CONTINUED)**

**MISCELLANEOUS LABELS**

KEY	PART NUMBER	U/M DESCRIPTION
	104239-01-000	EA LABEL-GENERATOR CIRCUIT
	008084-01-000	EA LABEL-SEAT W/O SEATBELT (US) NOT INTENDED FOR USE WHILE COACH IN MOTION
	008084-02-000	EA LABEL-SEAT W/O SEATBELT (C8A) NOT INTENDED FOR USE WHILE COACH IN MOTION
	091224-02-000	EA LABEL-TRAILER LIGHTING
	091243-01-000	EA LABEL-AC COVER, "AIR CONDITIONING CIRCUIT. ETC."
	003238-08-000	EA LABEL-CIRCUIT BREAKER
	008041-01-000	EA LABEL-FUEL, UNLEADED - DASH
	074559-01-000	EA DECAL-LOGO, LPG - RED - (CALIF CODE)
	073999-01-000	EA LABEL-LPG ODOR WARNING
	087238-01-000	EA LABEL-CABLE, INPUT
	081417-01-000	EA LABEL-FUEL ON FUEL FILL DOOR
	008040-01-000	EA TAG-GAS REFUELING WARNING-US
	008040-02-000	EA TAG-GAS REFUELING WARNING-CANADIAN

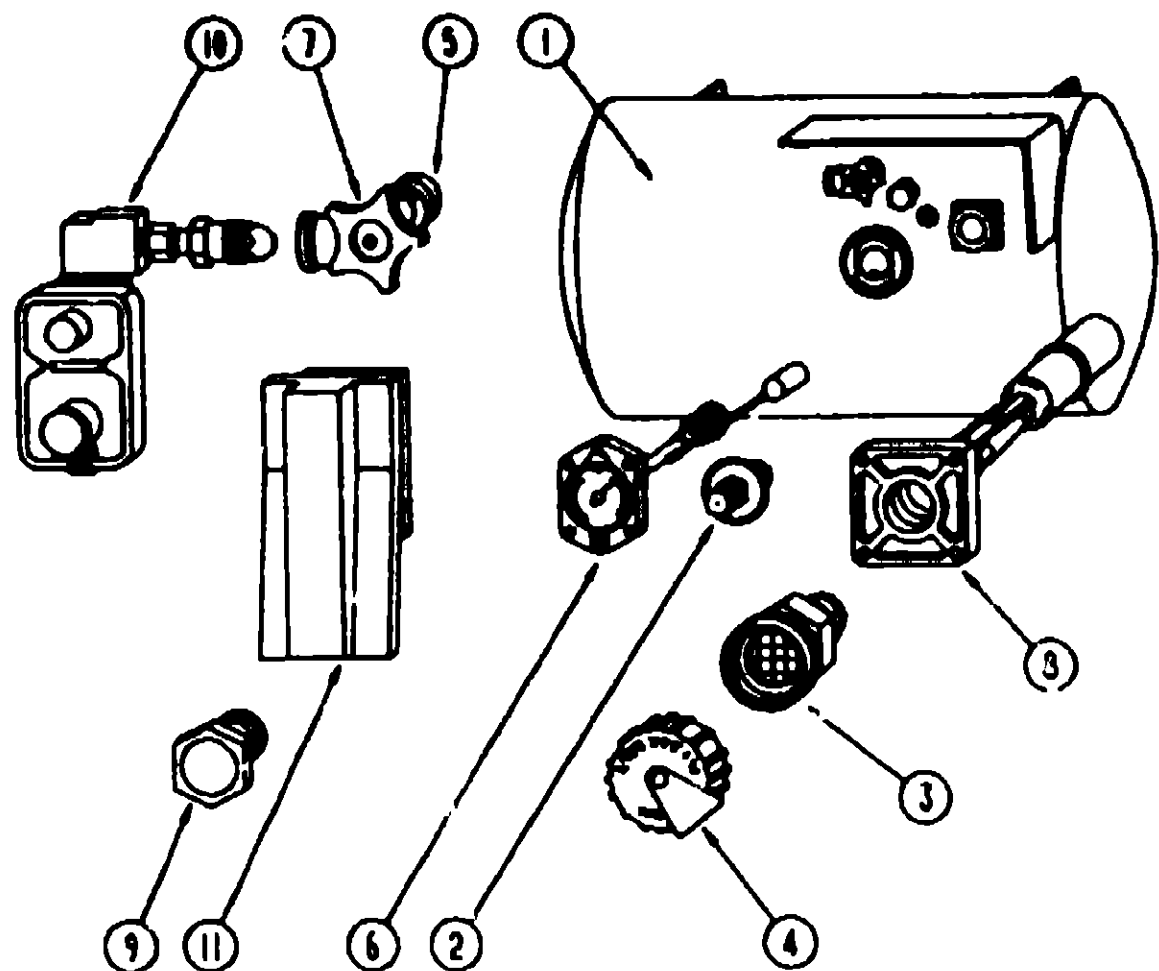
**1992 WINNEBAGO  
TABLE OF CONTENTS**

INTRODUCTION	A-01 - A-02
ABBREVIATIONS	A-03
ALPHABETICAL INDEX	A-04 - A-08
WF427RQ	A-07 - D-14
WF427RC	D-15 - G-20
WF427RT	G-21 - K-08

**1992 WF427RQ INDEX**

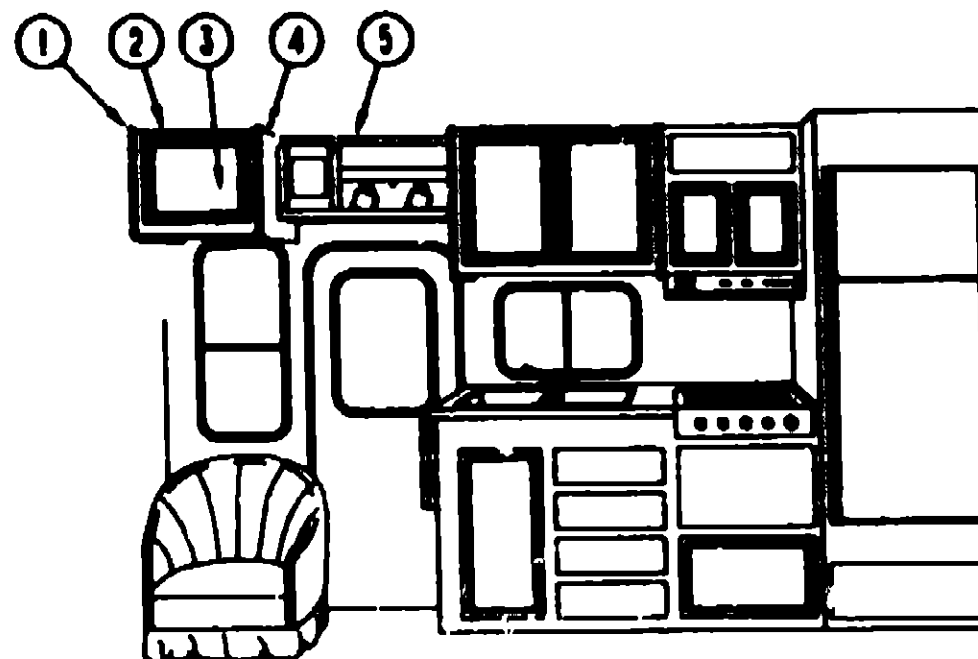
FLOOR PLAN	A-07 - A-08
ACCESSORIES	A-09
AUDIO VIDEO	A-10
BATH	A-11 - A-12
BEDROOM	A-13 - A-14
CHASSIS	A-15 - A-17
CURTAIN & CUSHION	A-18 - B-01
DINETTE	B-02 - B-03
DRIVERS	B-04 - B-06
ELECTRICAL	B-07 - B-10
EXTERIOR BODY	B-11 - B-17
GALLEY	B-18 - B-21
GENERATOR	B-22
HEATING & A/C	B-23 - B-24
INTERIOR FINISH	C-01 - C-04
LABEL	C-05 - C-12
LP	C-13
LOUNGE	C-14 - C-15
SEALANTS & FASTENERS	C-16 - C-18
WATER & SEWAGE	C-19 - C-22
WINDOW, VENT / NO EXTERIOR DOOR	C-23 - D-14

**LP GROUP**



**LP TANK & COMPONENTS**

**LOUNGE GROUP**



**OVERHEAD CABINETRY**

**1992 WINNEBAGO  
TABLE OF CONTENTS**

INTRODUCTION	A-01 - A-02
ABBREVIATIONS	A-03
ALPHABETICAL INDEX	A-04 - A-08
WF427RQ	A-07 - D-14
WF427RC	D-15 - G-30
WF427RT	G-31 - K-08

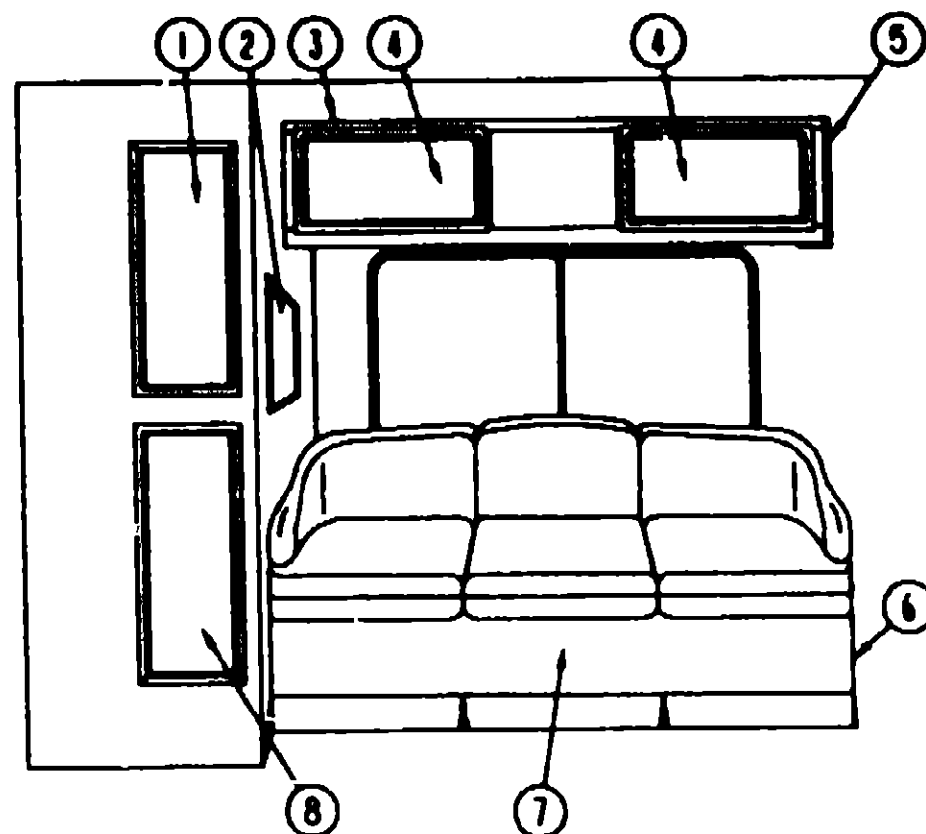
**1992 WF427RQ INDEX**

FLOOR PLAN	A-07 - A-08
ACCESSORIES	A-09
AUDIO VIDEO	A-10
BATH	A-11 - A-12
BEDROOM	A-13 - A-14
CHASSIS	A-15 - A-17
CURTAIN & CUSHION	A-18 - B-01
DINETTE	B-02 - B-03
DRIVERS	B-04 - B-06
ELECTRICAL	B-07 - B-10
EXTERIOR BODY	B-11 - B-17
GALLERY	B-18 - B-21
GENERATOR	B-22
HEATING & A/C	B-23 - B-24
INTERIOR FINISH	C-01 - C-04
LABEL	C-05 - C-12
LP	C-13
LOUNGE	C-14 - C-15
SEALANTS & FASTENERS	C-16 - C-18
WATER & SEWAGE	C-19 - C-22
WINDOW, VENT AND EXTERIOR DOOR	C-23 - D-14

KEY	PART NUMBER	U/M	DESCRIPTION	
1	081280-40-C03	EA	CAP ASM-END-OVERHEAD	
				FROM 00-00-00 THRU 08-29-91
1	104335-77-C62	EA	CAP ASM-END-OVERHEAD	
				FROM: 08-30-91 THRU: 99-99-99
1	104335-18-C03	EA	CAP ASM-END-OVERHEAD WTV	
2	M05823-01-C03	EA	CABINET ASM-OVERHEAD-FRONT-RIGHT	
2	M05823-28-C03	EA	CABINET ASM-OVERHEAD TV	
	108452-11-C03	EA	SHLEF ASM	
	081604-01-000	EA	SLIDE-BOLT-ANTIQUE BRASS	
	101910-03-000	EA	SLIDE-DRAWER-CABINET MOUNTED - SET OF 2 - 12" LONG	
	101910-04-000	EA	SLIDE-DRAWER-DRAWER MOUNTED - SET OF 2 - 12"	
3	P05223 04 C03	EA	DOOR ASM-W/O HARDWARE	
4	081280-39-C03	EA	CAP ASM-END-OVERHEAD	
				FROM 00-00-00 THRU 08-29-91
4	104335-08-C52	EA	CAP ASM-END-OVERHEAD	
				FROM: 08-30-91 THRU: 99-99-99
4	104335-17-C03	EA	CAP ASM-END-OVERHEAD WTV	
5	105847-05-C06	EA	KEY RING HOLDER	
	103130-01-000	EA	HOOK-CLIP-BRASS - 1.25"	

KEY	PART NUMBER	U/M	DESCRIPTION
1	080450-01-000	EA	TANK-LP,42LB 13DIA X 24LONG
2	040421-01-700	EA	VALVE-LIQUID LEVEL, 20% LP - BRUNNER G-1013
3	040421-01-701	EA	VALVE-SHORT LP FILLER W/YELLOW CAP - BRUNNER 75478
4	040421-01-702	EA	CAP-LP FILLER VALVE, PLASTIC - YELLOW - BRUNNER G-1014-A
5	040421-01-703	EA	VALVE-SERVICE W/HANDWHEEL (REGO 9106CO) - BRUNNER G-1015
6	040421-01-707	EA	GAUGE-FLOAT W/VISIBLE DIAL - BRUNNER MA-9 6244-4
	040440-02-000	EA	DIAL-TRANSMITTER 0-20 OHM
7	040421-01-708	EA	HANDWHEEL-SERVICE VALVE BRUNNER G-1015-A
8	040421-01-711	EA	VALVE W/PLATE, BOLT & GASKET - 80%
9	040421-01-713	EA	VALVE-VAPOR ONLY, BRUNNER 29000587
10	108150-01-000	EA	REGULATOR-TWO STAGE - 1.5" 0.00
11	105868-01-000	EA	COMPARTMENT-LP REGULATOR
	085741-01-000	EA	GAUGE-DIAPHRAGM PRESSURE
	085742-01-000	EA	TEE .38F X .38F X .25FPT - BRASS
	010377-02-000	EA	NUT-BRASS 3/8 FEMALE - FORGED
	045703-01-000	EA	HOSE-LP, 3/8" ID X 24' - 3/8" MPT X 1/2" F SWIVEL - U S
	045703-02-000	EA	HOSE-LP, 3/8" ID X 24' - 3/8" MPT X 1/2" F SWIVEL - CANADA
	103813-01-000	EA	DETECTOR-LP GAS - CCI 7730/PFIE-TELL 1
			FROM: 01-20-92 THRU 99-99-99
	066318-02-000	EA	ELBOW-90 DEGREE, 3/8" MPT TO 3/8" FPT
	081938-01-000	EA	COVER-COMPARTMENT, LP REGULATOR - BLACK
	086824-01-000	EA	ELBOW-90 DEGREE, 1/4" FPT X 1/4" FPT - BRASS
	071381-02-000	EA	NIPPLE-HEX, 1/4" PIPE - 3325X4 WEATHERHEAD
	024250-01-000	EA	ADAPTER-BRASS, 3/8" F X 1/2" FPT
	010377-02-000	EA	NUT-BRASS 3/8 FEMALE - FORGED
	010251-01-000	EA	ELBOW-BRASS 90 DEGREE - 3/8" F X 3/8" MPT

**LOUNGE GROUP (CONTINUED)**



**LOUNGE CABINET HARDWARE**

KEY	PART NUMBER	UOM	DESCRIPTION
1	P05223-07-C03	EA	DOOR ASM-W/O HARDWARE-305 X 1015
2	058331-01-000	EA	MIRROR-GLASS-SAFETY - 10" X 28"
3	M05823-02-C03	EA	CABINET ASM-OVERHEAD
3	M05823-02-C04	EA	CABINET ASM-OVERHEAD
4	P05223-04-C03	EA	DOOR ASM-W/O HARDWARE-400X520
5	104335-08-C52	EA	CAP ASM-END-OVERHEAD
6	M04187-18-CA9	EA	CABINET-COUCH W/FABRIC
6	M04187-18-B88	EA	CABINET-COUCH W/FABRIC
7	M04187-17-CA9	EA	CABINET-COUCH W/FABRIC
7	M04187-17-B88	EA	CABINET-COUCH W/FABRIC
	082525-02-000	EA	BRACE-COUCH FLOOR MOUNT - ANGLE 3" LONG - METAL
	060101-01-002	EA	EXTR-CORNER KEY L-SHAPED - 192" - ALUMINIUM
	083125-03-000	EA	BRACE-COUCH-TAN - 2.5"
8	P05223-07-C03	EA	DOOR ASM-W/O HARDWARE-305X1015
	081288-01-C03	EA	TABLE ASM-PEDESTAL
	088040-02-000	EA	PEDESTAL TABLE LEG-27 5" X 2.25" DIA - CHROME
	041194-01-000	EA	BASE-TABLE- FLUSH - FLOOR MOUNTED
	082048-01-000	EA	CLIP-LEG- PEDESTAL - 1 7" X 2.2" - DIA. FROM 2" TO 2.5"

**SEALANTS & FASTENERS GROUP**

**ADHESIVE**

KEY	PART NUMBER	UOM	DESCRIPTION
	084852-02-000	EA	SILICONE-TUBE- 300 ML - CLEAR
	084853-08-000	EA	SILICONE-TUBE 300ML- OFF WHITE
	063788-08-000	EA	BEDDING COMPOUND-TUBE- CLEAR
	063788-08-000	EA	BEDDING COMPOUND-TUBE- GRAY - SCHNEE # 5522
	083842-01-000	FT	TAPE-ADHESIVE- 10MM X 1.5- WIDE
	081285-02-000	FT	SEAL-ADHESIVE BACKED FOAM, .18" THICK X 1.5" WIDE
	088840-01-000	FT	SEALER-RIBBON- 1/4" DIAMETER - INCREMENTS OF 30'
	088840-02-000	FT	SEALER-RIBBON- 1/2" X 1/8" - INCREMENTS OF 30' OR 60'
	088840-03-000	FT	SEALER-RIBBON- 3/4" X 1/8" - INCREMENTS OF 60'
	088840-06-000	FT	SEALER-RIBBON- 5/16" DIAMETER - INCREMENTS OF 25'
	088840-10-000	FT	SEALER-RIBBON- 1/32" X 1 1/2" INCREMENTS OF 90'
	088840-11-000	FT	SEALER-TAPE-3/16"X3/8" BLACK MANUS
	072889-01-000	EA	SEALANT-URETHANE- BLACK - 1/10 - ESSEX 562.2
	078314-02-000	FT	TAPE-CARPET SEAM- HEAT-BOND - 4" WIDE
	078322-01-000	FT	TAPE-FOAM- DOUBLE COATED ADHESIVE BACKED - 75" X 216"
	078322-02-000	FT	TAPE-FOAM- DOUBLE COATED ADHESIVE BACKED - 1" X 108"
	078322-05-000	FT	TAPE-FOAM- DOUBLE COATED - 025" X 1 5" X 108"
	087211-01-000	GL	PROMOTER-ADHESIVE
	102352-01-000	EA	SEALER-PUMPABLE BLACK - COLORIMETRIC M8101
	108718-01-000	EA	SILICONE(TUBE) OFF WHT LEVEL CSL 510

**BOLTS, NUTS, & WASHERS**

KEY	PART NUMBER	UOM	DESCRIPTION
	061387-06-000	EA	BOLT-CARRIAGE- W/O HOLE - 5/16-18 X 9 5 ZINC
	0M0C31K-08-020	EA	BOLT-HEX-SERRATED FLANGE - M8 X 020
	000C28-04-108	EA	BOLT-HEX-SERRATED FLANGE - 1/4-20 X 5/8 ZINC
	000C28-05-128	EA	BOLT-HEX-SERRATED FLANGE 5/16-18X3/4 ZINC
	000C12-05-168	EA	BOLT-HEX- 5/16-18 X 1 - ZINC 5
	000C12-08-328	EA	BOLT-HEX-3/8-18X2LG-ZINC 5
	000C12-08-248	EA	BOLT-HEX- 1/2-13 X 1 1/2 - ZINC 5
	000C12-10-248	EA	BOLT-HEX- 5/8-11 X 1 1/2 ZINC - 5
	000C13-07-488	EA	BOLT-HEX- 7/16 - 20 X 3 - ZINC 5
	000C18-05-40A	EA	BOLT-ELEV-5/16-18X21/2 PL
	000C18-08-488	EA	BOLT-ELEV- 3/8-18 X 3 ZINC - GRADE 5
	000G45-05-168	EA	BOLT-LAG 5/16 - 9 X 1 ZINC
	000D14-05-008	EA	NUT-HEX- 5/16-18 - ZINC 5
	000D24-10-008	EA	NUT-HEX-SELF LOCKING-10-32 ZINC
	104389-01-000	EA	NUT-HEX-HEAVY-5/8-11 UNC SPARE TIRE INSTL
	000D29-09-008	EA	NUT-HEX-SELF LOCKING- 8/16-12 ZINC
	000D39-04-008	EA	NUT-HEX-SERRATED FLANGE-LOCKING 1/4 - 20 ZINC
	000D39-05-008	EA	NUT-HEX-SERRATED FLANGE-LOCKING - 5/16 - 18 ZINC
	000D39-06-008	EA	NUT-HEX-SERRATED FLANGE-LOCKING - 3/8-18 ZINC
	000D39-08-008	EA	NUT-HEX-SERRATED FLANGE-LOCKING - 1/2-13 ZINC
	000D44-07-008	EA	NUT-HEX-SERRATED FLANGE-LOCKING - 7/16-20 ZINC
	044384-02-000	EA	NUT-SPEED- FLAT - ROUND
	000E11-07-008	EA	WASHER-LOCKING-7/16 MED SPLIT ZINC
	000E13-11-008	EA	WASHER-FLARE-3/16" WIDE - ZINC
	000E13-14-008	EA	WASHER-FLARE-1/4" WIDE ZINC
	000E13-20-008	EA	WASHER-FLARE-7/16 WIDE ZINC
	000E13-21-008	EA	WASHER-FLARE-W/2 NAR ZINC
	000E14-10-008	EA	WASHER-LOCKING - NO 10 EXT TOOTH - ZINC
	041322-01-000	EA	WASHER-FLARE-15/32ID X 23/8 OD FOR SEAT BELT MT
	044533-01-000	EA	WASHER-PLASTIC- 1 3/8"OD - FOR BUTTONS

**1992 WINNEBAGO TABLE OF CONTENTS**

INTRODUCTION	A-01 - A-02
ABBREVIATIONS	A-03
ALPHABETICAL INDEX	A-04 - A-06
WF427RQ	A-07 - D-14
WF427RC	D-15 - G-20
WF427RT	G-21 - K-03

**1992 WF427RQ INDEX**

FLOOR PLAN	A-07 - A-08
ACCESSORIES	A-09
AUDIO VIDEO	A-10
BATH	A-11 - A-12
BEDROOM	A-13 - A-14
CHASSIS	A-15 - A
CURTAIN & CUSHION	B-18 - B-01
DINETTE	B-02 - B-03
DRIVERS	B-04 - B-05
ELECTRICAL	B-07 - B-10
EXTERIOR BODY	B-11 - B-17
GALLEY	B-18 - B-21
GENERATOR	B-22
HEATING & A/C	B-23 - B-24
INTERIOR FINISH	C-01 - C-04
LABEL	C-05 - C-12
LP	C-13
LOUNGE	C-14 - C-15
SEALANTS & FASTENERS	C-16 - C-18
WATER & SEWAGE	C-19 - C-22
WINDOW, VENT AND EXTERIOR DOOR	C-23 - D-14

**SEALANTS & FASTENERS GROUP (CONTINUED)**

**SCREWS**

KEY	PART NUMBER	U/M	DESCRIPTION
	000G54-04-20B	EA	SCREW-1/4-20 X 1 1/4 PPH - TYPE 2B - ZINC PLATED
	000G98-08-10G	EA	SCREW-8-18 X 5/8 PPH - ANTIQUE BRASS
	000G11-08-10J	EA	SCREW-8-20 X 5/8 PPH - BRASS
	000G12-08-08T	EA	SCREW-8-20 X 5/8 PPH - BLACK
	000G13-08-08B	EA	SCREW-8-20 X 5/8 PPH - ZINC
	000G13-08-08G	EA	SCREW-8-20 X 5/8 PPH - ANTIQUE BRASS
	000G13-08-16J	EA	SCREW-8-20 X 1.00 PPH - BRASS
	000G13-08-24J	EA	SCREW-8-20 X 1.50 PPH - BRASS
	000G11-07-08B	EA	SCREW-7-19 X 5/8 PPH - ZINC
	000G13-07-12B	EA	SCREW-7-19 X 7/8 PPH - ZINC
	000G13-08-18B	EA	SCREW-8-18 X 1 PPH - ZINC
	074048-01-000	EA	SCREW-8-18 X 1.50 PPH - BRONZE
	000G11-08-08B	EA	SCREW-8-18 X 3/4 PPH - ZINC
	000G11-08-08B	EA	SCREW-8-18 X 5/8 PPH - ZINC
	000G11-08-12B	EA	SCREW-8-18 X 7/8 PPH - ZINC
	000G11-08-12D	EA	SCREW-8-18 X .75 PPH - BLACK
	000G11-08-12E	EA	SCREW-8-18 X 7/8 PPH - CHROME
	000G11-08-12F	EA	SCREW-8-18 X 7/8 PPH - DARK BROWN
	000G11-08-12F	EA	SCREW-8-18 X .75 PPH - BEIGE
	000G11-08-12S	EA	SCREW-8-18 X .75 PPH - OFF WHITE
	000G11-08-12T	EA	SCREW-8-18 X 7/8 PPH - BLACK
	000G12-08-12F	EA	SCREW-8-18 X .75 PPH - BEIGE
	000G12-08-12S	EA	SCREW-8-18 X .75 PPH - OFF WHITE
	000G12-08-16S	EA	SCREW-8-18 X 1.00 PPH - OFF WHITE
	000G11-08-16S	EA	SCREW-8-16 X 1.00 PPH - OFF WHITE
	000G67-10-08B	EA	SCREW-10-12 X 1/2 PPH - ZINC
	000G67-10-08F	EA	SCREW-10-12 X 1/2 PPH - BEIGE - TYPE A
	000G67-10-10B	EA	SCREW-10-12 X 5/8 PPH - ZINC - TYPE A
	000G67-10-10F	EA	SCREW-10-12 X 5/8 PPH - TYPE A - BEIGE
	000G67-10-10S	EA	SCREW-10-12 X 5/8 PPH - OFF WHITE
	000G67-10-12B	EA	SCREW-10-12 X 3/4 PPH - ZINC
	000G67-10-12F	EA	SCREW-10-12 X 7/8 PPH - DARK BROWN
	000G67-10-12F	EA	SCREW-10-12 X .75 PPH - BEIGE
	000G67-10-12D	EA	SCREW-10-12 X .75 PPH - TAN
	000G67-10-16B	EA	SCREW-10-12 X 1 PPH - ZINC
	000G57-10-16P	EA	SCREW-10-12 X 1 PPH - DARK BROWN
	000G67-10-20D	EA	SCREW-10-12 X 1 1/4 PPH - BLACK
	000G67-10-24B	EA	SCREW-10-12 X 1 1/2 PPH - ZINC
	000G67-10-32B	EA	SCREW-10-12 X 2 PPH - ZINC
	000G69-10-36T	EA	SCREW-10-12 X 2.25 PPH - BLACK
	000G11-10-12S	EA	SCREW-10-16 X .75 PPH - OFF WHT
	048485-04-000	EA	SCREW-10-16 X 1 PTH W/WASHER - BEIGE
	000G13-10-12B	EA	SCREW-10-16 X 3/4 PPH - ZINC
	000G32-10-08B	EA	SCREW-10-32 X 3/8 PPH - ZINC
	0MG22B-03-008	EA	SCREW-MACHINE-M3 0X.5X8 PPH - ZINC
	000G18-08-16B	EA	SCREW-MACHINE- 8 X 32 X 1 - PPH - ZINC
	000G18-08-22B	EA	SCREW-MACHINE- 8-32 X 1 3/8 PPH - ZINC
	000G60-04-12B	EA	SCREW-MACHINE-1/4-20 X 3/4 PPH - ZINC
	000G53-04-06B	EA	SCREW-MACHINE-1/4-20 X 3/8 PPH - ZINC - UNDERCUT HEAD
	075808-01-000	EA	SCREW-MACHINE- 10-32 X 5/8 PTH - ZINC - EXTERNAL TOOTH

**SEALANTS & FASTENERS GROUP (CONTINUED)**

**SCREWS (CONTINUED)**

KEY	PART NUMBER	U/M	DESCRIPTION
	000G39-08-08B	EA	SCREW-DR-8-18X1/2 - ZINC
	000G39-08-10T	EA	SCREW-SF/DR- 8-20 X 5/8 PPH - BLACK
	000G39-08-10T	EA	SCREW-SF/DR- 8-20 X 5/8 PPH - BLACK
	000G39-08-08B	EA	SCREW-SF/DR- 8-18 X 3/8 PPH - ZINC
	000G39-08-08B	EA	SCREW-SF/DR- 8-18 X 1/2 PPH - ZINC
	000G39-08-08F	EA	SCREW-SF/DR- 8-18 X 1/2 PPH - BEIGE
	000G39-08-08B	EA	SCREW-SF/DR- 8-18 X 1/2 PPH - OFF WHITE
	000G39-08-12B	EA	SCREW-SF/DR- 8-18 X 3/4 PPH - ZINC
	000G39-08-12F	EA	SCREW-SF/DR- 8-18 X 3/4 PPH - BEIGE
	000G39-08-16B	EA	SCREW-SF/DR- 8-18 X 1 PPH - ZINC
	000G39-08-16B	EA	SCREW-SF/DR- 8-18 X 1.00 PPH - OFF WHITE
	000G39-08-24B	EA	SCREW-SF/DR- 8-18 X 1 1/2 PPH - ZINC
	000G39-10-12D	EA	SCREW-SF/DR- 10-16 X 3/4 PPH - BLACK
	000G39-10-12F	EA	SCREW-SF/DR- 10-16 X 3/4 PPH - BEIGE
	000G80-10-28T	EA	SCREW-SF/DR- 10-16 X 1.75 - BLACK
	000G39-10-12B	EA	SCREW-SF/DR-10-16X.75 PPH - FLUOROCARBON SILVER
	000G39-10-20B	EA	SCREW-SF/DR- 10-18 X 1 1/4 PPH - ZINC
	000G39-12-12E	EA	SCREW-SF/DR- 12 - 14 X 3/4 PPH - CHROME
	000G42-04-12B	EA	SCREW-SF/DR 1/4-14X3/4HWH - ZINC
	000G42-04-16B	EA	SCREW-SF/DR 1/4-14 X 1 HWH - ZINC
	000G58-12-48B	EA	SCREW-WOOD- 12 - 11 X 3 PPH - SPECIAL HARDENED
	087721-01-000	EA	SCREW-FLAT HEAD- TAPPING - 1/4" X 1 1/4" LG ZINC

**CLAMPS, GROMMETS, & CLIPS**

KEY	PART NUMBER	U/M	DESCRIPTION
	000H16-04-08F	EA	RIVET-POP- AL 1/8 X 313- 375
	007181-01-000	EA	CLAMP-HOSE- SPRING TYPE - 1/2"
	010485-01-000	EA	CLAMP-CABLE- 9/16"
	010487-01-000	EA	CLAMP-CLOSED- 5/8" ID
	010487-03-000	EA	CLAMP-CLOSED- 1" ID - CUSHIONED
	010488-01-000	EA	CLAMP-CLOSED- 3/8" ID
	023942-01-000	EA	GROMMET-RUBBER- 2" OD
	082401-01-000	EA	CLAMP-HOSE- WORMGEAR 25" - 1"
	082401-02-000	EA	CLAMP-HOSE- WORMGEAR- 1 5/8" - 2.5"
	082401-04-000	EA	CLAMP-HOSE- WORMGEAR 60" - 1.25"
	082401-08-000	EA	CLAMP-HOSE- WORMGEAR 22" - 62"
	071015-11-000	EA	GROMMET-RUBBER- 1" ID X 1.75" OD W/ 12" GROOVE - BLACK
	071015-26-000	EA	GROMMET-RUBBER- 1 5/8" ID X 2.12" OD W/ 06" GROOVE - BLACK
	071015-30-000	EA	GROMMET-RUBBER- .31" ID X .81" OD W/ 12" GROOVE - BLACK
	075148-02-000	EA	CLAMP-GROUNDING- BRONZE SCREWS
	080734-02-000	EA	CLIP-WIRE- NYLON
	082149-01-000	EA	STUD-CLINCH- 3/8" X 24 X 1.12 GDS
	083809-01-000	EA	CLAMP-WIRE- DUAL EQUAL - 5/8" DIAMETER
	083810-01-000	EA	CLAMP-WIRE- DUAL - UNEQUAL DIAMETERS - 7/8" & 1.25"
	085774-01-000	FT	FASTENER-DUAL HOOK- 1" WIDE - ADHESIVE BACK - BLACK
	085774-02-000	FT	FASTENER-DUAL LOOP- 1" WIDE - ADHESIVE BACK - BLACK
	101447-01-000	EA	CLIP-U TYPE- TINNED IRON HOLDS SHOWER SURROUND TOGETHER

**1992 WINNEBAGO  
TABLE OF CONTENTS**

INTRODUCTION	A-01	A-02
ABBREVIATIONS		A-03
ALPHABETICAL INDEX	A-04	A-08
WF427RQ	A-07	D-14
WF427RC	D-15	G-20
WF427RT	G-21	K-08

**1992 WF427RQ INDEX**

FLOOR PLAN	A-07	A-08
ACCESSORIES		A-09
AUDIO VIDEO		A-10
BATH	A-11	A-12
BEDROOM	A-13	A-14
CHASSIS	A-15	A-17
CURTAIN & CUSHION	A-18	B-01
DINETTE	B-02	B-03
DRIVERS	B-04	B-08
ELECTRICAL	B-07	B-10
EXTERIOR BODY	B-11	B-17
GALLEY	B-13	B-21
GENERATOR		B-22
HEATING & A/C	B-23	B-24
INTERIOR FINISH	C-01	C-04
LABEL	C-05	C-12
LP		C-13
LOUNGE	C-14	C-15
SEALANTS & FASTENERS	C-16	C-18
WATER & SEWAGE	C-19	C-22
WINDOW, VENT AND EXTERIOR DOOR	C-23	D-14

**WATER & SEWAGE GROUP**

**FRESH WATER TANK**

KEY	PART NUMBER	U/M DESCRIPTION
	084214-07-000	EA TANK-WATER, W/FITTINGS - 31 GALLON - 30" X 24" X 12.7"
	077864-02-000	EA FILTER-WATER TANK SCREEN IN TANK
	042888-03-000	EA FITTING-WATER TANK SPINWELD - 1 1/4"NPT - PLASTIC - WHITE
	042888-04-000	EA FITTING-WATER TANK SPINWELD - 3/8" FPT - PLASTIC - WHITE
	042888-05-000	EA FITTING-WATER TANK SPINWELD - 1/2" FPT - PLASTIC - WHITE
	048032-01-000	EA PATCH-SPINWELD 3/8" - PLASTIC
	038881-01-000	EA SENDING UNIT W/SCREW, WASHER, WELL NUT AND TERMINAL RING

**WATER SYSTEM**

KEY	PART NUMBER	U/M DESCRIPTION
	038522-02-000	EA CAP-BRASS, 1/2" FLARE
	108000-01-000	EA CAP-FEMALE W/CONE .50 KEVCO TC3F
	010224-01-000	EA ADAPTER-HOSE TO PIPE 3/8" MPT X 3/8" BARB - PLASTIC BLACK
	044827-01-000	EA ADAPTER-HOSE TO PIPE 1 1/4"MPT X 1 1/4"BARB-BLACK PLASTIC
	052864-01-000	EA ADAPTER-HOSE CONE, 3/8" OR 1/2" TUBING - PLASTIC - GRAY
	078317-01-000	EA ADAPTER-SWIVEL 1/2" TUBE X 1/2" FPT - PLASTIC - GRAY
	108258-01-000	EA CAP-INSERTABLE 1/2 FLARE
	088417-01-000	EA CONNECTOR-5/8" F X 1/2"MPT PLASTIC - KEVCO
	101814-01-000	EA COUPLING-FEMALE 1/2" X 1/2" FPT
	052880-01-000	EA DRAIN VALVE-IN LINE HEADER - 1/2" F X 1/2" F - GRAY PLAS
	052880-03-000	EA DRAIN VALVE-IN LINE HEADER - 5/8" F X 5/8" F - PLASTIC
	052881-02-000	EA DRAIN VALVE-IN LINE HEADER - 1/2" MPT X 1/2" F X 1/2" F X 1/2" F - PLASTIC
	035280-01-000	EA ELBOW-5/8" F X 1/2"MPT
	052857-02-000	EA ELBOW-MALE, 1/2" F X 1/2" MPT - PLASTIC - GRAY
	087858-04-000	EA FILL-WATER CITY - OFF WHITE
	087858-01-700	EA FILL-WATER STRAP & CAP ONLY - W/322-00
	046128-01-000	EA VALVE-DRAIN PLASTIC - 1/2" FPT
	065120-01-000	EA ELBOW-SWIVEL 1/2" FPT X 1/2" FLARE - PLASTIC - GRAY
	052853-01-000	EA NUT-FAUCET, 1/2" TUBE X 1/2" FPT - PLASTIC - GRAY
	052852-01-000	EA NUT-PLASTIC 1/2" F X 1/2" TUBE - GRAY
	052852-02-000	EA NUT-PLASTIC 5/8" FLARE
	038788-01-000	EA TEE-1/2"MPT X 1/2"MPT X 1/2"MPT PLASTIC
	052858-01-000	EA TEE 1/2" F X 1/2" F X 1/2" F - PLASTIC - GRAY
	055291-01-000	EA TEE-PLASTIC 5/8" F X 5/8" F X 5/8" F
	055293-01-000	EA TEE-PLASTIC, 5/8" F X 1/2" F X 5/8" F
	057973-01-000	EA TEE-PLASTIC, 1/2" F X 1/2" F X 5/8" F - WATER
	057974-01-000	EA TEE-5/8" F X 1/2" F X 1/2" F PLASTIC
	038800-01-000	FT TUBING-POLYBUTYL 1/2" OD - INCREMENTS OF 20" - BLACK
	038800-02-000	FT TUBING-POLYBUTYL 5/8" OD - INCREMENTS OF 20" - BLACK
	078381-01-000	FT TUBING-SMOOTH FLEXIBLE 1 1/4" ID - INCREMENTS OF 20"
	074462-02-000	FT TUBING-VINYL 3/8" ID - CLEAR - INCREMENTS OF 20"

**WATER PUMP**

KEY	PART NUMBER	U/M DESCRIPTION
	088807-01-000	EA PUMP-WATER- W/ 5"MPT FITTING - SHURFLO 2.8 GPM - UL
	088807-01-700	EA PUMPHEAD-REPLACEMENT - 94-236-08
	088807-01-701	EA DRIVE ASSEMBLY - 94-234-03
	088807-01-702	EA DIAPHRAGM KIT - 94-233-10
	088807-01-703	EA VALVE ASSEMBLY - 94-232-00
	088807-01-704	EA HOUSING-UPPER - 94-231-01
	088807-01-705	EA CHECK VALVE KIT - 94-237-00
	088807-01-706	EA UPPER HOUSING/SWITCH KIT - 94-231-20
	088807-01-707	EA MOTOR/BASEPLATE REPLACEMENT - 94-235-03

**WATER & SEWAGE GROUP (CONTINUED)**

**WATER HEATER W/REAR HEATER**

KEY	PART NUMBER	U/M DESCRIPTION
	087887-01-000	EA SWITCH-WATER HEATER, ATWOOD 91858
	051381-03-000	EA HEATER-WATER, W/ELECTRIC IGNITION - ATWOOD 38A-3E
	051381-01-700	EA HINGE KIT-W/CLIP, ATWOOD # 92588 & 92558
	051381-01-704	EA VALVE-RELIEF, 1/2" FITTING - ATWOOD# 91804
	051381-01-705	EA FASTENER-CAMLOC, ATWOOD# 92808
	051381-01-708	EA GRILLE-EXHAUST, ATWOOD# 92787
	051381-01-708	EA BURNER-MAIN, 3E ONLY - ATWOOD# 92615
	051381-01-710	EA ORIFICE-MAIN BURNER, ATWOOD# 92742
	051381-01-715	EA DRAIN PLUG, ATWOOD# 91581
	051381-04-700	EA TANK-INNER (38A-3E), FRNT MT - ATWOOD# 91808
	051381-04-701	EA THERMOSTAT 12 VDC-120 PRESET, ATWOOD# 91470
	051381-04-708	EA TANK-INNER, 38A-4E & 6E - FRONT MOUNT - ATWOOD# 91841
	051383-01-702	EA SWITCH-ENERGY CUT-OFF, ATWOOD# 91851
	051383-01-703	EA THERMOSTAT-REAR MOUNT, ATWOOD# 91852
	051383-01-704	EA CIRCUIT BOARD-W/BLACK BOX, ATWOOD# 91420
	051383-01-705	EA ORIFICE HOLDER-ATWOOD# 91825
	051383-01-718	EA SPARK & PROBE ASM, ATWOOD# 91808
	051383-01-718	EA VALVE-DUAL SOLENOID, ATWOOD# 91805
	051383-01-721	EA ECO&THERMOSTAT ASM-FRONT MOUNT, 140 DEGREE - ATWOOD# 91447
	051383-03-700	EA TANK-INNER (38A-3E), REAR MT - ATWOOD# 91408

**WATER HEATER W/MOTOR AID**

KEY	PART NUMBER	U/M DESCRIPTION
	051383-01-000	EA HEATER-WATER-W/MOTOR AID-ATWOOD GH8-3E, GH8-4E, OR GH8-6E
	051381-01-700	EA HINGE KIT-W/CLIP, ATWOOD # 92588 & 92558
	051381-01-704	EA VALVE-RELIEF, 1/2" FITTING - ATWOOD# 91804
	051381-01-705	EA FASTENER-CAMLOC, ATWOOD# 92808
	051381-01-708	EA GRILLE-EXHAUST, ATWOOD# 92787
	051381-01-708	EA BURNER-MAIN, 3E ONLY - ATWOOD# 92615
	051381-01-710	EA ORIFICE-MAIN BURNER, ATWOOD# 92742
	051381-01-714	EA ELBOW-45 DEGREE, 3/8" F X 3/8" MPT - ATWOOD 91044
	051381-01-715	EA DRAIN PLUG, ATWOOD# 91581
	051381-04-701	EA THERMOSTAT 12 VDC-120 PRESET, ATWOOD# 91470
	051381-04-704	EA TANK-INNER, FRONT MOUNT - GH8-4E & 6E - ATWOOD 91642
	051383-01-700	EA TANK-INNER, 3E FRONT MOUNT - ATWOOD# 91023
	051383-01-702	EA SWITCH-ENERGY CUT-OFF, ATWOOD# 91851
	051383-01-703	EA THERMOSTAT-REAR MOUNT, ATWOOD# 91852
	051383-01-704	EA CIRCUIT BOARD-W/BLACK BOX, ATWOOD# 91420
	051383-01-705	EA ORIFICE HOLDER-ATWOOD# 91825
	051383-01-714	EA TANK-INNER (GH8-3E),REAR MOUNT - ATWOOD# 91408
	051383-01-718	EA SPARK & PROBE ASM, ATWOOD# 91808
	051383-01-718	EA VALVE-DUAL SOLENOID, ATWOOD# 91805
	051383-01-721	EA ECO&THERMOSTAT ASM-FRONT MOUNT, 140 DEGREE - ATWOOD# 91447

**WATER HEATER**

KEY	PART NUMBER	U/M DESCRIPTION
	051381-01-000	EA HEATER-WATER, ATWOOD 38A-3
	051381-01-700	EA HINGE KIT-W/CLIP, ATWOOD # 92588 & 92558
	051381-01-702	EA TANK-INNER, 38A-2E, 3E, 6E - WATER HEATER - ATWOOD 91412
	051381-01-704	EA VALVE-RELIEF, 1/2" FITTING - ATWOOD# 91804
	051381-01-705	EA FASTENER-CAMLOC, ATWOOD# 92808
	051381-01-708	EA GRILLE-EXHAUST, ATWOOD# 92787
	051381-01-708	EA BURNER-MAIN, 3E ONLY - ATWOOD# 92615
	051381-01-708	EA PILOT ASM-W/THRMOCPL & TUBE 91803 ATWOOD# 91214
	051381-01-710	EA ORIFICE-MAIN BURNER, ATWOOD# 92742
	051381-01-711	EA ELBOW-ORIFICE,MAIN BURNER 92741 ATWOOD#
	051381-01-712	EA THERMOSTAT-3/8"NPT INLET 91801 ATWOOD# 91043
	051381-01-714	EA ELBOW-45 DEGREE, 3/8" F X 3/8" MPT - ATWOOD 91044
	051381-01-715	EA DRAIN PLUG, ATWOOD# 91581

**1992 WINNEBAGO  
TABLE OF CONTENTS**

INTRODUCTION	A-01 - A-02
ABBREVIATIONS	A-03
ALPHABETICAL INDEX	A-04 - A-08
WF427RQ	A-07 - D-14
WF427RC	D-15 - G-20
WF427RT	G-21 - K-08

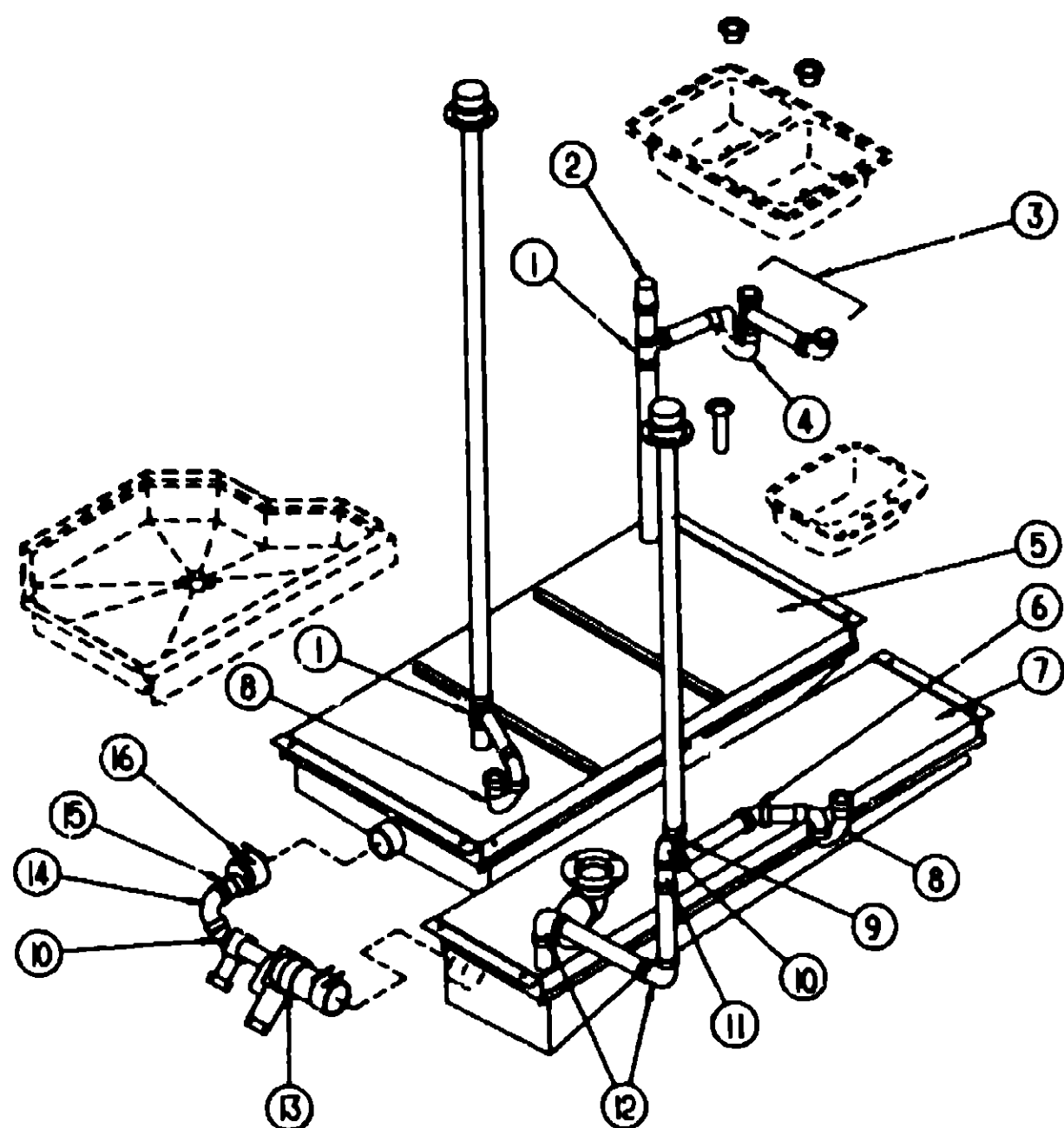
**1992 WF427RQ INDEX**

FLOOR PLAN	A-07 - A-08
ACCESSORIES	A-09
AUDIO VIDEO	A-10
BATH	A-11 - A-12
BEDROOM	A-13 - A-14
CHASSIS	A-15 - A-17
CURTAIN & CUSHION	A-18 - B-01
DINETTE	B-02 - B-03
DRIVERS	B-04 - B-05
ELECTRICAL	B-07 - B-10
EXTERIOR BODY	B-11 - B-17
GALLEY	B-18 - B-21
GENERATOR	B-22
HEATING & AC	B-23 - B-24
INTERIOR FINISH	C-01 - C-04
LABEL	C-05 - C-12
LP	C-13
LOUNGE	C-14 - C-15
SEALANTS & FASTENERS	C-16 - C-18
WATER & SEWAGE	C-19 - C-22
WINDOW, VENT AND EXTERIOR DOOR	C-23 - D-14

# WATER & SEWAGE GROUP (CONTINUED)

## DRAINAGE SYSTEM

KEY	PART NUMBER	U/M	DESCRIPTION
1	010079-01-000	EA	TEE-SANITARY, 1 1/2" X 1 1/2" X 1 1/4" H - PLASTIC - BLACK
2	079008-01-000	EA	VENT-MECH. TRAP ARM, ANTI-SIPHON - 2" DIA X 7 3/4" - PLASTIC
3	011091-02-000	EA	PIPE-DRAIN, W/SEALS - DOUBLE SINK - EXTENDS 9" TO 18"
	011071-01-000	EA	P-TRAP, 1 1/2" - PLASTIC (CSA)
	010121-01-000	EA	BUSHING-REDUCER, 1 1/2" SMOOTH X 1/4" HUB - PLASTIC - BLACK (CSA)
	037101-02-000	EA	ELBOW-PLASTIC, 1/4 BEND VENT 1 1/2" HUB (CSA)
	033302-02-000	EA	ADAPTER ASM-STRAINER, 1 1/2" - ABS (CSA)
4	011088-03-700	EA	P-TRAP, 1 1/2" TRAP X 1 1/4" SOCKET - PLASTIC (US) FROM 00-00-00 THRU 02-16-92
4	107537-01-000	EA	P-TRAP ADAPTER-1 1/4" SLIP (US) FROM 02-17-92 THRU 99-99-99
4	107538-01-000	EA	P-TRAP-PLASTIC, 1 1/4" WEXT ARM (US) FROM 02-17-92 THRU 99-99-99
4	053335-01-000	EA	P-TRAP-1 1/4" HUB X HUB, W/UNION (CSA) FROM 00-00-00 THRU 02-16-92
4	011071-01-000	EA	P-TRAP-1 1/2" - PLASTIC (CSA) FROM 02-17-92 THRU 99-99-99
5	102782-01-000	EA	TANK-HOLDING, 42 GALLON - 57 4" X 8 4" X 29"
6	010000-01-000	EA	ELBOW-45 DEG, 1/8 BEND - 1 1/4" HUB X HUB - BLACK PLASTIC
7	102781-01-000	EA	TANK-HOLDING, 28 GALLON - 58.9" X 17 7" X 15 7"
8	011088-03-700	EA	P-TRAP, 1 1/2" TRAP X 1 1/4" SOCKET - PLASTIC (US) FROM 00-00-00 THRU 02-16-92
8	107537-01-000	EA	P-TRAP ADAPTER-1 1/4" SLIP (US) FROM 02-17-92 THRU 99-99-99
8	107538-01-000	EA	P-TRAP-PLASTIC, 1 1/4" WEXT ARM (US) FROM 02-17-92 THRU 99-99-99
8	011088-02-000	EA	P-TRAP-1 1/4" HUB X SLIP JOINT, W/UNION - ABS (CSA)
9	010006-01-000	EA	ELBOW-45 DEG, 1/8 BEND - 1 1/2" HUB X HUB - BLACK PLASTIC
10	010051-01-000	EA	ELBOW-45 DEG BEND, 1 1/2" SPIGOT AND HUB - PLASTIC - BLACK
11	010079-01-000	EA	TEE-SANITARY, 1 1/2" X 1 1/2" X 1 1/4" H - PLASTIC - BLACK
12	010008-01-000	EA	ELBOW-90 DEG, 1/4 BEND - 1 1/2" HUB X HUB - BLACK PLASTIC
13	070916-01-000	EA	VALVE-DUAL DUMP-W/CAP - 3" X 1 1/2" - PLASTIC - BLACK
	062418-01-000	EA	ADAPTER-SEWER HOSE TO 3" PIPE
	010201-01-000	EA	HOSE-SEWER, 3" ID X 8'
14	033761-01-000	EA	ELBOW-TURN, 1/4 BEND X 1 5" HUB X 1 5" SPIGOT - BLK PLASTIC
15	062422-01-000	EA	ADAPTER-OFFSET REDUCER, 3" X 1 1/2" - PLASTIC - BLACK
16	078406-01-000	EA	COUPLER-RUBBER, W/CLAMPS - 3" X 3"
	010081-01-000	EA	ELBOW-45 DEGREE, STREET - 1/8 BEND - 3" S X H - PLASTIC
	010071-01-000	EA	TEE-SANITARY, 1 1/2" HUB X HUB X HUB - PLASTIC - BLACK
	010121-01-000	EA	BUSHING-REDUCER, 1 1/2" SMOOTH X 1/4" HUB - PLASTIC - BLACK
	033302-02-000	EA	ADAPTER ASM-STRAINER, 1 1/2" - ABS - CANADIAN
	037101-02-000	EA	ELBOW-PLASTIC, 1/4 BEND VENT 1 1/2" HUB - CSA
	061607-01-000	EA	GROMMET-HOLDING TANK, 1 1/2" NPS
	061607-02-000	EA	GROMMET-HOLDING TANK, 3" NPS



## 1992 WINNEBA30 TABLE OF CONTENTS

INTRODUCTION	A-01 - A-02
ABBREVIATIONS	A-03
ALPHABETICAL INDEX	A-04 - A-08
WF427RQ	A-07 - D-14
WF427RC	D-15 - G-20
WF427RT	G-21 - K-08

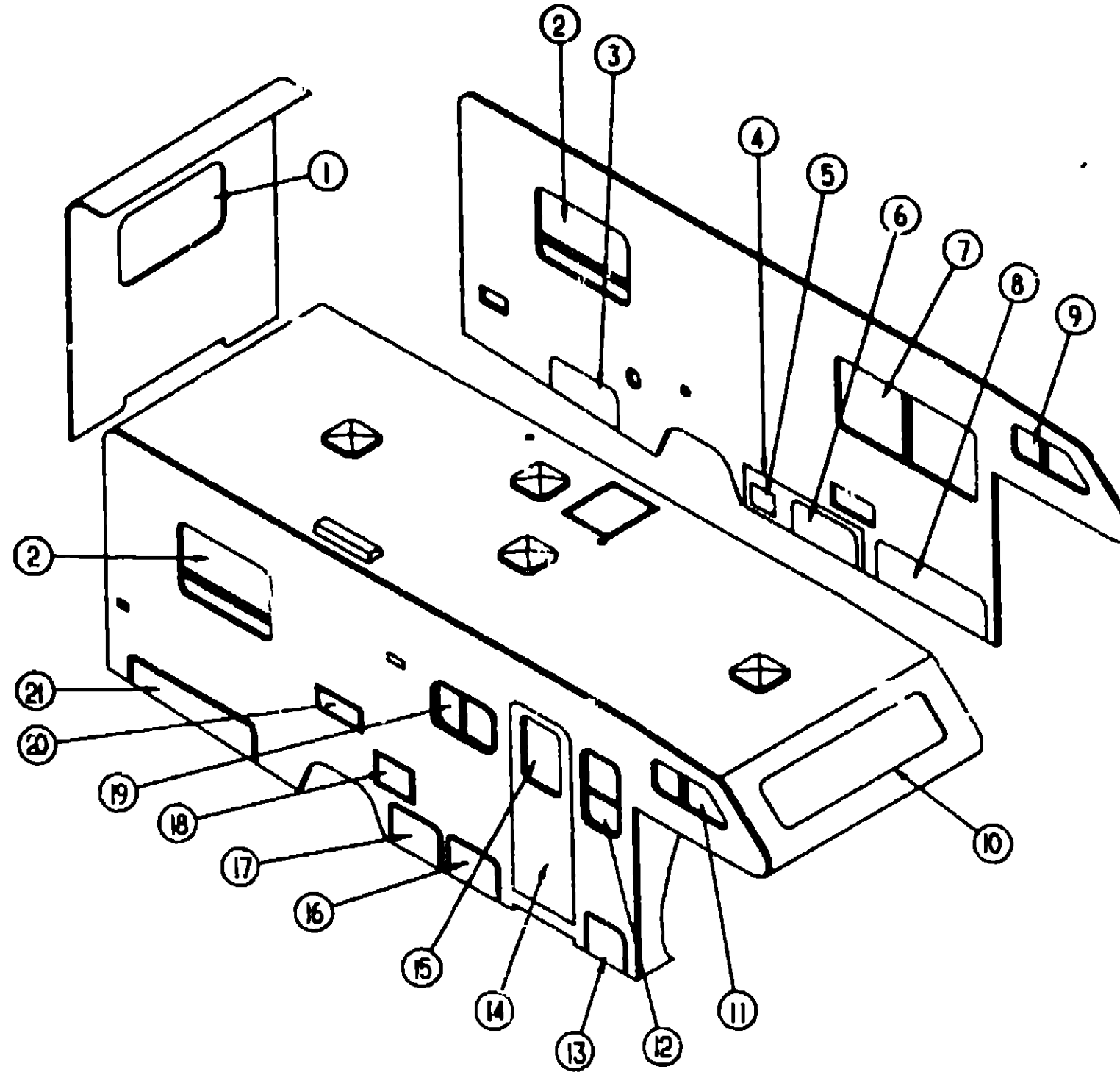
## 1992 WF427RQ INDEX

FLOOR PLAN	A-07 - A-08
ACCESSORIES	A-09
AUDIO VIDEO	A-10
BATH	A-11 - A-12
BEDROOM	A-13 - A-14
CHASSIS	A-15 - A-17
CURTAIN & CUSHION	A-18 - B-01
DINETTE	B-02 - B-03
DRIVERS	B-04 - B-08
ELECTRICAL	B-07 - B-10
EXTERIOR BODY	B-11 - B-17
GALLEY	B-18 - B-21
GENERATOR	B-22
HEATING & A/C	B-23 - B-24
INTERIOR FINISH	C-01 - C-04
LABEL	C-05 - C-12
LP	C-13
LOUNGE	C-14 - C-15
SEALANTS & FASTENERS	C-16 - C-18
WATER & SEWAGE	C-19 - C-22
WINDOW, VENT AND EXTERIOR DOOR	C-23 - D-14



# WINDOW, VENT & EXTERIOR DOOR GROUP

## WINDOWS & DOORS



## 1992 WINNEBAGO TABLE OF CONTENTS

INTRODUCTION	A-01 - A-02
ABBREVIATIONS	A-03
ALPHABETICAL INDEX	A-04 - A-08
WF427RQ	A-07 - D-14
WF427RC	D-15 - G-20
WF427RT	G-21 - K-03

## 1992 WF427RQ INDEX

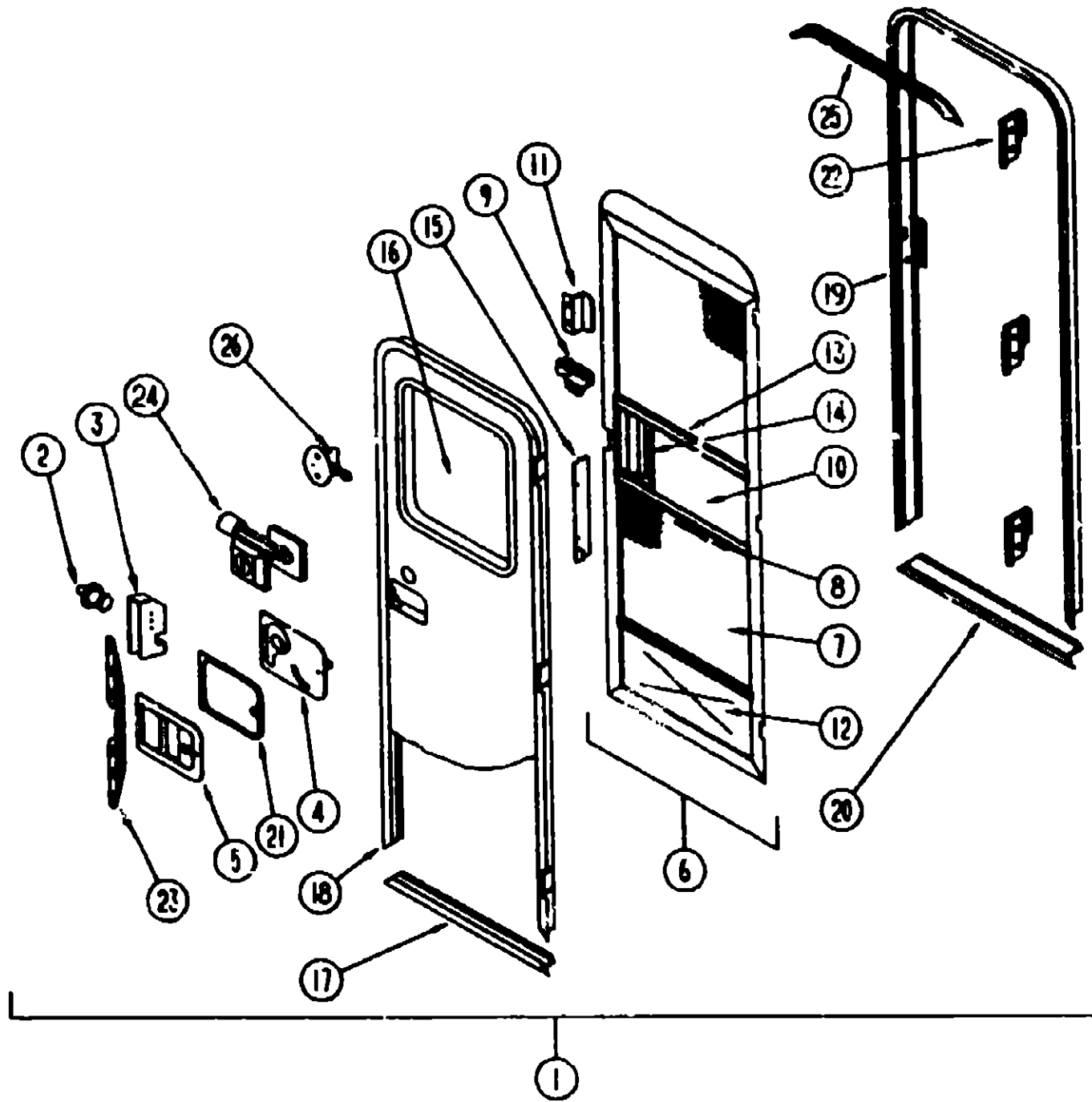
FLOOR PLAN	A-07 - A-08
ACCESSORIES	A-09
AUDIO VIDEO	A-10
BATH	A-11 - A-12
BEDROOM	A-13 - A-14
CHASSIS	A-15 - A-17
CURTAIN & CUSHION	A-18 - B-01
DINETTE	B-02 - B-03
DRIVERS	B-04 - B-06
ELECTRICAL	B-07 - B-10
EXTERIOR BODY	B-11 - B-17
GALELY	B-18 - B-21
GENERATOR	B-22
HEATING & A/C	B-23 - B-24
INTERIOR FINISH	C-01 - C-04
LABEL	C-05 - C-12
LP	C-13
LOUNGE	C-14 - C-15
SEALANTS & FASTENERS	C-16 - C-18
WATER & SEWAGE	C-19 - C-22
WINDOW, VENT AND EXTERIOR DOOR	C-23 - D-14

KEY	PART NUMBER	U/M	DESCRIPTION
1	078523-03-Y12	EA	WINDOW-ESCAPE- 27" X 48" - W/O INSIDE FRAME
2	082235-12-Y12	EA	WINDOW-TIPOUT- SINGLE - W/O INSIDE FRAME
3	105175-03-C03	EA	DOOR ASM-LOWER-REAR
			FROM 00-00-00 THRU 11-18-91
3	105175-13-C03	EA	DOOR ASM-LOWER-REAR
			FROM 11-18-91 THRU 99-99-99
4	P05300-01-C03	EA	PANEL ASM-SEWER ACCESS
5	088784-01-000	EA	DOOR-POWER CORD- WHATCH - OFF WHITE
6	105174-10-C03	EA	DOOR ASM-LOWER-FRONT
7	088847-10-02A	EA	WINDOW ASM-SLIDER-HORIZONTAL - BLACK
8	105174-03-C03	EA	DOOR ASM-LOWER-FRONT
9	088846-06-01A	EA	WINDOW ASM-SLANTED SLIDER - DRIVER
10	103313-01-B05	EA	WINDOW-PICTURE- W/O INSIDE FRAME
11	088846-05-01A	EA	WINDOW ASM-SLANTED SLIDER - PASSENGER

KEY	PART NUMBER	U/M	DESCRIPTION
12	098644-05-01A	EA	WINDOW ASM-SLIDER RAISE BLACK
13	105174-01-C03	EA	DOOR ASM-LOWER-FRONT
14	M01870-32-B85	EA	DOOR-ENTRY- W/WINDOW- SCREEN & JAMB - OFF WHITE
15	079733-07-AA8	EA	WINDOW-ENTRY DOOR 17" X 25" - FROSTED GLASS
16	105174-02-C03	EA	DOOR ASM-LOWER-FRONT
17	105174-04-C03	EA	DOOR ASM-LOWER-FRONT
			FROM 11-18-91 THRU 99-99-99
18	052009-01-000	EA	DOOR-WATER HEATER- OFF WHITE - ATWOOD 5576-27
19	098647-06-02A	EA	WINDOW ASM-SLIDER-HORIZONTAL BLACK
20	084103-03-000	EA	DOOR-VENT-REFRIGERATOR - OFF WHITE
	084104-03-000	EA	JAMB-DOOR-REFRIGERATOR-OFF WHITE
21	079578-28-C03	EA	DOOR ASM-STORAGE
	081240-03-000	EA	DOOR-WATER FILL-LOCKABLE-4" X 4 5/8" - OFF WHITE
	082684-01-707	EA	KEY-SINGLE

WINDOW, VENT & EXTERIOR DOOR GROUP (CONTINUED)

ENTRY DOOR



KEY	PART NUMBER	UOM	DESCRIPTION
1	M01870-32-895	EA	DOOR-ENTRY- WWINDOW- SCREEN & JAMB - OFF WHITE
2	036539-01-000	EA	STRIKE-LOCK ENTRY DOOR - ROUND/THREADED WASHER
3	036540-01-000	EA	LATCH MECHANISM-HOOK ENTRY DOOR - INTERIOR
4	039715-01-000	EA	NUT-SERT 1/4" DIAMETER - 20 THRE./DS
4	039879-04-000	EA	COVER-INTERIOR LATCH W/TRIP ARM - RIGHT - BLACK
	039884-01-000	EA	CAP-ROUND VINYL - .28" ID X .62" LONG - BLACK
	041546-03-000	EA	BRACKET-DOOR ANGLE 5" X 1.8" - BEIGE - METAL
5	046017-11-000	EA	LATCH-ENTRY DOOR MECHANISM W/LOCK & KEY - BLACK
	046017-11-701	EA	KEY-BLANK ROUND TOP - SILVER - TRIMARK
	056748-01-000	EA	PLUG-CAP 1.5" DIAMETER
	058025-02-000	EA	CLIP-ROLLER LATCH CATCH SCREEN DOOR
	063729-04-000	EA	RIVNUT 10-32 UNF - 010-060
	072803-01-000	EA	NUTSERT-M5 X 0.8
	075671-04-000	FT	SEAL-SPONGE LAZY T SHAPE - W/ADHESIVE STRIPE - .5" WIDE
6	079012-01-U01	EA	DOOR-SCREEN
7	002283-02-000	SF	SCREENING-WINDOW/DOOR 26" - CHARCOAL
8	002294-01-000	FT	SPLINE-SCREENING .135" X .138" - BLACK
	002748-01-000	EA	CORNER KEY-DOOR
9	109403-01-000	EA	CATCH-SINGLE ROLLER SCREEN DOOR
10	001014-01-013	EA	INSERT-CENTER 10.25" X 18.31" - UNPAINTED
11	060712-04-000	EA	HANDLE-SCREEN DOOR ALUMINUM - OFF WHITE
11	060712-05-000	EA	HANDLE-SCREEN DOOR UNPAINTED
12	078552-03-000	EA	INSERT-SCREEN DOOR LOWER - MILL
	078595-01-000	EA	PLATE-SCREEN DOOR
13	078777-01-000	EA	CHANNEL-SLIDE SCREEN DOOR CENTER SLIDER COVER - 17.4"
14	079088-02-000	EA	SLIDER-SCREEN DOOR OFF WHITE
15	079087-02-000	EA	STRIKE-SLIDER W/CLIP FOR ELBOW CATCH - 1.5" X 8.6"
16	067809-32-000	EA	FRAME-WINDOW-ENTRY DOOR - OFF WHITE
16	079733-07-AA8	EA	WINDOW-ENTRY DOOR 17" X 25" - FROSTED GLASS
16	060216-02-000	FT	SPLINE-GLASS EXTERIOR - VINYL - .18" - BLACK
16	002181-07-000	EA	GLASS-WINDOW .182" X 18.25" X 24" - FROSTED
16	087581-01-000	FT	SEAL-GLASS EXTERIOR - 5" WIDE - VINYL - BLACK
	081914-01-000	EA	BUMPER-RUBBER ROUND - 43" DIAMETER - BLACK
17	088748-01-000	EA	FRAME-DOOR ENTRANCE - BOTTOM - OFF WHITE
	080340-01-000	FT	SEAL-FOAM CLOSED CELL - 1/4" X 1/2" X 50'
18	086278-01-01A	EA	FRAME-DOOR ENTRANCE - TOP & SIDES - OFF WHITE
19	086277-02-01A	EA	JAMB-ENTRY DOOR - 25 9" X 74 5" W/ BOTTOM - OFF WHITE
	086278-01-01A	EA	JAMB-DOOR- ENTRANCE - 25 8" X 74 6" - UNPAINTED
20	061049-01-000	EA	JAMB-DOOR-ENTRANCE - BOTTOM - 25 9" - UNPAINTED
	079207-01-000	EA	STRIKER-ROLLER CATCH WELDED TO DOOR JAMB - 4" X 1.15"
21	088810-01-01A	EA	PLATE-LATCH ENTRY DOOR - PLASTIC - BLACK
22	087724-01-04A	EA	HINGE-ENTRY DOOR - UNPAINTED
23	088173-01-04A	EA	STIFFENER-ENTRY DOOR SUPPORTS LATCH/STRIKE
	100128-02-000	FT	SEAL-PILE ADHESIVE BACK - SCREEN DOOR - GRAY
24	101145-01-01A	EA	DEADBOLT-ENTRY DOOR W/2 KEYS W/O BOLT OR SCREWS
	085228-01-700	EA	KEY BLANK
	101147-01-000	EA	BOLT-SECURITY 4 12" BACKSET
	102524-01-000	EA	BUMPER-RUBBER FLAT - BLACK
25	044582-02-000	EA	CAP-DRIP DOOR JAMB MOUNTED - OFF WHITE
	075839-19-000	EA	GARNISH-ENTRANCE DOOR OFF WHITE
26	100412-01-000	EA	CATCH-SCREEN DOOR THUMB CLIP W/BLACK PLASTIC CAP
	077481-03-000	EA	COVER-STRIKE ENTRY DOOR - 6 5" X 2.5" - PLASTIC - WHITE

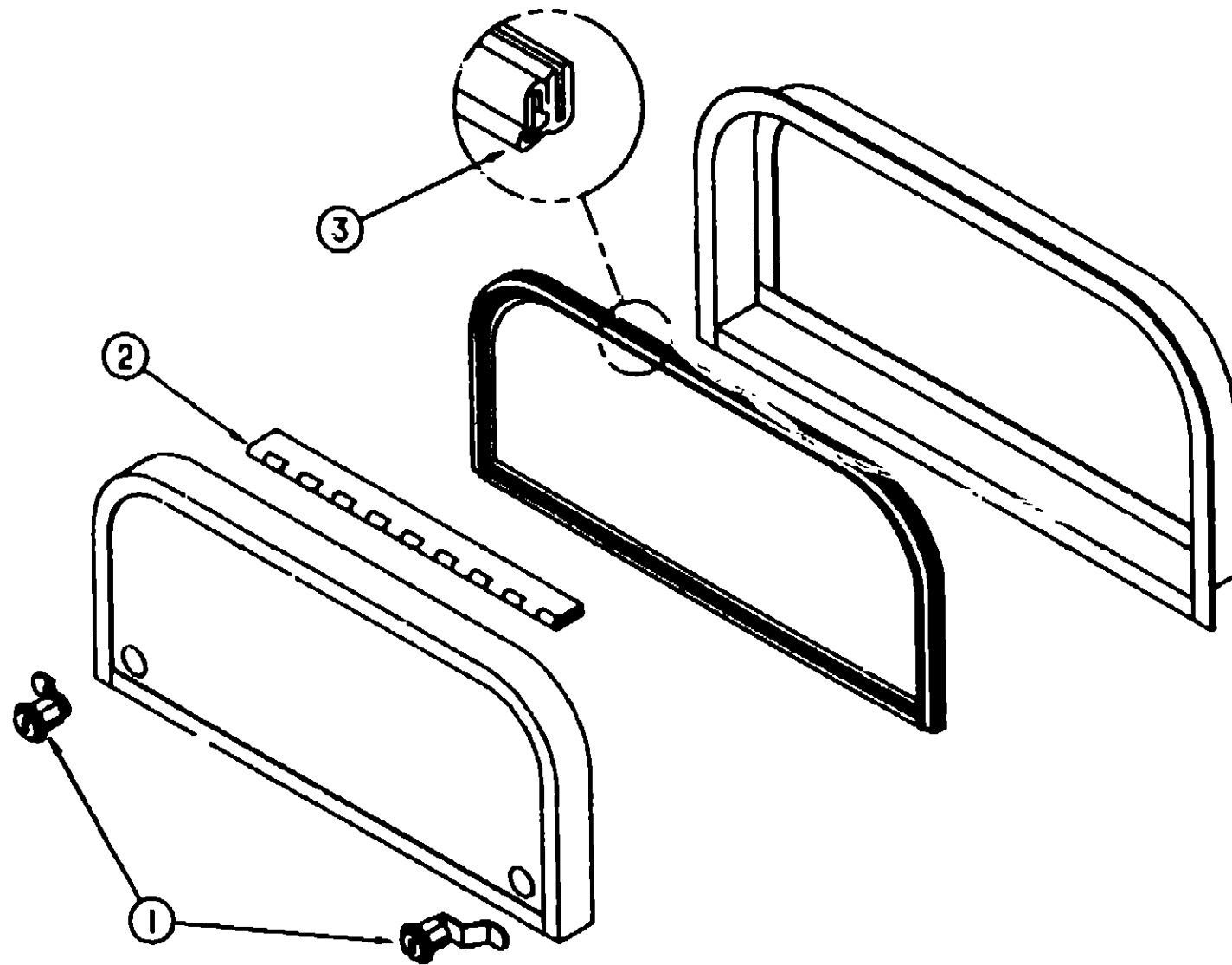
1992 WINNEBAGO  
TABLE OF CONTENTS

INTRODUCTION	A-01 - A-02
ABBREVIATIONS	A-03
ALPHABETICAL INDEX	A-04 - A-08
WF427RQ	A-07 - D-14
WF427RC	D-15 - G-20
WF427RT	G-21 - K-03

1992 WF427RQ INDEX

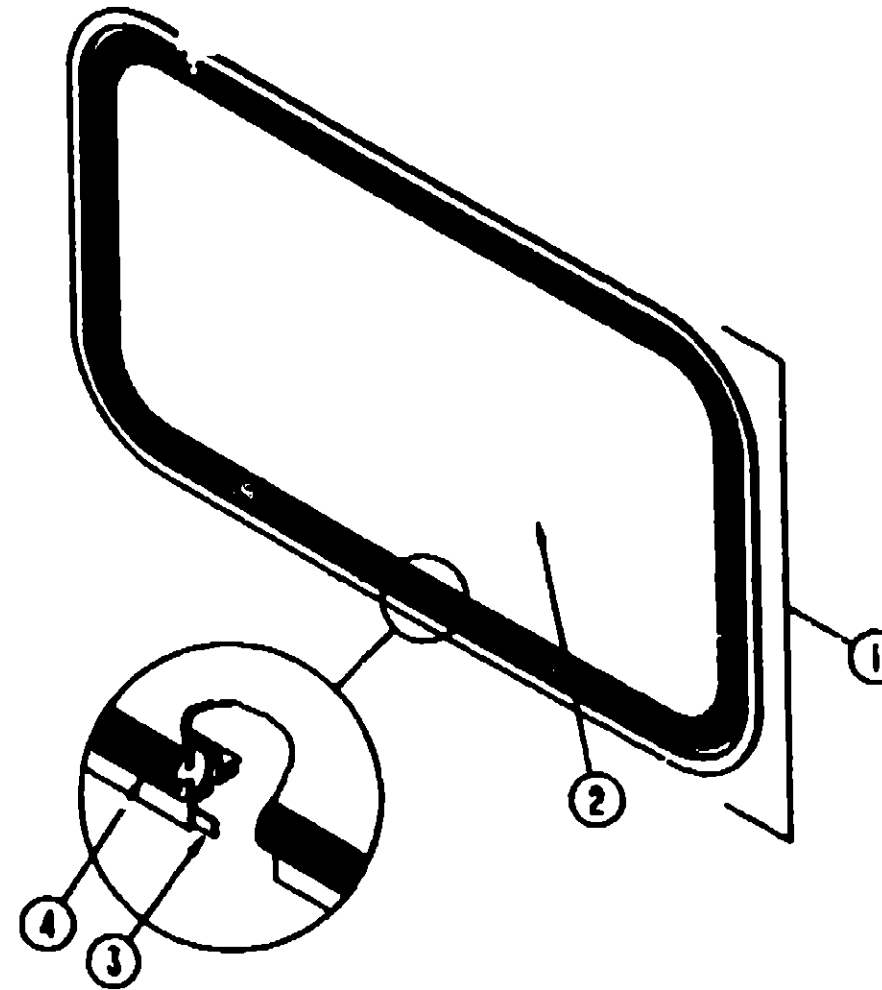
FLOOR PLAN	A-07 - A-08
ACCESSORIES	A-09
AUDIO VIDEO	A-10
BATH	A-11 - A-12
BEDROOM	A-13 - A-14
CHASSIS	A-15 - A-17
CURTAIN & CUSHION	A-18 - B-01
DINETTE	B-02 - B-03
DRIVERS	B-04 - B-06
ELECTRICAL	B-07 - B-10
EXTERIOR BODY	B-11 - B-17
GALLEY	B-18 - B-21
GENERATOR	B-22
HEATING & AC	B-23 - B-24
INTERIOR FINISH	C-01 - C-04
LABEL	C-05 - C-12
LP	C-13
LOUNGE	C-14 - C-15
SEALANTS & FASTENERS	C-16 - C-18
WATER & SEWAGE	C-19 - C-22
WINDOW, VENT AND EXTERIOR DOOR	C-23 - D-14

**WINDOW, VENT & EXTERIOR DOOR GROUP (CONTINUED)**



**EXTERIOR DOORS**

**WINDOW, VENT & EXTERIOR DOOR GROUP (CONTINUED)**



**OVERHEAD BUNK FRONT WINDOW**

**1992 WINNEBAGO  
TABLE OF CONTENTS**

INTRODUCTION	A-01 - A-02
ABBREVIATIONS	A-03
ALPHABETICAL INDEX	A-04 - A-08
WF427RQ	A-07 - D-14
WF427RC	D-16 - G-20
WF427RT	G-21 - K-03

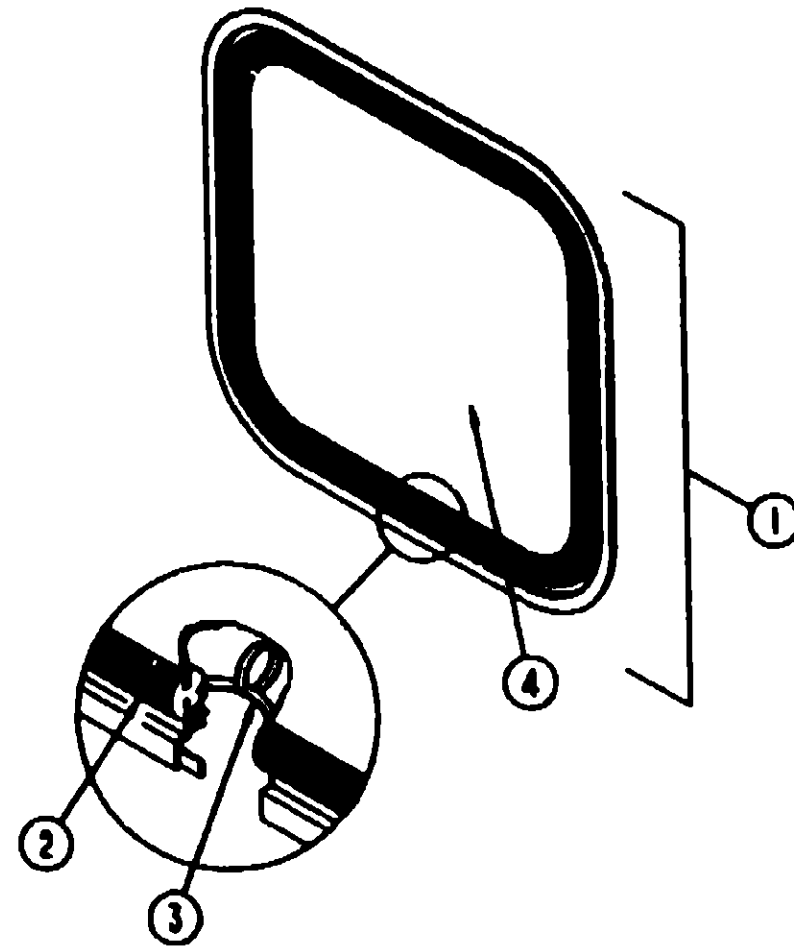
**1992 WF427RQ INDEX**

FLOOR PLAN	A-07 - A-08
ACCESSORIES	A-09
AUDIO VIDEO	A-10
BATH	A-11 - A-12
BEDROOM	A-13 - A-14
CHASSIS	A-15 - A-17
CURTAIN & CUSHION	A-18 - B-01
DINETTE	B-02 - B-03
DRIVERS	B-04 - B-08
ELECTRICAL	B-07 - B-10
EXTERIOR BODY	B-11 - B-17
GALLERY	B-18 - B-21
GENERATOR	B-22
HEATING & AC	B-23 - B-24
INTERIOR FINISH	C-01 - C-04
LABEL	C-05 - C-12
LP	C-13
LOUNGE	C-14 - C-15
SEALANTS & FASTENERS	C-16 - C-18
WATER & SEWAGE	C-19 - C-22
WINDOW, VENT AND EXTERIOR DOOR	C-23 - D-14

KEY	PART NUMBER	U/M	DESCRIPTION
1	079388-04-000	EA	LOCK-DOOR KEY TYPE W/O KEYS - 1.9 OFF SET FROM: 00-00-00 THRU 02-19-82
	079388-05-000	EA	LOCK ASM-KEY TYPE W/O KEYS 1.80 OFF SET FROM 02-20-82 THRU 99-99-99
	082884-01-700	EA	KEY - BLANK
	079827-03-000	EA	LOCK-TWIST TYPE- DOUBLE CAM - 2.10 OFF SET FROM: 00-00-00 THRU 02-19-82
	079827-04-000	EA	LOCK ASM-TWIST TYPE 1.80 O/S ILLINOIS LOCK FROM 02-20-82 THRU 99-99-99
2	081801-02-000	EA	HINGE-2" X 98" OFF WHITE
3	084075-07-000	FT	SEAL-BULB W/WIRRED U CHANNEL - 3" X 5" CHANNEL - BLACK
	000340-01-000	FT	SEAL-FOAM CLOSED CELL - 1/4" X 1/2" X 50'
	104882-01-000	FT	SEAL-ADHESIVE BACK 3/4" X 3/4"
	087111-01-01A	EA	POCKET-LOCK-VALANCE-OFF WHT
	098338-01-000	EA	GASKET-LOCK POCKET
	088217-55-001	EA	U-CHANNEL - 17 5' - OFF WHITE
	091878-01-000	EA	RETAINER-DOOR-1 8" X .8" - METAL
	102788-01-000	EA	HOLDER-COMPARTMENT/ENTRY DOOR - METAL - MILL FINISH
	104088-01-01A	EA	CATCH-DOOR HOLDER - STRIKE - OFF WHITE
	104088-02-01A	EA	CATCH-DOOR HOLDER - RETAINER - OFF WHITE

KEY	PART NUMBER	U/M	DESCRIPTION
	087808-33-000	EA	FRAME-INSIDE WINDOW
1	103313-01-B05	EA	WINDOW ASM-PICTURE
2	002181-15-000	EA	GLASS-PICTURE 11.25" X 58.1" - GRAY
3	089840-11-000	FT	SEALER-TAPE - 3/16" X 3/8" - BLACK
4	090154-01-000	FT	CHANNEL-GLAZING STATIONARY GLASS - 62" X 45" - BLACK

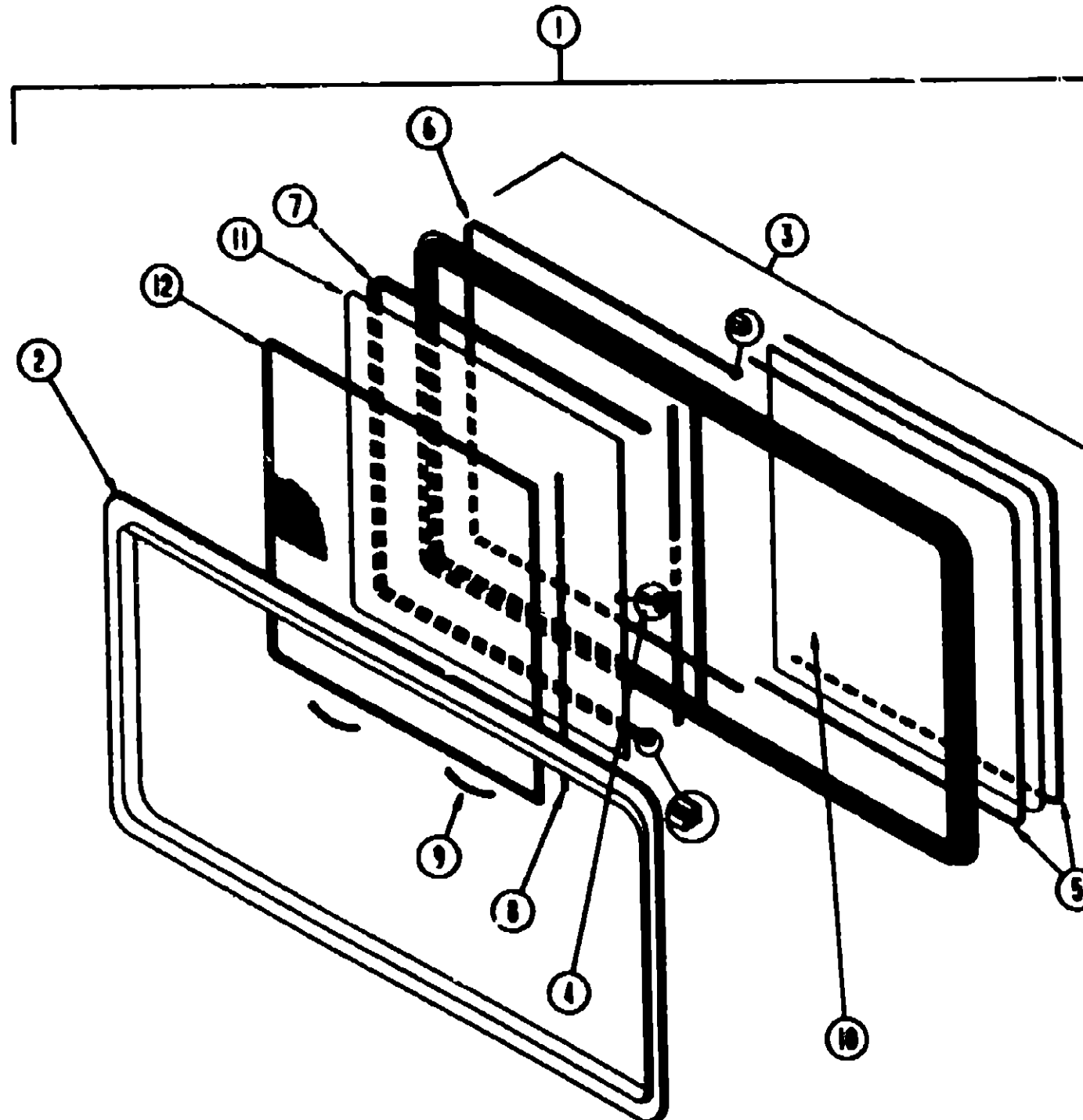
WINDOW, VENT & EXTERIOR DOOR GROUP (CONTINUED)



BACKWALL ESCAPE WINDOW

KEY	PART NUMBER	U/M	DESCRIPTION
	074618-08-000	EA	FRAME-WINDOW INSIDE ESCAPE - OFF WHITE
1	076528-03-Y12	EA	WINDOW-ESCAPE REAR - 27" X 48"
2	002282-08-000	EA	WEATHERSTRIP-.125" X 133.25" - BLACK
3	077088-01-702	EA	TAPE ASM-ESCAPE WINDOW
	002285-01-000	FT	FILLER-WEATHER STRIP RUBBER - BLACK
4	076337-08-000	EA	GLASS-WINDOW, ESCAPE - 44 8" X 23 5"

WINDOW, VENT & EXTERIOR DOOR GROUP (CONTINUED)



GALLEY SINGLE SLIDING WINDOW

KEY	PART NUMBER	U/M	DESCRIPTION
1	088847-10-02A	EA	WINDOW ASM-SLIDER-HORIZONTAL - BLACK (W/ INSIDE FRAME)
2	088847-08-704	EA	TRIM-INSIDE (OFF-WHITE) - W024-87 EXCEL-WHITE
3	088847-10-700	EA	WINDOW-SINGLE SLIDER - LEFT (W/O INSIDE FRAME)
4	088844-01-700	EA	LATCH REPAIR KIT
5	088844-01-705	FT	GLAZING STRIP, EXCEL M828-12
6	088844-01-708	FT	WEATHERSTRIP EXCEL 171-010288
7	088844-01-708	FT	CHANNEL-PIERCED RUN EXCEL 122-018543
8	088844-01-710	FT	TRACK-SCREEN SPACER 12" LENGTH - EXCEL M401-31
	088844-01-711	FT	WEATHERSTRIP-SCREEN BLACK - EXCEL 171-018885
9	088844-01-713	EA	SPRING-SCREEN FRAME (CLIP) PLASTIC - BLACK EXCEL 228-018885
	088844-01-718	FT	PLUG-FILLER-EXCEL 132-014470
	088844-01-717	FT	SPLINE-SCREEN MFG-EXCEL 32-004718
10	088847-08-700	EA	GLASS-STATIONARY - 108-017189 EXCEL
11	088847-08-701	EA	GLASS-SLIDING, W/BASH&LATCH H024-G9 EXCEL
12	088847-08-705	EA	SCREEN W/SPRING&WEATHERSTRIP 410-018484 EXCEL

1982 WINNEBAGO  
TABLE OF CONTENTS

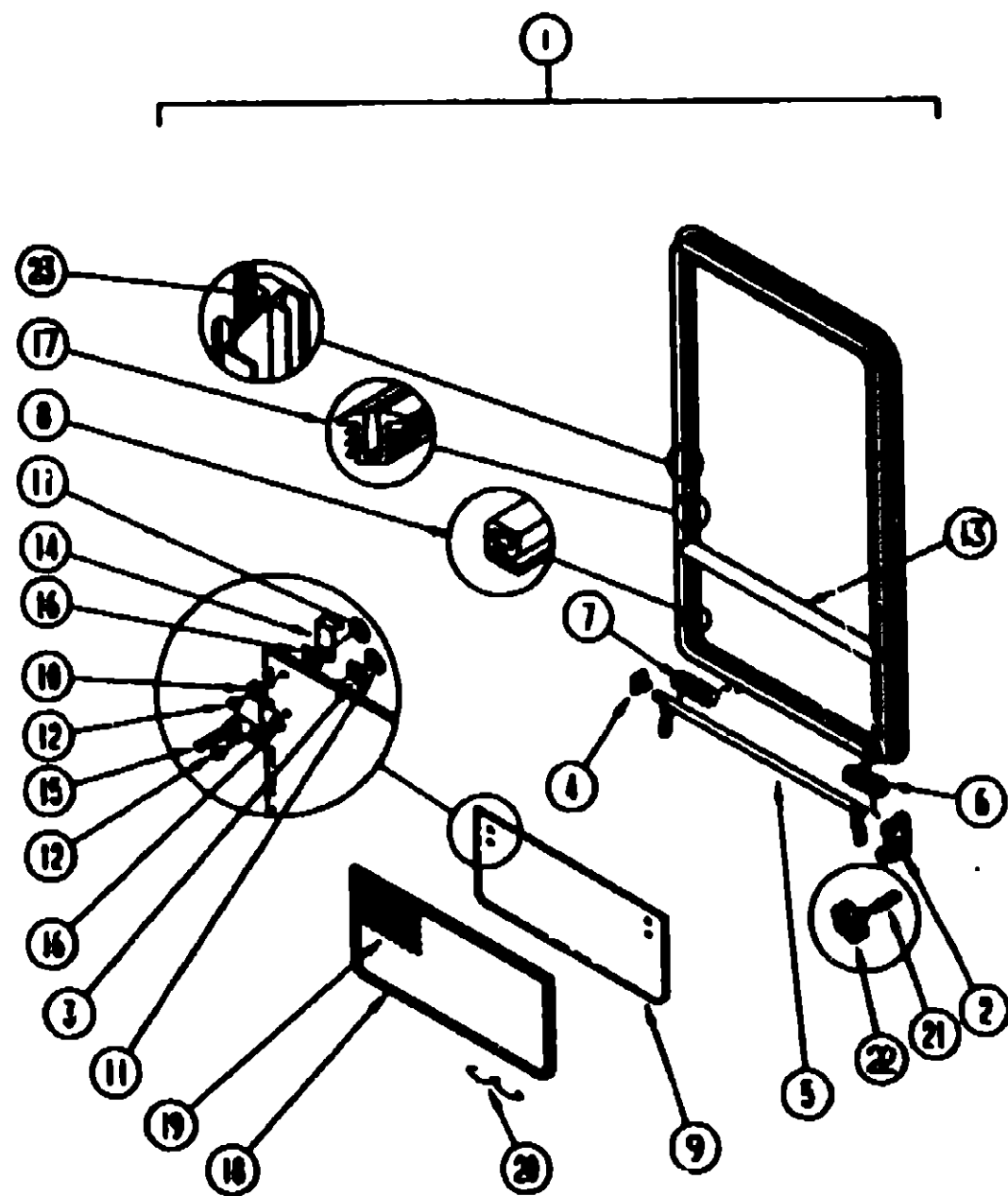
INTRODUCTION	A-01 - A-02
ABBREVIATIONS	A-03
ALPHABETICAL INDEX	A-04 - A-08
WF427RQ	A-07 - D-14
WF427RC	D-15 - G-30
WF427RT	G-21 - K-08

1982 WF427RQ INDEX

FLOOR PLAN	A-07 - A-08
ACCESSORIES	A-09
AUDIO VIDEO	A-10
BATH	A-11 - A-12
BEDROOM	A-13 - A-14
CHASSIS	A-15 - A-17
CURTAIN & CUSHION	A-18 - B-01
DINETTE	B-02 - B-03
DRIVERS	B-04 - B-08
ELECTRICAL	B-07 - B-10
EXTERIOR BODY	B-11 - B-17
GALLEY	B-18 - B-21
GENERATOR	B-22
HEATING & AC	B-23 - B-24
INTERIOR FINISH	C-01 - C-04
LABEL	C-05 - C-12
LP	C-13
LOUNGE	C-14 - C-15
SEALANTS & FASTENERS	C-16 - C-18
WATER & SEWAGE	C-19 - C-22
WINDOW, VENT AND EXTERIOR DOOR	C-23 - D-14

## WINDOW, VENT & EXTERIOR DOOR GROUP (CONTINUED)

### BEDROOM TIPOUT WINDOW



KEY	PART NUMBER	U/M	DESCRIPTION
	08088-18-02A	EA	FRAME-INSIDE - WINDOW RETAINER - OFF WHITE
1	082235-12-Y12	EA	WINDOW-TIPOUT - SINGLE - W/O INSIDE FRAME
	000H14-08-14R	EA	RIVET-MANDREL BLIND - 3/16"
2	036302-02-000	EA	OPERATOR-TORQUE - TIPOUT WINDOW - LEFT
3	088827-03-000	EA	SEAL-WINDOW - RUBBER - ROUND - .60" DIA. - BLACK
4	081354-01-000	EA	SLEEVE-TORQUE TUBE - TIPOUT WINDOW - 1.3" X 1.2" X .7"
	081848-01-000	EA	RING-SNAP - 7/32 SHAFT DIAMETER
5	083130-12-000	EA	TUBE ASM-TORQUE - WINDOW
6	080918-01-000	EA	SPRING-TORQUE TUBE - LEFT
7	080918-02-000	EA	SPRING-TORQUE TUBE - RIGHT
8	084067-02-000	FT	SEAL-E SHAPED - SPONGE - TIPOUT WINDOW - .42" X .38" - BLACK
9	084088-17-000	EA	GLASS-TIPOUT - 8.2" X 28"
10	084453-02-000	EA	WASHER-.08" X .5" X .25" - PLASTIC
11	086782-01-000	EA	T NUT 10-32
12	086783-01-000	EA	SCREW-MACH - 10 - 32 X 1/4 PTH
13	087588-04-01A	EA	MULLION-HORIZONTAL TIPOUT - BLACK
14	088913-01-000	EA	HINGE-TIPOUT WINDOW - BLACK
15	087578-01-000	EA	LINKAGE-TIPOUT WINDOW
	084453-01-000	EA	WASHER-.08" X .5" X .135" - PLASTIC
16	084473-01-000	EA	SEAL-FLAT - W/CENTER HOLE & ADHESIVE SIDE - 8" X .6" - BLK
	086315-01-000	EA	RIVET-SHOULDER - TIPOUT WINDOW
17	089154-01-000	FT	CHANNEL-GLAZING - STATIONARY GLASS - 62" X .45" - BLACK
18	100235-04-807	EA	SCREEN-SINGLE TIPOUT WINDOW
19	080218-03-000	SF	SCREENING-FIBERGLASS - 12" WIDE
20	100188-01-000	EA	CLIP-SPRING - SCREEN
	100240-01-000	FT	SPUNE-SCREEN - T-SHAPED
21	009439-08-000	EA	EXTENSION-CRANK HANDLE - WINDOW /ROOF VENT - BLACK
22	009439-05-000	EA	KNOB-OPERATOR - TIPOUT WINDOW - W/SPRING & ARM
	009439-07-000	EA	SCREW - 8-32 X 1 1/4 POH - BLACK
23	088840-11-000	FT	TAPE-SEALER - 3/16" X 3/8" - BLACK

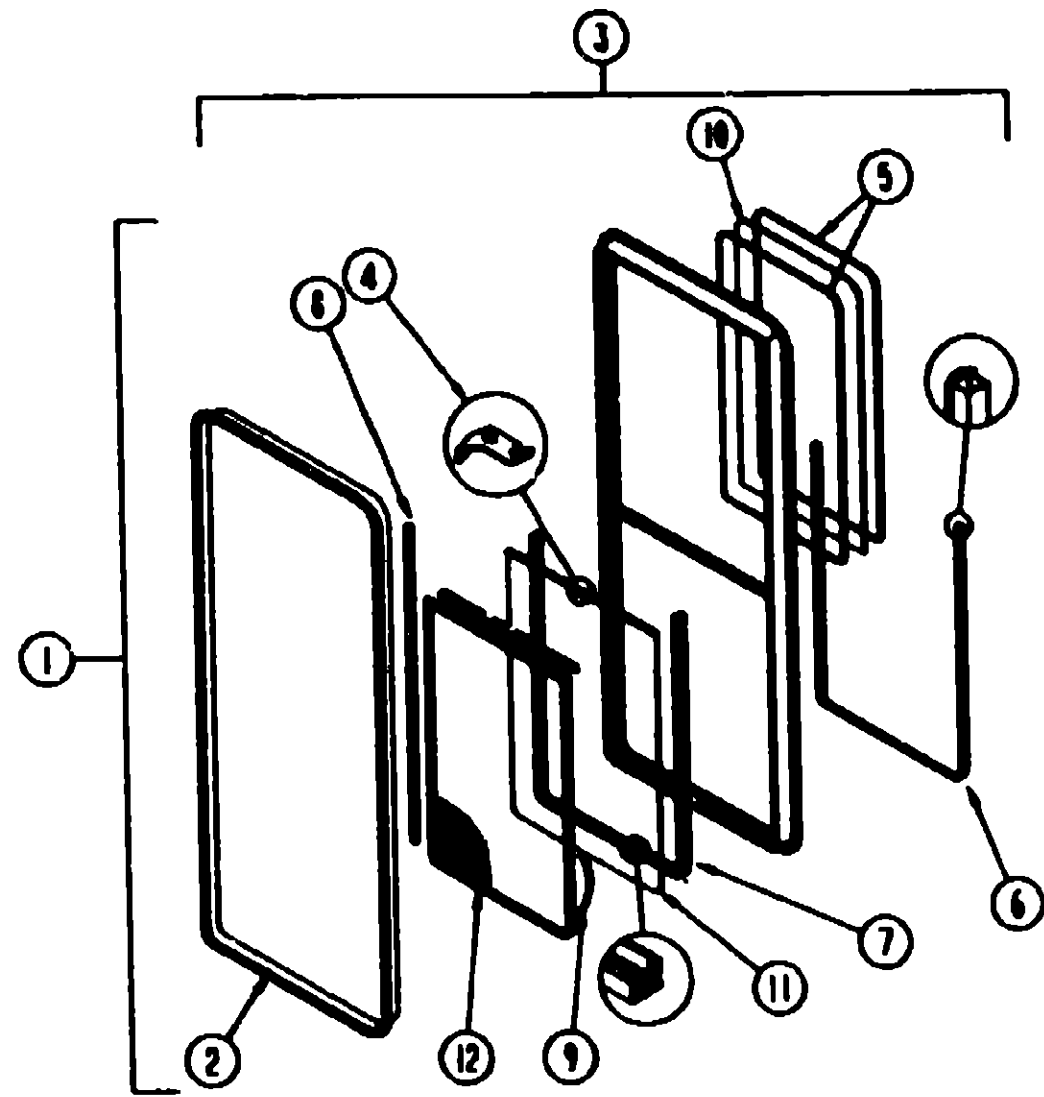
## 1982 WINNEBAGO TABLE OF CONTENTS

INTRODUCTION	A-01 - A-02
ABBREVIATIONS	A-03
ALPHABETICAL INDEX	A-04 - A-08
WF427RQ	A-07 - D-14
WF427RC	D-15 - G-20
WF427RT	G-21 - K-08

### 1982 WF427RQ INDEX

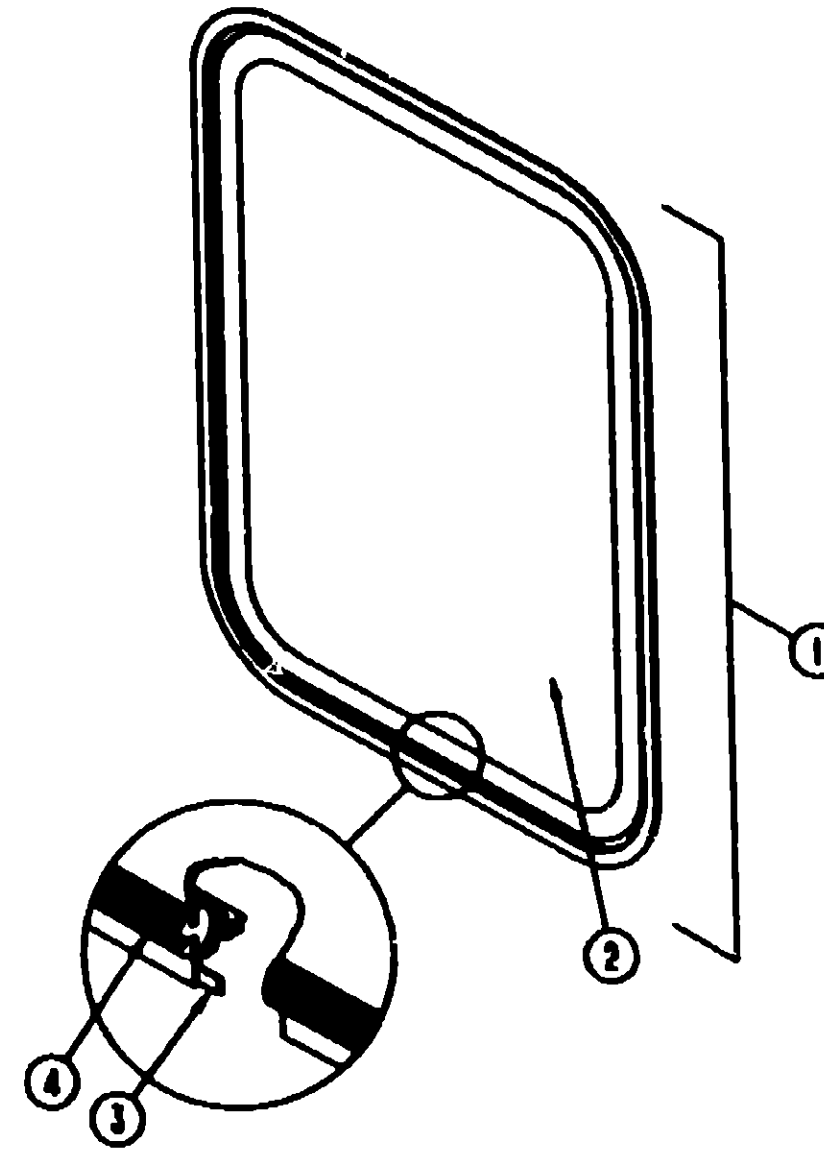
FLOOR PLAN	A-07 - A-08
ACCESSORIES	A-09
AUDIO VIDEO	A-10
BATH	A-11 - A-12
BEDROOM	A-13 - A-14
CHASSIS	A-15 - A-17
CURTAIN & CUSHION	A-18 - B-01
DINETTE	B-02 - B-03
DRIVERS	B-04 - B-06
ELECTRICAL	B-07 - B-10
EXTERIOR BODY	B-11 - B-17
GALLEY	B-18 - B-21
GENERATOR	B-22
HEATING & A/C	B-23 - B-24
INTERIOR FINISH	C-01 - C-04
LABEL	C-05 - C-12
LP	C-13
LOUNGE	C-14 - C-15
SEALANTS & FASTENERS	C-16 - C-18
WATER & SEWAGE	C-19 - C-22
WINDOW, VENT AND EXTERIOR DOOR	C-23 - D-14

WINDOW, VENT & EXTERIOR DOOR GROUP (CONTINUED)



LOUVRE VERTICAL SLIDER WINDOW

WINDOW, VENT & EXTERIOR DOOR GROUP (CONTINUED)



ENTRY DOOR WINDOW

1982 WINNEBAGO  
TABLE OF CONTENTS

INTRODUCTION	A-01 - A-02
ABBREVIATIONS	A-03
ALPHABETICAL INDEX	A-04 - A-05
WF427RQ	A-07 - D-14
WF427RC	D-15 - G-30
WF427RT	G-31 - K-08

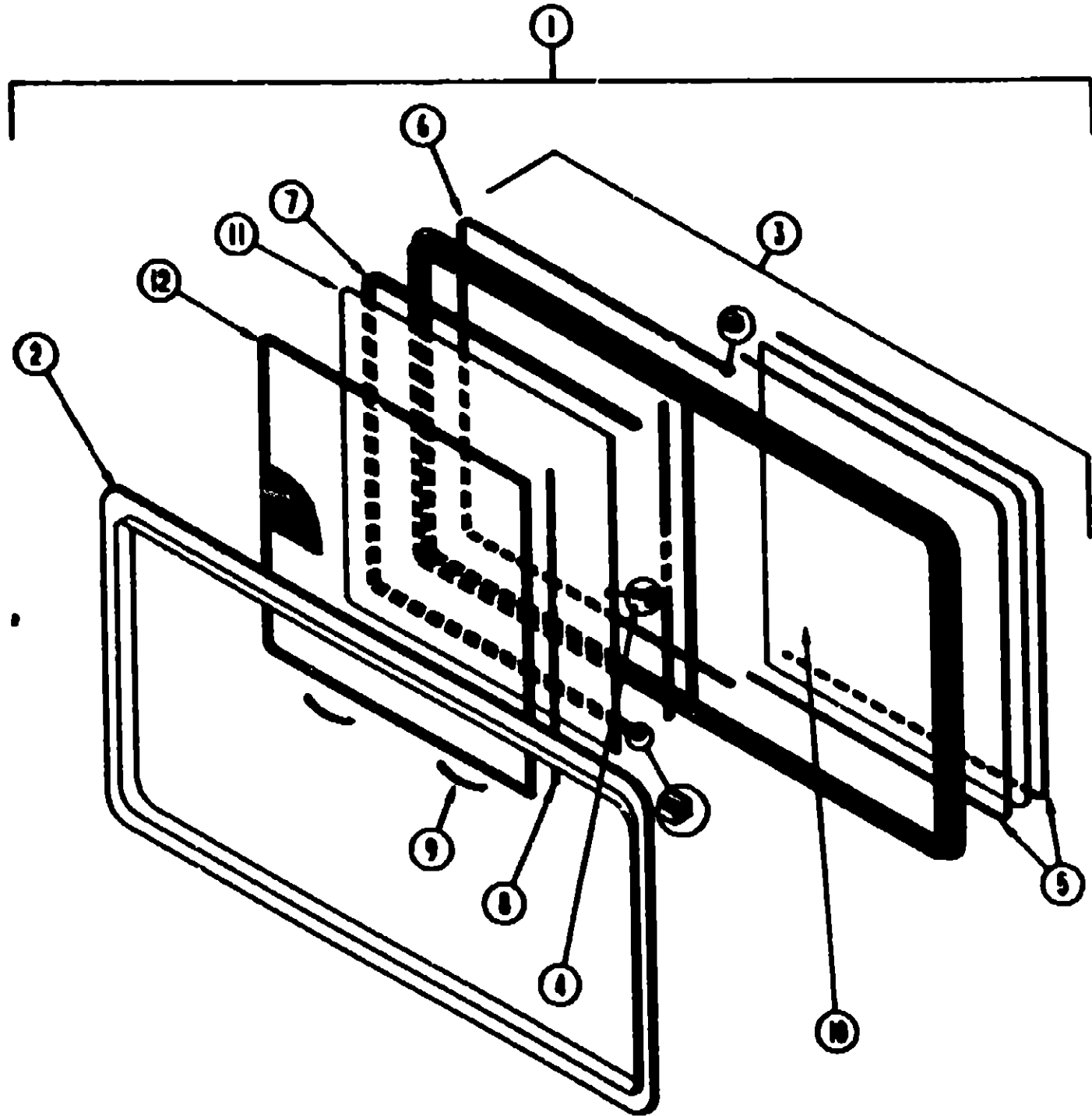
1982 WF427RQ INDEX

FLOOR PLAN	A-07 - A-08
ACCESSORIES	A-09
AUDIO VIDEO	A-10
BATH	A-11 - A-12
BEDROOM	A-13 - A-14
CHASSIS	A-15 - A-17
CURTAIN & CUSHION	A-18 - B-01
DINETTE	B-02 - B-03
DRIVERS	B-04 - B-06
ELECTRICAL	B-07 - B-10
EXTERIOR BODY	B-11 - B-17
GALLEY	B-18 - B-21
GENERATOR	B-22
HEATING & A/C	B-23 - B-24
INTERIOR FINISH	C-01 - C-04
LABEL	C-05 - C-12
LP	C-13
LOUNGE	C-14 - C-15
SEALANTS & FASTENERS	C-16 - C-18
WATER & SEWAGE	C-19 - C-22
WINDOW, VENT AND EXTERIOR DOOR	C-23 - D-14

KEY	PART NUMBER	UOM	DESCRIPTION
1	088844-05-01A	EA	WINDOW-SLIDING SINGLE - WINDSIDE FRAME - EXCEL H250-PR
2	088844-05-700	EA	TRIM-INSIDE (OFF-WHITE) V989-87 EXCEL WHITE
3	088844-05-704	EA	WINDOW-SLIDING SINGLE - W/O INSIDE FRAME - EXCEL B889-G2R
4	088844-01-700	EA	LATCH-REPAIR KIT EXCEL B801-CK
5	088844-01-705	FT	GLAZING STRIP EXCEL M888-12
6	088844-01-706	FT	WEATHERSTRIP EXCEL 171-010888
7	088844-01-708	FT	CHANNEL-PIERCED RUN EXCEL 122-018549
8	088844-01-710	FT	TRACK-SCREEN SPACER 12" LENGTH - EXCEL M401-31
9	088844-01-711	FT	WEATHERSTRIP-SCREEN BLACK - EXCEL 171-018885
9	088844-01-713	EA	SPRING-SCREEN FRAME (CLIP) PLASTIC - BLACK
	088844-01-716	FT	PLUG-FILLER, EXCEL 132-014470
	088844-01-717	FT	SPLINE-SCREEN, EXCEL 132-004716
10	088844-05-701	EA	GLASS-STATIONARY - EXCEL 108-018013
11	088844-05-702	EA	GLASS-SLIDING, W/ASH & LATCH - EXCEL B889-G8
12	088844-05-703	EA	SCREEN W/WEATHERSTRIP & FRAME SPRING (CLIP) EXCEL 410-018478

KEY	PART NUMBER	UOM	DESCRIPTION
1	079739-07-AA8	EA	WINDOW-ENTRY DOOR 17" X 25" - FROSTED GLASS
2	002181-07-000	EA	GLASS-WINDOW .182" X 16.25" X 24" - FROSTED
3	080216-02-000	FT	SPLINE-GLASS EXTERIOR - VINYL - .10" - BLACK
4	087981-01-000	FT	SEAL-GLASS EXTERIOR - .5" WIDE - VINYL - BLACK

**WINDOW, VENT & EXTERIOR DOOR GROUP (CONTINUED)**



**GALLEY SLIDING WINDOW**

**WINDOW, VENT & EXTERIOR DOOR GROUP (CONTINUED)**

**BUNK BLANTED SLIDER WINDOWS**

KEY	PART NUMBER	UOM	DESCRIPTION
	08848-05-01A	EA	WINDOW-BLANTED SLIDER-PASSENGER SIDE
	08848-05-01A	EA	WINDOW-BLANTED SLIDER-DRIVER SIDE
	08844-01-700	EA	LATCH REPAIR KIT (BLACK)
	08844-01-705	FT	GLAZING STRIP
	08844-01-708	FT	WEATHERSTRIP-GLASS
	08844-01-708	FT	CHANNEL-FILM, PIERCED - GLASS
	08844-01-710	FT	TRACK-SPACER, FOR SCREEN 12"
	08844-01-711	FT	WEATHERSTRIP-SCREEN, BLACK
	08844-01-713	EA	SCREEN CLIPS (METAL)(BLACK)
	08844-01-716	FT	PLUG-FILLER
	08844-01-717	FT	SPLINE-SCREEN ASM
	08848-05-700	EA	STATIONARY GLASS
	08848-05-701	EA	SLIDE ASM
	08848-05-702	EA	SCREEN ASM

**1982 WINNEBAGO  
TABLE OF CONTENTS**

INTRODUCTION	A-01 - A-02
ABBREVIATIONS	A-03
ALPHABETICAL INDEX	A-04 - A-08
WF427RQ	A-07 - D-14
WF427RC	D-15 - G-20
WF427RT	G-21 - K-08

**1982 WF427RQ INDEX**

FLOOR PLAN	A-07 - A-08
ACCESSORIES	A-09
AUDIO VIDEO	A-10
BATH	A-11 - A-12
BEDROOM	A-13 - A-14
CHASSIS	A-15 - A-17
CURTAIN & CUSHION	A-18 - B-01
DINETTE	B-02 - B-03
DRIVERS	B-04 - B-05
ELECTRICAL	B-07 - B-10
EXTERIOR BODY	B-11 - B-17
GALLEY	B-18 - B-21
GENERATOR	B-22
HEATING & A/C	B-23 - B-24
INTERIOR FINISH	C-01 - C-04
LABEL	C-05 - C-12
LP	C-13
LOUNGE	C-14 - C-15
SEALANTS & FASTENERS	C-16 - C-18
WATER & SEWAGE	C-19 - C-22
WINDOW, VENT AND EXTERIOR DOOR	C-23 - D-14

KEY	PART NUMBER	UOM	DESCRIPTION
1	08847-08-02A	EA	WINDOW ASM-SLIDER-HORIZONTAL - BLACK (W/ INSIDE FRAME)
2	08847-11-705	EA	TRIM-INSIDE (OFF-WHITE) - W084-67 EXCEL-WHITE
3	08847-08-705	EA	WINDOW-SINGLE SLIDER - LEFT (W/O INSIDE FRAME)
4	08844-01-700	EA	LATCH REPAIR KIT
5	08844-01-705	FT	GLAZING STRIP, EXCEL M188-12
6	08844-01-708	FT	WEATHERSTRIP EXCEL 171-010888
7	08844-01-708	FT	CHANNEL-PIERCED FILM EXCEL 128-010548
8	08844-01-710	FT	TRACK-SCREEN SPACER 12" LENGTH - EXCEL M401-31
9	08844-01-711	FT	WEATHERSTRIP-SCREEN BLACK - EXCEL 171-010885
10	08844-01-713	EA	SPRING-SCREEN FRAME (CLIP) PLASTIC - BLACK EXCEL 228-010888
	08844-01-716	FT	PLUG-FILLER-EXCEL 128-014470
	08844-01-717	FT	SPLINE-SCREEN MFG-EXCEL 32-004716
11	08847-08-702	EA	GLASS-STATIONARY - 108-017188 EXCEL
12	08847-08-702	EA	GLASS-SLIDING W/ASH-LATCH H084-69 EXCEL
	08847-08-708	EA	SCREEN W/SPRING&WEATHERSTRIP 410-010484 EXCEL
	08847-08-701	EA	RAIL-LOCKING W/WEATHERSTRIP

**WINDOW, VENT & EXTERIOR DOOR GROUP (CONTINUED)**

**POWERED ROOF VENT**

KEY	PART NUMBER	UOM	DESCRIPTION
	080384-01-Y12	EA	VENT-ROOF POWERED
	008438-01-000	EA	CRANK HANDLE-ROOF VENT
	008438-04-000	EA	SCREW 8-32 X 1 1/4" PH
	008438-05-000	EA	KNOB-CRANK, WINDOW AND ROOF VENT - BLACK - DECO 718128
	088218-01-000	EA	COVER-ROOF VENT, PLASTIC
	008825-01-000	EA	WEATHER STRIP-ROOF VENT GRAY
	008185-01-000	EA	SWITCH-ROOF VENT PUSH BUTTON 12V
	008943-01-300	EA	TIE-WIRE 8"
	008388-01-000	EA	GROMMET-SNAP 3/8"
	008440-01-000	EA	GEARWORM-VENT COVER LIFT
	018911-01-000	EA	TRACK-LIFT ARM SLIDE - ROOF VENT
	048848-01-000	EA	MOTOR-ROOF VENT 1/8 SHAFT - 12V - JENSEN
	048848-01-000	EA	FAN-ROOF VENT 6 BLADES - 6" - JENSEN
	062838-01-001	EA	HINGE-VENT COVER 18"
	062838-01-300	EA	HINGE-EXTRUSION ROOF VENT 7"
	081808-01-000	EA	GROMMET-SNAP 3/16"ID - 3/8" HOLE - PLASTIC - BLACK
	078785-01-Y12	EA	SCREEN-ROOF VENT POWERED
	002291-02-000	SF	SCREENING-ROOF VENT/WINDOW 18" - BLACK
	002298-02-000	FT	SPLINE-VENT/WINDOW SCREEN .128 DIAMETER - BLACK

**NONPOWERED ROOF VENT**

KEY	PART NUMBER	UOM	DESCRIPTION
	080385-01-Y12	EA	VENT-ROOF - NONPOWERED
	008438-01-000	EA	CRANK HANDLE-ROOF VENT
	008438-04-000	EA	SCREW 8-32 X 1 1/4" PH
	008438-05-000	EA	KNOB-CRANK, WINDOW AND ROOF VENT - BLACK - DECO 718128
	102788-01-000	EA	HOLDER-COMPARTMENT/ELECTRY DOOR - METAL - MILL FINISH
	104089-01-01A	EA	CATCH-DOOR HOLDER - STRIKE - OFF WHITE
	104089-02-01A	EA	CATCH-DOOR HOLDER - RETAINER - OFF WHITE
	088218-01-000	EA	COVER-ROOF VENT, PLASTIC
	008825-01-000	EA	WEATHER STRIP-ROOF VENT GRAY
	008440-01-000	EA	GEARWORM-VENT COVER LIFT
	018911-01-000	EA	TRACK-LIFT ARM SLIDE - ROOF VENT
	062838-01-001	EA	HINGE-VENT COVER 18"
	062838-01-300	EA	HINGE-EXTRUSION ROOF VENT 7"
	078788-01-Y12	EA	SCREEN-ROOF VENT NON POWERED - WHITE
	002291-02-000	SF	SCREENING-ROOF VENT/WINDOW 18" - BLACK
	002298-02-000	FT	SPLINE-VENT/WINDOW SCREEN .128 DIAMETER - BLACK

**VENTS, SHROUDS AND ROOF COVERS**

KEY	PART NUMBER	UOM	DESCRIPTION
	085108-03-000	EA	BASE-VENT REFRIGERATOR- ROOF - DOMETIC 3100629 01
	085108-04-000	EA	CAP-VENT REFRIGERATOR - ROOF - DOMETIC 3100629 018
	094878-08-000	EA	VENT-RANGE HOOD, SHORT - LVS
	083782-01-000	EA	SHROUD-RANGE - 18.5" X 20.6" X 18.2" - METAL - OFF WHITE
	084818-01-000	EA	SHROUD-RANGE HOOD VENT, OFF WHITE
	088888-08-000	EA	VENT-PLUMBING PIPE ROOF W/COVER - OFF WHITE
	080808-01-000	EA	PANEL-SKYLITE, INNER - PLEXIGLASS - 23.25" X 20.3"
	080807-01-000	EA	PANEL-SKYLIGHT, OUTER - PLEXIGLASS - 23.25" X 20.3"

**1982 WINNEBAGO  
TABLE OF CONTENTS**

INTRODUCTION	A-01 - A-02
ABBREVIATIONS	A-03
ALPHABETICAL INDEX	A-04 - A-08
WF427RQ	A-07 - D-14
WF427RC	D-15 - G-20
WF427RT	G-21 - K-03

**1982 WF427RQ INDEX**

FLOOR PLAN	A-07 - A-08
ACCESSORIES	A-09
AUDIO VIDEO	A-10
BATH	A-11 - A-12
BEDROOM	A-13 - A-14
CHASSIS	A-15 - A-17
CURTAIN & CUSHION	A-18 - B-01
DINETTE	B-02 - B-03
DRIVERS	B-04 - B-06
ELECTRICAL	B-07 - B-10
EXTERIOR BODY	B-11 - B-17
GALLEY	B-18 - B-21
GENERATOR	B-22
HEATING & A/C	B-23 - B-24
INTERIOR FINISH	C-01 - C-04
LABEL	C-05 - C-12
LP	C-13
LOUNGE	C-14 - C-15
SEALANTS & FASTENERS	C-16 - C-18
WATER & SEWAGE	C-19 - C-22
WINDOW, VENT AND EXTERIOR DOOR	C-23 - D-14