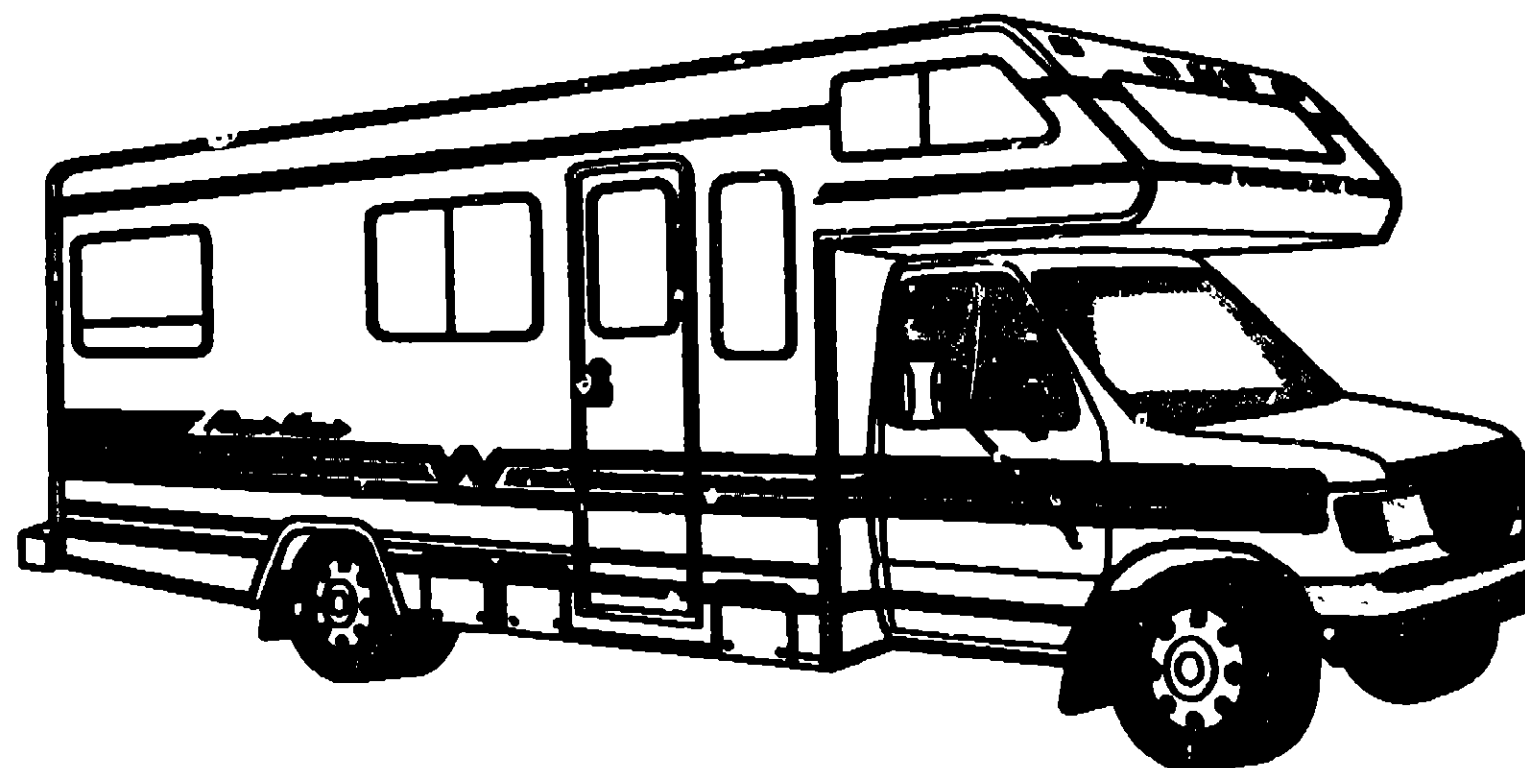
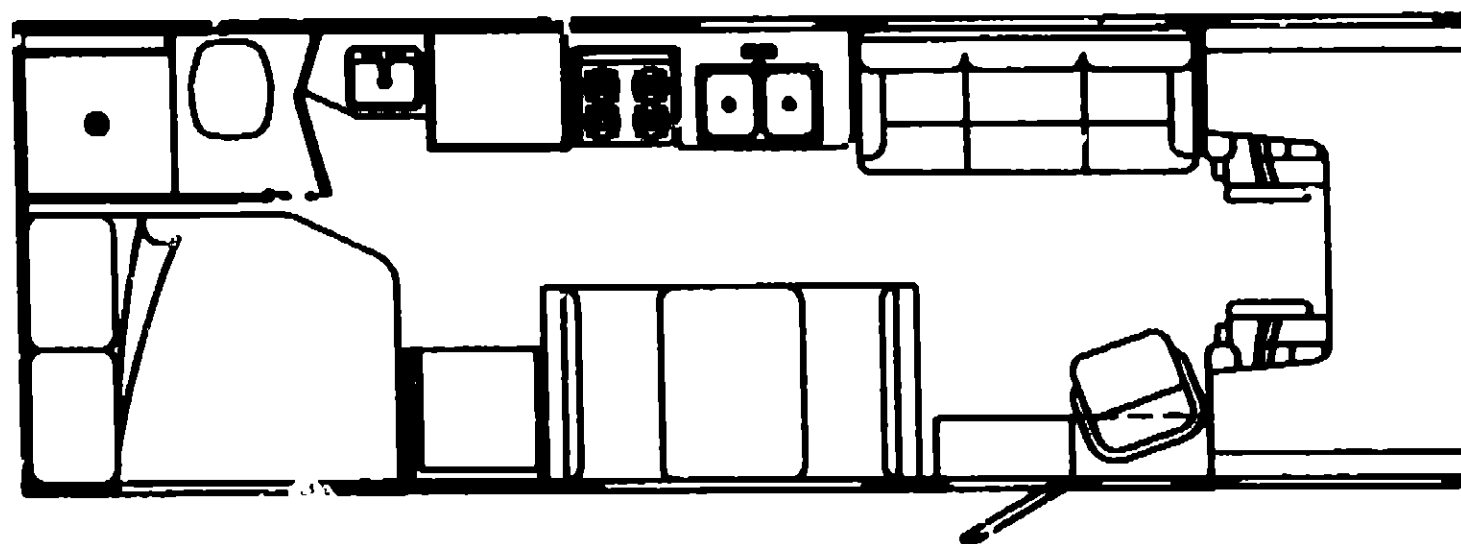


**1992 WINNEBAGO  
TABLE OF CONTENTS**

INTRODUCTION	A-01 - A-02
ABBREVIATIONS	A-03
ALPHABETICAL INDEX	A-04 - A-05
WF427RQ	A-07 - D-14
WF427RC	D-15 - G-20
WF427RT	G-21 - K-03



**1992  
WF427RC  
C03  
C04**



**1992 WF427RC INDEX**

FLOOR PLAN	D-15 - D-16
ACCESSORIES	D-17
AUDIO VIDEO	D-18
BATH	D-19 - D-20
BEDROOM	D-21
CHASSIS	D-22 - D-24
CURTAINS & CURTAIN	E-01 - E-03
DINETTE	E-04 - E-10
DRIVERS	E-11 - E-12
ELECTRICAL	E-13 - E-16
EXTERIOR BODY	E-17 - E-23
GALLEY	E-24 - F-03
GENERATOR	F-04
HEATING & AC	F-05 - F-06
INTERIOR FINISH	F-07 - F-10
LABEL	F-11 - F-13
LP	F-14
LOUNGE	F-15 - F-21
SEALANTS & FASTENERS	F-22 - F-24
WATER & SEWAGE	G-01 - G-04
WINDOW, VENT AND EXTERIOR DOOR	G-05 - G-20

## ACCESSORIES GROUP

### OPERATORS MANUAL

KEY	PART NUMBER	U/M	DESCRIPTION
	054185-04-000	EA	MANUAL-OPERATOR-1982 MINNIE WINNIE
	082318-01-000	EA	BINDER-3 RING- MOTOR HOME MANUAL
	082319-01-000	EA	POCKET PAGE-3 RING BINDER- PLASTIC
	108361-01-000	DW	TOP LEVEL DRAWING - 1982 C-BODY

## AUDIO VIDEO GROUP

### RADIO SYSTEM COMPONENTS & ANTENNA

KEY	PART NUMBER	U/M	DESCRIPTION
	081089-02-000	EA	WIRE ASM-8-PIN- RADIO - AUDIOVOX 112B-1781
	108480-01-000	EA	RADIO-AM/FM CASSETTE-ELECT FORD - AUDIOVOX FD-C3F
	108451-01-000	EA	MOUNTING KIT-RADIO FORD AUDIOVOX FD-ECO-82
	108137-01-000	EA	PLUG-ANTENNA HOLE-82 E380
	088340-02-000	EA	GRILLE-SPEAKER- 6.5" SQUARE
	088340-03-000	EA	GRILLE-SPEAKER-SPACER TAN - MAGNADYNE Q614
	084087-01-000	EA	SPEAKER-RADIO- W/0 GRILLE - 5.25" DIA - AUDIOVOX 110C3090
	106305-01-000	EA	WIRE ASM-SPEAKER ADAPTER - FORD

FROM: 00-00-00 THRU: 02-16-82

### TV, VCR SYSTEMS & ANTENNA

KEY	PART NUMBER	U/M	DESCRIPTION
	082310-01-000	EA	TV-COLOR- 8" - AC/DC - WIREMOTE - MAGNAVOX CH3940 FROM: 00-00-00 THRU: 01-28-82
	082310-01-700	EA	REMOTE F/RK3855 -0822335
	082310-03-000	EA	TV-COLOR-8"-AC/DC WFSWVEL - MAGNAVOX R00945 FROM: 01-27-82 THRU: 88-08-88
	082310-02-700	EA	REMOTE F/TV -0822334
	088446-03-000	EA	VCR-VHS- CABLE READY - REMOTE - MAGNAVOX VR8010
	088446-03-700	EA	REMOTE F/MODEL #8010 -0874588
	108433-01-000	EA	RACKET-VCR
	078319-01-000	EA	ANTENNA-TV- ROOF MOUNT - 44 5' MAST - RVA W02
	078319-01-700	EA	HEAD-ANTENNA- AMPLIFIED - WINEGARD# RY5A L/V
	078319-01-701	EA	GEAR-ELEVATING- PLASTIC - WINEGARD# 2200048
	078319-01-702	EA	SHAFT ASM-ELEVATING- WINEGARD# RVP-400A
	078319-01-703	EA	BEARING-NYLON- 5"OD - WINEGARD# 3200658
	078319-01-705	EA	GROMMET-NYLON- 7/8"ID - WINEGARD# 3200658
	078319-01-708	EA	CRANK-ELEVATING- W/SET SCREW - WINEGARD# 5755100
	078319-01-707	EA	SPRING-HANDLE- WINEGARD# 5180800
	078319-01-709	EA	PLATE-DIRECTIONAL- FOR HEAD - WINEGARD #3200844
	078319-08-000	EA	ADAPTOR-CABLE ROOF PLATE- WINEGARD RPJ-1
	082134-01-000	EA	ADAPTER-TV- CABLE TO CABLE - WINEGARD F-81M
	082138-01-000	EA	NUT-HEX JAM 3/8-32- WINEGARD
	088777-02-000	EA	WALLPLATE-TV CABLE- W/ANTENNA SWITCH - BROWN
	078319-09-000	FT	CABLE-COAXIAL - 75 OHM
	078319-12-000	EA	CONNECTOR-COAXIAL- ONE PIECE
	088757-03-000	EA	CONTROL CENTER-SWITCH- VCR/TV - MAGNADYNE VCS-8
	088777-04-000	EA	PLATE-WALL- ANTENNA/POWER - BROWN

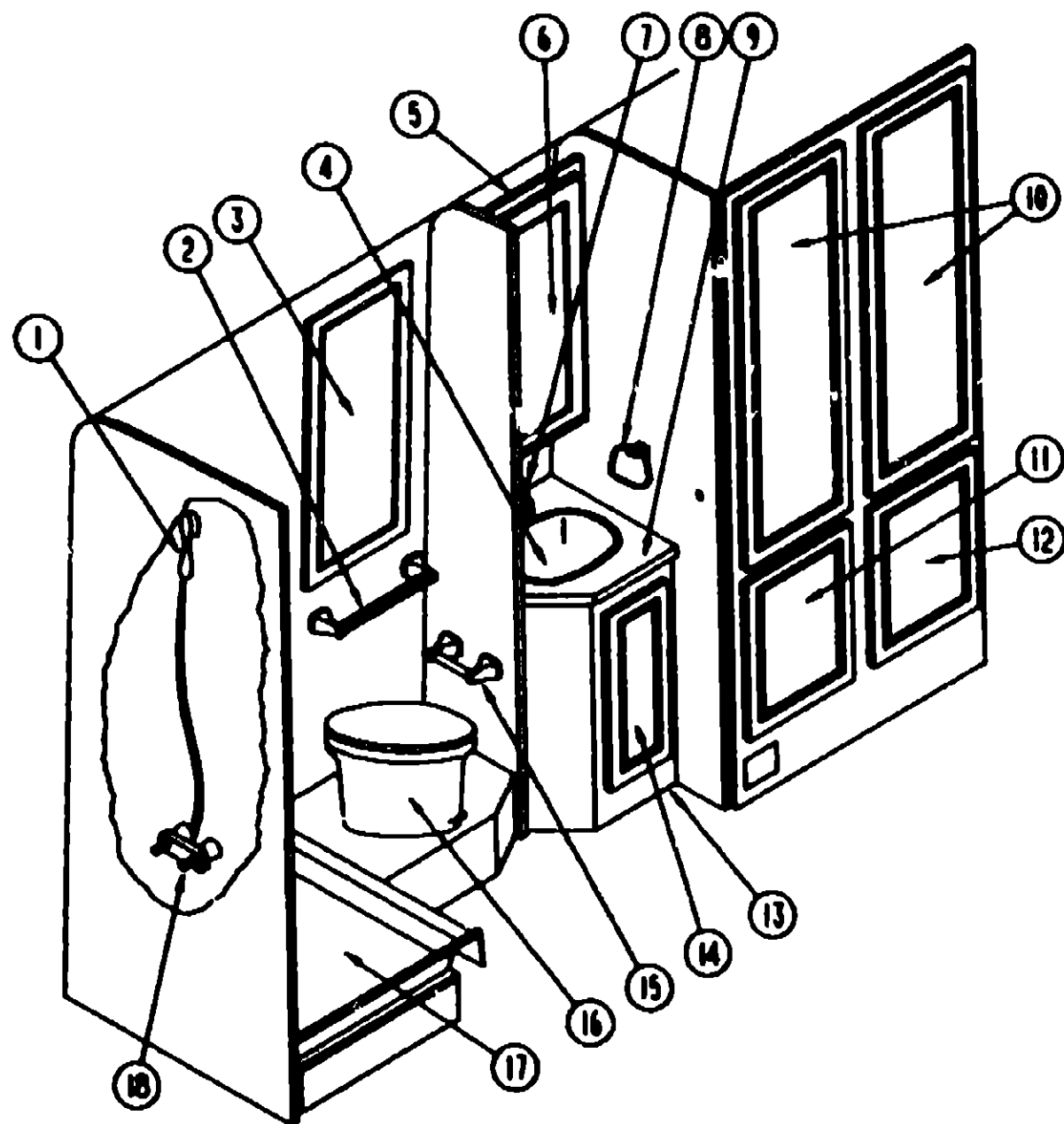
## 1982 WINNEBAGO TABLE OF CONTENTS

INTRODUCTION	A-01	-	A-02
ABBREVIATIONS			A-03
ALPHABETICAL INDEX	A-04	-	A-08
WF427RQ	A-07	-	D-14
WF427RC	D-15	-	G-30
WF427RT	G-21	-	K-03

## 1982 WF427RC INDEX

FLOOR PLAN	D-15	-	D-18
ACCESSORIES			D-17
AUDIO VIDEO			D-18
BATH	D-19	-	D-20
BEDROOM			D-21
CHASSIS	D-22	-	D-24
CURTAIN & CUSHION	E-01	-	E-08
DINETTE	E-09	-	E-10
DRIVERS	E-11	-	E-12
ELECTRICAL	E-13	-	E-18
EXTERIOR BODY	E-17	-	E-23
GALLEY	E-24	-	F-03
GENERATOR			F-04
HEATING & A/C	F-05	-	F-08
INTERIOR FINISH	F-07	-	F-10
LABEL	F-11	-	F-18
LP			F-19
LOUNGE	F-20	-	F-21
SEALANTS & FASTENERS	F-22	-	F-24
WATER & SEWAGE	G-01	-	G-04
WINDOW, VENT AND EXTERIOR DOOR	G-05	-	G-30

**BATH GROUP**



**BATH & SHOWER CABINETRY & HARDWARE**

KEY	PART NUMBER	U/M	DESCRIPTION
1	103082-01-000	EA	SHOWER HEAD-W/80 IN HOSE
2	075453-02-000	EA	BAR-TOWEL-18" BRASS
3	088331-21-000	EA	MIRROR-GLASS-SAFETY - 438MMX338MM
4	088827-01-01A	EA	SINK-LAVATORY-RECTANGULAR-PLASTIC-BONE
	088827-01-700	EA	SINK-STOPPER
	088827-01-701	EA	TAILPIECE-SINK
5	108821-02-C62	EA	CABINET ASM-MEDICINE
6	F08881-01-C08	EA	DOOR ASM-MIRROR-HARDWARE-306 X 750
	088331-32-000	EA	MIRROR-GLASS-SAFETY - 13 6" X 27 6"
	M08489-11-000	EA	TRIM-MIRROR-WOOD - OAK
	088448-10-805	EA	MIRROR-WOOD FRAMED
7	075240-03-000	EA	FAUCET-LAVATORY-BONE
8	075454-02-000	EA	RING-TOWEL-W/MOUNTING HARDWARE - BRASS
9	108849-11-C09	EA	COUNTERTOP ASM
10	F08223-25-C08	EA	DOOR ASM-W/O HARDWARE - ROUNDED - 306 X1015
11	F08223-01-C08	EA	DOOR ASM-W/O HARDWARE - ROUNDED - 306 X 655
12	F08223-23-C08	EA	DOOR ASM-W/O HARDWARE - ROUNDED - 306 X 555
13	M08884-01-C08	EA	CABINET ASM-LAVATORY-US
14	M08884-02-C08	EA	CABINET ASM-LAVATORY-CSA
15	F08223-84-C08	EA	DOOR ASM-W/O HARDWARE - ROUNDED - 306 X555
16	075482-02-000	EA	HOLDER-TOILET TISSUE-BRASS

**BATH GROUP (CONTINUED )**

**BATH & SHOWER CABINETRY & HARDWARE (CONTINUED)**

KEY	PART NUMBER	U/M	DESCRIPTION
16	087487-01-000	EA	TOILET-12.37" IVORY - HAND FLUSH - THETFORD 150110
	083740-01-700	EA	LEVER-WATER-THETFORD 12514
	083740-01-701	EA	LEVER-FLUSH-THETFORD 12515
	083740-01-708	EA	BOLT PACKAGE-CLOSET-THETFORD 12524
	083740-01-710	EA	LINK-THETFORD 12513
	083740-01-711	EA	SPRING-RETURN LEVER-THETFORD 12523
	083740-01-713	EA	SEAL-BALL VALVE TO BOWL-THETFORD 12502
	083740-01-714	EA	VALVE ASM-WATER-THETFORD 12482
	083740-01-718	EA	SEAT & COVER-THETFORD 15017
	083740-01-717	EA	TUBE-FLUSH-TOILET-12508 THETFORD
	024878-01-000	EA	FLANGE-CLOSET-TOILET - 4" X 3" - RED - US
	024878-02-000	EA	FLANGE-CLOSET-TOILET - 4" X 3" - RED - CSA
17	M08429-08-000	EA	PAN-SHOWER-OFF WHITE
	088438-01-000	EA	NUT-SLIP-TAILPIECE - 1.5"
	088440-01-000	EA	STRAINER-SHOWER-W/RUBBER WASHER
	088735-01-000	EA	WASHER-STRAINER TO TAILPIECE PLASTIC-1.5"
	011088-02-000	EA	TAILPIECE-TUB/SHOWER- 1 1/2" X 1 1/4" X 4" - BRASS
	088438-01-000	EA	NUT-SLIP-TAILPIECE - 1 5"
18	075241-05-000	EA	FAUCET-SHOWER-BONE
18	075808-01-000	EA	PANEL-FAUCET BACK-SHOWER - 5" X 9" - PLASTIC
	057671-01-000	EA	COVER-SCREW-88 - PLASTIC - OFF WHITE

**BATH PRIVACY DOOR**

KEY	PART NUMBER	U/M	DESCRIPTION
	M87888-09-C03	EA	DOOR ASM-CABINET-BATH
	084485-01-01A	EA	KNOB-DOOR-POLISHED BRASS

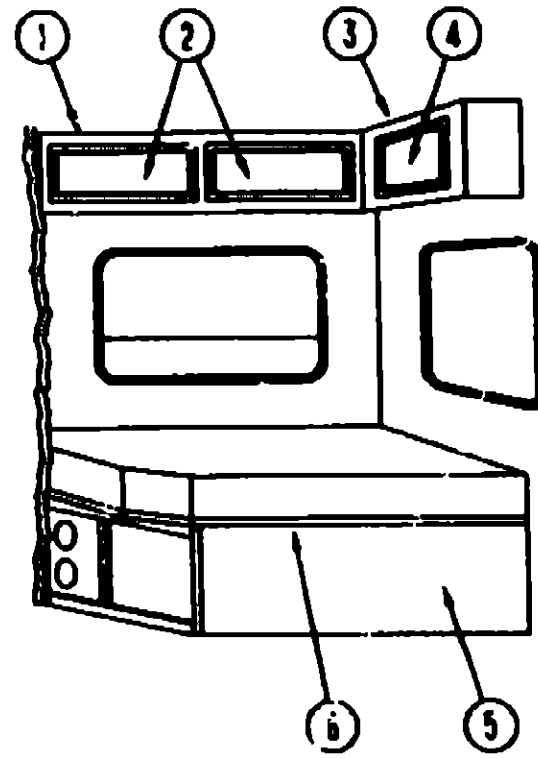
**1992 WINNEBAGO  
TABLE OF CONTENTS**

INTRODUCTION	A-01 - A-02
ABBREVIATIONS	A-03
ALPHABETICAL INDEX	A-04 - A-08
WF427PG	A-07 - D-14
WF427RC	D-15 - G-20
WF427RT	G-21 - K-08

**1992 WF427RC INDEX**

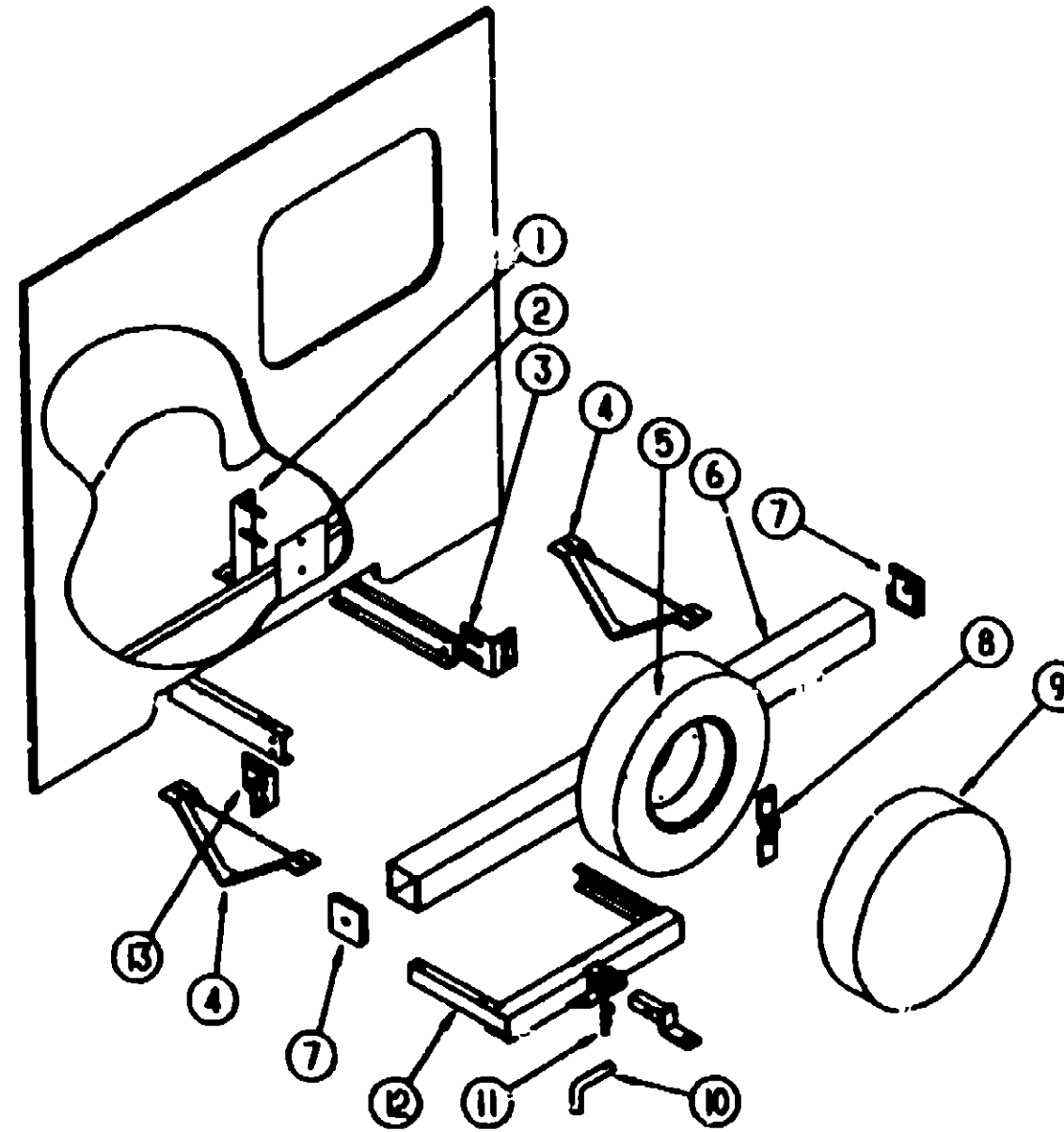
FLOOR PLAN	D-15 - D-18
ACCESSORIES	D-17
AUDIO VIDEO	D-18
BATH	D-19 - D-20
BEDROOM	D-21
CHASSIS	D-22 - D-24
CURTAIN & CUSHION	E-01 - E-08
DINETTE	E-09 - E-10
DRIVERS	E-11 - E-12
ELECTRICAL	E-13 - E-16
EXTERIOR BODY	E-17 - E-23
GALLEY	E-24 - F-03
GENERATOR	F-04
HEATING & AC	F-05 - F-08
INTERIOR FINISH	F-07 - F-10
LABEL	F-11 - F-18
LP	F-19
LOUNGE	F-20 - F-21
SEALANTS & FASTENERS	F-22 - F-24
WATER & SEWAGE	G-01 - G-04
WINDOW, VENT AND EXTERIOR DOOR	G-05 - G-20

**BEDROOM GROUP**



**DOUBLE BEDROOM**

**CHASSIS GROUP**



**REAR BUMPER, TOWING & SPARE TIRE CARRIER**

**1992 WINNEBAGO  
TABLE OF CONTENTS**

INTRODUCTION	A-01 - A-02
ABBREVIATIONS	A-03
ALPHABETICAL INDEX	A-04 - A-08
WF427RQ	A-07 - D-14
WF427RC	D-15 - G-20
WF427RT	G-21 - K-03

**1992 WF427RC INDEX**

FLOOR PLAN	D-15 - D-16
ACCESSORIES	D-17
AUDIO VIDEO	D-18
BATH	D-19 - D-20
BEDROOM	D-21
CHASSIS	D-22 - D-24
CURTAIN & CUSHION	E-01 - E-08
DINETTE	E-09 - E-10
DRIVERS	E-11 - E-12
ELECTRICAL	E-13 - E-16
EXTERIOR BODY	E-17 - E-23
GALLEY	E-24 - F-03
GENERATOR	F-04
HEATING & A/C	F-05 - F-08
INTERIOR FINISH	F-07 - F-10
LABEL	F-11 - F-16
LP	F-19
LOUNGE	F-20 - F-21
SEALANTS & FASTENERS	F-22 - F-24
WATER & SEWAGE	G-01 - G-04
WINDOW, VENT AND EXTERIOR DOOR	G-05 - G-20

KEY	PART NUMBER	U/M	DESCRIPTION
1	M05823-16-C03	EA	CABINET ASM-OVERHEAD-REAR
2	P05223-05-C03	EA	DOOR ASM-W/O HARDWARE-400 X 710
3	M05823-19-C03	EA	CABINET ASM-OVERHEAD-REAR
3	M05823-19-C04	EA	CABINET ASM-OVERHEAD-REAR
4	P05223-13-C03	EA	DOOR ASM-W/O HARDWARE-MITERED-246 X 565 - ROUNDED
	104755-05-000	EA	MIRROR - GLASS - DECORATIVE
5	P05802-01-C52	EA	CABINET ASM-DOUBLE BED
6	M05889-02-000	EA	BED TOP - DRIVER SIDE
	M05889-01-C52	EA	BED TOP - PASSENGER SIDE
	057480-02-000	EA	BALL STUD-10"AM BALL,5/16-18 - GAS SPRING
	057480-03-000	EA	SAFETY CLIP-WIREFORM TYPE - GAS SPRING
	057480-04-000	EA	GAS SPRING - FAN22L

KEY	PART NUMBER	U/M	DESCRIPTION
1	105209-05-C52	EA	BRACKET ASM-SPARE TIRE
2	105208-01-000	EA	PLATE-SPARE TIRE
3	104420-01-000	EA	SUPPORT-ANGLE-BUMPER REAR-RIGHT
4	083376-01-000	EA	PLATE-SKID-13.2" X 6" X 2" - STEEL
5	070917-04-000	EA	TIRE-FIRESTONE - LT 215 - 85R16 LRD - 4RS (273295)
5	083425-09-000	EA	TIRE-LT225/75R16 LRD MICHELIN XCH4
6	103422-02-01A	EA	BUMPER-SQUARE-ALUMINUM-OFF WHITE
7	039779-01-000	EA	CAP-BUMPER-RUBBER - 4" X 4" - BLACK
8	105631-02-000	EA	RETAINER ASM-SPARE TIRE
9	104408-05-C03	EA	COVER-TIRE-32"MINNIE WINNIE -SILKSCREENED-OFF WHITE
10	034512-01-000	EA	PIN-LOCKING-DRAWBAR
11	034513-01-000	EA	PIN-HITCH-3/16" WIRE
12	077617-02-000	EA	HITCH-TRAILER-W/O DRAWBAR - 41 1" WIDE - STEEL - BLACK
	077613-01-000	EA	DRAWBAR ASM ONLY
FROM 00-00-00 THRU 02-02-92			
13	104420-02-000	EA	SUPPORT-ANGLE-BUMPER REAR-LEFT
	087744-01-000	EA	HOUSING-TRAILER PIN-12"
	087744-02-000	EA	HOUSING-TRAILER PIN-48"
	087745-01-000	EA	HOUSING-TRAILER RECEPTACLE-12"
	087746-01-000	EA	HOUSING CAP-TRAILER PIN
	087746-02-000	EA	HOUSING-RECEPTACLE-TRAILER - 48" WIRE LENGTH

**CHASSIS GROUP (CONTINUED)**

**COMPARTMENTS & TRAYS**

KEY	PART NUMBER	U/M	DESCRIPTION
	058027-01-000	FT	SEAL- D SHAPED - HOLLOW - SPONGE RUBBER - BLACK
	081420-01-000	EA	PLUG-PLASTIC- 1.75" - BROWN
	077953-01-000	EA	GROMMET-EDGE LINER- FITS 1"
	088270-01-000	FT	SEAL-BULB- W/WIRE RIGID U-CHANNEL - 5" - RUBBER - BLACK
	103639-01-000	EA	DOOR-DRAINAGE COMPARTMENT- 7.9" X 7.6" - STEEL
	074470-02-000	EA	PIN-PULL- HINGE RELEASE -LEFT SIDE
	105471-06-000	EA	COMPARTMENT ASM-GENERATOR
	102879-01-000	EA	BOX-POWER CORD
	008086-01-000	EA	HINGE-ALUMINUM - NO HOLES - 1 1/16" X 6" - UNPAINTED

**EXHAUST SYSTEM COMPONENTS**

KEY	PART NUMBER	U/M	DESCRIPTION
	061182-03-000	EA	HEAT SHIELD
	084618-03-000	EA	CLAMP-EXHAUST- 2.5"
	086753-04-000	EA	PIPE-EXHAUST (FORD)

**CHASSIS MISCELLANEOUS**

KEY	PART NUMBER	U/M	DESCRIPTION
	085460-05-000	EA	TIEDOWN-BATTERY- 8.4" TUBE
			FROM 00-00-00 THRU 12-02-91
	084903-01-000	EA	STRAP-BATTERY
	088498-01-000	EA	UNION-INVERTED FLARE- BRASS - 3/16-GHAKE LINE

**MUDFLAPS, TIRES AND WHEELS**

KEY	PART NUMBER	U/M	DESCRIPTION
	017518-01-000	EA	FLAP-MUD- 14" X 18" - BLACK
	045731-04-000	EA	GUARD-ROCK- REAR
	065278-61-258	EA	TUBING-STEEL- .75" X 1.5" X 12.5"
	084089-01-700	EA	FLAP-MUD- FRONT - SET OF 2 - RUBBER - BLACK
	051377-01-000	EA	STEM-VALVE- TR 500
	077030-02-000	EA	EXTENSION-VALVE STEM- 1.25"
	068012-03-000	EA	EXTENSION-VALVE STEM- DUAL WHEEL
	070817-04-000	EA	TIRE-FIRESTONE- LT 215 - 85R18 LRD - 4RS (273295)
	083425-08-000	EA	TIRE-LT225/75R18 LRD MICHELIN XCH4
	083617-01-000	EA	WHEEL-FORD- 6.00 X 16.0 - 8 HOLE - FIRESTONE
	083617-03-000	EA	WHEEL-STEEL-18.0X8 - ACCURIDE 28618
	102782-01-000	EA	WHEELWELL-PLASTIC

**DRIVESHAFT**

KEY	PART NUMBER	U/M	DESCRIPTION
	103853-08-700	EA	DRIVESHAFT ASM-BALANCED PAIR E360188*WB(158)
	074833-01-000	EA	SPACER-BEARING-DRIVESHAFT - 2" X 8" X 5" THICK

**FUEL LINERS & COVERS**

KEY	PART NUMBER	U/M	DESCRIPTION
	091208-11-000	EA	LINER-WHEEL-SET 4 E350- KAPER II (FORD)
	091208-10-700	EA	COVER-AXLE-FRONT - 8 LUG - FORD
	091208-10-701	EA	COVER-AXLE-REAR - 8 LUG - FORD
	091208-10-705	EA	COVER-LUG NUT
	091208-11-700	EA	LINER-WHEEL-FRONT - 8 LUG - FORD
	091208-11-701	EA	LINER-WHEEL- REAR - 8 LUG - FORD
	083181-01-000	EA	COVER-WHEEL- 16" - SET OF FOUR
	083181-01-700	EA	COVER-WHEEL- 16" - 8 LUG - 1 ONLY

**CHASSIS GROUP (CONTINUED)**

**FUEL SYSTEM COMPONENTS**

KEY	PART NUMBER	U/M	DESCRIPTION
	007063-01-000	FT	HOSE-GAS 1/4"ID X 1/2"OD
	106388-01-000	EA	FUEL LINE ASM-FORD-5/16 HP
	106389-01-000	EA	FUEL LINE ASM-FORD-3/8 HP
	024138-01-000	FT	HOSE-FUEL - 5/16" ID
	044317-01-000	FT	HOSE-FUEL - 3/8" ID
	078040-06-000	EA	SHROUD - FUEL FILL - UPPER
	063303-04-000	EA	SHROUD - FUEL FILL - LOWER
	078200-01-000	EA	GASKET-FUEL FILL - 3.5"OD X 2"ID
	102851-01-02A	EA	SHROUD-FUEL FILL-OFF WHITE

095854-01-02A

EA SHROUD-FUEL FILL-OFF WHITE

FROM 00-00-00 THRU 04-19-92

FROM 04-20-92 THRU 99-99-99

**ENTRY STEPS**

KEY	PART NUMBER	U/M	DESCRIPTION
	077848-01-000	EA	STEP-PULLOUT- W/BRACKETS - BLACK
	077848-02-000	EA	STEP-PULLOUT
	091176-01-000	EA	SUPPORT-BASE-ENTRANCE STEP
	076241-09-000	EA	SUPPORT-STEP- ENTRY DOOR

**1992 WINNEBAGO  
TABLE OF CONTENTS**

INTRODUCTION	A-01 - A-02
ABBREVIATIONS	A-03
ALPHABETICAL INDEX	A-04 - A-08
WF427RQ	A-07 - D-14
WF427RC	D-15 - G-20
WF427RT	G-21 - K-03

**1992 WF427RC INDEX**

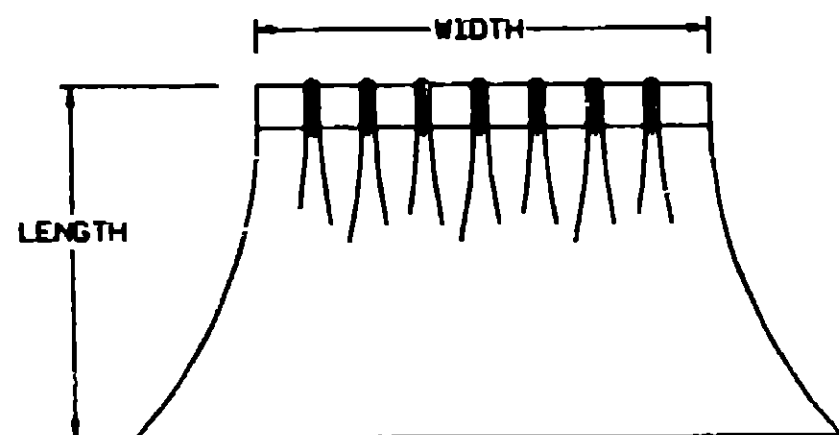
FLOOR PLAN	D-15 - D-16
ACCESSORIES	D-17
AUDIO VIDEO	D-18
BATH	D-19 - D-20
BEDROOM	D-21
CHASSIS	D-22 - D-24
CURTAIN & CUSHION	E-01 - E-08
DINETTE	E-09 - E-10
DRIVERS	E-11 - E-12
ELECTRICAL	E-13 - E-18
EXTERIOR BODY	E-17 - E-23
GALLEY	E-24 - F-03
GENERATOR	F-04
HEATING & AC	F-05 - F-06
INTERIOR FINISH	F-07 - F-10
LABEL	F-11 - F-18
L <sup>o</sup>	F-19
LOUNGE	F-20 - F-21
SEALANTS & FASTENERS	F-22 - F-24
WATER & SEWAGE	G-01 - G-04
WINDOW, VENT AND EXTERIOR DOOR	G-05 - G-20

## CURTAIN & CUSHION GROUP

### NOTICE

IN ORDER TO ASSIST OUR PARTS SALES DEPT. IN PROVIDING INTERIOR SOFTWARE ITEMS, PLEASE INCLUDE THE SERIAL NUMBER AND THE COLOR CODE NUMBER FROM THE VEHICLE CERTIFICATION LABEL WHEN ORDERING. THIS LABEL IS LOCATED ON THE LEFT SIDEWALL AT THE END OF THE DASH (A-BODY), OR ON THE DRIVER'S DOOR LATCH PLATE (C-BODY)

AN EXAMPLE OF A COLOR CODE NUMBER IS 807, WHICH DESIGNATES AN OVERALL COLOR SCHEME OF A PARTICULAR UNIT. THE COLOR LISTED AFTER THE ITEM DESCRIPTION ON THE MICROFICHE, INDICATES THE OVERALL UNIT COLOR. ORDER THE ITEM YOU DESIRE ACCORDING TO UNIT COLOR CODE.

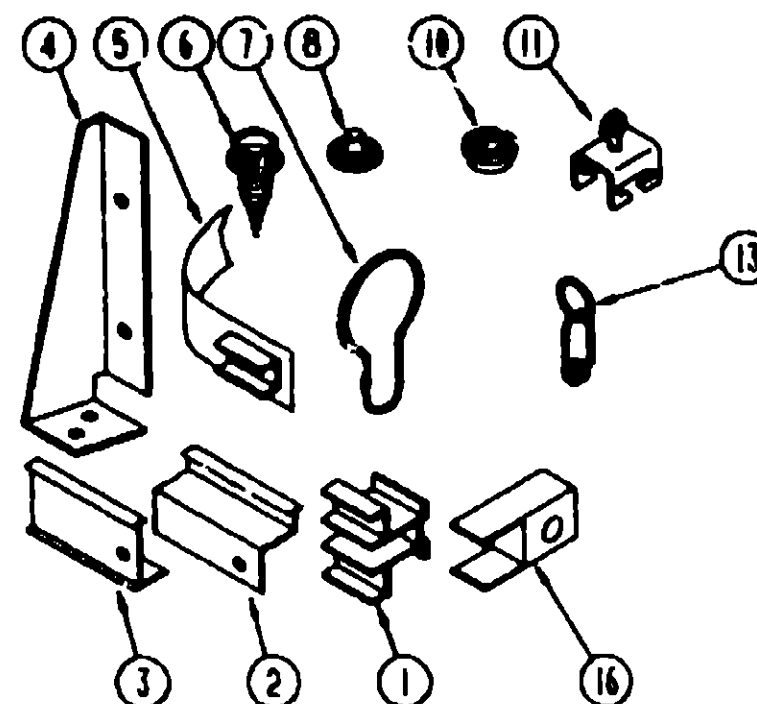


NOTE: USE THIS ILLUSTRATION WHEN DETERMINING LENGTH AND WIDTH MEASUREMENTS FOR CURTAINS. YOU WILL NOTE THE WIDTH MEASUREMENT IS TAKEN ON THE TOP OF THE CURTAIN WITH THE CURTAIN FULLY EXTENDED. THE LENGTH MEASUREMENT IS TAKEN FROM TOP TO BOTTOM.

### FABRIC

KEY	PART NUMBER	U/M	DESCRIPTION
	072333-82-000	YD	FABRIC-CURTAIN- 54" WIDE - BEIGE
	103907-01-01A	YD	FABRIC-VINYL- 54" WIDE - OFF WHITE
	075244-04-000	YD	FABRIC-VINYL- SHOWER CURTAIN - 72" WIDE - SALMON(C03)
	075244-06-000	YD	FABRIC-VINYL- SHOWER CURTAIN - 72" WIDE - TEAL(C04)
	088273-88-000	YD	FABRIC-CURTAINBEDSPREAD-PATTERNED - 54" WIDE(C03)
	088273-89-000	YD	FABRIC-CURTAINBEDSPREAD-PATTERNED - 54" WIDE(C04)
	088273-72-000	YD	FABRIC-CURTAINBEDSPREAD-PLAIN - 54" WIDE(C03)
	088273-66-000	YD	FABRIC-CURTAINBEDSPREAD-PLAIN - 54" WIDE(C04)
	088009-77-000	YD	FABRIC-UPHOLSTERY- STRIPED VELOUR - 54" WIDE(C03)
	088008-81-000	YD	FABRIC-UPHOLSTERY- DOTTED VELOUR - 54" WIDE(C04)
	104233-12-000	YD	FABRIC-UPHOLSTERY-SANBEL-QUARTZ(C03)
	088008-79-000	YD	FABRIC-UPHOLSTERY- PATTERNED VELOUR - 54" WIDE(C04)
	104233-29-000	YD	FABRIC-UPHOLSTERY-PLAIN VELOUR-54"-EGGPLANT 569(C03) (DINETTE PAD)
	104233-28-000	YD	FABRIC-UPHOLSTERY- SMOKEY(C04)(DINETTE PAD)
	104233-24-000	YD	FABRIC-UPHOLSTERY-VANDERBILT-ICE BLUE(C03)
	104233-22-000	YD	FABRIC-UPHOLSTERY-VANDERBILT-AURORA(C04)
	104233-29-010	YD	FABRIC-UPHOLSTERY-PLAIN VELOUR-54"-EGGPLANT 569(C03)(MOTOR COVER)
	104233-28-000	YD	FABRIC-UPHOLSTERY- SMOKEY(C04)(MOTOR COVER)

## CURTAIN & CUSHION GROUP (CONTINUED)



### CURTAIN & BLIND HARDWARE

KEY	PART NUMBER	U/M	DESCRIPTION
1	101033-03-000	FT	TRACK-WALL- WHITE- CT225 SHAPCO
2	105450-06-01A	EA	TRACK-CURTAIN OFF WHITE
3	082464-05-01A	EA	TRACK-CURTAIN- OFF WHITE
4	078827-04-000	EA	BRACKET-CURTAIN-W/WOOD OFF WHITE
5	101031-01-000	YD	TAPE-GLIDE-CURTAIN - 4.25" SPACING
6	029130-01-000	EA	SCREW-SNAP SOCKET- 8 PH X 5/8"
7	009136-02-000	EA	HANGER-RING- PIN TYPE - CURTAIN - BRASS
8	029156-01-000	EA	CAP-SNAP- NICKEL
10	029158-01-000	EA	SOCKET-SNAP FASTENER- NICKEL
11	009702-01-000	EA	END STOP-CURTAIN CARRIER- L ROD
13	009701-01-000	EA	CARRIER-CURTAIN-L ROD
16	101033-02-000	EA	END CAP-TRACK- CLEAR
	048857-01-000	EA	GROMMET-BRASS - 7/16" ID X 1" OD
	048394-02-000	YD	VELCRO TAPE-HOOK- ADHESIVE BACK - 75" WIDE - BEIGE
	058003-01-000	EA	BRACKET-DRAPERY RETAINING- RIGHT - METAL
	058003-02-000	EA	BRACKET-DRAPERY RETAINING- LEFT - METAL
	088712-01-001	EA	BRACE-90 DEGREE L-ANGLE- .82" - EXTRUDED ALUMINUM
	075943-02-000	EA	BRACE-ANGLE- W/HOLES - 1" X 1 1/2" X 1 1/4" - ALUMINUM - BEIGE
	084432-06-000	FT	SLAT-ROLLER SHADE- PLASTIC
	084433-06-000	EA	SHADE-ROLLER-72.25"
	084434-01-000	EA	BRACKET-MOUNTING-ROLLER SHADE - 1 3/8"
	088782-01-000	YD	VELCRO-HOOK- 75" WIDE - BEIGE
	088782-02-000	YD	VELCRO TAPE-LOOP- ADHESIVE BACKED - .75" WIDE - BEIGE
	088843-01-000	EA	SPRING-REWIND- ROLLER SHADE
	108544-01-000	EA	PULL-SHADE-BRASS
	095591-12-000	EA	BRACKET-HOLD DOWN - W/PIN - BLIND - METAL
	109441-01-000	EA	BRACKET-HOLD DOWN - BLIND - HOOK
	105450-04-01A	EA	TRACK-CURTAIN, 58" LONG - ALUMINUM - OFF WHITE
	105450-07-01A	EA	TRACK-CURTAIN, 41 3/4" LONG - ALUMINUM - OFF WHITE

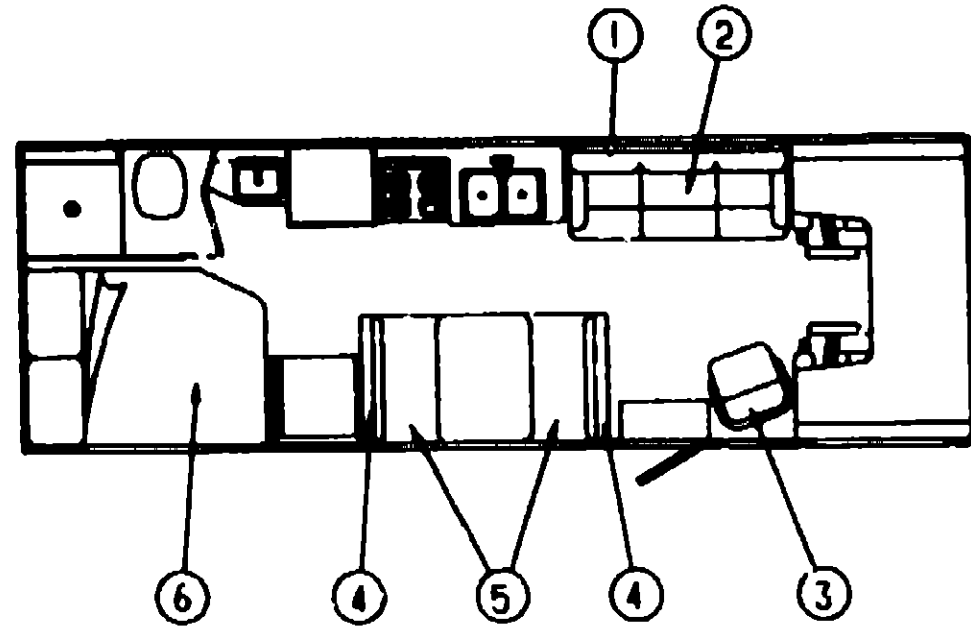
## 1982 WINNEBAGO TABLE OF CONTENTS

INTRODUCTION	A-01 - A-02
ABBREVIATIONS	A-03
ALPHABETICAL INDEX	A-04 - A-08
WF427RQ	A-07 - D-14
WF427RC	D-15 - G-20
WF427RT	G-21 - K-03

## 1982 WF427RC INDEX

FLOOR PLAN	D-15 - D-16
ACCESSORIES	D-17
AUDIO VIDEO	D-18
BATH	D-19 - D-20
BEDROOM	D-21
CHASSIS	D-22 - D-24
CURTAIN & CUSHION	E-01 - E-08
DINETTE	E-09 - E-10
DRIVERS	E-11 - E-12
ELECTRICAL	E-13 - E-16
EXTERIOR BODY	E-17 - E-23
GALLEY	E-24 - F-03
GENERATOR	F-04
HEATING & AC	F-05 - F-06
INTERIOR FINISH	F-07 - F-10
LABEL	F-11 - F-18
LP	F-19
LOUNGE	F-20 - F-21
SEALANTS & FASTENERS	F-22 - F-24
WATER & SEWAGE	G-01 - G-04
WINDOW, VENT AND EXTERIOR DOOR	G-05 - G-20

**CURTAIN & CUSHION GROUP (CONTINUED)**



**COUCH**

KEY	PART NUMBER	U/M DESCRIPTION
1	100032-11-CA9	EA BED-PRESTO-FAN BACK-69.5"(C03)
1	100032-11-C10	EA BED-PRESTO-FAN BACK-68.5"(C04)
	P00032-11-CA9	EA COVER-PRESTO-FAN BACK-68.5"(C03)
	P00032-11-C10	EA COVER-PRESTO-FAN BACK-68.5"(C04)
	101085-02-000	EA FRAME-BACK-COUCH - 68.5"
2	100032-12-CA9	EA BED-PRESTO-FAN SEAT-68.5"(C03)
2	100032-12-C10	EA BED-PRESTO-FAN SEAT-68.5"(C04)
	P00032-12-CA9	EA COVER-PRESTO-FAN SEAT-68.5"(C03)
	P00032-12-C10	EA COVER-PRESTO-FAN SEAT-68.5"(C04)
	101085-01-000	EA FRAME-SEAT-COUCH - 68.5"
	101095-03-000	EA FRAME-BASE-COUCH - 68.5"

**SWIVEL CHAIR**

KEY	PART NUMBER	U/M DESCRIPTION
3	088429-07-886	EA CHAIR-SWIVEL, W/O BASE, PIPE, PLATE OR SKIRT(C03)
3	088429-07-888	EA CHAIR-SWIVEL, W/O BASE, PIPE, PLATE OR SKIRT(C04)
	M88429-07-886	EA COVER-SWIVEL CHAIR(C03)
	M88429-07-888	EA COVER-SWIVEL CHAIR(C04)
	088202-04-886	EA SKIRT-SWIVEL CHAIR(C03)
	088202-04-888	EA SKIRT-SWIVEL CHAIR(C04)
	088685-03-000	EA PEDESTAL-LOWER-W/EXTENSION - 9" X 5" - STEEL
	083481-02-000	EA BASE-PEDESTAL-W/10" EXTENSION
	007221-01-000	EA SPACER-SEAT-ADJUSTER
	088246-06-000	EA ADJUSTER-SWIVEL CHAIR- MANUAL - FORWARD & BACK
	088246-07-000	EA ADJUSTER-SWIVEL CHAIR-W/LOCKING ARM - FORWARD & BACK
	083482-01-000	EA SHROUD-PEDESTAL-13" - PLASTIC - BLACK

**CURTAIN & CUSHION GROUP (CONTINUED)**

**DINETTE CUSHIONS**

KEY	PART NUMBER	U/M DESCRIPTION
4	104148-01-C05	EA CUSHION-13.5X38X5-FAN VICTORIAN(C03)
4	104148-01-C08	EA CUSHION-13.5X38X5-FAN VICTORIAN(C04)
	P04148-01-C05	EA COVER-12.5X38X5-FAN VICTORIAN(C03)
	P04148-01-C08	EA COVER-13.5X38X5-FAN VICTORIAN(C04)
5	088927-87-CA9	EA CUSHION-21X38X5-DINETTE SEAT(C03)
5	088927-87-888	EA CUSHION-21X38X5-DINETTE SEAT(C04)
	M88927-87-C19	EA COVER-21X38X5-DINETTE SEAT(C03)
	M88927-87-888	EA COVER-21X38X5-DINETTE SEAT(C04)
	078155-01-000	EA STRAP-SNAP- BACKREST CUSHION

**DOUBLE BEDSPREAD, PILLOW & MATTRESS**

KEY	PART NUMBER	U/M DESCRIPTION
8	085385-08-886	EA BEDSPREAD-54"THROW W/ROUNDED CORNER (C03)
8	085385-08-888	EA BEDSPREAD-54"THROW W/ROUNDED CORNER (C04)
8	101123-03-000	EA MATTRESS-DOUBLE- 53" X 74"
8	P01123-03-000	EA COVER-MATTRESS-DOUBLE- 53" X 74"
	104178-02-C03	EA SHAM ASM-PILLOW W/1/2"WELT
	104178-02-C04	EA SHAM ASM-PILLOW W/1/2"WELT

**BUNK CUSHIONS**

KEY	PART NUMBER	U/M DESCRIPTION
	105573-01-C03	EA CUSHION-OVERHEAD-FRONT-32X78X5 FROM 00-00-00 THRU 01-12-82
	105573-01-C04	FA CUSHION-OVERHEAD-FRONT-32X78X5 FROM 00-00-00 THRU 01-12-82
	P05573-01-C03	EA COVER-OVERHEAD-FRONT-32X78X5 FROM 00-00-00 THRU 01-12-82
	P05573-01-C04	EA COVER-OVERHEAD-FRONT-32X78X5 FROM 00-00-00 THRU 01-12-82
	105573-02-C03	EA CUSHION-OVERHEAD-REAR-28X78X5 FROM 00-00-00 THRU 01-12-82
	105573-02-C04	EA CUSHION-OVERHEAD-REAR-28X78X5 FROM 00-00-00 THRU 01-12-82
	P05573-02-C03	EA COVER-OVERHEAD-REAR-28X78X5 FROM 00-00-00 THRU 01-12-82
	P05573-02-C04	EA COVER-OVERHEAD-REAR-28X78X5 FROM 00-00-00 THRU 01-12-82
	105573-07-C03	EA CUSHION-OVERHEAD-FRONT-32.5X80X5 FROM 01-13-82 THRU 99-99-99
	105573-07-C04	EA CUSHION-OVERHEAD-FRONT-32.5X80X5 FROM 01-13-82 THRU 99-99-99
	P05573-07-C03	EA COVER-OVERHEAD-FRONT-32.5X80X5 FROM 01-13-82 THRU 99-99-99
	P05573-07-C04	EA COVER-OVERHEAD-FRONT-32.5X80X5 FROM 01-13-82 THRU 99-99-99
	105573-08-C03	EA CUSHION-OVERHEAD-REAR-27X23X80X5 FROM 01-13-82 THRU 99-99-99
	105573-08-C04	EA CUSHION-OVERHEAD-REAR-27X23X80X5 FROM 01-13-82 THRU 99-99-99
	P05573-08-C03	EA COVER-OVERHEAD-REAR-27X23X80X5 FROM 01-13-82 THRU 99-99-99
	P05573-08-C04	EA COVER-OVERHEAD-REAR-27X23X80X5 FROM 01-13-82 THRU 99-99-99
	102886-12-000	YD TAPE-CART BIND-#474 LT TAN ESHCO 1 1/4" FROM 08-01-91 THRU 99-99-99

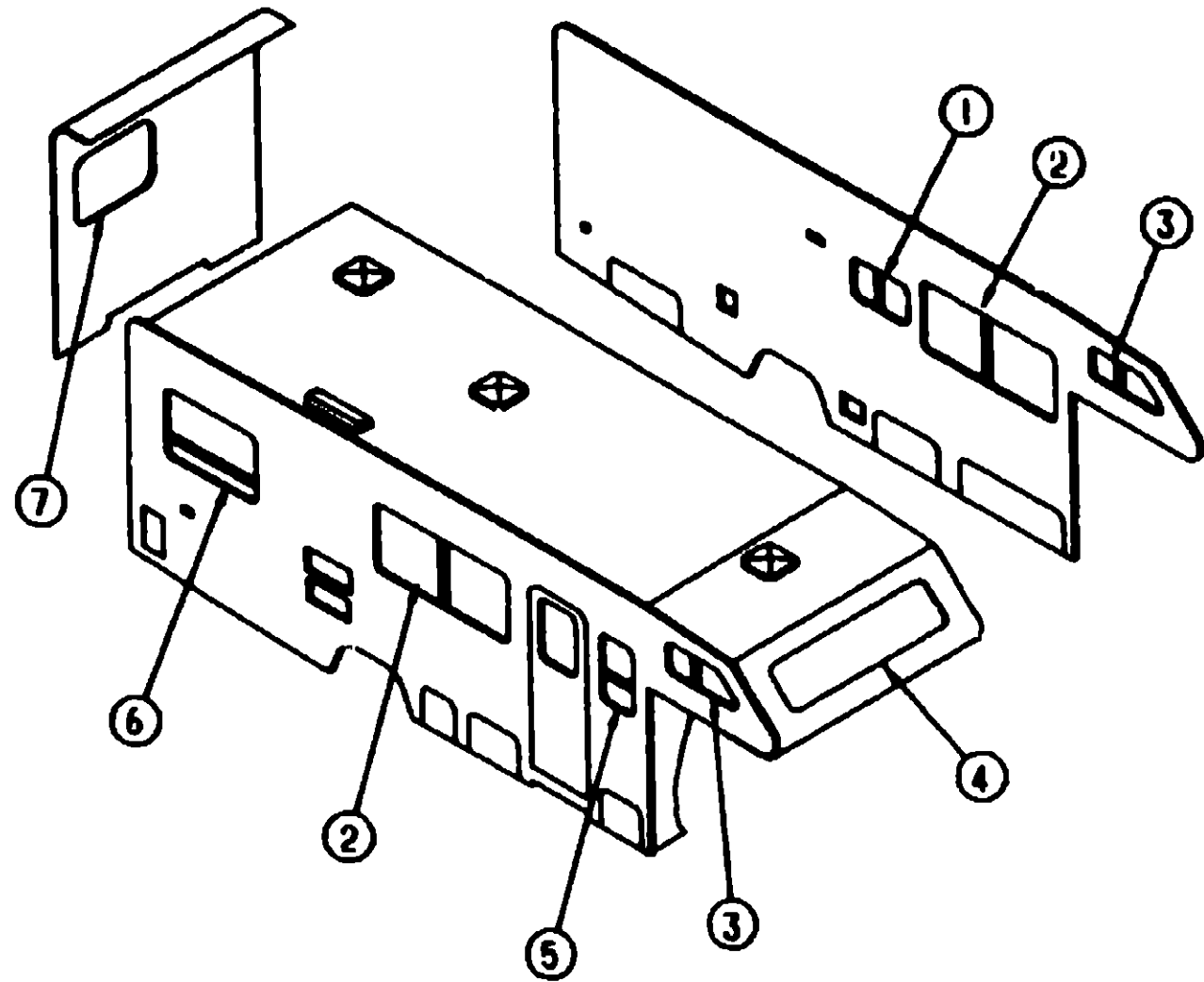
**1992 WINNEBAGO  
TABLE OF CONTENTS**

INTRODUCTION	A-01 - A-02
ABBREVIATIONS	A-03
ALPHABETICAL INDEX	A-04 - A-08
WF427RO	A-07 - D-14
WF427RC	D-15 - G-20
WF427RT	G-21 - K-08

**1992 WF427RC INDEX**

FLOOR PLAN	D-15 - D-16
ACCESSORIES	D-17
AUDIO VIDEO	D-18
BATH	D-19 - D-20
BEDROOM	D-21
CHASSIS	D-22 - D-24
CURTAIN & CUSHION	E-01 - E-08
DINETTE	E-09 - E-10
DRIVERS	E-11 - E-12
ELECTRICAL	E-13 - E-16
EXTERIOR BODY	E-17 - E-23
GALLEY	E-24 - F-03
GENERATOR	F-04
HEATING & A/C	F-05 - F-08
INTERIOR FINISH	F-07 - F-10
LABEL	F-11 - F-18
LP	F-19
LOUNGE	F-20 - F-21
SEALANTS & FASTENERS	F-22 - F-24
WATER & SEWAGE	G-01 - G-04
WINDOW, VENT AND EXTERIOR DOOR	G-05 - G-20

**CURTAIN & CUSHION GROUP (CONTINUED)**



**CURTAINS & WINDOW TREATMENT**

KEY	PART NUMBER	U/M	DESCRIPTION
1	106923-03-C03	EA	VALANCE ASM-28" - RODEWAY
1	106923-03-C04	EA	VALANCE ASM-28" - RODEWAY
1	084755-84-C03	EA	SHADE ASM-PULL-28.25" -WBRAID
1	084755-84-C04	EA	SHADE ASM-PULL-28.25" -WBRAID
2	106923-01-C03	EA	VALANCE ASM- 85" - RODEWAY
2	106923-01-C04	EA	VALANCE ASM- 85" - RODEWAY
2	078892-09-C03	EA	CURTAIN ASM-31"X 20" - PLAIN HEM T&B
2	078892-09-C04	EA	CURTAIN ASM-31"X 20" - PLAIN HEM T&B
2	084755-81-C03	EA	SHADE ASM-PULL- 82.25" -WBRAID
2	084755-81-C04	EA	SHADE ASM-PULL- 82.25" -WBRAID
3	101034-08-C09	EA	CURTAIN-16" X 28" -SMALL DARTED TAPE T&B WBRAID TRIM (C03)
3	101034-08-C10	EA	CURTAIN-16" X 28" -SMALL DARTED TAPE T&B WBRAID TRIM (C04)
4	101034-11-C03	EA	CURTAIN-21" X 45" -DARTED TAPE T&B WBRAID
4	101034-11-C04	EA	CURTAIN-21" X 45" -DARTED TAPE T&B WBRAID
5	106923-02-C03	EA	VALANCE ASM-44-18" - RODEWAY
5	106923-02-C04	EA	VALANCE ASM 18" - RODEWAY
5	078892-09-C03	EA	CURTAIN ASM-31" X 20"-PLAIN HEM T&B
5	078892-09-C04	EA	CURTAIN ASM-31" X 20"-PLAIN HEM T&B
6	084755-83-C03	EA	SHADE ASM-PULL-17.25" -WBRAID
5	084755-83-C04	EA	SHADE ASM-PULL-17.25" -WBRAID

**CURTAIN & CUSHION GROUP (CONTINUED)**

**CURTAINS & WINDOW TREATMENT (CONT)**

KEY	PART NUMBER	U/M	DESCRIPTION
6	106907-08-C03	EA	VALANCE-47"-WIDDOUBLE WELT
6	106907-08-C04	EA	VALANCE-47"-WIDDOUBLE WELT
6	104348-09-C03	EA	VALANCE ASM-TOPPER-W/1/2"WELTING
6	104348-09-C04	EA	VALANCE ASM-TOPPER-W/1/2"WELTING
6	078892-09-C03	EA	CURTAIN ASM-31" X 20" -PLAIN HEM T&B
6	078892-09-C04	EA	CURTAIN ASM-31" X 20"-PLAIN HEM T&B
6	084755-78-C03	EA	SHADE ASM-PULL- 44.25" -NO TRIM
7	106907-09-C03	EA	VALANCE-52"-WIDDOUBLE WELT
7	106907-09-C04	EA	VALANCE-52"-WIDDOUBLE WELT
7	078892-09-C03	EA	CURTAIN ASM-31" X 20" -PLAIN HEM T&B
7	078892-09-C04	EA	CURTAIN ASM-31" X 20"-PLAIN HEM T&B
7	084755-78-C03	EA	SHADE ASM-PULL-37 25" -NO TRIM
	101888-05-885	EA	CURTAIN ASM-30 X 50 RIGHT- TAPE TOP
	101888-08-882	EA	CURTAIN ASM-30 X 50 LEFT- TAPE TOP
	101888-01-C03	EA	CURTAIN ASM-54 X 50 - TAPE TOP (ROOM DIVIDER)
	078892-08-885	EA	CURTAIN-SNAP TOP- WINDOW WALL PRIVACY - 40" X 72" - BEIGE
	084481-08-885	EA	CURTAIN ASM-SHOWER-70" X 32" (C03)
	084481-08-888	EA	CURTAIN ASM-SHOWER-70" X 32" (C04)
	073280-55-C05	EA	TIEBACK-CURTAIN- 4" X 15" (C03)
	073280-55-C08	EA	TIEBACK-CURTAIN- 4" X 15" (C04)
	073280-49-885	EA	TIEBACK-CURTAIN- 3" X 18" (C03)
	073280-49-888	EA	TIEBACK-CURTAIN- 3" X 18" (C04)
	073280-54-C08	EA	TIEBACK ASM - 3" X16" (C03)
	073280-54-C10	EA	TIEBACK ASM - 3" X16" (C04)
	057534-01-000	EA	TIEBACK - CLEAR PLASTIC

**ASSIST HANDLE & SEATBELTS**

KEY	PART NUMBER	U/M	DESCRIPTION
	078348-01-C03	YD	WELTING-FABRIC(C03)
	078348-01-C11	YD	WELTING-FABRIC(C04)
	084415-S1-000	YD	TRIM-BRAID-CURTAIN - PLUM(C03)
	084415-27-000	YD	TRIM-BRAID-CURTAIN - BROWN(C04)
	057534-01-000	EA	TIEBACK/TIEDOWN-BED/CURTAIN/DOOR- 6" - CLEAR PLASTIC
	053652-02-AA8	EA	HANDLE-ASSIST- INTERIOR - ENTRY DOOR - VINYL - OFF WHITE
	089178-02-000	EA	BRACKET-MOUNTING- ASSIST HANDLE - L ANGLE - WHOLESALE - ST
	000C18-07-188	EA	BOLT-CARRIAGE- ASSIST HANDLE - 7/16" - 14 X 1" ZN
	000D20-07-008	EA	NUT-ACORN-ASSIST HANDLE - 7/16" X 14 ZN
	057759-01-000	EA	WASHER BRACKET-SEAT BELT- 4" DIAMETER
	007021-01-000	EA	BELT-SEAT- 2" X 90" - BLACK

FROM 11-01-91 THRU: 99-99-99

**1992 WINNEBAGO  
TABLE OF CONTENTS**

INTRODUCTION	A-01 - A-02
ABBREVIATIONS	A-03
ALPHABETICAL INDEX	A-04 - A-08
WF427RD	A-07 - D-14
WF427RC	D-15 - G-30
WF427RT	G-21 - K-08

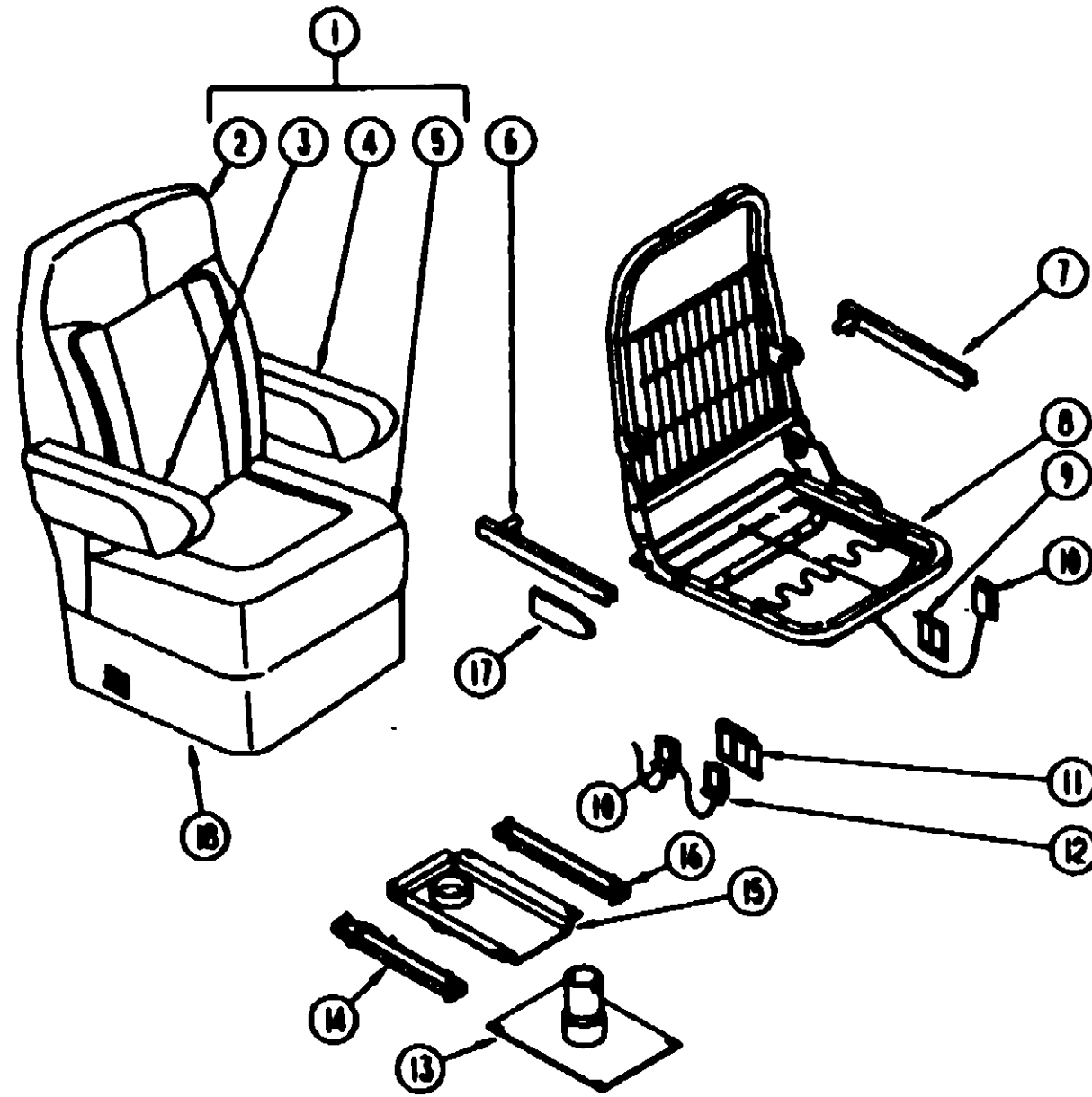
**1992 WF427RC INDEX**

FLOOR PLAN	D-15 - D-16
ACCESSORIES	D-17
AUDIO VIDEO	D-18
BATH	D-19 - D-20
BEDROOM	D-21
CHASSIS	D-22 - D-24
CURTAIN & CUSHION	E-01 - E-08
DINETTE	E-09 - E-10
DRIVERS	E-11 - E-12
ELECTRICAL	E-13 - E-16
EXTERIOR BODY	E-17 - E-23
GALLEY	E-24 - F-08
GENERATOR	F-04
HEATING & A/C	F-05 - F-08
INTERIOR FINISH	F-07 - F-10
LABEL	F-11 - F-18
LP	F-19
LOUNGE	F-20 - F-21
SEALANTS & FASTENERS	F-22 - F-24
WATER & SEWAGE	G-01 - G-04
WINDOW, VENT AND EXTERIOR DOOR	G-05 - G-30



# CURTAIN & CUSHION GROUP (CONTINUED)

## BUCKET SEATS



KEY	PART NUMBER	U/M	DESCRIPTION
1	080480-23-C03	EA	SEAT-BUCKET-W/RIGHT ARMREST(C03)
1	080480-23-C04	EA	SEAT-BUCKET-W/RIGHT ARMREST(C04)
1	080480-24-C03	EA	SEAT-BUCKET-W/LEFT ARMREST(C03)
1	080480-24-C04	EA	SEAT-BUCKET-W/LEFT ARMREST(C04)
1	080480-25-C03	EA	SEAT-BUCKET-W/RIGHT ARMREST-RECLINING(C03)
1	080480-25-C04	EA	SEAT-BUCKET-W/RIGHT ARMREST-RECLINING(C04)
1	080480-26-C03	EA	SEAT-BUCKET-W/LEFT ARMREST-RECLINING(C03)
1	080480-26-C04	EA	SEAT-BUCKET-W/LEFT ARMREST-RECLINING(C04)
2	M03445-22-C03	EA	COVER-BACK-BUCKET (C03)
2	M03445-22-C04	EA	COVER-BACK-BUCKET (C04)
3	080243-48-C03	EA	ARMREST-RIGHT (C03)
3	080243-48-C11	EA	ARMREST-RIGHT (C04)
	M80243-48-C03	EA	COVER-ARMREST-RIGHT(C03)
	M80243-48-C11	EA	COVER-ARMREST-RIGHT(C04)
4	080243-50-C03	EA	ARMREST-LEFT (C03)
4	080243-50-C11	EA	ARMREST-LEFT (C04)
	M80243-50-C03	EA	COVER-ARMREST- LEFT (C03)
	M80243-50-C11	EA	COVER-ARMREST- LEFT (C04)
5	M03445-23-C03	EA	COVER-SEAT- BUCKET(C03)
5	M03445-23-C04	EA	COVER-SEAT- BUCKET(C04)
6	081288-01-000	EA	ROD & CHANNEL-ARMREST- RIGHT - METAL
7	081288-02-000	EA	ROD & CHANNEL-ARMREST- LEFT - METAL
	081351-01-000	EA	ROD-ARMREST- METAL - RIGHT OR LEFT HAND
8	M80008-08-000	EA	FRAME-SEAT&BACK&SPRING
8	M80008-05-000	EA	FRAME-SEAT&BACK&SPRING -RECLINING
	101125-01-000	EA	RECLINER-SEAT BACK- LEFT HAND REMOTE
9	087883-03-000	EA	BRACKET-REMOTE- SIDE MOUNT - SINGLE
10	080388-04-000	EA	CABLE-SWIVEL- W/SWITCH - BUCKET SEAT
11	087883-02-000	EA	BRACKET-MOUNT- REMOTE
12	080388-05-000	EA	CABLE-RECLINER- W/SWITCH - BUCKET SEAT
13	088585-41-000	EA	PLATE-SUB- BASE - BUCKET SEAT - 12" X 13" - STEEL
14	088248-05-000	EA	ADJUSTER-SEAT/CHAIR- W/REMOTE - FORWARD & BACK
	088248-05-700	EA	SPRING-ADJUSTER- FOR REMOTE
	088248-05-701	EA	CLIP-CABLE- FOR REMOTE
15	083481-04-000	EA	TOP PLATE-PEDESTAL- BUCKET SEAT - W/O SEATBELT BAR
16	088248-02-000	EA	ADJUSTER-SEAT/CHAIR- W/O LOCK - FORWARD & BACK
	088585-03-000	EA	PEDESTAL-LOWER- W/EXTENSION - 9" X 5" - STEEL
17	080388-08-000	EA	SHIELD-CABLE- REMOTE RECLINER - BUCKET SEAT
18	071128-24-C03	EA	SHORT-BUCKET SEAT (C03)
18	071128-24-C11	EA	SHORT-BUCKET SEAT (C04)

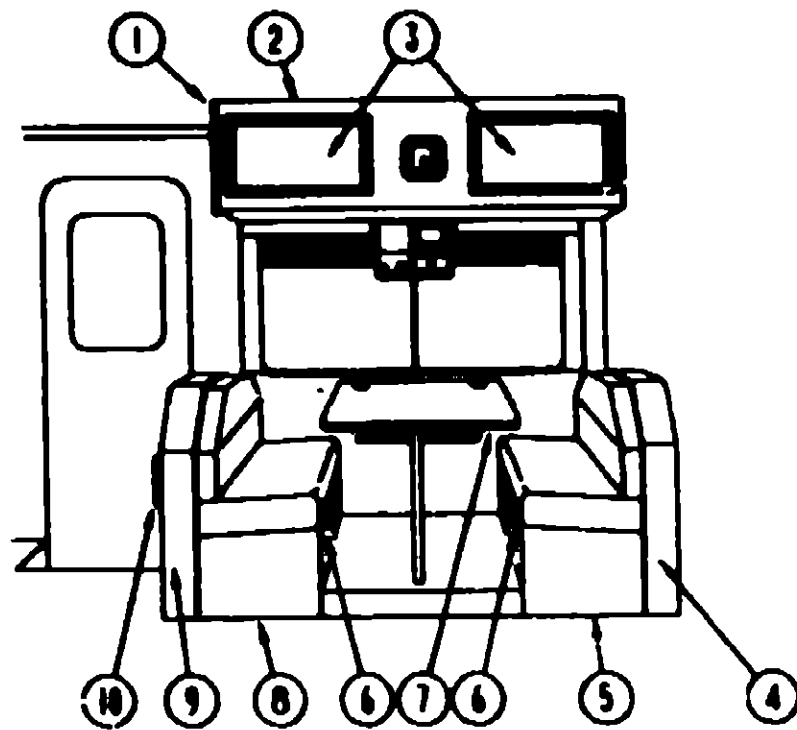
## 1982 WINNEBAGO TABLE OF CONTENTS

INTRODUCTION	A-01 - A-02
ABBREVIATIONS	A-03
ALPHABETICAL INDEX	A-04 - A-05
WF427RQ	A-07 - D-14
WF427RC	D-15 - G-30
WF427RT	G-31 - K-08

## 1982 WF427RC INDEX

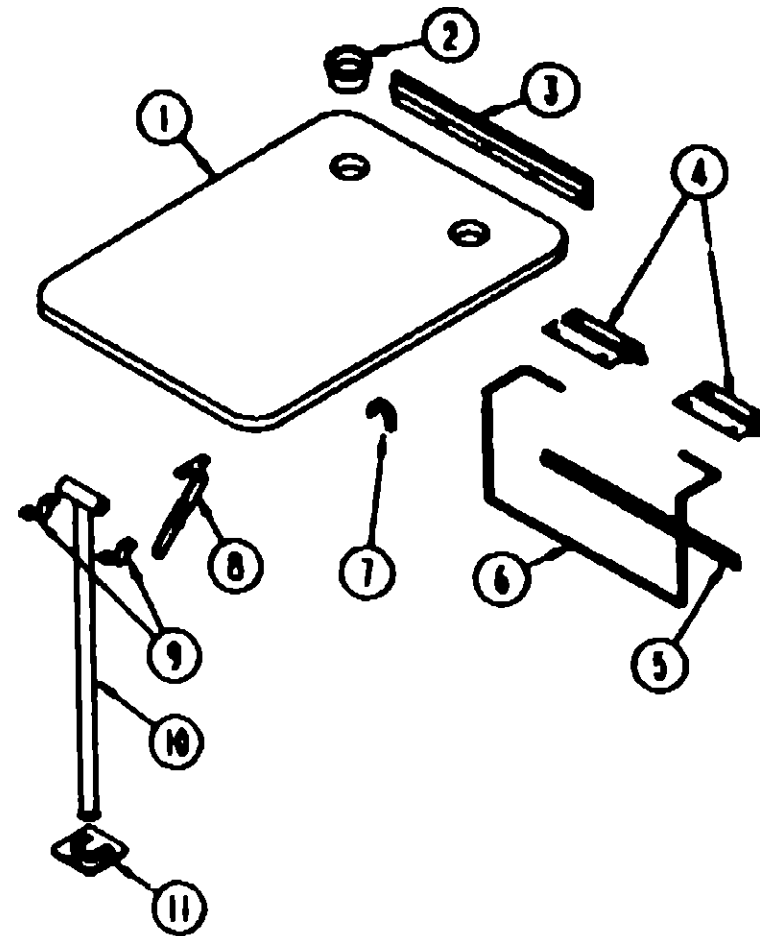
FLOOR PLAN	D-15 - D-16
ACCESSORIES	D-17
AUDIO VIDEO	D-18
BATH	D-19 - D-20
BEDROOM	D-21
CHASSIS	D-22 - D-24
CURTAIN & CUSHION	E-01 - E-08
DINETTE	E-09 - E-10
DRIVERS	E-11 - E-12
ELECTRICAL	E-13 - E-16
EXTERIOR BODY	E-17 - E-23
GALLEY	E-24 - F-06
GENERATOR	F-04
HEATING & A/C	F-05 - F-06
INTERIOR FINISH	F-07 - F-10
LABEL	F-11 - F-18
LP	F-19
LOUNGE	F-30 - F-31
SEALANTS & FASTENERS	F-22 - F-34
WATER & SEWAGE	G-01 - G-04
WINDOW, VENT AND EXTERIOR DOOR	G-05 - G-30

### DINETTE GROUP



CABINET & TABLE

### DINETTE GROUP (CONTINUED)



DINETTE TABLE & HARDWARE

### 1992 WINNEBAGO TABLE OF CONTENTS

INTRODUCTION	A-01 - A-02
ABBREVIATIONS	A-03
ALPHABETICAL INDEX	A-04 - A-08
WF-427RQ	A-07 - D-14
WF-427RC	D-15 - G-20
WF-427RT	G-21 - K-08

### 1992 WF-427RC INDEX

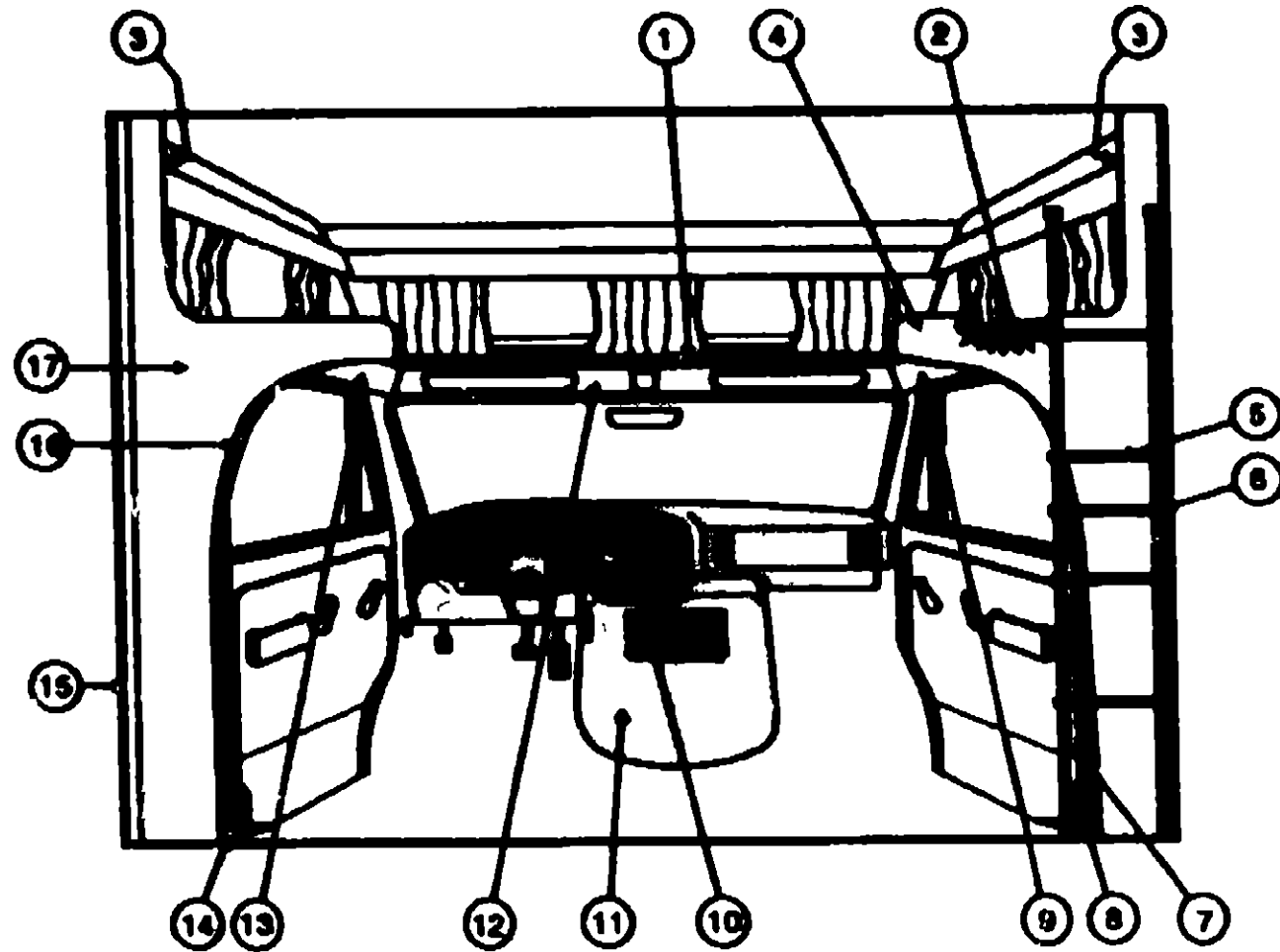
FLOOR PLAN	D-15 - D-16
ACCESSORIES	D-17
AUDIO VIDEO	D-18
BATH	D-19 - D-20
BEDROOM	D-21
CHASSIS	D-22 - D-34
CURTAIN & CUSHION	E-01 - E-08
DINETTE	E-09 - E-10
DRIVERS	E-11 - E-12
ELECTRICAL	E-13 - E-16
EXTERIOR BODY	E-17 - E-23
GALLEY	E-24 - F-03
GENERATOR	F-04
HEATING & AC	F-05 - F-08
INTERIOR FINISH	F-07 - F-10
LABEL	F-11 - F-18
LP	F-19
LOUNGE	F-20 - F-21
SEALANTS & FASTENERS	F-22 - F-24
WATER & SEWAGE	G-01 - G-04
WINDOW, VENT AND EXTERIOR DOOR	G-05 - G-20

KEY	PART NUMBER	U/M	DESCRIPTION
1	104335-07-C62	EA	CAP ASM-END - OVERHEAD
2	M08823-17-C03	EA	CABINET ASM-OVERHEAD DINETTE
2	M08823-17-C04	EA	CABINET ASM-OVERHEAD LINETTE
3	F03223-05-C03	EA	DOOR ASM-W/O HARDWARE - ROUNDED - 40" X 71"
4	M04174-21-C62	EA	CABINET-SEATBACK-RIGHT
4	104787-01-C05	EA	PAD ASM-DINETTE(C03)
4	104787-01-C04	EA	PAD ASM-DINETTE(C04)
5	M04173-21-C62	EA	CABINET-SEATBASE-RIGHT
6	081285-01-AA8	EA	SUPPORT-BED-DINETTE
7	M02115-09-585	EA	TABLE-DINETTE
8	M04173-22-C62	EA	CABINET-SEATBACK-LEFT
8	M04174-22-C62	EA	CABINET-SEATBACK-LEFT
8	104787-02-C03	EA	PAD ASM-DINETTE(C03)
8	104787-02-C04	EA	PAD ASM-DINETTE (C04)
10	081257-02-000	EA	HANDLE-ASSIST- ENTRY DOOR - UNSTAINED - WOOD
10	081257-08-000	EA	HANDLE-ASSIST- ENTRY DOOR - STAINED - WOOD

KEY	PART NUMBER	U/M	DESCRIPTION
1	M02115-09-585	EA	TABLE-DINETTE
2	084781-08-000	EA	HOLDER-CUP-TWO STEP - OFF WHITE
3	053200-05-000	EA	BRACKET-TABLE SUPPORT-UPPER WALL MOUNTED - 23.5" - BEIGE
4	088410-01-000	EA	BRACKET-LIFT-TABLE MOUNTED - BEIGE
5	024281-07-000	EA	BRACKET-LIFT ROD-LOWER WALL MOUNTED - 22.12" - BEIGE
6	024275-06-000	EA	ROD-TABLE LIFT-8" X 23.5" - BEIGE
7	024283-01-000	EA	CLIP-LEG-1" - 1.125" OD - BLACK
8	024282-01-000	EA	BRACE-TABLE LEG-HINGED
8	084080-09-000	EA	CLAMP-SADDLE-LEG HINGE - BEIGE
10	024276-21-000	EA	LEG-TABLE- METAL - BEIGE
11	048483-11-700	EA	CATCH-LEG-FLOOR MOUNTED - 2.5" X 2.7" - METAL - E-COAT

# DRIVERS COMPARTMENT GROUP

## DRIVER COMPARTMENT



KEY	PART NUMBER	UOM	DESCRIPTION
1	108444-01-01A	EA	TRIM-SLEEPER BOARD-INNER-OFF WHITE
1	080742-08-000	FT	TRIM-VINYL-SLEEPER BOARD-OFF WHITE
2	108777-01-C08	EA	PAD ASM-BUNK-OVERHEAD
2	108777-01-C04	EA	PAD ASM-BUNK-OVERHEAD
3	080071-12-B05	EA	TRIM-WINGWALL- 31.5" X 8.6" - VINYL COVERED
4	108440-08-C08	EA	WINGWALL ASM-INNER-RIGHT
	108448-01-C02	EA	TRIM ASM-WINGWALL WRAP-RIGHT
5	108085-02-01A	EA	LADDER-BUNK(BLACK)-1382 MM
	108085-01-700	EA	BRACKET SET F/BUNK LADDER 08-0030-00
6	080885-03-000	EA	STRAP ASM - LADDER
7	108448-01-C02	EA	TRIM ASM-CAB-B-PILLAR-RIGHT
8	108431-01-01A	EA	COVER-SEAT BELT-RIGHT-OFF WHITE
8	108447-01-C02	EA	TRIM ASM-CAB DOOR-UPPER-RIGHT
10	108834-01-C03	EA	TRAY ASM-BEVERAGE
10	107134-02-C70	EA	TRAY-BEVERAGE-OAK FORD - W/CASSETTE HOLDER
			FROM: 00-00-00 THRU: 01-26-82
			FROM: 01-27-82 THRU: 99-99-99
	048885-03-000	EA	ASHTRAY-CHROME- W/COVER
11	080885-23-C03	EA	COVER-MOTOR-W/POCKET-FORD
11	080885-23-C04	EA	COVER-MOTOR-W/POCKET-FORD
12	108448-01-C02	EA	HEADLINER-VINYL COVERED - FRONT - OFF WHITE
13	108447-02-C02	EA	TRIM ASM-CAB DOOR-UPPER-LEFT
14	108431-02-01A	EA	COVER-SEAT BELT-LEFT - OFF WHITE
15	082081-18-C03	EA	TRIM-WINGWALL- 1.5" X 22.4" - VINYL COVERED
	082081-20-C73	EA	TRIM-WINGWALL- 1.5" X 78.6" - VINYL COVERED (DRIVER SIDE)
16	108448-02-C02	EA	TRIM ASM-CAB-B-PILLAR-RIGHT
17	108440-04-C03	EA	WINGWALL ASM-INNER-LEFT
	108445-02-C02	EA	TRIM ASM-WINGWALL WRAP-LEFT

### DASH, GAUGES & SWITCHES

KEY	PART NUMBER	UOM	DESCRIPTION
	094795-03-000	EA	CLUSTER-IP-KM-82 E350 - FORD F2UF108408F (CSA)
	100138-01-000	EA	MODULE-DAYTIME RUNNING LIGHT
	024481-01-000	EA	SWITCH-BATTERY - BATT/DUAL/MOM
	081082-01-000	EA	PLAQUE-MOUNTING- BATTERY/FUEL SWITCH - 2.4" X 1.4" - BLK

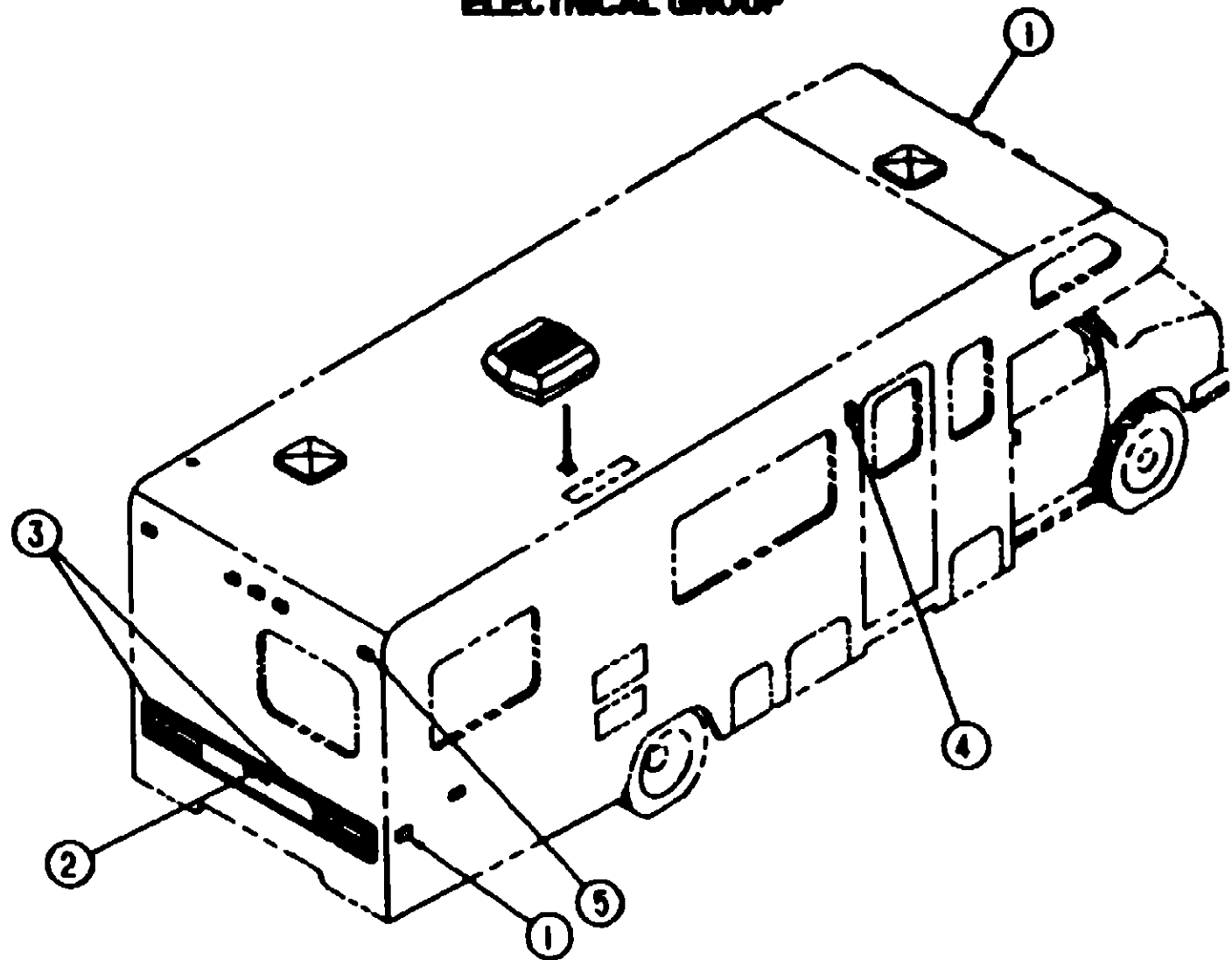
## 1982 WINNEBAGO TABLE OF CONTENTS

INTRODUCTION	A-01 - A-02
ABBREVIATIONS	A-03
ALPHABETICAL INDEX	A-04 - A-08
WF427RD	A-07 - D-14
WF427RC	D-15 - G-30
WF427RT	G-31 - K-08

### 1982 WF427RC INDEX

FLOOR PLAN	D-15 - D-16
ACCESSORIES	D-17
AUDIO VIDEO	D-18
BATH	D-19 - D-20
BEDROOM	D-21
CHASSIS	D-22 - D-24
CURTAIN & CUSHION	E-01 - E-08
DINETTE	E-09 - E-10
DRIVERS	E-11 - E-12
ELECTRICAL	E-13 - E-16
EXTERIOR BODY	E-17 - E-20
GALLEY	E-24 - F-03
GENERATOR	F-04
HEATING & A/C	F-05 - F-08
INTERIOR FINISH	F-07 - F-10
LABEL	F-11 - F-16
LP	F-19
LOUNGE	F-20 - F-21
SEALANTS & FASTENERS	F-22 - F-24
WATER & SEWAGE	G-01 - G-04
WINDOW, VENT AND EXTERIOR DOOR	G-05 - G-30

## ELECTRICAL GROUP



### EXTERIOR LIGHTS

KEY	PART NUMBER	UIM DESCRIPTION
1	081883-01-000	EA GASKET-CLEARANCE/SIDEMARKER LIGHT
1	042405-02-000	EA LENS-CLEARANCE/SIDEMARKER LIGHT WIREFLEX - AMBER
1	042405-03-000	EA BASE-CLEARANCE/SIDEMARKER LIGHT W/BULB - PLASTIC - WHITE
	008213-01-000	EA BULB - 12 V - NO 57 - 24 AMP
2	088432-01-000	EA LIGHT-LICENSE PLATE W/BACKET
3	081838-01-000	EA TAILLIGHT-DOUBLE - W/BLACK TRIM - DRIVER & PASS SIDE
	087894-01-000	EA BULB# 1156 (BACK UP & TURN SIGNAL)
	037835-01-000	EA BULB# 2057 OR 1157 (BRAKE LIGHT)
3	081838-01-700	EA LENS-TAILLIGHT - RED
3	081838-01-701	EA LENS-TAILLIGHT - W/BACKUP
	103265-01-01A	EA POD-TAILLIGHT OFF WHITE
4	087817-01-01A	EA LIGHT-PORCH ENTRY DOOR - OFF WHITE
4	008216-01-000	EA BULB-12V-01009-04AMP
4	087817-01-700	EA LENS-LIGHT PORCH
6	081883-01-000	EA GASKET-CLEARANCE/SIDEMARKER LIGHT
6	042405-01-000	EA LENS-CLEARANCE/SIDEMARKER LIGHT WIREFLEX - RED
6	042405-02-000	EA BASE-CLEARANCE/SIDEMARKER LIGHT W/BULB - PLASTIC - WHITE
	008213-01-000	EA BULB - 12 V - NO 57 - 24 AMP

## ELECTRICAL GROUP (CONTINUED)

### ELECTRIC BOXES & POWER CORDS

KEY	PART NUMBER	UIM DESCRIPTION
	008288-01-000	EA BOX-PLASTIC ELECTRIC - 3' X 3 1/2"
	008289-01-000	EA BOX-ELECTRIC - STEEL - 1/2" AND 3/4" KNOCKOUTS - 4' X 4'
	008289-02-000	EA BOX-ELECTRIC - 4' X 4' - 1/2" & 3/4" KNOCKOUTS - CANADIAN
	088048-01-000	EA BOX-ELECTRIC SWITCH - 2' X 3' X 1 1/2"
	081810-01-000	EA BOX-ELECTRIC - 2.75" X 3.5" X 1.75" - PLASTIC
	088208-01-000	EA BOX-ELEC-STL 402 1/8X2 1/8 STL CTY 88871 1/2
	037848-01-000	EA BUSB BAR-2 POSITION - .8" X 1.5" - ALUMINUM
		FROM: 12-08-01 THRU: 08-09-08
	008064-01-000	EA CORD-POWER - 10/3 - 30 AMP - 25'
	008062-01-000	EA CORD-POWER - 10/3 - 30 AMP - 25' - CANADIAN
	008238-01-000	EA COVER-ELECTRICAL BOX - WHOLE - 4' X 4" - GRAY USED WITH 30 AMP RECEPTACLE
	008294-01-030	EA COVER-ELECTRICAL BOX - BLANK STEEL - 4' X 4" - GRAY
	008294-02-000	EA COVER-ELECTRICAL BOX - BLANK STEEL - 4' X 4" - CANADIAN
	008188-01-000	EA SOLENOID-3 POST - BATTERY CHANGE OVER

### WIRING ASSEMBLIES

KEY	PART NUMBER	UIM DESCRIPTION
	103228-05-000	EA WIRE ASM-PUMP-EXTERIOR SHOWER
	088448-01-000	EA WIRE ASM-WATER TANK TO MONITOR PANEL
	108851-01-000	EA WIRE ASM-DAYTIME RUNNING LIGHTS-W/FUSE

### SWITCHES & RECEPTACLES

KEY	PART NUMBER	UIM DESCRIPTION
	075723-01-000	EA BLOCK-SWITCH - SPACER W/O HOLE
	087734-01-02A	EA EXTENSION-RECEPTACLE - 3.2" X 5" X .7" - PLASTIC - BROWN
	075738-02-000	EA COVER-EXTERIOR RECEPTACLE - OFF WHITE
	007840-01-000	EA RECEPTACLE-SLIDE - 18 TO 12 AWG - FEMALE END
	024884-02-000	EA RECEPTACLE-POWER CORD - W/PARTIAL PLATE
	058707-01-000	EA RECEPTACLE-ELECTRIC - SINGLE - BROWN
	058708-01-000	EA RECEPTACLE-ELECTRIC - DOUBLE - BROWN
	058708-02-000	EA RECEPTACLE-ELECTRIC - DOUBLE - IVORY
	080015-02-000	EA RECEPTACLE-FLAG - .185 - 18/14 GA - AMP 3
	080015-03-000	EA RECEPTACLE-FLAG - .280 - 14/18 GA
	084076-01-000	EA RECEPTACLE-GFI - 15A - 125V - IVORY
	005188-01-01A	EA SPACER-SWITCH - 2.3" X 3.4" - PLASTIC - DARK BROWN
	102588-01-810	EA SPACER-RECEPTACLE - BETWEEN SIDEWALL & PLATE - WOOD
	088241-07-000	EA SWITCH-ROCKER - DPDT - ON/OFF - BLACK
	078984-01-000	EA SWITCH-ON/OFF ROCKER - 2 PRONGS - BROWN
	078984-03-000	EA SWITCH-ON/OFF ROCKER - 2 PRONGS - BROWN
	108368-02-01A	EA ACTUATOR-SWITCH DIMPLE II
	084077-01-000	EA PLATE-COVER - RECEPTACLE - GFI - IVORY
	088361-01-01A	EA PLATE-SWITCH - 1 GANG - POLISHED BRASS
	088361-05-01A	EA PLATE-SWITCH - 3 GANG - JENSEN - POLISHED BRASS

## 1982 WINNEBAGO TABLE OF CONTENTS

INTRODUCTION	A-01 - A-02
ABBREVIATIONS	A-03
ALPHABETICAL INDEX	A-04 - A-08
WF-427RD	A-07 - D-14
WF-427RC	D-15 - G-20
WF-427RT	G-21 - K-08

## 1982 WF-427RC INDEX

FLOOR PLAN	D-15 - D-16
ACCESSORIES	D-17
AUDIO VIDEO	D-18
BATH	D-19 - D-20
BEDROOM	D-21
CHASSIS	D-22 - D-24
CURTAIN & CUSHION	E-01 - E-08
DINETTE	E-09 - E-10
DRIVERS	E-11 - E-12
ELECTRICAL	E-13 - E-16
EXTERIOR BODY	E-17 - E-23
GALLEY	E-24 - F-03
GENERATOR	F-04
HEATING & A/C	F-05 - F-06
INTERIOR FINISH	F-07 - F-10
LABEL	F-11 - F-18
LP	F-19
LOUNGE	F-20 - F-21
SEALANTS & FASTENERS	F-22 - F-24
WATER & SEWAGE	G-01 - G-04
WINDOW, VENT AND EXTERIOR DOOR	G-05 - G-28

**ELECTRICAL GROUP (CONTINUED)**

**FUSES & CIRCUIT BREAKERS**

KEY	PART NUMBER	UOM	DESCRIPTION
	000001-00-000	EA	FUSE-5 AMP-AUTOMOTIVE
	000001-00-000	EA	FUSE-15 AMP-AUTOMOTIVE
	000001-01-000	EA	FUSE-15 AMP-AUTOMOTIVE-12V
	100041-01-000	EA	FUSE HOLDER-IN LINE TYPE
	107100-01-01A	EA	BOX-CIRCUIT BREAKER MOUNT-BLACK
			FROM: 12-00-01 THRU: 00-00-00
	000211-01-000	EA	CIRCUIT-BREAKER-12V - 6AMP
			FROM: 00-00-00 THRU: 12-05-01
	000004-01-000	EA	CIRCUIT BREAKER-5 AMP - HOUSE CONTROL PANEL
			FROM: 12-00-01 THRU: 00-00-00
	000000-01-000	EA	CIRCUIT BREAKER-15 AMP - 120V - BW G-15(CANADIAN)
	000000-00-000	EA	CIRCUIT BREAKER-1500AMP - 120V - BW - 0-1000
	000000-00-000	EA	CIRCUIT BREAKER-30A - 120V - BW J-30
	000000-00-000	EA	CIRCUIT BREAKER-30/15 AMP - 120V - BW D-30/15
	000000-01-000	EA	CIRCUIT-BREAKER- W/MOUNT -30A - 12V
			FROM: 00-00-00 THRU: 12-05-01
	000000-00-000	EA	CIRCUIT BREAKER-30 AMP - HOUSE CONTROL PANEL
			FROM: 12-00-01 THRU: 00-00-00
	000000-04-000	EA	CIRCUIT BREAKER-30A - 120V - BW L-30

**CONDUIT**

KEY	PART NUMBER	UOM	DESCRIPTION
	041000-01-000	FT	CONDUIT-CONVOLUTE SLIT - .5" ID
	041000-00-000	FT	CONDUIT-CONVOLUTE SLIT - 1" ID (CLOTHES ROD COVER)
	041000-00-000	FT	CONDUIT-CONVOLUTE SLIT - .375" ID
	041000-07-000	FT	CONDUIT-CONVOLUTE SLIT - .25" ID
	041000-00-000	FT	CONDUIT-CONVOLUTE SLIT - 1.00" ID
	041000-00-000	FT	CONDUIT-CONVOLUTE SLIT - .80" ID
	041000-10-000	FT	CONDUIT-CONVOLUTE SLIT - .75" ID
	041000-11-000	FT	CONDUIT-CONVOLUTE SLIT- 1.00" ID
	041000-12-000	FT	CONDUIT-CONVOLUTE NON SLIT - 1.1" ID

**INTERIOR LIGHTS**

KEY	PART NUMBER	UOM	DESCRIPTION
	001404-01-000	EA	LIGHT-ANGLE - 12V - RECTANGULAR
			FROM: 00-00-00 THRU: 01-30-00
	000100-01-000	EA	BULB-DASH/HAIBLE LIGHT - 800 - 12 V - 12 AMP
	000004-01-01A	EA	LIGHT-DOME - 1 BULB - US - IVORY
	000210-01-000	EA	BULB-DOME LIGHT - 12V - NUMBER 1141
	000004-01-700	EA	LENS-DOME LIGHT
	000004-00-01A	EA	LIGHT-DOME - 2 BULB - IVORY
	000210-01-000	EA	BULB-DOME LIGHT - 12V - NUMBER 1141
	000004-01-700	EA	LENS-DOME LIGHT

**ELECTRICAL GROUP (CONTINUED)**

**CONNECTORS, HOUSINGS, & TERMINALS**

KEY	PART NUMBER	UOM	DESCRIPTION
	000000-01-000	EA	CONNECTOR-CABLE CLAMPING - 3/4"
	000000-01-000	EA	CONNECTOR-ELECTRICAL PIGTAIL - NYLON - CLEAR
	000470-01-000	EA	CONNECTOR-PIN-14 TO 20 AWG
	000470-00-000	EA	CONNECTOR-PIN- 10 TO 12 AWG
	000000-01-000	EA	CONNECTOR-PLASTIC - 3/8" AVG
	000470-01-000	EA	CONNECTOR-SOCKET- BRASS - PRE-TIN
	000470-00-000	EA	CONNECTOR-SOCKET-12-10 GA - PHOS. BRZ - PRE-TIN
	000400-01-000	EA	CONNECTOR-SWIVEL - 1/2" FPT X 3/8" TUBE - PLASTIC
	000011-01-000	EA	CONNECTOR-WIRE NUT - INSULATED - RED
	000014-01-000	EA	CONNECTOR-WIRE NUT - INSULATED - GRAY
	000010-01-000	EA	HOUSING-RELAY - BOSCH 3 304 400 000
	000470-00-000	EA	HOUSING-PIN-6 POSITION
	000470-00-000	EA	HOUSING-PIN-6 POSITION (SINGLE ROW)
	000470-00-000	EA	HOUSING-PIN-6 POSITION (TWO ROWS OF THREE)
	000470-00-000	EA	HOUSING-PIN-4 POSITION
	000470-00-000	EA	HOUSING-PIN-3 POSITION (SINGLE ROW)
			FROM: 12-12-01 THRU: 00-00-00
	000470-10-000	EA	HOUSING-PIN-2 POSITION
	000474-00-000	EA	HOUSING-SOCKET-6 POSITION
	000474-00-000	EA	HOUSING-SOCKET-6 POSITION (2 ROWS OF THREE)
	000474-07-000	EA	HOUSING-SOCKET - 5 CAVITY AMP 1-400704-0
	000474-00-000	EA	HOUSING-SOCKET-4 POSITION (SINGLE ROW)
	000474-00-000	EA	HOUSING-SOCKET-3 POSITION
	000474-10-000	EA	HOUSING-SOCKET-2 POSITION
	000000-01-000	EA	TERMINAL-RING - 10/14 WIRE - 3/8" STUD
	000000-01-000	EA	TERMINAL-RING - 12/10 WIRE - #10 STUD FIT
	000001-01-000	EA	TERMINAL-RING - TONGUE - #4 WIRE - 3/8" STUD - COPPER
	000000-01-000	EA	TERMINAL-RING - 3/8" STUD - #2 WIRE
			CONNECTS CABLE TO DISCONNECT RELAY AND BATTERY
	000410-04-000	EA	TERMINAL-RING #10 STUD FIT - INSULATED BARREL #10/14
	047440-01-000	EA	TERMINAL-.200 RECEP. FIT - INSULATED - 10/14 AWG
	047440-00-000	EA	TERMINAL-.300 RECEP FIT - INSULATED - 12/10 AWG
	000000-00-000	EA	TERMINAL-PIN - 10-14 AWG ETC B-2700Q.170)
	077470-00-000	EA	BOOT-BATTERY TERMINAL-SINGLE CABLE
	000071-01-000	EA	SPLICE-CABLE-110 VOLT
	000071-00-000	EA	SPLICE-CABLE-110 VOLT - TAP

**1992 WINNEBAGO  
TABLE OF CONTENTS**

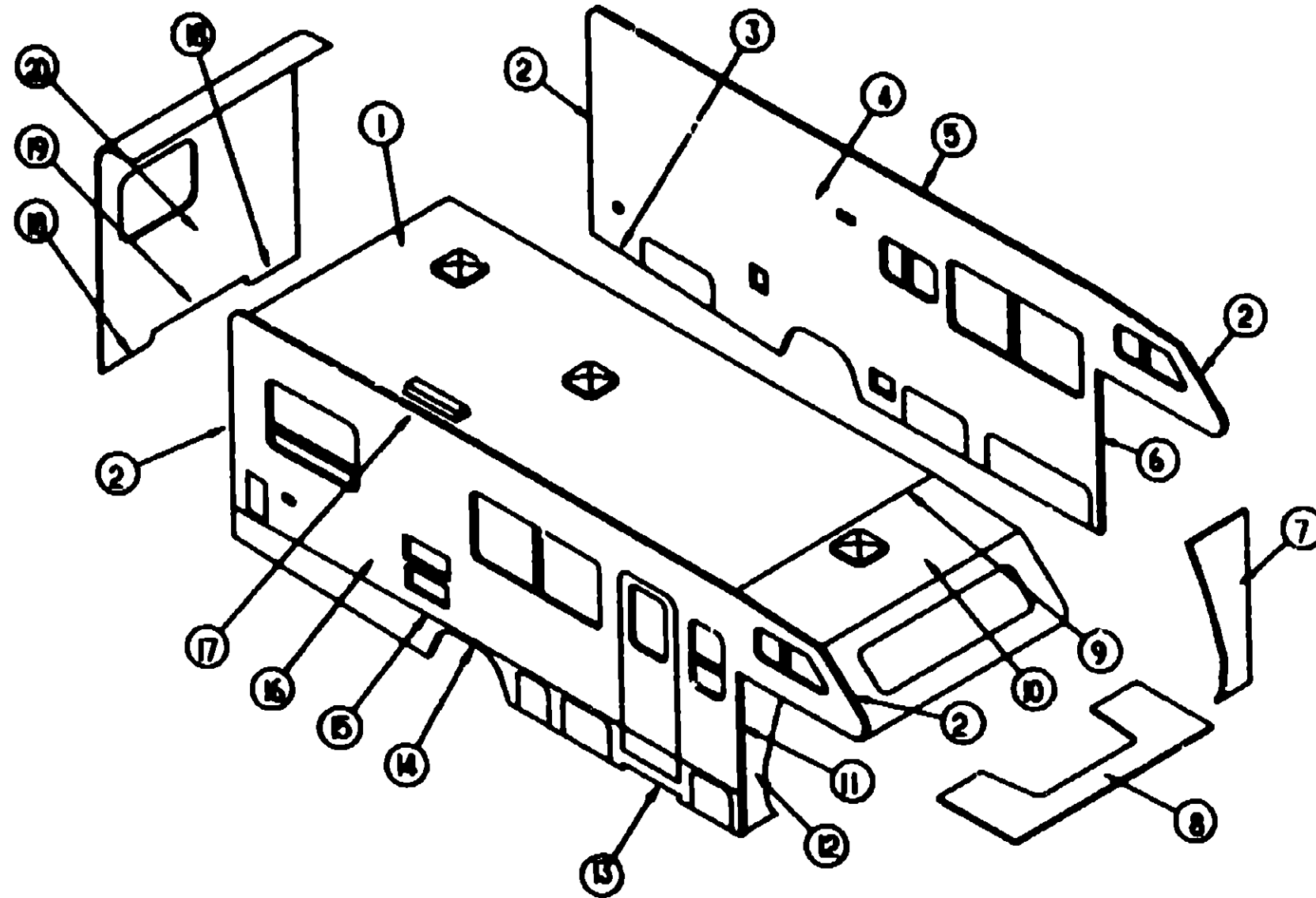
INTRODUCTION	A-01 - A-02
ABBREVIATIONS	A-03
ALPHABETICAL INDEX	A-04 - A-08
WF427RQ	A-07 - D-14
WF427RC	D-15 - G-00
WF427RT	G-01 - K-00

**1992 WF427RC INDEX**

FLOOR PLAN	D-15 - D-16
ACCESSORIES	D-17
AUDIO VIDEO	D-18
BATH	D-19 - D-20
BEDROOM	D-21
CHASSIS	D-22 - D-24
CURTAIN & CUSHION	E-01 - E-08
DINETTE	E-09 - E-10
DRIVERS	E-11 - E-12
ELECTRICAL	E-13 - E-16
EXTERIOR BODY	E-17 - E-20
GALLEY	E-24 - F-00
GENERATOR	F-04
HEATING & AC	F-05 - F-08
INTERIOR FINISH	F-07 - F-10
LABEL	F-11 - F-16
LP	F-10
LOUNGE	F-00 - F-21
SEALANTS & FASTENERS	F-22 - F-24
WATER & SEWAGE	G-01 - G-04
WINDOW, VENT AND EXTERIOR DOOR	G-05 - G-30

# EXTERIOR BODY GROUP

## EXTERIOR BODY PANELS



## 1992 WINNEBAGO TABLE OF CONTENTS

INTRODUCTION	A-01 - A-02
ABBREVIATIONS	A-03 - A-08
ALPHABETICAL INDEX	A-04 - A-08
WF427RQ	A-07 - D-14
WF427RC	D-15 - G-20
WF427RT	G-21 - K-08

## 1992 WF427RC INDEX

FLOOR PLAN	D-15 - D-16
ACCESSORIES	D-17
AUDIO VIDEO	D-18
BATH	D-19 - D-20
BEDROOM	D-21
CHASSIS	D-22 - D-24
CURTAIN & CUSHION	E-01 - E-08
DINETTE	E-09 - E-10
DRIVERS	E-11 - E-12
ELECTRICAL	E-13 - E-16
EXTERIOR BODY	E-17 - E-25
GALLEY	E-26 - F-08
GENERATOR	F-09
HEATING & AC	F-05 - F-08
INTERIOR FINISH	F-07 - F-10
LABEL	F-11 - F-18
LP	F-19
LOUNGE	F-20 - F-21
SEALANTS & FASTENERS	F-22 - F-24
WATER & SEWAGE	G-01 - G-04
WINDOW, VENT AND EXTERIOR DOOR	G-05 - G-20

KEY	PART NUMBER	UOM	DESCRIPTION
1	P05394-02-009	EA	ROOF ASM WBASES
2	088864-01-01A	EA	TRIM-CONTOUR - W/O VINYL INSERT - 126" - OFF WHITE
	105312-01-01A	FT	INSERT-TRIM - VINYL - OFF WHITE
3	088072-65-001	EA	EXTR-CHANNEL - OFF WHITE 4877MM
4	P05555-01-009	EA	SIDEWALL ASM-LEFT
5	088884-01-01A	EA	TRIM-CONTOUR - ROOF TO SIDEWALL - DR OR PASS - 120"
	084575-54-004	EA	STL-ANG ROOF JOINT-0545 MM-OFF WHITE
6	104479-04-01A	EA	TRIM-CONTOUR-FRONT- DRIVER - OFF WHITE
7	108439-04-009	EA	WINGWALL ASM - DRIVER
	078809-09-000	EA	TRIM-WINGWALL - 14.2" - OFF WHITE
	088834-01-000	FT	VINYL-EXTERIOR - BETWEEN WINGWALL & CAB SEAL - WHITE
8	P08443-01-008	EA	SLEEPERBOARD ASM
	100086-09-01A	EA	TRIM-SLEEPERBOARD - FLAT - 2.5" X 87 8" - OFF WHITE
	100086-02-01A	EA	TRIM-SLEEPERBOARD - 2" X 90.7" - OFF WHITE
9	078890-01-000	EA	TRIM-ROOF TO FRONT CAP
10	M78177-01-700	EA	ROOF - FRONT CAP TO FIRST SEAM
11	104479-09-01A	EA	TRIM-CONTOUR-FRONT- PASSENGER - OFF WHITE
12	108439-09-009	EA	WINGWALL ASM - PASSENGER
	078809-09-000	EA	TRIM-WINGWALL - 14.2" - OFF WHITE
	088834-01-000	FT	VINYL-EXTERIOR - BETWEEN WINGWALL & CAB SEAL - WHITE

KEY	PART NUMBER	UOM	DESCRIPTION
13	105025-02-009	EA	TRIM ASM-SIDEWALL
	105089-05-01A	EA	TRIM-SIDEWALL-141MM-MILL
	105089-08-01A	EA	TRIM-SIDEWALL-138MM-MILL
14	105100-01-01A	EA	TRIM-WHEELWELL-OFF WHITE
14	105100-02-01A	EA	TRIM-WHEELWELL - OFF WHITE
15	008731-01-000	EA	END CAP-FEATURE STRIP
15	008444-01-007	EA	FEATURE STRIP-WHOLES- 182" - OFF WHITE
	008444-04-002	EA	STRIP-FEATURE, W/O INSERT - 15' LONG - OFF WHITE
	001030-02-008	EA	INSERT-FEATURE STRIP - 17' LONG - OFF WHITE
16	P05554-01-009	EA	SIDEWALL ASM - RIGHT
17	100483-01-01A	EA	TRIM-CONTOUR - ROOF (AWNING) - OFF WHITE
	088893-65-001	EA	RAIL-AWNING - 10' EA - OFF WHITE
18	103394-02-01A	EA	TRIM-BACKWALL - LOWER - OFF WHITE
18	103395-02-01A	EA	TRIM-BACKWALL - LOWER - OFF WHITE
20	M08889-01-009	EA	BACKWALL ASM

FROM: 00-00-00 THRU: 04-15-92

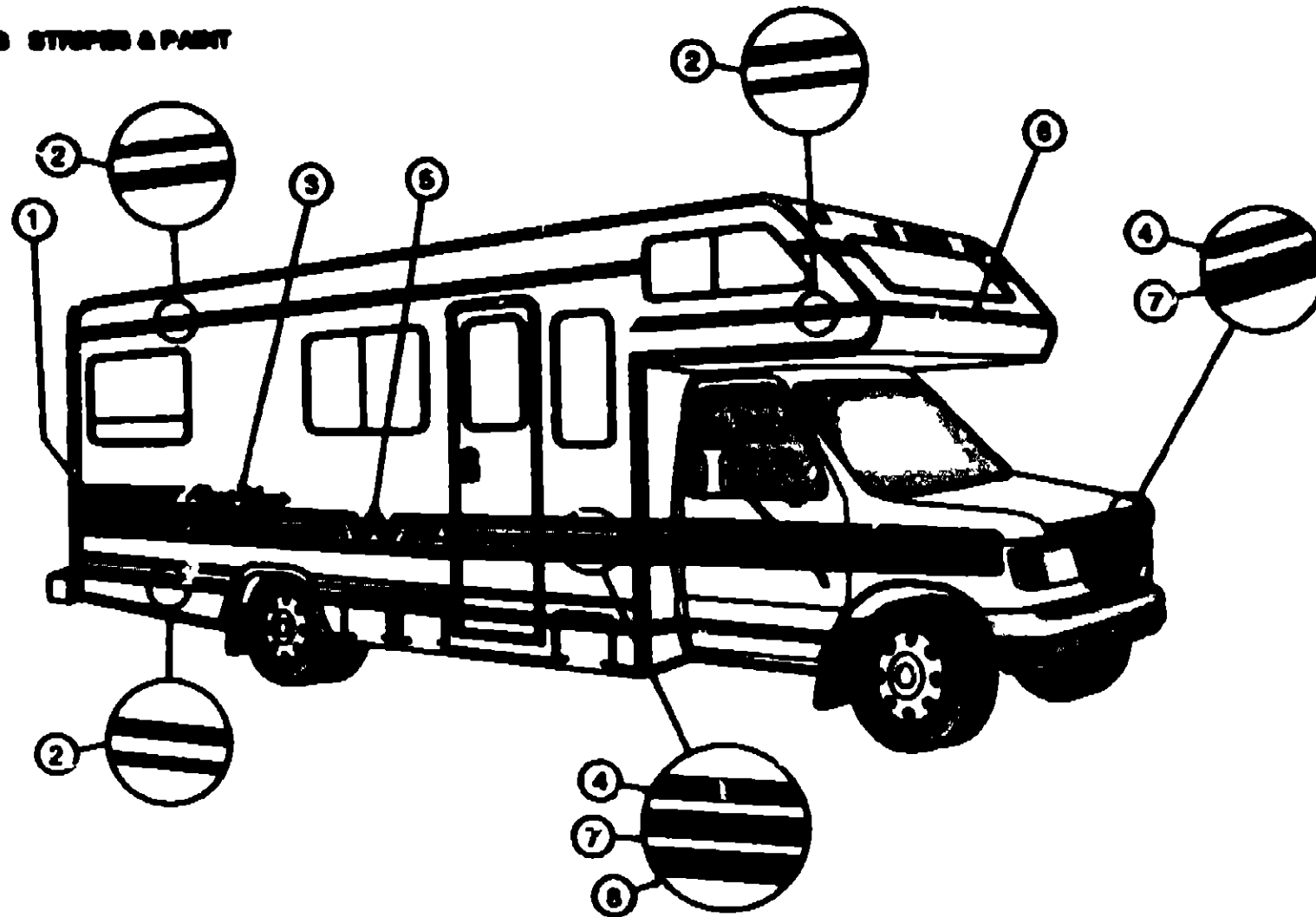
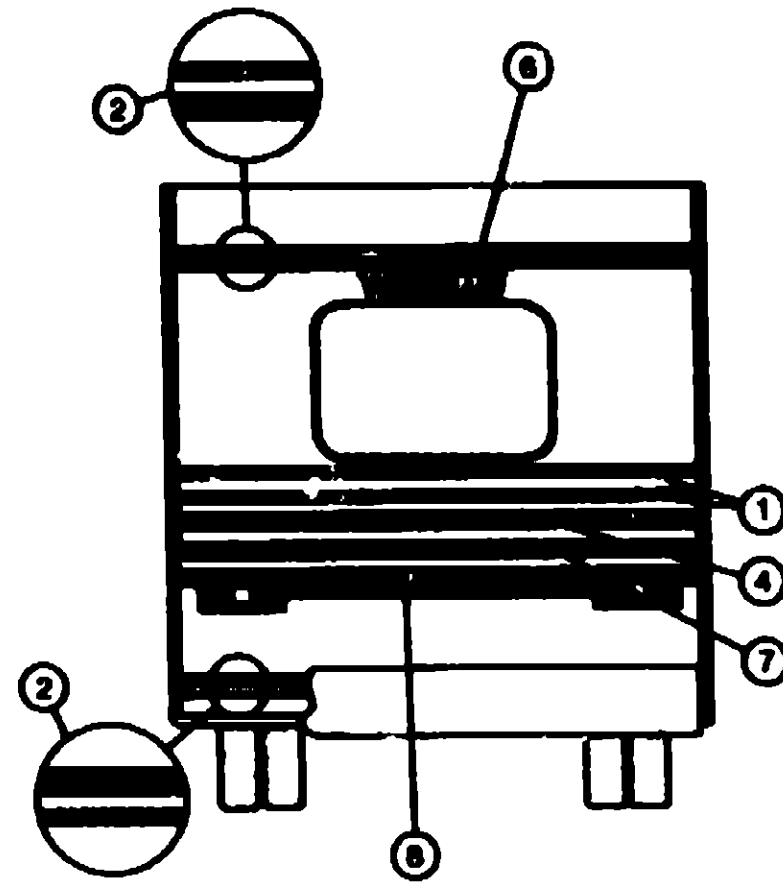
FROM: 04-16-92 THRU: 99-99-99

**EXTERIOR BODY GROUP (CONTINUED)**

**DECALS STRIPES & PAINT**

**1982 WINNEBAGO  
TABLE OF CONTENTS**

INTRODUCTION	A-01 - A-02
ABBREVIATIONS	A-03
ALPHABETICAL INDEX	A-04 - A-05
WF-427RD	A-07 - D-14
WF-427RC	D-15 - G-20
WF-427RT	G-21 - K-08



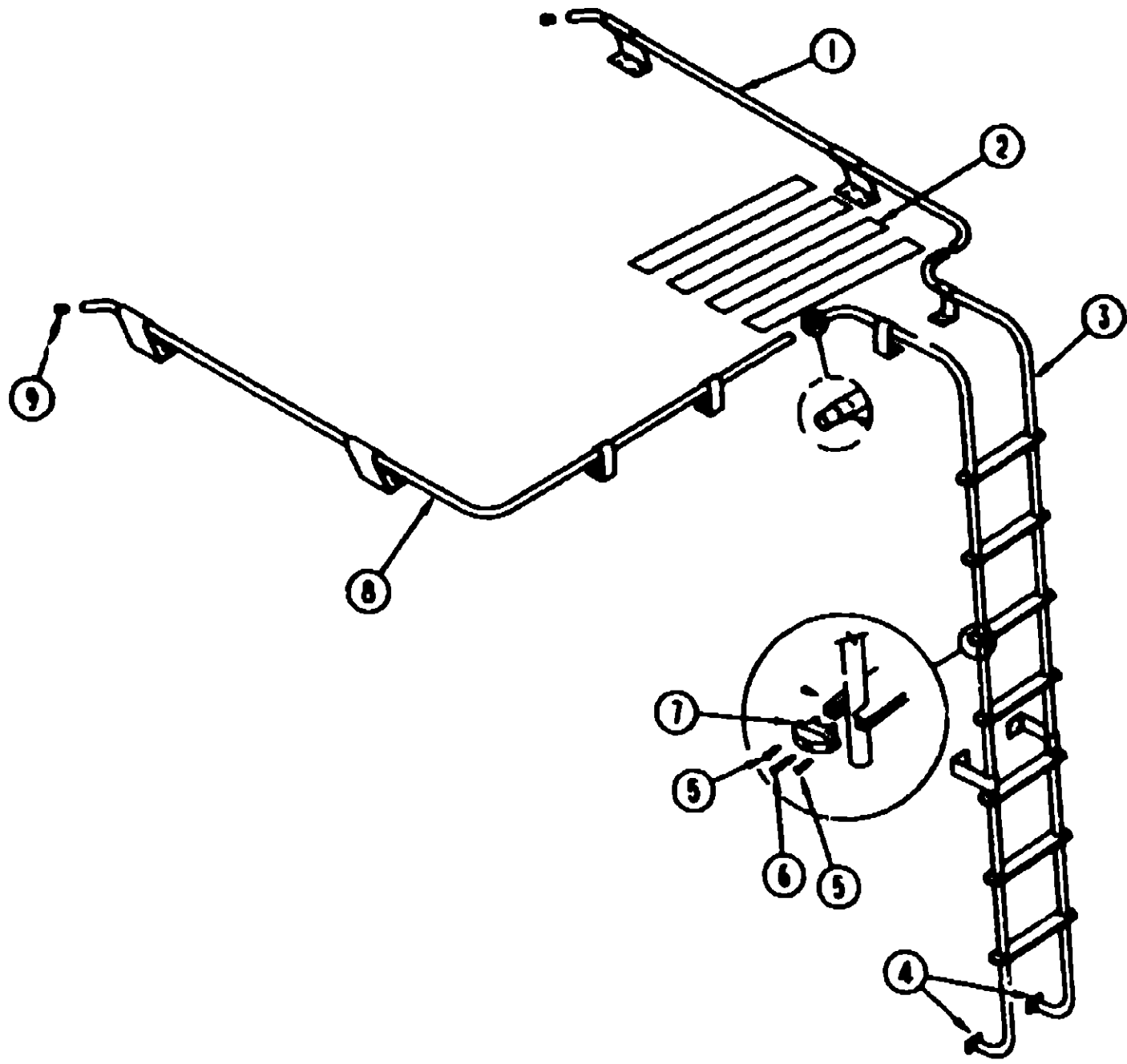
**1982 WF-427RC INDEX**

FLOOR PLAN	D-15 - D-16
ACCESSORIES	D-17
AUDIO VIDEO	D-18
BATH	D-19 - D-20
BEDROOM	D-21
CHASSIS	D-22 - D-24
CURTAIN & CUSHION	E-01 - E-08
DINETTE	E-09 - E-10
DRIVERS	E-11 - E-12
ELECTRICAL	E-13 - E-16
EXTERIOR BODY	E-17 - E-23
GALLEY	E-24 - F-03
GENERATOR	F-04
HEATING & A/C	F-05 - F-08
INTERIOR FINISH	F-07 - F-10
LABEL	F-11 - F-18
LP	F-19
LOUNGE	F-20 - F-21
SEALANTS & FASTENERS	F-22 - F-24
WATER & SEWAGE	G-01 - G-04
WINDOW, VENT AND EXTERIOR DOOR	G-05 - G-20

KEY	PART NUMBER	UNIT DESCRIPTION
1	083881-14-01A	FT STRIPE-1 LINE- 1.5" WIDE - DARK PLUM
2	084434-01-01A	FT MULTISTRIFE-2 LINES - 2.8" - PLUM & BLUE W/2 NARROW STRIPE
3	105480-01-01A	EA DECAL-LOGO-MINNE WINNE "OFF WHITE/OK PLUM/STU
4	084432-01-01A	FT STRIPE-1 LINE- 1.5" - DARK BLUE W/NARROW LIGHTER STRIP
6	083881-08-08A	EA DECAL-FLYING W - BLUE
6	080313-44-000	EA DECAL-LOGO- "WINNEBAGO" - 2.8" TALL - BLUE
7	084433-02-02A	FT STRIPE-1 LINE - 4" - PLUM W/2 NARROW TURQUOISE STRIPES
8	084433-02-01A	FT STRIPE-1 LINE- 4" - DARK BLUE W/2 NARROW TURQUOISE STRIPES
	P04408-05-000	EA SILKSCREEN-32"MINNE WINNE(TIRE COVER)
	041881-08-000	EA PAINT-LOW BAKE- 16 OZ. SPRAY - OFF WHITE
	041881-08-700	EA PAINT-LOW BAKE- 8 OZ. BOTTLE W/BRUSH - OFF WHITE
	044488-03-000	EA PAINT-LOW BAKE- 16 OZ. SPRAY - BEIGE
	044488-03-700	EA PAINT-LOW BAKE- 8 OZ. BOTTLE W/BRUSH - BEIGE

DUPONT COLOR CODES  
 PLUM DUPONT® K3465  
 BLUE DUPONT® K3480  
 TURQUOISE BAY DUPONT® G8837  
 OFF WHITE DUPONT® L8723A  
 BEIGE DUPONT® L8728A

**EXTERIOR BODY GROUP (CONTINUED)**



**RACK & LADDER**

KEY	PART NUMBER	U/M	DESCRIPTION
1	081028-15-C05	EA	RACK ASM-PASSENGER SIDE FROM: 00-00-00 THRU: 03-01-92
1	107438-05-C07	EA	RACK ASM-PASSENGER SIDE FROM: 03-02-92 THRU: 99-99-99
	088728-02-000	EA	BUMPER-.88"DIA X .40", BLACK
2	038327-01-000	EA	TAPE-ANTI SLIP, 2" X 80"
3	102863-02-C03	EA	LADDER ASM
4	087185-01-000	EA	MOUNTING BRACKET-LADDER, LOWER
6	000039-08-10T	EA	SCREW-SF/DR, 8-20 X 5/8 PPH - BLACK
6	000088-10-38T	EA	SCREW-10-12 X 2.25 POH BLACK
7	078880-02-000	EA	END CAP-STEP, BLACK
8	081028-19-C08	EA	RACK ASM-DRIVER SIDE FROM: 00-00-00 THRU: 03-01-92
8	107438-08-C08	EA	RACK ASM-DRIVER SIDE FROM: 03-02-92 THRU: 99-99-99
9	081114-01-000	EA	PLUG-ROUND, RACK & LADDER ENDS - PLASTIC - 1" DIA.

**EXTERIOR BODY GROUP (CONTINUED)**

**ASSIST HANDLES AND RUNNING BOARDS**

KEY	PART NUMBER	U/M	DESCRIPTION
	008128-08-000	EA	HANDLE-ASSIST-ENTRY DOOR - BLACK
	072884-20-000	EA	SET-RUNNING BOARD - FORD - 40"
	002728-01-001	EA	GARNISH-U-CHANNEL - 1.38" X 18" - SERRATED - MILL ALUMINUM
	002754-01-001	EA	ANGLE-EXTRUDED - 75" X .75" X 18" - MILL ALUMINUM

**1992 WINNEBAGO  
TABLE OF CONTENTS**

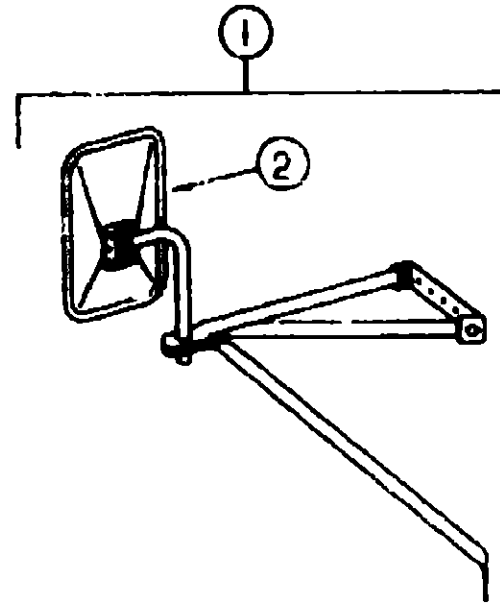
INTRODUCTION	A-01 - A-02
ABBREVIATIONS	A-03
ALPHABETICAL INDEX	A-04 - A-08
WF427RC	A-07 - D-14
WF427RC	D-15 - G-30
WF427RT	G-21 - K-08

**1992 WF427RC INDEX**

FLOOR PLAN	D-15 - D-16
ACCESSORIES	D-17
AUDIO VIDEO	D-18
BATH	D-19 - D-20
BEDROOM	D-21
CHASSIS	D-22 - D-24
CURTAIN & CUSHION	E-01 - E-08
DINETTE	E-09 - E-10
DRIVERS	E-11 - E-12
ELECTRICAL	E-13 - E-16
EXTERIOR BODY	E-17 - E-23
GALLEY	E-24 - F-03
GENERATOR	F-04
HEATING & AC	F-05 - F-08
INTERIOR FINISH	F-07 - F-10
LABEL	F-11 - F-18
LP	F-19
LOUNGE	F-20 - F-21
SEALANTS & FASTENERS	F-22 - F-24
WATER & SEWAGE	G-01 - G-04
WINDOW, VENT AND EXTERIOR DOOR	G-05 - G-20



**EXTERIOR BODY GROUP (CONTINUED)**



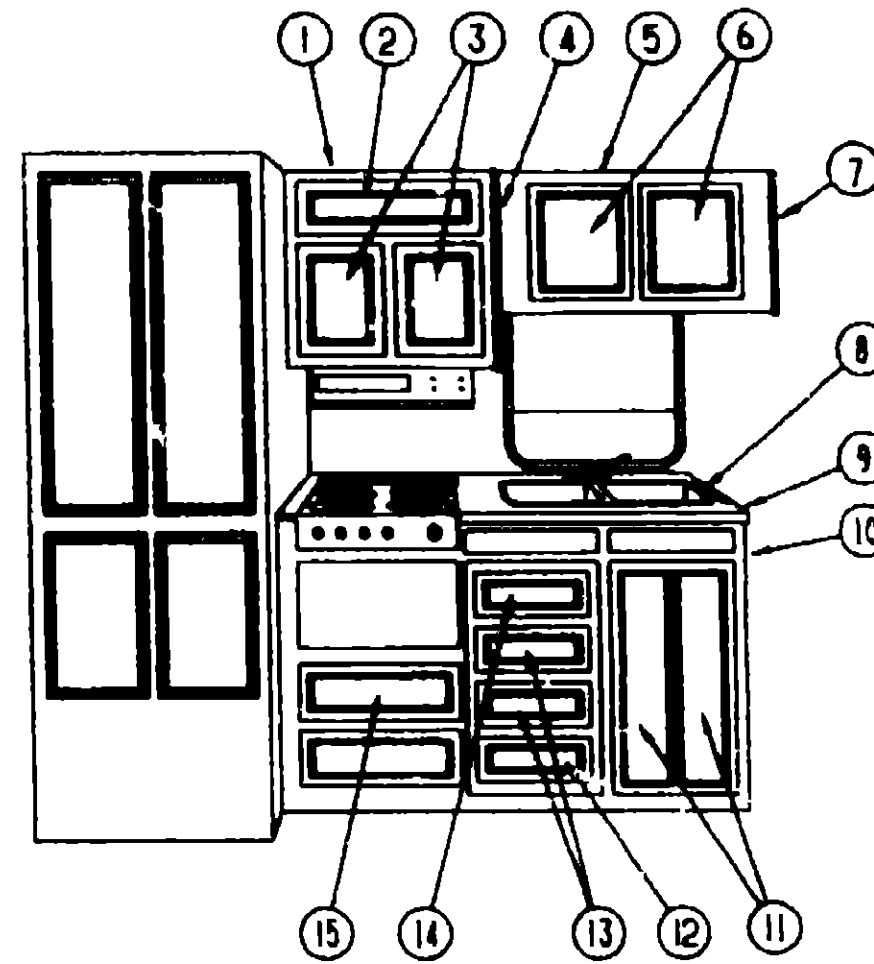
**EXTERIOR MIRRORS**

KEY	PART NUMBER	U/M DESCRIPTION
1	108880-01-01A	EA MIRROR ASM-REG HEAD LOW MOUNT - OFF WHITE
2	108880-01-700	EA HEAD - MIRROR HEAD
3	108880-01-701	EA ARM
4	108880-01-703	EA BRACE LOWER FORWARD - DRIVER
4	108880-01-704	EA BRACE LOWER FORWARD - PASSENGER
4	108880-01-702	EA HARDWARE PKG

**FIBERGLASS & STYROFOAM**

KEY	PART NUMBER	U/M DESCRIPTION
	077517-23-000	EA FIBERGLASS SHEET-FLAT - 48" X 96" - GRAY
	077517-24-000	EA FIBERGLASS SHEET- FLAT - 48" X 96" - OFF WHITE
	078554-H1-000	EA FIBERGLASS SHEET-2438 X 2591 - OFF WHITE
	078064-F3-000	EA FIBERGLASS SHEET-2438 X 2438 - OFF WHITE
	078064-G7-000	EA FIBERGLASS SHEET-41" X 500" - OFF WHITE
	000870-03-000	SF STYROFOAM-1 34 X 48" X 96" - INCREMENTS OF 32 SF
	000870-05-000	SF STYROFOAM- 5" X 24" X 96" - INCREMENTS OF 18 SF
	083574-02-000	SF STYROFOAM, DOW TYPE SM - 1 5" X 24" X 90 5" - INC OF 15 SF
	083574-03-000	SF STYROFOAM-34" X 48" X 96" - INCREMENTS OF 32 SF
	002385-01-001	EA U-CHANNEL - 1" X 18" - SERRATED - MILL FINISHED ALUMINUM
	058267-01-000	EA CHANNEL - STEEL WHOLES - SIDEWALL STIFFENER - 2" X 20"
	002725-01-001	EA GARNISH-U-CHANNEL-1 38" X .18" - MILL ALUMINUM
	002754-01-001	EA ANGLE-EXTRUDED-.75" X .75" X 18" - MILL ALUMINUM

**GALLEY GROUP**



**GALLEY CABINETS & COMPONENTS**

KEY	PART NUMBER	U/M DESCRIPTION
1	M05823-24-C03	EA CABINET ASM-MICROWAVE-STANDARD
1	M05823-25-C03	EA CABINET ASM-MICROWAVE-OPTIONAL
2	P00523-AB-C03	EA DOOR ASM-W/O HARDWARE-180X555
3	P05223-12-C03	EA DOOR ASM-W/O HARDWARE- 275X365
4	104335-01-C52	EA END CAP-OVERHEAD
5	P05770-01-C52	EA CABINET-OVERHEAD - W/O DOORS OR HARDWARE
6	P05223-09-C03	EA DOOR ASM-W/O HARDWARE-380X555
7	104335-03-C52	EA CAP ASM-END - OVERHEAD
8	088335-02-C03	EA GALLEY RAIL- 75" X 22.2"
9	105532-11-C03	EA COUNTERTOP ASM
10	M05823-01-C03	EA CABINET ASM-GALLEY
	082303-01-000	EA STRAINER-SINK
	103243-01-000	EA FAUCET-GALLEY-DUAL CONTROL 8 IN CENTERSET
	104113-01-000	EA SINK-STAINLESS STEEL - DOUBLE
	103810-01-C03	EA COVER ASM-SINK
11	P05223-34-C03	EA DOOR ASM-W/O HARDWARE - ROUNDED - 230" X 675"
12	P03387-H3-C03	EA DRAWER ASM-CABINET - RADIUS - 270" X 464"
13	P03387-14-C03	EA DRAWER ASM-CABINET - RADIUS - 270" X 464"
14	P03387-H4-C03	EA DRAWER ASM-CABINET - RADIUS - 270" X 388"
15	P03387-H3-C03	EA DRAWER ASM-CABINET - RADIUS - 522" X 405"
	080328-01-000	FT SEAL-T- REFRIGERATOR CABINET - 6" WIDE TOP X 2" TAIL
	088380-01-000	EA GROMMET-RUBBER- 5/8" HOLE X 1 1/2" DIAMETER - BLACK

**1992 WINNEBAGO  
TABLE OF CONTENTS**

INTRODUCTION	A-01 - A-02
ABBREVIATIONS	A-03
ALPHABETICAL INDEX	A-04 - A-08
WF427RO	A-07 - D-14
WF427RC	D-15 - G-20
WF427RT	G-21 - K-08

**1992 WF427RC INDEX**

FLOOR PLAN	D-15 - D-18
ACCESSORIES	D-17
AUDIO VIDEO	D-18
BATH	D-19 - D-20
BEDROOM	D-21
CHASSIS	D-22 - D-24
CURTAIN & CUSHION	E-01 - E-08
DINETTE	E-09 - E-10
DRIVERS	E-11 - E-12
ELECTRICAL	E-13 - E-19
EXTERIOR BODY	E-17 - E-23
GALLEY	E-24 - F-03
GENERATOR	F-04
HEATING & A/C	F-05 - F-08
INTERIOR FINISH	F-07 - F-10
LABEL	F-11 - F-18
LP	F-19
LOUNGE	F-20 - F-21
SEALANTS & FASTENERS	F-22 - F-24
WATER & SEWAGE	G-01 - G-04
WINDOW, VENT AND EXTERIOR DOOR	G-05 - G-20

**GALLEY GROUP (CONTINUED)**

**RANGE HOOD**

KEY	PART NUMBER	U/M	DESCRIPTION
	100258-16-01A	EA	HOOD-RANGE-W/O MONITOR PANEL-VENTLINE-US-TCS5008NAD
	100258-17-01A	EA	HOOD-RANGE-22W-W/O MONITOR PANEL-VENTLINE-CSA-TCS5008NAC
	100258-18-01A	EA	HOOD-RANGE-22W-W/O MONITOR PANEL-VENTLINE-US-TPS5007NAD
	090973-01-700	EA	MOTOR - LVS CA508-1
	090973-01-702	EA	BLADE-FAN- LVS VA183-1
	092696-01-709	EA	BULB-912- VENTLINE VA415
	092696-01-710	EA	SOCKET-LIGHT- VENTLINE CB267-2
	090983-01-700	EA	SWITCH-ON/OFF- VENTLINE 108
	090983-01-702	EA	SWITCH-TWO WAY MOMENTARY- VENTLINE 112
	090983-01-707	EA	FILTER-GREASE- 8" X 8" - LVS CC246
	090983-01-708	EA	LENS-LAMP- VENTLINE CC179
	100258-01-700	EA	HOOD NOSE LABEL CC428
	100258-10-01A	EA	METER-HOUR- VENTLINE 150

**RANGE**

KEY	PART NUMBER	U/M	DESCRIPTION
	102022-01-02A	EA	RANGE-16" - 4 BURNER - MAGIC CHEF BT16RA-4Z
	055282-03-705	EA	TRIM CAB LT BLACK BT16
	055282-03-707	EA	TRIM CAB RT. BLACK BT16
	098507-02-701	EA	INSEPT-BURNER (SLOTTED VENT)
	102020-01-700	EA	SHELF-OVEN
	102020-01-701	EA	HANDLE-DOOR
	102020-01-702	EA	PANEL-MAINFOLD
	102020-01-704	EA	PANEL-DOOR (BLACK)
	102020-01-708	EA	BURNER ASSEMBLY (OVEN)
	102020-01-711	EA	GRATE-TOP
	102020-01-712	EA	KNOB-BURNER VALVE
	102020-01-713	EA	KNOB-THERMOSTAT
	102020-01-714	EA	PILOT-OVEN
	102020-01-715	EA	PIPE-MANIFOLD
	102020-01-717	EA	THERMOSTAT
	102020-01-718	EA	TOP-MAIN (ALMOND)
	102020-01-720	EA	VALVE-MERCURY CONTROL
	102020-01-722	EA	VALVE-TOP BURNER
	102020-01-723	EA	PILOT-BURNER
	102020-01-724	EA	BUMPER-MAIN TOP
	102022-01-702	EA	PIPE-MANIFOLD
	102022-01-703	EA	REGULATOR-PRESSURE
	102022-01-706	EA	TRIM (LEFT) FLAT
	102022-01-707	EA	TRIM (RIGHT) FLAT

**MONITOR PANEL**

KEY	PART NUMBER	U/M	DESCRIPTION
	102765-04-01A	EA	MONITOR PANEL-W/PLUG - FOR 2 TANKS & WATER HEATER - LVS
	102765-02-01A	EA	MONITOR PANEL-W/PLUG - FOR 2 TANKS - LVS
	097618-01-000	EA	WIRE ASM-MONITOR PANEL- W/4 WIRES & BLACK RESISTOR - LVS

**GALLEY GROUP (CONTINUED)**

**COFFEE MAKER, MICROWAVE, & TRIMS**

KEY	PART NUMBER	U/M	DESCRIPTION
	098916-03-01A	EA	BRACE-MICROWAVE CABINET- LEFT - 9 4" X 7.5" - STEEL
	098916-04-01A	EA	BRACE-MICROWAVE CABINET- RIGHT - 9 4" X 7 5" - STEEL
	091269-06-000	EA	OVEN-MICROWAVE - MAGIC CHEF M15E-5B
	094745-01-01A	EA	TRIM-MICROWAVE- LOWER - BLACK
	094774-03-01A	EA	TRIM-MICROWAVE- EITHER SIDE - 1.5" X 14 8" - METAL - BLACK
	094750-01-000	EA	BRACKET-MICROWAVE- 30 DEGREE - STEEL
	103799-01-32A	EA	COFFEE MAKER - GRAY
	104610-01-000	EA	STRAP ASM - COFFEE MAKER
	065516-03-000	EA	BRACKET-REAR TIEDOWN - RANGE W/OVEN
	055516-04-000	EA	BRACKET-FRONT TIEDOWN - RANGE W/OVEN
	093646-01-000	EA	BRACKET ASM-TIEDOWN-REFRIGERATOR - RIGHT
	013646-02-000	EA	BRACKET ASM-TIEDOWN-REFRIGERATOR - LEFT
	054450-01-000	EA	LEVEL-REFRIGERATOR
	063752-01-000	EA	SHROUD-RANGE- 18 5" X 20 6" X 16 2" - METAL - OFF WH. TE

**1992 WINNEBAGO  
TABLE OF CONTENTS**

INTRODUCTION	A-01	-	A-02
ABBREVIATIONS			A-03
ALPHABETICAL INDEX	A-04	-	A-06
WF427RC	A-07	-	D-14
WF427RC	D-15	-	G-20
WF427RT	G-21	-	K-03

**1992 WF427RC INDEX**

FLOOR PLAN	D-15	-	D-16
ACCESSORIES			D-17
AUDIO VIDEO			D-18
BATH	D-19	-	D-20
BEDROOM			D-21
CHASSIS	D-22	-	D-24
CURTAIN & CUSHION	E-01	-	E-08
DINETTE	E-09	-	E-10
DRIVERS	E-11	-	E-12
ELECTRICAL	E-13	-	E-16
EXTERIOR BODY	E-17	-	E-23
GALLEY	E-24	-	F-03
GENERATOR			F-04
HEATING & A/C	F-05	-	F-06
INTERIOR FINISH	F-07	-	F-10
LABEL	F-11	-	F-18
LP			F-19
LOUNGE	F-20	-	F-21
SEALANTS & FASTENERS	F-22	-	F-24
WATER & SEWAGE	G-01	-	G-04
WINDOW, VENT AND EXTERIOR DOOR	G-05	-	G-20

## GALLEY GROUP (CONTINUED)

### REFRIGERATOR

KEY	PART NUMBER	U/M	DESCRIPTION
	103622-01-01A	EA	REFRIGERATOR-2 WAY- RIGHT HINGED DOOR - NORCOLD 462 BLACK
	064472-01-700	EA	THERMOCOUPLE-NORCOLD 614963
	064473-03-716	EA	SWITCH-3-WAY- FOR EG-2 & EG-3 MODELS - NORCOLD 616113
	064473-03-720	EA	RELIGHTER- NORCOLD 616088
	064473-03-721	EA	COMBINATION CONTROL - NORCOLD 616084
	075217-01-738	EA	SWITCH-HUMIDITY- NORCOLD 61525022
	084879-03-700	EA	COOLING UNIT - HORIZONTAL BURNER- NORCOLD 61687237
	084880-01-705	EA	ORIFICE - NORCOLD 614522
	084880-01-715	EA	VALVE-SHUT OFF- MANUAL - NORCOLD 61697922
	084880-01-722	EA	CRISPER COVER - NORCOLD 615641
	084880-01-732	EA	LATCH- NORCOLD 61578522
	084880-03-705	EA	BRACKET FOR INTERIOR REFRIGERATOR LIGHT - NORCOLD 61629722
	084880-03-706	EA	LAMP (BULB) - NORCOLD 61628922
	084880-03-707	EA	COVER FOR LAMP OR BULB - NORCOLD 61627922
	084248-01-706	EA	BURNER-HORIZONTAL- NORCOLD 61588122
	084248-01-709	EA	HEATER-AC- (HORIZONTAL) - NORCOLD 615527
	084248-01-710	EA	HEATER-DC- (HORIZONTAL) - 3 WAY - NORCOLD 615628
	094038-01-700	EA	GASKET-LOWER- GRAY - NORCOLD 61567930
	094038-01-702	EA	LINER-DOOR- LOWER - BLACK/WHITE - NORCOLD 61581938-B
	094039-01-702	EA	GASKET (GRAY) UPPER - NORCOLD 61567830
	094039-01-704	EA	PLATE-HINGE- TOP LEFT - BOTTOM RIGHT - BLACK - NORCOLD 61631430
	094039-01-710	EA	PLATE-HINGE- TOP RIGHT - BOTTOM LEFT - BLACK - NORCOLD 61631330
	094039-01-722	EA	HOLE PLUG (BLACK) HINGE HOLES - NORCOLD 61582030
	094039-01-723	EA	HINGE BRACKET-TOP RIGHT-BOTTOM LEFT BLACK - NORCOLD 61580838
	094039-01-724	EA	BRACKET-HINGE- TOP LEFT - BOTTOM RIGHT - BLACK - NORCOLD 61580938
	094039-01-725	EA	HINGE PIN (BLACK)(MALE) - NORCOLD 61578130
	094039-01-726	EA	SHELF-FREEZER EVAPORATOR- NORCOLD 615236
	094039-01-728	EA	HINGE BRACKET(BLACK) CENTER HINGE - NORCOLD 61566530
	094039-01-730	EA	HINGE PIN SHAFT(BLACK) CENTER HINGE - NORCOLD 61566730
	094039-01-732	EA	FRONT COVER(BLACK) BOTTOM TRIM - NORCOLD 61622130
	094039-01-733	EA	WIRE SHELF (MIDDLE) - NORCOLD 61563822
	094039-01-734	EA	WIRE SHELF (TOP) WRISER - NORCOLD 61563722
	094039-01-735	EA	INSIDE DRIP TRAY (WHITE) 61572830
	094039-01-736	EA	SWITCH-LIGHT- BLACK - NORCOLD 615810
	103622-01-700	EA	HANDLE ASM-DOOR- UPPER - NORCOLD 61643038
	084880-01-754	EA	JUICE-RACK (SMOKE GRAY) - NORCOLD 61580540
	103622-01-702	EA	BIN-SHELF- DOOR - NORCOLD 61564040
	103622-01-705	EA	HANDLE ASM-DOOR- LOWER - NORCOLD 61648938
	094039-01-718	EA	MILK BIN (GRAY)W/SILVER TRIM - NORCOLD 61579460
	103622-01-707	EA	KEEPER-DAIRY- NORCOLD 61580440
	103622-01-708	EA	CRISPER-NORCOLD 61571340
	103622-01-709	EA	KNOB-SELECTOR- NORCOLD 61641822
	103622-01-710	EA	KNOB-THERMOSTAT- NORCOLD 61642322
	103622-01-711	EA	PANEL-CONTROL- 2-WAY - NORCOLD 61644022
	103622-01-712	EA	INDICATOR-FLAME- NORCOLD 61609022
	103622-01-713	EA	SWITCH-IGNITION- NORCOLD 61549722

## GENERATOR GROUP

### KOHLER GENERATOR & INSTALLATION PARTS

KEY	PART NUMBER	U/M	DESCRIPTION
	105623-01-000	EA	GENERATOR-4KW LOW PROFILE KOHLER 4CKM21
	007067-01-000	SF	INSULATION-FIBERGLASS - 1" THICK X 4" - INCREMENTS OF 4 SF
	105526-01-000	EA	ARRESTER-SPARK - KOHLER 278821
	105529-01-000	EA	MUFFLER-FRONT EXHAUST - W/O SPARK - KOHLER 278734
	105732-01-000	EA	TRAY ASM - GENERATOR
	108172-01-000	EA	PIPE-EXHAUST ADAPTER

### ONAN GENERATOR & INSTALLATION PARTS

KEY	PART NUMBER	U/M	DESCRIPTION
	100974-01-000	EA	GENERATOR-4 KW EMERALD PLUS, ONAN BGE-FA/26100G
	105732-01-000	EA	TRAY ASM-GENERATOR
	081364-01-000	EA	MUFFLER-GENERATOR W/8 5' LONG TAILPIPE
	086252-01-000	EA	PIPE-EXHAUST, W/2 BOLT HOLE FLANGE
	086484-01-000	EA	BRACKET-EXHAUST, W/DOUBLE BEND
	094056-01-000	EA	SPACER-GENERATOR, ONAN
	007125-04-000	EA	CLAMP-MUFFLER - 1 1/2" DIA.

## 1992 WINNEBAGO TABLE OF CONTENTS

INTRODUCTION	A-01	-	A-02
ABBREVIATIONS			A-03
ALPHABETICAL INDEX	A-04	-	A-06
WF427RQ	A-07	-	D-14
WF427RC	D-15	-	G-20
WF427RT	G-21	-	K-03

## 1992 WF427RC INDEX

FLOOR PLAN	D-15	-	D-16
ACCESSORIES			D-17
AUDIO VIDEO			D-18
BATH	D-19	-	D-20
BEDROOM			D-21
CHASSIS	D-22	-	D-24
CURTAIN & CUSHION	E-01	-	E-03
DINETTE	E-09	-	E-10
DRIVERS	E-11	-	E-12
ELECTRICAL	E-13	-	E-16
EXTERIOR BODY	E-17	-	E-23
GALLEY	E-24	-	F-03
GENERATOR			F-04
HEATING & A/C	F-05	-	F-06
INTERIOR FINISH	F-07	-	F-10
LABEL	F-11	-	F-18
LP			F-19
LOUNGE	F-20	-	F-21
SEALANTS & FASTENERS	F-22	-	F-24
WATER & SEWAGE	G-01	-	G-04
WINDOW, VENT AND EXTERIOR DOOR	G-05	-	G-20

**HEATING & AIR CONDITIONING GROUP**

**HEATING & AIR CONDITIONING GROUP (CONTINUED)**

**FURNACE**

KEY	PART NUMBER	U/M	DESCRIPTION
	088888-05-000	EA	FURNACE-30000 BTU-SUBURBAN SF-30
	088834-01-733	EA	RELAY-TIME DELAY 20&30 BTU- SUBURBAN 231202
	075885-01-709	EA	MICRO SWITCH (FOR MODELS 30 & 34S) - SUBURBAN 230509
	080039-01-709	EA	GASKET-OBSERVATION HOLE COVER 070387
	082300-01-704	EA	GASKET-ELECTRODE- SUBURBAN 070163
	082300-02-701	EA	ORIFICE- MAIN BURNER - SUBURBAN 180214
	088888-01-700	EA	CABINET FRONT- SUBURBAN 101242
	088888-01-701	EA	CABINET ASM- SUBURBAN 101209
	088888-01-702	EA	ELECTRODE- SUBURBAN 231740
	088888-01-704	EA	VALVE- SUBURBAN 180008
	088888-01-705	EA	SWITCH-LIMIT- SUBURBAN 231630
	088888-01-706	EA	WHEEL-COMBUSTION AIR- SUBURBAN 350122
	088888-01-707	EA	VENT CAP & EXHAUST TUBE ASM- SUBURBAN 280183
	088888-01-708	EA	BLOWER ASM (COMBUSTION AIR)- SUBURBAN 380441
	088888-01-709	EA	MOTOR ASM -FOR SF-25- SF-30 - SUBURBAN 231708
	088888-01-710	EA	BLOWER ASM (ROOM AIR)- SUBURBAN 380440
	088888-01-711	EA	WHEEL-ROOM AIR - SUBURBAN 350123
	088888-01-712	EA	BOARD-MODULE- SUBURBAN 231741
	088888-01-713	EA	INTAKE VENT TUBE ASM-SUBURBAN 051044
	088888-02-700	EA	BURNER ASM COMPLETE (SF-30/SF35)- SUBURBAN 010745
	088834-01-720	EA	ORIFICE-MAIN BURNER- SUBURBAN 0180222
	088888-03-700	EA	MOTOR ASM-SF-35- SUBURBAN 231707
	088888-06-000	EA	DOOR-ACCESS- FURNACE - OFF WHITE - SUBURBAN 520574
	083375-01-000	EA	THERMOSTAT-WALL- FURNACE - SUBURBAN 0180902

**HEATING COMPONENTS**

KEY	PART NUMBER	U/M	DESCRIPTION
	023146-01-000	EA	CLAMP-SCREW TYPE - 4"
	088638-02-000	EA	CONNECTOR-DUCT- 4" ID - SUBURBAN 050715
	009188-01-000	FT	DUCT-HEAT-FLEXIBLE - 4" ID X 25 FT
	083614-01-01A	EA	GRILLE-RETURN AIR- FURNACE - 15 6" X 7 6" - BROWN
	079059-01-000	EA	HOSE-90 DEGREE- 5/8" ID X 4" X 36"
	007108-01-000	FT	HOSE-HEATER- 5/8" ID - HI-TEMP - FORD ESE-M2D192-A
	058484-05-000	EA	REGISTER-PLASTIC W/O DAMPER - 4" DIAMETER - GOLDEN
	008200-01-000	EA	TAPE-FURNACE- 1 1/2"
	088367-01-000	EA	TEE-4" OD- 7" LONG - METAL
	088753-01-000	FT	TUBE-ALUMINIZED STEEL- 5/8" - 18 GAUGE
	008042-01-000	FT	TUBING-VINYL- .65" ID
	082777-01-000	EA	ADAPTER-DUCT - 4"

**REAR HEATER**

KEY	PART NUMBER	U/M	DESCRIPTION
	084405-01-000	EA	HEATER ASM-REAR- DUCTED - W/MOTOR AID - EVANS
	084405-01-700	EA	HEATER CORE - FT200228
	084405-01-701	EA	FAN - HV028831
	084405-01-702	EA	MOTOR-12 VOLT ASSY - R0200180
	087202-01-000	EA	SWITCH-4 POSITION- W/MKNOB
	088078-01-000	EA	DECAL-AUTO AIR & REAR HEATER

**ROOF A/C**

KEY	PART NUMBER	U/M	DESCRIPTION
	083783-01-04A	EA	A/C-ROOF- 13500 BTU - OFF WHITE - COLEMAN 67580707/67580E7
	073742-02-704	EA	RUN CAPACITOR (COMPRESSOR)- COLEMAN 14884881
	078303-01-712	EA	MOTOR- COLEMAN# 6707A3118
	081225-01-709	EA	START RELAY- COLEMAN# 1487-4131
	081225-01-710	EA	START CAPACITOR- COLEMAN# 1487-0881
	083308-01-701	EA	DECAL PKG LEFT & RIGHT- COLEMAN# 679883581
	083783-01-702	EA	OVERLOAD - COLEMAN #6758-3831
	083783-01-703	EA	IMPELLOR-7" DIA X 2.8" WIDE - COLEMAN# 6758-3271
	083783-01-704	EA	CAPACITOR-FAN- COLEMAN# 1488-3461
	083783-01-707	EA	EVAPORATOR COIL-COLEMAN# 1452-1351
	083783-01-708	EA	CONDENSER COIL-COLEMAN# 1452-1251
	083783-01-709	EA	COMPRESSOR-COLEMAN# 6748A3809
	083783-01-712	EA	FAN BLADE-CONDENSER- COLMAN# 6733-3221
	083783-04-700	EA	SHROUD-ROOF A/C- W/O LOGOS - COLEMAN 6758-4801
	083754-01-000	EA	CEILING ASM-A/C COOL ONLY- TSR - COLEMAN 67580714
	042204-01-709	EA	THERMOSTAT-IN 84 OUT 58- COLEMAN# 6701-3401
	073742-01-701	EA	SELECTOR SWITCH (5 TERMINAL)- COLEMAN# 6758-3251
	078303-01-707	EA	FILTER-6" X 14 3/4" X 1/2" - 12 PER PKG - COLEMAN 6703A3151
	081808-01-712	EA	CEILING SHROUD (IVORY)- COLEMAN# 6758-5061
	081225-01-713	EA	KNOB (2 PER PACKAGE)- COLEMAN# 6701-3351
	081225-01-717	EA	DECAL (THERMOSTAT) COOL ONLY- COLEMAN# 6798A3441
	083783-01-710	EA	SINGLE PARTS PACKAGE- COLEMAN# 6758-5841
	102289-01-000	EA	SPRING SCREW- ROOF A/C GASKET - COLEMAN 6757-150
	084077-03-000	EA	COVER-BLANK- ROOF A/C - 5.2" X 3.5" - IVORY

**A/C-13500 BTU-EUROPE**

KEY	PART NUMBER	U/M	DESCRIPTION
	082440-01-000	EA	A/C-ROOF- 13500 BTU - 220V - 50HZ - COLEMAN# 6713C750
	082441-01-000	EA	CEILING ASM-A/C- 220V - 50HZ - COLEMAN# 6712ET16
	102289-01-000	EA	SPRING-SCREW- ROOF A/C GASKET - COLEMAN 6757-150
	022758-03-000	EA	COVER-A/C PLASTIC-OFF WHITE
	022756-02-000	EA	COVER PROTECTIVE- 5.5" ENDS X 8.2" - PLASTIC - OFF WHITE
	084077-03-000	EA	COVER-BLANK- ROOF A/C - 5.2" X 3.5" - IVORY

**1982 WINNEBAGO  
TABLE OF CONTENTS**

INTRODUCTION	A-01 - A-02
ABBREVIATIONS	A-03
ALPHABETICAL INDEX	A-04 - A-08
WF427RO	A-07 - D-14
WF427RC	D-15 - G-20
WF427RT	G-21 - K-03

**1982 WF427RC INDEX**

FLOOR PLAN	D-15 - D-16
ACCESSORIES	D-17
AUDIO VIDEO	D-18
BATH	D-19 - D-20
BEDROOM	D-21
CHASSIS	D-22 - D-24
CURTAIN & CUSHION	E-01 - E-08
DINETTE	E-09 - E-10
DRIVERS	E-11 - E-12
ELECTRICAL	E-13 - E-16
EXTERIOR BODY	E-17 - E-23
GALLEY	E-24 - F-03
GENERATOR	F-04
HEATING & A/C	F-05 - F-06
INTERIOR FINISH	F-07 - F-10
LABEL	F-11 - F-18
LP	F-19
LOUNGE	F-20 - F-21
SEALANTS & FASTENERS	F-22 - F-24
WATER & SEWAGE	G-01 - G-04
WINDOW VENT AND EXTERIOR DOOR	G-05 - G-20

**INTERIOR FINISH GROUP**

**MOLDINGS & TRIMS**

KEY	PART NUMBER	U/M	DESCRIPTION
	085284-03-000	FT	BATT STRIP-WOODGRAIN- ADHESIVE BACKED - REGAL OAK FROM: 00-00-00 THRU: 02-23-82
	085284-86-000	FT	BATT STRIP-WOODGRAIN- ADHESIVE BACKED - FOREST OAK FROM: 02-24-82 THRU: 99-99-99
	088283-63-000	EA	BATT STRIP-DECORATIVE - PLAIN - 9' LONG (MAIN WALL)
	088284-51-000	FT	BATT STRIP-DECORATIVE - PLAIN - ADHESIVE BACKED (MAIN WALL)
	088283-84-000	EA	BATT STRIP-DECORATIVE - W/FLLOWERS - 6' LONG (GALLEY/BATH)
	085284-41-000	FT	BATT STRIP-DECORATIVE - W/FLOWERS - ADHESIVE BACKED (GALLEY/BATH)
	088283-71-000	EA	BATT STRIP-DECORATIVE - 6" - FAWN (CEILING)
	088284-59-000	FT	STRIP-TAPE-TROWELL WORK (CEILING)
	082330-02-438	EA	LUMBER-VINYL WRAPPED 7' X 1 5" X 8" - WOODGRAIN
	082330-03-000	EA	LUMBER-VINYL WRAPPED 2" X 98" - WOODGRAIN
	082330-05-000	EA	LUMBER-VINYL WRAPPED -REGAL OAK
	103186-01-02A	FT	MOLDING-EDGE- SHELF - .78" WIDE - PLASTIC - REGAL OAK
	009787-12-000	FT	MOLDING-SIDEWALL TO CEILING/CABINET - WELTING - OFF WHITE
	009808-24-000	EA	MOLDING-CORNER- OUTSIDE - 1" - PLASTIC - THOR PECAN
	009812-25-000	EA	MOLDING-CORNER- OUTSIDE - 5" - PLASTIC - PECAN
	022982-11-000	FT	MOLDING-REVERSE COVE- T-SHAPED - VINYL - IVORY
	082331-02-134	EA	MOLDING-VINYL WRAPPED- .7" X 1 57" X 84" - WOODGRAIN
	082331-F2-134	EA	MOLDING-VINYL WRAPPED- .7" X 2.5" X 7" - WOODGRAIN
	105004-01-01A	EA	MOLDING-VINYL WRAP - REGAL OAK
	075249-01-000	EA	RAILING-OAK- 72" EA - UNFINISHED
	085748-01-000	FT	TRIM-J- CARPET - 1 2" X 5" ANGLE - 10' LONG - PVC - BEIGE
	100659-01-AB1	EA	TRIM-FLOOR- 72" X 1" X 1/2" - WOOD
	083820-07-000	FT	T-MOLDING-3/4 WEDGE LIPS- END CAP- THOR PECAN
	083820-08-000	FT	T-MOLDING-3/4 WEDGE LIPS-MODERN IVORY
	105708-01-000	FT	T-MOLDING-1" WEDGE LIPS-MODERN IVORY
	070504-20-000	FT	U-CHANNEL-PLASTIC - .815" WIDE - THOR PECAN - INC OF 8'
	070504-18-000	FT	U-CHANNEL-PLASTIC - .885" WIDE - IVORY - INC OF 8'
	086229-01-000	EA	RETAINER-BATTEN CEILING - .75" WIDE - 78" EA

**CARPETING & FLOOR MATS**

KEY	PART NUMBER	U/M	DESCRIPTION
	088080-41-000	SY	CARPET-507-SPECIAL LT EGG PLANT(CO3)
	08806J-33-000	SY	CARPET-506-LT BROWN SPECIAL (CO4)
	083486-01-000	SY	CARPET-COMPARTMENT- 54" WIDE - DARK GRAY
	047034-02-000	SF	PLASTIC-CARPET- 4' WIDE - CLEAR POLY -MINIMUM ORDER 1800 SF
	007038-01-000	EA	MAT-FLOOR-W/WINNEBAGO LOGO - 10 5" X 26" - RUBBER - BLACK
	081075-01-000	EA	MAT-FLOOR-ENTRANCE-ICE DOOR -W/WINNEBAGO LOGO FROM: 00-00-00 THRU: 01-10-82
	081075-03-000	EA	MAT-FLOOR-ENTRANCE-WINNEBAGO - PLASTICOLOR GRAY FROM: 01-13-82 THRU: 99-99-99
	083219-01-000	EA	MAT-FLOOR-PASSENGER - "W" FROM: 00-00-00 THRU: 01-12-82
	083219-02-000	EA	MAT-FLOOR-DRIVER - "W" FROM: 00-00-00 THRU: 01-12-82
	106884-01-000	EA	MAT-FLOOR-FRONT-RIGHT-"W"-FORD FROM: 01-13-82 THRU: 99-99-99
	106884-02-000	EA	MAT-FLOOR FRONT-LEFT-"W"-FORD FROM: 01-13-82 THRU: 99-99-99

**INTERIOR FRESH GROUP (CONTINUED)**

**FIRE EXTINGUISHER, SMOKE DETECTOR & CLOCK**

KEY	PART NUMBER	U/M	DESCRIPTION
	084489-01-000	EA	EXTINGUISHER-FIRE- DRY W/MOUNTING BRACKET - 10 BC
	084489-02-000	EA	EXTINGUISHER-FIRE- DRY - 1A10BC - CANADIAN
	084489-01-700	EA	BRACKET-MOUNTING- W/PLASTIC STRAP - FIRE EXTINGUISHER
	084851-01-02A	EA	HOLDER-FIRE EXTINGUISHER- RECESSED - GREY FROM: 00-00-00 THRU: 05-04-82
	072852-01-000	EA	DETECTOR-SMOKE - W/9 VOLT BATTERY(US)
	072852-02-000	EA	DETECTOR-SMOKE - W/9 VOLT BATTERY(CSA)
	104784-01-01A	EA	CLOCK-WALL - SPARTUS 5816-42
	101333-01-000	EA	BACKPLATE-CLOCK - 6" X 6" - PLASTIC - BLACK

**PANELING, LAMINATED & PLASTIC**

KEY	PART NUMBER	U/M	DESCRIPTION
	074487-19-000	SF	PANELING-CEILING- 4' X 8" -TROWORKFAWN - INCREMENTS OF 32 SF
	088272-72-000	SF	PANELING-SHOWER- 4' X 7' -OFF WHITE - INCREMENTS OF 28 SF FROM: 00-00-00 THRU: 03-15-82
	088272 88-000	SF	PANELING-SHOWER- 4' X 7' -OFF WHITE - INCREMENTS OF 28 SF FROM: 03-16-82 THRU: 99-99-99
	074487-20-000	SF	PANELING-WOODGRAIN 4' X 8" - FOREST OAK- INCREMENTS OF 32 SF
	074487-21-000	SF	PANELING-WOODGRAIN- 4' X 8" - WINNI OAK-INCREMENTS OF 32 SF
	088272-24-000	SF	PANELING-DECORATIVE- PLAIN - 4' X 7' - INCREMENTS OF 28 SF
	078272-85-000	SF	PANELING-DECORATIVE- W/FLOWERS - 4' X 7' - INC OF 28 SF
	074488-39-000	SF	LAMINATE-PLASTIC- 5' X 8" - GREY/BEIGE - INC OF 40 SF
	076325-16-000	FT	MOLDING-EDGE BAND- 1 5/16" WIDE - WOODGRAIN - REGAL OAK
	076325-28-000	FT	MOLDING-EDGE BAND- 1 5/16" WIDE
	000885-55-000	SF	PARTICLE BOARD-3/8" X 48" X 97" - 1 SIDE VINYL-FOREST OAK(33 SF)
	000885-52-000	SF	PARTICLE BOARD-3/8" X 48" X 98" - 2 SIDE VINYL-WOODGRAIN (32SF)
	000885-54-000	SF	PARTICLE BOARD-3/8" X 48" X 95" - 2 SIDE VINYL-FOREST OAKS (32SF)
	088297-01-000	SF	PLYWOOD-LUAN OVERLAY GRADE - 4' X 8" - INC OF 32 SF
	083743-02-01A	SF	PLASTIC-ABS 20" WIDE ROLL - OFF WHITE
	083743-03-01A	SF	PLASTIC-ABS- 10 8" WIDE - OFF WHITE
	083618-02-000	SF	PLYWOOD-OAK- 1 SIDE FINISHED - 3/16" X 4' X 8' (32 SF)
	085688-01-000	SF	VENEER-FLAT LUANA 48X98

**1982 WINNEBAGO  
TABLE OF CONTENTS**

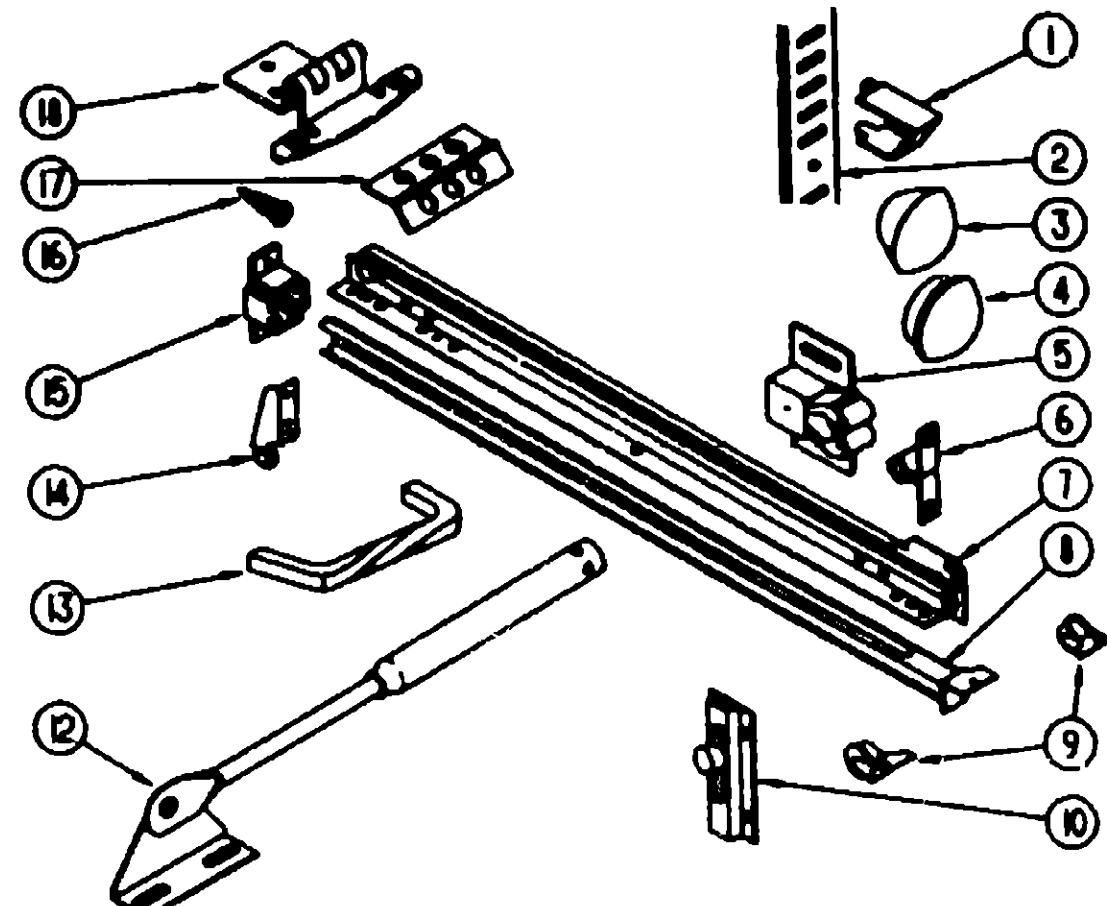
INTRODUCTION	A-01 - A-02
ABBREVIATIONS	A-03
ALPHABETICAL INDEX	A-04 - A-08
WF427RO	A-07 - D-14
WF427RC	D-15 - G-30
WF427RT	G-21 - K-03

**1982 WF427RC INDEX**

FLOOR PLAN	D-15 - D-18
ACCESSORIES	D-17
AUDIO VIDEO	D-18
BATH	D-19 - D-20
BEDROOM	D-21
CHASSIS	D-22 - D-24
CURTAIN & CUSHION	E-01 - E-08
DINETTE	E-09 - E-10
DRIVERS	E-11 - E-12
ELECTRICAL	E-13 - E-16
EXTERIOR BODY	E-17 - E-23
GALLEY	E-24 - F-03
GENERATOR	F-04
HEATING & A/C	F-05 - F-06
INTERIOR FINISH	F-07 - F-10
LABEL	F-11 - F-18
LP	F-19
LOUNGE	F-20 - F-21
SEALANTS & FASTENERS	F-22 - F-24
WATER & SEWAGE	G-01 - G-04
WINDOW, VENT AND EXTERIOR DOOR	G-05 - G-20

# INTERIOR FINISH GROUP (CONTINUED)

## CABINET & TABLE HARDWARE



KEY	PART NUMBER	UNIT DESCRIPTION
1	088878-01-000	EA CLIP-ADJUSTABLE SHELF
2	088880-01-000	EA PILASTER-ADJUSTABLE SHELF- 18" LONG
3	042388-01-000	EA PLUG-BUTTON-MAHOGANY - 3/8" DIAMETER - WOOD
4	074045-07-000	EA PLUG-WOOD-1/2" - NATURAL
5	083688-03-000	EA CATCH-SPRING- ROLLER
6	083688-04-000	EA STRIKE-SPRING STEEL
7	101910-03-000	EA SLIDE-DRAWER-CABINET MOUNTED - SET OF 2 - 12" LONG
7	101910-04-000	EA SLIDE-DRAWER-DRAWER MOUNTED - SET OF 2 - 12" LONG
8	102827-05-000	EA TRACK-DRAWER 22.8" LONG
9	102827-03-000	EA ROLLER-DRAWER NYLON - PAIR
10	081804-01-000	EA SLIDE-BOLT-ANTIQUE BRASS
12	074483-02-000	EA SUPPORT-PISTON SPRING CABINET DOOR
13	088846-01-000	EA PULL-CABINET BRASS - TWIST - 1 1/4" X 3/4"
	100885-01-000	EA BACKPLATE-PULL CABINET DOOR - 5.7" - BRASS FROM 12-08-81 THRU 08-08-88
14	102827-02-000	EA BRACKET-ROLLER- DRAWER - REAR
15	102827-04-000	EA BRACKET-MOUNTING DRAWER - REAR
16	000G13-08-10G	EA SCREW-6-20 X 5/8 PPH- ANTIQUE BRASS FROM 00-00-00 THRU 04-14-82
16	000G13-05-08G	EA SCREW-6-20 X 5/8 PPH- ANTIQUE BRASS FROM 04-15-82 THRU 08-08-88
17	009059-02-000	EA HINGE-DOOR- 2" X 2 7/8" - BRASS
18	059777-02-000	EA HINGE-CABINET DOOR- BURNISHED BRASS FROM 00-00-00 THRU 04-16-82
18	108138-01-000	EA HINGE-DOOR CABINET - BURNISHED BRASS FROM 04-17-82 THRU 08-08-88
	108849-01-000	EA HINGE-BRASS-VARIABLE OVERLAY (OVERHEAD RANGE CABINET)
	023320-01-000	EA PAD-FELT 3/8" DIAMETER - BROWN
	106037-02-000	EA FASTENER-WOOD CORNER - METAL - 5" X 6"
	004354-01-000	EA BUMPER-RUBBER- .5" DIA - BROWN
	008063-01-000	EA HINGE-CONTINUOUS- 1 1/2" X 72" - UNPAINTED
	008088-01-000	EA HINGE-ALUMINUM- NO HOLES - 1 1/16" X 8" - UNPAINTED
	018804-01-000	EA BRACE-CABINET- ANGLE - 2.5" - METAL - UNPAINTED
	018804-03-000	EA BRACE-CABINET- ANGLE - 2.5" - METAL - BEIGE
	085740-01-000	EA BRACE-CABINET CORNER- PLASTIC
	078790-01-000	EA SCREW- 6-20 X 1 1/4 PPH - BLACK
	058783-01-000	FT ROD-CLOTHES SLOTTED - ALUMINUM - 7' LENGTH
	008089-01-000	EA CLIP-MIRROR
	009112-01-000	EA FLANGE-1" ROD- CLOTHES - PLASTIC - OFF WHITE
	042438-01-000	EA DOWEL-WOOD- CLOTHES ROD - 1" DIAMETER X 4'
	042438-02-000	EA DOWEL-WOOD- 2" X 2"
	064781-05-000	EA HOLDER-CUP- TWO STEP - OFF WHITE
	103257-01-000	EA STOP-DOOR
	103130-01-000	EA HOOK-CLIP-BRASS-1.25"
	078827-04-000	EA BRACKET-BUNKBED - 2.8" X 1 8" TRIANGLE-METAL-OFF WHITE
	104886-01-000	EA CATCH-WOOD-VINYL FACED CABINET
	104886-02-000	EA CATCH-WOOD-LAMINATED FACED CABINET

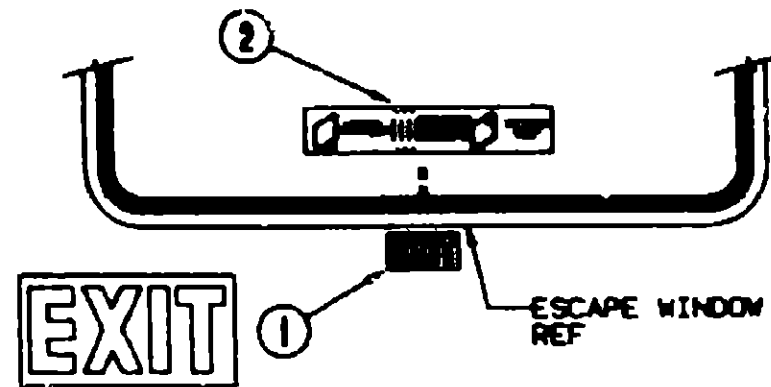
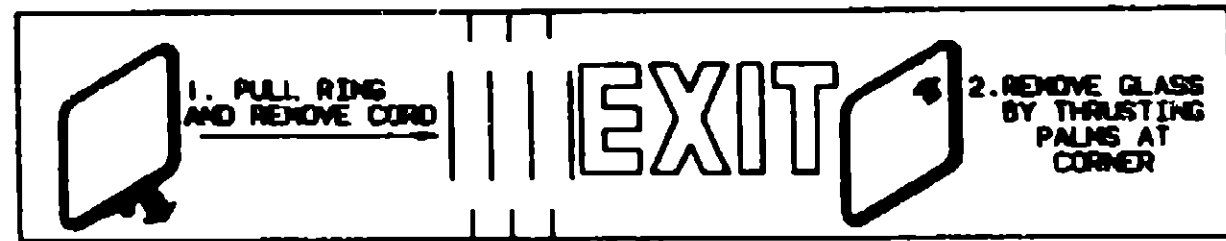
## 1982 WINNEBAGO TABLE OF CONTENTS

INTRODUCTION	A-01 - A-02
ABBREVIATIONS	A-03 - A-08
ALPHABETICAL INDEX	A-04 - A-08
WF427RQ	A-07 - D-14
WF427RC	D-15 - G-30
WF427RT	G-21 - K-08

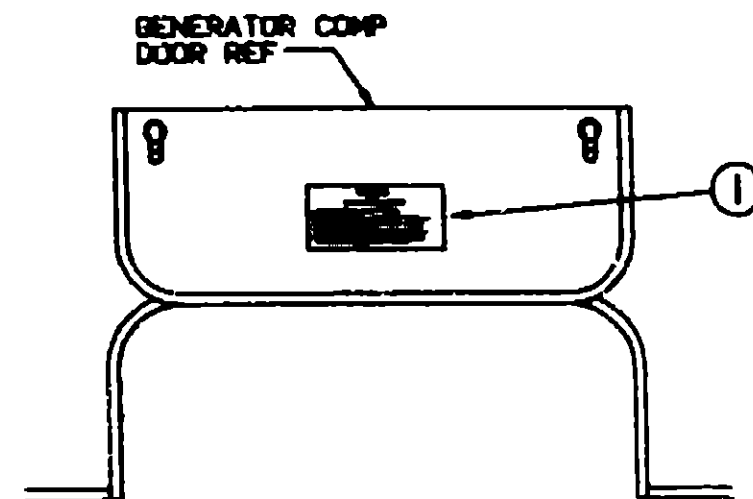
## 1982 WF427RC INDEX

FLOOR PLAN	D-15 - D-16
ACCESSORIES	D-17
AUDIO VIDEO	D-18
BATH	D-19 - D-20
BEDROOM	D-21
CHASSIS	D-22 - D-24
CURTAIN & CUSHION	E-01 - E-08
DINETTE	E-09 - E-10
DRIVERS	E-11 - E-12
ELECTRICAL	E-13 - E-16
EXTERIOR BODY	E-17 - E-23
GALLEY	E-24 - F-03
GENERATOR	F-04
HEATING & AC	F-05 - F-06
INTERIOR FINISH	F-07 - F-10
LABEL	F-11 - F-18
LP	F-19
LOUNGE	F-20 - F-21
SEALANTS & FASTENERS	F-22 - F-24
WATER & SEWAGE	G-01 - G-04
WINDOW, VENT AND EXTERIOR DOOR	G-05 - G-20

**LABELS GROUP**



KEY	PART NUMBER	U/M DESCRIPTION
1	038290-01-000	EA LABEL-WARNING-EXIT
2	107571-01-000	EA LABEL-EXIT-ESCAPE WINDOW



**WARNING**

**WHEN ADDING A GENERATOR SET:**

HIGH VOLTAGE AND EXTREME HEAT ARE INVOLVED IN ELECTRICAL CONNECTIONS.

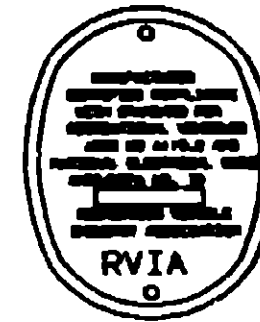
HAVE ALL ELECTRICAL INSTALLATION PERFORMED BY A QUALIFIED LICENSED ELECTRICIAN-FOLLOW ALL STATE AND LOCAL CODES.

BELT DRIVE GENERATOR SET APPROVED FOR R.V. APPLICATION MUST BE INSTALLED BY QUALIFIED TECHNICIAN.

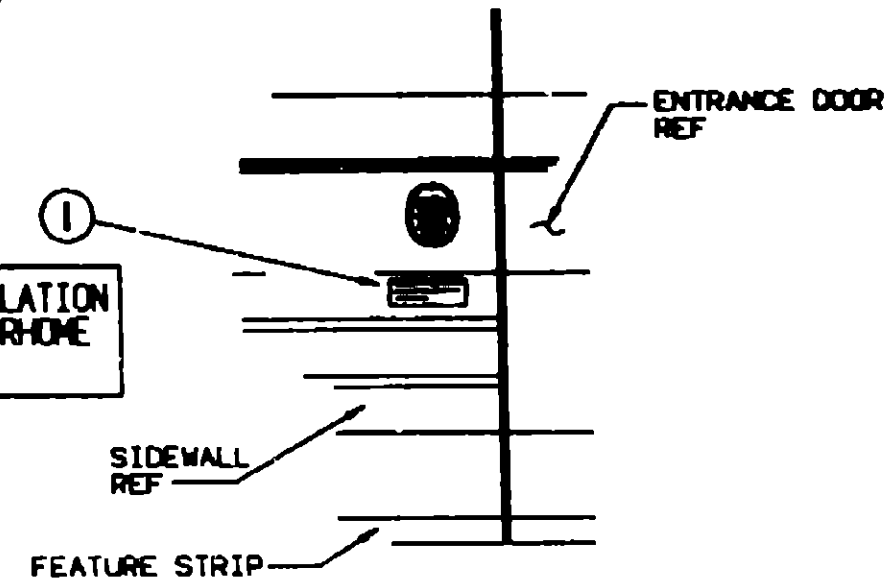
TO AVOID HEAT BUILD-UP AND TO SUPPLY AN ADEQUATE AIR SUPPLY TO THE GENERATOR COMPARTMENT, FOLLOW INSTALLATION INSTRUCTIONS. GENERATOR BELT DRIVE SHOULD BE OPEN AND VENTED AND MUST NOT BE COVERED WHEN THE VEHICLE-GENERATOR STORAGE CABIN FROM VEHICLE.

KEY	PART NUMBER	U/M DESCRIPTION
1	077510-01-000	EA LABEL-GENERATOR PREP

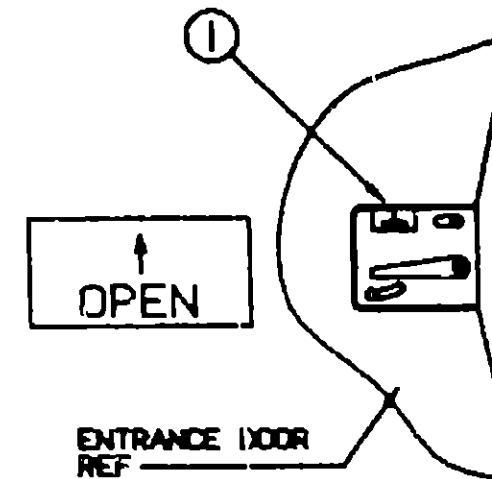
**LABELS GROUP (CONTINUED)**



FOR AWNING INSTALLATION CONTACT YOUR MOTORHOME DEALERSHIP



KEY	PART NUMBER	U/M DESCRIPTION
1	008508-01-000	EA LABEL-AWNING INSTALLATION



KEY	PART NUMBER	U/M DESCRIPTION
1	040944-01-000	EA LABEL-ENTRANCE DOOR, "OPEN"

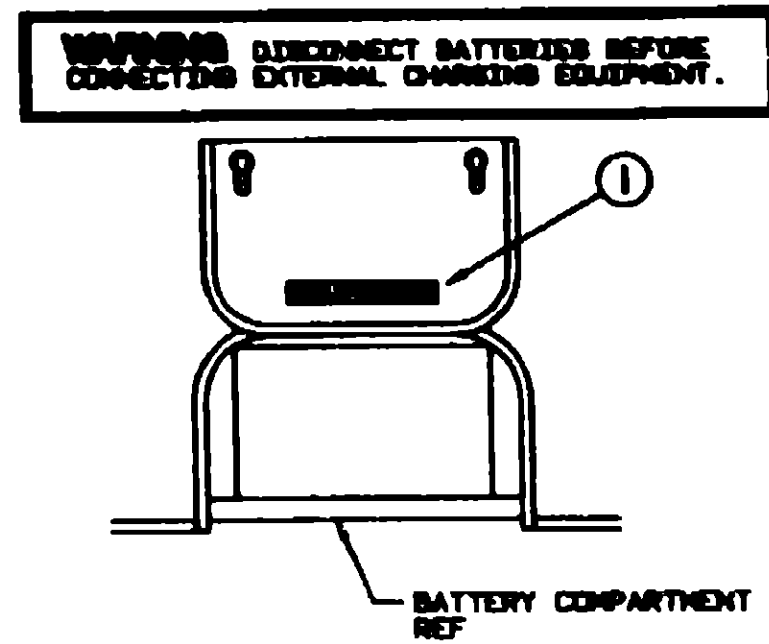
**1992 WINNEBAGO TABLE OF CONTENTS**

INTRODUCTION	A-01 - A-02
ABBREVIATIONS	A-03
ALPHABETICAL INDEX	A-04 - A-08
WF427RQ	A-07 - D-14
WF427RC	D-15 - G-20
WF427RT	G-21 - K-08

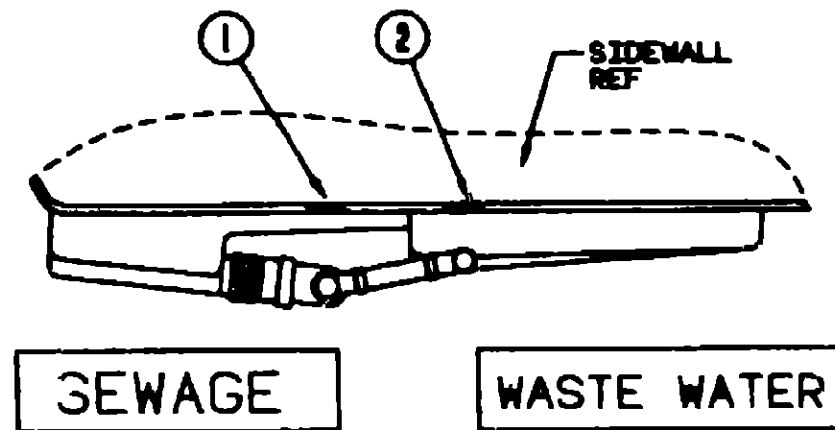
**1992 WF427RC INDEX**

FLOOR PLAN	D-15 - D-16
ACCESSORIES	D-17
AUDIO VIDEO	D-18
BATH	D-19 - D-20
BEDROOM	D-21
CHASSIS	D-22 - D-24
CURTAIN & CUSHION	E-01 - E-08
DINETTE	E-09 - E-10
DRIVERS	E-11 - E-12
ELECTRICAL	E-13 - E-16
EXTERIOR BODY	E-17 - E-23
GALLEY	E-24 - F-03
GENERATOR	F-04
HEATING & AC	F-05 - F-06
INTERIOR FINISH	F-07 - F-10
LABEL	F-11 - F-18
LP	F-19
LOUNGE	F-20 - F-21
SEALANTS & FASTENERS	F-22 - F-24
WATER & SEWAGE	G-01 - G-04
WINDOW, VENT AND EXTERIOR DOOR	G-05 - G-20

**LABELS GROUP (CONTINUED)**

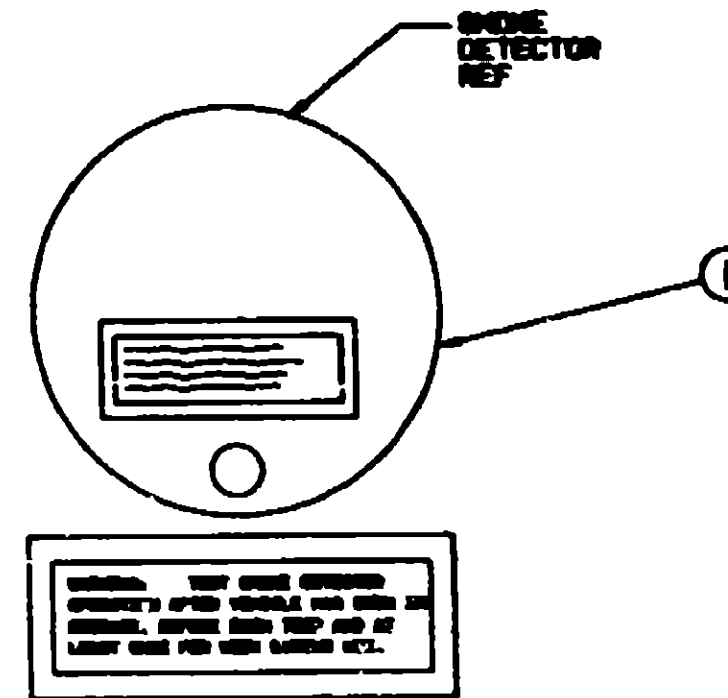


KEY PART NUMBER U/M DESCRIPTION  
 1 085748-01-000 EA LABEL-CAUTION-BATTERY CHARGING

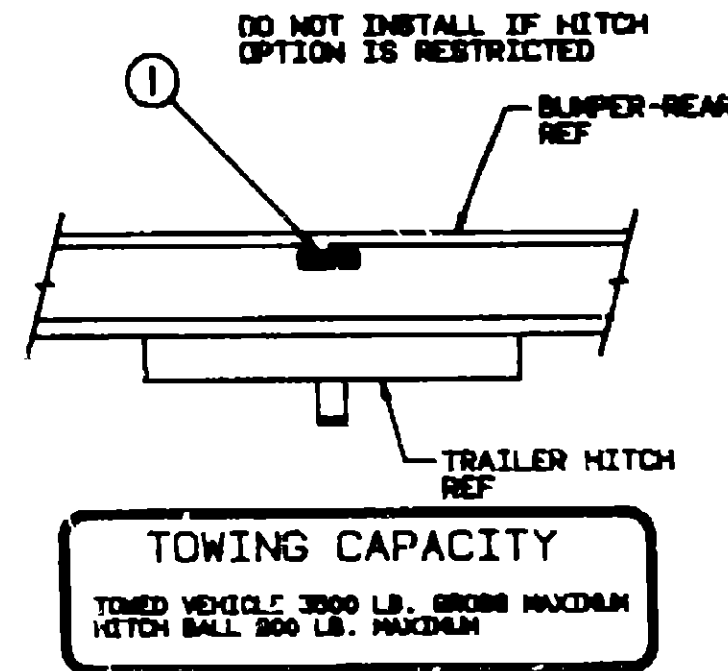


KEY PART NUMBER U/M DESCRIPTION  
 1 006187-01-00(1) EA LABEL-SEWAGE  
 2 006188-01-00(1) EA LABEL-WASTE WATER

**LABELS GROUP (CONTINUED)**



KEY PART NUMBER U/M DESCRIPTION  
 1 077866-01-000 EA LABEL-WARNING-SMOKE DETECTOR



KEY PART NUMBER U/M DESCRIPTION  
 1 075221-01-000 EA LABEL-TOWING CAPACITY

**1982 WINNEBAGO  
 TABLE OF CONTENTS**

INTRODUCTION	A-01 - A-02
ABBREVIATIONS	A-03
ALPHABETICAL INDEX	A-04 - A-08
WF-427RQ	A-07 - D-14
WF-427RC	D-15 - G-30
WF-427RT	G-21 - K-08

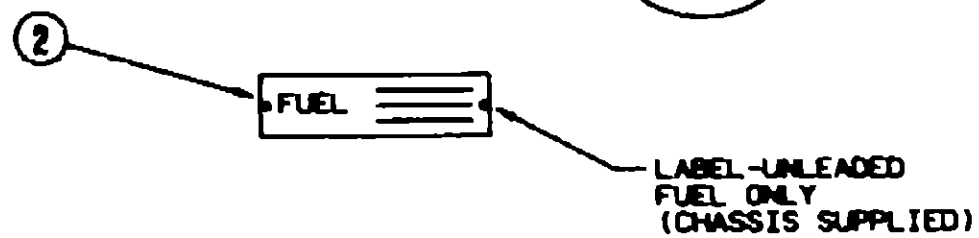
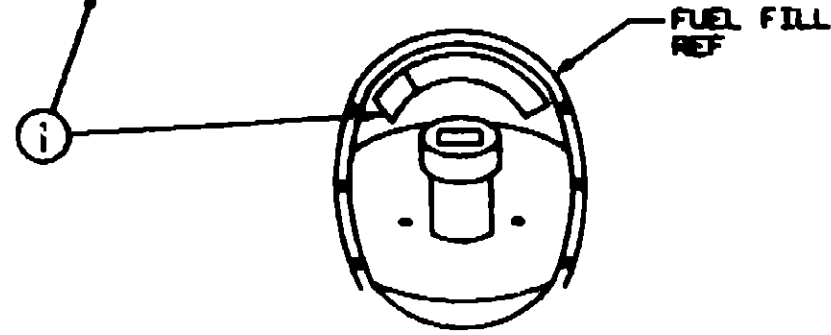
**1982 WF-427RC INDEX**

FLOOR PLAN	D-15 - D-18
ACCESSORIES	D-17
AUDIO VIDEO	D-18
BATH	D-19 - D-20
BEDROOM	D-21
CHASSIS	D-22 - D-24
CURTAIN & CUSHION	E-01 - E-08
DINETTE	E-09 - E-10
DRIVERS	E-11 - E-12
ELECTRICAL	E-13 - E-16
EXTERIOR BODY	E-17 - E-23
GALLEY	E-24 - F-03
GENERATOR	F-04
HEATING & AC	F-05 - F-08
INTERIOR FINISH	F-07 - F-10
LABEL	F-11 - F-18
LP	F-19
LOUNGE	F-20 - F-21
SEALANTS & FASTENERS	F-22 - F-24
WATER & SEWAGE	G-01 - G-04
WINDOW, VENT AND EXTERIOR DOOR	G-05 - G-20

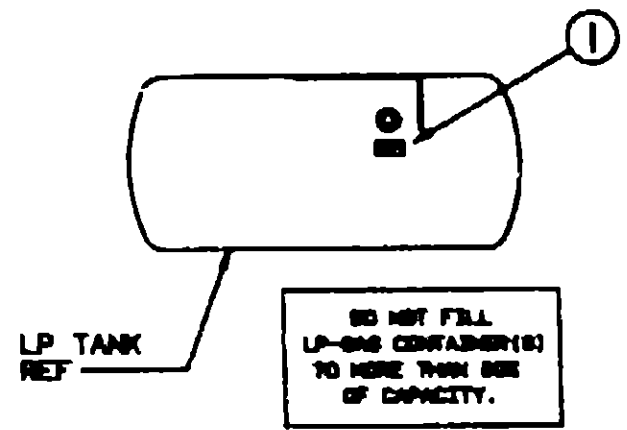


**LABELS GROUP (CONTINUED)**

<b>CAUTION</b>	TO HELP AVOID PERSONAL INJURY DURING REMOVAL OF FUEL FILLER CAP, SLOWLY LOOSEN CAP 1/2 TURN TO ALLOW ANY FUEL PRESSURE TO BE RELIEVED BEFORE TURNING CAP FURTHER.
<b>FUEL SPRAY MAY CAUSE PERSONAL INJURY</b>	STOP ADDING FUEL AFTER FIRST SHUTOFF BY AUTOMATIC NOZZLE WHEN TANK IS NEARLY FULL. DO NOT OVERFILL FUEL TANK. SEE OWNERS MANUAL FOR ADDITIONAL INFORMATION. PRINTED IN U.S.A. I.L.C. PT. NO. F2M1125

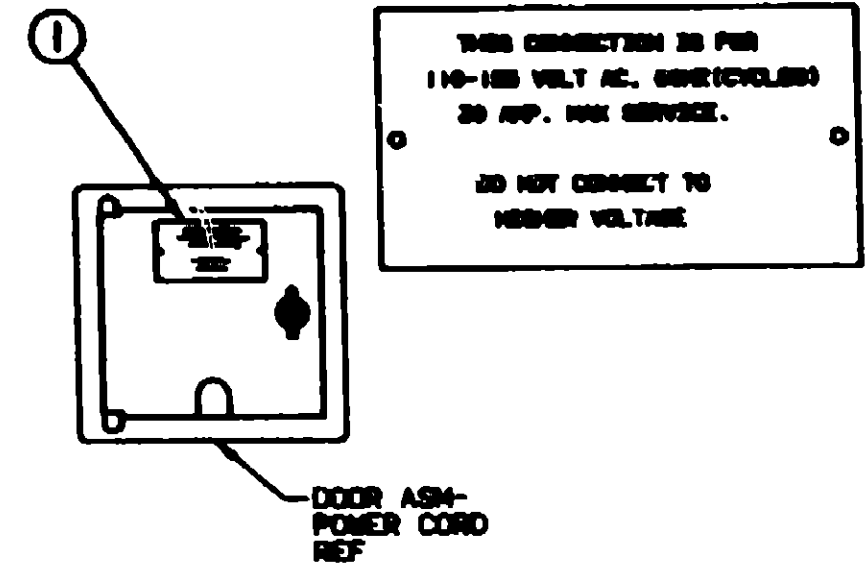


KEY	PART NUMBER	U/M DESCRIPTION
1	087207-08-000	EA LABEL-GAS OVERFILL
2	082043-01-000	EA LABEL-FUEL-UNLEADED

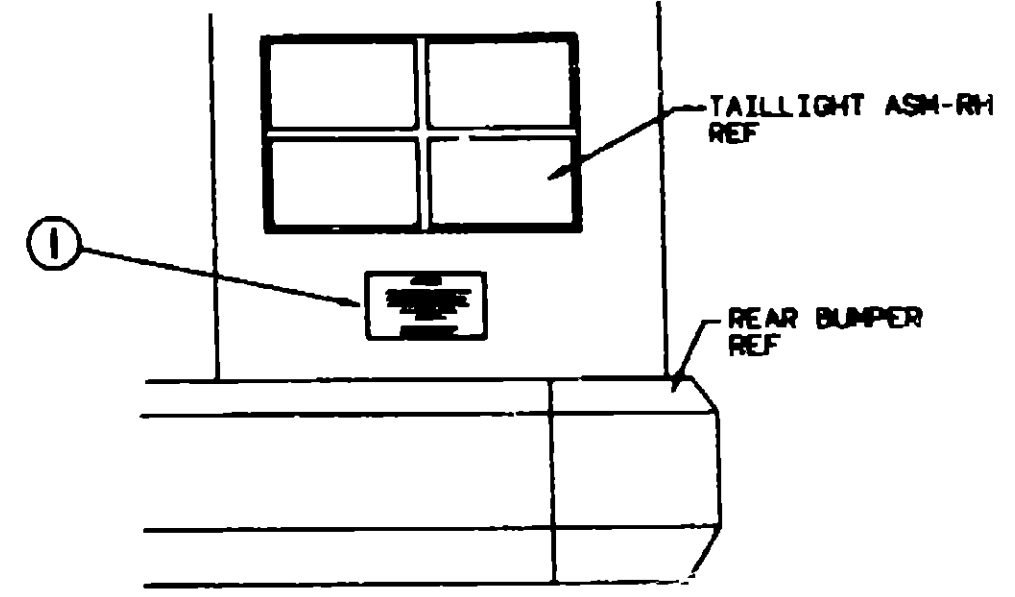


KEY	PART NUMBER	U/M DESCRIPTION
1	054531-01-000	EA LABEL-LP GAS ONLY

**LABELS GROUP (CONTINUED)**



KEY	PART NUMBER	U/M DESCRIPTION
1	008062-01-000	EA TAG-ELECTRIC-110V CONNECTION



**WARNING**

DO NOT EXCEED THE VEHICLE WEIGHT RATINGS OR LOADING RECOMMENDATIONS (E.G., GROSS VEHICLE, GROSS AXLE, GROSS COMBINED) OF THE CHASSIS MANUFACTURER OR WINNEBAGO INC.

REFER TO YOUR OWNERS MANUAL, BEFORE LOADING OR TOWING.

KEY	PART NUMBER	U/M DESCRIPTION
1	075220-01-000	EA LABEL-WARNING-EXTERIOR LOAD

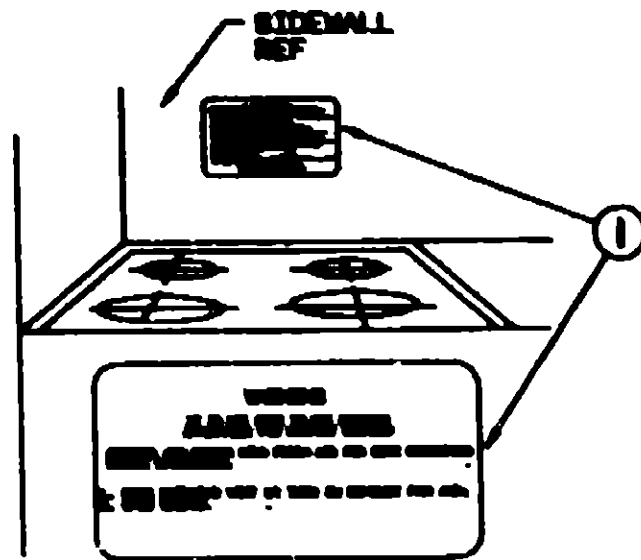
**1982 WINNEBAGO TABLE OF CONTENTS**

INTRODUCTION	A-01 - A-02
ABBREVIATIONS	A-03
ALPHABETICAL INDEX	A-04 - A-08
WF427RQ	A-07 - D-14
WF427RC	D-15 - G-30
WF427RT	G-31 - K-03

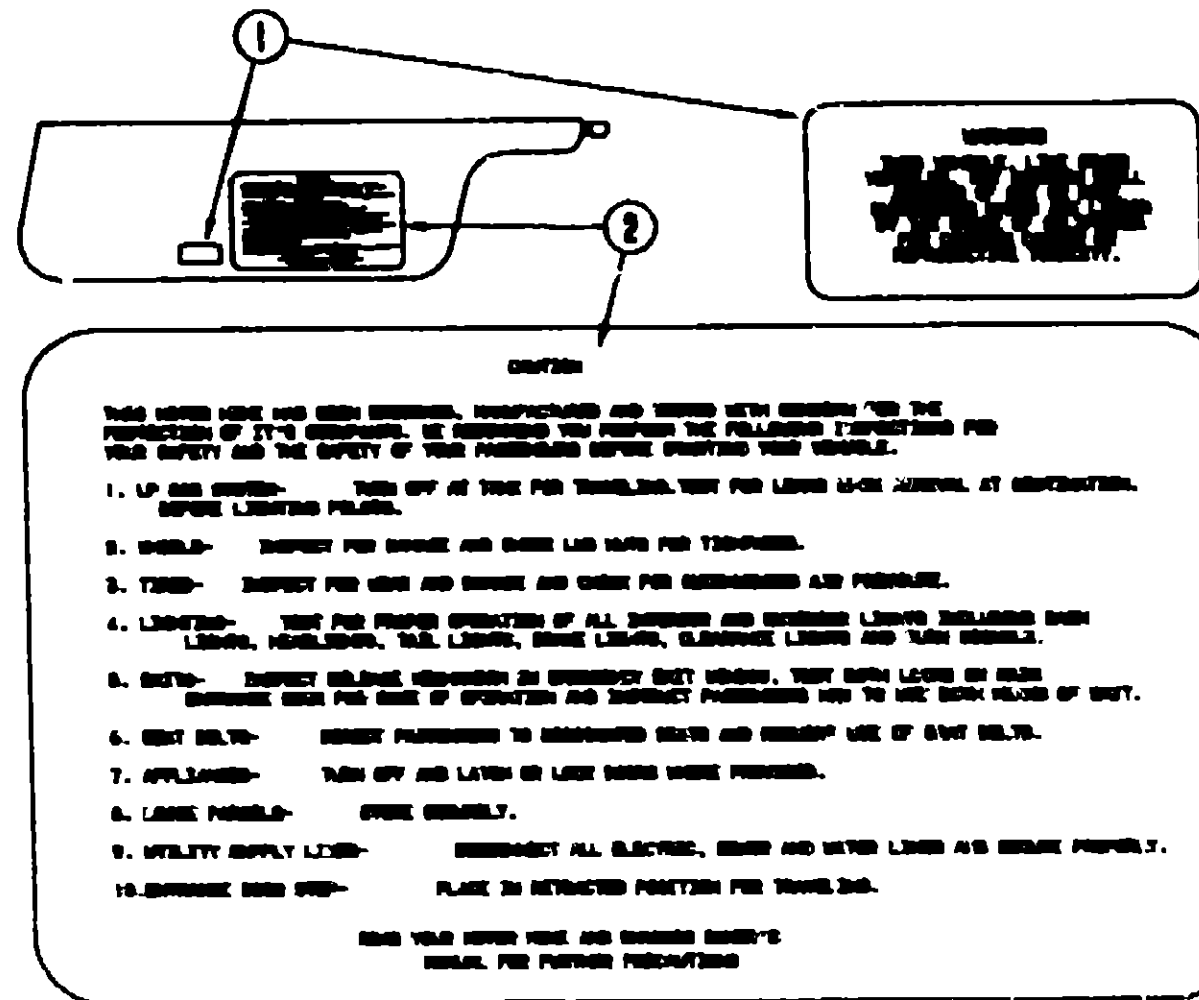
**1982 WF427RC INDEX**

FLOOR PLAN	D-15 - D-16
ACCESSORIES	D-17
AUDIO VIDEO	D-18
BATH	D-19 - D-20
BEDROOM	D-21
CHASSIS	D-22 - D-24
CURTAIN & CUSHION	E-01 - E-08
DINETTE	E-09 - E-10
DRIVERS	E-11 - E-12
ELECTRICAL	E-13 - E-18
EXTERIOR BODY	E-17 - E-23
GALLEY	E-24 - F-03
GENERATOR	F-04
HEATING & A/C	F-05 - F-08
INTERIOR FINISH	F-07 - F-10
LABEL	F-11 - F-18
LP	F-19
LOUNGE	F-20 - F-21
SEALANTS & FASTENERS	F-22 - F-24
WATER & SEWAGE	G-01 - G-04
WINDOW, VENT AND EXTERIOR DOOR	G-05 - G-20

**LABELS GROUP (CONTINUED)**



KEY	PART NUMBER	U/M DESCRIPTION
1	950225-01-000	EA LABEL-WARNING-STOVE VENT - US



KEY	PART NUMBER	U/M DESCRIPTION
1	000000-01-000	EA LABEL-WARNING-CANCER/TOXICIT
2	058258-01-000	EA LABEL-SAFETY CHECK LIST

**LABELS GROUP (CONTINUED)**

**MISCELLANEOUS LABELS**

KEY	PART NUMBER	U/M DESCRIPTION
	104228-01-000	EA LABEL-GENERATOR CIRCUIT
	008084-01-000	EA LABEL-SEAT W/O SEATBELT (US) NOT INTENDED FOR USE WHILE COACH IN MOTION
	008084-02-000	EA LABEL-SEAT W/O SEATBELT (CSA) NOT INTENDED FOR USE WHILE COACH IN MOTION
	091224-02-000	EA LABEL-TRAILER LIGHTING
	091243-01-000	EA LABEL-A/C COVER, "AIR CONDITIONING CIRCUIT. ETC "
	093238-08-000	EA LABEL-CIRCUIT BREAKER
	098841-01-000	EA LABEL-FUEL UNLEADED - DASH
	074588-01-000	EA DECAL-LOGO, LPG - RED - (CALIF CODE)
	073898-01-000	EA LABEL-LPG COOR WARNING
	087238-01-000	EA LABEL-CABLE, INPUT
	081417-01-000	EA LABEL-FUEL ON FUEL FILL DOOR
	008040-01-000	EA TAG-GAS REFUELING WARNING-US
	008040-02-000	EA TAG-GAS REFUEL WARNING-CANADIAN

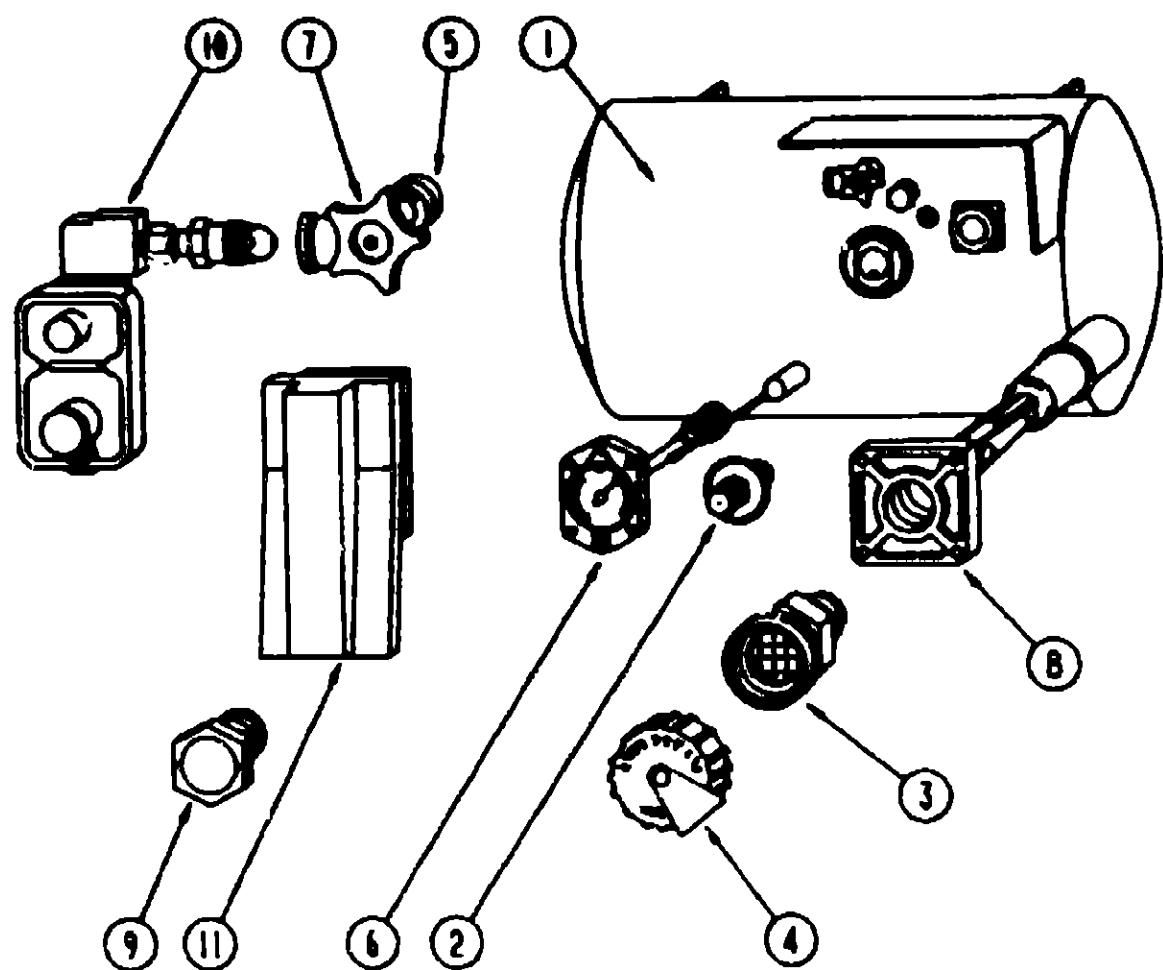
**1992 WINNEBAGO  
TABLE OF CONTENTS**

INTRODUCTION	A-01 - A-02
ABBREVIATIONS	A-03
ALPHABETICAL INDEX	A-04 - A-08
WF427RQ	A-07 - D-14
WF427RC	D-15 - G-20
WF427RT	G-21 - K-08

**1992 WF427RC INDEX**

FLOOR PLAN	D-15 - D-16
ACCESSORIES	D-17
AUDIO VIDEO	D-18
BATH	D-19 - D-20
BEDROOM	D-21
CHASSIS	D-22 - D-24
CURTAIN & CUSHION	E-01 - E-08
DINETTE	E-09 - E-10
DRIVERS	E-11 - E-12
ELECTRICAL	E-13 - E-18
EXTERIOR BODY	E-17 - E-23
GALLEY	E-24 - F-03
GENERATOR	F-04
HEATING & A/C	F-05 - F-08
INTERIOR FINISH	F-07 - F-10
LABEL	F-11 - F-18
LP	F-19
LOUNGE	F-20 - F-21
SEALANTS & FASTENERS	F-22 - F-24
WATER & SEWAGE	G-01 - G-04
WINDOW, VENT AND EXTERIOR DOOR	G-05 - G-20

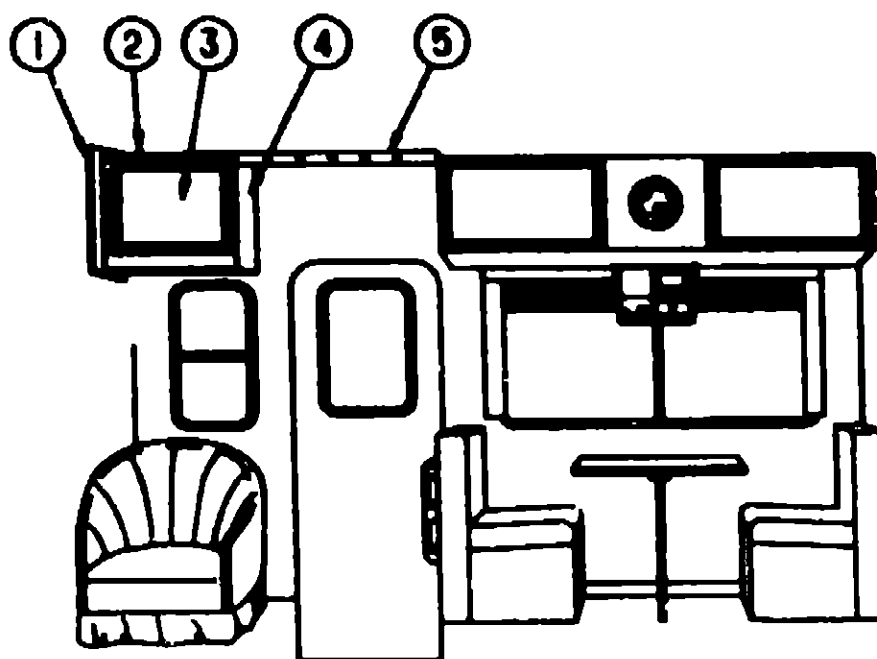
**LP GROUP**



**LP TANK & COMPONENTS**

KEY	PART NUMBER	U/M	DESCRIPTION
1	080460-01-000	EA	TANK-LP-42LB 130DIA X 24" LONG
2	040421-01-700	EA	VALVE-LIQUID LEVEL- 20% LP - BRUNNER G-1013
3	040421-01-701	EA	VALVE-SHOOT LP FILLER W/YELLOW CAP - BRUNNER 75478
4	040421-01-702	EA	CAP-LP FILLER VALVE- PLASTIC - YELLOW - BRUNNER G-1014-A
5	040421-01-705	EA	VALVE-SERVICE W/HANDWHEEL (REGO 9108CO) - BRUNNER G-1015
6	040421-01-707	EA	GAUGE-FLOAT W/VISIBLE DL/L - BRUNNER MA-9 8244-4
	040440-02-000	EA	DIAL-TRANSMITTER 0-90 OHM
7	040421-01-708	EA	HANDWHEEL-SERVICE VALVE BRUNNER G-1015-A
8	040421-01-711	EA	VALVE W/PLATE- BOLT & GASKET - 80%
9	040421-01-713	EA	VALVE-VAPOR ONLY- BRUNNER 29000587
10	106150-01-000	EA	REGULATOR-TWO STAGE - 283-00
11	106868-01-000	EA	COMPARTMENT-LP REGULATOR
	085741-01-000	EA	GAUGE-DIAPHRAGM PRESSURE
	085742-01-000	EA	TEE 3/8" X 3/8" X 1/2" FPT - BRASS
	010377-02-000	EA	NUT-BRASS 3/8" FEMALE - FORGED
	045703-01-000	EA	HOSE-LP- 3/8" ID X 24" - 3/8" MPT X 1/2" F SWIVEL - U.S
	045703-02-000	EA	HOSE-LP- 3/8" ID X 24" - 3/8" MPT X 1/2" F SWIVEL - CANADA
	103813-01-000	EA	DETECTOR-LP GAS - CCI 7730/PRE-TELL 1
			FROM 01-20-82 THRU 99-99-99
	086318-02-000	EA	ELBOW-90 DEGREE- 3/8" MPT TO 3/8" FPT
	081808-01-000	EA	COVER-COMPARTMENT- LP REGULATOR - BLACK
	085824-01-000	EA	ELBOW-90 DEGREE- 1/4" FPT X 1/4" FPT - BRASS
	035340-01-000	EA	ELBOW- 3/8" MPT X 1/2" F - BRASS
	071391-02-000	EA	NIPPLE-HEX- 1/4" PIPE - 3325X4 WEATHERHEAD
	010323-01-000	EA	ADAPTER-BRASS- 3/8" F X 1/2" MPT
	010380-02-000	EA	NUT-BRASS - 1/2" FEMALE - FORGED
	010377-02-000	EA	NUT-BRASS - 3/8" FEMALE - FORGED

**LOUNGE GROUP**



**OVERHEAD CABINET**

KEY	PART NUMBER	U/M	DESCRIPTION
1	104335-07-C52	EA	CAP ASM-END-OVERHEAD
1	104335-18-C03	EA	CAP ASM-END-OVERHEAD - WTV
2	M05623-01-C03	EA	CABINET ASM-OVERHEAD-FRONT-RIGHT
2	M05623-26-C03	EA	CABINET ASM -OVERHEAD TV
	106462-11-C03	EA	SHELF ASM
	081804-01-000	EA	SLIDE-BOLT-ANTIQUE BRASS
	101910-03-000	EA	SLIDE-DRAWER-CABINET MOUNTED - SET OF 2 - 12" LONG
	101910-04-000	EA	SLIDE-DRAWER-DRAWER MOUNTED - SET OF 2 - 12"
3	P05223-04-C03	EA	DOOR ASM-W/O HARDWARE
4	104335-08-C52	EA	CAP ASM-END-OVERHEAD
4	104335-17-C03	EA	CAP ASM-END-OVERHEAD - WTV
5	105847-08-C03	EA	KEY RING HOLDER
	103130-01-000	EA	HOOK-CUP-BRASS - 1.25"

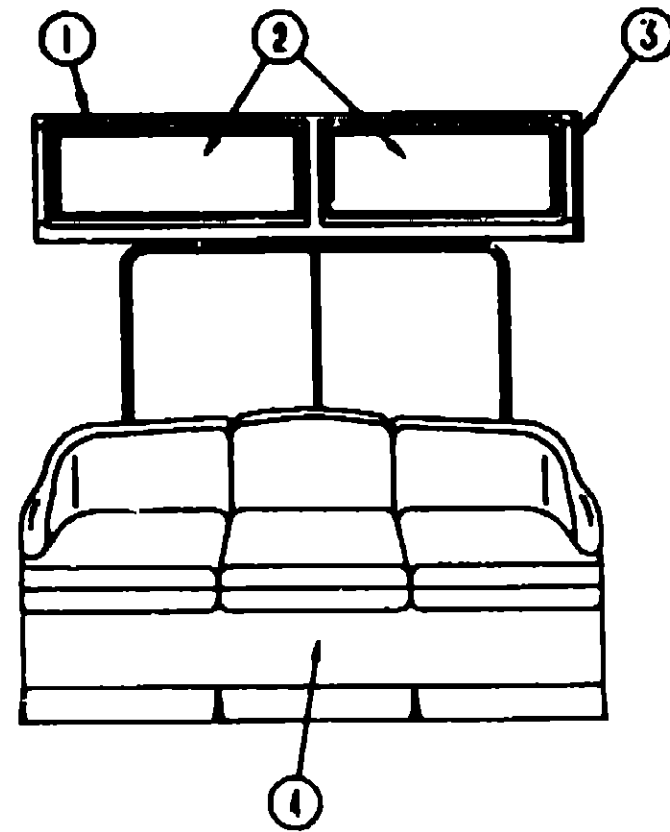
**1992 WINNEBAGO  
TABLE OF CONTENTS**

INTRODUCTION	A-01 - A-02
ABBREVIATIONS	A-03 - A-08
ALPHABETICAL INDEX	A-04 - A-08
WF427RQ	A-07 - D-14
WF427RC	D-15 - G-20
WF427RT	G-21 - K-08

**1992 WF427RC INDEX**

FLOOR PLAN	D-15 - D-16
ACCESSORIES	D-17
AUDIO VIDEO	D-18
BATH	D-19 - D-20
BEDROOM	D-21
CHASSIS	D-22 - D-24
CURTAIN & CUSHION	E-01 - E-08
DINETTE	E-09 - E-10
DRIVERS	E-11 - E-12
ELECTRICAL	E-13 - E-16
EXTERIOR BODY	E-17 - E-23
GALLEY	E-24 - F-03
GENERATOR	F-04
HEATING & A/C	F-05 - F-08
INTERIOR FINISH	F-07 - F-10
LABEL	F-11 - F-18
LP	F-19
LOUNGE	F-20 - F-21
SEALANTS & FASTENERS	F-22 - F-24
WATER & SEWAGE	G-01 - G-04
WINDOW, VENT AND EXTERIOR DOOR	G-05 - G-20

**LOUNGE GROUP (CONTINUED)**



**LOUNGE CABINET HARDWARE**

KEY	PART NUMBER	U/M	DESCRIPTION
1	M06623-18-C03	EA	CABINET ASM -OVERHEAD
1	M06623-18-C04	EA	CABINET ASM -OVERHEAD
2	P05223-20-C03	EA	DOOR ASM-W/O HARDWARE-400X320
3	104395-08-C52	EA	CAP ASM-END-OVERHEAD
4	P05783-01-C03	EA	CABINET ASM-COUCH FACE
4	P05783-01-C04	EA	CABINET ASM-COUCH FACE
	082525-02-000	EA	BRACE-COUCH FLOOR MOUNT - ANGLE 3" LONG - METAL
	050101-01-002	EA	EXTR-CORNER KEY L-SHAPED - 182" - ALUMINUM
	083125-03-000	EA	BRACE-COUCH-TAN - 2.5"
	083125-05-000	EA	BRACE-ANGLE-COUCH-2.5" - BEIGE

**SEALANTS & FASTENERS GROUP**

**ADHESIVE**

KEY	PART NUMBER	U/M	DESCRIPTION
	034552-02-000	EA	SILICONE-TUBE- 300 ML - CLEAR
	034552-08-000	EA	SILICONE-TUBE 300ML- OFF WHITE
	053788-02-000	EA	BEDDING COMPOUND-TUBE- WHITE
	053788-08-000	EA	BEDDING COMPOUND-TUBE- CLEAR
	053788-08-000	EA	BEDDING COMPOUND-TUBE- GRAY - SCHNEE # 5522
	083642-01-000	FT	TAPE-ADHESIVE- 10MM X 1.5- WIDE
	081255-02-000	FT	SEAL-ADHESIVE BACKED FOAM, .18" THICK X 1 5" WIDE
	088840-01-000	FT	SEALER-RIBBON- 1/4" DIAMETER - INCREMENTS OF 30'
	088840-02-000	FT	SEALER-RIBBON- 1/2" X 1/8" - INCREMENTS OF 30' OR 60'
	088840-03-000	FT	SEALER-RIBBON- 3/4" X 1/8" - INCREMENTS OF 60'
	088840-04-000	FT	SEALER-RIBBON- 5/16" DIAMETER - INCREMENTS OF 25'
	088840-10-000	FT	SEALER-RIBBON- 1/32" X 1 1/2" INCREMENTS OF 90'
	088840-11-000	FT	SEALER-TAPE-3/16"X3/8" BLACK MANUS
	072889-01-000	EA	SEALANT-URETHANE- BLACK - 1/10 - ESSEX 552.2
	076314-02-000	FT	TAPE-CARPET SEAM- HEAT-BOND - 4" WIDE
	076322-01-000	FT	TAPE-FOAM- DOUBLE COATED ADHESIVE BACKED - 75" X 216"
	076322-02-000	FT	TAPE-FOAM- DOUBLE COATED ADHESIVE BACKED - 1" X 108"
	076322-05-000	FT	TAPE-FOAM- DOUBLE COATED - .025" X 1 5" X 108"
	087211-01-000	GL	PROMOTER-ADHESIVE
	102352-01-000	EA	SEALER-PUMPABLE BLACK - COLORIMETRIC MS101
	108716-01-000	EA	SILICONE(TUBE) OFF WHITE - LEVEL - CSL 510

**BOLTS, NUTS, & WASHERS**

KEY	PART NUMBER	U/M	DESCRIPTION
	051387-08-000	EA	BOLT-CARRIAGE- W/O HOLE - 5/16-18 X 9 5 ZINC
	04MC31K-08-020	EA	BOLT-HEX-SERRATED FLANGE - M8 X 020
	000C26-04-10B	EA	BOLT-HEX-SERRATED FLANGE - 1/4-20 X 5/8 ZINC
	000C28-05-12B	EA	BOLT-HEX-SERRATED FLANGE 5/16-18X3/4 ZINC
	000C12-05-16B	EA	BOLT-HEX- 5/16-18 X 1 - ZINC 5
	000C12-08-32B	EA	BOLT-HEX-3/8-18X2LG-ZINC 5
	000C12-08-24B	EA	BOLT-HEX- 1/2-13 X 1 1/2 - ZINC 5
	000C12-10-24B	EA	BOLT-HEX- 5/8-11 X 1 1/2 ZINC - 5
	000C13-07-48B	EA	BOLT-HEX- 7/16 - 20 X 3 - ZINC 5
	000C18-05-40A	EA	BOLT-ELEV-5/16-18X21/2 PL
	000C18-06-48B	EA	BOLT-ELEV- 3/8-18 X 3 ZINC - GRADE 5
	000G45-05-16B	EA	BOLT-LAG 5/16 - 9 X 1 ZINC
	000D14-05-00B	EA	NUT-HEX- 5/16-18 - ZINC 5
	000D24-10-00B	EA	NUT-HEX-SELF LOCKING-10-32 ZINC
	104369-01-000	EA	NUT-HEX-HEAVY-5/8-11 UNC SPARE TIRE INSTL
	000D29-09-00B	EA	NUT-HEX-SELF LOCKING- 9/16-12 ZINC
	000D39-04-00B	EA	NUT-HEX-SERRATED FLANGE-LOCKING 1/4 - 20 ZINC
	000D39-05-00B	EA	NUT-HEX-SERRATED FLANGE-LOCKING - 5/16 - 18 ZINC
	000D39-06-00B	EA	NUT-HEX-SERRATED FLANGE-LOCKING - 3/8-18 ZINC
	000D39-08-00B	EA	NUT-HEX-SERRATED FLANGE-LOCKING - 1/2-13 ZINC
	000D44-07-00B	EA	NUT-HEX-SERRATED FLANGE-LOCKING - 7/16-20 ZINC
	044364-02-000	EA	NUT-SPEED- FLAT - ROUND
	000E11-07-00B	EA	WASHER-LOCKING-7/16 MED SPLIT ZINC
	000E13-11-003	EA	WASHER-FLARE-3/16" WIDE - ZINC
	000E13-14-00B	EA	WASHER-FLARE-1/4" WIDE ZINC
	000E13-20-00B	EA	WASHER-FLARE-7/16 WIDE ZINC
	000E13-21-00B	EA	WASHER-FLARE-W/2 NAR ZINC
	000E14-10-00B	EA	WASHER-LOCKING - NO 10 EXT TOOTH - ZINC
	041322-01-000	EA	WASHER-FLARE-15/32ID X 23/8 OD FOR SEAT BELT MT
	044533-01-000	EA	WASHER-PLASTIC- 1 3/8"OD - FOR BUTTONS

**1992 WINNEBAGO  
TABLE OF CONTENTS**

INTRODUCTION	A-01 - A-02
ABBREVIATIONS	A-03
ALPHABETICAL INDEX	A-04 - A-08
WF427RQ	A-07 - D-14
WF427RC	D-15 - G-20
WF427RT	G-21 - K-03

**1992 WF427RC INDEX**

FLOOR PLAN	D-15 - D-16
ACCESSORIES	D-17
AUDIO VIDEO	D-18
BATH	D-19 - D-20
BEDROOM	D-21
CHASSIS	D-22 - D-24
CURTAIN & CUSHION	E-01 - E-08
DINETTE	E-09 - E-10
DRIVERS	E-11 - E-12
ELECTRICAL	E-13 - E-16
EXTERIOR BODY	E-17 - E-23
GALLEY	E-24 - F-03
GENERATOR	F-04
HEATING & A/C	F-05 - F-08
INTERIOR FINISH	F-07 - F-10
LABEL	F-11 - F-18
LP	F-19
LOUNGE	F-20 - F-21
SEALANTS & FASTENERS	F-22 - F-24
WATER & SEWAGE	G-01 - G-04
WINDOW, VENT AND EXTERIOR DOOR	G-05 - G-20

**SEALANTS & FASTENERS GROUP (CONTINUED)**

**SCREWS**

KEY	PART NUMBER	U/M	DESCRIPTION
	000G64-04-20B	EA	SCREW-1/4-20 X 1 1/4 PTH - TYPE 23 - ZINC PLATED
	000G68-06-10G	EA	SCREW-8-18 X 5/8 POH - ANTIQUE BRASS
	000G11-06-10J	EA	SCREW-8-20 X 5/8 PPH - BRASS
	000G13-06-08B	EA	SCREW-6-20 X .50 PFH - ZINC
	000G13-06-08G	EA	SCREW-6-20 X .50 PFH - ANTIQUE BRASS
	000G13-06-16J	EA	SCREW-6-20 X 1 00 PFH - BRASS
	000G11-07-08B	EA	SCREW-7-19 X .50 PPH - ZINC
	000G13-07-12B	EA	SCREW-7-19 X .75 PFH - ZINC
	000G13-08-16B	EA	SCREW-8-18 X 1 PFH - ZINC
	074046-01-000	EA	SCREW-8-18 X 1 50 PFH - BRONZE
	000G11-08-08B	EA	SCREW-8-18 X 3/8 PPH - ZINC
	000G11-08-08B	EA	SCREW-8-18 X .50 PPH - ZINC
	000G11-08-12B	EA	SCREW-8-18 X .75 PPH ZINC
	000G11-08-12D	EA	SCREW-8-18 X .75 PPH - BLACK
	000G11-08-12E	EA	SCREW-8-18 X .75 PPH - CHROME
	000G11-08-12P	EA	SCREW-8-18 X .75 PPH - DARK BROWN
	000G11-08-12R	EA	SCREW-8-18 X .75 PPH - BEIGE
	000G11-08-12S	EA	SCREW-8-18 X .75 PPH - OFF WHITE
	000G12-08-12S	EA	SCREW-8-18 X .75 POH - OFF WHITE
	000G12-08-16S	EA	SCREW-8-18 X 1 00 PPH - OFF WHITE
	000G11-08-16S	EA	SCREW-8-18 X 1 00 PPH - OFF WHITE
	000G67-10-08B	EA	SCREW-10-12 X 1/2 PPH - ZINC
	000G67-10-08R	EA	SCREW-10-12 X 1/2 PPH - BEIGE - TYPE A
	000G67-10-10B	EA	SCREW-10-12 X 5/8 PPH ZINC - TYPE A
	000G67-10-10R	EA	SCREW-10-12 X 5/8 PPH - TYPE A - BEIGE
	000G67-10-10S	EA	SCREW-10-12 X 5/8* - PPH - OFF WHITE
	000G67-10-12B	EA	SCREW-10-12 X 3/4 PPH - ZINC
	000G67-10-12P	EA	SCREW-10-12 X .75* - PPH - DARK BROWN
	000G67-10-12R	EA	SCREW-10-12 X .75 PPH - BEIGE
	000G67-10-12D	EA	SCREW-10-12 X .75 PPH TAN
	000G67-10-16B	EA	SCREW-10-12 X 1 PPH - ZINC
	000G67-10-16P	EA	SCREW-10-12 X 1 PPH - DARK BROWN
	000G67-10-20D	EA	SCREW-10-12 X 1 1/4 PPH - BLACK
	000G67-10-24B	EA	SCREW-10-12 X 1 1/2 PPH - ZINC
	000G67-10-32B	EA	SCREW-10-12 X 2 PPH - ZINC
	000G68-10-36T	EA	SCREW-10-12 X 2.25 POH - BLACK
	000G11-10-08B	EA	SCREW-10-16 X .50 PPH - ZINC
	000G11-10-12R	EA	SCREW-10-16 X .75 PPH - BEIGE
	000G11-10-12S	EA	SCREW-10-16 X .75 PPH - OFF WHT
	049465-04-000	EA	SCREW-10-16 X 1 PTH WWASHER - BEIGE
	000G13-10-12B	EA	SCREW-10-16 X 3/4 PFH - ZINC
	000G32-10-06B	EA	SCREW-10-32 X 3/8* - PPH - ZINC
	0MG22B-03-00B	EA	SCREW-MACHINE-M3 0X.5X8 PPH - ZINC
	000G18-08-22B	EA	SCREW-MACHINE- 8-32 X 1 3/8 PPH - ZINC
	000G50-04-12B	EA	SCREW-MACHINE-1/4-20 X 3/4 PPH - ZINC
	000G53-04-06B	EA	SCREW-MACHINE-1/4-20 X 3/8 PPH - ZINC - UNDERCUT HEAD
	075908-01-000	EA	SCREW-MACHINE- 10-32 X .56 PTH - ZINC - EXTERNAL TOOTH

**SEALANTS & FASTENERS GROUP (CONTINUED)**

**SCREWS (CONTINUED)**

KEY	PART NUMBER	U/M	DESCRIPTION
	000G39-08-08B	EA	SCREW-DR-6-18X1/2 - ZINC
	000G39-08-10T	EA	SCREW-SF/DR- 8-20 X 5/8 PPH - BLACK
	000G39-08-06B	EA	SCREW-SF/DR- 8-18 X 3/8 PPH - ZINC
	000G39-08-08B	EA	SCREW-SF/DR- 8-18 X 1/2 PPH - ZINC
	000G39-08-08R	EA	SCREW-SF/DR- 8-18 X 1/2 PPH - BEIGE
	000G39-08-06S	EA	SCREW-SF/DR- 8-18 X 1/2 PPH - OFF WHITE
	000G39-08-12B	EA	SCREW-SF/DR- 8-18 X 3/4 PPH ZINC
	000G39-08-12R	EA	SCREW-SF/DR- 8-18 X 3/4 PPH - BEIGE
	000G39-08-16B	EA	SCREW-SF/DR- 8-18 X 1 PPH - ZINC
	000G39-08-16S	EA	SCREW-SF/DR- 8-18 X 1 00 PPH - OFF WHITE
	000G36-08-24B	EA	SCREW-SF/DR- 8-18 X 1 1/2 PPH - ZINC
	000G39-10-12D	EA	SCREW-SF/DR- 10-16 X 3/4 PPH - BLACK
	000G39-10-12R	EA	SCREW-SF/DR- 10-16 X 3/4 PPH - BEIGE
	000G60-10-28T	EA	SCREW-SF/DR- 10-16 X 1.75 - BLACK
	000G39-10-129	EA	SCREW-SF/DR-10-16X.75 PPH - FLUOROCARBON SILVER
	000G39-10-20B	EA	SCREW-SF/DR- 10-16 X 1 1/4 PPH - ZINC
	000G39-10-32B	EA	SCREW-SF/DR- 10-16 X 2 PPH - ZINC
	000G39-12-12E	EA	SCREW-SF/DR- 12 - 14 X 3/4 PPH - CHROME
	000G42-04-12B	EA	SCREW-SF/DR 1/4-14X3/4HWH - ZINC
	000G42-04-16B	EA	SCREW-SF/DR 1/4-14 X 1 HWH - ZINC
	087721-01-000	EA	SCREW-FLAT HEAD- TAPPING - 1/4" X 1 1/4" LG ZINC

**CLAMPS, GROMMETS, & CLIPS**

KEY	PART NUMBER	U/M	DESCRIPTION
	000H16-04-06R	EA	RIVET-POP- AL 1/8 X 313-375
	007161-01-000	EA	CLAMP-HOSE- SPRING TYPE - 1/2"
	010495-01-000	EA	CLAMP-CABLE- 9/16"
	010497-01-000	EA	CLAMP-CLOSED- 5/8" ID
	010497-03-000	EA	CLAMP-CLOSED- 1" ID - CUSHIONED
	010499-01-000	EA	CLAMP-CLOSED- 3/8" ID
	023942-01-000	EA	GROMMET-RUBBER- 2" OD
	062401-01-000	EA	CLAMP-HOSE- WORMGEAR 25° - 1"
	062401-04-000	EA	CLAMP-HOSE- WORMGEAR 69° - 1 25°
	062401-06-000	EA	CLAMP-HOSE- WORMGEAR 22° - 62°
	071015-11-000	EA	GROMMET-RUBBER- 1" IL X 1.75" OD W/ 12" GROOVE - BLACK
	016188-03-000	EA	GROMMET-RUBBER- 3/8" HOLE X 2 1/8" DIAMETER - GASLINE
	071015-30-000	EA	GROMMET-RUBBER- 31" ID X .81" OD W/ 12" GROOVE - BLACK
	075148-02-000	EA	CLAMP-GROUNDING- BRONZE SCREWS
	060734-02-000	EA	CLIP-WIRE- NYLON
	082149-01-000	EA	STUD-CLINCH- 3/8" X 24 X 1 12 GD5
	083608-01-000	EA	CLAMP-WIRE- DUAL EQUAL - 5/8" DIAMETER
	083610-01-000	EA	CLAMP-WIRE- DUAL - UNEQUAL DIAMETERS - .75" & 1.25"
	085774-01-000	FT	FASTENER-DUAL HOOK- 1" WIDE - ADHESIVE BACK - BLACK
	085774-02-000	FT	FASTENER-DUAL LOOP- 1" WIDE - ADHESIVE BACK - BLACK

**1992 WINNEBAGO  
TABLE OF CONTENTS**

INTRODUCTION	A-01	-	A-02
ABBREVIATIONS			A-03
ALPHABETICAL INDEX	A-04	-	A-06
WF427RQ	A-07	-	D-14
WF427RC	D-15	-	G-20
WF427RT	G-21	-	K-03

**1992 WF427RC INDEX**

FLOOR PLAN	D-15	-	D-16
ACCESSORIES			D-17
AUDIO VIDEO			D-18
BATH	D-19	-	D-20
BEDROOM			D-21
CHASSIS	D-22	-	D-24
CURTAIN & CUSHION	E-01	-	E-08
DINETTE	E-09	-	E-10
DRIVERS	E-11	-	E-12
ELECTRICAL	E-13	-	E-16
EXTERIOR BODY	E-17	-	E-23
GALLEY	E-24	-	F-03
GENERATOR			F-04
HEATING & A/C	F-05	-	F-06
INTERIOR FINISH	F-07	-	F-10
LABEL	F-11	-	F-19
LP			F-19
LOUNGE	F-20	-	F-21
SEALANTS & FASTENERS	F-22	-	F-24
WATER & SEWAGE	G-01	-	G-04
WINDOW, VENT ANI) EXTERIOR DOOR	G-05	-	G-20

**WATER & SEWAGE GROUP**

**WATER & SEWAGE GROUP (CONTINUED)**

**FRESH WATER TANK**

KEY	PART NUMBER	U/M	DESCRIPTION
	064214-08-000	EA	TANK-WATER - W/FITTINGS - 31 GALLON
	077954-02-000	EA	FILTER WATER TANK SCREEN IN TANK
	042989-03-000	EA	FITTING-WATER TANK SPINWELD - 1 1/4" NPT - PLASTIC - WHITE
	042989-04-000	EA	FITTING-WATER TANK SPINWELD - 3/8" FPT - PLASTIC - WHITE
	042989-05-000	EA	FITTING-WATER TANK SPINWELD - 1/2" FPT - PLASTIC - WHITE
	049032-01-000	EA	PATCH-SPINWELD 3/8" - PLASTIC
	039861-01-000	EA	SENDING UNIT W/SCREW - WASHER - WELL NUT AND TERMINAL RING

**WATER SYSTEM**

KEY	PART NUMBER	U/M	DESCRIPTION
	036522-02-000	EA	CAP-BRASS- 1/2" FLARE
	106000-01-000	EA	CAP-FEMALE W/CONE 50 KEVCO TC3F
	010224-01-000	EA	ADAPTER-HOSE TO PIPE 3/8" MPT X 3/8" BARB - PLASTIC BLACK
	044927-01-000	EA	ADAPTER-HOSE TO PIPE 1 1/4" MPT X 1 1/4" BARB-BLACK PLASTIC
	052954-01-000	EA	ADAPTER-NOSE CONE- 3/8" OR 1/2" TUBING - PLASTIC - GRAY
	079317-01-000	EA	ADAPTER-SWIVEL 1/2" TUBE X 1/2" FPT - PLASTIC - GRAY
	106258-01-000	EA	CAP-INSERTABLE 1/2" FLARE
	062953-03-000	EA	CONNECTOR- 1/2" F X 3/8" MPT - PLASTIC - GRAY
	101814-01-000	EA	COUPLING-FEMALE 1/2" X 1/2" FPT
	052960-01-000	EA	DRAIN VALVE-IN LINE HEADER - 1/2" F X 1/2" F - GRAY PLAS
	055290-01-000	EA	ELBOW-5/8" F X 1/2" MPT
	052957-02-000	EA	ELBOW-MALE- 1/2" F X 1/2" MPT - PLASTIC - GRAY
	087656-04-000	EA	FILL-WATER CITY - OFF WHITE
	037659-01-700	EA	FILL-WATER STRAP & CAP ONLY - V#322-00
	046128-01-000	EA	VALVE-DRAIN PLASTIC - 1/2" FPT
	065120-01-000	EA	ELBOW-SWIVEL 1/2" FPT X 1/2" FLARE - PLASTIC - GRAY
	052952-01-000	EA	NUT-PLASTIC 1/2" F X 1/2" TUBE - GRAY
	052952-02-000	EA	NUT-PLASTIC 5/8" FLARE
	039798-01-000	EA	TEE-1/2" MPT X 1/2" MPT X 1/2" MPT PLASTIC
	052558-01-000	EA	TEE 1/2" F X 1/2" F X 1/2" F - PLASTIC - GRAY
	052955-01-000	EA	TEE 1/2" F X 1/2" F X 1/2" MPT - PLASTIC - GRAY
	052956-01-000	EA	TEE 1/2" F X 1/2" MPT X 1/2" F - PLASTIC
	055293-01-000	EA	TEE-PLASTIC 5/8" F X 5/8" F X 5/8" F
	057974-01-000	EA	TEE-PLASTIC- 5/8" F X 1/2" F X 5/8" F
	074463-02-000	EA	TEE-5/8" F X 1/2" F X 1/2" F PLASTIC
	074463-01-000	EA	TEE-4 WAY- 1/2" FLARE X 1/2" MPT- PLASTIC - GRAY
	039800-01-700	FT	TUBING-POLYBUTYL 1/2" OD - INCREMENTS OF 20' - BLACK
	039800-02-000	FT	TUBING-POLYBUTYL 5/8" OD - INCREMENTS OF 20' - BLACK
	079381-01-000	FT	TUBING-SMOOTH FLEXIBLE 1 1/4" ID - INCREMENTS OF 20'
	074462-02-000	FT	TUBING-VINYL 3/8" ID - CLEAR - INCREMENTS OF 20'

**WATER PUMP**

KEY	PART NUMBER	U/M	DESCRIPTION
	098607-01-000	EA	PUMP-WATER- W/ 5" MPT FITTING - SHURFLO 2.8 GPM - UL
	098607-01-700	EA	PUMP-HEAD-REPLACEMENT - 94-236-08
	098607-01-701	EA	DRIVE ASSEMBLY - 94-234-03
	098607-01-702	EA	DIAPHRAGM KIT - 94-233-10
	098607-01-703	EA	VALVE ASSEMBLY - 94-232-00
	098607-01-704	EA	HOUSING-UPPER - 94-231-01
	098607-01-705	EA	CHECK VALVE KIT - 94-237-00
	098607-01-706	EA	UPPER HOUSING/SWITCH KIT - 94-231-20
	098607-01-707	EA	MOTOR/BASEPLATE REPLACEMENT - 94-235-03

**EXTERIOR SHOWER COMPONENTS**

KEY	PART NUMBER	U/M	DESCRIPTION
	075241-05-000	EA	FAUCET-SHOWER-BONE
	081954-02-000	EA	FLATE-SWITCH-EXTERIOR SHOWER
	091662-02-000	EA	CLIP-GRIPPER- 3/4"

**WATER HEATER W/REAR HEATER**

KEY	PART NUMBER	U/M	DESCRIPTION
	051391-00-000	EA	HEATER-WATER, W/ELECTRIC IGNITION - ATWOOD G6A-3E
	051391-01-700	EA	HINGE KIT-W/CLIP, ATWOOD # 92568 & 92559
	051391-01-704	EA	VALVE-RELIEF, 1/2" FITTING ATWOOD# 91604
	051391-01-705	EA	FASTENER-CAMLOC, ATWOOD# 92609
	051391-01-706	EA	GRILLE-EXHAUST, ATWOOD# 92787
	051391-01-708	EA	BURNER MAIN, 3E ONLY - ATWOOD# 92615
	051391-01-710	EA	ORIFICE-MAIN BURNER, ATWOOD# 92742
	051391-01-715	EA	DRAIN PLUG, ATWOOD# 91561
	051391-04-700	EA	TANK-INNER (G6A-3E), FRNT MT - ATWOOD# 91608
	051391-04-701	EA	THERMOSTAT 12 VDC-120 PRESET, ATWOOD# 91470
	051391-04-706	EA	TANK-INNER, G6A-4E & 6E - FRONT MOUNT - ATWOOD# 91641
	097967-01-000	EA	SWITCH-WATER HEATER, ATWOOD 91959
	051393-01-703	EA	THERMOSTAT-REAR MOUNT, ATWOOD# 91952
	051393-01-704	EA	CIRCUIT BOARD-W/BLACK BOX, ATWOOD# 91420
	051393-01-705	EA	ORIFICE HOLDER-ATWOOD# 91925
	051393-01-716	EA	SPARK & PROBE ASM, ATWOOD# 91606
	051393-01-718	EA	VALVE-DUAL SOLENOID, ATWOOD# 91605
	051393-01-721	EA	ECO&THERMOSTAT ASM-FRONT MOUNT, 140 DEGREE - ATWOOD# 91447
	051393-03-700	EA	TANK-INNER (G6A-3E) REAR MT - ATWOOD# 91409

**WATER HEATER W/MOTOR AID**

KEY	PART NUMBER	U/M	DESCRIPTION
	051393-01-000	EA	HEATER-WATER-W/MOTOR AID-ATWOOD GH6-3E, GH6-4E, OR GH6-6E
	051391-01-700	EA	HINGE KIT-W/CLIP, ATWOOD # 92568 & 92559
	051391-01-704	EA	VALVE-RELIEF, 1/2" FITTING - ATWOOD# 91604
	051391-01-705	EA	FASTENER-CAMLOC, ATWOOD# 92609
	051391-01-706	EA	GRILLE-EXHAUST, ATWOOD# 92787
	051391-01-708	EA	BURNER-MAIN, 3E ONLY - ATWOOD# 92615
	051391-01-710	EA	ORIFICE-MAIN BURNER, ATWOOD# 92742
	051391-01-714	EA	ELBOW-45 DEGREE, 3/8" F X 3/8" MPT - ATWOOD 91044
	051391-01-715	EA	DRAIN PLUG, ATWOOD# 91561
	051391-04-701	EA	THERMOSTAT 12 VDC-120 PRESET, ATWOOD# 91470
	051391-04-704	EA	TANK-INNER, FRONT MOUNT - GH6-4E & 6E - ATWOOD 91642
	051393-01-700	EA	TANK-INNER, 3E FRONT MOUNT - ATWOOD# 91023
	097967-01-000	EA	SWITCH-WATER HEATER, ATWOOD 91959
	051393-01-703	EA	THERMOSTAT-REAR MOUNT, ATWOOD# 91952
	051393-01-704	EA	CIRCUIT BOARD-W/BLACK BOX, ATWOOD# 91420
	051393-01-705	EA	ORIFICE HOLDER-ATWOOD# 91925
	051393-01-714	EA	TANK-INNER (GH6-3E), REAR MOUNT - ATWOOD# 91408
	051393-01-716	EA	SPARK & PROBE ASM, ATWOOD# 91606
	051393-01-718	EA	VALVE-DUAL SOLENOID, ATWOOD# 91605
	051393-01-721	EA	ECO&THERMOSTAT ASM-FRONT MOUNT, 140 DEGREE - ATWOOD# 91447

**WATER HEATER**

KEY	PART NUMBER	U/M	DESCRIPTION
	051391-01-000	EA	HEATER-WATER, ATWOOD G6A-3
	051391-01-700	EA	HINGE KIT-W/CLIP, ATWOOD # 92568 & 92559
	051391-01-702	EA	TANK-INNER, G6A-2E, 3E, 6E - WATER HEATER - ATWOOD 91412
	051391-01-704	EA	VALVE-RELIEF, 1/2" FITTING - ATWOOD# 91604
	051391-01-705	EA	FASTENER-CAMLOC, ATWOOD# 92609
	051391-01-706	EA	GRILLE-EXHAUST, ATWOOD# 92787
	051391-01-708	EA	BURNER-MAIN, 3E ONLY - ATWOOD# 92615
	051391-01-709	EA	PILOT ASM-W/THERMOCLP & TUBE 91603 ATWOOD# 91214
	051391-01-710	EA	ORIFICE-MAIN BURNER, ATWOOD# 92742
	051391-01-711	EA	ELBOW-ORIFICE, MAIN BURNER 92741 ATWOOD#
	051391-01-712	EA	THERMOSTAT-3/8" MPT INLET 91601 ATWOOD# 91043
	051391-01-714	EA	ELBOW-45 DEGREE, 3/8" F X 3/8" MPT - ATWOOD 91044
	051391-01-715	EA	DRAIN PLUG, ATWOOD# 91561

**1992 WINNEBAGO  
TABLE OF CONTENTS**

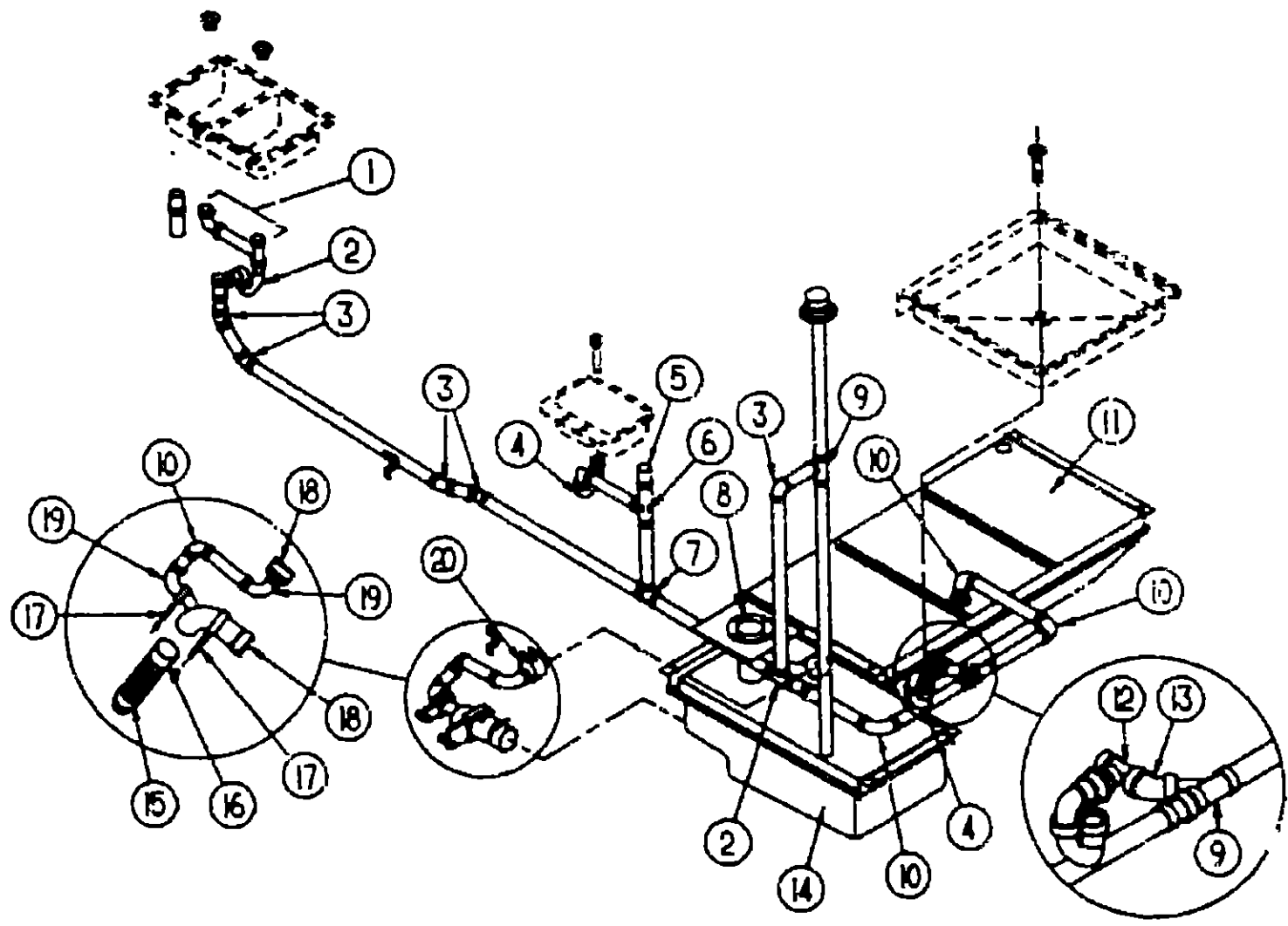
INTRODUCTION	A-01 - A-02
ABBREVIATIONS	A-03
ALPHABETICAL INDEX	A-04 - A-08
WF427RQ	A-07 - D-14
WF427RC	D-15 - G-20
WF427RT	G-21 - K-03

**1992 WF427RC INDEX**

FLOOR PLAN	D-15 - D-16
ACCESSORIES	D-17
AUDIO VIDEO	D-18
BATH	D-19 - D-20
BEDROOM	D-21
CHASSIS	D-22 - D-24
CURTAIN & CUSHION	E-01 - E-08
DINETTE	E-09 - E-10
DRIVERS	E-11 - E-12
ELECTRICAL	E-13 - E-16
EXTERIOR BODY	E-17 - E-23
GALLEY	E-24 - F-03
GENERATOR	F-04
HEATING & A/C	F-05 - F-06
INTERIOR FINISH	F-07 - F-10
LABEL	F-11 - F-18
LP	F-19
LOUNGE	F-20 - F-21
SEALANTS & FASTENERS	F-22 - F-24
WATER & SEWAGE	G-01 - G-04
WINDOW, VENT AND EXTERIOR DOOR	G-05 - G-20

# WATER & SEWAGE GROUP (CONTINUED)

## DRAINAGE SYSTEM



KEY	PART NUMBER	U/M	DESCRIPTION
1	011091-02-000	EA	PIPE-DRAIN, W/SEALS - DOUBLE SINK - EXTENDS 9" TO 16"
1	011071-01-000	EA	P-TRAP, 1 1/2" - PLASTIC (CSA)
1	010121-01-000	EA	BUSHING-REDUCER, 1 1/2" SMOOTH X 1/4" HUB - PLASTIC - BLACK (CSA)
1	037101-02-000	EA	ELBOW-PLASTIC, 1/4 BEND VENT 1 1/2" HUB (CSA)
1	033302-02-000	EA	ADAPTER ASM-STRAINER, 1 1/2" - ABS (CSA)
2	011095-03-700	EA	P-TRAP, 1 1/2" TRAP X 1 1/4" SOCKET - PLASTIC (US) FROM: 00-00-00 THRU 02-16-92
2	052335-01-000	EA	P-TRAP-1 1/4" HUB X HUB, W/UNION (CSA) FROM: 00-00-00 THRU 02-16-92
2	107537-01-000	EA	P-TRAP ADAPTER-1 1/4" SLIP (US) FROM: 02-17-92 THRU 99-99-99
2	107536-01-000	EA	P-TRAP-PLASTIC, 1 1/4" W/EXT ARM (US) FROM: 02-17-92 THRU 99-99-99
2	011071-01-000	EA	P-TRAP-1 1/2" - PLASTIC (CSA) FROM: 02-17-92 THRU 99-99-99
3	010005-01-000	EA	ELBOW-45 DEG, 1/8 BEND - 1 1/2" HUB X HUB - BLACK PLASTIC
4	011066-03-700	EA	P-TRAP, 1 1/2" TRAP X 1 1/4" SOCKET - PLASTIC (US) FROM: 00-00-00 THRU 02-16-92
4	107537-01-000	EA	P-TRAP ADAPTER-1 1/4" SLIP (US) FROM: 02-17-92 THRU 99-99-99
4	107538-01-000	EA	P-TRAP-PLASTIC, 1 1/4" W/EXT ARM (US) FROM: 02-17-92 THRU 99-99-99
4	011030-02-000	EA	P-TRAP-1 1/4" HUB X SLIP JOINT, W/UNION - ABS (CSA)
5	079968-01-000	EA	VENT-MECH TRAP ARM, ANTI-SIPHON - 2" DIA X 7'3" - PLASTIC
6	010079-01-000	EA	TEE-SANITARY, 1 1/2" X 1 1/2" X 1 1/4" H - PLASTIC - BLACK
7	010071-01-000	EA	TEE-SANITARY, 1 1/2" HUB X HUB X HUB - PLASTIC - BLACK
8	061607-02-000	EA	GROMMET-HOLDING TANK, 3" NPS
9	010073-01-000	EA	WYE-45 DEGREE - 1 1/2" HUB X HUB X HUB - PLASTIC - BLACK
10	010008-01-000	EA	ELBOW-90 DEG, 1/4 BEND - 1 1/2" HUB X HUB - BLACK PLASTIC
10	061607-01-000	EA	GROMMET-HOLDING TANK, 1 1/2" NPS
11	102762-03-000	EA	TANK-HOLDING, 42 GALLON - 57 4" X 8 4" X 29"
12	010079-01-000	EA	TEE-SANITARY, 1 1/2" X 1 1/2" X 1 1/4" H - PLASTIC - BLACK
	010123-01-000	EA	BUSHING-2" X 1 1/2" HUB - PLASTIC
13	010051-01-000	EA	ELBOW-45 DEG BEND, 1 1/2" SPIGOT AND HUB - PLASTIC - BLACK
14	104763-02-000	EA	TANK-HOLDING - 32 GALLON
15	010201-01-000	EA	HOSE-SEWER, 3" ID X 3'
16	062416-01-000	EA	ADAPTER-SEWER HOSE TO 3" PIPE
17	070915-01-000	EA	VALVE-DUAL DUMP-W/CAP - 3" X 1 1/2" - PLASTIC - BLACK
18	078406-01-000	EA	COUPLER-RUBBER, W/CLAMPS - 3" X 3"
19	033761-01-000	EA	ELBOW-TURN, 1/4 BEND X 1.5" HUB X 1.5" SPIGOT - BLK PLASTIC
20	062422-01-000	EA	ADAPTER-OFFSET REDUCER, 3" X 1 1/2" - PLASTIC - BLACK
	010121-01-000	EA	BUSHING-REDUCER-1 1/2" SMOOTH X 1/4" HUB - BLACK PLASTIC
	033302-02-000	EA	ADAPTER ASM - STRAINER - 1 1/2" - CSA
	037101-02-000	EA	ELBOW-PLASTIC, 1/4 BEND VENT 1 1/2" HUB - CSA
	034250-01-000	EA	ELBOW-90 DEGREE - LONG TURN - 1 1/2" HUB X HUB - ABS

## 1992 WINNEBAGO TABLE OF CONTENTS

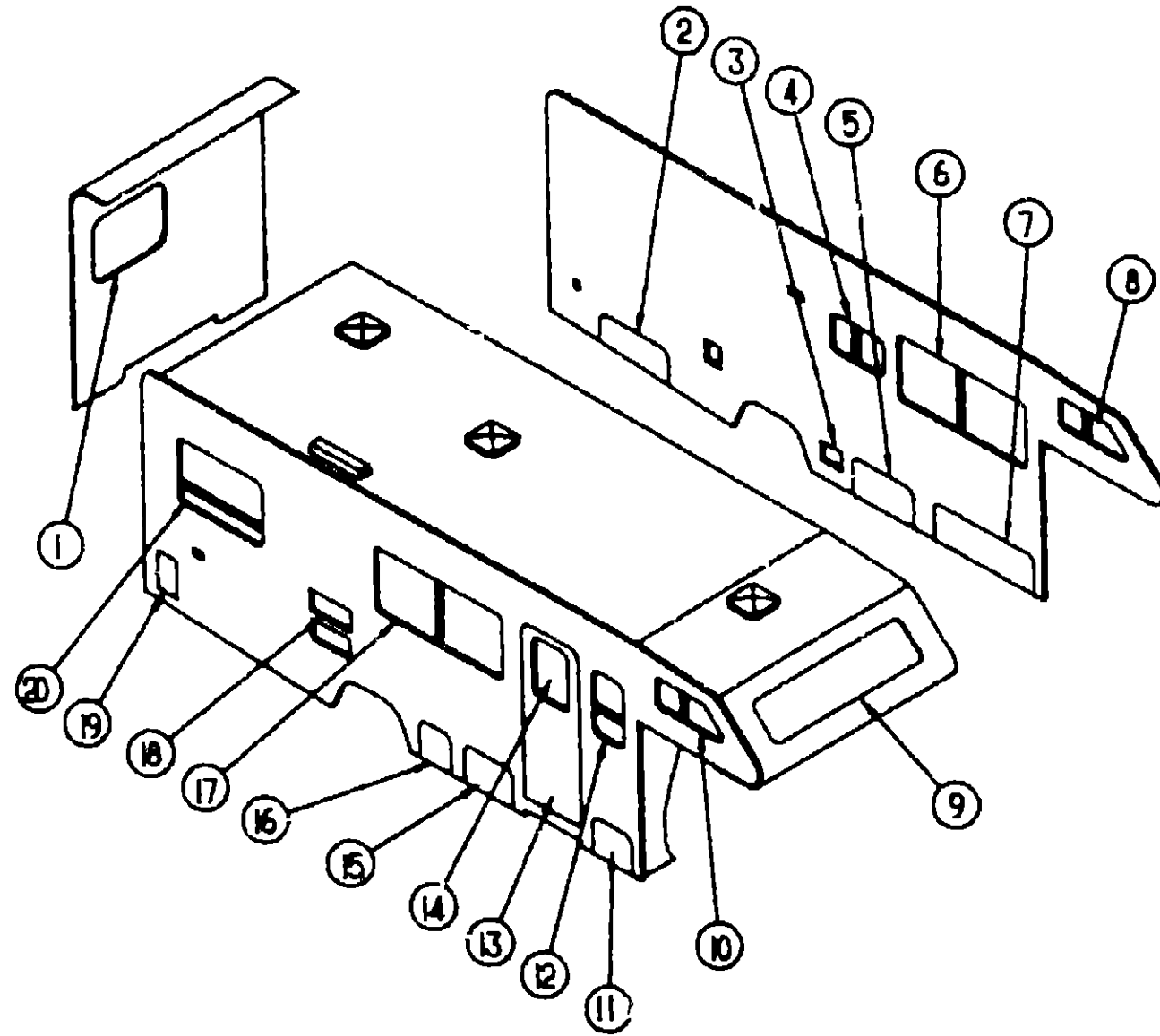
INTRODUCTION	A-01	A-02
ABBREVIATIONS		A-03
ALPHABETICAL INDEX	A-04	A-06
WF427RQ	A-07	D-14
WF427RC	D-15	G-20
WF427RT	G-21	K-03

## 1992 WF427RC INDEX

FLOOR PLAN	D-15	D-16
ACCESSORIES		D-17
AUDIO VIDEO		D-18
BATH	D-19	D-20
BEDROOM		D-21
CHASSIS	D-22	D-24
CURTAIN & CUSHION	E-01	E-08
DINETTE	E-09	E-10
DRIVERS	E-11	E-12
ELECTRICAL	E-13	E-16
EXTERIOR BODY	E-17	E-23
GALLEY	E-24	F-03
GENERATOR		F-04
HEATING & A/C	F-05	F-08
INTERIOR FINISH	F-07	F-10
LABEL	F-11	F-18
LP		F-19
LOUNGE	F-20	F-21
SEALANTS & FASTENERS	F-22	F-24
WATER & SEWAGE	G-01	G-04
WINDOW, VENT AND EXTERIOR DOOR	G-05	G-20

# WINDOW, VENT & EXTERIOR DOOR GROUP

## WINDOWS & DOORS



## 1992 WINNEBAGO TABLE OF CONTENTS

INTRODUCTION	A-01	A-02
ABBREVIATIONS		A-03
ALPHABETICAL INDEX	A-04	A-08
WF427RQ	A-07	D-14
WF427RC	D-15	G-20
WF427RT	G-21	K-03

## 1992 WF427RC INDEX

FLOOR PLAN	D-15	D-16
ACCESSORIES		D-17
AUDIO VIDEO		D-18
BATH	D-19	D-20
BEDROOM		D-21
CHASSIS	D-22	D-24
CURTAIN & CUSHION	E-01	E-08
DINETTE	E-09	F-10
DRIVERS	E-11	E-12
ELECTRICAL	E-13	E-16
EXTERIOR BODY	E-17	E-23
GALLEY	E-24	F-03
GENERATOR		F-04
HEATING & A/C	F-05	F-06
INTERIOR FINISH	F-07	F-10
LABEL	F-11	F-18
LP		F-19
LOUNGE	F-20	F-21
SEALANTS & FASTENERS	F-22	F-24
WATER & SEWAGE	G-01	G-04
WINDOW, VENT AND EXTERIOR DOOR	G-05	G-20

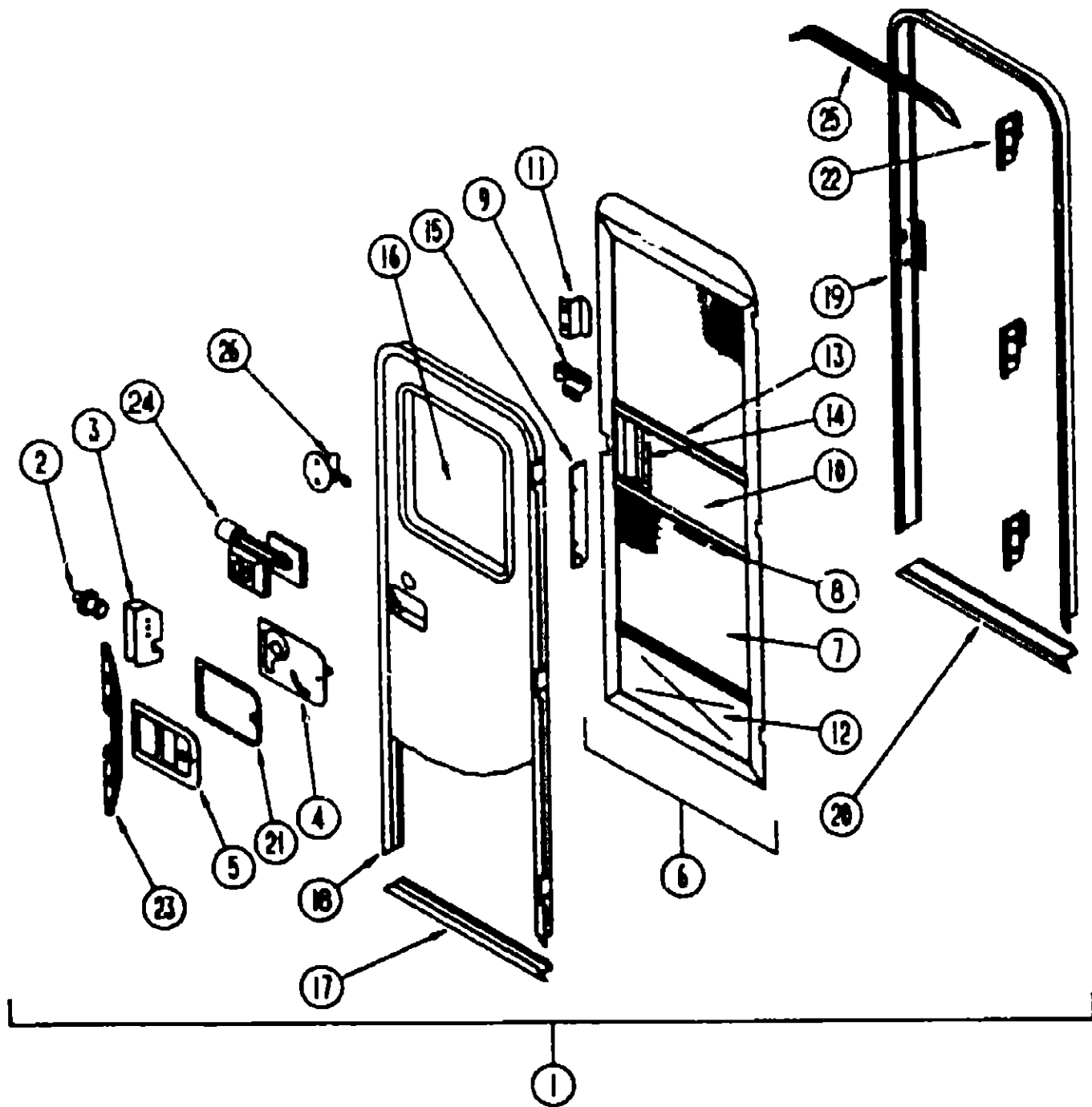
KEY	PART NUMBER	U/M	DESCRIPTION
1	078528-04-C05	EA	WINDOW-ESCAPE- 27" X 48" - W/O INSIDE FRAME
2	105175-06-C52	EA	DOOR ASM- LOWER-REAR
3	088794-01-000	EA	DOOR-POWER CORD- W/HATCH - OFF WHITE
4	088647-07-02A	EA	WINDOW- SINGLE SLIDER- W/INSIDE FRAME
5	105174-05-C52	EA	DOOR ASM-LOWER-FRONT
6	088647-10-02A	EA	WINDOW ASM-SLIDER-HORIZONTAL - BLACK
7	105174-03-C03	EA	DOOR ASM-LOWER-FRONT
8	088646-08-01A	EA	WINDOW ASM-SLANTED SLIDER - DRIVER
9	103313-01-B05	EA	WINDOW-PICTURE- W/O INSIDE FRAME
10	088646-05-01A	EA	WINDOW ASM-SLANTED SLIDER - PASSENGER
11	105174-01-C03	EA	DOOR ASM-LOWER-FRONT
12	088644-05-01A	EA	WINDOW ASM-SLIDER RAISE BLACK

KEY	PART NUMBER	U/M	DESCRIPTION
13	M01870-32-885	EA	DOOR-ENTRY- W/WINDOW- SCREEN & JAMB - OFF WHITE
14	079733-07-AA8	EA	WINDOW-ENTRY DOOR 17" X 25" - FROSTED GLASS
15	105174-02-C03	EA	DOOR ASM-LOWER-FRONT
16	105174-04-C03	EA	DOOR ASM-LOWER-FRONT
17	088647-09-02A	EA	WINDOW ASM-SLIDER-HORIZONTAL - BLACK
18	084103-03-000	EA	DOOR-VENT-REFRIGERATOR - OFF WHITE
18	084104-03-000	EA	JAMB-DOOR-REFRIGERATOR-OFF WHITE
	052009-01-000	EA	DOOR-WATER HEATER- OFF WHITE - ATWOOD 5576-27
19	079578-07-C03	EA	DOOR ASM-STORAGE
20	088647-08-02A	EA	WINDOW ASM-SLIDER-HORIZONTAL BLACK
	081240-03-000	EA	DOOR-WATER FILL-LOCKABLE-4" X 4 5/8" - OFF WHITE
	082684-01-700	EA	KEY-SINGLE



WINDOW, VENT & EXTERIOR DOOR GROUP (CONTINUED)

ENTRY DOOR



KEY	PART NUMBER	U/M	DESCRIPTION
1	M01870-32-895	EA	DOOR-ENTRY- V/WINDOW- SCREEN & JAMB - OFF WHITE
2	036539-01-000	EA	STRIKE-LOCK ENTRY DOOR - ROUND/THREADED WASHER
3	036540-01-000	EA	LATCH MECHANISM-HOOK ENTRY DOOR - INTERIOR
4	039715-01-000	EA	NUT-SERT 1/4" DIAMETER - 20 THREADS
	039979-04-000	EA	COVER-INTERIOR LATCH W/TRIP ARM - RIGHT - BLACK
	039984-01-000	EA	CAP-ROUND VINYL - .28" ID X .82" LONG - BLACK
	041546-03-000	E/	BRACKET-DOOR ANGLE 5" X 1 9/16" - BEIGE - METAL
5	045017-11-000	CA	LATCH-ENTRY DOOR MECHANISM W/LOCK & KEY - BLACK
	045017-11-701	EA	KEY-BLANK ROUND TOP - SILVER - TRIMARK
	056748-01-000	EA	PLUG-CAP 1 5/8" DIAMETER
	058025-02-000	EA	CLIP-ROLLER LATCH CATCH SCREEN DOOR
	063729-04-000	EA	RIVNUT 10-32 UNF - 010-080
	072893-01-000	EA	NUTSERT-M5 X 0.8
	075871-04-000	FT	SEAL-SPONGE LAZY T SHAPE - W/ADHESIVE STRIPE - .5" WIDE
6	079012-01-U01	EA	DOOR-SCREEN
7	002293-02-000	SF	SCREENING-WINDOW/DOOR 28" - CHARCOAL
8	002294-01-000	FT	SPLINE-SCREENING .135" X 1.38" - BLACK
	002748-01-000	EA	CORNER KEY-DOOR
9	109403-01-000	EA	CATCH-SINGLE ROLLER SCREEN DOOR
10	001014-01-013	EA	INSERT-CENTER 10.25" X 16.31" - UNPAINTED
11	050712-04-000	EA	HANDLE-SCREEN DOOR ALUMINUM - OFF WHITE
11	050712-05-000	EA	HANDLE-SCREEN DOOR UNPAINTED
12	078552-03-000	EA	INSERT-SCREEN DOOR LOWER - MILL
	078595-01-000	EA	PLATE-SCREEN DOOR
13	078777-01-000	EA	CHANNEL-SLIDE SCREEN DOOR CENTER SLIDER COVER - 17 1/4"
14	079086-02-000	EA	SLIDER-SCREEN DOOR OFF WHITE
15	079087-02-000	EA	STRIKE-SLIDER W/LIP FOR ELBOW CATCH - 1.5" X 8 3/8"
16	057809-32-000	EA	FRAME-WINDOW-ENTRY DOOR - OFF WHITE
18	079733-07-AA8	EA	WINDOW-ENTRY DOOR 17" X 25" - FROSTED GLASS
16	050216-02-000	FT	SPLINE-GLASS EXTERIOR - VINYL - 19" - BLACK
16	002181-07-000	EA	GLASS-WINDOW .182" X 16.25" X 24" - FROSTED
18	087561-01-000	FT	SEAL-GLASS EXTERIOR - 5" WIDE - VINYL - BLACK
	081914-01-000	EA	BUMPER-RUBBER ROUND - .43" DIAMETER - BLACK
17	089748-01-000	EA	FRAME-DOOR ENTRANCE - BOTTOM - OFF WHITE
	090340-01-000	FT	SEAL-FOAM CLOSED CELL - 1/4" X 1/2" X 50'
18	095276-01-01A	EA	FRAME-DOOR ENTRANCE - TOP & SIDES - OFF WHITE
19	095277-02-01A	EA	JAMB-ENTRY DOOR - 25.9" X 74.5" W/ BOTTOM - OFF WHITE
	095278-01-01A	EA	JAMB-DOOR- ENTRANCE - 25.9" X 74 6" - UNPAINTED
20	051049-01-000	EA	JAMB-DOOR-ENTRANCE - BOTTOM - 25 9 - UNPAINTED
	079207-01-000	EA	STRIKER-ROLLER CATCH WELDED TO DOOR JAMB - 4" X 1.15"
21	095810-01-01A	EA	PLATE-LATCH ENTRY DOOR - PLASTIC - BLACK
22	097724-01-04A	EA	HINGE-ENTRY DOOR - UNPAINTED
23	098173-01-04A	EA	STIFFENER-ENTRY DOOR SUPPORTS LATCH/STRIKE
	100128-02-000	FT	SEAL-PILE ADHESIVE BACK - SCREEN DOOR - GRAY
24	101145-01-01A	EA	DEADBOLT-ENTRY DOOR W/2 KEYS W/O BOLT OR SCREWS
	095229-01-700	EA	KEY BLANK
	101147-01-000	EA	BOLT-SECURITY 4 1/2" BACKSET
	102524-01-000	EA	BUMPER-RUBBER FLAT - BLACK
25	044582-02-000	EA	CAP-DRIP DOOR JAMB MOUNTED - OFF WHITE
	075639-19-000	EA	GARNISH-ENTRANCE DOOR OFF WHITE
26	100412-01-000	EA	CATCH-SCREEN DOOR THUMB CLIP W/BLACK PLASTIC CAP
	077421-03-000	EA	COVER-STRIKE ENTRY DOOR - 6 5/8" X 2 5/8" - PLASTIC - WHITE

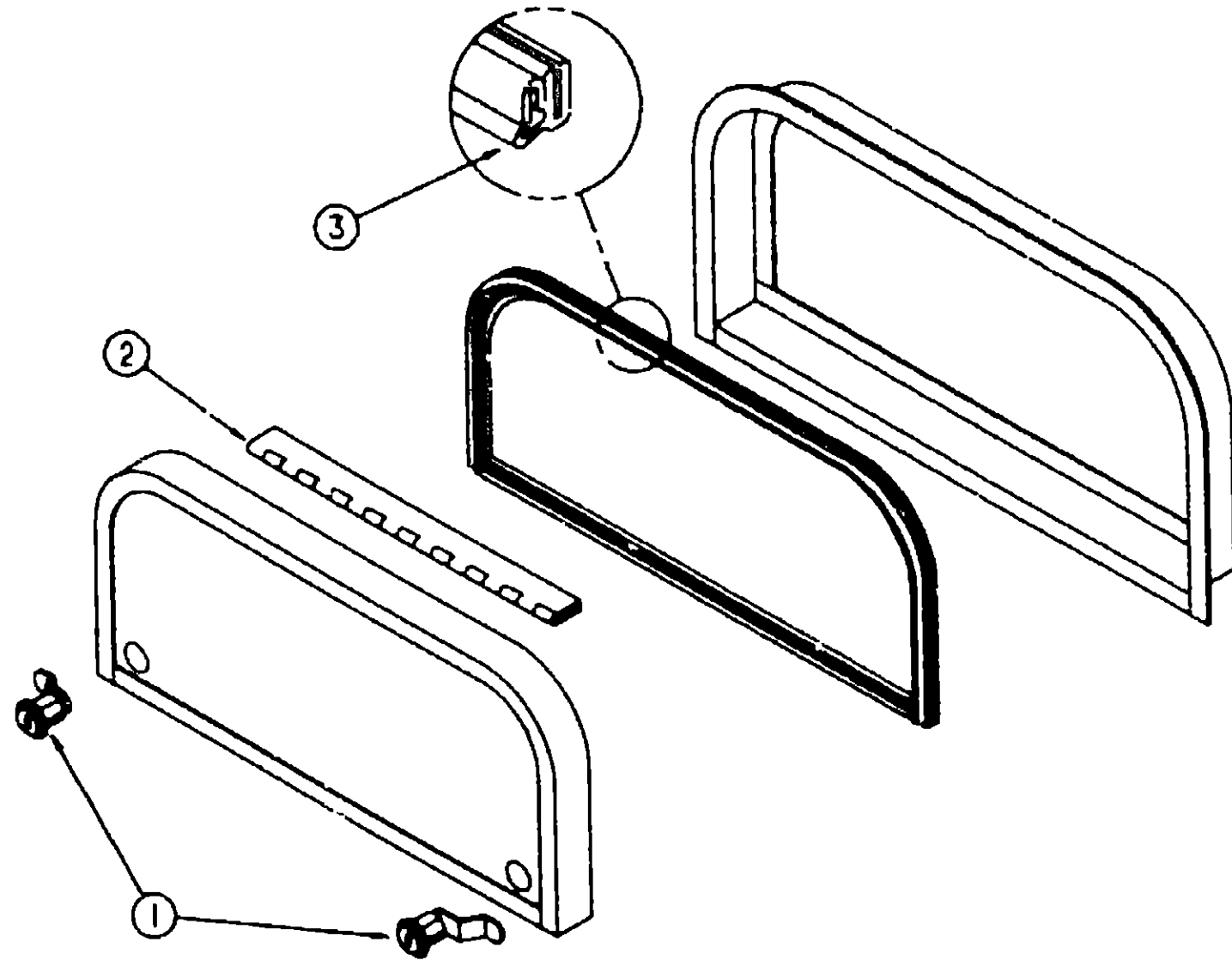
1992 WINNEBAGO  
TABLE OF CONTENTS

INTRODUCTION	A-01 - A-02
ABBREVIATIONS	A-03
ALPHABETICAL INDEX	A-04 - A-06
WF427RQ	A-07 - D-14
WF427RC	D-15 - G-20
WF427RT	G-21 - K-03

1992 WF427RC INDEX

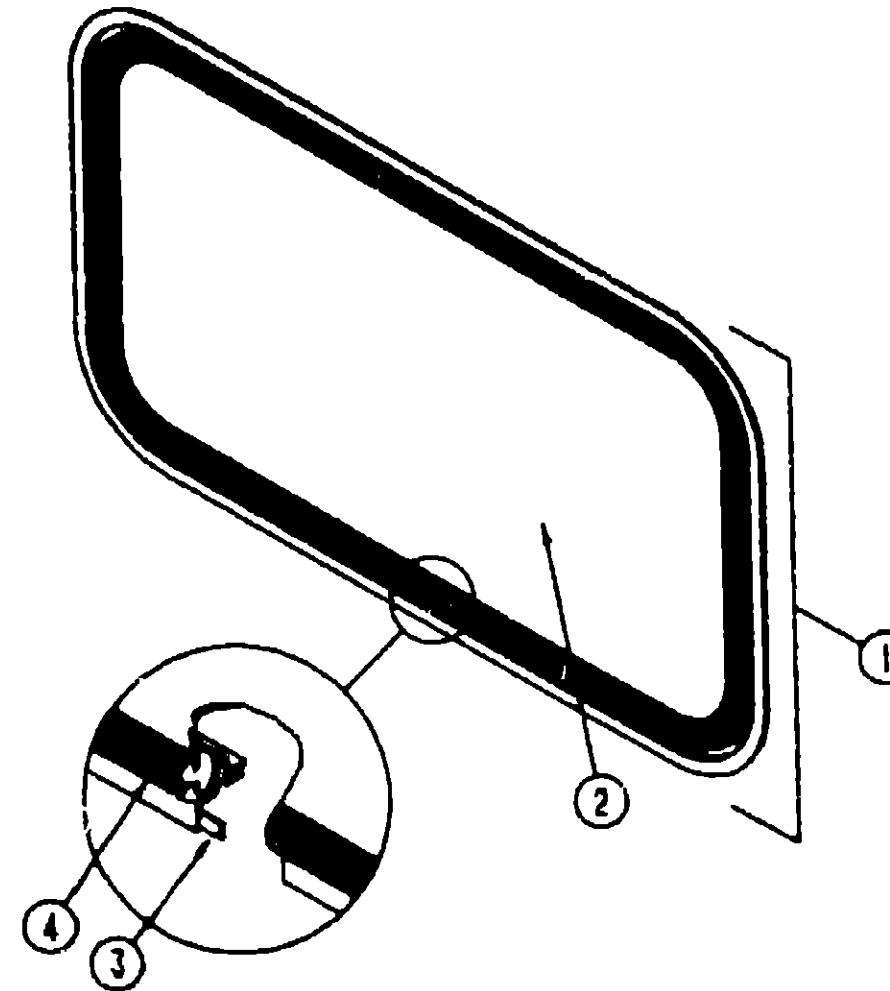
FLOOR PLAN	D-15 - D-16
ACCESSORIES	D-17
AUDIO VIDEO	D-18
BATH	D-19 - D-20
BEDROOM	D-21
CHASSIS	D-22 - D-24
CURTAIN & CUSHION	E-01 - E-08
DINETTE	E-09 - E-10
DRIVERS	E-11 - E-12
ELECTRICAL	E-13 - E-16
EXTERIOR BODY	E-17 - E-23
GALLEY	E-24 - F-03
GENERATOR	F-04
HEATING & A/C	F-05 - F-08
INTERIOR FINISH	F-07 - F-10
LABEL	F-11 - F-18
L <sup>o</sup>	F-19
LOUNGE	F-20 - F-21
SEALANTS & FASTENERS	F-22 - F-24
WATER & SEWAGE	G-01 - G-04
WINDOW, VENT AND EXTERIOR DOOR	G-05 - G-20

**WINDOW, VENT & EXTERIOR DOOR GROUP (CONTINUED)**



**EXTERIOR DOORS**

**WINDOW, VENT & EXTERIOR DOOR GROUP (CONTINUED)**



**OVERHEAD BUNK FRONT WINDOW**

**1982 WINNEBAGO  
TABLE OF CONTENTS**

INTRODUCTION	A-01 - A-02
ABBREVIATIONS	A-03
ALPHABETICAL INDEX	A-04 - A-08
WF427RQ	A-07 - D-14
WF427PC	D-15 - G-20
WF427RT	G-21 - K-03

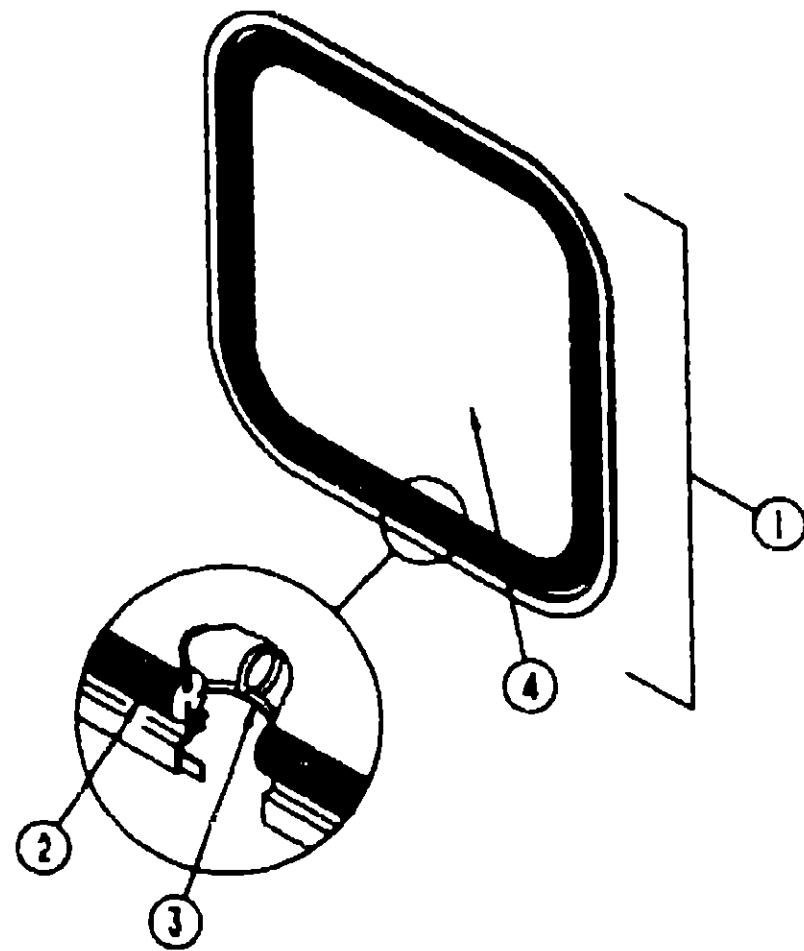
**1982 WF427RC INDEX**

FLOOR PLAN	D-15 - D-16
ACCESSORIES	D-17
AUDIO VIDEO	D-18
BATH	D-19 - D-20
BEDROOM	D-21
CHASSIS	D-22 - D-24
CURTAIN & CUSHION	E-01 - E-08
DINETTE	E-09 - E-10
DRIVERS	E-11 - E-12
ELECTRICAL	E-13 - E-16
EXTERIOR BODY	E-17 - E-23
GALLEY	E-24 - F-03
GENERATOR	F-04
HEATING & AC	F-05 - F-06
INTERIOR FINISH	F-07 - F-10
LABEL	F-11 - F-18
LP	F-19
LOUNGE	F-20 - F-21
SEALANTS & FASTENERS	F-22 - F-24
WATER & SEWAGE	G-01 - G-04
WINDOW, VENT AND EXTERIOR DOOR	G-05 - G-20

KEY	PART NUMBER	U/M	DESCRIPTION
1	079386-04-000	EA	LOCK-DOOR KEY TYPE WFO KEYS - 1 9 OFF SET
			FROM 00-00-00 THRU 02-19-92
	079386-05-000	EA	LOCK ASM-KEY TYPE WFC KEYS 1 80OFF SET
			FROM 02-20-92 THRU 99-99-99
	082884-01-700	EA	KEY - BLANK
	079827-03-000	EA	LOCK-TWIST TYPE- DOUBLE CAM - 2.10 OFF SET
			FROM 00-00-00 THRU 02-19-92
	079827-04-000	EA	LOCK ASM-TWIST TYPE 1 80 O/S ILLINOIS LOCK
			FROM 02-20-92 THRU 99-99-99
2	081801-02-000	EA	HINGE-2" X 96" OFF WHITE
3	084075-07-000	FT	SEAL-BULB W/WIRIED U CHANNEL - 3" X .5" CHANNEL - BLACK
	080340-01-000	FT	SEAL-FOAM CLOSED CELL - 1/4" X 1/2" X 50'
	104882-01-000	FT	SEAL-ADHESIVE BACK 3/4" X 34"
	097111-01-01A	EA	POCKET-LOCK-VALANCE-OFF WHT
	088338-01-000	EA	GASKET-LOCK POCKET
	088217-66-001	EA	U-CHANNEL - 17 5' - OFF WHITE
	081878-01-000	EA	RETAINER-DOOR-1 9" X .8" - METAL
	102788-01-000	EA	HOLDER-COMPARTMENT/ENTRY DOOR - METAL - MILL FINISH
	104088-01-01A	EA	CATCH-DOOR HOLDER - STRIKE - OFF WHITE
	104088-02-01A	EA	CATCH-DOOR HOLDER - RETAINER - OFF WHITE

KEY	PART NUMBER	U/M	DESCRIPTION
	067809-33-000	EA	FRAME-INSIDE WINDOW
1	103313-01-805	EA	WINDOW ASM-PICTURE
2	002181-15-000	EA	GLASS-PICTURE 11.25" X 58.1" - GRAY
3	068840-11-000	FT	SEALER-TAPE - 3/16" X 3/8" BLACK
4	089154-01-000	FT	CHANNEL-GLAZING STATIONARY GLASS - .62" X .46" - BLACK

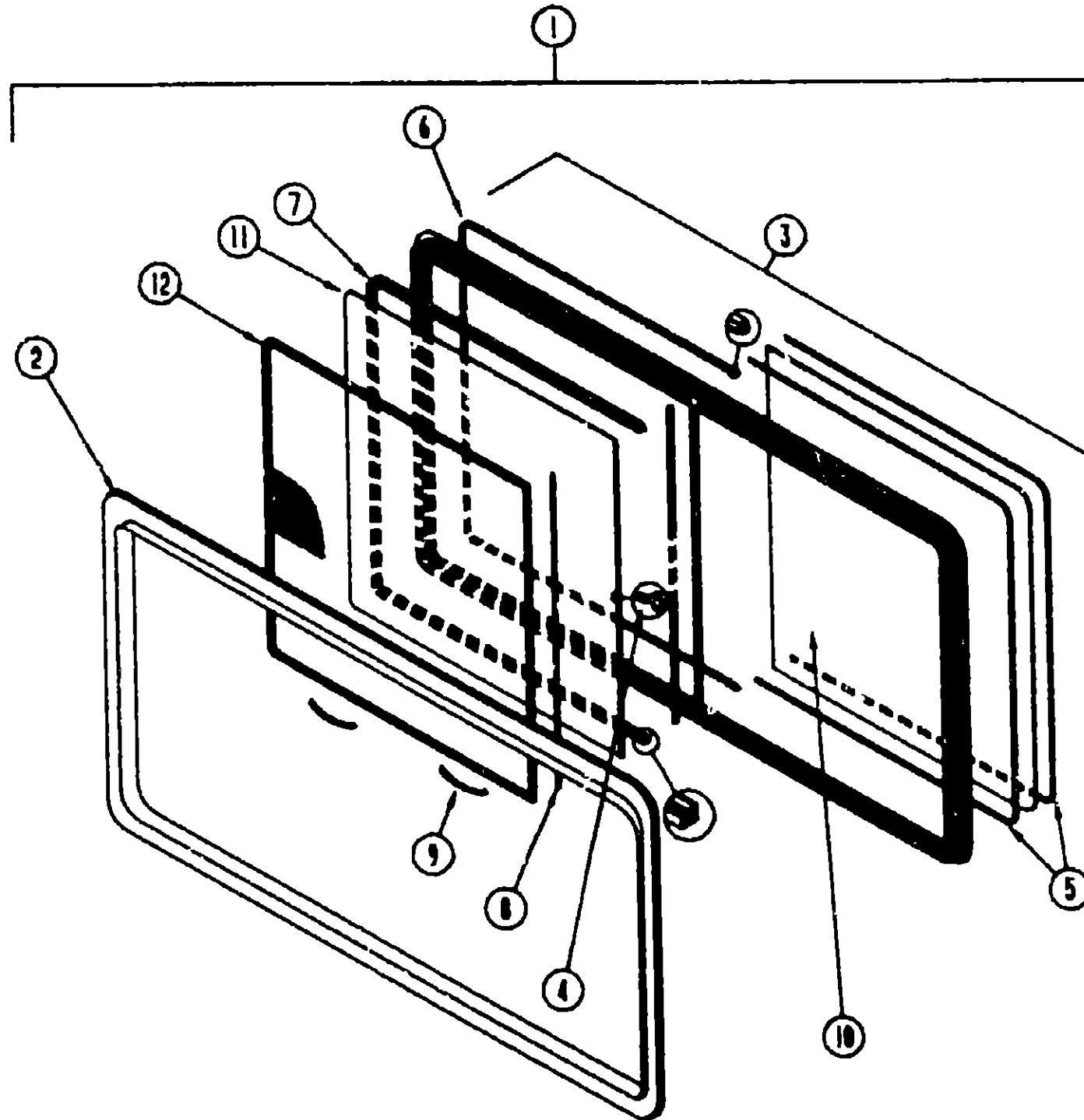
WINDOW, VENT & EXTERIOR DOOR GROUP (CONTINUED)



BACKWALL ESCAPE WINDOW

KEY	PART NUMBER	U/M	DESCRIPTION
	074816-09-000	EA	FRAME-WINDOW INSIDE ESCAPE - OFF WHITE
1	078528-04-C05	EA	WINDOW-ESCAPE REAR
2	002282-04-000	EA	WEATHERSTRIP- 125" X 109.25" - BLACK
3	077088-01-702	EA	TAPE ASM-ESCAPE WINDOW
	002285-01-000	FT	FILLER-WEATHER STRIP RUBBER - BLACK
4	076337-09-000	EA	GLASS-WINDOW - ESCAPE - 32.7" X 23.54"

WINDOW, VENT & EXTERIOR DOOR GROUP (CONTINUED)



LOUNGE SINGLE SLIDING WINDOW

KEY	PART NUMBER	U/M	DESCRIPTION
1	008647-10-02A	EA	WINDOW ASM-SLIDER-HORIZONTAL - BLACK (W/ INSIDE FRAME)
2	008647-09-704	EA	TRIM-INSIDE (OFF-WHITE) - W024-87 EXCEL-WHITE
3	008647-10-700	EA	WINDOW-SINGLE SLIDER - LEFT (W/O INSIDE FRAME)
4	008644-01-700	EA	LATCH REPAIR KIT
5	008644-01-702	FT	GLAZING STRIP, EXCEL M928-12
6	008644-01-706	FT	WEATHERSTRIP EXCEL 171-010888
7	008644-01-708	FT	CHANNEL-PIERCED RUN EXCEL 122-016543
8	008644-01-710	FT	TRACK-SCREEN SPACER 12" LENGTH - EXCEL M401-31
	008644-01-711	FT	WEATHERSTRIP-SCREEN BLACK - EXCEL 171-018885
9	008644-01-713	EA	SPRING-SCREEN FRAME (CLIP) PLASTIC - BLACK EXCEL 228-016888
	008644-01-716	FT	PLUG-FILLER-EXCEL 132-014470
	008644-01-717	FT	SPLINE-SCREEN MFG-EXCEL 32-004716
10	008647-09-700	EA	GLASS-STATIONARY - 108-017183 EXCEL
11	008647-09-701	EA	GLASS-SLIDING, W/SASH/LATCH H024-09 EXCEL
12	008647-09-705	EA	SCREEN W/SPRING&WEATHERSTRIP 410-018484 EXCEL

1982 WINNEBAGO  
TABLE OF CONTENTS

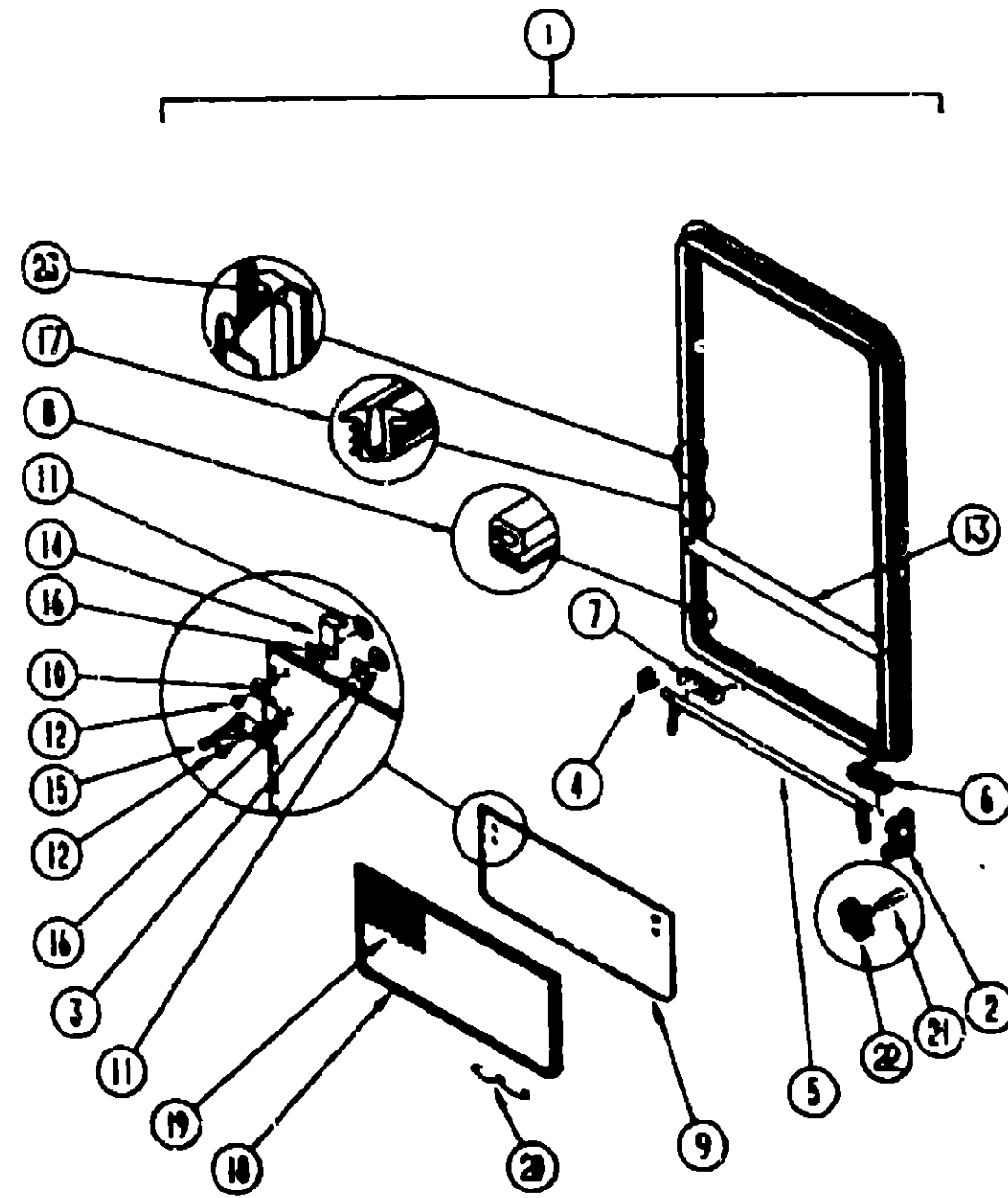
INTRODUCTION	A-01 - A-02
ABBREVIATIONS	A-03
ALPHABETICAL INDEX	A-04 - A-08
WF427RQ	A-07 - D-14
WF427RC	D-15 - G-20
WF427RT	G-21 - K-03

1982 WF427RC INDEX

FLOOR PLAN	D-15 - D-18
ACCESSORIES	F-17
AUDIO VIDEO	D-18
BATH	D-19 - D-20
BEDROOM	D-21
CHASSIS	D-22 - D-24
CURTAIN & CUSHION	E-01 - E-08
DINETTE	E-09 - E-10
DRIVERS	E-11 - E-12
ELECTRICAL	E-13 - E-16
EXTERIOR BODY	E-17 - E-23
GALLEY	E-24 - F-03
GENERATOR	F-04
HEATING & AC	F-05 - F-08
INTERIOR FINISH	F-07 - F-10
LABEL	F-11 - F-18
LP	F-19
LOUNGE	F-20 - F-21
SEALANTS & FASTENERS	F-22 - F-24
WATER & SEWAGE	G-01 - G-04
WINDOW, VENT AND EXTERIOR DOOR	G-05 - G-20

# WINDOW, VENT & EXTERIOR DOOR GROUP (CONTINUED)

## BEDROOM TIPOUT WINDOW



KEY	PART NUMBER	UOM	DESCRIPTION
1	090881-18-02A	EA	FRAME-INSIDE - WINDOW RETAINER - OFF WHITE
1	082223-12-Y12	EA	WINDOW-TIPOUT - SINGLE - W/O INSIDE FRAME
2	000H14-08-14R	EA	RIVET-MANDREL BLIND - 3/16"
2	036302-02-000	EA	OPERATOR-TORQUE - TIPOUT WINDOW - LEFT
3	088927-13-000	EA	SEAL-WINDOW - RUBBER - ROUND - 80° DIA. - BLACK
4	081354-11-000	EA	SLEEVE-TORQUE TUBE - TIPOUT WINDOW - 1 3/4" X 1.2" X .7"
4	081648-01-000	EA	RING-SNAP - 7/32 SHAFT DIAMETER
5	083150-11-000	EA	TUBE ASM-TORQUE - WINDOW
6	080818-01-000	EA	SPRING-TORQUE TUBE - LEFT
7	080818-02-000	EA	SPRING-TORQUE TUBE - RIGHT
8	084087-02-000	FT	SEAL-E SHAPED - SPONGE - TIPOUT WINDOW - .42" X .38" - BLACK
9	084088-17-100	EA	GLASS-TIPOUT - 9.2" X 28"
10	084453-02-000	EA	WASHER - (15° X 5° X .25" - PLASTIC
11	086762-01-000	EA	T NUT 10-32
12	086763-01-010	EA	SCREW-MACH - 10 - 32 X 1/4 PTH
13	087588-04-01A	EA	MULLION-HORIZONTAL - TIPOUT - BLACK
14	086813-01-000	EA	HINGE-TIPOUT WINDOW - BLACK
15	087578-01-000	EA	LINKAGE-TIPOUT WINDOW
15	084453-01-000	EA	WASHER - 00° X .5" X .135" - PLASTIC
16	084473-01-000	EA	SEAL-FLAT - W/CENTER HOLE & ADHESIVE SIDE - 8" X 8" - BLK
16	085315-01-000	EA	RIVET-SHOULDER - TIPOUT WINDOW
17	089154-01-000	FT	CHANNEL-GLAZING - STATIONARY GLASS - .62" X .45" - BLACK
18	100235-04-B07	EA	SCREEN-SINGLE TIPOUT WINDOW
19	080218-09-000	SF	SCREENING-FIBERGLASS - 12" WIDE
20	100188-01-000	EA	CLIP-SPRING - SCREEN
20	100240-01-000	FT	SPLINE-SCREEN - T-SHAPED
21	009439-06-000	EA	EXTENSION-CRANK HANDLE - WINDOW /ROOF VENT - BLACK
22	009439-05-000	EA	KNOB-OPERATOR - TIPOUT WINDOW - W/SPRING & ARM
22	019439-07-000	EA	SCREW - 8-32 X 1 1/4 POH - BLACK
23	083040-11-000	FT	TAPE-SEALER - 3/16" X 3/8" - BLACK

## 1992 WINNEBAGO TABLE OF CONTENTS

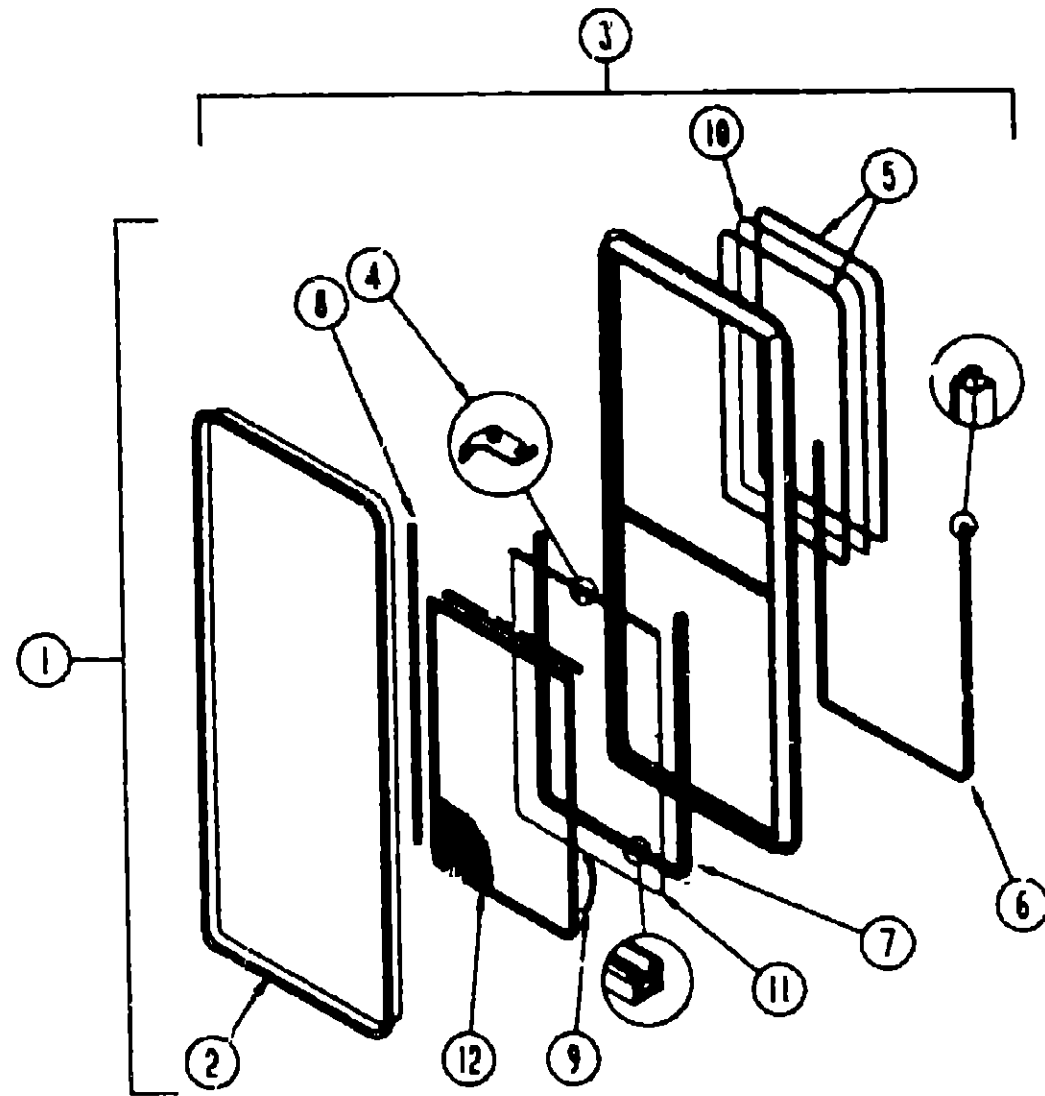
INTRODUCTION	A-01 - A-02
ABBREVIATIONS	A-03
ALPHABETICAL INDEX	A-04 - A-08
WF42TRG	A-07 - D-14
WF42TRC	D-15 - G-20
WF42RTI	G-21 - K-03

## 1992 WF42TRC INDEX

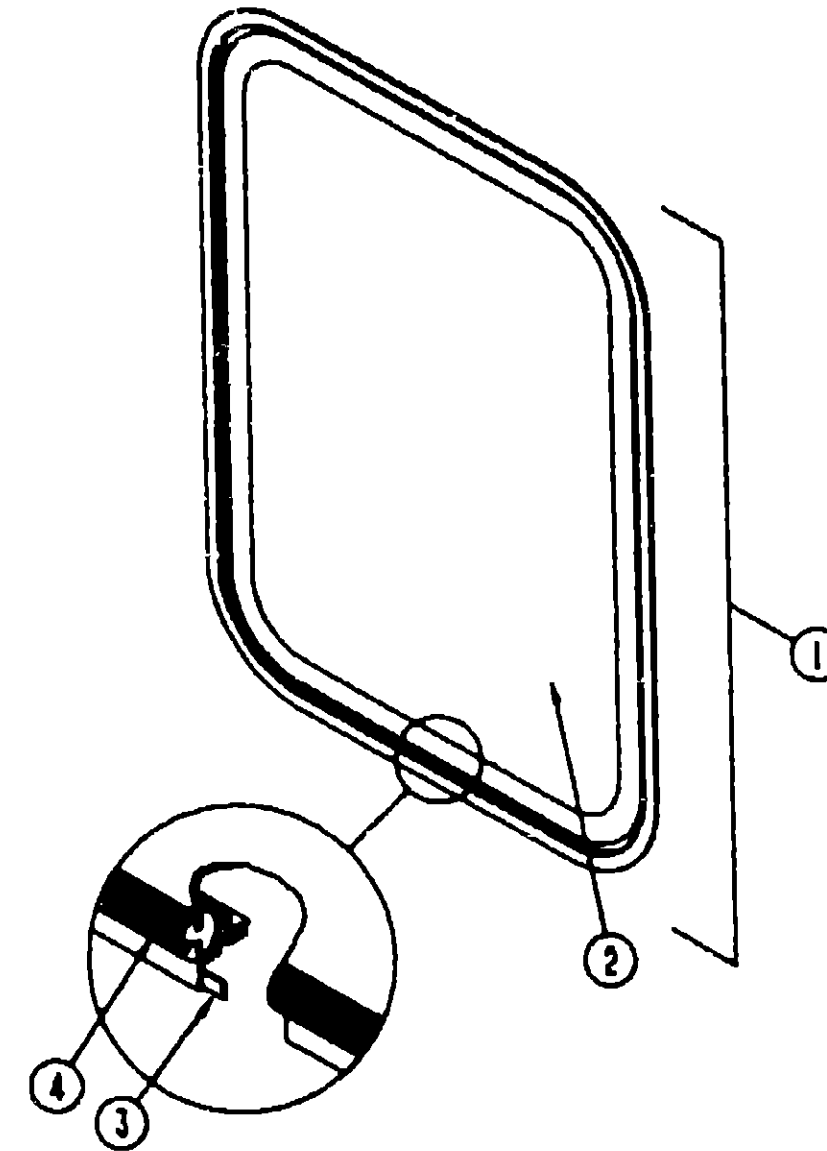
FLOOR PLAN	D-15 - D-16
ACCESSORIES	D-17
AUDIO VIDEO	D-18
BATH	D-19 - D-20
BEDROOM	D-21
CHASSIS	D-22 - D-24
CURTAIN & CUSHION	E-01 - E-08
DINETTE	E-09 - E-10
DRIVERS	E-11 - E-12
ELECTRICAL	E-13 - E-16
EXTERIOR BODY	E-17 - E-23
GALLEY	E-24 - F-03
GENERATOR	F-04
HEATING & A/C	F-05 - F-08
INTERIOR FINISH	F-07 - F-10
LABEL	F-11 - F-18
LP	F-19
LOUNGE	F-20 - F-21
SEALANTS & FASTENERS	F-22 - F-24
WATER & SEWAGE	G-01 - G-04
WINDOW, VENT AND EXTERIOR DOOR	G-05 - G-20

1982 WINNEBAGO  
TABLE OF CONTENTS

INTRODUCTION	A-01 - A-02
ABBREVIATIONS	A-03
ALPHABETICAL INDEX	A-04 - A-08
WF427RQ	A-07 - D-14
WF427RC	D-15 - G-20
WF427RT	G-21 - K-03



LOUNGE VERTICAL SLIDER WINDOW



ENTRY DOOR WINDOW

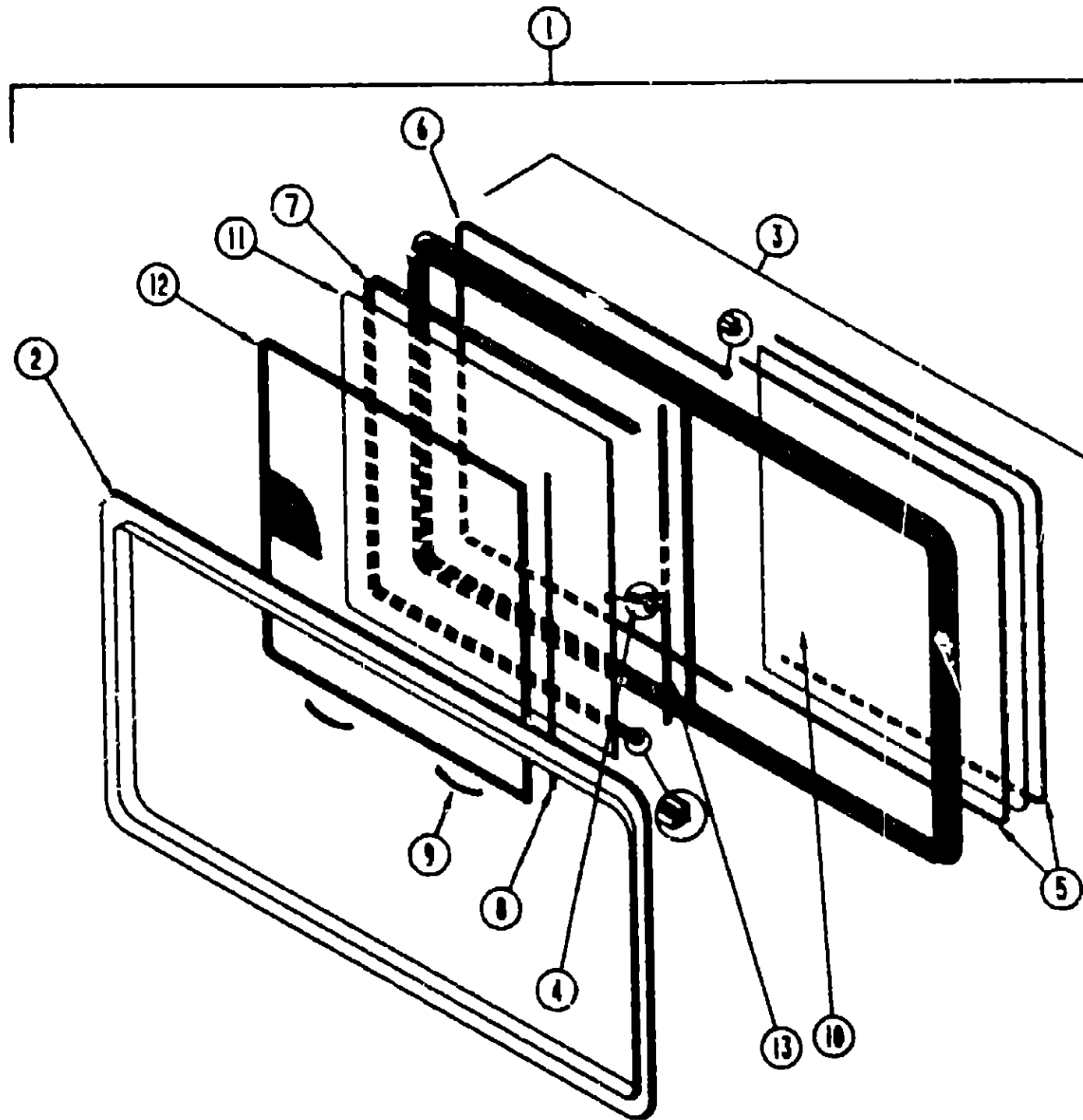
1982 WF427RC INDEX

FLOOR PLAN	D-15 - D-16
ACCESSORIES	D-17
A JOJO VIDEO	D-18
BATH	D-19 - D-20
BEDROOM	D-21
CHASSIS	D-22 - D-24
CURTAIN & CUSHION	E-01 - E-08
DINETTE	E-09 - E-10
DRIVERS	E-11 - E-12
ELECTRICAL	E-13 - E-18
EXTERIOR BODY	E-17 - E-23
GALLEY	E-24 - F-03
GENERATOR	F-04
HEATING & A/C	F-05 - F-08
INTERIOR FINISH	F-07 - F-10
LABEL	F-11 - F-18
LP	F-19
LOUNGE	F-20 - F-21
SEALANTS & FASTENERS	F-22 - F-24
WATER & SEWAGE	G-01 - G-04
WINDOW, VENT AND EXTERIOR DOOR	G-05 - G-20

KEY	PART NUMBER	U/M	DESCRIPTION
1	088844-05-01A	EA	WINDOW-SLIDING SINGLE - WINSIDE FRAME - EXCEL H250-PR
2	088844-05-700	EA	TRIM-INSIDE (OFF-WHITE) - V888-67 EXCEL WHITE
3	088844-05-704	EA	WINDOW-SLIDING SINGLE - W/O INSIDE FRAME - EXCEL B888-G2R
4	088844-01-700	EA	LATCH-REPAIR KIT EXCEL B801-CK
5	088844-01-705	FT	GLAZING STRIP - EXCEL M828-12
6	088844-01-706	FT	WEATHERSTRIP - EXCEL 171-01888
7	088844-01-708	FT	CHANNEL-PIERCED RUN - EXCEL 122-018543
8	088844-01-710	FT	TRACK-SCREEN SPACER 12" LENGTH-1 - EXCEL M401-31
	088844-01-711	FT	WEATHERSTRIP-SCREEN BLACK - EXCEL 171-01885
9	088844-01-713	EA	SPRING-SCREEN FRAME (CLIP) PLASTIC - BLACK
	088844-01-716	FT	PLUG-FILLER - EXCEL 132-014470
	088844-01-717	FT	SPLINE-SCREEN - EXCEL 132-004716
10	088844-05-701	EA	GLASS-STATIONARY - EXCEL 106-018013
11	088844-05-702	EA	GLASS-SLIDING - W/SHASH & LATCH - EXCEL B888-G8
12	088844-05-703	EA	SCREEN W/WEATHERSTRIP & FRAME SPRING (CLIP) EXCEL 410-016478

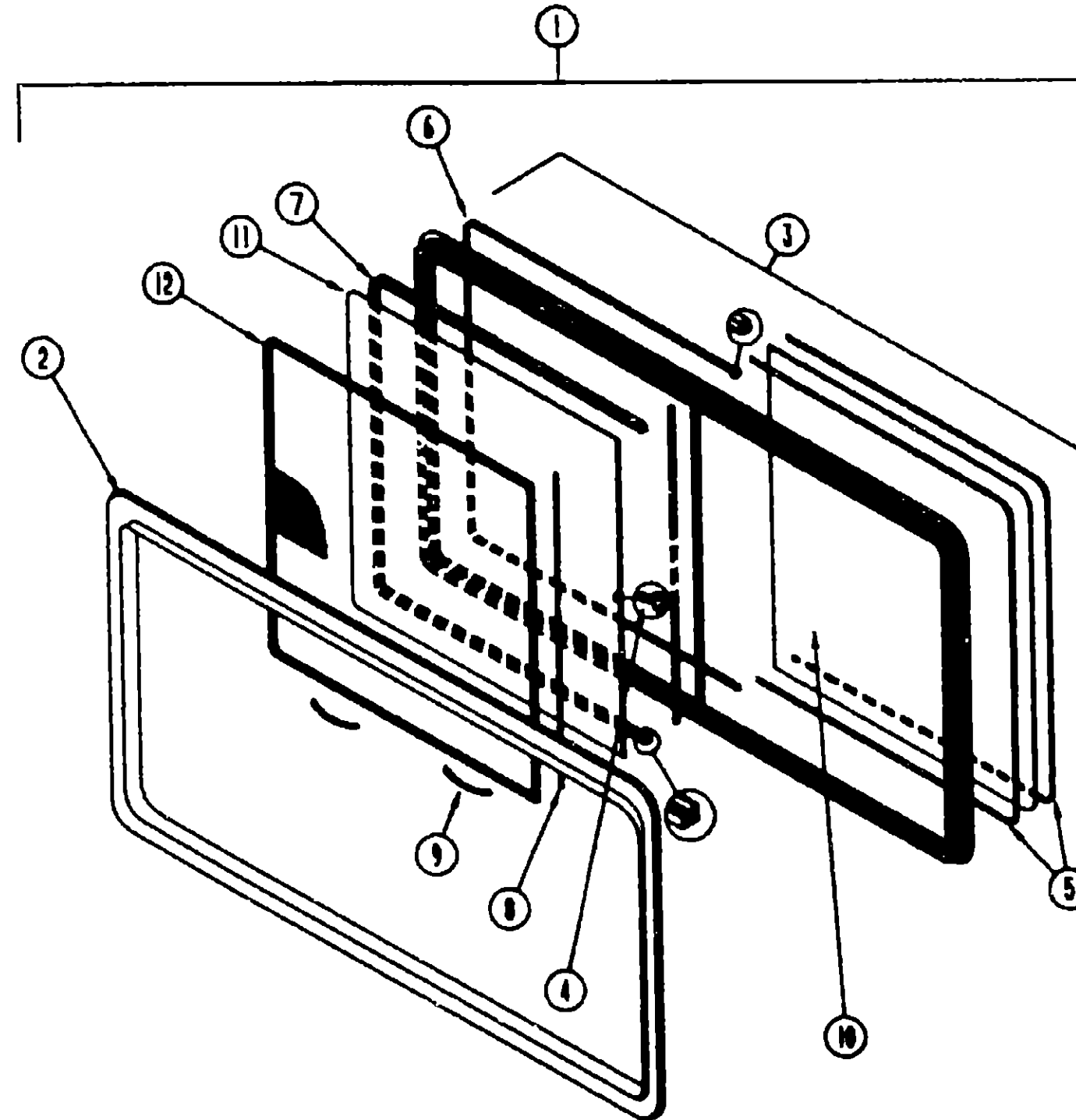
KEY	PART NUMBER	U/M	DESCRIPTION
1	079733-07-AAB	EA	WINDOW-ENTRY DOOR 17" X 25" - FROSTED GLASS
2	002181-07-000	EA	GLASS-WINDOW - .182" X 18 25" X 24" - FROSTED
3	050216-02-000	FT	SPLINE-GLASS EXTERIOR - VINYL - 18" - BLACK
4	087581-01-000	FT	SEAL-GLASS EXTERIOR - .5" WIDE - VINYL - BLACK

WINDOW, VENT & EXTERIOR DOOR GROUP (CONTINUED)



GALLEY SLIDING WINDOW

WINDOW, VENT & EXTERIOR DOOR GROUP (CONTINUED)



DINETTE SINGLE SLIDING WINDOW

1992 WINNEBAGO  
TABLE OF CONTENTS

INTRODUCTION	A-01 - A-02
ABBREVIATIONS	A-03
ALPHABETICAL INDEX	A-04 - A-06
WF427RQ	A-07 - D-14
WF427RC	D-15 - G-20
WF427RT	G-21 - K-03

1992 WF427RC INDEX

FLOOR PLAN	D-15 - D-16
ACCESSORIES	D-17
AUDIO VIDEO	D-18
BATH	D-19 - D-20
BEDROOM	D-21
CHASSIS	D-22 - D-24
CURTAIN & CUSHION	E-01 - E-06
DINETTE	E-09 - E-10
DRIVERS	E-11 - E-12
ELECTRICAL	E-13 - E-16
EXTERIOR BODY	E-17 - E-23
GALLEY	E-24 - F-03
GENERATOR	F-04
HEATING & A/C	F-05 - F-06
INTERIOR FINISH	F-07 - F-10
LABEL	F-11 - F-18
LP	F-19
LOUNGE	F-20 - F-21
SEALANTS & FASTENERS	F-22 - F-24
WATER & SEWAGE	G-01 - G-04
WINDOW, VENT AND EXTERIOR DOOR	G-05 - G-20

KEY	PART NUMBER	U/M	DESCRIPTION
1	088647-07-02A	EA	WINDOW ASM-SLIDER-HORIZONTAL - BLACK (W/ INSIDE FRAME)
2	088647-08-708	EA	TRIM-INSIDE (OFF-WHITE) - W024-87 EXCEL-WHITE
3	088647-07-700	EA	WINDOW-SINGLE SLIDER - LEFT (W/O INSIDE FRAME)
4	088644-01-700	EA	LATCH REPAIR KIT
5	088644-01-705	FT	GLAZING STRIP - EXCEL M026-12
6	088644-01-708	FT	WEATHERSTRIP - EXCEL 171-010888
7	088644-01-708	FT	CHANNEL-PIERCED RUN - EXCEL 122-018543
8	088644-01-710	FT	TRACK-SCREEN SPACER 12' LENGTH - EXCEL M401-31
	088644-01-711	FT	WEATHERSTRIP-SCREEN BLACK - EXCEL 171-018885
9	088644-01-713	EA	SPRING-SCREEN FRAME (CLIP) PLASTIC - BLACK EXCEL 228-018886
	088644-01-718	FT	PLUG-FILLER-EXCEL 132-014470
	088644-01-717	FT	SPLINE-SCREEN MFG-EXCEL 32-004716
10	088647-08-700	EA	GLASS-STATIONARY - 108-017183 EXCEL
11	088647-08-702	EA	GLASS-SLIDING - WFSASH & LATCH - H024-G9 EXCEL
12	088647-08-703	EA	SCREEN WSPRING & WEATHERSTRIP - 410-018484 EXCEL
13	088647-08-701	EA	STATIONARY LOCKING RAIL ASM

KEY	PART NUMBER	U/M	DESCRIPTION
1	088647-09-02A	EA	WINDOW ASM-SLIDER-HORIZONTAL - BLACK (W/ INSIDE FRAME)
2	088647-09-704	EA	TRIM-INSIDE (OFF-WHITE) - W024-87 EXCEL-WHITE
3	088647-09-703	EA	WINDOW-SINGLE SLIDER - LEFT (W/O INSIDE FRAME)
4	088644-01-700	EA	LATCH REPAIR KIT
5	088644-01-705	FT	GLAZING STRIP - EXCEL M026-12
6	088644-01-708	FT	WEATHERSTRIP - EXCEL 171-010888
7	088644-01-708	FT	CHANNEL-PIERCED RUN - EXCEL 122-018543
8	088644-01-710	FT	TRACK-SCREEN SPACER 12' LENGTH - EXCEL M401-31
	088644-01-711	FT	WEATHERSTRIP-SCREEN BLACK - EXCEL 171-018885
9	088644-01-713	EA	SPRING-SCREEN FRAME (CLIP) PLASTIC - BLACK EXCEL 228-018886
	088644-01-718	FT	PLUG-FILLER-EXCEL 132-014470
	088644-01-717	FT	SPLINE-SCREEN MFG-EXCEL 32-004716
10	088647-09-700	EA	GLASS-STATIONARY - 108-017183 EXCEL
11	088647-09-701	EA	GLASS-SLIDING, WFSASH & LATCH - H024-G9 EXCEL
12	088647-09-705	EA	SCREEN WSPRING & WEATHERSTRIP - 410-018484 EXCEL

**WINDOW, VENT & EXTERIOR DOOR GROUP (CONTINUED)**

**BUNK SLANTED SLIDER WINDOWS**

KEY	PART NUMBER	U/M	DESCRIPTION
	088646-05-01A	EA	WINDOW-SLANTED SLIDER-PASSENGER SIDE
	088646-05-01A	EA	WINDOW-SLANTED SLIDER-DRIVER SIDE
	088644-01-700	EA	LATCH REPAIR KIT (BLACK)
	088644-01-705	FT	GLAZING STRIP
	088644-01-706	FT	WEATHERSTRIP-GLASS
	088644-01-708	FT	CHANNEL-RUN, PIERCED - GLASS
	088644-01-710	FT	TRACK-SPACER, FOR SCREEN 12"
	088644-01-711	FT	WEATHERSTRIP-SCREEN, BLACK
	088644-01-713	EA	SCREEN CLIPS (METAL)(BLACK)
	088644-01-716	FT	PLUG-FILLER
	088644-01-717	FT	SPLINE-SCREEN ASM
	088646-05-700	EA	STATIONARY GLASS
	088646-05-701	EA	SLIDE ASM
	088646-05-702	EA	SCREEN ASM

**WINDOW, VENT & EXTERIOR DOOR GROUP (CONTINUED)**

**POWERED ROOF VENT**

KEY	PART NUMBER	U/M	DESCRIPTION
	080394-01-Y12	EA	VENT-ROOF POWERED
	009439-01-000	EA	CRANK HANDLE-ROOF VENT
	009439-04-000	EA	SCREW 8-32 X 1 1/4" PH
	009439-05-000	EA	KNOB-CRANK, WINDOW AND ROOF VENT - BLACK - DECO 718128
	055218-01-000	EA	COVER-ROOF VENT, PLASTIC
	002825-01-000	EA	WEATHER STRIP-ROOF VENT GRAY
	008185-01-000	EA	SWITCH-ROOF VENT PUSH BUTTON 12V
	005343-01-000	EA	TIE-WIRE 6"
	008388-01-000	EA	GROMMET-SNAP 3/8"
	009440-01-000	EA	GEAR/ARM-VENT COVER LIFT
	015911-01-000	EA	TRACK-LIFT ARM SLIDE - ROOF VENT
	048648-01-000	EA	MOTOR-ROOF VENT 1/8" SHAFT - 12V - JENSEN
	048649-01-000	EA	FAN-ROOF VENT 6 BLADES - 6" - JENSEN
	052839-01-001	EA	HINGE-VENT COVER 16"
	052839-01-200	EA	HINGE-EXTRUSION ROOF VENT 7"
	051803-01-000	EA	GROMMET-SNAP 3/16" ID - 3/8" HOLE - PLASTIC - BLACK
	078788-01-Y12	EA	SCREEN-ROOF VENT POWERED
	002291-02-000	SF	SCREENING-ROOF VENT/WINDOW 16" - BLACK
	002298-02-000	FT	SPLINE-VENT/WINDOW SCREEN 128 DIAMETER - BLACK

**NONPOWERED ROOF VENT**

KEY	PART NUMBER	U/M	DESCRIPTION
	080395-01-Y12	EA	VENT-ROOF NONPOWERED
	009439-01-000	EA	CRANK HANDLE-ROOF VENT
	009439-04-000	EA	SCREW 8-32 X 1 1/4" PH
	009439-05-000	EA	KNOB-CRANK, WINDOW AND ROOF VENT - BLACK - DECO 718128
	055218-01-000	EA	COVER-ROOF VENT, PLASTIC
	002825-01-000	EA	WEATHER STRIP-ROOF VENT GRAY
	009440-01-000	EA	GEAR/ARM-VENT COVER LIFT
	015911-01-000	EA	TRACK-LIFT ARM SLIDE - ROOF VENT
	052839-01-001	EA	HINGE-VENT COVER 16"
	052839-01-200	EA	HINGE-EXTRUSION ROOF VENT 7"
	078788-01-Y12	EA	SCREEN-ROOF VENT NON POWERED - WHITE
	002291-02-000	SF	SCREENING-ROOF VENT/WINDOW 16" - BLACK
	002298-02-000	FT	SPLINE-VENT/WINDOW SCREEN 128 DIAMETER - BLACK

**VENTS, SHROUDS AND ROOF COVERS**

KEY	PART NUMBER	U/M	DESCRIPTION
	085103-03-000	EA	BASE-VENT REFRIGERATOR - ROOF - DOMETIC 3100529 01
	085103-04-000	EA	CAP-VENT REFRIGERATOR - ROOF - DOMETIC 3100529 019
	084878-09-000	EA	VENT-RANGE HOOD - SHORT - LVS
	082698-02-01A	EA	VENT-RANGE HOOD - EXTERIOR - W/DOOR - OFF WHITE
	084816-01-000	EA	SHROUD-RANGE HOOD VENT - OFF WHITE
	083558-03-000	EA	VENT-PLUMBING PIPE ROOF W/COVER - OFF WHITE

**1992 WINNEBAGO  
TABLE OF CONTENTS**

INTRODUCTION	A-01 - A-02
ABBREVIATIONS	A-03
ALPHABETICAL INDEX	A-04 - A-08
WF427RQ	A-07 - D-14
WF427RC	D-15 - G-20
WF427RT	G-21 - K-03

**1992 WF427RC INDEX**

FLOOR PLAN	D-15 - D-16
ACCESSORIES	D-17
AUDIO VIDEO	D-18
BATH	D-19 - D-20
BEDROOM	D-21
CHASSIS	D-22 - D-24
CURTAIN & CUSHION	E-01 - E-08
DINETTE	E-09 - E-10
DRIVERS	E-11 - E-12
ELECTRICAL	E-13 - E-16
EXTERIOR BODY	E-17 - E-23
GALLEY	E-24 - F-03
GENERATOR	F-04
HEATING & A/C	F-05 - F-08
INTERIOR FINISH	F-07 - F-10
LABEL	F-11 - F-18
LP	F-19
LOUNGE	F-20 - F-21
SEALANTS & FASTENERS	F-22 - F-24
WATER & SEWAGE	G-01 - G-04
WINDOW, VENT AND EXTERIOR DOOR	G-05 - G-20