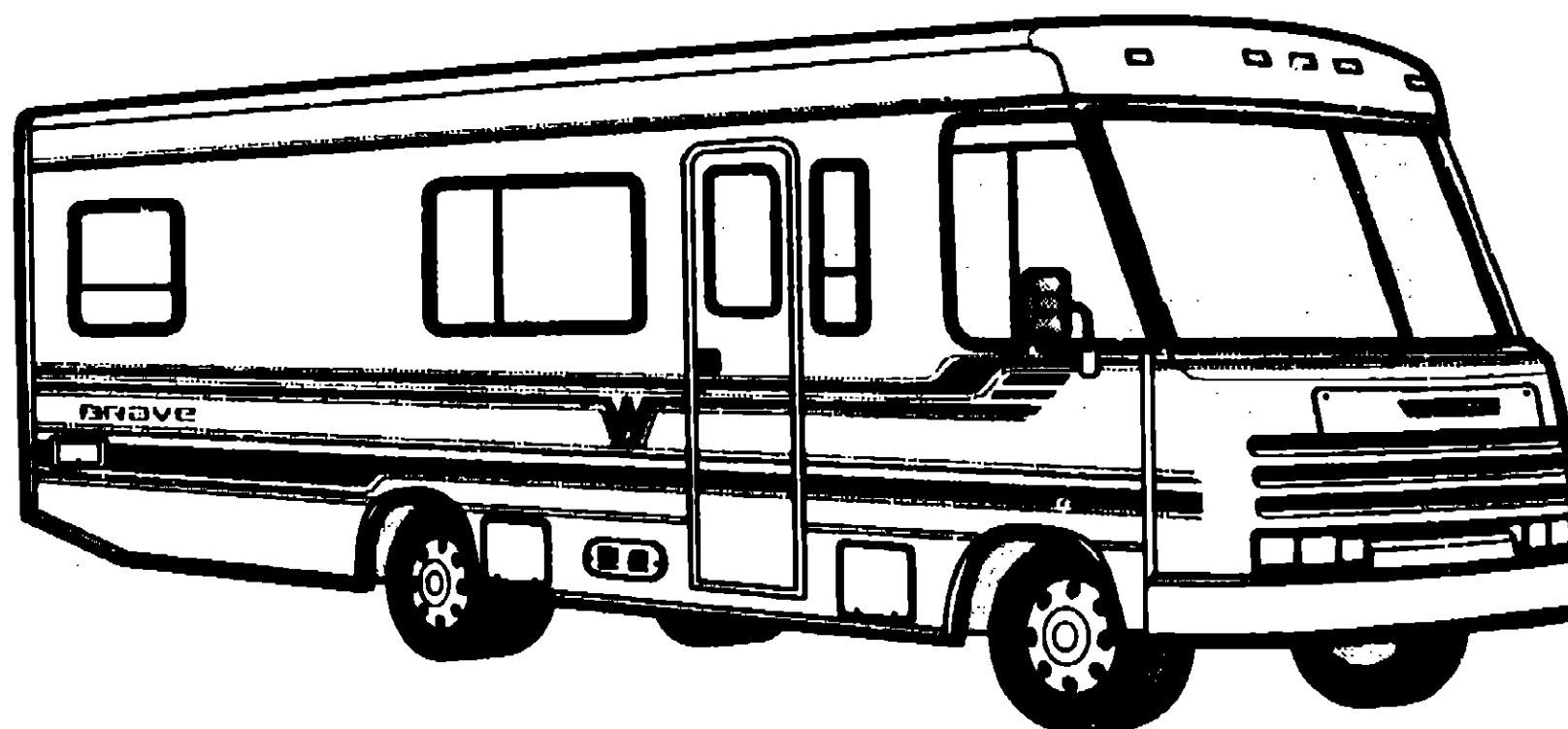


**1992 WINNEBAGO
TABLE OF CONTENTS**

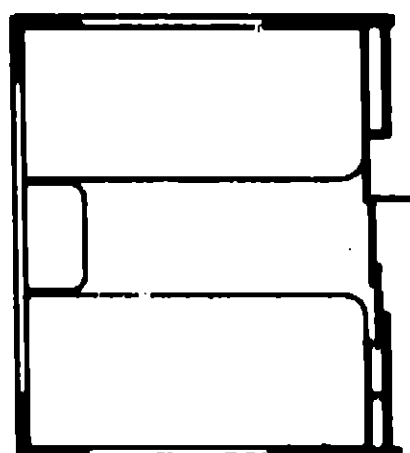
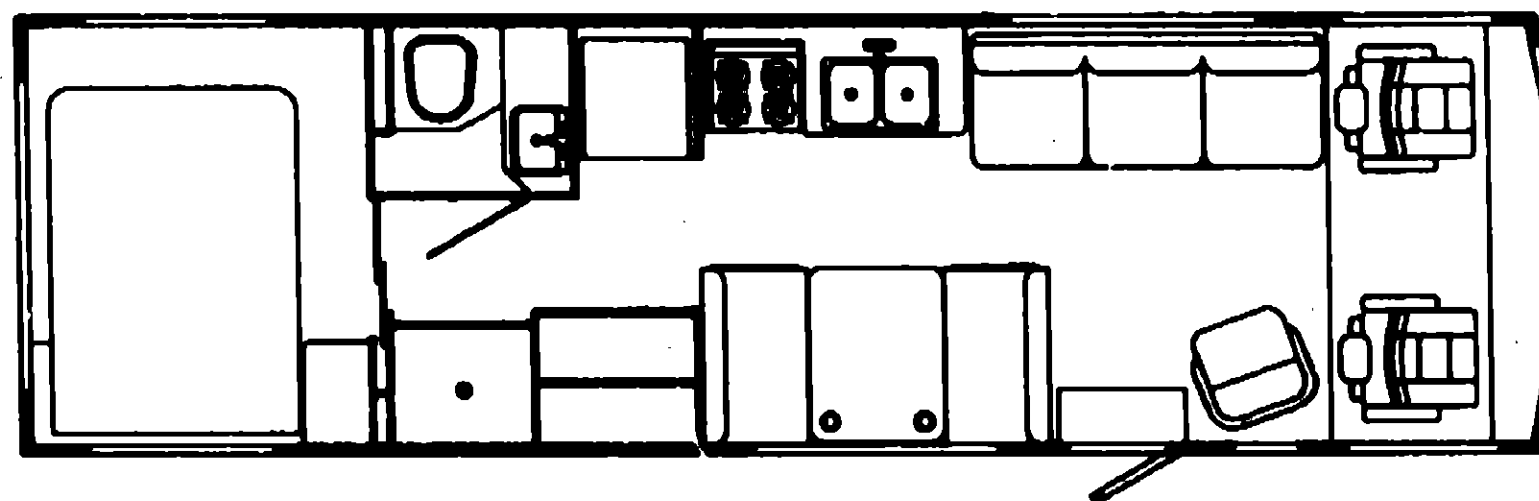
INTRODUCTION	A-01 -	A-02
ABBREVIATIONS		A-03
ALPHABETICAL INDEX	A-04 -	A-08
WCF27RC	A-07 -	D-18
WCF30RU	D-19 -	H-01



1992 WCF30RU

1992 WCF30RU INDEX

FLOOR PLAN	D-19 -	D-20
ACCESSORIES	D-21 -	E-02
BATH	E-03 -	E-04
BEDROOM	E-05 -	E-08
CHASSIS	E-07 -	E-14
C C & PAD	E-15 -	E-22
DINETTE	E-23 -	E-24
DRIVERS	F-01 -	F-04
ELECTRICAL	F-05 -	F-10
EXTERIOR BODY	F-11 -	F-16
GALLEY	F-17 -	F-18
HEATING & A/C	F-19 -	F-24
INTERIOR FINISH	G-01 -	G-03
LABEL		G-04
LP		G-06
LOUNGE		G-08
SEALANTS & FASTENERS	G-07 -	G-09
WATER & SEWAGE	G-10 -	G-16
WINDOW, VENT AND EXTERIOR DOOR	G-17 -	H-01



ACCESSORIES GROUP
RADIO AND COMPONENTS

KEY	PART NUMBER	U/M	DESCRIPTION
	073741-03-000	EA	SPEAKER-RADIO, OVAL - AUDIOVOX 110-2074 - 4" X 6"
	073741-04-000	EA	GRILLE-SPEAKER, OVAL - 4" X 6" - BLACK
	093214-01-02A	EA	GRILL-SPEAKER, 4" BROWN W/TV&VCR OPTION
	094097-01-000	EA	SPEAKER-RADIO, W/O GRILLE - 5.25" DIA - AUDIOVOX 110C3030
	077069-02-000	EA	CABLE-ANTENNA, RADIO - EXTENSION 96" - ARA 6700667
	104089-01-000	EA	RADIO-AM/FM STEREO W/CAS
	089340-02-000	EA	GRILLE-SPEAKER, 6.5" SQUARE
	090862-01-000	EA	BRACKET-HAT, ANTENNA - 3.1" X 3.9"
	090944-01-000	EA	ANTENNA-RADIO, 16" RUBBER
	097821-01-000	EA	MOUNTING KIT-RADIO DIN AUDIV
	097621-02-000	EA	MOUNTING KIT-RADIO DIN W/O B
	089340-03-000	EA	GRILLE-SPEAKER, SPACER TAN

TV AND VCR

KEY	PART NUMBER	U/M	DESCRIPTION
	098448-03-700	EA	REMOTE F/MODEL#9010
	098448-03-000	EA	VCR-VHS, CABLE READY - REMOTE - MAGNAVOX VR9010 FROM: 07-22-91 THRU: 99-99-99
	098447-03-700	EA	REMOTE-TV, MAGNAVOX 0822337
	098447-03-000	EA	TV-13", COLOR, W/REMOTE - U.S. - MAGNAVOX RR1337 FROM: 06-24-91 THRU: 99-99-99
	098447-04-000	EA	TV-13" COLOR REMOTE C.S.A. FROM: 06-24-91 THRU: 99-99-99
	086757-03-000	EA	CONTROL CENTER-SWITCHING
	086757-03-000	EA	CONTROL CENTER-SWITCH, VCR/TV - MAGNADYNE VCS-6 FROM: 04-11-91 THRU: 99-99-99

TV/VCR RETAINERS

KEY	PART NUMBER	U/M	DESCRIPTION
	000339-06-32B	EA	SCREW-8F/DR, 6-18 X 2 PPH - ZINC
	000367-10-08B	EA	SCREW, 10-12 X 1/2 PPH ZN
	085774-01-000	FT	FASTENER-DUAL HOOK, 1" WIDE - ADHESIVE BACK - BLACK
	085774-02-000	FT	FASTENER-DUAL LOOP, 1" WIDE - ADHESIVE BACK - BLACK
	099717-01-000	EA	TIEDOWN ASM-TV
	099717-02-000	EA	TIEDOWN ASM, TV STRAP ON FEMALE END IS 22.6" LONG
	069717-02-000	EA	TIEDOWN-TV STRAP ON FEMALE END IS 28.7" LONG

PATIO ENTERTAINMENT CENTER

KEY	PART NUMBER	U/M	DESCRIPTION
	087883-01-000	EA	RADIO-AM/FM STEREO W/CAS
	073741-03-000	EA	SPEAKER-4X6 OVAL
	073741-04-000	EA	GRILLE-SPEAKER, OVAL 4X6
	076319-09-000	EA	WALLPLATE/RECEPTACLE BROWN
	068708-01-000	EA	RECEPTACLE-DUPLEX, BRN T&B
	077069-02-000	EA	CABLE-ANTENNA, EXTENSION 96"
	086756-01-000	EA	SPLITTER-TV, 2 WAY
	090944-01-000	EA	ANTENNA-RADIO, 16" RUBBER
	104897-01-01A	EA	BOX-ENTERTAINMENT CENTER OW
	104898-01-01A	EA	PLATE-PLASTIC BOTTOM OW
	104899-01-C05	EA	PLATE-RADIO MOUNTING
	104900-01-000	EA	WIRE ASM-ENTERTAINMENT CENTER
	106118-01-C05	EA	DOOR ASM-STORAGE
	105230-01-C25	EA	SHELF ASM-EXTERIOR TV
	106230-12-C05	EA	SUPPORT ASM. - EXTERIOR TV SHELF
	082134-01-000	EA	ADAPTER-CABLE TO CABLE

ACCESSORIES GROUP (CONTINUED)
T.V. SPEAKER

KEY	PART NUMBER	U/M	DESCRIPTION
	093214-01-02A	EA	GRILL-SPEAKER, 4" BROWN
	098819-01-000	EA	SPEAKER-2 WATT, 8 OHM - 4"
	099030-01-000	EA	WIRE-SPEAKER, TV
	099637-01-000	EA	GROMMET
	099717-02-000	EA	TIEDOWN, TVTV ANTENNA AND COMPONENTS
	076319-01-000	EA	ANTENNA-TV, ROOF MOUNT - 44.5" MAST - RVA W02
	076319-01-700	EA	HEAD-ANTENNA, AMPLIFIED - WINEGARD# RVSA UV
	076319-01-701	EA	GEAR-ELEVATING, PLASTIC - WINEGARD# 2200046
	076319-01-702	EA	SHAFT ASM-ELEVATING, WINEGARD# RVP-400A
	076319-01-703	EA	BEARING-NYLON, 5"OD - WINEGARD# 3200656
	076319-01-704	EA	BEARING-NYLON, 1.25"OD - WINEGARD# 3200657
	076319-01-705	EA	GROMMET-NYLON, 7/8"ID - WINEGARD# 3200658
	076319-01-706	EA	CHANK-ELEVATING, W/SET SCREW - WINEGARD# 5755100
	076319-01-707	EA	SPRING-HANDLE, WINEGARD# 5180900
	076319-01-708	EA	DECAL-CRANK
	076319-01-709	EA	DIRECTIONAL PLATE F/HEAD
	076319-03-000	FT	CABLE-COAXIAL, 75 OHM
	076319-04-000	EA	CONNECTOR W/FERRULE
	076319-06-000	EA	ADAPTER-CABLE ROOF PLATE, WINEGARD RPJ-1
	076319-09-000	EA	WALLPLATE-TV RECEPTACLE - BROWN
	076319-11-000	EA	ADAPTER-COAX WITH SPLITTER WINEGARD MSJ-6
	076319-12-000	EA	CONNECTOR-COAXIAL, ONE PIECE
	086819-01-000	EA	SPEAKER-2 WATT, 8 OHM - 4"
	086756-01-000	EA	SPLITTER-TV, 2 WAY
	086777-01-000	EA	PLATE-WALL, CABLE - W/TV ANTENNA SWITCH - IVORY
	099717-01-000	EA	TIEDOWN-TV

1992 WINNEBAGO

TABLE OF CONTENTS

INTRODUCTION	A-01 -	A-02
ABBREVIATIONS		A-03
ALPHABETICAL INDEX	A-04 -	A-06
WCF27RC	A-07 -	D-18
WCF30RU	D-19 -	H-01

1992 WCF30RU INDEX

FLOOR PLAN	D-19 -	D-20
ACCESSORIES	D-21 -	E-02
BATH	E-03 -	E-04
BEDROOM	E-05 -	E-06
CHASSIS	E-07 -	E-14
C C & PAD	E-15 -	E-22
DINETTE	E-23 -	E-24
DRIVERS	F-01 -	F-04
ELECTRICAL	F-05 -	F-10
EXTERIOR BODY	F-11 -	F-18
GALLEY	F-17 -	F-18
HEATING & AC	F-19 -	F-24
INTERIOR FINISH	G-01 -	G-03
LABEL		G-04
LP		G-06
LOUNGE		G-06
SEALANTS & FASTENERS	G-07 -	G-09
WATER & SEWAGE	G-10 -	G-16
WINDOW, VENT AND		
EXTERIOR DOOR	G-17 -	H-01

ACCESSORIES GROUP (CONTINUED)

MISCELLANEOUS COMPONENTS

KEY	PART NUMBER	U/M	DESCRIPTION
	054185-80-000	EA	MANUAL,OP. 1992 BRAVE
	092318-01-000	EA	BINDER-3 RING, MOTOR HOME MANUAL
	092319-01-000	EA	POCKET PAGE-3 RING BINDER, PLASTIC
	103799-01-01A	EA	COFFEEMAKER ALMOND
	103799-01-02A	EA	COFFEEMAKER GRAY
	103930-05-000	EA	MANUAL-OWNERS,HEATER,A/C
	105248-01-000	EA	ANTENNA-CB
CANADIAN OPTION L285 FIRE EXTINGUISHER			
KEY	PART NUMBER	U/M	DESCRIPTION
	094499-02-000	EA	EXTINGUISHER-FIRE, DRY - 1A10BC - CANADIAN
FIRE EXTINGUISHER U.S.			
KEY	PART NUMBER	U/M	DESCRIPTION
	094499-01-000	EA	EXTINGUISHER-FIRE, DRY W/MOUNTING BRACKET - 10 BC
	094499-01-700	EA	BRACKET-MOUNTING, W/PLASTIC STRAP - FIRE EXTINGUISHER
SMOKE DETECTOR			
KEY	PART NUMBER	U/M	DESCRIPTION
	072852-01-000	EA	DETECTOR-SMOKE, W/9 VOLT BATTERY
	072852-02-000	EA	DETECTOR-SMOKE,W/9 VOLT BATTERY CANADIAN OPT.
EXTERIOR MIRROR			
KEY	PART NUMBER	U/M	DESCRIPTION
	106078-01-01A	EA	MIRROR ASM-LOW MOUNT,PAIR
	106078-01-700	EA	MIRROR ASM W/BRKT RT/LT-FLAT
	106078-01-701	EA	MIRROR HEAD ONLY(RTORLT)FLAT

ACCESSORIES GROUP (CONTINUED)

4.0KW ONAN GENERATOR OPTION L39E - U.S. & CANADIAN

KEY	PART NUMBER	U/M	DESCRIPTION
	100974 01 000	EA	GENERATOR-4.0KW EMERALD PLUS
	105732 02 000	EA	TRAY ASM. GENERATOR
	007125-03-000	EA	CLAMP-MUFFLER - 1.5" DIA
	007125-04-000	EA	CLAMP-MUFFLER, 1.12" DIA
	008289-01-000	EA	BOX-ELECTRIC, STEEL - 1/2" AND 3/4" KNOCKOUTS - 4" X 4"
	008289-02-000	EA	BOX-ELECTRICAL, 4" X 4" - 1/2" & 3/4" KNOCKOUTS - CANADIAN
	008054 01 000	EA	CORD - POWER, 10/3 - 30AMP - 33'
	008052 01 000	EA	CORD - POWER, 10/3 - 30AMP - 25' CANADIAN
	008294-01-000	EA	COVER-ELECTRICAL BOX, STEEL/BLANK - 4" X 4" - GRAY
	008294-02-000	EA	COVER-ELECTRICAL BOX, BLANK STEEL - 4" X 4" - CANADIAN
	007067 01 000	SF	INSULATION-FIBERGLASS-1 IN
	007125 04 000	EA	CLAMP-ASM-MUFFLER 1.12 DIA
	007131 01 000	EA	HANGER-TAILPIPE
	008289 01 000	EA	BOX-ELEC-STL 4X4 1/2&3/4
	008394 01 000	FT	CONDUIT-FLEXIBLE-1/2
	008398 01 000	EA	CONNECTOR-1/2X90-FLEX CDT
	023942 01 000	EA	GROMMET-RUBBER-2 OD
	078045 01 000	EA	PLATE-SUPPORT,GENERATOR
	105959 03 000	EA	PIPE-EXHAUST,EMERALD GEN
	079854 06 000	EA	HINGE KIT-ONAN,EMERALD
	082272 01 000	EA	MUFFLER-GENERATOR 1.625OD
	105958 03 000	EA	PIPE-EXHAUST,GENERATOR
	084365 01 000	EA	PLATE-SUPPORT,GENERATOR
	092615 01 000	EA	CONVERTER 40 AMP. W/CHARGER,120V/12V B-W
	089238-01-000	EA	COVER-ELECTRICAL BOX, W/HOLE - 4" X 4" - GRAY USED WITH 30 OR 50 AMP RECEPTACLE
	083209-02-000	EA	CIRCUIT BREAKER-15/15AMP, 120V - BW H-15/15
	083209-03-000	EA	CIRCUIT BREAKER-15/20AMP, 120V - BW - 0-15/20 - CANADIAN
	083209-04-000	EA	CIRCUIT BREAKER-30A, 120V - BW L-30
	083209-05-000	EA	CIRCUIT BREAKER-20A, 120V - BW J-20
	083209-08-000	EA	CIRCUIT BREAKER-30/15 AMP, 120V - BW D-30/15
	083210-02-000	EA	CIRCUIT BREAKER-GFI, 15A - 120V - BW U-15 - CANADIAN
	091213-01-000	EA	BOX-CIRCUIT BREAKER- W/KNOCKOUTS - 5.3" X 11.8" X 2.5"
	083257-01-000	EA	BOX-ELECTRICAL, CIRCUIT BREAKER - CANADIAN
	000C28-04-10B	EA	BOLT-HEX, SER FLG - 1/4-20 X 5/8 ZINC
	000D14-05-00B	EA	NUT-HEX, 5/16-18 - ZN 5
	000D39-04-00B	EA	NUT-HEX, SER FLG LK 1/4 - 20 ZN
	000D39-06-00B	EA	NUT-HEX, SER FLG LK - 5/16 - 18 ZN
	000G39-08-08B	EA	SCREW-SF/DR, 8-18 X 1/2 PPH ZN

1992 WINNEBAGO

TABLE OF CONTENTS

INTRODUCTION	A-01	A-02
ABBREVIATIONS		A-03
ALPHABETICAL INDEX	A-04	A-06
WCF27RC	A-07	D-18
WCF30RU	D-19	H-01

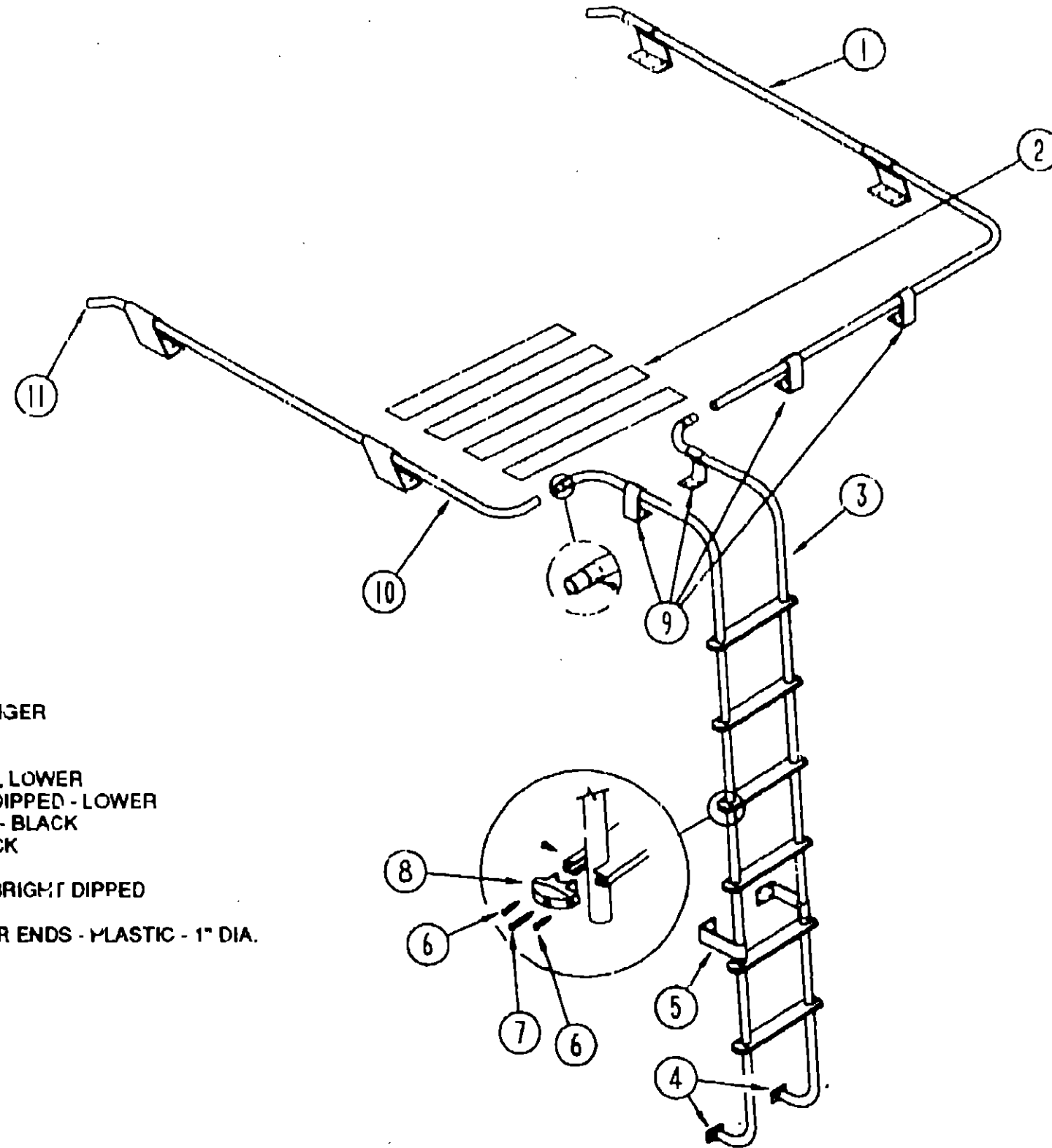
1992 WCF30RU INDEX

FLOOR PLAN	D-19	D-20
ACCESSORIES	D-21	E-02
BATH	E-03	E-04
BEDROOM	E-05	E-08
CHASSIS	E-07	E-14
C C & PAD	E-15	E-22
DINETTE	E-23	E-24
DRIVERS	F-01	F-04
ELECTRICAL	F-05	F-10
EXTERIOR BODY	F-11	F-16
GALLEY	F-17	F-18
HEATING & A/C	F-19	F-24
INTERIOR FINISH	G-01	G-03
LABEL		G-04
LP		G-05
LOUNGE		G-06
SEALANTS & FASTENERS	G-07	G-09
WATER & SEWAGE	G-10	G-16
WINDOW, VENT AND EXTERIOR DOOR	G-17	H-01

ACCESSORIES GROUP (CONTINUED)
LUGGAGE RACK & LADDER OPTION L35U

1992 WINNEBAGO
TABLE OF CONTENTS

INTRODUCTION	A-01	A-02
ABBREVIATIONS		A-03
ALPHABETICAL INDEX	A-04	A-06
WCF27RC	A-07	D-18
WCF30RU	D-19	H-01

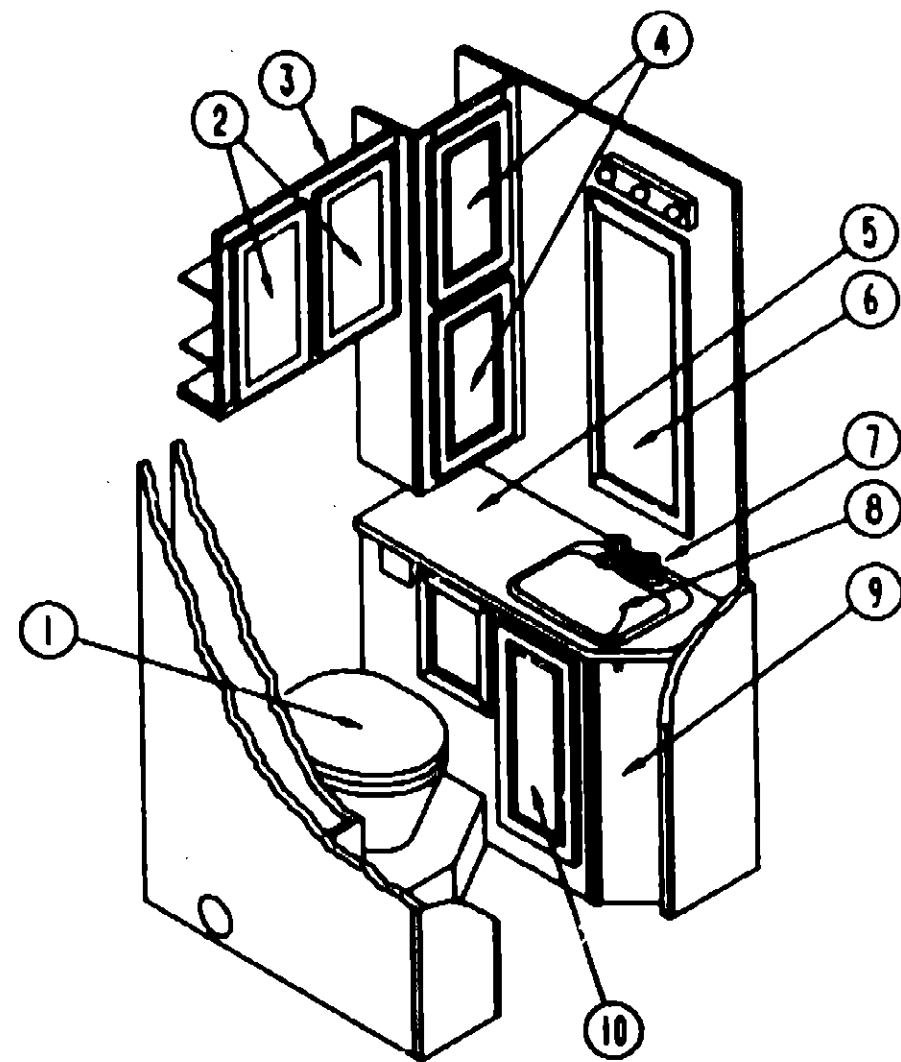


1992 WCF30RU INDEX

FLOOR PLAN	D-19	D-20
ACCESSORIES	D-21	E-02
BATH	E-03	E-04
BEDROOM	E-05	E-08
CHASSIS	E-07	E-14
C C & PAD	E-15	E-22
DINETTE	E-23	E-24
DRIVERS	F-01	F-04
ELECTRICAL	F-03	F-10
EXTERIOR BODY	F-11	F-16
GALLEY	F-17	F-18
HEATING & AC	F-19	F-24
INTERIOR FINISH	G-01	G-03
LABEL		G-04
LP		G-05
LOUNGE		G-06
SEALANTS & FASTENERS	G-07	G-09
WATER & SEWAGE	G-10	G-16
WINDOW, VENT AND EXTERIOR DOOR	G-17	H-01

KEY	PART NUMBER	U/M DESCRIPTION
1	081026-15-C05	EA RACK ASM-LUGGAGE, PASSENGER
2	038327-01-000	EA TAPE-ANTI SLIP, 2" X 60'
3	102953-01-C05	EA LADDER ASM, STRAIGHT
4	067185-01-000	EA MOUNTING BRACKET-LADDER, LOWER
5	067125-01-000	EA STANDOFF-LADDER, BRIGHT DIPPED - LOWER
6	000G39-06-10	EA SCREW-SF/DR, 6-20 X 5/8 PPH - BLACK
7	000G68-10-30	EA SCREW-10-12 X 2.25 POH BLACK
8	076980-02-000	EA END CAP-STEP, BLACK
9	091085-02-000	EA STANDOFF-RACK & LADDER, BRIGHT DIPPED
10	081026-16-C05	EA RACK ASM-LUGGAGE, DRIVER
11	081114-01-000	EA PLUG-ROUND, RACK & LADDER ENDS - PLASTIC - 1" DIA.

BATH GROUP



BATHROOM CABINET & COMPONENTS

KEY	PART NUMBER	U/M DESCRIPTION
1	067467 02 000	EA TOILET-AQUA MAGIC IV,LOW
2	P04746 08 C05	EA DOOR ASM-W/MIRROR W/O HARDWARE-MITERED OGEE 285X500
	058331-71-000	EA MIRROR-GLASS,SAFETY - 202MM X 417MM
3	P03771 01 C05	EA CABINET ASM-LINEN
4	P04746 14 C05	EA DOOR ASM- W/O HARDWARE-MITERED OGEE 285X500
5	100013 11 C05	EA COUNTERTOP ASM
6	058331 51 000	EA MIRROR-GLASS,SAFETY 860X1016A3M
6	105004 01 01A	EA MOLDING-VINYL WRAP
7	075240-06-000	EA FAUCET-LAVATORY, BONE
	091253 01 000	EA GASKET-FAUCET,LAVATORY
8	098927 01 01A	EA SINK-LAVATORY,RECTANGULAR BG
9	P00013 01 C05	EA CABINET ASM-LAVATORY
10	P04746 15 C05	EA DOOR ASM. - LAVATORY -W/O HDW-MITERED OGEE 275X605
	098979 01 C00	EA CLIP-ADJUSTABLE SHELF
	098980 02 000	EA PILASTER-ADJUSTABLE SHELF
	101859 01 C05	EA SHELF ASM-BATH

BATH GROUP (CONTINUED)

SHOWER COMPONENTS

KEY	PART NUMBER	U/M DESCRIPTION
	101806 01 01A	EA SURROUND-SHOWER OFF WHITE
	075808-01-000	EA PANEL-SHOWER FAUCET
	075241-05-000	EA FAUCET - SHOWER, BONE
	M02429 07 000	EA PAN-SHOWER
	068436-01-000	EA NUT-SLIP,1.5 TAILPIECE
	068440-01-000	EA STRAINER W/RUBBER WASHER
	068440-08-000	FT SEALER-RIBBON,5/16"XDIA X25"
	011089 02 000	EA TAILPIECE-11/2X11/4X4 BRASS

BATH DOOR

KEY	PART NUMBER	U/M DESCRIPTION
	M05673 01 C05	EA DOOR ASM-BATH W/PIN
	009151-01-000	EA WARP-GUARD-48 IN
	023320-01-000	EA PAD-FELT-3/8 DIA
	058335-02-000	EA LATCH-BATHROOM DOOR
	059777-02-000	EA HINGE-BURNISHED BRASS
	074045-01-000	EA PLUG-OAK,1/2" DIA
	100357-01-000	EA ROD-TOWEL,BRASS
	100434-01-01A	EA PIN-CATCH,DOOR O/W
	009112 01 000	EA FLANGE-1" ROD,ABS,OFF WHITE
	042438 51 028	EA DOWEL-WOOD 1.0DIA.X0870 MM
	058331 17 000	EA MIRROR-GLASS,SAFETY 8.75" X 12.5"
	075452 02 000	EA HOLDER-TOILET TISSUE BRASS
	075453 02 000	EA BAR-TOWEL 18IN BRASS
	058331-52-000	EA MIRROR-GLASS,SAFETY 275MM X 965MM
	057534 01 000	EA TIEBACK-CLEAR PLASTIC 6.0 IN
	024878 01 000	EA FLANGE-CLOSET RED 4X3
	103082 01 000	EA SHOWER HEAD-W/60 IN HOSE

SHOWER DOOR

KEY	PART NUMBER	U/M DESCRIPTION
	089318-01-000	EA DOOR-SHOWER,SOLID,GOLD 29.8
	089318-01-700	EA STRAP F/SHOWER DOOR
	089318-01-701	EA VINYL SWEEP
	089318-01-702	EA BUSHING W/ARM
	089318-02-000	EA JAMB-EXPANDER

1992 WINNEBAGO

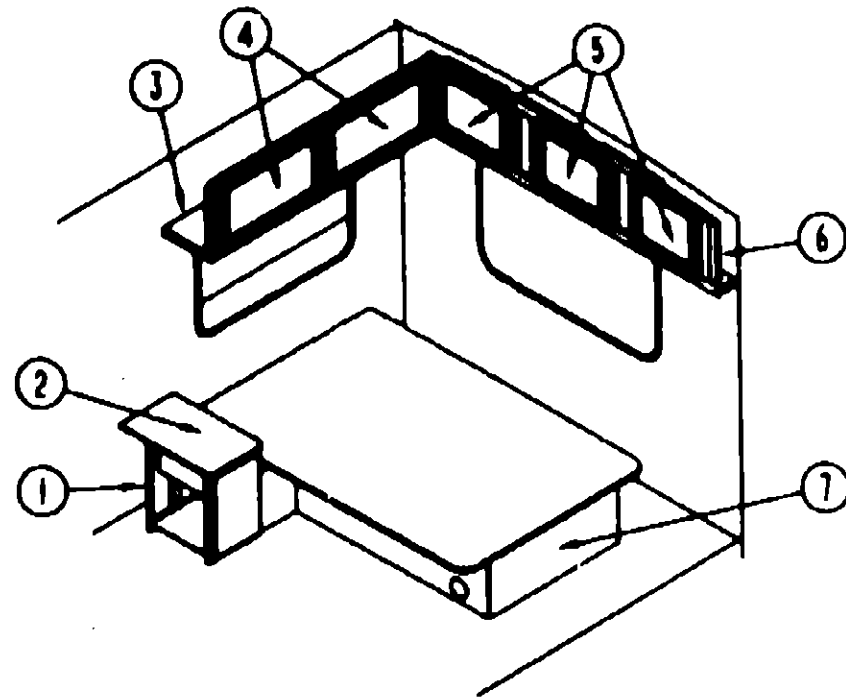
TABLE OF CONTENTS

INTRODUCTION	A-01	A-02
ABBREVIATIONS		A-03
ALPHABETICAL INDEX	A-04	A-08
WCF27RC	A-07	D-18
WCF30RU	D-19	H-01

1992 WCF30RU INDEX

FLOOR PLAN	D-19	D-20
ACCESSORIES	D-21	E-02
BATH	E-03	E-04
BEDROOM	E-05	E-08
CHASSIS	E-07	E-14
C C & PAD	E-15	E-22
DINETTE	Z-23	E-24
DRIVERS	F-01	F-04
ELECTRICAL	F-05	F-10
EXTERIOR BODY	F-11	F-16
GALLEY	F-17	F-18
HEATING & A/C	F-19	F-24
INTERIOR FINISH	G-01	G-03
LABEL		G-04
LP		G-05
LOUNGE		G-08
SEALANTS & FASTENERS	G-07	G-09
WATER & SEWAGE	G-10	G-16
WINDOW, VENT AND EXTERIOR DOOR	G-17	H-01

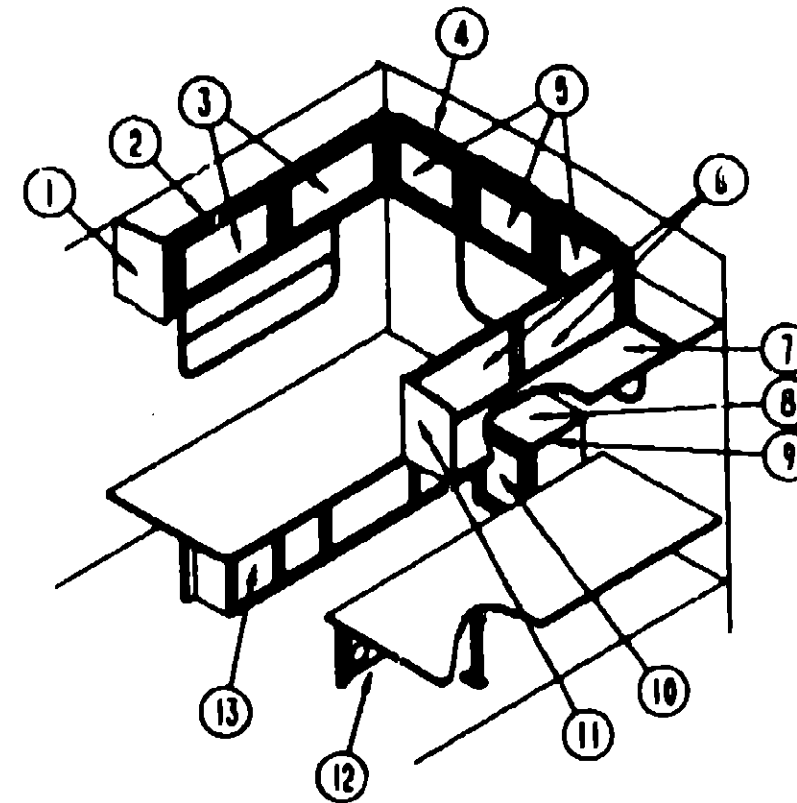
BEDROOM GROUP



BEDROOM DOUBLE BED CABINETRY

KEY	PART NUMBER	U/M	DESCRIPTION
1	M05904-03-C05	EA	CABINET ASM. - NIGHTSTAND
	080178-03-000	EA	CAP-CORNER,RADIUS THOR PECAN THOR PECAN
2	089897-11-C05	EA	COUNTERTOP ASM
	102827-03-000	EA	ROLLERS-NYLON
	102827-04-000	EA	BRACKET-MOUNTING, REAR
	102827-05-000	EA	TRACK-DRAWER,573MM
3	P05947-01-C05	EA	CABINET ASM-OVHD,REAR,RH
4	P04748-03-C05	EA	DOOR ASM-HDW-MITERED OGEE
5	P04748-06-C05	EA	DOOR ASM-HDW-MITERED OGEE
6	M05019-58-C05	EA	CABINET ASM-OVHD REAR DBL
	083204-03-000	EA	BUTTON-MIRROR RETAINING
	104755-04-000	EA	MIRROR-GLASS,DECORATIVE
7	P03773 01 C05	EA	CABINET ASM-DOUBLE BED
	103725 02 000	EA	PROP-BED,AUTO CAM, 115/8

BEDROOM GROUP CONTINUED



BEDROOM TWIN BED CABINETRY

KEY	PART NUMBER	U/M	DESCRIPTION
1	103128-02-C05	EA	CAP ASM-END,CVHD,LH
2	M05019-52-C05	EA	CABINET ASM-OVHD,REAR,RH
3	P04748-03-C05	EA	DOOR ASM-HDW-MITERED OGEE
4	M05019-54-C05	EA	CABINET ASM-OVHD REAR
5	P04748-06-C05	EA	DOOR ASM-HDW-MITERED OGEE
	104755-04-000	EA	MIRROR-GLASS,DECORATIVE
6	P04748-03-C05	EA	DOOR ASM-HDW-MITERED OGEE
7	M05019-80-C05	EA	CABINET ASM-OVHD REAR,LH
8	103778-11-C05	EA	COUNTERTOP ASM. - NIGHTSTAND
9	103778-01-C05	EA	CABINET ASM-NIGHTSTAND,RR
	102827-04-000	EA	BRACKET-MOUNTING,REAR
	102827-05-000	EA	TRACK-DRAWER,573MM
10	P04748 16 C05	EA	DOOR ASM. - W/O HARDWARE - MITERED OGEE
	102820 06 C05	EA	DRAWER ASM-CABINET
	P07330 04 C05	EA	DRAWER COMPL-SLIDE
11	103128-01-C05	EA	CAP ASM.-END,OVHD,RH
12	P03777-01-C05	EA	CABINET ASM-TWIN BED LH
13	P03776-01-C05	EA	CABINET ASM-TWIN BED RH

TV STAND

KEY	PART NUMBER	U/M	DESCRIPTION
	084357-02-W24	EA	TV STAND
	084358-03-000	EA	INSERT-TV STAND TAN
	084412-01-000	EA	SUPPORT-HINGED
	084451-01-000	EA	CATCH-TV SHELF, BRASS
	084625-02-000	EA	HINGE-ALUMINUM, WHOLES - 17.2" - TAN
	084413-01-000	EA	HINGE-CONTINUOUS, ALUMINUM - 1" X 72" - W/HOLES

**1992 WINNEBAGO
TABLE OF CONTENTS**

INTRODUCTION	A-01 -	A-02
ABBREVIATIONS		A-03
ALPHABETICAL INDEX	A-04 -	A-08
WCF277C	A-07 -	D-18
WCF30RU	D-19 -	H-01

1992 WCF30RU INDEX

FLOOR PLAN	D-19 -	D-20
ACCESSORIES	D-21 -	E-02
BATH	E-03 -	E-04
BEDROOM	E-05 -	E-08
CHASSIS	E-07 -	E-14
C C & PAD	E-15 -	E-22
DNETTE	E-23 -	E-24
DRIVERS	F-01 -	F-04
ELECTRICAL	F-05 -	F-10
EXTERIOR BODY	F-11 -	F-16
GALLEY	F-17 -	F-18
HEATING & AC	F-19 -	F-24
INTERIOR FINISH	G-01 -	G-03
LABEL		G-04
LP		G-05
LOUNGE		G-06
SEALANTS & FASTENERS	G-07 -	G-08
WATER & SEWAGE	G-10 -	G-16
WINDOW, VENT AND		
EXTERIOR DOOR	G-17 -	H-01

FROM: 00-00-00 THRU: 01-19-92

FROM: 01-20-92 THRU: 99-99-99

CHASSIS GROUP
MISCELLANEOUS CHASSIS PARTS

KEY	PART NUMBER	U/M	DESCRIPTION
	008064-01-000	EA	CORD-POWER-10-3 30A 25FT UL
	008288-01-000	EA	BOX-ELEC-STL 4X4 1/2&3/4 UL
	008312-01-000	EA	CONNECTOR-WIRE-NUT INSL BLUE
	008360-01-000	EA	CONNECTOR-PLASTIC,3/8"AVG WI
	018804-01-000	EA	BRACE-SEAT-ANGLE-2.50
	073837-03-000	EA	SWITCH-ROTARY,3DECK,AC SEL
	074880-01-000	EA	EXTENSION RING-BOX,ELEC,11/2
	074887-01-000	EA	COVER-PLATE,MODIFIED
	008284-01-000	EA	COVER-PLT-BLN STL 4X4 USA
	008234-01-000	EA	FUSE-12V-10AMP
	008288-01-000	EA	BOX-ELEC-STL 4X4 1/2&3/4 UL
	008284-01-000	EA	COVER-PLT-BLN STL 4X4 USA
	008311-01-000	EA	CONNECTOR-WIRE-NUT INSL RED
	008312-01-000	EA	CONNECTOR-WIRE-NUT INSL BLUE
	008314-01-000	EA	CONNECTOR-WIRE-NUT INSL GRAY
	008328-01-000	EA	TERMINAL-RING-12/10 WIRE
	008331-01-000	EA	TERMINAL-RING-4 3/8STUD
	008363-01-000	EA	CONNECTOR-3/8-CABLE CLAMPING
	008365-01-000	EA	CONNECTOR-3/4-CABLE CLAMPING
	008368-01-000	EA	CONNECTOR-PLASTIC,3/8"AVG WI
	010488-01-000	EA	CLAMP-CLOSED, 3/8 I.D.
	024824-02-000	EA	RECEPTACLE-POWER CORD
	041863-01-000	FT	CONDUIT-CONVOLUTE SLIT .50ID
	083208-02-000	EA	CONTROL CENTER-45A,120V/12V
	083209-02-000	EA	CIRCUIT BREAKER-15/15A,120V
	083209-03-000	EA	CIRCUIT BREAKER-15/20A,120V
	083209-04-000	EA	CIRCUIT BREAKER-30A,120V
	083209-05-000	EA	CIRCUIT BREAKER-20A,120V
	007125-04-000	EA	CLAMP-ASM-MUFFLER 1.12 DIA
	008288-01-000	EA	BOX-ELEC-STL 4X4 1/2&3/4 UL
	008388-01-000	EA	CONNECTOR-1/2X90-FLEX CDT
	020167-03-000	EA	GUARD-DIRT
	023842-01-000	EA	GROMMET-RUBBER-2 OD
	041480-01-000	EA	CONNECTOR-STRAIGHT FLEX COND
	079854-05-000	EA	PIPE-EXHAUST,EMERALD GEN
	082272-01-000	EA	MUFFLER-GENERATOR
	055278-01-001	FT	STL-TUBE 18GA .75X1.5X288.00
	085450-05-000	EA	TIEDOWN-BATTERY

CHASSIS GROUP (CONTINUED)
GENERATOR-4KW LOW PROFILE KOHLER 4CKM21

KEY	PART NUMBER	U/M	DESCRIPTION
	106823-01-000	EA	GENERATOR-4KW LOW PROFILE KOHLER 4CKM21
	106828 01 000	EA	ARRESTER-SPARK
	106827 01 000	EA	PIPE-EXHAUST ADAPTOR
	106830 01 000	EA	MUFFLER-SIDE EXH W/O SPARK
	105802 01 000	EA	GASKET-EXHAUST
	105732 02 000	EA	TRAY ASM-GENERATOR
	105850 03 000	EA	PIPE-EXHAUST,GENERATOR

GENERATOR-4.0KW EMERALD PLUS ONAN BGE-FA/28108

KEY	PART NUMBER	U/M	DESCRIPTION
	100874-02-000	EA	GENERATOR-4.0KW EMERALD PLUS ONAN BGE-FA/28108 FROM: 04-30-90 THRU: 99-99-99
	007125-04-000	EA	CLAMP-ASM-MUFFLER 1.12 DIA
	007131-01-000	EA	HANGER-TAIL PIPE
	023842-01-000	EA	GROMMET-RUBBER-2 OD
	078045-01-000	EA	PLATE-SUPPORT,GENERATOR
	079854-06-000	EA	PIPE-EXHAUST,EMERALD GEN
	079854-08-000	EA	HINGE KIT-ONAN,EMERALD
	083151-01-000	EA	MUFFLER-GENERATOR 1.82500
	083152-01-000	EA	PIPE-EXHAUST,GENERATOR FROM: 08-05-91 THRU: 99-99-99
	083152-12-000	EA	PIPE-EXHAUST,GENERATOR FROM: 00-00-00 THRU: 08-04-91
	084385-01-000	EA	PLATE-SUPPORT,GENERATOR

GENERATOR-4.0KW EMERALD PLUS ONAN BGE-FW/29237

KEY	PART NUMBER	U/M	DESCRIPTION
	100874-05-000	EA	GENERATOR-4.0KW EMERALD PLUS ONAN BGE-FW/29237

GENERATOR-4.0KW EMERALD PLUS ONAN BGE-FW/29238

KEY	PART NUMBER	U/M	DESCRIPTION
	100874-04-000	EA	GENERATOR-4.0KW EMERALD PLUS ONAN BGE-FW/29238 FROM: 08-28-91 THRU: 99-99-99
	007125 03 000	EA	CLAMP-ASM-MUFFLER 1.50 DIA
	007125 04 000	EA	CLAMP-ASM-MUFFLER 1.12 DIA
	007131 01 000	EA	HANGER-TAIL PIPE
	079854 05 000	EA	PIPE-EXHAUST,EMERALD GEN
	080878 01 000	EA	FILLER-GEN COMPT
	082272 01 000	EA	MUFFLER-GENERATOR
	105732 02 000	EA	TRAY ASM-GENERATOR
	105858 03 000	EA	PIPE-EXHAUST,GENERATOR

GENERATOR-4.0 KW,EMERALD,MOD ONAN 500-2188

KEY	PART NUMBER	U/M	DESCRIPTION
	079854-07-000	EA	GENERATOR-4.0 KW,EMERALD,MOD ONAN 500-218C FROM: 00-00-00 THRU: 04-29-90
	007125 04 000	EA	CLAMP-ASM-MUFFLER 1.12 DIA
	007131 01 000	EA	HANGER-TAIL PIPE
	023842 01 000	EA	GROMMET-RUBBER-2 OD
	078045 01 000	EA	PLATE-SUPPORT,GENERATOR
	079854 05 000	EA	PIPE-EXHAUST,EMERALD GEN
	079854 08 000	EA	HINGE KIT-ONAN,EMERALD
	083151 01 000	EA	MUFFLER-GENERATOR 1.82500
	083152 01 000	EA	PIPE-EXHAUST,GENERATOR FROM: 08-05-91 THRU: 99-99-99
	083152 12 000	EA	PIPE-EXHAUST,GENERATOR FROM: 02-25-90 THRU: 08-04-91
	084385 01 000	EA	PLATE-SUPPORT,GENERATOR

1992 WINNEBAGO
TABLE OF CONTENTS

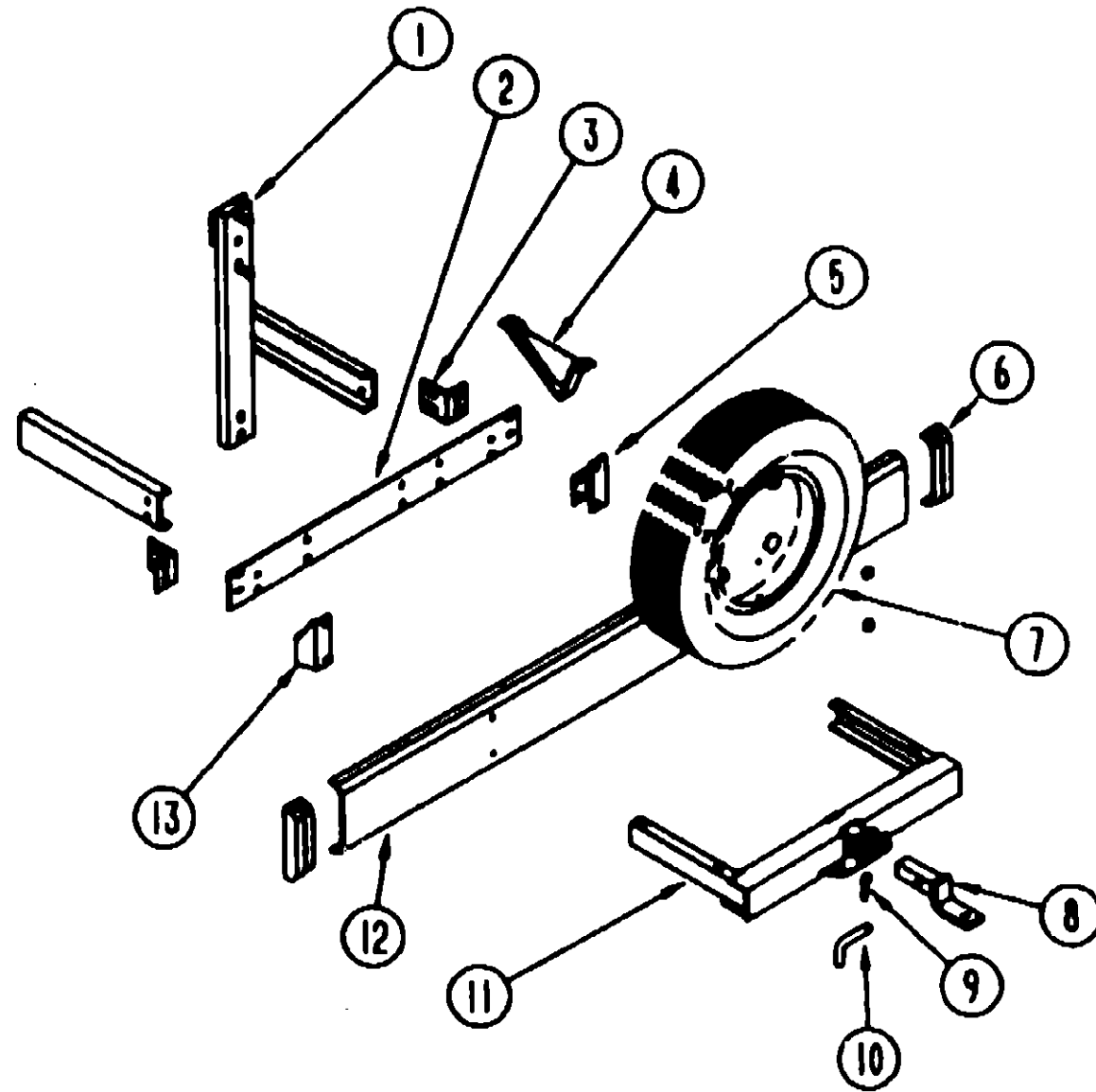
INTRODUCTION	A-01	A-02
ABBREVIATIONS		A-03
ALPHABETICAL INDEX	A-04	A-08
WCF27RC	A-07	D-18
WCF30RU	D-18	H-01

1992 WCF30RU INDEX

FLOOR PLAN	D-18	D-20
ACCESSORIES	D-21	E-02
BATH	E-03	E-04
BEDROOM	E-05	E-08
CHASSIS	E-07	E-14
C C & PAD	E-15	E-22
DNETTE	E-23	E-24
DRIVERS	F-01	F-04
ELECTRICAL	F-05	F-10
EXTERIOR BODY	F-11	F-16
GALLEY	F-17	F-18
HEATING & A/C	F-19	F-24
INTERIOR FINISH	G-01	G-03
LABEL		G-04
LP		G-05
LOUNGE		G-06
SEALANTS & FASTENERS	G-07	G-09
WATER & SEWAGE	G-10	G-18
WINDOW, VENT AND EXTERIOR DOOR	G-17	H-01

CHASSIS GROUP (CONTINUED)
REAR BUMPER & TRAILER TOWING COMPONENTS

KEY	PART NUMBER	UOM	DESCRIPTION
1	102944-01-000	EA	BRACKET ASM-TIRE CARRIER
	005200-01-000	EA	BOLT-RD HD SQ NECK W/ST CAP
2	078678-02-000	EA	PLATE-MTG,BUMPER,REAR
3	078698-01-000	EA	SUPPORT ANGLE,BUMPER REAR
4	083376-01-000	EA	SKID PLATE ASM
5	102945-03-000	EA	BRACKET ASM-BUMPER,REAR
6	103228-01-01A	EA	CAP-END,BUMPER REAR OW
7	083426-07-000	EA	TIRE-7.50 X R16 LRD, MICHELIN XPS RIB
8	077813-01-000	EA	DRAWBAR ASM ONLY
9	034513-01-000	EA	PIN-HITCH-3/16 WIRE
	070579-08-000	EA	PLATE ASM-ANCHOR
10	034512-01-000	EA	PIN-LOCKING-DRAWBAR
11	077817-01-000	EA	HITCH ASM W/O DRAWBAR
	000C12-08-24B	EA	BOLT-HEX-1/2-13X1 1/2 ZN
	000E11-08-00B	EA	WASHER-LK-1/2 MED SPLIT ZN
12	103099-01-02A	EA	BUMPER-REAR, OFF WHITE
13	102945-04-000	EA	BRACKET ASM-BUMPER,REAR



1992 WINNEBAGO
TABLE OF CONTENTS

INTRODUCTION	A-01	A-02
ABBREVIATIONS		A-03
ALPHABETICAL INDEX	A-04	A-08
WCF27RC	A-07	D-18
WCF30HU	D-19	H-01

1992 WCF30RU INDEX

FLOOR PLAN	D-19	D-20
ACCESSORIES	D-21	E-02
BATH	E-03	E-04
BEDROOM	E-05	E-08
CHASSIS	E-07	E-14
C C & PAD	E-15	E-22
DINETTE	E-23	E-24
DRIVERS	F-01	F-04
ELECTRICAL	F-05	F-10
EXTERIOR BODY	F-11	F-16
GALLEY	F-17	F-18
HEATING & AC	F-19	F-24
INTERIOR FINISH	G-01	G-03
LABEL		G-04
LP		G-05
LOUNGE		G-08
SEALANTS & FASTENERS	G-07	G-08
WATER & SEWAGE	G-10	G-16
WINDOW, VENT AND EXTERIOR DOOR	G-17	H-01

CHASSIS GROUP (CONTINUED)

AIRSHOCKS

KEY	PART NUMBER	U/M DESCRIPTION
	079942 01 000	EA SHOCK ABSORBER-STABILIZER FT
	084088 01 000	EA AIRSPRING-BELLOWS, REAR AXLE

EXHAUST COMPONENTS

KEY	PART NUMBER	U/M DESCRIPTION
	007131-01-000	EA HANGER-TAILPIPE
	101544-01-000	EA SHIELD-HEAT, EXHAUST - 19.7" X 28.9" - STEEL
	101544-03-000	EA SHIELD-HEAT, EXHAUST - 33.9" X 28.9" - STEEL

DIESEL CRUISE CONTROL

KEY	PART NUMBER	U/M DESCRIPTION
	102382-01-000	EA SPEED CONTROL-1991 CHEVY DIESEL, DANA 59L111020P
	102382-01-701	EA REGULATOR-ELECTRONIC, DANA 57C-08X13-R
	102382-01-702	EA MODULE-WIPER CONTROL, DANA 66D-00061
	102382-01-703	EA HARNESS-PIVOT SW TO WIPER CONTROL, DANA 59C-02973
	102382-01-704	EA HARNESS-MAIN WIRING, DANA 59D-02975
	102382-01-707	EA SWITCH & LEVER-CONTROL, DANA 53D-08X63-F

CANADIAN OPTION - CHEVY - GAS & DIESEL

KEY	PART NUMBER	U/M DESCRIPTION
	084798 05 000	EA CLUSTER-IP,IGN(CAN)GAS
	088641 01 000	EA LABEL-FUEL,UNLEADED,I.P.
	100138 01 000	EA DAYTIME RUNNING LIGHT MODULE
	108659 01 000	EA WIRE ASM-DAY RUN LAMPS

CHASSIS GROUP (CONTINUED)

CRUISE CONTROLS

KEY	PART NUMBER	U/M DESCRIPTION
	102382-01-000	EA SPEED CONTROL-1991 CHEVY, DANA 59L-111010B USED ON 1991 CHASSIS WITH IGNITION SWITCH ON STEERING COLUMN, IF SWITCH IS ON DASH USE 084988-03-000
	102382-01-700	EA CABLE-SERVO, CABLE ONLY - DANA 59C-03001
	102382-01-701	EA REGULATOR-ELECTRONIC, DANA 57C-08 X 13-R
	102382-01-702	EA WIPER CONTROL MODULE 66D-00061
	102382-01-703	EA HARNESS-PIVOT SW TO WIPER CONTRCL, DANA 59C-02973
	102382-01-704	EA HARNESS-MAIN WIRING, DANA 59D-02975
	102382-01-705	EA CLIP-THROTTLE RETAINER, DANA 59A-02821
	102382-01-706	EA STUD-THROTTLE, DANA 59A-02970
	102382-01-707	EA SWITCH & LEVER-CONTROL, DANA 53D-08 X 63-F
	102382-01-708	EA HEADLIGHT DIMMER MODULE ASM
	102382-01-710	EA ADAPT HARNESS FOR 056778-01-710

DIESEL ENGINE OPTION L33H - US & EXPORT

KEY	PART NUMBER	U/M DESCRIPTION
	081918 01 000	EA EXTENSION-EXHAUST 2.25 OD X

1992 WINNEBAGO

TABLE OF CONTENTS

INTRODUCTION	A-01 -	A-02
ABBREVIATIONS		A-03
ALPHABETICAL INDEX	A-04 -	A-08
WCF27RC	A-07 -	D-18
WCF30RU	D-19 -	H-01

1992 WCF30RU INDEX

FLOOR PLAN	D-19 -	D-20
ACCE/BOORIES	D-21 -	E-02
BATH	E-03 -	E-04
BEDROOM	E-05 -	E-08
CHASSIS	E-07 -	E-14
C C & PAD	E-15 -	E-22
DINETTE	E-23 -	E-24
DRIVERS	F-01 -	F-04
ELECTRICAL	F-05 -	F-10
EXTERIOR BODY	F-11 -	F-16
GALLEY	F-17 -	F-18
HEATING & A/C	F-19 -	F-24
INTERIOR FINISH	G-01 -	G-03
LABEL		G-04
LP		G-05
LOUNGE		G-06
SEALANTS & FASTENERS	G-07 -	G-08
WATER & SEWAGE	G-10 -	G-16
WINDOW, VENT AND EXTERIOR DOOR	G-17 -	H-01

CHASSIS GROUP (CONTINUED)

SUSPENSION SYSTEM AIRSPRING

KEY	PART NUMBER	U/M	DESCRIPTION
	084088-01-000	EA	AIRSPRING-BELLOWS, REAR AXLE - FIRESTONE# MHA224
	084088-01-700	EA	AIR BAG-ONLY, FIRESTONE# W21-780-0335
	084088-01-701	EA	TUBING-DOT 1/4" X 1/8" - FIRESTONE# 21-0938
	084088-01-703	EA	INFLATING VALVE-DOT 1/4" TUBING, FIRESTONE# 21-0931
	084088-01-704	EA	ELBOW CONNECTOR, FIRESTONE# 21-0935
	084088-01-705	EA	TUBING PROTECTORS, FIRESTONE# 21-0999
	084088-01-708	EA	BRACKET-UPPER TO FRAME, FIRESTONE# 21-0150
	084088-01-707	EA	BRACKET-LOWER, TOP - FIRESTONE# 21-1162
	084088-01-708	EA	AIRLINE SERVICE KIT, FIRESTONE# W21-780-2012
	084088-01-709	EA	HEAT SHIELD, FIRESTONE# 21-1004
	084088-01-710	EA	BOLT PACKAGE, FIRESTONE 2135823002
	084088-01-711	EA	HEAT SHIELD-224 DOB SYSTEM, FIRESTONE 21-5042
	084088-01-712	EA	BRACKET-LOWER DRIVERS 224DOB, FIRESTONE 21-5037
	084088-01-713	EA	AXLE STRAP BRACKET, FIRESTONE 21-1163
	084088-01-714	EA	AXLE STRAP BRACKET, FIRESTONE 21-5038
	084088-03-000	EA	BRACKET-AXLE, P30 CHASSIS - FIRESTONE# W21-780-2044

FROM: 08-27-91 THRU: 99-99-99

MISCELLANEOUS COMPONENTS

KEY	PART NUMBER	U/M	DESCRIPTION
	007083-01-000	FT	HOSE-GAS 1/4" ID X 1/2" OD
	007087-01-000	SF	INSULATION-FIBERGLASS, 1" THICK X 4' - INCREMENTS OF 4 SF
	007125-03-000	EA	CLAMP-MUFFLER - 1.5" DIA
	007125-04-000	EA	CLAMP-MUFFLER, 1.1" DIA
	007131-01-000	EA	HANGER-TAILPIPE
	008052-01-000	EA	CORD-POWER, 10/3 - 30 AMP - 25' - CANADIAN
	008388-01-000	EA	CONNECTOR-1/2" X 90 DEGREE, FLEX CONDUIT - UL AND CSA
	010487-01-000	EA	CLAMP-CLOSED, 5/8" ID
	020167-03-000	EA	DIRT GUARD-STEEL, FOR MUDFLAP
	024824-02-000	EA	RECEPTACLE-POWER CORD, W/PARTIAL PLATE
	041853-01-000	FT	CONDUIT-CONVOLUTED SLIT, 3/25" ID
	041853-03-000	FT	CONDUIT-CONVOLUTED SLIT, 1" ID (CLOTHES ROD COVER)
	051377-01-000	EA	STEM-VALVE
	065450-05-000	EA	TIEDOWN-BATTERY, 8.4" TUBE
	088432-03-000	EA	BRACKET-LICENSE PLATE
	088238-01-000	EA	COVER-ELECTRICAL BOX, WHOLE - 4" X 4" - GRAY USED WITH 30 OR 50 AMP RECEPTACLE
	070579-06-000	EA	PLATE-ANCHOR, W/7/16 WELD NUT - 1.5" X 3.3"
	072388-02-000	EA	TRIM-VINYLEGE BLACK - CHECK GM 14004305
	072447-04-000	EA	SHROUD-FUEL FILL, UPPER
	078310-01-000	EA	BAFFLE-RADIATOR, .12" X 15" X 82" - RUBBER
	077848-02-000	EA	STEP-PULLOUT
	078038-01-000	EA	EXTENSION-FRAME, FRONT
	081059-02-000	EA	WIRE ASM-9-PIN, RADIO - AUDIOVOX 112B-1781
	084918-01-000	EA	CLAMP-EXHAUST, 3" - GUILLOTINE STYLE
	088443-07-000	EA	SUPPORT-CAGE, FRONT - SIDE FRAME - 1.5" X 29.2" - STEEL
	100332-01-000	EA	PLATE-VALVE, AIR SPRING
	104408-01-C05	EA	COVER-TIRE, 32" BRAVE

FROM: 05-21-91 THRU: 99-99-99

CHASSIS GROUP (CONTINUED)

LUG WRENCH, MUD FLAP, DIRTGUARD, SPARE TIRE & PLATE

KEY	PART NUMBER	U/M	DESCRIPTION
	080208-01-000	EA	LUG WRENCH, 1.08X1.00
	080208-02-000	EA	LEVERAGE BAR-LUG WRENCH
	020167-03-000	EA	DIRT GUARD-STEEL, FOR MUDFLAP
		NOTE	RIM PROVIDED BY CHASSIS MANUFACTURER
	007324-04-000	EA	TIRE-8R19.5 LRD, MICHELIN XZA
	051377-01-000	EA	STEM-VALVE
	085888-02-000	EA	PLATE-SPARE TIRE, 3.8" X 5.8" - W/STUD

1992 WINNEBAGO

TABLE OF CONTENTS

INTRODUCTION	A-01	A-02
ABBREVIATIONS		A-08
ALPHABETICAL INDEX	A-04	A-08
WCF27RC	A-07	D-18
WCF30RU	D-19	H-01

1992 WCF30RU INDEX

FLOOR PLAN	D-19	D-20
ACCESSORIES	D-21	E-02
BATH	E-03	E-04
BEDROOM	E-05	E-08
CHASSIS	E-07	E-14
C C & PAD	E-15	E-22
DINETTE	E-23	E-24
DRIVERS	F-01	F-04
ELECTRICAL	F-05	F-10
EXTERIOR BODY	F-11	F-16
GALLEY	F-17	F-18
HEATING & AC	F-19	F-24
INTERIOR FINISH	G-01	G-03
LABEL		G-04
LP		G-05
LOUNGE		G-08
SEALANTS & FASTENERS	G-07	G-08
WATER & SEWAGE	G-10	G-16
WINDOW, VENT AND EXTERIOR DOOR	G-17	H-01

CHASSIS GROUP (CONTINUED)

ELECTRIC ENTRY STEP

KEY	PART NUMBER	U/M DESCRIPTION
	084707-01-01A	EA STEP-DOUBLE, ENTRANCE - ELECTRIC
	084707-01-700	EA CONTROL UNIT, KWIKEE 8310 FROM: 00-00-00 THRU: 03-15-91
	084707-02-705	EA CONTROL UNIT, (ORANGE) - KWIKEE 9513 FROM: 03-16-91 THRU: 99-99-99
	088748-01-701	EA MOTOR-ALL MODELS, KWIKEE 8035 FROM: 00-00-00 THRU: 03-15-91
	084707-02-700	EA MOTOR REPLACEMENT KIT - MODELS 32 & 29 - KWIKEE 9520 FROM: 03-16-91 THRU: 99-99-99
	084707-02-704	EA CONNECTOR KIT-MOTOR, KWIKEE 9537 FROM: 03-16-91 THRU: 99-99-99
	081201-01-700	EA LINKAGE ASSEMBLY, KWIKEE 8289 FROM: 00-00-00 THRU: 03-15-91
	084707-02-701	EA LINKAGE ASM - MODEL 32 - KWIKEE 9523 FROM: 03-16-91 THRU: 99-99-99
	088748-01-702	EA GEAR-ALL MODELS, KWIKEE 8018 FROM: 00-00-00 THRU: 03-15-91
	084707-02-702	EA GEAR KIT - KWIKEE 9525 FROM: 03-16-91 THRU: 99-99-99
	084707-02-703	EA PARTS KIT, (BEARINGS & PINS) - KWIKEE 9530 FROM: 03-16-91 THRU: 99-99-99
	088748-01-703	EA BRACKET, MOTOR BEARING, KWIKEE 7040
	088748-01-705	EA LIGHT-UNDER STEP, KWIKEE 9014
	088748-01-708	EA SWITCH-KILL, KWIKEE 9018
	084707-01-701	EA SWITCH-DOOR JAMB, PLASTIC - KWIKEE - 9316

CURTAIN, CUSHION & PAD GROUP

DRIVER & PASSENGER BUCKET SEATS

KEY	PART NUMBER	U/M DESCRIPTION
	083450 22 C05	EA SEAT-ROYALE,NHD,FAN ARMS
	083450 22 C08	EA SEAT-ROYALE,NHC,FAN ARMS
	M03445 22 C05	EA COVER-ROYALE,BACK,SHORT INS.
	M03445 22 C08	EA COVER-ROYALE,BACK,SHORT INS.
	M03445 23 C05	EA COVER-ROYALE,SEAT,SHORT INS.
	M03445 23 C08	EA COVER-ROYALE,SEAT,SHORT INS.
	080243 48 C05	EA ARMREST ASM-RT.,FAN
	080243 48 C08	EA ARMREST ASM-RT.,FAN
	M80243 48 C05	EA COVER ASM-ARMREST,FAN,RT
	M80243 48 C08	EA COVER ASM-ARMREST,FAN,RT
	080243 50 C05	EA ARMREST ASM-LT.,FAN
	080243 50 C08	EA ARMREST ASM-LT.,FAN
	M80243 50 C05	EA COVER ASM-ARMREST,FAN,LT
	M80243 50 C08	EA COVER ASM-ARMREST,FAN,LT
	071128 24 B05	EA SKIRT ASM-SGL
	071128 24 B08	EA SKIRT ASM-SGL
	088248-02-000	EA ADJUSTER ASM-SEAT W/O LOCK
	088248-02-700	EA SPRING F/SLIDE ADJUSTER
	088248-05-000	EA ADJUSTER ASM-TT,W/REMOTE
	088248-05-700	EA SPRING F/REMOTE ADJUSTER
	088248-05-701	EA CLIP ONLY F/CABLE ASM
	088885-29-000	EA BAR-SEAT BELT,20 INCH
	083481-04-000	EA PED-TOP PLATE, REMOTE SWIVEL W/O BELT BAR
	083482-01-000	EA PEDESTAL-13" SHROUD

1992 WINNEBAGO

TABLE OF CONTENTS

INTRODUCTION	A-01 -	A-02
ABBREVIATIONS		A-03
ALPHABETICAL INDEX	A-04 -	A-08
WCF27RC	A-07 -	D-18
WCF30RU	D-19 -	H-01

1992 WCF30RU INDEX

FLOOR PLAN	D-19 -	D-20
ACCESSORIES	D-21 -	E-02
BATH	E-03 -	E-04
BEDROOM	E-05 -	E-08
CHASSIS	E-07 -	E-14
C C & PAD	E-15 -	E-22
DINETTE	E-23 -	E-24
DRIVERS	F-01 -	F-04
ELECTRICAL	F-05 -	F-10
EXTERIOR BODY	F-11 -	F-16
GALLEY	F-17 -	F-18
HEATING & AC	F-19 -	F-24
INTERIOR FINISH	G-01 -	G-03
LABEL		G-04
LP		G-05
LOUNGE		G-06
SEALANTS & FASTENERS	G-07 -	G-08
WATER & SEWAGE	G-10 -	G-16
WINDOW, VENT AND		
EXTERIOR DOOR	G-17 -	H-01

CURTAIN, CUSHION & PAD GROUP (CONTINUED)

HARDWARE, BLINDS, CURTAINS & TRACKS

KEY	PART NUMBER	U/M	DESCRIPTION
	046887-01-000	EA	GROMMET-BRASS - 7/16" ID X 1" OD
	008112-01-000	EA	FLANGE-1" ROD, CLOTHES - PLASTIC - OFF WHITE
	075880-02-000	EA	ROD-CLOTHES, 27" TO 36" - ADJUSTABLE
	083170-01-000	EA	BRACKET-BLIND, FRONT
	083170-02-000	EA	BRACKET-BLIND, REAR
	086591-02-000	EA	BRACKET-BLIND, HOLD-DOWN - W/PIN
	102555-01-000	EA	CLEAT-COFT., BLIND - OFF WHITE
	089916-01-000	EA	MOUNT-WINDOW LEG, BLACK
	078155-01-000	EA	STRAP-BACK CUSHION, SNAP
	029155-01-000	EA	CAP-SNAP, NICKEL
	029156-01-000	EA	SOCKET-SNAP FASTENER, NICKEL
	059797-02-000	EA	SHELL-BUTTON, PLASTIC - # 30
	088734-01-000	EA	BACK-BUTTON, DURASNAP - # 30
	029084-04-000	YD	VELCRO TAPE-LOOP, 1" WIDE - BLACK
	029088-03-000	YD	VELCRO TAPE-HOOK, 1" WIDE - BLACK
	088702-02-000	YD	VELCRO TAPE-LOOP, ADHESIVE BACKED - 3/4" - BEIGE
	046384-02-000	YD	VELCRO TAPE-HOOK, ADHESIVE BACK - .75" WIDE - BEIGE
	106324-02-01A	EA	TRACK-CURTAIN, WRAPAROUND - PASSENGER - OFF WHITE
	106324-03-01A	EA	TRACK-CURTAIN, WRAPAROUND - DRIVER - OFF WHITE
	087825-01-000	EA	HOOK-DRAPERY
	057534-01-000	EA	TIEBACK-CURTAIN, 6" - PLASTIC - CLEAR
	088522-03-000	EA	PANEL-PLASTIC LEG, 27" - BLACK TWO SIDED
	083170-01-000	EA	BRACKET-MOUNTING, MINI BLIND RIGHT
	083170-02-000	EA	BRACKET-MOUNTING, MINI BLIND LEFT
	086591-02-000	EA	BRACKET-HOLDDOWN, MINI BLIND

CURTAIN, CUSHION & PAD GROUP (CONTINUED)

FABRIC & TRIMS

KEY	PART NUMBER	U/M	DESCRIPTION
	078880-01-000	YD	FABRIC-VINYL, 54" WIDE - BUCKSKIN
	078880-08-000	YD	FABRIC-VINYL, 54" WIDE - OFF WHITE
	052388-01-W30	FT	TRIM-EDGE, VINYL - 1.5" WIDE - ACCENT
	029012-01-000	BF	FOAM-ROLLED, 3/8" THICK - 72" WIDE
	088008-76-000	YD	FABRIC-UPHOLSTERY, 54" - SUNSET, SANBEL C05
	088008-79-000	YD	FABRIC-UPHOLSTERY, 54" - SMOKEY, SANBEL C06
	088008-77-000	YD	FABRIC-UPHOLSTERY, PATTERN - 54" - EGGPLANT, CHARPAY C05
	088008-81-000	YD	FABRIC-UPHOLSTERY, PATTERN - 54" - RYAN, CHARPAY C05
	088008-86-000	YD	FABRIC-UPHOLSTERY, PATTERN - 54" - ROSEWOOD, DONEGAL C05
	088008-82-000	YD	FABRIC-UPHOLSTERY, PATTERN - 54" - SUNSET C05
	088008-78-000	YD	FABRIC-UPHOLSTERY, PLAIN - 54" - EGGPLANT, CHARPAY C05 FROM: 00-00-00 THRU: 09-10-91
	088008-80-000	YD	FABRIC-UPHOLSTERY, PLAIN - 54" - RYAN, CHARPAY C05 FROM: 00-00-00 THRU: 09-10-91
	072333-82-000	YD	FABRIC-DRAPERY
	104233-29-000	YD	FABRIC-UPHOLSTERY, PLAIN - 54" C05 FROM: 09-09-91 THRU: 99-99-99
	104233-28-000	YD	FABRIC-UPHOLSTERY, PLAIN - 54" C06 FROM: 09-09-91 THRU: 99-99-99
	087272-01-000	YD	FABRIC-LINING, CURTAIN - 48" WIDE - IVORY
	088273-84-000	YD	FABRIC-BEDSPREAD, FROST, CYCLAMEN C05
	088273-89-000	YD	FABRIC-BEDSPREAD, MICHELLE, LILAC C06
	088273-87-000	YD	FABRIC-BEDSPREAD, SLATE
	081828-01-000	YD	BACKING-QUILTING, MATTRESS COVER - 58" WIDE - WHITE
	088273-88-000	YD	FABRIC-BEDSPREAD, 54" - FROST C05
	088273-89-000	YD	FABRIC-BEDSPREAD, 54" - SKY C06
	088273-72-000	YD	FABRIC-BEDSPREAD, 54" - CHANTILY, MICHE C05
	088273-88-000	YD	FABRIC-BEDSPREAD, 54" - CHANTILY, GREEN MIST C06
	078348-01-885	YD	WELTING-FABRIC, ACCENT FABRIC
	078348-04-C05	YD	WELTING-FABRIC, NARROW ACCENT

FLOOR COVERINGS & TRIMS

KEY	PART NUMBER	U/M	DESCRIPTION
	083488-01-000	SY	CARPET-COMPARTMENT, 54" WIDE - DARK GRAY
	088080-41-000	SY	CARPET-12' ROLL, #507 - LIGHT EGGPLANT - INCREMENTS OF 4 SY
	047034-02-000	SF	PLASTIC-CARPET, 4" WIDE - CLEAR POLY
	075233-01-000	SY	PAD-CARPET, 3/8" X 6" ROLL
	078314-02-000	FT	TAPE-CARPET SEAM, HEAT BONDED
	085748-01-000	FT	TRIM-J, CARPET - 1.2" X 5" ANGLE - 10' LONG - PVC - BEIGE

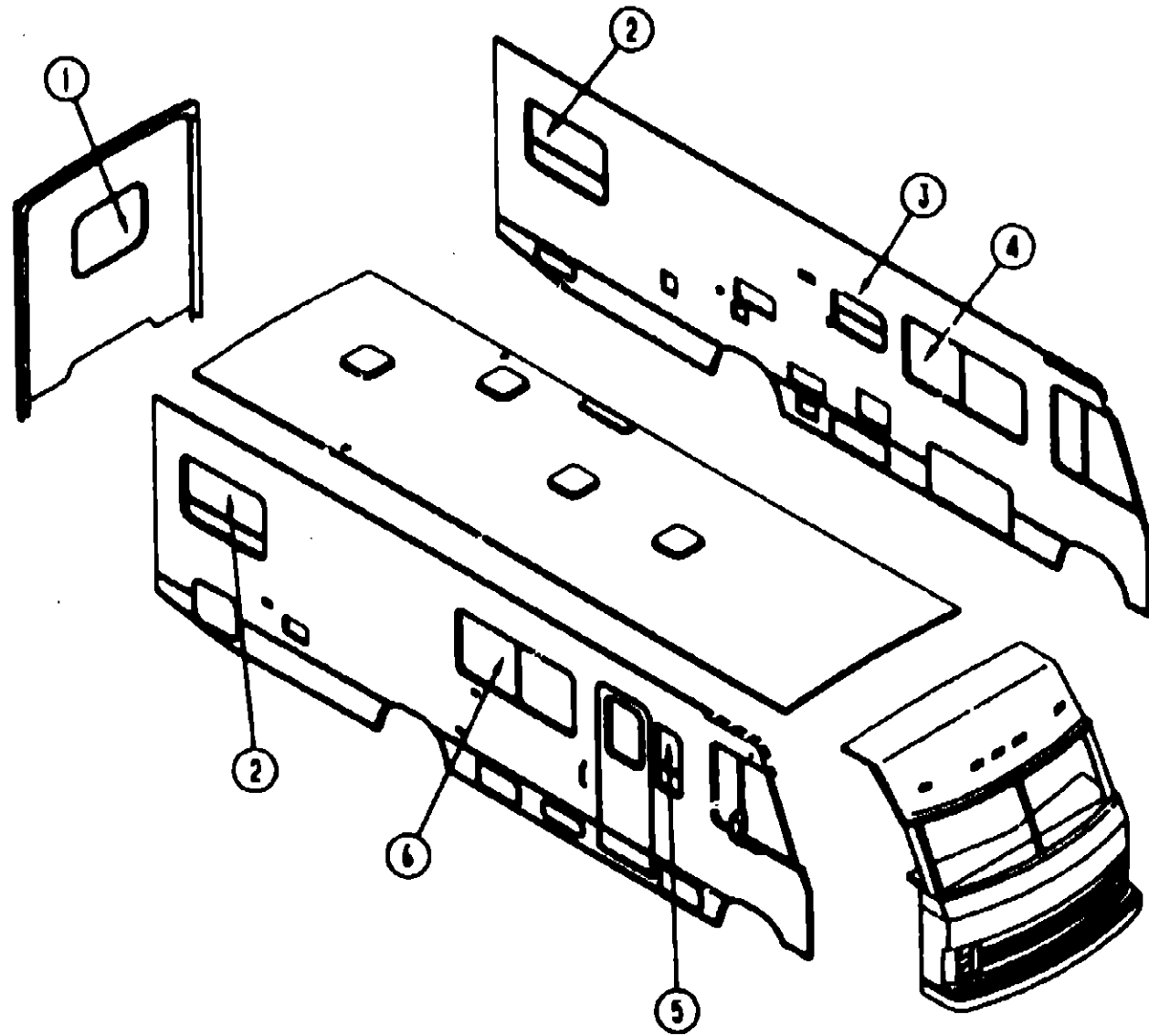
**1992 WINNEBAGO
TABLE OF CONTENTS**

INTRODUCTION	A-01 -	A-02
ABBREVIATIONS		A-03
ALPHABETICAL INDEX	A-04 -	A-08
WCF27RC	A-07 -	D-18
WCF30RU	D-19 -	H-01

1992 WCF30RU INDEX

FLOOR PLAN	D-19 -	D-20
ACCESSORIES	D-21 -	E-02
BATH	E-03 -	E-04
BEDROOM	E-05 -	E-08
CHASSIS	E-07 -	E-14
C C & PAD	E-15 -	E-22
DINETTE	E-23 -	E-24
DRIVERS	F-01 -	F-04
ELECTRICAL	F-05 -	F-10
EXTERIOR BODY	F-11 -	F-16
GALLEY	F-17 -	F-18
HEATING & AC	F-19 -	F-24
INTERIOR FINISH	G-01 -	G-03
LABEL		G-04
LP		G-05
LOUNGE		G-06
SEALANTS & FASTENERS	G-07 -	G-09
WATER & SEWAGE	G-10 -	G-16
WINDOW, VENT AND		
EXTERIOR DOOR	G-17 -	H-01

CURTAIN, CUSHION & PAD GROUP (CONTINUED)



REAR BEDROOM WINDOW TREATMENT

KEY	PART NUMBER	U/M DESCRIPTION
1	104156-03-C05	EA VALANCE ASM. 52"CONTINENTAL W/DBL.RUF
1	104156-03-C06	EA VALANCE ASM. 52"CONTINENTAL W/DBL.RUF
1	104157-01-C05	EA CURT/LEG ASM 27".RT.
1	104157-01-C06	EA CURT/LEG ASM 27".RT.
1	104157-02-C05	EA CURT/LEG ASM 27".LT.
1	104157-02-C06	EA CURT/LEG ASM 27".LT.
1	073280-52-C05	EA TIEBACK ASM-3X15,GATHERED
1	073280-52-C06	EA TIEBACK ASM-3X15,GATHERED
1	093475-66-02A	EA BLIND-MINI, 48" x 27" DRP. C05
1	093475-68-03A	EA BLIND-MINI, 48" x 27" DRP. C06

SIDE BEDROOM WINDOW TREATMENT

KEY	PART NUMBER	U/M DESCRIPTION
2	104156-02-C05	EA VALANCE ASM.-45"CONTINENTAL W/DBL.RUF
2	104156-02-C06	EA VALANCE ASM.-45"CONTINENTAL W/DBL.RUF
2	104157-01-C05	EA CURT/LEG ASM-27".RT.
2	104157-01-C06	EA CURT/LEG ASM-27".RT.
2	104157-02-C05	EA CURT/LEG ASM-27".LT.
2	104157-02-C06	EA CURT/LEG ASM-27".LT.
2	073280-52-C05	EA TIEBACK ASM-3X15,GATHERED
2	073280-52-C06	EA TIEBACK ASM-3X15,GATHERED
2	093475-79-01A	EA BLIND-MINI,42X28 DRP. C05
2	093475-79-02A	EA BLIND-MINI,42X28 DRP. C06

CURTAIN, CUSHION & PAD GROUP (CONTINUED)

GALLEY WINDOW TREATMENT

KEY	PART NUMBER	U/M DESCRIPTION
3	103986-05 B05	EA VALANCE ASM. 28.5" ARCH,2-TONED C05
		FROM 00-00-00 THRU 04-14-91
3	103986 05 CA9	EA VALANCE ASM. 28.5" ARCH,2-TONED C06
		FROM 04-15-91 THRU 99-99-99
3	103986 07 B06	EA VALANCE ASM. 28.5" ARCH,2-TONED C06
3	093475-32-08A	EA BLIND-MINI,27X18.5 DROP C05
3	093475-32-10A	EA BLIND-MINI,27X18.5 DROP C06

DRIVERS LOUNGE WINDOW TREATMENT

KEY	PART NUMBER	U/M DESCRIPTION
4	103986-27-C05	EA VALANCE ASM.-65"ARCH,W/BRASS
4	103986 28-C06	EA VALANCE ASM.-65"ARCH,W/BRASS
4	100281-45-C05	EA LEG-RT.W/U-BRASS,N/HOLE 27"
4	100281-65-C05	EA LEG-RT.W/U-BRASS,N/HOLE 27"
4	100281-46-C05	EA LEG-LT.W/U-BRASS,N/HOLE 27"
4	100281-66-C05	EA LEG-LT.W/U-BRASS,N/HOLE 27"
4	093475-76-01A	EA BLIND-MINI,60X28.5 DROP C05
4	093475-76-02A	EA BLIND-MINI,60X28.5 DROP C06

PASSENGER SIDE LOUNGE WINDOW TREATMENT

KEY	PART NUMBER	U/M DESCRIPTION
5	103986-29-C05	EA VALANCE ASM.-16"ARCH,W/BRASS
5	103986-30-C06	EA VALANCE ASM.-16"ARCH,W/BRASS
5	093475-82-01A	EA BLIND-MINI,14.5X34.5DRP. C05
5	093475 82 02A	EA BLIND-MINI,14.5X34.5DRP. C06

DINETTE WINDOW TREATMENT

KEY	PART NUMBER	U/M DESCRIPTION
6	103986-27-C05	EA VALANCE ASM.-65"ARCH,W/BRASS
6	103986-28-C06	EA VALANCE ASM.-65"ARCH,W/BRASS
6	100281-45-C05	EA LEG-RT.W/U-BRASS,N/HOLE 27"
6	100281-65-C05	EA LEG-RT.W/U-BRASS,N/HOLE 27"
6	100281-46-C05	EA LEG-LT.W/U-BRASS,N/HOLE 27"
6	100281-66-C05	EA LEG-LT.W/U-BRASS,N/HOLE 27"
6	093475-76-01A	EA BLIND-MINI, 60 X 28.5 DROP C05
6	093475-76-02A	EA BLIND-MINI, 60 X 28.5 DROP C06

WINDSHIELD CURTAINS & TIEBACKS

KEY	PART NUMBER	U/M DESCRIPTION
	097964-08-C05	EA CURTAIN ASM-36 X 78 HOOK/BRAID
		FROM: 00-00-00 THRU: 07-14-91
	097964-08-C06	EA CURTAIN ASM-36 X 78 HOOK/BRAID
		FROM: 00-00-00 THRU: 07-14-91
	101688-29-C05	EA CURTAIN ASM-36X78 TAPE TOP,W/BRAID
		FROM: 07-15-91 THRU: 99-99-99
	101688-29-C06	EA CURTAIN ASM-36X78 TAPE TOP,W/BRAID
		FROM: 07-15-91 THRU: 99-99-99
	073280-50-C05	EA TIEBACK ASM.- 6 X 18 W/BRAID
	073280-50-C06	EA TIEBACK ASM.- 6 X 18 W/BRAID
	101688-25-C05	EA CURTAIN ASM-40X40,TAPE TOP W/BUNK
	101688-25-C06	EA CURTAIN ASM-40X40,TAPE TOP W/BUNK
	101688-26-C05	EA CURTAIN ASM-38X125,TAPE TOP
	101688-26-C06	EA CURTAIN ASM-38X125,TAPE TOP

1992 WINNEBAGO

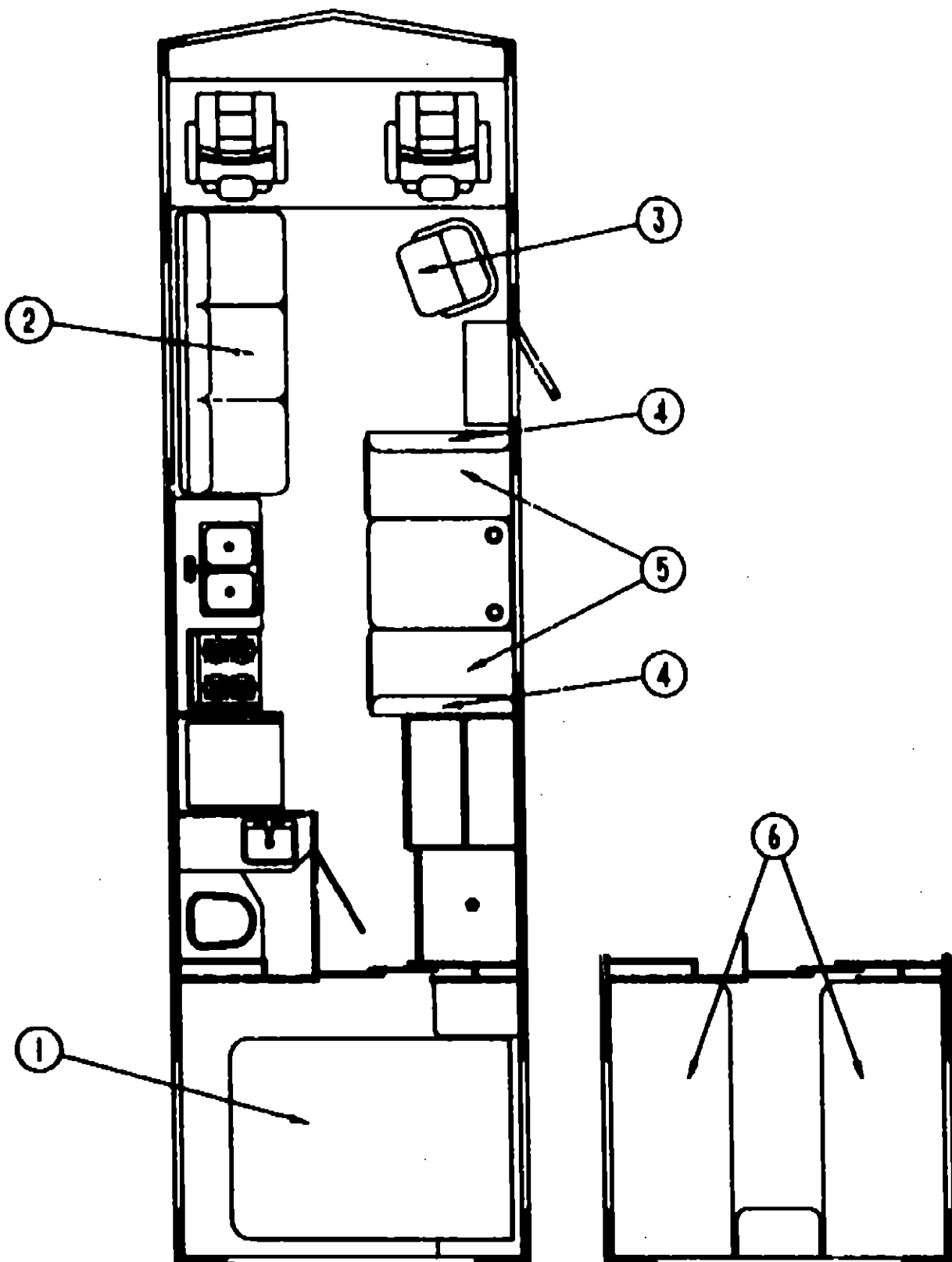
TABLE OF CONTENTS

INTRODUCTION	A-01 -	A-02
ABBREVIATIONS		A-03
ALPHABETICAL INDEX	A-04 -	A-06
WCF27RC	A-07 -	D-18
WCF30RU	D-19 -	H-01

1992 WCF30RU INDEX

FLOOR PLAN	D-19 -	D-20
ACCESSORIES	D-21 -	E-02
BATH	E-03 -	E-04
BEDROOM	E-05 -	E-06
CHASSIS	E-07 -	E-14
C C & PAD	E-15 -	E-22
DINETTE	E-23 -	E-24
DRIVERS	F-01 -	F-04
ELECTRICAL	F-05 -	F-10
EXTERIOR BODY	F-11 -	F-16
GALLEY	F-17 -	F-18
HEATING & A/C	F-19 -	F-24
INTERIOR FINISH	G-01 -	G-03
LABEL		G-04
LP		G-05
LOUNGE		G-06
SEALANTS & FASTENERS	G-07 -	G-09
WATER & SEWAGE	G-10 -	G-16
WINDCW, VENT AND		
EXTERIOR DOOR	G-17 -	H-01

CURTAIN, CUSHION & PAD GROUP (CONTINUED)



BEDSPREADS & MATTRESSES

KEY	PART NUMBER	U/M DESCRIPTION
1	101123 01 000	EA MATTRESS COMPLETE-FOAM, 53 X 74
	P01123 01 000	EA COVER-MATTRESS, 53 X 74,FOAM
	082371 17 C05	EA BEDSPREAD- 54" FIT.W/RUFFLE
	082371 17 C08	EA BEDSPREAD- 54" FIT.W/RUFFLE
	102161 02 C05	EA SHAM ASM-W/PILLOW INSERT
	102161 02 C08	EA SHAM ASM-W/PILLOW INSERT

CURTAIN, CUSHION & PAD GROUP (CONTINUED)

DRIVERS SIDE COUCH

KEY	PART NUMBER	U/M DESCRIPTION
2	100032 06 CA9	EA BED ASM-PRESTO,BACK,FAN,REG. C06
2	P00032 06 CA9	EA COVER ASM-PRESTO,BACK,FAN C06
2	100032 05 B88	EA BED ASM-PRESTO,BACK,FAN,REG C08
2	P00032 05 B88	EA COVER ASM-PRESTO,BACK,FAN C08
2	100032 08 CA9	EA BED ASM-PRESTO,SEAT,FAN,REG C06
2	P00032 08 CA9	EA COVER ASM-PRESTO,SEAT,FAN C06
2	100032 08 B88	EA BED ASM-PRESTO,SEAT,FAN,REG C08
2	P00032 08 B88	EA COVER ASM-PRESTO,SEAT,FAN C08
	101085 08 000	EA FRAME-74.75" BASE
	103889 01 B85	EA PILLOW ASM-18X18 THROW C05
	103889 01 B88	EA PILLOW ASM-18X18 THROW C08
	P01989 01 CA9	EA COVER-PANEL SOFA END CAP
	P01989 01 B88	EA COVER-PANEL SOFA END CAP

PASSENGER SIDE SWIVEL CHAIR

KEY	PART NUMBER	U/M DESCRIPTION
3	088429 09 C05	EA CHAIR-ARIA W/SEW LINES-SEAT
3	M88429 09 C06	EA COVER - CHAIR-ARIA W/SEW LINES-SEAT
3	088429 09 C08	EA CHAIR-ARIA W/SEW LINES-SEAT
3	M88429 09 C08	EA COVER - CHAIR-ARIA W/SEW LINES-SEAT
	089202 04 B88	EA SKIRT ASM - ARIA C05
	M89202 04 B88	EA COVER ASM.- SKIRT - ARIA C06
	089202 04 B85	EA SKIRT ASM - ARIA C08
	M89202 04 B85	EA COVER ASM.- SKIRT - ARIA C08
	083481-02-000	EA PEDESTAL-10" SUB-PLATE
	083481-04-000	EA PED-TOP PLATE, REMOTE SWIVEL W/O BELT BAR
	083482-01-000	EA PEDESTAL-13" SHROUD BLACK PLASTIC
	089248-08-000	EA ADJUSTER ASM-TT, MANUAL
	089248-07-000	EA ADJUSTER ASM-TT, MAN. W/HAND
	007221-01-000	EA SPACER-SEAT-ADJUSTER

BACKREST CUSHIONS

KEY	PART NUMBER	U/M DESCRIPTION
4	104146-01-C05	EA CUSHION-13.5 X 38X5 FAN VICTORIAN
4	P04146-01-C05	EA COVER-13.5 X 38X5 FAN VICTORIA
4	104146-01-C08	EA CUSHION-13.5 X 38X5 FAN VICTORIAN
4	P04146-01-C08	EA COVER-13.5 X 38X5 FAN VICTORIA

SEAT CUSHIONS

KEY	PART NUMBER	U/M DESCRIPTION
5	088927-88-CA9	EA CUSHION-21 X 38 X 5,DINETTE SEAT
5	M88927-88-CA9	EA COVER-21 X 38 X 5,DINETTE SEAT
5	088927-88-B88	EA CUSHION-21 X 38 X 5,DINETTE SEAT
5	M88927-88-B88	EA COVER-21 X 38 5,DINETTE SEAT

BEDSPREADS & MATTRESSES

KEY	PART NUMBER	U/M DESCRIPTION
6	082371 19 C05	EA BEDSPREAD-33"FITTED W/RUFFLE,PASSENGERS
6	082371 19 C08	EA BEDSPREAD-33"FITTED W/RUFFLE,PASSENGERS
6	082371 20 C05	EA BEDSPREAD-33"FITTED W/RUFFLE,DRIVERS
6	082371 20 C08	EA BEDSPREAD-33"FITTED W/RUFFLE,DRIVERS
6	101123 02 000	EA MATTRESS COMPLETE-FOAM 32X74
	P01123-02-000	EA COVER-MATTRESS,32X74
	104250 01 C05	EA PILLOW ASM-14X14 W/RUFFLE
	104250 01 C08	EA PILLOW ASM-14X14 W/RUFFLE

FRONT OVERHEAD BUNK

KEY	PART NUMBER	U/M DESCRIPTION
	079145-06-000	EA CUSHION ASM-BUNK
	M79145-06-000	EA COVER - ASM-BUNK 30.00 X 78.00

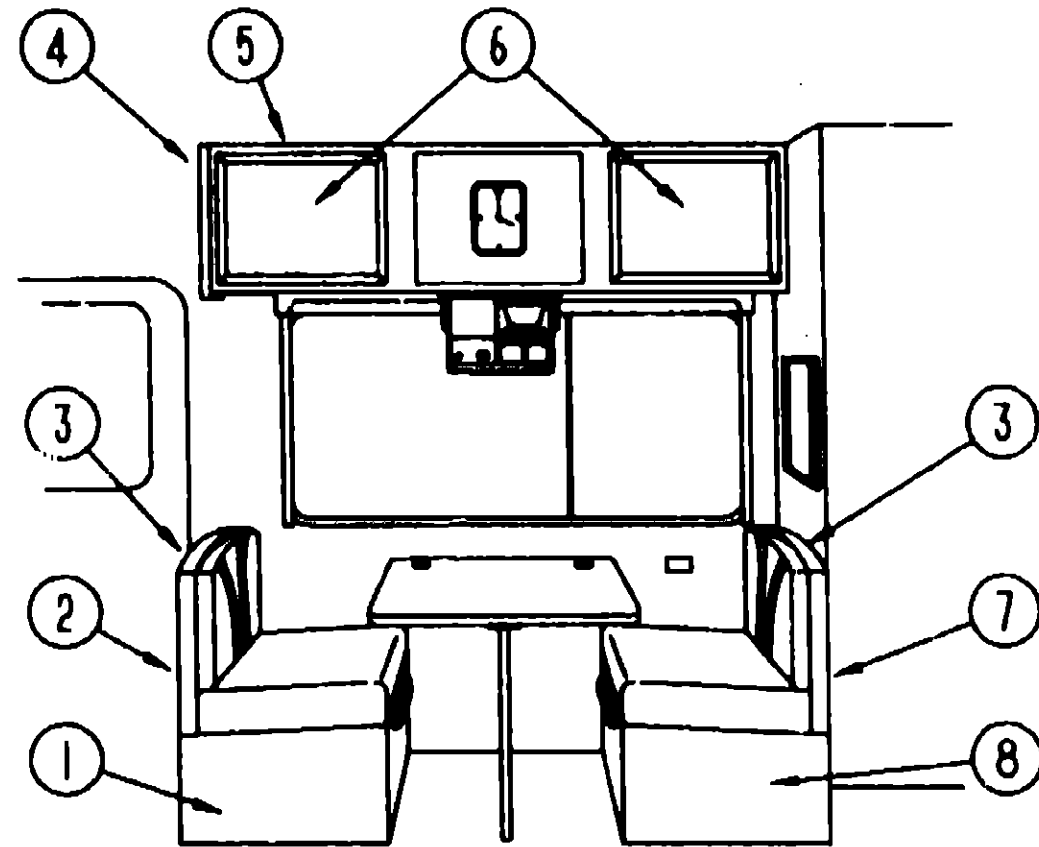
**1992 WINNEBAGO
TABLE OF CONTENTS**

INTRODUCTION	A-01 -	A-02
ABBREVIATIONS		A-03
ALPHABETICAL INDEX	A-04 -	A-08
WCF27RC	A-07 -	D-18
WCF30RU	D-19 -	H-01

1992 WCF30RU INDEX

FLOOR PLAN	D-19 -	D-20
ACCESSORIES	D-21 -	E-02
BATH	E-03 -	E-04
BEDROOM	E-05 -	E-08
CHASSIS	E-07 -	E-14
C C & PAD	E-15 -	E-22
DINETTE	E-23 -	E-24
DRIVERS	F-01 -	F-04
ELECTRICAL	F-05 -	F-10
EXTERIOR BODY	F-11 -	F-16
GALLEY	F-17 -	F-18
HEATING & A/C	F-19 -	F-24
INTERIOR FINISH	G-01 -	G-03
LABEL		G-04
LP		G-05
LOUNGE		G-08
SEALANTS & FASTENERS	G-07 -	G-08
WATER & SEWAGE	G-10 -	G-16
WINDOW, VENT AND EXTERIOR DOOR	G-17 -	H-01

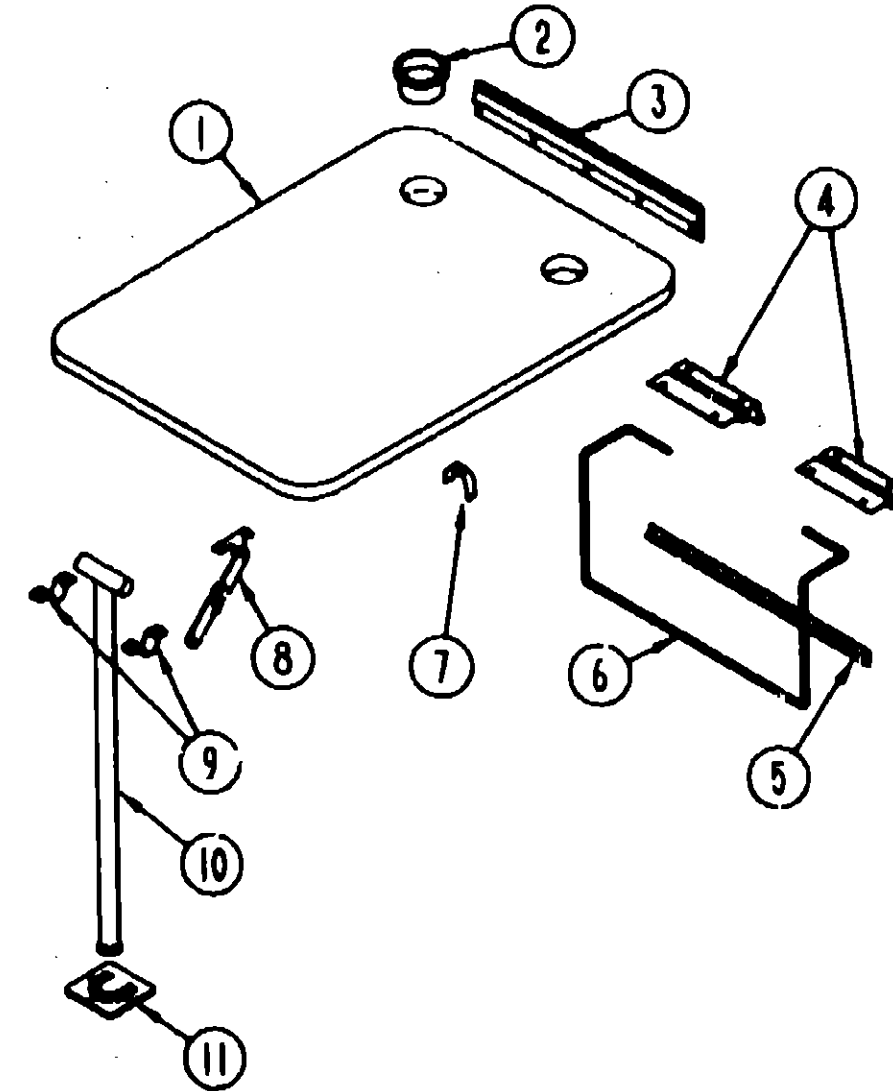
DINETTE GROUP



DINETTE CABINETRY

KEY	PART NUMBER	U/M DESCRIPTION
1	M04175-05-C05 103598-12-C05	EA CABINET-SEATBASE LH EA SEAT ASM - W/HINGE
2	M04174-05-C05	EA CABINET-SEATBACK LH
3	104787-01-C05	EA PAD ASM-DINETTE
4	103128-02-C05	EA CAP ASM-END,OVERHEAD,LH
5	M05019-50-C05	EA CABINET ASM-OVHD,DINETTE
6	P04746-02-C05 004354-01-000	EA DOOR ASM-HDW-MITERED OGEE - W/O HARDWARE EA BUMPER-CABINET DOOR, RUBBER - BROWN
7	M04174-04-C05	EA CABINET-SEATBACK RH
8	M04175-04-C05 103598-11-C05 091257-08-000 104784-01-01A 103799-01-01A	EA CABINET-SEATBASE RH EA SEAT ASM - W/HINGE EA HANDLE-ASSIST, DINETTE BACK, REGAL OAK EA CLOCK-WALL SPARTUS EA COFFEEMAKER ALMOND

DINETTE GROUP (CONTINUED)



DINETTE TABLE

KEY	PART NUMBER	U/M DESCRIPTION
1	M81299-06-C05	EA TABLE-DINETTE, W/O EDGE BAND OR HARDWARE
2	064781-08-000	EA HOLDER-CUP, TWO STEP - OFF WHITE
3	053200-05-000 004354-01-000	EA SUPPORT-TABLE, 23.5", BEIGE EA BUMPER-RUBBER - BROWN
4	088410-01-000	EA BRACKET-LIFT, TABLE MOUNTED - BEIGE
5	024281-07-000	EA BRACKET-LIFT ROD, LOWER WALL MOUNTED - 17.12" - BEIGE
6	024275-05-000	EA ROD-TABLE LIFT, 8" X 18.5" - BEIGE
7	024283-01-000	EA CLIP-LEG, 1" X 1.125" OD - BLACK
8	024282-01-000	EA BRACE-TABLE LEG, HINGED
9	064050-03-000	EA CLAMP-SADDLE, LEG HINGE - BEIGE
10	024278-21-000	EA LEG-TABLE, METAL - BEIGE
11	049493-11-700	EA CATCH-TABLE LEG, FLOOR MOUNTED - BEIGE

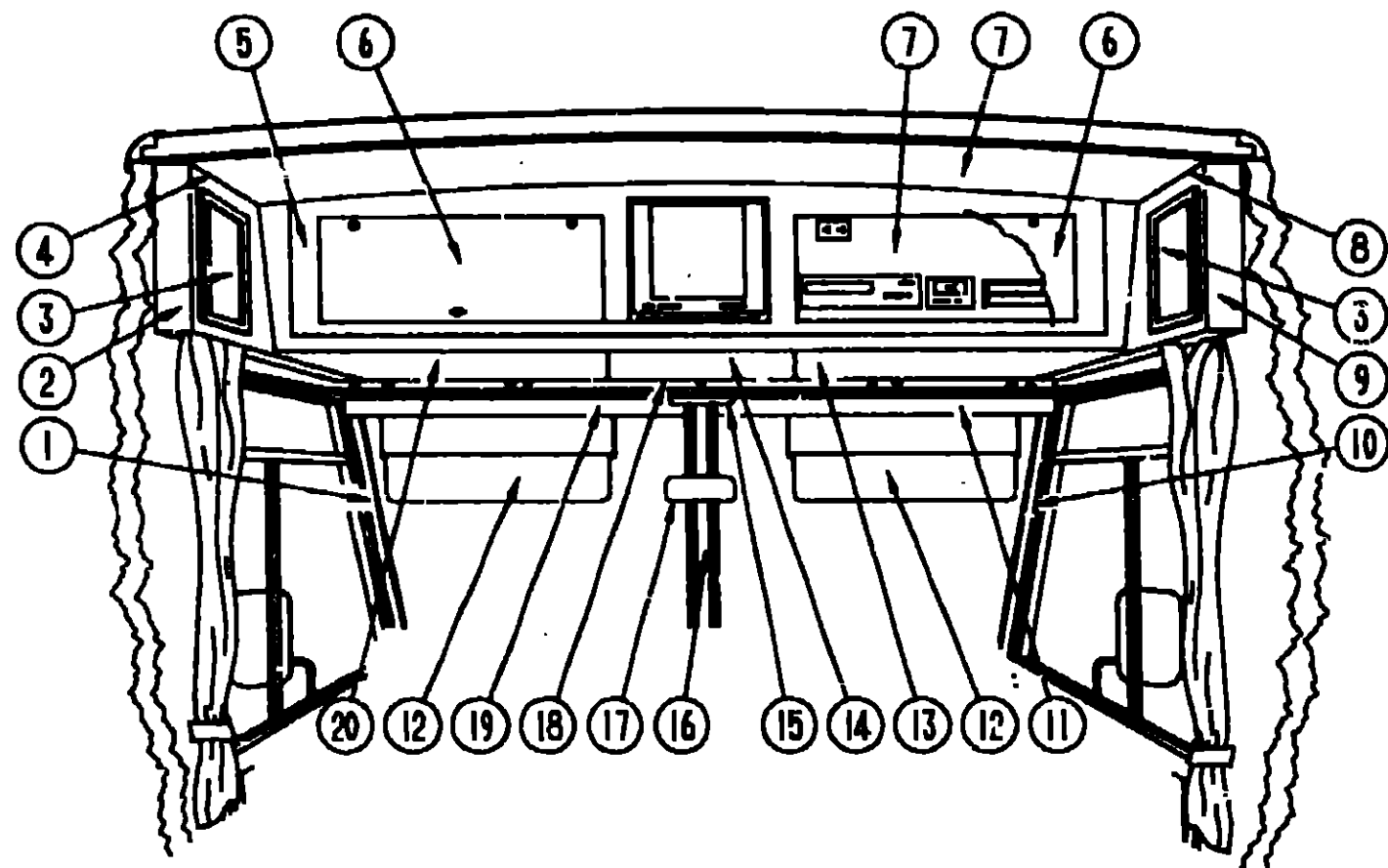
**1992 WINNEBAGO
TABLE OF CONTENTS**

INTRODUCTION	A-01 -	A-02
ABBREVIATIONS		A-03
ALPHABETICAL INDEX	A-04 -	A-08
WCF27RC	A-07 -	D-18
WCF30RU	D-19 -	H-01

1992 WCF30RU INDEX

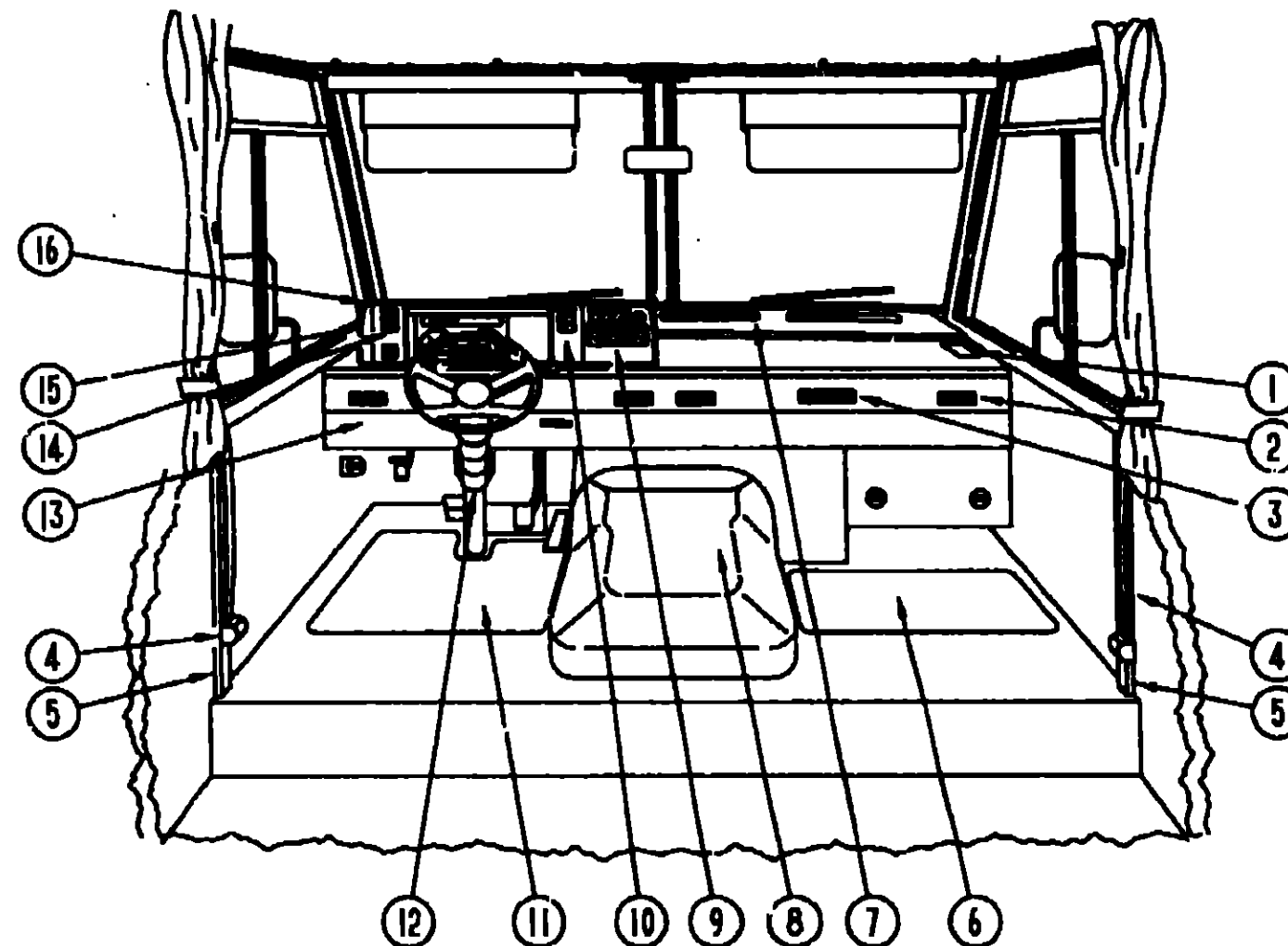
FLOOR PLAN	D-19 -	D-20
ACCESSORIES	D-21 -	E-02
BATH	E-03 -	E-04
BEDROOM	E-05 -	E-08
CHASSIS	E-07 -	E-14
C C & PAD	E-15 -	E-22
DINETTE	E-23 -	E-24
DRIVERS	F-01 -	F-04
ELECTRICAL	F-05 -	F-10
EXTERIOR BODY	F-11 -	F-16
GALLEY	F-17 -	F-18
HEATING & A/C	F-19 -	F-24
INTERIOR FINISH	G-01 -	G-03
LABEL		G-04
LP		G-06
LOUNGE		G-08
SEALANTS & FASTENERS	G-07 -	G-09
WATER & SEWAGE	G-10 -	G-16
WINDOW, VENT AIR		
EXTERIOR DOOR	G-17 -	H-01

DRIVERS COMPARTMENT GROUP



DRIVERS COMPARTMENT

DRIVERS COMPARTMENT GROUP (CONTINUED)



DRIVERS COMPARTMENT CONT

1992 WINNEBAGO

TABLE OF CONTENTS

INTRODUCTION	A-01 -	A-02
ABBREVIATIONS		A-03
ALPHABETICAL INDEX	A-04 -	A-06
WCF27RC	A-07 -	D-18
WCF30RU	D-19 -	H-01

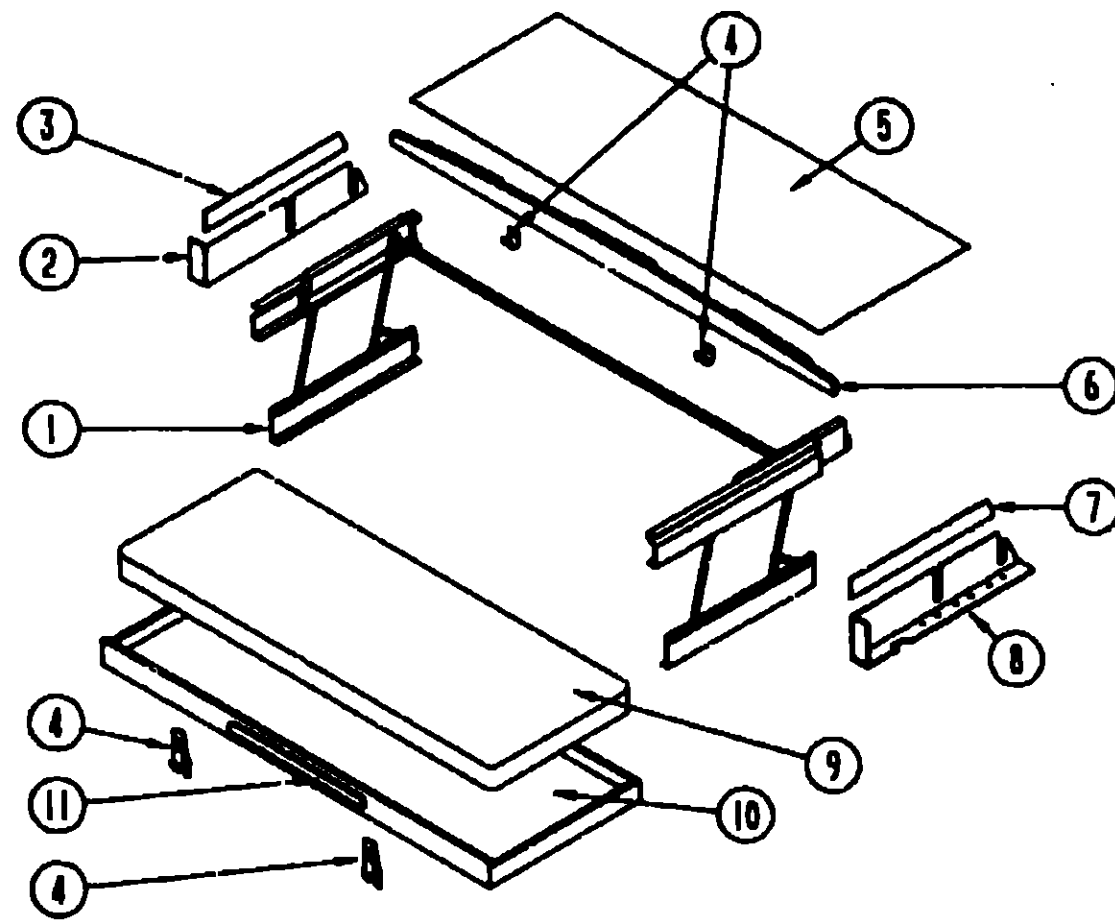
1992 WCF30RU INDEX

FLOOR PLAN	D-19 -	D-20
ACCESSORIES	D-21 -	E-02
BATH	E-03 -	E-04
BEDROOM	E-05 -	E-06
CHASSIS	E-07 -	E-14
C C & PAD	E-15 -	E-22
DINETTE	E-23 -	E-24
DRIVERS	F-01 -	F-04
ELECTRICAL	F-05 -	F-10
EXTERIOR BODY	F-11 -	F-16
GALLEY	F-17 -	F-18
HEATING & A/C	F-19 -	F-24
INTERIOR FINISH	G-01 -	G-03
LABEL		G-04
LP		G-05
LOUNGE		G-06
SEALANTS & FASTENERS	G-07 -	G-09
WATER & SEWAGE	G-10 -	G-16
WINDOW, VENT AND EXTERIOR DOOR	G-17 -	H-01

KEY	PART NUMBER	U/M DESCRIPTION
1	103931-02-01A	EA COVER-INNER,A-PILLAR,DRIVERS,OFF WHITE
2	104353-02-C05	EA END CAP ASM-FRONT OVERHEAD,DRIVERS
3	P04746-06-C05	EA DOOR ASM.-W/O HARDWARE OGEE
4	M05159-22-C05	EA CABINET ASM.-FRONT OVERHEAD,DRIVERS
	104289-02-C05	EA PANEL-SIDE PAD-VINYL-DRIVERS
5	104238-01-C05	EA CABINET ASM.-FACE,FRONT OVERHEAD (TV)
6	100708-06-000	EA DOOR-GLASS, TV CABINET - W/O HARDWARE -9.68" X 28.42"
	100710-01-01A	EA LOCK-TWIST TYPE
	100711-01-01A	EA HINGE-DOOR, GLASS
	101272-01-000	EA CATCH-GLASS DOOR
	101766-01-000	EA PIN-SUPPORT, GLASS DOOR
7	103040-01-C05	EA PANEL-HEADLINER FRONT OVERHEAD - PADDED
7	103040-02-C05	EA PANEL-HEADLINER FRONT OVERHEAD - PADDED USED W/TV
7	103040-03-C05	EA PANEL-HEADLINER FRONT OVERHEAD - PADDED USED W/VCR
7	103040-04-C05	EA PANEL-HEADLINER FRONT OVERHEAD - PADDED USED W/VCR/INVERTER
7	103040-05-C05	EA PANEL-HEADLINER FRONT OVERHEAD - PADDED USED W/TV/INVERTER
8	M05159-21-C05	EA CABINET ASM.-FRONT OVERHEAD,PASSENGERS
9	104353-01-C05	EA END CAP ASM-FRONT OVERHEAD,PASSENGERS
	104289-01-C05	EA PANEL-SIDE PAD-VINYL-PASSENGERS
10	103931-01-01A	EA COVER-INNER,A-PILLAR,PASSENGERS,OFF WHITE
11	078579-07-000	EA TRIM-WINDSHIELD,UPPER-INNER, PASSENGERS OFF WHITE
12	082286-14-C05	EA SUNVISOR DRIVER OR PASSENGER - W/POCKET
	000G39-10-12D	EA SCREW-SF/DR, 10-16 X 3/4 PPH - BLACK
	102377-01-000	EA BRACKET-SUNVISOR, 1 PIECE - STEEL
13	P03077-02-C05	EA SHELF-BASE,CABINET,PASSENGERS SIDE - OFF WHITE PLASTIC
14	P04415-01-C05	EA SHELF ASM-TV CABINET,CENTER - OFF WHITE PLASTIC
	104417-01-C05	EA CABINET ASM-BLANKET (STANDARD CABINET)
15	086280-01-000	EA LIGHT-SURFACE MOUNT, 12V - JENSEN 1236
	086280-01-700	EA BULB-T26V6W
	098024-01-700	EA LENS-LIGHT
16	079765-07-000	EA TRIM-WINDSHIELD,CENTER,OFF WHITE
17	040714-01-700	EA MIRROR INSIDE REAR VIEW KIT
18	103040-01-C05	EA PANEL-LINER,OVHD TV
18	103040-06-C05	EA PANEL-LINER,FRONT OVERHEAD W/BUNK
19	078579-08-000	EA TRIM-WINDSHIELD,UPPER-INNER, DRIVERS OFF WHITE
20	P03077-01-C05	EA SHELF-BASE,CABINET,DRIVERS SIDE - OFF WHITE PLASTIC

KEY	PART NUMBER	U/M DESCRIPTION
	103817-01-C05	EA DASH ASM,GM OFF WHITE
1	073741-03-000	EA SPEAKER-4X6 OVAL AUDIOVOX 110-2074
1	073741-04-000	EA GRILLE-SPEAKER,OVAL 4X6 AUDIOVOX 136-1157
2	103796-01-01A	EA LOUVER ASM-A/C CARY PROD BLK A
3	104280-01-01A	EA DECAL-LOGO "BRAVE" PASSENGERS SIDE DASH
4	091990-01-01A	EA SEAT BELT-SHOULDER HARNESS - DRIVERS/PASSENGERS - BLACK
	091990-01-700	EA BOLT COVER
5	024700-44-000	EA SIDEWALL ROLL BAR COVER,OFF WHITE - 53"
	024700-45-000	EA SIDEWALL ROLL BAR COVER,OFF WHITE - 12.8"
6	081202-01-000	EA MAT-FLOOR,FRONT PASSENGERS,WINNEBAGO - BROWN
7	103558-01-01A	EA VENT-DEFROSTER,ABS OFF WHITE
8	097552-01-000	EA COVER MOTOR
	075564-01-000	EA BRACKET-MOUNTING,MOTOR COVER
	092406-01-000	EA TRIM-MOTOR COVER
	039623-01-000	FT SEAL-COVER-ENGINE
9	104056-06-01A	EA APPLIQUE-BEZEL RIGHT MOST PANEL-RADIO/HEATER
	103875-04-000	EA SWITCH-ROCKER,SPDT ON/OFF/MOM A
	103875-05-000	EA SWITCH-ROCKER,SPDT ON/NONE/ON A
10	104056-04-01A	EA APPLIQUE-BEZEL SWITCH PANEL RIGHT OF CLUSTER
11	081201-01-000	EA MAT-FLOOR,FRONT DRIVERS,WINNEBAGO - BROWN
12	103498-04-000	EA BOOT-COLUMN,91 CHEV,UNIVERSAL
13	103812-01-01A	EA TRIM-DASH,LOWER,GM OFF WHITE
14	104056-02-01A	EA APPLIQUE-BEZEL SWITCH PANEL LEFT OF CLUSTER
15	104056-01-01A	EA APPLIQUE-BEZEL LEFT MOST PANEL
16	103666-01-01A	EA POD-INSTRUMENT PNL OFF WHITE
16	103662-01-01A	EA BEZEL-INSTRUMENT PNL
	105868-01-01A	EA INSERT-DASH,TRIM OFF WHITE
	105870-01-01A	EA INSERT-DASH,TRIM OFF WHITE

DRIVERS COMPARTMENT GROUP (CONTINUED)



FRONT BUNK-SINGLE (OPT 523)

KEY	PART NUMBER	U/M DESCRIPTION
1	076760-02-000	EA BUNK HARDWARE
	076760-02-700	EA SPRING-GAS-BUNK HARDWARE
2	101499-06-C05	EA PANEL ASM.- BOTTOM DRIVERS - PADDED - USED W/BUNK
3	101497-06-C05	EA PANEL ASM.- UPPER DRIVERS - PADDED - USED W/BUNK
4	042541-04-700	EA LATCH ASM-W/STRIKE, (2 SETS) - BRASS
	042541-05-000	EA STRIKE-BRASS
	075943-09-000	EA BRACE- 8"-ANGLE, W/HOLES - ALUMINUM - OWHT
5	103040-08-C05	EA PANEL-HEADLINER FRONT OVERHEAD - PADDED USED W/BUNK
6	P03199-01-C05	EA BOARD ASM-TRIM,BUNK - CEILING MOUNTED
	016604-05-000	EA BRACE-L/ANGLED, 2.5" - OFF WHITE
7	101497-07-C05	EA PANEL ASM.- UPPER PASSENGERS - PADDED - USED W/BUNK
8	101499-05-C05	EA PANEL ASM.- BOTTOM PASSENGERS - PADDED - USED W/BUNK
9	079145-06-000	EA CUSHION ASM-BUNK (C05,C06)
	M79145-06-000	EA COVER ASM.-BUNK 30." X 78" (C05,C06)
10	081717-03-C05	EA BED ASM-BUNK,FRONT
11	094658-01-Y12	EA HANDLE-BUNK, OAK

1992 WINNEBAGO

TABLE OF CONTENTS

INTRODUCTION	A-01 -	A-02
ABBREVIATIONS		A-03
ALPHABETICAL INDEX	A-04 -	A-08
WCF27RC	A-07 -	D-18
WCF30RU	D-19 -	H-01

CANADIAN OPTION

KEY	PART NUMBER	U/M DESCRIPTION
	094796 05 000	EA CLUSTER-IP,KM(CANADIAN)GAS
	098641 01 000	EA LABEL-FUEL,UNLEADED,I.P.
	100138 01 000	EA DAYTIME RUNNING LIGHT MODULE
	106859 01 000	EA WIRE ASM-DAY RUN LAMPS,FUSE
	098641 01 000	EA LABEL-FUEL,UNLEADED,I.P.
	100159-06-000	EA WIRE ASM-DAYTIME RUNNING LIGHTS, W/FUSE - DIESEL

1992 WCF30RU INDEX

FLOOR PLAN	D-19 -	D-20
ACCESSORIES	D-21 -	E-02
BATH	E-03 -	E-04
BEDROOM	E-05 -	E-06
CHASSIS	E-07 -	E-14
C C & PAD	E-15 -	E-22
DINETTE	E-23 -	E-24
DRIVERS	F-01 -	F-04
ELECTRICAL	F-05 -	F-10
EXTERIOR BODY	F-11 -	F-16
GALLEY	F-17 -	F-18
HEATING & AC	F-19 -	F-24
INTERIOR FINISH	G-01 -	G-03
LABEL		G-04
LP		G-05
LOUNGE		G-06
SEALANTS & FASTENERS	G-07 -	G-09
WATER & SEWAGE	G-10 -	G-16
WINDOW, VENT AND		
EXTERIOR DOOR	G-17 -	H-01

ELECTRICAL GROUP

ELECTRICAL CONVERSION EXPORT OPTION L049

KEY	PART NUMBER	U/M	DESCRIPTION
	008054-01-000	EA	CORD-POWER, 10/3 WIRE - 30 AMP - 25'
	008026-01-000	FT	WIRE-12/2, ROMEX - W/GROUND
	008289-01-000	EA	BOX-ELECTRIC, STEEL - 1/2" AND 3/4" KNOCKOUTS - 4" X 4"
	008311-01-000	EA	CONNECTOR-WIRE NUT, INSULATED - RED
	008312-01-000	EA	CONNECTOR-WIRE NUT, INSULATED - BLUE
	008314-01-000	EA	CONNECTOR-WIRE NUT, INSULATED - GRAY
	008328-01-000	EA	TERMINAL-RING, 12/10 WIRE - #10 STUD FIT
	008331-01-000	EA	TERMINAL-RING, TONGUE - #4 WIRE - 3/8" STUD - COPPER
	008353-01-000	EA	CONNECTOR-CABLE CLAMPING, 3/8"
	008355-01-000	EA	CONNECTOR-CABLE CLAMPING, 3/4"
	008356-01-000	EA	CONNECTOR-PLASTIC, 3/8" AVG
	010497-01-000	EA	CLAMP-CLOSED, 5/8" ID
	024924-02-000	EA	RECEPTACLE-POWER CORD, W/PARTIAL PLATE
	041953-01-000	FT	CONDUIT-CONVOLUTED SLIT, .5" ID
	069238-01-000	EA	COVER-ELECTRICAL BOX, W/HOLE - 4" X 4" - GRAY USED WITH 30 OR 50 AMP RECEPTACLE
	073937-03-000	EA	SWITCH-ROTARY SELECTOR - 3 DECK - A/C - CA20-USA892
	073937-01-700	EA	KNOB-ROTARY SWITCH, A/C SELECTOR - 145749
	074890-01-000	EA	BOX-EXTENSION, STEEL - OPEN SIDES - 4" X 4" X 1 1/2"
	074897-01-000	EA	COVER-ELECTRIC BOX, 1 LARGE & 2 SMALL HOLES - 4" X 4"
	008294-01-000	EA	COVER-ELECTRICAL BOX, STEEL/BLANK - 4" X 4" - GRAY
	094809-01-000	EA	LOAD CENTER-240 VOLT, 125 AMP
	094810-01-000	EA	BREAKER-CIRCUIT, DOUBLE 30 AMP - GE THQL2130
	094811-01-000	EA	BREAKER-CIRCUIT, DOUBLE 20 AMP - GE THQL2120

CANADA EXPORT OPTION L285

KEY	PART NUMBER	U/M	DESCRIPTION
	008052-01-000	EA	CORD-POWER, 10/3 - 30 AMP - 25' - CANADIAN
	008289-02-000	EA	BOX-ELECTRICAL, 4" X 4" - 1/2" & 3/4" KNOCKOUTS - CANADIAN
	008312-01-000	EA	CONNECTOR-WIRE NUT, INSULATED - BLUE
	008314-01-000	EA	CONNECTOR-WIRE NUT, INSULATED - GRAY
	008328-01-000	EA	TERMINAL-RING, 12/10 WIRE - #10 STUD FIT
	008331-01-000	EA	TERMINAL-RING, TONGUE - #4 WIRE - 3/8" STUD - COPPER
	008355-01-000	EA	CONNECTOR-CABLE CLAMPING, 3/4"
	010497-01-000	EA	CLAMP-CLOSED, 5/8" ID
	041953-01-000	FT	CONDUIT-CONVOLUTED SLIT, .5" ID
	083209-02-000	EA	CIRCUIT BREAKER-15/15AMP, 120V - BW H-15/15 FROM: 05-29-90 THRU: 99-99-99
	083209-03-000	EA	CIRCUIT BREAKER-15/20AMP, 120V - BW - 0-15/20
	083209-06-000	EA	CIRCUIT BREAKER-30/15 AMP, 120V - BW D-30/15
	008026-01-000	FT	WIRE-12/2, ROMEX - W/GROUND
	008294-02-000	EA	COVER-ELECTRICAL BOX, BLANK STEEL - 4" X 4" - CANADIAN
	008311-01-000	EA	CONNECTOR-WIRE NUT, INSULATED - RED
	008356-01-000	EA	CONNECTOR-PLASTIC, 3/8" AVG
	058708-01-000	EA	RECEPTACLE-ELECTRIC, DOUBLE - BROWN
	091910-01-000	EA	BOX-ELECTRIC, 3.75" X 3.5" X 1.75" - PLASTIC
	091927-01-000	EA	COVER-RECEPTACLE, DOUBLE - IVORY

INVERTER OPTION L40F

KEY	PART NUMBER	U/M	DESCRIPTION
	099048-01-000	EA	INVERTER-100 WATT

ELECTRICAL GROUP (CONTINUED)

ELECTRICAL COMPONENTS

KEY	PART NUMBER	U/M	DESCRIPTION
	008196-01-000	EA	LATCH-1/4 TURN, T-BAR
	083208-02-000	EA	CONTROL CENTER, CONVERTER-45A, 120V/12V
	041953-09-000	FT	CONDUIT-CONVOLUTED, SLIT .50" ID
	007940-01-000	EA	RECEPTACLE-SLIDE, 16 TO 12 AWG
	008326-01-000	EA	TERMINAL-RING, 16/14 WIRE - 3/8" STUD
	088474-09-000	EA	HOUSING-SOCKET
	088476-01-000	EA	SOCKET-CONNECTOR
	008037-02-000	FT	CABLE-BATTERY, 1AWG - STRANDED - RED
	008348-01-000	EA	TERMINAL-RING, 3/8" STUD - #2 WIRE
	083610-01-000	EA	CLAMP-WIRE, DUAL - UNEQUAL 5/8" AND 1 1/4" DIAMETERS
	047443-01-000	EA	TERMINAL-.250 RECEPTACLE, FIT, INSULATED - 16/14 AWG
	047443-02-000	EA	TERMINAL-.250 RECEPTACLE FIT, INSULATED - 12/10 AWG
	088473-05-000	EA	PIN-HOUSING, 6 POSITION (SINGLE ROW)
	088473-06-000	EA	PIN-HOUSING, 6 POSITION (TWO ROWS OF THREE)
	088473-08-000	EA	PIN-HOUSING, 4 POSITION
	088473-09-000	EA	PIN-HOUSING, 3 POSITION (SINGLE ROW)
	088474-06-000	EA	SOCKET-HOUSING, 6 POSITION (2 ROWS OF THREE)
	088474-08-000	EA	SOCKET-HOUSING, 4 POSITION (SINGLE ROW)
	007093-01-000	EA	FLASHER-SIGNAL STAT
	008188-01-000	EA	SOLENOID-3 POST, BATTERY CHANGE OVER
	035416-04-000	EA	TERMINAL-RING #10 STUD FIT, INSULATED BARREL #16/14
	062901-02-000	EA	FUSE-5 AMP, AUTOMOTIVE
	073328-B4-000	EA	CABLE ASM-1GA, BLK 304
	082740-01-000	EA	CONNECTOR BODY-2 CNCT FEMALE
	085318-01-000	EA	SCREW-8-08X1/2, CRIMP TITE HD
	086273-01-000	EA	RELAY-BATTERY DISCONNECT
	086273-01-700	EA	TERMINAL WIRE ASM
	086298-01-000	EA	WIRE-BATTERY DISCONNECT, RED
	086298-02-000	EA	WIRE-BATTERY DISCONNECT, GREEN
	008331-01-000	EA	TERMINAL-RING, TONGUE - #4 WIRE - 3/8" STUD - COPPER
	063910-01-000	EA	HOUSING-RELAY
	088473-01-000	EA	PIN-HOUSING, 4 ROWS OF 3
	101571-01-000	EA	HOUSING-2 POSITION, MALE
	088473-03-000	EA	PIN-HOUSING, 9-POSITION
	093654-01-000	EA	CIRCUIT BREAKER-6 AMP, HOUSE CONTROL PANEL
	093654-02-000	EA	CIRCUIT BREAKER-15 AMP
	093655-02-000	EA	CIRCUIT BREAKER-30 AMP, HOUSE CONTROL PANEL
	093655-03-000	EA	CIRCUIT BREAKER-40 AMP
	041953-01-000	FT	CONDUIT-CONVOLUTED SLIT, 1/2" ID
	041953-03-000	FT	CONDUIT-CONVOLUTED SLIT, 1" ID (CLOTHES ROD COVER)
	041953-06-000	FT	CONDUIT-CONVOLUTED, SLIT .375" ID
	041953-07-000	FT	CONDUIT-CONVOLUTED, SLIT .25" ID
	062036-02-000	EA	TERMINAL-PACK-CON, 16/14 AWG
	062037-01-000	EA	HOUSING-AUTO FUSE, NATURAL
	062037-02-000	EA	HOUSING-AUTO FUSE, GREEN
	062037-03-000	EA	HOUSING-AUTO FUSE, BLACK
	062037-04-000	EA	HOUSING-AUTO FUSE, BLUE

1992 WINNEBAGO

TABLE OF CONTENTS

INTRODUCTION	A-01 -	A-02
ABBREVIATIONS		A-03
ALPHABETICAL INDEX	A-04 -	A-06
WCF27RC	A-07 -	D-18
WCF30RU	D-19 -	H-01

1992 WCF30RU INDEX

FLOOR PLAN	D-19 -	D-20
ACCESSORIES	D-21 -	E-02
BATH	E-03 -	E-04
BEDROOM	E-06 -	E-08
CHASSIS	E-07 -	E-14
C C & PAD	E-15 -	E-22
DINETTE	E-23 -	E-24
DRIVERS	F-01 -	F-04
ELECTRICAL	F-05 -	F-10
EXTERIOR BODY	F-11 -	F-16
GALLEY	F-17 -	F-18
HEATING & A/C	F-19 -	F-24
INTERIOR FINISH	G-01 -	G-03
LABEL		G-04
LP		G-05
LOUNGE		G-06
SEALANTS & FASTENERS	G-07 -	G-09
WATER & SEWAGE	G-10 -	G-16
WINDOW, VENT AND EXTERIOR DOOR	G-17 -	H-01

ELECTRICAL GROUP (CONTINUED)

ELECTRICAL COMPONENTS CONT

KEY	PART NUMBER	U/M	DESCRIPTION
	082037-05-000	EA	HOUSING-AUTO FUSE, GRAY
	082037-06-000	EA	HOUSING-AUTO FUSE, BROWN
	082740-01-000	EA	CONNECTOR-PLASTIC BODY, FOR 2 MALE SPADES
	088473-10-000	EA	PIN-HOUSING, 2 POSITION
	088474-03-000	EA	HOUSING-SOCKET, 9-POSITION
	088476-02-000	EA	SOCKET-CONNECTOR 12-10 GA
	097611-01-000	EA	CIRCUIT BREAKER-6AMP,ATC - BLACK
	000C26-04-10B	EA	BOLT-HEX, SER FLG - 1/4-20 X 5/8 ZINC
	000D39-05-00B	EA	NUT-HEX, SER FLG LK - 5/16 - 18 ZN
	058028-01-000	EA	CONNECTOR-ELECTRICAL PIGTAIL, NYLON - CLEAR
	086233-01-000	EA	STUD-ISOLATED, 3/8" X 7/8" LONG
	000D39-04-00B	EA	NUT-HEX, SER FLG LK 1/4 - 20 ZN
	008054-01-000	EA	CORD-POWER, 10-3 - 30AMP - 25'
	008026-01-000	FT	WIRE-12/2, ROMEX - W/GROUND
	008289-01-000	EA	BOX-ELECTRIC, STEEL - 1/2" AND 3/4" KNOCKOUTS - 4" X 4"
	008311-01-000	EA	CONNECTOR-WIRE NUT, INSULATED - RED
	008314-01-000	EA	CONNECTOR-WIRE NUT, INSULATED - GRAY
	008328-01-000	EA	TERMINAL-RING, 12/10 WIRE - #10 STUD FIT
	008355-01-000	EA	CONNECTOR-CABLE CLAMPING, 3/4"
	008356-01-000	EA	CONNECTOR-PLASTIC, 3/8" AVG
	074890-01-000	EA	BOX-EXTENSION, STEEL - OPEN SIDES - 4" X 4" X 1 1/2"
	074897-01-000	EA	COVER-ELECTRIC BOX, 1 LARGE & 2 SMALL HOLES - 4" X 4"
	008294-01-000	EA	COVER-ELECTRICAL BOX, STEEL/BLANK - 4" X 4" - GRAY
	083209-02-000	EA	CIRCUIT BREAKER-15/15AMP, 120V
	083209-03-000	EA	CIRCUIT BREAKER-15/20AMP, 120V - BW - 0-15/20
	083209-05-000	EA	CIRCUIT BREAKER-20A, 120V - BW J-20
	083209-06-000	EA	CIRCUIT BREAKER-30/15 AMP, 120V - BW D-30/15
	088474-01-000	EA	HOUSING-SOCKET
	068475-01-000	EA	PIN-CONNECTOR
	088475-02-000	EA	PIN-CONNECTOR
	080015-02-000	EA	RECEPTACLE-FLAG, .185 - 16/14 GA - AMP 3
	088474-01-000	EA	HOUSING-SOCKET
	067789-02-000	EA	SOCKET-LAMP
	097744-02-000	EA	HOUSING-TRAILER PIN, 48"
	097746-01-000	EA	HOUSING CAP-TRAILER PIN
	000G11-08-00B	EA	SCREW, 6-18 X 1/2 PPH ZN
	008289-01-000	EA	BOX-PLASTIC ELECTRIC, 3" X 3 1/2"
	008288-02-000	EA	BOX-ELECTRIC, PLASTIC - 3.94" X 3.13" X 1.81"
	058049-01-000	EA	BOX-ELECTRIC SWITCH, 2" X 3" X 2.25"
	077479-01-000	EA	BOOT-BATTERY TERM, DBL CABLE
	077479-02-000	EA	BOOT-BATTERY TERMINAL, SINGLE CABLE
	077510-01-000	EA	LABEL-GENERATOR PREP
	058708-01-000	EA	RECEPTACLE-ELECTRIC, DOUBLE - BROWN
	083209-04-000	EA	CIRCUIT BREAKER-30A, 120V - BW L-30
	062901-02-000	EA	FUSE-5 AMP, AUTOMOTIVE

ELECTRICAL GROUP (CONTINUED)

INTERIOR LIGHTS

KEY	PART NUMBER	U/M	DESCRIPTION
	098024-03-01A	EA	LIGHT-DOME, 2 BULB - IVORY BULB # 008218-01-000
	086280-01-000	EA	LIGHT-SURFACE MOUNT, 12V - JENSEN 1236
	086280-01-700	EA	BULB, 12V6W
	098024-01-700	EA	LENS-DOME LIGHT
	008218-01-000	EA	BULB-DOME LIGHT, 12V - NUMBER 1141
	098024-01-01A	EA	LIGHT-DOME, 1 BULB - US - IVORY BULB # 008218-01-000
	061424-01-000	EA	LIGHT-AISLE, 12V - RECTANGULAR BULB P.N. 008103-01-000
	065201-08-000	EA	SHADE-LAMP
	065202-18-000	EA	LAMP-WALL, BRASS CSA
	065202-14-700	EA	BRASS FINIAL(NEW STYLE)
	067479-01-000	EA	BULB-12V, NUMBER 1078 - WALL LAMP
	082168-01-000	EA	LIGHT-MAKE-UP, 3 BULB - JENSEN X 148-168R BULB #081633-01-700
	065202-17-000	EA	LAMP - WALL, BRASS

RECEPTACLES

KEY	PART NUMBER	U/M	DESCRIPTION
	076319-09-000	EA	WALLPLATE-TV RECEPTACLE - BROWN
	068707-01-000	EA	RECEPTACLE-ELECTRIC, SINGLE - BROWN
	083209-03-000	EA	CIRCUIT BREAKER-15/20AMP, 120V - BW - 0-15/20
	058708-01-000	EA	RECEPTACLE-DOUBLE ELECTRIC, BROWN
	084076-02-000	EA	RECEPTACLE-GFI, 15A - 125V - BROWN
	058708-02-000	EA	RECEPTACLE-DOUBLE ELECTRIC, IVORY
	075736-02-000	EA	COVER-EXTERIOR RECEPTACLE, OFF WHITE
	058049-01-000	EA	BOX-ELECTRIC SWITCH, 2" X 3" X 2.25"
	084077-02-000	EA	PLATE-COVER, RECEPTACLE - GFI - BROWN
	102568-01-B10	EA	SPACER-RECEPTACLE, BETWEEN SIDE WALL & PLATE - WOOD NOT USED UNTIL THIS DATE
	054250-01-000	EA	COVER-ANGLED, W/O HOLE - 3.6" X 4.5" - PLASTIC - BEIGE
	076319-08-000	EA	WALLPLATE - TV RECEPTACLE, IVORY
	084077-03-000	EA	COVER - BLANK, A/C IVORY

FROM: 08-02-90 THRU: 99-99-99

1992 WINNEBAGO

TABLE OF CONTENTS

INTRODUCTION	A-01	A-02
ABBREVIATIONS		A-03
ALPHABETICAL INDEX	A-04	A-08
WCF27RC	A-07	D-18
WCF30RU	D-19	H-01

1992 WCF30RU INDEX

FLOOR PLAN	D-19	D-20
ACCESSORIES	D-21	E-02
BATH	E-03	E-04
BEDROOM	E-05	E-08
CHASSIS	E-07	E-14
C C & PAD	E-15	E-22
DINETTE	E-23	E-24
DRIVERS	F-01	F-04
ELECTRICAL	F-05	F-10
EXTERIOR BODY	F-11	F-16
GALLEY	F-17	F-18
HEATING & A/C	F-19	F-24
INTERIOR FINISH	G-01	G-03
LABEL		G-04
LP		G-05
LOUNGE		G-06
SEALANTS & FASTENERS	G-07	G-09
WATER & SEWAGE	G-10	G-16
WINDOW, VENT AND		
EXTERIOR DOOR	G-17	H-01

ELECTRICAL GROUP (CONTINUED)

SWITCHES

KEY	PART NUMBER	U/M	DESCRIPTION
	079384-01-000	EA	SWITCH-ON/OFF ROCKER, BROWN
	079384-03-000	EA	SWITCH-LOCK/LOCK,ROCKER BRN
	098351-01-01A	EA	PLATE-SWITCH,1 GANG - POLISHED BRASS
	098351-06-01A	EA	PLATE-SWITCH, 2 GANG - POLISHED BRASS W/LABEL
	098351-02-01A	EA	PLATE - SWITCH, 2 GANG

JAPAN EXPORT OPTION LOAD

KEY	PART NUMBER	U/M	DESCRIPTION
	102520-01-000	EA	LIGHT-CLEARANCE, AMBER
	102540-01-000	EA	SEAL-SCREW, CLEARANCE LIGHT
	102541-01-000	EA	GASKET-CLEARANCE LIGHT
	102582-01-000	EA	BRACKET-LIGHT, CLEARANCE
	058028-01-000	EA	CONNECTOR-ELECTRICAL PIGTAIL, NYLON - CLEAR
	077955-01-000	EA	J CLIP-VINYL COATED, 3/8"
	036196-01-000	EA	BULB-12V - #194 - .27AMP
	069292-01-000	EA	LIGHT-TURN, AMBER - DRIVER OR PASSENGER
	090340-01-000	FT	SEAL-FOAM, CLOSED CELL - 1/4" X 1/2" X 50'
	100128-02-000	FT	SEAL-PILE, ADHESIVE BACK

EXTERIOR FRONT END LIGHTS

KEY	PART NUMBER	U/M	DESCRIPTION
	102520-01-000	EA	LIGHT-CLEARANCE, AMBER
	102540-01-000	EA	SEAL-SCREW, CLEARANCE LIGHT
	102541-01-000	EA	GASKET-CLEARANCE LIGHT
	102582-01-000	EA	BRACKET-LIGHT, CLEARANCE
	036196-01-000	EA	BULB-12V - #194 - .27AMP
	079378-01-000	EA	TERMINAL-WEDGE BASE, 18 AWG NEEDED TO ATTACH BULB TO SIDEMARKER AND CLEARANCE LIGHTS
	049186-01-000	EA	HEADLAMP CAPSULE-PASSENGER, HIGH/LOW BEAM - RECTANGULAR
	049188-01-000	EA	HEADLAMP CAPSULE-PASSENGER, HIGH BEAM - RECTANGULAR
	049185-01-000	EA	HEADLAMP CAPSULE-DRIVER, HIGH/LOW BEAM - RECTANGULAR
	049187-01-000	EA	HEADLAMP CAPSULE-DRIVER, HIGH BEAM - RECTANGULAR
	049359-01-000	EA	SPRING-HEADLAMP RETAINER, GM # 498096
	074048-01-000	EA	INSERT-KNURLED, BRASS - #8-32- FOR HEADLIGHT SCREWS
	096675-01-000	EA	KNOB-HEADLAMP, W/SHAFT
	098674-01-000	EA	NUT-HEADLAMP, BLACK
	073308-01-000	EA	SCREW-ADJUSTING, HEADLAMP
	084901-01-000	EA	LAMP-PARK/TURN, GM # 916558 (BULB # MP62057)
	076345-01-000	EA	LENS-PARK/TURN, AMBER
	037936-01-000	EA	BULB-12V NUMBER 1157 - 2.10 AMP
	069292-01-000	EA	LIGHT-TURN, AMBER
	037935-01-000	EA	BULB-LAMP, NUMBER 1157 - 12 V - 2.1 AMP

ELECTRICAL GROUP (CONTINUED)

DRIVER SIDE LIGHTS

KEY	PART NUMBER	U/M	DESCRIPTION
	097917-01-01A	EA	LIGHT-PORCH, OFF WHITE
	097917-01-700	EA	LENS-LIGHT, PORCH
	042405-03-000	EA	BASE-SIDEMARKER LIGHTS, RECTANGULAR
	042405-01-000	EA	LENS-REAR SIDE MARKER/CLEARANCE LIGHT, W/REFLEX - RED
	036196-01-000	EA	BULB-12V - #194 - .27AMP
	091983-01-000	EA	GASKET-SIDE MARKER LIGHT
	079378-01-000	EA	TERMINAL-WEDGE BASE, 18 AWG NEEDED TO ATTACH BULB TO SIDEMARKER AND CLEARANCE LIGHTS
	069362-01-000	EA	LAMP-SIDE MARKER, AMBER
	036196-01-000	EA	BULB-12V - #194 - .27AMP

PASSENGER SIDE LIGHTS

KEY	PART NUMBER	U/M	DESCRIPTION
	097917-01-01A	EA	LIGHT-PORCH, ENTRY DOOR - OFF WHITE
			BULB# 008215-01-000
	097917-01-700	EA	LENS-LIGHT, PORCH
	042405-03-000	EA	BASE-SIDEMARKER LIGHTS, RECTANGULAR
	042405-01-000	EA	LENS-REAR SIDE MARKER/CLEARANCE LIGHT, W/REFLEX - RED
	091983-01-000	EA	GASKET-SIDE MARKER LIGHT
	079378-01-000	EA	TERMINAL-WEDGE BASE, 18 AWG NEEDED TO ATTACH BULB TO SIDEMARKER AND CLEARANCE LIGHTS
	069362-01-000	EA	LAMP-SIDE MARKER, AMBER
	036196-01-000	EA	BULB-12V - #194 - .27AMP
	042405-02-000	EA	LENS-FRONT SIDE MARKER LIGHT, W/REFLEX - AMBER

BACKWALL LIGHTS

KEY	PART NUMBER	U/M	DESCRIPTION
	062648-01-000	EA	LIGHT-CLEARANCE, RED
	066432-02-000	EA	LIGHT-LICENSE BLACK
	067479-01-000	EA	BULB-12V, NUMBER 1078
	067789-02-000	EA	SOCKET-LAMP
	066432-03-000	EA	BRACKET-LICENSE PLATE
	081638-01-000	EA	TAILLIGHT-DOUBLE, W/BLACK TRIM - DRIVER & PASSENGER SIDE BULB# 1156 - P.N. 037934-01-000 (BACK UP & TURN SIGNAL) BULB #2057 OR #1157 - P.N. 037935-01-000 (BRAKE LIGHT)
	081638-01-700	EA	LENS-TAILLIGHT, RED
	081638-01-701	EA	LENS-TAILLIGHT, W/BACKUP

1992 WINNEBAGO

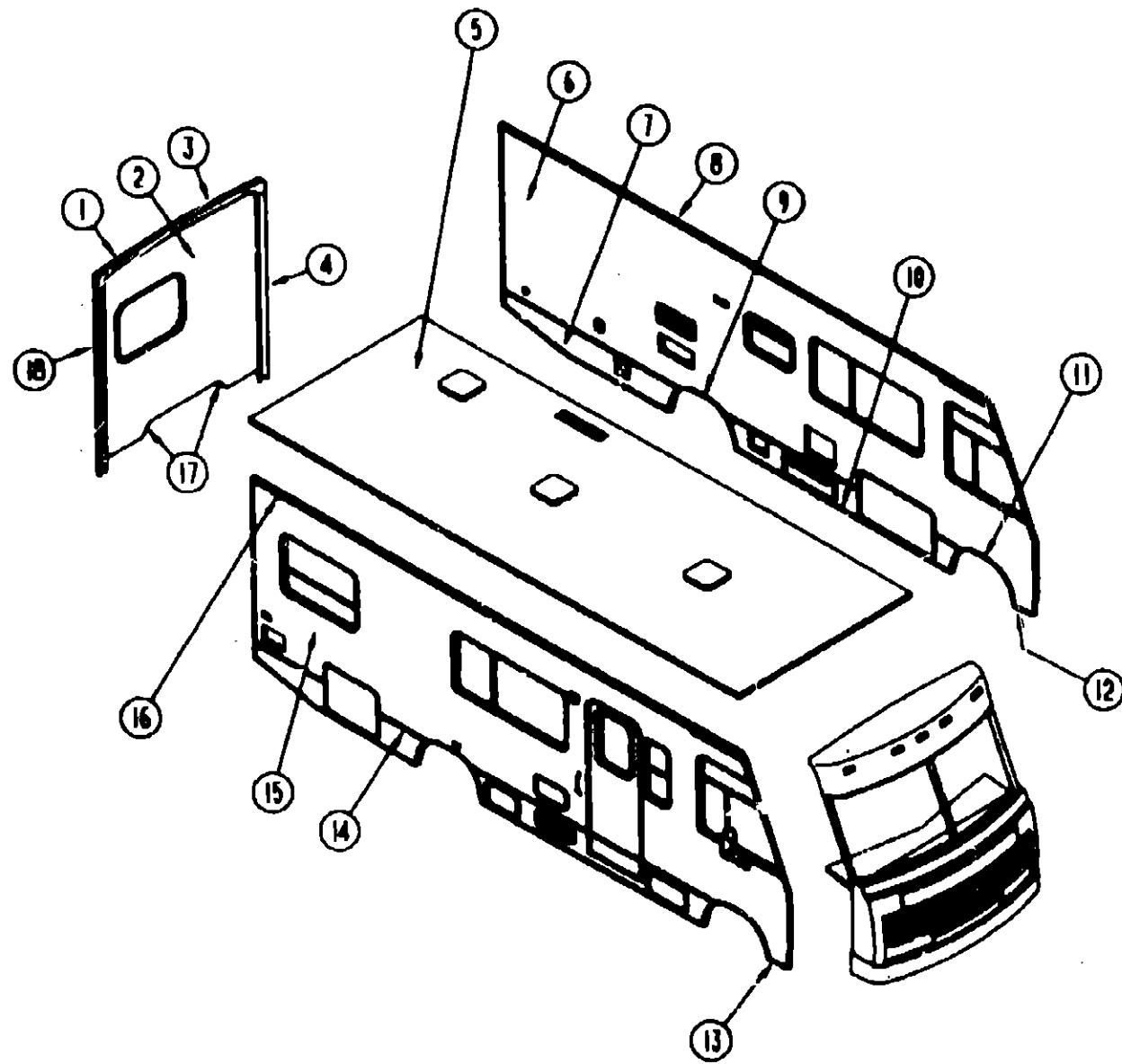
TABLE OF CONTENTS

INTRODUCTION	A-01 -	A-02
ABBREVIATIONS		A-03
ALPHABETICAL INDEX	A-04 -	A-08
WCF27RC	A-07 -	D-18
WCF30RU	D-19 -	H-01

1992 WCF30RU INDEX

FLOOR PLAN	D-19 -	D-20
ACCESSORIES	D-21 -	E-02
BATH	E-03 -	E-04
BEDROOM	E-05 -	E-08
CHASSIS	E-07 -	E-14
C C & PAD	E-15 -	E-22
DINETTE	E-23 -	E-24
DRIVERS	F-01 -	F-04
ELECTRICAL	F-05 -	F-10
EXTERIOR BODY	F-11 -	F-16
GALLEY	F-17 -	F-18
HEATING & A/C	F-19 -	F-24
INTERIOR FINISH	G-01 -	G-03
LABEL		G-04
LP		G-05
LOUNGE		G-06
SEALANTS & FASTENERS	G-07 -	G-09
WATER & SEWAGE	G-10 -	G-16
WINDOW, VENT AND		
EXTERIOR DOOR	G-17 -	H-01

EXTERIOR BODY GROUP



EXTERIOR BODY PANELS AND TRIM

KEY	PART NUMBER	U/M DESCRIPTION
1	103569-01-01A	EA TRIM-BACKWALL, TOP, RIGHT O/W
2	M05173-01-C05	EA BACKWALL ASM (SPECIAL ORDER ITEM)- DEALER PAYS FP, EIGHT & IF CANCELED AFTER 7 DAYS DEALER CHARGED 25%; IF SHIPPED NOT RETURNABLE
3	103800-01-01A	EA TRIM-BACKWALL, TOP, LEFT O/W
4	104033-02-01A	EA TRIM-J, BACKWALL, LT, O/W
5	P03307-01-C05	EA ROOF ASM (SPECIAL ORDER ITEM)- DEALER PAYS FREIGHT & IF CANCELED AFTER 7 DAYS DEALER CHARGED 25%; IF SHIPPED NOT RETURNABLE
6	M05662-01-C05	EA SIDEWALL ASM-LEFT (SPECIAL ORDER ITEM)- DEALER PAYS FREIGHT & IF CANCELED AFTER 7 DAYS DEALER CHARGED 25%; IF SHIPPED NOT RETURNABLE
7	103143-03-01A	EA TRIM-LOWER SIDEWALL, REAR RH O/W
8	103801-01-01A	EA TRIM-ROOF-O/W
9	103145-01-01A	EA TRIM-WHEEL WELL, REAR O/W
10	103144-02-01A	EA TRIM-LOWER SIDEWALL, CENTER O/W
11	103146-01-01A	EA TRIM-WHEEL WELL, FRONT O/W
12	103142-02-01A	EA TRIM-LOWER SIDEWALL, FRONT LH O/W
13	103142-01-01A	EA TRIM-LOWER SIDEWALL, FRONT, RH O/W
14	058578-05-000	EA FEATURE STRIP-W/HOLES, 15.1 FT - O/WHT
	001030-02-000	EA INSERT, FEATURE STRIP - OFF/WHT
	009731-01-000	EA CAP-FEATURE STRIP
15	M05661-01-C05	EA SIDEWALL ASM-RIGHT (SPECIAL ORDER ITEM)- DEALER PAYS FREIGHT & IF CANCELED AFTER 7 DAYS DEALER CHARGED 25%; IF SHIPPED NOT RETURNABLE
16	103802-01-01A	EA RAIL-AWNING O/W
17	050406-15-000	EA TRIM-BACKWALL, LOWER O/W
18	104033-01-01A	EA TRIM-J, BACKWALL TO SIDEWALL, RT, O/W

EXTERIOR BODY GROUP (CONTINUED)

REAR BUMPER END CAPS

KEY	PART NUMBER	U/M DESCRIPTION
	103228-01-01A	EA BUMPER END CAP-REAR O/W

FIBERGLASS/STYROFOAM & ALUMINUM

KEY	PART NUMBER	U/M DESCRIPTION
	078054-D6-001	EA SHEET-FIBERGLASS, 5' X 24' - OFF WHITE
	078054-D3-001	EA SHEET-FIBERGLASS, 4' X 8' - OFF WHITE
	000868-01-000	SF STYROFOAM-.75" X 24" X 96" - INCREMENTS OF 16 SF
	000870-05-000	SF STYROFOAM-.5" X 24" X 96", INCREMENTS OF 16 SF
	083574-01-000	SF STYROFOAM, DOW TYPE SM - 1.5" X 24" X 85.25" - INCREMENTS OF 14 SF
	000870-03-000	SF STYROFOAM-1.34" X 48" X 96" - INCREMENTS OF 32 SF
	044487-01-001	EA ALUMINUM SHEET - .019" X 96" X 380" - MILL FINISH
	001054-01-011	EA ALUMINUM-SHEET, .024" X 48" X 96" - FLAT - OFF WHITE
	001018-01-024	EA SKIN-ALUMINUM, .024" X 48" X 96" - FLAT - BEIGE
	001012-01-000	EA AL-.0165X48.00XCOIL MILL FIN
	001013-01-000	EA AL-.019X12.00XCOIL MILL FIN
	072896-05-000	EA AL-.032X48, COIL, 5052 MILL FIN
	078054-E9-000	EA FIBERGLASS SHEET 2438 X 7880 "OFF WHITE
	083574-03-000	SF STYROFOAM-3/4X48X96
	078054-F3-000	EA FIBERGLASS SHEET 96" X 25 FT "OFF WHITE BACKWALL
	083574-02-000	SF STYROFOAM-1.5" X 24" X 90.5" ROOF
	102580-01-01A	SF FIBERGLASS - FLAT 104"W X 500' LG ROOF

EXTERIOR MIRRORS

KEY	PART NUMBER	U/M DESCRIPTION
	105078-01-01A	EA MIRROR ASM-LOW MOUNT, PAIR
	105439-01-000	EA MIRROR-AUX, CONVEX STICK-ON

PLUMBING VENT

KEY	PART NUMBER	U/M DESCRIPTION
	083558-03-000	EA VENT-PLUMBING PIPE ROOF, W/COVER - OFF WHITE

ASSIST HANDLE

KEY	PART NUMBER	U/M DESCRIPTION
	009126-02-000	EA HANDLE-ASSIST, ENTRY DOOR - BLACK
	089726-02-000	EA BUMPER-.68"DIA X .40", BLACK

1992 WINNEBAGO

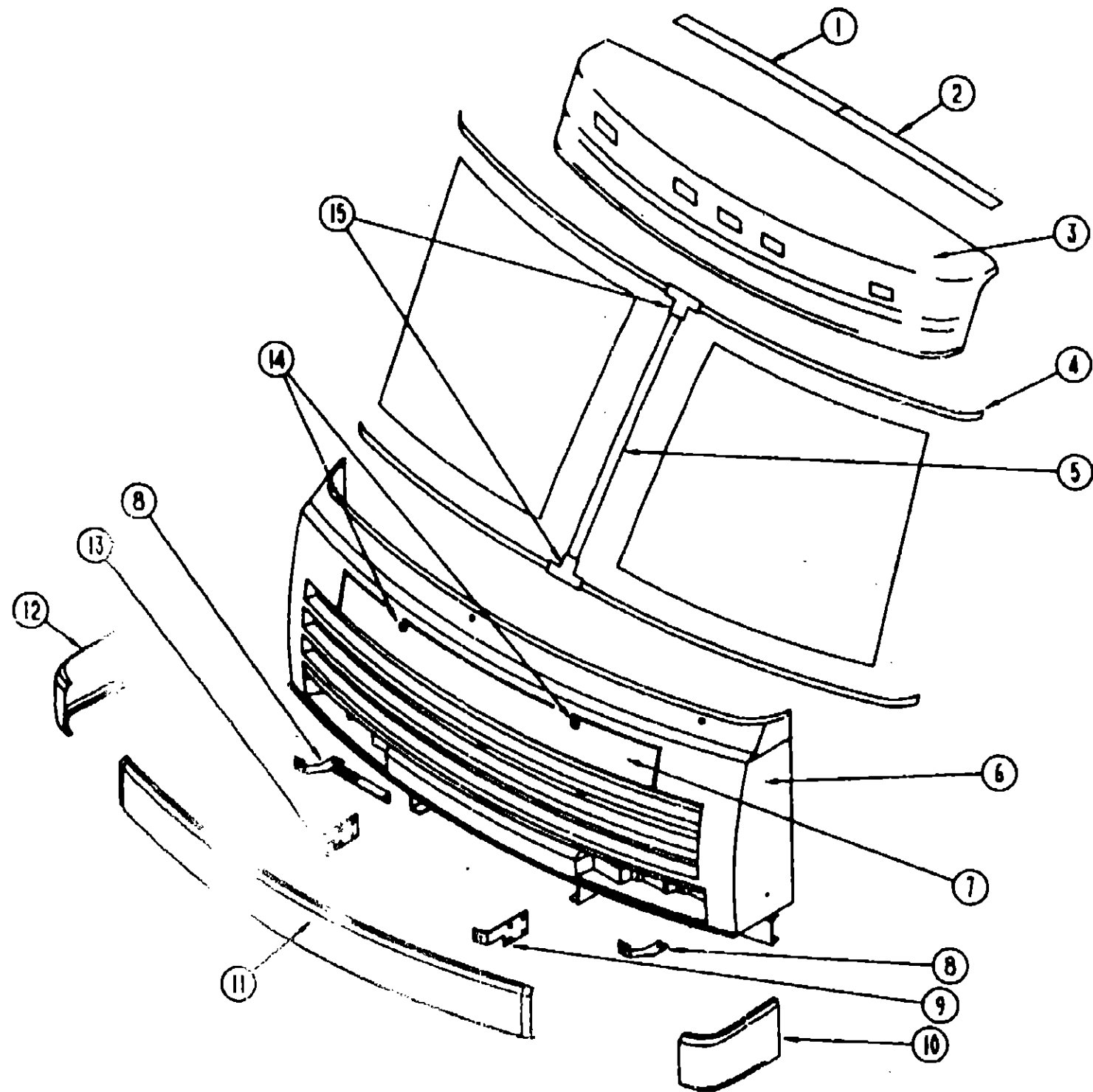
TABLE OF CONTENTS

INTRODUCTION	A-01 -	A-02
ABBREVIATIONS		A-03
ALPHABETICAL INDEX	A-04 -	A-08
WCF27RC	A-07 -	D-18
WCF30RU	D-19 -	H-01

1992 WCF30RU INDEX

FLOOR PLAN	D-19 -	D-20
ACCESSORIES	D-21 -	E-02
BATH	E-03 -	E-04
BEDROOM	E-05 -	E-06
CHASSIS	E-07 -	E-14
C C & PAD	E-15 -	E-22
DINETTE	E-23 -	E-24
DRIVERS	F-01 -	F-04
ELECTRICAL	F-05 -	F-10
EXTERIOR BODY	F-11 -	F-16
GALLEY	F-17 -	F-18
HEATING & A/C	F-19 -	F-24
INTERIOR FINISH	G-01 -	G-03
LABEL		G-04
LP		G-05
LOUNGE		G-06
SEALANTS & FASTENERS	G-07 -	G-09
WATER & SEWAGE	G-10 -	G-16
WINDOW, VENT AND EXTERIOR DOOR	G-17 -	H-01

EXTERIOR BODY GROUP (CONTINUED)



KEY	PART NUMBER	U/M	DESCRIPTION
1	103915-02-02A	EA	TRIM-FRONT CAP/ROOF,RH O/W
2	103915-03-02A	EA	TRIM-FRONT CAP/ROOF,LH O/W
3	M05145-01-C05	EA	CAP ASM-FRONT F O/W
4	102976-01-000	EA	MOLDING-REVEAL,WINDSHIELD
5	103623-01-000	FT	MOLDING - REVEAL, WINDSHIELD - CENTER
6	M05128-01-C05	EA	FRONT END ASM-FIBERGLASS F O/W
7	103471-01-C05	EA	PANEL ASM-HOOD F O/W
8	103611 01 000	EA	BRACE-BUMPER,FRONT
9	086140 04 000	EA	SUPPORT-BUMPER - DRIVERS
10	103625-02-01A	EA	PANEL-FACIA,BMPR FRT LH O/W
11	103634-01-C05	EA	BUMPER ASM-FRONT
12	103625-01-01A	EA	PANEL-FACIA,BMPR FRT RH O/W
13	086140 03 000	EA	SUPPORT-BUMPER - PASSENGERS
14	102330-02-000	EA	LATCH-HOOD
15	077952-02-000	EA	CAP - REVEAL MOLDING, CENTER TOP & CENTER BOTTOM
	049185-01-000	EA	HEADLAMP CAPSULE ASM-RECT LH HIGH-LOW BEAM
	049188-01-000	EA	HEADLAMP CAPSULE ASM-RECT RH HIGH-LOW BEAM
	049187-01-000	EA	HEADLAMP CAPSULE ASM-RECT LH HIGH BEAM
	049188-01-010	EA	HEADLAMP CAPSULE ASM-RECT RH HIGH BEAM
	049359-01-000	EA	SPRING-HEADLIGHT RETAINER
	073308-01-000	EA	SCREW ASM-HEADLAMP ADJUSTING T/MAN
	061803 01 000	EA	GROMMET-SNAP,3/16ID,3/8 HOLE
	058786-01-000	EA	BOLT-HOOD ADJUSTING

EXTERIOR BODY GROUP (CONTINUED)

FRONT COMPONENTS & BUMPER

1992 WINNEBAGO

TABLE OF CONTENTS

INTRODUCTION	A-01 -	A-02
ABBREVIATIONS		A-03
ALPHABETICAL INDEX	A-04 -	A-08
WCF27RC	A-07 -	D-18
WCF30RU	D-19 -	H-01

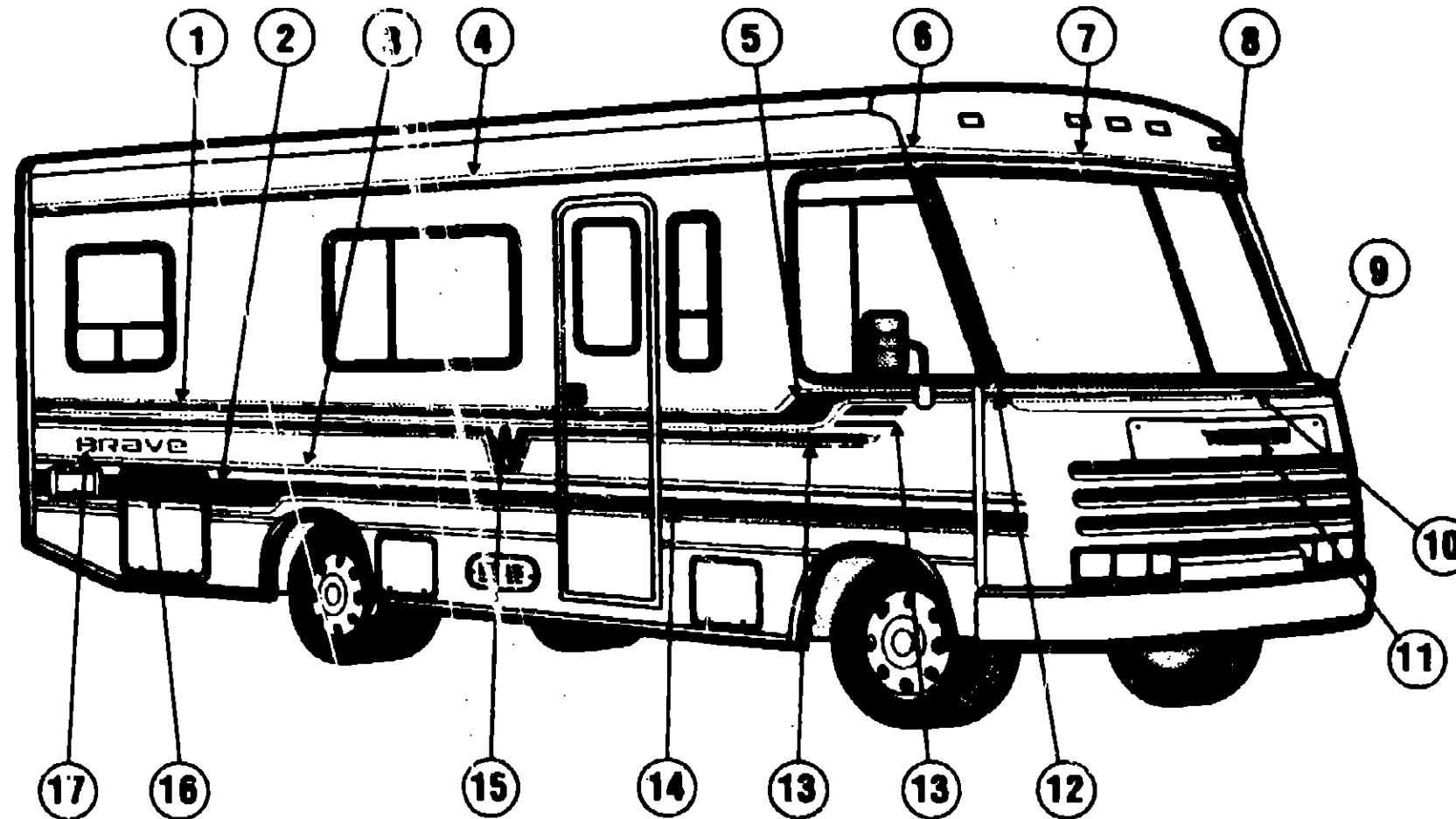
1992 WCF30RU INDEX

FLOOR PLAN	D-19 -	D-20
ACCESSORIES	D-21 -	E-02
BATH	E-03 -	E-04
BEDROOM	E-05 -	E-08
CHASSIS	E-07 -	E-14
C C & PAD	E-15 -	E-22
DINETTE	E-23 -	E-24
DRIVERS	F-01 -	F-04
ELECTRICAL	F-05 -	F-10
EXTERIOR BODY	F-11 -	F-18
GALLEY	F-17 -	F-18
HEATING & AC	F-19 -	F-24
INTERIOR FINISH	G-01 -	G-03
LABEL		G-04
LP		G-05
LOUNGE		G-08
SEALANTS & FASTENERS	G-07 -	G-09
WATER & SEWAGE	G-10 -	G-18
WINDOW, VENT AND		
EXTERIOR DOOR	G-17 -	H-01

**EXTERIOR BODY GROUP (CONTINUED)
DECALS, TAGS & PAINT**

**1992 WINNEBAGO
TABLE OF CONTENTS**

INTRODUCTION	A-01 -	A-02
ABBREVIATIONS		A-03
ALPHABETICAL INDEX	A-04 -	A-08
WCF27RC	A-07 -	D-18
WCF30RU	D-19 -	H-01

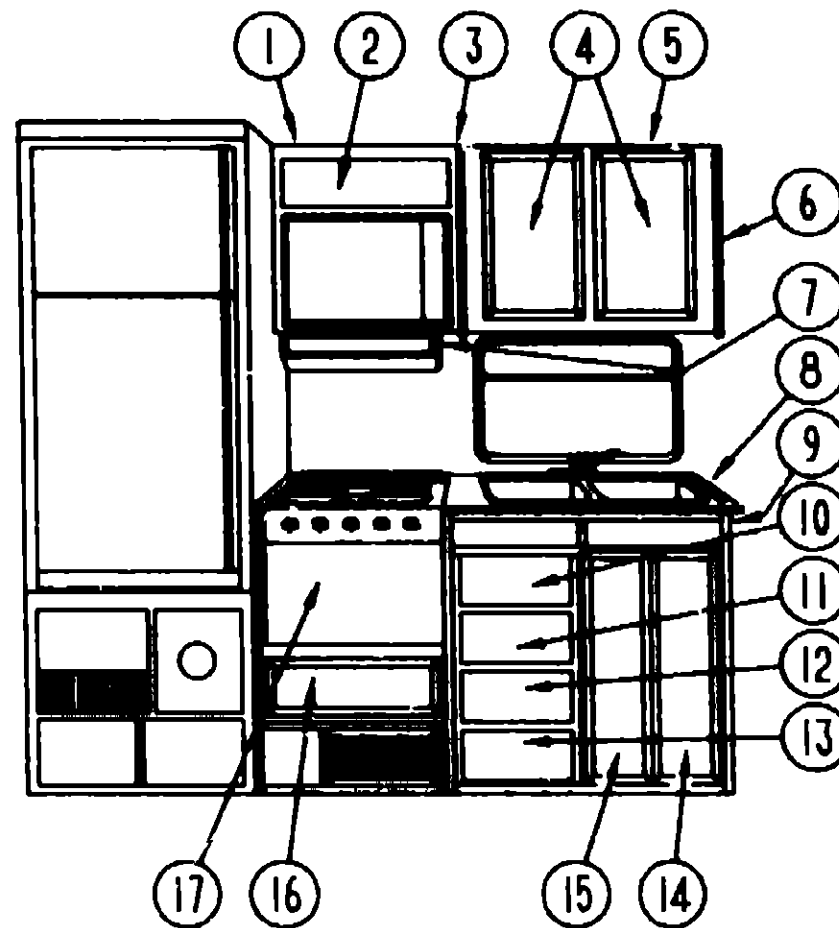


1992 WCF30RU INDEX

FLOOR PLAN	D-19 -	D-20
ACCESSORIES	D-21 -	E-02
BATH	E-03 -	E-04
BEDROOM	E-05 -	E-08
CHASSIS	E-07 -	E-14
C C & PAD	E-15 -	E-22
DINETTE	E-23 -	E-24
DRIVERS	F-01 -	F-04
ELECTRICAL	F-05 -	F-10
EXTERIOR BODY	F-11 -	F-18
GALLEY	F-17 -	F-18
HEATING & AC	F-19 -	F-24
INTERIOR FINISH	G-01 -	G-03
LABEL		G-04
LP		G-05
LOUNGE		G-06
SEALANTS & FASTENERS	G-07 -	G-09
WATER & SEWAGE	G-10 -	G-16
WINDOW, VENT AND EXTERIOR DOOR	G-17 -	H-01

KEY	PART NUMBER	U/M DESCRIPTION
1	094443-01-01A	FT FILM-MULTISTRIPE 95MM X 150 FT - WINE/WINE/WINE
2	104092-01-01A	EA DECAL-REAR WHEELWELL RH - WINE
	104092-02-01A	EA DECAL-REAR WHEELWELL LH - WINE
3	093680-29-01A	FT FILM-MULTISTRIPE 41MMX 150 FT - WINE/WINE
4	093680-30-02A	FT FILM-MULTISTRIPE 64MMX 150 FT - WINE/WINE
5	104093-01-01A	EA DECAL-ANGLE RH - WINE
	104092-02-01A	EA DECAL-REAR WHEELWELL LH - WINE
6	104094-01-01A	EA DECAL-FRONT UPPER RH - WINE
7	104096-01-01A	EA DECAL-FRONT UPPER CAP - WINE
8	104094-02-01A	EA DECAL-FRONT UPPER LH
9	104095-02-01A	EA DECAL-FRONT LOWER LH
10	104097-01-01A	EA DECAL-FRONT LOWER CAP
11	050313-46-000	EA DECAL-LOGO, "WINNEBAGO" 2.8" - WINE
12	104095-01-01A	EA DECAL-FRONT LOWER RH
13	093680-30-01A	FT FILM-MULTISTRIPE 2.51" X 150 FT - DARK ROSEBERRY
14	093680-31-01A	FT FILM-MULTISTRIPE 3.74" X 150 FT - WINE
15	104090-01-01A	EA DECAL - " W " - DARK ROSEBERRY
16	093680-32-01A	FT FILM-MULTISTRIPE 8" X 150 FT - WINE
17	104091-01-01A	EA DECAL " BRAVE " DARK ROSEBERRY/WINE

GALLEY GROUP



GALLEY CABINETRY

KEY	PART NUMBER	U/M DESCRIPTION
1	M05019-42-C05	EA CABINET-OVERHEAD, RANGE - W/O DOORS OR HARDWARE
2	P00520-B2-B85	EA DOOR-CABINET, W/O HARDWARE - 7.1" X 21.9"
3	081320-17-B03	EA END CAP-CABINET, OVERHEAD
4	P04746-07-C05	EA DOOR-CABINET, W/O HARDWARE
5	103276-01-C05	EA CABINET-OVERHEAD, W/O DOORS OR HARDWARE
6	081320-16-B03	EA END CAP-CABINET, OVERHEAD - FRONT
7	100258-01-01A	EA HOOD-RANGE 21" WIDE W/O MONITOR PANEL FROM: 00-00-00 THRU: 09-01-91
7	100258-16-01A	EA HOOD-RANGE 22" WIDE W/O MONITOR PANEL FROM: 09-02-91 THRU: 99-99-99
8	102824-13-C05	EA COUNTERTOP-GALLEY
9	M03967-05-C05	EA CABINET-GALLEY, W/O DOORS OR HARDWARE
10	P03397-21-C05	EA DRAWER ASM-CABINET, W/O HARDWARE
11	P03397-22-C05	EA DRAWER ASM-CABINET, W/O HARDWARE
12	P03397-23-C05	EA DRAWER ASM-CABINET, W/O HARDWARE
13	P03397-05-C05	EA DRAWER ASM-CABINET, W/O HARDWARE
14	P04746-11-C05	EA DOOR-CABINET, W/O HARDWARE RIGHT GALLEY CABINET DOOR
15	P04746-12-C05	EA DOOR-CABINET, W/O HARDWARE LEFT GALLEY CABINET DOOR
16	P03397-23-C05	EA DRAWER-CABINET, W/O HARDWARE - (UNDER RANGE)
17	102022-01-02A	EA RANGE-4 BURNER, ALMOND - MAGIC CHEF
	090329-01-000	FT SEAL-REFRIGERATOR CABINET
	103243-01-000	EA FAUCET-GALLEY, DUAL CONTROL
	104113-01-000	EA SINK-DOUBLE, STAINLESS STEEL
	092303-01-000	EA STRAINER-SINK
	091208-01-000	EA WASHER-RUBBER, .06" X .75" X .5"
	103610-01-C05	EA COVER-SINK

GALLEY GROUP (CONTINUED)

RANGE HOOD W/MONITOR PANEL & VENT

KEY	PART NUMBER	U/M DESCRIPTION
	100258-01-01A	EA HOOD-RANGE 21" WIDE W/O MONITOR PANEL FROM: 00-00-00 THRU: 09-01-91
	100258-16-01A	EA HOOD-RANGE 22" WIDE W/O MONITOR PANEL FROM: 09-02-91 THRU: 99-99-99
	100258-18-01A	EA HOOD-RANGE 22" WIDE W/O MONITOR PANEL W/METER-HOUR
	100258-10-01A	EA METER-HOUR, VENTLINE 150

CANADIAN OPTION L285

KEY	PART NUMBER	U/M DESCRIPTION
	100258-02-01A	EA HOOD-RANGE 21" WIDE W/O MONITOR PANEL FROM: 00-00-00 THRU: 09-01-91
	100258-17-01A	EA HOOD-RANGE 22" WIDE W/MONITOR PANEL FROM: 09-02-91 THRU: 99-99-99

REFRIGERATOR, LEVEL & VENT

KEY	PART NUMBER	U/M DESCRIPTION
	103622-02-01A	EA REFRIG-2 WAY, SMALL LH DBL DR *NORCOLD 462, BLACK
	103622-01-700	EA UPPER DOOR HANDLE ASM 61649038
	103622-01-701	EA JUICE RACK 61580540
	103622-01-702	EA DOOR SHELF BIN 61564040
	103622-01-703	EA LOWER DOOR LINER 61581733
	103622-01-704	EA LOWER DOOR HANDLE ASM (462) 61648838
	103622-01-705	EA LOWER DOOR HANDLE ASM (462) 61648938
	103622-01-706	EA MILK BIN 61579440
	103622-01-707	EA DAIRY KEEPER 61560440
	103622-01-708	EA CRISPER-PLAIN SMOKED GRAY 61571340
	103622-01-709	EA SELECTOR KNOB 61641822
	103622-01-710	EA THERMOSTAT KNOB 61642322
	103622-01-711	EA CONTROL PANEL (2 WAY) 61644022
	103622-01-712	EA FLAME INDICATOR 61609022
	103622-01-713	EA IGNITION SWITCH 61649722

RANGES & BRACKETS

KEY	PART NUMBER	U/M DESCRIPTION
	102022-01-02A	EA RANGE-16" 4 BURNER ALMOND - M'CHEF BT16RA-4Z
	102022-01-700	EA PANEL, DOOR (BLACK) SPEC 49 2401F079-70
	102022-01-701	EA TRIM (LEFT) 3608F011-70
	102022-01-702	EA PIPE, MANIFOLD 7513P096-80
	102022-01-703	EA REGULATOR, PRESSURE 7510P031-60
	102022-01-704	EA GLASS OUTER 7902P261-80
	102022-01-705	EA SHEILD, DEFLECTOR FLUE 3604F125-70
	102022-01-706	EA TRIM (LEFT) FLAT 3608W022-70
	102022-01-707	EA TRIM (RIGHT) FLAT 3608W023-70

MICROWAVE OVEN & TRIMS

KEY	PART NUMBER	U/M DESCRIPTION
	091289-04-000	EA OVEN-MICROWAVE - M'CHEF M15-B
	091289-04-700	EA PANEL, DOOR OUTER
	091289-03-701	EA PLATE-CERAMIC, 9.5" - ROUND - MAGIC CHEF 246-0005
	091289-03-702	EA CLIP-OVEN SHELF, WHITE - MAGIC CHEF 201-0044
	091289-03-703	EA CLIP-OVEN SHELF, BLACK - MAGIC CHEF 201-0031
	094745-01-01A	EA TRIM-MICROWAVE, LOWER - BLACK
	094774-03-01A	EA TRIM-MICROWAVE, EITHER SIDE - BLACK
	094750-01-000	EA BRACKET-MICROWAVE, 90 DEGREE

1992 WINNEBAGO

TABLE OF CONTENTS

INTRODUCTION	A-01 -	A-02
ABBREVIATIONS		A-03
ALPHABETICAL INDEX	A-04 -	A-06
WCF27RC	A-07 -	D-18
WCF30RU	D-19 -	H-01

1992 WCF30RU INDEX

FLOOR PLAN	D-19 -	D-20
ACCESSORIES	D-21 -	E-02
BATH	E-03 -	E-04
BEDROOM	E-05 -	E-06
CHASSIS	E-07 -	E-14
C C & PAD	E-15 -	E-22
DINETTE	E-23 -	E-24
DRIVERS	F-01 -	F-04
ELECTRICAL	F-05 -	F-10
EXTERIOR BODY	F-11 -	F-16
GALLEY	F-17 -	F-18
HEATING & A/C	F-19 -	F-24
INTERIOR FINISH	G-01 -	G-03
LABEL		G-04
LP		G-05
LOUNGE		G-06
SEALANTS & FASTENERS	G-07 -	G-09
WATER & SEWAGE	G-10 -	G-16
WINDOW, VENT AND		
EXTERIOR DOOR	G-17 -	H-01

HEATING & AIR CONDITIONING GROUP
REAR HEATER & WATER HEATER W/MOTOR AID L611

KEY	PART NUMBER	U/M	DESCRIPTION
	009198-01-000	FT	DUCT-HEAT, FLEXIBLE - 4" ID
	009200-01-000	EA	TAPE-FURNACE, 1 1/2"
	023146-01-000	EA	CLAMP-SCREW TYPE - 4"
	062736-02-000	EA	CONNECTOR-DUCT, 4" ID
	000G87-10-12E	EA	SCREW, 10-12 X 3/4 PPH.- ZN
	007108-01-000	FT	HOSE-HEATER, 5/8" ID
	008042-01-000	FT	TUBING-VINYL, .65" ID
	056464-05-000	EA	REGISTER-PLASTIC W/O DAMPER - 4" DIAMETER - GOLDEN
	062401-01-000	EA	CLAMP-HOSE, WORMGEAR .25" - 1"
	079059-01-000	EA	HOSE-90 DEGREE, .61"ID X 4" X 36"
	079059-02-000	EA	HOSE-90 DEGREE, .61"ID X 4" X 6"

EVANS REAR HEATER

KEY	PART NUMBER	U/M	DESCRIPTION
	084405-01-000	EA	HEATER ASM-REAR, DUCTED - W/MOTOR AID - EVANS
	084405-01-700	EA	HEATER CORE-EVANS# FT200229
	084405-01-701	EA	FAN BLADES-EVANS# HV029931
	084405-01-702	EA	MOTOR ASM-12 V, EVANS# 200146
	088753-01-000	FT	TUBE-ALUMINIZED STEEL, 5/8" - 18 GAUGE
	061673-01-000	EA	BRACKET-MOTOR AID TUBES, 4" X 1.5" - STEEL
	062401-01-000	EA	CLAMP-HOSE, WORMGEAR .25" - 1"
	062401-04-000	EA	CLAMP-HOSE, WORMGEAR .69" - 1.25"
	088753-01-000	FT	TUBE-ALUMINIZED STEEL, 5/8" - 18 GAUGE

A/C COMPRESSOR & SYSTEM COMPONENTS

KEY	PART NUMBER	U/M	DESCRIPTION
	072343-08-000	EA	COMPRESSOR/CLUTCH-460 EFI, TOP DISCHARGE - ARA# 0529039
	098814-02-000	EA	MOUNT & DRIVE PACKAGE, A/C COMPRESSOR - 460 EFI
	063610-01-000	EA	CLAMP-WIRE, DUAL - UNEQUAL DIAMETERS - .75" & 1.25"
	088753-01-000	FT	TUBE-ALUMINIZED STEEL, 5/8" - 18 GAUGE
	062401-01-000	EA	CLAMP-HOSE, WORM GEAR .25" - 1"

HEATING & AIR CONDITIONING GROUP (CONTINUED)
AUTO A/C COMPONENTS

KEY	PART NUMBER	U/M	DESCRIPTION
	000G11-08-08B	EA	SCREW, 8-18 X 1/2 PPH - ZN
	007076-01-700	FT	HOSE-FLEXIBLE PVC - 2" ID
	007108-01-000	FT	HOSE-HEATER, 5/8" ID
	007281-01-000	EA	HOSE-FLEXIBLE PVC, 2.5"ID X 50"
	007281-01-700	FT	HOSE-FLEXIBLE PVC, 2.5" ID
	024990-05-000	EA	OUTLET-DEF-W/SWIV 2IN BLACK
	062401-04-000	EA	CLAMP-HOSE, WORMGEAR .69" - 1.25"A/C EVAPORATOR
	103930-01-000	EA	EVAPORATOR/HEATER ASSEMBLY - SCS 090-0041
	103930-01-700	EA	ROD-AIR BLEND DOOR, SCS 073-0017
	103930-01-701	EA	PANEL-DOOR, FOR AIR BLEND - SCS 071-0123
	103930-01-702	EA	GASKET-DOOR, FOR AIR BLEND - SCS 045-0080
	103930-01-703	EA	COIL-HEATER, SCS 042-0010
	103930-01-705	EA	VALVE EXP. BLOCK
	103930-01-706	EA	GASKET-O-RING, #8 - SCS 045-0011
	103930-01-707	EA	GASKET-O-RING, #10 - SCS 045-0012
	103930-01-708	EA	BRACKET-VACUUM MOTOR, SCS 070-0113
	103930-01-709	EA	MOTOR-VACUUM, SCS 030-0002
	103930-01-710	EA	RESISTOR-FUSED, SCS 035-0006
	103930-01-711	EA	THERMOSTAT, SCS 033-0003
	103930-01-712	EA	GASKET-O-RING, SCS 045-0010
	103930-01-713	EA	FITTING-QUICK CONNECT, #4 - SCS 050-003
	103930-01-714	EA	FITTING-SERVICE VALVE, #10 - SCS 050-0031
	103930-01-715	EA	SWITCH-BINARY, SCS 032-0030
	103930-01-716	EA	SWITCH-PRESSURE, FAN - SCS 032-0029
	103930-01-717	EA	WHEEL-CLOCK-WISE, SCS 062-0010
	103930-01-718	EA	HOSE #8, SCS 051-0036
	103930-01-719	EA	HOSE-#10, SCS 051-0017
	103930-01-720	EA	MOTOR, SCS 030-0004
	103930-04-000	EA	CONTROL/PLENUM SET 92 F&G
	091902-03-000	EA	CONTROL/PLENUM ASM-ARA# 0508250
	072342-04-000	EA	CONDENSER ASM-W/O FANS, ARA 0519377
	072342-04-700	EA	HOSE-DISCHARGE, ARA 0906305
	072342-04-701	EA	COIL-CONDENSER, ARA 0519384
	072878-01-000	EA	INSULATION-SOUND BARRIER PAD, 29.25" X 40.19"
	073937-03-000	EA	SWITCH-ROTARY SELECTOR, 3 DECK - A/C - CA20-USA892
	074026-01-000	EA	MOUNT PACKAGE - A/C COMPRESSOR, 6.2DIESEL
	077075-01-000	EA	GASKET-INSTRUMENT PANEL TO DEFROSTER PLENUM - .6" X 11.3"
	077075-03-000	EA	GASKET-IP TO DEF.PLENUM,SPL
	084077-03-000	EA	COVER-BLANK, ROOF A/C - 5.2" X 3.5" - IVORY
	084405-01-000	EA	HEATER ASM-REAR, DUCTED - W/MOTOR AID - EVANS PIECE PARTS PROVIDED EARLIER
	084405-01-700	EA	HEATER CORE-EVANS# FT200229
	084405-01-701	EA	FAN BLADES-EVANS# HV029931
	084405-01-702	EA	MOTOR ASM-12 V, EVANS# 200146
	085000-01-000	EA	SHIELD-A/C, 6.8" X 3.1" - STEEL
	088753-01-000	FT	TUBE-ALUMINIZED STEEL, 5/8" - 18 GAUGE
	091930-03-000	EA	DUCT-DEFROSTER, W/O SIDE OUTLET - ARA 0571109
	103016-01-000	EA	PLENUM-TRANSITION
	103017-01-000	EA	PLENUM-DEFROSTER
	103558-01-01A	EA	VENT-DEFROSTER,ABS OW
	103796-01-01A	EA	LOUVER ASM-A/C CARY PRCD BLACK

1992 WINNEBAGO

TABLE OF CONTENTS

INTRODUCTION	A-01	A-02
ABBREVIATIONS		A-03
ALPHABETICAL INDEX	A-04	A-08
WCF27RC	A-07	D-18
WCF30RU	D-19	H-01

1992 WCF30RU INDEX

FLOOR PLAN	D-19	D-20
ACCESSORIES	D-21	E-02
BATH	E-03	E-04
BEDROOM	E-05	E-08
CHASSIS	E-07	E-14
C C & PAD	E-15	E-22
DINETTE	E-21	E-24
DRIVERS	F-01	F-04
ELECTRICAL	F-05	F-10
EXTERIOR BODY	F-11	F-16
GALLEY	F-17	F-18
HEATING & A/C	F-19	F-24
INTERIOR FINISH	G-01	G-03
LABEL		G-04
LP		G-05
LOUNGE		G-08
SEALANTS & FASTENERS	G-07	G-09
WATER & SEWAGE	G-10	G-16
WINDOW, VENT AND EXTERIOR DOOR	G-17	H-01

HEATING & AIR CONDITIONING GROUP (CONTINUED)

SUBURBAN FURNACE & WALL THERMOSTAT

KEY	PART NUMBER	U/M	DESCRIPTION
	098668-04-000	EA	FURNACE-25000 BTU
	098668-05-000	EA	FURNACE-30000 BTU
	093365-01-000	EA	THERMOSTAT - WALL, FURNACE - SUBURBAN 160902
	098668-01-700	EA	CABINET FRONT
	098668-01-701	EA	CABINET ASSEMBLY
	098668-01-702	EA	ELECTRODE
	098668-01-703	EA	BURNER ASM. COMP.(SF-25)
	098668-01-704	EA	VALVE
	098668-01-705	EA	SWITCH LIMIT
	098668-01-706	EA	WHEEL COMB. AIR
	098668-01-707	EA	VENT CAP & EXHAUST TUBE ASM
	098668-01-708	EA	BLOWER ASM.(COMBUSTION AIR)
	098668-01-709	EA	MOTOR ASM. F/SF-25,SF-30
	098668-01-710	EA	BLOWER ASM.(ROOM AIR)
	098668-01-711	EA	WHEEL,ROOM AIR
	098668-01-712	EA	BOARD,MODULE
	098668-01-713	EA	INTAKE VENT TUBE ASM
	098668-06-000	EA	DOOR-ACCESS,FURNACE,OFF WHT SUBURBAN 520574
	093314-01-01A	EA	GRILLE-RETURN AIR, FURNACE - 15.6" X 7.6" - BROWN

HEATING & AIR CONDITIONING GROUP (CONTINUED)

ROOF A/C-13500 BTU, US & CANADIAN L290

KEY	PART NUMBER	U/M	DESCRIPTION
	008356-01-000	EA	CONNECTOR-PLASTIC, 3/8" AVG
	091606-01-708	EA	LIMIT SWITCH (OPEN 180,CLOSE 110), COLEMAN# 6703-3041
ROOF A/C			
	092440-01-000	EA	A/C-ROOF, 13500 BTU - 220V - 50HZ - COLEMAN# 6713C750 PIECE PARTS N/A WHEN PROCESSED
	093763-01-700	EA	SHROUD (IVORY/CHARCOAL)
	092633-01-02A	EA	COVER-BLANK, ROOF A/C - 5.7" X 3.9" - OFF WHITE
	092633-02-02A	EA	COVER-BLANK, ROOF A/C - 5.1" X 5.1" - OFF WHITE
	093763-01-04A	EA	A/C-ROOF, 135000 BTU - OFF WHITE - COLEMAN 6759D707/6759E7
	093763-01-701	EA	OVERLOAD,COLEMAN# 6757-3961
	093763-01-702	EA	OVERLOAD, COLEMAN# 6759-3931
	093763-01-703	EA	IMPELLOR-7" DIA X 2.8" WIDE, COLEMAN# 6759-3271
	093763-01-704	EA	CAPACITOR-FAN, COLEMAN# 1499-3461
	093763-01-705	EA	DECAL-HEAT/COOL THERMOSTAT, COLEMAN# 6799A3471
	093763-01-706	EA	HEAT ELEMENT-COLEMAN# 6798-3321
	093763-01-707	EA	EVAPORATOR COIL-COLEMAN# 1452-1351
	093763-01-708	EA	CONDENSER COIL-COLEMAN# 1452-1251
	093763-01-709	EA	COMPRESSOR-COLEMAN# 6749A3609
	093763-01-709	EA	COMPRESSOR-E SERIES, COLEMAN# 6759-3999
	093763-01-710	EA	SINGLE PARTS PACKAGE, COLEMAN# 6759-5841
	093763-01-712	EA	FAN BLADE-CONDENSER, COLEMAN# 6733-3221
	093763-01-714	EA	COMPRESSOR-TECUMSEH, COLEMAN 6746-3599
	093763-01-715	EA	COMPRESSOR(TECUMSEH)
	093763-01-716	EA	COMPRESSOR-TECUMSEH
	094831-08-000	EA	WIRE ASSEMBLY-AC COMPRESSOR ADAPTER - SCS 036-0054

CEILING ASSEMBLY

KEY	PART NUMBER	U/M	DESCRIPTION
	093764-01-000	EA	CEILING ASM-A/C COOL ONLY, TSR - COLEMAN 6759D714
	092441-01-000	EA	CEILING ASM-A/C, 220V - 50HZ - COLEMAN# 6712ET16 (EUROPE OPTION)
	102289-01-000	EA	SPRING-SCREW, ROOF A/C GASKET - COLEMAN 6757-150

1992 WINNEBAGO

TABLE OF CONTENTS

INTRODUCTION	A-01 -	A-02
ABBREVIATIONS		A-03
ALPHABETICAL INDEX	A-04 -	A-06
WCF27RC	A-07 -	D-18
WCF30RU	D-19 -	H-01

1992 WCF30RU INDEX

FLOOR PLAN	D-19 -	D-20
ACCESSORIES	D-21 -	E-02
BATH	E-03 -	E-04
BEDROOM	E-05 -	E-08
CHASSIS	E-07 -	E-14
C C & PAD	E-15 -	E-22
DINETTE	E-23 -	E-24
DRIVERS	F-01 -	F-04
ELECTRICAL	F-05 -	F-10
EXTERIOR BODY	F-11 -	F-16
GALLEY	F-17 -	F-18
HEATING & A/C	F-19 -	F-24
INTERIOR FINISH	G-01 -	G-03
LABEL		G-04
LP		G-05
LOUNGE		G-06
SEALANTS & FASTENERS	G-07 -	G-09
WATER & SEWAGE	G-10 -	G-16
WINDOW, VENT AND EXTERIOR DOOR	G-17 -	H-01

HEATING & AIR CONDITIONING GROUP (CONTINUED)

ROOF A/C-13500 BTU, TWO UNITS - US & CANADIAN L29F

KEY	PART NUMBER	U/M DESCRIPTION
	008356-01-000	EA CONNECTOR-PLASTIC, 3/8" AVG
	074983-01-000	EA LABEL-A/C SELECTOR
	093763-01-04A	EA A/C-ROOF, 13500 BTU -OFF WHITE - COLEMAN 6759D708/6759-808
	093763-04-700	EA SHROUD(IVORY/IVORY), COLEMAN# 6759-4581
	093306-01-701	EA DECAL PKG. LEFT&RIGHT, COLEMAN# 6798B3591
	093763-01-702	EA OVERLOAD, COLEMAN# 6759-3931
	093763-01-712	EA FAN BLADE-CONDENSER, COLEMAN# 6733-3221
	076303-01-712	EA MOTOR, COLEMAN# 6707A3119
	093763-01-703	EA IMPELLOR-7" DIA X 2.8" WIDE, COLEMAN# 6759-3271
	091225-01-709	EA START RELAY, COLEMAN# 1497-4131
	091225-01-710	EA START CAPACITOR, COLEMAN# 1497-0881
	073742-02-704	EA RUN CAPACITOR (COMPRESSOR), COLEMAN 1499A661
	093763-01-704	EA CAPACITOR-FAN, COLEMAN# 1499-3461
	042204-01-709	EA THERMOSTAT IN-64,OUT-58, COLEMAN# 6701-3401
	042205-01-702	EA THERMOSTAT IN-89,OUT-58, COLEMAN# 6703-3401
	093763-01-706	EA HEAT ELEMENT-COLEMAN# 6798-3321
	093763-01-708	EA CONDENSER COIL-COLEMAN# 1452-1251
	093763-01-714	EA COMPRESSOR-TECUMSEH, COLEMAN 6746-3599
	093763-01-707	EA EVAPORATOR COIL-COLEMAN# 1452-1351
	073742-01-701	EA SELECTOR SWITCH (5 TERMINAL), COLEMAN# 6759-3251
	073742-01-702	EA DECAL COOL ONLY, COLEMAN# 6759C3431
	073742-01-703	EA DECAL HEAT&COOL, COLEMAN# 6759-3491
	081606-01-708	EA LIMIT SWITCH (OPEN 160,CLOSE 110), COLEMAN# 6703-3041
	091225-01-713	EA KNOB (2 PER PACKAGE), COLEMAN# 6701-3351
	076303-01-707	EA FILTER-6" X 14 3/4" X 1/2", 12 PER PKG - COLEMAN 6703A3151
	093763-01-710	EA SINGLE PARTS PACKAGE, COLEMAN# 6759-5841
	091225-01-717	EA DECAL (THERMOSTAT) COOL ONLY, COLEMAN# 6799A3441
	093763-01-705	EA DECAL-HEAT/COOL THERMOSTAT, COLEMAN# 6799A3471
	081606-01-712	EA CEILING SHROUD (IVORY), COLEMAN# 6769-5061
	093763-01-711	EA GASKET PACKAGE, COLEMAN 67593281

CEILING ASSEMBLY

KEY	PART NUMBER	U/M DESCRIPTION
	093764-01-000	EA CEILING ASM-A/C COOL ONLY, TSR - COLEMAN 6759D714
	073937-03-000	EA SWITCH-ROTARY SELECTOR, 3 DECK - A/C - CA20-USA892
	073937-01-700	EA KNOB-ROTARY SWITCH, A/C SELECTOR - 145749
	102289-01-000	EA SPRING-SCREW, ROOF A/C GASKET - COLEMAN 6757-150

HEATING & AIR CONDITIONING GROUP (CONTINUED)

ROOF A/C-13500 BTU - EUROPEAN

KEY	PART NUMBER	U/M DESCRIPTION
	008356-01-000	EA CONNECTOR-PLASTIC, 3/8" AVG
	074983-01-000	EA LABEL-A/C SELECTOR
	092440-01-000	EA A/C-ROOF, 13500 BTU - 220V - 50HZ - COLEMAN# 6713C750
	092441-01-000	EA CEILING ASM-A/C, 220V - 50HZ - COLEMAN# 6712ET16 PIECE PARTS NOT AVAILABLE WHEN PROCESSED
	102289-01-000	EA SPRING-SCREW, ROOF A/C GASKET - COLEMAN 6757-150
	073937-03-000	EA SWITCH-ROTARY SELECTOR, 3 DECK - A/C - CA20-USA892
	073937-01-700	EA KNOB-ROTARY SWITCH-A/C SEL
	008311-01-000	EA CONNECTOR-WIRE NUT, INSULATED - RED
	008328-01-000	EA TERMINAL-RING, 12/10 WIRE - #10 STUD FIT
	000G67-10-12P	EA SCREW, 10-12 X .75 PPH - DARK BROWN
	009439-07-000	EA SCREW, 8-32 X 1 1/4 POH - BLACK
	000G67-10-12B	EA SCREW, 10-12 X 3/4 PPH - ZN
	102289-01-000	EA SPRING-SCREW, ROOF A/C GASKET - COLEMAN 6757-150

1992 WINNEBAGO

TABLE OF CONTENTS

INTRODUCTION	A-01	A-02
ABBREVIATIONS		A-03
ALPHABETICAL INDEX	A-04	A-06
WCF27RC	A-07	D-18
WCF30RU	D-19	H-01

1992 WCF30RU INDEX

FLOOR PLAN	D-19	D-20
ACCESSORIES	D-21	E-02
BATH	E-03	E-04
BEDROOM	E-05	E-06
CHASSIS	E-07	E-14
C C & PAD	E-15	E-22
DINETTE	E-23	E-24
DRIVERS	F-01	F-04
ELECTRICAL	F-05	F-10
EXTERIOR BODY	F-11	F-16
GALLEY	F-17	F-18
HEATING & A/C	F-19	F-24
INTERIOR FINISH	G-01	G-03
LABEL		G-04
LP		G-05
LOUNGE		G-06
SEALANTS & FASTENERS	G-07	G-09
WATER & SEWAGE	G-10	G-16
WINDOW, VENT AND EXTERIOR DOOR	G-17	H-01

**INTERIOR FINISH GROUP
ASSIST HANDLE & STRIKE COVER**

KEY	PART NUMBER	U/M DESCRIPTION
	069178-02-000	EA BRACKET-MOUNTING, ASSIST HANDLE
	053552-02-AA8	EA HANDLE-ASSIST, INTERIOR - ENTRY DOOR - VINYL - OFF WHITE
	046867-01-000	EA GROMMET-BRASS - 7/16" ID X 1" OD
	060016-07-1GB	EA BOLT-CARRIAGE, ASSIST HANDLE - 7/16" - 14 X 1" ZN
	000020-07-00B	EA NUT-ACORN, ASSIST HANDLE - 7/16" X 14 ZN
	077461-03-000	EA COVER-STRIKE, ENTRY DOOR - PLASTIC - OFF WHITE

BATH DOOR HARDWARE

KEY	PART NUMBER	U/M DESCRIPTION
	009059-02-000	EA HINGE-2" X 2.7", BRASS
	058335-02-000	EA LATCH-BATHROOM DOOR

PRIVACY HARDWARE

KEY	PART NUMBER	U/M DESCRIPTION
	009700-04-002	EA ROD-EXTRUDED, 195.5" - OFF WHITE
	057534-01-000	EA TIEBACK-CURTAIN, 6" - PLASTIC - CLEAR

BATT STRIPS

KEY	PART NUMBER	U/M DESCRIPTION
	086229-01-000	EA RETAINER-BATTEN, CEILING - .75" WIDE - 7.6" EA
	086229-04-000	EA BATTEN-CEILING, 1" WIDE - IVORY - 7.6" EA
	085284-51-000	FT BATT STRIP-BOMBAY - ADHESIVE BACKED
	079653-04-000	EA BATT STRIP, REGAL OAK

DINETTE TABLE HARDWARE

KEY	PART NUMBER	U/M DESCRIPTION
	004354-01-000	EA BUMPER-RUBBER - BROWN
	089410-01-000	EA BRACKET-LIFT, TABLE MOUNTED - BEIGE
	024276-21-000	EA LEG-TABLE, METAL - BEIGE
	024282-01-000	EA BRACE-TABLE LEG, HINGED
	024283-01-000	EA CLIP-LEG, 1" X 1.125" OD - BLACK
	064050-03-000	EA CLAMP-SADDLE, LEG HINGE - TAN
	064781-06-000	EA HOLDER-CUP, TWO STEP - OFF WHITE
	024282-01-000	EA BRACE - TABLE LEG
	024283-01-000	EA CLIP - 1" X 1.25" OD BLACK

CABINET TRIMS, MOLDINGS & CHANNEL

KEY	PART NUMBER	U/M DESCRIPTION
	009809-23-000	EA MOLDING-PLAS-CORNER O/S 1 IN IVORY
	009809-24-000	EA MOLDING-PLAS-CORNER, O/S 1 IN PECAN
	022992-08-000	FT MOLDING-REVERSE COVE CHAMPAGNE WHITE
	009767-12-000	FT MOLDING-SIDEWALL TO CEILING/CABINET - WELTING - OFF WHITE
	009812-25-000	EA MOLDING-CORNER, OUTSIDE - .5" - PLASTIC - PECAN
	081294-02-000	EA MOLDING-SHELF, NOTCHED WOOD - 8" LONG
	009812-25-000	EA MOLDING-CORNER, OUTSIDE - .5" - PLASTIC - THOR PECAN
	076325-32-000	FT MOLDING-EDGE BAND, 1 5/16" - TAUPE
	076325-33-000	FT MOLDING-EDGE BAND, .875" - TAUPE
	076325-34-000	FT MOLDING-EDGE BAND, .15/16" - ORCHID
	076325-28-000	FT MOLDING-EDGE BAND
	022992-11-000	FT MOLDING-REVERSE COVE, T-SHAPED - VINYL - IVORY
	083620-07-000	FT T-MOLDING, END CAP EDGE - 3/4" - OAK
	070504-01-000	FT TRIM-EXTRUSION U-CHANNEL, 1/16" - THOR PECAN
	070504-20-000	FT U-CHANNEL-PLASTIC, .815" WIDE - THOR PECAN - INC OF 8'
	009778-13-000	FT U-CHANNEL, 1" WIDE - PLASTIC - THOR PECAN

WALL CLOCK

KEY	PART NUMBER	U/M DESCRIPTION
	104764-01-01A	EA CLOCK-WALL, OVAL - 9.5" X 11.1"
	101333-01-000	EA BACKPLATE-CLOCK, IN WALL SHIELD FOR CLOCK

**INTERIOR FINISH GROUP (CONTINUED)
PLASTIC DRAWER, SLIDES & RAIL**

KEY	PART NUMBER	U/M DESCRIPTION
	102827-02-000	EA BRACKET-ROLLER, DRAWER - REAR
	102827-03-000	EA ROLLER-DRAWER, NYLON - PAIR
	102827-04-000	EA BRACKET-MOUNTING, DRAWER - REAR
	102827-05-000	EA TRACK-DRAWER, 22.6" LONG

CABINET HARDWARE

KEY	PART NUMBER	U/M DESCRIPTION
	016604-01-000	EA BRACE-CABINET, ANGLED METAL - 2.5"
	065740-01-000	EA BRACE-CABINET CORNER, PLASTIC
	059777-02-000	EA HINGE-CABINET DOOR, BURNISHED BRASS
	023320-01-000	EA PAD-FELT, 3/8" DIAMETER - BROWN
	093586-03-000	EA CATCH-SPRING, ROLLER
	093586-04-000	EA STRIKE-SPRING STEEL
	074493-02-000	EA SUPPORT-OVERHEAD DOOR, SPRUNG
	098980-02-000	EA PILASTER-ADJUSTABLE SHELF, 12" LONG
	083125-03-000	EA BRACE-COUCH, TAN
	100707-01-000	EA SPACER
	100710-01-01A	EA LOCK-TWIST TYPE
	100711-01-01A	EA HINGE-DOOR, GLASS
	101272-01-000	EA CATCH-GLASS DOOR
	101766-01-000	EA PIN-SUPPORT, GLASS DOOR
	091261-01-000	FT CACKING-NON SKID, 1" WIDE (100' ROLL)
	057534-01-000	EA TIEBACK-CURTAIN, 6" - PLASTIC - CLEAR
	016604-03-000	EA BRACE - CABINET, ANGLED - 2.5" BEIGE
	016604-05-000	EA BRACE - CABINET, O/W

MIRRORS

KEY	PART NUMBER	U/M DESCRIPTION
	058331-14-000	EA MIRROR-SAFETY, 14" X 12.7"
	058331-41-000	EA MIRROR-SAFETY GLASS, 14" X 62.5"
	058331-71-000	EA MIRROR-GLASS, SAFETY - 8" X 16.4"

PANELING & PLASTIC LAMINATE

KEY	PART NUMBER	U/M DESCRIPTION
	074498-39-000	SF LAMINATE-PLASTIC, TAUPENANCE - INCREMENTS OF 40 SF
	074498-41-000	SF LAMINATE-PLASTIC, ORCHID MIST - INCREMENTS OF 40 SF
	074497-10-000	SF PANELING-LT OAK 629 REGAL OAK, 4' X 8' - INCREMENTS OF 32 SF
	088272-72-000	SF PANELING-TRAVERTINE WHITE, WET BATH - 4' X 7' - INC OF 28 SF
	088272-84-000	SF PANELING-BOMBAY, DECOR - 4' X 7' - INCREMENTS OF 32SF
	088272-85-000	SF PANELING-KEW GARDEN, DECOR - 4' X 7' - INCREMENTS OF 32SF
	089297-01-000	SF PLYWOOD-LUAN, OVERLAY GRADE - 4' X 8' - INC OF 32 SF
	083618-02-000	SF PLYWOOD-OAK, FINISHED ON 1 SIDE - 3/16" - 4' X 8'-INC. 28S
	000885-34-000	SF PARTICLE BOARD-3/4 X 49" X 97", 1 SIDE VINYL WOODGRAIN INCREMENTS OF 33 SF
	000885-36-000	SF PARTICLE BOARD-3/8 X 60" X 96", 1 SIDE VINYL WOODGRAIN INCREMENTS OF 32 SF
	000885-52-000	SF PARTICLE BOARD-VINYL COVERED, 2 SIDED - 3/8" X 48" X 96" WOODGRAIN

**1992 WINNEBAGO
TABLE OF CONTENTS**

INTRODUCTION	A-01 -	A-02
ABBREVIATIONS		A-03
ALPHABETICAL INDEX	A-04 -	A-06
WCF27RC	A-07 -	D-18
WCF30RU	D-19 -	H-01

1992 WCF30RU INDEX

FLOOR PLAN	D-19 -	D-20
ACCESSORIES	D-21 -	E-02
BATH	E-03 -	E-04
BEDROOM	E-05 -	E-06
CHASSIS	E-07 -	E-14
C C & PAD	E-15 -	E-22
DINETTE	E-23 -	E-24
DRIVERS	F-01 -	F-04
ELECTRICAL	F-05 -	F-10
EXTERIOR BODY	F-11 -	F-16
GALLEY	F-17 -	F-18
HEATING & A/C	F-19 -	F-24
INTERIOR FINISH	G-01 -	G-03
LABEL		G-04
LP		G-05
LOUNGE		G-06
SEALANTS & FASTENERS	G-07 -	G-09
WATER & SEWAGE	G-10 -	G-16
WINDOW, VENT AND EXTERIOR DOOR	G-17 -	H-01

INTERIOR FINISH GROUP (CONTINUED)

TV STAND HARDWARE

KEY	PART NUMBER	U/M DESCRIPTION
	084412-01-000	EA SUPPORT-HINGED
	084451-01-000	EA CATCH-TV SHELF, BRASS
	084413-01-000	EA HINGE-CONTINUOUS, ALUMINUM - 1" X 72" - W/HOLES

FABRIC & TRIMS FABRIC

KEY	PART NUMBER	U/M DESCRIPTION
	079680-01-000	YD FABRIC-VINYL, 54" WIDE - BUCKSKIN
	079680-09-000	YD FABRIC-VINYL, 54" WIDE - OFF WHITE
	052859-01-W30	FT TRIM-EDGE, VINYL - 1.5" WIDE - ACCENT
	029012-01-000	BF FOAM-ROLLED, 3/8" THICK - 72" WIDE
	096008-76-000	YD FABRIC-UPHOLSTERY, 54" - SUNSET, SANIBEL C05
	096008-79-000	YD FABRIC-UPHOLSTERY, 54" - SMOKEY, SANIBEL C06
	096008-77-000	YD FABRIC-UPHOLSTERY, PATTERN - 54" - EGGPLANT, CHARPAY C05
	096008-81-000	YD FABRIC-UPHOLSTERY, PATTERN - 54" - RYAN, CHARPAY C06
	096008-86-000	YD FABRIC-UPHOLSTERY, PATTERN - 54" - ROSEWOOD, DONEGAL C05
	096008-82-000	YD FABRIC-UPHOLSTERY, PATTERN, - 54" SUNSET C06
	096008-78-000	YD FABRIC-UPHOLSTERY, PLAIN - 54" - EGGPLANT, CHARPAY C05
	072333-82-000	YD FABRIC-DRAPERY
	087272-01-000	YD FABRIC-LINING, CURTAIN - 48" WIDE - IVORY
	081926-01-000	YD BACKING-QUILTING, MATTRESS COVER - 59" WIDE - WHITE
	088273-68-000	YD FABRIC-BEDSPREAD, 54" - FROST C05
	088273-69-000	YD FABRIC-BEDSPREAD, 54" - SKY C06
	088273-67-000	YD FABRIC-BEDSPREAD, SLATE C06
	088273-84-000	YD FABRIC-BEDSPREAD, FROST C05
	088273-89-000	YD FABRIC-BEDSPREAD, C05
	088273-72-000	YD FABRIC-BEDSPREAD, 54" - CHANTIUY, MICHIE C05
	088273-66-000	YD FABRIC-BEDSPREAD, 54" - CHANTIUY, GREEN MIST C06
	079349-01-B85	YD WELTING-FABRIC, ACCENT FABRIC
	079349-04-C05	YD WELTING-FABRIC, NARROW ACCENT

FLOOR COVERINGS & TRIMS

KEY	PART NUMBER	U/M DESCRIPTION
	093486-01-000	SY CARPET-COMPARTMENT, 54" WIDE - DARK GRAY
	096060-41-000	SY CARPET-12' ROLL, 507 SPECIAL LT.EGGPLANT INCREMENTS OF 4 SY C06
	096060-33-000	SY CARPET-12' ROLL, 506 LT BROWN SPECIAL INCREMENTS OF 4 SY C05
	075233-01-000	SY PAD-CARPET, 3/8" X 6' ROLL
	047034-02-000	SF PLASTIC-CARPET, 4" WIDE - CLEAR POLY
	100859-01-B25	EA TRIM-FLOOR, 72" X 1" X 1/2" - WOOD
	076314-02-000	FT TAPE-CARPET SEAM, HEAT BONDED

MISCELLANEOUS INTERIOR PARTS

KEY	PART NUMBER	U/M DESCRIPTION
	094499-02-000	EA EXTINGUISHER-FIRE, DRY - 1A10BC - CANADIAN
	094499-01-000	EA EXTINGUISHER-FIRE, DRY W/MOUNTING BRACKET - 10 BC U.S.
	094499-01-700	EA BRACKET-MOUNTING, W/PLASTIC STRAP - FIRE EXTINGUISHER
	105924-01-C05	EA MAT-FLOOR, - 18" X 27"
	072852-01-000	EA DETECTOR-SMOKE, W/9 VOLT BATTERY

LABELS GROUP

LABELS

KEY	PART NUMBER	U/M DESCRIPTION
	006064-01-000	EA LABEL-SEAT W/O SEATBELT
	068383-01-000	EA LABEL-DIESEL FUEL
	023769-01-000	EA LABEL-WARNING, LPG - CANADIAN
	050222-01-000	EA LABEL-STOVE VENT, CANADIAN
	098641-01-000	EA LABEL-FUEL, UNLEADED - DASH (JAPAN EXPORT)
	098641-01-000	EA LABEL-FUEL, UNLEADED - DASH
	098641-01-000	EA LABEL-FUEL, UNLEADED - DASH - CANADIAN
	040944-01-000	EA LABEL-ENTRANCE DOOR, "OPEN"
	087207-05-000	EA LABEL-FUEL CAP REMOVAL
	050225-01-000	EA LABEL-WARNING, STOVE VENT - US
	006064-01-000	EA LABEL-SEAT W/O SEATBELT
		NOT INTENDED FOR USE WHILE COACH IN MOTION
	006187-01-000	EA LABEL-GEWAGE
	006188-01-000	EA LABEL-WASTE WATER
	054531-01-000	EA LABEL-LP GAS ONLY
	061417-01-000	EA LABEL-FUEL, ON FUEL FILL DOOR
	090342-01-000	EA LABEL-VAPOR RELIEF
	099509-01-000	EA LABEL-AWNING INSTALLATION
	061606-01-000	EA LABEL-OVERLAY, VEHICLE CERTIFICATION - ADHESIVE BACKED
	062043-01-000	EA LABEL-FUEL, UNLEADED
	075221-03-000	EA LABEL-TRAILER HITCH
	065748-01-000	EA LABEL-CAUTION, BATTERY CHARGING
	073998-01-000	EA LABEL-LPG ODOR WARNING
	075220-01-000	EA LABEL-WARNING, EXTERIOR LOAD
	077510-01-000	EA LABEL-GENERATOR PREP
	006195-01-000	EA LABEL-ELECTRICAL TEST
	006196-01-000	EA LABEL-GAS TEST
	006197-01-000	EA LABEL-WATER TEST
	077956-01-000	EA LABEL-WARNING, SMOKE DETECTOR
	091243-01-000	EA LABEL-AC COVER
	047731-01-000	EA LABEL-EMERGENCY EXIT
	006199-01-000	EA LABEL-EXIT, "ESCAPE WINDOW"
	075221-01-000	EA LABEL-TRAILER HITCH CAPACITY

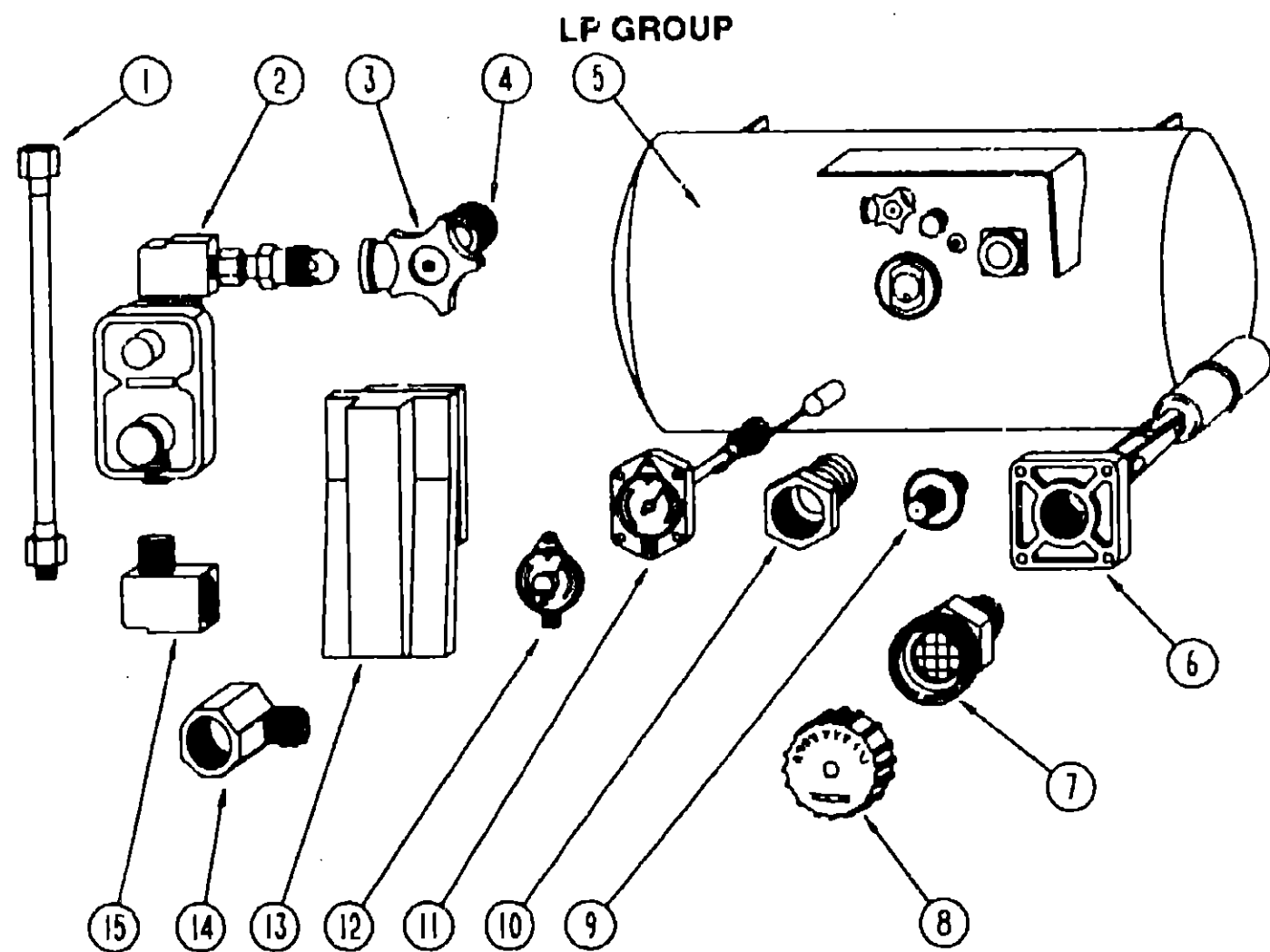
1992 WINNEBAGO

TABLE OF CONTENTS

INTRODUCTION	A-01 -	A-02
ABBREVIATIONS		A-03
ALPHABETICAL INDEX	A-04 -	A-06
WCF27RC	A-07 -	D-18
WCF30RU	D-19 -	H-01

1992 WCF30RU INDEX

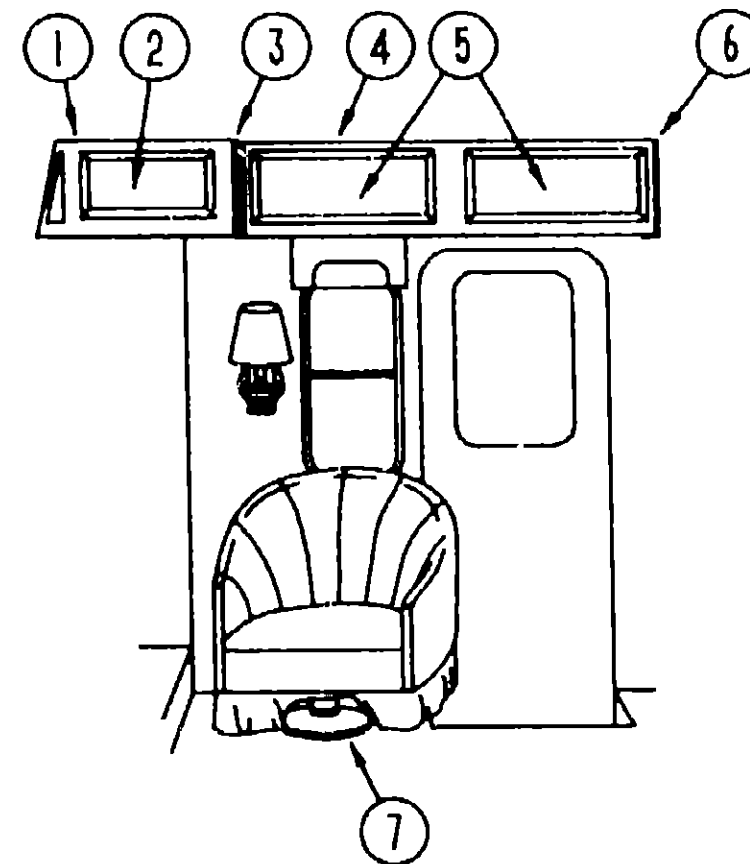
FLOOR PLAN	D-19 -	D-20
ACCESSORIES	D-21 -	E-02
BATH	E-03 -	E-04
BEDROOM	E-05 -	E-08
CHASSIS	E-07 -	E-14
CC & PAD	E-15 -	E-22
DINETTE	E-23 -	E-24
DRIVERS	F-01 -	F-04
ELECTRICAL	F-05 -	F-10
EXTERIOR BODY	F-11 -	F-18
GALLEY	F-17 -	F-18
HEATING & AC	F-19 -	F-24
INTERIOR FINISH	G-01 -	G-03
LABEL		G-04
LP		G-05
LOUNGE		G-06
SEALANTS & FASTENERS	G-07 -	G-09
WATER & SEWAGE	G-10 -	G-18
WINDOW, VENT AND EXTERIOR DOOR	G-17 -	H-01



LP TANK & COMPONENTS

KEY	PART NUMBER	U/M	DESCRIPTION
1	045703-01-000	EA	HOSE-LP, 3/8" ID X 24" US - 3/8 MPT X 1/2 F SWIVEL
1	045703-02-000	EA	HOSE-LP, 3/8" ID X 24" - 3/8 MPT X 1/2 F SWIVEL - CANADA
2	078301-01-000	EA	REGULATOR-LPG, TWO STAGE
3	040421-01-708	EA	HANDWHEEL-VAPOR RELIEF VALVE, BRUNNER G-1015-A
4	040421-01-712	EA	VALVE-SERVICE W/HANDWHEEL
5	088253-03-000	EA	TANK-LP, 50 LB 16" X 30"
6	040421-01-711	EA	VALVE-80% W/FLOAT, PLATE, BOLTS & GASKET - BRUNNER
7	040421-01-701	EA	VALVE-SHORT LP FILLER W/YELLOW CAP - BRUNNER 75478
8	040421-01-702	EA	CAP-LP FILLER VALVE, PLASTIC - YELLOW - BRUNNER G-1014-A
9	040421-01-700	EA	GAUGE-LIQUID LEVEL, 20% LP - BRUNNER G-1013
10	040421-01-713	EA	PRESSURE RELIEF VALVE
11	040421-01-707	EA	GAUGE-FLOAT W/VISIBLE DIAL - BRUNNER MA-9 6244-4
12	040440-01-000	EA	TRANSMITTER-DIAL, 90 OHM
13	081938-01-000	EA	COVER-COMPARTMENT - LP REGULATOR - BLACK
14	065318-02-000	EA	ELBOW-90 DEGREE, 3/8" MPT TO 3/8" FPT
15	065742-01-000	EA	TEE, .38F X .38F X .25FPT - BRASS
	010329-01-000	EA	ADAPTER-BRASS-1/2" F X 1/2" MPT
	065318-02-000	EA	ELBOW-90 DEGREE, 3/8" MPT TO 3/8" FPT
	010285-01-000	EA	CROSS, 3/8" F X 3/8" F X 3/8" F X 1/2" FPT - BRASS
	010377-02-000	EA	NUT-BRASS, 3/8 FEMALE - FORGED
	016183-03-000	EA	GROMMET-GAS LINE, FLOOR - 3/8" HOLE X 2 1/8" DIAMETER RUBBER
	081642-01-000	EA	TEE, 1/2" MPT X 1/2" FL X 3/8" FL - BRASS
	010497-05-000	EA	CLAMP-CLOSED, .50" ID
	075148-02-000	EA	CLAMP-GROUNDING, BRONZE SCREWS
	008380-01-000	EA	GROMMET-RUBBER, 5/8" HOLE X 1 1/2" DIAMETER - BLACK
	010326-01-000	EA	ADAPTER-FLARE, W/CONE GASKET 3/8" FEMALE FL X 1/2" MALE F
	065741-01-000	EA	GAUGE-DIAPHRAGM PRESSURE - MARSHALLTOWN MFG
	065742-01-000	EA	TEE, .38F X .38F X .25FPT - BRASS
	071391-02-000	EA	NIPPLE-HEX, .25 PIPE
	008042-01-000	FT	TUBING-VINYL, .65" ID
	054531-01-000	EA	LABEL-LP GAS ONLY

LOUNGE GROUP



PASSENGER SIDE OVERHEAD CABINET

KEY	PART NUMBER	U/M	DESCRIPTION
1	M05159-21-C05	EA	CABINET ASM-OVERHEAD,FRONT PASSENGERS - W/O DOORS & HARDWARE
2	P04746-06-C05	EA	DOOR ASM. - MITERED OGEE, W/O HARDWARE
3	104353-01-C05	EA	CAP-END, OVERHEAD - FRONT
4	M05019-38-C05	EA	CABINET ASM.- ENTRANCE OVERHEAD, W/O DOORS & HARDWARE
5	P04746-01-C05	EA	DOOR ASM.-CABINET, W/O HARDWARE - 14.4" X 21.8"
6	103128-03-C05	EA	CAP ASM.-END,OVERHEAD,LH
7	093482-01-000	EA	SHROUD-PEDESTAL, 13" - PLASTIC - BLACK

DRIVERS SIDE CABINETS

KEY	PART NUMBER	U/M	DESCRIPTION
	103128-01-C05	EA	END CAP - CABINET, OVERHEAD - FRONT
	M05019-44-C05	EA	CABINET ASM.-OVERHEAD,DRIVERS LOUNGE - W/O DOORS OR HARDWARE
	P04746-05-C05	EA	DOOR ASM-MITERED OGEE - W/O HARDWARE
	M05159-22-C05	EA	CABINET ASM.-OVERHEAD,FRONT,DRIVERS - W/O DOORS OR HARDWARE
	P04746-06-C05	EA	DOOR ASM.-OVERHEAD,DRIVERS- W/O HARDWARE
	104353-02-C05	EA	END CAP - CABINET

SEAT BELT

KEY	PART NUMBER	U/M	DESCRIPTION
	056271-02-000	EA	BELT - SEAT, 2" X 72" - BLACK

1992 WINNEBAGO
TABLE OF CONTENTS

INTRODUCTION	A-01 -	A-02
ABBREVIATIONS		A-03
ALPHABETICAL INDEX	A-04 -	A-06
WCF27RC	A-07 -	D-18
WCF30RU	D-19 -	H-01

1992 WCF30RU INDEX

FLOOR PLAN	D-19 -	D-20
ACCESSORIES	D-21 -	E-02
BATH	E-03 -	E-04
BEDROOM	E-05 -	E-06
CHASSIS	E-07 -	E-14
C C & PAD	E-15 -	E-22
DINETTE	E-23 -	E-24
DRIVERS	F-01 -	F-04
ELECTRICAL	F-05 -	F-10
EXTERIOR BODY	F-11 -	F-16
GALLEY	F-17 -	F-18
HEATING & A/C	F-19 -	F-24
INTERIOR FINISH	G-01 -	G-03
LABEL		G-04
LP		G-05
LOUNGE		G-06
SEALANTS & FASTENERS	G-07 -	G-09
WATER & SEWAGE	G-10 -	G-16
WINDOW, VENT AND		
EXTERIOR DOOR	G-17 -	H-01

SEALANTS & FASTENERS GROUP

ADHESIVE AND FASTENERS

KEY	PART NUMBER	U/M DESCRIPTION
	004020-01-000	QT ADHESIVE:ABS CEMENT, QUART
	081377-01-70C	EA ADHESIVE:CYANOACRYLATE, 10 GRAM TUBE
	004006-04-700	EA ADHESIVE:PIERCE, 1 GAL - J9270-X-1
	037211-01-000	GL ADHESIVE:PROMOTER
	004005-02-000	EA ADHESIVE:SWIFTS, 1 GAL - W1333
	099033-01-000	EA ADHESIVE:WEATHERSTRIP, 8 OZ.
	053766-02-000	EA BEDDING COMPOUND:TUBE, WHITE
	005200-01-000	EA BOLT-BUMPER,ROUND HEAD-SQUARE NECK- W/SST CAP 7/16- 14 X 1 1/4
	102333-01-01A	EA BOLT-CARRIAGE, 7/16 - 14 - STAINLESS STEEL CAP- BEIGE
	051387-06-000	EA BOLT-CARRIAGE, W/O HOLE - 5/16-18 X 9.5 ZN
	000C12-08-24B	EA BOLT-HEX, 1/2-13 X 1 1/2 - ZN 5
	000C12-05-16B	EA BOLT-HEX, 5/16-18 X 1 - ZINC 5
	000C12-10-24B	EA BOLT-HEX, 5/8-11 X 1 1/2 ZN - 5
	000C12-07-20B	EA BOLT-HEX, 7/16 - 14 X 1 1/4" - ZN5
	000C13-07-48B	EA BOLT-HEX, 7/16 - 20 X 3 - ZN 5
	000C26-04-10B	EA BOLT-HEX, SER FLG - 1/4-20 X 5/8 ZINC
	000C26-05-20B	EA BOLT-HEX,SER FLG 5/16-18 X 1 1/4" - ZINC
	000C12-05-24B	EA BOLT-HEX-5/16-18X11/2ZN5
	016604-01-000	EA BRACE-CABINET, ANGLED METAL - 2.5"

CLAMPS, GROMMETS AND FASTENERS

KEY	PART NUMBER	U/M DESCRIPTION
	010495-01-000	EA CLAMP-CABLE, 9/16"
	010497-06-000	EA CLAMP-CLOSED, 11/16" ID
	010497-03-000	EA CLAMP-CLOSED, 1" ID - CUSHIONED
	010499-01-000	EA CLAMP-CLOSED, 3/8" ID
	010497-01-000	EA CLAMP-CLOSED, 5/8"ID
	010497-08-000	EA CLAMP-CLOSED, .125"
	075148-02-000	EA CLAMP-GROUNDING, BRONZE SCREWS
	062401-02-000	EA CLAMP-HOSE, WORMGEAR, 1.56" - 2.5"
	062401-10-000	EA CLAMP-HOSE, WORMGEAR 1.06" - 2"
	073194-02-000	EA CLAMP-HOSE, WORMGEAR 32-50MM
	062401-07-000	EA CLAMP-HOSE, WORMGEAR 5" - 7"
	062401-06-000	EA CLAMP-HOSE, WORMGEAR .22"-.62"
	032401-01-000	EA CLAMP-HOSE, WORMGEAR .25" - 1"
	062401-04-000	EA CLAMP-HOSE, WORMGEAR .69" - 1.25"
	062401-03-000	EA CLAMP-HOSE WORMGEAR, .22" - 1"
	083609-01-000	EA CLAMP-WIRE,DUAL - EQUAL 5/8" DIAMETER
	094362-02-000	EA CLIP-CHRISTMAS TREE, FLAT HEAD
	077953-01-000	EA GROMMET-EDGE LINER, FITS 1"
	023942-01-000	EA GROMMET-RUBBER, 2" OD
	071015-21-000	EA GROMMET-.50"ID, FITS .19" MATERIAL, RUBBER- SPLIT
	009066-01-000	EA HINGE-ALUMINUM, NO HOLES - 11/16" X 72" - UNPAINTED
	056134-02-000	EA HOLDER-RING, 1.5" ID PIPE SIZE - STEEL
	092321-01-000	FT INSULATION-FIBERGLASS, W/ALUMINUM FOIL
	077955-01-000	EA JCLIP-VINYL COATED, 3/8" USED IN WIRING TO CLEARANCE LIGHTS

NUTS AND FASTENERS

KEY	PART NUMBER	U/M DESCRIPTION
	072893-01-000	EA NUTSERT-M5 X 0.8
	077049-01-000	EA NUT-ACORN, 10-32 ALUMINUM
	095094-01-000	EA NUT-ACORN, 1/4 - 20 ALUMINUM
	000D14-05-00B	EA NUT-HEX, 5/16-18 - ZN 5
	000D34-04-00B	EA NUT-HEX, LK 1/4 - 20 ZN
	000D39-04-00B	EA NUT-HEX, SER FLG LK 1/4 - 20 ZN
	000D39-08-00B	EA NUT-HEX, SER FLG LK - 1/2-13 ZN
	000D39-06-00B	EA NUT-HEX, SER FLG LK - 3/8-16 ZN
	000D39-05-00B	EA NUT-HEX, SER FLG LK - 5/16 - 18 ZN
	000D44-07-00B	EA NUT-HEX, SER FLG LK - 7/16-20 ZN
	000D24-10-00B	EA NUT-HEX, SF/LK - 10-32 ZN
	000D34-06-00B	EA NUT-HEX LK-3/8-16 GRADE C ZN
	075487-01-000	EA NUT-INVERTED FLARE, 1/4"
	088497-02-000	EA NUT-INVERTED FLARE, 1/4"
	063253-07-000	EA NUT-J, #8A .120-.130 PNL THK
	044364-02-000	EA NUT-SPEED, FLAT - ROUND
	040821-06-000	EA NUT-SPEED, U TYPE - NO. 8
	040821-04-000	EA NUT-SPEED, U TYPE - NO. 8
	040821-05-000	EA NUT-SPEED, U TYPE - NO.8

SEALANTS & FASTENERS GROUP (CONTINUED)

NUTS AND FASTENERS CONT

KEY	PART NUMBER	U/M DESCRIPTION
	044364-01-000	EA NUT-SPEED,FLAT
	084081-01-000	EA NUT-WING, 3/8" X 18 THREAD
	084884-01-000	EA PLUG-BRASS, 3/8"
	000H16-04-06R	EA RIVET-POP, AL 1/8 X .313-.375
	069592-02-000	EA RIVET-T (POP) 1/4X.093-.156
	063729-04-000	EA RIVNUT, 10-32 UNIF - .010-.080
	063729-01-000	EA RIVNUT, 1/4 X 20 UNC - .030-.125

SCREWS AND FASTENERS

KEY	PART NUMBER	U/M DESCRIPTION
	000G67-10-24B	EA SCREW, 10-12 X 1 1/2 PPH - ZN
	000G67-10-16P	EA SCREW, 10-12 X 1 PPH - DARK BROWN
	000G67-10-16B	EA SCREW, 10-12 X 1 PPH - ZN
	000G67-10-08B	EA SCREW, 10-12 X 1/2 PPH ZN
	000G67-10-08R	EA SCREW, 10-12 X 1/2 PPH - BEIGE - TYPE A
	000G67-10-12B	EA SCREW, 10-12 X 3/4 - PPH ZN
	000G67-10-10B	EA SCREW, 10-12 X 5/8 PPH ZN - TYPE A
	000G67-10-10R	EA SCREW, 10-12 X 5/8 PPH - TYPE A - BEIGE
	000G67-10-12P	EA SCREW, 10-12 X .75 PPH - DARK BROWN
	049465-01-000	EA SCREW, 10-16 W/WASHER PTH - DARK BROWN
	049465-04-000	EA SCREW, 10-16 X 1 PTH W/WASHER - BEIGE
	000G11-10-16B	EA SCREW, 10-16 X 1 - PPH ZN
	000G11-10-12R	EA SCREW, 10-16 X 3/4 PPH - BEIGE
	000G11-10-12D	EA SCREW, 10-16 X 3/4 PPH - BLACK
	000G68-06-10G	EA SCREW, 6-18 X 5/8 POH - ANTIQUE BRASS
	076790-01-000	EA SCREW, 6-20 X 1 1/4 PPH - BLACK
	000G13-06-16R	EA SCREW, 6-20 X 1 PFH - BEIGE
	000G13-06-08B	EA SCREW, 6-20 X 1/2 PFH ZN
	000G13-06-10G	EA SCREW, 6-20 X 5/8 PFH - ANTIQUE BRASS
	000G11-06-10B	EA SCREW, 6-20 X 5/8 PPH ZN
	000G11-06-10J	EA SCREW, 6-20 X 5/8 PPH - BRASS
	000G11-07-08B	EA SCREW, 7-19 X 1/2 PPH - ZN
	000G13-07-12B	EA SCREW, 7-19 X 3/4 PFH ZN
	000G13-08-16B	EA SCREW, 8-18 X 1 PFH - ZN
	000G11-08-08T	EA SCREW, 8-18 X 1/2 PPH
	000G11-08-08B	EA SCREW, 8-18 X 1/2 PPH ZN
	000G11-08-12B	EA SCREW, 8-18 X 3/4 PPH ZN
	000G11-08-12R	EA SCREW, 8-18 X 3/4 PPH - BEIGE
	000G11-08-12D	EA SCREW, 8-18 X 3/4 PPH - BLACK
	000G11-08-16R	EA SCREW, 8-18X1.00 PPH - BEIGE
	000G67-10-32B	EA SCREW, NO. 10 - 12 X 2 PPH ZN
	000G55-08-12W	EA SCREW, SF/DR-8-18X.75 PWH
	000G67-10-12R	EA SCREW-10-12X.75 PPH BEIGE
	000G67-10-120	EA SCREW-10-12X.75 PPH TAN
	049465-03-000	EA SCREW-10-16X1 POH W/WASHER
	000G11-10-12S	EA SCREW-10-16X.75 PPH OFF WHITE
	000G54-04-20B	EA SCREW-1/4-20X11/4 PTH TYP 23
	000G57-05-16J	EA SCREW-5-20X1 PFH BRASS
	000G12-06-08T	EA SCREW-6-20 X .50 POH - BLACK
	000G13-06-16J	EA SCREW-6-20X1.00 PFH BRASS
	000G11-08-12P	EA SCREW-8- 18X.75.DARK BROWN
	085318-01-000	EA SCREW-8-08BX1/2,CRIMPTTEHD
	000G67-06-32B	EA SCREW-8-15X2 PPH ZN
	000G12-08-16S	EA SCREW-8-18 X 1" POH - OFF WHITE-
	000G11-08-16S	EA SCREW-8-18X1.00 PPH OFF WHITE
	009439-07-000	EA SCREW-8-32X1 1/4 POH,BLACK
	087721-01-000	EA SCREW-FLAT HEAD, TAPPING - 1/4 X 1 1/4 LG ZN
	086763-01-000	EA SCREW-MACH, 10 - 32 X 1/4 PTH
	000G19-10-08B	EA SCREW-MACH, 10-32 X 1/2 PPH ZN
	000G19-10-10B	EA SCREW-MACH, 10-32 X 5/8 - PPH - ZINC
	000G50-04-12R	EA SCREW-MACH, 1/4-20 X 3/4 PPH ZN
	081908-01-000	EA SCREW-MACH 6-32X.82 W/WYLOCK
	089371-01-000	EA SCREW-MACH 8-32X.35/16.ZN
	000G19-10-20B	EA SCREW-MACHINE, 10-32 X 1 1/4 PPH ZINK
	000G18-08-16B	EA SCREW-MACHINE, 8 X 32 X 1, PPH ZN
	075008-01-000	EA SCREW-MACH-10-32X.56PTH(SEMS
	000G53-04-08B	EA SCREW-MACH-1/4-20X3/8 PPH ZN
	000G18-08-22B	EA SCREW-MACH-8-32X1 3/8 PPH ZN
	000G39-10-20B	EA SCREW-SF/DR, 10-16 X 1 1/4 PPH ZN

1992 WINNEBAGO

TABLE OF CONTENTS

INTRODUCTION	A-01	A-02
ABBREVIATIONS		A-03
ALPHABETICAL INDEX	A-04	A-08
WCF27RC	A-07	D-18
WCF30RU	D-19	H-01

1992 WCF30RU INDEX

FLOOR PLAN	D-19	D-20
ACCESSORIES	D-21	E-02
BATH	E-03	E-04
BEDROOM	E-05	E-08
CHASSIS	E-07	E-14
C C & PAD	E-15	E-22
DINETTE	E-23	E-24
DRIVERS	F-01	F-04
ELECTRICAL	F-05	F-10
EXTERIOR BODY	F-11	F-16
GALLEY	F-17	F-18
HEATING & A/C	F-19	F-24
INTERIOR FINISH	G-01	G-03
LABEL		G-04
LP		G-05
LOUNGE		G-06
SEALANTS & FASTENERS	G-07	G-09
WATER & SEWAGE	G-10	G-16
WINDOW, VENT AND EXTERIOR DOOR	G-17	H-01

SEALANTS & FASTENERS GROUP (CONTINUED)

SCREWS AND FASTENERS CONT

KEY	PART NUMBER	U/M DESCRIPTION
	000G39-10-12R	EA SCREW-SF/DR, 10-16 X 3/4 PPH - BEIGE
	000G39-10-12D	EA SCREW-SF/DR, 10-16 X 3/4 PPH - BLACK
	000G39-06-16T	EA SCREW-SF/DR, 6-20 X 1 PPH - BLACK
	000G39-06-10T	EA SCREW-SF/DR, 6-20 X 5/8 PPH - BLACK
	000G39-08-24B	EA SCREW-SF/DR, 8-18 X 1 1/2 PPH ZN
	000G39-08-16E	EA SCREW-SF/DR, 8-18 X 1 PPH CHROME
	000G39-08-16B	EA SCREW-SF/DR, 8-18 X 1 PPH ZN
	000G39-08-18T	EA SCREW-SF/DR, 8-18 X 1 PPH - BLACK
	000G55-08-162	EA SCREW-SF/DR, 8-18 X 1.00 - BEIGE
	000G39-08-08B	EA SCREW-SF/DR, 8-18 X 1/2 PPH ZN
	000G39-08-32B	EA SCREW-SF/DR, 8-18 X 2 PPH - ZINC
	000G39-08-12B	EA SCREW-SF/DR, 8-18 X 3/4 PPH ZN
	000G39-08-12T	EA SCREW-SF/DR, 8-18 X 3/4 PPH - BLACK
	000G39-08-06B	EA SCREW-SF/DR, 8-18 X 3/8 PPH ZN
	000G60-10-28T	EA SCREW-SF/DR, 10-16X1.75
	000G39-08-16R	EA SCREW-SF/DR 8-18X1.00 PPH BEIGE
	000G39-08-08R	EA SCREW-SF/DR 8-18X1/2 PPH
	079382-01-000	EA SCREW-SOCKET, 8-18 X 1" - BLACK

SEALERS AND FASTENERS

KEY	PART NUMBER	U/M DESCRIPTION
	106205 01 000	EA SEALER-PUMPABLE
	069640-02-000	FT SEALER-RIBBON, 1/2" X 1/8" - INCREMENTS OF 30'
	069640-09-000	FT SEALER-RIBBON, 1/32" X 2 1/2"
	069640-01-000	FT SEALER-RIBBON, 1/4" DIAMETER - INCREMENTS OF 20'
	069640-03-000	FT SEALER-RIBBON, 3/4" X 1/8" - INCREMENTS OF 60'
	069640-06-000	FT SEALER-RIBBON, 5/16" DIAMETER - INCREMENTS OF 25'
	091255-03-000	FT SEAL-FOAM, 1/4 X 3/16 ROLL
	091255-01-000	FT SEAL-FOAM, 3.2MM X 4.8MM
	090340-01-000	FT SEAL-FOAM, CLOSED CELL - 1/4" X 1/2" X 50'
	053752-01-000	GL SEAMSEALER-5 GAL. ALUMINUM
	034552-04-000	EA SILICONE-TUBE, 300 ML - BEIGE
	034552-02-000	EA SILICONE-TUBE, 300 ML - CLEAR
	008401-01-000	EA STRAP-CONDUIT, 3/4" - 1 HOLE - GALVANIZED STEEL

TAPES AND FASTENERS

KEY	PART NUMBER	U/M DESCRIPTION
	100029-01-000	FT TAPE-ADHESIVE, .031" X .75" WIDE
	004363-01-000	FT TAPE-ADHESIVE FOAM, 1 SIDE - 3/16" X 1/2" - GRAY
	093071-01-000	FT TAPE-BONDING, DOUBLE SIDED - 1/64" X 2"
	093071-01-000	FT TAPE-BONDING, DOUBLE SIDED - 1/64" X 2"
	076322-03-000	FT TAPE-FOAM, DOUBLE COATED - .045" X .5"
	088244-01-000	FT TAPE-FOAM, VINYL COATED - 2" WIDE - INCREMENTS OF 108 FT
	009200-01-000	EA TAPE-FURNACE, 1 1/2"
	087891-01-000	EA TAPE-MASKING, WEATHER RESISTANT
	008343-02-000	EA TIE-WIRE, 14"
	008343-01-000	EA TIE-WIRE, 6"

WASHERS AND FASTENERS

KEY	PART NUMBER	U/M DESCRIPTION
	077071-01-000	EA WASHER-FENDER, 3/16" ID X 1" OD
	000E13-14-00B	EA WASHER-FL, 1/4" WIDE ZN
	000E13-11-00B	EA WASHER-FL, 3/16" WIDE ZN
	000E13-17-00B	EA WASHER-FL-3/8 AR ZN

WATER & SEWAGE GROUP

DRAINAGE SYSTEM - CANADIAN

KEY	PART NUMBER	U/M DESCRIPTION
	004020-01-000	QT ADHESIVE-ABS CEMENT
	010006-01-000	EA ELBOW-45 DEG, 1/8" BEND - 1 1/2" HUB X HUB - BLACK PLASTIC
	010008-01-000	EA ELBOW-90 DEG, 1/4" BEND - 1 1/2" HUB X HUB - BLACK PLASTIC
	010071-01-000	EA TEE-SANITARY, 1 1/2" HUB X HUB X HUB - PLASTIC - BLACK
	010079-01-000	EA TEE-SANITARY, 1 1/2" X 1 1/2" X 1 1/4" - PLASTIC - BLACK
	010115-01-000	EA COUPLING-1 1/2" HUB X HUB, PLASTIC
	010122-01-000	EA BUSHING-REDUCER, 1 1/2" SMOOTH 1 1/4" HUB - PLASTIC - RED
	011066-02-000	EA P TRAP-1 1/4" HUB X SLIP JOINT, W/UNION - ABS - CANADIAN
	024676-02-000	EA FLANGE-CLOSET, 4" X 3" - ABS - CANADIAN
	053335-01-000	EA P TRAP-1 1/4" HUB X HUB, W/UNION - CANADIAN
	070916-01-000	EA VALVE-DUAL DUMP, W/CAP - 3" X 1 1/2" - PLASTIC - BLACK
	070916-01-700	EA VALVE ONLY, 3"
	070916-01-701	EA VALVE ONLY, 1 1/2"
	079968-01-000	EA VENT-MECH. TRAP ARM, ANTI-SIPHON - 2" DIA. X 7.3" - PLASTIC

CONTINUOUS WASTE ASSEMBLY - CANADIAN

KEY	PART NUMBER	U/M DESCRIPTION
	010071-01-000	EA TEE-SANITARY, 1 1/2" HUB X HUB X HUB - PLASTIC - BLACK
	010122-01-000	EA BUSHING-REDUCER, 1 1/2" SMOOTH 1 1/4" HUB - PLASTIC - RED

**WATER SYSTEM
WATER PUMP - CANADIAN**

KEY	PART NUMBER	U/M DESCRIPTION
	098607-02-000	EA PUMP-WATER, 2.8 GPM - W/1/2" MPT FITTINGS - CANADIAN
	098607-01-700	EA PUMPHEAD-REPLACEMENT, SHURFLOW# 94-236-08
	098607-01-701	EA DRIVE ASM, SHURFLOW# 94-234-03
	098607-01-702	EA DIAPHRAGM-KIT, SHURFLOW# 94-233-10
	098607-01-703	EA VALVE ASM, SHURFLOW# 94-232-00
	098607-01-704	EA HOUSING-UPPER, SHURFLOW# 94-231-01
	098607-01-705	EA CHECK VALVE-KIT, SHURFLOW# 94-237-00
	098607-01-706	EA SWITCH ASM-COMPLETE, SHURFLOW# 94-230-00
	098607-01-707	EA MOTOR/BASEPLATE REPLACEMENT, SHURFLOW# 94-234-03

FAUCETS & SHOWER HEAD - CANADIAN

KEY	PART NUMBER	U/M DESCRIPTION
	103092-01-000	EA SHOWER HEAD-W/80" HOSE, W/O VACUUM BREAKER - CANADIAN
	075240-06-000	EA FAUCET-LAVATORY, BONE
	075241-05-000	EA FAUCET-SHOWER, BONE

1992 WINNEBAGO

TABLE OF CONTENTS

INTRODUCTION	A-01 -	A-02
ABBREVIATIONS		A-03
ALPHABETICAL INDEX	A-04 -	A-06
WCF27RC	A-07 -	D-18
WCF30RU	D-19 -	H-01

1992 WCF30RU INDEX

FLOOR PLAN	D-19 -	D-20
ACCESSORIES	D-21 -	E-02
BATH	E-03 -	E-04
BEDROOM	E-05 -	E-06
CHASSIS	E-07 -	E-14
C C & PAD	E-15 -	E-22
DINETTE	E-23 -	E-24
DRIVERS	F-01 -	F-04
ELECTRICAL	F-05 -	F-10
EXTERIOR BODY	F-11 -	F-16
GALLEY	F-17 -	F-18
HEATING & A/C	F-19 -	F-24
INTERIOR FINISH	G-01 -	G-03
LABEL		G-04
LP		G-05
LOUNGE		G-06
SEALANTS & FASTENERS	G-07 -	G-09
WATER & SEWAGE	G-10 -	G-16
WINDOW, VENT AND		
EXTERIOR DOOR	G-17 -	H-01

WATER & SEWAGE GROUP (CONTINUED)

WATER HEATER W/MOTOR AID & REAR HEATER OPTION L811

KEY	PART NUMBER	U/M DESCRIPTION
	051393-01-000	EA WATER HEATER-W/MOTOR AID, PILOTLESS IGNITION - ATWOOD GH6-4E/GH6-6E
	051391-01-700	EA HINGE KIT-W/CLIP, ATWOOD # 92568 & 92559
	051391-01-704	EA VALVE-RELIEF, 1/2" FITTING - ATWOOD# 91604
	051391-01-705	EA FASTENER CAMLOC, ATWOOD# 92609
	051391-04-703	EA BURNER-MAIN, 4E AND 6E - ATWOOD #91638
	051391-01-710	EA ORIFICE-MAIN BURNER, ATWOOD# 92742
	051391-04-701	EA THERMOSTAT 12 VDC-120 PRESET, FRONT MOUNT ONLY - ATWOOD# 91470
	051391-01-715	EA DRAIN PLUG, ATWOOD# 91581
	051391-04-704	EA TANK-INNER (FRT-MT), GH6-4E&6E - ATWOOD# 91642
	051391-04-707	EA KIT-GRILLE, FLUE, & GASKET - ATWOOD# 90960
	051393-01-700	EA TANK-INNER, 3E FRONT MOUNT - ATWOOD# 91023
	051393-01-701	EA SWITCH PACKAGE-ATWOOD# 91959
	051393-01-702	EA SWITCH-ENERGY CUT-OFF, ATWOOD# 91951
	051393-01-703	EA THERMOSTAT-REAR MOUNT, ATWOOD# 91952
	051393-01-704	EA CIRCUIT BOARD-W/BLACK BOX, ATWOOD# 91420
	051393-01-705	EA ORIFICE HOLDER-ATWOOD# 91925
	051393-01-716	EA PROBE & SPARK ASM, ATWOOD# 91606
	051391-01-708	EA BURNER-MAIN, 3E ONLY - ATWOOD# 92615
	051393-01-718	EA VALVE-DUAL SOLENOID, ATWOOD# 91605
	051393-01-713	EA BRACKET-CORNER, PACKAGE OF 4 - ATWOOD# 91838
	051393-01-714	EA TANK-INNER (GH6-3E), REAR MOUNT - ATWOOD# 91400
	051393-01-720	EA KNOB-TEMPERATURE, ATWOOD# 92310
	051393-01-721	EA ECO&THERMOSTAT ASM-FRONT MOUNT, 140 DEGREE - ATWOOD# 91447
	062401-01-000	EA CLAMP-HOSE, WORMGEAR .25" - 1"
	079059-01-000	EA HOSE-90 DEGREE, .61"ID X 4" X 36"
	007108-01-000	FT HOSE-HEATER, 5/8" ID
	066753-01-000	FT TUBE-ALUMINIZED STEEL, 5/8" - 18 GAUGE
	010227-01-000	EA TEE-PLASTIC, BARB 5/8" OR 3/4" HOSE

WATER & SEWAGE GROUP (CONTINUED)

EXTERIOR SHOWER

KEY	PART NUMBER	U/M DESCRIPTION
	046128-01-000	EA VALVE-DRAIN-PLAS 1/2FPT
	052959-02-000	EA CONNECTOR-PLAS, 1/2F X 1/2MPT
	054250-04-000	EA SUPPORT-DIMMER SWITCH O/W
	057457-01-000	EA ELBOW-UNION, 1/2X1/2IN FLARE
	065120-01-000	EA ELBOW-PLAS, SWIVEL, .50 IN
	075241-05-000	EA FAUCET-SHOWER CTRL.BONE
	087211-01-000	GL ADHESIVE-PROMOTER
	103092-01-000	EA SHOWER HEAD-W/80 IN HOSE
	105118-02-C05	EA DOOR ASM-STORAGE
	106208-01-01A	EA COMPARTMENT-SHOWER, EXT O/W
	065120-01-000	EA ELBOW-PLAS, SWIVEL, .50 IN
	076322-05-000	FT TAPE-FOAM, DBL COATED, .045X.75
	096241-07-000	EA SWITCH-ROCKER, DPDT, ON/OFF

WATER HEATER BYPASS VALVE

KEY	PART NUMBER	U/M DESCRIPTION
	039798-01-000	EA TEE-PLS;1/2MPTX1/2MPTX1/2MPT
	039800-01-000	FT TUBING-POLYBUTY-1/2ODX20FT
	052957-02-000	EA ELBOW-PLAS, 1/2F X 1/2MPT
	052959-02-000	EA CONNECTOR-PLAS, 1/2F X 1/2MPT
	079317-01-000	EA ADAPTER-SWIVEL .5TUBEX.5FPT
	099729-01-000	EA BYPASS KIT-WATER HEATER
	101814-01-000	EA COUPLING-FEMALE
	000G67-10-16B	EA SCREW-10-12X1 PPH ZN
	052958-01-000	EA TEE-PLAS, 1/2FX1/2FX1/2F

1992 WINNEBAGO

TABLE OF CONTENTS

INTRODUCTION	A-01 -	A-02
ABBREVIATIONS		A-03
ALPHABETICAL INDEX	A-04 -	A-08
WCF27RC	A-07 -	D-18
WCF30RU	D-19 -	H-01

1992 WCF30RU INDEX

FLOOR PLAN	D-19 -	D-20
ACCESSORIES	D-21 -	E-02
BATH	E-03 -	E-04
BEDROOM	E-05 -	E-06
CHASSIS	E-07 -	E-14
C C & PAD	E-15 -	E-22
DINETTE	E-23 -	E-24
DRIVERS	F-01 -	F-04
ELECTRICAL	F-05 -	F-10
EXTERIOR BODY	F-11 -	F-16
GALLEY	F-17 -	F-18
HEATING & A/C	F-19 -	F-24
INTERIOR FINISH	G-01 -	G-03
LABEL		G-04
LP		G-05
LOUNGE		G-06
SEALANTS & FASTENERS	G-07 -	G-09
WATER & SEWAGE	G-10 -	G-16
WINDOW, VENT AND		
EXTERIOR DOOR	G-17 -	H-01

WATER & SEWAGE GROUP (CONTINUED)

WATER SYSTEM

KEY	PART NUMBER	U/M DESCRIPTION
	038622-02-000	EA CAP-BRASS, 1/2" FLARE
	039800-01-000	FT TUBING-POLYBUTYL, 1/2" OD - INCREMENTS OF 20" - BLACK
	046128-01-000	EA VALVE-DRAIN, PLASTIC - 1/2" FPT
	052952-01-000	EA NUT-PLASTIC, 1/2" F X 1/2" TUBE - PLASTIC - GRAY
	052953-01-000	EA NUT-FAUCET, 1/2" TUBE X 1/2" FPT - PLASTIC - GRAY
	052958-01-000	EA TEE-1/2" F X 1/2" MPT X 1/2" F - PLASTIC
	079381-01-000	FT TUBING-SMOOTH FLEXIBLE, 1 1/4" ID
	052957-02-000	EA ELBOW-MALE, 1/2" F X 1/2" MPT - PLASTIC - GRAY
	052959-02-000	EA CONNECTOR, 1/2" F X 1/2" MPT - PLASTIC - GRAY
	057457-01-000	EA ELBOW-UNION, 1/2" X 1/2" FL - WATER
	085120-01-000	EA ELBOW-SWIVEL, 1/2" FPT X 1/2" FLARE - PLASTIC - GRAY
	074462-02-000	FT TUBING-VINYL, 3/8" ID - CLEAR
	087659-04-000	EA FILL-WATER, CITY - OFF WHITE

FRESH WATER TANK - 54 GALLON

KEY	PART NUMBER	U/M DESCRIPTION
	076625-08-000	EA TANK-WATER, W/O FITTINGS - 54 GAL - 40" X 25" X 13"
	042989-04-000	EA FITTING-WATER TANK, SPINWELD - 3/8" FPT - PLASTIC - WHITE
	042989-05-000	EA FITTING-SPINWELD, PLASTIC - 1/2" FPT
	042989-03-000	EA FITTING-SPINWELD, PLASTIC - 1/4" FPT
	049032-01-000	EA PATCH-SPINWELD, 3/8" - PLASTIC
	039861-01-000	EA SENDING UNIT W/SCREW, WASHER, WELL NUT AND TERMINAL RING
	077954-02-000	EA FILTER-WATER TANK, SCREEN IN TANK
	052957-04-000	EA ELBOW-5/8" F X 3/4" MPT
	052959-02-000	EA CONNECTOR, 1/2" F X 1/2" MPT - PLASTIC - GRAY

WATER PUMPS

KEY	PART NUMBER	U/M DESCRIPTION
	098607-01-000	EA PUMP-WATER, W/5" MPT FITTING - FLOW 2.8 GPM - UL
	098607-01-700	EA PUMPHEAD-REPLACEMENT, SHURFLOW# 94-236-08
	098607-01-701	EA DRIVE ASM, SHURFLOW# 94-234-03
	098607-01-702	EA DIAPHRAGM-KIT, SHURFLOW# 94-233-10
	098607-01-703	EA VALVE ASM, SHURFLOW# 94-232-00
	098607-01-704	EA HOUSING-UPPER, SHURFLOW# 94-231-01
	098607-01-705	EA CHECK VALVE-KIT, SHURFLOW# 94-237-00
	098607-01-707	EA MOTOR/BASEPLATE REPLACEMENT, SHURFLOW# 94-234-03
	098607-01-706	EA UPPER HOUSING/SWITCH KIT - SHURFLOW #94-230-00

WATER & SEWAGE GROUP (CONTINUED)

WATER HEATER & WATER HEATER DOOR

KEY	PART NUMBER	U/M DESCRIPTION
	051391-03-000	EA HEATER-WATER, W/ELECTRIC IGNITION - ATWOOD G6A-3E
	051391-01-700	EA HINGE KIT-W/CLIP, ATWOOD # 92568 & 92559
	051393-03-700	EA TANK-INNER (G6A-3E), REAR MT - ATWOOD# 91409
	051391-01-704	EA VALVE-RELIEF, 1/2" FITTING - ATWOOD# 91804
	051391-01-705	EA FASTENER-CAMLOC, ATWOOD# 92609
	051391-01-706	EA GRILLE-EXHAUST, 3E ONLY - ATWOOD #92787
	051391-01-708	EA BURNER-MAIN, 3E ONLY - ATWOOD# 92815
	051391-01-710	EA ORIFICE-MAIN BURNER, ATWOOD# 92742
	051391-04-701	EA THERMOSTAT 12 VDC-120 PRESET, FRONT MOUNT ONLY - ATWOOD# 91470
	051391-01-715	EA DRAIN PLUG, ATWOOD# 91581
	051391-04-700	EA TANK-INNER (G6A-3E), FRT MT - ATWOOD# 91808
	051393-01-704	EA CIRCUIT BOARD-W/BLACK BOX, ATWOOD# 91420
	051393-01-702	EA SWITCH-ENERGY CUT-OFF, ATWOOD# 91951
	051393-01-701	EA SWITCH PACKAGE-ATWOOD# 91959
	051393-01-703	EA THERMOSTAT-REAR MOUNT, ATWOOD# 91952
	051393-01-721	EA ECO&THERMOSTAT ASM-FRONT MOUNT, 140 DEGREE - ATWOOD# 91447
	051393-01-716	EA SPARK & PROBE ASM, ATWOOD# 91808
	051393-01-718	EA VALVE-DUAL SOLENOID, ATWOOD# 91605
	051393-01-705	EA ORIFICE HOLDER-ATWOOD# 91925
	052009-01-000	EA DOOR-WATER HEATER, ATWOOD 5578-27 - OFF WHITE

WATER SYSTEM COMPONENTS CONTINUED TO FAUCETS

KEY	PART NUMBER	U/M DESCRIPTION
	039800-01-000	FT TUBING-POLYBUTYL, 1/2" OD - INCREMENTS OF 20" - BLACK
	039800-02-000	FT TUBING-POLYBUTYL, 5/8" OD - INCREMENTS OF 20" - BLACK
	052952-01-000	EA NUT-PLASTIC, 1/2" F X 1/2" TUBE - PLASTIC - GRAY
	052952-02-000	EA NUT-PLASTIC, 5/8" FLARE
	052957-02-000	EA ELBOW-MALE, 1/2" F X 1/2" MPT - PLASTIC - GRAY
	052958-01-000	EA TEE, 1/2" F X 1/2" F X 1/2" F - PLASTIC - GRAY
	052980-01-000	EA DRAIN VALVE-IN LINE, HEADER - 1/2" F X 1/2" F - GRAY PLASTIC
	057457-01-000	EA ELBOW-UNION, 1/2" X 1/2" FLARE
	065120-01-000	EA ELBOW-SWIVEL, 1/2" FPT X 1/2" FLARE - PLASTIC - GRAY
	070317-01-000	EA ADAPTER-SWIVEL, 1/2" TUBE X 1/2" FPT - PLASTIC - GRAY
	091208-01-000	EA WASHER-RUBBER, .06" X .75" X .5"
	052953-01-000	EA NUT-FAUCET, 1/2" TUBE X 1/2" FPT - PLASTIC - GRAY
	075240-06-000	EA FAUCET-LAVATORY, BONE
	091253-01-000	EA GASKET-FAUCET, LAVATORY/GALLEY
	084952-01-000	EA FAUCET-GALLEY
	075241-06-000	EA FAUCET-SHOWER, BONE
	103092-01-000	EA HEAD-SHOWER, W/60" HOSE
	052959-02-000	EA CONNECTOR - PLASTIC 1/2" F X 1/2" MPT

**DRAINAGE SYSTEM
SINKS**

KEY	PART NUMBER	U/M DESCRIPTION
	098927-01-01A	EA SINK-LAVATORY, RECTANGULAR - PLASTIC - BONE
	098927-01-700	EA SINK-STOPPER
	098927-01-701	EA TAILPIECE-SINK
	104113-01-000	EA SINK-DOUBLE, STAINLESS STEEL
	092303-C1-000	EA STRAINER-SINK

SHOWER PAN

KEY	PART NUMBER	U/M DESCRIPTION
	M02429-07-000	EA PAN-SHOWER, W/STRAINER & TAILPIECE
	086440-01-000	EA STRAINER W/RUBBER WASHER
	089840-31-000	FT SEALER-RIBBON, 1/2" X 30'
	089735-01-000	EA WASHER-STRAINER TO TAILPIECE PLASTIC, 1.5"
	057671-01-000	EA COVER-SCREW, #8 - PLASTIC - OFF WHITE
	011089-02-000	EA TAILPIECE-TUB/SHOWER, 1 1/2" X 1 1/4" X 4" - BRASS
	086438-01-000	EA NUT-SLIP, TAILPIECE - 1.5"

1992 WINNEBAGO

TABLE OF CONTENTS

INTRODUCTION	A-01	A-02
ABBREVIATIONS		A-03
ALPHABETICAL INDEX	A-04	A-08
WCF27RC	A-07	D-18
WCF30RU	D-19	H-01

1992 WCF30RU INDEX

FLOOR PLAN	D-19	D-20
ACCESSORIES	D-21	E-02
BATH	E-03	E-04
BEDROOM	E-05	E-06
CHASSIS	E-07	E-14
C C & PAD	E-15	E-22
DINETTE	E-23	E-24
DRIVERS	F-01	F-04
ELECTRICAL	F-05	F-10
EXTERIOR BODY	F-11	F-16
GALLEY	F-17	F-18
HEATING & A/C	F-19	F-24
INTERIOR FINISH	G-01	G-03
LABEL		G-04
LP		G-05
LOUNGE		G-06
SEALANTS & FASTENERS	G-07	G-09
WATER & SEWAGE	G-10	G-16
WINDOW, VENT AND EXTERIOR DOOR	G-17	H-01

WATER & SEWAGE GROUP (CONTINUED)
DRAINAGE SYSTEM CONTINUED

KEY	PART NUMBER	U/M DESCRIPTION
	011086-03-000	EA P-TRAP, 1 1/2" TRAP X 1 1/4" SOCKET - PLASTIC
	079968-01-000	EA VENT-MECH. TRAP ARM, ANTI-SIPHON - 2" DIA. X 7.3" - PLASTIC
	010166-01-000	EA PLUG-THREADED, 1 1/4" DIAMETER - PLASTIC - BLACK
	082422-01-000	EA ADAPTER-OFFSET REDUCER, 3" X 1 1/2" - PLASTIC - BLACK
	010122-01-000	EA BUSHING-REDUCER, 1 1/2"SMOOTH X 1 1/4"THREAD - BLACK PLASTIC
	010121-01-000	EA BUSHING-REDUCER, 1 1/2"SMOOTH 1 1/4"HUB - PLASTIC - BLACK
	010115-01-000	EA COUPLING-1 1/2" HUB X HUB, PLASTIC
	010079-01-000	EA TEE-SANITARY, 1 1/2"H X 1 1/2"H X 1 1/4"H - PLASTIC - BLACK
	010073-01-000	EA WYE-45 DEGREE, 1 1/2" HUB X HUB X HUB - PLASTIC - BLACK
	033761-01-000	EA ELBOW-TURN, 1/4 BEND X 1.5"HUB X 1.5"SPIGOT - BLACK PLASTIC
	010071-01-000	EA TEE-SANITARY, 1 1/2" HUB X HUB X HUB - PLASTIC - BLACK
	004020-01-000	QT ADHESIVE-ABS CEMENT
	044927-01-000	EA ADAPTER-HOSE TO PIPE, 1 1/4"MPT X 1 1/4"BARB-BLACK PLASTIC
	010006-01-000	EA ELBOW-45 DEG, 1/8 BEND - 1 1/2" HUB X HUB - BLACK PLASTIC
	010008-01-000	EA ELBOW-90 DEG, 1/4 BEND - 1 1/2" HUB X HUB - BLACK PLASTIC

WASTE WATER HOLDING TANK

KEY	PART NUMBER	U/M DESCRIPTION
	076574-01-000	EA TANK-HOLDING, 25 GAL (SHOWER)
	103308-01-000	EA TANK-HOLDING, 21 GAL (GALLEY/LAV)
	061607-01-000	EA GROMMET-HOLDING TANK, 1 1/2"NPS
	088476-01-000	EA SOCKET-CONNECTOR
	061607-01-000	EA GROMMET-HOLDING TANK, 1 1/2" NPS
	039861-01-000	EA SENDING UNIT W/SCREW, WASHER, WELL NUT AND TERMINAL RING

SEWAGE HOLDING TANK

KEY	PART NUMBER	U/M DESCRIPTION
	103309-01-000	EA TANK-HOLDING, 28 GAL
	035416-04-000	EA TERMINAL-RING #10 STUD FIT
	041953-07-000	FT CONDUIT-CONVOLUTE, SLIT, .250
	088473-10-000	EA HOUSING-PIN
	088475-01-000	EA PIN-CONNECTOR
	097618-01-000	EA WIRE ASM-MONITOR PANEL
	061607-01-000	EA GROMMET-HOLDING TANK, 1 1/2" NPS
	061607-02-000	EA GROMMET-HOLDING TANK, 3" NPS
	039861-01-000	EA SENDING UNIT W/SCREW, WASHER, WELL NUT AND TERMINAL RING

TOILET & CLOSET FLANGE

KEY	PART NUMBER	U/M DESCRIPTION
	067487-02-000	EA TOILET- AQUA MAGIC IV LOW
	067487-02-700	EA SEAT & COVER ASM(FOOT-FLUSH)
	067487-02-701	EA PEDAL PKG (FOOT-FLUSH)
	067487-02-702	EA RESERVOIR TANK ASSEMBLY
	063740-01-710	EA LINK THETFORD
	063740-01-713	EA SEAL (BALL VALVE TO BOWL)
	063740-01-714	EA WATER VALVE ASM
	063740-01-706	EA CLOSET BOLT PKG
	063740-01-717	EA FLUSH TUBE

WATER & SEWAGE GROUP (CONTINUED)
DRAINAGE VALVES & HOSE:

KEY	PART NUMBER	U/M DESCRIPTION
	082422-01-000	EA ADAPTER-OFFSET REDUCER, 3" X 1 1/2" - PLASTIC - BLACK
	070916-01-000	EA VALVE-DUAL DUMP, W/CAP - 3" X 1 1/2" - PLASTIC - BLACK
	070916-01-700	EA VALVE ONLY, 3"
	070916-01-701	EA VALVE ONLY, 1 1/2"
	062419-02-700	EA HANDLE ONLY - FOR EXTENSION ROD
	062415-01-000	EA CAP-SEWER, 3" DIAMETER
	078406-01-000	EA COUPLER-RUBBER, W/CLAMPS - 3" X 3"
	103354-01-000	EA CONNECTOR-HOSE, SEWER
	093592-01-000	EA ADAPTER-PLASTIC, SEWER HOSE - 45 DEGREE
	089330-01-000	EA ADAPTER-SEWER HOSE END
	010261-02-000	EA HOSE-SEWER, 3 ID X 20 FEET
	023550-03-000	EA VENT-PLUMBING PIPE ROOF, W/COVER - OFF WHITE

1992 WINNEBAGO

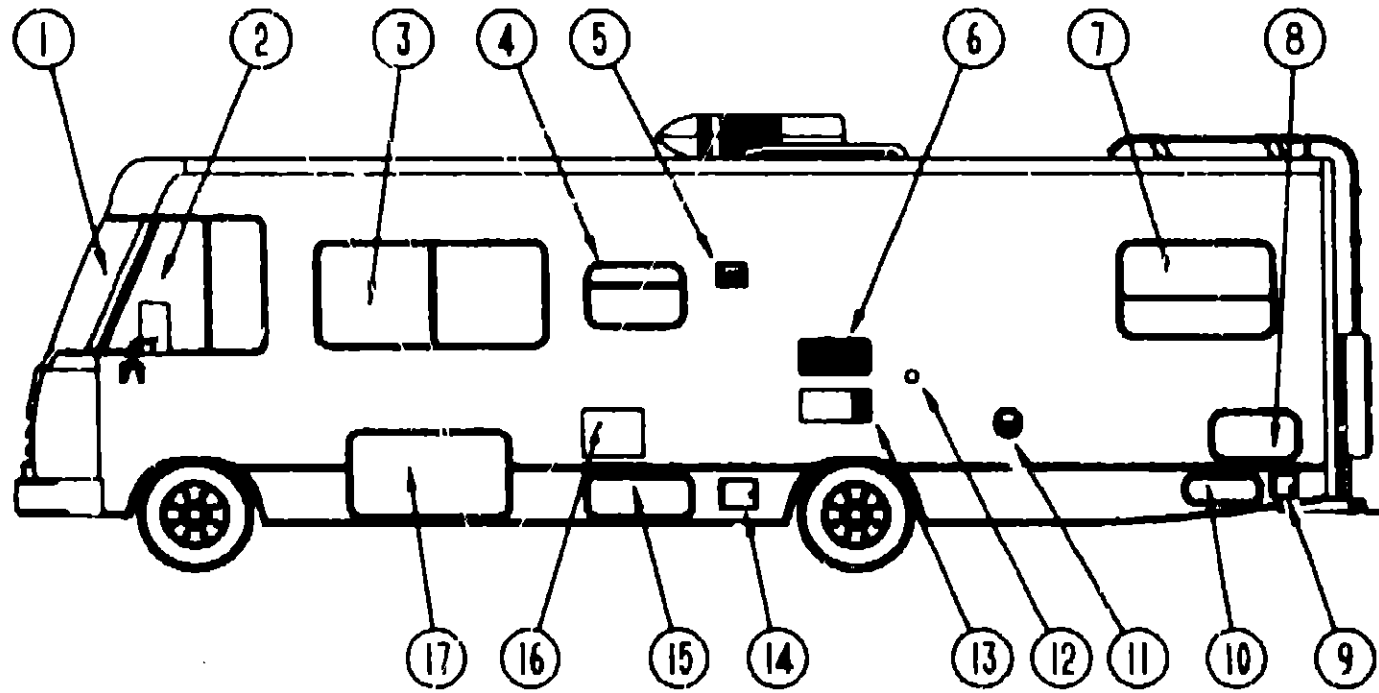
TABLE OF CONTENTS

INTRODUCTION	A-01	A-02
ABBREVIATIONS		A-03
ALPHABETICAL INDEX	A-04	A-08
WCF27RC	A-07	D-18
WCF30RU	D-19	H-01

1992 WCF30RU INDEX

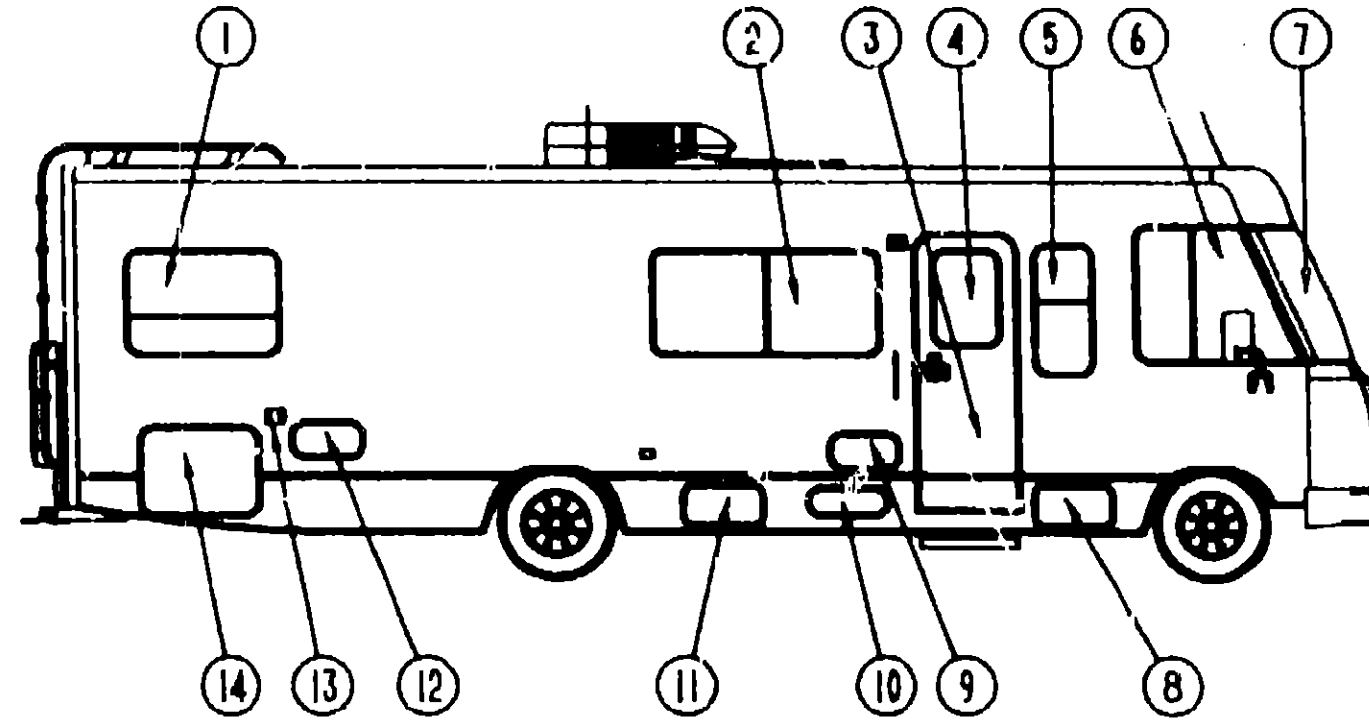
FLOOR PLAN	D-19	D-20
ACCESSORIES	D-21	E-02
BATH	E-03	E-04
BEDROOM	E-05	E-06
CHASSIS	E-07	F-14
C C & PAD	E-15	E-22
DINETTE	E-23	E-24
DRIVERS	F-01	F-04
ELECTRICAL	F-06	F-10
EXTERIOR BODY	F-11	F-16
GALLEY	F-17	F-18
HEATING & AC	F-19	F-24
INTERIOR FINISH	G-01	G-03
LABEL		G-04
LP		G-05
LOUNGE		G-06
SEALANTS & FASTENERS	G-07	G-09
WATER & SEWAGE	G-10	G-16
WINDOW, VENT AND		
EXTERIOR DOOR	G-17	H-01

WINDOW, VENT & EXTERIOR DOOR GROUP



DRIVER SIDE WINDOWS & DOORS

WINDOW, VENT & EXTERIOR DOOR GROUP (CONTINUED)



PASSENGERS SIDE WINDOWS & DOORS

1992 WINNEBAGO
TABLE OF CONTENTS

INTRODUCTION	A-01 -	A-02
ABBREVIATIONS		A-03
ALPHABETICAL INDEX	A-04 -	A-06
WCF27RC	A-07 -	D-18
WCF30RU	D-19 -	H-01

1992 WCF30RU INDEX

FLOOR PLAN	D-19 -	D-20
ACCESSORIES	D-21 -	E-02
BATH	E-03 -	E-04
BEDROOM	E-05 -	E-06
CHASSIS	E-07 -	E-14
C C & PAD	E-15 -	E-22
DINETTE	E-23 -	E-24
DRIVERS	F-01 -	F-04
ELECTRICAL	F-05 -	F-10
EXTERIOR BODY	F-11 -	F-16
GALLEY	F-17 -	F-18
HEATING & A/C	F-19 -	F-24
INTERIOR FINISH	G-01 -	G-03
LABEL		G-04
LP		G-05
LOUNGE		G-06
SEALANTS & FASTENERS	G-07 -	G-09
WATER & SEWAGE	G-10 -	G-16
WINDOW, VENT AND EXTERIOR DOOR	G-17 -	H-01

KEY	PART NUMBER	U/M DESCRIPTION
1	088793-04-000	EA GLASS-WINDSHIELD,LH
2	103658-01-01A	EA WINDOW ASM-CAB,DRIVER
3	098647 10 02A	EA WINDOW ASM-SLIDER,HORIZ B/OW A
4	092235 11 Y12	EA WINDOW ASM-SINGLE
5	084616 01 000	EA SHROUD-VENT,RANGE HOOD,OW
	084878 09 000	EA VENT-HOOD RANGE,SHORT
6	084104 03 000	EA JAMB-VENT DOOR,REFRIGERATOR
6	084103 03 000	EA DOOR-VENT,REFRIGERATOR
7	092235-12-Y12	EA WINDOW ASM-SINGLE
8	108967-01-C05	EA DOOR ASM-STORAGE
9	086182 01 Y92	EA COMPARTMENT ASM-HOSE SEWER
9	052423 01 000	EA DOOR - OFF WHIT
	052424 01 000	EA JAMB-DOOR,FUEL FILL,OFF
	042442 01 000	EA LOCK-ASM-TWIST TYPE
	085967 01 000	EA EXTENTION-OUTLET,LONG
10	108987-03-C05	EA DOOR ASM, - STORAGE
11	102951 01 02A	EA SHROUD-FUEL FILL O/W
12	087859 04 000	EA FILL-WATER,CITY,OFF WHITE
13	098668 06 000	EA DOOR-ACCESS,FURNACE,OFF WHT
14	088794 01 000	EA DOOR ASM-POWER CORD,W/ATCH
15	103533 01 C05	EA DOOR ASM-GENERATOR
16	052009 01 000	EA DOOR-WATER HEATER,OFF WHITE
17	108987-06-C05	EA DOOR ASM-STORAGE

BACKWALL ESCAPE WINDOW

KEY	PART NUMBER	U/M DESCRIPTION
	078628-03-Y12	EA WINDOW ASM-ESCAPE
	074816-08-000	EA FRAME-WINDOW INSIDE,ESCAPE,OW

KEY	PART NUMBER	U/M DESCRIPTION
1	092235-12-Y12	EA WINDOW ASM-SINGLE
2	098647 09 02A	EA WINDOW ASM-SLIDER,HORIZ B/OW
3	M01870-49-C05	EA DOOR-ENTRANCE W/SCREEN,W/BLACK FRAME
	075639 04 000	EA GARNISH-RADIUS,ENT DOOR O/W
	077461 03 000	EA COVER-BRACKET,STRIKE OFF/WHT
4	079733 07 AAB	EA WINDOW ASM-PICTURE 17X25
4	067809 32 000	EA FRAME-INSIDE WINDOW O/W
5	098644 03 02A	EA WINDOW ASM-SLIDER RAISE B/OW
6	103658-02-01A	EA WINDOW ASM-CAB,PASSENGER
7	088793-03-000	EA GLASS-WINDSHIELD,RH
8	108987 01 C05	EA DOOR ASM-STORAGE
9	105118 01 C05	EA DOOR ASM-STORAGE, ENTERTAINMENT CENTER
10	078720 02 T15	EA DOOR ASM-LP
11	108987 01 C05	EA DOOR ASM-STORAGE
12	105118-02-C05	EA DOOR ASM-SHOWER STORAGE
12	108208-01-01A	EA COMPARTMENT-SHOWER,EXT O/W
13	081240 03 000	EA FILL-WATER,LOCKABLE OFF/WHT
14	108987 05 C05	EA DOOR ASM-STORAGE

WINDOW, VENT & EXTERIOR DOOR GROUP(CONTINUED)

ENTRY DOOR

KEY	PART NUMBER	U/M	DESCRIPTION
	M01870-49-005	EA	DOOR-ENTRY, W/JAMB AND SCREEN DOOR
	000G11-08-12S	EA	SCREW, 8-18 X 3/4 PPH - OFF WHITE
	000G39-08-08R	EA	SCREW-SF/DR-8-18X1/2 PPH
	000G53-04-08B	EA	SCREW-MACH-1/4-20X3/8 PPH 2N
	000G54-04-20B	EA	SCREW-1/4-20X1 1/4 PTH TYP 23
	009016-01-000	EA	CATCH-ELBOW, SPRING LOADED - SCREEN DOOR CATCH
	039539-01-000	EA	STRIKE-ENTRANCE DOOR LOCK
	039545-01-000	EA	LATCH MECHANISM-HOOK, ENTRY DOOR - INTERIOR
	039715-01-000	EA	NUT-SERT, 1/4" DIAMETER - 20 THREADS
	101145-01-01A	EA	DEADBOLT-ENTRY DOOR, BLACK BLANK KEY# 085229-01-700
	101147-01-000	EA	BOLT-SECURITY, 4.12" BACKSET
	039979-04-000	EA	COVER-INTERIOR LATCH, W/TRIP ARM - RIGHT - BLACK FROM: 08-08-90 THRU: 99-99-99
	039984-01-000	EA	CAP-ROUND DEADBOLT, VINYL - .78" ID X .62" LONG - BLACK
	040944-01-000	EA	LABEL-ENTRANCE DOOR, "OPEN"
	045017-11-000	EA	LATCH-ENTRY DOOR, MECHANISM W/LOCK & KEY - BLACK MASTER KEY P.N. 045017-11-700 - KEY BLANK P.N. 045017-11-701
	102524-01-000	EA	BUMPER-RUBBER, FLAT - BLACK
	058025-02-000	EA	CLIP-ROLLER LATCH CATCH
	063729-04-000	EA	RIVNUT, 10-32 UNF - .010-.080
	072893-01-000	EA	NUTSERT-M5 X 0, 8
	075671-04-000	FT	SEAL-SPONGE, LAZY T SHAPE - WEATHERSTRIP ON ENTRY DOOR
	075908-01-000	EA	SCREW-MACH-10-32X.56PTH(SEMS
	089748-01-000	EA	FRAME-BOTTOM ENTRY DOOR, OFF WHITE
	090340-01-000	FT	SEAL-FOAM, CLOSED CELL - 1/4" X 1/2" X 50'
	091968-03-000	FT	TAPE-ADHESIVE, .04" X 1" WIDE
	095276-01-01A	EA	FRAME-ENTRY DOOR, W/O BOTTOM - OFF WHITE
	095277-02-01A	EA	JAMB-ENTRY DOOR, W/BOTTOM & ROLLER CATCH STRIKER - OFF WHITE
	051049-01-000	EA	JAMB BOTTOM-ENTRY DOOR, BEIGE
	079207-01-000	EA	STRIKER-ROLLER CATCH, WELDED TO DOOR JAMB - 4" X 1.15"
	095278-01-01A	EA	JAMB-DOOR, ENTRANCE - UNPAINTED
	097724-01-02A	EA	HINGE-ENTRY DOOR, OFF WHITE
	097724-01-04A	EA	HINGE-ENTRY DOOR, UNPAINTED
	098173-01-03A	EA	STIFFENER-ENTRY DOOR, SUPPORTS LATCH/STRIKE AREA - OFF WHITE
	098173-01-04A	EA	STIFFENER-ENTRY DOOR, SUPPORTS LATCH/STRIKE AREA - MILL
	100128-02-000	FT	SEAL-PILE, ADHESIVE BACK - SCREEN DOOR - GRAY
	100412-01-000	EA	CATCH-SCREEN DOOR
	075839-04-000	EA	GARNISH-RADIUS, ENTRANCE DOOR - OFF WHITE
	044582-02-000	EA	CAP-DRIP, ENTRY DOOR, ALUMINUM, OFF WHITE

ENTRY DOOR SCREEN

KEY	PART NUMBER	U/M	DESCRIPTION
	079012-01-U01	EA	DOOR-SCREEN
	002293-02-000	SF	SCREENING-WINDOW/DOOR, 26" - CHARCOAL
	002294-01-000	FT	SPLINE-SCREENING, .135" X 1.38" - BLACK
	002748-01-000	EA	CORNER KEY-DOOR
	009018-01-000	EA	CATCH-SCREEN DOOR ROLLER
	018454-01-000	EA	INSERT-SCREEN DOOR, CENTER - LEATHER GRAIN ALUMINUM - BEIGE
	001014-01-013	EA	INSERT-CENTER, .024" X 10.25" X 16.31" - UNPAINTED ALUMINUM
	050712-04-000	EA	HANDLE-SCREEN DOOR, UNPAINTED
	078552-03-000	EA	KICK PANEL-SCREEN DOOR, LOWER INSERT - UNPAINTED
	078595-01-000	EA	TOP PLATE-SCREEN DOOR, CURVED TOP - 4.7" X 25.35"
	078777-01-000	EA	CHANNEL-SLIDE, SCREEN DOOR CENTER SLIDER COVER
	079088-02-000	EA	SLIDER-SCREEN DOOR, OFF WHITE
	079087-02-000	EA	STRIKE-SLIDER, W/LIP FOR ELBOW CATCH - 1.5" X 8.6" - OFF WHITE

ENTRY DOOR WINDOW

KEY	PART NUMBER	U/M	DESCRIPTION
	067809-32-000	EA	FRAME-WINDOW, INSIDE PICTURE - BLACK
	079733-07-AA8	EA	WINDOW-PICTURE, W/O INSIDE FRAME - 17" X 25"
	002181-07-000	EA	GLASS-PICTURE WINDOW, 16.25" X 24" FROSTED
	087561-01-000	FT	SPLINE-GLASS, EXTERIOR - VINYL - BLACK

WINDOW, VENT & EXTERIOR DOOR GROUP(CONTINUED)

ROOF VENT CANADIAN EXPORT

KEY	PART NUMBER	U/M	DESCRIPTION
	064469-08-000	EA	VENT-ROOF, POWERED - 14" X 14" - 12V - CANADIAN
	064469-03-702	EA	LID-VENT WHITE
	064469-03-706	EA	LIFT MECHANISM
	048648-01-000	EA	MOTOR-ROOF VENT, 1/8 SHAFT - 12V
	048649-01-000	EA	FAN-ROOF VENT, 6 BLADES - 6"
	009439-05-000	EA	KNOB-CRANK, WINDOW AND ROOF VENT - BLACK

1992 WINNEBAGO

TABLE OF CONTENTS

INTRODUCTION	A-01 -	A-02
ABBREVIATIONS		A-03
ALPHABETICAL INDEX	A-04 -	A-08
WCF27HC	A-07 -	D-18
WCF30RU	D-19 -	H-01

1992 WCF30RU INDEX

FLOOR PLAN	D-19 -	D-20
ACCESSORIES	D-21 -	E-02
BATH	E-03 -	E-04
BEDROOM	E-05 -	E-08
CHASSIS	E-07 -	E-14
C C & PAD	E-15 -	E-22
DINETTE	E-23 -	E-24
DRIVERS	F-01 -	F-04
ELECTRICAL	F-05 -	F-10
EXTERIOR BODY	F-11 -	F-16
GALLEY	F-17 -	F-18
HEATING & AC	F-19 -	F-24
INTERIOR FINISH	G-01 -	G-03
LABEL		G-04
LP		G-05
LOUNGE		G-06
SEALANTS & FASTENERS	G-07 -	G-09
WATER & SEWAGE	G-10 -	G-16
WINDOW, VENT AND EXTERIOR DOOR	G-17 -	H-01

WINDOW, VENT & EXTERIOR DOOR GROUP(CONTINUED)

VENTS

KEY	PART NUMBER	U/M DESCRIPTION
	090393-01-Y12	EA VENT-ROOF, POWERED W/O SCREEN
	090392-01-Y12	EA VENT-ROOF, NON POWERED
	078785-01-Y12	EA SCREEN-ROOF VENT, POWERED
	078786-01-Y12	EA SCREEN-ROOF VENT, NON POWERED - WHITE
	002825-01-000	EA WEATHER STRIP-ROOF VENT, GRAY
	008195-01-000	EA SWITCH-ROOF VENT, PUSH BUTTON, 12V
	008386-01-000	EA GROMMET-SNAP, 3/8"
	009440-01-000	EA GEAR/ARM-VENT COVER, LIFT
	015911-01-000	EA TRACK-LIFT ARM, SLIDE - ROOF VENT
	048848-01-000	EA MOTOR-ROOF VENT, 1/8 SHAFT - 12V
	048849-01-000	EA FAN-ROOF VENT, 6 BLADES - 6"
	051384-01-000	EA COVER-ROOF VENT
	052639-01-200	EA HINGE-EXTRUSION, ROOF VENT 7"
	052639-01-001	EA HINGE-VENT COVER, 192"
	081803-01-000	EA GROMMET-SNAP, 3/16"ID - 3/8" HOLE - PLASTIC - BLACK
	078785-01-Y12	EA SCREEN-ROOF VENT, POWERED
	002291-02-000	SF SCREENING-ROOF VENT/WINDOW, 16" - BLACK
	002298-02-000	FT SPLINE-VENT/WINDOW SCREEN, .128 DIAMETER - BLACK
	008439-03-000	EA EXTENSION-CRANK HANDLE, ROOF VENT - .9"
	009439-05-000	EA KNOB-CRANK, WINDOW AND ROOF VENT - BLACK
	084073-04-000	EA COVER-ROOF VENT, NORCOLD REFRIGERATOR - BLACK
	084073-03-000	EA VENT-REFRIGERATOR ROOF, OFF WHITE
	084878-09-000	EA VENT-RANGE HOOD, EXTERIOR - W/DOOR - OFF WHITE

EXTERIOR DOOR & VENTS COMPONENTS

KEY	PART NUMBER	U/M DESCRIPTION
	078777-01-000	EA CHANNEL-SLIDE, SCREEN DOOR CENTER SLIDER COVER
	079366-04-000	EA LOCK-DOOR, KEY TYPE W/O KEYS - 1.9 OFF SET KEY# 082684-01-700
	081240-03-000	EA DOOR-WATER FILL, LOCKABLE, 4"X 4 5/8" - OFF WHITE KEY # 082684-01-700
	084616-01-000	EA SHROUD-RANGE HOOD VENT, OFF WHITE
	101145-01-01A	EA DEADBOLT-ENTRY DOOR, BLACK KEY BLANK P.N. 095229-01-700
	101147-01-000	EA BOLT-SECURITY, 4.12" BACKSET
	102328-01-000	EA KEY
	102768-01-000	EA HOLDER-COMPARTMENT/ENTRY DOOR, METAL - MILL FINISH
	009065-01-000	EA HINGE-ALUMINUM, 1 1/2" X 96" - UNPAINTED
	034007-40-000	EA HINGE-PIANO, 1.5" X 96" - ALUMINUM - OFF WHITE
	039540-01-701	EA KEY-MASTER-ATWOOD-DOOR-LOCK
	045017-11-000	EA LATCH-ENTRY DOOR, MECHANISM W/LOCK & KEY - BLACK MASTER KEY P.N. 045017-11-700 KEY BLANK P.N. 045017-11-701
	045017-11-700	EA MASTER KEY FOR "F" SERIES LOCKS
	045017-11-701	EA BLANK-KEY
	052639-01-001	EA HINGE-VENT COVER, 192"
	052639-01-200	EA HINGE-EXTRUSION, ROOF VENT 7"
	052950-01-000	EA LOCK KIT-TWIST, OFFSET - WHITE PLASTIC W/CLIP
	052950-01-000	EA LOCK-TWIST TYPE, WHITE - PLASTIC
	052951-01-000	EA CLIP-TWIST, LOCK RETAINER - PLASTIC
	064075-07-000	FT SEAL-DOOR,BULB,BULK
	079366-04-000	EA LOCK ASM-KEY TYPE W/O KEYS
	079927-03-000	EA LOCK ASM-TWIST TYPE,DBL CAM
	081801-02-000	EA HINGE-CONT. AL,2.00X96.000/W

WINDOW, VENT & EXTERIOR DOOR GROUP(CONTINUED)

DRIVERS & PASSENGERS CAB WINDOW

KEY	PART NUMBER	U/M DESCRIPTION
	103658-01-01A	EA WINDOW ASM-CAB,DRIVER
	103658-01-700	EA SCREEN ASM - DRIVERS
	103658-02-01A	EA WINDOW ASM-CAB,PASSENGER
	103658-02-700	EA SCREEN ASM - PASSENGERS
DINETTE WINDOW		
	098647-09-02A	EA WINDOW ASM-SLIDER,HORIZ B/OW
	098647-09-700	EA GLASS-STATIONARY (R&L)
	098647-09-701	EA SASH ASM. W/LOCK & GLASS
	098647-09-702	EA TRIM
	098647-09-703	EA WINDOW ASM. - W/O TRIM

1992 WINNEBAGO

TABLE OF CONTENTS

INTRODUCTION	A-01 -	A-02
ABBREVIATIONS		A-03
ALPHABETICAL INDEX	A-04 -	A-06
WCF27RC	A-07 -	D-18
WCF30RU	D-19 -	H-01

1992 WCF30RU INDEX

FLOOR PLAN	D-19 -	D-20
ACCESSORIES	D-21 -	E-02
BATH	E-03 -	E-04
BEDROOM	E-05 -	E-06
CHASSIS	E-07 -	E-14
C C & PAD	E-15 -	E-22
DINETTE	E-23 -	E-24
DRIVERS	F-01 -	F-04
ELECTRICAL	F-05 -	F-10
EXTERIOR BODY	F-11 -	F-16
GALLEY	F-17 -	F-18
HEATING & A/C	F-19 -	F-24
INTERIOR FINISH	G-01 -	G-03
LABEL		G-04
LP		G-05
LOUNGE		G-06
SEALANTS & FASTENERS	G-07 -	G-09
WATER & SEWAGE	G-10 -	G-16
WINDOW, VENT AND EXTERIOR DOOR	G-17 -	H-01

WINDOW, VENT & EXTERIOR DOOR GROUP(CONTINUED)

GALLEY WINDOW

KEY	PART NUMBER	U/M	DESCRIPTION
	092235-11-Y12	EA	WINDOW ASM-SINGLE
	090893 17 01A	EA	RETAINER-WINDOW BLK
	009439 05 000	EA	KNOB-VENT,ROOF,BLACK
	009439 06 000	EA	EXTENSION,.900",BLACK
	009439 07 000	EA	SCREW-8-32X1 1/4 POH,BLACK
	000G39-06-16T	EA	SCREW-SF/DR-6-20X1.00 PPH
	000H14-06-14R	EA	RIVET-MANDREL BLIND,3/16
	035302-02-000	EA	OPERATOR-SLANT-TORQUE LT
	068927-03-000	EA	SEAL-RUBBER .12X.25IDX.800D
	080218-03-000	SF	SCREEN-FIBERGLASS,12 IN WIDE
	080914-01-000	EA	KEY-CORNER
	081239-41-000	EA	GLASS-TIPOUT
	081354-01-000	EA	SLEEVE-WINDOW,TORQUE TUBE
	081649-01-000	EA	RING-SNAP,7/32 SHAFT DIA
	083150-10-000	EA	TUBE ASM-TORQUE,WINDOW
	080918-01-000	EA	SPRING-TORQUE TUBE,RH
	080918-02-000	EA	SPRING-TORQUE TUBE,LH
	084067-02-000	FT	SEAL-E.SPONGE RUBBER
			FROM: 03-04-91 THRU: 99-99-99
	084068-15-000	EA	GLASS-TIPOUT,2.9X234.7X622.5
	084453-01-000	EA	WASHER-PLAS,.060X.50X.135
	084453-02-000	EA	WASHER-PLAS,.060X.50X.250
	084473-01-000	EA	SEAL-RUBBER,TIPOUT WDO
	085315-01-000	EA	RIVET-SHOULDER,TIP OUT WDO
	086762-01-000	EA	T NUT 10-32
	086763-01-000	EA	SCREW-MACH-10-32X1/4 PTH
	089913-01-000	EA	HINGE-TIPOUT WDO,BLACK
	097578-01-000	EA	LINKAGE ASM-TIPOUT
	084453-01-000	EA	WASHER-PLAS,.060X.50X.135
	084473-01-000	EA	SEAL-RUBBER,TIPOUT WDO
	085315-01-000	EA	RIVET-SHOULDER,TIP OUT WDO
	099154-01-000	FT	CHANNEL-GLAZING
			FROM: 11-05-90 THRU: 99-99-99
	100168-01-000	EA	CLIP-SPRING,SCREEN
	100240-01-000	FT	SPLINE-SCREEN,T

**STATIONARY GLASS IS NOT SOLD SEPARATELY
PLEASE ORDER - WINDOW ASSEMBLY**

WINDOW, VENT & EXTERIOR DOOR GROUP(CONTINUED)

DRIVERS LOUNGE WINDOW

KEY	PART NUMBER	U/M	DESCRIPTION
	098647-10-02A	EA	WINDOW ASM-SLIDER,HORIZ B/OW
	098647-10-700	EA	WINDOW ASM. W/O TRIM

PASSENGER SIDE LOUNGE WINDOW

KEY	PART NUMBER	U/M	DESCRIPTION
	098644 03 02A	EA	WINDOW ASM-SLIDER RAISE B/OW

BEDROOM BACKWALL WINDOW

KEY	PART NUMBER	U/M	DESCRIPTION
	078528-03-Y12	EA	WINDOW ASM-ESCAPE
	074816 07 000	EA	FRAME-WINDOW INSIDE ESCAPE, BLK
	002282-06-000	EA	WEATHERSTRIP-WINDOW, RUBBER-.125"-BLACK,13J.25
	002285-01-000	FT	FILLER-WEATHERSTRIP-BLACK
	076337-08-000	EA	GLASS-EGRESS 1138.4X598.1
	077066-01-702	EA	TAPE ASM-ESCAPE WINDOW

DRIVER & PASSENGER SIDE, BEDROOM WINDOW

KEY	PART NUMBER	U/M	DESCRIPTION
	092235-12-Y12	EA	WINDOW ASM-SINGLE
	090893 18 01A	EA	RETAINER-WINDOW BACK
	009439 05 000	EA	KNOB-VENT,ROOF,BLACK
	009439 06 000	EA	EXTENSION,.900",BLACK
	009439 07 000	EA	SCREW-8-32X1 1/4 POH,BLACK
	000G39-06-16T	EA	SCREW-SF/DR-6-20X1.00 PPH
	000H14-06-14R	EA	RIVET-MANDREL BLIND,3/16
	035302-02-000	EA	OPERATOR-SLANT-TORQUE LT
	068927-03-000	EA	SEAL-RUBBER .12X.25IDX.800D
	080218-03-000	SF	SCREEN-FIBERGLASS,12 IN WIDE
	080914-01-000	EA	KEY-CORNER
	081239-42-000	EA	GLASS-TIPOUT
	081354-01-000	EA	SLEEVE-WINDOW,TORQUE TUBE
	081649-01-000	EA	RING-SNAP,7/32 SHAFT DIA
	083150-12-000	EA	TUBE ASM-TORQUE,WINDOW
	080910-01-000	EA	SPRING-TORQUE TUBE,RH
	080918-02-000	EA	SPRING-TORQUE TUBE,LH
	084067-02-000	FT	SEAL-E.SPONGE RUBBER
	084068-17-000	EA	GLASS-TIPOUT,2.9X234.7X1018
	084453-01-000	EA	WASHER-PLAS,.060X.50X.135
	084453-02-000	EA	WASHER-PLAS,.060X.50X.250
	084473-01-000	EA	SEAL-RUBBER,TIPOUT WDO
	085315-01-000	EA	RIVET-SHOULDER,TIP OUT WDO
	086762-01-000	EA	T NUT 10-32
	086763-01-000	EA	SCREW-MACH-10-32X1/4 PTH
	089913-01-000	EA	HINGE-TIPOUT WDO,BLACK
	097578-01-000	EA	LINKAGE ASM-TIPOUT
	084453-01-000	EA	WASHER-PLAS,.060X.50X.135
	084473-01-000	EA	SEAL-RUBBER,TIPOUT WDO
	085315-01-000	EA	RIVET-SHOULDER,TIP OUT WDO
	099154-01-000	FT	CHANNEL-GLAZING
	100168-01-000	EA	CLIP-SPRING,SCREEN
	100240-01-000	FT	SPLINE-SCREEN,T

1992 WINNEBAGO

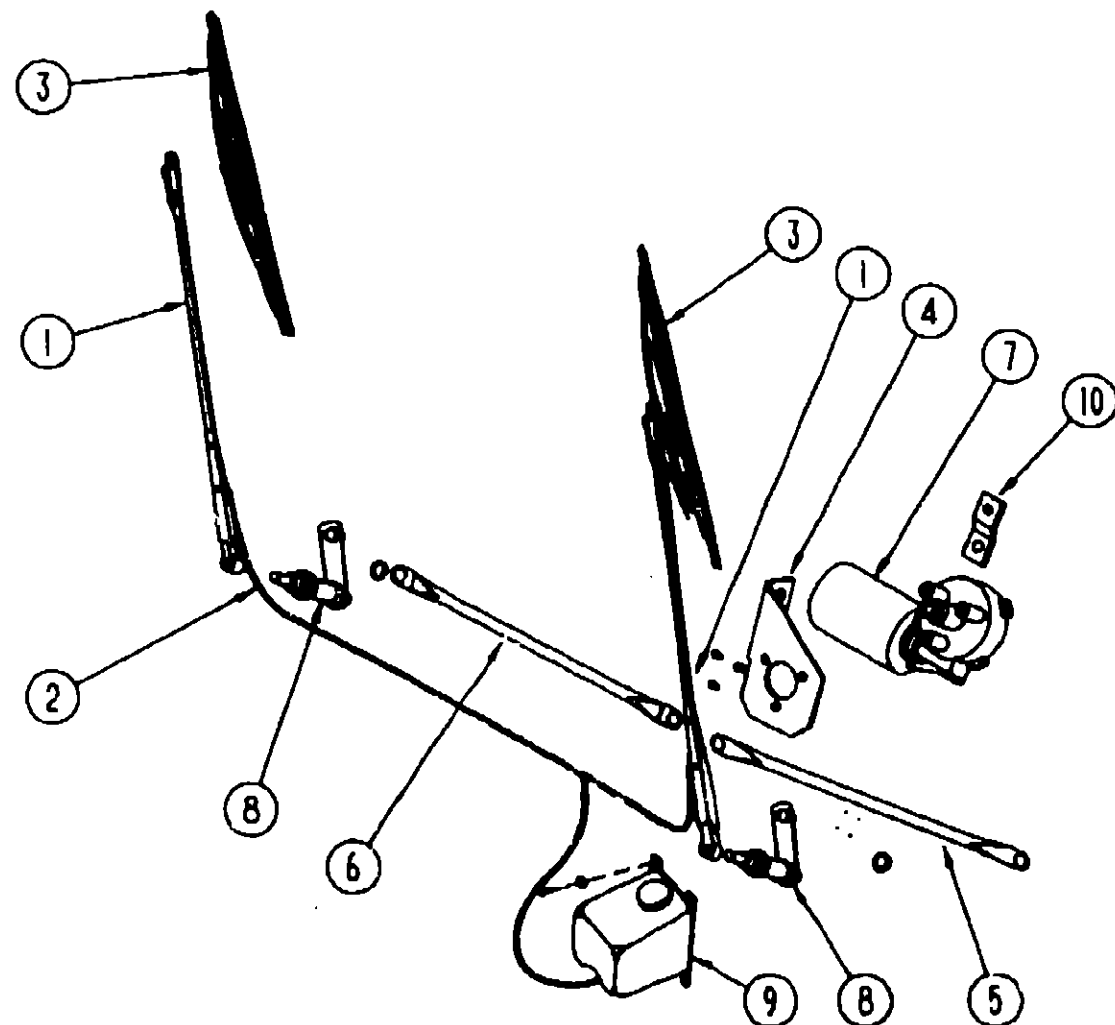
TABLE OF CONTENTS

INTRODUCTION	A-01 -	A-02
ABBREVIATIONS		A-03
ALPHABETICAL INDEX	A-04 -	A-06
WCF27RC	A-07 -	D-18
WCF30RU	D-19 -	H-01

1992 WCF30RU INDEX

FLOOR PLAN	D-19 -	D-20
ACCESSORIES	D-21 -	E-02
BATH	E-03 -	E-04
BEDROOM	E-05 -	E-06
CHASSIS	E-07 -	E-14
C C & PAD	E-15 -	E-22
DINETTE	E-23 -	E-24
DRIVERS	F-01 -	F-04
ELECTRICAL	F-05 -	F-10
EXTERIOR BODY	F-11 -	F-16
GALLEY	F-17 -	F-18
HEATING & A/C	F-19 -	F-24
INTERIOR FINISH	G-01 -	G-03
LABEL		G-04
LP		G-05
LOUNGE		G-06
SEALANTS & FASTENERS	G-07 -	G-09
WATER & SEWAGE	G-10 -	G-16
WINDOW, VENT AND EXTERIOR DOOR	G-17 -	H-01

WINDOW, VENT & EXTERIOR DOOR GROUP (CONTINUED)



WIPER COMPONENTS

**1992 WINNEBAGO
TABLE OF CONTENTS**

INTRODUCTION	A-01 -	A-02
ABBREVIATIONS		A-03
ALPHABETICAL INDEX	A-04 -	A-06
WCF27RC	A-07 -	D-18
WCF30RU	D-19 -	H-01

1992 WCF30RU INDEX

FLOOR PLAN	D-19 -	D-20
ACCESSORIES	D-21 -	E-02
BATH	E-03 -	E-04
BEDROOM	E-05 -	E-08
CHASSIS	E-07 -	E-14
C C & PAD	E-15 -	E-22
DINETTE	E-23 -	E-24
DRIVERS	F-01 -	F-04
ELECTRICAL	F-05 -	F-10
EXTERIOR BODY	F-11 -	F-18
GALLEY	F-17 -	F-18
HEATING & AC	F-19 -	F-24
INTERIOR FINISH	G-01 -	G-03
LABEL		G-04
LP		G-05
LOUNGE		G-08
SEALANTS & FASTENERS	G-07 -	G-09
WATER & SEWAGE	G-10 -	G-18
WINDOW, VENT AND EXTERIOR DOOR	G-17 -	H-01

KEY PART NUMBER	U/M	DESCRIPTION
1 103671-01-000	EA	ARM-WIPER, PANTOGRAPH - 24"
2 045794-01-000	FT	HOSE-WASHER, WINDSHIELD - 5/32" ID - BLACK
3 085884-01-000	EA	BLADE-WIPER, 24"
4 103726-01-000	EA	BRACKET-WIPER,MOTOR
4 104548-01-000	EA	BRACKET ASM-WIPER
5 103672-01-000	EA	LINK ASM. - CONNECTING - DRIVERS
6 103672-02-000	EA	LINK ASM. - CONNECTING - PASSENGERS
7 097983-01-000	EA	MOTOR-WIPER, FRONT
7 104346-01-000	EA	MOTOR-WIPER
		FROM: 00-00-00 THRU: 07-21-91
		FROM: 07-22-91 THRU: 99-99-99
8 104347-01-000	EA	ARM-DRIVE,WIPER MOTOR: 1.54"
9 096505-02-000	EA	PIVOT SHAFT - PASSENGERS
9 096505-03-000	EA	PIVOT SHAFT - DRIVERS
096526-01-000	EA	SCREW-HEX, 1/4 - 28 UNF
10 058000-02-000	EA	WASHER-WINDSHIELD, BOTTLE & PUMP
058000-01-700	FT	VACUUM HOSE 7/64 - 5/32
061803-01-000	EA	GROMMET-SNAP, 3/16 ID - 3/8 HOLE - PLASTIC - BLACK
071015-21-000	EA	GROMMET-.50"ID, FITS .19" MATERIAL, RUBBER- SPLIT
091200-02-000	EA	CONTROL-WIPER
067188-01-000	EA	STUD-CRANK,WIPER
040921-04-000	EA	NUT-SPEED, U TYPE - NO. 8 - .59" LENGTH X .44" WIDTH
040921-05-000	EA	NUT-SPEED, U TYPE - NO. 8 - .67" LENGTH X .44" WIDTH
040921-06-000	EA	NUT-SPEED, U TYPE - NO. 8 - .57" LENGTH X .63" WIDTH

WINDSHIELD GLASS AND TRIM

KEY PART NUMBER	U/M	DESCRIPTION
088793-03-000	EA	GLASS-WINDSHIELD, PASSENGER
088793-04-000	EA	GLASS-WINDSHIELD, DRIVER
102936-01-000	FT	MOLDING - REVEAL, WINDSHIELD
103523-C1-000	FT	MOLDING - REVEAL, WINDSHIELD - CENTER
		FROM: 00-00-00 THRU: 11-10-91
077952-02-000	EA	CAP - REVEAL MOLDING, CENTER TOP & CENTER BOTTOM