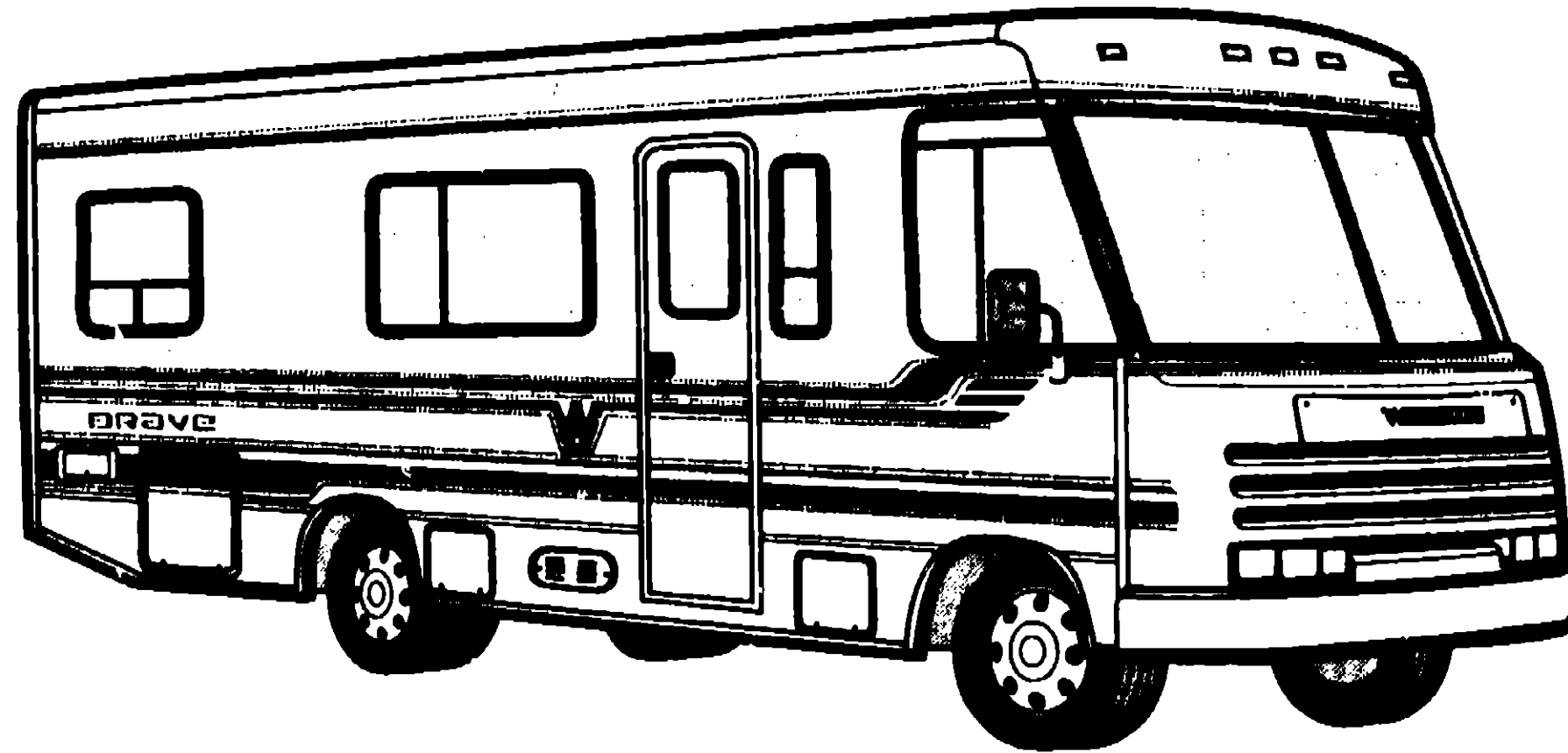


**1992 WINNEBAGO  
TABLE OF CONTENTS**

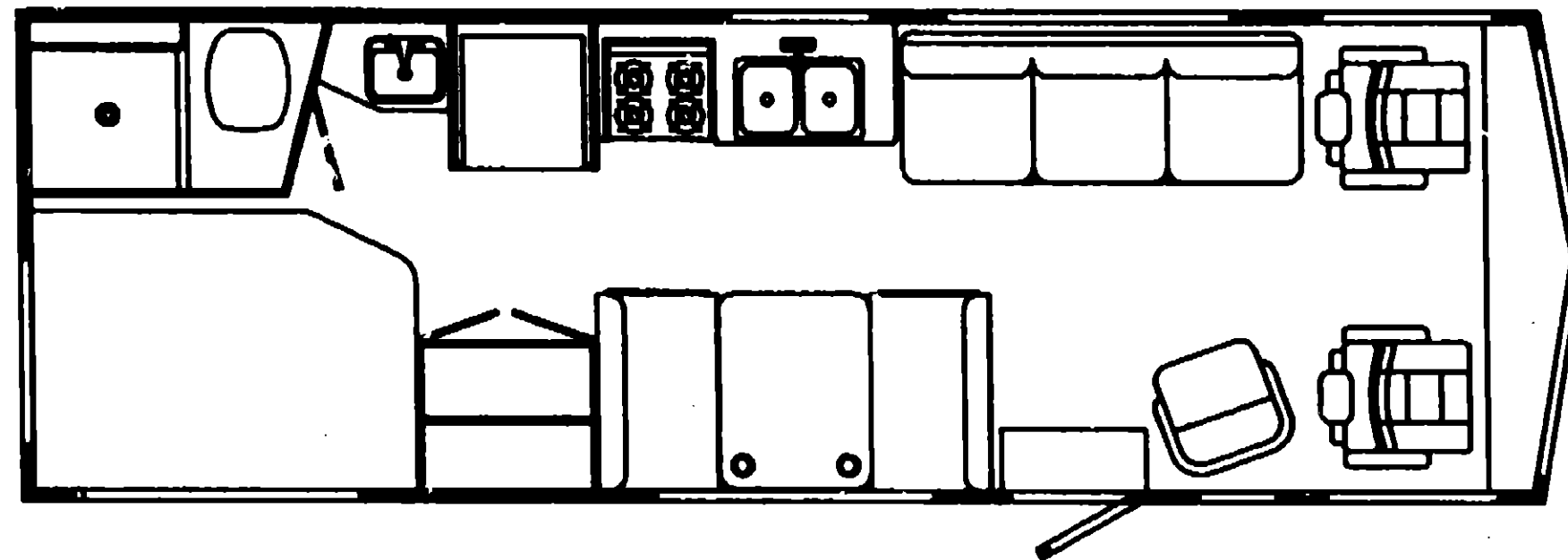
INTRODUCTION	A-01 -	A-02
ABBREVIATIONS		A-03
ALPHABETICAL INDEX	A-04 -	A-08
WCF27RC	A-07 -	D-18
WCF30RU	D-19 -	H-01

**1992  
WCF27RC**



**1992 WCF27RC INDEX**

FLOOR PLAN	A-07 -	A-08
ACCESSORIES	A-09 -	A-16
BATH	A-17 -	A-18
BEDROOM	A-19 -	A-20
CHASSIS	A-21 -	B-05
C C & PAD	B-06 -	B-12
DINETTE	B-13 -	B-14
DRIVERS	B-15 -	B-18
ELECTRICAL	B-19 -	B-24
EXTERIOR BODY	C-01 -	C-08
GALLEY	C-07 -	C-10
HEATING & AC	C-11 -	C-16
INTERIOR FINISH	C-17 -	C-19
LABEL		C-20
LP		C-21
LOUNGE		C-22
SEALANTS & FASTENERS	C-23 -	D-01
WATER & SEWAGE	D-02 -	D-08
WINDOW, VENT AND EXTERIOR DOOR	D-09 -	D-17



**ACCESSORIES GROUP**

**RADIO AND COMPONENTS**

KEY	PART NUMBER	U/M DESCRIPTION
	073741-03-000	EA SPEAKER-RADIO, OVAL - AUDIOVOX 110-2074 - 4" X 6"
	073741-04-000	EA GRILLE-SPEAKER, OVAL - 4" X 6" - BLACK
	094097-01-000	EA SPEAKER-RADIO, W/O GRILLE - 5.25" DIA - AUDIOVOX 110C3030
	U77089-02-000	EA CABLE-ANTENNA, RADIO - EXTENSION 96" - ARA 8700867
	087883-01-000	EA RADIO-AM/FM STEREO W/CAS
	089340-02-000	EA GRILLE-SPEAKER, 6.5" SQUARE
	090944-01-000	EA ANTENNA-RADIO, 16" RUBBER
	104899-01-000	EA RADIO-AM/FM STEREO, CASS DIN AUDIOVOX IM-DXF
	089340-03-000	EA GRILLE-SPEAKER, SPACER TAN-MAGNADYNE G514
	087821-01-000	EA MOUNTING KIT-RADIO DIN AUDIO-AUDIOVOX WMK-AB01
	087821-02-000	EA MOUNTING KIT-RADIO DIN W/O B-AUDIOVOX WMK-AB02

**TV AND VCR**

KEY	PART NUMBER	U/M DESCRIPTION
	088448-02-000	EA VCR-VHS, CABLE READY - REMOTE - MAGNAVOX VR9912 FROM: 00-00-00 THRU: 07-21-91
	088448-02-700	EA REMOTE F/MODEL#9912
	098448-03-000	EA VCR-VHS, CABLE READY - REMOTE - MAGNAVOX VR9010 FROM: 07-22-91 THRU: 99-99-99
	088448-03-700	EA REMOTE F/MODEL #9010
	088447-01-000	EA TV-13", COLOR W/REMOTE - U.S. - MAGNAVOX RX4029WA FROM: 00-00-00 THRU: 08-23-91
	088447-01-700	EA REMOTE-TV, MAGNAVOX 0822338
	088447-02-000	EA TV-13", COLOR W/REMOTE - CANADIAN - MAGNAVOX XK4029CH FROM: 00-00-00 THRU: 08-23-91
	088447-03-000	EA TV-13", COLOR W/REMOTE - U.S. - MAGNAVOX RR1337 FROM: 08-24-91 THRU: 99-99-99
	088447-03-700	EA REMOTE F/RR1337W & 1330W
	088447-04-000	EA TV-13" COLOR REMOTE C.S.A. FROM: 08-24-91 THRU: 99-99-99
	088757-03-000	EA CONTROL CENTER-SWITCHING-MAGNADYNE VCS-8

**TV/VCR RETAINERS**

KEY	PART NUMBER	U/M DESCRIPTION
	000G39-08-328	EA SCREW-SF/DR, 8-18 X 2 PPH - ZINC
	000G87-10-088	EA SCREW, 10-12 X 1/2 PPH ZN
	085774-01-000	FT FASTENER-DUAL HOOK, 1" WIDE - ADHESIVE BACK - BLACK
	085774-02-000	FT FASTENER-DUAL LOOP, 1" WIDE - ADHESIVE BACK - BLACK
	089717-01-000	EA TIEDOWN ASM-TV
	089717-02-000	EA TIEDOWN ASM,TV

**PATIO ENTERTAINMENT CENTER**

KEY	PART NUMBER	U/M DESCRIPTION
	087883-01-000	EA RADIO-AM/FM STEREO W/CAS
	073741-03-000	EA SPEAKER-4X6 OVAL
	073741-04-000	EA GRILLE-SPEAKER, OVAL 4X6
	078319-09-000	EA WALL PLATE/RECEPTACLE BROWN
	068708-01-000	EA RECEPTACLE-DUPLEX, BRN T&B
	077089-02-000	EA CABLE-ANTENNA, EXTENSION 96"
	086756-01-000	EA SPLITTER-TV, 2 WAY
	090944-01-000	EA ANTENNA-RADIO, 16" RUBBER
	104897-01-01A	EA BOX-ENTERTAINMENT CENTER O/W
	104898-01-01A	EA PLATE-PLASTIC BOTTOM O/W
	104899-01-C05	EA PLATE-RADIO MOUNTING
	104900-01-000	EA WIRE ASM-ENTERTAINMENT CENTER
	105118-01-C05	EA DOOR ASM-STORAGE
	105230-01-C25	EA SHELF ASM-EXTERIOR TV
	082134-01-000	EA ADAPTER-CABLE TO CABLE

**ACCESSORIES GROUP (CONTINUED)**

**TV & VCR RELATED ITEMS**

KEY	PART NUMBER	U/M DESCRIPTION
	088819-01-000	EA SPEAKER-2 WATT, 8 OHM - 4"
	083214-01-02A	EA GRILL-SPEAKER, 4" BROWN
	086756-01-000	EA SPLITTER-TV, 2 WAY
	086777-01-000	EA PLATE-WALL, ANTENNA
	083252-01-01A	EA PLATE-WALL, CABLE - BEIGE

**TV ANTENNA AND COMPONENTS**

KEY	PART NUMBER	U/M DESCRIPTION
	078319-01-000	EA ANTENNA-TV, ROOF MOUNT - 44.5" MAST - RVA W02
	078319-01-700	EA HEAD-ANTENNA, AMPLIFIED - WINEGARD# RVSA U/V
	078319-01-701	EA GEAR-ELEVATING, PLASTIC - WINEGARD# 2200048
	078319-01-702	EA SHAFT ASM-ELEVATING, WINEGARD# RVP-400A
	078319-01-703	EA BEARING-NYLON, 5"OD - WINEGARD# 3200858
	078319-01-704	EA BEARING-NYLON, 1.25"OD - WINEGARD# 3200857
	078319-01-705	EA GROMMET-NYLON, 7/8"ID - WINEGARD# 3200858
	078319-01-706	EA CRANK-ELEVATING, W/BET SCREW - WINEGARD# 5755100
	078319-01-707	EA SPRING-HANDLE, WINEGARD# 5160800
	078319-01-708	EA DECAL-CRANK
	078319-01-709	EA DIRECTIONAL PLATE F/HEAD
	082134-01-000	EA ADAPTER-CABLE TO CABLE-WINEGARD F-81M
	078319-03-000	FT CABLE-COAXIAL, 75 OHM
	078319-04-000	EA CONNECTOR W/FERRULE
	078319-06-000	EA ADAPTER-CABLE ROOF PLATE, WINEGARD RPJ-1
	078319-09-000	EA WALLPLATE-TV RECEPTACLE - BROWN
	078319-11-000	EA ADAPTER-COAX WITH SPLITTER WINEGARD MSJ-8
	078319-12-000	EA CONNECTOR-COAXIAL, ONE PIECE
	088756-01-000	EA SPLITTER-TV, 2 WAY
	088777-01-000	EA PLATE-WALL, CABLE - W/TV ANTENNA SWITCH - NORY

**TV SPEAKER**

KEY	PART NUMBER	U/M DESCRIPTION
	083214-01-02A	EA GRILL-SPEAKER, 4" BROWN
	088819-01-000	EA SPEAKER-2 WATT, 8 OHM - 4"
	090030-01-000	EA WIRE-SPEAKER, TV
	099837-01-000	EA GROMMET

**1992 WINNEBAGO**

**TABLE OF CONTENTS**

INTRODUCTION	A-01	A-02
ABBREVIATIONS		A-03
ALPHABETICAL INDEX	A-04	A-08
WCF27RC	A-07	D-18
WCF30RU	D-19	H-01

**1992 WCF27RC INDEX**

FLOOR PLAN	A-07	A-08
ACCESSORIES	A-09	A-18
BATH	A-17	A-18
BEDROOM	A-19	A-20
CHASSIS	A-21	B-05
C C & PAD	B-08	B-12
DINETTE	B-13	B-14
DRIVERS	B-15	B-18
ELECTRICAL	B-19	B-24
EXTERIOR BODY	C-01	C-08
GALLEY	C-07	C-10
HEATING & AC	C-11	C-18
INTERIOR FINISH	C-17	C-19
LABEL		C-20
LP		C-21
LOUNGE		C-22
SEALANTS & FASTENERS	C-23	D-01
WATER & SEWAGE	D-02	D-08
WINDOW, VENT AND		
EXTERIOR DOOR	D-09	D-17

**ACCESSORIES GROUP (CONTINUED)**

**MISCELLANEOUS COMPONENTS**

KEY	PART NUMBER	UM	DESCRIPTION
	103799-01-01A	EA	COFFEEMAKER
	103930-05-000	EA	MANUAL-OWNERS HEATER-A/C
	105078-01-01A	EA	MIRROR ASSY-LOW MOUNT, PAIR
	105248-01-000	EA	ANTENNA CB

FROM: 06-24-91 THRU: 99-99-99

**WHEEL COVERS**

KEY	PART NUMBER	UM	DESCRIPTION
	083181-01-000	EA	WHEEL COVER-4/SET 16 IN
	083181-01-700	EA	WHEEL-COVER 16" EACH-1

**ACCESSORIES GROUP (CONTINUED)**

**CANADIAN OPTION L265  
FIRE EXTINGUISHER**

KEY	PART NUMBER	UM	DESCRIPTION
	094499-02-000	EA	EXTINGUISHER-FIRE, DRY - 1A10BC - CANADIAN

**FIRE EXTINGUISHER**

KEY	PART NUMBER	UM	DESCRIPTION
	064499-01-000	EA	EXTINGUISHER-FIRE, DRY W/MOUNTING BRACKET - 10 BC
	094499-01-700	EA	BRACKET-MOUNTING, W/PLASTIC STRAP - FIRE EXTINGUISHER

**OWNERS MANUAL, BINDER & CASSETTE**

KEY	PART NUMBER	UM	DESCRIPTION
	064185-80-000	EA	OPERATORS MANUAL, 1992 BRAVE
	092318-01-000	EA	BINDER-3 RING, MOTOR HOME MANUAL
	092318-01-000	EA	POCKET PAGE-3 RING BINDER, PLASTIC

**SMOKE DETECTOR**

KEY	PART NUMBER	UM	DESCRIPTION
	072852-01-000	EA	DETECTOR-SMOKE, W/9 VOLT BATTERY
	072852-02-000	EA	DETECTOR-SMOKE, W/9 VOLT BATTERY - CSV.

**1992 WINNEBAGO**

**TABLE OF CONTENTS**

INTRODUCTION	A-01 -	A-02
ABBREVIATIONS		A-03
ALPHABETICAL INDEX	A-04 -	A-08
WCF27RC	A-07 -	D-18
WCF30RU	D-19 -	H-01

**1992 WCF27RC INDEX**

FLOOR PLAN	A-07 -	A-08
ACCESSORIES	A-09 -	A-16
BATH	A-17 -	A-18
BEDROOM	A-19 -	A-20
CHASSIS	A-21 -	B-05
C C & PAD	B-06 -	B-12
DINETTE	B-13 -	B-14
DRIVERS	B-15 -	B-18
ELECTRICAL	B-19 -	B-24
EXTERIOR BODY	C-01 -	C-06
GALLEY	C-07 -	C-10
HEATING & A/C	C-11 -	C-16
INTERIOR FINISH	C-17 -	C-19
LABEL		C-20
LP		C-21
LOUNGE		C-22
SEALANTS & FASTENERS	C-23 -	D-01
WATER/SEWAGE	D-02 -	D-08
WINDOW, VENT AND		
EXTERIOR DOOR	D-09 -	D-17

**ACCESSORIES GROUP (CONTINUED)**

4.0KW ONAN GENERATOR OPTION L30E - U.S. & CANADIAN

KEY	PART NUMBER	U/M	DESCRIPTION
	007125-03-000	EA	CLAMP-MUFFLER - 1.5" DIA
	007125-04-000	EA	CLAMP-MUFFLER, 1.1" DIA
	008289-01-000	EA	BOX-ELECTRIC, STEEL - 1/2" AND 3/4" KNOCKOUTS - 4" X 4"
	008289-02-000	EA	BOX-ELECTRICAL, 4" X 4" - 1/2" & 3/4" KNOCKOUTS - CANADIAN
	008294-01-000	EA	COVER-ELECTRICAL BOX, STEEL/BLANK - 4" X 4" - GRAY
	008294-02-000	EA	COVER-ELECTRICAL BOX, BLANK STEEL - 4" X 4" - CANADIAN
	100974 02 000	EA	GENERATOR-4.0KW EMERALD PLUS E B 84125
	007067 01 000	SF	INSULATION-FIBERGLASS-1 IN
	007125 04 000	EA	CLAMP-ASM-MUFFLER 1.12 DIA
	007131 01 000	EA	HANGER-TAILPIPE
	008289 01 000	EA	BOX-ELEC-STL 4X4 1/2&3/4
	008394 01 000	FT	CONDUIT-FLEXIBLE-1/2
	008398 01 000	EA	CONNECTOR-1/2X90-FLEX GDT
	023942 01 000	EA	GROMMET-RUBBER-2 OD
	078045 01 000	EA	PLATE-SUPPORT,GENERATOR
	078654 05 000	EA	PIPE-EXHAUST,EMERALD GEN
	078654 06 000	EA	HINGE KIT-ONAN,EMERALD
	083151 01 000	EA	MUFFLER-GENERATOR 1.825OD
	083152 01 000	EA	PIPE-EXHAUST,GENERATOR
			FROM: 08-05-91 THRU: 99-99-99
	083152 12 000	EA	PIPE-EXHAUST,GENERATOR
			FROM: 00-00-00 THRU: 08-04-91
	084385 01 000	EA	PLATE-SUPPORT,GENERATOR
	083208 02 000	EA	CONTROL CENTER-45A,120V/12V
	089238-01-000	EA	COVER-ELECTRICAL BOX, W/HOLE - 4" X 4" - GRAY USED WITH 30 OR 50 AMP RECEPTACLE
	083209-02-000	EA	CIRCUIT BREAKER-15/15AMP, 120V - BW H-15/15
	083209-03-000	EA	CIRCUIT BREAKER-15/20AMP, 120V - BW - 0-15/20 - CANADIAN
	083209-04-000	EA	CIRCUIT BREAKER-30A, 120V - BW L-30
	083209-05-000	EA	CIRCUIT BREAKER-20A, 120V - BW J-20
	083209-06-000	EA	CIRCUIT BREAKER-30/15 AMP, 120V - BW D-30/15
	083210-02-000	EA	CIRCUIT BREAKER-GFI, 15A - 120V - BW U-15 - CANADIAN
			FROM: 00-00-00 THRU: 05-28-90
	091213-01-000	EA	BOX-CIRCUIT BREAKER- W/KNOCKOUTS - 5.3" X 11.8" X 2.5"
	093257-01-000	EA	BOX-ELECTRICAL, CIRCUIT BREAKER - CANADIAN
	000C28-04-10B	EA	BOLT-HEX, SER FLG - 1/4-20 X 5/8 ZINC
	000D14-05-00B	EA	NUT-HEX, 5/16-18 - ZN 5
	000D30-04-00B	EA	NUT-HEX, SER FLG LK 1/4 - 20 ZN
	000D30-05-003	EA	NUT-HEX, SER FLG LK - 5/16 - 18 ZN
	000G39-08-08B	EA	SCREW-SF/DR, 8-18 X 1/2 PPH ZN

**ACCESSORIES GROUP (CONTINUED)**

GENERATOR OPTION COMPONENTS

KEY	PART NUMBER	U/M	DESCRIPTION
	007087-01-000	SF	INSULATION-FIBERGLASS, 1" THICK X 4' - INCREMENTS OF 4 SF
	007125-03-000	EA	CLAMP-MUFFLER - 1.5" DIA
	007125-04-000	EA	CLAMP-MUFFLER, 1.1" DIA
	007131-01-000	EA	HANGER-TAILPIPE
	008062-01-000	EA	CORD-POWER, 10/3 - 30 AMP - 25' - CANADIAN
	008289-02-000	EA	BOX-ELECTRICAL, 4" X 4" - 1/2" & 3/4" KNOCKOUTS - CANADIAN
	008398-01-000	EA	CONNECTOR-1/2" X 90 DEGREE, FLEX CONDUIT - UL AND CSA
	024924-02-000	EA	RECEPTACLE-POWER CORD, W/PARTIAL PLATE
	078045-01-000	EA	STRAP-SUPPORT, GENERATOR - 4 HOLE
	078654-05-000	EA	PIPE-EXHAUST, ANGLED - W/FLANGE - EMERALD - ONAN# 154-2539
	080734-02-000	EA	CLIP-WIRE, NYLON
	081384-01-000	EA	MUFFLER-GENERATOR
	083151-01-000	EA	MUFFLER-GENERATOR, ONAN - 1.8" OD
	083152-01-000	EA	PIPE-EXHAUST, 1.3"OD X 33.3" TO BEND X 28.7" TO END
			FROM: 08-05-91 THRU: 99-99-99
	083152-08-000	EA	PIPE-EXHAUST, 1.3"OD X 4.8" TO BEND X 55.1" TO END
	083152-12-000	EA	PIPE-EXHAUST, 1.3"OD X 31.3" TO BEND X 28.7" TO END
			FROM: 02-25-90 THRU: 08-04-91
	084385-01-000	EA	STRAP-SUPPORT, GENERATOR - 2 HOLE
	083590-02-000	EA	MUFFLER-GENERATOR
	100974-02-000	EA	GENERATOR-4,000 WATT EMERALD PLUS, ONAN BGE-FA/261

**1992 WINNEBAGO**

**TABLE OF CONTENTS**

INTRODUCTION	A-01	A-02
ABBREVIATIONS		A-03
ALPHABETICAL INDEX	A-04	A-08
WCF27RC	A-07	D-18
WCF30RU	D-19	H-01

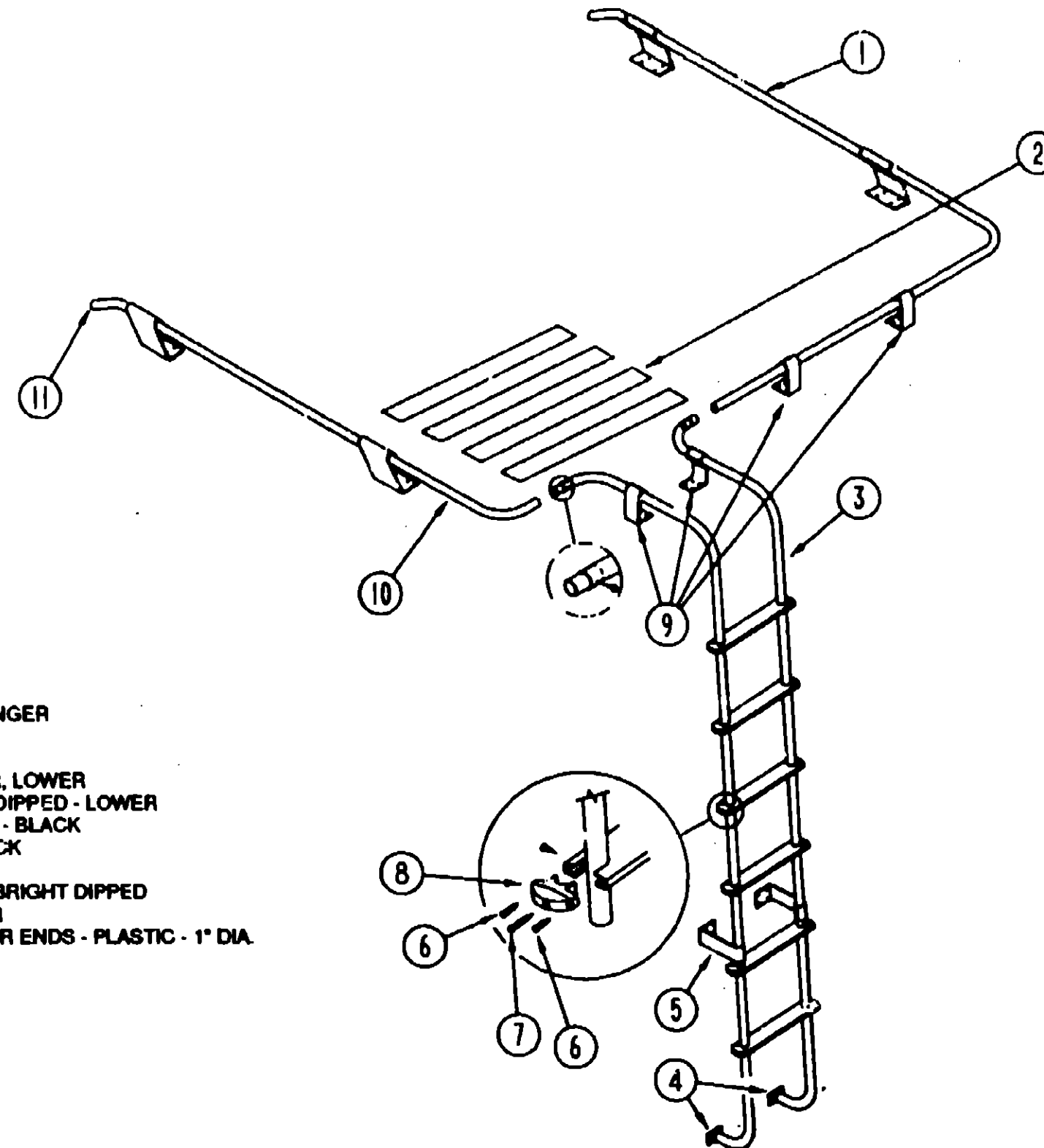
**1992 WCF27RC INDEX**

FLOOR PLAN	A-07	A-08
ACCESSORIES	A-09	A-18
BATH	A-17	A-18
BEDROOM	A-19	A-20
CHASSIS	A-21	B-05
C C & PAU	B-06	B-12
DINETTE	B-13	B-14
DRIVERS	B-15	B-18
ELECTRICAL	B-19	B-24
EXTERIOR BODY	C-01	C-08
GALLEY	C-07	C-10
HEATING & A/C	C-11	C-18
INTERIOR FINISH	C-17	C-19
LABEL		C-20
LP		C-21
LOUNGE		C-22
SEALANTS & FASTENERS	C-23	D-01
WATER & SEWAGE	D-02	D-08
WINDOW, VENT AND		
EXTERIOR DOOR	D-09	D-17

**ACCESSORIES GROUP (CONTINUED)  
LUGGAGE RACK & LADDER OPTION L35U**

**1992 WINNEBAGO  
TABLE OF CONTENTS**

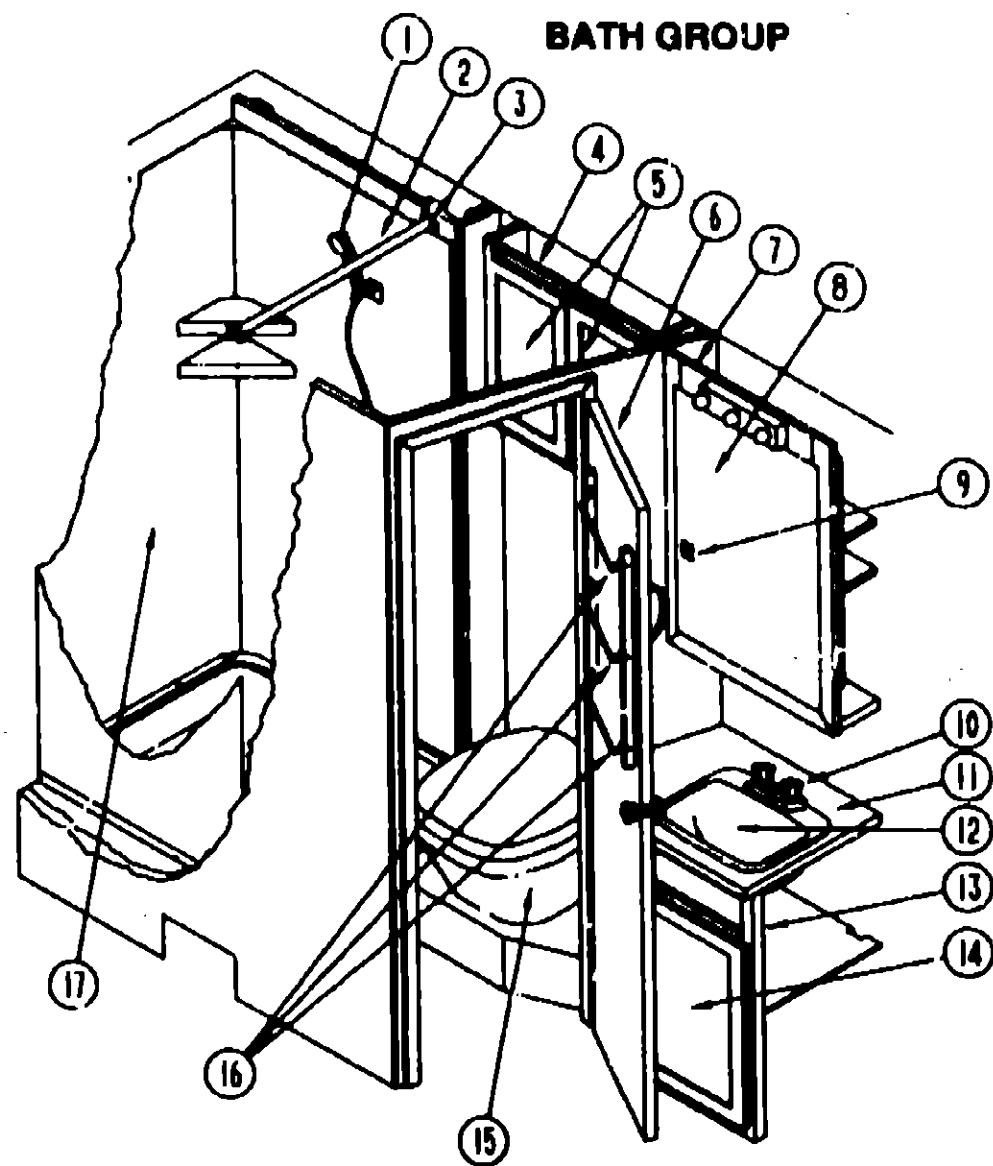
INTRODUCTION	A-01 -	A-02
ABBREVIATIONS		A-03
ALPHABETICAL INDEX	A-04 -	A-06
WCF27RC	A-07 -	D-18
WCF30RU	D-19 -	H-01



**1992 WCF27RC INDEX**

FLOOR PLAN	A-07 -	A-08
ACCESSORIES	A-09 -	A-16
BATH	A-17 -	A-18
BEDROOM	A-19 -	A-20
CHASSIS	A-21 -	B-05
C C & PAD	B-06 -	B-12
DINETTE	B-13 -	B-14
DRIVERS	B-15 -	B-18
ELECTRICAL	B-19 -	B-24
EXTERIOR BODY	C-01 -	C-08
GALLEY	C-07 -	C-10
HEATING & A/C	C-11 -	C-16
INTERIOR FINISH	C-17 -	C-19
LABEL		C-20
LP		C-21
LOUNGE		C-22
SEALANTS & FASTENERS	C-23 -	D-01
WATER & SEWAGE	D-02 -	D-08
WINDOW, VENT AND		
EXTERIOR DOOR	D-09 -	D-17

KEY	PART NUMBER	U/M	DESCRIPTION
1	081026-15-C05	EA	RACK ASM-LUGGAGE, PASSENGER
2	038327-01-000	EA	TAPE-ANTI SLIP, 2" X 60"
3	102953-01-C05	EA	LADDER ASM, STRAIGHT
4	087165-01-000	EA	MOUNTING BRACKET-LADDER, LOWER
5	087125-01-000	EA	STANDOFF-LADDER, BRIGHT DIPPED - LOWER
6	000G39-08-10T	EA	SCREW-SF/DR, 8-20 X 5/8 PPH - BLACK
7	000G88-10-36T	EA	SCREW-10-12 X 2.25 POH BLACK
8	078980-02-000	EA	END CAP-STEP, BLACK
9	081085-02-000	EA	STANDOFF-RACK & LADDER, BRIGHT DIPPED
10	081026-16-C05	EA	RACK ASM-LUGGAGE, DRIVER
11	081114-01-000	EA	PLUG-ROUND, RACK & LADDER ENDS - PLASTIC - 1" DIA.



BATHROOM CABINET & COMPONENTS

KEY	PART NUMBER	U/M DESCRIPTION
1	103092-01-000	EA SHOWER HEAD-W/60 IN HOSE
2	102075-03-01A	EA ROD-CURTAIN,SHOWER OW
3	009112-01-000	EA FLANGE-1" ROD, CLOTHES - PLASTIC - OFF WHITE
4	102851-01-C05	EA CABINET ASM-STORAGE,BATH
5	P04746-08-C05	EA DOOR ASM. - W/MIRROR - W/O HARDWARE
6	M04145-06-C05	EA BATH DOOR W/JAMB
6	M87888-05-C05	EA DOOR ASM-CABINET,BATH
	058335-02-000	EA LATCH-SHOWER/BATH DOOR, W/C LOCK - BROWN
7	102821-01-C05	EA CABINET ASM-MEDICINE
8	102328-02-000	EA DOOR ASM-MIRROR 500MMX750H
9	102327-01-01A	EA PULL - CLEAR, MEDICINE CABINET
	068254-01-000	EA CATCH-MAGNETIC
10	075240-06-000	EA FAUCET-LAVATORY, BONE
11	102822-11-C05	EA COUNTERTOP ASM
12	098927-01-01A	EA SINK-LAVATORY, RECTANGULAR - PLASTIC - BONE
	098927-01-700	EA SINK-STOPPER
	098927-01-701	EA TAILPIECE-SINK
13	102822-01-C05	EA CABINET ASM-LAVATORY
14	P04746-21-C05	EA DOOR ASM. - W/O HARDWARE
15	067487-02-000	EA TOILET-AQUA MAGIC IV,LOW
	024676-01-000	EA FLANGE-CLOSET, TOILET - 4" X 3" - RED
	024676-02-000	EA FLANGE-TOWEL, 4" X 3" - ABS - CANADIAN
16	100357-01-000	EA ROD-TOWEL, BRASS W/ENDS BENT FOR BACK OF BATH DOOR
17	102046-01-01A	EA SURROUND-SHOWER OW
	075241-05-000	EA FAUCET-SHOWER, BONE
	075606-01-000	EA PANEL-FAUCET BACK, SHOWER - 5" X 9" - PLASTIC
	M02429-06-000	EA PAN-SHOWER
	011089-02-000	EA TAILPIECE-TUB/SHOWER, 1 1/2" X 1 1/4" X 4" - BRASS
	068436-01-000	EA NUT-SLIP, TAILPIECE - 1.5"
	068440-01-000	EA STRAINER W/RUBBER WASHER
	068735-01-000	EA WASHER-STRAINER TO TAILPIECE PLASTIC, 1.5"
	068440-01-000	EA STRAINER-TUB/SHOWER, W/PLUG

BATH GROUP (CONTINUED)  
BATHROOM CABINET & COMPONENTS CONT

KEY	PART NUMBER	U/M DESCRIPTION
	075452-02-000	EA HOLDER-TOILET TISSUE, BRASS
	075454-02-000	EA RING-TOWEL, W/MOUNTING HARDWARE - BRASS
	084481-20-C05	EA CURT.ASM-SHOWER W/FAB&VINYL
	057671-01-000	EA COVER-SCREW, #8 - PLASTIC - OFF WHITE
	059777-02-000	EA HINGE-CABINET DOOR, BRUSHED BRASS

FAUCETS

KEY	PART NUMBER	U/M DESCRIPTION
	075240-06-000	EA FAUCET-LAVATORY, BONE
	075241-05-000	EA FAUCET-SHOWER, BONE

1992 WINNEBAGO  
TABLE OF CONTENTS

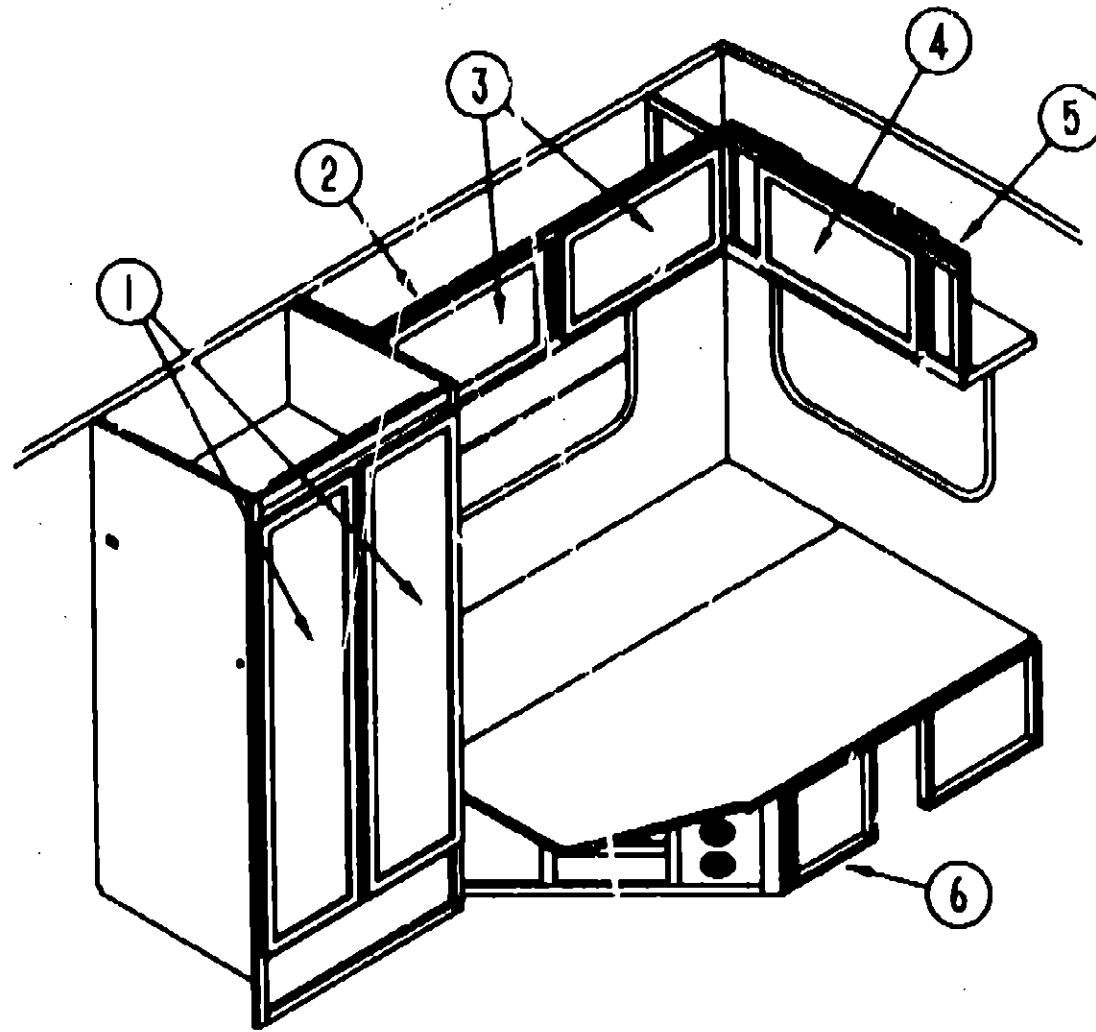
INTRODUCTION	A-01 - A-02
ABBREVIATIONS	A-03
ALPHABETICAL INDEX	A-04 - A-06
WCF27RC	A-07 - D-16
WCF30RU	D-19 - H-01

1992 WCF27RC INDEX

FLOOR PLAN	A-07 - A-08
ACCESSORIES	A-09 - A-16
BATH	A-17 - A-18
BEDROOM	A-19 - A-20
CHASSIS	A-21 - B-05
CC & PAD	B-06 - B-12
DINETTE	B-13 - B-14
DRIVERS	B-15 - B-16
ELECTRICAL	B-19 - B-24
EXTERIOR BODY	C-01 - C-06
GALLEY	C-07 - C-10
HEATING & AC	C-11 - C-16
INTERIOR FINISH	C-17 - C-19
LABEL	C-20
LP	C-21
LOUNGE	C-22
SEALANTS & FASTENERS	C-23 - D-01
WATER & SEWAGE	D-02 - D-06
WINDOW, VENT AND EXTERIOR DOOR	D-09 - D-17

## BEDROOM GROUP

## BEDROOM CABINETS



KEY	PART NUMBER	U/M	DESCRIPTION
1	P04748-20-C05	EA	DOOR ASM-WARDROBE, W/O HARDWARE
2	M05019-40-C05	EA	CABINET ASM-OVHD, REAR, RH
3	P04748-03-C05	EA	DOOR ASM-HDW-MITERED OGEE
4	P04748-04-C05	EA	DOOR ASM-HDW-MITERED OGEE
5	M05019-48-C05	EA	CABINET ASM-OVHD, REAR
6	P02983-01-C05	EA	CABINET ASM-DOUBLE BED
	084487-01-000	EA	GUIDE-POCKET DOOR, WALL MOUNT
	084357-02-W24	EA	STAND-FOLD DOWN, TV - W/MIRROR
	089078-03-000	EA	SUPPORT-BED, H-CHANNEL - 1.98" X 72.7" - ALUMINUM - P/EGE
	091281-01-000	EA	BACKING-NON-SKID, 12"X100"
	102820-01-C05	EA	DRAWER ASM-CABINET
	009112-01-000	EA	FLANGE-1" ROD, CLOTHES - PLASTIC - OFF WHITE
	042438-01-000	EA	DOWEL-WOOD, CLOTHES ROD - 1" DIAMETER X 4'

## 1992 WINNEBAGO

### TABLE OF CONTENTS

INTRODUCTION	A-01 -	A-02
ABBREVIATIONS		A-03
ALPHABETICAL INDEX	A-04 -	A-08
WCF27RC	A-07 -	D-18
WCF30RU	D-19 -	H-01

### 1992 WCF27RC INDEX

FLOOR PLAN	A-07 -	A-08
ACCESSORIES	A-09 -	A-16
BATH	A-17 -	A-18
BEDROOM	A-19 -	A-20
CHASSIS	A-21 -	B-05
C C & PAD	B-08 -	B-12
DINETTE	B-13 -	B-14
DRIVERS	B-15 -	B-18
ELECTRICAL	B-19 -	B-24
EXTERIOR BODY	C-01 -	C-06
GALLEY	C-07 -	C-10
HEATING & AC	C-11 -	C-16
INTERIOR FINISH	C-17 -	C-19
LABEL		C-20
LP		C-21
LOUNGE		C-22
SEALANTS & FASTENERS	C-23 -	D-01
WATER & SEWAGE	D-02 -	D-08
WINDOW, VENT AND		
EXTERIOR DOOR	D-09 -	D-17

**CHASSIS GROUP**

**GENERATOR-4.0KW EMERALD PLUS & PARTS**

KEY	PART NUMBER	U/M DESCRIPTION
	100974-04-000	EA GENERATOR-4.0KW EMERALD PLUS
	073937-03-000	EA SWITCH-ROTARY,3DECK,AC SEL
	007125-03-000	EA CLAMP-ASM-MUFFLER 1.50 DIA
	007125-04-000	EA CLAMP-ASM-MUFFLER 1.12 DIA
	007131-01-000	EA HANGER-TAILPIPE
	079854-05-000	EA PIPE-EXHAUST,EMERALD GEN
	082272-01-000	EA MUFFLER-GENERATOR
	105732-02-000	EA TRAY ASM-GENERATOR
	105958-03-000	EA PIPE-EXHAUST,GENERATOR

**GENERATOR-4KW LOW PROFILE KOHLER 4CKM21**

KEY	PART NUMBER	U/M DESCRIPTION
	105623-01-000	EA GENERATOR-4KW LOW PROFILE
	007125-03-000	EA CLAMP-ASM-MUFFLER 1.50 DIA
	007125-04-000	EA CLAMP-ASM-MUFFLER 1.12 DIA
	023942-01-000	EA GROMMET-RUBBER-2 OD
	105526-01-000	EA ARRESTER-SPARK
	105527-01-000	EA PIPE-EXHAUST ADAPTOR
	105530-01-000	EA MUFFLER-SIDE EXH W/O SPARK
	105602-01-000	EA GASKET-EXHAUST
	105732-02-000	EA TRAY ASM-GENERATOR
	105958-03-000	EA PIPE-EXHAUST,GENERATOR

**GENERATOR-4.0KW EMERALD PLUS ONAN**

KEY	PART NUMBER	U/M DESCRIPTION
	100974-02-000	EA GENERATOR-4.0KW EMERALD PLUS ONAN BGE-FV/26109 FROM: 00-00-00 THRU: 08-25-91
	007125-04-000	EA CLAMP-ASM-MUFFLER 1.12 DIA
	007131-01-000	EA HANGER-TAILPIPE
	023942-01-000	EA GROMMET-RUBBER-2 OD
	078045-01-000	EA PLATE-SUPPORT,GENERATOR
	079854-05-000	EA PIPE-EXHAUST,EMERALD GEN
	079854-08-000	EA HINGE KIT-ONAN,EMERALD
	093151-01-000	EA MUFFLER-GENERATOR 1.625OD
	033152-01-000	EA PIPE-EXHAUST,GENERATOR FROM: 08-05-91 THRU: 99-99-99
	083152-12-000	EA PIPE-EXHAUST,GENERATOR FROM: 00-00-00 THRU: 08-04-91
	084365-01-000	EA PLATE-SUPPORT,GENERATOR
	073937-03-000	EA SWITCH-ROTARY,3DECK,AC SEL
	100974-01-000	EA GENERATOR-4.0KW EMERALD PLUS FROM: 08-26-91 THRU: 99-99-99
	082272-01-000	EA MUFFLER-GENERATOR
	105732-02-000	EA TRAY ASM-GENERATOR
	105958-03-000	EA PIPE-EXHAUST,GENERATOR
	010499-01-000	EA CLAMP-CLOSED, 3/8 I.D

**CHASSIS GROUP (CONTINUED)**

**GENERATOR-4.0KW EMERALD PLUS ONAN BGE-FV/29237**

KEY	PART NUMBER	U/M DESCRIPTION
	100974-05-000	EA GENERATOR-4.0KW EMERALD PLUS FROM DATE 900312 - THRU DATE 999999
	081364-01-000	EA MUFFLER-GENERATOR,65 EMERALD FROM DATE 900826 - THRU DATE 999999
	007125-03-000	EA CLAMP-ASM-MUFFLER 1.50 DIA
	007125-04-000	EA CLAMP-ASM-MUFFLER 1.12 DIA
	007131-01-000	EA HANGER-TAILPIPE
	079854-05-000	EA PIPE-EXHAUST,EMERALD GEN
	082272-01-000	EA MUFFLER-GENERATOR
	100974-04-000	EA GENERATOR-4.0KW EMERALD PLUS
	105732-02-000	EA TRAY ASM-GENERATOR
	105958-03-000	EA PIPE-EXHAUST,GENERATOR

**GENERATOR-4.0KW EMERALD PLUS ONAN**

KEY	PART NUMBER	U/M DESCRIPTION
	100974-04-000	EA GENERATOR-4.0KW EMERALD PLUS FROM 00-0-00 THRU 03-11-90
	100974-05-000	EA GENERATOR-4.0KW EMERALD PLUS FROM 03-12-90 THRU 99-99-99
	082272-01-000	EA MUFFLER-GENERATOR FROM 00-0-00 THRU 08-25-90
	081364-01-000	EA MUFFLER-GENERATOR,65 EMERALD FROM 08-26-90 THRU 99-99-99
	105732-02-000	EA TRAY ASM-GENERATOR
	007125-03-000	EA CLAMP-ASM-MUFFLER 1.50 DIA
	007125-04-000	EA CLAMP-ASM-MUFFLER 1.12 DIA
	007131-01-000	EA HANGER-TAILPIPE
	079854-05-000	EA PIPE-EXHAUST,EMERALD GEN
	084059-01-000	EA SPACER-GENERATOR,ONAN
	105958-03-000	EA PIPE-EXHAUST,GENERATOR
	073937-03-000	EA SWITCH-ROTARY,3DECK,AC SEL

**1992 WINNEBAGO**

**TABLE OF CONTENTS**

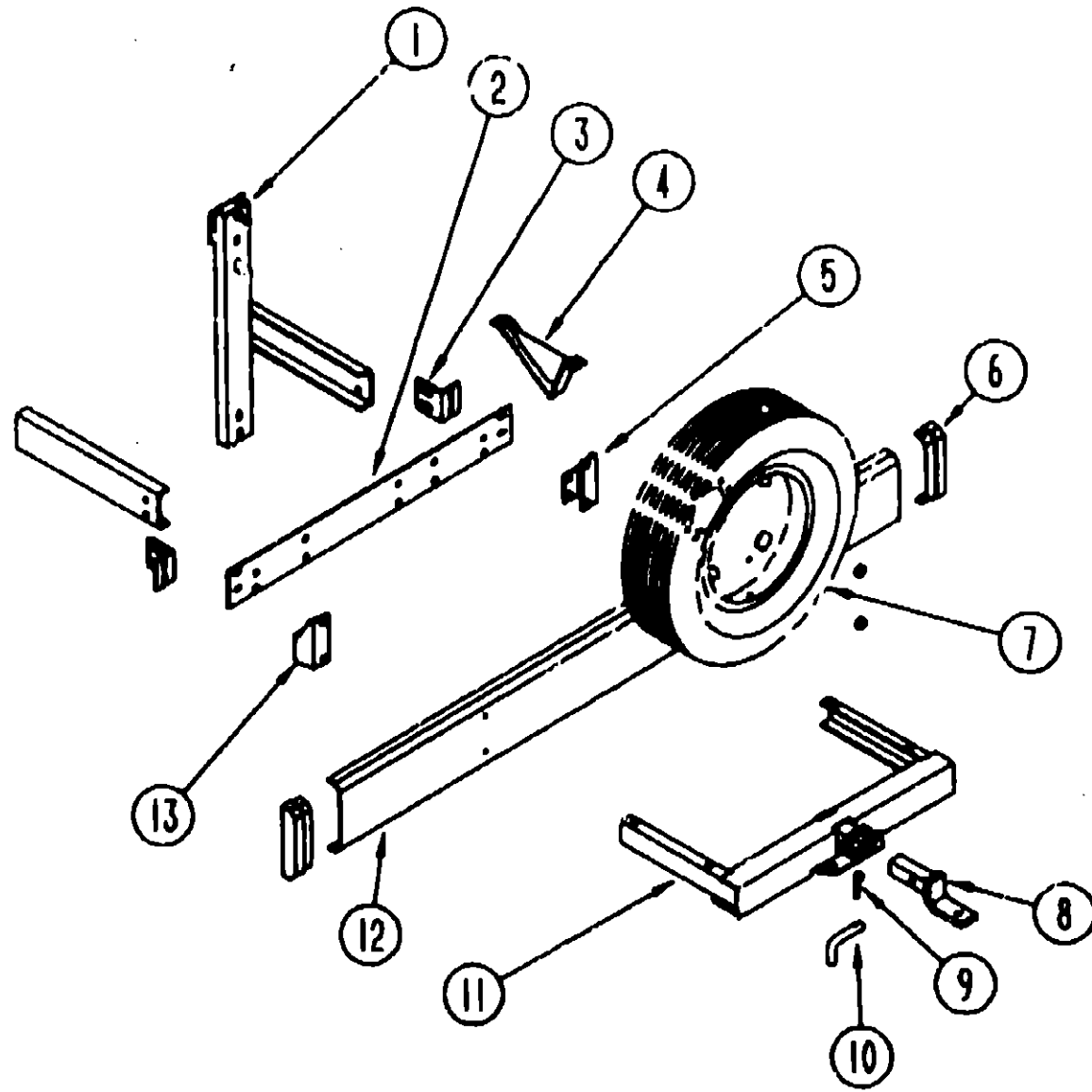
INTRODUCTION	A-01 -	A-02
ABBREVIATIONS		A-03
ALPHABETICAL INDEX	A-04 -	A-08
WCF27RC	A-07 -	D-18
WCF30RU	D-19 -	H-01

**1992 WCF27RC INDEX**

FLOOR PLAN	A-07 -	A-08
ACCESSORIES	A-09 -	A-16
BATH	A-17 -	A-18
BEDROOM	A-19 -	A-20
CHASSIS	A-21 -	B-05
C C & PAD	B-06 -	B-12
DINETTE	B-13 -	B-14
DRIVERS	B-15 -	B-18
ELECTRICAL	B-19 -	B-24
EXTERIOR BODY	C-01 -	C-08
GALLEY	C-07 -	C-10
HEATING & A/C	C-11 -	C-16
INTERIOR FINISH	C-17 -	C-19
LABEL		C-20
LP		C-21
LOUNGE		C-22
SEALANTS & FASTENERS	C-23 -	D-01
WATER & SEWAGE	D-02 -	D-08
WINDOW, VENT AND		
EXTERIOR DOOR	D-09 -	D-17



**CHASSIS GROUP (CONTINUED)**  
**REAR BUMPER & TRAILER TOWING COMPONENTS**



KEY	PART NUMBER	U/M	DESCRIPTION
1	102644-01-000	EA	BRACKET ASM-TIRE CARRIER
	000C27-10-32T	EA	BOLT-CARR 1/8-11X2.00 EXT
2	078878-02-000	EA	PLATE-MTG,BUMPER,REAR
3	078668-01-000	EA	SUPPORT ANGLE,BUMPER REAR
4	083376-01-000	EA	SKID PLATE ASM
5	102145-03-000	EA	BRACKET ASM-BUMPER,REAR
6	103228-01-01A	EA	CAP-END,BUMPER REAR O/W
	094362-02-000	EA	CLIP-XMAS TREE,FLAT HEAD
7	083425-07-000	EA	TIRE-7.50 X R16 LRD, MICHELIN XPS RIB
8	077313-01-000	EA	DRAWBAR ASM ONLY
9	034513-01-000	EA	PIN-HITCH-3/16 WIRE
	070570-08-000	EA	PLATE ASM-ANCHOR
10	034512-01-000	EA	PIN-LOCKING-DRAWBAR
11	077617-01-000	EA	HITCH ASM W/O DRAWBAR
	000C12-08-24B	EA	BOLT-HEX-1/2-13X11/2 ZN
	000E11-08-00B	EA	WASHER-LK-1/2 MED SPLIT ZN
12	103099-01-02A	EA	BUMPER-REAR, OFF WHITE
13	102945-04-000	EA	BRACKET ASM-BUMPER,REAR
	102333-01-02A	EA	BOLT-CARR,7/16-14 SST CAP
	097744-02-000	EA	HOUSING-TRAILER PIN 48 IN
	097748-01-000	EA	HOUSING-CAP

**1992 WINNEBAGO**  
**TABLE OF CONTENTS**

INTRODUCTION	A-01 -	A-02
ABBREVIATIONS		A-03
ALPHABETICAL INDEX	A-04 -	A-08
WCF27RC	A-07 -	D-18
WCF30RU	D-19 -	H-01

**1992 WCF27RC INDEX**

FLOOR PLAN	A-07 -	A-08
ACCESSORIES	A-09 -	A-10
BATH	A-17 -	A-18
BEDROOM	A-19 -	A-20
CHASSIS	A-21 -	B-05
C C & PAD	B-06 -	B-12
DINETTE	B-13 -	B-14
DRIVERS	B-15 -	B-18
ELECTRICAL	B-19 -	B-24
EXTERIOR BODY	C-01 -	C-08
GALLEY	C-07 -	C-10
HEATING & AC	C-11 -	C-16
INTERIOR FINISH	C-17 -	C-19
LABEL		C-20
LP		C-21
LOUNGE		C-22
SEALANTS & FASTENERS	C-23 -	D-01
WATER & SEWAGE	D-02 -	D-08
WINDOW, VENT AND		
EXTERIOR DOOR	D-09 -	D-17

**CHASSIS GROUP (CONTINUED)**

**AIRSHOCKS**

KEY	PART NUMBER	U/M DESCRIPTION
	079942 01 000	EA SHOCK ABSORBER-STABILIZER FT
	084086 01 000	EA AIRSPRING-BELLOWS,REAR AXLE
		FROM: 00-00-00 THRU: 08-25-91
	084086-01-700	EA BELLOWS ONLY (AIR BAG)
	084086-01-701	EA TUBING, DOT 1/4"X18"
	084086-01-702	EA BOLT, RIBBED NECK 3/8-24X2 1/2
	084086-01-703	EA INFLATING VALVE DOT 1/4 TUB
	084086-01-704	EA ELBOW CONNECTOR
	084086-01-705	EA TUBING PROTECTORS
	084086-01-706	EA BRACKET-UPPER TO FRAME
	084086-01-707	EA BRACKET-LOWER-TOP
	084086-01-708	EA AIRLINE SERV. EKT
	084086-01-709	EA HEAT SHIELD-224 CR SYSTEM
	084086-01-710	EA BOLT PKG.
	084086-01-711	EA HEAT SHIELD-224 DOS SYSTEM
	084086-01-712	EA BRACKET-LOWER DRIVERS 224 DOS
	084086-01-713	EA AXLE STRAP BRACKET
	084086-01-714	EA AXLE STRAP BRACKET
		084086 03 000 EA BRACKET-AXLE
		FROM: 00-00-00 THRU: 08-11-91
	084086 04 000	EA RIDE-RITE KIT/10,5-14,
		FROM: 08-28-91 THRU: 99-09-99
	091250 02 000	EA BUSHING-SWAY BAR, 1.25 UNCUT
		FROM: 00-00-00 THRU: 08-28-91

**EXHAUST COMPONENTS**

KEY	PART NUMBER	U/M DESCRIPTION
	007131-01-000	EA HANGER-TAILPIPE
	081918-01-000	EA EXTENSION-EXHAUST, 2.25"OD X 9.44" - STAINLESS STEEL
	083152-01-000	EA PIPE-EXHAUST, 1.3"OD X 33.3" TO BEND X 28.7" TO END
		FROM: 08-05-91 THRU: 99-09-99
	083152-08-030	EA PIPE-EXHAUST, 1.3"OD X 4.9" TO BEND X 55.1" TO END
	083152-12-000	EA PIPE-EXHAUST, 1.3"OD X 31.3" TO BEND X 28.7" TO END
		FROM: 02-25-90 THRU: 08-04-91
	094918-01-000	EA CLAMP-EXHAUST, 3" - GUILLOTINE STYLE
	094918-03-000	EA CLAMP-EXHAUST, 2.5"
	098833-01-000	EA BRACKET-EXHAUST, HANGER
	101644-01-000	EA SHIELD-HEAT, EXHAUST - 19.7" X 28.9" - STEEL
	101644-02-000	EA SHIELD-HEAT, EXHAUST - 30" X 28.9" - STEEL
	075307-03-000	EA SHIELD-HEAT, LP
	085000-01-000	EA A/C SHIELD

**DIESEL CRUISE CONTROL**

KEY	PART NUMBER	U/M DESCRIPTION
	102382-02-000	EA SPEED CONTROL-1991 CHEVY DIESEL, DANA 59L111020P
	102382-01-701	EA REGULATOR-ELECTRONIC, DANA 57C-08X13-R
	102382-01-702	EA MODULE-WIPER CONTROL, DANA 66D-00081
	102382-01-703	EA HARNESS-PIVOT SW TO WIPER CONTROL, DANA 59C-02973
	102382-01-704	EA HARNESS-MAIN WIRING, DANA 59D-02975
	102382-01-707	EA SWITCH & LEVER-CONTROL, DANA 53D-08X63-F
	083212-01-705	EA RELEASE VALVE ONLY, DANA# 59C-02297
	094369-01-701	EA SWITCH & LEVER ASM, DANA# 58D-11118-F
	094369-01-708	EA SERVO-DANA# 53D-11118-R
	094369-02-700	EA CABLE-SERVO, DIESEL - DANA# 59C-2282
	094369-02-702	EA EXTENSION-WIRE HARNESS, DANA# 59C-02279
	094863-01-704	EA HOUSING-4 PIN, SPEED CONTROL - TOYOTA - DANA 59C-02291

**CHASSIS GROUP (CONTINUED)**

**CANADIAN OPTION - CHEVY - GAS & DIESEL**

KEY	PART NUMBER	U/M DESCRIPTION
	094798 03 000	EA CLUSTER-IP,KM(CAN)GAS
		FROM: 00-00-00 THRU: 09-12-91
	094798 05 000	EA CLUSTER-IP,KM(CAN)GAS
		FROM: 09-13-91 THRU: 99-09-99
	094798 04 000	EA CLUSTER-IP,KM(CAN) DIESEL.
		FROM: 00-00-00 THRU: 11-08-91
	094798 06 000	EA CLUSTER-IP,KM(CAN) DIESEL
		FROM: 11-09-91 THRU: 99-09-99
	098841 01 000	EA LABEL-FUEL, UNLEADED, I.P.
	100138 01 000	EA DAYTIME RUNNING LIGHT MODULE
	100158 01 000	EA WIRE ASM-DAY RUN LAMPS
	106859 01 000	EA WIRE ASM-DAY RUN LAMPS,FUSE

**CRUISE CONTROLS**

KEY	PART NUMBER	U/M DESCRIPTION
	102382-01-030	EA SPEED CONTROL-1991 CHEVY, DANA 59L-111010B
		USED ON 1991 CHASSIS WITH IGNITION SWITCH ON STEERING COLUMN, IF SWITCH IS ON DASH USE 084369-03-000
	102382-01-700	EA CABLE-SERVO, CABLE ONLY - DANA 59C-03001
	102382-01-701	EA REGULATOR-ELECTRONIC, DANA 57C-08 X 13-R
	102382-01-702	EA WIPER CONTROL MODULE 66D-00081
	102382-01-703	EA HARNESS-PIVOT SW TO WIPER CONTROL, DANA 59C-02973
	102382-01-704	EA HARNESS-MAIN WIRING, DANA 59D-02975
	102382-01-705	EA CLIP-THROTTLE RETAINER, DANA 59A-02821
	102382-01-708	EA STUD-THROTTLE, DANA 59A-02979
	102382-01-707	EA SWITCH & LEVER-CONTROL, DANA 53D-08 X 63-F
	102382-01-708	EA HEADLIGHT DIMMER MODULE ASM
	102382-01-710	EA ADAPT HARNESS.FOR 069778-01-710

**DIESEL ENGINE OPTION L33N - US & EXPORT**

KEY	PART NUMBER	U/M DESCRIPTION
	081918 01 000	EA EXTENSION-EXHAUST, 2.25 OD X
	094918 03 000	EA CLAMP-EXHAUST 2.6 INCH
	098833 01 000	EA BRACKET-EXHAUST, HANGER
	101544 01 000	EA SHIELD-HEAT, EXHAUST
	104228 01 000	EA PIPE-EXHAUST, EXTENSION

**1992 WINNEBAGO**

**TABLE OF CONTENTS**

INTRODUCTION	A-01	A-02
ABBREVIATIONS		A-03
ALPHABETICAL INDEX	A-04	A-08
WCF27RC	A-07	D-18
WCF30RU	D-19	H-01

**1992 WCF27RC INDEX**

FLOOR PLAN	A-07	A-08
ACCESSORIES	A-09	A-16
BATH	A-17	A-18
BEDROOM	A-19	A-20
CHASSIS	A-21	B-05
C C & PAD	B-06	B-12
DINETTE	B-13	B-14
DRIVERS	B-15	B-18
ELECTRICAL	B-19	B-24
EXTERIOR BODY	C-01	C-06
GALLEY	C-07	C-10
HEATING & A/C	C-11	C-16
INTERIOR FINISH	C-17	C-19
LABEL		C-20
LP		C-21
LOUNGE		C-22
SEALANTS & FASTENERS	C-23	D-01
WATER & SEWAGE	D-02	D-08
WINDOW, VENT AND		
EXTERIOR DOOR	D-09	D-17

### CHASSIS GROUP (CONTINUED)

#### MISCELLANEOUS COMPONENTS

KEY	PART NUMBER	U/M DESCRIPTION
	007063-01-000	FT HOSE-GAS 1/4"ID X 1/2"OD
	007067-01-000	SF INSULATION-FIBERGLASS, 1" THICK X 4' - INCREMENTS OF 4 SF
	007125-03-000	EA CLAMP-MUFFLER - 1.5" DIA
	007125-04-000	EA CLAMP-MUFFLER, 1.1" DIA
	007131-01-000	EA HANGER-TAILPIPE
	008052-01-000	EA CORD-POWER, 10/3 - 30 AMP - 25' - CANADIAN
	008398-01-000	EA CONNECTOR-1/2" X 90 DEGREE, FLEX CONDUIT - UL AND CSA
	010497-01-000	EA CLAMP-CLOSED, 5/8"ID
	024924-02-000	EA RECEPTACLE-POWER CORD, W/PARTIAL PLATE
	041953-01-000	FT CONDUIT-CONVOLUTED SLIT .825"ID
	041953-03-000	FT CONDUIT-CONVOLUTED SLIT, 1" ID (CLOTHES ROD COVER)
	085450-05-000	EA TIEDOWN-BATTERY, 8.4" TUBE
	088432-03-000	EA BRACKET-LICENSE PLATE
	088732-01-000	FT HOSE-FUEL FILL, .82" ID
	089238-01-000	EA COVER-ELECTRICAL BOX, W/HOLE - 4" X 4" - GRAY USED WITH 30 OR 50 AMP RECEPTACLE
	070579-06-000	EA PLATE-ANCHOR, W/7/16 WELD NUT - 1.5" X 3.3"
	072388-02-000	EA TRIM-VINYL, EDGE BLACK - CHECK GM 14004305
	072447-04-000	EA SHROUD-FUEL FILL, UPPER
	072878-01-000	EA INSULATION-SOUND BARRIER PAD, 29.25" X 40.19"
	078310-01-000	EA BAFFLE-RADIATOR, .12" X 15" X .62" - RUBBER
	077848-02-000	EA STEP-PULLOUT
	078038-01-000	EA EXTENSION-FRAME, FRONT
	081059-02-000	EA WIRE ASM-9-PIN, RADIO - AUDIOVOX 112B-1761
	081918-01-000	EA EXTENSION-EXHAUST, 2.25"OD X 9.44" - STAINLESS STEEL
	089359-03-000	EA WHEEL-STEEL, 16" X 6"K - 8 HOLE - PRIMED
	089359-04-000	EA WHEEL-STEEL, 16" X 6"K - 8 HOLE - OFF WHITE
	093719-01-000	EA HOSE-OIL FILL, PREFORMED 90 DEGREE BEND
	094918-01-000	EA CLAMP-EXHAUST, 3" - GUILLOTINE STYLE
	094918-03-000	EA CLAMP-EXHAUST, 2.5"
	098808-01-000	EA PIPE-FILL VENT, 90 DEGREE BEND - 4.87" - 1 3/4" OD - STEEL
	098833-01-000	EA BRACKET-EXHAUST, HANGER
	100332-01-000	EA PLATE-VALVE, AIR SPRING
	104408-01-C05	EA COVER-TIRE, 32" BRAVE

FROM: 05-21-91 THRU: 99-99-99

### CHASSIS GROUP (CONTINUED)

#### LUG WRENCH, MUD FLAP, DIRT GUARD, SPARE TIRE & PLATE

KEY	PART NUMBER	U/M DESCRIPTION
	080208-01-000	EA LUG WRENCH, 1.06X1.00
	080208-02-000	EA LEVERAGE BAR-LUG WRENCH
	017516-01-000	EA FLAP-MUD, BLACK
	020167-03-000	EA DIRT GUARD-STEEL, FOR MUDFLAP RIM PROVIDED BY CHASSIS MANUFACTURER
		NOTE

### 1992 WINNEBAGO

#### TABLE OF CONTENTS

INTRODUCTION	A-01	A-02
ABBREVIATIONS		A-03
ALPHABETICAL INDEX	A-04	A-06
WCF27RC	A-07	D-18
WCF30RU	D-19	H-01

#### 1992 WCF27RC INDEX

FLOOR PLAN	A-07	A-08
ACCESSORIES	A-09	A-16
BATH	A-17	A-18
BEDROOM	A-19	A-20
CHASSIS	A-21	B-05
C C & PAD	B-06	B-12
DINETTE	B-13	B-14
DRIVERS	B-15	B-18
ELECTRICAL	B-19	B-24
EXTERIOR BODY	C-01	C-06
GALLEY	C-07	C-10
HEATING & A/C	C-11	C-16
INTERIOR FINISH	C-17	C-19
LABEL		C-20
LP		C-21
LOUNGE		C-22
SEALANTS & FASTENERS	C-23	D-01
WATER & SEWAGE	D-02	D-06
WINDOW, VENT AND EXTERIOR DOOR	D-09	D-17

**CHASSIS GROUP (CONTINUE.)**

**ENTRY STEP AREA**

KEY	PART NUMBER	U/M DESCRIPTION
	104006-01-C05	EA CABINET ASM-LID,ENTRANCE STEP
	101220-02-01A	EA TRIM-LID,ENT STEP 368 BGE
		FROM: 00-00-00 THRU: 03-14-92
	101222-01-01A	EA BRACKET-CATCH,LID. BGE

**STEP WELL ACCESS PANEL**

KEY	PART NUMBER	U/M DESCRIPTION
	M92055-01-000	EA PANEL-ACCESS, STEP WELL - W/HINGE
	009063-01-000	EA HINGE-CONTINUOUS, 1 1/2" X 72"
	068254-01-000	EA CATCH-MAGNETIC, 1.8" X .7"
	098645-01-000	EA PULL-CABINET, BRASS

**CURTAIN, CUSHION & PAD GROUP**

**DRIVER & PASSENGER BUCKET SEATS**

KEY	PART NUMBER	U/M DESCRIPTION
	093450 22 C05	EA SEAT-ROYALE,NHD,FAN ARMS
	093450 22 C06	EA SEAT-ROYALE,NHD,FAN ARMS
	M03445 22 C05	EA COVER-ROYALE,BACK,SHORT INS.
	M03445 22 C06	EA COVER-ROYALE,BACK,SHORT INS.
	M03445 23 C05	EA COVER-ROYALE,SEAT,SHORT INS.
	M03445 23 C06	EA COVER-ROYALE,SEAT,SHORT INS.
	080243 49 C05	EA ARMREST ASM-RT.,FAN
	080243 49 C06	EA ARMREST ASM-RT.,FAN
	M80243 49 C05	EA COVER ASM-ARMREST,FAN,RT
	M80243 49 C06	EA COVER ASM-ARMREST,FAN,RT
	080243 50 C05	EA ARMREST ASM-LT.,FAN
	080243 50 C06	EA ARMREST ASM-LT.,FAN
	M80243 50 C05	EA COVER ASM-ARMREST,FAN,LT
	M80243 50 C06	EA COVER ASM-ARMREST,FAN,LT
	071126 24 B85	EA SKIRT ASM-SGL
	071126 24 B86	EA SKIRT ASM-SGL
	069246-02-000	EA ADJUSTER ASM-SEAT W/O LOCK
	069246-02-700	EA SPRING F/SLIDE ADJUSTER
	069246-05-000	EA ADJUSTER ASM-TT,W/REMOTE
	069246-05-700	EA SPRING F/REMOTE ADJUSTER
	069246-05-701	EA CLIP ONLY F/CABLE ASM
	069585-29-000	EA BAR-SEAT BELT,20 INCH
	093481-04-000	EA PED-TOP PLATE, REMOTE SWIVEL W/O BELT BAR
	093482-01-000	EA PEDESTAL-13" SHROUD
	069585-40-000	EA PLATE-SUB,VERTICAL 9.60"

**1992 WINNEBAGO**

**TABLE OF CONTENTS**

INTRODUCTION	A-01 -	A-02
ABBREVIATIONS		A-03
ALPHABETICAL INDEX	A-04 -	A-08
WCF27RC	A-07 -	D-18
WCF30RU	D-19 -	H-01

**1992 WCF27RC INDEX**

FLOOR PLAN	A-07 -	A-08
ACCESSORIES	A-09 -	A-16
BATH	A-17 -	A-18
BEDROOM	A-19 -	A-20
CHASSIS	A-21 -	B-05
C C & PAD	B-06 -	B-12
DINETTE	B-13 -	B-14
DRIVERS	B-15 -	B-18
ELECTRICAL	B-19 -	B-24
EXTERIOR BODY	C-01 -	C-06
GALLEY	C-07 -	C-10
HEATING & AC	C-11 -	C-16
INTERIOR FINISH	C-17 -	C-19
LABEL		C-20
LP		C-21
LOUNGE		C-22
SEALANTS & FASTENERS	C-23 -	D-01
WATER & SEWAGE	D-02 -	D-08
WINDOW, VENT AND		
EXTERIOR DOOR	D-09 -	D-17

**CURTAIN, CUSHION & PAD GROUP (CONTINUED)**

**HARDWARE, BLINDS, CURTAINS & TRACKS**

KEY	PART NUMBER	U/M	DESCRIPTION
	048867-01-000	EA	GROMMET-BRASS - 7/16" ID X 1" OD
	009112-01-000	EA	FLANGE-1" ROD, CLOTHES - PLASTIC - OFF WHITE
	102075-03-01A	EA	ROD-CLOTHES, 27" TO 38" - ADJUSTABLE
	009136-02-000	EA	HANGER-RING, PIN TYPE - CURTAIN - BRASS
	083170-01-000	EA	BRACKET-BLIND, RIGHT
	083170-02-000	EA	BRACKET-BLIND, LEFT
	085591-02-000	EA	BRACKET-BLIND, HOLD-DOWN - W/PIN
	102555-01-000	EA	CLEAT-CORD, BLIND - OFF WHITE
	088916-01-000	EA	MOUNT-WINDOW LEG, BLACK
	078155-01-000	EA	STRAP-BACK CUSHION, SNAP
	029155-01-000	EA	CAP-SNAP, NICKEL
	029156-01-000	EA	SOCKET-SNAP FASTENER, NICKEL
	059797-02-000	EA	SHELL-BUTTON, PLASTIC - # 30
	089734-01-000	EA	BACK-BUTTON, DURASNAP - # 30
	029094-04-000	YD	VELCRO TAPE-LOOP, 1" WIDE - BLACK
	029098-03-000	YD	VELCRO TAPE-HOOK, 1" WIDE - BLACK
	088792-02-000	YD	VELCRO TAPE-LOOP, ADHESIVE BACKED - 3/4" - BEIGE
	048394-02-000	YD	VELCRO TAPE-HOOK, ADHESIVE BACK - .75" WIDE - BEIGE
	088276-01-000	EA	TAPE-DOUBLE SIDED, 1/2"
	105324-02-01A	EA	TRACK-CURTAIN, WRAPAROUND - PASSENGER - OFF WHITE
	105324-03-01A	EA	TRACK-CURTAIN, WRAPAROUND - DRIVER - OFF WHITE
	097825-01-000	EA	HOOK-DRAPERY
	057534-01-000	EA	TIEBACK-CURTAIN, 6" - PLASTIC - CLEAR
	089522-03-000	EA	PANEL-PLASTIC LEG, 27" - BLACK TWO SIDED
	083170-01-000	EA	BRACKET-MOUNTING, MINI BLIND RIGHT
	083170-02-000	EA	BRACKET-MOUNTING, MINI BLIND LEFT
	085591-02-000	EA	BRACKET-HOLDDOWN, MINI BLIND
	029130-01-000	EA	SOCKET-SNAP FASTENER-7X5/8
	029130-03-000	EA	SOCKET-SNAP FASTENER, 1"
	088792-01-000	FT	VELCRO-5/8" HOOK, NON-ADHES
	084856-07-02A	EA	TRACK-DOOR, FOLDING 0870 O/W
			FROM: 00-00-00 THRU: 07-14-91
	105450-01-01A	EA	TRACK-CURTAIN O/W
			FROM: 07-15-91 THRU: 99-99-99
	101589-01-B04	EA	TRACK ASM-CURTAIN, WRAPAROUND
			FROM: 00-00-00 THRU: 07-14-91
	101589-02-C05	EA	TRACK ASM-CURTAIN, WRAPAROUND
			FROM: 07-15-91 THRU: 99-99-99
	101032-01-000	EA	TRACK-CEILING MOUNT, WHITE
			FROM: 00-00-00 THRU: 08-18-91
	105450-03-01A	EA	TRACK-CURTAIN O/W
			FROM: 08-99-91 THRU: 99-99-99
	070578-02-B10	EA	BUTTON SCREW-STUD, #30 VINYL
	070578-02-X19	EA	BUTTON SCREW-STUD, #30 VINYL
	083475-01-700	EA	WAND W/METAL CLIP (8")
	083475-01-701	EA	END CAP WITH INVERTED STUD
	103886-01-000	FT	TRIM-3/4 BRASS U-CHANNEL
	102895-11-000	YD	TAPE-CART BIND, #474 LT TAN
	102895-12-000	YD	TAPE-CART BIND, #474 LT TAN

**CURTAIN, CUSHION & PAD GROUP (CONTINUED)**

**FABRIC & TRIMS**

KEY	PART NUMBER	U/M	DESCRIPTION
	079880-01-000	YD	FABRIC-VINYL, 54" WIDE - BUCKSKIN
	079880-09-000	YD	FABRIC-VINYL, 54" WIDE - OFF WHITE
	052859-01-W30	FT	TRIM-EDGE, VINYL - 1.5" WIDE - ACCENT
	029012-01-000	BF	FOAM-ROLLED, 3/8" THICK - 72" WIDE
	098008-78-000	YD	FABRIC-UPHOLSTERY, 54" - SUNSET, SANIBEL C05
	098008-79-000	YD	FABRIC-UPHOLSTERY, 54" - SMOKEY, SANIBEL C08
	098008-77-000	YD	FABRIC-UPHOLSTERY, PATTERN - 54" - EGGPLANT, CHARPAY C05
	098008-81-000	YD	FABRIC-UPHOLSTERY, PATTERN - 54" - RYAN, CHARPAY C08
	098008-86-000	YD	FABRIC-UPHOLSTERY, PATTERN - 54" - ROSEWOOD, DONEGAL C05
	098008-82-000	YD	FABRIC-UPHOLSTERY, PATTERN - 54" SUNSET C08
	098008-78-000	YD	FABRIC-UPHOLSTERY, PLAIN - 54" - EGGPLANT, CHARPAY C05
	098008-88-000	YD	FABRIC-UPHOLSTERY, PLAIN - 54" - RYAN, CHARPAY C08
	072333-82-000	YD	FABRIC-DRAPERY
	087272-01-000	YD	FABRIC-LINING, CURTAIN - 48" WIDE - IVORY
	081926-01-000	YD	BACKING-QUILTING, MATTRESS COVER - 59" WIDE - WHITE
	088273-68-000	YD	FABRIC-BEDSPREAD, 54" - FROST C05
	088273-69-000	YD	FABRIC-BEDSPREAD, 54" - SKY C08
	088273-72-000	YD	FABRIC-BEDSPREAD, 54" - CHANTIUY, MICHE C05
	088273-66-000	YD	FABRIC-BEDSPREAD, 54" - CHANTIUY, GREEN MIST C08
	079349-01-885	YD	WELTING-FABRIC, ACCENT FABRIC
	079349-04-C05	YD	WELTING-FABRIC, NARROW ACCENT
	108589-01-01A	YD	VINYL-LAMINATE MADRID O/W! "28OZ 54"
	105815-01-000	YD	FILM-PROTECTIVE CLEAR
	089351-03-000	YD	VINYL-HEADLINER
	084415-31-000	YD	TRIM-BRAID, 8-42 PLUM (C05)
	084415-27-000	YD	TRIM-BRAID (C08)
	104233-14-000	YD	FABRIC-UPH, STAFILIGHT, COCOA (C08)
	104233-29-000	YD	FABRIC-UPH (C05)
	104233-26-000	YD	FABRIC-UPH (C08)
	104233-12-000	YD	FABRIC-UPH (C05)
	088008-80-000	YD	FABRIC-UPH (C08)
	088273-67-000	YD	FABRIC-BEDSPREAD (C08)
	075244-04-000	YD	VINYL-SHOWER GUARD, QUARTZ (C05)
	079349-04-C08	YD	WELT ASM-NARROW, ACCENT (C08)
	070578-02-B10	EA	BUTTON SCREW-STUD, #30 VINYL

**FLOOR COVERINGS & TRIMS**

KEY	PART NUMBER	U/M	DESCRIPTION
	083486-01-000	SY	CARPET-COMPARTMENT, 54" WIDE - DARK GRAY
	088080-41-000	SY	CARPET-12' ROLL, #607 - LIGHT EGGPLANT - INCREMENTS OF 4 SY
	047034-02-000	SF	PLASTIC-CARPET, 4" WIDE - CLEAR POLY
	075233-01-000	SY	PAD-CARPET, 3/8" X 6' ROLL
	078314-02-000	FT	TAPE-CARPET SEAM, HEAT BONDED
	085746-01-000	FT	TRIM-J, CARPET - 1.2" X .8" ANGLE - 10' LONG - PVC - BEIGE

**1992 WINNEBAGO**

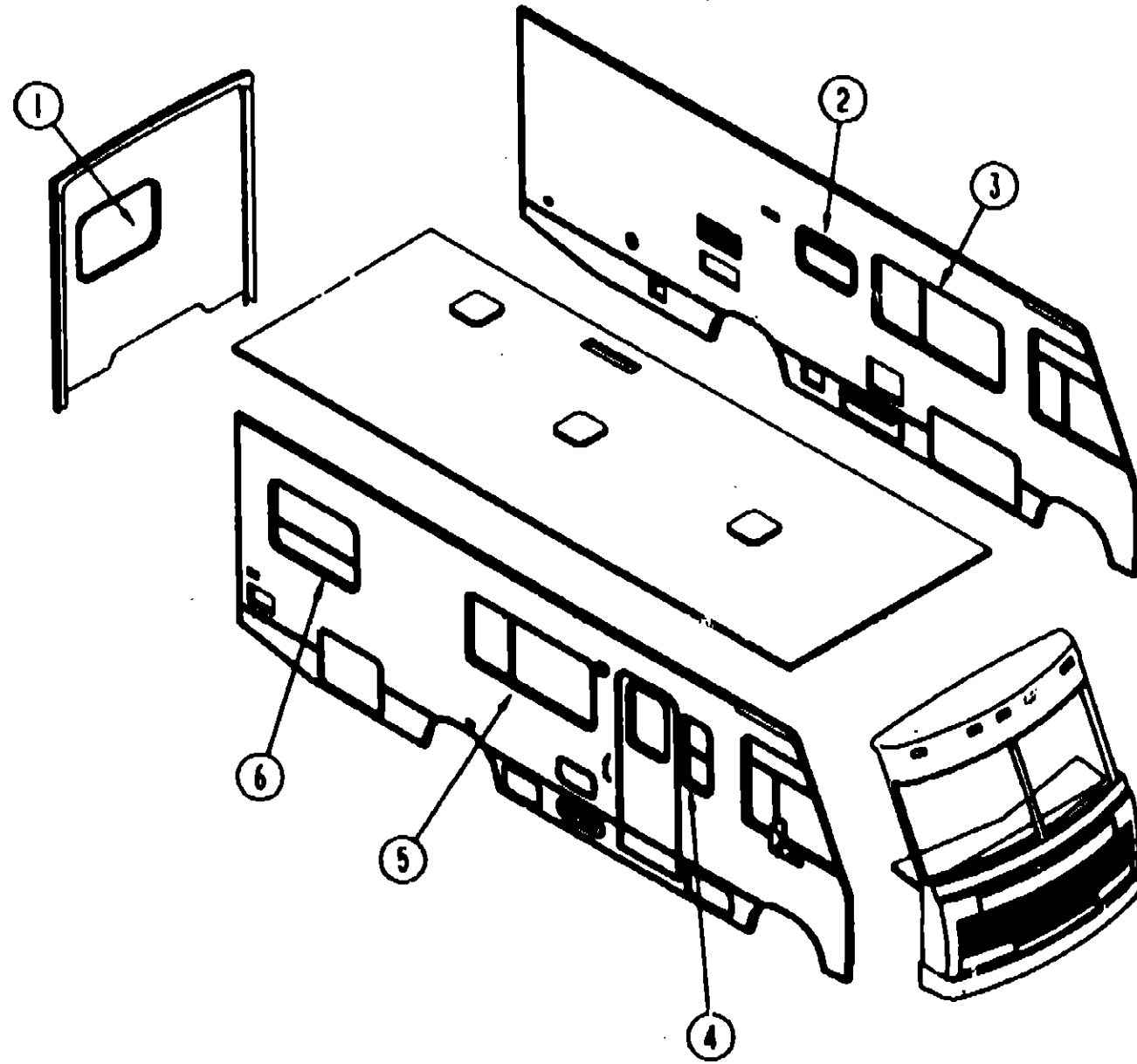
**TABLE OF CONTENTS**

INTRODUCTION	A-01	A-02
ABBREVIATIONS		A-03
ALPHABETICAL INDEX	A-04	A-06
WCF27RC	A-07	D-18
WCF30RU	D-19	H-01

**1992 WCF27RC INDEX**

FLOOR PLAN	A-07	A-08
ACCESSORIES	A-09	A-16
BATH	A-17	A-18
BEDROOM	A-19	A-20
CHASSIS	A-21	B-05
C C & PAD	B-07	B-12
DINETTE	B-13	D-14
DRIVER'S	B-15	B-18
ELECTRICAL	B-19	B-24
EXTERIOR BODY	C-01	C-08
GALLEY	C-07	C-10
HEATING & A/C	C-11	C-16
INTERIOR FINISH	C-17	C-19
LABEL		C-20
LP		C-21
LOUNGE		C-22
SEALANTS & FASTENERS	C-23	D-01
WATER & SEWAGE	D-02	D-08
WINDOW, VENT AND		
EXTERIOR DOOR	D-09	D-17

**CURTAIN, CUSHION & PAD GROUP (CONTINUED)**



**BEDROOM WINDOW TREATMENTS**

KEY	PART NUMBER	U/M DESCRIPTION
1	104156-01-C05	EA VALANCE ASM.-41"CONTINENTAL W/DBL.RUF
1	104156-01-C08	EA VALANCE ASM.-41"CONTINENTAL W/DBL.RUF
1	104157-01-C05	EA CURT/LEG ASM-27",RT.
1	104157-01-C08	EA CURT/LEG ASM-27",RT.
1	104157-02-C06	EA CURT/LEG ASM-27",LT.
1	104157-02-C08	EA CURT/LEG ASM-27",LT.
1	073280-52-C06	EA TIEBACK ASM-3X15,GATHERED
1	073280-52-C08	EA TIEBACK ASM-3X15,GATHERED
1	093475-78-01A	EA BLIND-MINI,36X28 DRP. C06
1	093475-78-02A	EA BLIND-MINI,36X28 DRP. C08

**GALLEY WINDOW TREATMENT**

KEY	PART NUMBER	U/M DESCRIPTION
2	093475-32-08A	EA BLIND-MINI,27X18.5DRP. C05
2	093475-32-10A	EA BLIND-MINI,27X18.5DRP. C08

**LOUNGE WINDOW TREATMENT**

KEY	PART NUMBER	U/M DESCRIPTION
3	103986-27-C05	EA VALANCE ASM.-65"ARCH,W/BRASS
3	103986-28-C08	EA VALANCE ASM.-65"ARCH,W/BRASS
3	100281-45-C05	EA LEG-RT.W/U-BRASS,NHOLE 27"
3	100281-85-C06	EA LEG-RT.W/U-BRASS,NHOLE 27"
3	100281-48-C05	EA LEG-LT.W/U-BRASS,NHOLE 27"
3	100281-88-C08	EA LEG-LT.W/U-BRASS,NHOLE 27"
3	093475-78-01A	EA BLIND-MINI,60X28.5DRP.C05.
3	093475-78-02A	EA BLIND-MINI,60X28.5DRP.C08

**CURTAIN, CUSHION & PAD GROUP (CONTINUED)**

**PASSENGER SIDE LOUNGE WINDOW TREATMENT**

KEY	PART NUMBER	U/M DESCRIPTION
4	103986-29-C05	EA VALANCE ASM.-16"ARCH,W/BRASS
4	103986-30-C08	EA VALANCE ASM.-16"ARCH,W/BRASS
4	093475-82-01A	EA BLIND-MINI,14.5X34.5DRP. C05
4	093475-82-02A	EA BLIND-MINI,14.5X34.5DRP. C08

**DINETTE WINDOW TREATMENT**

KEY	PART NUMBER	U/M DESCRIPTION
5	103986-27-C05	EA VALANCE ASM.-65"ARCH,W/BRASS
5	103986-28-C08	EA VALANCE ASM.-65"ARCH,W/BRASS
5	100281-45-C05	EA LEG-RT.W/U-BRASS,NHOLE 27"
5	100281-85-C08	EA LEG-RT.W/U-BRASS,NHOLE 27"
5	100281-48-C05	EA LEG-LT.W/U-BRASS,NHOLE 27"
5	100281-88-C08	EA LEG-LT.W/U-BRASS,NHOLE 27"
5	093475-78-01A	EA BLIND-MINI,60X28.5DRP. C05
5	093475-78-02A	EA BLIND-MINI,60X28.5DRP. C08

**BEDROOM WINDOW TREATMENTS**

KEY	PART NUMBER	U/M DESCRIPTION
6	104156-02-C05	EA VALANCE ASM.-45"CONTINENTAL W/DBL.RUF
6	104156-02-C08	EA VALANCE ASM.-45"CONTINENTAL W/DBL.RUF
6	104157-01-C05	EA CURT/LEG ASM-27",RT.
6	104157-01-C08	EA CURT/LEG ASM-27",RT.
6	104157-02-C05	EA CURT/LEG ASM-27",LT.
6	104157-02-C08	EA CURT/LEG ASM-27",LT.
6	073280-52-C06	EA TIEBACK ASM-3X15,GATHERED
6	073280-52-C08	EA TIEBACK ASM-3X15,GATHERED
6	093475-79-01A	EA BLIND-MINI,42X28 DRP. C05
6	093475-79-02A	EA BLIND-MINI,42X28 DRP. C08

**SHOWER CURTAIN**

KEY	PART NUMBER	U/M DESCRIPTION
	084481-20-C05	EA CURTAIN ASM.-SHOWER W/FAB&VINYL 67 X 35
	084481-20-C08	EA CURTAIN ASM.-SHOWER W/FAB&VINYL 67 X 35
	099138-02-000	EA PIN-CURTAIN-SHOWER,BRASS
	073280-54-C09	EA TIEBACK ASM-3X18 C05
	073280-54-C10	EA TIEBACK ASM-3X18 C08

**WINDSHIELD CURTAINS & TIEBACKS**

KEY	PART NUMBER	U/M DESCRIPTION
	097994-08-C05	EA CURTAIN ASM.- 36 X 78 HOOK TOP W/BRAID
	097994-08-C08	EA CURTAIN ASM.- 36 X 78 HOOK TOP W/BRAID
	101688-29-C05	EA CURTAIN ASM.- 36 X 78 TAPE TOP,W/BRAID
	101688-29-C08	EA CURTAIN ASM.- 36 X 78 TAPE TOP,W/BRAID
	073280-50-C05	EA TIEBACK ASM.- 6 X 18 W/BRAID
	073280-50-C08	EA TIEBACK ASM.- 6 X 18 W/BRAID

**OVERHEAD BUNK CURTAINS**

KEY	PART NUMBER	U/M DESCRIPTION
	101688-25-C05	EA CURTAIN ASM-40X40,TAPE TOP W/BUNK
	101688-25-C08	EA CURTAIN ASM-40X40,TAPE TOP W/BUNK
	101688-26-C05	EA CURTAIN ASM-38X125,TAPE TOP
	101688-26-C08	EA CURTAIN ASM-38X125,TAPE TOP

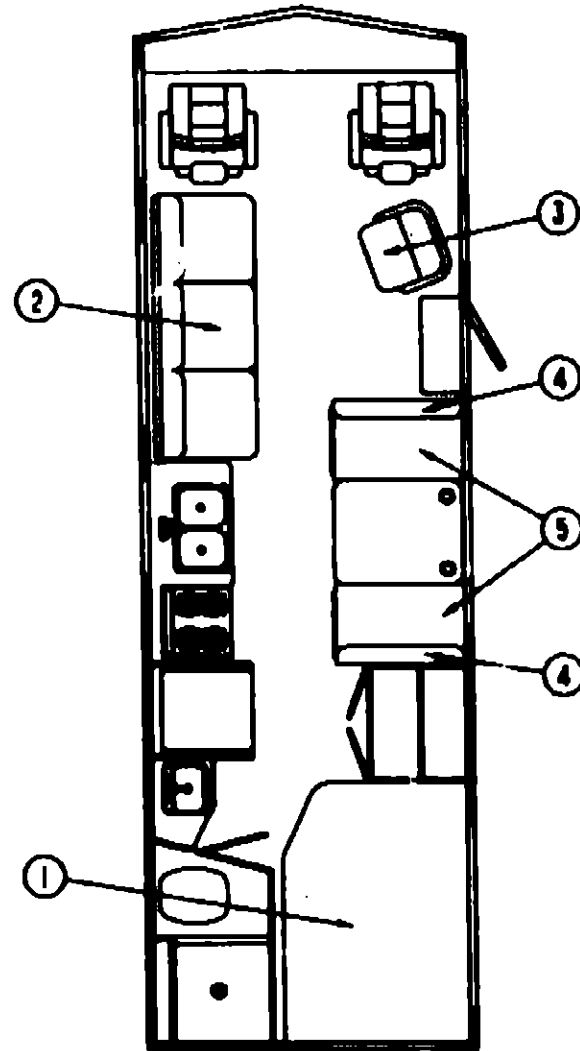
**1992 WINNEBAGO  
TABLE OF CONTENTS**

INTRODUCTION	A-01 -	A-02
ABBREVIATIONS		A-03
ALPHABETICAL INDEX	A-04 -	A-06
WCF27RC	A-07 -	D-18
WCF30RU	D-19 -	H-01

**1992 WCF27RC INDEX**

FLOOR PLAN	A-07 -	A-08
ACCESSORIES	A-09 -	A-16
BATH	A-17 -	A-18
BEDROOM	A-19 -	A-20
CHASSIS	A-21 -	B-05
C C & PAD	B-06 -	B-12
DINETTE	B-13 -	B-14
DRIVERS	B-15 -	B-18
ELECTRICAL	B-19 -	B-24
EXTERIOR BODY	C-01 -	C-08
GALLEY	C-07 -	C-10
HEATING & AC	C-11 -	C-16
INTERIOR FINISH	C-17 -	C-19
LABEL		C-20
LP		C-21
LOUNGE		C-22
SEALANTS & FASTENERS	C-23 -	D-01
WATER & SEWAGE	D-02 -	D-08
WINDOW, VENT AND		
EXTERIOR DOOR	D-09 -	D-17

**CURTAIN, CUSHION & PAD GROUP (CONTINUED)**



**BEDSPREADS & MATTRESS**

KEY	PART NUMBER	U/M DESCRIPTION
1	101123 03 000	EA MATT. COMPLETE-FOAM,53X74
	P01123 03 000	EA COVER-MATTRESS,53X74,FOAM
	092371 18 C05	EA BEDSPREAD-54"FIT.W/RUFFLE,LT CUT
	092371 18 C08	EA BEDSPREAD-54"FIT.W/RUFFLE,LT CUT
	102161 02 C05	EA SHAM ASM-W/PILLOW INSERT
	102161 02 C08	EA SHAM ASM-W/PILLOW INSERT
	081997-08-C05	EA PILLOW SHAM-W/2"RUFFLE
	081997-08-C08	EA PILLOW SHAM-W/2"RUFFLE

**DRIVERS SIDE COUCH**

KEY	PART NUMBER	U/M DESCRIPTION
2	100032 05 CA9	EA RED ASM-PRESTO,BACK,FAN,REG. C05
2	P00032 05 CA9	EA COVER ASM-PRESTO,BACK,FAN C05
2	100032 05 B88	EA BED ASM-PRESTO,BACK,FAN,REG C08
2	P00032 05 B88	EA COVER ASM-PRESTO,BACK,FAN C08
2	100032 06 CA9	EA BED ASM-PRESTO,SEAT,FAN,REG C05
2	P00032 06 CA9	EA COVER ASM-PRESTO,SEAT,FAN C05
2	100032 06 B88	EA BED ASM-PRESTO,SEAT,FAN,REG C08
2	P00032 06 B88	EA COVER ASM-PRESTO,SEAT,FAN C08
	101085 08 000	EA FRAME-74.75" BASE
	103689 01 B85	EA PILLOW ASM-16X16 THROW C05
	103689 01 B88	EA PILLOW ASM-16X16 THROW C08
	P01989 01 CA9	EA COVER-PANEL SOFA END CAP C05
	P01989 01 B88	EA COVER-PANEL SOFA END CAP C08
	M04187-14-C05	EA CABT-COUCH W/FAB
	M04187-14-C08	EA CABT-COUCH W/FAB
	M04187-15-C05	EA CABT-COUCH W/FAB
	M04187-15-C08	EA CABT-COUCH W/FAB
	M04187-16-C05	EA CABT-COUCH W/FAB
	M04187-16-C08	EA CABT-COUCH W/FAB

**CURTAIN, CUSHION & PAD GROUP (CONTINUED)**

**DRIVERS SIDE COUCH CONT**

KEY	PART NUMBER	U/M DESCRIPTION
	101236-03-CA9	EA ARM ASM-JACKKNIFE RT.
	P01236-03-CA9	EA COVER-ARM,JACKKNIFE RT.
	101236-04-CA9	EA ARM ASM-JACKKNIFE LT.
	P01236-04-CA9	EA COVER-ARM,JACKKNIFE LT.
	101236-03-B88	EA ARM ASM-JACKKNIFE RT
	P01236-03-B88	EA COVER-ARM,JACKKNIFE RT
	101236-04-B88	EA ARM ASM-JACKKNIFE LT.
	P01236-04-B88	EA COVER-ARM,JACKKNIFE LT.
	101085-05-000	EA FRAME-74.75" BACK
	101085-04-000	EA FRAME-74.75" SEAT
	101568-01-000	EA BRACKET-ARM, JACKKNIFE,RH
	101568-02-000	EA BRACKET-ARM, JACKKNIFE,LH
	101568-03-000	EA BRACKET ASM-ARM,JACKKNIFE,RH
	101568-04-000	EA BRACKET ASM-ARM,JACKKNIFE,LH
	101085-07-000	EA FRAME-RT ARM BRACKET
	101085-08-000	EA FRAME-LT ARM BRACKET

**PASSENGER SIDE SWIVEL CHAIR**

KEY	PART NUMBER	U/M DESCRIPTION
3	098429 09 C05	EA CHAIR-ARIA W/SEW LINST-SEAT
3	M98429 09 C05	EA COVER - CHAIR-ARIA W/SEW LINST-SEAT
3	098429 09 C08	EA CHAIR-ARIA W/SEW LINST-SEAT
3	M98429 09 C08	EA COVER - CHAIR-ARIA W/SEW LINST-SEAT
	099202 04 B85	EA SKIRT ASM - ARIA C05
	M99202 04 B85	EA COVER ASM - SKIRT - ARIA C05
	099202 04 B88	EA SKIRT ASM - ARIA C08
	M99202 04 B88	EA COVER ASM - SKIRT - ARIA C08
	093481-02-000	EA PEDESTAL-10" SUB-PLATE
	093481-04-000	EA PED-TOP PLATE, REMOTE SWIVEL W/O BELT BAR
	093482-01-000	EA PEDESTAL-13" SHROUD BLACK PLASTIC
	099246-06-000	EA ADJUSTER ASM-TT, MANUAL
	099246-07-000	EA ADJUSTER ASM-TT, MAN. W/HAND
	007221-01-000	EA SPACER-SEAT-ADJUSTER
	099388-04-000	EA FRAME-CABLE,REMOTE SWIVEL

**BACKREST CUSHIONS**

KEY	PART NUMBER	U/M DESCRIPTION
4	104146-01-C05	EA CUSHION-13.5 X 38X5 FAN VICTORIAN
	P04146-01-C05	EA COVER-13.5 X 38X5 FAN VICTORIA
	104146-01-C08	EA CUSHION-13.5 X 38X5 FAN VICTORIAN
	P04146-01-C08	EA COVER-13.5 X 38X5 FAN VICTORIA

**SEAT CUSHIONS**

KEY	PART NUMBER	U/M DESCRIPTION
5	088927-86-CA9	EA CUSHION-21 X 38 X 5,DINETTE SEAT
5	M88927-86-CA9	EA COVER-21 X 38 X 5,DINETTE SEAT
5	088927-86-B88	EA CUSHION-21 X 38 X 5,DINETTE SEAT
5	M88927-86-B88	EA COVER-21 X 38 5,DINETTE SEAT

**FRONT OVERHEAD BUNK**

KEY	PART NUMBER	U/M DESCRIPTION
	079145-06-000	EA CUSHION ASM-BUNK
	M79145-06-000	EA COVER - ASM-BUNK 30.00 X 78.00

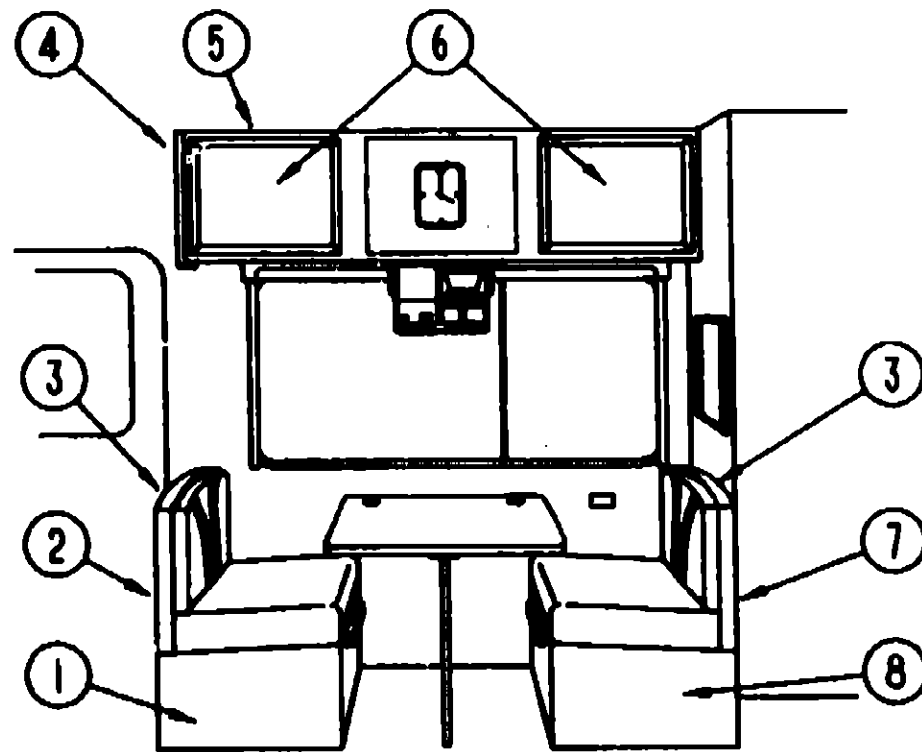
**1992 WINNEBAGO  
TABLE OF CONTENTS**

INTRODUCTION	A-01 -	A-02
ABBREVIATIONS		A-03
ALPHABETICAL INDEX	A-04 -	A-08
WCF27RC	A-07 -	D-18
WCF30RU	D-19 -	H-01

**1992 WCF27RC INDEX**

FLOOR PLAN	A-07 -	A-08
ACCESSORIES	A-09 -	A-16
BATH	A-17 -	A-18
BEDROOM	A-19 -	A-20
CHASSIS	A-21 -	B-05
C C & PAD	B-06 -	B-12
DINETTE	B-13 -	B-14
DRIVERS	B-15 -	B-18
ELECTRICAL	B-19 -	B-24
EXTERIOR BODY	C-01 -	C-08
GALLEY	C-07 -	C-10
HEATING & AC	C-11 -	C-16
INTERIOR FINISH	C-17 -	C-19
LABEL		C-20
LP		C-21
LOUNGE		C-22
SEALANTS & FASTENERS	C-23 -	D-01
WATER & SEWAGE	D-02 -	D-08
WINDOW, VENT AND		
EXTERIOR DOOR	D-09 -	D-17

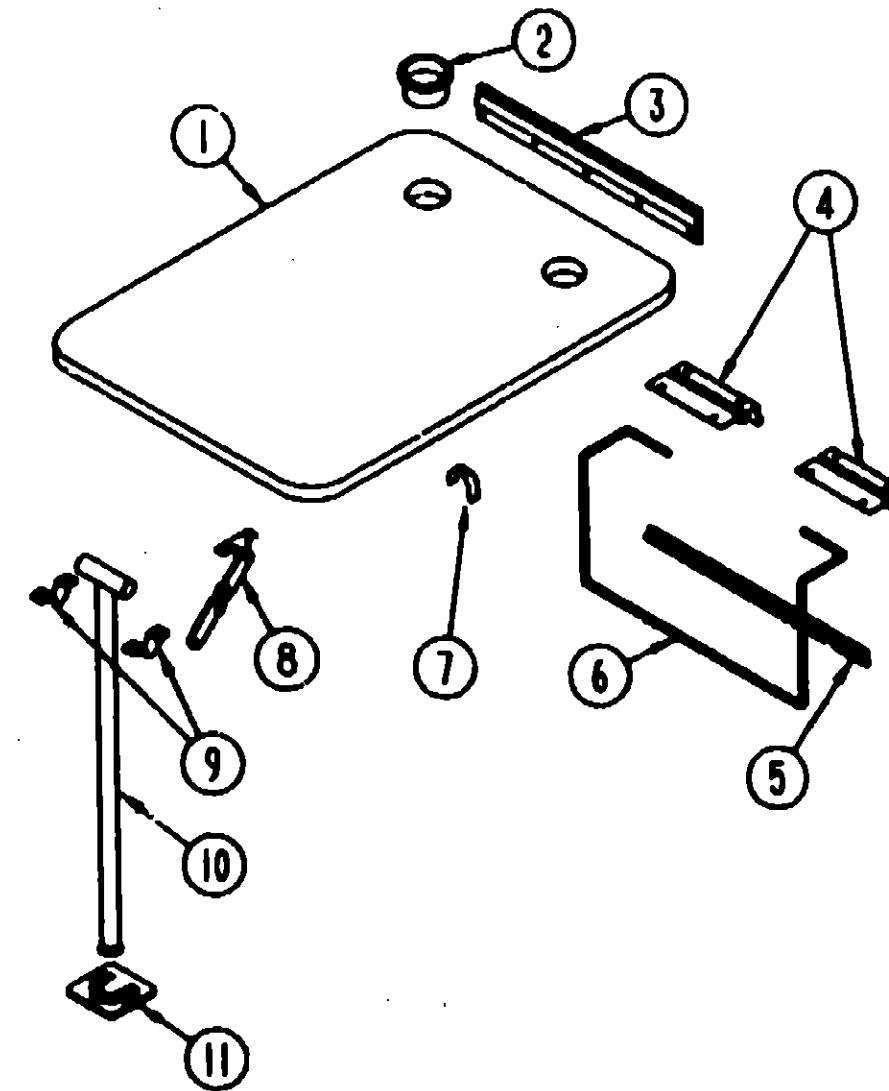
## DINETTE GROUP



DINETTE CABINERY

KEY	PART NUMBER	U/M	DESCRIPTION
1	002747-01-B20	EA	END CAP-CABINET, OVERHEAD - FRONT OR REAR
1	M04175-05-C05	EA	CABINET-SEATBASE LH
	103596-12-C05	EA	SEAT ASM - W/HINGE
2	M04174-05-C05	EA	CABINET-SEATBACK LH
3	104787-01-C05	EA	PAD ASM-DINETTE
3	104787-01-C06	EA	PAD ASM-DINETTE
4	103128-02-C05	EA	CAP ASM-END, OVERHEAD, LH
5	M05019-48-C05	EA	CABINET ASM-OVHD, DINETTE
6	P04746-02-C05	EA	DOOR ASM-HDW-MITERED OGEE - W/O HARDWARE
	004354-01-000	EA	BUMPER-CABINET DOOR, RUBBER - BROWN
7	M04174-04-C06	EA	CABINET-SEATBACK RH
8	M04175-04-C05	EA	CABINET-SEATBASE RH
	103596-11-C05	EA	SEAT ASM - W/HINGE

## DINETTE GROUP (CONTINUED)



DINETTE TABLE

KEY	PART NUMBER	U/M	DESCRIPTION
1	M81299-07-C05	EA	TABLE-DINETTE, W/O EDGE BAND OR HARDWARE
2	084781-08-010	EA	HOLDER-CUP, TWO STEP - OFF WHITE
3	053200-09-010	EA	SUPPORT-TABLE, 19.5", BEIGE
	004364-01-010	EA	BUMPER-RUBBER - BROWN
4	088410-01-010	EA	BRACKET-LIFT, TABLE MOUNTED - BEIGE
5	024281-11-010	EA	BRACKET-LIFT ROD, LOWER WALL MOUNTED - 17.12" - BEIGE
6	024275-11-010	EA	ROD-TABLE LIFT, 8" X 18.5" - BEIGE
7	024283-01-000	EA	CLIP-LEG, 1" X 1.125" OD - BLACK
8	024282-01-000	EA	BRACE-TABLE LEG, HINGED
9	064060 03 000	EA	CLAMP-SADDLE, LEG HINGE - BEIGE
10	024276-21-000	EA	LEG-TABLE, METAL - BEIGE
11	049493-11-700	EA	CATCH-TABLE LEG, FLOOR MOUNTED - BEIGE

## 1992 WINNEBAGO TABLE OF CONTENTS

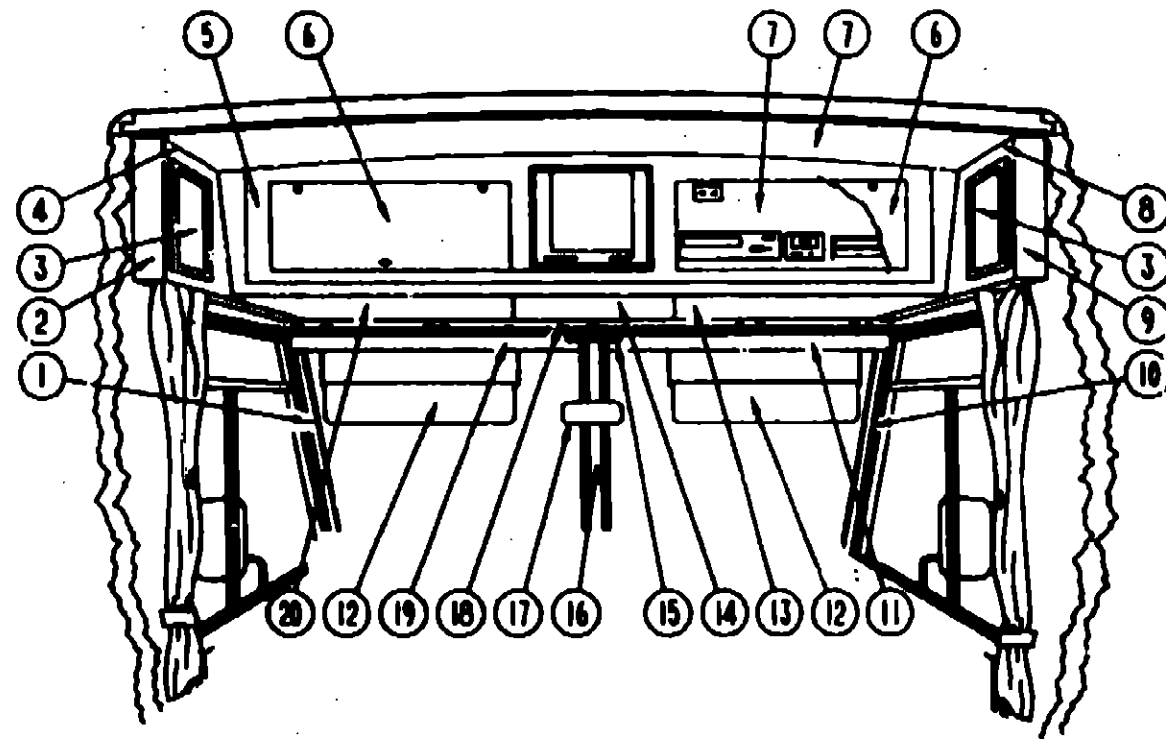
INTRODUCTION	A-01 -	A-02
ABBREVIATIONS		A-03
ALPHABETICAL INDEX	A-04 -	A-08
WCF27RC	A-07 -	D-18
WCF30RU	D-19 -	H-01

## 1992 WCF27RC INDEX

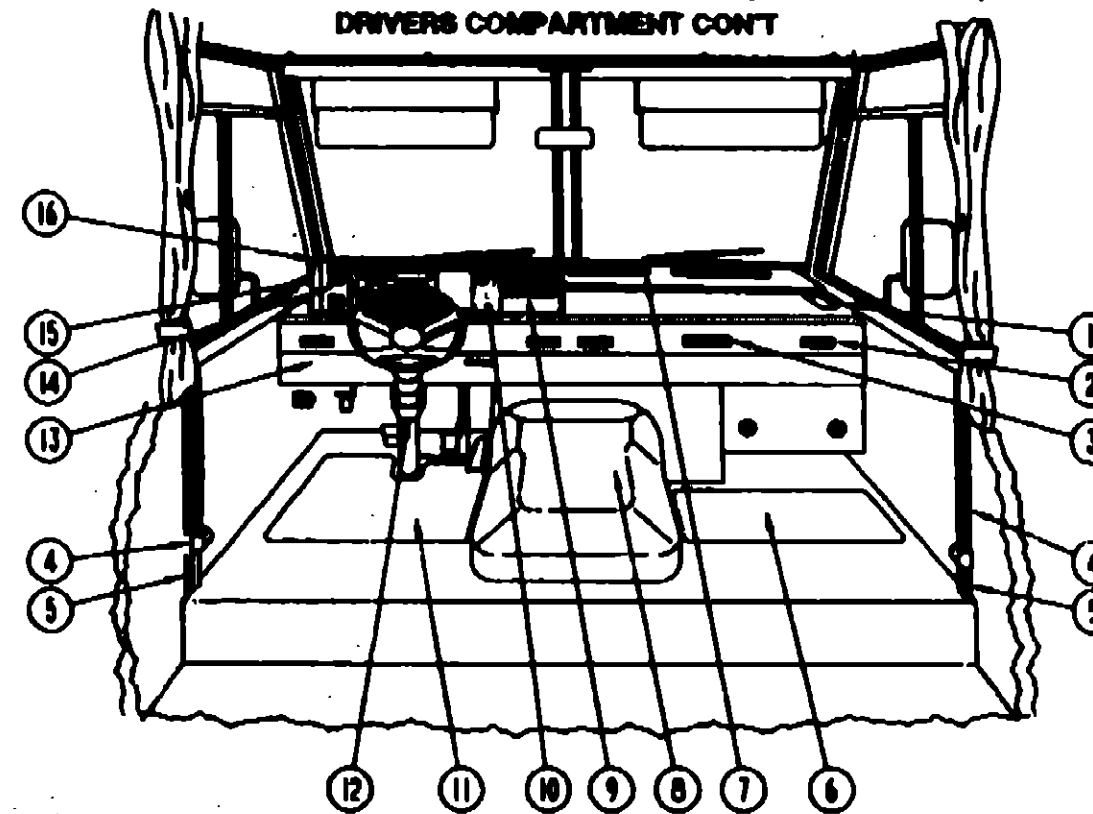
FLOOR PLAN	A-07 -	A-08
ACCESSORIES	A-09 -	A-16
BATH	A-17 -	A-18
BEDROOM	A-19 -	A-20
CHASSIS	A-21 -	B-06
C C & PAD	B-08 -	B-12
DINETTE	B-13 -	B-14
DRIVERS	B-15 -	B-18
ELECTRICAL	B-19 -	B-24
EXTERIOR BODY	C-01 -	C-08
GALLEY	C-07 -	C-10
HEATING & A/C	C-11 -	C-16
INTERIOR FINISH	C-17 -	C-19
LABEL		C-20
LP		C-21
LOUNGE		C-22
SEALANTS & FASTENERS	C-23 -	D-01
WATER & SEWAGE	D-02 -	D-08
WINDOW, VENT AND		
EXTERIOR DOOR:	D-09 -	D-17



**DRIVERS COMPARTMENT GROUP**  
DRIVERS COMPARTMENT



**DRIVERS COMPARTMENT GROUP (CONTINUED)**  
DRIVERS COMPARTMENT CONT



**1992 WINNEBAGO**  
**TABLE OF CONTENTS**

INTRODUCTION	A-01 - A-02
ABBREVIATIONS	A-03 - A-03
ALPHABETICAL INDEX	A-04 - A-06
WCF27RC	A-07 - D-18
WCF30RU	D-19 - H-01

KEY	PART NUMBER	UM DESCRIPTION
1	103831-02-01A	EA COVER-INNER,A-PILLAR,DRIVERS,OFF WHITE
2	104353-02-C05	EA END CAP ASM-FRONT OVERHEAD,DRIVERS
3	P04746-06-C05	EA DOOR ASM. - W/O HARDWARE - OGEE
4	M05159-22-C05	EA CABINET ASM.-FRONT OVERHEAD,DRIVERS
	104289-02-C05	EA PANEL-SIDE PAD-VINYL-DRIVERS
	P04307-02-C05	EA CABINET ASM.-BOTTOM W/VINYL,LH
5	104238-01-C05	EA CABINET ASM.-FACE,FRONT OVERHEAD (TV)
6	100708-06-00U	EA DOOR-GLASS, TV CABINET - W/O HARDWARE - 9.68" X 28.42"
	100710-01-01A	EA LOCK-TWIST TYPE
	100711-01-01A	EA HINGE-DOOR, GLASS
	100707-01-000	EA SPACER
	101272-01-000	EA CATCH-GLASS DOOR
	101788-01-000	EA PIN-SUPPORT, GLASS DOOR
7	103040-01-C05	EA PANEL-HEADLINER FRONT OVERHEAD - PADDED
7	103040-02-C05	EA PANEL-HEADLINER FRONT OVERHEAD - PADDED USED W/TV
7	103040-03-C05	EA PANEL-HEADLINER FRONT OVERHEAD - PADDED USED W/VCR
7	103040-04-C05	EA PANEL-HEADLINER FRONT OVERHEAD - PADDED USED W/VCR/INVERTER
7	103040-05-C05	EA PANEL-HEADLINER FRONT OVERHEAD - PADDED USED W/TV/INVERTER
8	M05159-21-C05	EA CABINET ASM.-FRONT OVERHEAD,PASSENGERS
	103040-08-C05	EA PANEL-LINER,OVHD TV
9	104353-01-C05	EA END CAP ASM-FRONT OVERHEAD,PASSENGERS
	104289-01-C05	EA PANEL-SIDE PAD-VINYL-PASSENGERS
10	103831-01-01A	EA COVER-INNER,A-PILLAR,PASSENGERS,OFF WHITE
11	078579-07-000	EA TRIM-WINDSHIELD,UPPER-INNER, PASSENGERS OFF WHITE
12	082286-14-C05	EA SUNVISOR-DRIVER OR PASSENGER - W/POCKET
	000336-10-12D	EA SCREW-SF/DR, 10-16 X 3/4 PPH - BLACK
	102377-01-000	EA BRACKET-SUNVISOR, 1 PIECE - STEEL
	007211-01-000	EA HINGE-SUNVISOR
	074012-01-000	EA CLIP-SUNVISOR,SQ. PINCH-ON
	078811-05-B11	EA PANEL-TRIM,HEADER,LOWER
13	P03077-02-C05	EA SHELF-BASE,CABINET,PASSENGERS SIDE - OFF WHITE PLASTIC
14	P04415-01-C05	EA SHELF ASM-TV CABINET,CENTER - OFF WHITE PLASTIC
	104417-01-C05	EA CABINET ASM-BLANKET ( STANDARD CABINET )
15	086280-01-000	EA LIGHT-SURFACE MOUNT, 12V - JENSEN 1238
	086280-01-700	EA BULB,12V6W
16	079785-07-000	EA TRIM-WINDSHIELD,CENTER,OFF WHITE
17	040714-01-700	EA MIRROR INSIDE REAR VIEW KIT
18	103040 01 C05	EA PANEL-LINER,OVHD TV
18	103040 08 C05	EA PANEL-LINER,FRONT OVERHEAD W/BUNK
19	078579-08-000	EA TRIM-WINDSHIELD,UPPER-INNER, DRIVERS OFF WHITE
20	P03077-01-C05	EA SHELF-BASE,CABINET,DRIVERS SIDE - OFF WHITE PLASTIC

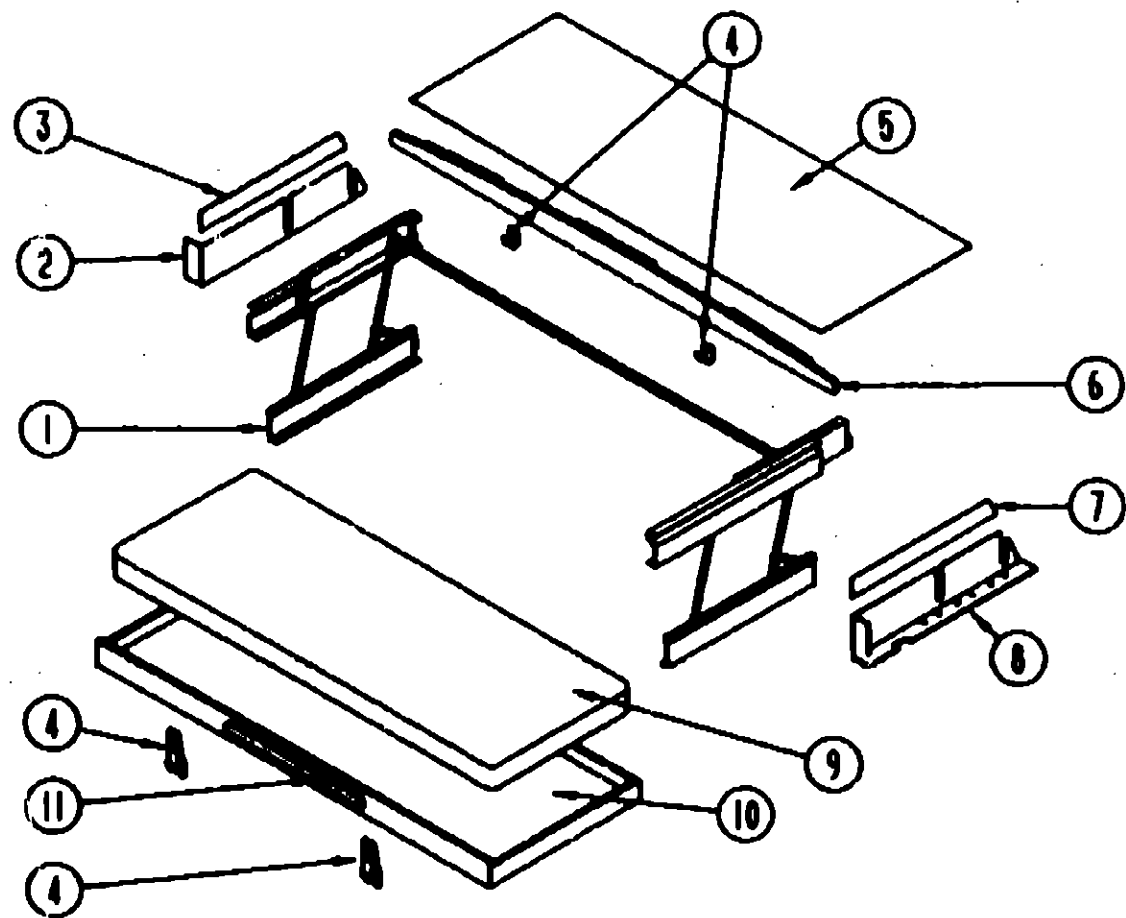
KEY	PART NUMBER	UM DESCRIPTION
	103817-01-C05	EA DASH ASM,GM OFF WHITE
1	073741-03-000	EA SPEAKER-4X8 OVAL AUDIOVOX 110-2074
1	073741-04-000	EA GRILLE-SPEAKER,OVAL 4X8 AUDIOVOX 138-1157
2	103798-01-01A	EA LOUVER ASM-A/C CARY PROD BLK A
3	104280-01-01A	EA DECAL-LOGO "BRAVE" PASSENGERS SIDE DASH
4	091990-01-01A	EA SEAT BELT-SHOULDER HARNESS - DRIVERS/PASSENGERS - BLACK
	091990-01-700	EA BOLT COVER
5	024700-44-000	EA SIDEWALL ROLL BAR COVER,OFF WHITE - 53"
	024700-45-000	EA SIDEWALL ROLL BAR COVER,OFF WHITE - 12.5"
6	081202-01-000	EA MAT-FLOOR,FRONT PASSENGERS,WINNEBAGO - BROWN
7	103558-01-01A	EA VENT-DEFROSTER,ABS OFF WHITE
8	097552-01-000	EA COVER MOTOR
	075564-01-000	EA BRACKET-MOUNTING,MOTOR COVER
	082408-01-000	EA TRIM-MOTOR COVER
	039823-01-000	FT SEAL-COVER-ENGINE
9	104056-08-01A	EA APPLIQUE-BEZEL RIGHT MOST PANEL-RADIO/HEATER
	103875-04-000	EA SWITCH-ROCKER,SPDTON/OFF/MOM A
	103875-05-000	EA SWITCH-ROCKER,SPDTON/NONE/ON A
10	104056-04-01A	EA APPLIQUE-BEZEL SWITCH PANEL RIGHT OF CLUSTER
11	081201-01-000	EA MAT-FLOOR,FRONT DRIVERS,WINNEBAGO - BROWN
12	103498-01-000	EA BOOT-COLUMN, 91 CHEVY, LOWER
		FROM: 00-00-00 THRU: 06-15-91
12	103498-02-000	EA BOOT-COLUMN, 91 CHEVY, UPPER
		FROM: 00-00-00 THRU: 06-15-91
12	103498-04-000	EA BOOT-COLUMN,91 CHEV,UNIVERSAL
		FROM: 06-16-91 THRU: 99-99-99
13	103812-01-01A	EA TRIM-DASH,LOWER,GM OFF WHITE
14	104056-02-01A	EA APPLIQUE-BEZEL SWITCH PANEL LEFT OF CLUSTER
15	104056-01-01A	EA APPLIQUE-BEZEL LEFT MOST PANEL
16	103886-01-01A	EA POD-INSTRUMENT PNL OFF WHITE
16	103882-01-01A	EA BEZEL-INSTRUMENT PNL
	105888-01-01A	EA INSERT-DASH,TRIM OFF WHITE
	105870-01-01A	EA INSERT-DASH,TRIM OFF WHITE
	024990-05-000	EA OUTLET-DEF-W/SWIV 2IN BLACK
	058402-05-000	EA BRACKET-HEATER W/BEND BLACK
	077031-01-000	EA FILM-BLACK,1"X1.75",IP BEZEL
	077031-03-000	EA FILM-WHITE, .75X1.00
	077075-01-000	EA GASKET-IP TO DEF. PLENUM 208
	077075-03-000	EA GASKET-IP TO DEF. PLENUM,8PL
	089294-01-000	EA LIGHTER ASM-CIGARETTE
	103803-01-000	EA BULB-12V NO.74 0.12A WEDGE

**1992 WCF27RC INDEX**

FLOOR PLAN	A-07 - A-08
ACCESSORIES	A-09 - A-16
BATH	A-17 - A-18
BEDROOM	A-19 - A-20
CHASSIS	A-21 - B-05
C C & PAD	B-06 - B-12
DINETTE	B-13 - B-14
DRIVERS	B-15 - B-18
ELECTRICAL	B-19 - B-24
EXTERIOR BODY	C-01 - C-06
GALLEY	C-07 - C-10
HEATING & A/C	C-11 - C-16
INTERIOR FINISH	C-17 - C-19
LABEL	C-20
LP	C-21
LOUNGE	C-22
SEALANTS & FASTENERS	C-23 - D-01
WATER & SEWAGE	D-02 - D-08
WINDOW, VENT AND	
EXTERIOR DOOR	D-09 - D-17

**DRIVERS COMPARTMENT GROUP (CONTINUED)**

**FRONT BUNK-SINGLE (OPT 523)**



KEY	PART NUMBER	U/M DESCRIPTION
1	076780-02-000	EA BUNK HARDWARE
	076780-02-700	EA SPRING-GAS-BUNK HARDWARE
2	101499-06-C05	EA PANEL ASM.- BOTTOM DRIVERS - PADDED - USED W/BUNK
3	101497-06-C05	EA PANEL ASM.- UPPER DRIVERS - PADDED - USED W/BUNK
4	042541-04-700	EA LATCH ASM-W/STRIKE, (2 SETS) - BRASS
4	042541-04-000	EA LATCH ASM-W/O STRIKE, BRASS
	042541-05-000	EA STRIKE-BRASS
	075943-09-000	EA BRACE- 6"-ANGLE, W/HOLES - ALUMINUM - OFFWHT
5	103040-06-C05	EA PANEL-HEADLINER FRONT OVERHEAD - PADDED USED W/BUNK
6	P03199-01-C05	EA BOARD ASM-TRIM, BUNK - CEILING MOUNTED
	016804-05-000	EA BRACE-L/ANGLED, 2.5" - OFF WHITE
7	101497-07-C05	EA PANEL ASM.- UPPER PASSENGERS - PADDED - USED W/BUNK
8	101499-05-C05	EA PANEL ASM.- BOTTOM PASSENGERS - PADDED - USED W/BUNK
9	079145-06-000	EA CUSHION ASM-BUNK (C05,C06)
	M79145-06-000	EA COVER ASM.-BUNK 30." X 78" (C05,C06)
10	081717-03-C05	EA BED ASM-BUNK, FRONT
11	094658-01-Y12	EA HANDLE-BUNK, OAK

**1992 WINNEBAGO**

**TABLE OF CONTENTS**

INTRODUCTION	A-01 - A-02
ABBREVIATIONS	A-03
ALPHABETICAL INDEX	A-04 - A-00
WCF27RC	A-07 - D-18
WCF30RU	D-19 - H-01

**CANADIAN OPTION**

KEY	PART NUMBER	U/M DESCRIPTION
	094798 03 000	EA CLUSTER-IP, KM(CANADIAN)GAS
	094798 05 000	EA CLUSTER-IP, KM(CANADIAN)GAS
	098841 01 000	EA LABEL-FUEL, UNLEADED, I.P.
	100138 01 000	EA DAYTIME RUNNING LIGHT MODULE
	108859 01 000	EA WIRE ASM-DAY RUN LAMPS, F/USE
	098841 01 000	EA LABEL-FUEL, UNLEADED, I.P.
	100159-08-000	EA WIRE ASM-DAYTIME RUNNING LIGHTS, W/FUSE - DIESEL

FROM 00-00-00 THRU 09-12-91

FROM 09-13-91 THRU 99-99-99

**1992 WCF27RC INDEX**

FLOOR PLAN	A-07 - A-08
ACCESSORIES	A-09 - A-16
BATH	A-17 - A-18
BEDROOM	A-19 - A-20
CHASSIS	A-21 - B-05
C C & PAD	B-06 - B-12
DINETTE	B-13 - B-14
DRIVERS	B-15 - B-18
ELECTRICAL	B-19 - B-24
EXTERIOR BODY	C-01 - C-06
GALLEY	C-07 - C-10
HEATING & AC	C-11 - C-16
INTERIOR FINISH	C-17 - C-19
LABEL	C-20
LP	C-21
LOUNGE	C-22
SEALANTS & FASTENERS	C-23 - D-01
WATER & SEWAGE	D-02 - D-08
WINDOW, VENT AND	
EXTERIOR DOOR	D-09 - D-17

**ELECTRICAL GROUP**

**ELECTRICAL CONVERSION EXPORT OPTION L049**

KEY	PART NUMBER	U/M	DESCRIPTION
	008054-01-000	EA	CORD-POWER, 10/3 WIRE - 30 AMP - 25'
	008026-01-000	FT	WIRE-12/2, ROMEX - W/GROUND
	008289-01-000	EA	BOX-ELECTRIC, STEEL - 1/2" AND 3/4" KNOCKOUTS - 4" X 4"
	008311-01-000	EA	CONNECTOR-WIRE NUT, INSULATED - RED
	008312-01-000	EA	CONNECTOR-WIRE NUT, INSULATED - BLUE
	008314-01-000	EA	CONNECTOR-WIRE NUT, INSULATED - GRAY
	008328-01-000	EA	TERMINAL-RING, 12/10 WIRE - #10 STUD FIT
	008331-01-000	EA	TERMINAL-RING,TONGUE - #4 WIRE - 3/8" STUD - COPPER
	008353-01-000	EA	CONNECTOR-CABLE CLAMPING, 3/8"
	008355-01-000	EA	CONNECTOR-CABLE CLAMPING, 3/4"
	008356-01-000	EA	CONNECTOR-PLASTIC, 3/8" AVG
	010497-01-000	EA	CLAMP-CLOSED, 5/8"ID
	024924-02-000	EA	RECEPTACLE-POWER CORD, W/PARTIAL PLATE
	041953-01-000	FT	CONDUIT-CONVOLUTED SLIT, .5"ID
	089238-01-000	EA	COVER-ELECTRICAL BOX, W/HOLE - 4" X 4" - GRAY USED WITH 30 OR 50 AMP RECEPTACLE
	073937-03-000	EA	SWITCH-ROTARY SELECTOR - 3 DECK - AC - CA20-USA892
	073937-01-700	EA	KNOB-ROTARY SWITCH, A/C SELECTOR - 145749
	074890-01-000	EA	BOX-EXTENSION, STEEL - OPEN SIDES - 4" X 4" X 1 1/2"
	074997-01-000	EA	COVER-ELECTRIC BOX, 1 LARGE & 2 SMALL HOLES - 4" X 4"
	008294-01-000	EA	COVER-ELECTRICAL BOX, STEEL/BLANK - 4" X 4" - GRAY
	094809-01-000	EA	LOAD CENTER-240 VOLT, 125 AMP
	094810-01-000	EA	BREAKER-CIRCUIT, DOUBLE 30 AMP - GE THXL2130
	094811-01-000	EA	BREAKER-CIRCUIT, DOUBLE 20 AMP - GE THXL2120

**CANADA EXPORT OPTION L285**

KEY	PART NUMBER	U/M	DESCRIPTION
	008052-01-000	EA	CORD-POWER, 10/3 - 30 AMP - 25' - CANADIAN
	008289-02-000	EA	BOX-ELECTRICAL, 4" X 4" - 1/2" & 3/4" KNOCKOUTS - CANADIAN
	008312-01-000	EA	CONNECTOR-WIRE NUT, INSULATED - BLUE
	008314-01-000	EA	CONNECTOR-WIRE NUT, INSULATED - GRAY
	008328-01-000	EA	TERMINAL-RING, 12/10 WIRE - #10 STUD FIT
	008331-01-000	EA	TERMINAL-RING,TONGUE - #4 WIRE - 3/8" STUD - COPPER
	008355-01-000	EA	CONNECTOR-CABLE CLAMPING, 3/4"
	010497-01-000	EA	CLAMP-CLOSED, 5/8"ID
	041953-01-000	FT	CONDUIT-CONVOLUTED SLIT, .5"ID
	083209-02-000	EA	CIRCUIT BREAKER-15/15AMP, 120V - BW H-15/15 FROM: 05-29-90 THRU: 99-99-99
	083209-03-000	EA	CIRCUIT BREAKER-15/20AMP, 120V - BW - 0-15/20
	083209-06-000	EA	CIRCUIT BREAKER-30/15 AMP, 120V - BW D-30/15
	008026-01-000	FT	WIRE-12/2, ROMEX - W/GROUND
	008294-02-000	EA	COVER-ELECTRICAL BOX, BLANK STEEL - 4" X 4" - CANADIAN
	008311-01-000	EA	CONNECTOR-WIRE NUT, INSULATED - RED
	008356-01-000	EA	CONNECTOR-PLASTIC, 3/8" AVG
	058708-01-000	EA	RECEPTACLE-ELECTRIC, DOUBLE - BROWN
	091910-01-000	EA	BOX-ELECTRIC, 3.75" X 3.5" X 1.75" - PLASTIC
	091927-01-000	EA	COVER-RECEPTACLE, DOUBLE - IVORY

**INVERTER OPTION L40F**

KEY	PART NUMBER	U/M	DESCRIPTION
	099048-01-000	EA	INVERTER-100 WATT

**ELECTRICAL GROUP (CONTINUED )**

**ELECTRICAL COMPONENTS**

KEY	PART NUMBER	U/M	DESCRIPTION
	088198-01-000	EA	LATCH-1/4 TURN, T-BAR
	083208-02-000	EA	CONTROL CENTER, CONVERTER-45A, 120V/12V
	007949-01-000	EA	TAB-HOUSING, 1 POSITION
	041953-09-000	FT	CONDUIT-CONVOLUTED,SLIT .50"ID
	007940-01-000	EA	RECEPTACLE-SLIDE, 16 TO 12 AWG
	008328-01-000	EA	TERMINAL-RING, 16/14 WIRE - 3/8" STUD
	088474-09-000	EA	HOUSING-SOCKET
	088476-01-000	EA	SOCKET-CONNECTOR
	008037-02-000	FT	CABLE-BATTERY, 1AWG - STRANDED - RED
	008348-01-000	EA	TERMINAL-RING, 3/8" STUD - #2 WIRE
	083810-01-000	EA	CLAMP-WIRE, DUAL - UNEQUAL 5/8" AND 1 1/4"DIAMETERS
	047443-01-000	EA	TERMINAL-.250 RECEPTACLE FIT, INSULATED - 16/14 AWG
	047443-02-000	EA	TERMINAL-.250 RECEPTACLE FIT, INSULATED - 12/10 AWG
	088473-05-000	EA	PIN-HOUSING, 6 POSITION (SINGLE ROW)
	088473-08-000	EA	PIN-HOUSING, 6 POSITION (TWO ROWS OF THREE)
	088473-08-000	EA	PIN-HOUSING, 4 POSITION
	088473-09-000	EA	PIN-HOUSING, 3 POSITION (SINGLE ROW)
	088474-06-000	EA	SOCKET-HOUSING, 6 POSITION (2 ROWS OF THREE)
	088474-08-000	EA	SOCKET-HOUSING, 4 POSITION (SINGLE ROW)
	007093-01-000	EA	FLASHER-SIGNAL STAT
	008188-01-000	EA	SOLENOID-3 POST, BATTERY CHANGE OVER
	035418-04-000	EA	TERMINAL-RING #10 STUD FIT, INSULATED BARREL #16/14
	082901-02-000	EA	FUSE-5 AMP,AUTOMOTIVE
	073328-84-000	EA	CABLE ASM-1GA,BLK 304
	082740-01-000	EA	CONNECTOR BODY-2 CNCT FEMALE
	085318-01-000	EA	SCREW-8-08BX1/2,CRIMP TITE HD
	088273-01-000	EA	RELAY-BATTERY DISCONNECT
	088273-01-700	EA	TERMINAL WIRE ASM
	088298-01-000	EA	WIRE-BATTERY DISCONNECT, RED
	088298-02-000	EA	WIRE-BATTERY DISCONNECT, GREEN
	008331-01-000	EA	TERMINAL-RING,TONGUE - #4 WIRE - 3/8" STUD - COPPER
	083810-01-000	EA	HOUSING-RELAY
	088473-01-000	EA	PIN-HOUSING, 4 ROWS OF 3
	101571-01-000	EA	HOUSING-2 POSITION, MALE
	088473-03-000	EA	PIN-HOUSING, 8-POSITION
	083854-01-000	EA	CIRCUIT BREAKER-8 AMP, HOUSE CONTROL PANEL
	083854-02-000	EA	CIRCUIT BREAKER-15 AMP
	083855-02-000	EA	CIRCUIT BREAKER-30 AMP, HOUSE CONTROL PANEL
	083855-03-000	EA	CIRCUIT BREAKER-40 AMP
	041953-01-000	FT	CONDUIT-CONVOLUTED SLIT, 1/2"ID
	041953-03-000	FT	CONDUIT-CONVOLUTED SLIT, 1" ID (CLOTHES ROD COVER)
	041953-06-000	FT	CONDUIT-CONVOLUTED,SLIT .375"ID
	041953-07-000	FT	CONDUIT-CONVOLUTED,SLIT .25"ID
	082036-02-000	EA	TERMINAL-PACK-CON, 16/14 AWG
	082037-01-000	EA	HOUSING-AUTO FUSE, NATURAL
	082037-02-000	EA	HOUSING-AUTO FUSE, GREEN
	082037-03-000	EA	HOUSING-AUTO FUSE, BLACK
	082037-04-000	EA	HOUSING-AUTO FUSE, BLUE

**1992 WINNEBAGO**

**TABLE OF CONTENTS**

INTRODUCTION	A-01	A-02
ABBREVIATIONS		A-03
ALPHABETICAL INDEX	A-04	A-06
WCF27RC	A-07	D-18
WCF30RU	D-19	H-01

**1992 WCF27RC INDEX**

FLOOR PLAN	A-07	A-08
ACCESSORIES	A-09	A-16
BATH	A-17	A-18
BEDROOM	A-19	A-20
CHASSIS	A-21	B-05
C C & PAD	B-06	B-12
DINETTE	B-13	B-14
DRIVERS	B-15	B-18
ELECTRICAL	B-19	B-24
EXTERIOR BODY	C-01	C-06
GALLEY	C-07	C-10
HEATING & A/C	C-11	C-16
INTERIOR FINISH	C-17	C-19
LABEL		C-20
LP		C-21
LOUNGE		C-22
SEALANTS & FASTENERS	C-23	D-01
WATER & SEWAGE	D-02	D-06
WINDOW, VENT AND		
EXTERIOR DOOR	D-09	D-17

**ELECTRICAL GROUP (CONTINUED )**

**ELECTRICAL COMPONENTS CONT**

KEY	PART NUMBER	U/M	DESCRIPTION
	082037-05-000	EA	HOUSING-AUTO FUSE, GRAY
	082037-06-000	EA	HOUSING-AUTO FUSE, BROWN
	082740-01-000	EA	CONNECTOR-PLASTIC BODY, FOR 2 MALE SPADES
	088473-10-000	EA	PIN-HOUSING, 2 POSITION
	088474-03-000	EA	HOUSING-SOCKET, 9-POSITION
	088476-02-000	EA	SOCKET-CONNECTOR 12-10 GA
	097611-01-000	EA	CIRCUIT BREAKER-6AMP,ATC - BLACK
	000C26-04-108	EA	BOLT-HEX, SER FLG - 1/4-20 X 5/8 ZINC
	000D39-05-008	EA	NUT-HEX, SER FLG LK - 5/16 - 18 ZN
	058028-01-000	EA	CONNECTOR-ELECTRICAL PIGTAIL, NYLON - CLEAR
	086233-01-000	EA	STUD-ISOLATED, 3/8" X 7/8" LONG
	000D39-04-008	EA	NUT-HEX, SER FLG LK 1/4 - 20 ZN
	008054-01-000	EA	CORD-POWER, 10-3 - 30AMP - 25'
	008028-01-000	FT	WIRE-12/2, ROMEX - W/GROUND
	008289-01-000	EA	BOX-ELECTRIC, STEEL - 1/2" AND 3/4" KNOCKOUTS - 4" X 4"
	008311-01-000	EA	CONNECTOR-WIRE NUT, INSULATED - RED
	008314-01-000	EA	CONNECTOR-WIRE NUT, INSULATED - GRAY
	008328-01-000	EA	TERMINAL-RING, 12/10 WIRE - #10 STUD FIT
	008355-01-000	EA	CONNECTOR-CABLE CLAMPING, 3/4"
	008356-01-000	EA	CONNECTOR-PLASTIC, 3/8" AVG
	074890-01-000	EA	BOX-EXTENSION, STEEL - OPEN SIDES - 4" X 4" X 1 1/2"
	074897-01-000	EA	COVER-ELECTRIC BOX, 1 LARGE & 2 SMALL HOLES - 4" X 4"
	008294-01-000	EA	COVER-ELECTRICAL BOX, STEEL/BLANK - 4" X 4" - GRAY
	083209-02-000	EA	CIRCUIT BREAKER-15/15AMP, 120V
	083209-03-000	EA	CIRCUIT BREAKER-15/20AMP, 120V - BW - 0-15/20
	083209-05-000	EA	CIRCUIT BREAKER-20A, 120V - BW J-20
	083209-06-000	EA	CIRCUIT BREAKER-30/15 AMP, 120V - BW D-30/15
	088474-07-000	EA	HOUSING-SOCKET
	088475-01-000	EA	PIN-CONNECTOR
	088475-02-000	EA	PIN-CONNECTOR
	080015-02-000	EA	RECEPTACLE-FLAG, .185 - 18/14 GA - AMP 3
	088474-01-000	EA	HOUSING-SOCKET
	087789-02-000	EA	SOCKET-LAMP
	087744-02-000	EA	HOUSING-TRAILER PIN, 48"
	087748-01-000	EA	HOUSING CAP-TRAILER PIN
	000G11-08-088	EA	SCREW, 8-18 X 1/2 PPH ZN
	008288-01-000	EA	BOX-PLASTIC ELECTRIC, 3" X 3 1/2"
	008288-02-000	EA	BOX-ELECTRIC, PLASTIC - 3.94" X 3.13" X 1.81"
	058049-01-000	EA	BOX ELECTRIC SWITCH, 2" X 3" X 2.25"
	077479-01-000	EA	BOOT-BATTERY TERM, DBL CABLE
	077479-02-000	EA	BOOT-BATTERY TERMINAL, SINGLE CABLE
	077510-01-000	EA	LABEL-GENERATOR PREP
	058708-01-000	EA	RECEPTACLE-ELECTRIC, DOUBLE - BROWN
	083209-04-000	EA	CIRCUIT BREAKER-30A, 120V - BW L-30
	082901-02-000	EA	FUSE-5 AMP, AUTOMOTIVE

**ELECTRICAL GROUP (CONTINUED )**

**INTERIOR LIGHTS**

KEY	PART NUMBER	U/M	DESCRIPTION
	098024-03-01A	EA	LIGHT-DOME, 2 BULB - IVORY BULB # 008218-01-000
	086280-01-000	EA	LIGHT-SURFACE MOUNT, 12V - JENSEN 1236
	086280-01-700	EA	BULB, 12V6W
	098024-01-700	EA	LENS-DOME LIGHT
	098024-01-01A	EA	LIGHT-DOME, 1 BULB - US - IVORY
	008218-01-000	EA	BULB-DOME LIGHT, 12V - NUMBER 1141
	098024-01-01A	EA	LIGHT-DOME, 1 BULB - US - IVORY BULB # 008218-01-000
	061424-01-000	EA	LIGHT-AISLE, 12V - RECTANGULAR BULB P.N. 008103-01-000
	065201-09-000	EA	SHADE-LAMP
	065202-17-000	EA	LAMP-WALL, BRASS
	065202-14-700	EA	BRASS FINIAL(NEW STYLE)
	087479-01-000	EA	BULB-12V, NUMBER 1078 - WALL LAMP
	082169-01-000	EA	LIGHT-MAKE-UP, 3 BULB - JENSEN X 148-168R BULB # 0081633-01-700

**RECEPTACLES**

KEY	PART NUMBER	U/M	DESCRIPTION
	078319-09-000	EA	WALLPLATE-TV RECEPTACLE - BROWN
	058707-01-000	EA	RECEPTACLE-ELECTRIC, SINGLE - BROWN
	083209-03-000	EA	CIRCUIT BREAKER-15/20AMP, 120V - BW - 0-15/20
	058708-01-000	EA	RECEPTACLE-DOUBLE ELECTRIC, BROWN
	084076-02-000	EA	RECEPTACLE-GFI, 15A - 125V - BROWN
	058708-02-000	EA	RECEPTACLE-DOUBLE ELECTRIC, IVORY
	075738-02-000	EA	COVER-EXTERIOR RECEPTACLE, OFF WHITE
	058049-01-000	EA	BOX-ELECTRIC SWITCH, 2" X 3" X 2.25"
	084077-02-000	EA	PLATE-COVER, RECEPTACLE - 3FI - BROWN
	102588-01-B10	EA	SPACER-RECEPTACLE, BETWEEN SIDE WALL & PLATE - WOOD NOT USED UNTIL THIS DATE
			FROM: 08-02-90 THRU: 99-99-99
	054250-01-000	EA	COVER-ANGLED, W/O HOLE - 3.6" X 4.5" - PLASTIC - BEIGE

**MONITOR PANEL**

KEY	PART NUMBER	U/M	DESCRIPTION
	102785-04-01A	EA	PANEL-MONITOR 2 TANK WTR HTR 'LVS W/PLUG ALMOND
	102785-04-700	EA	CIRCUIT BOARD H-T(2)
	102785-01-700	EA	SWITCH ON-ON ALMOND
	097617-01-700	EA	TRIM PLATE
	097617-01-701	EA	SWITCH (ON-OFF) (ALMOND)

**1992 WINNEBAGO  
TABLE OF CONTENTS**

INTRODUCTION	A-01	A-02
ABBREVIATIONS		A-03
ALPHABETICAL INDEX	A-04	A-06
WCF27RC	A-07	D-18
WCF30RU	D-19	H-01

**1992 WCF27RC INDEX**

FLOOR PLAN	A-07	A-08
ACCESSORIES	A-09	A-16
BATH	A-17	A-18
BEDROOM	A-19	A-20
CHASSIS	A-21	B-05
C C & PAD	B-08	B-12
DINETTE	B-13	B-14
DRIVERS	B-15	B-18
ELECTRICAL	B-19	B-24
EXTERIOR BODY	C-01	C-06
GALLEY	C-07	C-10
HEATING & AC	C-11	C-16
INTERIOR FINISH	C-17	C-19
LABEL		C-20
LP		C-21
LOUNGE		C-22
SEALANTS & FASTENERS	C-23	D-01
WATER & SEWAGE	D-02	D-08
WINDOW, VENT AND		
EXTERIOR DOOR	D-09	D-17

**ELECTRICAL GROUP (CONTINUED )**

**SWITCHES**

KEY	PART NUMBER	U/M	DESCRIPTION
	079364-01-000	EA	SWITCH-ON/OFF ROCKER, BROWN
	079364-03-000	EA	SWITCH-LOCK/LOCK,ROCKER BRN
	098351-01-01A	EA	PLATE-SWITCH,1 GANG - POLISHED BRASS
	098351-08-01A	EA	PLATE-SWITCH, 2 GANG - POLISHED BRASS W/LABEL
	095188-01-01A	EA	SPACER-SWITCH,DK BRN

**EXTERIOR FRONT END LIGHTS**

KEY	PART NUMBER	U/M	DESCRIPTION
	102520-01-000	EA	LIGHT-CLEARANCE, AMBER
	102540-01-000	EA	SEAL-SCREW, CLEARANCE LIGHT
	102541-01-000	EA	GASKET-CLEARANCE LIGHT
	102552-01-000	EA	BRACKET-LIGHT, CLEARANCE
	036198-01-000	EA	BULB-12V - #194 - .27AMP
	079378-01-000	EA	TERMINAL-WEDGE BASE, 18 AWG NEEDED TO ATTACH BULB TO SIDEMARKER AND CLEARANCE LIGHTS
	049186-01-000	EA	HEADLAMP CAPSULE-PASSENGER, HIGH/LOW BEAM - RECTANGULAR
	049188-01-000	EA	HEADLAMP CAPSULE-PASSENGER, HIGH BEAM - RECTANGULAR
	049185-01-000	EA	HEADLAMP CAPSULE-DRIVER, HIGH/LOW BEAM - RECTANGULAR
	049187-01-000	EA	HEADLAMP CAPSULE-DRIVER, HIGH BEAM - RECTANGULAR
	049359-01-000	EA	SPRING-HEADLAMP RETAINER, GM # 496096
	074048-01-000	EA	INSERT-KNURLED, BRASS - #8-32- FOR HEADLIGHT SCREWS
	098675-01-000	EA	KNOB-HEADLAMP, W/SHAFT
	098674-01-000	EA	NUT-HEADLAMP, BLACK
	073308-01-000	EA	SCREW-ADJUSTING, HEADLAMP
	037938-01-000	EA	BULB-12V NUMBER 1157A - 2.10 AMP
	089292-01-000	EA	LIGHT-TURN, AMBER
	037935-01-000	EA	BULB-LAMP, NUMBER 1157 - 12 V - 2.1 AMP

**ELECTRICAL GROUP (CONTINUED )**

**EXTERIOR SIDE LIGHTS**

KEY	PART NUMBER	U/M	DESCRIPTION
	097917-01-01A	EA	LIGHT-PORCH, ENTRY DOOR - OFF WHITE BULB# 008215-01-000
	097917-01-700	EA	LENS-LIGHT, PORCH
	082648-01-000	EA	LIGHT-CLEARANCE,RED
	082648-02-000	EA	LIGHT-CLEARANCE,AMBER

**BACKWALL LIGHTS**

KEY	PART NUMBER	U/M	DESCRIPTION
	082648 01 000	EA	LIGHT-CLEARANCE,RED
	086432-02-000	EA	LIGHT-LICENSE BLACK
	067479-01-000	EA	BULB-12V, NUMBER 1076
	067789-02-000	EA	SOCKET-LAMP
	066432 03 000	EA	BRACKET-LICENSE PLATE
	081638-01-000	EA	TAILLIGHT-DOUBLE, W/BLACK TRIM - DRIVER & PASSENGER SIDE BULB# 1156 - P.N. 037934-01-000 (BACK UP & TURN SIGNAL) BULB #2057 OR #1157 - P.N. 037935-01-000 (BRAKE LIGHT)
	081638-01-700	EA	LENS-TAILLIGHT, RED
	081638-01-701	EA	LENS-TAILLIGHT, W/BACKUP
	103355-01-01A	EA	POD-TAILLIGHT OW

**1992 WINNEBAGO**

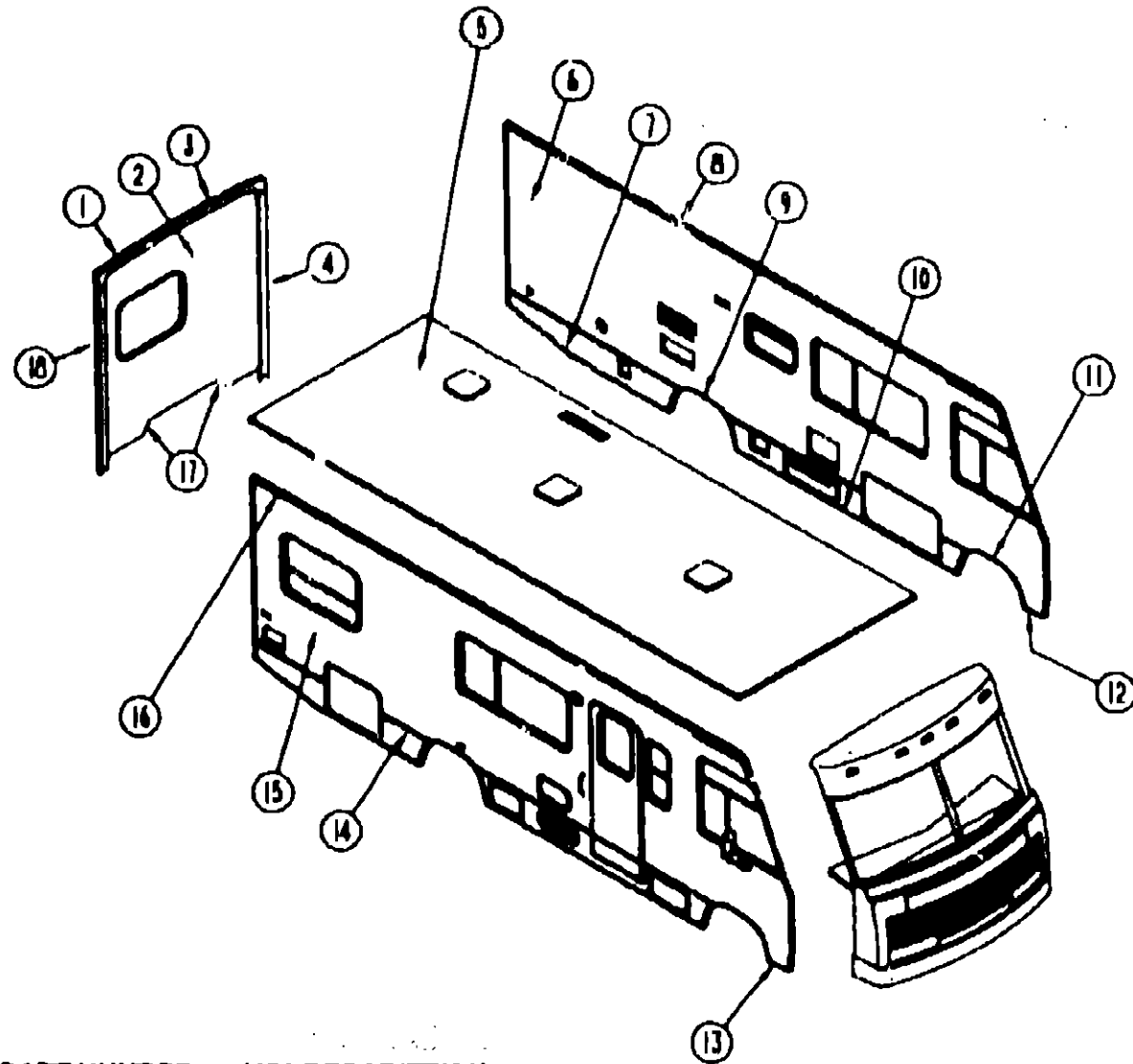
**TABLE OF CONTENTS**

INTRODUCTION	A-01 -	A-02
ABBREVIATIONS		A-03
ALPHABETICAL INDEX	A-04 -	A-06
WCF27RC	A-07 -	D-18
WCF30RU	D-19 -	H-01

**1992 WCF27RC INDEX**

FLOOR PLAN	A-07 -	A-08
ACCESSORIES	A-09 -	A-16
BATH	A-17 -	A-18
BEDROOM	A-19 -	A-20
CHASSIS	A-21 -	B-05
C C & PAD	B-06 -	B-12
DINETTE	B-13 -	B-14
DRIVERS	B-15 -	B-18
ELECTRICAL	B-19 -	B-24
EXTERIOR BODY	C-01 -	C-08
GALLEY	C-07 -	C-10
HEATING & AC	C-11 -	C-16
INTERIOR FINISH	C-17 -	C-19
LABEL		C-20
LP		C-21
LOUNGE		C-22
SEALANTS & FASTENERS	C-23 -	D-01
WATER & SEWAGE	D-02 -	D-08
WINDOW, VENT AND		
EXTERIOR DOOR	D-09 -	D-17

**EXTERIOR BODY GROUP**  
EXTERIOR BODY PANELS AND TRIM



KEY	PART NUMBER	U/M DESCRIPTION
1	103599-01-01A	EA TRIM-BACKWALL, TOP, RIGHT
2	P03133-01-C05	EA BACKWALL ASM (SPECIAL ORDER ITEM)- DEALER PAYS FREIGHT & IF CANCELED AFTER 7 DAYS DEALER CHARGED 25%; IF SHIPPED NOT RETURNABLE
3	103600-01-01A	EA TRIM-BACKWALL, TOP, LEFT
4	104033-02-01A	EA TRIM-J, BACKWALL, LT
4	103589-02-01A	EA TRIM-BACKWALL, SIDE, LT
5	P03245-01-C05	EA ROOF ASM (SPECIAL ORDER ITEM)- DEALER PAYS FREIGHT & IF CANCELED AFTER 7 DAYS DEALER CHARGED 25%; IF SHIPPED NOT RETURNABLE
6	P03072-01-C05	EA SIDEWALL ASM-LEFT (SPECIAL ORDER ITEM)- DEALER PAYS FREIGHT & IF CANCELED AFTER 7 DAYS DEALER CHARGED 25%; IF SHIPPED NOT RETURNABLE
7	103143-01-01A	EA TRIM-LOWER SIDEWALL, REAR RH
8	103801-01-01A	EA TRIM-ROOF
9	103145-01-01A	EA TRIM-WHEEL WELL, REAR
10	103144-01-01A	EA TRIM-LOWER SIDEWALL, CENTER
11	103146-01-01A	EA TRIM-WHEELWELL, FRONT
12	103142-02-01A	EA TRIM-LOWER SIDEWALL, FRONT LH
	089922-07-000	EA TRIM-FIBERGLASS, PANEL,
13	103142-01-01A	EA TRIM-LOWER SIDEWALL, FRONT, RH
14	002444-01-020	EA EXTR-FEATURE STRIP 182.00"
	001030-02-003	EA INSERT, FEATURE STRIP
	009731-01-000	EA CAP-FEATURE STRIP
15	P03073-01-C05	EA SIDEWALL ASM-RIGHT (SPECIAL ORDER ITEM)- DEALER PAYS FREIGHT & IF CANCELED AFTER 7 DAYS DEALER CHARGED 25%; IF SHIPPED NOT RETURNABLE
16	103802-01-01A	EA RAIL-AWNING
17	050406-15-000	EA TRIM-BACKWALL, LOWER
18	104033-01-01A	EA TRIM-J, BACKWALL TO SIDEWALL, RT
18	103588-01-01A	EA TRIM-BACKWALL, SIDE, RT
	103814-01-000	EA BRACKET-TRIM ATTACHMENT
	103801-02-01A	EA TRIM-ROOF

**EXTERIOR BODY GROUP (CONTINUED)**  
REAR BUMPER END CAPS

KEY	PART NUMBER	U/M DESCRIPTION
	103228-01-01A	EA BUMPER END CAP-REAR

**FIBERGLASS/STYROFOAM & ALUMINUM**

KEY	PART NUMBER	U/M DESCRIPTION
	076054-D6-001	EA SHEET-FIBERGLASS, 5' X 24' - OFF WHITE
	076054-D3-001	EA SHEET-FIBERGLASS, 4' X 8' - OFF WHITE
	000888-01-000	SF STYROFOAM-.75" X 24" X 96" - INCREMENTS OF 18 SF
	000870-05-000	SF STYROFOAM-.5" X 24" X 96" - INCREMENTS OF 18 SF
	083574-01-000	SF STYROFOAM, DOW TYPE SM - 1.5" X 24" X 85.25" - INCREMENTS OF 14 SF
	000870-03-000	SF STYROFOAM-1.34" X 48" X 96" - INCREMENTS OF 32 SF
	044487-01-001	EA ALUMINUM SHEET - .019" X 96" X 360" - MILL FINISH
	001054-01-011	EA ALUMINUM-SHEET, .024" X 48" X 96" - FLAT - OFF WHITE
	001018-01-024	EA SKIN-ALUMINIUM, .024" X 48" X 96" - FLAT - BEIGE
	001012-01-000	EA AL-.0165X48.00XCOIL MILL FIN
	001013-01-000	EA AL-.019X12.00XCOIL MILL FIN
	072898-05-000	EA AL-.032X48.COIL,5052 MILLFIN
	076054-E9-000	EA FIBERGLASS SHEET 2438 X 7880 *OFF WHITE
	083574-03-000	SF STYROFOAM-3/4X48X96
	076054-F3-000	EA FIBERGLASS SHEET 96" X 25 FT *OFF WHITE BACKWALL
	083574-02-000	SF STYROFOAM-1.5" X 24" X 90.5" ROOF
	102580-01-01A	SF FIBERGLASS - FLAT 104"W X 500' LG ROOF

**EXTERIOR MIRRORS**

KEY	PART NUMBER	U/M DESCRIPTION
	105076-01-01A	EA MIRROR ASM-LOW MOUNT, PAIR
	105439-01-000	EA MIRROR-AUX, CONVEX STICK-ON

**PLUMBING VENT**

KEY	PART NUMBER	U/M DESCRIPTION
	083558-03-000	EA VENT-PLUMBING PIPE ROOF, W/COVER - OFF WHITE

**ASSIST HANDLE**

KEY	PART NUMBER	U/M DESCRIPTION
	009126-02-000	EA HANDLE-ASSIST, ENTRY DOOR - BLACK
	069726-02-000	EA BUMPER-.68"DIA X .40", BLACK

**1992 WINNERAGO**  
**TABLE OF CONTENTS**

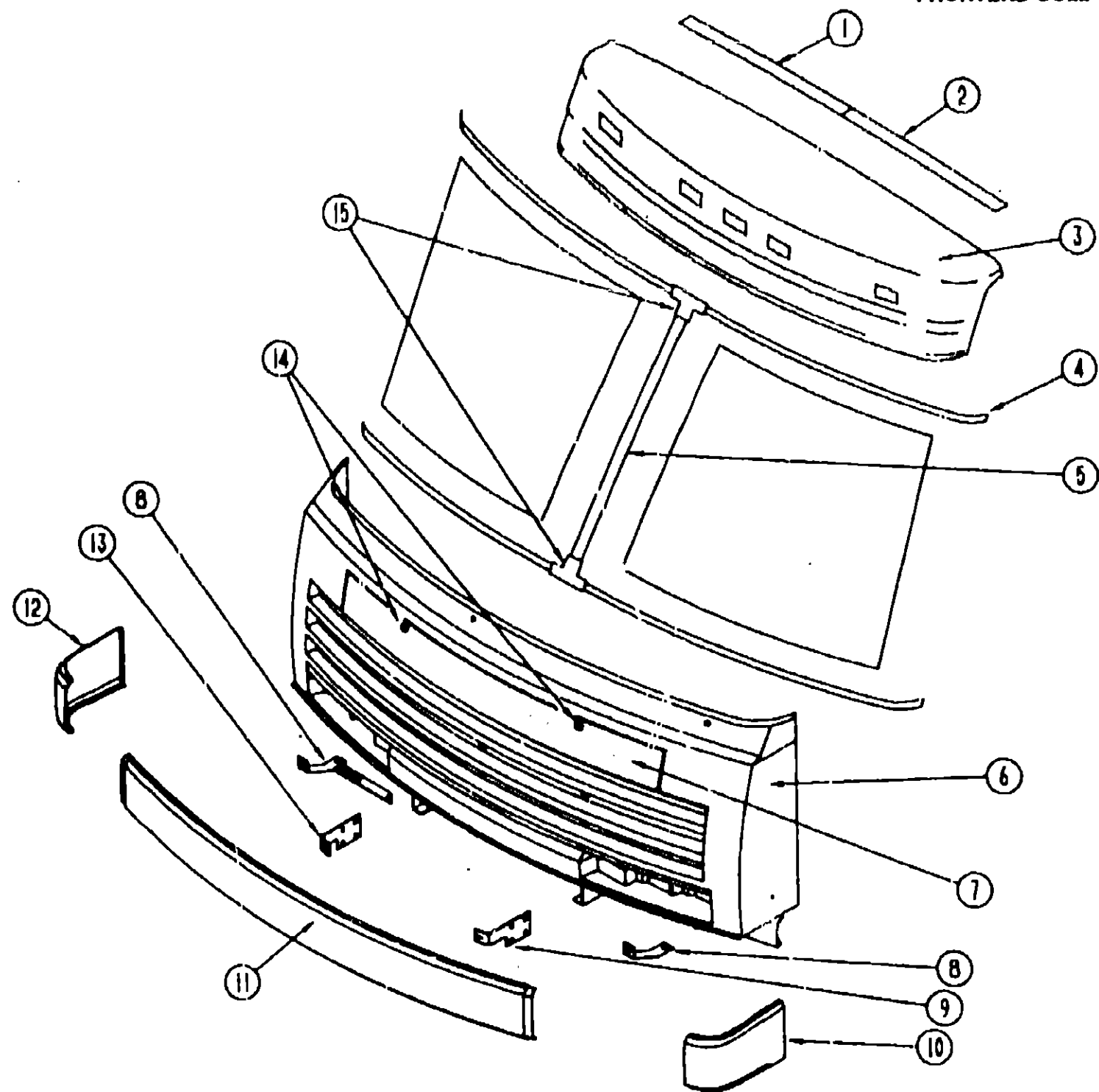
INTRODUCTION	A-01 -	A-02
ABBREVIATIONS		A-03
ALPHABETICAL INDEX	A-04 -	A-08
WCF27RC	A-07 -	D-18
WCF30RU	D-19 -	H-01

**1992 WCF27RC INDEX**

FLOOR PLAN	A-07 -	A-08
ACCESSORIES	A-09 -	A-16
BATH	A-17 -	A-18
BEDROOM	A-19 -	A-20
CHASSIS	A-21 -	B-05
C C & PAD	B-06 -	B-12
DINETTE	B-13 -	B-14
DRIVERS	B-15 -	B-18
ELECTRICAL	B-19 -	B-24
EXTERIOR BODY	C-01 -	C-08
GALLEY	C-07 -	C-10
HEATING & A/C	C-11 -	C-16
INTERIOR FINISH	C-17 -	C-19
LABEL		C-20
LP		C-21
LOUNGE		C-22
SEALANTS & FASTENERS	C-23 -	D-01
WATER & SEWAGE	D-02 -	D-08
WINDOW, VENT AND		
EXTERIOR DOOR	D-09 -	D-17

## EXTERIOR BODY GROUP (CONTINUED)

### FRONTEND COMPONENTS & BUMPER



KEY	PART NUMBER	U/M	DESCRIPTION
1	103815-02-02A	EA	TRIM-FRONT CAP/ROOF,RH Q/W
2	103815-03-02A	EA	TRIM-FRONT CAP/ROOF,LH Q/W
3	M05145-01-C05	EA	CAP ASM-FRONT FOW
4	102836-01-000	EA	MOLDING-REVEAL,WINDSHIELD
5	103523-01-000	FT	MOLDING - REVEAL, WINDSHIELD - CENTER
	103107-01-01A	EA	TRIM-WINDSHIELD,SIDE BLK
	103107-02-01A	EA	TRIM-WINDSHIELD,SIDE BLK
6	M05128-01-C05	EA	FRONT END ASM-FIBERGLASS
7	103478-01-C05	EA	PANEL ASM-HOOD F
	103487-01-000	EA	BRACE-BUMPER,FRONT-UPPER
8	103811 01 000	EA	BRACE-BUMPER,FRONT-LOWER
9	08614004000	EA	SUPPORT-BUMPER-DRIVERS
10	103825-02-01A	EA	PANEL-FACIA,FRONT BUMPER LH Q/W
11	103834-01-C05	EA	BUMPER ASM-FRONT
12	103825-01-01A	EA	PANEL-FACIA,FRONT BUMPER RH Q/W
13	08614003000	EA	SUPPORT-BUMPER-PASSENGERS
14	102330-02-000	EA	LATCH-HOOD
15	077952-02-000	EA	CAP - REVEAL MOLDING, CENTER TOP & CENTER BOTTOM
	049185-01-000	EA	HEADLAMP CAPSULE ASM-RECT LH HIGH-LOW BEAM
	049188-01-000	EA	HEADLAMP CAPSULE ASM-RECT RH HIGH-LOW BEAM
	049187-01-000	EA	HEADLAMP CAPSULE ASM-RECT LH HIGH BEAM
	049188-01-000	EA	HEADLAMP CAPSULE ASM-RECT RH HIGH BEAM
	049359-01-000	EA	SPRING-HEADLIGHT RETAINER
	073308-01-000	EA	SCREW ASM-HEADLAMP ADJUSTING T/MAN
	081803 01 000	EA	GROMMET-SNAP,3/16ID,3/8 HOLE
	058706-01-000	EA	BOLT-HOOD ADJUSTING
	103816-01-01A	EA	TRIM-FRONT CAP/SDWL Q/W
	103816-02-01A	EA	TRIM-FRONT CAP/SDWL Q/W
	086754-03-000	EA	CAP-TRIM,OFF WHITE
	103749-01-01A	EA	PANEL-ROOF CAP OFF WHITE
	105096-02-000	EA	TUBE-TIMING,HOOD HINGE
	104581-03-000	EA	BRACKET ASM-HOOD HING BODY,RH
	104584-04-000	EA	BRACKET ASM-HOOD HING BODY,LH
	104582-02-000	EA	LNK ASM-HINGE,HOOD,OUTER
	103628-01-000	EA	BRACKET-FRONT,LWR,MTG
	094362-02-000	EA	CLIP-XMAS TREE,FLAT HEAD
	049185-02-000	EA	HEADLAMP ASM-LH,HI LO,BLK
	049186-02-000	EA	HEADLAMP ASM-RH,HI LO,BLK
	049187-02-000	EA	HEADLAMP ASM-LH,HI,BLK RING
	049188-02-000	EA	HEADLAMP ASM-RH,HI,BLK RING

## 1992 WINNEBAGO

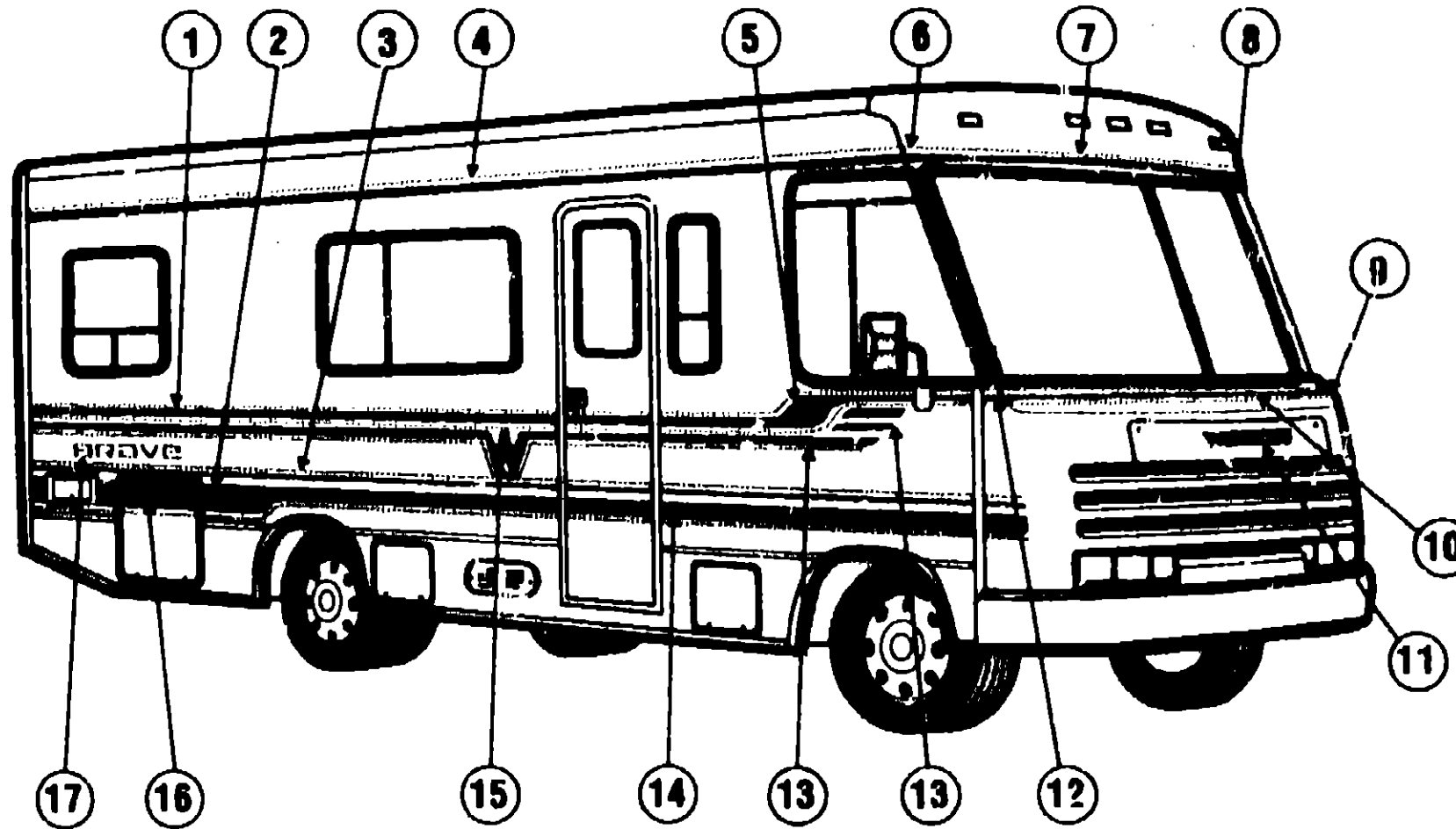
### TABLE OF CONTENTS

INTRODUCTION	A-01 -	A-02
ABBREVIATIONS		A-03
ALPHABETICAL INDEX	A-04 -	A-06
WCF27RC	A-07 -	D-18
WCF30RU	D-19 -	H-01

### 1992 WCF27RC INDEX

FLOOR PLAN	A-07 -	A-08
ACCESSORIES	A-09 -	A-16
BATH	A-17 -	A-18
BEDROOM	A-19 -	A-20
CHASSIS	A-21 -	B-05
C C & PAD	B-06 -	B-12
DINETTE	B-13 -	B-14
DRIVERS	B-15 -	B-18
ELECTRICAL	B-19 -	B-24
EXTERIOR BODY	C-01 -	C-06
GALLEY	C-07 -	C-10
HEATING & A/C	C-11 -	C-18
INTERIOR FINISH	C-17 -	C-19
LABEL		C-20
LP		C-21
LOUNGE		C-22
SEALANTS & FASTENERS	C-23 -	D-01
WATER & SEWAGE	D-02 -	D-08
WINDOW, VENT AND		
EXTERIOR DOOR	D-09 -	D-17

**EXTERIOR BODY GROUP (CONTINUED )**  
DECALS, TAGS & PART



**1992 WINNEBAGO**  
**TABLE OF CONTENTS**

INTRODUCTION	A-01 -	A-02
ABBREVIATIONS		A-03
ALPHABETICAL INDEX	A-04 -	A-08
WCF27RC	A-07 -	D-18
WCF30RU	D-19 -	H-01

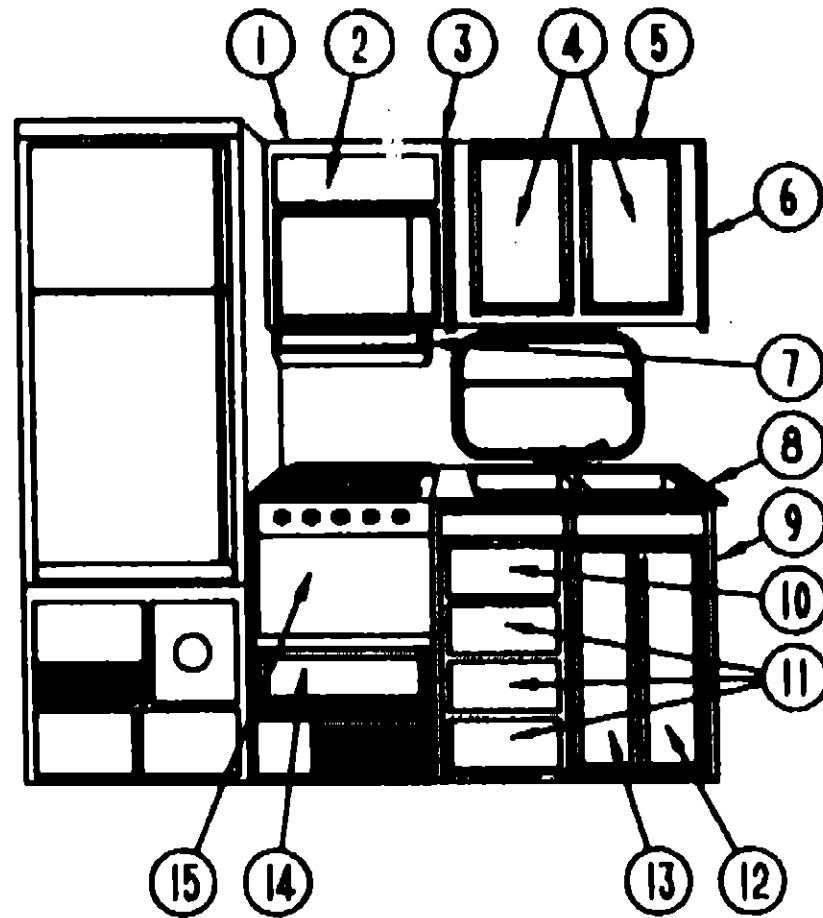
**1992 WCF27RC INDEX**

FLOOR PLAN	A-07 -	A-08
ACCESSORIES	A-09 -	A-16
BATH	A-17 -	A-18
BEDROOM	A-19 -	A-20
CHASSIS	A-21 -	B-05
C C & PAD	B-08 -	B-12
DINETTE	B-13 -	B-14
DRIVERS	B-15 -	B-18
ELECTRICAL	B-19 -	B-24
EXTERIOR BODY	C-01 -	C-08
GALLEY	C-07 -	C-10
HEATING & A/C	C-11 -	C-16
INTERIOR FINISH	C-17 -	C-19
LABEL		C-20
LP		C-21
LOUNGE		C-22
SEALANTS & FASTENERS	C-23 -	D-01
WATER & SEWAGE	D-02 -	D-08
WINDOW, VENT AND		
EXTERIOR DOOR	D-09 -	D-17

KEY	PART NUMBER	U/M	DESCRIPTION
1	094443-01-01A	FT	FILM-MULTISTRIPE 85MM X 150 FT - WINE/WINE/WINE
2	104092-01-01A	EA	DECAL-REAR WHEELWELL RH - WINE
	104092-02-01A	EA	DECAL-REAR WHEELWELL LH - WINE
	106149-01-01A	FT	DECAL-VINYL STRIPING 2"
3	093680-29-01A	FT	FILM-MULTISTRIPE 41MM X 150 FT - WINE/WINE
4	093680-30-02A	FT	FILM-MULTISTRIPE 64MM X 150 FT - WINE/WINE
5	104093-01-01A	EA	DECAL-ANGLE RH - WINE
	104092-02-01A	EA	DECAL-REAR WHEELWELL LH - WINE
6	104094-01-01A	EA	DECAL-FRONT UPPER RH - WINE
7	104098-01-01A	EA	DECAL-FRONT UPPER CAP - WINE
8	104094-02-01A	EA	DECAL-FRONT UPPER LH
9	104095-02-01A	EA	DECAL-FRONT LOWER LH
10	104097-01-01A	EA	DECAL-FRONT LOWER CAP
11	050313-46-000	EA	DECAL-LOGO, "WINNEBAGO" 2.6" - WINE
12	104095-01-01A	EA	DECAL-FRONT LOWER RH
13	093680-30-01A	FT	FILM-MULTISTRIPE 2.51" X 150 FT - DARK ROSEBERRY
14	093680-31-01A	FT	FILM-MULTISTRIPE 3.74" X 150 FT - WINE
15	104090-01-01A	EA	DECAL - " W " - DARK ROSEBERRY
16	093680-32-01A	FT	FILM-MULTISTRIPE 8" X 150 FT - WINE
17	104091-01-01A	EA	DECAL-BRAVE DARK ROSEBERRY/WINE



**GALLEY GROUP**



**GALLEY GROUP ( CONTINUED )**

**GALLEY CABINETRY**

KEY	PART NUMBER	U/M	DESCRIPTION
1	M06019-42-C06	EA	CABINET-OVERHEAD, RANGE - W/O DOORS OR HARDWARE
2	P00620-B2-B06	EA	DOOR-CABINET, W/O HARDWARE - 7.1" X 21.8"
3	081320-16-B03	EA	END CAP-CABINET, OVERHEAD
4	P04748-07-C06	EA	DOOR-CABINET, W/O HARDWARE
5	103278-01-C06	EA	CABINET-OVERHEAD, W/O DOORS OR HARDWARE
6	081320-17-B03	EA	END CAP-CABINET, OVERHEAD - FRONT
7	100268-18-01A	EA	HOOD-RANGE, W/MONITOR PANEL - VENTLINE TP5 6007 NAD
8	102824-13-C06	EA	COUNTERTOP-GALLEY
9	M03987-05-C06	EA	CABINET-GALLEY, W/O DOORS OR HARDWARE
10	P03397-23-C06	EA	DRAWER-CABINET, W/O HARDWARE - (TOP DRAWER) FROM: 00-00-00 THRU: 01-19-92
10	P07104-A2-C05	EA	DRAWER COMPL-SLIDE, OGEE FROM: 01-20-92 THRU: 99-99-99
11	P03397-22-C05	EA	DRAWER-CABINET, W/O HARDWARE - (LOWER 3 DRAWERS) FROM: 00-00-00 THRU: 01-19-92
11	P07104-A2-C05	EA	DRAWER COMPL-SLIDE, OGEE FROM: 01-20-92 THRU: 99-99-99
12	P04748-11-C06	EA	DOOR-CABINET, W/O HARDWARE RIGHT GALLEY CABINET DOOR
13	P04748-12-C06	EA	DOOR-CABINET, W/O HARDWARE LEFT GALLEY CABINET DOOR
14	P03397-21-C06	EA	DRAWER-CABINET, W/O HARDWARE - (UNDER RANGE) FROM: 00-00-00 THRU: 01-19-92
14	P07104-94-C06	EA	DRAWER COMPL-SLIDE, OGEE FROM: 01-20-92 THRU: 99-99-99
15	102022-01-02A	EA	RANGE-4 BURNER, ALMOND - MAGIC CHEF
	090329-01-000	FT	SEAL-REFRIGERATOR CABINET
	103243-01-000	EA	FAUCET-GALLEY, DUAL CONTROL
	104113-01-000	EA	SINK-DOUBLE, STAINLESS STEEL
	092303-01-000	EA	STRAINER-SINK
	091208-01-000	EA	WASHER-RUBBER, .06" X .75" X .5"
	103610-01-C06	EA	COVER-SINK

**MONITOR PANEL**

KEY	PART NUMBER	U/M	DESCRIPTION
	102765-04-01A	EA	PANEL-MONITOR 2 TANK WTR HTR *LVS W/PLUG ALMOND
	102765-04-700	EA	CIRCUIT BOARD H-T(2)
	102765-01-700	EA	SWITCH ON-ON ALMOND
	097617-01-700	EA	TRIM PLATE
	097617-01-701	EA	SWITCH (ON-OFF) (ALMOND)

**1992 WINNEBAGO  
TABLE OF CONTENTS**

INTRODUCTION	A-01 - A-02
ABBREVIATIONS	A-03
ALPHABETICAL INDEX	A-04 - A-06
WCF27RC	A-07 - D-18
WCF30RU	D-19 - H-01

**1992 WCF27RC INDEX**

FLOOR PLAN	A-07 - A-08
ACCESSORIES	A-09 - A-16
BATH	A-17 - A-18
BEDROOM	A-19 - A-20
CHASSIS	A-21 - B-05
C C & PAD	B-06 - B-12
DINETTE	B-13 - B-14
DRIVERS	B-15 - B-18
ELECTRICAL	B-19 - B-24
EXTERIOR BODY	C-01 - C-06
GALLEY	C-07 - C-10
HEATING & AC	C-11 - C-16
INTERIOR FINISH	C-17 - C-19
LABEL	C-20
LP	C-21
LOUNGE	C-22
SEALANTS & FASTENERS	C-23 - D-01
WATER & SEWAGE	D-02 - D-08
WINDOW, VENT AND EXTERIOR DOOR	D-09 - D-17

**GALLEY GROUP ( CONTINUED )**

**RANGE HOOD**

KEY	PART NUMBER	U/M DESCRIPTION
	100258-18-01A	EA HOOD-RANGE 22W W/O MONT PNL FROM: 00-00-00 THRU: 00-01-91
	100258-18-01A	EA HOOD-RANGE W/O MONITORPANEL FROM: 00-02-91 THRU: 99-99-99
	100258-10-01A	EA METER-HOUR, VENTLINE 150
	100258-01-01A	EA HOOD-RANGE, W/O MONITOR PANEL, U.S.
	100258-10-01A	EA METER-HOUR, VENTLINE 150
	098983-01-702	EA SWITCH-TWO WAY MOMENTARY, VENTLINE 112
	098983-01-700	EA SWITCH-ON/OFF, VENTLINE 108
	092898-01-709	EA BULB-912, LVS VA415
	092898-01-710	EA SOCKET-LIGHT, LVS CB287-2
	098983-01-708	EA LAMP LENS
	090973-01-700	EA MOTOR - LVS CA506-1
	090973-01-702	EA BLADE-FAN, LVS VA183-1
	098983-01-707	EA FILTER-GREASE, 8" X 8" - LVS CC248
	092898-01-707	EA VENT GASKET
	050225-01-000	EA LABEL-WARNING, STOVE VENT - US
	084878-09-000	EA VENT-RANGE HOOD, SHORT - LVS
	100258-17-01A	EA HOOD-RANGE 22W W/O MONT PNL

**CANADIAN OPTION L285**

KEY	PART NUMBER	U/M DESCRIPTION
	100258-17-01A	EA HOOD-RANGE, VENTLINE TCS 5008NAC - CANADIAN

**RANGE:**

KEY	PART NUMBER	U/M DESCRIPTION
	102022-01-01A	EA RANGE-16", 4 BURNER - MAGIC CHEF BT16RA-4-49
	102020-01-724	EA BUMPER-MAIN TOP, MAGIC CHEF 8003P008-80
	102020-01-708	EA BURNER ASSEMBLY-OVEN, MAGIC CHEF 3403W003-45
	102020-01-709	EA BUMPER-GRATE, MAGIC CHEF 8007P018-80
	102020-01-713	EA KNOB-THERMOSTAT, MAGIC CHEF 7731P042-80
	102022-01-703	EA REGULATOR-PRESSURE, MAGIC CHEF 7510P031-80
	102020-01-717	EA THERMOSTAT, MAGIC CHEF 7515P024-80
	102020-01-722	EA VALVE-TOP BURNER, MAGIC CHEF 7502P085-80
	102020-01-701	EA HANDLE-DOOR, MAGIC CHEF - 7701P092-80
	102020-01-718	EA TOP-MAIN, BLACK - MAGIC CHEF 2001F085-80
	102020-01-705	EA TRIM-LEFT, MAGIC CHEF 3608F018-70
	102022-01-701	EA TRIM-LEFT, MAGIC CHEF 3608F018-70
	102020-01-711	EA GRATE-TOP, MAGIC CHEF 7518P012-80
	102020-01-720	EA VALVE-MERCURY CONTROL, MAGIC CHEF 7501P056-80
	083752-01-000	EA SHROUD ASM-RANGE

**MICROWAVE OVEN & TRIMS**

KEY	PART NUMBER	U/M DESCRIPTION
	091289-04-000	EA OVEN-MICROWAVE - M'CHEF M15-B
	091289-03-701	EA PLATE-CERAMIC, 9.5" - ROUND - MAGIC CHEF 246-0005
	091289-03-702	EA CLIP-OVEN SHELF, WHITE - MAGIC CHEF 201-0044
	091289-03-703	EA CLIP-OVEN SHELF, BLACK - MAGIC CHEF 201-0031
	084745-01-01A	EA TRIM-MICROWAVE, LOWER - BLACK
	094774-03-01A	EA TRIM-MICROWAVE, EITHER SIDE - BLACK
	094750-01-000	EA BRACKET-MICROWAVE, 90 DEGREE

**COFFEEMAKER**

KEY	PART NUMBER	U/M DESCRIPTION
	103799-01-01A	EA COFFEEMAKER ALMOND FROM 00-00-00 - THRU 08-0-92
	103799-01-02A	EA COFFEEMAKER GRAY FROM 08-02-92 - THRU 99-99-99
	048394-02-000	YD TAPE-HOOK,.75X50YDS,BEIGE/A/B
	088792-02-000	YD VELCRO-3/4" LOOP, ADHESIVE

**GALLEY GROUP ( CONTINUED )**

**REFRIGERATOR, LEVEL & VENT**

KEY	PART NUMBER	U/M DESCRIPTION
	103822-02-01A	EA REFRIGERATOR-2 WAY, LEFT HINGED DOOR - NORCOLD 482 BLACK
	094039-01-702	EA GASKET (GRAY) UPPER - NORCOLD 81867830
	094039-01-704	EA HINGE PLATE (BLK) L.H. - NORCOLD 81831430
	103822-01-700	EA HANDLE ASM-DOOR, UPPER - NORCOLD 81849038
	094039-01-710	EA HINGE PLATE(BLK) RH TOP LH BTM - NORCOLD 81831330
	103822-01-701	EA RACK-JUICE, NORCOLD 81580640
	103822-01-702	EA BIN-SHELF, DOOR - NORCOLD 81584040
	094039-01-700	EA GASKET (GRAY) LOWER
	094039-01-702	EA LOWER DOOR LINER (BLK/WHT)
	103822-01-705	EA HANDLE ASM-DOOR, LOWER - NORCOLD 81848938
	103822-01-708	EA BIN-MLK, NORCOLD 81579440
	103822-01-707	EA KEEPER-DAIRY, NORCOLD 81580440
	084879-03-700	EA COOLING UNIT - HORIZONTAL BURNER, NORCOLD# 81887237
	088248-01-709	EA HEATER-AC, (HORIZONTAL) - NORCOLD# 815827
	088248-01-710	EA HEATER-DC, (HORIZONTAL) - 3 WAY - NORCOLD# 815828
	094039-01-722	EA HOLE PLUG (BLK) HINGE HOLES - NORCOLD 81582030
	094039-01-723	EA HINGE BRKT, TOP RH-BTM LH BLK - NORCOLD 81580838
	094039-01-725	EA HINGE PIN (BLACK)(MALE) - NORCOLD 81578130
	094039-01-726	EA SHELF-FREEZER EVAPORATOR, NORCOLD 815238
	094039-01-728	EA HINGE BRKT(BLK) CTR HINGE - NORCOLD 81588630
	094039-01-730	EA HINGE PIN SHAFT(BLK) CTR HGE - NORCOLD 81588730
	084880-03-705	EA BRACKET F/INT. REFRIG LIGHT - NORCOLD 818297
	084880-03-708	EA LAMP (BULB) - NORCOLD 818289
	084880-03-707	EA COVER FLAMP OR BULB - NORCOLD 818279
	084880-01-722	EA CRISPER COVER - NORCOLD 815841
	103822-01-708	EA CRISPER-NORCOLD 81571340
	094039-01-724	EA HINGE BRKT TOP LH-BTM RH BLK
	103822-01-709	EA KNOB-SELECTOR, NORCOLD 81841822
	103822-01-710	EA KNOB-THERMOSTAT, NORCOLD 81842322
	094039-01-732	EA FRONT COVER(BLK) BTM TRIM - NORCOLD 81822130
	103822-01-711	EA PANEL-CONTROL, 2-WAY - NORCOLD 81844022
	094039-01-733	EA WIRE SHELF (MIDDLE) - NORCOLD 81583822
	094039-01-734	EA WIRE SHELF (TOP) W/RISER - NORCOLD 81583722
	094039-01-735	EA INSIDE DRIP TRAY (WHITE)
	084039-01-738	EA SWITCH-LIGHT, BLACK - NORCOLD 815810
	075217-01-738	EA SWITCH-HUMIDITY, NORCOLD 815259
	084880-01-732	EA LATCH, NORCOLD 815785
	088248-01-708	EA BURNER-HORIZONTAL, NORCOLD 815881
	084880-01-705	EA ORIFICE - NORCOLD# 814522
	084472-01-700	EA THERMOCOUPLE-NORCOLD 814383
	084473-03-720	EA RELIGHTER, NORCOLD 818088
	084880-01-715	EA VALVE-SHUT OFF, MANUAL - NORCOLD# 81897922
	084473-03-721	EA COMBINATION CONTROL - NORCOLD 818084
	084473-03-718	EA SWITCH-3-WAY, FOR EG-2 & EG-3 MODELS - NORCOLD 81811
	103822-01-709	EA KNOB-SELECTOR, NORCOLD 81841822
	103822-01-711	EA PANEL-CONTROL, 2-WAY - NORCOLD 81844022
	103822-01-712	EA INDICATOR-FLAME, NORCOLD 81809022
	103822-01-713	EA SWITCH-IGNITION, NORCOLD 81849722
	054450-01-000	EA LEVEL-REFRIGERATOR

**1992 WINNEBAGO**

**TABLE OF CONTENTS**

INTRODUCTION	A-01 -	A-02
ABBREVIATIONS		A-03
ALPHABETICAL INDEX	A-04 -	A-08
WCF27RC	A-07 -	D-18
WCF30RU	D-19 -	H-01

**1992 WCF27RC INDEX**

FLOOR PLAN	A-07 -	A-09
ACCESSORIES	A-09 -	A-16
BATH	A-17 -	A-18
BEDROOM	A-19 -	A-20
CHASSIS	A-21 -	B-05
C/C & PAD	B-08 -	B-12
D/WETTE	B-13 -	B-14
DRIVERS	B-15 -	B-18
ELECTRICAL	B-19 -	B-24
EXTERIOR BODY	C-01 -	C-08
GALLEY	C-07 -	C-10
HEATING & AC	C-11 -	C-16
INTERIOR FINISH	C-17 -	C-19
LABEL		C-20
LP		C-21
LOUNGE		C-22
SEALANTS & FASTENERS	C-23 -	D-01
WATER & SEWAGE	D-02 -	D-08
WINDOW, VENT AND		
EXTERIOR DOOR	D-09 -	D-17

**HEATING & AIR CONDITIONING GROUP**

REAR HEATER & WATER HEATER W/MOTOR AID L811

KEY	PART NUMBER	U/M	DESCRIPTION
	009198-01-000	FT	DUCT-HEAT, FLEXIBLE - 4" ID
	009200-01-000	EA	TAPE-FURNACE, 1 1/2"
	023146-01-000	EA	CLAMP-SCREW TYPE - 4"
	089836-02-000	EA	CONNECTOR-DUCT, 4" ID
	000087-10-12B	EA	SCREW, 10-12 X 3/4 PPH, - ZN
	007108-01-000	FT	HOSE-HEATER, 5/8" ID
	008042-01-000	FT	TUBING-VINYL, .86" ID
	068464-05-000	EA	REGISTER-PLASTIC W/O DAMPER - 4" DIAMETER - GOLDEN
	082401-01-000	EA	CLAMP-HOSE, WORMGEAR .25" - 1"
	081873-01-000	EA	BRACKET-MOTOR AID TUBES, 4" X 1.5" - STEEL
	082401-04-000	EA	CLAMP-HOSE, WORMGEAR .89" - 1.25"
	088753-01-000	FT	TUBE-ALUMINIZED STEEL, 5/8" - 18 GAUGE
	079059-01-000	EA	HOSE-90 DEGREE, .61" ID X 4" X 38"
	077059-02-000	EA	HOSE-90 DEGREE, .61" ID X 4" X 6"
	104058-05-01A	EA	APPLIQUE-BEZEL SW RT 3 SW
	103875-03-000	EA	SWITCH-ROCKER, SPST ON/OFF/ON
	010227-01-000	EA	TEE-PLAS-BARB 5/8 OR 3/4 HOSE

**EVANS REAR HEATER**

KEY	PART NUMBER	U/M	DESCRIPTION
	084405-01-000	EA	HEATER ASM-REAR, DUCTED - W/MOTOR AID - EVANS
	084405-01-700	EA	HEATER CORE-EVANS# FT207229
	084405-01-701	EA	FAN BLADES-EVANS# HV029031
	084405-01-702	EA	MOTOR ASM-12 V, EVANS# 200146

**HEATING & AIR CONDITIONING GROUP (CONTINUED)**

AUTO A/C COMPONENTS

KEY	PART NUMBER	U/M	DESCRIPTION
	000G11-08-08B	EA	BRFW, 8-18 X 1/2 PPH - ZN
	007078-01-700	FT	HOSE-FLEXIBLE PVC - 2" ID
	007108-01-000	FT	HOSE-HEATER, 5/8" ID
	007281-01-000	EA	HOSE-FLEXIBLE PVC, 2.5" ID X 50'
	007281-01-700	FT	HOSE-FLEXIBLE PVC, 2.5" ID
	024990-05-000	EA	OUTLET-DEF-W/SWT 2IN BLACK
	082401-04-000	EA	CLAMP-HOSE, WORMGEAR .89" - 1.25" A/C EVAPORATOR
	103930-01-000	EA	EVAPORATOR/HEATER ASSEMBLY - SCS 060-0041
	103930-01-700	EA	ROD-AIR BLEND DOOR, SCS 073-0017
	103930-01-701	EA	PANEL-DOOR, FOR AIR BLEND - SCS 071-0123
	103930-01-702	EA	GASKET-DOOR, FOR AIR BLEND - SCS 045-0080
	103930-01-703	EA	COIL-HEATER, SCS 042-0010
	103930-01-705	EA	VALVE EXP. BLOCK
	103930-01-708	EA	GASKET-O-RING, #8 - SCS 045-0011
	103930-01-707	EA	GASKET-O-RING, #10 - SCS 045-0012
	103930-01-708	EA	BRACKET-VACUUM MOTOR, SCS 070-0113
	103930-01-709	EA	MOTOR-VACUUM, SCS 030-0002
	103930-01-710	EA	RESISTOR-FUSED, SCS 035-0008
	103930-01-711	EA	THERMOSTAT, SCS 033-0003
	103930-01-712	EA	GASKET-O-RING, SCS 045-0010
	103930-01-713	EA	FITTING-QUICK CONNECT, #4 - SCS 050-0003
	103930-01-714	EA	FITTING-SERVICE VALVE, #10 - SCS 050-0031
	103930-01-715	EA	SWITCH-BINARY, SCS 032-0030
	103930-01-716	EA	SWITCH-PRESSURE, FAN - SCS 032-0029
	103930-01-717	EA	WHEEL-CLOCK-WISE, SCS 062-0010
	103930-01-718	EA	HOSE #8, SCS 051-0036
	103930-01-719	EA	HOSE-#10, SCS 051-0017
	103930-01-720	EA	MOTOR, SCS 030-0004
	103930-04-000	EA	CONTROL/PLENUM SET 92 F&G
	072342-04-000	EA	CONDENSER ASM-W/O FANS, ARA 0519377
	072342-04-707	EA	HOSE-DISCHARGE, ARA 0986308
	072342-04-701	EA	COIL-CONDENSER, ARA 0519384
	072343-06-000	EA	COMPRESSOR-CLUTCH, REAR DISCHARGE - SANKYO - ARA 0529174
	072343-06-000	EA	COMPRESSOR/CLUTCH-480 EFI, TOP DISCHARGE - ARA# 0529039
	098814-02-000	EA	MOUNT & DRIVE PACKAGE, A/C COMPRESSOR - 480 EFI
	072878-01-000	EA	INSULATION-SOUND BARRIER PAD, 29.25" X 40.19"
	074026-01-000	EA	MOUNT PACKAGE - A/C COMPRESSOR, 6.2 DIESEL
	077075-01-000	EA	GASKET-INSTRUMENT PANEL TO DEFROSTER PLENUM - .6" X 11.3"
	077075-03-000	EA	GASKET-IP TO DEF.PLENUM,SPL
	085000-01-000	EA	SHIELD-A/C, 6.8" X 3.1" - STEEL
	088753-01-000	FT	TUBE-ALUMINIZED STEEL, 5/8" - 18 GAUGE
	103016-01-000	EA	PLENUM-TRANSITION
	103017-01-000	EA	PLENUM-DEFROSTER
	103558-01-01A	EA	VENT-DEFROSTER, ABS U/W
	103798-01-01A	EA	LOUVER ASM-A/C CARY P?ON BLACK

**1992 WINNEBAGO**

**TABLE OF CONTENTS**

INTRODUCTION	A-01	A-02
ABBREVIATIONS		A-03
ALPHABETICAL INDEX	A-04	A-08
WCF27RC	A-07	D-18
WCF30RU	D-19	H-01

**1992 WCF27RC INDEX**

FLOOR PLAN	A-07	A-08
ACCESSORIES	A-09	A-16
BATH	A-17	A-18
BEDROOM	A-19	A-20
CHASSIS	A-21	B-05
C C & PAD	B-06	B-12
DINETTE	B-13	B-14
DRIVERS	B-15	B-18
ELECTRICAL	B-19	B-24
EXTERIOR BODY	C-01	C-08
GALLEY	C-07	C-10
HEATING & A/C	C-11	C-16
INTERIOR FINISH	C-17	C-19
LABEL		C-20
LP		C-21
LOUNGE		C-22
SEALANTS & FASTENERS	C-23	D-01
WATER & SEWAGE	D-02	D-08
WINDOW, VENT AND		
EXTERIOR DOOR	D-09	D-17

## HEATING & AIR CONDITIONING GROUP (CONTINUED)

### SUBURBAN FURNACE & WALL THERMOSTAT

KEY	PART NUMBER	U/M	DESCRIPTION
	090000-04-000	EA	FURNACE-25000 BTU
	093365-01-000	EA	THERMOSTAT - WALL, FURNACE - SUBURBAN 160902
	090000-01-700	EA	CABINET FRONT
	090000-01-701	EA	CABINET ASSEMBLY
	090000-01-702	EA	ELECTRODE
	090000-01-703	EA	BURNER ASM. COMP.(SF-25)
	090000-01-704	EA	VALVE
	090000-01-705	EA	SWITCH LIMIT
	090000-01-706	EA	WHEEL COMB. AIR
	090000-10-000	EA	VENT ASM-CAP AND TUBE,6.5 D
	090000-01-708	EA	BLOWER ASM.(COMBUSTION AIR)
	090000-01-709	EA	MOTOR ASM. F/SF-25,SF-30
	090000-01-710	EA	BLOWER ASM.(ROOM AIR)
	090000-01-711	EA	WHEEL,ROOM AIR
	090000-01-712	EA	BOARD,MODULE
	090000-01-713	EA	INTAKE VENT TUBE ASM
	090000-06-000	EA	DOOR-ACCESS,FURNACE,OFF WHT SUBURBAN 520674
	093814-01-01A	EA	GRILLE-RETURN AIR, FURNACE - 15.6" X 7.6" - BROWN
	090034-01-733	EA	RELAY,TIME DELAY 20&30 BTU
	075000-02-703	EA	DUCT COLLAR
	075005-01-709	EA	MICROSWITCH ASM F/30&34S
	090039-01-703	EA	ORFICE (MAIN BURNER
	090000-01-703	EA	BURNER ASM. COMP.(SF-25)
	090039-01-709	EA	GASKET,OBSERVATION HOLE CUR
	092300-01-704	EA	GASKET ELECTRODE
	01990-01-714	EA	MICROSWITCH GASKET
	093000-01-706	EA	WHEEL COMB. AIR
	090000-01-707	EA	VENT CAP & EXHAUST TUBE ASSM
	090000-01-709	EA	MOTOR ASSM. F/SF-25,SF-30

## HEATING & AIR CONDITIONING GROUP (CONTINUED)

### SUBURBAN FURNACE & WALL THERMOSTAT

KEY	PART NUMBER	U/M	DESCRIPTION
	090000-06-000	EA	FURNACE-30000 BTU
	093365-01-000	EA	THERMOSTAT - WALL, FURNACE - SUBURBAN 160902
	090000-01-700	EA	CABINET FRONT
	090000-01-701	EA	CABINET ASSEMBLY
	090000-01-702	EA	ELECTRODE
	090000-01-703	EA	BURNER ASM. COMP.(SF-25)
	090000-01-704	EA	VALVE
	090000-01-705	EA	SWITCH LIMIT
	090000-01-706	EA	WHEEL COMB. AIR
	090000-10-000	EA	VENT ASM-CAP AND TUBE,6.5 D
	090000-01-708	EA	BLOWER ASM.(COMBUSTION AIR)
	090000-01-709	EA	MOTOR ASM. F/SF-25,SF-30
	090000-01-710	EA	BLOWER ASM.(ROOM AIR)
	090000-01-711	EA	WHEEL,ROOM AIR
	090000-01-712	EA	BOARD,MODULE
	090000-01-713	EA	INTAKE VENT TUBE ASM
	090000-06-000	EA	DOOR-ACCESS,FURNACE,OFF WHT SUBURBAN 520674
	093814-01-01A	EA	GRILLE-RETURN AIR, FURNACE - 15.6" X 7.6" - BROWN
	090034-01-733	EA	RELAY,TIME DELAY 20&30 BTU
	075000-02-703	EA	DUCT COLLAR
	075005-01-709	EA	MICROSWITCH ASM F/30&34S
	092300-02-701	EA	ORFICE,MAIN BURNER (NT-30BW
	090000-02-700	EA	BURNER ASM. COMP.(SF-30/SF36
	090039-01-709	EA	GASKET,OBSERVATION HOLE CUR
	092300-01-704	EA	GASKET ELECTRODE
	01990-01-714	EA	MICROSWITCH GASKET
	090000-01-706	EA	WHEEL COMB. AIR
	090000-01-707	EA	VENT CAP & EXHAUST TUBE ASSM
	090000-01-709	EA	MOTOR ASSM. F/SF-25,SF-30

## 1992 WINNEBAGO

### TABLE OF CONTENTS

INTRODUCTION	A-01 -	A-02
ABBREVIATIONS		A-03
ALPHABETICAL INDEX	A-04 -	A-08
WCF27RC	A-07 -	D-18
WCF30RU	D-19 -	H-01

### 1992 WCF27RC INDEX

FLOOR PLAN	A-07 -	A-08
ACCESSORIES	A-09 -	A-16
BATH	A-17 -	A-18
BEDROOM	A-19 -	A-20
CHASSIS	A-21 -	B-05
C C & PAD	B-06 -	B-12
DINETTE	B-13 -	B-14
DRIVERS	B-15 -	B-18
ELECTRICAL	B-19 -	B-24
EXTERIOR BODY	C-01 -	C-06
GALLEY	C-07 -	C-10
HEATING & AC	C-11 -	C-16
INTERIOR FINISH	C-17 -	C-19
LABEL		C-20
LP		C-21
LOUNGE		C-22
SEALANTS & FASTENERS	C-23 -	D-01
WATER & SEWAGE	D-02 -	D-08
WINDOW, VENT AND		
EXTERIOR DOOR	D-09 -	D-17

**HEATING & AIR CONDITIONING GROUP (CONTINUED)**

**ROOF A/C-13600 BTU, US & CANADIAN L29D**

KEY	PART NUMBER	U/M DESCRIPTION
	008368-01-000	EA CONNECTOR-PLASTIC, 3/8" AVG
	081608-01-708	EA LIMIT SWITCH (OPEN 180,CLOSE 110), COLEMAN# 6703-3041

**ROOF A/C**

KEY	PART NUMBER	U/M DESCRIPTION
	093783-01-04A	EA A/C-ROOF, 136000 BTU - OFF WHITE - COLEMAN 6769D707
	093783-04-700	EA SHROUD-ROOF A/C, W/O LOGOS - COLEMAN 6759-4801
	093308-01-701	EA DECAL PKG. LEFT&RIGHT, COLEMAN 6798D3581
	091225-01-709	EA START RELAY, COLEMAN# 1497-4131
	091225-01-710	EA START CAPACITOR, COLEMAN# 1497-0881
	073742-02-704	EA RUN CAPACITOR (COMPRESSOR), COLEMAN 14994881
	081608-01-708	EA LIMIT SWITCH (OPEN 180,CLOSE 110), COLEMAN# 6703
	093783-01-712	EA FAN BLADE-CONDENSER, COLEMAN# 6733-3221
	078303-01-712	EA MOTOR, COLEMAN# 6707A3119
	093783-01-702	EA OVERLOAD, COLEMAN# 6759-3931
	093783-01-703	EA IMPELLOR-7" DIA X 2.8" WIDE, COLEMAN# 6759-3271
	093783-01-704	EA CAPACITOR-FAN, COLEMAN# 1499-3481
	093783-01-707	EA EVAPORATOR COIL-COLEMAN# 1452-1351
	093783-01-708	EA CONDENSER COIL-COLEMAN# 1452-1251
	093783-01-709	EA COMPRESSOR-COLEMAN# 6749A3609

**CEILING ASSEMBLY**

KEY	PART NUMBER	U/M DESCRIPTION
	093784-01-000	EA CEILING ASM-A/C COOL ONLY, TSR - COLEMAN 6759D714
	042204-01-709	EA THERMOSTAT IN-64,OUT-58, COLEMAN# 6701-3401
	042206-01-702	EA THERMOSTAT IN-68,OUT-58, COLEMAN# 6703-3401
	073742-01-701	EA SELECTOR SWITCH (5 TERMINAL), COLEMAN# 6759-3251
	073742-01-703	EA DECAL HEAT&COOL, COLEMAN# 6759-3491
	093783-01-706	EA DECAL-HEAT/COOL THERMOSTAT, COLEMAN# 6799A3471
	091225-01-713	EA KNOB (2 PER PACKAGE), COLEMAN# 6701-3351
	081608-01-712	EA CEILING SHROUD (VCRY), COLEMAN# 6769-5081
	073742-01-702	EA DECAL COOL ONLY, COLEMAN# 6759C3431
	078303-01-707	EA FILTER-6" X 14 3/4" X 1/2", 12 PER PKG - COLEMAN 670
	093783-01-710	EA SINGLE PARTS PACKAGE, COLEMAN# 6759-5841
	093783-01-711	EA GASKET PACKAGE, COLEMAN 67593281
	091225-01-717	EA DECAL (THERMOSTAT) COOL ONLY, COLEMAN# 6799A3441
	073937-03-000	EA SWITCH-ROTARY SELECTOR, 3 DECK - A/C - CA20-USA892

**HEATING & AIR CONDITIONING GROUP (CONTINUED)**

**ROOF A/C-13600 BTU - EUROPEAN**

KEY	PART NUMBER	U/M DESCRIPTION
	008368-01-000	EA CONNECTOR-PLASTIC, 3/8" AVG.
	074983-01-000	EA LABEL-A/C SELECTOR
	092440-01-000	EA A/C-ROOF, 13600 BTU - 220V - 50HZ - COLEMAN# 6713C750
	092441-01-000	EA CEILING ASM-A/C, 220V - 50HZ - COLEMAN# 6712ET18
	102289-01-000	EA SPRING-SCREW, ROOF A/C GASKET - COLEMAN 6757-150
	073937-03-000	EA SWITCH-ROTARY SELECTOR, 3 DECK - A/C - CA20-USA892
	073937-01-700	EA KNOB-ROTARY SWITCH-A/C SEL.
	008311-01-000	EA CONNECTOR-WIRE NUT, INSULATED - RED
	008328-01-000	EA TERMINAL-RING, 12/10 WIRE - #10 STUD FIT
	000G67-10-12P	EA SCREW, 10-12 X .75 PPH - DARK BROWN
	009439-07-000	EA SCREW, 8-32 X 1 1/4 PPH - BLACK
	000G67-10-12B	EA SCREW, 10-12 X 3/4 PPH - ZN
	102289-01-000	EA SPRING-SCREW, ROOF A/C GASKET - COLEMAN 6757-150

**1992 WINNEBAGO  
TABLE OF CONTENTS**

INTRODUCTION	A-01 -	A-02
ABBREVIATIONS		A-03
ALPHABETICAL INDEX	A-04 -	A-06
WCF27RC	A-07 -	D-18
WCF30RU	D-19 -	H-01

**1992 WCF27RC INDEX**

FLOOR PLAN	A-07 -	A-08
ACCESSORIES	A-09 -	A-16
BATH	A-17 -	A-18
BEDROOM	A-19 -	A-20
CHASSIS	A-21 -	B-05
C C & PAD	B-08 -	B-12
DINETTE	B-13 -	B-14
DRIVERS	B-15 -	B-18
ELECTRICAL	B-19 -	B-24
EXTERIOR BODY	C-01 -	C-08
GALLEY	C-07 -	C-10
HEATING & A/C	C-11 -	C-16
INTERIOR FINISH	C-17 -	C-19
LABEL		C-20
LP		C-21
LOUNGE		C-22
SEALANTS & FASTENERS	C-23 -	D-01
WATER & SEWAGE	D-02 -	D-08
WINDOW, VENT AND		
EXTERIOR DOOR	D-09 -	D-17

**INTERIOR FINISH GROUP**  
**ASSIST HANDLE & STRIKE COVER**

KEY	PART NUMBER	U/M DESCRIPTION
	000170-02-000	EA BRACKET-MOUNTING, ASSIST HANDLE
	053552-02-AA8	EA HANDLE-ASSIST, INTERIOR - ENTRY DOOR - VINYL - OFF WHITE
	048867-01-000	EA GROMMET-BRASS - 7/16" ID X 1" OD
	000C16-07-108	EA BOLT-CARRIAGE, ASSIST HANDLE - 7/16" - 14 X 1" ZN
	000D20-07-008	EA NUT-ACORN, ASSIST HANDLE - 7/16" X 14 ZN
	077461-03-000	EA COVER-STRIKE, ENTRY DOOR - PLASTIC - OFF WHITE

**BATH DOOR HARDWARE**

KEY	PART NUMBER	U/M DESCRIPTION
	053331-01-000	EA HINGE-OVERLAY, BURNISHED BRASS
	058335-02-000	EA LATCH-BATHROOM DOOR

**BATT STRIPS**

KEY	PART NUMBER	U/M DESCRIPTION
	086220-01-000	EA RETAINER-BATTEN, CEILING - .75" W. E - 7.6' EA
	086220-04-000	EA BATTEN-CEILING, 1" WIDE - IVORY - 7.6' EA
	089733-70-000	EA BATT STRIP-WOODGRAIN, 8' EA - REGAL OAK
	085284-51-000	FT BATT STRIP-BOMBAY - ADHESIVE BACKED
	085284-52-000	FT BATT STRIP-KEW GARDEN - ADHESIVE BACKED

**DINETTE TABLE HARDWARE**

KEY	PART NUMBER	U/M DESCRIPTION
	004354-01-000	EA BUMPER-RUBBER - BROWN
	088410-01-000	EA BRACKET-LIFT, TABLE MOUNTED - BEIGE
	024278-21-000	EA LEG-TABLE, METAL - BEIGE
	024282-01-000	EA BRACE-TABLE LEG, HINGED
	024283-01-000	EA CLIP-LEG, 1" X 1.125" OD - BLACK
	064050-03-000	EA CLAMP-SADDLE, LEG HINGE - TAN
	064781-08-000	EA HOLDER-CUP, TWO STEP - OFF WHITE
	024282-01-000	EA BRACE - TABLE LEG
	024283-01-000	EA CLIP - 1" X 1.25" OD BLACK

**CABINET TRIMS, MOLDINGS & CHANNEL**

KEY	PART NUMBER	U/M DESCRIPTION
	009767-12-000	FT MOLDING-SIDEWALL TO CEILING/CABINET - WELTING - OFF WHITE
	009812-25-000	EA MOLDING-CORNER, OUTSIDE - .5" - PLASTIC - PECAN
	081294-02-000	EA MOLDING-SHELF, NOTCHED WOOD - 8' LONG
	009812-25-000	EA MOLDING-CORNER, OUTSIDE - .5" - PLASTIC - THOR PECAN
	076325-32-000	FT MOLDING-EDGE BAND, 1 5/16" - TAUPE
	076325-33-000	FT MOLDING-EDGE BAND, .875" - TAUPE
	076325-34-000	FT MOLDING-EDGE BAND, .15/16" - ORCHID
	022992-11-000	FT MOLDING-REVERSE COVE, T-SHAPED - VINYL - IVORY
	083620-07-000	FT T-MOLDING, END CAP EDGE - 3/4" - OAK
	070504-01-000	FT TRIM-EXTRUSION U-CHANNEL, 1/16" - THOR PECAN
	070504-20-000	FT U-CHANNEL-PLASTIC, .815" WIDE - THOR PECAN - INC OF 8'
	009778-13-000	FT U-CHANNEL, 1" WIDE - PLASTIC - THOR PECAN
	100819-01-01A	EA MOLDING-VINYL WRAP, DOOR
	070504-18-000	FT EXTRUSION-U CHANNEL, .065
	104876-01-01A	FT T-MOLDING, 5/16 RIGID
	092331-F2-134	EA MOLDING-018X065X2134 VINYL
	009809-23-000	EA MOLDING-PLAS-CORNER O/S 1 IN
	103186-02-02A	FT MOLDING-PLASTIC, SHELF - REGAL OAK

**WALL CLOCK**

KEY	PART NUMBER	U/M DESCRIPTION
	104764-01-01A	EA CLOCK-WALL, OVAL - 9.5" X 11.1"
	101333-01-000	EA BACKPLATE-CLOCK, IN WALL SHIELD FOR CLOCK

**MIRRORS**

KEY	PART NUMBER	U/M DESCRIPTION
	058331-14-000	EA MIRROR-SAFETY, 14" X 12.7"
	058331-41-000	EA MIRROR-SAFETY GLASS, 14" X 62.5"
	058331-47-000	EA MIRROR-GLASS, SAFETY 562X384
	058331-71-000	EA MIRROR-GLASS, SAFETY - 8" X 16.4"
	104755-05-000	EA MIRROR-GLASS, DECORATIVE

**INTERIOR FINISH GROUP ( CONTINUED )**  
**PLASTIC DRAWER, SLIDES & RAIL**

KEY	PART NUMBER	U/M DESCRIPTION
	102827-02-000	EA BRACKET-ROLLER, DRAWER - REAR
	102827-03-000	EA ROLLER-DRAWER, NYLON - PAIR
	102827-04-000	EA BRACKET-MOUNTING, DRAWER - REAR
	102827-05-000	EA TRACK-DRAWER, 22.6" LONG
	077409-02-000	EA SLIDE-DRAWER, PLASTIC 20.75
	106913 02 000	EA SLIDE-DRAWER, 12" RIGHT CABT
	106913 18 000	EA SLIDE-DRAWER, 22" RIGHT CABT
	107030 01 000	EA BACKSOCKET-ADJUSTABLE, LEFT
	107030 02 000	EA BACKSOCKET-ADJUSTABLE, RIGHT
	106913 05 000	EA SLIDE-DRAWER, 18" LEFT CABT
	106913-06-000	EA SLIDE-DRAWER, 18" RIGHT CABT. TRANSFER FLOW

**CABINET HARDWARE**

KEY	PART NUMBER	U/M DESCRIPTION
	018604-01-000	EA BRACE-CABINET, ANGLED METAL - 2.5"
	085740-01-000	EA BRACE-CABINET CORNER, PLASTIC
	059777-02-000	EA HINGE-CABINET DOOR, BURNISHED BRASS
	009148-01-000	EA PULL-CABINET, BRASS
	023320-01-000	EA PAD-FELT, 3/8" DIAMETER - BROV.N
	093586-03-000	EA CATCH-SPRING, ROLLER
	093586-04-000	EA STRIKE-SPRING STEEL
	074483-02-000	EA SUPPORT-OVERHEAD DOOR, SPRUNG
	098980-02-000	EA PILASTER-ADJUSTABLE SHELF, 12" LONG
	083125-03-000	EA BRACE-COUCH, TAN
	100707-01-000	EA SPACER
	100822-01-01A	EA BRACKET-CABINET, TV - OFF WHITE
	100710-01-01A	EA LOCK-TWIST TYPE
	100711-01-01A	EA HINGE-DOOR, GLASS
	101272-01-000	EA CATCH-GLASS DOOR
	101788-01-000	EA PIN-SUPPORT, GLASS DOOR
	089078-03-000	EA H-CHANNEL, BED SUPPORT - 1.96" X 72.7" - BEIGE
	091281-01-000	FT BACKING-NON SKID, 1" WIDE (100' ROLL)
	057534-01-000	EA TIEBACK-CURTAIN, 6" - PLASTIC - CLEAR
	018804-03-000	EA BRACE - CABINET, ANGLED - 2.5" BEIGE
	018904-05-000	EA BRACE - CABINET, O/W
	023320-01-000	EA PAD-FELT-3/8 DIA
	053331-01-000	EA HINGE-OVERLAY, BURNISHED BRASS
	058335-02-000	EA LATCH-BATHROOM DOOR
	009059-02-000	EA HINGE-2 IN-BRASS
	094485-01-01A	EA KNOB-DOOR, POLISHED BRASS
	088254-01-000	EA CATCH-MAGNETIC
	105037-02-000	EA FASTENER-WOODCORR, ST. 12X15
	083204-02-000	EA BUTTON-MIRROR RETAINING
	083204-03-000	EA BUTTON-MIRROR RETAINING
	103856-01-000	EA PULL-CABINET, BRASS, 3" CTR
	004354-01-000	EA RUBBER BUMPER-BROWN
	084487-01-000	EA GUIDE-POCKET DOOR, WALL MOUNT
	084356-04-000	EA INSERT-TV STAND, TAN, SMALL
	106809-01-01A	EA BRACKET-CABINET, OVHD TV O/W
	075943-09-000	EA BRACE-VALANCE, O/WHT 8.00 IN
	098918-03-01A	EA BFACE-MICROWAVE CABT, LH
	098980-01-000	EA PLASTER-ADJUSTABLE SHELF - 18" LONG
	009059-01-000	EA HINGE-2" X 1.4", BRASS

**TV STAND HARDWARE**

KEY	PART NUMBER	U/M DESCRIPTION
	084412-01-000	EA SUPPORT-HINGED
	084451-01-000	EA CATCH-TV SHELF, BRASS
	084413-01-000	EA HINGE-CONTINUOUS, ALUMINUM - 1" X 72" - W/HOLES
	084356-04-000	EA INSERT-TV STAND, TAN, SMALL

**1992 WINNEBAGO**  
**TABLE OF CONTENTS**

INTRODUCTION	A-01	A-02
ABBREVIATIONS		A-03
ALPHABETICAL INDEX	A-04	A-08
WCF27RC	A-07	D-18
WCF30RIJ	D-19	H-01

**1992 WCF27RC INDEX**

FLOOR PLAN	A-07	A-08
ACCESSORIES	A-09	A-16
BATH	A-17	A-18
BEDROOM	A-19	A-20
CHASSIS	A-21	B-05
C C & PAD	B-06	B-12
DINETTE	B-13	B-14
DRIVERS	B-15	B-18
ELECTRICAL	B-19	B-24
EXTERIOR BODY	C-01	C-08
GALLEY	C-07	C-10
HEATING & AC	C-11	C-16
INTERIOR FINISH	C-17	C-19
LABEL		C-20
LP		C-21
LOUNGE		C-22
SEALANTS & FASTENERS	C-23	D-01
WATER & SEWAGE	D-02	D-08
WINDOW, VENT AND		
EXTERIOR DOOR	D-09	D-17

**INTERIOR FINISH GROUP ( CONTINUED )**

**PANELING & PLASTIC LAMINATE**

KEY	PART NUMBER	U/M DESCRIPTION
	074498-38-000	SF LAMINATE-PLASTIC,TAUPENVANCE - INCREMENTS OF 40 SF
	074498-41-000	SF LAMINATE-PLASTIC,ORCHID MIST - INCREMENTS OF 40 SF
	074497-10-000	SF PANELING-LT OAK 629 REGAL OAK, 4' X 8' - INCREMENTS OF 32 SF
	074497-19-000	SF PANELING-CEILING, FAWN - 4' X 8' - INC. OF 28 SF
	088272-72-000	SF PANELING-TRAVERTINE WHITE, WET BATH - 4' X 7' - INC OF 28 SF
	088272-84-000	SF PANELING-BOMBAY, DECOR - 4' X 7' - INCREMENTS OF 32SF
	088272-85-000	SF PANELING-KEW GARDEN, DECOR - 4' X 7' - INCREMENTS OF 32SF
	088297-01-000	SF PLYWOOD-LUAN, OVERLAY GRADE - 4' X 8' - INC OF 32 SF
	083818-02-000	SF PLYWOOD-OAK, FINISHED ON 1 SIDE - 3/16" - 4' X 8'-INC. 288
	000885-34-000	SF PARTICLE BOARD-3/4 X 48" X 97", 1 SIDE VINYL WOODGRAIN INCREMENTS OF 33 SF
	000885-36-000	SF PARTICLE BOARD-3/8 X 60" X 98", 1 SIDE VINYL WOODGRAIN INCREMENTS OF 32 SF
	000885-52-000	SF PARTICLE BOARD-VINYL COVERED, 2 SIDED - 3/8" X 48" X 98" WOODGRAIN
	092330-E2-438	EA LUMBER 018X051X2438 MM VINYL WRAPPED
	092330-03-000	EA LUMBER-VINYLWRAPPED50.8X2438 629 REGAL OAK
	091281-01-000	FT BACKING-NON-SKID, 12"X100"
	092330-D2-438	EA LUMBER-018X036X2438 MM VINYL WRAPPED
	092330-05-000	EA LUMBER-VINYL WRAPPED

**FABRIC & TRIMS FABRIC**

KEY	PART NUMBER	U/M DESCRIPTION
	079880-01-000	YD FABRIC-VINYL, 54" WIDE - BUCKSKIN
	079880-09-000	YD FABRIC-VINYL, 54" WIDE - OFF WHITE
	062859-01-W30	FT TRIM-EDGE, VINYL - 1.5" WIDE - ACCENT
	026012-01-000	BF FOAM-ROLLED, 3/8" THICK - 72" WIDE
	096006-76-000	YD FABRIC-UPHOLSTERY, 54" - SUN/SET, SANIBEL C05
	096006-79-000	YD FABRIC-UPHOLSTERY, 54" - SMOKEY, SANIBEL C06
	096006-77-000	YD FABRIC-UPHOLSTERY, PATTERN - 54" - EGGPLANT, CHARPAY C05
	096006-81-000	YD FABRIC-UPHOLSTERY, PATTERN - 54" - RYAN, CHARPAY C06
	096006-86-000	YD FABRIC-UPHOLSTERY, PATTERN - 54" - ROSEWOOD, DONEGAL C05
	096006-82-000	YD FABRIC-UPHOLSTERY, PATTERN, - 54" SUNSET C06
	096006-78-000	YD FABRIC-UPHOLSTERY, PLAIN - 54" - EGGPLANT, CHARPAY C05
	096006-88-000	YD FABRIC-UPHOLSTERY, PLAIN - 54" - RYAN, CHARPAY C06
	072333-82-000	YD FABRIC-DRAPERY
	087272-01-000	YD FABRIC-LINING, CURTAIN - 48" WIDE - IVORY
	081926-01-000	YD BACKING-QUILTING, MATTRESS COVER - 59" WIDE - WHITE
	088273-68-000	YD FABRIC-BEDSPREAD, 54" - FROST C05
	088273-69-000	YD FABRIC-BEDSPREAD, 54" - SKY C06
	088273-72-000	YD FABRIC-BEDSPREAD, 54" - CHANTIUY, MICHE C05
	088273-66-000	YD FABRIC-BEDSPREAD, 54" - CHANTIUY, GREEN MIST C06
	079349-01-B85	YD WELTING-FABRIC, ACCENT FABRIC
	079349-04-C05	YD WELTING-FABRIC, NARROW ACCENT
	084356-04-000	EA INSERT-TV STAND,TAN,SMALL
	105815-01-000	FT FILM-PROTECTIVE CLEAR
	108599-01-01A	YD VINYL-LAMINATE MADRID O/W **26OZ 54" X ROLL
	103907-01-01A	YD VINYL-EXPANDED MADRID O/W *26 OZ 54"X ROLL
	088351-03-000	YD VINYL-HEADLINER

**FLOOR COVERINGS & TRIMS**

KEY	PART NUMBER	U/M DESCRIPTION
	093486-01-000	SY CARPET-COMPARTMENT, 54" WIDE - DARK GRAY
	096080-41-000	SY CARPET-12' ROLL, 507 SPECIAL LT.EGGPLANT INCREMENTS OF 4 SY C06
	096080-33-000	SY CARPET-12' ROLL, 506 LT BROWN SPECIAL INCREMENTS OF 4 SY C05
	075233-01-000	SY PAD-CARPET, 3/8" X 6' ROLL
	047034-02-000	SF PLASTIC-CARPET, 4"WIDE - CLEAR POLY
	100659-01-825	EA TRIM-FLOOR, 72" X 1" X 1/2" - WOOD
	076314-02-000	FT TAPE-CARPET SEAM, HEAT BONDED

**MISCELLANEOUS INTERIOR PARTS**

KEY	PART NUMBER	U/M DESCRIPTION
	094499-02-000	EA EXTINGUISHER-FIRE, DRY - 1A10BC - CANADIAN
	094499-01-000	EA EXTINGUISHER-FIRE, DRY W/MOUNTING BRACKET - 10 BC
	094499-01-700	EA BRACKET-MOUNTING, W/PLASTIC STRAP - FIRE EXTINGUISHER
	105924-01-C05	EA MAT-FLOOR, - 18" X 27"
	072852-01-000	EA DETECTOR-SMOKE, W/9 VOLT BATTERY
	072852-02-000	EA DETECTOR-SMOKE,W/9 VOLT BAT

**LABELS GROUP**

**LABELS**

KEY	PART NUMBER	U/M DESCRIPTION
	008084-01-000	EA LABEL-SEAT W/O SEATBELT
	088383-01-000	EA LABEL-DIESEL FUEL
	023789-01-000	EA LABEL-WARNING, LPG - CANADIAN
	050222-01-000	EA LABEL-STOVE VENT, CANADIAN
	098841-01-000	EA LABEL-FUEL, UNLEADED - DASH (JAPAN EXPORT)
	098841-01-000	EA LABEL-FUEL, UNLEADED - DASH
	098841-01-000	EA LABEL-FUEL, UNLEADED - DASH - CANADIAN
	040944-01-000	EA LABEL-ENTRANCE DOOR, "OPEN"
	097207-06-000	EA LABEL-FUEL CAP REMOVAL
	050225-01-000	EA LABEL-WARNING, STOVE VENT - US
	008084-01-000	EA LABEL-SEAT W/O SEATBELT NOT INTENDED FOR USE WHILE COACH IN MOTION
	008187-01-000	EA LABEL-SEWAGE
	008188-01-000	EA LABEL-WASTE WATER
	054531-01-000	EA LABEL-LP GAS ONLY
	061417-01-000	EA LABEL-FUEL,ON FUEL FILL DOOR
	090342-01-000	EA LABEL-VAPOR RELIEF
	099509-01-000	EA LABEL-AWNING INSTALLATION
	081806-01-000	EA LABEL-OVERLAY, VEHICLE CERTIFICATION - ADHESIVE BACKED
	082043-01-000	EA LABEL-FUEL, UNLEADED
	075221-03-000	EA LABEL-TRAILER HITCH
	085748-01-000	EA LABEL-CAUTION, BATTERY CHARGING
	073998-01-000	EA LABEL-LPG ODOR WARNING
	075220-01-000	EA LABEL-WARNING, EXTERIOR LOAD
	077510-01-000	EA LABEL-GENERATOR PREP
	008196-01-000	EA LABEL-ELECTRICAL TEST
	008198-01-000	EA LABEL-GAS TEST
	008197-01-000	EA LABEL-WATER TEST
	077056-01-000	EA LABEL-WARNING, SMOKE DETECTOR
	091243-01-000	EA LABEL-AC COVER
	047731-01-000	EA LABEL-EMERGENCY EXIT
	008199-01-000	EA LABEL-EXIT, "ESCAPE WINDOW"
	075221-01-000	EA LABEL-TRAILER HITCH CAPACITY
	098509-01-000	EA LABEL-AWNING INSTL

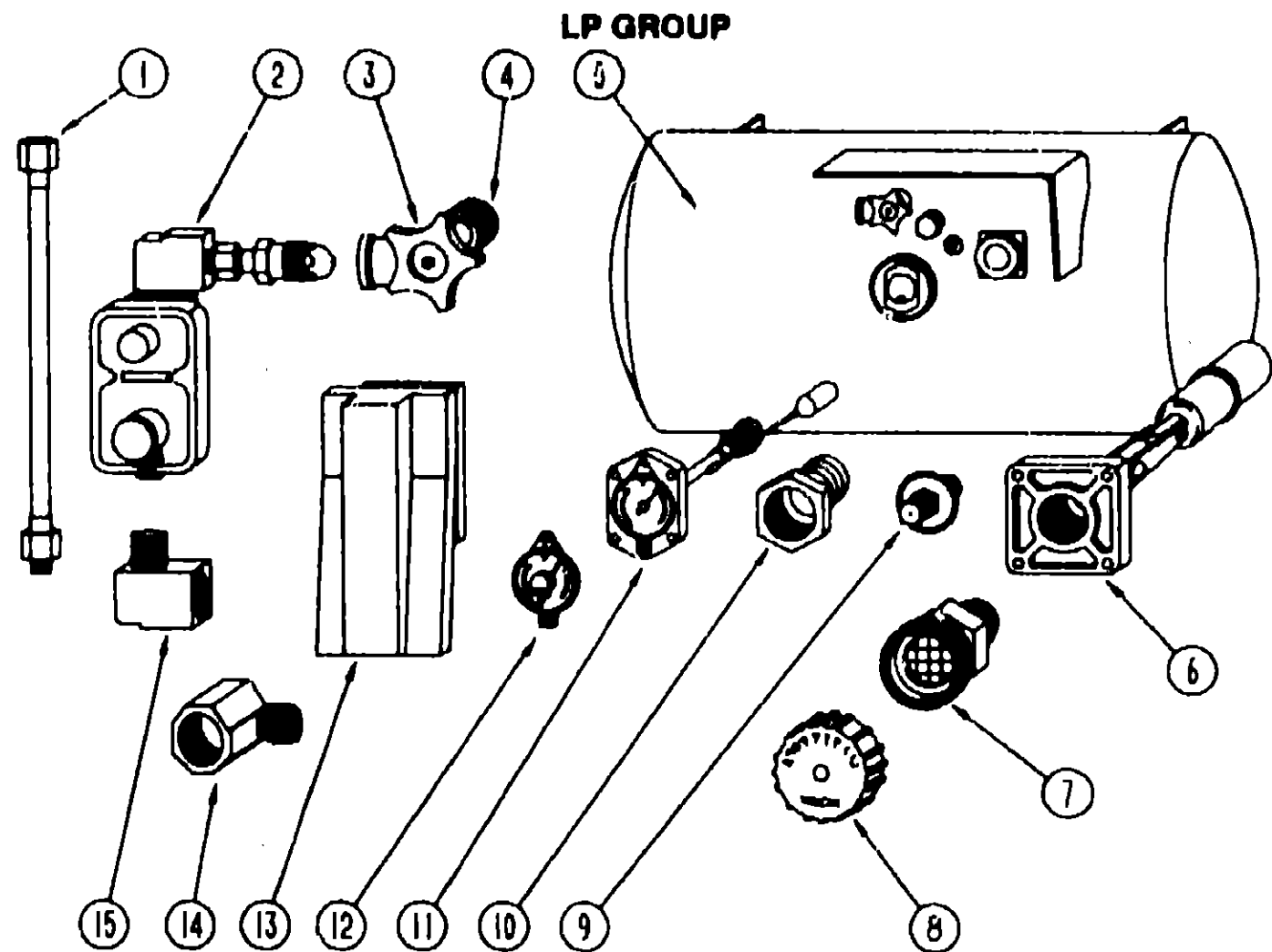
**1992 WINNEBAGO**

**TABLE OF CONTENTS**

INTRODUCTION	A-01 -	A-02
ABBREVIATIONS		A-03
ALPHABETICAL INDEX	A-04 -	A-08
WCF27RC	A-07 -	D-18
WCF30RU	D-19 -	H-01

**1992 WCF27RC INDEX**

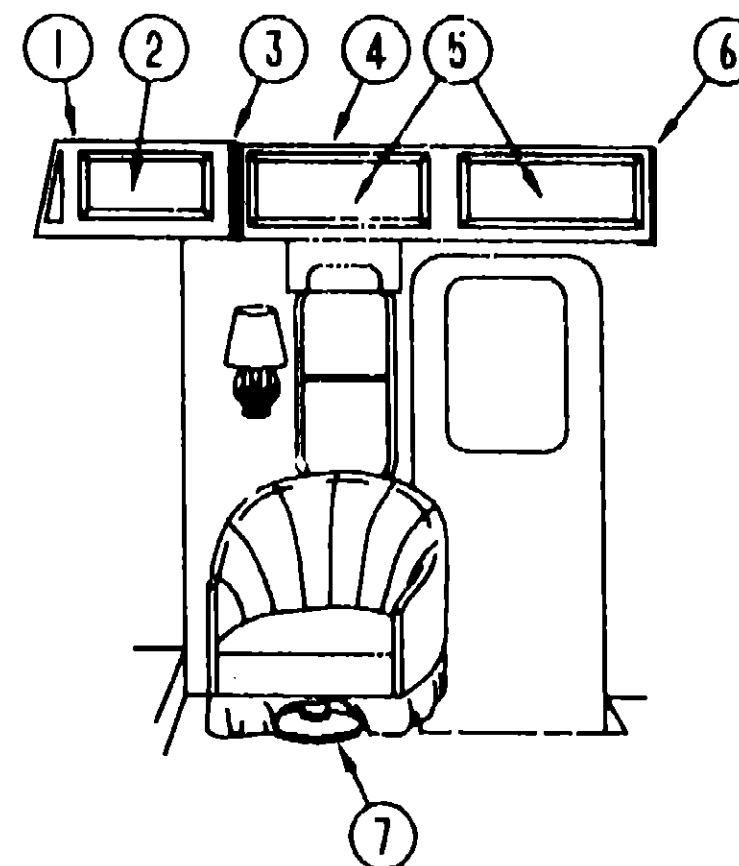
FLOOR PLAN	A-07 -	A-08
ACCESSORIES	A-09 -	A-16
BATH	A-17 -	A-18
BEDROOM	A-19 -	A-20
CHASSIS	A-21 -	B-05
C C & PAD	B-08 -	B-12
DINETTE	B-13 -	B-14
DRIVERS	B-15 -	B-18
ELECTRICAL	B-19 -	B-24
EXTERIOR BODY	C-01 -	C-08
GALLEY	C-07 -	C-10
HEATING & A/C	C-11 -	C-16
INTERIOR FINISH	C-17 -	C-19
LABEL		C-20
LP		C-21
LOUNGE		C-22
SEALANTS & FASTENERS	C-23 -	D-01
WATER & SEWAGE	D-02 -	D-08
WINDOW, VENT AND		
EXTERIOR DOOR	D-09 -	D-17



LP TANK & COMPONENTS

KEY	PART NUMBER	U/M DESCRIPTION
1	045703-01-000	EA HOSE-LP, 3/8" ID X 24" US - 3/8 MPT X 1/2 F SWIVEL
1	045703-02-000	EA HOSE-LP, 3/8" ID X 24" - 3/8" MPT X 1/2" F SWIVEL - CANADA
2	108150-01-000	EA REGULATOR-TWOSTAGE
3	040421-01-708	EA HANDWHEEL-VAPOR RELIEF VALVE, BRUNNER G-1015-A
4	040421-01-712	EA VALVE-SERVICE W/HANDWHEEL
5	097821-01-000	EA TANK-LP, 60 LB 14" X 3 1/2"
6	040421-01-711	EA VALVE-90% W/FLOAT, PLATE, BOLTS & GASKET - BRUNNER
7	040421-01-701	EA VALVE-SHORT LP FILLER W/YELLOW CAP - BRUNNER 75478
8	040421-01-702	EA CAP-LP FILLER VALVE, PLASTIC - YELLOW - BRUNNER G-1014-A
9	040421-01-700	EA GAUGE-LIQUID LEVEL, 20% LP - BRUNNER G-1013
10	040421-01-713	EA PRESSURE RELIEF VALVE
11	040421-01-707	EA GAUGE-FLOAT W/VISIBLE DIAL - BRUNNER MA-9 6244-4
12	040440-01-000	EA TRANSMITTER-DIAL, 90 OHM
13	105658-01-000	EA COMPARTMENT-LP REGULATOR
13	081938-01-000	EA COVER-COMPARTMENT - LP REGULATOR - BLACK
14	065318-02-000	EA ELBOW-90 DEGREE, 3/8" MPT TO 3/8" FPT
15	065742-01-000	EA TEE, .38F X .38F X .25FPT - BRASS
	010329-01-000	EA ADAPTER-BRASS-1/2" F X 1/2" MPT
	010285-01-000	EA CROSS, 3/8" F X 3/8" F X 3/8" F X 1/2" FPT - BRASS
	010377-02-000	EA NUT-BRASS, 3/8 FEMALE - FORGED
	010380-02-000	EA NUT-BRASS, 1/2" FEMALE - FORGED
	016188-03-000	EA GROMMET-GAS LINE, FLOOR - 3/8" HOLE X 2 1/8" DIAMETER RUBBER
	081642-01-000	EA TEE, 1/2" MPT X 1/2" FL X 3/8" FL - BRASS
	010497-05-000	EA CLAMP-CLOSED, .50" ID
	075148-02-000	EA CLAMP-GROUNDING, BRONZE & SCREWS
	008380-01-000	EA GROMMET-RUBBER, 5/8" HOLE X 1 1/2" DIAMETER - BLACK
	010328-01-000	EA ADAPTER-FLARE, W/CONE GASKET 3/8" FEMALE FL X 1/2" MALE F
	065741-01-000	EA GAUGE-DIAPHRAGM PRESSURE - MARSHALLTOWN MFG
	065742-01-000	EA TEE, .38F X .38F X .25FPT - BRASS
	071391-02-000	EA NIPPLE-HEX, .25 PIPE
	008042-01-000	FT TUBING-VINYL, .65" ID
	054531-01-000	EA LABEL-LP GAS ONLY
	095624-01-000	EA ELBOW-BRASS, 90 1/4 FPT X 1/4 FPT

LOUNGE GROUP



PASSENGER SIDE OVERHEAD CABINET

KEY	PART NUMBER	U/M DESCRIPTION
1	M05159-21-C05	EA CABINET ASM-OVERHEAD, FRONT PASSENGERS - W/O DOORS & HARDWARE
2	P04746-06-C05	EA DOOR ASM. - MITERED OGEE, W/O HARDWARE
3	104353-01-C05	EA CAP-END, OVERHEAD - FRONT
4	M05019-38-C05	EA CABINET ASM.- ENTRANCE OVERHEAD, W/O DOORS & HARDWARE
5	P04746-01-C05	EA DOOR ASM.-CABINET, W/O HARDWARE - 14.4" X 21.0"
6	103128-03-C05	EA CAP ASM.-END, OVERHEAD, LH
7	053482-01-000	EA SHROUD-PEDESTAL, 13" - PLASTIC - BLACK

DRIVERS SIDE CABINETS OVER COUCH

KEY	PART NUMBER	U/M DESCRIPTION
	103128-01-C05	EA END CAP - CABINET, OVERHEAD - ABOVE COUCH
	M05019-44-C05	EA CABINET ASM.-OVERHEAD, ABOVE COUCH - W/O DOORS OR HARDWARE
	P04746-05-C05	EA DOOR ASM-MITERED OGEE, ABOVE COUCH - W/O HARDWARE- 400 X 520
	M05159-22-C05	EA CABINET ASM.-OVERHEAD, ABOVE DRIVER - W/O DOORS OR HARDWARE
	P04746-06-C05	EA DOOR ASM.-OVERHEAD, ABOVE DRIVER- W/O HARDWARE- 255 X 405
	104353-02-C05	EA END CAP - CABINET - ABOVE DRIVER

SEAT BELT

KEY	PART NUMBER	U/M DESCRIPTION
	056271-02-000	EA BELT - SEAT, 2" X 72" - BLACK

1992 WINNEBAHO  
TABLE OF CONTENTS

INTRODUCTION	A-01 - A-02
ABBREVIATIONS	A-03
ALPHABETICAL INDEX	A-04 - A-08
WCF27RC	A-07 - D-18
WCF30RU	D-19 - H-01

1992 WCF27RC INDEX

FLOOR PLAN	A-07 - A-08
ACCESSORIES	A-09 - A-16
BATH	A-17 - A-18
BEDROOM	A-19 - A-20
CHASSIS	A-21 - B-05
C C & PAD	B-06 - B-12
DINETTE	B-13 - B-14
DRIVERS	B-15 - B-13
ELECTRICAL	B-19 - B-24
EXTERIOR BODY	C-01 - C-06
GALLEY	C-07 - C-10
HEATING & AC	C-11 - C-16
INTERIOR FINISH	C-17 - C-19
LABEL	C-20
LP	C-21
LOUNGE	C-22
SEALANTS & FASTENERS	C-23 - D-01
WATER & SEWAGE	D-02 - D-08
WINDOW, VENT AND	
EXTERIOR DOOR	D-09 - D-17



**SEALANTS & FASTENERS GROUP**

**ADHESIVE AND FASTENERS**

KEY	PART NUMBER	U/M DESCRIPTION
	004020-01-000	QT ADHESIVE-ABS CEMENT, QUART
	081377-01-700	EA ADHESIVE-CYANOACRYLATE, 10 GRAM TUBE
	004008-04-700	EA ADHESIVE-PIERCE, 1 GAL - J9270-X-1
	087211-01-000	GL ADHESIVE-PROMOTER
	004005-02-000	EA ADHESIVE-SWIFTS, 1 GAL - W1333
	099039-01-000	EA ADHESIVE-WEATHERSTRIP, 8 OZ.
	053768-02-000	EA BEDDING COMPOUND-TUBE, WHITE
	005200-01-000	EA BOLT-BUMPER, ROUND HEAD-SQUARE NECK- W/SST CAP 7/16- 14 X 1 1/4
	102333-01-01A	EA BOLT-CARRIAGE, 7/16 - 14 - STAINLESS STEEL CAP- BEIGE
	051387-06-000	EA BOLT-CARRIAGE, W/O HOLE - 5/16-18 X 9.5 ZN
	000C12-08-24B	EA BOLT-HEX, 1/2-13 X 1 1/2 - ZN 5
	000C12-05-16B	EA BOLT-HEX, 5/16-18 X 1 - ZINC 5
	000C12-10-24B	EA BOLT-HEX, 5/8-11 X 1 1/2 ZN - 5
	000C12-07-20B	EA BOLT-HEX, 7/16 - 14 X 1 1/4 - ZN5
	000C13-07-46B	EA BOLT-HEX, 7/16 - 20 X 3 - ZN 5
	000C26-04-10B	EA BOLT-HEX, SER FLG - 1/4-20 X 5/8 ZINC
	000C26-05-20B	EA BOLT-HEX, SER FLG 5/16-18 X 1 1/4 - ZINC
	000C12-05-24B	EA BOLT-HEX-5/16-18X1 1/2 ZN5
	016604-01-000	EA BRACE-CABINET, ANGLED METAL - 2.5"

**CLAMPS, GROMMETS AND FASTENERS**

KEY	PART NUMBER	U/M DESCRIPTION
	010495-01-000	EA CLAMP-CABLE, 9/16"
	010497-08-000	EA CLAMP-CLOSED, 11/16" ID
	010497-03-000	EA CLAMP-CLOSED, 1" ID - CUSHIONED
	010499-01-700	EA CLAMP-CLOSED, 3/8" ID
	010497-01-000	EA CLAMP-CLOSED, 5/8" ID
	010497-08-000	EA CLAMP-CLOSED, .125"
	075148-02-000	EA CLAMP-GROUNDING, BRONZE SCREWS
	082401-02-000	EA CLAMP-HOSE, WORMGEAR, 1.56" - 2.5"
	082401-10-000	EA CLAMP-HOSE, WORMGEAR 1.06" - 2"
	073194-02-000	EA CLAMP-HOSE, WORMGEAR 32-50 MM
	082401-07-000	EA CLAMP-HOSE, WORMGEAR 5" - 7"
	082401-06-000	EA CLAMP-HOSE, WORMGEAR .22" - .62"
	082401-01-000	EA CLAMP-HOSE, WORMGEAR .25" - 1"
	082401-04-000	EA CLAMP-HOSE, WORMGEAR .69" - 1.25"
	082401-03-000	EA CLAMP-HOSE, WORMGEAR, .22" - 1"
	083609-01-000	EA CLAMP-WIRE, DUAL - EQUAL 5/8" DIAMETER
	094362-02-000	EA CLIP-CHRISTMAS TREE, FLAT HEAD
	077953-01-000	EA GROMMET-EDGE LINER, FITS 1"
	023942-01-000	EA GROMMET-RUBBER, 2" OD
	071015-21-000	EA GROMMET-.50" ID, FITS .19" MATERIAL, RUBBER- SPLIT
	009088-01-000	EA HINGE-ALUMINUM, NO HOLES - 11/16" X 72" - UNPAINTED
	056134-02-000	EA HOLDER-RING, 1.5" ID PIPE SIZE - STEEL
	092321-01-000	EA INSULATION-FIBERGLASS, W/ALUMINUM FOIL
	077955-01-000	EA J CLIP-VINYL COATED, 3/8" USED IN WIRING TO CLEARANCE LIGHTS

**NUTS AND FASTENERS**

KEY	PART NUMBER	U/M DESCRIPTION
	072893-01-000	EA NUTSERT-M5 X 0, 8
	077049-01-000	EA NUT-ACORN, 13-32 ALUMINUM
	095094-01-000	EA NUT-ACORN, 1/4 - 20 ALUMINUM
	000D14-05-00B	EA NUT-HEX, 5/16-18 - ZN 5
	000D34-04-00B	EA NUT-HEX, LK 1/4 - 20 ZN
	000D39-04-00B	EA NUT-HEX, SER FLG LK 1/4 - 20 ZN
	000D39-08-00B	EA NUT-HEX, SER FLG LK - 1/2-13 ZN
	000D39-06-00B	EA NUT-HEX, SER FLG LK - 3/8-16 ZN
	000D39-05-00B	EA NUT-HEX, SER FLG LK - 5/16 - 18 ZN
	000D44-07-00B	EA NUT-HEX, SER FLG LK - 7/16-20 ZN
	000D24-10-00B	EA NUT-HEX, SF/LK - 10-32 ZN
	000D34-06-00B	EA NUT-HEX LK-3/8-16 GRADE C ZN
	075467-01-000	EA NUT-INVERTED FLARE, 1/4"
	088497-02-000	EA NUT-INVERTED FLARE, 1/4"
	083253-07-000	EA NUT-J, #8A, .120-.130 PNL THK
	044364-02-000	EA NUT-SPEED, FLAT - ROUND
	040921-06-000	EA NUT-SPEED, U TYPE - NO. 8
	040921-04-000	EA NUT-SPEED, U TYPE - NO. 8
	040921-05-000	EA NUT-SPEED, U TYPE - NO. 8

**SEALANTS & FASTENERS GROUP (CONTINUED)**

**NUTS AND FASTENERS CONT**

KEY	PART NUMBER	U/M DESCRIPTION
	044304-01-000	EA NUT-SPEED, FLAT
	084081-01-000	EA NUT-WING, 3/8" X 16 THREAD
	084884-01-000	EA PLUG-BRASS, 3/8"
	000H18-04-08R	EA RIVET-POP, AL. 1/8 X .313-.375
	089592-02-000	EA RIVET-T (POP) 1/4X.093-.156
	083729-04-000	EA RIVNUT, 10-32 UNF - .010-.080
	083729-01-000	EA RIVNUT, 1/4 X 20 UNC - .030-.125

**SCREWS AND FASTENERS**

KEY	PART NUMBER	U/M DESCRIPTION
	000G87-10-24B	EA SCREW, 10-12 X 1 1/2 PPH - ZN
	000G87-10-16P	EA SCREW, 10-12 X 1 PPH - DARK BROWN
	000G87-10-16B	EA SCREW, 10-12 X 1 PPH - ZN
	000G87-10-08B	EA SCREW, 10-12 X 1/2 PPH ZN
	000G87-10-08R	EA SCREW, 10-12 X 1/2 PPH - BEIGE - TYPE A
	000G87-10-12B	EA SCREW, 10-12 X 3/4 - PPH ZN
	000G87-10-10B	EA SCREW, 10-12 X 5/8 PPH ZN - TYPE A
	000G87-10-10R	EA SCREW, 10-12 X 5/8 PPH - TYPE A - BEIGE
	000G87-10-12P	EA SCREW, 10-12 X .75 PPH - DARK BROWN
	049465-01-000	EA SCREW, 10-16 W/WASHER PTH - DARK BROWN
	049465-04-000	EA SCREW, 10-16 X 1 PTH W/WASHER - BEIGE
	000G11-10-16B	EA SCREW, 10-16 X 1 - PPH ZN
	000G11-10-12R	EA SCREW, 10-16 X 3/4 PPH - BEIGE
	000G11-10-12D	EA SCREW, 10-16 X 3/4 PPH - BLACK
	000G88-08-10G	EA SCREW, 8-18 X 5/8 POH - ANTIQUE BRASS
	078790-01-000	EA SCREW, 8-20 X 1 1/4 PPH - BLACK
	000G13-08-18R	EA SCREW, 8-20 X 1 PFH - BEIGE
	000G13-08-08B	EA SCREW, 8-20 X 1/2 PFH ZN
	000G13-06-10G	EA SCREW, 8-20 X 5/8 PFH - ANTIQUE BRASS
	000G11-08-10B	EA SCREW, 8-20 X 5/8 PPH ZN
	000G11-08-10J	EA SCREW, 8-20 X 5/8 PPH - BRASS
	000G11-07-08B	EA SCREW, 7-19 X 1/2 PPH - ZN
	000G13-07-12B	EA SCREW, 7-19 X 3/4 PFH ZN
	000G13-08-16B	EA SCREW, 8-18 X 1 PFH - ZN
	000G11-08-08T	EA SCREW, 8-18 X 1/2 PPH
	000G11-08-08B	EA SCREW, 8-18 X 1/2 PPH ZN
	000G11-08-12B	EA SCREW, 8-18 X 3/4 PPH ZN
	000G11-08-12R	EA SCREW, 8-18 X 3/4 PPH - BEIGE
	000G11-08-12D	EA SCREW, 8-18 X 3/4 PPH - BLACK
	000G11-08-16R	EA SCREW, 8-18X1.00 PPH - BEIGE
	000G67-10-32B	EA SCREW, NO. 10 - 12 X 2 PPH ZN
	000G55-08-12W	EA SCREW, SF/DR-8-18X.75 PWH
	000G67-10-12R	EA SCREW-10-12X.75 PPH BEIGE
	000G67-10-120	EA SCREW-10-12X.75 PPH TAN
	049465-03-000	EA SCREW-10-16X1 POH W/WASHER
	000G11-10-12S	EA SCREW-10-16X.75 PPH OFF WHITE
	000G54-04-20B	EA SCREW-1/4-20X1 1/4 PTH TYP 23
	000G57-05-16J	EA SCREW-5-20X1 PFH BRASS
	000G12-06-08T	EA SCREW-6-20 X .50 POH - BLACK
	000G13-08-16J	EA SCREW-6-20X1.00 PFH BRASS
	000G11-08-12P	EA SCREW-8 - 18X.75.DARK BROWN
	085318-01-000	EA SCREW-8-08BX1/2, CRIMP TITE HD
	000G67-08-32B	EA SCREW-8-15X2 PPH ZN
	000G12-08-16S	EA SCREW-8-18 X 1" POH - OFF WHITE
	000G11-08-16S	EA SCREW-8-18X1.00 PPH OFF WHITE
	009439-07-000	EA SCREW-8-32X1 1/4 POH, BLACK
	087721-01-000	EA SCREW-FLAT HEAD, TAPPING - 1/4 X 1 1/4 LG ZN
	088763-01-000	EA SCREW-MACH, 10 - 32 X 1/4 PTH
	000G19-10-08B	EA SCREW-MACH, 10-32 X 1/2 PPH ZN
	000G19-10-10B	EA SCREW-MACH, 10-32 X 5/8 - PPH - ZINC
	000G50-04-12B	EA SCREW-MACH, 1/4-20 X 3/4 PPH ZN
	081908-01-000	EA SCREW-MACH 6-32X.62 W/NYLOCK
	089371-01-000	EA SCREW-MACH 8-32X35/16 ZN
	000G19-10-20B	EA SCREW-MACHINE, 10-32 X 1 1/4 PPH ZINC
	000G18-08-16B	EA SCREW-MACHINE, 8 X 32 X 1, PPH ZN
	075908-01-000	EA SCREW-MACH-10-32X.56PTH(SEMS)
	000G53-04-06B	EA SCREW-MACH-1/4-20X3/8 PPH 2N
	000G18-08-22B	EA SCREW-MACH-8-32X1 3/8 PPH ZN
	000G39-10-20B	EA SCREW-SF/DR, 10-16 X 1 1/4 PPH ZN

**1992 WINNEBAGO**

**TABLE OF CONTENTS**

INTRODUCTION	A-01 -	A-02
ABBREVIATIONS		A-03
ALPHABETICAL INDEX	A-04 -	A-06
WCF27RC	A-07 -	D-18
WCF30RIJ	D-19 -	H-01

**1992 WCF27RC INDEX**

FLOOR PLAN	A-07 -	A-08
ACCESSORIES	A-09 -	A-16
BATH	A-17 -	A-18
BEDROOM	A-19 -	A-20
CHASSIS	A-21 -	B-06
CC & PAD	B-06 -	B-12
DINETTE	B-13 -	B-14
DRIVERS	B-15 -	B-18
ELECTRICAL	B-19 -	B-24
EXTERIOR BODY	C-01 -	C-08
GALLEY	C-07 -	C-10
HEATING & A/C	C-11 -	C-16
INTERIOR FINISH	C-17 -	C-19
LABEL		C-20
LP		C-21
LOUNGE		C-22
SEALANTS & FASTENERS	C-23 -	D-01
WATER & SEWAGE	D-02 -	D-06
WINDOW, VENT AND		
EXTERIOR DOOR	D-09 -	D-17

**SEALANTS & FASTENERS GROUP (CONTINUED)**

**SCREWS AND FASTENERS CONT**

KEY	PART NUMBER	U/M DESCRIPTION
	000G39-10-12R	EA SCREW-SF/DR, 10-18 X 3/4 PPH - BEIGE
	000G39-10-12D	EA SCREW-SF/DR, 10-18 X 3/4 PPH - BLACK
	000G39-06-16T	EA SCREW-SF/DR, 6-20 X 1 PPH - BLACK
	000G39-06-10T	EA SCREW-SF/DR, 6-20 X 5/8 PPH - BLACK
	000G39-08-24B	EA SCREW-SF/DR, 8-18 X 1 1/2 PPH ZN
	000G39-08-16E	EA SCREW-SF/DR, 8-18 X 1 PPH CHROME
	000G39-08-16B	EA SCREW-SF/DR, 8-18 X 1 PPH ZN
	000G39-08-16T	EA SCREW-SF/DR, 8-18 X 1 PPH - BLACK
	000G55-08-16Z	EA SCREW-SF/DR, 8-18 X 1.00 - BEIGE
	000G39-08-08B	EA SCREW-SF/DR, 8-18 X 1/2 PPH ZN
	000G39-08-32B	EA SCREW-SF/DR, 8-18 X 2 PPH - ZINC
	000G39-08-12B	EA SCREW-SF/DR, 8-18 X 3/4 PPH ZN
	000G39-08-12T	EA SCREW-SF/DR, 8-18 X 3/4 PPH - BLACK
	000G39-08-06B	EA SCREW-SF/DR, 8-18 X 3/8 PPH ZN
	000G60-10-28T	EA SCREW-SF/DR, 10-16X1.75
	000G39-08-16R	EA SCREW-SF/DR 8-18X1.00 PPH BEIGE
	000G39-08-08R	EA SCREW-SF/DR 8-18X1/2 PPH
	079382-01-000	EA SCREW-SOCKET, 8-18 X 1" - BLACK

**SEALERS AND FASTENERS**

KEY	PART NUMBER	U/M DESCRIPTION
	108205 01 000	EA SEALER-PUMPABLE
	088640-02-000	FT SEALER-RIBBON, 1/2" X 1/8" - INCREMENTS OF 30'
	088640-09-000	FT SEALER-RIBBON, 1/32" X 2 1/2"
	088640-01-000	FT SEALER-RIBBON, 1/4" DIAMETER - INCREMENTS OF 20'
	088640-03-000	FT SEALER-RIBBON, 3/4" X 1/8" - INCREMENTS OF 60'
	088640-06-000	FT SEALER-RIBBON, 5/16" DIAMETER - INCREMENTS OF 25'
	091255-03-000	FT SEAL-FOAM, 1/4 X 3/16 ROLL
	091255-01-000	FT SEAL-FOAM, 3.2MM X 4.8MM
	090340-01-000	FT SEAL-FOAM, CLOSED CELL - 1/4" X 1/2" X 50'
	053752-01-000	GL SEAM SEALER-5 GAL ALUMINUM
	034552-04-000	EA SILICONE-TUBE, 300 ML - BEIGE
	034552-02-000	EA SILICONE-TUBE, 300 ML - CLEAR
	008401-01-000	EA STRAP-CONDUIT, 3/4" - 1 HOLE - GALVANIZED STEEL

**TAPES AND FASTENERS**

KEY	PART NUMBER	U/M DESCRIPTION
	100028-01-000	FT TAPE-ADHESIVE, .031" X .75" WIDE
	004363-01-000	FT TAPE-ADHESIVE FOAM, 1 SIDE - 3/16" X 1/2" - GRAY
	083071-01-000	FT TAPE-BONDING, DOUBLE SIDED - 1/84" X 2"
	093071-01-000	FT TAPE-BONDING, DOUBLE SIDED - 1/84" X 2"
	078322-03-000	FT TAPE-FOAM, DOUBLE COATED - .045" X .5"
	088244-01-000	FT TAPE-FOAM, VINYL COATED - 2" WIDE - INCREMENTS OF 108 FT
	009200-01-000	EA TAPE-FURNACE, 1 1/2"
	087891-01-000	EA TAPE-MASKING, WEATHER RESISTANT
	008343-02 000	EA TIE-WIRE, 14"
	008343-01-000	EA TIE-WIRE, 8"

**WASHERS AND FASTENERS**

KEY	PART NUMBER	U/M DESCRIPTION
	077071-01-000	EA WASHER-FENDER, 3/16" ID X 1" OD
	000E13-14-00B	EA WASHER-FL., 1/4" WIDE ZN
	000E13-11-00B	EA WASHER-FL, 3/16" WIDE ZN
	000E13-17-00B	EA WASHER-FL-3/8 AR ZN

**WATER & SEWAGE GROUP**

**DRAINAGE SYSTEM - CANADIAN**

KEY	PART NUMBER	U/M DESCRIPTION
	004020-01-000	QT ADHESIVE-ABS CEMENT
	010008-01-000	EA ELBOW-45 DEG, 1/8" BEND - 1 1/2" HUB X HUB - BLACK PLASTIC
	010008-01-000	EA ELBOW-90 DEG, 1/4" BEND - 1 1/2" HUB X HUB - BLACK PLASTIC
	010071-01-000	EA TEE-SANITARY, 1 1/2" HUB X HUB X HUB - PLASTIC - BLACK
	010079-01-000	EA TEE-SANITARY, 1 1/2"H X 1 1/2"H X 1 1/4"H - PLASTIC - BLACK
	010115-01-000	EA COUPLING-1 1/2" HUB X HUB, PLASTIC
	010121-01-000	EA BUSHING-REDUCER, 1 1/2"SMOOTH 1 1/4"HUB - PLASTIC - BLACK
	011066-02-000	EA P TRAP-1 1/4" HUB X SLIP JOINT, W/UNION - ABS - CANADIAN
	024876-02-000	EA FLANGE-CLOSET, 4" X 3" - ABS - CANADIAN
	053335-01-000	EA P TRAP-1 1/4" HUB X HUB, W/UNION - CANADIAN
	070916-01-000	EA VALVE-DUAL DUMP, W/CAP - 3" X 1 1/2" - PLASTIC - BLACK
	070916-01-700	EA VALVE ONLY, 3"
	070916-01-701	EA VALVE ONLY, 1 1/2"
	079968-01-000	EA VENT-MECH. TRAP ARM, ANTI-SIPHON - 2" DIA. X 7.3" - PLASTIC
	010073-01-000	EA WYE-PLAS-11/2X45 HXHXH
	033761-01-000	EA ELBOW-ST-PLAS1/4BD11/2X90XL
	062422-01-000	EA ADAPTER-OFFSET REDUCER3X11,2

**CONTINUOUS WASTE ASSEMBLY - CANADIAN**

KEY	PART NUMBER	U/M DESCRIPTION
	010071-01-000	EA TEE-SANITARY, 1 1/2" HUB X HUB X HUB - PLASTIC - BLACK
	010121-01-000	EA BUSHING-REDUCER, 1 1/2"SMOOTH 1 1/4"HUB - PLASTIC - BLACK

**WATER SYSTEM  
WATER PUMP - CANADIAN**

KEY	PART NUMBER	U/M DESCRIPTION
	088607-02-000	EA PUMP-WATER, 2.8 GPM - W/1/2" MPT FITTINGS - CANADIAN
	088607-01-700	EA PUMPHEAD-REPLACEMENT, SHURFLOW# 94-236-08
	088607-01-701	EA DRIVE ASM, SHURFLOW# 94-234-03
	088607-01-702	EA DIAPHRAGM-KIT, SHURFLOW# 94-233-10
	088607-01-703	EA VALVE ASM, SHURFLOW# 94-232-00
	088607-01-704	EA HOUSING-UPPER, SHURFLOW# 94-231-01
	088607-01-705	EA CHECK VALVE-KIT, SHURFLOW# 94-237-00
	088607-01-706	EA SWITCH ASM-COMPLETE, SHURFLOW# 94-230-00
	088607-01-707	EA MOTOR/BASEPLATE REPLACEMENT, SHURFLOW# 94-234-03

**FAUCETS & SHOWER HEAD - CANADIAN**

KEY	PART NUMBER	U/M DESCRIPTION
	103092-01-000	EA SHOWER HEAD-W/60" HOSE, W/O VACUUM BREAKER - CANADIAN
	075240-08-000	EA FAUCET-LAVATORY, BONE
	075241-05-000	EA FAUCET-SHOWER, BONE

**1992 WINNEBAGO**

**TABLE OF CONTENTS**

INTRODUCTION	A-01 -	A-02
ABBREVIATIONS		A-03
ALPHABETICAL INDEX	A-04 -	A-06
WCF27RC	A-07 -	D-18
WCF30RU	D-19 -	H-01

**1992 WCF27RC INDEX**

FLOOR PLAN	A-07 -	A-08
ACCESSORIES	A-09 -	A-16
BATH	A-17 -	A-18
BEDROOM	A-19 -	A-20
CHASSIS	A-21 -	B-05
C C & PAD	B-06 -	B-12
DINETTE	B-13 -	B-14
DRIVERS	B-15 -	B-18
ELECTRICAL	B-19 -	B-24
EXTERIOR BODY	C-01 -	C-06
GALLEY	C-07 -	C-10
HEATING & AC	C-11 -	C-16
INTERIOR FINISH	C-17 -	C-19
LABEL		C-20
LP		C-21
LOUNGE		C-22
SEALANTS & FASTENERS	C-23 -	D-01
WATER & SEWAGE	D-02 -	D-08
WINDOW, VENT AND		
EXTERIOR DOOR	D-09 -	D-17

**WATER & SEWAGE GROUP (CONTINUED)**

WATER HEATER W/MOTOR AID & REAR HEATER OPTION L611

KEY	PART NUMBER	U/M DESCRIPTION
	051393-01-000	EA WATER HEATER-W/MOTOR AID, PILOTLESS IGNITION - ATWOOD GH6-4E/GH6-6E
	051393-01-000	EA WATER HEATER-W/MOTOR AID, PILOTLESS IGNITION ATWOOD GH6-3E, GH6-4E OR GH6-6E
	051393-01-700	EA TANK-INNER, 3E FRONT MOUNT - ATWOOD# 91023
	051393-01-714	EA TANK-INNER (GH6-3E), REAR MOUNT - ATWOOD# 91408
	051391-04-704	EA TANK-INNER, FRONT MOUNT - GH6-4E & 6E - ATWOOD 91642
	051393-01-701	EA SWITCH PACKAGE-ATWOOD# 91959
	051393-01-702	EA SWITCH-ENERGY CUT-OFF, ATWOOD# 91951
	051393-01-703	EA THERMOSTAT-REAR MOUNT, ATWOOD# 91952
	051393-01-704	EA CIRCUIT BOARD-W/BLACK BOX, ATWOOD# 91420
	051393-01-705	EA ORIFICE HOLDER-ATWOOD# 91925
	051393-01-718	EA PROBE & SPARK ASM, ATWOOD# 91606
	051393-01-713	EA BRACKET-CORNER, PACKAGE OF 4 - ATWOOD# 91838
	051393-01-718	EA VALVE-DUAL SOLENOID, ATWOOD# 91805
	051393-01-720	EA KNOB-TEMPERATURE, ATWOOD# 92310
	051393-01-721	EA ECO&THERMOSTAT ASM-FRONT MOUNT, 140 DEGREE - ATWOOD#
	051393-01-722	EA GAS IGNITION FIELD TESTER-MODEL 05-080224-001
	051391-01-700	EA HINGE KIT-W/CLIP, ATWOOD # 92588 & 92559
	051391-01-704	EA VALVE-RELIEF, 1/2" FITTING - ATWOOD# 91604
	051391-01-705	EA FASTENER-CAMLOC, ATWOOD# 92609
	051391-01-710	EA ORIFICE-MAIN BURNER, ATWOOD# 92742
	051391-04-701	EA THERMOSTAT 12 VDC-120 PRESET, ATWOOD# 91470
		FRONT MOUNT ONLY
	051391-01-715	EA DRAIN PLUG, ATWOOD# 91561
	051391-04-707	EA KIT-GRILLE, FLUE, & GASKET - ATWOOD# 90980
	051391-04-703	EA BURNER-MAIN, ATWOOD# 91638 4E AND 6E
	052009-02-000	EA DOOR-WATER HEATER, ATWOOD 5578-27 - BEIGE
	062401-01-000	EA CLAMP-HOSE, WORMGEAR .25" - 1"
	079059-01-000	EA HOSE-90 DEGREE, .61"ID X 4" X .38"
	007108-01-000	FT HOSE-HEATER, 5/8" ID
	088753-01-000	FT TUBE-ALUMINIZED STEEL, 5/8" - 18 GAUGE
	010227-01-000	EA TEE-PLASTIC, BARB 5/8" OR 3/4" HOSE

**WATER & SEWAGE GROUP (CONTINUED)**

**EXTERIOR SHOWER**

KEY	PART NUMBER	U/M DESCRIPTION
	048128-01-000	EA VALVE-DRAIN-PLAS 1/2FPT
	052959-02-000	EA CONNECTOR-PLAS, 1/2F X 1/2MPT
	054250-04-000	EA SUPPORT-DIMMER SWITCH O/W
	057457-01-000	EA ELBOW-UNION, 1/2X1/2IN FLARE
	065120-01-000	EA ELBOW-PLAS, SWIVEL, .50 IN
	075241-05-000	EA FAUCET-SHOWER CTRL, BONE
	087211-01-000	GL ADHESIVE-PROMOTER
	103092-01-000	EA SHOWER HEAD-W/80 IN HOSE
	105118-02-C05	EA DOOR ASM-STOF 3E
	106208-01-01A	EA COMPARTMENT-S.OWER, EXT O/W
	065120-01-000	EA ELBOW-PLAS, SWIVEL, .50 IN
	076322-05-000	FT TAPE-FOAM, DBL COATED, .045X.75
	096241-07-000	EA SWITCH-ROCKER, DPDT, ON/ON

**WATER HEATER BYPASS VALVE**

KEY	PART NUMBER	U/M DESCRIPTION
	039798-01-000	EA TEE-PLS, 1/2MPTX1/2MPTX1/2MPT
	039800-01-000	FT TUBING-POLYBUTY-1/2ODX20FT
	052957-02-000	EA ELBOW-PLAS, 1/2F X 1/2MPT
	052959-02-000	EA CONNECTOR-PLAS, 1/2F X 1/2MPT
	079317-01-000	EA ADAPTER-SWIVEL, 5TUBEX.5FPT
	099729-01-000	EA BYPASS KIT-WATER HEATER
	101814-01-000	EA COUPLING-FEMALE
	000667-10-188	EA SCREW-10-12X1 PPH ZN
	052958-01-000	EA TEE-PLAS, 1/2FX1/2FX1/2F

**1992 WINNEBAGO**

**TABLE OF CONTENTS**

INTRODUCTION	A-01 -	A-02
ABBREVIATIONS		A-03
ALPHABETICAL INDEX	A-04 -	A-06
WCF27RC	A-07 -	D-18
WCF30RU	D-19 -	H-01

**1992 WCF27RC INDEX**

FLOOR PLAN	A-07 -	A-08
ACCESSORIES	A-09 -	A-16
BATH	A-17 -	A-18
BEDROOM	A-19 -	A-20
CHASSIS	A-21 -	B-05
C C & PAD	B-06 -	B-12
DINETTE	B-13 -	B-14
DRIVERS	B-15 -	B-18
ELECTRICAL	B-19 -	B-24
EXTERIOR BODY	C-01 -	C-08
GALLEY	C-07 -	C-10
HEATING & A/C	C-11 -	C-18
INTERIOR FINISH	C-17 -	C-19
LABEL		C-20
LP		C-21
LOUNGE		C-22
SEALANTS & FASTENERS	C-23 -	D-01
WATER & SEWAGE	D-02 -	D-08
WINDOW, VENT AND		
EXTERIOR DOOR	D-09 -	D-17

**WATER & SEWAGE GROUP (CONTINUED )**  
**WATER SYSTEM COMPONENTS CONTINUED TO FAUCETS**

KEY	PART NUMBER	U/M DESCRIPTION
	079381-01-000	FT TUBING-SMOOTH FLEXIBLE, 1 1/4" ID
	087659-04-000	EA FILL-WATER, CITY - OFF WHITE
	039800-01-000	FT TUBING-POLYBUTYL, 1/2" OD - INCREMENTS OF 20' - BLACK
	039800-02-000	FT TUBING-POLYBUTYL, 5/8" OD - INCREMENTS OF 20' - BLACK
	052952-01-000	EA NUT-PLASTIC, 1/2" F X 1/2" TUBE - PLASTIC - GRAY
	052952-02-000	EA NUT-PLASTIC, 5/8" FLARE
	052957-02-000	EA ELBOW-MALE, 1/2" F X 1/2" MPT - PLASTIC - GRAY
	052958-01-000	EA TEE, 1/2" F X 1/2" F X 1/2" F - PLASTIC - GRAY
	052980-01-000	EA DRAIN VALVE-IN LINE, HEADER - 1/2" F X 1/2" F - GRAY PLASTIC
	057457-01-000	EA ELBOW-UNION, 1/2" X 1/2" FLARE
	085120-01-000	EA ELBOW-SWIVEL, 1/2" FPT X 1/2" FLARE - PLASTIC - GRAY
	079317-01-000	EA ADAPTER-SWIVEL, 1/2" TUBE X 1/2" FPT - PLASTIC - GRAY
	091208-01-000	EA WASHER-RUBBER, .06" X .75" X .5"
	052953-01-000	EA NUT-FAUCET, 1/2" TUBE X 1/2" FPT - PLASTIC - GRAY
	075240-06-000	EA FAUCET-LAVATORY, BONE
	091253-01-000	EA GASKET-FAUCET, LAVATORY/GALLEY
	084952-01-000	EA FAUCET-GALLEY
	075241-06-000	EA FAUCET-SHOWER, BONE
	103092-01-000	EA HEAD-SHOWER, W/60" HOSE
	052959-02-000	EA CONNECTOR - PLASTIC 1/2" F X 1/2" MPT
	075908-01-000	EA PANEL-SHOWER FAUCET
	039799-01-000	EA TEE-PLS;1/2MPTX1/2MPTX1/2MPT
	055293-01-000	EA TEE-5/8F X1/2FX5/8F
	067973-01-000	EA TEE-PLAS,1/2FX1/2FX5/8F
	074463-01-000	EA TEE-4 WAY, 1/2"FLARE
	082144-02-000	EA CAP-PIPE,1/2 FPT BRASS HEX
	096417-01-000	EA CONNECTOR-PLAS,5/8F X 1/2MPT
	108258-01-000	EA CAP-INSERTABLE 1/2 FLARE
	108258-02-000	EA CAP-INSERTABLE 5/8 FLARE
	010224-01-000	EA ADAPTER-PLAS-3/8MPTX3/8BARB
	052955-03-000	EA TEE-PLAS,5/8FX5/8FX1/2MPT
	074462-02-000	EA TUBING-VINYL, 3/8 I.D.
	079381-01-000	EA TUBING-FLEX/SMOOTH 1.25 ID

**FRESH WATER TANK - 54 GALLON**

KEY	PART NUMBER	U/M DESCRIPTION
	078825-07-000	EA TANK-WATER, W/O FITTINGS - 54 GAL - 40" X 25" X 13"
	078825-01-000	EA TANK-WATER,54 GALLON
	042989-05-000	EA FITTING-SPINWELD,PLAS 1/2FPT
	042989-04-000	EA FITTING-WATER TANK, SPINWELD - 3/8" FPT - PLASTIC - WHITE
	042989-06-000	EA FITTING-SPINWELD, PLASTIC - 3/4 FPT
	042989-03-000	EA FITTING-SPINWELD, PLASTIC - 1 1/4" FPT
	049032-01-000	EA PATCH-SPINWELD, 3/8" - PLASTIC
	039881-01-000	EA SENDING UNIT W/SCREW, WASHER, WELL NUT AND TERMINAL RING
	098449-01-000	EA WIRE ASM-TANK,WATER
	077964-02-000	EA FILTER-WATER TANK, SCREEN IN TANK

**WATER PUMPS**

KEY	PART NUMBER	U/M DESCRIPTION
	098807-01-000	EA PUMP-WATER, W/5" MPT FITTING - FLOW 2.8 GPM - UL
	098807-01-700	EA PUMPHEAD-REPLACEMENT, SHURFLOW# 94-236-08
	098807-01-701	EA DRIVE ASM, SHURFLOW# 94-234-03
	098807-01-702	EA DIAPHRAGM-KIT, SHURFLOW# 94-233-10
	098807-01-703	EA VALVE ASM, SHURFLOW# 94-232-00
	098807-01-704	EA HOUSING-UPPER, SHURFLOW# 94-231-01
	098807-01-705	EA CHECK VALVE-KIT, SHURFLOW# 94-237-00
	098807-01-707	EA MOTOR/BASEPLATE REPLACEMENT, SHURFLOW# 94-234-03
	098807-01-708	EA UPPER HOUSING/SWITCH KIT - SHURFLOW #94-230-00

**WATER & SEWAGE GROUP (CONTINUED )**  
**WATER HEATER & WATER HEATER DOOR**

KEY	PART NUMBER	U/M DESCRIPTION
	051391-03-000	EA HEATER-WATER, W/ELECTRIC IGNITION - ATWOOD G6A-3E
	051391-01-700	EA HINGE KIT-W/CLIP, ATWOOD # 92568 & 92559
	051393-03-700	EA TANK-INNER (G6A-3E), REAR MT - ATWOOD# 91409
	051391-01-704	EA VALVE-RELIEF, 1/2" FITTING - ATWOOD# 91604
	051391-01-705	EA FASTENER-CAMLOC, ATWOOD# 92809
	051391-01-706	EA GRILLE-EXHAUST, 3E ONLY - ATWOOD #92787
	051391-01-708	EA BURNER-MAIN, 3E ONLY - ATWOOD# 92615
	051391-01-710	EA ORIFICE-MAIN BURNER, ATWOOD# 92742
	051391-04-701	EA THERMOSTAT 12 VDC-120 PRESET, FRONT MOUNT ONLY - ATWOOD# 91470
	051391-01-715	EA DRAIN PLUG, ATWOOD# 91581
	051391-04-700	EA TANK-INNER (G6A-3E), FRT MT - ATWOOD# 91808
	051393-01-704	EA CIRCUIT BOARD-W/BLACK BOX, ATWOOD# 91420
	051393-01-702	EA SWITCH-ENERGY CUT-OFF, ATWOOD# 91951
	051393-01-701	EA SWITCH PACKAGE-ATWOOD# 91959
	051393-01-703	EA THERMOSTAT-REAR MOUNT, ATWOOD# 91952
	051393-01-721	EA ECO&THERMOSTAT ASM-FRONT MOUNT, 140 DEGREE - ATWOOD# 91447
	051393-01-718	EA SPARK & PROBE ASM, ATWOOD# 91808
	051393-01-718	EA VALVE-DUAL SOLENOID, ATWOOD# 91805
	051393-01-705	EA ORIFICE HOLDER-ATWOOD# 91925
	052009-01-000	EA DOOR-WATER HEATER, ATWOOD 5578-27 - OFF WHITE

**DRAINAGE SYSTEM**  
**SINKS**

KEY	PART NUMBER	U/M DESCRIPTION
	098927-01-01A	EA SINK-LAVATORY, RECTANGULAR - PLASTIC - BONE
	098927-01-700	EA SINK-STOPPER
	098927-01-701	EA TAILPIECE-SINK
	104113-01-000	EA SINK-DOUBLE, STAINLESS STEEL
	092303-01-000	EA STRAINER-SINK

**SHOWER PAN**

KEY	PART NUMBER	U/M DESCRIPTION
	M02429-08-000	EA PAN-SHOWER, W/STRAINER & TAILPIECE
	088440-01-000	EA STRAINER W/RUBBER WASHER
	099840-01-000	FT SEALER-RIBBON, 1/2" X 30'
	099736-01-000	EA WASHER-STRAINER TO TAILPIECE PLASTIC, 1.5"
	057871-01-000	EA COVER-SCREW, #8 - PLASTIC - OFF WHITE
	011089-02-000	EA TAILPIECE-TUB/SHOWER, 1 1/2" X 1 1/4" X 4" - BRASS
	088438-01-000	EA NUT-SLIP, TAILPIECE - 1.5"

**1992 WINNEBAGO**  
**TABLE OF CONTENTS**

INTRODUCTION	A-01	A-02
ABBREVIATIONS		A-03
ALPHABETICAL INDEX	A-04	A-08
WCF27RC	A-07	D-18
WCF30RU	D-19	H-01

**1992 WCF27RC INDEX**

FLOOR PLAN	A-07	A-08
ACCESSORIES	A-09	A-16
BATH	A-17	A-18
BEDROOM	A-19	A-20
CHASSIS	A-21	B-05
C C & PAD	B-06	B-12
DINETTE	B-13	B-14
DRIVERS	B-15	B-18
ELECTRICAL	B-19	B-24
EXTERIOR BODY	C-01	C-06
GALLEY	C-07	C-10
HEATING & AC	C-11	C-16
INTERIOR FINISH	C-17	C-19
LABEL		C-20
LP		C-21
LOUNGE		C-22
SEALANTS & FASTENERS	C-23	D-01
WATER & SEWAGE	D-02	D-06
WINDOW, VENT AND		
EXTERIOR DOOR	D-09	D-17

**WATER & SEWAGE GROUP (CONTINUED )**  
**DRAINAGE SYSTEM CONTINUED**

KEY	PART NUMBER	U/M DESCRIPTION
	011088-03-000	EA P-TRAP, 1 1/2" TRAP X 1 1/4" SOCKET - PLASTIC
	079988-01-000	EA VENT-MECH. TRAP ARM, ANTI-SIPHON - 2" DIA. X 7.3" - PLASTIC
	010166-01-000	EA PLUG-THREADED, 1 1/4" DIAMETER - PLASTIC - BLACK
	062422-01-000	EA ADAPTER-OFFSET REDUCER, 3" X 1 1/2" - PLASTIC - BLACK
	010122-01-000	EA BUSHING-REDUCER, 1 1/2"SMOOTH X 1 1/4"THREAD - BLACK PLASTIC
	010121-01-000	EA BUSHING-REDUCER, 1 1/2"SMOOTH 1 1/4"HUB - PLASTIC - BLACK
	010115-01-000	EA COUPLING-1 1/2" HUB X HUB, PLASTIC
	010079-01-000	EA TEE-SANITARY, 1 1/2"H X 1 1/2"H X 1 1/4"H - PLASTIC - BLACK
	010073-01-000	EA WYE-45 DEGREE, 1 1/2" HUB X HUB X HUB - PLASTIC - BLACK
	033781-01-000	EA ELBOW-TURN, 1/4 BEND X 1.5"HUB X 1.5"SPIGOT - BLACK PLASTIC
	010071-01-000	EA TEE-SANITARY, 1 1/2" HUB X HUB X HUB - PLASTIC - BLACK
	004020-01-000	QT ADHESIVE-ABS CEMENT
	044927-01-000	EA ADAPTER-HOSE TO PIPE, 1 1/4"MP T X 1 1/4"BARB-BLACK PLASTIC
	010008-01-000	EA ELBOW-45 DEG, 1/8 BEND - 1 1/2" HUB X HUB - BLACK PLASTIC
	010008-01-000	EA ELBOW-90 DEG, 1/4 BEND - 1 1/2" HUB X HUB - BLACK PLASTIC
	011091-02-000	EA WASTE-CONT,DBL SINK

**WASTE WATER HOLDING TANK**

KEY	PART NUMBER	U/M DESCRIPTION
	102080-01-000	EA TANK-HOLDING, W/O GROMMETS - 35 GALLON 31.5" X 24" X 18"
	081607-01-000	EA GROMMET-HOLDING TANK, 1 1/2" NPS
	039881-01-000	EA SENDING UNIT W/SCREW, WASHER, WELL NUT AND TERMINAL RING

**SEWAGE HOLDING TANK**

KEY	PART NUMBER	U/M DESCRIPTION
	074175-01-000	EA TANK-HOLDING, W/O GROMMETS - 44 GL - 35" X 25" X 15"
	081607-01-000	EA GROMMET-HOLDING TANK, 1 1/2" NPS
	081607-02-000	EA GROMMET-HOLDING TANK, 3" NPS
	039881-01-000	EA SENDING UNIT W/SCREW, WASHER, WELL NUT AND TERMINAL RING

**TOILET & CLOSET FLANGE**

KEY	PART NUMBER	U/M DESCRIPTION
	087487-02-000	EA TOILET- AQUA MAGIC IV LOW
	087487-02-700	EA SEAT & COVER ASM(FOOT-FLUSH)
	087487-02-701	EA PEDAL PKG (FOOT-FLUSH)
	087487-02-702	EA RESERVOIR TANK ASSEMBLY
	083740-01-710	EA LINK THETFORD
	083740-01-713	EA SEAL (BALL VALVE TO BOWL)
	083740-01-714	EA WATER VALVE ASM
	083740-01-708	EA CLOSET BOLT PKG
	083740-01-717	EA FLUSH TUBE

**WATER & SEWAGE GROUP (CONTINUED )**  
**DRAINAGE VALVES & HOSE**

KEY	PART NUMBER	U/M DESCRIPTION
	062422-01-000	EA ADAPTER-OFFSET REDUCER, 3" X 1 1/2" - PLASTIC - BLACK
	070916-01-000	EA VALVE-DUAL DUMP, W/CAP - 3" X 1 1/2" - PLASTIC - BLACK
	070916-01-700	EA VALVE ONLY, 3"
	070916-01-701	EA VALVE ONLY, 1 1/2"
	062419-02-700	EA HANDLE ONLY - FOR EXTENSION ROD
	062415-01-000	EA CAP-SEWER, 3" DIAMETER
	078408-01-000	EA COUPLER-RUBBER, W/CLAMPS - 3" X 3"
	103954-01-000	EA CONNECTOR-HOSE, SEWER
	083592-01-000	EA ADAPTER-PLASTIC, SEWER HOSE - 45 DEGREE
	089330-01-000	EA ADAPTER-SEWER HOSE END
	010201-02-000	EA HOSE-SEWER, 3 ID X 20 FEET
	083558-03-000	EA VENT-PLUMBING PIPE ROOF, W/COVER - OFF WHITE

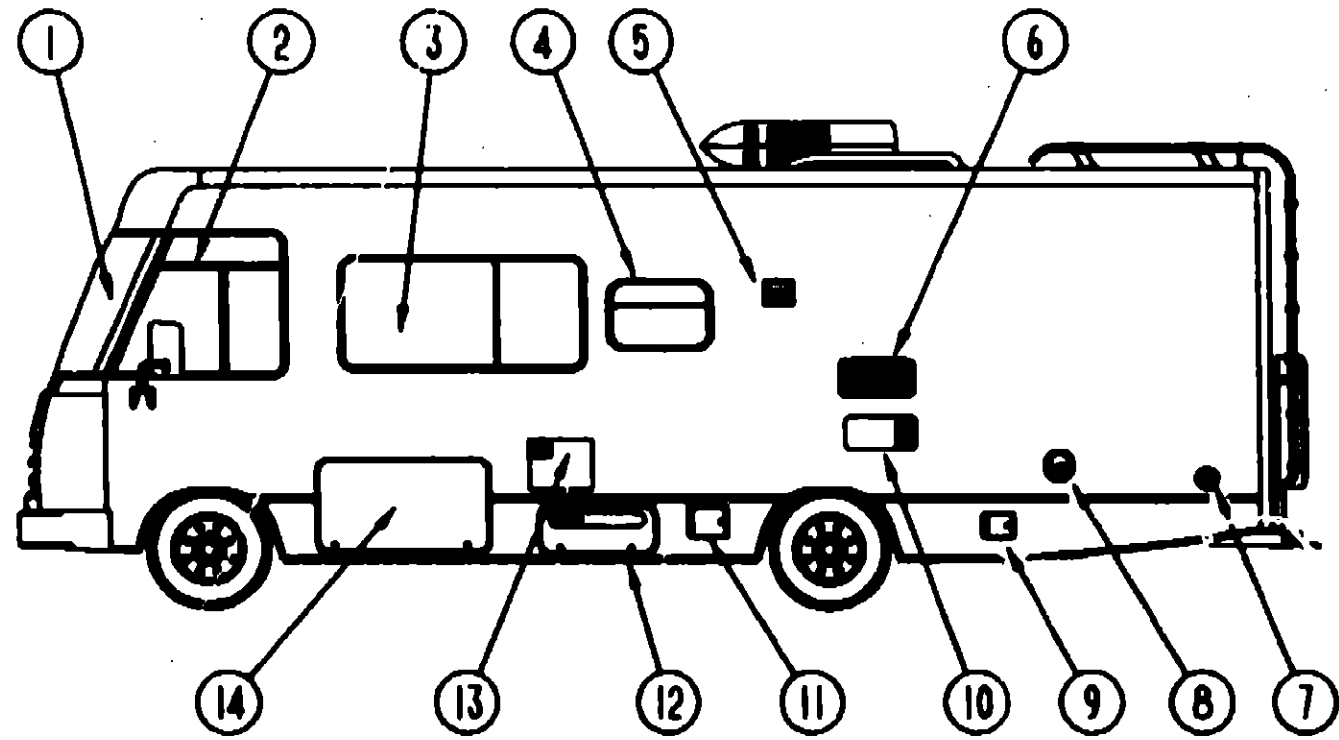
**1992 WINNEBAGO**  
**TABLE OF CONTENTS**

INTRODUCTION	A-01	A-02
ABBREVIATIONS		A-03
ALPHABETICAL INDEX	A-04	A-08
WCF27RC	A-07	D-18
WCF30RU	D-19	H-01

**1992 WCF27RC INDEX**

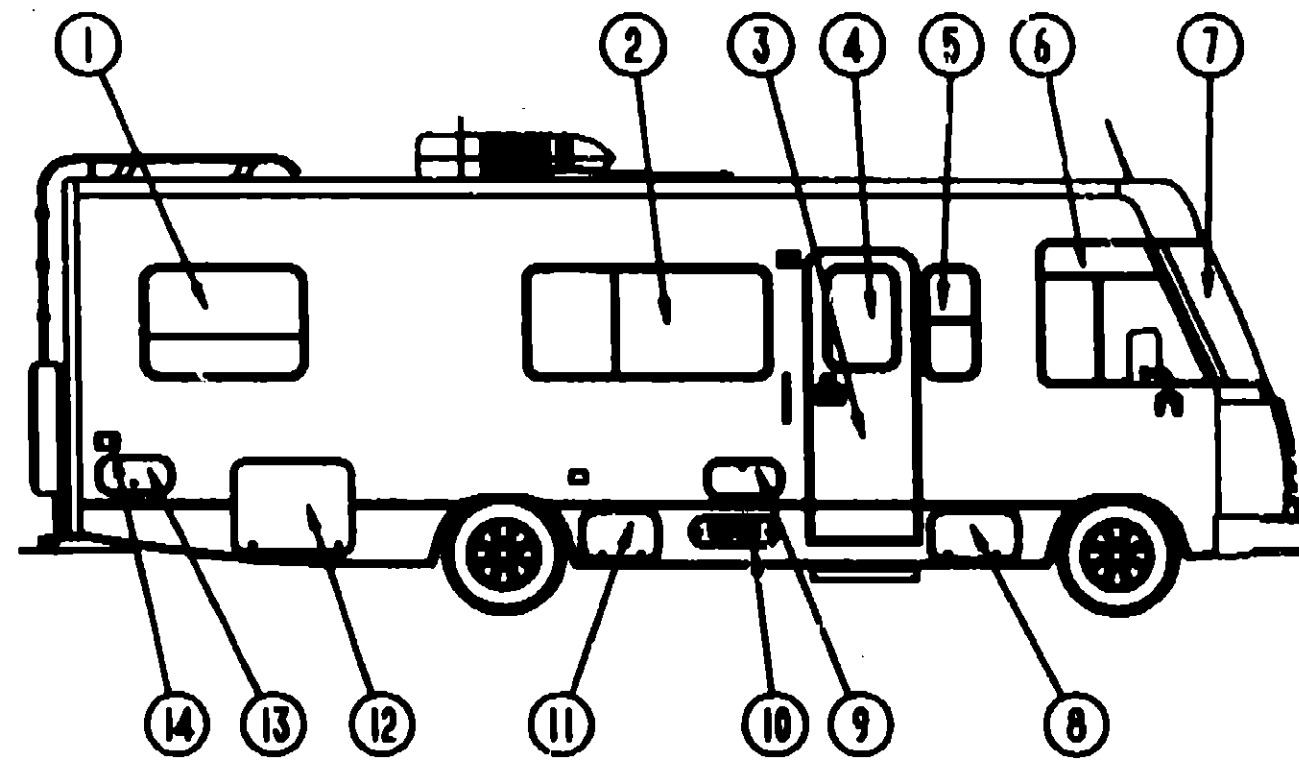
FLOOR PLAN	A-07	A-08
ACCESSORIES	A-09	A-18
BATH	A-17	A-18
BEDROOM	A-19	A-20
CHASSIS	A-21	B-05
C C & PAD	B-08	B-12
DINETTE	B-13	B-14
DRIVERS	B-15	B-18
ELECTRICAL	B-19	B-24
EXTERIOR BODY	C-01	C-08
GALLEY	C-07	C-10
HEATING & AC	C-11	C-18
INTERIOR FINISH	C-17	C-18
LABEL		C-20
LP		C-21
LOUNGE		C-22
SEALANTS & FASTENERS	C-23	D-01
WATER&SEWAGE	D-02	D-08
WINDOW, VENT AND		
EXTERIOR DOOR	D-09	D-17

**WINDOW, VENT & EXTERIOR DOOR GROUP**



**DRIVER SIDE WINDOWS & DOORS**

**WINDOW, VENT & EXTERIOR DOOR GROUP (CONTINUED)**



**PASSENGERS SIDE WINDOWS & DOORS**

**1992 WINNEBAGO  
TABLE OF CONTENTS**

INTRODUCTION	A-01 -	A-02
ABBREVIATIONS		A-03
ALPHABETICAL INDEX	A-04 -	A-08
WCF27RC	A-07 -	D-18
WCF30RU	D-19 -	H-01

**1992 WCF27RC INDEX**

FLOOR PLAN	A-07 -	A-08
ACCESSORIES	A-09 -	A-16
BATH	A-17 -	A-18
BEDROOM	A-19 -	A-20
CHASSIS	A-21 -	B-05
C C & PAD	B-08 -	B-12
DINETTE	B-13 -	B-14
DRIVERS	B-15 -	B-18
ELECTRICAL	B-19 -	B-24
EXTERIOR BODY	C-01 -	C-08
GALLEY	C-07 -	C-10
HEATING & AC	C-11 -	C-16
INTERIOR FINISH	C-17 -	C-18
LABEL		C-20
LP		C-21
LOUNGE		C-22
SEALANTS & FASTENERS	C-23 -	D-01
WATER & SEWAGE	D-02 -	D-08
WINDOW, VENT AND EXTERIOR DOOR	D-09 -	D-17

KEY	PART NUMBER	U/M	DESCRIPTION	
1	089793-04-000	EA	GLASS-WINDSHIELD,LH	
2	103858-01-01A	EA	WINDOW ASM-CAB,DRIVER	
3	089847 10 700	EA	WINDOW ASM-SLIDER,HORIZ B/W W/O INSIDE TRIM	
4	082235 11 Y12	EA	WINDOW ASM-SINGLE	
5	084616 01 000	EA	SHROUD-VENT,RANGE HOOD,O/W	
	084878 09 000	EA	VENT-HOOD RANGE,SHORT	
6	084104 03 000	EA	JAMB-VENT DOOR,REFRIGERATOR	
6	084103 03 000	EA	DOOR-VENT,REFRIGERATOR	
7	087850 04 000	EA	FILL-WATER,CITY,OFF WHITE	
8	102851 01 02A	EA	SHROUD-FUEL FILL O/W	
9	088182 01 Y92	EA	COMPARTMENT ASM-HOSE SEWER	
9	052423 01 000	EA	DOOR-FUEL FILL,OFF WHT	
	052424 01 000	EA	JAMB-DOOR,FUEL FILL,OFF	
	042442 01 000	EA	LOCK-ASM-TWIST TYPE	
	088867 01 000	EA	COMPARTMENT - PLASTIC W/O DOOR	
10	088888 08 000	EA	DOOR-ACCESS,FURNACE,OFF WHT	
11	088794 01 000	EA	DOOR ASM-POWER CORD,WATCH	
12	103633 01 C05	EA	DOOR ASM-GENERATOR	
13	082009 01 000	EA	DOOR-WATER HEATER,OFF WHITE	
14	078578 13 C05	EA	DOOR ASM-STORAGE	
				FROM: 00-00-00 THRU: 01-12-92
14	108887-08-C05	EA	DOOR ASM-STORAGE	FROM: 01-13-92 THRU: 99-99-99

**BACKWALL ESCAPE WINDOW**

KEY	PART NUMBER	U/M	DESCRIPTION
	078528-04-C05	EA	WINDOW ASM-ESCAPE

KEY	PART NUMBER	U/M	DESCRIPTION	
1	082235-12-Y12	EA	WINDOW ASM-SINGLE	
2	089847 09 02A	EA	WINDOW ASM-SLIDER,HORIZ B/W	
3	M01870 49 C05	EA	DOOR-ENTR W/SCN,WBLK FRAME	
	075639 04 000	EA	GARNISH-RADIUS,ENT DOOR O/W	
	077481 03 000	EA	COVER-BRACKET,STRIKE OFF/WHT	
4	078733 07 AAB	EA	WINDOW ASM-PICTURE 17X25	
4	087809 32 000	EA	FRAME-INSIDE WINDOW O/W	
5	088844 03 703	EA	WINDOW ASM-SLIDER RAIBE B/W	
6	103858-02-01A	EA	WINDOW ASM-CAB,PASSENGER	
7	089793-03-000	EA	GLASS-WINDSHIELD,RH	
8	078578 10 C05	EA	DOOR ASM-STORAGE	
				FROM: 00-00-00 THRU: 01-12-92
8	108887-01-C05	EA	DOOR ASM-STORAGE	FROM: 01-13-92 THRU: 99-99-99
9	105118 01 C05	EA	DOOR ASM-STORAGE, ENTERTAINMENT CENTER	
10	078720 02 T15	EA	DOOR ASM-LP	
11	078578 11 C05	EA	DOOR ASM-STORAGE	
				FROM: 00-00-00 THRU: 01-12-92
11	108887-02-C05	EA	DOOR ASM-STORAGE	FROM: 01-13-92 THRU: 99-99-99
12	078578 12 C05	EA	DOOR ASM-STORAGE	
				FROM: 00-00-00 THRU: 01-12-92
12	108887-05-C05	EA	DOOR ASM-STORAGE	FROM: 01-13-92 THRU: 99-99-99
13	105118-02-C05	EA	DOOR ASM-SHOWER STORAGE	
13	108208-01-01A	EA	COMPARTMENT-SHOWER,EXT O/W	
14	081240 03 000	EA	FILL-WATER,LOCKABLE OFF/WHT	
	104099-01-01A	EA	CATCH-DOOR HOLDER,STRIKE-OFF WHITE	
	104099-01-02A	EA	CATCH-DOOR HOLDER,STRIKE-GRAY	

**WINDOW, VENT & EXTERIOR DOOR GROUP(CONTINUED)**

**ENTRY DOOR**

KEY	PART NUMBER	U/M	DESCRIPTION
	M01870-48-C06	EA	DOOR-ENTRY, W/JAMB AND SCREEN DOOR
	000G11-08-12S	EA	SCREW, 8-18 X 3/4 PPH - OFF WHITE
	000G39-08-08R	EA	SCREW-SF/DR-8-18X1/2 PPH
	000G53-04-08B	EA	SCREW-MACH-1/4-20X3/8 PPH 2N
	000G54-04-20B	EA	SCREW-1/4-20X1 1/4 PTH TYP 23
	009016-01-000	EA	CATCH-ELBOW, SPRING LOADED - SCREEN DOOR CATCH
	039539-01-000	EA	STRIKE-ENTRANCE DOOR LOCK
	039540-01-000	EA	LATCH MECHANISM-HOOK, ENTRY DOOR - INTERIOR
	039715-01-000	EA	NUT-SERT, 1/4" DIAMETER - 20 THREADS
	101145-01-01A	EA	DEADBOLT-ENTRY DOOR, BLACK BLANK KEY# 095229-01-700
	101147-01-000	EA	BOLT-SECURITY, 4.12" BACKSET
	039979-04-000	EA	COVER-INTERIOR LATCH, W/TRIP ARM - RIGHT - BLACK FROM: 08-08-90 THRU: 99-99-99
	039984-01-000	EA	CAP-ROUND DEADBOLT, VINYL - .28" ID X .62" LONG - BLACK
	040944-01-000	EA	LABEL-ENTRANCE DOOR, "OPEN"
	045017-11-000	EA	LATCH-ENTRY DOOR, MECHANISM W/LOCK & KEY - BLACK MASTER KEY P.N. 045017-11-700 - KEY BLANK P.N. 045017-11-701
	102524-01-000	EA	BUMPER-RUBBER, FLAT - BLACK
	058025-02-000	EA	CLIP-ROLLER LATCH CATCH
	063729-04-000	EA	RIVNUT, 10-32 UNF - .010-.080
	072993-01-000	EA	NUTSERT-M5 X 0, 8
	075871-04-000	FT	SEAL-SPONGE, LAZY T SHAPE - WEATHERSTRIP ON ENTRY DOOR
	075908-01-000	EA	SCREW-MACH-10-32X.56PTH(SEMS)
	089748-01-000	EA	FRAME-BOTTOM ENTRY DOOR, OFF WHITE
	080340-01-000	FT	SEAL-FOAM, CLOSED CELL - 1/4" X 1/2" X 50'
	091988-03-000	FT	TAPE-ADHESIVE, .04" X 1" WIDE
	095276-01-01A	EA	FRAME-ENTRY DOOR, W/O BOTTOM - OFF WHITE
	095277-02-01A	EA	JAMB-ENTRY DOOR, W/BOTTOM & ROLLER CATCH STRIKER - OFF WHITE
	051049-01-000	EA	JAMB BOTTOM-ENTRY DOOR, BEIGE
	079207-01-000	EA	STRIKER-ROLLER CATCH, WELDED TO DOOR JAMB - 4" X 1.15"
	095278-01-01A	EA	JAMB-DOOR, ENTRANCE - UNPAINTED
	097724-01-02A	EA	HINGE-ENTRY DOOR, OFF WHITE
	097724-01-04A	EA	HINGE-ENTRY DOOR, UNPAINTED
	099173-01-03A	EA	STIFFENER-ENTRY DOOR, SUPPORTS LATCH/STRIKE AREA - OFF WHITE
	099173-01-04A	EA	STIFFENER-ENTRY DOOR, SUPPORTS LATCH/STRIKE AREA - MILL
	100129-02-000	FT	SEAL-PILE, ADHESIVE BACK - SCREEN DOOR - GRAY
	100412-01-000	EA	CATCH-SCREEN DOOR
	079639-04-000	EA	GARNISH-RADIUS, ENTRANCE DOOR - OFF WHITE
	044582-02-000	EA	CAP-DRIP, ENTRY DOOR, ALUMINUM, OFF WHITE

**ENTRY DOOR SCREEN**

KEY	PART NUMBER	U/M	DESCRIPTION
	079012-01-U01	EA	DOOR-SCREEN
	002293-02-000	9F	SCREENING-WINDOW/DOOR, 26" - CHARCOAL
	002294-01-000	FT	SPLINE-SCREENING, .135" X .135" - BLACK
	002748-01-000	EA	CORNER KEY-DOOR
	009016-01-000	EA	CATCH-SCREEN DOOR ROLLER
	016484-01-000	EA	INSERT-SCREEN DOOR, CENTER - LEATHER GRAIN ALUMINUM - BEIGE
	001014-01-013	EA	INSERT-CENTER, .084" X 10.25" X 16.31" - UNPAINTED ALUMINUM
	060712-04-000	EA	HANDLE-SCREEN DOOR, UNPAINTED
	079552-03-000	EA	KICK PANEL-SCREEN DOOR, LOWER INSERT - UNPAINTED
	079596-01-000	EA	TOP PLATE-SCREEN DOOR, CURVED TOP - 4.7" X 25.35"
	079777-01-000	EA	CHANNEL-SLIDE, SCREEN DOOR CENTER SLIDER COVER
	079089-02-000	EA	SLIDER-SCREEN DOOR, OFF WHITE
	079097-02-000	EA	STRIKE-SLIDER, W/LIP FOR ELBOW CATCH - 1.5" X 8.6" - OFF WHITE

**ENTRY DOOR WINDOW**

KEY	PART NUMBER	U/M	DESCRIPTION
	067909-32-000	EA	FRAME-WINDOW, INSIDE PICTURE - BLACK
	079733-07-AA8	EA	WINDOW-PICTURE, W/O INSIDE FRAME - 17" X 26"
	002181-07-000	EA	GLASS-PICTURE WINDOW, 16.25" X 24" FROSTED
	087861-01-000	FT	SPLINE-GLASS, EXTERIOR - VINYL - BLACK

**WINDOW, VENT & EXTERIOR DOOR GROUP(CONTINUED)**

**ROOF VENT CANADIAN EXPORT**

KEY	PART NUMBER	U/M	DESCRIPTION
	084489-08-000	EA	VENT-ROOF, POWERED - 14" X 14" - 12V - CANADIAN
	084489-03-702	EA	LID-VENT WHITE
	084489-03-708	EA	LIFT MECHANISM
	048848-01-000	EA	MOTOR-ROOF VENT, 1/8 SHAFT - 12V
	009439-05-000	EA	FAN-ROOF VENT, 6 BLADES - 6"
	084489-03-705	EA	KNOB-CRANK, WINDOW AND ROOF VENT - BLACK
	009439-01-000	EA	GARNISH, VENT 2.5 IN. WIDE CRANK-VENT, ROOF

**1992 WINNEBAGO**

**TABLE OF CONTENTS**

INTRODUCTION	A-01	A-02
ABBREVIATIONS		A-03
ALPHABETICAL INDEX	A-04	A-06
WCF27RC	A-07	D-18
WCF30RU	D-19	H-01

**1992 WCF27RC INDEX**

FLOOR PLAN	A-07	A-08
ACCESSORIES	A-09	A-16
BATH	A-17	A-18
BEDROOM	A-19	A-20
CHASSIS	A-21	B-05
C C & PAD	B-08	B-12
DINETTE	B-13	B-14
DRIVERS	B-15	B-18
ELECTRICAL	B-19	B-24
EXTERIOR BODY	C-01	C-06
GALLEY	C-07	C-10
HEATING & A/C	C-11	C-16
INTERIOR FINISH	C-17	C-19
LABEL		C-20
LP		C-21
LOUNGE		C-22
SEALANTS & FASTENERS	C-23	D-01
WATER & SEWAGE	D-02	D-08
WINDOW, VENT AND EXTERIOR DOOR	D-09	D-17

**WINDOW, VENT & EXTERIOR DOOR GROUP(CONTINUED)**

**VENTS**

KEY	PART NUMBER	U/M DESCRIPTION
	080393-01-Y12	EA VENT-ROOF, POWERED W/O SCREEN
	080392-01-Y12	EA VENT-ROOF, NON POWERED
	078785-01-Y12	EA SCREEN-ROOF VENT, POWERED
	078786-01-Y12	EA SCREEN-ROOF VENT, NON POWERED - WHITE
	002825-01-000	EA WEATHER STRIP-ROOF VENT, GRAY
	008195-01-000	EA SWITCH-ROOF VENT, PUSH BUTTON, 12V
	008388-01-000	EA GROMMET-SNAP, 3/8"
	008440-01-000	EA GEAR/ARM-VENT COVER, LIFT
	015811-01-000	EA TRACK-LIFT ARM, SLIDE - ROOF VENT
	048848-01-000	EA MOTOR-ROOF VENT, 1/8 SHAFT - 12V
	048849-01-000	EA FAN-ROOF VENT, 6 BLADES - 6"
	051384-01-000	EA COVER-ROOF VENT
	052839-01-200	EA HINGE-EXTRUSION, ROOF VENT 7"
	052839-01-001	EA HINGE-VENT COVER, 192"
	051803-01-000	EA GROMMET-SNAP, 3/16"ID - 3/8" HOLE - PLASTIC - BLACK
	078785-01-Y12	EA SCREEN-ROOF VENT, POWERED
	0022291-02-000	SF SCREENING-ROOF VENT/WINDOW, 16" - BLACK
	012288-02-000	FT SPLINE-VENT/WINDOW SCREEN, .128 DIAMETER - BLACK
	003439-03-000	EA EXTENSION-CRANK HANDLE, ROOF VENT - 8"
	006439-05-000	EA KNOB-CRANK, WINDOW AND ROOF VENT - BLACK
	084073-04-000	EA BASE - VENT
	084073-03-000	EA COVER - VENT
	084878-09-000	EA VENT-RANGE HOOD, EXTERIOR - W/DOOR - OFF WHITE

**EXTERIOR DOOR COMPONENTS**

KEY	PART NUMBER	U/M DESCRIPTION
	078388-04-000	EA LOCK-DOOR, KEY TYPE W/O KEYS - 1.9 OFF SET KEY # 082884-01-700
	081240-03-000	EA DOOR-WATER FILL, LOCKABLE, 4"X 4 5/8" - OFF WHITE KEY # 082884-01-700
	102328-01-000	EA KEY
	102768-01-000	EA HOLDER-COMPARTMENT/ENTRY DOOR, METAL - MILL FINISH
	009088-01-000	EA HINGE-ALUMINUM, 1 1/2" X 98" - UNPAINTED
	034007-40-000	EA HINGE-PIANO, 1.5" X 98" - ALUMINUM - OFF WHITE
	038840-01-701	EA KEY-MASTER-ATWOOD-DOOR-LOCK
	052950-01-000	EA LOCK KIT-TWIST, OFFSET - WHITE PLASTIC W/CLIP
	052950-01-000	EA LOCK-TWIST TYPE, WHITE - PLASTIC
	082951-01-000	EA CLIP-TWIST, LOCK RETAINER - PLASTIC
	084075-07-000	EA SEAL-DOOR,BULB,BULK
	081801-02-000	EA HINGE-CONT. AL.2.00X98.000QW
	002707-02-000	EA TAPE-SEALER-5/16X1/2
	078827-03-000	EA LOCK ASM-TWIST TYPE,DBL CAM

**WINDOW, VENT & EXTERIOR DOOR GROUP(CONTINUED)**

**DRIVERS & PASSENGERS CAB WINDOW**

KEY	PART NUMBER	U/M DESCRIPTION
	103858-01-01A	EA WINDOW ASM-CAB,DRIVER
	103858-01-700	EA SCREEN ASM - DRIVERS
	103858-01-701	EA TOPSTATIONARYGLASS
	103858-01-702	EA BOTTOMSTATIONARYGLASS
	103858-01-703	EA SLIDEASMLEFT
	103858-01-704	EA SCREENASMLEFT
	103858-02-01A	EA WINDOW ASM-CAB,PASSENGER
	103858-02-700	EA SCREEN ASM - PASSENGERS
	103858-02-701	EA SLIDEASMRIGHT
	103858-02-702	EA SCHEENASMRIGHT

**DINETTE WINDOW**

KEY	PART NUMBER	U/M DESCRIPTION
	088847-09-703	EA WINDOW ASM-SLIDER,HORIZ B/OW
	088847-09-700	EA GLASS-STATIONARY (R&L)
	088847-09-701	EA SASH ASM. W/LOCK & GLASS
	088847-09-702	EA TRIM
	088847-09-703	EA WINDOW ASM. - W/O TRIM

**1992 WINNEBAGO**

**TABLE OF CONTENTS**

INTRODUCTION	A-01 -	A-02
ABBREVIATIONS		A-03
ALPHABETICAL INDEX	A-04 -	A-08
WCF27RC	A-07 -	D-18
WCF30RU	D-19 -	H-01

**1992 WCF27RC INDEX**

FLOOR PLAN	A-07 -	A-08
ACCESSORIES	A-09 -	A-18
BATH	A-17 -	A-18
BEDROOM	A-19 -	A-20
CHASSIS	A-21 -	B-05
C C & PAD	B-06 -	B-12
DINETTE	B-13 -	B-14
DRIVERS	B-15 -	B-18
ELECTRICAL	B-19 -	B-24
EXTERIOR BODY	C-01 -	C-08
GALLEY	C-07 -	C-10
HEATING & AC	C-11 -	C-18
INTERIOR FINISH	C-17 -	C-19
LABEL		C-20
LP		C-21
LOUNGE		C-22
SEALANTS & FASTENERS	C-23 -	D-01
WATER&SEWAGE	D-02 -	D-08
WINDOW, VENT AND		
EXTERIOR DOOR	D-09 -	D-17



**WINDOW, VENT & EXTERIOR DOOR GROUP(CONTINUED)**

**GALLEY WINDOW**

KEY	PART NUMBER	U/M	DESCRIPTION
	082235-11-Y12	EA	WINDOW ASM-SINGLE
	080883 17 01A	EA	RETAINER-WINDOW BLK
	009439 05 000	EA	KNOB-VENT,ROOF,BLACK
	009439 08 000	EA	EXTENSION,,900",BLACK
	009439 07 000	EA	SCREW-8-32X1 1/4 PPH,BLACK
	000G39-06-18T	EA	SCREW-SF/DR-6-20X1.00 PPH
	000H14-06-14R	EA	RIVET-MANDREL BLIND,3/16
	035302-02-000	EA	OPERATOR-SLANT-TORQUE LT
	088927-03-000	EA	SEAL-RUBBER .12X.25DX.800D
	080218-03-000	SF	SCREEN-FIBERGLASS,12 IN WIDE
	000914-01-000	EA	KEY-CORNER
	081239-41-000	EA	GLASS-TIPOUT
	081354-01-000	EA	SLEEVE-WINDOW,TORQUE TUBE
	081649-01-000	EA	RING-SNAP,7/32 SHAFT DIA
	083150-10-000	EA	TUBE ASM-TORQUE,WINDOW
	080918-01-000	EA	SPRING-TORQUE TUBE,RH
	080918-02-000	EA	SPRING-TORQUE TUBE,LH
	084087-02-000	FT	SEAL-E,SPONGE RUBBER
			FROM: 03-04-91 THRU: 99-99-99
	084088-15-000	EA	GLASS-TIPOUT,2.9X234.7X822.5
	084453-01-000	EA	WASHER-PLAS,.080X.50X.136
	084453-02-000	EA	WASHER-PLAS,.080X.50X.250
	084473-01-000	EA	SEAL-RUBBER,TIPOUT WDO
	085315-01-000	EA	RIVET-SHOULDER,TIP OUT WDO
	088782-01-000	EA	T NUT 10-32
	088783-01-000	EA	SCREW-MACH-10-32X1/4 PTH
	088913-01-000	EA	HINGE-TIPOUT WDO,BLACK
	087578-01-000	EA	LINKAGE ASM-TIPOUT
	089154-01-000	FT	CHANNEL-GLAZING
			FROM: 11-05-90 THRU: 99-99-99
	100188-01-000	EA	CLIP-SPRING,SCREEN
	100240-01-000	FT	SPLINE-SCREEN,T
	NOTE		STATIONARY GLASS IS NOT SOLD SEPARATELY PLEASE ORDER - WINDOW ASSEMBLY

**WINDOW, VENT & EXTERIOR DOOR GROUP(CONTINUED)**

**DRIVERS LOUNGE WINDOW**

KEY	PART NUMBER	U/M	DESCRIPTION
	088847-10-02A	EA	WINDOW ASM-SLIDER,HORIZ B/W
	088847-10-700	EA	WINDOW ASM. W/O TRIM
	088847-09-701	EA	SASH ASM. W/LOCK & GLASS
	088847-09-702	EA	TRIM
	088847-09-704	EA	TRIM-INSIDE

**PASSENGER SIDE LOUNGE WINDOW**

KEY	PART NUMBER	U/M	DESCRIPTION
	088844-03-703	EA	WINDOW ASM W/O TRIM
	088844-03-704	EA	TRIM INSIDE
	088844-03-700	EA	STATIONARY GLASS
	088844-03-701	EA	SLIDE ASM
	088844-03-702	EA	SCREEN ASM

**BEDROOM BACKWALL WINDOW**

KEY	PART NUMBER	U/M	DESCRIPTION
	078528-04-C05	EA	WINDOW ASM-ESCAPE
	074816 07 000	EA	FRAME-WINDOW INSIDE ESCAPE ,BLACK
	002282-04-000	EA	WEATHERSTRIP-WINDOW, RUBBER-.125"-BLACK,100.25
	002285-01-000	FT	FILLER-WEATHERSTRIP-BLACK
	78337-09-000	EA	GLASS-EGRESS 832.6 X 597.8
	077088-01-702	EA	TAPE ASM-ESCAPE WINDOW

**BEDROOM PASSENGERS SIDE WINDOW**

KEY	PART NUMBER	U/M	DESCRIPTION
	082235-12-Y12	EA	WINDOW ASM-SINGLE
	080883 18 01A	EA	RETAINER-WINDOW BLK
	009439 05 000	EA	KNOB-VENT,ROOF,BLACK
	009439 08 000	EA	EXTENSION,,900",BLACK
	009439 07 000	EA	SCREW-8-32X1 1/4 PPH,BLACK
	000G39-06-18T	EA	SCREW-SF/DR-6-20X1.00 PPH
	000H14-06-14R	EA	RIVET-MANDREL BLIND,3/16
	035302-02-000	EA	OPERATOR-SLANT-TORQUE LT
	088927-03-000	EA	SEAL-RUBBER .12X.25DX.800D
	080218-03-000	SF	SCREEN-FIBERGLASS,12 IN WIDE
	000914-01-000	EA	KEY-CORNER
	081239-42-000	EA	GLASS-TIPOUT
	081354-01-000	EA	SLEEVE-WINDOW,TORQUE TUBE
	081649-01-000	EA	RING-SNAP,7/32 SHAFT DIA
	083150-12-000	EA	TUBE ASM-TORQUE,WINDOW
	080918-01-000	EA	SPRING-TORQUE TUBE,RH
	080918-02-000	EA	SPRING-TORQUE TUBE,LH
	084087-02-000	FT	SEAL-E,SPONGE RUBBER
	084088-17-000	EA	GLASS-TIPOUT,2.9X234.7X1018
	084453-01-000	EA	WASHER-PLAS,.080X.50X.136
	084453-02-000	EA	WASHER-PLAS,.080X.50X.250
	084473-01-000	EA	SEAL-RUBBER,TIPOUT WDO
	085315-01-000	EA	RIVET-SHOULDER,TIP OUT WDO
	088782-01-000	EA	T NUT 10-32
	088783-01-000	EA	SCREW-MACH-10-32X1/4 PTH
	088913-01-000	EA	HINGE-TIPOUT WDO,BLACK
	087578-01-000	EA	LINKAGE ASM-TIPOUT
	089154-01-000	FT	CHANNEL-GLAZING
	100188-01-000	EA	CLIP-SPRING,SCREEN
	100240-01-000	FT	SPLINE-SCREEN,T

**1992 WINNEBAGO**

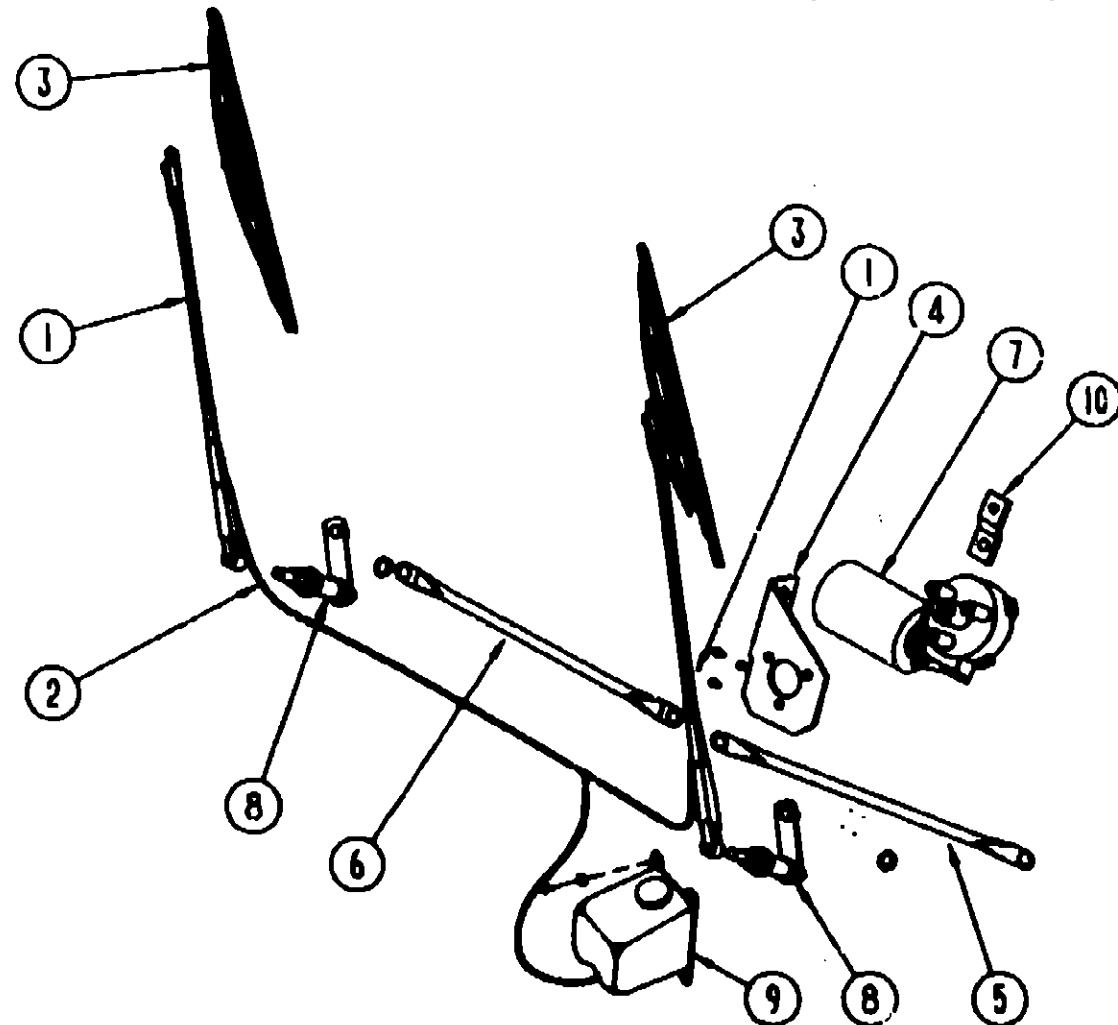
**TABLE OF CONTENTS**

INTRODUCTION	A-01 -	A-02
ABBREVIATIONS		A-03
ALPHABETICAL INDEX	A-04 -	A-08
WCF27RC	A-07 -	D-18
WCF30RU	D-19 -	H-01

**1992 WCF27RC INDEX**

FLOOR PLAN	A-07 -	A-08
ACCESSORIES	A-09 -	A-16
BATH	A-17 -	A-18
BEDROOM	A-19 -	A-20
CHASSIS	A-21 -	B-05
C C & PAD	B-06 -	B-12
DINETTE	B-13 -	B-14
DRIVERS	B-15 -	B-18
ELECTRICAL	B-19 -	B-24
EXTERIOR BODY	C-01 -	C-06
GALLEY	C-07 -	C-10
HEATING & AC	C-11 -	C-16
INTERIOR FINISH	C-17 -	C-19
LABEL		C-20
LP		C-21
LOUNGE		C-22
SEALANTS & FASTENERS	C-23 -	D-01
WATER & SEWAGE	D-02 -	D-08
WINDOW, VENT AND		
EXTERIOR DOOR	D-09 -	D-17

**WINDOW, VENT & EXTERIOR DOOR GROUP ( CONTINUED)**



**WIPER COMPONENTS**

**1992 WINNEBAGO  
TABLE OF CONTENTS**

INTRODUCTION	A-01	A-02
ABBREVIATIONS		A-03
ALPHABETICAL INDEX	A-04	A-08
WCF27RC	A-07	D-18
WCF30RU	D-19	H-01

**1992 WCF27RC INDEX**

FLOOR PLAN	A-07	A-08
ACCESSORIES	A-09	A-16
BATH	A-17	A-18
BEDROOM	A-19	A-20
CHASSIS	A-21	B-06
C C & PAD	B-06	B-12
DINETTE	B-13	B-14
DRIVERS	B-15	B-16
ELECTRICAL	B-19	B-24
EXTERIOR BODY	C-01	C-08
GALLEY	C-07	C-10
HEATING & AC	C-11	C-16
INTERIOR FINISH	C-17	C-19
LABEL		C-20
LP		C-21
LOUNGE		C-22
SEALANTS & FASTENERS	C-23	D-01
WATER & SEWAGE	D-02	D-08
WINDOW, VENT AND EXTERIOR DOOR	D-09	D-17

KEY PART NUMBER	UM DESCRIPTION	
1 103671-01-000	EA ARM-WIPER, PANTOGRAPH - 24"	
2 045794-01-000	FT HOSE-WASHER, WINDSHIELD - 5/32" ID - BLACK	
3 086984-01-000	EA BLADE-WIPER, 24"	
4 103728-01-000	EA BRACKET-WIPER, MOTOR	
4 104548-01-000	EA BRACKET ASM-WIPER	
5 103672-01-000	EA LINK ASM. - CONNECTING - DRIVERS	
6 103672-02-000	EA LINK ASM. - CONNECTING - PASSENGERS	
7 087983-01-000	EA MOTOR-WIPER, FT. CNT	FROM: 00-00-00 THRU: 07-21-91
7 104348-01-000	EA MOTOR-WIPER	FROM: 07-22-91 THRU: 99-99-99
8 104347-01-000	EA ARM-DRIVE, WIPER MOTOR 1.54"	
9 088505-02-000	EA PIVOT SHAFT - PASSENGERS	
9 088505-03-000	EA PIVOT SHAFT - DRIVERS	
9 088528-01-000	EA SCREW-HEX, 1/4 - 28 UNF	
10 058000-02-000	EA WASHER-WINDSHIELD, BOTTLE & PUMP	
068000-01-700	FT VACUUM HOSE 7/84 - 5/32	
081803-01-000	EA GROMMET-SNAP, 3/16 ID - 3/8 HOLE - PLASTIC - BLACK	
071015-21-000	EA GROMMET-.50" ID, FITS .19" MATERIAL, RUBBER- SPLIT	
091208-02-000	EA CONTROL-WIPER	
087188-01-000	EA STUD-CRANK, WIPER	
040921-04-000	EA NUT-SPEED, U TYPE - NO. 8 - .56" LENGTH X .44" WIDTH	
040921-05-000	EA NUT-SPEED, U TYPE - NO. 8 - .67" LENGTH X .44" WIDTH	
040921-06-000	EA NUT-SPEED, U TYPE - NO. 8 - .57" LENGTH X .63" WIDTH	

**WINDSHIELD GLASS AND TRIM**

KEY PART NUMBER	UM DESCRIPTION	
088793-03-000	EA GLASS-WINDSHIELD, PASSENGER	
088793-04-000	EA GLASS-WINDSHIELD, DRIVER	
102938-01-000	FT MOLDING - REVEAL, WINDSHIELD	
103523-01-000	FT MOLDING - REVEAL, WINDSHIELD - CENTER	FROM: 00-00-00 THRU: 11-10-91
077952-02-000	EA CAP - REVEAL MOLDING, CENTER TOP & CENTER BOTTOM	