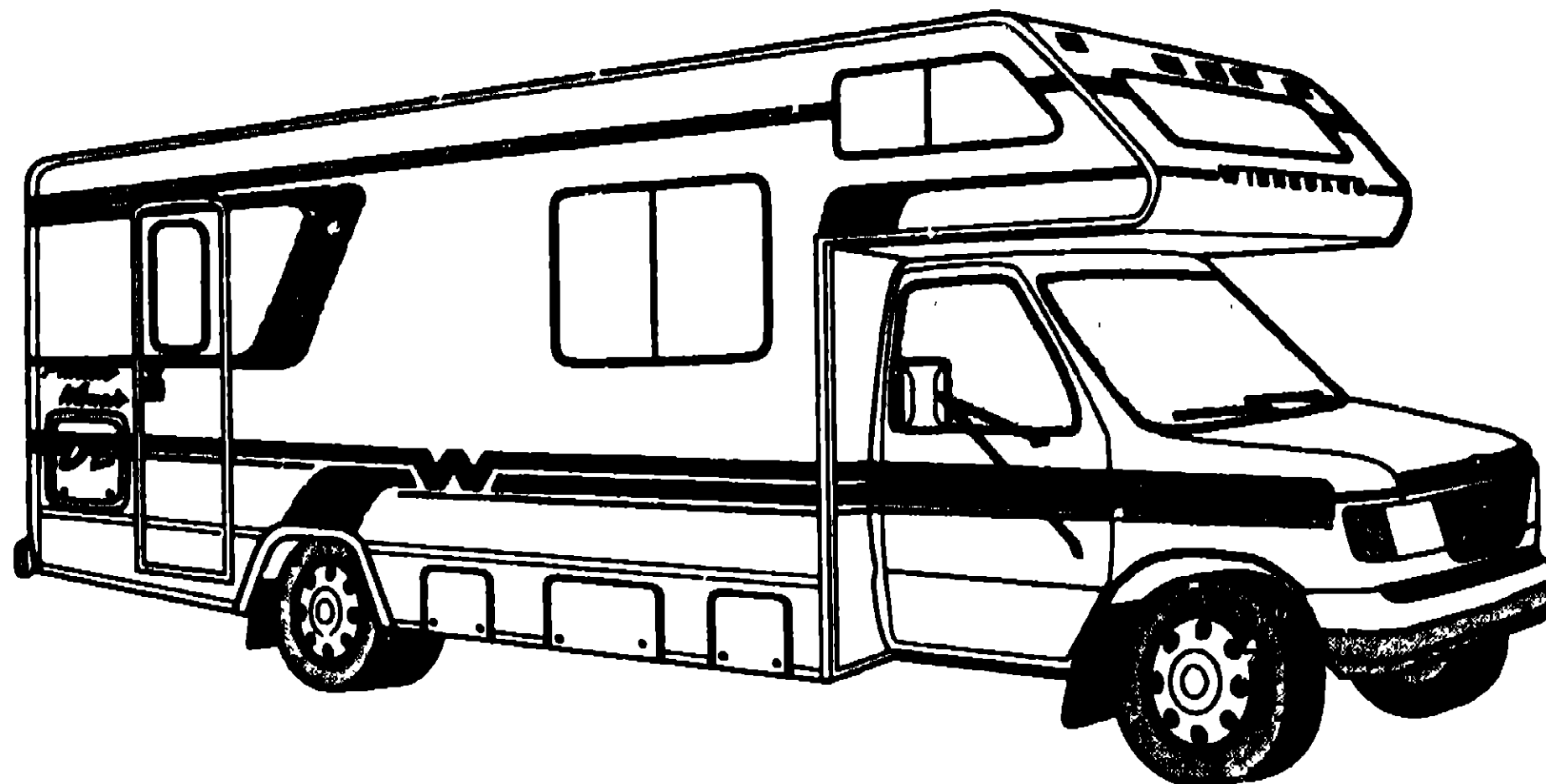


**1992 WINNEBAGO
TABLE OF CONTENTS**

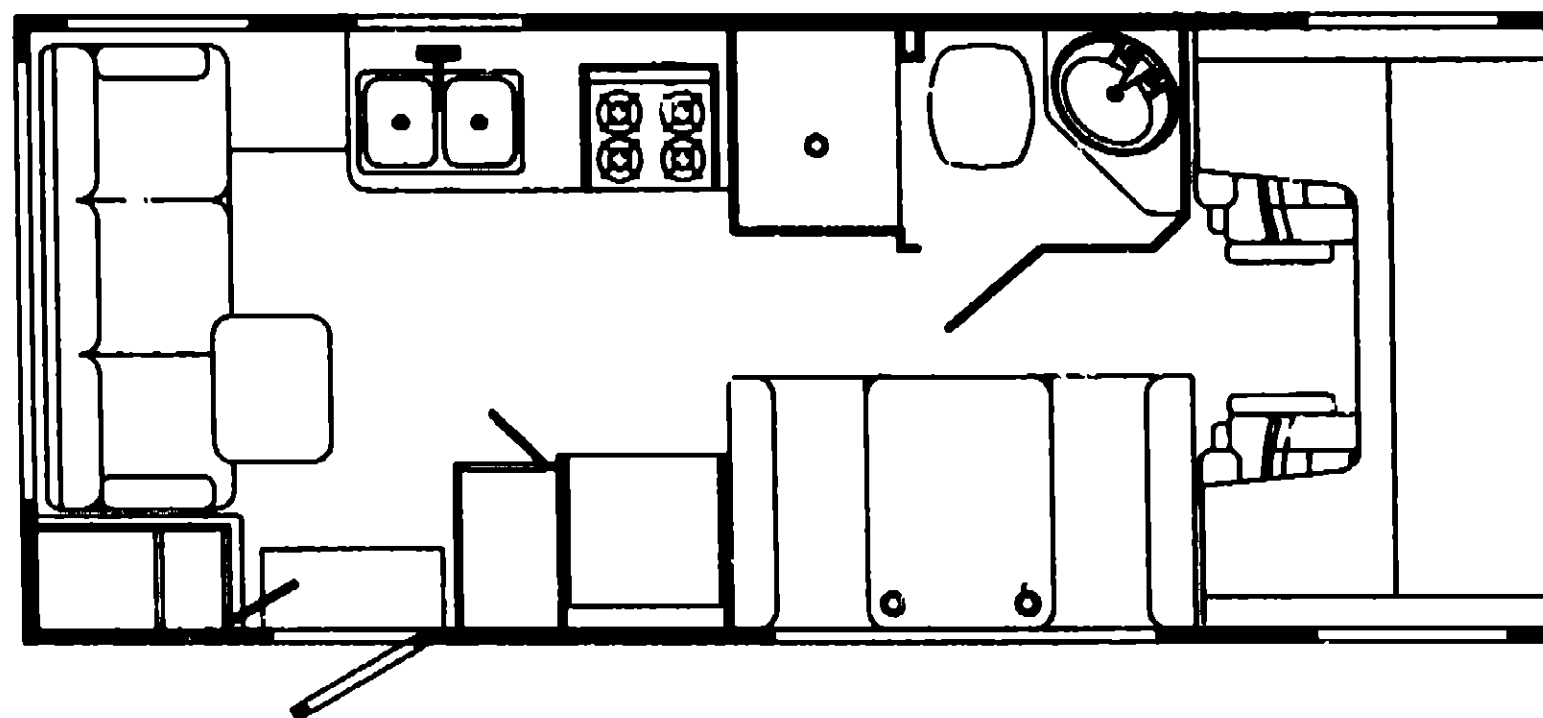
INTRODUCTION	A-01 -	A-02
ABBREVIATIONS		A-03
ALPHABETICAL INDEX	A-04 -	A-08
WC522RG	A-07 -	D-18
WF524RC	D-19 -	H-08



**1992
WC522RG
C52
C53**

1992 WC522RG INDEX

FLOOR PLAN	A-07 -	A-08
ACCESSORIES		- A-07
AUDIO VIDEO		- A-10
BATH	A-11 -	A-12
CHASSIS	A-13 -	A-16
CURTAIN & CUSHION	A-17 -	A-24
DINETTE	B-01 -	B-02
DRIVERS	B-03 -	B-08
ELECTRICAL	B-07 -	B-10
EXTERIOR BODY	B-11 -	B-19
GALLEY	B-20 -	B-23
GENERATOR		- B-24
HEATING & AC	C-01 -	C-02
INTERIOR FINISH	C-03 -	C-08
LABEL	C-07 -	C-14
LP	C-15 -	C-18
LOUNGE	C-17 -	C-18
SEALANTS & FASTENERS	C-19 -	C-21
WATER & SEWAGE	C-22 -	C-24
WINDOW, VENT AND EXTERIOR DOOR	D-01 -	D-17



ACCESSORIES GROUP

OPERATORS MANUAL

KEY	PART NUMBER	U/M DESCRIPTION
	064186-79-000	EA MANUAL-OPERATOR, 1992 MINNIE WINNIE, 500 SERIES
	082318-01-000	EA BINDER-3 RING, MOTOR HOME MANUAL
	082319-01-000	EA POCKET PAGE-3 RING BINDER, PLASTIC
	1083F1-01-000	DW TOP LEVEL DRAWING FOR 1992 C-BODIES

AUDIO VIDEO GROUP

RADIO & ANTENNA COMPONENTS

KEY	PART NUMBER	U/M DESCRIPTION
	007004-01-000	EA ANTENNA-AUTO (CHEVY)
	080882-01-000	EA RADIO-AM/FM CAL. CETTE, ELECTRIC TUNE - AUDIOVOX HCC-1036 (CHEVY)
	091211-01-000	EA MOUNT KIT-RADIO, AUDIOVOX (CHEVY)
	108480-02-000	EA RADIO-AM/FM CASS, ELECT. AUD. VOX/FD-CXD (FORD)
	108481-01-000	EA MOUNTING KIT-RADIO FORD AUDIOVOX FD-ECO-92 (FORD)
	081069-02-000	EA WIRE ASM-9-PIN, RADIO - AUDIOVOX 1128-1781 (FORD)
	108137-01-000	EA PLUG-ANTENNA HOLE, 92 ES80 (FORD)
	089340-02-000	EA GRILLE-SPEAKER, 6 8" SQUARE (OVHD CABINETS)
	089340-03-000	EA SPACER-SPEAKER GRILLE, TAN MAGNADYNE G514 (OVHD CABINETS)
	094097-01-000	EA SPEAKER-RADIO, W/O GRILLE - 5.25" DIA - AUDIOVOX 110C3090 (OVHD CABINETS)
	073741-04-000	EA GRILLE-SPEAKER, OVAL - 4" X 6" - BLACK (PATIO ENTERTAINMENT)
	077089-02-000	EA CABLE-ANTENNA, RADIO - EXTENSION 96" - ARA 6700867 (PATIO ENTERTAINMENT)
	087683-01-000	EA RADIO-AM/FM STEREO W/CASSETTE AUDIOVOX 144D1559 (PATIO ENTERTAINMENT)
	080944-01-000	EA ANTENNA-RADIO, 16" RUBBER (PATIO ENTERTAINMENT)
	080862-01-000	EA BRACKET-HAT, ANTENNA - 3.1" X 3.9" - STEEL - BLACK (PATIO ENTERTAINMENT)
	104899-01-C05	EA PLATE-RADIO MOUNTING (PATIO ENTERTAINMENT)
	106230-11-C05	EA SHELF ASM (PATIO ENTERTAINMENT)
	106230-12-C52	EA SUPPORT ASM (PATIO ENTERTAINMENT)
	106377-01-01A	EA BRACKET-TABLE HANGER - OFF WHITE (PATIO ENTERTAINMENT)
	106377-01-03A	EA BRACKET-TABLE HANGER - MILL (PATIO ENTERTAINMENT)

TV, ANTENNA & VCR SYSTEMS

KEY	PART NUMBER	U/M DESCRIPTION
	076319-01-000	EA ANTENNA-TV, ROOF MOUNT - 44 5" MAST - RVA W02
	076319-01-700	EA HEAD-ANTENNA, AMPLIFIED - WINEGARD# RV5A U/V
	076319-01-701	EA GEAR-ELEVATING, PLASTIC - WINEGARD# 2200048
	076319-01-702	EA SHAFT ASM-ELEVATING, WINEGARD# RVP-400A
	076319-01-703	EA BEARING-NYLON, 5" OD - WINEGARD# 3200858
	076319-01-704	EA BEARING-NYLON, 1 25" OD - WINEGARD# 3200857
	076319-01-705	EA GROMMET-NYLON, 7/8" ID - WINEGARD# 3200858
	076319-01-706	EA CRANK-ELEVATING, W/SET SCREW - WINEGARD# 5755100
	076319-01-707	EA SPRING-HANDLE, WINEGARD# 5180800
	076319-01-709	EA PLATE-DIRECTIONAL, FOR HEAD - WINEGARD# 3200844
	076319-01-708	EA CRANK-ELEVATING, W/SET SCREW - WINEGARD# 5755100
	076319-08-000	EA ADAPTOR-CABLE ROOF PLATE, WINEGARD RPJ-1
	076319-03-000	FT CABLE-COAXIAL, 75 OHM
	076319-12-000	EA CONNECTOR-COAXIAL, ONE PIECE
	088758-01-000	EA SPLITTER-TV, 2 WAY
	083252-01-01A	EA PLATE-WALL, CABLE - BEIGE
	076319-09-000	EA WALLPLATE-CABLE RECEPTACLE, TV - SINGLE - BROWN
	088777-02-000	EA WALLPLATE-TV CABLE, W/ANTENNA SWITCH - BROWN

1992 WINNEBAGO

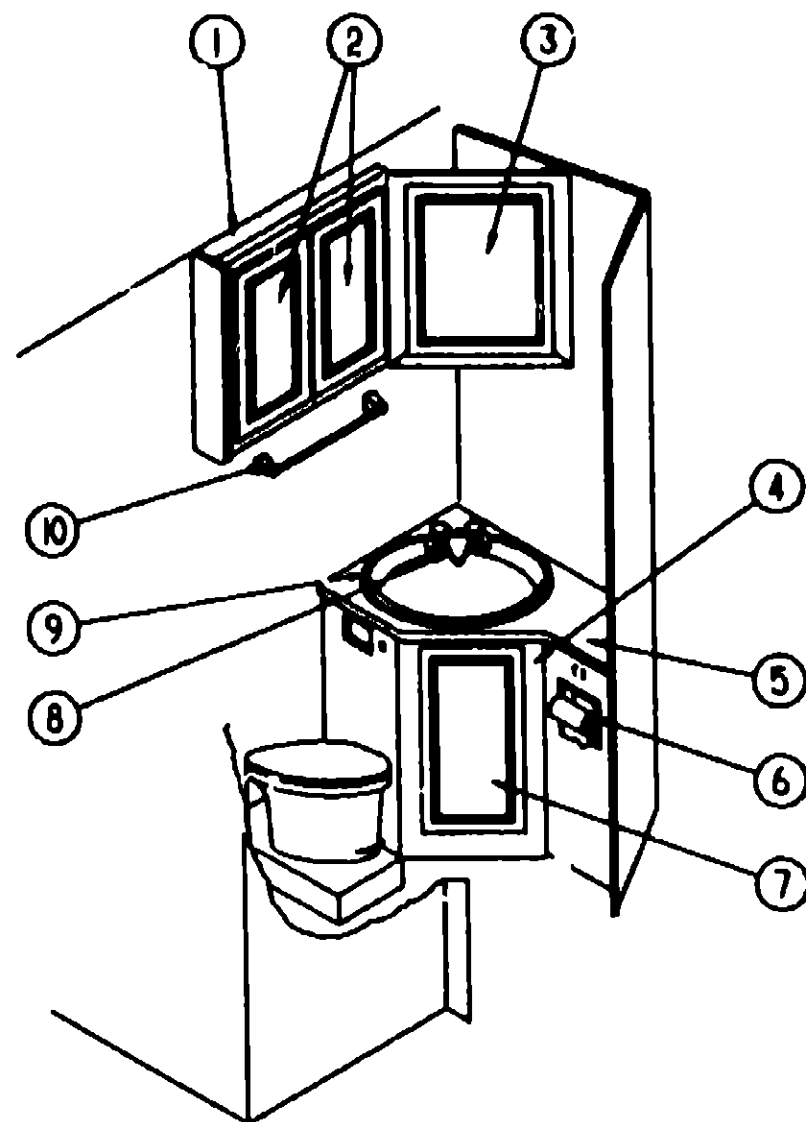
TABLE OF CONTENTS

INTRODUCTION	A 01 -	A-02
ABBREVIATIONS		A-03
ALPHABETICAL INDEX	A-04 -	A-08
WC522RL1	A-07 -	D-18
WF824RC	D-19 -	H-08

1992 WC522RG INDEX

FLOOR PLAN	A-07 -	A-08
ACCESSORIES		A-09
AUDIO VIDEO		A-10
BATH	A-11 -	A-12
CHASSIS	A-13 -	A-16
CURTAIN & CUSHION	A-17 -	A-24
DINETTE	B-01 -	B-02
DRIVERS	B-03 -	B-08
ELECTRICAL	B-07 -	B-10
EXTERIOR BODY	B-11 -	B-19
GALLEY	B-20 -	B-23
GENERATOR		B-24
HEATING & A/C	C-01 -	C-02
INTERIOR FINISH	C-03 -	C-08
LABEL	C-07 -	C-14
LP	C-15 -	C-16
LOUNGE	C-17 -	C-18
SEALANTS & FASTENERS	C-19 -	C-21
WATER & SEWAGE	C-22 -	C-24
WINDOW, VENT AND EXTERIOR DOOR	D-01 -	D-17

BATH GROUP



BATH CABINETS

KEY	PART NUMBER	U/M DESCRIPTION
1	106541-01-C52	EA CABINET ASM-MEDICINE - 2 SIDED
	104335-14-C52	EA END CAP-SIDE, CABINET
2	P04746-39-C52	EA DOOR-CABINET, W/O HARDWARE (2 USED)
3	P04746-40-C52	EA DOOR-CABINET, W/O HARDWARE - W/MIRROR
4	P05540-01-C52	EA CABINET ASM-LAVATORY - W/O DOORS
4	P05540-01-C53	EA CABINET ASM-LAVATORY - W/O DOORS
5	106540-12-C52	EA COUNTERTOP-CABINET, LAVATORY
5	106540-12-C53	EA COUNTERTOP-CABINET, LAVATORY
	105540-11-C52	EA SHELF ASM-LAVATORY CABINET (INSIDE CABINET)
6	086278-01-000	EA HOLDER-TOILET PAPER, RECESSED - BRASS
7	P04746-23-C52	EA DOOR-CABINET, W/O HARDWARE
8	075240-06-000	EA FAUCET-LAVATORY, BONE
	091253-01-000	EA GASKET-FAUCET, LAVATORY/GALLEY
	105218-01-01A	EA SPACER-FAUCET, LAVATORY SINK - 2" X 5 9" - ABS PLASTIC O/W
9	105921-01-01A	EA SINK-LAVATORY, LGE OVAL - 17" X 20" - PLASTIC - OFF WHITE
	106116-01-01A	EA STRAINER-SINK, W/STOPPER TAILPIECE GASKET & NUT - PLASTIC
	091208-01-000	EA WASHER-RUBBER, .06" X 75" X 5"
10	075463-02-000	EA BAR-TOWEL, 18" BRASS
	091255-02-000	FT SEAL-ADHESIVE BACKED FOAM, 18" X 1 5" WIDE

BATH GROUP (CONTINUED)

PRIVACY DOOR & WALL MIRRORS

KEY	PART NUMBER	U/M DESCRIPTION
	P06398-01-C52	EA DOOR ASM-BATH W/O LOCK
	058331-27-000	EA MIRROR-GLASS, SAFETY - 11 8" X 45.7"
	100367-01-000	EA ROD-TOWEL, BRASS WENDS BENT FOR BACK OF BATH DOOR
	102089-13-807	EA MOUNT-ROD, RIGHT SIDE - FOR TOWEL RODS - 28" LONG - WOOD
	102089-14-807	EA MOUNT-ROD, LEFT SIDE - FOR TOWEL RODS - 28" LONG - WOOD
	093446-05-Y18	EA MIRROR-WOOD FRAMED, 15.2" X 29.3"
	M03450-05-000	EA TRIM-WOOD, FRAMED MIRROR - 15 2" X 29.3" - OAK
	042368-01-000	EA PLUG-BUTTON, MAHOGANY - 3/8" DIAMETER - WOOD
	058331-32-000	EA MIRROR-GLASS, SAFETY - 13.6" X 27.6"
	058331-60-000	EA MIRROR-GLASS, SAFETY - 680X987MM (WALL MOUNTED)
	058331-81-000	EA MIRROR-GLASS, SAFETY - 680X480MM (WALL MOUNTED)

TOILET & CLOSET FLANGE

KEY	PART NUMBER	U/M DESCRIPTION
	083740-01-000	EA TOILET-HIGH, HAND FLUSH - THETFORD, 150120
	083740-01-700	EA LEVER-WATER, THETFORD 12514
	083740-01-701	EA LEVER-FLUSH, THETFORD 12515
	083740-01-708	EA BOLT PACKAGE-CLOSET, THETFORD 12524
	083740-01-710	EA LINK, THETFORD 12513
	083740-01-711	EA SPRING-RETURN LEVER, THETFORD 12523
	083740-01-713	EA SEAL-BALL VALVE TO BOWL, THETFORD 12502
	083740-01-714	EA VALVE ASM-WATER, THETFORD 12482
	083740-01-716	EA SEAT & COVER, THETFORD 15017
	083740-01-717	EA TUBE-FLUSH, TOILET, 12509 THETFORD
	083740-02-700	EA RING & COVER-SEAT, PARCHMENT, 20829 THETFORD
	024876-01-000	EA FLANGE-CLOSET, TOILET - 4" X 3" - RED
	053641-01-000	EA FLANGE-CLOSET, 4" X 3"
	024876-02-000	EA FLANGE-CLOSET, 4" X 3" - ABS - CANADIAN

SKYLIGHT & SHOWER COMPONENTS

KEY	PART NUMBER	U/M DESCRIPTION
	080508-01-000	EA PANEL-SKYLIGHT, INNER - PLEXIGLASS - 23 25" X 20 3"
	080507-01-000	EA PANEL-SKYLIGHT, OUTER - PLEXIGLASS - 23 25" X 20.3"
	106629-01-01A	EA SHROUD-SHOWER, COMPLETE W/THREE SIDES
	103082-01-000	EA SHOWER HEAD-W/O IN HOSE
	075241-05-000	EA FAUCET-SHOWER, BONE
	075806-01-000	EA PANEL-FAUCET BACK, SHOWER - 5" X 8" - PLASTIC
	M02873-05-B13	EA PAN-SHOWER, 29 8" X 22.7" X 5 7" - OFF WHITE - PLASTIC
	088436-01-000	EA NUT-SLIP, TAILPIECE - 1 5"
	068440-01-000	EA STRAINER-SHOWER, W/RUBBER WASHER
	068736-01-000	EA WASHER-STRAINER TO TAILPIECE PLASTIC, 1.5"
	011089-02-000	EA TAILPIECE-TUB/SHOWER, 1 1/2" X 1 1/4" X 4" - BRASS
	088436-01-000	EA NUT-SLIP, TAILPIECE - 1 5"
	657671-01-000	EA COVER-SCREW, #8 - PLASTIC - OFF WHITE

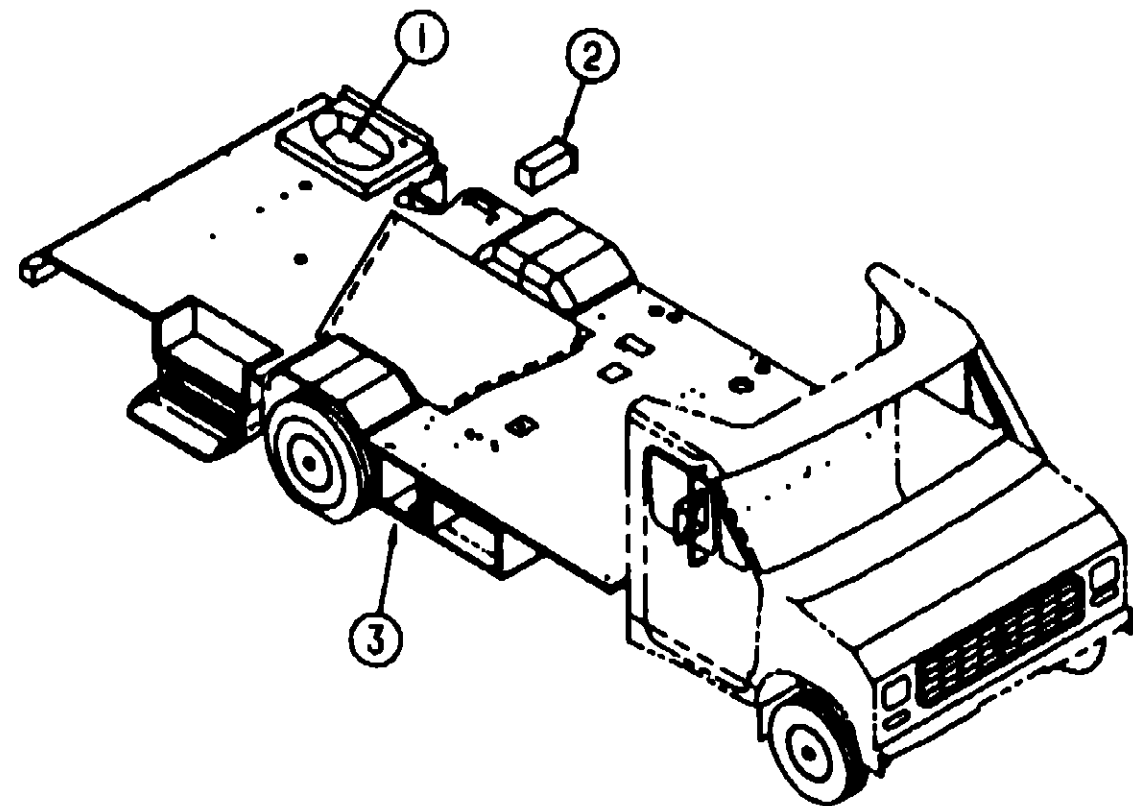
1992 WINNEBAGO TABLE OF CONTENTS

INTRODUCTION	A-01	A-02
ABBREVIATIONS		A-03
ALPHABETICAL INDEX	A-04	A-08
WC622RG	A-07	D-18
WF624RC	D-19	H-08

1992 WC622RG INDEX

FLOOR PLAN	A-07	A-08
ACCESSORIES		A-09
AUDIO VIDEO		A-10
BATH	A-11	A-12
CHASSIS	A-13	A-16
CURTAIN & CUSHION	A-17	A-24
DINETTE	B-01	B-02
DRIVERS	B-03	B-06
ELECTRICAL	B-07	B-10
EXTERIOR BODY	B-11	B-19
GALLEY	B-20	B-23
GENERATOR		B-24
HEATING & A/C	C-01	C-02
INTERIOR FINISH	C-03	C-08
LABEL	C-07	C-14
LP	C-15	C-16
LOUNGE	C-17	C-18
SEALANTS & FASTENERS	C-19	C-21
WATER & SEWAGE	C-22	C-24
WINDOW, VENT AND EXTERIOR DOOR	D-01	D-17

CHASSIS GROUP



COMPARTMENTS

KEY	PART NUMBER	U/M DESCRIPTION
1	078137-02-000	EA TRAY-STORAGE COMPARTMENT, 27 1/8" WIDE X 21" DEEP
2	086887-01-000	EA COMPARTMENT-SEWER HOSE, 6" X 6 1/2" X 17 1/2" - PLASTIC
3	105203-02-000	EA COMPARTMENT-BATTERY, PLASTIC
	084893-01-000	EA STRAP-BATTERY
	104897-01-01A	EA BCX-ENTERTAINMENT CENTER - OFF WHITE
	104898-01-01A	EA PLATE-PLASTIC BOTTOM, ENTERTAINMENT CENTER - OFF WHITE
	106208-01-01A	EA COMPARTMENT-SHOWER, EXTERIOR - OFF WHITE
	068027-01-000	FT SEAL, D SHAPED - HOLLOW - SPONGE RUBBER - BLACK
	081420-01-000	EA PLUG-PLASTIC, 1 7/8" - BROWN
	077831-01-000	EA CAP-PLASTIC, 56" ID - BLACK
	077853-01-000	EA GROMMET-EDGE LINER, FITS 1"

MUD FLAPS, ROCK GUARDS & WHEELWELLS

KEY	PART NUMBER	U/M DESCRIPTION
	017516-01-000	EA FLAP-MUD, 14" X 18" - BLACK
	045731-04-000	EA GUARD-ROCK, REAR
	088322-01-000	EA WHEELWELL-REAR, DRIVER OR PASSENGER - PLASTIC

CHASSIS GROUP (CONTINUED)

EXHAUST SYSTEM

KEY	PART NUMBER	U/M DESCRIPTION
	007125-01-000	EA CLAMP-MUFFLER, 1.62 DIAMETER
	007125-04-000	EA CLAMP-MUFFLER, 1.1" DIA
	007125-08-000	EA CLAMP-MUFFLER, 3" DIA
	007125-11-000	EA CLAMP-MUFFLER, 2 7/8" DIAMETER
	007131-01-000	EA HANGER-EXHAUST, 8 SLOTS
	101884-01-000	EA PIPE-EXHAUST, TAIL - REAR (FORD) FROM: 02-12-92 THRU 99-99-99

FUEL SYSTEM

KEY	PART NUMBER	U/M DESCRIPTION
	007083-01-000	FT HOSE-GAS 1/4" ID X 1/2" OD
	078200-01-000	EA GASKET-FUEL FILL - 3 5/8" OD X 2 1/4" FROM 02-11-92 THRU 99-99-99

SUSPENSION SYSTEMS

KEY	PART NUMBER	U/M DESCRIPTION
	100332-01-000	EA PLATE-VALVE, AIR SPRING (CHEVY)
	108087-02-000	EA AIR SPRING-4IN DIA TWIN (CHEVY)
	108087-03-700	EA REPAIR KIT F/TAPPED PISTON
	100332-01-000	EA PLATE-VALVE, AIR SPRING (FORD)
	108087-01-000	EA AIR SPRING-4IN DIA TWIN (FORD)
	108087-03-700	EA REPAIR KIT F/TAPPED PISTON

ENTRY STEPS

KEY	PART NUMBER	U/M DESCRIPTION
	077848-01-000	EA STEP-PULLOUT, WBRACKETS - BLACK
	077848-02-000	EA STEP-PULLOUT
	081178-01-000	EA SUPPORT-BASE-ENTRANCE STEP
	084708-01-01A	EA STEP-ENTRY DOOR, ELECTRIC - SINGLE - Kwikkee 2813
	084707-02-700	EA MOTOR REPLACEMENT KIT
	084707-02-702	EA GEAR KIT
	084707-02-703	EA PARTS KIT (BEARINGS & PINS)
	084707-02-704	EA MOTOR CONNECTOR KIT
	084707-02-706	EA CONTROL UNIT (ORANGE)
	084707-03-700	EA LINKAGE ASM F28 SERIES
	100312-01-000	EA SWITCH-DOOR JAMB, ELECTRIC ENTRY STEP - METAL

1992 WINNEBAGO TABLE OF CONTENTS

INTRODUCTION	A-01 - A-02
ABBREVIATIONS	A-03
ALPHABETICAL INDEX	A-04 - A-08
WC522RG	A-07 - D-18
WF824RC	D-19 - H-08

1992 WC522RG INDEX

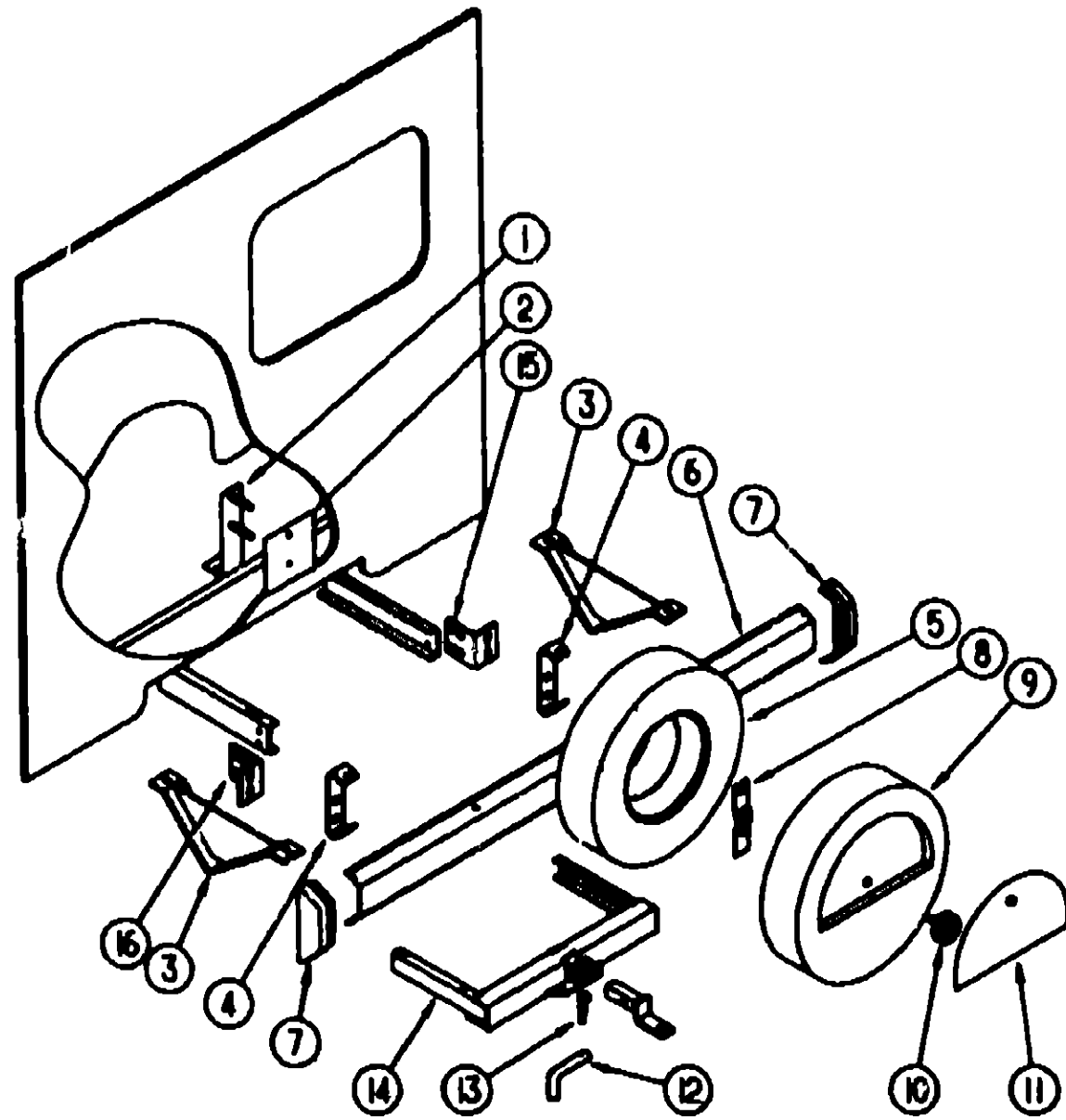
FLOOR PLAN	A-07 - A-09
ACCESSORIES	- A-09
AUDIO VIDEO	- A-10
BATH	A-11 - A-12
CHASSIS	A-13 - A-18
CURTAIN & CUSHION	A-17 - A-24
DINETTE	B-01 - B-02
DRIVERS	B-03 - B-08
ELECTRICAL	B-07 - B-10
EXTERIOR BODY	B-11 - B-19
GALLEY	B-20 - B-23
GENERATOR	- B-24
HEATING & AC	C-01 - C-02
INTERIOR FINISH	C-03 - C-08
LABEL	C-07 - C-14
LP	C-15 - C-18
LOUNGE	C-17 - C-18
SEALANTS & FASTENERS	C-19 - C-21
WATER & SEWAGE	C-22 - C-24
WINDOW, VENT AND EXTERIOR DOOR	D-01 - D-17

CHASSIS GROUP (CONTINUED)

CHASSIS GROUP (CONTINUED)

SPARE TIRE & TRAILER HITCH (CONTINUED)

**1992 WINNEBAGO
TABLE OF CONTENTS**



SPARE TIRE & TRAILER HITCH

KEY	PART NUMBER	U/M DESCRIPTION
10	084082-02-000	EA NUT-RETAINING, WHEEL COVER
11	M02047-01-T86	EA PANEL-DOOR, TIRE COVER
	077408-02-000	EA LOCK-KEY TYPE
	082884-01-770	EA KEY-COMPARTMENT DOOR LOCK, BM024
12	034612-01-000	EA PIN-LOCKING, DRAWBAR
13	034613-01-000	EA PIN-HITCH, 3/16" WIRE
14	077817-02-000	EA HITCH-TRAILER, W/O DRAWBAR - 41.1" WIDE - STEEL - BLACK
15	105933-01-000	EA BRACKET-BUMPER, REAR
16	105933-02-000	EA BRACKET-BUMPER, REAR
	087744-01-000	EA HOUSING-TRAILER PIN, 12"
	087744-02-000	EA HOUSING-TRAILER PIN, 48"
	087746-01-000	EA HOUSING-TRAILER REC ⁵ , 12"
	087746-01-000	EA HOUSING CAP-TRAILER PIN
	087746-02-000	EA HOUSING-RECEPTACLE, TRAILER - 48" WIRE LENGTH

INTRODUCTION	A-01	A-02
ABBREVIATIONS		A-03
ALPHABETICAL INDEX	A-04	A-08
WC522RG	A-07	D-18
WF524RC	D-19	H-08

LUG WRENCH & LEVERAGE BAR

KEY	PART NUMBER	U/M DESCRIPTION
	080208-01-000	EA LUG WRENCH, 1.08 X 1.00
	080208-02-000	EA BAR-LEVERAGE, LUG WRENCH

WHEEL LINERS

KEY	PART NUMBER	U/M DESCRIPTION
	091209-05-000	EA LINER-WHEEL, SET OF 4 - 18" - STAINLESS STEEL (CHEVY)
	091209-03-702	EA COVER-AXLE, FRONT - 8 LUG
	091209-03-703	EA COVER-AXLE, REAR - 8 LUG
	091209-03-704	EA RING-SNAP, FRONT OR REAR - 8 LUG
	091209-05-700	EA LINER-WHEEL, 18" FRONT - WAXLE COVER & 8 LUG
	091209-05-701	EA LINER-WHEEL, 18" REAR - WAXLE COVER & 8 LUG
	091209-11-000	EA LINER-WHEEL, SET 4 E360, KAPER II #1804-FOLS (FORD)
	091209-10-700	EA COVER-AXLE, FRONT - 8 LUG - FORD
	091209-10-701	EA COVER-AXLE, REAR - 8 LUG - FORD
	091209-10-705	EA COVER-LUG NUT
	091209-11-700	EA LINER-WHEEL, FRONT - 8 LUG - FORD
	091209-11-701	EA LINER-WHEEL, REAR - 8 LUG - FORD

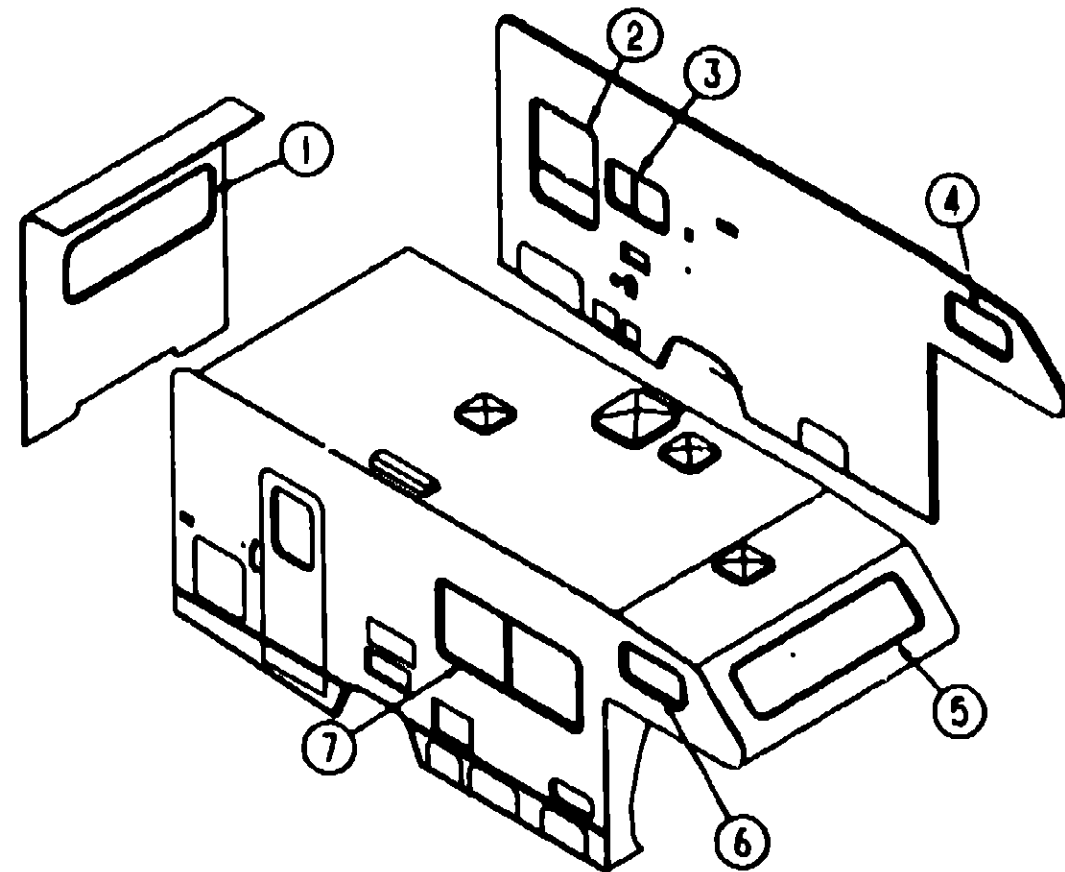
1992 WC522RG INDEX

FLOOR PLAN	A-07	A-08
ACCESSORIES		A-09
AUDIO VIDEO		A-10
BATH	A-11	A-12
CHASSIS	A-13	A-16
CURTAIN & CUSHION	A-17	A-24
DINETTE	B-01	B-02
DRIVERS	B-03	B-06
ELECTRICAL	B-07	B-10
EXTERIOR BODY	B-11	B-19
GALLEY	B-20	B-23
GENERATOR		B-24
HEATING & A/C	C-01	C-02
INTERIOR FINISH	C-03	C-08
LABEL	C-07	C-14
LP	C-15	C-16
LOUNGE	C-17	C-18
SEALANTS & FASTENERS	C-19	C-21
WATER & SEWAGE	C-22	C-24
WINDOW, VENT AND EXTERIOR DOOR	D-01	D-17

KEY	PART NUMBER	U/M DESCRIPTION
1	105209-04-000	EA BRACKET ASM-SPARE TIRE (CHEVY)
1	105209-08-000	EA BRACKET ASM-SPARE TIRE (FORD)
1	105209-02-000	EA BRACKET-SUPPORT, SPARE TIRE - W/O BOLTS
	077369-01-000	EA RETAINER-SPARE TIRE, 2" X 7 8" - HOLE IN MIDDLE
2	105208-01-000	EA PLATE-SPARE TIRE
3	083376-01-000	EA PLATE-SKID, 13 2" X 6" X 2" - STEEL
4	078870-02-000	EA BRACKET-BUMPER, REAR - 2" X 3" - BENT ENDS - STEEL - BLK (2 USED)
5	105715-01-000	EA TIRE-LT 225/75R16 LRD 560 AS, GENERAL 0104824 (CHEVY)
5	083425-08-000	EA TIRE-LT225/75R16 LRD, MICHELIN XCH4 (FORD)
5	083817-03-000	EA WHEEL-STL 18.0X8,82 E360, ACCURIDE 28818 (FORD)
	051377-03-000	EA STEM-VALVE, TR0 600HP
	077030-02-000	EA EXTENSION-VALVE STEM, 1.25"
	095012-03-000	EA EXTENSION-VALVE STEM, DUAL WHEEL
6	103099-02-02A	EA BUMPER-REAR, OFF WHITE
7	106147-01-01A	EA CAP-END, BUMPER - OFF WHITE
8	105631-02-000	EA RETAINER ASM-SPARE TIRE
9	078799-01-000	EA COVER-TIRE, OFF WHITE

CURTAIN, CUSHION GROUP

WINDOW TREATMENT



KEY	PART NUMBER	U/M DESCRIPTION
4	097878-38-C62	EA VALANCE-WINDOW, LEFT - 8.5" X 43" - WBRASS TRIMED BOTTOM
4	097878-38-C63	EA VALANCE-WINDOW, LEFT - 8.5" X 43" - WBRASS TRIMED BOTTOM
4	101034-13-C62	EA CURTAIN-WINDOW, 18" X 25" SMALL DARTED TAPE TOP
4	101034-13-C63	EA CURTAIN-WINDOW, 18" X 25" SMALL DARTED TAPE TOP
6	097878-34-C62	EA VALANCE-WINDOW, FLAT - 7" X 86.5" - WBRASS TRIMED BOTTOM
6	097878-34-C63	EA VALANCE-WINDOW, FLAT - 7" X 86.5" - WBRASS TRIMED BOTTOM
6	101034-12-C62	EA CURTAIN-WINDOW, 22" X 45" - SMALL DARTED TAPE TOP
6	101034-12-C63	EA CURTAIN-WINDOW, 22" X 45" - SMALL DARTED TAPE TOP
6	097878-35-C62	EA VALANCE-WINDOW, RIGHT - 8.5" X 43" - WBRASS TRIMED BOTTOM
6	097878-35-C63	EA VALANCE-WINDOW, RIGHT - 8.5" X 43" - WBRASS TRIMED BOTTOM
6	101034-13-C62	EA CURTAIN-WINDOW, 18" X 25" - SMALL DARTED TAPE TOP
6	101034-13-C63	EA CURTAIN-WINDOW, 18" X 25" - SMALL DARTED TAPE TOP
7	103988-27-C62	EA VALANCE-WINDOW, 85"
7	103988-36-C62	EA VALANCE-WINDOW, 85"
7	103988-27-C63	EA VALANCE-WINDOW, 85"
7	093475-76-03A	EA BLIND-MINI, 20" X 28.5" DROP (C52)
7	100281-46-C08	EA LEG-WINDOW, RIGHT - 27" (C52)
7	100281-46-C24	EA LEG-WINDOW, RIGHT - 27" (C63)
7	100281-46-C08	EA LEG-WINDOW, LEFT - 27" (C52)
7	100281-46-C24	EA LEG-WINDOW, LEFT - 27" (C63)
	084481-24-C52	EA CURT ASM-SHOWER, 72" X 42" (C52)
	084481-24-C24	EA CURT ASM-SHOWER, 72" X 42" (C63)
	078892-06-886	EA CURTAIN-SNAP TOP, WINGWALL PRIVACY - 40" X 72" - BEIGE
	073280-54-C09	EA TIEBACK-3" X 18" (C52)
	073280-54-C30	EA TIEBACK-3" X 18" (C63)
	101888-05-886	EA CURT. 30" X 50", PASSENGER SIDE - TAPE TOP
	101888-06-886	EA CURT. 30" X 50", DRIVER SIDE - TAPE TOP
	073280-49-C63	EA TIEBACK-CURTAIN, 3" X 18" (C52)
	073280-49-888	EA TIEBACK-CURTAIN, 3" X 18" (C63)

FROM 00-00-00 THRU 12-15-91

FROM 12-16-91 THRU 99-99-99

1992 WINNEBAGO TABLE OF CONTENTS

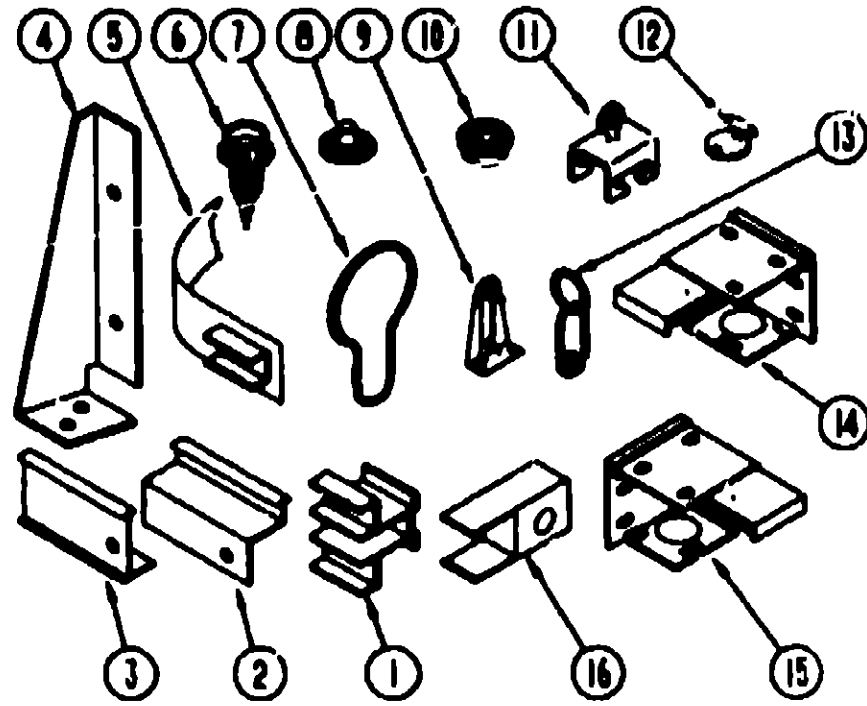
INTRODUCTION	A-01	A-02
ABBREVIATIONS		A-03
ALPHABETICAL INDEX	A-04	A-08
WC522RG	A-07	U-18
WF824RC	D-19	H-08

KEY	PART NUMBER	U/M DESCRIPTION
1	103988-03-C52	EA VALANCE-WINDOW, 72.5"
		FROM: 00-00-00 THRU 12-15-91
1	103988-41-C62	EA VALANCE-WINDOW, 72.5"
		FROM 12-16-91 THRU: 99-99-99
1	103988-03-C63	EA VALANCE-WINDOW, 72.5"
1	093475-93-02A	EA BLIND-MINI, 68.5" X 24.5" DROP (C52)
1	093475-93-01A	EA BLIND-MINI, 68.5" X 24.5" DROP (C53)
1	100281-46-C08	EA LEG-WINDOW, RIGHT - 27" (C52)
1	100281-46-C24	EA LEG-WINDOW, RIGHT - 27" (C63)
1	100281-46-C08	EA LEG-WINDOW, LEFT - 27" (C52)
1	100281-46-C24	EA LEG-WINDOW, LEFT - 27" (C63)
2	103988-08-C52	EA VALANCE-WINDOW, 31.7"
		FROM 00-00-00 THRU 12-15-91
2	103988-42-C52	EA VALANCE-WINDOW, 31.7"
		FROM 12-16-91 THRU 99-99-99
2	103988-06-C63	EA VALANCE-WINDOW, 31.7"
2	093475-64-02A	EA BLIND-MINI, 29.5" X 36" DROP (C52)
2	093475-64-04A	EA BLIND-MINI, 29.5" X 36" DROP (C53)
3	103988-05-C52	EA VALANCE-WINDOW, 28.5"
		FROM 00-00-00 THRU 12-15-91
3	103988-39-C52	EA VALANCE-WINDOW, 28.5"
		FROM 12-16-91 THRU 99-99-99
3	103988-05-C63	EA VALANCE-WINDOW, 28.5"
3	093475-61-07A	EA BLIND-MINI, 26" X 17" DROP (C52)
3	093475-61-08A	EA BLIND-MINI, 26" X 17" DROP (C53)

1992 WC522RG INDEX

FLOOR PLAN	A-07	A-08
ACCESSORIES		A-09
AUDIO VIDEO		A-10
BATH	A-11	A-12
CHASSIS	A-13	A-16
CURTAIN & CUSHION	A-17	A-24
DINETTE	B-01	B-02
DRIVERS	B-03	B-08
ELECTRICAL	B-07	B-10
EXTERIOR BODY	B-11	B-19
GALLEY	B-20	B-23
GENERATOR		B-24
HEATING & A/C	C-01	C-02
INTERIOR FINISH	C-03	C-08
LABEL	C-07	C-14
LP	C-15	C-18
LOUNGE	C-17	C-18
SEALANTS & FASTENERS	C-19	C-21
WATER & SEWAGE	C-22	C-24
WINDOW, VENT AND EXTERIOR DOOR	D-01	D-17

CURTAIN, CUSHION GROUP (CONTINUED)



CURTAIN, BLIND HARDWARE & TRACKS

KEY	PART NUMBER	U/M DESCRIPTION
1	101033-03-000	EA TRACK-CURTAIN, WALL - WHITE - SHAPCO CT225
2	105450-02-01A	EA TRACK-CURTAIN, 48" LONG - ALUMINUM - OFF WHITE
2	105450-05-01A	EA TRACK-CURTAIN, 78" LONG - ALUMINUM - OFF WHITE
2	105450-08-01A	EA TRACK-CURTAIN, 88" LONG - ALUMINUM - OFF WHITE
2	105450-09-01A	EA TRACK-CURTAIN, 38" LONG - ALUMINUM - OFF WHITE
3	092484-06-01A	EA TRACK-SHOWER - OFF WHITE
3	009700-04-001	EA EXTR-OW, ROD-L 192 INCHS
	046887-01-000	EA GROMMET-BRASS - 7/16" ID X 1" OD
	048394-02-000	YD VELCRO TAPE-HOOK, ADHESIVE BACK - 75" WIDE - BEIGE
	088718-01-001	EA BRACE-90 DEGREE L-ANGLE, 192" - EXTRUDED ALUMINUM
4	078827-02-000	EA BRACKET-LEG, 2 8" X 1 8" TRIANGLE (USED ON OVERHEAD CABINETS ALSO)
	088622-03-000	EA PANEL-LEG, TWO SIDE 27" LONG - PLASTIC - BLACK
5	101031-01-000	YD TAPE-GLIDE, CURTAIN - 4 25" SPACING
6	029130-01-000	EA SCREW-SNAP SOCKET, 8 PH X 5/8"
7	009138-02-000	EA HANGER-RING, PIN TYPE - CURTAIN - BRASS
8	025155-01-000	EA CAP-SNAP, NICKEL
9	086691-02-000	EA BRACKET-HOLD DOWN, W/PIN - BLIND - METAL
10	029158-01-000	EA SOCKET-SNAP FASTENER, NICKEL
11	009702-01-000	EA END STOP-CURTAIN CARRIER, L ROD
12	102566-01-000	EA CLEAT-CORD, BLIND - OFF WHITE
13	009701-01-000	EA CARRIER-CURTAIN, L ROD
14	083170-01-000	EA BRACKET-BLIND, RIGHT SIDE
15	083170-02-000	EA BRACKET-BLIND, LEFT SIDE
16	101033-02-000	EA END CAP-TRACK, CLEAR
	103886-01-000	FT TRIM-VALANCE, U-CHANNEL - 75" WIDE - BRASS
	088792-01-000	YD VELCRO-HOOK, 75" WIDE - BEIGE
	088792-02-000	YD VELCRO TAPE-LOOP, ADHESIVE BACKED - 75" WIDE - BEIGE

CURTAIN, CUSHION GROUP (CONTINUED)

THROW PILLOWS

KEY	PART NUMBER	U/M DESCRIPTION
	103889-01-C52	EA PILLOW ASM-16" X 16" - THROW
	103889-01-C53	EA PILLOW ASM-16" X 16" - THROW

ASSIST HANDLE, BUTTONS & SEATBELTS

KEY	PART NUMBER	U/M DESCRIPTION
	070678-06-C52	EA BUTTON ASM-#30, VINYL
	070678-10-C53	EA BUTTON-SCREW STUD, #30 (C52)
	070678-10-888	EA BUTTON-SCREW STUD, #30 (C53)
	079349-01-C53	YD WELTING-FABRIC (C52)
	079349-01-888	YD WELTING-FABRIC (C53)
	084415-27-000	YD TRIM-BRAID, CURTAIN - BROWN (C52)
	084415-30-000	YD TRIM-BRAID, CURTAIN - BLUE (C53)
	057634-01-000	EA TIEBACK/TIEDOWN-BED/CURTAIN/DOOR, 8" - CLEAR PLASTIC
	053552-02-AA8	EA HANDLE-ASSIST, INTERIOR - ENTRY-DOOR - VINYL - OFF WHITE
	089178-02-000	EA BRACKET-MOUNTING, ASSIST HANDLE - L ANGLE - W/HOLES - ST
	000C16-07-188	EA BOLT-CARRIAGE, ASSIST HANDLE - 7/16" - 14 X 1" ZN
	000D20-07-008	EA NUT-ACORN, ASSIST HANDLE - 7/16" X 14 ZN
	007021-01-000	EA BELT-SEAT, 2" X 90" - BLACK
	057759-01-000	EA WASHER BRACKET-SEAT BELT, 4" DIAMETER

FABRICS

KEY	PART NUMBER	U/M DESCRIPTION
	072333-82-000	YD FABRIC-CURTAIN, 54" WIDE - BEIGE (C52, C53)
	075244-04-000	YD FABRIC-VINYL, SHOWER CURTAIN - 72" WIDE - SALMON (C52)
	075244-05-000	YD FABRIC-VINYL, SHOWER CURTAIN - 72" WIDE - BLUE (C53)
	079880-01-000	YD FABRIC-VINYL, 54" WIDE - BEIGE (C52, C53)
	103807-01-01A	YD FABRIC-VINYL, 54" WIDE - OFF WHITE (C52, C53)
	098008-80-000	YD FABRIC-UPHOLSTERY/CURTAIN, PLAIN VELOUR - 54" WIDE - BROWN (C52) FROM 00-00-00 THRU 11-03-77
	104233-28-000	YD FABRIC-UPHOLSTERY/CURTAIN, PLAIN VELOUR - 54" WIDE - BROWN (C52) FROM 11-04-81 THRU: 99-99-99
	098008-85-000	YD FABRIC-UPHOLSTERY/CURTAIN, PLAIN - 54" WIDE - BLUE (C53)
	104233-04-000	YD FABRIC-UPHOLSTERY, PATTERNED VELOUR - 54" WIDE - BROWN (C52)
	104233-20-000	YD FABRIC-UPHOLSTERY, WOVEN PATTEPN - 54" WIDE - BLUE (C53)
	104233-03-000	YD FABRIC-UPHOLSTERY, CHECKERED VELOUR - 54" WIDE - BROWN (C52)
	104233-21-000	YD FABRIC-UPHOLSTERY, STRIPPED VELOUR - 54" WIDE - BLUE (C53)
	098008-81-000	YD FABRIC-UPHOLSTERY, DOTTED VELOUR - 54" WIDE (C52)
	104233-23 000	YD FABRIC-UPHOLSTERY, WOVEN PATTERN - 54" WIDE - BLUE (C53)
	104233-27-000	YD FABRIC-UPHOLSTERY, PLAIN VELOUR - 54" WIDE - BLUE (C53)
	104233-50-000	YD FABRIC-UPHOLSTERY, BLACK - FOR PIPING TRIM (C52)
	088773-84-000	YD FABRIC-BEDSPREAD, 54" WIDE - BROWN/BLUE PATTERN (C52)
	088273-95-000	YD FABRIC-BEDSPREAD, 54" WIDE - BLUE/PURPLE PATTERN (C53)

**1992 WINNEBAGO
TABLE OF CONTENTS**

INTRODUCTION	A-01 -	A-02
ABBREVIATIONS		A-03
ALPHABETICAL INDEX	A-04 -	A-08
WC522RG	A-07 -	D-18
WF524RC	D-19 -	H-08

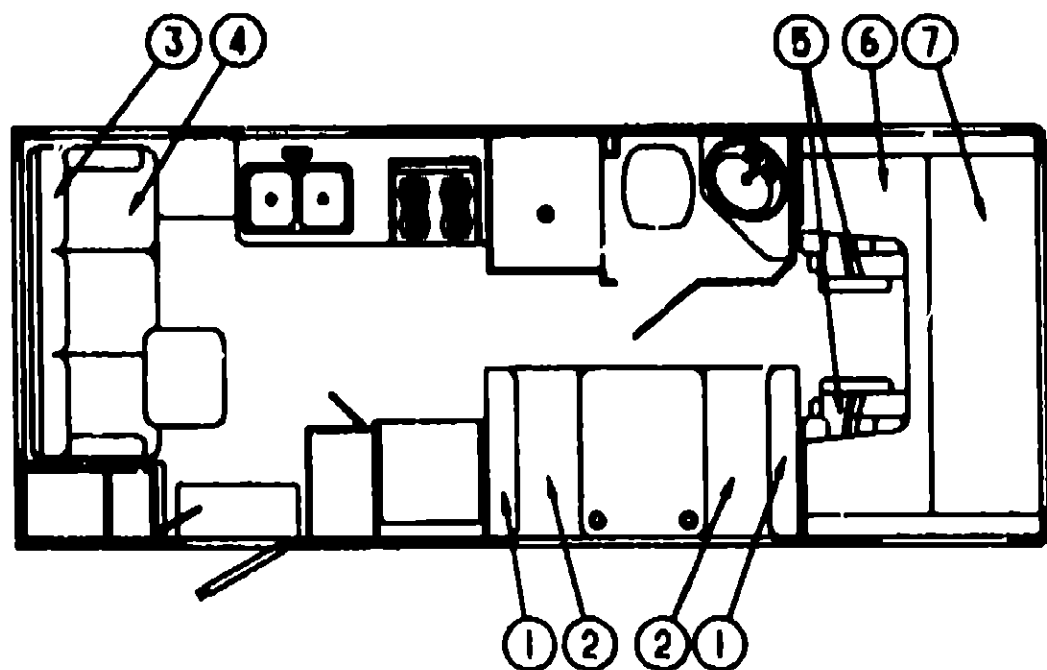
1992 WC522RG INDEX

FLOOR PLAN	A-07 -	A-08
ACCESSORIES		A-09
AUDIO VIDEO		A-10
BATH	A-11 -	A-12
CHASSIS	A-13 -	A-16
CURTAIN & CUSHION	A-17 -	A-24
DINETTE	B-01 -	B-02
DRIVERS	B-03 -	B-08
ELECTRICAL	B-07 -	B-10
EXTERIOR BODY	B-11 -	B-19
GALLEY	B-20 -	B-23
GENERATOR		B-24
HEATING & A/C	C-01 -	C-02
INTERIOR FINISH	C-03 -	C-08
LABEL	C-07 -	C-14
LP	C-15 -	C-18
LOUNGE	C-17 -	C-18
SEALANTS & FASTENERS	C-19 -	C-21
WATER & SEWAGE	C-22 -	C-24
WINDOW, VENT AND EXTERIOR DOOR	D-01 -	D-17

CURTAIN, CUSHION GROUP (CONTINUED)

COUCH (CONTINUED)

**1992 WINNEBAGO
TABLE OF CONTENTS**



DINETTE CUSHIONS

KEY	PART NUMBER	U/M DESCRIPTION
1	104184-06-C52	EA CUSHION-BACKREST, 13 5" X 38" X 5" FROM: 00-00-00 THRU 12-01-91
1	104184-06-C53	EA CUSHION-BACKREST, 13 5" X 38" X 5" FROM: 00-00-00 THRU 12-01-91
	P04184-06-C52	EA COVER-CUSHION, BACKREST, 13 5" X 38" X 5"
	P04184-06-C53	EA COVER-CUSHION, BACKREST, 13 5" X 38" X 5"
1	104184-09-C52	EA CUSHION-BACKREST, 13 5" X 38" X 5" FROM 12-02-91 THRU 99-99-99
1	104184-09-C53	EA CUSHION-BACKREST, 13 5" X 38" X 5" FROM 12-02-91 THRU 99-99-99
	P04184-09-C52	EA COVER-CUSHION, BACKREST, 13 5" X 38" X 5"
	P04184-09-C53	EA COVER-CUSHION, BACKREST, 13 5" X 38" X 5"
2	104184-07-C52	EA CUSHION-SEATBASE, W/STRAP - 23" X 38" X 5"
2	104184-07-C53	EA CUSHION-SEATBASE, W/STRAP
	P04184-07-C52	EA COVER-CUSHION, SEATBASE, W/STRAP
	P04184-07-C53	EA COVER-CUSHION, SEATBASE, W/STRAP
	078155-01-000	EA STRAP-SNAP, BACKREST CUSHION

COUCH

KEY	PART NUMBER	U/M DESCRIPTION
3	100032-23-C52	EA BACKREST-COUCH, W/O SEAT
3	100032-07-C53	EA BACKREST-COUCH, W/O SEAT
	P00032-23-C52	EA COVER-BACKREST, COUCH - 74"
	P00032-07-C53	EA COVER-BACKREST, COUCH - 74"
	101085-05-000	EA FRAME-BACK, 74 75"
	101238-03-C52	EA ARMREST-COUCH, RIGHT
	101238-03-C53	EA ARMREST-COUCH, RIGHT
	P01238-03-C52	EA COVER-ARMREST, RIGHT
	P01238-03-C53	EA COVER-ARMREST, RIGHT
	101085-07-000	EA FRAME-ARM BRACKET, RIGHT SIDE
	101588-03-000	EA BRACKET-ARM, COUCH - RIGHT SIDE
	101588-01-000	EA BRACKET-ARM, COUCH - RIGHT SIDE

KEY	PART NUMBER	U/M DESCRIPTION
	101238-04-C52	EA ARMREST-COUCH, LEFT
	101238-04-C53	EA ARMREST-COUCH, LEFT
	P01238-04-C52	EA COVER-ARMREST, LEFT
	P01238-04-C53	EA COVER-ARMREST, LEFT
	101085-08-000	EA FRAME-ARM BRACKET, LEFT SIDE
	101588-04-000	EA BRACKET-ARM, COUCH - LEFT SIDE
	101588-02-000	EA BRACKET-ARM, COUCH - LEFT SIDE
4	100032-24-C52	EA SEAT-COUCH, W/O BACK
4	100032-09-C53	EA SEAT-COUCH, W/O BACK
	P00032-24-C52	EA COVER-SEAT, COUCH - 74"
	P00032-09-C53	EA COVER-SEAT, COUCH - 74"
	101085-04-000	EA FRAME-SEAT, 74 75"

BUCKET SEATS

KEY	PART NUMBER	U/M DESCRIPTION
5	093450-23-C52	EA SEAT-BUCKET-W/RIGHT ARMREST(C52)
5	093450-23-C53	EA SEAT-BUCKET-W/RIGHT ARMREST(C53)
5	093450-24-C52	EA SEAT-BUCKET-W/LEFT ARMREST(C52)
5	093450-24-C53	EA SEAT-BUCKET-W/LEFT ARMREST(C53)
5	093450-25-C52	EA SEAT-BUCKET-W/RIGHT ARMREST-RECLINING(C52)
5	093450-25-C53	EA SEAT-BUCKET-W/RIGHT ARMREST-RECLINING(C53)
5	093450-26-C52	EA SEAT-BUCKET-W/LEFT ARMREST-RECLINING(C52)
5	093450-26-C53	EA SEAT-BUCKET-W/LEFT ARMREST-RECLINING(C53)

BUNK CUSHIONS

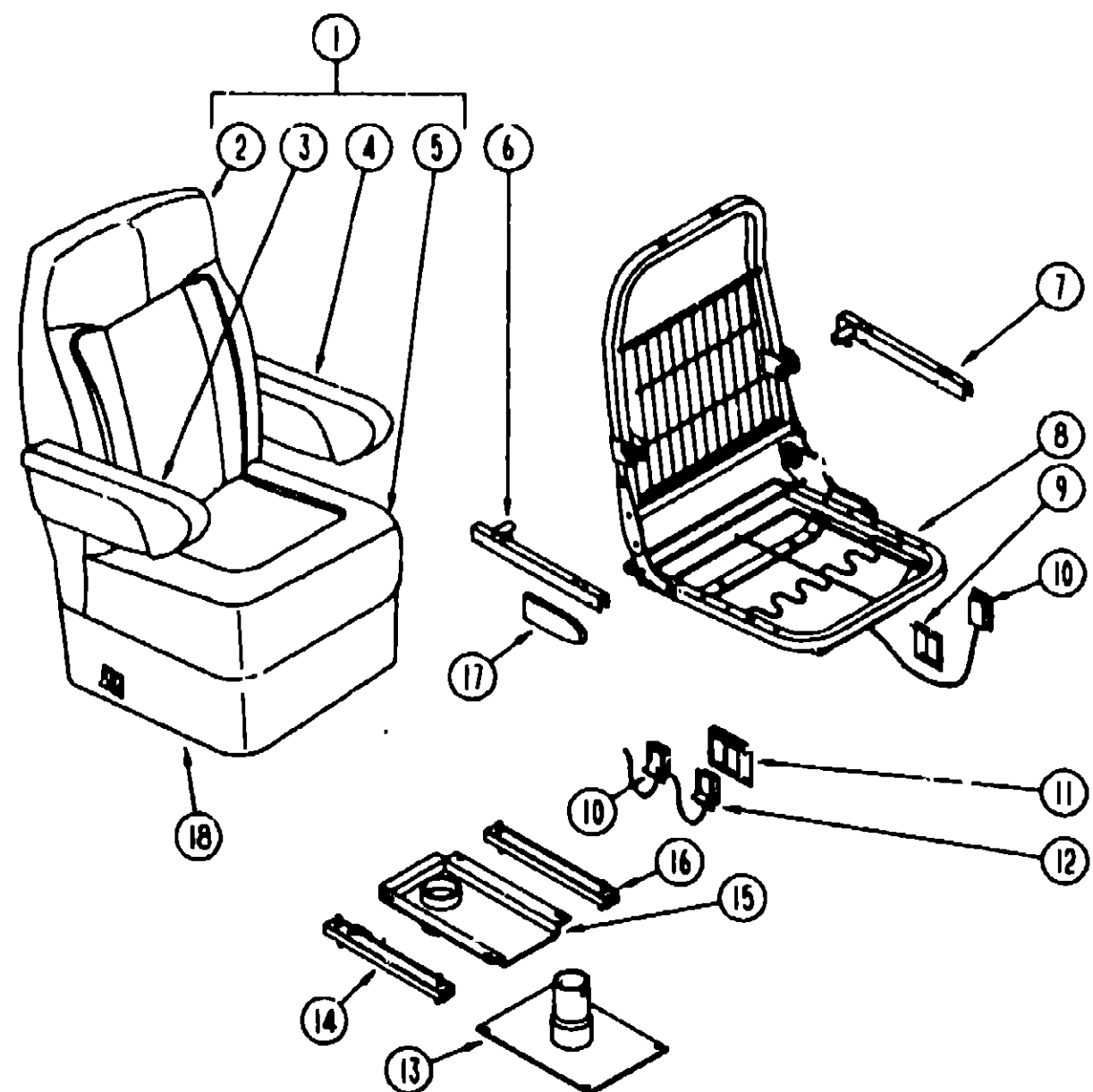
KEY	PART NUMBER	U/M DESCRIPTION
8	105573-05-C52	EA CUSHION-BUNK, REAR - 28" X 79" X 5" FROM 00-00-00 THRU 01-12-92
8	105573-05-C53	EA CUSHION-BUNK, REAR - 28" X 79" X 5" FROM 00-00-00 THRU 01-12-92
	P05573-05-C52	EA COVER-CUSHION, BUNK - REAR - 28" X 79" X 5" FROM 00-00-00 THRU 01-12-92
	P05573-05-C53	EA COVER-CUSHION, BUNK - REAR - 28" X 79" X 5" FROM 00-00-00 THRU 01-12-92
6	105573-10-C52	EA CUSHION-BUNK, REAR - 27" X 23" X 80" X 5" FROM 01-13-92 THRU 99-99-99
6	105573-10-C53	EA CUSHION-BUNK, REAR - 27" X 23" X 80" X 5" FROM 01-13-92 THRU 99-99-99
	P05573-10-C52	EA COVER-CUSHION, BUNK - REAR - 27" X 23" X 80" X 5" FROM 01-13-92 THRU 99-99-99
	P05573-10-C53	EA COVER-CUSHION, BUNK - REAR - 27" X 23" X 80" X 5" FROM 01-13-92 THRU 99-99-99
7	105573-04-C52	EA CUSHION-BUNK, FRONT - 32" X 79" X 5" FROM 00-00-00 THRU 01-12-92
7	105573-04-C53	EA CUSHION-BUNK, FRONT - 32" X 79" X 5" FROM 00-00-00 THRU 01-12-92
	P05573-04-C52	EA COVER-CUSHION, BUNK - FRONT - 32" X 79" X 5" FROM 00-00-00 THRU 01-12-92
	P05573-04-C53	EA COVER-CUSHION, BUNK - FRONT - 32" X 79" X 5" FROM 00-00-00 THRU 01-12-92
7	105573-09-C52	EA CUSHION-BUNK, FRONT - 32 5" X 80" X 5" FROM 01-13-92 THRU 99-99-99
7	105573-09-C53	EA CUSHION-BUNK, FRONT - 32 5" X 80" X 5" FROM 01-13-92 THRU 99-99-99
	P05573-09-C52	EA COVER-CUSHION, BUNK - FRONT - 32 5" X 80" X 5" FROM 01-13-92 THRU 99-99-99
	P05573-09-C53	EA COVER-CUSHION, BUNK - FRONT - 32 5" X 80" X 5" FROM 01-13-92 THRU 99-99-99

1992 WC522RG INDEX

FLOOR PLAN	A-07 - A-08
ACCESSORIES	- A-09
AUDIO VIDEO	- A-10
BATH	A-11 - A-12
CHASSIS	A-13 - A-16
CURTAIN & CUSHION	A-17 - A-24
DINETTE	B-01 - B-02
DRIVERS	B-03 - B-08
ELECTRICAL	B-07 - B-10
EXTERIOR BODY	B-11 - B-19
GALLEY	B-20 - B-23
GENERATOR	- B-24
HEATING & A/C	C-01 - C-02
INTERIOR FINISH	C-03 - C-06
LABEL	C-07 - C-14
LP	C-15 - C-16
LOUNGE	C-17 - C-18
SEALANTS & FASTENERS	C-19 - C-21
WATER & SEWAGE	C-22 - C-24
WINDOW, VENT AND EXTERIOR DOOR	D-01 - D-17

CURTAIN, CUSHION GROUP (CONTINUED)

BUCKET SEATS



KEY	PART NUMBER	U/M	DESCRIPTION
3	080243-49-C52	EA	ARMREST-RIGHT(C52)
3	080243-49-C53	EA	ARMREST-RIGHT (C53)
	M80243-49-C52	EA	COVER-ARMREST-RIGHT(C52)
	M80243-49-C53	EA	COVER-ARMREST-RIGHT(C53)
4	080243-50-C52	EA	ARMREST-LEFT(C52)
4	080243-50-C53	EA	ARMREST-LEFT(C53)
	M80243-50-C52	EA	COVER-ARMREST- LEFT (C52)
	M80243-50-C53	EA	COVER-ARMREST- LEFT(C53)
5	M03445-23-C52	EA	COVER-SEAT- BUCKET(C52)
5	M03445-23-C53	EA	COVER-SEAT- BUCKET(C53)
8	081268-01-000	EA	ROD & CHANNEL-ARMREST- RIGHT - METAL
7	081268-02-000	EA	ROD & CHANNEL-ARMREST- LEFT - METAL
	081361-01-000	EA	ROD-ARMREST- METAL - RIGHT OR LEFT HAND
8	M80908-08-000	EA	FRAME-SEAT&BACK&SPRING
8	M80908-05-000	EA	FRAME-SEAT&BACK&SPRING -RECLINING
	101125-01-000	EA	RECLINER-SEAT BACK- LEFT HAND RMOTE
9	097683-03-003	EA	BRACKET-REMOTE- SIDE MOUNT - SINGLE
10	089368-04-000	EA	CABLE-SWIVEL- W/SWITCH - BUCKET SEAT
11	097683-02-000	EA	BRACKET-MOUNT- REMOTE
12	089368-06-000	EA	CABLE-RECLINER- W/SWITCH - BUCKET SEAT
13	089585-41-000	EA	PLATE-SUB- BASE - BUCKET SEAT - 12" X 13" - STEEL
14	069248-05-000	EA	ADJUSTER-SEAT/CHAIR- W/REMOTE - FORWARD & BACK
	069248-06-700	EA	SPRING-ADJUSTER- FOR REMOTE
	069248-05-701	EA	CLIP-CABLE- FOR REMOTE
15	093481-04-000	EA	TOP PLATE-PEDESTAL- BUCKET SEAT - W/O SEATBELT BAR
18	069248-02-000	EA	ADJUSTER-SEAT/CHAIR- W/O LOCK - FORWARD & BACK
	089585-03-000	EA	PEDESTAL-LOWER- W/EXTENSION - 9" X 5" - STEEL
17	089368-08-000	EA	SHIELD-CABLE- REMOTE RECLINER - BUCKET SEAT
18	071126-24-B85	EA	SKIRT-BUCKET SEAT (C52)
18	071126-24-B86	EA	SKIRT-BUCKET SEAT (C53)

1992 WINNEBAGO TABLE OF CONTENTS

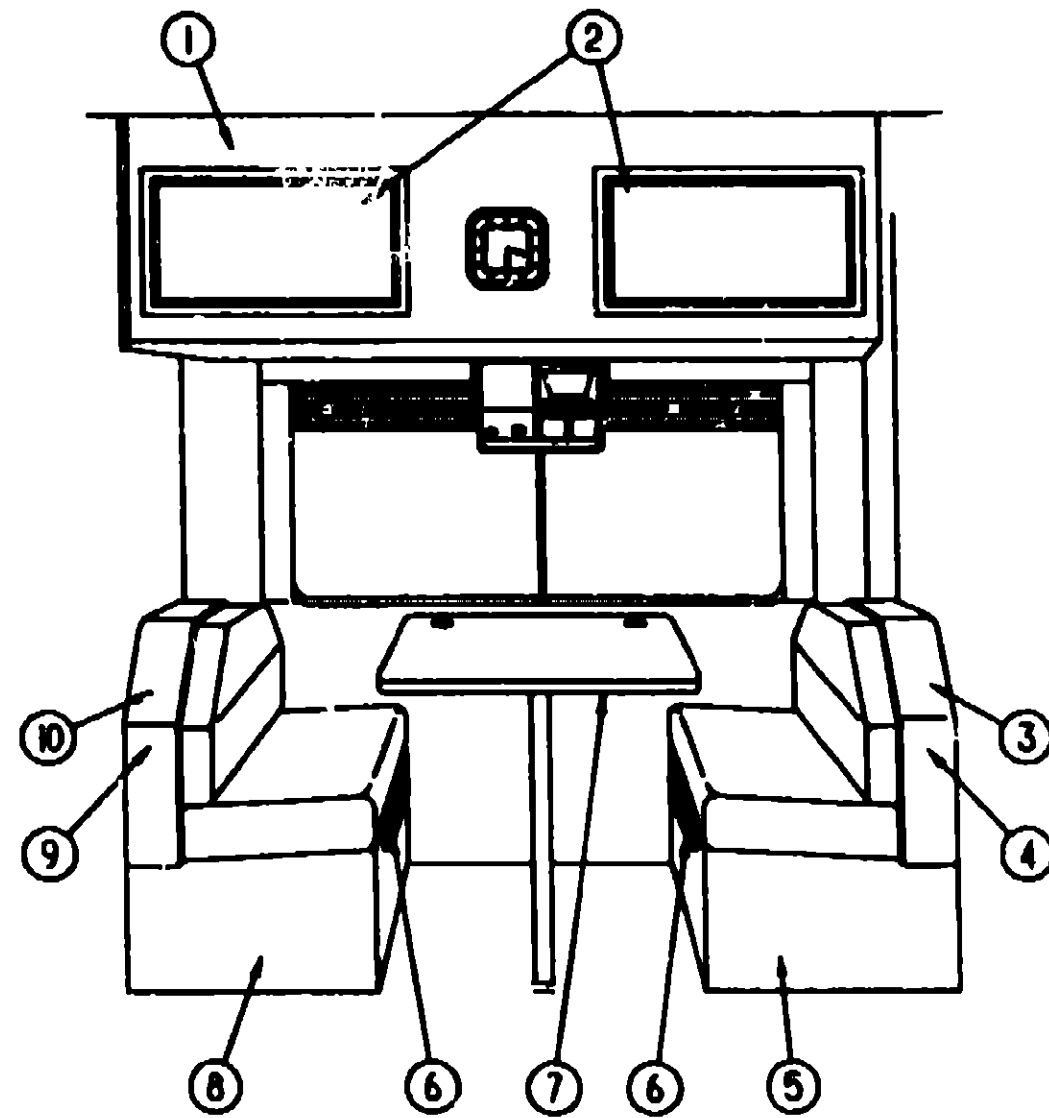
INTRODUCTION	A-01 - A-02
ABBREVIATIONS	A-03
ALPHABETICAL INDEX	A-04 - A-08
WC522RG	A-07 - D-10
WF524RC	D-19 - H-08

1992 WC522RG INDEX

FLOOR PLAN	A-07 - A-08
ACCESSORIES	A-09
AUDIO VIDEO	A-10
BATH	A-11 - A-12
CHASSIS	A-13 - A-16
CURTAIN & CUSHION	A-17 - A-24
DINETTE	B-01 - B-02
DRIVERS	B-03 - B-06
ELECTRICAL	B-07 - B-10
EXTERIOR BODY	B-11 - B-19
GALLEY	B-20 - B-23
GENERATOR	B-24
HEATING & A/C	C-01 - C-02
INTERIOR FINISH	C-03 - C-06
LABEL	C-07 - C-14
LP	C-15 - C-16
LOUNGE	C-17 - C-18
SEALANTS & FASTENERS	C-19 - C-21
WATER & SEWAGE	C-22 - C-24
WINDOW, VENT AND EXTERIOR DOOR	D-01 - D-17

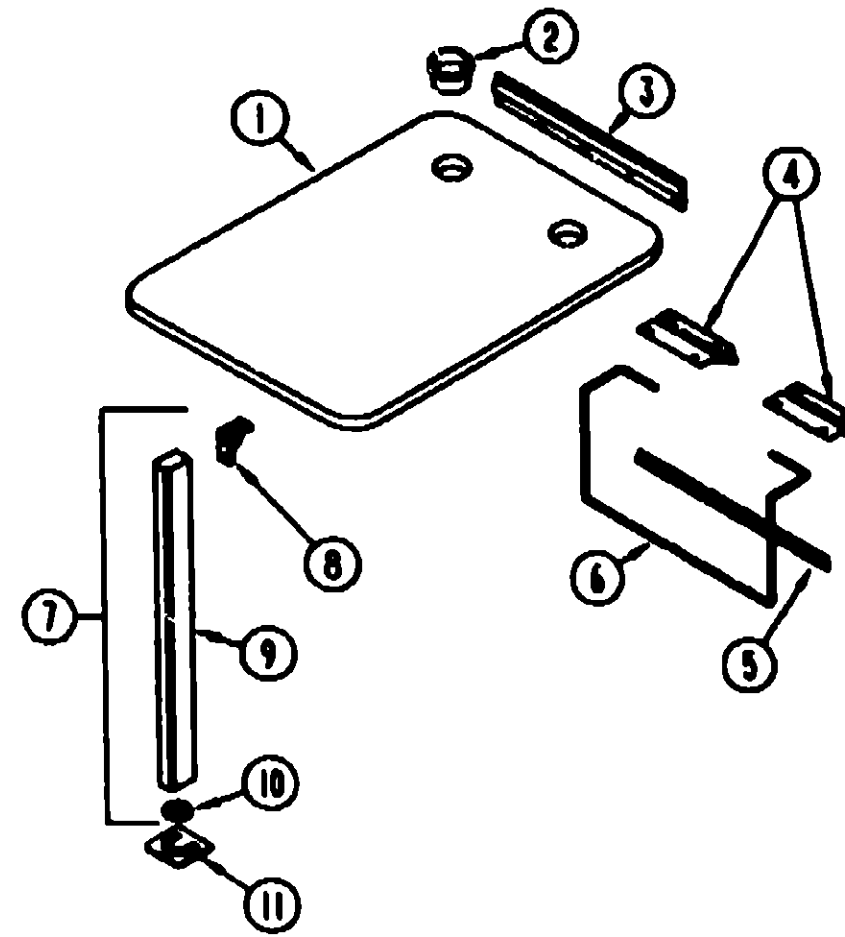
KEY	PART NUMBER	U/M	DESCRIPTION
1	083450-23-C52	EA	SEAT-BUCKET-W/RIGHT ARMREST(C52)
1	083450-23-C53	EA	SEAT-BUCKET-W/RIGHT ARMREST(C53)
1	083450-24-C52	EA	SEAT-BUCKET-W/LEFT ARMREST(C52)
1	083450-24-C53	EA	SEAT-BUCKET-W/LEFT ARMREST(C53)
1	083450-25-C52	EA	SEAT-BUCKET-W/RIGHT ARMREST-RECLINING(C52)
1	083450-25-C53	EA	SEAT-BUCKET-W/RIGHT ARMREST-RECLINING(C53)
1	083450-26-C52	EA	SEAT-BUCKET-W/LEFT ARMREST-RECLINING(C52)
1	083450-26-C53	EA	SEAT-BUCKET-W/LEFT ARMREST-RECLINING(C53)
2	M03445-22-C52	EA	COVER-BACK-BUCKET (C52)
2	M03445-22-C53	EA	COVER-BACK-BUCKET(C53)

DINETTE GROUP



CABINETS, TABLE & PADS

DINETTE GROUP (CONTINUED)



TABLE

**1992 WINNEBAGO
TABLE OF CONTENTS**

INTRODUCTION	A-01 -	A-02
ABBREVIATIONS		A-03
ALPHABETICAL INDEX	A-04 -	A-05
WC522RG	A-07 -	D-18
WF524RC	D-19 -	H-08

1992 WC522RG INDEX

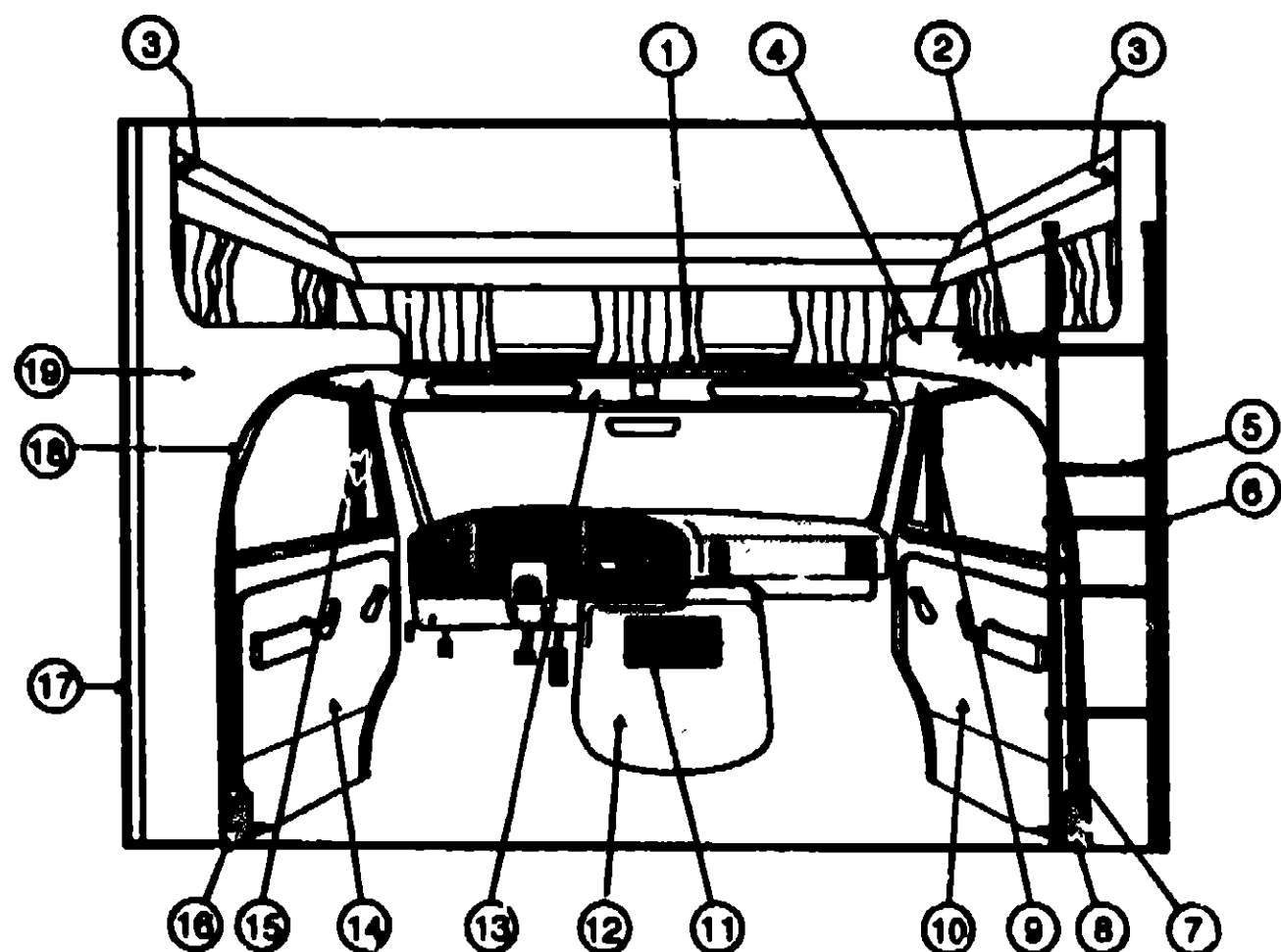
FLOOR PLAN	A-07 -	A-08
ACCESSORIES		A-09
AUDIO VIDEO		A-10
BATH	A-11 -	A-12
CHASSIS	A-13 -	A-16
CURTAIN & CUSHION	A-17 -	A-24
DINETTE	B-01 -	B-02
DRIVERS	B-03 -	B-08
ELECTRICAL	B-07 -	B-10
EXTERIOR BODY	B-11 -	B-19
GALLEY	B-20 -	B-23
GENERATOR		B-24
HEATING & A/C	C-01 -	C-02
INTERIOR FINISH	C-03 -	C-08
LABEL	C-07 -	C-14
LP	C-15 -	C-16
LOUNGE	C-17 -	C-18
SEALANTS & FASTENERS	C-19 -	C-21
WATER & SEWAGE	C-22 -	C-24
WINDOW, VENT AND EXTERIOR DOOR	D-01 -	D-17

KEY	PART NUMBER	U/M DESCRIPTION
1	M05824-10-C52	EA CABINET-OVERHEAD, W/O DOORS
1	M05874-10-C53	EA CABINET-OVERHEAD, W/O DOORS
	104335-09-C03	EA END CAP-CABINET - OVERHEAD
2	P04746-04-C52	EA DOOR-CABINET, W/O HARDWARE - 400 X 710MM
3	104787-01-C52	EA PAD-BACKREST, DINETTE - RIGHT (C52)
3	104787-01-C28	EA PAD-BACKREST, DINETTE - RIGHT (C53)
4	M04174-17-C03	EA CABINET-BACKREST, RIGHT
5	M04175-17-C03	EA CABINET-SEATBASE, RIGHT
6	061295-01-AAB	EA SUPPORT-BED, DINETTE
7	M92743-15-C52	EA TABLE-DINETTE, W/O HARDWARE
7	M92743-15-C53	EA TABLE-DINETTE, W/O HARDWARE
8	M04175-18-C03	EA CABINET-SEATBASE, LEFT
9	M04174-18-C03	EA CABINET-BACKREST, LEFT
10	104707-02-C52	EA PAD-BACKREST, DINETTE - LEFT
10	104797-02-C53	EA PAD-BACKREST, DINETTE - LEFT

KEY	PART NUMBER	U/M DESCRIPTION
1	M92713-15-C52	EA TABLE-DINETTE, W/O HARDWARE
1	M92743-15-C53	EA TABLE-DINETTE, W/O HARDWARE
2	064781-08-000	EA HOLDER-CUP, TWO STEP - OFF WHITE
3	063200-05-000	EA BRACKET-TABLE SUPPORT, UPPER WALL MOUNTED - 23 5° - BEIGE
4	068410-01-000	EA BRACKET-LIFT, TABLE MOUNTED - BEIGE
5	024281-07-000	EA BRACKET-LIFT ROD, LOWER WALL MOUNTED - 22 12° - BEIGE
6	024275-05-000	EA ROD-TABLE LIFT, 8" X 23.5" - BEIGE
7	092708-08-C52	EA LEG ASM-TABLE
8	093550-01-000	EA BRACKET-HINGE, MOUNTS TO LEG & TABLE TOP - 1.7" X 2 6°
9	092707-01-01A	EA MOLDING-OAK, REGAL.
10	092593-01-04A	EA CATCH-LEG, LEG MOUNTED - ROUND - 1.4" DIA - METAL - BEIGE
11	048493-11-700	EA CATCH-LEG, FLOOR MOUNTED - 2 5" X 2 7" - METAL - E.C.O.A.

DRIVERS COMPARTMENT GROUP (CONTINUED)

FORD DRIVERS COMPARTMENT



KEY	PART NUMBER	U/M	DESCRIPTION
1	108444-01-01A	EA	TRIM-SLEEPERBOARD, INNER - OFF WHITE
1	080742-09-000	FT	TRIM-VINYL, SLEEPER BOARD - OFF WHITE
2	105777-01-C52	EA	PAD ASM-BUNK, OVERHEAD (FORD) (C52)
2	105777-01-C24	EA	PAD ASM-BUNK, OVERHEAD (FORD) (C63)
3	082071-10-C52	EA	COVER-WINGWALL
			FROM 00-00-00 THRU: 10-27-91
3	082071-12-C52	EA	COVER-WINGWALL
			FROM 10-28-91 THRU: 99-99-99
4	108440-03-C52	EA	WINGWALL ASM-INNER, RIGHT (FORD)
	108445-01-C52	EA	TRIM ASM-WINGWALL WRAP, RIGHT (FORD)
			BETWEEN CAB STEEL & B PILLAR TRIM
5	108025-01-01A	EA	LADDER-BUNK, BLACK - 1434 MM
	108025-01-700	EA	BRACKET SET F/BUNK LADDER
6	089858-03-000	EA	STRAP ASM-TIEDOWN, BUNK LADDER
7	108448-01-C52	EA	TRIM ASM-CAB, B-PILLAR - RIGHT (FORD)
8	108431-01-01A	EA	COVER-SEATBELT, RIGHT - OFF WHITE (FORD)
9	108447-01-C52	EA	TRIM ASM-CAB DOOR, UPPER - RIGHT (FORD)
10	108432-01-C52	EA	PANEL ASM-DOOR, INNER, RIGHT (FORD)
10	108432-01-C53	EA	PANEL ASM-DOOR, INNER, RIGHT (FORD)
11	108834-01-C08	EA	TRAY ASM-BEVERAGE (FORD)
			FROM 00-00-00 THRU 01-28-92
11	107134-02-C70	EA	TRAY-BEVERAGE, OAK - W/CASSETTE HOLDER (FORD)
			FROM 01-27-92 THRU: 99-99-99
	048888-03-000	EA	ASHTRAY-CHROME, W/COVER
12	089385-23-C52	EA	COVER-MOTOR, W/POCKET (FORD)
12	089885-23-C53	EA	COVER-MOTOR, W/POCKET (FORD)
13	108448-01-C52	EA	HEADLINER-VINYL COVERED, FRONT - OFF WHITE (FORD)
14	108432-02-C52	EA	PANEL ASM-DOOR, INNER, LEFT (FORD)
14	108432-02-C53	EA	PANEL ASM-DOOR, INNER, LEFT (FORD)
15	108447-02-C52	EA	TRIM ASM-CAB DOOR, UPPER - LEFT (FORD)
16	108431-02-01A	EA	COVER-SEATBELT, LEFT - OFF WHITE (FORD)
17	082081-20-C03	EA	COVER-WINGWALL, 8' LONG - VINYL - OFF WHITE (1 USED ON EACH SIDE)
18	108448-02-C52	EA	TRIM ASM-CAB, B-PILLAR, RIGHT (FORD)
19	108440-04-C52	EA	WINGWALL ASM-INNER, LEFT (FORD)
	108445-02-C52	EA	TRIM ASM-WINGWALL WRAP, LEFT (FORD)
			BETWEEN CAB STEEL & B PILLAR TRIM

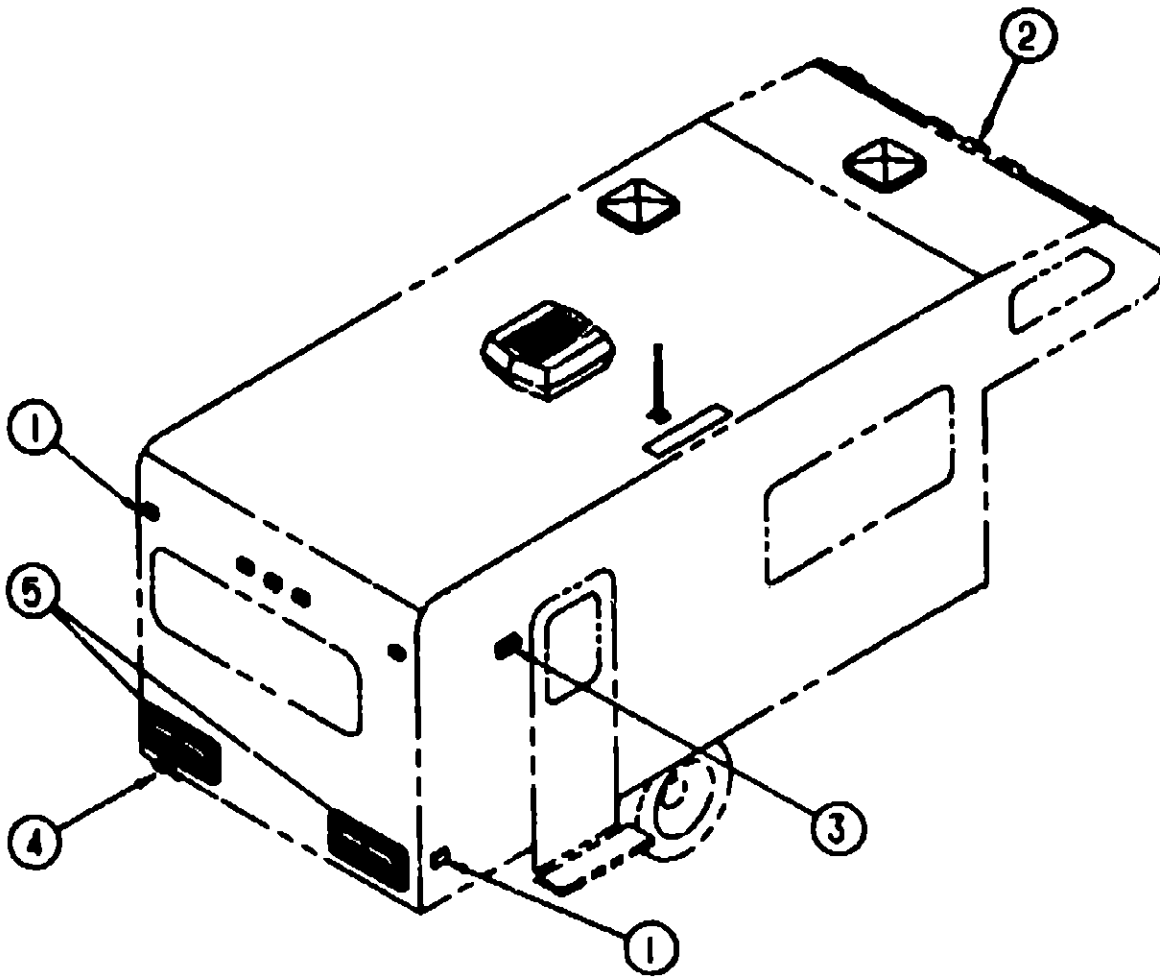
1992 WINNEBAGO TABLE OF CONTENTS

INTRODUCTION	A-01	A-02
ABBREVIATIONS		A-03
ALPHABETICAL INDEX	A-04	A-08
WC522RG	A-07	D-18
WFS24RC	D-19	H-06

1992 WC522RG INDEX

FLOOR PLAN	A-07	A-08
ACCESSORIES		A-09
AUDIO VIDEO		A-10
BATH	A-11	A-12
CHASSIS	A-13	A-16
CURTAIN & CUSHION	A-17	A-24
DINETTE	B-01	B-02
DRIVERS	B-03	B-08
ELECTRICAL	B-07	B-10
EXTERIOR BODY	B-11	B-19
GALLEY	B-20	B-23
GENERATOR		B-24
HEATING & A/C	C-01	C-02
INTERIOR FINISH	C-03	C-06
LABEL	C-07	C-14
LP	C-15	C-16
LOUNGE	C-17	C-18
SEALANTS & FASTENERS	C-19	C-21
WATER & SEWAGE	C-22	C-24
WINDOW, VENT AND EXTERIOR DOOR	D-01	D-17

ELECTRICAL GROUP



EXTERIOR LIGHTS & BULBS

KEY	PART NUMBER	U/M DESCRIPTION
1	042405-01-000	EA LENS-CLEARANCE/SIDEMARKER LIGHT, W/REFLEX - RED
1	042405-03-000	EA BASE-CLEARANCE/SIDEMARKER LIGHT W/BULB - PLASTIC - WHITE
1	008213-01-000	EA BULB
2	042405-02-000	EA LENS-CLEARANCE/SIDEMARKER LIGHT - W/REFLEX - AMBER
2	042405-03-000	EA BASE-CLEARANCE/SIDEMARKER LIGHT W/BULB - PLASTIC - WHITE
2	008213-01-000	EA BULB
	081983-01-000	EA GASKET-CLEARANCE/SIDEMARKER LIGHT
3	087917-01-01A	EA LIGHT-PORCH, ENTRY DOOR - OFF WHITE
	008215-01-000	EA BULB
	087917-01-700	EA LENS
4	088432-01-000	EA LIGHT-LICENSE PLATE, W/BRACKET
5	103545-01-01A	EA TAIL LIGHT ASM-TRIPLE, HORIZONTAL - BARGMAN 30-84-103
	037934-01-000	EA BULB-12V NO1158 2.10AMP
	037935-01-000	EA BULB-12V NO1157 2.10AMP
	081638-01-700	EA LENS TAILLIGHT (RED)
	103545-01-700	EA LENS-BACKUP
5	105848-01-01A	EA TRIM-TAIL LIGHT, REAR - LIGHT GRAY

ELECTRICAL GROUP (CONTINUED)

INTERIOR LIGHTS & BULBS

KEY	PART NUMBER	U/M DESCRIPTION
	082189-01-000	EA LIGHT-MAKE-UP, 3 BULB - JENSEN X148-168R
	081633-01-700	EA BULB
	088280-01-000	EA LIGHT-SURFACE MOUNT, 12V - JENSEN 1238
	088280-01-700	EA BULB
	088024-01-01A	EA LIGHT-DOME, 1 BULB - US - IVORY
	088024-03-01A	EA LIGHT-DOME, 2 BULB - IVORY
	008218-01-000	EA BULB
	088024-01-700	EA LENS
	104173-01-01A	EA LIGHT-DESIGNER, BRASS - #81-805 - A.W ASPLUND BULB #83 12V
	104172-01-01A	EA LIGHT-BULLET, BEIGE - #787 SERIES BULB #83 12V
	008215-01-000	EA BULB-12V, #1003 - 94AMP

SWITCHES & RECEPTACLES

KEY	PART NUMBER	U/M DESCRIPTION
	100312-01-000	EA SWITCH-DOOR JAMB, ELECTRIC ENTRY STEP - METAL
	075723-01-000	EA SPACER-SWITCH, W/O HOLE - 2" X 8" X 2" - METAL - OFF WHITE
	075723-02-000	EA SPACER-SWITCH, W/HOLE - 2" X 8" X 2" - METAL - OFF WHITE FOR ELECTRIC STEP DOOR JAMB SWITCH
	095188-01-01A	EA SPACER-SWITCH, 2 3" X 3.4" - PLASTIC - DARK BROWN
	079384-01-000	EA SWITCH-ON/OFF ROCKER, 2 PRONGS - BROWN
	079384-03-000	EA SWITCH-ON/OFF ROCKER, 3 PRONGS - BROWN
	098351-01-01A	EA PLATE-SWITCH, 1 GANG - POLISHED BRASS
	098351-02-01A	EA PLATE-SWITCH, 2 GANG - POLISHED BRASS
	098351-05-01A	EA PLATE-SWITCH, 3 GANG - POLISH BRASS - JENSEN
	098351-08-01A	EA PLATE-SWITCH, 2 GANG W/LABEL - JENSEN - POLISHED BRASS
	108357-08-000	EA SWITCH-ROCKER, DPTON/NONE/ON
	108358-02-01A	EA ACTUATOR-SWITCH DIMPLE II "CARLING VVAZC00 BLA
	084078-01-000	EA RECEPTACLE-GFI, 15A - 125V - IVORY
	084077-01-000	EA PLATE-COVER, RECEPTACLE - GFI - IVORY
	087734-01-02A	EA EXTENSION-RECEPTACLE, 3.2" X 5" X 7" - PLASTIC - BROWN
	102588-01-B10	EA SPACER-RECEPTACLE, BETWEEN SIDEWALL & PLATE - WOOD
	088707-01-000	EA RECEPTACLE-ELECTRIC, SINGLE - BROWN
	088708-01-000	EA RECEPTACLE-ELECTRIC, DOUBLE - BROWN
	088708-02-000	EA RECEPTACLE-ELECTRIC, DOUBLE - IVORY
	075738-02-000	EA COVER-EXTERIOR RECEPTACLE, OFF WHITE
	054250-01-000	EA COVER-ANGLED, W/O HOLE - 3 8" X 4 5" - PLASTIC - BEIGE ELECTRICAL PLATE SUPPORT
	054250-04-000	EA COVER-ANGLED, W/O HOLE - 3 8" X 4 5" - PLASTIC - OFF WHITE ELECTRICAL PLATE SUPPORT

CONTROL CENTER & POWER CONVERTER

KEY	PART NUMBER	U/M DESCRIPTION
	083208-01-000	EA CONVERTOR-POWER 32A - 120V/12V - BW 8332
	083208-01-000	EA CONVERTOR-POWER, 32A - 120V/12V - BW 8332
	094809-01-000	EA CENTER-LOAD, 240V - 125A - TPL412CT

1982 WINNEBAGO TABLE OF CONTENTS

INTRODUCTION	A 01 - A 02
ABBREVIATIONS	A 03
ALPHABETICAL INDEX	A 04 - A 08
WC522RG	A 07 - D 18
WF824RC	D 19 - H 08

1982 WC522RG INDEX

FLOOR PLAN	A 07 - A 08
ACCESSORIES	- A 09
AUDIO VIDEO	- A 10
BATH	A 11 - A 12
CHASSIS	A 13 - A 16
CURTAIN & CUSHION	A 17 - A 24
DINETTE	B 01 - B 02
DRIVERS	B 03 - B 08
ELECTRICAL	B 07 - B 10
EXTERIOR BODY	B 11 - B 19
GALLEY	B 20 - B 23
GENERATOR	- B 24
HEATING & A/C	C 01 - C 02
INTERIOR FINISH	C 03 - C 06
LABEL	C 07 - C 14
LP	C 15 - C 18
LOUNGE	C 17 - C 18
SEALANTS & FASTENERS	C 19 - C 21
WATER & SEWAGE	C 22 - C 24
WINDOW, VENT AND EXTERIOR DOOR	D 01 - D 17

ELECTRICAL GROUP (CONTINUED)

CIRCUIT BREAKERS & FUSES

KEY	PART NUMBER	U/M	DESCRIPTION
	008211-01-000	EA	BREAKER-CIRCUIT, 12V - 8AMP
	008209-01-000	EA	BREAKER-CIRCUIT, W/MOUNT -30A - 12V
	008235-01-000	EA	FUSE-AUTOMOTIVE, 12V - 15AMP
	008277-01-000	EA	FUSE-HOLDER, PANEL MOUNT - BLACK
	062901-02-000	EA	FUSE-5 AMP, AUTOMOTIVE
	062901-05-000	EA	FUSE-15 AMP, AUTOMOTIVE
	063209-01-000	EA	CIRCUIT BREAKER-15 AMP, 120V - BW G-15 - CANDIAN
	063209-02-000	EA	CIRCUIT BREAKER-15/15AMP, 120V - BW H-15/15
	063209-03-000	EA	CIRCUIT BREAKER-15/20AMP, 120V - BW - 0-15/20
	063209-04-000	EA	CIRCUIT BREAKER-30A, 120V - BW L-30
	063209-05-000	EA	CIRCUIT BREAKER-30/15 AMP, 120V - BW D-30/15
	063209-08-000	EA	BREAKER-CIRCUIT, BLANK - BW
	063654-01-000	EA	CIRCUIT BREAKER-8 AMP, HOUSE CONTROL PANEL
	063655-01-000	EA	CIRCUIT BREAKER-25 AMP
	063655-02-000	EA	CIRCUIT BREAKER-30 AMP, HOUSE CONTROL PANEL
	064810-01-000	EA	BREAKER-CIRCUIT, DOUBLE 30 AMP - GE THQL2130
	064811-01-000	EA	BREAKER-CIRCUIT, DOUBLE 20 AMP - GE THQL2120
	107185-01-01A	EA	BOX-CIRCUIT BREAKER MNT BLK

ELECTRIC CORDS & BOXES

KEY	PART NUMBER	U/M	DESCRIPTION
	008052-01-000	EA	CORD-POWER 10/3 - 30 AMP - 25' (CSA)
	008052-01-000	EA	CORD-POWER, 10/3 - 30 AMP - 25' - CANADIAN
	008054-01-000	EA	CORD-POWER, 10/3 - 30 AMP - 25'
	008288-01-000	EA	BOX-PLASTIC ELECTRIC, 3" X 3 1/2"
	008290-01-000	EA	BOX-ELECTRIC, STEEL - 1/2" AND 3/4" KNOCKOUTS - 4" X 4"
	008290-02-000	EA	BOX-ELECTRICAL, 4" X 4" - 1/2" & 3/4" KNOCKOUTS - CANDIAN
	008294-01-000	EA	COVER ELECTRICAL BOX, BLANK/STEEL - 4" X 4" - GRAY
	008294-02-000	EA	COVER-ELECTRICAL BOX, BLANK STEEL - 4" X 4" - CANADIAN
	068049-01-000	EA	BOX-ELECTRIC SWITCH, 2" X 3" X 2 25"
	068238-01-000	EA	COVER-ELECTRICAL BOX, WHOLE - 4" X 4" - GRAY USED WITH 30 AMP RECEPTACLE
	081910-01-000	EA	BOX-ELECTRIC, 3.75" X 3 5" X 1 75" - PLASTIC
	093603-01-000	EA	BOX-ELEC-STL 4X2 1/8X2 1/8 STL CTY 58371 1/2

WIRE ASSEMBLIES

KEY	PART NUMBER	U/M	DESCRIPTION
	100159-02-000	EA	WIRE ASM-DAYTIME RUNNING LIGHTS, W/FUSE
	106308-01-000	EA	WIRE ASM-MONITOR PANEL ADAPT #2 500-SERIES
	106321-01-000	EA	WIRE ASM-ELECTRIC STEP

ELECTRICAL GROUP (CONTINUED)

ELECTRIC CONNECTORS & CONDUIT

KEY	PART NUMBER	U/M	DESCRIPTION
	007940-01-000	EA	RECEPTACLE-SLIDE 16 TO 12 AWG - FEMALE END
	008474-10-000	EA	HOUSING SOCKET 2 POSITION
	007940-01-000	EA	RECEPTACLE-SLIDE, 16 TO 12 AWG - FEMALE END
	008188-01-000	EA	SOLENOID-3 POST, BATTERY CHANGE OVER
	008911-01-000	EA	CONNECTOR-WIRE NUT, INSULATED - RED
	008914-01-000	EA	CONNECTOR-WIRE NUT, INSULATED - GRAY
	008328-01-000	EA	TERMINAL-RING, 18/14 WIRE - 3/8" STUD
	008328-01-000	EA	TERMINAL-RING, 12/10 WIRE - #10 STUD FIT
	008331-01-000	EA	TERMINAL-RING, TONGUE - #4 WIRE - 3/8" STUD - COPER
	008348-01-000	EA	TERMINAL-RING, 3/8" STUD - #2 WIRE CONNECTS CABLE TO DISCONNECT RELAY AND BATTERY
	035416-04-000	EA	TERMINAL-RING #10 STUD FIT, INSULATED BARREL#16/1
	008355-01-000	EA	CONNECTOR-CABLE CLAMPING, 3/4"
	008358-01-000	EA	CONNECTOR-PLASTIC, 3/8" AVG
	024824-02-000	EA	RECEPTACLE-POWER CORD, W/PARTIAL PLATE
	041953-01-000	FT	CONDUIT-CONVOLUTE SLIT, .51D
	041953-01-000	FT	CONDUIT-CONVOLUTE SLIT, .51D
	041953-03-000	FT	CONDUIT-CONVOLUTE SLIT, 1" ID (CLOTHES ROD COVR)
	041953-05-000	FT	CONDUIT-CONVOLUTE, SLIT .375" ID
	041953-07-000	FT	CONDUIT-CONVOLUTE, SLIT - 25" ID
	041953-09-000	FT	CONDUIT-CONVOLUTE, SLIT 50" ID
	041953-10-000	FT	CONDUIT-CONVOLUTE, SLIT - .75" ID
	041953-11-000	FT	CONDUIT-CONVOLUTE, SLIT - 1.08" ID
	041953-12-000	FT	CONDUIT-CONVOLUTE, NON SLIT 1.1" ID
	047443-01-000	EA	TERMINAL-250 RECEPT. FIT, INSULATED - 18/14 AWG
	060283-02-000	EA	BAR-BUSS, CIRCUIT BREAKER
	068028-01-000	EA	CONNECTOR-ELECTRICAL PIGTAIL, NYLON - CLEAR
	068208-02-000	EA	TERMINAL-PACK-COM, 18/14 AWG
	068207-01-000	EA	HOUSING-AUTO FUSE, NATURAL
	068910-01-000	EA	HOUSING-RELAY, BOSCH 3 334 485 008
	077479-01-000	EA	BOOT-BATTERY TERMINAL, DOUBLE CABLE
	080015-02-000	EA	RECEPTACLE-FLAG, .185 - 18/14 GA - AMP 3
	080015-03-000	EA	RECEPTACLE-FLAG, 250 - 14/18 GA
	087949-01-000	EA	BUSS BAR-2 POSITION, 5" X 1 5" - ALUMINUM
	088473-01-000	EA	PIN-HOUSING, 4 ROWS OF 3
	088473-05-000	EA	PIN-HOUSING, 6 POSITION (SINGLE ROW)
	088473-06-000	EA	PIN-HOUSING, 6 POSITION (TWO ROWS OF THREE)
	088473-07-000	EA	HOUSING-PIN, 6 CAVITY, AMP 1-480783-0
	088473-08-000	EA	HOUSING-PIN, 4 POSITION
	088473-09-000	EA	PIN-HOUSING, 3 POSITION (SINGLE ROW)
	088473-10-000	EA	PIN-HOUSING, 2 POSITION
	088474-02-000	EA	HOUSING-SOCKET, 16 POSITION (3 ROWS OF 5)
	088474-06-000	EA	SOCKET-HOUSING, 6 POSITION (2 ROWS OF THREE)
	088-74-07-000	EA	HOUSING-SOCKET, 5 CAVITY, AMP 1-480784-0
	088474-08-000	EA	SOCKET-HOUSING, 4 POSITION (SINGLE ROW)
	088474-09-000	EA	HOUSING-SOCKET, 3 POSITION
	088474-10-000	EA	HOUSING-SOCKET, 2 POSITION
	088475-01-000	EA	PIN-CONNECTOR, 14 TO 20 AWG
	088475-02-000	EA	PIN-CONNECTOR, 10 TO 12 AWG
	088476-01-000	EA	SOCKET-CONNECTOR, BRASS - PRE-TIN
	088476-02-000	EA	SOCKET-CONNECTOR, 12-10 GA - PHOS BRZ - PRE-TIN
	090971-01-000	EA	SPLICE-CABLE, 110V
	100341-01-000	EA	FUSE HOLDER-IN LINE TYPE WESCO 8831-92020

1992 WINNEBAGO

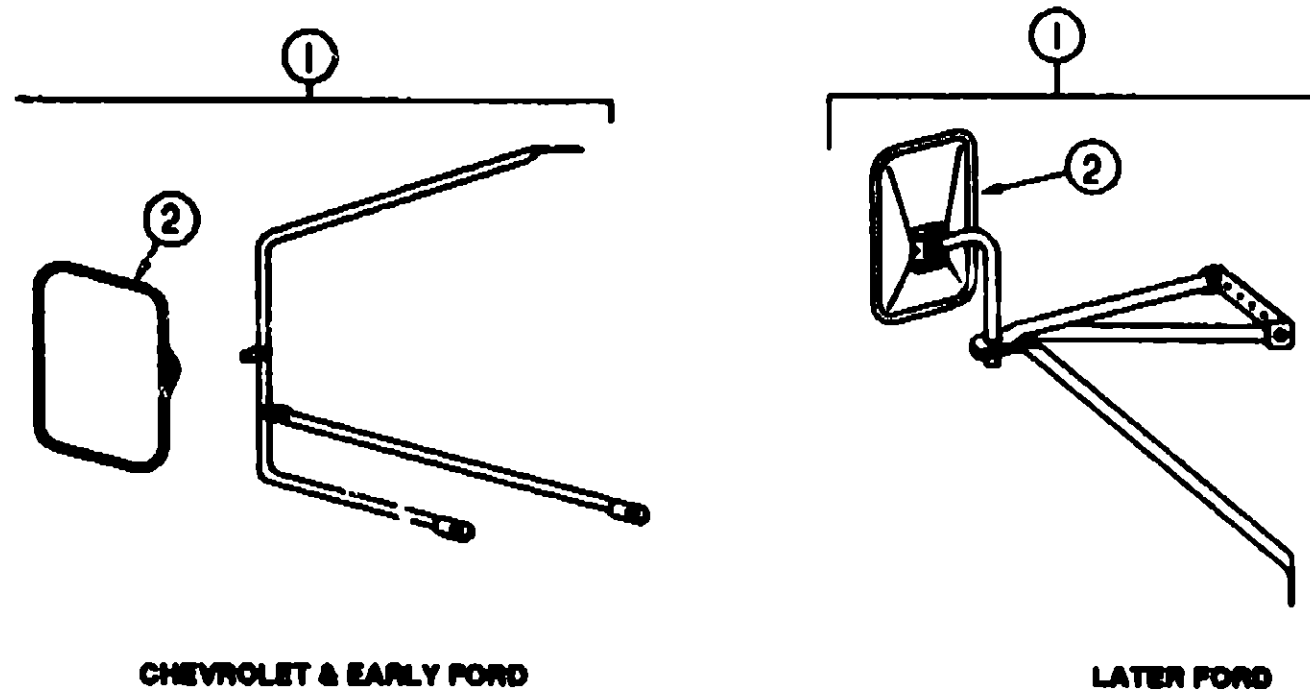
TABLE OF CONTENTS

INTRODUCTION	A-01	A-02
ABBREVIATIONS		A-03
ALPHABETICAL INDEX	A-04	A-08
WC52RG	A-07	D-18
WF824RC	D-19	H-08

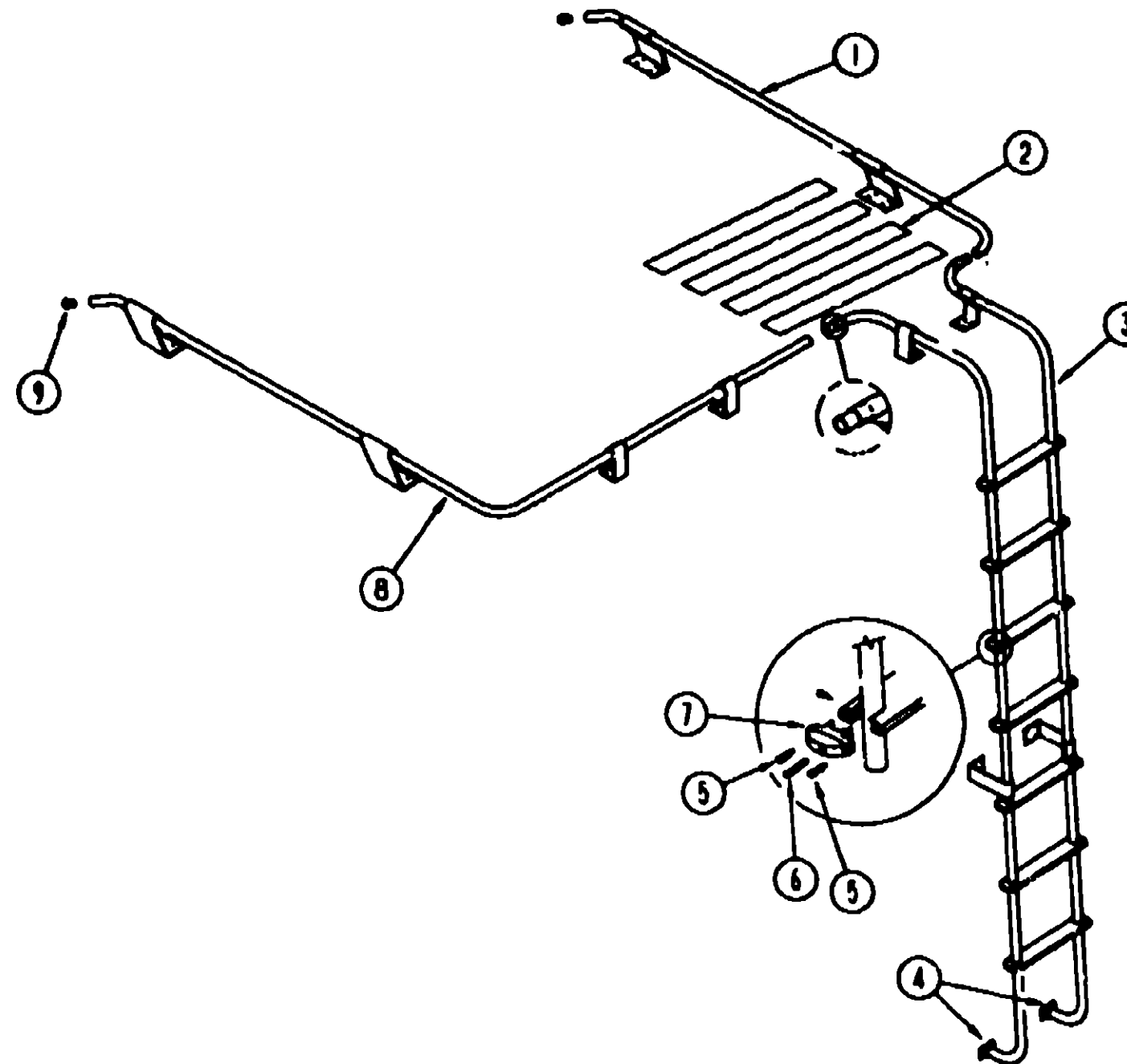
1992 WC52RG INDEX

FLOOR PLAN	A-07	A-08
ACCESSORIES		A-09
AUDIO VIDEO		A-10
BATH	A-11	A-12
CHASSIS	A-13	A-16
CURTAIN & CUSHION	A-17	A-24
DINETTE	B-01	B-02
DRIVERS	B-03	B-08
ELECTRICAL	B-07	B-10
EXTERIOR BODY	B-11	B-19
GALLEY	B-20	B-23
GENERATOR		B-24
HEATING & AC	C-01	C-02
INTERIOR FINISH	C-03	C-05
LABEL	C-07	C-14
LP	C-15	C-16
LOUNGE	C-17	C-18
SEALANTS & FASTENERS	C-19	C-21
WATER & SEWAGE	C-22	C-24
WINDOW, VENT AND EXTERIOR DOOR	D-01	D-17

EXTERIOR BODY GROUP



EXTERIOR BODY GROUP (CONTINUED)



1992 WINNEBAGO TABLE OF CONTENTS

INTRODUCTION	A-01 - A-02
ABBREVIATIONS	A-03
ALPHABETICAL INDEX	A-04 - A-08
WC822RG	A-07 - D-18
WF824RC	D-19 - H-08

EXTERIOR MIRRORS

KEY	PART NUMBER	U/M DESCRIPTION
1	048347-01-000	EA MIRROR HEAD-EXTERIOR, 10 1/2" X 7 1/2" - STAINLESS STEEL
	048347-01-700	EA GLASS-MIRROR HEAD
2	062047-01-000	EA ARM-WEST COAST MIRROR
	106439-01-000	EA MIRROR-AUX, CONVEX STICK-ON - VELVAC 723088-8
1	108880-02-01A	EA MIRROR ASM-STAR HEAD, LOW MOUNT - VELVAC #713157 (FORD) FROM 01-02-92 THRU 99-99-99
2	108880-02-700	EA MIRROR HEAD ONLY, DRIVER SIDE - STAR - VELVAC D747283-9
2	108880-02-701	EA MIRROR HEAD ONLY, PASS SIDE - STAR - VELVAC D747284-9
	108880-02-702	EA GLASS-FLAT, VELVAC 702088-8

RUNNING BOARDS

KEY	PART NUMBER	U/M DESCRIPTION
	072884-19-000	EA RUNNING BOARD SET-CHEVY, 27" - KEMBERLY RB2027B
	072884-19-700	EA BOARD 27" W/TAPE K-2 - MISC08
	072884-19-701	EA MUDFLAP LEFT HAND FRONT - MF4BOX
	072884-19-702	EA MUDFLAP RIGHT HAND FRONT - MF4BOX
	072884-19703	EA END CAP LEFT HAND - RBEC401B
	072884-19-704	EA END CAP RIGHT HAND - RBEC401B
	072884-19-705	EA BAG HARDWARE - RBDS BG
	072884-20-000	EA RUNNING BOARD SET-FORD, 30" - KEMBERLY K-7

ASSIST HANDLE & BUMPER

KEY	PART NUMBER	U/M DESCRIPTION
	069128-02-000	EA HANDLE-ASSIST, ENTRY DOOR - BLACK
	069728-02-000	EA BUMPER- 88" DIA X 40", BLACK

LUGGAGE RACK & LADDERS

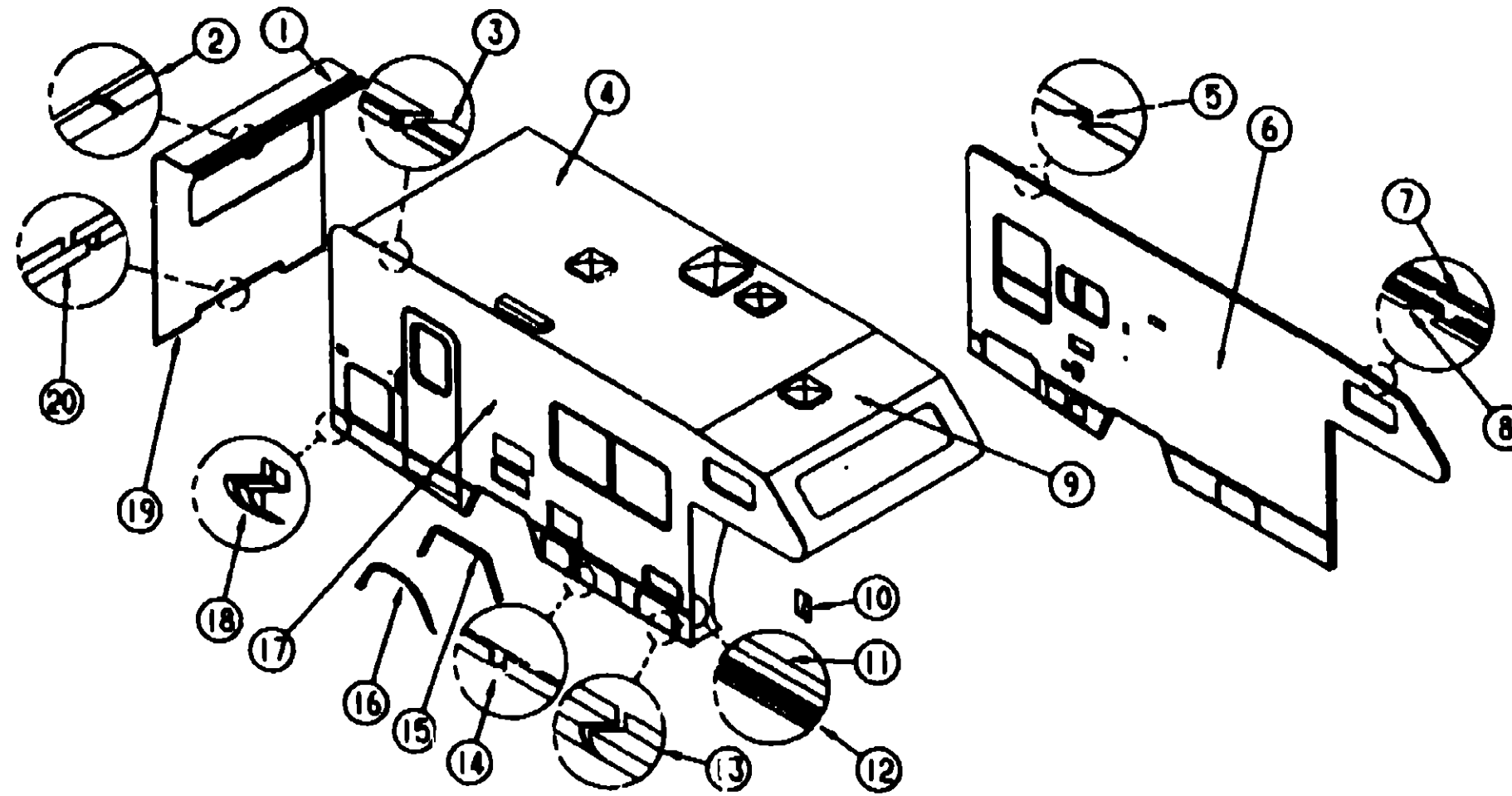
KEY	PART NUMBER	U/M DESCRIPTION
1	081028-15-C05	EA RACK ASM-PASSENGER SIDE FROM 00-00-00 THRU. 03-01-92
1	107438-05-C07	EA RACK ASM-PASSENGER SIDE FROM. 03-02-92 THRU: 99-99-99
2	038327-01-000	EA TAPE-ANTI SLIP, 2" X 60"
3	102963-02-C03	EA LADDER ARM.
4	087185-01-000	EA MOUNTING BRACKET-LADDER, LOWER
5	000G39-08-10T	EA SCREW-SF/DR-8-20X8/8PPHBLACK
6	000G88-10-38T	EA SCREW-10-12X2 25 POH BLACK
7	078880-02-000	EA END CAP-STEP, BLACK
8	081028-19-C03	EA RACK ASM-DRIVER SIDE FROM. 00-00-00 THRU. 03-01-92
8	107438-09-C03	EA RACK ASM-DRIVER SIDE FROM. 03-02-92 THRU. 99-99-99
9	081114-01-000	EA PLUG-ROUND, RACK & LADDER ENDS - PLASTIC - 1" DIA

1992 WC822RG INDEX

FLOOR PLAN	A-07 - A-08
ACCESSORIES	- A-09
AUDIO VIDEO	- A-10
BATH	A-11 - A-12
CHASSIS	A-13 - A-18
CURTAIN & CUSHION	A-17 - A-24
DINETTE	B-01 - B-02
DRIVERS	B-03 - B-08
ELECTRICAL	B-07 - B-10
EXTERIOR BODY	B-11 - B-19
GALLEY	B-20 - B-23
GENERATOR	- B-24
HEATING & A/C	C-01 - C-02
INTERIOR FINISH	C-03 - C-08
LABEL	C-07 - C-14
LP	C-15 - C-16
LOUNGE	C-17 - C-18
SEALANTS & FASTENERS	C-19 - C-21
WATER & SEWAGE	C-22 - C-24
WINDOW, VENT AND	
EXTERIOR DOOR	D-01 - D-17

EXTERIOR BODY GROUP (CONTINUED)

EXTERIOR BODY PANELS & TRIM



1982 WINNEBAGO TABLE OF CONTENTS

INTRODUCTION	A-01 -	A-02
ABBREVIATIONS		A-03
ALPHABETICAL INDEX	A-04 -	A-05
WC522RG	A-07 -	D-18
WF824RC	D-19 -	H-08

1982 WC522RG INDEX

FLOOR PLAN	A-07 -	A-08
ACCESSORIES		A-09
AUDIO VIDEO		A-10
BATH	A-11 -	A-12
CHASSIS	A-13 -	A-16
CURTAIN & CUSHION	A-17 -	A-24
DINETTE	B-01 -	B-02
DRIVERS	B-03 -	B-06
ELECTRICAL	B-07 -	B-10
EXTERIOR BODY	B-11 -	B-18
GALLEY	B-20 -	B-23
GENERATOR		B-24
HEATING & A/C	C-01 -	C-02
INTERIOR FINISH	C-03 -	C-06
LABEL	C-07 -	C-14
LP	C-15 -	C-16
LOUNGE	C-17 -	C-18
SEALANTS & FASTENERS	C-19 -	C-21
WATER & SEWAGE	C-22 -	C-24
WINDOW, VENT AND EXTERIOR DOOR	D-01 -	D-17

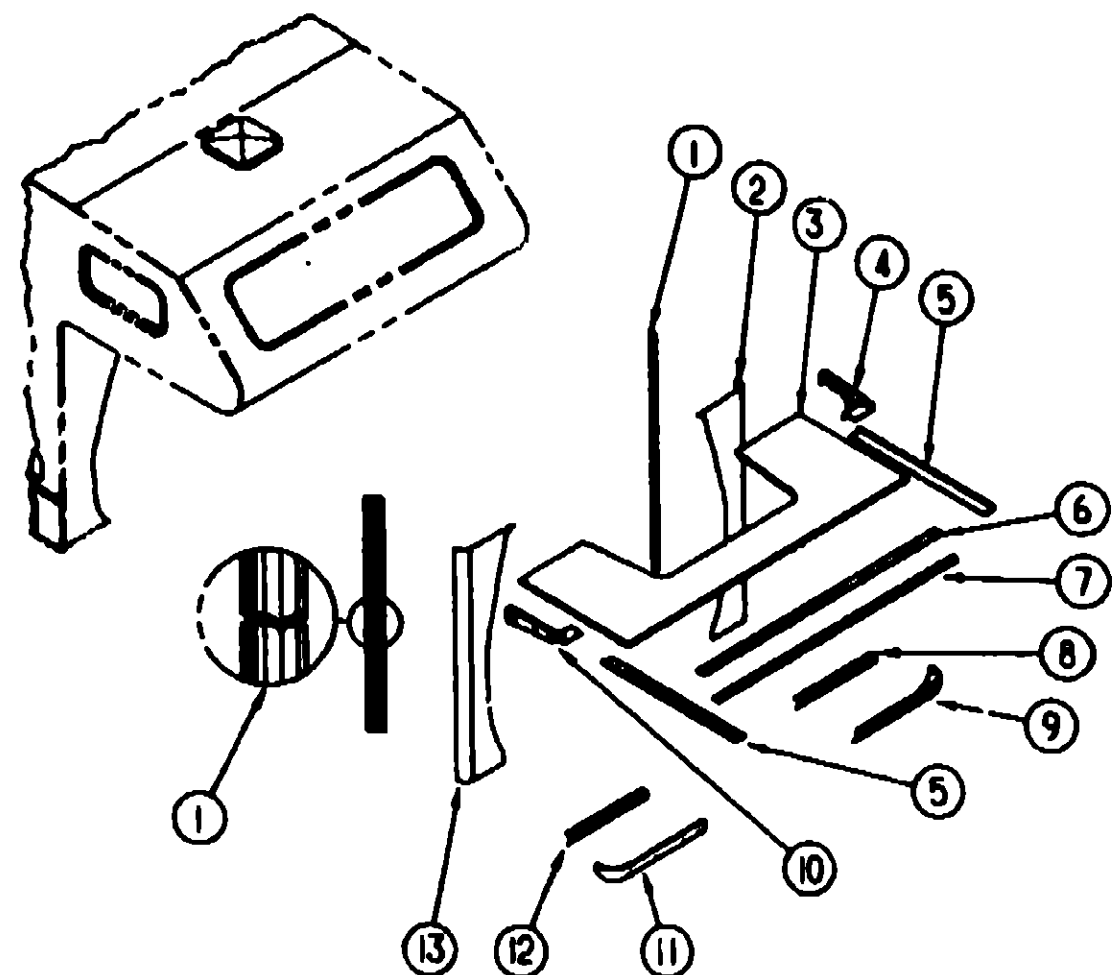
KEY	PART NUMBER	U/M	DESCRIPTION
1	P04780-01-C52	EA	BACKWALL ASM WBASES
2	078880-01-000	EA	TRIM-ROOF TO BACKWALL
3	100483-01-01A	EA	TRIM-CONTOUR, ROOF (AWNING) - OFF WHITE
4	088583-85-001	EA	RAIL-AWNING, 10' EA - OFF WHITE
4	P04779-01-C52	EA	ROOF ASM WBASES
5	088884-01-01A	EA	TRIM-CONTOUR, ROOF TO SIDEWALL - DR OR PASS - 120"
6	P05538-01-C52	EA	SIDEWALL ASM-DRIVER SIDE
7	105312-01-01A	FT	INSERT-TRIM, VINYL - OFF WHITE
8	088854-01-01A	EA	TRIM-CONTOUR, W/O VINYL INSERT - 108" - OFF WHITE DR OR PASS - FRONT OVERHEAD CAB SECTION FROM ROOF TO WINGWALL - REAR - BACKWALL TO SIDEWALL VERTICAL SECTION
9	M78177-01-700	EA	SECTION-ROOF, OVER CAB TO FIRST ROOF SEAM
10	009731-01-000	EA	END CAP-FEATURE STRIP
11	001030-02-003	EA	INSERT-FEATURE STRIP, 17' LONG - OFF WHITE
12	002444-04-002	EA	STRIP-FEATURE, W/O INSERT - 15' LONG - OFF WHITE
	002444-01-020	EA	FEATURE STRIP-WHOLES, OFF WHITE

KEY	PART NUMBER	U/M	DESCRIPTION
13	104748-86-001	EA	EXTR-ROCKER PANEL, OFF WHITE - 487MM
14	105088-10-01A	EA	TRIM-SIDEWALL, BEVELED - 073MM - OFF WHITE
14	105088-11-01A	EA	TRIM-SIDEWALL, BEVELED - 1743MM - OFF WHITE
	081182-85-003	EA	ANGLE, 4877 - OFF WHITE
15	105100-01-01A	EA	TRIM-WHEELWELL, OFF WHITE
15	105100-02-01A	EA	TRIM-WHEELWELL, OFF WHITE
16	105220-01-01A	EA	TRIM-WHEELWELL, REAR - OFF WHITE
17	P05537-01-C52	EA	SIDEWALL ASM-PASSENGER SIDE
18	108108-01-01A	EA	CAP-END, ROCKER PANEL - OFF WHITE
18	108108-02-01A	EA	CAP-END, ROCKER PANEL - OFF WHITE
19	103334-02-01A	EA	TRIM-BACKWALL, LOWER - OFF WHITE (2 USED)
	002365-01-001	EA	U-CHANNEL, 1" X 18" - SERRATED - MILL FINISHED ALUMINUM
	103335-02-01A	EA	TRIM-BACKWALL, LOWER - OFF WHITE
	002365-01-001	EA	U-CHANNEL, 1" X 18" - SERRATED - MILL FINISHED ALUMINUM
	002754-01-001	EA	ANGLE-EXTRUDED, 75° X 75° X 18" - MILL ALUMINUM
	002726-01-001	EA	GARNISH-U-CHANNEL, 1.38" X 18" - SERRATED - MILL ALUMINUM
	002779-01-001	EA	EXTR-U CHANNEL, 1.75X182 00 - RIBBED

FROM 00-00-00 THRU 04-15-92

FROM 04-16-92 THRU 99-99-99

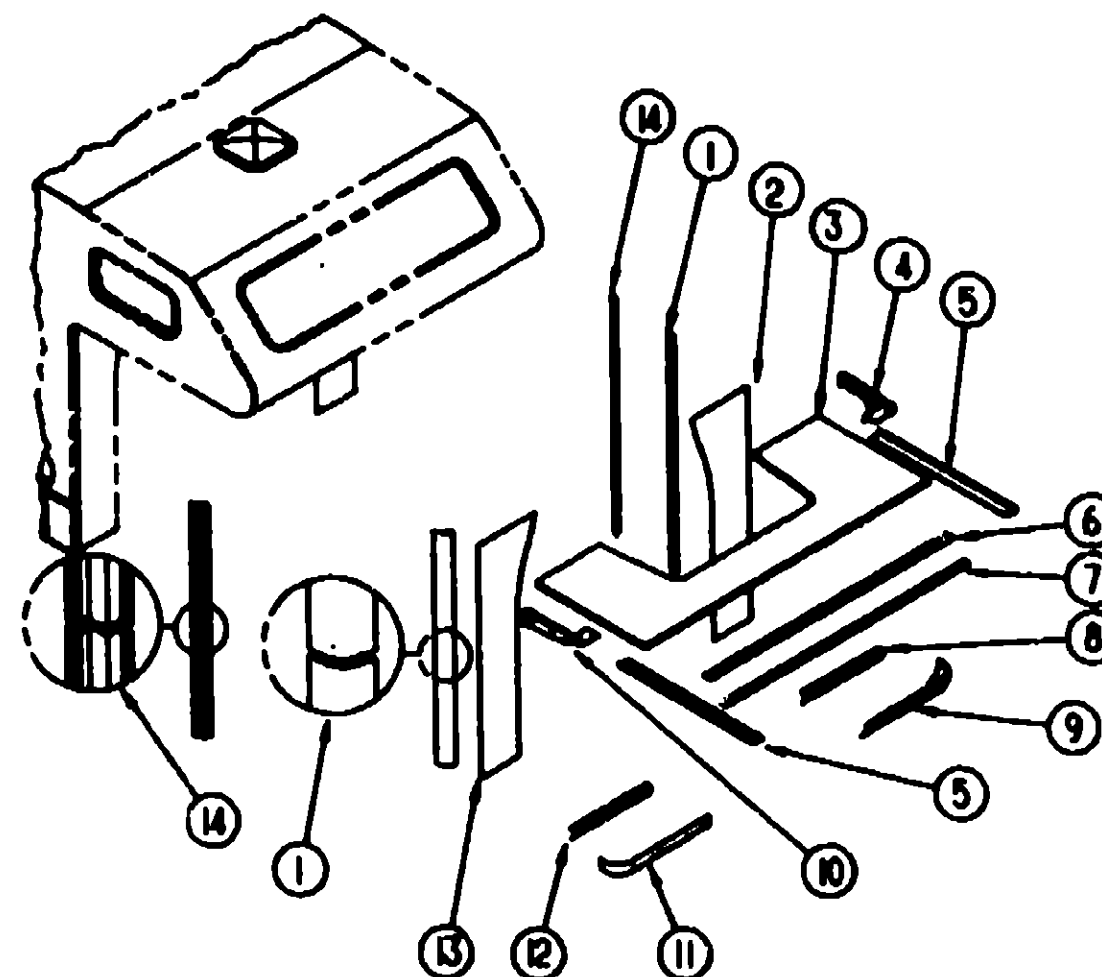
EXTERIOR BODY GROUP (CONTINUED)



CHEVY WINGWALLS, SLEEPERBOARD & TRIM

KEY	PART NUMBER	U/M DESCRIPTION
1	108015-01-01A	EA TRIM-WINGWALL, CURVED - OFF WHITE
2	P06019-02-C62	EA WINGWALL ASM, DRIVER SIDE - W/GUSSET
	088945-03-01A	EA TRIM-L ANGLED, PASSENGER WINGWALL - OFF WHITE
3	P08443-01-C03	EA SLEEPERBOARD ASM
4	104444-02-01A	EA COVER-TRIM, WINGWALL - LEFT - OFF WHITE
5	105312-01-01A	FT INSERT-TRIM, VINYL - OFF WHITE
5	088954-01-01A	EA TRIM-CONTOUR, W/O VINYL INSERT - 108" - OFF WHITE
6	100086-03-01A	EA TRIM-SLEEPERBOARD, FLAT - 2 5" X 87 5" - OFF WHITE
7	100086-02-01A	EA TRIM-SLEEPERBOARD, 2" X 90 7" - OFF WHITE
8	108146-02-01A	EA SUPPORT-COVER, WINGWALL - OFF WHITE (CHEVY)
9	108144-04-C62	EA COVER ASM-WINGWALL, W/SUPPORT - LEFT - OFF WHITE (CHEVY)
9	108146-04-01A	EA COVER ASM-WINGWALL, W/O SUPPORT - LEFT - OFF WHITE (CHEVY)
10	104444-01-01A	EA COVER-TRIM, WINGWALL - RIGHT - OFF WHITE
11	108144-03-C62	EA COVER ASM-WINGWALL, W/SUPPORT - RIGHT - OFF WHITE (CHEVY)
11	108146-03-01A	EA COVER ASM-WINGWALL, W/O SUPPORT - RIGHT - OFF WHITE (CHEVY)
12	108146-02-01A	EA SUPPORT-COVER, WINGWALL - OFF WHITE (CHEVY)
13	P06019-01-C62	EA WINGWALL ASM, PASSENGER SIDE - W/GUSSET
	089334-01-000	FT VINYL-EXTERIOR, BETWEEN WINGWALL & CAB SEAL - WHITE

EXTERIOR BODY GROUP (CONTINUED)



FORD WINGWALLS, SLEEPERBOARD & TRIM

KEY	PART NUMBER	U/M DESCRIPTION
1	108037-01-01A	EA COVER-WINGWALL, CURVED - OFF WHITE
2	108439-02-C62	EA WINGWALL ASM, DRIVER SIDE - W/GUSSET
		FROM: 00-00-00 THRU 03-15-92
2	108040-02-C62	EA WINGWALL ASM, DRIVER SIDE - W/GUSSET
		FROM: 03-16-92 THRU 99-99-99
3	P08443-01-C03	EA SLEEPERBOARD ASM
4	104444-02-01A	EA COVER-TRIM, WINGWALL - LEFT - OFF WHITE
5	105312-01-01A	FT INSERT-TRIM, VINYL - OFF WHITE
5	088954-01-01A	EA TRIM-CONTOUR, W/O VINYL INSERT - 108" - OFF WHITE
6	100086-03-01A	EA TRIM-SLEEPERBOARD, FLAT - 2 5" X 87 5" - OFF WHITE
7	100086-02-01A	EA TRIM-SLEEPERBOARD, 2" X 90 7" - OFF WHITE
8	108146-01-01A	EA SUPPORT-COVER, WINGWALL - OFF WHITE (FORD)
9	108144-02-C62	EA COVER ASM-WINGWALL, W/SUPPORT - LEFT - OFF WHITE (FORD)
9	108146-02-01A	EA COVER-ASM-WINGWALL, W/O SUPPORT - LEFT - OFF WHITE (FORD)
10	104444-01-01A	EA COVER-TRIM, WINGWALL - RIGHT - OFF WHITE
11	108144-01-C62	EA COVER ASM-WINGWALL, W/SUPPORT - RIGHT - OFF WHITE (FORD)
11	108145-01-01A	EA COVER ASM-WINGWALL, W/O SUPPORT - RIGHT - OFF WHITE (FORD)
12	108146-01-01A	EA SUPPORT-COVER, WINGWALL - OFF WHITE (FORD)
13	108439-01-C62	EA WINGWALL ASM, PASSENGER SIDE - W/GUSSET
		FROM: 00-00-00 THRU: 03-15-92
13	108040-01-C62	EA WINGWALL ASM, PASSENGER SIDE - W/GUSSET
		FROM: 03-16-92 THRU 99-99-99
14	105015-01-01A	EA TRIM-WINGWALL, CURVED - OFF WHITE
	089334-01-000	FT VINYL-EXTERIOR, BETWEEN WINGWALL & CAB SEAL - WHITE

**1992 WINNEBAGO
TABLE OF CONTENTS**

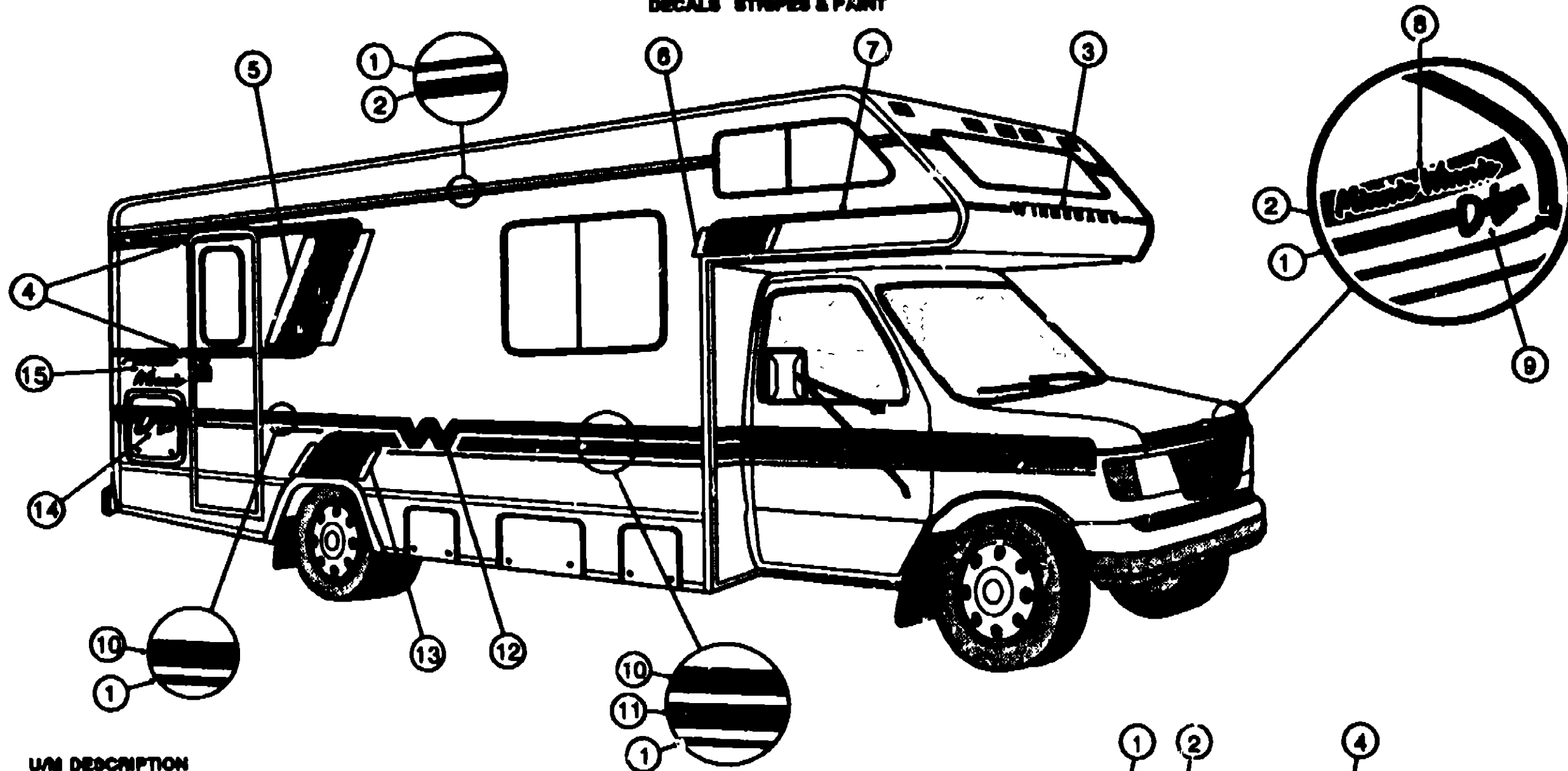
INTRODUCTION	A-01 - A-02
ABBREVIATIONS	A-03
ALPHABETICAL INDEX	A-04 - A-08
WC522RG	A-07 - D-18
WF524RC	D-19 - H-08

1992 WC522RG INDEX

FLOOR PLAN	A-07 - A-08
ACCESSORIES	- A-09
AUDIO VIDEO	- A-10
BATH	A-11 - A-12
CHASSIS	A-13 - A-16
CURTAIN & CUSHION	A-17 - A-24
DINETTE	B-01 - B-02
DRIVERS	B-03 - B-06
ELECTRICAL	B-07 - B-10
EXTERIOR BODY	B-11 - B-19
GALLEY	B-20 - B-23
GENERATOR	- B-24
HEATING & A/C	C-01 - C-02
INTERIOR FINISH	C-03 - C-06
LABEL	C-07 - C-14
LP	C-15 - C-16
LOUNGE	C-17 - C-18
SEALANTS & FASTENERS	C-19 - C-21
WATER & SEWAGE	C-22 - C-24
WINDOW, VENT AND EXTERIOR DOOR	D-01 - D-17

EXTERIOR BODY GROUP (CONTINUED)

DECALS STRIPES & PAINT

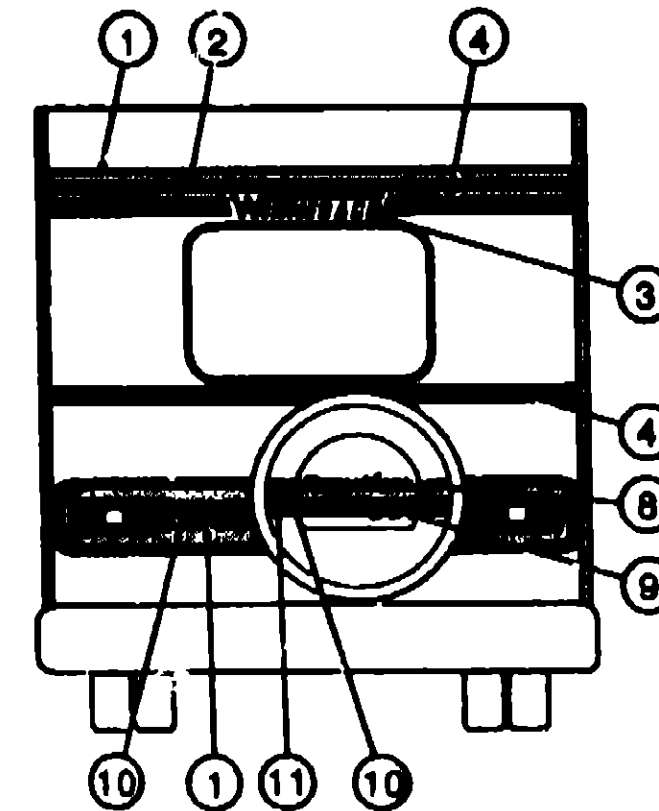


1992 WINNEBAGO TABLE OF CONTENTS

INTRODUCTION	A-01	A-02
ABBREVIATIONS	A-03	A-03
ALPHABETICAL INDEX	A-04	A-08
WC522RG	A-07	D-18
WF624RC	D-19	H-08

1992 WC522RG INDEX

FLOOR PLAN	A-07	A-08
ACCESSORIES		A-09
AUDIO VIDEO		A-10
BATH	A-11	A-12
CHASSIS	A-13	A-16
CURTAIN & CUSHION	A-17	A-24
DINETTE	B-01	B-02
DRIVERS	B-03	B-06
ELECTRICAL	B-07	B-10
EXTERIOR BODY	B-11	B-19
GALLEY	B-20	B-23
GENERATOR		B-24
HEATING & AC	C-01	C-02
INTERIOR FINISH	C-03	C-06
LABEL	C-07	C-14
LP	C-15	C-16
LOUNGE	C-17	C-18
SEALANTS & FASTENERS	C-19	C-21
WATER & SEWAGE	C-22	C-24
WINDOW, VENT AND EXTERIOR DOOR	D-01	D-17



KEY	PART NUMBER	U/M	DESCRIPTION
1	083881-27-03A	FT	FILM- 19MM X 150FT, BAY TURQUOISE
2	083881-14-01A	FT	STRIPE-1 LINE, 1.5" WIDE - DARK PLUM
3	060313-44-000	EA	DECAL-LOGO, "WINNEBAGO" - 2.8" TALL - BLUE
4	083881-35-01A	FT	FILM- 57MM X 150FT, DELFT BLUE
5	105482-01-01A	EA	DECAL-ANGLE, LARGE - RIGHT - DELFT BLUE/GREY
	105482-02-01A	EA	DECAL-ANGLE, LARGE - LEFT - DELFT BLUE/GREY
6	105484-01-01A	EA	DECAL-ANGLE, OVERHEAD - RIGHT - DELFT BLUE/GREY
	105484-02-01A	EA	DECAL-ANGLE, OVERHEAD - LEFT - DELFT BLUE/GREY
7	083881-14-05A	FT	FILM- 38MM X 150FT, DELFT BLUE
8	105480-02-01A	EA	DECAL-LOGO, MINNIE WINNIE - OFF WHITE/DARK PLUM/BLUE TURQUOISE
9	108002-02-01A	EA	DECAL-LOGO, "DL" - SMALL - OFF WHIT/DARK PLUM/BLUE TURQUOISE
10	083881-35-02A	FT	FILM- 57MM X 150FT, DARK PLUM
11	083881-20-02A	FT	FILM- 89MM X 150FT, DELFT BLUE
12	083881-07-01A	EA	DECAL-FLYING W, 185 HIGH - DARK PLUM
13	105483-01-01A	EA	DECAL-ANGLE, WHEEL - RIGHT - DELFT BLUE/GREY
	105483-02-01A	EA	DECAL-ANGLE, WHEEL - LEFT - DELFT BLUE/GREY
14	108002-01-01A	EA	DECAL-LOGO, "DL" - OFF WHITE/DARK PLUM/BLUE TURQUOISE
15	105480-01-01A	EA	DECAL-LOGO, MINNIE WINNIE - OFF WHITE/DARK PLUM/BLUE TURQUOISE
	074559-01-000	EA	DECAL-LOGO, LPG - RED - (CALIF CODE)

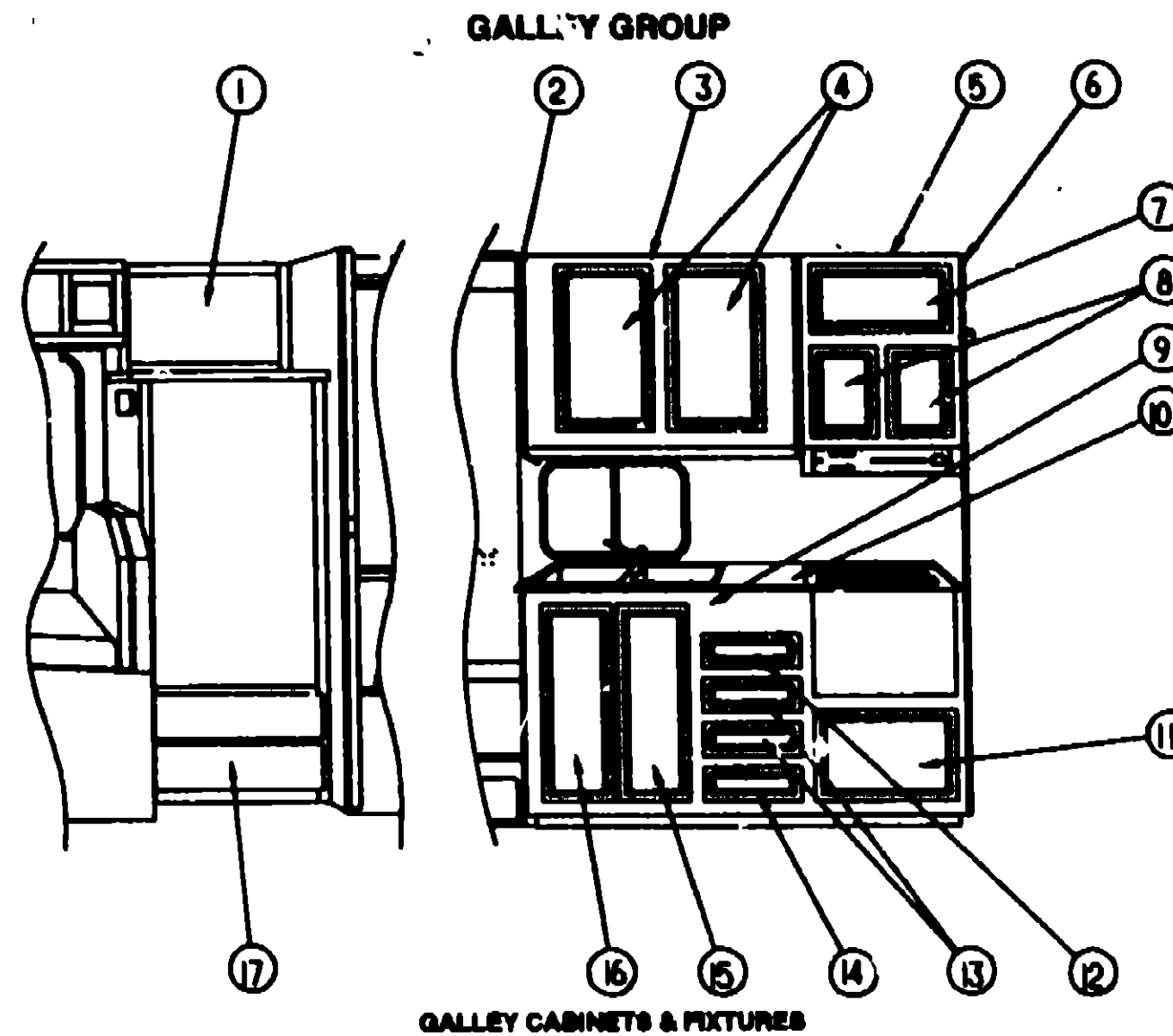
DUPONT COLOR CODES

DARK PLUM	K9455
DELFT BLUE	K9480
BAY TURQUOISE	G9837
OFF WHITE	L8723
GREY	H9283

EXTERIOR BODY GROUP (CONTINUED)

FIBERGLASS, STYROFOAM & U CHANNEL

KEY	PART NUMBER	U/M DESCRIPTION
		FROM: 00-00-00 THRU: 05-18-82
		FROM: 05-19-82 THRU: 99-99-99
		FROM: 00-00-00 THRU: 01-05-82
		FROM: 01-06-82 THRU: 04-19-82
		FROM: 04-20-82 THRU: 99-99-99
078064-G7-000	SF	FIBERGLASS COIL 41" X 500FT - OFF WHITE
078064-H1-000	EA	FIBERGLASS SHEET 2438 X 2591 - OFF WHITE
078064-G7-000	SF	FIBERGLASS COIL 41" X 500FT - OFF WHITE
078064-D8-001	EA	SHEET-FIBERGLASS, 5' X 24' - OFF WHITE
078064-F3-000	EA	FIBERGLASS SHEET - 2438 X 2438 - OFF WHITE
078064-D2-002	EA	FIBERGLASS 24" X 65 83" - OFF WHITE FLEXIBLE
107337-01-01A	SF	FIBERGLASS FLEX PANEL 104" X 500" - KEMLITE OFF WHITE
078064-D3-001	EA	SHEET-FIBERGLASS, 48" X 96" - OFF WHITE
077517-24-000	EA	SHEET-FIBERGLASS, FLAT - 48" X 96" - OFF WHITE
083574-03-000	SF	STYROFOAM-3/4" X 48" X 96"
000870-03-000	SF	STYROFOAM-1 3/4" X 48" X 96" - INCREMENTS OF 32 SF
000870-05-000	SF	STYROFOAM-5" X 24" X 96" - INCREMENTS OF 16 SF
002385-01-001	EA	U-CHANNEL, 1" X 18" - SERRATED - MILL FINISHED ALUMINUM
002754-01-001	EA	ANGLE-EXTRUDED, 75" X 75" X 18" - MILL ALUMINUM
002728-01-001	EA	GARNISH-U-CHANNEL, 1 3/8" X 18" - SERRATED - MILL ALUMINUM
002778-01-001	EA	EXTR-U CHANNEL
055278-51-250	FT	TUBING-STEEL, 75" X 1 5/8" X 12 5/8"



GALLEY CABINETS & FIXTURES

KEY	PART NUMBER	U/M DESCRIPTION
1	103251-02-01A	EA INSERT-ACRYLIC BLACK, 19.53" X 18.06"
2	104335-18-C03	EA END CAP-CABINET
3	105054-01-C52	EA CABINET-OVERHEAD, GALLEY
3	105054-01-C53	EA CABINET-OVERHEAD, GALLEY
4	P04748-37-C52	EA DOOR-CABINET, W/O HARDWARE - 390X850MM
5	M05824-13-C52	EA CABINET-OVERHEAD, W/O DOORS
5	M05824-14-C52	EA CABINET-OVERHEAD, MICROWAVE
6	104335-13-C03	EA END CAP-CABINET
7	P04748-38-C52	EA DOOR-CABINET, W/O HARDWARE - 290X555MM
8	P04748-32-C52	EA DOOR CABINET, W/O HARDWARE - 275X365MM
9	M05844-02-C52	EA CABINET-GALLEY, W/O DOORS
9	M05844-02-C53	EA CABINET-GALLEY, W/O DOORS
	080649-18-C03	EA PANEL-DOOR, WHOLE (INSIDE CABINET)
10	105053-11-C52	EA COUNTERTOP ASM
10	105053-11-C23	EA COUNTERTOP ASM (C53)
	080812-04-C05	EA EXTENSION-COUNTERTOP, GALLEY (C52)
	080812-04-B87	EA EXTENSION-COUNTERTOP, GALLEY (C53)
11	P04748-24-C52	EA DOOR-CABINET, W/O HARDWARE - 555X380MM
12	P03397-E1-C52	EA DRAWER-CABINET, W/O HARDWARE
13	P03397-E3-C52	EA DRAWER-CABINET, W/O HARDWARE
14	P03397-E5-C52	EA DRAWER-CABINET, W/O HARDWARE
15	P04748-34-C52	EA DOOR-CABINET, W/O HARDWARE - 305X860MM
16	P04748-35-C52	EA DOOR-CABINET, W/O HARDWARE - 305X860MM
17	103251-03-01A	EA INSERT-ACRYLIC BLACK, 19.53" X 32.20"
	103810-01-C05	EA COVER-SINK (C52)
	103810-01-C08	EA COVER-SINK (C53)
	104114-01-01A	EA FAUCET-GALLEY, SINGLE CONTROL
	104113-01-000	EA SINK-DOUBLE, STAINLESS STEEL
	092303-01-000	EA STRAINER-SINK
	100081-01-01A	EA TRAY-SILVERWARE, 9" X 13 3/4" - PLAS - ALMOND - RUBBERMAID
	090329-01-000	FT SEAL-T, REFRIGERATOR CABINET - 6" WIDE TOP X 2" TAIL

1992 WINNEBAGO TABLE OF CONTENTS

INTRODUCTION	A-01	A-02
ABBREVIATIONS		A-03
ALPHABETICAL INDEX	A-04	A-08
WC522RG	A-07	D-18
WF524RC	D-19	H-08

1992 WC522RG INDEX

FLOOR PLAN	A-07	A-08
ACCESSORIES		A-09
AUDIO VIDEO		A-10
BATH	A-11	A-12
CHASSIS	A-13	A-16
CURTAIN & CUSHION	A-17	A-24
DINETTE	B-01	B-02
DRIVERS	B-03	B-06
ELECTRICAL	B-07	B-10
EXTERIOR BODY	B-11	B-19
GALLEY	B-20	B-23
GENERATOR		B-24
HEATING & A/C	C-01	C-02
INTERIOR FINISH	C-03	C-06
LABEL	C-07	C-14
LP	C-15	C-16
LOUNGE	C-17	C-18
SEALANTS & FASTENERS	C-19	C-21
WATER & SEWAGE	C-22	C-24
WINDOW, VENT AND EXTERIOR DOOR	D-01	D-17

GALLEY GROUP (CONTINUED)

NORCOLD REFRIGERATOR

KEY	PART NUMBER	U/M DESCRIPTION
	104138-02-01A	EA REFRIG-SMALL DOUBLE DOOR 2-WAY, NORCOLD 682 RIGHT - BLACK
	084472-01-702	EA COMB THERMOSTAT 48688EG-2 - NORCOLD 614976
	076217-01-734	EA FUSE,3AMP 63848310 EG-3 - NORCOLD 61538822
	076217-01-738	EA SWITCH ROCKER 3-POS BLK(HUM) - NORCOLD 61525622
	084879-03-700	EA COOLING UNIT (HORIZONTAL) - NORCOLD 61687237
	084880-01-713	EA MALE CONNECTOR(INLET FITTING) - NORCOLD 615256222
	084880-01-715	EA VALVE-SHUT OFF, MANUAL - NORCOLD 615256222
	084880-01-718	EA GAS VALVE (ASCO) - NORCOLD 61551822
	084880-01-722	EA CRISPER COVER - NORCOLD 61584122
	084880-01-728	EA HINGE BRACKET (CTR HINGE) - NORCOLD 61588523
	084880-01-731	EA HINGE PIN - NORCOLD 61578123
	084880-01-732	EA LATCH - NORCOLD 61578522
	084880-01-734	EA BRKT, TOP RH-BTM LH BRN - NORCOLD 61580837
	084880-01-736	EA HINGE BRKT, TOP LH-BTM RH BRN - NORCOLD 61580937
	084880-01-739	EA END CAP (SPRING CATCH) BRN - NORCOLD 61583722
	084880-01-740	EA END CAP (STOP CATCH) - NORCOLD 61583830
	084880-01-746	EA CABLE - NORCOLD 61571522
	084880-01-747	EA HOLE PLUG - NORCOLD 61582022
	084880-01-749	EA HINGE BUSHING - NORCOLD 61580722
	084880-01-753	EA THERMISTER-78° W/O CLIP - NORCOLD 61697822
	084880-01-761	EA END CAP (SPRING CATCH) BLACK - NORCOLD 61593730
	084880-02-700	EA LOWER FLANGE 888388883 - NORCOLD 61622123
	084880-03-706	EA BRACKET F/INT REFRIG LIGHT - NORCOLD 61629722
	084880-03-708	EA LAMP (BULB) - NORCOLD 61628922
	084880-03-707	EA COVER FLAMP OR BULB - NORCOLD 61627922
	088248-01-708	EA BURNER (HORIZONTAL) - NORCOLD 61588122
	088248-01-707	EA SENSOR ELECTRODE (HORIZONTAL) - NORCOLD 61573322
	088248-01-708	EA SPARK ELECTRODE (HORIZONTAL) - NORCOLD 61573222
	088248-01-709	EA HEATER AC (HORIZONTAL) - NORCOLD 61582722
	088248-01-710	EA HEATER DC (HORIZONTAL) 3 WAY - NORCOLD 61582822
	094039-01-700	EA GASKET (GRAY) LOWER - NORCOLD 61537930
	094039-01-701	EA LOWER DOOR LINER (BRN/WHT) - NORCOLD 61581937-B
	094039-01-702	EA LOWER DOOR LINER (BLK/WHT) - NORCOLD 61581638-B
	094039-01-703	EA LOWER DOOR HANDLE ASSY (BRN) - NORCOLD 61650137
	094039-01-704	EA LOWER DOOR HANDLE ASSY (BLK) - NORCOLD 61650138
	094039-01-705	EA CAB ASSY(BRN)FRAME(WHT)LINER - NORCOLD 61663137
	094039-01-706	EA CAB ASSY(BLK)FRAME(WHT)LINER - NORCOLD 61663138
	094039-01-703	EA HINGE PLATE (BRN) L H - NORCOLD 61631422
	094039-01-704	EA HINGE PLATE (BLK) L H - NORCOLD 61631430
	094039-01-709	EA HINGE PLATE(BRN) RHTOP LHBTM - NORCOLD 61631322
	094039-01-710	EA HINGE PLATE(BLK) RHTOP LHBTM - NORCOLD 61631330
	094039-01-712	EA DOOR BIN(GRAY)SILVER BORDER - NORCOLD 61584080
	094039-01-718	EA MILK BIN (GRAY)W/SILVER TRIM - NORCOLD 61579460
	094039-01-719	EA DAIRY KEEPER (GRAY)SILVER TR - NORCOLD 61580480
	094039-01-722	EA PLUG (BLK) HINGE HOLES - NORCOLD 61582030
	094039-01-723	EA HINGE BRKT, TOP RH-BTM LH BLK - NORCOLD 61580838
	094039-01-724	EA HINGE BRKT TOP LH-BTM RH BLK - NORCOLD 61580938
	094039-01-725	EA HINGE PIN (BLACK)(MALE) - NORCOLD 61578130
	094039-01-728	EA SHELF - NORCOLD 61523822
	094039-01-729	EA HINGE BRKT(BLK) CTR HINGE - NORCOLD 61588530
	094039-01-730	EA HINGE PIN SHAFT(BLK) CTR HGE - NORCOLD 61588730
	094039-01-732	EA FRONT COVER(BLK) BTM TRIM - NORCOLD 61622130

GALLEY GROUP (CONTINUED)

NORCOLD REFRIGERATOR (CONTINUED)

KEY	PART NUMBER	U/M DESCRIPTION
	094039-01-733	EA WIRE SHELF (MIDDLE) - NORCOLD 61583822
	094039-01-734	EA WIRE SHELF (TOP) WRISER - NORCOLD 61583722
	094039-01-735	EA INSIDE DRIP TRAY (WHITE) - NORCOLD 61572830
	094039-01-738	EA LIGHT SWITCH (BLACK) - NORCOLD 61581022
	094039-01-739	EA SHELF (CUTOUT) - NORCOLD 61648722
	094039-04-700	EA PC BOARD (2 WAY) - NORCOLD 61647322
	094039-04-701	EA EYEBROW (SHELF) 2 WAY - NORCOLD 61688822
	094039-04-702	EA POWER SUPPLY (2 WAY) - NORCOLD 61647422
	093848-01-000	EA BRACKET ASM-TIEDOWN, REFRIGERATOR - RIGHT
	093848-02-000	EA BRACKET ASM TIEDOWN, REFRIGERATOR - LEFT
	054450-01-000	EA LEVEL-REFRIGERATOR
		FROM 00-00-00 THRU 05-05-92
	093848-05-000	EA BRACKET ASM-TIEDOWN - REFRIGERATOR
		FROM 05-06-22 THRU 99-99-99

RANGE HOODS

KEY	PART NUMBER	U/M DESCRIPTION
	100258-22-02A	EA HOOD-RANGE 22W W/MONITOR PANEL, VENTLINE (US)
	100258-23-02A	EA HOOD-RANGE 22W W/MONITOR PANEL, VENTLINE (CSA)
	075470-01-703	EA SWITCH-ON-MOMENTARY - VENTLINE RP1018
	090973-01-700	EA MOTOR 12 VOLT CSA-UL APRVD - VENTLINE CA508-1
	090973-01-702	EA BLADE-FAN - VENTLINE VA183-1
	092998-01-701	EA PLASTIC KNOB F/CABLE - VENTLINE CC 225
	092998-01-702	EA RESISTOR/WIRE ASSY - VENTLINE L7314
	092998-01-709	EA LAMP #912 - VENTLINE VA415
	092998-01-710	EA LAMP HOLDER - VENTLINE CB287-2
	098983-01-700	EA SWITCH-ON-OFF - VENTLINE 108
	098983-01-702	EA SWITCH-TWO WAY MOM - VENTLINE 112
	098983-01-703	EA SWITCH ON-ON - VENTLINE 115
	098983-01-707	EA MESH FILTER - VENTLINE CC248
	098983-01-708	EA LAMP LENS - VENTLINE CC179
	100258-04-702	EA SWITCH & LEVER WCABLE ASSY - VENTLINE CB547-1
	100258-10-700	EA HOUR METER ONLY(PARTS SALES) - VENTLINE 150
	100258-11-700	EA CIRCUIT BOARD - VENTLINE 5079-01
	100258-12-700	EA PANEL ASM - VENTLINE 9076
	097818-01-000	EA WIRE ASM-MONITOR PANEL, W/4 WIRES & BLACK RESISTOR - LVS

1992 WINNEBAGO

TABLE OF CONTENTS

INTRODUCTION	A-01	A-02
ABBREVIATIONS		A-03
ALPHABETICAL INDEX	A-04	A-08
WC522RG	A-07	D-18
WF524RC	D-19	H-08

1992 WC522RG INDEX

FLOOR PLAN	A-07	A-08
ACCESSORIES		A-09
AUDIO VIDEO		A-10
BATH	A-11	A-12
CHASSIS	A-13	A-16
CURTAIN & CUSHION	A-17	A-24
DINETTE	B-01	B-02
DRIVERS	B-03	B-08
ELECTRICAL	B-07	B-10
EXTERIOR BODY	B-11	B-19
GALLEY	B-20	B-23
GENERATOR		B-24
HEATING & A/C	C-01	C-02
INTERIOR FINISH	C-03	C-08
LABCL	C-07	C-14
LP	C-15	C-16
LOUNGE	C-17	C-18
SEALANTS & FASTENERS	C-19	C-21
WATER & SEWAGE	C-22	C-24
WINDOW, VENT AND EXTERIOR DOOR	D-01	D-17

GALLEY GROUP (CONTINUED)

MAGIC CHEF RANGE

KEY	PART NUMBER	U/M DESCRIPTION
	102022-01-03A	EA RANGE-18" 4 BURNER BLACK - MAGIC CHEF
	065282-03-705	EA TRIM CAB LT. BLK BT18 - MAGIC CHEF 3608F011-70
	065282-03-707	EA TRIM CAB RT. BLK BT18 - MAGIC CHEF 3608F012-70
	088607-02-701	EA INSERT,BURNER (SI.OTTED VENT) - MAGIC CHEF 7214P016-80
	102020-01-700	EA SHELF-OVEN - MAGIC CHEF 7801-P027-80
	102020-01-701	EA HANDLE,DOOR - MAGIC CHEF 7701P092-80
	102020-01-702	EA PANEL,MAINFOLD - MAGIC CHEF 2618F080-70
	102020-01-704	EA PANEL,DOOR (BLACK) SPEC 49 - MAGIC CHEF 2401F075-70
	102020-01-708	EA BURNER ASSEMBLY (OVEN) - MAGIC CHEF 3403W003-45
	102020-01-711	EA GRATE, TOP - MAGIC CHEF 7518P012-80
	102020-01-712	EA KNOB,BURNER VALVE - MAGIC CHEF 7733P044-80
	102020-01-713	EA KNOB,THERMOSTAT - MAGIC CHEF 7731P042-80
	102020-01-714	EA PILOT,OVEN - MAGIC CHEF 968-143
	102020-01-715	EA PIPE,MANIFOLD - MAGIC CHEF 7513P095-80
	102020-01-717	EA THERMOSTAT - MAGIC CHEF 7515P024-80K
	102020-01-718	EA TOP,MAIN (ALMOND) - MAGIC CHEF 2001F085-84
	102020-01-719	EA TOP,MAIN (BLACK) - MAGIC CHEF 2001F085-90
	102020-01-720	EA VALVE,MERCURY CONTROL - MAGIC CHEF 7501P058-80
	102020-01-722	EA VALVE, TOP BURNER - MAGIC CHEF 7502P095-80
	102020-01-723	EA PILOT,BURNER - MAGIC CHEF 7505P179-80
	102020-01-724	EA BUMPER,MAIN TOP - MAGIC CHEF 8003P008-80
	102022-01-702	EA PIPE,MANIFOLD - MAGIC CHEF 7513P098-80
	102022-01-703	EA REGULATOR,PRESSURE - MAGIC CHEF 7510P031-80
	102022-01-708	EA TRIM (LEFT) FLAT - MAGIC CHEF 3608W022-70
	102022-01-707	EA TRIM (RIGHT) FLAT - MAGIC CHEF 3608W023-70
	065518-03-000	EA BRACKET-REAR TIEDOWN, RANGE W/OVEN - RIGHT
	065518-04-000	EA BRACKET-FRONT TIEDOWN, RANGE W/OVEN - LEFT

MICROWAVE OVEN

KEY	PART NUMBER	U/M DESCRIPTION
	091289-05-000	EA OVEN-MICROWAVE, MAGIC CHEF M15E-9PB
	094745-01-01A	EA TRIM-MICROWAVE, LOWER - BLACK
	094774-03-01A	EA TRIM-MICROWAVE, EITHER SIDE - 1 5" X 14 8" - METAL - BLACK
	094750-01-000	EA BRACKET-MICROWAVE, 90 DEGREE - STEEL
	098918-08-01A	EA BRACE-MICROWAVE CABINET, LEFT
	098918-07-01A	EA BRACE-MICROWAVE CABINET, RIGHT

COFFEE MAKER & PLASTIC DRAWER

KEY	PART NUMBER	U/M DESCRIPTION
	103799-01-02A	EA COFFEE MAKER-ALMOND
	104810-01-000	EA STRAP ASM-COFFEE MAKER
	077404-02-000	EA DRAWER-PLASTIC, 20" X 12 7" - BEIGE
	094087-01-01A	EA DIVIDER-DRAWER, PLASTIC

GENERATOR GROUP

4.0 KW KOHLER GENERATOR

KEY	PART NUMBER	U/M DESCRIPTION
	105523-01-000	EA GENERATOR-4KW LOW PROFILE, KOHLER 4CKM21
	105732-01-000	EA TRAY ASM-GENERATOR
	105527-01-000	EA PIPE-EXHAUST ADAPTER, KOHLER 278624
	088494-01-000	EA BRACKET-EXHAUST, W/DOUBLE BEND
	105528-01-000	EA ARRESTER-SPARK, KOHLER 278621
	105529-01-000	EA MUFFLER-FRONT EXHAUST, W/O SPARK - KOHLER 278734
	108172-01-000	EA PIPE-EXHAUST ADAPTER
	008401-01-000	EA STRAP-CONDUIT, 3/4" - 1 HOLE - GALVANIZED STEEL
	007087-01-000	SF INSULATION-FIBERGLASS, 1" THICK X 4' - INCREMENTS OF 4 SF

4.0 KW ONAN GENERATOR

KEY	PART NUMBER	U/M DESCRIPTION
	100974-01-000	EA GENERATOR-4 0KW EMERALD PLUS, ONAN BGE-FA/28100G
	105732-01-000	EA TRAY ASM-GENERATOR
	073854-05-000	EA PIPE-EXHAUST, ANGLED - W/FLANGE - 2" ID - ONAN# 154-2539
	081384-01-000	EA MUFFLER-GENERATOR, W/8 5" LONG TAILPIPE
	086252-01-000	EA PIPE-EXHAUST, W/2 BOLT HOLE FLANGE
	088494-01-000	EA BRACKET-EXHAUST, W/DOUBLE BEND
	094059-01-000	EA SPACER-GENERATOR, ONAN
	008401-01-000	EA STRAP-CONDUIT, 3/4" - 1 HOLE - GALVANIZED STEEL
	007087-01-000	SF INSULATION-FIBERGLASS, 1" THICK X 4' - INCREMENTS OF 4 SF

1992 WINNEBAGO

TABLE OF CONTENTS

INTRODUCTION	A-01 -	A-02
ABBREVIATIONS		A-03
ALPHABETICAL INDEX	A-04 -	A-08
WC522RG	A-07 -	D-18
WF524RC	D-19 -	H-08

1992 WC522RG INDEX

FLOOR PLAN	A-07 -	A-08
ACCESSORIES		A-09
AUDIO VIDEO		A-10
BATH	A-11 -	A-12
CHASSIS	A-13 -	A-16
CURTAIN & CUSHION	A-17 -	A-24
DINETTE	B-01 -	B-02
DRIVERS	B-03 -	B-08
ELECTRICAL	B-07 -	B-10
EXTERIOR BODY	B-11 -	B-19
GALLEY	B-20 -	B-23
GENERATOR		B-24
HEATING & A/C	C-01 -	C-02
INTERIOR FINISH	C-03 -	C-08
LABEL	C-07 -	C-14
LP	C-15 -	C-18
LOUNGE	C-17 -	C-18
SEALANTS & FASTENERS	C-19 -	C-21
WATER & SEWAGE	C-22 -	C-24
WINDOW, VENT AND EXTERIOR DOOR	D-01 -	D-17

HEATING & AIR CONDITIONING GROUP

SUBURBAN 25000 BTU FURNACE

KEY	PART NUMBER	U/M	DESCRIPTION
	088888-04-000	EA	FURNACE-25000 BTU, SUBURBAN 8F-25
	088834-01-733	EA	RELAY, TIME DELAY 20&30 RTU, SUBURBAN 231202
	075885-01-708	EA	MICRO SWITCH (FOR MODELS 30 & 34B) - SUBURBAN#230509
	090039-01-703	EA	ORFICE-MAIN BURNER, SUBURBAN# 180183
	090039-01-709	EA	GASKET, OBSERVATION HOLE CUR. 070367
	092300-01-704	EA	GASKET-ELECTRODE, SUBURBAN 070183
	098888-01-700	EA	CABINET FRONT, SUBURBAN 101242
	062300-01-701	EA	CABINET ASM, SUBURBAN 101299
	098888-01-702	EA	ELECTRODE, SUBURBAN 231740
	098888-01-703	EA	BURNER ASM. COMP.(8F-25) 010782
	098888-01-704	EA	VALVE, SUBURBAN 180938
	098888-01-705	EA	SWITCH-LIMIT, SUBURBAN 231830
	098888-01-706	EA	WHEEL-COMBUSTION AIR, SUBURBAN 350122
	098888-01-707	EA	VENT CAP & EXHAUST TUBE ASM, SUBURBAN 280193
	098888-01-708	EA	BLOWER ASM (COMBUSTION AIR), SUBURBAN 380441
	098888-01-709	EA	MOTOR ASM.-FOR 8F-25, 8F-30 - SUBURBAN 231708
	098888-01-710	EA	BLOWER ASM (ROOM AIR), SUBURBAN 390440
	098888-01-711	EA	WHEEL, ROOM AIR - SUBURBAN 350123
	098888-01-712	EA	BOARD MODULE, SUBURBAN 231741
	098888-01-713	EA	INTAKE VENT TUBE ASM 061044
	098888-08-000	EA	DOOR-ACCESS, FURNACE - OFF WHITE - SUBURBAN 520574
	093385-01-000	EA	THERMOSTAT-WALL, FURNACE - SUBURBAN 0180902

REAR HEATER

KEY	PART NUMBER	U/M	DESCRIPTION
	084405-01-000	EA	HEATER ASM-REAR, DUCTED - W/MOTOR AID - EVANS
	084405-01-700	EA	HEATER CORE
	084405-01-701	EA	FAN
	084405-01-702	EA	MOTOR, 12 VOLT ASSY

HEATING SYSTEM COMPONENTS

KEY	PART NUMBER	U/M	DESCRIPTION
	084405-01-000	EA	HEATER ASM-REAR, DUCTED - W/MOTOR AID - EVANS
	093814-01-01A	EA	GRILLE-RETURN AIR, FURNACE - 15 6" X 7 6" - BROWN
	058464-05-000	EA	REGISTER-PLASTIC W/O DAMPER - 4" DIAMETER - GOLDEN
	058464-05-000	EA	REGISTER-PLASTIC W/O DAMPER - 4" DIAMETER - GOLDEN
	009198-01-000	FT	DUCT-HEAT, FLEXIBLE - 4" ID X 25 FT
	009200-01-000	EA	TAPE-FURNACE, 1 1/2"
	023145-01-000	EA	CLAMP-SCREW TYPE - 4"
	069636-02-000	EA	CONNECTOR-DUCT, 4" ID - SUBURBAN 050715
	079059-01-000	EA	HOSE-90 DEGREE, 5/8" ID X 4" X 36"
	007108-01-000	FT	HOSE-HEATER, 5/8" ID - HI-TEMP - FORD ESE-M2D182-A
	088753-01-000	FT	TUBE-ALUMINIZED STEEL, 5/8" - 18 GAUGE
	008042-01-000	FT	TUBING-VINYLI., 65" ID

HEATING & A/C CONDITIONING GROUP (CONTINUED)

ROOF A/C

KEY	PART NUMBER	U/M	DESCRIPTION
	083783-01-04A	EA	A/C-ROOF, 135000 BTU - OFF WHITE - COLEMAN# 8758D707/8758E7
	083783-04-700	EA	SHROUD-ROOF A/C, W/O LOGOS - COLEMAN 8758-4801
	093306-01-701	EA	DECAL PKG. LEFT&RIGHT, COLEMAN# 879883591
	078303-01-712	EA	MOTOR, COLEMAN# 8707A3118
	091225-01-709	EA	START RELAY, COLEMAN# 1487-4131
	091225-01-710	EA	START CAPACITOR, COLEMAN# 1467-0881
	073742-02-704	EA	RUN CAPACITOR (COMPRESSOR), COLEMAN# 1489-4881
	093783-01-702	EA	OVERLOAD, COLEMAN# 8759-3931
	093783-01-703	EA	IMPELLOR-7" DIA X 2.8" WIDE, COLEMAN# 8759-3271
	093783-01-704	EA	CAPACITOR-FAN, COLEMAN# 1489-3461
	093783-01-707	EA	EVAPORATOR COIL-COLEMAN# 1482-1351
	093783-01-708	EA	CONDENSER COIL-COLEMAN# 1482-1251
	093783-01-711	EA	GASKET PACKAGE, COLEMAN# 8759-3281
	093783-01-712	EA	FAN BLADE-CONDENSER, COLEMAN# 8733-3221
	093783-01-713	EA	COMPRESSOR-E SERIES, COLEMAN# 8759-3999
	093784-01-000	EA	CEILING ASM-A/C COOL ONLY, TBR - COLEMAN 8758D714
	042204-01-709	EA	THERMOSTAT IN-84, OUT-88, COLEMAN# 8701-3401
	042205-01-702	EA	THERMOSTAT IN-89, OUT-88, COLEMAN# 8703-3401
	073742-01-701	EA	SELECTOR SWITCH (5 TERMINAL), COLEMAN# 8759-3251
	073742-01-702	EA	DECAL COOL ONLY, COLEMAN# 8759C3431
	093783-01-703	EA	DECAL HEAT&COOL, COLEMAN# 8759-3491
	081808-01-708	EA	LIMIT SWITCH (OPEN 180, CLOSE 110), COLEMAN# 8703-304
	091225-01-713	EA	KNOB (2 PER PACKAGE), COLEMAN# 8701-3351
	078303-01-707	EA	FILTER-6" X 14 3/4" X 1/2", 12 PER PKG COLEMAN# 8703A3151
	091225-01-717	EA	DECAL (THERMOSTAT) COOL ONLY, COLEMAN# 8799A3441
	081808-01-712	EA	CEILING SHROUD (IVORY), COLEMAN# 8789-5061
	093783-01-705	EA	DECAL-HEAT/COOL THERMOSTAT, COLEMAN# 8799A3471
	093783-01-708	EA	STAT ELEMENT-COLEMAN# 8798-3321
	093783-01-710	EA	SINGLE PARTS PACKAGE, COLEMAN# 8759-5841
	102289-01-000	EA	SPRING-SCREW ROOF A/C GASKET - COLEMAN 8757-150

EUROPEAN ROOF A/C

KEY	PART NUMBER	U/M	DESCRIPTION
	092440-01-000	EA	A/C-ROOF, 13500 BTU - 220V - 50HZ - COLEMAN# 8713C750
	092441 01-000	EA	CEILING ASM-A/C, 220V - 50HZ - COLEMAN# 8712ET18
	102289-01-000	EA	SPRING-SCREW ROOF A/C GASKET - COLEMAN 8757-150

1992 WINJEBAGO

TABLE OF CONTENTS

INTRODUCTION	A-01	A-02
ABBREVIATIONS		A-08
ALPHABETICAL INDEX	A-04	A-06
WC522RG	A-07	D-18
WF524RC	D-19	H-08

1992 WC522RG INDEX

FLOOR PLAN	A-07	A-08
ACCESSORIES		A-09
AUDIO VIDEO		A-10
BATH	A-11	A-12
CHASSIS	A-13	A-18
CURTAIN & CUSHION	A-17	A-24
DINETTE	B-01	B-02
DRIVERS	B-03	B-06
ELECTRICAL	B-07	B-10
EXTERIOR BODY	B-11	B-19
GALLEY	B-20	B-23
GENERATOR		B-24
HEATING & A/C	C-01	C-02
INTERIOR FINISH	C-03	C-08
LABEL	C-07	C-14
LP	C-15	C-18
LOUNGE	C-17	C-18
SEALANTS & FASTENERS	C-19	C-21
WATER & SEWAGE	C-22	C-24
WINDOW, VENT AND EXTERIOR DOOR	D-01	D-17

INTERIOR FINISH GROUP

MOLDINGS & TRIMS

KEY	PART NUMBER	U/M DESCRIPTION
	009787-12-000	FT MOLDING-SIDEWALL TO CEILING/CABINET - WELTING - OFF WHITE
	009809-24-000	EA MOLDING-CORNER, OUTSIDE - 1" - PLASTIC - THOR PECAN
	009812-28-000	EA MOLDING-CORNER, OUTSIDE - .8" - PLASTIC - PECAN
	009812-24-000	EA MOLDING-PLASTIC, O/B CORNER - .60" - MODERN IVORY
	022492-01-000	FT MOLDING-REVERSE COVE, T-SHAPED - VINYL - WHITE
	022982-11-000	FT MOLDING-REVERSE COVE, T-SHAPED - VINYL - IVORY
	070804-01-000	FT U-CHANNEL-PLASTIC, .085" WIDE - LIGHT BROWN - INC OF 8'
	070804-20-000	FT U-CHANNEL-PLASTIC, .815" WIDE - THOR PECAN - INC. OF 8'
	006778-11-000	FT U-CHANNEL-PLASTIC 1" WIDE X 8' INCREMENTS - IVORY
	075249-01-000	EA RAILING-OAK, 72" EA - UNFINISHED
	078326-32-000	FT MOLDING-EDGE BAND TAUPE, 1-5/16" 030X800 (C52)
	078326-34-000	FT MOLDING-EDGE BAND, 1 5/16" WIDE (C53)
	078326-33-000	FT MOLDING-EDGE BAND TAUPE, .875X 024X800 (C52)
	078326-35-000	FT MOLDING EDGE BAND ORCHID#, .875X 024X800 (C53)
	0812-4-02-000	EA MOLDING-SHELF, NOTCHED WOOD - 8' LONG
	009815-09-000	FT MOLDING-T, .75" - IVORY
	083620-07-000	FT MOLDING-T, END CAP EDGE - WEDGE LIPS - .75" - THOR PECAN
	083620-09-000	FT T-MOLDING, 3/4 WEDGE LIPS - MODERN IVORY
	104878-01-01A	FT T-MOLDING, 5/16 - RIGID
	085748-01-000	FT TRIM-J, CARPET - 1.2" X .5" ANGLE - 10' LONG - PVC - BEIGE
	092707-01-01A	EA MOLDING-WOOD, TABLE LEG - 27" - REGAL OAK
	093873-01-02A	EA TRIM-CARPET, L-ANGLE - 1.1" X 1.3" X 12 - VINYL - TAN
	098204-02-01A	EA TRIM-J, .5" EXPOSED - 1" X 52 1" LONG - METAL - OFF WHITE.
	100859-01-AB1	EA TRIM-FLOOR, 72" X 1" X 1/2" - WOOD
	092331-D2-134	EA MOLDING-VINYL WRAPPED, .7" X 1 57" X 94" - WOODGRAIN
	092331-F2-134	EA MOLDING-VINYL WRAPPED, 7" X 2 5" X 7" - WOODGRAIN
	100818-01-01A	EA MOLDING-VINYL WRAPPED, 1 85" X 4" X 7" - REGAL OAK
	100819-01-01A	EA MOLDING-VINYL WRAPPED, L-SHAPED - 1.5" X 1 5" X 7" - OAK
	103188-01-02A	FT MOLDING-EDGE, SHELF - 78" WIDE - PLASTIC - REGAL OAK
	105004-01-01A	EA MOLDING-VINYL WRAP - REGAL OAK
	105818-01-01A	FT MOLDING-EDGE, 5/16 - OOLD W/ADHESIVE
	092330-D2-438	EA LUMBER-VINYL WRAPPED, 7" X 1 5" X 8" - WOODGRAIN
	092330-E2-438	EA LUMBER-VINYL WRAPPED, .7" X 2" X 98" - WOODGRAIN
	092330-03-000	EA LUMBER-VINYL WRAPPED, 2" X 98" - WOODGRAIN
	092330-05-000	EA LUMBER-VINYL WRAPPED - REGAL OAK
	089733-70-000	EA BATT STRIP-WOODGRAIN, 8' EA - REGAL OAK
		FROM 00-00-00 THRU 02-23-92
	089733-80-000	EA BATT-STRIP, WOODGRAIN - 8' - WINNI OAK
		FROM 02-24-92 THRU 99-99-99
	079853-04-000	EA BATT STRIP-KERFED, WOODGRAIN
	085284-03-000	FT BATT STRIP-WOODGRAIN, ADHESIVE BACKED - REGAL OAK
		FROM 00-00-00 THRU 02-23-92
	085284-66-000	FT BATT STRIP-WOODGRAIN, ADHESIVE BACKED - FOREST OAK
		FROM 02-24-92 THRU 99-99-99
	085284-49-000	FT BATT STRIP-TAPE, MARBLE - DEWBERRY DECOR (MAIN WALL)
	085284-45-000	FT BATT STRIP-TAPE, FRONDS - DEWBERRY DECOR (BATH & GALLEY)
	088229-01-000	EA RETAINER-BATTEN, CEILING - 75" WIDE - 7 8' EA
	088229-04-000	EA BATTEN-CEILING, 1" WIDE - IVORY - 7 6' EA
	088283-81-000	EA BATT-STRIP, MARBLE - DEWBERRY DECOR (MAIN WALL)
	088283-82-000	EA BATT-STRIP, FRONDS - DEWBERRY DECOR (BATH & GALLEY)
	088283-71-000	EA BATT STRIP-DECORATIVE, 8" - FAWN - TROWELL WORK

INTERIOR FINISH GROUP (CONTINUED)

PANELING, LAMINATES & PLASTIC

KEY	PART NUMBER	U/M DESCRIPTION
	000886-34-000	SF PARTICLE BOARD-3/8 X 48" X 97", 1 SIDE VINYL WOODGRAIN (32 SF)
		FROM: 00-00-00 THRU: 11-03-91
	000886-62-000	SF PARTICLE BOARD-2 SIDED VINYL, 3/8" X 4' X 8' - WOODGRAIN
		FROM: 02-00-00 THRU: 11-03-91
	000886-59-000	SF PART BD-3/4X80X98, LIGHT OAK - VINYL 2 SIDE
		FROM: 00-00-00 THRU: 11-03-91
	000886-64-000	SF PART BD-3/8X48X98 FOREST OAK VINYL 2 SIDES
		FROM: 11-04-91 THRU: 99-99-99
	000886-59-000	SF PART BD-3/4X80X98, FOREST OAK - VINYL 2 SIDES
	083818-02-000	SF PLYWOOD-OAK, 1 SIDE FINISHED - 3/16" X 4' X 8' (32 SF)
	089297-01-000	SF PLYWOOD-LUAN, OVERLAY GRADE - 4' X 8' (32 SF)
	086888-01-000	SF VENEER-FLAT LUANA, 48X98
	074497-19-000	SF PANELING-CEILING, 4' X 8' - INC OF 32 SF
	074497-10-000	SF PANELING-WOODGRAIN, 4' X 8' - INCREMENTS OF 32 SF
		FROM: 00-00-00 THRU: 11-03-91
	074497-20-000	SF PANELING-WOODGRAIN, 4' X 8' - INCREMENTS OF 32 SF
		FROM: 11-04-91 THRU: 99-99-99
	088272-72-000	SF PANELING-SHOWER, OFF WHITE - 4' X 7' - INC. OF 28 SF
		FROM: 00-00-00 THRU: 03-15-92
	088272-98-000	SF PANELING-SHOWER, ANTIQUE WHITE, 4' X 7' - INC OF 28 SQ FT
		FROM: 03-16-92 THRU: 99-99-99
	088272-82-000	SF PANELING-MARBLE DEWBERRY, 3MMX48X84 DECOR (MAIN WALL)
	088272-83-000	SF PANELING-FRONS DEWBERRY, 3MMX48X84 DECOR (BATH & GALLEY)
	089351-03-000	YD VINYL-CEILING, DIAMOND DESIGN - 54" WIDE
	074498-39-000	SF LAMINATE-PLASTIC, 5' X 8' - GREY/BEIGE - INC. OF 40 SF (C52)
	074468-41-000	SF LAMINATE-PLASTIC, 5' X 8' - ORCHID MIST - INC OF 40 SF (C53)
	083743-02-01A	SF PLASTIC-ABS, 20" WIDE ROLL - OFF WHITE
	083743-03-01A	SF PLASTIC-ABS, 10 8" WIDE - OFF WHITE

CARPETING & FLOOR MATS

KEY	PART NUMBER	U/M DESCRIPTION
	098080-33-000	SY CARPET-12' ROLL, INCREMENTS OF 4 SY - BROWN SPECIAL (C52)
	098080-23-000	SY CARPET-12' ROLL, INCREMENTS OF 4 SY (C53)
	047034-02-000	SF PLASTIC-CARPET, 4"WIDE - CLEAR POLY - MINIMUM ORDER 1,600 SF
	075233-01-000	SY PAD-CARPET, 3/8" X 8' ROLL
	081075-01-000	EA MAT-FLOOR, ENTRANCE DOOR - WWINNEBAGO LOGO - 10 2" X 26"
		FROM 00-00-00 THRU 01-09-92
	081075-03-000	EA MAT-FLOOR ENTRANCE, WINNEBAGO PLASTICOLOR GRAY
		FROM 01-10-92 THRU 99-99-99
	083218-01-000	EA MAT-FLOOR, PASSENGER W/W LOGO - CHEVY
	083218-02-000	EA MAT-FLOOR, DRIVER W/W LOGO - CHEVY
	083219-01-000	EA MAT-FLOOR, PASSENGER - "W" - FORD
		FROM 00-00-00 THRU. 01-12-92
	083219-02-000	EA MAT-FLOOR, DRIVER - "W" - FORD
		FROM 00-00-00 THRU 01-12-92
	108884-01-000	EA MAT-FLOOR, PASSENGER - "W" - FORD
		FROM 01-13-92 THRU 99-99-99
	108884-02-000	EA MAT-FLOOR, DRIVER - "W" - FORD
		FROM 01-13-92 THRU 99-99-99

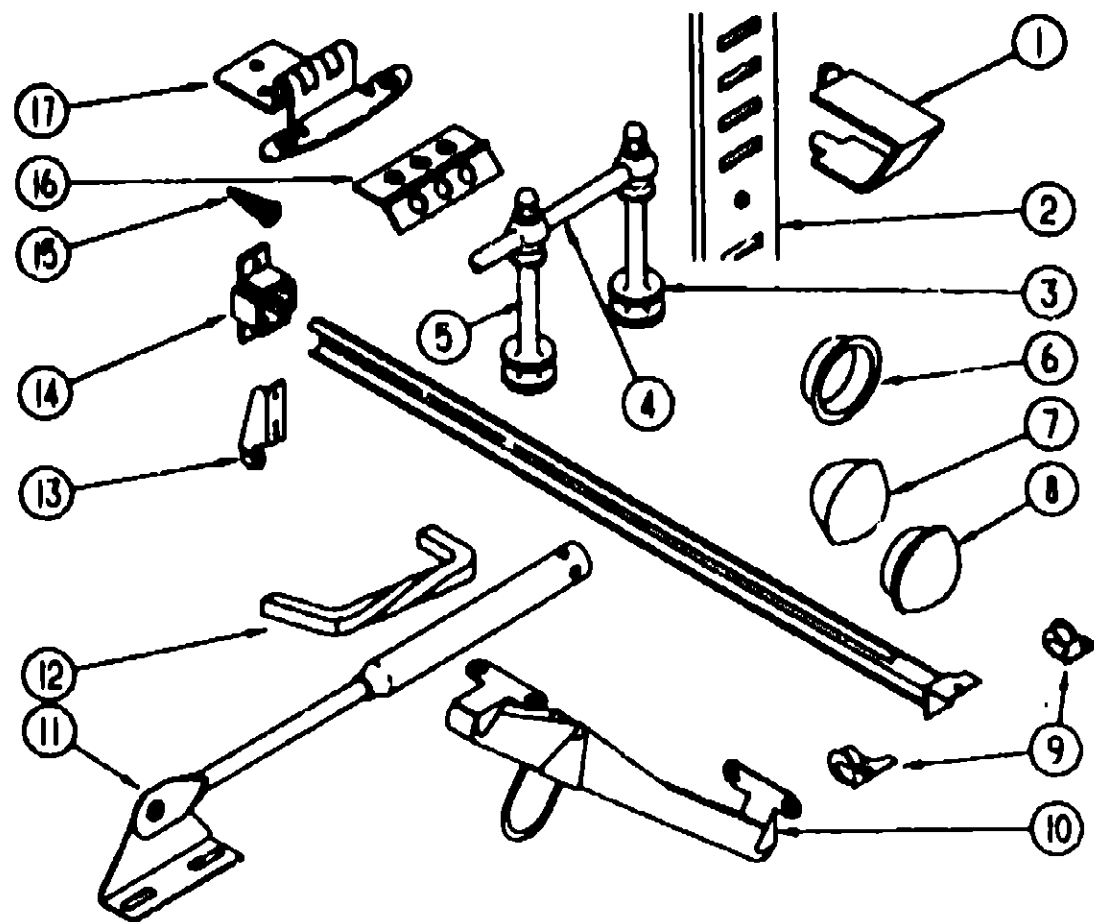
**1992 WINNEBAGO
TABLE OF CONTENTS**

INTRODUCTION	A-01	A-02
ABBREVIATIONS		A-03
ALPHABETICAL INDEX	A-04	A-08
WC522RG	A-07	D-18
WFR24RC	D-19	H-08

1992 WC522RG INDEX

FLOOR PLAN	A-07	A-08
ACCESSORIES		A-09
AUDIO VIDEO		A-10
BATH	A-11	A-12
CHASSIS	A-13	A-18
CURTAIN & CUSHION	A-17	A-24
DINETTE	B-01	B-02
DRIVERS	B-03	B-08
ELECTRICAL	B-07	B-10
EXTERIOR BODY	B-11	B-19
GALLEY	B-20	B-23
GENERATOR		B-24
HEATING & A/C	C-01	C-02
INTERIOR FINISH	C-03	C-08
LABEL	C-07	C-14
LP	C-15	C-18
LOUNGE	C-17	C-18
SEALANTS & FASTENERS	C-19	C-21
WATER & SEWAGE	C-22	C-24
WINDOW, VENT AND EXTERIOR DOOR	D-01	D-17

INTERIOR FINISH GROUP (CONTINUED)



CABINET & TABLE HARDWARE

KEY	PART NUMBER	U/M DESCRIPTION
1	006979-01-000	EA CLIP-ADJUSTABLE SHELF
2	006980-01-000	EA PILASTER-ADJUSTABLE SHELF, 18" LONG
3	064070-02-000	EA POST-END, 2 4" - BRASS
4	064071-13-000	EA ROD-BRASS, 72" LONG
5	064070-01-000	EA POST-CENTER, 2 4" - BRASS
6	039148-01-000	EA PULL-FINGER, 75" DIAMETER - BRASS
7	042368-01-000	EA PLUG-BUTTON, MAHOGANY - 3/8" DIAMETER - WOOD
8	074045-07-000	EA PLUG-WOOD, 1/2"
9	102827-03-000	EA ROLLER-DRAWER, NYLON - PAIR
10	104181-01-01A	EA SUPPORT-LEAF, 5 3" - EXTENDS TO 7 5" - SAFETY RING - METAL
11	074483-02-000	EA SUPPORT-PISTON SPRING, CABINET DOOR
12	103856-01-000	EA PULL-CABINET, BRASS - 3" ON CENTER
13	102827-02-000	EA BRACKET-ROLLER, DRAWER - REAR
14	102827-04-000	EA BRACKET-MOUNTING, DRAWER - REAR
15	000G13-08-10G	EA SCREW-6-20 X 5/8 PFH, ANTIQUE BRASS (HINGE 059777-02-000)
15	000G13-08-08G	EA SCREW-6-20 X 5/8 PFH, ANTIQUE BRASS (HINGE 108138-01-000)
16	009059-01-000	EA HINGE-DOOR, 2" X 1 4" - BRASS
16	009059-02-000	EA HINGE-DOOR, 2" X 2 7" - BRASS
17	069777-02-000	EA HINGE-CABINET DOOR, BURNISHED BRASS
17	108138-01-030	EA HINGE-DOOR, CABINET - BURNISHED BRASS
		FROM 00-00-00 THRU 04-16-92
		FROM 04-17-92 THRU 99-99-99
	076827-02-000	EA BRACKET-LEG, 2.9" X 1 8" TRIANGLE (USED ON OVERHEAD CABINETS ALSO)

INTERIOR FINISH GROUP (CONTINUED)

CABINET & TABLE HARDWARE (CONTINUED)

KEY	PART NUMBER	U/M DESCRIPTION
	004384-01-000	EA BUMPER-RUBBER, 5" DIA - BROWN
	018804-01-000	EA BRACE-CABINET, ANGLE - 2.5" - METAL - UNPAINTED
	018804-03-000	EA BRACE-CABINET, ANGLE - 2.5" - METAL - BEIGE
	023320-01-000	EA PAD-FELT, 3/8" DIAMETER - BROWN
	065740-01-000	EA BRACE-CABINET CORNER, PLASTIC
	076790-01-000	EA SCREW, 6-20 X 1 1/4 PFH - BLACK
	076827-04-000	EA BRACKET-BUNKBED, 2.9" X 1 8" TRIANGLE - METAL - OFF WHITE
	083204-02-000	EA BUTTON-RETAINING, MIRROR - 3/16" TIP - WALNUT
	102827-06-000	EA TRACK-DRAWER, 22.6" LONG
	104898-01-000	EA CATCH-WOOD, VINYL FACE CAB 92 MM
	104898-02-000	EA CATCH-WOOD, LAMINATED FACE 92 MM
	106037-02-000	EA FASTENER-WOOD, CORNER - METAL - .8" X .8"
	009112-01-000	EA FLANGE-1" ROD, CLOTHES - PLASTIC - OFF WHITE
	042438-01-000	EA DOWEL-WOOD, CLOTHES ROD - 1" DIAMETER X 4'
	042438-02-000	EA DOWEL-WOOD, 2" X 2"
	076840-01-000	EA CORD-BUNGIE, 24"
	091255-02-000	FT SEAL-ADHESIVE BACKED FOAM, .18" THICK X 1.5" WIDE
	103130-01-000	EA HOOK-CUP, BRASS - 1 28"
	064467-01-000	EA GUIDE-POCKET, SLIDING DOOR - WALL MOUNTED

FIRE EXTINGUISHER, SMOKE DETECTOR & CLOCK

KEY	PART NUMBER	U/M DESCRIPTION
	072852-01-000	EA DETECTOR-SMOKE, W/9 VOLT BATTERY
	072852-02-000	EA DETECTOR-SMOKE, W/9 VOLT BATTERY
	094499-01-000	EA EXTINGUISHER-FIRE, DRY W/MOUNTING BRACKET - 10 BC
	094499-02-000	EA EXTINGUISHER-FIRE, DRY - 1A10BC - CANADIAN
	094499-01-700	EA BRACKET-MOUNTING, W/PLASTIC STRAP - FIRE EXTINGUISHER
	100793-01-01A	EA CLOCK-WALL, OVAL - 9 5" X 11 1"
	101333-01-000	EA BACKPLATE-CLOCK, 6" X 6" - PLASTIC - BLACK

1992 WINNEBAGO

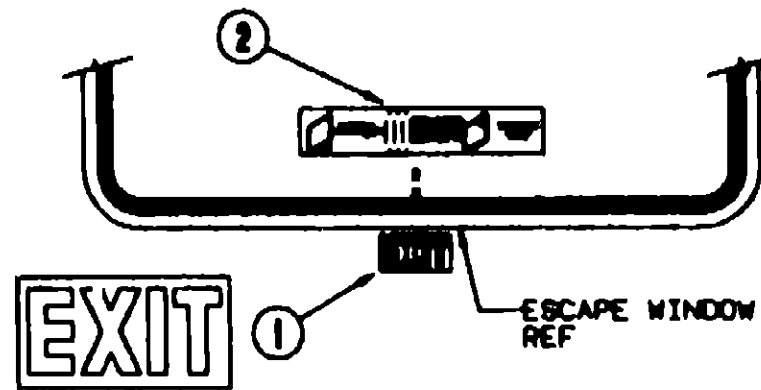
TABLE OF CONTENTS

INTRODUCTION	A-01 -	A-02
ABBREVIATIONS		A-03
ALPHABETICAL INDEX	A-04 -	A-08
WC622RG	A-07 -	D-18
WF624RC	D-19 -	H-08

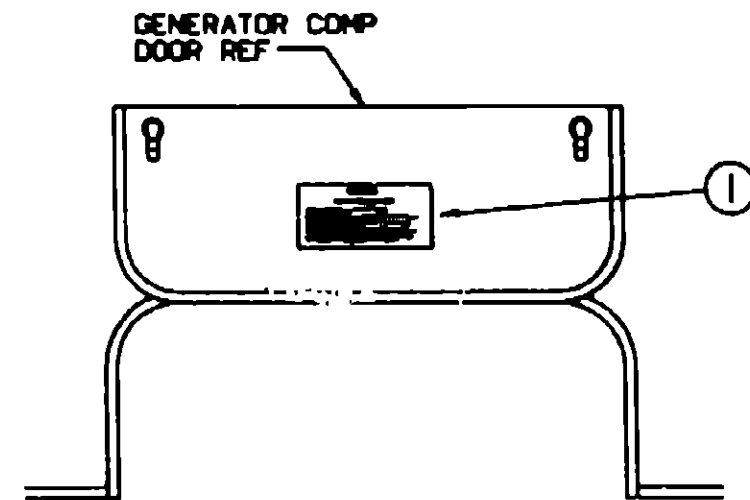
1992 WC622RG INDEX

FLOOR PLAN	A-07 -	A-08
ACCESSORIES		A-09
AUDIO VIDEO		A-10
BATH	A-11 -	A-12
CHASSIS	A-13 -	A-16
CURTAIN & CUSHION	A-17 -	A-24
DINETTE	B-01 -	B-02
DRIVERS	B-03 -	B-08
ELECTRICAL	B-07 -	B-10
EXTERIOR BODY	B-11 -	B-19
GALLEY	B-20 -	B-23
GENERATOR		B-24
HEATING & A/C	C-01 -	C-02
INTERIOR FINISH	C-03 -	C-08
LABEL	C-07 -	C-14
LP	C-15 -	C-16
LOUNGE	C-17 -	C-18
SEALANTS & FASTENERS	C-19 -	C-21
WATER & SEWAGE	C-22 -	C-24
WINDOW, VENT AND EXTERIOR DOOR	D-01 -	D-17

LABELS GROUP



KEY	PART NUMBER	U/M DESCRIPTION
1	038290-01-000	EA LABEL-WARNING-EXIT
2	107571-01-000	EA LABEL-EXIT-ESCAPE WINDOW



WARNING

WHEN ADDING A GENERATOR SET:

HIGH VOLTAGE-USE EXTREME CAUTION WHEN WORKING ON ELECTRICAL COMPONENTS.

HAVE ALL ELECTRICAL INSTALLATION PERFORMED BY A QUALIFIED LICENSED ELECTRICIAN-FOLLOW ALL STATE AND LOCAL CODES.

ONLY INSTALL GENERATOR SET APPROVED FOR R.V. APPLICATION HAVE INSTALLED BY QUALIFIED TECHNICIAN.

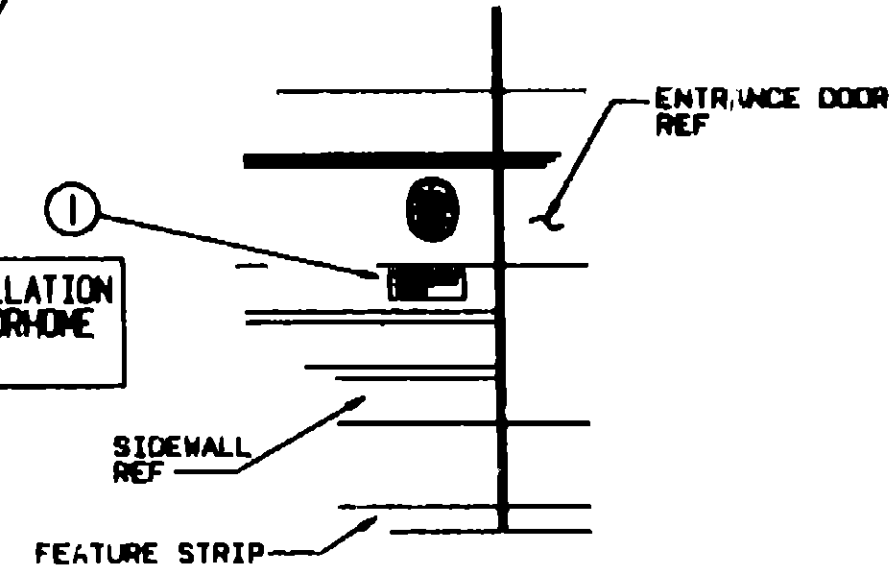
TO AVOID HEAT BUILD-UP AND TO GUARANTEE AN ADEQUATE AIR SUPPLY TO THE GENERATOR COMPARTMENT, FOLLOW INSTALLATION INSTRUCTIONS. GENERATOR BURNER EXHAUST GASES ARE TOXIC AND MUST NOT PENETRATE UNDER THE VEHICLE-DEVELOPER'S EXHAUST MUST FRESH VEHICLE.

KEY	PART NUMBER	U/M DESCRIPTION
1	077510-01-000	EA LABEL-GENERATOR PREP

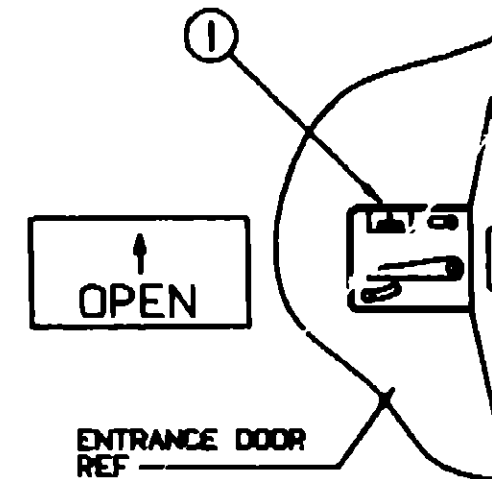
LABELS GROUP (CONTINUED)



FOR AWNING INSTALLATION CONTACT YOUR MOTORHOME DEALERSHIP



KEY	PART NUMBER	U/M DESCRIPTION
1	099509-01-000	EA LABEL-AWNING INSTALLATION



KEY	PART NUMBER	U/M DESCRIPTION
1	040944-01-000	EA LABEL-ENTRANCE DOOR, "OPEN"

**1992 WINNEBAGO
TABLE OF CONTENTS**

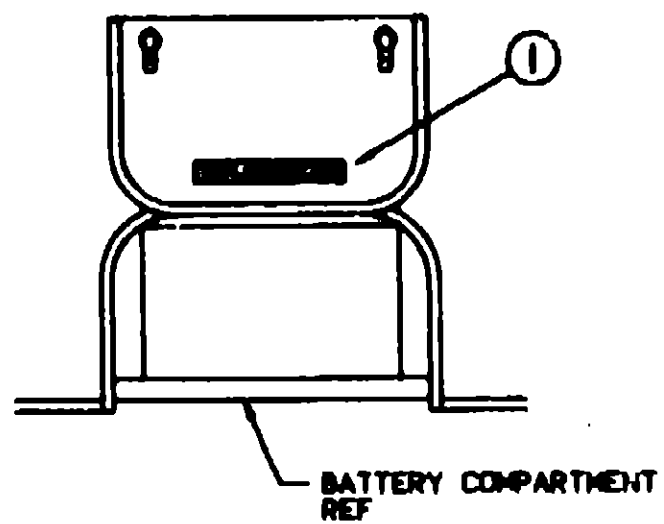
INTRODUCTION	A-01 - A-02
ABBREVIATIONS	A-03
ALPHABETICAL INDEX	A-04 - A-08
WC522RG	A-07 - D-18
WF824RC	D-19 - H-08

1992 WC522RG INDEX

FLOOR PLAN	A-07 - A-08
ACCESSORIES	- A-09
AUDIO VIDEO	- A-10
BATH	A-11 - A-12
CHASSIS	A-13 - A-16
CURTAIN & CUSHION	A-17 - A-24
DINETTE	B-01 - B-02
DRIVERS	B-03 - B-08
ELECTRICAL	B-07 - B-10
EXTERIOR BODY	B-11 - B-19
GALLEY	B-20 - B-23
GENERATOR	- B-24
HEATING & A/C	C-01 - C-02
INTERIOR FINISH	C-03 - C-05
LABEL	C-07 - C-14
LP	C-15 - C-18
LOUNGE	C-17 - C-18
SEALANTS & FASTENERS	C-19 - C-21
WATER & SEWAGE	C-22 - C-24
WINDOW, VENT AND EXTERIOR DOOR	D-01 - D-17

LABELS GROUP (CONTINUED)

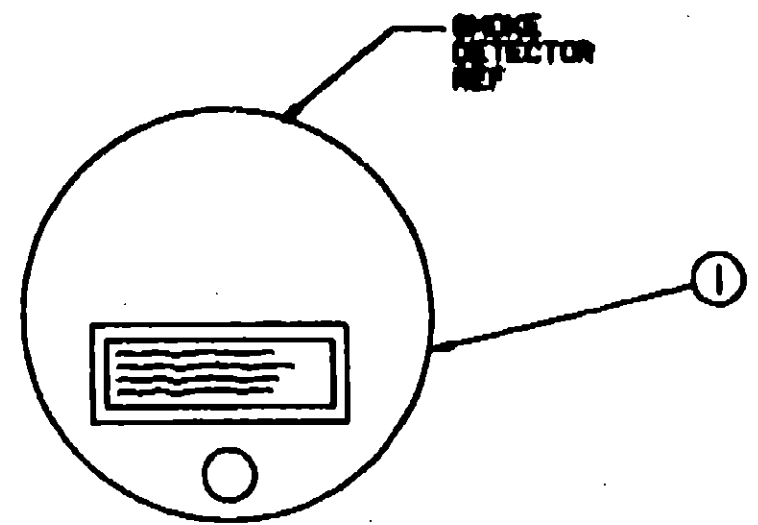
WARNING DISCONNECT BATTERIES BEFORE CONNECTING EXTERNAL CHARGING EQUIPMENT.



BATTERY COMPARTMENT REF

KEY PART NUMBER U/M DESCRIPTION
 1 005740-01-000 EA LABEL-CAUTION-BATTERY CHARGING

LABELS GROUP (CONTINUED)



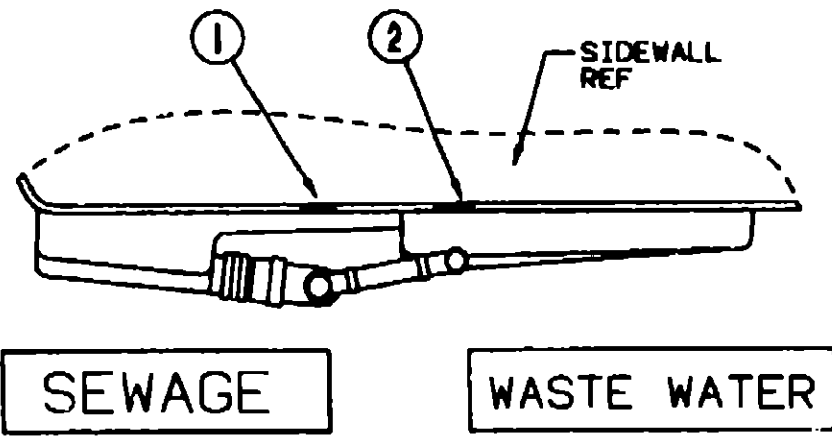
SMOKE DETECTOR REF

WARNING. TEST SMOKE DETECTOR OPERATION AFTER VEHICLE HAS BEEN IN OPERATION. BEFORE EACH TRIP AND AT LEAST ONCE PER YEAR SERVICE INT.

KEY PART NUMBER U/M DESCRIPTION
 1 077360-01-000 EA LABEL-WARNING-SMOKE DETECTOR

**1992 WINNEBAGO
 TABLE OF CONTENTS**

INTRODUCTION	A-01 -	A-02
ABBREVIATIONS		A-03
ALPHABETICAL INDEX	A-04 -	A-08
WC522RG	A-07 -	D-18
WF24RC	D-19 -	H-08

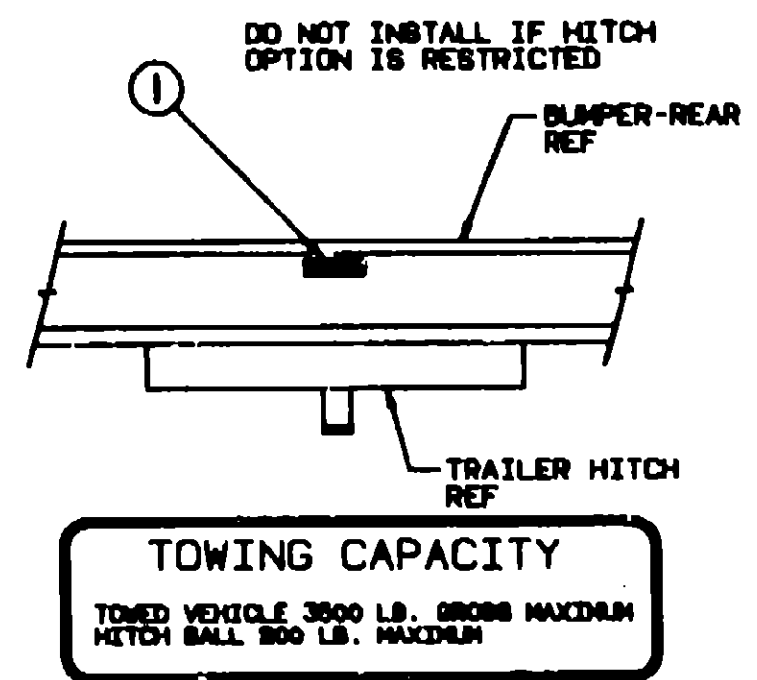


SIDEWALL REF

SEWAGE

WASTE WATER

KEY PART NUMBER U/M DESCRIPTION
 1 008187-01-000 EA LABEL-SEWAGE
 2 008188-01-000 EA LABEL-WASTE WATER



DO NOT INSTALL IF HITCH OPTION IS RESTRICTED

BUMPER-REAR REF

TRAILER HITCH REF

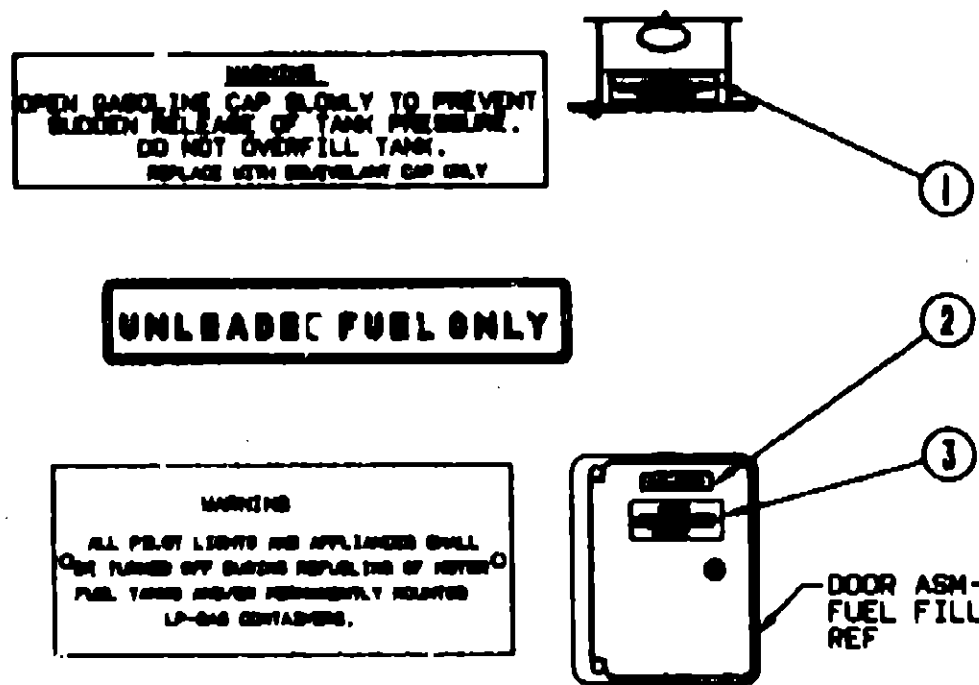
TOWING CAPACITY
 TOWED VEHICLE 3500 LB. GROSS MAXIMUM
 HITCH BALL 500 LB. MAXIMUM

KEY PART NUMBER U/M DESCRIPTION
 1 075221-01-000 EA LABEL-TOWING CAPACITY

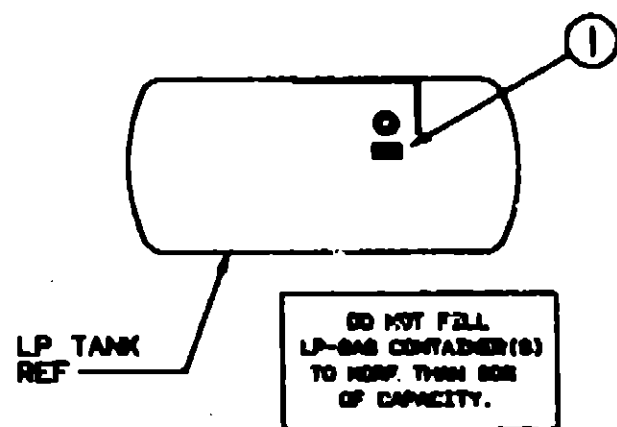
1992 WC522RG INDEX

FLOOR PLAN	A-07 -	A-08
ACCESSORIES		A-09
AUDIO VIDEO		A-10
BATH	A-11 -	A-12
CHASSIS	A-13 -	A-18
CURTAIN & CUSHION	A-17 -	A-24
DINETTE	B-01 -	B-02
DRIVERS	B-03 -	B-06
ELECTRICAL	B-07 -	B-10
EXTERIOR BODY	B-11 -	B-19
GALLEY	B-20 -	B-23
GENERATOR		B-24
HEATING & AC	C-01 -	C-02
INTERIOR FINISH	C-03 -	C-08
LABEL	C-07 -	C-14
LP	C-15 -	C-16
LOUNGE	C-17 -	C-18
SEALANTS & FASTENERS	C-19 -	C-21
WATER & SEWAGE	C-22 -	C-24
WINDOW, VENT AND EXTERIOR DOOR	D-01 -	D-17

LABELS GROUP (CONTINUED)

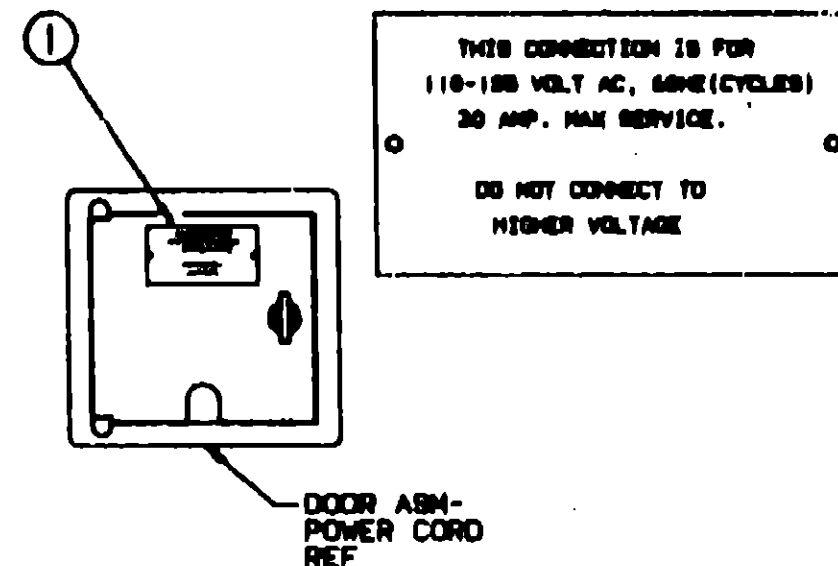


KEY	PART NUMBER	U/M DESCRIPTION
1	087207-08-000	EA LABEL-GAS OVERFILL
2	082043-01-000	EA LABEL-FUEL-UNLEADED
3	008040-01-000	EA TAG-GAS REFUELING WARNING-US
3	008040-02-000	EA TAG-GAS REFUEL WARNING-CANADIAN

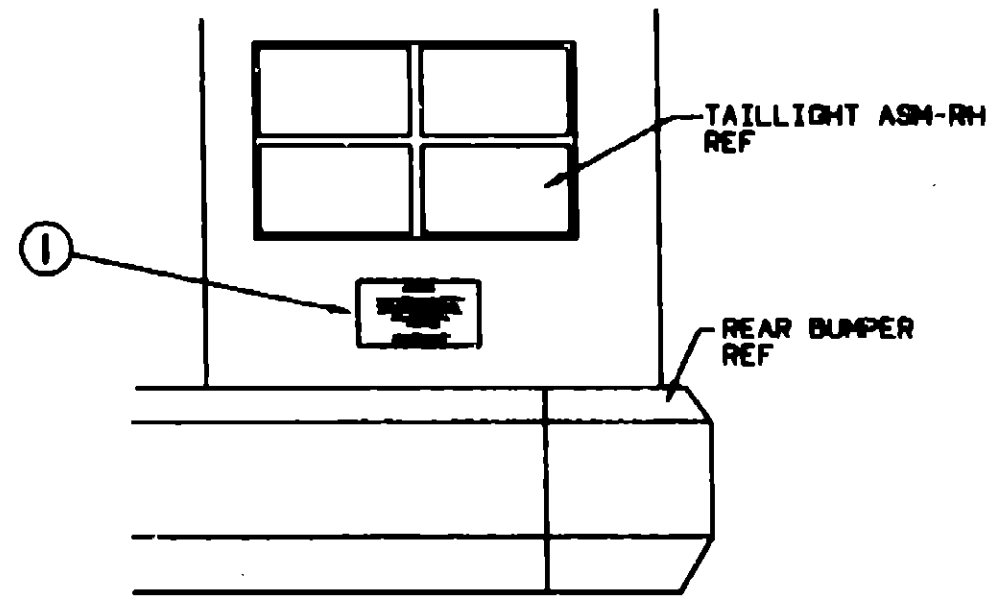


KEY	PART NUMBER	U/M DESCRIPTION
1	064531-01-000	EA LABEL-LP GAS ONLY

LABELS GROUP (CONTINUED)



KEY	PART NUMBER	U/M DESCRIPTION
1	008082-01-000	EA TAG-ELECTRIC-110V CONNECTION



WARNING

DO NOT EXCEED THE VEHICLE WEIGHT RATINGS
OR LOADING RECOMMENDATIONS (E.G., GROSS
VEHICLE, GROSS AXLE, GROSS COMBINED) OF
THE CHASSIS MANUFACTURER OR
WINNEBAGO INC.

REFER TO YOUR OWNERS MANUAL,
BEFORE LOADING OR TOWING.

KEY	PART NUMBER	U/M DESCRIPTION
1	075220-01-000	EA LABEL-WARNING-EXTERIOR LOAD

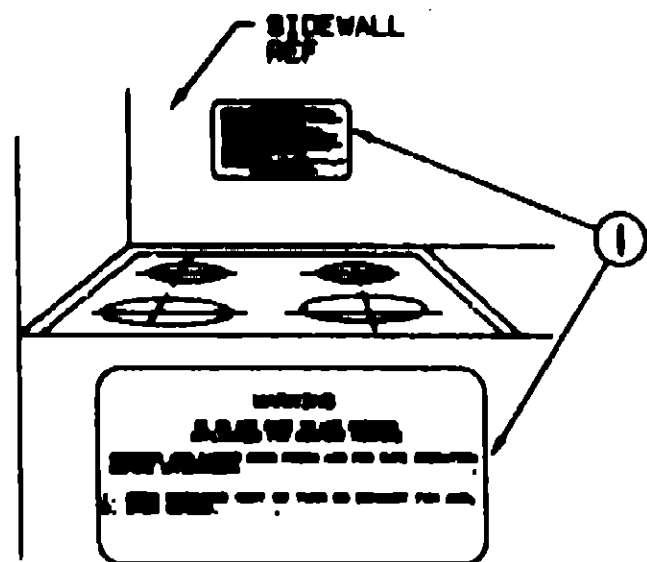
**1992 WINNEBAGO
TABLE OF CONTENTS**

INTRODUCTION	A-01 - A-02
ABBREVIATIONS	A-03
ALPHABETICAL INDEX	A-04 - A-08
WC522RG	A-07 - D-18
WF524RC	D-18 - H-08

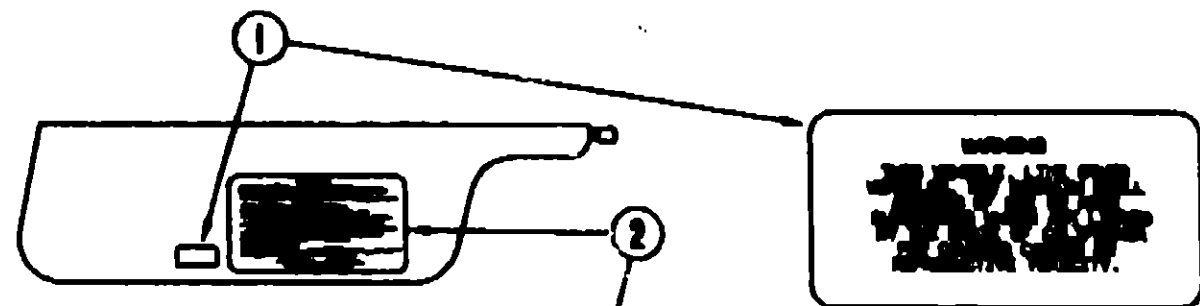
1992 WC522RG INDEX

FLOOR PLAN	A-07 - A-08
ACCESSORIES	- A-09
AUDIO VIDEO	- A-10
BATH	A-11 - A-12
CHASSIS	A-13 - A-18
CURTAIN & CUSHION	A-17 - A-24
DINETTE	B-01 - B-02
DRIVERS	B-03 - B-08
ELECTRICAL	B-07 - B-10
EXTERIOR BODY	B-11 - B-19
GALLEY	B-20 - B-23
GENERATOR	- B-24
HEATING & AC	C-01 - C-02
INTERIOR FINISH	C-03 - C-08
LABEL	C-07 - C-14
LP	C-15 - C-16
LOUNGE	C-17 - C-18
SEALANTS & FASTENERS	C-19 - C-21
WATER & SEWAGE	C-22 - C-24
WINDOW, VENT AND EXTERIOR DOOR	D-01 - D-17

LABELS GROUP (CONTINUED)



KEY	PART NUMBER	U/M DESCRIPTION
1	060228-01-000	EA LABEL-WARNING-STOVE VENT - US



CAUTION

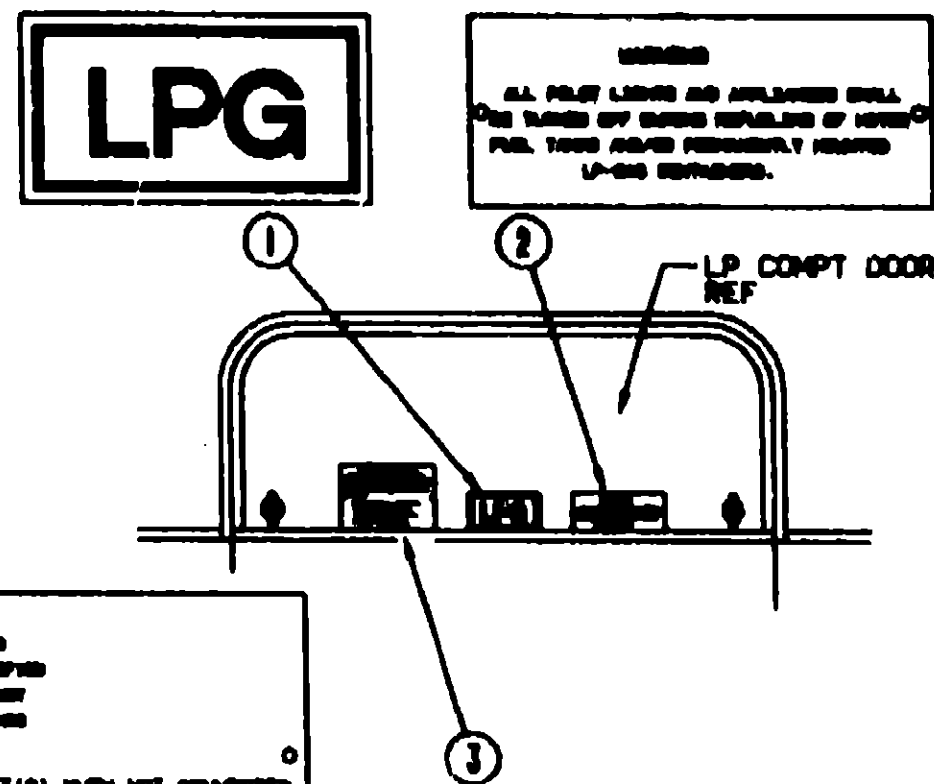
THIS MOTOR HOME HAS BEEN DESIGNED, MANUFACTURED AND TESTED WITH CARE FOR THE PROTECTION OF IT'S OCCUPANTS. WE RECOMMEND YOU PERFORM THE FOLLOWING INSPECTIONS FOR YOUR SAFETY AND THE SAFETY OF YOUR PASSENGERS BEFORE STARTING YOUR VEHICLE.

- LP GAS SYSTEM-** TURN OFF AT TANK FOR TRAVELING. TEST FOR LEAKS UPON ARRIVAL AT DESTINATION. BEFORE LIGHTING PILOTS.
- WHEELS-** INSPECT FOR DAMAGE AND CHECK LUG NUTS FOR TIGHTNESS.
- TIRES-** INSPECT FOR WEAR AND DAMAGE AND CHECK FOR RECOMMENDED AIR PRESSURE.
- LIGHTS-** TEST FOR PROPER OPERATION OF ALL INTERIOR AND EXTERIOR LIGHTS INCLUDING DASH LIGHTS, HEADLIGHTS, TAIL LIGHTS, BRAKE LIGHTS, CLEARANCE LIGHTS AND TURN SIGNALS.
- EXITS-** INSPECT RELEASE MECHANISM ON EMERGENCY EXIT VEHICLES. TEST BURN LOCKS ON MAIN ENTRANCE DOOR FOR EASE OF OPERATION AND INSTRUCT PASSENGERS HOW TO USE BURN MEANS OF EXIT.
- SEAT BELTS-** DIRECT PASSENGERS TO SEATED SEATS AND REDUCE USE OF SEAT BELTS.
- APPLIANCES-** TURN OFF AND LATCH OR LOCK DOORS WHERE PROVIDED.
- LOOSE PARCELS-** STORE SECURELY.
- UTILITY SUPPLY LINES-** DISCONNECT ALL ELECTRIC, SEWER AND WATER LINES AND SECURE PROPERLY.
- EMERGENCY BRK SWP-** PLACE IN RETRACTED POSITION FOR TRAVELING.

READ YOUR MOTOR HOME AND CHASSIS OWNER'S MANUAL FOR FURTHER PRECAUTIONS

KEY	PART NUMBER	U/M DESCRIPTION
1	060660-01-000	EA LABEL-WARNING-CANCER/TOXICITY
2	060250-01-000	EA LABEL-SAFETY CHECK LIST

LABELS GROUP (CONTINUED)



LP-GAS SYSTEM
THIS GAS SYSTEM OPERATES IN ACCORDANCE WITH THE USE OF LIQUEFIED PETROLEUM GAS ONLY. DO NOT REMOVE METAL GAS TO THIS SYSTEM.

REGULARLY CHECK PART(S) WHICH ARE NOT CONNECTED TO THE SYSTEM AFTER TRAVELING TO BE SURE THEY ARE PROPERLY CONNECTED. ALWAYS USE ONLY THE PRODUCTS THAT CONTAIN ARGONIA OR CALORINE. P.M. 6831

KEY	PART NUMBER	U/M DESCRIPTION
1	074559-01-000	EA DECL-LOGO, LPG - RED (CALIFORNIA CODE)
2	008040-01-000	EA TAG-GAS REFUELING WARNING
2	008040-02-000	EA TAG-GAS REFUEL WARNING, C/ NADIAN
3	064531-01-000	EA LABEL-LP GAS ONLY
3	023789-01-000	EA LABEL-WARNING, LPG - CANADIAN

MISCELLANEOUS LABELS

KEY	PART NUMBER	U/M DESCRIPTION
	R77005-87-809	EA LABEL-FUEL, "UNLEADED" - RNO 7700587809
	008084-01-000	EA LABEL-SEAT W/O SEATBELT NOT INTENDED FOR USE WHILE COACH IN MOTION
	008084-02-000	EA LABEL-SEAT W/O SEATBELT (CANADIAN) NOT INTENDED FOR USE WHILE COACH IN MOTION
	035709-01-000	EA LABEL-NO STORAGE
	081417-01-000	EA LABEL-FUEL ON FUEL FILL DOOR
	081808-01-000	EA LABEL-OVERLAY, VEHICLE CERTIFICATION - ADHESIVE BACKED
	073998-01-000	EA LABEL-LPG ODOR WARNING
	091243-01-000	EA LABEL-AC COVER, "AIR CONDITIONING CIRCUIT, ETC."
	093238-08-000	EA LABEL-CIRCUIT BREAKER
	008841-01-000	EA LABEL-FUEL, UNLEADED - DASH
	104238-01-000	EA LABEL-GENERATOR CIRCUIT

**1992 WINNEBAGO
TABLE OF CONTENTS**

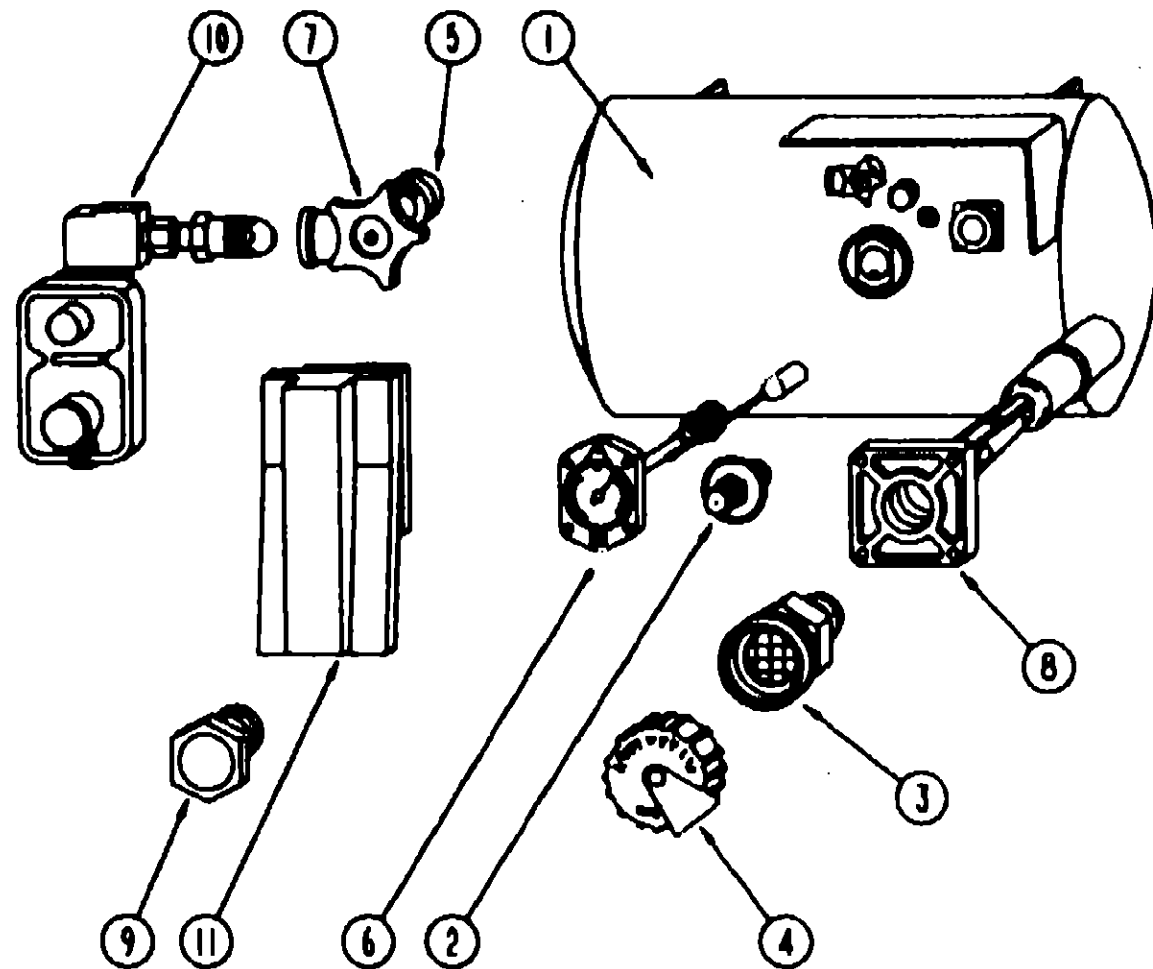
INTRODUCTION	A-01 - A-02
ABBREVIATIONS	A-03
ALPHABETICAL INDEX	A-04 - A-08
WC622RG	A-07 - D-18
WF624RC	D-19 - H-08

1992 WC622RG INDEX

FLOOR PLAN	A-07 - A-08
ACCESSORIES	- A-09
AUDIO VIDEO	- A-10
BATH	A-11 - A-12
CHASSIS	A-13 - A-16
CURTAIN & CUSHION	A-17 - A-24
DINETTE	B-01 - B-02
DRIVERS	B-03 - B-06
ELECTRICAL	B-07 - B-10
EXTERIOR BODY	B-11 - B-19
GALLEY	B-20 - B-23
GENERATOR	- B-24
HEATING & A/C	C-01 - C-02
INTERIOR FINISH	C-03 - C-06
LABEL	C-07 - C-14
LP	C-15 - C-16
LOUNGE	C-17 - C-18
SEALANTS & FASTENERS	C-19 - C-21
WATER & SEWAGE	C-22 - C-24
WINDOW, VENT AND EXTERIOR DOOR	D-01 - D-17

LP GROUP

LP TANK & COMPONENTS



KEY	PART NUMBER	U/M DESCRIPTION
1	087821-01-000	EA TANK-LP, 80 LB BRUNNER - 14" X 30"
2	040421-01-700	EA VALVE-LIQUID LEVEL, 20% LP - BRUNNER G-1013
3	040421-01-701	EA VALVE-SHOFF LP FILLER W/YELLOW CAP - BRUNNER 7547B
4	040421-01-702	EA CAP-LP FILLER VALVE, PLASTIC - YELLOW - BRUNNER G-1014-A
5	040421-01-703	EA VALVE-SERVICE, W/VAPOR RELIEF
6	040421-01-707	EA GAUGE-FLOAT W/VISIBLE DIAL - BRUNNER MA-9 6244-4
7	040421-01-708	EA HANDWHEEL-SERVICE VALVE, BRUNNER G-1016-A
8	040421-01-711	EA VALVE-80% W/FLOAT, PLATE, BOLTS & GASKET - BRUNNER
9	040421-01-713	EA VALVE-VAPOR ONLY - 29000687
10	108150-01-000	EA REGULATOR-TWO STAGE - M'BRASS 293-00
	108858-01-000	EA COMPARTMENT-LP REGULATOR
11	081938-01-000	EA COVER-COMPARTMENT, LP REGULATOR - BLACK
	040440-02-000	EA TRANSMITTER-DIAL, 0-90 OHM
	086741-01-000	EA GAUGE-DIAPHRAGM PRESSURE - MARSHALLTOWN MFG
	103613-01-000	EA DETECTOR-LP GAS

FROM: 01-20-82 THRU: 99-99-99

048703-01-000	EA HOSE-LP, 3/8" ID X 24" - 3/8 MPT X 1/2 F SWIVEL - U.S.
048703-02-000	EA HOSE-LP, 3/8" ID X 24" - 3/8 MPT X 1/2 F SWIVEL - CANADA
010323-01-000	EA ADAPTER-BRASS, 3/8 F X 1/2 MPT
085742-01-000	EA TEE, 3/8 F X 3/8 F X .25 FPT - BRASS
010377-02-000	EA NUT-BRASS, 3/8 FEMALE - FORGED
096624-01-000	EA ELBOW-90 DEGREE, 1/4" FPT X 1/4" FPT - BRASS
086318-02-000	EA ELBOW-90 DEGREE, 3/8" MPT TO 3/8" FPT
010285-01-000	EA ELBOW-BRASS, 90 DEGREE - 3/8" F X 1/2" FPT
033759-01-000	EA ELBOW-3/8 F X 3/8 F X 90 DEG
071391-02-000	EA NIPPLE-HEX, 1/4 PIPE - 3325X4 WEATHERHEAD
084884-01-000	EA PLUG-BRASS, 3/8"

1992 WINNEBAGO TABLE OF CONTENTS

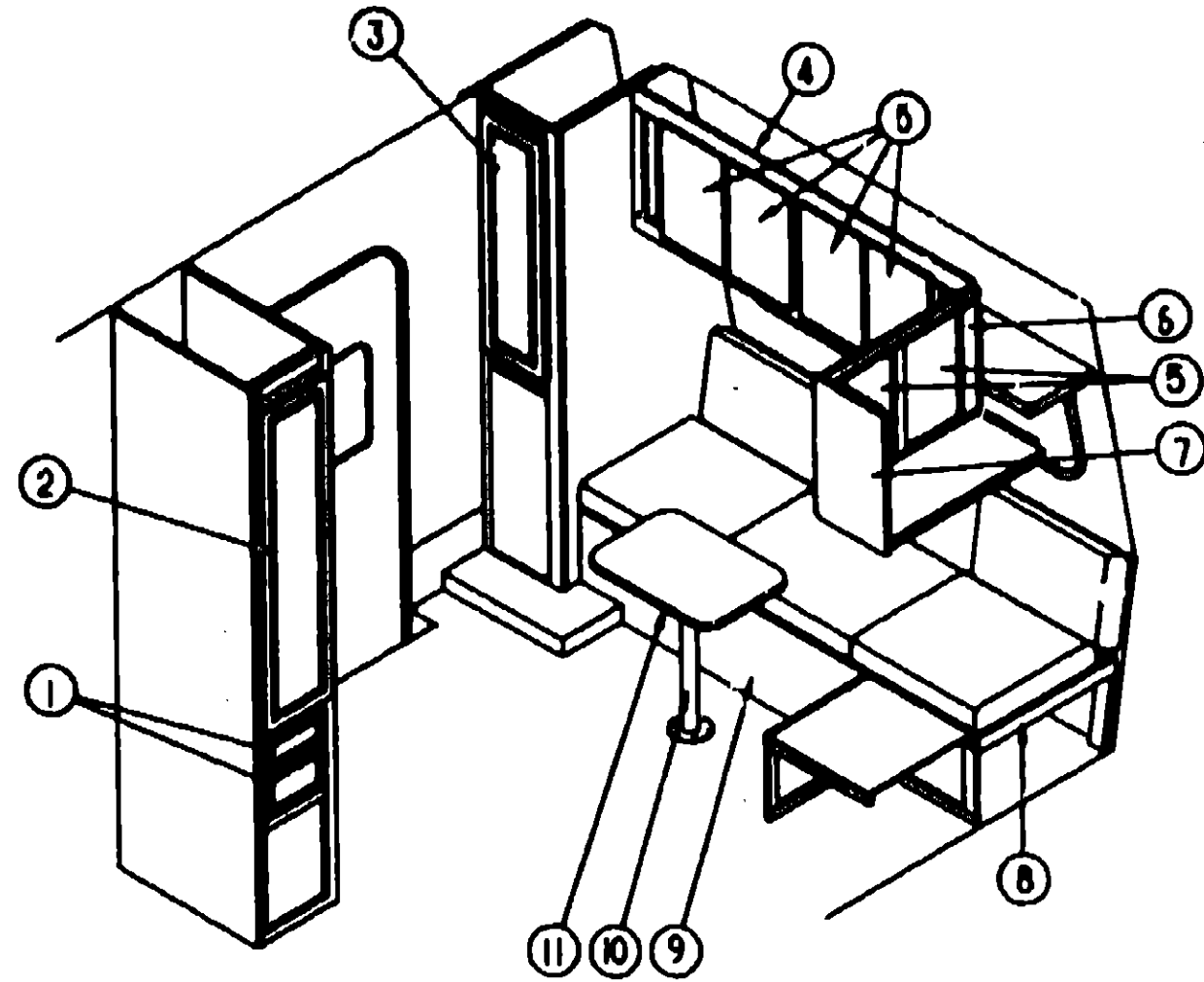
INTRODUCTION	A-01	A-02
ABBREVIATIONS		A-03
ALPHABETICAL INDEX	A-04	A-08
WC522RG	A-07	D-18
WF524PC	D-19	H-38

1992 WC522RG INDEX

FLOOR PLAN	A-07	A-08
ACCESSORIES		A-09
AUDIO VIDEO		A-10
BATH	A-11	A-12
CHASSIS	A-13	A-16
CURTAIN & CUSHION	A-17	A-24
DINETTE	B-01	B-02
DRIVERS	B-03	B-08
ELECTRICAL	B-07	B-10
EXTERIOR BODY	B-11	B-19
GALLEY	B-20	B-23
GENERATOR		B-24
HEATING & A/C	C-01	C-02
INTERIOR FINISH	C-03	C-06
LABEL	C-07	C-14
LP	C-15	C-18
LOUNGE	C-17	C-18
SEALANTS & FASTENERS	C-19	C-21
WATER & SEWAGE	C-22	C-24
WINDOW, VENT AND EXTERIOR DOOR	D-01	D-17

LOUNGE GROUP

OVERHEAD & COUCH CABINET



KEY	PART NUMBER	U/M	DESCRIPTION
1	P03387-08-C62	EA	DRAWER ASM-CABINET, W/O HARDWARE - 288 X 510MM
2	P04748-20-C05	EA	DOOR ASM-CABINET, W/O HARDWARE - 305X1220MM
3	P04748-28-C62	EA	DOOR ASM-CABINET, W/O HARDWARE - 305X1220MM
	042438-01-000	EA	DOWEL WOOD, CLOTHES ROD - 1" DIAMETER X 4'
	009112-01-000	EA	FLANGE-1" ROD, CLOTHES - PLASTIC - OFF WHITE
4	105543-01-C52	EA	CABINET ASM-OVERHEAD, REAR
4	105543-01-C53	EA	CABINET ASM-OVERHEAD, REAR
5	P04748-08-C52	EA	DOOR ASM-CABINET, W/O HARDWARE - 305X475MM
6	105544-01-C52	EA	CABINET ASM-OVERHEAD, REAR - LEFT
7	104335-16-C52	EA	END CAP-CABINET, OVERHEAD
8	M04187-28-C62	EA	CABINET-COUCH W/FABRIC
8	M04187-28-C63	EA	CABINET-COUCH W/FABRIC
9	M04187-24-C52	EA	CABINET-COUCH W/FABRIC
9	M04187-24-C53	EA	CABINET-COUCH W/FABRIC
	050101-01-002	EA	EXTR-CORNER KEY, L-SHAPED - 192" - ALUMINUM
	082525-02-000	EA	BRACE-COUCH, FLOOR MOUNT - ANGLE 3" LONG - METAL
10	009040-02-000	EA	PEDESTAL TABLE LEG-27.5" X 2.25" DIA - CHROME
	041194-01-000	EA	BASE-TABLE, FLUSH - FLOOR MOUNTED
	062048-01-000	EA	CLIP-LEG, PEDESTAL - 1.7" X 2.2" - DIA. FROM 2" TO 2.5"
	058093-01-C04	EA	PLUG ASM-PEDESTAL TABLE (C52)
	058093-01-C53	EA	PLUG ASM-PEDESTAL TABLE (C53)
	002929-01-001	EA	EXTR-BRACKET TABLE
	042438-02-000	EA	DOWEL WOOD, 2" X 2"
	078840-01-000	EA	CORD-BUNGIE, 24"
11	081298-01-B85	EA	TABLE-PEDESTAL, W/O HARDWARE - 17" X 24" (C52)
11	081298-01-C53	EA	TABLE-PEDESTAL, W/O HARDWARE - 17" X 24" (C53)
	105847-07-C05	EA	HOLDER-KEY RING, WOOD
	103130-01-000	EA	HOOK-CUP, BRASS - 1.25"

1992 WINNEBAGO TABLE OF CONTENTS

INTRODUCTION	A-01	A-02
ABBREVIATIONS		A-08
ALPHABETICAL INDEX	A-04	A-08
WC522RG	A-07	D-18
WF524PC	D-18	H-08

1992 WC522RG INDEX

FLOOR PLAN	A-07	A-08
ACCESSORIES		A-09
AUDIO VIDEO		A-10
BATH	A-11	A-12
CHASSIS	A-13	A-18
CURTAIN & CUSHION	A-17	A-24
DINETTE	B-01	B-02
DRIVERS	B-03	B-08
ELECTRICAL	B-07	B-10
EXTERIOR BODY	B-11	B-19
GALLEY	B-20	B-23
GENERATOR		B-24
HEATING & A/C	C-01	C-02
INTERIOR FINISH	C-03	C-08
LABEL	C-07	C-14
LP	C-15	C-18
LOUNGE	C-17	C-18
SEALANTS & FASTENERS	C-19	C-21
WATER & SEWAGE	C-22	C-24
WINDOW, VENT AND EXTERIOR DOOR	D-01	D-17

SEALANTS & FASTENERS GROUP

ADHESIVE, SEALERS & TAPES

KEY	PART NUMBER	U/M	DESCRIPTION
	004080-01-000	QT	ADHESIVE-ABS CEMENT, QUART
	034682-02-000	EA	SILICONE-TUBE, 300 ML - CLEAR
	034682-08-000	EA	SILICONE-TUBE 300ML, OFF WHITE
	063786-02-000	EA	BEDDING COMPOUND-TUBE, WHITE
	063786-08-000	EA	BEDDING COMPOUND-TUBE, CLEAR
	063786-08-000	EA	BEDDING COMPOUND-TUBE, GRAY - SCHNEE # 5522
	063842-01-000	FT	TAPE-ADHESIVE, 10MM X 1.5- WIDE
	069840-01-000	FT	SEALER-RIBBON, 1/4" DIAMETER - INCREMENTS OF 30'
	069840-02-000	FT	SEALER-RIBBON, 1/2" X 1/8" - INCREMENTS OF 30' OR 60'
	069840-03-000	FT	SEALER-RIBBON, 3/4" X 1/8" - INCREMENTS OF 60'
	069840-07-000	FT	SEALER-RIBBON, 2" X 3/32" - INCREMENTS OF 30' OR 45'
	069840-10-000	FT	SEALER-RIBBON, 2" X 3/32" - INCREMENTS OF 30' OR 45'
	069840-12-000	FT	SEALER-RIBBON, 1/32" X 1 1/2" INCREMENTS OF 90'
	069840-14-000	FT	SEALER-TAPE, 1/8"X1.5" - GRAY - MANUS
	069840-14-000	FT	SEALER-TAPE, 1/16"X1" - GRAY - MANUS
	072889-01-000	EA	SEALANT-URETHANE, BLACK - 1/10 - ESSEX 562.2
	076322-06-000	FT	TAPE-FOAM, DOUBLE COATED - .025" X 1.5"
	076314-02-000	FT	TAPE-CARPET SEAM, HEAT-BOND - 4" WIDE
	076322-01-000	FT	TAPE-FOAM, DOUBLE COATED ADHESIVE BACKED - .75" X 216"
	076322-02-000	FT	TAPE-FOAM, DOUBLE COATED ADHESIVE BACKED - 1" X 108"
	076322-03-000	FT	TAPE-FOAM, DOUBLE COATED ADHESIVE BACKED - .5" X 108"
	087211-01-000	GL	PROMOTER-ADHESIVE
	094401-01-000	EA	SEALER-BODY SEAM SEALER, 3M FLEXICLEAR
	102352-01-000	EA	SEALER-PUMPABLE BLACK - COLORIMETRIC MS101

BOLTS, NUTS, WASHERS & SCREWS

KEY	PART NUMBER	U/M	DESCRIPTION
	000C12-05-16B	EA	BOLT-HEX, 5/16-18 X 1 - ZINC 5
	000C12-08-24B	EA	BOLT-HEX, 1/2-13 X 1 1/2 - ZN 5
	000C12-10-24B	EA	BOLT-HEX, 5/8-11 X 1 1/2 ZN - 5
	000C13-07-48B	EA	BOLT-HEX, 7/16 - 20 X 3 - ZN 5
	000C18-05-40A	EA	BOLT-ELEV-5/16-18X21/2 PL
	000C18-06-48B	EA	BOLT-ELEV, 3/8-18 X 3 ZN - GDE 5
	000C26-04-10B	EA	BOLT-HEX, SER FLG - 1/4-20 X 5/8 ZINC
	000C26-05-12B	EA	BOLT-HEX-SER FLG 5/16-18X3/4 - ZINC
	000G45-05-16B	EA	BOLT-LAG 5/16 - 8 X 1 - ZINC
	005200-01-000	EA	BOLT-BUMPER, RD HD/ SQ NECK - W/SST CAP - 7/16 - 14 X 1 1/4
	0MC31K-06-020	EA	BOLT-HEX, SER FLANGE - M8 X 020
	000D24-10-00B	EA	NUT-HEX, SF/LK - 10-32 ZN
	000D39-04-00B	EA	NUT-HEX, SER FLG LK 1/4 - 20 ZN
	000D39-05-00B	EA	NUT-HEX, SER FLG LK - 5/16 - 18 ZN
	000D39-06-00B	EA	NUT-HEX, SER FLG LK - 3/8-18 ZN
	000D39-08-00B	EA	NUT-HEX, SER FLG LK - 1/2-13 ZN
	000D44-07-00B	EA	NUT-HEX, SER FLG LK - 7/16-20 ZN
	104369-01-000	EA	NUT-HEX, HEAVY, 5/8-11 UNC
	000E13-11-00B	EA	WASHER-FLARE, 3/16" WIDE - ZN
	000E13-21-00B	EA	WASHER-FL-7/16 WIDE ZN
	000E13-21-00B	EA	WASHER-FL - W/2 NAR ZN
	000E14-10-00B	EA	WASHER-LK - NO 10 EXT TOOTH - ZN
	044533-01-000	EA	WASHER-PLASTIC, 1 3/8"OD - FOR BUTTONS
	0MG22B-03-00B	EA	SCREW-MACH, M3.0X5X8 PPH ZN
	000G11-08-10J	EA	SCREW, 6-20 X 5/8 PPH - BRASS
	000G11-07-08B	EA	SCREW, 7-19 X 1/2 PPH - ZN
	000G11-08-08B	EA	SCREW, 8-18 X 3/8 PPH ZN
	000G11-08-08B	EA	SCREW, 8-18 X 1/2 PPH - ZN
	000G11-08-12B	EA	SCREW, 8-18 X 3/4 PPH ZN
	000G11-08-12D	EA	SCREW, 8-18 X 3/4 PPH - BLACK
	000G11-08-12E	EA	SCREW-8-18X.75 PPH CHROME

SEALANTS & FASTENERS GROUP (CONTINUED)

SCREWS

KEY	PART NUMBER	U/M	DESCRIPTION
	078008-01-000	EA	SCREW-MACHINE 10-32 X .50 PTH - ZINC EXTERNAL TOOTH
	000G11-08-12R	EA	SCREW, 8-18 X 3/4 PPH - BEIGE
	000G11-08-12B	EA	SCREW-8-18 X .75 PPH, OFF WHITE
	000G11-08-12T	EA	SCREW, 8-18 X 3/4 PPH - BLACK
	000G11-08-16B	EA	SCREW, 8-18 X 1.00 PPH - OFF WHITE
	000G11-10-12D	EA	SCREW, 10-18 X 3/4 PPH - BLACK
	000G11-10-12R	EA	SCREW, 10-18 X 3/4 PPH - BEIGE
	000G11-10-12B	EA	SCREW-10-18X.75 PPH OFF WHT
	000G11-10-16B	EA	SCREW, 10-18 X 1 - PPH ZN
	000G12-08-08T	EA	SCREW, 6-20 X .50 PPH - BLACK
	000G12-08-12B	EA	SCREW-8-18X.75 PPH OFF WHITE
	000G13-08-08B	EA	SCREW, 6-20 X 1/2 PPH ZN
	000G13-08-08G	EA	SCREW-6 - 20 X .50 PPH ANTIQUE BRASS
	000G13-08-16J	EA	SCREW, 6-20 X 1.00 PPH - BRASS
	000G13-08-16R	EA	SCREW, 6-20 X 1 PPH - BEIGE
	000G13-08-24J	EA	SCREW-6-20X1.50 PPH BRASS
	000G13-07-12B	EA	SCREW, 7-19 X 3/4 PPH ZN
	000G13-08-16B	EA	SCREW, 8-18 X 1 PPH - ZN
	000G18-08-22B	EA	SCREW-MACH, 8-32 X 1 3/8 PPH ZN
	000G32-10-08B	EA	SCREW-10-32 X 3/8" - PPH - ZINC
	000G39-08-08B	EA	SCREW-DR-8-18X1/2 ZN
	000G39-06-10T	EA	SCREW-SF/DR, 6-20 X 5/8 PPH - BLACK
	000G39-03-16T	EA	SCREW-SF/DR, 6-20 X 1 PPH - BLACK
	000G39-08-08B	EA	SCREW-SF/DR, 8-18 X 1/2 PPH ZN
	000G39-08-08R	EA	SCREW-SF/DR, 8-18 X 1/2 PPH - BEIGE
	000G39-08-08S	EA	SCREW-SF/DR, 8-18 X 1/2 PPH - OFF WHITE
	000G39-08-12B	EA	SCREW-SF/DR, 8-18 X 3/4 PPH ZN
	000G39-08-16B	EA	SCREW-SF/DR, 8-18 X 1 PPH ZN
	000G39-08-16S	EA	SCREW-SF/DR - 8.18 X 1.00 PPH, OFF WHITE
	000G39-08-24B	EA	SCREW-SF/DR, 8-18 X 1 1/2 PPH ZN
	000G39-08-24R	EA	SCREW-SF/DR, 8-18 X 1 1/2 PPH - BEIGE
	000G39-08-24S	EA	SCREW-SF/DR-8-18X1.50, OFF WHITE
	000G39-10-10S	EA	SCREW-SF/DR, 10-18 X .62" - PPH - OFF WHITE
	000G39-10-12D	EA	SCREW-SF/DR, 10-18 X 3/4 PPH - BLACK
	000G39-10-20B	EA	SCREW-SF/DR, 10-18 X 1 1/4 PPH ZN
	000G39-12-12E	EA	SCREW-SF/DR, 12 - 14 X 3/4 PPH - CHROME
	000G42-04-12B	EA	SCREW-SF/DR 1/4-14X3/4HWH ZN
	000G42-04-16B	EA	SCREW-SF/DR 1/4-14 X 1 HWH ZN
	000G50-04-12B	EA	SCREW-MACH, 1/4-20 X 3/4 PPH ZN
	000G53-04-08B	EA	SCREW-MACHINE, 1/4-20 X 3/8 PPH ZN - UNDERCUT HEAD
	000G54-04-20B	EA	SCREW, 1/4-20 X 1 1/4 PTH - TYPE 23 - ZINC PLATED
	000G60-10-28T	EA	SCREW-SF/DR, 10-18 X 1.75 - BLACK
	000G67-10-08B	EA	SCREW, 10-12 X 1/2 PPH ZN
	000G67-10-08R	EA	SCREW, 10-12 X 1/2 PPH - BEIGE - TYPE A
	000G67-10-10B	EA	SCREW-10-12 X 5/8 PPH ZN - TYPE A
	000G67-10-10D	EA	SCREW-10, 12 X 5/8 PPH - BLACK - TYPE A
	000G67-10-10R	EA	SCREW, 10-12 X 5/8 PPH - TYPE A - BEIGE
	000G67-10-10S	EA	SCREW-10-12 X 5/8" - PPH - OFF WHITE
	000G67-10-12B	EA	SCREW, 10-12 X 3/4 PPH, - ZN
	000G67-10-12P	EA	SCREW, 10-12 X .75" - PPH - DARK BROWN
	000G67-10-16B	EA	SCREW, 10-12 X 1 PPH - ZN
	000G67-10-16P	EA	SCREW, 10-12 X 1 PPH - DARK BROWN
	000G67-10-20D	EA	SCREW, 10-12 X 1 1/4 PPH - BLACK
	000G67-10-24B	EA	SCREW, 10-12 X 1 1/2 PPH - ZN
	000G67-10-32B	EA	SCREW, NO. 10 - 12 X 2 PPH ZN
	000G68-06-10G	EA	SCREW-6-18 X 5/8 PPH, ANTIQUE BRASS
	049485-04-000	EA	SCREW, 10-18 X 1 PTH W/WASHER - BEIGE
	074046-01-000	EA	SCREW-8-18X1 1/2 PPH, BRONZE

1992 WINNEBAGO

TABLE OF CONTENTS

INTRODUCTION	A-01	A-02
ABBREVIATIONS		A-03
ALPHABETICAL INDEX	A-04	A-08
WC522RG	A-07	D-18
WF524RC	D-19	H-08

1992 WC522RG INDEX

FLOOR PLAN	A-07	A-08
ACCESSORIES		A-09
AUDIO VIDEO		A-10
BATH	A-11	A-12
CHASSIS	A-13	A-16
CURTAIN & CUSHION	A-17	A-24
DINETTE	B-01	B-02
DRIVERS	B-03	B-06
ELECTRICAL	B-07	B-10
EXTERIOR BODY	B-11	B-19
GALLEY	B-20	B-23
GENERATOR		B-24
HEATING & AC	C-01	C-02
INTERIOR FINISH	C-03	C-06
LABEL	C-07	C-14
LP	C-15	C-16
LOUNGE	C-17	C-18
SEALANTS & FASTENERS	C-19	C-21
WATER & SEWAGE	C-22	C-24
WINDOW, VENT AND EXTERIOR DOOR	D-01	D-17

SEALANTS & FASTENERS GROUP (CONTINUED)

SCREWS, CLAMPS, GROMMET, CLIPS & FASTENERS

KEY	PART NUMBER	U/M	DESCRIPTION
	078008-01-000	EA	SCREW-MACHINE, 10-32 X 50 PTH - ZINC EXTERNAL TOOTH
	087721-01-000	EA	SCREW-FLAT HEAD, TAPPING - 1/4" X 1 1/4" LG ZN
	000088-10-38T	EA	SCREW-10-12 X 2 28 POH BLACK
	000H16-04-08R	EA	RIVET-POP, AL 1/8 X .313-.375
	007181-01-000	EA	CLAMP-HOSE, SPRING TYPE - 1/2"
	R77050-06-008	EA	CLAMP-CLOSED, 22.2 RNO-7705006008
	010486-01-000	EA	CLAMP-CABLE, 9/16"
	G10497-01-000	EA	CLAMP-CLOSED, 5/8" ID
	010497-03-000	EA	CLAMP-CLOSED, 1" ID - CUSHIONED
	010497-06-000	EA	CLAMP-CLOSED, 1 1/8" ID
	010499-01-000	EA	CLAMP-CLOSED, 3/8" ID
	082401-01-000	EA	CLAMP-HOSE, WORMGEAR .25" - 1"
	082401-02-000	EA	CLAMP-HOSE, WORMGEAR, 1 5/8" - 2 5/8"
	082401-04-000	EA	CLAMP-HOSE, WORMGEAR 89" - 1.25"
	082401-08-000	EA	CLAMP-HOSE, WORMGEAR 22" - .82"
	075148-02-000	EA	CLAMP-GROUNDING, BRONZE SCREWS
	083809-01-000	EA	CLAMP-WIRE, DUAL EQUAL - 5/8" DIAMETER
	083810-01-000	EA	CLAMP-WIRE, DUAL - UNEQUAL DIAMETERS - .75" & 1.25"
	016188-03-000	EA	GROMMET-L/P LINE - 3/8" HOLE X 2 1/8" DIAMETER - RUBBER
	023942-01-000	EA	GROMMET-RUBBER, 2" OD
	008384-01-000	EA	GROMMET-SNAP, 3/4" DIAMETER - NYLON
	071015-11-000	EA	GROMMET-RUBBER, 1" ID X 1 7/8" OD W/ 12" GROOVE - BLACK
	080211-05-000	EA	CLIP-XMAS TREE-36MM FASNAP 09-280297
	080734-02-000	EA	CLIP-WIRE, NYLON
	082149-01-000	EA	STUD-CLINCH, 3/8" X 24 X 1 1/2 GDS
	085774-01-000	FT	FASTENER-DUAL HOOK, 1" WIDE - ADHESIVE BACK - BLACK
	085774-02-000	FT	FASTENER-DUAL LOOP, 1" WIDE - ADHESIVE BACK - BLACK

WATER & SEWAGE GROUP

FRESH WATER TANK

KEY	PART NUMBER	U/M	DESCRIPTION
	081707-03-000	EA	TANK ASM-WATER, 34 GAL
	J42884-03-000	EA	FITTING-WATER TANK, SPINWELD - 1 1/4"NPT - PLASTIC - WHITE
	042889-04-000	EA	FITTING-WATER TANK, SPINWELD - 3/8" FPT - PLASTIC - WHITE
	042889-06-000	EA	FITTING-WATER TANK, SPINWELD - 1/2" FPT - PLASTIC - WHITE
	049032-01-000	EA	PATCH-SPINWELD, 3/8" - PLASTIC
	077954-02-000	EA	FILTER-WATER TANK, SCREEN IN TANK
	088449-01-000	EA	WIRE ASSEMBLY-WATER TANK TO MONITOR PANEL
	039881-01-000	EA	BENDING UNIT-W/SCREW, WASHER, WELL NUT & TERMINAL RING

WATER SYSTEM

KEY	PART NUMBER	U/M	DESCRIPTION
	087859-04-000	EA	FILL-WATER, CITY - OFF WHITE
	048128-01-000	EA	VALVE-DRAIN, PLASTIC - 1/2" FPT
	052980-01-000	EA	DRAIN VALVE-IN LINE, HEADER - 1/2" F X 1/2" F - GRAY PLAS
	083193-01-000	EA	DRAIN VALVE-IN LINE, HEADER-1/2" F X 1/2" F X 1/2" MPT
	052959-02-000	EA	CONNECTOR, 1/2" F X 1/2" MPT - PLASTIC - GRAY
	088417-01-000	EA	CONNECTOR-5/8" F X 1/2" MPT, PLASTIC - KEVCO
	101814-01-000	EA	COUPLING-FEMALE, 1/2" X 1/2" FPT
	057457-01-000	EA	ELBOW-JUNCTION, 1/2" X 1/2" FLARE
	052957-02-000	EA	ELBOW-MALE, 1/2" F X 1/2" MPT - PLASTIC - GRAY
	055290-01-000	EA	ELBOW-5/8" F X 1/2" MPT
	085120-01-000	EA	ELBOW-SWIVEL, 1/2" FPT X 1/2" FLARE - PLASTIC - GRAY
	108000-01-000	EA	CAP-FEMALE W/CONE 50 - KEVCO TC3F
	036522-02-000	EA	CAP-GRASS, 1/2" FLARE
	106258-01-000	EA	CAP-INSERTABLE 1/2 FLARE - KEVCO 84398 BONNET
	052952-01-000	EA	NUT-PLASTIC, 1/2" F X 1/2" TUBE - GRAY
	052952-02-000	EA	NUT-PLASTIC, 5/8" FLARE
	052953-01-000	EA	NUT-FAUCET, 1/2" TUBE X 1/2" FPT - PLASTIC - GRAY
	010224-01-000	EA	ADAPTER-HOSE TO PIPE, 3/8" MPT X 3/8" BARB - PLASTIC BLACK
	044927-01-000	EA	ADAPTER-HOSE TO PIPE, 1 1/4" MPT X 1 1/4" BARB-BLACK PLASTIC
	052954-01-000	EA	ADAPTER-NOSE CONE, 3/8" OR 1/2" TUBING - PLASTIC - GRAY
	079317-01-000	EA	ADAPTER-SWIVEL, 1/2" TUBE X 1/2" FPT - PLASTIC - GRAY
	052955-03-000	EA	TEE-5/8" F X 5/8" F X 1/2" MPT - PLASTIC
	055292-01-000	EA	TEE-PLASTIC, 5/8" F X 5/8" F X 1/2" F
	052955-01-000	EA	TEE-WATER, 1/2" F X 1/2" F X 1/2" MPT - PLASTIC - GRAY
	074482-02-000	FT	TUBING-VINYL, 3/8" ID - CLEAR
	079381-01-000	FT	TUBING-SMOOTH FLEXIBLE, 1 1/4" ID
	039800-01-000	FT	TUBING-POLYBUTYL, 1/2" OD - INCREMENTS OF 20' - BLACK
	039800-02-000	FT	TUBING-POLYBUTYL, 5/8" OD - INCREMENTS OF 20' - BLACK

1992 WINNEBAGO

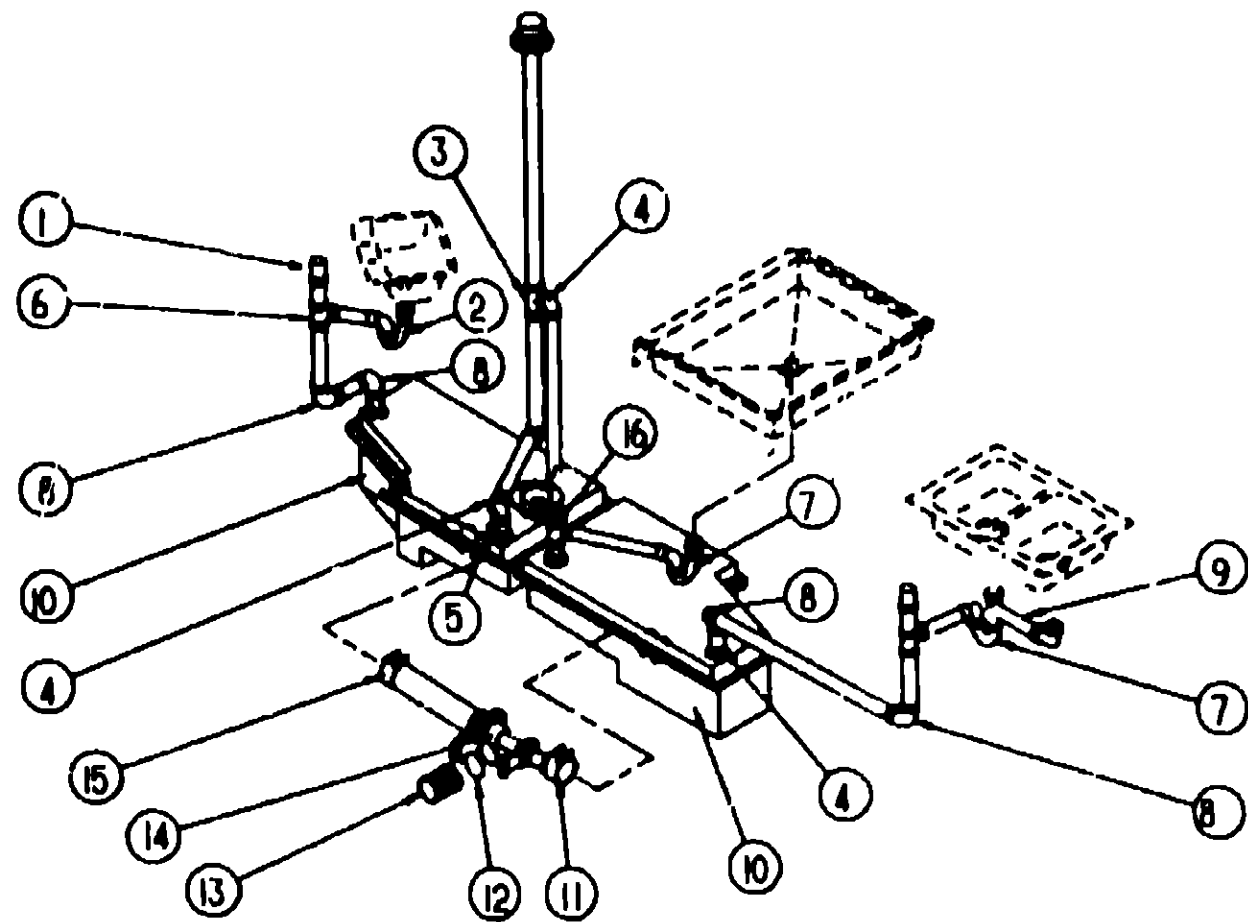
TABLE OF CONTENTS

INTRODUCTION	A-01	A-02
ABBREVIATIONS		A-03
ALPHABETICAL INDEX	A-04	A-06
WC522RG	A-07	D-18
WF524RC	D-19	H-06

1992 WC522RG INDEX

FLOOR PLAN	A-07	A-08
ACCESSORIES		A-09
AUDIO VIDEO		A-10
BATH	A-11	A-12
CHASSIS	A-13	A-16
CURTAIN & CUSHION	A-17	A-24
DINETTE	B-01	B-02
DRIVERS	B-03	B-06
ELECTRICAL	B-07	B-10
EXTERIOR BODY	B-11	B-19
GALLEY	B-20	B-23
GENERATOR		B-24
HEATING & A/C	C-01	C-02
INTERIOR FINISH	C-03	C-08
LABEL	C-07	C-14
LP	C-15	C-16
LOUNGE	C-17	C-18
SEALANTS & FASTENERS	C-19	C-21
WATER & SEWAGE	C-22	C-24
WINDOW, VENT AND		
EXTERIOR DOOR	D-01	D-17

WATER & SEWAGE GROUP (CONTINUED)



DRAINAGE SYSTEM

KEY	PART NUMBER	U/M DESCRIPTION
1	079988-01-000	EA VENT-MECH TRAP ARM, ANTI-SIPHON - 2" DIA X 7 3" - PLASTIC
2	011066-01-000	EA P-TRAP-PLAS 1 1/4"
2	011066-02-000	EA P TRAP-1 1/4" HUB X SLIP JOINT, W/UNION - ABS - CANADIAN
3	010073-01-000	EA WYE-45 DEGREE, 1 1/2" HUB X HUB X HUB - PLASTIC - BLACK
4	010051-01-000	EA ELBOW-45 DEG BEND, 1 1/2" SPIGOT AND HUB - PLASTIC - BLACK
5	010008-01-000	EA ELBOW-45 DEG, 1/8" BEND - 1 1/2" HUB X HUB - BLACK PLASTIC
6	010079-01-000	EA TEE-SANITARY, 1 1/2" X 1 1/2" X 1 1/4" H - PLASTIC - BLACK
7	011066-03-000	EA P-TRAP, 1 1/2" TRAP X 1 1/4" SOCKET - PLASTIC
7	011066-02-000	EA P TRAP-1 1/4" HUB X SLIP JOINT, W/UNION - ABS - CANADIAN
8	010008-01-000	EA ELBOW-90 DEG, 1/4" BEND - 1 1/2" HUB X HUB - BLACK PLASTIC
	053335-01-000	EA P TRAP-1 1/4" HUB X HUB, W/UNION - CANADIAN
		FROM 00-00-00 THRU. 02-16-92
	107537-01-000	EA P TRAP ADAPTER-1 1/4" SLIP
		FROM 02-17-92 THRU 99-99-99
	107538-01-000	EA P TRAP-PLASTIC, 1 1/4" W/EXT ARM
		FROM 02-17-92 THRU 99-99-99
9	011091-03-000	EA PIPE-DRAIN, W/SEALS - DOUBLE SINK - EXTENDS 9" TO 16"
		FROM 02-17-92 THRU 99-99-99
9	011091-02-000	EA PIPE-DRAIN, DOUBLE SINK - BAFFLE TEE - 1 1/2"
		ONE PIPE W/TEE TO DRAIN BOTH SIDES OF SINK
10	083269-01-000	EA TANK-HOLDING, 25 GALLON - 19 4" X 35 4" X 12 1"
	061607-01-000	EA GROMMET-HOLDING TANK, 1 1/2" NPS
	081607-02-000	EA GROMMET-HOLDING TANK, 3" NPS
11	062422-01-000	EA ADAPTER-OFFSET REDUCER, 3" X 1 1/2" - PLASTIC - BLACK
12	062416-01-000	EA ADAPTER-SEWER HOSE TO 3" PIPE
13	010201-01-000	EA HOSE-SEWER, 3" ID X 6'
14	070916-01-000	EA VALVE-DUAL DUMP, W/CAP - 3" X 1 1/2" - PLASTIC - BLACK
	062415-01-000	EA CAP-SEWER, 3" DIAMETER
15	078406-01-000	EA COUPLER-RUBBER, W/CLAMPS - 3" X 3"
16	010071-01-000	EA TEE-SANITARY, 1 1/2" HUB X HUB X HUB - PLASTIC - BLACK
	010121-01-000	EA BUSHING-REDUCER, 1 1/2" SMOOTH X 1/4" HUB - PLASTIC - BLACK
	033302-02-000	EA ADAPTER ASM-STRAINER, 1 1/2" - ABS - CANADIAN
	037101-02-000	EA ELBOW-PLASTIC, 1/4 BEND VENT 1 1/2" HUB - CSA

WATER & SEWAGE GROUP (CONTINUED)

WATER HEATER WITH MOTOR AID

KEY	PART NUMBER	U/M DESCRIPTION
	051393-01-000	EA HEATER-WATER, W/MOTOR AID, PILOTLESS IGNITION
		ATWOOD GH6-3E, GH6-4E OR GH6-6E
	051391-01-700	EA HINGE KIT-W/CLIP, ATWOOD # 92568 & 92559
	051391-01-704	EA VALVE-RELIEF, 1/2" FITTING - ATWOOD# 91604
	051391-01-705	EA FASTENER-CAMLOC, ATWOOD# 92609
	051391-01-708	EA GRILLE-EXHAUST, ATWOOD# 92787
	051391-01-708	EA BURNER-MAIN, 3E ONLY - ATWOOD# 92615
	051391-01-710	EA ORIFICE-MAIN BURNER, ATWOOD# 92742
	051391-01-714	EA ELBOW-45 DEGREE, 1/8" X 3/8" MPT - ATWOOD 91044
	051391-01-715	EA DRAIN PLUG, ATWOOD# 91561
	051391-04-701	EA THERMOSTAT 12 VDC-120 PRESET, ATWOOD# 91470
	051391-04-704	EA TANK-INNER, FRONT MOUNT - GH6-4E & 6E - ATWOOD 91842
	051393-01-700	EA TANK-INNER, 3E FRONT MOUNT - ATWOOD# 91023
	051393-01-702	EA SWITCH-ENERGY CUT-OFF, ATWOOD# 91951
	051393-01-703	EA THERMOSTAT-REAR MOUNT, ATWOOD# 91952
	051393-01-704	EA CIRCUIT BOARD-W/BLACK BOX, ATWOOD# 91420
	051393-01-705	EA ORIFICE HOLDER-ATWOOD# 91925
	051393-01-714	EA TANK-INNER (GH6-3E), REAR MOUNT - ATWOOD# 91408
	051393-01-718	EA SPARK & PROBE ASM, ATWOOD# 91608
	051393-01-718	EA VALVE-DUAL SOLENOID, ATWOOD# 91605
	051393-01-721	EA ECO&THERMOSTAT ASM-FRONT MOUNT, 140 DEGREE - ATWOOD# 91447

WATER HEATER WITHOUT MOTOR AID

KEY	PART NUMBER	U/M DESCRIPTION
	051391-03-000	EA HEATER-WATER, W/ELECTRIC IGNITION - ATWOOD G6A-3E
	051391-01-700	EA HINGE KIT-W/CLIP, ATWOOD # 92568 & 92559
	051391-01-704	EA VALVE-RELIEF, 1/2" FITTING - ATWOOD# 91604
	051391-01-705	EA FASTENER-CAMLOC, ATWOOD# 92609
	051391-01-708	EA GRILLE-EXHAUST, ATWOOD# 92787
	051391-01-708	EA BURNER-MAIN, 3E ONLY - ATWOOD# 92615
	051391-01-710	EA ORIFICE-MAIN BURNER, ATWOOD# 92742
	051391-01-715	EA DRAIN PLUG, ATWOOD# 91561
	051391-04-700	EA TANK-INNER (G6A-3E), FRNT MT - ATWOOD# 91608
	051391-04-701	EA THERMOSTAT 12 VDC-120 PRESET, ATWOOD# 91470
	051391-04-706	EA TANK-INNER, G6A-4E & 6E - FRONT MOUNT - ATWOOD# 91641
	051393-01-702	EA SWITCH-ENERGY CUT-OFF, ATWOOD# 91951
	051393-01-703	EA THERMOSTAT-REAR MOUNT, ATWOOD# 91952
	051393-01-704	EA CIRCUIT BOARD-W/BLACK BOX, ATWOOD# 91420
	051393-01-705	EA ORIFICE HOLDER-ATWOOD# 91925
	051393-01-716	EA SPARK & PROBE ASM, ATWOOD# 91608
	051393-01-718	EA VALVE-DUAL SOLENOID, ATWOOD# 91605
	051393-01-721	EA ECO&THERMOSTAT ASM-FRONT MOUNT, 140 DEGREE - ATWOOD# 91447
	051393-03-700	EA TANK-INNER (G6A-3E), REAR MT - ATWOOD# 91409

WATER PUMP

KEY	PART NUMBER	U/M DESCRIPTION
	098607-02-000	EA PUMP-WATER 28 GPM - W/1/2" MPT FITTINGS - CANADIAN
	098607-01-000	EA PUMP-WATER W/5" MPT FITTING - FLOW 28 GPM - UL
	098607-01-700	EA PUMPHEAD-REPLACEMENT SHURFLO# 94-238-08
	098607-01-701	EA DRIVE ASM SHURFLO# 94-234-03
	098607-01-702	EA DIAPHRAGM-KIT SHURFLO# 94-233-10
	098607-01-703	EA VALVE ASM SHURFLO# 94-232-00
	098607-01-706	EA HOUSING-UPPER SHURFLO# 94-231-01
	098607-01-705	EA CHECK VALVE-KIT SHURFLO# 94-237-00
	098607-01-706	EA SWITCH ASM-COMplete SHURFLO# 94-230-00
	098607-01-707	EA MOTOR/BASEPLATE REPLACEMENT SHURFLO# 94-234-03

**1992 WINNEBAGO
TABLE OF CONTENTS**

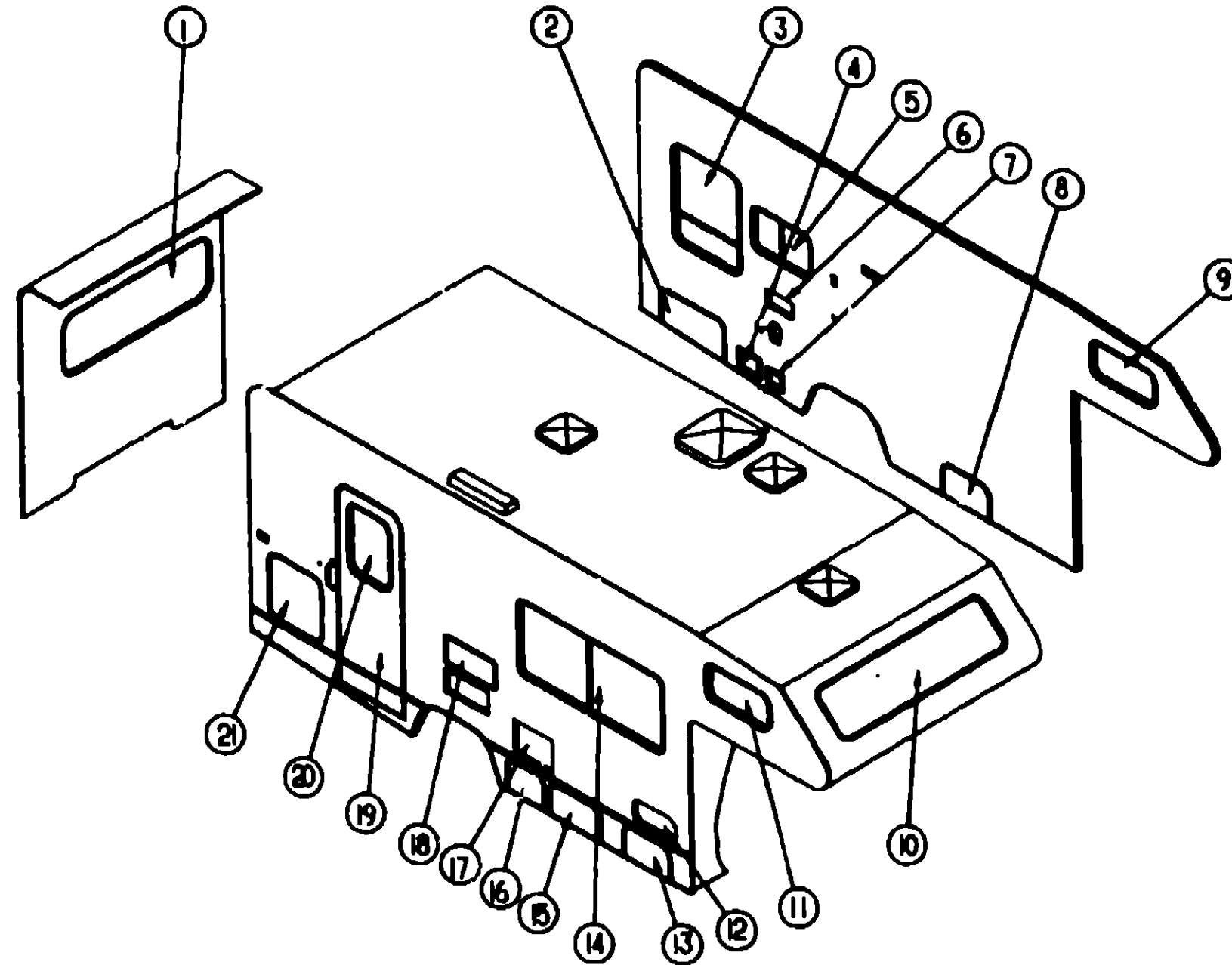
INTRODUCTION	A-01	A-02
ABBREVIATIONS		A-03
ALPHABETICAL INDEX	A-04	A-06
WC522RG	A-07	D-18
WF524RC	D-19	H-06

1992 WC522RG INDEX

FLOOR PLAN	A-07	A-08
ACCESSORIES		A-09
AUDIO VIDEO		A-10
BATH	A-11	A-12
CHASSIS	A-13	A-16
CURTAIN & CUSHION	A-17	A-24
DINETTE	B-01	B-02
DRIVERS	B-03	B-06
ELECTRICAL	B-07	B-10
EXTERIOR BODY	B-11	B-19
GALLEY	B-20	B-23
GENERATOR		B-24
HEATING & AC	C-01	C-02
INTERIOR FINISH	C-03	C-06
LABEL	C-07	C-14
LP	C-15	C-18
LOUNGE	C-17	C-18
SEALANTS & FASTENERS	C-19	C-21
WATER & SEWAGE	C-22	C-24
WINDOW, VENT AND EXTERIOR DOOR	D-01	D-17

WINDOW, VENT & EXTERIOR DOOR GROUP

WINDOWS & DOORS



1992 WINNEBAGO TABLE OF CONTENTS

INTRODUCTION	A-01 -	A-02
ABBREVIATIONS		A-03
ALPHABETICAL INDEX	A-04 -	A-08
WC622RG	A-07 -	D-18
WF524RC	D-19 -	H-06

1992 WC622RG INDEX

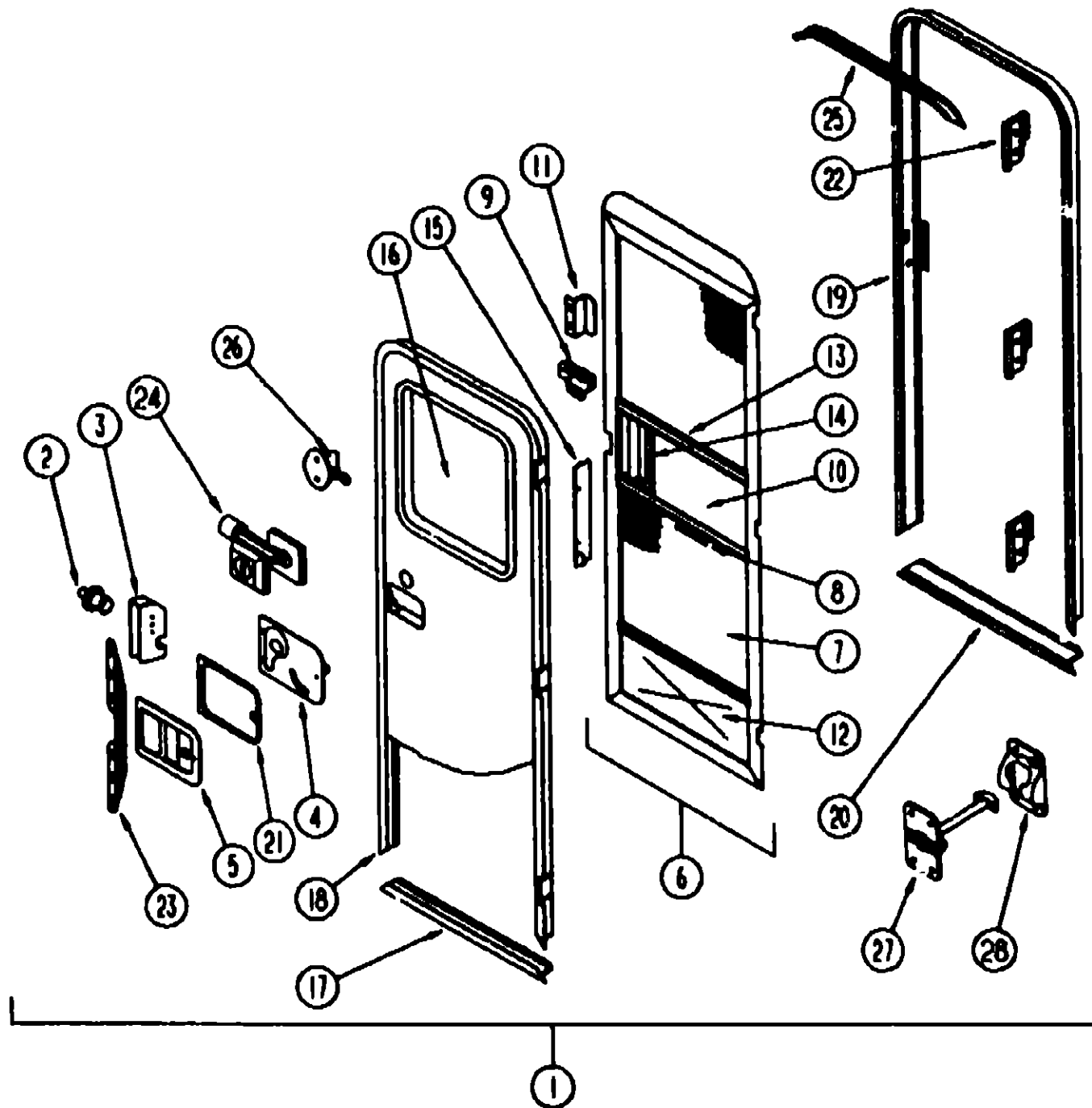
FLOOR PLAN	A-07 -	A-08
ACCESSORIES		A-09
AUDIO VIDEO		A-10
BATH	A-11 -	A-12
CHASSIS	A-13 -	A-16
CURTAIN & CUSHION	A-17 -	A-24
DINETTE	B-01 -	B-02
DRIVERS	B-03 -	B-06
ELECTRICAL	B-07 -	B-10
EXTERIOR BODY	B-11 -	B-18
GALLEY	B-20 -	B-23
GENERATOR		B-24
HEATING & A/C	C-01 -	C-02
INTERIOR FINISH	C-03 -	C-05
LABEL	C-07 -	C-14
LP	C-15 -	C-16
LOUNGE	C-17 -	C-18
SEALANTS & FASTENERS	C-19 -	C-21
WATER & SEWAGE	C-22 -	C-24
WINDOW, VENT AND EXTERIOR DOOR	D-01 -	D-17

KEY	PART NUMBER	U/M DESCRIPTION
1	078538-01-T03	EA WINDOW-ESCAP'L, BACKWALL - 23" X 68"
2	105175-07-C03	EA DOOR ASM-LOWER, REAR
3	082235-03-Y12	EA WINDOW-TIP'OUT, SINGLE - W/O INSIDE FRAME
4	088784-01-000	EA DOOR-POWER CORD, WHATCH - OFF WHITE
5	082235-11-Y12	EA WINDOW-TIP'OUT, SINGLE - W/O INSIDE FRAME
6	105118-02-C05	EA DOOR ASM-EXTERIOR SHOWER
7	052423-01-000	EA DOOR-HOSE COMPARTMENT, 6 8" X 6 3" - PLAS TIC - OFF WHITE
7	052424-01-000	EA JAMB-DOOR, 8" X 7.7" - PLASTIC - OFF WHITE
	042442-01-000	EA LOCK-TWIST TYPE, METAL
8	105174-08-C03	EA DOOR ASM-LOWER, FRONT
9	100322-02-700	EA WINDOW-VENTED, 12" X 35 8" LONGEST SIDE - EXCEL CH19-DK L
10	103313-01-B05	EA WINDOW-PICTURE, W/O INSIDE FRAME
11	100322-01-720	FT WINDOW-VENTED, 12" X 35 8" LONGEST SIDE - EXCEL CH19-G2R
12	105118-01-C05	EA DOOR ASM-STORAGE
13	105174-07-C03	EA DOOR ASM-LOWER, FRONT
14	068847-09-02A	EA WINDOW ASM-SLIDER, HORIZONTAL - EXCEL H724-PRR

KEY	PART NUMBER	U/M DESCRIPTION
15	105174-08-C03	EA DOOR ASM-LOWER, FRONT
16	052009-01-000	EA DOOR-WATER HEATER, OFF WHITE - ATWOOD 5578-27
17	105174-09-C03	EA DOOR ASM-LOWER, FRONT
18	084103-03-000	EA DOOR-REFRIGERATOR, VENTED - W/O JAMB - OFF WHITE
	084104-01-700	EA LOCK-MALE, FASTENER - REFRIGERATOR DOOR
	084104-01-701	EA LOCK-FEMALE, FASTENER - REFRIGERATOR DOOR
18	084104-03-000	EA JAMB-DOOR, REFRIGERATOR - OFF WHITE
19	M01870-63-C52	EA DOOR-ENTRY W/SCREEN DOOR & JAMB
20	079733-04-T03	EA WINDOW-PICTURE, W/O INSIDE FRAME - 17" X 25"
21	078578-15-C05	EA DOOR ASM-STORAGE
	081240-03-000	EA DOOR-WATER FILL, LOCKABLE, 4" X 4 5/8" - OFF WHITE
	078010-03-000	EA DOOR-FUEL FILL, W/JAMB - OFF WHITE
	077883-01-000	EA GASKET-DOOR, FUEL FILL - 10.1" X 8" - W/PSA

WINDOW, VENT & EXTERIOR DOOR GROUP (CONTINUED)

ENTRY DOOR



KEY	PART NUMBER	U/M DESCRIPTION
6	079012-01-U01	EA DOOR-SCREEN
7	002283-02-000	SF SCREENING-WINDOW/DOOR, 28" - CHARCOAL
8	002294-01-000	FT SPLINE-SCREENING, 136" X 136" - BLACK
	002748-01-000	EA CORNER KEY-DOOR
9	109403-01-000	EA CATCH-ASM-SINGLE ROLLER
10	016454-01-000	EA INSERT-CENTER, LEATHER GRAIN ALUMINUM - UNPAINTED
10	001014-01-013	EA INSERT-CENTER, 10 25" X 16.31" - UNPAINTED
11	060712-04-000	EA HANDLE-SCREEN DOOR, ALUMINUM - OFF WHITE
11	060712-05-000	EA HANDLE-SCREEN DOOR, UNPAINTED
12	078652-03-000	EA KICK PANEL-SCREEN DOOR, LOWER INSERT - UNPAINTED
	078686-01-000	EA TOP PLATE-SCREEN DOOR, CURVED TOP - 4 7" X 25 35"
13	078777-01-000	EA CHANNEL-SLIDE, SCREEN DOOR CENTER SLIDER COVER
14	079086-02-000	EA SLIDER-SCREEN DOOR, OFF WHITE
15	079087-02-000	EA STRIKE-SLIDER, W/LIP FOR ELBOW CATCH - 1 5" X 8 6" - OFF WHITE
	009018-01-000	EA CATCH-ELBOW, SPRING LOADED - SCREEN DOOR CATCH
16	079733-04-T03	EA WINDOW-PICTURE, W/O INSIDE FRAME - 17" X 25"
	081914-01-000	EA BUMPER-RUBBER, ROUND - .43" DIAMETER - BLACK
17	089748-01-000	EA FRAME-BOTTOM, ENTRY DOOR - 24 8" LONG - OFF WHITE
	090340-01-000	FT SEAL-FOAM, CLOSED CELL - 1/4" X 1/2" X 50"
18	095278-01-01A	EA FRAME-ENTRY DOOR, W/O BOTTOM - OFF WHITE
19	095277-02-01A	EA JAMB-ENTRY DOOR, W/BOTTOM - 25 9" X 74 5" - OFF WHITE
20	051048-01-000	EA JAMB-BOTTOM, ENTRY DOOR - 25 9" - UNPAINTED
	079207-01-000	EA STRIKER-ROLLER CATCH, WELDED TO DOOR JAMB - 4" X 1.15"
	095278-01-01A	EA JAMB-DOOR, ENTRANCE - 25 9" X 74 6" - UNPAINTED
21	088810-01-01A	EA PLATE-LATCH, ENTRY DOOR - PLASTIC - BLACK
22	097724-01-04A	EA HINGE-ENTRY DOOR, UNPAINTED
23	098173-01-04A	EA STIFFENER-ENTRY DOOR, SUPPORTS LATCH/STRIKE AREA - UNPAINTED
	100128-02-000	FT SEAL-PILE, ADHESIVE BACK - SCREEN DOOR - GRAY
24	101145-01-01A	EA DEADBOLT-ENTRY DOOR, W/2 KEYS W/O BACK SET BOLT OR SCREWS
	095229-01-700	EA KEY BLANK
	101147-01-000	EA BOLT-SECURITY, 4.12" BACKSET
	102524-01-000	EA BUMPER-RUBBER, FLAT - BLACK
25	044582-02-000	EA CAP-DRIP, ENTRY DOOR - JAMB MOUNTED - ALUMINUM - OFF WHITE
	084075-07-000	FT SEAL-BULB, W/WIRED U CHANNEL - .3" X .5" CHANNEL - BLACK
	075839-19-000	EA GARNISH-RADIUS, ENT DOOR O/W '92 WMF427RQ
	077451-03-000	EA COVER-STRIKE, ENTRY DOOR - 6.5" X 2 5" - PLASTIC - WHITE
	090340-01-000	FT SEAL-FOAM, CLOSED CELL - 1/4" X 1/2" X 50"
	091878-01-000	EA RETAINER-DOOR, 1.9" X 8" - METAL
26	100412-01-000	EA CATCH-SCREEN DOOR, THUMB CLIP W/BLACK PLASTIC CAP
	104882-01-U00	FT SEAL-ADHESIVE BACK, 3/4" X 34"
27	104099-01-01A	EA CATCH-DOOR HOLDER, STRIKE
28	104099-02-01A	EA CATCH-DOOR HOLDER, RETAINER

1992 WINNEBAGO TABLE OF CONTENTS

INTRODUCTION	A-01 - A-02
ABBREVIATIONS	A-03
ALPHABETICAL INDEX	A-04 - A-06
WC522RG	A-07 - D-18
WF524RC	D-19 - H-05

1992 WC522RG INDEX

FLOOR PLAN	A-07 - A-08
ACCESSORIES	A-09
AUDIO VIDEO	A-10
BATH	A-11 - A-12
CHASSIS	A-13 - A-16
CURTAIN & CUSHION	A-17 - A-24
DINETTE	B-01 - B-02
DRIVERS	B-03 - B-06
ELECTRICAL	B-07 - B-10
EXTERIOR BODY	B-11 - B-19
GALLEY	B-20 - B-23
GENERATOR	B-24
HEATING & A/C	C-01 - C-02
INTERIOR FINISH	C-03 - C-06
LABEL	C-07 - C-14
LP	C-15 - C-16
LOUNGE	C-17 - C-18
SEALANTS & FASTENERS	C-19 - C-21
WATER & SEWAGE	C-22 - C-24
WINDOW, VENT AND EXTERIOR DOOR	D-01 - D-17

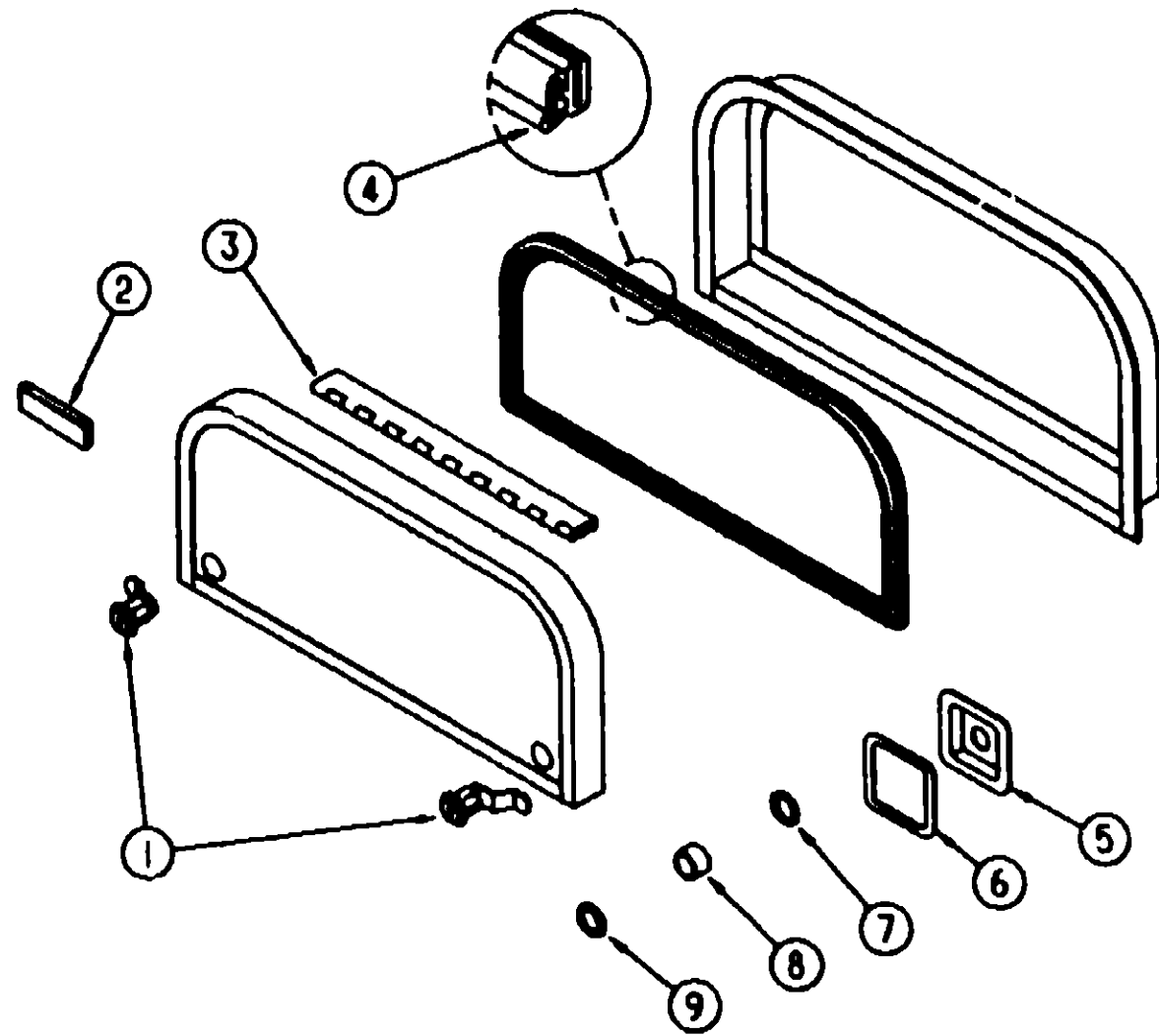
KEY	PART NUMBER	U/M DESCRIPTION
1	M01870-63-C&2	EA DOOR-ENTRY W/SCREEN DOOR & JAMB
2	039639-01-000	EA STRIKE-LOCK, ENTRY DOOR - ROUND W/THREADED WASHER
3	039640-01-000	EA LATCH MECHANISM-HOOK, ENTRY DOOR - INTERIOR
	039715-01-000	EA NUT-SERT, 1/4" DIAMETER - 20 THREADS
4	039979-04-000	EA COVER-INTERIOR LATCH, W/TRIP ARM - RIGHT - BLACK
	039984-01-000	EA CAP-ROUND, VINYL - .28" ID X .82" LONG - BLACK
	041548-03-000	EA BRACKET-DOOR ANGLE, 5" X 1 9" - BEIGE - METAL
5	045017-11-000	EA LATCH-ENTRY DOOR, MECHANISM W/LOCK & KEY - BLACK
	045017-11-701	EA KEY BLANK
	058025-02-000	EA CLIP-ROLLER LATCH CATCH, SCREEN DOOR
	063729-04-000	EA RIVNUT, 10-32 UNF - 010-.080
	072893-01-000	EA NUTSERT-M6 X 0, 8
	075871-04-000	FT SEAL-SPONGE, LAZY T SHAPE - W/ADHESIVE STRIPE - 5" WIDE

WINDOW, VENT & EXTERIOR DOOR GROUP (CONTINUED)

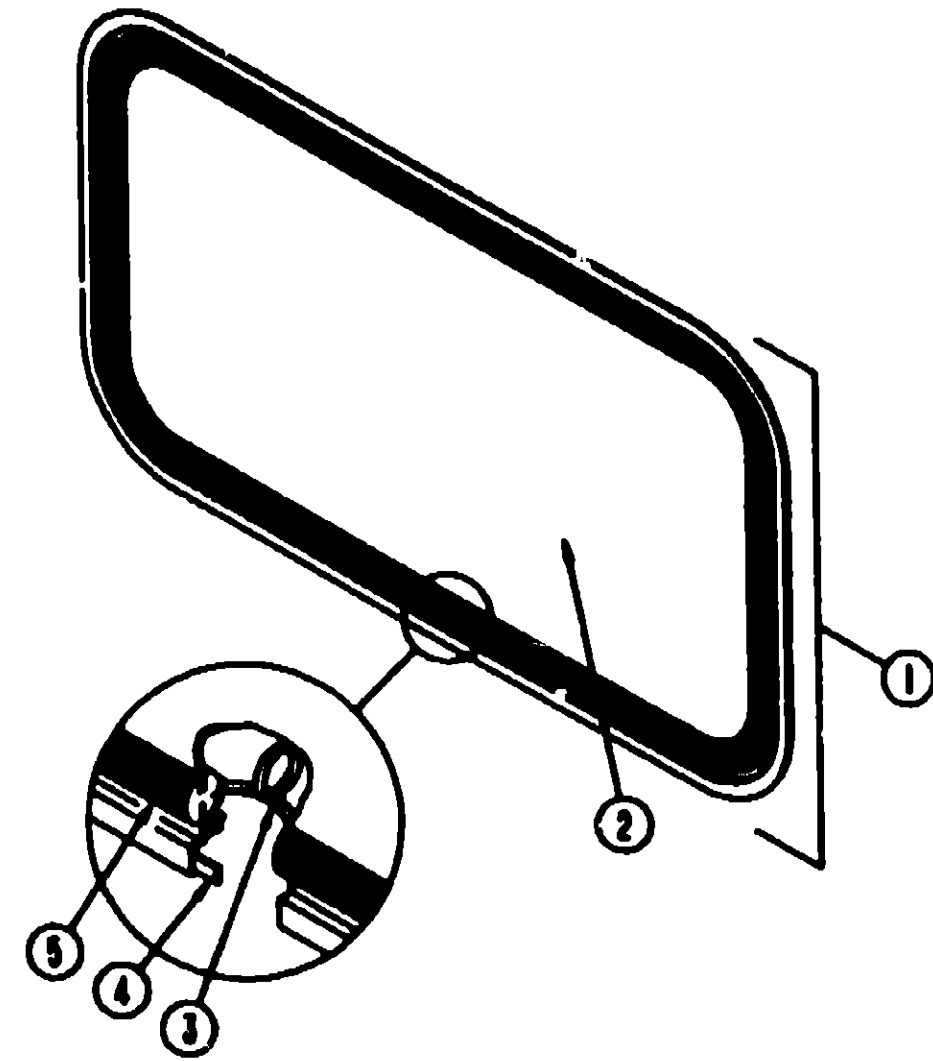
WINDOW, VENT & EXTERIOR DOOR GROUP (CONTINUED)

**1992 WINNEBAGO
TABLE OF CONTENTS**

INTRODUCTORY	A-01 - A-02
ABBREVIATIONS	A-03
ALPHABETICAL INDEX	A-04 - A-06
WC522RG	A-07 - D-18
WF524RC	D-19 - H-08



EXTERIOR DOOR COMPONENTS & HOLDERS



LOUNGE ESCAPE WINDOW

1992 WC522RG INDEX

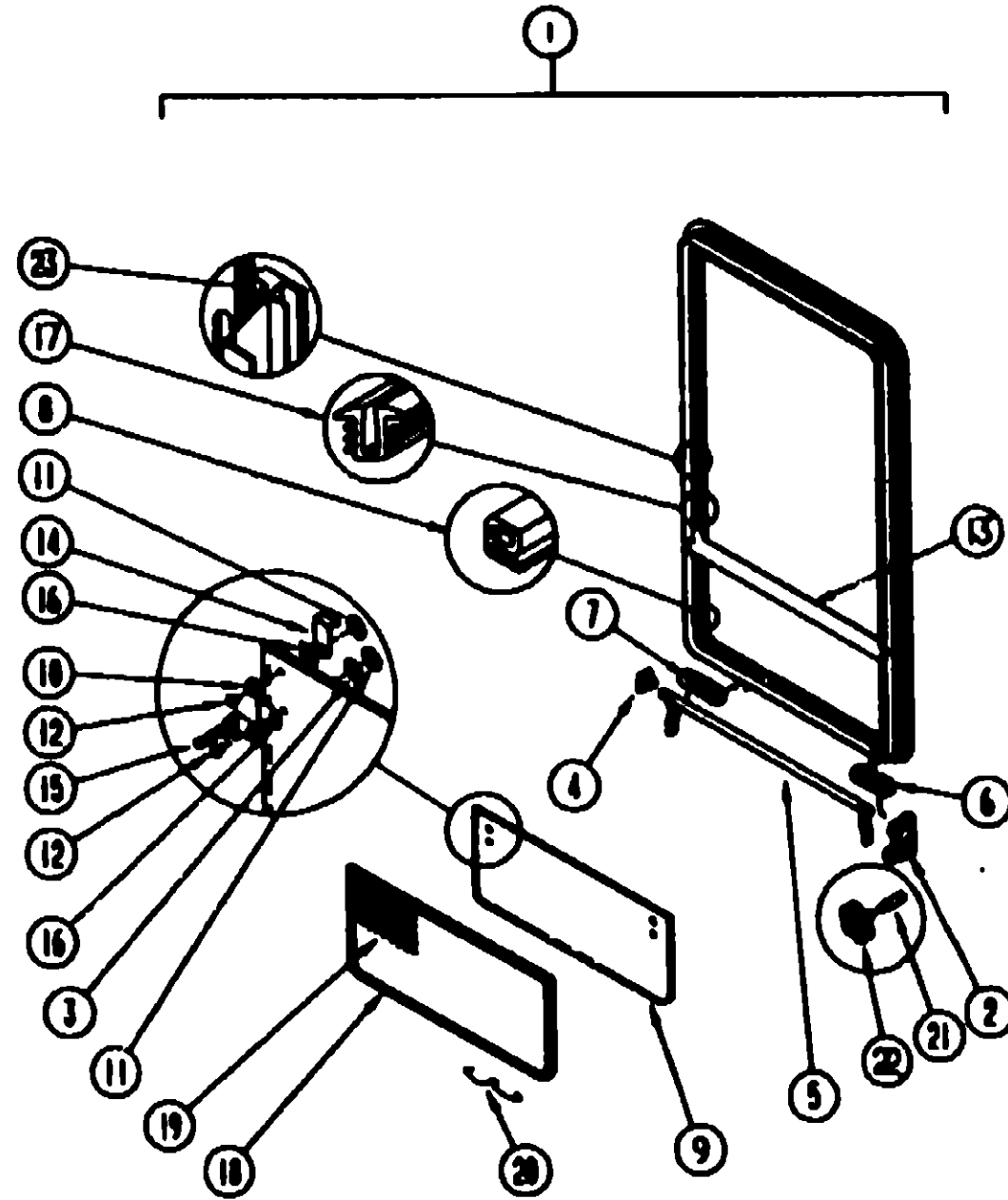
FLOOR PLAN	A-07 - A-08
ACCESSORIES	- A-08
AUDIO VIDEO	- A-10
BATH	A-11 - A-12
CHASSIS	A-13 - A-16
CURTAIN & CUSHION	A-17 - A-24
DINETTE	B-01 - B-02
DRIVERS	B-03 - B-06
ELECTRICAL	B-07 - B-10
EXTERIOR BODY	B-11 - B-18
GALLEY	B-20 - B-23
GENERATOR	- B-24
HEATING & A/C	C-01 - C-02
INTERIOR FINISH	C-03 - C-06
LABEL	C-07 - C-14
LP	C-15 - C-16
LOUNGE	C-17 - C-18
SEALANTS & FASTENERS	C-19 - C-21
WATER & SEWAGE	C-22 - C-24
WINDOW, VENT AND EXTERIOR DOOR	D-01 - D-17

KEY	PART NUMBER	U/M DESCRIPTION
1	079388-04-000	EA LOCK-DOOR, KEY TYPE W/O KEYS - 1.9 OFF SET FROM 00-00-00 THRU 02-19-92
1	079388-05-000	EA LOCK ASM-KEY TYPE W/O KEYS - 1.80 OFF SET FROM 02-20-92 THRU 99-99-99
	082884-01-700	EA KEY BLANK
1	079927-03-000	EA LOCK-TWIST TYPE, DOUBLE CAM - 2.10 OFF SET FROM 00-00-00 THRU 02-19-92
1	079927-04-000	EA LOCK ASM-TWIST TYPE 1.80 O/S ILLINOIS LOCK FROM 02-20-92 THRU 99-99-99
2	102788-01-000	EA HOLDER-COMPARTMENT/ENTRY DOOR, METAL - MILL FINISH
3	105378-01-02A	EA HINGE-CONTIN, 2"X.140MM - OFF WHITE
	081801-02-000	EA HINGE-2" X 99", OFF WHITE
4	084075-07-000	FT SEAL-BULB, W/WRED U CHANNEL - 3" X .5" CHANNEL - BLACK
6	087111-01-01A	EA POCKET-LOCK, VALANCE - OFF WHITE
8	088338-01-000	EA GASKET-LOCK POCKET
7	109834-01-000	EA WASHER .640X.752ID SST - HUDSON LOCK
8	107987-51-001	EA EXTR-SPACER, .0015, 24
9	108833-01-000	EA BEAUTY RING .670X.780ID SST - HUDSON LOCK
	088217-55-001	EA U-CHANNEL, 17.5" - OFF WHITE

KEY	PART NUMBER	U/M DESCRIPTION
	042027-13-000	EA FRAME-WINDOW, INSIDE - 68" X 24.5" - OFF WHITE
1	078638-01-703	EA WINDOW-ESCAPE, BACKWALL - 23" X 68"
2	002178-01-000	EA GLASS-19.6" X 64.8"
3	002288-01-000	FT FILLER-WEATHER STRIP, RUBBER - BLACK
	077088-01-702	EA RED POLY .005 X 800"
4	089840-10-000	FT SEALER-RIBBON, 1/32" X 1 1/2" INCREMENTS OF 90'
5	002282-08-000	EA WEATHERSTRIP-WINDOW, .125" - BLACK

WINDOW, VENT & EXTERIOR DOOR GROUP (CONTINUED)

DRIVER SIDE LOUNGE WINDOW



KEY	PART NUMBER	U/M	DESCRIPTION
	090993-03-02A	EA	FRAME-INSIDE, WINDOW RETAINER - OFF WHITE
1	092235-03-Y12	EA	WINDOW-TIPOUT, SINGLE - W/O INSIDE FRAME
	000H14-08-14R	EA	RIVET-MANDREL BLIND, 3/16"
2	036302-02-000	EA	OPERATOR-TORQUE, TIPOUT WINDOW - LEFT
3	089927-03-000	EA	SEAL-WINDOW, RUBBER - ROUND - 80° DIA. - BLACK
4	081364-01-000	EA	SLEEVE-TORQUE TUBE, TIPOUT WINDOW - 1.3" X 1.2" X .7"
	081949-01-000	EA	RING-SNAP, 7/32 SHAFT DIAMETER
5	083150-11-000	EA	TUBE ASM-TORQUE, WINDOW
6	080918-01-000	EA	SPRING-TORQUE TUBE, LEFT
7	080918-02-000	EA	SPRING-TORQUE TUBE, RIGHT
8	084087-02-000	FT	SEAL-E SHAPED, SPONGE - TIPOUT WINDOW - 42" X 38" - BLACK
9	084088-18-000	EA	GLASS-TIPOUT, 9 2" X 28"
10	084453-02-000	EA	WASHER-.08" X 5" X 25" - PLASTIC
11	086792-01-000	EA	T NUT 10-32
12	086763-01-000	EA	SCREW-MACH, 10 - 32 X 1/4 PTH
13	087888-03-01A	EA	MULLION-HORIZONTAL, TIPOUT - BLACK
14	089913-01-000	EA	HINGE-TIPOUT WINDOW, BLACK
15	097578-01-000	EA	LINKAGE-TIPOUT WINDOW
	084453-01-000	EA	WASHER-.08" X 5" X .136" - PLASTIC
16	084473-01-000	EA	SEAL-FLAT, W/CENTER HOLE & ADHESIVE SIDE - 8" X 9" - BLK
	086315-01-000	EA	RIVET-SHOULDER, TIPOUT WINDOW
17	089154-01-000	FT	CHANNEL-GLAZING, STATIONARY GLASS - 62" X 45" - BLACK
18	100235-03-507	EA	SCREEN-SINGLE TIPOUT WINDOW
19	080218-03-000	SF	SCREENING-FIBER GLASS, 12" WIDE
20	100189-01-000	EA	CLIP-SPRING, SCREEN
	100240-01-000	FT	SPLINE-SCREEN, T-SHAPED
21	009439-08-000	EA	EXTENSION-CRANK HANDLE, WINDOW / ROOF VENT - BLACK
22	009439-06-000	EA	KNOB-OPERATOR, TIPOUT WINDOW - W/SPRING & ARM
	009439-07-000	EA	SCREW, 8-32 X 1 1/4 POH - BLACK
23	088840-11-000	FT	TAPE-SEALER, 3/16" X 3/8" - BLACK

1992 WINNEBAGO

TABLE OF CONTENTS

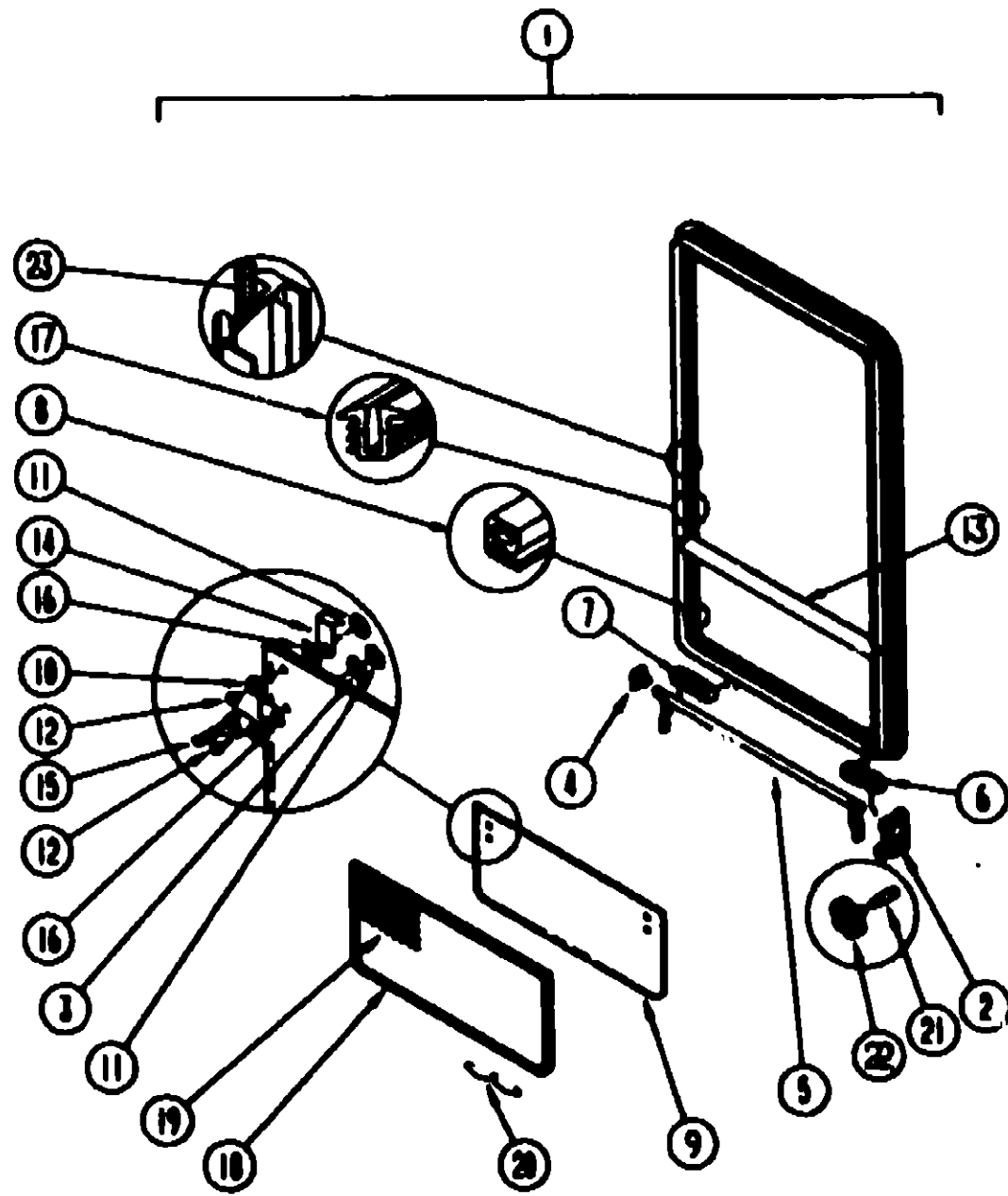
INTRODUCTION	A-01	A-02
ABBREVIATIONS		A-03
ALPHABETICAL INDEX	A-04	A-08
WC522RG	A-07	D-18
WF5247C	D-19	H-08

1992 WC522RG INDEX

FLOOR PLAN	A-07	A-08
ACCESSORIES		A-09
AUDIO VIDEO		A-10
BATH	A-11	A-12
CHASSIS	A-13	A-18
CURTAIN & CUSHION	A-17	A-24
DINETTE	B-01	B-02
DRIVERS	B-03	B-08
ELECTRICAL	B-07	B-10
EXTERIOR BODY	B-11	B-19
GALLEY	B-20	B-23
GENERATOR		B-24
HEATING & AC	C-01	C-02
INTERIOR FINISH	C-03	C-05
LABEL	C-07	C-14
LP	C-13	C-18
LOUNGE	C-17	C-18
SEALANTS & FASTENERS	C-19	C-21
WATER & SEWAGE	C-22	C-24
WINDOW, VENT AND EXTERIOR DOOR	D-01	D-17

WINDOW, VENT & EXTERIOR DOOR GROUP (CONTINUED)

GALLEY WINDOW



KEY	PART NUMBER	UOM	DESCRIPTION
1	060893-17-02A	EA	FRAME-INSIDE, WINDOW RETAINER - OFF WHITE
1	062235-11-Y12	EA	WINDOW-TIPOUT, SINGLE - W/O INSIDE FRAME
2	000H14-08-14R	EA	RIVET-MANDREL BLIND, 3/16"
2	035302-02-000	EA	OPERATOR-TORQUE, TIPOUT WINDOW -
3	088827-03-000	EA	SEAL-WINDOW, RUBBER - ROUND - .80" DIA. - BLACK
4	081364-01-000	EA	SLEEVE-TORQUE TUBE, TIPOUT WINDOW - 1.3" X 1.2" X .7"
5	081849-01-000	EA	RING-SNAP, 7/32 SHAFT DIAMETER
5	083150-10-000	EA	TUBE-TORQUE, TIPOUT WINDOW - W/SPRING & ARM - 22.5" LONG
6	080918-01-000	EA	SPRING-TORQUE TUBE, LEFT
7	080918-02-000	EA	SPRING-TORQUE TUBE, RIGHT
8	084057-02-000	FT	SEAL-E SHAPED, SPONGE - TIPOUT WINDOW - .42" X 38" - BLACK
9	084089-15-000	EA	GLASS-TIPOUT, 9 2" X 24.6"
10	084463-02-000	EA	WASHER-.06" X 5" X .25" - PLASTIC
11	088782-01-000	EA	T NUT 10-32
12	088783-01-000	EA	SCREW-MACH, 10 - 32 X 1/4 PTH
13	087588-02-01A	EA	MULLION-HORIZONTAL, TIPOUT - BLACK
14	088913-01-000	EA	HINGE-TIPOUT WINDOW, BLACK
15	087578-01-000	EA	LINKAGE-TIPOUT WINDOW
15	084453-01-000	EA	WASHER-.06" X .5" X .135" - PLASTIC
16	084473-01-000	EA	SEAL-FLAT, W/CENTER HOLE & ADHESIVE SIDE - 8" X 9" - BLK
17	085315-01-000	EA	RIVET-SHOULDER, TIPOUT WINDOW
17	089154-01-000	FT	CHANNEL-GLAZING, STATIONARY GLASS - 62" X 45" - BLACK
18	100235-02-507	EA	SCREEN-SINGLE TIPOUT WINDOW
19	080218-03-000	SF	SCREENING-FIBERGLASS, 12" WIDE
20	100188-01-000	EA	CLIP-SPRING, SCREEN
20	100240-01-000	FT	SPLINE-SCREEN, T-SHAPED
21	009439-08-000	EA	EXTENSION-CRANK HANDLE, WINDOW /ROOF VENT - BLACK
22	009439-05-000	EA	KNOB-OPERATOR, TIPOUT WINDOW - W/SPRING & ARM
22	009439-07-000	EA	SCREW, 8-32 X 1 1/4 POH - BLACK
23	088840-11-000	FT	TAPE-SEALER, 3/16" X 3/8" - BLACK

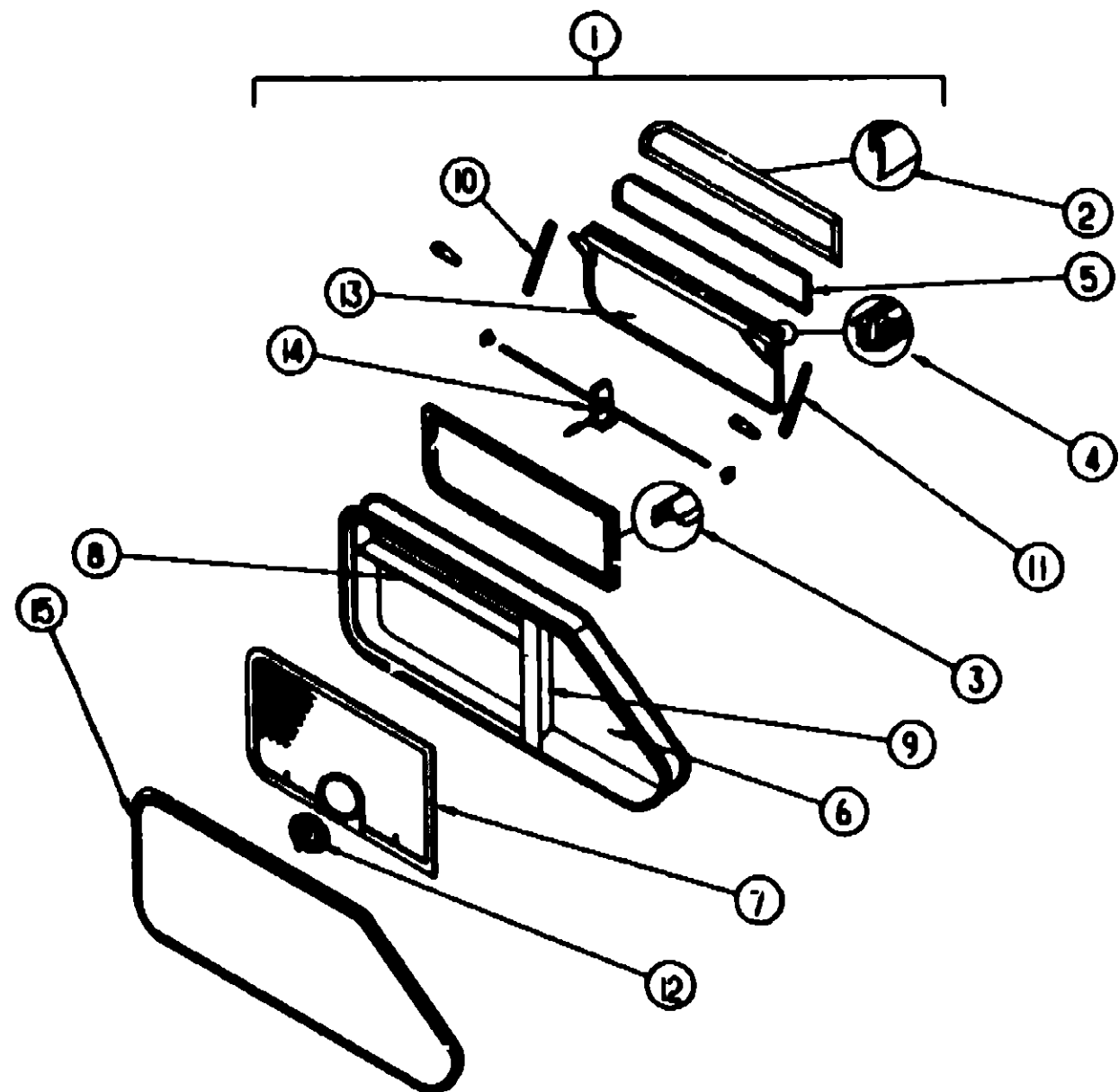
1992 WINNEBAGO TABLE OF CONTENTS

INTRODUCTION	A-01 -	A-02
ABBREVIATIONS		A-03
ALPHABETICAL INDEX	A-04 -	A-08
WC522RG	A-07 -	D-18
WF524RC	D-19 -	H-08

1992 WC522RG INDEX

FLOOR PLAN	A-07 -	A-08
ACCESSORIES		A-09
AUDIO VIDEO		A-10
BATH	A-11 -	A-12
CHASSIS	A-13 -	A-18
CURTAIN & CUSHION	A-17 -	A-24
DINETTE	B-01 -	B-02
DRIVERS	B-03 -	B-08
ELECTRICAL	B-07 -	B-10
EXTERIOR BODY	B-11 -	B-19
GALLEY	B-20 -	B-23
GENERATOR		B-24
HEATING & AC	C-01 -	C-02
INTERIOR FINISH	C-03 -	C-08
LABEL	C-07 -	C-14
LP	C-15 -	C-16
LOUNGE	C-17 -	C-18
SEALANTS & FASTENERS	C-19 -	C-21
WATER & SEWAGE	C-22 -	C-24
WINDOW, VENT AND EXTERIOR DOOR	D-01 -	D-17

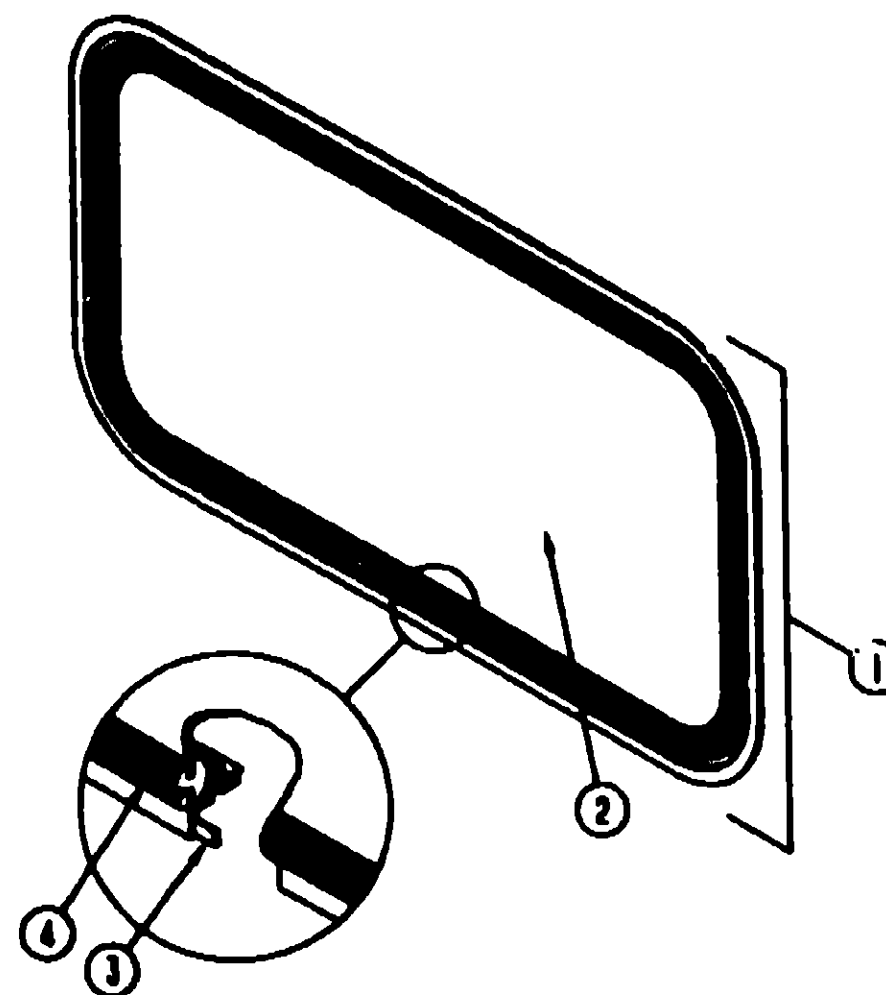
WINDOW, VENT & EXTERIOR DOOR GROUP (CONTINUED)



DRIVER SIDE OVERHEAD BUNK WINDOW

KEY	PART NUMBER	U/M	DESCRIPTION
1	100322-02-700	EA	WINDOW-VENTED, 12" X 35.8 W/O INSIDE FRAME - EXCEL CH19-DK L
2	088844-01-718	FT	PLUG-FILLER, EXCEL 132-014470
3	100322-01-701	FT	SEAL-VENT, EXCEL 122-018071
4	100322-01-702	FT	WEATHERSTRIP-HORIZONTAL RAIL, EXCEL 132-015878
	100322-01-708	EA	STRIP-GLAZING,BUTYL EXCEL 132-010723
	100322-01-704	EA	TAPE-BUTYL, EXCEL 164-018083
6	100322-01-706	EA	GLASS-STATIONARY, SMALL TOP - EXCEL 108-017284
8	100322-01-708	EA	GLASS-STATIONARY, LARGE FRONT - EXCEL 108-017285
7	100322-01-709	EA	SCREEN-DRIVER SIDE, EXCEL 410-017289 L
8	100322-01-712	EA	RAIL-HORIZONTAL, EXCEL CH05-19 R OR L
9	100322-01-713	EA	BAR-DIVISION, VERTICAL - EXCEL CH19-20 R OR L
10	100192-01-714	EA	SUPPORT-TORQUE BAR, EXCEL 130-015878 (L)
11	100322-01-716	EA	SUPPORT-TORQUE BAR, CENTER RAIL - EXCEL 130-016880
	100322-01-717	EA	E-PING, EXCEL 248-018878
12	100322-01-718	EA	HANDLE-DIAL, EXCEL 410-018081
13	100322-01-722	EA	GLASS ASM.-VENT, LEFT - EXCEL CH19-08L
14	100322-01-723	EA	OPERATOR ASM.-VENT GLASS, LEFT - EXCEL CH19-18L
16	100322-02-701	EA	FRAME-INSIDE, LEFT - WHITE - EXCEL V888-80L

WINDOW, VENT & EXTERIOR DOOR GROUP (CONTINUED)



OVERHEAD BUNK FRONT WINDOW

KEY	PART NUMBER	U/M	DESCRIPTION
	087808-33-000	EA	FRAME-INSIDE WINDOW
1	103313-01-805	EA	WINDOW ASM-PICTURE
2	002181-16-000	EA	GLASS-PICTURE 11 25" X 88 1" - GRAY
3	088840-11-000	FT	SEALER-TAPE, 3/16"X3/8" BLACK
4	088164-01-000	FT	CHANNEL-GLAZING STATIONARY GLASS - 62" X 45" - BLACK

**1992 WINNEBAGO
TABLE OF CONTENTS**

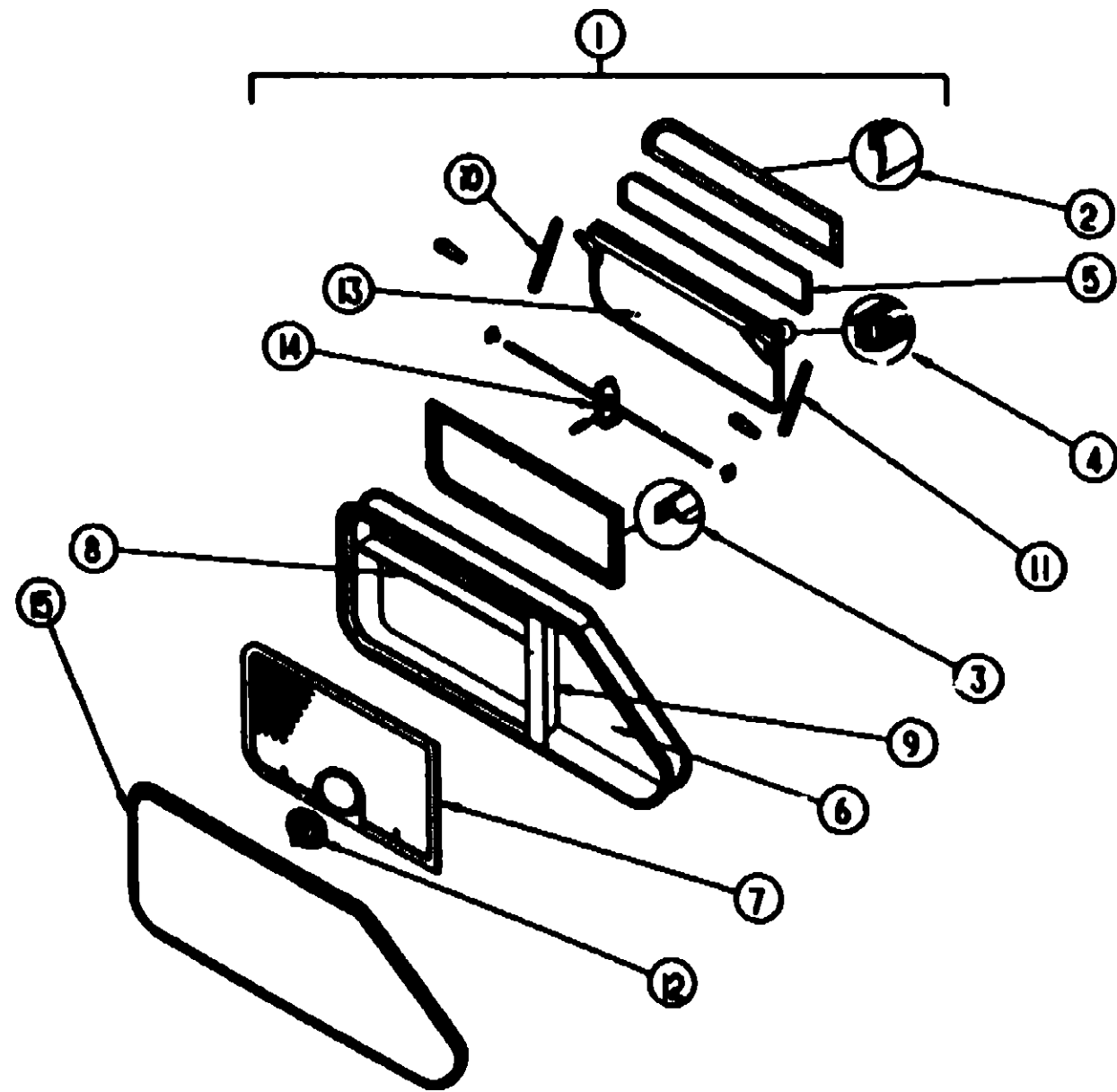
INTRODUCTION	A-01 -	A-02
ABBREVIATIONS		A-03
ALPHABETICAL INDEX	A-04 -	A-05
WC822RG	A-07 -	D-18
WF824RC	D-18 -	H-08

1992 WC822RG INDEX

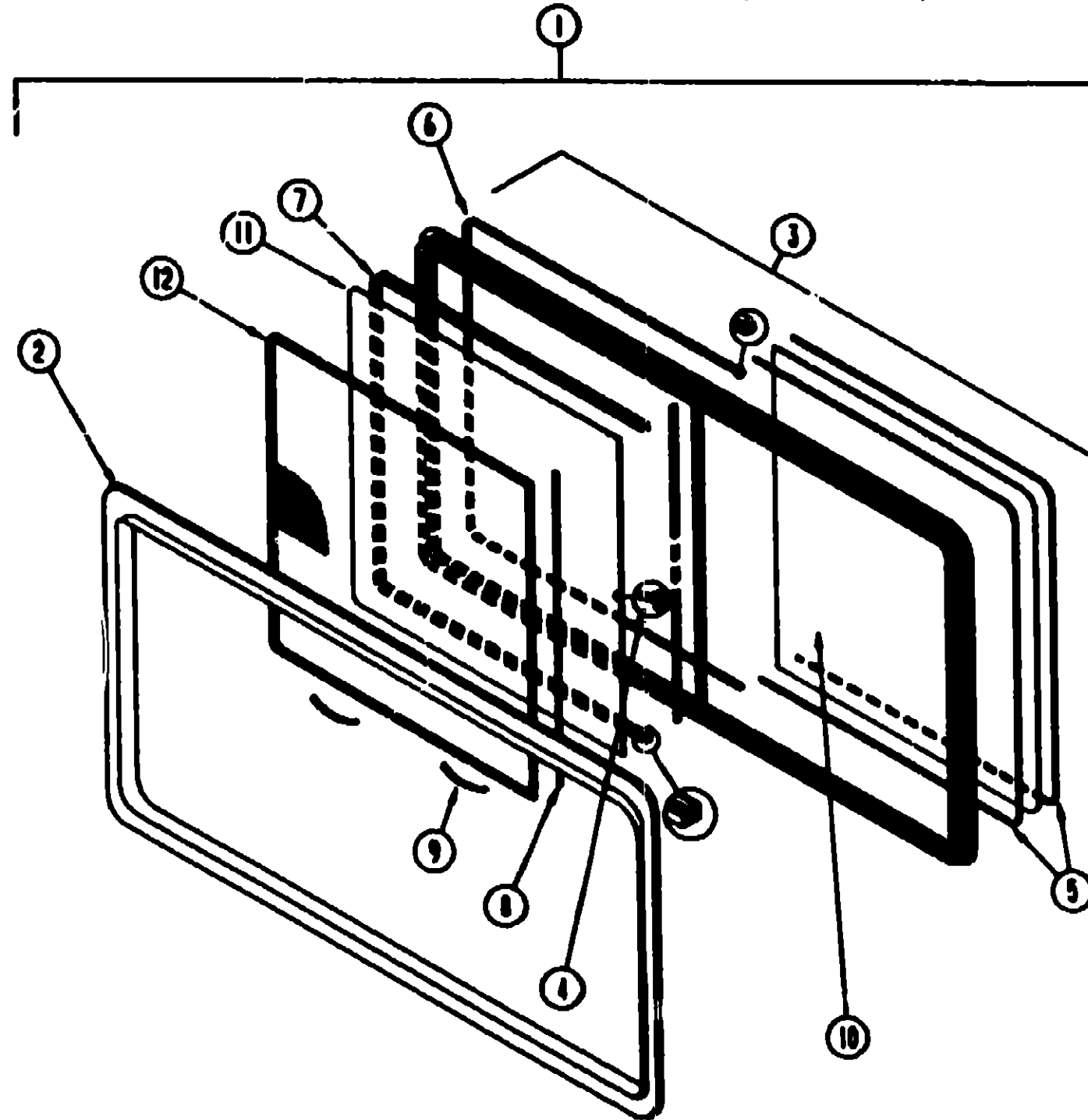
FLOOR PLAN	A-07 -	A-08
ACCESSORIES		A-09
AUDIO VIDEO		A-10
BATH	A-11 -	A-12
CHASSIS	A-13 -	A-16
CURTAIN & CUSHION	A-17 -	A-24
DINETTE	B-01 -	B-02
DRIVERS	B-03 -	B-05
ELECTRICAL	B-07 -	B-10
EXTERIOR BODY	B-11 -	B-19
GALLEY	B-20 -	B-23
GENERATOR		B-24
HEATING & AC	C-01 -	C-02
INTERIOR FINISH	C-03 -	C-08
LABEL	C-07 -	C-14
LP	C-15 -	C-16
LOUNGE	C-17 -	C-18
SEALANTS & FASTENERS	C-19 -	C-21
WATER & SEWAGE	C-22 -	C-24
WINDOW, VENT AND EXTERIOR DOOR	D-01 -	D-17

WINDOW, VENT & EXTERIOR DOOR GROUP (CONTINUED)

WINDOW & EXTERIOR DOOR GROUP (CONTINUED)



PASSENGER SIDE OVERHEAD BUNK WINDOW



DINETTE SLIDING WINDOW

**1982 WINNEBAGO
TABLE OF CONTENTS**

INTRODUCTION	A-01 -	A-02
ABBREVIATIONS		A-03
ALPHABETICAL INDEX	A-04 -	A-08
WC622RG	A-07 -	D-18
WFB4RC	D-19 -	H-08

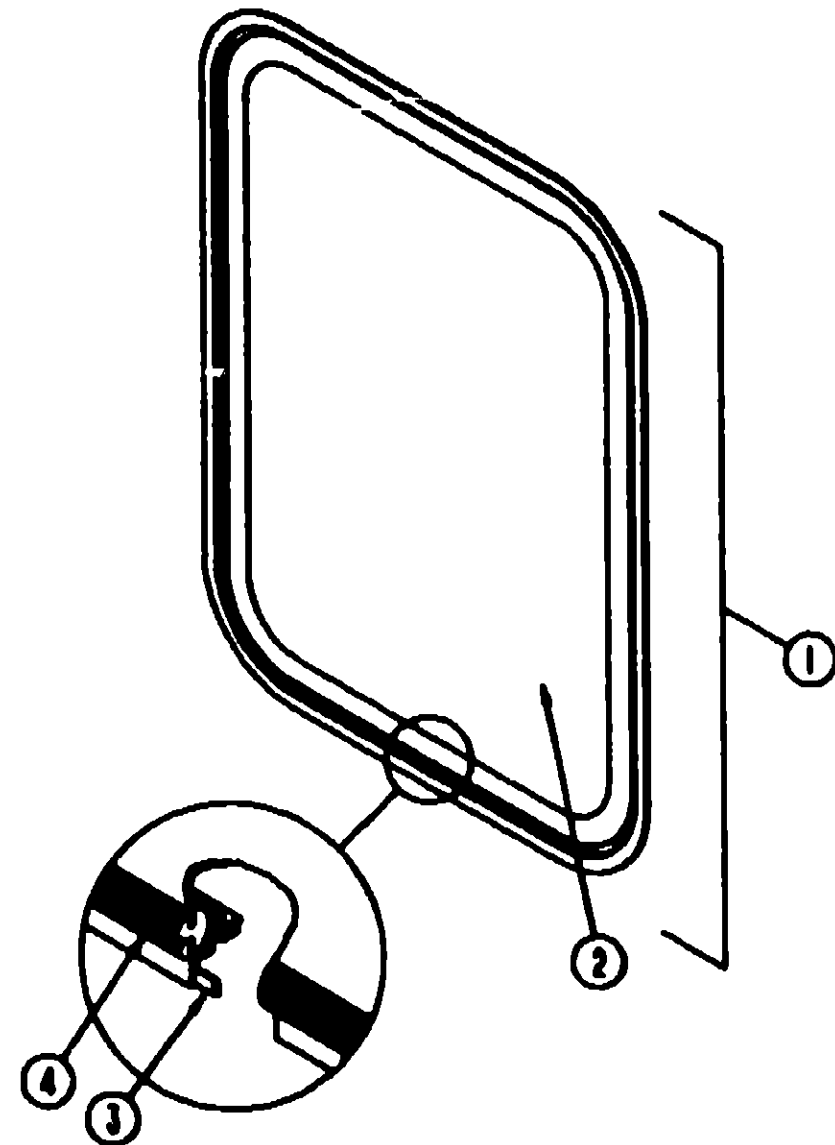
1982 WC622RG INDEX

FLOOR PLAN	A-07 -	A-08
ACCESSORIES		A-09
AUDIO VIDEO		A-10
BATH	A-11 -	A-12
CHASSIS	A-13 -	A-16
CURTAIN & CUSHION	A-17 -	A-24
DINETTE	B-01 -	B-02
DRIVERS	B-03 -	B-08
ELECTRICAL	B-07 -	B-10
EXTERIOR BODY	B-11 -	B-16
GALLEY	B-20 -	B-23
GENERATOR		B-24
HEATING & A/C	C-01 -	C-02
INTERIOR FINISH	C-03 -	C-08
LABEL	C-07 -	C-14
LP	C-15 -	C-18
LOUNGE	C-17 -	C-18
SEALANTS & FASTENERS	C-19 -	C-21
WATER & SEWAGE	C-22 -	C-24
WINDOW, VENT AND EXTERIOR DOOR	D-01 -	D-17

KEY	PART NUMBER	U/M	DESCRIPTION
1	100322-01-720	EA	WINDOW-VENTED, W/O INSIDE FRAME - EXCEL CH19-DK R
2	088844-01-718	FT	PLUG-FILLER, EXCEL 132-014470
3	100322-01-701	FT	SEAL-VENT, EXCEL 122-018071
4	100322-01-702	FT	WEATHERSTRIP-HORIZONTAL RAIL, EXCEL 132-018978
	100322-01-703	EA	STRIP-GLAZING,BUTYL EXCEL 132-010729
	100322-01-704	EA	TAPE-BUTYL, EXCEL 184-016083
5	100322-01-705	EA	GLASS-STATIONARY, SMALL TOP - EXCEL 108-017284
6	100322-01-708	EA	GLASS-STATIONARY, LARGE FRONT - EXCEL 108-017285
7	100322-01-709	EA	SCREEN-PASSENGER SIDE, EXCEL 410-017270 R
8	100322-01-712	EA	RAIL-HORIZONTAL, EXCEL CH05-18 R OR L
9	100322-01-713	EA	BAR-DIVISION, VERTICAL - EXCEL CH19-20 R OR L
10	100322-01-715	EA	SUPPORT-TORQUE BAR, EXCEL 130-018979 (R)
11	100322-01-718	EA	SUPPORT-TORQUE BAR, CENTER RAIL - EXCEL 130-018980
	100322-01-717	EA	E-FRING, EXCEL 245-016875
12	100322-01-718	EA	HANDLE-DIAL, EXCEL 410-018081
13	100322-01-707	EA	GLASS-VENT, RIGHT - EXCEL CH19-D8R
14	100322-01-711	EA	OPERATOR-VENT, SUB ASSEMBLY - EXCEL CH05-15 R OR L
15	100322-01-724	EA	FRAME-INSIDE, RIGHT - WHITE V888-00R EXCEL

KEY	PART NUMBER	U/M	DESCRIPTION
1	088847-08-02A	EA	WINDOW ASM-SLIDER, WINSIDE FRAME TRIM - EXCEL H024-PRR
2	088847-08-704	EA	FRAME-INSIDE, WINDOW TRIM - W024-07 EXCEL
3	088847-08-703	EA	WINDOW-SINGLE SLIDER, RIGHT - H024-Q2R EXCEL
4	088844-01-700	EA	LATCH-REPAIR KIT, EXCEL B901-CX
5	088844-01-705	FT	GLAZING STRIP, EXCEL M888-12
6	088844-01-708	FT	WEATHERSTRIP, EXCEL 171-010818
7	088844-01-708	FT	CHANNEL-PIERCED RUN, EXCEL 122-018543
8	088844-01-710	FT	TRACK-SCREEN SPACER, 12" LENGTH - EXCEL M411-S1
	088844-01-711	FT	WEATHERSTRIP-SCREEN, BLACK - EXCEL 171-018185
9	088844-01-713	EA	SPRING-SCREEN FRAME (CLIP), PLASTIC - BLACK
	088844-01-718	FT	PLUG-FILLER, EXCEL 132-014470
	088844-01-717	FT	SPLINE-SCREEN MFG - EXCEL 132-004718
10	088847-08-700	EA	GLASS-STATIONARY - EXCEL 108-017188 EXCEL
11	088847-08-701	EA	GLASS-SLIDING, W/ASHLATCH - H024-Q8 EXCEL
12	088847-08-705	EA	SCREEN W/SPRING & WEATHERSTRIP - 410-018484 EXCEL

WINDOW, VENT & EXTERIOR DOOR GROUP (CONTINUED)



ENTRY DOOR WINDOW

KEY	PART NUMBER	U/M DESCRIPTION
	087808-02-000	EA FRAME-WINDOW, ENTRY DOOR - OFF WHITE
1	078733-04-T03	EA WINDOW-PICTURE, W/O INSIDE FRAME - 17" X 28"
2	002181-08-000	EA GLASS-PICTURE WINDOW, .118" X 18.25" X 24"
3	008840-11-000	FT SEALER-TAPE, 3/16"X3/8" BLACK
4	087881-01-000	FT SEAL-GLASS, EXTERIOR - 8" WIDE - VINYL - BLACK

WINDOW, VENT & EXTERIOR DOOR GROUP (CONTINUED)

FANTASTIC ROOF VENTILATOR

KEY	PART NUMBER	U/M DESCRIPTION
	084078-08-000	EA VENT-CEILING, POWERED EXHAUST - OFF WHITE - FANTASTIC VENT
	084078-01-700	EA VENT COVER - FANTASTIC 1080-10
	084078-01-703	EA CRANK-EXTERIOR, FANTASTIC 1080-09
	084078-01-704	EA BLADE-FAN, FANTASTIC 1070-00
	084078-01-705	EA MOTOR, FANTASTIC 1080-00
	084078-01-708	EA PLUG-12 VOLT, FANTASTIC 1080
	084078-01-707	EA SWITCH-SAFETY, FANTASTIC 1120 00
	084078-01-709	EA SWITCH-ON & OFF, MAIN POWER - FANTASTIC 1100 00
	084078-01-711	EA H-MOLDING, MOTOR MOUNT - PLAS TIC - FANTASTIC
	084078-01-712	EA GARNISH INT FIN. 1 7/8" - OFF WHITE

POWERED ROOF VENT

KEY	PART NUMBER	U/M DESCRIPTION
	008438-01-000	EA CRANK HANDLE-ROOF VENT
	008438-04-000	EA SCREW 8-32 X 1 1/4" POH
	008438-02-000	EA KNOB-ROOF VENT MILL
	008438-03-000	EA EXTENSION-CRANK HANDLE ROOF VENT - 8" - MILL
	008438-04-000	EA SCREW 8-32 X 1 1/4" POH
	080394-01-Y12	EA VENT-ROOF POWERED
	088218-01-000	EA COVER-ROOF VENT, PLASTIC
	008825-01-000	EA WEATHER STRIP-ROOF VENT GRAY
	008188-01-000	EA SWITCH-ROOF VENT PUSH BUTTON 12V
	008348-01-000	EA TIE-WIRE 6"
	008388-01-000	EA GROMMET-SNAP 3/8"
	008440-01-000	EA GEAR/ARM-VENT COVER LIFT
	018811-01-000	EA TRACK-LIFT ARM SLIDE - ROOF VENT
	048848-01-000	EA MOTOR-ROOF VENT 1/8 SHAFT - 12V - JENSEN
	0113848-01-000	EA FAN-ROOF VENT 6 BLADES - 6" - JENSEN
	JE2838-01-001	EA HINGE-VENT COVER 18"
	082838-01-800	EA HINGE-EXTRUSION ROOF VENT 7"
	081803-01-000	EA GROMMET-SNAP 3/16"ID - 3/8" HOLE - PLASTIC - BLACK
	078788-01-Y12	EA SCREEN-ROOF VENT POWERED
	002291-08-000	8F SCREENING-ROOF VENT/WINDOW 18" - BLACK
	002298-08-000	FT SPLINE-VENT/WINDOW SCREEN 128 DIAMETER - BLACK

**1992 WINNEBAGO
TABLE OF CONTENTS**

INTRODUCTION	A-01 - A-02
ABBREVIATIONS	A-03
ALPHABETICAL INDEX	A-04 - A-08
WC822RG	A-07 - D-18
WFS24RC	D-19 - H-08

1992 WC822RG INDEX

FLOOR PLAN	A-07 - A-08
ACCESSORIES	- A-09
AUDIO VIDEO	- A-10
BATH	A-11 - A-12
CHASSIS	A-13 - A-18
CURTAIN & CUSHION	A-17 - A-24
DINETTE	B-01 - B-02
DRIVERS	B-03 - B-08
ELECTRICAL	B-07 - B-10
EXTERIOR BODY	B-11 - B-18
GALLEY	B-20 - B-23
GENERATOR	- B-24
HEATING & AC	C-01 - C-02
INTERIOR FINISH	C-03 - C-08
LABEL	C-07 - C-14
LP	C-15 - C-18
LOUNGE	C-17 - C-18
SEALANTS & FASTENERS	C-19 - C-21
WATER & SEWAGE	C-22 - C-24
WINDOW, VENT AND EXTERIOR DOOR	D-01 - D-17

WINDOW, VENT & EXTERIOR DOOR GROUP (CONTINUED)

NONPOWERED ROOF VENT

KEY	PART NUMBER	U/M	DESCRIPTION
	009430-01-000	EA	CRANK HANDLE-ROOF VENT
	009430-04-000	EA	SCREW 8-32 X 1 1/4" POH
	009430-02-000	EA	KNOB-ROOF VENT MILL
	009430-03-000	EA	EXTENSION-CRANK HANDLE ROOF VENT - 8" - MILL
	009430-04-000	EA	SCREW 8-32 X 1 1/4" POH
	08C385-01-Y12	EA	VENT-ROOF NONPOWERED
	055218-01-000	EA	COVER-ROOF VENT, PLASTIC
	008825-01-000	EA	WEATHER STRIP-ROOF VENT GRAY
	008440-01-000	EA	GEAR/ARM-VENT COVER LIFT
	018911-01-000	EA	TRACK-LIFT ARM SLIDE - ROOF VENT
	052838-01-001	EA	HINGE-VENT COVER 18"
	063838-01-300	EA	HINGE-EXTRUSION ROOF VENT 7"
	078788-01-Y12	EA	SCREEN-ROOF VENT NON POWERED - WHITE
	002281-02-000	8F	SCREENING-ROOF VENT/WINDOW 18" - BLACK
	002288-02-000	FT	SPLINE-VENT/WINDOW SCREEN 128 DIAMETER - BLACK

VENTS, SHROUDS & ROOF COVERS

KEY	PART NUMBER	U/M	DESCRIPTION
	083558-03-000	EA	VENT-PLUMBING PIPE ROOF W/COVER - OFF WHITE
	084818-01-000	EA	SHROUD-RANGE HOOD VENT, OFF WHITE
	084878-03-000	EA	VENT-RANGE HOOD, SHORT - LVS
	084073-03-000	EA	COVER-ROOF VENT, REFRIGERATOR - OFF WHITE - NORCOLD
	084073-04-000	EA	BASE-ROOF VENT, REFRIGERATOR - BLACK - NORCOLD

1992 WINNEBAGO TABLE OF CONTENTS

INTRODUCTION	A-01 -	A-02
ABBREVIATIONS		A-03
ALPHABETICAL INDEX	A-04 -	A-08
WC522RG	A-07 -	D-18
WF824RC	D-19 -	H-08

1992 WC522RG INDEX

FLOOR PLAN	A-07 -	A-08
ACCESSORIES		A-09
AUDIO VIDEO		A-10
BATH	A-11 -	A-12
CHASSIS	A-13 -	A-18
CURTAIN & CUSHION	A-17 -	A-24
DINETTE	B-01 -	B-02
DRIVERS	B-03 -	B-08
ELECTRICAL	B-07 -	B-10
EXTERIOR BODY	B-11 -	B-18
GALLEY	B-20 -	B-23
GENERATOR		B-24
HEATING & AC	C-01 -	C-02
INTERIOR FINISH	C-03 -	C-08
LABEL	C-07 -	C-14
LP	C-15 -	C-18
LOUNGE	C-17 -	C-18
SEALANTS & FASTENERS	C-19 -	C-21
WATER & SEWAGE	C-22 -	C-24
WINDOW, VENT AND EXTERIOR DOOR	D-01 -	D-17