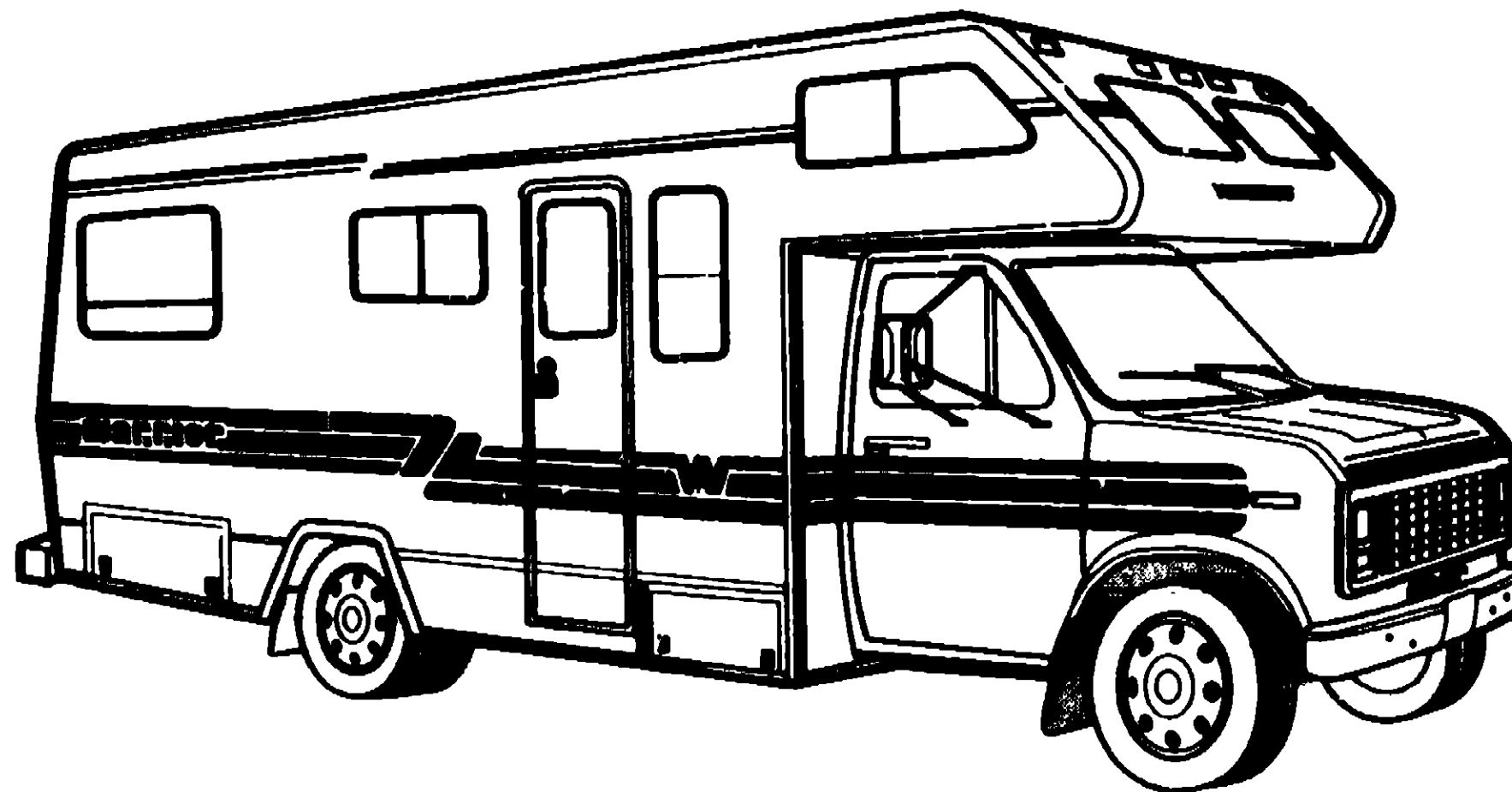


**1992 WINNEBAGO
TABLE OF CONTENTS**

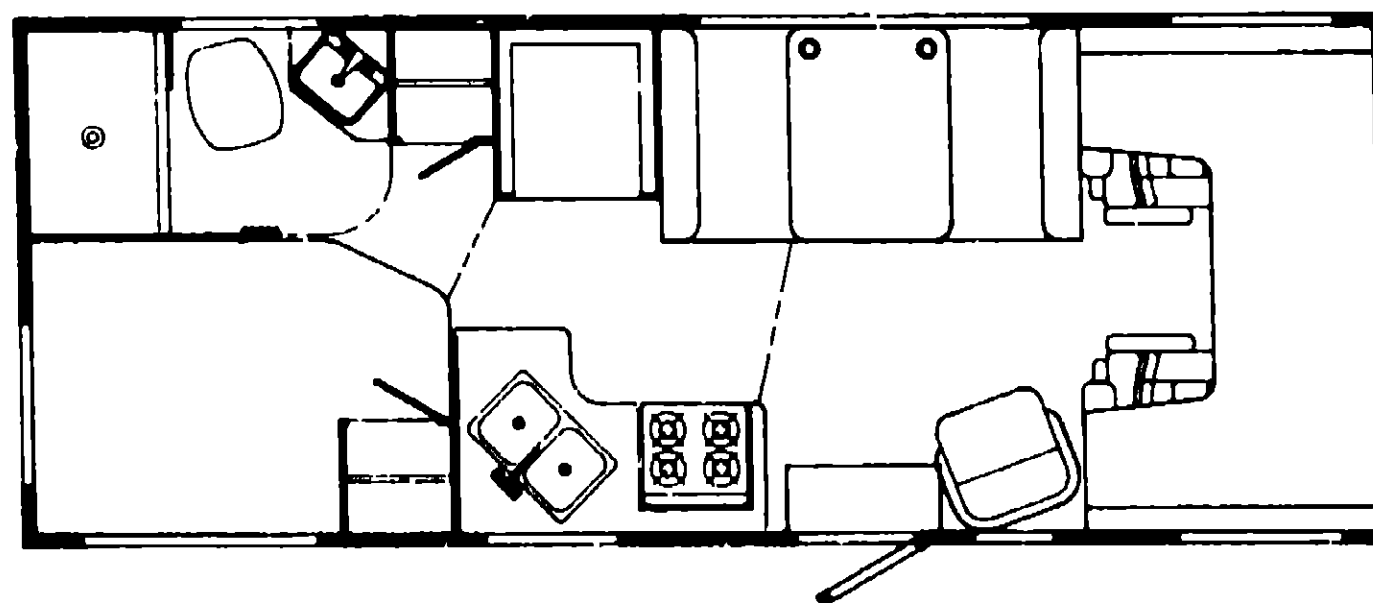
INTRODUCTION	A-01 - A-02
ABBREVIATIONS	A-03
ALPHABETICAL INDEX	A-04 - A-06
WC321RG	A-07 - D-04
WC324RC	D-05 - G-08



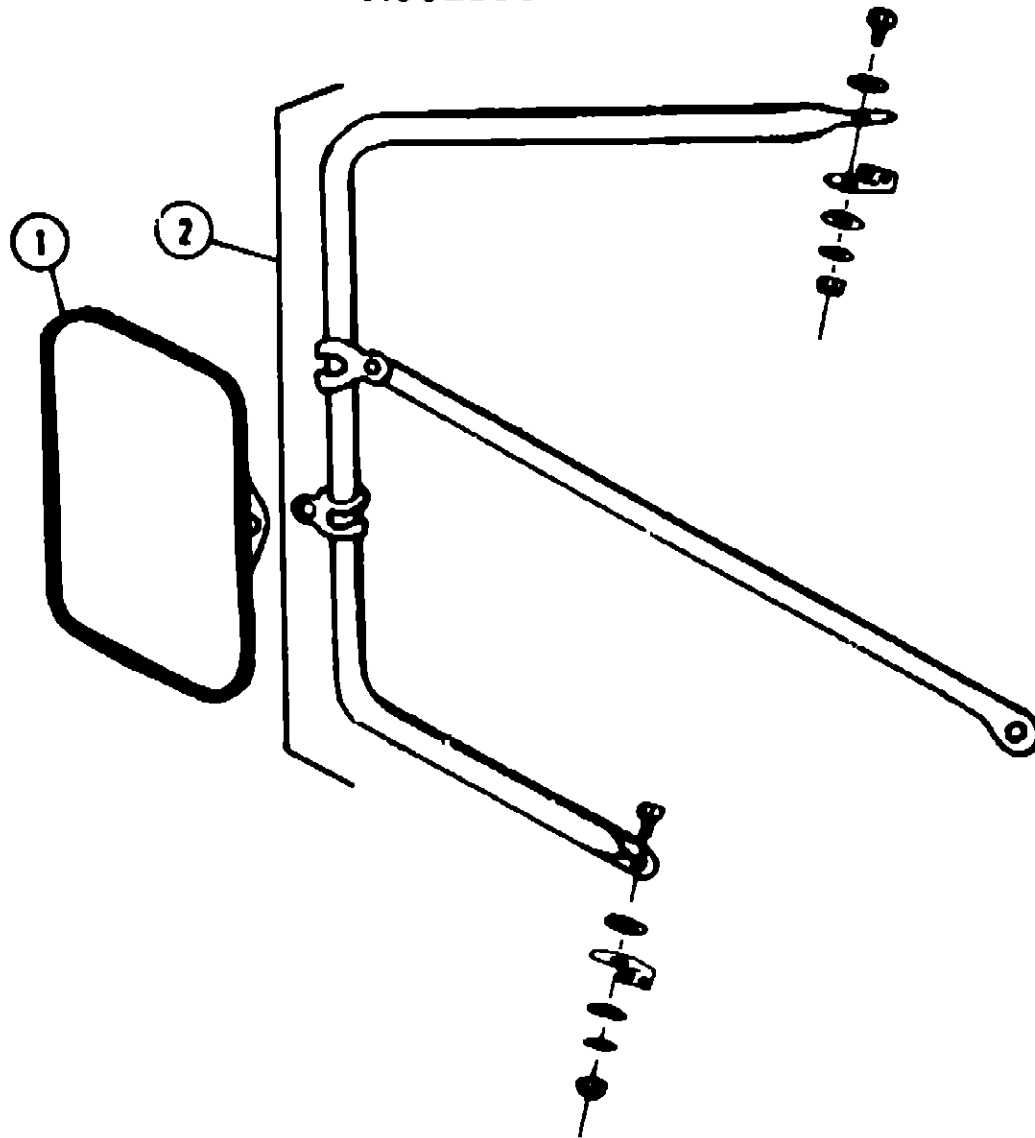
**1992
WC324RC**

1992 WC324RC INDEX

Floor Plan	D-05 - D-08
Accessories Group	D-07 - D-10
Bath Group	D-11 - D-12
Bedroom Group	D-13
Chassis Group	D-14 - D-16
Curtain, Cushion & Pad Group	D-17 - D-24
Dinette Group	E-01 - E-02
Driver's Compartment Group	E-03 - E-06
Electrical Group	E-07 - E-08
Exterior Body Group	E-10 - E-14
Galley Group	E-15 - E-18
Heating & Air Conditioning Group	E-19 - E-20
Interior Finish Group	E-21 - E-23
Labels Group	E-24 - F-08
LP Group	F-09
Lounge Group	F-10
Sealants & Fasteners Group	F-11 - F-12
Water & Sewage Group	F-13 - F-16
Window, Vent & Exterior Door Group	F-17 - G-08



ACCESSORIES GROUP



EXTERIOR MIRRORS

Key	Part Number	U/M	Description
1	049347-01-000	EA	Mirror Head - 7.5" x 10.5" - Stainless Steel
	049347-01-700	EA	Glass - Mirror - 7.5" x 10.5"
2	062047-01-000	EA	Arm - West Coast Mirror - Stainless Steel
	008043-01-000	EA	Mirror - Convex - Adhesive Back

WHEEL COVERS, LINERS & MOUNTING HARDWARE

Key	Part Number	U/M	Description
	083181-01-000	EA	Wheel Cover - 16" (Set/4)
	083181-01-700	EA	Wheel Cover - 16" (1)
	083181-04-702	EA	Nut - Wheel Cover
	081208-06-000	EA	Wheel Liner - 16" (Set/4) - Chevy - Stainless Steel
	086012-03-000	EA	Extension - Valve Stem - Dual Wheel
	081208-05-000	EA	Wheel Liner - 16" (Set/4) Ford - Stainless Steel
	081208-10-700	EA	Wheel Liner - 16" (Set/4) Ford - Stainless Steel
	077030-02-000	EA	Extension - Valve Stem - 1.25"

• These parts were used from 5/16/91 on.

ACCESSORIES GROUP (CONTINUED)

RADIO & RELATED COMPONENTS

Key	Part Number	U/M	Description
	090982-01-000	EA	Radio - AM/FM Stereo - w/Cassette
	007004-01-000	EA	Antenna - Radio - (1) Mount
	074979-01-000	EA	Speaker Cover Protector - Plastic - Beige
	089340-02-000	EA	Speaker - Grill - 6.5" - Square
	081082-01-000	EA	Plaque - Mounting Switch - 2.4" x 1.4" - Black
	079385-02-000	EA	Radio Mounting Kit (Ford)
	091211-01-000	EA	Radio Mounting Kit (Chevrolet)
	094097-01-000	EA	Speaker - 5.25" - w/o Grille
	081059-02-000	EA	Wire Asm - 9 Pin - Audiotax Radio

MISCELLANEOUS ACCESSORIES

Key	Part Number	U/M	Description
	054185-63-000	EA	Owner's Manual - 1991 - Warrior
	082318-01-000	EA	Binder - 3 Ring - Vendor Manual
	082319-01-000	EA	Page - Plastic Packet
	098084-05-000	EA	Cassette - Winnebago Warrior
	094499-01-000	EA	Fire Extinguisher - IA 10BC
	094499-02-000	EA	Fire Extinguisher - IA 10BC (CSA)
	094499-01-700	EA	Bracket - Mounting w/Plastic Strap - Fire Extinguisher
	072852-01-000	EA	Smoke Detector w/9 Volt Battery (US)
	072852-02-000	EA	Smoke Detector w/9 Volt Battery (CSA)
	100803-01-01A	EA	Wall Clock - Round - Bezel
	101333-01-000	EA	Backplate - Clock Mounting - 6" x 6" - Black Plastic
	104784-01-01A	EA	Wall Clock - Spartus

• These parts were used from 5/8/91 on.

TV ANTENNA (OPTION L183)

Key	Part Number	U/M	Description
	076319-13-000	EA	Antenna - TV Roof Mount - 44.5"
	076319-13-700	EA	Head - Antenna - Non-Amplified
	076319-01-701	EA	Gear - Elevating - Plastic
	076319-01-702	EA	Shaft Asm. - Elevating
	076319-01-703	EA	Bearing - Nylon - .5" OD
	076319-01-704	EA	Bearing - Nylon - 1.25" OD
	076319-01-705	EA	Grommet - Nylon - 7/8" ID
	076319-01-708	EA	Crank - Elevating w/Set Screw
	076319-01-707	EA	Spring - Handle
	076319-08-000	EA	Adaptor - Cable Roof Plate
	083252-01-01A	EA	Wallplate/Cable - Beige
	076319-11-000	EA	Adaptor - Coax w/Splitter
	076319-03-000	FT	Cable - Coaxial - 1000'Roll
	076319-12-000	EA	Connector - Coaxial
	076319-04-000	EA	Connector w/Ferrule
	080734-02-000	EA	Clip - Wire Nylon

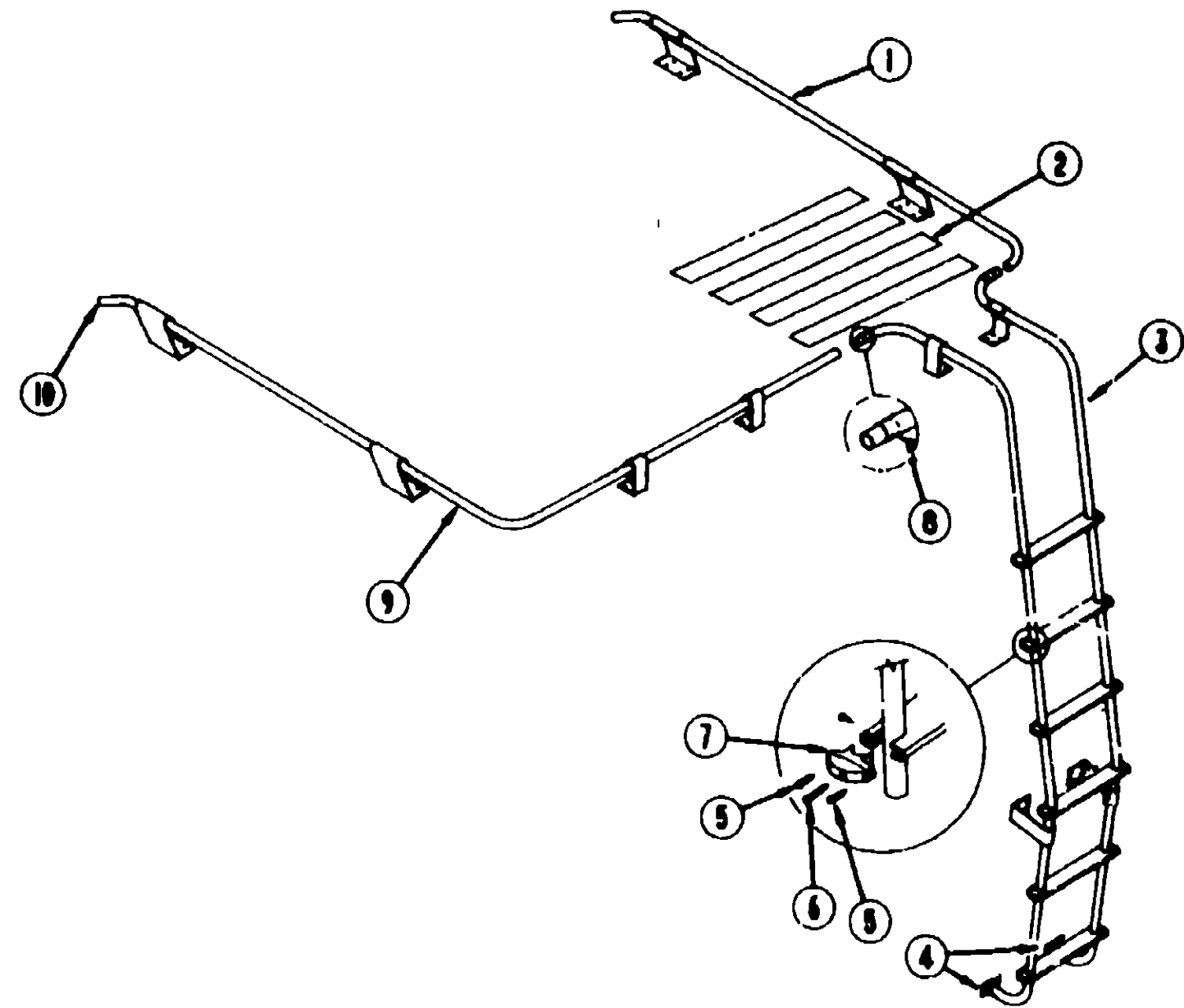
1992 WINNEBAGO TABLE OF CONTENTS

INTRODUCTION	A-01 - A-02
ABBREVIATIONS	A-03
ALPHABETICAL INDEX	A-04 - A-06
WC321RG	A-07 - D-04
WC324RC	D-05 - G-06

1992 WC324RC INDEX

Floor Plan	D-05 - D-06
Accessories Group	D-07 - D-10
Bath Group	D-11 - D-12
Bedroom Group	D-13
Chassis Group	D-14 - D-16
Curtain, Cushion & Pad Group	D-17 - D-24
Dinette Group	E-01 - E-02
Driver's Compartment Group	E-03 - E-06
Electrical Group	E-07 - E-08
Exterior Body Group	E-10 - E-14
Galley Group	E-15 - E-18
Heating & Air Conditioning Group	E-19 - E-20
Interior Finish Group	E-21 - E-23
Labels Group	E-24 - F-08
LP Group	F-09
Lounge Group	F-10
Sealants & Fasteners Group	F-11 - F-12
Water & Sewage Group	F-13 - F-18
Window, Vent & Exterior Door Group	F-17 - G-06

ACCESSORIES GROUP (CONTINUED)



RACK & LAUDER COMPONENTS (OPTION L803)

Key	Part Number	U/M	Description
1	081028-01-T03	EA	Rack Arm. - Passenger Side w/2 Angled Standoff
2	038327-01-000	EA	Tape - Anti-Slip - 2" x 60'
3	081016-04-AA3	EA	Ladder
4	087185-01-000	EA	Mounting Bracket - Ladder - Lower
5	000039-08-10T	EA	Screw - SF/DR - 8 - 20 x 5/8" PPH - Black
6	000088-10-36T	EA	Screw - 10 - 12 x 2 25" POH - Black
7	078880-02-G00	EA	End Cap - Step - Black
8	000039-08-08E	EA	Screw - SF/DR - 8 - 18 x 5/8 PPH
9	081028-02-T03	EA	Rack Arm. - Driver Side w/2 Angled & 2 Straight Standoff
10	081114-01-000	EA	Cap - Insert - Round - 1" Dia

ACCESSORIES GROUP (CONTINUED)

GENERATORS & COMPONENTS (OPTION L38E)

Key	Part Number	U/M	Description
	100874-03-000	EA	Generator - Emerald - 4.0 kw
	088252-01-000	EA	Exhaust Pipe - Generator - w/2 Bolt Hole Flange
	083152-07-000	EA	Exhaust Pipe - Generator
	088484-01-000	EA	Bracket - Exhaust
	081384-03-010	EA	Muffler - Generator - Emerald
	007087-01-000	SF	Insulation - Fiberglass - 1"
	078045-01-000	EA	Strap - Support - Generator - 4 Hole
	084385-01-000	EA	Strap - Support - Generator - 2 Hole
	078854-01-700	EA	Hinge KH - Emerald Generator
	007083-01-000	EA	Hose - Gas - 1/4" ID x 1/2" OD
	007125-03-000	EA	Clamp - Muffler - 1 1/2" Dia
	007125-01-000	EA	Clamp - Muffler - 1.5" Dia.
	007161-01-000	EA	Clamp - Hose - Spring Type - 1/2"
	023842-01-000	EA	Grommet - Rubber - 2" OD

KOHLER GENERATOR (OPTION L38K)

Key	Part Number	U/M	Description
	105623-01-000	EA	Generator - 4KW Low Profile - Kohler
	105626-01-000	EA	Arrestor - Spark
	105627-01-000	EA	Pipe - Exhaust Adapter - Kohler 278624
	105629-01-000	EA	Muffler - Front Exhaust w/o Spark
	105802-01-000	EA	Gasket - Exhaust - Kohler 278326
	105732-01-000	EA	Tray - Generator
	007125-03-000	EA	Clamp - Muffler - 1.5" Diameter
	007125-04-000	EA	Clamp - Muffler - 1 1/2" Diameter
	023842-01-000	EA	Grommet - Rubber - 2" OD
	007087-01-000	EA	Clamp - Hose - Spring Type - 1/2"

TV/VCR & RELATED COMPONENTS (OPTIONS L43V & L46F)

Key	Part Number	U/M	Description
	088447-01-000	EA	TV - 13" Color w/Remote - Magnavox (US) RX4029WA
	088447-02-000	EA	TV - 13" Color w/Remote - Magnavox (CSA) XK4029CH
	088447-01-700	EA	Remote Control - TV
	088447-03-000	EA	TV - 13" Color w/Remote - Magnavox (US) RR1337W
	088447-04-000	EA	TV - 13" Color w/Remote - Magnavox (CSA) RR1330W
	088447-03-700	EA	Remote Control - TV
	088446-02-000	EA	VCR - VHS - Cable Ready w/Remote - Magnavox VR8012
	088446-02-700	EA	Remote Control - VCR
	088446-03-000	EA	VCR - VHS - Cable Ready w/Remote - Magnavox VR8010
	088446-03-700	EA	Remote Control - VCR
	088888-01-000	EA	TV Tie-down
	088819-01-000	EA	Speaker - 2 Watt - 8 OHM - 4"
	074879-11-000	EA	Cover - Speaker - Off White - Plastic
	076319-08-000	EA	Adapter - Cable Roof Plate - Winegard RPJ-1
	088774-01-000	FT	Fastener Dual Hook - 1" Wide - Adhesive Back - Black
	088774-02-000	FT	Fastener Dual Loop - 1" Wide - Adhesive Back - Black

* These parts were used from 8/24/81 on.

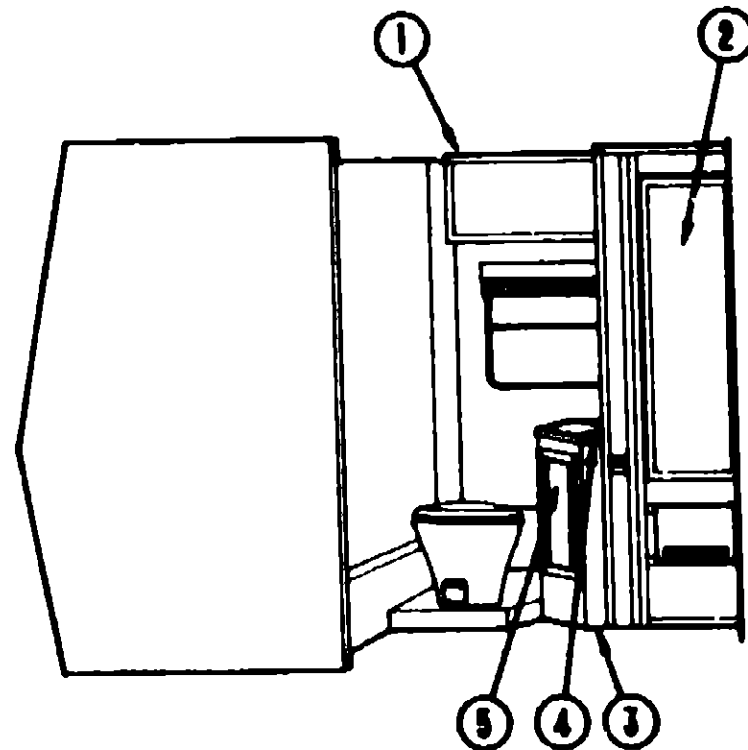
1991 1/2 WINNEBAGO TABLE OF CONTENTS

INTRODUCTION	A-01 - A-02
ABBREVIATIONS	A-03
ALPHABETICAL/GROUP REFERENCE	A-04 - A-08
WC321RG	A-07 - D-04
WC324RC	D-05 - G-08

1991 1/2 WC324RC INDEX

Floor Plan	D-05 - D-08
Accessories Group	D-07 - D-10
Bath Group	D-11 - D-12
Bedroom Group	D-13
Chassis Group	D-14 - D-16
Curtain, Cushion & Pad Group	D-17 - D-24
Dinette Group	E-01 - E-02
Driver's Compartment Group	E-03 - E-08
Electrical Group	E-07 - E-09
Exterior Body Group	E-10 - E-14
Galley Group	E-15 - E-18
Heating & Air Conditioning Group	E-19 - E-20
Interior Finish Group	E-21 - E-23
Labels Group	E-24 - F-08
I/P Group	F-09
Lounge Group	F-10
Sealants & Fasteners Group	F-11 - F-12
Water & Sewage Group	F-13 - F-16
Window, Vent & Exterior Door Group	F-17 - G-08

BATH GROUP



BATH & WARDROBE CABINETRY

Key	Part Number	U/M	Description
*1	083448-08-Y15	EA	Door Asm. - Medicine Cabinet w/Mirror - w/o Hardware
.	068331-32-000	EA	Mirror - Medicine Cabinet Door - 13 6" x 27 6"
.	078073-01-000	EA	Cabinet Asm. - Medicine - Almond - w/o Mirror
.	078073-01-700	EA	Travel Lock
.	078387-01-000	EA	Bracket - Medicine Cabinet
#	088883-01-01A	EA	Cabinet Asm. - Medicine w/Mirror Door
2	P03701-16-885	EA	Door Asm. - Wardrobe Cabinet - 15 5" x 45 5" - w/o Hardware
3	M88832-01-885	EA	Cabinet Asm. - Lavatory - w/Countertop - w/o Doors or Hardware (US)
3	M04028-01-885	EA	Cabinet Asm. - Lavatory - w/Countertop - w/o Doors or Hardware (CSA)
4	088832-11-885	EA	Countertop Asm. - Lavatory Cabinet
5	P03701-15-885	EA	Door Asm. - Lavatory Cabinet - 12" x 28" - w/o Hardware
†5	P03701-14-885	EA	Door Asm. - Lavatory Cabinet - 12" x 21 8" - w/o Hardware
.	083448-02-Y15	EA	Mirror Asm. - Wood Framed - Wall Mounted - 27.7" x 13.7"
.	088331-08-000	EA	Mirror - Glass - 12" x 28"
.	043488-08-000	EA	Door Asm. - Folding - Woven Wood - 75" x 60"
.	088884-02-000	EA	Track - Folding Door - 28" - Off White
.	043488-04-700	EA	Latch & Catch Asm. - Folding Door
.	057534-01-000	EA	Tieback Asm. - Clear Plastic - 6"

† These parts were used from 4/22/91 on.

.

These parts were used from 7/2/91 on

BATH GROUP (CONTINUED)

BATH & WARDROBE HARDWARE

Key	Part Number	U/M	Description
.	M02429-04-000	EA	Shower Pan Asm.
.	075808-01-000	EA	Panel - Shower Faucet - Plastic - Back
.	084481-08-885	EA	Shower Curtain - 70" x 32" - Vinyl
.	084481-08-888	EA	Shower Curtain - 70" x 32" - Vinyl
.	084856-03-01A	FT	Track - Shower Curtain - 29"
.	075241-05-000	EA	Faucet - Shower - Bone
**	011048-02-000	EA	Shower Head - w/80" Hose (US)
.	011048-05-000	EA	Shower Head - w/80" Hose (CSA)
.	088440-01-000	EA	Strainer - Shower Pan Asm.
.	088438-01-000	EA	Slip Nut - 1 5" Tailpiece - Shower Pan Asm.
.	011089-03-000	EA	Tailpiece - 1.75" - Plastic - Shower Pan Asm
.	078240-08-000	EA	Faucet - Lavatory - Bone
.	081253-01-000	EA	Gasket - Lavatory Faucet
.	088827-01-01A	EA	Sink - Lavatory - Rectangular - Plastic - Bone
.	088827-01-700	EA	Sink - Stopper
.	088827-01-701	EA	Tailpiece - Sink
.	087487-01-000	EA	Toilet - Thetford - Aqua Magic
.	087487-01-700	EA	C.L.F.L. Seal & Bolt Package
.	087487-01-701	EA	Water Saver Package
.	087487-01-702	EA	Clamp
.	083740-01-710	EA	Link
.	083740-01-711	EA	Spring - Return Lever
.	083740-01-716	EA	Seat & Cover
.	083740-01-700	EA	Lever - Water
.	083740-01-701	EA	Lever - Flush
.	083740-01-713	EA	Seal - Ball Valve to Bowl
.	083740-01-714	EA	Valve Asm. - Water
.	083740-01-707	EA	Seal - Closet Flange
.	083740-01-708	EA	Bolt Package - Closet
.	024878-01-000	EA	Flange - Closet - Toilet - US
.	084878-02-000	EA	Flange - Closet - Toilet - CSA
.	057871-01-000	EA	Cover - Screw - #8 - Plastic - Off White
.	078462-02-000	EA	Tissue Holder - Brass
.	078484-02-000	EA	Towel Ring - Bright Brass w/Mounting Hardware
.	088088-01-000	EA	Clip - Mirror
.	088112-01-000	EA	Flange - Clothes Rod - 1"
.	041853-03-000	FT	Conduit - Convolute Silt - 1" ID (Clothes Rod Cover)
.	042438-01-000	EA	Dowel - Wooden - 1" Dia. x 4' (Shirt Closet)
.	075803-01-000	EA	Threshold - Bath Door

** The illustrated parts breakdown for this item is provided on the Common Rema Fiche.

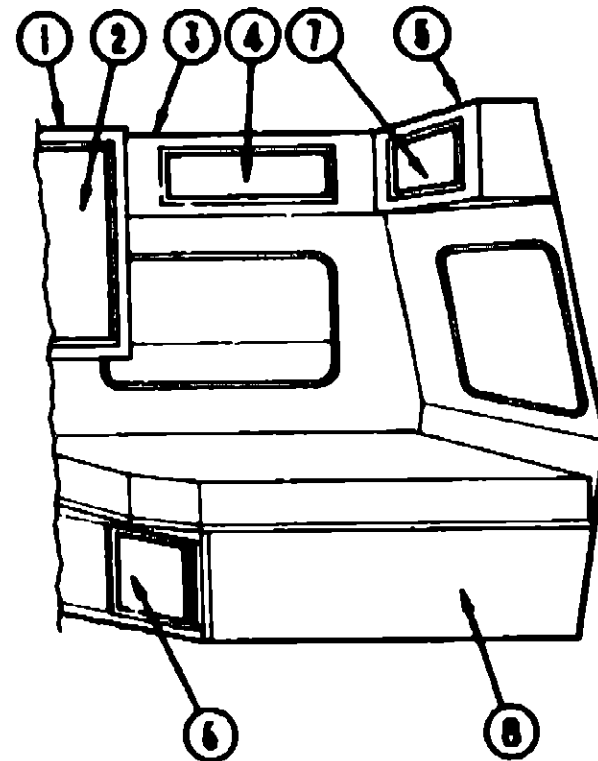
1992 WINNEBAGO TABLE OF CONTENTS

INTRODUCTION	A-01 - A-02
ABBREVIATIONS	A-03
ALPHABETICAL INDEX	A-04 - A-08
WC321RG	A-07 - D-04
WC324RC	D-05 - G-08

1992 WC324RC INDEX

Floor Plan	D-05 - D-08
Accessories Group	D-07 - D-10
Bath Group	D-11 - D-12
Bedroom Group	D-13
Cheese Group	D-14 - D-16
Curtain, Cushion & Pad Group	D-17 - D-24
Dinette Group	E-01 - E-02
Driver's Compartment Group	E-03 - E-08
Electrical Group	E-07 - E-08
Exterior Body Group	E-10 - E-14
Galley Group	E-15 - E-18
Heating & Air Conditioning Group	E-19 - E-20
Interior Finish Group	E-21 - E-23
Labels Group	E-24 - F-08
LP Group	F-09
Lounge Group	F-10
Sealants & Fasteners Group	F-11 - F-12
Water & Sewage Group	F-13 - F-16
Window, Vent & Exterior Door Group	F-17 - G-08

BEDROOM GROUP



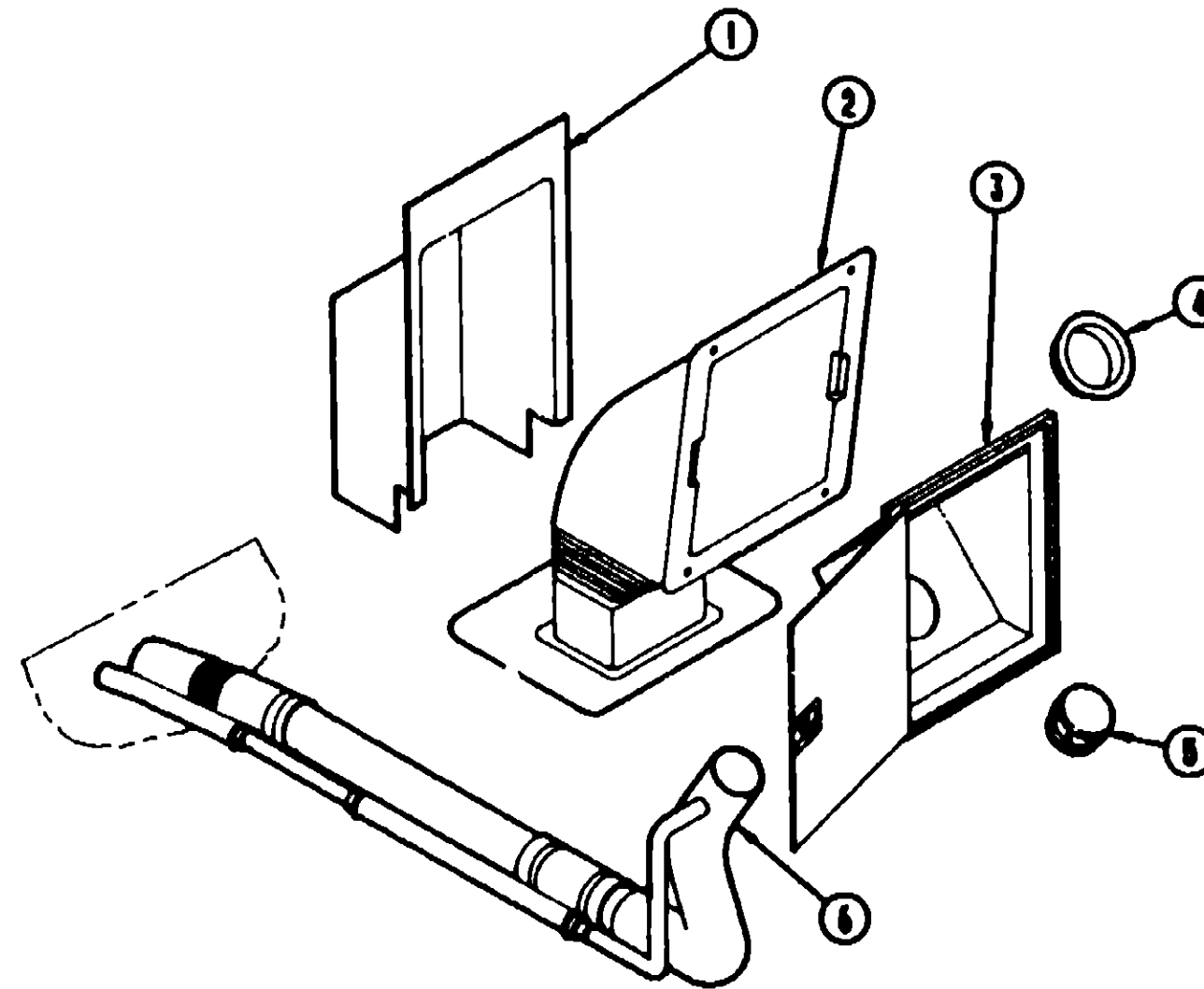
BEDROOM CABINETRY

Key	Part Number	U/M	Description
1	096767-01-885	EA	Cabinet Arm. - Shirt Closet - w/o Doors or Hardware
2	P03701-31-885	EA	Door Arm. - Shirt Closet - 14.4" x 33.5" - w/o Hardware
3	M05149-13-885	EA	Cabinet Arm. - Passenger Overhead - w/o Door or Hardware
4	P03701-26-885	EA	Door Arm. - Overhead Cabinet - 14.4" x 33.5" - w/o Hardware
	081280-18-805	EA	End Cap - Overhead Cabinet
5	M05149-16-885	EA	Cabinet Arm. - Rear Overhead - w/o Door or Hardware
6	P03701-45-885	EA	Door Arm. - Double Bed Cabinet - 12" x 18.7" - w/o Hardware
7	P03701-27-885	EA	Door Arm. - Overhead Cabinet - 14.4" x 33.5" - w/o Hardware
8	P01623-01-805	EA	Cabinet Arm. - Double Bed w/o Top or Door

BEDROOM HARDWARE

Key	Part Number	U/M	Description
	041853-03-000	FT	Conduit - Convolute SW - 1" ID (Clothes Rod Cover)
	042438-01-000	EA	Dowel - Wood - Clothes Rod - 1" Dia. x 4'
	008112-01-000	EA	Flange - 1" Clothes Rod - Plastic - Off White
	088078-03-000	EA	H-Channel - Bed Support - Beige

CHASSIS GROUP



FUEL FILL COMPONENTS

Key	Part Number	U/M	Description
1	078040-02-000	EA	Shroud - Fuel Fill - Upper
2	083678-01-000	EA	Boot - Fuel Fill
	084238-01-000	EA	Support Flange - Fuel Fill Boot
3	078010-03-000	EA	Door Arm. - Fuel Fill - Off White
4	078200-01-000	EA	Gasket - Fuel Fill
5	NOTE	EA	Fuel Cap (Chevrolet)
6	074888-03-000	EA	Filter Neck - Fuel Fill (Chevrolet)
6	081187-03-000	EA	Filter Neck - Fuel Fill (Ford)
	088738-01-000	EA	Hose - Fuel Fill - .82 ID
	NOTE: This item is chassis supplied.		

1982 WINNEBAGO TABLE OF CONTENTS

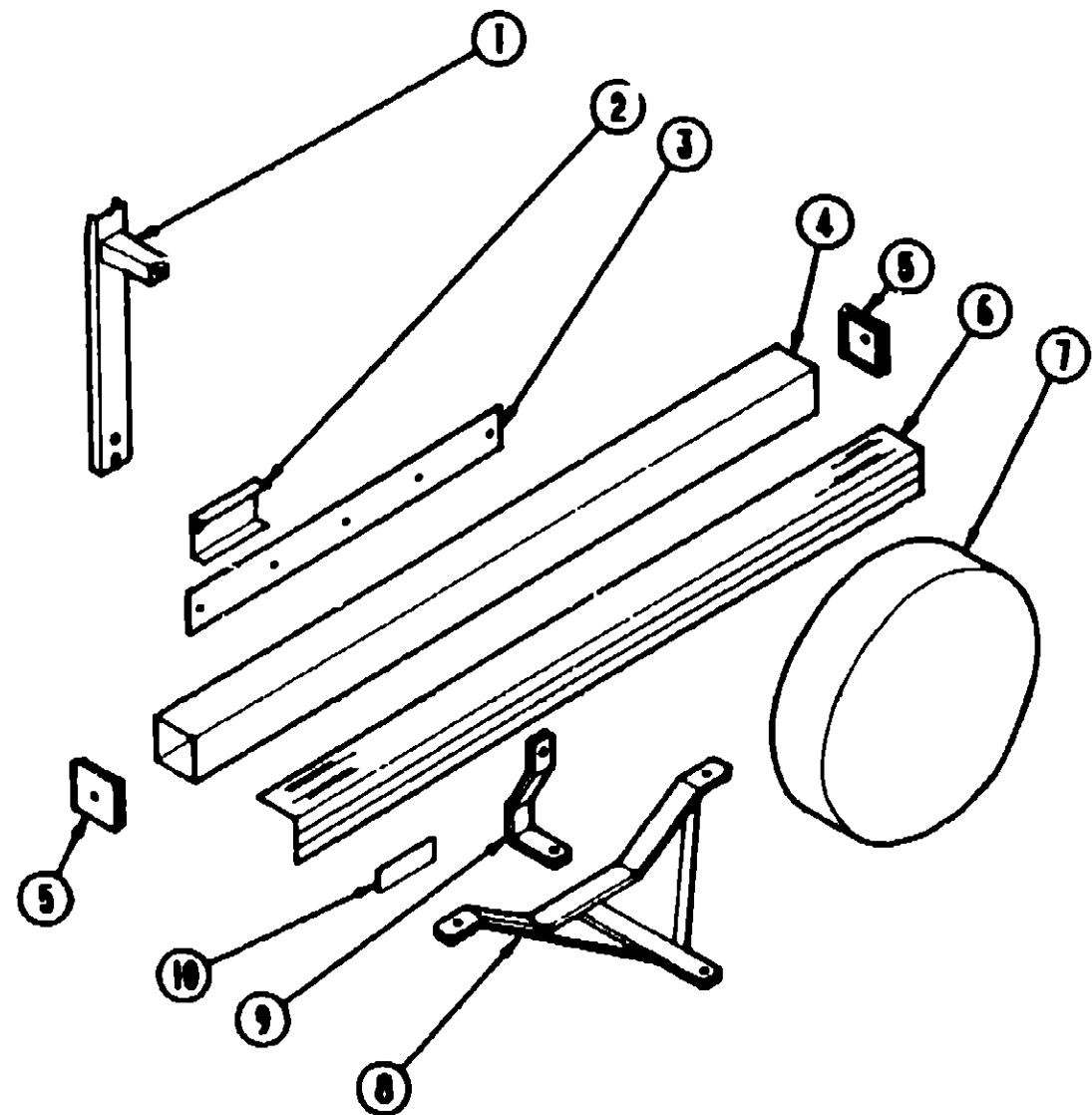
INTRODUCTION
ABBREVIATIONS
ALPHABETICAL INDEX
WC321RG
WC324RC

A-01 - A-02
A-03
A-04 - A-08
A-07 - D-08
D-05 - G-08

1982 WC324RC INDEX

Floor Plan	D-05 - D-08
Accessories Group	D-07 - D-10
Bath Group	D-11 - D-12
Bedroom Group	D-13
Chassis Group	D-14 - D-18
Curtain, Cushion & Pad Group	D-17 - D-24
Dinette Group	E-01 - E-02
Driver's Compartment Group	E-03 - E-08
Electrical Group	E-07 - E-08
Exterior Body Group	E-10 - E-14
Galley Group	E-15 - E-18
Heating & Air Conditioning Group	E-19 - E-20
Interior Finish Group	E-21 - E-23
Labels Group	E-24 - F-08
LP Group	F-09
Lounge Group	F-10
Sealants & Fasteners Group	F-11 - F-12
Water & Sewage Group	F-13 - F-16
Window, Vent & Exterior Door Group	F-17 - G-08

CHASSIS GROUP (CONTINUED)



SPARE TIRE, HITCH & REAR BUMPER

Key	Part Number	U/M	Description
1	079027-01-000	EA	Bracket Asm. - Tire Carrier
2	M64600-02-000	EA	Mount Support - Tire Carrier
3	M22150-01-000	EA	Bracket - Rear Bumper
4	084602-01-000	EA	Bumper - Square - Off White - Steel
4	103422-01-01A	EA	Bumper - Square - Off White - Aluminum
5	036779-01-000	EA	Bumper Cap - Black Rubber - 4" x 4"
6	041332-03-000	EA	Cover - Bumper - w/o Reflector - 4" Square x 92"
7	086665-01-AA3	EA	Cover - Spare Tire - Vinyl - Off White
8	084633-02-000	EA	Trailer Hitch Asm. (Chevrolet)
8	084633-03-000	EA	Trailer Hitch Asm. (Ford)
9	084634-02-000	EA	Support - Trailer Hitch
10	041332-02-000	EA	Reflector - Bumper Cover - Self-Adhesive - 6 1/2" x 3/4"
	070917-02-000	EA	Tire - Michelin - Radial (Ford)
	070917-04-000	EA	Tire - Firestone - Radial (Ford)
	086667-01-000	EA	Tire - Firestone - Radial (Chevrolet)
	086329-04-000	EA	Wheel - Steel - 6" x 16" (Chevrolet)
	086917-01-000	EA	Wheel - Steel - 6" x 16" - 8 Hole (Ford)
	081377-01-000	EA	Valve Stem - TR500
	081377-08-000	EA	Valve Stem - TRO 800 HP

These parts were used from 5/27/91 on

CHASSIS GROUP (CONTINUED)

GENERATOR & COMPONENTS

Key	Part Number	U/M	Description
	100974-03-000	EA	Generator - Emerald - 4.0 KW (Option L39E)
	081384-04-000	EA	Muffler - Generator (Option L39E)
	078045-01-000	EA	Strap - Support - Generator - 4 Hole (Option L39E)
	084385-01-000	EA	Strap - Support - Generator - 2 Hole (Option L39E)
	079854-01-700	EA	Hinge Kit (Option L39E)
	102554-01-000	EA	Pipe - Exhaust - Curved - w/2 Bolt Hole (Option L39E)
	105523-01-000	EA	Generator - 4kw - Kohler (Option L39K)
	105526-01-000	EA	Arrester - Spark - Kohler (Option L39K)
	105527-01-000	EA	Pipe - Exhaust Adapter - Kohler (Option L39K)
	105530-01-000	EA	Muffler - Side Exhaust w/o Spark (Option L39K)
	105872-01-000	EA	Gasket - Exhaust (Option L39K)
	007067-01-000	SF	Insulation - Fiberglass - 1"
	007083-01-000	FT	Hose - Gas - 1/4" ID x 1/2" OD
	007125-03-000	EA	Clamp - Muffler - 1.1" Diameter
	007125-04-000	EA	Clamp - Muffler - 1.5" Diameter
	007161-01-000	EA	Clamp - Hose - Spring Type - 1/2"
	104115-01-000	EA	Hanger - Exhaust - 5 Slots
	007131-01-000	EA	Hanger - Exhaust - 6 Slots
	023942-01-000	EA	Grommet - Rubber - 2 0" OD

MISCELLANEOUS CHASSIS PARTS

Key	Part Number	U/M	Description
	085450-02-000	EA	Tiedown - Battery
	010497-01-000	EA	Clamp - Closed - 5/8 ID
	007161-01-000	EA	Clamp - Hose - Spring Type 1/2"
	082401-01-000	EA	Clamp - Hose - Wormgear - 22" ID - 1" ID
	082401-02-000	EA	Clamp - Hose - Wormgear - 1.58 ID - 2.5" ID
	082401-03-000	EA	Clamp - Hose - Wormgear - .25" ID - 1" ID
	082401-04-000	EA	Clamp - Hose - Wormgear - .69" ID - 1.25" ID
	082401-06-000	EA	Clamp - Hose - Wormgear - .22" ID - .62" ID
	023146-01-000	EA	Clamp - Screw Type - 4"
	086020-10-000	EA	Compartment Asm. - Storage - Driver Side - Front
	086020-04-000	EA	Compartment Asm. - Storage - Passenger Side - Center
	086577-01-000	EA	Compartment - Battery
	080188-01-000	EA	Tray - Battery
	074894-01-000	EA	Guide - Track - Battery Tray
	007083-01-000	FT	Hose - Gas - 1/4 ID x 1/2 OD
	007108-01-000	FT	Hose - Heater - 5/8 ID
	080208-02-000	EA	Leverage Bar - Lug Wrench (Chevrolet)
	080208-01-000	EA	Lug Wrench (Chevrolet)
	017518-01-000	EA	Mud Flap w/Holes - 14" x 18" - Black
	084089-01-700	EA	Splash Guard - Black Rubber - Set of 2
	072894-19-000	EA	Running Boards - Aluminum - Chevrolet - 27" (Option 66R)
	072894-20-000	EA	Running Boards - Aluminum - Ford - 40" (Option 66R)
	077848-02-000	EA	Step Asm. - Pullout
	078241-01-000	EA	Support Asm. - Step
	086322-01-000	EA	Wheelwell - Plastic
	008343-01-000	EA	Wire Tie - 6"

NOTE: Remainder of exhaust components available from Chassis Service Center.

1991 1/2 WINNEBAGO TABLE OF CONTENTS

INTRODUCTION	A-01 - A-02
ABBREVIATIONS	A-03
ALPHABETICAL/GROUP REFERENCE	A-04 - A-08
WC321RG	A-07 - D-04
WC324RC	D-05 - G-08

1991 1/2 WC324RC INDEX

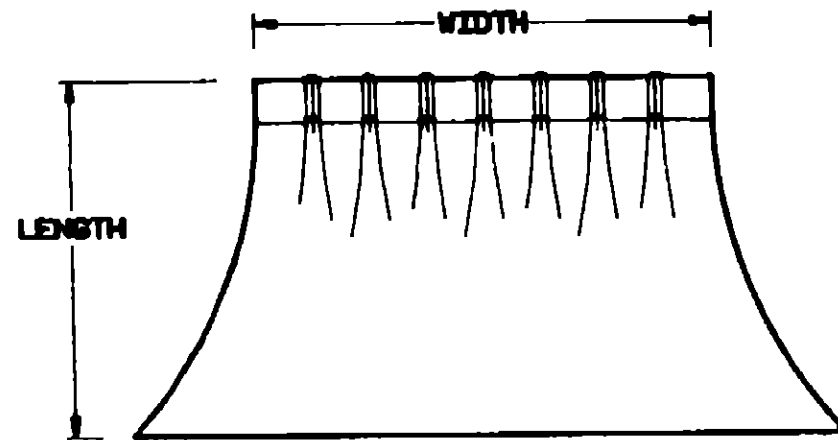
Floor Plan	D-05 - D-06
Accessories Group	D-07 - D-10
Bath Group	D-11 - D-12
Bedroom Group	D-13
Chassis Group	D-14 - D-16
Curtain, Cushion & Pad Group	D-17 - D-24
Dinette Group	E-01 - E-02
Driver's Compartment Group	E-03 - E-06
Electrical Group	E-07 - E-09
Exterior Body Group	E-10 - E-14
Galley Group	E-15 - E-18
Heating & Air Conditioning Group	E-19 - E-20
Interior Finish Group	E-21 - E-23
Labels Group	E-24 - F-08
LP Group	F-09
Lounge Group	F-10
Sealants & Fasteners Group	F-11 - F-12
Water & Sewage Group	F-13 - F-16
Window, Vent & Exterior Door Group	F-17 - G-08

CURTAIN, CUSHION & PAD GROUP

NOTICE

In order to assist our Part Sales Dept. in providing interior software items, please include the serial number and the color code number from the vehicle certification label when ordering. This label is located on the left sidewall at the end of the dash (A-Body), or on the driver's door latch plate (C-Body).

An example of a color code number is P31, which designates an overall color scheme of a particular unit. The color listed after the item description on the microfiche, indicates the overall unit color. Order the item you desire according to unit color code.



NOTE: Use this illustration when determining length and width measurements for curtains. You will note the width measurement is taken on the top of the curtain with the curtain fully extended. The length measurement is taken from top to bottom.

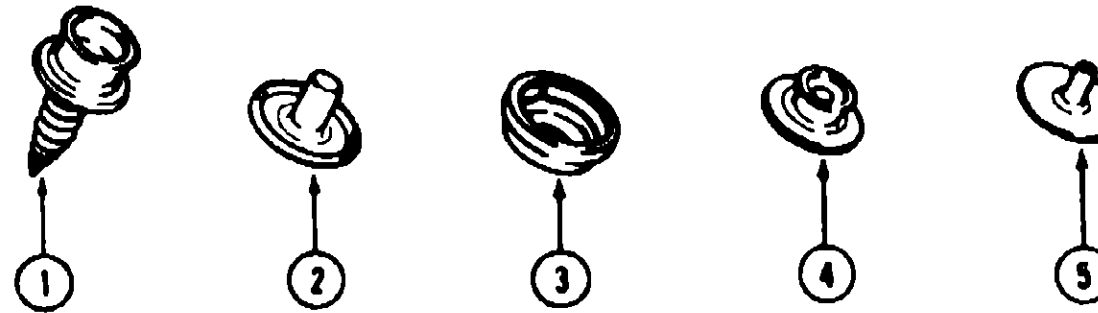
TRIMS & PADS

Key	Part Number	U/M	Description
	084415-31-000	YD	Trim Braid (B85)
	084415-27-000	YD	Trim Braid (B86)
	070578-06-B05	EA	Button Asm. - Snap Top - #30 - Vinyl
	070578-10-B85	EA	Button Asm. - Screw Stud - #30 - Accent - Plain
	070578-10-B88	EA	Button Asm. - Screw Stud - #30 - Accent - Plain
	059797-02-000	EA	Shell - Upholstery Button - #30
	089734-01-000	EA	Back - Upholstery Button - #30
	078155-01-000	EA	Strap Asm. - Cushion (Dinette Cushion)
	081519-16-B85	EA	Pad Asm. - Dinette - Front
	081519-16-B88	EA	Pad Asm. - Dinette - Front
	081519-17-B85	EA	Pad Asm. - Dinette - Rear
	081519-17-B88	EA	Pad Asm. - Dinette - Rear
	058481-01-B85	EA	Pad Asm. - Door - Passenger - Upper (Chevrolet)
	058481-01-B88	EA	Pad Asm. - Door - Passenger - Upper (Chevrolet)
	058482-01-B85	EA	Pad Asm. - Door - Driver - Upper (Chevrolet)
	058482-01-B88	EA	Pad Asm. - Door - Driver - Upper (Chevrolet)
	088885-16-B85	EA	Motor Cover w/Map Pocket (Ford)
	088885-16-B88	EA	Motor Cover w/Map Pocket (Ford)
	074881-07-B85	EA	Motor Cover w/Map Pocket (Chevrolet)
	074881-07-B88	EA	Motor Cover w/Map Pocket (Chevrolet)
	078349-01-B85	YD	Wetling - Skirt
	078349-01-B88	YD	Wetling - Skirt

CURTAIN, CUSHION & PAD GROUP (CONTINUED)

CURTAIN & CUSHION HARDWARE

Key	Part Number	U/M	Description
	064854-03-11A	EA	Track - Shower Curtain - Off White
	009701-01-100	EA	Carrier - Shower Curtain
	009702-01-000	EA	End - S - Cap - Curtain Carrier - Shower
	048867-01-000	EA	Grommet - Brass - 7/16" ID x 1" OD (Shower Curtain)
	009136-01-000	EA	Pin - Shower Curtain
	029092-01-000	EA	Stud - Nickel Finish
	029093-01-000	EA	Eyelet - Nickel Finish
	029155-01-000	EA	Cap - Snap
	029156-01-000	EA	Socket - Snap Fastener
	029130-01-000	EA	Screw - Snap Socket - 8 PH x 5/8"
	089918-01-000	EA	Mount - Window Leg - Black
	101032-01-000	FT	Track - Curtain - Ceiling Mount - White (Bunk Privacy)
	101033-01-000	FT	Track - Curtain - Low Profile - White (Bunk Window Valance)
	101033-02-000	EA	End Cap - Track - Clear
	101031-01-000	EA	Tape - Glide - 4.25" Spacing
	095591-02-000	EA	Bracket - Blind - Hold Down w/Pin
	082239-02-000	EA	Brace - Window Valance - Beige - 18 7/8" Long
	075943-01-000	EA	Brace - Window Valance - Beige - 20" Long
	083170-01-000	EA	Bracket - Blind - Right
	083170-02-000	EA	Bracket - Blind - Left
	089522-03-000	EA	Panel - Leg - Window - 27" Long
	089522-04-000	EA	Panel - Leg - Window - 31 5/8" Long
	084898-02-100	EA	Grommet - Cord - Pleated Blind - Nylon - Gray
	084897-02-000	EA	End Cap - Top - Pleated Blind - Plastic - Gray
	084897-03-000	EA	End Cap - Bottom - Pleated Blind - Plastic - Gray
	087591-01-000	EA	Spring - Extension - Pleated Blind
	087582-01-010	EA	Spool - Cord - Elevated Blind Holdup - Clear Plastic
	087583-02-010	FT	Cord - Pleated Blind - Gray
	083475-01-701	EA	Wand - Blind w/Metal Clip - 8" Long
	083475-01-701	EA	End Cap - Blind w/Stud
	087585-01-000	EA	Bracket - Mounting - Pleated Blind
	102556-01-000	EA	Cleat - Cord - Blind - Off White
	103986-01-000	FT	Trim - Valance - .75" Wide - Brass
	105450-08-01A	EA	Track - Curtain - 88" - Aluminum - Off White
	105450-02-01A	EA	Track - Curtain - 48" - Aluminum - Off White
	105450-05-01A	EA	Track - Curtain - 78" - Aluminum - Off White



Key	Part Number	U/M	Description
1	029130-01-000	EA	Screw - Snap Socket - 8 PH x 5/8"
2	029156-01-000	EA	Cap - Snap - .156" Dia. x 17" Barrel
3	029092-01-000	EA	Socket - Snap Fastener
4	029092-01-000	EA	Stud - Nickel Finish
5	029093-01-000	EA	Eyelet - Nickel Finish

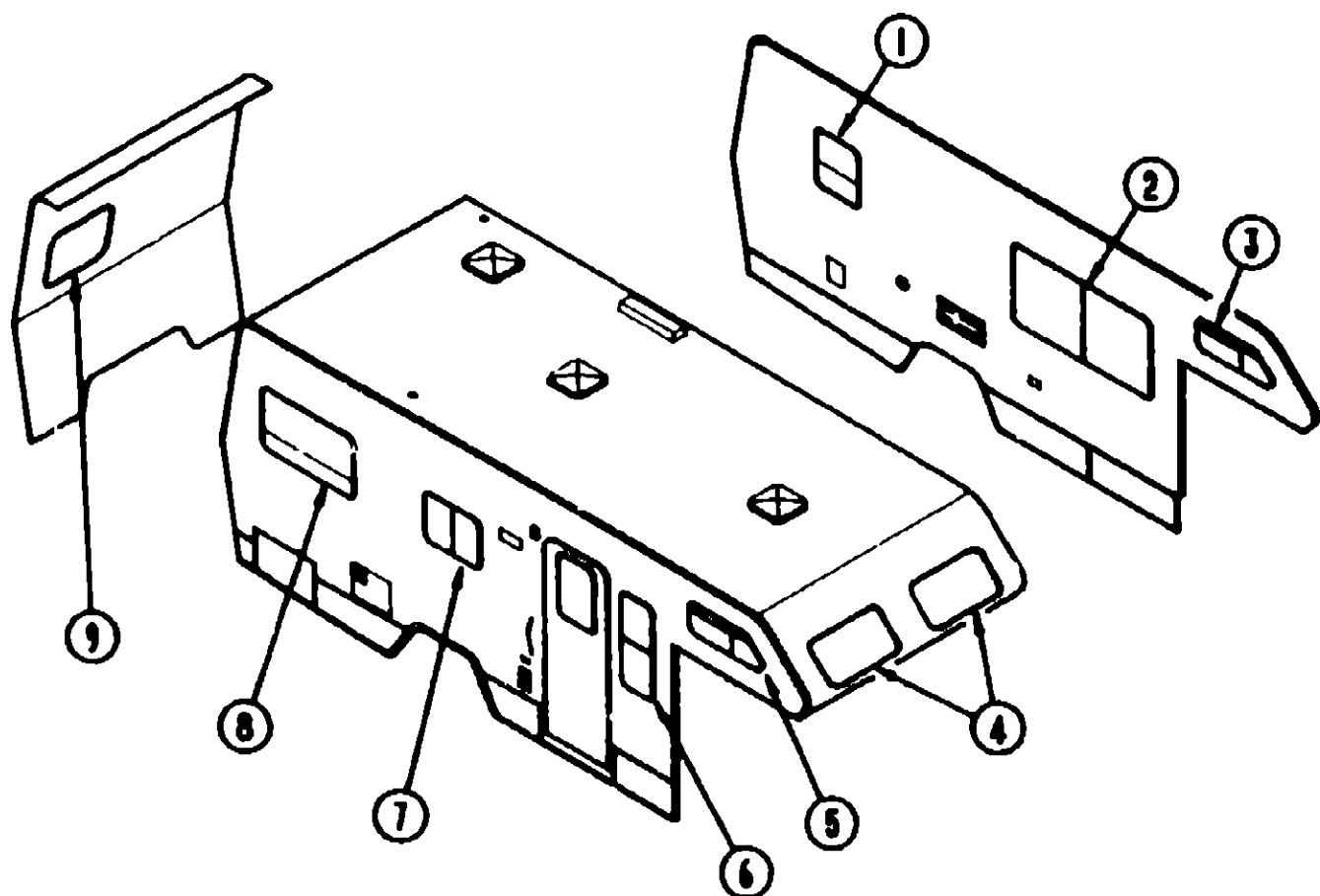
1992 WINNEBAGO TABLE OF CONTENTS

INTRODUCTION	A-01 - A-02
ABBREVIATIONS	A-03
ALPHABETICAL INDEX	A-04 - A-06
WC321RG	A-07 - D-08
WC324RC	D-05 - G-08

1992 WC324RC INDEX

Floor Plan	D-05 - D-06
Accessories Group	D-07 - D-10
Bath Group	D-11 - D-12
Bedroom Group	D-13
Chester Group	D-14 - D-16
Curtain, Cushion & Pad Group	D-17 - D-24
Dinette Group	E-01 - E-02
Driver's Compartment Group	E-03 - E-06
Electrical Group	E-07 - E-08
Exterior Body Group	E-10 - E-14
Galley Group	E-15 - E-18
Heating & Air Conditioning Group	E-19 - E-20
Interior Finish Group	E-21 - E-23
Labels Group	E-24 - F-08
LP Group	F-09
Lounge Group	F-10
Sealants & Fasteners Group	F-11 - F-12
Water & Sewage Group	F-13 - F-16
Window, Vent & Exterior Door Group	F-17 - G-08

CURTAIN, CUSHION & PAD GROUP (CONTINUED)



CURTAINS, BLINDS, VALANCES & TIEBACKS

Key	Part Number	U/M	Description
1	102514-11-B85	EA	Valance Asm. w/insert - 20"
1	102514-11-B86	EA	Valance Asm. w/insert - 20"
1	093475-33-08A	EA	Mini Blind - 18.5" x 24.5" Drop (B85)
1	093475-33-09A	EA	Mini Blind - 18.5" x 24.5" Drop (B86)
2	103986-09-B85	EA	Valance Asm. w/Brass Trim - 62"
2	103986-09-CA9	EA	Valance Asm. w/Brass Trim - 62" (B85)
2	103986-10-B86	EA	Valance Asm. w/Brass Trim - 62"
2	100281-02-B85	EA	Leg Asm. - Window - 31.5" - Rear
2	100281-40-B86	EA	Leg Asm. - Window - 31.5" - Rear
2	100281-01-B85	EA	Leg Asm. - Window - 31.5" - Front
2	100281-30-B86	EA	Leg Asm. - Window - 31.5" - Front
2	093475-49-02A	EA	Mini Blind - 58" x 32" Drop (B85)
2	093475-49-03A	EA	Mini Blind - 58" x 32" Drop (B86)
3	097878-30-B85	EA	Valance Asm. w/Brass Trim - 5.5" x 43"
3	097878-30-B86	EA	Valance Asm. w/Brass Trim - 5.5" x 43"
3	101034-01-B85	EA	Curtain Asm. w/Tape Top - 16" x 28"
4	097878-28-B85	EA	Valance Asm. w/Brass Trim - 7" x 85.5"
4	097878-28-B86	EA	Valance Asm. w/Brass Trim - 7" x 85.5"
4	101034-02-B85	EA	Curtain Asm. w/Tape Top - 22" x 45"
5	097878-29-B85	EA	Valance Asm. w/Brass Trim - 5.5" x 43"
5	097878-29-B86	EA	Valance Asm. w/Brass Trim - 5.5" x 43"
5	101034-01-B85	EA	Curtain Asm. w/Tape Top - 16" x 25"
6	103986-11-B85	EA	Valance Asm. w/Brass Trim - 52.2"
6	103986-11-CA9	EA	Valance Asm. w/Brass Trim - 52.2" (B85)
6	103986-12-B86	EA	Valance Asm. w/Brass Trim - 52.2"
6	093475-66-04A	EA	Mini Blind - 17.5" x 40.5" Drop (B85)
6	093475-66-05A	EA	Mini Blind - 17.5" x 40.5" Drop (B86)

CURTAIN, CUSHION & PAD GROUP (CONTINUED)

CURTAINS, BLINDS, VALANCES & TIEBACKS (CONTINUED)

Key	Part Number	U/M	Description
7	103986-11-B85	EA	Valance Asm. w/Brass Trim - 28.5"
7	103986-11-CA9	EA	Valance Asm. w/Brass Trim - 28.5" (B85)
7	103986-12-B86	EA	Valance Asm. w/Brass Trim - 28.5"
7	093475-61-04A	EA	Mini Blind - 28" x 17" Drop (B85)
7	093475-61-05A	EA	Mini Blind - 28" x 17" Drop (B86)
8	102514-02-B85	EA	Valance Asm. w/insert - 45"
8	102514-02-B86	EA	Valance Asm. w/insert - 45"
8	100281-30-B85	EA	Leg Asm. - Window - Front - 27"
8	100281-30-B86	EA	Leg Asm. - Window - Front - 27"
8	100281-31-B85	EA	Leg Asm. - Window - Rear - 27"
8	100281-31-B86	EA	Leg Asm. - Window - Rear - 27"
8	096335-46-B87	EA	Blind - Pleated - 39.5" x 28" Drop (B85)
8	096335-46-B86	EA	Blind - Pleated - 39.5" x 28" Drop
9	102514-03-B85	EA	Valance Asm. w/insert - 31.7"
9	102514-03-B86	EA	Valance Asm. w/insert - 31.7"
9	100281-30-B85	EA	Leg Asm. - Window - Passenger - 27"
9	100281-30-B86	EA	Leg Asm. - Window - Passenger - 27"
9	100281-29-B85	EA	Leg Asm. - Window - Driver - 27"
9	100281-29-B86	EA	Leg Asm. - Window - Driver - 27"
9	096335-49-B85	EA	Blind - Pleated - 27" x 26.5" Drop
9	096335-49-B86	EA	Blind - Pleated - 27" x 26.5" Drop
	101688-14-B87	EA	Curtain Asm. w/Tape Top - 30" x 50" - Passenger (Privacy) (B85)
	101688-14-B86	EA	Curtain Asm. w/Tape Top - 30" x 50" - Passenger (Privacy)
	101688-15-B87	EA	Curtain Asm. w/Tape Top - 30" x 50" - Driver (Privacy) (B85)
	101688-15-B86	EA	Curtain Asm. w/Tape Top - 30" x 50" - Driver (Privacy)
	101688-16-B85	EA	Curtain Asm. w/Tape Top - 54" x 50" - Room Divider
	101688-16-B86	EA	Curtain Asm. w/Tape Top - 54" x 50" - Room Divider
	076992-06-B85	EA	Curtain Asm. w/Snap Top - 40" x 72" - Bunk Privacy
	073260-49-B87	EA	Tieback Asm. - 3" x 18" (B85)
	073260-49-B86	EA	Tieback Asm. - 3" x 18"

* These parts are used from 4/15/91 on.

**1992 WINNEBAGO
TABLE OF CONTENTS**

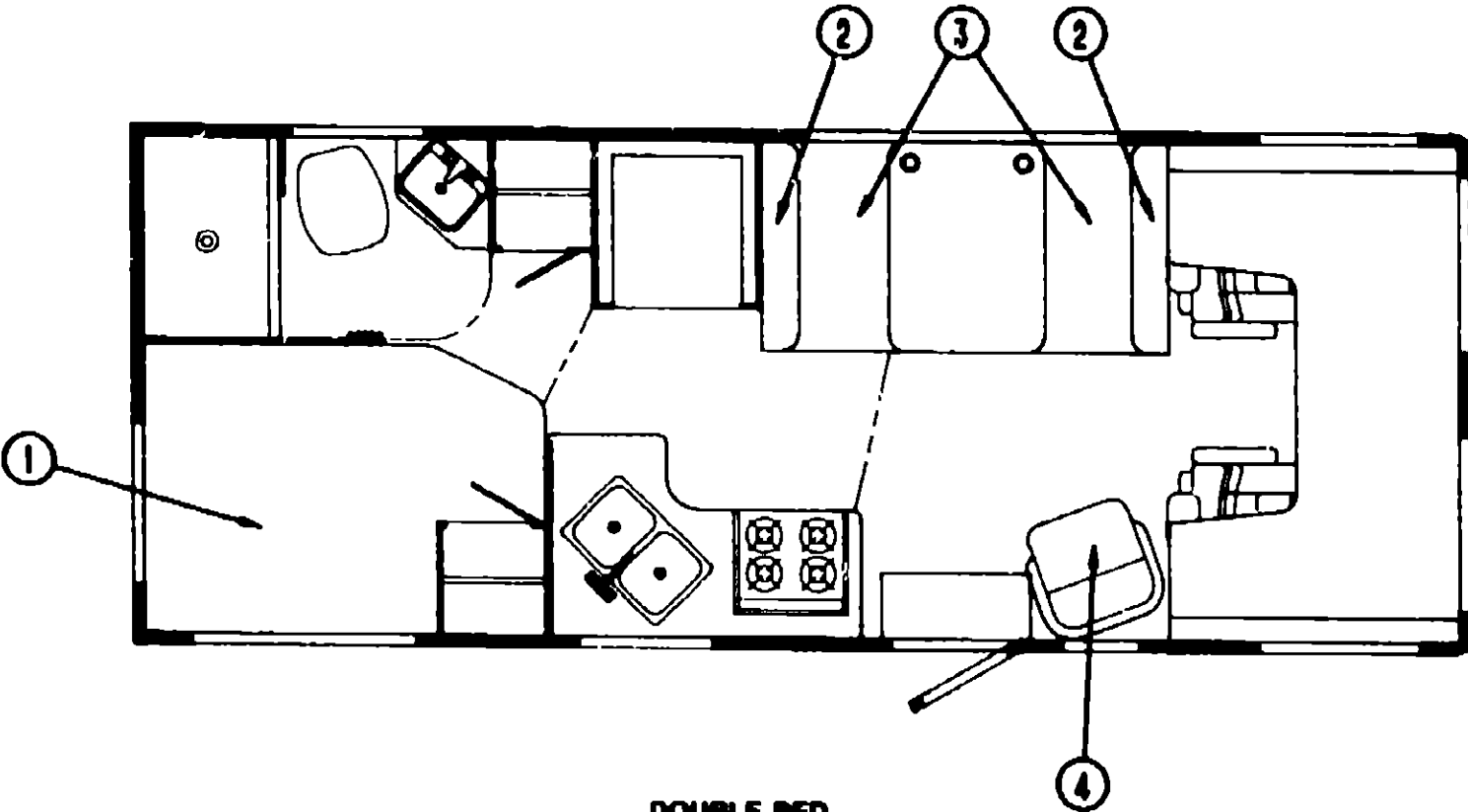
INTRODUCTION	A-01 - A-02
ABBREVIATIONS	A-03
ALPHABETICAL INDEX	A-04 - A-06
WC321RG	A-07 - D-06
WC324RC	D-05 - G-06

1992 WC324RC INDEX

Floor Plan	D-05 - D-06
Accessories Group	D-07 - D-10
Bath Group	D-11 - D-12
Bedroom Group	D-13
Chassis Group	D-14 - D-16
Curtain, Cushion & Pad Group	D-17 - D-24
Dinette Group	E-01 - E-02
Driver's Compartment Group	E-03 - E-06
Electrical Group	E-07 - E-09
Exterior Body Group	E-10 - E-14
Galley Group	E-15 - E-18
Heating & Air Conditioning Group	E-19 - E-20
Interior Finish Group	E-21 - E-23
Labels Group	E-24 - F-08
LP Group	F-09
Lounge Group	F-10
Sealants & Fasteners Group	F-11 - F-12
Water & Sewage Group	F-13 - F-16
Window, Vent & Exterior Door Group	F-17 - G-06

CURTAIN, CUSHION & PAD GROUP (CONTINUED)

CURTAIN, CUSHION & PAD GROUP (CONTINUED)



DOUBLE BED

Table with 4 columns: Key, Part Number, U/M, Description. Lists parts for the double bed including mattresses, bedspreads, and pillow shams.

DNETTE CUSHIONS

Table with 4 columns: Key, Part Number, U/M, Description. Lists parts for dinette cushions including assembly kits, covers, and fabrics.

ARIA SWIVEL CHAIR

Table with 4 columns: Key, Part Number, U/M, Description. Lists parts for the Aria Swivel Chair including swivel bases, covers, and fabric.

FRONT BUNK

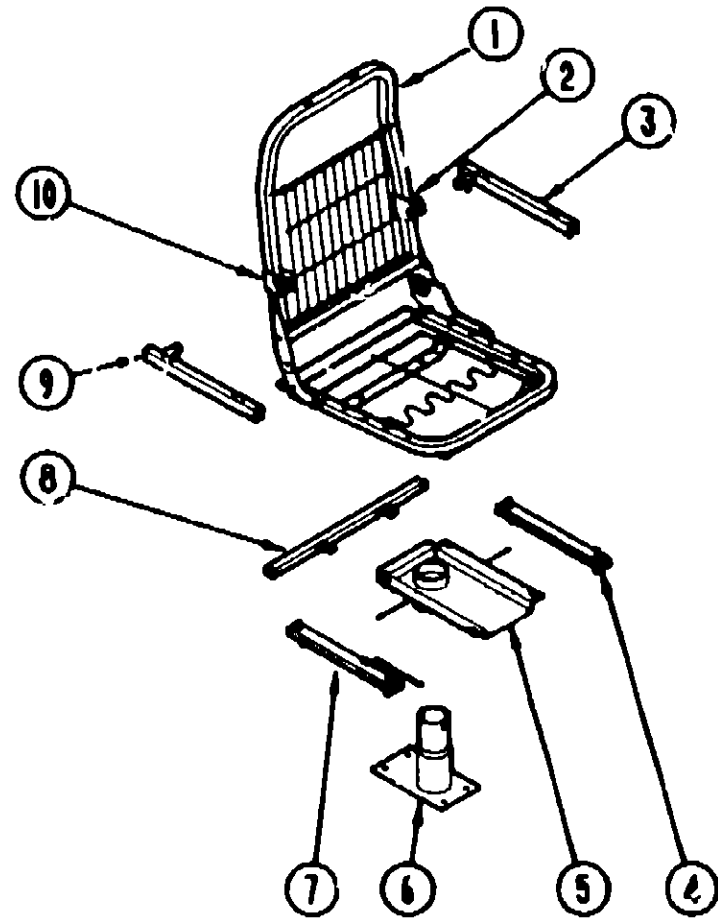
Table with 4 columns: Key, Part Number, U/M, Description. Lists parts for the front bunk including cushions and filler cushions.

1992 WINNEBAGO TABLE OF CONTENTS

Table of contents listing sections such as Introduction, Abbreviations, Alphabetical Index, and various component groups with their corresponding page numbers.

1992 WC324RC INDEX

Index listing specific component groups like Floor Plan, Accessories Group, Bath Group, and Bed Room Group with their corresponding page numbers.



BUCKET SEAT HARDWARE

Key	Part Number	U/M	Description
1	M80908-04-000	EA	Frame Asm - Seat, Back & Spring
*1	M80908-05-000	EA	Frame - Seat - Back & Spring
2	081382-02-000	EA	Bracket - Armrest - Left Hand
3	101124-02-000	FA	Rod & Channel - Armrest - Left - Metal
4	089248-02-000	EA	Adjuster - Bucket Seat w/o Lock - Forward & Back
5	083481-01-000	EA	Top Plate - Pedestal - Bucket Seats
6	089585-03-000	EA	Base - Bucket Seats - Bolts to Floor - Vertical - 8"
7	089248-05-000	EA	Adjuster - Bucket Seat w/Remote
8	089585-28-000	EA	Bar - Seat Bolt - Bucket Seats - 18"
9	101124-01-000	EA	Rod & Channel - Armrest - Right - Metal
10	081382-01-000	EA	Bracket - Armrest - Right Hand
	089248-05-700	EA	Spring for Slide Adjuster
	089248-05-701	EA	Clip Only for Cable Asm.
	101125-01-000	EA	Recliner - Seat Back - Left Hand
	089368-04-000	EA	Frame - Cable - Remote Swivel
	089368-05-000	EA	Frame - Cable - Remote Recliner
	081361-01-000	EA	Rod - Armrest - Metal

* These parts are used from 6/3/91 on.

BUCKET SEAT CUSHIONS

Key	Part Number	U/M	Description
	083450-17-B85	EA	Seat Asm - Bucket - Driver
	083450-17-B86	EA	Seat Asm - Bucket - Driver
	083450-18-B85	EA	Seat Asm - Bucket - Passenger
	083450-18-B86	EA	Seat Asm - Bucket - Passenger
	M03445-23-B65	EA	Cover - Seat - Bucket Seat*
	M03445-23-B86	EA	Cover - Seat - Bucket Seat
	M03445-22-B85	EA	Cover - Back - Bucket Seat
	M03445-22-B86	EA	Cover - Back - Bucket Seat
	080243-41-B85	EA	Armrest - Bucket Seat - Right Hand
	080243-41-B86	EA	Armrest - Bucket Seat - Right Hand
	M80243-41-B85	EA	Cover - Right Armrest - Bucket Seat
	M80243-41-B86	EA	Cover - Right Armrest - Bucket Seat
	080243-42-B85	EA	Armrest - Bucket Seat - Left Hand
	080243-42-B86	EA	Armrest - Bucket Seat - Left Hand
	M80243-42-B85	EA	Cover - Left Armrest - Bucket Seat
	M80243-42-B86	EA	Cover - Left Armrest - Bucket Seat
	071128-24-B03	EA	Skirt Asm - Single Bucket
	071128-24-B04	EA	Skirt Asm - Single Bucket

FABRICS & CARPETS

Key	Part Number	U/M	Description
	072333-82-000	YD	Fabric - Drapery - Beige (Privacy)
	086008-76-000	YD	Fabric - Upholstery - Main - Patterned (B85)
	104233-12-000	YD	Fabric - Upholstery - Main - Patterned (B85)
	086008-79-000	YD	Fabric - Upholstery - Main - Patterned (B86)
	086008-78-000	YD	Fabric - Upholstery - Accent - Plain (B85)
	086008-80-000	YD	Fabric - Upholstery - Accent - Plain (B86)
	086008-77-000	YD	Fabric - Upholstery - Accent - Velvet Patterned (B85)
	086008-81-000	YD	Fabric - Upholstery - Accent - Velvet Patterned (B86)
	086008-86-000	YD	Fabric - Upholstery - Accent - Flat Patterned (B85)
	086008-82-000	YD	Fabric - Upholstery - Accent - Flat Patterned (B86)
	088273-88-000	YD	Fabric - Main Bedspread - Patterned (B85)
	088273-89-000	YD	Fabric - Main Bedspread - Patterned (B86)
	088273-72-000	YD	Fabric - Accent Bedspread - Plain (B85)
	088273-88-000	YD	Fabric - Accent Bedspread - Plain (B86)
	072333-87-000	YD	Fabric - Speaker Cover
	075244-04-000	YD	Vinyl - Shower Curtain - Salmon (B85)
	075244-06-000	YD	Vinyl - Shower Curtain - Teal (B86)
	079680-09-000	YD	Vinyl - Off White
#	103907-01-01A	YD	Vinyl - Off White
	086080-24-000	SY	Carpet - Eggplant (B85)
	086080-25-000	SY	Carpet - Brown (B86)
	078314-02-000	FT	Tape - Heat Bonded - Carpet Seam
	047034-02-000	SF	Plastic Runner - Carpet - 4' Wide - Clear
	075233-01-000	SY	Pad - Carpet - 3/8" x 6'
	085748-01-000	FT	Trim - "J" - Carpet - PVC - Beige
	078539-01-000	EA	Trim - Carpet - 29" Long - Passenger - Ford
	078539-02-000	EA	Trim - Carpet - 29" Long - Driver - Ford

* These parts are used from 4/15/91 on.

These parts are used from 4/17/91 on.

NOTE Replace vinyl flooring locally.

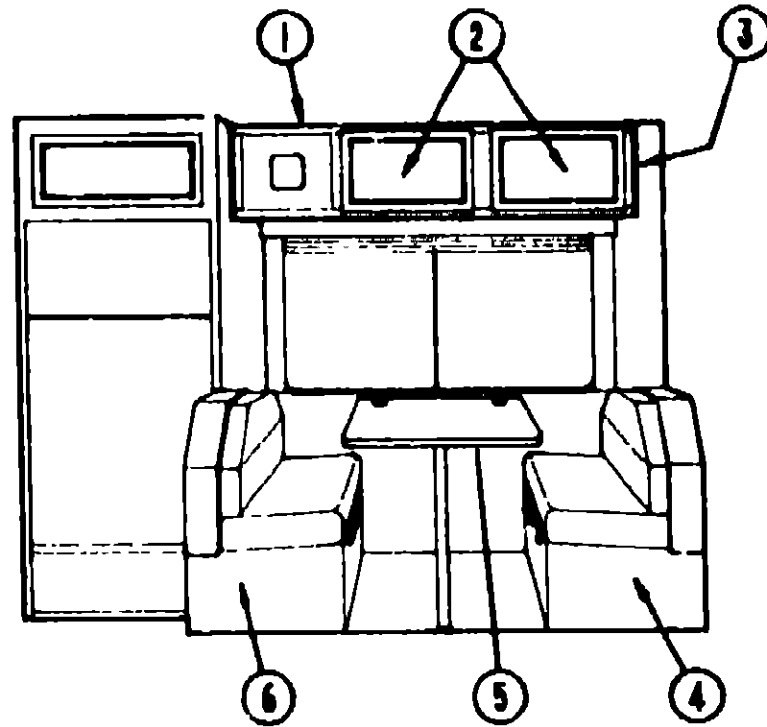
1992 WINNEBAGO
TABLE OF CONTENTS

INTRODUCTION	A-01 - A-02
ABBREVIATIONS	A-03
ALPHABETICAL INDEX	A-04 - A-08
WC321RG	A-07 - D-08
WC324RC	D-05 - G-08

1992 WC324RC INDEX

Floor Plan	D-05 - D-08
Accessories Group	D-07 - D-10
Bath Group	D-11 - D-12
Bedroom Group	D-13
Chassis Group	D-14 - D-16
Curtain, Cushion & Pad Group	D-17 - D-24
Dinette Group	E-01 - E-02
Driver's Compartment Group	E-03 - E-06
Electrical Group	E-07 - E-09
Exterior Body Group	E-10 - E-14
Galley Group	E-15 - E-18
Heating & Air Conditioning Group	E-19 - E-20
Interior Finish Group	E-21 - E-23
Labels Group	E-24 - F-08
LP Group	F-09
Lounge Group	F-10
Sealants & Fasteners Group	F-11 - F-12
Water & Sewage Group	F-13 - F-16
Window, Vent & Exterior Door Group	F-17 - G-08

DINETTE GROUP

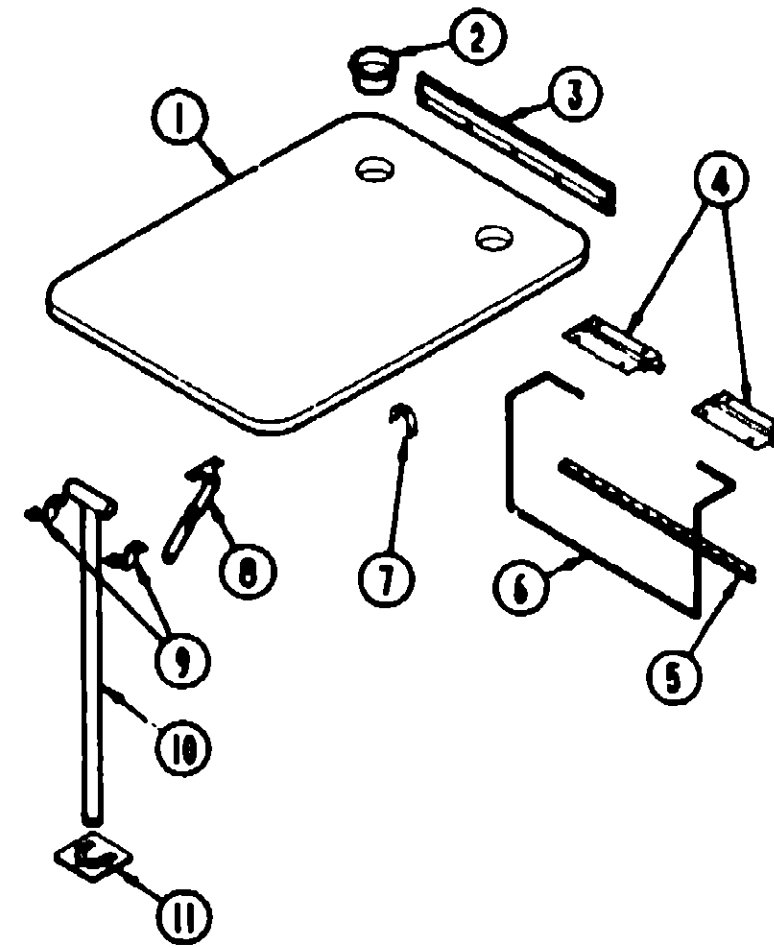


DINETTE CABINETRY

Key	Part Number	U/M	Description
1	M05149-12-B85	EA	Cabinet Asm - Dinette Overhead - w/o Door or Hardware
2	P03701-23-B85	EA	Door Asm - Dinette Cabinet - 14 4" x 27" - w/o Hardware
3	081280-21-B05	EA	End Cap Asm
4	M02487-02-B85	EA	Cabinet Asm - Dinette Seat
4	M02486-02-B05	EA	Cabinet Asm - Dinette Back
4	081519-16-B85	EA	Pad Asm - Dinette Back
4	081519-16-B86	EA	Pad Asm - Dinette Back
5	M02115-09-B85	EA	Dinette Table w/o Hardware or Edge Band
	076325-28-000	FT	Molding - Edge Band - 1 5/16" Wide
6	M02488-02-B85	EA	Cabinet Asm - Dinette Seat
	M02488-02-B05	EA	Cabinet Asm - Dinette Back
6	081519-17-B85	EA	Pad Asm - Dinette Back
6	081519-17-B86	EA	Pad Asm - Dinette Back
	057759-01-000	EA	Washer - Bracket - Sect Belt - 4" Dia
	007021-01-000	EA	Seat Belt
	103799-01-01A	EA	Coffeemaker - Almond (Option L26U)
	104610-01-000	EA	Strap Asm - Coffeemaker (Option L26U)

See the next page for the breakdown of this item

DINETTE GROUP (CONTINUED)



DINETTE TABLE & HARDWARE

Key	Part Number	U/M	Description
1	M02115-09-B85	EA	Table - Dinette - w/o Hardware or Edge Band
	076325-28-000	FT	Molding - Edge Band - 1 5/16" Wide
2	064781-08-000	EA	Cup Holder - Two Step - Off White
3	053200-05-000	EA	Support - Table - 23 5" - Beige
4	088410-01-000	EA	Hanger - Table - Beige
5	024281-07-000	EA	Bracket - Table Lift
6	024275-05-000	EA	Rod - Table Lift - Beige
7	024283-01-000	EA	Clip - 1" - 1.125" - OD Tube - Black
8	024282-01-000	EA	Brace Table Leg
9	064050-03-000	EA	Clamp - Saddle - Leg Hinge - Beige
10	024278-21-000	EA	Leg Arm - Table - Beige
11	049493-01-000	EA	Catch - Table Leg
	081295-01-AAB	EA	Support - Base - Dinette

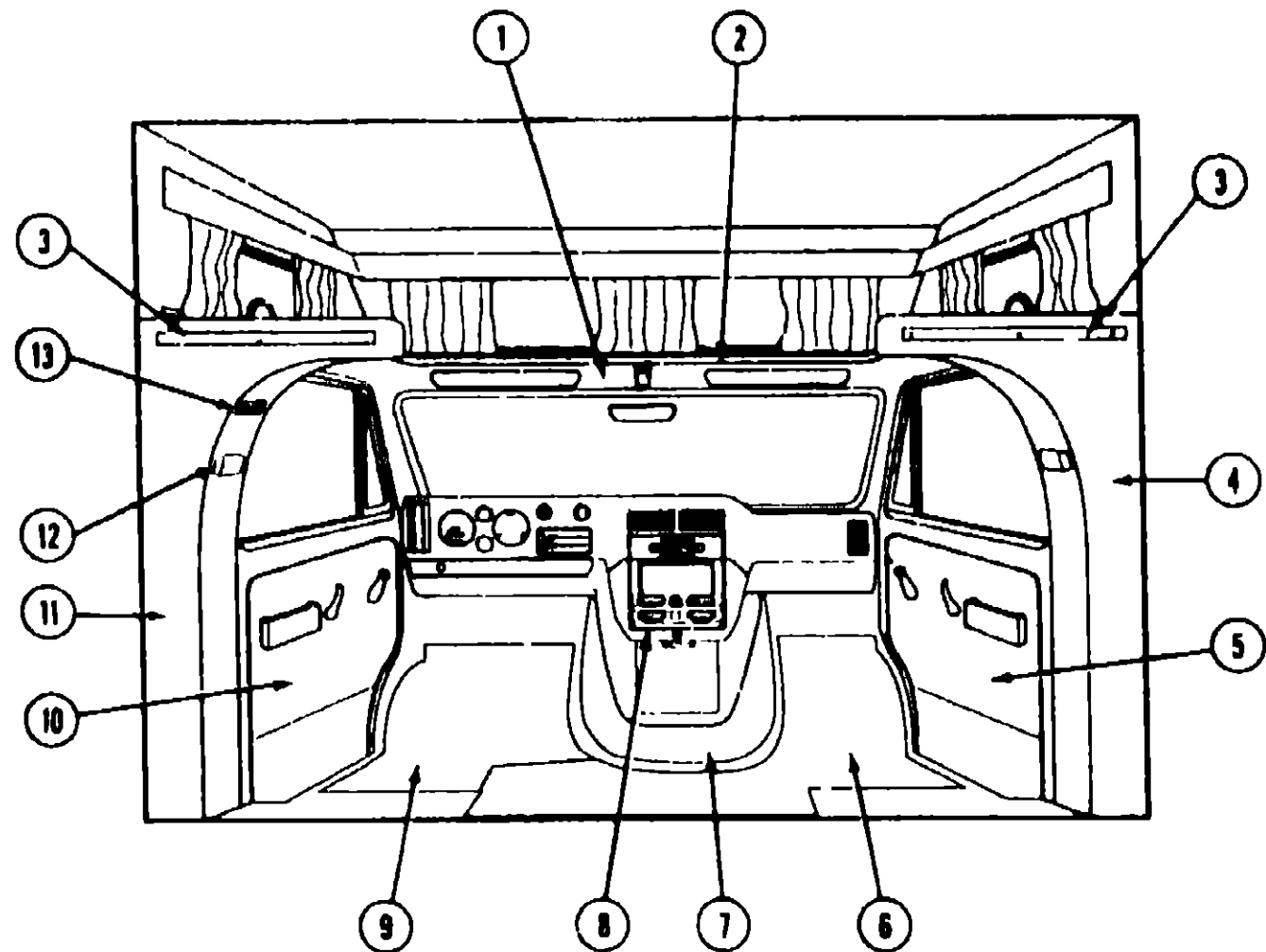
1992 WINNEBAGO TABLE OF CONTENTS

INTRODUCTION	A-01 - A-02
ABBREVIATIONS	A-03
ALPHABETICAL INDEX	A-04 - A-08
WC321RG	A-07 - D-06
WC324RC	D-06 - Q-06

1992 WC324RC INDEX

Floor Plan	D-05 - D-06
Accessories Group	D-07 - D-10
Bath Group	D-11 - D-12
Bedroom Group	D-13
Chassis Group	D-14 - D-16
Curtain, Cushion & Pad Group	D-17 - D-24
Dinette Group	E-01 - E-02
Driver's Compartment Group	E-03 - E-06
Electrical Group	E-07 - E-09
Exterior Body Group	E-10 - E-14
Galley Group	E-15 - E-16
Heating & Air Conditioning Group	E-19 - E-20
Interior Finish Group	E-21 - E-23
Labels Group	E-24 - F-08
LP Group	F-09
Lounge Group	F-10
Sealants & Fasteners Group	F-11 - F-12
Water & Sewage Group	F-13 - F-16
Window, Vent & Exterior Door Group	F-17 - G-06

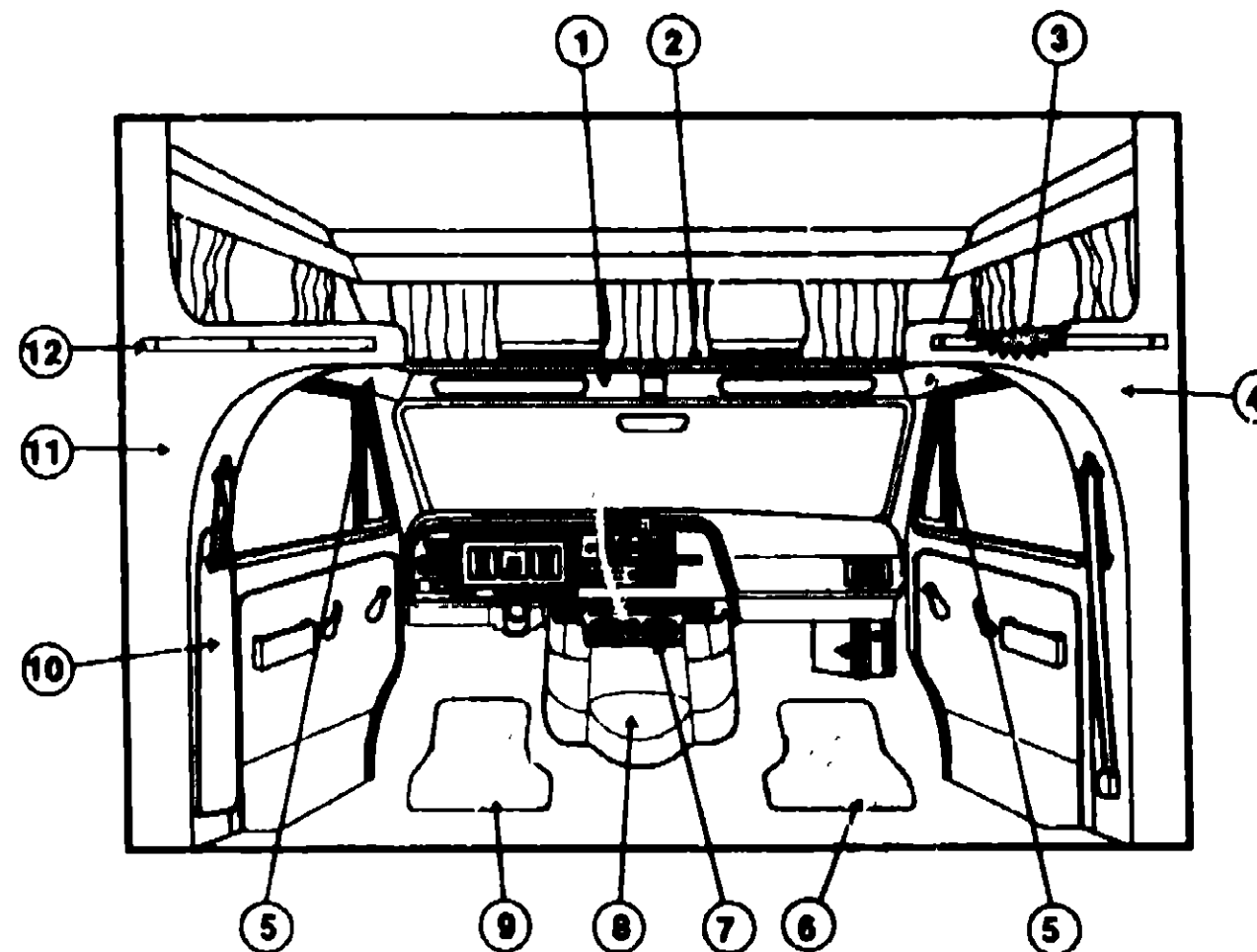
DRIVER'S COMPARTMENT GROUP



MISCELLANEOUS DRIVER'S COMPARTMENT COMPONENTS (CHEVROLET)

Key	Part Number	U/M	Description
1	091877-01-B05	EA	Headliner - Front - Off White Vinyl
	091825-02-AA5	EA	Headliner - Sides - Off White Vinyl
	098208-01-B05	EA	Cabinet Asm - Headboard
	098703-01-B05	EA	Sleeper Board Asm
2	079800-04-000	EA	Trim - Front Sleeper Board - Metal - Off White
2	080742-03-000	FT	Accent Trim - Off White Vinyl
3	082089-03-Y05	EA	Wood Trim - Wingwall - 15 8"
	074045-07-000	EA	Oak Plug - 1/2"
4	097178-01-B05	EA	Wingwall Asm - Inner - Passenger - Off White
5	059491-01-B85	EA	Side Panel - Cab Door - Passenger
5	059491-01-B86	EA	Side Panel - Cab Door - Passenger
6	083218-01-000	EA	Floor Mat - Front Passenger
7	074891-07-B85	EA	Motor Cover w/Pocket
7	074891-07-B86	EA	Motor Cover w/Pocket
8	100516-01-B05	EA	Beverage Tray
9	083218-02-000	EA	Floor Mat - Front Driver
10	059432-01-B85	EA	Side Panel - Cab Door - Driver
10	059492-01-B86	EA	Side Panel - Cab Door - Driver
11	097178-02-B05	EA	Wingwall Asm - Inner - Driver - Off White
12	078372-03-000	EA	Seat Belt - Driver or Passenger
13	048885-01-000	EA	Plaque - Switch
	024461-01-000	EA	Switch - Battery
	094797-03-000	EA	Instrument Cluster - Kilometer - Gas
	094797-04-000	EA	Instrument Cluster - Kilometer - Diesel
	082081-06-B85	EA	Pad - Vinyl Covered - 1 5" x 29" - Off White

DRIVER'S COMPARTMENT GROUP (CONTINUED)



MISCELLANEOUS DRIVER'S COMPARTMENT COMPONENTS (FORD)

Key	Part Number	U/M	Description
1	091831-01-B05	EA	Headliner - Front - Off White Vinyl
	098703-01-B05	EA	Sleeper Board Asm
2	079800-04-000	EA	Trim - Front Sleeper Board - Metal - Off White
2	080742-03-000	FT	Accent Trim - Off White Vinyl
3	098208-01-B05	EA	Cabinet Asm - Headboard
4	098244-01-B05	EA	Wingwall Asm. - Inner - Passenger - Off White
5	091825-02-AA5	EA	Headliner - Sides - Off White Vinyl
6	083218-01-000	EA	Floor Mat - Passenger
7	099857-01-AA5	EA	Beverage Tray
8	069885-18-B85	EA	Motor Cover w/Pocket
8	069885-18-B86	EA	Motor Cover w/Pocket
9	083219-02-000	EA	Floor Mat - Driver
10	091871-05-000	EA	Seat Belt Cover - Off white
11	098244-02-B05	EA	Wingwall Asm - Inner - Driver - Off White
12	082089-03-Y05	EA	Wood Trim - Wingwall - 15 8"
	074045-07-000	EA	Oak Plug - 1/2"
	024461-01-000	EA	Switch - Battery
	094795-02-000	EA	Instrument Cluster - Kilometer - Gas
	094797-04-000	EA	Instrument Cluster - Kilometer - Diesel
	082071-10-B05	E^	Pad - Vinyl Covered - 6 6" x 28" - Off White
	082081-27-B05	EA	Pad - Vinyl Covered - 1 5" x 52" - Off White

**1992 WINNEBAGO
TABLE OF CONTENTS**

INTRODUCTION
ABBREVIATIONS
ALPHABETICAL INDEX
WC321RG
WC324RC

A-01 - A-02
A-03
A-04 - A-08
A-07 - D-08
D-05 - G-08

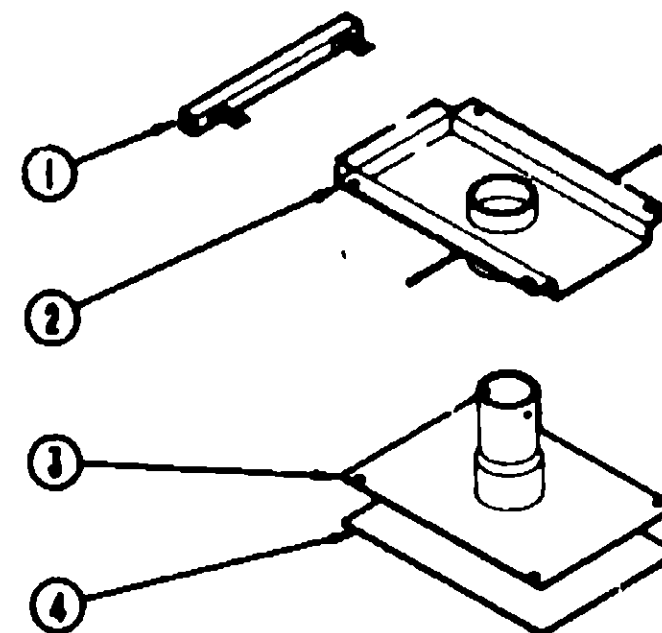
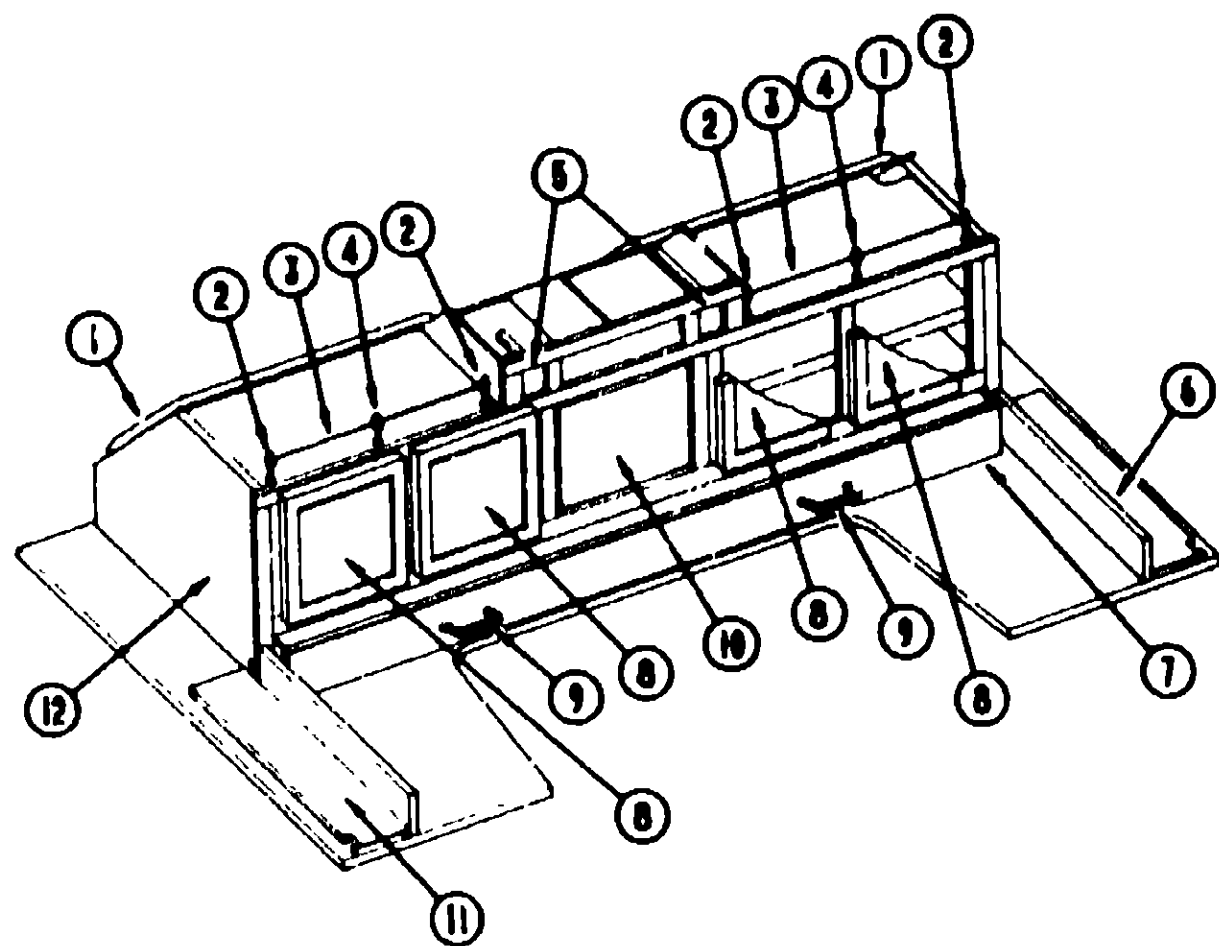
1992 WC324RC INDEX

Floor Plan	D-05 - D-08
Accessories Group	D-07 - D-10
Bath Group	D-11 - D-12
Bedroom Group	D-13
Chassis Group	D-14 - D-16
Curtain, Cushion & Pad Group	D-17 - D-24
Dinette Group	E-01 - E-02
Driver's Compartment Group	E-03 - E-08
Electrical Group	E-07 - E-09
Exterior Body Group	E-10 - E-14
Galley Group	E-15 - E-18
Heating & Air Conditioning Group	E-19 - E-20
Interior Finish Group	E-21 - E-23
Labels Group	E-24 - F-08
LP Group	F-09
Lounge Group	F-10
Sealants & Fasteners Group	F-11 - F-12
Water & Sewage Group	F-13 - F-16
Window, Vent & Exterior Door Group	F-17 - G-08

DRIVER'S COMPARTMENT GROUP (CONTINUED)

DRIVER'S COMPARTMENT GROUP (CONTINUED)

**1992 WINNEBAGO
TABLE OF CONTENTS**



INTRODUCTION
ABBREVIATIONS
ALPHABETICAL INDEX
WC321RG
WC324RC

A-01 - A-02
A-03
A-04 - A-06
A-07 - D-06
D-06 - G-06

TV & ENTERTAINMENT CABINETRY (OPTIONS L43V & L46F)

Key	Part Number	U/M	Description
1	098679-01-01A	EA	Panel - Window - Black Plastic
2	084070-02-000	EA	Post - End - Brass
3	084071-06-000	EA	Rod - Brass - 25"
4	084070-01-000	EA	Post - Center - Brass
5	072333-87-000	YD	Fabric - Speaker Cover
	088819-01-00J	EA	Speaker - 2 Watt - 8 OHM - 4"
	074878-11-000	EA	Cover - Speaker - Plastic - Off White
6	098887-01-885	EA	Cabinet - Headboard - Passenger
7	088838-01-885	EA	Drawer - Entertainment - Front
	079145-08-000	EA	Cushion - Front Dunk - 25" x 74" x 3 5"
9	P03701-70-885	EA	Door - Cabinet - 13 9" x 13 9" - w/o Hardware
9	103856-01-000	EA	Pull - Drawer - Brass
10	088447-01-000	EA	TV - 13" Color w/Remote (USA) RX4029WA
10	088447-02-000	EA	TV - 13" Color w/Remote (CSA) XK4029CH
	088447-01-700	EA	Remote Control - TV
#	088447-03-000	EA	TV - 13" Color w/Remote - Magnavox (US) RR1331W
#	088447-04-000	EA	TV - 13" Color w/Remote - Magnavox (CSA) RR1330W
	088447-03-700	EA	Remote Control - TV
	088446-02-000	EA	VCR - VHS - Cable Ready w/Remote - Magnavox VR9812
	088446-02-700	EA	Remote Control - VCR
	088446-03-000	EA	VCR - VHS - Cable Ready w/Remote - Magnavox VR9010
	088446-03-700	EA	Remote Control - VCR
	098856-01-000	EA	Tie-down - TV - 53 1" x 1" - Black
11	088887-02-886	EA	Cabinet - Headboard - Driver
12	088445-01-885	EA	Cabinet - Entertainment - Front

Key	Part Number	U/M	Description
1	098685-28-000	EA	Bar - Seat Belt - 18"
2	083481-04-000	EA	Plate - Top - Pedestal Arm
3	088685-03-000	EA	Plate - Sub - Pedestal Arm
4	088685-02-000	EA	Plate - Base - Pedestal Arm - Bucket Seat
	088246-02-000	EA	Adjuster Arm - Seat - w/o Lock
	088246-05-000	EA	Adjuster Arm w/Remote
	088246-05-700	EA	Spring For Slide Adjuster
	088246-05-701	EA	Clip - For Cable Arm Only

BUCKET SEAT PEDESTAL & SEAT BELTS

1992 WC324RC INDEX

Floor Plan	D-05 - D-06
Accessories Group	D-07 - D-10
Bath Group	D-11 - D-12
Bedroom Group	D-13
Chassis Group	D-14 - D-16
Curtain, Cushion & Pad Group	D-17 - D-24
Dinette Group	E-01 - E-02
Driver's Compartment Group	E-03 - E-06
Electrical Group	E-07 - E-08
Exterior Body Group	E-10 - E-14
Galley Group	E-15 - E-18
Heating & Air Conditioning Group	E-19 - E-20
Interior Finish Group	E-21 - E-23
Labels Group	E-24 - F-08
LP Group	F-09
Lounge Group	F-10
Sealants & Fasteners Group	F-11 - F-12
Water & Sewage Group	F-13 - F-16
Window, Vent & Exterior Door Group	F-17 - G-08

* See Curtain, Cushion & Pad Group for further breakdown of this item
These parts were used from 8/24/91 on

ELECTRICAL GROUP

WIRES, SWITCHES, & RECEPTACLES

Key	Part Number	U/M	Description
	008288-01-000	EA	Box - Electrical - 3" x 3 5/8" - Plastic
	008303-01-000	EA	Box - Electrical - 4" x 2 1/8" x 2 1/8"
	008309-01-000	EA	Box - Electrical - 4" x 4" - 1/2 & 3/4 Steel (US)
	008288-02-000	EA	Box - Electrical - 4" x 4" (CSA)
	008048-01-000	EA	Box - Electrical - 2" x 3" x 2.25" - Steel
	008037-01-000	EA	Cable - Battery - 1 AWG - Stranded - Black
	041853-01-000	FT	Conduit - Convolute SH - 5" ID
	041853-03-000	FT	Conduit - Convolute SH - 1" ID
	041853-05-000	FT	Conduit - Convolute SH - .62" ID
	041853-07-000	FT	Conduit - Convolute SH - .25" ID
	041853-09-000	FT	Conduit - Convolute SH - .50" ID
	041853-10-000	FT	Conduit - Convolute SH - .75" ID
	041853-11-000	FT	Conduit - Convolute SH - 1.08" ID
	008356-01-000	EA	Connector - Cable Clamping - 3/4"
	008356-01-000	EA	Connector - Plastic - 3/8" Avg
	008028-01-000	EA	Connector - Pigtail - Clear Nylon
	008311-01-000	EA	Connector - Wire Nut - Red
	008314-01-000	EA	Connector - Wire Nut - Gray
	031967-01-000	EA	Contact - Receptacle
	008064-01-000	EA	Cord - Power - 10-3 30 Amp - 25' (US)
	008062-01-000	EA	Cord - Power - 10-3 30 Amp - 25' (CSA)
	008294-01-000	EA	Cover Plate - Electrical Box - Blank Steel - 4" x 4" (US)
	008294-02-000	EA	Cover Plate - Electrical Box - Blank Steel - 4" x 4" (CSA)
	063337-01-000	EA	Cover Plate - Blank - Ivory
	008384-01-000	EA	Grommet - Snap - 3" Dia
	023842-01-000	EA	Grommet - Rubber - 2" OD
	002037-01-000	EA	Housing - Auto Fuse - Natural
	008010-01-000	EA	Housing - Relay
	008474-09-000	EA	Housing - Socket
	007744-01-000	EA	Housing - Trailer Pin - 12"
	007744-02-000	EA	Housing - Trailer Pin - 48"
	007746-01-000	EA	Housing Arm - Trailer Cap
	007745-01-000	EA	Housing Arm - Trailer Receptacle - 12"
	008473-05-000	EA	Housing Pin - 6 Position In Line
	008473-03-000	EA	Housing Pin - 4 Position
	008473-10-000	EA	Housing Pin - 2 Position
	008474-08-000	EA	Housing Socket - 4 Position
	008474-09-000	EA	Housing Socket - 6 Position
	008475-01-000	EA	Pin - Connector
	048885-01-000	EA	Plaque - Mounting Switch
	075735-02-000	EA	Receptacle/Cover Arm - Off White (Exterior)
	008477-01-000	EA	Receptacle Cover - Ivory (Ground Fault Interrupter)
	008477-02-000	EA	Receptacle Cover - Brown (Ground Fault Interrupter)
	008478-02-000	EA	Receptacle - 15 Amp - 125 Volt - Brown (Ground Fault Interrupter)
	008478-01-000	EA	Receptacle - 15 Amp - 125 Volt - Ivory (Ground Fault Interrupter)
	024824-02-000	EA	Receptacle - Power Cord
	058707-01-000	EA	Receptacle - Single - Brown
	007940-01-000	EA	Receptacle - Slide - 16 to 12 Amp
	058708-02-000	EA	Receptacle - Double Electrical - Ivory
	058708-01-000	EA	Receptacle - Double Electrical - Brown
	007734-01-01A	EA	Extension - Receptacle - Ivory (CSA)
	007734-01-02A	EA	Extension - Receptacle - Brown (CSA)

ELECTRICAL GROUP (CONTINUED)

WIRES, SWITCHES & RECEPTACLES (CONTINUED)

Key	Part Number	U/M	Description
	008479-01-000	EA	Socket - Connector
	008188-01-000	EA	Solenoid - 3 Post - Battery Charge Over
	008481-01-000	EA	Switch - Battery
	008186-01-000	EA	Switch - Push Button - 12 Volt
	008361-02-01A	EA	Switch Plate - 2 Gang - Polished Brass
	079284-01-000	EA	Switch - On/OFF Rocker - Brown
	047443-01-000	EA	Terminal - .250 Receptacle Fit - Insulated - 18/14 AWG
	008328-01-000	EA	Terminal Ring - 18/14 Wire - 3/8" Stud
	036418-04-000	EA	Terminal Ring - #10 Stud Fit
	008329-01-000	EA	Terminal Ring - 12/10 Wire
	008348-01-000	EA	Terminal Ring - 2 - 3/8 Stud
	008331-01-000	EA	Terminal Ring - 4 - 3/8 Stud
	002038-02-000	EA	Terminal - Pack - Con - 18/14 AWG
	008026-01-000	FT	Wire - 12/2 Romex w/Ground
	008343-01-000	EA	Wire Tie - 6"

EXTERIOR LIGHTS

Key	Part Number	U/M	Description
	042405-01-000	EA	Lens - Side Marker/Clearance Light - w/Reflex - Red
	042405-02-000	EA	Lens - Side Marker Light - w/Reflex - Amber
	042405-03-000	EA	Base - Clearance Light - Rectangular
	001983-01-000	EA	Gasket - Light - Side Marker
	008213-01-000	EA	Bulb - 12 Volt - #57
	002740-04-000	EA	Wedge - Tail Light - Plastic - Passenger Side - Off White
	002742-04-000	EA	Wedge - Tail Light - Plastic - Driver Side - Off White
	007309-01-000	EA	Light - License Plate
	008540-01-000	EA	Bracket - License Plate
	018032-02-000	EA	Tail Lamp - 2 Bulb - Black Bezel
	008032-02-700	EA	Lens - Tail Lamp - w/Backup - Red
	008032-02-701	EA	Lens - Tail Lamp - w/o Backup - Red
	037935-01-000	EA	Bulb - Tail Lamp - #1157 - 12 Volt
	007917-01-01A	EA	Light - Porch/Entry Door - Off White (US)
	007917-01-700	EA	Lens - Porch Light
	008215-01-000	EA	Bulb - Porch Light
	008089-02-000	EA	Porch Light - Recessed (CSA)
	008089-01-700	EA	Lens - Porch Light
	008215-01-000	EA	Bulb - Porch Light
	100138-01-000	EA	Module - Daytime Running Lights
	100158-02-000	EA	Wire Arm - Daytime Running Lights (Ford)
	100158-03-000	EA	Wire Arm - Daytime Running Lights (Chevrolet)

INTERIOR LIGHTS

Key	Part Number	U/M	Description
	008024-01-01A	EA	Dome Light - 1 Bulb - Ivory
	008024-03-01A	EA	Dome Light - 2 Bulb - Ivory
	008024-01-700	EA	Lens - Dome Light
	008216-01-000	EA	Bulb - Dome Light - 12 Volt - #1141
	008280-01-000	EA	Light - Surface Mount - 12 Volt
	008280-01-700	EA	Bulb - 12 Volt - 6 Watt

1992 WINNEBAGO TABLE OF CONTENTS

INTRODUCTION	A-01 - A-02
ABBREVIATIONS	A-03
ALPHABETICAL INDEX	A-04 - A-06
WC321RC	A-07 - D-05
WC324RC	D-06 - G-06

1992 WC324RC INDEX

Floor Plan	D-06 - D-08
Accessories Group	D-07 - D-10
Bath Group	D-11 - D-12
Bedroom Group	D-13
Chassis Group	D-14 - D-16
Curtain, Cushion & Pad Group	D-17 - D-24
Dinette Group	E-01 - E-02
Driver's Compartment Group	E-03 - E-06
Electrical Group	E-07 - E-09
Exterior Body Group	E-10 - E-14
Gallery Group	E-15 - E-18
Heating & Air Conditioning Group	E-19 - E-20
Interior Finish Group	E-21 - E-25
Labels Group	E-24 - F-00
LP Group	F-00
Lounge Group	F-10
Sealants & Fasteners Group	F-11 - F-12
Water & Sewage Group	F-13 - F-16
Window, Vent & Exterior Door Group	F-17 - G-06

ELECTRICAL GROUP (CONTINUED)

BULBS

Key	Part Number	U/M	Description
	08888-01-708	EA	Bulb - 912 (Stove Hood)
	008215-01-000	EA	Bulb - 1003 (Porch Light)
	008216-01-000	EA	Bulb - 1141 (Dome Light)
	037834-01-000	EA	Bulb - 1156 (Back-Up Light)
	037835-01-000	EA	Bulb - 1157 (Tall Lamp)
	084880-03-708	EA	Bulb - DC Light (Refrigerator) (Export)
	088737-01-710	EA	Bulb - 30W (Microwave Oven)
	088280-01-700	EA	Bulb - 12 Volt - 8 Watt (Surface Light)
	008213-01-000	EA	Bulb - 57 (Clearance Light)

FUSES & CIRCUIT BREAKERS

Key	Part Number	U/M	Description
	008235-01-000	EA	Fuse - 12 Volt - 15 Amp.
	082801-05-000	EA	Fuse - 15 Amp. - Automotive
	008211-01-000	EA	Circuit Breaker - 6 Amp. - 12 Volt
	083208-01-000	EA	Circuit Breaker - 15 Amp. 120 Volt
	083210-02-070	EA	Circuit Breaker - 15 Amp - 120 Volt (Ground Fault Interrupter)
	083208-02-000	EA	Circuit Breaker - 15/15 Amp - 120 Volt
	083208-03-000	EA	Circuit Breaker - 15/20 mp - 120 Volt
	033573-01-000	EA	Circuit Breaker - 20 Amp. - 12 Volt
	084811-01-000	EA	Circuit Breaker - 20/20 Amp. - 120 Volt
	008268-01-000	EA	Circuit Breaker - 30 Amp - 12 VcA
	083208-04-000	EA	Circuit Breaker - 20 Amp - 120 Volt
	083208-05-000	EA	Circuit Breaker - 30/15 Amp - 120 Volt
	084810-01-000	EA	Circuit Breaker - 30/30 Amp - 120 Volt (Export)
	083208-06-000	EA	Circuit Breaker Blank
	050283-02-000	EA	Circuit Breaker - Bus Bar
	100341-01-000	EA	Fuse Holder - In Line Type
	008277-01-000	EA	Fuse Holder - Black - Panel Mount

MISCELLANEOUS ELECTRICAL COMPONENTS

Key	Part Number	U/M	Description
	072852-01-000	EA	Smoke Detector w/9 Volt Battery - US
	072852-02-000	EA	Smoke Detector w/9 Volt Battery - CSA
	083208-01-000	EA	Converter - 32 Amp w/Charger
	084808-01-000	EA	Load Center - 240 Volt - 125 Amp (Export)

EXTERIOR BODY GROUP

MISCELLANEOUS EXTERNALLY MOUNTED PARTS

Key	Part Number	U/M	Description
	083658-03-000	EA	Plumbing Seal - Roof Vent - Off White
	009128-02-000	EA	Assist Handle - Black
	087868-04-000	EA	Fill - City Water - Off White
	088882-08-000	EA	Tube - Support - Floor to Valance - 17"
	075736-02-000	EA	Cover - Exterior Receptacle - Off White
	088815-08-000	EA	Holder - Compartment Door - Plastic - Off White
	048347-01-000	EA	Head - Mirror - 7.5" x 10.5" - Stainless Steel
	048347-01-700	EA	Glass - Mirror - 7.5" x 10.5"
	088047-01-000	EA	Arm - West Coast Mirror
	008043-01-000	EA	Mirror - Exterior - Convex - Adhesive Backed

SHEET FIBERGLASS, ALUMINUM & STYROFOAM

Key	Part Number	U/M	Description
	044487-01-001	EA	Aluminum - Mill Finish - No Design - 96" x 360" (Roof)
	001054-01-011	EA	Aluminum Sheet - 48" x 96" - Flat - Off White
	000888-01-000	SF	Styrofoam - 3/4" x 24" x 96"
	000870-03-000	SF	Styrofoam - 1 3/4" x 48" x 96"
	078054-C9-U01	EA	Fiberglass Sheet - 38" x 240" - Off White
	078054-D3-001	EA	Fiberglass Sheet - 48" x 96" - Off White
	078054-D3-00R	EA	Fiberglass Sheet - 48" x 298" - Off White
	078054-D8-001	EA	Fiberglass Sheet - 60" x 24" - Off White
	083743-01-02A	SF	Plastic - ABS - 11 5/8" Wide Roll - Off White
	083743-02-01A	SF	Plastic - ABS - 20" Wide Roll - Off White

EXTERIOR SHOWER (OPTION L64R)

Key	Part Number	U/M	Description
	103173-01-01A	EA	Shower Kit - Exterior - Off White (Piece Parts are N/A)
	103173-02-01A	EA	Shower Kit - Exterior - Off White
	103173-03-700	EA	Compartment Only
	103173-03-701	EA	Door Only
	103173-03-702	EA	Hinge Pin
	103173-03-703	EA	Hinge Pin Spring
	103173-03-704	EA	Lock Arm w/Hey & Clip
	103173-03-705	EA	Decal - "Auxiliary Shower"
	103173-03-708	EA	Shower Head w/Hose & Bracket
	103173-03-707	EA	Faucet w/Adapter - Chrome
	048128-01-000	EA	Valve - Drain - Plastic - 1/2" FPT
	062852-01-000	EA	Nut - Plastic - 1/2" F x 1/2" Tube - Gray
	002726-01-001	EA	Garnish - U-Channel - 1.38" x 18' - Serrated - Mill Aluminum
	052857-02-000	EA	Elbow - Male - 1/2" F x 1/2" MPT - Plastic - Gray

* These parts were used from 3/25/91 on

1992 WINNEBAGO TABLE OF CONTENTS

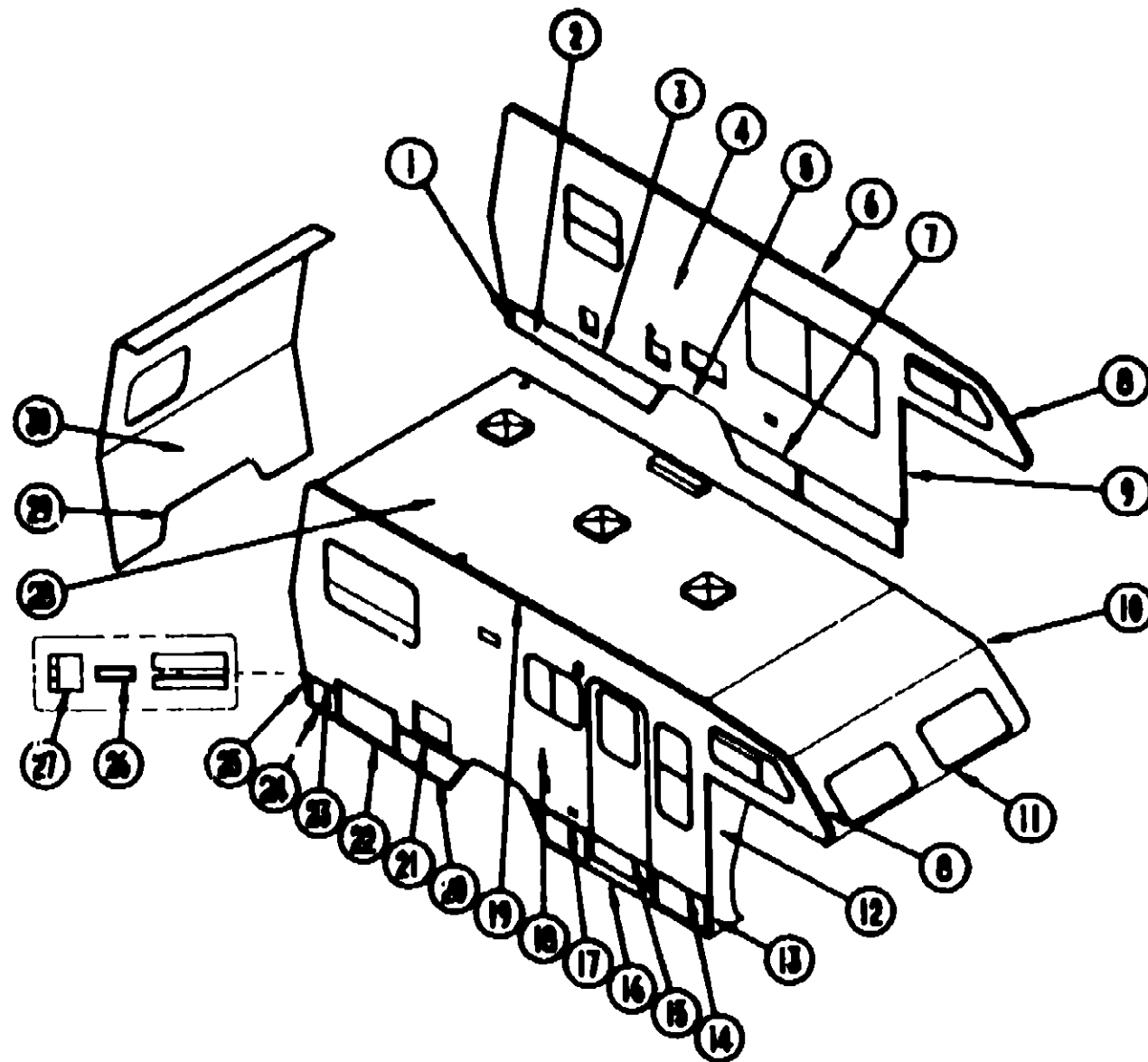
INTRODUCTION	A-01 - A-02
ABBREVIATIONS	A-03
ALPHABETICAL INDEX	A-04 - A-05
WC321RG	A-07 - D-05
WC324RC	D-06 - G-05

1992 WC324RC INDEX

Floor Plan	D-05 - D-06
Accessories Group	D-07 - D-10
Bath Group	D-11 - D-12
Bedroom Group	D-13
Chassis Group	D-14 - D-16
Curtain, Cushion & Pad Group	D-17 - D-24
Dinette Group	E-01 - E-02
Driver's Compartment Group	E-03 - E-05
Electrical Group	E-07 - E-08
Exterior Body Group	E-10 - E-14
Galley Group	E-15 - E-18
Heating & Air Conditioning Group	E-19 - E-20
Interior Finish Group	E-21 - E-23
Labels Group	E-24 - F-01
LP Group	F-02
Lounge Group	F-10
Sealants & Fasteners Group	F-11 - F-12
Water & Sewage Group	F-13 - F-16
Window, Vent & Exterior Door Group	F-17 - G-05

EXTERIOR BODY GROUP (CONTINUED)

EXTERIOR BODY PANELS



Key	Part Number	UM	Description
1	097907-05-02A	EA	Filler - Valance Panel - Rear - Off White
2	098393-17-806	EA	Valance Arm - Rear
*3	098818-04-01A	EA	Trim - Sidewall - Lower - 75 2" - Off White
4	M98879-01-885	EA	Sidewall Arm - Driver (Special Order Item)
5	098215-01-01A	EA	Trim - Wheelwell - Rear - Metal - Off White - Either Side
6	098864-01-01A	EA	Trim - Contour - Roof - Off White
*7	098817-03-01A	EA	Trim - Sidewall - Lower - 85 18" - Off White
8	098864-01-01A	EA	Trim - Contour - Off White
	079280-01-01A	FT	Vinyl Insert - Contour Trim - 72" - Off White
9	098870-02-01A	EA	Trim - Wingwall - Off White
	M98772-02-805	EA	Wingwall - Driver Side w/Gusset (Chevrolet)
	M98154-02-805	EA	Wingwall - Driver Side w/Gusset (Ford)
	098845-02-01A	EA	Trim - "L" Angled - Driver Wingwall - Off White
	098334-01-000	FT	Vinyl - Exterior Trim - Between Wingwall & Cab Seal - White
10	078680-01-000	EA	Trim - Roof to Front Cab
11	038844-09-000	EA	Trim - Sleeper Board - Off White
12	M98772-01-805	EA	Wingwall - Passenger Side w/Gusset (Chevrolet)
12	M98154-01-805	EA	Wingwall - Passenger Side w/Gusset (Ford)
	098845-01-01A	EA	Trim - "L" Angled - Passenger Wingwall - Off White
	098334-01-000	FT	Vinyl - Exterior Trim - Between Wingwall & Cab Seal - White
13	098870-01-01A	EA	Trim - Wingwall - Off White
*14	098818-04-01A	EA	Trim - Sidewall - Lower - 27" - Off White
	044882-02-000	EA	Drip Cap - Entrance Door
15	002444-04-002	EA	Feature Strip w/o Insert - 15' Long - Off White
	001030-02-003	EA	Insert - Feature Strip - Stucco
	008731-01-000	EA	End Cap - Feature Strip

1992 WINNEBAGO TABLE OF CONTENTS

INTRODUCTION
ABBREVIATIONS
ALPHABETICAL INDEX
WC321RG
WC324RC

A-01 - A-02
A-03
A-04 - A-05
A-07 - D-08
D-09 - G-08

1992 WC324RC INDEX

Floor Plan	D-05 - D-08
Accessories Group	D-07 - D-10
Bath Group	D-11 - D-12
Bedroom Group	D-13
Chassis Group	D-14 - D-16
Curtain, Cushion & Pad Group	D-17 - D-24
Dinette Group	E-01 - E-02
Driver's Compartment Group	E-03 - E-06
Electrical Group	E-07 - E-09
Exterior Body Group	E-10 - E-14
Galley Group	E-15 - E-16
Heating & Air Conditioning Group	E-18 - E-20
Interior Finish Group	E-21 - E-23
Labels Group	E-24 - F-03
LP Group	F-09
Lounge Group	F-10
Seals & Fasteners Group	F-11 - F-12
Water & Sewage Group	F-13 - F-16
Window, Vent & Exterior Door Group	F-17 - G-08

Key	Part Number	UM	Description
16	098835-01-AA3	EA	Valance - Entry Door
	098882-03-01A	EA	Trim Angle - Valance - Right
	098882-04-01A	EA	Trim Angle - Valance - Left
*17	098818-05-01A	EA	Trim - Sidewall - Lower - 29.2" - Off White
18	P00497-01-885	EA	Sidewall Arm - Passenger (Special Order Item)
19	100483-01-01A	EA	Trim - Contour - Roof (Awning) - Off White
20	098393-18-806	EA	Valance Arm - Rear Center
*21	098817-05-01A	EA	Trim - Sidewall - Lower - 32.1" - Off White
22	098217-55-001	EA	U-Channel - Extrusion - 17.5' - Off White
*23	098818-08-01A	EA	Trim - Sidewall - Lower - 14" - Off White
24	098387-08-806	EA	Valance Arm - Rear - w/Square Corners
25	097907-04-02A	EA	Filler - Valance Panel - Rear - Off White
26	001030-02-003	EA	Insert - Lower Sidewall Trim
27	098424-02-01A	EA	End Cap - Sidewall Trim - Rear (Passenger Side) & Front (Driver Side)
	098424-01-01A	EA	End Cap - Sidewall Trim - Rear (Driver Side) & Front (Passenger Side)
28	P00842-02-885	EA	Roof Arm. (Special Order Item)
29	098197-02-01A	EA	Trim - Backwall - Lower - U-Channel - 1" Wide - Off White - Either Side
30	P00373-01-885	EA	Backwall Arm. (Special Order Item)
			See the inset illustration for additional parts.

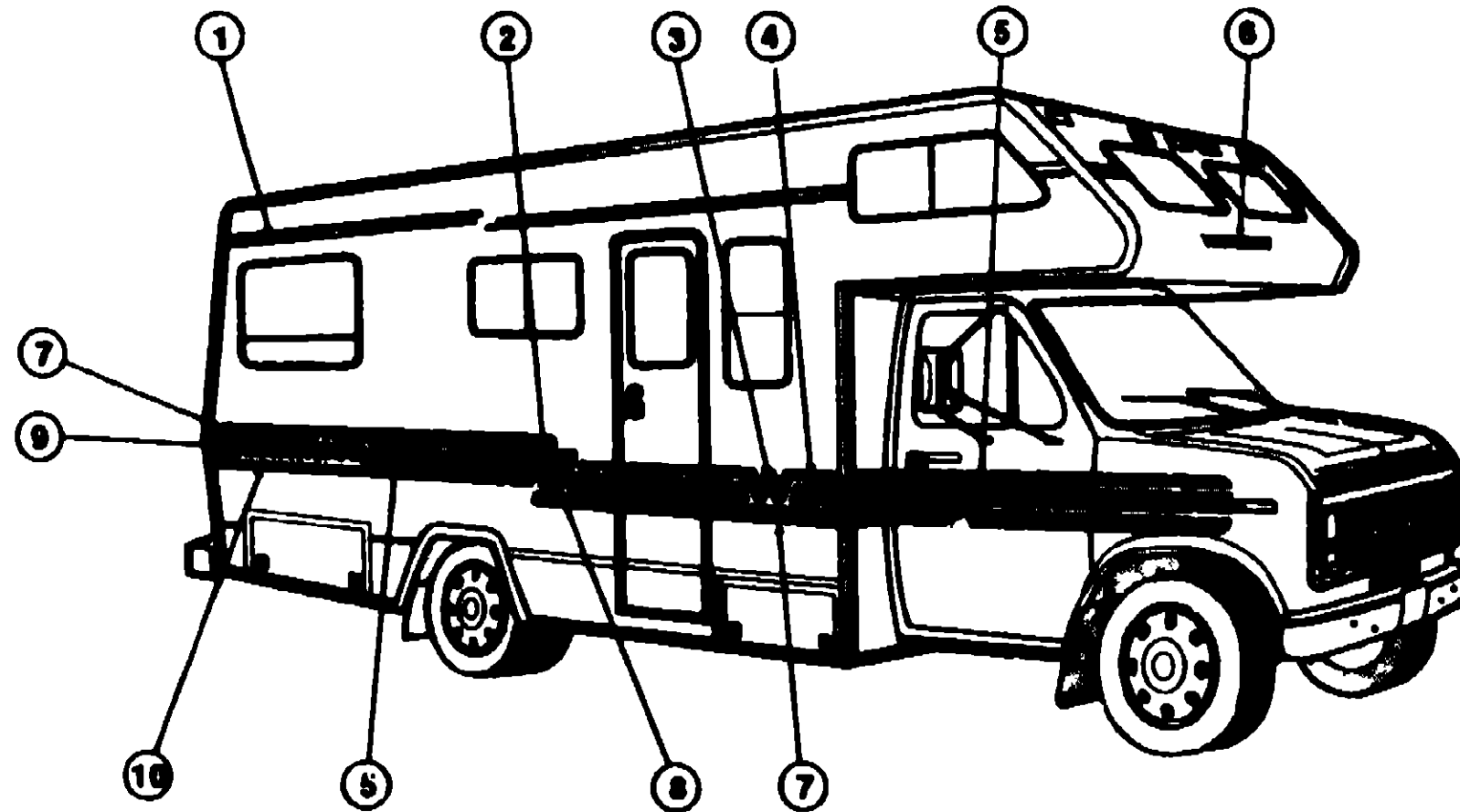
EXTERIOR BODY GROUP (CONTINUED)

DECALS & FILM STRIPE

1992 WINNEBAGO TABLE OF CONTENTS

INTRODUCTION
ABBREVIATIONS
ALPHABETICAL INDEX
WC321RG
WC324RC

A-01 - A-02
A-03
A-04 - A-05
A-07 - D-05
D-05 - G-05



Key	Part Number	MM	Description
1	094434-01-01A	FT	Multistripe - 2 Lines - 2.8" Wide - Plum/Blue/Turquoise
2	090884-03-01A	EA	Decal - Angle - Passenger Side - Rear - 11" High - Blue/Turquoise
	090884-04-01A	EA	Decal - Angle - Driver Side - Rear - 11" High - Blue/Turquoise
3	093881-03-03A	EA	Decal - Flying "W" - Blue
	093881-31-01A	FT	Film - 24" x 150' - Turquoise
4	094422-01-01A	FT	Film - 15" x 150' - Blue/Turquoise
5	094433-02-02A	FT	Film - 4" x 150' - Plum/Turquoise
6	050913-44-000	EA	Decal - Logo - "Winnebago" - 2.8" - Blue
7	094433-02-01A	FT	Film - 4" x 150' - Blue/Turquoise
8	090883-01-01A	EA	Decal - Angle - Passenger Side - Front - 8.9" High - Light Wine
	093881-30-01A	FT	Film - 12" x 150' - Turquoise
	090883-02-03A	EA	Decal - Angle - Driver Side - Front - 8.9" High - Light Wine
9	090888-01-08A	EA	Decal - Logo "Warrior" - Off White/Blue
10	093881-14-04A	EA	Film - 15" x 150' - Turquoise

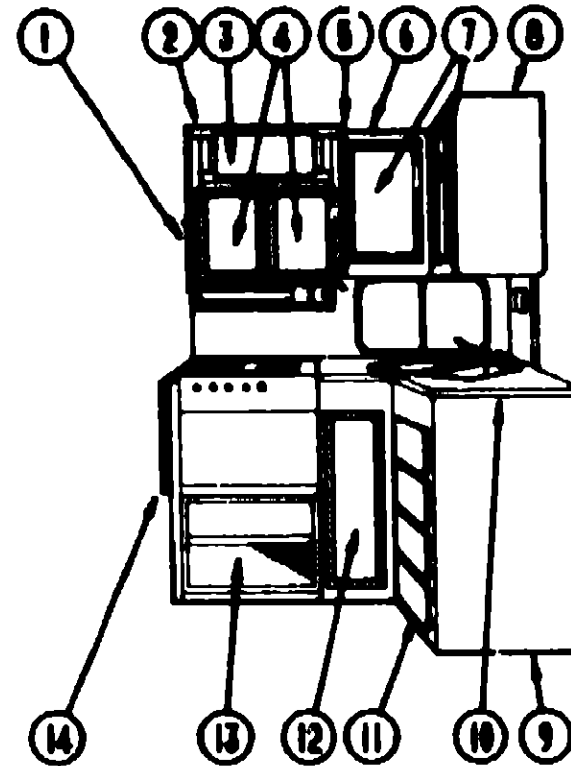
For your convenience here are the Dupont color codes that you can purchase locally

Dark Plum K9456
Turquoise C9837
Blue K9480
Off White L8723
Black 99A

1992 WC324RC INDEX

Floor Plan	D-05 - D-06
Accessories Group	D-07 - D-10
Bath Group	D-11 - D-12
Bedroom Group	D-13
Chassis Group	D-14 - D-16
Curtain, Cushion & Pad Group	D-17 - D-24
Dinette Group	E-01 - E-02
Driver's Compartment Group	E-03 - E-05
Electrical Group	E-07 - E-09
Exterior Body Group	E-10 - E-14
Galley Group	E-15 - E-16
Heating & Air Conditioning Group	E-19 - E-20
Interior Finish Group	E-21 - E-23
Labels Group	E-24 - F-05
LP Group	F-06
Lounge Group	F-10
Seats & Fasteners Group	F-11 - F-12
Water & Sewage Group	F-13 - F-16
Window, Vent & Exterior Door Group	F-17 - G-05

GALLEY GROUP



GALLEY CABINETS

Key	Part Number	U/M	Description
1	081280-33-885	EA	End Cap - Overhead Cabinet - Front
2	M05148-14-885	EA	Overhead Cabinet - Storage - w/o Doors or Hardware
*2	M05148-15-885	EA	Overhead Cabinet - Microwave - w/o Doors or Hardware
3	P00620-82-885	EA	Door Face - 7 1" x 21 8" - w/o Hardware
4	P03701-63-885	EA	Door - Overhead Cabinet - 14.4" x 10 8" - w/o Hardware
5	081280-34-885	EA	End Cap - Overhead Cabinet - Rear
6	M05148-18-885	EA	Overhead Cabinet - Storage - w/o Door or Hardware
7	P03701-24-885	EA	Door - Overhead Cabinet - 14 4" x 21 9" - w/o Hardware
8	M05148-19-885	EA	Overhead Cabinet - Storage - w/o Door or Hardware
9	P00348-01-885	EA	Cabinet - Galley w/Countertop - w/o Doors or Hardware
10	100568-11-885	EA	Countertop - Galley Cabinet
11	P03387-69-885	EA	Drawer - Galley Cabinet - 8 1" x 11 3" - Face Size - w/o Hardware
12	P03701-37-885	EA	Door - Galley Cabinet - 10 8" x 28" - w/o Hardware
13	P03701-48-885	EA	Door - Furnace - 21.9" x 18" - w/o Hardware
14	080812-04-885	EA	Extension - Galley Countertop
	P03701-84-885	EA	Door - Refrigerator Cabinet - 11" x 21 9" - w/o Hardware

* These parts are used for Microwave Option

GALLEY GROUP (CONTINUED)

GALLEY HARDWARE

Key	Part Number	U/M	Description
	084745-01-01A	EA	Trim - Microwave - Lower
	084774-03-01A	EA	Trim - Microwave - Either Side - 1.8"
	088816-03-01A	EA	Brace - Microwave - Cabinet - Left - 9.4" x 7.5" - Steel
	088816-04-01A	EA	Brace - Microwave Cabinet - Right - 9.4" x 7.5" - Steel
	084780-01-000	EA	Bracket - Microwave - 90°
	084073-03-000	EA	Vent - Refrigerator - Roof - Off White
	084073-04-000	EA	Base - Roof Vent - Norcold Refrigerator - Black
	034480-01-000	EA	Level - Refrigerator
	084878-08-000	EA	Vent - Range Hood - Short
	084818-01-000	EA	Shroud - Range Hood Vent - Off White
	083752-01-000	EA	Shroud - Range - 18.5" x 20 8" x 18.2" - Off White Metal
	088437-01-000	EA	Strainer - w/Basket - Sink
	088437-01-700	EA	Basket - Strainer
	011053-04-000	EA	Faucet - w/Swing Spout - 8"
	011053-01-700	EA	Aerator - Swing Spout Faucet
	091253-01-000	EA	Gasket - Faucet
	008048-01-000	EA	Support - Extension - Galley Cabinet
	008058-01-000	EA	Hinge - Galley Extension - Brass
	089777-02-000	EA	Hinge - Burnished Brass
	103658-01-000	EA	Pull - Cabinet - Brass
	072388-49-000	EA	Mesh - Expanded Aluminum - Bronze - 19.1" x 6 4"
	100085-01-000	EA	Backplate - Pull - 5.7" - Brass
	083588-03-000	EA	Catch - Spring Roller
	083588-04-000	EA	Strike - Spring Steel
	080328-01-000	FT	Seal - Refrigerator Cabinet
	102551-01-000	EA	Sink - Galley - Double w/Mounting Hardware - Stainless Steel
	081530-01-885	EA	Sink Cover
	088878-01-000	EA	Clip - Adjustable Shelf
	088880-01-000	EA	Pilester - Adjustable Shelf - 18" Long
	037888-03-000	EA	Center Guide - Drawer
	037888-04-000	EA	Bracket - Rail Mounting - Front
	037888-05-000	EA	Bracket - Rail Mounting - Rear
	037888-01-000	FT	Rail - Drawer Guide - "V"
	102827-02-000	EA	Bracket - Roller - Drawer - Rear
	102827-03-000	EA	Roller - Drawer - Nylon - Pair
	102827-04-000	EA	Bracket - Mounting - Drawer - Rear
	102827-05-000	EA	Track - Drawer - 22 6" Long

* These parts were used from 4/1/81 on

1982 WINNEBAGO TABLE OF CONTENTS

INTRODUCTION	A-01 - A-02
ABBREVIATIONS	A-03
ALPHABETICAL INDEX	A-04 - A-08
WC321RG	A-07 - D-01
WC324RC	D-05 - G-04

1982 WC324RC INDEX

Floor Plan	D-06 - D-06
Accessories Group	D-07 - D-10
Bath Group	D-11 - D-12
Bedroom Group	D-13
Chassis Group	D-14 - D-16
Curtain, Cushion & Pad Group	D-17 - D-24
Dinette Group	E-01 - E-02
Driver's Compartment Group	E-03 - E-06
Electrical Group	E-07 - E-09
Exterior Body Group	E-10 - E-14
Galley Group	E-15 - E-18
Heating & Air Conditioning Group	E-19 - E-20
Interior Finish Group	E-21 - E-23
Labels Group	E-24 - F-08
LP Group	F-09
Lounge Group	F-10
Sealants & Fasteners Group	F-11 - F-12
Water & Sewage Group	F-13 - F-16
Window, Vent & Exterior Door Group	F-17 - G-08

GALLEY GROUP (CONTINUED)

GALLEY APPLIANCES

Key	Part Number	U/M	Description
	103822-02-01A	EA	Refrigerator - 2 Way - Norcold 482
	084880-01-754	EA	Rack - Juice
	084038-01-704	EA	Plate - Hinge - Rim Left/Top Right - Black
	084038-01-710	EA	Plate - Hinge - Top Left/Rim Right - Black
	084038-01-702	EA	Gasket - Freezer Door - Gray
	084038-01-708	EA	Linc - Freezer Door - White
	103822-01-700	EA	Handle - Freezer Door - Moveable
	103822-01-702	EA	Bin - Shelf - Door
	084880-01-781	EA	Cap - End - Spring Catch - Moveable Handle
	084038-01-700	EA	Gasket - Lower Door - Gray
	084038-01-702	EA	Liner - Lower Door - White
	103822-01-705	EA	Handle - Lower Door - Moveable
	103822-01-708	EA	Bin - Milk
	103822-01-707	EA	Keeper - Dairy
	084879-03-700	EA	Cooling Unit - Horizontal Burner
	088248-01-709	EA	Heater - AC - Horizontal
	084038-01-722	EA	Plug - Hole - Black
	084038-01-723	EA	Bracket - Hinge - Top Right/Rim Left - Black
	084038-01-725	EA	Pin - Hinge - Male
	084038-01-726	EA	Shell w/Legs - Wire
	084880-01-749	EA	Bushing - Hinge
	084038-01-728	EA	Bracket - Hinge - Center - Black
	084038-01-730	EA	Pin - Hinge - Center
	084880-03-705	EA	Bracket - Lamp
	084880-03-706	EA	Lamp Bulb
	084880-03-707	EA	Cover - Lamp
	084880-01-722	EA	Cover - Crisper
	103822-01-708	EA	Crisper
	084038-01-724	EA	Bracket - Hinge - Top Left/Rim Right - Black
	084038-01-738	EA	Shell w/Cutout - Wire
	103822-01-709	EA	Knob - Selector
	103822-01-710	EA	Knob - Thermostat
	084038-01-732	EA	Trim - Bottom - Black
	103822-01-711	EA	Panel - Control - 2 Way
	084038-01-733	EA	Shell - Middle - Wire
	084038-01-734	EA	Shell - Top w/Rear - Wire
	084038-01-735	EA	Tray - Drip
	084038-01-736	EA	Switch - Light - Black
	075217-01-738	EA	Switch - Humidity
	084880-01-732	EA	Latch - Door
	088248-01-708	EA	Burner - Horizontal
	084880-01-705	EA	Orifice
	084472-01-700	EA	Thermocouple
	084473-03-720	EA	Retainer
	084880-01-713	EA	Connector - Male - Inlet Fitting
	084038-01-739	EA	Valve - Shut Off - Manual
	084473-03-721	EA	Control - Combination
	103822-01-713	EA	Switch - Ignition
	103822-01-712	EA	Indicator - Flame

GALLEY GROUP (CONTINUED)

GALLEY APPLIANCES (CONTINUED)

Key	Part Number	U/M	Description
	081288-04-000	EA	Oven - Microwave - Magic Chef
	100228-01-01A	EA	Hood Range w/o Monitor Panel
	100228-03-01A	EA	Hood Range - w/o Monitor Panel - Almond (US) (Option L38E & L38J)
	100228-02-01A	EA	Hood Range - w/o Monitor Panel - Almond (CSA) (Option L286)
	088883-01-702	EA	Switch - Two Way - Momentary - Generator (N used)
	088883-01-700	EA	Switch - ON/OFF - Fan/Lamp
	088886-01-709	EA	Bulb - #912
	088886-01-710	EA	Socket - Light
	088883-01-708	EA	Lens - Lamp
	080973-01-700	EA	Motor
	080973-01-702	EA	Blade - Fan
	088883-01-707	EA	Filter - Grease
	088886-01-707	EA	Vent - Gasket
	100228-10-01A	EA	Hourmeter - Ventline (Option L38E) CSA
	102022-01-01A	EA	Range - 18" - 4 Burner - Almond
	102022-01-02A	EA	Range - 18" - 4 Burner - Almond
	102022-01-700	EA	Door Panel - Black (For 102022-01-01A only)
	102022-01-704	EA	Glass - Outer (For 102022-01-02A only)
	102022-01-702	EA	Manifold Pipe
	102022-01-703	EA	Pressure Regulator
	102022-01-705	EA	Shield - Deflector Flue
	102022-01-708	EA	Trim - Left - Flat
	056282-03-705	EA	Trim - Left
	102022-01-707	EA	Trim - Right - Flat
	102020-01-701	EA	Handle - Door
	102020-01-702	EA	Panel - Manifold
	102020-01-700	EA	Shell - Oven
	102020-01-708	EA	Burner - Oven
	102020-01-709	EA	Bumper - Grate
	102020-01-711	EA	Grate - Top
	102020-01-712	EA	Knob - Burner Valve
	102020-01-713	EA	Knob - Thermostat
	102020-01-714	EA	Pilot - Oven
	102020-01-717	EA	Thermostat
	102020-01-720	EA	Valve - Mercury Control
	102020-01-721	EA	Valve - Shut Off
	102020-01-722	EA	Valve - Top Burner
	102020-01-723	EA	Pilot - Burner
	102020-01-724	EA	Bumper - Main Top
	056518-03-000	EA	Bracket - Front Tie-down - Range w/o Oven
	056518-04-000	EA	Bracket - Rear Tie-down - Range w/o Oven
	083752-01-000	EA	Shroud Arm - Range
	087817-01-01A	EA	Panel - Monitor - Almond
	087817-01-700	EA	Plate - Cover
	087817-01-701	EA	Switch - On/Off - Almond
	087817-01-702	EA	Switch - 1 Way - Almond
	087817-01-703	EA	Circuit Board
	087818-01-000	EA	Wire Arm - Monitor Panel

* These parts were used from 3/11/81 on

1982 WINNEBAGO TABLE OF CONTENTS

INTRODUCTION	A-01 - A-02
ABBREVIATIONS	A-03
ALPHABETICAL INDEX	A-04 - A-06
WC321RG	A-07 - D-08
WC324RC	D-09 - G-08

1982 WC324RC INDEX

Floor Plan	D-05 - D-08
Accessories Group	D-07 - D-10
Bath Group	D-11 - D-12
Bedroom Group	D-13
Cheese Group	D-14 - D-16
Curtain, Cushion & Pad Group	D-17 - D-24
Dinette Group	E-01 - E-02
Driver's Compartment Group	E-03 - E-06
Electrical Group	E-07 - E-09
Exterior Body Group	E-10 - E-14
Galley Group	E-15 - E-18
Heating & Air Conditioning Group	E-19 - E-20
Interior Finish Group	E-21 - E-23
Labels Group	E-24 - F-08
LP Group	F-09
Lounge Group	F-10
Seats & Fasteners Group	F-11 - F-12
Water & Sewage Group	F-13 - F-16
Window, Vent & Exterior Door Group	F-17 - G-08

HEATING & AIR CONDITIONING GROUP

ROOF AIR CONDITIONER & PARTS

Key	Part Number	U/M	Description
	083784-01-000	EA	Ceiling Asm. - Air Conditioner - Cool Only (Option 27)
	042204-01-708	EA	Thermostat In - 84, Out - 88
	042205-01-702	EA	Thermostat In - 89, Out - 88
	073742-01-701	EA	Selector Switch (5 - Terminal)
	073742-01-702	EA	Decal - Cool Only
	073742-01-703	EA	Decal - Heat & Cool
	081808-01-708	EA	Limit Switch (Open 180, Close 110)
	081225-01-713	EA	Knob (2 Per Package)
	078303-01-707	EA	Filter - 8" x 14 3/4" x 1/2" (12 Per Package)
	081225-01-717	EA	Decal (Thermostat) Cool Only
	081808-01-712	EA	Ceiling Shroud (Ivory)
	083783-01-705	EA	Decal - Heat/Cool - Thermostat
	083783-01-708	EA	Heat Element
	083783-01-710	EA	Single Parts Package
	082441-01-000	EA	Ceiling Asm. - Air Conditioner - 220 Volt (European) (Option 28)
	083783-01-04A	EA	Air Conditioner - 110 Volt - Roof Mount - 13,500 BTU - Off White (Option 29)
	083783-04-700	EA	Shroud - Roof A/C - w/o Logos
	083783-01-711	EA	Gasket - Package
	083783-01-712	EA	Fan Blade - Condenser
	083308-01-701	EA	Decal Package - Left & Right
	073742-02-704	EA	Run Capacitor (Compressor)
	081225-01-710	EA	Start Capacitor
	081225-01-709	EA	Start Relay
	078303-01-712	EA	Motor
	083783-01-702	EA	Overload
	083783-01-703	EA	Impeller - 7" Dia x 2 8" Wide
	083783-01-704	EA	Capacitor - Fan
	083783-01-705	EA	Evaporator Coil
	083783-01-708	EA	Condenser Coil
	083783-01-713	EA	Compressor - E Series
	082440-01-000	EA	Air Conditioner - 220 Volt - Roof Mount - 13,500 BTU (European) (Option 28)
	084077-03-000	EA	Cover - Blank - Roof Air Conditioner - Ivory
	022758-01-000	EA	Cover - A/C - Black Plastic

HEATING & AIR CONDITIONING GROUP (CONTINUED)

FURNACES & REPAIR PARTS

Key	Part Number	U/M	Description
	088888-04-000	EA	Furnace - 25,000 BTU - Suburban
	088888-01-702	EA	Electrode
	088834-01-733	EA	Relay - Time Delay - 20 & 30 BTU
	088888-01-709	EA	Motor Asm. - F/SF - 25 - SF - 30
	088888-01-711	EA	Wheel - Room Air
	082300-02-702	EA	Microswitch Asm.
	088888-01-708	EA	Wheel - Combustion Air
	075298-02-703	EA	Collar - Duct
	080038-01-708	EA	Gasket - Observation Hole Cover
	088888-01-713	EA	Intake Vent Tube Asm.
	088888-01-708	EA	Combustion Air Blower Asm.
	101980-01-714	EA	Gasket - Microswitch
	088888-01-710	EA	Room Air Blower Asm.
	088888-01-704	EA	Valve
	088888-01-701	EA	Cabinet Asm.
	088888-01-700	EA	Cabinet - Front
	088888-01-705	EA	Switch - Limit
	080038-01-703	EA	Orifice - Main Burner
	082300-01-704	EA	Gasket - Electrode
	088888-01-712	EA	Board - Module
	088888-01-703	EA	Burner Asm. Comp (SF-25)
	088888-08-000	EA	Access Door - Furnace - Off White
	083385-01-000	EA	Thermostat - Suburban Furnace
	089188-01-000	FT	Duct - Flexible - 4" ID x 25'
	058484-05-000	EA	Register - 4" Dia. - Plastic - w/o Damper - Golden
	088200-01-000	EA	Tape - Furnace - 1 1/2"
	010328-01-000	EA	Adapter - Flare - w/Cone Gasket
	023148-01-000	EA	Clamp - Screw Type - 4"
	084334-01-000	EA	Plug - Electrical - 3 Position
	088888-08-000	EA	Furnace - 35,000 BTU Suburban (Option L38H)
	088888-01-702	EA	Electrode
	088834-01-733	EA	Relay - Time Delay - 20 & 30 BTU
	088888-03-700	EA	Motor Asm. - SF-35
	088888-01-711	EA	Wheel - Room Air
	082300-02-702	EA	Microswitch Asm.
	088888-01-708	EA	Wheel - Combustion Air
	080038-01-708	EA	Gasket - Observation Hole Cover
	088888-01-713	EA	Intake Vent Tube Asm.
	101980-01-714	EA	Gasket - Microswitch
	088888-01-704	EA	Valve
	088888-01-701	EA	Cabinet Asm.
	088888-01-700	EA	Cabinet - Front
	088888-01-705	EA	Switch - Limit
	088834-01-720	EA	Orifice - Main Burner
	082300-01-704	EA	Gasket - Electrode
	088888-01-712	EA	Board - Module
	088888-02-700	EA	Burner Asm. - Complete
	088888-01-710	EA	Blower Asm. (Room Air)
	088888-01-708	EA	Blower Asm. (Combustion Air)
	075298-02-703	EA	Collar - Duct

**1992 WINNEBAGO
TABLE OF CONTENTS**

INTRODUCTION	A-01 - A-02
ABBREVIATIONS	A-03
ALPHABETICAL INDEX	A-04 - A-08
WC321RG	A-07 - D-08
WC324RC	D-05 - G-08

1992 WC324RC INDEX

Floor Plan	D-05 - D-08
Accessories Group	D-07 - D-10
Bath Group	D-11 - D-12
Bedroom Group	D-13
Chassis Group	D-14 - D-18
Curtain, Cushion & Pad Group	D-17 - D-24
Dinette Group	E-01 - E-02
Driver's Compartment Group	E-03 - E-06
Electrical Group	E-07 - E-09
Exterior Body Group	E-10 - E-14
Galley Group	E-15 - E-18
Heating & Air Conditioning Group	E-19 - E-20
Interior Finish Group	E-21 - E-23
Labels Group	E-24 - F-08
LP Group	F-09
Lounge Group	F-10
Sealants & Fasteners Group	F-11 - F-12
Water & Sewage Group	F-13 - F-18
Window, Vent & Exterior Door Group	F-17 - G-08

INTERIOR FINISH GROUP

INTERIOR MOLDINGS & TRIMS

Key	Part Number	U/M	Description
	081284-02-000	EA	Molding - Shell - Knotted Wood - 8' Long
	083820-07-000	FT	T-Molding - End Cap - Edge - 3/4" - Pecan
	008815-08-000	FT	T-Molding - .75" - Ivory
	008812-17-000	EA	Molding - Plastic Corner - Outside - 1/2" - Oak
	022882-11-070	FT	Molding - Reverse Cove - T-Shaped - Vinyl - Ivory
	070804-18-000	FT	U-Channel - .085" - Ivory
	070804-20-000	FT	U-Channel - .815" - Oak
	008778-11-000	FT	U-Channel - 1" - Ivory
	009767-12-000	FT	Wetling - Antique White (Ceiling to Wall)
	082331-F2-134	EA	Molding - Vinyl Wrapped - 2.5" x 7' - Woodgrain
	082331-D2-134	EA	Molding - Vinyl Wrapped - 1.57" x 7' - Woodgrain
	082330-E2-438	EA	Lumber - Vinyl Wrapped - 2" x 8' - Woodgrain
	082330-D2-438	EA	Lumber - Vinyl Wrapped - 1.5" x 8' - Woodgrain
	074045-07-000	EA	Plug - Wood - 1/2"
	077308-02-000	EA	Trim - Stepwell, Entry Door - Beige
	052858-01-W30	FT	Trim - Edge - Vinyl - 1.5" Wide - Beige
	083743-01-02A	SF	Plastic - ABS - 11.5" Wide Roll - Off White
	083743-02-01A	EA	Plastic - ABS - 20" Wide Roll - Off White

CABINETRY & TABLE HARDWARE

Key	Part Number	U/M	Description
	053200-05-000	EA	Bracket - Table Support - Upper Wall Mount - 23.5" - Beige
	024275-05-000	EA	Rod - Table Lift - 8" x 23.5" - Beige
	084781-08-000	EA	Cup Holder - Two Stage - Off White
	088410-01-000	EA	Bracket - Lift - Table Mounted - Beige
	024281-07-000	EA	Bracket - Lift - Rod - Lower Wall Mount - Beige
	049493-01-000	EA	Catch - Table Leg - Floor Mounted - Beige
	024276-21-000	EA	Leg Arm - Table - Beige
	084050-03-000	EA	Clamp - Saddle - Leg Hinge - Tan
	024282-01-000	EA	Brace - Table Leg - Hinged
	024283-01-000	EA	Clip - Leg - 1" x 1 1/2" OD - Black
	059777-02-000	EA	Hinge - Antique Light Brass
	103858-01-000	EA	Pull - Cabinet Door - Brass
	088979-01-000	EA	Clip - Adjustable Shelf
	088980-01-000	EA	Plaster - Adjustable Shelf
	074493-02-000	EA	Support - Sprung - Door
	004354-01-000	EA	Bumper - Cabinet Door - Rubber - Brown
	023320-01-000	EA	Pad - Felt - 3/8" Diameter - Brown
	057671-01-000	EA	Cover - Screw - #8 - Plastic - Off White
	100985-01-000	EA	Backplate - Pull - 5.7" - Brass
	083588-03-000	EA	Catch - Spring - Roller
	083588-04-000	EA	Strike - Spring Steel
	088049-01-000	EA	Support - Galley Countertop Extension
	088059-01-000	EA	Hinge - Galley Countertop Extension - Brass
	072389-49-000	EA	Mesh - Expanded - Aluminum - Bronze - 19.1" x 6.4"
	084070-01-000	EA	Center Post - Brass
	084070-02-000	EA	End Post - Brass
	084071-08-000	EA	Rod - Brass - 2.5"
	037888-01-000	FT	Rail - Drawer Guide - "V"
	037888-04-000	EA	Bracket - Rail Mounting - Front
	037888-05-000	EA	Bracket - Rail Mounting - Rear
	037888-03-000	EA	Guide - Center - Drawer
	102827-03-000	EA	Rollers - Drawer - Nylon (Pair)
	102827-04-000	EA	Bracket - Drawer - Rear
	102827-05-000	EA	Track - Drawer - 22.8"
	102827-02-000	EA	Bracket - Roller Rear - Cabinet Drawer
	088076-03-000	EA	H-Channel - Support Bed - Beige
	008112-01-000	EA	Flange - 1" - Clothes Rod - Plastic - Off White
	042438-01-000	EA	Wood Dowel - Clothes Rod - 1" Dia x 4'
	041953-03-000	FT	Conduit - Convolute Slt - 1" ID (Clothes Rod Cover)

* These parts are used from 4/1/91 on

INTERIOR FINISH GROUP (CONTINUED)

CURTAIN & CUSHION HARDWARE

Key	Part Number	U/M	Description
	084888-03-01A	EA	Track - Shower Curtain - Off White
	008701-01-000	EA	Carrier - Shower Curtain
	008702-01-000	EA	End - Stop - Curtain Carrier - Shower
	048887-01-000	EA	Grommet - Brass - 7/16" ID x 1" OD (Shower Curtain)
	008198-01-000	EA	Pin - Shower Curtain
	028082-01-000	EA	Stud - Nickel Finish
	028083-01-000	EA	Eyelet - Nickel Finish
	028158-01-000	EA	Cap - Snap
	028188-01-000	EA	Socket - Snap Fastener
	028130-01-000	EA	Screw - Snap Socket - 8 PH x 5/8"
	088918-01-000	EA	Mount - Window Leg - Black
	101032-01-000	FT	Track - Curtain - Ceiling Mount - White (Valance)
	101033-01-000	FT	Track - Curtain - Low Profile - White
	101033-02-000	EA	End Cap - Track - Clear
	101031-01-000	EA	Tape - Glide - 4.25" Spacing
	088891-02-000	EA	Bracket - Blind - Hold Down w/Pin
	082239-02-000	EA	Brace - Window Valance - Beige - 18.7" Long
	075843-01-000	EA	Brace - Window Valance - Beige - 20" Long
	083170-01-000	EA	Bracket - Blind - Right
	083170-02-000	EA	Bracket - Blind - Left
	083475-01-700	EA	Wand - Blind w/Metal Clip - 8" Long
	083475-01-701	EA	End Cap - Blind w/Stud
	088622-03-000	EA	Panel - Leg - Window - 27" Long
	088622-04-000	EA	Panel - Leg - Window - 31.5" Long
	087585-01-000	EA	Bracket - Mounting - Pleated Blind
	084898-02-000	EA	Grommet - Cord - Pleated Blind - Nylon - Gray
	084897-02-000	EA	End Cap - Top - Pleated Blind - Plastic - Gray
	084897-03-000	EA	End Cap - Bottom - Pleated Blind - Plastic - Gray
	087591-01-000	EA	Spring - Extension - Pleated Blind
	087592-01-000	EA	Spool - Cord - Elevated Blind Holdup - Clear Plastic
	087593-02-000	FT	Cord - Pleated Blind - Gray
	102555-01-000	EA	Cleat - Cord - Blind - Off White
	103888-01-000	FT	Trim - Valance - 75" Wide - Brass
#	105450-06-01A	EA	Track - Curtain - 88" - Aluminum - Off White

These parts were used from 8/10/91 on

MISCELLANEOUS PARTS

Key	Part Number	U/M	Description
	053552-02-AA8	EA	Handle Asm. - Interior Assist
	000D20-07-008	EA	Nut - Acorn - Assist Handle - 7/16" x 14 ZN
	000C18-07-188	EA	Bolt - Carriage - Assist Handle - 7/16" - 14 x 1" ZN
	089178-02-000	EA	Bracket - Mounting - Assist Handle
	084499-02-000	EA	Fire Extinguisher - w/Mounting Bracket - Dry IA 10BC (CSA)
	084499-01-000	EA	Fire Extinguisher - w/Mounting Bracket - Dry IA 10BC (US)
	084499-01-700	EA	Bracket - Mounting - w/Plastic Strap
	084851-01-01A	EA	Recessed Holder - Fire Extinguisher - Light Oak
	072852-01-000	EA	Smoke Detector w/9 Volt Battery (US)
	072852-02-000	EA	Smoke Detector w/9 Volt Battery (CSA)
	054185-83-000	EA	Owners Manual - 1991 Warrior
	082318-01-000	EA	Binder - 3-Ring - Motor Home Manual
	082319-01-000	EA	Pocket Page - 3-Ring Binder - Plastic
	088084-05-000	EA	Cassette - Winnebago "Warrior"
	100803-01-01A	EA	Wall Clock - Round Bezel
	101333-01-000	EA	Backplate - Clock - Plastic - Black
	104764-01-01A	EA	Wall Clock - Spartus
	083219-01-000	EA	Floor Mat - w/"Winnebago" Logo - Passenger (Ford)
	083219-02-000	EA	Floor Mat - w/"Winnebago" Logo - Driver (Ford)
	083218-01-000	EA	Floor Mat - w/"Winnebago" Logo - Passenger (Chevrolet)
	083218-02-000	EA	Floor Mat - w/"Winnebago" Logo - Driver (Chevrolet)
	007038-01-000	EA	Floor Mat - w/"Winnebago" Logo - 10.5" x 26" - Black Rubber

* These parts were used from 5/6/91 on

1992 WINNEBAGO TABLE OF CONTENTS

INTRODUCTION	A-01 - A-02
ABBREVIATIONS	A-03
ALPHABETICAL INDEX	A-04 - A-08
WC321RG	A-07 - D-08
WC324RC	D-06 - G-08

1992 WC324RC INDEX

Floor Plan	D-05 - D-06
Accessories Group	D-07 - D-10
Bath Group	D-11 - D-12
Bedroom Group	D-13
Chassis Group	D-14 - D-16
Curtain, Cushion & Pad Group	D-17 - D-24
Dinette Group	E-01 - E-02
Driver's Compartment Group	E-03 - E-08
Electrical Group	E-07 - E-09
Exterior Body Group	E-10 - E-14
Galley Group	E-15 - E-18
Heating & Air Conditioning Group	E-19 - E-20
Interior Finish Group	E-21 - E-23
Labels Group	E-24 - F-08
LP Group	F-09
Lounge Group	F-10
Sealants & Fasteners Group	F-11 - F-12
Water & Sewage Group	F-13 - F-18
Window, Vent & Exterior Door Group	F-17 - G-08

INTERIOR FINISH GROUP (CONTINUED)

TATT STRIPS

Key	Part Number	U/M	Description
	089733-70-000	EA	Batt Strip - Oak - 8'
	085284-03-000	FT	Batt Strip - Oak - Tape Adhesive
	085284-03-700	FT	Batt Strip - Oak - Tape Adhesive - 3" x 250'
	088263-63-000	EA	Batt Strip - Decorative - Plain - 8'
	088263-64-000	EA	Batt Strip - Decorative w/Flowers - 8'
	085284-51-000	FT	Batt Strip - Decorative - Plain - Tape Adhesive
	077663-04-000	EA	Batt Strip - Kerfed - Woodgrain
	085284-82-000	FT	Batt Strip - Decorative w/Flowers
	085284-38-000	FT	Batt Strip - Bone - Tape Adhesive
	088263-51-000	EA	Batt Strip - Crosshik Spatter - 8' - Beige (Ceiling)
	088263-71-000	EA	Batt Strip - Trowell Work - 8' - Fawn (Ceiling)

These parts were used from 4/29/91 on

PANELING & COUNTERTOP MATERIAL

Key	Part Number	U/M	Description
	074497-10-000	SF	Paneling - Oak - 48" x 84" (28 SF) (Cabinets)
	074497-18-000	SF	Paneling - Crosshik - 48" x 96" (32 SF) (Ceiling)
	074497-19-000	SF	Paneling - Trowell Work - 48" x 96" (32 SF) (Ceiling)
	074497-14-700	EA	Sealer - Stain - Ceiling
	089351-03-000	YD	Vinyl - Ceiling Diamond Design - 54" Wide
	088272-84-000	SF	Paneling - Decorative - Plain - 48" x 84" (28 SF)
	088272-85-000	SF	Paneling - Decorative - Patterned w/Flowers - 48" x 84" (28 SF)
	088272-72-000	SF	Paneling - Travertine White - 48" x 84" (28 SF) (Shower)
	074498-39-000	SF	Plastic Laminate - Gray/Beige - 5' x 8' (40 SF)
	076325-28-000	FT	Molding - Edge Band - Rose
	076325-32-000	FT	Molding - Edge Band - Beige

These parts were used from 5/29/91 on

These parts were used from 4/29/91 on

FABRICS & CARPETS

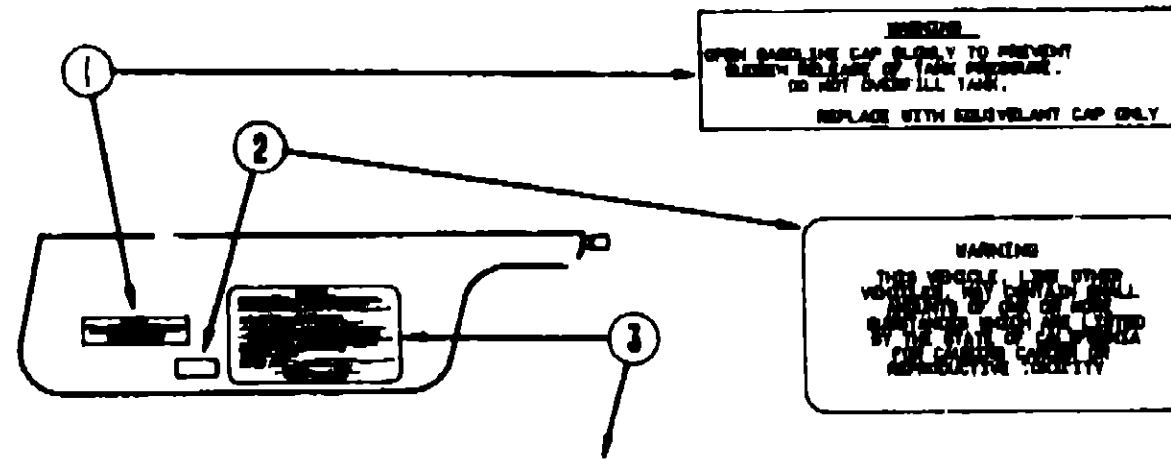
Key	Part Number	U/M	Description
	072333-82-000	YD	Fabric - Drapery - Beige (Privacy)
	098008-76-000	YD	Fabric - Upholstery - Main - Patterned (B85)
	104233-12-000	YD	Fabric - Upholstery - Main - Patterned (B85)
	098008-79-000	YD	Fabric - Upholstery - Main - Patterned (B86)
	098008-78-000	YD	Fabric - Upholstery - Accent - Plain (B85)
	098008-80-000	YD	Fabric - Upholstery - Accent - Plain (B86)
	098008-77-000	YD	Fabric - Upholstery - Accent - Velvet Patterned (B85)
	098008-81-000	YD	Fabric - Upholstery - Accent - Velvet Patterned (B86)
	098008-86-000	YD	Fabric - Upholstery - Accent - Flat Patterned (B85)
	098008-82-000	YD	Fabric - Upholstery - Accent - Flat Patterned (B86)
	088273-88-000	YD	Fabric - Main Bedspread - Patterned (B85)
	088273-89-000	YD	Fabric - Main Bedspread - Patterned (B86)
	088273-72-000	YD	Fabric - Accent Bedspread - Plain (B85)
	088273-86-000	YD	Fabric - Accent Bedspread - Plain (B86)
	072333-87-000	YD	Fabric - Speaker Cover
	075244-04-000	YD	Vinyl - Shower Curtain - Salmon (B85)
	075244-06-000	YD	Vinyl - Shower Curtain - Teal (B86)
	079880-09-000	YD	Vinyl - Off White
	103907-01-01A	YD	Vinyl - Off White
	098080-24-000	YD	Carpet - Eggplant (B85)
	098080-25-000	YD	Carpet - Brown (B86)
	076314-02-000	FT	Tape - Heat Bonded - Carpet Seam
	047034-02-000	SF	Plastic Runner - Carpet - 4' Wide - Clear
	078539-01-000	EA	Trim - Carpet - Cab - Passenger - 29" Long - Ford
	078539-02-000	EA	Trim - Carpet - Cab - Driver - 29" Long - Ford
	085746-01-000	FT	Trim - "J" - Carpet - PVC - Beige - .7' Long

NOTE: Replace vinyl flooring locally

These parts are used from 4/15/91 on

These parts are used from 4/17/91 on

LABELS GROUP



CAUTION

THIS MOTOR HOME HAS BEEN DESIGNED, MANUFACTURED AND TESTED WITH CONCERN FOR THE PROTECTION OF IT'S OCCUPANTS. WE RECOMMEND YOU PERFORM THE FOLLOWING INSPECTIONS FOR YOUR SAFETY AND THE SAFETY OF YOUR PASSENGERS BEFORE STARTING YOUR VEHICLE.

1. LP GAS SYSTEM- TURN OFF AT TANK FOR TRAVELING. TEST FOR LEAKS UPON ARRIVAL AT DESTINATION BEFORE LIGHTING PILOTS.
2. WHEELS- INSPECT FOR DAMAGE AND CHECK LUB RITS FOR TIGHTNESS.
3. TIRES- INSPECT FOR WEAR AND DAMAGE AND CHECK FOR RECOMMENDED AIR PRESSURE.
4. LIGHTS- TEST FOR PROPER OPERATION OF ALL INTERIOR AND EXTERIOR LIGHTS INCLUDING DASH LIGHTS, HEADLIGHTS, TAIL LIGHTS, BRAKE LIGHTS, CLEARANCE LIGHTS AND TURN SIGNALS.
5. EXITS- INSPECT RELEASE MECHANISM ON EMERGENCY EXIT WINDOW. TEST BOTH LOCKS ON MAIN ENTRANCE DOOR FOR EASE OF OPERATION AND INSTRUCT PASSENGERS HOW TO USE BOTH MEANS OF EXIT.
6. SEAT BELTS- DIRECT PASSENGERS TO DESIGNATED SEATS AND REQUIRE USE OF SEAT BELTS.
7. APPLIANCES- TURN OFF AND LATCH OR LOCK DOORS WHERE PROVIDED.
8. LOOSE PANELS- STORE SECURELY.
9. UTILITY SUPPLY LINES- DISCONNECT ALL ELECTRIC, WATER AND WATER LINES AND SECURE PROPERLY.
10. ENTRANCE DOOR STEP- PLACE IN RETRACTED POSITION FOR TRAVELING.

READ YOUR MOTOR HOME'S AND YOURS OWNER'S MANUAL FOR FURTHER PRECAUTIONS.

Key	Part Number	U/M	Description
1	087207-05-000	EA	Label - Fuel Cap Removal
2	099889-01-000	EA	Label - Warning - Cancer/Toxicity
3	056259-01-000	EA	Label - Safety Check List

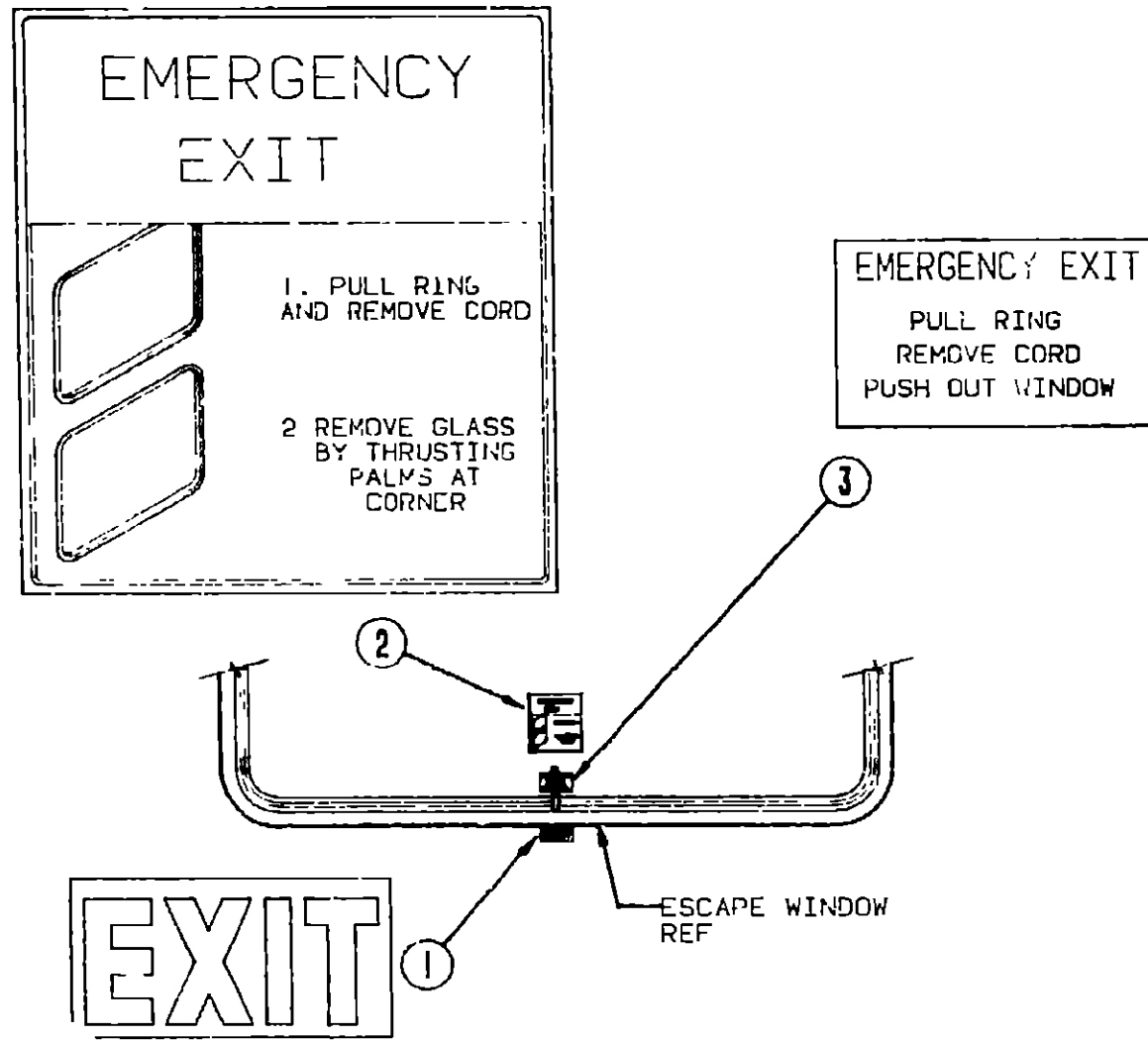
1992 WINNEBAGO TABLE OF CONTENTS

INTRODUCTION	A-01 - A-02
ABBREVIATIONS	A-03
ALPHABETICAL INDEX	A-04 - A-08
WC321RG	A-17 - D-08
WC324RC	D-08 - G-08

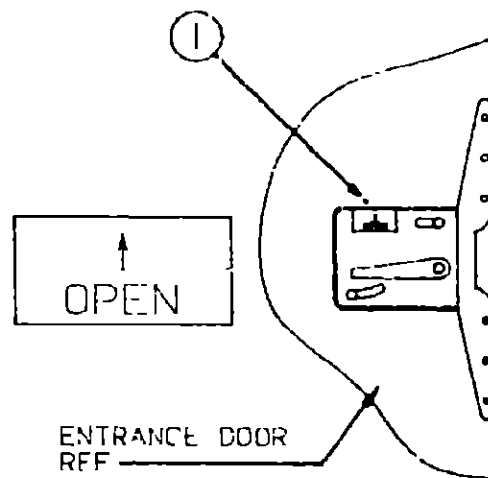
1992 WC324RC INDEX

Floor Plan	D-05 - D-06
Accessories Group	D-07 - D-10
Bath Group	D-11 - D-12
Bedroom Group	D-13
Chassis Group	D-14 - D-16
Curtain, Cushion & Pad Group	D-17 - D-24
Dinette Group	E-01 - E-02
Driver's Compartment Group	E-03 - E-08
Electrical Group	E-07 - E-09
Exterior Body Group	E-10 - E-14
Galley Group	E-15 - E-18
Heating & Air Conditioning Group	E-19 - E-20
Interior Finish Group	E-21 - E-23
Labels Group	E-24 - F-08
LP Group	F-09
Lounge Group	F-10
Sealants & Fasteners Group	F-11 - F-12
Water & Sewage Group	F-13 - F-16
Window, Vent & Exterior Door Group	F-17 - G-08

LABELS GROUP (CONTINUED)

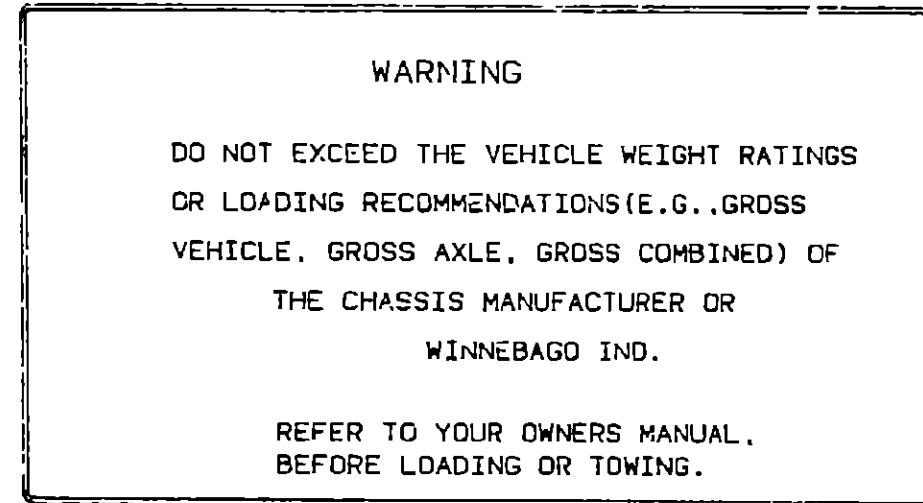
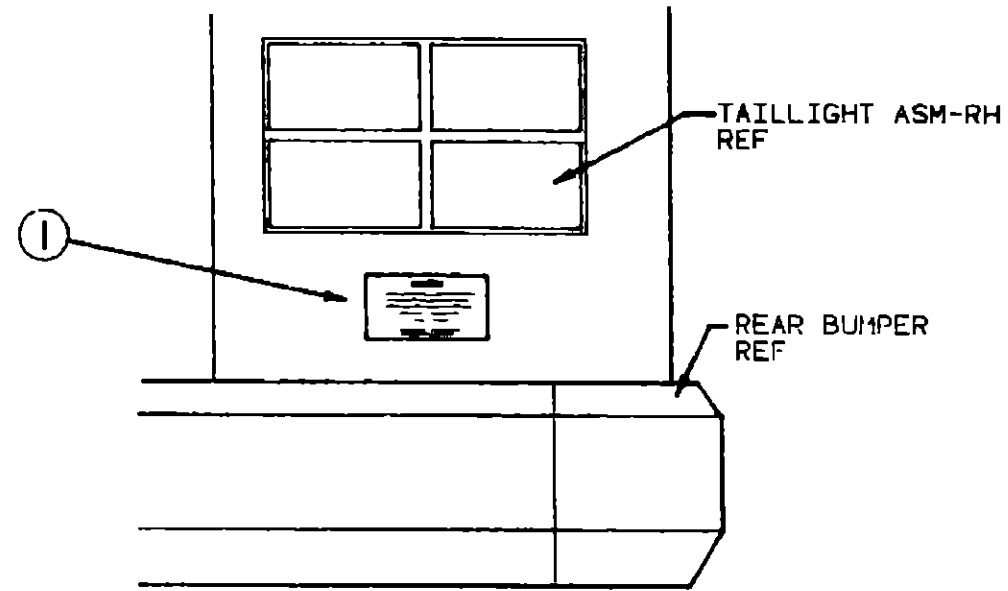


Key	Part Number	U/M	Description
1	039290-01-000	EA	Label - Warning - Exit
2	047731-01-000	EA	Label - Emergency Exit
3	006199-01-000	EA	Label - Exit - Escape Window



Key	Part Number	U/M	Description
1	040944-01-000	EA	Label - Open - Entrance Door

LABELS GROUP (CONTINUED)



Key	Part Number	U/M	Description
1	075220-01-000	EA	Label - Warning - Exterior Load
	075221-01-000	EA	Label - Warning - Towing Capacity

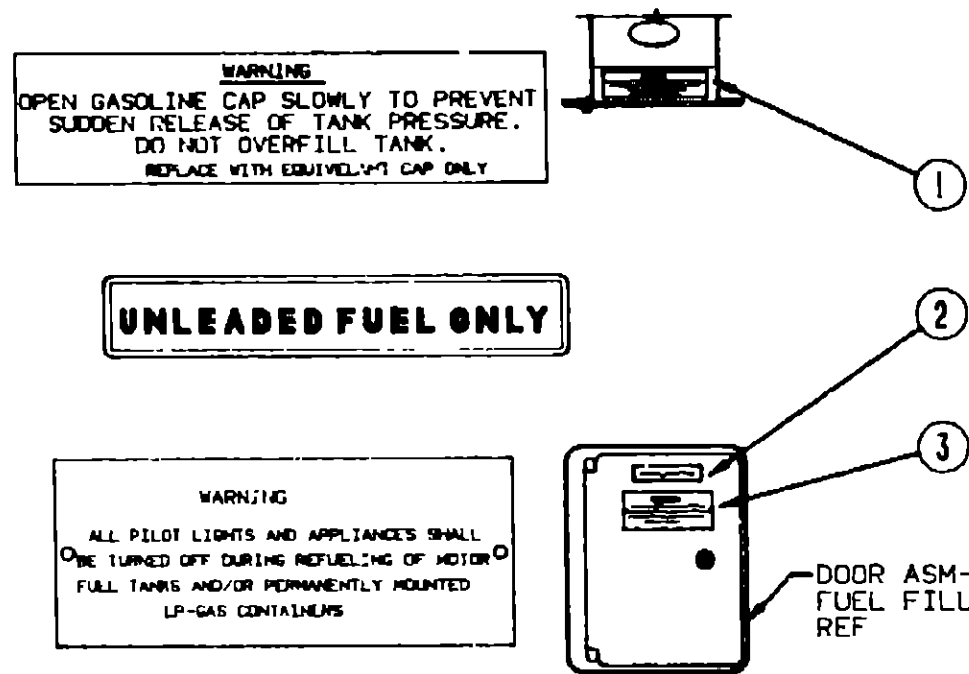
**1992 WINNEBAGO
TABLE OF CONTENTS**

INTRODUCTION	A-01 - A-02
ABBREVIATIONS	A-03
ALPHABETICAL INDEX	A-04 - A-06
WC321RG	A-07 - D-06
WC324RC	D-05 - G-06

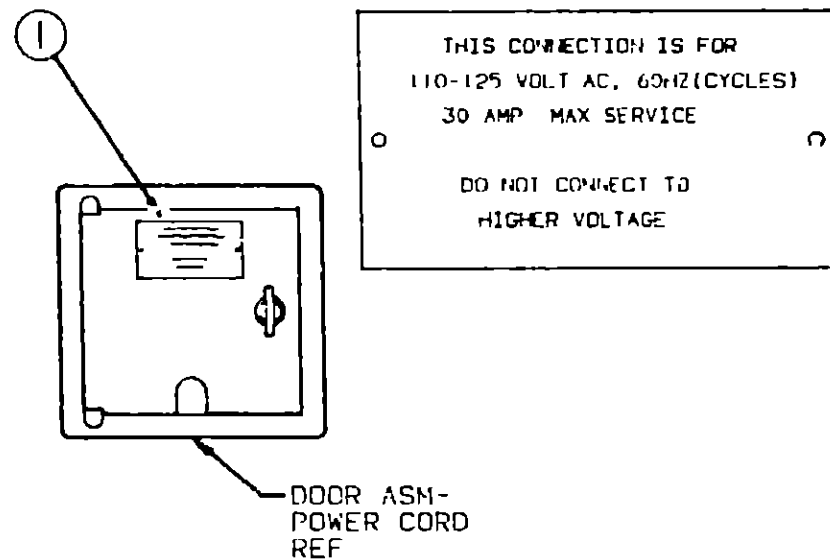
1992 WC324RC INDEX

Floor Plan	D-05 - D-06
Accessories Group	D-07 - D-10
Bath Group	D-11 - D-12
Bedroom Group	D-13
Chassis Group	D-14 - D-16
Curtain, Cushion & Pad Group	D-17 - D-24
Dinette Group	E-01 - E-02
Driver's Compartment Group	E-03 - E-06
Electrical Group	E-07 - E-09
Exterior Body Group	E-10 - E-14
Galley Group	E-15 - E-18
Heating & Air Conditioning Group	E-19 - E-20
Interior Finish Group	E-21 - E-23
Labels Group	E-24 - F-08
LP Group	F-09
Lounge Group	F-10
Sealants & Fasteners Group	F-11 - F-12
Water & Sewage Group	F-13 - F-16
Window, Vent & Exterior Door Group	F-17 - G-06

LABELS GROUP (CONTINUED)

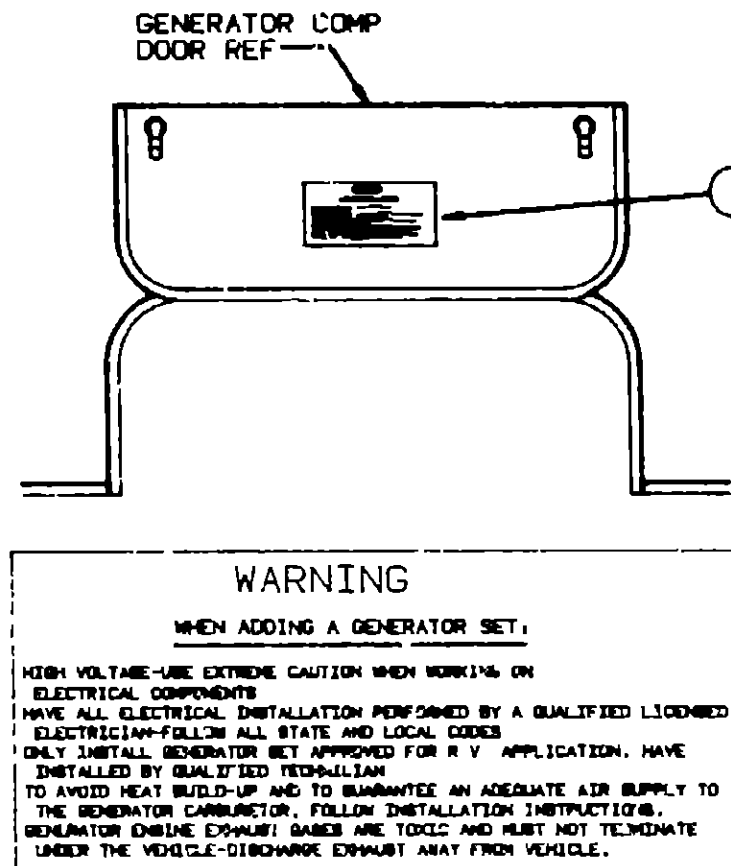


Key	Part Number	U/M	Description
1	087207-05-000	EA	Label - Fuel Cap Removal
2	062043-01-000	EA	Label - Unleaded Fuel Only
	061417-01-000	EA	Label - Fuel
3	006040-01-000	EA	Tag - Gas Refueling Warning (US)
3	006040-02-000	EA	Tag - Gas Refueling Warning (CSA)

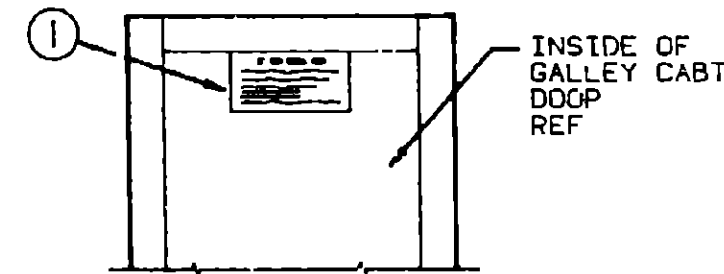


Key	Part Number	U/M	Description
1	006062-01-000	EA	Tag - Electrical - 110 Volt Connection

LABELS GROUP (CONTINUED)



Key	Part Number	U/M	Description
1	077510-01-000	EA	Label - Generator Prep



IF YOU SMELL GAS

1. EXTINGUISH ANY OPEN FLAME, PILOT LIGHTS AND ALL SMOKING MATERIALS.
2. SHUT OFF THE GAS SUPPLY AT THE TANK VALVE OR GAS SUPPLY CONNECTION.
3. OPEN DOORS AND OTHER VENTILATING OPENINGS.
4. DO NOT TOUCH ELECTRICAL SWITCHES.
5. LEAVE THE AREA UNTIL ODOR CLEARS.
6. HAVE THE GAS SYSTEM CHECKED AND LEAKAGE SOURCE CORRECTED BEFORE USING AGAIN.

Key	Part Number	U/M	Description
1	073998-01-000	EA	Label - LFG - Odor Warning

**1992 WINNEBAGO
TABLE OF CONTENTS**

INTRODUCTION	A-01 - A-02
ABBREVIATIONS	A-03
ALPHABETICAL INDEX	A-04 - A-06
WC321RG	A-07 - D-06
WC324RC	D-05 - G-08

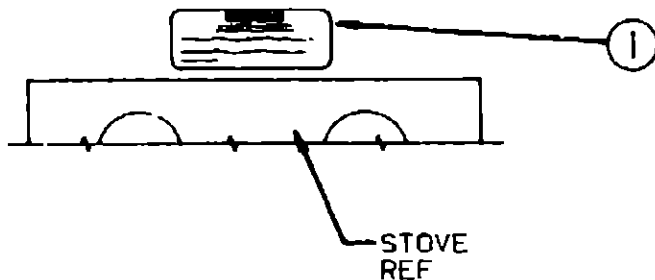
1992 WC324RC INDEX

Floor Plan	D-05 - D-06
Accessories Group	D-07 - D-10
Bath Group	D-11 - D-12
Bedroom Group	D-13
Chassis Group	D-14 - D-18
Curain Cushion & Pad Group	D-17 - D-21
Dinette Group	E-01 - E-02
Driver's Compartment Group	E-03 - E-06
Electrical Group	E-07 - E-09
Exterior Body Group	E-10 - E-14
Galley Group	E-15 - E-18
Heating & Air Conditioning Group	E-19 - E-20
Interior Finish Group	E-21 - E-23
Labels Group	E-24 - F-06
LP Group	F-09
Lounge Group	F-10
Sealants & Fasteners Group	F-11 - F-12
Water & Sewage Group	F-13 - F-16
Window, Vent & Exterior Door Group	F-17 - G-08

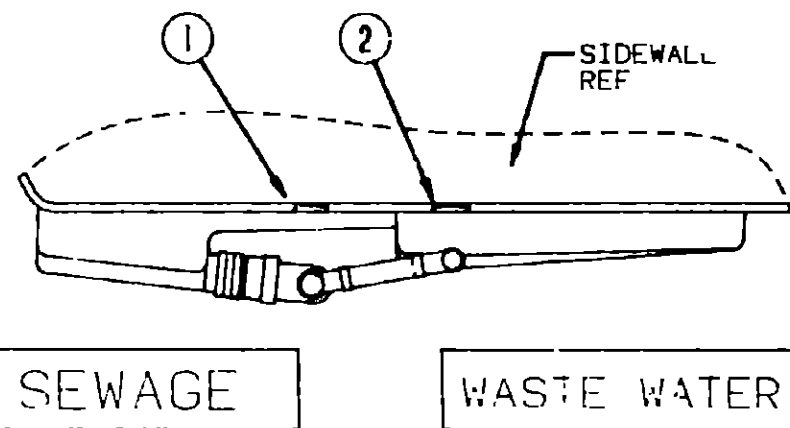
LABELS GROUP (CONTINUED)

WARNING
 IT IS NOT SAFE TO USE COOKING APPLIANCES FOR COMFORT HEATING.
 COOKING APPLIANCES NEED FRESH AIR FOR SAFE OPERATION BEFORE OPERATION.

1 OPEN OVERHEAD VENT OR TURN ON EXHAUST FAN AND.
 2 OPEN WINDOW



Key	Part Number	U/M	Description
1	050225-01-000	EA	Label - Warning - Stove Vent

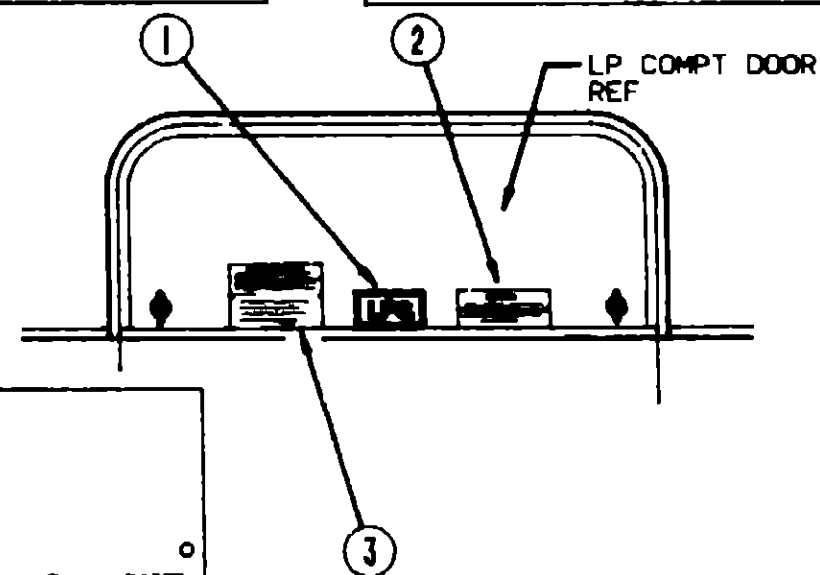


Key	Part Number	U/M	Description
1	006187-01-000	EA	Label - Sewage
2	006188-01-000	EA	Label - Waste Water

LABELS GROUP (CONTINUED)

LPG

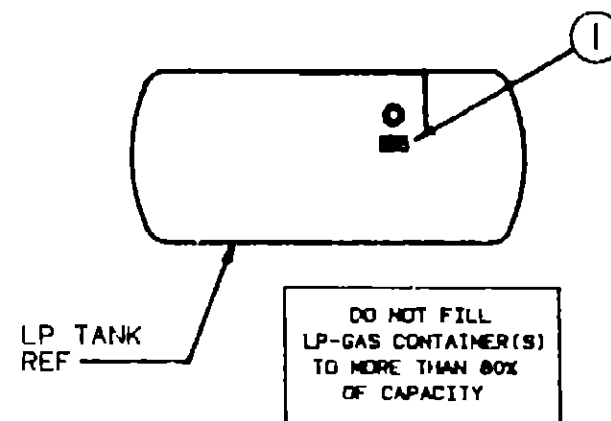
WARNING
 ALL PILOT LIGHTS AND APPLIANCES SHALL BE TURNED OFF DURING REPLACING OF MOTOR FUEL TANKS AND/OR PERMANENTLY MOUNTED LP-GAS CONTAINERS



LP-GAS SYSTEM
 THIS GAS PIPING SYSTEM IS DESIGNED FOR USE OF LIQUEFIED PETROLEUM GAS ONLY. DO NOT CONNECT NATURAL GAS TO THIS SYSTEM.

SECURELY CAP INLET(S) WHEN NOT CONNECTED FOR USE. AFTER TURNING ON GAS, EXCEPT AFTER NORMAL CONTAINER REPLACEMENT TEST GAS PIPING AND CONNECTIONS TO APPLIANCE FOR LEAKAGE WITH SOAPY WATER OR BUBBLE SOLUTION. DO NOT USE PRODUCTS THAT CONTAIN AMMONIA OR CHLORINE.
 P. N. 34631

Key	Part Number	U/M	Description
1	074559-01-000	EA	Label - "LPG" - 3 3" x 1.75" (California Code)
2	006040-01-000	EA	Tag - Gas Refueling - Warning (US)
2	006040-02-000	EA	Tag - Gas Refueling - Warning (CSA)
3	054531-01-000	EA	Label - LP Gas Only
	023769-01-000	EA	Label - Warning - LPG (CSA)



Key	Part Number	U/M	Description
1	079965-01-000	EA	Label - LPG - 80% Capacity

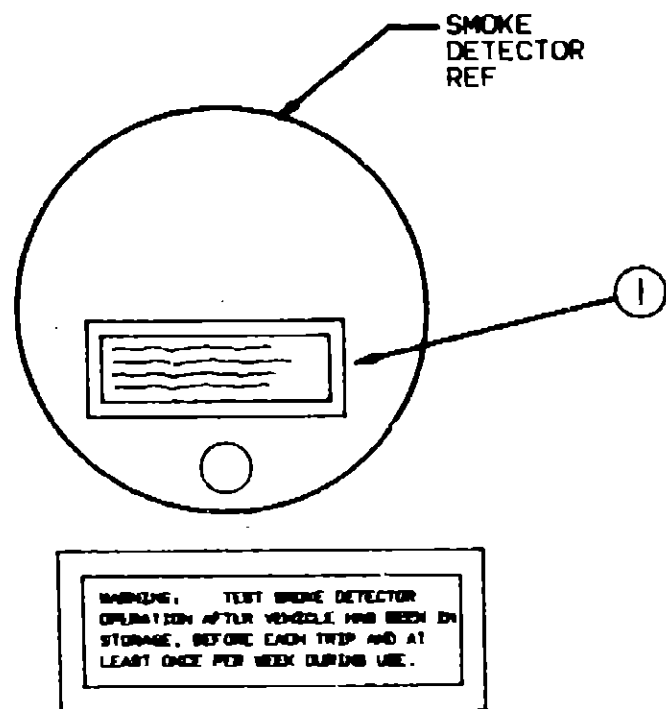
1992 WINNEBAGO TABLE OF CONTENTS

INTRODUCTION	A-01 - A-02
ABBREVIATIONS	A-03
ALPHABETICAL INDEX	A-04 - A-06
WC321RG	A-07 - D-06
WC324RC	D-05 - G-06

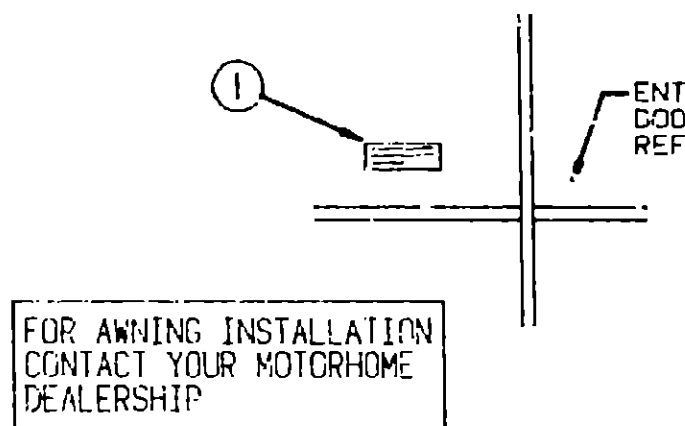
1992 WC324RC INDEX

Floor Plan	D-05 - D-06
Accessories Group	D-07 - D-10
Bath Group	D-11 - D-12
Bedroom Group	D-13
Chassis Group	D-14 - D-16
Curtain, Cushion & Pad Group	D-17 - D-24
Dinette Group	E-01 - E-02
Driver's Compartment Group	E-03 - E-06
Electrical Group	E-07 - E-09
Exterior Body Group	E-10 - E-14
Galley Group	E-15 - E-18
Heating & Air Conditioning Group	E-19 - E-20
Interior Finish Group	E-21 - E-23
Labels Group	E-24 - F-06
LP Group	F-09
Lounge Group	F-10
Sealants & Fasteners Group	F-11 - F-12
Water & Sewage Group	F-13 - F-16
Window, Vent & Exterior Door Group	F-17 - G-06

LABELS GROUP (CONTINUED)

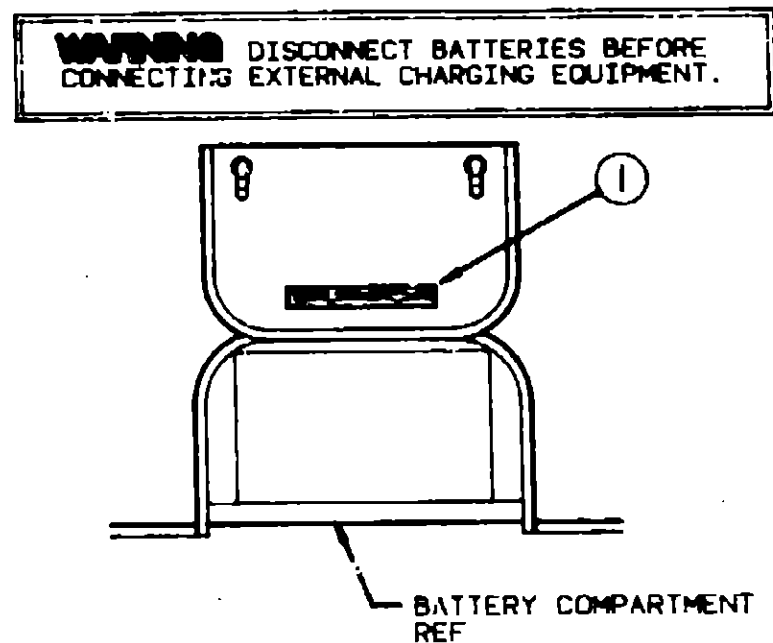


Key	Part Number	U/M	Description
1	077956-01-000	EA	Label - Warning - Smoke Detector



Key	Part Number	U/M	Description
	099509-01-000	EA	Label - Awning Installation

LABELS GROUP (CONTINUED)



Key	Part Number	U/M	Description
1	085748-01-000	EA	Label - Caution - Battery Charging

MISCELLANEOUS LABELS

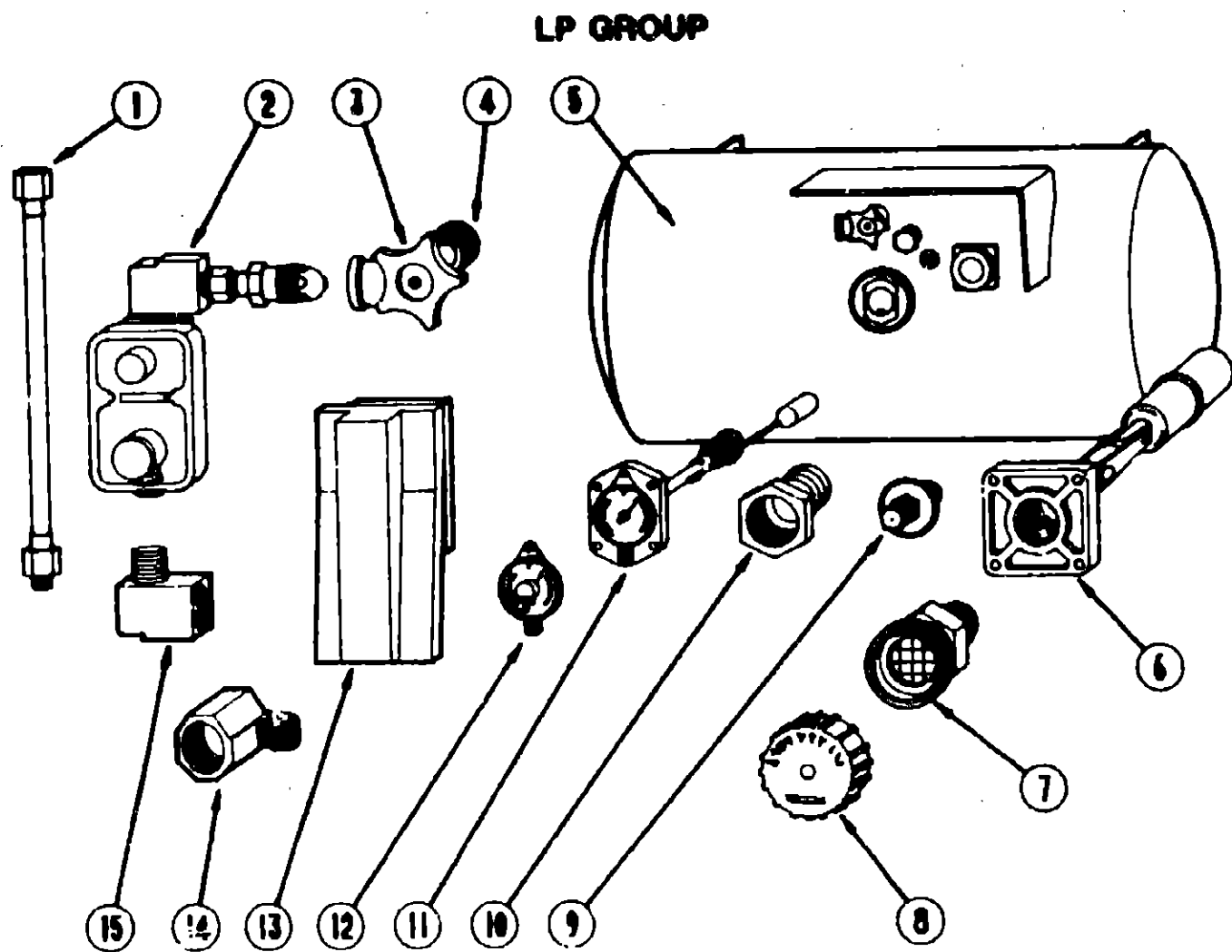
Key	Part Number	U/M	Description
	006064-01-000	EA	Label - Seat - w/o Seat Belt
	061243-01-000	EA	Label - AC Cover
	006019-01-000	EA	Tag - RVI Approved - Plastic

**1992 WINNEBAGO
TABLE OF CONTENTS**

INTRODUCTION	A-01 - A-02
ABBREVIATIONS	A-03
ALPHABETICAL INDEX	A-04 - A-06
WC321RG	A-07 - D-06
WC324RC	D-05 - G-06

1992 WC324RC INDEX

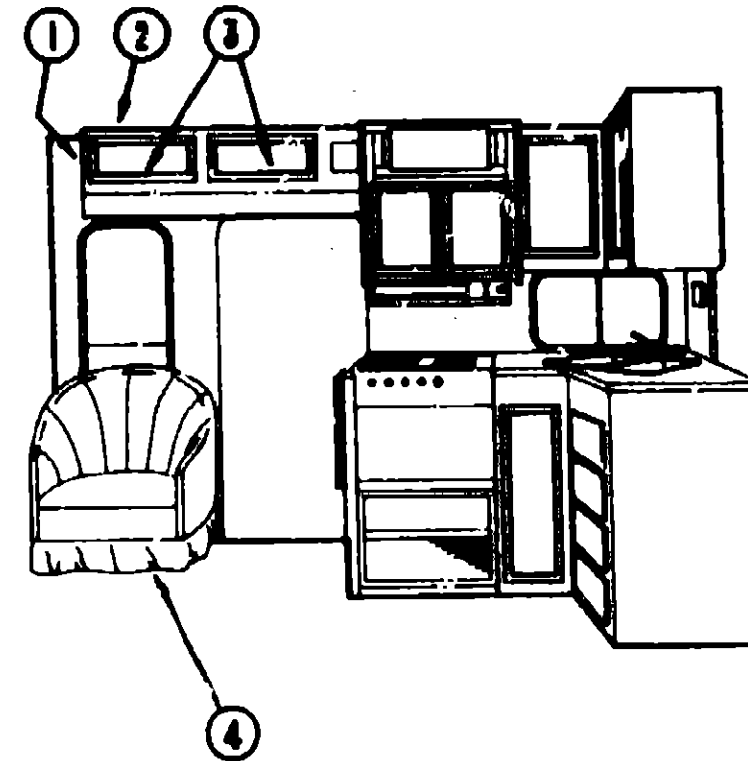
Floor Plan	D-05 - D-06
Accessories Group	D-07 - D-10
Bath Group	D-11 - D-12
Bedroom Group	D-13
Chassis Group	D-14 - D-16
Curtain, Cushion & Pad Group	D-17 - D-24
Dinette Group	E-01 - E-02
Driver's Compartment Group	E-03 - E-06
Electrical Group	E-07 - E-09
Exterior Body Group	E-10 - E-14
Galley Group	E-15 - E-18
Heating & Air Conditioning Group	E-19 - E-20
Interior Finish Group	E-21 - E-23
Labels Group	E-24 - F-06
LP Group	F-07
Lounge Group	F-08
Sealants & Fasteners Group	F-11 - F-12
Water & Sewage Group	F-13 - F-16
Window, Vent & Exterior Door Group	F-17 - G-06



LP TANK & COMPONENTS

Key	Part Number	U/M	Description
1	045703-01-000	EA	Hose Asm. - LP - 3/8" ID x 24" (US)
1	045703-02-000	EA	Hose Asm. - LP - 3/8" ID x 24" (CSA)
2	076301-01-000	EA	Regulator - Two Stage
3	040421-01-708	EA	Handwheel - Service Valve
4	040421-01-712	EA	Service Valve w/Handwheel
5	097821-01-000	EA	Tank Asm. - LP - 60 Pound - 14" Diameter x 30" Long
6	040421-01-711	EA	Valve - 80% w/Float Plate, Bolts & Gauges
7	040421-01-701	EA	Valve - Filler - LP w/Cap
8	040421-01-702	EA	Cap - Plastic - Fill Valve
9	040421-01-700	EA	Valve - Liquid Level - 20% LP
10	040421-01-713	EA	Pressure Relief Valve
11	040421-01-707	EA	Gauge - Float - 60 Pound Tank
12	040440-01-000	EA	Dial - Visible Face - Float Gauge
13	081938-01-000	EA	Cover - LP Regulator
14	065318-02-000	EA	Elbow - 90° - 3/8" MPT x 3/8" FPT
15	065742-01-000	EA	Tee - .38 F x .37 F x .25 FP1
	065741-01-000	EA	Gauge - Diaphragm Pressure - Test Leak
	008042-01-000	FT	Tubing - Vinyl - .65" ID
	010377-01-000	EA	Nut - 3/8" F - Brass
	010380-02-000	EA	Nut - 1/2" F - Brass - Forged
	010377-02-000	EA	Nut - 3/8" F - Brass - Forged
	010320-01-000	EA	Adapter - Flare w/Core Gasket - 3/8" Female FL x 1/2" Male FL
	010323-01-000	EA	Adapter - Brass - 3/8" F x 1/2" MPT (Ford)
	071015-14-000	EA	Grommet - 3/8" ID Fits .09" Material Rubber
	071015-17-000	EA	Grommet - 3/8" ID Fits .08" Material Rubber
	016188-03-000	EA	Grommet - LP Line - 3/8" Hole x 2 1/2" Dia. - Rubber
	084884-01-000	EA	Brass - Plug - 3/8"

LOUNGE GROUP



LOUNGE CABINETRY

Key	Part Number	U/M	Description
1	081280-20-B05	EA	End Cap - Front Overhead Cabinet
2	M05149-17-B85	EA	Cabinet - Overhead - Entry Door - w/o Doors or Hardware
3	P03701-33-B85	EA	Door - Overhead Cabinet - 10" x 19" - w/o Hardware
†4	066429-07-B85	EA	Chair - Swivel
†4	066429-07-B86	EA	Chair - Swivel
	088245-03-000	EA	Plate - Swivel - Top w/o Tilt - w/Lock
	088245-07-000	EA	Extension - Chair Base - 6"
	088215-01-000	EA	Base - Swivel Chair w/Legs
	057759-01-000	EA	Washer - Bracket - Seat Belt - 4" Dia.
	089705-02-000	EA	Bar - Seat Belt - 2.5" x 12.75"
	007021-01-000	EA	Belt - Seat - 2" x 90" - Black

† See Curtain, Cushion & Pad Group for the breakdown of these items.

1992 WINNEBAGO
TABLE OF CONTENTS

INTRODUCTION
ABBREVIATIONS
ALPHABETICAL INDEX
WC321RG
WC324RC

A-01 - A-02
A-03
A-04 - A-05
A-07 - D-08
D-05 - G-08

1992 WC324RC INDEX

Floor Plan	D-05 - D-08
Accessories Group	D-07 - D-10
Bath Group	D-11 - D-12
Bedroom Group	D-13
Chassis Group	D-14 - D-16
Curtain, Cushion & Pad Group	D-17 - D-24
Dinette Group	E-01 - E-02
Driver's Compartment Group	E-03 - E-06
Electrical Group	E-07 - E-08
Exterior Body Group	E-10 - E-14
Galley Group	E-15 - E-18
Heating & Air Conditioning Group	E-19 - E-20
Interior Finish Group	E-21 - E-23
Labels Group	E-24 - F-08
LP Group	F-09
Lounge Group	F-10
Sealants & Fasteners Group	F-11 - F-12
Water & Sewage Group	F-13 - F-16
Window, Vent & Exterior Door Group	F-17 - G-08

SEALANTS & FASTENERS GROUP

SCREWS & FASTENERS

Key	Part Number	U/M	Description
	000C13-07-48B	EA	Bolt - Hex - 7/16 - 20 x 3 - Zn 5
	000C28-05-20B	EA	Bolt - Hex - Ser Fig 5/16 - 18 x 1 1/4" - Zinc
	000D24-10-00B	EA	Nut - Hex - Locking - 10-32 - Zn
	000D39-05-00B	EA	Nut - Hex - Ser Fig Lk - 5/16 - 18 - Zn
	000D39-08-00B	EA	Nut - Hex - Ser Fig Lk - 3/8 - 18 - Zn
	000D39-09-00B	EA	Nut - Hex - Ser Fig Lk - 1/2 - 13 - Zn
	000D44-07-00B	EA	Nut - Hex - Ser Fig Lk - 7/16 - 20 - Zn
	000E13-11-00B	EA	Washer - Flat - 3/16" Wide - Zn
	000G11-08-10J	EA	Screw - 6 - 20 x 5/8" PPH - Brass
	000G11-07-08B	EA	Screw - 7 - 19 x 1/2" PPH - Zn
	000G11-08-06B	EA	Screw - 8 - 18 x 3/8" PPH - Zn
	000G11-08-12B	EA	Screw - 8 - 18 x 3/4" PPH - Zn
	000G11-08-12D	EA	Screw - 8 - 18 x 3/4" PPH - Black
	000G11-08-12P	EA	Screw - 8 - 18 x .75" - Dark Brown
	000G11-08-12R	EA	Screw - 8 - 18 x 75" PPH - Beige
	000G11-08-12S	EA	Screw - 8 - 18 x 75" PPH - Off White
	000G11-08-16S	EA	Screw - 8 - 18 x 1 00" PPH - Off White
	000G11-10-12D	EA	Screw - 10 - 16 x 3/4" PPH - Black
	000G11-10-24P	EA	Screw - 10 - 16 x 1 1/2" PPH - Dark Brown
	000G12-08-12S	EA	Screw - 8 - 18 x .75" POH - Off White
	000G12-08-16S	EA	Screw - 8 - 18 x 1" POH - Off White
	000G13-05-08B	EA	Screw - 6 - 20 x 1/2" PFH - Zn
	000G13-06-08G	EA	Screw - 6 - 20 x 1/2" PFH - Antique Brass
	000G13-06-10G	EA	Screw - 6 - 20 x 5/8" PFH - Antique Brass
	000G13-07-12B	EA	Screw - 7 - 19 x 3/4" PFH - Zn
	000G13-08-16B	EA	Screw - 8 - 18 x 1 PPH - Zn
	000G18-08-12B	EA	Screw - Machine - 8 - 32 x 3/4" PPH - Zn
	000G18-08-16B	EA	Screw - Machine - 8 - 32 x 1 PPH - Zn
	000G18-08-22B	EA	Screw - Machine - 8 - 32 x 1 3/8 PPH - Zn
	000G39-06-08B	EA	Screw - SF/DR 8 - 18 x 1/2 PPH - Zn
	000G39-06-08R	EA	Screw - SF/DR 8 - 18 x 1/2 PPH - Beige
	000G39-08-12B	EA	Screw - SF/DR 8 - 18 x 3/4 PPH - Zn
	000G39-08-12R	EA	Screw - SF/DR 8 - 18 x 3/4 PPH - Beige
	000G39-08-16S	EA	Screw - SF/DR 8 - 18 x 1 00 PPH - Off White
	000G39-08-24B	EA	Screw - SF/DR 8 - 18 x 1 1/2 PPH - Zn
	000G39-08-24S	EA	Screw - SF/DR 8 - 18 x 1 50 PPH - Off White
	000G39-10-10S	EA	Screw - SF/DR 10 - 16 x 82" PPH - Off White
	000G39-10-12D	EA	Screw - SF/DR 10 - 16 x 3/4 PPH - Black
	000G39-10-20B	EA	Screw - SF/DR 10 - 16 x 1 1/4 PPH - Zn
	000G39-12-12E	EA	Screw - SF/DR 12 - 14 x 3/4" PPH - Chrome
	000G42-04-18B	EA	Screw - SF/DR 1/4 - 14 x 1 HWH - Zn
	000G53-04-08B	EA	Screw - Machine - 1/4 - 20 x 3/8 PPH - Zn
	000G54-04-20B	EA	Screw - 1/4 - 20 x 1 1/4 PTH Typ 23 - Zn
	000G67-10-06B	EA	Screw - 10 - 12 x 1/2 PPH - Zn
	000G67-10-08R	EA	Screw - 10 - 12 x 1/2 PPH - Beige - Type A
	000G67-10-10B	EA	Screw - 10 - 12 x 5/8 PPH - Zn - Type A
	000G67-10-10R	EA	Screw - 10 - 12 x 5/8 PPH - Beige - Type A
	000G67-10-12B	EA	Screw - 10 - 12 x 3/4 PPH - Zn
	000G67-10-12P	EA	Screw - 10 - 12 x 75 PPH - Dark Brown
	000G67-10-12O	EA	Screw - 10 - 12 x 75 PPH - Tan
	000G67-10-24B	EA	Screw - 10 - 12 x 1 1/2 PPH - Zn
	000G67-10-32B	EA	Screw - 10 - 12 x 2 PPH - Zn
	000G68-06-10G	EA	Screw - 6 - 18 x 5/8 POH - Antique Brass

SEALANTS & FASTENERS GROUP (CONTINUED)

SCREWS & FASTENERS (CONTINUED)

Key	Part Number	U/M	Description
	000H18-04-08R	EA	Rivet - Pop - AL 1/8 x 313 - .375
	006081-01-000	EA	Nut - Speed - C Type - No 8 Screw
	082401-02-000	EA	Clamp - Hose - Wormgear - 1.58" - 2.5"
	082401-08-000	EA	Clamp - Hose - Wormgear - .22" x 82"
	007161-01-000	EA	Clamp - Hose - Spring Type - 1/2"
	008343-01-000	EA	Tie - Wire - 6"
	008388-01-000	EA	Grommet - Snap - 3/8
	008401-01-000	EA	Strap - Conduit - 3/4" - 1 Hole - Galvanized Steel
	010405-01-000	EA	Clamp - Cable - 9/16"
	010497-01-000	EA	Clamp - Closed - 5/8" ID
	010497-03-000	EA	Clamp - Closed - 1 ID - Cushioned
	010498-01-000	EA	Clamp - Closed - 3/8" ID
	016804-01-000	EA	Brace - Cabinet - Angled Metal - 2 5"
	083809-01-000	EA	Clamp - Wire Dual - Equal 5/8" Dia
	084884-01-000	EA	Plug - Brass - 3/8"
	087721-01-000	EA	Screw - Flat Head - Tapping - 1/4 x 1 1/4 LG - Zn
	088371-01-000	EA	Screw - Machine - 8 - 32 x 3 5/16 - Zn
	075148-02-000	EA	Clamp - Grounding - Bronze Screws
	075808-01-000	EA	Screw - Machine - 10 - 32 x .58 PTH - Zn
	049485-04-000	EA	Screw - 10 - 16 x 1 PTH w/Washer - Beige
	078790-01-000	EA	Screw - 6 - 20 x 1 1/4 PPH - Black
	063729-04-000	EA	Rivet - 10 - 32 UNF - .010 - .060

SEALANTS & ADHESIVES

Key	Part Number	U/M	Description
	004020-01-000	QT	Adhesive - ABS Cement (Plastic Fittings)
	004005-02-000	GL	Adhesive - Swifts - Glue (Sidewalls)
	053788-07-000	EA	Bedding Compound - Tube - Beige (Exterior)
	053788-08-000	EA	Bedding Compound - Tube - Clear (Window)
	053788-08-000	EA	Bedding Compound - Tube - Gray (Exterior)
	102352-01-000	EA	Bedding Compound - Tube - Black (Luggage Compartment)
	053788-02-000	EA	Bedding Compound - Tube - Off White (Exterior)
	002328-02-000	EA	Block - Rubber Spacer (Windshield)
	077987-01-000	EA	Sealant - Acrylic Latex - Tube - Off White (Interior Sealant)
	034552-04-000	EA	Sealant - Silicone - Beige
	034552-02-000	EA	Sealant - Silicone - Clear
	034552-07-000	EA	Sealant - Silicone - Dark Gray
	034552-08-000	EA	Sealant - Silicone - Off White
	039518-01-000	EA	Sealant Silicone - Black
	089840-01-000	FT	Sealer Ribbon - 25" Bead x 20'
	089840-02-000	FT	Sealer Ribbon - 5" x 125" x 30'
	089840-03-000	FT	Sealer Ribbon - 75" x 125" x 30'
	089840-08-000	FT	Sealer Ribbon - 1/32" x 2 5" x 30'
	089840-08-000	FT	Sealer Ribbon - 5/16" Bead x 15'
	089840-07-000	FT	Sealer Ribbon - 2" x 3/32" x 30'
	089840-10-000	FT	Sealer Ribbon - 1/32" x 1 5" x 100'
	002707-02-0GJ	FT	Sealer Tape - 5/16" x 1/2"
	074497-14-700	EA	Sealer - Stain (Ceiling)
	084401-01-000	EA	Seam Sealer - Tube - Clear (Cap to Sidewall)
	102353-01-700	EA	Seam Sealer - Tube - Aluminum (Roof)
	063842-01-000	FT	Tape - Adhesive - 10mm x 1.5" Wide
	038888-01-000	EA	Tape - Butyl - .31" x .31" x 148" (Windshield)
	076322-01-000	FT	Tape - Foam - Double Coated - 025 x .75 x 72' (Fiberglass Sidewall Seams)
	076322-02-000	FT	Tape - Foam - Double Coated - 045 x 1" (Fiberglass Sidewall Seams)
	076322-03-000	FT	Tape - Foam - Double Coated - 5" x 108"
	100028-01-000	FT	Tape - Foam - Double Coated - 031 x 75 x 72' (Non-Structural Fastening)
	009200-01-000	EA	Tape - Furnace - 1 5"
	002825-01-000	FT	Weather Stripping (Roof Vent)
	081377-01-700	EA	Adhesive - Cyanoacrylate - 10GM
	104579-01-000	FT	Seal - Foam - Closed Cell - 08" x 43"

1992 WINNEBAGO TABLE OF CONTENTS

INTRODUCTION	A-01 - A-02
ABBREVIATIONS	A-03
ALPHABETICAL INDEX	A-04 - A-08
WC321RG	A-07 - D-08
WC324RC	D-05 - G-08

1992 WC324RC INDEX

Floor Plan	D-05 - D-08
Accessories Group	D-07 - D-10
Bath Group	D-11 - D-12
Bedroom Group	D-13
Cheese Group	D-14 - D-16
Curtain, Cushion & Pad Group	D-17 - D-24
Dinette Group	E-01 - E-02
Driver's Compartment Group	E-03 - E-08
Electrical Group	E-07 - E-08
Exterior Body Group	E-10 - E-14
Galley Group	F-15 - E-18
Heating & Air Conditioning Group	E-19 - E-20
Interior Finish Group	E-21 - E-23
Labels Group	E-24 - F-08
LP Group	F-09
Lounge Group	F-10
Sealants & Fasteners Group	F-11 - F-12
Water & Sewage Group	F-13 - F-16
Window, Vent & Exterior Door Group	F-17 - G-08

WATER & SEWAGE GROUP

DRAINAGE SYSTEM

Key	Part Number	U/M	Description
	082422-01-000	EA	Adapter - Offset Reducer - 3" x 1 1/2"
	082416-01-000	EA	Adapter - Sewer Hose to 3" Pipe
	033302-02-000	EA	Adapter Arm - Strainer - 1 1/2" (CSA)
	010123-01-000	EA	Bushing - 2" x 1 1/2" - Hub - Plastic
	010121-01-000	EA	Bushing - Plastic - Red - 1 1/2" S x 1 1/4" H
	011091-02-000	EA	Continuous Waste - Double Sink - 11 7/8"
	010115-01-000	EA	Coupler - Plastic - 1 1/2" H x H
	078408-01-000	EA	Coupler - Rubber - 3" x 3"
	010005-01-000	EA	Elbow - Plastic - 1/16 BD - 1 1/2" x 22 1/2"
	010000-01-000	EA	Elbow - Plastic - 1/8 BD x 1 1/4 x 45° x H
	010051-01-000	EA	Elbow - Plastic - 1/8 BD x 1 1/2 x 45°
	010006-01-000	EA	Elbow - Plastic - 1/8 BD x 1 1/2 x 45° H x H
	010008-01-000	EA	Elbow - Plastic - 1/4 BD x 1 1/2 x 90° - Left
	034250-01-000	EA	Elbow - Plastic - 1/4 BD x 1 1/2 x 90° H x H
	033781-01-000	EA	Elbow - Plastic - 1/4 BD x 1 1/2 x 90°
	010009-01-000	EA	Elbow - Plastic - 1/4 BD x 1 1/2 x 90° - St
	037101-02-000	EA	Elbow - Plastic - 1/4" Bend Vent - 1 1/2" Hub (CSA)
	075240-06-000	EA	Faucet - Lavatory - Bone
	075241-05-000	EA	Faucet - Shower - Bone
	011053-04-000	EA	Faucet - Swing Spout - 8" - Galley
	024676-01-000	EA	Flange - Closet - Toilet - 4" x 3" (US)
	024676-02-000	EA	Flange - Closet - 4" x 3" (CSA)
	091253-01-000	EA	Gasket - Faucet
	061807-01-000	EA	Grommet - Holding Tank Coupler - 1 1/2"
	061807-02-000	EA	Grommet - Holding Tank Coupler - 3"
	011088-03-000	EA	P-Trap - 1 1/4" - Plastic (US)
	011085-02-000	EA	P-Trap - 1 1/4" - Plastic (CSA) (Lavatory/Shower)
	053335-01-000	EA	P-Trap - 1 1/4" - Plastic w/Union (CSA) (Galley)
	083558-03-000	EA	Roof Vent - Covered - Vent Pipe - Off White
	039861-01-000	EA	Sending Unit w/Screw, Washer, Well Nut & Terminal
	082415-01-000	EA	Sewer Cap - 3"
	082415-01-700	EA	String - Sewer Cap
	010201-01-000	EA	Sewer Hose - 3" ID x 20'
	011048-02-000	EA	Shower Head w/60" Hose (US)
	011048-05-000	EA	Shower Head w/60" Hose (CSA)
	M02429-04-000	EA	Shower Pan Asm
	102551-01-000	EA	Sink - Double w/Mounting Hardware - Stainless Steel
	098927-01-01A	EA	Sink - Rectangular - Lavatory
	098927-01-700	EA	Sink Stopper
	098927-01-701	EA	Tailpiece - Sink
	086438-01-000	EA	Slip Nut - 1.5 - Tailpiece
	086440-01-000	EA	Strainer - Shower Drain
	086437-01-000	EA	Strainer - Sink - Galley
	086437-01-700	EA	Basket - Strainer - Galley Sink
	011089-02-000	EA	Tailpiece - 1 1/2 x 1 1/4 x 4" - Brass
	074870-01-000	EA	Tank - Holding - 30 Gal - Sewage
	074861-01-000	EA	Tank - Holding - 35 Gal - Waste Water
	010079-01-000	EA	Tee - Plastic - 1 1/2" H x 1 1/2" H x 1 1/4" H
	076776-01-000	EA	Tee - Barb - 5/8" x 5/8" x 5/8"
	010071-01-000	EA	Tee - Plastic - 1 1/2" H x H x H

WATER & SEWAGE GROUP (CONTINUED)

DRAINAGE SYSTEMS (CONTINUED)

Key	Part Number	U/M	Description
	087487-01-000	EA	Toilet - Ivory - Aqua Magic
	087487-01-700	EA	C.L.F.L. Seal & Bolt Package
	083740-01-710	EA	Link
	083740-01-711	EA	Spring - Return Lever
	083740-01-705	EA	Seat - Ivory - w/o Cover
	083740-01-700	EA	Lever - Water
	083740-01-701	EA	Lever - Flush
	083740-01-713	EA	Seal - Ball - Valve to Bowl
	083740-01-714	EA	Valve Asm. - Water
	083740-01-707	EA	Seal - Closet Flange
	083740-01-708	EA	Bolt Package - Closet
	070916-01-000	EA	Valve - Dual - 3" x 1.5"
	070916-01-700	EA	Valve - Only - 3"
	070916-01-701	EA	Valve - Only - 1 1/2"
	082421-01-000	EA	Valve - 1 1/2" w/Handle
	082419-02-700	EA	Handle Only - For Extension Rod
	079888-01-000	EA	Vent - Mechanical Trap Arm
	089735-01-000	EA	Washer - Tailpiece - 1.5 - Plastic

EXTERIOR SHOWER (OPTION L64R)

Key	Part Number	U/M	Description
	103173-01-01A	EA	Shower Kit - Exterior - Off White (Piece Parts are N/A)
	103173-02-01A	EA	Shower Kit - Exterior - Off White
	103173-03-700	EA	Compartment Only
	103173-03-701	EA	Door Only
	103173-03-702	EA	Hinge Pin
	103173-03-703	EA	Hinge Pin Spring
	103173-03-704	EA	Lock Asm. w/Key & Clip
	103173-03-705	EA	Decal - "Auxiliary Shower"
	103173-03-706	EA	Shower Head w/Hose & Bracket
	103173-03-707	EA	Faucet w/Adapter - Chrome
	046128-01-000	EA	Valve - Drain - Plastic - 1/2" FPT
	052952-01-000	EA	Nut - Plastic - 1/2" F x 1/2" Tube - Gray
	002726-01-000	EA	Garnish - U-Channel - 1 3/8" x 1 9/16" - Serrated - Mill Aluminum
	052957-02-000	EA	Elbow - Male - 1/2" F x 1/2" MPT - Plastic - Gray
			* These parts were used from 3/25/91 on

WATER HEATER BYPASS (OPTION L53J)

Key	Part Number	U/M	Description
	039800-01-000	FT	Tubing - Polybutyl - 1/2 OD x 20'
	052952-01-000	EA	Nut - Plastic - 1/2" F x 1/2" Tube - Gray
	052955-01-000	EA	Tee - Water - 1/2" F x 1/2" F x 1/2" MPT - Plastic - Gray
	052957-01-000	EA	Elbow - Plastic - 1/2" F x 3/8" MPT
	099729-01-000	EA	Bypass Kit - Water Heater

1992 WINNEBAGO TABLE OF CONTENTS

INTRODUCTION	A-01 - A-02
ABBREVIATIONS	A-03
ALPHABETICAL INDEX	A-04 - A-08
WC321RG	A-07 - D-08
WC324RC	D-05 - G-06

1992 WC324RC INDEX

Floor Plan	D-05 - D-06
Accessories Group	D-07 - D-10
Bath Group	D-11 - D-12
Bedroom Group	D-13
Chassis Group	D-14 - D-16
Curtain, Cushion & Pad Group	D-17 - D-24
Dinette Group	E-01 - E-02
Driver's Compartment Group	E-03 - E-06
Electrical Group	E-07 - E-09
Exterior Body Group	E-10 - E-14
Galley Group	E-15 - E-18
Heating & Air Conditioning Group	E-19 - E-20
Interior Finish Group	E-21 - E-23
Labels Group	E-24 - F-06
LP Group	F-09
Lounge Group	F-10
Sealants & Fasteners Group	F-11 - F-12
Water & Sewage Group	F-13 - F-16
Window, Vent & Exterior Door Group	F-17 - G-06

WATER & SEWAGE GROUP (CONTINUED)

WATER LINES & HARDWARE

Key	Part Number	U/M	Description
	044827-01-000	EA	Adapter - Plastic - 1 1/4" MPT x 1 1/4" Bar (Water Tank)
	079317-01-000	EA	Adapter - Swivel - 5 Tube x 5 FPT
	052854-01-000	EA	Adapter - Nose Cone - 3/8" or 1/2" - Plastic
	038522-02-000	EA	Cap - Brass - 1/2" Flare
	052958-02-000	EA	Connector - Plastic - 1/2" F x 1/2" MPT
	052958-03-000	EA	Connector - 1/2" x 3/8" MPT - Plastic
	010219-01-000	EA	Elbow - Plastic - 1 1/3" MPT x 1 1/4" Barb
	085120-01-000	EA	Elbow - Plastic - Swivel - 1/2" FPT x 1/2" Flare - Gray
	035538-01-000	EA	Elbow - Plastic - 3/8" MPT x 3/8" BARB
	070924-01-000	EA	Elbow - Swivel - 1/2" MPT x 1/2" FPT - Gray
	075240-06-000	EA	Faucet - Lavatory - Bone
	011053-04-000	EA	Faucet - Swing Spout - Galley - 8"
	091253-01-000	EA	Gasket - Faucet
	075241-05-000	EA	Faucet - Shower - Bone
	077954-02-000	EA	Filter/Screen (In Water Tank)
	052952-01-000	EA	Nut - Plastic - 1/2" F
	052953-01-000	EA	Nut - Faucet - 1/2" Tube x 1/2" FPT
	049032-01-000	EA	Patch - Spinweld - Plastic - 3/8"
	098807-01-000	EA	Pump - Water - 2.8 GPM - Direct Flow (US)
	098807-02-000	EA	Pump - Water - 2.8 GPM - Direct Flow (CSA)
	098807-01-707	EA	Motor/Backplate - Replacement
	098807-01-701	EA	Drive Asm
	098807-01-702	EA	Diaphragm Kit
	098807-01-703	EA	Valve Asm
	098807-01-704	EA	Upper Housing
	098807-01-706	EA	Switch Asm - Complete
	098807-01-700	EA	Pumphead - Replacement
	098807-01-705	EA	Check - Valve Kit
	091208-01-000	EA	Rubber Washer - 1/2" x 7/8" x 5/16"
	011048-02-000	EA	Shower Head - w/60" Hose - (US)
	011048-05-000	EA	Shower Head - w/60" Hose (CSA)
	097967-01-000	EA	Switch - Water Heater
	042989-03-000	EA	Spinweld Fitting - Plastic - 1/4" NPT
	042989-05-000	EA	Spinweld Fitting - Plastic - 1/2" FPT
	042989-04-000	EA	Spinweld Fitting - Plastic - 3/8" FPT
	052955-01-000	EA	Tee - Plastic - 1/2" F x 1/2" F x 1/2" MPT
	052956-01-000	EA	Tee - Plastic - 1/2" F x 1/2" MPT x 1/2" F
	052958-01-000	EA	Tee - Plastic - 1/2" F x 1/2" F x 1/2" F
	074463-01-000	EA	Tee - 4 Way - Plastic - 1/2" Flare - Gray
	039800-01-000	FT	Tubing - Polybutyl - 1/2" OD x 20' (Water Line)
	079381-01-000	FT	Tubing - Flex/Smooth - 1.25 ID (Water Tank)
	074462-02-000	FT	Tubing - Vinyl - 3/8" ID
	052960-01-000	EA	Valve - Line Drain - 1/2" F x 1/2" F
	052960-01-700	EA	Connector - Union - 1/2" F x 1/2" F
	074510-03-000	EA	Water Tank - 16 Gal w/Fittings - 33 1/4" x 11 1/4" x 10 1/2"
	053520-10-000	EA	Water Tank - 18 Gal w/Fittings - 27" x 17 1/2" x 10"

WATER & SEWAGE GROUP (CONTINUED)

WATER HEATER & REPAIR PARTS

Key	Part Number	U/M	Description
	051391-01-000	EA	Heater - Water - Atwood G8A-3
	051391-01-700	EA	Hinge Kit - w/Clip - Atwood #92568 & 92569
	051391-01-715	EA	Drain Plug - Atwood #91581
	051391-01-702	EA	Tank - Inner - G8A-2, 3, 6 - Water Heater - Atwood 91412
	051391-01-704	EA	Valve - Relief - 1/2" Fitting - Atwood 91604
	051391-01-705	EA	Fastener - Carnloc - Atwood #92809
	051391-01-708	EA	Grille - Exhaust - Atwood #92787
	051391-01-712	EA	Thermostat - 3/8" NPT Inlet
	051391-01-708	EA	Burner - Main - Atwood #92815
	051391-01-709	EA	Pilot Asm. - w/Thermocouple & Tube
	051391-01-710	EA	Orifice - Main Burner - Atwood #92742
	051391-01-711	EA	Elbow - Orifice - Main Burner
	051391-01-714	EA	Elbow - 45 Degree - 3/8" F x 3/8" MPT - Atwood #91044
	051391-03-000	EA	Heater - Water - w/Electric Ignition - Atwood # G8A-3E, 4E & 6E
	051393-03-700	EA	Tank - Inner (G8A-3E) Rear Mount - Atwood #91409
	051391-04-700	EA	Tank - Inner (G8A-3E) Front Mount - Atwood #91808
	051391-04-708	EA	Tank - Inner - G8A-4E & 6E - Front Mount - Atwood #9184
	051391-01-704	EA	Valve - Relief - 1/2" Fitting - Atwood #91604
	051391-01-705	EA	Fastener - Carnloc - Atwood #92809
	051393-01-701	EA	Switch Package - Atwood #91959
	051393-01-702	EA	Switch - Energy Cut-Off - Atwood #91951
	051391-04-701	EA	Thermostat 12 VDC - 120 Preset - Atwood #91470 - Front Mount Only
	051393-01-703	EA	Thermostat - Rear Mount - Atwood #91952
	051393-01-721	EA	ECO & Thermostat Asm - Front Mount - 140 Degree - Atwood #
	051393-01-704	EA	Circuit Board - w/Black Box - Atwood #91420
	051391-01-708	EA	Grille - Exhaust - Atwood #92787
	051393-01-705	EA	Orifice Holder - Atwood #91825
	051391-01-710	EA	Orifice - Main Burner - Atwood #92742
	051393-01-716	EA	Spark & Probe Asm. - Atwood #91808
	051391-01-708	EA	Burner - Main - Atwood #92815
	051393-01-718	EA	Valve - Dual Solenoid - Atwood #91605
	051391-01-715	EA	Drain Plug - Atwood #91581
	051391-01-700	EA	Hinge Kit - w/Clip - Atwood #92568 & 92569
	051393-01-000	EA	Water Heater - w/Motor Aid - Pilotless Ignition - Atwood GH6-3E, GH6-4E or GH6-6E
	051391-04-705	EA	Tank - Inner - GH6-3E - Front Mount - Atwood #91609
	051393-01-714	EA	Tank - Inner - GH6-3E - Rear Mount - Atwood #91408
	051391-04-704	EA	Tank - Inner - Front Mount - GH6-4E & 6E - Atwood #91642
	051391-01-704	EA	Valve - Relief - 1/2" Fitting - Atwood #91604
	051391-01-705	EA	Fastener - Carnloc - Atwood #92809
	051393-01-701	EA	Switch Package - Atwood #91959
	051393-01-702	EA	Switch - Energy Cut-off - Atwood #91951
	051391-04-701	EA	Thermostat - 12 VDC - 120 Preset - Atwood #91470 - Front Mount Only
	051393-01-703	EA	Thermostat - Rear Mount - Atwood #91952
	051393-01-721	EA	ECO & Thermostat Asm - Front Mount - 140 Degree - Atwood #
	051393-01-704	EA	Circuit Board - w/Black Box - Atwood #91420
	051391-01-708	EA	Grille - Exhaust - Atwood #92787
	051393-01-705	EA	Orifice Holder - Atwood #91825
	051391-01-710	EA	Orifice - Main Burner - Atwood #92742
	051393-01-716	EA	Spark & Probe Asm. - Atwood #91808
	051391-01-708	EA	Burner - Main - Atwood #92815
	051393-01-718	EA	Valve - Dual Solenoid - Atwood #91605
	051391-01-715	EA	Drain Plug - Atwood #91581
	051391-01-700	EA	Hinge Kit - w/Clip - Atwood #92568 & 92569

NOTE: Items indented below assemblies are serviceable parts for that assembly

**1992 WINNEBAGO
TABLE OF CONTENTS**

INTRODUCTION	A-01 - A-02
ABBREVIATIONS	A-03
ALPHABETICAL INDEX	A-04 - A-06
WC321RG	A-07 - D-06
WC324RC	D-05 - G-06

1992 WC324RC INDEX

Floor Plan	D-05 - D-06
Accessories Group	D-07 - D-10
Bath Group	D-11 - D-12
Bedroom Group	D-13
Chassis Group	D-14 - D-16
Curtain, Cushion & Pad Group	D-17 - D-24
Dinette Group	E-01 - E-02
Driver's Compartment Group	E-03 - E-06
Electrical Group	E-07 - E-09
Exterior Body Group	E-10 - E-14
Galley Group	E-15 - E-18
Heating & Air Conditioning Group	E-19 - E-20
Interior Finish Group	E-21 - E-23
Labels Group	E-24 - F-06
LP Group	F-09
Lounge Group	F-10
Sealants & Fasteners Group	F-11 - F-12
Water & Sewage Group	F-13 - F-16
Window, Vent & Exterior Door Group	F-17 - G-06

WINDOWS, VENTS & EXTERIOR DOORS

WINDOW, VENT & EXTERIOR DOOR GROUP (CONTINUED)

1992 WINNEBAGO TABLE OF CONTENTS

INTRODUCTION	A-01 - A-02
ABBREVIATIONS	A-03
ALPHABETICAL INDEX	A-04 - A-06
WC321RG	A-07 - D-06
WC324RC	D-05 - G-06

1992 WC324RC INDEX

Floor Plan	D-05 - D-06
Accessories Group	D-07 - D-10
Bath Group	D-11 - D-12
Bedroom Group	D-13
Chassis Group	D-14 - D-16
Curtain, Cushion & Pad Group	D-17 - D-24
Dinette Group	E-01 - E-02
Driver's Compartment Group	E-03 - E-06
Electrical Group	E-07 - E-09
Exterior Body Group	E-10 - E-14
Galley Group	E-15 - E-18
Heating & Air Conditioning Group	E-19 - E-20
Interior Finish Group	E-21 - E-23
Labels Group	E-24 - F-06
LP Group	F-09
Lounge Group	F-10
Sealants & Fasteners Group	F-11 - F-12
Water & Sewage Group	F-13 - F-16
Window, Vent & Exterior Door Group	F-17 - G-06

POWERED ROOF VENT

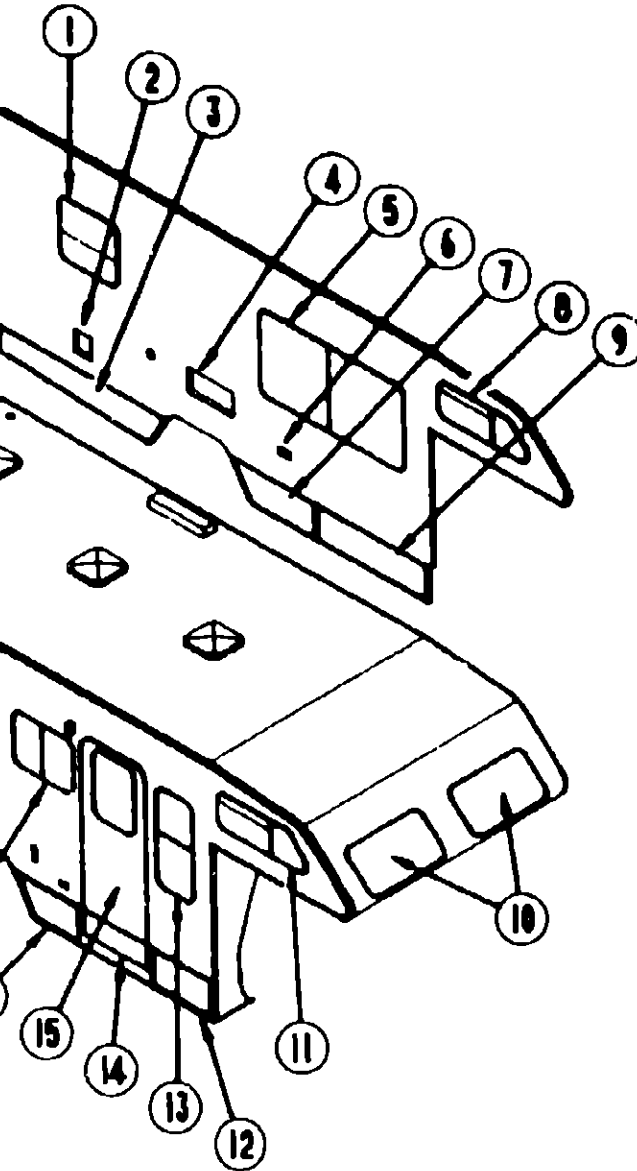
Key	Part Number	U/M	Description
	080384-01-Y12	EA	Vent Asm - Roof - Powered - w/o Screen (US)
	009440-01-000	EA	Lift Mechanism
	009439-03-000	EA	Extension
	009439-04-000	EA	Screw
	009439-01-000	EA	Crank - Roof Vent - Mill
	048848-01-000	EA	Fan - Plastic - 6"
	008195-01-000	EA	Switch - Push Button - 12 Volt
	015911-01-000	EA	Track - Slide - Roof Vent
	002825-01-000	EA	Weatherstrip Seal
	048848-01-000	EA	Motor - 12 Volt
	008386-01-000	EA	Grommet - Snap - 3/8"
	051384-01-000	EA	Cover Asm - Roof Vent
	052639-01-200	EA	Hinge - 7" - Roof Vent
	078786-01-Y12	EA	Screen Asm - Roof Vent - Powered
	002291-02-000	SF	Screen - Window - 16" - Charcoal
	002298-02-000	FT	Spline - Charcoal
**	084468-08-000	EA	Vent Asm - Roof Powered - w/o Screen (CSA)
**	The illustrated parts breakdown of this item is provided on the Common Items Fiche.		

NON-POWERED VENT

Key	Part Number	U/M	Description
	080385-01-Y12	EA	Vent Asm - Roof - Non-Powered - w/o Screen
	009440-01-000	EA	Lift Mechanism Asm
	009439-03-000	EA	Extension
	009439-04-000	EA	Screw
	009439-01-000	EA	Crank - Roof Vent - Mill
	015911-01-000	EA	Track - Slide - Roof Vent
	002825-01-000	EA	Weatherstrip Seal
	055218-01-000	EA	Cover Asm - Roof Vent
	052639-01-200	EA	Hinge - 7" - Roof Vent
	078786-01-Y12	EA	Screen Asm - Charcoal
	002291-02-000	SF	Screen - Window - 16" - Charcoal
	002298-02-000	FT	Spline - Charcoal

VENTS & SHROUDS

Key	Part Number	U/M	Description
	083558-03-000	EA	Vent - Plumbing Pipe - Roof w/Cover - Off White
	084073-03-000	EA	Vent - Refrigerator Roof - Off White
	084073-04-000	EA	Base - Roof Vent - Norcold Refrigerator - Black
	084878-09-000	EA	Vent - Range Hood - Short - LVS
	083752-01-000	EA	Shroud Asm - Range



WINDOWS & ACCESS DOORS

Key	Part Number	U/M	Description
1	098644-01-715	EA	Window Asm - Vertical Slider - 22" x 15" (Excel)
2	078010-03-000	EA	Door Asm - Fuel Fill
3	096393-17-B05	EA	Door Asm - Rear
4	084103-03-000	EA	Door Asm - Refrigerator - Vent
5	098647-02-700	EA	Window Asm - Horizontal Slider - 30 5" x 57 5" (Excel)
6	081240-03-000	EA	Door Asm - Water Fill
7	096395-09-B05	EA	Door Asm - Storage Compartment
8	100322-02-700	EA	Window Asm - Sliding - Slanted - 12" x 36" (Excel)
9	096386-07-B05	EA	Door Asm - LP Compartment - Front - 13 7" x 37"
10	078533-08-B13	EA	Window Asm - Picture - 15" x 32"
11	100322-01-720	EA	Window Asm - Sliding - Slanted - 12" x 36" (Excel)
12	098252-04-B05	EA	Door Asm - Battery
13	098644-02-705	EA	Window Asm - Vertical Slider - 34 25" x 15" (Excel)
14	098835-01-AA3	EA	Valance - Entry Door
15	M01870-32-B85	EA	Door - Entry w/Screen & Jamb
16	096395-02-AA3	EA	Door Asm - Storage - 19 4" x 27"
17	098647-06-705	EA	Window Asm - Single Slider - 19 3" x 24 5" (Excel)
18	096393-16-B05	EA	Valance Asm - Center
19	052009-01-000	EA	Door Asm - Water Heater
20	098252-04-B05	EA	Door Asm - Storage/Generator - 26 9"
21	098397-08-B05	EA	Valance Asm - Rear w/Square Corners
22	092235-07-712	EA	Window Asm - Tipout - 24 3" x 40.3"
23	078415-01-T03	EA	Window Asm - Escape - 29" x 23"
	098868-06-000	EA	Door - Access - Furnace - Off White

WINDOW, VENT & EXTERIOR DOOR GROUP (CONTINUED)

ACCESS DOORS

Key	Part Number	U/M	Description
	088383-17-B05	EA	Door Asm. - Holding Tank & Dump Valve - 9 8" x 72"
	079927-03-000	EA	Lock - Twist Type - Double Cam
	078010-03-000	EA	Door Asm - Fuel Fill - Off White
	078200-01-000	EA	Gasket - Fuel Fill Door
	078040-02-000	EA	Shroud - Fuel Fill - Upper
	083578-01-000	EA	Boot - Fuel Fill
	084235-01-000	EA	Support - Flange
	074888-03-000	EA	Filler Neck - Fuel Fill
	080340-01-000	FT	Seal - Foam Closed Cell - 1/4" x 1/2" x 50'
	084103-03-000	EA	Door Asm. - Refrigerator - Vented - Off White
	084104-01-700	EA	Lock - Male - Dyrus Fasteners
	084104-01-701	EA	Lock - Female - Dyrus Fasteners
	084104-03-000	EA	Jamb - Door - Vented - Refrigerator - Off White
	081240-03-000	EA	Door Asm - Water Fill - Lockable - 4" x 4 5/8" - Off White
	096395-09-B05	EA	Door Asm - Storage Compartment - 46"
	079388-04-000	EA	Lock - Door - Key Type w/o Keys
	082684-01-700	EA	Key - Storage Compartment - Single
	096388-07-B05	EA	Door Asm - LP Compartment - 13 7" x 37 4"
	079927-03-000	EA	Lock - Twist Type - Double Cam
	098252-04-B05	EA	Door Asm - Battery Compartment - 13 7" x 26"
	079927-03-000	EA	Lock - Twist Type - Double Cam
	081801-02-000	EA	Hinge - 2" x 96" - Off White
	096395-02-AA3	EA	Door Asm - Storage Compartment - 19 4" x 27"
	079388-04-000	EA	Lock - Key Type w/o Keys
	082684-01-700	EA	Key - Compartment Door Lock
	101667-01-000	EA	Hod - Prop
	088329-01-000	EA	Clip - Spring - 3/8" - Metal
	052009-01-000	EA	Door Asm - Water Heater - Off White
	098252-04-B05	EA	Door Asm - Storage/Generator - w/Locks - 26 9"
	079927-03-000	EA	Lock - Twist Type - Double Cam
	081801-02-000	EA	Hinge - 2" x 96" - Off White
	058027-01-000	FT	Seal - 'D' Shaped - Hollow - Sponge Rubber - Black
	091876-01-000	EA	Retainer - Door - 19 7" x 7 9"
	096209-55-001	EA	U-Channel - Hinged - 16' - Off White
	097111-01-01A	EA	Pocket Lock Valance - Off White
	098338-01-000	EA	Gasket - Lock Pocket
	098217-55-001	EA	U-Channel - 17 5' - Off White

WINDOW, VENT & EXTERIOR DOOR GROUP (CONTINUED)

PASSENGER & DRIVERS SIDE BUNK WINDOW (EXCEL)

Key	Part Number	U/M	Description
	100322-01-720	EA	Window - Vented - 12" x 38 5" (Passenger) (w/o inside frame)
	100322-02-700	EA	Window - Vented - 12" x 38 5" (Driver) (w/o inside frame)
	100322-01-719	EA	Inside Frame - Black - Passenger
	100322-01-724	EA	Inside Frame - Off White - Passenger
	100322-01-721	EA	Inside Frame - Black - Driver
	100322-02-701	EA	Inside Frame - Off White - Driver
	098844-01-716	EA	Filter Plug
	100322-01-701	EA	Vent Seal
	100322-01-702	EA	Weatherstrip - Horizontal Rail
	100322-01-703	EA	Glazing - Butyl Strip
	100322-01-704	EA	Butyl Tape
	100322-01-705	EA	Glass - Stationary - Small Top
	100322-01-708	EA	Glass - Stationary - Large Front
	100322-01-707	EA	Glass - Tipout - Sub Asm. - Passenger Side
	100322-01-710	EA	Splice Plate
	100322-01-708	EA	Screen - Driver Side
	100322-01-709	EA	Screen - Passenger Side
	100322-01-711	EA	Vent Operator - Sub Asm. - Passenger Side
	100322-01-712	EA	Rail - Horizontal
	100322-01-713	EA	Bar - Division - Vertical
	100322-01-714	EA	Support - Torque Bar (Driver)
	100322-01-715	EA	Support - Torque Bar (Passenger)
	100322-01-716	EA	Support - Torque Bar - Center Rail
	100322-01-717	EA	E-Ring
	100322-01-718	EA	Handle - Dial
	100322-01-722	EA	Glass - Tipout - Sub Asm. - Driver Side
	100322-01-723	EA	Vent Operator - Sub Asm. - Driver Side

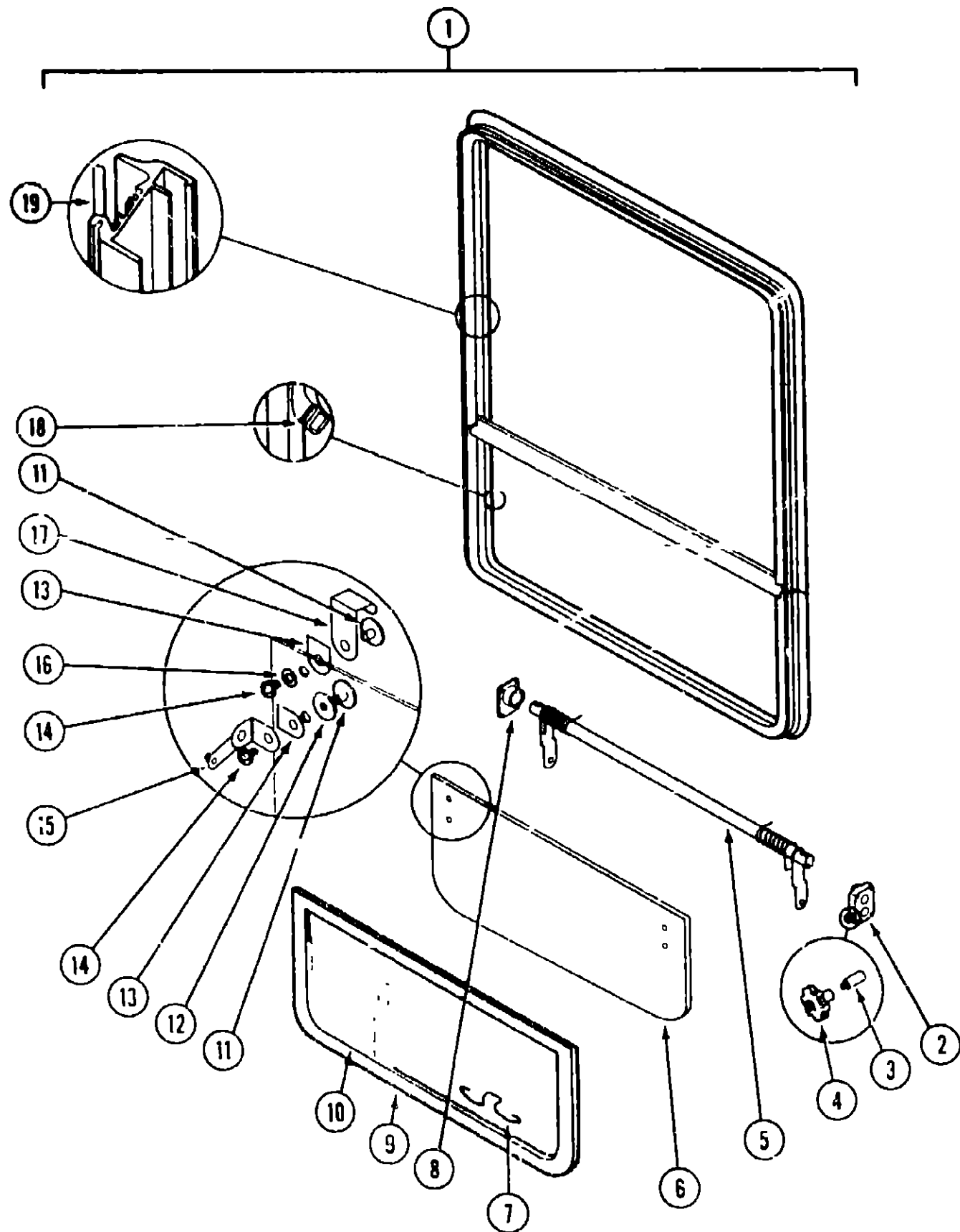
**1992 WINNEBAGO
TABLE OF CONTENTS**

INTRODUCTION	A-01 - A-02
ABBREVIATIONS	A-03
ALPHABETICAL INDEX	A-04 - A-08
WC321RG	A-07 - D-08
WC324RC	D-05 - G-08

1992 WC324RC INDEX

Floor Plan	D-05 - D-08
Accessories Group	D-07 - D-10
Bath Group	D-11 - D-12
Bedroom Group	D-13
Chassis Group	D-14 - D-16
Curtain, Cushion & Pad Group	D-17 - D-24
Dinette Group	E-01 - E-02
Driver's Compartment Group	E-03 - E-08
Electrical Group	E-07 - E-09
Exterior Body Group	E-10 - E-14
Galley Group	E-15 - E-18
Heating & Air Conditioning Group	E-19 - E-20
Interior Finish Group	E-21 - E-23
Labels Group	E-24 - F-08
LP Group	F-09
Lounge Group	F-10
Sealants & Fasteners Group	F-11 - F-12
Water & Sewage Group	F-13 - F-16
Window, Vent & Exterior Door Group	F-17 - G-06

1992 WINNEBAGO
TABLE OF CONTENTS



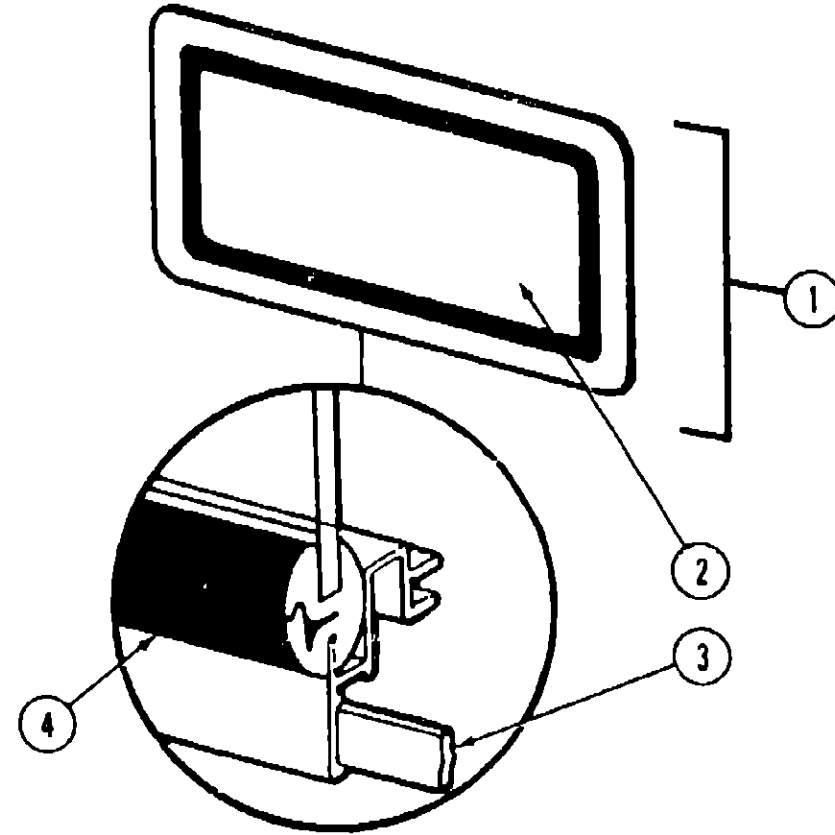
BEDROOM SINGLE TIPOUT WINDOW

Key	Part Number	U/M	Description
1	092235-07-Y12	EA	Window Asm - Single Tipout (w/o inside frame)
	090893-11-01A	EA	Inside Frame - Black (not included w/Window Assembly)
	090893-11-02A	EA	Inside Frame - Off White (not included w/Window Assembly)
2	035302-02-000	EA	Operator Drive
3	090025-01-000	EA	Extension - Window Knob (not included w/Window Assembly)
4	067052-02-000	EA	Window Knob - Beige (not included w/Window Assembly)
	069371-01-000	EA	Screw - Window Knob (not included w/Window Assembly)
5	063150-12-000	EA	Torque Tube Asm w/Spring
5	060918-01-000	EA	Spring - Torque Tube - Left
5	060918-02-000	EA	Spring - Torque Tube - Right
6	064066-17-000	EA	Glass - 1/8" x 1/8" x 9 2" x 40"
7	100168-01-000	EA	Screen Clip
8	061354-01-000	EA	Torque Tube Sleeve
9	100235-04-B07	EA	Screen Asm
10	060218-03-000	SF	Window Screen - 12"
	100240-01-000	FT	Window Screen Spline
11	066762-01-000	EA	Window T-Nut
12	066927-03-000	EA	Seal - Rubber
13	064473-01-000	EA	Seal - Rubber
14	066763-01-000	EA	Screw - #10 - 32 x 1/4" PH
15	097578-01-000	EA	Connecting Rod Asm
	061549-01-000	EA	Snap Ring Clip
	065315-01-000	EA	Rivet - Shoulder - Tipout Window
	064453-01-000	EA	Plastic Washer - .06" x .5" x .135"
16	064453-02-000	EA	Plastic Washer - .06" x .50" x .25"
17	069913-01-000	EA	Hinge
18	064067-01-000	FT	Seal - Sponge Rubber
19	069640-06-000	FT	Ribbon Sealer (not included w/Window Assembly)

INTRODUCTION	A-01 - A-02
ABBREVIATIONS	A-03
ALPHABETICAL INDEX	A-04 - A-06
WC321RG	A-07 - D-06
WC324RC	D-05 - G-08

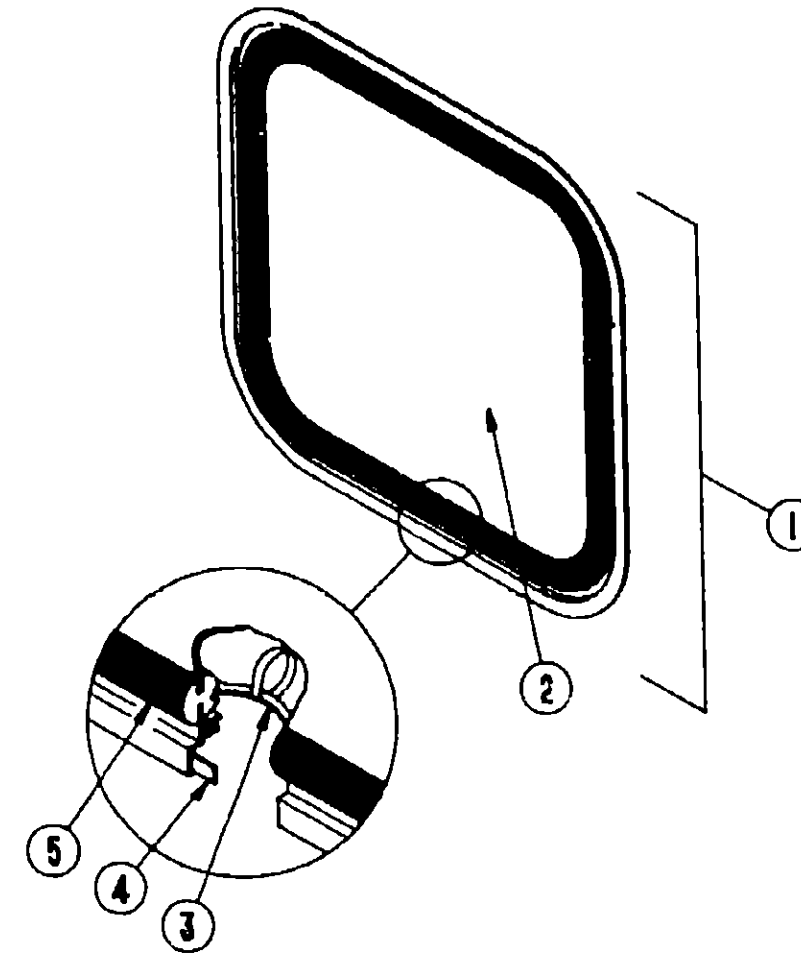
1992 WC324RC INDEX

Floor Plan	D-05 - D-06
Accessories Group	D-07 - D-10
Bath Group	D-11 - D-12
Bedroom Group	D-13
Chassis Group	D-14 - D-16
Curtain, Cushion & Pad Group	D-17 - D-24
Dinette Group	E-01 - E-02
Driver's Compartment Group	E-03 - E-06
Electrical Group	E-07 - E-09
Exterior Body Group	E-10 - E-14
Galley Group	E-15 - E-18
Heating & Air Conditioning Group	E-19 - E-20
Interior Finish Group	E-21 - E-23
Labels Group	E-24 - F-08
LP Group	F-09
Lounge Group	F-10
Sealants & Fasteners Group	F-11 - F-12
Water & Sewage Group	F-13 - F-16
Window, Vent & Exterior Door Group	F-17 - G-06



FRONT PICTURE WINDOW

Key	Part Number	U/M	Description
1	078533-08-B13	EA	Window Asm - Front Picture - 14" x 24" - Black (w/o inside frame)
	041938-12-000	EA	Inside Frame - Black (not included in assembly)
	041938-15-000	EA	Inside Frame - Off White (not included in assembly)
2	002181-13-000	EA	Glass - Tempered - Picture Window
3	069640-06-000	FT	Ribbon Sealer - 5/16" Bead x 15'
4	002281-02-000	EA	Weatherstrip - Self Seal - .06" Panel x .125" - Black



ESCAPE WINDOW

Key	Part Number	U/M	Description
1	079415-01-T03	EA	Window Asm - Rear Escape - 23" x 29" - Black (w/o inside frame)
	020749-06-000	EA	Inside Frame - Black (not included in assembly)
	020749-11-000	EA	Inside Frame - Off White (not included in assembly)
2	002174-01-000	EA	Glass - 1/8" x 19 6" x 25 9"
3	002285-01-000	FT	Filler - Weatherstrip - Black
4	069640-05-000	FT	Ribbon Sealer - 5/16" Bead x 15'
5	002282-03-000	FT	Weatherstrip - 1 25" Window - Rubber
	006199-01-000	EA	Label - Exit - Escape Window
	077066-01-702	EA	Tape Asm - Escape Window - Red
	047731-01-000	EA	Label - Emergency Exit

1992 WINNEBAGO
TABLE OF CONTENTS

INTRODUCTION	A-01 - A-02
ABBREVIATIONS	A-03
ALPHABETICAL INDEX	A-04 - A-06
WC321RG	A-07 - D-06
WC324RC	D-05 - G-06

1992 WC324RC INDEX

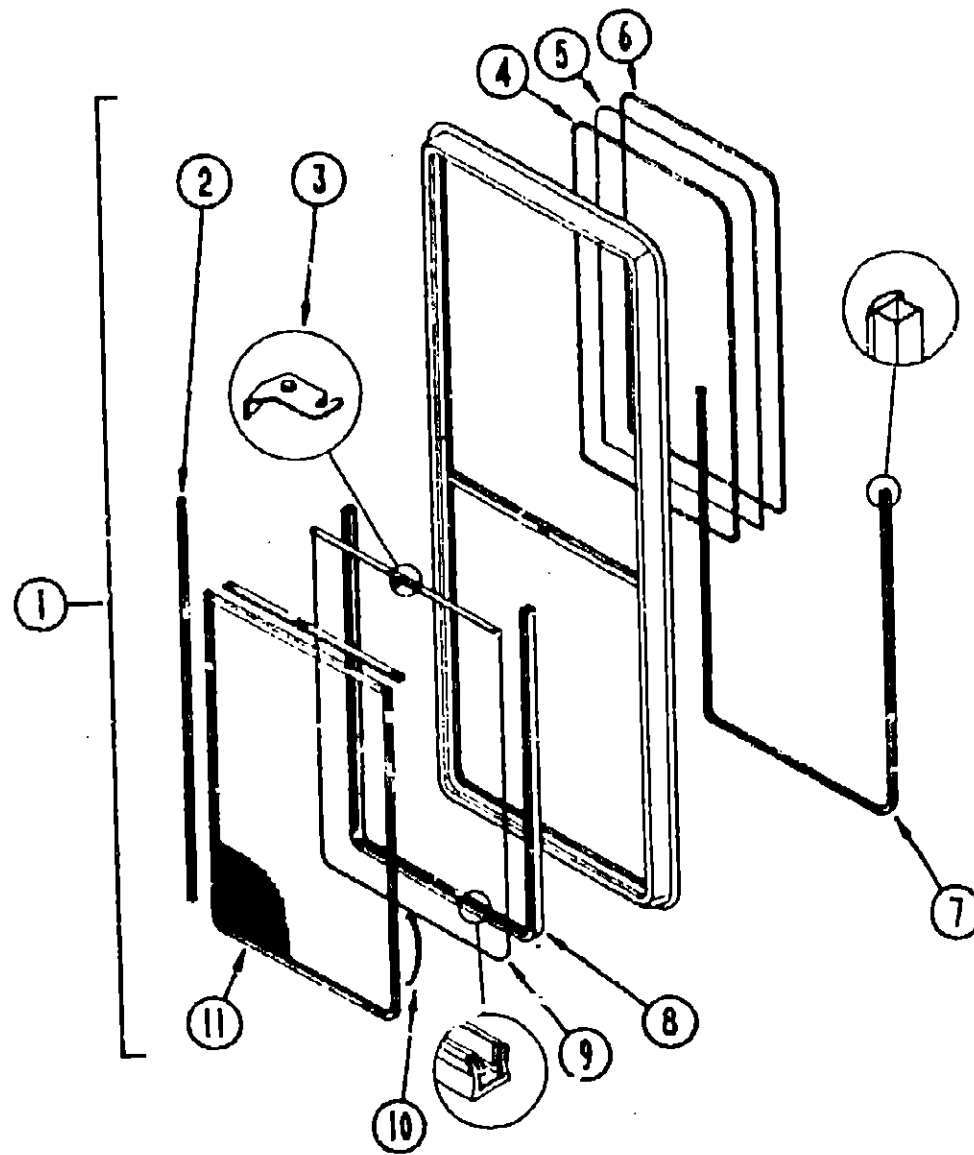
Floor Plan	D-05 - D-06
Accessories Group	D-07 - D-10
Bath Group	D-11 - D-12
Bedroom Group	D-13
Chassis Group	L-14 - D-16
Curtain, Cushion & Pad Group	D-17 - D-24
Dinette Group	E-01 - E-02
Driver's Compartment Group	E-03 - E-06
Electrical Group	E-07 - E-09
Exterior Body Group	E-10 - E-14
Galley Group	E-15 - E-18
Heating & Air Conditioning Group	E-19 - E-20
Interior Finish Group	E-21 - E-23
Labels Group	E-24 - F-08
LP Group	F-09
Lounge Group	F-10
Sealants & Fasteners Group	F-11 - F-12
Water & Sewage Group	F-13 - F-16
Window, Vent & Exterior Door Group	F-17 - G-06

BATH VERTICAL SLIDER (EXCEL)

1992 WINNEBAGO
TABLE OF CONTENTS

Key	Part Number	U/M	Description
1	098644-01-715	EA	Window Asm. - 22" x 15" (w/o Inside frame)
	098644-01-714	EA	Inside Frame - Black (not included in assembly)
	098644-01-718	EA	Inside Frame - Off White (not included in assembly)
2	098644-01-711	EA	Weatherstrip - Screen - Black
	098644-01-701	EA	Splice Plate - Window
	098644-01-702	EA	Screw - Splice - #6 - 32 x 1/4" Pan Head
	098644-01-713	EA	Screw - Locking Rail - #6 x 15 Pro Head Recess - Black
	098644-01-713	EA	Latch - Repair Kit
4	098644-01-707	EA	Rail - Locking w/Weatherstrip
5	098644-01-704	EA	Glass - Stationary - 10.03" x 13.77"
6	098644-01-705	FT	Glazing Strip
7	098644-01-708	FT	Weatherstrip
8	098644-01-708	FT	Channel - Pierced Run
9	098644-01-709	FT	Glass Sliding - w/Sash & Latch
10	098644-01-710	FT	Track - Screen Spacer - 12' Length
	098644-01-713	EA	Spring - Screen Frame (Clip) - Plastic - Black
11	098644-01-712	EA	Screen w/Weatherstrip & Frame Spring (Clip)
	098644-01-716	EA	Plug - Filler

INTRODUCTION	A-01 - A-02
ABBREVIATIONS	A-03
ALPHABETICAL INDEX	A-04 - A-06
WC321RG	A-07 - D-06
WC324RC	D-05 - G-06



LOUNGE VERTICAL SLIDER (EXCEL)

1992 WC324RC INDEX

Key	Part Number	U/M	Description
1	098644-02-705	EA	Window Asm. - 34.25" x 15" (w/o Inside frame)
	098644-02-704	EA	Inside Frame - Black (not included in assembly)
	098644-02-706	EA	Inside Frame - Black (not included in assembly)
2	098644-01-711	FT	Weatherstrip - Screen - Black
3	098644-01-700	EA	Latch - Repair Kit
4	098644-01-707	EA	Rail - Locking w/Weatherstrip
5	098644-02-700	EA	Glass - Stationary - 16.15" x 13.77"
6	098644-01-705	FT	Glazing Strip
7	098644-01-706	FT	Weatherstrip
8	098644-01-708	FT	Channel - Pierced Run
9	098644-02-701	EA	Sash - w/Latch & Sliding Glass
10	098644-01-713	EA	Spring - Screen Frame (Clip) - Plastic - Black
11	098644-02-703	EA	Screen w/Weatherstrip & Frame Spring (Clip)
	098644-01-701	EA	Splice Plate - Window
	098644-01-702	EA	Screw - Splice - #6 - 32 x 1/4" Pan Head
	098644-01-703	EA	Screw - Locking Rail - #6 x 15 Pro-Head Recess - Black
	098644-02-702	FT	Track - Screen Spacer - 12' Length
	098644-01-716	EA	Plug - Filler

Floor Plan	D-05 - D-06
Accessories Group	D-07 - D-10
Bath Group	D-11 - D-12
Bedroom Group	D-13
Chassis Group	D-14 - D-16
Curtain, Cushion & Pad Group	D-17 - D-24
Dinette Group	E-01 - E-02
Driver's Compartment Group	E-03 - E-06
Electrical Group	E-07 - E-09
Exterior Body Group	E-10 - E-14
Galley Group	E-15 - E-18
Heating & Air Conditioning Group	E-19 - E-20
Interior Finish Group	E-21 - E-23
Labels Group	E-24 - F-08
LP Group	F-09
Lounge Group	F-10
Sealants & Fasteners Group	F-11 - F-12
Water & Sewage Group	F-13 - F-16
Window, Vent & Exterior Door Group	F-17 - G-06

WINDOW, VENT & EXTERIOR DOOR GROUP (CONTINUED)

WINDOW, VENT & EXTERIOR DOOR GROUP (CONTINUED)

**1992 WINNEBAGO
TABLE OF CONTENTS**

INTRODUCTION
ABBREVIATIONS
ALPHABETICAL INDEX
WC321RG
WC324RC

A-01 - A-02
A-03
A-04 - A-06
A-07 - D-06
D-05 - G-06

1992 WC324RC INDEX

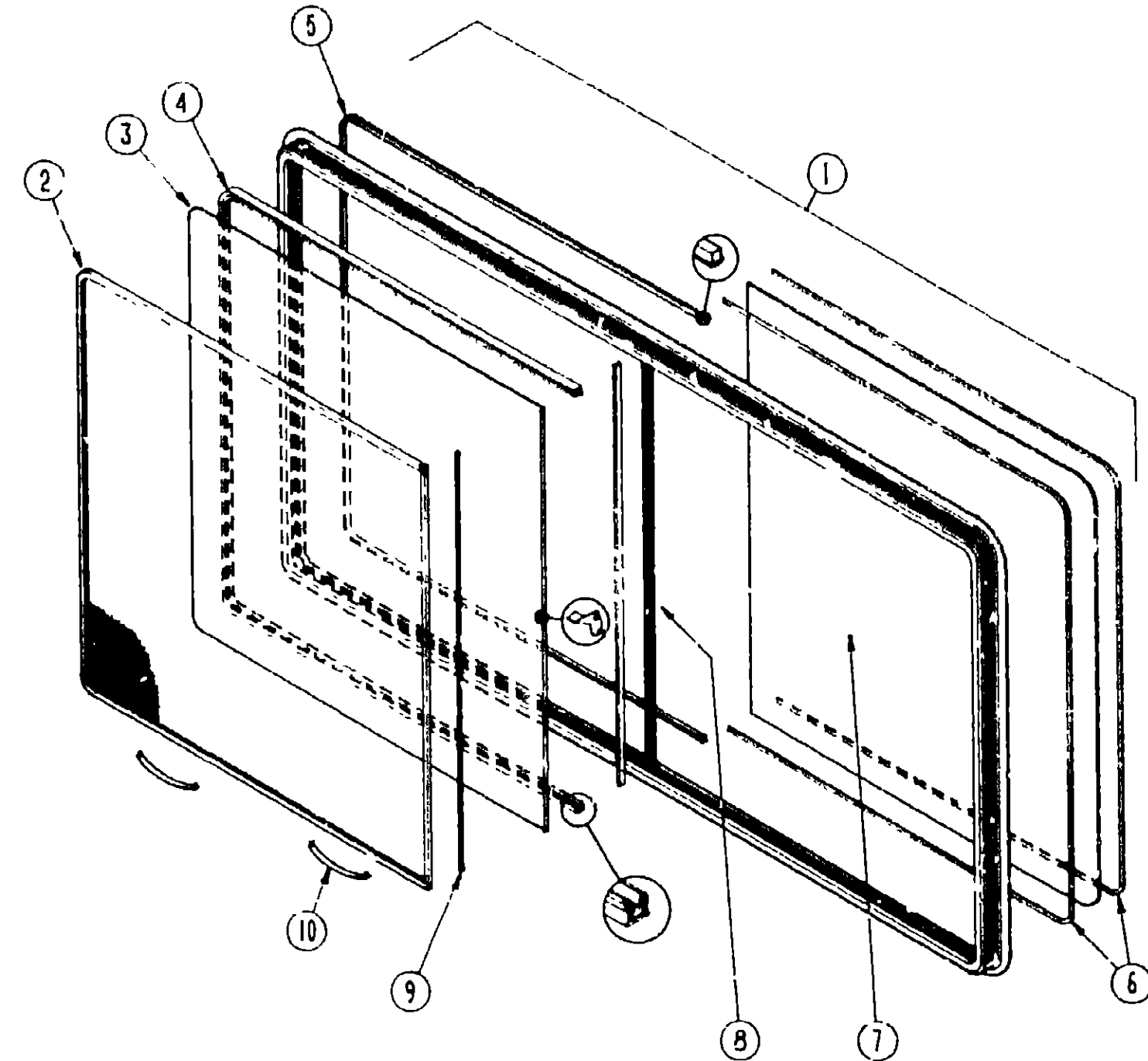
Floor Plan D-05 - D-06
Accessories Group D-07 - D-10
Bath Group D-11 - D-12
Bedroom Group D-13
Chassis Group D-14 - D-16
Curtain, Cushion & Pad Group D-17 - D-24
Dinette Group E-01 - E-02
Driver's Compartment Group E-03 - E-06
Electrical Group E-07 - E-09
Exterior Body Group E-10 - E-14
Galley Group E-15 - E-18
Heating & Air Conditioning Group E-19 - E-20
Interior Finish Group E-21 - E-23
Labels Group E-24 - F-06
Li- Group F-09
Lounge Group F-10
Sealants & Fasteners Group F-11 - F-12
Water & Sewage Group F-13 - F-16
Window, Vent & Exterior Door Group F-17 - G-06

DINETTE SINGLE SLIDING WINDOW (EXCEL)

Key	Part Number	U/M	Description
1	098647-02-700	EA	Window Asm - Single Slider - 30 5" x 57.5" (w/o inside frame)
	098617-01-704	EA	Inside Frame - Black (not included in assembly)
	098647-01-707	EA	Inside Frame - Off White (not included in assembly)
2	098647-01-708	EA	Screen Window w/Spring & Seal
3	098647-01-702	EA	Glass Sliding w/Sash & Latch
4	098644-01-708	FT	Channel - Pierced Run
5	098644-01-706	FT	Weatherstrip
6	098644-01-705	EA	Glazing Strip
7	098647-01-700	EA	Glass - Stationary - 29 27" x 27 72"
8	098647-01-701	EA	Locking Rail w/Weatherstro
9	098644-01-711	FT	Weatherstrip - Screen - Black
10	098644-01-713	EA	Spring - Screen Frame (Clip) Plastic - Black
	098644-01-701	EA	Splice Plate - Window
	098644-01-702	EA	Screw - Splice - #6 - 32 x 1/4" Pan Head
	098644-01-703	EA	Screw - Locking Rail - #6 x 15 Pro-Head Recess - Black
	098644-01-700	EA	Latch - Repair Kit
	098647-01-703	EA	Spacer - Track
	098644-01-716	FT	Plug - Filler

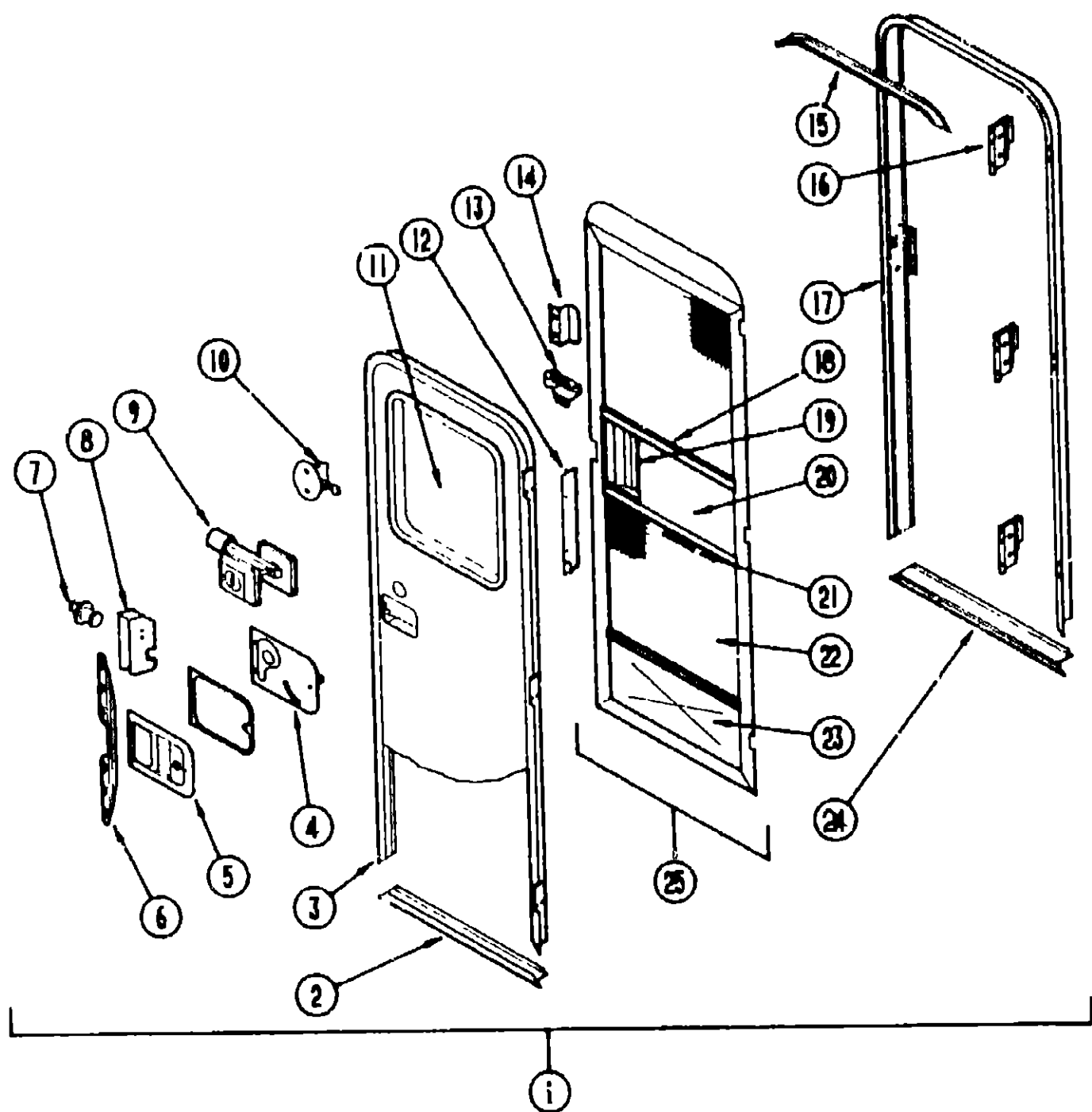
GALLEY SINGLE SLIDER WINDOW (EXCEL)

Key	Part Number	U/M	Description
1	098647-06-705	EA	Window - Single Slider (w/o inside frame)
	098647-06-704	EA	Inside Frame - Black (not included in assembly)
	098647-06-706	EA	Inside Frame - Off White (not include in assembly)
2	098647-06-703	EA	Screen w/Weatherstrip & Frame Spring (Clip)
3	098647-06-702	EA	Glass - Sliding w/Sash & Latch
4	098644-01-708	FT	Channel - Pierced Run
5	098644-01-706	FT	Weatherstripping
6	098644-01-705	FT	Glazing Strip
7	098647-06-700	EA	Glass - Stationary - 10 91" x 13 77"
8	098647-06-701	EA	Rail - Locking w/Weatherstrip
9	098644-01-711	FT	Weatherstrip - Screen - Black
10	098644-01-713	EA	Spring - Screen Frame (Clip) - Plastic - Black
	098644-01-701	EA	Splice Plate - Window
	098644-01-702	EA	Screw - Splice
	098644-01-703	EA	Screw - Locking Rail
	098644-01-700	EA	Latch - Repair Kit
	098644-01-710	FT	Track - Screen Spacer (12' Length)
	098644-01-716	EA	Filler Plug



ENTRANCE DOOR

1992 WINNEBAGO
TABLE OF CONTENTS



Key	Part Number	U/M	Description
1	M01870-32-B85	EA	Door Asm - Entrance w/Screen
	075639-11-000	EA	Garnish - Radius - Entrance Door
2	086748-01-000	EA	Frame - Entrance Door - Bottom Portion - Off White
3	095276-01-01A	EA	Frame Asm - Entrance Door - Off White
4	039979-04-000	EA	Cover Asm - Latch Plate - Black
	039984-01-000	EA	Cap - Black Vinyl - Lock Grip
5	045017-11-000	EA	Latch Asm - Plate - Black
6	098173-01-04A	FA	Stiffener - Entrance Door
7	039539-01-000	EA	Strike
8	039540-01-000	EA	Latch Asm - Entrance Door
9	101145-01-01A	EA	Deadbolt Asm - Black/Black
	101147-01-000	EA	Bolt - Security - 4 1/2" Backset
10	100412-01-000	EA	Catch - Screen Door
11	079733-07-AA8	EA	Window Asm - Picture - 17" x 25" - Frosted Glass (w/o inside frame)
	067609-27-000	EA	Inside Frame - Black (not included in assembly)
	067609-32-000	EA	Inside Frame - Off White (not included in assembly)
	002181-07-000	EA	Glass - Picture - Frosted
	087561-01-000	FT	Spline - Glass - Exterior Vinyl - Black
12	079087-02-000	EA	Strike - Slider - Screen Door
13	009018-01-000	EA	Roller Catch - Screen Door
14	050712-04-000	EA	Door Handle - Screen Door
15	044582-02-000	EA	Drip Cap - Top Entrance
16	097724-01-02A	EA	Hinge - Entrance Door - Off White
17	095777-02-01A	EA	Door Jamb - Entrance Door w/Bottom Jamb
	079207-01-000	EA	Striker - Roller Catch - Welded to Door Jamb
18	078777-01-000	EA	Channel Slide - Screen Door Center Slider Cover
19	079086-02-000	EA	Slider - Screen Door
20	016454-01-000	EA	Insert - Screen Door - Center - Leather Grain Aluminum
21	002294-01-000	FT	Spline - Black
22	002293-02-000	SF	Screen - Window - 26" - Channel
23	078552-03-000	EA	Insert - Screen Door - Lower - Kick Panel
24	051049-01-000	EA	Jamb - Bottom - Entry Door
25	079012-01-U01	EA	Screen Door Asm
	078595-01-000	EA	Plate - Screen Door
	100128-02-000	FT	Seal - Screen Door
	075671-01-000	FT	Seal - Sponge - Lazy T-Shaped
	002748-01-000	EA	Key - Corner
	063729-04-000	EA	Flvnut - 10 - 32 UNF - 010 - 080
	072893-01-000	EA	Nutsert - M5 x 0.8
	102524-01-000	EA	Bumper - Rubber - Flat - Black
	061914-01-000	EA	Bumper - Rubber - Round - Black

INTRODUCTION	A-01 - A-02
ABBREVIATIONS	A-03
ALPHABETICAL INDEX	A-04 - A-06
WC321RG	A-07 - D-06
WC324RC	D-05 - G-06

1992 WC324RC INDEX

Floor Plan	D-05 - D-06
Accessories Group	D-07 - D-10
Bath Group	D-11 - D-12
Bedroom Group	D-13
Chassis Group	D-14 - D-16
Curtain, Cushion & Pad Group	D-17 - D-24
Dinette Group	E-01 - E-02
Driver's Compartment Group	E-03 - E-06
Electrical Group	E-07 - E-09
Exterior Body Group	E-10 - E-14
Galley Group	E-15 - E-18
Heating & Air Conditioning Group	E-19 - E-20
Interior Finish Group	E-21 - E-23
Labels Group	E-24 - F-06
LP Group	F-09
Lounge Group	F-10
Sealants & Fasteners Group	F-11 - F-12
Water & Sewage Group	F-13 - F-16
Window, Vent & Exterior Door Group	F-17 - G-06