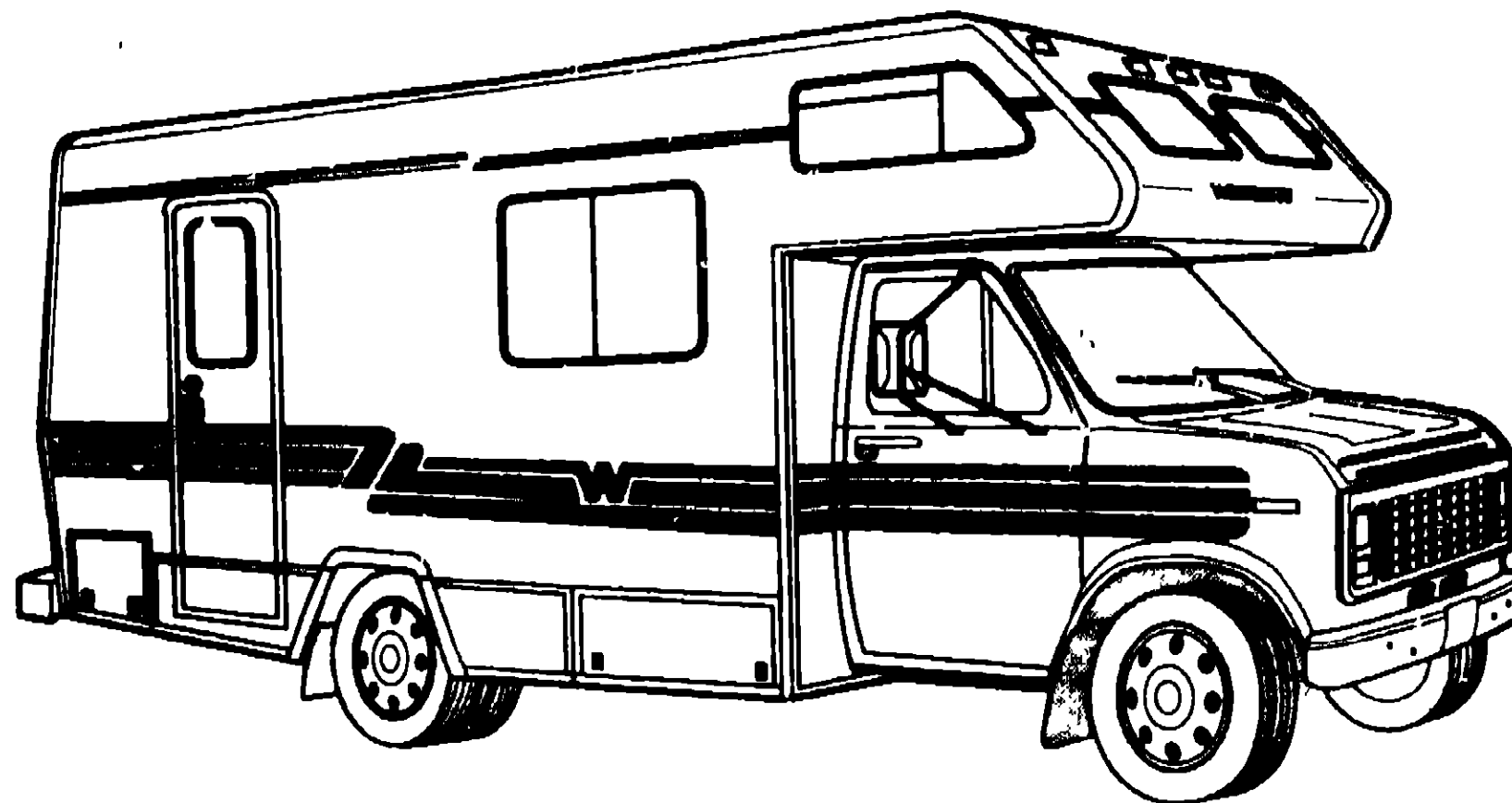


**1992 WINNEBAGO
TABLE OF CONTENTS**

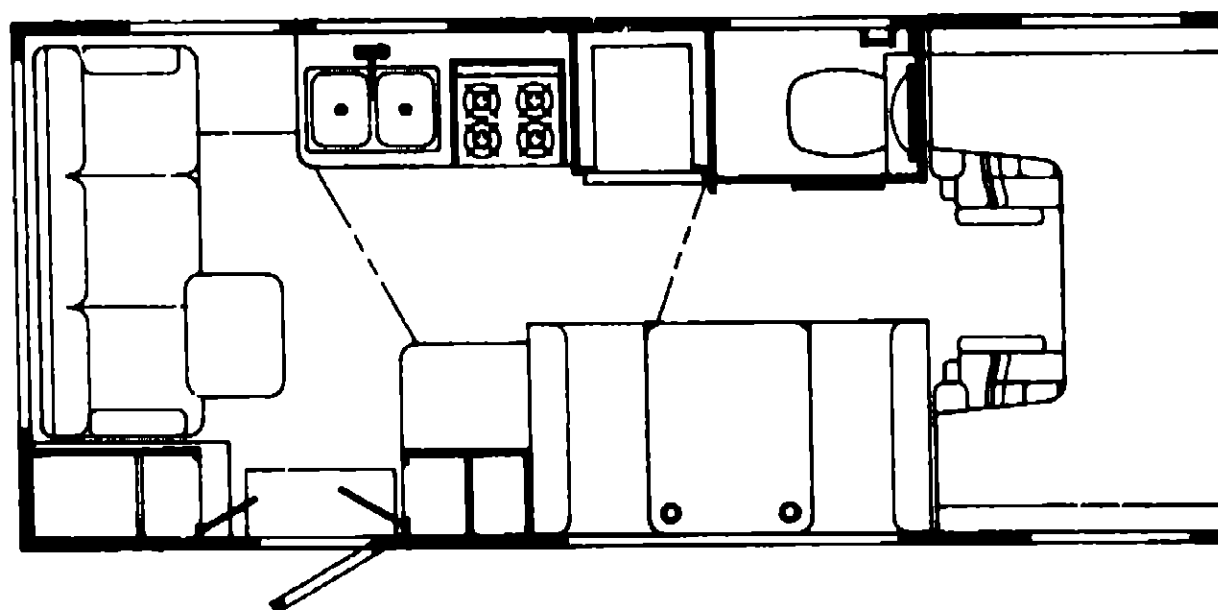
INTRODUCTION	A-01 - A-02
ABBREVIATIONS	A-03
ALPHABETICAL INDEX	A-04 - A-08
WC321RG	A-07 - D-04
WC324RC	D-05 - G-08



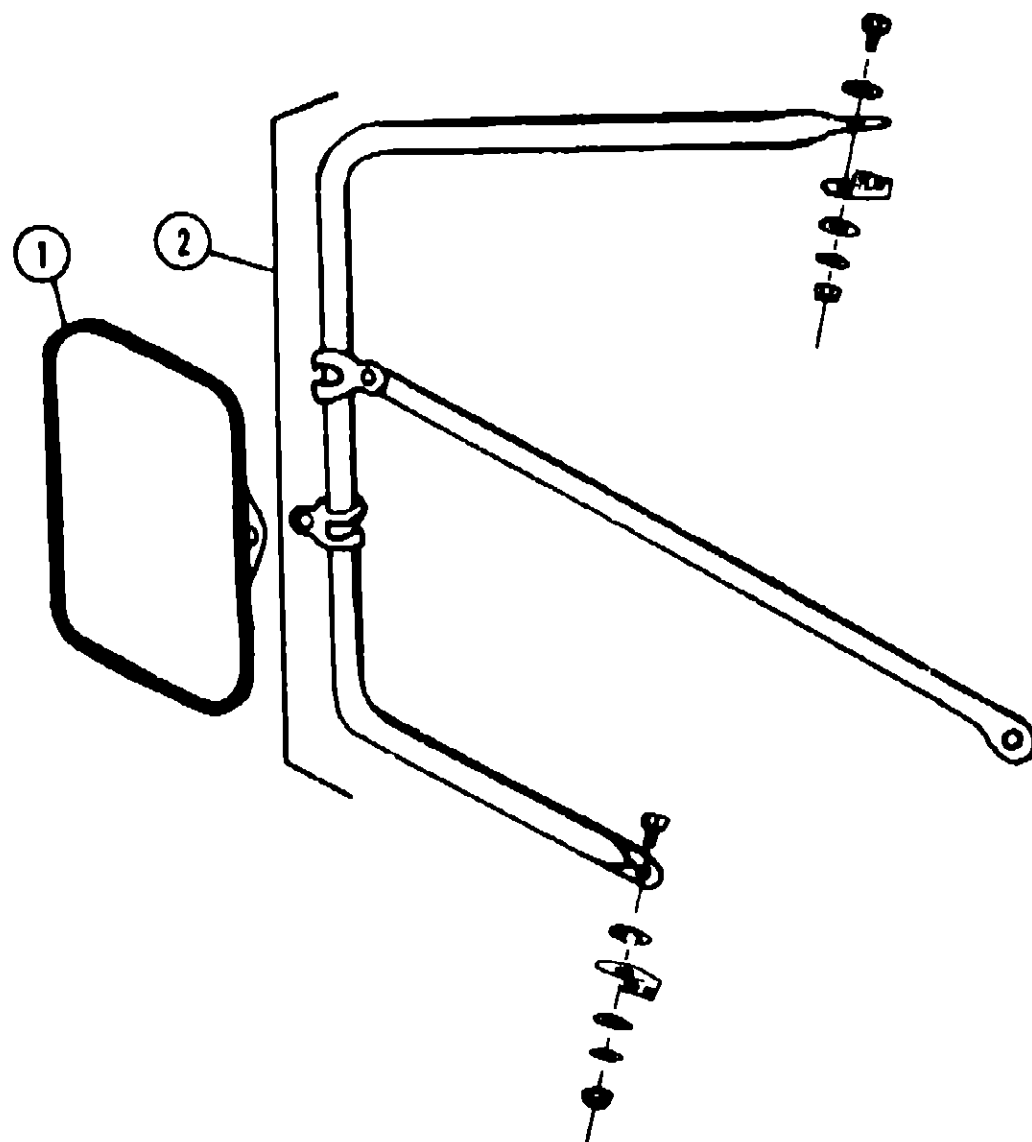
**1992
WC321RG**

1992 WC321RG INDEX

Floor Plan	A-07 - A-08
Accessories Group	A-09 - A-12
Bath Group	A-13 - A-14
Chassis Group	A-15 - A-17
Curtain, Cushion & Pad Group	A-18 - B-01
Dinette Group	B-02 - B-03
Driver's Compartment Group	B-04 - B-07
Electrical Group	B-08 - B-10
Exterior Body Group	B-11 - B-15
Galley Group	B-16 - B-18
Heating & Air Conditioning Group	B-19 - B-20
Interior Finish Group	B-21 - B-23
Labels Group	B-24 - C-07
LP Group	C-08
Lounge Group	C-09
Sealants & Fasteners Group	C-10 - C-11
Water & Sewage Group	C-12 - C-14
Window, Vent & Exterior Door Group	C-14 - D-04



ACCESSORIES GROUP



EXTERIOR MIRRORS

Key	Part Number	U/M	Description
1	049347-01-000	EA	Mirror Head - 7 1/2" x 10 1/2" - Stainless Steel
	049347-01-700	EA	Glass - Mirror - 7 5" x 10 5"
2	062047-01-000	EA	Arm - West Coast Mirror - Stainless Steel
	008043-01-000	EA	Mirror - Convex - Adhesive Back

WHEEL COVER, LINERS & MOUNTING HARDWARE

Key	Part Number	U/M	Description
	083181-01-000	EA	Wheel Cover - 16" (Set/4)
	083181-01-700	EA	Wheel Cover - 16" (1)
	083181-04-702	FA	Nut - Wheel Cover
	091209-05-000	EA	Wheel Liner - 16" (Set/4) - Chevy - Stainless Steel
	095012-03-000	EA	Extension - Valve Stem - Dual Wheel
	091209-05-000	EA	Wheel Liner - 16" (Set/4) Ford - Stainless Steel
	091209-10-000	EA	Wheel Liner - 16" (Set/4) - Ford - Stainless Steel
	077030-02-000	EA	Extension - Valve Stem - 1 25"

• These parts are used from 5/16/91 on

ACCESSORIES GROUP (CONTINUED)

GENERATOR & COMPONENTS

Key	Part Number	U/M	Description
	100974-03-000	EA	Generator - Emerald - 4.0 KW (Option L39E)
	081364-04-000	EA	Muffler - Generator (Option L39E)
	078045-01-000	EA	Strap - Support - Generator - 4 Hole (Option L39E)
	084331-01-000	EA	Strap - Support - Generator - 2 Hole (Option L39E)
	079854-01-700	EA	Hinge Kit (Option L39E)
	102554-01-000	EA	Pipe - Exhaust - Curved - w/2 Bolt Hole (Option L39E)
	105523-01-000	EA	Generator - 4kw - Kohler (Option L38K)
	105526-01-000	EA	Arrestor - Spark - Kohler (Option L38K)
	105527-01-000	EA	Pipe - Exhaust Adapter - Kohler (Option L38K)
	105530-01-000	EA	Muffler - Side Exhaust w/o Spark (Option L38K)
	105802-01-000	EA	Gasket - Exhaust (Option L38K)
	007087-01-000	SF	Insulation - Fiberglass - 1"
	007083-01-000	FT	Hose - Gas - 1/4" ID x 1/2" OD
	007125-03-000	EA	Clamp - Muffler - 1.1" Diameter
	007125-04-000	EA	Clamp - Muffler - 1.5" Diameter
	007161-01-000	EA	Clamp - Hose - Spring Type - 1/2"
	104115-01-000	EA	Hanger - Exhaust - 5 Slots
	007131-01-000	EA	Hanger - Exhaust - 6 Slots
	023942-01-000	EA	Grommet - Rubber - 2.0" OD

RADIO & RELATED COMPONENTS

Key	Part Number	U/M	Description
	090882-01-000	EA	Radio - AM/FM Stereo - w/Cassette
	007004-01-000	EA	Antenna - Radio - Cab Mount
	074979-01-000	EA	Speaker Cover Protector - Plastic - Beige
	089340-02-000	EA	Speaker - Grill - 6.5" - Square
	081082-01-000	EA	Plaque - Mounting Switch
	079385-02-000	EA	Radio Mounting Kit (Ford)
	091211-01-000	EA	Radio Mounting Kit (Chevrolet)
	094097-01-000	EA	Speaker - 5 25" - w/o Grille
	081059-02-000	EA	Wire Asm - 9 Pin - Audiotax Radio

MISCELLANEOUS ACCESSORIES

Key	Part Number	U/M	Description
	064185-83-000	EA	Owner's Manual - 1991 - Warrior
	092318-01-000	EA	Binder - 3 Ring - Vendor Manual
	092319-01-000	EA	Page - Plastic Packet
	090084-05-000	EA	Cassette - Winnebago Warrior
	094499-01-000	EA	Fire Extinguisher - IA 10BC (US)
	094499-02-000	EA	Fire Extinguisher - IA 10BC (CSA)
	094499-01-700	EA	Bracket - Mounting w/Plastic Strap - Fire Extinguisher
	072852-01-000	EA	Smoke Detector w/6 Volt Battery (US)
	072852-02-000	EA	Smoke Detector w/9 Volt Battery (CSA)
	100803-01-01A	EA	Wall Clock - Round - Bezel
	101333-01-000	EA	Backplate - Clock Mounting - Black Plastic
	104764-01-000	EA	Wall Clock - Spatula

• These parts are used from 5/8/91 on

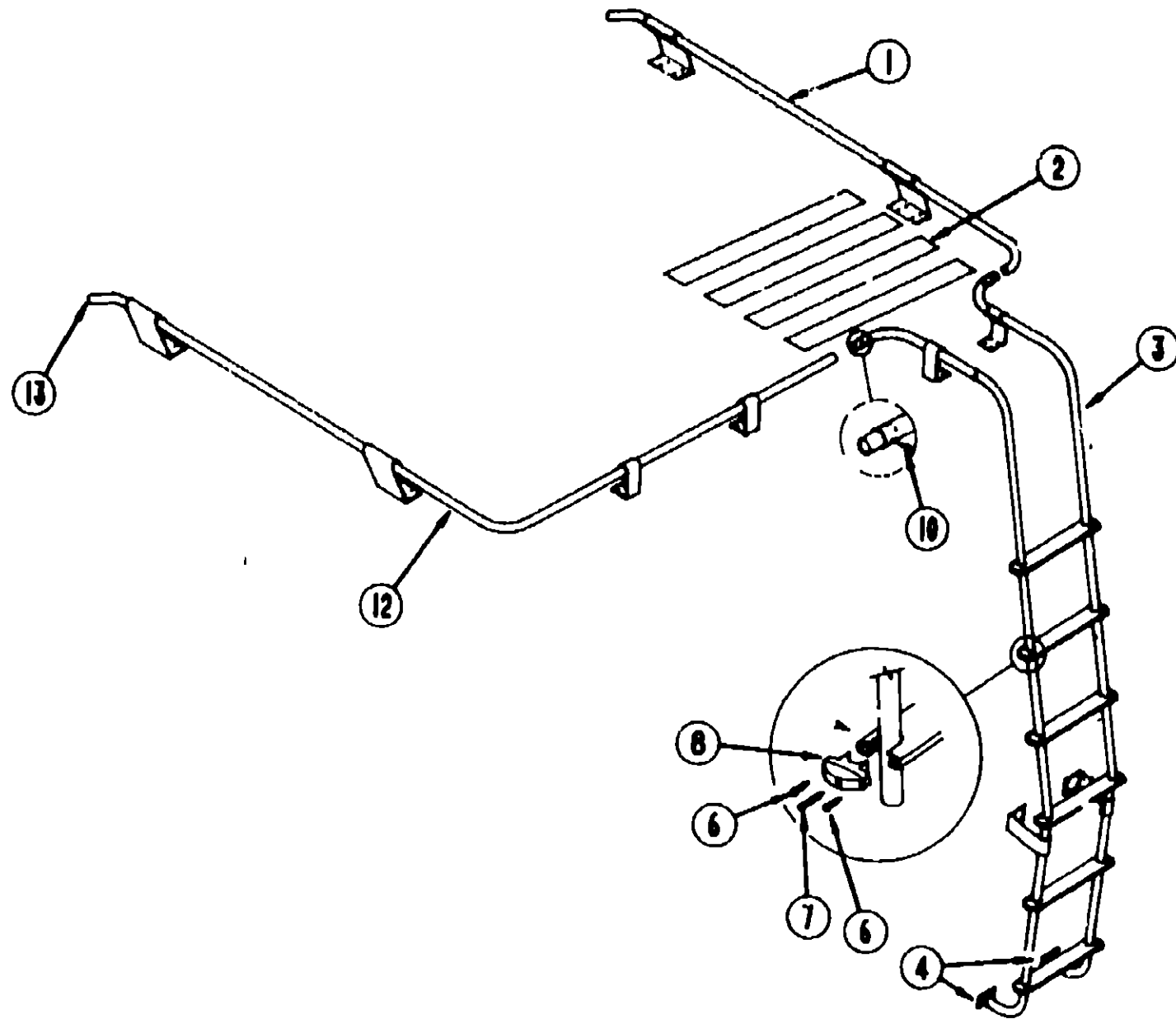
1992 WINNEBAGO TABLE OF CONTENTS

INTRODUCTION	A-01 - A-02
ABBREVIATIONS	A-03
ALPHABETICAL INDEX	A-04 - A-08
WC321RG	A-07 - D-04
WC324RC	D-06 - G-06

1992 WC321RG INDEX

Floor Plan	A-07 - A-08
Accessories Group	A-09 - A-12
Bath Group	A-13 - A-14
Chassis Group	A-15 - A-17
Curtain, Cushion & Pad Group	A-18 - B-01
Dinette Group	B-02 - B-03
Driver's Compartment Group	B-04 - B-07
Electrical Group	B-08 - J-10
Exterior Body Group	B-11 - B-15
Galley Group	B-16 - B-18
Heating & Air Conditioning Group	B-19 - B-20
Interior Finish Group	B-21 - B-23
Labels Group	B-24 - C-07
LP Group	C-08
Lounge Group	C-09
Sealants & Fasteners Group	C-10 - C-11
Water & Sewage Group	C-12 - C-14
Window, Vent & Exterior Door Group	C-14 - D-04

ACCESSORIES GROUP (CONTINUED)



RACK & LADDER COMPONENTS (OPTION L502)

Key	Part Number	U/M	Description
1	081026-01-T03	EA	Rack Arm - Passenger Side w/2 Angled Standoff
2	038327-01-000	EA	Tape - Anti-Slip - 2" x 60'
3	081016-04-AA3	EA	Ladder
4	087165-01-000	EA	Mounting Bracket - Ladder - Lower
6	000G39-08-10T	EA	Screw - SF/DR - 6 - 20 x 5/8" PPH - Black
7	000G68-10-36T	EA	Screw - 10 - 12 x 2.25" PPH - Black
8	078980-02-000	EA	End Cap - Step - Black
10	000G39-08-08E	EA	Screw - SF/DR - 8 - 18 x 5/8 PPH
12	081026-02-T03	EA	Rack Arm - Driver Side w/2 Angled & 2 Straight Standoff
13	081114-01-000	EA	Cap - Insert - Round - 1" Dia

ACCESSORIES GROUP (CONTINUED)

TV ANTENNA (OPTION 183)

Key	Part Number	U/M	Description
	078319-13-000	EA	Antenna - TV Roof Mount - 44.5"
	078319-13-700	EA	Head - Antenna - Non-Amplified
	078319-01-701	EA	Gear - Elevating - Plastic
	078319-01-702	EA	Shaft Asm. - Elevating
	078319-01-703	EA	Bearing - Nylon - .5" OD
	078319-01-704	EA	Bearing - Nylon - 1.25" OD
	078319-01-705	EA	Grommet - Nylon - 7/8" ID
	078319-01-706	EA	Crank - Elevating w/Set Screw
	078319-01-707	EA	Spring - Handle
	078319-08-000	EA	Adapter - Cable Roof Plate
	083252-01-01A	EA	Wallplate/Cable - Beige
	078319-11-000	EA	Adapter - Coax w/Splitter
	078319-03-000	FT	Cable - Coaxial - 1000' Roll
	078319-12-000	EA	Connector - Coaxial
	078319-04-000	EA	Connector w/Ferrule
	080734-02-000	EA	Clip - Wire Nylon

TV/VCR & RELATED COMPONENTS (OPTION L43V & L49F)

Key	Part Number	U/M	Description
	098447-01-000	EA	TV - 13" Color w/Remote - Magnavox (US) RX4029WA
	098447-02-000	EA	TV - 13" Color w/Remote - Magnavox (CSA) XK4029CH
	098447-01-700	EA	Remote Control - TV
	098447-03-000	EA	TV - 13" Color w/Remote - Magnavox (US) RR1337W
	098447-04-000	EA	TV - 13" Color w/Remote - Magnavox (CSA) RR1330W
	098447-03-700	EA	Remote Control - TV
	098446-02-000	EA	VCR - VHS - Cable Ready w/Remote - Magnavox VR9912
	098446-02-700	EA	Remote Control - VCR
	098446-03-000	EA	VCR - VHS - Cable Ready w/Remote - Magnavox VR9010
	098446-03-700	EA	Remote Control - VCR
	099856-01-000	EA	TV Tiedown - 53.1" x 1" - Black
	098819-01-000	EA	Speaker - 2 Watt - 8 OHM - 4"
	074979-11-000	EA	Cover - Speaker - Off White - Plastic
	085774-01-000	FT	Fastener - Dual Hook - 1" Wide - Adhesive Back - Black
	085774-02-000	FT	Fastener - Dual Loop - 1" Wide - Adhesive Back - Black

• These parts are used from 6/24/91 on

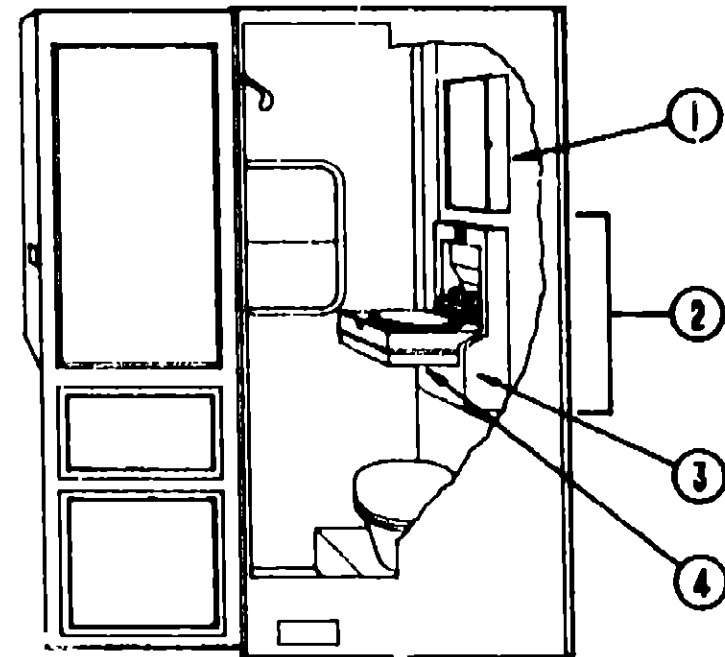
**1992 WINNEBAGO
TABLE OF CONTENTS**

INTRODUCTION	A-01 - A-02
ABBREVIATIONS	A-03
ALPHABETICAL INDEX	A-04 - A-08
WC321RG	A-07 - D-04
WC324RC	D-05 - G-08

1992 WC321RG INDEX

Floor Plan	A-07 - A-08
Accessories Group	A-09 - A-12
Bath Group	A-13 - A-14
Chassis Group	A-15 - A-17
Curtain, Cushion & Pad Group	A-18 - B-01
Dinette Group	B-02 - B-03
Driver's Compartment Group	B-04 - B-07
Electrical Group	B-08 - B-10
Exterior Body Group	B-11 - B-15
Galley Group	B-16 - B-18
Heating & Air Conditioning Group	B-19 - B-20
Interior Finish Group	B-21 - B-23
Labels Group	B-24 - C-07
LP Group	C-08
Lounge Group	C-09
Sealants & Fasteners Group	C-10 - C-11
Water & Sewage Group	C-12 - C-14
Window, Vent & Exterior Door Group	C-14 - D-04

BATH GROUP



BATH CABINETRY

Key	Part Number	U/M	Description
1	099008-01-01A	EA	Medicine Cabinet - Metal
2	P01605-01-000	EA	Cabinet Asm. - Fold-Up Sink - Complete
3	101418-01-01A	EA	Panel Asm - Backsplash - Lavatory - Off White
4	101413-01-B05	EA	Sink Asm - Fold-Up
	101414-01-01A	EA	Sink - Fold-Up Top - Plastic - Off White
	101415-01-01A	EA	Sink - Fold-Up Bottom - Plastic - Off White
	101419-01-01A	EA	Catch Basin - Fold-Up Sink
	083869-01-B05	EA	Sliding Door - Bath

BATH GROUP (CONTINUED)

BATH HARDWARE

Key	Part Number	U/M	Description
	075240-06-000	EA	Faucet - Lavatory - Bone
	091283-01-000	EA	Gasket - Lavatory Faucet
	075241-06-000	EA	Faucet - Shower - Bone
	075452-02-000	EA	Holder - Toilet Tissue - Brass
	086435-01-000	EA	Nut - Strainer - Plastic
	067671-01-000	EA	Screw Cover (No. 8)
	011048-02-000	EA	Shower Head w/60" Hose (US)
	011048-06-000	EA	Shower Head w/60" Hose (CSA)
	M02606-01-000	EA	Shower Pan
	084471-03-B85	EA	Curtain Asm. - Shower - 74" x 80"
	084461-03-B86	EA	Curtain Asm. - Shower - 74" x 80"
	081604-01-000	EA	Slide Bolt - Antique Brass
	101330-01-000	EA	Paddle Latch
	086436-01-000	EA	Slip Nut - 1.5" Tailpiece - Bathtub
	086440-01-000	EA	Strainer - Shower Pan - w/Rubber Washer
	087487-01-000	EA	Toilet - Thetford - Aqua Magic - Ivory
	087487-01-700	EA	C.L.F.L. Seal & Bolt Package
	087487-01-701	EA	Water Saver Package
	087487-01-702	EA	Clamp
	083740-01-710	EA	Link
	083740-01-711	EA	Spring - Return Lever
	083740-01-716	EA	Seat Cover
	083740-01-700	EA	Lever - Water
	083740-01-701	EA	Lever - Flush
	083740-01-713	EA	Seal - Ball Valve to Bowl
	083740-01-714	EA	Valve Asm. - Water
	083740-01-707	EA	Seal - Closet - Flange
	083740-01-706	EA	Bolt Package - Closet
	024676-01-000	EA	Flange - Closet - Toilet - 3" x 4" (US)
	024676-02-000	EA	Flange - Closet - Toilet - 3" x 4" (CSA)
	083801-01-000	EA	Track Asm - Shower Curtain
	075454-02-000	EA	Towel Ring - w/Mounting Hardware - Brass
	089733-01-000	EA	Washer - Tailpiece - 1.5" Plastic
	009158-01-000	EA	Hanger - Sliding Door
	074470-03-000	EA	Pull - Release Pin Hinge - Right
	074470-04-000	EA	Pull - Release Pin Hinge - Left
	071817-08-000	EA	Track - Sliding Door - 51.2"
	068034-01-000	EA	Latch - Sliding Door
	009158-01-000	EA	Hanger - Sliding Door
	064467-01-000	EA	Guide - Pocket Door - Wall Mount - Sliding Door

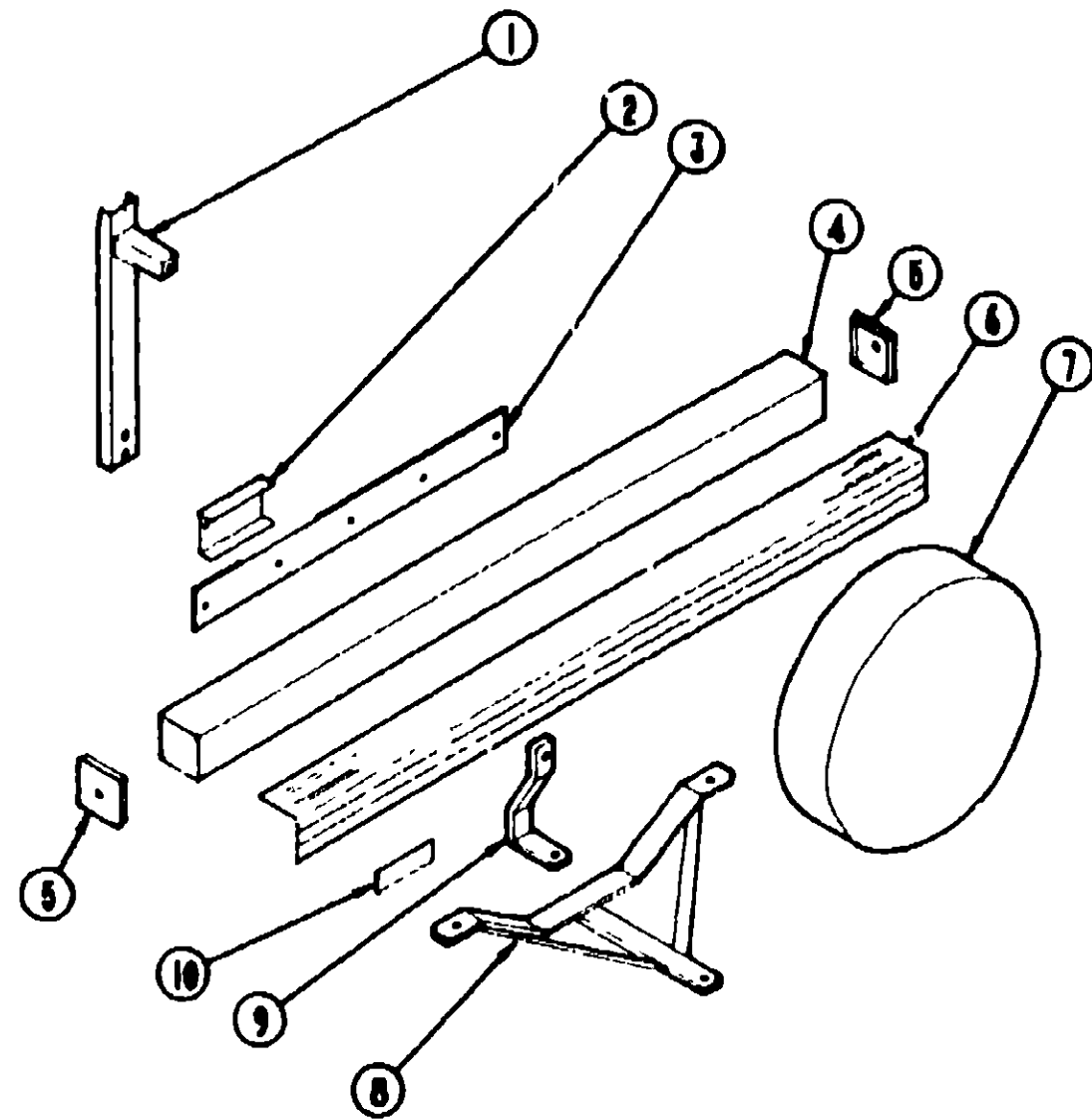
1992 WINNEBAGO TABLE OF CONTENTS

INTRODUCTION	A-01 - A-02
ABBREVIATIONS	A-03
ALPHABETICAL INDEX	A-04 - A-06
WC321RG	A-07 - D-04
WC324RC	D-05 - G-06

1992 WC321RG INDEX

Floor Plan	A-07 - A-08
Accessories Group	A-09 - A-12
Bath Group	A-13 - A-14
Chassis Group	A-15 - A-17
Curtain, Cushion & Pad Group	A-18 - B-01
Dinette Group	B-02 - B-03
Driver's Compartment Group	B-04 - B-07
Electrical Group	B-08 - B-10
Exterior Body Group	B-11 - B-15
Galley Group	B-16 - B-18
Heating & Air Conditioning Group	B-19 - B-20
Interior Finish Group	B-21 - B-23
Labels Group	B-24 - C-07
LP Group	C-08
Lounge Group	C-09
Sealants & Fasteners Group	C-10 - C-11
Water & Sewage Group	C-12 - C-14
Window, Vent & Exterior Door Group	C-14 - D-04

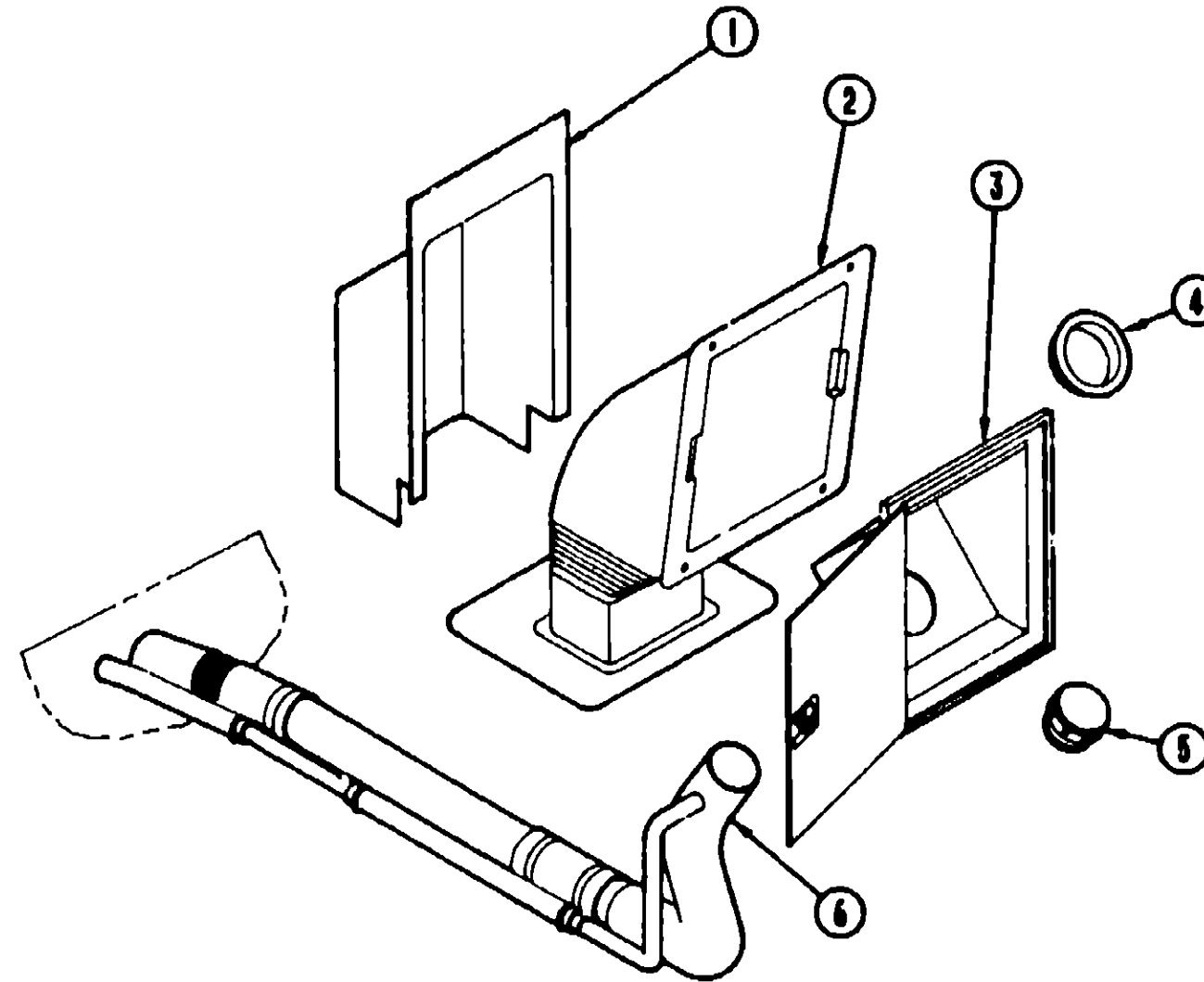
CHASSIS GROUP



SPARE TIRE, HITCH & REAR BUMPER

Key	Part Number	U/M	Description
1	079027-01-000	EA	Bracket Asm - Tire Carrier
2	M84600-02-000	EA	Mount Support - Tire Carrier
3	M22150-01-000	EA	Bracket - Rear Bumper
4	064602-01-000	EA	Bumper Asm. - Square - Off White
5	039779-01-000	EA	Bumper Cap - Black Rubber - 4" x 4"
6	041332-03-000	EA	Cover - Bumper - w/o Reflector - 4" Square x 92'
7	099855-01-AA3	EA	Cover - Spare Tire - Vinyl - Off White
8	064833-02-000	EA	Trailer Hitch Asm (Chevrolet)
	064833-03-000	EA	Trailer Hitch Asm (Ford)
9	064824-02-000	EA	Support - Trailer Hitch
10	041332-02-000	EA	Reflector - Bumper Cover - Self-Adhesive - 6 1/2" x 3/4"
	070917-02-000	EA	Tire - Michelin - Radial (Ford)
	070917-04-000	EA	Tire - Firestone - Radial (Ford)
	099857-01-000	EA	Tire - Firestone - Radial (Chevrolet)
	069359-04-000	EA	Wheel - Steel - 6" x 16" (Chevrolet)
	063617-01-000	EA	Wheel - Steel - 6" x 16" - 8 Hole (Ford)
	051377-01-000	EA	Valve Stem TR500
	051377-03-000	EA	Valve Stem TR600 HP

CHASSIS GROUP (CONTINUED)



FUEL FILL COMPONENTS

Key	Part Number	U/M	Description
1	078040-02-000	EA	Shroud - Fuel Fill - Upper
2	063578-01-000	EA	Boot - Fuel Fill
	064235-01-000	EA	Support Flange - Fuel Fill Boot
3	078010-03-000	EA	Door Asm - Fuel Fill - Off White
	077963-01-000	EA	Gasket - Fuel Fill Door
4	078200-01-000	EA	Gasket - Fuel Fill
5	NOTE	EA	Fuel Cap
6	NOTE	EA	Filler Neck - Fuel Fill
	066732-01-000	EA	Hose - Fuel Fill - 62 ID
	NOTE These items are chassis supplied		

1992 WINNEBAGO TABLE OF CONTENTS

INTRODUCTION
ABBREVIATIONS
ALPHABETICAL INDEX
WC321RG
WC324RC

A-01 - A-02
A-03
A-04 - A-06
A-07 - D-04
D-05 - G-06

1992 WC321RG INDEX

Floor Plan	A-07 - A-08
Accessories Group	A-09 - A-12
Bath Group	A-13 - A-14
Chassis Group	A-15 - A-17
Curtain, Cushion & Pad Group	A-18 - B-01
Dinette Group	B-02 - B-03
Driver's Compartment Group	B-04 - B-07
Electrical Group	P-08 - B-10
Exterior Body Group	B-11 - B-15
Galley Group	B-16 - B-19
Heating & Air Conditioning Group	B-20 - B-21
Interior Finish Group	B-22 - B-23
Labels Group	L-24 - C-07
LP Group	C-08
Lounge Group	C-09
Sealants & Fasteners Group	C-10 - C-11
Water & Sewage Group	C-12 - C-14
Window, Vent & Exterior Door Group	C-14 - D-04

CHASSIS GROUP (CONTINUED)

GENERATOR & COMPONENTS

Key	Part Number	U/M	Description
	100974-03-000	EA	Generator - Emerald - 4.0 KW (Option L39E)
	081384-04-000	EA	Muffler - Generator (Option L39E)
	078045-01-000	EA	Strap - Support - Generator - 4 Hole (Option L39E)
	084365-01-000	EA	Strap - Support - Generator - 2 Hole (Option L39E)
	079854-01-700	EA	Hinge Kit (Option L39E)
	102554-01-000	EA	Pipe - Exhaust - Curved - w/2 Bolt Hole (Option L39E)
	105523-01-000	EA	Generator - 4kw - Kohler (Option L38K)
	105526-01-000	EA	Arrester - Spark - Kohler (Option L38K)
	105527-01-000	EA	Pipe - Exhaust Adapter - Kohler (Option L38K)
	105530-01-000	EA	Muffler - Side Exhaust w/o Spark (Option L38K)
	105602-01-000	EA	Gasket - Exhaust (Option L38K)
	007067-01-000	SF	Insulation - Fiberglass - 1'
	007063-01-000	FT	Hose - Gas - 1/4" ID x 1/2" OD
	007125-03-000	EA	Clamp - Muffler - 1.1" Diameter
	007125-04-000	EA	Clamp - Muffler - 1.5" Diameter
	007161-01-000	EA	Clamp - Hose - Spring Type - 1/2"
	104115-01-000	EA	Hanger - Exhaust - 5 Slots
	007131-01-000	EA	Hanger - Exhaust - 6 Slots
	023942-01-000	EA	Grommet - Rubber - 2.0" OD

MISCELLANEOUS CHASSIS PARTS

Key	Part Number	U/M	Description
	065450-02-000	EA	Tiedown - Battery
	010497-01-000	EA	Clamp - Cloned - 5/8 ID
	007161-01-000	EA	Clamp - Hose - Spring Type 112
	062401-01-000	EA	Clamp - Hose - Wormgear - 22" ID - 1" ID
	062401-02-000	EA	Clamp - Hose - Wormgear - 1.56" - 2.5" ID
	062401-03-000	EA	Clamp - Hose - Wormgear - 25" ID - 1" ID
	062401-04-000	EA	Clamp - Hose - Wormgear - 69" ID - 1.25" ID
	062401-06-000	EA	Clamp - Hose - Wormgear - 22" ID - 62" ID
	023146-01-000	EA	Clamp - Screw Type - 4"
	096020-09-000	EA	Compartment Asm - Storage
	096577-01-000	EA	Compartment - Battery
	074994-01-000	EA	Guide - Track - Battery Tray
	007063-01-000	FT	Hose - Gas - 1/4 ID x 1/2 OD
	007108-01-000	FT	Hose - Heater - 5/8 ID
	060206-02-000	EA	Leverage Bar - Lug Wrench (Chevrolet)
	060206-01-000	EA	Lug Wrench (Chevrolet)
	017516-01-000	EA	Mud Flap w/Holes - 14" x 18" - Black
	064069-01-000	EA	Splash Guard - Black Rubber
	072884-19-000	EA	Running Boards - Aluminum - Chevrolet - 27" (Option 66R)
	072884-20-000	EA	Running Boards - Aluminum - Ford - 40" (Option 66R)
	077548-02-000	EA	Step Asm - Pullout
	076241-01-000	EA	Support Asm - Step
	096322-01-000	EA	Wheelwell - Plastic
	006343-01-000	EA	Wire Tie - 6"

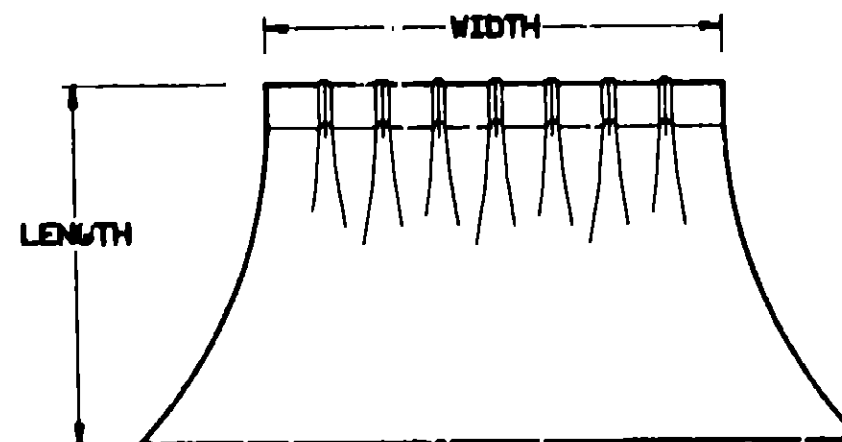
NOTE: Remainder of exhaust components available from Chassis Service Center

CURTAIN, CUSHION & PAD GROUP

NOTICE

In order to assist our Part Sales Dept. in providing interior software items, please include the serial number and the color code number from the vehicle certification label when ordering. This label is located on the left sidewall at the end of the dash (A-Body), or on the driver's door latch plate (C-Body).

An example of a color code number is P31, which designates an overall color scheme of a particular unit. The color listed after the item description on the microfiche, indicates the overall unit color. Order the item you desire according to unit color code.



NOTE: Use this illustration when determining length and width measurements for curtains. You will note the width measurement is taken on the top of the curtain with the curtain fully extended. The length measurement is taken from top to bottom.

FABRICS & CARPETS

Key	Part Number	U/M	Description
	072333-82-000	YD	Fabric - Drapery - Beige (Privacy)
	096008-76-000	YD	Fabric - Upholstery - Main - Patterned (B85)
*	104233-12-000	YD	Fabric - Upholstery - Main - Patterned (B85)
	096008-79-000	YD	Fabric - Upholstery - Main - Patterned (B86)
	096008-78-000	YD	Fabric - Upholstery - Accent - Plain (B85)
	096008-80-000	YD	Fabric - Upholstery - Accent - Plain (L86)
	096008-77-000	YD	Fabric - Upholstery - Accent - Velvet Patterned (B85)
	096008-81-000	YD	Fabric - Upholstery - Accent - Velvet Patterned (B86)
	096008-86-000	YD	Fabric - Upholstery - Accent - Flat Patterned (B85)
	096008-82-000	YD	Fabric - Upholstery - Accent - Flat Patterned (B86)
	072333-67-000	YD	Fabric - Speaker Cover
	075244-04-000	YD	Vinyl - Shower Curtain - Salmon (B85)
	075244-06-000	YD	Vinyl - Shower Curtain - Teal (R86)
	079680-09-000	YD	Vinyl - Off White
#	103907-01-01A	YD	Vinyl - Off White
	096060-24-000	SY	Carpet - Eggplant (B85)
	096060-25-000	SY	Carpet - Brown (B86)
	076314-02-000	FT	Tape - Heat Bonded - Carpet Seam
	047034-32-000	SF	Plastic Runner - Carpet - 4' Wide - Clear
	075233-01-000	SY	Pad - Carpet - 3/8" x 6'
	065746-01-000	FT	Trim - "J" - Carpet - PVC - Beige
	078539-01-000	EA	Trim - Carpet - 29" Long - Passenger - Ford
	078539-02-000	EA	Trim - Carpet - 29" Long - Driver - Ford

* These parts are used from 4/15/91 on

These parts are used from 4/17/91 on

NOTE: Replace vinyl flooring locally.

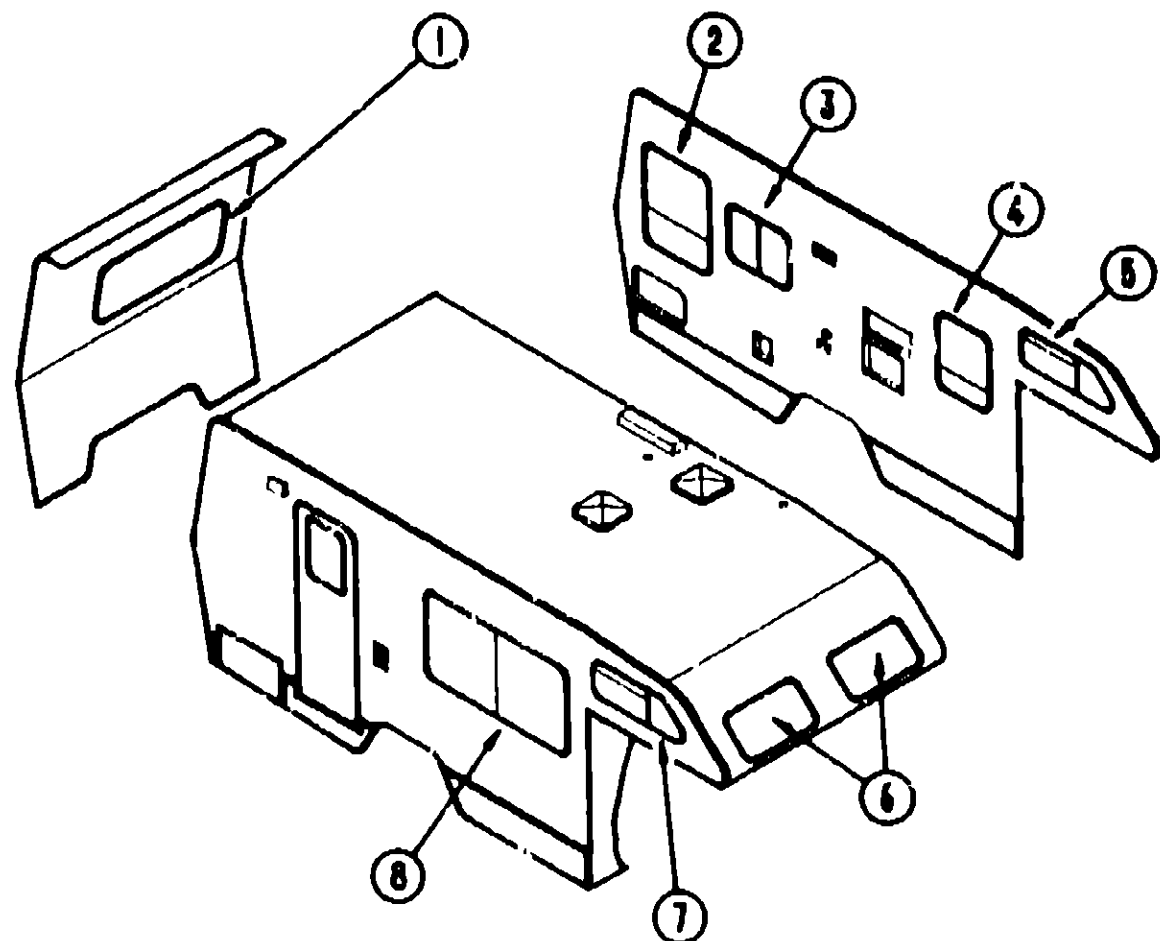
1992 WINNEBAGO TABLE OF CONTENTS

INTRODUCTION	A-01 - A-02
ABBREVIATIONS	A-03
ALPHABETICAL INDEX	A-04 - A-06
WC321RG	A-07 - D-04
WC324RC	D-05 - G-06

1992 WC321RG INDEX

Floor Plan	A-07 - A-08
Accessories Group	A-09 - A-12
Bath Group	A-13 - A-14
Chassis Group	A-15 - A-17
Curtain, Cushion & Pad Group	A-18 - B-01
Dinette Group	B-02 - B-03
Driver's Compartment Group	B-04 - B-07
Electrical Group	B-08 - B-10
Exterior Body Group	B-11 - B-15
Galley Group	B-16 - B-18
Heating & Air Conditioning Group	B-19 - B-20
Interior Finish Group	B-21 - B-23
Labels Group	B-24 - C-07
LP Group	C-08
Lounge Group	C-09
Sealants & Fasteners Group	C-10 - C-11
Water & Sewage Group	C-12 - C-14
Window, Vent & Exterior Door Group	C-14 - D-04

CURTAIN, CUSHION & PAD GROUP (CONTINUED)



CURTAIN, CUSHION & PAD GROUP (CONTINUED)

CURTAINS, BLINDS, VALANCES & TIEBACKS

Key	Part Number	U/M	Description
5	097878-30-B85	EA	Valance Asm. w/Brass Trim - 5.5" x 43"
5	097878-30-B86	EA	Valance Asm. w/Brass Trim - 5.5" x 43"
5	101034-01-B85	EA	Curtain Asm. w/Tape Top - 16" x 25"
6	097878-28-B85	EA	Valance Asm. w/Brass Trim - 7" x 65.5"
6	097878-28-B86	EA	Valance Asm. w/Brass Trim - 7" x 65.5"
6	101034-02-B85	EA	Curtain Asm. w/Tape Top - 22" x 45"
7	097878-29-B85	EA	Valance Asm. w/Brass Trim - 5.5" x 43"
7	097878-29-B86	EA	Valance Asm. w/Brass Trim - 5.5" x 43"
7	101034-01-B85	EA	Curtain Asm. w/Tape Top - 16" x 25"
8	103966-01-B85	EA	Valance Asm. w/Brass Trim - 58.5"
8	103966-01-CA9	EA	Valance Asm. w/Brass Trim - 58.5" (B85)
8	103966-02-B86	EA	Valance Asm. w/Brass Trim - 58.5"
8	100281-02-B85	EA	Leg Asm. - Window - Front - 31.5"
8	100281-40-B86	EA	Leg Asm. - Window - Front - 31.5"
8	100281-01-B85	EA	Leg Asm. - Window - Rear - 31.5"
8	100281-39-B86	EA	Leg Asm. - Window - Rear - 31.5"
8	093475-44-02A	EA	Mini Blind - 54" x 31.5" Drop - B85
8	093475-44-03A	EA	Mini Blind - 54" x 31.5" Drop - B86
	101668-15-B87	EA	Curtain Asm. w/Tape Top - 30" x 50" - Driver (Privacy) (B85)
	101668-15-B86	EA	Curtain Asm. w/Tape Top - 30" x 50" - Driver (Privacy)
	101668-14-B87	EA	Curtain Asm. w/Tape Top - 30" x 50" - Passenger (Privacy) (B85)
	101668-14-B86	EA	Curtain Asm. w/Tape Top - 30" x 50" - Passenger (Privacy)
	073260-49-B87	EA	Tieback Asm. - 3" x 18" (B85)
	073260-49-B86	EA	Tieback Asm. - 3" x 18"
	076802-06-B85	EA	Curtain Asm. w/Snap Top - 40" x 72"

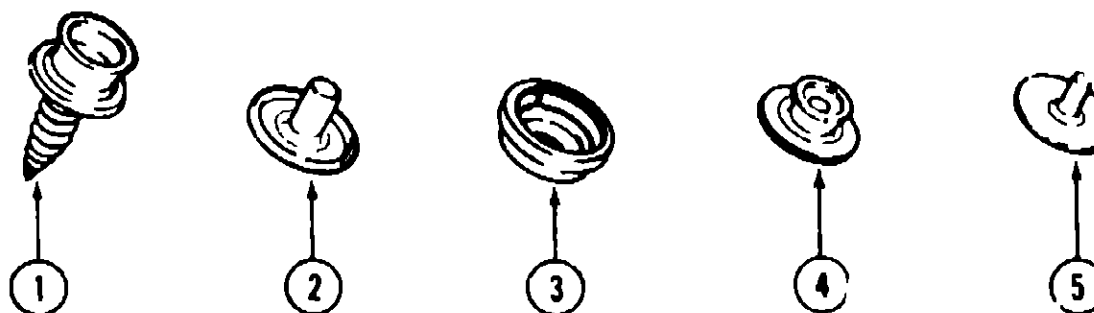
* These parts were used from 4/15/91 on.

**1992 WINNEBAGO
TABLE OF CONTENTS**

INTRODUCTION	A-01 - A-02
ABBREVIATIONS	A-03
ALPHABETICAL INDEX	A-04 - A-06
WC321RG	A-07 - D-04
WC324RC	D-05 - G-06

CURTAINS, BLINDS, VALANCES & TIEBACKS

Key	Part Number	U/M	Description
1	103966-03-B85	EA	Valance Asm. w/Brass Trim - 72.5"
*1	103966-03-CA9	EA	Valance Asm. w/Brass Trim - 72.5" (B85)
1	103966-04-B86	EA	Valance Asm. w/Brass Trim - 72.5"
1	100281-10-B85	EA	Leg Asm. - Window - 27" - Passenger
1	100281-42-B86	EA	Leg Asm. - Window - 27" - Passenger
1	100281-09-B85	EA	Leg Asm. - Window - 27" - Driver
1	100281-41-B86	EA	Leg Asm. - Window - 27" - Driver
1	093475-48-02A	EA	Mini Blind - 68.5" x 28" Drop (B85)
1	093475-48-03A	EA	Mini Blind - 68.5" x 28" Drop - (B86)
2	103966-06-B85	EA	Valance Asm. w/Brass Trim - 31.7"
*2	103966-06-CA9	EA	Valance Asm. w/Brass Trim - 31.7" (B85)
2	103966-08-B86	EA	Valance Asm. w/Brass Trim - 31.7"
2	093475-54-02A	EA	Mini Blind - 29.5" x 38" Drop (B85)
2	093475-54-03A	EA	Mini Blind - 29.5" x 38" Drop (B86)
3	103966-05-B85	EA	Valance Asm. w/Brass Trim - 28.5"
*3	103966-05-CA9	EA	Valance Asm. w/Brass Trim - 28.5" (B85)
3	103966-07-B86	EA	Valance Asm. w/Brass Trim - 28.5"
3	093475-61-04A	EA	Mini Blind - 26" x 17" Drop (B85)
3	093475-61-05A	EA	Mini Blind - 26" x 17" Drop (B86)
4	069777-02-000	EA	Valance - Bath - Plastic
~	064755-73-B05	EA	Shade Asm. - 18.25"

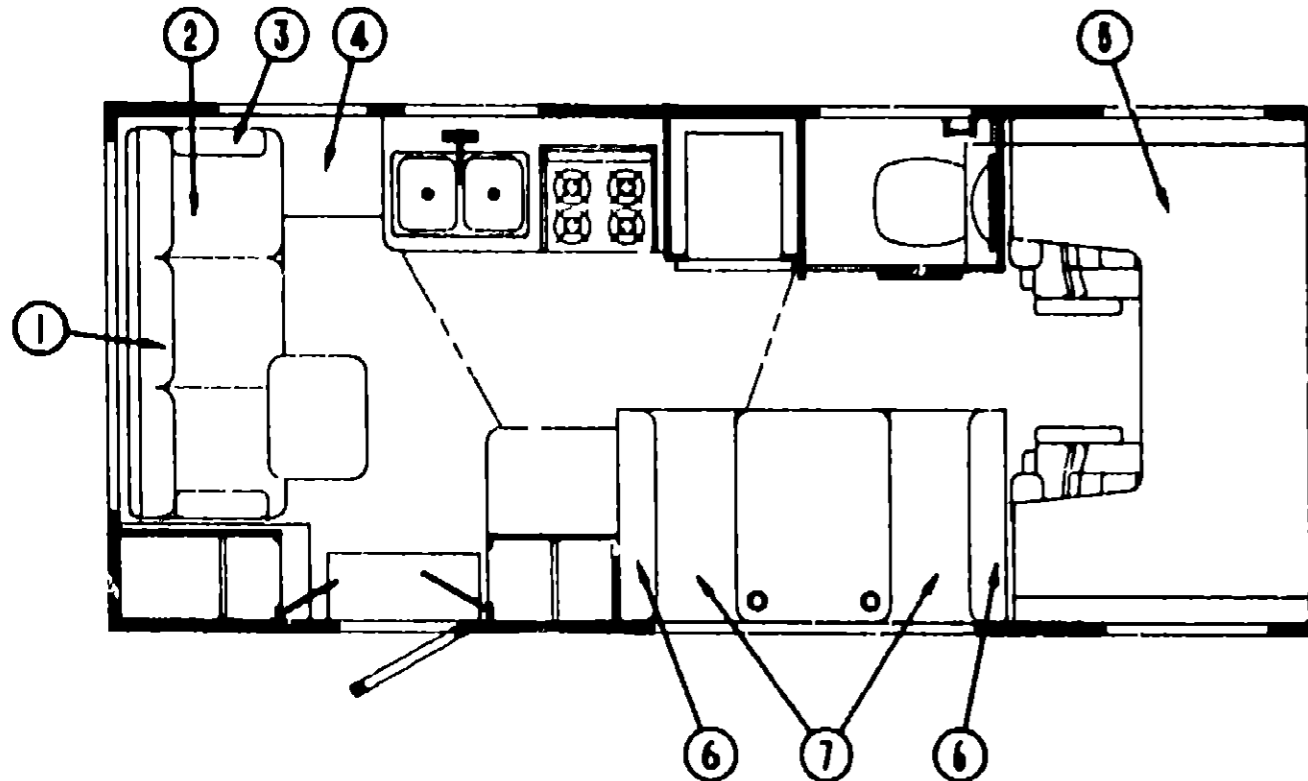


Key	Part Number	U/M	Description
1	029130-01-000	EA	Socket - Snap Fastener
2	029155-01-000	EA	Cap - Snap - .156" Dia x 17" Barrel
3	029158-01-000	EA	Socket - Snap Fastener
4	029092-01-000	EA	Stud - Nickel Finish
5	029093-01-000	EA	Eyelet - Nickel Finish

1992 WC321RG INDEX

Floor Plan	A-07 - A-08
Accessories Group	A-09 - A-12
Bath Group	A-13 - A-14
Chassis Group	A-15 - A-17
Curtain, Cushion & Pad Group	A-18 - B-01
Dinette Group	B-02 - B-03
Driver's Compartment Group	B-04 - B-07
Electrical Group	B-08 - B-10
Exterior Body Group	B-11 - B-15
Galley Group	B-16 - B-18
Heating & Air Conditioning Group	B-19 - B-20
Interior Finish Group	B-21 - B-23
Labels Group	B-24 - C-07
LP Group	C-08
Lounge Group	C-09
Sealants & Fasteners Group	C-10 - C-11
Water & Sewage Group	C-12 - C-14
Window, Vent & Exterior Door Group	C-14 - D-04

CURTAIN, CUSHION & PAD GROUP (CONTINUED)



PRESTO BED THROW PILLOW

Key	Part Number	U/M	Description
	103669-01-B85	EA	Pillow Asm - 16" x 16"
	103669-01-B86	EA	Pillow Asm - 16" x 16"

PRESTO BED COUCH

Key	Part Number	U/M	Description
1	100032-05-B85	EA	Presto Bed - Couch Back
1	100032-05-CA9	EA	Presto Bed - Couch Back (B85)
1	100032-05-B86	EA	Presto Bed - Couch Back
	P00032-05-B85	EA	Cover Asm - Presto Bed Back
	P00032-05-CA9	EA	Cover Asm - Presto Bed Back (B85)
	P00032-05-B86	EA	Cover Asm - Presto Bed Back
2	100032-06-B85	EA	Presto Bed - Couch Seat
2	100032-06-CA9	EA	Presto Bed - Couch Seat (B85)
2	100032-06-B86	EA	Presto Bed - Couch Seat
	P00032-06-B85	EA	Cover Asm - Presto Bed Seat
	P00032-06-CA9	EA	Cover Asm - Presto Bed Seat (B85)
	P00032-06-B86	EA	Cover Asm - Presto Bed Seat
3	101236-03-B85	EA	Armrest - Presto Bed - Passenger
3	101236-03-CA9	EA	Armrest - Presto Bed - Passenger (B85)
3	101236-03-B86	EA	Armrest - Presto Bed - Passenger
	P01236-03-B85	EA	Cover - Armrest Presto Bed - Passenger
	P01236-03-CA9	EA	Cover - Armrest Presto Bed - Passenger (B85)
	P01236-03-B86	EA	Cover - Armrest Presto Bed - Passenger
3	101236-04-B85	EA	Armrest - Presto Bed - Driver
3	101236-04-CA9	EA	Armrest - Presto Bed - Driver (B85)
3	101236-04-B86	EA	Armrest - Presto Bed - Driver
	P01236-04-B85	EA	Cover - Armrest Presto Bed - Driver
	P01236-04-CA9	EA	Cover - Armrest Presto Bed - Driver (B85)
	P01236-04-B86	EA	Cover - Armrest Presto Bed - Driver

CURTAIN, CUSHION & PAD GROUP (CONTINUED)

PRESTO BED COUCH (CONT.)

Key	Part Number	U/M	Description
4	081998-99-B85	EA	Cushion Asm - 22.5" x 14" x 6.5"
4	081998-99-CA9	EA	Cushion Asm - 22.5" x 14" x 6.5" (B85)
4	081998-99-B86	EA	Cushion Asm - 22.5" x 14" x 6.5"
	M81998-99-B85	EA	Cover - Cushion Asm.
	M81998-99-CA9	EA	Cover - Cushion Asm. (B85)
	M81998-99-B86	EA	Cover - Cushion Asm.
	101085-06-000	EA	Frame - Base - 74.75"
	101085-04-000	EA	Frame - Seat - 74.75"
	101085-05-000	EA	Frame - Back - 74.25"
	101085-07-000	EA	Frame - Armrest - Passenger
	101085-08-000	EA	Frame - Armrest - Driver
	101568-03-000	EA	Bracket Asm - Armrest - Passenger
	101568-04-000	EA	Bracket Asm - Armrest - Driver

* These parts are used from 4/15/91 on

FRONT BUNK

Key	Part Number	U/M	Description
5	084753-25-B85	EA	Cushion - "U" Shaped - 57" x 90" x 5"
5	084753-25-B86	EA	Cushion - "U" Shaped - 57" x 90" x 5"
**5	084753-29-B85	EA	Cushion - "U" Shaped - 58" x 92" x 5"
**5	084753-29-B86	EA	Cushion - "U" Shaped - 58" x 92" x 5"
	M84753-25-B85	EA	Cover - "U" Shaped Cushion
	M84753-25-B86	EA	Cover - "U" Shaped Cushion
**	M84753-29-B85	EA	Cover - "U" Shaped Cushion
**	M84753-29-B86	EA	Cover - "U" Shaped Cushion
	084753-26-B85	EA	Cushion - Filler - 52" x 25" x 5"
	084753-26-B86	EA	Cushion - Filler - 52" x 25" x 5"
**	084753-30-B85	EA	Cushion - Filler - 59.5" x 26.5" x 5"
**	084753-30-B86	EA	Cushion - Filler - 59.5" x 26.5" x 5"
	M84753-26-B85	EA	Cover - Filler Cushion
	M84753-26-B86	EA	Cover - Filler Cushion
**	M84753-30-B85	EA	Cover - Filler Cushion
**	M84753-30-B86	EA	Cover - Filler Cushion
	096008-86-000	YD	Fabric - Front Bunk Cushion (B85)
	096008-82-000	YD	Fabric - Front Bunk Cushion (B86)
	079145-08-000	EA	Cushion Asm - Front Bunk - 25" x 74" x 3.5" (L43V & L49F)
	M79145-08-000	EA	Cover Asm - Front Bunk Cushion (L43V & L49F)

** These parts are used from 4/24/91 on

DINETTE CUSHION

Key	Part Number	U/M	Description
6	088927-80-B85	EA	Cushion Asm - 14.5" x 38" x 5" - Back
*6	088927-80-CA9	EA	Cushion Asm - 14.5" x 38" x 5" - Back (B85)
6	088927-80-B86	EA	Cushion Asm - 14.5" x 38" x 5" - Back
	M88927-80-B85	EA	Cover Asm - Back - Dinette Cushion
	M88927-80-CA9	EA	Cover Asm - Back - Dinette Cushion (B85)
	M88927-80-B86	EA	Cover Asm - Back - Dinette Cushion
7	088927-87-B85	EA	Cushion Asm - 23" x 38" x 5" - Seat
*7	088927-87-CA9	EA	Cushion Asm - 23" x 38" x 5" - Seat (B85)
7	088927-87-B86	EA	Cushion Asm - 23" x 38" x 5" - Seat
	M88927-87-B85	EA	Cover Asm - Seat - Dinette Cushion
	M88927-87-CA9	EA	Cover Asm - Seat - Dinette Cushion (B85)
	M88927-87-B86	EA	Cover Asm - Seat - Dinette Cushion
	078155-01-000	EA	Strap Asm - Cushion Snap
	096008-76-000	YD	Fabric - Dinette Cushion (B85)
	104733-12-000	YD	Fabric - Dinette Cushion (B85)
	096008-79-000	YD	Fabric - Dinette Cushion (B86)

* These parts were used from 4/15/91 on

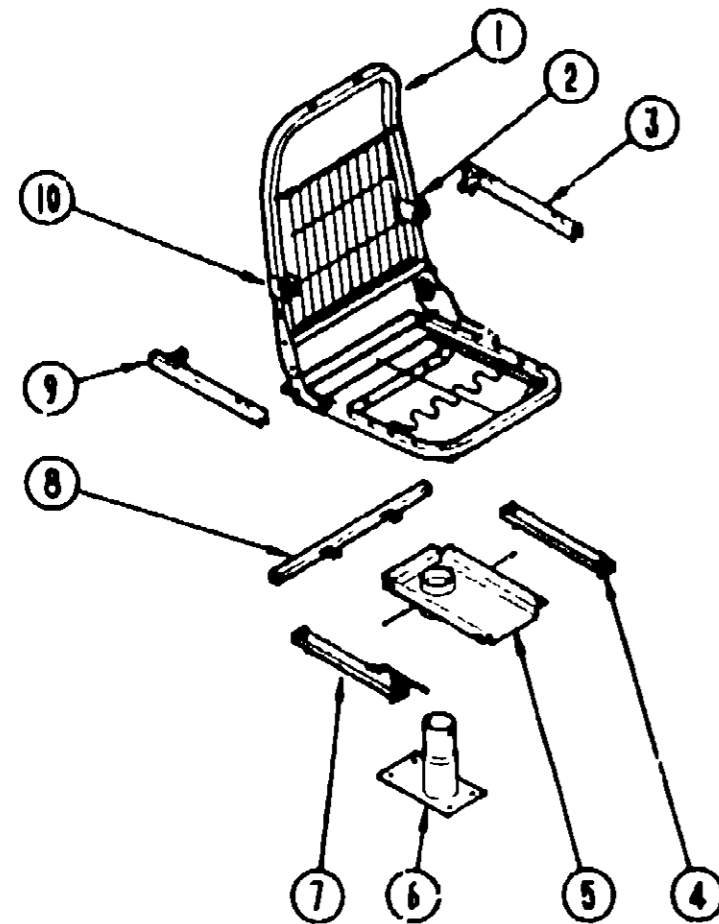
**1992 WINNEBAGO
TABLE OF CONTENTS**

INTRODUCTION	A-01 - A-02
ABBREVIATIONS	A-03
ALPHABETICAL INDEX	A-04 - A-06
WC321RG	A-07 - D-04
WC324RC	D-05 - G-06

1992 WC321RG INDEX

Floor Plan	A-07 - A-08
Accessories Group	A-09 - A-12
Bath Group	A-13 - A-14
Chassis Group	A-15 - A-17
Curtain, Cushion & Pad Group	A-18 - B-01
Dinette Group	B-02 - B-03
Driver's Compartment Group	B-04 - B-07
Electrical Group	B-08 - B-10
Exterior Body Group	B-11 - B-15
Galley Group	B-16 - B-18
Heating & Air Conditioning Group	B-19 - B-20
Interior Finish Group	B-21 - B-23
Labels Group	B-24 - C-07
LP Group	C-08
Lounge Group	C-09
Sealants & Fasteners Group	C-10 - C-11
Water & Sewage Group	C-12 - C-14
Window, Vent & Exterior Door Group	C-14 - D-04

CURTAIN, CUSHION & PAD GROUP (CONTINUED)



BUCKET SEAT HARDWARE

Key	Part Number	U/M	Description
1	M80906-04-000	EA	Frame Asm - Seat, Back & Spring
*1	M80906-05-000	EA	Frame Asm - Seat, Back & Spring
2	081362-02-000	EA	Bracket - Armrest - Left Hand
3	101124-02-000	EA	Rod & Channel - Armrest - Left - Metal
4	069246-02-000	EA	Adjuster - Bucket Seat w/o Lock - Forward & Back
5	093481-04-000	EA	Top Plate - Pedestal - Bucket Seats
6	069585-03-000	EA	Base - Bucket Seats - Bolts to Floor - Vertical - 8"
7	069246-05-000	EA	Adjuster - Bucket Seat w/Remote
8	069585-28-000	EA	Bar - Seat Belt - Bucket Seats - 18"
9	101124-01-000	EA	Rod & Channel - Armrest - Right - Metal
10	081362-01-000	EA	Bracket - Armrest - Right Hand
	069246-05-700	EA	Spring for Slide Adjuster
	069246-05-701	EA	Clip Only For Cable Asm
	101125-01-000	EA	Recliner - Seat Back - Left Hand
	089368-04-000	EA	Frame - Cable - Remote Swivel
	089368-05-000	EA	Frame - Cable - Remote Recliner
	081361-01-000	EA	Rod - Armrest - Metal

* These parts are used from 6/3/91 on

CURTAIN, CUSHION & PAD GROUP (CONTINUED)

BUCKET SEAT CUSHIONS

Key	Part Number	U/M	Description
	093450-17-B85	EA	Seat Asm. - Bucket - Driver
	093450-17-B86	EA	Seat Asm. - Bucket - Driver
	093450-18-B85	EA	Seat Asm. - Bucket - Passenger
	093450-18-B86	EA	Seat Asm. - Bucket - Passenger
	M03445-23-B85	EA	Cover - Seat - Bucket Seat
	M03445-23-B86	EA	Cover - Seat - Bucket Seat
	M03445-22-B85	EA	Cover - Back - Bucket Seat
	M03445-22-B86	EA	Cover - Back - Bucket Seat
	080243-41-B85	EA	Armrest - Bucket Seat - Right Hand
	080243-41-B86	EA	Armrest - Bucket Seat - Right Hand
	M80243-41-B85	EA	Cover - Right Armrest - Bucket Seat
	M80243-41-B86	EA	Cover - Right Armrest - Bucket Seat
	080243-42-B85	EA	Armrest - Bucket Seat - Left Hand
	080243-42-B86	EA	Armrest - Bucket Seat - Left Hand
	M80243-42-B85	EA	Cover - Left Armrest - Bucket Seat
	M80243-42-B86	EA	Cover - Left Armrest - Bucket Seat
	U71128-24-B85	EA	Skirt Asm - Single Bucket (B85)
	071128-24-B86	EA	Skirt Asm. - Single Bucket (B86)

CURTAIN & CUSHION HARDWARE

Key	Part Number	U/M	Description
	083801-01-000	EA	Track - Shower Curtain - Off White
	009701-01-000	EA	Carrier - Shower Curtain
	009702-01-000	EA	End - Stop - Curtain Carrier - Shower
	046887-01-000	EA	Grommet - Brass - 7/16" ID x 1" OD (Shower Curtain)
	009136-01-000	EA	Pin - Shower Curtain
	029092-01-000	EA	Stud - Nickel Finish
	029093-01-000	EA	Eyelet - Nickel Finish
	029155-01-000	EA	Cap - Snap
	029156-01-000	EA	Socket - Snap Fastener
	029130-01-000	EA	Screw - Snap Socket - 8 PH x 5/8"
	088792-02-000	YD	Velcro Tape - Adhesive Backed - Loop - 3/4" - Beige
	048394-02-000	YD	Velcro Tape - Adhesive Backed - Hook - 3/4" - Beige
	089918-01-000	EA	Mount - Window Leg - Black
	101032-01-000	FT	Track - Curtain - Ceiling Mount - White (Bunk Privacy)
	101033-01-000	FT	Track - Curtain - Low Profile - White (Bunk Window Valance)
	101033-02-000	EA	End Cap - Track - Clear
	101031-01-000	EA	Tape - Glide - 4 25" Spacing
	105450-02-01A	EA	Track - Curtain - 48" - Aluminum - Off White (Valance)
	105450-05-01A	EA	Track - Curtain - 79" - Aluminum - Off White (Valance)
	105450-06-01A	EA	Track - Curtain - 88" - Aluminum - Off White (Valance)
	095591-02-000	EA	Bracket - Blind - Hold Down w/Pin
	102555-01-000	EA	Cleat Cord - Blind - off/whit
	082239-02-000	EA	Brace - Window Valance - Beige - 18 7"
	075943-01-000	EA	Brace - Window Valance - Beige - 20"
	083170-01-000	EA	Bracket - Blind - Front
	083170-02-000	EA	Bracket - Blind - Rear
	093475-01-700	EA	Wand - Blind w/Metal Clip - 8" Long
	093475-01-701	EA	End Cap - Blind w/Stud
	084434-01-000	EA	Mounting Bracket - Roller Shade - 1 3/8"
	087253-01-000	EA	Pull - Roller Shade - Clear Plastic
	096843-01-000	EA	Spring - Rewind - Roller Shade
	084432-06-000	EA	Slat - Roller Shade - Plastic
	089522-03-000	EA	Panel - Leg - Window - 27" Long
	089522-04-000	EA	Panel - Leg - Window - 31 5" Long
	079970-01-000	YD	Tape Mattress - Bunk Cushion - 5/8"
	057534-01-000	EA	Tieback - Door - 5" - Clear Plastic
	103986-01-000	FT	Trim - Valance - 75" Wide - Brass

**1992 WINNEBAGO
TABLE OF CONTENTS**

INTRODUCTION	A-01 - A-02
ABBREVIATIONS	A-03
ALPHABETICAL INDEX	A-04 - A-06
WC321RG	A-07 - D-01
WC324RC	D-05 - G-06

1992 WC321RG INDEX

Floor Plan	A-07 - A-08
Accessories Group	A-09 - A-12
Bath Group	A-13 - A-14
Chassis Group	A-15 - A-17
Curtain, Cushion & Pad Group	A-18 - B-01
Dinette Group	B-02 - B-03
Driver's Compartment Group	B-04 - B-07
Electrical Group	B-08 - B-10
Exterior Body Group	B-11 - B-15
Galley Group	B-16 - B-18
Heating & Air Conditioning Group	B-19 - B-20
Interior Finish Group	B-21 - B-23
Labels Group	B-24 - C-07
LP Group	C-08
Lounge Group	C-09
Sealants & Fasteners Group	C-10 - C-11
Water & Sewage Group	C-12 - C-14
Window, Vent & Exterior Door Group	C-14 - D-04

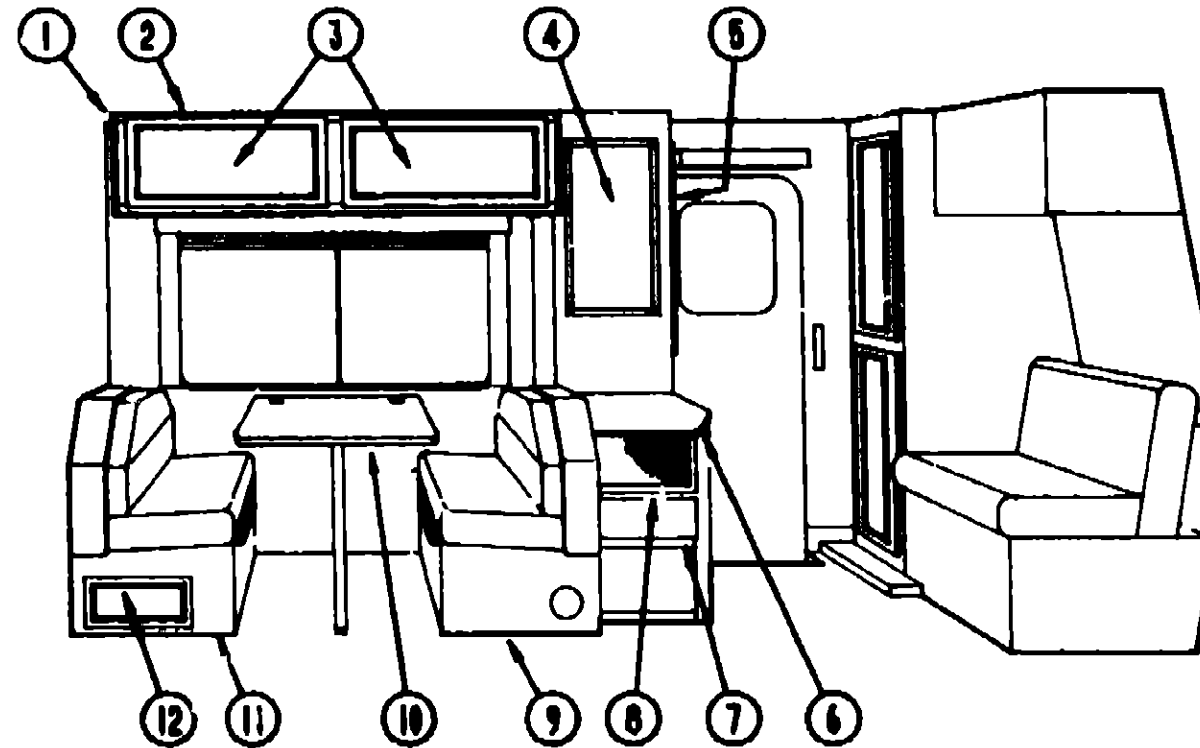
CURTAIN, CUSHION & PAD GROUP (CONTINUED)

DINETTE GROUP

**1992 WINNEBAGO
TABLE OF CONTENTS**

TRIMS & PADS

Key	Part Number	U/M	Description
	070578-08-B05	EA	Button Asm. - Snap Top - #30 - Vinyl
	070578-10-B85	EA	Button Asm. - Snap Top - #30 - Accent - Plain
	070578-10-B86	EA	Button Asm. - Snap Top - #30 - Accent - Plain
	059797-02-000	EA	Shell - Upholstery Button - #30
	069734-01-000	EA	Back - Upholstery Button - #30
	078155-01-000	EA	Strap Asm. - Cushion (Dinette Cushion)
	081519-17-B85	EA	Pad Asm. - Dinette - Front
	081519-17-B86	EA	Pad Asm. - Dinette - Front
	081519-16-B85	EA	Pad Asm. - Dinette - Rear
	081519-16-B86	EA	Pad Asm. - Dinette - Rear
	059491-01-B85	EA	Pad Asm. - Door - Passenger - Upper (Chevrolet)
	059491-01-B86	EA	Pad Asm. - Door - Passenger - Upper (Chevrolet)
	059492-01-B85	EA	Pad Asm. - Door - Driver - Upper (Chevrolet)
	059492-01-B86	EA	Pad Asm. - Door - Driver - Upper (Chevrolet)
	069885-16-B85	EA	Motor Cover w/Map Pocket (Ford)
	069885-16-B86	EA	Motor Cover w/Map Pocket (Ford)
	074891-07-B85	EA	Motor Cover w/Map Pocket (Chevrolet)
	074891-07-B86	EA	Motor Cover w/Map Pocket (Chevrolet)
	079349-01-B85	YD	Weltung - Skirt
	079349-01-B86	YD	Weltung - Skirt
	084415-31-000	YD	Trim - Braid - Curtain (B85)
	084415-27-000	YD	Trim - Braid - Curtain (B86)



INTRODUCTION	A-01 - A-02
ABBREVIATIONS	A-03
ALPHABETICAL INDEX	A-04 - A-06
WC321RG	A-07 - D-04
WC324RC	D-05 - G-06

DINETTE CABINETRY

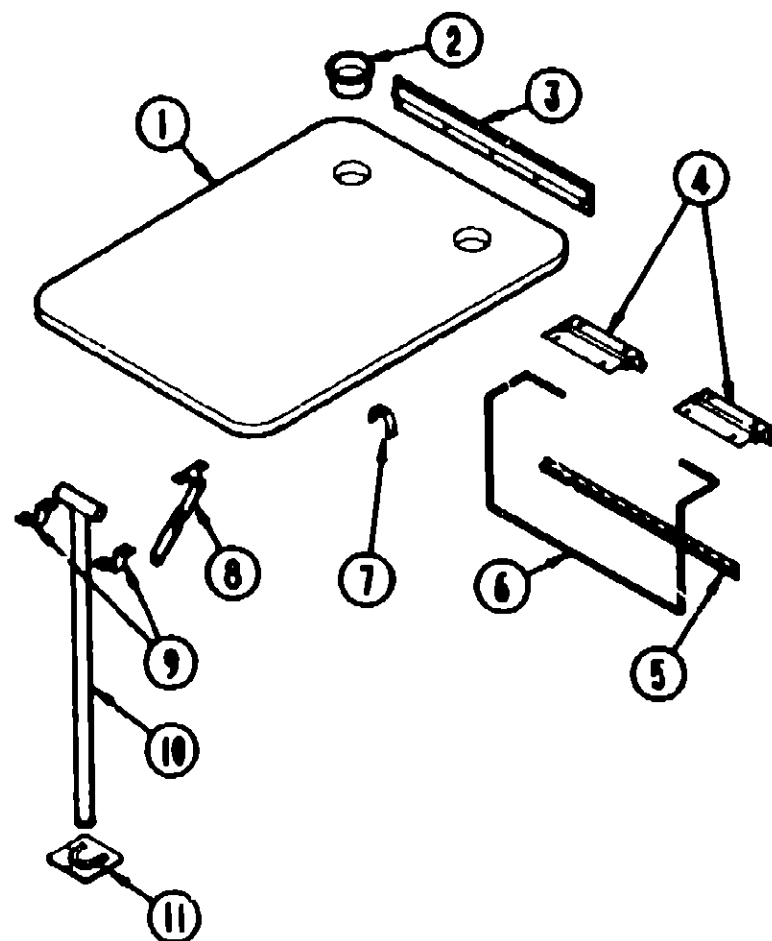
Key	Part Number	U/M	Description
1	081280-18-B05	EA	End Cap - Front Overhead
2	M05149-11-B85	EA	Cabinet - Dinette Overhead - w/o Door or Hardware
3	P03701-26-B85	EA	Door Asm. - Dinette Overhead Cabinet - 14 4" x 33.5" - w/o Hardware
4	083448-05-Y15	EA	Mirror Asm. - w/Oak Frame - 15 2" x 29.3"
	058331-32-000	EA	Glass - Mirror - 13 8" x 27.6"
5	P03701-53-B85	EA	Door Asm. - Wardrobe Cabinet - 15.6" x 45.5" - w/o Hardware
6	086455-11-B85	EA	Countertop Asm. - Furnace Cabinet - w/o Hardware
7	P03701-91-B85	EA	Drawer Face - Furnace Cabinet - 8 3" x 16 06" - w/o Hardware
	077251-01-000	EA	Drawer - Tiltout - Plastic
8	P03701-60-B85	EA	Door Asm. - Furnace Cabinet - 17 9" x 14.4" - w/o Hardware
	072369-47-000	EA	Mesh - Expanded Aluminum - Bronze - 25 4" x 11.6"
9	M03998-02-B85	EA	Cabinet Asm. - Dinette Seat - Rear - w/o Hardware
	M03997-02-B05	EA	Cabinet Asm. - Dinette Back - Rear - w/o Hardware
10	M02115-09-B85	EA	Table Asm. - Dinette - w/o Hardware or Edge Band
11	M03998-03-B85	EA	Cabinet Asm. - Dinette Seat - Front - w/o Door or Hardware
	M03997-01-B05	EA	Cabinet Asm. - Dinette Back - Front - w/o Hardware
12	P03701-13-B85	EA	Door Asm. - Dinette Seat - 10" x 19" - w/o Hardware
	103799-01-01A	EA	Coffeemaker - Almond (Option L26U)
	104810-01-000	EA	Strap Asm. - Coffeemaker (Option L26U)
	007021-01-000	EA	Seat Belt - 2" x 90" - Black
	057759-01-000	EA	Washer Bracket - Seat Belt
	000D39-06-0GB	EA	Hex Nut - Ser Fig LK - 3/8 - 16 ZN

See the next page for the breakdown of this item.
NOTE: See Curtain, Cushion & Pad Group for all fabric related items

1992 WC321RG INDEX

Floor Plan	A-07 - A-08
Accessories Group	A-09 - A-12
Bath Group	A-13 - A-14
Chassis Group	A-15 - A-17
Curtain, Cushion & Pad Group	A-18 - B-01
Dinette Group	B-02 - B-03
Driver's Compartment Group	B-04 - B-07
Electrical Group	B-08 - B-10
Exterior Body Group	B-11 - B-15
Galley Group	B-16 - B-18
Heating & Air Conditioning Group	B-19 - B-20
Interior Finish Group	B-21 - B-23
Labels Group	B-24 - C-07
LP Group	C-08
Lounge Group	C-09
Sealants & Fasteners Group	C-10 - C-11
Water & Sewage Group	C-12 - C-14
Window, Vent & Exterior Door Group	C-14 - D-04

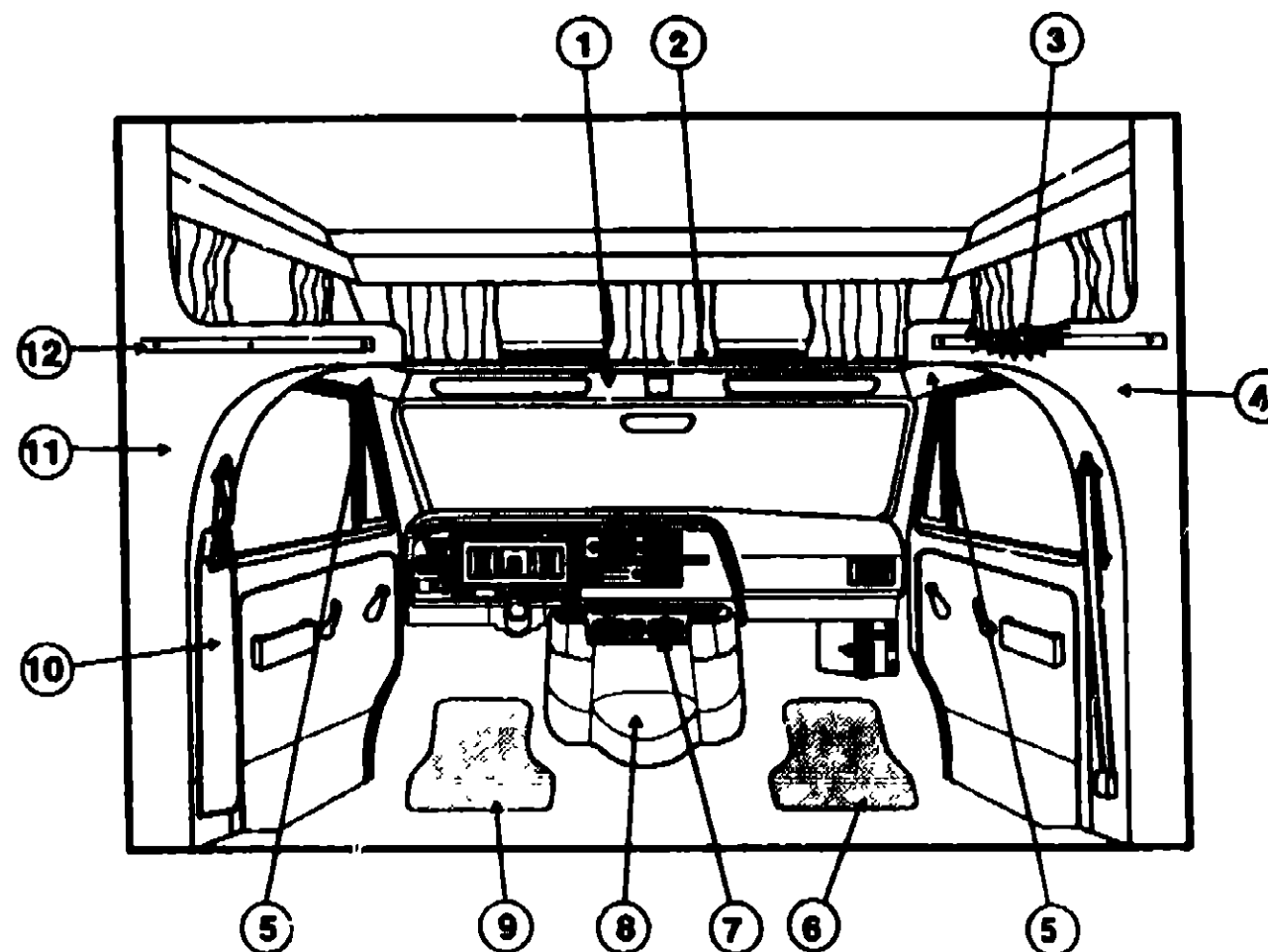
DINETTE GROUP (CONTINUED)



DINETTE TABLE & HARDWARE

Key	Part Number	U/M	Description
1	M02115-09-B85	EA	Table - Dinette - w/o Hardware or Edge Band
	076325-28-000	FT	Molding - Edge Band - 1 5/16" Wide
2	064781-06-000	EA	Cup Holder - Two Step - Beige
3	053200-05-000	EA	Support - Table - 23.5" - Beige
4	066410-01-000	EA	Hanger - Table - Beige
5	024261-07-000	EA	Bracket - Table Lift
6	024275-05-000	EA	Rod - Table Lift - Beige
7	024263-01-000	EA	Clip - 1" - 1.25" - OD Tube - Black
8	024262-01-000	EA	Brace Table Leg
9	064050-03-000	EA	Clamp - Saddle - Leg Hinge - Beige
10	024276-21-000	FA	Leg Asm. - Table - Beige
11	049493-01-000	EA	Catch - Table Leg
	061295-01-AA8	EA	Support - Base - Dinette

DRIVER'S COMPARTMENT GROUP



MISCELLANEOUS DRIVER'S COMPARTMENT COMPONENTS (FORD)

Key	Part Number	U/M	Description
1	091631-01-B05	EA	Headliner - Front - Off White Vinyl
	066703-01-B05	EA	Sleeper Board Asm.
2	079600-04-000	EA	Trim - Front Sleeper Board - Metal - Off White
	080742-03-000	FT	Accent Trim - Off White Vinyl
3	096206-01-B05	EA	Cabinet Asm. - Headboard
4	096244-01-B05	EA	Wingwall Asm. - Inner - Passenger - Off White
5	091625-02-AA5	EA	Headliner - Sides - Off White Vinyl
6	063219-01-000	EA	Floor Mat - Passenger
7	099657-01-AA5	EA	Beverage Tray
8	099665-16-B85	EA	Motor Cover w/Pocket
8	069665-16-B86	EA	Motor Cover w/Pocket
9	063219-02-000	EA	Floor Mat - Driver
10	091671-06-000	EA	Seat Belt Cover - Off white
11	096244-02-B05	EA	Wingwall Asm. - Inner - Driver - Off White
12	062069-03-Y05	EA	Wood Trim - Wingwall - 15.8"
	074045-07-000	EA	Oak Plug - 1/2"
	024461-01-000	EA	Switch - Battery
	094795-02-000	EA	Instrument Cluster - Kilometer - Gas
	094797-04-000	EA	Instrument Cluster - Kilometer - Diesel
	062071-10-B05	EA	Pad - Vinyl Covered - 6.6" x 28" - Off White
	062061-27-B05	EA	Pad - Vinyl Covered - 1.5" x 52" - Off White

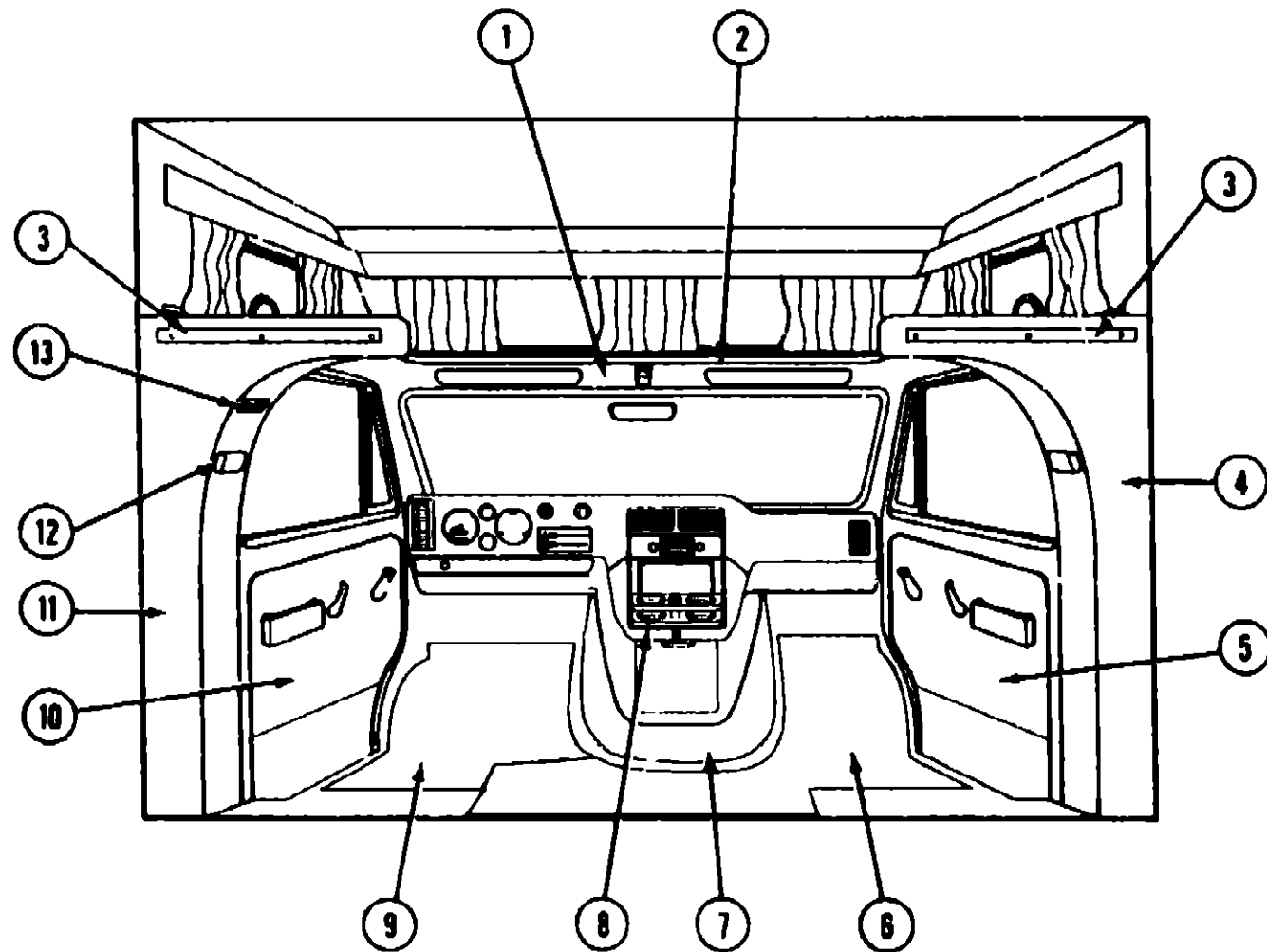
**1992 WINNEBAGO
TABLE OF CONTENTS**

INTRODUCTION	A-01 - A-02
ABBREVIATIONS	A-03
ALPHABETICAL INDEX	A-04 - A-06
WC321RG	A-07 - D-04
WC3214FC	D-05 - G-06

1992 WC321RG INDEX

Floor Plan	A-07 - A-08
Accessories Group	A-09 - A-12
Bath Group	A-13 - A-14
Chassis Group	A-15 - A-17
Curtain, Cushion & Pad Group	A-18 - B-01
Dinette Group	B-02 - B-03
Driver's Compartment Group	B-04 - B-07
Electrical Group	B-08 - B-10
Exterior Body Group	B-11 - B-15
Galley Group	B-16 - B-18
Heating & Air Conditioning Group	B-19 - B-20
Interior Finish Group	B-21 - B-23
Labels Group	B-24 - C-07
LP Group	C-08
Lounge Group	C-09
Sealants & Fasteners Group	C-10 - C-11
Water & Sewage Group	C-12 - C-14
Window, Vent & Exterior Door Group	C-14 - D-04

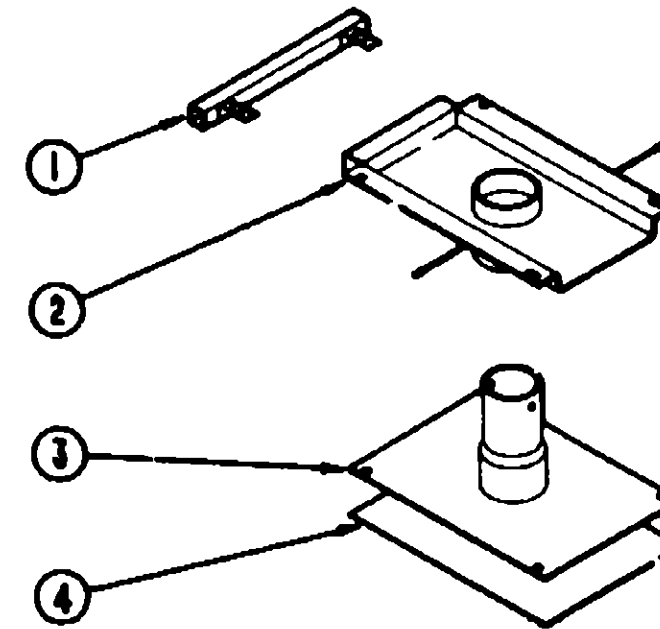
DRIVER'S COMPARTMENT GROUP (CONTINUED)



MISCELLANEOUS DRIVER'S COMPARTMENT COMPONENTS (CHEVROLET)

Key	Part Number	U/M	Description
1	091877-01-B05	EA	Headliner - Front - Off White Vinyl
	091825-02-AA5	EA	Headliner - Sides - Off White Vinyl
	098208-01-B05	EA	Cabinet Asm - Headboard
	098703-01-B05	EA	Sleeper Board Asm
2	079800-04-000	EA	Trim - Front Sleeper Board - Metal - Off White
2	080742-03-000	FT	Accent Trim - Off White Vinyl
3	032089-03-Y05	EA	Wood Trim - Wingwall - 15 8"
	074045-07-000	EA	Oak Plug - 1/2"
4	097176-01-B05	EA	Wingwall Asm. - Inner - Passenger - Off White
5	059491-01-B85	EA	Side Panel - Cab Door - Passenger
5	059491-01-B88	EA	Side Panel - Cab Door - Passenger
6	083218-01-000	EA	Floor Mat - Front Passenger
7	074891-07-B85	EA	Motor Cover w/Pocket
7	074891-07-B88	EA	Motor Cover w/Pocket
8	100518-01-B05	EA	Beverage Tray
9	083218-02-000	EA	Floor Mat - Front Driver
10	059492-01-B85	EA	Side Panel - Cab Dvr - Driver
10	059492-01-B88	EA	Side Panel - Cab Door - Driver
11	097176-02-B05	EA	Wingwall Asm. - Inner - Driver - Off White
12	078302-03-000	EA	Seat Belt - Driver or Passenger
13	048885-01-000	EA	Plaque - Switch
13	024481-01-000	EA	Switch - Battery
	094797-03-000	EA	Instrument Cluster - Kilometer - Gas
	094797-04-000	EA	Instrument Cluster - Kilometer - Diesel
	082081-06-B85	EA	Pad - Vinyl Covered - 1 5" x 29" - Off White

DRIVER'S COMPARTMENT GROUP (CONTINUED)



BUCKET SEAT PEDESTAL & SEAT BELTS

Key	Part Number	U/M	Description
1	069585-28-000	EA	Bar - Seat Belt - 18"
2	083481-04-000	EA	Plate - Top - Pedestal Asm.
3	069585-03-000	EA	Plate - Sub - Pedestal Asm.
4	069585-02-000	EA	Plate - Base - Pedestal Asm - Bucket Seat
	069246-02-000	EA	Adjuster Asm. - Seat - w/o Lock
	069246-05-000	EA	Adjuster Asm. w/Remote
	069246-05-700	EA	Spring For Slide Adjuster
	069246-05-701	EA	Clip - For Cable Asm Only

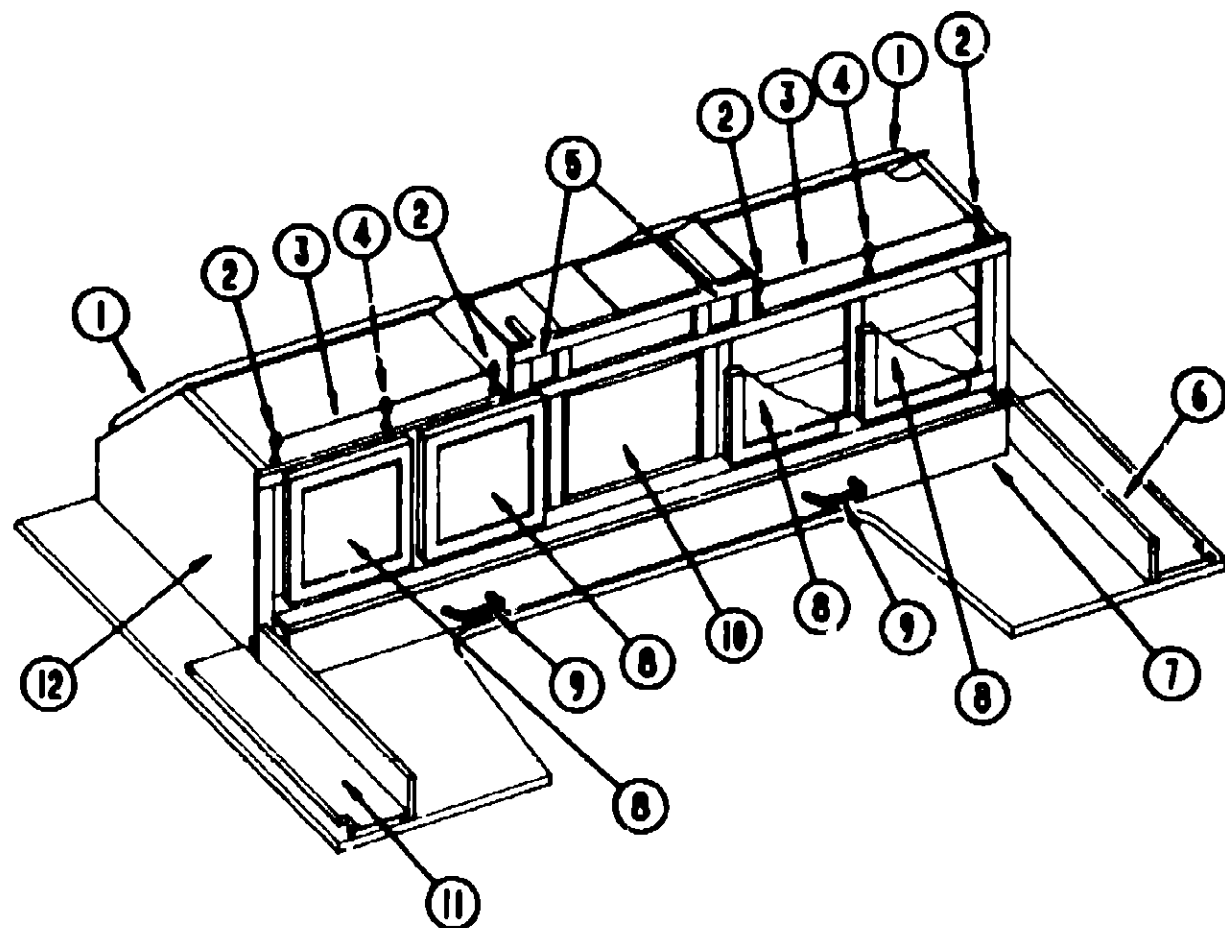
**1992 WINNEBAGO
TABLE OF CONTENTS**

INTRODUCTION	A-01 - A-02
ABBREVIATIONS	A-03
ALPHABETICAL INDEX	A-04 - A-08
WC321RG	A-07 - D-04
WC324RC	D-05 - G-08

1992 WC321RG INDEX

Floor Plan	A-07 - A-08
Accessories Group	A-09 - A-12
Bath Group	A-13 - A-14
Chassis Group	A-15 - A-17
Curtain, Cushion & Pad Group	A-18 - B-01
Dinette Group	B-02 - B-03
Driver's Compartment Group	B-04 - B-07
Electrical Group	B-08 - B-10
Exterior Body Group	B-11 - B-15
Galley Group	B-16 - B-18
Heating & Air Conditioning Group	B-19 - B-20
Interior Finish Group	B-21 - B-23
Labels Group	B-24 - C-07
LP Group	C-08
Lounge Group	C-09
Sealants & Fasteners Group	C-10 - C-11
Water & Sewage Group	C-12 - C-14
Window, Vent & Exterior Door Group	C-14 - D-04

DRIVER'S COMPARTMENT GROUP (CONTINUED)



TV & ENTERTAINMENT CABINETRY (OPTIONS L43V & L48F)

Key	Part Number	U/M	Description
1	099879-01-01A	EA	Panel - Window - Black Plastic
2	084070-02-000	EA	Post - End - Brass
3	084071-08-000	EA	Rod - Brass - 25"
4	084070-01-000	EA	Post - Center - Brass
5	072333-87-000	YD	Fabric - Speaker Cover
	098819-01-000	EA	Speaker - 2 Watt - 8 OHM - 4"
	074979-11-000	EA	Cover - Speaker - Plastic - Off White
6	099887-01-B85	EA	Cabinet - Headboard - Passenger
7	099839-01-B85	EA	Drawer - Entertainment - Front
	079145-08-000	EA	Cushion - Front Bunk - 25" x 74" x 3.5"
8	P03701-70-B85	EA	Door - Cabinet - 13 9" x 13 9" - w/o Hardware
9	103856-01-000	EA	Pull - Drawer - Brass
10	098447-01-000	EA	TV - 13" Color w/Remote (USA) RX4029WA
10	098447-02-000	EA	TV - 13" Color w/Remote (CSA) XK4029CH
	098447-01-700	EA	Remote Control - TV
#	098447-03-000	EA	TV - 13" Color w/Remote - Magnavox (US) RR1337W
#	098447-04-000	EA	TV - 13" Color w/Remote - Magnavox (CSA) RR1330W
	098447-03-700	EA	Remote Control - TV
	098446-02-000	EA	VCR - VHS - Cable Ready w/Remote - Magnavox VR9912
	098446-02-700	EA	Remote Control - VCR
	098446-03-000	EA	VCR - VHS - Cable Ready w/Remote - Magnavox VR9010
	098446-03-700	EA	Remote Control - VCR
	099856-01-000	EA	Tiedown - TV - 53.1" x 1" - Black
11	099887-02-B85	EA	Cabinet - Headboard - Driver
12	099445-01-B85	EA	Cabinet - Entertainment - Front
			* See Curtain, Cushion & Pad Group for further breakdown of this item.
#			These parts were used from 8/24/91 on

ELECTRICAL GROUP

BULBS

Key	Part Number	U/M	Description
	092898-01-700	EA	Bulb - 912 (Stove Hood)
	008215-01-000	EA	Bulb - 1003 (Porch Light)
	008218-01-000	EA	Bulb - 1141 (Dome Light)
	037934-01-000	EA	Bulb - 1156 (Back-Up Light)
	037935-01-000	EA	Bulb - 1157 (Tail Lamp)
	084880-01-708	EA	Bulb - DC Light (Refrigerator) (Export)
	088737-01-710	EA	Bulb - 30W (Microwave Oven)
	098280-01-700	EA	Bulb - 12 Volt - 6 Watt (Surface Light)
	008213-01-000	EA	Bulb - 57 (Clearance Light)

FUSES & CIRCUIT BREAKERS

Key	Part Number	U/M	Description
	008235-01-000	EA	Fuse - 12 Volt - 15 Amp.
	062901-05-000	EA	Fuse - 15 Amp. - Automotive
	008211-01-000	EA	Circuit Breaker - 6 Amp. - 12 Volt
	063209-01-000	EA	Circuit Breaker - 15 Amp - 120 Volt
	063210-02-000	EA	Circuit Breaker - 15 Amp - 120 Volt (Ground Fault Interrupter)
	063209-02-000	EA	Circuit Breaker - 15/15 Amp - 120 Volt
	063209-03-000	EA	Circuit Breaker - 15/20 mp - 120 Volt
	033673-01-000	EA	Circuit Breaker - 20 Amp - 12 Volt
	094811-01-000	EA	Circuit Breaker - 20/20 Amp - 120 Volt
	008268-01-000	EA	Circuit Breaker - 30 Amp. - 12 Volt
	063209-04-000	EA	Circuit Breaker - 20 Amp. - 120 Volt
	063209-05-000	EA	Circuit Breaker - 30/15 Amp. - 120 Volt
	094810-01-000	EA	Circuit Breaker - 30/30 Amp. - 120 Volt (Export)
	063209-06-000	EA	Circuit Breaker Blank
	060283-02-000	EA	Circuit Breaker - Bus Bar
	100341-01-000	EA	Fuse Holder - In Line Type
	008277-01-000	EA	Fuse Holder - Black - Panel Mount

MISCELLANEOUS ELECTRICAL COMPONENTS

Key	Part Number	U/M	Description
	072852-01-000	EA	Smoke Detector w/9 Volt Battery
	072852-02-000	EA	Smoke Detector w/9 Volt Battery (CSA)
	063208-01-000	EA	Converter - 32 Amp w/Charger
	094809-01-000	EA	Load Center - 240 Volt - 125 Amp. (Export)

**1992 WINNEBAGO
TABLE OF CONTENTS**

INTRODUCTION	A-01 - A-02
ABBREVIATIONS	A-03
ALPHABETICAL INDEX	A-04 - A-06
WC321RG	A-07 - D-04
WC324RC	D-05 - G-06

1992 WC321RG INDEX

Floor Plan	A-07 - A-08
Accessories Group	A-09 - A-12
Bath Group	A-13 - A-14
Chassis Group	A-15 - A-17
Curtain, Cushion & Pad Group	A-18 - B-01
Dinette Group	B-02 - B-03
Driver's Compartment Group	B-04 - B-07
Electrical Group	B-08 - B-10
Exterior Body Group	B-11 - B-15
Galley Group	B-16 - B-18
Heating & Air Conditioning Group	B-19 - B-20
Interior Finish Group	B-21 - B-23
Labels Group	B-24 - C-07
LP Group	C-08
Lounge Group	C-09
Sealants & Fasteners Group	C-10 - C-11
Water & Sewage Group	C-12 - C-14
Window, Vent & Exterior Door Group	C-14 - D-04

ELECTRICAL GROUP (CONTINUED)

WIRES, SWITCHES, & RECEPTACLES

Key	Part Number	U/M	Description
	008288-01-000	EA	Box - Electrical - 3" x 3 5" - Plastic
	003903-01-000	EA	Box - Electrical - 4" x 2 1/8" x 2 1/8"
	008289-01-000	EA	Box - Electrical - 4" x 4" - 1/2 & 3/4 Steel
	008290-02-000	EA	Box - Electrical - 4" x 4" (CSA)
	058049-01-000	EA	Box - Electrical - 2" x 3" x 2 25" - Steel
	008037-01-000	EA	Cable - Battery - 1 AWG - Stranded - Black
	041953-01-000	FT	Conduit - Convolute Slt - 5" ID
	041953-03-000	FT	Conduit - Convolute Slt - 1" ID
	041953-05-000	FT	Conduit - Convolute Slt - 62" ID
	041953-07-000	FT	Conduit - Convolute Slt - 25" ID
	041953-09-000	FT	Conduit - Convolute Slt - 50" ID
	041953-10-000	FT	Conduit - Convolute Slt - .75" ID
	041953-11-000	FT	Conduit - Convolute Slt - 1 08" ID
	008355-01-000	EA	Connector - Cable Clamping - 3/4"
	008356-01-000	EA	Connector - Plastic - 3/8" Avg.
	058028-01-000	EA	Connector - Pigtail - Clear Nylon
	008311-01-000	EA	Connector - Wire Nut - Red
	008314-01-000	EA	Connector - Wire Nut - Gray
	031987-01-000	EA	Contact - Receptacle
	008054-01-000	EA	Cord - Power - 10-3 30 Amp. - 25' (US)
	008052-01-000	EA	Cord - Power - 10-3 30 Amp. - 25' (CSA)
	008294-01-000	EA	Cover Plate - Electrical Box - Blank Steel - 4" x 4" (USA)
	008294-02-000	EA	Cover Plate - Electrical Box - Blank Steel - 4" x 4" (CSA)
	053337-01-000	EA	Cover Plate - Blank - Ivory
	008384-01-000	EA	Crommet - Snap - 3" Dia
	023942-01-000	EA	Grommet - Rubber - 2" OD
	062037-01-000	EA	Housing - Auto Fuse - Natural
	063910-01-000	EA	Housing - Relay
	008474-09-000	EA	Housing - Socket
	097744-01-000	EA	Housing - Trailer Pin - 12"
	097744-02-000	EA	Housing - Trailer Pin - 48"
	097746-01-000	EA	Housing Asm. - Trailer Cap
	097745-01-000	EA	Housing Asm. - Trailer Receptacle - 12"
	008473-05-000	EA	Housing Pin - 6 Position In Line
	008473-06-000	EA	Housing Pin - 4 Position
	008473-10-000	EA	Housing Pin - 2 Position
	008474-06-000	EA	Housing Socket - 4 Position
	008474-09-000	EA	Housing Socket - 6 Position
	008475-01-000	EA	Pin - Connector
	048895-01-000	EA	Plaque - Mounting Switch
	075736-02-000	EA	Receptacle/Cover Asm. - Off White (Exterior)
	084077-01-000	EA	Receptacle Cover - Ivory (Ground Fault Interrupter)
	084077-02-000	EA	Receptacle Cover - Brown (Ground Fault Interrupter)
	084076-02-000	EA	Receptacle - 15 Amp - 125 Volt - Brown (Ground Fault Interrupter)
	084076-01-000	EA	Receptacle - 15 Amp - 125 Volt - Ivory (Ground Fault Interrupter)
	024924-02-000	EA	Receptacle - Power Cord
	058707-01-000	EA	Receptacle - Single - Brown
	007940-01-000	EA	Receptacle - Slide - 10 to 12 Awg.
	058708-02-000	EA	Receptacle - Double Electrical - Ivory
	058708-01-000	EA	Receptacle - Double Electrical - Brown
	097734-01-01A	EA	Extension - Receptacle - Ivory (CSA)

ELECTRICAL GROUP (CONTINUED)

WIRES, SWITCHES & RECEPTACLES (CONTINUED)

Key	Part Number	U/M	Description
	008476-01-000	EA	Socket - Connector
	008188-01-000	EA	Solenoid - 3 Post - Battery Charge Over
	024461-01-000	EA	Switch - Battery
	008195-01-000	EA	Switch - Push Button - 12 Volt
	008351-02-01A	EA	Switch Plate - 2 Gang - Polished Brass
	079384-01-000	EA	Switch - On/Off Rocker - Brown
	047443-01-000	EA	Terminal - .250 Receptacle Fit - Insulated - 16/14 AWG
	008325-01-000	EA	Terminal Ring - 16/14 Wire - 3/8" Stud
	035416-04-000	EA	Terminal Ring - #10 Stud Fit
	008328-01-000	EA	Terminal Ring - 12/10 Wire
	008348-01-000	EA	Terminal Ring - 2 - 3/8 Stud
	008331-01-000	EA	Terminal Ring - 4 - 3/8 Stud
	062036-02-000	EA	Terminal - Pack - Con - 16/14 AWG
	008028-01-000	FT	Wire - 12/2 Romex w/Ground
	008343-01-000	EA	Wire Tie - 6"

EXTERIOR LIGHTS

Key	Part Number	U/M	Description
	042405-01-000	EA	Lens - Side Marker/Clearance Light - w/Reflex - Red
	042405-02-000	EA	Lens - Side Marker Light - w/Reflex - Amber
	042405-03-000	EA	Base - Clearance Light - Rectangular
	091983-01-000	EA	Gasket - Light - Side Marker
	008213-01-000	EA	Bulb - 12 Volt - #57
	062740-04-000	EA	Wedge - Tail Light - Plastic - Passenger Side - Off White
	062742-04-000	EA	Wedge - Tail Light - Plastic - Driver Side - Off White
	007309-01-000	EA	Light - License Plate
	058540-01-000	EA	Bracket - License Plate
	059032-02-000	EA	Tail Lamp - 2 Bulb - Black Bezel
	058032-02-700	EA	Lens - Tail Lamp - w/Backup - Red
	058032-02-701	EA	Lens - Tail Lamp - w/o Backup - Red
	037936-01-000	EA	Bulb - Tail Lamp - #1157 - 12 Volt
	097917-01-01A	EA	Light - Porch/Entry Door - Off White (US)
	097917-01-700	EA	Lens - Porch Light
	008215-01-000	EA	Bulb - Porch Light
	008089-02-000	EA	Porch Light - Recessed (CSA)
	008089-01-700	EA	Lens - Porch Light
	008215-01-000	EA	Bulb - Porch Light
	100136-01-000	EA	Module - Daytime Running Lights
	100159-02-000	EA	Wire Asm. - Daytime Running Lights (Ford)
	100159-03-000	EA	Wire Asm. - Daytime Running Lights (Chevrolet)

INTERIOR LIGHTS

Key	Part Number	U/M	Description
	008024-01-01A	EA	Dome Light - 1 Bulb - Ivory
	008024-03-01A	EA	Dome Light - 2 Bulb - Ivory
	008024-01-700	EA	Lens - Dome Light
	008216-01-000	EA	Bulb - Dome Light - 12 Volt - #1141
	008280-01-000	EA	Light - Surface Mount - 12 Volt
	008280-01-700	EA	Bulb - 12 Volt - 6 Watt

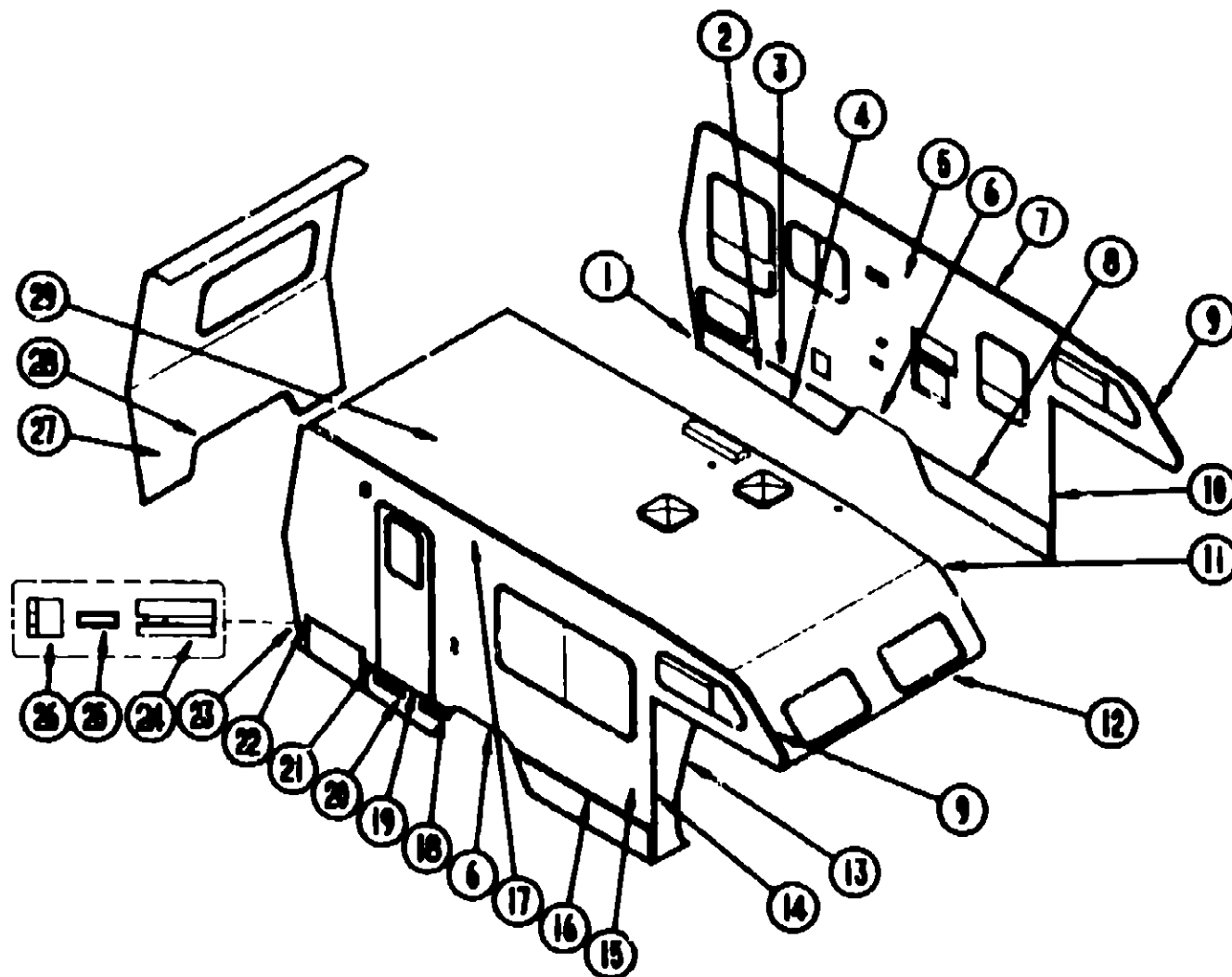
**1992 WINNEBAGO
TABLE OF CONTENTS**

INTRODUCTION	A-01 - A-02
ABBREVIATIONS	A-03
ALPHABETICAL INDEX	A-04 - A-06
WC321RG	A-07 - D-04
WC324RC	D-05 - G-06

1992 WC321RG INDEX

Floor Plan	A-07 - A-08
Accessories Group	A-09 - A-10
Bath Group	A-13 - A-14
Chassis Group	A-15 - A-16
Curtain, Cushion & Pad Group	A-18 - B-01
Dinette Group	B-02 - B-03
Driver's Compartment Group	B-04 - B-07
Electrical Group	B-08 - B-10
Exterior Body Group	B-11 - B-16
Galley Group	B-16 - B-18
Heating & Air Conditioning Group	B-19 - B-20
Interior Finish Group	B-21 - B-23
Labels Group	B-24 - C-07
LP Group	C-08
Lounge Group	C-09
Sealants & Fasteners Group	C-10 - C-11
Water & Sewage Group	C-12 - C-14
Window, Vent & Exterior Door Group	C-14 - D-04

EXTERIOR BODY GROUP



1982 WINNEBAGO TABLE OF CONTENTS

INTRODUCTION	A-01 - A-02
ABBREVIATIONS	A-03
ALPHABETICAL INDEX	A-04 - A-06
WC321RG	A-07 - D-04
WC324RC	D-05 - G-06

EXTERIOR BODY PANELS

Key	Part Number	U/M	Description
1	097L07-05-02A	EA	Filter - Valance Panel - Rear - Off White
2	096393-14-B05	EA	Valance Asm. - Rear
*3	096816-03-01A	EA	Trim - Sidewall - Lower - 72.4" - Off White
5	P00496-01-B85	EA	Sidewall Asm. - Driver (Special Order Item)
6	096215-01-01A	EA	Trim - Wheelwell - Rear - Metal - Off White - Either Side
7	096864-01-01A	EA	Trim - Contour - Roof - Off White
*8	096817-02-01A	EA	Trim - Sidewall - Lower - 64.37" - Off White
9	096854-01-01A	EA	Trim - Contour - Off White
	079280-01-01A	FT	Vinyl Insert - Contour Trim - 72" - Off White
10	09C870-02-01A	EA	Trim - Wingwall - Off White
	M96772-02-B05	EA	Wingwall - Driver's Side w/Gusset (Chevrolet)
	M96154-02-B05	EA	Wingwall - Driver's Side w/Gusset (Ford)
	096845-02-01A	EA	Trim - "L" Angled - Driver's Wingwall - Off White
11	078580-01-000	EA	Trim - Roof to Front Cab
12	039844-09-000	EA	Trim - Sleeper Board - Off White
13	M96772-01-B05	EA	Wingwall - Passenger's Side w/Gusset (Chevrolet)
13	M96154-01-B05	EA	Wingwall - Passenger's Side w/Gusset (Ford)
	096845-01-01A	EA	Trim - "L" Angled - Passenger's Wingwall - Off White
	096334-01-000	FT	Vinyl - Exterior Trim - Between Wingwall & Cab Seal - White
14	096870-01-01A	EA	Trim - Wingwall - Off White
15	M96876-01-B85	EA	Sidewall Asm. - Passenger (Special Order Item)
*16	096816-03-01A	EA	Trim - Sidewall - Lower - 64.45" - Off White

EXTERIOR BODY PANELS (CONTINUED)

Key	Part Number	U/M	Description
17	099583-55-001	EA	Awning Rail - 10' - Off White
*18	096817-04-01A	EA	Trim - Sidewall - Lower - 6.85" - Off White
19	002444-04-002	EA	Feature Strip w/o Insert - 15' Long - Off White
	001030-02-003	EA	Insert - Feature Strip - Stucco - 17' Long
	009731-01-000	EA	End Cap - Feature Strip
20	096965-03-B06	EA	Valance - Entry Door
	044582-02-000	EA	Drip Cap - Jamb Mounted - Off White
*21	097190-01 01A	FA	Trim - Sidewall - Lower - 4.3" - Off White
22	097907 06-02A	EA	Filter - Valance Panel - Rear - Off White
*23	096817-04-01A	EA	Trim - Sidewall - Lower - 6.85" - Off White
24	NOTE	EA	Trim - Sidewall - Lower - Off White
25	001030-02-003	EA	Insert - Lower Sidewall Trim
26	098424-02-01A	EA	End Cap - Sidewall Trim - Rear (Passenger's Side) & Front (Driver's Side)
26	098424-01-01A	EA	End Cap - Sidewall Trim - Rear (Driver's Side) & Front (Passenger's Side)
27	P00384-01-B85	EA	Backwall Asm. (Special Order Item)
28	096197-02-01A	EA	Trim - Backwall - Lower - U-Channel - 1" Wide - Off White - Either Side
29	M96831-01-B85	EA	Roof Asm. (Special Order Item)

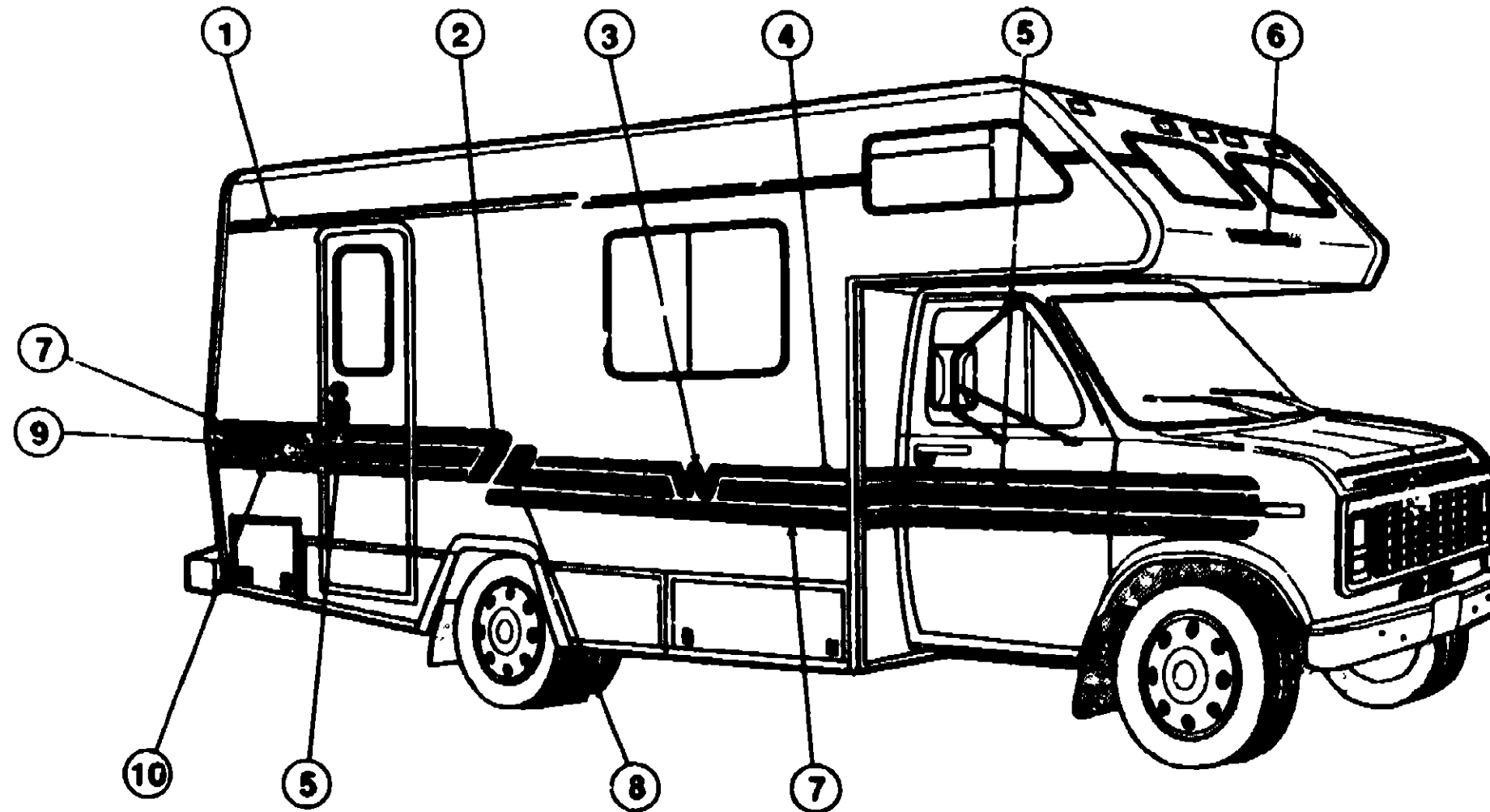
* See the inset illustration for additional numbers.

1992 WC321RG INDEX

Floor Plan	A-07 - A-08
Accessories Group	A-09 - A-12
Bath Group	A-13 - A-14
Chassis Group	A-15 - A-17
Curtain, Cushion & Pad Group	A-18 - B-01
Dinette Group	B-02 - B-03
Driver's Compartment Group	B-04 - B-07
Electrical Group	B-08 - B-10
Exterior Body Group	B-11 - B-16
Galley Group	B-16 - B-18
Heating & Air Conditioning Group	B-19 - B-20
Interior Finish Group	B-21 - B-23
Labels Group	B-24 - C-07
LP Group	C-08
Lounge Group	C-09
Sealants & Fasteners Group	C-10 - C-11
Water & Sewage Group	C-12 - C-14
Window, Vent & Exterior Door Group	C-14 - D-04

EXTERIOR BODY GROUP (CONTINUED)

1992 WINNEBAGO
TABLE OF CONTENTS



INTRODUCTION	A-01 - A-02
ABBREVIATIONS	A-03
ALPHABETICAL INDEX	A-04 - A-08
WC321RG	A-07 - D-04
WC324RC	D-05 - G-08

1992 WC321RG INDEX

Floor Plan	A-07 - A-08
Accessories Group	A-09 - A-12
Bath Group	A-13 - A-14
Chassis Group	A-15 - A-17
Curtain, Cushion & Pad Group	A-18 - B-01
Dinette Group	B-02 - B-03
Driver's Compartment Group	B-04 - B-07
Electrical Group	B-08 - B-10
Exterior Body Group	B-11 - B-15
Galley Group	B-16 - B-18
Heating & Air Conditioning Group	B-19 - B-20
Interior Finish Group	B-21 - B-23
Labels Group	B-24 - C-07
LP Group	C-08
Lounge Group	C-09
Sealants & Fasteners Group	C-10 - C-11
Water & Sewage Group	C-12 - C-14
Window, Vent & Exterior Door Group	C-14 - D-04

DECALS & FILM STRIPE

Key	Part Number	U/M	Description
1	094434-01-01A	FT	Multistripe - 2 Lines - 2 8" Wide - Plum/Blue/Turquoise
2	099984-03-01A	EA	Decal - Angle - Passenger Side - Rear - 11" High - Blue/Turquoise
	099984-04-01A	EA	Decal - Angle - Driver Side - Rear - 11" High - Blue/Turquoise
3	093891-03-03A	EA	Decal - Flying "W" - Blue
	093881-31-01A	FT	Film - 24" x 150' - Turquoise
4	094422-01-01A	FT	Film - 1.5" x 150' - Blue/Turquoise
5	094433-02-02A	FT	Film - 4" x 150' - Plum/Turquoise
6	050313-44-000	EA	Decal - Logo - "Winnebago" - 2.8" - Blue
7	094433-02-01A	FT	Film - 4" x 150' - Blue/Turquoise
8	099983-01-03A	EA	Decal - Angle - Passenger Side - Front - 8 9" High - Light Wine
	093881-30-01A	FT	Film - 12" x 150' - Turquoise
	099983-02-03A	EA	Decal - Angle - Driver Side - Front - 8 9" High - Light Wine
9	099999-01-06A	EA	Decal - Logo "Warrior" - Off White/Blue
10	093881-14-04A	EA	Film - 1.5" x 150' - Turquoise

For your convenience here are the Dupont color codes that you can purchase locally

Dark Plum K9455
Turquoise C9837
Blue K9480
Off White L9723
Black 99A

EXTERIOR BODY GROUP (CONTINUED)

MISCELLANEOUS EXTERNALLY MOUNTED PARTS

Key	Part Number	U/M	Description
	083558-01-000	EA	Plumbing Seal - Roof Vent - 1.5
	009128-02-000	EA	Assist Handle - Black
	087859-04-000	EA	Fill - City Water - Off White
	089382-08-000	EA	Tube - Support - Floor to Valance - 17"
	075736-02-000	EA	Cover - Exterior Receptacle - Off White
	083615-08-000	EA	Holder - Compartment Door - Plastic - Off White
	049347-01-000	EA	Head - Mirror - 7 5" x 10 5" - Stainless Steel
	049347-01-700	EA	Glass - Mirror - 7 5" x 10 5"
	062047-01-000	EA	Arm - West Coast Mirror
	008043-01-000	EA	Mirror - Exterior - Convex - Adhesive Backed

SHEET FIBERGLASS, ALUMINUM & STYROFOAM

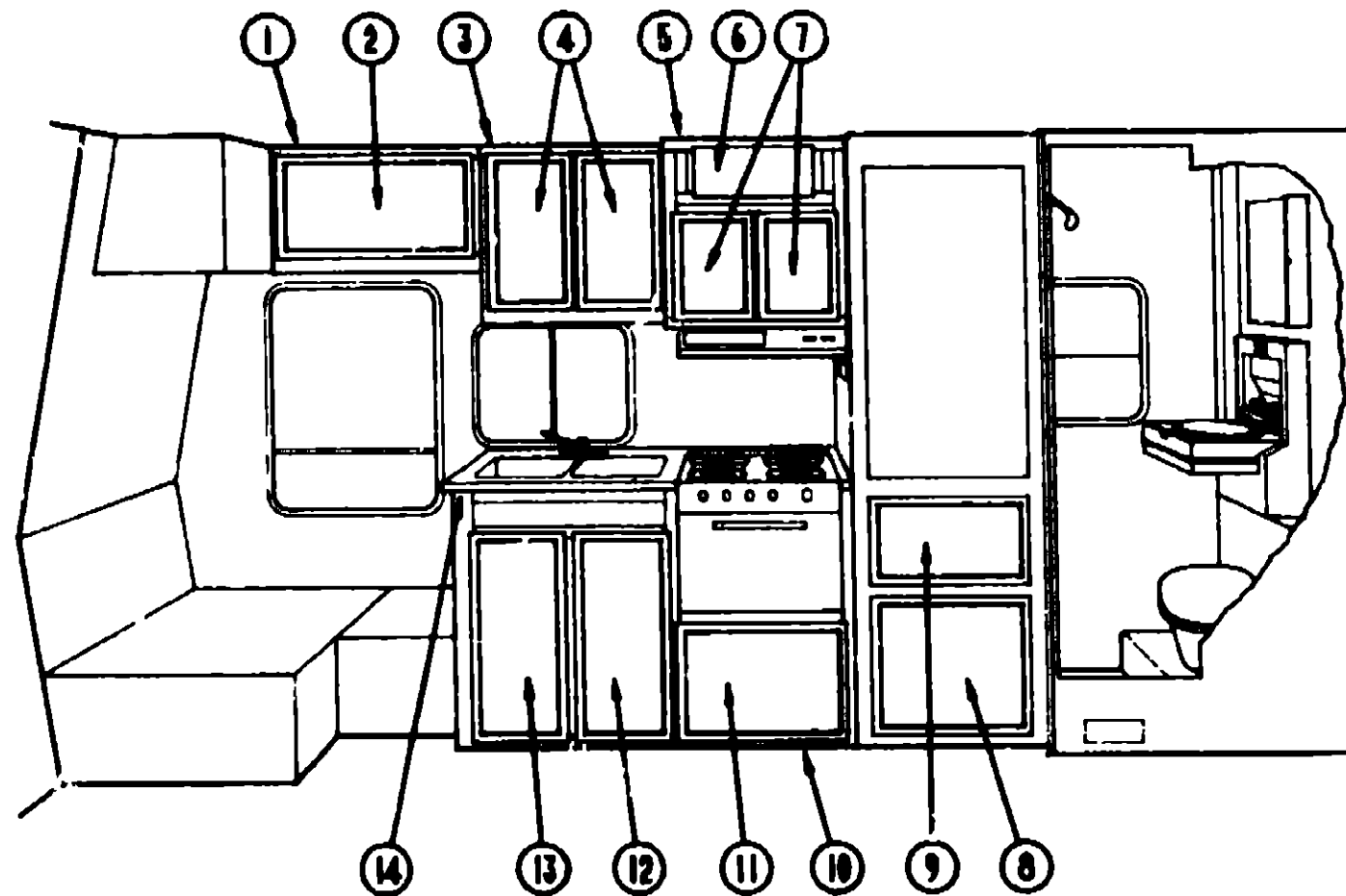
Key	Part Number	U/M	Description
	044487-01-001	EA	Aluminum - Mill Finish - No Design - 98" x 360" (Roof)
	001054-01-011	EA	Aluminum Sheet - 48" x 96" - Flat - Off White
	000868-01-000	SF	Styrofoam - 3/4" x 24" x 96"
	000870-03-000	SF	Styrofoam - 1 3/4" x 48" x 96"
	078054-C9-001	EA	Fiberglass Sheet - 36" x 240" - Off White
	078054-D3-001	EA	Fiberglass Sheet - 48" x 96" - Off White
	078054-D3-008	EA	Fiberglass Sheet - 48" x 298" - Off White
	078054-D6-001	EA	Fiberglass Sheet - 80" x 24" - Off White
	083743-01-02A	SF	Plastic - ABS - 11 5" Wide Roll - Off White
	083743-02-01A	SF	Plastic - ABS - 20" Wide Roll - Off White

EXTERIOR SHOWER (OPTION L64R)

Key	Part Number	U/M	Description
	103173-01-01A	EA	Shower Kit - Exterior - Off White (Piece Parts are N/A)
	103173-02-01A	EA	Shower Kit - Exterior - Off White
	103173-03-700	EA	Compartment Only
	103173-03-701	EA	Door Only
	103173-03-702	EA	Hinge Pin
	103173-03-703	EA	Hinge Pin Spring
	103173-03-704	EA	Lock Asm w/Key & Clip
	013173-03-705	EA	Decal - "Auxiliary Shower"
	103173-03-706	EA	Shower Head w/Hose & Bracket
	103173-03-707	EA	Faucet w/Adapter - Chrome
	046128-01-000	EA	Valve - Drain - Plastic - 1/2" FPT
	052952-01-000	EA	Nut - Plastic - 1/2" F x 1/2" Tube - Gray
	002726-01-001	EA	Garnish - U-Channel - 1 3/8" x 1 9/16" - Seriated - Mill Aluminum

These parts were used from 3/25/91 on.

GALLEY GROUP



GALLEY CABINETRY

Key	Part Number	U/M	Description
1	M05149-10-B85	EA	Cabinet - Couch Overhead - w/o Door or Hardware
	082825-04-B05	EA	End Cap - Couch Overhead
2	P03701-22-B85	EA	Door Asm. - Couch Cabinet - 14.4" x 26.7" - w/o Hardware
3	P00211-01-B05	EA	Cabinet - Sink Overhead - w/o Doors or Hardware
	081280-36-B05	EA	End Cap - Sink Overhead Cabinet
4	P03701-19-B85	EA	Door Asm. - Sink Overhead - 12" x 21.85" - w/o Hardware
5	M05149-07-B85	EA	Cabinet - Range Overhead - w/o Doors or Hardware
6	M05149-08-B85	EA	Cabinet - Microwave Overhead - w/o Doors or Hardware
	081280-34-B05	EA	End Cap - Overhead Cabinet
8	P00520-B2-B85	EA	Door Asm. - Overhead Cabinet - 7" x 21.8" - w/o Hardware
7	P03701-63-B85	EA	Door Asm. - Range Overhead Cabinet - 14.4" x 10.8" - w/o Hardware
8	P03701-36-B85	EA	Door Asm. - Refrigerator Cabinet - 21.85" x 19.88" - w/o Hardware
9	P03701-20-B85	EA	Door Asm. - Refrigerator Cabinet - 21.85" x 14.4" - w/o Hardware
10	M99236-01-B85	EA	Cabinet Asm. - Galley - w/o Doors or Hardware (US)
10	M04024-02-B85	EA	Cabinet Asm. - Galley - w/o Doors or Hardware (CSA)
11	P03701-40-B85	EA	Door Asm. - Galley - Cabinet - 15.9" x 21.9" - w/o Hardware
12	P03701-54-B85	EA	Door Asm. - Galley Cabinet - 10" x 25.2" - w/o Hardware
13	P03701-17-B85	EA	Door Asm. - Galley Cabinet - 14.37" x 26.77" - w/o Hardware
14	089236-11-B85	EA	Countertop Asm. - Galley Cabinet

1992 WINNEBAGO TABLE OF CONTENTS

INTRODUCTION
ABBREVIATIONS
ALPHABETICAL INDEX
WC321RG
WC324RC

A-01 - A-02
A-03
A-04 - A-08
A-07 - D-04
D-05 - G-08

1992 WC321RG INDEX

Floor Plan	A-07 - A-08
Accessories Group	A-09 - A-12
Bath Group	A-13 - A-14
Chassis Group	A-15 - A-17
Curtain, Cushion & Pad Group	A-18 - B-01
Dinette Group	B-02 - B-03
Driver's Compartment Group	B-04 - B-07
Electrical Group	B-08 - B-10
Exterior Body Group	B-11 - B-15
Galley Group	B-16 - B-18
Heating & Air Conditioning Group	B-19 - B-20
Interior Finish Group	B-21 - B-23
Labels Group	B-24 - C-07
LP Group	C-08
Lounge Group	C-09
Sealants & Fasteners Group	C-10 - C-11
Water & Sewage Group	C-12 - C-14
Window, Vent & Exterior Door Group	C-14 - D-04

GALLEY GROUP (CONTINUED)

GALLEY APPLIANCES

Key	Part Number	U/M	Description
	064473-03-000	EA	Refrigerator - 2 Way - 4.9 Cu Ft
	064473-03-700	EA	Electrode Asm
	064473-03-701	EA	Heater AC - Horizontal Burner
	064473-03-703	EA	Burner Tube
	064473-03-704	EA	Door Gasket - Almond
	064473-03-705	EA	Door Liner - Foamed - Almond
	064473-03-706	EA	Door Frame - Plastic - 3 Sides
	064473-03-707	EA	Trim - Door Shell - Brown Insert
	064473-03-708	EA	Connector Rod - For Dairy Door
	064473-03-709	EA	Pin & Chain Travel Lock
	064473-03-710	EA	Breaker Strip - Right Hand - Brown
	064473-03-711	EA	Handle - Freezer Door - Brown
	064473-03-712	EA	Door Asm - Freezer - Brown
	064473-03-713	EA	Drip Tray
	064473-03-714	EA	Mode Selector Knob
	064473-03-715	EA	Thermostat Knob
	064473-03-716	EA	Switch - 3 Way
	064473-03-718	EA	Cooling Unit - Horizontal Burner
	064473-03-719	EA	Flue - Horizontal Burner
	064473-03-720	EA	Relighter
	064473-03-721	EA	Combination Control
	064473-03-722	EA	Control Panel Insert - 2 Way
	064473-03-723	EA	Door Frame Cap - Plastic - Brown
	064473-03-724	EA	Door Asm - Freezer - Black
	064473-03-725	EA	Trim - Door Shell - Black Insert
	064473-03-726	EA	Dairy Keeper - Black
	064473-03-727	EA	Latch - Travel - Middle - Black
	064473-03-728	EA	Trim - Decorative - Pin & Chain
	064473-03-729	EA	Cover For Burner Box
	064472-01-700	EA	Thermocouple
	064880-01-715	EA	Valve - Shut Off - Manual
	064880-01-713	EA	Connector - Male - Inlet Fitting
	064473-01-702	EA	Orifice
	066248-01-706	EA	Burner - Horizontal
	064473-01-706	EA	Trim - Breaker - Top - Brown
	046955-01-713	EA	Pin - Hinge
	064472-03-700	EA	Pin - Hinge - Bottom
	064472-01-720	EA	Hinge - Lower Right
	064473-01-716	EA	Crisper - Brown
	100258-01-01A	EA	Hood Range w/o Monitor Panel
	100258-03-01A	EA	Hood Range - w/o Monitor Panel - Almond (L3) (Option L39E)
	100258-02-01A	EA	Hood Range - w/o Monitor Panel - Almond (CSA) (Option L265)
	099983-01-702	EA	Switch - Two Way - Momentary - Generator (If used)
	099983-01-700	EA	Switch - ON/OFF - Fan/Lamp
	092696-01-709	EA	Bulb - #912
	092696-01-710	EA	Socket - Light
	099983-01-706	EA	Lens - Lamp
	090973-01-700	EA	Motor
	090973-01-702	EA	Blade - Fan
	099983-01-707	EA	Filter - Grease
	092696-01-707	EA	Vent - Gasket
	100258-10-01A	EA	Hourmeter - Ventline (Option 39E)

** The illustrated parts breakdown of this item is provided on the Common Items Fiche

GALLEY GROUP (CONTINUED)

GALLEY APPLIANCES (CONTINUED)

Key	Part Number	U/M	Description
	091289-04-000	EA	Oven - Microwave - Magic Chef
	102022-01-01A	EA	Range - 18" - 4 Burner - Almond
	102022-01-02A	EA	Range - 18" - 4 Burner - Almond
	102022-01-700	EA	Door Panel - Black (for 102022-01-01A only)
	102022-01-704	EA	Glass - Outer (for 102022-01-02A only)
	102022-01-702	EA	Manifold Pipe
	102022-01-703	EA	Pressure Regulator
	102022-01-705	EA	Shield - Deflector Flue
	102022-01-706	EA	Trim - Left - Flat
	066282-03-705	EA	Trim - Left
	102022-01-707	EA	Trim - Right - Flat
	102020-01-701	EA	Handle - Door
	102020-01-702	EA	Panel - Manifold
	102020-01-700	EA	Shelf - Oven
	102020-01-708	EA	Burner - Oven
	102020-01-709	EA	Bumper - Grate
	102020-01-711	EA	Grate - Top
	102020-01-712	EA	Knob - Burner Valve
	102020-01-713	EA	Knob - Thermostat
	102020-01-714	EA	Pilot - Oven
	102020-01-717	EA	Thermostat
	102020-01-720	EA	Valve - Mercury Control
	102020-01-721	EA	Valve - Shut Off
	102020-01-722	EA	Valve - Top Burner
	102020-01-723	EA	Pilot - Burner
	102020-01-724	EA	Bumper - Main Top
	097817-01-01A	EA	Panel - Monitor - Almond
	097817-01-700	EA	Plate - Cover
	097817-01-701	EA	Switch - On/Off - Almond
	097817-01-702	EA	Switch - 1 Way - Almond
	097817-01-703	EA	Circuit Board
	097818-01-000	EA	Wire Asm. - Monitor Panel

These parts were used from 3/11/91 on

GALLEY HARDWARE

Key	Part Number	U/M	Description
	094745-01-01A	EA	Trim - Microwave - Lower
	094774-03-01A	EA	Trim - Microwave - Either Side - 1.5"
	094750-01-000	EA	Bracket - Microwave - 90°
	098916-03-01A	EA	Brace - Microwave Cabinet - Left - 9.4" x 7.5" - Steel
	098916-04-01A	EA	Brace - Microwave Cabinet - Right - 9.4" x 7.5" - Steel
	084073-03-000	EA	Vent - Refrigerator - Roof - Off White
	084073-04-000	EA	Base - Roof Vent - Norcold Refrigerator - Black
	054450-01-000	EA	Level - Refrigerator
	084878-09-000	EA	Vent - Range Hood - Short
	084816-01-000	EA	Shroud - Range Hood Vent - Off White
	086437-01-000	EA	Strainer - w/Basket - Sink
	086437-01-700	EA	Basket - Strainer
	011053-04-000	EA	Faucet - w/Swing Spout - 8"
	011053-01-700	EA	Aerator - Swing Spout Faucet
	091253-01-000	EA	Gasket - Faucet
	100995-01-000	EA	Backplate - Pull - 5.7" - Brass
	059777-02-000	EA	Hinge - Burnished Brass
	103856-01-000	EA	Pull - Cabinet - Brass
	093586-03-000	EA	Catch - Spring Roller
	093586-04-000	EA	Strike - Spring Steel
	090329-01-000	FT	Seal - Refrigerator Cabinet
	102561-01-000	EA	Sink - Galley - Double w/Mounting Hardware - Stainless Steel
	081530-01-885	EA	Sink Cover
	099979-01-000	EA	Clip - Adjustable Shelf
	099980-01-000	EA	Pilaster - Adjustable Shelf - 18" Long
	077409-02-000	EA	Slide - Drawer - Plastic - 20.75"
	077404-02-000	EA	Drawer - Plastic - 20" x 12.7" - Beige
	094067-01-01A	EA	Divider - Drawer - Plastic

**1992 WINNEBAGO
TABLE OF CONTENTS**

INTRODUCTION	A-01 - A-02
ABBREVIATIONS	A-03
ALPHABETICAL INDEX	A-04 - A-08
WC321RG	A-07 - D-04
WC324RC	D-05 - G-06

1992 WC321RG INDEX

Floor Plan	A-07 - A-08
Accessories Group	A-09 - A-12
Bath Group	A-13 - A-14
Chassis Group	A-15 - A-17
Curtain, Cushion & Pad Group	A-18 - B-01
Dinette Group	B-02 - B-03
Driver's Compartment Group	B-04 - B-07
Electrical Group	B-08 - B-10
Exterior Body Group	B-11 - B-15
Galley Group	B-16 - B-20
Heating & Air Conditioning Group	B-19 - B-20
Interior Finish Group	B-21 - B-23
Labels Group	B-24 - C-07
LP Group	C-08
Lounge Group	C-09
Sealants & Fasteners Group	C-10 - C-11
Water & Sewage Group	C-12 - C-14
Window, Vent & Exterior Door Group	C-14 - D-04

HEATING & AIR CONDITIONING GROUP

FURNACES & REPAIR PARTS

Key	Part Number	U/M	Description
	075695-01-000	EA	Furnace - Direct Ignition - 24,000 BTU - Suburban
	092300-01-705	EA	Electrode
	069634-01-733	EA	Relay - Timer - Delay
	092300-01-723	EA	Motor Asm
	075695-01-708	EA	Wheel - Room Air
	075695-01-708	EA	Microswitch Asm
	074466-01-706	EA	Wheel - Combustion
	075696-02-728	EA	Gasket - Crossover Tube
	092300-01-724	EA	Gasket - Motor Mount
	092300-01-727	EA	Gasket - Combustion Air Housing
	075696-02-714	EA	Vent Cap & Exhaust Tube Asm
	069634-01-729	EA	Gas Valve
	075695-01-711	EA	Cabinet Asm
	075695-01-703	EA	Gas Pipe Inlet
	075695-01-710	EA	Front - Cabinet
	069633-01-700	EA	Switch - Limit
	069633-01-701	EA	Orifice - Main Burner
	092300-01-704	EA	Electrode Gasket
	069634-01-706	EA	Module Board
	069634-01-709	EA	Elbow - 90° - Black Iron
	069634-01-716	EA	Manual Shutoff Valve
	075696-01-703	EA	U-Clip - Tinnerman
	094334-01-000	EA	Electrical Plug - 3 Position
	074035-01-715	EA	Electrode Wire
	092300-01-706	EA	Burner Access Door
	069634-01-732	EA	Gasket - Burner Access Door
	075695-01-704	EA	Manifold Asm
	069634-01-712	EA	Gasket - Manifold
	075695-01-705	EA	Burner Asm
	092300-01-721	EA	Blower Housing Asm
	075696-02-727	EA	Motor Mount Bracket
	075696-01-706	EA	Housing - Combustion Air Asm
	075696-02-735	EA	Housing - Combustion Air - Outside
	093365-01-000	EA	Thermostat - Suburban Furnace
	009198-01-000	FT	Duct - Flexible - 4" ID x 25'
	056484-05-000	EA	Register - 4" Dia - Plastic - w/o Damper - Golden
	009200-01-000	EA	Tape - Furnace - 1 1/2"
	010326-01-000	EA	Adapter - Flare - w/Cone Gasket
	023146-01-000	EA	Clamp - Screw Type - 4"
	094334-01-000	EA	Plug - Electrical - 3 Position
	069636-02-000	EA	Connector Duct - 4" ID

HEATING & AIR CONDITIONING GROUP (CONTINUED)

ROOF AIR CONDITIONER & PARTS

Key	Part Number	U/M	Description
	093764-01-000	EA	Ceiling Asm - Air Conditioner - Cool Only (Option 29)
	042204-01-709	EA	Thermostat In - 84, Out - 58
	042205-01-702	EA	Thermostat In - 89, Out - 58
	073742-01-701	EA	Selector Switch (5 - Terminal)
	073742-01-702	EA	Decal - Cool Only
	073742-01-703	EA	Decal - Heat & Cool
	081606-01-706	EA	Limit Switch (Open 160, Close 110)
	091225-01-713	EA	Knob (2 Per Package)
	076303-01-707	EA	Filter - 6" x 14 3/4" x 1/2" (12 Per Package)
	091225-01-717	EA	Decal (Thermostat) Cool Only
	081606-01-712	EA	Ceiling Shroud (Ivory)
	093763-01-705	EA	Decal - Heat/Cool - Thermostat
	093763-01-706	EA	Heat Element
	093763-01-710	EA	Single Parts Package
	092441-01-000	EA	Ceiling Asm - Air Conditioner - 220 Volt (European) (Option 29)
	093763-01-04A	EA	Air Conditioner - 110 Volt - Roof Mount - 13,500 BTU - Off White (Option 29)
	093763-04-700	EA	Shroud - Roof A/C - w/o Lngos
	093763-01-711	EA	Gasket - Package
	093763-01-712	EA	Fan Blade - Condenser
	093306-01-701	EA	Decal Package - Left & Right
	073742-02-704	EA	Run Capacitor (Compressor)
	091225-01-710	EA	Start Capacitor
	091225-01-709	EA	Start Relay
	076303-01-712	EA	Motor
	093763-01-702	EA	Overload
	093763-01-703	EA	Impeller - 7" Dia x 2 8" Wide
	093763-01-704	EA	Capacitor - Fan
	093763-01-705	EA	Evaporator Coil
	093763-01-708	EA	Condenser Coil
	093763-01-713	EA	Compressor - E Series
	092440-01-000	EA	Air Conditioner - 220 Volt - Roof Mount - 13,500 BTU (European) (Option 29)
	084077-03-000	EA	Cover - Blank - Roof Air Conditioner - Ivory
	022756-01-000	EA	Cover - A/C - Black Plastic

1992 WINNEBAGO TABLE OF CONTENTS

INTRODUCTION	A-01 - A-02
ABBREVIATIONS	A-03
ALPHABETICAL INDEX	A-04 - A-06
WC321RG	A-07 - D-04
WC324RC	D-05 - G-06

1992 WC321RG INDEX

Floor Plan	A-07 - A-08
Accessories Group	A-09 - A-12
Bath Group	A-13 - A-14
Chassis Group	A-15 - A-17
Curtain, Cushion & Pad Group	A-18 - B-01
Dinette Group	B-02 - B-03
Driver's Compartment Group	B-04 - B-07
Electrical Group	B-08 - B-10
Exterior Body Group	B-11 - B-15
Galley Group	B-16 - B-18
Heating & Air Conditioning Group	B-19 - B-20
Interior Finish Group	B-21 - B-23
Labels Group	B-24 - C-07
LP Group	C-08
Lounge Group	C-09
Sealants & Fasteners Group	C-10 - C-11
Water & Sewage Group	C-12 - C-14
Window, Vent & Exterior Door Group	C-14 - D-04

INTERIOR FINISH GROUP

INTERIOR MOLDINGS & TRIMS

Key	Part Number	U/M	Description
	081204-02-000	EA	Molding - Shelf - Knotted Wood - 8' Long
	083620-07-000	FT	T-Molding - End Cap - Edge - 3/4" - Pecan
	009815-09-000	FT	T-Molding - .75" - Ivory
	070504-18-000	FT	U-Channel - .065" - Ivory
	009812-17-000	EA	Molding - Plastic Corner - Outside - 1/2" - Oak
	009812-25-000	EA	Molding - Plastic Corner - Outside - 1/2" - Pecan
	022992-11-000	FT	Molding - Reverse Cove - T-Shaped - Vinyl - Ivory
	070504-08-000	FT	U-Channel - 815 - Pecan
	070504-20-000	FT	U-Channel - 815" - Oak
	009778-13-000	FT	U-Channel - 1" - Pecan
	009778-11-000	FT	U-Channel - 1" Light Oak
	009778-12-000	FT	U-Channel - 1" - Brown
	009767-12-000	FT	Wetling - Antique White (Ceiling to Wall)
	092331-F2-134	EA	Molding - Vinyl Wrapped - 2 5" x 7'
	092330-D2-438	EA	Lumber - Vinyl Wrapped - 1 5" x 8'
	092330-E2-438	EA	Lumber - Vinyl Wrapped - 2" x 96"
	074045-G-000	EA	Plug - Wood - 1/2"
	077309-02-000	EA	Trim - Stepwell - Entry Door

BATT STRIPS

Key	Part Number	U/M	Description
	086733-70-000	EA	Batt Strip - Oak - 8'
	085284-03-000	FT	Batt Strip - Oak - Tape Adhesive
	085284-03-700	FT	Batt Strip - Oak - Tape Adhesive - 3" x 250'
	088263-63-000	EA	Batt Strip - Decorative - Plain - 8'
	088263-64-000	EA	Batt Strip - Decorative w/Flowers - 8'
	085284-51-000	FT	Batt Strip - Decorative - Plain - Tape Adhesive
	085284-52-000	FT	Batt Strip - Decorative w/Flowers
	085284-38-000	FT	Batt Strip - Bone - Tape Adhesive
	088263-51-000	EA	Batt Strip - Crosshik Spatter - 8' - Beige (Ceiling)
	088263-71-000	EA	Batt Strip - Trowell Work - 8' - Fawn (Ceiling)

PANELING & COUNTERTOP MATERIAL

Key	Part Number	U/M	Description
	074497-10-000	SF	Paneling - Oak - 48" x 84" (28 SF) (Cabinets)
	074497-18-000	SF	Paneling - Crosshik - 48" x 96" (32 SF) (Ceiling)
	074497-19-000	SF	Paneling - Trowell Work - 48" x 96" (32 SF) (Ceiling)
	074497-14-700	EA	Sealer - Stain - Ceiling
	089351-03-000	YD	Vinyl - Ceiling Diamond Design - 54" Wide
	088272-84-000	SF	Paneling - Decorative - Plain - 48" x 84" (28 SF)
	088272-85-000	SF	Paneling - Decorative - Patterned w/Flowers - 48" x 84" (28 SF)
	088272-72-000	SF	Paneling - Travertine White - 48" x 84" (28 SF) (Shower)
	074498-39-000	SF	Plastic Laminate - Gray/Beige - 5' x 8' (40 SF)
	076325-28-000	FT	Molding - Edge Band - Rose
#	076325-32-000	FT	Molding - Edge Band - Beige

These parts were used from 5/29/91 on

* These parts were used from 4/29/91 on.

INTERIOR FINISH GROUP (CONTINUED)

FABRICS & CARPETS

Key	Part Number	U/M	Description
	072333-82-000	YD	Fabric - Drapery - Beige (Privacy)
	096008-78-000	YD	Fabric - Upholstery - Main - Patterned (B85)
#	104233-12-000	YD	Fabric - Upholstery - Main - Patterned (B85)
	096008-79-000	YD	Fabric - Upholstery - Main - Patterned (B86)
	096008-78-000	YD	Fabric - Upholstery - Accent - Plain (B85)
	096008-80-000	YD	Fabric - Upholstery - Accent - Plain (B86)
	096008-77-000	YD	Fabric - Upholstery - Accent - Velvet Patterned (B85)
	096008-81-000	YD	Fabric - Upholstery - Accent - Velvet Patterned (B86)
	096008-88-000	YD	Fabric - Upholstery - Accent - Flat Patterned (B85)
	096008-82-000	YD	Fabric - Upholstery - Accent - Flat Patterned (B86)
	072333-87-000	YD	Fabric - Speaker Cover
	075244-04-000	YD	Vinyl - Shower Curtain - Salmon (B85)
	075244-08-000	YD	Vinyl - Shower Curtain - Teal (B86)
	079880-09-000	YD	Vinyl - Off White
	103907-01-01A	YD	Vinyl - Off White
	096060-24-000	YD	Carpet - Eggplant (B85)
	096060-25-000	YD	Carpet - Brown (B86)
	076314-02-000	FT	Tape - Heat Bonded - Carpet Seam
	047034-02-000	SF	Plastic Runner - Carpet - 4' Wide - Clear
	078539-01-000	EA	Trim - Carpet - Cab - Passenger - 29" Long - Ford
	078539-02-000	EA	Trim - Carpet - Cab - Driver - 29" Long - Ford
	085746-01-000	FT	Trim - "J" - Carpet - PVC - Beige - 10' Long

NOTE Replace vinyl flooring locally.

These parts are used from 4/15/91 on

* These parts are used from 4/17/91 on

CABINETS & TABLE HARDWARE

Key	Part Number	U/M	Description
	053200-05-000	EA	Bracket - Table Support - Upper Wall Mount - 23 5" - Beige
	024275-05-000	EA	Rod - Table Lift - 8" x 23.5" - Beige
	080410-01-000	EA	Bracket - Lift - Table Mounted - Beige
	024281-07-000	EA	Bracket - Lift - Rod - Lower Wall Mount - Beige
	024278-21-000	EA	Leg Asm. - Table - Beige
	084060-03-000	EA	Clamp - Saddle - Leg Hinge - Beige
	024282-01-000	EA	Brace - Table Leg - Hinged
	024283-01-000	EA	Clip - Leg - 1" x 1.12" OD - Black
	059777-02-000	EA	Hinge - Antique Light Brass
	103858-01-000	EA	Pull - Cabinet Door - Brass
	100995-01-000	EA	Backplate - Pull - 5 7" - Brass
	064781-06-000	EA	Cup Holder - Two Step - Beige
	088979-01-000	EA	Clip - Adjustable Shelf
	088980-01-000	EA	Plaster - Adjustable Shelf
	074193-02-000	EA	Support - Sprung - Door
	004354-01-000	EA	Bumper - Cabinet Door - Hubber - Brown
	093588-03-000	EA	Catch - Spring - Roller
	093588-04-000	EA	Strike - Spring Steel
	072389-47-000	EA	Mesh - Expanded Aluminum - 25 4" x 11 8" - Bronze
	084070-01-000	EA	Center Post - Brass
	084070-02-000	EA	End Post - Brass
	084071-08-000	EA	Rod - Brass - 2 5"
	009112-01-000	EA	Flange - 1" - Clothes Rod - Plastic - Off White
	042438-01-000	EA	Wood Dowel - Clothes Rod - 1" Dia. x 4'
	041953-03-000	FT	Conduit - Convolute Silt - 1" ID (Clothes Rod Cover)
	078840-01-000	EA	Hold Down Cord - Bungie - 24"
	082046-01-000	EA	Clip - Pedestal Leg
	077409-02-000	EA	Silde - Drawer - Plastic - 20.75"
	077404-02-000	EA	Plastic Drawer - 20" x 12.7" - Beige
	094087-01-01A	EA	Divider - Plastic Drawer
	085740-01-000	EA	Brace - Cabinet Corner - Plastic
	083204-03-000	EA	Button - Retaining - Mirror - 5/16" Tip - Brown
	088252-02-000	FT	Trim - Chrome - 1" Wide w/Pressure Sensitive Backing

1992 WINNEBAGO TABLE OF CONTENTS

INTRODUCTION	A-01 - A-02
ABBREVIATIONS	A-03
ALPHABETICAL INDEX	A-04 - A-06
WC321RG	A-07 - D-04
WC324RC	D-05 - G-06

1992 WC321RG INDEX

Floor Plan	A-07 - A-08
Accessories Group	A-09 - A-12
Bath Group	A-13 - A-14
Chassis Group	A-15 - A-17
Curtain, Cushion & Pad Group	A-18 - B-01
Dinette Group	B-02 - B-03
Driver's Compartment Group	B-04 - B-07
Electrical Group	B-08 - B-10
Exterior Body Group	B-11 - B-15
Galley Group	B-16 - B-18
Heating & Air Conditioning Group	B-19 - B-20
Interior Finish Group	B-21 - B-23
Labels Group	B-24 - C-07
LP Group	C-08
Lounge Group	C-09
Sealants & Fasteners Group	C-10 - C-11
Water & Sewage Group	C-12 - C-14
Window, Vent & Exterior Door Group	C-14 - D-04

INTERIOR FINISH GROUP (CONTINUED)

CURTAIN & CUSHION HARDWARE

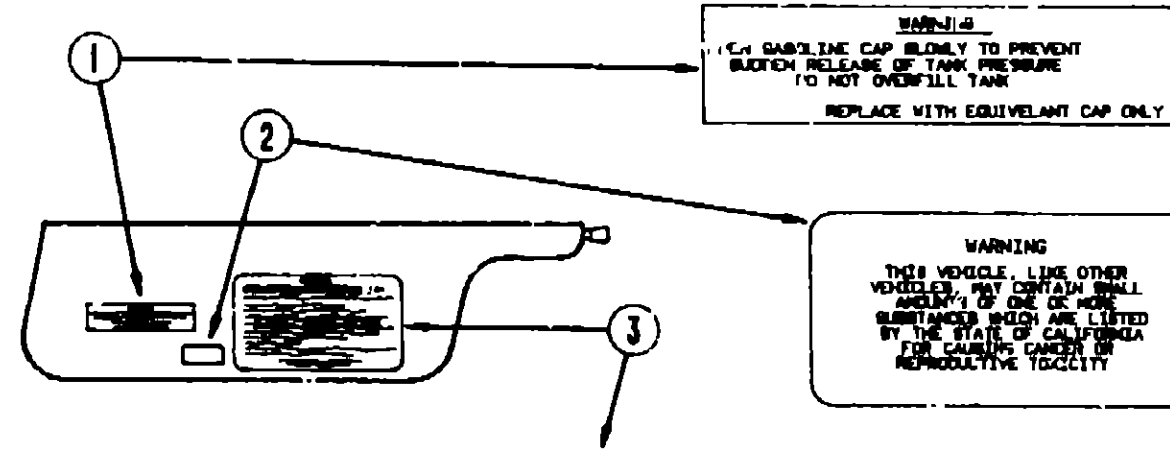
Key	Part Number	U/M	Description
	083801-01-000	EA	Track - Shower Curtain - Off White
	009701-01-000	EA	Carrier - Shower Curtain
	009702-01-000	EA	End - Stop - Curtain Carrier - Shower
	009136-01-000	EA	Pin - Shower Curtain
	029092-01-000	EA	Stud - Nickel Finish
	029093-01-000	EA	Eyelet - Nickel Finish
	029155-01-000	EA	Cap Snap
	029156-01-000	EA	Socket - Snap Fastener
	089916-01-000	EA	Mount - Window Leg - Black
	089522-03-000	EA	Panel - Window Leg - 27" Long
	089522-04-000	EA	Panel - Window Leg - 31" Long
	101032-01-000	FT	Track - Curtain - Ceiling Mount - White (Valance)
	101033-01-000	FT	Track - Curtain - Low Profile - White
	101033-02-000	EA	End Cap - Track - Clear
	101031-01-000	EA	Tape - Glide - 4 25" Spacing
	095591-02-000	EA	Bracket - Blind - Hold Down w/In
	082239-02-000	EA	Breca - Window Valance - Beige
	075943-01-000	EA	Bracket - Window Valance - Beige - 20"
	083170-01-000	EA	Bracket - Blind - Right
	083170-02-000	EA	Bracket - Blind - Left
	093475-01-700	EA	Wand - Blind w/Metal Clip - 8" Long
	093475-01-701	EA	End Cap - Blind w/Stud
	057534-01-000	EA	Tieback - 6" - Clear Plastic
	085774-01-000	FT	Fastener - Dual Hook - 1" Wide - Adhesive Back - Black
	085774-02-000	FT	Fastener - Dual Loop - 1" Wide - Adhesive Back - Black
	088797-02-000	YD	Velcro Tape - Adhesive Back - Loop - 3/4" Wide
	048394-02-000	YD	Velcro Tape - Adhesive Back - Hook - 3/4" Wide
	084434-01-000	EA	Bracket - Mounting - Roller Shade - 1 3/8"
	087253-01-000	EA	Pull - Roller Shade - Clear Plastic
	096843-01-000	EA	Spring - Rewind - Roller Shade
	084432-06-000	FT	Slat - Roller Shade - Plastic

MISCELLANEOUS PARTS

Key	Part Number	U/M	Description
	053552-07-AA8	EA	Handle Asm. - Interior Assist
	000D20-07-00B	EA	Assist - Acorn - Assist Handle - 7/16" x 14 Zn
	000C16-07-16B	EA	Bolt - Carriage - Assist Handle - 7/16" x 14 x 1" Zn
	089178-02-000	EA	Bracket - Mounting - Assist Handle
	094499-02-000	EA	Fire Extinguisher - w/Mounting Bracket - Dry IA 10BC (CSA)
	094499-01-000	EA	Fire Extinguisher w/Mounting Bracket - Dry IA 10BC (US)
	094499-01-700	EA	Bracket - Mounting - w/Plastic Strap
	094651-01-01A	EA	Recessed Holder - Fire Extinguisher - Light Oak
	072852-01-000	EA	Smoke Detector w/9 Volt Battery (US)
	072852-02-000	EA	Smoke Detector w/9 Volt Battery (CSA)
	054185-83-000	EA	Owners Manual - 1991 Warrior
	092318-01-000	EA	Binder - 3-Ring - Motor Home Manual
	092319-01-000	EA	Pocket Page - 3-Ring Binder - Plastic
	098084-05-000	EA	Cassette - Winnebago "Warrior"
	100603-01-01A	EA	Wall Clock - Round Bezel
	101333-01-000	EA	Backplate - Clock - Plastic - Black
	104784-01-01A	EA	Wall Clock - Spartus
	083219-01-000	EA	Floor Mat - w/"Winnebago" Logo - Passenger (Ford)
	083219-02-000	EA	Floor Mat - w/"Winnebago" Logo - Driver (Ford)
	083218-01-000	EA	Floor Mat - w/"Winnebago" Logo - Passenger (Chevrolet)
	083218-02-000	EA	Floor Mat - w/"Winnebago" Logo - Driver (Chevrolet)
	007038-01-000	EA	Floor Mat - w/"Winnebago" Logo - 10.5" x 28" - Black Rubber

These parts were used from 5/8/91 on

LABELS GROUP



WARNING
 FUEL GASOLINE CAP ONLY TO PREVENT
 SUDDEN RELEASE OF TANK PRESSURE
 TO NOT OVERFILL TANK
 REPLACE WITH EQUIVALENT CAP ONLY

WARNING
 THIS VEHICLE, LIKE OTHER
 VEHICLES, MAY CONTAIN SMALL
 AMOUNTS OF ONE OR MORE
 SUBSTANCES WHICH ARE LISTED
 BY THE STATE OF CALIFORNIA
 FOR CAUSING CANCER OR
 REPRODUCTIVE TOXICITY

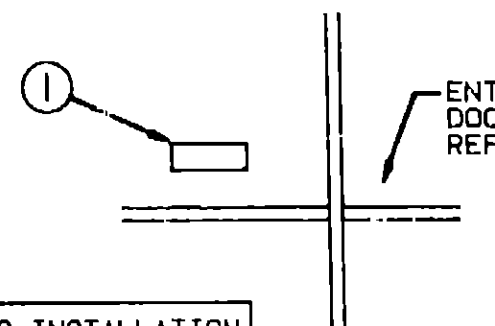
CAUTION

THIS MOTOR HOME HAS BEEN DESIGNED, MANUFACTURED AND TESTED WITH CONCERN FOR THE PROTECTION OF ITS OCCUPANTS. WE RECOMMEND YOU PERFORM THE FOLLOWING INSPECTIONS FOR YOUR SAFETY AND THE SAFETY OF YOUR PASSENGERS BEFORE STARTING YOUR VEHICLE.

1. LP GAS SYSTEM- TURN OFF AT TANK FOR TRAVELING TEST FOR LEAKS UPON ARRIVAL AT DESTINATION. BEFORE LIGHTING PILOTS
2. WHEELS- INSPECT FOR DAMAGE AND CHECK LUB NUTS FOR TIGHTNESS.
3. TIRES- INSPECT FOR WEAR AND DAMAGE AND CHECK FOR RECOMMENDED AIR PRESSURE
4. LIGHTING- TEST FOR PROPER OPERATION OF ALL INTERIOR AND EXTERIOR LIGHTS INCLUDING DASH LIGHTS, HEADLIGHTS, TAIL LIGHTS, BRAKE LIGHTS, CLEARANCE LIGHTS AND TURN SIGNALS
5. EXITS- INSPECT RELEASE MECHANISM ON EMERGENCY EXIT WINDOW. TEST BOTH LOCKS ON MAIN ENTRANCE DOOR FOR EASE OF OPERATION AND INSTRUCT PASSENGERS HOW TO USE BOTH MEANS OF EXIT
6. SEAT BELTS- DIRECT PASSENGERS TO DESIGNATED SEATS AND REQUIRE USE OF SEAT BELTS
7. APPLIANCES- TURN OFF AND LATCH OR LOCK DOORS WHERE PROVIDED
8. LOOSE PARCELS- STORE SECURELY
9. UTILITY SUPPLY LINES- DISCONNECT ALL ELECTRIC, SEWER AND WATER LINES AND SECURE PROPERLY
10. ENTRANCE DOOR STEP- PLACE IN RETRACTED POSITION FOR TRAVELING.

READ YOUR MOTOR HOME AND CHASSIS OWNER'S MANUAL FOR FURTHER PRECAUTIONS

Key	Part Number	U/M	Description
1	087207-05-000	EA	Label - Fuel Cap Removal
2	099689-01-000	EA	Label - Warning - Cancer/Toxicity
3	058259-01-000	EA	Label - Safety Check List



FOR AWNING INSTALLATION
 CONTACT YOUR MOTORHOME
 DEALERSHIP

Key	Part Number	U/M	Description
1	099509-01-000	EA	Label - Awning Installation

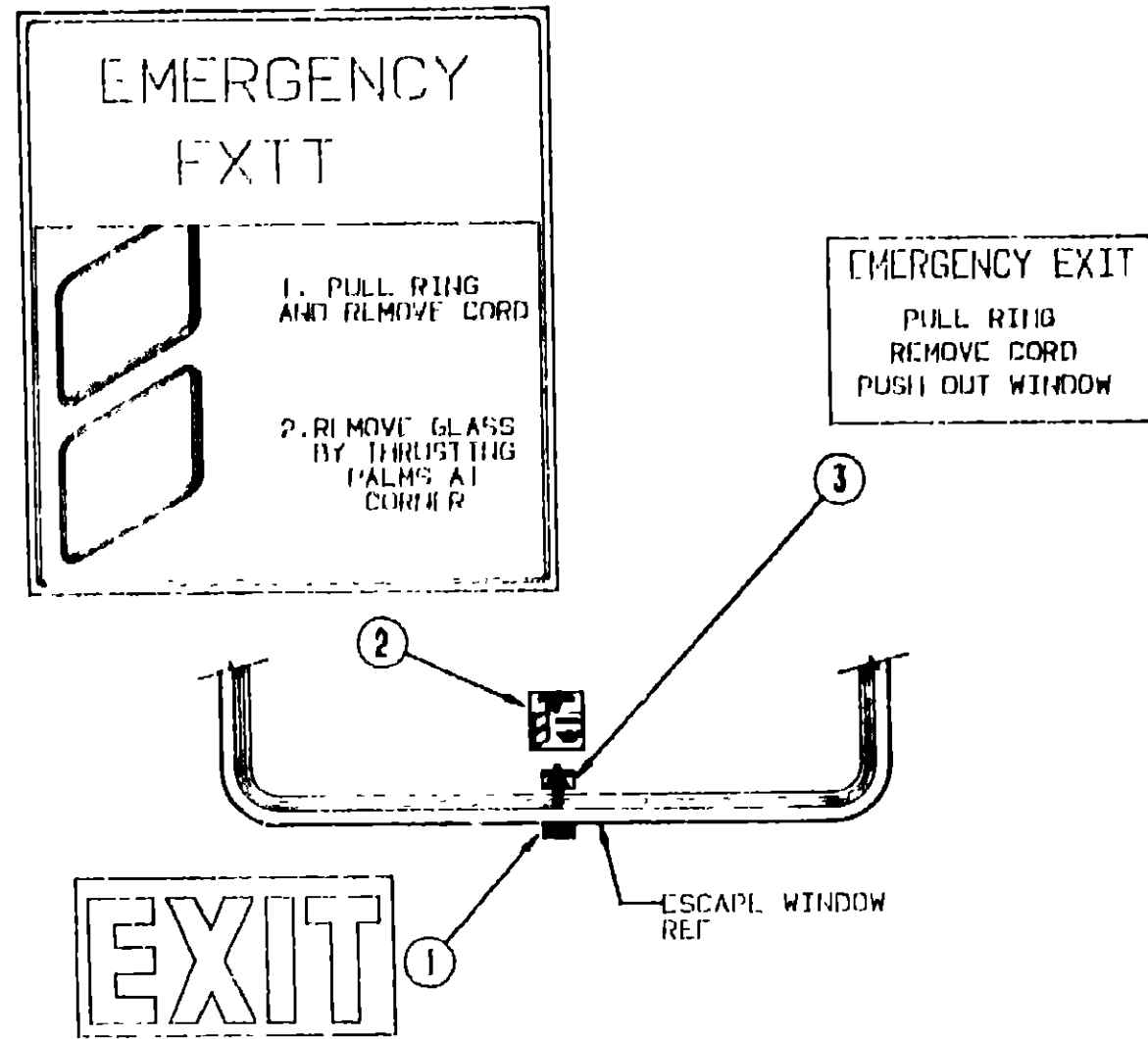
**1992 WINNEBAGO
 TABLE OF CONTENTS**

INTRODUCTION	A-01 - A-02
ABBREVIATIONS	A-03
ALPHABETICAL INDEX	A-04 - A-08
WC321RG	A-07 - D-04
WC324RC	D-05 - G-08

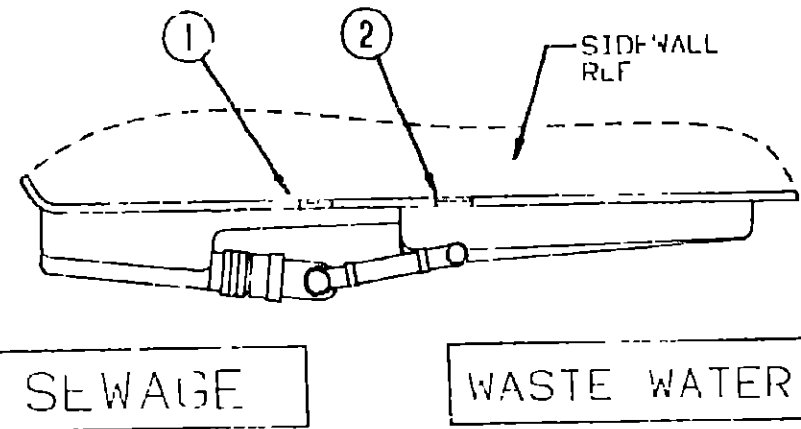
1992 WC321RG INDEX

Floor Plan	A-07 - A-08
Accessories Group	A-09 - A-12
Bath Group	A-13 - A-14
Chassis Group	A-15 - A-17
Curtain, Cushion & Pad Group	A-18 - B-01
Dinette Group	B-02 - B-03
Driver's Compartment Group	B-04 - E-07
Electrical Group	B-08 - B-10
Exterior Body Group	B-11 - B-15
Galley Group	B-16 - B-18
Heating & Air Conditioning Group	B-19 - B-20
Interior Finish Group	B-21 - B-23
Labels Group	B-24 - C-07
LP Group	C-08
Lounge Group	C-09
Sealants & Fasteners Group	C-10 - C-11
Water & Sewage Group	C-12 - C-14
Window, Vent & Exterior Door Group	C-14 - D-04

LABELS GROUP (CONTINUED)

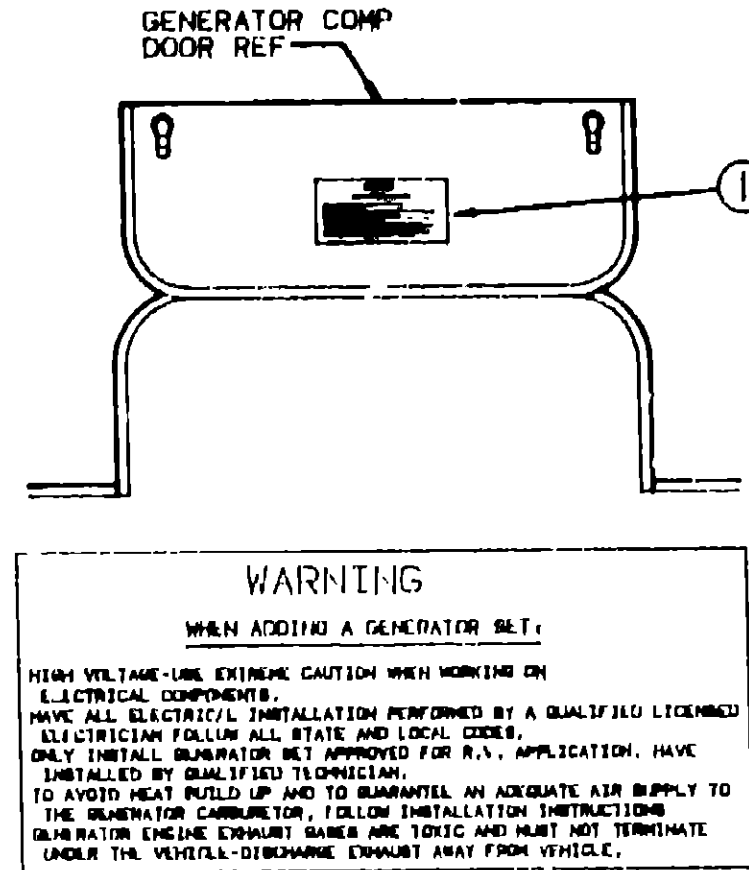


Key	Part Number	U/M	Description
1	039290-01-000	EA	Label - Warning - Exit
2	047731-01-000	EA	Label - Emergency Exit
3	006199-01-000	EA	Label - Exit - Escape Window

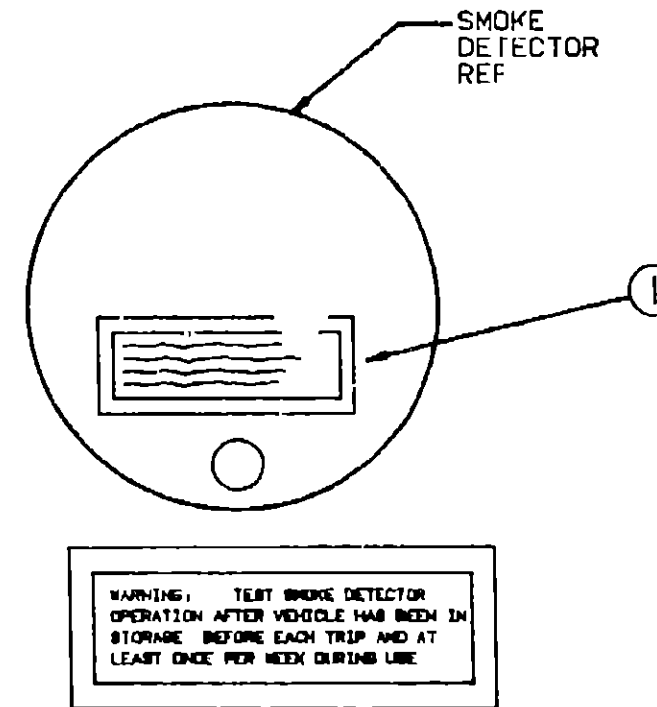


Key	Part Number	U/M	Description
1	006187-01-000	EA	Label - Sewage
2	006188-01-000	EA	Label - Waste Water

LABELS GROUP (CONTINUED)



Key	Part Number	U/M	Description
1	077510-01-000	EA	Label - Generator Prep



Key	Part Number	U/M	Description
1	077956-01-000	EA	Label - Warning - Smoke Detector

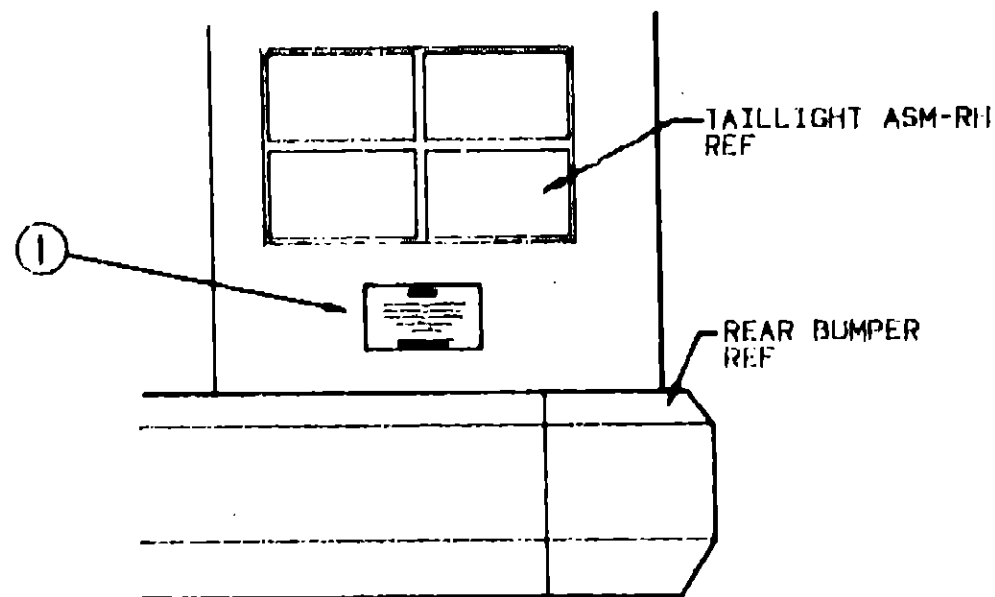
**1992 WINNEBAGO
TABLE OF CONTENTS**

INTRODUCTION	A-01 - A-02
ABBREVIATIONS	A-03
ALPHABETICAL INDEX	A-04 - A-08
WC321RG	A-07 - D-04
WC324RC	D-05 - G-08

1992 WC321RG INDEX

Floor Plan	A-07 - A-08
Accessories Group	A-09 - A-12
Bath Group	A-13 - A-14
Chassis Group	A-15 - A-17
Curtain, Cushion & Pad Group	A-18 - B-01
Dinette Group	B-02 - B-03
Driver's Compartment Group	B-04 - B-07
Electrical Group	B-08 - B-10
Exterior Body Group	B-11 - B-15
Galley Group	B-16 - B-18
Heating & Air Conditioning Group	B-19 - B-20
Interior Finish Group	B-21 - B-23
Labels Group	B-24 - C-07
LP Group	C-08
Lounge Group	C-09
Sealants & Fasteners Group	C-10 - C-11
Water & Sewage Group	C-12 - C-14
Window, Vent & Exterior Door Group	C-14 - D-04

LABELS GROUP (CONTINUED)

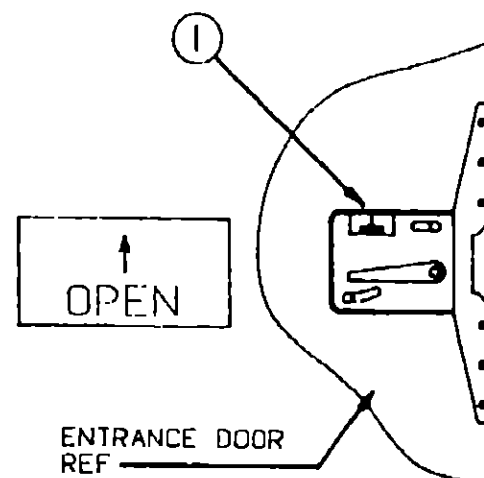


WARNING

DO NOT EXCEED THE VEHICLE WEIGHT RATINGS OR LOADING RECOMMENDATIONS (E.G., GROSS VEHICLE, GROSS AXLE, GROSS COMBINED) OF THE CHASSIS MANUFACTURER OR WINNEBAGO INC.

REFER TO YOUR OWNERS MANUAL, BEFORE LOADING OR TOWING.

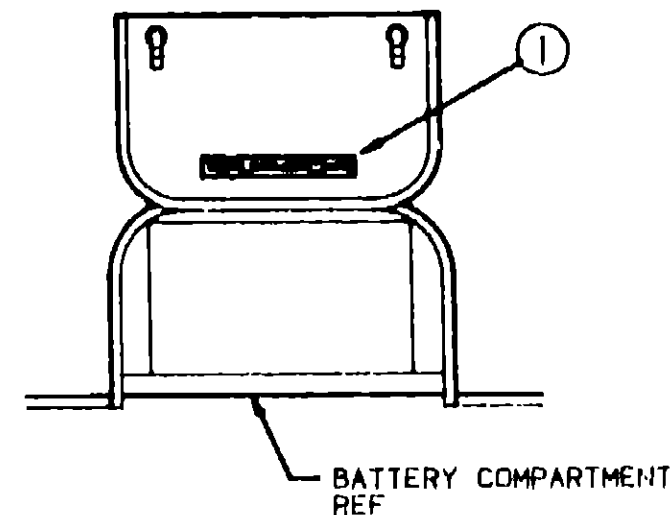
Key	Part Number	U/M	Description
1	075220-01-000	EA	Label - Warning - Exterior Load



Key	Part Number	U/M	Description
1	040944-01-000	EA	Label - Open - Entrance Door

LABELS GROUP (CONTINUED)

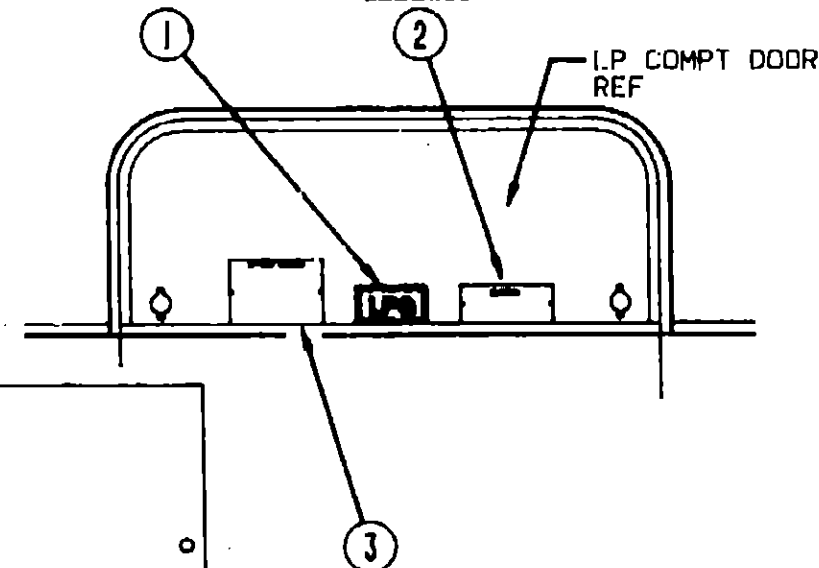
WARNING DISCONNECT BATTERIES BEFORE CONNECTING EXTERNAL CHARGING EQUIPMENT.



Key	Part Number	U/M	Description
1	085748-01-000	EA	Label - Caution - Battery Charging

LPG

WARNING
ALL PILOT LIGHTS AND APPLIANCES SHALL BE TURNED OFF DURING REFUELING OF MOTOR FUEL TANKS AND/OR PERMANENTLY MOUNTED LP-GAS CONTAINERS.



LP-GAS SYSTEM
THIS GAS PIPING SYSTEM IS DESIGNED FOR USE OF LIQUEFIED PETROLEUM GAS ONLY. DO NOT CONNECT NATURAL GAS TO THIS SYSTEM.

SECURELY CAP INLET(S) WHEN NOT CONNECTED FOR USE. AFTER TURNING ON GAS, EXCEPT AFTER NORMAL CONTAINER REPLACEMENT, TEST GAS PIPING AND CONNECTIONS TO APPLIANCE FOR LEAKAGE WITH SOAPY WATER OR BUBBLE SOLUTION. DO NOT USE PRODUCTS THAT CONTAIN AMMONIA OR CHLORINE.
P.N. 54531

Key	Part Number	U/M	Description
1	074559-01-000	EA	Label - "LPG" - 3.3" x 1.75" (California Code)
2	006040-01-000	EA	Tag - Gas Refueling - Warning (US)
2	006040-02-000	EA	Tag - Gas Refueling - Warning (CSA)
3	054531-01-000	EA	Label - LP Gas Only
3	023769-01-000	EA	Label - Warning - LPG (CSA)

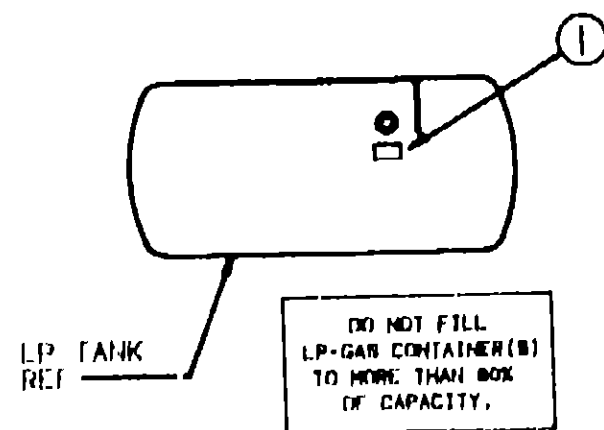
1992 WINNEBAGO TABLE OF CONTENTS

INTRODUCTION	A-01 - A-02
ABBREVIATIONS	A-03
ALPHABETICAL INDEX	A-04 - A-06
WC321RG	A-07 - D-04
WC324RC	D-05 - G-06

1992 WC321RG INDEX

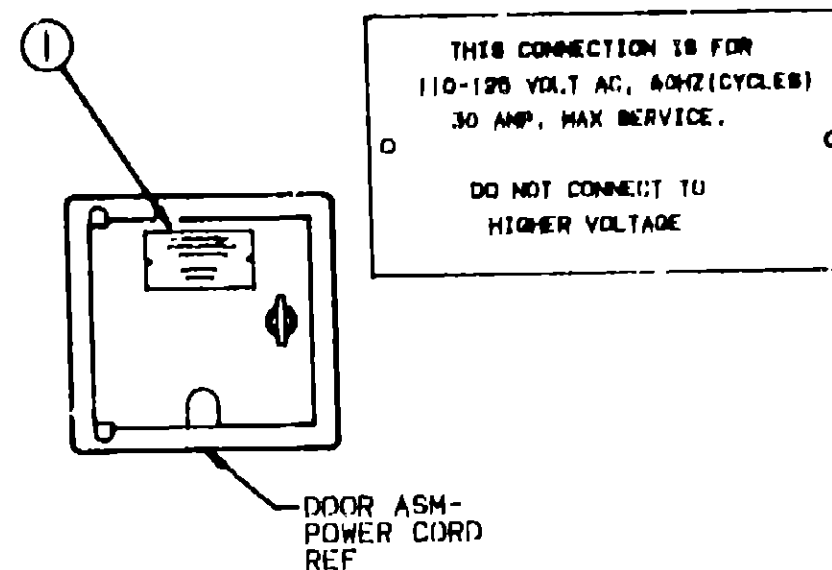
Floor Plan	A-07 - A-08
Accessories Group	A-09 - A-12
Bath Group	A-13 - A-14
Chassis Group	A-15 - A-17
Curtain, Cushion & Pad Group	A-18 - B-01
Dinette Group	B-02 - B-03
Driver's Compartment Group	B-04 - B-07
Electrical Group	B-08 - B-10
Exterior Body Group	B-11 - B-15
Galley Group	B-16 - B-18
Heating & Air Conditioning Group	B-19 - B-20
Interior Finish Group	B-21 - B-23
Labels Group	B-24 - C-07
LP Group	C-08
Lounge Group	C-09
Sealants & Fasteners Group	C-10 - C-11
Water & Sewage Group	C-12 - C-14
Window, Vent & Exterior Door Group	C-14 - D-04

LABELS GROUP (CONTINUED)



Key	Part Number	U/M	Description
1	079985-01-000	EA	Label - LPG - 80% Capacity

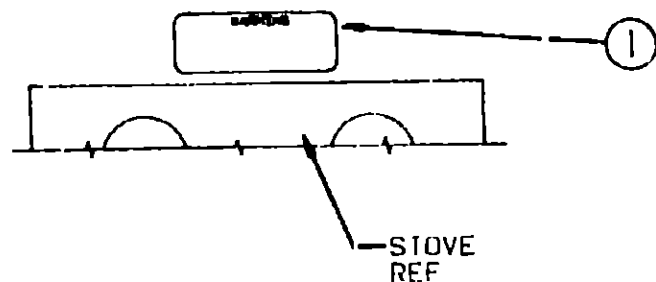
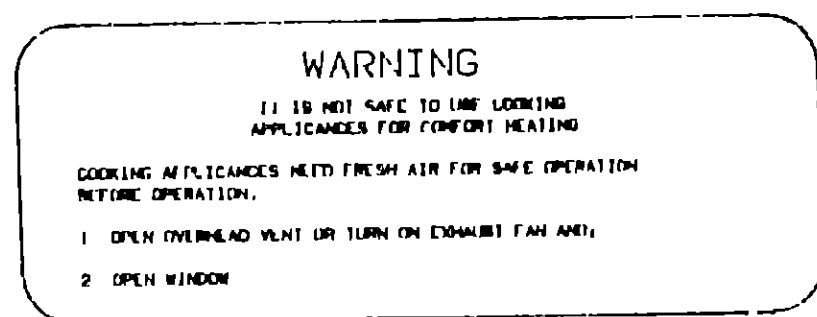
LABELS GROUP (CONTINUED)



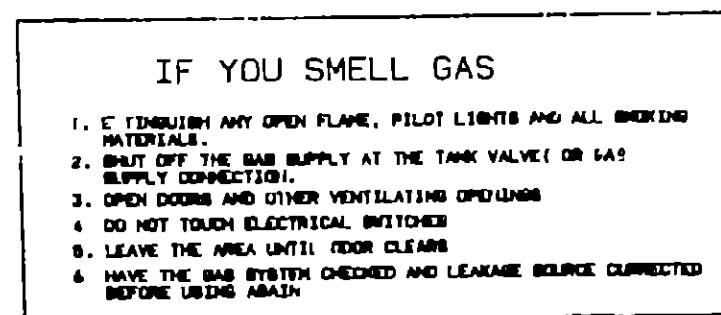
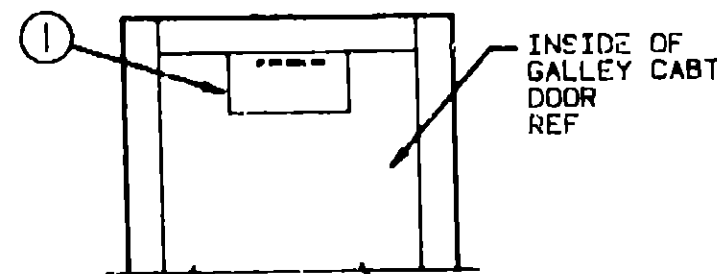
Key	Part Number	U/M	Description
1	006062-01-000	EA	Tag - Electrical - 110 Volt Connection

**1992 WINNEBAGO
TABLE OF CONTENTS**

INTRODUCTION	A-01 - A-02
ABBREVIATIONS	A-03
ALPHABETICAL INDEX	A-04 - A-06
WC321RG	A-07 - D-04
WC324RC	D-05 - G-06



Key	Part Number	U/M	Description
1	050225-01-000	EA	Label - Warning - Stove Vent

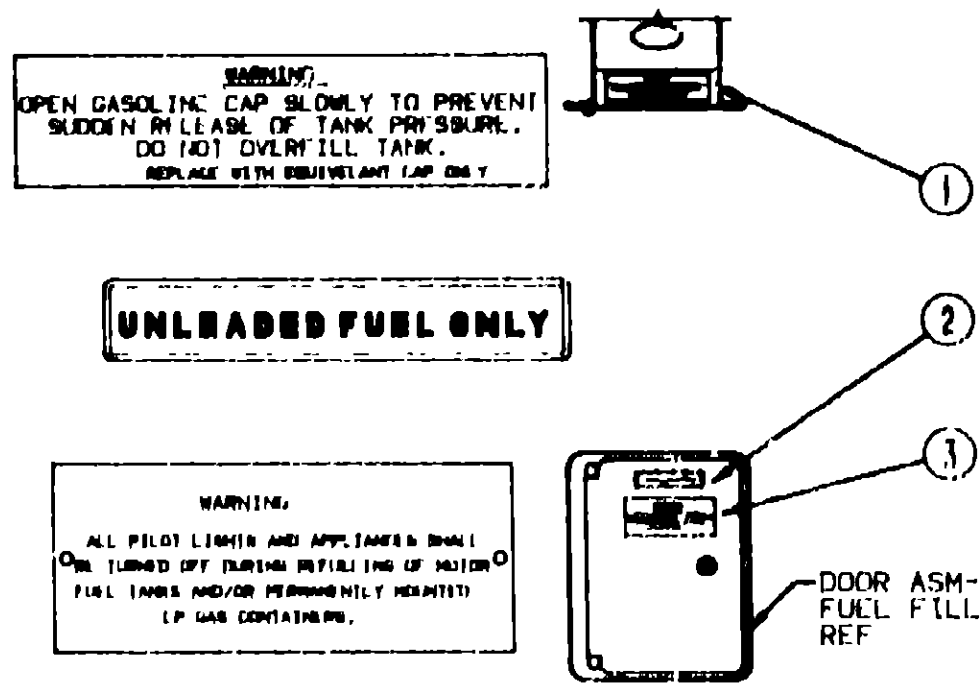


Key	Part Number	U/M	Description
1	073998-01-000	EA	Label - LPG - Odor Warning

1992 WC321RG INDEX

Floor Plan	A-07 - A-08
Accessories Group	A-09 - A-12
Bath Group	A-13 - A-14
Chassis Group	A-15 - A-17
Curtain, Cushion & Pad Group	A-18 - B-01
Dinette Group	B-02 - B-03
Driver's Compartment Group	B-04 - B-07
Electrical Group	B-08 - B-10
Exterior Body Group	B-11 - B-15
Galley Group	B-16 - B-18
Heating & Air Conditioning Group	B-19 - B-20
Interior Finish Group	B-21 - B-23
Labels Group	B-24 - C-07
LP Group	C-08
Lounge Group	C-09
Sealants & Fasteners Group	C-10 - C-11
Water & Sewage Group	C-12 - C-14
Window, Vent & Exterior Door Group	C-14 - D-04

LABELS GROUP (CONTINUED)

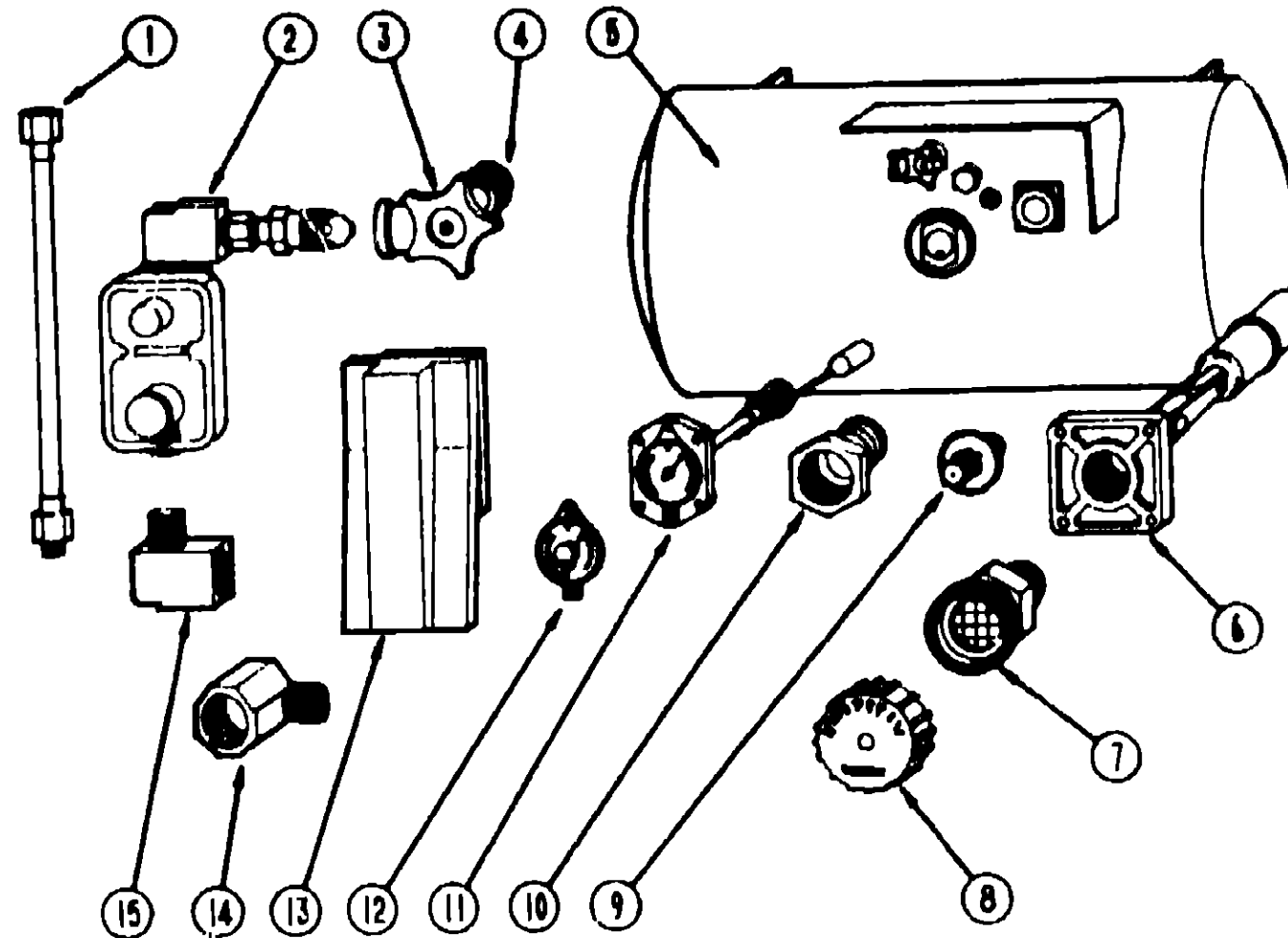


Key	Part Number	U/M	Description
1	087207-05-000	EA	Label - Fuel Cap Removal
2	082043-01-000	EA	Label - Unleaded Fuel Only
	081417-01-070	EA	Label - Fuel
3	008040-01-000	EA	Tag - Gas Refueling Warning (US)
3	008040-02-000	EA	Tag - Gas Refueling Warning (CSA)

MISCELLANEOUS LABELS

Key	Part Number	U/M	Description
	008084-01-000	EA	Label - Seat - w/o Seat Belt
	091243-01-000	EA	Label - A/C Cover
	008019-01-000	EA	Tag - RVI Approved - Plastic
	091224-02-000	EA	Label - Trailer Lighting
	075221-01-000	EA	Label - Warning - Towing Capacity

LP GROUP



LP TANK & COMPONENTS

Key	Part Number	U/M	Description
1	045703-01-000	EA	Hose Asm. - LP - 3/8" ID x 24" (US)
1	045703-02-000	EA	Hose Asm. - LP - 3/8" ID x 24" (CSA)
2	078301-01-000	EA	Regulator - Two Stage
3	040421-01-708	EA	Handwheel - Service Valve
4	040421-01-712	EA	Service Valve w/Handwheel
5	097821-01-000	EA	Tank Asm. - LP - 80 Pound - 14" Diameter x 30" Long
6	040421-01-711	EA	Valve - 80% w/Float Plate, Bolts & Gauges
7	040421-01-701	EA	Valve - Filler - LP w/Cap
8	040421-01-702	EA	Cap - Plastic - Fill Valve
9	040421-01-700	EA	Valve - Liquid Level - 20% LP
10	040421-01-713	EA	Pressure Relief Valve
11	040421-01-707	EA	Gauge - Float - 80 Pound Tank
12	040440-01-000	EA	Dial - Visibel Face - Float Gauge
13	081938-01-000	EA	Cover - LP Regulator
14	065318-02-000	EA	Elbow - 90° - 3/8" MPT x 3/8" FPT
15	035742-01-000	EA	Tee - 38 F x 37 F x 25 FPT
	065741-01-000	EA	Gauge - Diaphragm Pressure - Test Leak
	008042-01-000	FT	Tubing - Vinyl - .85" ID
	010377-01-000	EA	Nut - 3/8" F - Brass
	010380-02-000	EA	Nut - 1/2" F - Brass - Forged
	010377-02-000	EA	Nut - 3/8" F - Brass - Forged
	010323-01-000	EA	Adapter - Brass - 3/8" F x 1/2" MPT (Ford)
	018188-03-000	EA	Grommet - LP Line - 3/8" Hole x 2 1/2" Dia - Rubber
	084884-01-000	EA	Brass - Plug - 3/8"

1992 WINNEBAGO TABLE OF CONTENTS

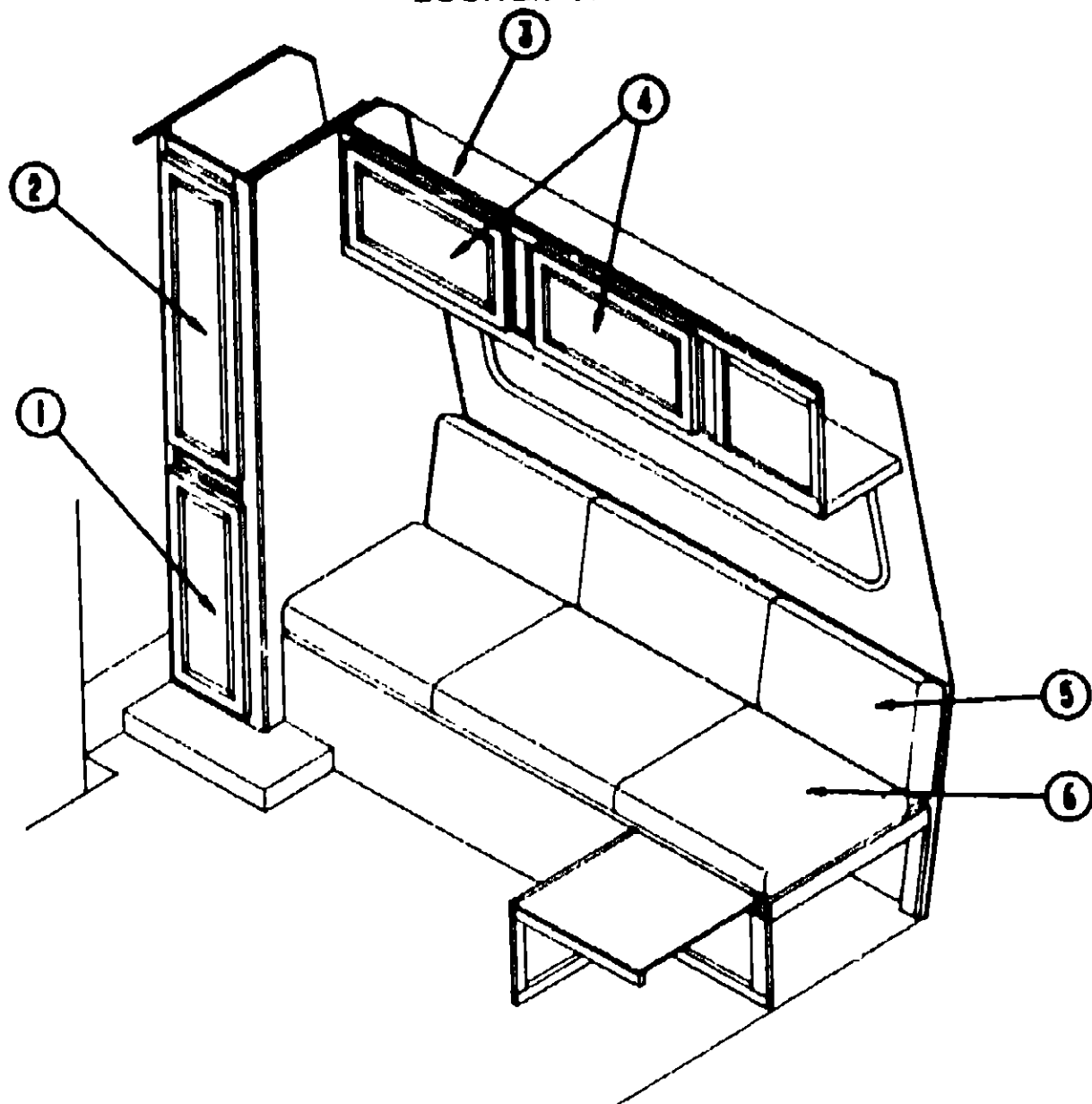
INTRODUCTION
ABBREVIATIONS
ALPHABETICAL INDEX
WC321RG
WC324RC

A-01 - A-02
A-03
A-04 - A-08
A-07 - D-04
D-06 - G-08

1992 WC321RG INDEX

Floor Plan	A-07 - A-08
Accessories Group	A-09 - A-12
Bath Group	A-13 - A-14
Chassis Group	A-15 - A-17
Curtain, Cushion & Pad Group	A-18 - B-01
Dinette Group	B-02 - B-03
Driver's Compartment Group	B-04 - B-07
Electrical Group	B-08 - D-10
Exterior Body Group	B-11 - B-15
Galley Group	B-16 - B-18
Heating & Air Conditioning Group	B-19 - B-20
Interior Finish Group	B-21 - B-23
Labels Group	B-24 - C-07
LP Group	C-08
Lounge Group	C-09
Sealants & Fasteners Group	C-10 - C-11
Water & Sewage Group	C-12 - C-14
Window, Vent & Exterior Door Group	C-14 - D-04

LOUNGE GROUP



LOUNGE CABINETRY & HARDWARE

Key	Part Number	U/M	Description
1	P03701-34-B85	EA	Door - Cabinet - 12" x 39 9/16" - w/o Hardware
2	P03701-38-B85	EA	Door - Cabinet - 12" x 29 13" - w/o Hardware
3	M05149-09-B85	EA	Cabinet - Lounge Overhead - w/o Doors or Hardware
4	P03701-23-B85	EA	Door - Cabinet - 14 4" x 26 8" - w/o Hardware
	M05149-10-B85	EA	Cabinet - Sidewall Overhead - w/o Door or Hardware
	103847-02-000	EA	Mirror - Decorative - 11 8" x 24"
	082825-04-B05	EA	End Cap - Side Overhead
	091298-01-B85	EA	Pedestal Table - w/o Leg or Base
	009040-03-000	EA	Table Base - Raised Table Mount
	009040-06-000	EA	Leg - Pedestal Table - 27.5" - Tan
	009040-02-000	EA	Leg - Pedestal Table - 27.5" - Chrome
	041194-01-000	EA	Table Base - Flush Floor Mount
	076840-01-000	EA	Hold Down - Bungee Cord - 7/4"
	077988-01-000	EA	Retainer - Nylon - 1/2" x 1 8"
*5	100032-05-B85	EA	Back - Couch/Presto Bed
†5	100032-05-CA9	EA	Back - Couch/Presto Bed (B85)
*5	100032-05-B86	EA	Back - Couch/Presto Bed
*6	100032-06-B85	EA	Seat - Couch/Presto Bed
†6	100032-06-CA9	EA	Seat - Couch/Presto Bed (B85)
*6	100032-06-B86	EA	Seat - Couch/Presto Bed

* See Curtain, Cushion & Pad Group for further breakdown of these items

† These parts were used from 4/15/91 on

SEALANTS & FASTENERS GROUP

SCREWS & FASTENERS

Key	Part Number	U/M	Description
	000C13-07-48B	EA	Bolt - Hex - 7/16 - 20 x 3 - Zn 6
	000C28-06-20B	EA	Bolt - Hex - Ser Fig 5/16 - 18 x 1 1/4" - Zinc
	000D24-10-00B	EA	Nut - Hex - Locking - 10-32 - Zn
	000D38-05-00B	EA	Nut - Hex - Ser Fig Lk - 5/16 - 18 - Zn
	000D38-06-00B	EA	Nut - Hex - Ser Fig Lk - 3/8 - 18 - Zn
	000D38-08-00B	EA	Nut - Hex - Ser Fig Lk - 1/2 - 13 - Zn
	000D44-07-00B	EA	Nut - Hex - Ser Fig Lk - 7/16 - 20 - Zn
	000E13-11-00B	EA	Washer - Flat - 3/16" Wide - Zn
	000G11-06-10J	EA	Screw - 6 - 20 x 5/8 PPH - Brass
	000G11-07-08B	EA	Screw - 7 - 19 x 1/2 PPH - Zn
	000G11-08-06B	EA	Screw - 8 - 18 x 3/8 PPH - Zn
	000G11-08-12B	EA	Screw - 8 - 18 x 3/4 PPH - Zn
	000G11-08-12D	EA	Screw - 8 - 18 x 3/4 PPH - Black
	000G11-08-12P	EA	Screw - 8 - 18 x .75 - Dark Brown
	000G11-08-12F	EA	Screw - 8 - 18 x .75 PPH - Beige
	000G11-08-12B	EA	Screw - 8 - 18 x .75 PPH - Off White
	000G11-08-16B	EA	Screw - 8 - 18 x 1.00 PPH - Off White
	000G11-10-12D	EA	Screw - 10 - 16 x 3/4 PPH - Black
	000G11-10-24P	EA	Screw - 10 - 16 x 1 1/2 PPH - Dark Brown
	000G12-08-12B	EA	Screw - 8 - 18 x .75 POH - Off White
	000G12-08-16B	EA	Screw - 8 - 18 x 1" POH - Off White
	000G13-06-08B	EA	Screw - 6 - 20 x 1/2 PPH - Zn
	000G13-06-08G	EA	Screw - 6 - 20 x 1/2" PPH - Antique Brass
	000G13-06-10G	EA	Screw - 6 - 20 x 5/8 PPH - Antique Brass
	000G13-07-12B	EA	Screw - 7 - 19 x 3/4 PPH - Zn
	000G13-08-16B	EA	Screw - 8 - 18 x 1 PPH - Zn
	000G18-06-12B	EA	Screw - Machine - 8 - 32 x 3/4" PPH - Zn
	000G18-08-16B	EA	Screw - Machine - 8 - 32 x 1 PPH - Zn
	000G11-08-22B	EA	Screw - Machine - 8 - 32 x 1 3/8 PPH - Zn
	000G39-06-08B	EA	Screw - SF/DR 8 - 18 x 1/2 PPH - Zn
	000G39-06-08R	EA	Screw - SF/DR 8 - 18 x 1/2 PPH - Beige
	000G39-06-12B	EA	Screw - SF/DR 8 - 18 x 3/4 PPH - Zn
	000G39-06-12R	EA	Screw - SF/DR 8 - 18 x 3/4 PPH - Beige
	000G39-06-16S	EA	Screw - SF/DR 8 - 18 x 1.00 PPH - Off White
	000G39-06-24B	EA	Screw - SF/DR 8 - 18 x 1 1/2 PPH - Zn
	000G39-06-24S	EA	Screw - SF/DR 8 - 18 x 1.50 PPH - Off White
	000G39-10-10B	EA	Screw - SF/DR 10 - 16 x 8/2" PPH - Off White
	000G39-10-12D	EA	Screw - SF/DR 10 - 16 x 3/4 PPH - Black
	000G39-10-20B	EA	Screw - SF/DR 10 - 16 x 1 1/4 PPH - Zn
	000G39-12-12E	EA	Screw - SF/DR 12 - 14 x 3/4" PPH - Chrome
	000G42-04-16B	EA	Screw - SF/DR 1/4 - 14 x 1 HWH - Zn
	000G53-04-06B	EA	Screw - Machine - 1/4 - 20 x 3/8 PPH - Zn
	000G54-04-20B	EA	Screw - 1/4 - 20 x 1 1/4 PT (Typ 23) - Zn
	000G67-10-06B	EA	Screw - 10 - 12 x 1/2 PPH - Zn
	000G67-10-08R	EA	Screw - 10 - 12 x 1/2 PPH - Beige - Type A
	000G67-10-10B	EA	Screw - 10 - 12 x 5/8 PPH - Zn - Type A
	000G67-10-10R	EA	Screw - 10 - 12 x 5/8 PPH - Beige - Type A
	000G67-10-12B	EA	Screw - 10 - 12 x 3/4 PPH - Zn
	000G67-10-12P	EA	Screw - 10 - 12 x .75 PPH - Dark Brown
	000G67-10-120	EA	Screw - 10 - 12 x .75 PPH - Tan
	000G67-10-24B	EA	Screw - 10 - 12 x 1 1/2 PPH - Zn
	000G67-10-32B	EA	Screw - 10 - 12 x 2 PPH - Zn
	000G68-06-10G	EA	Screw - 6 - 18 x 5/8 POH - Antique Brass
	000H16-04-08R	EA	Rivet - Pop - AL 1/8 x .313 - 375
	005081-01-000	EA	Nut - Speed - C Type - No 8 Screw
	082401-02-000	EA	Clamp - Hose - Wormgear - 1.56" - 2.5"
	082401-06-000	EA	Clamp - Hose - Wormgear - 2.2" x 6.2"
	007161-01-000	EA	Clamp - Hose - Spring Type - 1/2"
	008343-01-000	EA	Tie - Wire - 6"
	008380-01-000	EA	Grommet - Rubber - 5/8" Hole - Black
	008388-01-000	EA	Grommet - Snap - 3/8"

1992 WINNEBAGO TABLE OF CONTENTS

INTRODUCTION	A-01 - A-02
ABBREVIATIONS	A-03
ALPHABETICAL INDEX	A-04 - A-08
WC321RG	A-07 - D-04
WC324RC	D-05 - G-08

1992 WC321RG INDEX

Floor Plan	A-07 - A-08
Accessories Group	A-09 - A-12
Bath Group	A-13 - A-14
Chassis Group	A-15 - A-17
Curtain, Cushion & Pad Group	A-18 - B-01
Dinette Group	B-02 - B-03
Driver's Compartment Group	B-04 - B-07
Electrical Group	B-08 - B-10
Exterior Body Group	B-11 - B-15
Galley Group	B-16 - B-18
Heating & Air Conditioning Group	B-19 - B-20
Interior Finish Group	B-21 - B-23
Labels Group	B-24 - C-07
LP Group	C-08
Lounge Group	C-09
Sealants & Fasteners Group	C-10 - C-11
Water & Sewage Group	C-12 - C-14
Window, Vent & Exterior Door Group	C-14 - D-04

SEALANTS & FASTENERS GROUP (CONTINUED)

SCREWS & FASTENERS (CONTINUED)

Key	Part Number	U/M	Description
	008401-01-000	EA	Strap - Conduit - 3/4" - 1 Hole - Galvanized Steel
	010495-01-000	EA	Clamp - Cable - 9/16"
	010497-01-000	EA	Clamp - Closed - 5/8" ID
	010497-03-000	EA	Clamp - Closed - 1 ID - Cushioned
	010499-01-000	EA	Clamp - Closed - 3/8" ID
	016604-01-000	EA	Brace - Cabinet - Angled Metal - 2.5"
	083809-01-000	EA	Clamp - Wire Dual - Equal 5/8" Dia.
	084884-01-000	EA	Plug - Brass - 3/8"
	087721-01-000	EA	Screw - Flat Head - Tapping - 1/4 x 1 1/4 LG - Zn
	089371-01-000	EA	Screw - Machine - 8 - 32 x 3 5/16 - Zn
	075148-02-000	EA	Clamp - Grounding - Bronze Screws
	075908-01-000	EA	Screw - Machine - 10 - 32 x 56 PTH - Zn
	048485-04-000	EA	Screw - 10 - 16 x 1 PTH w/Washer - Beige
	078790-01-000	EA	Screw - 6 - 20 x 1 1/4 PTH - Black
	083729-04-000	EA	Rivet - 10 - 32 UNF - .010 - .060

SEALANTS & ADHESIVES

Key	Part Number	U/M	Description
	004020-01-000	QT	Adhesive - ABS Cement (Plastic Fittings)
	004005-02-000	GL	Adhesive - Swifts - Glue (Sidewalls)
	053766-07-000	EA	Bedding Compound - Tube - Beige (Exterior)
	053766-08-000	EA	Bedding Compound - Tube - Clear (Window)
	053766-09-000	EA	Bedding Compound - Tube - Gray (Exterior)
	102352-01-000	EA	Bedding Compound - Tube - Black (Luggage Compartment)
	053766-02-000	EA	Bedding Compound - Tube - Off White (Exterior)
	077967-01-000	EA	Sealant - Acrylic Latex - Tube - Off White (Interior Sealant)
	034552-04-000	EA	Sealant - Silicone - Beige
	034552-02-000	EA	Sealant - Silicone - Clear
	034552-07-000	EA	Sealant - Silicone - Dark Gray
	034552-06-000	EA	Sealant - Silicone - Off White
	039518-01-000	EA	Sealant Silicone - Black
	069640-01-000	FT	Sealer Ribbon - 25" Bead x 20'
	069640-02-000	FT	Sealer Ribbon - 5" x 125" x 30'
	069640-03-000	FT	Sealer Ribbon - .75" x 125" x 30'
	069640-09-000	FT	Sealer Ribbon - 1/32" x 2 5" x 30'
	069640-06-000	FT	Sealer Ribbon - 5/16" Bead x 15'
	069640-07-000	FT	Sealer Ribbon - 2" x 3/32" x 30'
	069640-10-000	FT	Sealer Ribbon - 1/32" x 1 5" x 100'
	002707-02-000	FT	Sealer Tape - 5/16" x 1/2"
	074497-14-700	EA	Sealer - Stain (Ceiling)
	102353-01-700	EA	Seam Sealer - Tube - Gray (Roof Seams)
	094401-01-000	EA	Seam Sealer - Tube - Clear (Cap to Sidewall)
	083642-01-000	FT	Tape - Adhesive - .10mm x 1 5" Wide
	038886-01-000	EA	Tape - Butyl - 31" x 31" x 148" (Windshield)
	078322-01-000	FT	Tape - Foam - Double Coated - 025 x 75 x 72' (Fiberglass Sidewall Seams)
	078322-02-000	FT	Tape - Foam - Double Coated - 045 x 1" (Fiberglass Sidewall Seams)
	100028-01-000	FT	Tape - Foam - Double Coated - 031 x 75 x 72' (Non-Structural Fastening)
	104579-01-000	FT	Seal - Foam - Closed Cell - 08" x 43"
	009200-01-000	EA	Tape - Furnace - 1 5"
	002825-01-000	FT	Weather Stripping (Roof Vent)
	081377-01-700	EA	Adhesive - Cyanoacrylate - 10GM

WATER & SEWAGE GROUP

DRAINAGE SYSTEM

Key	Part Number	U/M	Description
	088422-01-000	EA	Adapter - Offset Reducer - 3" x 1 1/2"
	082418-01-000	EA	Adapter - Sewer Hose to 3" Pipe
	033302-02-000	EA	Adapter Arm - Strainer - 1 1/2" (CSA)
	010121-01-000	EA	Bushing - Plastic - Red - 1 1/2 S x 1 1/4 H
	011081-02-000	EA	Continuous Waste - Double Sink - 11 7/8"
	078408-01-000	EA	Coupler - Rubber - 3" x 3"
	010081-01-070	EA	Elbow - Plastic - 1/8 BD x 1 1/2 x 45°
	010008-01-000	EA	Elbow - Plastic - 1/8 BD x 1 1/2 x 45° H x 11
	010708-01-000	EA	Elbow - Plastic - 1/4 BD x 1 1/2 x 90° - Left
	031111-01-000	EA	Elbow - Plastic - 1/4 BD x 1 1/4 x 90 XLT
	037101-02-000	EA	Elbow - Plastic - 1/4" Bend Vent - 1 1/2" Hub (CSA)
	073240-08-000	EA	Faucet - Lavatory - Bone
	078241-06-000	EA	Faucet - Shower - Bone
	011063-04-000	EA	Faucet - Swing Spout - 8" - Galley
	091253-01-000	EA	Faucet - Faucet
	024876-01-000	EA	Flange - Closet - 4" x 3" (US)
	024876-02-000	EA	Flange - Closet - 4" x 3" (CSA)
	081807-01-000	EA	Grommet - Holding Tank Coupler - 1 1/2"
	081807-02-000	EA	Grommet - Holding Tank Coupler - 3"
	011086-03-000	EA	P-Trap - 1 1/4" - Plastic (US)
	011086-02-000	EA	P-Trap - 1 1/4" - Plastic (CSA) (Lavatory/Shower)
	053335-01-000	EA	P-Trap - 1 1/4" - Plastic w/Union (CSA) (Galley)
	083658-03-000	EA	Roof Vent - Covered - Vent Pipe - Off White
	082415-01-000	EA	Sewer Cap - 3"
	082415-01-700	EA	String - Sewer Cap
	010201-01-000	EA	Sewer Hose - 3" ID x 20'
	011048-02-000	EA	Shower Head w/80" Hose (US)
	011048-05-000	EA	Shower Head w/80" Hose (CSA)
	M02808-01-000	EA	Shower Pan Asm.
	102551-01-000	EA	Sink - Double w/Mounting Hardware - Stainless Steel
	088438-01-000	EA	Slip Nut - 1.5 - Tailpiece
	088440-01-000	EA	Strainer - Shower Drain
	088437-01-000	EA	Strainer - Sink - Galley
	088437-01-700	EA	Basket - Strainer - Galley Sink
	011089-02-000	EA	Tailpiece - 1 1/2 x 1 1/4 x 4" - Brass
	083288-01-000	EA	Tank - Holding - 25 Gal. - 18.1" x 18.8" x 19.5"
	083289-01-000	EA	Tank - Holding - 25 Gal. - 19 4" x 35 4" x 12.1"
	010079-01-000	EA	Tee - Plastic - 1 1/2" H x 1 1/2" H x 1 1/4" H
	010071-01-000	EA	Tee - Plastic - 1 1/2" H x H x H
	087487-01-000	EA	Toilet - Ivory - Aqua Magic
	087487-01-700	EA	C L F.L Seal & Bolt Package
	083740-01-710	EA	Link
	083740-01-711	EA	Spring - Return Lever
	083740-01-705	EA	Seat - Ivory - w/o Cover
	083740-01-700	EA	Lever - Water
	083740-01-701	EA	Lever - Flush
	083740-01-713	EA	Seal - Ball - Valve to Bowl
	083740-01-714	EA	Valve Asm. - Water
	083740-01-707	EA	Seal - Closet Flange
	083740-01-708	EA	Bolt Package - Closet
	070916-01-000	EA	Valve - Dual - 3" x 1.5"
	070916-01-700	EA	Valve - Only - 3"
	070916-01-701	EA	Valve - Only - 1 1/2"
	082421-01-000	EA	Valve - 1 1/2" w/Handle
	082419-02-700	EA	Handle Only - For Extension Rod
	079988-01-000	EA	Vent - Mechanical Trap Arm
	089735-01-000	EA	Washer - Tailpiece - 1.5 - Plastic

1992 WINNEBAGO TABLE OF CONTENTS

INTRODUCTION	A-01 - A-02
ABBREVIATIONS	A-03
ALPHABETICAL INDEX	A-04 - A-08
WC321RG	A-07 - G-04
WC324RC	D-05 - G-06

1992 WC321RG INDEX

Floor Plan	A-07 - A-08
Accessories Group	A-09 - A-12
Bath Group	A-13 - A-14
Chassis Group	A-15 - A-17
Curtain, Cushion & Pad Group	A-18 - B-01
Dinette Group	B-02 - B-03
Driver's Compartment Group	B-04 - B-07
Electrical Group	B-08 - B-10
Exterior Body Group	B-11 - B-15
Galley Group	B-16 - B-18
Heating & Air Conditioning Group	B-19 - B-20
Interior Finish Group	B-21 - B-23
Labels Group	B-24 - C-07
LP Group	C-08
Lounge Group	C-09
Sealants & Fasteners Group	C-10 - C-11
Water & Sewage Group	C-12 - C-14
Window, Vent & Exterior Door Group	C-14 - D-04

WATER & SEWAGE GROUP (CONTINUED)

WATER FITTINGS & HARDWARE

Key	Part Number	U/M	Description
	010224-01-000	EA	Adapter - Hose to Pipe - 3/8" Barb - Black Plastic
	044827-01-000	EA	Adapter - Plastic - 1 1/4" MPT x 1 1/4" Bar (Water Tank)
	078317-01-000	EA	Adapter - Swivel - .5 Tube x .5 FPT
	082954-01-000	EA	Adapter - Non. Cone - 3/8" or 1/2" - Plastic
	038622-02-000	EA	Cap - Brass - 1/2" Flare
	085120-01-000	EA	Elbow - Plastic - Swivel - 1/2" FPT x 1/2" Flare - Gray
	062957-02-000	EA	Elbow - Male - 1/2" F x 1/2" MPT - Gray - Plastic
	070924-01-000	EA	Elbow - Swivel - 1/2" MPT x 1/2" FPT - Gray
	011063-04-000	EA	Faucet - Swing Spout - Galley - 8"
	081253-01-000	EA	Gasket - Faucet
	075241-05-000	EA	Faucet - Shower - Bone
	077954-02-000	EA	Filter/Screen (In Water Tank)
	052952-01-000	EA	Nut - Plastic - 1/2" F
	052953-01-000	EA	Nut - Faucet - 1/2" Tube x 1/2" FPT
	048032-01-000	EA	Patch - Spinweld - Plastic - 3/8"
	088807-01-000	EA	Pump - Water - 2.8 GPM - Direct Flow (US)
	088807-02-000	EA	Pump - Water - 2.8 GPM - Direct Flow
	088807-01-707	EA	Motor/Backplate - Replacement
	088807-01-701	EA	Drive Arm
	088807-01-702	EA	Diaphragm Kit
	088807-01-703	EA	Valve Arm
	088807-01-704	EA	Upper Housing
	088807-01-706	EA	Switch Arm - Complete
	088807-01-700	EA	Pumphead - Replacement
	088807-01-705	EA	Check - Valve Kit
	081208-01-000	EA	Rubber Washer - .06 x .75 x .50
	011048-02-000	EA	Shower Head - w/80" Hose (US)
	011048-05-000	EA	Shower Head - w/80" Hose (CSA)
	042989-03-000	EA	Spinweld Fitting - Plastic - 1/4" NPT
	042989-05-000	EA	Spinweld Fitting - Plastic - 1/2" FPT
	042989-04-000	EA	Spinweld Fitting - Plastic - 3/8" FPT
	052955-01-000	EA	Tee - Plastic - 1/2" F x 1/2" F x 1/2" MPT
	052956-01-000	EA	Tee - Plastic - 1/2 F x 1/2 MPT x 1/2 I'
	052958-01-000	EA	Tee - Plastic - 1/2" F x 1/2" F x 1/2" F
	038800-01-000	FT	Tubing - Polybutyl - 1/2" OD x 20' (Water Line)
	079381-01-000	FT	Tubing - Flex/Smooth - 1 25 ID (Water Tank)
	074482-02-000	FT	Tubing - Vinyl 3/8" ID
	048128-01-000	EA	Valve - Drain - Plastic - 1/2" FPT
	052960-01-000	EA	Valve - Line Drain - 1/2" F x 1/2" F
	052980-01-700	EA	Connector - Union - 1/2" F x 1/2" F
	057063-03-000	EA	Water Tank - 28 Gal w/Fittings - 19" x 25" x 17 5"

Key	Part Number	U/M	Description
	103173-01-01A	EA	Shower Kit - Exterior - Off White (Piece Parts are N/A)
	103173-02-01A	EA	Shower Kit - Exterior - Off White
	103173-03-700	EA	Compartment Only
	103173-03-701	EA	Door Only
	103173-03-702	EA	Hinge Pin
	103173-03-703	EA	Hinge Pin Spring
	103173-03-704	EA	Lock Arm w/Key & Clip
	103173-03-705	EA	Decal - "Auxiliary Shower"
	103173-03-706	EA	Shower Head w/Hose & Bracket
	103173-03-707	EA	Faucet w/Adapter - Chrome
	048128-01-000	EA	Valve - Drain - Plastic - 1/2" FPT
	052952-01-000	EA	Nut - Plastic - 1/2" F x 1/2" Tube - Gray
	002726-01-000	EA	Garnish - U-Channel - 1 38" x 19' - Serrated - Mill Aluminum
	052957-02-000	EA	Elbow - Male - 1/2" F x 1/2" MPT - Plastic - Gray

These parts were used from 3/25/91 on

WATER & SEWAGE GROUP (CONTINUED)

WATER HEATER & REPAIR PARTS

Key	Part Number	U/M	Description
	051391-01-000	EA	Heater - Water - Atwood G6A-3
	051391-01-700	EA	Hinge Kit - w/Clip - Atwood #92588 & 92559
	051391-01-718	EA	Drain Plug - Atwood #91861
	051391-01-702	EA	Tank - Inner - G6A-2, 3, 6 - Water Heater - Atwood 91412
	051391-01-704	EA	Valve - Relief - 1/2" Fitting - Atwood 91804
	051391-01-705	EA	Fastener - Camloc - Atwood #92809
	051391-01-706	EA	Grille - Exhaust - Atwood #92787
	051391-01-712	EA	Thermostat - 3/8" NPT Inlet
	051391-01-708	EA	Burner - Main - Atwood #92616
	051391-01-709	EA	Pilot Arm - w/Thermocouple & Tube
	051391-01-710	EA	Orifice - Main Burner - Atwood #92742
	051391-01-711	EA	Elbow - Orifice - Main Burner
	051391-01-714	EA	Elbow - 45 Degree - 3/8" F x 3/8" MPT - Atwood #91044
	051391-03-000	EA	Heater - Water - w/Electric Ignition - Atwood # G6A-3E, 4E & 6E
	051393-03-700	EA	Tank - Inner (G6A-3E) Rear Mount - Atwood #91409
	051391-04-700	EA	Tank - Inner (G6A-3E) Front Mount - Atwood #91808
	051391-04-706	EA	Tank - Inner - G6A-4E & 6E - Front Mount - Atwood #9184
	051391-01-704	EA	Valve - Relief - 1/2" Fitting - Atwood #91804
	051391-01-705	EA	Fastener - Camloc - Atwood #92809
	051393-01-701	EA	Switch Package - Atwood #91959
	051393-01-702	EA	Switch - Energy Cut-Off - Atwood #91951
	051391-04-701	EA	Thermostat 12 VDC - 12U Preset - Atwood #91470 - Front Mount Only
	051393-01-703	EA	Thermostat - Rear Mount - Atwood #91952
	051393-01-721	EA	ECO & Thermostat Asm. - Front Mount - 140 Degree - Atwood #
	051393-01-704	EA	Circuit Board - w/Black Box - Atwood #91420
	051391-01-706	EA	Grille - Exhaust - Atwood #92787
	051393-01-705	EA	Orifice Holder - Atwood #91925
	051391-01-710	EA	Orifice - Main Burner - Atwood #92742
	051393-01-718	EA	Spark & Probe Asm. - Atwood #91805
	051391-01-708	EA	Burner - Main - Atwood #92615
	051393-01-718	EA	Valve - Dual Solenoid - Atwood #91805
	051391-01-715	EA	Drain Plug - Atwood #91561
	051391-01-700	EA	Hinge Kit - w/Clip - Atwood #92588 & 92559

NOTE: Items indented below assemblies are serviceable parts for that assembly.

WATER HEATER BYPASS (OPTION L53J)

Key	Part Number	U/M	Description
	038800-01-000	FT	Tubing - Polybutyl - 1/2 OD x 20'
	052956-01-000	EA	Tee - Plastic - 1/2 F x 1/2 MPT x 1/2 F
	052957-02-000	EA	Elbow - Plastic - 1/2 F x 1/2 MPT
	088729-01-000	EA	Bypass Kit - Water Heater

**1992 WINNEBAGO
TABLE OF CONTENTS**

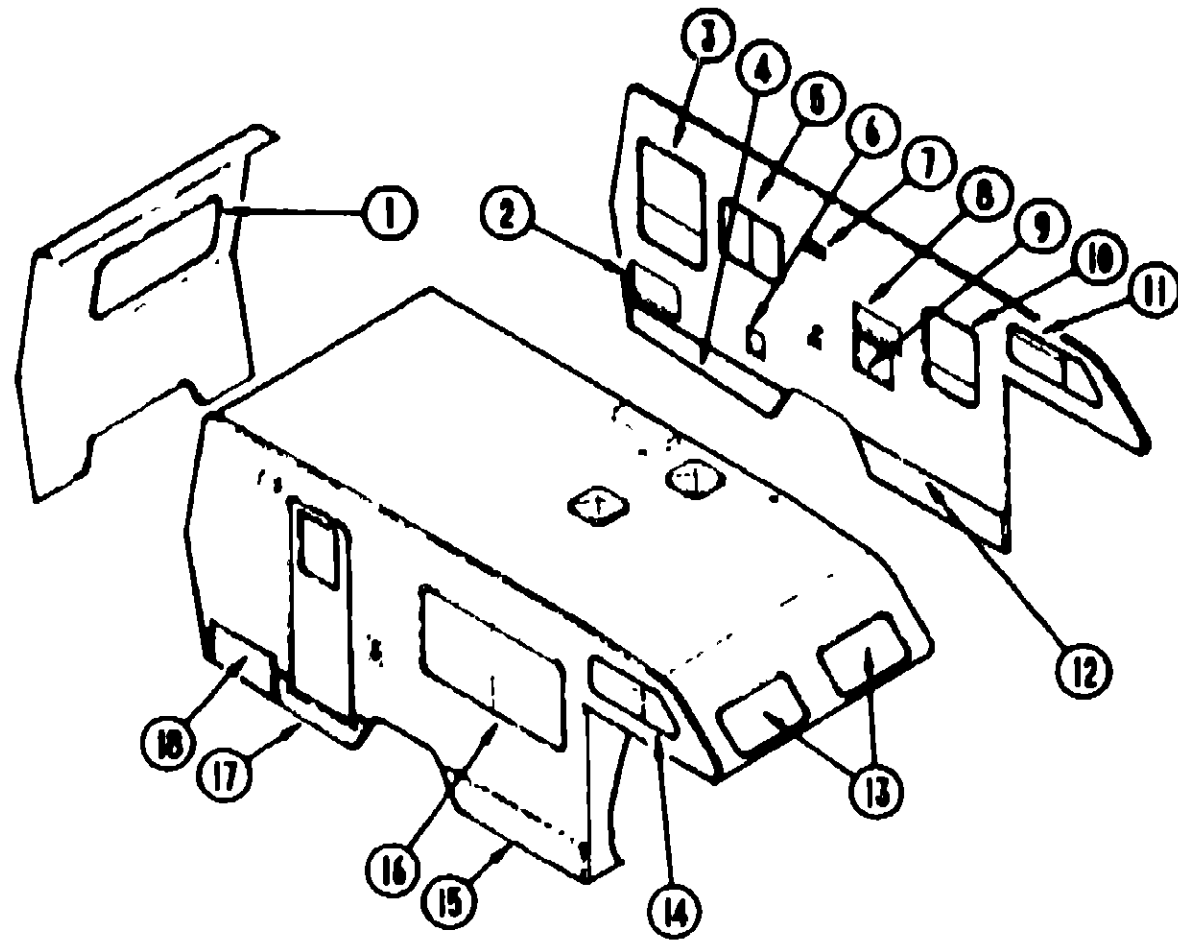
INTRODUCTION	A-01 - A-02
ABBREVIATIONS	A-03
ALPHABETICAL INDEX	A-04 - A-08
WC321RG	A-07 - D-04
WC324RC	D-05 - G-08

1992 WC321RG INDEX

Floor Plan	A-07 - A-08
Accessories Group	A-09 - A-12
Bath Group	A-13 - A-14
Chassis Group	A-15 - A-17
Curtain, Cushion & Pad Group	A-18 - B-01
Dinette Group	B-02 - B-03
Driver's Compartment Group	B-04 - B-07
Electrical Group	B-08 - B-10
Exterior Body Group	B-11 - B-15
Galley Group	B-16 - B-18
Heating & Air Conditioning Group	B-19 - B-20
Interior Finish Group	B-21 - B-23
Labels Group	B-24 - C-07
LP Group	C-08
Lounge Group	C-09
Sealants & Fasteners Group	C-10 - C-11
Water & Sewage Group	C-12 - C-14
Window, Vent & Exterior Door Group	C-14 - D-04

WINDOW, VENT & EXTERIOR DOOR GROUP

WINDOW, VENT & EXTERIOR DOOR GROUP (CONTINUED)



WINDOWS & ACCESS DOORS

Key	Part Number	U/M	Description
1	078536-01-T03	EA	Window Asm - Rear Escape
2	079578-08-AA3	EA	Door Asm - Storage
3	092235-03-Y12	EA	Window Asm - Single Tipout
4	096393-14-B05	EA	Door Asm - Storage Compartment
5	099847-07-700	EA	Window Asm - Single Slider (Excel)
6	078010-03-000	EA	Door Asm - Fuel Fill - Off White
7	084878-09-000	EA	Vent - Range Hood - Short
8	084103-03-000	EA	Door Asm - Refrigerator - Vented
9	052009-01-000	EA	Door Asm - Water Heater
10	096644-01-715	EA	Window Asm - Single Slider (Excel)
11	100322-02-700	EA	Window Asm - Bunk Slider (Excel)
12	096395-05-AA3	EA	Door Asm - Holding Tank & Dump Valve
13	078533-08-B13	EA	Window Asm - Front Picture
14	100322-01-720	EA	Window Asm - Bunk Slider (Excel)
15	096395-07-AA3	EA	Door Asm - Battery
16	096647-03-706	EA	Window Asm - Single Slider
17	096685-03-B05	EA	Valance Asm - Entrance Door
18	096252-03-B05	EA	Valance Asm - Rear - Generator

POWERED ROOF VENT

Key	Part Number	U/M	Description
	090394-01-Y12	EA	Vent Asm - Roof - Powered - w/o Screen (USA)
	009440-01-000	EA	Lift Mechanism
	009439-03-000	EA	Extension
	009439-04-000	EA	Screw
	009439-01-000	EA	Crank - Roof Vent - Mill
	048648-01-000	EA	Fan - Plastic - 8"
	009195-01-000	EA	Switch - Push Button - 12 Volt
	015911-01-000	EA	Track - Slide - Roof Vent
	002826-01-000	EA	Weatherstrip Seal
	048648-01-000	EA	Motor - 12 Volt
	008386-01-000	EA	Grommet - Snap - 3/8"
	051384-01-000	EA	Cover Asm - Roof Vent
	052630-01-200	EA	Hinge - 7" - Roof Vent
	078785-01-Y12	EA	Screen Asm - Roof Vent - Powered
	002291-02-000	SF	Screen - Window - 18" - Charcoal
	002298-02-000	FT	Spine - Charcoal
**	084469-06-000	EA	Vent Asm - Roof Powered - w/o Screen (CSA)
**	The illustrated parts breakdown of this item is provided on the Common Items Fiche.		

NON-POWERED VENT

Key	Part Number	U/M	Description
	090395-01-Y12	EA	Vent Asm - Roof - Non-Powered - w/o Screen
	009440-01-000	EA	Lift Mechanism Asm.
	009439-03-000	EA	Extension
	009439-04-000	EA	Screw
	009439-01-000	EA	Crank - Roof Vent - Mill
	015911-01-000	EA	Track - Slide - Roof Vent
	002826-01-000	EA	Weatherstrip Seal
	055218-01-000	EA	Cover Asm - Roof Vent
	052630-01-200	EA	Hinge - 7" - Roof Vent
	078785-01-Y12	EA	Screen Asm - Charcoal
	002291-02-000	SF	Screen - Window - 18" - Charcoal
	002298-02-000	FT	Spine - Charcoal

VENTS & SHROUDS

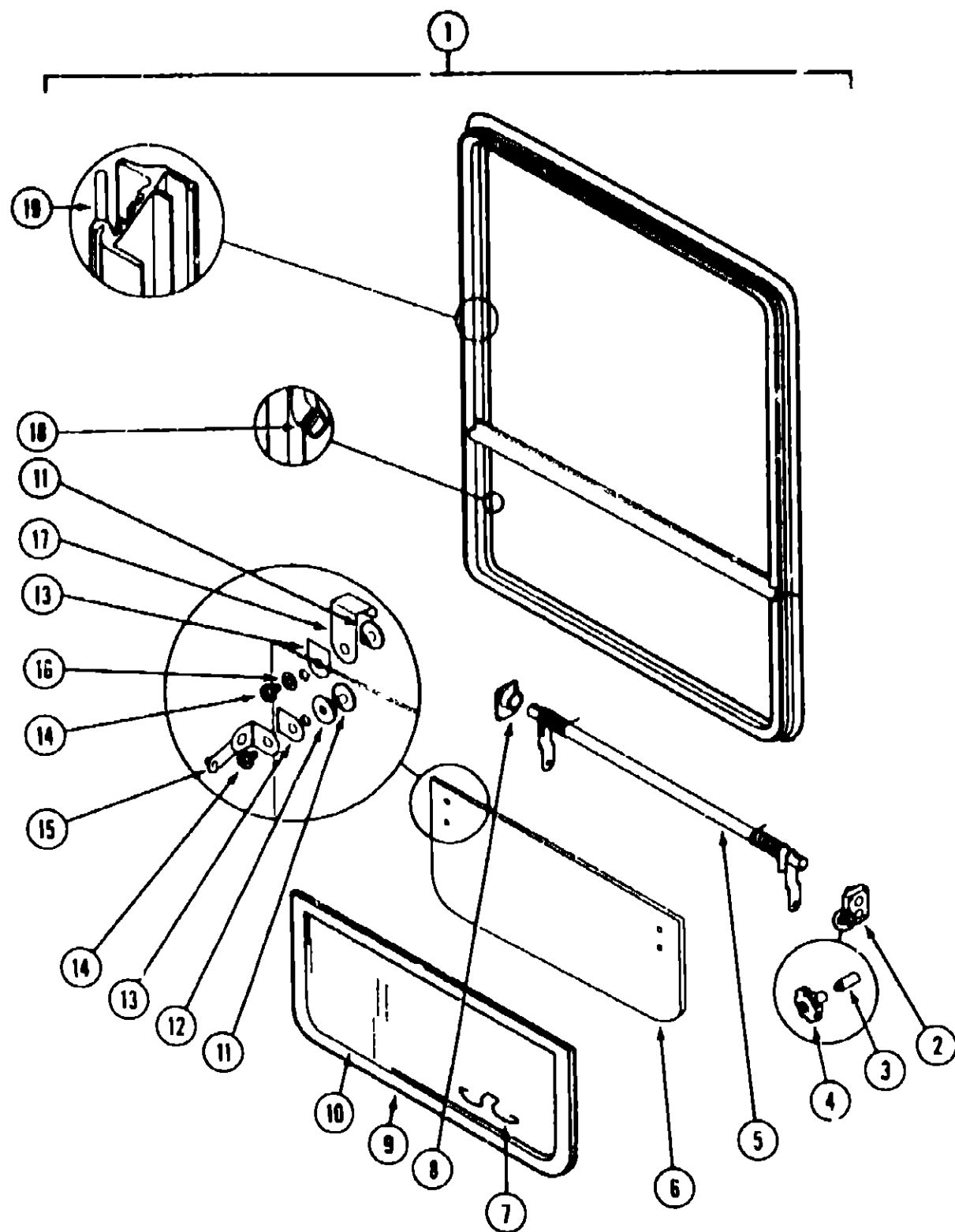
Key	Part Number	U/M	Description
	083558-03-000	EA	Vent - Plumbing Pipe - Roof w/Cover - Off White
	084073-03-000	EA	Vent - Refrigerator Roof - Off White
	084073-04-000	EA	Base - Roof Vent - Norcold Refrigerator - Black
	084878-09-000	EA	Vent - Range Hood - Short - LVS
	083752-01-000	EA	Shroud Asm - Range

**1992 WINNEBAGO
TABLE OF CONTENTS**

INTRODUCTION	A-01 - A-02
ABBREVIATIONS	A-03
ALPHABETICAL INDEX	A-04 - A-08
WC321RG	A-07 - D-04
WC324RC	D-05 - G-08

1992 WC321RG INDEX

Floor Plan	A-07 - A-08
Accessories Group	A-09 - A-12
Bath Group	A-13 - A-14
Chassis Group	A-15 - A-17
Curtain, Cushion & Pad Group	A-18 - B-01
Dinette Group	B-02 - B-03
Driver's Compartment Group	B-04 - B-07
Electrical Group	B-08 - B-10
Exterior Body Group	B-11 - B-15
Galley Group	B-16 - B-18
Heating & Air Conditioning Group	B-19 - B-20
Interior Finish Group	B-21 - B-23
Labels Group	B-24 - C-07
LP Group	C-08
Lounge Group	C-09
Sealants & Fasteners Group	C-10 - C-11
Water & Sewage Group	C-12 - C-14
Window, Vent & Exterior Door Group	C-14 - D-01



LOUNGE SINGLE TIPOUT WINDOW

Key	Part Number	U/M	Description
1	092235-03-Y12	EA	Window Asm. - Single Tipout (w/o Inside frame)
	090993-03-01A	EA	Inside Frame - Black (not included w/Window Assembly)
	090993-03-02A	EA	Inside Frame - Off White (not included w/Window Assembly)
2	036302-02-000	EA	Operator Drive
3	009439-06-000	EA	Extension - Window Knob (not included w/Window Assembly)
4	009439-06-000	EA	Window Knob - Black (not included w/Window Assembly)
	009439-07-000	EA	Screw - Window Knob (not included w/Window Assembly)
5	090918-01-000	EA	Spring - Torque Tube - Rear
5	090918-02-000	EA	Spring - Torque Tube - Front
5	093150-11-000	EA	Torque Tube Asm. w/Springs
6	094086-16-000	EA	Glass - 1/8" x 9.2" x 26"
7	100186-01-000	EA	Screen Clip
8	091364-01-000	EA	Torque Tube Sleeve
9	100235-03-B07	EA	Screen Asm.
10	090218-03-000	SF	Window Screen - 12"
	100240-01-000	FT	Window Screen Spline
11	096762-01-000	EA	Window T-Nut
12	099927-03-000	EA	Seal - Rubber
13	094473-01-000	EA	Seal - Rubber
14	096763-01-000	EA	Screw - #10 - 32 x 1/4" PTH
15	097578-01-000	EA	Connecting Rod Asm.
	091849-01-000	EA	Snap Ring Clip
16	094453-02-000	EA	Plastic Washer - .06" x .50" x .25"
	094453-01-000	EA	Plastic Washer - .06" x .50" x .135"
17	099913-01-000	EA	Hinge
18	094067-02-000	FT	Seal - Sponge Rubber
19	099640-06-000	FT	Ribbon Sealer (not included w/Window Assembly)
	090914-01-000	EA	Corner Key
	095315-01-000	EA	Rivet - Shoulder - Tipout Window
	099154-01-000	FT	Glazing Channel

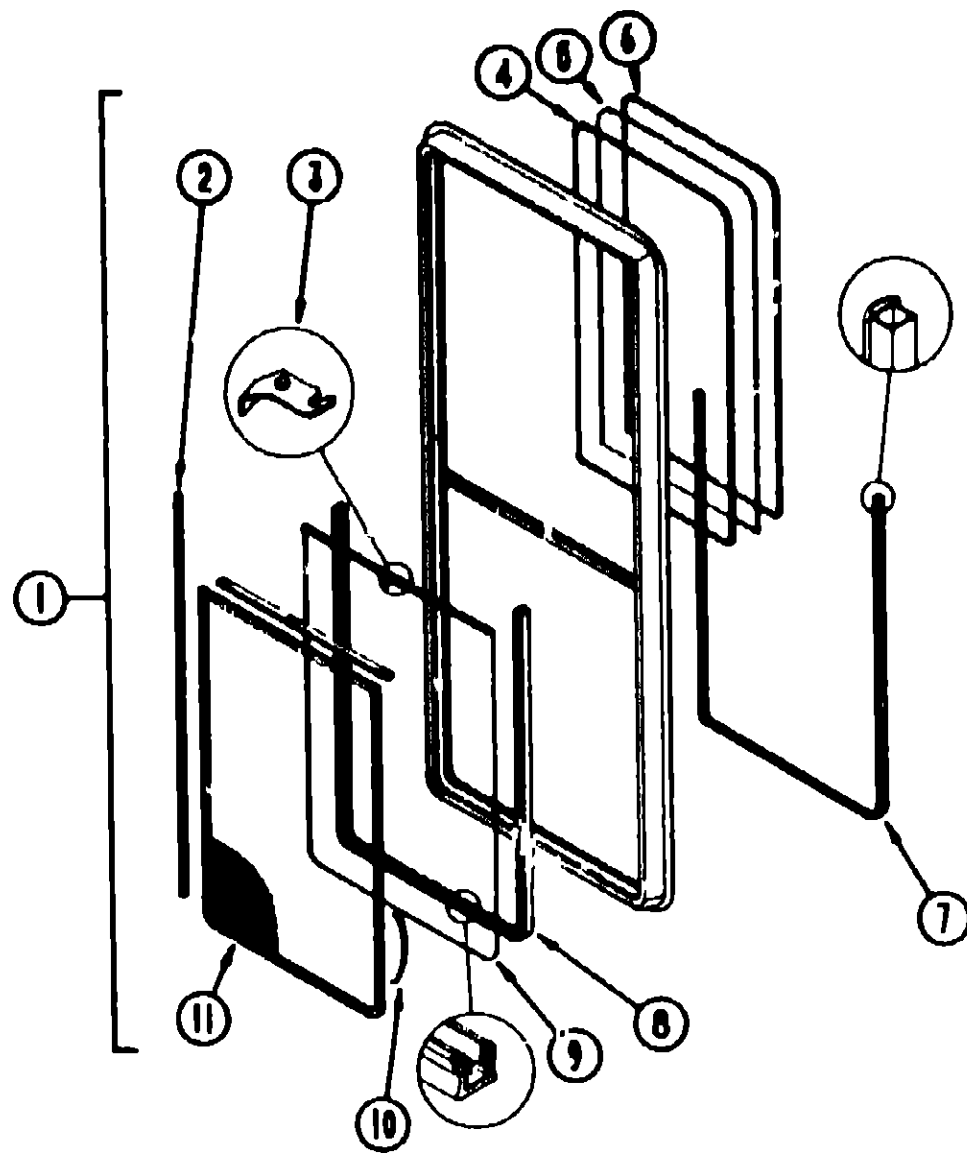
1992 WINNEBAGO
TABLE OF CONTENTS

INTRODUCTION	A-01 - A-02
ABBREVIATIONS	A-03
ALPHABETICAL INDEX	A-04 - A-08
WC321RG	A-07 - D-04
WC324RC	D-06 - G-08

1992 WC321RG INDEX

Floor Plan	A-07 - A-08
Accessories Group	A-09 - A-12
Bath Group	A-13 - A-14
Chassis Group	A-15 - A-17
Curtain, Cushion & Pad Group	A-18 - B-01
Dinette Group	B-02 - B-03
Driver's Compartment Group	B-04 - B-07
Electrical Group	B-08 - B-10
Exterior Body Group	B-11 - B-15
Galley Group	B-16 - B-18
Heating & Air Conditioning Group	B-19 - B-20
Interior Finish Group	B-21 - B-23
Labels Group	B-24 - C-07
LP Group	C-08
Lounge Group	C-09
Sealants & Fasteners Group	C-10 - C-11
Water & Sewage Group	C-12 - C-14
Window, Vent & Exterior Door Group	C-14 - D-04

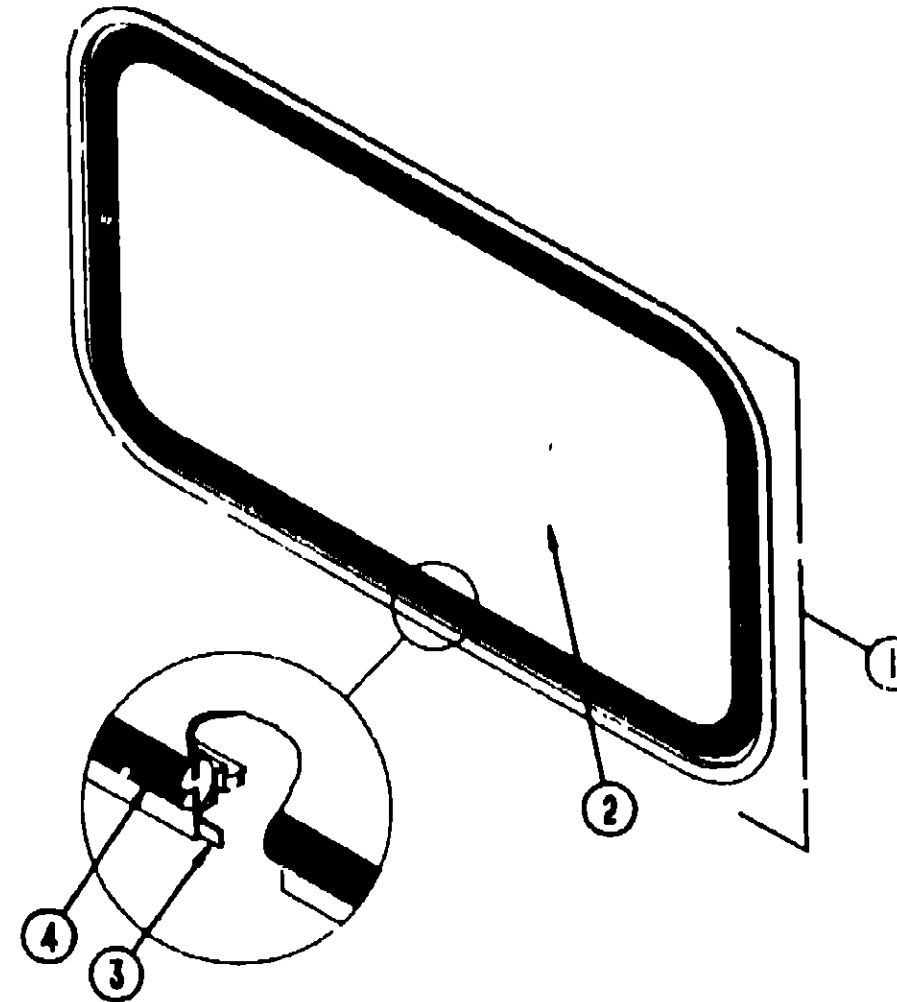
WINDOW, VENT & EXTERIOR DOOR GROUP (CONTINUED)



BATH VERTICAL SLIDER (EXCEL)

Key	Part Number	U/M	Description
1	098644-01-715	EA	Window Asm - 22" x 15" (w/o inside frame)
	098644-01-714	EA	Inside Frame - Black (not included in assembly)
	098644-01-718	EA	Inside Frame - Off White (not included in assembly)
2	098644-01-711	EA	Weatherstrip - Screen - Black
	098644-01-701	EA	Splice Plate - Window
	098644-01-702	EA	Screw - Splice - #6 - 32 x 1/4" Pan Head
	098644-01-703	EA	Screw - Locking Rail - #6 x 15 Pro Head Recess - Black
3	098644-01-700	EA	Latch - Repair Kit
4	098644-01-707	EA	Rail - Locking w/Weatherstrip
5	098644-01-704	EA	Glass - Stationary - 10 03" x 13 77"
6	098644-01-705	FT	Glazing Strip
7	098644-01-706	FT	Weatherstrip
8	098644-01-708	FT	Channel - Pierced Run
9	098644-01-709	FT	Glass Sliding - w/Sash & Latch
	098644-01-710	FT	Track - Screen Spacer - 12' Length
10	098644-01-713	EA	Spring - Screen Frame (Clip) - Plastic - Black
11	098644-01-712	EA	Screen w/Weatherstrip & Frame Spacing (Clip)
	098644-01-716	EA	Plug - Filler

WINDOW, VENT & EXTERIOR DOOR GROUP (CONTINUED)



FRONT PICTURE WINDOW

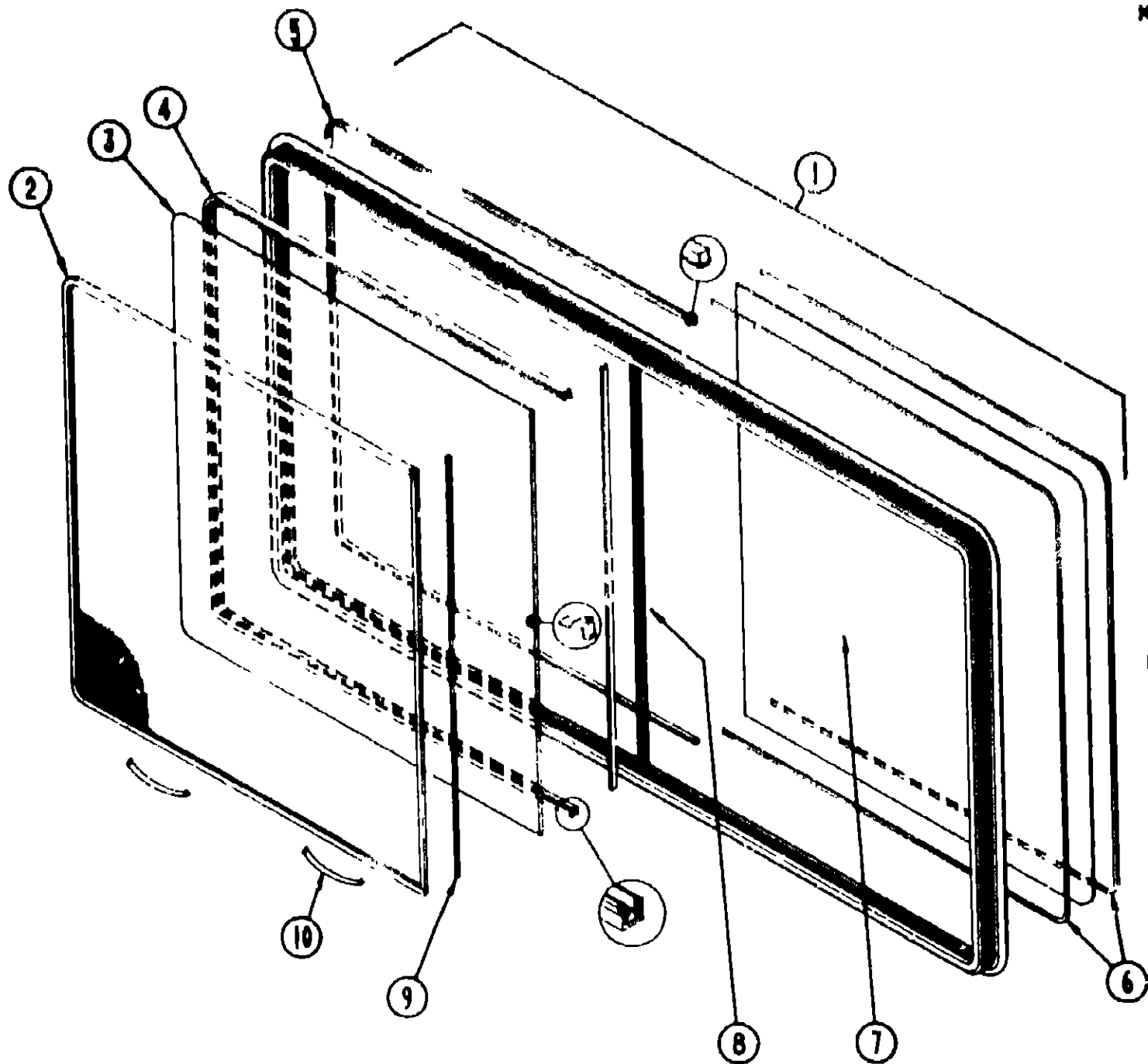
Key	Part Number	U/M	Description
1	078533-08-B13	EA	Window Asm - Front Picture - 14" x 24" - Black (w/o inside frame)
	041938-12-000	EA	Inside Frame - Black (not included in assembly)
	041938-15-000	EA	Inside Frame - Off White (not included in assembly)
2	002181-13-000	EA	Glass - Tempered - Picture Window
3	069640-06-000	FT	Ribbon Sealer - 5/16" Bead x 15'
4	002181-02-000	EA	Weatherstrip - Self Seal - 06" Panel x 125" - Black

**1992 WINNEBAGO
TABLE OF CONTENTS**

INTRODUCTION	A-01 - A-02
ABBREVIATIONS	A-03
ALPHABETICAL INDEX	A-04 - A-06
WC321RG	A-07 - D-04
WC324RC	D-05 - G-06

1992 WC321RG INDEX

Floor Plan	A-07 - A-08
Accessories Group	A-09 - A-12
Bath Group	A-13 - A-14
Chassis Group	A-15 - A-17
Curtain, Cushion & Pad Group	A-18 - B-01
Dinette Group	B-02 - B-03
Driver's Compartment Group	B-04 - B-07
Electrical Group	B-08 - B-10
Exterior Body Group	B-11 - B-15
Galley Group	B-16 - B-18
Heating & Air Conditioning Group	B-19 - B-20
Interior Finish Group	B-21 - B-23
Labels Group	B-24 - C-07
LP Group	C-08
Lounge Group	C-09
Sealants & Fasteners Group	C-10 - C-11
Water & Sewage Group	C-12 - C-14
Window, Vent & Exterior Door Group	C-14 - D-04



GALLEY SINGLE SLIDER WINDOW (EXCEL)

Key	Part Number	U/M	Description
1	098647-07-706	EA	Window - Single Slider (w/o Inside frame)
	098647-06-704	EA	Inside Frame - Black (not included in assembly)
	098647-06-706	EA	Inside Frame - Off White (not included in assembly)
2	098647-06-703	EA	Screen w/Weatherstrip & Frame Spring (Clip)
3	098647-06-702	EA	Glass - Sliding w/Sash & Latch
4	098644-01-708	FT	Channel - Pierced Run
5	098644-01-706	FT	Weatherstrip
6	098644-01-705	FT	Glazing Strip
7	098647-06-700	EA	Glass - Stationary - 10.01" x 13.77"
8	098647-06-701	EA	Rail - Locking w/Weatherstrip
9	098644-01-711	FT	Weatherstrip - Screen - Black
10	098644-01-713	EA	Spring - Screen Frame (Clip) - Plastic - Black
	098644-01-701	EA	Splice Plate - Window
	098644-01-702	EA	Screw - Splice
	098644-01-703	EA	Screw - Locking Rail
	098644-01-700	EA	Latch - Repair Kit
	098644-01-710	FT	Track - Screen Spacer (12' Length)
	098644-01-716	FT	Filler Plug

DINETTE SINGLE SLIDING WINDOW (EXCEL)

Key	Part Number	U/M	Description
1	098647-03-706	EA	Window Asm. - Single Slider - 30" x 54" (w/o Inside frame)
	098647-03-705	EA	Inside Frame - Black (not included in assembly)
	098647-03-707	EA	Inside Frame - Off White (not included in assembly)
2	098647-03-704	EA	Screen Asm. - w/Spring & Weatherstrip
3	098647-03-702	EA	Sash Asm. - w/Lock & Glass
	098647-03-703	EA	Spacer Track
4	098644-01-708	FT	Channel - Pierced Run
	098644-01-700	EA	Latch - Repair Kit
5	098644-01-706	FT	Weatherstrip
6	098644-01-705	FT	Glazing Strip
7	098647-03-700	EA	Stationary Glass - 26" x 28.7"
8	098647-03-701	EA	Locking Rail w/Weatherstrip
9	098644-01-711	FT	Weatherstrip - Screen - Black
10	098644-01-713	EA	Spring - Screen Frame (Clip) - Black Plastic
	098644-01-701	EA	Splice Plate - Window
	098644-01-702	EA	Screw - Splice - #6 - 32 x 1/4" Pan Head
	098644-01-703	EA	Screw - Locking Rail - #6 x 15 Pro Head Recess - Black
	098644-01-716	EA	Filler Plug

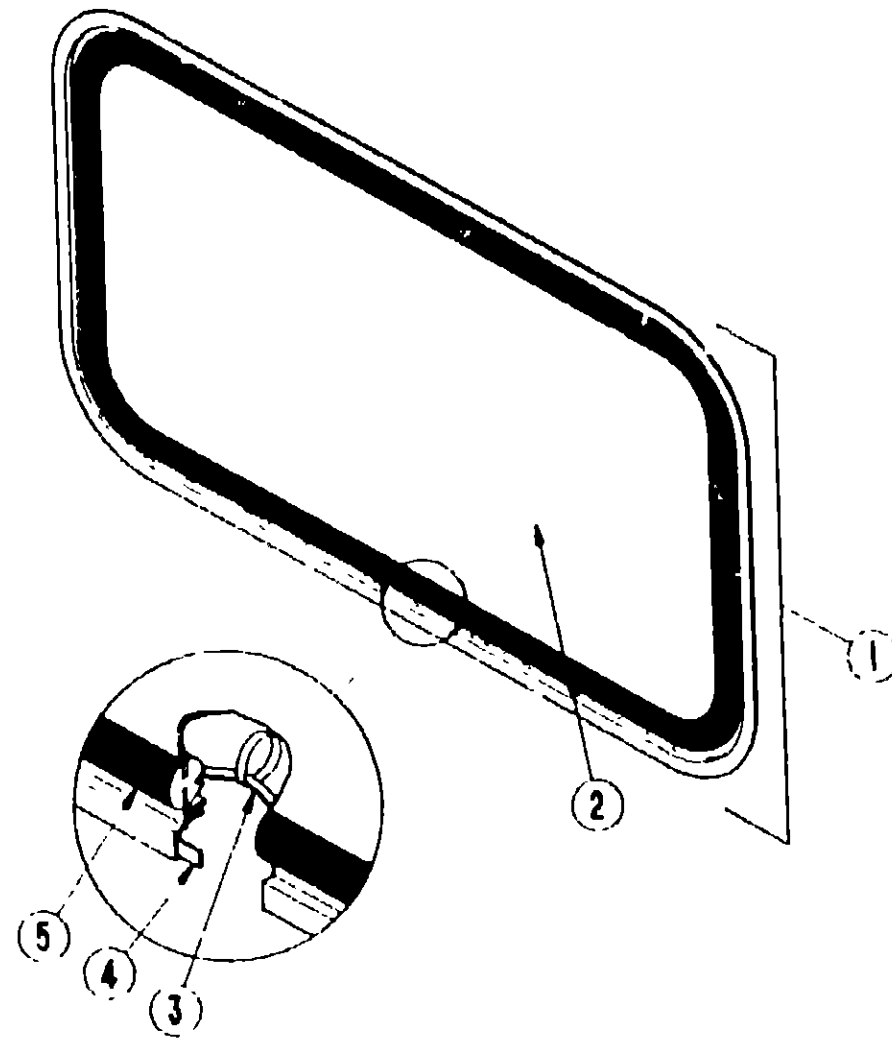
1992 WINNEBAGO
TABLE OF CONTENTS

INTRODUCTION	A-01 - A-02
ABBREVIATIONS	A-03
ALPHABETICAL INDEX	A-04 - A-06
WC321RG	A-07 - D-04
WC324RC	D-05 - G-06

1992 WC321RG INDEX

Floor Plan	A-07 - A-08
Accessories Group	A-09 - A-12
Bath Group	A-13 - A-14
Chassis Group	A-15 - A-17
Curtain, Cushion & Pad Group	A-18 - B-01
Dinette Group	B-02 - B-03
Driver's Compartment Group	B-04 - B-07
Electrical Group	B-08 - B-10
Exterior Body Group	B-11 - B-15
Galley Group	B-16 - B-18
Heating & Air Conditioning Group	B-19 - B-20
Interior Finish Group	B-21 - B-23
Labels Group	B-24 - C-07
LP Group	C-08
Lounge Group	C-09
Sealants & Fasteners Group	C-10 - C-11
Water & Sewage Group	C-12 - C-14
Window, Vent & Exterior Door Group	C-14 - D-04

WINDOW, VENT & EXTERIOR DOOR GROUP (CONTINUED)



ESCAPE WINDOW

Key	Part Number	U/M	Description
1	078536-01-T03	EA	Window Asm - Rear Escape - 23" x 68" (w/o inside frame)
	042027-12-000	EA	Inside Frame - Black (not included in assembly)
	042027-13-000	EA	Inside Frame - Off White (not included in assembly)
2	002178-01-000	EA	Glass - 1/8" x 19 6" x 64 8"
3	002285-01-000	FT	Filler - Weatherstrip - Black
4	069640-05-000	FT	Ribbon Sealer - 5/16" Bead x 15'
5	002282-01-000	FT	Weatherstrip - 1 25" Window
	077066-01-702	EA	Tape Asm - Escape Window - Red
	006199-01-000	EA	Label - Exit - Escape Window
	047731-01-000	EA	Label - Emergency Exit

WINDOW, VENT & EXTERIOR DOOR GROUP (CONTINUED)

PASSENGER & DRIVERS SIDE BUNK WINDOW (EXCEL)

Key	Part Number	U/M	Description
	100322-01-720	EA	Window - Vented - 12" x 38.5" (Passenger) (w/o inside frame)
	100322-02-700	EA	Window - Vented - 12" x 38.5" (Driver) (w/o inside frame)
	100322-01-719	EA	Inside Frame - Black - Passenger
	100322-01-724	EA	Inside Frame - Off White - Passenger
	100322-01-721	EA	Inside Frame - Black - Driver
	100322-02-701	EA	Inside Frame - Off White - Driver
	098644-01-716	EA	Filler Plug
	100322-01-701	EA	Vent Seal
	100322-01-702	EA	Weatherstrip - Horizontal Rail
	100322-01-703	EA	Glazing - Butyl Strip
	100322-01-704	EA	Butyl Tape
	100322-01-705	EA	Glass - Stationary - Small Top
	100322-01-706	EA	Glass - Stationary - Large Front
	100322-01-707	EA	Glass - Tipout - Sub Asm. - Passenger Side
	100322-01-710	EA	Splice Plate
	100322-01-708	EA	Screen - Driver Side
	100322-01-709	EA	Screen - Passenger Side
	100322-01-711	EA	Vent Operator - Sub Asm. - Passenger Side
	100322-01-712	EA	Rail - Horizontal
	100322-01-713	EA	Bar - Division - Vertical
	100322-01-714	EA	Support - Torque Bar (Driver)
	100322-01-715	EA	Support - Torque Bar (Passenger)
	100322-01-716	EA	Support - Torque Bar - Center Rail
	100322-01-717	EA	E-Ring
	100322-01-718	EA	Handle - Dial
	100322-01-722	EA	Glass - Tipout - Sub Asm. - Driver Side
	100322-01-723	EA	Vent Operator - Sub Asm. - Driver Side

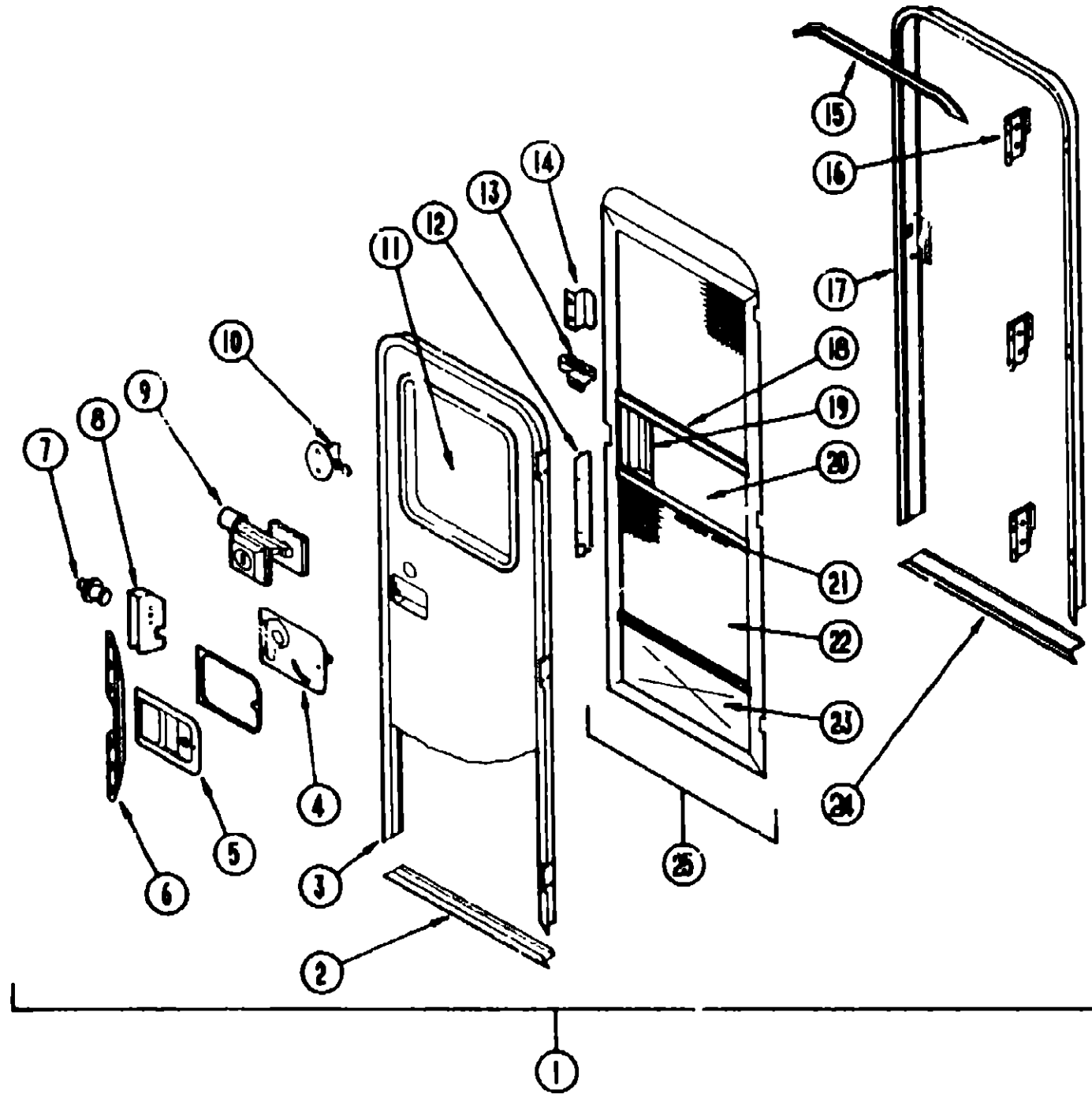
**1992 WINNEBAGO
TABLE OF CONTENTS**

INTRODUCTION	A-01 - A-02
ABBREVIATIONS	A-03
ALPHABETICAL INDEX	A-04 - A-06
WC321RG	A-07 - D-04
WC321RC	D-05 - G-06

1992 WC321RG INDEX

Floor Plan	A-07 - A-08
Accessories Group	A-09 - A-12
Bath Group	A-13 - A-14
Chassis Group	A-15 - A-17
Curtain, Cushion & Pad Group	A-18 - B-01
Dinette Group	B-02 - B-03
Driver's Compartment Group	B-04 - B-07
Electrical Group	B-08 - B-10
Exterior Body Group	B-11 - B-15
Galley Group	B-16 - B-18
Heating & Air Conditioning Group	B-19 - B-20
Interior Finish Group	B-21 - B-23
Labels Group	B-24 - C-07
LP Group	C-08
Lounge Group	C-09
Sealants & Fasteners Group	C-10 - C-11
Water & Sewage Group	C-12 - C-14
Window, Vent & Exterior Door Group	C-14 - D-04

WINDOW, VENT & EXTERIOR DOOR GROUP (CONTINUED)



ENTRANCE DOOR

Key	Part Number	U/M	Description
1	M01870-32-B85	EA	Door Asm - Entrance w/Screen
	075639-11-000	EA	Garnish - Radius - Entrance Door
2	089748-01-000	EA	Frame - Entrance Door - Bottom Portion - Off White
3	095276-01-01A	EA	Frame Asm - Entrance Door - Off White
4	039979-04-000	EA	Cover Asm - Latch Plate - Black
	039984-01-000	EA	Cap - Black Vinyl - Lock Gnp
5	045017-11-000	EA	Latch Asm - Plate - Black
6	098173-01-04A	EA	Stiffener - Entrance Door
7	039539-01-000	EA	Strike
8	039540-01-000	EA	Latch Asm - Entrance Door
9	101145-01-01A	EA	Deadbolt As.n. - Black/Black
	101147-01-000	EA	Bolt - Security - 4 1/2" Backset
10	100412-01-000	EA	Catch - Screen Door
11	079733-07-AA8	EA	Window Asm. - Picture - 17" x 25" - Frosted Glass (w/o inside frame)
	067609-27-000	EA	Inside Frame - Black (not included in assembly)
	067609-32-000	EA	Inside Frame - Off White (not included in assembly)
	002181-07-000	EA	Glass - Picture - Frosted
	087581-01-000	FT	Spline - Glass - Exterior Vinyl - Black
12	079087-02-000	EA	Strike - Slider - Screen Door
13	009018-01-000	EA	Roller Catch - Screen Door
14	050712-04-000	EA	Door Handle - Screen Door
15	044582-02-000	EA	Drip Cap - Top Entrance
18	097724-01-02A	EA	Hinge - Entrance Door - Off White
17	095277-02-01A	EA	Door Jamb - Entrance Door w/Bottom Jamb
	079207-01-000	EA	Striker - Roller Catch - Welded to Door Jamb
18	078777-01-000	EA	Channel Slide - Screen Door Center Slider Cover
19	079086-02-000	EA	Slider - Screen Door
20	018454-01-000	EA	Insert - Screen Door - Center - Leather Grain Aluminum
21	002294-01-000	FT	Spline - Black
22	002293-02-000	SF	Screen - Window - 26" - Channel
23	078552-03-000	EA	Insert - Screen Door - Lower - Kick Panel
24	051049-01-000	EA	Jamb - Bottom - Entry Door
25	079012-01-U01	EA	Screen Door Asm
	078595-01-000	EA	Plate - Screen Door
	100128-02-000	FT	Seal - Screen Door
	075871-01-000	FT	Seal - Sponge - Lazy T-Shaped
	002748-01-000	EA	Key - Corner
	083729-04-000	EA	Rivnut - 10 - 32 UNF - .010 - .080
	072993-01-000	EA	Nutsert - M5 x 0.8
	102524-01-000	EA	Bumper - Rubber - Flat - Black
	081914-01-000	EA	Bumper - Rubber - Round - Black

* These parts are used from 6/3/91 on

1992 WINNEBAGO TABLE OF CONTENTS

INTRODUCTION	A-01 - A-02
ABBREVIATIONS	A-03
ALPHABETICAL INDEX	A-04 - A-06
WC321RG	A-07 - D-04
WC324RC	D-05 - G-06

1992 WC321RG INDEX

Floor Plan	A-07 - A-08
Accessories Group	A-09 - A-12
Bath Group	A-13 - A-14
Chassis Group	A-15 - A-17
Curtain, Cushion & Pad Group	A-18 - B-01
Dinette Group	B-02 - B-03
Driver's Compartment Group	B-04 - B-07
Electrical Group	B-08 - B-10
Exterior Body Group	B-11 - B-15
Galley Group	B-16 - B-18
Heating & Air Conditioning Group	B-19 - B-20
Interior Finish Group	B-21 - B-23
Labels Group	B-24 - C-07
LP Group	C-08
Lounge Group	C-09
Sealants & Fasteners Group	C-10 - C-11
Water & Sewage Group	C-12 - C-14
Window, Vent & Exterior Door Group	C-14 - D-04

WINDOW, VENT & EXTERIOR DOOR GROUP (CONTINUED)

ACCESS DOORS

Key	Part Number	U/M	Description
	096395-05-AA3	EA	Door Asm. - Holding Tank & Dump Valve - 63 5"
	079927-03-000	EA	Lock - Twist Type - Double Cam
	078010-03-000	EA	Door Asm - Fuel Fill - Off White
	078200-01-000	EA	Gasket - Fuel Fill Door
	078040-02-000	EA	Shroud - Fuel Fill - Upper
	083578-01-000	EA	Boot - Fuel Fill
	084235-01-000	EA	Support - Flange
	084103-03-000	EA	Door Asm - Refrigerator - Vented - Off White - w/o Jamb
	084104-01-700	EA	Lock - Male - Dyrus Fasteners
	084104-01-701	EA	Lock - Female - Dyrus Fasteners
	084104-03-000	EA	Jamb - Door - Vented - Refrigerator - Off White
	081240-03-000	EA	Door Asm - Water Fill - Lockable - 4" x 4 5/8" - Off White
	098252-03-B05	EA	Door Asm - Storage/Generator - 27"
	079927-03-000	EA	Lock - Twist Type - Double Cam - 2 10 Off Set
	081801-02-000	EA	Hinge - 2" x 96" - Off White
	079578-08-AA3	EA	Door Asm - Storage - 10 7" x 22 5"
	064075-07-000	EA	Seal - Bulb - Door Jamb - Black
	079366-04-000	EA	Door Lock - Key Type w/o Keys
	082684-01-700	EA	Key - Storage Door
	096393-14-B05	EA	Door Asm - Compartment w/Locks - 70" Tapered
	079366-04-000	EA	Door Lock - Key Type w/o Keys
	082684-01-700	EA	Key - Door Lock
	096395-07-AA3	EA	Door Asm - Battery Compartment - 63 5"
	079927-03-000	EA	Lock - Twist Type - Double Cam
	052009-01-000	EA	Door Asm - Water Heater - Off White
	096209-55-001	EA	U-Channel - Hinged - 18" - Off White
	097111-01-01A	EA	Pocket - Lock Valance - Off White
	098338-01-000	EA	Gasket - Lock Pocket
	096217-55-001	EA	U-Channel - 17 5" - Off White
	079368-01-000	FT	Seal - Access Door
	058027-01-000	FT	Seal - "D" Shaped - Hollow - Sponge Rubber - Black
	091876-01-000	EA	Retainer - Door 1 97" x 79" - Metal

1992 WINNEBAGO TABLE OF CONTENTS

INTRODUCTION	A-01 - A-02
ABBREVIATIONS	A-03
ALPHABETICAL INDEX	A-04 - A-08
WC321RG	A-07 - D-04
WC324RC	D-05 - G-06

1992 WC321RG INDEX

Floor Plan	A-07 - A-08
Accessories Group	A-09 - A-12
Bath Group	A-13 - A-14
Chassis Group	A-15 - A-17
Curtain, Cushion & Pad Group	A-18 - B-01
Dinette Group	B-02 - B-03
Driver's Compartment Group	B-04 - B-07
Electrical Group	B-08 - B-10
Exterior Body Group	B-11 - B-15
Galley Group	B-16 - B-18
Heating & Air Conditioning Group	B-19 - B-20
Interior Finish Group	B-21 - B-23
Labels Group	B-24 - C-07
LP Group	C-08
Lounge Group	C-09
Sealants & Fasteners Group	C-10 - C-11
Water & Sewage Group	C-12 - C-14
Window, Vent & Exterior Door Group	C-14 - D-04