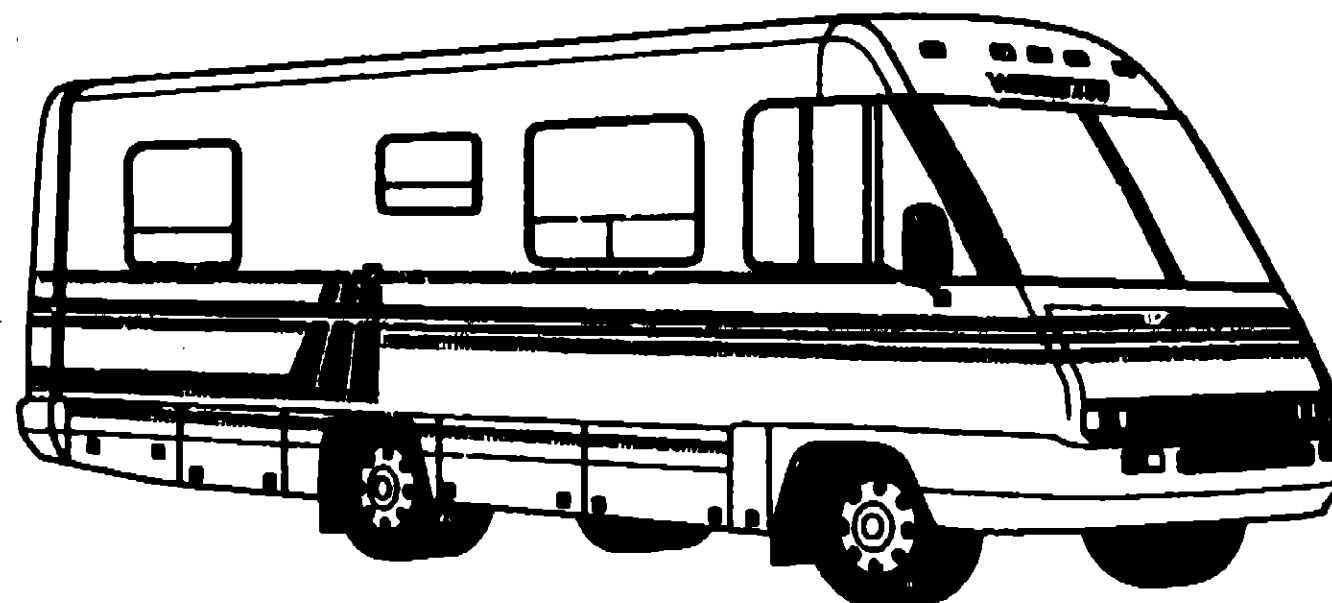


**1992 WINNEBAGO
TABLE OF CONTENTS**

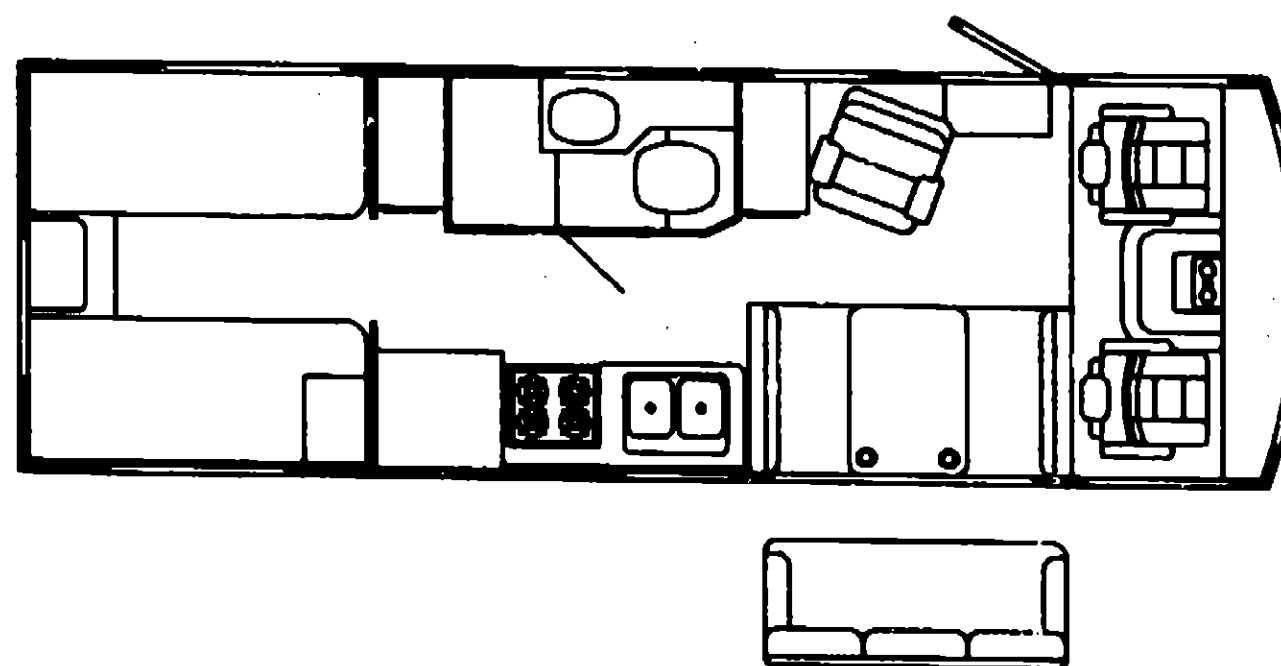
INTRODUCTION	A-01	A-02
ABBREVIATIONS		A-03
ALPHABETICAL INDEX	A-04	A-05
JCN28RT	A-07	F-04

**1992
JCN28RT
C80
C81**



1992 JCN28RT INDEX

FLOOR PLAN	A-07	A-08
ACCESSORIES		A-09
AUDIO VIDEO	A-10	A-11
BATH	A-12	A-14
BEDROOM	A-15	A-17
CHASSIS	A-18	B-04
CURTAIN & CUSHION	B-05	B-16
DINETTE	B-17	B-18
DRIVERS COMPARTMENT	B-19	B-24
ELECTRICAL	C-01	C-06
EXTERIOR BODY	C-07	C-16
GALLEY	C-17	C-21
GENERATOR		C-22
HEATING & A/C	C-23	D-02
INTERIOR FINISH	D-03	D-08
LABEL	D-07	D-12
LP		D-13
LOUNGE	D-14	D-15
SEALANTS & FASTENERS	D-16	D-19
WATER & SEWAGE	D-20	D-24
WINDOW, VENT AND EXTERIOR DOOR	E-01	E-24
WINDSHIELD & WIPER	F-01	F-04



**ACCESSORIES GROUP
OPERATORS MANUAL & BINDER**

KEY	PART NUMBER	U/M DESCRIPTION
	064185-00-000	EA MANUAL-OPERATORS, 82 SUN-FLYER
	092318-01-000	EA BINDER-3 RING, MOTOR HOME MANUAL
	092318-01-000	EA POCKET PAGE-3 RING BINDER, PLASTIC
	106363-01-000	EA TOP LEVEL 1992 N-SERIES DRAWING NUMBER

**AUDIO VIDEO GROUP
RADIO SYSTEM AND COMPONENTS**

KEY	PART NUMBER	U/M DESCRIPTION
	097821-02-000	EA MOUNTING KIT-RADIO, AUDIOVOX WMK-AB02
	098998-01-000	EA BRACKET-RADIO, AUDIOVOX - R.4" X 8.3" - STEEL
	099340-02-000	EA GRILLE-SPEAKER, 8.7" SQUARE
	074679-02-000	EA SHIELD-SPEAKER, BACK - MOLDED PLASTIC - LIGHT OAK
	094097-01-000	EA SPEAKER-RADIO, W/O GRILLE - 5.25" DIA - AUDIOVOX 110C3030
	073741-03-000	EA SPEAKER-RADIO, OVAL - AUDIOVOX 110-3074 - 4" X 6"
	073741-04-000	EA GRILLE-SPEAKER, OVAL - 4" X 6" - BLACK
	077089-02-000	EA CABLE-ANTENNA, RADIO - EXTENSION 96" - ARA 8700867
	090944-01-000	EA ANTENNA-RADIO, 16" RUBBER
	090882-01-000	EA BRACKET-HAT, ANTENNA - 3.1" X 3.9" - STEEL - BLACK FROM: 00-00-00 THRU: 01-23-92
	104488-01-000	EA BRACKET-HAT, ANTENNA - 3.1" X 3.9" - STEEL - BLACK FROM: 01-24-92 THRU: 99-99-99

CB RADIO ANTENNA

KEY	PART NUMBER	U/M DESCRIPTION
	106248-01-000	EA ANTENNA-CB, ADVANCE 8804

TV ANTENNA

KEY	PART NUMBER	U/M DESCRIPTION
	076319-01-000	EA ANTENNA-TV, ROOF MOUNT - 41.5" MAST - RVA W02
	076319-01-700	EA HEAD-ANTENNA, AMPLIFIED - WINEGARD# RVSA U/V
	076319-01-701	EA GEAR-ELEVATING, PLASTIC - WINEGARD# 220004C
	076319-01-702	EA SHAFT ASM-ELEVATING, WINEGARD# RVP-400A
	076319-01-703	EA BEARING-NYLON, 5"OD - WINEGARD# 3200858
	076319-01-705	EA GROMMET-NYLON, 7/8"ID - WINEGARD# 3200858
	076319-01-706	EA CRANK-ELEVATING, W/SET SCREW - WINEGARD# 5755100
	076319-01-707	EA SPRING-HANDLE, WINEGARD# 5180800
	076319-01-709	EA PLATE-DIRECTIONAL, FOR HEAD - WINEGARD #3200844
	076319-01-710	EA CRANK-ELEVATING, HALF MOON - WINEGARD #2750897
	076319-06-000	EA ADAPTOR-CABLE ROOF PLATE, WINEGARD RPJ-1
	082134-01-000	EA ADAPTER-TV, CABLE TO CABLE - WINEGARD F-81M
	082136-01-000	EA NUT-HEX JAM 3/8-32, WINEGARD
	076319-03-000	FT CABLE-COAXIAL, 75 OHM
	076319-12-000	EA CONNECTOR-COAXIAL, ONE PIECE
	076319-09-000	EA WALLPLATE-TV RECEPTACLE - BROWN
	086756-01-000	EA SPLITTER-TV, 2 WAY
	093901-01-000	EA PLATE-TELEPHONE & TV, EXTERIOR HOOK UP - METAL FROM: 10-18-91 THRU: 99-99-99

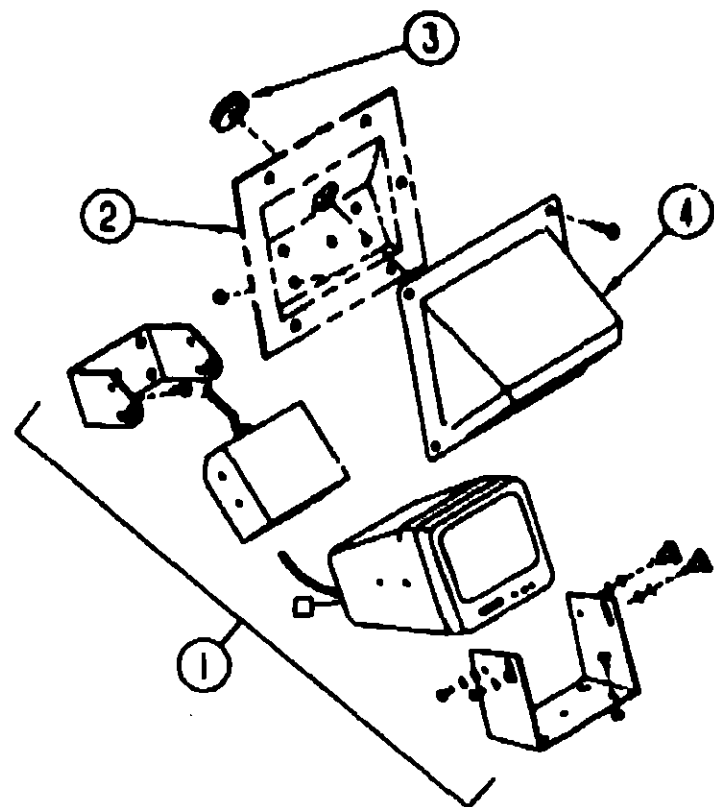
**1992 WINNEBAGO
TABLE OF CONTENTS**

INTRODUCTION	A-01 -	A-02
ABBREVIATIONS		A-03
ALPHABETICAL INDEX	A-04 -	A-06
JCN28RT	A-07 -	F-04

1992 JCN28RT INDEX

FLOOR PLAN	A-07 -	A-08
ACCESSORIES		A-09
AUDIO VIDEO	A-10 -	A-11
BATH	A-12 -	A-14
BEDROOM	A-15 -	A-17
CHASSIS	A-18 -	B-04
CURTAIN & CUSHION	B-05 -	B-16
DINETTE	B-17 -	B-18
DRIVERS COMPARTMENT	B-19 -	B-24
ELECTRICAL	C-01 -	C-08
EXTERIOR BODY	C-07 -	C-16
GALLEY	C-17 -	C-21
GENERATOR		C-22
HEATING & A/C	C-23 -	D-02
INTERIOR FINISH	D-03 -	D-08
LABEL	D-07 -	D-12
LP		D-13
LOUNGE	D-14 -	D-15
SEALANTS & FASTENERS	D-16 -	D-19
WATER & SEWAGE	D-20 -	D-24
WINDOW, VENT AND		
EXTERIOR DOOR	E-01 -	E-24
WINDSHIELD & WIPER	F-01 -	F-04

AUDIO VIDEO GROUP (CONTINUED)



REAR VIEW MONITOR

KEY	PART NUMBER	U/M DESCRIPTION
1	093040-04-000	EA TELEVISION SYSTEM-REAR VIEW, SONY YM-RVFIAM
	093040-04-700	EA CAMERA, W/BACKET & WIRING - REAR VIEW - SSC-520AM
	093040-04-701	EA MONITOR-REAR VIEW, BLACK & WHITE - 6" - SSM-620AM
	093040-04-702	EA SUN HOOD-MONITOR, WV-611AM
	093040-04-703	EA LENS-CAMERA, REAR VIEW - SSM-620AM 3-707-478-01
	093041-01-000	EA CABLE-MONITOR/CAMERA, INTERNAL USE
	093041-02-000	EA CABLE-MONITOR/CAMERA, EXTERNAL USE
	092881-01-000	EA WIRE-INSTRUMENT PANEL, REAR MONITOR - CHEVY
2	102813-01-01A	EA SHROUD-CAMERA, INNER - 7" X 5.5" - PLASTIC
3	071015-28-000	EA GROMMET
4	102814-01-03A	EA SHROUD-CAMERA, OUTER - OFF WHITE
	093040-03-000	EA WIRE-REAR MONITOR

**BATH GROUP
BATH DOOR & COMPONENTS**

KEY	PART NUMBER	U/M DESCRIPTION
	M57886-07-807	EA DOOR-BATH W/O LOCKSET
	094485-01-01A	EA KNOB-DOOR, POLISHED BRASS
	009089-02-000	EA HINGE-DOOR, 2" X 2.7" - BRASS
	100819-01-02A	EA MOLDING-VINYL WRAPPED, L-SHAPED, 1.8" X 1.8" X 7" - BATH DOOR JAMB - OAK
	100357-01-020	EA BAR-TOWEL, BRASS - WENDS SENT FOR BACK OF BATH DOOR
	102089-13-8X7	EA MOUNT-ROD, RIGHT SIDE - FOR TOWEL RODS - 28" LONG - WOOD
	102089-14-807	EA MOUNT-ROD, LEFT SIDE - FOR TOWEL RODS - 28" LONG - WOOD

PORCELAIN MARINE TOILET OPTION

KEY	PART NUMBER	U/M DESCRIPTION
	085330-04-000	EA TOILET-CHINA, SHORTY W/SPRAY - TRAVELER 610
	085330-01-701	EA KIT, VACUUM BREAKER 385318088
	085330-01-702	EA TUBE-FLUSH, SEALAND# 385318602
	085330-01-703	EA RING & HALF CLAMPS ASM-BONE, SEALAND# 385310048
	085330-01-704	EA TEFLON & RUBBER SEALS-SEALAND# 385318140
	085330-01-706	EA BALL, SHAFT, & CARTRIDGE, SEALAND# 385318162
	085330-01-707	EA CARTRIDGE-SPRING, SEALAND# 381238088
	085330-01-710	EA PLUG-DRAIN, & CAP - W/SEAL - SEALAND# 385318142
	085330-01-713	EA SHROUD, BONE 390340124
	085330-01-714	EA SEAL-FLANGE, FLOOR - SEALAND# 390343892
	085330-01-716	EA FLANGE-FLOOR, 3" MPT - SEALAND# 390348066
	085330-01-717	EA BOLT MOUNTING PACKAGE-SEALAND# 385310084
	085330-01-718	EA SEAL-BASE & MOUNTING HARDWARE, SEALAND# 385310053
	085330-04-700	EA BREAKER-VACUUM, FOR HANDSPRAY - SEALAND# 230325
	085330-04-702	EA LEVER-FLUSH, SEALAND# 340826
	085330-04-703	EA COVER ASM-PEDAL, SEALAND# 310118
	085330-04-704	EA BASE ASM-BONE, SEALAND# 310124
	085330-04-705	EA COVER ASM-PEDESTAL, SEALAND# 310109
	085330-04-706	EA BREAKER-VACUUM, W/HAND SPRAY - SEALAND# 385318065
	085330-04-707	EA SEAT ASM, BONE - SEALAND #340818
	085841-01-000	EA FLANGE-CLOSET, 4" X 3"

STANDARD TOILET & COMPONENTS

KEY	PART NUMBER	U/M DESCRIPTION
	084076-02-000	EA TOILET-STARLITE, LOW - IVORY - W/O WATERSAVER - THETFORD
	039341-02-700	EA COVER-SEAT, TOILET - IVORY - THETFORD 037151
	039341-02-703	EA PLUG-HOLE, IVORY - THETFORD 03895-10
	039341-02-704	EA SEAT & COVER SET, THETFORD 08855
	039341-02-705	EA MOUNTING PACKAGE, THETFORD 08975 A.M.
	039341-02-707	EA PIN-HINGE, TOILET - THETFORD 12986
	084076-01-701	EA MECHANISM-FLUSHING, THETFORD 14822
	024676-01-000	EA FLANGE-CLOSET, TOILET - 4" X 3" - RED

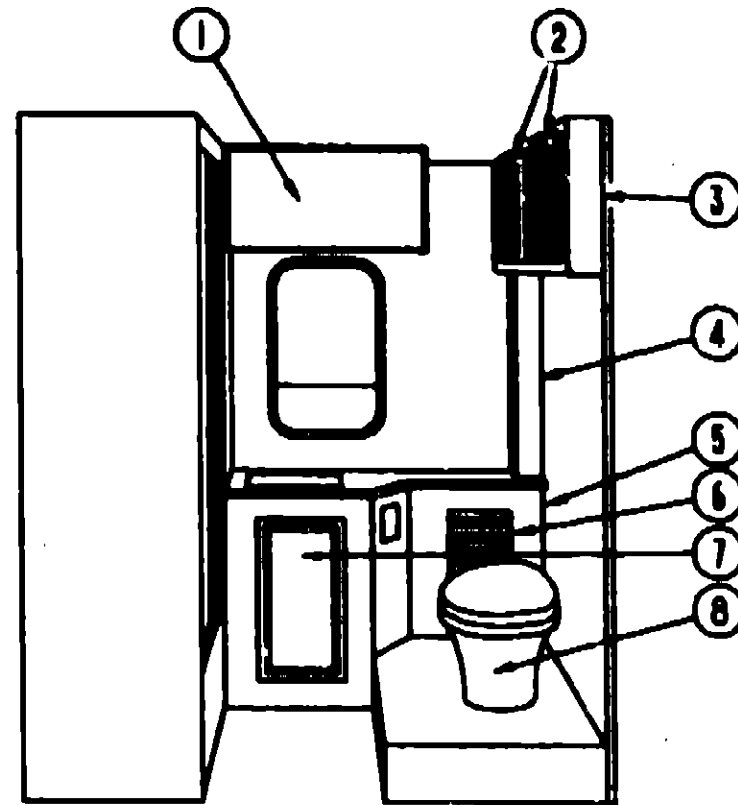
**1992 WINNEBAGO
TABLE OF CONTENTS**

INTRODUCTION	A-01 -	A-02
ABBREVIATIONS		A-03
ALPHABETICAL INDEX	A-04 -	A-08
JCN28RT	A-07 -	F-04

1992 JCN28RT INDEX

FLOOR PLAN	A-07 -	A-08
ACCESSORIES		A-09
AUDIO VIDEO	A-10 -	A-11
BATH	A-12 -	A-14
BEDROOM	A-15 -	A-17
CHASSIS	A-18 -	B-04
CURTAIN & CUSHION	B-05 -	B-16
DINETTE	B-17 -	B-18
DRIVERS COMPARTMENT	B-19 -	B-24
ELECTRICAL	C-01 -	C-08
EXTERIOR BODY	C-07 -	C-18
GALLEY	C-17 -	C-21
GENERATOR		C-22
HEATING & A/C	C-23 -	D-02
INTERIOR FINISH	D-03 -	D-08
LABEL	D-07 -	D-12
L.P.		D-13
LOUNGE	D-14 -	D-15
SEALANTS & FASTENERS	D-16 -	D-19
WATER & SEWAGE	D-20 -	D-24
WINDOW, VENT AND		
EXTERIOR DOOR	E-01 -	E-24
WINDSHIELD & WIPER	F-01 -	F-04

BATH GROUP (CONTINUED)
BATH CABINET & COMPONENTS



1982 WINNEBAGO
TABLE OF CONTENTS

INTRODUCTION	A-01	A-02
ABBREVIATIONS		A-03
ALPHABETICAL INDEX	A-04	A-08
JCN28RT	A-07	F-04

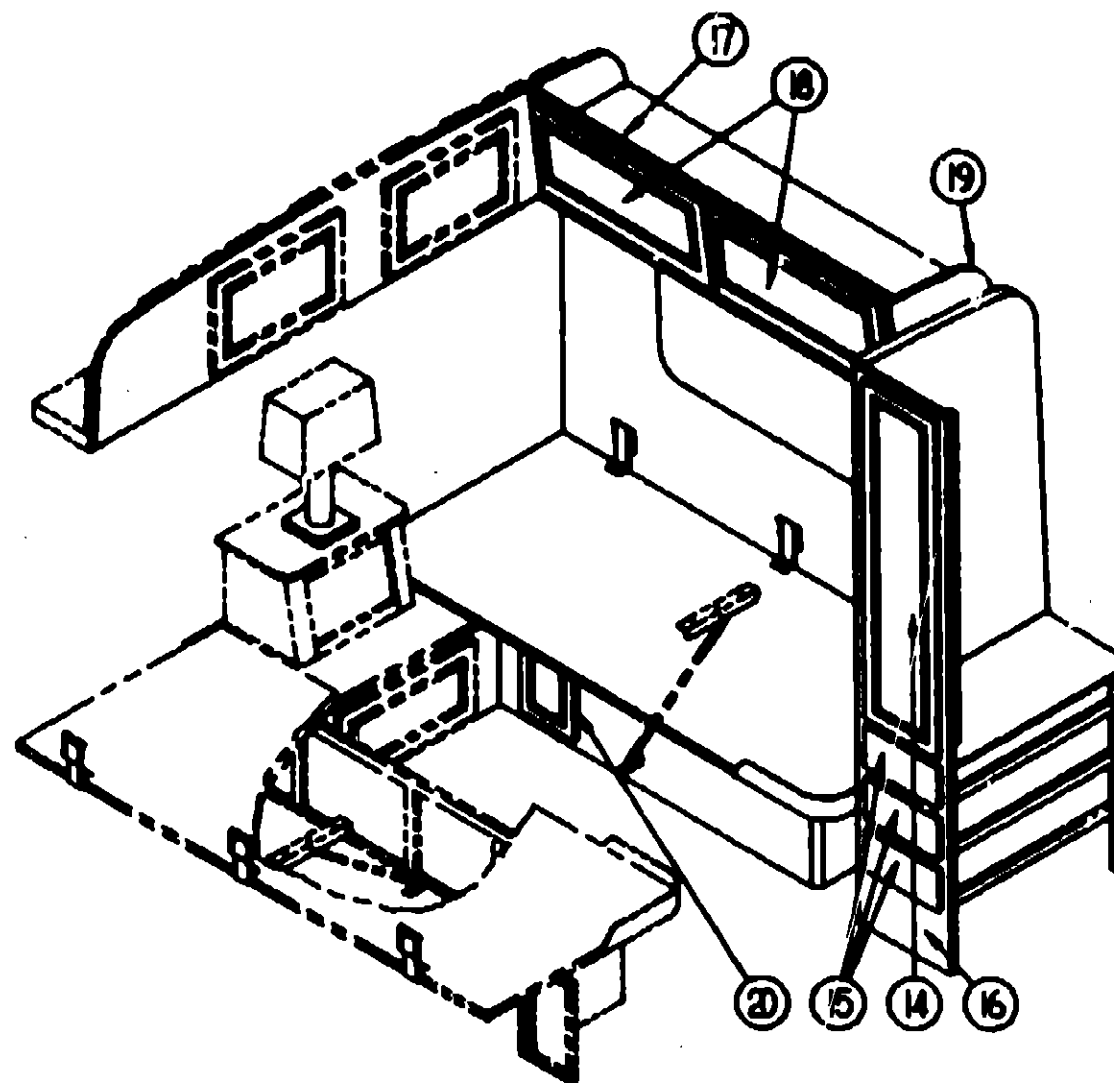
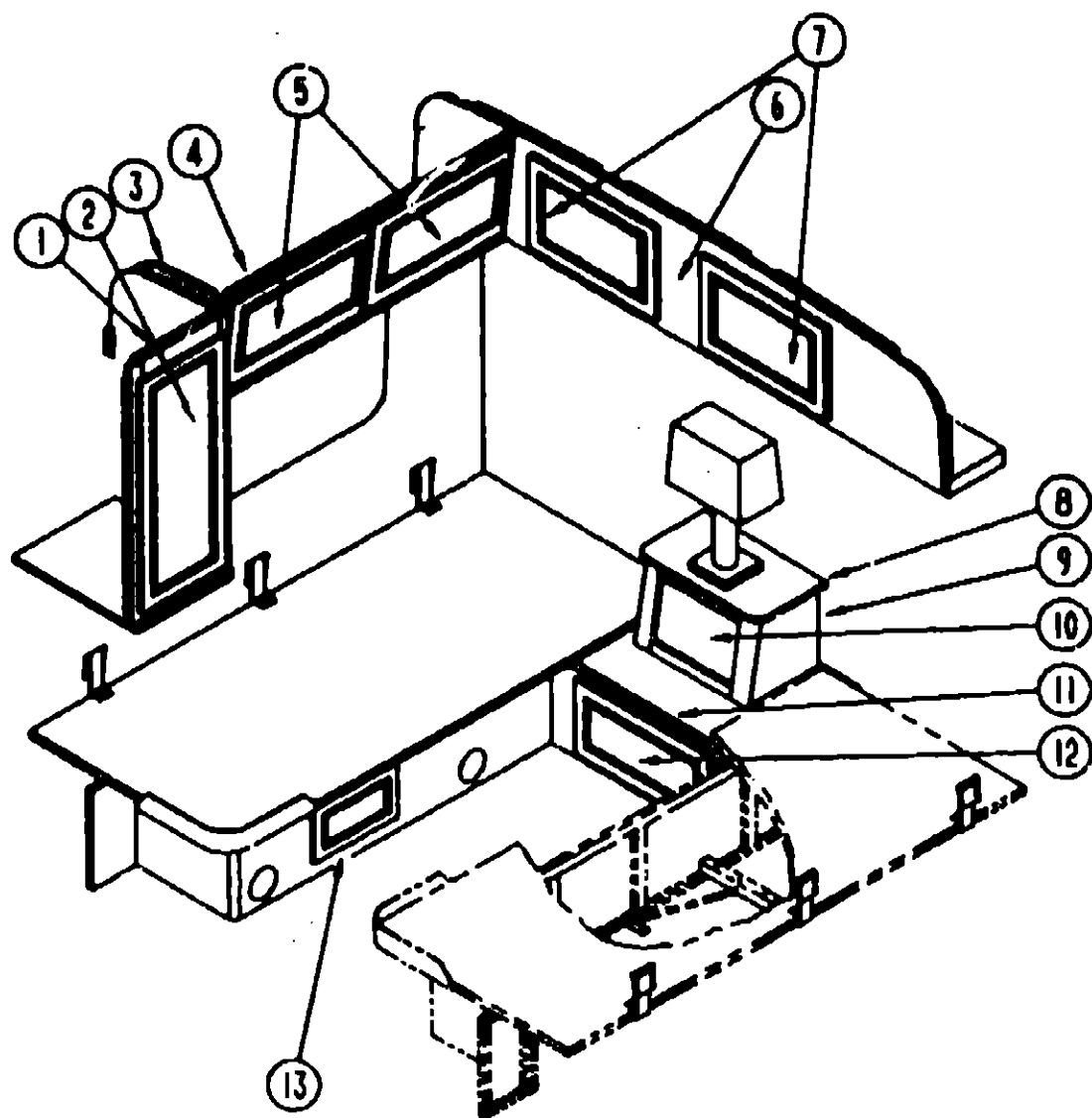
1982 JCN28RT INDEX

FLOOR PLAN	A-07	A-08
ACCESSORIES		A-09
AUDIO VIDEO	A-10	A-11
BATH	A-12	A-14
BEDROOM	A-15	A-17
CHASSIS	A-18	B-04
CURTAIN & CUSHION	B-05	B-16
DINETTE	B-17	B-18
DRIVERS COMPARTMENT	B-19	B-24
ELECTRICAL	C-01	C-06
EXTERIOR BODY	C-07	C-16
GALLEY	C-17	C-21
GENERATOR		C-22
HEATING & A/C	C-23	D-02
INTERIOR FINISH	D-03	D-06
LABEL	D-07	D-12
LP		D-13
LOUNGE	D-14	D-15
SEALANTS & FASTENERS	D-16	D-19
WATER & SEWAGE	D-20	D-24
WINDOW, VENT AND		
EXTERIOR DOOR	E-01	E-24
WINDSHIELD & WIPER	F-01	F-04

KEY	PART NUMBER	U/M DESCRIPTION
1	093448-11-C11	EA MIRROR ASSEMBLY
	M03450-12-000	EA TRIM ASM-MIRROR, OAK
	058331-65-000	EA MIRROR-GLASS, SAFETY - 346 MM X 688 MM
	095986-03-01A	EA BRACKET-MEDICINE CABINET, BEIGE - RIGHT SIDE
	095986-04-01A	EA BRACKET-MEDICINE CABINET, BEIGE - LEFT SIDE
2	P03701-55-C11	EA DOOR-CABINET, 255 MM X 485 MM
3	104447-01-C80	EA CABINET-MEDICINE, W/O DOOR OR HARDWARE
4	105790-01-C80	EA CABINET-PIPE COVER
5	P05792-01-C80	EA CABINET-LAVATORY, W/O DOORS OR HARDWARE
	105792-11-C80	EA COUNTERTOP-LAVATORY CABINET
6	105792-14-C80	EA DOOR-TAMBOUR W/HANDLE, 394 MM X 352 MM
	M97191-01-000	EA HANDLE-DOOR, TAMBOUR
7	P03701-97-C80	EA DOOR-CABINET, 385 MM X 455 MM
8	064076-02-000	EA TOILET-STARLITE, LOW - IVORY - W/O WATERSAVER - THETFORD
9	085330-04-000	EA TOILET-CHINA, SHORTY W/SPRAY - TRAVELER 510

KEY	PART NUMBER	U/M DESCRIPTION
	075453-02-000	EA BAR-TOWEL, 18" - BRASS
	075454-02-000	EA RING-TOWEL, W/MOUNTING HARDWARE - BRASS
	104174-01-000	EA HOOK-ROBE, TWIN
	085278-01-000	EA HOLDER-TOILET PAPER, RECESSED - BRASS
	075240-05-000	EA FAUCET-LAVATORY, BRASS
	091253-01-000	EA GASKET-FAUCET, LAVATORY/GALLEY
	103092-01-000	EA SHOWER HEAD-W/6' HOSE
	103092-01-700	EA BRACKET-F/SHOWER HEAD
	075241-04-000	EA FAUCET-SHOWER, BRASS
	075808-01-000	EA PANEL-FAUCET BACK, SHOWER - 5' X 8' - PLASTIC
	M02830-15-807	EA PAN-SHOWER
	011069-02-000	EA TAILPIECE-TUB/SHOWER, 1 1/2" X 1 1/4" X 8" - BRASS
	068436-01-000	EA NUT-SLIP, TAILPIECE - 1.5"
	068440-01-000	EA STRAINER-SHOWER, W/RUBBER WASHER
	069735-01-000	EA WASHER-STRAINER TO TAILPIECE PLASTIC, 1.5"
	101248-01-01A	EA SURROUND-SHOWER, PASS. SIDE - PLASTIC - OFF/WHITE - W/O CORNER CADDY
	101249-01-01A	EA SURROUND-SHOWER, DRIVER SIDE - PLASTIC - OFF/WHITE - W/CORNER CADDY
	101250-01-01A	EA CAP-SHOWER, CEILING - PLASTIC - OFF WHITE
	057871-01-000	EA COVER-SCREW, #8 - PLASTIC - OFF WHITE
	096927-01-01A	EA SINK-LAVATORY, RECTANGULAR - PLASTIC - BONE
	096927-01-700	EA SINK-STOPPER
	096927-01-701	EA TAILPIECE-SINK
	096204-03-01A	EA TRIM-J, 5" EXPOSED - 1" X 58.9" - METAL - OFF WHITE
	077902-01-000	EA COVER-SKYLIGHT, INSIDE - 15.6" X 22.5" - PLASTIC
	080910-01-000	EA COVER-SKYLIGHT, OUTER - 15.25" X 22.25" - PLASTIC

**BEDROOM GROUP
TWIN BEDS CABINETS AND COMPONENTS**



**1992 WINNEBAGO
TABLE OF CONTENTS**

INTRODUCTION	A-01 -	A-02
ABBREVIATIONS		A-03
ALPHABETICAL INDEX	A-04 -	A-06
JCN28RT	A-07 -	F-04

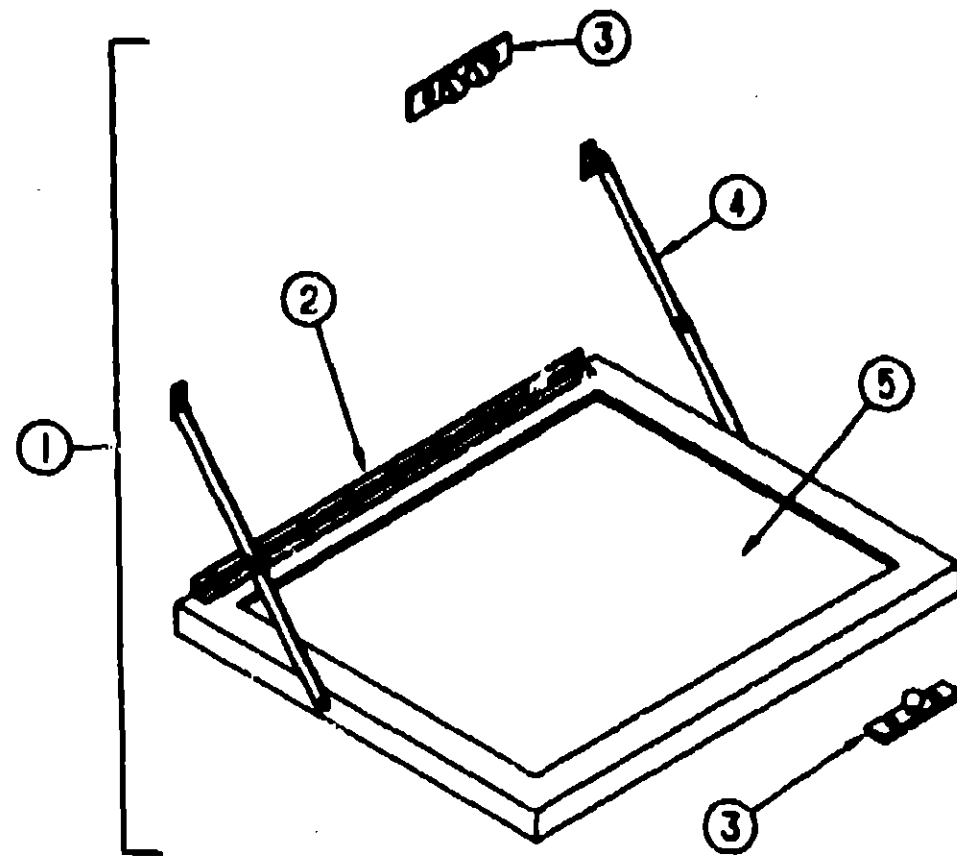
1992 JCN28RT INDEX

FLOOR PLAN	A-07 -	A-08
ACCESSORIES		A-09
AUDIO VIDEO	A-10 -	A-11
BATH	A-12 -	A-14
BEDROOM	A-15 -	A-17
CHASSIS	A-18 -	B-04
CURTAIN & CUSHION	B-05 -	B-16
DINETTE	B-17 -	B-18
DRIVERS COMPARTMENT	B-19 -	B-24
ELECTRICAL	C-01 -	C-06
EXTERIOR BODY	C-07 -	C-16
GALLEY	C-17 -	C-21
GENERATOR		C-22
HEATING & A/C	C-23 -	D-02
INTERIOR FINISH	D-03 -	D-06
LABEL	D-07 -	D-12
LP		D-13
LOUNGE	D-14 -	D-15
SEALANTS & FASTENERS	D-16 -	D-19
WATER & SEWAGE	D-20 -	D-24
WINDOW, VENT AND EXTERIOR DOOR	E-01 -	E-24
WINDSHIELD & WIPER	F-01 -	F-04

KEY	PART NUMBER	U/M	DESCRIPTION
1	104895-01-C11	EA	CABINET-SHIRT CLOSET, PASSENGER SIDE
	081280-23-B07	EA	END CAP-SHIRT CLOSET BOTTOM
2	P03701-31-C80	EA	DOOR-CABINET, 365 MM X 850 MM
3	105729-01-C11	EA	END CAP-CABINET, OVERHEAD
4	M05158-21-C80	EA	CABINET-OVERHEAD, REAR PASSENGER SIDE
5	P03701-24-C11	EA	DOOR-CABINET, 365 MM X 555 MM
6	M05158-10-C11	EA	CABINET-OVERHEAD, REAR
7	P03701-83-C11	EA	DOOR-CABINET, 340 MM X 555 MM
8	066889-12-C12	EA	COUNTERTOP-NIGHTSTAND
9	066889-01-C12	EA	CABINET-NIGHTSTAND W/TAMBOUR DOOR - W/O DRAWER
10	066889-14-A86	EA	DOOR-TAMBOUR W/HANDLE, 11.8" X 15.4"
	M97191-01-000	EA	HANDLE-DOOR, TAMBOUR
11	066889-11-C12	EA	COUNTERTOP-NIGHTSTAND
12	P02002-20-C11	EA	DRAWER-CABINET, W/O HARDWARE
			FROM: 00-00-00 THRU: 01-04-92
12	P07104-25-C11	EA	DRAWER-CABINET, W/O HARDWARE
			FROM: 01-05-92 THRU: 99-99-99
13	P03701-A3-C11	EA	DOOR-CABINET, 250 MM X 370 MM

KEY	PART NUMBER	U/M	DESCRIPTION
14	P03701-69-C80	EA	DOOR-CABINET, 305 MM X 1220 MM
	058331-42-000	EA	MIRROR-GLASS, SAFETY - 1150 MM X 215 MM
			FROM: 00-00-00 THRU: 12-08-91
14	P04746-79-C11	EA	DOOR-CABINET, 305 MM X 1220 MM
			FROM: 00-00-00 THRU: 12-08-91
15	P02002-22-C11	EA	DRAWER-CABINET, W/O HARDWARE
			FROM: 12-09-91 THRU: 99-99-99
15	P07104-29-C11	EA	DRAWER-CABINET, W/O HARDWARE
			FROM: 00-00-00 THRU: 01-04-92
16	105034-01-C11	EA	CABINET-WARDROBE, DRIVER SIDE
	009112-01-000	EA	FLANGE-1" ROD, CLOTHES - PLASTIC - OFF WHITE
	042438-01-000	EA	DOWEL-WOOD, CLOTHES ROD - 1" DIAMETER X 4'
	041953-03-000	FT	CONDUIT-CONVOLUTE SPLIT, 1" ID (CLOTHES ROD COVER)
17	M05158-22-C80	EA	CABINET-OVERHEAD, REAR - DRIVER SIDE
18	P03701-22-C80	EA	DOOR-CABINET, 365 MM X 680 MM
19	105729-01-C11	EA	END CAP-CABINET, OVERHEAD
20	P03701-57-C11	EA	DOOR-CABINET, 325 MM X 450 MM
	M93231-01-907	EA	CABINET-TWIN BED, DRIVER SIDE - W/O DOOR OR HARDWARE
	M82883-01-807	EA	CABINET-TWIN BED, PASS SIDE - W/O DOOR OR HARDWARE
	M03883-01-807	EA	TOP-CABINET, TWIN BED - PASSENGER SIDE
	M03884-01-Y12	EA	TOP-CABINET, TWIN BED - DRIVER SIDE
	054868-01-000	EA	RAIL-CORNER, BED - METAL - BEIGE
	066784-02-000	EA	SLIPNOT-ANTISLIP, 1' WIDE (100' ROLLS)
	062825-02-C12	EA	COUNTERTOP-BACKWALL

BEDROOM GROUP (CONTINUED)



TV STAND

KEY	PART NUMBER	U/M DESCRIPTION
1	084357-01-W30	EA TV STAND ASSEMBLY
2	084825-02-000	EA HINGE-ALUMINUM, WHOLES - 17.2" - TAN
3	084451-01-000	EA CATCH-TV SHELF, BRASS
4	084112-01-000	EA SUPPORT-HINGED
5	084358-03-000	EA INSERT-TV STAND, W/SUPPORT HINGE - METAL - TAN
5	058331-10-000	EA MIRROR-GLASS, SAFETY - 14" X 17"

BIFOLD DOOR & COMPONENTS

KEY	PART NUMBER	U/M DESCRIPTION
	042488-10-000	EA DOOR-FOLDING, FABRIC - 37" X 75" - OFF WHITE FROM: 07-03-91 THRU: 12-06-91
	080224-01-703	EA LATCH & CATCH ASSEMBLY-ALMOND - DE00020AL
	080224-01-706	EA CATCH ONLY-DOOR JAMB, ALMOND - DE25020AL
	080224-50-000	EA DOOR-FOLDING, 36" X 74" - WOOD FROM: 12-09-91 THRU: 99-99-99
	080224-01-700	EA LATCH & CATCH ASM-BROWN, DE00020
	080224-01-701	EA CATCH ONLY-DOOR JAMB, BROWN - DE25020
	080224-01-702	EA ROLLER-FOLDING DOOR, W/CLAMP
	064858-01-01A	EA TRACK-FOLDING DOOR, 27.5" - OFF WHITE FROM: 07-03-91 THRU: 12-08-91
	009700-04-002	EA TRACK, L-SHAPE/195.2" - OFF WHITE FROM: 07-03-91 THRU: 12-08-91
	080224-43-000	EA TRACK-FOLDING DOOR, 32" - OFF WHITE FROM: 12-09-91 THRU: 99-99-99
	057634-01-001	EA TIEBACK/TIEDOWN-BED/CURTAIN/DOOR, 6" - PLASTIC - CLEAR

**CHASSIS GROUP
WHEEL COVERS - CHEVY**

KEY	PART NUMBER	U/M DESCRIPTION
	083181-08-700	EA COVER-WHEEL, 19.5 - 10 LUG - CHEVY - 1 ONLY
	083181-12-000	EA RETAINER-WHEEL COVER, 19.5" CHEVY - SET OF 4 - DELMET
	083181-12-700	EA RETAINER-WHEEL COVER, FRONT - 19.5 CHEVY - DELMET
	083181-12-701	EA RETAINER-WHEEL COVER, REAR - 19.5 CHEVY - DELMET

STAINLESS STEEL WHEEL LINERS - 19.5" - CHEVY

KEY	PART NUMBER	U/M DESCRIPTION
	077030-02-000	EA EXTENSION-VALVE STEM, 1.25"
	091209-01-000	EA LINER-WHEEL, 19.5" - SST - SET OF 4 - KAPER 1064-10N
	091209-01-700	EA LINER-WHEEL, 19.5" FRONT - 10 LUG - CHEVY P-30
	091209-01-701	EA LINER-WHEEL, 19.5" REAR - 10 LUG - CHEVY P-30
	091209-01-702	EA COVER-AXLE, 19.5" FRONT - 10 LUG - CHEVY P-30
	091209-01-703	EA COVER-AXLE, 19.5" REAR - 10 LUG - CHEVY P-30
	091209-01-704	EA COVER-LUG NUT
	086012-03-000	EA EXTENSION-VALVE STEM, DUAL WHEEL

CHEVY TIRE

KEY	PART NUMBER	U/M DESCRIPTION
	007324-04-000	EA TIRE-8R19.5 LRD, MICHELIN XZA
	051377-01-000	EA STEM-VALVE

ELECTRIC ENTRY STEP

KEY	PART NUMBER	U/M DESCRIPTION
	094707-01-01A	EA STEP-DOUBLE, ENTRANCE - ELECTRIC
	094707-02-700	EA MOTOR REPLACEMENT KIT - MODELS 32 & 28 - KWIKEE 9520
	094707-02-701	EA LINKAGE ASM - MODEL 32 - KWIKEE 9525
	094707-02-702	EA GEAR KIT - KWIKEE 9525
	094707-02-703	EA PARTS KIT, (BEARINGS & PINS) - KWIKEE 9530
	094707-02-704	EA CONNECTOR KIT-MOTOR, KWIKEE 9537
	094707-02-705	EA CONTROL UNIT, (ORANGE) - KWIKEE 9513
	041250-01-000	EA SWITCH-DOOR JAMB, ELECTRIC ENTRY STEP - METAL
	075723-02-000	EA SPACER-SWITCH, WHOLE - 2" X .9" X 2" - METAL - OFF WHITE

HYDRAULIC LEVELING JACKS - CHEVY

KEY	PART NUMBER	U/M DESCRIPTION
	100532-01-000	EA LEVELING SYSTEM-HYDRAULIC, HWH# AP7371
	100533-04-000	EA BRACKETS-FRONT LEVELING JACK, HWH# AP7302
	100534-05-000	EA BRACKETS-REAR, LEVELING JACKS - HWH AP6866
	100535-02-000	EA BRACKET-PUMP, LEVELING JACK, HWH P6282
	100536-06-000	EA HOSE KIT-LEVELING JACKS, HWH# AP 7943

COWL PANELS

KEY	PART NUMBER	U/M DESCRIPTION
	083009-01-000	EA PANEL-COWL, DRIVER - STEEL - CHEVY
	083137-01-000	EA PANEL-COWL, PASSENGER - STEEL - CHEVY

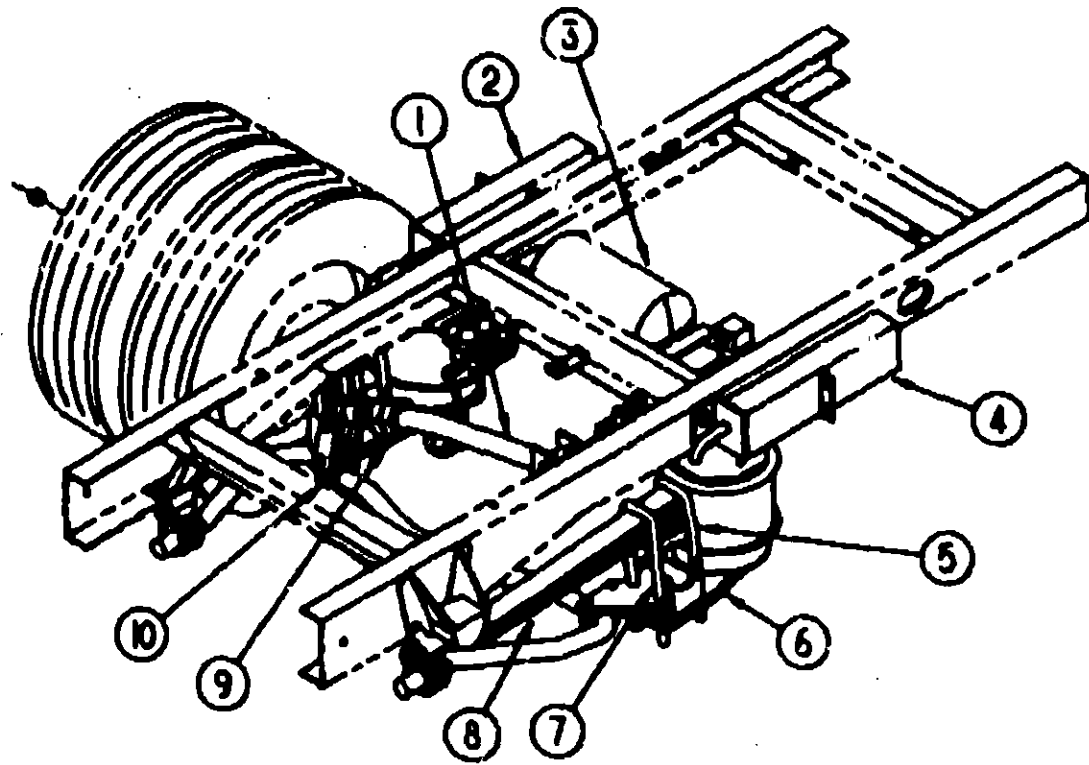
**1992 WINNEBAGO
TABLE OF CONTENTS**

INTRODUCTION	A-01 -	A-02
ABBREVIATIONS		A-03
ALPHABETICAL INDEX	A-04 -	A-08
JCN28RT	A-07 -	F-04

1992 JCN28RT INDEX

FLOOR PLAN	A-07 -	A-08
ACCESSORIES		A-09
AUDIO VIDEO	A-10 -	A-11
BATH	A-12 -	A-14
BEDROOM	A-15 -	A-17
CHASSIS	A-18 -	B-04
CURTAIN & CUSHION	B-05 -	B-16
DINETTE	B-17 -	B-18
DRIVERS COMPARTMENT	B-19 -	B-24
ELECTRICAL	C-01 -	C-08
EXTERIOR BODY	C-07 -	C-16
GALLEY	C-17 -	C-21
GENERATOR		C-22
HEATING & A/C	C-23 -	D-02
INTERIOR FINISH	D-03 -	D-06
LABEL	D-07 -	D-12
LP		D-13
LOUNGE	D-14 -	D-15
SEALANTS & FASTENERS	D-16 -	D-19
WATER & SEWAGE	D-20 -	D-24
WINDOW, VENT AND		
EXTERIOR DOOR	E-01 -	E-24
WINDSHIELD & WIPER	F-01 -	F-04

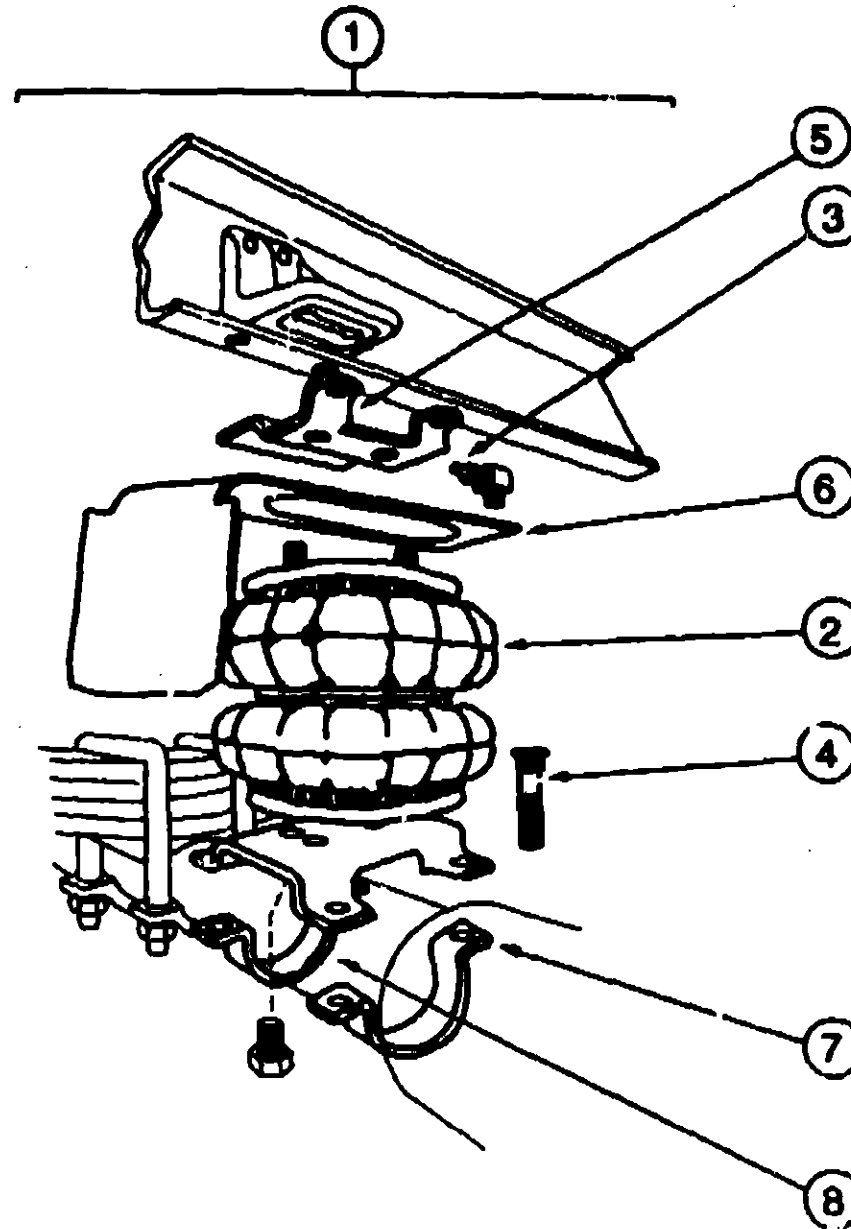
CHASSIS GROUP (CONTINUED)



JETRIDE SUSPENSION W/PARK & LEVEL

KEY	PART NUMBER	U/M DESCRIPTION
1	090436-14-000	EA BAR-TRACK, W/PIVOT BOLTS & BRACKET - JET 356-1
2	090436-37-000	EA MOUNT-SPRING, CHEVY - RIGHT - UPPER - JET 60751
3	090436-35-000	EA COMPRESSOR-TANK, W/O WIRING - JET 60703
	090436-40-000	EA FILTER-AIR INTAKE, COMPRESSOR
	090436-34-000	EA WIRING-ELECTRONIC, JET 60712
4	090436-36-000	EA MOUNT-SPRING, CHEVY - LEFT - UPPER - JET 60750
5	090436-13-000	EA U-BOLT-REARWARD, BENT - 7/8" - JET 351-1
6	090436-10-000	EA MOUNT-SPRING/AXLE, LOWER LEFT - JET 373
7	090436-12-000	EA U-BOLT-FORWARD, STRAIGHT - 7/8" - JET 351
8	090436-03-000	EA SPRING-LEAF - SEMI - JET #316
9	090436-11-000	EA MOUNT-SPRING/AXLE, LOWER RIGHT - JET 374
10	091250-03-000	EA BUSHING-SWAY BAR, 1.75" CUT - HELLWIG PB 732
	091250-02-000	EA BUSHING-SWAY BAR, 1.25" UN CUT - HELLWIG PB 734
	071374-03-000	EA FITTING-BULKHEAD, 1/8" X 1/8" FNPT
		FROM: 00-00-00 THRU: 10-13-91
	071374-04-000	EA FITTING-BULKHEAD, 1/8" X 1/8" FNPT
		FROM: 10-14-91 THRU: 99-99-99
	031045-05-000	EA ADAPTER-1/4" ID BARB X 1/8" MPT
		FROM: 10-14-91 THRU: 99-99-99

CHASSIS GROUP (CONTINUED)



REAR AXLE AIR SPRINGS & FRONT SHOCK ABSORBER

KEY	PART NUMBER	U/M DESCRIPTION
1	084086-04-000	EA AIRSPRING-RIDE RITE KIT - FIRESTONE MHA224SG
2	084086-01-700	EA AIR BAG-ONLY, FIRESTONE# W21-760-0335
3	084086-01-701	EA TUBING-DOT 1/4" X 18" - FIRESTONE# 21-0938
4	084086-01-702	EA BOLT-RIBBED NECK, 3/8"-24 X 2.5" FIRESTONE# 21-0829
	084086-01-705	EA TUBING PROTECTORS, FIRESTONE# 21-0899
5	084086-01-706	EA BRACKET-UPPER TO FRAME, FIRESTONE# 21-0150
6	084086-01-711	EA HEAT SHIELD-224 DOS SYSTEM, FIRESTONE 21-5042
7	084086-01-713	EA AXLE STRAP BRACKET, AXLE TUBE - 3 USED - FIRESTONE 21-1163
8	084086-01-714	EA AXLE STRAP BRACKET, DIFFERENTIAL - 1 USED - FIRESTONE 21-5038
	104993-01-000	EA SHOCK ABSORBER-GAS, P30 FRONT - BILSTEIN B46-1173

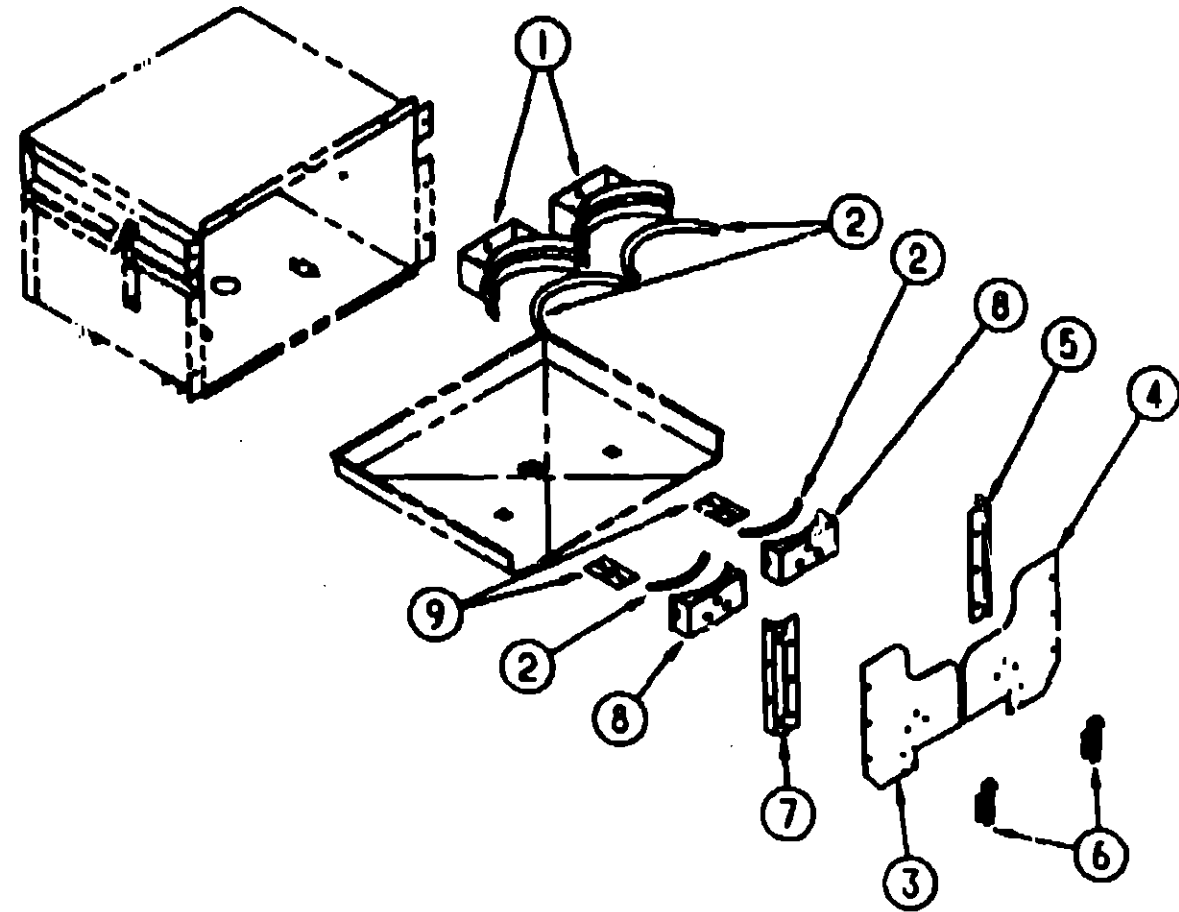
**1992 WINNEBAGO
TABLE OF CONTENTS**

INTRODUCTION	A-01 -	A-02
ABBREVIATIONS		A-03
ALPHABETICAL INDEX	A-04 -	A-06
JCN28RT	A-07 -	F-04

1992 JCN28RT INDEX

FLOOR PLAN	A-07 -	A-08
ACCESSORIES		A-09
AUDIO VIDEO	A-10 -	A-11
BATH	A-12 -	A-14
BEDROOM	A-15 -	A-17
CHASSIS	A-18 -	B-04
CURTAIN & CUSHION	B-05 -	B-16
DINETTE	B-17 -	B-18
DRIVERS COMPARTMENT	B-19 -	B-24
ELECTRICAL	C-01 -	C-06
EXTERIOR BODY	C-07 -	C-16
GALLEY	C-17 -	C-21
GENERATOR		C-22
HEATING & A/C	C-23 -	D-02
INTERIOR FINISH	D-03 -	D-06
LABEL	D-07 -	D-12
LP		D-13
LOUNGE	D-14 -	D-15
SEALANTS & FASTENERS	D-16 -	D-19
WATER & SEWAGE	D-20 -	D-24
WINDOW, VENT AND		
EXTERIOR DOOR	E-01 -	E-24
WINDSHIELD & WIPER	F-01 -	F-04

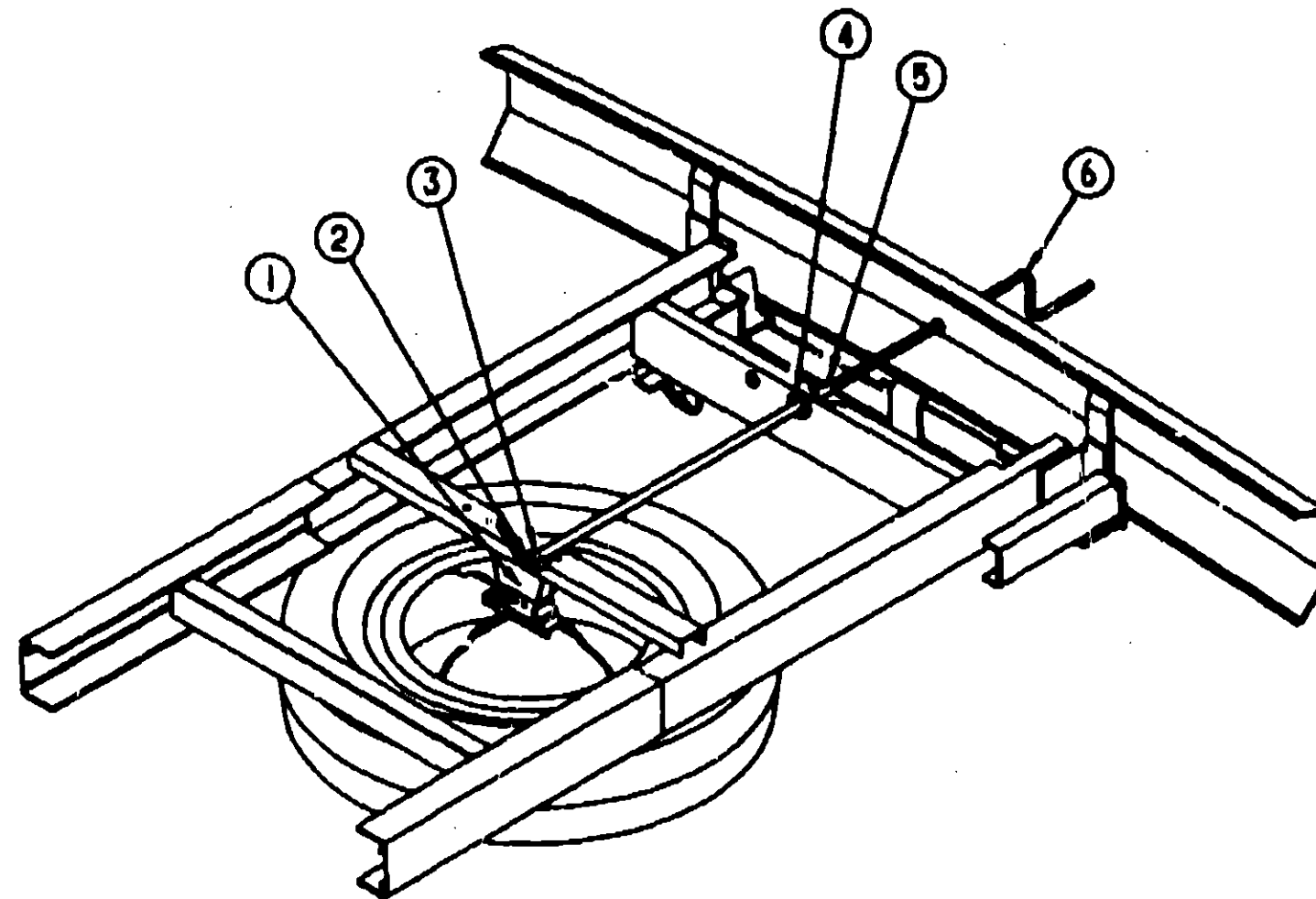
CHASSIS GROUP (CONTINUED)



LP COMPARTMENT COMPONENTS (FROM: 01-20-91 THRU: 99-99-99)

KEY	PART NUMBER	U/M DESCRIPTION
1	107414-01-000	EA CRADLE ASM-LP TANK
	107394-01-000	EA SPRING-COMPRESSION, CRADLE
2	098408-01-000	FT SEAL-RUBBER, SPONGE CLOSED
3	107433-02-C82	EA DOOR-LP BOX, WHINGE, LATCH & CRADLE - LEFT SIDE
4	107433-01-C82	EA DOOR-LP BOX, WHINGE, LATCH & CRADLE - RIGHT SIDE
5	097207-02-02A	EA HINGE-CONTINUOUS, LP DOOR - BLACK
6	107365-01-02A	EA LATCH-BOLT, FINGER - LP DOOR - BLACK
7	097207-03-02A	EA HINGE-CONTINUOUS, LP DOOR - BLACK
8	107414-02-000	EA CRADLE ASM-LP TANK
	107394-01-000	EA SPRING-COMPRESSION, CRADLE
9	107421-01-000	EA PLATE-STRIKE, LP COMPARTMENT
	107393-01-000	EA BOLT-SHOULDER, SOCKET HEAD - BLACK

CHASSIS GROUP (CONTINUED)



SPARE TIRE HOIST

KEY	PART NUMBER	U/M DESCRIPTION
1	093267-01-000	EA HOIST-SPARE TIRE
2	000F10-04-408	EA PIN-COTTER - 1/8 X 2 1/2 LG 2N
3	093375-02-000	EA EXTENSION-TIRE HOIST
4	071015-11-000	EA GROMMET-1.00ID - FITS .12 MATL
5	035776-01-000	EA PIN-ROLL - .125 DIA X .750
6	093378-01-000	EA HANDLE-CRANK - TIRE HOIST

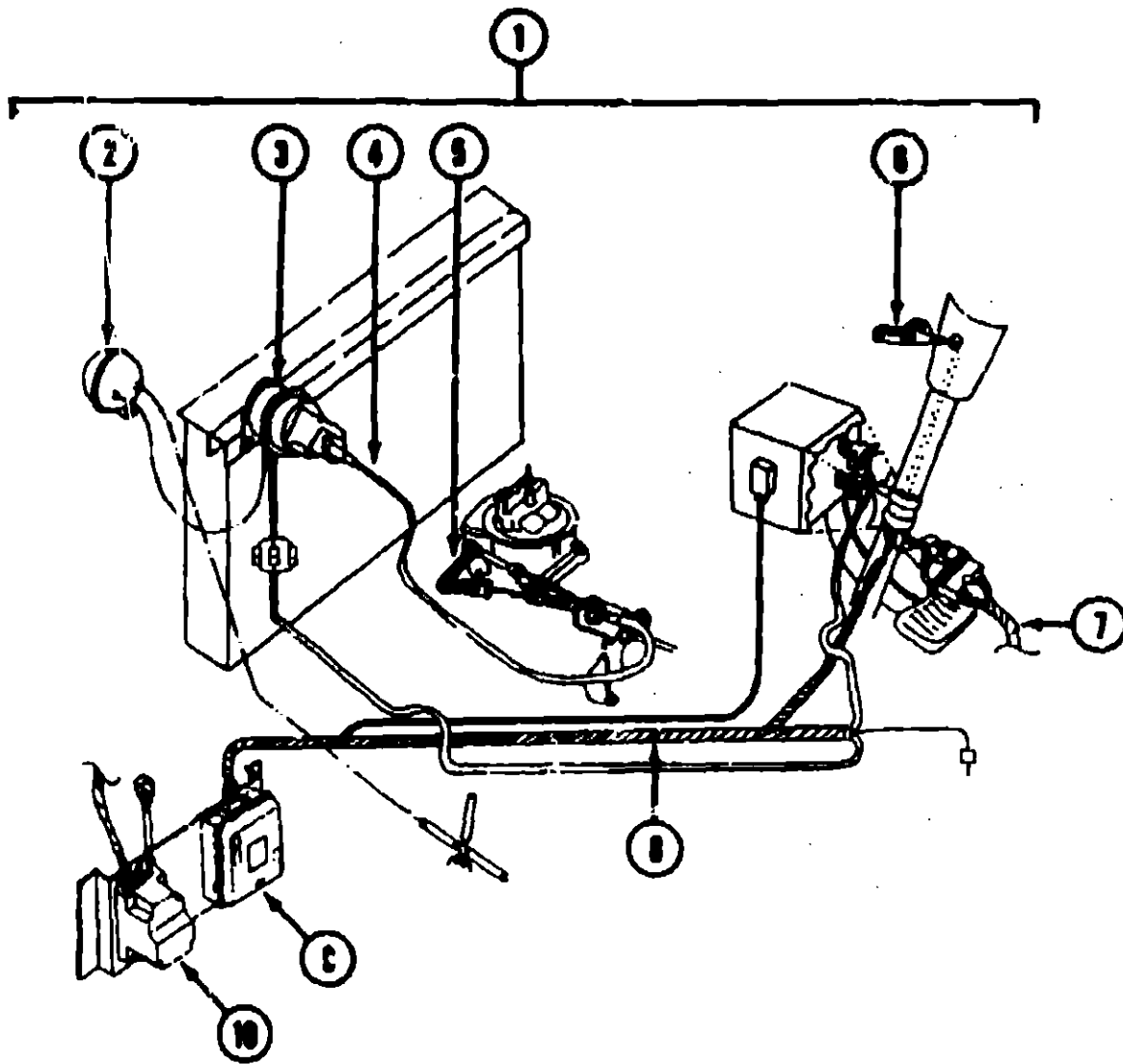
**1992 WINNEBAGO
TABLE OF CONTENTS**

INTRODUCTION	A-01 - A-02
ABBREVIATIONS	A-03
ALPHABETICAL INDEX	A-04 - A-08
JCN28RT	A-07 - F-04

1992 JCN28RT INDEX

FLOOR PLAN	A-07 - A-08
ACCESSORIES	- A-09
AUDIO VIDEO	A-10 - A-11
BATH	A-12 - A-14
BEDROOM	A-15 - A-17
CHASSIS	A-18 - B-14
CURTAIN & CUSHION	B-05 - B-16
DINETTE	B-17 - B-18
DRIVERS COMPARTMENT	B-19 - B-21
ELECTRICAL	C-01 - C-06
EXTERIOR BODY	C-07 - C-16
GALLEY	C-17 - C-21
GENERATOR	- C-22
HEATING & A/C	C-23 - D-02
INTERIOR FINISH	D-03 - D-06
LABEL	D-07 - D-12
LP	- D-13
LOUNGE	D-14 - D-15
SEALANTS & FASTENERS	D-16 - D-19
WATER & SEWAGE	D-20 - D-24
WINDOW, VENT AND EXTERIOR DOOR	E-01 - E-24
WINDSHIELD & WIPER	F-01 - F-04

CHASSIS GROUP (CONTINUED)



SPEED CONTROL

KEY	PART NUMBER	U/M DESCRIPTION
1	102362-01-000	EA SPEED CONTROL, DANA 59L-111010B
2	094369-01-705	EA VACUUM RESERVOIR, DANA 59C-02249
3	094369-01-706	EA SERVO, DANA 53D-11116-R
4	102362-01-700	EA CABLE ONLY-REPLACEMENT, DANA 59C-03001
5	102362-01-706	EA THROTTLE STUD, DANA 59A-32979
6	102362-01-707	EA CONTROL SWITCH & LEVER ASM, DANA 53D-08X83-F
7	102362-01-703	EA HARNESS ASM-PIVOT SW. TO WPR, DANA 56C-02973
8	102362-01-704	EA HARNESS ASM-MAIN WIRING, DANA 59D-02975
9	102362-01-701	EA REGULATOR ASM-ELECTRONIC, DANA 57C-06X13-R
10	091900-01-702	EA WIPER CONTROL MODULE-DANA# 66C-00061
	102362-01-705	EA THROTTLE RETAINER CLIP, DANA 59A-02821
	094863-01-704	EA HOUSING-4 PIN, DANA 59C-02291

CHASSIS GROUP (CONTINUED)

MUDFLAP & LUG WRENCH

KEY	PART NUMBER	U/M DESCRIPTION
	020167-03-000	EA DIRT GUARD-STEEL, FOR MUDFLAP FROM: 00-00-00 THRU: 10-23-91
	045731-02-000	EA GUARD-ROCK, REAR WHEEL - 18" X 18" - STEEL FROM: 10-24-91 THRU: 99-99-99
	017518-01-000	EA FLAP-MUD, 14" X 18" - BLACK FROM: 00-00-00 THRU: 10-13-91
	106141-01-000	EA FLAP-MUD, WHOLES & WINNEBAGO LOGO - BLACK FROM: 10-14-91 THRU: 99-99-99
	000208-01-000	EA LUG WRENCH, 1.08" X 1.00"
	080208-02-000	EA LEVERAGE BAR-LUG WRENCH

COMPARTMENTS & BATTERY/GENERATOR TRAYS

KEY	PART NUMBER	U/M DESCRIPTION
	063834-08-000	EA COMPARTMENT-TANK, HOLDING - 63" X 27.8" - GALVANIZED
	092283-01-000	EA COMPARTMENT-FURNACE W/EXHAUST HOLES - 14" X 14.6"
	099122-01-000	EA COMPARTMENT-STORAGE, 37.4" X 15.8" - GALVANIZED
	066747-01-000	EA PLUG-CAP, .75" DIAMETER
	061420-05-000	EA PLUG-PLASTIC, 1.8" DIAMETER
	093896-01-000	EA TRAY-BATTERY, HOUSE - W/GUIDE & LATCH STRIKE
	060604-03-000	EA TRAY-BATTERY, AUTO - W/TWO HEX NUTS - CHEVY
	094857-01-000	EA TRAY-GENERATOR, 22.5" X 30.4" X 6.0"
	094857-02-000	EA TRAY-GENERATOR, 22.5" X 30.4" X 6.9" W/ANGLE & NUTS
	095915-05-000	EA COVER-BOTTOM CORNER, COMPARTMENT - 6.8" X 3.9" - GALV. ST.
	095915-06-000	EA COVER-BOTTOM CORNER, COMPARTMENT - 6.8" X 3.9" - GALV. ST.
	095939-02-000	EA COVER-TOP CORNER, COMPARTMENT - 4.1" X 2" - GALV. ST.
	093885-02-000	EA PLATE-TRAY, BATTERY - 4.8" X 8.7" - STEEL
	074994-01-000	EA GUIDE-TRACK, BATTERY TRAY
	085450-05-000	EA TIEDOWN-BATTERY, 8.4" TUBE
	015365-01-000	EA PIN-CADMIUM PLATED
	077404-02-000	EA DRAWER-PLASTIC, 20" X 12.7" - BEIGE
	094087-01-01A	EA DIVIDER-DRAWER, PLASTIC - LIGHT OAK
	096765-01-000	EA RAIL-DRAWER
	087475-01-000	EA BRACKET-TIE DOWN, BATTERY - 12.5" LONG

ENTRY STEPBOX TRIM, LINER & ACCESS PANEL

KEY	PART NUMBER	U/M DESCRIPTION
	088412-04-000	EA TRIM-STEPBOX, ENTRY DOOR - BEIGE
	092893-02-01A	EA LINER-STEP BOX, ENTRANCE DOOR - 5" - BLACK
	M92055-01-000	EA PANEL-ACCESS, STEP WELL - W/HINGE

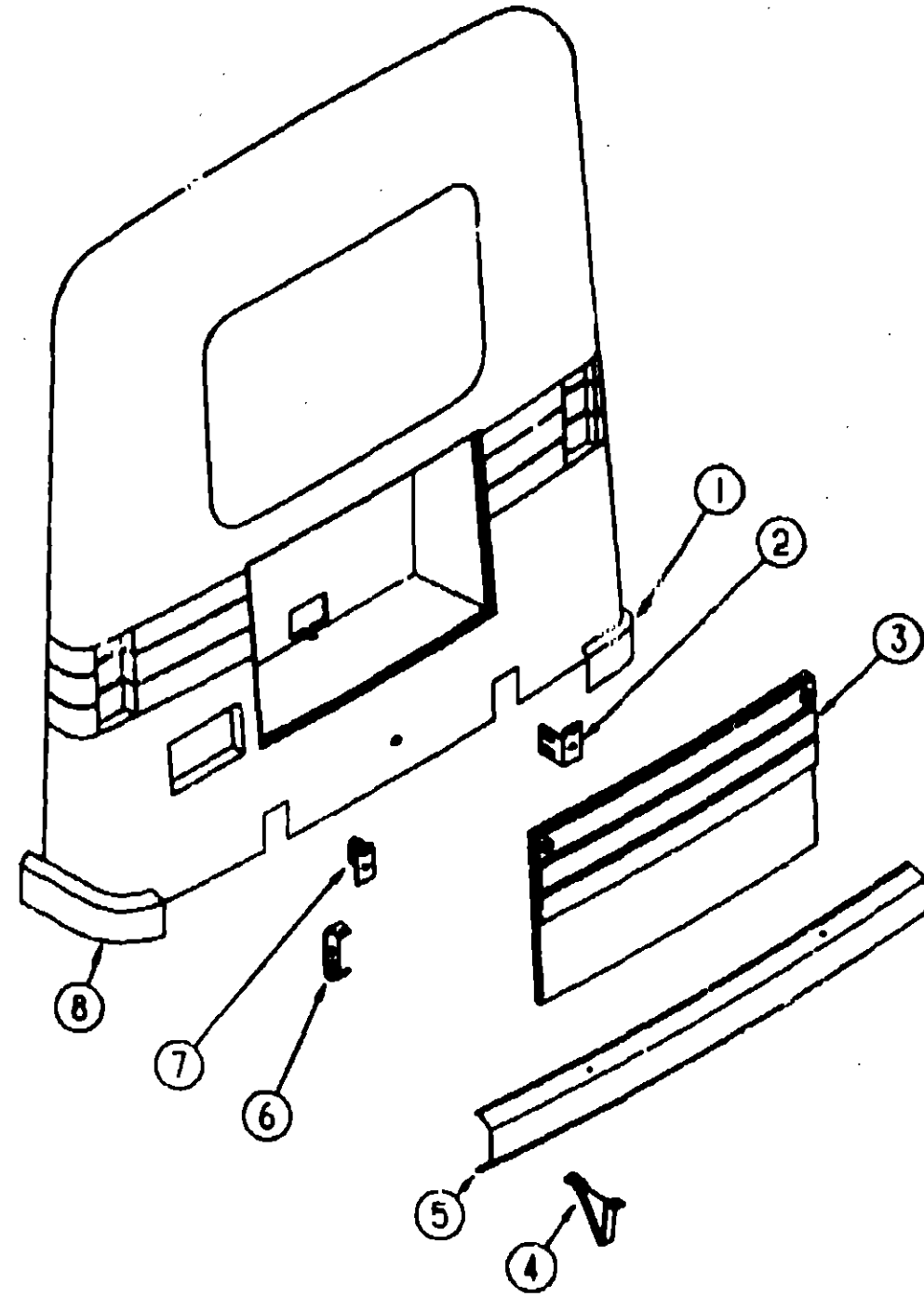
**1992 WINNEBAGO
TABLE OF CONTENTS**

INTRODUCTION	A-01	A-02
ABBREVIATIONS		A-03
ALPHABETICAL INDEX	A-04	A-08
JCN28RT	A-07	F-04

1992 JCN28RT INDEX

FLOOR PLAN	A-07	A-08
ACCESSORIES		A-09
AUDIO VIDEO	A-10	A-11
BATH	A-12	A-14
BEDROOM	A-15	A-17
CHASSIS	A-18	B-04
CURTAIN & CUSHION	B-05	B-16
DINETTE	B-17	B-18
DRIVERS COMPARTMENT	B-19	B-24
ELECTRICAL	C-01	C-06
EXTERIOR BODY	C-07	C-16
GALLEY	C-17	C-21
GENERATOR		C-22
HEATING & A/C	C-23	D-02
INTERIOR FINISH	D-03	D-08
LABEL	D-07	D-12
LP		D-13
LOUNGE	D-14	D-15
SEALANTS & FASTENERS	D-16	D-19
WATER & SEWAGE	D-20	D-24
WINDOW, VENT AND EXTERIOR DOOR	E-01	E-24
WINDSHIELD & WIPER	F-01	F-04

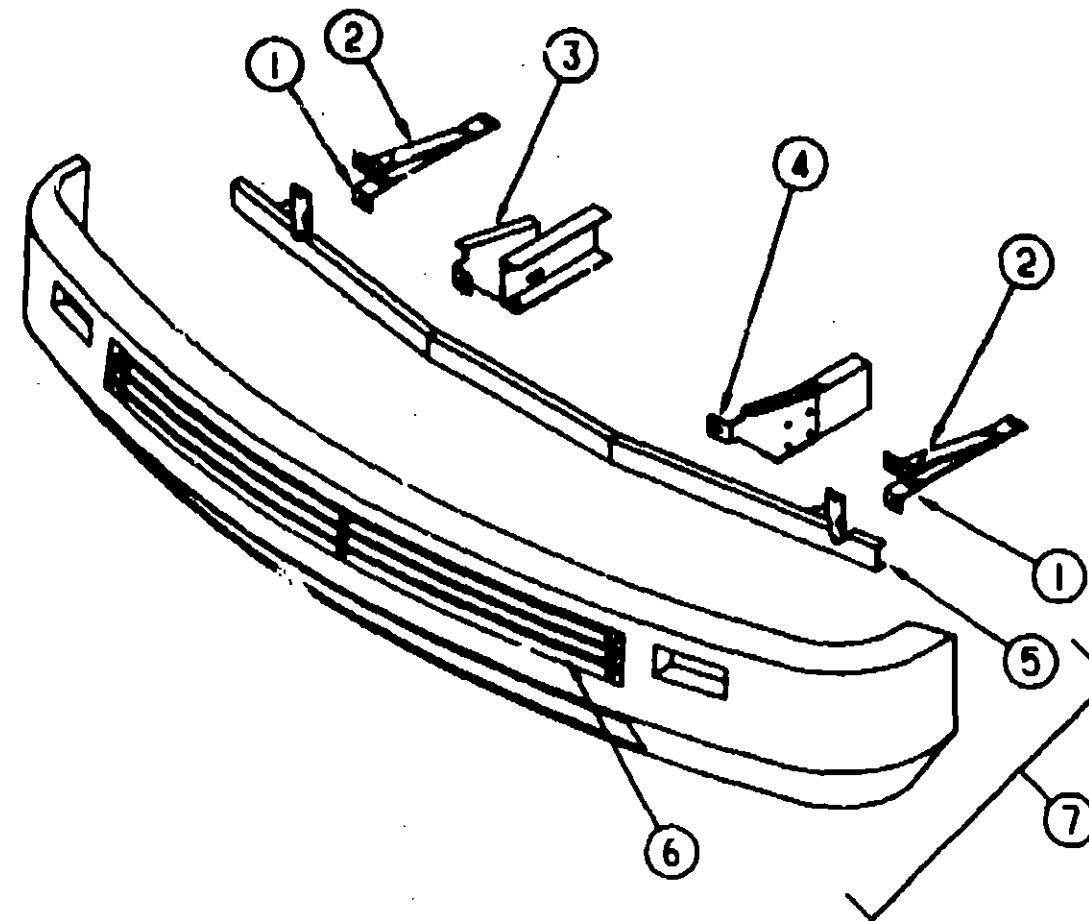
CHASSIS GROUP (CONTINUED)



REAR BUMPER & COMPONENTS

KEY	PART NUMBER	U/M DESCRIPTION
1	092551-01-01A	EA CAP-END, REAR BUMPER - PASSENGER SIDE - OFF WHITE PLASTIC
2	076558-01-000	EA ANGLE SUPPORT-REAR BUMPER
3	097168-01-AE6	EA DOOR PANEL-REAR
	056747-01-000	EA PLUG-CAP, .75" DIAMETER
	061420-05-000	EA PLUG-PLASTIC, 1.8" DIAMETER
4	093048-01-000	EA PLATE-SKID, REAR BUMPER
5	077851-09-000	EA BUMPER-REAR, OFF WHITE
5	077851-06-000	EA BUMPER-REAR, UNFINISHED
	102333-01-02A	EA BOLT-BUMPER, OFF WHITE W/STAINLESS STEEL CAP
	093275-01-000	EA BRACE-BUMPER LOWER, 2" X 18.3" - BLACK
8	077855-01-000	EA BRACKET-REAR BUMPER
7	076558-02-000	EA SUPPORT-ANGLE, REAR BUMPER
	093385-01-000	EA BRACKET-LICENSE PLATE
8	092251-02-01A	EA CAP-END, REAR BUMPER - DRIVER SIDE - OFF WHITE PLASTIC
	061107-01-000	EA BRACKET-BUMPER PIN
	097744-02-000	EA HOUSING-TRAILER PIN, 48"
	097746-01-000	EA HOUSING CAP-TRAILER PIN

CHASSIS GROUP (CONTINUED)



FRONT BUMPER & COMPONENTS

KEY	PART NUMBER	U/M DESCRIPTION
1	093275-01-000	EA BRACE-BUMPER, LOWER - 2" X 18.3" - BLACK
2	093034-01-000	EA BRACE-BUMPER, UPPER - 2" X 18.3" - BLACK
3	093749-01-000	EA SUPPORT-BUMPER, EXTENSION - RIGHT
4	093749-02-000	EA SUPPORT-BUMPER, EXTENSION - LEFT
5	093000-01-000	EA CHANNEL ASM.-STEEL BUMPER
6	093005-01-Y33	EA GRILLE-2 BAR, BLACK
7	M93846-01-Y35	EA PANEL-BUMPER, W/GRILLE & LIGHTS

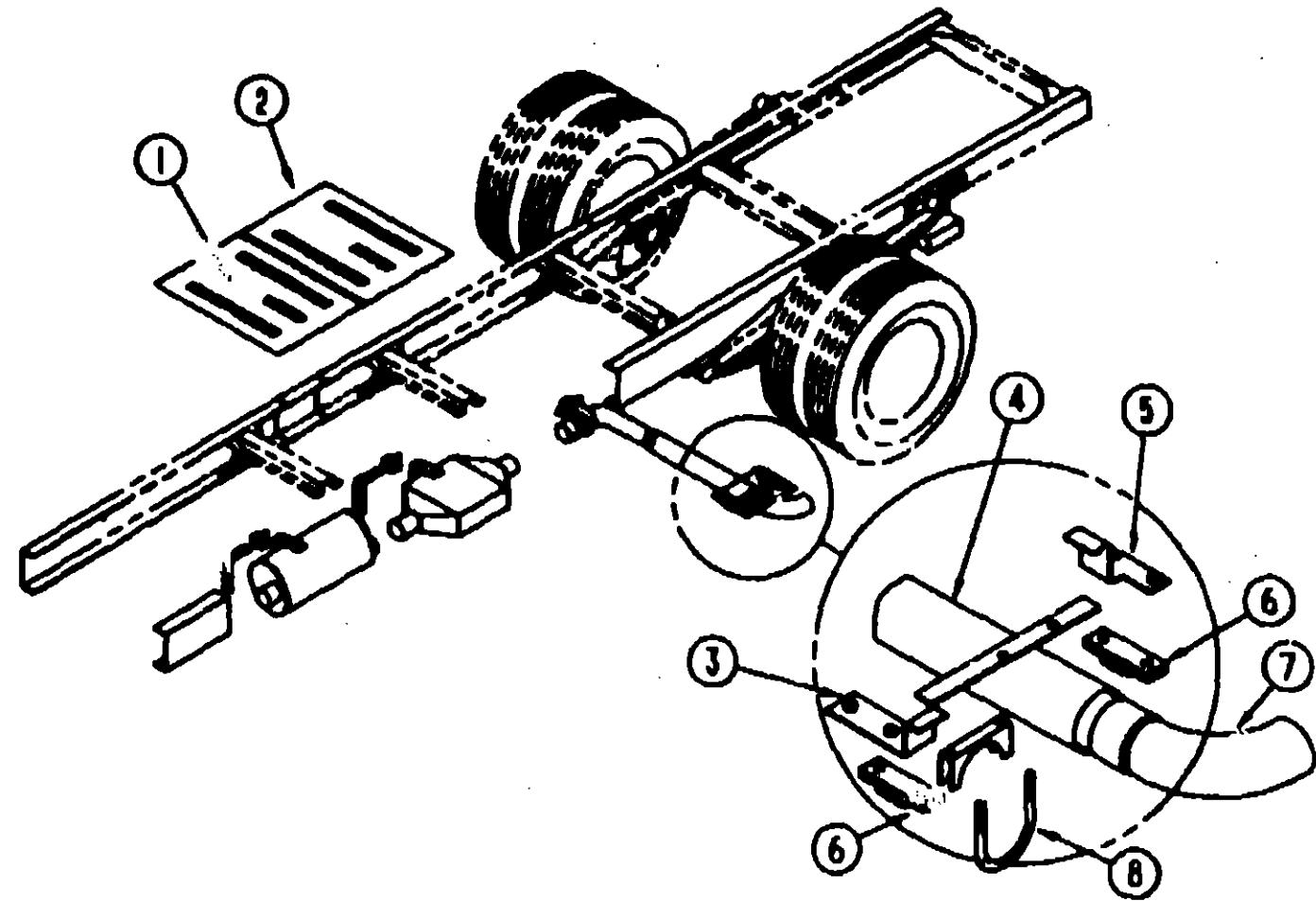
**1992 WINNEBAGO
TABLE OF CONTENTS**

INTRODUCTION	A-01 -	A-02
ABBREVIATIONS		A-03
ALPHABETICAL INDEX	A-04 -	A-06
JCN28RT	A-07 -	F-04

1992 JCN28RT INDEX

FLOOR PLAN	A-07 -	A-08
ACCESSORIES		A-09
AUDIO VIDEO	A-10 -	A-11
BATH	A-12 -	A-14
BEDROOM	A-15 -	A-17
CHASSIS	A-18 -	B-04
CURTAIN & CUSHION	B-06 -	B-16
DINETTE	B-17 -	B-18
DRIVERS COMPARTMENT	B-19 -	B-24
ELECTRICAL	C-01 -	C-08
EXTERIOR BODY	C-07 -	C-16
GALLEY	C-17 -	C-21
GENERATOR		C-22
HEATING & A/C	C-23 -	D-02
INTERIOR FINISH	D-03 -	D-06
LABEL	D-07 -	D-12
LP		D-13
LOUNGE	D-14 -	D-15
SEALANTS & FASTENERS	D-16 -	D-19
WATER & SEWAGE	D-20 -	D-24
WINDOW, VENT AND EXTERIOR DOOR	E-01 -	E-24
WINDSHIELD & WIPER	F-01 -	F-04

CHASSIS GROUP (CONTINUED)



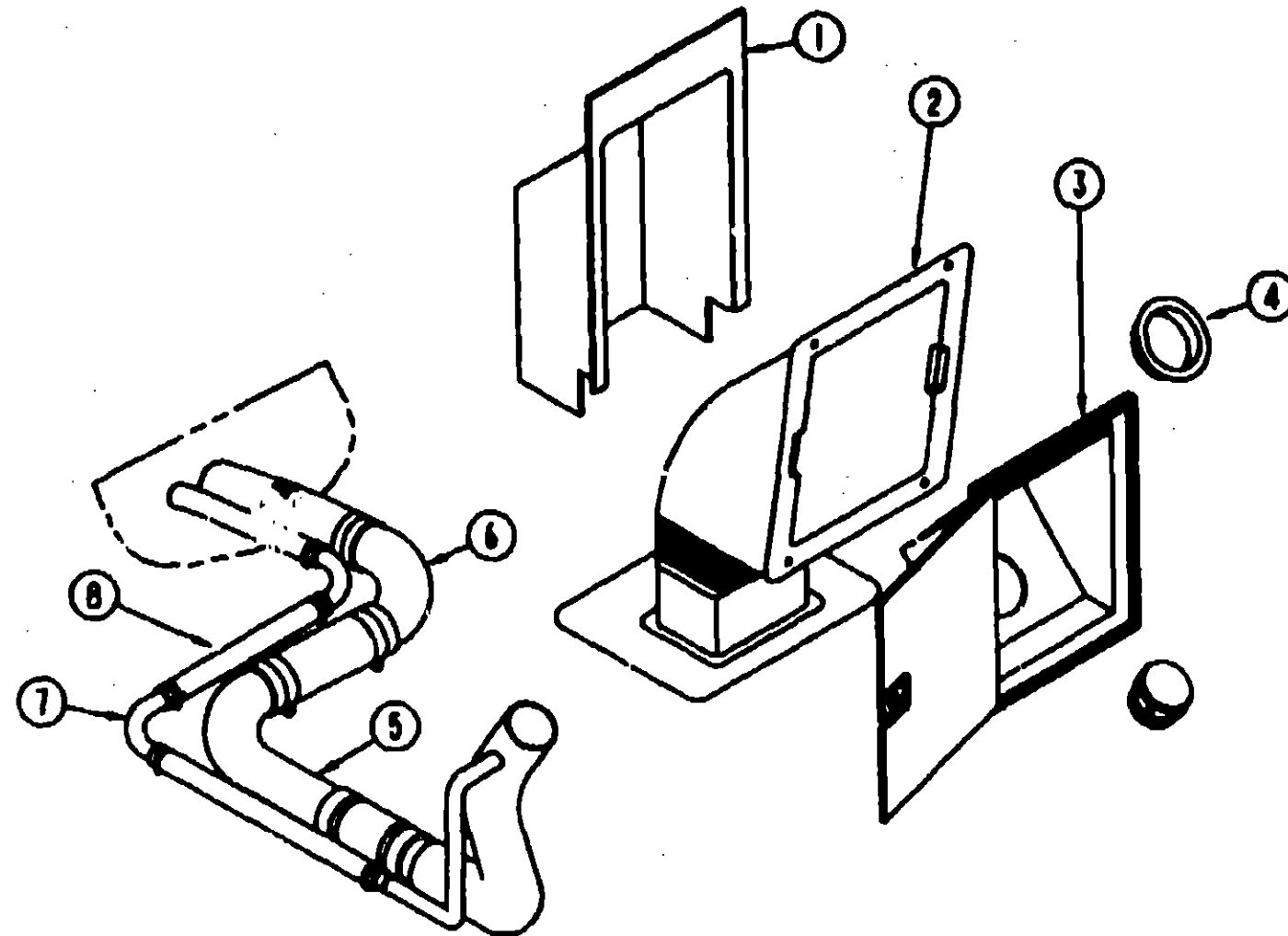
CHEVY EXHAUST COMPONENTS

KEY	PART NUMBER	U/M DESCRIPTION
1	101544-01-000	EA SHIELD-HEAT, EXHAUST - 19.7" X 28.9"
2	101544-02-000	EA SHIELD-HEAT, EXHAUST - 30" X 28.9"
	063322-17-000	EA SHIELD-HEAT, EXHAUST - 43.3" X 7" - STEEL
3	095222-08-000	EA BRACKET-EXHAUST, UPPER W/NUTS
	095222-06-000	EA BRACKET-EXHAUST, UPPER TWO NUTS
4	098599-03-000	EA PIPE-EXHAUST, W/BENDS - 30" LONG
5	099093-02-000	EA BRACKET-EXHAUST, UPPER W/NUTS
6	095190-01-000	EA HANGER-EXHAUST, 4" X 1.4"
7	105311-01-000	EA PIPE-TAIL, EXHAUST - CURVED
	098054-01-000	EA SUPPORT-EXHAUST PIPE - W/BENDS
8	007125-08-000	EA CLAMP-MUFFLER, 3" DIA
	094918-01-000	EA CLAMP-EXHAUST, 3" - GUILLOTINE STYLE

DRIVESHAFT - CHEVY

KEY	PART NUMBER	U/M DESCRIPTION
	103913-01-000	EA DRIVESHAFT-YOKE/MALE SPLINE
	074833-01-000	EA SPACER-BEARING, DRIVESHAFT - 2" X 8" X .5" THICK - FROM: 00-00-00 THRU: 11-07-91
	074833-02-000	EA SPACER-BEARING, DRIVESHAFT - 8" X 2" - STEEL FROM: 00-00-00 THRU: 11-07-91

CHASSIS GROUP (CONTINUED)



FUEL FILL COMPONENTS - CHEVY

KEY	PART NUMBER	U/M DESCRIPTION
1	072447-04-000	EA SHROUD-FUEL FILL, UPPER - PLASTIC
2	083578-01-000	EA BOOT-FUEL FILL, RUBBER
	084235-01-000	EA SUPPORT-FLANGE, FUEL FILL BOOT - 8.9" X 9.2" - PLASTIC
3	078010-03-000	EA DOOR-FUEL FILL, W/JAMB - OFF WHITE
4	078200-01-000	EA GASKET-FUEL FILL, 3.5"OD X 2"ID
5	098803-01-000	EA PIPE-FUEL FILL, 90 DEGREE BEND - 13.2" - 1 3/4" OD - STEEL
6	098807-01-000	EA PIPE-FUEL FILL, 90 DEGREE BEND - 8.8" - 1 3/4" OD - STEEL
7	098808-01-000	EA PIPE-FILL VENT, 90 DEGREE BEND - 4.87" - 1 3/4" OD - STEEL
8	088732-01-000	FT HOSE-FUEL FILL, 82" ID
	079880-01-000	EA GROMMET-SEAL, VALVE - FUEL - FORD# E1 FZ-98076-B
	075487-01-000	EA NUT-INVERTED FLARE, 1/4"
	024142-01-000	EA TEE-BARB, 3/16" - PLASTIC
	007083-01-000	FT HOSE-GAS 1/4"ID X 1/2"OD
	024142-01-000	EA TEE-BARB, 3/16" - PLASTIC
	075488-01-000	EA UNION-INVERTED FLARE, 1/4"
	080081-01-000	EA STRAP-MOUNTING, FUEL LINE - 2" X 32"
	084884-01-000	EA PLUG-BRASS, 3/8"
	098779-01-000	EA COUPLER-FUEL LINE M14X1 5-6H GM 15550219
	098779-02-000	EA COUPLER-FUEL LINE M18X1 5-H
	088497-02-000	EA NUT-INVERTED FLARE, 1/4"

FROM: 00-00-00 THRU: 01-31-92

MISCELLANEOUS COMPONENTS

KEY	PART NUMBER	U/M DESCRIPTION
	077001-01-000	EA ANGLE-MOUNTING, ROOF PANEL - V ANGLE - 3" X 2.4" X 1.5"
	M04019-01-000	EA BRIDGE-WHEELWELL, E-COATED
	083300-01-000	EA BOX-TOOL, W/TRAY - 18" X 7.5"
	099100-01-000	EA CAP-BOTTLE, OVERFLOW - GM 14054390
	078310-01-000	EA BAFFLE-RADIATOR, .12" X 15" X .82" - RUBBER
	082893-02-000	EA CROSSMEMBER-CENTER, U-CHANNEL STEEL - 2" X 44.8"
	008042-01-000	FT TUBING-VINYL, .85" ID

**1992 WINNEBAGO
TABLE OF CONTENTS**

INTRODUCTION	A-01 -	A-02
ABBREVIATIONS		A-03
ALPHABETICAL INDEX	A-04 -	A-08
JCN28RT	A-07 -	F-04

1992 JCN28RT INDEX

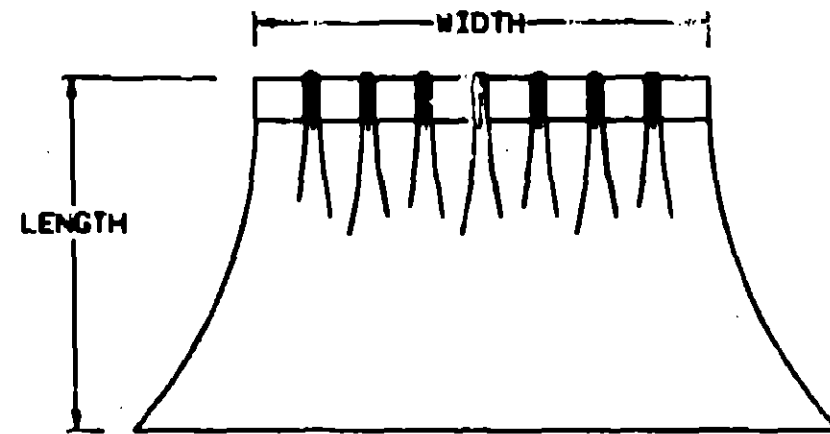
FLOOR PLAN	A-07 -	A-08
ACCESSORIES		A-09
AUDIO VIDEO	A-10 -	A-11
BATH	A-12 -	A-14
BEDROOM	A-15 -	A-17
CHASSIS	A-18 -	B-04
CURTAIN & CUSHION	B-05 -	B-18
DINETTE	B-17 -	B-18
DRIVERS COMPARTMENT	B-19 -	B-24
ELECTRICAL	C-01 -	C-08
EXTERIOR BODY	C-07 -	C-16
GALLEY	C-17 -	C-21
GENERATOR		C-22
HEATING & A/C	C-23 -	D-02
INTERIOR FINISH	D-03 -	D-06
LABEL	D-07 -	D-12
LP		D-13
LOUNGE	D-14 -	D-15
SEALANTS & FASTENERS	D-16 -	D-19
WATER & SEWAGE	D-20 -	D-24
WINDOW, VENT AND		
EXTERIOR DOOR	E-01 -	E-24
WINDSHIELD & WIPER	F-01 -	F-04

CURTAIN & CUSHION GROUP

NOTICE

IN ORDER TO ASSIST OUR PARTS SALES DEPT. IN PROVIDING INTERIOR SOFTWARE ITEMS, PLEASE INCLUDE THE SERIAL NUMBER AND THE COLOR CODE NUMBER FROM THE VEHICLE CERTIFICATION LABEL WHEN ORDERING. THIS LABEL IS LOCATED ON THE LEFT SIDEWALL AT THE END OF THE DASH (A-BODY), OR ON THE DRIVER'S DOOR LATCH PLATE (C-BODY).

AN EXAMPLE OF A COLOR CODE NUMBER IS B07, WHICH DESIGNATES AN OVERALL COLOR SCHEME OF A PARTICULAR UNIT. THE COLOR LISTED AFTER THE ITEM DESCRIPTION ON THE MICROFICHE, INDICATES THE OVERALL UNIT COLOR. ORDER THE ITEM YOU DESIRE ACCORDING TO UNIT COLOR CODE.



NOTE: USE THIS ILLUSTRATION WHEN DETERMINING LENGTH AND WIDTH MEASUREMENTS FOR CURTAINS. YOU WILL NOTE THE WIDTH MEASUREMENT IS TAKEN ON THE TOP OF THE CURTAIN WITH THE CURTAIN FULLY EXTENDED. THE LENGTH MEASUREMENT IS TAKEN FROM TOP TO BOTTOM.

CURTAIN & CUSHION GROUP (CONTINUED)

FABRICS AND TRIMS

KEY	PART NUMBER	U/M DESCRIPTION
	087272-01-000	YD FABRIC-LINING - CURTAIN - 48" WIDE - IVORY
	072333-08-000	YD FABRIC-CURTAIN - PLAIN - 84" WIDE - CHROME
	104233-08-000	YD FABRIC-UPHOLSTERY - MAIN (C80)
	104233-07-000	YD FABRIC-UPHOLSTERY - MAIN (C81)
	104233-10-000	YD FABRIC-UPHOLSTERY - PATTERN ACCENT (C80)
	104233-08-000	YD FABRIC-UPHOLSTERY - PATTERN ACCENT (C81)
	104233-11-000	YD FABRIC-UPHOLSTERY - PLAIN ACCENT (C80)
	104233-29-000	YD FABRIC-UPHOLSTERY - PLAIN ACCENT (C81)
	088273-80-000	YD FABRIC-CURTAIN/BEDSPREAD - PATTERNED - MAIN (C80)
	088273-87-000	YD FABRIC-CURTAIN/BEDSPREAD - PATTERNED - MAIN (C81)
	088273-87-000	YD FABRIC-CURTAIN/BEDSPREAD - PLAIN - ACCENT (C80)
	088273-89-000	YD FABRIC-CURTAIN/BEDSPREAD - PLAIN - ACCENT (C81)
	078788-02-000	YD FABRIC-FOAMBACK - VINYL - 42" WIDE - LIGHT SLATE GRAY
	029219-01-000	YD FABRIC-VINYL - 64" WIDE - WHITE
	078880-01-000	YD FABRIC-VINYL - 64" WIDE - BEIGE
	103807-01-01A	YD FABRIC-VINYL - 64" WIDE - OFF WHITE
	085587-01-000	EA TACK-STRIP, .5" X 825' ROLL

TRIMS & WELTING

KEY	PART NUMBER	U/M DESCRIPTION
	084415-34-000	YD TRIM-BRAID - FRINGE (C80)
	084415-36-000	YD TRIM-BRAID - FRINGE (C81)
	078349-01-C31	YD WELTING-ACCENT FABRIC (C80)
	078349-01-886	YD WELTING-ACCENT FABRIC (C81)

ASSIST HANDLE & SEAT BELTS

KEY	PART NUMBER	U/M DESCRIPTION
	053552-02-AA8	EA HANDLE-ASSIST, INTERIOR - ENTRY DOOR - VINYL
	069178-02-000	EA BRACKET-MOUNTING, ASSIST HANDLE
	000C18-07-188	EA BOLT-CARRIAGE, ASSIST HANDLE - 7/16" - 14 X 1" ZN
	000D20-07-008	EA NUT-ACORN, ASSIST HANDLE - 7/16" X 14 ZN
	057759-01-000	EA WASHER BRACKET-SEAT BELT, 4" DIAMETER
	007021-01-000	EA BELT-SEAT, 2" X 90" - BLACK

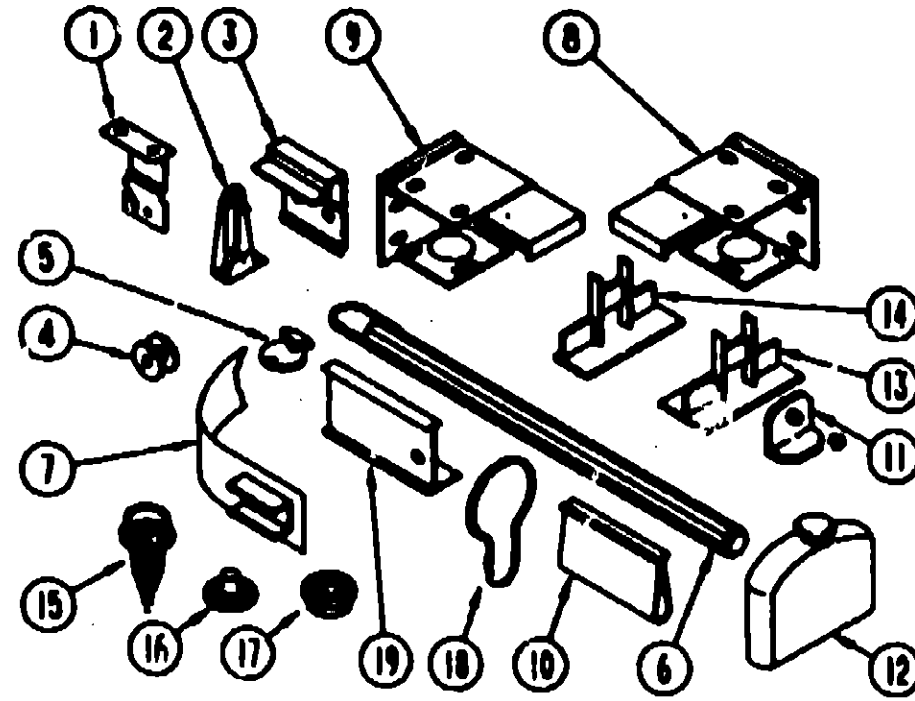
1992 WINNEBAGO TABLE OF CONTENTS

INTRODUCTION	A-01 -	A-02
ABBREVIATIONS		A-03
ALPHABETICAL INDEX	A-04 -	A-08
JCN2BRT	A-07 -	F-04

1992 JCN2BRT INDEX

FLOOR PLAN	A-07 -	A-08
ACCESSORIES		A-09
AUDIO VIDEO	A-10 -	A-11
BATH	A-12 -	A-14
BEDROOM	A-15 -	A-17
CHASSIS	A-18 -	B-04
CURTAIN & CUSHION	B-06 -	B-16
DINETTE	B-17 -	B-18
DRIVERS COMPARTMENT	B-19 -	B-24
ELECTRICAL	C-01 -	C-08
EXTERIOR BODY	C-07 -	C-16
GALLEY	C-17 -	C-21
GENERATOR		C-22
HEATING & A/C	C-23 -	D-02
INTERIOR FINISH	D-03 -	D-06
LABEL	D-07 -	D-12
LP		D-13
LOUNGE	D-14 -	D-15
SEALANTS & FASTENERS	D-16 -	D-19
WATER & SEWAGE	D-20 -	D-24
WINDOW, VENT AND		
EXTERIOR DOOR	E-01 -	E-24
WINDSHIELD & WIPER	F-01 -	F-04

CURTAIN & CUSHION GROUP (CONTINUED)
CURTAIN HARDWARE



**1992 WINNEBAGO
TABLE OF CONTENTS**

INTRODUCTION	A-01	A-02
ABBREVIATIONS		A-03
ALPHABETICAL INDEX	A-04	A-08
JCN28RT	A-07	F-04

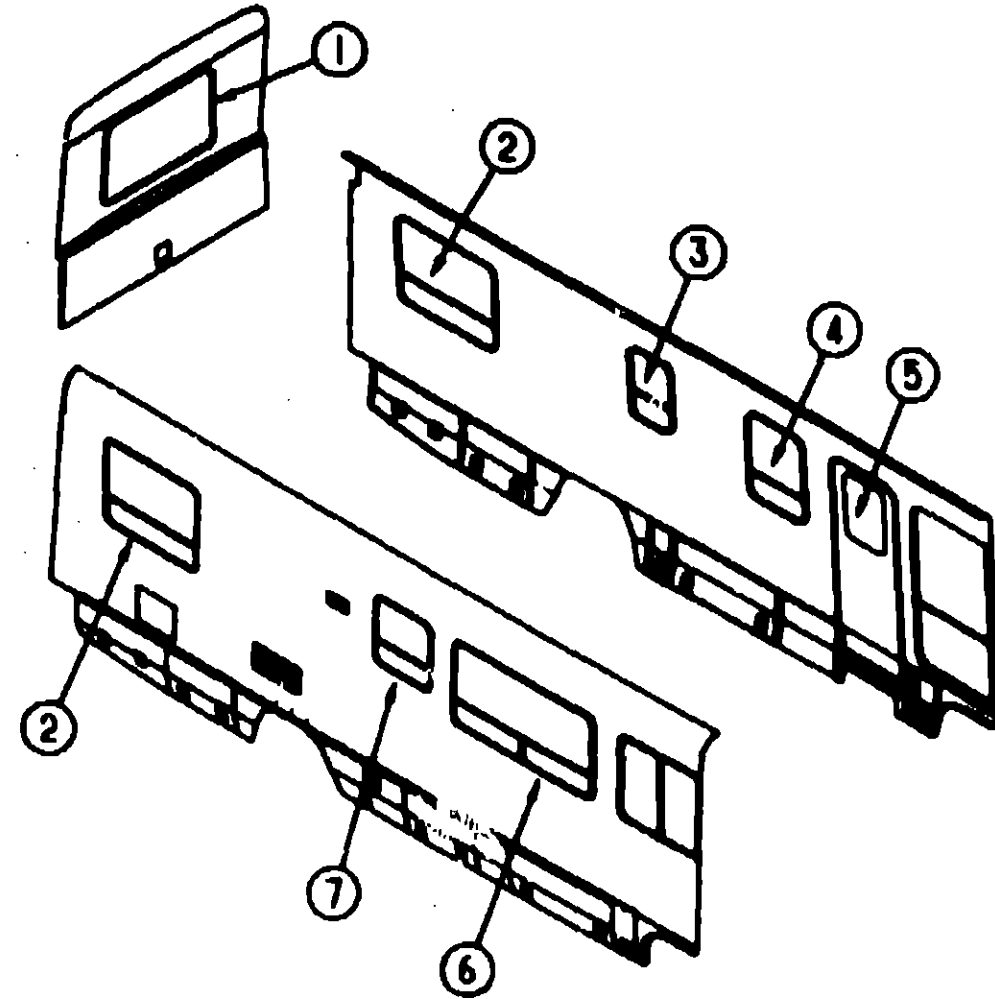
1992 JCN28RT INDEX

FLOOR PLAN	A-07	A-08
ACCESSORIES		A-09
AUDIO VIDEO	A-10	A-11
BATH	A-12	A-14
BEDROOM	A-15	A-17
CHASSIS	A-18	B-04
CURTAIN & CUSHION	B-06	B-16
DINETTE	B-17	B-18
DRIVERS COMPARTMENT	B-19	B-24
ELECTRICAL	C-01	C-08
EXTERIOR BODY	C-07	C-18
GALLEY	C-17	C-21
GENERATOR		C-22
HEATING & A/C	C-23	D-02
INTERIOR FINISH	D-03	D-06
LABEL	D-07	D-12
LP		D-13
LOUNGE	D-14	D-15
SEALANTS & FASTENERS	D-16	D-19
WATER & SEWAGE	D-20	D-24
WINDOW, VENT AND		
EXTERIOR DOOR	E-01	E-24
WINDSHIELD & WIPER	F-01	F-04

KEY	PART NUMBER	U/M	DESCRIPTION
1	084434-01-000	EA	BRACKET-MOUNTING - ROLLER SHADE - 1 3/8"
2	095591-02-000	EA	BRACKET-BLIND, HOLD-DOWN - W/PIN
3	097535-01-000	EA	BRACKET-MOUNTING - DAY/NIGHTER BLIND
4	097592-01-000	EA	SPOOL-CORD - DAY/NIGHTER BLIND HOLDUP - CLEAR PLASTIC
5	102555-01-000	EA	CLEAT-CORD, BLIND - OFF WHITE
6	093475-01-700	EA	WAND-BLIND - W/METAL CLIP - 8" LONG
7	101031-01-000	YD	TAPE-GLIDE - CURTAIN - 4.25" SPACING
8	083170-01-000	EA	BRACKET-BLIND - RIGHT SIDE
9	083170-02-000	EA	BRACKET-BLIND - LEFT SIDE
10	087253-01-000	EA	PULL-ROLLER SHADE, PLASTIC - CLEAR
11	106544-01-000	EA	PULL-SHADE - BRASS
			FROM: 00-00-00 THRU: 09-29-91
			FROM: 09-30-91 THRU: 99-99-99
12	093475-01-701	EA	END CAP-BLIND - W/STUD - CLEAR PLASTIC
13	094907-03-000	EA	END CAP BOTTOM - DAY/NIGHTER BLIND - PLASTIC - GRAY
14	094907-02-000	EA	END CAP TOP - DAY/NIGHTER BLIND - PLASTIC - GRAY
15	029130-01-000	EA	SCREW-SNAP SOCKET - 8 PH X 5/8"
16	029155-01-000	EA	CAP-SNAP - 5/32" O.D. OF PIN
17	029156-01-000	EA	SOCKET-SNAP - 2/16" O.D.
18	009136-02-000	EA	HANGER-RING - PIN TYPE - CURTAIN - BRASS
19	009700-04-002	EA	TRACK-L-SHAPED, 195.2" - OFF WHITE

KEY	PART NUMBER	U/M	DESCRIPTION
	084432-08-000	FT	SLAT-ROLLER SHADE - PLASTIC
	046867-01-000	EA	GROMMET-BRASS - 7/16" ID X 1" OD
	029094-04-000	YD	VELCRO TAPE-LOOP, 1" WIDE - BLACK
	048394-02-000	YD	VELCRO TAPE-HOOK - ADHESIVE BACK - .75" WIDE - BEIGE
	068718-01-001	EA	BRACE-90 DEGREE L-ANGLE - 192" - EXTRUDED ALUMINUM
	075943-01-000	EA	BRACE-WINDOW VALANCE, 1" X 1.5" X 20" - ALUMINUM - BEIGE
	075943-06-000	EA	BRACE-L-SHAPED - 8" LONG - ALUMINUM - BEIGE
	088792-02-000	YD	VELCRO TAPE-LOOP - ADHESIVE BACKED - .75" WIDE - BEIGE
	089522-02-000	EA	PANEL-LEG - TWO SIDED 31.5" LONG - PLASTIC - BLACK - LEFT SIDE
	089916-01-000	EA	MOUNT-WINDOW LEG - 23.75" - ALUMINUM - BLACK
			23.75" LONG - 8.3" BETWEEN SCREW HOLES
	094898-02-000	EA	GROMMET-CORD - DAY/NIGHTER BLIND - NYLON - GRAY
	096843-01-000	EA	SPRING-REWIND - ROLLER SHADE
	097591-01-000	EA	SPRING-EXTENSION - DAY/NIGHTER BLIND
	097593-06-000	FT	CORD-BLIND, DAY/NIGHTER - PEWTER (C80)
	097593-02-000	FT	CORD-BLIND, DAY/NIGHTER - GRAY (C81)
	102075-02-01A	EA	ROD-CURTAIN - SHOWER - 1" OD X 32.9" - OFF WHITE
	103988-01-000	FT	TRIM-VALANCE, U-CHANNEL - .75" WIDE - BRASS
			FROM: 10-28-91 THRU: 99-99-99
	105325-01-01A	EA	TRACK-CURTAIN - WRAPAROUND - OFF WHITE
	105325-02-01A	EA	TRACK-CURTAIN - WRAPAROUND - OFF WHITE

CURTAIN & CUSHION GROUP (CONTINUED)
WINDOW TREATMENT



KEY	PART NUMBER	U/M DESCRIPTION
4	100281-73-C80	EA LEG-WINDOW, LEFT (C80)
4	100281-73-C32	EA LEG-WINDOW, LEFT (C81)
4	100281-81-C31	EA LEG-WINDOW, RIGHT (C80)
4	100281-81-C32	EA LEG-WINDOW, RIGHT (C81)
4	088803-14-C31	EA BLIND-DAY/NIGHTER, 21" X 32" DROP (C80)
4	088803-14-C81	EA BLIND-DAY/NIGHTER, 21" X 32" DROP (C81)
5	084755-25-C31	EA SHADE-PULL, 27.25" (C80)
5	084755-25-C32	EA SHADE-PULL, 27.25" (C81)
6	100281-82-C31	EA LEG-WINDOW, LEFT (C80)
6	100281-82-C32	EA LEG-WINDOW, LEFT (C81)
6	100281-81-C31	EA LEG-WINDOW, RIGHT (C80)
6	100281-81-C32	EA LEG-WINDOW, RIGHT (C81)
5	088803-09-C31	EA BLIND-DAY/NIGHTER, 57.5" X 32" DROP (C80)
5	088803-09-C81	EA BLIND-DAY/NIGHTER, 57.5" X 32" DROP (C81)
7	083475-85-04A	EA BLIND-MINI, 28" X 22.5" DROP (C80)
7	083475-85-05A	EA BLIND-MINI, 28" X 22.5" DROP (C81)
	073280-80-C31	EA TIEBACK-CURTAIN, WBRAID - 6" X 18" (C80)
	073280-80-C32	EA TIEBACK-CURTAIN, WBRAID - 6" X 18" (C81)
	073280-84-C30	EA TIEBACK-SHOWER CURTAIN, 3" X 18" (C80)
	073280-84-C09	EA TIEBACK-SHOWER CURTAIN, 3" X 18" (C81)
	057534-01-000	EA TIEBACK-CLEAR, 6"
	084481-23-C12	EA CURTAIN-SHOWER, 62" X 38" (C80)
	084481-23-C11	EA CURTAIN-SHOWER, 62" X 38" (C81)

FRONT WRAP AROUND WINDSHIELD CURTAINS

KEY	PART NUMBER	U/M DESCRIPTION
	101889-21-C31	EA CURTAIN-WTAPE TOP - 36" X 78" (C80)
	101889-21-C81	EA CURTAIN-WTAPE TOP - 36" X 78" (C81)

**1992 WINNEBAGO
TABLE OF CONTENTS**

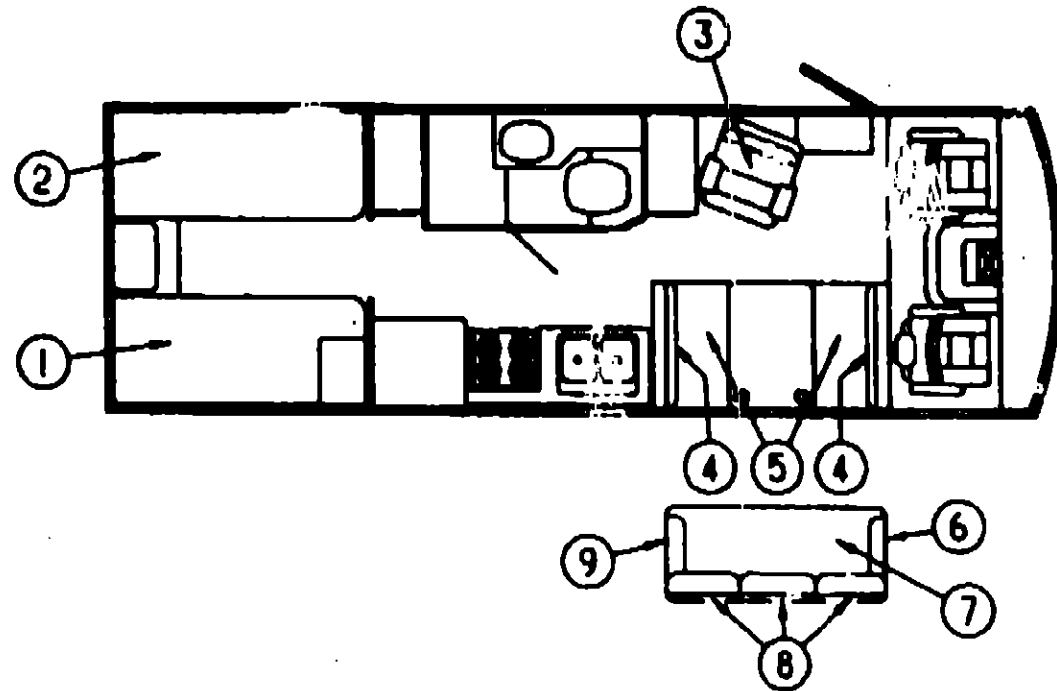
INTRODUCTION	A-01	A-02
ABBREVIATIONS		A-03
ALPHABETICAL INDEX	A-04	A-05
JCN28RT	A-07	F-04

1992 JCN28RT INDEX

FLOOR PLAN	A-07	A-08
ACCESSORIES		A-09
AUDIO VIDEO	A-10	A-11
BATH	A-12	A-14
BEDROOM	A-15	A-17
CHASSIS	A-18	B-04
CURTAIN & CUSHION	B-05	B-16
DINETTE	B-17	B-18
DRIVERS COMPARTMENT	B-19	B-24
ELECTRICAL	C-01	C-06
EXTERIOR BODY	C-07	C-16
GALLEY	C-17	C-21
GENERATOR		C-22
HEATING & A/C	C-23	D-02
INTERIOR FINISH	D-03	D-06
LABEL	D-07	D-12
LP		D-13
LOUNGE	D-14	D-15
SEALANTS & FASTENERS	D-16	D-19
WATER & SEWAGE	D-20	D-24
WINDOW, VENT AND		
EXTERIOR DOOR	E-01	E-24
WINDSHIELD & WIPER	F-01	F-04

KEY	PART NUMBER	U/M DESCRIPTION
1	100281-70-C80	EA LEG-WINDOW, LEFT SIDE (C80)
1	100281-70-C32	EA LEG-WINDOW, LEFT SIDE (C81)
1	100281-89-C80	EA LEG-WINDOW, RIGHT SIDE (C80)
1	100281-89-C32	EA LEG-WINDOW, RIGHT SIDE (C81)
1	088803-15-C31	EA BLIND-DAY/NIGHTER, 45.5" X 32" DROP (C80)
1	088803-15-C81	EA BLIND-DAY/NIGHTER, 45.5" X 32" DROP (C81)
1	104155-01-C31	EA VALANCE-WINDOW, 52" (C80)
1	104155-01-C32	EA VALANCE-WINDOW, 52" (C81)
2	100281-72-C80	EA LEG-WINDOW, LEFT SIDE (C80)
2	100281-72-C32	EA LEG-WINDOW, LEFT SIDE (C81)
2	100281-71-C80	EA LEG-WINDOW, RIGHT SIDE (C80)
2	100281-71-C32	EA LEG-WINDOW, RIGHT SIDE (C81)
2	104155-02-C31	EA VALANCE-WINDOW, 45" (C80)
2	104155-02-C32	EA VALANCE-WINDOW, 45" (C81)
2	088803-13-C31	EA BLIND-DAY/NIGHTER, 39.5" X 33" DROP (C80)
2	088803-13-C81	EA BLIND-DAY/NIGHTER, 39.5" X 33" DROP (C81)
3	100281-84-C31	EA LEG-WINDOW, LEFT SIDE (C80)
3	100281-84-C32	EA LEG-WINDOW, LEFT SIDE (C81)
3	100281-83-C31	EA LEG-WINDOW, RIGHT SIDE (C80)
3	100281-83-C32	EA LEG-WINDOW, RIGHT SIDE (C81)
3	083475-71-05A	EA BLIND-MINI, 13.5" X 27" DROP (C80)
3	083475-71-08A	EA BLIND-MINI, 13.5" X 27" DROP (C81)

CURTAIN & CUSHION GROUP (CONTINUED)



DINETTE CUSHIONS

KEY	PART NUMBER	U/M DESCRIPTION
4	104184-08-C80	EA CUSHION SEAT - 21" X 38" X 5"
4	104184-08-C81	EA CUSHION SEAT - 21" X 38" X 5"
	P04184-08-C80	EA COVER-SEAT, DINETTE - 21" X 38" X 5"
	P04184-08-C81	EA COVER-SEAT, DINETTE - 21" X 38" X 5"
5	104184-05-C80	EA CUSHION-BACKREST, 13.5" X 38" X 5"
		FROM: 00-00-00 THRU: 12-01-91
5	104184-05-C81	EA CUSHION-BACKREST, 13.5" X 38" X 5"
		FROM: 00-00-00 THRU: 12-01-91
5	104184-08-C80	EA CUSHION-BACKREST, 13.5" X 38" X 6"
		FROM: 12-02-91 THRU: 99-99-99
5	104184-09-C81	EA CUSHION-BACKREST, 13.5" X 38" X 5"
		FROM: 12-02-91 THRU: 99-99-99
	P04184-05-C80	EA COVER-BACKREST, 12.5" X 38" X 5"
		FROM: 00-00-00 THRU: 12-01-91
	P04184-05-C81	EA COVER-BACKREST, 13.5" X 38" X 5"
		FROM: 00-00-00 THRU: 12-01-91
	P04184-09-C80	EA COVER-BACKREST, 13.5" X 38" X 5"
		FROM: 12-02-91 THRU: 99-99-99
	P04184-09-C81	EA COVER-BACKREST, 13.5" X 38" X 5"
		FROM: 12-02-91 THRU: 99-99-99
	078155-01-000	EA STRAP-SNAP, BACKREST CUSHION

COUCH & THROW PILLOW

KEY	PART NUMBER	U/M DESCRIPTION
8	104708-01-C31	EA ARMREST-COUCH, RIGHT (C80)
8	104708-01-C32	EA ARMREST-COUCH, RIGHT (C81)
	P04708-01-C31	EA COVER-COUCH ARMREST, RIGHT (C80)
	P04708-01-C32	EA COVER-COUCH ARMREST, RIGHT (C81)
7	104705-01-C31	EA CUSHION-COUCH SEAT, 70" (C80)
7	104705-01-C32	EA CUSHION-COUCH SEAT, 70" (C81)
	P04705-01-C31	EA COVER-CUSHION, COUCH SEAT (C80)
	P04705-01-C32	EA COVER-CUSHION, COUCH SEAT (C81)
	105433-01-000	EA FRAME-COUCH
8	104855-01-C31	EA CUSHION-COUCH BACK, (C80)
8	104855-01-C32	EA CUSHION-COUCH BACK, (C81)
	P04855-01-C31	EA COVER-CUSHION, COUCH BACK (C80)
	P04855-01-C32	EA COVER-CUSHION, COUCH BACK (C80)
9	104708-02-C31	EA ARMREST-COUCH, LEFT (C80)
9	104708-02-C32	EA ARMREST-COUCH, LEFT (C81)
	P04708-02-C31	EA COVER-COUCH ARMREST, LEFT (C80)
	P04708-02-C32	EA COVER-COUCH ARMREST, LEFT (C81)
	103689-04-C80	EA PILLOW-THROW, 15" X 15" (C80)
	103689-04-C32	EA PILLOW-THROW, 15" X 15" (C81)

FRONT PULL DOWN BUNK CUSHION

KEY	PART NUMBER	U/M DESCRIPTION
	079145-05-000	EA CUSHION-BUNK, 30" X 73" X 4"
	M79145-05-000	EA COVER-CUSHION, BUNK - 30" X 73" X 4"
	102895-11-000	YD TAPE-BIND, LIGHT TAN #474

TWIN BEDSPREADS, MATTRESS, PILLOW & SHAMS

KEY	PART NUMBER	U/M DESCRIPTION
1	105589-02-C31	EA BEDSPREAD-TWIN, 33" - LEFT (C80)
1	105589-02-C32	EA BEDSPREAD-TWIN, 33" - LEFT (C81)
2	105589-01-C31	EA BEDSPREAD-TWIN, 33" - RIGHT (C80)
2	105589-01-C32	EA BEDSPREAD-TWIN, 33" - RIGHT (C81)
	008178-01-000	EA MATTRESS-INNERSPRING, 32" X 74"
	103689-05-C31	EA PILLOW-THROW, 15" X 15" (C80)
	103689-05-C32	EA PILLOW-THROW, 15" X 15" (C81)
	102181-10-C31	EA SHAM-W/O PILLOW (C80)
	102181-10-C32	EA SHAM-W/O PILLOW (C81)

SWIVEL CHAIR

KEY	PART NUMBER	U/M DESCRIPTION
3	101178-04-C80	EA CHAIR-SWIVEL, W/O BASE OR SKIRT (C80)
3	101178-04-C32	EA CHAIR-SWIVEL, W/O BASE OR SKIRT (C81)

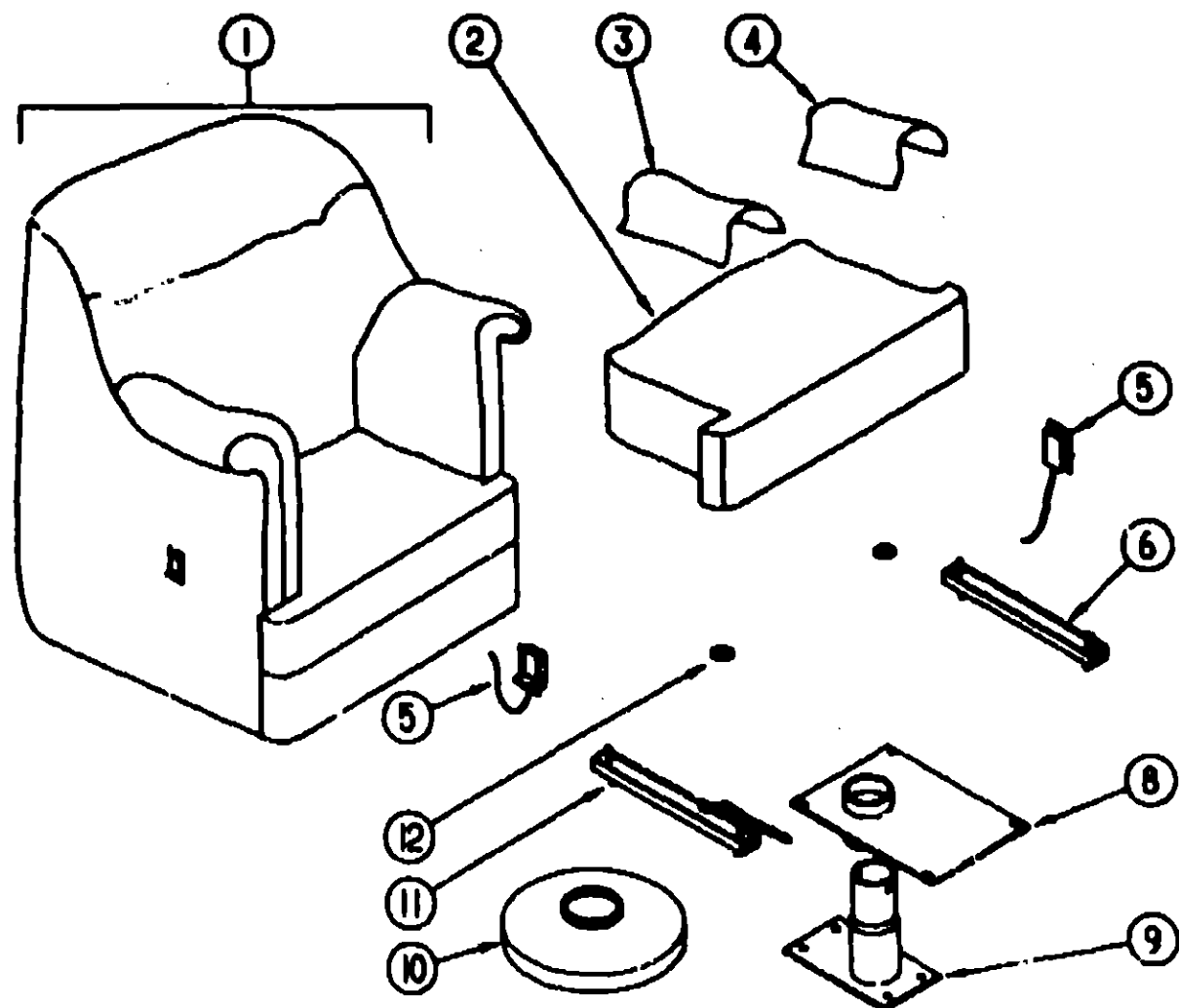
**1992 WINNEBAGO
TABLE OF CONTENTS**

INTRODUCTION	A-01 -	A-02
ABBREVIATIONS		A-03
ALPHABETICAL INDEX	A-04 -	A-08
JCN28RT	A-07 -	F-04

1992 JCN28RT INDEX

FLOOR PLAN	A-07 -	A-08
ACCESSORIES		A-09
AUDIO VIDEO	A-10 -	A-11
BATH	A-12 -	A-14
BEDROOM	A-15 -	A-17
CHASSIS	A-18 -	B-04
CURTAIN & CUSHION	B-05 -	B-16
DINETTE	B-17 -	B-18
DRIVERS COMPARTMENT	B-19 -	B-24
ELECTRICAL	C-01 -	C-08
EXTERIOR BODY	C-07 -	C-16
GALLEY	C-17 -	C-21
GENERATOR		C-22
HEATING & A/C	C-23 -	D-02
INTERIOR FINISH	D-03 -	D-06
LABEL	D-07 -	D-12
LP		D-13
LOUNGE	D-14 -	D-15
SEALANTS & FASTENERS	D-18 -	D-19
WATER & SEWAGE	D-20 -	D-24
WINDOW, VENT AND		
EXTERIOR DOOR	E-01 -	E-24
WINDSHIELD & WIPER	F-01 -	F-04

CURTAIN & CUSHION GROUP (CONTINUED)
PASSENGER SIDE SWIVEL CHAIR



KEY	PART NUMBER	U/M	DESCRIPTION
1	101178-04-C80	EA	CHAIR-SWIVEL, W/O SEAT CUSHION OR BASE (C80)
1	101178-04-C32	EA	CHAIR-SWIVEL, W/O SEAT CUSHION OR BASE (C81)
	P01178-04-C80	EA	COVER-SWIVEL CHAIR (C80)
	P01178-04-C32	EA	COVER-SWIVEL CHAIR (C81)
2	102754-04-C80	EA	CUSHION-SEAT, SWIVEL CHAIR (C80)
2	102754-04-C32	EA	CUSHION-SEAT, SWIVEL CHAIR (C81)
	P02754-04-C80	EA	COVER-CUSHION, SEAT (C80)
	P02754-04-C32	EA	COVER-CUSHION, SEAT (C81)
3	P01178-27-C80	EA	PROTECTOR-ARMREST, SWIVEL CHAIR - RIGHT SIDE (C80)
3	P01178-27-C32	EA	PROTECTOR-ARMREST, SWIVEL CHAIR - RIGHT SIDE (C81)
4	P01178-28-C80	EA	PROTECTOR-ARMREST, SWIVEL CHAIR - LEFT SIDE (C80)
4	P01178-28-C32	EA	PROTECTOR-ARMREST, SWIVEL CHAIR - LEFT SIDE (C81)
5	097883-03-000	EA	CABLE-SWIVEL, W/SWITCH - BUCKET SEAT
	089398-04-000	EA	CABLE-SWIVEL, W/SWITCH - BUCKET SEAT
6	089248-08-000	EA	ADJUSTER-SEAT/CHAIR, W/REMOTE - FORWARD & BACK
	089248-05-700	EA	SPRING-ADJUSTER
	089248-05-701	EA	CLIP-CABLE, FOR REMOTE
8	083481-05-000	EA	TOP PLATE-PEDESTAL, W/LOCK
9	083481-02-000	EA	BASE-PEDESTAL, W/10" EXTENSION
10	083482-01-000	EA	SHROUD-PEDESTAL, 13" - PLASTIC - BLACK
11	089248-02-000	EA	ADJUSTER-SEAT/CHAIR, W/O LOCK - FORWARD & BACK
	089248-05-700	EA	SPRING-ADJUSTER
12	007221-01-000	EA	SPACER-SEAT, ADJUSTER

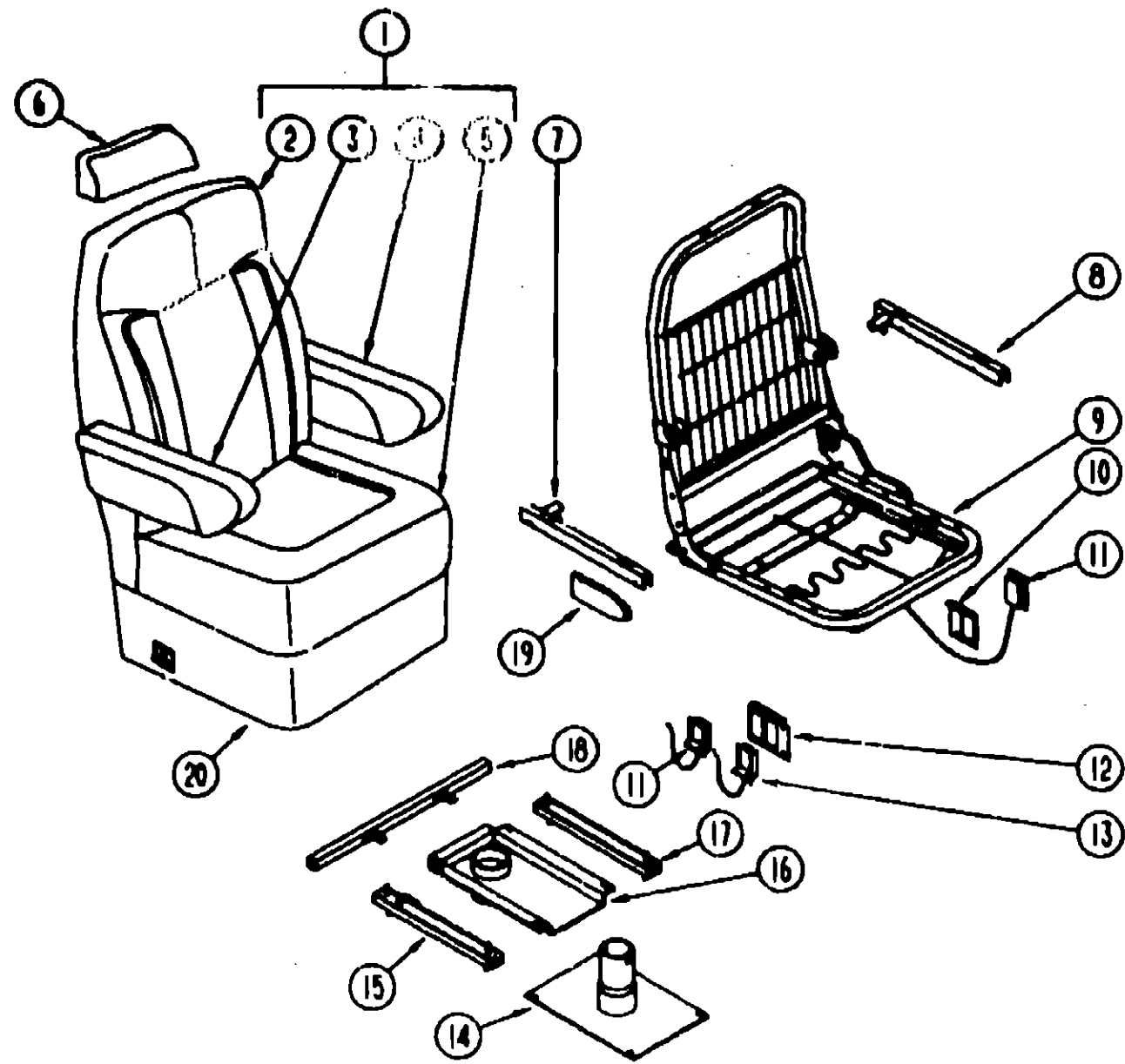
1992 WINNEBAGO
TABLE OF CONTENTS

INTRODUCTION	A-01 -	A-02
ABBREVIATIONS		A-03
ALPHABETICAL INDEX	A-04 -	A-08
JCN28RT	A-07 -	F-04

1992 JCN28RT INDEX

FLOOR PLAN	A-07 -	A-08
ACCESSORIES		A-09
AUDIO VIDEO	A-10 -	A-11
BATH	A-12 -	A-14
BEDROOM	A-15 -	A-17
CHASSIS	A-18 -	B-04
CURTAIN & CUSHION	B-05 -	B-16
DINETTE	B-17 -	B-18
DRIVERS COMPARTMENT	B-19 -	B-24
ELECTRICAL	C-01 -	C-06
EXTERIOR BODY	C-07 -	C-16
GALLEY	C-17 -	C-21
GENERATOR		C-22
HEATING & A/C	C-23 -	D-02
INTERIOR FINISH	D-03 -	D-06
LABEL	D-07 -	D-12
LP		D-13
LOUNGE	D-14 -	D-15
SEALANTS & FASTENERS	D-18 -	D-19
WATER & SEWAGE	D-20 -	D-24
WINDOW, VENT AND		
EXTERIOR DOOR	E-01 -	E-24
WINDSHIELD & WIPER	F-01 -	F-04

CURTAIN & CUSHION GROUP (CONTINUED)
DRIVER & PASSENGER BUCKET SEATS



KEY	PART NUMBER	U/M	DESCRIPTION
5	M03445-23-C80	EA	COVER-SEAT
5	M03445-23-C80	EA	COVER-SEAT
6	086288-01-C80	EA	HEADREST-BUCKET SEAT
6	086288-01-C81	EA	HEADREST-BUCKET SEAT
	M86288-01-C80	EA	COVER-HEADREST, BUCKET SEAT
	M86288-01-C81	EA	COVER-HEADREST, BUCKET SEAT
	081313-01-000	EA	GROMMET-HEADREST
7	081288-01-000	EA	ROD & CHANNEL-ARMREST, RIGHT HAND - METAL
8	081288-02-000	EA	ROD & CHANNEL-ARMREST, LEFT HAND - METAL
	081381-01-000	EA	ROD-ARMREST, RIGHT OR LEFT HAND - METAL
9	M80008-05-000	EA	FRAME-SEAT, BACK & SPRING
	080731-02-000	EA	HINGE-SLAVE, RECLINER - LEFT HAND
	081382-01-000	EA	BRACKET-ARMREST, RIGHT HAND
	081382-02-000	EA	BRACKET-ARMREST, LEFT HAND
	101125-01-000	EA	RECLINER-SEATBACK, LEFT HAND REMOTE
10	097883-03-000	EA	BRACKET-CABLE
11	080388-04-000	EA	CABLE-SWIVEL, W/SWITCH - BUCKET SEAT
12	087883-02-000	EA	BRACKET-CABLE
13	080388-05-000	EA	CABLE-RECLINER, W/SWITCH - BUCKET SEAT
14	080585-08-000	EA	PEDESTAL-BUCKET SEAT, 8"
15	089248-06-000	EA	ADJUSTER-SLIDE, W/LOCK
	069248-05-700	EA	SPRING-ADJUSTER, FOR REMOTE
	089248-05-701	EA	CLIP-CABLE, FOR REMOTE
16	083481-04-000	EA	TOP PLATE-PEDESTAL, BUCKET SEAT - W/O SEAT BELT BAR
17	089248-02-000	EA	ADJUSTER-BUCKET SEAT W/O LOCK, FORWARD AND BACK
	089248-05-700	EA	SPRING-ADJUSTER, FOR REMOTE
18	080585-29-000	EA	BAR-SEAT BELT, BUCKET SEATS - 20"
19	089389-08-000	EA	SHIELD-CABLE, REMOTE RECLINER - BUCKET SEAT
	108049-01-000	EA	CABLE-28", FLEXSTEEL PEDESTAL
	108049-02-000	EA	CABLE-PEDESTAL CLIP
	007221-01-000	EA	SPACER-SEAT, ADJUSTER
20	071126-24-C31	EA	SKIRT-BUCKET SEAT (C80)
20	071126-24-B88	EA	SKIRT-BUCKET SEAT (C81)

DRIVERS POWERED SEAT OPTION

KEY	PART NUMBER	U/M	DESCRIPTION
	069585-39-000	EA	PLATE-TOP, BUCKET SEAT - POWERED
	071126-26-C31	EA	SKIRT ASM-POWER SEAT (C80)
	071126-26-C32	EA	SKIRT ASM-POWER SEAT (C81)
	081373-01-000	EA	UNIT-POWER, BUCKET SEAT - 6 WAY
			FROM: 00-00-00 THRU: 11-10-91
	081373-03-000	EA	UNIT-POWER, BUCKET SEAT - 8 WAY
			FROM: 11-11-01 THRU: 99-99-99
	082357-02-000	EA	WIRE ASSEMBLY-POWER SEAT, 8-WAY
	081373-01-700	EA	SWITCH-CONTROL, W/L BRACKET
	089585-37-000	EA	PEDESTAL-POWER SEAT, 5"

**1992 WINNEBAGO
TABLE OF CONTENTS**

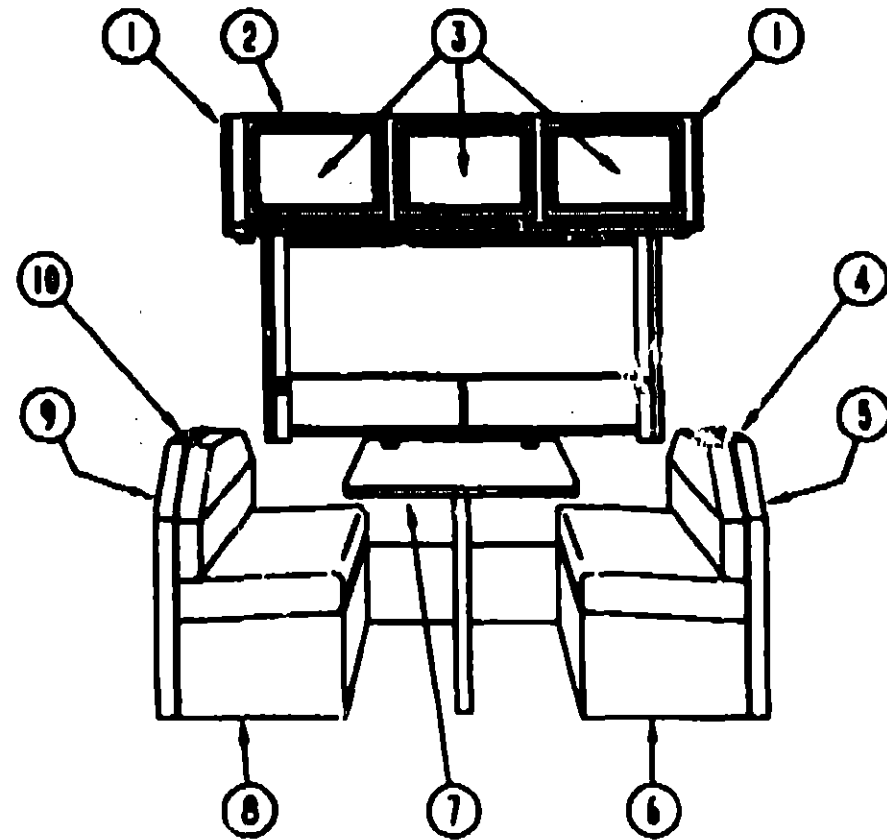
INTRODUCTION	A-01 -	A-02
ABBREVIATIONS		A-03
ALPHABETICAL INDEX	A-04 -	A-08
JCN28RT	A-07 -	F-04

1992 JCN28RT INDEX

FLOOR PLAN	A-07 -	A-08
ACCESSORIES		A-09
AUDIO VIDEO	A-10 -	A-11
BATH	A-12 -	A-14
BEDROOM	A-15 -	A-17
CHASSIS	A-18 -	B-04
CURTAIN & CUSHION	B-05 -	B-18
DINETTE	B-17 -	B-18
DRIVERS COMPARTMENT	B-19 -	B-24
ELECTRICAL	C-01 -	C-06
EXTERIOR BODY	C-07 -	C-16
GALLEY	C-17 -	C-21
GENERATOR		C-22
HEATING & A/C	C-23 -	D-02
INTERIOR FINISH	D-03 -	D-06
LABEL	D-07 -	D-12
LP		D-13
LOUNGE	D-14 -	D-15
SEALANTS & FASTENERS	D-16 -	D-19
WATER & SEWAGE	D-20 -	D-24
WINDOW, VENT AND		
EXTERIOR DOOR	E-01 -	E-24
WINDSHIELD & WIPE(R)	F-01 -	F-04

KEY	PART NUMBER	U/M	DESCRIPTION
1	083450-22-C80	EA	SEAT-BUCKET, W/O BASE OR SKIRT
1	083450-22-C80	EA	SEAT-BUCKET, W/O BASE OR SKIRT
2	M03445-22-C80	EA	COVER-BACK
2	M03445-22-C81	EA	COVER-BACK
3	080243-49-C80	EA	ARMREST-RIGHT SIDE (C80)
3	080243-49-C05	EA	ARMREST-RIGHT SIDE (C81)
	M80243-49-C80	EA	COVER-ARMREST, RIGHT SIDE
	M80243-49-C05	EA	COVER-ARMREST, RIGHT SIDE
4	080243-50-C80	EA	ARMREST, LEFT SIDE (C80)
4	080243-50-C05	EA	ARMREST, LEFT SIDE
	M80243-50-C80	EA	COVER-ARMREST, LEFT SIDE
	M80243-50-C05	EA	COVER-ARMREST, LEFT SIDE

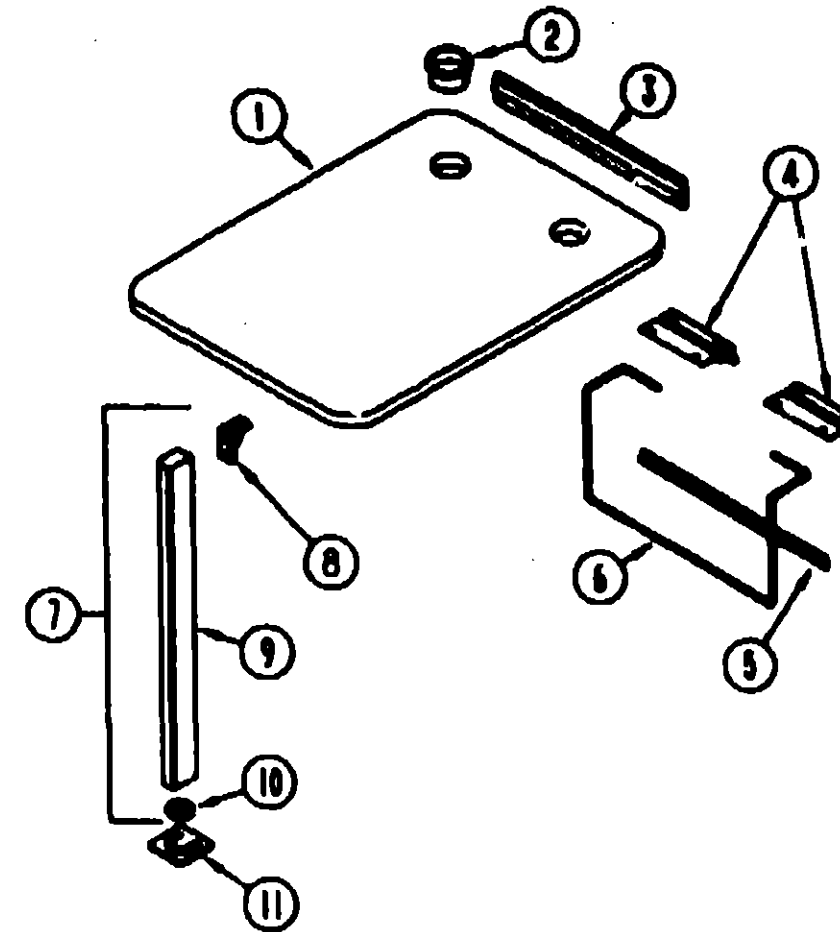
DINETTE GROUP



DINETTE CABINETS, PADS & TABLE

KEY	PART NUMBER	U/M DESCRIPTION
1	103918-01-C11	EA END CAP-CABINET, OVERHEAD - LEFT
2	M06158-27-C80	EA CABINET-OVERHEAD, DINETTE - W/O DOORS OR HARDWARE
3	P03701-24-C11	EA DOOR-CABINET, W/O HARDWARE - 385 MM X 555 MM
4	106478-01-C31	EA PAD-BACKREST TOP, DINETTE (C80)
4	106478-01-C32	EA PAD-BACKREST TOP, DINETTE (C81)
5	M04069-17-C80	EA CABINET-BACKREST, RIGHT - W/O HARDWARE
6	M04070-17-C80	EA CABINET-SEATBASE, RIGHT - W/O HARDWARE
7	M92743-14-C80	EA TABLE-DINETTE, W/O HARDWARE
8	M04070-18-C80	EA CABINET-SEATBASE, LEFT - W/O HARDWARE
9	M04069-18-C80	EA CABINET-BACKREST, LEFT - W/O HARDWARE
10	106478-02-C31	EA PAD-BACKREST TOP, DINETTE (C80)
10	106478-02-C32	EA PAD-BACKREST TOP, DINETTE (C81)
	081286-01-AA8	EA SUPPORT-BED, DINETTE
	081518-10-C80	EA SEAT-DINETTE, TOP

DINETTE GROUP (CONTINUED)



DINETTE TABLE & COMPONENTS

KEY	PART NUMBER	U/M DESCRIPTION
1	M92743-14-C80	EA TABLE-DINETTE, W/O HARDWARE
2	084781-08-000	EA HOLDER-CUP, TWO STEP - OFF WHITE
3	053200-06-000	EA BRACKET-TABLE SUPPORT, UPPER WALL MOUNTED - 23.5" - BEIGE
4	086410-01-000	EA BRACKET-LIFT, TABLE MOUNTED - BEIGE
5	024281-07-000	EA BRACKET-LIFT ROD, LOWER WALL MOUNTED 22.12" - BEIGE
6	024275-12-000	EA ROD-TABLE LIFT, BEIGE
7	092707-04-02A	EA MOLDING-WOOD, TABLE LEG - 27" - RAMBLING OAK
8	093550-01-000	EA BRACKET-HINGE, MOUNTS TO LEG & TABLE TOP - 1.7" X 2.6"
9	092708-08-C31	EA LEG-TABLE, W/CATCH & BRACKET
10	092593-01-04A	EA CATCH-LEG, LEG MOUNTED - 1.4" DIA - METAL - BEIGE
11	049483-11-700	EA CATCH-LEG, FLOOR MOUNTED - 2.5" X 2.7" - METAL - E-COAT

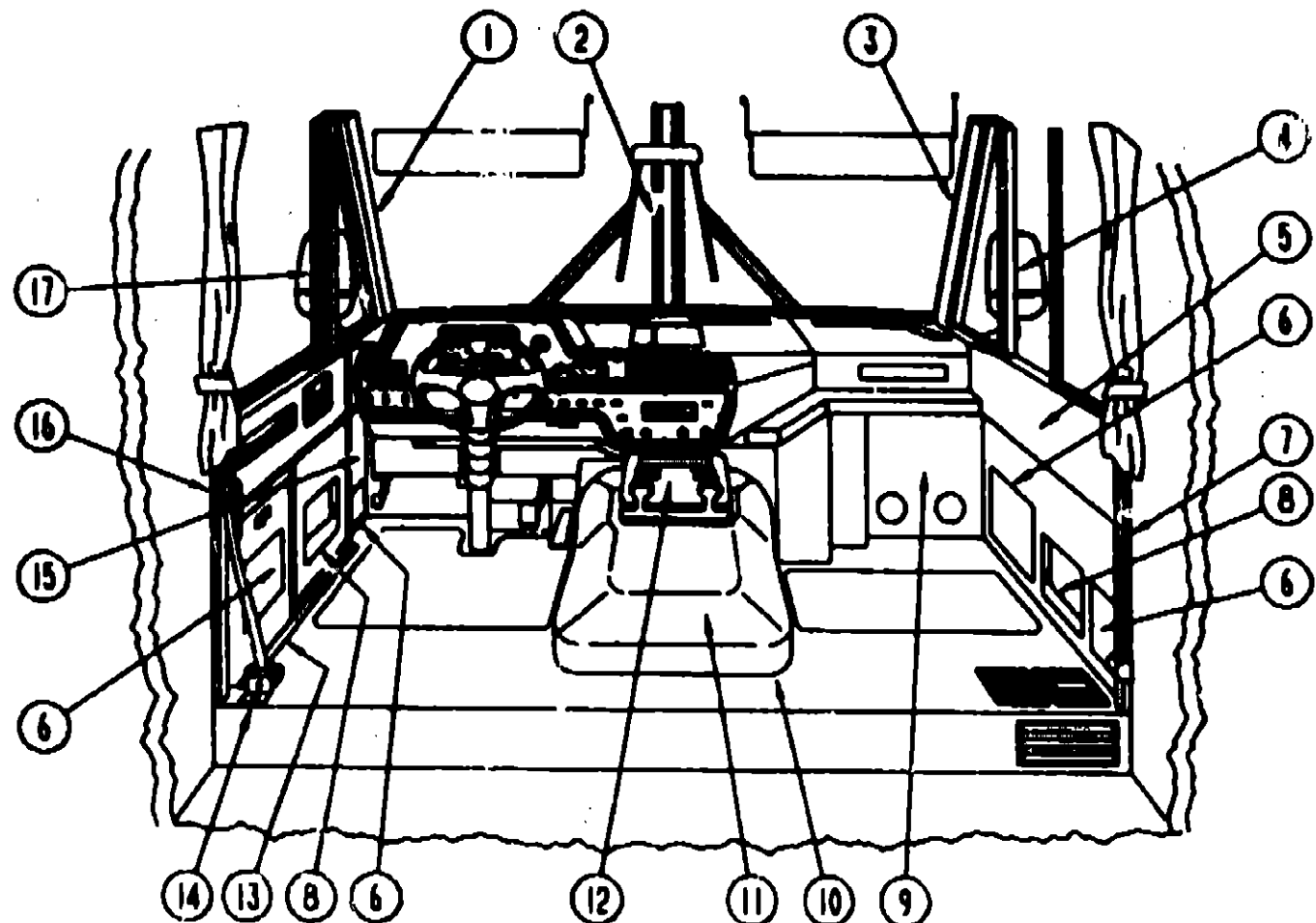
1992 WINNEBAGO TABLE OF CONTENTS

INTRODUCTION	A-01 - A-02
ABBREVIATIONS	A-03
ALPHABETICAL INDEX	A-04 - A-08
JCN28RT	A-07 - F-04

1992 JCN28RT INDEX

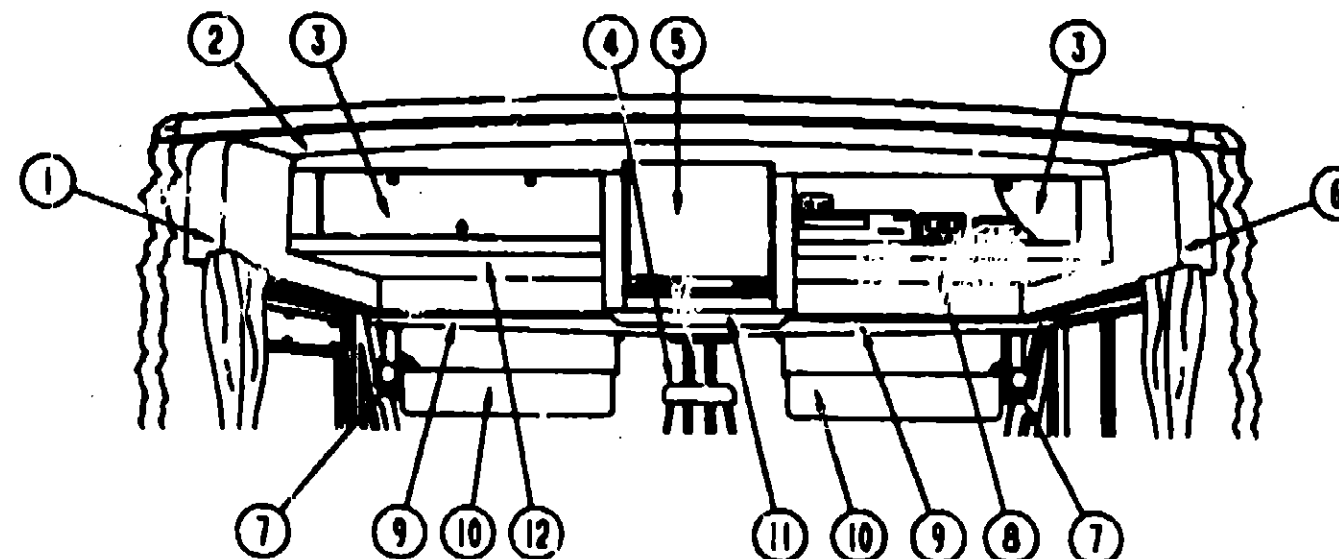
FLOOR PLAN	A-07 - A-08
ACCESSORIES	- A-09
AUDIO VIDEO	A-10 - A-11
BATH	A-12 - A-14
BEDROOM	A-15 - A-17
CHASSIS	A-18 - B-04
CURTAIN & CUSHION	B-05 - B-16
DINETTE	B-17 - B-18
DRIVERS COMPARTMENT	B-19 - B-24
ELECTRICAL	C-01 - C-06
EXTERIOR BODY	C-07 - C-16
GALLEY	C-17 - C-21
GENERATOR	- C-22
HEATING & A/C	C-23 - D-02
INTERIOR FINISH	D-03 - D-06
LABEL	D-07 - D-12
LP	- D-13
LOUNGE	D-14 - D-15
SEALANTS & FASTENERS	D-16 - D-19
WATER & SEWAGE	D-20 - D-24
WINDOW, VENT AND EXTERIOR DOOR	E-01 - E-24
WINDSHIELD & WIPER	F-01 - F-04

DRIVERS COMPARTMENT GROUP



LOWER DRIVERS COMPARTMENT

DRIVERS COMPARTMENT GROUP (CONTINUED)



UPPER DRIVERS COMPARTMENT

**1992 WINNEBAGO
TABLE OF CONTENTS**

INTRODUCTION	A-01	A-02
ABBREVIATIONS		A-03
ALPHABETICAL INDEX	A	A-06
JCN28RT		F-04

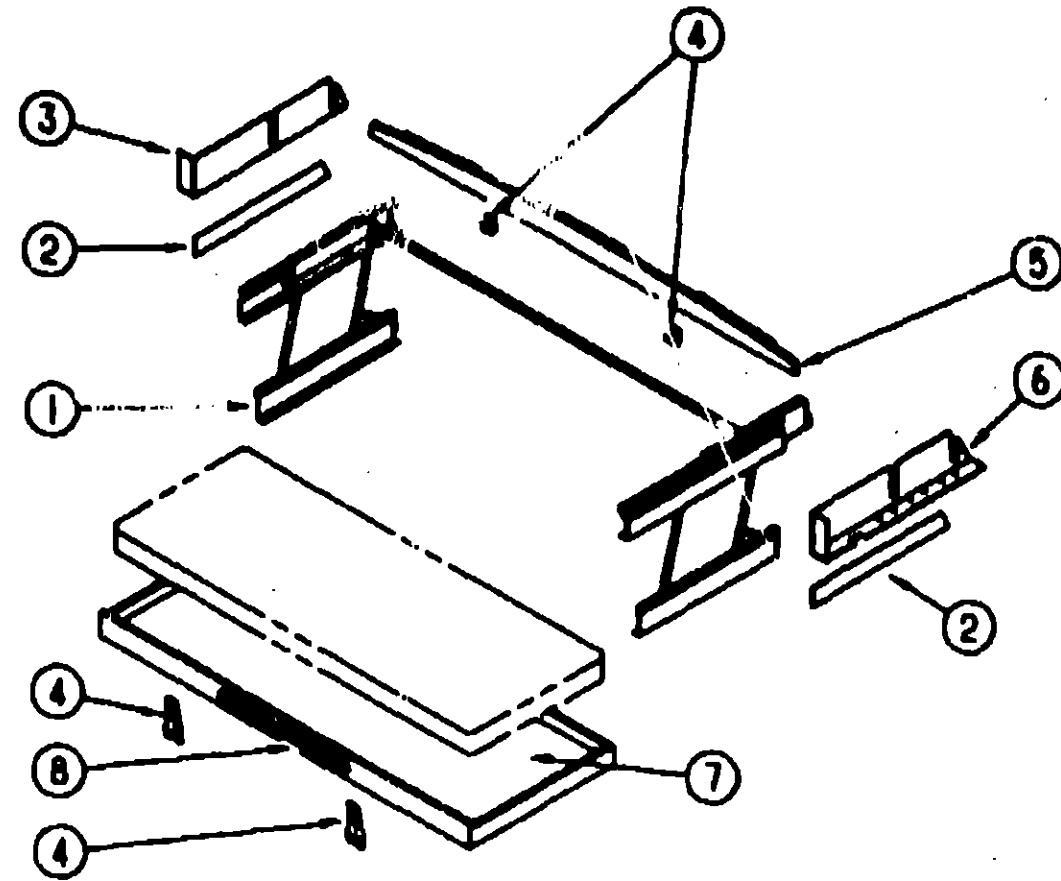
1992 JCN28RT INDEX

FLOOR PLAN	A-07	A-08
ACCESSORIES		A-09
AUDIO VIDEO	A-10	A-11
BATH	A-12	A-14
BEDROOM	A-15	A-17
CHASSIS	A-18	B-04
CURTAIN & CUSHION	B-05	B-18
DINETTE	B-17	B-18
DRIVERS COMPARTMENT	B-19	B-24
ELECTRICAL	C-01	C-08
EXTERIOR BODY	C-07	C-18
GALLEY	C-17	C-21
GENERATOR		C-22
HEATING & A/C	C-23	D-02
INTERIOR FINISH	D-03	D-08
LABEL	D-07	D-12
LP		D-13
LOUNGE	D-14	D-15
SEALANTS & FASTENERS	D-16	D-19
WATER & SEWAGE	D-20	D-24
WINDOW, VENT AND		
EXTERIOR DOOR	E-01	E-24
WINDSHIELD & WIPER	F-01	F-04

KEY	PART NUMBER	U/M DESCRIPTION
1	092471-04-01A	EA TRIM-OVERHEAD - DRIVER SIDE UPPER - PLASTIC - OFF WHITE
2	100898-01-807	EA FACE-CABINET, OVERHEAD - TV - W/O HARDWARE
3	100708-03-000	EA DOOR-GLASS - OVERHEAD - W/O HARDWARE - 8.3" X 27"
4	040714-01-000	EA MIRROR-REAR VIEW - WARM MOUNT & SET SCREW
4	040714-01-700	EA MIRROR KIT-REAR VIEW - WARM MOUNT, PLATE & SCREWS
5	P03701-88-C11	EA DOOR-CABINET - CENTER OVERHEAD - 385 X 410 - W/O HARDWARE
6	092471-03-01A	EA TRIM-OVERHEAD - PASS. SIDE UPPER - PLASTIC - OFF WHITE
7	038420-02-000	EA FAN-DEFROSTER - 2 SPEED - 6" DIAMETER
8	P00957-01-807	EA SHELF-OVERHEAD - FRONT PASSENGER - VINYL COVERED
9	093984-01-700	EA HEADLINER-FRONT, OVER WINDSHIELD & ACROSS FRONT - PLASTIC
	100518-01-01A	EA RETAINER-HEADLINER - 18.9" X 1.3" - METAL - OFF WHITE
10	082288-13-C11	EA SUNVISOR-DRIVER OR PASSENGER - OFF WHITE
	102377-01-000	EA BRACKET-SUNVISOR - 1 PIECE - STEEL
	007211-01-000	EA HINGE-SUNVISOR - 25.5" X 1.5" - METAL
	074012-01-000	EA CLIP-SUNVISOR - SQUARE - PINCH ON
	100423-01-01A	EA PLATE-MOUNT - SUNVISOR - TRIANGLE SHAPED - PLASTIC - OFF WHITE
11	P00958-01-807	EA SHELF-OVERHEAD - CENTER - VINYL COVERED
	100622-01-01A	EA BRACKET-CABINET - TV - 9" X 1.5" - METAL - OFF WHITE
12	P00957-02-807	EA SHELF-OVERHEAD - FRONT DRIVER - VINYL COVERED

KEY	PART NUMBER	U/M DESCRIPTION
1	092584-02-02A	EA COVER-A PILLAR - DRIVER - PLASTIC - GRAY
2	077114-08-000	EA COVER-CENTER PILLAR - WINDSHIELD - PLASTIC - GRAY
2	077114-02-000	EA COVER-CENTER PILLAR - WINDSHIELD - PLASTIC - GRAY - UN CUT
3	092584-01-02A	EA COVER-A PILLAR - PASSENGER - PLASTIC - GRAY
4	092585-01-02A	EA COVER-PILLAR - PASSENGER - PLASTIC - GRAY
5	092582-01-02A	EA PANEL-FULL - RIGHT - GRAY
	091739-01-000	EA PANEL-TOE KICK - 26.4" X 24.8" - STEEL
		FROM: 00-00-00 THRU: 01-05-92
	091739-03-000	EA PANEL-TOE KICK - 26.4" X 24.8" - STEEL
		FROM: 01-06-92 THRU: 99-99-99
6	093195-01-C31	EA PAD-DOOR (C80)
6	093195-01-C32	EA PAD-DOOR (C81)
7	097240-01-01A	EA COVER-B PILLAR - PASS - 58" X 2.1" - PLASTIC - OFF WHITE
8	097308-01-02A	EA COVER-MAP POCKET - PLASTIC - GRAY
9	096757-01-C31	EA COVER ASM-HEATER
10	092408-01-000	EA TRIM-MOTOR COVER - ALUMINUM
10	079823-01-000	FT SEAL-MOTOR COVER - RUBBER BULB TYPE - BLACK
11	097552-01-000	EA COVER-MOTOR W/O CARPET
	075564-01-000	EA BRACKET-MOUNTING - MOTOR COVER
12	098132-02-C80	EA TRAY-BEVERAGE
	098411-01-01A	EA INSERT-BEVERAGE TRAY - 2.2" X 10.8"
	090752-17-000	EA WHEEL-STEERING - W/3 SPOKES & 2 THUMB HORN BUTTONS - DELUXE OPTION
	090752-08-000	EA HUB-ADAPTER - STEERING WHEEL - DELUXE OPTION
	090752-08-000	EA SCREW-CUSTOM - STEERING WHEEL - DELUXE OPTION
13	097876-01-01A	EA THRESHOLD-CAB DOOR - 2.0" X 24.8" - ALUMINUM - BLACK
14	091990-02-01A	EA BRACKET-SEAT BELT - DRIVERS - FLOOR MOUNT
	091990-01-01A	EA SEAT BELT-SHOULDER HARNESSES - DRIVERS/PASSENGERS - BLACK
	091990-01-700	EA BOLT COVER
	R77008-13-498	EA GUIDE-BOLT
15	092583-02-02A	EA PANEL-KICK, LOWER DRIVER - PLASTIC - GRAY
16	097239-01-01A	EA COVER D PILLAR - DRIVER - 58" X 2.2" - PLASTIC - OFF WHITE
	091739-02-000	EA PANEL-TOE KICK - 26.4" X 24.8" - STEEL
		FROM: 00-00-00 THRU: 01-05-92
	091739-04-000	EA PANEL-TOE KICK - 26.4" X 24.8" - STEEL
		FROM: 01-06-92 THRU: 99-99-99
17	092585-02-02A	EA COVER-HINGE PILLAR - DRIVER - PLASTIC - GRAY

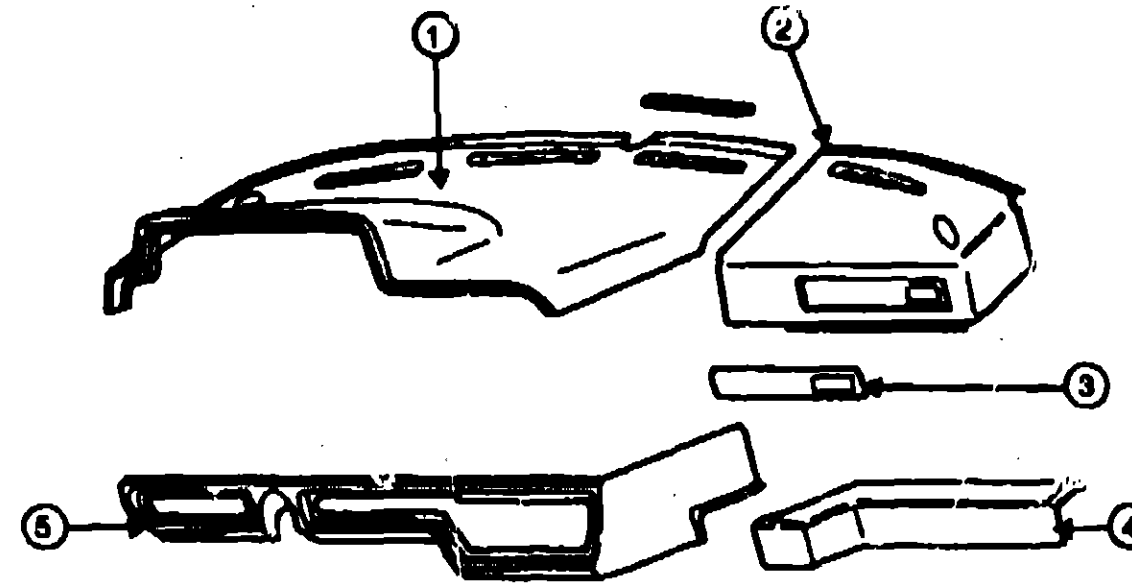
DRIVERS COMPARTMENT GROUP (CONTINUED)



FRONT SINGLE PULLDOWN BUNK

KEY	PART NUMBER	U/M DESCRIPTION
1	076760-02-000	EA BUNK HARDWARE-COMplete
	076760-02-700	EA SPRING-GAS, BUNK HARDWARE
2	092472-02-01A	EA TRIM-SIDE - LOWER DRIVER OR PASSENGER - 15.5" - WHOLEs - OFF WHITE
3	092471-02-01A	EA TRIM-SIDE - UPPER DRIVER - 33.25" - PLASTIC - OFF WHITE
4	042541-04-000	EA LATCH-W/O STRIKE - BRASS
4	042541-05-000	EA STRIKE-LATCH, BRASS
5	M93055-01-Y12	EA BOARD-BUNK - TRIM - CEILING MOUNTED - 7.1" X 78.9"
6	092471-01-01A	EA TRIM-SIDE - UPPER PASSENGER - 33.25" - PLASTIC - OFF WHITE
7	081717-04-Y12	EA BED-BUNK - FRONT
8	094858-01-Y12	EA HANDLE-BUNK, 2" X 27" - WOOD - OAK

DRIVERS COMPARTMENT GROUP (CONTINUED)



DASH PANELS

KEY	PART NUMBER	U/M DESCRIPTION
1	102122-01-B29	EA TOP-PADDED DASH - UPPER - LEFT - VINYL - GREY
2	085252-02-Y33	EA TOP-PADDED DASH - UPPER - RIGHT - VINYL - GREY
3	076797-03-000	EA INSTRUMENT PANEL - RIGHT - MATTE
		FROM: 00-00-00 THRU: 09-29-91
3	076797-04-000	EA INSTRUMENT PANEL - RIGHT - MATTE
		FROM: 09-30-91 THRU: 99-99-99
3	076797-05-000	EA APPLIQUE-INSTRUMENT PANEL - RIGHT
		FROM: 09-30-91 THRU: 99-99-99
4	076734-04-000	EA TRAY-DASH PANEL, PLASTIC - GREY
5	101055-01-02A	EA PANEL-DASH-LOWER - DRIVER - PLASTIC - GREY
	076867-01-000	EA BRACKET-"V" LIPPED - 3.5" X 1" - STEEL - W/O SCREW HOLE
	076867-02-000	EA BRACKET-"V" LIPPED - 8.4" X 1" - STEEL - W/SCREW HOLE
	076872-01-000	EA BRACKET-"V" LIPPED - 2.7" X 1" - STEEL - W/O SCREW HOLE

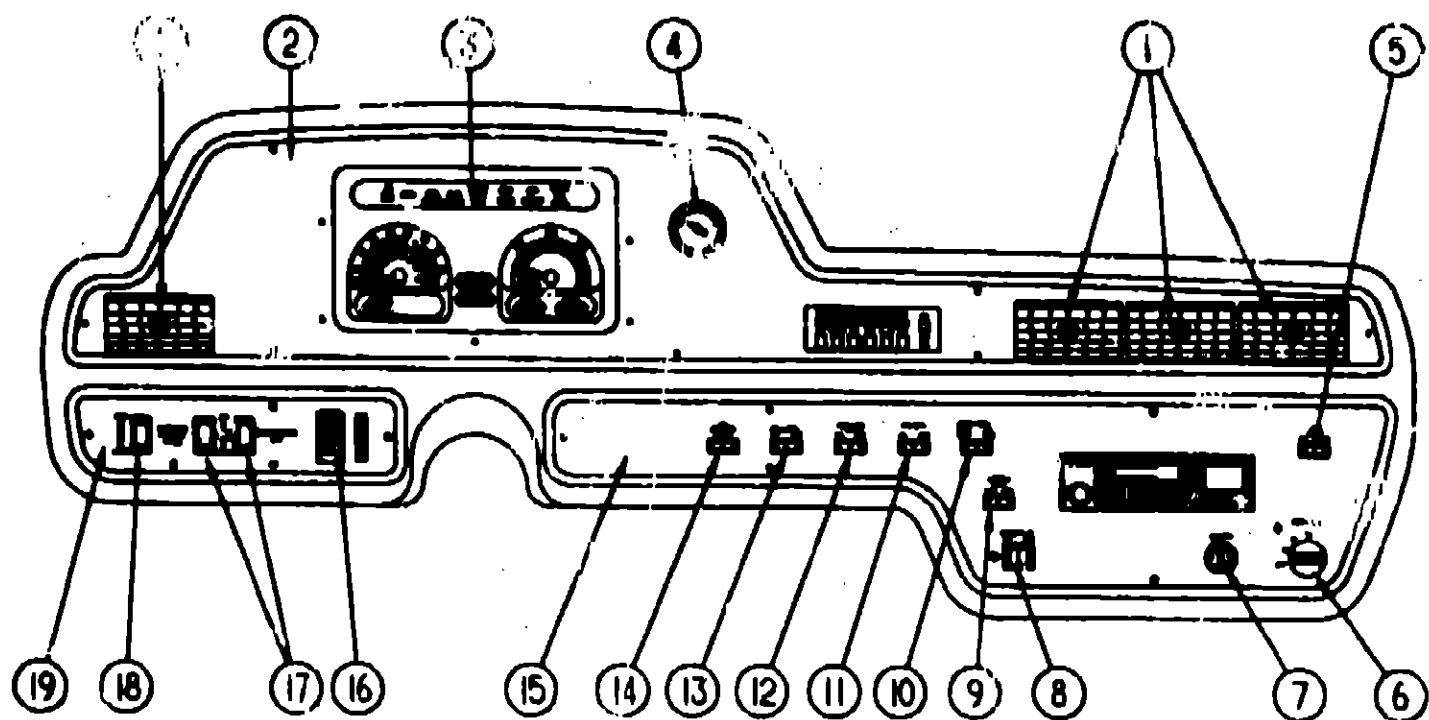
**1992 WINNEBAGO
TABLE OF CONTENTS**

INTRODUCTION	A-01 -	A-02
ABBREVIATIONS		A-03
ALPHABETICAL INDEX	A-04 -	A-08
JCN28RT	A-07 -	F-04

1992 JCN28RT INDEX

FLOOR PLAN	A-07 -	A-09
ACCESSORIES		A-09
AUDIO VIDEO	A-10 -	A-11
BATH	A-12 -	A-14
BEDROOM	A-15 -	A-17
CHASSIS	A-18 -	B-04
CURTAIN & CUSHION	B-05 -	B-16
DINETTE	B-17 -	B-18
DRIVERS COMPARTMENT	B-19 -	B-24
ELECTRICAL	C-01 -	C-06
EXTERIOR BODY	C-07 -	C-16
GALLEY	C-17 -	C-21
GENERATOR		C-22
HEATING & A/C	C-23 -	D-02
INTERIOR FINISH	D-03 -	D-06
LABEL	D-07 -	D-12
LP		D-13
LOUNGE	D-14 -	D-15
SEALANTS & FASTENERS	D-16 -	D-19
WATER & SEWAGE	D-20 -	D-24
WINDOW, VENT AND EXTERIOR DOOR	E-01 -	E-24
WINDSHIELD & WIPER	F-01 -	F-04

DRIVERS COMPARTMENT GROUP (CONTINUED)
DASH SWITCHES, GAUGES & COMPONENTS



ITEM	U/M NUMBER	U/M DESCRIPTION
1	0789-C2-000	EA LOUVER & BEZEL - AIR - 2 1/2" - PLASTIC - BLACK
2	100802-06-01A	EA PANEL-INSTRUMENT - UPPER INDICATORS - NO LOGO - BLACK
	100802-06-02A	EA APPLIQUE-INSTRUMENT PANEL - "SUNFLYER" - BLACK
3	094796-C5-000	EA INSTRUMENT CLUSTER GAS, KILOMETERS
4	024400-04-000	EA VACUUM GALLOIS
5	097372-01-01A	EA SWITCH-MAP LIGHT
6	090979-01-010	EA PLUG-INSTRUMENT PANEL - .46" DIA
6	087202-02-000	EA SWITCH-REAR AUTO HEATER
6	090977-01-000	EA KNOB-REAR AUTO HEATER SWITCH
7	069294-01-000	EA LIGHTER-CIGARETTE
8	095272-02-000	EA SWITCH-BATTERY DISCONNECT
8	081087-01-000	EA LIGHT ASM. - INDICATOR - JENSEN
9	097372-06-01A	EA SWITCH-DUAL BATTERY
10	097372-06-01A	EA SWITCH-RADIO POWER
11	097372-06-01A	EA SWITCH-BLANK
12	097372-06-01A	EA SWITCH-BLANK
12	097372-03-01A	EA SWITCH-AUXILIARY FANS
13	097372-06-01A	EA SWITCH-BLANK
14	097372-07-01A	EA SWITCH-COURTESY BLINKERS
15	101024-02-01A	EA INSTRUMENT PANEL - LOWER - RIGHT - CHEVY
		FROM: 00-00-00 THRU: 09-29-91
15	101024-04-01A	EA INSTRUMENT PANEL - LOWER - RIGHT - CHEVY
		FROM: 09-30-91 THRU: 09-09-99
15	101024-05-01A	EA APPLIQUE-INSTRUMENT PANEL - LOWER - RIGHT - CHEVY
		FROM: 09-30-91 THRU: 09-09-99
16	NOTE	EA SWITCH-HEADLAMP (CHASSIS PROVIDED)
17	097372-04-01A	EA LEVEL SWITCH-AIR RIDE - (LEFT OR RIGHT)
18	097372-06-01A	EA AIR RIDE MODE SWITCH
19	101025-04-01A	EA BEZEL-INSTRUMENT PANEL - LOWER LEFT (W/O JET RIDE OPTION)
		FROM: 00-00-00 THRU: 09-29-91
19	101025-06-01A	EA BEZEL-INSTRUMENT PANEL - LOWER LEFT (W/O JET RIDE OPTION)
		FROM: 09-30-91 THRU: 09-09-99
19	101025-10-01A	EA APPLIQUE-BEZEL - INSTRUMENT PANEL - LOWER LEFT (W/O JET RIDE OPTION)
		FROM: 09-30-91 THRU: 09-09-99
19	101025-03-01A	EA BEZEL-INSTRUMENT PANEL - LOWER LEFT (W/JET RIDE OPTION)
		FROM: 00-00-00 THRU: 09-29-91
19	101025-06-01A	EA BEZEL-INSTRUMENT PANEL - LOWER LEFT (W/JET RIDE OPTION)
		FROM: 09-30-91 THRU: 09-09-99
19	101025-06-01A	EA APPLIQUE-BEZEL - INSTRUMENT PANEL - LOWER LEFT (W/JET RIDE OPTION)
		FROM: 09-30-91 THRU: 09-09-99
	076788-01-000	EA SOCKET-MINI BAYONET LAMP
	076788-02-000	EA CYLINDER-CARDBOARD - LAMP
	076788-03-000	EA LAMP PLATE ASM.
	076788-04-000	EA LAMP PLATE ASM. - TURN SIGNAL
	077031-01-000	EA FILM-BLACK - 1" X 1.75"
	077031-02-000	EA FILM-AMBER - 1" X 1.75"

1992 WINNER ACO
TABLE OF CONTENTS

INTRODUCTION	A-01 -	A-02
ABBREVIATIONS		A-03
ALPHABETICAL INDEX	A-04 -	A-06
JCN28RT	A-07 -	F-04

1992 JCN28RT INDEX

FLOOR PLAN	A-07 -	A-08
ACCESSORIES		A-09
AUDIO VIDEO	A-10 -	A-11
BATH	A-12 -	A-14
BEDROOM	A-15 -	A-17
CHASSIS	A-18 -	D-04
CURTAIN & CUSHION	B-05 -	B-16
DINETTE	B-17 -	B-18
DRIVERS COMPARTMENT	B-19 -	B-24
ELECTRICAL	C-01 -	C-06
EXTERIOR BODY	C-07 -	C-16
GALLEY	C-17 -	C-21
GENERATOR		C-22
HEATING & AC	C-23 -	D-02
INTERIOR FINISH	D-03 -	D-06
LABEL	D-07 -	D-12
LP		D-13
LOUNGE	D-14 -	D-15
SEALANTS & FASTENERS	D-16 -	D-19
WATER & SEWAGE	D-20 -	D-24
WINDOW, VENT AND		
EXTERIOR DOOR	E-01 -	E-24
WINDSHIELD & WIPER	F-01 -	F-04

**ELECTRICAL GROUP
SWITCH, PLATES & RECEPTABLES**

KEY	PART NUMBER	U/M	DESCRIPTION
	079384-01-000	FA	SWITCH-ON/OFF ROCKER, BROWN
	079384-03-000	EA	SWITCH-ON/OFF ROCKER, BLACK
	084078-01-000	EA	RECEPTACLE-GFI, 15A - 125V - IVORY
	084078-02-000	FA	RECEPTACLE-GFI, 15A - 125V - BROWN
	084077-01-000	EA	PLATE-COVER, RECEPTACLE - GFI - IVORY
	084077-02-000	EA	PLATE-COVER, RECEPTACLE - GFI - BROWN
	102888-01-810	EA	SPACER-RECEPTACLE, BETWEEN SIDE WALL & PLATE - WOOD
	088708-01-000	EA	RECEPTACLE-ELECTRIC, DOUBLE - BROWN
	088708-02-000	EA	RECEPTACLE-ELECTRIC, DOUBLE - IVORY
	088707-01-000	EA	RECEPTACLE-ELECTRIC, SINGLE - BROWN
	088351-01-41A	EA	PLATE-SWITCH, 1 GANG - POLISHED BRASS
	088351-02-01A	EA	PLATE-SWITCH, 2 GANG - POLISHED BRASS
	088351-04-01A	EA	PLATE-SWITCH, GENERATOR/DOOR LOCK - POLISH BRASS - JENSEN
	088351-06-01A	EA	PLATE-SWITCH, 3 GANG - POLISH BRASS - JENSEN
	078738-02-000	EA	COVER-EXTERIOR RECEPTACLE, OFF WHITE
	083787-01-01A	EA	BOX-EXTERIOR RECEPTACLE, TV CABLE - PLASTIC - OFF WHITE
	077842-01-000	EA	SWITCH-DUMMY, BLACK
	088241-03-000	EA	SWITCH-BLANK
	085188-02-01A	EA	SPACER-SWITCH, 2.3" X 4.1" - PLASTIC - DARK BROWN
	024824-02-000	EA	RECEPTACLE-POWER CORD, W/PARTIAL PLATE
	088238-01-000	EA	COVER-ELECTRICAL BOX, WHOLE - 4" X 4" - GRAY

INTERIOR LIGHTS

KEY	PART NUMBER	U/M	DESCRIPTION
	082888-09-000	EA	LAMP-TABLE, W/O SHADE - ACRYLIC
	082888-07-000	EA	SHADE-LAMP, TABLE
	083978-01-000	EA	WASHER-MOUNTING, LAMP
	083575-02-01A	EA	LIGHT-CEILING, RECTANGULAR - GLASS & BRASS
	008218-01-000	EA	BULB-DOME LIGHT, 12V - NUMBER 1141
	077028-01-000	EA	LENS-COURTESY LIGHT, CLEAR
	098024-01-01A	EA	LIGHT-DOME, 1 BULB - US - IVORY
	098024-03-01A	EA	LIGHT-DOME, 2 BULB - IVORY
	008218-01-000	EA	BULB-DOME LIGHT, 12V - NUMBER 1141
	098024-01-700	EA	LENS-DOME LIGHT
	098023-02-01A	EA	SHROUD-CEILING LIGHT, DOUBLE, IVORY
	091937-04-000	EA	LIGHT-FLUORESCENT, 12 V - RECESSED - THIN-LITE 736
	091937-05-700	EA	BULB-FLUORESCENT, 12"
	091937-05-000	EA	LIGHT-FLUORESCENT, 12V - RECESSED - THIN-LITE 732
	091937-05-700	EA	BULB-FLUORESCENT, 12"
	081424-01-000	EA	LIGHT-DASH/AISLE, 12V - RECTANGULAR
	008103-01-000	EA	BULB-DASH/AISLE LIGHT, #53 - 12 V - 12 AMP
	087894-01-000	EA	LIGHT-WARDROBE/CLOSET, W/SWITCH
	087894-01-700	EA	BULB
	090353-18-000	EA	LIGHT-READING, DOUBLE - BLACK
	036198-01-000	EA	BULB-READING LIGHT

**ELECTRICAL GROUP (CONTINUED)
ELECTRICAL CONNECTORS**

KEY	PART NUMBER	U/M	DESCRIPTION
	079378-01-000	EA	TERMINAL-WEDGE BASE, 18 AWG
	047443-01-000	EA	TERMINAL-250 RECEP. FIT, INSULATED - 18/14 AWG
	047443-02-000	EA	TERMINAL-250 RECEP. FIT, INSULATED - 12/10 AWG
	035418-04-000	EA	TERMINAL-RING #10 STUD FIT, INSULATED BARNEL #18/14
	008348-01-000	EA	TERMINAL-RING, 3/8" STUD - #2 WIRE
	008331-01-000	EA	TERMINAL-RING, TONGUE - #4 WIRE - 3/8" STUD - COPPER
	008328-01-000	EA	TERMINAL-RING, 18/14 WIRE - 3/8" STUD
	008328-01-000	EA	TERMINAL-RING, 12/10 WIRE - #10 STUD FIT
	082037-01-000	EA	HOUSING-AUTO FUSE, NATURAL
	082037-02-000	EA	HOUSING-AUTO FUSE, GREEN
	082037-03-000	EA	HOUSING-AUTO FUSE, BLACK
	082037-04-000	EA	HOUSING-AUTO FUSE, BLUE
	082037-06-000	EA	HOUSING-AUTO FUSE, GRAY
	082037-08-000	EA	HOUSING-AUTO FUSE, BROWN
	083910-01-000	EA	HOUSING-RELAY
	084389-01-000	EA	HOUSING-WIRED, TRAILER TOWING PIN
	082109-01-000	EA	HOUSING-CONNECTOR, PACKARD
	101571-01-000	EA	HOUSING-2 POSITION, MALE
	108008-01-000	EA	HOUSING-1 POSITION, FEMALE - PACKARD 12015952
	088474-01-000	EA	HOUSING-SOCKET, 12 CAVITY - AMP 1-480709-0
	088474-02-000	EA	HOUSING-SOCKET, 12 CAVITY - AMP 1-480711-0
	088474-08-000	EA	HOUSING-SOCKET, 8 CAVITY - AMP 1-480706-0
	088474-09-000	EA	HOUSING-SOCKET, 3 CAVITY - AMP 1-480701-0
	088474-10-000	EA	HOUSING-SOCKET, 2 CAVITY - AMP 1-480899-0
	088474-03-000	EA	HOUSING-SOCKET, 9-POSITION
	088474-08-000	EA	HOUSING-SOCKET, 4 POSITION (SINGLE ROW)
	088473-01-000	EA	PIN-HOUSING, 4 ROWS OF 3
	088473-03-000	EA	PIN-HOUSING, 9-POSITION
	088473-05-000	EA	PIN-HOUSING, 8 POSITION (SINGLE ROW)
	088473-06-000	EA	PIN-HOUSING, 6 POSITION (TWO ROWS OF THREE)
	088473-08-000	EA	PIN-HOUSING, 4 POSITION
	088473-09-000	EA	PIN-HOUSING, 3 POSITION (SINGLE ROW)
	088473-10-000	EA	PIN-HOUSING, 2 POSITION
	100690-01-000	EA	HOUSING-5 PIN, WEATHER PACK
	101751-01-000	EA	HOUSING-1 PIN, WEATHER PACK
	101751-02-000	EA	HOUSING-1 PIN, WEATHER PACK
	008314-01-000	EA	CONNECTOR-WIRE NUT, INSULATED - GRAY
	008356-01-000	EA	CONNECTOR-PLASTIC, 3/8" AVG
	041480-01-000	EA	CONNECTOR-STRAIGHT, 1/2" FLEX CONDUIT
	058028-01-000	EA	CONNECTOR-ELECTRICAL PIGTAIL, NYLON - CLEAR
	082740-01-000	EA	CONNECTOR-PLASTIC BODY, FOR 2 MALE SPADES
	082741-01-000	EA	CONNECTOR BODY-2 CNCT MALE SERV ELEC 2P-FYL
	008355-01-000	EA	CONNECTOR-CABLE CLAMPING, 3/4"
	008311-01-000	EA	CONNECTOR-WIRE NUT, INSULATED - RED
	008312-01-000	EA	CONNECTOR-WIRE NUT, INSULATED - BLUE
	088478-01-000	EA	SOCKET-CONNECTOR
	088478-02-000	EA	SOCKET-CONNECTOR 12-10 GA
	088475-01-000	EA	PIN-CONNECTOR
	088475-02-000	EA	PIN-CONNECTOR
	077000-01-000	EA	SOCKET ASM-W/8" PIGTAIL LEADS

**1992 WINNEBAGO
TABLE OF CONTENTS**

INTRODUCTION	A-01	A-02
ABBREVIATIONS		A-03
ALPHABETICAL INDEX	A-04	A-08
JCN28RT	A-07	F-04

1992 JCN28RT INDEX

FLOOR PLAN	A-07	A-08
ACCESSORIES		A-09
AUDIO VIDEO	A-10	A-11
BATH	A-12	A-14
BEDROOM	A-15	A-17
CHASSIS	A-18	B-04
CURTAIN & CUSHION	B-05	B-18
DINETTE	B-17	B-18
DRIVERS COMPARTMENT	B-19	B-24
ELECTRICAL	C-01	C-06
EXTERIOR BODY	C-07	C-18
GALLEY	C-17	C-21
GENERATOR		C-22
HEATING & A/C	C-23	D-02
INTERIOR FINISH	D-03	D-08
LABEL	D-07	D-12
LP		D-13
LOUNGE	D-14	D-15
SEALANTS & FASTENERS	D-16	D-19
WATER & SEWAGE	D-20	D-24
WINDOW, VENT AND		
EXTERIOR DOOR	E-01	E-24
WINDSHIELD & WIPER	F-01	F-04

ELECTRICAL GROUP (CONTINUED)
CIRCUIT BREAKERS & FUSES

KEY	PART NUMBER	U/M	DESCRIPTION
	093874-01-000	EA	PLATE-CIRCUIT BREAKER, HOUSE
	091213-01-000	EA	BOX-CIRCUIT BREAKER- W/KNOCKOUTS - 5.3" X 11.8" X 2.5"
	093864-01-000	EA	CIRCUIT BREAKER-8 AMP, HOUSE CONTROL PANEL
	093854-02-000	EA	CIRCUIT BREAKER-15 AMP
	093854-03-000	EA	CIRCUIT BREAKER-20 AMP, HOUSE CONTROL PANEL
	093855-01-000	EA	CIRCUIT BREAKER-25 AMP
	093855-02-000	EA	CIRCUIT BREAKER-30 AMP, HOUSE CONTROL PANEL
	093855-03-000	EA	CIRCUIT BREAKER-40 AMP
	097811-01-000	EA	CIRCUIT BREAKER-8AMP,ATC - BLACK
	083209-03-000	EA	CIRCUIT BREAKER-15/20AMP, 120V - BW - 0-15/20
	083209-05-000	EA	CIRCUIT BREAKER-20A, 120V - BW J-20
	083209-08-000	EA	CIRCUIT BREAKER-30/15 AMP, 120V - BW D-30/15
	082901-02-000	EA	FUSE-5 AMPS, AUTOMOTIVE
	092841-01-000	EA	CABLE ASM-CIRCUIT BREAKER, POWER SEAT
	098123-01-000	EA	PLATE-CIRCUIT BREAKER, 10.7" X 8.8" - METAL - BLACK

ELECTRICAL SERVICE DOORS (UNDER HOOD)

KEY	PART NUMBER	U/M	DESCRIPTION
	008527-01-000	EA	DOOR-CIRCUIT BREAKERS
	098527-02-000	EA	DOOR ASM-FUSES
	098198-01-000	EA	LATCH-1/4 TURN, T-BAR
	092492-02-000	EA	SEAL-ELECTRIC BOX, FUSE
	092492-03-000	EA	SEAL-ELECTRIC BOX, CIRCUIT BREAKER

WIRE HARNESS ASSEMBLIES

KEY	PART NUMBER	U/M	DESCRIPTION
	101819-01-000	EA	WIRE ASSEMBLY-INSTRUMENT PANEL, AIR RIDE CONTROL
	101137-01-000	EA	WIRE ASSEMBLY-INSTRUMENT PANEL, AIR RIDE LIGHTS
	102343-01-000	EA	WIRE-INSTRUMENT PANEL, MAIN - CHEVY
	097818-01-000	EA	WIRE ASM-MONITOR PANEL W/3 WIRES & ORANGE RESISTOR - LVS
	092845-02-000	EA	WIRE ASM-DRIVER DOOR CONTROL PANEL
			FROM: 00-00-00 THRU: 04-05-92
	092845-03-000	EA	WIRE ASM-DRIVER DOOR CONTROL PANEL
			FROM: 04-06-92 THRU: 99-99-99

ELECTRICAL GROUP (CONTINUED)
MISCELLANEOUS ELECTRICAL COMPONENTS

KEY	PART NUMBER	U/M	DESCRIPTION
	087782-01-000	EA	CONVERTER-40 AMP, W/CHARGER - TRIAD TU-740-2
	080734-02-000	EA	CLIP-WIRE, NYLON
	007842-01-000	EA	TAB-WIRE, 18 TO 14 AWG
	007840-01-000	EA	TAB-HOUSING, 1 POSITION
	088288-02-000	EA	WIRE-BATTERY DISCONNECT, GREEN
	088273-01-000	EA	RELAY-BATTERY DISCONNECT
	077479-01-000	EA	BOOT-BATTERY TERM, DOUBLE CABLE
	077479-02-000	EA	BOOT-BATTERY TERMINAL, SINGLE CABLE
	073328-84-000	EA	CABLE ASSEMBLY-BATTERY, W/TERMINALS
	088781-01-000	FT	CABLE-BATTERY, 1/0 AWG, STRANDED, RED
	087225-01-000	FT	BLEEVING-1/2", TYPE H - VARIFLEX
	080871-01-000	EA	SPLICE-CABLE, 110V
	082788-03-000	EA	BUSS BAR-8.9" LONG
	054250-04-000	EA	COVER-ANGLED, W/O HOLE - 3.8" X 4.5" - PLASTIC - OFF WHITE
	073328-F2-000	EA	CABLE-8 GA, BLACK
	041953-01-000	FT	CONDUIT-CONVOLUTE SLIT, 1/2" ID
	041953-11-000	FT	CONDUIT-CONVOLUTE, SLIT - 1.06" ID
	041953-08-000	FT	CONDUIT-CONVOLUTE, SLIT .375" ID
	041953-08-000	FT	CONDUIT-CONVOLUTE, SLIT, 1.50" ID
	041953-10-000	FT	CONDUIT-CONVOLUTE, SLIT - .75" ID
	041953-11-000	FT	CONDUIT-CONVOLUTE, SLIT- 1.08" ID
	041953-12-000	FT	CONDUIT-CONVOLUTE, NON SLIT 1.1" ID
	041953-07-000	FT	CONDUIT-CONVOLUTE, SLIT, .25" ID
	041953-09-000	FT	CONDUIT-CONVOLUTE, SLIT .50" ID
	041953-05-000	FT	CONDUIT-CONVOLUTE SOLID, .62" ID
	041953-03-000	FT	CONDUIT-CONVOLUTE SLIT, 1" ID (CLOTHES ROD COVER)
	058049-01-000	EA	BOX-ELECTRIC SWITCH, 2" X 3" X 2.25"
	008288-01-000	EA	BOX-PLASTIC ELECTRIC, 3" X 3 1/2"
	008288-02-000	EA	BOX-ELECTRIC, PLASTIC - 3.94" X 3.13" X 1.81"
	008289-01-000	EA	BOX-ELECTRIC, STEEL - 1/2" AND 3/4" KNOCKOUTS - 4" X 4"
	008294-01-000	EA	COVER-ELECTRICAL BOX, STEEL/BLANK - 4" X 4" - GRAY
	092788-01-000	EA	BUSS BAR-2.1" LONG
	092788-02-000	EA	BUSS BAR-3.3" LONG
	008054-02-000	EA	CORD-POWER, 10-3 - 30AMP - 33'
	092985-01-000	EA	BRACKET-POWER CORD
	063912-02-000	EA	RELAY-CANISTER, SPDT W/RESIST
	008188-01-000	EA	SOLENOID-3 POST, BATTERY CHANGE OVER
	007093-01-000	EA	FLASHER-SIGNAL STAT
	062036-02-000	EA	TERMINAL-PACK-CON, 16/14 AWG
	080015-01-000	EA	RECEPTACLE-FLAG, .25 - 22/18 GA
	080015-02-000	EA	RECEPTACLE-FLAG, .185 - 16/14 GA - AMP 3
	080015-03-000	EA	RECEPTACLE-FLAG, .250 - 14/16 GA
			FROM: 01-23-92 THRU: 99-99-99
	007940-01-000	EA	RECEPTACLE-SLIDE, 16 TO 12 AWG
			FROM: 10-10-91 THRU: 99-99-99
	086233-01-000	EA	STUD-ISOLATED, 3/8" X 7/8" LONG

1992 WINNEBAGO
TABLE OF CONTENTS

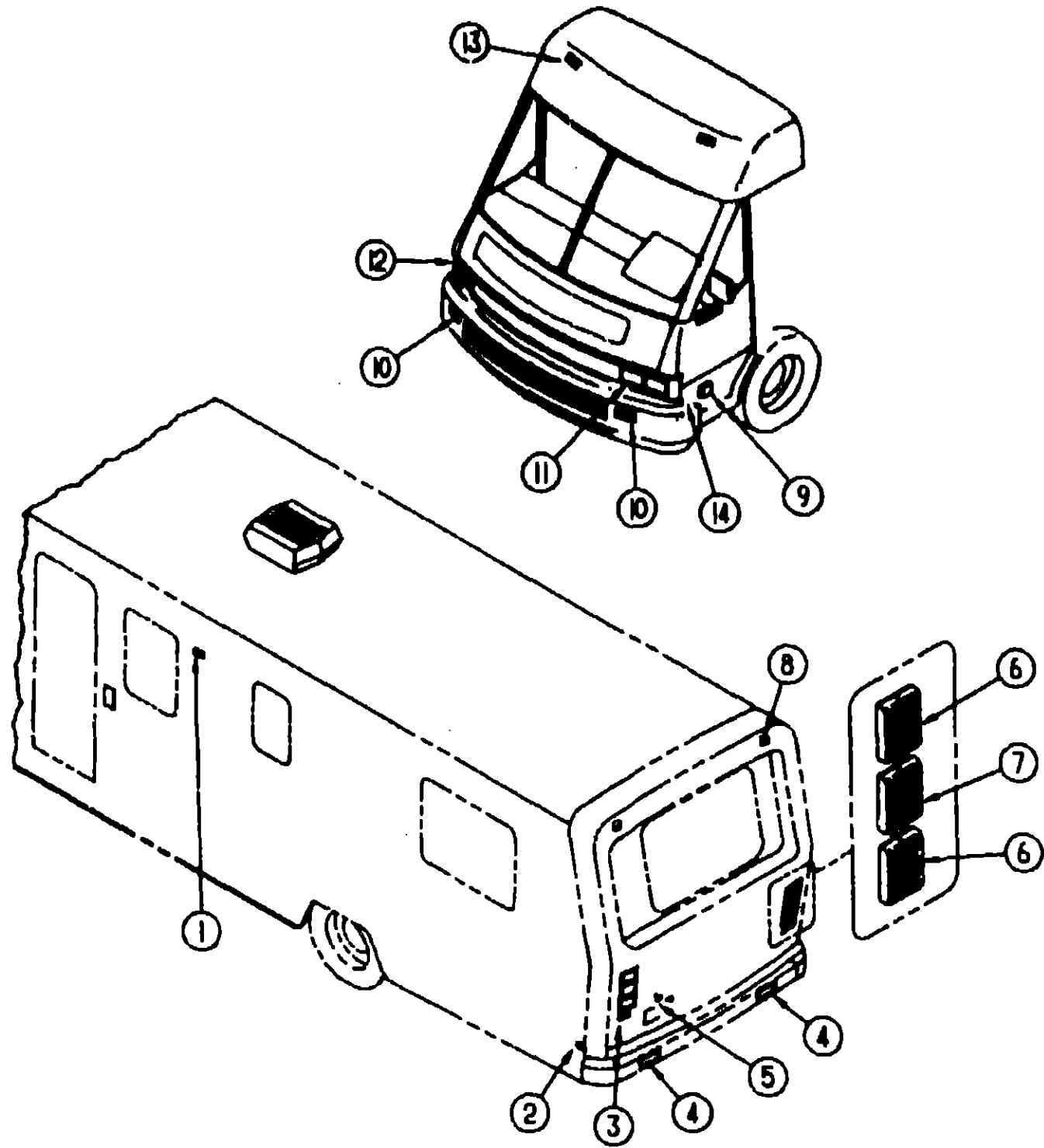
INTRODUCTION	A-01	A-02
ABBREVIATIONS		A-03
ALPHABETICAL INDEX	A-04	A-08
JCN28RT	A-07	F-04

1992 JCN28RT INDEX

FLOOR PLAN	A-07	A-08
ACCESSORIES		A-09
AUDIO VIDEO	A-10	A-11
BATH	A-12	A-14
BEDROOM	A-15	A-17
CHASSIS	A-18	B-04
CURTAIN & CUSHION	B-05	B-18
DINETTE	B-17	B-18
DRIVERS COMPARTMENT	B-19	B-24
ELECTRICAL	C-01	C-06
EXTERIOR BODY	C-07	C-16
GALLEY	C-17	C-21
GENERATOR		C-22
HEATING & A/C	C-23	D-02
INTERIOR FINISH	D-03	D-08
LABEL	D-07	D-12
LP		D-13
LOUNGE	D-14	D-15
SEALANTS & FASTENERS	D-16	D-19
WATER & SEWAGE	D-20	D-24
WINDOW, VENT AND		
EXTERIOR DOOR	E-01	E-24
WINDSHIELD & WIPER	F-01	F-04

ELECTRICAL GROUP (CONTINUED)

EXTERIOR LIGHTS



KEY	PART NUMBER	U/M	DESCRIPTION
1	087817-01-01A	EA	LIGHT-PORCH, ENTRY DOOR - OFF WHITE
1	008218-01-000	EA	BULB-12V, #1003 - .94AMP
1	087817-01-700	EA	LENS-LIGHT, PORCH
2	042406-01-000	EA	LENS-CLEARANCE/SIDEMARKER LIGHT, W/REFLEX - RED
2	042406-03-000	EA	BASE-CLEARANCE/SIDEMARKER LIGHT W/BULB - PLASTIC - WHITE
2	008213-01-000	EA	BULB-12 V, NO. 57 - .24 AMP
2	081883-01-000	EA	GASKET-CLEARANCE/SIDEMARKER LIGHT
3	108646-02-000	EA	REFLECTOR-STICK ON, RED - PETERSON 483R
4	108888-01-000	EA	LIGHT ASM-BACKUP, WHITE - TRIPLEX 147-DW
4	037834-01-000	EA	BULB-12V, #1158 - 2.1AMP - CLEAR GLASS
5	007309-01-000	EA	LIGHT-ROUND, 12V
	095212-03-000	EA	SOCKET-TAIL LAMP, BACKUP/TURN
	106687-01-000	EA	SOCKET-LIGHT, 2-WIRE - TRIPLEX 375X
			FROM: 00-00-00 THRU: 10-02-91
			FROM: 10-03-91 THRU: 99-99-99
6	089291-01-000	EA	TAILLIGHT-TURN, DRIVER & PASSENGER - W/RED LENS
6	037835-01-000	EA	BULB-12V, #1157 OR #2067 - 2.1AMP - CLEAR GLASS
	085908-04-000	EA	WIRE ASM-TAILLIGHT EXTEND
7	089292-01-000	EA	LIGHT-TURN, DRIVER & PASSENGER - W/AMBER LENS
7	037835-01-000	EA	BULB-12V, #1157 OR #2067 - 2.1AMP - CLEAR GLASS
8	102520-02-000	EA	LIGHT-CLEARANCE, W/O SOCKET CONNECTIONS - RED
8	036198-01-000	EA	BULB-12V, #194 - .27AMP - BAYONETTE
8	087789-02-000	EA	SOCKET-LAMP
8	102540-01-000	EA	SEAL-SCREW, ROUND - RUBBER
8	102541-01-000	EA	GASKET-CLEARANCE LIGHT
8	102582-01-000	EA	BRACKET-CLEARANCE LIGHT, L SHAPED METAL - 2.2" X 4.7"
9	089382-01-000	EA	LIGHT-SIDEMARKER, AMBER LENS & BASE - W/O BULB
9	087789-03-000	EA	SOCKET-LIGHT, W/8" BROWN/WHITE LEAD
9	008103-01-000	EA	BULB-#63 - 12 V - .12 AMP
10	078345-01-000	EA	LENS-PARK/TURN, 2.7" X 8" - AMBER
10	078345-02-000	EA	SOCKET-PARK/TURN LAMP
10	037836-01-000	EA	BULB-12V NUMBER 1157A - 2.10 AMP - AMBER GLASS
11	049185-01-000	EA	HEADLAMP CAPSULE-PASS, HIGH/LOW BEAM - W/O UNPAINTED RING
11	049187-01-000	EA	HEADLAMP CAPSULE-PASS, HIGH BEAM - W/UNPAINTED RING
12	049186-01-000	EA	HEADLAMP CAPSULE-DRIVER, HIGH/LOW BEAM - W/UNPAINTED RING
12	049188-01-000	EA	HEADLAMP CAPSULE-DRIVER, HIGH BEAM - W/UNPAINTED RING
	074048-01-000	EA	INSERT-KNURLED, BRASS - #8 - 32 (FOR HEADLAMP SCREWS)
	049359-01-000	EA	SPRING-RETAINER, HEADLAMP - GM 498098
	073308-01-000	EA	SCREW-ADJUSTING, HEADLAMP
	110783-01-01A	EA	BRACKET-HEADLAMP, QUAD - PASS - UNPAINTED
	110783-02-01A	EA	BRACKET-HEADLAMP, QUAD - DRIVER - UNPAINTED
13	102520-01-000	EA	LIGHT-CLEARANCE, W/O SOCKET CONNECTIONS - AMBER
13	087789-02-000	EA	SOCKET-LAMP
13	036198-01-000	EA	BULB-12V, #194 - .27AMP - BAYONETTE
13	081437-01-000	EA	BRACKET-CLEARANCE LIGHT, L SHAPED METAL - 1.4" X 4"
13	102540-01-000	EA	SEAL-SCREW, ROUND - RUBBER
13	102541-01-000	EA	GASKET-CLEARANCE LIGHT
14	108646-01-000	EA	REFLECTOR-STICK ON, AMBER - PETERSON 483A

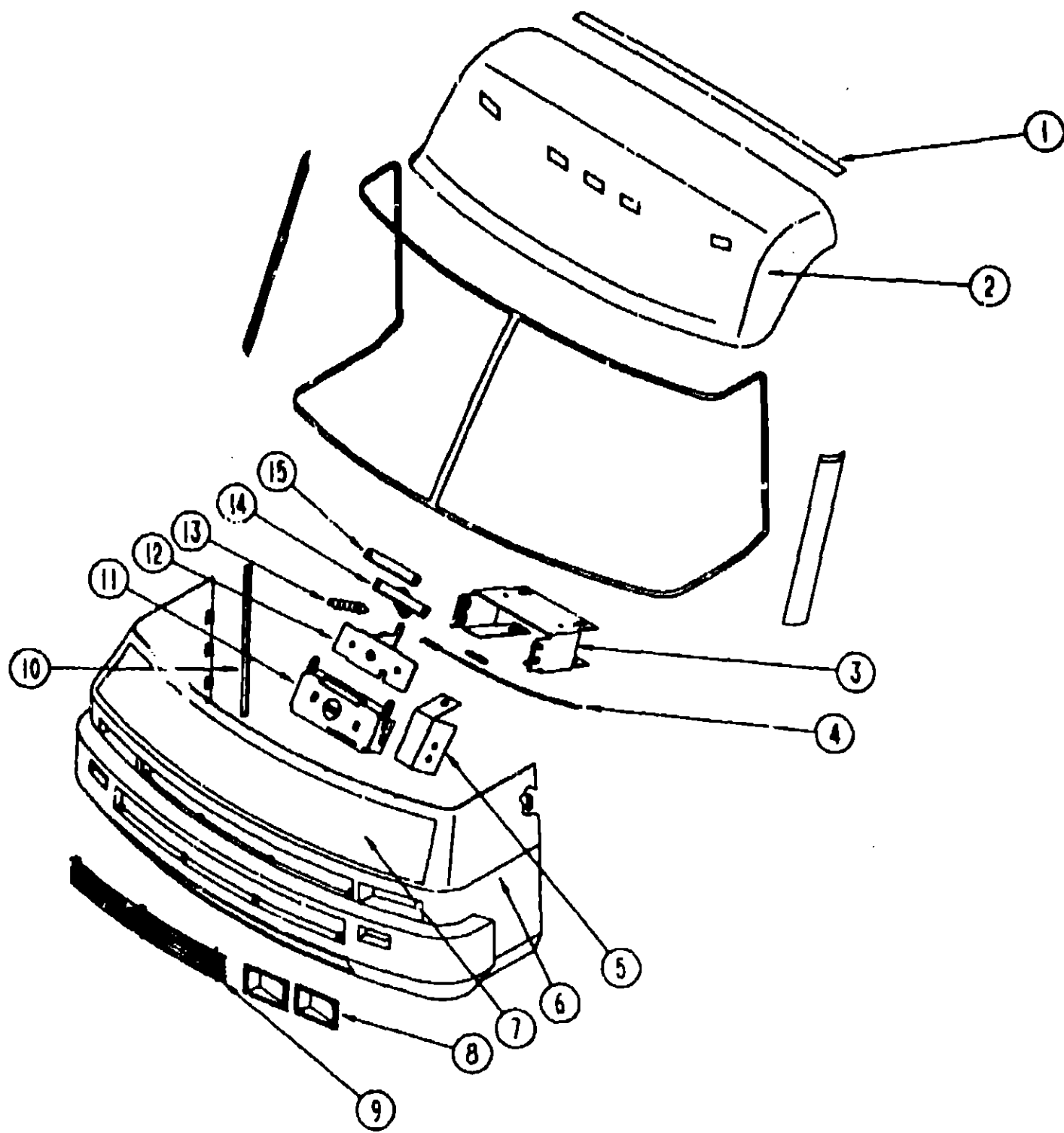
**1992 WINNEBAGO
TABLE OF CONTENTS**

INTRODUCTION	A-01 -	A-02
ABBREVIATIONS		A-03
ALPHABETICAL INDEX	A-04 -	A-08
JCN28RT	A-07 -	F-04

1992 JCN28RT INDEX

FLOOR PLAN	A-07 -	A-08
ACCESSORIES		A-09
AUDIO VIDEO	A-10 -	A-11
BATH	A-12 -	A-14
BEDROOM	A-15 -	A-17
CHASSIS	A-18 -	B-04
CURTAIN & CUSHION	B-05 -	B-16
DINETTE	B-17 -	B-18
DRIVERS COMPARTMENT	B-19 -	B-24
ELECTRICAL	C-01 -	C-06
EXTERIOR BODY	C-07 -	C-16
GALLEY	C-17 -	C-21
GENERATOR		C-22
HEATING & A/C	C-23 -	D-02
INTERIOR FINISH	D-03 -	D-06
LABEL	D-07 -	D-12
LP		D-13
LOUNGE	D-14 -	D-15
SEALANTS & FASTENERS	D-16 -	D-19
WATER & SEWAGE	D-20 -	D-24
WINDOW, VENT AND		
EXTERIOR DOOR	E-01 -	E-24
WINDSHIELD & WIPER	F-01 -	F-04

**EXTERIOR BODY GROUP
FRONT END COMPONENTS**



KEY	PART NUMBER	U/M DESCRIPTION	
7	M02678-01-Y33	EA PANEL-HOOD - W/BRACKETS BUT NO HINGES	
	064080-02-010	EA ROD-PROP - HOOD - 28.4" LONG	
	078772-01-000	EA CLIP-SPEED - TUBE TYPE - HOOD PROP ROD	
	093284-02-000	EA BRACE-LATCH - HOOD - 25.7" X 1" - L ANGLE - STEEL	
	093851-01-Y36	EA HINGE-HOOD - PASSENGER	
	065486-05-000	EA HINGE-HOOD - UPPER PASSENGER - OFF WHITE	
	093227-01-01A	EA HINGE-HOOD - LOWER - PASSENGER	
	093851-02-Y36	EA HINGE-HOOD - DRIVER	
	065486-06-000	EA HINGE-HOOD - UPPER DRIVER - OFF WHITE	
	093227-02-01A	EA HINGE-HOOD - LOWER - DRIVER	
	077252-01-000	EA PIN-HINGE - SST - 3/16X79MM	
	066235-02-000	EA BEARING-SNAPIN - 3/16" ID X 3/16"	
	065786-01-000	EA BOLT-ADJUSTING - HOOD - W/BLACK PAD - .31" #18 X 2"	
	065786-02-000	EA BOLT-ADJUSTING - HOOD - W/BLACK PAD - 5/16" #18 X 1.25"	
	8	091839-01-01A	EA BEZEL-HEADLAMP - PASSENGER - BLACK
091839-02-01A		EA BEZEL-HEADLAMP - DRIVER - BLACK	
093350-02-000		EA BRACKET-HOOD BUMPER - LOWER - W/WELDNUT FOR ADJUSTING BOLT 3.6" TALL X 2.36" END GLUED TO FIBERGLASS	
076696-01-000		EA BRACKET-MOUNTING - HOOD HINGE - 3.4" X 3.9" - METAL - PRIME	
076697-01-000		EA PLATE-TAPPING - 1.4" X 2.8" - METAL	
9		093004-01-Y33	EA GRILLE-5 BAR - BLACK
		093171-02-000	EA BRACKET-GRILLE - UPPER
10		066204-01-02A	EA TRIM-SEAM - FRONT END TO SIDEWALLS
11		073336-02-000	EA BRACKET-MOUNTING - LATCH TO CROSSMEMBER BRACKET
12		R77007-51-429	EA LATCH-HOOD RELEASE - MOUNTS TO CROSSMEMBER BRACKET
13		R77006-38-499	EA SPRING & STRIKER - HOOD LATCH
14		R77007-01-950	EA STRIKER HOOD LATCH - W/SPRING
		073610-01-000	EA SPRING-STRIKER - LATCH - HOOD
		066694-01-000	EA TUBE-SUPPORT - FRONT END - 3/8" X 4" - STEEL
15		R77006-68-172	EA PLATE-SPACER

KEY	PART NUMBER	U/M DESCRIPTION
1	063805-14-000	EA TRIM-ROOF - FRONT & REAR CAP TO ROOF - 8.4" MILL FINISHED FROM: 00-00-00 THRU: 02-13-92
1	106253-00-01A	EA TRIM-ROOF - FRONT & REAR CAP TO ROOF - OFF WHITE FROM: 02-14-92 THRU: 99-99-99
2	M02669-10-B29	EA CAP-ROOF - FRONT - WITH LIGHTS AND WIRING - OFF WHITE
3	093295-02-000	EA BRACKET-LATCH - HOOD - 3 SIDED - 2.1" X 5.5" X 2.1"
4	102087-01-000	EA CABLE ASM-HOOD RELEASE
5	102515-01-000	EA BRACKET-CABLE - HOOD RELEASE - .9" X 1.3" X 2.75" - BLACK
6	M01115-28-C80	EA FRONT END-FIBERGLASS - OFF WHITE - W/O HOOD OR HOOD HINGES
	090835-01-000	EA STRAP-FENDER - FRONT W/80 DEGREE BEND - 12.6" X 1.5" - ST-2 USED
	090835-02-000	EA STRAP-FENDER - FRONT W/30 DEGREE BEND - 12.6" X 1.5" - ST-2 USED

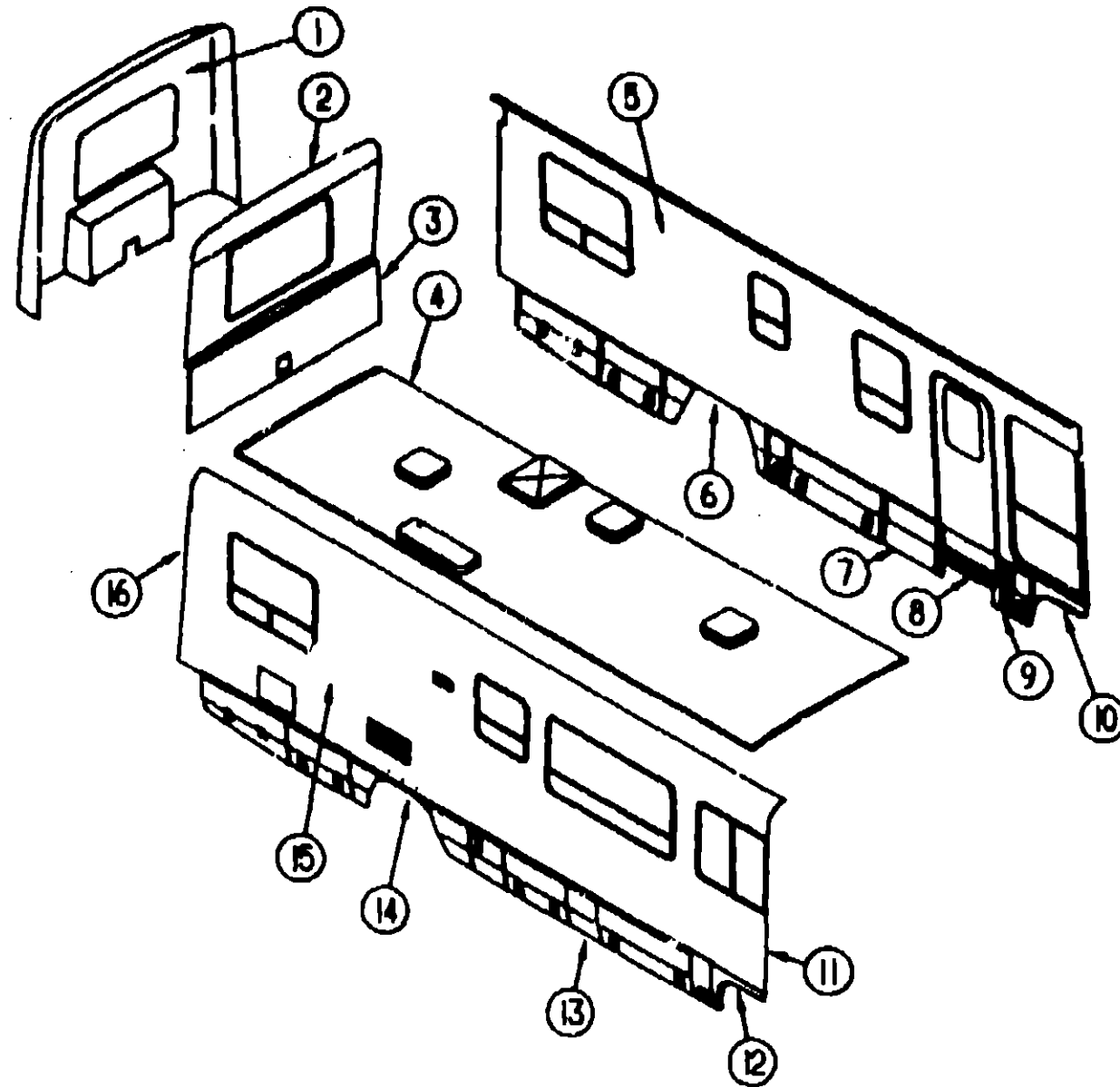
**1992 WINNEBAGO
TABLE OF CONTENTS**

INTRODUCTION	A-01 - A-02
ABBREVIATIONS	A-03
ALPHABETICAL INDEX	A-04 - A-06
JCN28RT	A-07 - F-04

1992 JCN28RT INDEX

FLOOR PLAN	A-07 - A-08
ACCESSORIES	- A-09
AUDIO VIDEO	A-10 - A-11
BATH	A-12 - A-14
BEDROOM	A-15 - A-17
CHASSIS	A-18 - B-04
CURTAIN & CUSHION	B-05 - B-16
DINETTE	B-17 - B-18
DRIVERS COMPARTMENT	B-19 - B-24
ELECTRICAL	C-01 - C-06
EXTERIOR BODY	C-07 - C-16
GALLEY	C-17 - C-21
GENERATOR	- C-22
HEATING & A/C	C-23 - D-02
INTERIOR FINISH	D-03 - D-06
LABEL	D-07 - D-12
LP	- D-13
LOUNGE	D-14 - D-15
SEALANTS & FASTENERS	D-16 - D-19
WATER & SEWAGE	D-20 - D-24
WINDOW, VENT AND EXTERIOR DOOR	E-01 - E-24
WINDSHIELD & WIPER	F-01 - F-04

EXTERIOR BODY GROUP (CONTINUED)
EXTERIOR BODY PANELS AND TRIM



**1992 WINNEBAGO
TABLE OF CONTENTS**

INTRODUCTION	A-01 -	A-02
ABBREVIATIONS		A-03
ALPHABETICAL INDEX	A-04 -	A-08
JCN28RT	A-07 -	F-04

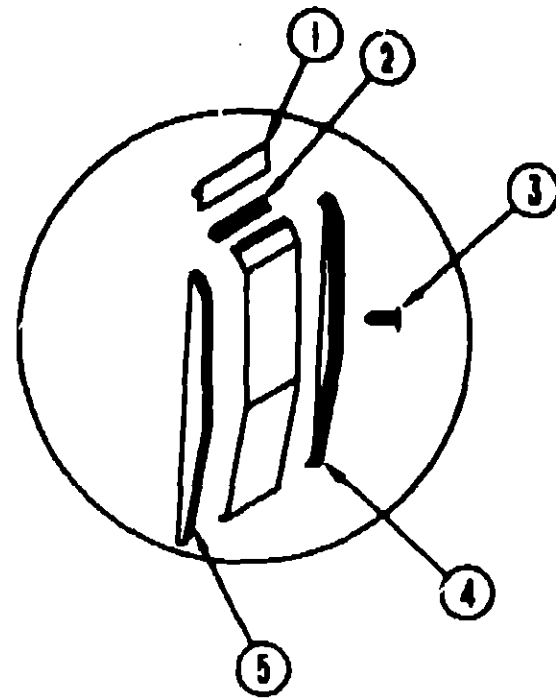
1992 JCN28RT INDEX

FLOOR PLAN	A-07 -	A-08
ACCESSORIES		A-09
AUDIO VIDEO	A-10 -	A-11
BATH	A-12 -	A-14
BEDROOM	A-15 -	A-17
CHASSIS	A-18 -	B-04
CURTAIN & CUSHION	B-05 -	B-18
DINETTE	B-17 -	B-18
DRIVERS COMPARTMENT	B-19 -	B-24
ELECTRICAL	C-01 -	C-06
EXTERIOR BODY	C-07 -	C-13
GALLEY	C-17 -	C-21
GENERATOR		C-22
HEATING & A/C	C-23 -	D-02
INTERIOR FINISH	D-03 -	D-06
LABEL	D-07 -	D-12
LP		D-13
LOUNGE	D-14 -	D-15
SEALANTS & FASTENERS	D-16 -	D-19
WATER & SEWAGE	D-20 -	D-24
WINDOW, VENT AND		
EXTERIOR DOOR	E-01 -	E-24
WINDSHIELD & WIPER	F-01 -	F-04

KEY	PART NUMBER	U/M	DESCRIPTION
1	097197-03-01A	EA	PANEL-REAR CAP - OFF WHITE
2	092732-01-C31	EA	BACKWALL ASM-UPPER TWIN BED
	092692-01-C80	EA	CAP ASM-END, BOTTOM - BACKWALL
3	092526-05-C80	EA	BACKWALL-LOWER - W/O COUNTERTOP
4	P04331-01-C80	EA	ROOF ASM
5	P04329-01-C80	EA	SIDEWALL ASM-DRIVER
8	093245-14-AE6	EA	WHEEL LIP-REAR - DRIVER - 51.8" WIDE - OFF WHITE
	096023-04-000	EA	SUPPORT-VALANCE - 8.3" X 8.3" - REAR
	098024-01-000	EA	SHROUD-WHEELWELL - 34.7" X 4.8" - PLASTIC
7	093022-04-Y35	EA	PANEL-VALANCE - 24.7" X 19.4" - OFF WHITE
8	092894-01-01A	EA	PANEL-VALANCE - STEPWELL - ENTRY DOOR - OFF WHITE
9	093022-16-C31	EA	PANEL-VALANCE - 2.8" X 19.4" - OFF WHITE
10	099585-02-01A	EA	PANEL-WHEEL LIP - FRONT - DRIVER - OFF WHITE
	094345-02-01A	EA	TRIM-WHEELWELL - FRONT - 21.3" LONG - ALUMINUM
11	098204-01-02A	EA	TRIM-J - .5" EXPOSED - 1" X 29" - ALUMINUM - OFF WHITE
			JOINS FRONT END TO PASSENGER. SIDEWALL BELOW PASSENGER. WINDOW
12	099585-01-01A	EA	PANEL-WHEEL LIP - FRONT - PASSENGER - OFF WHITE
	094345-03-01A	EA	TRIM-WHEELWELL - 15.7" - RIGHT - MILL
	094345-04-01A	EA	TRIM-WHEELWELL - 5.3" - RIGHT - MILL

KEY	PART NUMBER	U/M	DESCRIPTION
13	093022-17-C80	EA	PANEL-VALANCE - 14.8" X 19.4" - OFF WHITE
14	093245-03-Y35	EA	WHEEL LIP-REAR - PASSENGER - 60.6" WIDE - PLASTIC
	095023-01-000	EA	SUPPORT-VALANCE - 10.6" X 10.6" - METAL - FRONT
	098024-01-000	EA	SHROUD-WHEELWELL - 34.7" X 4.8" - PLASTIC
15	P04327-01-C80	EA	SIDEWALL ASM-PASSENGER
16	092041-01-02A	EA	TRIM-REAR CAP TO SIDEWALL - 1.8" X 83" - OFF WHITE - 2 USED
	091985-01-01A	FT	INSERT-TRIM - .65" WIDE - VINYL - OFF WHITE
	097315-01-01A	FT	TRIM-INSERT, DRIVER DOOR - .43" WIDE - VINYL - OFF WHITE
	069726-02-000	EA	BUMPER-88" DIAMETER X .40", BLACK
	002754-01-001	EA	ANGLE-EXTRUDED - .75" X .75" X 18" - MILL ALUMINUM
	002726-01-001	EA	GARNISH-U-CHANNEL - 1.38" X 18" - SERRATED - MILL ALUMINUM
	058267-01-000	FT	CHANNEL-STEEL - WHOLES - SIDEWALL STIFFENER - 2" X 20"
	087884-51-002	EA	CHANNEL-HAT, 4.6" WIDE - STEEL
	055278-51-259	EA	TUBING-STEEL - .75" X 1.5" X 12.5'

EXTERIOR BODY GROUP (CONTINUED)



VALANCE PANELS & COMPONENTS

KEY	PART NUMBER	U/M DESCRIPTION
1	092301-01-01A	FT MOLDING-VALANCE TO SIDEWALL - 1.3" WIDE - VINYL - OFF WHITE
2	009096-01-000	EA HINGE-ALUMINUM - NO HOLES - 1 1/16" X 8" - UNPAINTED
3	094362-02-000	EA CLIP-CHRISTMAS TREE - FLAT HEAD
4	092890-01-01A	EA END CAP-VALANCE - REAR ON DRIVER SIDE - FRONT ON PASSENGER SIDE
5	092890-02-01A	EA END CAP-VALANCE - FRONT ON DRIVER SIDE - REAR ON PASSENGER SIDE
	094355-01-01A	EA RETAINER-VALANCE - 75.8" - OFF WHITE
	092301-01-01A	EA MOLDING-VALANCE TO SIDEWALL - 1.3" WIDE - VINYL - OFF WHITE
	092550-01-01A	EA PLUG-PLASTIC - W/FLUSH TYPE HEAD - 1/4" - WHITE
	100152-01-000	EA BRACKET-VALANCE SPACER - ADJUSTER

EXTERIOR BODY GROUP (CONTINUED)
SQUEEGEE

KEY	PART NUMBER	U/M DESCRIPTION
	091989-02-000	EA CLIP-GRIPPER - 3/4"
	091966-02-000	EA SQUEEGEE-EXTEND HANDLE
	091966-01-7U1	EA SQUEEGEE-HANDLE - EXTENDS 24" TO 40"
	093627-01-000	EA BRACKET-SQUEEGEE, L ANGLE: - 2.8" X 1.8"

SKINS AND PANELS AND STYROFOAM

KEY	PART NUMBER	U/M DESCRIPTION
	077617-62-000	EA FIBERGLASS SHEET - 29.88" X 27.88" - OFF WHITE
	078064-06-000	EA FIBERGLASS SHEET - 2115 MM X 8018 MM - OFF WHITE
	078064-F6-000	EA FIBERGLASS SHEET - 2115 MM X 8590 MM - OFF WHITE
	083674-02-000	SF STYROFOAM - DOW TYPE 8M - 1.5" X 24" X 96.8" - INC OF 16 SF FROM: 00-00-00 THRU: 10-23-91
	083674-04-000	SF STYROFOAM-DOW TYPE - 1.5" X 24" X 96.3 FROM: 10-24-91 THRU: 99-99-99
	083674-03-000	SF STYROFOAM-3/4" X 48" X 96"
	000670-06-000	SF STYROFOAM-5" X 24" X 96" - INCREMENTS OF 16 SF
	092321-01-000	FT INSULATION-FIBERGLASS - WALUWINUM FOIL

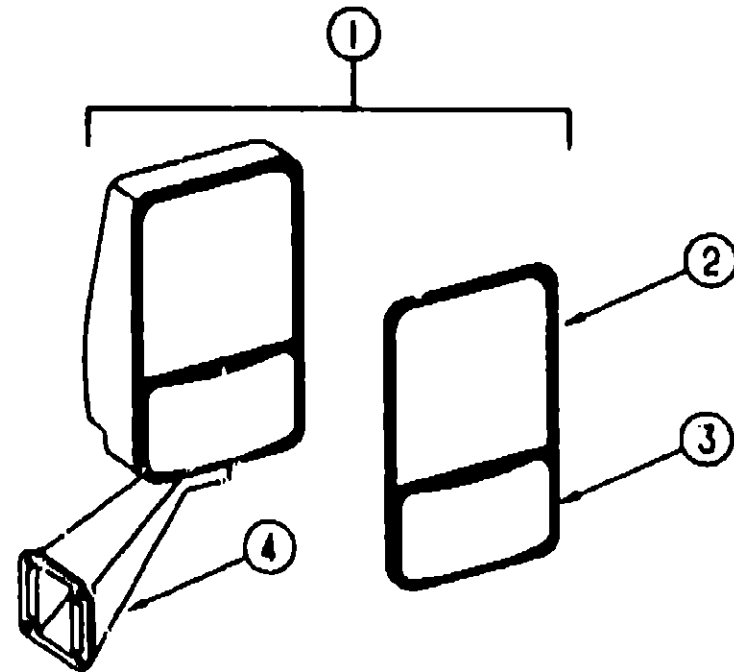
1992 WINNEBAGO
TABLE OF CONTENTS

INTRODUCTION	A-01 - A-02
ABBREVIATIONS	A-03
ALPHABETICAL INDEX	A-04 - A-06
JCN28RT	A-07 - F-04

1992 JCN28RT INDEX

FLOOR PLAN	A-07 - A-08
ACCESSORIES	- A-09
AUDIO VIDEO	A-10 - A-11
BATH	A-12 - A-14
BEDROOM	A-15 - A-17
CHASSIS	A-18 - B-04
CURTAIN & CUSHION	B-05 - B-16
DINETTE	B-17 - B-18
DRIVERS COMPARTMENT	B-19 - B-24
ELECTRICAL	C-01 - C-06
EXTERIOR BODY	C-07 - C-16
GALLEY	C-17 - C-21
GENERATOR	- C-22
HEATING & A/C	C-23 - D-02
INTERIOR FINISH	D-03 - D-06
LABEL	D-07 - D-12
LP	- D-13
LOUNGE	D-14 - D-15
SEALANTS & FASTENERS	D-16 - D-19
WATER & SEW/GE	D-20 - D-24
WINDOW, VENT AND EXTERIOR DOOR	E-01 - E-24
WINDSHIELD & WIPER	F-01 - F-04

EXTERIOR BODY GROUP (CONTINUED)



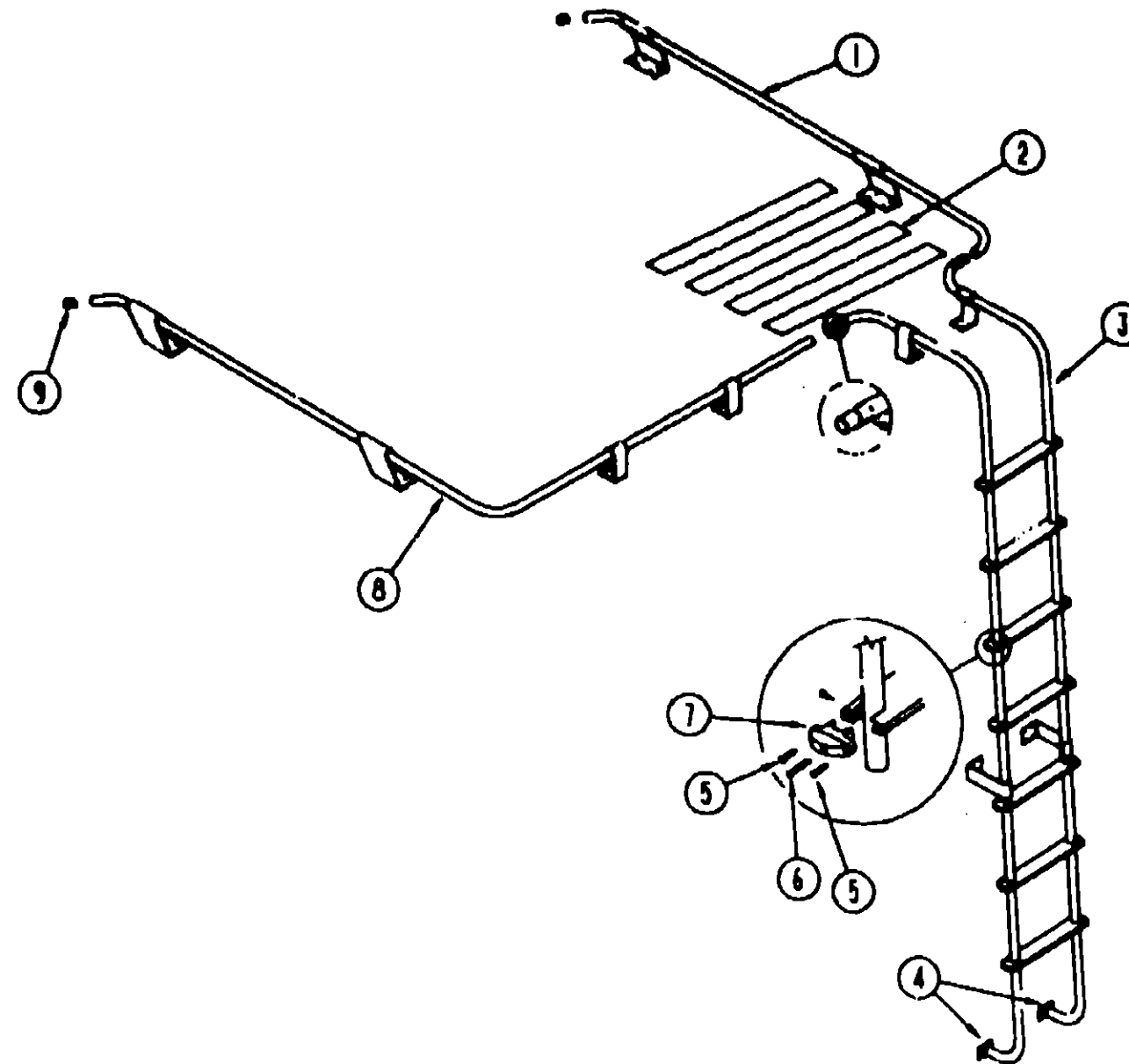
EXTERIOR MIRRORS
(FROM: 00-00-00 THRU: 10-06-81)

KEY	PART NUMBER	U/M DESCRIPTION
1	086280-01-000	EA MIRROR-W/CONVEX - PASSENGER
1	086280-02-000	EA MIRROR-W/CONVEX - DRIVER
2	086280-01-701	EA GLASS-FLAT - PASSENGER
2	086280-02-701	EA GLASS-FLAT - DRIVER
3	086280-01-700	EA GLASS-CONVEX - PASSENGER
3	086280-02-700	EA GLASS-CONVEX - DRIVER
4	086280-03-000	EA MIRROR MOUNTING ARM - EXTERIOR - DRIVER AND PASSENGER
	086280-03-700	EA BALL-CUP MOUNT (SET/2)
	086280-03-701	EA BRACKET-MOUNTING-BLACK

(FROM: 10-07-81 THRU: 99-99-99)

KEY	PART NUMBER	U/M DESCRIPTION
1	106015-01-01A	EA MIRROR-COMPLETE - PASSENGER
1	106015-02-01A	EA MIRROR-COMPLETE - DRIVER
2	106015-01-700	EA FLAT GLASS - W/BEZEL
3	106015-02-701	EA CONVEX GLASS - W/BEZEL - PASSENGER
3	106015-01-702	EA CONVEX GLASS - W/BEZEL - DRIVER

EXTERIOR BODY GROUP (CONTINUED)



LUGGAGE RACK & LADDER

KEY	PART NUMBER	U/M DESCRIPTION
1	081026-09-Y12	EA RACK-LUGGAGE - PASSENGER
1	107438-12-C31	EA RACK-LUGGAGE - PASSENGER
2	038327-01-000	EA TAPE-ANTI SLIP - 2" X 60"
3	097220-01-AE8	EA LADDER-ONE PIECE
4	067165-01-000	EA MOUNTING BRACKET-LADDER - LOWER
5	000G39-08-10T	EA SCREW-SF/DR - 8-20 X 5/8 PPH - BLACK
6	000G68-10-38T	EA SCREW-10-12 X 2.25 POH BLACK
7	078980-02-000	EA END CAP-STEP - BLACK
8	081026-10-Y12	EA RACK-LUGGAGE - DRIVER
8	107438-13-C31	EA RACK-LUGGAGE - PASSENGER
9	061114-01-000	EA PLUG-ROUND - RACK & LADDER ENDS - PLASTIC - 1" DIA.

FROM: 00-00-00 THRU: 02-29-02

FROM: 03-01-92 THRU: 99-99-99

FROM: 00-00-00 THRU: 02-29-02

FROM: 03-01-92 THRU: 99-99-99

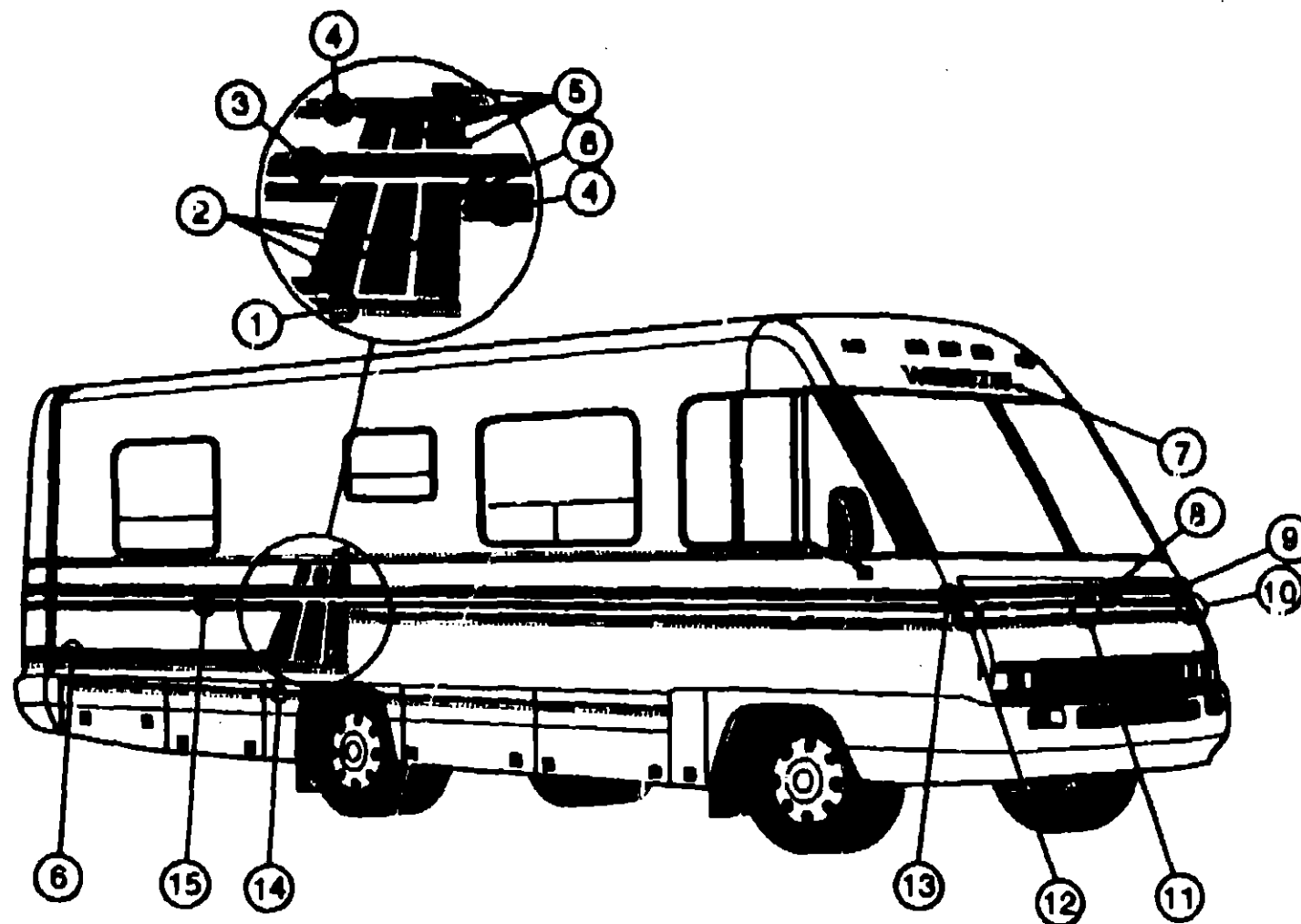
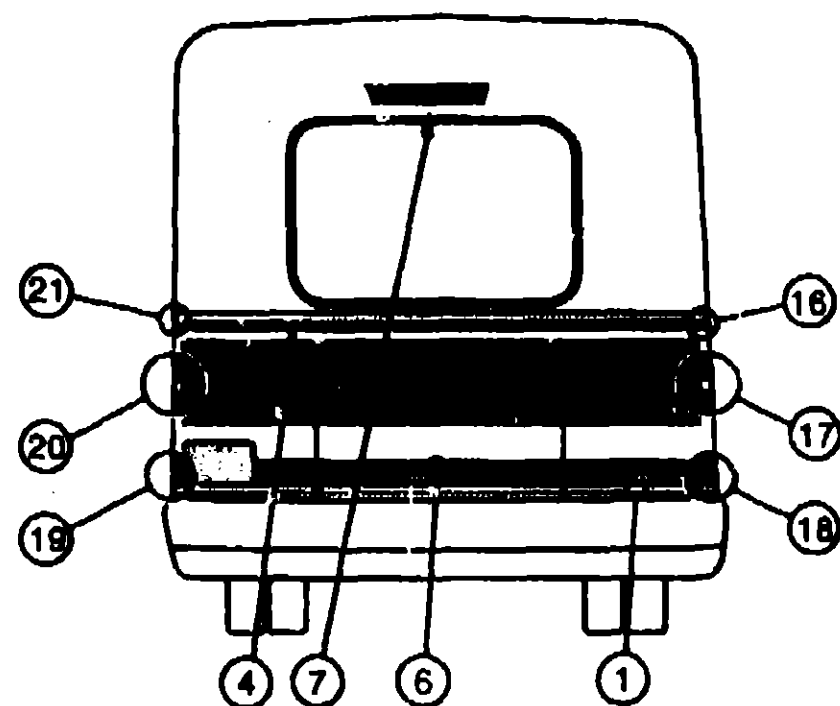
1992 WINNEBAGO
TABLE OF CONTENTS

INTRODUCTION	A-01 - A-02
ABBREVIATIONS	A-03 - A-08
ALPHABETICAL INDEX	A-04 - A-08
JCN28RT	A-07 - F-04

1992 JCN28RT INDEX

FLOOR PLAN	A-07 - A-08
ACCESSORIES	- A-09
AUDIO VIDEO	A-10 - A-11
BATH	A-12 - A-14
BEDROOM	A-15 - A-17
CHASSIS	A-18 - B-04
CURTAIN & CUSHION	B-05 - B-16
DINETTE	B-17 - B-18
DRIVERS COMPARTMENT	B-19 - B-24
ELECTRICAL	C-01 - C-08
EXTERIOR BODY	C-07 - C-16
GALLEY	C-17 - C-21
GENERATOR	- C-22
HEATING & A/C	C-23 - D-02
INTERIOR FINISH	D-03 - D-08
LABEL	D-07 - D-12
LP	- D-13
LOUNGE	D-14 - D-15
SEALANTS & FASTENERS	D-16 - D-19
WATER & SEWAGE	D-20 - D-24
WINDOW, VENT AND EXTERIOR DOOR	E-01 - E-24
WINDSHIELD & WIPER	F-01 - F-04

EXTERIOR BODY GROUP (CONTINUED)
DECALS & PAINT



**1992 WINNEBAGO
TABLE OF CONTENTS**

INTRODUCTION	A-01 -	A-02
ABBREVIATIONS		A-03
ALPHABETICAL INDEX	A-04 -	A-06
JCN28RT	A-07 -	F-04

1992 JCN28RT INDEX

FLOOR PLAN	A-07 -	A-08
ACCESSORIES		A-09
AUDIO VIDEO	A-10 -	A-11
BATH	A-12 -	A-14
BEDROOM	A-15 -	A-17
CHASSIS	A-18 -	B-04
CURTAIN & CUSHION	B-05 -	B-18
DINETTE	B-17 -	B-18
DRIVERS COMPARTMENT	B-19 -	B-24
ELECTRICAL	C-01 -	C-06
EXTERIOR BODY	C-07 -	C-16
GALLEY	C-17 -	C-21
GENERATOR		C-22
HEATING & A/C	C-23 -	D-02
INTERIOR FINISH	D-03 -	D-06
LABEL	D-07 -	D-12
LP		D-13
LOUNGE	D-14 -	D-15
SEALANTS & FASTENERS	D-16 -	D-19
WATER & SEWAGE	D-20 -	D-24
WINDOW, VENT AND EXTERIOR DOOR	E-01 -	E-24
WINDSHIELD & WIPER	F-01 -	F-04

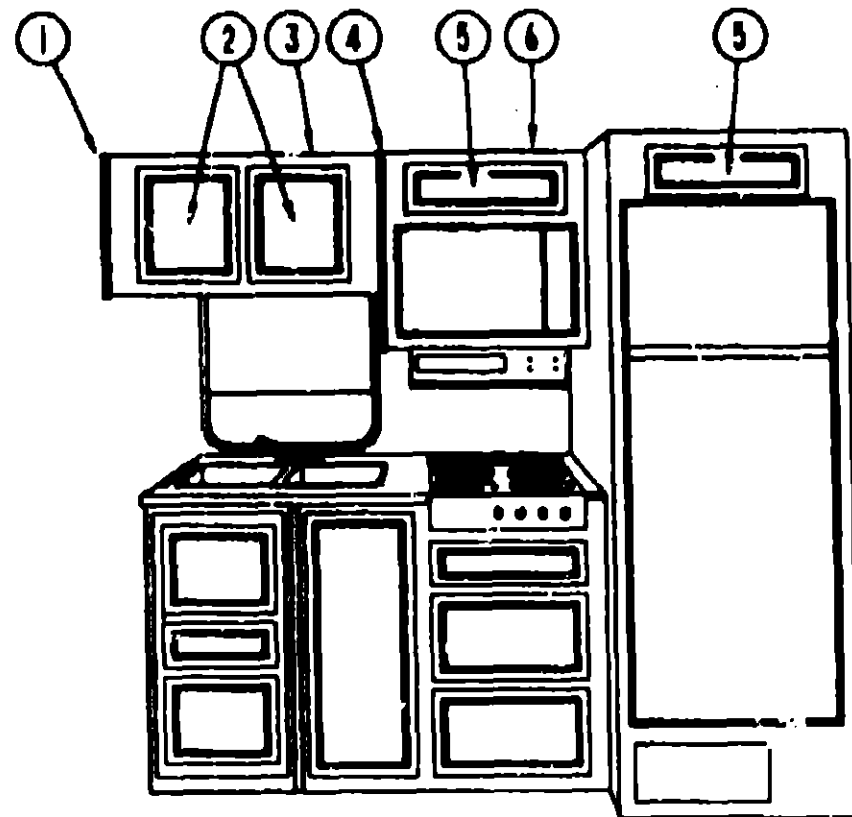
KEY	PART NUMBER	U/M DESCRIPTION
1	093680-33-03A	FT FILM-MULTISTRIPE, 38MM - BOTTOM STRIPE - BAY TURQUOISE (C80)
1	093680-33-04A	FT FILM-MULTISTRIPE, 38MM - BOTTOM STRIPE - GRAYSTONE (C81)
2	104200-01-01A	EA DECAL-LOWER, TROPICAL BLUE (C80)
2	104200-01-02A	EA DECAL-LOWER, DARK PLUM (C81)
2	104200-02-01A	EA DECAL-LOWER, TROPICAL BLUE (C80)
2	104200-02-02A	EA DECAL-LOWER, DARK PLUM (C81)
3	094443-02-01A	FT FILM-SINGLE STRIPE, 95MM - OLY TEAL/TROPICAL BLUE (C80)
3	094443-02-02A	FT FILM-SINGLE STRIPE, 95MM - QUARTZ/DARK PLUM (C81)
4	093680-34-01A	EA FILM-SINGLE STRIPE, 70MM - BAY TURQUOISE (C80)
4	093680-34-02A	EA FILM-SINGLE STRIPE, 70MM - GRAYSTONE (C81)
5	104199-01-01A	EA DECAL-UPPER, TROPICAL BLUE (C80)
5	104199-01-02A	EA DECAL-UPPER, DARK PLUM (C81)
5	104199-02-01A	EA DECAL-UPPER, TROPICAL BLUE (C80)
5	104199-02-02A	EA DECAL-UPPER, DARK PLUM (C81)
6	093681-29-01A	FT FILM-MULTISTRIPE, 51MM - TOP STRIPE - TROPICAL BLUE (C80)
6	093681-29-02A	FT FILM-MULTISTRIPE, 51MM - TOP STRIPE - DARK PLUM (C81)
7	050313-18-000	EA DECAL-LOGO, "WINNEBAGO" - 2.8" HIGH
8	104192-01-01A	EA DECAL-HOOD, UPPER - OLY TEAL/TROPICAL BLUE (C80)
8	104192-01-02A	EA DECAL-HOOD, UPPER - QUARTZ/DARK PLUM (C81)
9	104194-02-01A	EA DECAL-FENDER, UPPER - OLY TEAL/TROPICAL BLUE (C80)
9	104194-02-02A	EA DECAL-FENDER, UPPER - QUARTZ/DARK PLUM (C81)
10	104195-02-01A	EA DECAL-FENDER, LOWER - TROPICAL BLUE/BAY TURQUOISE (C80)
10	104195-02-02A	EA DECAL-FENDER, LOWER - DARK PLUM/GRAYSTONE (C81)

KEY	PART NUMBER	U/M DESCRIPTION
11	104193-01-01A	EA DECAL-HOOD, LOWER - TROPICAL BLUE/BAY TURQUOISE (C80)
11	104193-01-02A	EA DECAL-HOOD, LOWER - DARK PLUM/GRAYSTONE (C81)
12	104195-01-01A	EA DECAL-FENDER, LOWER - TROPICAL BLUE/BAY TURQUOISE (C80)
12	104195-01-02A	EA DECAL-FENDER, LOWER - DARK PLUM/GRAYSTONE (C81)
13	104194-01-01A	EA DECAL-FENDER, UPPER - OLY TEAL/TROPICAL BLUE (C80)
13	104194-01-02A	EA DECAL-FENDER, UPPER - QUARTZ/DARK PLUM (C81)
14	093680-33-01A	FT FILM-SINGLE STRIPE, 38MM - OLY TEAL (C80)
14	093680-33-02A	FT FILM-SINGLE STRIPE, 38MM - QUARTZ (C81)
15	093680-31-02A	EA FILM-SINGLE STRIPE, 95MM - OLY TEAL (C80)
15	093680-31-03A	EA FILM-SINGLE STRIPE, 95MM - QUARTZ (C81)
16	104196-01-01A	EA DECAL-CORNER, UPPER - REAR - TROPICAL BLUE/BAY TURQUOISE (C80)
16	104196-01-02A	EA DECAL-CORNER, UPPER - REAR - GRAYSTONE (C81)
17	104197-01-01A	EA DECAL-CORNER, REAR - OLY TEAL/TROPICAL BLUE (C80)
17	104197-01-02A	EA DECAL-CORNER, REAR - QUARTZ/DARK PLUM (C81)
18	104198-01-01A	EA DECAL-CORNER, LOWER - TROPICAL BLUE/BAY TURQUOISE (C80)
18	104198-01-02A	EA DECAL-CORNER, LOWER - DARK PLUM/GRAYSTONE (C81)
19	104198-02-01A	EA DECAL-CORNER, LOWER - TROPICAL BLUE/BAY TURQUOISE (C80)
19	104198-02-02A	EA DECAL-CORNER, LOWER - DARK PLUM/GRAYSTONE (C81)
20	104197-02-01A	EA DECAL-CORNER, REAR - OLY TEAL/TROPICAL BLUE (C80)
20	104197-02-02A	EA DECAL-CORNER, REAR - QUARTZ/DARK PLUM (C81)
21	104196-02-01A	EA DECAL-CORNER, UPPER - BAY TURQUOISE (C80)
21	104196-02-02A	EA DECAL-CORNER, UPPER - GRAYSTONE (C81)

DUPONT COLOR CODES

GRAYSTONE	K9458
OLY TEAL	G9838
TROPICAL BLUE	G9841
BAY TURQUOISE	G9837
QUARTZ DIAMOND	K9486
DARK PLUM	K9455
OFF WHITE	L8723

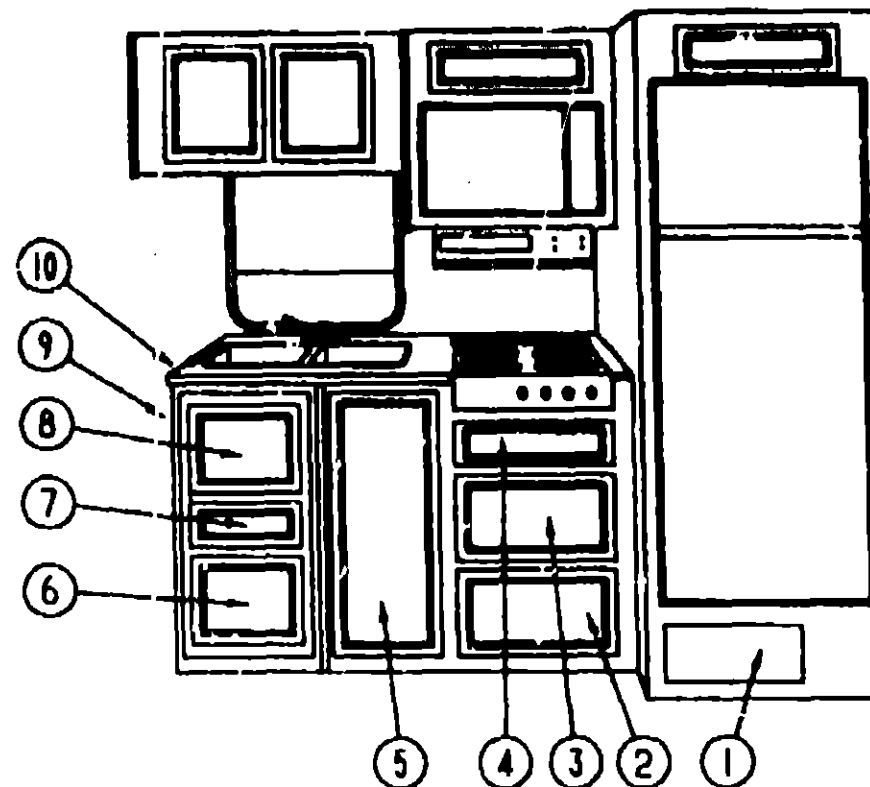
GALLEY GROUP



UPPER GALLEY CABINETS & COMPONENTS

KEY	PART NUMBER	U/M DESCRIPTION
1	099092-02-B07	EA END CAP-CABINET, OVERHEAD - FRONT
2	P03701-88-C11	EA DOOR-CABINET, W/O HARDWARE - 385 MM X 410 MM
		FROM: 00-00-00 THRU: 10-07-91
2	P03701-87-C11	EA DOOR-CABINET, W/O HARDWARE - 385 MM X 410 MM
		FROM: 10-08-91 THRU: 99-99-99
3	P05634-01-C80	EA CABINET-OVERHEAD, GALLEY - W/O DOORS OR HARDWARE
4	P04009-01-C11	EA END C/P-CABINET, OVERHEAD
5	P03701-91-C11	EA DOOR-CABINET, W/O HARDWARE - 182 MM X 408 MM
6	P05600-01-C80	EA CABINET-OVERHEAD, W/O DOORS OR HARDWARE
	108018-02-C09	EA FACE-CABINET, FOR MICROWAVE
	098918-01-01A	EA BRACE-MICROWAVE CABINET, 3.9" X 7.9" X 8.6" - METAL - RIGHT
	098918-02-01A	EA BRACE-MICROWAVE CABINET, 3.9" X 7.9" X 8.6" - METAL - LEFT
	090329-01-000	FT SEAL-REFRIGERATOR CABINET
	103445-01-01A	EA HOLDER-PAPER TOWEL - PLASTIC - ALMOND

GALLEY GROUP (CONTINUED)



LOWER GALLEY CABINETS & COMPONENTS

KEY	PART NUMBER	U/M DESCRIPTION
1	M02518-81-C11	EA TRIM ASM-OAK WMESH INSERT
	072369-52-000	EA MESH-EXPANDED, BRONZE 480 MM X 175 MM
2	P03701-94-C11	EA DOOR-CABINET, W/O HARDWARE - 245 MM X 555 MM
	P02002-12-C11	EA DRAWER-CABINET, W/O HARDWARE
		FROM: 00-00-00 THRU: 01-04-92
3	P07104-15-C11	EA DRAWER-CABINET, W/O HARDWARE
		FROM: 01-05-92 THRU: 99-99-99
4	P02002-02-C11	EA DRAWER-CABINET, W/O HARDWARE
		FROM: 00-00-00 THRU: 01-04-92
4	P07104-04-C11	EA DRAWER-CABINET, W/O HARDWARE
		FROM: 01-05-92 THRU: 99-99-99
5	P03701-95-C80	EA DOOR-CABINET, W/O HARDWARE - 385MM X 680MM
6	P02002-20-C11	EA DRAWER-CABINET, W/O HARDWARE
		FROM: 00-00-00 THRU: 01-04-92
6	P07104-37-C11	EA DRAWER-CABINET, W/O HARDWARE
		FROM: 01-05-92 THRU: 99-99-99
7	P02062-29-C11	EA DRAWER-CABINET, W/O HARDWARE
		FROM: 00-00-00 THRU: 01-04-92
7	P07104-39-C11	EA DRAWER-CABINET, W/O HARDWARE
		FROM: 01-05-92 THRU: 99-99-99
8	P03701-83-C11	EA DOOR-CABINET, W/O HARDWARE - 385MM X 275MM
9	M05618-03-C80	EA CABINET-GALLEY, W/O DOORS OR HARDWARE
10	104867-12-C80	EA COUNTERTOP-GALLEY CABINET
	093526-02-000	EA SINK-DOUBLE BOWL, STAINLESS STEEL - 4 HOLE KEYCO D22519-4
	092303-01-000	EA STRAINER-SINK
	091267-01-000	EA FAUCET-GALLEY, SINGLE W/SPRAY - MOEN 7851
	093238-01-Y12	EA HOLDER-KNIFE, COUNTERTOP - OAK
	093071-01-000	FT TAPE-BONDING, DOUBLE SIDED - 1/84" X 2"
	093282-01-000	EA KNIFE-KNIFE HOLDER, UNDER COUNTER - METAL
	093006-01-01A	EA PAPER-TOWEL WIRE - ALMOND
	093153-01-000	EA BOARD-CUTTING, MAPLE - 10.6" X 14.5"
	093653-01-C12	EA COVER ASM-SINK
	100081-01-01A	EA TRAY-SILVERWARE, 9" X 13.3" - PLAS - ALMOND - RUBBERMAID
	098334-01-000	EA WASTEBASKET-9 3/4" X 7" X 10", WHITE - RUBBERMAID

**1992 WINNEBAGO
TABLE OF CONTENTS**

INTRODUCTION	A-01 - A-02
ABBREVIATIONS	A-03
ALPHABETICAL INDEX	A-04 - A-08
JCN28RT	A-07 - F-04

1992 JCN28RT INDEX

FLOOR PLAN	A-07 - A-08
ACCESSORIES	- A-09
AUDIO VIDEO	A-10 - A-11
BATH	A-12 - A-14
BEDROOM	A-15 - A-17
CHASSIS	A-18 - B-04
CURTAIN & CUSHION	B-05 - B-18
DINETTE	B-17 - B-18
DRIVER'S COMPARTMENT	B-19 - B-24
ELECTRICAL	C-01 - C-08
EXTERIOR BODY	C-07 - C-18
GALLEY	C-17 - C-21
GENERATOR	- C-22
HEATING & A/C	C-23 - D-02
INTERIOR FINISH	D-03 - D-06
LABEL	D-07 - D-12
LP	- D-13
LOUNGE	D-14 - D-15
SEALANTS & FASTENERS	D-16 - D-19
WATER & SEWAGE	D-20 - D-24
WINDOW, VENT AND EXTERIOR DOOR	E-01 - E-24
WINDSHIELD & WIPER	F-01 - F-04

GALLEY GROUP (CONTINUED)
RANGE

KEY	PART NUMBER	U/M DESCRIPTION
	102021-02-02A	EA COVER-RANGE, BIFOLD - 22" - BLACK - MAGIC CHEF KR22K-1
	102019-01-01A	EA TOP-RANGE, ALMOND TOP W/ALMOND TRIM - MAGIC CHEF BT85RA-4 FROM: 00-00-00 THRU: 10-02-91
	052583-04-701	EA KNOB-TOP BURNER, MAGIC CHEF 7733P039-80
	081374-03-700	EA TRIM-CAB, REAR - ALMOND - MAGIC CHEF 3808F016-74 LEFT, DRIVER SIDE REAR - PASSENGER SIDE FRONT
	081374-03-701	EA TRIM-CAB, FRONT - ALMOND - MAGIC CHEF 3808F015-74
	102019-01-702	EA TRIM-REAR, ALMOND - MAGIC CHEF 3808F009-74
	102020-01-702	EA PANEL-MANIFOLD, MAGIC CHEF 2818F080-70
	102020-01-709	EA BUMPER-GRATE, MAGIC CHEF 8007P018-80
	102020-01-711	EA GRATE-TOP, MAGIC CHEF 7518P012-80
	102020-01-718	EA TOP-MAIN, ALMOND - MAGIC CHEF 2001F085-84
	102020-01-721	EA VALVE-SHUT OFF, MAGIC CHEF 7508F096-80
	102020-01-722	EA VALVE-TOP BURNER, MAGIC CHEF 7502P095-80
	102020-01-724	EA BUMPER-MAIN TOP, MAGIC CHEF 8003P008-80
	102022-01-703	EA REGULATOR-PRESSURE, MAGIC CHEF 7510P031-80
	102019-01-02A	EA TOP-RANGE, BLACK TOP - MAGIC CHEF BT85RK-4 FROM: 10-03-91 THRU: 99-99-99
	052583-04-701	EA KNOB-TOP BURNER, MAGIC CHEF 7733P039-80
	102019-01-703	EA TRIM-RIGHT, BLACK - MAGIC CHEF 3808F015-70
	102019-01-704	EA TRIM-LEFT, BLACK - MAGIC CHEF 3808F016-70
	102019-01-705	EA TRIM-REAR, BLACK - MAGIC CHEF 3808F009-70
	102019-01-706	EA PANEL MANIFOLD - MAGIC CHEF 2818F079-70
	102019-01-707	EA TRIM-RIGHT FLAT - MAGIC CHEF 3808W029-70
	102019-01-708	EA TRIM-LEFT FLAT - MAGIC CHEF 3808W028-70
	102020-01-709	EA BUMPER-GRATE, MAGIC CHEF 8007P018-80
	102020-01-711	EA GRATE-TOP, MAGIC CHEF 7518P012-80
	102020-01-718	EA TOP-MAIN, ALMOND - MAGIC CHEF 2001F085-84
	102020-01-721	EA VALVE-SHUT OFF, MAGIC CHEF 7508F096-80
	102020-01-722	EA VALVE-TOP BURNER, MAGIC CHEF 7502P095-80
	102020-01-724	EA BUMPER-MAIN TOP, MAGIC CHEF 8003P008-80
	102022-01-702	EA PIPE-MANIFOLD, MAGIC CHEF 7513P096-80
	102022-01-703	EA REGULATOR-PRESSURE, MAGIC CHEF 7510P031-80

TIEDOWN BRACKETS

KEY	PART NUMBER	U/M DESCRIPTION
	102842-02-000	EA BRACKET-BAFFLE, 22.1" X 2.5" - STEEL
	094750-01-000	EA BRACKET-MICROWAVE, 90 DEGREE - STEEL
	093744-03-000	EA BRACKET-TIEDOWN, STOVE - RIGHT
	093744-04-000	EA BRACKET-TIEDOWN, STOVE - LEFT
	081211-04-000	EA PLUG-PLASTIC, .48" DIAMETER - BLACK
	085225-01-000	EA PLATE-TIEDOWN, REFRIGERATOR FROM: 12-06-91 THRU: 99-99-99

GALLEY GROUP (CONTINUED)
RANGE HOOD

KEY	PART NUMBER	U/M DESCRIPTION
	100258-19-01A	EA HOOD-RANGE, W/MONITOR PANEL - VENTLINE TMS801088D FROM: 00-00-00 THRU: 10-01-91
	075470-01-703	EA SWITCH-ON/MOMENTARY, JENSEN RP1018
	090973-01-700	EA MOTOR - LVS CA508-1
	090973-01-703	EA VENT HOOD CHAS. W/WIRES(ALM) C1288-1-20
	092898-01-701	EA KNOB-LEVER, CABLE - PLASTIC - BLACK - VENTLINE CC225
	092898-01-709	EA BULB-912, VENTLINE VA418
	092898-02-700	EA FASTENER-PUSH, EXTERIOR RANGE HOOD VENT - VB430
	092898-02-701	EA CLAMP-CONDUIT, EXTERIOR RANGE HOOD VENT - VB334
	098983-01-700	EA SWITCH-ON/OFF, VENTLINE 108
	098983-01-702	EA SWITCH-TWO WAY MOMENTARY, VENTLINE 112
	098983-01-703	EA SWITCH-ON/VON - JENSEN 115
	098983-01-707	EA FILTER-GREASE, 8" X 8" - LVS CC246
	092898-02-701	EA LENS-LAMP, LVS CC179
	100258-04-702	EA SWITCH-LEVER, W/CABLE - VENTLINE CB547-1
	100258-08-700	EA TANK-CIRCUIT BOARD, LVS 5079-08
	100258-09-701	EA SWITCH-FAN, 2 SPEED - VENTLINE 122
	100258-00-700	EA PANEL-CONTROL ASSEMBLY, LVS 9005
	100258-10-700	EA METER-HOUR, VENTLINE 150
	100258-21-01A	EA HOOD-RANGE, W/MONITOR PANEL - VENTLINE TMS5011S8D FROM: 10-02-91 THRU: 99-99-99
	075470-01-703	EA SWITCH-ON/MOMENTARY, JENSEN RP1018
	090973-01-700	EA MOTOR - LVS CA508-1
	090973-01-702	EA BLADE-FAN, LVS VA183-1
	092898-01-701	EA KNOB-LEVER, CABLE - PLASTIC - BLACK - VENTLINE CC225
	092898-01-709	EA BULB-912, VENTLINE VA418
	092898-02-700	EA FASTENER-PUSH, EXTERIOR RANGE HOOD VENT - VB430
	092898-02-701	EA CLAMP-CONDUIT, EXTERIOR RANGE HOOD VENT - VB334
	098983-01-700	EA SWITCH-ON/OFF, VENTLINE 108
	098983-01-702	EA SWITCH-TWO WAY MOMENTARY, VENTLINE 112
	098983-01-703	EA SWITCH-ON/VON - JENSEN 115
	098983-01-707	EA FILTER-GREASE, 8" X 8" - LVS CC246
	092898-02-701	EA LENS-LAMP, LVS CC179
	098983-01-709	EA SWITCH & LEVER MODULE 17 1/2, VENTLINE CB547-4
	100258-04-702	EA SWITCH-LEVER, W/CABLE - VENTLINE CB547-1
	100258-08-701	EA SWITCH-FAN, 2 SPEED - VENTLINE 122
	100258-10-700	EA METER-HOUR, VENTLINE 150
	100258-11-700	EA CIRCUIT BOARD, VENTLINE 5079-01
	100258-11-701	EA PANEL ASM, VENTLINE 9060

**1992 WINNEBAGO
TABLE OF CONTENTS**

INTRODUCTION	A-01 - A-02
ABBREVIATIONS	A-03
ALPHABETICAL INDEX	A-04 - A-06
JCN28RT	A-07 - F-04

1992 JCN28RT INDEX

FLOOR PLAN	A-07 - A-08
ACCESSORIES	A-09
AUDIO VIDEO	A-10 - A-11
BATH	A-12 - A-14
BEDROOM	A-15 - A-17
CHASSIS	A-18 - B-04
CURTAIN & CUSHION	B-05 - B-16
DINETTE	B-17 - B-18
DRIVERS COMPARTMENT	B-19 - B-24
ELECTRICAL	C-01 - C-08
EXTERIOR BODY	C-07 - C-16
GALLEY	C-17 - C-21
GENERATOR	C-22
HEATING & A/C	C-23 - D-02
INTERIOR FINISH	D-03 - D-06
LABEL	D-07 - D-12
LP	D-13
LOUNGE	D-14 - D-15
SEALANTS & FASTENERS	D-16 - D-19
WATER & SEWAGE	D-20 - D-24
WINDOW, VENT AND	
EXTERIOR DOOR	E-01 - E-24
WINDSHIELD & WIPER	F-01 - F-04

GALLEY GROUP (CONTINUED)
REFRIGERATOR - DOUBLE DOOR

GENERATOR GROUP
GENERATOR-ONAN, 4 KW

1992 WINNEBAGO
TABLE OF CONTENTS

INTRODUCTION	A-01	A-02
ABBREVIATIONS		A-03
ALPHABETICAL INDEX	A-04	A-06
JCN28RT	A-07	F-04

1992 JCN28RT INDEX

FLOOR PLAN	A-07	A-08
ACCESSORIES		A-09
AUDIO VIDEO	A-10	A-11
BATH	A-12	A-14
BEDROOM	A-15	A-17
CHASSIS	A-18	B-04
CURTAIN & CUSHION	B-05	B-16
DINETTE	B-17	B-18
DRIVERS COMPARTMENT	B-19	B-24
ELECTRICAL	C-01	C-06
EXTERIOR BODY	C-07	C-16
GALLEY	C-17	C-21
GENERATOR		C-22
HEATING & A/C	C-23	D-02
INTERIOR FINISH	D-03	D-06
LABEL	D-07	D-12
LP		D-13
LOUNGE	D-14	D-15
SEALANTS & FASTENERS	D-16	D-19
WATER & SEWAGE	D-20	D-24
WINDOW, VENT AND		
EXTERIOR DOOR	E-01	E-24
WINDSHIELD & WIPER	F-01	F-04

KEY	PART NUMBER	U/M DESCRIPTION
	104137-01-01A	EA REFRIGERATOR-LARGE DOUBLE DOOR 3-WAY, NORCOLD 663 BLACK
	084473-01-702	EA ORIFICE-NORCOLD 81482122
	084880-01-715	EA VALVE-SHUT OFF, MANUAL - NORCOLD# 61697822
	075217-01-734	EA FUSE-3 AMP, NORCOLD# 61538822
	075217-01-738	EA SWITCH-HUMIDITY, NORCOLD 61525822
	084880-01-713	EA CONNECTOR-MALE, INLET FITTING - NORCOLD# 615258
	084880-01-715	EA VALVE-SHUT OFF, MANUAL - NORCOLD# 61697822
	084880-01-718	EA VALVE-GAS, NORCOLD 61551822
	084880-01-722	EA CRISPER COVER - NORCOLD 615541
	084880-01-728	EA HINGE BRACKET (CENTER HINGE), NORCOLD 61588523
	084880-01-731	EA HINGE PIN, NORCOLD 61578123
	084880-01-732	EA LATCH, NORCOLD 61578522
	084880-01-734	EA BRACKET-HINGE, TOP RH - BOTTOM LH - BROWN NORCOLD 61588637
	084880-01-735	EA HINGE BRACKET-TOP LH-BOTTOM RH, BROWN - NORCOLD 61588937
	084880-01-739	EA END CAP (SPRING CATCH) BRN - NORCOLD 61593722
	084880-01-740	EA END CAP (STOP CATCH) - NORCOLD 61593830
	084880-01-744	EA HINGE PIN SHAFT (CENTER HINGE), NORCOLD 61586723
	084880-01-748	EA CABLE, NORCOLD 61571522
	084880-01-747	EA PLUG-HOLE, NORCOLD 61582022
	084880-01-749	EA HINGE BUSHING - NORCOLD 615807
	084880-01-753	EA THERMISTER 78" W/CLIP - NORCOLD 61693822
	084880-01-761	EA END CAP (SPRING CATCH) BLACK 61593730
	084880-02-700	EA LOWER FLANGE 866388583, NORCOLD 61622123
	084880-03-701	EA COOLING UNIT (HORIZONTAL BURNER) - NORCOLD 61687337
	084880-03-705	EA BRACKET F/INTERIOR REFRIGERATOR LIGHT - NORCOLD 61629722
	084880-03-706	EA LAMP (BULE) - NORCOLD 61628922
	084880-03-707	EA COVER FLAMP OR BULB - NORCOLD 61627922
	088248-01-706	EA BURNER-HORIZONTAL, NORCOLD 61588122
	088248-01-707	EA ELECTRODE-SENSOR, (HORIZONTAL), NORCOLD# 61573322
	088248-01-708	EA ELECTRODE-IGNITION, (HORIZONTAL) - NORCOLD# 61573222
	088248-01-710	EA HEATER-DC, (HORIZONTAL) - 3 WAY - NORCOLD# 615828
	094039-01-700	EA PC BOARD-3-WAY, NORCOLD 61647522
	094039-01-701	EA EYEBROW-SHELL, 3-WAY - BLACK - PLASTIC - NORCOLD 61668922
	094039-01-703	EA PLATE-HINGE, LEFT HAND - BROWN - NORCOLD 61631422
	094039-01-704	EA PLATE-HINGE, BLACK - NORCOLD 61631430
	094039-01-709	EA PLATE-HINGE, TOP RH - LH BOTTOM - BROWN - NORCOLD 61631322
	094039-01-710	EA PLATE-HINGE, BLACK - NORCOLD 61631330
	094039-01-712	EA DOOR BIN(GRAY)SILVER BORDER - NORCOLD 61584060
	094039-01-713	EA DOOR GASKET(LOWER) GRAY - NORCOLD 61588030
	094039-01-714	EA LOWER DOOR LINER (BROWN/WHITE) - NORCOLD# 61581737-B
	094039-01-715	EA LOWER DOOR LINER (BLACK/WHITE) - NORCOLD 61581738-B
	094039-01-716	EA LOWER DOOR HANDLE ASSY (BROWN) - NORCOLD# 61649937
	094039-01-717	EA LOWER DOOR HANDLE ASSY (BLACK) - NORCOLD 61649938
	094039-01-718	EA MILK BIN (GRAY)WSILVER TRIM - NORCOLD 61579480
	094039-01-719	EA DAIRY KEEPER (GRAY)SILVER TRIM - NORCOLD 61580460
	094039-01-720	EA CAB ASSEMBLY (BROWN FRAME/WHITE LINER) - NORCOLD# 61663237
	094039-01-721	EA CAB ASSY(BLK FRAME WHITE LINER - NORCOLD 61663238
	094039-01-722	EA HOLE PLUG (BLACK) HINGE HOLES - NORCOLD 61582030
	094039-01-723	EA HINGE BRKT-TOP RH-BTM LH - BLACK - NORCOLD 61588838
	094039-01-724	EA BRACKET-HINGE, TOP LH - BOTTOM RH - BLACK - NORCOLD 61588938
	094039-01-725	EA HINGE PIN (BLACK)(MALE) - NORCOLD 61578130
	094039-01-726	EA SHELF-FREEZER EVAPORATOR, NORCOLD 615238
	094039-01-730	EA HINGE PIN SHAFT(BLACK) CTR HGE - NORCOLD 61586730
	094039-01-731	EA CRISPER (GRAY) SILVER TRIM - NORCOLD 61571360
	094039-01-732	EA FRONT COVER(BLACK) BOTTOM TRIM - NORCOLD 61622130
	094039-01-733	EA WIRE SHELF (MIDDLE) - NORCOLD 61663822
	094039-01-734	EA WIRE SHELF (TOP) WRISER - NORCOLD 61663722
	094039-01-735	EA INSIDE DRIP TRAY-WHITE, NORCOLD 61572830
	094039-01-738	EA SWITCH-LIGHT, BLACK - NORCOLD 615810
	094039-01-737	EA POWER SUPPLY-3-WAY, NORCOLD 61647622
	094039-01-739	EA SHELF-CUTOUT, NORCOLD 61646722
	094039-01-742	EA TRAY-F/CUTOUT SHELF, NORCOLD 61688922
	094039-04-700	EA PC BOARD-2 WAY, NORCOLD# 61647322
	084480-01-000	EA LEVEL-REFRIGERATOR

KEY	PART NUMBER	U/M DESCRIPTION
	100974-07-000	
	007125-03-000	
	007125-04-000	
	106868-02-000	
	079854-05-000	
	081364-03-000	
	024976-01-000	
	007131-01-000	

U/M DESCRIPTION
EA GENERATOR-4.0KW JAPAN 100 V. ONAN BGE-FA/20103H WITH GENERATOR TRAY #403-2218
EA CLAMP-MUFFLER, 1.5" DIA
EA CLAMP-MUFFLER, 1.1" DIA
EA PIPE-EXHAUST, GENERATOR
EA PIPE-EXHAUST, ANGLED W/FLANGE - 2" ID ONAN 154-2539
EA MUFFLER-GENERATOR
EA SWITCH-GENERATOR, W/O CIRCUIT BOARD
EA HANGER-TAILPIPE, 6 SLOTS

**HEATING & AIR CONDITIONING GROUP
SUBURBAN FURNACE & WALL THERMOSTAT**

**HEATING & AIR CONDITIONING GROUP (CONTINUED)
HEAT HEATER**

**1992 WINNEBAGO
TABLE OF CONTENTS**

INTRODUCTION	A-01 -	A-02
ABBREVIATIONS		A-03
ALPHABETICAL INDEX	A-04 -	A-06
JCN28RT	A-07 -	F-04

KEY	PART NUMBER	U/M DESCRIPTION
092300-08-000	EA	FURNACE-34,000 BTU, - SUBURBAN NT348W
092300-01-000	EA	THERMOSTAT-WALL, FURNACE - SUBURBAN 0160802
092300-01-708	EA	MODULE BOARD, SUBURBAN# 231227
092300-01-712	EA	GASKET-MANIFOLD, SUBURBAN 070408
092300-01-718	EA	VALVE-MANUAL SHUTOFF, SUBURBAN 160740
092300-01-720	EA	ORIFICE-MAIN BURNER, SUBURBAN# 0160222
092300-01-729	EA	VALVE-GAS, JOHNSON - SUBURBAN 160832
092300-01-732	EA	GASKET-BURNER ACCESS DOOR, SUBURBAN 070398
092300-01-733	EA	RELAY, TIME DELAY 20130 BTU, SUBURBAN 231202
075698-01-709	EA	MICROSWITCH (FOR MODELS 30 & 348) SUBURBAN 230609
075698-01-700	EA	MOTOR ASM-SUBURBAN# 231208
075698-02-709	EA	DISC-CLASS, SUBURBAN 310026
075698-02-727	EA	BRACKET-MOTOR MOUNT, SUBURBAN 002138
075698-02-728	EA	GASKET-CROSSOVER TUBE, SUBURBAN 070385
092300-01-700	EA	CABINET-SUBURBAN X101176
092300-01-701	EA	CABINET FRONT, SUBURBAN 101172
092300-01-704	EA	GASKET-ELECTRODE, SUBURBAN 070163
092300-01-705	EA	ELECTRODE, SUBURBAN 230958
092300-01-706	EA	DOOR-BURNER ACCESS, SUBURBAN 030523
092300-01-708	EA	SWITCH LIMIT, SUBURBAN 231440
092300-01-711	EA	VENT CAP ASSEMBLY, SUBURBAN X260179
092300-01-712	EA	BURNER ASSEMBLY, SUBURBAN XD10701
092300-01-715	EA	MANIFOLD ASSEMBLY, SUBURBAN 171034
092300-01-717	EA	WIRE ASSEMBLY (POWER SUPPLY) - SUBURBAN X231428
092300-01-718	EA	ELBOW 90°, SUBURBAN 170374
092300-01-720	EA	WHEEL-ROOM AIR, SUBURBAN 350113
092300-01-721	EA	BLOWER HOUSING ASSEMBLY, SUBURBAN 390283
092300-01-726	EA	WHEEL-COMB AIR, SUBURBAN 350110
092300-01-724	EA	GASKET-MOTOR MOUNT, SUBURBAN 070384
092300-01-727	EA	GASKET-COMBUSTION AIR HOUSING, SUBURBAN 070388
092300-01-728	EA	COMBUSTION AIR HOUSING, (OUTSIDE) SUBURBAN 390424
092300-02-700	EA	COMBUSTION CHAMBER, 30 & 348W SUBURBAN XD21015
092300-03-702	EA	HOUSING-COMBUSTION CHAMBER, NT 348W - SUBURBAN X390417
092300-04-000	EA	GASKET-FIBERGLASS
092300-09-700	EA	FACE-FRONT, FURNACE - SUBURBAN 520607
092300-08-000	EA	VENT KIT-FURNACE, STRAIGHT - SUBURBAN 520608

KEY	PART NUMBER	U/M DESCRIPTION
084406-01-000	EA	HEATER ASM-HEAR, DUCTED - W/MOTOR AID - EVANS
084406-01-700	EA	HEATER CORE-EVANS# FT200228
084406-01-701	EA	FAN BLADES-EVANS# HV029831
084406-01-702	EA	MOTOR ASM-12 V, EVANS# 200146
081873-01-000	EA	BRACKET-MOTOR AID TUBES, 4" X 1.5" - STEEL
		FROM: 03-10-92 THRU: 09-09-99
079059-02-000	EA	HOSE-90 DEGREE, .81"ID X 4" X 8"
079059-03-000	EA	HOSE-90 DEGREE, .81"ID X 4" X 18"
083081-01-000	EA	HOSE-FORMED, 90 DEGREES
088753-01-000	FT	TUBE-STEEL, ALUMINIZED - 5/8" - 18 GAUGE

HEATING SYSTEM COMPONENTS

KEY	PART NUMBER	U/M DESCRIPTION
007108-02-000	FT	HOSE-HEATER, 3/4"ID
007108-01-000	FT	HOSE-HEATER, 5/8" ID
007281-01-000	FT	HOSE-FLEXIBLE PVC - 2.5" ID
088342-01-000	EA	WYE-CONNECTOR, 2.5"- FLEXHOSE
023148-01-000	EA	CLAMP-SCREW TYPE - 4"
008042-01-000	FT	TUBING-VINYL, .85" ID
088753-01-000	FT	TUBE-ALUMINIZED STEEL, 5/8" - 18 GAUGE
081873-01-000	EA	BRACKET-MOTOR AID TUBES, 4" X 1.5" - STEEL
009200-01-000	EA	TAPE-FURNACE, 1 1/2"
024990-03-000	EA	OUTLET-LOUVERED, W/SWIVEL - 2" - GRAY
008198-01-000	FT	DUCT-HEAT, FLEXIBLE - 4" ID
092778-01-000	EA	ADAPTER-DUCT, 2"
089836-02-000	EA	CONNECTOR-DUCT, 4" ID
089828-01-000	EA	GRILLE-FLOOR, HEATING - 9.3" X 5.4" - BROWN
093614-01-01A	EA	GRILLE-RETURN AIR, FURNACE - 15.6" X 7.6" - BROWN
056464-05-000	EA	REGISTER-PLASTIC W/O DAMPER - 4" DIAMETER - GOLDEN
056464-04-000	EA	REGISTER-HEAT, 4" DIAMETER - W/DAMPER - PLASTIC - SAND
		FROM: 03-25-92 THRU: 09-09-99
094800-01-02A	EA	REGISTER-HEAT, FLOOR - W/O DAMPER - 3.6" X 10.5" X 1.4" - BROWN
094600-02-02A	EA	REGISTER-HEAT, FLOOR - W/DAMPER - 3.6" X 10.5" X 1.4" BROWN
056402-04-000	EA	BRACKET-MOUNTING, ROUND HEAT VENT - W/BEND - METAL - GRAY

1992 JCN28RT INDEX

FLOOR PLAN	A-07 -	A-08
ACCESSORIES		A-09
AUDIO VIDEO	A-10 -	A-11
BATH	A-12 -	A-14
BEDROOM	A-15 -	A-17
CHASSIS	A-18 -	B-04
CURTAIN & CUSHION	B-05 -	B-16
CINETTE	B-17 -	B-18
DRIVERS COMPARTMENT	B-19 -	B-24
ELECTRICAL	C-01 -	C-08
EXTERIOR BODY	C-07 -	C-16
GALLEY	C-17 -	C-21
GENERATOR		C-22
HEATING & A/C	C-23 -	D-02
INTERIOR FINISH	D-03 -	D-08
LABEL	D-07 -	D-12
LP		D-13
LOUNGE	D-14 -	D-15
SEALANTS & FASTENERS	D-16 -	D-19
WATER & SEWAGE	D-20 -	D-24
WINDOW, VENT AND		
EXTERIOR DOOR	E-01 -	E-24
WINDSHIELD & WIPER	F-01 -	F-04

HEATING & AIR CONDITIONING GROUP (CONTINUED)
AUTO AC COMPONENTS

KEY	PART NUMBER	U/M DESCRIPTION
	007076-01-000	FT HOSE-FLEXIBLE PVC - 2" ID
	007281-01-000	EA HOSE-FLEXIBLE PVC, 2.5" ID X 50' - ATCOFLEX A-182-366
	007281-01-700	FT HOSE-FLEXIBLE PVC, 2.5" ID - ATCOFLEX A-182-366
	024990-03-000	EA OUTLET-LOUVERED, HEATER/DEFROSTER - W/SWIVEL - 2" - GRAY
	086000-01-000	EA SHIELD-AC, 6.8" X 3.1" - STEEL
	094831-08-000	EA WIRE ASSEMBLY-AC COMPRESSOR ADAPTER - SCS 036-0054

A/C EVAPORATOR

KEY	PART NUMBER	U/M DESCRIPTION
	103930-01-000	EA EVAPORATOR/HEATER ASSEMBLY - SCS 060-0041
	094831-01-724	EA O-RING-#4, MOTIVAIR/SCS ZGG14881
	103930-01-700	EA ROD-AIR BLEND DOOR, SCS 073-0017
	103930-01-701	EA PANEL-DOOR, FOR AIR BLEND - SCS 071-0123
	103930-01-702	EA GASKET-DOOR, FOR AIR BLEND - SCS 045-0080
	103930-01-703	EA COIL-HEATER, SCS 042-0010
	103930-01-705	EA VALVE-EXPANSION BLOCK, SCS 034-0019
	103930-01-706	EA GASKET-O-RING, #8 - SCS 045-0011
	103930-01-707	EA GASKET-O-RING, #10 - SCS 045-0012
	103930-01-708	EA BRACKET-VACUUM MOTOR, SCS 070-0113
	103930-02-708	EA MOTOR-VACUUM SERVO, A/C - SCS 030-0002
	103930-01-710	EA RESISTOR-FUSED, SCS 036-0008
	103930-01-711	EA THERMOSTAT, SCS 033-0003
	103930-01-712	EA GASKET-O-RING, SCS 045-0010
	103930-01-713	EA FITTING-QUICK CONNECT, #4 - SCS 050-003
	103930-01-714	EA FITTING-SERVICE VALVE, #10 - SCS 050-0031
	103930-01-715	EA SWITCH-BINARY, SCS 032-0030
	103930-01-716	EA SWITCH-PRESSURE, FAN - SCS 032-0029
	103930-01-717	EA WHEEL-CLOCK-WISE, SCS 082-0010
	103930-01-718	EA HOSE #8, SCS 051-3036
	103930-01-719	EA HOSE-#10, SCS 051-0017
	103930-01-720	EA MOTOR, SCS 030-0004
	103930-01-721	EA GASKET-O-RING #12, SCS 045-0082

CONTROL & PLENUM

KEY	PART NUMBER	U/M DESCRIPTION
	103930-02-000	EA CONTROL/PLENUM ASSEMBLY, SCS 093-0031
	103930-02-700	EA PANEL-CONTROL, SCS 032-0018
	103930-02-701	EA VALVE-CONTROL HEAD - SCS 034-0015
	103930-02-702	EA DECAL-WINNEBAGO "N", SCS 058-0008
	103930-02-703	EA HARNESS-WIRE CONTROL - SCS 036-0048
	103930-02-704	EA HARNESS-VACUUM CONTROL - SCS 036-0049
	103930-02-705	EA CABLE-CONTROL - BOWDEN - SCS 074-0011
	103930-02-706	EA CLIP-CABLE - CONTROL - SCS 022-0017
	103930-02-707	EA RELAY - SCS 031-0011
	103930-02-708	EA MOTOR-VACUUM SERVO - A/C - SCS 030-0002
	103930-02-709	EA MOTOR-VACUUM SERVO - DEFROSTER - SCS 030-0020
	103930-02-710	EA CANISTER-VACUUM - SCS 054-0002
	103930-02-711	EA VALVE-WATER - SCS 034-00114
	094831-01-731	EA 2" HOSE ADAPTERS
	077075-01-000	EA GASKET-INSTRUMENT PANEL TO DEFROSTER PLENUM - .8" X 11.3"
	077075-02-000	EA GASKET-INSTRUMENT PANEL TO DEFROSTER PLENUM - .8" X 10.2"

HEATING & AIR CONDITIONING GROUP (CONTINUED)
ROOF A/C-13800 BTU

KEY	PART NUMBER	U/M DESCRIPTION
	093763-01-04A	EA AC-ROOF, 13800 BTU - OFF WHITE - COLEMAN 67580707
	037848-01-714	EA PACKAGE-GASKET, COLEMAN 66758-3281
	093763-04-700	EA SHROUD(OFF WHITE/CHARCOAL), COLEMAN# 6758-4801
	093308-01-701	EA DECAL PKG. LEFT&RIGHT, COLEMAN 6758B3891
	093763-01-702	EA OVERLOAD, COLEMAN #6758-3931
	093763-01-712	EA FAN BLADE-CONDENSER, COLEMAN# 6733-3221
	076303-01-712	EA MOTOR, COLEMAN# 6707A3119
	093763-01-703	EA IMPELLOR-7" DIA X 2.8" WIDE, COLEMAN# 6758-3271
	091225-01-709	EA START RELAY, COLEMAN# 1487-4131
	091225-01-710	EA START CAPACITOR, COLEMAN# 1487-0881
	073742-02-704	EA RUN CAPACITOR (COMPRESSOR), COLEMAN 14894881
	093763-01-704	EA CAPACITOR-FAN, COLEMAN# 1489-3481
	093763-01-708	EA CONDENSER COIL-COLEMAN# 1452-1251
	093763-01-709	EA COMPRESSOR-COLEMAN# 6748A3809
	093763-01-707	EA EVAPORATOR COIL-COLEMAN# 1452-1361
	102289-01-000	EA SPRING-SCREW, ROOF A/C GASKET - COLEMAN 6757-150

CEILING ASSEMBLY

KEY	PART NUMBER	U/M DESCRIPTION
	093764-01-000	EA CEILING ASM-AC COOL ONLY, T8R - COLEMAN 67580714
	042204-01-709	EA THERMOSTAT IN-84,OUT-58, COLEMAN# 6701-3401
	083903-01-702	EA LOUVER, COLEMAN# 6703A5191
	073742-01-701	EA SELECTOR SWITCH (5 TERMINAL), COLEMAN# 6758-3251
	073742-01-702	EA DECAL COOL ONLY, COLEMAN# 6758C3431
	076303-01-707	EA FILTER-8" X 14 3/4" X 1/2", 12 PER PKG - COLEMAN 6703A3151
	081808-01-708	EA LIMIT SWITCH (OPEN 180,CLOSE 110), COLEMAN# 6703-3041
	081808-01-712	EA CEILING SHROUD (TWOPLY), COLEMAN# 6758-5081
	091225-01-713	EA KNOB (2 PER PACKAGE), COLEMAN# 6701-3351
	091225-01-717	EA DECAL (THERMOSTAT) COOL ONLY, COLEMAN# 6798A3441
	093763-01-710	EA SINGLE PARTS PACKAGE, COLEMAN# 6758-5841
	084077-03-000	EA COVER-BLANK, ROOF A/C - 5.2" X 3.5" - IVORY
	092833-01-02A	EA FRAME-PLATE, ROOF A/C - 5.7" X 3.9" - PLASTIC - OFF WHITE

**1992 WINNEBAGO
TABLE OF CONTENTS**

INTRODUCTION	A-01	A-02
ABBREVIATIONS		A-03
ALPHABETICAL INDEX	A-04	A-08
JCN28RT	A-07	F-04

1992 JCN28RT INDEX

FLOOR PLAN	A-07	A-08
ACCESSORIES		A-09
AUDIO VIDEO	A-10	A-11
BATH	A-12	A-14
BEDROOM	A-15	A-17
CHASSIS	A-18	B-04
CURTAIN & CUSHION	B-05	B-18
DINETTE	B-17	B-18
DRIVERS COMPARTMENT	B-19	B-24
ELECTRICAL	C-01	C-08
EXTERIOR BODY	C-07	C-18
GALLEY	C-17	C-21
GENERATOR		C-22
HEATING & A/C	C-23	D-02
INTERIOR FINISH	D-03	D-08
LABEL	D-07	D-12
LP		D-13
LOUNGE	D-14	D-15
SEALANTS & FASTENERS	D-16	D-19
WATER & SEWAGE	D-20	D-24
WINDOW, VENT AND		
EXTERIOR DOOR	E-01	E-24
WINDSHIELD & WIPER	F-01	F-04

**INTERIOR FINISH GROUP
PANELING AND LAMINATES**

KEY	PART NUMBER	U/M DESCRIPTION
	093743-01-02A	SF PLASTIC-ABS, 11.6' WIDE - OFF WHITE
	090361-09-000	YD VINYL-CEILING, DIAMOND DESIGN - 54' WIDE
	086747-01-000	SF INSULATION-MICROFOAM, .5'
	074498-41-000	SF LAMINATE-PLASTIC, 5' X 8' - ORCHID - INCREMENTS OF 40 SF
	074498-42-000	SF LAMINATE-PLASTIC, 5' X 8' - GRAY - INCREMENTS OF 40 SF
	076773-08-000	SF PANELING-FOREST OAK, 2 SIDED - 4' X 8' - INCREMENTS OF 32 SF
	088272-88-000	SF PANELING-DECORATIVE, 4' X 7' - BATH & GALLEY - INCREMENTS OF 28 SF
	088272-89-000	SF PANELING-DECORATIVE, 4' X 7' - MAIN - INCREMENTS OF 28 SF
	074497-20-000	SF PANELING-WOODGRAIN, 4' X 8' - FOREST OAK - INCREMENTS OF 32 SF
	086688-01-000	SF VENEER-FLAT LUANA, 4' X 8' - INCREMENTS OF 32 SF
	067882-04-000	SF TAMBOUR-DOOR, 47" X 96" SHEET - INCREMENTS OF 31 SF
	088297-01-000	SF PLYWOOD-LUAN, OVERLAY GRADE - 4' X 8' - INCREMENTS OF 32 SF
	C83818-02-000	SF PLYWOOD-OAK, FINISHED ON 1 SIDE - 3/16" X 4' X 8' - INC. 28 SF
	000885-55-000	SF PARTICLE BOARD-3/8 X 48" X 97", 1 SIDE VINYL WOODGRAIN

BATT STRIPS

KEY	PART NUMBER	U/M DESCRIPTION
	088229-07-000	EA RETAINER-BATTEN, CEILING - .75" WIDE - 7.6' EA
	088229-08-000	EA BATTEN-CEILING, 1" WIDE - MODERN IVORY - 7.6' EA
	088733-79-000	EA BATT STRIP-WOODGRAIN, 8' EA - FOREST OAK
	088283-87-000	EA BATT STRIP-DECORATIVE, 8' EA - MAIN WALL
	088283-88-000	EA BATT STRIP-DECORATIVE, 8' EA - BATH & GALLEY
	088283-50-000	EA BATT STRIP-DECORATIVE, 8' EA - WHITE
	079863-13-000	EA BATT STRIP-KERFED, WHITE
	088229-04-000	EA BATT STRIP-CEILING, 1" WIDE - MODERN IVORY - 7.6' EA
	088284-58-000	FT BATT STRIP-DECORATIVE, ADHESIVE BACKED - MAIN WALL
	088284-55-000	FT BATT STRIP-DECORATIVE, ADHESIVE BACKED - BATH & GALLEY
	088284-87-000	FT BATT STRIP-WOODGRAIN, ADHESIVE BACK - WINNI OAK

CLOCK & SMOKE DETECTOR

KEY	PART NUMBER	U/M DESCRIPTION
	100793-01-01A	EA CLOCK-WALL, OVAL - GOLDENAIRE, 545121 A
	101333-01-000	EA BACKPLATE-CLOCK, IN WALL SHIELD FOR CLOCK
	072852-01-000	EA DETECTOR-SMOKE, W/0 VOLT

**INTERIOR FINISH GROUP (CONTINUED)
MOLDINGS AND TRIMS**

KEY	PART NUMBER	U/M DESCRIPTION
	090871-01-01A	EA TRIM-ROOF COVE, INTERIOR - OFF WHITE - 12'
	102239-01-01A	EA COVER-SPLICE, COVE TRIM - 1.5" X 3" - PLASTIC - OFF WHITE
	098204-02-01A	EA TRIM-J, .5" EXPOSED - 1" X 52.1" LONG - METAL - OFF WHITE
	098204-03-01A	EA TRIM-J, .5" EXPOSED - 1" X 98.8" LONG - METAL - OFF WHITE
	008787-12-000	FT MOLDING-SIDEWALL TO CEILING-CABINET - WELTING - OFF WHITE
	008812-25-000	EA MOLDING-PLASTIC CORNER, OUTSIDE - .5" - THOR PECAN
	022882-11-000	FT MOLDING-REVERSE COVE, T-SHAPED - VINYL - IVORY
	042357-17-000	EA MOLDING-CORNER, RADIUS - 1.5" X 7' EA - PLASTIC - WOODGRAIN
	081521-02-007	EA MOUNT-METAL MOLDING, FOR RADIUS CORNER MOLDING - 12.5'
	080178-03-000	EA CAP-TOP, RADIUS CORNER MOLDING - PLASTIC - PECAN

	081294-02-000	EA MOLDING-SHELF, KNOTCHED WOOD - 8' INC
	103188-02-02A	FT MOLDING-EDGE, SHELF - 1.3" WIDE - PLASTIC - REGAL OAK
	077840-01-W30	EA MOLDING-WALL CAP, 1.4" X 8' LONG - L-SHAPED WOOD
	078325-34-000	FT MOLDING-EDGE BAND, 1 5/16" WIDE - ORCHID
	105709-01-000	FT T-MOLDING, 1" - MODERN IVORY
	077840-01-W30	EA MOLDING-WALL CAP, 1.4" X 8' LONG - L-SHAPED WOOD
	083820-01-000	EA MOLDING-T, END CAP EDGE - W/LIPS .75" BROWN
	083820-07-000	EA MOLDING-T, END CAP EDGE - W/LIPS .75" THOR PECAN
	082330-D2-438	EA LUMBER-VINYL WRAPPED, .7" X 1.5" X 8' - WOODGRAIN
	082330-03-000	EA LUMBER-VINYL WRAPPED, 2" X 98" - WOODGRAIN
	082331-D2-134	EA MOLDING-VINYL WRAPPED, .7" X 1.57" X 84" - WOODGRAIN
	082331-F2-134	EA MOLDING-VINYL WRAPPED, .7" X 2.5" X 7" - WOODGRAIN
	100818-01-02A	EA MOLDING-VINYL WRAPPED, 1.85" X .4" X 7" - OAK
	100819-01-02A	EA MOLDING-VINYL WRAPPED, L-SHAPED, 1.5" X 1.5" X 7" - OAK
	070804-01-000	EA U-CHANNEL - .085" - LIGHT BROWN
	070804-19-000	FT U-CHANNEL-PLASTIC, .815" WIDE - BROWN - INC OF 8'
	070804-20-000	FT U-CHANNEL-PLASTIC, .815" WIDE - THOR PECAN - INC. OF 8'
	009778-13-000	EA U-CHANNEL-PLASTIC, 1" WIDE X 8' INC. - THOR PECAN

FLOOR COVERINGS & COMPONENTS

KEY	PART NUMBER	U/M DESCRIPTION
	098080-35-000	SY CARPET, 12' WIDE ROLLS - INC. OF 4 SY (C80)
	098080-38-000	SY CARPET, 12' WIDE ROLLS - INC. OF 4 SY (C81)
	075233-01-000	SY PAD-CARPET, 3/8" X 8'
	093488-01-000	SY CARPET-COMPARTMENT, 54' WIDE - DARK GRAY
	078314-02-000	FT TAPE-CARPET SEAM, HEAT-BOND
	047034-02-000	SF PLASTIC-CARPET, 4' WIDE - CLEAR POLY
	085746-01-000	FT TRIM-J, CARPET - 1.2" X .5" ANGLE - 10' LONG - PVC - BEIGE
	091281-01-000	FT SLIPNOT-ANTISLIP, 1' WIDE (100' ROLL)

FLOOR MATS

KEY	PART NUMBER	U/M DESCRIPTION
	081075-01-000	EA MAT-FLOOR, ENTRANCE DOOR - W/WINNEBAGO LOGO - 10.2" X 28"
	081201-01-000	EA MAT-FLOOR, DRIVER - W/WINNEBAGO LOGO - 14" X 24"
	081202-01-000	EA MAT-FLOOR, PASSENGER - W/WINNEBAGO LOGO - 14" X 24"

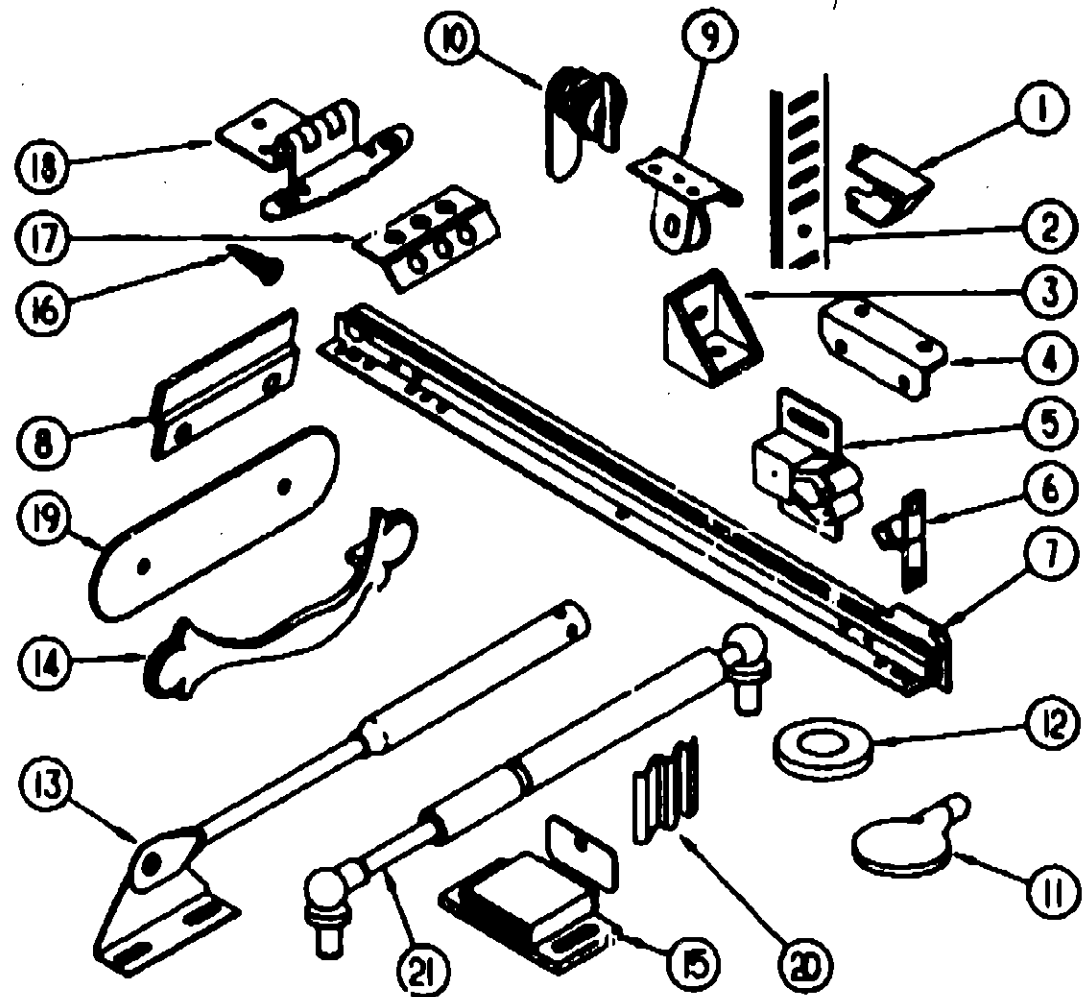
**1992 WINNEBAGO
TABLE OF CONTENTS**

INTRODUCTION	A-01 -	A-02
ABBREVIATIONS		A-03
ALPHABETICAL INDEX	A-04 -	A-08
JCN28RT	A-07 -	F-04

1992 JCN28RT INDEX

FLOOR PLAN	A-07 -	A-08
ACCESSORIES		A-09
AUDIO VIDEO	A-10 -	A-11
BATH	A-12 -	A-14
BEDROOM	A-15 -	A-17
CHASSIS	A-18 -	B-04
CURTAIN & CUSHION	B-05 -	B-16
DINETTE	B-17 -	B-18
DRIVERS COMPARTMENT	B-19 -	B-24
ELECTRICAL	C-01 -	C-06
EXTERIOR BODY	C-07 -	C-16
GALLEY	C-17 -	C-21
GENERATOR		C-22
HEATING & A/C	C-23 -	D-02
INTERIOR FINISH	D-03 -	D-06
LABEL	D-07 -	D-12
LP		D-13
LOUNGE	D-14 -	D-15
SEALANTS & FASTENERS	D-16 -	D-19
WATER & SEWAGE	D-20 -	D-24
WINDOW, VENT AND		
EXTERIOR DOOR	E-01 -	E-24
WINDSHIELD & WIPER	F-01 -	F-04

INTERIOR FINISH GROUP (CONTINUED)
CABINET HARDWARE



KEY	PART NUMBER	U/M	DESCRIPTION
8	101272-01-000	EA	CATCH-OVERHEAD GLASS DOOR
9	100711-01-01A	EA	HINGE-DOOR, GLASS
10	100710-01-01A	EA	LOCK-GLASS DOOR, TWIST TYPE - BRASS
11	101788-01-000	EA	PIN-SUPPORT, GLASS DOOR
12	100707-01-000	EA	SPACER-DOOR, GLASS - .8" DIA - .3" HOLE - PLASTIC
13	074483-02-000	EA	SUPPORT-OVERHEAD DOOR, SPRUNG
14	100273-01-000	EA	PULL-CABINET, ANTIQUE BRASS
15	088254-01-000	EA	CATCH-MAGNETIC, 1.8" X .7"
16	000G13-08-10G	EA	SCREW-6-20 X .68" PFH, ANTIQUE BRASS
			FROM: 00-00-00 THRU: 04-18-82
16	000G13-08-08G	EA	SCREW-6-20 X .68" PFH, ANTIQUE BRASS
			FROM: 04-17-82 THRU: 09-09-99
17	009069-02-000	EA	HINGE-CABINET DOOR, 2" X 2.7" - BRASS
18	069777-02-000	EA	HINGE-CABINET DOOR, BURNISHED BRASS
			FROM: 00-00-00 THRU: 04-18-82
18	108138-01-000	EA	HINGE-CABINET DOOR, BURNISHED BRASS
			FROM: 04-17-82 THRU: 09-09-99
19	100886-01-000	EA	BACKPLATE-PULL, CABINET DOOR - 5.7" - BRASS
20	106037-02-000	EA	FASTENER-WOOD, CORNER - METAL - .6" X .6"
21	067480-04-000	EA	SPRING-GAS
	067480-02-000	EA	STUD-BALL, GAS SPRING - 10MM - 5/16" - 18
	067480-03-000	EA	CLIP-SAFETY, WIREFORM TYPE - GAS SPRING
	089024-01-000	EA	SUPPORT-SPRING, TO FLOOR
	089025-01-000	EA	SUPPORT-SPRING, TO BED
	088199-02-Y12	EA	HINGE-BED, TOP LIFT - METAL - BEIGE
	077252-01-000	EA	PIN-HINGE
	089236-02-000	EA	BEARING-SNAPIN, 3/16" ID X 3/16"
	U04354-01-000	EA	BUMPER-RUBBER, .6" DIA - BROWN
	023320-01-000	EA	PAD-FELT, 3/8" DIAMETER - BROWN
	083278-01-000	EA	BRACE-PROP ROD, GAS
	009063-01-000	EA	HINGE-CONTINUOUS, 1 1/2" X 72" - UNPAINTED
	009088-01-000	EA	HINGE-CONTINUOUS, TWO HOLES - 1 1/16" X 6" - ALUMINUM
	042541-04-000	EA	LATCH-BRASS, W/O STRIKE - HASP TYPE - BRASS

1982 WINNEBAGO
TABLE OF CONTENTS

INTRODUCTION	A-01 - A-02
ABBREVIATIONS	A-03
ALPHABETICAL INDEX	A-04 - A-08
JCN28RT	A-07 - F-04

1982 JCN28RT INDEX

FLOOR PLAN	A-07 - A-08
ACCESSORIES	- A-09
AUDIO VIDEO	A-10 - A-11
BATH	A-12 - A-14
BEDROOM	A-15 - A-17
CHASSIS	A-18 - B-04
CURTAIN & CUSHION	B-05 - B-16
DINETTE	B-17 - B-18
DRIVERS COMPARTMENT	B-19 - B-24
ELECTRICAL	C-01 - C-06
EXTERIOR BODY	C-07 - C-16
GALLEY	C-17 - C-21
GENERATOR	- C-22
HEATING & A/C	C-23 - D-02
INTERIOR FINISH	D-03 - D-08
LABEL	D-07 - D-12
LP	- D-13
LOUNGE	D-14 - D-16
SEALANTS & FASTENERS	D-18 - D-19
WATER & SEWAGE	D-20 - D-24
WINDOW, VENT AND	
EXTERIOR DOOR	E-01 - E-24
WINDSHIELD & WIPER	F-01 - F-04

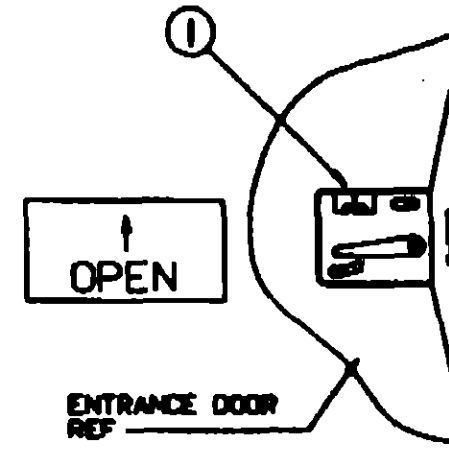
KEY	PART NUMBER	U/M	DESCRIPTION
1	088979-01-000	EA	CLIP-ADJUSTABLE SHELF
2	088980-02-000	EA	PILASTER-ADJUSTABLE SHELF, 12" LONG
2	088980-03-000	EA	PILASTER-ADJUSTABLE SHELF, 9" LONG
3	066740-01-000	EA	BRACE-CABINET CORNER, PLASTIC
4	018804-01-000	EA	BRACE-CABINET, ANGLE - 2.5° - METAL - UNPAINTED
4	018804-03-000	EA	BRACE-CABINET, ANGLE - 2.5° - METAL - BEIGE
5	093588-03-000	EA	CATCH-SPRING, ROLLER
6	093588-04-000	EA	STRIKE-SPRING STEEL
7	101910-01-000	EA	SLIDE-DRAWER, CABINET MOUNTED - SET OF TWO - 18"
			FROM: 00-00-00 THRU: 01-04-82
7	108913-08-000	EA	SLIDE-DRAWER, CABINET MOUNTED - LEFT SIDE - 18"
			FROM: 01-05-82 THRU: 09-09-99
7	108913-08-000	EA	SLIDE-DRAWER, CABINET MOUNTED - RIGHT SIDE - 18"
			FROM: 01-05-82 THRU: 09-09-99
7	101910-02-000	EA	SLIDE-DRAWER, DRAWER MOUNTED - SET OF TWO - 18"
			FROM: 00-00-00 THRU: 01-04-82
7	108913-07-000	EA	SLIDE-DRAWER, DRAWER MOUNTED - LEFT SIDE - 18"
			FROM: 01-05-82 THRU: 09-09-99
7	108913-08-000	EA	SLIDE-DRAWER, DRAWER MOUNTED - RIGHT SIDE - 18"
			FROM: 01-05-82 THRU: 09-09-99
7	101910-03-000	EA	SLIDE-DRAWER, CABINET MOUNTED - SET OF TWO - 12"
			FROM: 00-00-00 THRU: 01-04-82
7	108913-01-000	EA	SLIDE-DRAWER, CABINET MOUNTED - LEFT SIDE - 12"
			FROM: 01-05-82 THRU: 09-09-99
7	108913-02-000	EA	SLIDE-DRAWER, CABINET MOUNTED - RIGHT SIDE - 12"
			FROM: 01-05-82 THRU: 09-09-99
7	101910-04-000	EA	SLIDE-DRAWER, DRAWER MOUNTED - SET OF TWO - 12"
			FROM: 00-00-00 THRU: 01-04-82
7	108913-03-000	EA	SLIDE-DRAWER, DRAWER MOUNTED - LEFT SIDE - 12"
			FROM: 01-05-82 THRU: 09-09-99
7	108913-04-000	EA	SLIDE-DRAWER, DRAWER MOUNTED - RIGHT SIDE - 12"
			FROM: 01-05-82 THRU: 09-09-99

LABEL GROUP
MISCELLANEOUS LABELS

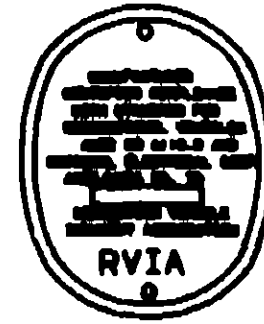
LABEL GROUP (CONTINUED)

1992 WINNEBAGO
TABLE OF CONTENTS

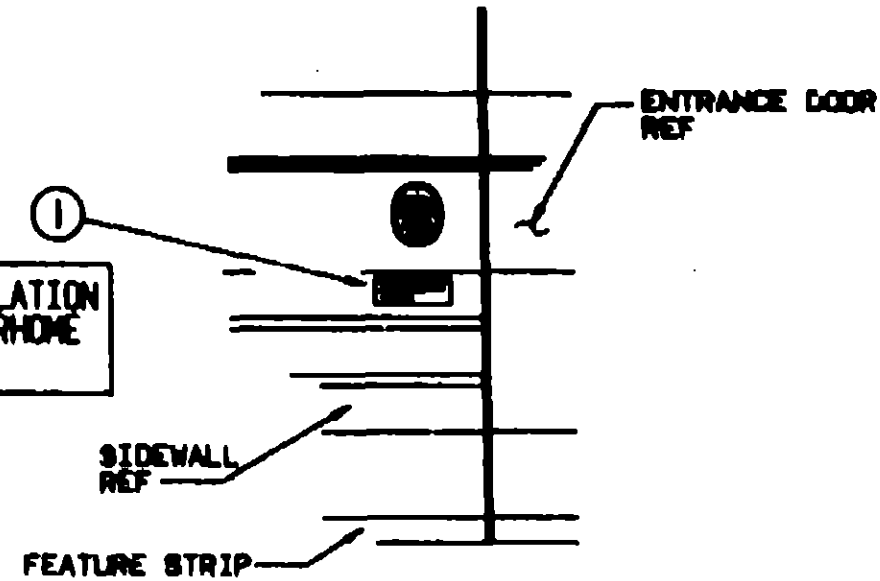
INTRODUCTION	A-01 -	A-02
ABBREVIATIONS		A-03
ALPHABETICAL INDEX	A-04 -	A-08
JCN28RT	A-07 -	F-04



KEY	PART NUMBER	U/M DESCRIPTION
1	040844-01-000	EA LABEL-ENTRANCE DOOR, "OPEN"



**FOR AWNING INSTALLATION
CONTACT YOUR MOTORHOME
DEALERSHIP**



KEY	PART NUMBER	U/M DESCRIPTION
1	000608-01-000	EA LABEL-AWNING INSTALLATION

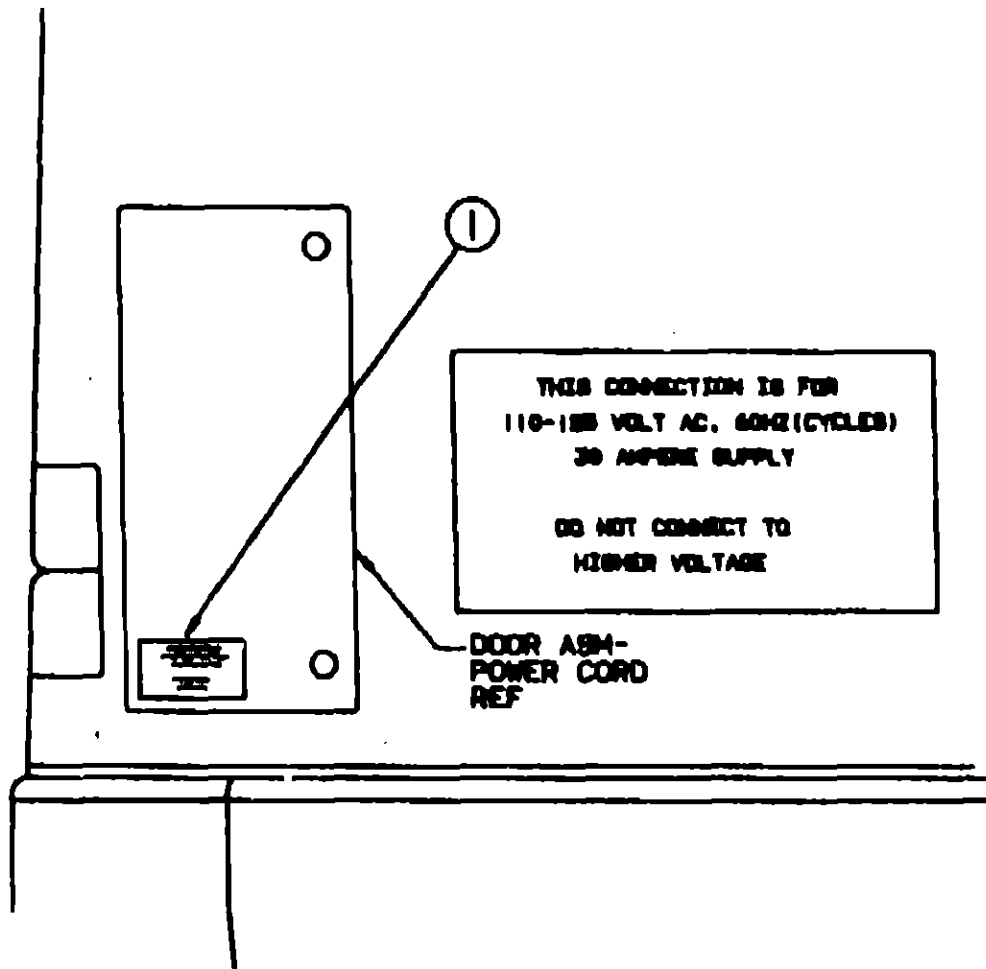
1992 JCN28RT INDEX

FLOOR PLAN	A-07 -	A-08
ACCESSORIES		A-09
AUDIO VIDEO	A-10 -	A-11
BATH	A-12 -	A-14
BEDROOM	A-15 -	A-17
CHASSIS	A-18 -	B-04
CURTAIN & CUSHION	B-05 -	B-18
DINETTE	B-17 -	B-18
DRIVERS COMPARTMENT	B-19 -	B-24
ELECTRICAL	C-01 -	C-08
EXTERIOR BODY	C-07 -	C-18
GALLEY	C-17 -	C-21
GENERATOR		C-22
HEATING & A/C	C-23 -	D-02
INTERIOR FINISH	D-03 -	D-08
LABEL	D-07 -	D-12
LP		D-13
LOUNGE	D-14 -	D-15
SEALANTS & FASTENERS	D-18 -	D-19
WATER & SEWAGE	D-20 -	D-24
WINDOW, VENT AND		
EXTERIOR DOOR	E-01 -	E-24
WINDSHIELD & WIPER	F-01 -	F-04

FROM: 00-00-00 THRU: 10-14-91

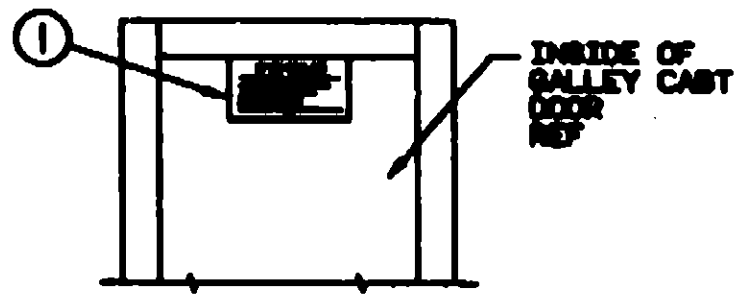
KEY	PART NUMBER	U/M DESCRIPTION
	083236-04-000	EA LABEL-CIRCUIT BREAKER
	088379-01-000	EA LABEL-FRONT BOX, CIRCUIT BREAKER
	088379-02-000	EA LABEL-FRONT BOX, FUSE PANEL
	082547-04-000	EA LABEL-CIRCUIT BREAKER
	088908-01-000	EA LABEL-COMPARTMENT NOT SEALED
	087238-01-000	EA LABEL-CABLE, INPUT
	087238-02-000	EA LABEL-TV, OUTLET
	008031-01-000	EA LABEL-POTABLE WATER ONLY
	079888-01-000	EA LABEL-WARNING, STOWED WHILE IN MOTION
	094875-01-000	EA LABEL-EXTERIOR LIGHT, SERVICE
	080225-01-000	EA LABEL-WARNING, STOVE VENT - US
	008084-01-000	EA LABEL-SEAT WHO SEATBELT "NOT INTENDED FOR USE WHILE COACH IN MOTION"
	104878-01-000	EA LABEL-CB PREP
	087207-08-000	EA LABEL-FUEL CAP REMOVAL
	079885-01-000	EA LABEL-LPG, 80% CAPACITY

	008040-01-000	EA TAG-GAS REFUELING WARNING
	054631-01-000	EA LABEL-LP GAS ONLY
	082043-01-000	EA LABEL-FUEL, UNLEADED
	008040-01-000	EA TAG-GAS REFUELING WARNING
	036708-01-000	EA LABEL-NO STORAGE
	081808-01-000	EA LABEL-OVERLAY, VEHICLE CERTIFICATION - ADHESIVE BACKED
	091243-01-000	EA LABEL-AC COVER, "AIR CONDITIONING CIRCUIT, ETC."
	095721-08-000	EA LABEL-CONTROL CENTER, FRONT - W/SWITCH LOCATIONS
	088841-01-000	EA LABEL-FUEL, UNLEADED - DASH



KEY	PART NUMBER	U/M DESCRIPTION
1	008082-01-000	EA TAG-ELECTRIC, 110V CONNECTION
		FROM: 00-00-00 THRU: 10-13-91
1	008082-03-000	EA LABEL-ELECTRIC, 100V CONNECTION
		FROM: 10-14-91 THRU: 99-99-99

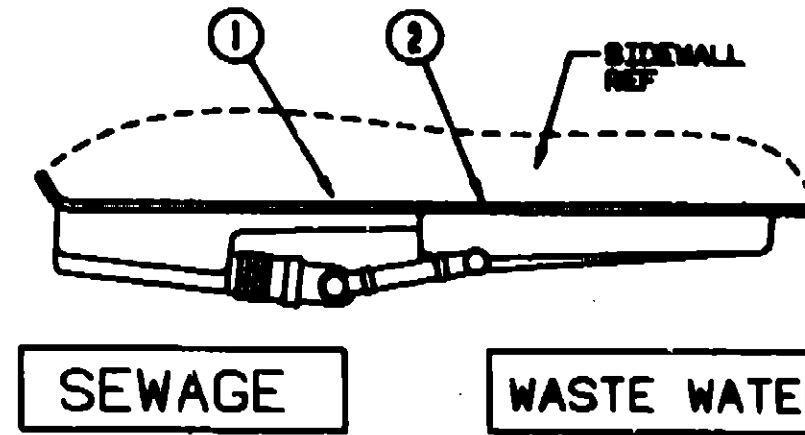
LABEL GROUP (CONTINUED)



IF YOU SMELL GAS

1. ~~REMOVE~~ ANY OPEN FLAME, PILOT LIGHTS AND ALL OTHERS
2. ~~STOP~~ BY THE GAS SUPPLY AT THE MAIN VALVE OR GAS SHUT-OFF
3. OPEN DOOR AND OTHER VENTILATION OPENINGS.
4. DO NOT TOUCH ELECTRICAL SWITCHES.
5. LEAVE THE AREA UNTIL THE GAS IS GONE.
6. ~~DO NOT~~ ~~RE-ENTER~~ UNTIL THE AREA IS CHECKED AND LOWER GASES DETERMINED

LABEL GROUP (CONTINUED)

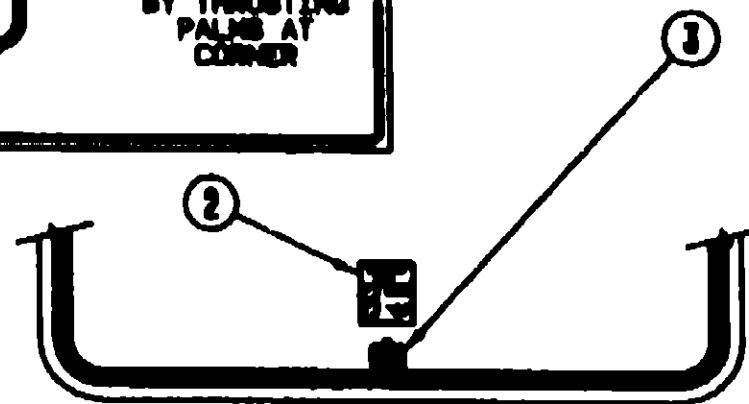
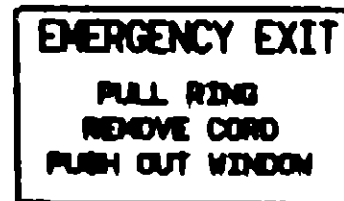
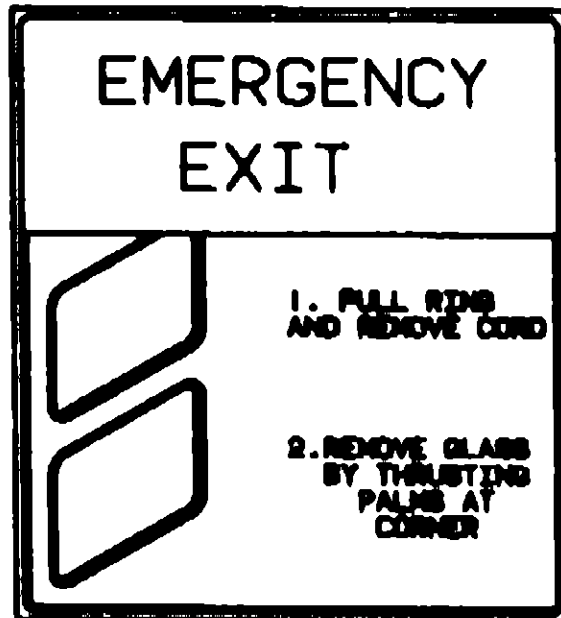


1992 WINNEBAGO TABLE OF CONTENTS

INTRODUCTION	A-01 - A-02
ABBREVIATIONS	A-03
ALPHABETICAL INDEX	A-04 - A-08
JCN28RT	A-07 - F-04

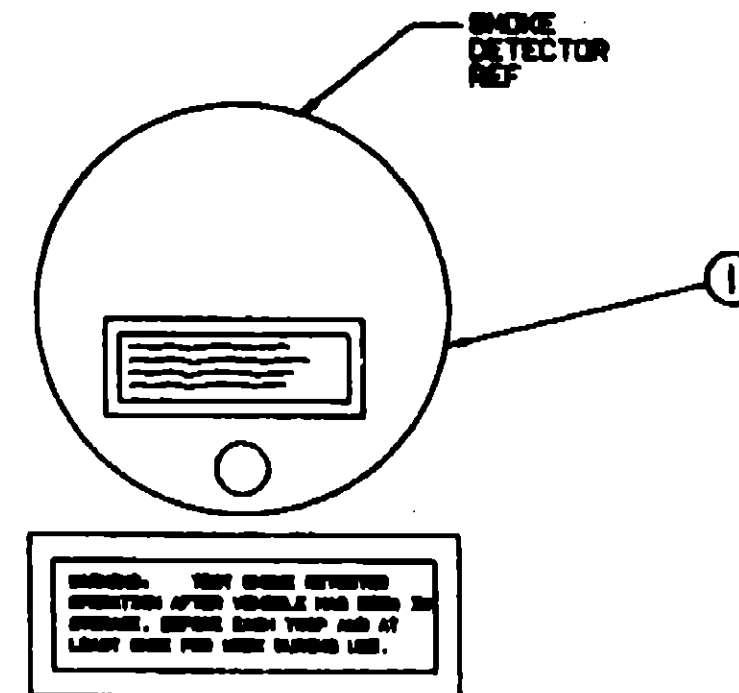
KEY	PART NUMBER	U/M DESCRIPTION
1	073998-01-000	EA LABEL-LPG ODOR WARNING

KEY	PART NUMBER	U/M DESCRIPTION
1	008187-01-000	EA LABEL-SEWAGE
2	008188-01-000	EA LABEL-WASTE WATER



1992 JCN28RT INDEX

FLOOR PLAN	A-07 - A-08
ACCESSORIES	- A-09
AUDIO VIDEO	A-10 - A-11
BATH	A-12 - A-14
BEDROOM	A-15 - A-17
CHASSIS	A-18 - B-04
CURTAIN & CUSHION	B-05 - B-16
DINETTE	B-17 - B-18
DRIVERS COMPARTMENT	B-19 - B-24
ELECTRICAL	C-01 - C-08
EXTERIOR BODY	C-07 - C-16
GALLEY	C-17 - C-21
GENERATOR	- C-22
HEATING & A/C	C-23 - D-02
INTERIOR FINISH	D-03 - D-06
LABEL	D-07 - D-12
LP	- D-13
LOUNGE	D-14 - D-15
SEALANTS & FASTENERS	D-16 - D-19
WATER & SEWAGE	D-20 - D-24
WINDOW, VENT AND EXTERIOR DOOR	E-01 - E-24
WINDSHIELD & WIPER	F-01 - F-04



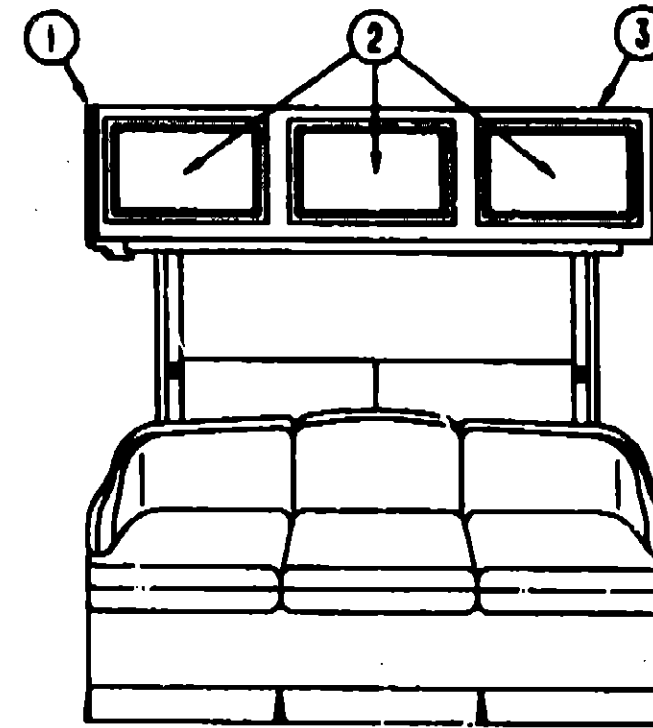
KEY	PART NUMBER	U/M DESCRIPTION
1	077958-01-000	EA LABEL-WARNING, SMOKE DETECTOR

KEY	PART NUMBER	U/M DESCRIPTION
1	039260-01-000	EA LABEL-WARNING, EXIT
2	047731-01-000	EA LABEL-EMERGENCY EXIT
		FROM: 00-00-00 THRU: 03-01-92
3	008189-01-000	EA LABEL-EXIT, "ESCAPE WINDOW"
		FROM: 00-00-00 THRU: 03-01-92
	107571-01-000	EA LABEL-ESCAPE/EXIT WINDOW
		FROM: 03-02-92 THRU: 99-99-99

LP GROUP
LP SYSTEM COMPONENTS

KEY	PART NUMBER	U/M DESCRIPTION
	010385-01-000	EA ELBOW-BRASS, 90 DEGREE - 3/8" F X 1/2" FPT
	010323-01-000	EA ADAPTER-BRASS, 3/8" F X 1/2" MPT
	010329-01-000	EA ADAPTER-BRASS, 1/2" F X 1/2" MPT
	069980-01-000	EA COUPLER-1/2" TO 3/8" BLACK PIPE
	010329-01-000	EA ADAPTER-BRASS, 1/2" F X 1/2" MPT
	107378-01-000	EA PLATE-MOUNTING, LP REGULATOR
FROM: 01-20-92 THRU: 09-09-99		
	010377-02-000	EA NUT-BRASS, 3/4" FEMALE - FORGED
	010380-02-000	EA NUT-BRASS, 1/2" FEMALE - FORGED
	010328-01-000	EA ADAPTER-FLARE, W/ONE GASKET - 3/8" FEMALE X 1/2" MALE
	086741-01-000	EA GAUGE-DIAPHRAGM PRESSURE - MARSHALLTOWN MFG
	086742-01-000	EA TEE, .38" F X .38" F X .28" FPT - BRASS
	103613-01-000	EA DETECTOR-LP GAS
	008042-01-000	FT TUBING-VINYL, .65" ID

LOUNGE GROUP



1992 WINNEBAGO
TABLE OF CONTENTS

INTRODUCTION	A-01	A-02
ABBREVIATIONS		A-08
ALPHABETICAL INDEX	A-04	A-08
JCN28RT	A-07	F-04

PASSENGER SIDE CABINETS & COMPONENTS

KEY	PART NUMBER	U/M DESCRIPTION
1	103918-01-C11	EA END CAP-CABINET, OVERHEAD
2	P03701-24-C11	EA DOOR-CABINET, 385 MM X 555 MM
3	M05158-26-C80	EA CABINET-OVERHEAD, W/O DOORS OR HARDWARE
	060101-01-002	EA EXTRUSION-CORNER KEY, L-SHAPED - 192" - ALUMINUM

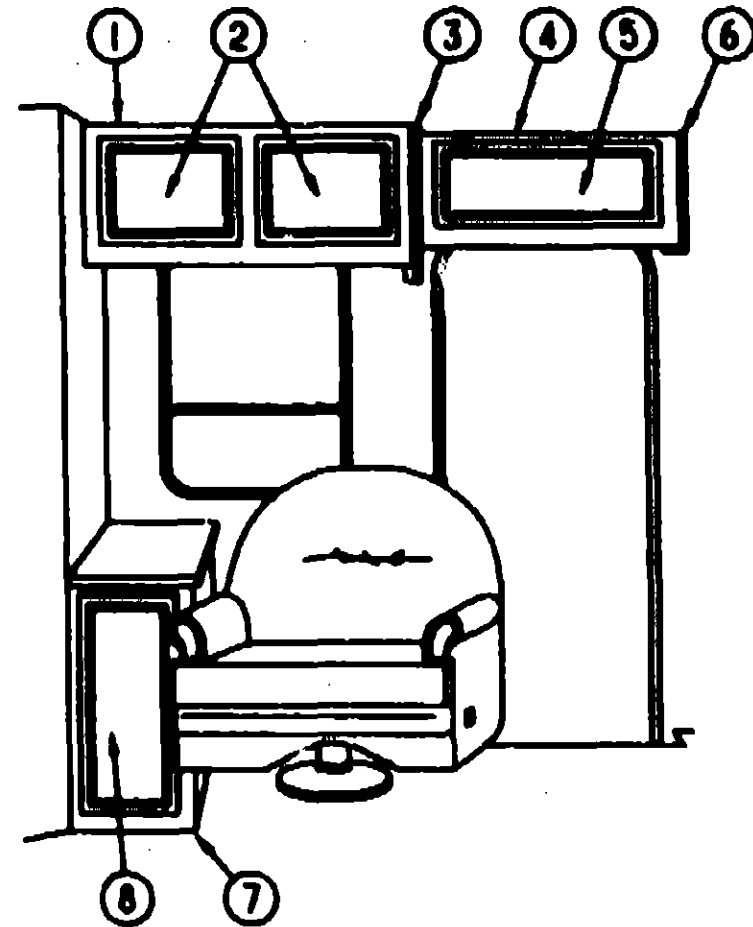
COUCH TABLES

KEY	PART NUMBER	U/M DESCRIPTION
	108147-01-C80	EA TABLE-OVAL, OAK 18" X 22"
	009040-07-000	EA LEG-PEDESTAL TABLE, 29.5" X 2.25" OD - CHROME
	048898-03-000	EA ASHTRAY-CHROME, W/COVER
FROM: 11-25-91 THRU: 09-09-99		
	006040-03-000	EA BASE-TABLE, RAISED - TABLE MOUNT
	041194-01-000	EA BASE-TABLE, FLUSH - FLOOR MOUNT
	042438-02-000	EA DOWEL-WOOD, 2" X 2"

1992 JCN28RT INDEX

FLOOR PLAN	A-07	A-08
ACCESSORIES		A-09
AUDIO VIDEO	A-10	A-11
BATH	A-12	A-14
BEDROOM	A-15	A-17
CHASSIS	A-18	B-04
CURTAIN & CUSHION	B-05	B-16
DINETTE	B-17	B-18
DRIVERS COMPARTMENT	B-19	B-24
ELECTRICAL	C-01	C-06
EXTERIOR BODY	C-07	C-16
GALLEY	C-17	C-21
GENERATOR		C-22
HEATING & AC	C-23	D-02
INTERIOR FINISH	D-03	D-08
LABEL	D-07	D-12
LP		D-13
LOUNGE	D-14	D-15
SEALANTS & FASTENERS	D-16	D-19
WATER & SEWAGE	D-20	D-24
WINDOW, VENT AND		
EXTERIOR DOOR	E-01	E-24
WINDSHIELD & WIPER	F-01	F-04

LOUNGE GROUP (CONTINUED)



DRIVER SIDE CABINETS & COMPONENTS

KEY	PART NUMBER	U/M DESCRIPTION
1	M05158-23-C80	EA CABINET-OVERHEAD, W/O DOORS OR HARDWARE
2	P03701-28-C80	EA DOOR-CABINET, 385 MM X 455 MM
3	103918-01-C11	EA END CAP-CABINET, OVERHEAD
4	M05158-29-C80	EA CABINET-OVERHEAD, ENTRANCE DOOR - W/O DOORS OR HARDWARE
5	P03701-A4-C11	EA DOOR-CABINET, 275 MM X 710 MM
6	104103-01-C11	EA END CAP-CABINET, OVERHEAD
7	104780-01-C80	EA CABINET-LOUNGE, W/O DOOR OR HARDWARE
	104780-11-C80	EA COUNTERTOP-LOUNGE CABINET
	048888-03-000	EA ASHTRAY-CHROME, W/COVER
		FROM: 11-25-91 THRU: 99-99-99
8	P03701-A9-C80	EA DOOR-CABINET, 275 MM X 605 MM
	097208-04-C80	EA RACK-MAGAZINE, OAK
	084071-06-000	EA ROD-BRASS, 15" LONG

**SEALANTS & FASTENERS GROUP
ADHESIVES AND SEALERS**

KEY	PART NUMBER	U/M DESCRIPTION
	004080-01-000	QT ADHESIVE-ABS CEMENT, QUART
	087211-01-000	QL ADHESIVE-PROMOTER
	004008-02-000	EA ADHESIVE-SWIFTS, 1 GAL - W1333
	088039-01-000	EA ADHESIVE-WEATHERSTRIP, 8 OZ
	102382-01-000	EA SEALER-PUMPABLE, BLACK
	088840-02-000	FT SEALER-RIBBON, 1/2" X 1/8" - INCREMENTS OF 20'
	088840-01-000	FT SEALER-RIBBON, 1/4" DIAMETER - INCREMENTS OF 20'
	088840-06-000	FT SEALER-RIBBON, 5/16" DIAMETER - INCREMENTS OF 25'
	088840-11-000	FT SEALER-RIBBON, 3/16 X 3/8" DIAMETER - BLACK
	088840-09-000	FT SEALER-RIBBON, 1/32" X 2 1/2" - INCREMENTS OF 80'
	088840-12-000	FT SEALER-TAPE, 1/8" X 1.5" - GRAY
	081286-02-000	FT SEAL-FOAM, .18" X 1.5" WIDE
	073888-01-000	FT SEALANT-URETHANE, 1/10" - BLACK
	034882-08-000	EA SILICONE-TUBE, 300 ML - OFF WHITE
	108718-01-000	EA SILICONE-TUBE, OFF WHITE
	084882-02-000	EA SILICONE-TUBE, 300 ML - CLEAR
	083788-02-000	EA BEDDING COMPOUND-TUBE, WHITE

CLAMPS, GROMMETS, RIVETS AND HOLDERS

KEY	PART NUMBER	U/M DESCRIPTION
	007181-01-000	EA CLAMP-HOSE, SPRING TYPE - 1/2"
	010486-01-000	EA CLAMP-CABLE, 9/16"
	010487-08-000	EA CLAMP-CLOSED, 11/16" ID
	010487-03-000	EA CLAMP-CLOSED, 1" ID - CUSHIONED
	010488-01-000	EA CLAMP-CLOSED, 3/8" ID
	010487-01-000	EA CLAMP-CLOSED, 5/8" ID
	010487-08-000	EA CLAMP-CLOSED, .125"
	082401-02-000	EA CLAMP-HOSE, WORMGEAR, 1.88" - 2.5"
	082401-04-000	EA CLAMP-HOSE, WORMGEAR, 2.8" - 3.75"
	082401-10-000	EA CLAMP-HOSE, WORMGEAR 1.08" - 2"
	082401-08-000	EA CLAMP-HOSE, WORMGEAR .22" - .82"
	082401-01-000	EA CLAMP-HOSE, WORMGEAR .25" - 1"
	082401-04-000	EA CLAMP-HOSE, WORMGEAR .89" - 1.25"
	073184-02-000	EA CLAMP-HOSE, WORMGEAR 1.28" - 1.97"
	083808-01-000	EA CLAMP-WIRE, DUAL EQUAL - 5/8" DIAMETER
	083810-01-000	EA CLAMP-WIRE, DUAL - UNEQUAL DIAMETERS - .75" & 1.25"
	077968-01-000	EA CLIP-J, VINYL COATED, 3/8"
		USED TO SUPPORT WIRING TO LIGHTS
	101447-01-000	EA CLIP-U TYPE, TINNEMAN
		HOLDS SHOWER SURROUND TOGETHER
	080734-02-000	EA CLIP-WIRE, NYLON
	084382-02-000	EA CLIP-CHRISTMAS TREE, FLAT HEAD
	008388-01-000	EA GROMMET-SNAP, 3/8"
	081803-01-000	EA GROMMET-SNAP, 3/16" ID - 3/8" HOLE - PLASTIC - BLACK
	077963-01-000	EA GROMMET-EDGE LINER, FITS 1"
	018188-03-000	EA GROMMET-L/P LINE, 3/8" HOLE X 2 1/2" LONG - RUBBER
	018188-06-000	EA GROMMET-L/P LINE, 3/8" HOLE X 1 1/4" LONG - RUBBER
	023842-01-000	EA GROMMET-RUBBER, 2" OD
	071018-11-000	EA GROMMET-1.00ID, FITS .12 MATL. MINOR RUBBER Z-3085
	071018-13-000	EA GROMMET-RUBBER, .82" ID X 1" OD W/.09" GROOVE - BLACK
	071018-29-000	EA GROMMET-RUBBER, .25" ID X 1.28" OD W/.12" GROOVE - BLACK
	083148-01-000	EA GROMMET-WIRE, 1.7" X 3.1" - OVAL SHAPED - PLASTIC - BLACK
	000H18-04-08R	EA RIVET-POP, AL 1/8 X .313-.375
	083882-02-000	EA RIVET-T (POP) 1/4X.083-.156
	088134-02-000	EA HOLDER-RING, 1.5" ID PIPE SIZE - STEEL
	000F10-04-188	EA PIN-COTTER, 1/8" X 1" - ZINC

**1992 WINNEBAGO
TABLE OF CONTENTS**

INTRODUCTION	A-01 - A-02
ABBREVIATIONS	A-03
ALPHABETICAL INDEX	A-04 - A-08
JCN28RT	A-07 - F-04

1992 JCN28RT INDEX

FLOOR PLAN	A-07 - A-08
ACCESSORIES	- A-09
AUDIO VIDEO	A-10 - A-11
BATH	A-12 - A-14
BEDROOM	A-15 - A-17
CHASSIS	A-18 - B-04
CURTAIN & CUSHION	B-05 - B-18
DINETTE	B-17 - B-18
DRIVERS COMPARTMENT	B-19 - B-24
ELECTRICAL	C-01 - C-08
EXTERIOR BODY	C-07 - C-18
GALLEY	C-17 - C-21
GENERATOR	- C-22
HEATING & A/C	C-23 - D-02
INTERIOR FINISH	D-03 - D-06
LABEL	D-07 - D-12
LP	- D-13
LOUNGE	D-14 - D-16
SEALANTS & FASTENERS	D-18 - D-19
WATER & SEWAGE	D-20 - D-24
WINDOW, VENT AND	
EXTERIOR DOORS	E-01 - E-24
WINDSHIELD & WIPER	F-01 - F-04

SEALANTS & FASTENERS GROUP (CONTINUED)

SCREWS

KEY	PART NUMBER	U/M DESCRIPTION
	000G7-10-16P	EA SCREW, 10-12 X 1 PPH - DARK BROWN
	000G7-10-16B	EA SCREW, 10-12 X 1 PPH - ZINC
	000G7-10-08B	EA SCREW, 10-12 X 1/2 PPH ZINC
	000G7-10-08P	EA SCREW, 10-12 X 1/2 PPH - BEIGE - TYPE A
	000G7-10-10B	EA SCREW, 10-12 X 5/8" - PPH - OFF WHITE
	000G7-10-36T	EA SCREW, 10-12 X 2.25 PPH BLACK
	000G7-10-48B	EA SCREW, 10-12 X 3 PPH ZN
	000G7-10-12B	EA SCREW, 10-12 X 3/4 - PPH ZINC
	000G7-10-10B	EA SCREW, 10-12 X 5/8 PPH ZINC - TYPE A
	000G7-10-10P	EA SCREW, 10-12 X 5/8 PPH - TYPE A - BEIGE
	000G11-08-08B	EA SCREW, 8-18 X 3/8 PPH ZN
	000G11-08-12E	EA SCREW, 8-18 X .75 PPH CHROME E90025.4
	000G11-08-12B	EA SCREW, 8-18 X 3/4 PPH - OFF WHITE
	000G11-08-12T	EA SCREW, 8-18 X 3/4 PPH - BLACK
	000G11-10-16B	EA SCREW, 10-18 X 1 - PPH ZINC
	000G11-10-12P	EA SCREW, 10-18 X 3/4 PPH - BEIGE
	000G11-10-12D	EA SCREW, 10-18 X 3/4 PPH - BLACK
	000G11-10-08B	EA SCREW, 10-18 X 1/2 PPH - ZINC
	000G88-08-10Q	EA SCREW, 8-18 X 5/8 POH - ANTIQUE BRASS
	000G88-08-24X	EA SCREW, 8-18 X 1.5 POH - (GRAY
	000G88-10-36T	EA SCREW, 10-12 X 2.25 POH BLACK
	075780-01-000	EA SCREW, 8-20 X 1 1/4 PPH - BLACK
	000G13-08-08B	EA SCREW, 8-20 X 1/2 PPH - ZINC
	000G13-08-08B	EA SCREW, 8-20 X 3/8 PPH - ZN
	000G13-08-08Q	EA SCREW, 8-20 X 1/2 PPH - ANTIQUE BRASS
	000G13-07-12B	EA SCREW, 7-19 X 3/4 PPH - ZINC
	000G13-08-16B	EA SCREW, 8-18 X 1 PPH - ZINC
	000G11-08-10B	EA SCREW, 8-20 X 5/8 PPH ZINC
	000G11-08-10J	EA SCREW, 8-20 X 5/8 PPH - BRASS
	000G11-07-08B	EA SCREW, 7-19 X 1/2 PPH - ZINC
	000G11-08-08T	EA SCREW, 8-18 X 1/2 PPH
	000G11-08-08B	EA SCREW, 8-18 X 1/2 PPH ZINC
	000G11-08-12B	EA SCREW, 8-18 X 3/4 PPH ZINC
	000G11-08-12D	EA SCREW, 8-18 X 3/4 PPH - BLACK
	000G11-08-12F	EA SCREW, 8-18 X .75 PPH - DARK BROWN
	000G11-08-16B	EA SCREW-8-18X1.00 PPH OFF WHITE
	000G27-10-12E	EA SCREW-MACH, 10-32 X .75, POH - CHROMED HEAD
	000G32-10-08B	EA SCREW-10-32 X 3/8" - PPH - ZINC
	000G87-10-32B	EA SCREW, NO. 10 - 12 X 2 PPH ZINC
	048485-03-000	EA SCREW, 10-18X1 POH W/WASHER
	048485-04-000	EA SCREW, 10-18 X 1 PTH W/WASHER - BEIGE
	000G54-04-20B	EA SCREW, 1/4-20X1 1/4 PTH TYP 23
	000G55-08-12M	EA SCREW-SF/DR, 8-18 X .75 PPH - GRAY
	000G57-06-16J	EA SCREW, 5-20X1 PPH BRASS
	000G12-08-08T	EA SCREW, 8-20 X .50 POH - BLACK
	085318-01-000	EA SCREW, 8-08X1/2, CRIMP TITE HD
	000G87-08-32B	EA SCREW, 8-15X2 PPH ZINC
	087721-01-000	EA SCREW-FLAT HEAD, TAPPING - 1/4 X 1 1/4 LG ZINC
	000G19-10-08B	EA SCREW-MACH, 10-32 X 1/2 PPH ZINC
	000G19-10-10B	EA SCREW-MACH, 10-32 X 5/8 - PPH - ZINC
	000G80-04-12B	EA SCREW-MACH, 1/4-20 X 3/4 PPH ZINC
	000G80-08-18P	EA SCREW-SF/DR, 8-18 X 1.00" POH - BEIGE
	075808-01-000	EA SCREW-MACH-10-32X.58PTH(3EMS
	000G42-04-12B	EA SCREW-SF/DR 1/4-14X3/4PH ZN
	000G48-08-24T	EA SCREW-MACHINE, 8-32-1.50 IN PPH - BLACK
	000G63-04-08B	EA SCREW-MACH-1/4-20X3/8 PPH ZN
	000G18-08-22B	EA SCREW-MACH-8-32X1 3/8 PPH ZINC

SEALANTS & FASTENERS GROUP (CONTINUED)

SCREWS CONT'D

KEY	PART NUMBER	U/M DESCRIPTION
	000G38-08-84B	EA SCREW-SF/DR, 8-18 X 1 1/2 PPH ZINC
	000G38-08-16B	EA SCREW-SF/DR, 8-18 X 1 PPH ZINC
	000G85-08-16B	EA SCREW-SF/DR, 8-18 X 1.00 - BEIGE
	000G38-08-08B	EA SCREW-SF/DR, 8-18 X 1/2 PPH ZINC
	000G38-08-12B	EA SCREW-SF/DR, 8-18 X 3/4 PPH ZINC
	000G38-08-08B	EA SCREW-SF/DR, 8-18 X 3/8 PPH ZINC
	000G38-08-08E	EA SCREW-SF/DR, 8-18 X 1/2 PPH - CHROME
	000G38-08-16B	EA SCREW-SF/DR, 8-18 X 1.00 PPH, OFF WHITE
	000G38-08-18T	EA SCREW-SF/DR, 8-18 X 1 PPH - SL/CK
	000G38-10-12B	EA SCREW-SF/DR, 10-18 X 3/4 PPH - FLUOROCARBON SILVER
	000G38-10-20B	EA SCREW-SF/DR, 10-18 X 1 1/4 PPH ZINC
	000G38-08-08B	EA SCREW-SF/DR, 8-18 X 1/2 PPH - OFF WHITE
	000G38-10-12D	EA SCREW-SF/DR, 10-18 X 3/4 PPH - BLACK
	000G38-08-16T	EA SCREW-SF/DR, 8-18 X 1 PPH - BLACK
	000G38-08-10T	EA SCREW-SF/DR, 8-18 X 5/8 PPH - BLACK
	000G80-10-26T	EA SCREW-SF/DR, 10-18 X 1.75
	000G38-08-08P	EA SCREW-SF/DR, 8-18 X 1/2 PPH
	075922-01-000	EA SCREW-SOCKET, 8-18 X 1" - BLACK
	081230-04-000	EA SCREW-MACH, 8-32 X 3/4 POH 88 - OFF WHITE
	088528-01-000	EA SCREW-HEX, 1/4 - 28 UNF
	101288-01-01A	EA SCREW-MACHINE, 8-32 X 4 - POH - BRASS - FOR EXTENDED KNOB

BOLTS

KEY	PART NUMBER	U/M DESCRIPTION
	102333-01-02A	EA BOLT-CARRIAGE, 7/16 - 14 - STAINLESS STEEL CAP - OFF WHITE
	051387-08-000	EA BOLT-CARRIAGE, TWO HOLE - 5/16-18 X 9.5 ZINC
	000C12-04-12A	EA BOLT-HEX, 1/4-20 X .75 - PLAIN 5
	000C12-05-12B	EA BOLT-HEX-5/16-18X3/4 ZN 5
	000C12-05-16B	EA BOLT-HEX, 5/16-18 X 1 - ZINC 5
	000C12-05-24B	EA BOLT-HEX-5/16-18X1 1/2 ZN 5
	000C12-08-20B	EA BOLT-HEX-3/8-18X1 1/4 ZN 5
	000C12-08-32B	EA BOLT-HEX-3/8-18X2LG.ZN 5
	000C12-07-20B	EA BOLT-HEX, 7/16 - 14 X 1 1/4" - ZN5
	000C12-10-24B	EA BOLT-HEX, 5/8-11 X 1 1/2" ZN - 5
	000C13-07-48B	EA BOLT-HEX, 7/16 - 20 X 3 - ZN 5
	000C14-08-32B	EA BOLT-HEX, 3/8-18X2.00 GD 8 ZN
	000C16-05-40A	EA BOLT-ELEV, 5/16"-18 X 2 1/2" PL
	000C18-08-48B	EA BOLT-ELEV, 3/8-18 X 3 ZN - GDE 5
	000C28-04-10B	EA BOLT-HEX, SER FLG - 1/4-20 X 5/8 ZINC
	000C28-08-12B	EA BOLT-HEX-SER FLG 5/16-18X3/4 ZN
	000C28-08-20B	EA BOLT-HEX, SER FLG 5/16 - 18 X 1 1/4 ZINC

WASHERS

KEY	PART NUMBER	U/M DESCRIPTION
	044533-01-000	EA WASHER-PLASTIC, 1 3/8"OD - FOR BUTTONS
	000E11-07-00B	EA WASHER-LK-7/16 MED SPLIT ZN 05114-01-000
	000E13-14-00B	EA WASHER-FL, 1/4" WIDE ZINC
	000E13-20-00B	EA WASHER-FL, 7/16" WIDE - ZN
	000E13-17-00B	EA WASHER-FL-3/8 AR ZINC
	000E14-10-00B	EA WASHER-LKL, NO 10 EXT TOOTH - ZINC
	000E13-21-00B	EA WASHER-FL, W/2 NAR ZINC
	080213-01-000	EA SPACER-.25" X .5" X .5", NYLON
	088285-01-000	EA SPACER-NYLON, .5" OD X .257" ID

**1992 WINNEBAGO
TABLE OF CONTENTS**

INTRODUCTION	A-01 -	A-02
ABBREVIATIONS		A-03
ALPHABETICAL INDEX	A-04 -	A-05
JCN28RT	A-07 -	F-04

1992 JCN28RT INDEX

FLOOR PLAN	A-07 -	A-08
ACCESSORIES		A-09
AUDIO VIDEO	A-10 -	A-11
BATH	A-12 -	A-14
BEDROOM	A-15 -	A-17
CHASSIS	A-18 -	B-04
CURTAIN & CUSHION	B-05 -	B-16
DINETTE	B-17 -	B-18
DRIVERS COMPARTMENT	B-18 -	B-24
ELECTRICAL	C-01 -	C-06
EXTERIOR BODY	C-07 -	C-16
GALLEY	C-17 -	C-21
GENERATOR		C-22
HEATING & A/C	C-23 -	D-02
INTERIOR FINISH	D-03 -	D-08
LABEL	D-07 -	D-12
LP		D-13
LOUNGE	D-14 -	D-15
SEALANTS & FASTENERS	D-18 -	D-19
WATER & SEWAGE	D-20 -	D-24
WINDOW, VENT AND		
EXTERIOR DOOR	E-01 -	E-24
WINDSHIELD & WIPER	F-01 -	F-04

SEALANTS & FASTENERS GROUP (CONTINUED)

NUTS

KEY	PART NUMBER	U/M DESCRIPTION
	077049-01-000	EA NUT-ACORN, 10-32 ALUMINUM
	088094-01-000	EA NUT-ACORN, 1/4 - 20 ALUMINUM
	000D14-08-008	EA NUT-HEX, 5/16-18 - ZINC - 8
	000D39-04-008	EA NUT-HEX, SER FLG LK 1/4 - 20 ZINC
	000D39-08-008	EA NUT-HEX, SER FLG LK - 3/8-18 ZINC
	000D39-06-008	EA NUT-HEX, SER FLG LK - 5/16 - 18 ZINC
	000D44-07-008	EA NUT-HEX, SER FLG LK - 7/16-20 ZINC
	000D80-08-00A	EA NUT-HEX WELD, LOCK 5/16-18UNC SHORT PILOT
	000D84-10-008	EA NUT-HEX, 8FLK - 10-32 ZINC
	000D34-08-008	EA NUT-HEX LK-3/8-18 GRADE C ZINC
	083853-07-000	EA NUT-J, #8A .120-.130 PNL THK
	044384-08-000	EA NUT-SPEED, FLAT - ROUND
	040821-04-000	EA NUT-SPEED, U TYPE - NO. 8
	040821-08-000	EA NUT-SPEED, U TYPE - NO. 8

TAPES, TIES & VELCRO

KEY	PART NUMBER	U/M DESCRIPTION
	002707-02-000	FT TAPE-SEALER, 5/16" X 1/2" - INCREMENTS OF 50 FT
	004883-01-000	FT TAPE-ADHESIVE FOAM, 1 SIDE - 3/16" X 1/2" - GRAY
	078322-01-000	FT TAPE-FOAM, DOUBLE COATED - .75" X 218"
	078322-08-000	FT TAPE-FOAM, DOUBLE COATED - 1" X 108"
	078322-09-000	FT TAPE-FOAM, DOUBLE COATED - .045" X .6"
	088244-01-000	FT TAPE-FOAM, VINYL COATED - 2" WIDE - INCREMENTS OF 108 FT
	008343-02-000	EA TIE-WIRE, 14"
	008343-01-000	EA TIE-WIRE, 8"
	086774-01-000	FT FASTENER-DUAL HOOK, 1" WIDE - ADHESIVE BACK - BLACK
	086774-02-000	FT FASTENER-DUAL LOOP, 1" WIDE - ADHESIVE BACK - BLACK
	028088-03-000	YD VELCRO TAPE-HOOK, 1" WIDE - BLACK

WATER & SEWAGE GROUP

FRESH WATER TANK - 33 GALLON

KEY	PART NUMBER	U/M DESCRIPTION
	077008-01-000	EA TANK-WATER, W/O FITTINGS - 33 GAL - 36" X 22.6" X 10.5"
	077008-03-000	EA TANK-WATER, W/FITTINGS - 33 GAL - 36" X 22.6" X 10.5"
	062857-04-000	EA ELBOW-5/8" F X 3/4" MPT
	077054-03-000	EA FILTER-WATER, IN TANK
	042888-03-000	EA FITTING-WATER TANK, SPINWELD - 1 1/4" NPT - PLASTIC - WHITE
	042888-04-000	EA FITTING-WATER TANK, SPINWELD - 3/8" FPT - PLASTIC - WHITE
	042888-05-000	EA FITTING-WATER TANK, SPINWELD - 1/2" FPT - PLASTIC - WHITE
	042888-06-000	EA FITTING-SPINWELD, PLASTIC - 3/4 FPT
	048032-01-000	EA PATCH-SPINWELD, 3/8" - PLASTIC
	038881-01-000	EA SENDING UNIT-W/SCREW, WASHER, WELL NUT & TERMINAL RING
	088448-01-000	EA WIRE ASSEMBLY-WATER TANK TO MONITOR PANEL

WATER HEATER

KEY	PART NUMBER	U/M DESCRIPTION
	051391-03-000	EA HEATER-WATER, W/ELECTRIC IGNITION - ATWOOD G8A-3E
	051391-01-700	EA HINGE KIT-W/CLIP, ATWOOD # 92588 & 92589
	051393-01-700	EA TANK-INNER (G8A-3E), REAR MT - ATWOOD# 91409
	051391-01-734	EA VALVE-RELIEF, 1/2" FITTING - ATWOOD# 91804
	051391-01-705	EA FASTENER-CAMLOC, ATWOOD# 92809
	051391-01-708	EA GRILLE-EXHAUST, 3E ONLY - ATWOOD #92787
	051391-01-708	EA BURNER-MAIN, 3E ONLY - ATWOOD# 92815
	051391-01-710	EA ORIFICE-MAIN BURNER, ATWOOD# 92742
	051391-04-701	EA THERMOSTAT 12 VDC-120 PRESET, FRONT MOUNT ONLY - ATWOOD# 91470
	051391-01-718	EA DRAIN PLUG, ATWOOD# 91861
	051391-04-708	EA TANK-INNER, FRONT MOUNT - G8A-4E & 5E
	051391-04-700	EA TANK-INNER (G8A-3E), FRONT MOUNT - ATWOOD# 91808
	051393-01-704	EA CIRCUIT BOARD-W/BLACK BOX, ATWOOD# 91420
	051393-01-702	EA SWITCH-ENERGY CUT-OFF, ATWOOD# 91951
	097987-01-000	EA SWITCH PACKAGE-ATWOOD# 91959
	051393-01-703	EA THERMOSTAT-REAR MOUNT, ATWOOD# 91932
	051393-01-721	EA ECO-THERMOSTAT ASM-FRONT MOUNT, 140 DEGREE - ATWOOD# 91447
	051393-01-718	EA SPARK & PROBE ASM, ATWOOD# 91808
	051393-01-718	EA VALVE-DUAL SOLENOID, ATWOOD# 91805
	051393-01-705	EA ORIFICE HOLDER-ATWOOD# 91925
	051393-03-700	EA TANK-INNER (G8A-3E), REAR MOUNT - ATWOOD# 91409
	008042-01-000	FT TUBING-VINYL, .85" ID

WATER BYPASS SYSTEM

KEY	PART NUMBER	U/M DESCRIPTION
	099729-01-000	EA BYPASS KIT-WATER HEATER, COMPLETE W/VALVE & TUBING - US
	099729-01-700	EA CHECK-VALVE ONLY - PLASTIC
	062959-02-000	EA CONNECTOR, 1/2" F X 1/2" MPT - PLASTIC - GRAY

**1992 WINNEBAGO
TABLE OF CONTENTS**

INTRODUCTION	A-01	A-02
ABBREVIATIONS		A-03
ALPHABETICAL INDEX	A-04	A-08
JCN28RT	A-07	F-04

1992 JCN28RT INDEX

FLOOR PLAN	A-07	A-08
ACCESSORIES		A-09
AUDIO VIDEO	A-10	A-11
BATH	A-12	A-14
BEDROOM	A-15	A-17
CHASSIS	A-18	B-04
CURTAIN & CUSHION	B-05	B-16
DINETTE	B-17	B-18
DRIVERS COMPARTMENT	B-19	B-24
ELECTRICAL	C-01	C-08
EXTERIOR BODY	C-07	C-18
GALLEY	C-17	C-21
GENERATOR		C-22
HEATING & A/C	C-23	D-02
INTERIOR FINISH	D-03	D-08
LABEL	D-07	D-12
LP		D-13
LOUNGE	D-14	D-15
SEALANTS & FASTENERS	D-16	D-19
WATER & SEWAGE	D-20	D-24
WINDOW, VENT AND		
EXTERIOR DOOR	E-01	E-24
WINDSHIELD & WIPER	F-01	F-04

WATER & SEWAGE GROUP (CONTINUED)
WATER SYSTEM

KEY	PART NUMBER	U/M DESCRIPTION
	106286-01-000	EA CAP-BRASS, 1/2" FLARE
	062952-01-000	EA NUT-PLASTIC, 1/2" F X 1/2" TUBE - GRAY
	062952-02-000	EA NUT-PLASTIC, 5/8" FLARE
	062957-01-000	EA ELBOW-PLASTIC, 1/2" F X 3/8" MPT
	062957-02-000	EA ELBOW-MALE, 1/2" F X 1/2" MPT - PLASTIC - GRAY
	066120-01-000	EA ELBOW-SWIVEL, 1/2" FPT X 1/2" FLARE - PLASTIC - GRAY
	039800-01-000	FT TUBING-POLYBUTYL, 1/2" OD - INCREMENTS OF 20' - BLACK
	039800-02-000	FT TUBING-POLYBUTYL, 5/8" OD - INCREMENTS OF 20' - BLACK
	010224-01-000	EA ADAPTER-HOSE TO PIPE, 3/8" MPT X 3/8" BARB - BLACK PLASTIC
	044827-01-000	EA ADAPTER-HOSE TO PIPE, 1 1/4" MPT X 1 1/4" BARB-BLACK PLASTIC
	066280-01-000	EA ELBOW-5/8" F X 1/2" MPT
	066417-01-000	EA CONNECTOR-5/8" F X 1/2" MPT, PLASTIC - KEYCO
	062953-01-000	EA NUT-FAUCET, 1/2" TUBE X 1/2" FPT - PLASTIC - GRAY
	062955-01-000	EA TEE-WATER, 1/2" F X 1/2" F X 1/2" MPT - PLASTIC - GRAY
	062958-01-000	EA TEE-1/2" F X 1/2" MPT X 1/2" F - PLASTIC
	046128-01-000	EA VALVE-DRAIN, PLASTIC - 1/2" FPT
	062960-01-000	EA DRAIN VALVE-IN LINE, HEADER - 1/2" F X 1/2" F - GRAY PLAS
	062960-02-000	EA DRAIN VALVE-IN LINE, HEADER - 1/2" - 1/2" OD - PLASTIC
	067457-01-000	EA ELBOW-UNION, 1/2" X 1/2" FLARE
	079317-01-000	EA ADAPTER-SWIVEL, 1/2" TUBE X 1/2" FPT - PLASTIC - GRAY
	079381-01-000	FT TUBING-SMOOTH FLEXIBLE, 1 1/4" ID
	101814-01-000	EA COUPLING-FEMALE, 1/2" X 1/2" FPT
	066292-01-000	EA TEE-PLASTIC, 5/8" F X 5/8" F X 1/2" F
	066293-01-000	EA TEE-PLASTIC, 5/8" F X 1/2" F X 5/8" F
	039708-01-000	EA TEE-1/2" MPT X 1/2" MPT X 1/2" MPT, PLASTIC
	074462-02-000	FT TUBING-VINYL, 3/8" ID - CLEAR
	067669-04-000	EA FILL-WATER, CITY - OFF WHITE
	063217-01-000	EA TEE-SWIVEL, 1/2" - PLASTIC
	063345-01-000	EA BRACKET-VALVE
	066306-02-000	EA COVER-WATER CENTER, 19" X 20.7" - GALVANIZED

EXTERIOR SHOWER COMPONENTS

KEY	PART NUMBER	U/M DESCRIPTION
	075241-05-000	EA FAUCET-SHOWER, BONE
	103092-01-000	EA SHOWERHEAD-1/2" W/50' HOSE
	103092-01-700	EA BRACKET ONLY-CLEAR, F/SHOW HEAD - 2329028

GARDEN HOSE & COUPLER

KEY	PART NUMBER	U/M DESCRIPTION
	061270-01-000	EA HOSE-5/8", ON REEL - WATER - NON TOXIC - 50' - TORO
	106284-01-000	EA COUPLER-QUICK HOSE END, GILMORE #080C

WATER & SEWAGE GROUP (CONTINUED)
WATER HEATER MOTOR AID

KEY	PART NUMBER	U/M DESCRIPTION
	061393-01-000	EA WATER HEATER-MOTOR AID, PILOTLESS IGNITION ATWOOD GHS-4E OR GHS-6E
	067887-01-000	EA SWITCH-WATER HEATER, REMOTE W/LIGHT - ATWOOD# 91889
	061391-01-700	EA HINGE KIT-W/CLIP, ATWOOD # 92588 & 92589
	061391-01-704	EA VALVE-RELIEF, 1/2" FITTING - ATWOOD# 91604
	061391-01-705	EA FASTENER-CAMLOC, ATWOOD# 92809
	061391-01-708	EA GRILLE-EXHAUST, ATWOOD# 92787
	061391-01-709	EA BURNER-MAIN, 3E ONLY - ATWOOD# 92616
	061391-01-710	EA ORIFICE-MAIN BURNER, ATWOOD# 92742
	061391-01-714	EA ELBOW-45 DEGREE, 3/8" F X 3/8" MPT - ATWOOD 91044
	061391-01-715	EA DRAIN PLUG, ATWOOD# 91851
	061391-04-701	EA THERMOSTAT 12 VDC-120 PRESET, FRONT MOUNT ONLY - ATWOOD# 91470
	061391-04-704	EA TANK-INNER, FRONT MOUNT - GHS-4E & 6E - ATWOOD 91642
	061393-01-700	EA TANK-INNER, 3E FRONT MOUNT - ATWOOD# 91023
	061393-01-702	EA SWITCH-ENERGY CUT-OFF, ATWOOD# 91851
	061393-01-703	EA THERMOSTAT-REAR MOUNT, ATWOOD# 91852
	061393-01-704	EA CIRCUIT BOARD-W/BLACK BOX, ATWOOD# 91420
	061393-01-705	EA ORIFICE HOLDER-ATWOOD# 91825
	061393-01-714	EA TANK-INNER (GHS-3E), REAR MOUNT - ATWOOD# 91408
	061393-01-716	EA SPARK & PROBE ASM, ATWOOD# 91808
	061393-01-718	EA VALVE-DUAL SOLENOID, ATWOOD# 91805
	061393-01-721	EA ECO-THERMOSTAT ASM-FRONT MOUNT, 140 DEGREE - ATWOOD# 91447
	010227-01-000	EA TEE-PLASTIC, BARB 5/8" OR 3/4" HOSE

WATER PUMP

KEY	PART NUMBER	U/M DESCRIPTION
	066807-01-000	EA PUMP-WATER, W/ 5" MPT FITTING - FLOW 2.8 GPM - UL
	066807-01-700	EA PUMPHEAD-REPLACEMENT, SHURFLO# 94-238-08
	066807-01-701	EA DRIVE ASM, SHURFLO# 94-234-03
	066807-01-702	EA DIAPHRAGM-KIT, SHURFLO# 94-233-10
	066807-01-703	EA VALVE ASM, SHURFLO# 94-232-00
	066807-01-705	EA CHECK VALVE-KIT, SHURFLO# 94-237-00
	066807-01-706	EA SWITCH ASM-COMPLETE, SHURFLO# 94-230-00
	066807-01-707	EA MOTORBASEPLATE REPLACEMENT, SHURFLO# 94-234-03

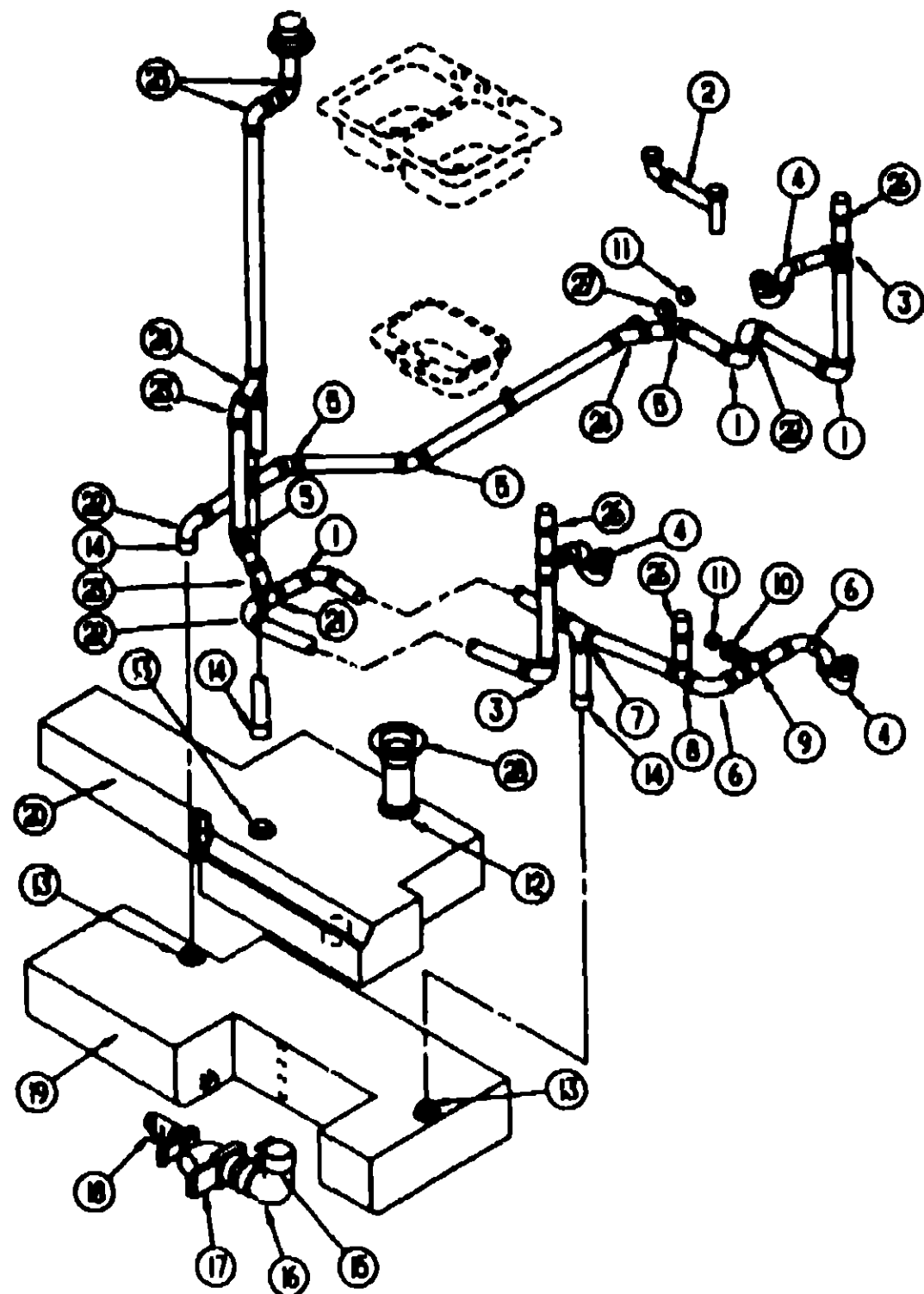
**1992 WINNEBAGO
TABLE OF CONTENTS**

INTRODUCTION	A-01	-	A-02
ABBREVIATIONS			A-03
ALPHABETICAL INDEX	A-04	-	A-06
JCN28RT	A-07	-	F-04

1992 JCN28RT INDEX

FLOOR PLAN	A-07	-	A-08
ACCESSORIES			A-09
AUDIO VIDEO	A-10	-	A-11
BATH	A-12	-	A-14
BEDROOM	A-15	-	A-17
CHASSIS	A-18	-	B-04
CURTAIN & CUSHION	B-05	-	B-18
DINETTE	D-17	-	B-18
DRIVERS COMPARTMENT	B-19	-	B-24
ELECTRICAL	C-01	-	C-06
EXTERIOR BODY	C-07	-	C-16
GALLEY	C-17	-	C-21
GENERATOR			C-22
HEATING & A/C	C-23	-	D-02
INTERIOR FINISH	D-03	-	D-05
LABEL	D-07	-	D-12
LP			D-13
LOUNGE	D-14	-	D-15
SEALANTS & FASTENERS	D-16	-	D-19
WATER & SEWAGE	D-20	-	D-24
WINDOW, VENT AND			
EXTERIOR DOOR	E-01	-	E-24
WINDSHIELD & WIPER	F-01	-	F-04

WATER & SEWAGE GROUP (CONTINUED)
DRAINAGE SYSTEM



KEY	PART NUMBER	UNIT DESCRIPTION
1	010008-01-000	EA ELBOW-90 DEG, 1/4 BEND - 1 1/2" HUB X HUB - BLACK PLASTIC
2	011081-08-000	EA PIPE-DRAIN, DOUBLE SINK - BAFFLE TEE - 1 1/2" ONE PIPE WTEE TO DRAIN BOTH SIDES OF SINK
3	010079-01-000	EA TEE-SANITARY, 1 1/2" X 1 1/2" X 1 1/4" H - PLASTIC - BLACK
4	011088-03-700	EA P-TRAP KIT 1 1/2" X 1 1/4" P-TRAP W/ 1/2" TO 1 1/4" REDUCER FROM 00-00-00 THRU 02-16-82
4	107837-01-000	EA P-TRAP ADAPTER-1 1/4" SLIP FROM 02-17-82 THRU 08-08-88
4	107838-01-000	EA P-TRAP-PLASTIC, 1 1/4" WEXT ARM FROM 02-17-82 THRU 08-08-88
6	010008-01-000	EA ELBOW-45 DEG, 1/8 BEND - 1 1/2" HUB X HUB - BLACK PLASTIC
6	031111-01-000	EA ELBOW-90 DEGREE, 1/4 BEND - 1 1/4" - PLASTIC
7	088354-01-000	EA ELBOW-DOUBLE 1 1/2" H X H X H, PLASTIC
8	010072-01-000	EA TEE-SANITARY, 1 1/2" H X 1 1/4" H X 1 1/2" H - PLASTIC
	010121-01-000	EA BUSHING-REDUCER, 1 1/2" SMOOTH X 1/4" HUB - PLASTIC - BLACK
9	049911-000	EA TEE-SANITARY, 1 1/2" H X 1 1/4" H X 1 1/2" H - PLASTIC
10	050711-000	EA ADAPTER-CLEANOUT
11	010111-000	EA PLUG-THREADED, 1 1/4" DIAMETER - PLASTIC - BLACK
12	081511-01-000	EA GROMMET-HOLDING TANK, 3" NPS
13	081611-01-000	EA GROMMET-HOLDING TANK, 1 1/2" NPS
14	010116-01-000	EA COUPLING-1 1/2" HUB X HUB, PLASTIC
15	078408-01-000	EA COUPLER-RUBBER, W/CLAMPS - 3" X 3"
16	031128-01-000	EA ELBOW-1/4 BEND, 3 X 90 XLT - PLASTIC - BLACK
17	070918-01-000	EA VALVE-DUAL DUMP, W/CAP - 3" X 1 1/2" - PLASTIC-BLACK
	070918-01-700	EA VALVE ONLY, 3"
	070918-01-701	EA VALVE ONLY, 1 1/2"
18	080385-01-000	EA COUPLER-RUBBER, W/CLAMPS - 1 1/2" X 1 1/2"
	082416-01-000	EA ADAPTER-SEWER HOSE TO 3" PIPE
	089330-01-000	EA ADAPTER-SEWER HOSE TO DUMP VALVE - PLASTIC - BLACK
	010201-01-000	EA HOSE-SEWER, 3" ID X 8'
	103354-01-000	EA CONNECTOR-HOSE, BEWER
19	101787-01-000	EA TANK-HOLDING, W/O GROMMETS - 37 GAL - 59.8" X 24.8" X 8.5"
20	101788-01-000	EA TANK-HOLDING, W/O GROMMETS - 30 GAL - 59.8" X 25.8" X 8.7"
21	010071-01-000	EA TEE-SANITARY, 1 1/2" HUB X HUB X HUB - PLASTIC - BLACK
22	033781-01-000	EA ELBOW-TURN, 1/4 BEND X 1 5" HUB X 1 5" SPIGOT - BLACK PLASTIC
23	010051-01-000	EA ELBOW-45 DEG BEND, 1 1/2" SPIGOT AND HUB - PLASTIC - BLACK
24	010073-01-000	EA WYE-45 DEGREE, 1 1/2" HUB X HUB X HUB - PLASTIC - BLACK
25	034250-01-000	EA ELBOW-90 DEGREE, LONG TURN - 1 1/2" HUB X HUB - ABS
26	077988-01-000	EA VENT-MECH TRAP ARM, ANTI-SIPHON - 2" DIA X 7 3" - PLASTIC
27	010122-01-000	EA BUSHING-REDUCER, 1 1/2" SMTH X 1 1/4" THD - PLASTIC - BLACK
28	024878-01-000	EA FLANGE-CLOSET, TOILET - 4" X 3" - RED
28	083841-01-000	EA FLANGE-CLOSET, TOILET - 4" X 3" - PORCELAIN TOILET OPTION

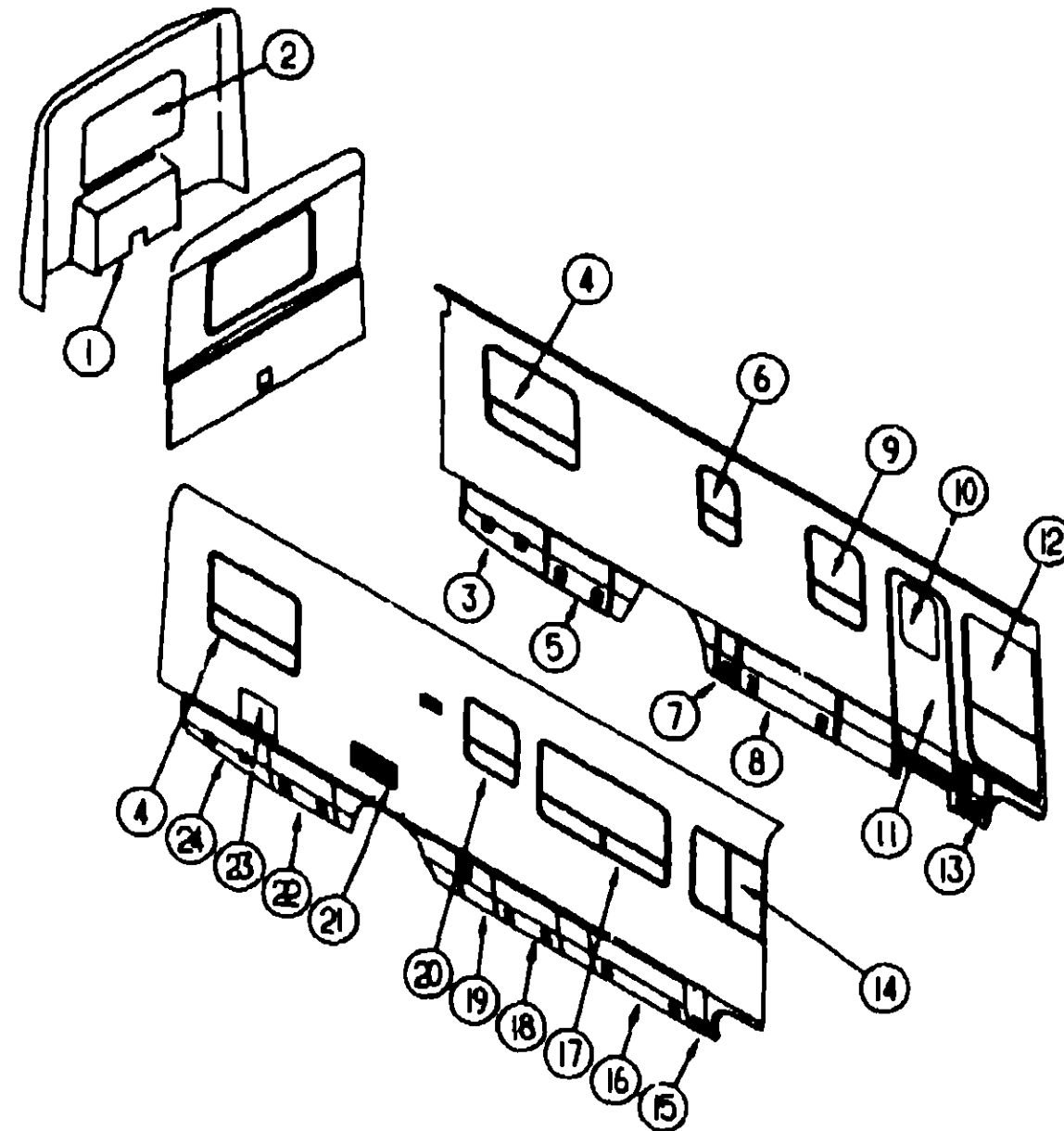
**1982 WINNEBAGO
TABLE OF CONTENTS**

INTRODUCTION	A-01 -	A-02
ABBREVIATIONS		A-03
ALPHABETICAL INDEX	A-04 -	A-08
JCN28RT	A-07 -	F-04

1982 JCN28RT INDEX

FLOOR PLAN	A-07 -	A-08
ACCESSORIES		A-09
AUDIO VIDEO	A-10 -	A-11
BATH	A-12 -	A-14
BEDROOM	A-15 -	A-17
CHASSIS	A-18 -	B-04
CURTAIN & CURTAIN	B-05 -	B-18
DINETTE	B-17 -	B-18
DRIVERS COMPARTMENT	B-19 -	B-24
ELECTRICAL	C-01 -	C-06
EXTERIOR BODY	C-07 -	C-18
GALLEY	C-17 -	C-21
GENERATOR		C-22
HEATING & A/C	C-23 -	D-02
INTERIOR FINISH	D-03 -	D-08
LABEL	D-07 -	D-12
LP		D-13
LOUNGE	D-14 -	D-15
SEALANTS & FASTENERS	D-16 -	D-19
WATER & SEWAGE	D-20 -	D-24
WINDOW, VENT AND		
EXTERIOR DOOR	E-01 -	E-24
WINDSHIELD & WIPER	F-01 -	F-04

WINDOW, VENT & EXTERIOR DOOR GROUP
WINDOWS & EXTERIOR DOORS



**1992 WINNEBAGO
TABLE OF CONTENTS**

INTRODUCTION	A-01	A-02
ABBREVIATIONS		A-03
ALPHABETICAL INDEX	A-04	A-08
JCN28RT	A-07	F-04

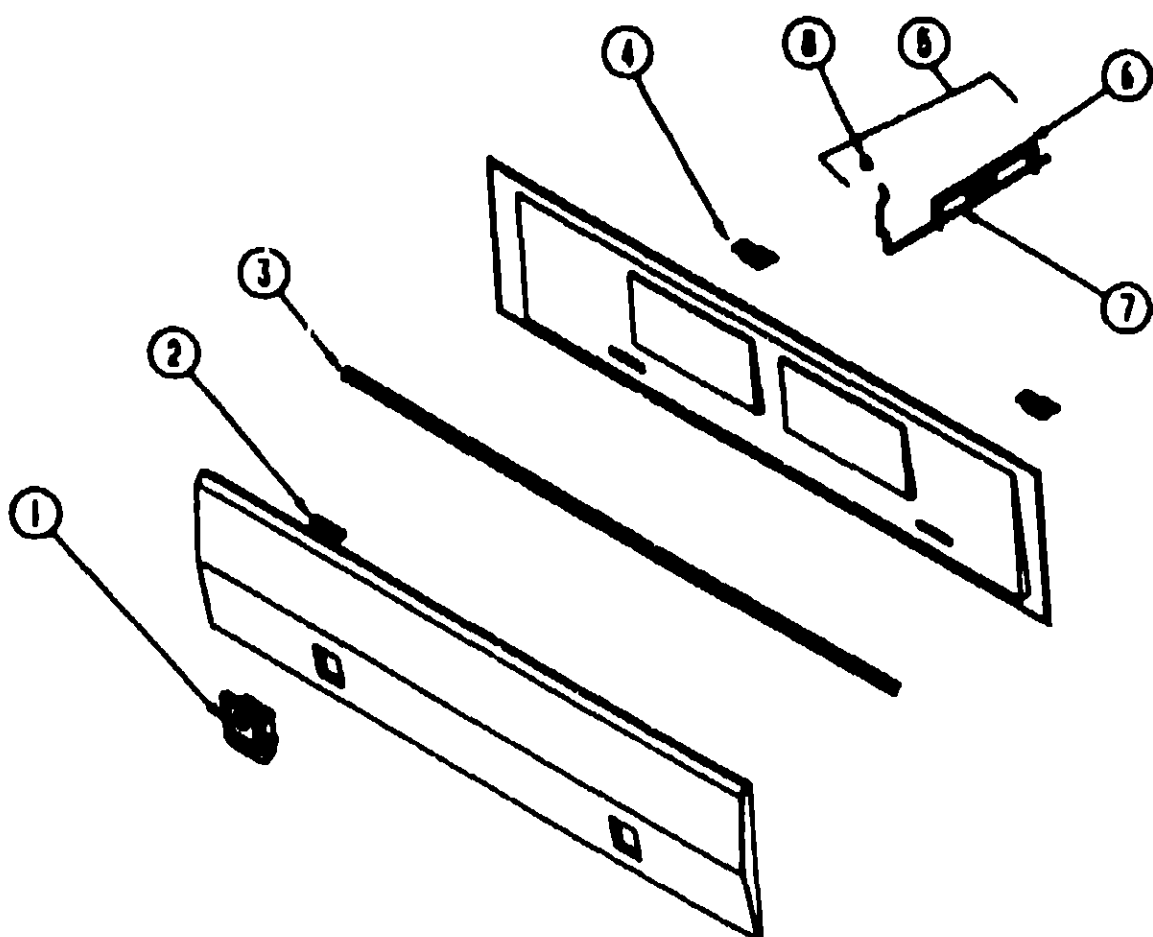
1992 JCN28RT INDEX

FLOOR PLAN	A-07	A-08
ACCESSORIES		A-09
AUDIO VIDEO	A-10	A-11
BATH	A-12	A-14
BEDROOM	A-15	A-17
CHASSIS	A-18	B-04
CURTAIN & CUSHION	B-05	B-18
DINETTE	B-17	B-18
DRIVERS COMPARTMENT	B-19	B-24
ELECTRICAL	C-01	C-08
EXTERIOR BODY	C-07	C-18
GALLEY	C-17	C-21
GENERATOR		C-22
HEATING & A/C	C-23	D-02
INTERIOR FINISH	D-03	D-08
LABEL	D-07	D-12
LP		D-13
LOUNGE	D-14	D-15
SEALANTS & FASTENERS	D-16	D-19
WATER & SEWAGE	D-20	D-24
WINDOW, VENT AND EXTERIOR DOOR	E-01	E-24
WINDSHIELD & WIPER	F-01	F-04

KEY	PART NUMBER	U/M DESCRIPTION
1	007100-01-AE6	EA DOOR-STORAGE, TRUNK - 21 2" X 22 2" - OFF WHITE
2	067985-04-Y12	EA WINDOW-ESCAPE, W/O INSIDE FRAME - 30 2" X 48 8"
3	092831-02-Y35	EA DOOR-COMPARTMENT, WLATCHES - 40" TAPERED - OFF WHITE
4	092235-13-Y12	EA WINDOW-TIPOUT, SINGLE W/O INSIDE FRAME
5	092482-04-Y33	EA DOOR-COMPARTMENT, WLATCHES - 19 4" X 29 5" - OFF WHITE
6	092235-10-Y12	EA WINDOW-TIPOUT, W/O INSIDE FRAME - 15 8" X 25 5"
7	092482-03-Y33	EA DOOR-COMPARTMENT, WLATCH - 19 4" X 9 5" - OFF WHITE
	009428-01-000	EA HATCH-ROUND, WHITE
8	092482-08-AE6	EA DOOR-COMPARTMENT, WLATCHES - 19 4" X 43 7" - OFF WHITE
9	092235-06-Y12	EA WINDOW-TIPOUT, SINGLE - W/O INSIDE FRAME - 31 8" X 22 8"
10	079733-04-T03	EA WINDOW-PICTURE, W/O INSIDE FRAME - 17" X 25"
11	M01870-50-C80	EA DOOR-ENTRY, W/SCREEN DOOR, WINDOW & JAMB
12	M97816-01-AE6	EA DOOR-DRIVER, W/TIPOUT - NON POWERED - USE WITH OVERHEAD BUNK ONLY
12	M97816-02-AE6	EA DOOR-DRIVER, W/O TIPOUT - NON POWERED
12	M97816-05-C80	EA DOOR-DRIVER, W/TIPOUT - POWERED
13	M06032-02-AE6	EA DOOR-COMPARTMENT, WLATCH - 19 4" X 9 6" - OFF WHITE

KEY	PART NUMBER	U/M DESCRIPTION
14	104686-01-01A	EA WINDOW-SLIDING
15	M05032-01-AE6	EA DOOR-COMPARTMENT, WLATCH - 19 4" X 9 6" - OFF WHITE
18	092482-08-AE6	EA DOOR-COMPARTMENT, WLATCHES - 19 4" X 43 7" - OFF WHITE
		FROM 00-00-00 THRU 10-13-91
18	092482-02-Y33	EA DOOR-COMPARTMENT, WLATCHES - 19 4" X 43 7" - OFF WHITE
		FROM 10-14-91 THRU 99-99-99
17	092234-03-Y12	EA WINDOW-TIPOUT, DOUBLE - W/O INSIDE FRAME - 31 5" X 60 9"
18	092482-04-Y33	EA DOOR-COMPARTMENT, WLATCHES - 19 4" X 29 5" - OFF WHITE
		FROM 00-00-00 THRU 10-13-91
18	092482-05-Y35	EA DOOR-COMPARTMENT, WLATCHES - 19 5" X 29 5" - OFF WHITE
		FROM 10-14-91 THRU 99-99-99
19	093020-08-AE6	EA DOOR-FURNACE VENT - 19 4" X 15 8" - OFF WHITE
20	092235-09-Y12	EA WINDOW-TIPOUT, W/O INSIDE FRAME - 25 5" X 25 4"
21	084103-03-000	EA DOOR-REFRIGERATOR, VENTED - W/O JAMB - OFF WHITE
21	084104-03-000	EA JAMB-DOOR, REFRIGERATOR - OFF WHITE
	084104-01-700	EA LOCK-MALE, FASTENER - REFRIGERATOR DOOR
	084104-01-701	EA LOCK-FEMALE, FASTENER - REFRIGERATOR DOOR
22	092482-04-Y33	EA DOOR-COMPARTMENT, WLATCHES - 19 4" X 29 5" - OFF WHITE
23	052009-01-000	EA DOOR-WATER HEATER, OFF WHITE - ATWOOD 5576-27
24	092831-01-Y33	EA DOOR-COMPARTMENT, WLATCHES - 40" TAPERED - OFF WHITE
	078010-03-000	EA DOOR-FUEL FILL, W/JAMB - OFF WHITE

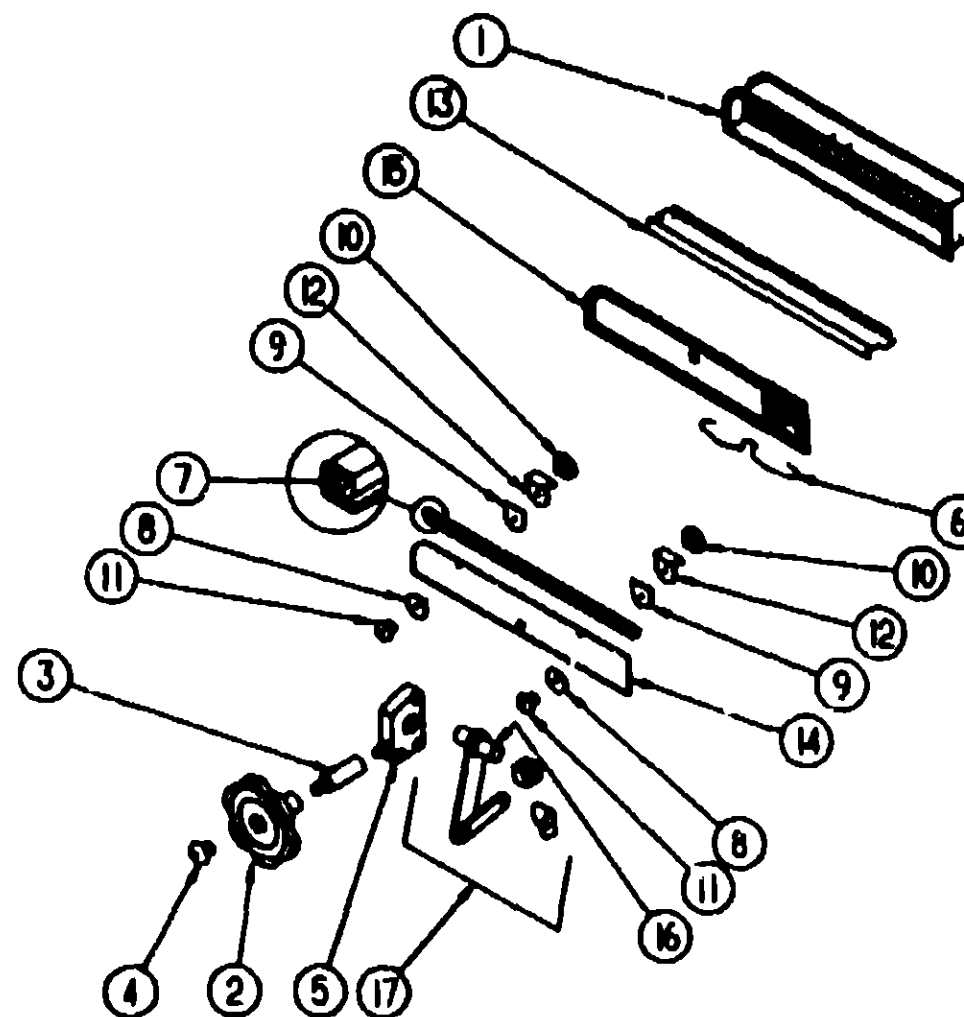
WINDOW, VENT & EXTERIOR DOOR GROUP (CONTINUED)



COMPARTMENT DOOR HARDWARE & SEALS

KEY	PART NUMBER	U/M DESCRIPTION
1	085730-11-000	EA LATCH-PADDLE, W/KEY LOCK - PLASTIC - OFF WHITE
	082684-01-700	EA KEY-COMPARTMENT DOOR LOCK, BH024
1	085730-14-000	EA LATCH-PADDLE, W/O KEY LOCK - PLASTIC - OFF WHITE
	079328-04-000	EA LOCK-DOOR, KEY TYPE W/O KEYS - 1 9" OFF SET
	077408-02-000	EA LOCK-KEY TYPE, BACKWALL ACCESS PANEL
2	086270-01-000	FT SEAL-BULB, W/WIRE RIGID U-CHANNEL - 5" - RUBBER - BLACK
3	092357-02-02A	EA HINGE-COMPARTMENT DOOR, 43 5" - OFF WHITE
	034007-40-000	EA HINGE-PIANO, 1 5" X 98" - ALUMINUM - OFF WHITE
	009065-01-000	EA HINGE-ALUMINUM, 1 1/2" X 98" - UNPAINTED
	093142-01-01A	EA HINGE-DOOR, TRUNK - OFF WHITE
	093030-01-000	EA HINGE-CONTINUOUS, ALUMINUM 2" X 98"
	094798-01-000	EA SUPPORT-L ANGLE, DOOR STRIKER - 1 25" X 31 7" LONG - STEEL
4	093061-01-02A	EA STRIKER-DOOR, LUGGAGE, BLACK
	094387-02-000	EA STRIKER-DOOR, GENERATOR
5	092844-02-Y12	EA PROP ROD-COMPARTMENT DOOR, W/SPRING & BRACKET
6	092839-01-000	EA BRACKET-DOOR PROP
7	092469-01-000	EA SPRING-#020-050 COMP
8	039984-01-000	EA CAP-ROUND, VINYL - 28" ID X 82" LONG - BLACK
	090340-02-000	FT SEAL-FOAM, CLOSED CELL - 3/8" X 1/2" X 50"
	100128-01-000	FT SEAL-PILE, ADHESIVE BACK - GRAY
	100157-01-000	FT SEAL-BULB, W/WIRE RIGID U CHANNEL - 1" WIDE - RUBBER - BLACK
	104692-01-000	FT SEAL-3/4" X 3/4", ADHESIVE BACK
	094378-01-000	EA ROD-PROP, COMPARTMENT DOOR
	094378-02-000	EA ROD-PROP, GENERATOR COMPARTMENT DOOR
	074470-01-000	EA PIN-PULL, HINGE RELEASE - RIGHT SIDE
	074470-02-000	EA PIN-PULL, HINGE RELEASE - LEFT SIDE
	102690-01-000	EA HATCH-COMPARTMENT, SEWER HOSE - STEEL
	093305-01-01A	FT TRIM-EDGE, C-TYPE - WIRE CARRIER - 35" X 24" - VINYL
	076767-02-000	EA CABLE-1/16" X 18 5", STAINLESS STEEL
	076767-06-000	EA CABLE-SUPPORT, 25.6" - STAINLESS STEEL

WINDOW, VENT & EXTERIOR DOOR GROUP (CONTINUED)



DRIVER DOOR UPPER TIPOUT WINDOW

KEY	PART NUMBER	U/M DESCRIPTION
1	092974-01-Y12	EA WINDOW ASM - UPPER TIPOUT - 4 5" X 27 9" GLASS - OVHD BUNK ONLY
2	009439-05-000	EA KNOB-CRANK, TIPOUT WINDOW - METAL - BLACK
3	009439-06-000	EA EXTENSION-CRANK KNOB, .9" - METAL - BLACK
4	009439-07-000	EA SCREW-8 32 X 1 1/4 POH - BLACK
5	035302-01-000	EA OPERATOR-TORQUE, TIPOUT WINDOW
6	091243-02-000	EA CLIP-SCREEN, PLASTIC - BLACK
	091849-01-000	EA RING-SNAP, 7/32 SHAFT DIAMETER 7
7	094087-02-000	FT SEAL-F SHAPED, SPONGE - TIPOUT WINDOW - 42" X 38" - BLACK
	094453-01-000	EA WASHER- .06" X 5" X .135" - PLASTIC
8	094453-02-000	EA WASHER- .08" X 5" X .25" - PLASTIC
9	094473-01-000	EA SEAL-FLAT, W/CENTER HOLE & ADHESIVE SIDE - 8" X .9" - BLK
	095315-01-000	EA RIVET-SHOULDER, TIPOUT WINDOW
10	096762-01-000	EA T NUT 10-32
11	096783-01-000	EA SCREW-MACH, 10 - 32 X 1/4 PTH
12	099913-01-000	EA HINGE-TIPOUT WINDOW, BLACK
13	092828-01-01A	EA MULLION-WINDOW, DOOR - BLACK
14	092970-01-000	EA GLASS-TIPOUT, 4 5" X 27 9"
15	095954-01-Y12	EA SCREEN-SINGLE TIPOUT, 1 RADIUS CORNER - 6" X 29 2"
	002291-02-000	FT SCREENING-ROOF VENT/WINDOW, 16" - BLACK
	100240-01-000	FT SPLINE-SCREEN, T-SHAPED
16	098294-01-000	EA TUBE ASM-TORQUE
17	097578-02-000	EA LINKAGE ASM-TIPOUT

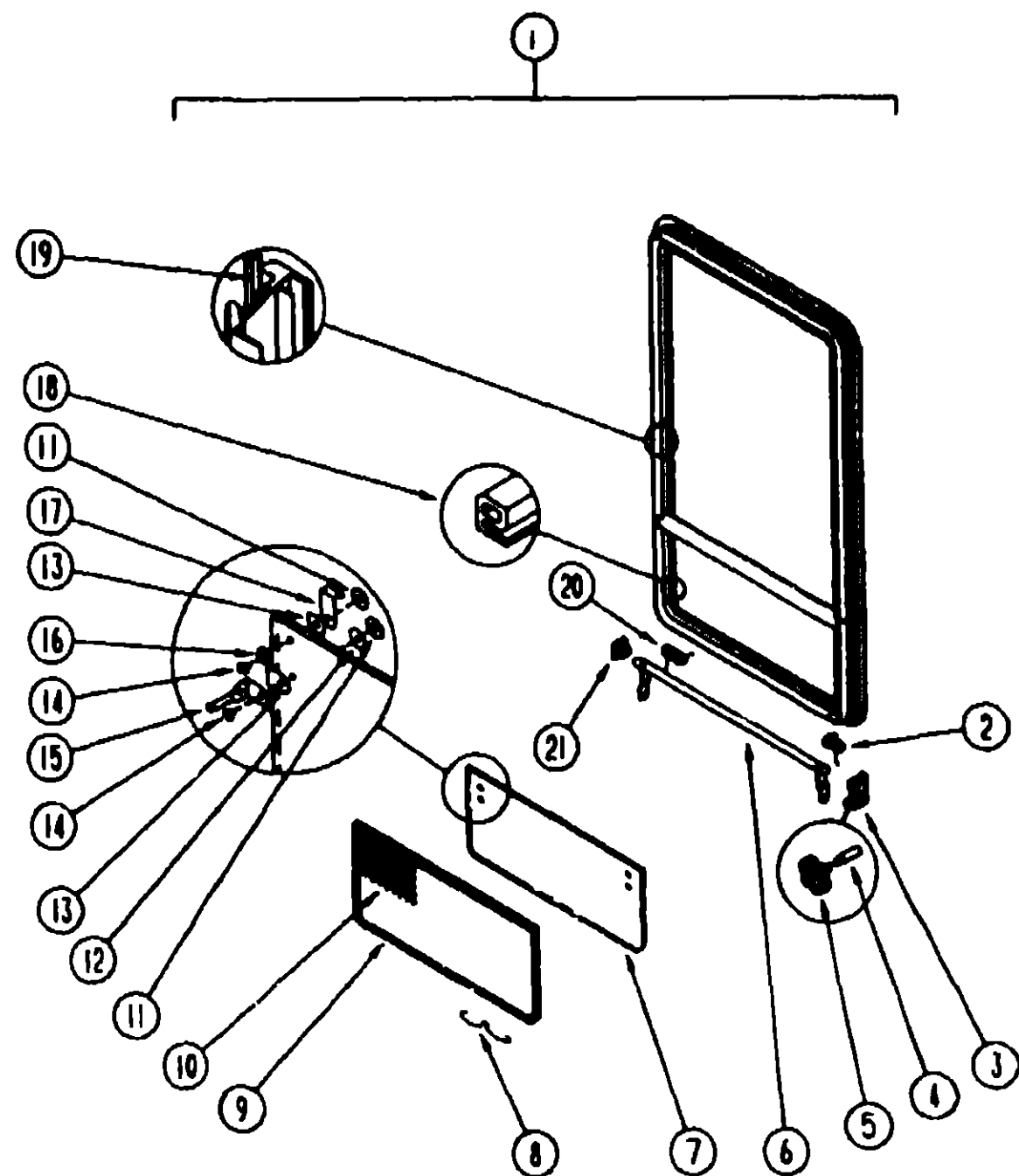
**1992 WINNEBAGO
TABLE OF CONTENTS**

INTRODUCTION	A-01 -	A-02
ABBREVIATIONS		A-03
ALPHABETICAL INDEX	A-04 -	A-06
JCN28RT	A-07 -	F-04

1992 JCN28RT INDEX

FLOOR PLAN	A-07 -	A-08
ACCESSORIES		A-09
AUDIO VIDEO	A-10 -	A-11
BATH	A-12 -	A-14
BEDROOM	A-15 -	A-17
CHASSIS	A-18 -	B-04
CURTAIN & CUSHION	B-05 -	B-16
DINETTE	B-17 -	B-18
DRIVERS COMPARTMENT	B-19 -	B-24
ELECTRICAL	C-01 -	C-06
EXTERIOR BODY	C-07 -	C-18
GALLEY	C-17 -	C-21
GENERATOR		C-22
HEATING & A/C	C-23 -	D-02
INTERIOR FINISH	D-03 -	D-06
LABEL	D-07 -	D-12
LP		D-13
LOUNGE	D-14 -	D-15
SEALANTS & FASTENERS	D-16 -	D-19
WATER & SEWAGE	D-20 -	D-24
WINDOW, VENT AND		
EXTERIOR DOOR	E-01 -	E-24
WINDSHIELD & WIPER	F-01 -	F-04

WINDOW, VENT & EXTERIOR DOOR GROUP (CONTINUED)
DRIVER SIDE AND PASSENGER SIDE BEDROOM WINDOWS



KEY	PART NUMBER	UOM	DESCRIPTION
1	080888-80-02A	EA	FRAME-WINDOW, INSIDE - OFF WHITE
	082226-13-Y12	EA	WINDOW-TIPOUT, W/O INSIDE FRAME - 40 3/4" X 30 5/8"
	000038-08-18T	EA	SCREW-SPDR, 8-20 X 1 PPH - BLACK
	089154-01-000	EA	CHANNEL-GLAZING, STATIONARY GLASS
2	080918-01-000	EA	SPRING-TORQUE TUBE, RIGHT
3	036302-02-000	EA	OPERATOR-TORQUE, TIPOUT WINDOW - LEFT
4	080025-01-000	EA	EXTENSION-WINDOW CONTROL
5	101260-01-01A	EA	KNOB-OPERATOR, TIPOUT WINDOW - BRASS
6	083180-12-000	EA	TUBE-TORQUE, WINDOW - RIGHT
7	084088-17-000	EA	GLASS-TIPOUT, 8.2" X 40.1"
8	100188-01-000	EA	CLIP-SPRING, SCREEN
9	100836-04-807	EA	SCREEN-TIPOUT WINDOW
10	080218-03-000	SF	SCREEN-FIBERGLASS, 12" WIDE
	100240-01-000	FT	SPLINE-SCREEN, T-SHAPED
	081377-01-700	EA	ADHESIVE-CYANOACRYLATE, 10 GRAM TUBE
11	086782-01-000	EA	T NUT 10-32
12	088827-03-000	EA	SEAL-WINDOW, RUBBER - ROUND - 80" DIA. - BLACK
13	084473-01-000	EA	SEAL-RUBBER, TIPOUT WINDOW
14	086783-01-000	EA	SCREW-MACH, 10 - 32 X 1/4 PTH
15	087578-01-000	EA	LINKAGE-TIPOUT WINDOW
	084463-01-000	EA	WASHER-.080 X .50 X .136 - PLASTIC
	085315-01-000	EA	RIVET-SHOULDER, TIPOUT WINDOW
	081649-01-000	EA	RING-SNAP, 7/32 SHAFT DIAMETER
	101289-01-01A	EA	SCREW-MACHINE, 8-32 X 4 - PPH - BRASS - FOR EXTENDED KNOB
16	084463-02-000	EA	WASHER-.080 X .50 X .136 - PLASTIC
17	088813-01-000	EA	HINGE-TIPOUT WINDOW, BLACK
18	084087-02-000	FT	SEAL-E SHAPED, SPONGE - TIPOUT WINDOW - 4" X 4" - BLACK
19	088840-11-000	EA	SEALER-TAPE, 3/16" X 3/8" BLACK
20	080918-02-000	EA	SPRING-TORQUE TUBE, LEFT
21	081364-01-000	EA	SLEEVE-TORQUE TUBE, WINDOW
	087588-04-01A	EA	MULLION-HORIZONTAL - BLACK

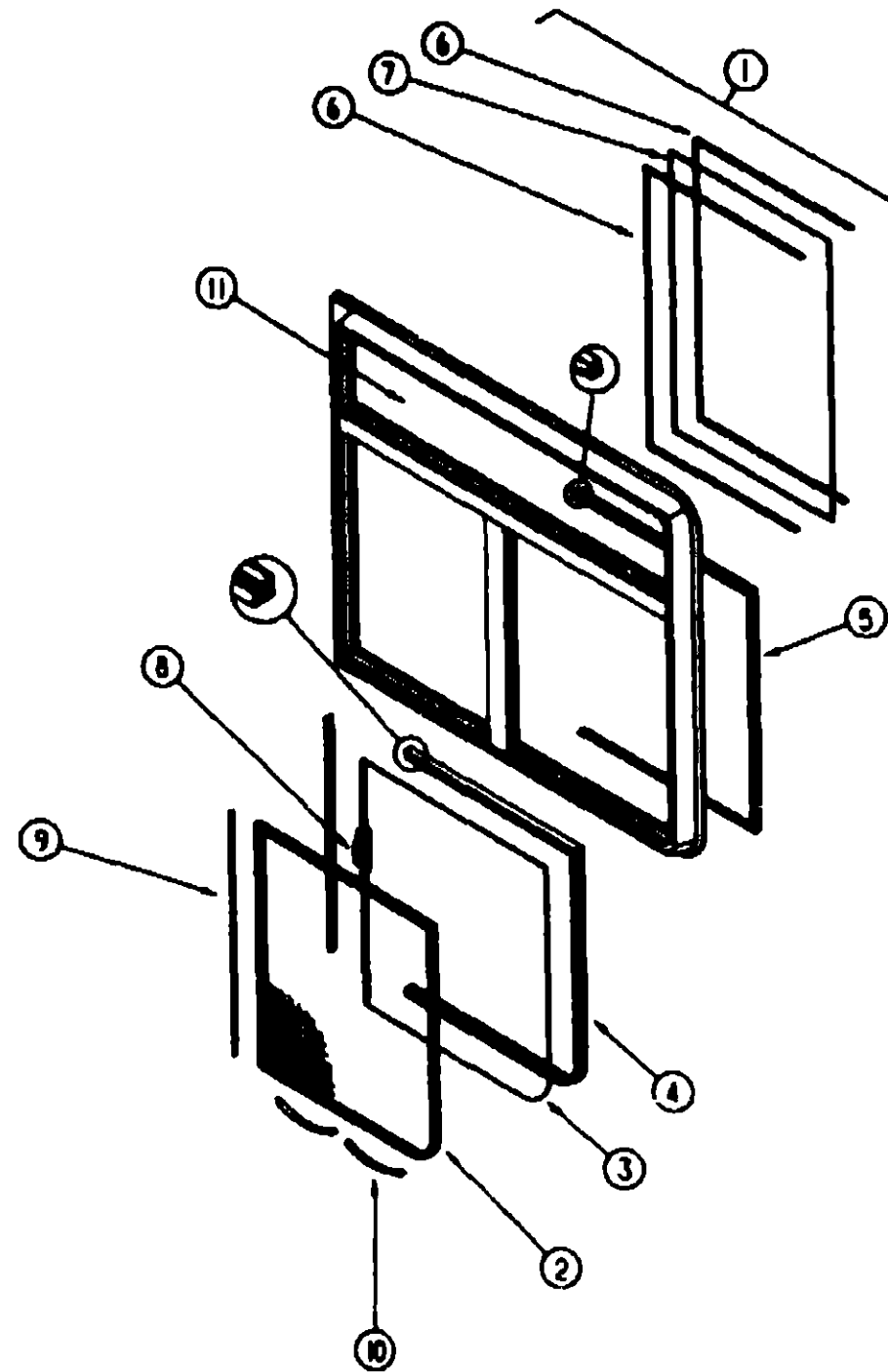
1992 WINNEBAGO
TABLE OF CONTENTS

INTRODUCTION	A-01 -	A-08
ABBREVIATIONS		A-08
ALPHABETICAL INDEX	A-04 -	A-08
JCN28RT	A-07 -	F-04

1992 JCN28RT INDEX

FLOOR PLAN	A-07 -	A-08
ACCESSORIES		A-08
AUDIO VIDEO	A-10 -	A-11
BATH	A-12 -	A-14
BEDROOM	A-15 -	A-17
CHASSIS	A-18 -	B-04
CURTAIN & CUSHION	B-06 -	B-18
DINETTE	B-17 -	B-18
DRIVERS COMPARTMENT	B-19 -	B-24
ELECTRICAL	C-01 -	C-08
EXTERIOR BODY	C-07 -	C-16
GALLEY	C-17 -	C-21
GENERATOR		C-22
HEATING & AC	C-23 -	D-02
INTERIOR FINISH	D-03 -	D-08
LABEL	D-07 -	D-12
LP		D-13
LOUNGE	D-14 -	D-15
SEALANTS & FASTENERS	D-16 -	D-19
WATER & SEWAGE	D-20 -	D-24
WINDOW, VENT AND		
EXTERIOR DOOR	E-01 -	E-24
WINDSHIELD & WIPER	F-01 -	F-04

WINDOW, VENT & EXTERIOR DOOR GROUP (CONTINUED)
PASSENGER SIDE SLIDING CAB WINDOW



KEY	PART NUMBER	U/M	DESCRIPTION
1	104888-01-01A	EA	WINDOW-SINGLE SLIDER, WINSIDE FRAME - EXCEL H328-AS-R
	104888-01-705	EA	WINDOW-SINGLE SLIDER, W/O INSIDE FRAME - EXCEL H328-ASR
	104888-01-700	EA	FRAME-INSIDE, BLACK - EXCEL H328-88678
2	104888-01-704	EA	SCREEN ASSEMBLY-WINDOW
3	104888-01-703	EA	GLASS-SLIDING, W/WASH&LATCH - EXCEL H328-ASR
4	088844-01-708	FT	CHANNEL-RUN, PIERCED - GLASS - EXCEL 122-018549
5	088844-01-708	FT	WEATHERSTRIP-GLASS - EXCEL 171-010888
6	088844-01-705	FT	GLAZING STRIP - EXCEL M828-12
7	104888-01-702	EA	GLASS-STATIONARY, FRONT - EXCEL 108-017868
8	088844-01-700	EA	LATCH REPAIR KIT-BLACK, EXCEL B801-CK
9	088844-01-711	FT	WEATHERSTRIP-SCREEN, BLACK - EXCEL 171-010888
10	088844-01-713	EA	CLIPS-SCREEN, METAL - BLACK - EXCEL 228-019888
11	104888-01-701	EA	GLASS-STATIONARY, UPPER - EXCEL 108-017867
	088844-01-718	FT	PLUG-FILLER, EXCEL 132-014470
	088844-01-717	FT	SPUNE-SCREEN, EXCEL 132-004718
	104888-02-01A	EA	SPACER-SLIDER WINDOW, BLACK - EXCEL H328-25-R

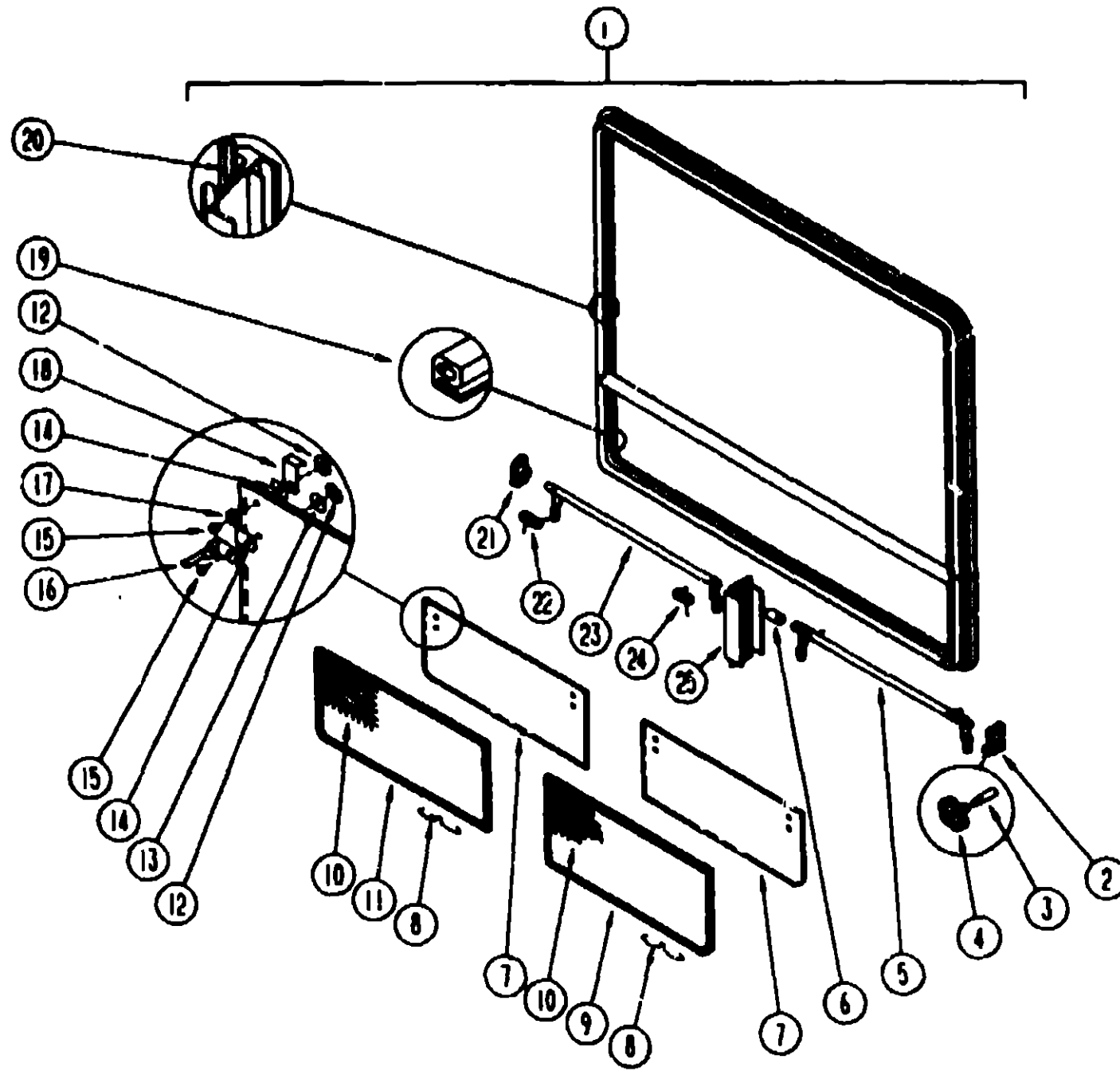
1992 WINNEBAGO
TABLE OF CONTENTS

INTRODUCTION	A-01	A-02
ABBREVIATIONS		A-03
ALPHABETICAL INDEX	A-04	A-08
JCN28RT	A-07	F-04

1992 JCN28RT INDEX

FLOOR PLAN	A-07	A-08
ACCESSORIES		A-09
AUDIO VIDEO	A-10	A-11
BATH	A-12	A-14
BEDROOM	A-15	A-17
CHASSIS	A-18	B-04
CURTAIN & CUSHION	B-05	B-18
DINETTE	B-17	B-18
DRIVERS COMPARTMENT	B-19	B-24
ELECTRICAL	C-01	C-08
EXTERIOR BODY	C-07	C-18
GALLEY	C-17	C-21
GENERATOR		C-22
HEATING & A/C	C-23	D-02
INTERIOR FINISH	D-03	D-08
LABEL	D-07	D-12
LP		D-13
LOUNGE	D-14	D-15
SEALANTS & FASTENERS	D-16	D-19
WATER & SEWAGE	D-20	D-24
WINDOW, VENT AND EXTERIOR DOOR	E-01	E-24
WINDSHIELD & WIPER	F-01	F-04

WINDOW, VENT & EXTERIOR DOOR GROUP (CONTINUED)
DINETTE WINDOW



KEY	PART NUMBER	U/M	DESCRIPTION
1	080888-08-08A	EA	FRAME-WINDOW, INSIDE - 31.4" X 60 8" - OFF WHITE
1	082234-03-Y12	EA	WINDOW-TIPOUT, DOUBLE - W/O INSIDE FRAME - 31.6" X 60.8"
2	000238-08-18T	EA	SCREW-SPDR, 6-30 X 1 PPH - BLACK
2	035302-02-000	EA	OPERATOR-TORQUE, TIPOUT WINDOW - LEFT
3	080025 01-000	EA	EXTENSION-WINDOW CONTROL
4	101280-01-01A	EA	KNOB-OPERATOR, TIPOUT WINDOW - BRASS
5	083227-08-000	EA	TUBE-TORQUE, WINDOW - RIGHT
6	080918-81-001	EA	TUBE EXTRUDED, .0210 X .03500 X 1 2" LONG - ALUMINUM
7	084058-22-000	EA	GLASS-TIPOUT, 9 2" X 29 8"
8	100188-01-000	EA	CLIP-S-PRING, SCREEN
9	100234-08-B07	EA	SCREEN-DOUBLE TIPOUT WINDOW, FRONT DR SIDE/REAR PASS SIDE
10	080218-03-000	SF	SCREEN-FIBERGLASS, 12" WIDE
10	100240-01-000	FT	SPLINE-SCREEN, T-SHAPED
11	081377-01-700	EA	ADHESIVE-CYANOACRYLATE, 10 GRAM TUBE
11	100234-06-B07	EA	SCREEN-DOUBLE TIPOUT WINDOW, REAR DR SIDE/FRONT PASS SIDE
12	085782-01-000	EA	T NUT 10-32
13	088827-03-000	EA	SEAL-WINDOW, RUBBER - ROUND - 80" DIA. - BLACK
14	084473-01-000	EA	SEAL-RUBBER, TIPOUT WINDOW
15	085783-01-000	EA	SCREW-MACH, 10 - 32 X 1/4 PTH
16	087578-01-000	EA	LINKAGE-TIPOUT WINDOW
17	084463-01-000	EA	WASHER-080 X 80 X .135 - PLASTIC
17	086315-01-000	EA	RIVET-SHOULDER, TIPOUT WINDOW
17	081849-01-000	EA	RING-SNAP, 7/32 SHAFT DIAMETER
17	101289-01-01A	EA	SCREW-MACHINE, 8-32 X 4 - PPH - BRASS - FOR EXTENDED KNOB
18	084463-02-000	EA	WASHER-080 X 50 X 135 - PLASTIC
18	089913-01-000	EA	HINGE-TIPOUT WINDOW, BLACK
19	084087-02-000	FT	SEAL-E SHAPED, SPONGE - TIPOUT WINDOW - 4" X 4" - BLACK
20	089840-11-000	EA	SEALER-TAPE, 3/16" X 3/8" BLACK
21	035302-01-000	EA	OPERATOR-TORQUE, TIPOUT WINDOW - RIGHT
21	038888-01-000	EA	TAPE-BUTYL, 31" X 31" X 1/8" LONG
22	080918-02-000	EA	SPRING-TORQUE TUBE, LEFT
23	083228-08-000	EA	TUBE-TORQUE, WINDOW - LEFT
24	080918-01-000	EA	SPRING-TORQUE TUBE, RIGHT
25	088603-01-01A	EA	MULLION-VERTICAL, 9 5" LONG - ALUMINUM - BLACK
25	087588-08-01A	EA	MULLION-HORIZONTAL, BLACK
25	090341-02-000	FT	SEALANT-TAPE, 1/4" X 1/8"

1982 WINNEBAGO
TABLE OF CONTENTS

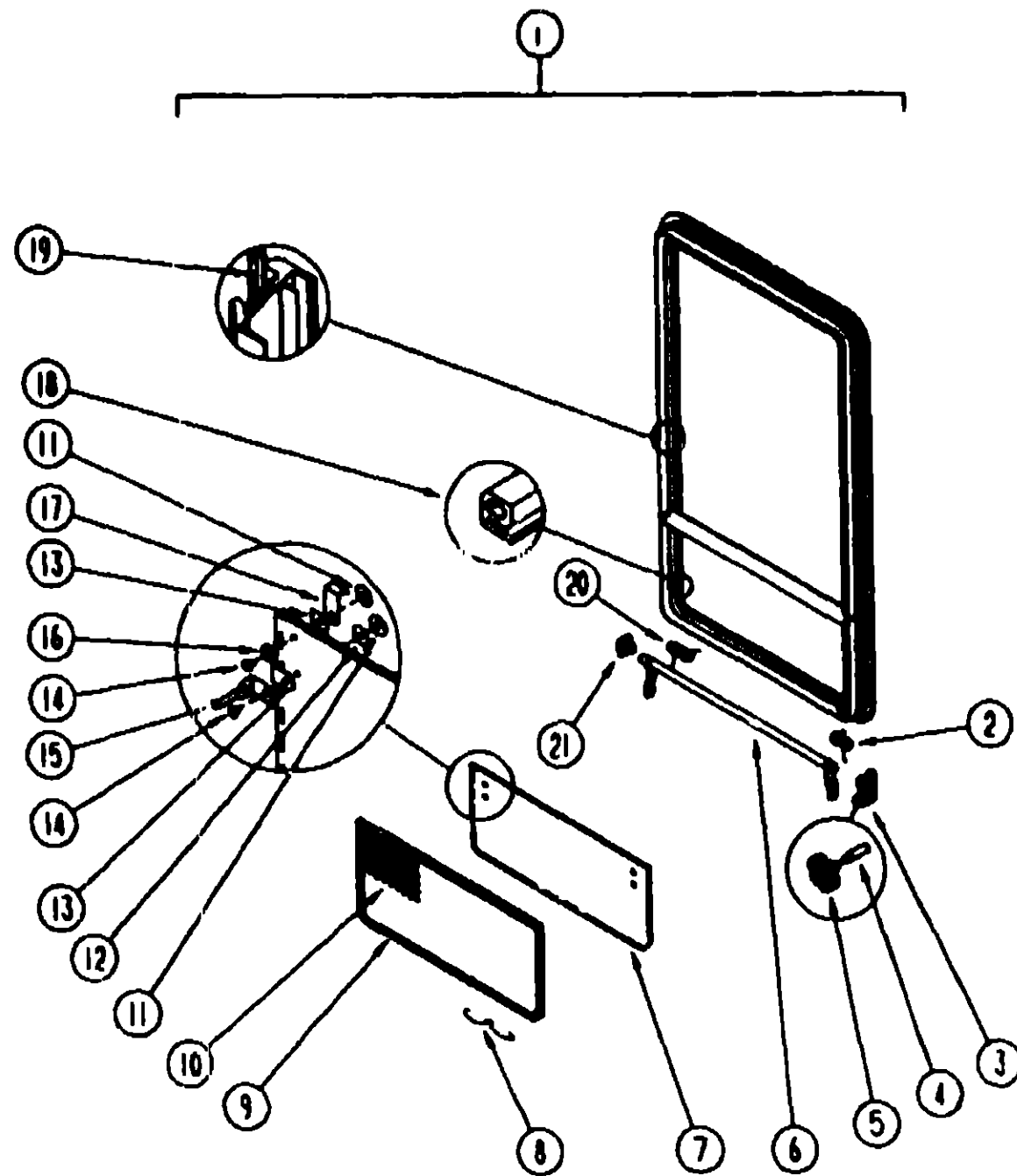
INTRODUCTION	A-01	A-02
ABBREVIATIONS		A-03
ALPHABETICAL INDEX	A-04	A-05
JCN28RT	A-07	F-04

1982 JCN28RT INDEX

FLOOR PLAN	A-07	A-08
ACCESSORIES		A-09
AUDIO VIDEO	A-10	A-11
BATH	A-12	A-14
BEDROOM	A-15	A-17
CHASSIS	A-18	B-04
CURTAIN & CUSHION	B-05	B-16
DINETTE	B-17	B-18
DRIVERS COMPARTMENT	B-19	B-24
ELECTRICAL	C-01	C-06
EXTERIOR BODY	C-07	C-18
GALLEY	C-17	C-21
GENERATOR		C-22
HEATING & A/C	C-23	D-02
INTERIOR FINISH	D-03	D-08
LABEL	D-07	D-12
LP		D-13
LOUNGE	D-14	D-15
SEALANTS & FASTENERS	D-16	D-19
WATER & SEWAGE	D-20	D-24
WINDOW, VENT AND		
EXTERIOR DOOR	E-01	E-24
WINDSHIELD & WIPER	F-01	F-04

WINDOW, VENT & EXTERIOR DOOR GROUP (CONTINUED)

GALLEY WINDOW



KEY	PART NUMBER	U/M DESCRIPTION
	08088-18-02A	EA FRAME-WINDOW, INSIDE - 25.5" X 25.5" - OFF WHITE
1	082235-18-Y12	EA WINDOW-TIPOUT, W/O INSIDE FRAME - 25.5" X 25.4"
2	080918-12-000	EA SPRING-TORQUE TUBE, REAR
3	035302-12-000	EA OPERATOR-TORQUE, TIPOUT WINDOW
4	08438-08-000	EA EXTENSION-CRANK HANDLE, WINDOW/PROOF VENT - 8" - BLACK
5	08438-08-000	EA KNOB-OPERATOR, TIPOUT WINDOW - BLACK
	08438-07-000	EA SCREW, 8-32 X 1 1/4 PPH - BLACK
6	083180-10-010	EA TUBE ASM. - TORQUE, WINDOW
7	084088-15-000	EA GLASS-TIPOUT, 9 2" X 24 5"
8	100188-01-000	EA CLIP-SPRING, SCREEN
9	100235-02-807	EA SCREEN-SINGLE TIPOUT WINDOW
10	080218-03-000	SF SCREEN-FIBERGLASS, 12" WIDE
	100240-01-000	FT SPLINE-SCREEN, T-SHAPED
11	086782-01-000	EA T NUT 10-32
12	088927-03-000	EA SEAL-WINDOW, RUBBER - ROUND - 80" DIA. - BLACK
13	084473-01-000	EA SEAL-RUBBER, TIPOUT WINDOW
14	086783-01-000	EA SCREW-MACH, 10 - 32 X 1/4 PTH
15	087578-01-000	EA LINKAGE-TIPOUT WINDOW
	081649-01-000	EA RING - SNAP, 7/32 SHAFT DIA.
	084453-01-000	EA WASHER- 080 X 80 X 135 - PLASTIC
	086315-01-000	EA RIVET-SHOULDER, TIPOUT WINDOW
16	084453-02-000	EA WASHER- 080 X 80 X 250 - PLASTIC
17	089913-01-000	EA HINGE-TIPOUT WINDOW, BLACK
18	084087-02-000	FT SEAL-E SHAPED, SPONGE - TIPOUT WINDOW - 4" X 4" - BLACK
19	088840-11-000	EA SEALER-TAPE, 3/16" X 3/8" BLACK
20	080918-01-000	EA SPRING-TORQUE TUBE, FRONT
21	081354-01-000	EA SLEEVE-TORQUE TUBE, TIPOUT WINDOW - 1 3" X 1 2" X 7"
	000H14-08-14R	EA RIVET-MANDREL BLIND, 3/16"
	087588-02-01A	EA MULLION-HORIZONTAL, TIPOUT WINDOW - BLACK

BATH WINDOW

KEY	PART NUMBER	U/M DESCRIPTION
	080983-15-02A	EA FRAME-WINDOW, INSIDE - 25 5" X 15 9" - OFF WHITE
1	082235-10-Y12	EA WINDOW-TIPOUT, W/O INSIDE FRAME - 15 8" X 25 5"
2	080918-01-000	EA SPRING-TORQUE TUBE, FRONT
3	035302-02-000	EA OPERATOR-TORQUE, TIPOUT WINDOW
4	080025-01-000	EA EXTENSION-WINDOW CONTROL
5	101280-01-01A	EA KNOB-OPERATOR, TIPOUT WINDOW - BRASS
	101289-01-01A	EA SCREW-MACHINE, 8-32 X 4 - PPH - BRASS - FOR EXTENDED KNOB
6	083150-08-000	EA TUBE ASM. - TORQUE, WINDOW
7	084088-14-000	EA GLASS-TIPOUT, 9" X 15"
8	100188-01-000	EA CLIP-SPRING, SCREEN
9	100235-02-807	EA SCREEN-SINGLE TIPOUT WINDOW
10	080218-03-000	SF SCREEN-FIBERGLASS, 12" WIDE
	100240-01-000	FT SPLINE-SCREEN, T-SHAPED
11	086782-01-000	EA T NUT 10-32
12	088927-03-000	EA SEAL-WINDOW, RUBBER - ROUND - 80" DIA. - BLACK.
13	084473-01-000	EA SEAL-RUBBER, TIPOUT WINDOW
14	086783-01-000	EA SCREW-MACH, 10 - 32 X 1/4 PTH
15	087578-01-000	EA LINKAGE-TIPOUT WINDOW
	081649-01-000	EA RING - SNAP, 7/32 SHAFT DIA.
	084453-01-000	EA WASHER- 080 X 50 X 135 - PLASTIC
	086315-01-000	EA RIVET-SHOULDER, TIPOUT WINDOW
16	084453-02-000	EA WASHER- 080 X 50 X 250 - PLASTIC
17	089913-01-000	EA HINGE-TIPOUT WINDOW, BLACK
18	084087-02-000	FT SEAL-E SHAPED, SPONGE - TIPOUT WINDOW - 42" X 38" - BLACK
19	088840-11-000	EA SEALER-TAPE, 3/16" X 3/8" BLACK
20	080918-02-000	EA SPRING-TORQUE TUBE, REAR
21	081354-01-000	EA SLEEVE-TORQUE TUBE, TIPOUT WINDOW - 1 3" X 1 2" X 7"
	000H14-08-14R	EA RIVET-MANDREL BLIND, 3/16"
	087588-02-01A	EA MULLION-HORIZONTAL, TIPOUT WINDOW - BLACK

**1982 WINNEBAGO
TABLE OF CONTENTS**

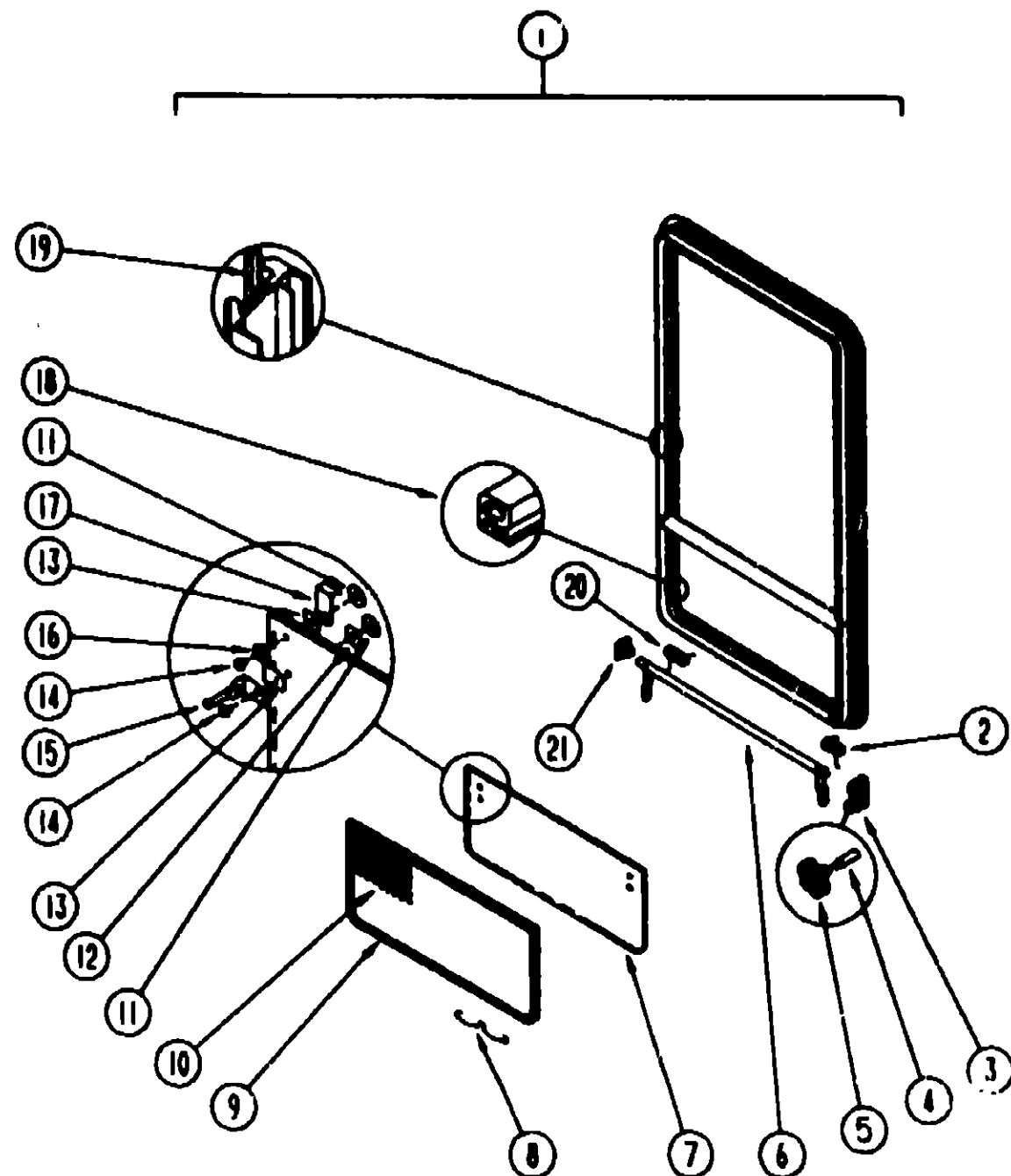
INTRODUCTION	A-01 -	A-02
ABBREVIATIONS		A-08
ALPHABETICAL INDEX	A-04 -	A-08
JCN28RT	A-07 -	F-04

1982 JCN28RT INDEX

FLOOR PLAN	A-07 -	A-08
ACCESSORIES		A-09
AUDIO VIDEO	A-10 -	A-11
BATH	A-12 -	A-14
BEDROOM	A-15 -	A-17
CHASSIS	A-18 -	B-04
CURTAIN & CUSHION	B-05 -	B-18
DINETTE	B-17 -	B-18
DRIVERS COMPARTMENT	B-19 -	B-24
ELECTRICAL	C-01 -	C-08
EXTERIOR BODY	C-07 -	C-18
GALLEY	C-17 -	C-21
GENERATOR		C-22
HEATING & A/C	C-23 -	D-02
INTERIOR FINISH	D-03 -	D-08
LABEL	D-07 -	D-12
LP		D-13
LOUNGE	D-14 -	D-15
SEALANTS & FASTENERS	D-18 -	D-19
WATER & SEWAGE	D-20 -	D-24
WINDOW, VENT AND		
EXTERIOR DOOR	E-01 -	E-24
WINDSHIELD & WIPER	F-01 -	F-04

WINDOW, VENT & EXTERIOR DOOR GROUP (CONTINUED)

DRIVER SIDE LOUNGE WINDOW



KEY	PART NUMBER	U/M	DESCRIPTION
	080888-08-02A	EA	FRAME-WINDOW, INSIDE - 31 6" X 22.6" - OFF WHITE
1	082338-08-Y12	EA	WINDOW-TIPOUT, W/O INSIDE FRAME - 31 6" X 22.6"
2	080918-02-000	EA	SPRING-TORQUE TUBE, FRONT
3	086302-02-000	EA	OPERATOR-TORQUE, TIPOUT WINDOW
4	080025-01-000	EA	EXTENSION-WINDOW CONTROL
5	101280-01-01A	EA	KNOB-OPERATOR, TIPOUT WINDOW - BRASS
	101289-01-01A	EA	SCREW-MACHINE, 8-32 X 4 - POH - BRASS - FOR EXTENDED KNOB
6	089180-14-000	EA	TUBE ASM. - TORQUE, WINDOW
7	084088-19-000	EA	GLASS-TIPOUT, 6" X 22"
8	100188-01-000	EA	CLIP-SPRING, SCREEN
9	100236-06-807	EA	SCREEN-SINGLE TIPOUT WINDOW
10	080218-03-000	SF	SCREEN-FIBERGLASS, 12" WIDE
	100240-01-000	FT	SPLINE-SCREEN, T-SHAPED
11	086782-01-000	EA	T NUT 10-32
12	086927-03-000	EA	SEAL-WINDOW, RUBBER - ROUND - 80" DIA. - BLACK
13	084473-01-000	EA	SEAL-RUBBER, TIPOUT WINDOW
14	086783-01-000	EA	SCREW-MACH, 10 - 32 X 1/4 PTH
15	087578-01-000	EA	LINKAGE-TIPOUT WINDOW/
	081848-01-000	EA	RING - SNAP, 7/32 SHAFT DIA.
	084463-01-000	EA	WASHER-.080 X .80 X .135 - PLASTIC
	086315-01-000	EA	RIVET-SHOULDER, TIPOUT WINDOW
16	084463-02-000	EA	WASHER-.080 X .60 X .250 - PLASTIC
17	089913-01-000	EA	HINGE-TIPOUT WINDOW, BLACK
18	084087-02-000	FT	SEAL-E SHAPED, SPONGE - TIPOUT WINDOW - 42" X .38" - BLACK
19	089640-11-000	EA	SEALER-TAPE, 3/16" X 3/8" BLACK
20	080918-01-000	EA	SPRING-TORQUE TUBE, REAR
21	081364-01-000	EA	SLEEVE-TORQUE TUBE, TIPOUT WINDOW - 1 3" X 1 2" X 7"

1982 WINNEBAGO TABLE OF CONTENTS

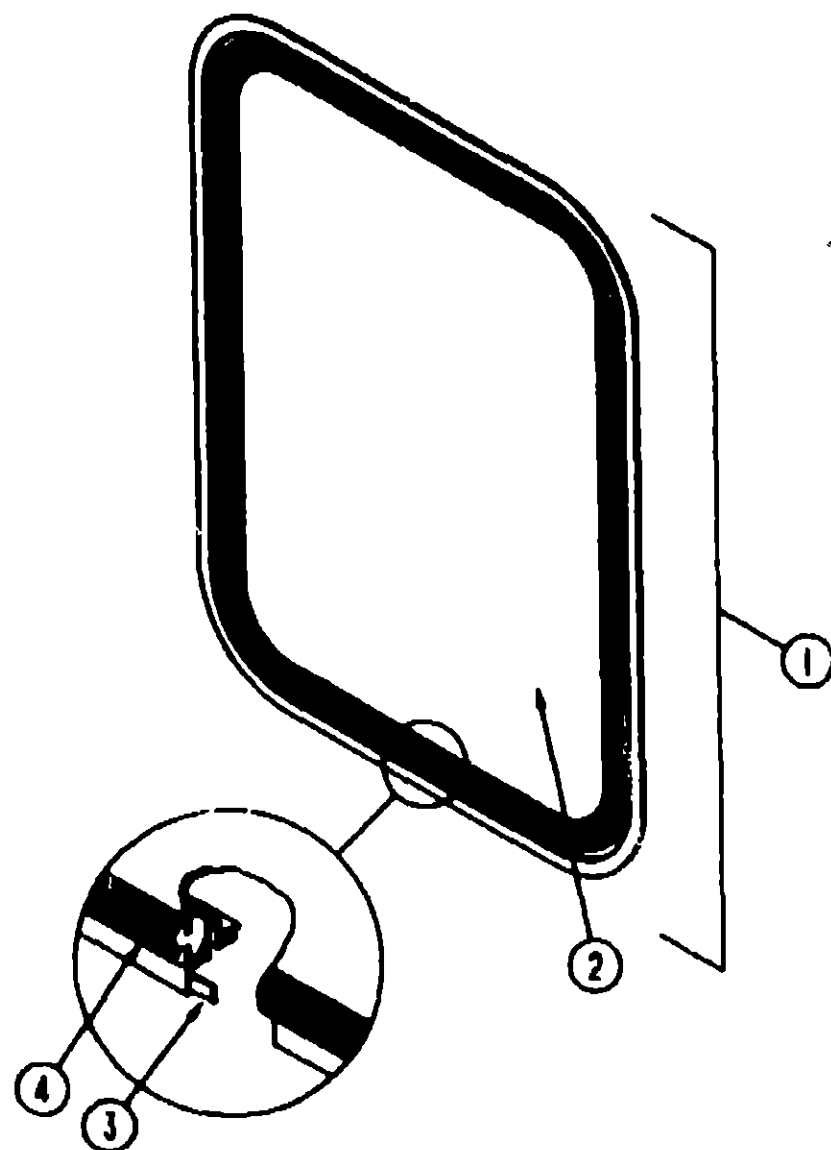
INTRODUCTION	A-01 -	A-02
ABBREVIATIONS		A-03
ALPHABETICAL INDEX	A-04 -	A-08
JCN28RT	A-07 -	F-04

1982 JCN28RT INDEX

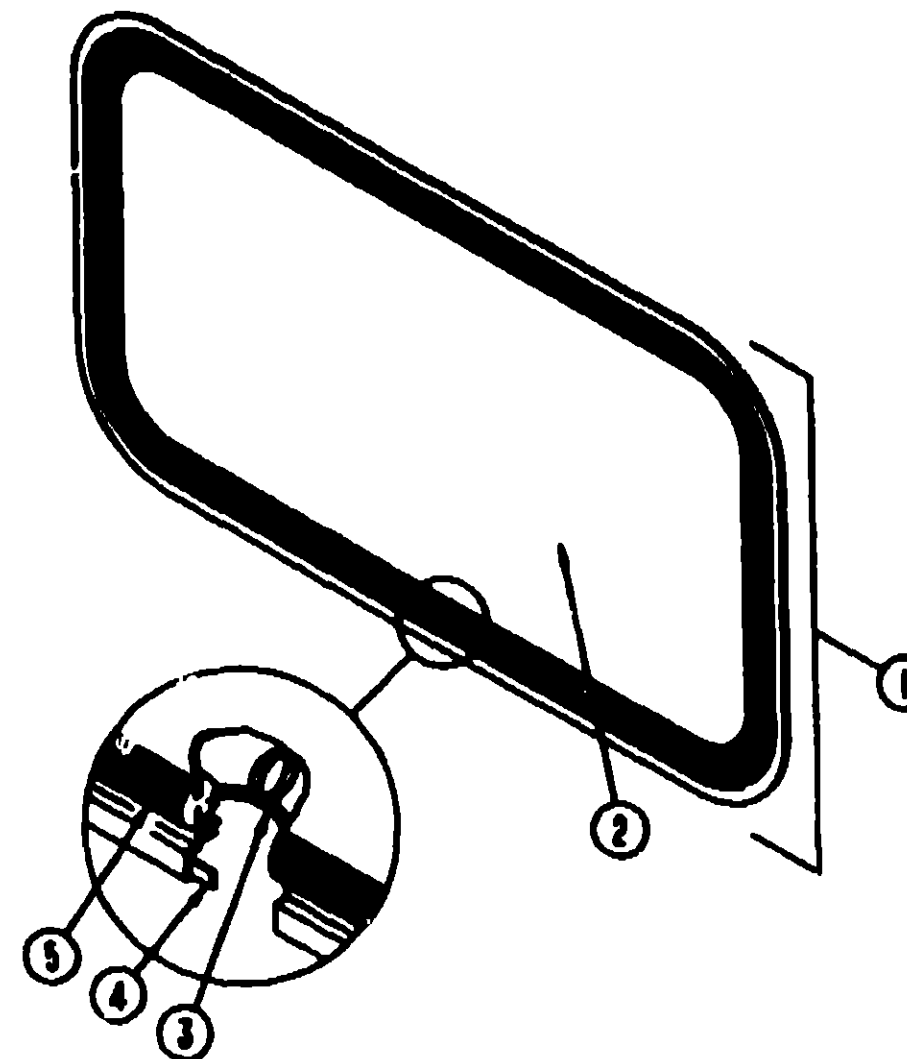
FLOOR PLAN	A-07 -	A-08
ACCESSORIES		A-09
AUDIO VIDEO	A-10 -	A-11
BATH	A-12 -	A-14
BEDROOM	A-15 -	A-17
CHASSIS	A-18 -	B-04
CURTAIN & CUSHION	B-05 -	B-16
DINETTE	B-17 -	B-18
DRIVERS COMPARTMENT	B-19 -	B-24
ELECTRICAL	C-01 -	C-08
EXTERIOR BODY	C-07 -	C-16
GALLEY	C-17 -	C-21
GENERATOR		C-22
HEATING & A/C	C-23 -	D-02
INTERIOR FINISH	D-03 -	D-08
LABEL	D-07 -	D-12
LP		D-13
LOUNGE	D-14 -	D-15
SEALANTS & FASTENERS	D-16 -	D-19
WATER & SEWAGE	D-20 -	D-24
WINDOW, VENT AND EXTERIOR DOOR	E-01 -	E-24
WINDSHIELD & WIPER	F-01 -	F-04

1982 WINNEBAGO
TABLE OF CONTENTS

INTRODUCTION	A-01 -	A-08
ABBREVIATIONS		A-08
ALPHABETICAL INDEX	A-04 -	A-08
JCN28RT	A-07 -	F-04



ENTRY DOOR WINDOW



BACKWALL ESCAPE WINDOW

1982 JCN28RT INDEX

FLOOR PLAN	A-07 -	A-08
ACCESSORIES		A-08
AUDIO VIDEO	A-10 -	A-11
BATH	A-12 -	A-14
BEDROOM	A-15 -	A-17
CHASSIS	A-18 -	B-04
CURTAIN & CUSHION	B-05 -	B-16
CINETTE	B-17 -	B-18
DRIVERS COMPARTMENT	B-19 -	B-24
ELECTRICAL	C-01 -	C-08
EXTERIOR BODY	C-07 -	C-16
GALLEY	C-17 -	C-21
GENERATOR		C-22
HEATING & A/C	C-23 -	D-02
INTERIOR FINISH	D-03 -	D-08
LABEL	D-07 -	D-12
LP		D-13
LOUNGE	D-14 -	D-15
SEALANTS & FASTENERS	D-16 -	D-19
WATER & SEWAGE	D-20 -	D-24
WINDOW, VENT AND		
EXTERIOR DOOR	E-01 -	E-24
WINDSHIELD & WIPER	F-01 -	F-04

KEY	PART NUMBER	U/M DESCRIPTION
	087809-32-000	EA FRAME-WINDOW, ENTRY DOOR - OFF WHITE
1	078733-04-T03	EA WINDOW-PICTURE, W/O INSIDE FRAME - 17" X 25"
2	002181-06-000	EA GLASS-PICTURE WINDOW, 115" X 18 25" X 24"
3	089840-11-000	FT SEALER-TAPE, 3/16" X 3/8" BLACK
4	087561-01-000	FT SEAL-GLASS, EXTERIOR - 5" WIDE - VINYL - BLACK

KEY	PART NUMBER	U/M DESCRIPTION
1	087885-04-Y12	EA WINDOW-ESCAPE, W/O INSIDE FRAME - 30 2" X 48 8"
	078680-08-000	EA FRAME-WINDOW, INSIDE - OFF WHITE
2	078337-08-000	EA GLASS-ESCAPE, - 44 8" X 28" -
3	002285-01-000	FT FILLER-WEATHER STRIP, RUBBER - BLACK
4	089840-07-000	FT SEALER-RIBBON, 2" X 3/32" - INCREMENTS OF 30'
5	002282-01-000	FT WEATHER STRIP-WINDOW, RUBBER - 125" - BLACK
	077086-01-702	FT TAPE ASM-ESCAPE WINDOW

WINDOW, VENT & EXTERIOR DOOR GROUP (CONTINUED)
NON POWERED ROOF VENT

KEY	PART NUMBER	U/M DESCRIPTION
	080382-01-Y12	EA VENT-ROOF, NON POWERED
	008225-01-000	EA WEATHER STRIP-ROOF VENT, GRAY
	008440-01-000	EA GEARARM-VENT COVER, LIFT
	016910-03-000	EA BRACKET-HANDLE, ROOF VENT - OFF WHITE
	018911-01-000	EA TRACK-LIFT ARM, SLIDE - ROOF VENT
	058218-01-000	EA COVER-ROOF VENT
	082839-01-001	EA HINGE-VENT COVER, 182"
	078788-01-Y12	EA SCREEN-ROOF VENT, NON POWERED
	002291-02-000	SF SCREENING-ROOF VENT/WINDOW, 16" - BLACK
	002298-02-000	FT SPLINE-VENT/WINDOW SCREEN, .128 DIAMETER - BLACK
	008438-01-000	EA CRANK HANDLE-ROOF VENT
	008439-03-000	EA EXTENSION-CRANK HANDLE, ROOF VENT - .8"
	008439-04-000	EA SCREW, 8-32 X 1 1/4" PH

VENTILATOR FAN

KEY	PART NUMBER	U/M DESCRIPTION
	084079-08-000	EA VENT-EXHAUST, POWERED - OFF WHITE - FANTASTIC VENT
	084079-01-700	EA VENT COVER - FANTASTIC 1020-19
	084079-01-701	EA SCREEN ASM WHITE - FANTASTIC 1030-80
	084079-01-702	EA ARM LIFT ASM
	084079-01-703	EA CRANK EXTERIOR
	084079-01-704	EA FAN BLADE
	084079-01-705	EA MOTOR
	084079-01-707	EA SAFETY SWITCH - FANTASTIC 1120 00
	084079-01-708	EA REVERSE SWITCH - FANTASTIC 1130-09
	084079-01-709	EA SWITCH ON & OFF (MAIN POWER) - FANTASTIC - 1100 00
	084079-01-710	EA THERMOSTAT - FANTASTIC 1140 00
	084079-01-711	EA H-MOLDING (MOTOR MOUNT)
	084079-01-712	EA GARNISH-INTERIOR, 1 7/8" - OFF WHITE

WINDOW, VENT & EXTERIOR DOOR GROUP (CONTINUED)
ROOF VENTS

KEY	PART NUMBER	U/M DESCRIPTION
	083888-08-000	EA VENT-PLUMBING PIPE ROOF, WDOOR - OFF WHITE
	084073-03-000	EA COVER-ROOF VENT, NORCOLD REFRIGERATOR - OFF WHITE
	084073-04-000	EA BASE-ROOF VENT, NORCOLD REFRIGERATOR - BLACK

SIDEWALL VENT

KEY	PART NUMBER	U/M DESCRIPTION
	082888-02-01A	EA VENT-RANGE HOOD, EXTERIOR - WDOOR - OFF WHITE FROM: 00-00-00 THRU 10-23-91
	082888-03-01A	EA VENT-WDOOR AND SOLENOID - OFF WHITE FROM: 10-23-91 THRU: 99-99-99

SKYLIGHT

KEY	PART NUMBER	U/M DESCRIPTION
	077902-01-000	EA COLLAR-SKYLITE
	080910-01-000	EA COVER-SKYLITE, OUTER - 15 25"X 22 25" - PLASTIC

**1992 WINNEBAGO
TABLE OF CONTENTS**

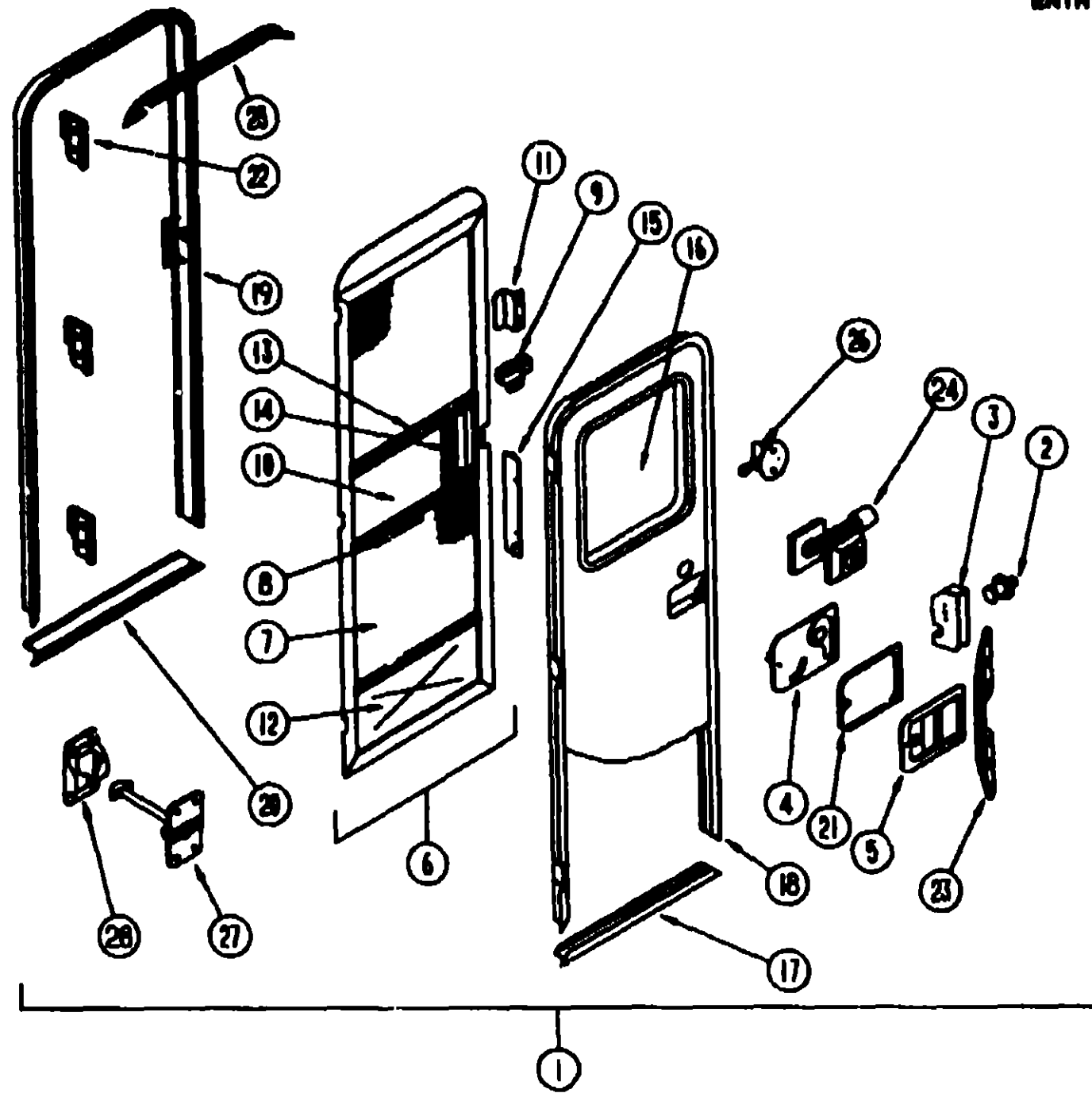
INTRODUCTION	A-01 - A-02
ABBREVIATIONS	A-03
ALPHABETICAL INDEX	A-04 - A-08
JCN28RT	A-07 - F-04

1992 JCN28RT INDEX

FLOOR PLAN	A-07 - A-08
ACCESSORIES	- A-08
AUDIO VIDEO	A-10 - A-11
BATH	A-12 - A-14
BEDROOM	A-15 - A-17
CHASSIS	A-18 - B-04
CURTAIN & CUSHION	B-05 - B-16
DINETTE	B-17 - B-18
DRIVERS COMPARTMENT	B-19 - B-24
ELECTRICAL	C-01 - C-06
EXTERIOR BODY	C-07 - C-16
GALLEY	C-17 - C-21
GENERATOR	- C-22
HEATING & AC	C-23 - D-02
INTERIOR FINISH	D-03 - D-06
LABEL	D-07 - D-12
LP	- D-13
LOUNGE	D-14 - D-15
SEALANTS & FASTENERS	D-16 - D-19
WATER & SEWAGE	D-20 - D-24
WINDOW, VENT AND EXTERIOR DOOR	E-01 - E-24
WINDSHIELD & WIPER	F-01 - F-04

WINDOW, VENT & EXTERIOR DOOR GROUP (CONTINUED)

ENTRY DOOR



KEY	PART NUMBER	U/M DESCRIPTION
6	078012-07-C80	EA DOOR-SCREEN
7	002293-02-000	SF SCREENING-WINDOW/DOOR, 28" - CHARCOAL
8	002294-01-000	FT SPLINE-SCREENING, .125" X .125" - BLACK
	002748-01-000	EA CORNER KEY-DOOR
9	008018-01-000	EA CATCH-ASM-SINGLE ROLLER
10	018454-01-000	EA INSERT-CENTER, LEATHER GRAIN ALUMINUM - UNPAINTED
11	080712-04-000	EA HANDLE-SCREEN DOOR, ALUMINUM - OFF WHITE
12	078552-03-000	EA KICK PANEL-SCREEN DOOR, LOWER INSERT - UNPAINTED
	078585-01-000	EA TOP PLATE-SCREEN DOOR, CURVED TOP - 4 7" X 25.35"
13	078777-01-000	EA CHANNEL-SLIDE, SCREEN DOOR CENTER SLIDER COVER
14	078088-02-000	EA SLIDER-SCREEN DOOR, OFF WHITE
15	078087-02-000	EA STRIKE-SLIDER, W/LIP FOR ELBOW CATCH - 1.5" X 8 8" - OFF WHITE
	008018-01-000	EA CATCH-ELBOW, SPRING LOADED - SCREEN DOOR CATCH
16	078733-04-T03	EA WINDOW-PICTURE, W/O INSIDE FRAME - 17" X 25"
	002181-08-000	EA GLASS-WINDOW, 18 2" X 18.25" X 24" - FROSTED
	057809-32-000	EA FRAME-INSIDE, ENTRY DOOR WINDOW
	081914-01-000	EA BUMPER-RUBBER, ROUND - 43" DIAMETER - BLACK
17	088748-01-000	EA FRAME-BOTTOM, ENTRY DOOR - 24 8" LONG - OFF WHITE
	090340-01-000	FT SEAL-FOAM, CLOSED CELL - 1/4" X 1/2" X 50'
18	095278-05-01A	EA FRAME-ENTRY DOOR, W/O BOTTOM - OFF WHITE
19	095277-08-01A	EA JAMB-ENTRY DOOR, W/BOTTOM - OFF WHITE
20	051049-01-000	EA JAMB-BOTTOM, ENTRY DOOR - 25 8" - UNPAINTED
	078207-02-000	EA RETAINER-SEAL, DOOR JAMB - UNPAINTED
21	098810-01-01A	EA PLATE-LATCH, ENTRY DOOR - PLASTIC - BLACK
22	097724-01-04A	EA HINGE-ENTRY DOOR, UNPAINTED
23	098173-01-04A	EA STIFFENER-ENTRY DOOR, SUPPORTS LATCH/STRIKE AREA - UNPAINTED
	100128-02-000	FT SEAL-PILE, ADHESIVE BACK - SCREEN DOOR - GRAY
24	101145-01-01A	EA DEADBOLT-ENTRY DOOR, W/2 KEYS W/O BACK SET BOLT OR SCREWS
	095229-01-700	EA KEY BLANK
	101147-01-000	EA BOLT-SECURITY, 4 12" BACKSET
	102524-01-000	EA BUMPER-RUBBER, FLAT - BLACK
	058808-01-000	EA PLUG-TAPERED, FOR DEADBOLT - PLASTIC - 94" DIAMETER - RED
25	044582-29-000	EA CAP-DRIP, ENTRY DOOR - JAMB MOUNTED - ALUMINUM - OFF WHITE
	093986-03-01A	EA GARNISH-RADIUS, ENTRY DOOR - OFF WHITE
	078231-01-000	EA SPACER-LATCH, SCREEN DOOR - W/2 HOLES - 1" X 6" - METAL
	077481-03-000	EA COVER-STRIKE, ENTRY DOOR - 8 5" X 2 5" - PLASTIC - WHITE
	090340-01-000	FT SEAL-FOAM, CLOSED CELL - 1/4" X 1/2" X 50'
	091878-01-000	EA RETAINER-DOOR, 1 9" X 8" - METAL
26	100412-01-000	EA CATCH-SCREEN DOOR, THUMB CLIP W/BLACK PLASTIC CAP
	104892-01-000	FT SEAL-ADHESIVE BACK, 3/4" X 34'
27	104089-01-01A	EA CATCH-DOOR HOLDER, STRIKE
28	104089-02-01A	EA CATCH-DOOR HOLDER, RETAINER
	048817-02-000	EA HANDLE-ASSIST, ENTRY DOOR W/LIGHT

**1982 WINNEBAGO
TABLE OF CONTENTS**

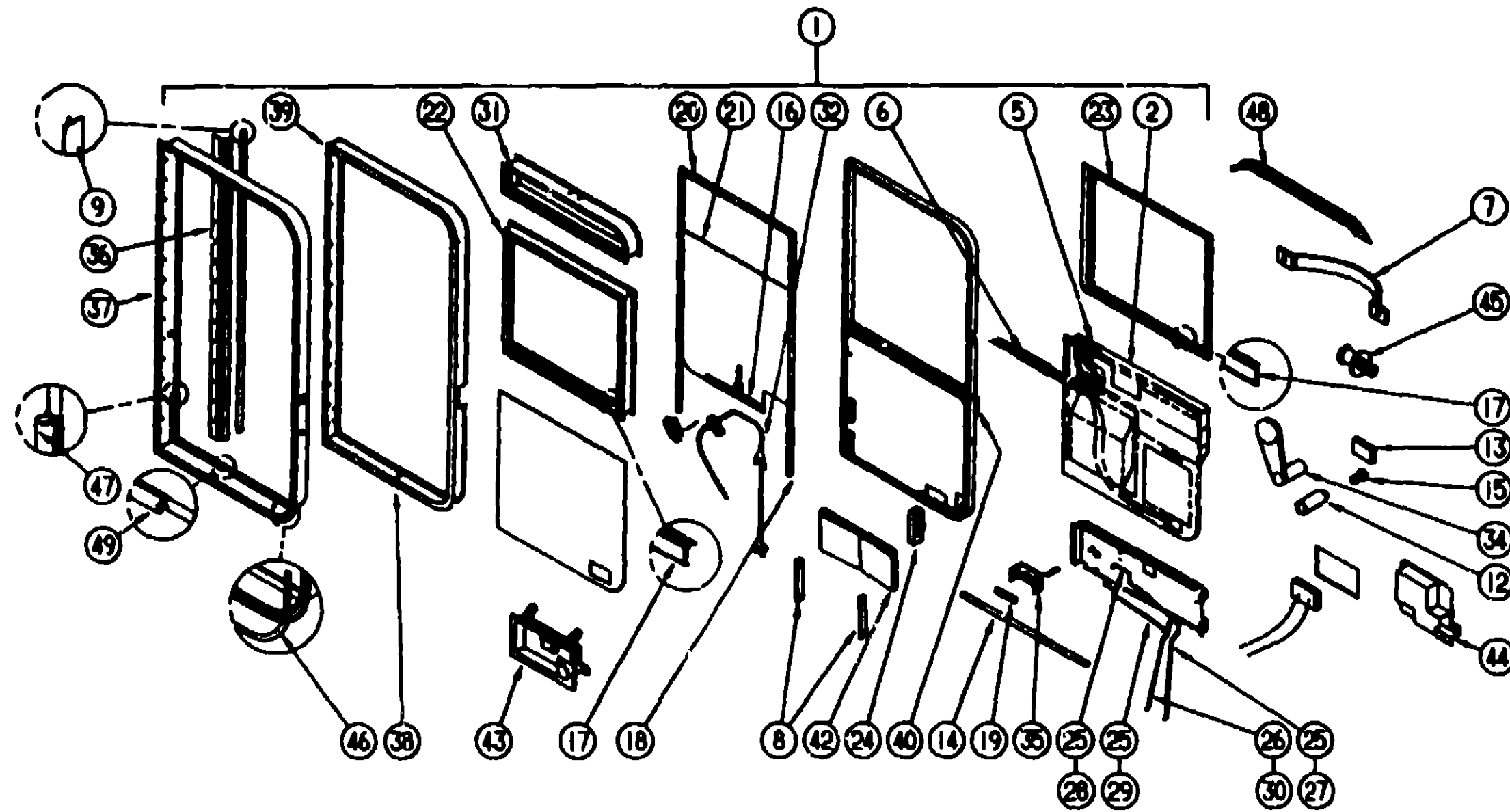
INTRODUCTION	A-01	A-02
ABBREVIATIONS		A-03
ALPHABETICAL INDEX	A-04	A-08
JCN28RT	A-07	F-04

1982 JCN28RT INDEX

FLOOR PLAN	A-07	A-08
ACCESSORIES		A-09
AUDIO VIDEO	A-10	A-11
BATH	A-12	A-14
BEDROOM	A-15	A-17
CHASSIS	A-18	B-04
CURTAIN & CUSHION	B-05	B-16
DINETTE	B-17	B-18
DRIVERS COMPARTMENT	B-10	B-24
ELECTRICAL	C-01	C-08
EXTERIOR BODY	C-07	C-16
GALLEY	C-17	C-21
GENERATOR		C-22
HEATING & A/C	C-23	D-02
INTERIOR FINISH	D-03	D-06
LABEL	D-07	D-12
LP		D-13
LOUNGE	D-14	D-15
SEALANTS & FASTENERS	D-16	D-19
WATER & SEWAGE	D-20	D-24
WINDOW, VENT AND EXTERIOR DOOR	E-01	E-24
WINDSHIELD & WIPER	F-01	F-04

KEY	PART NUMBER	U/M DESCRIPTION
1	M01870-59-C80	EA DOOR-ENTRY, W/SCREEN DOOR, WINDOW & JAMB
2	039539-01-000	EA STRIKE-LOCK, ENTRY DOOR - ROUND W/THREADED WASHER
3	039540-02-000	EA LATCH MECHANISM-HOOK, ENTRY DOOR - INTERIOR
	039715-01-000	EA NUT-SERT, 1/4" DIAMETER - 20 THREADS
4	039979-05-000	EA COVER-INTERIOR LATCH, W/TRIP ARM - LEFT - BLACK
	039084-01-000	EA CAP-ROUND, VINYL - 28" ID X 62" LONG - BLACK
	041546-03-000	EA BRACKET-DOOR ANGLE, 5" X 1 9" - BEIGE - METAL
5	046017-12-000	EA LATCH-ENTRY DOOR, MECHANISM W/LOCK & KEY - BLACK
	046017-11-701	EA KEY BLANK
	058025-02-000	EA CLIP-ROLLER LATCH CATCH, SCREEN DOOR
	083729-04-000	EA RIVNUT, 10-32 UNF - 010-080
	072893-01-000	EA NUT-SERT-M5 X 0, 8
	078571-04-000	FT SEAL-SPONGE, LAZY T SHAPE - W/ADHESIVE STRIPE - 5" WIDE
	083873-01-01A	FT TRIM-ENTRANCE DOOR, 1 3" WIDE - OFF WHITE

WINDOW, VENT & EXTERIOR DOOR GROUP (CONTINUED)
DRIVERS DOOR & COMPONENTS



**1992 WINNEBAGO
TABLE OF CONTENTS**

INTRODUCTION	A-01 -	A-02
ABBREVIATIONS		A-03
ALPHABETICAL INDEX	A-04 -	A-06
JCN28RT	A-07 -	F-04

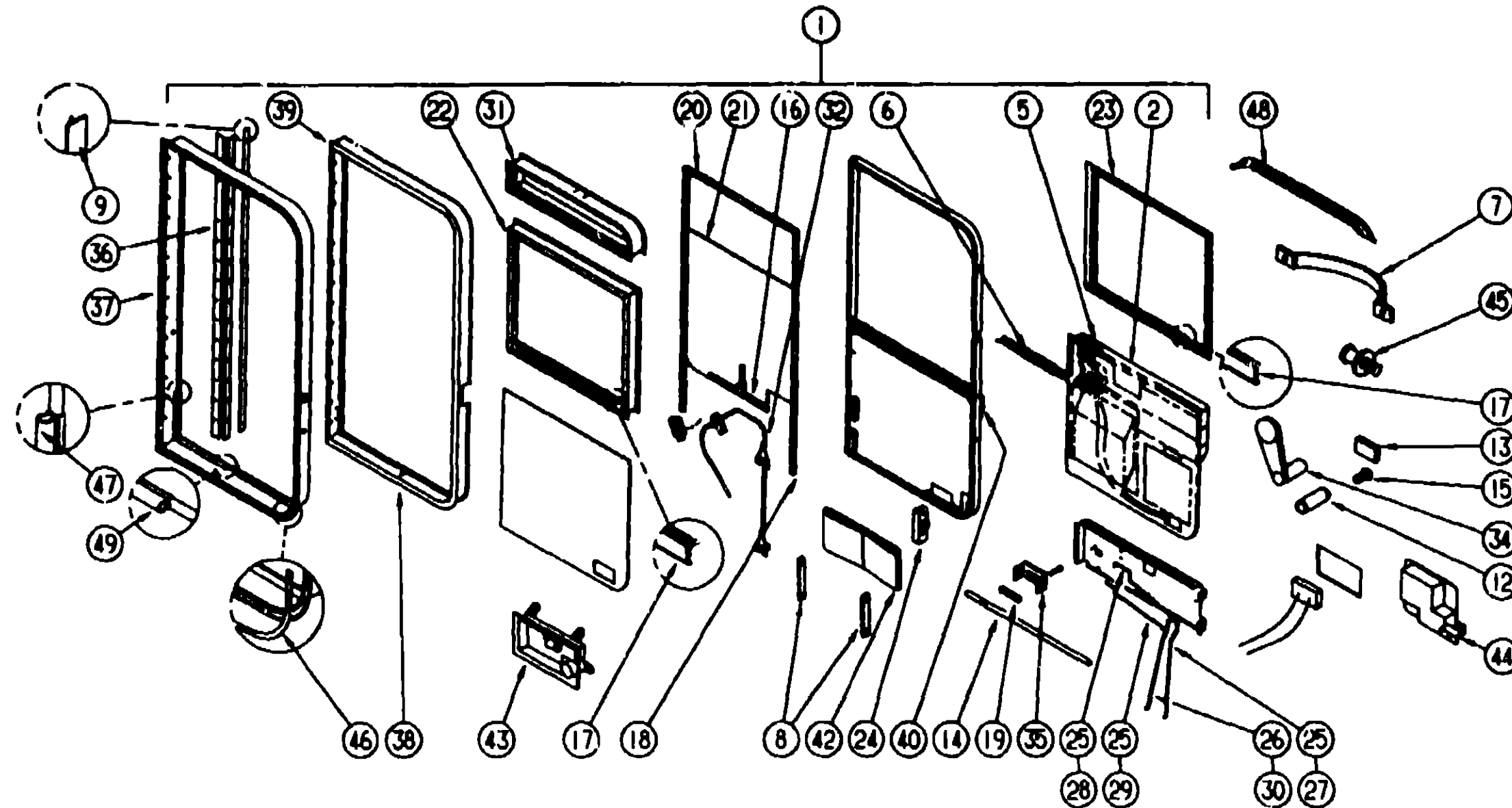
1992 JCN28RT INDEX

FLOOR PLAN	A-07 -	A-08
ACCESSORIES		A-09
AUDIO VIDEO	A-10 -	A-11
BATH	A-12 -	A-14
BEDROOM	A-15 -	A-17
CHASSIS	A-18 -	B-04
CURTAIN & CUSHION	B-05 -	B-16
DINETTE	B-17 -	B-18
DRIVERS COMPARTMENT	B-19 -	B-24
ELECTRICAL	C-01 -	C-06
EXTERIOR BODY	C-07 -	C-16
GALLEY	C-17 -	C-21
GENERATOR		C-22
HEATING & A/C	C-23 -	D-02
INTERIOR FINISH	D-03 -	D-06
LABEL	D-07 -	D-12
LP		D-13
LOUNGE	D-14 -	D-15
SEALANTS & FASTENERS	D-16 -	D-19
WATER & SEWAGE	D-20 -	D-24
WINDOW, VENT AND EXTERIOR DOOR	E-01 -	E-24
WINDSHIELD & WIPER	F-01 -	F-04

KEY	PART NUMBER	U/M DESCRIPTION
1	M97816-01-AE8	EA DOOR-DRIVER, W/TIPOUT - NON POWERED - USE WITH OVERHEAD BUNK ONLY
1	M97816-02-AE8	EA DOOR-DRIVER, W/O TIF-OUT - NON POWERED
1	M97816-05-C80	EA DOOR-DRIVER, W/TIPOUT - POWERED
2	M97748-01-02A	EA PANEL-DOOR, INTERIOR - PLASTIC - GREY
	097308-01-02A	EA COVER-MAP POCKET, GREY
5	093132-01-000	EA SWITCH-ROCKER, 5 TERMINAL W/ARROW GRAPHICS - TORRIX 1737
	108388-02-000	EA WIRE ASSEMBLY-DRIVER DOOR CONTROL PANEL FROM 04-08-92 THRU 99-99-99
8	093144-01-000	EA CONDUIT-WIRE, GM# 15582048
7	081400-16-000	EA STRAP-ASSIST, 12" - BLACK W/BLACK SCREW COVERS
	063729-01-000	EA RIVNUT, 1/4 X 20 UNC - 030-125
8	084219-01-000	EA RETAINER-CHECK STRAP, DRIVER DOOR
3	073571-01-000	FT SEAL-SPONGE, LAZY T SHAPE - WEATHERSTRIP
12	081903-02-000	EA SHAFT-MOUNTING, KNOB
13	081905-02-000	EA KNOB-SLIDE BOLT, BLACK

KEY	PART NUMBER	U/M DESCRIPTION
14	081908-02-000	EA BOLT-SLIDE
15	081908-01-000	EA SCREW-MACHINE, 6-32 X 62 WNYLOCK
18	081911-01-000	FT TAPE-GLASS SETTING, 1/16" X 1 5"
17	081912-02-000	EA WEATHERSTRIP-RIGID
18	082240-03-000	EA CHANNEL-GLASS RUN, BLACK
19	088284-01-000	EA SPRING-COMPRESSION, .44" LONG X 36" OD
20	089454-02-000	EA CHANNEL-GLASS RUN, TOP - BLACK
	090340-01-000	FT SEAL-FOAM, CLOSED CELL - 1/4" X 1/2" X 50'
21	092448-02-000	EA GLASS-DOOR, ROLL UP - 27 5" X 26 3"
22	092752-01-Y10	EA FRAME-WINDOW, INNER - 23 8" X 28"
23	092753-01-Y10	EA FRAME-WINDOW, OUTER
24	092927-04-000	EA LATCH-DRIVER DOOR, MECHANISM
25	092927-05-000	EA CLIP-ROD END - RIGHT
28	092927-06-000	EA CLIP-ROD END - LEFT
27	092928-01-000	EA ROD-LOCK, OUTSIDE
28	092928-03-000	EA ROD-RELEASE, INSIDE
29	092928-04-000	EA ROD-LOCK, INSIDE
30	092928-05-000	EA ROD-RELEASE, OUTSIDE - 19 8" LONG
31	093043-01-Y12	EA WINDOW ASM -UPPER STATIONARY - 4 6" X 28" GLASS
	092987-01-000	EA GLASS-STATIONARY, 4 6" X 28"
31	092974-01-Y12	EA WINDOW ASM -UPPER TIFOUT - 4.5" X 27 8" GLASS - OVHD BUNK ONLY
32	093834-01-000	EA REGULATOR-WINDOW, DRIVER - NON POWERED
32	103392-02-000	EA REGULATOR-POWER WINDOW
		FROM 00-00-00 THRU 03-23-92
32	103392-03-000	EA REGULATOR-POWER WINDOW, W/O LEADS FROM 03-24-92 THRU 99-99-99

WINDOW, VENT & EXTERIOR DOOR GROUP (CONTINUED)
DRIVERS DOOR & COMPONENTS (CONTINUED)



1992 WINNEBAGO
TABLE OF CONTENTS

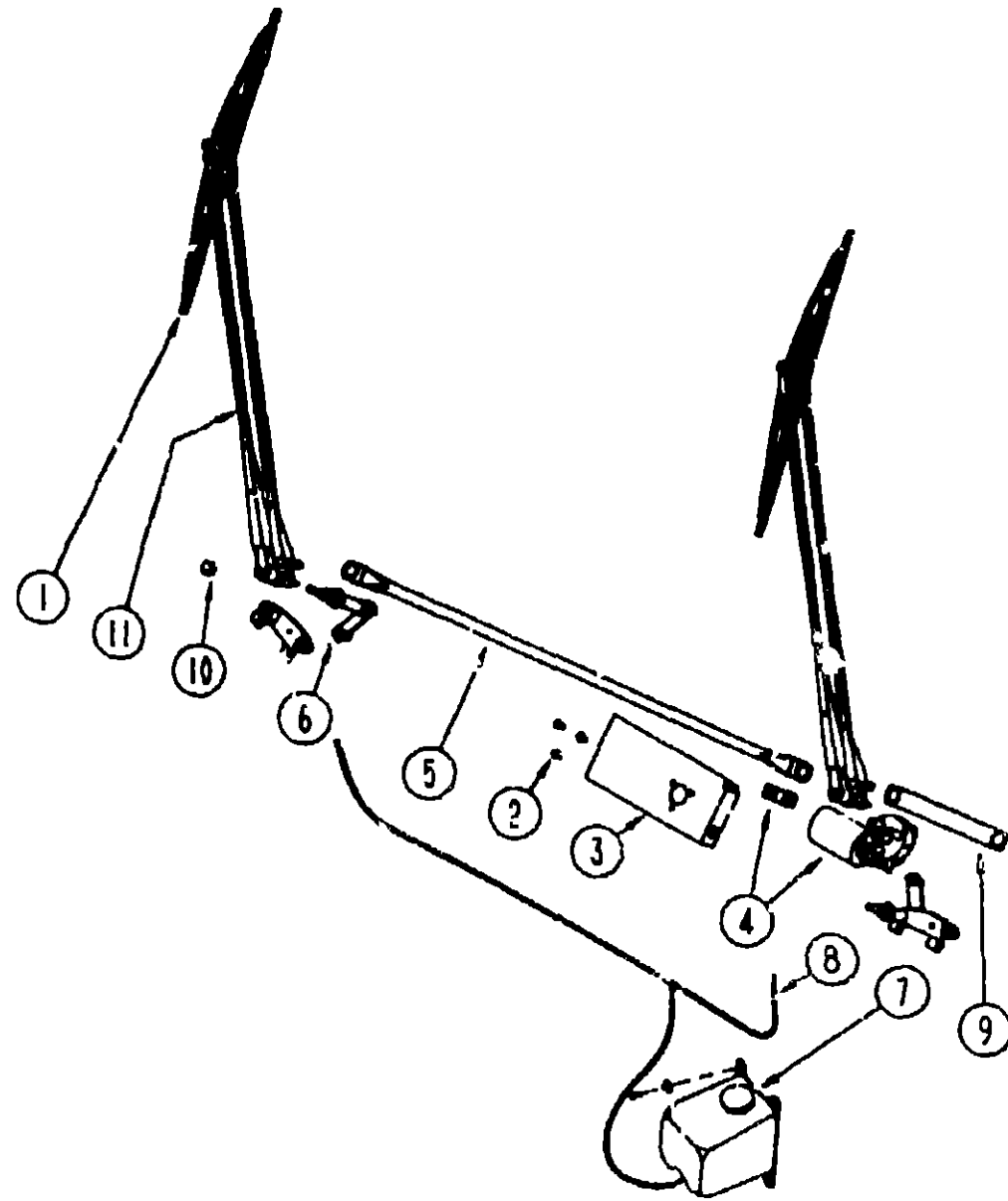
INTRODUCTION	A-01 -	A-02
ABBREVIATIONS		A-03
ALPHABETICAL INDEX	A-04 -	A-08
JCN28RT	A-07 -	F-04

1992 JCN28RT INDEX

FLOOR PLAN	A-07 -	A-08
ACCESSORIES		A-09
AUDIO VIDEO	A-10 -	A-11
BATH	A-12 -	A-14
BEDROOM	A-15 -	A-17
CHASSIS	A-18 -	B-04
CURTAIN & CUSHION	B-05 -	B-16
DINETTE	B-17 -	B-18
DRIVERS COMPARTMENT	B-19 -	B-24
ELECTRICAL	C-01 -	C-08
EXTERIOR BODY	C-07 -	C-16
GALLEY	C-17 -	C-21
GENERATOR		C-22
HEATING & A/C	C-23 -	D-02
INTERIOR FINISH	D-03 -	D-08
LABEL	D-07 -	D-12
LP		D-13
LOUNGE	D-14 -	D-15
SEALANTS & FASTENERS	D-16 -	D-19
WATER & SEWAGE	D-20 -	D-24
WINDOW, VENT AND EXTERIOR DOOR	E-01 -	E-24
WINDSHIELD & WIPER	F-01 -	F-04

KEY	PART NUMBER	U/M	DESCRIPTION
34	094575-01-000	EA	CRANK-HAND, GLASS LIFT
35	095809-01-000	EA	BRACKET-DEADBOLT
36	097207-01-03A	EA	HINGE-CONTINUOUS, OFF WHITE
37	097278-01-AE6	EA	JAMB-DOOR
38	097279-01-02A	EA	FRAME-DOOR, REAR OUTER - OFF WHITE
39	097280-01-02A	EA	FRAME-DOOR, FRONT OUTER - OFF WHITE
40	097367-01-000	EA	BRACKET-SUPPORT, DOOR LOCK
42	098030-01-000	EA	STRAP-CHECK, DRIVER DOOR - BLACK
	098030-02-000	EA	STRAP-CHECK, DRIVER DOOR - BLACK
43	102235-01-01A	EA	LATCH-OUTSIDE, DRIVER DOOR - RI ACK
	045017-11-701	EA	BLANK KEY
44	102237-01-01A	EA	LATCH-INSIDE, DRIVER DOOR - BLACK
45	092927-03-000	EA	STRIKER-ROUND, JAMB MOUNTED - TRIMARK 10335-16
46	097315-01-01A	FT	TRIM-INSERT, DRIVER DOOR - 43" WIDE - VINYL - OFF WHITE
47	081832-01-000	FT	SEAL-BULB, W/WIRE CARRIER - DOOR - 8" WIDE - RUBBER
48	084184-07-000	EA	CAP-DRIP, DRIVER DOOR - OFF WHITE
49	084075-07-001	FT	SEAL-BULB, W/WIRE U CHANNEL - 3" X 5" CHANNEL - BLACK
	103413-01-01A	EA	GARNISH-DRIVERS DOOR, OFF WHITE
	100028-01-000	FT	TAPE-ADHESIVE, .031" X 75" WIDE
	063977-08-000	EA	STEP-DRIVER DOOR - BLACK
	063888-12-000	EA	HANDLE-ASSIST, DRIVER DOOR - METAL - OFF WHITE
	079370-04-000	FT	COVER-SCREW, WINDOW - VINYL - BLACK

**WINDSHIELD & WIPER GROUP
WIPER COMPONENTS**



KEY	PART NUMBER	U/M	DESCRIPTION
1	095984-01-000	EA	BLADE ASM -WIPEH, 24"
	095984-01-700	EA	BLADE-REFILL, WIPER - PAIR - 24"
2	096526-01-000	EA	SCREW-HEX, 1/4 - 28 UNF
3	092334-01-000	EA	BRACKET-WIPER, MOTOR
4	104355-02-000	EA	MOTOR ASM, W/DRIVE ARM
	067188-01-000	EA	STUD-CRANK, WIPER
5	067182-01-000	EA	LINK-CONNECTING, W/BLACK BUSHING - 37 85"
6	098505-01-000	EA	PIVOT SHAFT
7	058000-02-000	EA	WASHER-WINDSHIELD, BOTTLE & PUMP
	058000-01-700	FT	VACUUM HOSE 7/64 - 5/32
8	045794-01-000	FT	HOSE-WASHER, WINDSHIELD - 5/32" I.D. - BLACK
9	067183-02-000	EA	LINK-CONNECTING, W/BLACK BUSHING - 9 2"
10	077049-01-000	EA	NUT-ACORN, 10-32 ALUMINUM
11	095963-01-000	EA	ARM-WIPER, PANTOGRAPH - 28"
	095931-01-700	EA	HOSE F/WIPER BLADES
	096931-01-701	EA	NOZZLE HDWRE, KIT
	077048-01-000	EA	SHAFT-ADAPTER, WINDSHIELD PANTOGRAPH ARM
	104347-02-000	EA	ARM-DRIVE, WIPER MOTOR - WINDSHIELD - 6Z120-20-LE25WJ

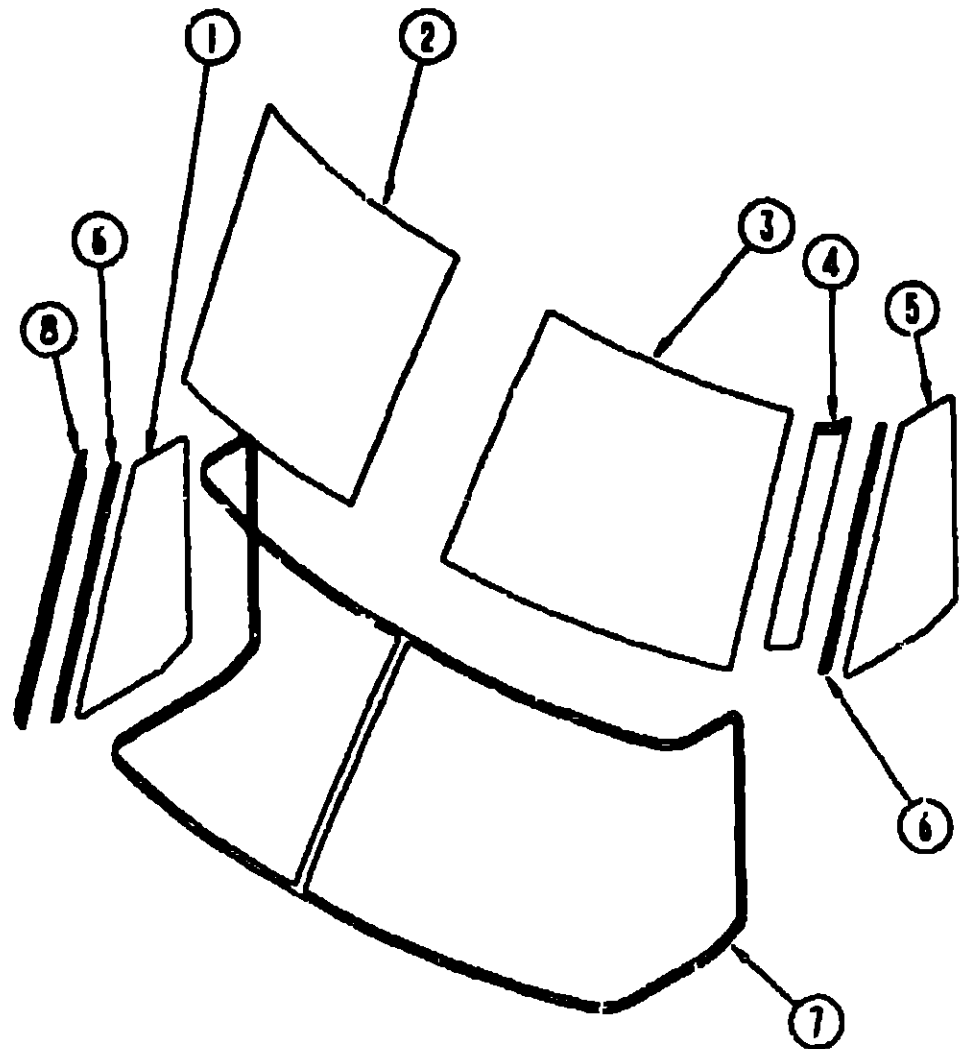
**1992 WINNEBAGO
TABLE OF CONTENTS**

INTRODUCTION	A-01 - A-02
ABBREVIATIONS	A-03
ALPHABETICAL INDEX	A-04 - A-06
JCN28RT	A-07 - F-04

1992 JCN28RT INDEX

FLOOR PLAN	A-07 - A-08
ACCESSORIES	- A-09
AUDIO VIDEO	A-10 - A-11
BATH	A-12 - A-14
BEDROOM	A-15 - A-17
CHASSIS	A-18 - B-04
CURTAIN & CUSHION	B-05 - B-16
DINETTE	B-17 - B-18
DRIVERS COMPARTMENT	B-19 - B-24
ELECTRICAL	C-01 - C-06
EXTERIOR BODY	C-07 - C-16
GALLEY	C-17 - C-21
GENERATOR	- C-22
HEATING & A/C	C-23 - D-02
INTERIOR FINISH	D-03 - D-06
LABEL	D-07 - D-12
LP	- D-13
LOUNGE	D-14 - D-15
SEALANTS & FASTENERS	D-16 - D-19
WATER & SEWAGE	D-20 - D-24
WINDOW, VENT AND	
EXTERIOR DOOR	E-01 - E-24
WINDSHIELD & WIPER	F-01 - F-04

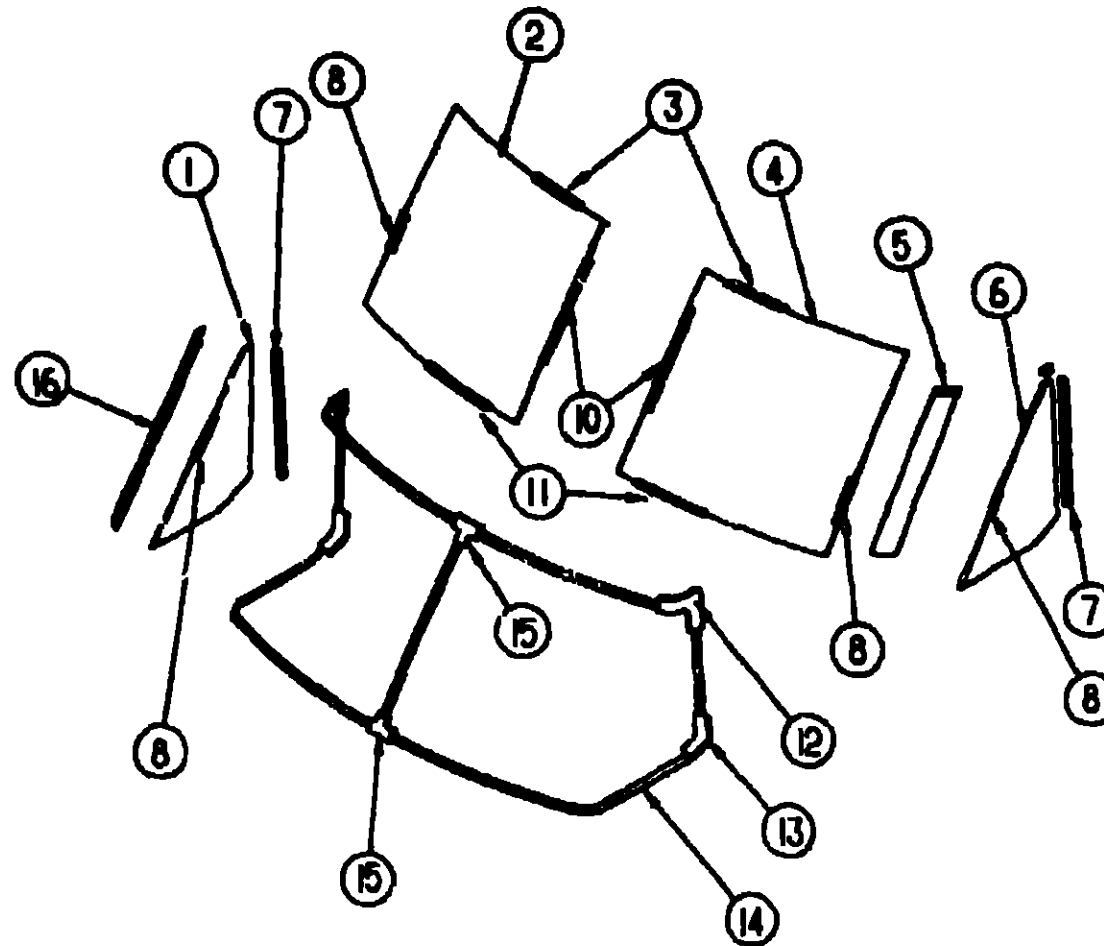
WINDSHIELD & WIPER GROUP (CONTINUED)



**WINDSHIELDS, TRIMS & MOLDINGS
(FROM: 00-00-00 THRU: 01-06-92)**

KEY	PART NUMBER	U/M DESCRIPTION
1	091953-03-000	EA GLASS-CORNER VENT - PASSENGER
2	091215-01-000	EA GLASS-WINDSHIELD - PASSENGER
3	091215-02-000	EA GLASS-WINDSHIELD - DRIVER
4	091901-02-000	EA TRIM-A'PILLAR - DRIVER - BETWEEN WINDSHIELD & VENT GLASS - BLACK
5	091953-04-000	EA GLASS-CORNER VENT - DRIVER
6	098788-01-000	EA CHANNEL-RIGID - WINDSHIELD - 38" - PVC
7	091986-01-000	EA MOLDING-REVEAL - WINDSHIELD - SURROUNDS BOTH WINDSHIELDS
8	091901-01-000	EA TRIM-A'PILLAR - PASSENGER - BETWEEN WINDSHIELD & VENT GLASS - BLACK
	002328-02-000	EA BLOCK-WINDSHIELD - 062" X 5" X 98"
	075710-04-000	EA FRAME-WINDSHIELD - INNER - CENTER
	091929-01-000	EA FRAME-WINDSHIELD - UPPER
	091959-01-000	EA FRAME-WINDSHIELD - LOWER
	091969-01-000	EA FRAME-WINDSHIELD - LOWER - INNER - PASSENGER
	091969-02-000	EA FRAME-WINDSHIELD - LOWER - INNER - DRIVER
	104449-01-000	EA SUPPORT-WINDSHIELD

WINDSHIELD & WIPER GROUP (CONTINUED)



**WINDSHIELDS - TRIMS & MOLDINGS
(FROM: 01-06-92 THRU: 99-99-99)**

KEY	PART NUMBER	U/M DESCRIPTION
1	091953-05-000	EA GLASS-CORNER VENT - PASSENGER
2	091215-03-000	EA GLASS-WINDSHIELD - PASSENGER
3	102935-05-000	EA WINDSHIELD CARRIER - 42 1"
4	091215-04-000	EA GLASS-WINDSHIELD - DRIVER
5	091901-02-000	EA TRIM-A'PILLAR - DRIVER - BETWEEN WINDSHIELD & VENT GLASS - BLACK
6	091953-06-000	EA GLASS-CORNER VENT - DRIVER
7	106112-01-000	EA CARRIER-REVEAL - WINDSHIELD
8	098788-06-000	EA CHANNEL-RIGID - WINDSHIELD
10	102935-04-000	EA CARRIER-REVEAL - WINDSHIELD - CENTER
11	102935-08-000	EA CARRIER-REVEAL - WINDSHIELD
12	106115-01-000	EA CAP-REVEAL MOLDING - WINDSHIELD - TOP
13	106114-01-000	EA CAP-REVEAL MOLDING - WINDSHIELD - CORNER
14	102936-01-000	EA MOLDING-REVEAL - WINDSHIELD - SURROUNDS BOTH WINDSHIELDS
15	077952-02-000	EA CAP-REVEAL MOLDING - CENTER TOP AND BOTTOM WINDSHIELD
16	091901-01-000	EA TRIM-A' PILLAR - PASSENGER - BETWEEN WINDSHIELD & VENT GLASS - BLACK
	075710-04-000	EA FRAME-WINDSHIELD - INNER - CENTER
	091929-01-000	EA FRAME-WINDSHIELD - UPPER
	091959-02-000	EA FRAME-WINDSHIELD - LOWER
	091969-01-000	EA FRAME-WINDSHIELD - LOWER - INNER - PASSENGER
	091969-02-000	EA FRAME-WINDSHIELD - LOWER - INNER - DRIVER
	104449-01-000	EA SUPPORT-WINDSHIELD

**1992 WINNEBAGO
TABLE OF CONTENTS**

INTRODUCTION	A-01 -	A-02
ABBREVIATIONS		A-03
ALPHABETICAL INDEX	A-04 -	A-08
JCN28RT	A-07 -	F-04

1992 JCN28RT INDEX

FLOOR PLAN	A-07 -	A-08
ACCESSORIES		A-09
AUDIO VIDEO	A-10 -	A-11
BATH	A-12 -	A-14
BEDROOM	A-15 -	A-17
CHASSIS	A-18 -	B-04
CURTAIN & CUSHION	B-05 -	B-16
DINETTE	B-17 -	B-18
DRIVERS COMPARTMENT	B-19 -	B-24
ELECTRICAL	C-01 -	C-06
EXTERIOR BODY	C-07 -	C-16
GALLEY	C-17 -	C-21
GENERATOR		C-22
HEATING & A/C	C-23 -	D-02
INTERIOR FINISH	D-03 -	D-06
L.F. REL.	D-07 -	D-12
L.P.		D-13
Lounge	D-14 -	D-15
SEALANTS & FASTENERS	D-16 -	D-19
WATER & SEWAGE	D-20 -	D-24
WINDOW, VENT AND EXTERIOR DOOR	E-01 -	E-24
WINDSHIELD & WIPER	F-01 -	F-04