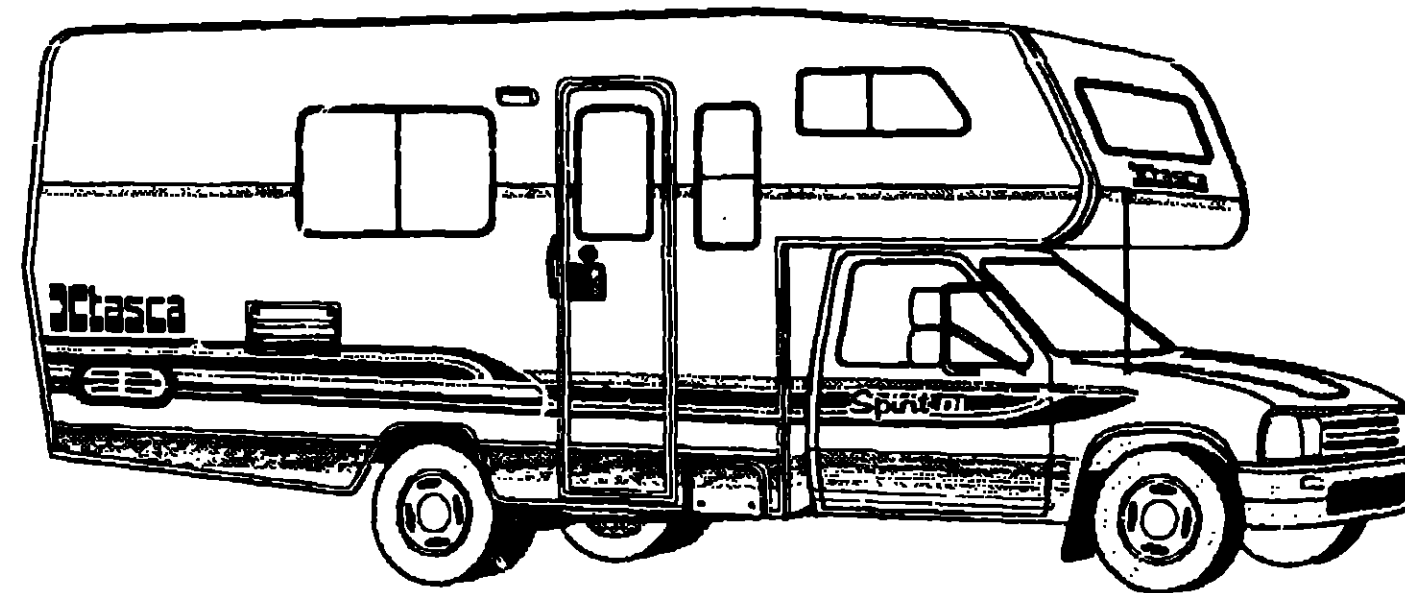


**1992 ITASCA
TABLE OF CONTENTS**

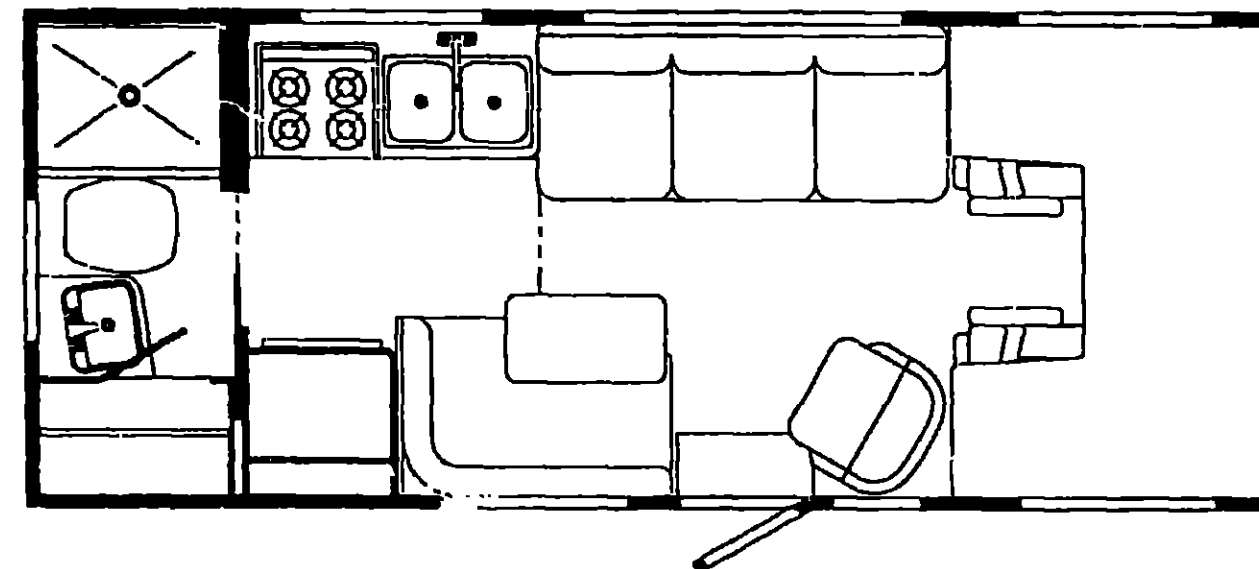
| | | |
|--------------------|------|------|
| INTRODUCTION | A-01 | A-02 |
| ABBREVIATIONS | | A-03 |
| ALPHABETICAL INDEX | A-04 | A-06 |
| I1320RB | A-07 | C-24 |
| IT321RB | D-01 | F-20 |
| IT321RL | F-21 | I-16 |



**1992
IT321RL
C29
C30**

1992 IT321RL INDEX

| | | |
|-----------------------------------|------|------|
| FLOOR PLAN | F-21 | F-22 |
| ACCESSORIES | | F-23 |
| AUDIO VIDEO | | F-24 |
| BATH | G-01 | G-02 |
| CHASSIS | G-03 | G-04 |
| CURTAIN & CUSHION | G-05 | G-11 |
| DINETTE | | G-12 |
| DRIVERS COMPARTMENT | | G-13 |
| ELECTRICAL | G-14 | G-17 |
| EXTERIOR BODY | G-18 | G-22 |
| GALLEY | G-23 | H-04 |
| GENERATOR | | H-05 |
| HEATING & A/C | | H-06 |
| INTERIOR FINISH | H-07 | H-10 |
| LABEL | H-11 | H-15 |
| LP | | H-16 |
| LOUNGE | H-17 | H-18 |
| SEALANTS & FASTENERS | H-19 | H-20 |
| WATER & SEWAGE | H-21 | H-24 |
| WINDOW, VENT AND EXTERIOR DOOR | I-01 | I-16 |



**ACCESSORIES GROUP
OPERATORS MANUAL & BINDER**

| KEY | PART NUMBER | U/M DESCRIPTION |
|-----|---------------|---------------------------------------|
| | 054185-86-000 | EA MANUAL-OPERATOR, 1992 SPIRIT |
| | 092318-01-000 | EA BINDER-3 RING, MOTOR HOME MANUAL |
| | 092319-01-000 | EA POCKET PAGE-3 RING BINDER, PLASTIC |

**AUDIO VIDEO GROUP
RADIO SYSTEM COMPONENTS & ANTENNA**

| KEY | PART NUMBER | U/M DESCRIPTION |
|-----|---------------|---------------------------------------------------------------------------------------------|
| | 090050-01-000 | EA ANTENNA-RADIO, TOYOTA - AUDIOVOX FMF22T |
| | 090051-02-000 | EA SPEAKER-4" ROUND, AUDIOVOX |
| | 089340-02-000 | EA GRILLE-SPEAKER, 6.5" SQUARE |
| | 094097-01-000 | EA SPEAKER-RADIO, W/O GRILLE - 5 25" DIA - AUDIOVOX 110C3030 |
| | 090052-03-000 | EA MOUNT-TRIM KIT, RADIO - TOYOTA - AUDIOVOX 9005203000 FROM: 00-00-00 THRU: 01-05-92 |
| | 090052-05-000 | EA MOUNT-TRIM KIT, RADIO - TOYOTA - AUDIOVOX IM-10Y-92 FROM: 01-06-92 THRU: 99-99-99 |
| | 090052-04-000 | EA MOUNT-TRIM KIT, RADIO - TOYOTA - AUDIOVOX 9005204000 (DELUXE OPTION) |
| | 090982-01-000 | EA RADIO-AM/FM CASSETTE, ELECTRIC TUNE - AUDIOVOX HCC-1035 FROM: 00-00-00 THRU: 01-05-92 |
| | 104089-01-000 | EA RADIO-AM/FM STEREO, CASSETTE - AUDIOVOX IM-DXF FROM: 01-06-92 THRU: 99-99-99 |
| | 097459-01-000 | EA RADIO-AM/FM STEREO, CASSETTE - AUDIOVOX IM-DXA (DELUXE OPTION) |
| | 074979-01-000 | EA SHIELD-SPEAKER, BACK - MOLDED PLASTIC - 8" X 9" - BEIGE |

TV ANTENNA

| KEY | PART NUMBER | U/M DESCRIPTION |
|-----|---------------|--------------------------------------------------------|
| | 076319-15-000 | EA ANTENNA-TV, ROOF - NONPOWERED - 23.5" WINEGARD-1504 |
| | 076319-01-700 | EA HEAD-ANTENNA, AMPLIFIED - WINEGARD # VSA U/V |
| | 076319-01-701 | EA GEAR-ELEVATING, PLASTIC - WINEGARD #2200046 |
| | 076319-01-702 | EA SHAFT ASM-ELEVATING, WINEGARD# VP-400A |
| | 076319-01-703 | EA BEARING-NYLON, 5"OD - WINEGARD # 3200656 |
| | 076319-01-705 | EA GROMMET-NYLON, 7/8"ID - WINEGARD # 3200658 |
| | 076319-01-706 | EA CRANK-ELEVATING, W/SET SCREW - WINEGARD #5755100 |
| | 076319-01-707 | EA SPRING-HANDLE, WINEGARD# 5160800 |
| | 076319-01-709 | EA PLATE-DIRECTIONAL, FOR HEAD - WINEGARD #3200644 |
| | 076319-01-710 | EA CRANK-ELEVATING, HALF MOON - WINEGARD #2750897 |
| | 082134-01-000 | EA ADAPTER-TV, CABLE TO CABLE - WINEGARD F-81M |
| | 082136-01-000 | EA NUT-HEX JAM 3/8-32 WINEGARD |
| | 076319-02-000 | FT CABLE-COAXIAL, 75 OHM |
| | 076319-12-000 | EA CONNECTOR-COAXIAL, ONE PIECE |
| | 102837-01-02A | EA PLATE-WALL, CABLE/ANTENNA |
| | 076319-06-000 | EA ADAPTOR-CABLE ROOF PLATE, WINEGARD RPJ-1 |

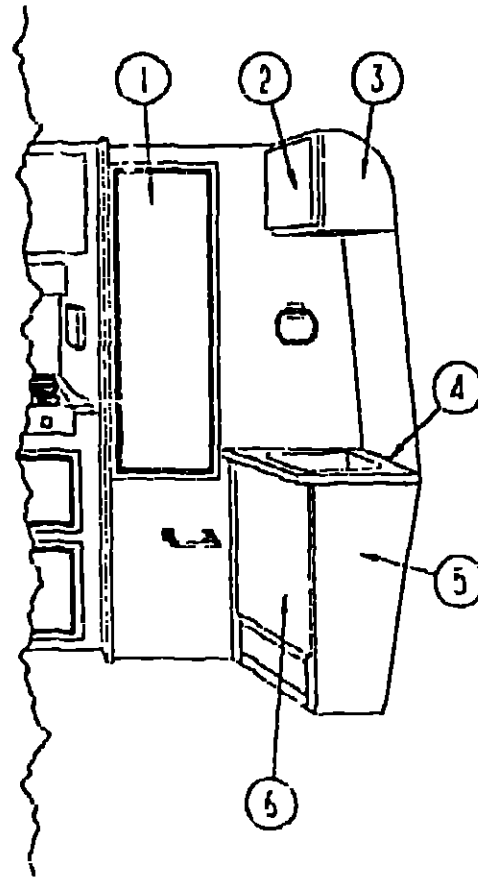
**1992 ITASCA
TABLE OF CONTENTS**

| | | |
|--------------------|--------|------|
| INTRODUCTION | A-01 - | A-02 |
| ABBREVIATIONS | | A-03 |
| ALPHABETICAL INDEX | A-04 - | A-06 |
| IT320RB | A-07 - | C-24 |
| IT321RB | D-01 - | F-20 |
| IT321RL | F-21 - | I-16 |

1992 IT321RL INDEX

| | | |
|-----------------------------------|--------|------|
| FLOOR PLAN | F-21 - | F-22 |
| ACCESSORIES | | F-23 |
| AUDIO VIDEO | | F-24 |
| BATH | G-01 - | G-02 |
| CHASSIS | G-03 - | G-04 |
| CURTAIN & CUSHION | G-05 - | G-11 |
| DINETTE | | G-12 |
| DRIVERS COMPARTMENT | | G-13 |
| ELECTRICAL | G-14 - | G-17 |
| EXTERIOR BODY | G-18 - | G-22 |
| GALLEY | G-23 - | H-04 |
| GENERATOR | | H-05 |
| HEATING & A/C | | H-06 |
| INTERIOR FINISH | H-07 - | H-10 |
| LABEL | H-11 - | H-15 |
| LP | | H-16 |
| LOUNGE | H-17 - | H-18 |
| SEALANTS & FASTENERS | H-19 - | H-20 |
| WATER & SEWAGE | H-21 - | H-24 |
| WINDOW, VENT AND EXTERIOR DOOR | I-01 - | I-16 |

BATH GROUP



BATH CABINETS & FIXTURES

**BATH GROUP (CONTINUED)
BATH CABINETS & FIXTURES CONT'D**

**1992 ITASCA
TABLE OF CONTENTS**

| | | |
|--------------------|------|------|
| INTRODUCTION | A-01 | A-02 |
| ABBREVIATIONS | | A-03 |
| ALPHABETICAL INDEX | A-04 | A-06 |
| IT320RB | A-07 | C-24 |
| IT321RB | D-01 | F-20 |
| IT321RL | F-21 | I-16 |

| KEY | PART NUMBER | U/M DESCRIPTION |
|-----|---------------|-------------------------------------------------------------------------------------------|
| | 075240-06-000 | EA FAUCET-LAVATORY, BONE |
| | 105218-01-01A | EA SPACER-FAUCET, LAVATORY SINK - 2" X 5 9" - ABS PLASTIC DW/ FROM 00-00-00 THRU 10-13-91 |
| | 051255-02-000 | FT SEAL-ADHESIVE BACKED FOAM, 18" THICK X 1 5" WIDE |
| | 091208-01-000 | EA WASHER-RUBBER, 65" X 75" X 5" |
| | 051253-01-000 | EA GASKET-FAUCET, LAVATORY/GALLEY |
| | 055927-01-01A | EA SINK-LAVATORY, RECTANGULAR - PLASTIC - BONE |
| | 055927-01-700 | EA SINK-STOPPER |
| | 055927-01-701 | EA TAILPIECE-SINK |

BATH CABINET HARDWARE

| KEY | PART NUMBER | U/M DESCRIPTION |
|-----|---------------|-----------------------------------------------------------|
| | 009148-01-000 | EA PULL-FINGER, .75" DIAMETER - BRASS |
| | 059410-01-01A | EA PULL-FINGER, OVAL - BRASS |
| | 059783-01-000 | FT ROD-CLOTHES, SLOTTED - ALUMINUM - 7' LENGTH |
| | 092464-03-01A | EA TRACK-SHOWER, CURVED - OFF WHITE |
| | 009700-01-002 | EA TRACK, L-SHAPED 195 2" - STRAIGHT - OFF WHITE |
| | 009135-02-000 | EA HANGER-RING, PIN TYPE - CURTAIN - BRASS |
| | 009701-01-000 | EA CARRIER-CURTAIN, L ROD |
| | 009702-01-000 | EA END STOP-CURTAIN CARRIER, L ROD |
| | 039175-02-000 | EA BRACKET-CURTAIN ROD, EXTENDING CAFE - DELUXE OPTION |
| | 039175-03-000 | EA ROD-CAFE, CURTAIN - EXTENDS 28" TO 48" - DELUXE OPTION |

TOILET

| KEY | PART NUMBER | U/M DESCRIPTION |
|-----|---------------|-----------------------------------------------|
| | 053740-01-000 | EA TOILET-HIGH, HAND FLUSH - THETFORD, 150120 |
| | 063740-01-700 | EA LEVER-WATER, THETFORD 12514 |
| | 063740-01-701 | EA LEVER-FLUSH, THETFORD 12515 |
| | 063740-01-705 | EA BOLT PACKAGE-CLOSET, THETFORD 12524 |
| | 063740-01-710 | EA LINK, THETFORD 12513 |
| | 063740-01-711 | EA SPRING-RETURN LEVER, THETFORD 12523 |
| | 063740-01-713 | EA SEAL-BALL VALVE TO BOWL, THETFORD 12502 |
| | 063740-01-714 | EA VALVE ASM-WATER, THETFORD 12492 |
| | 063740-01-716 | EA SEAT & COVER, THETFORD 15017 |
| | 063740-01-717 | EA TUBE-FLUSH, TOILET |
| | 063740-01-718 | EA RING & COVER-SEAT, PARCHMENT |
| | 063641-01-000 | EA FLANGE-CLOSET, 4" X 3" |

SHOWER COMPONENTS

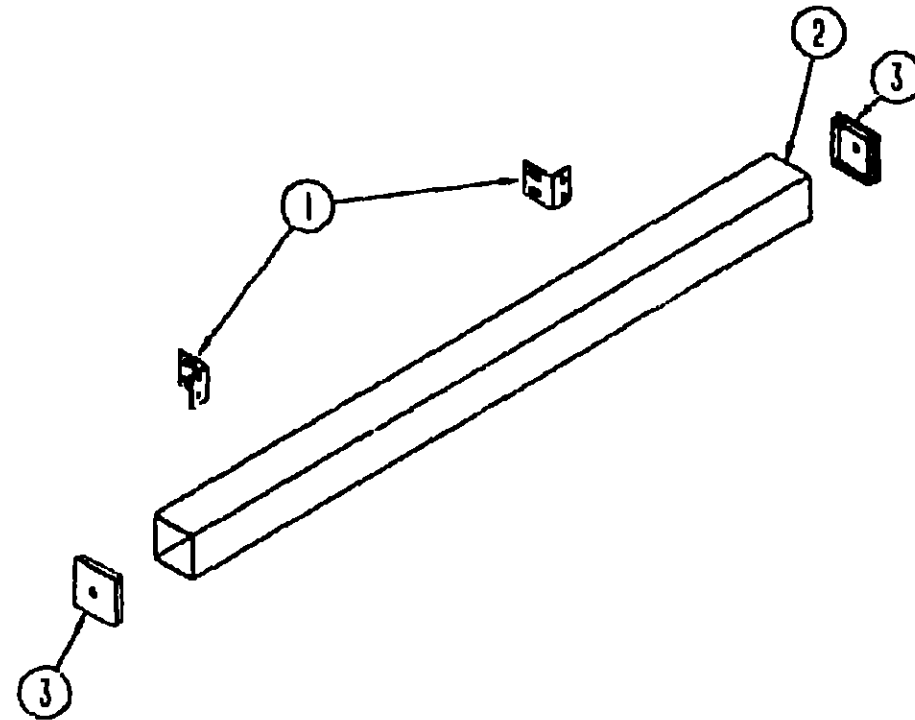
| KEY | PART NUMBER | U/M DESCRIPTION |
|-----|----------------|--------------------------------------------------------------------------------------|
| | 075453-02-000 | EA BAR-TOWEL, 18" BRASS |
| | 011048-05-000 | EA SHOWER HEAD-W/60" HOSE, W/O VACUUM BREAKER - CANADIAN FROM 00-00-00 THRU 11-03-91 |
| | 011048-02-000 | EA SHOWER HEAD-W/60" HOSE - US FROM 00-00-00 THRU 11-03-91 |
| | 103092-02-000 | EA SHOWER HEAD-W/60" HOSE - CANADIAN FROM 11-04-91 THRU 99-99-99 |
| | 103092-01-000 | EA SHOWER HEAD-W/60" HOSE - US FROM 11-04-91 THRU 99-99-99 |
| | 075241-05-000 | EA FAUCET-SHOWER, BONE |
| | 075606-01-000 | EA PANEL-FAUCET BACK, SHOWER - 5" X 9" - PLASTIC |
| | 1102630-03-028 | EA SHOWER PAN W/NUT, STRAINER & WASHER |
| | 056436-01-000 | EA NUT-SLIP, TAILPIECE - 1 5" |
| | 056440-01-000 | EA STRAINER-SHOWER, W/RUBBER WASHER |
| | 059735-01-000 | EA WASHER-STRAINER TO TAILPIECE PLASTIC, 1 5" |
| | 011059-03-000 | EA TAILPIECE-SHOWER/TUB, 1 1/2" X 1 3/4" - PLASTIC |
| | 057671-01-000 | EA COVER-SCREW, #8 - PLASTIC - OFF WHITE" |
| | 084724-02-000 | EA TRIM-SHOWER, OFF WHITE |
| | 080549-07-805 | EA PANEL-DOOR, W/PULL |

1992 IT321RL INDEX

| | | |
|--------------------------------|------|------|
| FLOOR PLAN | F-21 | F-22 |
| ACCESSORIES | | F-23 |
| AUDIO VIDEO | | F-24 |
| BATH | G-01 | G-02 |
| CHASSIS | G-03 | G-04 |
| CURTAIN & CUSHION | G-05 | G-11 |
| DINETTE | | G-12 |
| DRIVERS COMPARTMENT | | G-13 |
| ELECTRICAL | G-14 | G-17 |
| EXTERIOR BODY | G-18 | G-22 |
| GALLEY | G-23 | H-04 |
| GENERATOR | | H-05 |
| HEATING & A/C | | H-06 |
| INTERIOR FINISH | H-07 | H-10 |
| LABEL | H-11 | H-15 |
| LP | | H-16 |
| LCUNGE | H-17 | H-18 |
| SEALANTS & FASTENERS | H-19 | H-20 |
| WATER & SEWAGE | H-21 | H-24 |
| WINDOW, VENT AND EXTERIOR DOOR | I-01 | I-16 |

| KEY | PART NUMBER | U/M DESCRIPTION |
|-----|---------------|------------------------------------------------------------------------------------|
| 1 | F03702-16-BB7 | EA DOOR-CABINET, MIRROR - W/O HARDWARE - 15 6" X 45 5" FROM 00-00-00 THRU 04-22-91 |
| | 058331-39-000 | EA MIRROR-GLASS, SAFETY - 12 8" X 42 8" FROM 00-00-00 THRU 04-22-91 |
| 1 | F04745-56-C29 | EA DOOR-CABINET, MIRROR - W/O HARDWARE - 15 5" X 45 5" FROM 09-23-91 THRU 11-20-91 |
| 1 | F04535-12-C29 | EA DOOR-CABINET, MIRROR - W/O HARDWARE - 15 5" X 45 5" FROM 11-21-91 THRU 99-99-99 |
| 2 | F03702-72-C29 | EA DOOR-CABINET, MIRROR - W/O HARDWARE - 12" X 29 1" FROM 00-00-00 THRU 09-22-91 |
| | 058331-40-000 | EA MIRROR-GLASS, SAFETY - 9 2" X 26 4" FROM 00-00-00 THRU 09-22-91 |
| 2 | F04745-57-C29 | EA DOOR-CABINET, MIRROR - W/O HARDWARE - 12" X 29 1" FROM 09-23-91 THRU 11-19-91 |
| 2 | F04535-11-C29 | EA DOOR-CABINET, MIRROR - W/O HARDWARE - 12" X 29 1" FROM 11-20-91 THRU 99-99-99 |
| 3 | M05150-05-C29 | EA CABINET-OVERHEAD, MEDICINE - W/O DOORS OR HARDWARE |
| 4 | 099928-11-C29 | EA COUNTERTOP-LAVATORY CABINET |
| 5 | M99928-01-C29 | EA CABINET-LAVATORY W/COUNTERTOP |
| 5 | M99928-03-C29 | EA CABINET-LAVATORY W/COUNTERTOP - DELUXE OPTION |
| 5 | M99928-03-C30 | EA CABINET-LAVATORY W/COUNTERTOP - DELUXE OPTION |
| 6 | F03702-71-C29 | EA DOOR-CABINET, W/O HARDWARE - 12" X 21 8" |
| | 078238-23-B37 | EA PANEL-ACCESS, 358 X 162 |
| | 099958-01-C29 | EA DOOR-SLIDING, 680 X 1780 - W/PULL |
| | 009155-01-000 | EA HANGER-SLIDING DOOR FROM 00-00-00 THRU 04-29-92 |
| | 103874-01-000 | EA HANGER-SLIDING DOOR FROM 04-30-92 THRU 99-99-99 |
| | 064457-01-000 | EA GUIDE-POCKET SLIDING DOOR - WALL MOUNTED |
| | 071817-03-000 | EA TRACK-SLIDING DOOR, 51 2" - MILL FINISH FROM 00-00-00 THRU 04-29-92 |
| | 103869-05-01A | EA TRACK-SLIDING DOOR, 51 2" - OFF WHITE FROM 04-30-92 THRU 99-99-99 |
| | 075452-02-000 | EA HOLDER-TOILET TISSUE, BRASS |
| | 075454-02-000 | EA RING-TOWEL, W/MOUNTING HARDWARE - BRASS |

CHASSIS GROUP



REAR BUMPER & BRACKETS

| KEY | PART NUMBER | U/M DESCRIPTION |
|-----|---------------|-----------------------------------------|
| 1 | 102775-01-000 | EA BRACKET BUMPER UNPAINTED |
| 1 | 108762-01-01A | EA BRACKET-BUMPER, OFF WHITE |
| 2 | 102775-01-01A | EA BUMPER REAR, OFF WHITE |
| 2 | 103422-03-01A | EA BUMPER-REAR, OFF WHITE |
| 3 | 039779-01-000 | EA CAP-BUMPER, RUBBER - 4' X 4' - BLACK |

SPARE TIRE W/RIM & MOUNTING BRACKET

| KEY | PART NUMBER | U/M DESCRIPTION |
|-----|---------------|-----------------------------------------------|
| | M00060-65-000 | EA TIRE-SPARE, W/RIM - 185R14LT - BRIDGESTONE |
| | M00080-65-700 | EA CARRIER-SPARE TIRE, TOYOTA |
| | M00060-65-701 | EA TIRE-SPARE, W/RIM - 185R14LT - DUNLOP |
| | 084773-01-000 | EA BRACKET-MOUNTING, SPARE TIRE |

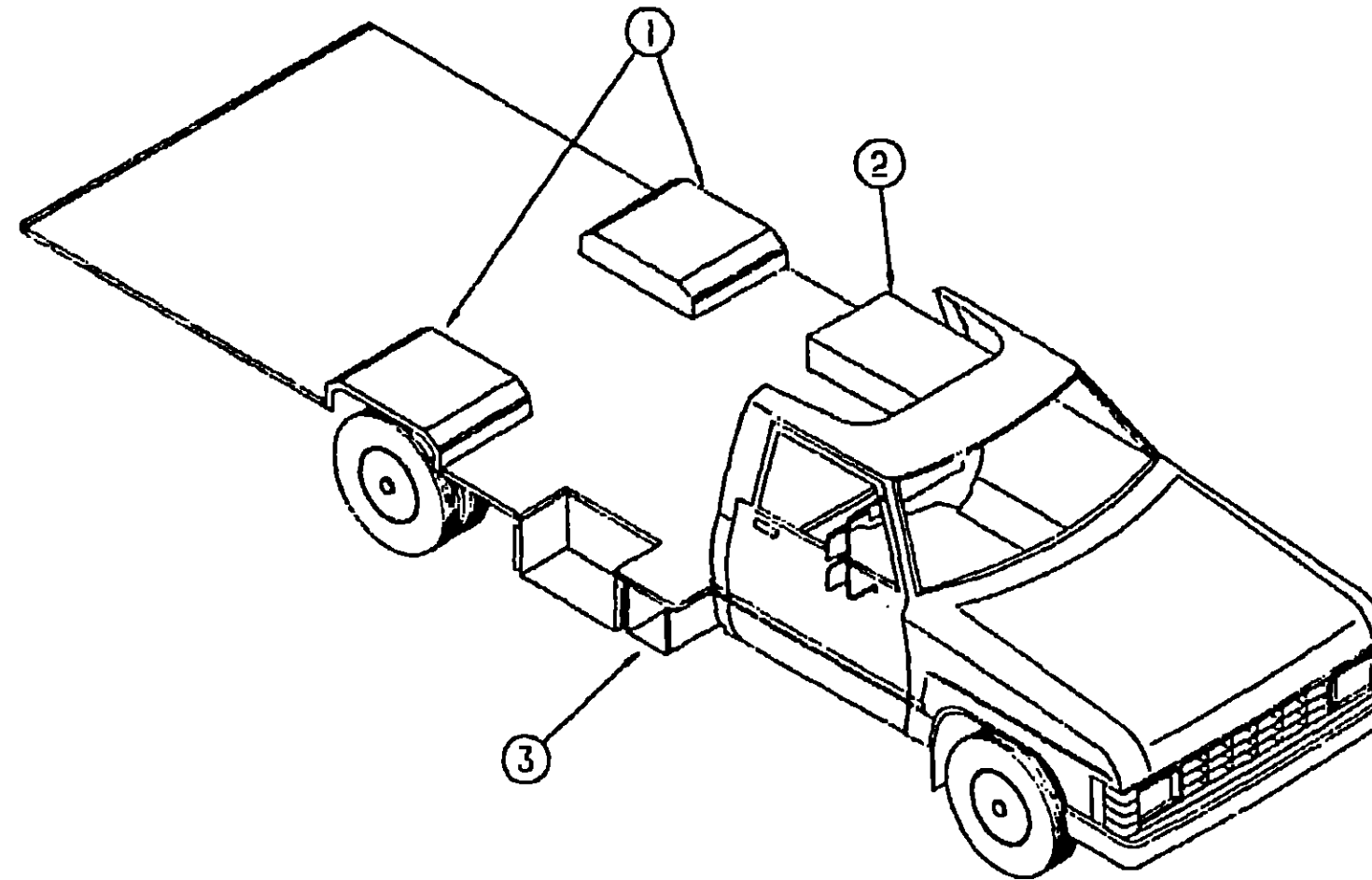
FUEL SYSTEM COMPONENTS

| KEY | PART NUMBER | U/M DESCRIPTION |
|-----|---------------|--------------------------------------|
| | 007063-01-000 | FT HOSE-GAS 1/4" ID X 1/2" OD |
| | 084884-01-000 | EA PLUG-BRASS, 3/8" |
| | C37269-01-000 | EA TEE-1/4" X 1/4" X 1/4", BRASS |
| | 100599-01-000 | EA NECK-FILLER, MAIN - UNLEADED FUEL |
| | 078200-01-000 | EA GASKET-FUEL FILL, 1.5" OD X 2" ID |
| | 095854-01-02A | EA SHROUD-FUEL FILL, OFF WHITE |

MISCELLANEOUS CHASSIS COMPONENTS

| KEY | PART NUMBER | U/M DESCRIPTION |
|-----|---------------|-----------------------------------------------------|
| | 093048-04-000 | EA PLATE ASM-SKID |
| | 086760-01-000 | EA GUARD-SPLASH, RUBBER - TOYOTA - SET OF 2 - BLACK |
| | 102627-01-01A | EA COVER-HUB W/BOLT - GRAY - KAPER II |
| | 102627-01-700 | EA BOLT-HUB COVER, KAPER II |
| | 055278-51-259 | EA TUBING-STEEL, .75" X 1.5" X 12.5' |
| | 006042-01-000 | FT TUBING-VINYL, 65" ID |

CHASSIS GROUP (CONTINUED)



COMPARTMENTS & WHEELWELLS

| KEY | PART NUMBER | U/M DESCRIPTION |
|-----|---------------|-------------------------------------------------------|
| 1 | 084637-01-000 | EA WHEELWELL-PLASTIC |
| 2 | 083665-02-000 | EA TRAY-GENERATOR/STORAGE COMPARTMENT |
| 2 | 096302-03-000 | EA COMPARTMENT-GENERATOR, 25 1" WIDE X 17 7" DEEP |
| 2 | 096304-01-000 | EA COVER-BAFFLE, GENERATOR |
| | 077953-01-000 | EA GROMMET-EDGE LINER, FITS 1" |
| | 058027-01-000 | FT SEAL, D SHAPED - HOLLOW - SPONGE RUBBER - BLACK |
| 3 | 100824-01-000 | EA COMPARTMENT-BATTERY PLASTIC |
| | 084993-01-000 | EA STRAP-BATTERY |
| | 104231-01-01A | EA COVER-INTERIOR PIPE, FOR EXTERIOR SHOWER - PLASTIC |
| | 106208-01-01A | EA COMPARTMENT-SHOWER, EXTERIOR - OFF WHITE |

EXHAUST SYSTEM COMPONENTS

| KEY | PART NUMBER | U/M DESCRIPTION |
|-----|---------------|------------------------------------|
| | 007125-06-000 | EA CLAMP-MUFFLER, 2 25" DIAMETER |
| | 084596-02-000 | EA EXTENSION-TAILPIPE, 2" DIAMETER |

REAR AIR BAG SYSTEM

| KEY | PART NUMBER | U/M DESCRIPTION |
|-----|---------------|--------------------------------------------------------------------------|
| | 100293-01-000 | EA AIRSPRING-MICRO MINI, 4" DIA - 3-T RV T-9E2 |
| | 100293-01-701 | EA HOSE, W/MALE VALVES - 3T T9AL |
| | 100293-01-703 | EA FITTING-AIRLINE, FEMALE - 3T 3114 |
| | 100293-01-704 | EA AIR BAG KIT, BAG W/AIR LINE & BRACKETS TO MOUNT ON 1 SIDE - 3T RK-E2W |
| | 100332-01-000 | EA PLATE-VALVE, AIR SPRING |

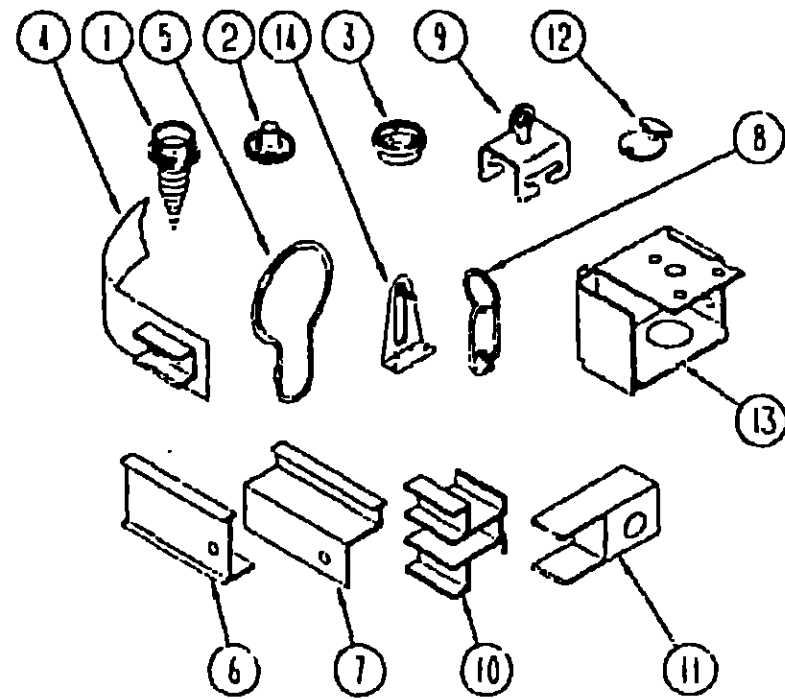
1992 ITASCA TABLE OF CONTENTS

| | |
|--------------------|-------------|
| INTRODUCTION | A-01 - A-02 |
| ABBREVIATIONS | A-03 |
| ALPHABETICAL INDEX | A-04 - A-06 |
| IT320RB | A-07 - C-24 |
| IT321RB | D-01 - F-20 |
| IT321RL | F-21 - I-16 |

1992 IT321RL INDEX

| | |
|--------------------------------|-------------|
| FLOOR PLAN | F-21 - F-22 |
| ACCESSORIES | - F-23 |
| AUDIO VIDEO | - F-24 |
| BATH | G-01 - G-02 |
| CHASSIS | G-03 - G-04 |
| CURTAIN & CUSHION | G-05 - G-11 |
| DINETTE | - G-12 |
| DRIVERS COMPARTMENT | - G-13 |
| ELECTRICAL | G-14 - G-17 |
| EXTERIOR BODY | G-18 - G-22 |
| GALLEY | G-23 - H-04 |
| GENERATOR | - H-05 |
| HEATING & A/C | - H-06 |
| INTERIOR FINISH | H-07 - H-10 |
| LABEL | H-11 - H-15 |
| LP | - H-16 |
| LOUNGE | H-17 - H-18 |
| SEALANTS & FASTENERS | H-19 - H-20 |
| WATER & SEWAGE | H-21 - H-24 |
| WINDOW, VENT AND EXTERIOR DOOR | I-01 - I-16 |

CURTAIN & CUSHION GROUP



CURTAIN, BLIND & SHADE HARDWARE

| KEY | PART NUMBER | U/M DESCRIPTION |
|-----|---------------|------------------------------------------------------------------------------------------|
| 1 | 029130-01-000 | EA SCREW-SNAP SOCKET 8 PH X 5/8" |
| 2 | 029155-01-000 | EA CAP-SNAP NICKEL |
| 3 | 029156-01-000 | EA SOCKET-SNAP FASTENER NICKEL |
| 4 | 101031-01-000 | YD TAPE-GLIDE CURTAIN- 4 25" SPACING |
| 5 | 009136-02-000 | EA HANGER-RING, PIN TYPE - CURTAIN - BRASS |
| 6 | 092464-03-01A | EA TRACK-SHOWER, CURVED - OFF WHITE |
| 6 | 009700-04-002 | EA TRACK L-SHAPED 195 2" - STRAIGHT - OFF WHITE |
| | 101032-01-000 | FT TRACK-CURTAIN, CEILING MOUNT - WHITE FROM 00-00-00 THRU 08-18-91 |
| 7 | 105450-05-01A | EA TRACK-CURTAIN, 79" LONG - ALUMINUM - OFF WHITE FROM 08-19-91 THRU 99-99-99 |
| 8 | 009701-01-000 | EA CARRIER-CURTAIN L ROD |
| 9 | 009702-01-000 | EA END STOP-CURTAIN CARRIER L ROD |
| 10 | 101033-01-000 | FT TRACK-CURTAIN LOW PROFILE - WHITE FROM 00-00-00 THRU 03-01-92 |
| 10 | 101033-03-000 | FT TRACK-CURTAIN LOW PROFILE - WHITE FROM 03-02-92 THRU 99-99-99 |
| 11 | 101033-02-000 | EA END CAP-TRACK CLEAR |
| 12 | 102555-01-000 | EA CLEAT-CORD, BLIND - OFF WHITE |
| 13 | 093170-01-000 | EA BRACKET-BLIND, RIGHT SIDE |
| 13 | 083170-02-000 | EA BRACKET-BLIND, LEFT SIDE |
| | 093475-01-700 | EA WAND-BLIND, W/METAL CLIP - 8" LONG |
| | 093475-01-701 | EA END CAP-BLIND, W/STUD |
| 14 | 095591-02-000 | EA BRACKET-HOLD DOWN, W/PIN - BLIND - METAL |
| | 069522-03-000 | EA PANEL-LEG, TWO SIDE 27" LONG - PLASTIC - BLACK |
| | 089522-04-000 | EA PANEL-LEG, TWO SIDED 31 5" LONG - PLASTIC - BLACK |
| | 089916-01-000 | EA MOUNT-WINDOW LEG, 23 75" - ALUMINUM - BLACK 23 75" LONG - 6 3" BETWEEN SCREW HOLES |
| | 103986-01-000 | FT TRIM-VALANCE, U-CHANNEL - 75" WIDE - BRASS |
| | 046867-01-000 | EA GROMMET-BRASS - 7/16" ID X 1" OD |
| | 088792-01-000 | YD VELCRO-HOOK, 75" WIDE - BEIGE |
| | 048394-02-000 | YD VELCRO TAPE-HOOK, ADHESIVE BACK - 75" WIDE - BEIGE |
| | 088792-02-000 | YD VELCRO TAPE-LOOP, ADHESIVE BACKED - 75" WIDE - BEIGE |
| | 039175-02-000 | EA BRACKET-CURTAIN ROD, EXTENDING CAFF. - DELUXE OPTION |
| | 039175-03-000 | EA ROD-CAFE, CURTAIN - EXTENDS 28" TO 48" - DELUXE OPTION |

CURTAIN & CUSHION GROUP (CONTINUED)

FABRIC

| KEY | PART NUMBER | U/M DESCRIPTION |
|-----|---------------|--------------------------------------------------------------------------------------------|
| | 029219-01-000 | YD FABRIC-VINYL, 54" WIDE - WHITE |
| | 075580-09-000 | YD FABRIC-VINYL, 54" WIDE - OFF WHITE FROM 00-00-00 THRU 04-16-91 |
| | 103907-01-01A | YD FABRIC-VINYL, 54" WIDE - OFF WHITE FROM 04-17-91 THRU 99-99-99 |
| | 072333-82-000 | YD FABRIC-CURTAIN, 54" WIDE - BEIGE |
| | 075244-04-000 | YD FABRIC-VINYL, SHOWER CURTAIN - 72" WIDE - SALMON (C29) |
| | 075244-05-000 | YD FABRIC-VINYL, SHOWER CURTAIN - 72" WIDE - BLUE (C30) |
| | 083273-73-000 | YD FABRIC-CURTAIN/BEDSPREAD, PATTERNED - 54" WIDE (C29) |
| | 088273-70-000 | YD FABRIC-CURTAIN/BEDSPREAD, PATTERNED - 54" WIDE (C30) |
| | 095008-50-000 | YD FABR.C-UPHOLSTERY/CURTAIN, PATTERNED WOVEN-54" WIDE (C29) |
| | 095008-83-000 | YD FABRIC-UPHOLSTERY/CURTAIN, PATTERNED VELOUR-54" WIDE (C30) |
| | 095008-91-000 | YD FABRIC-UPHOLSTERY STRIPED WOVEN - 54" WIDE (C29) |
| | 095008-84-000 | YD FABRIC-UPHOLSTERY, STRIPED WOVEN - 54" WIDE (C30) |
| | 095008-92-000 | YD FABRIC-UPHOLSTERY/CURTAIN, PLAIN VELOUR - 54" WIDE (C29) FROM 00-00-00 THRU 09-08-91 |
| | 095008-85-000 | YD FABRIC-UPHOLSTERY/CURTAIN PLAIN VELOUR - 54" WIDE (C30) FROM 00-00-00 THRU 09-08-91 |
| | 104233-28-000 | YD FABRIC-UPHOLSTERY/CURTAIN, PLAIN VELOUR - 54" WIDE (C29) FROM 09-09-91 THRU 99-99-99 |
| | 104233-27-000 | YD FABRIC-UPHOLSTERY/CURTAIN, PLAIN VELOUR 54" WIDE (C30) FROM 09-09-91 THRU 99-99-99 |

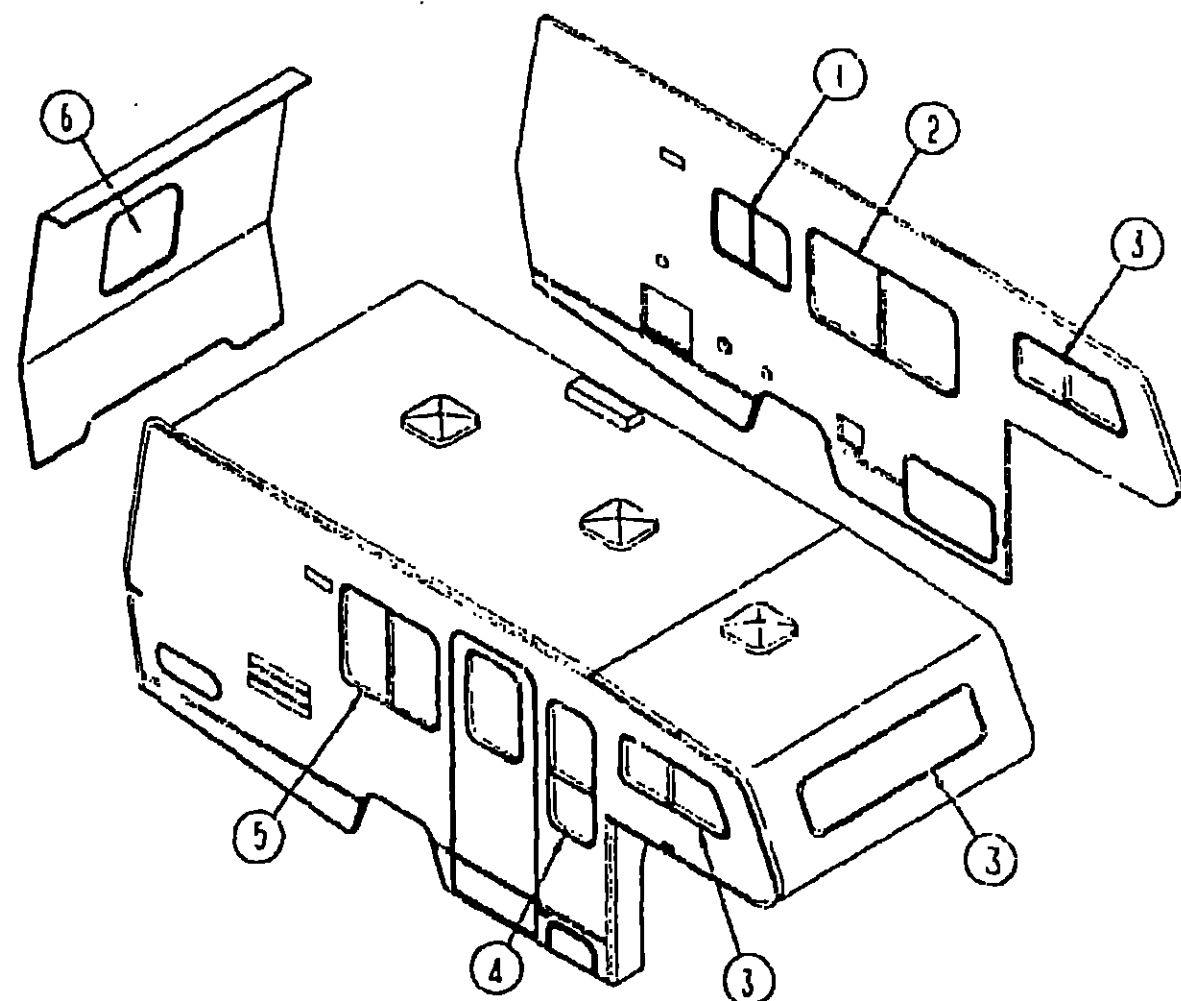
**1992 ITASCA
TABLE OF CONTENTS**

| | |
|--------------------|-------------|
| INTRODUCTION | A-01 - A-02 |
| ABBREVIATIONS | A-03 |
| ALPHABETICAL INDEX | A-04 - A-06 |
| IT320RB | A-07 - C-24 |
| IT321RB | D-01 - F-20 |
| IT321RL | F-21 - I-16 |

1992 IT321RL INDEX

| | |
|-----------------------------------|-------------|
| FLOOR PLAN | F-21 - F-22 |
| ACCESSORIES | - F-23 |
| AUDIO VIDEO | - F-24 |
| BATH | G-01 - G-02 |
| CHASSIS | G-03 - G-04 |
| CURTAIN & CUSHION | G-05 - G-11 |
| DINETTE | - G-12 |
| DRIVERS COMPARTMENT | - G-13 |
| ELECTRICAL | G-14 - G-17 |
| EXTERIOR BODY | G-18 - G-22 |
| GALLEY | G-23 - H-04 |
| GENERATOR | - H-05 |
| HEATING & A/C | - H-06 |
| INTERIOR FINISH | H-07 - H-10 |
| LABEL | H-11 - H-15 |
| LP | H-16 |
| LOUNGE | H-17 - H-18 |
| SEALANTS & FASTENERS | H-19 - H-20 |
| WATER & SEWAGE | H-21 - H-24 |
| WINDOW, VENT AND EXTERIOR DOOR | I-01 - I-16 |

CURTAIN & CUSHION GROUP (CONTINUED)
WINDOW TREATMENT



| KEY | PART NUMBER | U/M | DESCRIPTION |
|-----|---------------|-----|-------------------------------------------------------|
| 1 | 104021-06-B87 | EA | VALANCE-28 5" W/BRASS TRIM (C29) |
| 1 | 104021-06-B88 | EA | VALANCE-28 5" W/BRASS TRIM (C30) |
| 1 | 093475-32-C8A | EA | BLIND-MINI 27" X 18 5" DROP (C29) |
| 1 | 093475-32-09A | EA | BLIND-MINI 27" X 18 5" DROP (C30) |
| 2 | 104021-09-C29 | EA | VALANCE-53" W/BRASS TRIM |
| 2 | 104021-09-C30 | EA | VALANCE-53" W/BRASS TRIM |
| 2 | 100281-09-B87 | EA | LEG-RIGHT (C29) |
| 2 | 100281-09-B88 | EA | LEG-RIGHT (C30) |
| 2 | 100281-10-B87 | EA | LEG-LEFT (C29) |
| 2 | 100281-10-B88 | EA | LEG-LEFT (C30) |
| 2 | 093475-42-02A | EA | BLIND-MINI 45" X 20" DROP |
| 3 | 101034-05-C09 | EA | CURTAIN-16" X 28" TAPE TOP & BOTTOM (C29) |
| 3 | 101034-06-C30 | EA | CURTAIN-16" X 28" TAPE TOP & BOTTOM (C30) |
| 4 | 104021-02-B87 | EA | VALANCE-20" W/BRASS TRIM (C29) |
| 4 | 104021-02-B88 | EA | VALANCE-20" W/BRASS TRIM (C30) |
| 4 | 093475-55-02A | EA | BLIND-MINI 17" X 35" DROP |
| 5 | 104021-11-C29 | EA | VALANCE-34" W/BRASS TRIM |
| 5 | 104021-11-C30 | EA | VALANCE-34" W/BRASS TRIM |
| 5 | 100281-01-B87 | EA | LEG-31 5" TALL RIGHT SIDE (C29) |
| 5 | 100281-01-B88 | EA | LEG-31 5" TALL RIGHT SIDE (C30) |
| 5 | 100281-02-B87 | EA | LEG-31 5" TALL LEFT SIDE (C29) |
| 5 | 100281-02-B88 | EA | LEG-31 5" TALL LEFT SIDE (C30) |
| 5 | 093475-53-02A | EA | BLIND-MINI 30" X 23" DROP |
| 6 | 104021-06-B87 | EA | VALANCE-28 5" W/BRASS TRIM (C29) |
| 6 | 104021-06-B88 | EA | VALANCE-28 5" W/BRASS TRIM (C30) |
| 6 | 093475-43-02A | EA | BLIND-MINI 26 5" X 24" DROP (C29) |
| 6 | 093475-43-04A | EA | BLIND-MINI 26 5" X 24" DROP (C30) |
| 6 | 076892-03-C09 | EA | CURTAIN-SNAP TOP 35" X 55" - BEIGE |
| | 101668-18-C05 | EA | CURTAIN-38 5" X 50" RIGHT - TAPE TOP (C29) |
| | 101668-18-C30 | EA | CURTAIN-38 5" X 50" RIGHT - TAPE TOP (C30) |
| | 101668-19-C09 | EA | CURTAIN-38 5" X 50" LEFT - TAPE TOP (C29) |
| | 101668-19-C26 | EA | CURTAIN-38 5" X 50" LEFT - TAPE TOP (C30) |
| | 066226-53-C29 | EA | VALANCE-ROD POCKET TOP 8" X 60" - DELUXE OPTION |
| | 066226-53-C30 | EA | VALANCE-ROD POCKET TOP 8" X 60" - DELUXE OPTION |
| | 084481-14-C09 | EA | CURTAIN-SHOWER VINYL - 65" X 42" (C29) |
| | 084481-14-C30 | EA | CURTAIN-SHOWER VINYL - 65" X 42" (C30) |
| | 073260-54-C09 | EA | TIEBACK-CURTAIN, SHOWER - 3" X 18" (C29) |
| | 073260-54-C30 | EA | TIEBACK-CURTAIN, SHOWER - 3" X 18" (C30) |
| | 073260-49-B87 | EA | TIEBACK-CURTAIN 3" X 18" (C29) |
| | 073260-49-B88 | EA | TIEBACK-CURTAIN 3" X 18" (C30) |
| | 057534-01-000 | EA | TIEBACK/TIEDOWN-BED:CURTAIN/DOOR 5" - PLASTIC - CLEAR |
| | 084415-31-000 | YD | TRIM-BRAID CURTAIN - PLUM (C29) |
| | 084415-30-000 | YD | TRIM-BRAID CURTAIN - BLUE (C30) |

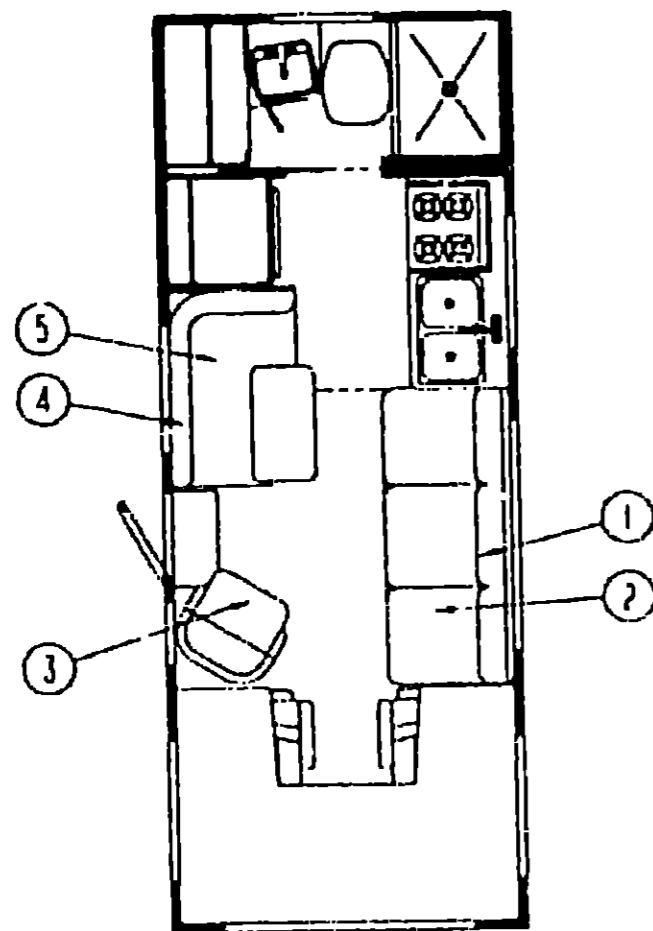
**1992 ITASCA
TABLE OF CONTENTS**

| | | |
|--------------------|------|------|
| INTRODUCTION | A-01 | A-02 |
| ABBREVIATIONS | | A-03 |
| ALPHABETICAL INDEX | A-04 | A-05 |
| IT320RB | A-07 | C-24 |
| IT321RB | D-01 | F-20 |
| IT321RL | F-21 | I-16 |

1992 IT321RL INDEX

| | | |
|-----------------------------------|------|------|
| FLOOR PLAN | F-21 | F-22 |
| ACCESSORIES | | F-23 |
| AUDIO VIDEO | | F-24 |
| BATH | G-01 | G-02 |
| CHASSIS | G-03 | G-04 |
| CURTAIN & CUSHION | G-05 | G-11 |
| DINETTE | | G-12 |
| DRIVERS COMPARTMENT | | G-13 |
| ELECTRICAL | G-14 | G-17 |
| EXTERIOR BODY | G-18 | G-22 |
| GALLEY | G-23 | H-04 |
| GENERATOR | | H-05 |
| HEATING & A/C | | H-06 |
| INTERIOR FINISH | H-07 | H-10 |
| LABEL | H-11 | H-15 |
| LP | | H-16 |
| LOUNGE | H-17 | H-18 |
| SEAT ANTS & FASTENERS | H-19 | H-20 |
| WATER & SEWAGE | H-21 | H-24 |
| WINDOW, VENT AND EXTERIOR DOOR | I-01 | I-16 |

CURTAIN & CUSHION GROUP (CONTINUED)



COUCH & COUCH PILLOWS

| KEY | PART NUMBER | U/M DESCRIPTION |
|-----|---------------|--------------------------------------------------|
| 1 | 100032-09-B87 | EA COUCH BACKREST W/O ARMS - 65 5" (C29) |
| 1 | 100032-09-B88 | EA COUCH BACKREST W/O ARMS - 65 5" (C30) |
| | F00032-04-F87 | EA COVER COUCH BACKREST - W/O ARMS - 65 5" (C29) |
| | F00032-09-B89 | EA COVER COUCH BACKREST - W/O ARMS - 65 5" (C30) |
| | 101085-02-000 | EA FRAME-BACK COUCH - 65 5" |
| 2 | 100032-10-B87 | EA COUCH SEAT W/O ARMS - 65 5" (C29) |
| 2 | 100032-10-B88 | EA COUCH SEAT W/O ARMS - 65 5" (C30) |
| | F00032-10-B87 | EA COVER COUCH SEAT - W/O ARMS - 65 5" (C29) |
| | F00032-10-B88 | EA COVER COUCH SEAT - W/O ARMS - 65 5" (C30) |
| | 101085-01-000 | EA FRAME SEAT COUCH - 65 5" |
| | 101085-03-000 | EA FRAME BASE COUCH - 65 5" |
| | 103059-01-B87 | EA PILLOW THROW 16" X 16" (C29) |
| | 103059-01-B88 | EA PILLOW THROW 15" X 16" (C30) |
| | 085020-05-C29 | EA PILLOW-THROW 15" X 15" |
| | 085060-05-C30 | EA PILLOW-THROW 15" X 15" |

SWIVEL CHAIR

| KEY | PART NUMBER | U/M DESCRIPTION |
|-----|---------------|------------------------------------------------------------|
| 3 | 100100-04-C29 | EA CHAIR SWIVEL W/O FEET/STAL. ON SKIRT |
| 3 | 100100-04-F29 | EA CHAIR SWIVEL W/O FEET/STAL. ON SKIRT |
| | M00100-04-C29 | EA COVER SWIVEL CHAIR |
| | M00100-04-F29 | EA COVER SWIVEL CHAIR |
| | 100100-04-B87 | EA SKIRT SWIVEL CHAIR (C29) |
| | 100100-04-B88 | EA SKIRT SWIVEL CHAIR (C30) |
| | 080045-01-000 | EA BASE CHAIR SWIVEL - W/FEET |
| | 000001-01-000 | EA CHAIR SEAT ADJUSTER |
| | F00045-05-F89 | EA ADJUSTER SWIVEL CHAIR - MANUAL - FORWARD & BACK |
| | 000045-07-000 | EA ADJUSTER SWIVEL CHAIR - W/ LOCKING ARM - FORWARD & BACK |
| | 100100-02-000 | EA BAR SEAT HILL - 25" X 12" (C29) |
| | 080145-03-000 | EA PLATE TOP SWIVEL W/O FEET - W/FEET |
| | 080045-07-000 | EA EXTENSION BASE FOR PLATE TOP - W/FEET |

DINETTE CUSHIONS

| KEY | PART NUMBER | U/M DESCRIPTION |
|-----|---------------|------------------------------------|
| 4 | 100045-11-000 | EA DINETTE SEAT W/O HEADREST |
| 4 | 100045-11-001 | EA DINETTE SEAT W/O HEADREST |
| | M00045-11-000 | EA COVER DINETTE SEAT W/O HEADREST |
| | M00045-11-001 | EA COVER DINETTE SEAT W/O HEADREST |
| 5 | 100045-11-002 | EA DINETTE SEAT W/O HEADREST |
| 5 | 100045-11-003 | EA DINETTE SEAT W/O HEADREST |
| | M00045-11-002 | EA COVER DINETTE SEAT W/O HEADREST |
| | M00045-11-003 | EA COVER DINETTE SEAT W/O HEADREST |

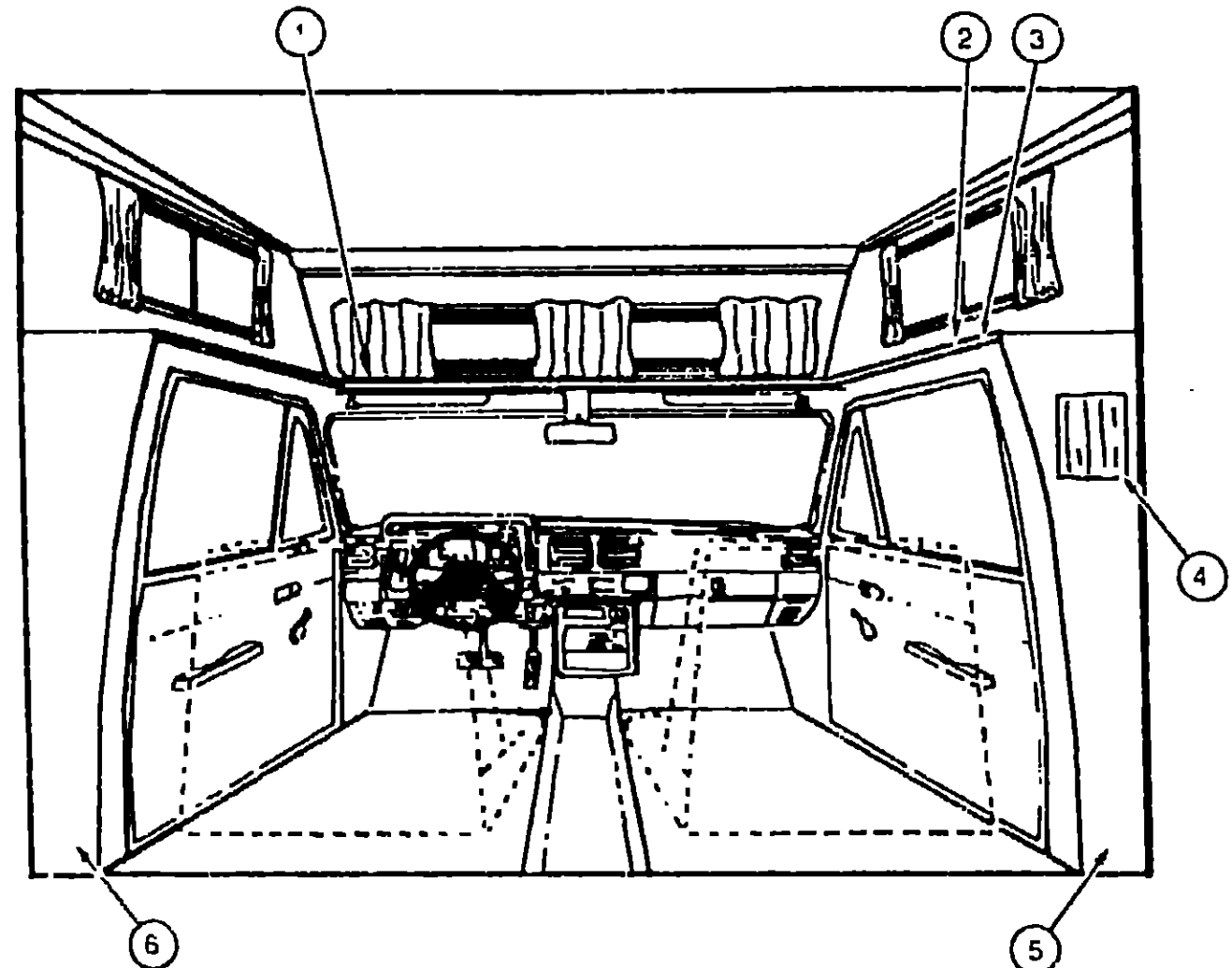
1992 ITASCA
TABLE OF CONTENTS

| | | |
|--------------------|--------|------|
| INTRODUCTION | A 01 - | A-02 |
| ABBREVIATIONS | | A-03 |
| ALPHABETICAL INDEX | A 04 - | A-05 |
| IT320RB | A 07 - | C-24 |
| IT321RB | D-01 - | F-20 |
| IT321RL | F-21 - | I-16 |

1992 IT321RL INDEX

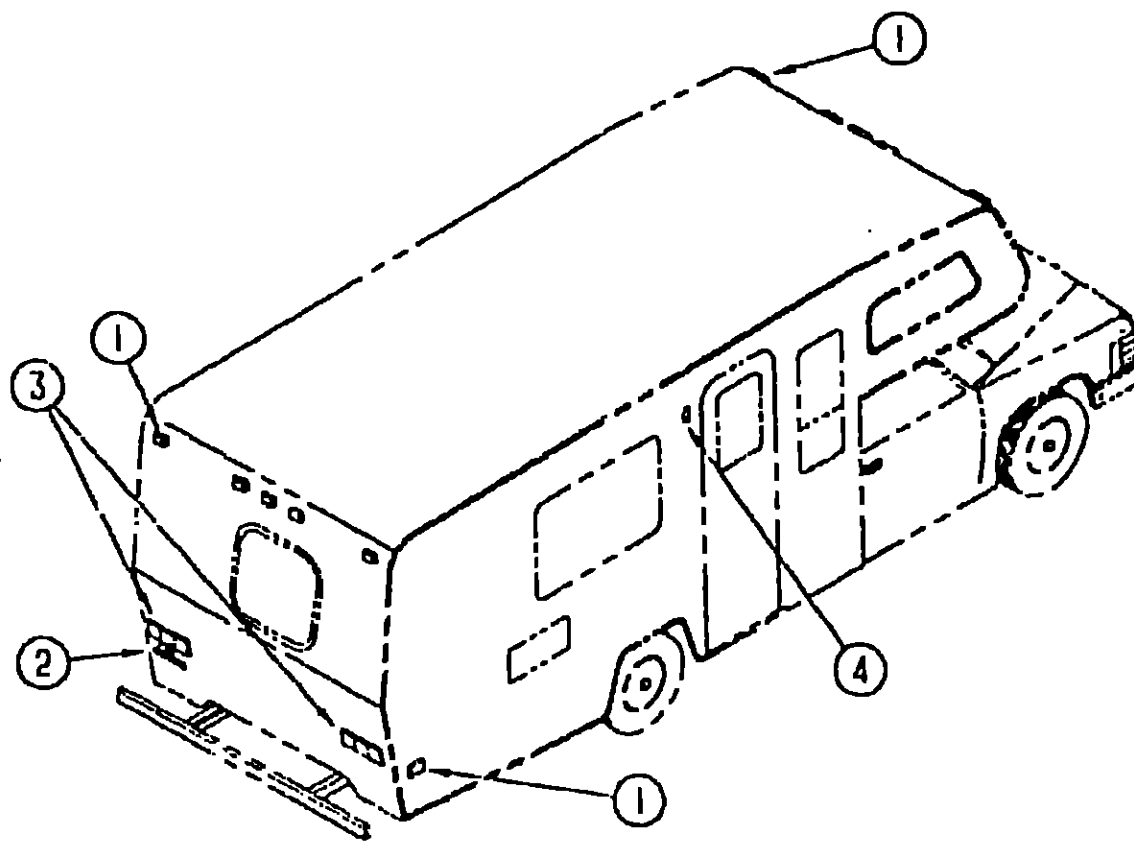
| | | |
|----------------------------------|--------|------|
| FLOOR PLAN | F-21 - | F-22 |
| ACCESSORIES | | F-23 |
| AUDIO/VIDEO | | F-24 |
| BATH | G-01 - | G-02 |
| CHASSIS | G-03 - | G-04 |
| CURTAIN & CUSHION | G-05 - | G-11 |
| DINETTE | | G-12 |
| DRIVERS COMPARTMENT | | G-13 |
| ELECTRICAL | G-14 - | G-17 |
| EXTERIOR BODY | G-18 - | G-22 |
| GALLEY | G-23 - | H-04 |
| GENERATOR | | H-05 |
| HEATING & A/C | | H-06 |
| INTERIOR FINISH | H-07 - | H-10 |
| LABEL | H-11 - | H-15 |
| LP | | H-16 |
| LOUNGE | H-17 - | H-18 |
| SEALANTS & FASTENERS | H-19 - | H-20 |
| WATER & SEWAGE | H-21 - | H-24 |
| WINDOW VENT AND EXTERIOR DOOR | I-01 - | I-16 |

DRIVERS COMPARTMENT GROUP



DRIVERS COMPARTMENT

ELECTRICAL GROUP



EXTERIOR LIGHTS

**1992 ITASCA
TABLE OF CONTENTS**

| | | |
|--------------------|------|------|
| INTRODUCTION | A-01 | A-02 |
| ABBREVIATIONS | | A-03 |
| ALPHABETICAL INDEX | A-04 | A-05 |
| IT320RB | A-07 | C-24 |
| IT321RB | D-01 | F-20 |
| IT321RL | F-21 | I-16 |

1992 IT321RL INDEX

| | | |
|--------------------------------|------|------|
| FLOOR PLAN | F-21 | F-22 |
| ACCESSORIES | | F-23 |
| AUDIO VIDEO | | F-24 |
| BATH | G-01 | G-02 |
| CHASSIS | G-03 | G-04 |
| CURTAIN & CUSHION | G-05 | G-11 |
| DINETTE | | G-12 |
| DRIVERS COMPARTMENT | | G-13 |
| ELECTRICAL | G-14 | G-17 |
| EXTERIOR BODY | G-18 | G-22 |
| GALLEY | G-23 | H-04 |
| GENERATOR | | H-05 |
| HEATING & A/C | | H-06 |
| INTERIOR FINISH | H-07 | H-10 |
| LABEL | H-11 | H-15 |
| LP | | H-16 |
| LOUNGE | H-17 | H-18 |
| SEALANTS & FASTENERS | H-19 | H-20 |
| WATER & SEWAGE | H-21 | H-24 |
| WINDOW, VENT AND EXTERIOR DOOR | I-01 | I-16 |

| KEY | PART NUMBER | U/M DESCRIPTION |
|-----|---------------|-------------------------------------------------------|
| 1 | P00072-01-B05 | EA PANEL-SLEEPER BOARD, W/O INTERIOR TRIM |
| | 100085-01-01A | EA TRIM-STRAP, SLEEPERBOARD - FLAT W/SCREW HOLES |
| | 100085-01-01A | EA TRIM-SLEEPERBOARD TO ROOF - OFF WHITE |
| 2 | 079800-05-000 | EA TRIM-SLEEPERBOARD INNER - OFF WHITE |
| 3 | 080742-03-000 | FT TRIM-VINYL-SLEEPER BOARD - OFF WHITE |
| 4 | 086120-01-C29 | EA PAD ASM-MAP POCKET, 12" X 16" |
| 4 | 086120-01-C30 | EA PAD ASM-MAP POCKET, 12" X 16" |
| | M36120-01-C29 | EA COVER-MAP POCKET |
| | M85120-01-C30 | EA COVER-MAP POCKET |
| 5 | M95402-03-000 | EA WINGWALL-INNER, PASSENGER - W/O CARPET |
| 6 | M95402-02-000 | EA WINGWALL-INNER, DRIVER - W/O CARPET |
| | 1G0138-01-000 | EA MODULE-DAYTIME RUNNING LIGHT - CANADIAN |
| | 100159-05-000 | EA WIRE ASM-DAYTIME RUNNING LIGHTS, W/FUSE - CANADIAN |
| | 104182-01-01A | EA TRAY-BEVERAGE W/CASSETTE - DELUXE OPTION |
| | 100715-01-000 | EA SPEEDOMETER-KILOMETER, TOYOTA 83110-89333 |
| | | FROM 00-00-00 THRU 01-05-92 |
| | 100715-03-000 | EA SPEEDOMETER-KILOMETER, TOYOTA 83110-35220 |
| | | FROM 01-06-92 THRU 99-99-99 |
| | 091178-01-C29 | EA MAT-FLOOR, DRIVER |
| | 091178-01-C30 | EA MAT-FLOOR, DRIVER |
| | 091179-01-C29 | EA MAT-FLOOR, PASSENGER |
| | 091179-01-C30 | EA MAT-FLOOR, PASSENGER |
| | 091261-01-000 | FT SLIPNOT-ANTISLIP-1' WIDE (100' ROLL) |

| KEY | PART NUMBER | U/M DESCRIPTION |
|-----|---------------|--------------------------------------------------------------------|
| 1 | 091983-01-000 | EA GASKET-CLEARANCE/SIDEMARKER LIGHT |
| 1 | 042405-01-000 | EA LENS-CLEARANCE/SIDEMARKER LIGHT W/REFLEX - RED |
| 1 | 042405-02-000 | EA LENS-CLEARANCE/SIDEMARKER LIGHT W/REFLEX - AMBER |
| 1 | 042405-03-000 | EA BASE-CLEARANCE/SIDEMARKER LIGHT W/BULB - PLASTIC - WHITE |
| 1 | 008213-01-000 | EA BULB-12V, 024 AMP - #57 |
| 2 | 066432-01-000 | EA LIGHT-LICENSE PLATE W/BRACKET, OFF WHITE |
| 3 | 081638-02-000 | EA TAILLIGHT-TRIPLE, W/OFF WHITE TRIM - DRIVER & PASSENGER SIDE |
| 3 | 081638-01-700 | EA LENS-TAILLIGHT, RED - BARGMAN 30-84-010 |
| 3 | 081638-01-701 | EA LENS-TAILLIGHT, W/BACKUP - BARGMAN 30-84-700 |
| 3 | 081638-02-700 | EA LENS-TAILLIGHT, AMBER - BARGMAN 30-84-016 |
| 3 | 037934-01-000 | EA BULB-12V, 2.1 AMP - #1156 - CLEAR GLASS (BACK UP & TURN SIGNAL) |
| 3 | 039735-01-000 | EA BULB-12V, 2.1 AMP - #2057 OR 1157 CLEAR GLASS (BRAKE LIGHT) |
| 3 | 081638-03-000 | EA WEDGE-TAIL LIGHT, OFF WHITE - DRIVER OR PASSENGER SIDE |
| 4 | 097917-01-01A | EA LIGHT-PORCH, ENTRY DOOR - OFF WHITE |
| 4 | 097917-01-700 | EA LENS-LIGHT, PORCH |
| 4 | 008215-01-000 | EA BULB-12V, 94 AMP - #1003 |

ELECTRICAL GROUP (CONTINUED)
EXPORT ELECTRIC CONVERSION OPTION L049

| KEY | PART NUMBER | U/M | DESCRIPTION |
|-----|---------------|-----|----------------------------------------------|
| | 092615-01-000 | EA | CONVERTER-40 AMP. W/CHARGER - B-W 3240CP |
| | 094809-01-000 | EA | CENTER-LOAD, 240V - 125A - TPL412CT |
| | 094810-01-000 | EA | BREAKER-CIRCUIT, DOUBLE 30 AMP - GE THQL2130 |
| | 094811-01-000 | EA | BREAKER-CIRCUIT, DOUBLE 20 AMP - GE THQL2120 |

CANADIAN OPTION L265

| KEY | PART NUMBER | U/M | DESCRIPTION |
|-----|---------------|-----|------------------------------------------------|
| | 008289-02-000 | EA | BOX-ELECTRICAL, 4" X 4" - 1/2" 30/4" KNOCKOUTS |
| | 008294-02-000 | EA | COVER-ELECTRICAL BOX, BLANK STEEL - 4" X 4" |
| | 083209-02-000 | EA | CIRCUIT BREAKER-15/15AMP 120V - B-W H-15/15 |
| | 083209-05-000 | EA | CIRCUIT BREAKER-30/15 AMP, 120V - B-W D-30/15 |
| | 083210-02-000 | EA | CIRCUIT BREAKER-GFI, 15A - 120V - BW U-15 |

INTERIOR LIGHTS, SWITCHES & RECEPTACLES

| KEY | PART NUMBER | U/M | DESCRIPTION |
|-----|---------------|-----|------------------------------------------------------------|
| | 104173-01-01A | EA | LIGHT-DESIGNER, BRASS - #81-905 - US |
| | 008215-01-000 | EA | BULB-12V, 94 AMP - #1003 |
| | 104172-01-01A | EA | LIGHT-BULLET BEIGE - #787 SERIES - CANADIAN |
| | 008215-01-000 | EA | BULB-12V, 94 AMP - #1003 |
| | 098024-01-01A | EA | LIGHT-DOME, 1 BULB - US - IVORY |
| | 098024-03-01A | EA | LIGHT-DOME, 2 BULB - IVORY |
| | 098024-01-700 | EA | LENS-DOME LIGHT |
| | 008218-01-000 | EA | BULB-DOME LIGHT 12V - #1141 |
| | 075723-01-000 | EA | SPACER-SWITCH, W/O HOLE - 2" X 5" X 2" - METAL - OFF WHITE |
| | 095188-01-01A | EA | SPACER-SWITCH, 2 3/4" X 3 1/4" - PLASTIC - DARK BROWN |
| | 079364-01-000 | EA | SWITCH-ON/OFF ROCKER, 2 PRONGS - BROWN |
| | 095241-03-000 | EA | SWITCH-BLANK |
| | 098351-01-01A | EA | PLATE-SWITCH, 1 GANG - POLISHED BRASS |
| | 075736-02-000 | EA | COVER-EXTERIOR RECEPTACLE, OFF WHITE |
| | 058708-01-000 | EA | RECEPTACLE-ELECTRIC, DOUBLE - BROWN |
| | 058708-02-000 | EA | RECEPTACLE-ELECTRIC, DOUBLE - IVORY |
| | 058707-01-000 | EA | RECEPTACLE-ELECTRIC, SINGLE - BROWN |
| | 097734-01-01A | EA | EXTENSION-RECEPTACLE, 3 1/2" X 5" X 7" - PLASTIC - IVORY |
| | 084076-01-000 | EA | RECEPTACLE-GFI, 15A - 125V - IVORY |
| | 084076-02-000 | EA | RECEPTACLE-GFI, 15A - 125V - BROWN |
| | 084077-01-000 | EA | PLATE-COVER RECEPTACLE - GFI - IVORY |
| | 084077-02-000 | EA | PLATE-COVER RECEPTACLE - GFI - BROWN |
| | 024924-02-000 | EA | RECEPTACLE-POWER CORD W/PARTIAL PLATE |

ELECTRICAL GROUP (CONTINUED)
CIRCUIT BREAKERS & FUSES

| KEY | PART NUMBER | U/M | DESCRIPTION |
|-----|---------------|-----|----------------------------------------------------------------------------------|
| | 008258-01-000 | EA | CIRCUIT BREAKER W/MOUNT - 30A - 12V FROM 00-00-00 THRU 01-00-00 |
| | 044466-03-000 | EA | CIRCUIT BREAKER W/MOUNT BRACKET - 15 AMP - 12V DC FROM 00-00-00 THRU 01-00-00 |
| | 008255-01-000 | EA | CIRCUIT BREAKER 25 AMP FROM 01-00-00 THRU 03-00-00 |
| | 008255-02-000 | EA | CIRCUIT BREAKER-30 AMP HOUSE CONTROL PANEL FROM 01-27-00 THRU 03-00-00 |
| | 083209-01-000 | EA | CIRCUIT BREAKER 15 AMP 120V - 3W/6 15 FROM 00-00-00 THRU 01-00-00 |
| | 083209-03-000 | EA | CIRCUIT BREAKER BLANK - BW FROM 00-00-00 THRU 01-00-00 |
| | 083209-03-000 | EA | CIRCUIT BREAKER-15/20AMP 120V SW/O 15/20 FROM 01-20-00 THRU 03-00-00 |
| | 083209-04-000 | EA | CIRCUIT BREAKER 30A 120V BW/1 30 FROM 01-20-00 THRU 03-00-00 |
| | 083209-05-000 | EA | CIRCUIT BREAKER 30A 120V BW/2 30 |
| | 008236-01-000 | EA | FUSE AUTOMOTIVE 12V 15AMP |
| | 062901-02-000 | EA | FUSE 5 AMPS AUTOMOTIVE FROM 01-20-00 THRU 03-00-00 |
| | 062901-05-000 | EA | FUSE 15 AMPS AUTOMOTIVE |
| | 100341-01-000 | EA | FUSE HOLDER IN LINE TYPE |
| | 107333-01-01A | EA | MOUNT CIRCUIT BREAKER 3 1/2" X 1 1/2" BLACK FLASH FROM 01-20-00 THRU 03-00-00 |
| | 087949-01-000 | EA | RUSS BAR-2 POSITION 4 X 1 1/2" ALUMINUM FROM 00-00-00 THRU 03-00-00 |

ELECTRICAL CONNECTORS

| KEY | PART NUMBER | U/M | DESCRIPTION |
|-----|---------------|-----|--------------------------------------------------------------------------------------|
| | 007940-01-000 | EA | RECEPTACLE SLIDE 16 TO 12 AWG 1 - MALE END |
| | 008311-01-000 | EA | CONNECTOR WIRE NUT INSULATED RED |
| | 008314-01-000 | EA | CONNECTOR WIRE NUT INSULATED GRAY |
| | 008326-01-000 | EA | TERMINAL-RING 16/14 WIRE - 3/8" STUD |
| | 008328-01-000 | EA | TERMINAL RING 12/10 WIRE - #10 STUD FIT |
| | 008331-01-000 | EA | TERMINAL-RING TONGUE - #4 WIRE - 3/8" STUD - OFFER |
| | 008348-01-000 | EA | TERMINAL RING, 3/8" STUD - #2 WIRE CONNECTS CABLE TO DISCONNECT RELAY AND BATTERY |
| | 008355-01-000 | EA | CONNECTOR-CABLE CLAMPING 3/4" |
| | 008356-01-000 | EA | CONNECTOR PLASTIC 3/8" AVG |
| | 008358-01-000 | EA | CONNECTOR-1/2" X 90 DEGREE, FLEX CONDUIT - UL AND CSA |
| | 035416-04-000 | EA | TERMINAL RING #10 STUD FIT INSULATED BARREL #10 1/8 |
| | 047443-01-000 | EA | TERMINAL-250 RECEP FIT INSULATED - 16/14 AWG |
| | 058028-01-000 | EA | CONNECTOR-ELECTRICAL PIGTAIL NYLON - CLEAR |
| | 053910-01-000 | EA | HOUSING-RELAY BOSCH 3 334 455 008 |
| | 080015-02-000 | EA | RECEPTACLE-FLAG, 185 - 16/14 GA - AMP 3 |
| | 088473-03-000 | EA | HOUSING PIN 9-POSITION |
| | 088473-03-000 | EA | HOUSING PIN 4 POSITION |
| | 088473-10-000 | EA | PIN-HOUSING 2 POSITION |
| | 088474-03-000 | EA | HOUSING SOCKET 9 POSITION |
| | 088474-07-000 | EA | HOUSING SOCKET 5 CAVITY - AMP 1-480754-0 FROM 04-01-91 THRU 09-99-99 |
| | 088474-08-000 | EA | SOCKET-HOUSING, 4 POSITION (SINGLE ROW) FROM 04-01-91 THRU 09-99-99 |
| | 088474-09-000 | EA | HOUSING-SOCKET 3 POSITION |
| | 088474-10-000 | EA | HOUSING-SOCKET, 2 POSITION |
| | 088475-01-000 | EA | PIN-CONNECTOR 14 TO 20 AWG |
| | 088476-01-000 | EA | SOCKET CONNECTOR BRASS - PRE-TIN |
| | 088475-02-000 | EA | SOCKET-CONNECTOR, 12-10 GA - PHOS BRZ - PRE-TIN |

1992 ITASCA
TABLE OF CONTENTS

| | | |
|--------------------|------|------|
| INTRODUCTION | A-01 | A-02 |
| ABBREVIATIONS | A-03 | A-04 |
| ALPHABETICAL INDEX | A-05 | A-16 |
| INDEX | A-07 | A-08 |
| IT321RL | B-01 | B-02 |
| IT321RL | B-03 | B-04 |

1992 IT321RL INDEX

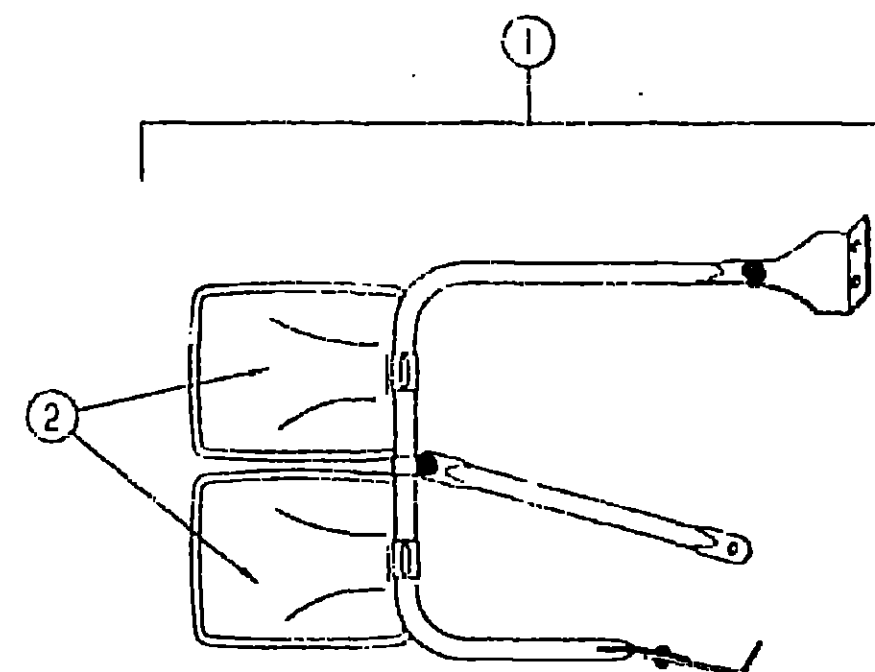
| | | |
|-------------------|------|-------|
| ELECTRICAL | E-01 | E-22 |
| EXTERIOR BODIES | E-23 | E-24 |
| EXTERIOR BODY | E-25 | E-26 |
| EXTERIOR FINISH | E-27 | E-28 |
| EXTERIOR LIGHTS | E-29 | E-30 |
| EXTERIOR MOUNTING | E-31 | E-32 |
| EXTERIOR PANELS | E-33 | E-34 |
| EXTERIOR REPAIRS | E-35 | E-36 |
| EXTERIOR TRIM | E-37 | E-38 |
| EXTERIOR VENT AND | E-39 | E-40 |
| EXTERIOR WINDOWS | E-41 | E-42 |
| EXTERIOR WORK | E-43 | E-44 |
| EXTERIOR WORK | E-45 | E-46 |
| EXTERIOR WORK | E-47 | E-48 |
| EXTERIOR WORK | E-49 | E-50 |
| EXTERIOR WORK | E-51 | E-52 |
| EXTERIOR WORK | E-53 | E-54 |
| EXTERIOR WORK | E-55 | E-56 |
| EXTERIOR WORK | E-57 | E-58 |
| EXTERIOR WORK | E-59 | E-60 |
| EXTERIOR WORK | E-61 | E-62 |
| EXTERIOR WORK | E-63 | E-64 |
| EXTERIOR WORK | E-65 | E-66 |
| EXTERIOR WORK | E-67 | E-68 |
| EXTERIOR WORK | E-69 | E-70 |
| EXTERIOR WORK | E-71 | E-72 |
| EXTERIOR WORK | E-73 | E-74 |
| EXTERIOR WORK | E-75 | E-76 |
| EXTERIOR WORK | E-77 | E-78 |
| EXTERIOR WORK | E-79 | E-80 |
| EXTERIOR WORK | E-81 | E-82 |
| EXTERIOR WORK | E-83 | E-84 |
| EXTERIOR WORK | E-85 | E-86 |
| EXTERIOR WORK | E-87 | E-88 |
| EXTERIOR WORK | E-89 | E-90 |
| EXTERIOR WORK | E-91 | E-92 |
| EXTERIOR WORK | E-93 | E-94 |
| EXTERIOR WORK | E-95 | E-96 |
| EXTERIOR WORK | E-97 | E-98 |
| EXTERIOR WORK | E-99 | E-100 |

ELECTRICAL GROUP (CONTINUED)
BOXES, CONDUIT & COVERS

EXTERIOR BODY GROUP

1992 ITASCA
TABLE OF CONTENTS

| | | |
|--------------------|--------|------|
| INTRODUCTION | A-01 - | A-02 |
| ABBREVIATIONS | | A-03 |
| ALPHABETICAL INDEX | A-04 - | A-05 |
| IT320RB | A-07 - | C-24 |
| IT321RB | D-01 - | F-20 |
| IT321RL | F-21 - | I-16 |



| KEY | PART NUMBER | U/M DESCRIPTION |
|-----|---------------|---------------------------------------------------------------------|
| | 064153-01-000 | EA COVER ELECTRICAL BOX 10 1/2" X 3 1/2" |
| | 064153-02-000 | EA COVER ELECTRICAL BOX 10 1/2" X 3 1/2" X 1 1/2" BLACK PLASTIC |
| | 055049-01-000 | EA BOX ELECTRICAL SWITCH 2" X 3" X 3 1/2" |
| | 051910-01-000 | EA BOX ELECTRICAL SWITCH 3 5/8" X 1 7/8" PLASTIC |
| | 047103-01-000 | EA BOX ELECTRICAL SWITCH 1 1/2" X 1 1/2" X 1 1/2" STEEL |
| | 101064-01-000 | EA BOX CIRCUIT BREAKER MOUNT 1 1/2" X 1 1/2" X 1 1/2" BLACK PLASTIC |
| | 101065-01-000 | EA BOX CIRCUIT BREAKER MOUNT 1 1/2" X 1 1/2" X 1 1/2" BLACK PLASTIC |
| | 041953-01-000 | FT CONDUIT-CONVOLUTE SPLIT 1/2" |
| | 041953-02-000 | FT CONDUIT-CONVOLUTE SPLIT 1/2" (SEE THIS BOOK FOR U/M) |
| | 041953-03-000 | FT CONDUIT-CONVOLUTE SPLIT 3/4" |
| | 041953-04-000 | FT CONDUIT-CONVOLUTE SPLIT 1" |
| | 041953-05-000 | FT CONDUIT-CONVOLUTE SPLIT 1 1/4" |
| | 041953-06-000 | FT CONDUIT-CONVOLUTE SPLIT 1 1/2" |
| | 041953-07-000 | FT CONDUIT-CONVOLUTE SPLIT 2" |
| | 041953-08-000 | FT CONDUIT-CONVOLUTE SPLIT 2 1/2" |
| | 068264-01-000 | EA COVER ELECTRICAL BOX 10 1/2" X 3 1/2" STEEL - GRAY |
| | 064261-01-000 | EA COVER ANGLE W/COVER 3 5/8" X 1 7/8" PLASTIC - OFF WHITE |
| | | ELECTRICAL PLATE SUPPORT |
| | 060088-01-000 | EA COVER ELECTRICAL BOX W/COVER 10 1/2" X 3 1/2" GRAY |
| | | USED WITH 30 AMP RECEPTACLE |
| | 179014-04-000 | EA COVER ELECTRICAL 10 1/2" X 7 1/2" PLASTIC |

SOLENOID, POWER CONVERTER & POWER CORDS

| KEY | PART NUMBER | U/M DESCRIPTION |
|-----|---------------|-----------------------------------------------|
| | 068198-01-000 | EA COVER NO. 30 AMP BATTERY CHARGE COVER |
| | 068208-01-000 | EA COVER NO. 30 AMP BATTERY CHARGE COVER |
| | 068210-01-000 | EA COVER POWER 10 3 - 30 AMP - 25' - CANADIAN |
| | 068214-01-000 | EA COVER POWER 10 3 - 30 AMP - 25' |
| | 068218-01-000 | EA COVER POWER 10 3 - 30 AMP - 35' |

EXTERIOR MIRRORS

| KEY | PART NUMBER | U/M DESCRIPTION |
|-----|---------------|---------------------------------------------------------------------|
| 1 | 064445-03-000 | EA MIRROR EXTERIOR PASSENGER SIDE - VELVAC 712724-7 |
| 1 | 064445-04-000 | EA MIRROR EXTERIOR DRIVER SIDE - VELVAC 712725-7 |
| 2 | 064445-03-700 | EA HEAD MIRROR FLAT GLASS - DRIVER OR PASS SIDE - VELVAC 704176-5 |
| 2 | 064445-03-701 | EA HEAD MIRROR CONVEX GLASS - DRIVER OR PASS SIDE - VELVAC 704167-5 |

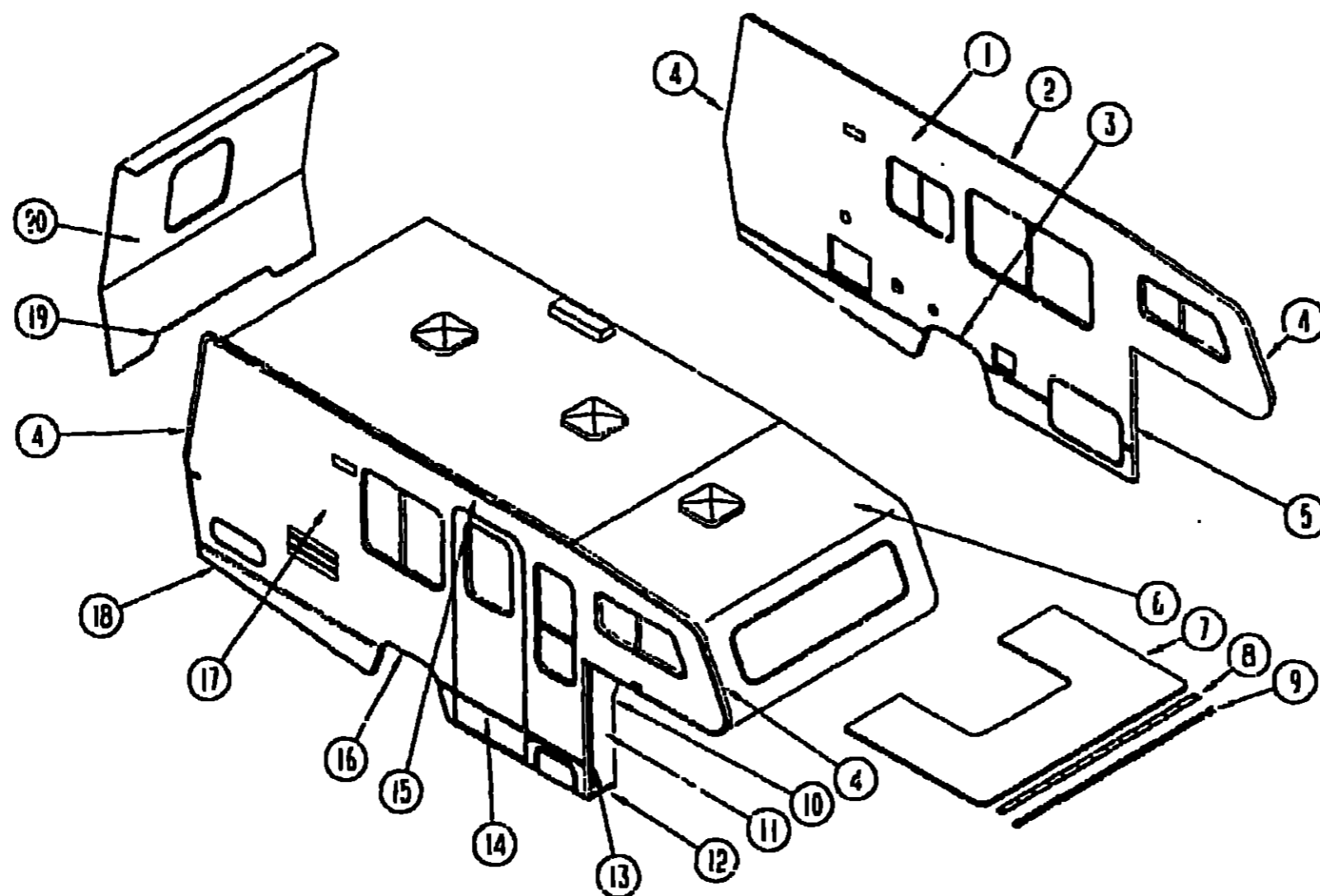
1992 IT321RL INDEX

| | | |
|----------------------|--------|------|
| FLOOR PLAN | F-21 - | F-22 |
| ACCESSORIES | | F-23 |
| AUDIO VIDEO | | F-24 |
| BATH | G-01 - | G-02 |
| CHASSIS | G-03 - | G-04 |
| CURTAIN & CUSHION | G-05 - | G-11 |
| DINETTE | | G-12 |
| DRIVERS COMPARTMENT | | G-13 |
| ELECTRICAL | G-14 - | G-17 |
| EXTERIOR BODY | G-18 - | G-22 |
| GALLEY | G-23 - | H-04 |
| GENERATOR | | H-05 |
| HEATING & A/C | | H-06 |
| INTERIOR FINISH | H-07 - | H-10 |
| LABEL | H-11 - | H-15 |
| LP | | H-16 |
| LOUNGE | H-17 - | H-18 |
| SEALANTS & FASTENERS | H-19 - | H-20 |
| WATER & SEWAGE | H-21 - | H-24 |
| WINDOW VENT AND | | |
| EXTERIOR DOOR | I-01 - | I-16 |

ALUMINUM, FIBERGLASS & STYROFOAM

| KEY | PART NUMBER | U/M DESCRIPTION |
|-----|---------------|------------------------------------------------------------|
| | 044467-01-001 | EA SHEET-ALUMINUM (ROOF) - 019" X 96" X 360" - MILL FINISH |
| | 001054-01-011 | EA SHEET-ALUMINUM FLAT - 024" X 48" X 96" - OFF WHITE |
| | 077517-24-000 | EA SHEET-FIBERGLASS FLAT - 48" X 96" - OFF WHITE |
| | 076054-D3-005 | EA SHEET-FIBERGLASS FLAT - 48" X 22 1/2" - OFF WHITE |
| | 076054-G7-001 | EA SHEET-FIBERGLASS FLAT - 41" X 27" - OFF WHITE |
| | 076054-A2-000 | EA SHEET-FIBERGLASS FLAT - 25" X 48" - OFF WHITE |
| | 000370-02-000 | SF STYROFOAM-1 1/2" X 48" X 96" INCREMENTS OF 32 SF |
| | 000370-05-000 | SF STYROFOAM-5" X 24" X 96" INCREMENTS OF 16 SF |
| | 033574-03-000 | SF STYROFOAM-3 1/4" X 48" X 96" INCREMENTS OF 32 SF |

EXTERIOR BODY GROUP (CONTINUED)
EXTERIOR BODY PANELS & TRIM



1992 ITASCA
TABLE OF CONTENTS

| | | |
|--------------------|--------|------|
| INTRODUCTION | A-01 - | A-02 |
| ABBREVIATIONS | | A-03 |
| ALPHABETICAL INDEX | A-04 - | A-06 |
| IT320RB | A-07 - | C-24 |
| IT321RB | D-01 - | F-20 |
| IT321RL | F-21 - | I-16 |

1992 IT321RL INDEX

| | | |
|----------------------|--------|------|
| FLOOR PLAN | F-21 - | F-22 |
| ACCESSORIES | | F-23 |
| AUDIO VIDEO | | F-24 |
| BATH | G-01 - | G-02 |
| CHASSIS | G-03 - | G-04 |
| CURTAIN & CUSHION | G-05 - | G-11 |
| DINETTE | | G-12 |
| DRIVERS COMPARTMENT | | G-13 |
| ELECTRICAL | G-14 - | G-17 |
| EXTERIOR BODY | G-18 - | G-22 |
| GALLEY | G-23 - | H-04 |
| GENERATOR | | H-05 |
| HEATING & A/C | | H-06 |
| INTERIOR FINISH | H-07 - | H-10 |
| LABEL | H-11 - | H-15 |
| LP | | H-16 |
| LOUNGE | H-17 - | H-18 |
| SEALANTS & FASTENERS | H-19 - | H-20 |
| WATER & SEWAGE | H-21 - | H-24 |
| WINDOW, VENT AND | | |
| EXTERIOR DOOR | I-01 - | I-16 |

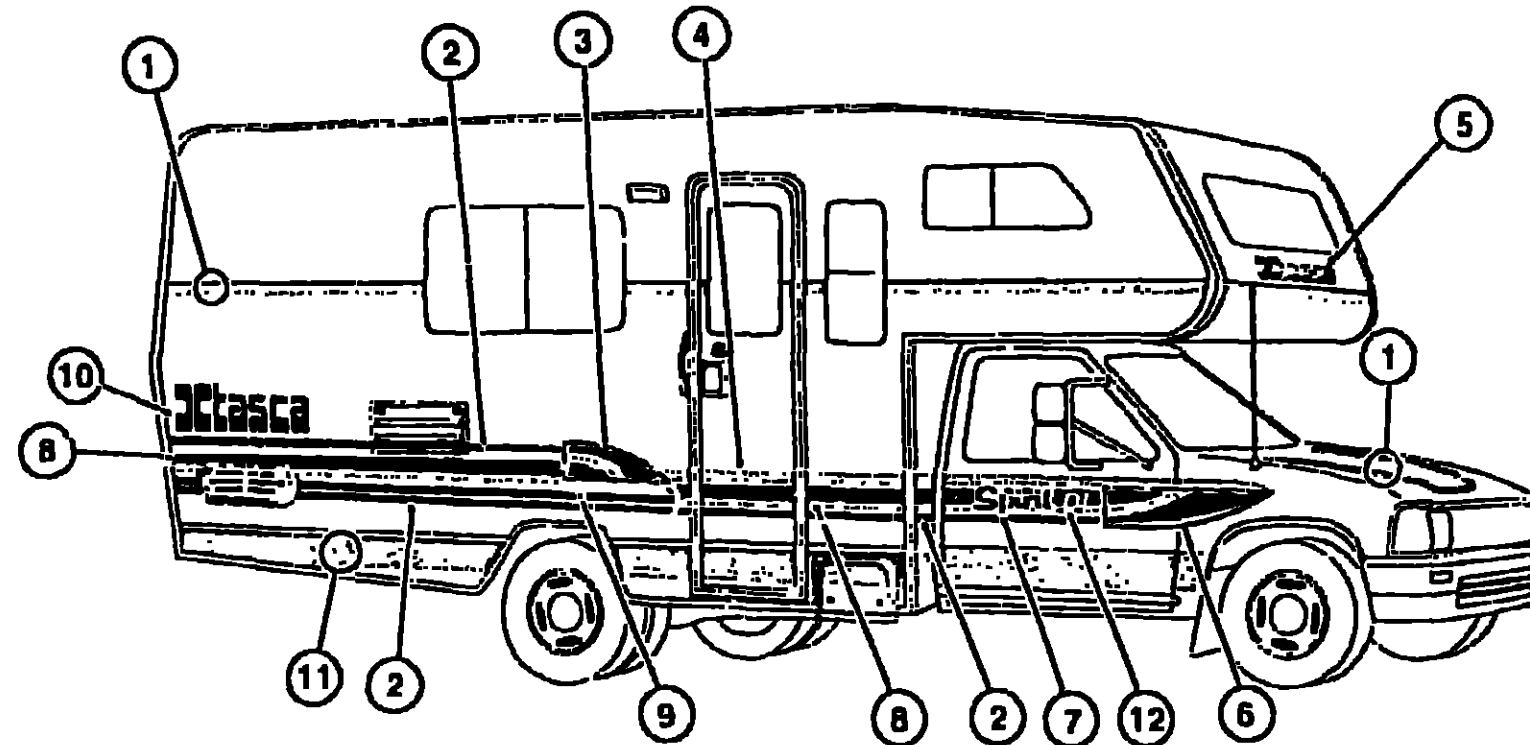
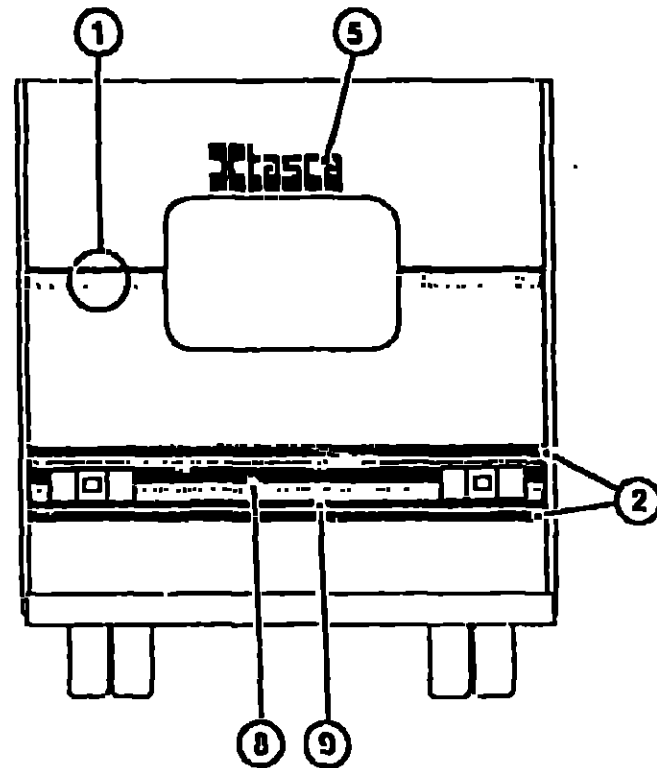
| KEY | PART NUMBER | U/M DESCRIPTION |
|-----|---------------|------------------------------------------------------------------|
| 1 | P03557-01-C29 | EA SIDEWALL-DRIVER SIDE W/O DOORS OR WINDOWS |
| | C02726-01-001 | EA GARNISH-U-CHANNEL, 1 3/8" X 1 1/2" - SERRATED - MILL ALUMINUM |
| 2 | 095554-01-01A | EA TRIM-CONTOUR, ROOF TO SIDEWALL - DR OR PASS - 120" |
| 3 | 100800-02-01A | EA TRIM-WHEELWELL, REAR - DRIVER SIDE - OFF WHITE |
| 4 | 095554-01-01A | EA TRIM-CONTOUR, W/O VINYL INSERT - 108" - OFF WHITE |
| | 079250-01-01A | FT INSERT-VINYL ON EXTERIOR TRIM - 81" - OFF WHITE |
| | 105312-01-01A | FT INSERT-TRIM, VINYL - OFF WHITE |
| | | FROM 00-00-00 THRU 09-30-91 |
| | | FROM 10-01-91 THRU 99-99-99 |
| 5 | 035970-05-01A | EA TRIM-WINGWALL, DRIVER SIDE VERTICAL - 46 5" - OFF WHITE |
| 6 | P00034-01-B05 | EA ROOF ASSEMBLY-W/O VENTS OR LIGHTS |
| | M76177-01-700 | EA SECTION-ROOF, OVER CAB TO FIRST ROOF SEAM |
| 7 | P00072-01-B05 | EA PANEL-SLEEPER BOARD, W/O INTERIOR TRIM |
| 8 | 100085-01-01A | EA TRIM-STRAP, SLEEPERBOARD - FLAT W/SCREW HOLES |
| 9 | 100085-01-01A | EA TRIM-SLEEPERBOARD TO ROOF - OFF WHITE |
| 10 | 099334-01-000 | FT VINYL-EXTERIOR, BETWEEN WINGWALL & CAB SEAL - WHITE |
| | 080267-11-000 | EA TRIM-SIDEWALL, U-CHANNEL - 5 1/4" - OFF WHITE |
| | 092754-01-001 | EA ANGLE-EXTRUDED, 75" X 75" X 18" - MILL ALUMINUM |

| KEY | PART NUMBER | U/M DESCRIPTION |
|-----|---------------|----------------------------------------------------------------------------|
| 11 | 100682-01-B05 | EA WINGWALL-PASSENGER |
| | 100682-02-B05 | EA WINGWALL-DRIVER |
| 12 | 084704-02-000 | EA TRIM-WINGWALL, OFF WHITE - DRIVER OR PASS SIDE |
| 13 | 035970-05-01A | EA TRIM-WINGWALL, PASSENGER SIDE VERTICAL - 46 5" - OFF WHITE |
| 14 | 002444-04-002 | EA STRIP-FEATURE, W/O INSERT - 15' LONG - OFF WHITE |
| | 001030-02-003 | EA INSERT-FEATURE STRIP, 17' LONG - OFF WHITE |
| | 009731-01-000 | EA END CAP-FEATURE STRIP |
| | 059726-02-000 | EA BUMPER- 88" DIAMETER X 40", BLACK |
| 15 | 100483-01-01A | EA TRIM-CONTOUR, ROOF (AWNING) - OFF WHITE |
| | 099583-55-001 | EA RAIL-AWNING, 10' EA - OFF WHITE |
| 16 | 100800-01-01A | EA TRIM-WHEELWELL, REAR - PASS SIDE - OFF WHITE |
| 17 | P03553-01-C29 | EA SIDEWALL-PASSENGER SIDE, W/O DOORS OR WINDOWS |
| 18 | 002778-03-012 | EA EXTRUSION-U CHANNEL, 1 7/8" X 1 1/2" - OFF WHITE |
| | 102766-51-001 | EA EXTRUSION-U CHANNEL, 1 5/8" X 1 1/2" LONG - MILL ALUMINUM |
| | 036787-51-001 | EA EXTRUSION-U CHANNEL, 10 DEGREE ANGLE - 1 26" X 15" LONG - MILL ALUMINUM |
| 19 | 085004-01-000 | EA TRIM-BACKWALL, LOWER - OFF WHITE - DRIVER OR PASSENGER SIDE |
| | 002355-01-001 | EA U-CHANNEL, 1" X 18" - SERRATED - MILL ALUMINUM |
| 20 | P00035-01-C29 | EA BACKWALL-W/O WINDOW, LIGHTS, OR DECALS |
| 20 | P00035-02-C29 | EA BACKWALL-W/O WINDOW, LIGHTS, OR DECALS - DELUXE OPTION |

EXTERIOR BODY GROUP (CONTINUED)
DECALS, STRIPES & PAINT

1992 ITASCA
TABLE OF CONTENTS

| | | |
|--------------------|--------|------|
| INTRODUCTION | A-01 - | A-02 |
| ABBREVIATIONS | | A-03 |
| ALPHABETICAL INDEX | A-04 - | A-05 |
| IT320RB | A-07 - | C-24 |
| IT321RB | D-01 - | F-20 |
| IT321RL | F-21 - | I-16 |



1992 IT321RL INDEX

| | | |
|--------------------------------|--------|------|
| FLOOR PLAN | F-21 - | F-22 |
| ACCESSORIES | | F-23 |
| AUDIO VIDEO | | F-24 |
| BATH | G-01 - | G-02 |
| CHASSIS | G-03 - | G-04 |
| CURTAIN & CUSHION | G-05 - | G-11 |
| DINETTE | | G-12 |
| DRIVERS COMPARTMENT | | G-13 |
| ELECTRICAL | G-14 - | G-17 |
| EXTERIOR BODY | G-18 - | G-22 |
| GALLEY | G-23 - | H-04 |
| GENERATOR | | H-05 |
| HEATING & A/C | | H-06 |
| INTERIOR FINISH | H-07 - | H-10 |
| LABEL | H-11 - | H-15 |
| LP | | H-16 |
| LOUNGE | H-17 - | H-18 |
| SEALANTS & FASTENERS | H-19 - | H-20 |
| WATER & SEWAGE | H-21 - | H-24 |
| WINDOW, VENT AND EXTERIOR DOOR | I-01 - | I-16 |

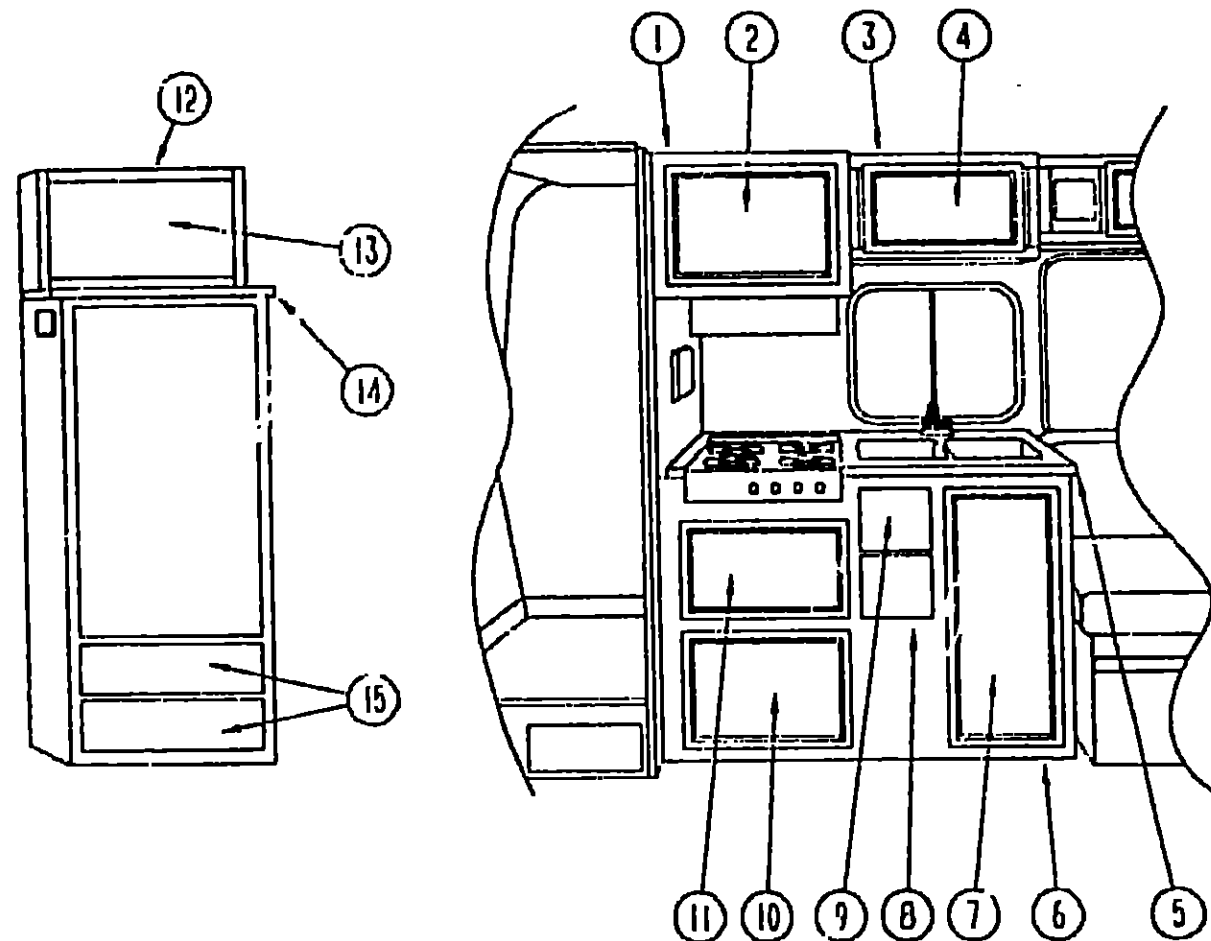
| KEY | PART NUMBER | U/M | DESCRIPTION |
|-----|---------------|-----|---------------------------------------------------------------------------------------------------------------------------------|
| 1 | 094423-01-01A | FT | MULTISTRIPE-2 LINES 3' - DK BLUE & LT BLUE W/1 MAGENTA DARK BLUE DUPONT #K9456, LIGHT BLUE DUPONT #K9457, MAGENTA DUPONT #G9842 |
| 2 | 093681-18-01A | FT | STRIPE-1 LINE, 1 25" WIDE - DARK BLUE DARK BLUE-DUPONT# K9456 |
| 3 | 100039 03-01A | EA | DECAL-SWEEP, DRIVER SIDE FRONT/PASSENGER SIDE REAR DARK BLUE DUPONT #K9456, MAGENTA DUPONT #G9842 |
| 4 | 093681-03-03A | FT | STRIPE-1 LINE, 1 5" WIDE - LIGHT BLUE LIGHT BLUE-DUPONT# K9457 |
| 5 | 078191-03 000 | EA | DECAL-LOGO, "ITASCA" - DARK BLUE DARK BLUE-DUPONT# K9456 |
| 6 | 100039-04-01A | EA | DECAL-SWEEP, PASSENGER SIDE FRONT/DRIVER SIDE REAR DARK BLUE DUPONT #K9456, MAGENTA DUPONT #G9842 |
| 7 | 093565-01-04A | EA | DECAL-LOGO, "SPIRIT" - DARK BLUE & OFF WHITE DARK BLUE-DUPONT# K9456 |
| 8 | 094433-01-01A | FT | STRIPE-1 LINES, 5" WIDE - DARK BLUE W/2 MAGENTA STRIPES DARK BLUE DUPONT #K9456, MAGENTA DUPONT #G9842 |
| 9 | 094433-01-02A | FT | STRIPE-1 LINE, 5" - LIGHT BLUE W/2 MAGENTA STRIPES LIGHT BLUE DUPONT # K9457, MAGENTA DUPONT #G9842 |
| 10 | 078852-17-000 | EA | DECAL-LOGO, "ITASCA" - 6 5" - DARK BLUE & OFF WHITE DARK BLUE-DUPONT# K9456 |
| 11 | 094448-01-02A | FT | MULTISTRIPE-8 LINES, 164 MM - DK BLUE DARK BLUE-DUPONT# K9456 |
| 12 | 104211-01-01A | EA | DECAL-DL, OFF WHITE - DELUXE OPTION |
| | 084075-01-000 | EA | DECAL-"BY WINNEBAGO INDUSTRIES", BLACK |

DUPONT COLOR CODES

| | |
|------------|-------|
| OFF WHITE | L8723 |
| DARK BLUE | K9456 |
| LIGHT BLUE | K9457 |
| MAGENTA | G9842 |

**GALLEY GROUP
GALLEY CABINETS & COMPONENTS**

**1992 ITASCA
TABLE OF CONTENTS**



| | | |
|--------------------|------|------|
| INTRODUCTION | A-01 | A-02 |
| ABBREVIATIONS | | A-03 |
| ALPHABETICAL INDEX | A-04 | A-05 |
| IT320PB | A-07 | C-24 |
| IT321RB | D-01 | F-20 |
| IT321RL | F-21 | I-15 |

1992 IT321RL INDEX

| | | |
|--------------------------------|------|------|
| FLOOR PLAN | F-21 | F-22 |
| ACCESSORIES | | F-23 |
| AUDIO VIDEO | | F-24 |
| BATH | G-01 | G-02 |
| CHASSIS | G-03 | G-04 |
| CURTAIN & CUSHION | G-05 | G-11 |
| DINETTE | | G-12 |
| DRIVERS COMPARTMENT | | G-13 |
| ELECTRICAL | G-14 | G-17 |
| EXTERIOR BODY | G-18 | G-22 |
| GALLEY | G-23 | H-04 |
| GENERATOR | | H-05 |
| HEATING & A/C | | H-06 |
| INTERIOR FINISH | H-07 | H-10 |
| LABEL | H-11 | H-15 |
| LP | | H-16 |
| LOUNGE | H-17 | H-18 |
| SEALANTS & FASTENERS | H-19 | H-20 |
| WATER & SEWAGE | H-21 | H-24 |
| WINDOW, VENT AND EXTERIOR DOOR | I-01 | I-16 |

| KEY | PART NUMBER | U/M DESCRIPTION |
|-----|---------------|-------------------------------------------------------------------------------------------------------|
| 1 | M05160-04-C29 | EA CABINET-OVERHEAD, W/O DOORS OR HARDWARE |
| 2 | P03702-77-C29 | EA DOOR-CABINET, W/O HARDWARE - 14 9" X 21 8" |
| 3 | M05160-03-C29 | EA CABINET-OVERHEAD, W/O DOORS OR HARDWARE |
| 4 | P03702-78-C29 | EA DOOR-CABINET, W/O HARDWARE - 12" X 21 8" |
| | 103234-01-B27 | EA RACK-SPICE - DELUXE OPTION |
| 5 | 100632-11-C29 | EA COUNTERTOP-GALLEY CABINET |
| 5 | 100632-16-C29 | EA COUNTERTOP-GALLEY CABINET - DELUXE OPTION |
| 6 | M04164-05-C29 | EA CABINET-GALLEY, W/O DOORS OR HARDWARE - STANDARD |
| 6 | M04164-06-C29 | EA CABINET-GALLEY, W/O DOORS OR HARDWARE - CANADIAN OPTION |
| 6 | M04164-07-C29 | EA CABINET-GALLEY, W/O DOORS OR HARDWARE - RANGE W/OVEN OPTION |
| 6 | M04164-08-C29 | EA CABINET-GALLEY, W/O DOORS OR HARDWARE - RANGE W/OVEN OPTION CANADA |
| 6 | M04164-19-C29 | EA CABINET-GALLEY, W/O DOORS OR HARDWARE - RANGE W/OVEN DELUXE OPTION |
| 6 | M04164-20-C29 | EA CABINET-GALLEY, W/C DOORS OR HARDWARE RANGE W/OVEN DELUXE OPTION - CANADIAN |
| 6 | M04164-17-C29 | EA CABINET-GALLEY, W/O DOORS OR HARDWARE - DELUXE OPTION |
| 6 | M04164-18-C29 | EA CABINET-GALLEY, W/O DOORS OR HARDWARE - DELUXE OPTION - CANADIAN |
| 6 | M04164-09-C29 | EA CABINET-GALLEY, W/O DOORS OR HARDWARE MICROWAVE OVEN & POWER PACK OPTIONS |
| 6 | M04164-10-C29 | EA CABINET-GALLEY, W/O DOORS OR HARDWARE MICROWAVE OVEN & POWER PACK OPTIONS - CANADIAN |
| 6 | M04164-21-C29 | EA CABINET-GALLEY, W/O DOORS OR HARDWARE MICROWAVE OVEN DELUXE OPTION |
| 6 | M04164-22-C29 | EA CABINET-GALLEY, W/O DOORS OR HARDWARE MICROWAVE OVEN DELUXE & POWER PACK DELUXE OPTIONS - CANADIAN |
| 6 | M04164-15-C29 | EA CABINET-GALLEY, W/O DOORS OR HARDWARE POWER PACK DELUXE OPTION |
| 7 | P03702-15-B37 | EA DOOR-CABINET, W/O HARDWARE - 12" X 25 9" |
| 8 | P03397-80-C29 | EA DRAWER-CABINET, W/O HARDWARE - 6.1" X 12" FACE SIZE |
| 9 | P03397-82-C29 | EA DRAWER-CABINET, W/O HARDWARE - 6.1" X 12" FACE SIZE |

| KEY | PART NUMBER | U/M DESCRIPTION |
|-----|---------------|-----------------------------------------------------------------------------------------------------|
| 10 | P03702-76-C29 | EA DOOR-CABINET, W/O HARDWARE - 21 8" X 14 9" |
| 11 | P03702-75-C29 | EA DOOR-CABINET, W/O HARDWARE - 21 8" X 12" |
| | 099856-02-000 | EA STRAP-TIEDOWN, MICROWAVE - BLACK |
| | 099335-02-C25 | EA RAIL-GALLEY, 22 2" LONG |
| | 011053-04-000 | EA FAUCET-GALLEY, SWING SPOUT 8" |
| | 104114-01-01A | EA FAUCET-GALLEY, SINGLE CONTROL - DELUXE OPTION |
| | 066437-01-000 | EA STRAINER-SINK, GALLEY W/BASKET |
| | 066437-01-700 | EA BASKET-STRAINER, GALLEY SINK |
| | 050654-01-000 | EA SINK-GALLEY, DOUBLE W/MOUNTING HARDWARE - STAINLESS STEEL FROM 00-00-00 THRU 08-25-91 |
| | 102551-03-000 | EA SINK-GALLEY, DOUBLE W/MOUNTING HARDWARE - STAINLESS STEEL FROM 08-26-91 THRU 99-99-99 |
| | 102551-04-000 | EA SINK-GALLEY, DOUBLE W/MOUNTING HARDWARE - STAINLESS STEEL - CANADIAN FROM 08-26-91 THRU 99-99-99 |
| | 081530-01-B07 | EA COVER-SINK, DELUXE OPTION |
| | 090329-01-000 | FT SEAL-T, REFRIGERATOR CABINET - 6" WIDE TOP X 2" TAIL |
| | 008380-01-000 | EA GROMMET-RUBBER, 5/8" HOLE X 1 1/2" DIAMETER - BLACK |
| 12 | M05160-11-C29 | EA CABINET-OVERHEAD, W/O DOOR OR HARDWARE - DELUXE OPTION |
| 13 | P03702-79-C29 | EA DOOR-CABINET, W/O HARDWARE - 10" X 19 1" - DELUXE OPTION |
| | 058331-18-000 | EA MIRROR-GLASS, SAFETY - 11.25" X 22.4" - DELUXE OPTION |
| | 058331-46-000 | EA MIRROR-GLASS, SAFETY - 9 8" X 22.4" - DELUXE OPTION |
| 14 | 101985-11-C29 | EA COUNTERTOP-REFRIGERATOR CABINET |
| | 084070-01-000 | EA POST-CENTER, 2 4" - BRASS - DELUXE OPTION |
| | 084070-02-000 | EA POST-END, 2 4" - BRASS - DELUXE OPTION |
| | 094071-07-000 | EA ROD-BRASS, 18.1" LONG - DELUXE OPTION |
| | 084071-10-000 | EA ROD-BRASS, 538 MM LONG - DELUXE OPTION |
| | 084071-11-000 | EA ROD-BRASS, 256 MM LONG - DELUXE OPTION |
| 15 | P03397-78-C29 | EA DRAWER-CABINET, W/O HARDWARE - 6 1" X 23" FACE SIZE |

GALLEY GROUP (CONTINUED)
STANDARD REFRIGERATOR

GALLEY GROUP (CONTINUED)
JAPAN EXPORT OPTION L048

1992 ITASCA
TABLE OF CONTENTS

| | | |
|--------------------|------|------|
| INTRODUCTION | A-01 | A-02 |
| ABBREVIATIONS | | A-03 |
| ALPHABETICAL INDEX | A-04 | A-05 |
| IT320RB | A-07 | C-24 |
| IT321RB | D-01 | F-20 |
| IT321RL | F-21 | I-16 |

1992 IT321RL INDEX

| | | |
|--------------------------------|------|------|
| FLOOR PLAN | F-21 | F-22 |
| ACCESSORIES | | F-23 |
| AUDIO VIDEO | | F-24 |
| BATH | G-01 | G-02 |
| CHASSIS | G-03 | G-04 |
| CURTAIN & CUSHION | G-05 | G-11 |
| DINETTE | | G-12 |
| DRIVERS COMPARTMENT | | G-13 |
| ELECTRICAL | G-14 | G-17 |
| EXTERIOR BODY | G-18 | G-22 |
| GALLEY | G-23 | H-04 |
| GENERATOR | | H-05 |
| HEATING & A/C | | H-05 |
| INTERIOR FINISH | H-07 | H-10 |
| LABEL | H-11 | H-15 |
| LP | | H-16 |
| LOUNGE | H-17 | H-18 |
| SEALANTS & FASTENERS | H-19 | H-20 |
| WATER & SEWAGE | H-21 | H-24 |
| WINDOW, VENT AND EXTERIOR DOOR | I-01 | I-15 |

| KEY | PART NUMBER | U/M DESCRIPTION |
|-----|----------------|----------------------------------------------------------------|
| | 101991-02-020 | EA REFRIGERATOR-2 WAY, 4 CU FT - DOMETIC RM2410 |
| | 101991-01-713 | EA DRIP CHUTE, DOMETIC 2007507003 |
| | 101991-01-715 | EA SHELF LOCK, OUTER - DOMETIC 2007393016 |
| | 101991-01-716 | EA SHELF LOCK, INNER - DOMETIC 2007392018 |
| | 101991-01-717 | EA SPRING HOUSING, LH - DOMETIC 2002235004 |
| | 101991-01-718 | EA SPRING HOUSING, RH - DOMETIC 2002236012 |
| | 101991-01-719 | EA SPRING, LH - DOMETIC 2002237002 |
| | 101991-01-720 | EA SPRING, RH - DOMETIC 2002237010 |
| | 101991-01-721 | EA CARRIER, DOMETIC 2002238000 |
| | 101991-01-725 | EA SHUTTER CPL /WHITE - DOMETIC 2002239065 |
| | 101991-01-726 | EA HINGE, DOMETIC 200224400B |
| | 101991-01-727 | EA GASKET, DOMETIC 2000917019 |
| | 101991-01-728 | EA PUSH BUTTON, GREY/BROWN - DOMETIC 2007479054 |
| | 101991-01-730 | EA KNOB-SELECTOR, 12/120V - GREY/BROWN - DOMETIC 2007480117 |
| | 101991-01-740 | EA THERMO ELECTRIC SAFETY VALVE, DOMETIC 2007422005 |
| | 101991-01-742 | EA COUPLING, DOMETIC 2007518000 |
| | 101991-01-743 | EA THERMOSTAT-DJAL, DOMETIC 2007199009 |
| | 101991-01-744 | EA BYPASS SCREW, DOMETIC 0172819039 |
| | 101991-01-745 | EA CUTOFF VALVE, DOMETIC 2007430008 |
| | 101991-01-746 | EA SWITCH, DOMETIC 2007432004 |
| | 101991-01-747 | EA SPRING, DOMETIC 2007577014 |
| | 101991-01-748 | EA SPRING, DOMETIC 2007578004 |
| | 101991-01-749 | EA LIGHTER, DOMETIC 2007423003 |
| | 101991-01-750 | EA SPRING, DOMETIC 2007425009 |
| | 101991-01-752 | EA ELECTRODE, DOMETIC 2930379009 |
| | 101991-01-753 | EA SEALING RING, DOMETIC 0140748005 |
| | 101991-01-754 | EA SNAP CATCH FOR 12/120V, DOMETIC 2930066028 |
| | 101991-01-755 | EA BURNER RETAINER, DOMETIC 2007651009 |
| | 101991-01-757 | EA BURNER JET NO 39 FOR PROPANE, DOMETIC 2007419159 |
| | 101991-01-759 | EA HEATER, 120V/160W - DOMETIC 0173756016 |
| | 101991-02-700 | EA DECORATION-#14, DOMETIC 2931583-03/9 |
| | 101991-02-701 | EA HANDLE-#8, DOMETIC 2931580-01/5 |
| | 101991-02-702 | EA DOOR-#1, DOMETIC 2931586-11/5 |
| | 101991-02-703 | EA FRONT PANEL-#19, DOMETIC 2931293-02/7 |
| | 101991-02-705 | EA COOLING UNIT, 335A - DOMETIC 293433599/9 |
| | 101991-02-707 | EA HOLDER-BOTTLE, 7 1/2" - DOMETIC 2930715-05/3 |
| | 101991-02-708 | EA HOLDER-BOTTLE, 8" - DOMETIC 2930715-05/1 |
| | 101991-02-709 | EA SHELF-DOOR, DOMETIC 2002261-22/6 |
| | 101991-02-710 | EA SHELF-DOOR, DOMETIC 2000571-22/0 |
| | 101991-02-711 | EA KNOB, DOMETIC 2007480-21/9 |
| | 101991-02-714 | EA HINGE-UPPER, DOMETIC 293129101/3 |
| | 101991-02-715 | EA PLATE-MOUNTING, RIGHT - DOMETIC 293129701/0 |
| | 101991-02-716 | EA PLATE-MOUNTING, LEFT - DOMETIC 293129702/2 |
| | 101991-02-717 | EA PIN-HINGE, UPPER - DOMETIC 293128801/9 |
| | 101991-02-718 | EA HINGE-LOWER, RIGHT - DOMETIC 293153901/5 |
| | 101991-02-719 | EA HINGE-LOWER, LEFT - DOMETIC 293153801/7 |
| | 101991-02-720 | EA PIN-HINGE, LOWER - DOMETIC 293128601/3 |
| | 101991-02-721 | EA PLUG - DOMETIC 293151003/2 |
| | 101991-02-722 | EA SEALING - DOMETIC 2931574012 |
| | 101991-02-723 | EA BASE-FRONT, DOMETIC 293152801B |
| | 101991-02-724 | EA CATCH - DOMETIC 2931511014 |
| | 101991-02-725 | EA SHELF W/NOTCH OUT - DOMETIC 2930133133 |
| | 101991-02-726 | EA SHELF - DOMETIC 2002652333 |
| | 101991-02-727 | EA THERMOCOUPLE, DOMETIC 2007417005 |
| | 101991-02-728 | EA TERMINAL BLOCK, DOMETIC 7627202562 |
| | 101991-02-730 | EA TERMINAL BLOCK, DOMETIC 2002633010 |
| | 101991-02-731 | EA SHAFT-THERMOSTAT, DOMETIC 20074771002 |
| | 101991-02-732 | EA SHAFT-SWITCH, DOMETIC 20074775703 |
| | 10325-1-01-01A | EA INSERT-1/8" X 20 3/4 X 27 8", BLACK ACRYLIC - DELUXE OPTION |

| KEY | PART NUMBER | U/M DESCRIPTION |
|-----|---------------|------------------------------------------------------|
| | 064473-04-000 | EA REFRIGERATOR-3 WAY, 4 9 CU FT - NORCOLD 875-EG3 |
| | 064473-03-700 | EA ELECTRODE ASSY, NORCOLD 616076 |
| | 064473-03-701 | EA HEATER-AC (HORIZONTAL BURNER), NORCOLD 615625 |
| | 064473-03-704 | EA DOOR GASKET (ALMOND) |
| | 064473-03-709 | EA PIN & CHAIN TRAVEL LOCK |
| | 064473-03-710 | EA RH BREAKER STRIP(BRN) |
| | 064473-03-712 | EA DOOR ASM-FREEZER, BROWN - NORCOLD 615246 |
| | 064473-03-714 | EA MODE SELECTOR KNOB |
| | 064473-03-715 | EA THERMOSTAT KNOB |
| | 064473-03-716 | EA SWITCH-3-WAY, F/EG-2 & EG-3 - NORCOLD 616113 |
| | 064473-03-718 | EA COOLING UNIT (HORIZ-BURNER) 61687137 |
| | 064473-03-719 | EA FLUE-HORIZONTAL BURNER, NORCOLD# 616162 |
| | 064473-03-720 | EA RELIGHTER, NORCOLD 616088 |
| | 064473-03-721 | EA COMBINATION CONTROL - NORCOLD 616084 |
| | 064473-03-724 | EA DOOR ASM-FREEZER, BLACK |
| | 064473-03-727 | EA LATCH-TRAVEL, MIDDLE - BLACK |
| | 046955-01-713 | EA PIN-HINGE, NORCOLD 611146 |
| | 064472-01-700 | EA THERMOCOUPLE, NORCOLD 614353 |
| | 064472-01-728 | EA HINGE TOP-LH CTR-LH LOWER RH, NORCOLD 61352922 |
| | 064472-03-700 | EA HINGE PIN-BOTTOM, NORCOLD 615507 |
| | 064473-01-702 | EA ORIFICE, NORCOLD 61452122 |
| | 064473-01-708 | EA TOP BREAKER STRIP, NORCOLD 613535-32 |
| | 064473-01-716 | EA CRISPER COFFEE 4&EG2 615191 |
| | 064473-01-717 | EA HINGE PINS, NORCOLD 614736 |
| | 064473-01-720 | EA DAIRY KEEPER, BROWN, NORCOLD 61466537 |
| | 064473-01-721 | EA DOOR GASKET, NORCOLD 613507-30 |
| | 064473-01-725 | EA DOOR FRAME NORCOLD 614266 |
| | 064473-01-727 | EA CRISPER, NORCOLD 615180 |
| | 084880-01-713 | EA MALE CONNECTOR(INLET FITTING) - NORCOLD 615256222 |
| | 084080-01-715 | EA VALVE-SHUT OFF, MANUAL - NORCOLD 61697922 |
| | 088248-01-706 | EA BURNER-HORIZONTAL, NORCOLD 61588122 |

REFRIGERATOR HARDWARE

| KEY | PART NUMBER | U/M DESCRIPTION |
|-----|---------------|---------------------------------------|
| | 064450-01-000 | EA LEVEL-REFRIGERATOR |
| | 065225-03-000 | EA PLATE-TIEDOWN, REFRIGERATOR |
| | 093646-01-000 | EA BRACKET ASM-TIEDOWN - REFRIGERATOR |
| | | FROM 00-00-00 THRU: 05-05-92 |
| | 093646-02-000 | EA BRACKET ASM-TIEDOWN - REFRIGERATOR |
| | | FROM 00-00-00 THRU: 05-05-92 |
| | 093646-05-000 | EA BRACKET ASM-TIEDOWN - REFRIGERATOR |
| | | FROM 05-06-92 THRU: 99-99-99 |

GALLEY GROUP (CONTINUED)
RANGE W/OVEN OPTION L13B

| KEY | PART NUMBER | U/M DESCRIPTION |
|-----|---------------|---------------------------------------------------------|
| | 102022-01-02A | EA RANGE-16", 4 BURNER - MAGIC CHEF BT16RA-4Z |
| | 055282-03-705 | EA TRIM-CABINET, LEFT - BLACK - MAGIC CHEF 3608F011-70 |
| | 055282-03-707 | EA TRIM-CABINET, RIGHT - BLACK - MAGIC CHEF 3608F012-70 |
| | 098507-02-701 | EA INSERT-BURNER (SLOTTED VENT), MAGIC CHEF 7214P015-60 |
| | 102020-01-700 | EA SHELF-OVEN, MAGIC CHEF - 7801-P027-50 |
| | 102020-01-701 | EA HANDLE-DOOR, MAGIC CHEF - 7701P092-60 |
| | 102020-01-702 | EA PANEL-MANIFOLD, MAGIC CHEF 2616F080-70 |
| | 102020-01-704 | EA PANEL-DOOR, BLACK - MAGIC CHEF - 2401F075-70 |
| | 102020-01-708 | EA BURNER ASSEMBLY-OVEN, MAGIC CHEF 3403W003-45 |
| | 102020-01-711 | EA GRATE-TOP, MAGIC CHEF 7518P012-60 |
| | 102020-01-712 | EA KNOB-BURNER VALVE, MAGIC CHEF 7733P044-60 |
| | 102020-01-713 | EA KNOB-THERMOSTAT, MAGIC CHEF 7731P042-60 |
| | 102020-01-714 | EA PILOT-OVEN, MAGIC CHEF 968-143 |
| | 102020-01-715 | EA PIPE-MANIFOLD, MAGIC CHEF 7513P095-50 |
| | 102020-01-717 | EA THERMOSTAT, MAGIC CHEF 7515P024-60 |
| | 102020-01-718 | EA TOP-MAIN, ALMOND - MAGIC CHEF 2001F085-84 |
| | 102020-01-720 | EA VALVE-MERCURY CONTROL, MAGIC CHEF 7501P055-60 |
| | 102020-01-722 | EA VALVE-TOP BURNER, MAGIC CHEF 7502P095-60 |
| | 102020-01-723 | EA PILOT-BURNER, MAGIC CHEF 7505P147-50 |
| | 102020-01-724 | EA BUMPER-MAIN TOP, MAGIC CHEF 8003P008-60 |
| | 102022-01-702 | EA PIPE-MANIFOLD, MAGIC CHEF 7513P095-50 |
| | 102022-01-703 | EA REGULATOR-PRESSURE, MAGIC CHEF 7510P031-60 |
| | 102022-01-705 | EA TRIM-LEFT, FLAT - MAGIC CHEF 3608W022-70 |
| | 102022-01-707 | EA TRIM-RIGHT, FLAT - MAGIC CHEF 3608W023-70 |
| | 055516-03-000 | EA BRACKET-REAR TIEDOWN, RANGE W/OVEN |
| | 055516-04-000 | EA BRACKET-FRONT TIEDOWN, RANGE W/OVEN |

STANDARD RANGE

| KEY | PART NUMBER | U/M DESCRIPTION |
|-----|---------------|-------------------------------------------------------------------------------------------------------------------|
| | 081374-01-000 | EA RANGE-4 BURNER, W/O OVEN - ALMOND - MAGIC CHEF BT85NA-4 FROM 05-27-91 THRU 01-26-92 |
| | 04505-01-703 | EA VALVE TOP BURNER, MAGIC CHEF 997-584 |
| | 064782-02-711 | EA TOP-MAIN-ALMOND-4BURNER SQ - MAGIC CHEF 50-27764A |
| | 064782-02-712 | EA GRATE-TOP BURNER, SQUARE HOLES - MAGIC CHEF 50-25439 |
| | 064782-02-715 | EA CLIP-GRATE, MAGIC CHEF 413-00015 |
| | 081374-01-700 | EA TRIM-CAB TOP RIGHT, BLACK - MAGIC CHEF 3608F015-70 |
| | 081374-01-701 | EA TRIM-CAB TOP LEFT, BLACK - MAGIC CHEF 3608F016-70 |
| | 081374-01-702 | EA PANEL-MANIFOLD WARM, BLACK - MAGIC CHEF 52-20712-5X |
| | 081374-01-703 | EA TRIM-TOP REAR, MAGIC CHEF 52-10354-3 |
| | 081374-01-704 | EA GUARD-FABRIC, MAGIC CHEF 50-11-688-2 |
| | 081374-02-701 | EA REGULATOR-PRESSURE, MAGIC CHEF 976-27 |
| | 102017-01-01A | EA TOP-RANGE ALMOND TOP W/ALMOND TRIM - MAGIC CHEF BT85RA-4 FROM 00-00-00 TO 05-26-91 AND 01-27-92 TO 99-99-99 |
| | 052583-04-701 | EA KNOB-TOP BURNER, MAGIC CHEF 7733P039-60 |
| | 102019-01-700 | EA TRIM-RIGHT, ALMOND - MAGIC CHEF 3608F015-74 |
| | 102019-01-701 | EA TRIM-LEFT ALMOND - MAGIC CHEF 3608F016-74 |
| | 102019-01-702 | EA TRIM REAR, ALMOND - MAGIC CHEF 3608F009-74 |
| | 102020-01-702 | EA PANEL-MANIFOLD, MAGIC CHEF 2616F080-70 |
| | 102020-01-709 | EA BUMPER-GRATE, MAGIC CHEF 8007P010-60 |
| | 102020-01-711 | EA GRATE-TOP, MAGIC CHEF 7518P012-60 |
| | 102020-01-718 | EA TOP-MAIN, ALMOND - MAGIC CHEF 2001F085-84 |
| | 102020-01-721 | EA VALVE-SHUT OFF, MAGIC CHEF 7505F095-50 |
| | 102020-01-722 | EA VALVE-TOP BURNER, MAGIC CHEF 7502P095-60 |
| | 102020-01-724 | EA BUMPER-MAIN TOP, MAGIC CHEF 8003P008-60 |
| | 102022-01-703 | EA REGULATOR-PRESSURE, MAGIC CHEF 7510P031-60 |
| | 081587-03-000 | EA BRACKET-TIEDOWN, RANGE - RIGHT |
| | 081587-04-000 | EA BRACKET-TIEDOWN, RANGE - LEFT |

GALLEY GROUP (CONTINUED)
MONITOR PANEL

| KEY | PART NUMBER | U/M DESCRIPTION |
|-----|---------------|------------------------------------------------------------|
| | 097618-01-000 | EA WIRE ASM-MONITOR PANEL W/4 WIRES & BLACK RESISTOR - LVS |
| | 096449-01-000 | EA WIRE ASSEMBLY-WATER TANK TO MONITOR PANEL |
| | 102765-02-01A | EA PANEL-MONITOR, W/PLUG - FOR 2 TANKS - LVS |
| | 102765-01-700 | EA SWITCH-ON/OFF ALMOND - LVS 110-01 |
| | 097617-01-702 | EA SWITCH-1/WAY ALMOND - LVS 107 |
| | 097617-01-703 | EA CIRCUIT BOARD - LVS 5076-01 |

MICROWAVE OVEN

| KEY | PART NUMBER | U/M DESCRIPTION |
|-----|---------------|-------------------------------------|
| | 103049-01-000 | EA OVEN-MICROWAVE, QUASAR MQS-0803W |

RANGE HOODS

| KEY | PART NUMBER | U/M DESCRIPTION |
|-----|---------------|--------------------------------------------------------------------------------------------|
| | 100258-01-01A | EA HOOD-RANGE, W/O MONITOR PANEL - VENTLINE - US TCS4001NAD FROM 00-00-00 THRU 09-01-91 |
| | 100258-02-01A | EA HOOD-RANGE, W/O MONITOR PANEL - VENTLINE - CANADIAN FROM 00-00-00 THRU 09-01-91 |
| | 100258-15-01A | EA HOOD-RANGE, W/O MONITOR PANEL - VENTLINE - US TCS5008NAD FROM 09-02-91 THRU 99-99-99 |
| | 100258-17-01A | EA HOOD-RANGE, W/O MONITOR PANEL - VENTLINE - CANADIAN FROM 09-02-91 THRU 99-99-99 |
| | 090973-01-700 | EA MOTOR - LVS CA508-1 |
| | 090973-01-702 | EA BLADE-FAN, LVS VA183-1 |
| | 092656-01-709 | EA BULB-912, VENTLINE VA415 |
| | 092695-01-710 | EA SOCKET-LIGHT, VENTLINE CB267-2 |
| | 096983-01-700 | EA SWITCH-ON/OFF, VENTLINE 108 |
| | 096983-01-702 | EA SWITCH-TWO WAY MOMENTARY, VENTLINE 112 |
| | 096983-01-707 | EA FILTER-GREASE, 8" X 8" - LVS CC246 |
| | 095983-01-708 | EA LENS-LAMP, VENTLINE CC179 |
| | 100258-01-700 | EA HOOD-NOSE LABEL, CC428 |
| | 100258-10-01A | EA METER-HOUR, VENTLINE 150 |

**1992 ITASCA
TABLE OF CONTENTS**

| | | |
|--------------------|------|------|
| INTRODUCTION | A-01 | A-02 |
| ABBREVIATIONS | | A-03 |
| ALPHABETICAL INDEX | A-04 | A-05 |
| IT320RB | A-07 | C-24 |
| IT321RB | D-01 | F-20 |
| IT321RL | F-21 | I-16 |

1992 IT321RL INDEX

| | | |
|-----------------------------------|------|------|
| FLOOR PLAN | F-21 | F-22 |
| ACCESSORIES | | F-23 |
| AUDIO VIDEO | | F-24 |
| BATH | G-01 | G-02 |
| CHASSIS | G-03 | G-04 |
| CURTAIN & CUSHION | G-05 | G-11 |
| DINETTE | | G-12 |
| DRIVERS COMPARTMENT | | G-13 |
| ELECTRICAL | G-14 | G-17 |
| EXTERIOR BODY | G-18 | G-22 |
| GALLEY | G-23 | H-04 |
| GENERATOR | | H-05 |
| HEATING & A/C | | H-06 |
| INTERIOR FINISH | H-07 | H-10 |
| LABEL | H-11 | H-15 |
| LP | | H-16 |
| LOUNGE | H-17 | H-18 |
| SEALANTS & FASTENERS | H-19 | H-20 |
| WATER & SEWAGE | H-21 | H-24 |
| WINDOW, VENT AND EXTERIOR DOOR | I-01 | I-16 |

GENERATOR GROUP
2,500 WATT KOHLER GENERATOR OPTION L32Y

| KEY | PART NUMBER | U/M DESCRIPTION |
|-----|---------------|--------------------------------------------------------------|
| | 007067-01-000 | SF INSULATION-FIBERGLASS, 1" THICK X 4' - INCREMENTS OF 4 SF |
| | 080662-03-000 | EA PIPE-EXHAUST, GENERATOR |
| | 080749-02-000 | EA MUFFLER-KOHLER, 2 5CM - 21 - KOHLER PA-228158 |
| | 080749-03-000 | EA HARDWARE KIT-MUFFLER, 2 5 KOHLER - PA-228296 |
| | 083551-04-000 | EA GENERATOR-2 5KW KOHLER, PA-177111 - W/CONTROL PANEL ASM |
| | 083551-04-700 | EA REMOTE START PANEL |

POWER PACK PACKAGE OPTION L38J

| KEY | PART NUMBER | U/M DESCRIPTION |
|-----|---------------|--------------------------------------------------------------|
| | 007067-01-000 | SF INSULATION-FIBERGLASS, 1" THICK X 4' - INCREMENTS OF 4 SF |
| | 080662-03-000 | EA PIPE-EXHAUST, GENERATOR |
| | 080749-02-000 | EA MUFFLER-KOHLER, 2 5CM - 21 - KOHLER PA-228158 |
| | 080749-03-000 | EA HARDWARE KIT-MUFFLER, 2 5 KOHLER - PA 228296 |
| | 083551-04-000 | EA GENERATOR-2 5KW KOHLER, PA-177111 - W/CONTROL PANEL ASM |
| | 083551-04-700 | EA REMOTE START PANEL |

HEATING & AIR CONDITIONING GROUP
ROOF A/C

| KEY | PART NUMBER | U/M DESCRIPTION |
|-----|---------------|------------------------------------------------------------|
| | 093306-01-01A | EA A/C ROOF 7100 BTU - ROTARY - IVORY - COLEMAN 6727D709 |
| | 093306-01-700 | EA SHROUD-IVORY / BRONZE - W/O LOGO - COLEMAN 6727A5721 |
| | 093306-01-701 | EA DECAL PKG, LEFT & RIGHT - COLEMAN 6727B3591 |
| | 093306-01-702 | EA FAN CAPACITOR, FAN 5 MFD - COLEMAN 14994421 |
| | 093306-01-703 | EA FAN-4 BLADE, 9" DIAMETER - COLEMAN 67073321 |
| | 093306-01-704 | EA OVERLOAD, COLEMAN 6707A3751 |
| | 093306-01-705 | EA MOTOR-115V1 6A60H2-RPM - COLEMAN 67273119 |
| | 093306-01-706 | EA BLOWER WHEEL, 6 5/16" X 2 7/8" WVD - COLEMAN 67073281 |
| | 093306-01-707 | EA START CAPACITOR, 47 - 56 MFD - 250 - COLEMAN 62503421 |
| | 093306-01-708 | EA START RELAY, COLEMAN 9435-3151 |
| | 093306-01-711 | EA CONDENSER COIL - COLEMAN 14520701 |
| | 093306-01-717 | EA COMPRESSOR-PANASONIC, COLEMAN 1450-2019 |
| | 093306-01-716 | EA COMPRESSOR-TECUMSEH, COLEMAN 6727-3659 |
| | 093306-01-712 | EA COMPRESSOR, COLEMAN 6707C3579 |
| | 073742-02-704 | EA RUN CAPACITOR (COMPRESSOR), COLEMAN 14994661 |
| | 093306-01-713 | EA EVAPORATOR, COLEMAN 14520601 |
| | 037640-01-714 | EA PACKAGE-GASKET, COLEMAN #5759-1281 |
| | 093307-01-000 | EA CEILING ASM-A/C COOL, IVORY - COLEMAN 6727D714 |
| | 093306-01-709 | EA DECAL THERMOSTAT AND SELECTOR, COLEMAN 6727A3341 |
| | 076303-01-710 | EA THERMOSTAT, COLEMAN 67333411 |
| | 076303-01-707 | EA FILTER-6" X 14 75" X 5", 12 PER PKG - COLEMAN 6703A3151 |
| | 093306-01-710 | EA SHROUD-CEILING, IVORY W/DECAL - COLEMAN 67273511 |
| | 093306-01-714 | EA SWITCH-SELECTOR, COLEMAN 67273251 |
| | 076303-01-708 | EA KNOB & BOLT PKG, COLEMAN 67275841 |
| | 076303-01-701 | EA KNOB-CONTROL, COLEMAN 67333241 |
| | 102289-01-000 | EA SPRING-SCREW, ROOF A/C GASKET - COLEMAN 6757-150 |

FURNACE

| KEY | PART NUMBER | U/M DESCRIPTION |
|-----|---------------|-------------------------------------------------------------|
| | 101990-01-000 | EA FURNACE-17,000 BTU, SUBURBAN DD-17DSI |
| | 069634-01-706 | EA MODULE BOARD, SUBURBAN# 231427 |
| | 069634-01-716 | EA VALVE-MANUAL SHUTOFF, SUBURBAN 160740 |
| | 101990-01-700 | EA MICROSWITCH, SUBURBAN 231759 |
| | 101990-01-701 | EA COMBUSTION AIR WHEEL, SUBURBAN 350126 |
| | 101990-01-702 | EA BURNER, SUBURBAN 010763 |
| | 101990-01-703 | EA ROOM AIR IMPELLER, SUBURBAN 350125 |
| | 101990-01-704 | EA MOTOR, SUBURBAN 231761 |
| | 101990-01-705 | EA TIME DELAY RELAY, SUBURBAN 231769 |
| | 101990-01-706 | EA TERMINAL STRIP, SUBURBAN 231770 |
| | 101990-01-707 | EA VALVE, SUBURBAN 160952 |
| | 101990-01-708 | EA ELECTRODE, SUBURBAN 231762 |
| | 101990-01-709 | EA GRILLE ASSEMBLY, SUBURBAN 030769 |
| | 101990-01-710 | EA LIMIT SWITCH, SUBURBAN 231768 |
| | 101990-01-711 | EA ORIFICE, SUBURBAN 530415 |
| | 101990-01-713 | EA MOTOR GASKET, SUBURBAN 070849 |
| | 101990-01-714 | EA MICROSWITCH GASKET, SUBURBAN 230877 |
| | 101990-01-715 | EA COMBUSTION AIR GASKET - FRONT - SUBURBAN 390536 |
| | 101990-01-716 | EA COMBUSTION AIR GASKET - REAR - SUBURBAN 070860 |
| | 101990-01-717 | EA MANIFOLD GASKET, SUBURBAN 070847 |
| | 101990-01-718 | EA BURNER ACCESS DOOR GASKET, SUBURBAN 070850 |
| | 101990-01-719 | EA MODULE BOARD (IF BEFORE DATE CODE 9112), SUBURBAN 231323 |
| | 101990-02-000 | EA VENT-FURNACE, OUTSIDE - 4-6" - SUBURBAN 260198 |

**1992 ITASCA
TABLE OF CONTENTS**

| | | |
|--------------------|------|------|
| INTRODUCTION | A-01 | A-02 |
| ABBREVIATIONS | | A-03 |
| ALPHABETICAL INDEX | A-04 | A-06 |
| IT320RB | A-07 | C-24 |
| IT321RB | D-01 | F-20 |
| IT321RL | F-21 | I-16 |

1992 IT321RL INDEX

| | | |
|--------------------------------|------|------|
| FLOOR PLAN | F-21 | F-22 |
| ACCESSORIES | | F-23 |
| AUDIO VIDEO | | F-24 |
| BATH | G-01 | G-02 |
| CHASSIS | G-03 | G-04 |
| CURTAIN & CUSHION | G-05 | G-11 |
| DINETTE | | G-12 |
| DRIVERS COMPARTMENT | | G-13 |
| ELECTRICAL | G-14 | G-17 |
| EXTERIOR BODY | G-18 | G-22 |
| GALLEY | G-23 | H-04 |
| GENERATOR | | H-05 |
| HEATING & A/C | | H-06 |
| INTERIOR FINISH | H-07 | H-10 |
| LABEL | H-11 | H-15 |
| LP | | H-16 |
| LOUNGE | H-17 | H-18 |
| SEALANTS & FASTENERS | H-19 | H-20 |
| WATER & SEWAGE | H-21 | H-24 |
| WINDOW, VENT AND EXTERIOR DOOR | I-01 | I-16 |

**INTERIOR FINISH GROUP
MOLDINGS & TRIMS**

| KEY | PART NUMBER | U/M DESCRIPTION |
|-----|---------------|----------------------------------------------------------------------------------|
| | 009767-12-000 | FT MOLDING-SIDEWALL TO CEILING/CABINET - WELTING - OFF WHITE |
| | 009778-11-000 | FT U CHANNEL-PLASTIC 1" WIDE X 8' INCREMENTS - IVORY |
| | 009809-21-000 | EA MOLDING-CORNER, OUTSIDE - 1" - PLASTIC - WOODGRAIN |
| | 009809-23-000 | EA MOLDING-CORNER, OUTSIDE - 1" - PLASTIC - IVORY |
| | 009812-17-000 | EA MOLDING-CORNER, OUTSIDE - 5" - PLASTIC - LIGHT OAK |
| | 009812-22-000 | EA MOLDING-CORNER, OUTSIDE - 5" X 7" - PLASTIC - BROWN |
| | 020092-11-000 | FT MOLDING-REVERSE COVE, T-SHAPED - VINYL - IVORY |
| | 070504-01-000 | FT U-CHANNEL-PLASTIC, .065" WIDE - LIGHT BROWN - INC OF 8' |
| | 070504-18-000 | FT U-CHANNEL-PLASTIC, .065" WIDE - IVORY - INC OF 8' |
| | 069733-78-000 | EA BATT STRIP-WOODGRAIN - 8' EA - RAMBLING OAK FROM 00-00-00 THRU 02-23-92 |
| | 069733-79-000 | EA BATT STRIP-WOODGRAIN, 8' EA - FOREST OAK FROM 02-24-92 THRU 99-99-99 |
| | 085284-38-000 | FT BATT STRIP-SHOWER, ADHESIVE BACKED - OFF WHITE FROM 00-00-00 THRU 03-15-92 |
| | 085284-76-000 | FT BATT STRIP-SHOWER, ADHESIVE BACKED - OFF WHITE FROM 03-15-92 THRU 99-99-99 |
| | 085284-48-000 | FT BATT STRIP-CEILING ADHESIVE BACKED FROM 00-00-00 THRU 05-28-91 |
| | 085284-59-000 | FT BATT STRIP-DECORATIVE, ADHESIVE BACKED - FAWN FROM 05-29-91 THRU 99-99-99 |
| | 085284-51-000 | FT BATT STRIP-DECORATIVE, PLAIN - ADHESIVE BACKED |
| | 088253-50-000 | EA BATT STRIP-SHOWER, 8' EACH - OFF WHITE FROM 00-00-00 THRU 03-15-92 |
| | 088253-78-000 | EA BATT STRIP-SHOWER, 8' EA - OFF WHITE FROM 03-16-92 THRU 99-99-99 |
| | 088253-51-000 | EA BATT STRIP-CEILING, 8' EA - OFF WHITE FROM 00-00-00 THRU 05-28-91 |
| | 088253-71-000 | EA BATT STRIP-DECORATIVE, 8' EA - FAWN FROM 05-29-91 THRU 99-99-99 |
| | 088253-65-000 | EA BATT STRIP-DECORATIVE, PLAIN - 8' EA |
| | 088253-66-000 | EA BATT STRIP-DECORATIVE, W/FLOWERS - 8' EA |
| | 084730-01-B27 | EA MOLDING-SHELF WOOD |
| | 100040-01-000 | EA LUMBER-VINYL WRAPPED, 7" X 1 5/8" X 8" - RAMBLING OAK |
| | 100040-03-000 | EA LUMBER-VINYL WRAPPED, 7 1/2" X 2" X 8" - RAMBLING OAK |
| | 100041-01-000 | EA MOLDING-VINYL WRAPPED, 7" X 1 5/8" X 84 02" - RAMBLING OAK |
| | 100041-02-000 | EA MOLDING-VINYL WRAPPED, 7" X 2 5/8" X 84" - RAMBLING OAK |
| | 085746-01-000 | FT TRIM-J, CARPET - 1 2" X 5" ANGLE - 10' LONG - PVC - BEIGE |
| | 100659-01-B25 | EA TRIM-FLOOR, 72" X 1" X 1/2" - WOOD |
| | 086279-02-000 | FT TRIM-INSERT, 9" - PLASTIC - OFF WHITE |
| | 086229-01-000 | EA RETAINER-BATTEN, CEILING - 75" WIDE - 7 5/8" EA |

CARPETING

| KEY | PART NUMBER | U/M DESCRIPTION |
|-----|---------------|------------------------------------------------|
| | 095050-21-000 | SY CARPET-12' ROLL, INCREMENTS OF 4 SY - (C29) |
| | 095050-23-000 | SY CARPET-12' ROLL, INCREMENTS OF 4 SY - (C30) |
| | 047034-02-000 | SF PLASTIC-CARPET, 4' WIDE - CLEAR POLY |

**INTERIOR FINISH GROUP (CONTINUED)
FIRE EXTINGUISHER, SMOKE DETECTOR & CLOCK**

| KEY | PART NUMBER | U/M DESCRIPTION |
|-----|---------------|------------------------------------------------------------------------------|
| | 094499-02-000 | EA EXTINGUISHER-FIRE, DRY - 1A10BC - CANADIAN |
| | 094499-01-000 | EA EXTINGUISHER-FIRE, DRY W/MOUNTING BRACKET - 10 BC |
| | 094499-01-700 | EA BRACKET-MOUNTING W/PLASTIC STRAP - FIRE EXTINGUISHER |
| | 072852-01-000 | EA DETECTOR-SMOKE, W/9 VOLT BATTERY |
| | 072852-02-000 | EA DETECTOR-SMOKE, W/9 VOLT BATTERY - CANADIAN |
| | 100503-01-01A | EA CLOCK WALL, ROUND BEZEL - LVS 2060 FROM 00-00-00 THRU 05-05-91 |
| | 101333-01-000 | EA BACKPLATE-CLOCK, 6" X 6" - PLASTIC - ELACK FROM 05-06-91 THRU 99-99-99 |
| | 104764-01-01A | EA CLOCK-WALL, SPARTUS 5615-42 FROM 05-06-91 THRU 99-99-99 |
| | 103921-01-C29 | EA PAD-CLOCK |
| | 103921-01-C30 | EA PAD-CLOCK |
| | 038327-01-000 | EA TAPE-ANTI SLIP, 2" X 60' |
| | 091261-01-000 | FT SLIPNOT-ANTISLIP, 1" WIDE (100' ROLL) |

PANELING, LAMINATES & PLASTIC

| KEY | PART NUMBER | U/M DESCRIPTION |
|-----|---------------|------------------------------------------------------------------------------------------------------------|
| | 074497-18-000 | SF PANELING-CEILING, 4' X 8' - INCREMENTS OF 32 SF FROM 00-00-00 THRU 05-28-91 |
| | 074497-19-000 | SF PANELING-CEILING, 4' X 8' - INCREMENTS OF 32 SF FROM 05-29-91 THRU 99-99-99 |
| | 074497-17-000 | SF PANELING-WOODGRAIN, 4' X 8' - INCREMENTS OF 32 SF FROM 00-00-00 THRU 11-03-91 |
| | 074497-21-000 | SF PANELING-WOODGRAIN, 4' X 8' - INCREMENTS OF 32 SF FROM 11-04-91 THRU 99-99-99 |
| | 083618-02-000 | SF PLYWOOD-OAK, 1 SIDE FINISHED - 3/16" X 4' X 8' - INCREMENTS OF 32 SF |
| | 088272-72-000 | SF PANELING-SHOWER, OFF WHITE - 4' X 7' - INCREMENTS OF 28 SF FROM 00-00-00 THRU 03-15-92 |
| | 088272-98-000 | SF PANELING-SHOWER, OFF WHITE - 4' X 7' - INCREMENTS OF 28 SF FROM 03-16-92 THRU 99-99-99 |
| | 088272-86-000 | SF PANELING-DECORATIVE, PLAIN - 4' X 7' - INCREMENTS OF 28 SF |
| | 088272-87-000 | SF PANELING-DECORATIVE, W/FLOWERS - 4' X 7' - INCREMENTS OF 28 SF |
| | 079666-02-000 | SF PANELING-CLOSET, SOLID CEDAR - 48" X 8" - INCREMENTS OF 32 SF |
| | 074498-40-000 | SF LAMINATE-PLASTIC, 5' X 8' - OFF WHITE - INCREMENTS OF 40 SF FROM 00-00-00 THRU 05-12-91 |
| | 074498-41-000 | SF LAMINATE-PLASTIC, 5' X 8' - ORCHID - INCREMENTS OF 40 SF FROM 05-13-91 THRU 99-99-99 |
| | 076325-28-000 | FT MOLDING-EDGE BAND, 1 5/16" WIDE FROM 00-00-00 THRU 05-12-91 |
| | 076325-34-000 | FT MOLDING-EDGE BAND, 1 5/16" WIDE FROM 05-13-91 THRU 99-99-99 |
| | 000885-46-000 | SF PARTICLE BOARD-3/8" X 48" X 95", 1 SIDE VINYL - WOODGRAIN - INC OF 32 SF FROM 00-00-00 THRU 11-03-91 |
| | 000885-56-000 | SF PARTICLE BOARD-3/8" X 48" X 95", 1 SIDE VINYL - WOODGRAIN - INC OF 32 SF FROM 11-04-91 THRU 99-99-99 |
| | 089297-01-000 | SF PLYWOOD-LUAN OVERLAY GRADE - 4' X 8' - INC OF 32 SF |
| | 093743-01-02A | SF PLASTIC-ABS 11 5/8" WIDE ROLL - OFF WHITE |
| | 093743-02-01A | SF PLASTIC-ABS 20" WIDE ROLL - OFF WHITE |

**1992 ITASCA
TABLE OF CONTENTS**

| | | |
|--------------------|------|------|
| INTRODUCTION | A-01 | A-02 |
| ABBREVIATIONS | | A-03 |
| ALPHABETICAL INDEX | A-04 | A-05 |
| IT320RB | A-07 | C-24 |
| IT321RB | D-01 | F-20 |
| IT321RL | F-21 | I-16 |

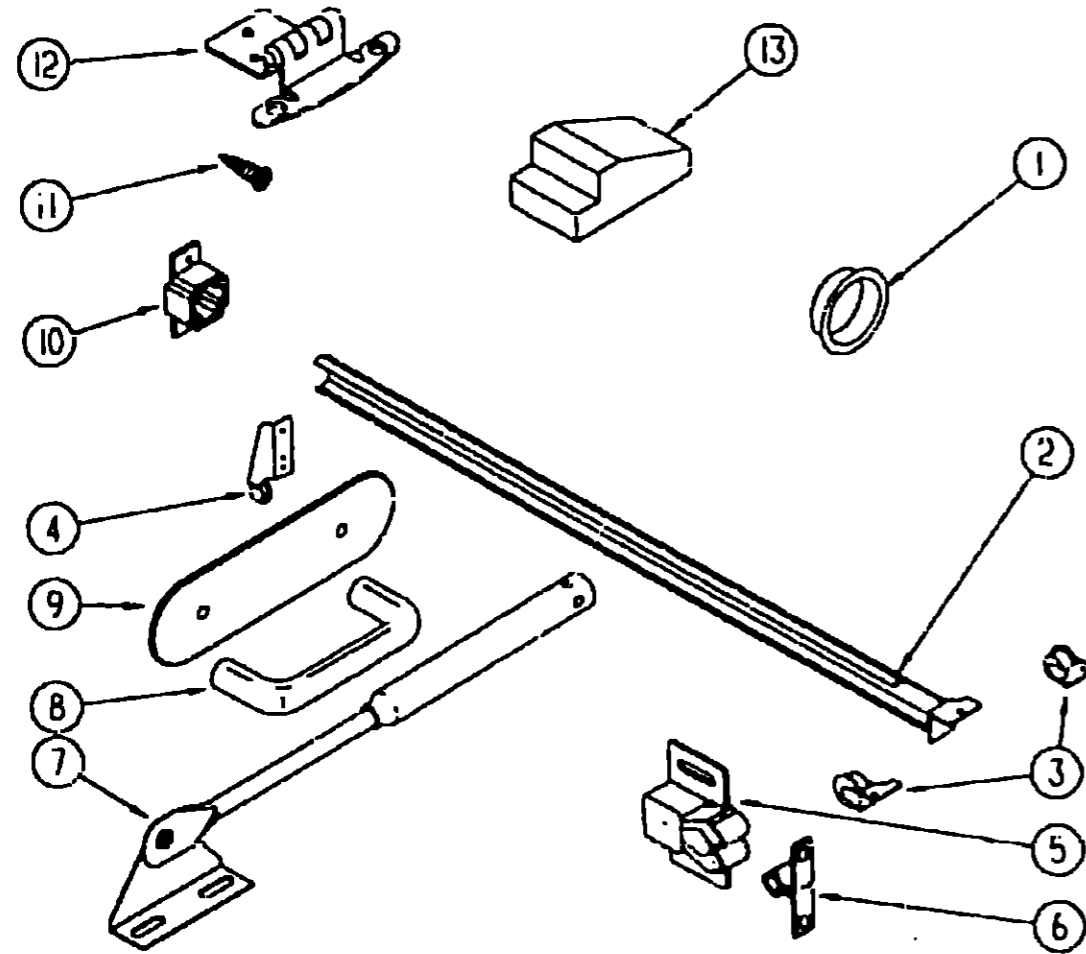
1992 IT321RL INDEX

| | | |
|----------------------------------|------|------|
| FLOOR PLAN | F-21 | F-22 |
| ACCESSORIES | | F-23 |
| AUDIO VIDEO | | F-24 |
| BATH | G-01 | G-02 |
| CHASSIS | G-03 | G-04 |
| CURTAIN & CUSHION | G-05 | G-11 |
| DINETTE | | G-12 |
| DRIVERS COMPARTMENT | | G-13 |
| ELECTRICAL | G-14 | G-17 |
| EXTERIOR BODY | G-18 | G-22 |
| GALLEY | G-23 | H-04 |
| GENERATOR | | H-05 |
| HEATING & A/C | | H-05 |
| INTERIOR FINISH | H-07 | H-10 |
| LABEL | H-11 | H-15 |
| LP | | H-16 |
| LOUNGE | H-17 | H-18 |
| SEALANTS & FASTENERS | H-19 | H-20 |
| WATER & SEWAGE | H-21 | H-24 |
| WINDOW VENT AND EXTERIOR DOOR | I-01 | I-16 |

INTERIOR FINISH GROUP (CONTINUED)

CABINET DOOR & DRAWER HARDWARE

1992 ITASCA
TABLE OF CONTENTS



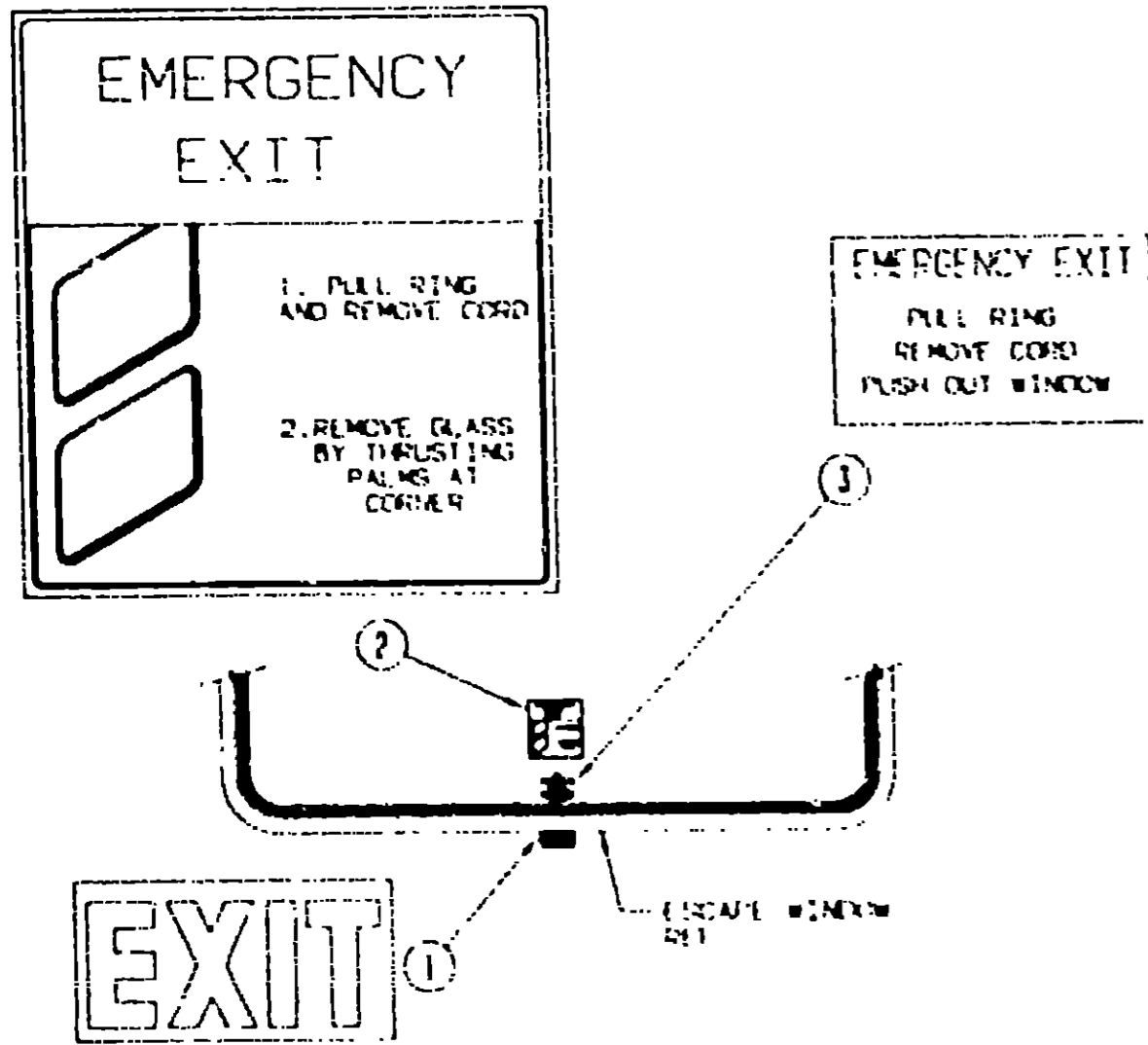
| KEY | PART NUMBER | U/M DESCRIPTION |
|-----|---------------|--------------------------------------------------------------------------|
| 1 | 003158 01 000 | EA ROLLER 7/8" DIAMETER - BRASS |
| | 037688 01 000 | FT RAIL GUIDE DRAWER - INCREMENTS OF 10" FROM 00 00 00 THRU 03 31 91 |
| | 037691 04 000 | EA BRACKET MOUNTING FRONT END OF DRAWER RAIL FROM 00 00 00 THRU 03 31 91 |
| | 037689 05 000 | EA BRACKET MOUNTING REAR OF DRAWER RAIL FROM 00 00 00 THRU 03 31 91 |
| 2 | 102827 05 000 | EA TRACK DRAWER 22 1/2" LONG FROM 04 01 91 THRU 09 09 99 |
| 3 | 102827 03 000 | EA ROLLER DRAWER NYLON PAIR FROM 04 01 91 THRU 09 09 99 |
| 4 | 101827 02 000 | EA BRACKET ROLLER DRAWER REAR FROM 04 01 91 THRU 09 09 99 |
| 5 | 090586 01 000 | EA CATCH SPRING ROLLER |
| 6 | 090588 04 000 | EA STRIKE OF ROLLER STEEL |
| 7 | 074443 00 000 | EA SUPPORT RAIL - METALLIC CABINET DOOR |
| 8 | 102851 01 000 | EA ROLLER FOR CABINET DOOR BRASS |
| 9 | 081326 01 000 | EA BRACKET FOR ROLLER BRASS - 8" X 4 1/2" |
| 10 | 102827 04 000 | EA BRACKET MOUNTING DRAWER REAR FROM 00 00 00 THRU 03 31 91 |
| 11 | 090583 00 100 | EA SCREW WOOD LAMINATED PANEL BRASS FROM 00 00 00 THRU 04 15 92 |
| 11 | 090583 00 080 | EA SCREW WOOD LAMINATED PANEL BRASS FROM 04 15 92 THRU 04 15 92 |
| 12 | 090583 02 000 | EA SCREW CABINET DOOR BRASS FROM 00 00 00 THRU 04 15 92 |
| 12 | 102826 01 000 | EA SCREW CABINET DOOR BRASS FROM 04 15 92 THRU 09 09 99 |
| 13 | 104896 01 000 | EA CATCH WOOD VENEER FACE CABINET |
| 13 | 104896 02 000 | EA CATCH WOOD LAMINATED FACE CABINET |
| | 102832 01 000 | EA FASTENER WOOD DOOR - METAL - 5/16" X 1/2" |
| | 090584 01 000 | EA BUMPER RUBBER METAL BETWEEN |
| | 073320 01 000 | EA FASTENER WOOD DRAWER - 1/2" DIA. |
| | 073320 01 000 | EA BRACE CABINET ANGLE 1/2" METAL - 1 1/2" X 1 1/2" |
| | 073320 01 000 | EA BRACE CABINET ANGLE 1/2" METAL - 2" X 2" |

| | |
|--------------------|-------------|
| INTRODUCTION | A-01 - A-02 |
| ABBREVIATIONS | A-03 |
| ALPHABETICAL INDEX | A-04 - A-06 |
| IT320RB | A-07 - C-24 |
| IT321RB | D-01 - F-20 |
| IT321RL | F-21 - I-15 |

1992 IT321RL INDEX

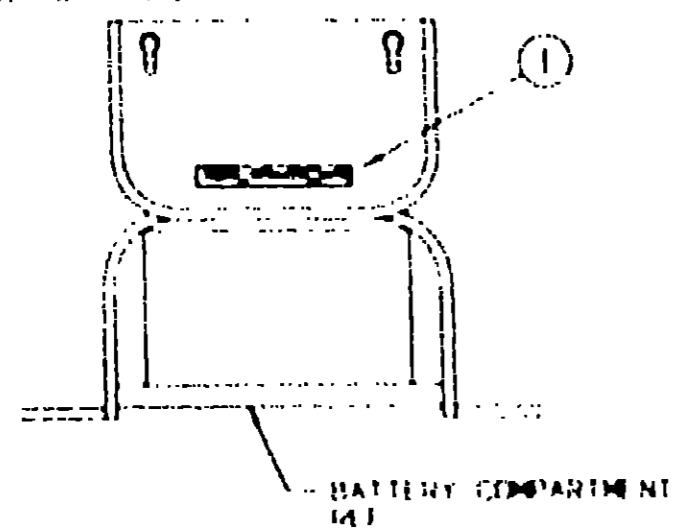
| | |
|-------------------------------|-------------|
| REAR PLAN | F-21 - F-22 |
| ACCESSORIES | - F-23 |
| AUDIO VIDEO | - F-24 |
| BATH | G-01 - G-02 |
| CHASSIS | G-03 - G-04 |
| CURTAIN & CUSHION | G-05 - G-11 |
| DINETTE | - G-12 |
| DRIVERS COMPARTMENT | - G-13 |
| ELECTRICAL | G-14 - G-17 |
| EXTERIOR BODY | G-18 - G-22 |
| GALLEY | G-23 - H-04 |
| GENERATOR | - H-05 |
| HEATING & AC | - H-06 |
| INTERIOR FINISH | H-07 - H-13 |
| LABEL | H-11 - H-15 |
| LP | - H-16 |
| UPHOLSTERY | H-17 - H-18 |
| SEALS & FASTENERS | H-19 - H-20 |
| WATER & SEWAGE | H-21 - H-24 |
| WINDOW VENT AND EXTERIOR DOOR | I-01 - I-15 |

LABEL GROUP



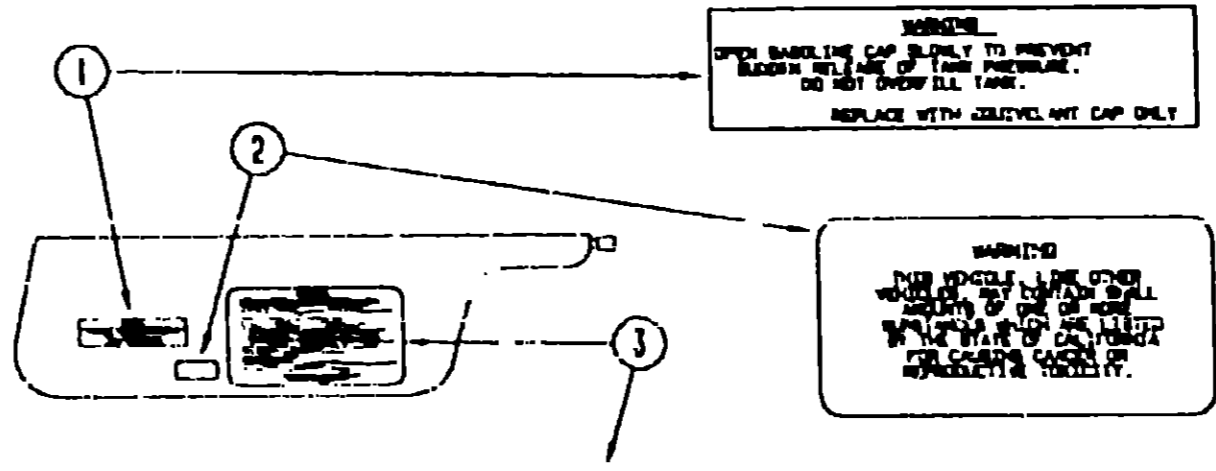
| KEY | PART NUMBER | U/M DESCRIPTION |
|-----|---------------|--------------------------|
| 1 | EA 1000000000 | EA LABEL, EMERGENCY EXIT |
| 2 | EA 1000000000 | EA LABEL, EMERGENCY EXIT |
| 3 | EA 1000000000 | EA LABEL, EMERGENCY EXIT |

WARNING DISCONNECT BATTERIES BEFORE CONNECTING EXTERNAL CHARGING EQUIPMENT



| KEY | PART NUMBER | U/M DESCRIPTION |
|-----|---------------|--------------------------|
| 1 | EA 1000000000 | EA LABEL, EMERGENCY EXIT |

LABEL GROUP (CONTINUED)



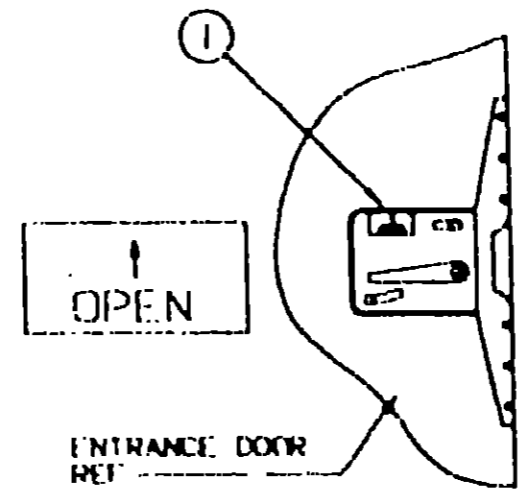
CAUTION

THIS MOTOR HOME HAS BEEN DESIGNED, MANUFACTURED AND TESTED WITH CONCERN FOR THE PROTECTION OF IT'S OCCUPANTS. WE REQUESTING YOU PERFORM THE FOLLOWING INSPECTIONS FOR YOUR SAFETY AND THE SAFETY OF YOUR PASSENGERS BEFORE STARTING YOUR VEHICLE.

1. **OF GAS SYSTEM** TURN OFF AT TIME FOR TRAVELING. TEST FOR LEAKS UPON ARRIVAL AT DESTINATION. BEFORE LIGHTING PILOTS.
2. **DRIVELINE** INSPECT FOR DAMAGE AND CHECK LUB OILS FOR TIGHTNESS.
3. **TIRE'S** INSPECT FOR WEAR AND DAMAGE AND CHECK FOR RECOMMENDED AIR PRESSURE.
4. **LIGHTING** TEST FOR PROPER OPERATION OF ALL INTERIOR AND EXTERIOR LIGHTS INCLUDING DASH LIGHTS, HEAD LIGHTS, TAIL LIGHTS, BRAKE LIGHTS, CLEARANCE LIGHTS AND TURN SIGNALS.
5. **EXIT'S** INSPECT RELEASE MECHANISM ON EMERGENCY EXIT WINDOW. TEST BOTH LOCKS ON MAIN ENTRANCE DOOR FOR EASE OF OPERATION AND INSTRUCT PASSENGERS HOW TO USE BOTH MEANS OF EXIT.
6. **SEAT BELTS** INSTRUCT PASSENGERS TO DESIGNATED SEATS AND REQUIRE USE OF SEAT BELTS.
7. **APPLIANCES** TURN OFF AND LATCH OR LOCK DOWN WHERE PROVIDED.
8. **LEAKS CHECKS** CHECK CAREFULLY.
9. **UTILITY SUPPLY LINES** DISCONNECT ALL ELECTRIC, GASES AND WATER LINES AND SECURE PROPERLY.
10. **BEFORE LEAVE STOP** PLACE IN RESTRICTED POSITION FOR TRAVELING.

READ YOUR MOTOR HOME AND CHASSIS OWNER'S MANUAL FOR FURTHER PRECAUTIONS

| KEY | PART NUMBER | U/M DESCRIPTION |
|-----|---------------|--------------------------|
| 1 | EA 1000000000 | EA LABEL, EMERGENCY EXIT |
| 2 | EA 1000000000 | EA LABEL, EMERGENCY EXIT |
| 3 | EA 1000000000 | EA LABEL, EMERGENCY EXIT |



| KEY | PART NUMBER | U/M DESCRIPTION |
|-----|---------------|--------------------------|
| 1 | EA 1000000000 | EA LABEL, EMERGENCY EXIT |

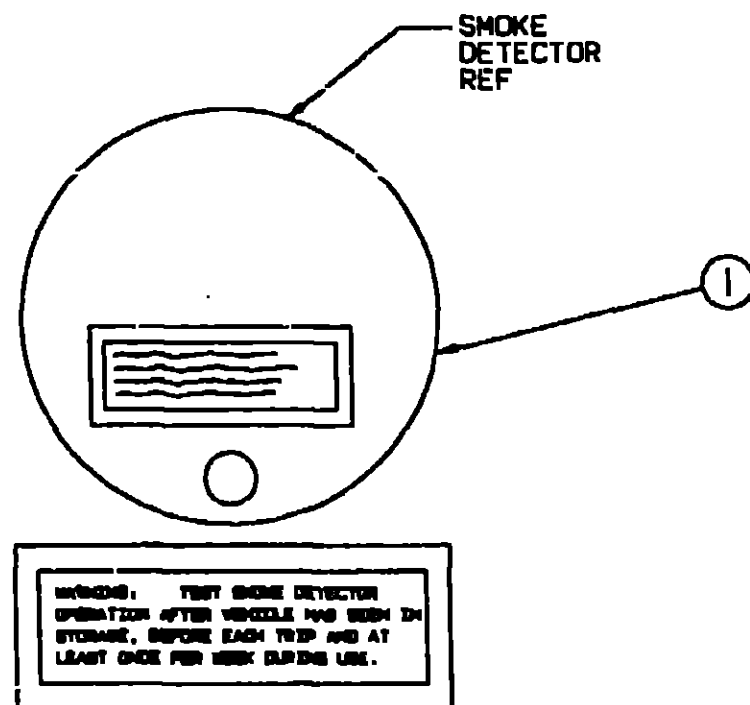
**1992 ITASCA
TABLE OF CONTENTS**

| | |
|--------------------|-------------|
| INTRODUCTION | A-01 - A-02 |
| ABBREVIATIONS | A-03 |
| ALPHABETICAL INDEX | A-04 - A-05 |
| IT320RB | A-07 - C-24 |
| IT321RB | D-01 - F-20 |
| IT321RL | F-21 - I-16 |

1992 IT321RL INDEX

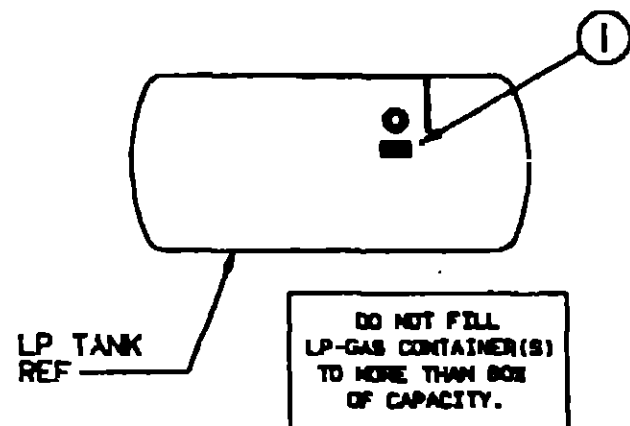
| | |
|-------------------------------|-------------|
| FLOOR PLAN | F-21 - F-22 |
| ACCESSORIES | - F-23 |
| AUDIO VIDEO | - F-24 |
| BATH | G-01 - G-02 |
| CHASSIS | G-03 - G-04 |
| CURTAIN & CUSHION | G-05 - G-11 |
| DINETTE | - G-12 |
| DRIVERS COMPARTMENT | - G-13 |
| ELECTRICAL | G-14 - G-17 |
| EXTERIOR BODY | G-18 - G-22 |
| GALLEY | G-23 - H-04 |
| GENERATOR | - H-05 |
| HEATING & A/C | - H-05 |
| INTERIOR FINISH | H-07 - H-10 |
| LABEL | H-11 - H-15 |
| LP | - H-16 |
| LOUNGE | H-17 - H-18 |
| SEALANTS & FASTENERS | H-19 - H-20 |
| WATER & SEWAGE | H-21 - H-24 |
| WINDOW VENT AND EXTERIOR DOOR | I-01 - I-16 |

LABEL GROUP (CONTINUED)



WARNING: TEST SMOKE DETECTOR OPERATION AFTER VEHICLE HAS BEEN IN STORAGE, BEFORE EACH TRIP AND AT LEAST ONCE PER WEEK DURING USE.

KEY PART NUMBER U/M DESCRIPTION
1 077956-01-00C EA LABEL-WARNING, SMOKE DETECTOR



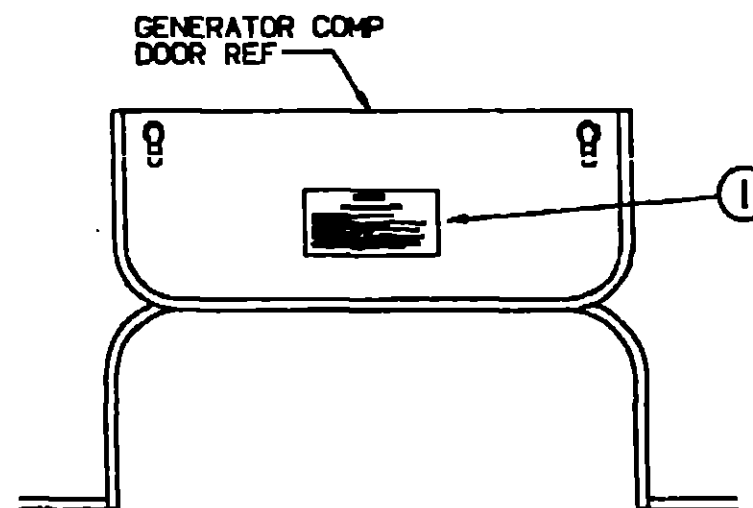
DO NOT FILL LP-GAS CONTAINER(S) TO MORE THAN 80% OF CAPACITY.

KEY PART NUMBER U/M DESCRIPTION
1 079955-01-00D EA LABEL-LPG 80 CAPACITY

MISCELLANEOUS LABELS

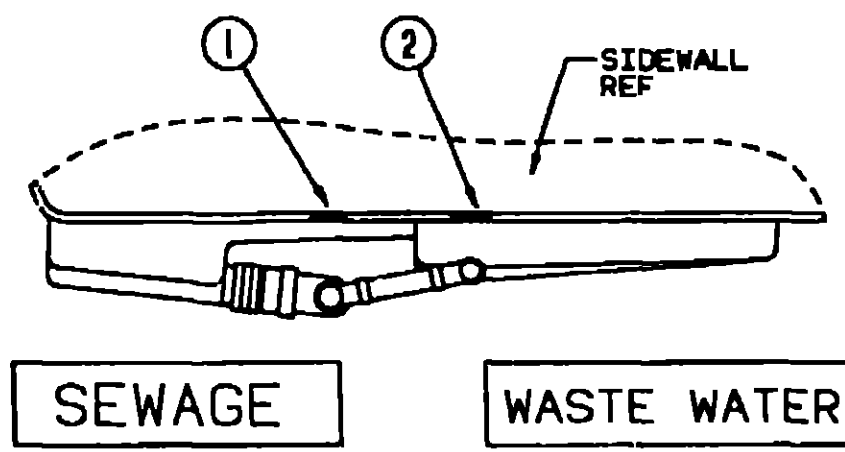
| KEY PART NUMBER | U/M DESCRIPTION |
|-----------------|----------------------------------------------------------------------------------|
| 075220-01-000 | EA LABEL-WARNING, EXTERIOR LOAD |
| 091243-01-000 | EA LABEL-A/C COVER |
| 098641-01-000 | EA LABEL-FUEL, UNLEADED - DASH |
| 095052-01-000 | EA LABEL-ELECTRIC, 110V CONNECTION |
| 099509-01-000 | EA LABEL-AWNING INSTALLATION |
| 006054-01-000 | EA LABEL-SEAT W/O SEATBELT |
| 006054-02-000 | EA LABEL-SEAT W/O SEATBELT, CANADIAN |
| 050225-01-000 | EA LABEL-WARNING, STOVE VENT - U S |
| 050222-01-000 | EA LABEL-WARNING, STOVE VENT - CANADIAN |
| 093237-06-000 | EA LABEL-CIRCUIT BREAKER, FRONT - REAR PANEL FROM 01-27-92 THRU 99-99-99 |
| 093237-07-000 | EA LABEL-CIRCUIT BREAKER, FRONT - REAR PNL/CONV FROM 01-27-92 THRU 99-99-99 |
| 093237-08-000 | EA LABEL-CIRCUIT BREAKER, FRONT - BATTERY CHARGER FROM 01-27-92 THRU 99-99-99 |

LABEL GROUP (CONTINUED)



WARNING
WHEN ADDING A GENERATOR SET.
HIGH VOLTAGE-USE EXTREME CAUTION WHEN WORKING ON ELECTRICAL COMPONENTS. HAVE ALL ELECTRICAL INSTALLATION PERFORMED BY A QUALIFIED LICENSED ELECTRICIAN-FOLLOW ALL STATE AND LOCAL CODES. ONLY INSTALL GENERATOR SET APPROVED FOR R.V. APPLICATION. HAVE INSTALLED BY QUALIFIED TECHNICIAN. TO AVOID HEAT BUILD-UP AND TO GUARANTEE AN ADEQUATE AIR SUPPLY TO THE GENERATOR COMPARTMENT, FOLLOW INSTALLATION INSTRUCTIONS. GENERATOR ENGINE EXHAUST GASES ARE TOXIC AND MUST NOT TERMINATE UNDER THE VEHICLE-EXHAUST AWAY FROM VEHICLE.

KEY PART NUMBER U/M DESCRIPTION
1 077510-01-000 EA LABEL-GENERATOR PREP



SEWAGE WASTE WATER

KEY PART NUMBER U/M DESCRIPTION
1 006187-01-000 EA LABEL-SEWAGE
2 006188-01-000 EA LABEL-WASTE WATER

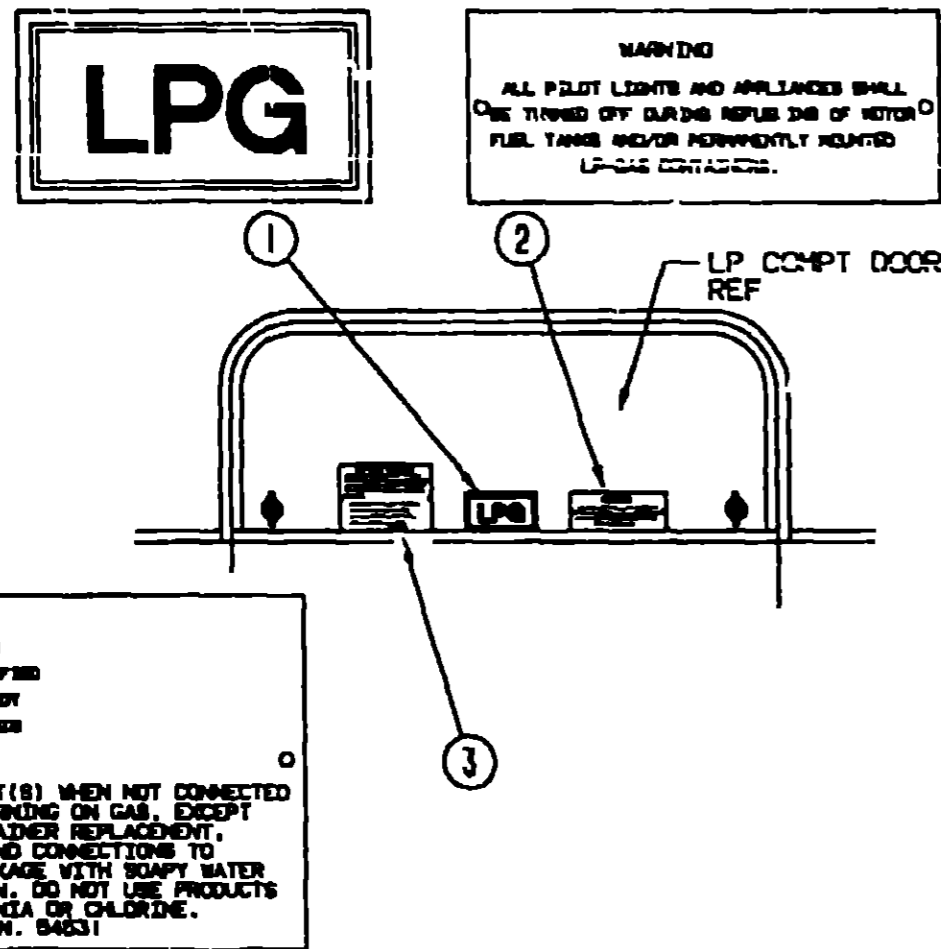
**1992 ITASCA
TABLE OF CONTENTS**

| | |
|--------------------|-------------|
| INTRODUCTION | A-01 - A-02 |
| ABBREVIATIONS | A-03 |
| ALPHABETICAL INDEX | A-04 - A-06 |
| IT320RB | A-07 - C-24 |
| IT321RB | C-01 - F-20 |
| IT321RL | F-21 - I-16 |

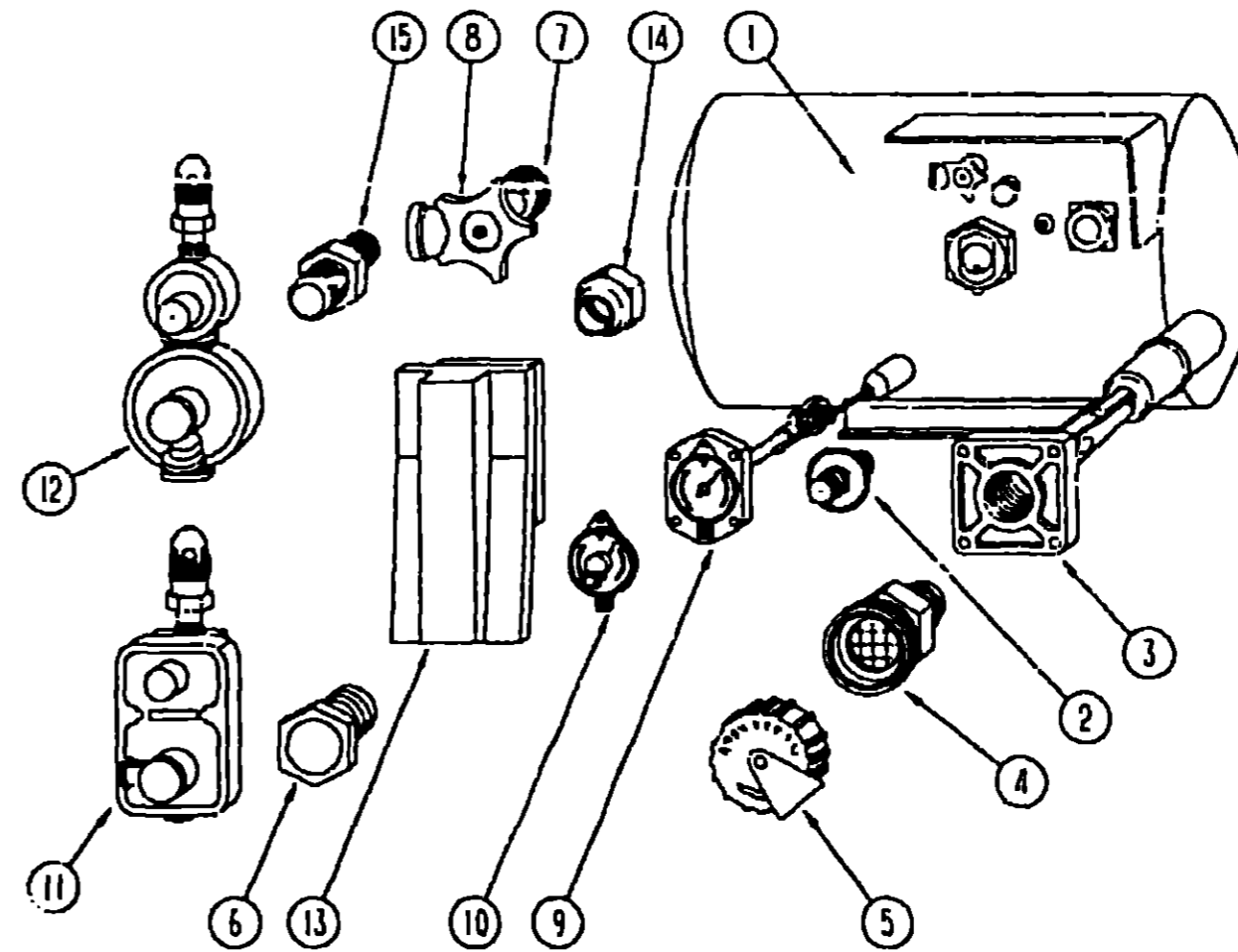
1992 IT321RL INDEX

| | |
|--------------------------------|-------------|
| FLOOR PLAN | F-21 - F-22 |
| ACCESSORIES | - F-23 |
| AUDIO VIDEO | - F-24 |
| BATH | G-01 - G-02 |
| CHASSIS | G-03 - G-04 |
| CURTAIN & CUSHION | G-05 - G-11 |
| DINETTE | - G-12 |
| DRIVERS COMPARTMENT | - G-13 |
| ELECTRICAL | G-14 - G-17 |
| EXTERIOR BODY | G-18 - G-22 |
| GALLEY | G-23 - H-04 |
| GENERATOR | - H-05 |
| HEATING & A/C | - H-06 |
| INTERIOR FINISH | H-07 - H-10 |
| LABEL | H-11 - H-15 |
| LP | H-16 |
| LOUNGE | H-17 - H-18 |
| SEALANTS & FASTENERS | H-19 - H-20 |
| WATER & SEWAGE | H-21 - H-24 |
| WINDOW, VENT AND EXTERIOR DOOR | I-01 - I-16 |

LABEL GROUP (CONTINUED)



LP GROUP



1992 ITASCA
TABLE OF CONTENTS

| | | |
|--------------------|------|------|
| INTRODUCTION | A-01 | A-02 |
| ABBREVIATIONS | | A-03 |
| ALPHABETICAL INDEX | A-04 | A-50 |
| IT320RB | A-07 | C-24 |
| IT321RB | D-01 | F-20 |
| IT321RL | F-21 | I-16 |

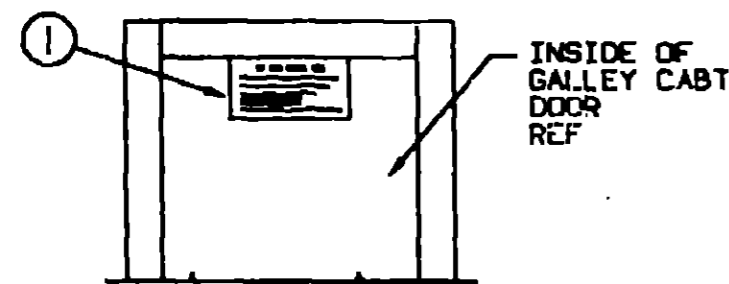
LP TANK & COMPONENTS

1992 IT321RL INDEX

| KEY | PART NUMBER | U/M DESCRIPTION |
|-----|---------------|-----------------------------------------|
| 1 | 074559-01-000 | EA DECAL-LOGO, LPG - RED - (CALIF CODE) |
| 2 | 006040-01-000 | EA TAG-GAS REFUELING WARNING |
| 2 | 006040-02-000 | EA TAG-GAS REFUEL WARNING, CANADIAN |
| 3 | 054531-01-000 | EA LABEL-LP GAS ONLY |
| 3 | 023759-01-000 | EA LABEL-WARNING LPG - CANADIAN |

| KEY | PART NUMBER | U/M DESCRIPTION |
|-----|---------------|---------------------------------------------------------------------------|
| 1 | 074039-03-000 | EA TANK LP 28 LB - BOTTOM MOUNT - 10" DIA X 23" LONG |
| 2 | 040421-01-700 | EA VALVE-LIQUID LEVEL 20% LP - BRUNNER G-1013 |
| 3 | 040421-01-711 | EA VALVE-80% W/FLOAT, PLATE, BOLTS & GASKET - BRUNNER |
| 4 | 040421-01-701 | EA VALVE-FILLER LP SHORT - BRUNNER 75478 |
| 5 | 040421-01-702 | EA CAP-LP FILLER VALVE, PLASTIC - YELLOW - BRUNNER G-1014-A |
| 6 | 040421-01-713 | EA VALVE-VAPOR ONLY 29000587 |
| 7 | 040421-01-712 | EA VALVE-SERVICE W/HANDWHEEL, W/O VAPOR RELIEF - 29000853 |
| 8 | 040421-01-708 | EA HANDWHEEL-SERVICE VALVE BRUNNER G-1015-A |
| 9 | 074039-01-700 | EA FLOAT ASM-BOLT ON, F/10" DIA TANK - BRUNNER 10C |
| 10 | 040440-02-000 | EA DIAL TRANSMITTER 0-90 OHM |
| 11 | 059705-01-000 | EA REGULATOR-TWO STAGE LPG M:BRASS G2540 FROM 00-00-00 THRU 03-24-92 |
| 12 | 106150-03-000 | EA REGULATOR-TWO STAGE LPG, M:BRASS 295-00 FROM 03-25-92 THRU 99-99-99 |
| 13 | 031938-01-000 | EA COMPARTMENT-LP REGULATOR FROM 00-00-00 THRU 03-24-92 |
| 13 | 105658-01-000 | EA COMPARTMENT-LP REGULATOR FROM 03-25-92 THRU 99-99-99 |
| | 103613-01-000 | EA DETECTOR-LP GAS |
| | 065741-01-000 | EA GAUGE DIAPHRAGM PRESSURE - MARSHALLTOWN MFG |
| | 065742-01-000 | EA TEE 3/8" F X 3/8" F X 1/2" FPT - BRASS |
| 14 | 010377-02-000 | EA NUT BRASS 3/8 FEMALE - FORGED |
| 15 | 010323-01-000 | EA ADAPTER-BRASS 3/8" F X 1/2" MPT |
| | 010265-01-000 | EA ELBOW-BRASS 90 DEGREE - 3/8" F X 1/2" FPT |
| | 010251-01-000 | EA ELBOW-BRASS 90 DEGREE - 3/8" F X 3/8" MPT |
| | 008042-01-000 | FT TUBING-VINYL 65" ID |

| | | |
|-------------------------------|------|------|
| FLOOR PLAN | F-21 | F-22 |
| ACCESSORIES | | F-23 |
| AUDIO VIDEO | | F-24 |
| BATH | G-01 | G-02 |
| CHASSIS | G-03 | G-04 |
| CURTAIN & CUSHION | G-05 | G-11 |
| DINETTE | | G-12 |
| DRIVERS COMPARTMENT | | G-13 |
| ELECTRICAL | G-14 | G-17 |
| EXTERIOR BODY | G-18 | G-22 |
| GALLEY | G-23 | H-04 |
| GENERATOR | | H-05 |
| HEATING & A/C | | H-06 |
| INTERIOR FINISH | H-07 | H-10 |
| LABEL | H-11 | H-15 |
| LP | | H-16 |
| LOUNGE | H-17 | H-18 |
| SEALANTS & FASTENERS | H-19 | H-20 |
| WATER & SEWAGE | H-21 | H-24 |
| WINDOW VENT AND EXTERIOR DOOR | I-01 | I-15 |

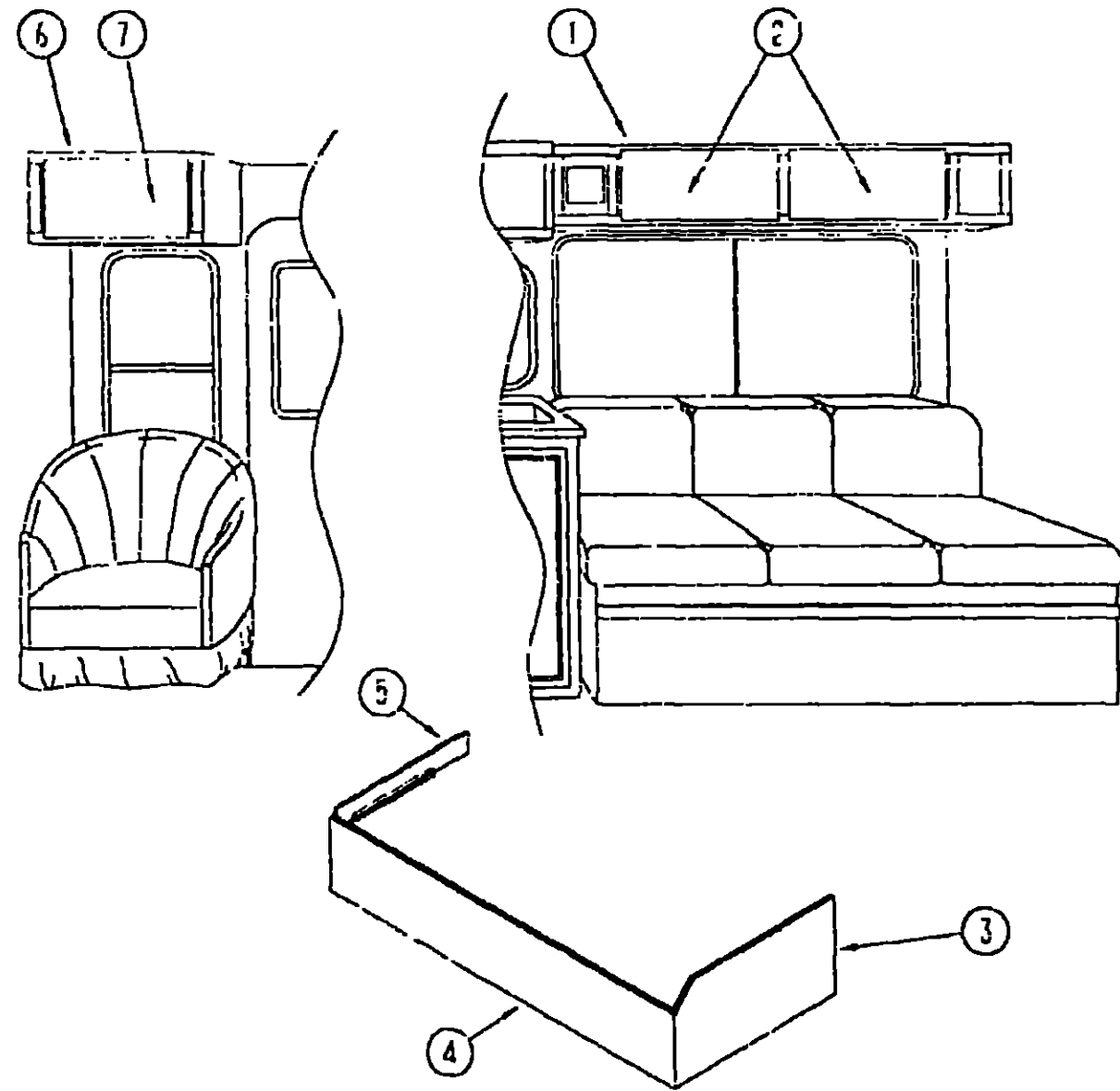


IF YOU SMELL GAS

1. EXTINGUISH ANY OPEN FLAME, PILOT LIGHTS AND ALL BURNING MATERIALS.
2. SHUT OFF THE GAS SUPPLY AT THE TANK VALVE OR GAS SUPPLY CONNECTION.
3. OPEN DOORS AND OTHER VENTILATING OPENINGS.
4. DO NOT TOUCH ELECTRICAL SWITCHES.
5. LEAVE THE AREA UNTIL ODOR CLEAR.
6. HAVE THE GAS SYSTEM CHECKED AND LEAKAGE SOURCE CORRECTED BEFORE USING AGAIN.

| KEY | PART NUMBER | U/M DESCRIPTION |
|-----|---------------|---------------------------|
| 1 | 073998-01-000 | EA LABEL-LPG ODOR WARNING |

LOUNGE GROUP



| KEY | PART NUMBER | U/M | DESCRIPTION |
|-----|---------------|-----|---------------------------------------------------------------------------------|
| 1 | M05160-02-C29 | EA | CABINET-OVERHEAD, W/O DOORS OR HARDWARE |
| 1 | M05160-13-C29 | EA | CABINET-OVERHEAD, W/O DOORS OR HARDWARE - DELUXE OPTION |
| 1 | M05160-13-C30 | EA | CABINET-OVERHEAD, W/O DOORS OR HARDWARE - DELUXE OPTION |
| 2 | P03702-73-C29 | EA | DOOR-CABINET W/O HARDWARE - 10" X 25 2" |
| 3 | M04187-05-C29 | EA | CABINET-COUCH, LEFT SIDE W/FABRIC |
| 3 | M04187-05-C30 | EA | CABINET-COUCH, LEFT SIDE W/FABRIC |
| 4 | M04187-04-C29 | EA | CABINET-COUCH, FRONT FACE W/FABRIC |
| 4 | M04187-04-C30 | EA | CABINET-COUCH, FRONT FACE W/FABRIC |
| 5 | M04187-06-C29 | EA | CABINET-COUCH, RIGHT SIDE W/FABRIC |
| 5 | M04187-05-C30 | EA | CABINET-COUCH, RIGHT SIDE W/FABRIC |
| | 082525-01-000 | EA | BRACE-COUCH, FLOOR MOUNT - ANGLE 3" LONG - METAL FROM 00-00-00 THRU 10-08-91 |
| | 082525-02-000 | EA | BRACE-COUCH, FLOOR MOUNT - ANGLE 3" LONG - METAL FROM 10-09-91 THRU 99-99-99 |
| | 050101-01-002 | EA | EXTRUSION-L SHAPED 192" - ALUMINUM |
| | 083125-05-000 | EA | BRACE-ANGLE, COUCH - 2 5" - BEIGE |
| 5 | M05160-09-C29 | EA | CABINET-OVERHEAD, W/O DOORS OR HARDWARE |
| 7 | P03702-79-C29 | EA | DOOR-CABINET, W/O HARDWARE - 10" X 19 1" |

LOUNGE CABINETS

1992 ITASCA TABLE OF CONTENTS

| | | |
|--------------------|------|------|
| INTRODUCTION | A-01 | A-02 |
| ABBREVIATIONS | | A-03 |
| ALPHABETICAL INDEX | A-04 | A-05 |
| IT320RB | A-07 | C-24 |
| IT321RB | D-01 | F-20 |
| IT321RL | F-21 | I-16 |

1992 IT321RL INDEX

| | | |
|-----------------------------------|------|------|
| FLOOR PLAN | F-21 | F-22 |
| ACCESSORIES | | F-23 |
| AUDIO VIDEO | | F-24 |
| BATH | G-01 | G-02 |
| CHASSIS | G-03 | G-04 |
| CURTAIN & CUSHION | G-05 | G-11 |
| DINETTE | | G-12 |
| DRIVERS COMPARTMENT | | G-13 |
| ELECTRICAL | G-14 | G-17 |
| EXTERIOR BODY | G-18 | G-22 |
| GALLEY | G-23 | H-04 |
| GENERATOR | | H-05 |
| HEATING & A/C | | H-05 |
| INTERIOR FINISH | H-07 | H-10 |
| LABEL | H-11 | H-15 |
| LP | | H-15 |
| LOUNGE | H-17 | H-18 |
| SEALANTS & FASTENERS | H-19 | H-20 |
| WATER & SEWAGE | H-21 | H-24 |
| WINDOW, VENT AND EXTERIOR DOOR | I-01 | I-15 |

SEALANTS & FASTENERS GROUP
SCREWS

SEALANTS & FASTENERS GROUP (CONTINUED)
ADHESIVE AND SEALANTS CONT'D

1992 ITASCA
TABLE OF CONTENTS

| | | |
|--------------------|------|------|
| INTRODUCTION | A-01 | A-02 |
| ABBREVIATIONS | | A-03 |
| ALPHABETICAL INDEX | A-04 | A-05 |
| IT320FD | A-07 | C-24 |
| IT321RB | D-01 | F-20 |
| IT321RL | F-21 | I-16 |

1992 IT321RL INDEX

| | | |
|-------------------------------|------|------|
| FLOOR PLAN | F-21 | F-22 |
| ACCESSORIES | | F-23 |
| AUDIO VIDEO | | F-24 |
| BATH | G-01 | G-02 |
| CHASSIS | G-03 | G-04 |
| CURTAIN & CUSHION | G-05 | G-11 |
| DINETTE | | G-12 |
| DRIVERS COMPARTMENT | | G-13 |
| ELECTRICAL | G-14 | G-17 |
| EXTERIOR BODY | G-18 | G-22 |
| GALLEY | G-23 | H-04 |
| GENERATOR | | H-05 |
| HEATING & A/C | | H-06 |
| INTERIOR FINISH | H-07 | H-10 |
| LABEL | H-11 | H-15 |
| LP | | H-16 |
| LOUNGE | H-17 | H-18 |
| SEALANTS & FASTENERS | H-19 | H-20 |
| WATER & SEWAGE | H-21 | H-24 |
| WINDOW VENT AND EXTERIOR DOOR | I-01 | I-16 |

| KEY | PART NUMBER | U/M DESCRIPTION |
|-----|---------------|--------------------------------------------------------------|
| | 000G68-06-10G | EA SCREW-6-18 X 5/8 POH - ANTIQUE BRASS |
| | 000G13-06-08B | EA SCREW-6-20 X 1/2 PFH - ZINC |
| | 000G13-06-08G | EA SCREW-6-20 X 50 PFH - ANTIQUE BRASS |
| | 000G13-07-12B | EA SCREW-7-19 X 3/4 PFH - ZINC |
| | 000G11-06-10J | EA SCREW-7-19 X 1/2 PPH - ZINC |
| | 000G11-07-08B | EA SCREW 7-19 X 1/2 PPH - ZN |
| | 000G11-08-06B | EA SCREW 8-18 X 3/8 PPH ZN |
| | 000G11-08-12B | EA SCREW 8-18 X 3/4 PPH ZN |
| | 000G11-08-12D | EA SCREW 8-18 X 3/4 PPH - BLACK |
| | 000G11-08-12R | EA SCREW 8-18 X 3/4 PPH - BEIGE |
| | 000G11-08-12S | EA SCREW-8-18 X 75 PPH, OFF WHITE |
| | 000G11-08-16S | EA SCREW 8-18 X 1 00 PPH - OFF WHITE |
| | 000G12-08-12S | EA SCREW-8-18X 75 POH OFF WHITE |
| | 000G12-08-16S | EA SCREW 8-18 X 1.00 POH - OFF WHITE |
| | 000G13-08-16B | EA SCREW-8-18 X 1 PFH - ZINC |
| | 000G67-10-08B | EA SCREW 10-12 X 1/2 PPH ZN |
| | 000G67-10-08R | EA SCREW 10-12 X 1/2 PPH - BEIGE - TYPE A |
| | 000G67-10-10B | EA SCREW 10-12 X 5/8 PPH ZN - TYPE A |
| | 000G67-10-10D | EA SCREW 10-12 X 5/8 PPH - BLACK - TYPE A |
| | 000G67-10-10R | EA SCREW 10-12 X 5/8 PPH - TYPE A - BEIGE |
| | 000G67-10-10S | EA SCREW 10-12 X 5/8" - PPH - OFF WHITE |
| | 000G67-10-12B | EA SCREW 10-12 X 3/4" PPH - ZN |
| | 000G67-10-12P | EA SCREW 10-12 X 75" - PPH - DARK BROWN |
| | 000G67-10-16B | EA SCREW 10-12 X 1 PPH - ZN |
| | 000G67-10-24B | EA SCREW 10-12 X 1 1/2 PPH - ZN |
| | 000G67-10-32B | EA SCREW 10-12 X 2 PPH - ZN |
| | 000G11-10-12D | EA SCREW-10-16 X 3/4 PPH - BLACK |
| | 000G36-10-12E | EA SCREW-10-24 X 3/4 PFH TYPE 23 - CHROME PLATED |
| | 000G32-10-06B | EA SCREW-10-32 X 3/8" - PPH - ZINC |
| | 000G18-08-12B | EA SCREW-MACHINE-8-32 X 3/4" PPH ZINC |
| | 000G18-08-22B | EA SCREW-MACHINE-8-32 X 1 3/8 PPH ZINC |
| | 000G53-04-06B | EA SCREW-MACHINE-1/4-20 X 3/8 PPH -ZINC - UNDERCUT HEAD |
| | 000G39-06-08B | EA SCREW-DR-6-18X1/2 ZN |
| | 000G39-08-08B | EA SCREW-SF/DR, 8-18 X 1/2 PPH ZN |
| | 000G39-0E-08R | EA SCREW-SF/DR, 8-18 X 1/2 PPH - BEIGE |
| | 000G39-08-08S | EA SCREW-SF/DR, 8-18 X 1/2 PPH - OFF WHITE |
| | 000G39-08-12B | EA SCREW-SF/DR, 8-18 X 3/4 PPH ZN |
| | 000G39-08-24B | EA SCREW-SF/DR, 8-18 X 1 1/2 PPH ZN |
| | 000G55-08-12M | EA SCREW-SF/DR-8-18 X 75 PWH - GRAY |
| | 000G39-08-16S | EA SCREW-SF/DR 8-18 X 1 00 PPH - OFF WHITE |
| | 000G39-08-24S | EA SCREW-SF/DR-8-18 X1 50 - OFF WHITE |
| | 000G39-10-10S | EA SCREW-SF/DR 10-16 X 62" PPH - OFF WHITE |
| | 000G39-10-12D | EA SCREW-SF/DR 10-16 X 3/4 PPH - BLACK |
| | 000G39-10-12R | EA SCREW-SF/DR, 10-16 X 3/4 PPH - BEIGE |
| | 000G39-10-20B | EA SCREW-SF/DR 10-16 X 1 1/4 PPH - ZINC |
| | 000G42-04-16B | EA SCREW-SF/DR 1/4-14 X 1 HWH - ZINC |
| | 000G54-04-20B | EA SCREW 1/4-20 X 1 1/4 PTH - TYPE 23 - ZINC PLATED |
| | 040465-04-000 | EA SCREW 10-16 X 1 PTH W/WASHER - BEIGE |
| | 037721-01-000 | EA SCREW-FLAT HEAD TAPPING - 1/4" X 1 1/4" LG ZINC |
| | 075208-01-000 | EA SCREW-MACHINE 10-32 X 55 PTH - ZINC EXTERNAL TOOTH |
| | 076750-01-000 | EA SCREW 6-20 X 1 1/4 PPH - BLACK |
| | 101289-01-01A | EA SCREW-MACHINE, 8-32 X 4 - POH - BRASS - FOR EXTENDED KNOB |
| | 105126-01-000 | EA SCREW-CACH-8-32X1 PPH TAPTIT N W/LITE WAX |

ADHESIVE AND SEALANTS

| KEY | PART NUMBER | U/M DESCRIPTION |
|-----|---------------|---------------------------------------------------|
| | 002707-02-000 | FT TAPE-SEALER 5/16" X 1/2" - INCREMENTS OF 50 FT |
| | 004020-01-000 | QT ADHESIVE-ABS CEMENT QUART |
| | 034552-02-000 | EA SILICONE-TUBE 300 ML - CLEAR |
| | 034552-06-000 | EA SILICONE-TUBE 300 ML - OFF WHITE |
| | 039518-01-000 | EA SILICONE-TUBE 300 ML - BLACK |
| | 108716-01-000 | EA SILICONE-TUBE, OFF WHITE LEVEL - CSL 510 |
| | 053765-02-000 | EA BEDDING COMPOUND-TUBE - WHITE |

| KEY | PART NUMBER | U/M DESCRIPTION |
|-----|---------------|----------------------------------------------------------|
| | 053765-08-000 | EA BEDDING COMPOUND-TUBE - GRAY |
| | 063642-01-000 | FT TAPE-ADHESIVE 10 MM X 15" WIDE X 180' |
| | 069540-10-000 | FT SEALER-RIBBON 1/32" X 1 1/2" INCREMENTS OF 90' |
| | 069640-11-000 | FT SEALER-RIBBON 3/16"X3/8" - BLACK |
| | 069640-01-000 | FT SEALER-RIBBON 1/4" DIAMETER - INCREMENTS OF 30' |
| | 059540-02-000 | FT SEALER-RIBBON 1/2" X 1/8" - INCREMENTS OF 30' OR 60' |
| | 069640-03-000 | FT SEALER-RIBBON 3/4" X 1/8" - INCREMENTS OF 60' |
| | 069540-06-000 | FT SEALER-RIBBON 5/16" DIAMETER - INCREMENTS OF 25' |
| | 059540-07-000 | FT SEALER-RIBBON 2" X 3/32" - INCREMENTS OF 30' OR 45' |
| | 072889-01-000 | EA SEALANT-URETHANE, BLACK - 1/10 - ESSEX 552 2 |
| | 076322-01-000 | FT TAPE-FOAM, DOUBLE COATED ADHESIVE BACKED - 75" X 216' |
| | 076322-02-000 | FT TAPE-FOAM, DOUBLE COATED ADHESIVE BACKED - 1" X 108' |
| | 076322-03-000 | FT TAPE-FOAM, DOUBLE COATED ADHESIVE BACKED - 5" X 108' |
| | 076322-05-000 | FT TAPE-FOAM, DOUBLE COATED - .025" X 1 5" X 108' |
| | 091255-02-000 | FT SEAL-ADHESIVE BACKED FOAM, 18" THICK X 1 5" WIDE |
| | 087211-01-000 | GL FROMOTER-ADHESIVE |
| | 102352-01-000 | EA SEALER-PUMPABLE BLACK |

NUTS, BOLTS AND GROMMETS

| KEY | PART NUMBER | U/M DESCRIPTION |
|-----|---------------|-------------------------------------------------------------|
| | 040921-04-000 | EA NUT-SPEED U TYPE - NO 8 - 59" LENGTH X 44" WIDTH |
| | 005081-01-000 | EA NUT-SPEED C TYPE - NO 8 SCREW |
| | 0MD01K-05-000 | EA NUT-HEX M05 X 0 80 MM - RHO# 7503032006 |
| | 000D14-05-00B | EA NUT-HEX, 5/16-18 - ZN 5 |
| | 000D24-10-00B | EA NUT-HEX, SF/LK - 10-32 ZN |
| | 000D39-05-00B | EA NUT-HEX, SER FLG LK - 5/16 - 18 ZN |
| | 000D39-06-00B | EA NUT-HEX, SER FLG LK - 3/8-16 ZN |
| | 000D39-08-00B | EA NUT-HEX, SER FLG LK - 1/2-13 ZN |
| | 000D44-07-00B | EA NUT-HEX, SER FLG LK - 7/16-20 ZN |
| | 000C12-05-12B | EA BOLT-HEX-5/16-18X3/4 ZN 5 |
| | 000C12-06-32B | EA BOLT-HEX-3/8-16X2LG,ZN 5 |
| | 000C13-07-48B | EA BOLT-HEX, 7/16 - 20 X 3 - ZN 5 |
| | 000C18-05-40A | EA BOLT-ELEV, 5/16"-18 X 2 1/2" PL |
| | 000C26-05-12B | EA BOLT-HEX-SER FLG 5/16-18X3/4 ZN |
| | 000C26-05-20B | EA BOLT-HEX, SER FLG 5/16 - 18 X 1 1/4 ZINC |
| | 071015-04-000 | EA GROMMET-RUBBER, .18" ID X .88" OD W/ .03" GROOVE - BLACK |

MISCELLANEOUS FASTENERS

| KEY | PART NUMBER | U/M DESCRIPTION |
|-----|---------------|--------------------------------------------------------|
| | 087277-02-000 | EA WASHER-PLASTIC, OFF WHITE |
| | 044533-01-000 | EA WASHER-PLASTIC 1 2/8"OD - FOR BUTTONS |
| | 000E13-11-00B | EA WASHER-FLARE, 3/16" WIDE - ZN |
| | 000E13-20-00B | EA WASHER-FL-7/16 WIDE ZN 5094-01 5115-01 |
| | 041322-01-000 | EA WASHER-FL, 15/32ID X 2 3/8 OD - FOR SEAT BELT MOUNT |
| | 056134-01-000 | EA HOLDER-RING 36" DIAMETER - METAL |
| | 007161-01-000 | EA CLAMP-HOSE, SPRING TYPE - 1/2" |
| | 010495-01-000 | EA CLAMP-CABLE, 9/16" |
| | 010497-01-000 | EA CLAMP-CLOSED, 5/8" ID |
| | 010497-03-000 | EA CLAMP-CLOSED, 1" ID - CUSHIONED |
| | 010499-01-000 | EA CLAMP-CLOSED, 3/8" ID |
| | 062401-01-000 | EA CLAMP-HOSE, WORMGEAR 25" - 1" |
| | 062401-02-000 | EA CLAMP-HOSE, WORMGEAR, 1 55" - 2 5" |
| | 062401-06-000 | EA CLAMP-HOSE, WORMGEAR 22" - 62" |
| | 075148-02-000 | EA CLAMP-GROUNDING BRONZE SCREWS |
| | 083609-01-000 | EA CLAMP-WIRE, DUAL EQUAL - 5/8" DIAMETER |
| | 080734-02-000 | EA CLIP-WIRE NYLON |

WATER & SEWAGE GROUP

FRESH WATER TANK

| KEY | PART NUMBER | U/M DESCRIPTION |
|-----|---------------|---------------------------------------------------------------|
| | 084677-03-000 | EA TANK-WATER, W/FITTINGS - 14 GALLON - 11" X 20" X 15" |
| | 084677-01-000 | EA TANK-WATER, 12.5 GALLON - W/O FITTINGS - 11" X 20" X 15" |
| | 077954-02-000 | EA FILTER-WATER TANK, SCREEN IN TANK |
| | 079381-01-000 | FT TUBING-SMOOTH, FLEXIBLE - 1 1/4" ID X 20' |
| | 042989-03-000 | EA FITTING-WATER TANK, SPINWELD - 1 1/4"NPT - PLASTIC - WHITE |
| | 042989-04-000 | EA FITTING-WATER TANK, SPINWELD - 3/8" FPT - PLASTIC - WHITE |
| | 042989-05-000 | EA FITTING-WATER TANK, SPINWELD - 1/2" FPT - PLASTIC - WHITE |
| | 049032-01-000 | EA PATCH-SPINWELD 3/8" - PLASTIC |
| | 039851-01-000 | EA SENDING LIMIT W/SCREW, WASHER, WELL NUT AND TERMINAL RING |

WATER SYSTEM

| KEY | PART NUMBER | U/M DESCRIPTION |
|-----|---------------|---------------------------------------------------------------------|
| | 035522-02-000 | EA CAP-BRASS, 1/2" FLARE |
| | 082144-02-000 | EA CAP-PIPE, 1/2" FPT BRASS - HEX |
| | 106258-01-000 | EA CAP-INSERTABLE, 1/2" FLARE |
| | 010224-01-000 | EA ADAPTER-HOSE TO PIPE, 3/8" MPT X 3/8" BARB - BLACK PLASTIC |
| | 044927-01-000 | EA ADAPTER-HOSE TO PIPE 1 1/4" MPT X 1 1/4" BARB - BLACK PLASTIC |
| | 079317-01-000 | EA ADAPTER-SWIVEL, 1/2" TUBE X 1/2" FPT - PLASTIC - GRAY |
| | 052960-01-000 | EA DRAIN VALVE-IN LINE, HEADER - 1/2" F X 1/2" F - GRAY PLASTIC |
| | 052960-03-000 | EA DRAIN VALVE-IN LINE, HEADER - 5/8" F X 5/8" F - PLASTIC |
| | 052961-01-000 | EA DRAIN VALVE-IN LINE, HEADER - 1/2" F X 1/2" F X 1/2" F - PLASTIC |
| | 098417-01-000 | EA CONNECTOR-5/8" F X 1/2" MPT, PLASTIC - KEVCO |
| | 098420-01-000 | EA CONNECTOR-SWIVEL, 1/2" FPT X 5/8" TUBE - PLASTIC |
| | 101814-01-000 | EA COUPLING-FEMALE, 1/2" X 1/2" FPT |
| | 055290-01-000 | EA ELBOW-5/8" F X 1/2" MPT |
| | 057457-01-000 | EA ELBOW-UNION, 1/2" X 1/2" FLARE |
| | 087659-04-000 | EA FILL-WATER, CITY - OFF WHITE |
| | 091208-01-000 | EA WASHER-RUBBER, 05" X 75" X .5" |
| | 055120-01-000 | EA ELBOW-SWIVEL 1/2" FPT X 1/2" FLARE - PLASTIC - GRAY |
| | 052952-01-000 | EA NUT-PLASTIC, 1/2" F X 1/2" TUBE - GRAY |
| | 052952-02-000 | EA NUT-PLASTIC, 5/8" FLARE |
| | 052953-01-000 | EA NUT-FAUCET, 1/2" TUBE X 1/2" FPT - PLASTIC - GRAY |
| | 052954-01-000 | EA ADAPTER-NOSE CONE, 3/8" OR 1/2" TUBING - PLASTIC - GRAY |
| | 039798-01-000 | EA TEE-1/2" MPT X 1/2" MPT X 1/2" MPT, PLASTIC |
| | 052955-01-000 | EA TEE-WATER 1/2" F X 1/2" F X 1/2" MPT - PLASTIC - GRAY |
| | 052956-01-000 | EA TEE-WATER 1/2" F X 1/2" MPT X 1/2" F - PLASTIC - GRAY |
| | 055291-01-000 | EA TEE-PLASTIC, 5/8" F X 5/8" F X 5/8" F |
| | 055293-01-000 | EA TEE-PLASTIC, 5/8" F X 1/2" F X 5/8" F |
| | 057974-01-000 | EA TEE-5/8" F X 1/2" F X 1/2" F, PLASTIC |
| | 052955-03-000 | EA TEE-5/8" F X 5/8" F X 1/2" MPT - PLASTIC |
| | 052958-01-000 | EA TEE 1/2" F X 1/2" F X 1/2" F - PLASTIC - GRAY |
| | 039800-01-000 | FT TUBING-POLYBUTYL, 1/2" OD - INCREMENTS OF 20' - BLACK |
| | 039800-02-000 | FT TUBING-POLYBUTYL, 5/8" OD - INCREMENTS OF 20' - BLACK |
| | 074452-02-000 | FT TUBING-VINYL, 3/8" ID - INCREMENTS OF 20' - CLEAR |

WATER PUMP

| KEY | PART NUMBER | U/M DESCRIPTION |
|-----|---------------|---------------------------------------------------|
| | 098607-01-000 | EA PUMP-WATER W/ 5" MPT FITTING - FLOW 2.8 GPM |
| | 098607-01-700 | EA PUMPHEAD-REPLACEMENT SHURFLO# 94-236-08 |
| | 098607-01-701 | EA DRIVE ASM SHURFLO# 94-234-03 |
| | 098607-01-702 | EA DIAPHRAGM-KIT SHURFLO# 94-233-10 |
| | 098607-01-703 | EA VALVE ASM SHURFLO# 94-232-00 |
| | 098607-01-704 | EA HOUSING-UPPER SHURFLO# 94-231-01 |
| | 098607-01-705 | EA CHECK VALVE-KIT SHURFLO# 94-237-00 |
| | 098607-01-705 | EA SWITCH ASM-COMplete SHURFLO# 94-230-00 |
| | 098607-01-707 | EA MOTOR/BASEPLATE REPLACEMENT SHURFLO# 94-234-03 |

WATER & SEWAGE GROUP (CONTINUED)

WATER HEATER W/MOTOR AID

| KEY | PART NUMBER | U/M DESCRIPTION |
|-----|---------------|-------------------------------------------------------|
| | 051391-02-000 | EA HEATER-WATER, ATWOOD G4-SM |
| | 051391-01-700 | EA HINGE KIT-W/CLIP, ATWOOD # 92568 & 92559 |
| | 051391-01-704 | EA VALVE-RELIEF, 1/2" FITTING - ATWOOD# 91604 |
| | 051391-01-705 | EA FASTENER-CAMLOC, ATWOOD# 92609 |
| | 051391-01-706 | EA GRILLE-EXHAUST, ATWOOD# 92787 |
| | 051391-01-708 | EA BURNER-MAIN, 3E ONLY - ATWOOD# 92615 |
| | 051391-01-709 | EA PILOT ASM-W/HRMOCOUPLE & TUBE - ATWOOD# 91603 |
| | 051391-01-710 | EA ORIFICE-MAIN BURNER, ATWOOD# 92742 |
| | 051391-01-711 | EA ELBOW-ORIFICE, MAIN BURNER - ATWOOD# 92741 |
| | 051391-01-712 | EA THERMOSTAT-3/8" MPT INLET - ATWOOD# 91601 |
| | 051391-01-714 | EA ELBOW-45 DEGREE, 3/8" F X 3/8" MPT - ATWOOD# 91044 |
| | 051391-01-715 | EA DRAIN PLUG, ATWOOD# 91561 |
| | 051391-02-700 | EA TANK-INNER FOR G4SM - ATWOOD# 91414 |
| | 008042-01-000 | FT TUBING-VINYL, 3/8" ID |

EXTERIOR SHOWER OPTION L64R

| KEY | PART NUMBER | U/M DESCRIPTION |
|-----|---------------|--------------------------------------------------------------------------------------------------------------------------------|
| | 103173-01-01A | EA KIT-SHOWER, EXTERIOR - OFF WHITE WITH EXTERIOR DOOR, FAUCET, HEAD & HOSE (PIECE PARTS ARE N/A) FROM: 00-00-00 THRU 03-24-91 |
| | 103173-02-01A | EA KIT-SHOWER, EXTERIOR - OFF WHITE WITH EXTERIOR DOOR, FAUCET, HEAD & HOSE FROM: 03-25-91 THRU 09-29-91 |
| | 103173-03-700 | EA DISH-COMPARTMENT, PLASTIC - OFF WHITE - Y0001 FROM: 03-25-91 THRU 09-29-91 |
| | 103173-03-705 | EA LABEL-AUXILIARY SHOWER, 00090 FROM: 03-25-91 THRU 09-29-91 |
| | 103173-03-706 | EA HEAD-SHOWER, W/HOSE & BRACKET FROM: 03-25-91 THRU 09-29-91 |
| | 103173-03-707 | EA FAUCET-SHOWER, W/ADAPTER - CHROME - 20154P01 FROM: 03-25-91 THRU 09-29-91 |
| | 103173-03-708 | EA STEM & BONNET, (SETS) - 39025 FROM: 03-25-91 THRU 09-29-91 |
| | 055295-01-000 | EA TEE-5/8" F X 1/2" MPT X 1/2" F, PLASTIC FROM: 03-25-91 THRU 09-29-91 |
| | 046128-01-000 | EA VALVE-DRAIN, PLASTIC - 1/2" FPT |
| | 052957-02-000 | EA ELBOW-MALE, 1/2" F X 1/2" MPT - PLASTIC - GRAY FROM: 03-25-91 THRU 09-29-91 |
| | 052959-02-000 | EA CONNECTOR, 1/2" F X 1/2" MPT - PLASTIC - GRAY |
| | 075241-05-000 | EA FAUCET-SHOWER, BONE FROM: 09-30-91 THRU 99-99-99 |
| | 103092-01-000 | EA SHOWER HEAD-W/60" HOSE FROM: 09-30-91 THRU 99-99-99 |
| | 096241-03-000 | EA SWITCH-BLANK FROM: 09-30-91 THRU 99-99-99 |

WATER HEATER BYPASS VALVE OPTION

| KEY | PART NUMBER | U/M DESCRIPTION |
|-----|---------------|-------------------------------------------------------|
| | 099729-01-000 | EA BYPASS KIT-WATER HEATER, COMPLETE W/VALVE & TUBING |
| | 099729-01-700 | EA VALVE ONLY-CHECK, PLASTIC |

1992 ITASCA TABLE OF CONTENTS

| | | |
|--------------------|------|------|
| INTRODUCTION | A-01 | A-02 |
| ABBREVIATIONS | | A-03 |
| ALPHABETICAL INDEX | A-04 | A-05 |
| IT320RB | A-07 | C-24 |
| IT321RB | D-01 | F-20 |
| IT321RL | F-21 | I-16 |

1992 IT321RL INDEX

| | | |
|--------------------------------|------|------|
| FLOOR PLAN | F-21 | F-22 |
| ACCESSORIES | | F-23 |
| AUDIO VIDEO | | F-24 |
| BATH | G-01 | G-02 |
| CHASSIS | G-03 | G-04 |
| CURTAIN & CUSHION | G-05 | G-11 |
| DINETTE | | G-12 |
| DRIVERS COMPARTMENT | | G-13 |
| ELECTRICAL | G-14 | G-17 |
| EXTERIOR BODY | G-18 | G-22 |
| GALLEY | G-23 | H-04 |
| GENERATOR | | H-05 |
| HEATING & A/C | | H-06 |
| INTERIOR FINISH | H-07 | H-10 |
| LABEL | H-11 | H-15 |
| LP | | H-16 |
| LOUNGE | H-17 | H-18 |
| SEALANTS & FASTENERS | H-19 | H-20 |
| WATER & SEWAGE | H-21 | H-24 |
| WINDOW, VENT AND EXTERIOR DOOR | I-01 | I-16 |

WATER & SEWAGE GROUP (CONTINUED)
DRAINAGE SYSTEM

| KEY | PART NUMBER | U/M DESCRIPTION |
|-----|---------------|---------------------------------------------------------------------------|
| 1 | 083558-03-000 | EA VENT-PLUMBING PIPE ROOF WCOVER - OFF WHITE |
| 2 | 010006-01-000 | EA ELBOW-45 DEG. 1/8 BEND - 1 1/2" HUB X HUB - BLACK PLASTIC |
| 3 | 010079-01-000 | EA TEE-SANITARY 1 1/2" X 1 1/2" X 1 1/4" H - PLASTIC - BLACK |
| 4 | 107537-01-000 | EA P-TRAP ADAPTER-1 1/4" SLIP - US |
| | | FROM: 02-17-92 THRU: 99-99-99 |
| 5 | 011066-03-700 | EA P-TRAP KIT 1 1/2" X 1 1/4" P-TRAP W/1 1/2 TO 1 1/4 REDUCER - US |
| | | FROM: 00-00-00 THRU: 02-16-92 |
| 5 | 107538-01-000 | EA P-TRAP-PLASTIC, 1 1/4" W/EXT ARM - US |
| | | FROM: 02-17-92 THRU: 99-99-99 |
| 5 | 011066-02-000 | EA P-TRAP-1 1/4" HUB X SLIP JOINT W/UNION - ABS - CANADIAN |
| 6 | 010008-01-000 | EA ELBOW-90 DEG. 1/4 BEND - 1 1/2" HUB X HUB - BLACK PLASTIC |
| 7 | 063641-01-000 | EA FLANGE-CLOSET, 4" X 3" |
| 8 | 061607-01-000 | EA GROMMET-HOLDING TANK, 1 1/2" NPS |
| 9 | 051607-02-000 | EA GROMMET-HOLDING TANK, 3" NPS |
| 10 | 074300-01-000 | EA TANK-HOLDING, 12 GALLON - 10 15" X 24.64" X 19 68" |
| 11 | 078406-01-000 | EA COUPLER-RUBBER, W/CLAMPS - 3" X 3" |
| 12 | 041956-01-000 | EA ELBOW-STREET, PLASTIC - 1/4" BD 3 X 90 XLT |
| 13 | 070916-01-000 | EA VALVE-DUAL DUMP, W/CAP - 3" X 1 1/2" - PLASTIC - BLACK |
| | 070916-01-700 | EA VALVE ONLY, 3" |
| | 070916-01-701 | EA VALVE ONLY, 1 1/2" |
| 14 | 062422-01-000 | EA ADAPTER-OFFSET REDUCER, 3" X 1 1/2" - PLASTIC - BLACK |
| | 062415-01-000 | EA CAP-SEWER 3" DIAMETER |
| | 062415-01-700 | EA STRING SEWER CAP |
| | 010201-01-000 | EA HOSE-SEWER 3" ID X 8' |
| | 062416-01-000 | EA ADAPTER-SEWER HOSE TO 3" PIPE |
| 15 | 084679-01-000 | EA TANK-HOLDING, 12 GALLON - 31.6" X 17.7" X 10.1" |
| | 039861-01-000 | EA SENDING UNIT W/SCREW WASHER WELL NUT AND TERMINAL RING |
| 16 | 010071-01-000 | EA TEE-SANITARY, 1 1/2" HUB X HUB X HUB - PLASTIC - BLACK |
| 17 | 033761-01-000 | EA ELBOW-TURN, 1/4 BEND X 1 5/8" HUB X 1.5" SPIGOT - BLK PLASTIC |
| 18 | 011066-03-700 | EA P-TRAP KIT 1 1/2" X 1 1/4" P-TRAP W/1 1/2 TO 1 1/4 REDUCER - US |
| | | FROM: 00-00-00 THRU: 02-16-92 |
| 18 | 107538-01-000 | EA P-TRAP-PLASTIC, 1 1/4" W/EXT ARM - US |
| | | FROM: 02-17-92 THRU: 99-99-99 |
| 18 | 053335-01-000 | EA P-TRAP-1 1/4" HUB X HUB, W/UNION - CANADIAN |
| | | FROM: 00-00-00 THRU: 02-16-92 |
| 18 | 011071-01-000 | EA P-TRAP-1 1/2, PLASTIC - CANADIAN |
| | | FROM: 02-17-92 THRU: 99-99-99 |
| 19 | 079968-01-000 | EA VENT-MECH TRAP ARM ANTI-SIPHON - 2" DIA X 7 3/4" - PLASTIC |
| 20 | 011091-02-000 | EA PIPE-DRAIN, DOUBLE SINK - BAFFLE TEE - 1 1/2" - US |
| | | ONE PIPE W/TEE TO DRAIN BOTH SIDES OF SINK |
| 21 | 010071-01-000 | EA TEE-SANITARY, 1 1/2" HUB X HUB X HUB - PLASTIC - BLACK - CANADIAN |
| | | FROM: 00-00-00 THRU: 02-16-92 |
| 21 | 010121-01-000 | EA BUSHING-REDUCER, 1 1/2" SMOOTH X 1/4" HUB - PLASTIC - BLACK - CANADIAN |
| | | FROM: 00-00-00 THRU: 02-16-92 |
| 21 | 033302-02-000 | EA ADAPTER ASM-STRAINER, 1 1/2" - ABS - CANADIAN |
| | | FROM: 00-00-00 THRU: 02-16-92 |
| 21 | 037101-02-000 | EA ELBOW-PLASTIC, 1/4 BEND VENT 1 1/2" HUB - CANADIAN |
| | | FROM: 00-00-00 THRU: 02-16-92 |
| 21 | 011091-03-000 | EA PIPE-DRAIN, W/SEALS - DOUBLE SINK - EXTENDS 9" TO 16" - CANADIAN |
| | | FROM: 02-17-92 THRU: 99-99-99 |

SHOWER PAN & COMPONENTS

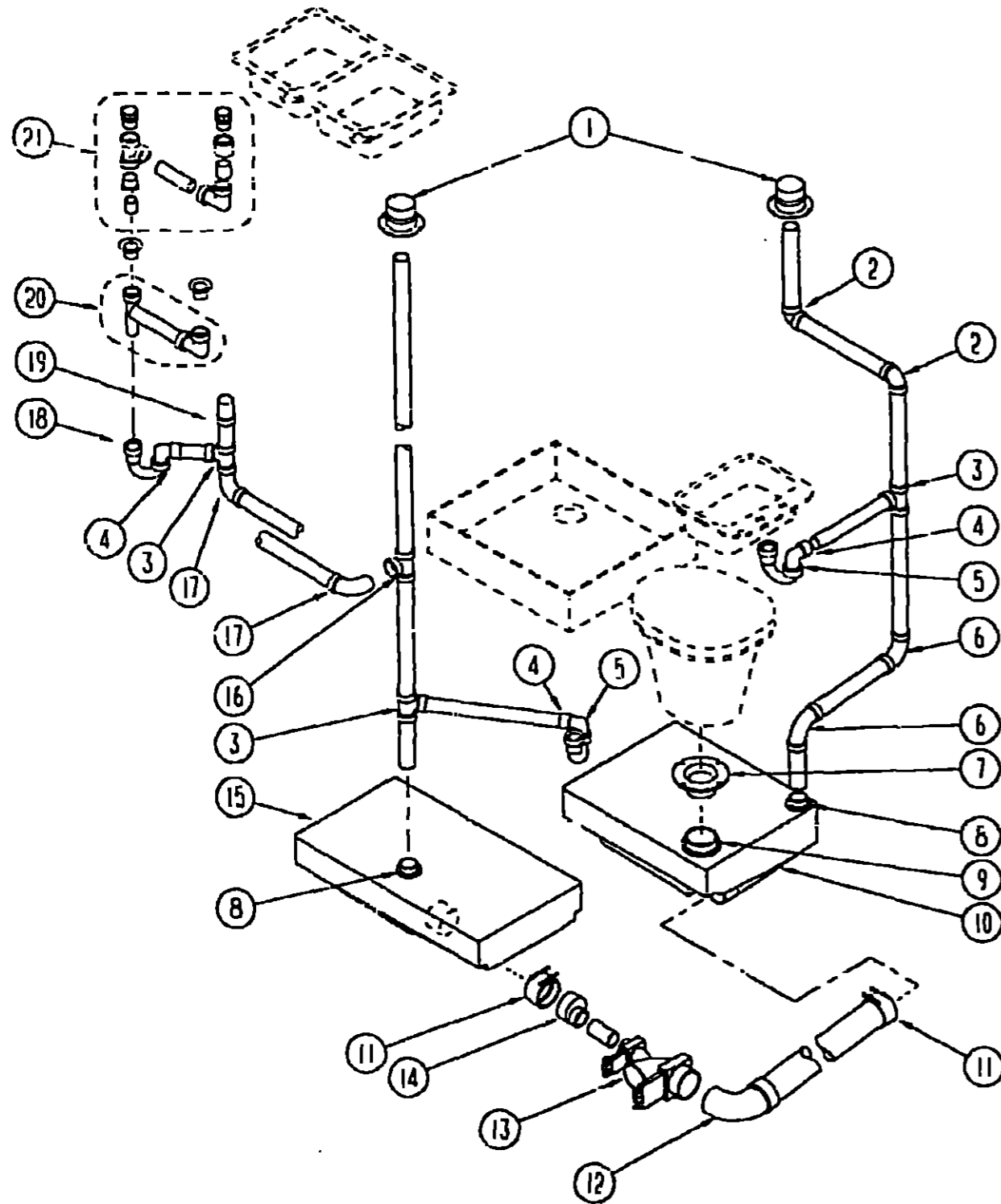
| KEY | PART NUMBER | U/M DESCRIPTION |
|-----|---------------|----------------------------------------------------|
| | M02630-03-U2B | EA SHOWER PAN W/NUT, STRAINER & WASHER |
| | 066436-01-000 | EA NUT-SLIP, TAILPIECE - 1.5" |
| | 066440-01-000 | EA STRAINER-SHOWER, W/RUBBER WASHER |
| | 069735-01-000 | EA WASHER-STRAINER TO TAILPIECE PLASTIC, 1.5" |
| | 011059-03-000 | EA TAILPIECE-SHOWER/TUB, 1 1/2" X 1 3/4" - PLASTIC |

1592 ITASCA
TABLE OF CONTENTS

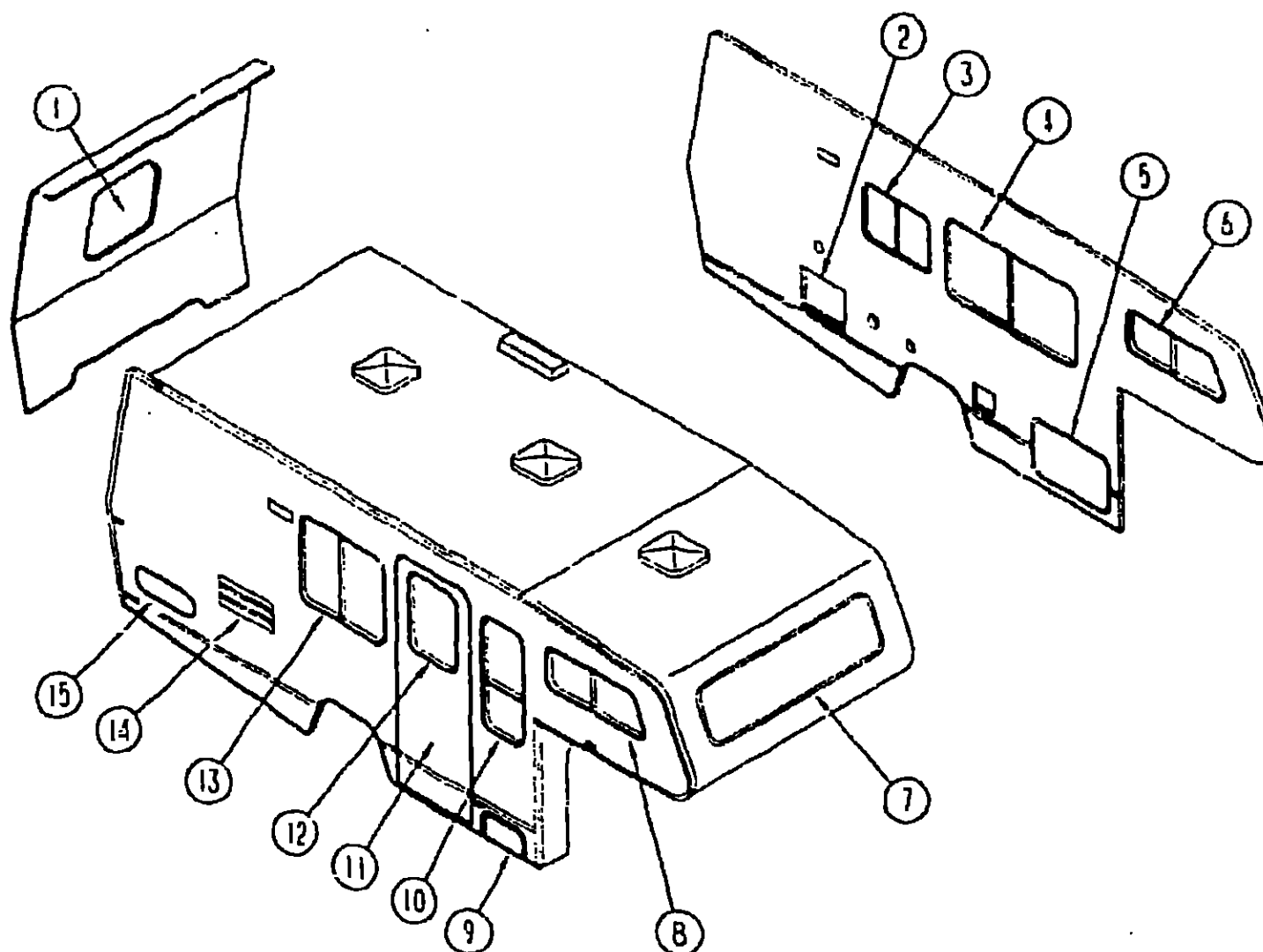
| | | |
|--------------------|------|------|
| INTRODUCTION | A-01 | A-02 |
| ABBREVIATIONS | | A-03 |
| ALPHABETICAL INDEX | A-04 | A-05 |
| IT320RB | A-07 | C-24 |
| IT321RB | D-01 | F-20 |
| IT321RL | F-21 | I-16 |

1992 IT321RL INDEX

| | | |
|----------------------|------|------|
| FLOOR PLAN | F-21 | F-22 |
| ACCESSORIES | | F-23 |
| AUDIO VIDEO | | F-24 |
| BATH | G-01 | G-02 |
| CHASSIS | G-03 | G-04 |
| CURTAIN & CUSHION | G-05 | G-11 |
| DINETTE | | G-12 |
| DRIVERS COMPARTMENT | | G-13 |
| ELECTRICAL | G-14 | G-17 |
| EXTERIOR BODY | G-18 | G-22 |
| GALLEY | G-23 | H-04 |
| GENERATOR | | H-05 |
| HEATING & A/C | | H-06 |
| INTERIOR FINISH | H-07 | H-10 |
| LABEL | H-11 | H-15 |
| LP | | H-16 |
| LOUNGE | H-17 | H-18 |
| SEALANTS & FASTENERS | H-19 | H-20 |
| WATER & SEWAGE | H-21 | H-24 |
| WINDOW, VENT AND | | |
| EXTERIOR DOOR | I-01 | I-16 |



WINDOW, VENT & EXTERIOR DOOR GROUP
WINDOWS & DOORS



1992 *ASCA*
TABLE OF CONTENTS

| | | |
|---------------|-------|-------|
| INTRODUCTION | A-91 | A-92 |
| ABBREVIATIONS | | A-93 |
| ALPHABETICAL | A-94 | A-95 |
| IT320R3 | A-97 | C-24 |
| IT321RB | D-101 | F-20 |
| IT321RL | E-25 | I-1-5 |

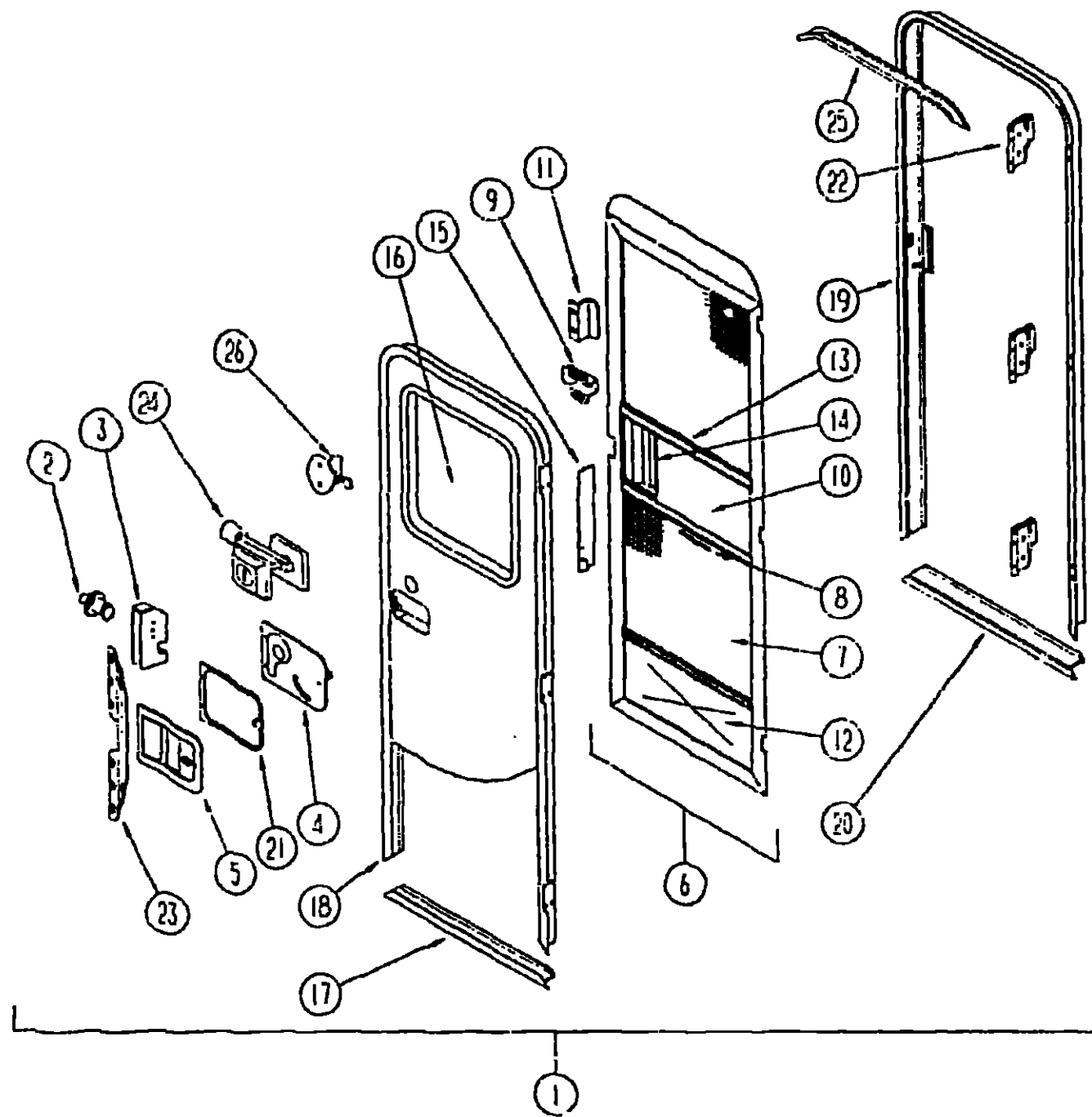
1992 *ASCA* INDEX

| | | |
|---------------------------|------|-------|
| FLOOR PLAN | F-21 | F-22 |
| ACCESSORIES | | F-23 |
| AUDIO VIDEO | | F-24 |
| BATH | G-01 | G-02 |
| CHASSIS | G-03 | G-04 |
| CURTAIN & <i>SCREEN</i> | G-05 | G-11 |
| DINETTE | | G-12 |
| DRIVERS COMPARTMENT | | G-13 |
| ELECTRICAL | G-14 | G-17 |
| EXTERIOR <i>DOOR</i> | G-15 | G-22 |
| GALLEY | G-23 | H-04 |
| GENERATOR | | H-05 |
| HEATING & <i>AC</i> | | H-06 |
| INTERIOR <i>FINISH</i> | H-07 | H-10 |
| LABEL | H-11 | H-15 |
| LP | | H-16 |
| LOUNGE | H-17 | H-18 |
| SEALANTS <i>W/SCREENS</i> | H-19 | H-20 |
| WATER & <i>SEALANTS</i> | H-21 | H-24 |
| WINDOW, VENT <i>DOOR</i> | I-1 | I-1-5 |

| KEY | PART NUMBER | U/M DESCRIPTION |
|-----|---------------|---------------------------------------------------------------------------------------------------|
| 1 | 079729-02-T03 | EA WINDOW-ESCAPE REAR - 22" X 24" |
| 2 | 052009-01-000 | EA DOOR-WATER HEATER OFF WHITE - ATWOOD 5576-27 |
| 3 | 098647-07-01A | EA WINDOW-SLIDING, W/BLACK INSIDE FRAME - EXCEL #3559 GRL FROM: 00-00-00 THRU 05-02-91 |
| 3 | 098647-07-02A | EA WINDOW-SLIDING, W/OFF WHITE INSIDE FRAME - EXCEL 8959-PRL FROM 05-03-91 THRU 99-99-99 |
| 4 | 098647-12-01A | EA WINDOW-SLIDING, W/BLACK INSIDE FRAME - EXCEL H023-GGL FROM: 00-00-00 THRU 05-02-91 |
| 4 | 098647-12-02A | EA WINDOW-SLIDING W/OFF WHITE INSIDE FRAME - EXCEL H023-PRL FROM 05-03-91 THRU 99-99-99 |
| 5 | 102038-01-B05 | EA DOOR-GENERATOR, 24" X 15 7" - OFF WHITE |
| 5 | 102038-02-B05 | EA DOOR-LUGGAGE, 15 1" X 24 5" - OFF WHITE |
| 5 | 052426-02-000 | EA HATCH-DOOR, POWER CORD - OFF WHITE |
| 6 | 098646-04-01A | EA WINDOW-DRIVER SIDE, W/BLACK INSIDE FRAME - EXCEL H245-DRL FROM: 00-00-00 THRU 05-02-91 |
| 6 | 098646-04-02A | EA WINDOW-DRIVER SIDE, W/OFF WHITE INSIDE FRAME - EXCEL H245-MRL FROM 05-03-91 THRU 99-99-99 |
| 7 | 078533-09-B05 | EA WINDOW-PICTURE, 12" X 59" - W/O INSIDE FRAME FROM: 00-00-00 THRU 08-26-91 |
| 7 | 103313-02-C09 | EA WINDOW-PICTURE, 58 6" X 11 6" - W/O INSIDE FRAME FROM: 08-27-91 THRU 99-99-99 |
| 8 | 098646-03-01A | EA WINDOW-PASSENGER SIDE, W/BLACK INSIDE FRAME - EXCEL H245-DRR FROM 00-00-00 THRU 05-02-91 |
| 8 | 098646-03-02A | EA WINDOW-PASSENGER SIDE W/OFF WHITE INSIDE FRAME - EXCEL H245-MRR FROM 05-03-91 THRU 99-99-99 |

| KEY | PART NUMBER | U/M DESCRIPTION |
|-----|---------------|------------------------------------------------------------------------------------------------|
| 9 | 079455-09-B05 | EA DOOR-BATTERY, 13 2" X 8" - OFF WHITE |
| 10 | 098644-02-01A | EA WINDOW-VERTICAL SLIDER W/BLACK INSIDE FRAME, EXCEL H079-GR FROM 00-00-00 THRU 05-02-91 |
| 10 | 098644-02-02A | EA WINDOW-VERTICAL SLIDER W/OFF WHITE I/S FRAME - EXCEL H079-PR FROM 06-03-91 THRU 99-99-99 |
| 11 | M01870-38-C29 | EA DOOR-ENTRANCE W/WINDOW & SCREEN DOOR |
| 12 | 079733-07-AA8 | EA WINDOW-ENTRY DOOR 17" X 25" - FROSTED GLASS - W/O INSIDE FRAME |
| 13 | 098647-08-01A | EA WINDOW-SLIDING, W/BLACK INSIDE FRAME - EXCEL H021-GRP FROM: 00-00-00 THRU 05-02-91 |
| 13 | 098647-08-02A | EA WINDOW-SLIDING, W/OFF WHITE INSIDE FRAME - EXCEL H022-PRR FROM 06-03-91 THRU 99-99-99 |
| 14 | 084103-03-000 | EA DOOR-REFRIGERATOR, VENTED W/O JAMB - OFF WHITE |
| | 084104-01-700 | EA LOCK-MALE, FASTENER - REFRIGERATOR DOOR |
| | 084104-01-701 | EA LOCK-FEMALE, FASTENER - REFRIGERATOR DOOR |
| | 084104-03-000 | EA JAMB-DOOR, REFRIGERATOR - OFF WHITE |
| 15 | 078720-02-T15 | EA DOOR-COMPARTMENT, LP - 16 9" X 5 4" - ALUMINUM - O.W |
| | 083515-06-000 | EA HOLDER-DOOR, OFF WHITE PLASTIC FROM: 00-00-00 THRU 01-10-92 |
| | 102768-01-000 | EA HOLDER-COMPARTMENT/ENTRY DOOR, METAL - MILL FINISH FROM 01-11-92 THRU 99-99-99 |
| | 081240-03-000 | EA DOOR-WATER FILL, LOCKABLE, 4" X 4 5/8" - OFF WHITE |
| | 103173-03-701 | EA DOOR-EXTERIOR SHOWER, PLASTIC - OFF WHITE - 0E001 FROM 03-25-91 THRU 09-29-91 |
| | 105118-02-C05 | EA DOOR-EXTERIOR SHOWER, 17 5" X 7 6" FROM: 09-30-91 THRU 99-99-99 |

WINDOW, VENT & EXTERIOR DOOR GROUP (CONTINUED)
ENTRY DOOR



| KEY | PART NUMBER | U/M DESCRIPTION |
|-----|---------------|-------------------------------------------------------------------|
| 1 | M01670-38-C29 | EA DOOR-ENTRANCE, W/WINDOW & SCREEN DOOR |
| 2 | 039539-01-000 | EA STRIKE-LOCK ENTRY DOOR - ROUND/THREADED WASHER |
| 3 | 039540-01-000 | EA LATCH MECHANISM-HOOK, ENTRY DOOR - INTERIOR |
| | 035715-01-000 | EA NUT-SERT, 1/4" DIAMETER - 20 THREADS |
| 4 | 039979-04-000 | EA COVER-INTERIOR LATCH, W/TRIP ARM - RIGHT - BLACK |
| | 039984-01-000 | EA CAP-ROUND VINYL - 28" ID X 62" LONG - BLACK |
| | 041546-03-000 | EA BRACKET-DOOR ANGLE, 5" X 1 9" - BEIGE - METAL |
| 5 | 045017-11-000 | EA LATCH-ENTRY DOOR MECHANISM W/LOCK & KEY - BLACK |
| | 045017-11-701 | EA KEY-BLANK ROUND TOP - SILVER - TRIMARK |
| | 056746-01-000 | EA PLUG-CAP, 1" DIAMETER |
| | 058025-02-000 | EA CLIP-ROLLER LATCH CATCH, SCREEN DOOR |
| | 058805-01-000 | EA PLUG-TAPERED, FOR DEADBOLT - PLASTIC - 66" DIA - RED |
| | 053729-04-000 | EA RIVNUT, 10-32 UNF - 010-080 |
| | 072893-01-000 | EA NUT-SERT-M5 X 0.8 |
| | 075671-01-000 | FT SEAL-SPONGE, LAZY T SHAPE - 1 3" WIDE - BLACK |
| | | FROM 00-00-00 THRU 08-18-91 |
| | 075671-04-000 | FT SEAL-SPONGE, LAZY T SHAPE - W/ADHESIVE STRIPE - 5" WIDE |
| | | FROM 08-19-91 THRU 99-99-99 |
| 6 | 079012-04-AA3 | EA DOOR-SCREEN |
| 7 | 002293-02-000 | SF SCREENING-WINDOW/DOOR, 26" - CHARCOAL |
| 8 | 002294-01-000 | FT SPLINE-SCREENING, 135" X 138" - BLACK |
| | 002748-01-000 | EA CORNER KEY-DOOR |
| 9 | 005018-01-000 | EA CATCH-SINGLE ROLLER, SCREEN DOOR |
| 10 | 001014-01-013 | EA INSERT-CENTER, 10 25" X 16 31" - UNPAINTED |
| 11 | 050712-04-000 | EA HANDLE-SCREEN DOOR, ALUMINUM - OFF WHITE |
| 11 | 050712-05-000 | EA HANDLE-SCREEN DOOR, UNPAINTED |
| 12 | 078552-05-000 | EA INSERT-SCREEN DOOR, LOWER - MILL |
| | 078595-02-000 | EA PLATE-SCREEN DOOR |
| 13 | 078777-03-000 | EA CHANNEL-SLIDE, SCREEN DOOR CENTER SLIDER COVER - 17 4" |
| 14 | 079086-02-000 | EA SLIDER-SCREEN DOOR, OFF WHITE |
| 15 | 079087-02-000 | EA STRIKE-SLIDER, W/LIP FOR ELBOW CATCH - 1 5" X 8 6" - OFF WHITE |
| 16 | 067609-02-000 | EA FRAME-WINDOW, ENTRY DOOR - OFF WHITE |
| | | FROM 06-03-91 THRU 99-99-99 |
| 16 | 079733-07-AA8 | EA WINDOW-ENTRY DOOR, 17" X 25" - FROSTED GLASS |
| 16 | 002181-07-020 | EA GLASS-WINDOW 18 2" X 15 25" X 2 4" - FROSTED |
| 16 | 087561-01-000 | FT SEAL-GLASS, EXTERIOR - .5" WIDE - VINYL - BLACK |
| | 081914-01-000 | EA BUMPER-RUBBER, ROUND - .43" DIAMETER - BLACK |
| 17 | 089743-05-000 | EA FRAME-DOOR, ENTRANCE - BOTTOM - OFF WHITE |
| | 090340-01-000 | FT SEAL-FOAM, CLOSED CELL - 1/4" X 1/2" X 50' |
| 18 | 095216-02-01A | EA FRAME-DOOR, ENTRANCE - TOP & SIDES - OFF WHITE |
| 19 | 095277-03-01A | EA JAMB-ENTRY DOOR W/BOTTOM, OFF WHITE |
| 20 | 051049-04-000 | EA JAMB-DOOR, ENTRANCE - BOTTOM - UNPAINTED |
| | 079207-01-000 | EA STRIKER-ROLLER CATCH, WELDED TO DOOR JAMB - 4" X 1 15" |
| 21 | 095810-01-01A | EA PLATE-LATCH, ENTRY DOOR - PLASTIC - BLACK |
| 22 | 097724-01-04A | EA HINGE-ENTRY DOOR, UNPAINTED |
| 23 | 098173-01-04A | EA STIFFENER-ENTRY DOOR, SUPPORTS LATCH/STRIKE - UNPAINTED |
| | *00128-02-000 | FT SEAL-PILE, ADHESIVE BACK - SCREEN DOOR - GRAY |
| 24 | 101145-01-01A | EA DEADBOLT-ENTRY DOOR, W/2 KEYS W/O BOLT OR SCREWS |
| | 095229-01-700 | EA KEY-BLANK, DEADBOLT |
| | 101147-01-000 | EA BOLT-SECURITY, 4 12" BACKSET |
| | 102524-01-000 | EA BUMPER-RUBBER, FLAT - BLACK |
| 25 | 044592-26-000 | EA CAP-DRIP, DOOR JAMB MOUNTED - OFF WHITE |
| | 075639-12-000 | EA GARNISH-ENTRANCE DOOR, OFF WHITE |
| 26 | 100412-01-000 | EA CATCH-SCREEN DOOR, THUMB CLIP W/BLACK PLASTIC CAP |
| | 076725-01-000 | EA COVER-ACCESS/HINGE - 5" X 3 2" - PLASTIC - BEIGE |
| | 009125-02-000 | EA HANDLE-ASSIST, ENTRY DOOR - BLACK |
| | 077461-03-000 | EA COVER-STRIKE ENTRY DOOR - 6 5" X 2 5" - PLASTIC - WHITE |

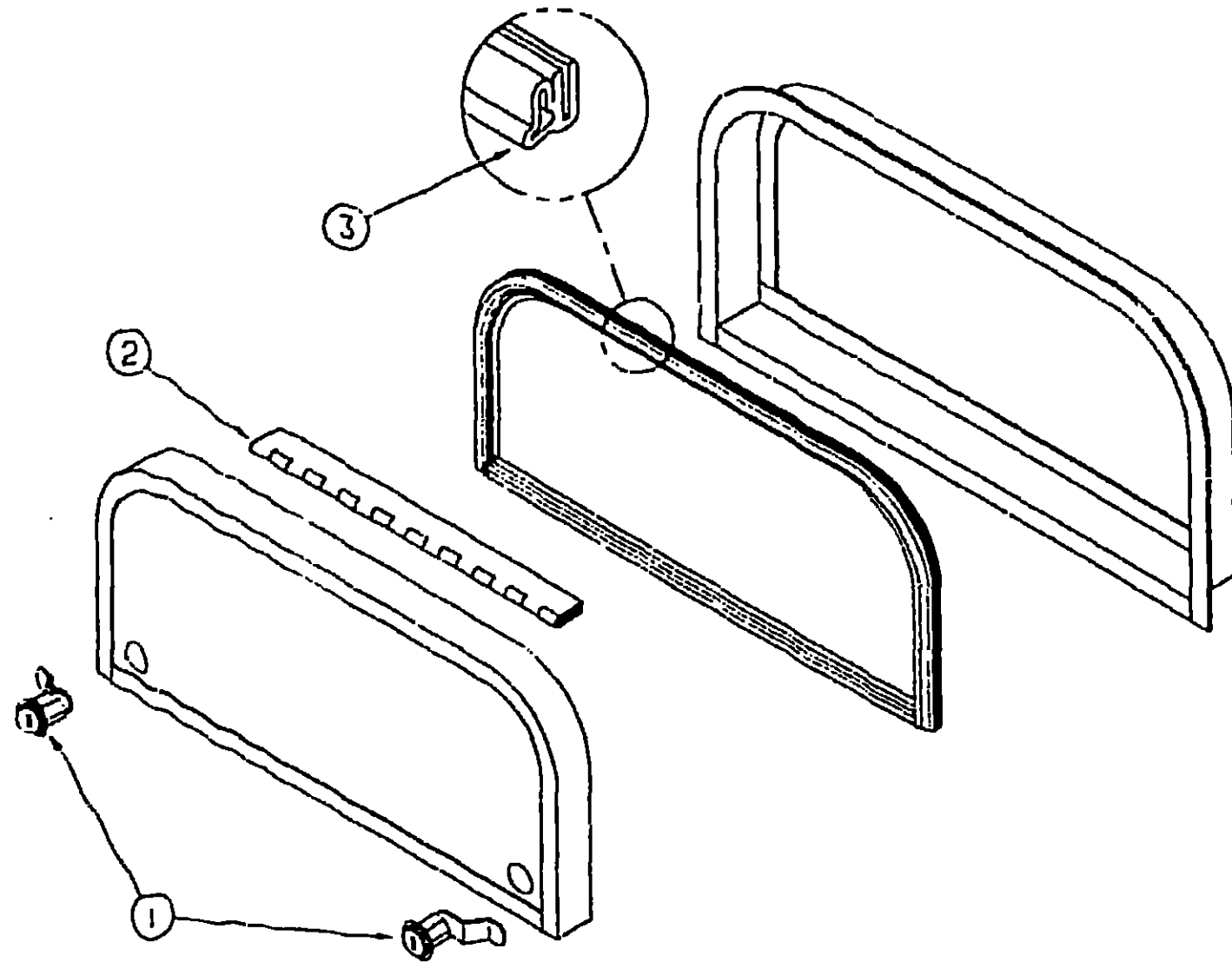
1992 ITASCA
TABLE OF CONTENTS

| | | |
|--------------------|------|------|
| INTRODUCTION | A-01 | A-02 |
| ABBREVIATIONS | | A-03 |
| ALPHABETICAL INDEX | A-04 | A-05 |
| IT320RB | A-07 | C-24 |
| IT321RB | D-01 | F-20 |
| IT321RL | F-21 | I-16 |

1992 IT321RL INDEX

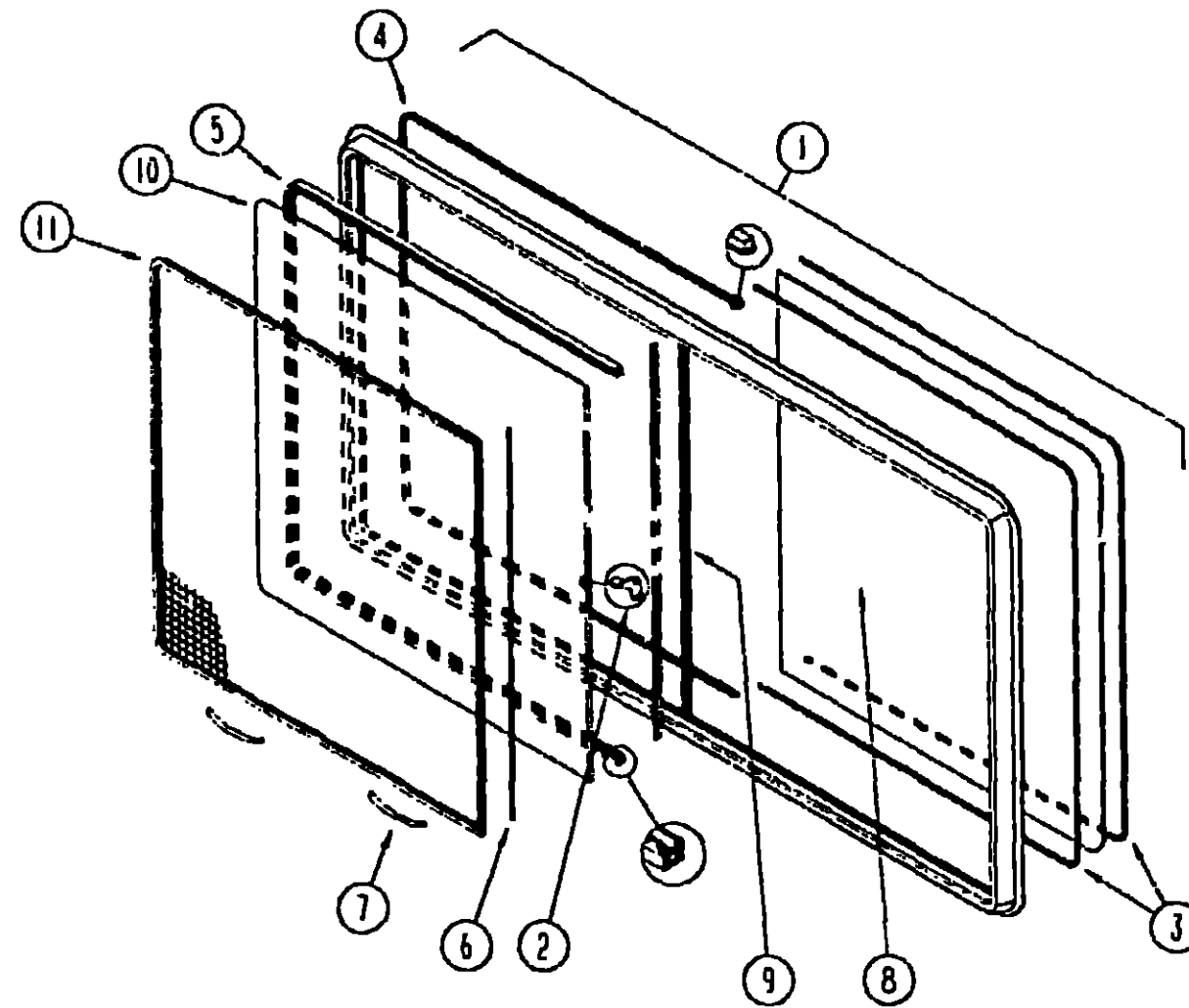
| | | |
|--------------------------------|------|------|
| FLOOR PLAN | F-21 | F-22 |
| ACCESSORIES | | F-23 |
| AUDIO VIDEO | | F-24 |
| BATH | G-01 | G-02 |
| CHASSIS | G-03 | G-04 |
| CURTAIN & CUSHION | G-05 | G-11 |
| DINETTE | | G-12 |
| DRIVERS COMPARTMENT | | G-13 |
| ELECTRICAL | G-14 | G-17 |
| EXTERIOR BODY | G-18 | G-22 |
| GALLEY | G-23 | H-04 |
| GENERATOR | | H-05 |
| HEATING & A/C | | H-05 |
| INTERIOR FINISH | H-07 | H-10 |
| LABEL | H-11 | H-15 |
| LP | | H-16 |
| LOUNGE | H-17 | H-18 |
| SEALANTS & FASTENERS | H-19 | H-20 |
| WATER & SEWAGE | H-21 | H-24 |
| WINDOW, VENT AND EXTERIOR DOOR | I-01 | I-16 |

WINDOW, VENT & EXTERIOR DOOR GROUP (CONTINUED)



EXTERIOR DOORS

WINDOW, VENT & EXTERIOR DOOR GROUP (CONTINUED)



LOUNGE SINGLE SLIDING WINDOW

1992 ITASCA
TABLE OF CONTENTS

| | | |
|--------------------|--------|------|
| INTRODUCTION | A-01 - | A-02 |
| ABBREVIATIONS | | A-03 |
| ALPHABETICAL INDEX | A-04 - | A-06 |
| IT320RB | A-07 - | C-24 |
| IT321RB | D-01 - | F-26 |
| IT321RL | F-21 - | I-16 |

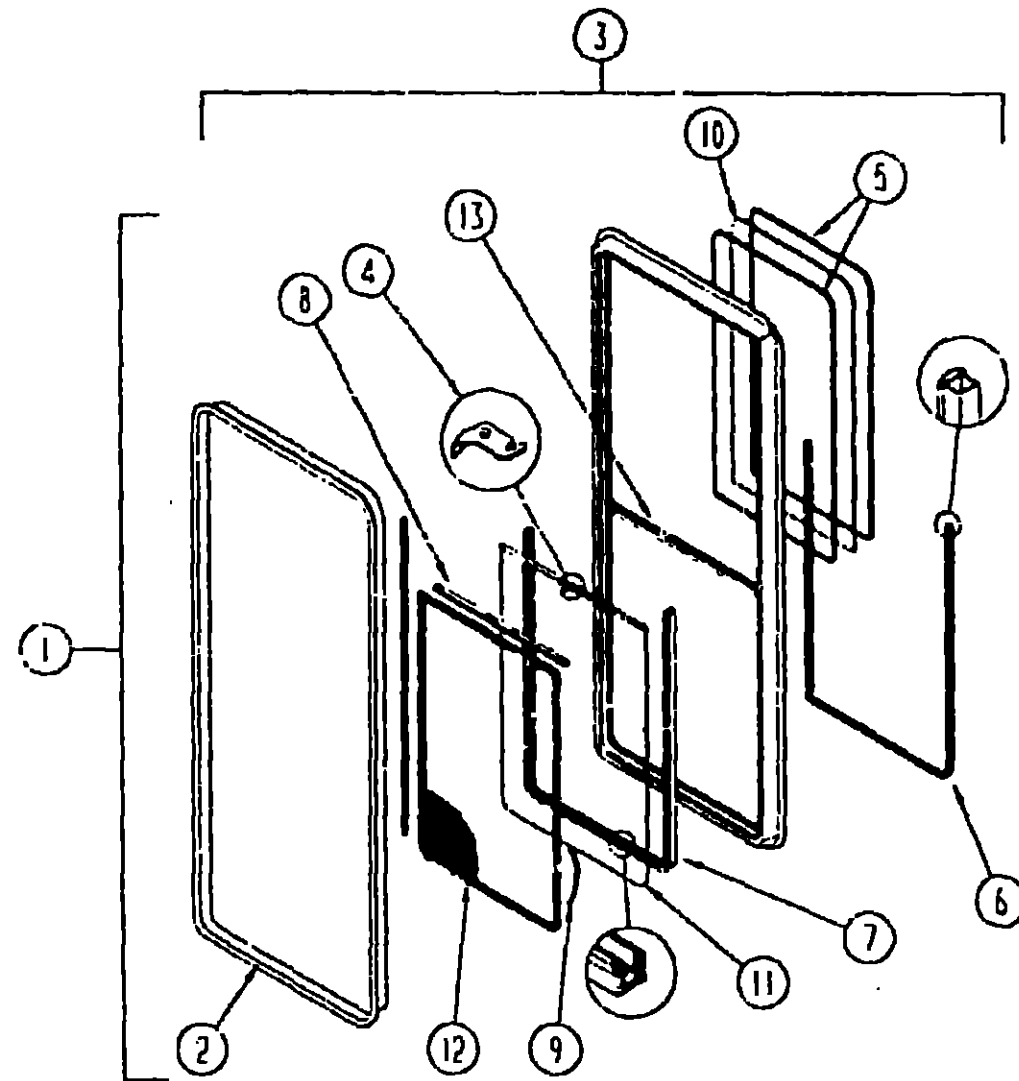
1992 IT321RL INDEX

| | | |
|--------------------------------|--------|------|
| FLOOR PLAN | F-21 - | F-22 |
| ACCESSORIES | | F-23 |
| AUDIO VIDEO | | F-24 |
| BATH | G-01 - | G-02 |
| CHASSIS | G-03 - | G-04 |
| CURTAIN & CUSHION | G-05 - | G-11 |
| DINETTE | | G-12 |
| DRIVERS COMPARTMENT | | G-13 |
| ELECTRICAL | G-14 - | G-17 |
| EXTERIOR BODY | G-18 - | G-22 |
| GALLEY | G-23 - | H-04 |
| GENERATOR | | H-05 |
| HEATING & A/C | | H-06 |
| INTERIOR FINISH | H-07 - | H-10 |
| LABEL | H-11 - | H-15 |
| LP | | H-16 |
| LOUNGE | H-17 - | H-18 |
| SEALANTS & FASTENERS | H-19 - | H-20 |
| WATER & SEWAGE | H-21 - | H-24 |
| WINDOW, VENT AND EXTERIOR DOOR | I-01 - | I-16 |

| KEY | PART NUMBER | U/M | DESCRIPTION |
|-----|---------------|-----|------------------------------------------------------------|
| 1 | 079365-04-000 | EA | LOCK-DOOR, KEY TYPE W/O KEYS - 1 9 OFF SET |
| | 083223-03-000 | EA | LOCK-KEY TYPE (SET OF 1) W/O KEY (LUGGAGE DOOR) |
| | 082584-01-700 | EA | KEY-COMPARTMENT DOOR LOCK, BH024 |
| | 052950-01-000 | EA | LOCK-TWIST TYPE WHITE - PLASTIC |
| | | | FROM: 00-00-00 THRU: 05-13-92 |
| | 009003-01-000 | EA | LOCK-TWIST TYPE W/CLIP |
| | | | FROM: 06-14-92 THRU: 99-99-99 |
| 2 | 034007-20-000 | EA | HINGE-PIANO, 1 5" X 95" - ALUMINUM - OFF WHITE |
| 2 | 009055-01-000 | EA | HINGE-ALUMINUM, 1 1/2" X 95" - UNPAINTED |
| 2 | 081801-02-000 | EA | HINGE-2" X 95", OFF WHITE |
| 3 | 064075-07-000 | FT | SEAL-BULB W/WIRED U CHANNEL - .3" X 5" CHANNEL - BLACK |
| | 002748-01-000 | EA | CORNER KEY-DOOR |
| | 103226-51-003 | EA | TRIM-EXTRUDED, Z ANGLE - 41MM - ALUMINUM - EXTERIOR SHOWER |
| | 091876-01-000 | EA | RETAINER-DOOR, 1 9" X 8" - METAL |
| | 090340-01-000 | FT | SEAL-FOAM, CLOSED CELL - 1/4" X 1/2" X 50" |
| | 104692-01-000 | FT | SEAL-ADHESIVE BACK, 3/4" X 34" |
| | | | FROM: 05-07-92 THRU: 99-99-99 |
| | 107997-51-001 | EA | SPACER- 86" X 5", ALUMINUM |
| | | | FROM: 09-30-91 THRU: 99-99-99 |
| | 109833-01-000 | EA | BEAUTY RING, 67" X 78" ID - STAINLESS STEEL - HUDSON LOCK |
| | 109834-01-000 | EA | WASHER- 54" X 752" ID STAINLESS STEEL |
| | 103173-03-702 | EA | PIN-HINGE, DOOR - EXTERIOR SHOWER KIT - 345 |
| | | | FROM: 03-25-91 THRU: 09-29-91 |
| | 103173-03-703 | EA | SPRING-HINGE PIN, EXTERIOR SHOWER DOOR - 108 |
| | | | FROM: 03-25-91 THRU: 09-29-91 |
| | 103173-03-704 | EA | LOCK ASSEMBLY, W/CLIP & KEY - EXTERIOR SHOWER DOOR - 00C00 |
| | | | FROM: 03-25-91 THRU: 09-29-91 |

| KEY | PART NUMBER | U/M | DESCRIPTION |
|-----|---------------|-----|------------------------------------------------------------------------|
| 1 | 098647-12-01A | EA | WINDOW-SLIDING, W/BLACK INSIDE FRAME - EXCEL H023-GRL |
| | | | FROM: 00-00-00 THRU: 06-02-91 |
| 1 | 098647-12-02A | EA | WINDOW-SLIDING W/OFF WHITE INSIDE FRAME - EXCEL H023-PRL |
| | | | FROM: 06-03-91 THRU: 99-99-99 |
| | 098647-11-702 | EA | FRAME-INSIDE, BLACK - EXCEL H023-67 |
| | 098647-11-705 | EA | FRAME-INSIDE, OFF WHITE - EXCEL W023-67 |
| | | | FROM: 00-00-00 THRU: 05-02-91 |
| | | | FROM: 06-03-91 THRU: 99-99-99 |
| 2 | 098647-12-700 | EA | WINDOW-SLIDING, SINGLE - W/O INSIDE FRAME - 27" X 49" - EXCEL H023-GGL |
| | 098644-01-700 | EA | LATCH-REPAIR KIT, EXCEL B201-CK |
| | 098644-01-716 | FT | PLUG-FILLER, EXCEL 132-014470 |
| | 098644-01-717 | FT | SPLINE-SCREEN, EXCEL 132-004715 |
| 3 | 098644-01-705 | FT | GLAZING STRIP, EXCEL M926-12 |
| 4 | 098644-01-706 | FT | WEATHERSTRIP, EXCEL 171-01065R |
| 5 | 098644-01-708 | FT | CHANNEL-PIERCED RUN, EXCEL 122-016543 |
| 6 | 098644-01-710 | FT | TRACK-SCREEN SPACER, 12" LENGTH - EXCEL M401-31 |
| | 098644-01-711 | FT | WEATHERSTRIP-SCREEN, BLACK - EXCEL 171-016565 |
| 7 | 098644-01-713 | EA | SPRING-SCREEN FRAME (CLIP), PLASTIC - BLACK |
| 8 | 098647-12-701 | EA | GLASS-STATIONARY, EXCEL 105-0172E2 |
| 9 | 098647-08-705 | EA | RAIL-LOCKING W/WEATHERSTRIP, EXCEL H022-17 |
| 10 | 098647-11-701 | EA | GLASS-SLIDING, W/SASH & LOCK - EXCEL H023-69 |
| 11 | 098647-11-704 | EA | SCREEN-W/SPRING & WEATHERSTRIP - EXCEL 410016-463 |

WINDOW, VENT & EXTERIOR DOOR GROUP (CONTINUED)
LOUNGE VERTICAL SLIDING WINDOW



| KEY | PART NUMBER | U/M | DESCRIPTION |
|-----|---------------|-----|-------------------------------------------------------------------------------------------|
| 1 | 098544-02-01A | EA | WINDOW-VERTICAL SLIDER W/BLACK INSIDE FRAME, EXCEL H079-GR FROM 00-00-00 THRU 05-02-91 |
| 1 | 098544-02-02A | EA | WINDOW-VERTICAL SLIDER W/O.WHITE I/S FRAME, EXCEL H079-PR FROM 06-03-91 THRU 99-99-99 |
| 2 | 098544-02-704 | EA | FRAME-INSIDE BLACK - EXCEL B561-67 FROM 00-00-00 THRU 05-02-91 |
| 2 | 098544-02-706 | EA | FRAME-INSIDE OFF WHITE - EXCEL V951-67 FROM 06-03-91 THRU 99-99-99 |
| 3 | 098544-02-705 | EA | WINDOW-VERTICAL SLIDER W/O INSIDE FRAME, 34 25" X 15" - EXCEL H079 GR |
| 4 | 098644-01-700 | EA | LATCH-REPAIR KIT, EXCEL B801-CK |
| | 098644-01-716 | FT | PLUG-FILLER EXCEL 132-014470 |
| | 098644-01-717 | FT | SPLINE-SCREEN EXCEL 132-004716 |
| 5 | 098544-01-705 | FT | GLAZING STRIP, EXCEL M925-12 |
| 6 | 098544-01-706 | FT | WEATHERSTRIP, EXCEL 171-010228 |
| 7 | 098544-01-708 | FT | CHANNEL-PIERCED RUN, EXCEL 122-016543 |
| 8 | 098544-01-710 | FT | TRACK-SCREEN SPACER 12" LENGTH - EXCEL M401-31 |
| | 098544-01-711 | FT | WEATHERSTRIP-SCREEN BLACK - EXCEL 171-016565 |
| 9 | 098644-01-713 | EA | SPRING-SCREEN FRAME (CLIP) PLASTIC - BLACK - EXCEL 225-016566 |
| 10 | 098544-02-700 | EA | GLASS-STATIONARY, 16 15" X 13 77" - EXCEL 105-011654 |
| 11 | 098544-02-701 | EA | GLASS-SLIDING, W/SASH & LATCH - EXCEL B561-G9 |
| 12 | 098644-02-703 | EA | SCREEN W/WEATHERSTRIP & FRAME SPRING (CLIP) EXCEL 410-016 |
| 13 | 098544-01-707 | EA | RAIL-LOCKING W/WEATHERSTRIP - EXCEL B370-17 |

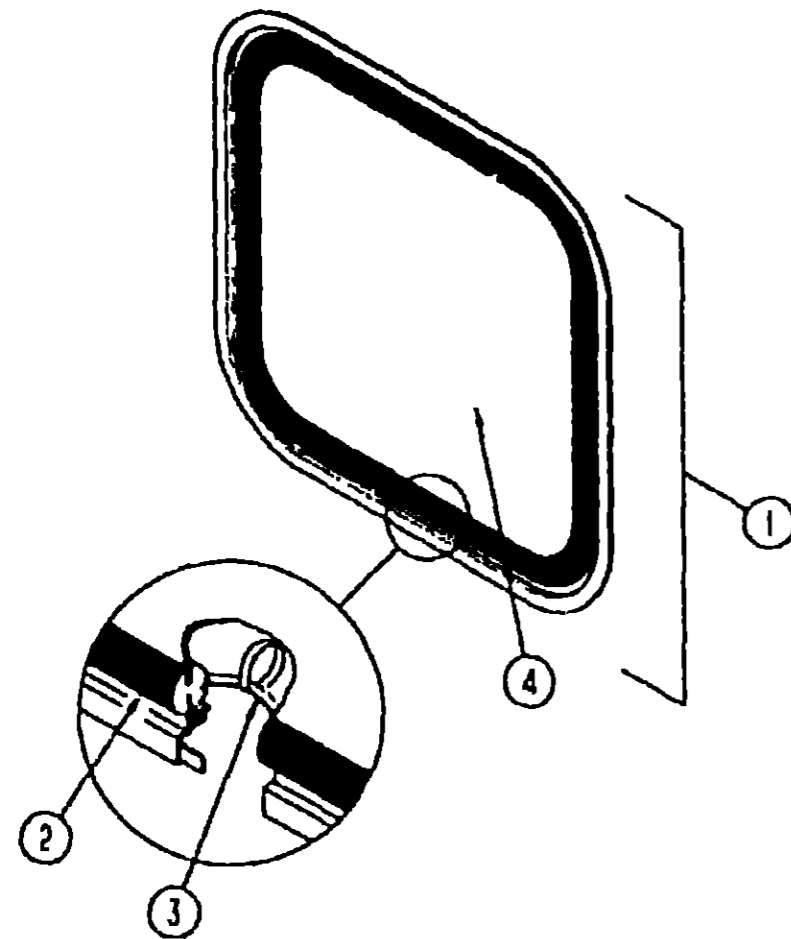
1992 ITASCA
TABLE OF CONTENTS

| | | |
|--------------------|------|------|
| INTRODUCTION | A-01 | A-02 |
| ABBREVIATIONS | | A-03 |
| ALPHABETICAL INDEX | A-04 | A-05 |
| IT320RB | A-07 | C-24 |
| IT321RB | D-01 | F-20 |
| IT321RL | F-21 | I-15 |

1992 IT321RL INDEX

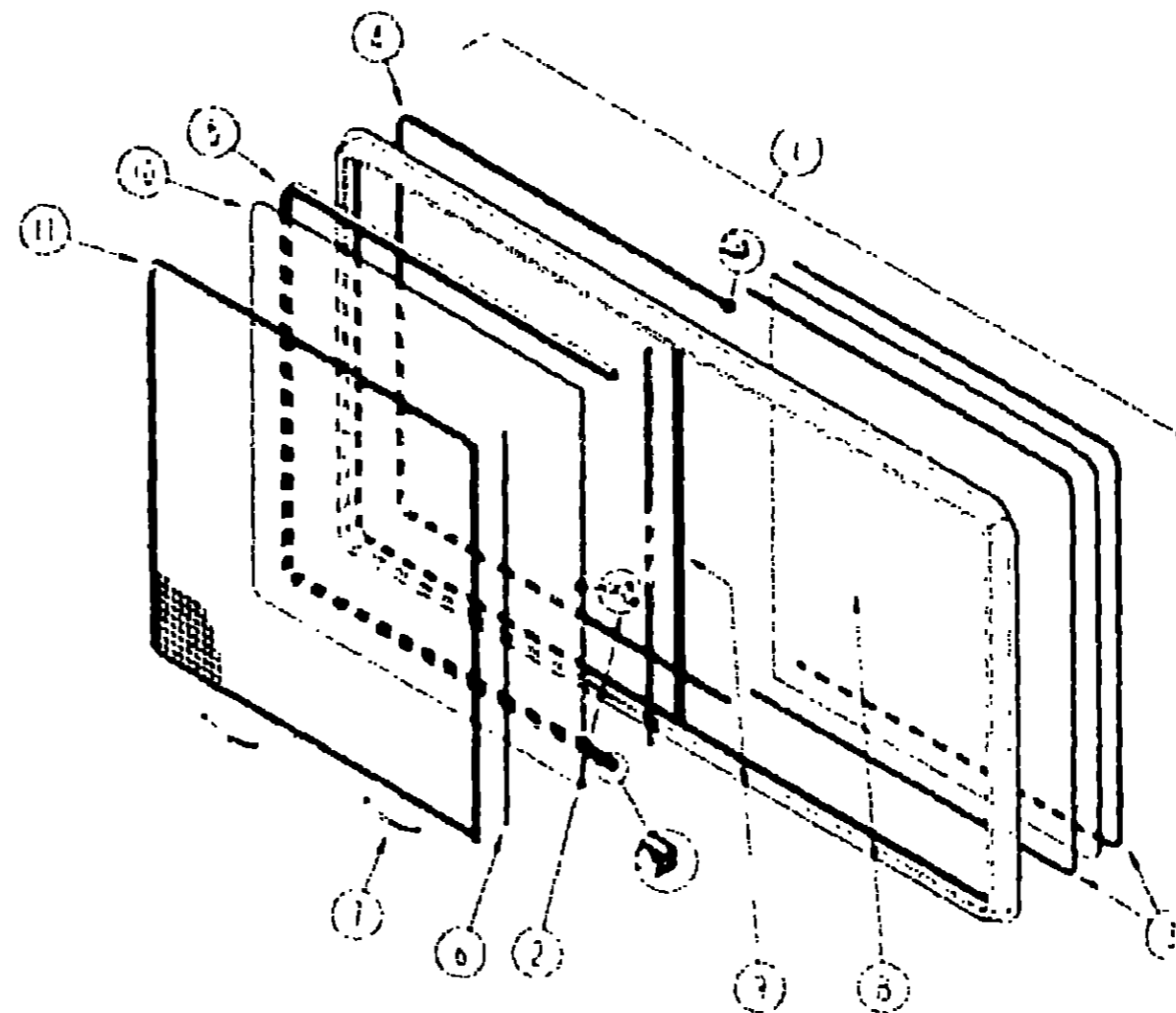
| | | |
|--------------------------------|------|------|
| FLOOR PLAN | F-21 | F-22 |
| ACCESSORIES | | F-23 |
| AUDIO VIDEO | | F-24 |
| BATH | G-01 | G-02 |
| CHASSIS | G-03 | G-04 |
| CURTAIN & CUSHION | G-05 | G-11 |
| DINETTE | | G-12 |
| DRIVERS COMPARTMENT | | G-13 |
| ELECTRICAL | G-14 | G-17 |
| EXTERIOR BODY | G-18 | G-22 |
| GALLEY | G-23 | H-04 |
| GENERATOR | | H-05 |
| HEATING & A/C | | H-06 |
| INTERIOR FINISH | H-07 | H-10 |
| LABEL | H-11 | H-15 |
| LP | | H-16 |
| LOUNGE | H-17 | H-18 |
| SEALANTS & FASTENERS | H-19 | H-20 |
| WATER & SEWAGE | H-21 | H-24 |
| WINDOW, VENT AND EXTERIOR DOOR | I-01 | I-15 |

WINDOW, VENT & EXTERIOR DOOR GROUP (CONTINUED)



BACKWALL ESCAPE WINDOW

WINDOW, VENT & EXTERIOR DOOR GROUP (CONTINUED)



GALLEY SINGLE SLIDING WINDOW

1992 ITASCA
TABLE OF CONTENTS

| | | |
|--------------------|--------|------|
| INTRODUCTION | A-01 - | A-02 |
| ABBREVIATIONS | | A-03 |
| ALPHABETICAL INDEX | A-04 - | A-06 |
| IT320RB | A-07 - | C-24 |
| IT321RB | D-01 - | F-23 |
| IT321RL | F-21 - | I-16 |

1992 IT321RL INDEX

| | | |
|-------------------------------|--------|------|
| FLOOR PLAN | F-21 - | F-22 |
| ACCESSORIES | | F-23 |
| ADD. VIDEO | | F-24 |
| BATH | G-01 - | G-02 |
| CHASSIS | G-03 - | G-04 |
| CURTAIN & CUSHION | G-05 - | G-11 |
| DAWETTE | | G-12 |
| DRIVERS COMPARTMENT | | G-13 |
| ELECTRICAL | G-14 - | G-17 |
| EXTERIOR BODY | G-18 - | G-22 |
| GALLEY | G-23 - | H-04 |
| GENERATOR | | H-05 |
| HEATING & A/C | | H-06 |
| INTERIOR FINISH | H-07 - | H-10 |
| LABEL | H-11 - | H-15 |
| LP | | H-16 |
| LOUNGE | H-17 - | H-18 |
| SEALANTS & FASTENERS | H-19 - | H-20 |
| WATER & SEWAGE | H-21 - | H-24 |
| WINDOW VENT AND EXTERIOR DOOR | I-01 - | I-16 |

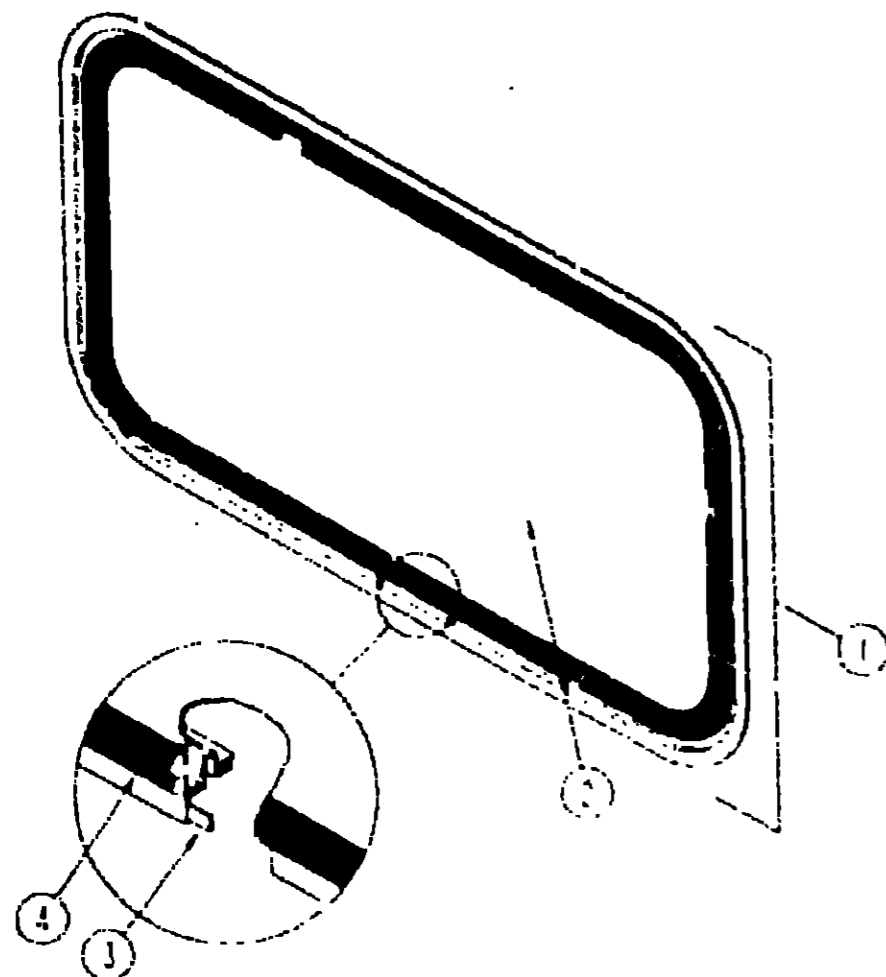
| KEY | PART NUMBER | U/M DESCRIPTION |
|-----|---------------|-------------------------------------------------------------|
| | 020749-10-000 | EA FRAME-WINDOW INSIDE - OFF WHITE |
| 1 | 079729-02-103 | EA WINDOW-ESCAPE REAR - 22" X 24" |
| 2 | 002282-02-050 | EA WEATHERSTRIP-WINDOW 125" VULCANIZED - 79 1" LONG - BLACK |
| | 077055-01-702 | EA TAPE ASM. ESCAPE WINDOW RED |
| 3 | 002285-01-000 | FT FILLER-WEATHER STRIP RUBBER - BLACK |
| 4 | 041392-03-000 | EA GLASS-WINDOW 1.6" X 21.85" X 19.51" |

| KEY | PART NUMBER | U/M DESCRIPTION |
|-----|---------------|----------------------------------------------------------------------------------------|
| 1 | 036547-07-01A | EA WINDOW SLIDING W/BLACK INSIDE FRAME - EXCEL 8369 G9 FROM 06-00-00 THRU 06-02-01 |
| 1 | 036547-07-02A | EA WINDOW SLIDING W/OFF WHITE INSIDE FRAME - EXCEL 8369 F9 FROM 06-03-01 THRU 06-05-05 |
| | 036547-06-704 | EA FRAME INSIDE BLACK EXCEL 8369 B7 FROM 06-06-00 THRU 06-06-01 |
| | 036547-06-705 | EA FRAME INSIDE OFF WHITE EXCEL 8369 B7 FROM 06-03-01 THRU 06-06-02 |
| | 036547-07-700 | EA WINDOW SLIDING SINGLE W/O INSIDE FRAME 15" X 23.75" EXCEL 8369 G9 |
| 2 | 036544-01-700 | EA LATCH REPAIR KIT EXCEL 8369 G9 |
| | 036544-01-716 | FT PLUG FILLER EXCEL 132-014470 |
| | 036544-01-717 | FT SPINE SCREEN EXCEL 132-004775 |
| 3 | 036544-01-705 | FT GLAZING STRIP EXCEL MKS 12 |
| 4 | 036544-01-706 | FT WEATHERSTRIP EXCEL 177-010095 |
| 5 | 036544-01-704 | FT CHANNEL F/ENCLOSURE EXCEL 102-016643 |
| 6 | 036544-01-710 | FT TRACK SCREEN SPACER 12 LENGTH EXCEL 14401-31 |
| | 036544-01-711 | FT WEATHERSTRIP SCREEN BLACK EXCEL 177-016475 |
| 7 | 036544-01-713 | EA SPRING SCREEN FRAME CLIP PLASTIC BLACK |
| 8 | 036547-06-700 | EA GLASS STATIONARY 10.91" X 13.77" EXCEL 106-018921 |
| 9 | 036547-06-701 | EA BAR LOCKING W/WEATHERSTRIP EXCEL 8338 17 |
| 10 | 036547-06-702 | EA GLASS SLIDING W/SEAL & LATCH EXCEL 8369 G9 |
| 11 | 036547-06-703 | EA SCREEN W/WEATHERSTRIP & FRAME SPRING CLIP EXCEL 410-016 |

WINDOW, VENT & EXTERIOR DOOR GROUP (CONTINUED)

WINDOW, VENT & EXTERIOR DOOR GROUP (CONTINUED)

PASSENGER SIDE BUNK SLANTED SLIDER WINDOWS



OVERHEAD BUNK FRONT WINDOW

| KEY | PART NUMBER | U/M DESCRIPTION |
|-----|---------------|-----------------------------------------------------------------------------------------|
| | 041208 1349X | EA FRAME WINDOW SLIDER PASSENGER SIDE FROM 00 00 00 THRU 05 02 91 |
| | 041235 1470Z | EA FRAME WINDOW SLIDER PASSENGER SIDE FROM 06 03 91 THRU 99 99 99 |
| | 067509 0460Z | EA FRAME WINDOW SLIDER OFF WHITE FROM 00 00 00 THRU 05 02 91 |
| 1 | 004933 01 87A | EA WINDOW SLIDER PASSENGER SIDE BLACK EXCEL H245 67L FROM 00 00 00 THRU 05 02 91 |
| 1 | 103313 02 089 | EA WINDOW SLIDER PASSENGER SIDE OFF WHITE EXCEL W245 67R FROM 06 03 91 THRU 99 99 99 |
| 2 | 002181 14 000 | EA GLASS SLIDER WINDOW SLANTED FROM 00 00 00 THRU 05 02 91 |
| 2 | 002181 14 000 | EA GLASS SLIDER WINDOW SLANTED FROM 06 03 91 THRU 99 99 99 |
| 3 | 009543 11 000 | FT SEALER TAPE WITH FRAME AND FROM 00 00 00 THRU 05 02 91 |
| 4 | 002281 02 000 | EA SEAL WINDOW EXTERIOR WEATHER STRIP (CLIP) BLACK FROM 00 00 00 THRU 05 02 91 |
| 4 | 002281 02 000 | EA SEAL WINDOW EXTERIOR WEATHER STRIP (CLIP) BLACK FROM 06 03 91 THRU 99 99 99 |

| KEY | PART NUMBER | U/M DESCRIPTION |
|-----|---------------|-------------------------------------------------------------------------------------------------|
| | 009543 11 000 | EA WINDOW PASSENGER SIDE W BLACK INSIDE FRAME EXCEL H245 DRH FROM 00 00 00 THRU 05 02 91 |
| | 009543 11 000 | EA WINDOW PASSENGER SIDE W OFF WHITE INSIDE FRAME EXCEL H245-MRR FROM 06 03 91 THRU 99 99 99 |
| | 009543 11 000 | EA TRIM SLIDER PASSENGER SIDE BLACK EXCEL H245 67L FROM 00 00 00 THRU 05 02 91 |
| | 009543 11 000 | EA TRIM SLIDER PASSENGER SIDE OFF WHITE EXCEL W245 67R FROM 06 03 91 THRU 99 99 99 |
| | 009543 01 100 | EA WINDOW SLIDER WINDOW INSIDE FRAME EXCEL H245G2R FROM 00 00 00 THRU 05 02 91 |
| | 009543 01 100 | EA WINDOW SLIDER WINDOW INSIDE FRAME EXCEL H245G1R FROM 06 03 91 THRU 99 99 99 |
| | 009544 01 000 | EA LATCH REPAIR KIT EXCEL B901 00K |
| | 009544 01 000 | EA GLASS SLIDER W WASH & LATCH EXCEL B948 G9 FROM 00 00 00 THRU 05 02 91 |
| | 009544 01 000 | EA GLASS SLIDER W WASH & LATCH EXCEL B948 G9 FROM 06 03 91 THRU 99 99 99 |
| | 009544 01 100 | FT GLAZING STRIP EXCEL M526 12 |
| | 009544 01 100 | FT WEATHER STRIP EXCEL 171 010668 |
| | 009544 01 200 | FT CHANNEL (HOLD) STRIP EXCEL 122 016543 |
| | 009544 01 210 | FT TRACK SCREEN SPACER 12" LENGTH EXCEL MAM 31 |
| | 009544 01 211 | FT WEATHER STOP SCREEN BLACK EXCEL 171 016565 |
| | 009544 01 213 | EA SCREEN SCREEN FRAME (CLIP) PLASTIC BLACK |
| | 009544 01 216 | FT PLUG FILLER EXCEL 130 014470 |
| | 009544 01 217 | FT GFLINE SCREEN EXCEL 132 004716 |
| | 009546 03 700 | EA FILLER STRIP EXCEL G03726 |
| | 009546 03 705 | EA SCREEN ASSEMBLY EXCEL 410016475 |
| | 009546 03 706 | EA GLASS STATIONARY EXCEL 106017205 FROM 00 00 00 THRU 05 02 91 |
| | 009546 03 706 | EA GLASS STATIONARY EXCEL 106017492 FROM 06 03 91 THRU 99 99 99 |

DRIVER SIDE BUNK SLANTED SLIDER WINDOWS

| KEY | PART NUMBER | U/M DESCRIPTION |
|-----|---------------|----------------------------------------------------------------------------------------------|
| | 009546 04 000 | EA WINDOW DRIVER SIDE W BLACK INSIDE FRAME EXCEL H245 DRH FROM 00 00 00 THRU 05 02 91 |
| | 009546 04 000 | EA WINDOW DRIVER SIDE W OFF WHITE INSIDE FRAME EXCEL H245-MRL FROM 06 03 91 THRU 99 99 99 |
| | 009546 04 100 | EA TRIM SLIDER PASSENGER SIDE BLACK EXCEL H245 67L FROM 00 00 00 THRU 05 02 91 |
| | 009546 04 100 | EA TRIM SLIDER PASSENGER SIDE OFF WHITE EXCEL W245 67R FROM 06 03 91 THRU 99 99 99 |
| | 009546 04 200 | EA WINDOW SLIDER WINDOW INSIDE FRAME EXCEL H245G2L FROM 00 00 00 THRU 05 02 91 |
| | 009546 04 200 | EA WINDOW SLIDER WINDOW INSIDE FRAME EXCEL H245G1L FROM 06 03 91 THRU 99 99 99 |
| | 009544 01 000 | EA LATCH REPAIR KIT EXCEL B901 00K |
| | 009544 01 000 | EA GLASS SLIDER W WASH & LATCH EXCEL B948 G9 FROM 00 00 00 THRU 05 02 91 |
| | 009544 01 000 | EA GLASS SLIDER W WASH & LATCH EXCEL B948 G9 FROM 06 03 91 THRU 99 99 99 |
| | 009544 01 100 | FT GLAZING STRIP EXCEL M526 12 |
| | 009544 01 100 | FT WEATHER STRIP EXCEL 171 010668 |
| | 009544 01 200 | FT CHANNEL (HOLD) STRIP EXCEL 122 016543 |
| | 009544 01 210 | FT TRACK SCREEN SPACER 12" LENGTH EXCEL MAM 31 |
| | 009544 01 211 | FT WEATHER STOP SCREEN BLACK EXCEL 171 016565 |
| | 009544 01 213 | EA SCREEN SCREEN FRAME (CLIP) PLASTIC BLACK |
| | 009544 01 216 | FT PLUG FILLER EXCEL 130 014470 |
| | 009544 01 217 | FT GFLINE SCREEN EXCEL 132 004716 |
| | 009546 03 700 | EA FILLER STRIP EXCEL G03726 |
| | 009546 03 705 | EA SCREEN ASSEMBLY EXCEL 410016475 |
| | 009546 03 706 | EA GLASS STATIONARY EXCEL 106017205 FROM 00 00 00 THRU 05 02 91 |
| | 009546 03 706 | EA GLASS STATIONARY EXCEL 106017492 FROM 06 03 91 THRU 99 99 99 |

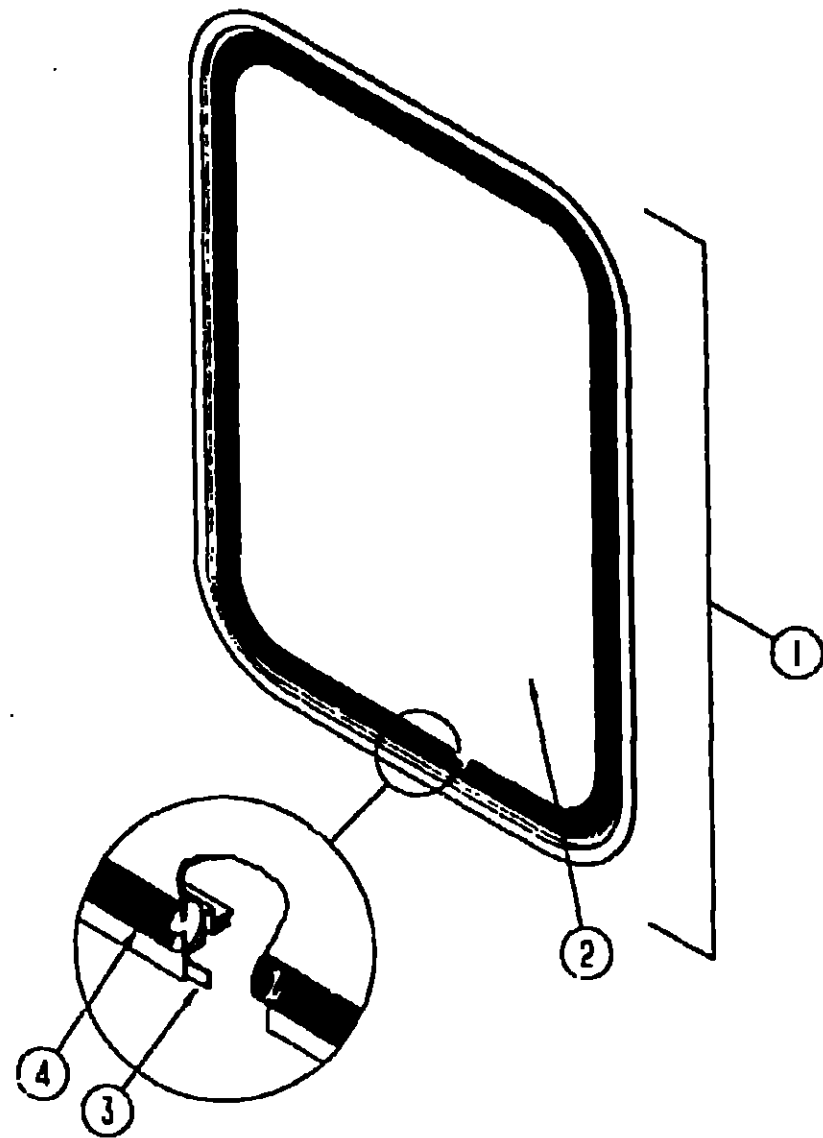
1992 ITASCA
TABLE OF CONTENTS

| | |
|--------------------|-------------|
| INTRODUCTION | A-01 - A-02 |
| ABBREVIATIONS | A-03 |
| ALPHABETICAL INDEX | A-04 - A-06 |
| IT320RB | A-07 - C-24 |
| IT321RB | D-01 - F-20 |
| IT321RL | F-21 - I-15 |

1992 IT321RL INDEX

| | |
|-------------------------------|-------------|
| FLOOR PLAN | F-21 - F-22 |
| ACCESSORIES | - F-23 |
| AUDIO VIDEO | - F-24 |
| BATH | G-01 - G-02 |
| CHASSIS | G-03 - G-04 |
| CURTAIN & CUSHION | G-05 - G-11 |
| DINETTE | - G-12 |
| DRIVERS COMPARTMENT | - G-13 |
| ELECTRICAL | G-14 - G-17 |
| EXTERIOR BODY | G-18 - G-22 |
| GALLEY | G-23 - H-04 |
| GENERATOR | - H-05 |
| HEATING & A/C | - H-06 |
| INTERIOR FINISH | H-07 - H-10 |
| LABEL | H-11 - H-15 |
| LP | H-16 |
| LOUNGE | H-17 - H-18 |
| SEALANTS & FASTENERS | H-19 - H-20 |
| WATER & SEWAGE | H-21 - H-24 |
| WINDOW VENT AND EXTERIOR DOOR | I-01 - I-15 |

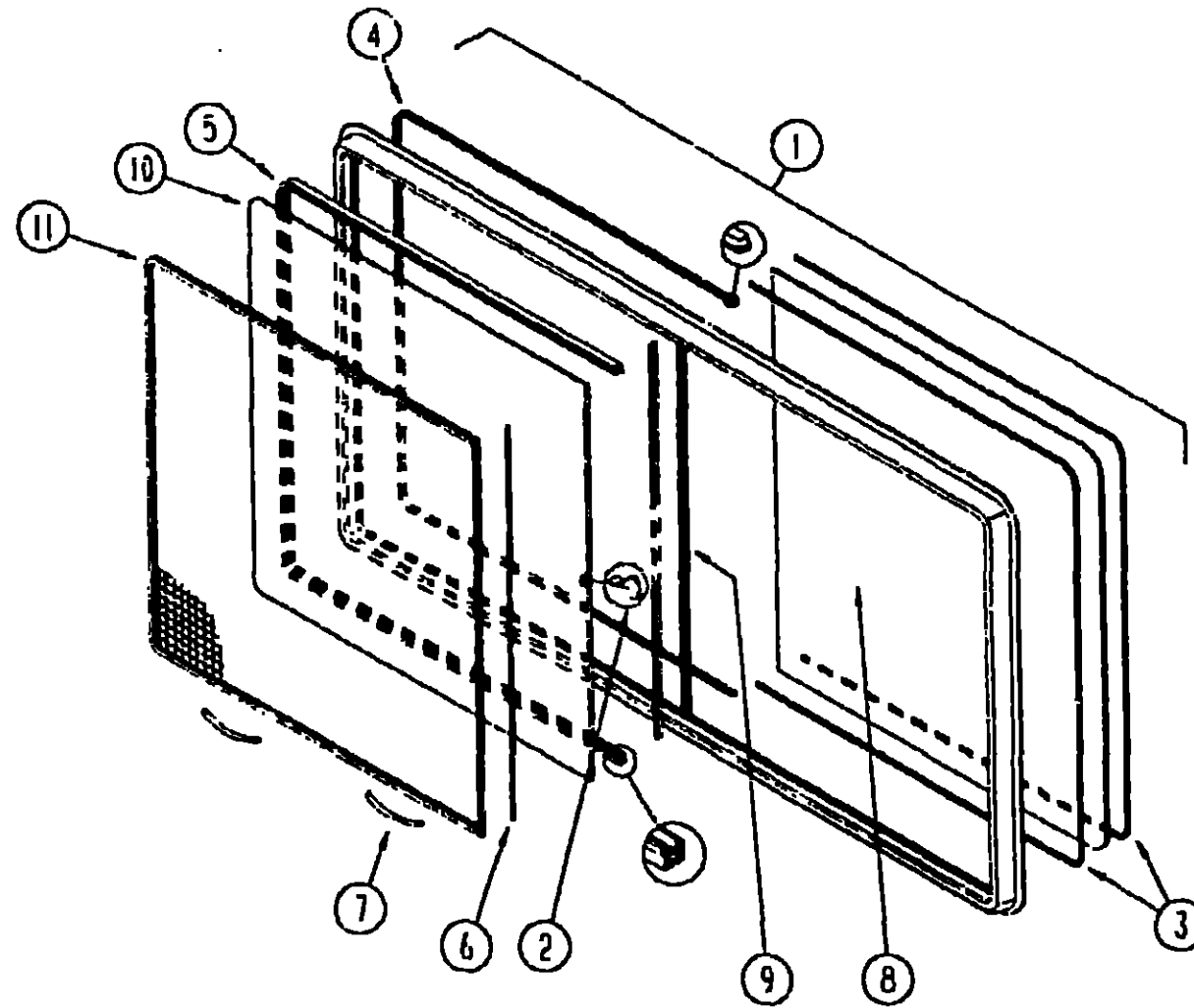
WINDOW, VENT & EXTERIOR DOOR GROUP (CONTINUED)



ENTRY DOOR WINDOW

| KEY | PART NUMBER | U/M DESCRIPTION |
|-----|---------------|-------------------------------------------------------------------|
| 1 | 079733-07-AA8 | EA WINDOW-ENTRY DOOR 17" X 25" - FROSTED GLASS - W/O INSIDE FRAME |
| 2 | 002181-07-000 | EA GLASS-WINDOW 182" X 16 25" X 24" - FROSTED |
| 3 | 009640-11-000 | FT SEALER-TAPE, 3/16" X 3/8" BLACK |
| 4 | 087551-01-000 | FT SEAL-GLASS EXTERIOR - 5" WIDE - VINYL - BLACK |
| | 079370-04-000 | FT COVER-SCREW, WINDOW - VINYL - BLACK |
| | 067609-32-000 | EA FRAME-WINDOW, ENTRY DOOR - OFF WHITE |

WINDOW, VENT & EXTERIOR DOOR GROUP (CONTINUED)



DINETTE SINGLE SLIDING WINDOW

| KEY | PART NUMBER | U/M DESCRIPTION |
|-----|---------------|-----------------------------------------------------------------------------------------------|
| 1 | 098647-08-01A | EA WINDOW-SLIDING, W/BLACK INSIDE FRAME - EXCEL H022-GRR FROM: 00-00-00 THRU: 06-02-91 |
| 1 | 098647-08-02A | EA WINDOW-SLIDING, W/OFF WHITE INSIDE FRAME - EXCEL H022-PRR FROM: 06-03-91 THRU: 99-99-99 |
| | 098647-08-702 | EA FRAME-INSIDE, BLACK - EXCEL H022-67 |
| | 098647-08-704 | EA FRAME-INSIDE, OFF WHITE - EXCEL W022-67 FROM: 06-03-91 THRU 99-99-99 |
| | 098647-09-701 | EA WINDOW-SLIDING, W/O INSIDE FRAME - EXCEL H022-GRR |
| 2 | 098644-01-700 | EA LATCH-REPAIR KIT, EXCEL B801-CK |
| | 098644-01-716 | FT PLUG-FILLER, EXCEL 132-014470 |
| | 098644-01-717 | FT SPLINE-SCREEN, EXCEL 132-004716 |
| 3 | 098644-01-705 | FT GLAZING STRIP, EXCEL M926-12 |
| 4 | 098644-01-706 | FT WEATHERSTRIP, EXCEL 171-010658 |
| 5 | 098644-01-708 | FT CHANNEL-PIERCED RUN, EXCEL 122-016543 |
| 6 | 098644-01-710 | FT TRACK-SCREEN SPACER, 12' LENGTH - EXCEL M401-31 |
| | 098644-01-711 | FT WEATHERSTRIP-SCREEN, BLACK - EXCEL 171-016555 |
| 7 | 098644-01-713 | EA SPRING-SCREEN FRAME (CLIP), PLASTIC - BLACK |
| 8 | 098647-08-700 | EA GLASS-STATIONARY, EXCEL 106-014759 |
| 9 | 098647-08-705 | EA RAIL-LOCKING W/WEATHERSTRIP, EXCEL H022-17 |
| 10 | 098647-08-703 | EA GLASS-SLIDING, W/SASH & LOCK - EXCEL H022-G9 |
| 11 | 098647-08-705 | EA SCREEN W/WEATHERSTRIP&SPRING - EXCEL 410-016-452 |

1992 ITASCA
TABLE OF CONTENTS

| | |
|--------------------|-------------|
| INTRODUCTION | A-01 - A-02 |
| ABBREVIATIONS | A-03 |
| ALPHABETICAL INDEX | A-04 - A-06 |
| IT320RB | A-07 - C-24 |
| IT321RB | D-01 - F-20 |
| IT321RL | F-21 - I-15 |

1992 IT321RL INDEX

| | |
|-------------------------------|-------------|
| FLOOR PLAN | F-21 - F-22 |
| ACCESSORIES | - F-23 |
| AUDIO VIDEO | - F-24 |
| BATH | G-01 - G-02 |
| CHASSIS | G-03 - G-04 |
| CURTAIN & CUSHION | G-05 - G-11 |
| DINETTE | - G-12 |
| DRIVERS COMPARTMENT | - G-13 |
| ELECTRICAL | G-14 - G-17 |
| EXTERIOR BODY | G-18 - G-21 |
| GALLEY | G-23 - H-04 |
| GENERATOR | - H-05 |
| HEATING & A/C | - H-05 |
| INTERIOR FINISH | H-07 - H-10 |
| LABEL | H-11 - H-15 |
| LP | H-16 |
| LOUNGE | H-17 - H-18 |
| SEALANTS & FASTENERS | H-19 - H-20 |
| WATER & SEWAGE | H-21 - H-24 |
| WINDOW VENT AND EXTERIOR DOOR | I-01 - I-15 |

WINDOW, VENT & EXTERIOR DOOR GROUP (CONTINUED)
POWERED ROOF VENT

| KEY | PART NUMBER | U/M DESCRIPTION |
|-----|---------------|---------------------------------------------------------|
| | 050394-01-Y12 | EA VENT-ROOF, POWERED |
| | 002825-01-000 | EA WEATHER STRIP-ROOF VENT, GRAY |
| | 008195-01-000 | EA SWITCH-ROOF VENT, PUSH BUTTON, 12V |
| | 008343-01-000 | EA TIE-WIRE, 6" |
| | 008365-01-000 | EA GROMMET-SNAP, 3/8" |
| | 009440-01-000 | EA GEAR/ARM-VENT COVER, LIFT |
| | 015910-03-000 | EA BRACKET-HANDLE-VENT ROOF O/W *2810-01 |
| | 015911-01-000 | EA TRACK-LIFT ARM, SLIDE - ROOF VENT |
| | 048548-01-000 | EA MOTOR-ROOF VENT, 1/8 SHAFT - 12V - JENSEN |
| | 048549-01-000 | EA FAN-ROOF VENT, 6 BLADES - 6" - JENSEN |
| | 055218-01-000 | EA COVER-ROOF VENT |
| | 052539-01-200 | EA HINGE-EXTRUSION, ROOF VENT 7" |
| | 052539-01-001 | EA HINGE-VENT COVER, 10" |
| | 061603-01-000 | EA GROMMET-SNAP, 3/16" ID - 3/8" HOLE - PLASTIC - BLACK |
| | 078785-01-Y12 | EA SCREEN-ROOF VENT, POWERED |
| | 002291-02-000 | SF SCREENING-ROOF VENT/WINDOW, 16" - BLACK |
| | 002298-02-000 | FT SPLINE-VENT/WINDOW SCREEN, 128 DIAMETER - BLACK |
| | 009439-01-000 | EA CRANK HANDLE-ROOF VENT |
| | 009439-03-000 | EA EXTENSION-CRANK HANDLE ROOF VENT - 9" - MILL |
| | 009439-01-000 | EA SCREW 8-32 X 1 1/4" POH |

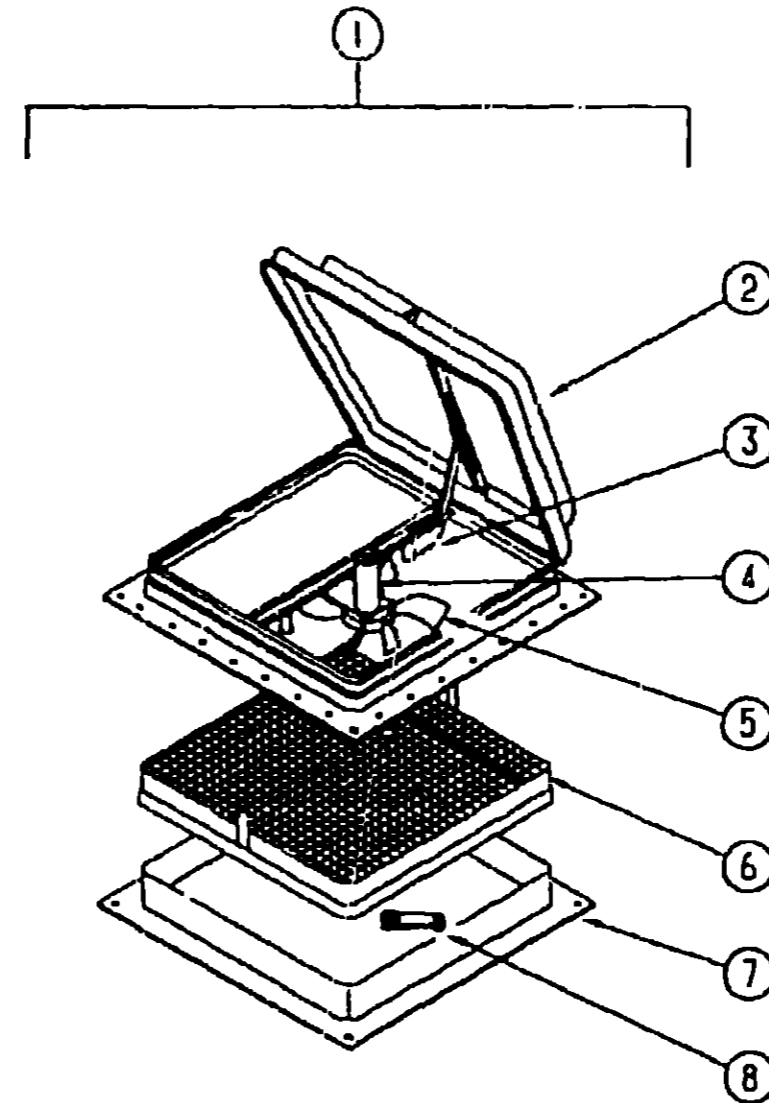
NONPOWERED ROOF VENT

| KEY | PART NUMBER | U/M DESCRIPTION |
|-----|---------------|----------------------------------------------------|
| | 090355-01-Y12 | EA VENT-ROOF, NONPOWERED |
| | 002825-01-000 | EA WEATHER STRIP-ROOF VENT, GRAY |
| | 009440-01-000 | EA GEAR/ARM-VENT COVER, LIFT |
| | 015910-03-000 | EA BRACKET-HANDLE-VENT ROOF O/W *2810-01 |
| | 015911-01-000 | EA TRACK-LIFT ARM, SLIDE - ROOF VENT |
| | 055218-01-000 | EA COVER-ROOF VENT |
| | 052539-01-001 | EA HINGE-VENT COVER, 15" |
| | 052539-01-200 | EA HINGE-EXTRUSION, ROOF VENT 7" |
| | 078786-01-Y12 | EA SCREEN-ROOF VENT, NON POWERED - WHITE |
| | 002291-02-000 | SF SCREENING-ROOF VENT/WINDOW, 16" - BLACK |
| | 002298-02-000 | FT SPLINE-VENT/WINDOW SCREEN, 128 DIAMETER - BLACK |
| | 009439-01-000 | EA CRANK HANDLE-ROOF VENT |
| | 009439-03-000 | EA EXTENSION-CRANK HANDLE ROOF VENT - 9" - MILL |
| | 009439-01-000 | EA SCREW 8-32 X 1 1/4" POH |

REFRIGERATOR, RANGE HOOD & PLUMBING VENTS

| KEY | PART NUMBER | U/M DESCRIPTION |
|-----|---------------|--------------------------------------------------------|
| | 055103-03-000 | EA BASE-VENT, REFRIGERATOR - ROOF - DOMETIC 3100529-01 |
| | 055103-04-000 | EA CAP-VENT, REFRIGERATOR - ROOF - DOMETIC 3100529-019 |
| | 084516-01-000 | EA SHROUD-RANGE HOOD VENT, OFF WHITE |
| | 084878-02-000 | EA VENT-RANGE HOOD, SHORT - LVS |

WINDOW, VENT & EXTERIOR DOOR GROUP (CONTINUED)



JENSEN POWERED ROOF VENT

| KEY | PART NUMBER | U/M DESCRIPTION |
|-----|---------------|-------------------------------------------------------------|
| 1 | 054459-03-000 | EA VENT-ROOF POWERED - 14" X 14" - 12V - JENSEN C-727 - CSA |
| 2 | 054459-03-702 | EA LID-VENT, WHITE |
| 3 | 054459-03-705 | EA LIFT MECHANISM |
| 4 | 048548-01-000 | EA MOTOR-ROOF VENT 1/8 SHAFT - 12V |
| 5 | 048549-01-000 | EA FAN-ROOF VENT, 6 BLADES - 6" |
| 6 | 110051-01-700 | EA SCREEN-ROOF VENT |
| 7 | 054459-03-705 | EA GARNISH-INNER, 2.5" W'DE |
| 8 | 009439-01-000 | EA CRANK HANDLE-ROOF VENT |
| | 009439-04-000 | EA SCREW 8-32 X 1 1/4" POH |
| | 009439-03-000 | EA EXTENSION-CRANK HANDLE ROOF VENT - 9" - MILL |

1992 ITASCA
TABLE OF CONTENTS

| | | |
|--------------------|--------|------|
| INTRODUCTION | A-01 - | A-02 |
| ABBREVIATIONS | | A-03 |
| ALPHABETICAL INDEX | A-04 - | A-05 |
| IT320RB | A-07 - | C-24 |
| IT321RB | D-01 - | F-20 |
| IT321RL | F-21 - | I-15 |

1992 IT321RL INDEX

| | | |
|-------------------------------|--------|------|
| FLOOR PLAN | F-21 - | F-22 |
| ACCESSORIES | | F-23 |
| AUDIO VIDEO | | F-24 |
| BATH | G-01 - | G-02 |
| CHASSIS | G-03 - | G-04 |
| CURTAIN & CUSH CN | G-05 - | G-11 |
| DINETTE | | G-12 |
| DRIVERS COMPARTMENT | | G-13 |
| ELECTRICAL | G-14 - | G-17 |
| EXTERIOR BODY | G-18 - | G-22 |
| GALLEY | G-23 - | H-04 |
| GENERATOR | | H-05 |
| HEATING & A/C | | H-06 |
| INTERIOR FINISH | H-07 - | H-10 |
| LABEL | H-11 - | H-15 |
| LP | | H-15 |
| LOUNGE | H-17 - | H-18 |
| SEALANTS & FASTENERS | H-19 - | H-20 |
| WATER & SEWAGE | H-21 - | H-24 |
| WINDOW VENT AND EXTERIOR DOOR | I-01 - | I-15 |