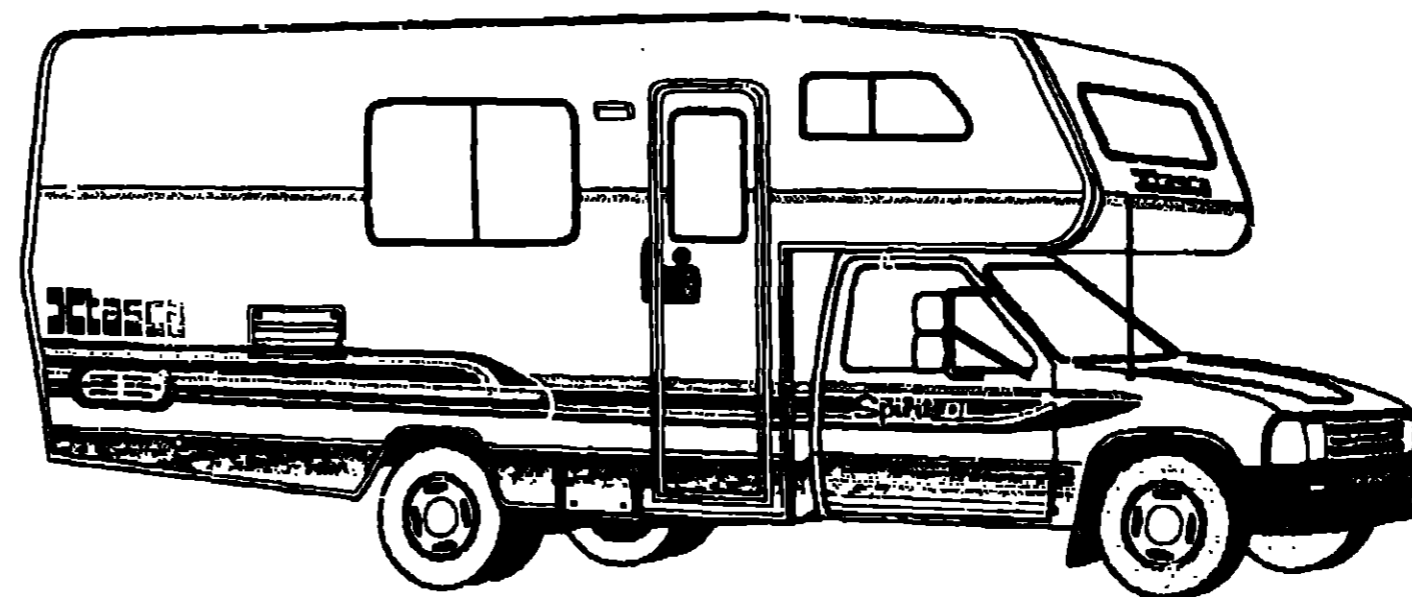


**1992 ITASCA  
TABLE OF CONTENTS**

INTRODUCTION	A-01	A-02
ABBREVIATIONS		A-03
ALPHABETICAL INDEX	A-04	A-06
IT320RB	A-07	C-24
IT321RB	D-01	F-20
IT321RL	F-21	I-16



**1992  
IT321RB**

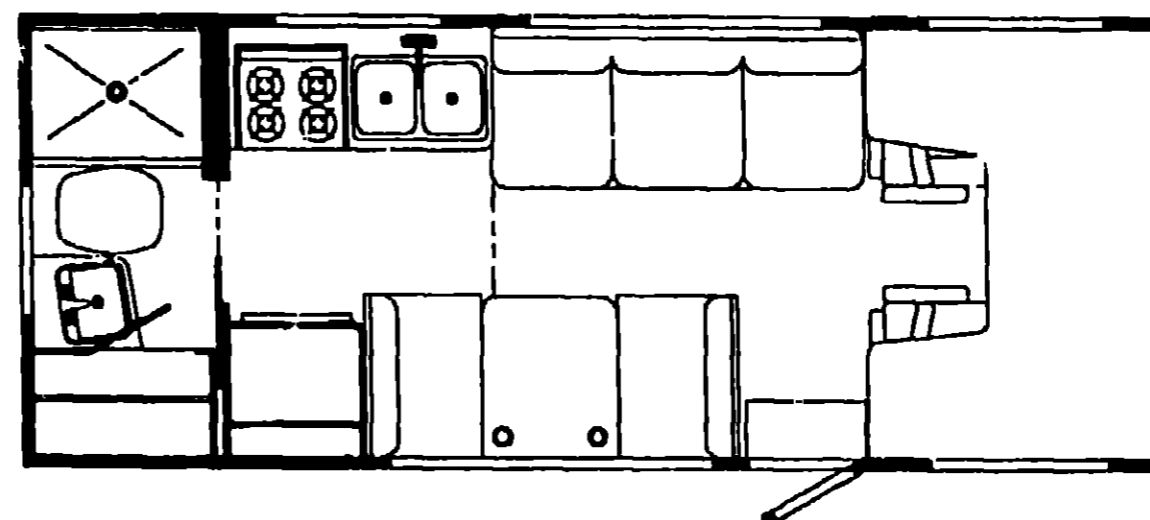
**C29**

**C30**

**C42**

**1992 IT321RB INDEX**

FLOOR PLAN	D-01	D-02
ACCESSORIES		D-03
AUDIO VIDEO		D-04
BATH	D-05	D-06
CHASSIS	D-07	D-08
CURTAIN & CUSHION	D-09	D-15
DINETTE		D-16
DRIVERS COMPARTMENT		D-17
ELECTRICAL	D-18	D-21
EXTERIOR BODY	D-22	E-04
GALLEY	E-05	E-10
GENERATOR		E-11
HEATING & A/C		E-12
INTERIOR FINISH	E-13	E-16
LABEL	E-17	E-22
LP		E-23
LOUNGE		E-24
SEALANTS & FASTENERS	F-01	F-02
WATER & SEWAGE	F-03	F-06
WINDOW, VENT AND EXTERIOR DOOR	F-07	F-20



**ACCESSORIES GROUP**  
OPERATORS MANUAL & BINDER

KEY	PART NUMBER	U/M DESCRIPTION
	054185-86-000	EA MANUAL-OPERATOR, 1992 SPIRIT
	092318-01-000	EA BINDER-3 RING, MOTOR HOME MANUAL
	092319-01-000	EA POCKET PAGE-3 RING BINDER, PLASTIC

**AUDIO VIDEO GROUP**  
RADIO SYSTEM COMPONENTS & ANTENNA

KEY	PART NUMBER	U/M DESCRIPTION
	090050-01-000	EA ANTENNA-RADIO, TOYOTA - AUDIOVOX FMF22T
	090051-02-000	EA SPEAKER-4" ROUND, AUDIOVOX
	089340-02-000	EA GRILLE-SPEAKER, 6.5" SQUARE
	094097-01-000	EA SPEAKER-RADIO, W/O GRILLE - 5 25" DIA - AUDIOVOX 110C3030
	074979-01-000	EA SHIELD-SPEAKER, BACK - MOLDED PLASTIC - 8" X 9" - BEIGE
	090052-03-000	EA MOUNT-TRIM KIT, RADIO - TOYOTA - AUDIOVOX 9005203000 FROM: 00-00-00 THRU: 01-05-92
	090052-05-000	EA MOUNT-TRIM KIT, RADIO - TOYOTA - AUDIOVOX IM-TOY-92 FROM: 01-06-92 THRU: 99-99-99
	090982-01-000	EA RADIO-AM/FM CASSETTE, ELECTRIC TUNE - AUDIOVOX HCC-1035 FROM: 00-00-00 THRU: 01-05-92
	104089-01-000	EA RADIO-AM/FM STEREO, CASSETTE - AUDIOVOX IM-DXF FROM: 01-06-92 THRU: 99-99-99
	097459-01-000	EA RADIO-AM/FM STEREO, CASSETTE - AUDIOVOX IM-DXA - DELUXE OPTION
	090052-04-000	EA MOUNT-TRIM KIT, RADIO - TOYOTA - AUDIOVOX 9005204000 - DELUXE OPTION FROM: 00-00-00 THRU: 01-05-92

**TV ANTENNA**

KEY	PART NUMBER	U/M DESCRIPTION
	076319-15-000	EA ANTENNA-TV, ROOF - NONPOWERED - 23 3/4" WINEGARD-1504
	076319-01-700	EA HEAD-ANTENNA, AMPLIFIED - WINEGARD # VSA U/V
	076319-01-701	EA GEAR-ELEVATING, PLASTIC - WINEGARD #2200046
	076319-01-702	EA SHAFT ASM-ELEVATING, WINEGARD# VP-400A
	076319-01-703	EA BEARING-NYLON, 5"OD - WINEGARD # 3200656
	076319-01-705	EA GROMMET-NYLON, 7/8"ID - WINEGARD # 3200658
	076319-01-706	EA CRANK-ELEVATING, W/SET SCREW - WINEGARD #5755100
	076319-01-707	EA SPRING-HANDLE, WINEGARD# 5160800
	076319-01-709	EA PLATE-DIRECTIONAL, FOR HEAD - WINEGARD #3200644
	076319-01-710	EA CRANK-ELEVATING, HALF MOON - WINEGARD #2750897
	082134-01-000	EA ADAPTER-TV, CABLE TO CABLE - WINEGARD F-81M
	082136-01-000	EA NUT-HEX JAM 3/8-32 WINEGARD
	076319-03-000	FT CABLE-COAXIAL, 75 OHM
	076319-12-000	EA CONNECTOR-COAXIAL, ONE PIECE
	102837-01-02A	EA PLATE-WALL, CABLE/ANTENNA
	076319-06-000	EA ADAPTOR-CABLE ROOF PLATE, WINEGARD RPJ-1
	076319-01-000	EA ANTENNA-TV, ROOF - 44.5" MAST - RVA W02 - EL MONTE OPTION
	076319-01-700	EA HEAD-ANTENNA, AMPLIFIED - WINEGARD # VSA U/V
	076319-01-701	EA GEAR-ELEVATING, PLASTIC - WINEGARD #2200046
	076319-01-702	EA SHAFT ASM-ELEVATING, WINEGARD# VP-400A
	076319-01-703	EA BEARING-NYLON, 5"OD - WINEGARD # 3200656
	076319-01-705	EA GROMMET-NYLON, 7/8"ID - WINEGARD # 3200658
	076319-01-706	EA CRANK-ELEVATING, W/SET SCREW - WINEGARD #5755100
	076319-01-707	EA SPRING-HANDLE, WINEGARD# 5160800
	076319-01-709	EA PLATE-DIRECTIONAL, FOR HEAD - WINEGARD #3200644
	076319-01-710	EA CRANK-ELEVATING, HALF MOON - WINEGARD #2750897
	086777-02-000	EA WALLPLATE-TV CABLE, W/ANTENNA SWITCH - BROWN - EL MONTE RENTAL

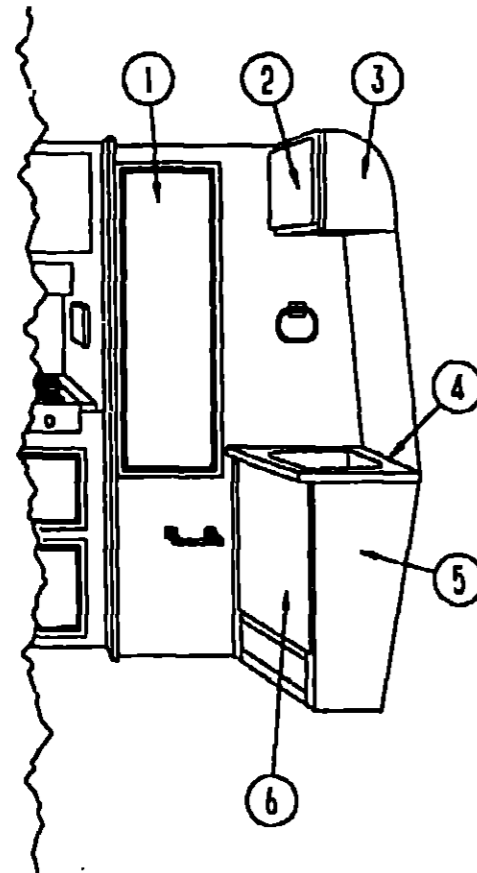
**1992 ITASCA**  
TABLE OF CONTENTS

INTRODUCTION	A-01	A-02
ABBREVIATIONS		A-03
ALPHABETICAL INDEX	A-04	A-06
IT320RB	A-07	C-24
IT321RB	D-01	F-20
IT321RL	F-21	I-16

**1992 IT321RB INDEX**

FLOOR PLAN	D-01	D-02
ACCESSORIES		D-03
AUDIO VIDEO		D-04
BATH	D-05	D-06
CHASSIS	D-07	D-08
CURTAIN & CUSHION	D-09	D-15
DINETTE		D-16
DRIVERS COMPARTMENT		D-17
ELECTRICAL	D-18	D-21
EXTERIOR BODY	D-22	E-04
GALLEY	E-05	E-10
GENERATOR		E-11
HEATING & A/C		E-12
INTERIOR FINISH	E-13	E-16
LABEL	E-17	E-22
LP		E-23
LOUNGE		E-24
SEALANTS & FASTENERS	F-01	F-02
WATER & SEWAGE	F-03	F-06
WINDOW, VENT AND		
EXTERIOR DOOR	F-07	F-20

**BATH GROUP**



**BATH CABINETS & FIXTURES**

KEY	PART NUMBER	U/M DESCRIPTION
1	P03702-16-B87	EA DOOR-CABINET, MIRROR - W/O HARDWARE - 15 6" X 45.5" FROM: 00-00-00 THRU: 09-22-91
	058331-39-000	EA MIRROR-GLASS, SAFETY - 12 8" X 42 8" FROM: 00-00-00 THRU: 09-22-91
1	P04746-56-C29	EA DOOR-CABINET, MIRROR - W/O HARDWARE - 15 5" X 45 5" FROM: 09-23-91 THRU: 11-20-91
1	P04536-12-C29	EA DOOR-CABINET, MIRROR - W/O HARDWARE - 15 6" X 45.5" FROM: 11-21-91 THRU: 99-99-99
2	P03702-72-C29	EA DOOR-CABINET, MIRROR - W/O HARDWARE - 12" X 29.1" FROM: 00-00-00 THRU: 09-22-91
	058331-40-000	EA MIRROR-GLASS, SAFETY - 9.2" X 26.4" FROM: 00-00-00 THRU: 09-22-91
2	P04746-57-C29	EA DOOR-CABINET, MIRROR - W/O HARDWARE - 12" X 29 1" FROM: 09-23-91 THRU: 11-19-91
2	P04536-11-C29	EA DOOR-CABINET, MIRROR - W/O HARDWARE - 12" X 29 1" FROM: 11-20-91 THRU: 99-99-99
3	M05160-05-C29	EA CABINET-OVERHEAD, MEDICINE - W/O DOORS OR HARDWARE
4	099928-11-C29	EA COUNTERTOP-LAVATORY CABINET
5	M99928-01-C29	EA CABINET-LAVATORY W/COUNTERTOP
5	M99928-03-C29	EA CABINET-LAVATORY W/COUNTERTOP - DELUXE OPTION
5	M99928-03-C30	EA CABINET-LAVATORY W/COUNTERTOP - DELUXE OPTION
5	M99928-05-C29	EA CABINET-LAVATORY W/COUNTERTOP - EL MONTE OPTION
6	P03702-71-C29	EA DOOR-CABINET, W/O HARDWARE - 12" X 21 8"
	078238-23-B87	EA PANEL-ACCESS, 358 X 162
	099968-01-C29	EA DOOR-SLIDING, 680 X 1780 - W/PULL
	009158-01-000	EA HANGER-SLIDING DOOR FROM: 00-00-00 THRU: 04-29-92
	103874-01-000	EA HANGER-SLIDING DOOR FROM: 04-30-92 THRU: 99-99-99
	064467-01-000	EA GUIDE-POCKET, SLIDING DOOR - WALL MOUNTED
	071817-08-000	EA TRACK-SLIDING DOOR, 51.2" - MILL FINISH FROM: 00-00-00 THRU: 04-29-92
	103868-06-01A	EA TRACK-SLIDING DOOR, 51 2" - OFF WHITE FROM: 04-30-92 THRU: 99-99-99
	075452-02-000	EA HOLDER-TOILET TISSUE, BRASS
	075454-02-000	EA RING-TOWEL, W/MOUNTING HARDWARE - BRASS

**BATH GROUP (CONTINUED)**  
**BATH CABINETS & FIXTURES CONT'D**

KEY	PART NUMBER	U/M DESCRIPTION
	075240-06-000	EA FAUCET-LAVATORY, BONE
	105218-01-01A	EA SPACER-FAUCET, LAVATORY SINK - 2" X 5.9" - ABS PLASTIC C/W FROM: 00-00-00 THRU: 10-13-91
	091253-01-000	EA GASKET-FAUCET, LAVATORY/GALLEY
	096927-01-01A	EA SINK-LAVATORY, RECTANGULAR - PLASTIC - BONE
	096927-01-700	EA SINK-STOPPER
	096927-01-701	EA TAILPIECE-SINK

**BATH: CABINET HARDWARE**

KEY	PART NUMBER	U/M DESCRIPTION
	009148-01-000	EA PULL-FINGER, .75" DIAMETER - BRASS
	098410-01-01A	EA PULL-FINGER, OVAL - BRASS
	059783-01-000	FT ROD-CLOTHES, SLOTTED - ALUMINUM - 7' LENGTH
	092464-03-01A	EA TRACK-SHOWER, CURVED - OFF WHITE
	009700-04-002	EA TRACK, L-SHAPED 195.2" - STRAIGHT - OFF WHITE
	009136-02-000	EA HANGER-RING, PIN TYPE - CURTAIN - BRASS
	009701-01-000	EA CARRIER-CURTAIN, L ROD
	009702-01-000	EA END STOP-CURTAIN CARRIER, L ROD
	039175-02-000	EA BRACKET-CURTAIN ROD, EXTENDING CAFE - DELUXE OPTION
	039175-03-000	EA ROD-CAFE, CURTAIN - EXTENDS 28" TO 48" - DELUXE OPTION

**TOILET**

KEY	PART NUMBER	U/M DESCRIPTION
	063740-01-000	EA TOILET-HIGH, HAND FLUSH - THETFORD, 150120
	063740-01-700	EA LEVER-WATER, THETFORD 12514
	063740-01-701	EA LEVER-FLUSH, THETFORD 12515
	063740-01-706	EA BOLT PACKAGE-CLOSET, THETFORD 12524
	063740-01-710	EA LINK, THETFORD 12513
	063740-01-711	EA SPRING-RETURN LEVER, THETFORD 12523
	063740-01-713	EA SEAL-BALL VALVE TO BOWL, THETFORD 12502
	063740-01-714	EA VALVE ASM-WATER, THETFORD 12492
	063740-01-716	EA SEAT & COVER, THETFORD 15017 - IVORY
	063740-01-717	EA TUBE-FLUSH, TOILET
	063740-02-700	EA SEAT & COVER, PARCHMENT - THETFORD 20829
	063641-01-000	EA FLANGE-CLOSET, 4" X 3"

**SHOWER COMPONENTS**

KEY	PART NUMBER	U/M DESCRIPTION
	075453-02-000	EA BAR-TOWEL, 18" BRASS
	011048-05-000	EA SHOWER HEAD-W/50" HOSE, W/O VACUUM BREAKER - CANADIAN FROM: 00-00-00 THRU: 11-03-91
	011048-02-000	EA SHOWER HEAD-W/60" HOSE - US FROM: 00-00-00 THRU: 11-03-91
	103092-02-000	EA SHOWER HEAD-W/60" HOSE - CANADIAN FROM: 11-04-91 THRU: 99-99-99
	103092-01-000	EA SHOWER HEAD-W/60" HOSE - US FROM: 11-04-91 THRU: 99-99-99
	075241-05-000	EA FAUCET-SHOWER, BONE
	075606-01-000	EA PANEL-FAUCET BACK, SHOWER - 5" X 9" - PLASTIC
	M02630-03-U2B	EA SHOWER PAN W/NUT, STRAINER & WASHER
	066436-01-000	EA NUT-SLIP, TAILPIECE - 1.5"
	066440-01-000	EA STRAINER-SHOWER, W/RUBBER WASHER
	069735-01-000	EA WASHER-STRAINER TO TAILPIECE PLASTIC, 1.5"
	011069-03-000	EA TAILPIECE-SHOWER/TUB, 1 1/2" X 1 3/4" - PLASTIC
	057671-01-000	EA COVER-SCREW, #8 - PLASTIC - OFF WHITE"
	084724-02-000	EA TRIM-SHOWER, OFF WHITE
	080549-07-B05	EA PANEL-DOOR, W/PULL

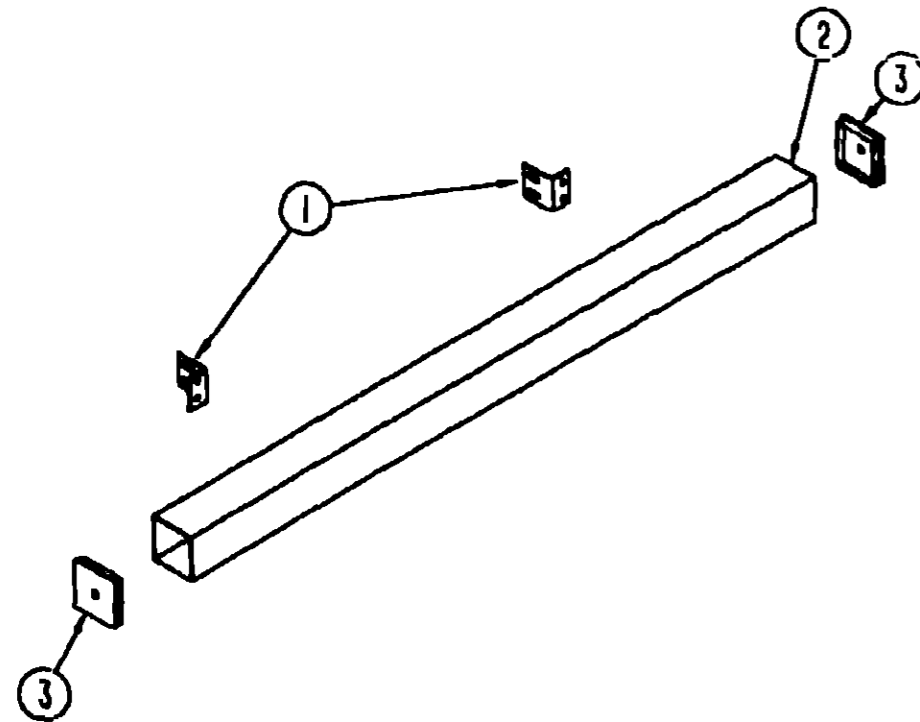
**1992 ITASCA**  
**TABLE OF CONTENTS**

INTRODUCTION	A-01 - A-02
ABBREVIATIONS	A-03
ALPHABETICAL INDEX	A-04 - A-06
IT320RB	A-07 - C-24
IT321RB	D-01 - F-20
IT321RL	F-21 - I-16

**1992 IT321RB INDEX**

FLOOR PLAN	D-01 - D-02
ACCESSORIES	D-03
AUDIO VIDEO	D-04
BATH	D-05 - D-06
CHASSIS	D-07 - D-08
CURTAIN & CUSHION	D-09 - D-15
DINETTE	D-16
DRIVERS COMPARTMENT	D-17
ELECTRICAL	D-18 - D-21
EXTERIOR BODY	D-22 - E-04
GALLEY	E-05 - E-10
GENERATOR	E-11
HEATING & A/C	E-12
INTERIOR FINISH	E-13 - E-16
LABEL	E-17 - E-22
LP	E-23
LOUNGE	E-24
SEALANTS & FASTENERS	F-01 - F-02
WATER & SEWAGE	F-03 - F-06
WINDOW, VENT AND EXTERIOR DOOR	F-07 - F-20

### CHASSIS GROUP



#### REAR BUMPER & BRACKETS

KEY	PART NUMBER	U/M DESCRIPTION	
1	102776-01-000	EA BRACKET-BUMPER, UNPAINTED	
1	108762-01-01A	EA BRACKET-BUMPER, OFF WHITE	FROM 00-00-00 THRU 05-19-92
2	102775-01-01A	EA BUMPER-REAR, OFF WHITE	FROM 05-20-92 THRU 99-99-99
2	103422-03-01A	EA BUMPER-REAR, OFF WHITE	FROM 00-00-00 THRU 05-19-92
3	039779-01-000	EA CAP-BUMPER, RUBBER - 4" X 4" - BLACK	FROM 05-20-92 THRU 99-99-99

#### SPARE TIRE W/RIM & MOUNTING BRACKET

KEY	PART NUMBER	U/M DESCRIPTION
	M00080-65-000	EA TIRE-SPARE, W/RIM - 185R14LT - BRIDGESTONE
	M00080-65-700	EA CARRIER-SPARE TIRE, TOYOTA
	M00080-65-701	EA TIRE-SPARE, W/RIM - 185R14LT - DUNLOP
	084773-01-000	EA BRACKET-MOUNTING, SPARE TIRE
	100723-01-000	EA PLATE-MOUNTING, SPARE TIRE - 6" SQUARE - PRIMED STEEL - EL MONTE OPTION
	100723-02-000	EA PLATE-MOUNTING, SPARE TIRE - 8" SQUARE - PRIMED STEEL - EL MONTE OPTION
	100723-03-000	EA PLATE-MOUNTING, W/BOLT - SPARE TIRE - PRIMED STEEL - EL MONTE OPTION

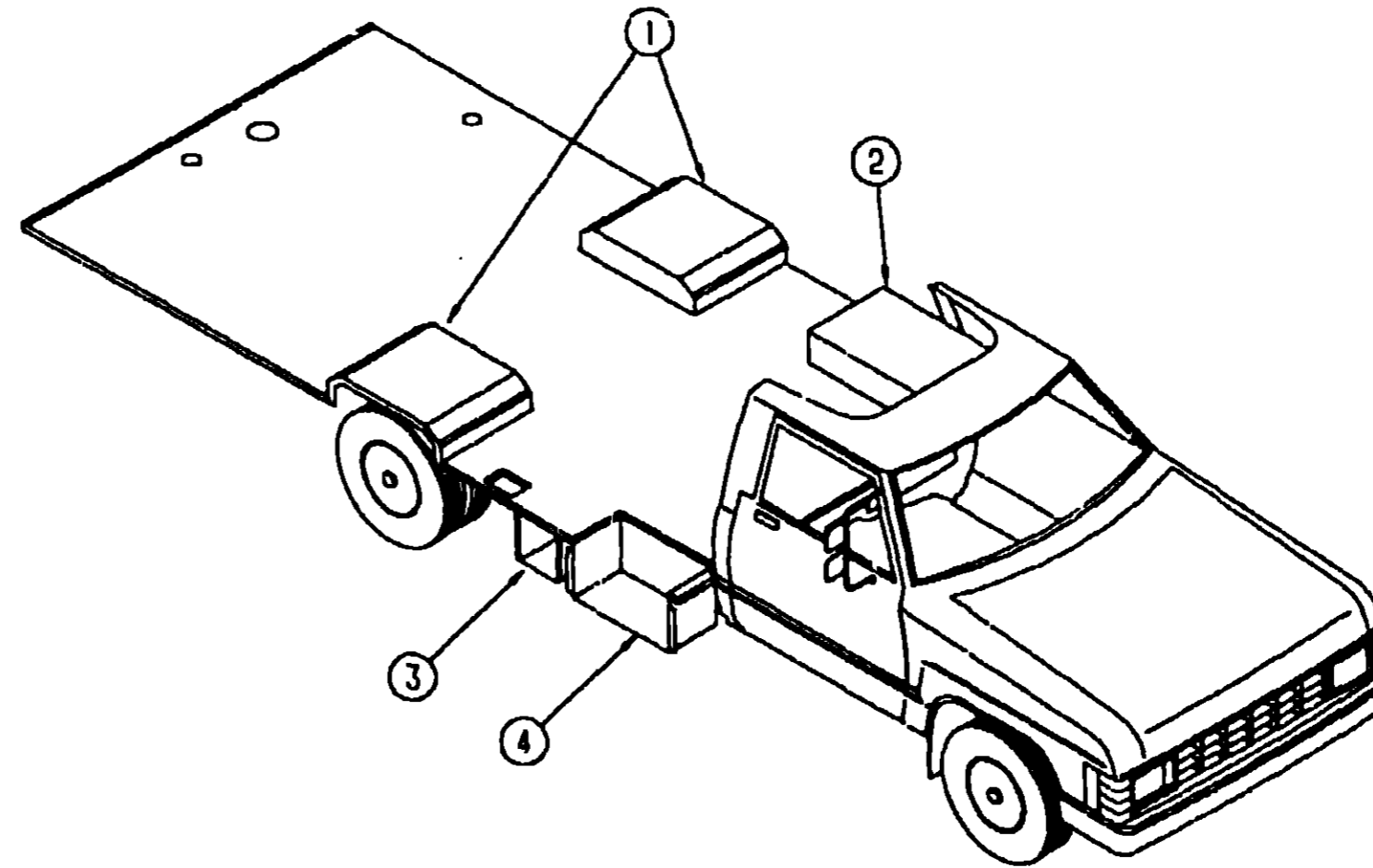
#### FUEL SYSTEM COMPONENTS

KEY	PART NUMBER	U/M DESCRIPTION
	007063-01-000	FT HOSE-GAS 1/4"ID X 1/2"OD
	084884-01-000	EA PLUG-BRASS, 3/8"
	087269-01-000	EA TEE-1/4" X 1/4" X 1/4", BRASS
	100939-01-000	EA NECK-FILLER, FUEL - MAIN - UNLEADED
	078040-03-000	EA SHROUD-FUEL FILL, UPPER
	078200-01-000	EA GASKET-FUEL FILL, 3 5"OD X 2"ID
	095854-01-02A	EA SHROUD-FUEL FILL, OFF WHITE

#### MISCELLANEOUS CHASSIS COMPONENTS

KEY	PART NUMBER	U/M DESCRIPTION
	093048-04-000	EA PLATE ASM-SKID
	086780-01-000	EA GUARD-SPLASH, RUBBER - TOYOTA - SET OF 2 - BLACK
	102627-01-01A	EA COVER-HUB W/BOLT - GRAY - KAPER II
	102627-01-700	EA BOLT-HUB COVER, KAPER II
	055278-51-259	EA TUBING-STEEL, .75" X 1.5" X 12.5'
	008042-01-000	FT TUBING-VINYL, .65" ID

### CHASSIS GROUP (CONTINUED)



#### COMPARTMENTS, WHEELWELLS & STEP LINER

KEY	PART NUMBER	U/M DESCRIPTION
1	084637-01-000	EA WHEELWELL-PLASTIC
2	083665-02-000	EA TRAY-GENERATOR/STORAGE COMPARTMENT
2	096302-03-000	EA COMPARTMENT-GENERATOR, 25 1" WIDE X 17 7" DEEP
2	096304-01-000	EA COVER-BAFFLE, GENERATOR
	077953-01-000	EA GROMMET-EDGE LINER, FITS 1"
	058027-01-000	FT SEAL, D SHAPED - HOLLOW - SPONGE RUBBER - BLACK
3	100824-01-000	EA COMPARTMENT-BATTERY, PLASTIC
	084993-01-000	EA STRAP-BATTERY
4	100796-01-000	EA LINER-STEP, PLASTIC - OFF WHITE - EL MONTE RENTAL
	038327-01-000	EA TAPE-ANTI SLIP, 2" X 60"
	104231-01-01A	EA COVER-INTERIOR PIPE, FOR EXTERIOR SHOWER - PLASTIC INSIDE WARDROBE CABINET
	106208-01-01A	EA COMPARTMENT-SHOWER, EXTERIOR - OFF WHITE

#### EXHAUST SYSTEM COMPONENTS

KEY	PART NUMBER	U/M DESCRIPTION
	007125-06-000	EA CLAMP-MUFFLER, 2 25" DIAMETER
	084696-02-000	EA EXTENSION-TAILPIPE, 2" DIAMETER

#### REAR AIR BAG SYSTEM

KEY	PART NUMBER	U/M DESCRIPTION
	100293-01-000	EA AIRSPRING-MICRO MINI, 4" DIA - 3-T RV T-9E2
	100293-01-701	EA HOSE, W/MALE VALVES - 3T T9AL
	100293-01-703	EA FITTING-AIRLINE, FEMALE - 3T 3114 701
	100293-01-704	EA AIR BAG KIT, BAG W/AIR LINE & BRACKETS TO MOUNT ON 1 SIDE - 3T RK-E2W
	100332-01-000	EA PLATE-VALVE, AIR SPRING

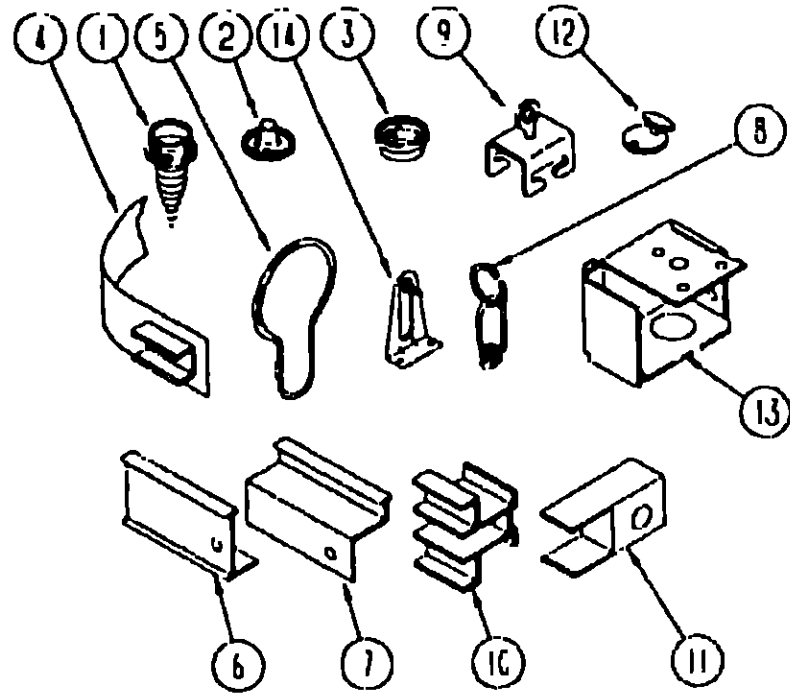
### 1992 ITASCA TABLE OF CONTENTS

INTRODUCTION	A-01 - A-02
ABBREVIATIONS	A-03
ALPHABETICAL INDEX	A-04 - A-06
IT320RB	A-07 - C-24
IT321RB	D-01 - F-20
IT321RI	F-21 - I-16

### 1992 IT321RB INDEX

FLOOR PLAN	D-01 - D-02
ACCESSORIES	- D-03
AUDIO VIDEO	- D-04
BATH	D-05 - D-06
CHASSIS	D-07 - D-08
CURTAIN & CUSHION	D-09 - D-15
DINETTE	- D-16
DRIVERS COMPARTMENT	- D-17
ELECTRICAL	D-18 - D-21
EXTERIOR BODY	D-22 - E-04
GALLEY	E-05 - E-10
GENERATOR	- E-11
HEATING & A/C	- E-12
INTERIOR FINISH	E-13 - E-16
LABEL	E-17 - E-22
LP	E-23
LOUNGE	E-24
SEALANTS & FASTENERS	F-01 - F-02
WATER & SEWAGE	F-03 - F-06
WINDOW, VENT AND EXTERIOR DOOR	F-07 - F-20

**CURTAIN & CUSHION GROUP**



**CURTAIN, BLIND & SHADE HARDWARE**

KEY	PART NUMBER	U/M DESCRIPTION
1	029130-01-000	EA SCREW-SNAP SOCKET 8 PH X 5/8"
2	029155-01-000	EA CAP-SNAP NICKEL
3	029156-01-000	EA SOCKET-SNAP FASTENER NICKEL
4	101031-01-000	YD TAPE-GLIDE CURTAIN - 4 25" SPACING
5	009136-02-000	EA HANGER RING PIN TYPE - CURTAIN - BRASS
6	092454-03-01A	EA TRACK-SHOWER CURVED - OFF WHITE
6	009700-04-002	EA TRACK L-SHAPED 19 2" - STRAIGHT - OFF WHITE
	101032-01-000	FT TRACK-CURTAIN CEILING MOUNT - WHITE FROM 00-00-00 THRU 08-18-91
7	105450-05-01A	EA TRACK-CURTAIN 79" LONG - ALUMINUM - OFF WHITE FROM 08-19-91 THRU 99-99-99
8	009701-01-000	EA CARRIER CURTAIN L ROD
9	009702-01-000	EA END STOP CURTAIN CARRIER L ROD
10	101033-01-000	FT TRACK-CURTAIN LOW PROFILE - WHITE FROM 00-00-00 THRU 00-01-92
10	101033-03-000	FT TRACK CURTAIN LOW PROFILE - WHITE FROM 03-02-92 THRU 99-99-99
11	101033-02-000	EA END CAP-TRACK CLEAR
12	102555-01-000	EA CLEAT-CORD BLIND - OFF WHITE
13	083170-01-000	EA BRACKET-BLIND RIGHT SIDE
13	083170-02-000	EA BRACKET-BLIND LEFT SIDE
	093475-01-700	EA WAND-BLIND W-METAL CLIP - 8" LONG
	093475-01-701	EA END CAP-BLIND W-STUD
14	095591-02-000	EA BRACKET-HOLD DOWN W-PIN - BLIND - METAL
	089522-03-000	EA PANEL-LEG TWO SIDE 27" LONG - PLASTIC - BLACK
	089916-01-000	EA MOUNT WINDOW LEG 23 75" - ALUMINUM - BLACK 23 75" LONG - 5 3" BETWEEN SCREW HOLES
	103586-01-000	FT TRIM-VALANCE U-CHANNEL - 75" WIDE - BRASS
	046867-01-000	EA GROMMET BRASS - 7/16" ID X 1" OD
	068792-01-000	YD VELCRO-HOOK 75" WIDE - BEIGE
	048394-02-000	YD VELCRO TAPE HOOK ADHESIVE BACK - 75" WIDE - BEIGE
	068792-02-000	YD VELCRO TAPE-LOOP ADHESIVE BACKED - 75" WIDE - BEIGE
	039175-02-000	EA BRACKET CURTAIN ROD EXTENDING CAFE - DELUXE OPTION
	039175-03-000	EA ROD-CAFE CURTAIN - EXTENDS 28" TO 48" - DELUXE OPTION

**CURTAIN & CUSHION GROUP (CONTINUED)**  
FABRIC

KEY	PART NUMBER	U/M DESCRIPTION
	029219-01-000	YD FABRIC-VINYL 54" WIDE - WHITE
	079680-07-000	YD FABRIC-VINYL 54" WIDE - BEIGE
	079680-09-000	YD FABRIC-VINYL 54" WIDE - OFF WHITE
	103507-01-01A	YD FABRIC VINYL 54" WIDE - OFF WHITE FROM 00-00-00 THRU 04-16-91
	072333-82-000	YD FABRIC-CURTAIN 54" WIDE - BEIGE
	075244-04-000	YD FABRIC VINYL SHOWER CURTAIN - 72" WIDE - SALMON (C29)
	075244-05-000	YD FABRIC-VINYL SHOWER CURTAIN - 72" WIDE - BLUE (C30)
	075244-06-000	YD FABRIC-VINYL SHOWER CURTAIN 72" WIDE - TEAL (C42)
	088273-73-000	YD FABRIC-CURTAIN-BEDSPREAD PATTERNED 54" WIDE (C29-C42)
	088273-70-000	YD FABRIC CURTAIN-BEDSPREAD PATTERNED 54" WIDE (C30)
	096008-90-000	YD FABRIC UPHOLSTERY-CURTAIN PATTERNED WOVEN - 54" WIDE (C29)
	096008-83-000	YD FABRIC UPHOLSTERY-CURTAIN PATTERNED VELOUR - 54" WIDE (C30)
	104233-05-000	YD FABRIC UPHOLSTERY-CURTAIN PATTERNED WOVEN - 54" WIDE (C42)
	096008-91-000	YD FABRIC UPHOLSTERY STRIPED WOVEN - 54" WIDE (C29)
	096008-84-000	YD FABRIC UPHOLSTERY DOTTED VELOUR - 54" WIDE (C30)
	096008-52-000	YD FABRIC UPHOLSTERY-CURTAIN PLAIN VELOUR - 54" WIDE (C29) FROM 00-00-00 THRU 02-08-91
	096008-85-000	YD FABRIC UPHOLSTERY-CURTAIN PLAIN VELOUR - 54" WIDE (C30) FROM 00-00-00 THRU 04-08-91
	096008-47-000	YD FABRIC UPHOLSTERY CURTAIN PLAIN VELOUR - 54" WIDE (C42) FROM 00-00-00 THRU 12-14-91
	104233-28-000	YD FABRIC UPHOLSTERY CURTAIN PLAIN VELOUR - 54" WIDE (C29) FROM 04-09-91 THRU 99-99-99
	104233-27-000	YD FABRIC UPHOLSTERY CURTAIN PLAIN VELOUR - 54" WIDE (C30) FROM 04-09-91 THRU 99-99-99
	104233-30-000	YD FABRIC UPHOLSTERY-CURTAIN PLAIN VELOUR - 54" WIDE (C42) FROM 12-15-91 THRU 99-99-99

**1992 ITASCA**  
**TABLE OF CONTENTS**

INTRODUCTION	A-01 - A-02
ABBREVIATIONS	A-03
ALPHABETICAL INDEX	A-04 - A-06
IT320RB	A-07 - C-24
IT321RB	D-01 - F-20
IT321RL	F-21 - I-16

**1992 IT321RB INDEX**

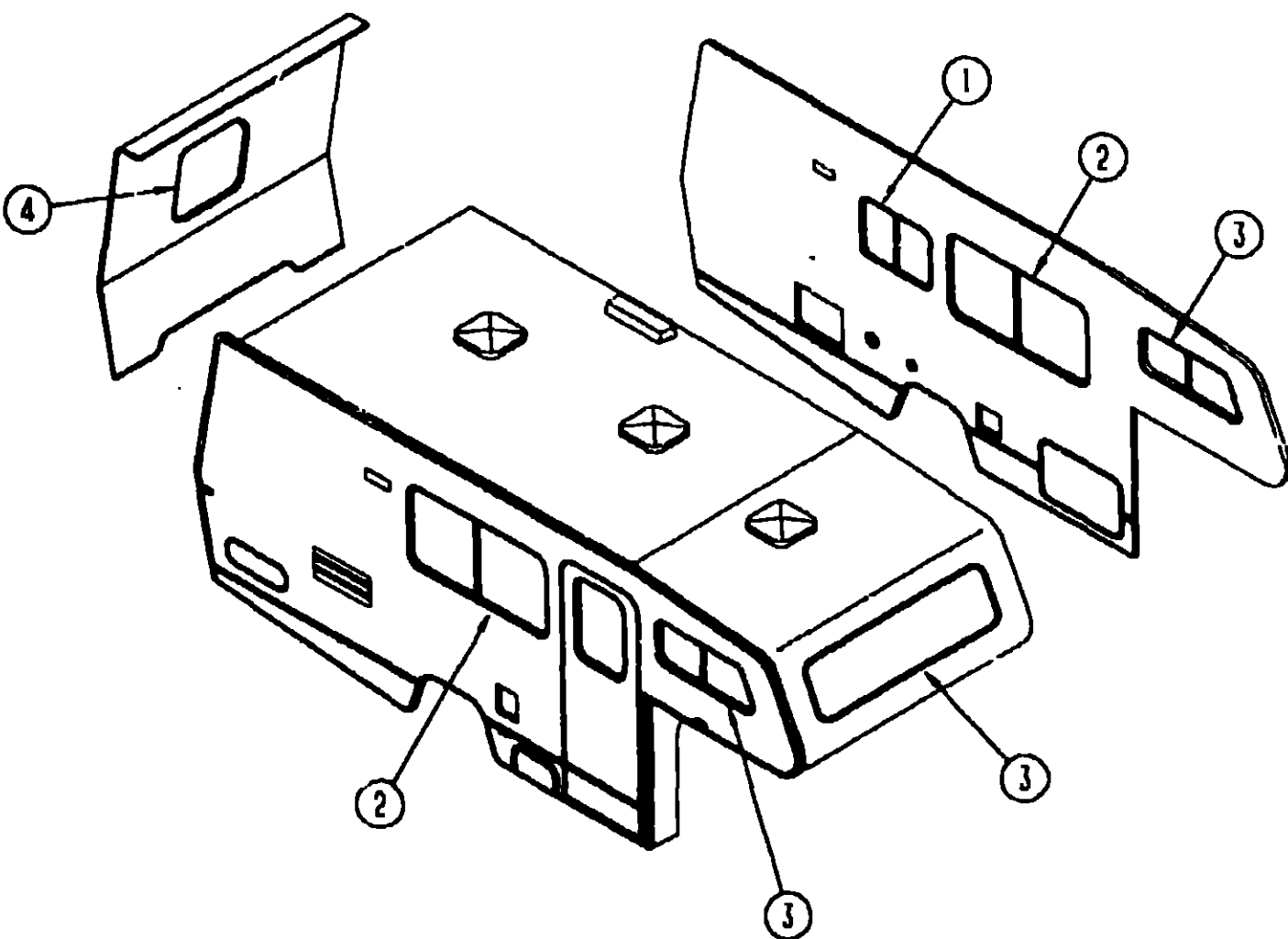
FLOOR PLAN	D-01 - D-02
ACCESSORIES	- D-03
AUDIO VIDEO	- D-04
BATH	D-05 - D-06
CHASSIS	D-07 - D-08
CURTAIN & CUSHION	D-09 - D-15
D-NETTE	- D-16
DRIVERS COMPARTMENT	- D-17
ELECTRICAL	D-18 - D-21
EXTERIOR BODY	D-22 - E-04
GALLEY	E-05 - E-10
GENERATOR	- E-11
HEATING & A/C	- E-12
INTERIOR FINISH	E-13 - E-16
LABEL	E-17 - E-22
LP	E-23
LOUNGE	E-24
SEALANTS & FASTENERS	F-01 - F-02
WATER & SEWAGE	F-03 - F-06
WINDOW VENT AND	
EXTERIOR DOOR	F-07 - F-20

**CURTAIN & CUSHION GROUP (CONTINUED)**

**WINDOW TREATMENT**

**1992 ITASCA  
TABLE OF CONTENTS**

INTRODUCTION	A-01 -	A-02
ABBREVIATIONS		A-03
ALPHABETICAL INDEX	A-04 -	A-06
IT320RB	A-07 -	C-24
IT321RB	D-01 -	F-20
IT321RL	F-21 -	I-16

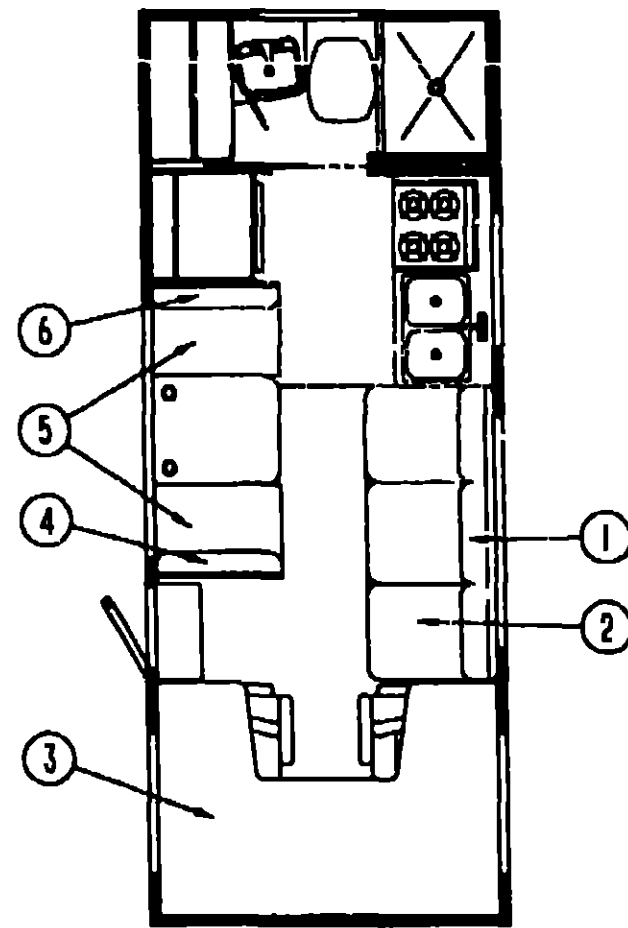


KEY	PART NUMBER	U/M	DESCRIPTION
1	104021-06-B87	EA	VALANCE-28.5", W/BRASS TRIM (C29)
1	104021-06-B88	EA	VALANCE-28.5", W/BRASS TRIM (C30)
1	104021-06-C42	EA	VALANCE-28.5", W/BRASS TRIM (C42)
1	093475-32-08A	EA	BLIND-MINI, 27" X 18.5" DROP (C29/C42)
1	093475-32-09A	EA	BLIND-MINI, 27" X 18.5" DROP (C30)
2	104021-09-C29	EA	VALANCE-53", W/BRASS TRIM (C29)
2	104021-09-C30	EA	VALANCE-53", W/BRASS TRIM (C30)
2	104021-09-C42	EA	VALANCE-53", W/BRASS TRIM (C42)
2	100281-09-B87	EA	LEG-RIGHT (C29)
2	100281-09-B88	EA	LEG-RIGHT (C30)
2	100281-09-B06	EA	LEG-RIGHT (C42)
2	100281-10-B87	EA	LEG-LEFT (C29)
2	100281-10-B88	EA	LEG-LEFT (C30)
2	100281-10-B06	EA	LEG-LEFT (C42)
2	093475-42-02A	EA	BLIND-MINI, 49" X 29" DROP (C29/C30/C42)
3	101034-06-C09	EA	CURTAIN-16" X 28", TAPE TOP & BOTTOM (C29)
3	101034-06-C30	EA	CURTAIN-16" X 28", TAPE TOP & BOTTOM (C30)
3	101034-06-C42	EA	CURTAIN-16" X 28", TAPE TOP & BOTTOM (C42)
4	104021-06-B87	EA	VALANCE-28.5", W/BRASS TRIM (C29)
4	104021-06-B88	EA	VALANCE-28.5", W/BRASS TRIM (C30)
4	104021-06-C42	EA	VALANCE-28.5", W/BRASS TRIM (C42)
4	093475-43-02A	EA	BLIND-MINI, 26.5" X 24" DROP (C29/C42)
4	093475-43-04A	EA	BLIND-MINI, 26.5" X 24" DROP (C30)
	076892-03-C09	EA	CURTAIN-SNAP TOP, 35" X 55" - BEIGE
	101668-18-C05	EA	CURTAIN-38.5" X 50", RIGHT - TAPE TOP (C29)
	101668-18-C30	EA	CURTAIN-38.5" X 50", RIGHT - TAPE TOP (C30)
	101668-18-C42	EA	CURTAIN-38.5" X 50", RIGHT - TAPE TOP (C42)
	101668-19-C09	EA	CURTAIN-38.5" X 50", LEFT - TAPE TOP (C29)
	101668-19-C30	EA	CURTAIN-38.5" X 50", LEFT - TAPE TOP (C30)
	101668-19-C42	EA	CURTAIN-38.5" X 50", LEFT - TAPE TOP (C42)
	066226-53-C29	EA	VALANCE-ROD POCKET TOP, 8" X 60" (C29/C42) - DELUXE OPTION
	066226-53-C30	EA	VALANCE-ROD POCKET TOP, 8" X 60" (C30) - DELUXE OPTION
	084481-14-C09	EA	CURTAIN-SHOWER, VINYL - 65" X 42" (C29)
	084481-14-C30	EA	CURTAIN-SHOWER, VINYL - 65" X 42" (C30)
	084481-14-C42	EA	CURTAIN-SHOWER, VINYL - 65" X 42" (C42)
	073260-54-C09	EA	TIEBACK-CURTAIN, 3" X 16" (C29)
	073260-54-C30	EA	TIEBACK-CURTAIN, 3" X 16" (C30)
	073260-54-C42	EA	TIEBACK-CURTAIN, 3" X 16" (C42)
	073260-49-B87	EA	TIEBACK-CURTAIN, 3" X 18" (C29)
	073260-49-B88	EA	TIEBACK-CURTAIN, 3" X 18" (C30)
	073260-49-C42	EA	TIEBACK-CURTAIN, 3" X 18" (C42)
	057534-01-000	EA	TIEBACK/TIEDOWN-BED/CURTAIN/DOOR, 6" - PLASTIC - CLEAR
	084415-31-000	YD	TRIM-BRAID, CURTAIN - PLUM (C29)
	084415-30-000	YD	TRIM-BRAID, CURTAIN - BLUE (C30)
	084415-33-000	YD	TRIM-BRAID, CURTAIN - TEAL (C42)

**1992 IT321RB INDEX**

FLOOR PLAN	D-01 -	D-02
ACCESSORIES		D-03
AUDIO VIDEO		D-04
BATH	D-05 -	D-06
CHASSIS	D-07 -	D-08
CURTAIN & CUSHION	D-09 -	D-15
DINETTE		D-16
DRIVERS COMPARTMENT		D-17
ELECTRICAL	D-18 -	D-21
EXTERIOR BODY	D-22 -	E-04
GALLEY	E-05 -	E-10
GENERATOR		E-11
HEATING & A/C		E-12
INTERIOR FINISH	E-13 -	E-16
LABEL	E-17 -	E-22
LP		E-23
LOUNGE		E-24
SEALANTS & FASTENERS	F-01 -	F-02
WATER & SEWAGE	F-03 -	F-06
WINDOW, VENT AND EXTERIOR DOOR	F-07 -	F-20

**CURTAIN & CUSHION GROUP (CONTINUED)**



**COUCH & COUCH PILLOWS**

KEY	PART NUMBER	U/M DESCRIPTION
1	100032-09-B87	EA COUCH-BACKREST, W/O ARMS - 66.5" (C29)
1	100032-09-B88	EA COUCH-BACKREST, W/O ARMS - 66.5" (C30)
1	100032-09-C42	EA COUCH-BACKREST, W/O ARMS - 66.5" (C42)
	P00032-09-B87	EA COVER-COUCH, BACKREST - W/O ARMS - 66.5" (C29)
	P00032-09-B88	EA COVER-COUCH, BACKREST - W/O ARMS - 66.5" (C30)
	P00032-09-C42	EA COVER-COUCH, BACKREST - W/O ARMS - 66.5" (C42)
	101085-02-000	EA FRAME-BACK, COUCH - 66.5"
2	100032-10-B87	EA COUCH-SEAT, W/O ARMS - 66.5" (C29)
2	100032-10-B88	EA COUCH-SEAT, W/O ARMS - 66.5" (C30)
2	100032-10-C42	EA COUCH-SEAT, W/O ARMS - 66.5" (C42)
	P00032-10-B87	EA COVER-COUCH, SEAT - W/O ARMS - 66.5" (C29)
	P00032-10-B88	EA COVER-COUCH, SEAT - W/O ARMS - 66.5" (C30)
	P00032-10-C42	EA COVER-COUCH, SEAT - W/O ARMS - 66.5" (C42)
	101085-01-000	EA FRAME-SEAT, COUCH - 66.5"
	101085-03-000	EA FRAME-BASE, COUCH - 66.5"
	103669-01-B87	EA PILLOW-THROW, 16" X 16" (C29)
	103669-01-B88	EA PILLOW-THROW, 16" X 16" (C30)
	103669-01-D11	EA PILLOW-THROW, 16" X 16" (C42)
	085060-05-C29	EA PILLOW-THROW, 15" X 15" (C29)
	085060-05-C30	EA PILLOW-THROW, 15" X 15" (C30)
	085060-05-B04	EA PILLOW-THROW, 15" X 15" (C42)

**BUNK CUSHIONS & BUNK PILLOWS**

KEY	PART NUMBER	U/M DESCRIPTION
3	084753-20-C29	EA CUSHION-53" X 81" X 5", U-SHAPED BUNK FROM: 00-00-00 THRU: 04-23-91
3	084753-20-C30	EA CUSHION-53" X 81" X 5", U-SHAPED BUNK FROM: 00-00-00 THRU: 04-23-91
	M84753-20-C29	EA COVER-CUSHION, U-SHAPED - 53" X 81" X 5"
	M84753-20-C30	EA COVER-CUSHION, U-SHAPED - 53" X 81" X 5"
3	084753-21-C29	EA CUSHION-24.4" X 40.5" X 5", BUNK FILLER FROM: 00-00-00 THRU: 04-23-91
3	084753-21-C30	EA CUSHION-24.4" X 40.5" X 5", BUNK FILLER FROM: 00-00-00 THRU: 04-23-91
	M84753-21-C29	EA COVER-CUSHION, FILLER - 24.5" X 40.5" X 5"
	M84753-21-C30	EA COVER-CUSHION, FILLER - 24.5" X 40.5" X 5"
3	084753-36-C29	EA CUSHION-53.5" X 81.5" X 5", U-SHAPED BUNK FROM: 04-24-91 THRU: 99-99-99
3	084753-36-C30	EA CUSHION-53.5" X 81.5" X 5", U-SHAPED BUNK FROM: 04-24-91 THRU: 99-99-99
	M84753-36-C29	EA COVER-CUSHION, U-SHAPED - 53.5" X 81.5" X 5"
	M84753-36-C30	EA COVER-CUSHION, U-SHAPED - 53.5" X 81.5" X 5"
3	084753-35-C29	EA CUSHION-24.5" X 44.5" X 5", BUNK FILLER FROM: 04-24-91 THRU: 99-99-99
3	084753-35-C30	EA CUSHION-24.5" X 44.5" X 5", BUNK FILLER FROM: 04-24-91 THRU: 99-99-99
	M84753-35-C29	EA COVER-CUSHION, FILLER - 24.5" X 44.5" X 5"
	M84753-35-C30	EA COVER-CUSHION, FILLER - 24.5" X 44.5" X 5"
3	084753-36-C42	EA CUSHION-53.5" X 81.5" X 5", U-SHAPED BUNK
	M84753-36-C42	EA COVER-CUSHION, U-SHAPED - 53.5" X 81.5" X 5"
3	084753-35-C42	EA CUSHION-24.5" X 44.5" X 5", BUNK FILLER
	M84753-35-C42	EA COVER-CUSHION, FILLER - 24.5" X 44.5" X 5"
	102695-06-000	YD TAPE-CARPET BIND, MAUVE #480 (C29)
	102695-04-000	YD TAPE-CARPET BIND, BLUE #529 (C30)
	102695-05-000	YD TAPE-CARPET BIND, TEAL #456 (C42)
	085060-04-C29	EA PILLOW-THROW, 15" X 15"
	085060-04-C30	EA PILLOW-THROW, 15" X 15"
	085060-04-C42	EA PILLOW-THROW, 15" X 15"

**DINETTE CUSHIONS**

KEY	PART NUMBER	U/M DESCRIPTION
4	088927-97-C29	EA CUSHION-BACK, 13" X 30.5" X 5" (C29)
4	088927-97-C30	EA CUSHION-BACK, 13" X 30.5" X 5" (C30)
4	088927-97-C42	EA CUSHION-BACK, 13" X 30.5" X 5" (C42)
	M88927-97-C29	EA COVER-CUSHION, FRONT BACKREST - 13" X 30.5" X 5" (C29)
	M88927-97-C30	EA COVER-CUSHION, FRONT BACKREST - 13" X 30.5" X 5" (C30)
	M88927-97-C42	EA COVER-CUSHION, FRONT BACKREST - 13" X 30.5" X 5" (C42)
5	088927-85-C29	EA CUSHION-SEAT, 22" X 30.5" X 5" (C29)
5	088927-85-C30	EA CUSHION-SEAT, 22" X 30.5" X 5" (C30)
5	088927-85-C42	EA CUSHION-SEAT, 22" X 30.5" X 5" (C42)
	M88927-85-C29	EA COVER-CUSHION, SEAT - 22" X 30.5" X 5" (C29)
	M88927-85-C30	EA COVER-CUSHION, SEAT - 22" X 30.5" X 5" (C30)
	M88927-85-C42	EA COVER-CUSHION, SEAT - 22" X 30.5" X 5" (C42)
6	088927-96-C29	EA CUSHION-BACK, 13" X 30.5" X 5" (C29)
6	088927-96-C30	EA CUSHION-BACK, 13" X 30.5" X 5" (C30)
6	088927-96-C42	EA CUSHION-BACK, 13" X 30.5" X 5" (C42)
	M88927-96-C29	EA COVER-CUSHION, REAR BACKREST - 13" X 30.5" X 5" (C29)
	M88927-96-C30	EA COVER-CUSHION, REAR BACKREST - 13" X 30.5" X 5" (C30)
	M88927-96-C42	EA COVER-CUSHION, REAR BACKREST - 13" X 30.5" X 5" (C42)
	078155-01-000	EA STRAP-SNAP, BACKREST CUSHION

**1992 ITASCA  
TABLE OF CONTENTS**

INTRODUCTION	A-01 -	A-02
ABBREVIATIONS		A-03
ALPHABETICAL INDEX	A-04 -	A-06
IT320RB	A-07 -	C-24
IT321RB	D-01 -	F-20
IT321RL	F-21 -	I-16

**1992 IT321RB INDEX**

FLOOR PLAN	D-01 -	D-02
ACCESSORIES		D-03
AUDIO VIDEO		D-04
BATH	D-05 -	D-06
CHASSIS	D-07 -	D-08
CURTAIN & CUSHION	D-09 -	D-15
DINETTE		D-16
DRIVERS COMPARTMENT		D-17
ELECTRICAL	D-18 -	D-21
EXTERIOR BODY	D-22 -	E-04
GALLEY	E-05 -	E-10
GENERATOR		E-11
HEATING & A/C		E-12
INTERIOR FINISH	E-13 -	E-16
LABEL	E-17 -	E-22
LP		E-23
LOUNGE		E-24
SEALANTS & FASTENERS	F-01 -	F-02
WATER & SEWAGE	F-03 -	F-06
WINDOW, VENT AND EXTERIOR DOOR	F-07 -	F-20

**CURTAIN & CUSHION GROUP (CONTINUED)**  
**BUCKET SEAT COVERS**

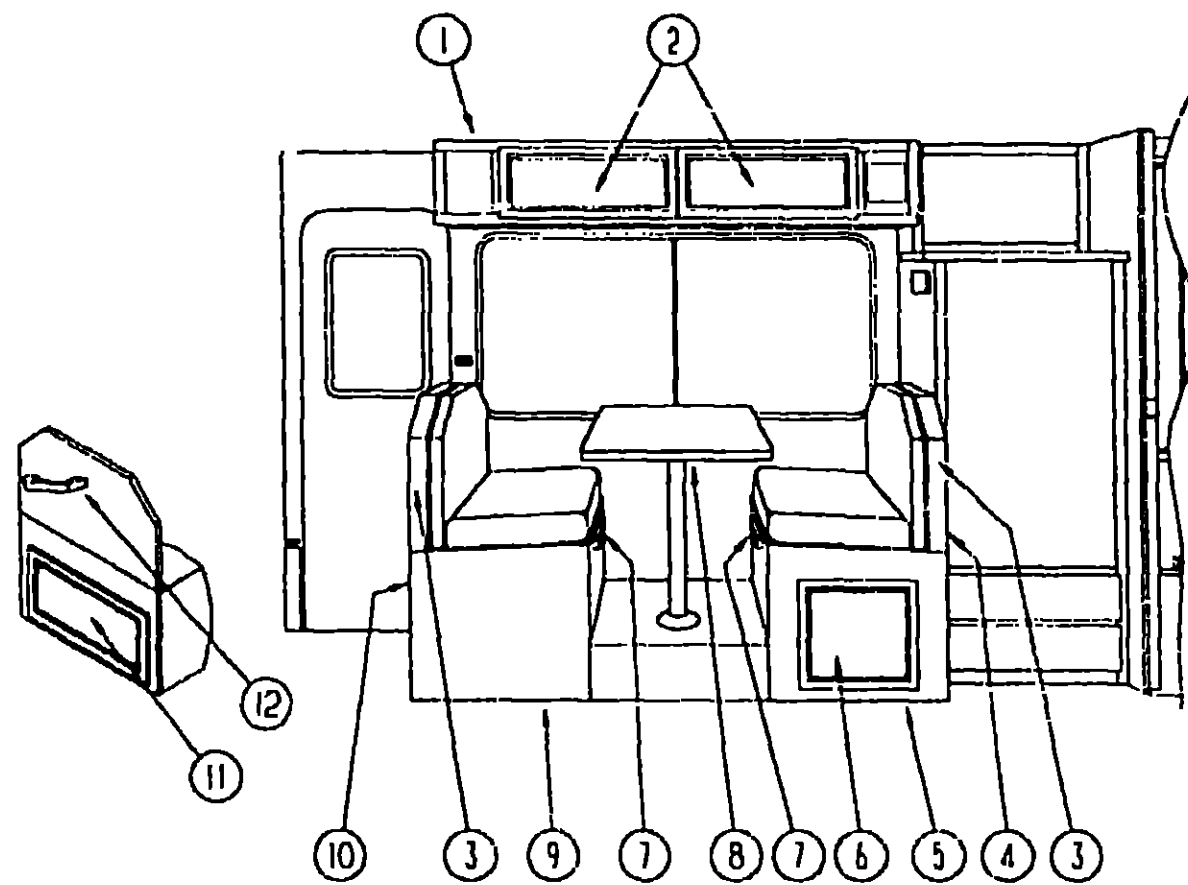
KEY	PART NUMBER	U/M DESCRIPTION
	085740-07-C29	EA COVER ASM-SEAT & HEADREST, DRIVER
	086740-07-C30	EA COVER ASM-SEAT & HEADREST, DRIVER
	086740-07-C42	EA COVER ASM-SEAT & HEADREST, DRIVER
	M86740-07-C29	EA COVER-SEAT, DRIVER
	M86740-07-C30	EA COVER-SEAT, DRIVER
	M86740-07-C42	EA COVER-SEAT, DRIVER
	102860-01-C29	EA COVER-HEADREST
	102860-01-C30	EA COVER-HEADREST
	102860-01-C42	EA COVER-HEADREST
	086740-06-C29	EA COVER ASM-SEAT & HEADREST, PASSENGER
	086740-06-C30	EA COVER ASM-SEAT & HEADREST, PASSENGER
	086740-06-C42	EA COVER ASM-SEAT & HEADREST, PASSENGER
	M86740-06-C29	EA COVER-SEAT, PASSENGER
	M86740-06-C30	EA COVER-SEAT, PASSENGER
	M86740-06-C42	EA COVER-SEAT, PASSENGER
	102860-01-C29	EA COVER-HEADREST
	102860-01-C30	EA COVER-HEADREST
	102860-01-C42	EA COVER-HEADREST

**ASSIST HANDLE, SEATBELTS & BUTTONS**

KEY	PART NUMBER	U/M DESCRIPTION
	053552-02-AA8	EA HANDLE-ASSIST, INTERIOR - ENTRY DOOR - VINYL - OFF WHITE
	069178-02-000	EA BRACKET-MOUNTING, ASSIST HANDLE - L ANGLE - STEEL
	000C16-07-16B	EA CARRIAGE BOLT-ASSIST HANDLE
	000D20-07-00B	EA NUT-ACORN, ASSIST HANDLE
	007021-01-000	EA BELT-SEAT 2' X 90" - BLACK
	056271-01-000	EA BELT-SEAT, 2' X 102" - BLACK
	078300-04-000	EA BRACKET-SEATBELT
	078300-03-000	EA BRACKET-SEATBELT
	057759-01-000	EA WASHER BRACKET-SEAT BELT 4" DIAMETER
	070578-01-B87	EA BUTTON-SCREW STUD, #30 (C29/C42)
	070578-01-B88	EA BUTTON-SCREW STUD, #30 (C30)

FROM 00-00-00 THRU 04-07-91  
 FROM 04-08-91 THRU 99-99-99  
 FROM 00-00-00 THRU 03-31-91  
 FROM: 00-00-00 THRU 03-31-91

**DINETTE GROUP**



**CABINETS & PADS**

KEY	PART NUMBER	U/M DESCRIPTION
1	M05160-01-C29	EA CABINET-OVERHEAD, W/O DOORS OR HARDWARE
1	M05160-12-C29	EA CABINET-OVERHEAD, W/O DOORS OR HARDWARE (C29/C42) - DELUXE OPTION
1	M05160-12-C30	EA CABINET-OVERHEAD, W/O DOORS OR HARDWARE (C30) - DELUXE OPTION
2	P03702-73-C29	EA DOOR-CABINET, W/O HARDWARE - 10" X 25 2"
	105847-01-C05	EA KEY RING HOLDER - DELUXE OPTION
	M05156-01-B27	EA KEY RING HOLDER - EL MONTE RENTAL OPTION
	103130-01-000	EA HOOK-CUP, BRASS - 1 25" - DELUXE & EL MONTE RENTAL OPTIONS
3	103869-01-C29	EA PAD ASM-DINETTE (C29)
3	103869-01-C30	EA PAD ASM-DINETTE (C30)
3	103869-01-D03	EA PAD ASM-DINETTE (C42)
4	M04136-06-B27	EA CABINET-BACKREST, REAR - W/O DOORS OR HARDWARE
4	M05162-01-B27	EA CABINET-BACKREST, REAR - W/O DOORS OR HARDWARE - EL MONTE OPTION
5	M04139-01-B27	EA CABINET-SEATBASE, REAR - W/O DOORS OR HARDWARE
5	M05161-01-B27	EA CABINET-SEATBASE, REAR - W/O DOORS OR HARDWARE - EL MONTE OPTION
6	P03702-74-C29	EA DOOR-CABINET, W/O HARDWARE - 15 7" X 20 5"
7	001295-06-B27	EA SUPPORT-BASE, DINETTE - 1 5" X 25 2" - WOOD
8	081258-09-C29	EA TABLE-DINETTE W/O CUPHOLDERS
	064781-06-000	EA HOLDER-CUP, TWO STEP - OFF WHITE
	041194-01-000	EA BASE-TABLE, FLUSH - FLOOR MOUNTED
	009040-03-000	EA BASE-TABLE, RAISED - TABLE MOUNTED
	009040-01-000	EA LEG-TABLE, PEDESTAL - 25 5" - CHROME
9	M04139-02-B27	EA CABINET-SEATBASE FRONT - W/O DOORS OR HARDWARE
9	M05161-02-B27	EA CABINET-SEATBASE FRONT - W/O DOORS OR HARDWARE - EL MONTE OPTION
	081518-04-B44	EA SEAT-DINETTE TOP, PLYWOOD
10	M04136-07-B27	EA CABINET-BACKREST, FRONT - W/O DOORS OR HARDWARE
10	M05162-02-B27	EA CABINET-BACKREST, FRONT - W/O DOORS OR HARDWARE - EL MONTE OPTION
11	P03702-43-B87	EA DOOR-CABINET, W/O HARDWARE - 14 4" X 26 8"
	103236-01-B27	EA RACK-MAGAZINE, STAINED - DELUXE & EL MONTE RENTAL OPTIONS
	P03236-01-000	EA RACK-MAGAZINE, UNSTAINED - DELUXE & EL MONTE RENTAL OPTIONS
12	091257-05-000	EA HANDLE-ASSIST, WOOD

**1992 ITASCA**  
**TABLE OF CONTENTS**

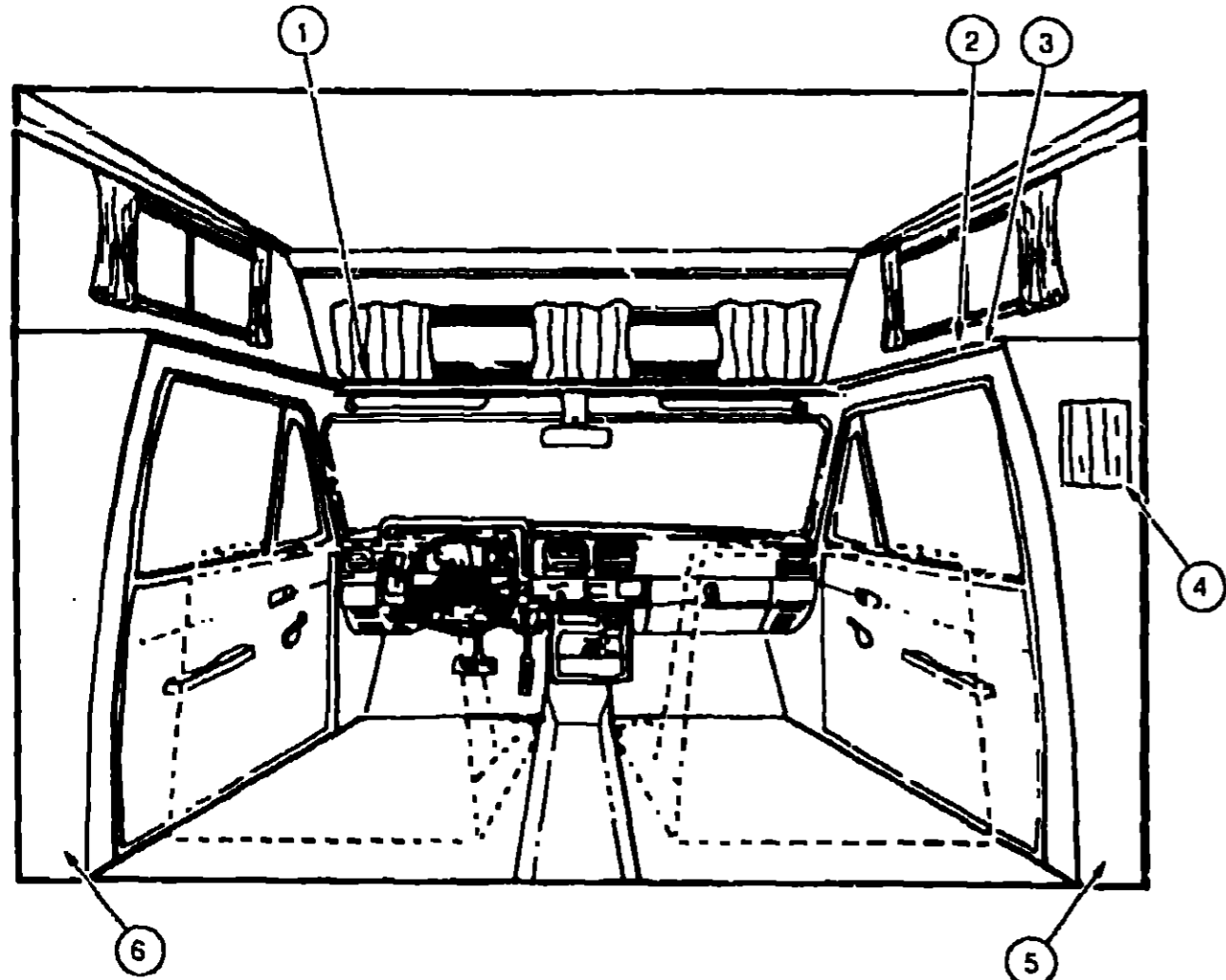
INTRODUCTION	A-01	A-02
ABBREVIATIONS		A-03
ALPHABETICAL INDEX	A-04	A-05
IT320RB	A-07	C-24
IT321RB	D-01	F-20
IT321RL	F-21	I-16

**1992 IT321RB INDEX**

FLOOR PLAN	D-01	D-02
ACCESSORIES		D-03
AUDIO VIDEO		D-04
BATH	D-05	D-06
CHASSIS	D-07	D-08
CURTAIN & CUSHION	D-09	D-15
DINETTE		D-16
DRIVERS COMPARTMENT		D-17
ELECTRICAL	D-18	D-21
EXTERIOR BODY	D-22	E-04
GALLEY	E-05	E-10
GENERATOR		E-11
HEATING & A/C		E-12
INTERIOR FINISH	E-13	E-16
LABEL	E-17	E-22
LP		E-23
LOUNGE		E-24
SEALANTS & FASTENERS	F-01	F-02
WATER & SEWAGE	F-03	F-06
WINDOW, VENT AND EXTERIOR DOOR	F-07	F-20

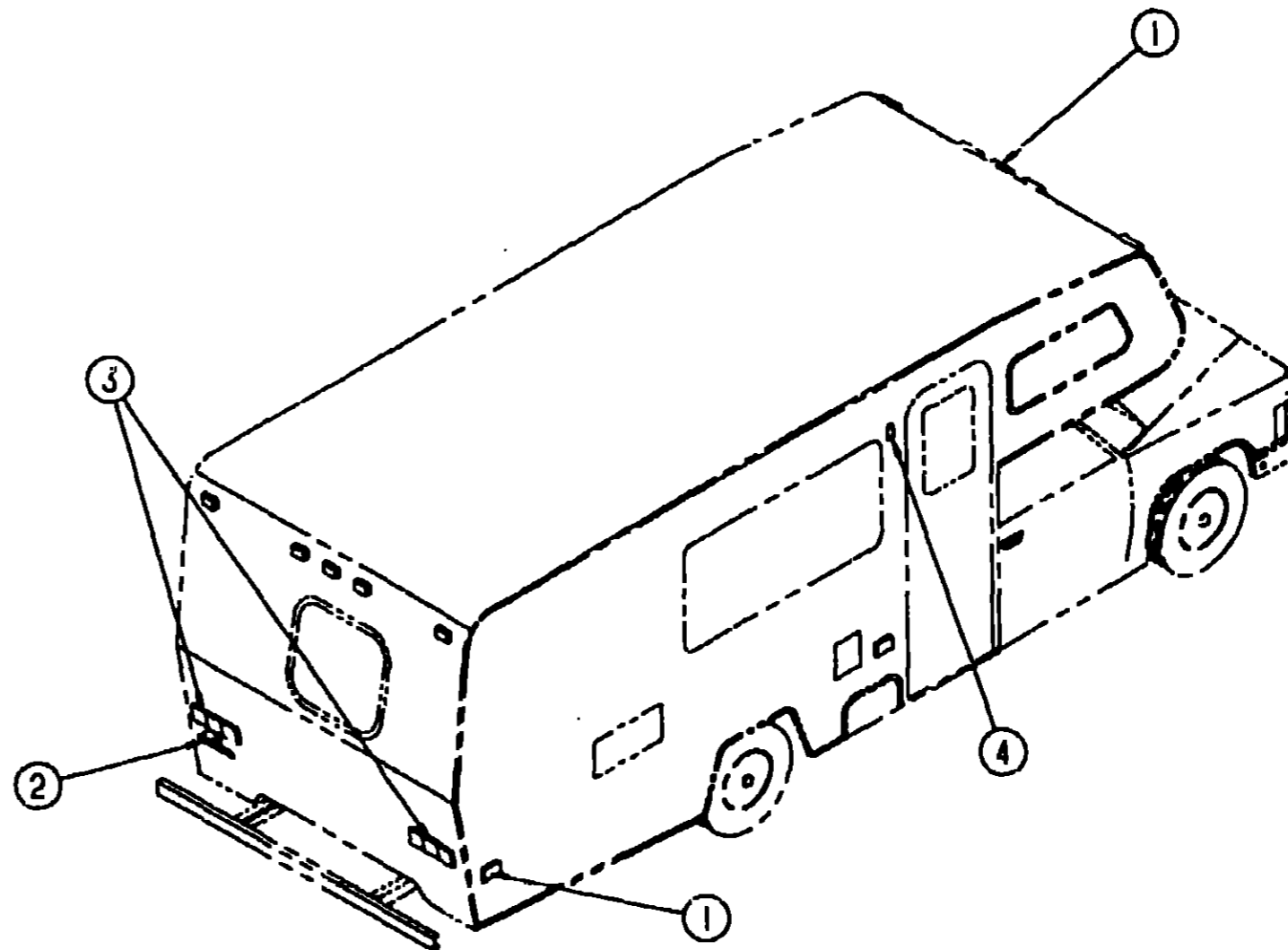


**DRIVERS COMPARTMENT GROUP**



**DRIVERS COMPARTMENT**

**ELECTRICAL GROUP**



**EXTERIOR LIGHTS**

**1992 ITASCA  
TABLE OF CONTENTS**

INTRODUCTION	A-01 -	A-02
ABBREVIATIONS		A-03
ALPHABETICAL INDEX	A-04 -	A-06
IT320RB	A-07 -	C-24
IT321RB	D-01 -	F-20
IT321RL	F-21 -	I-16

**1992 IT321RB INDEX**

FLOOR PLAN	D-01 -	D-02
ACCESSORIES		D-03
AUDIO VIDEO		D-04
BATH	D-05 -	D-06
CHASSIS	D-07 -	D-08
CURTAIN & CUSHION	D-09 -	D-15
DINETTE		D-16
DRIVERS COMPARTMENT		D-17
ELECTRICAL	D-18 -	D-21
EXTERIOR BODY	D-22 -	E-04
GALLEY	E-05 -	E-10
GENERATOR		E-11
HEATING & A/C		E-12
INTERIOR FINISH	E-13 -	E-16
LABEL	E-17 -	E-22
LP		E-23
LOUNGE		E-24
SEALANTS & FASTENERS	F-01 -	F-02
WATER & SEWAGE	F-03 -	F-06
WINDOW, VENT AND EXTERIOR DOOR	F-07 -	F-20

KEY	PART NUMBER	U/M DESCRIPTION
1	P00072-01-B05	EA PANEL-SLEEPER BOARD, W/O INTERIOR TRIM
	100085-01-01A	EA TRIM-STRAP, SLEEPERBOARD - FL AT W/SCREW HOLES
	100086-01-01A	EA TRIM-SLEEPERBOARD TO ROOF - OFF WHITE
2	079800-06-000	EA TRIM-SLEEPERBOARD INNER - OFF WHITE
3	080742-03-000	FT TRIM-VINYL-SLEEPER BOARD - OFF WHITE
4	086120-01-C29	EA PAD ASM-MAP POCKET, 12" X 16" (C29)
4	086120-01-C30	EA PAD ASM-MAP POCKET, 12" X 16" (C30)
4	085120-01-B06	EA PAD ASM-MAP POCKET 12" X 16" (C42)
	M86120-01-C09	EA COVER-MAP POCKET (C29)
	M86120-01-C10	EA COVER-MAP POCKET (C30)
	M86120-01-B06	EA COVER-MAP POCKET (C42)
5	M95402-01-000	EA WINGWALL-INNER, PASSENGER - W/O CARPET
		FROM 00-00-00 THRU 05-02-92
5	M95402-03-000	EA WINGWALL-INNER, PASSENGER - W/O CARPET
		FROM 05-03-92 THRU 99-99-99
6	M95402-02-000	EA WINGWALL-INNER, DRIVER - W/O CARPET
	100138-01-000	EA MODULE-DAYTIME RUNNING LIGHT - CANADIAN
	100159-05-000	EA WIRE ASM-DAYTIME RUNNING LIGHTS, W/FUSE - CANADIAN
	104182-01-01A	EA TRAY-BEVERAGE W/CASSETTE - DELUXE OPTION
	100715-01-000	EA SPEEDOMETER-KILOMETER, TOYOTA 83110-89333
		FROM 00-00-00 THRU 01-05-92
	100715-03-000	EA SPEEDOMETER-KILOMETER, TOYOTA 83110-35220
		FROM 01-06-92 THRU 99-99-99
	091178-01-C29	EA MAT-FLOOR, DRIVER
	091178-01-C30	EA MAT-FLOOR, DRIVER
	091178-01-C42	EA MAT-FLOOR, DRIVER
	091179-01-C29	EA MAT-FLOOR, PASSENGER
	091179-01-C30	EA MAT-FLOOR, PASSENGER
	091179-01-C42	EA MAT-FLOOR, PASSENGER
	091261-01-000	FT SLIPNOT-ANTISLIP-1' WIDE (100' ROLL)

KEY	PART NUMBER	U/M DESCRIPTION
1	091983-01-000	EA GASKET-CLEARANCE/SIDEMARKER LIGHT
1	042405-01-000	EA LENS-CLEARANCE/SIDEMARKER LIGHT W/REFLEX - RED
1	042405-02-000	EA LENS-CLEARANCE/SIDEMARKER LIGHT W/REFLEX - AMBER
1	042405-03-000	EA BASE-CLEARANCE/SIDEMARKER LIGHT W/BULB - PLASTIC - WHITE
1	008213-01-000	EA BULB-12V, 024 AMP - #57
2	056432-01-000	EA LIGHT-LICENSE PLATE W/BRACKET, OFF WHITE
3	081638-02-000	EA TAILLIGHT-TRIPLE, W/OFF WHITE TRIM - DRIVER & PASSENGER SIDE
3	081638-01-700	EA LENS-TAILLIGHT, RED - BARGMAN 30-84-010
3	081638-01-701	EA LENS-TAILLIGHT, W/BACKUP - BARGMAN 30-84-700
3	081638-02-700	EA LENS-TAILLIGHT, AMBER - BARGMAN 30-84-016
3	037934-01-000	EA BULB-12V, - 2 1 AMP - #1156 - CLEAR GLASS (BACK UP & TURN SIGNAL)
3	039735-01-000	EA BULB-12V, 2 1 AMP - #2057 OR 1157 CLEAR GLASS (BRAKE LIGHT)
3	081638-03-000	EA WEDGE-TAIL LIGHT, OFF WHITE - DRIVER OR PASSENGER SIDE
4	097917-01-01A	EA LIGHT-PORCH, ENTRY DOOR - OFF WHITE
4	097917-01-700	EA LENS-LIGHT, PORCH
4	008215 01-000	EA BULB-12V, 94 AMP - #1003

**ELECTRICAL GROUP (CONTINUED)**  
EXPORT ELECTRIC CONVERSION OPTION L049

KEY	PART NUMBER	U/M DESCRIPTION
	092615-01-000	EA CONVERTER-40 AMP, W/CHARGER - B-W 32400P
	094809-01-000	EA CENTER-LOAD, 240V - 125A - TPL412CT
	094810-01-000	EA BREAKER-CIRCUIT, DOUBLE 30 AMP - GE THQL2130
	094811-01-000	EA BREAKER-CIRCUIT, DOUBLE 20 AMP - GE THQL2120

**CANADIAN OPTION L265**

KEY	PART NUMBER	U/M DESCRIPTION
	008289-02-000	EA BOX-ELECTRICAL, 4' X 4' - 1/2" X 3/4" KNOCKOUTS
	008294-02-000	EA COVER-ELECTRICAL BOX, BLANK STEEL - 4' X 4'
	083209-02-000	EA CIRCUIT BREAKER-15/15AMP, 120V - B-W H-15/15
	083209-06-000	EA CIRCUIT BREAKER-30/15 AMP, 120V - B-W D-30/15
	083210-02-000	EA CIRCUIT BREAKER-GFI, 15A - 120V - BW U-15

**INTERIOR LIGHTS, SWITCHES & RECEPTACLES**

KEY	PART NUMBER	U/M DESCRIPTION
	104173-01-01A	EA LIGHT-DESIGNER, BRASS - #81-905 - U.S.
	008215-01-000	EA BULB-12V, .94 AMP - #1003
	104172-01-01A	EA LIGHT-BULLET, BEIGE - #787 SERIES - CANADIAN
	008215-01-000	EA BULB-12V, .94 AMP - #1003
	098024-01-01A	EA LIGHT-DOME, 1 BULB - US - IVORY
	098024-03-01A	EA LIGHT-DOME, 2 BULB - IVORY
	098024-01-700	EA LENS-DOME LIGHT
	008218-01-000	EA BULB-DOME LIGHT, 12V - #1141
	075723-01-000	EA SPACER-SWITCH, W/O HOLE - 2" X .9" X .2" - METAL - OFF WHITE
	095188-01-01A	EA SPACER-SWITCH, 2 3" X 3.4" - PLASTIC - DARK BROWN
	079364-01-000	EA SWITCH-ON/OFF ROCKER, 2 PRONGS - BROWN
	096241-03-000	EA SWITCH-BLANK
	098351-01-01A	EA PLATE-SWITCH, 1 GANG - POLISHED BRASS
	075735-02-000	EA COVER-EXTERIOR RECEPTACLE, OFF WHITE
	058708-01-000	EA RECEPTACLE-ELECTRIC, DOUBLE - BROWN
	058708-02-000	EA RECEPTACLE-ELECTRIC, DOUBLE - IVORY
	058707-01-000	EA RECEPTACLE-ELECTRIC, SINGLE - BROWN
	097734-01-01A	EA EXTENSION-RECEPTACLE, 3 2" X 5" X 7" - PLASTIC - IVORY
	084076-01-000	EA RECEPTACLE-GFI, 15A - 125V - IVORY
	084076-02-000	EA RECEPTACLE-GFI, 15A - 125V - BROWN
	084077-01-000	EA PLATE-COVER RECEPTACLE - GFI - IVORY
	084077-02-000	EA PLATE-COVER RECEPTACLE - GFI - BROWN
	024924-02-000	EA RECEPTACLE-POWER CORD W/PARTIAL PLATE

**ELECTRICAL GROUP (CONTINUED)**  
CIRCUIT BREAKERS & FUSES

KEY	PART NUMBER	U/M DESCRIPTION
	008268-01-000	EA CIRCUIT BREAKER, W/MOUNT -30A - 12V FROM: 00-00-00 THRU: 01-26-92
	044468-03-000	EA CIRCUIT BREAKER, W/MOUNT BRACKET - 25 AMP - 12V DC FROM 00-00-00 THRU: 01-26-92
	093655-01-000	EA CIRCUIT BREAKER-25 AMP FROM: 01-27-92 THRU: 99-99-99
	093655-02-000	EA CIRCUIT BREAKER-30 AMP, HOUSE CONTROL PANEL FROM 01-27-92 THRU: 99-99-99
	083209-01-000	EA CIRCUIT BREAKER-15 AMP, 120V - BW G-15 FROM: 00-00-00 THRU: 01-19-92
	083209-08-000	EA CIRCUIT BREAKER, BLANK - BW FROM: 00-00-00 THRU: 01-19-92
	083209-03-000	EA CIRCUIT BREAKER-15/20AMP, 120V - BW D-15/20 FROM 01-20-92 THRU: 99-99-99
	083209-04-000	EA CIRCUIT BREAKER-30A, 120V - BW L-30 FROM: 01-20-92 THRU: 99-99-99
	083209-05-000	EA CIRCUIT BREAKER-20A, 120V - BW J-20
	008235-01-000	EA FUSE-AUTOMOTIVE 12V - 15AMP
	062901-02-000	EA FUSE-5 AMPS, AUTOMOTIVE FROM 01-20-92 THRU: 99-99-99
	062901-05-000	EA FUSE-15 AMPS, AUTOMOTIVE
	100341-01-000	EA FUSE HOLDER-IN LINE TYPE
	107333-01-01A	EA MOUNT-CIRCUIT BREAKER, 3 9" X 2" - BLACK PLASTIC FROM 01-27-92 THRU: 99-99-99
	087949-01-000	EA BUSS BAR-2 POSITION, 6" X 1 5" - ALUMINUM FROM 01-27-92 THRU: 99-99-99

**ELECTRICAL CONNECTORS**

KEY	PART NUMBER	U/M DESCRIPTION
	007940-01-000	EA RECEPTACLE-SLIDE, 16 TO 12 AWG - FEMALE END
	008311-01-000	EA CONNECTOR-WIRE NUT, INSULATED - RED
	008314-01-000	EA CONNECTOR-WIRE NUT, INSULATED - GRAY
	000326-01-000	EA TERMINAL-RING, 16/14 WIRE - 3/8" STUD
	008328-01-000	EA TERMINAL-RING, 12/10 WIRE - #10 STUD FIT
	008331-01-000	EA TERMINAL-RING, TONGUE - #4 WIRE - 3/8" STUD - COPPER
	008349-01-000	EA TERMINAL-RING, 3/8" STUD - #2 WIRE CONNECTS CABLE TO DISCONNECT RELAY AND BATTERY
	008355-01-000	EA CONNECTOR-CABLE CLAMPING, 3/4"
	008356-01-000	EA CONNECTOR-PLASTIC, 3/8" AVG
	008398-01-000	EA CONNECTOR-1/2" X 90 DEGREE, FLEX CONDUIT - UL AND CSA
	035416-04-000	EA TERMINAL-RING #10 STUD FIT, INSULATED BARREL #16/14
	047443-01-000	EA TERMINAL-.250 RECEPT. FIT, INSULATED - 16/14 AWG
	058028-01-000	EA CONNECTOR-ELECTRICAL PIGTAIL, NYLON - CLEAR
	063910-01-000	EA HOUSING-RELAY, BOSCH 3 334 485 008
	080015-02-000	EA RECEPTACLE-FLAG, .185 - 16/14 GA - AMP 3
	088473-03-000	EA HOUSING-PIN, 9-POSITION
	088473-08-000	EA HOUSING-PIN, 4 POSITION
	088473-09-000	EA PIN-HOUSING, 3 POSITION (SINGLE ROW)
	088473-10-000	EA PIN-HOUSING, 2 POSITION
	088474-03-000	EA HOUSING-SOCKET, 9-POSITION
	088474-07-000	EA HOUSING-SOCKET, 5 CAVITY - AMP 1-480764-0 FROM: 04-01-91 THRU: 99-99-99
	088474-08-000	EA SOCKET-HOUSING, 4 POSITION (SINGLE ROW) FROM: 04-01-91 THRU: 99-99-99
	088474-09-000	EA HOUSING-SOCKET, 3 POSITION
	088474-10-000	EA HOUSING-SOCKET, 2 POSITION
	088475-01-000	EA PIN-CONNECTOR, 14 TO 20 AWG
	088476-01-000	EA SOCKET-CONNECTOR, BRASS - PRE-TIN
	088476-02-000	EA SOCKET-CONNECTOR, 12-10 GA - PHOS BRZ - PRE-TIN

**1992 ITASCA**  
**TABLE OF CONTENTS**

INTRODUCTION	A-01	A-02
ABBREVIATIONS		A-03
ALPHABETICAL INDEX	A-04	A-06
IT320RB	A-07	C-24
IT321RB	D-01	F-20
IT321RL	F-21	I-16

**1992 IT321RB INDEX**

FLOOR PLAN	D-01	D-02
ACCESSORIES		D-03
AUDIO VIDEO		D-04
BATH	D-05	D-06
CHASSIS	D-07	D-08
CURTAIN & CUSHION	D-09	D-15
DINETTE		D-16
DRIVERS COMPARTMENT		D-17
ELECTRICAL	D-18	D-21
EXTERIOR BODY	D-22	E-04
GALLEY	E-05	E-10
GENERATOR		E-11
HEATING & A/C		E-12
INTERIOR FINISH	E-13	E-16
LABEL	E-17	E-22
LP		E-23
LOUNGE		E-24
SEALANTS & FASTENERS	F-01	F-02
WATER & SEWAGE	F-03	F-06
WINDOW, VENT AND		
EXTERIOR DOOR	F-07	F-20

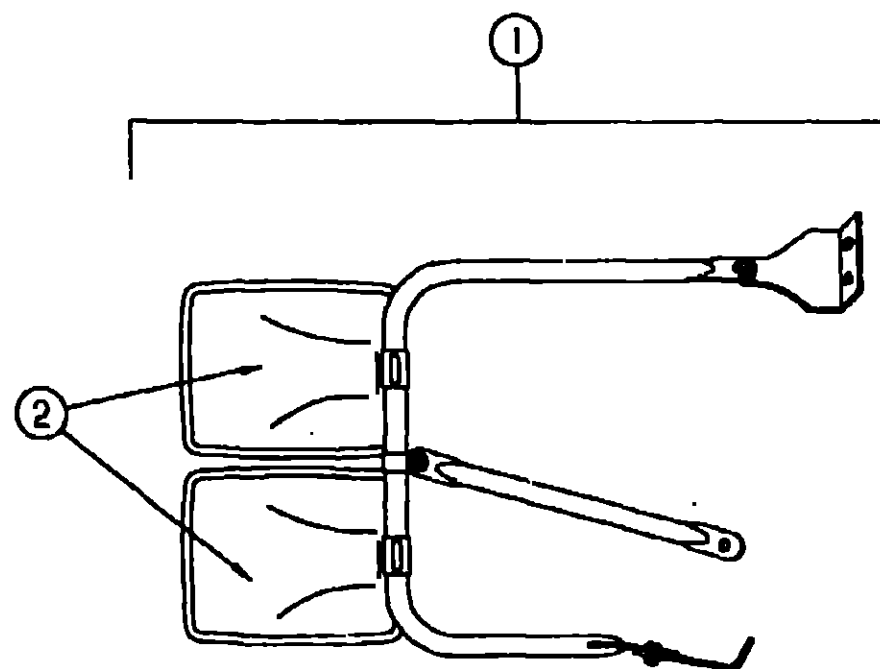
**ELECTRICAL GROUP (CONTINUED)**  
**BOXES, CONDUIT & COVERS**

KEY	PART NUMBER	U/M DESCRIPTION
	008288-01-000	EA BOX-PLASTIC ELECTRIC, 3" X 3 1/2"
	008289-01-000	EA BOX-ELECTRIC, STEEL - 1/2" AND 3/4" KNOCKOUTS - 4" X 4"
	058049-01-000	EA BOX-ELECTRIC SWITCH, 2" X 3" X 2.25"
	091910-01-000	EA BOX-ELECTRIC, 3.75" X 3 5/8" X 1.75" - PLASTIC
	093603-01-000	EA BOX-ELECTRIC, 4" X 2 1/8" X 2 1/8" - STEEL
	107165-01-01A	EA BOX-CIRCUIT BREAKER MOUNT, 14.6" X 4" - BLACK PLASTIC
	107165-02-01A	EA BOX-CIRCUIT BREAKER MOUNT, 6 3/4" X 4" - BLACK PLASTIC FROM: 01-27-92 THRU: 99-99-99
	041953-01-000	FT CONDUIT-CONVOLUTE SLIT, .5" ID
	041953-03-000	FT CONDUIT-CONVOLUTE SLIT, 1" ID (CLOTHES ROD COVER)
	041953-05-000	FT CONDUIT-CONVOLUTE SOLID, .62" ID
	041953-06-000	FT CONDUIT-CONVOLUTE, SLIT .375" ID
	041953-07-000	FT CONDUIT-CONVOLUTE, SLIT - .25" ID
	041953-09-000	FT CONDUIT-CONVOLUTE, SLIT .50" ID
	008294-01-000	EA COVER-ELECTRICAL BOX, BLANK/STEEL - 4" X 4" - GRAY
	054250-04-000	EA COVER-ANGLED, W/O HOLE - 3.6" X 4.5" - PLASTIC - OFF WHITE ELECTRICAL PLATE SUPPORT
	069238-01-000	EA COVER-ELECTRICAL BOX, W/HOLE - 4" X 4" - GRAY USED WITH 30 AMP RECEPTACLE
	073626-04-000	EA COVER-ELECTRIC, 10 4" X 7 8" - BEIGE PLASTIC

**SOLENOID, POWER CONVERTER & POWER CORDS**

KEY	PART NUMBER	U/M DESCRIPTION
	008188-01-000	EA SOLENOID-3 POST, BATTERY CHANGE OVER
	083208-01-000	EA CONVERTOR-POWER 32A -120V/12V - BW 6332
	008052-01-000	EA CORD-POWER, 10/3 - 30 AMP - 25' - CANADIAN
	008054-01-000	EA CORD-POWER, 10/3 - 30 AMP - 25'
	008054-02-000	EA CORD-POWER, 10-3 - 30 AMP - 33'

**EXTERIOR BODY GROUP**



**EXTERIOR MIRRORS**

KEY	PART NUMBER	U/M DESCRIPTION
1	084445-03-000	EA MIRROR-EXTERIOR, PASSENGER SIDE - VELVAC 712724-7
1	084445-04-000	EA MIRROR-EXTERIOR, DRIVER SIDE - VELVAC 712725-7
2	084445-03-700	EA HEAD-MIRROR, FLAT GLASS - DRIVER OR PASS SIDE - VELVAC 70417E-5
2	084445-03-701	EA HEAD-MIRROR, CONVEX GLASS - DRIVER OR PASS SIDE - VELVAC 704187-5

**ALUMINUM, FIBERGLASS & STYROFOAM**

KEY	PART NUMBER	U/M DESCRIPTION
	044487-01-001	EA SHEET-ALUMINUM, (ROOF) - .010" X 96" X 350" - MILL FINISH
	001054-01-011	EA SHEET-ALUMINUM, FLAT - .024" X 47" X 96" - OFF WHITE
	077517-24-000	EA SHEET-FIBERGLASS, FLAT - 48" X 96" - OFF WHITE
	076054-D3-005	EA SHEET-FIBERGLASS, FLAT - 48" X 224" - OFF WHITE
	076054-G7-001	EA SHEET-FIBERGLASS, FLAT - 41" X 27" - OFF WHITE
	076054-A2-000	EA SHEET-FIBERGLASS, FLAT - 25" X 48" - OFF WHITE
	000870-02-000	SF STYROFOAM-1 1/2" X 48" X 96" - INCREMENTS OF 32 SF
	000870-05-000	SF STYROFOAM-5" X 24" X 96" - INCREMENTS OF 16 SF
	083574-03-000	SF STYROFOAM-3/4" X 48" X 96" - INCREMENTS OF 32 SF

**1992 ITASCA**  
**TABLE OF CONTENTS**

INTRODUCTION	A-01 -	A-02
ABBREVIATIONS		A-03
ALPHABETICAL INDEX	A-04 -	A-06
IT320RB	A-07 -	C-24
IT321RB	D-01 -	F-20
IT321RL	F-21 -	I-16

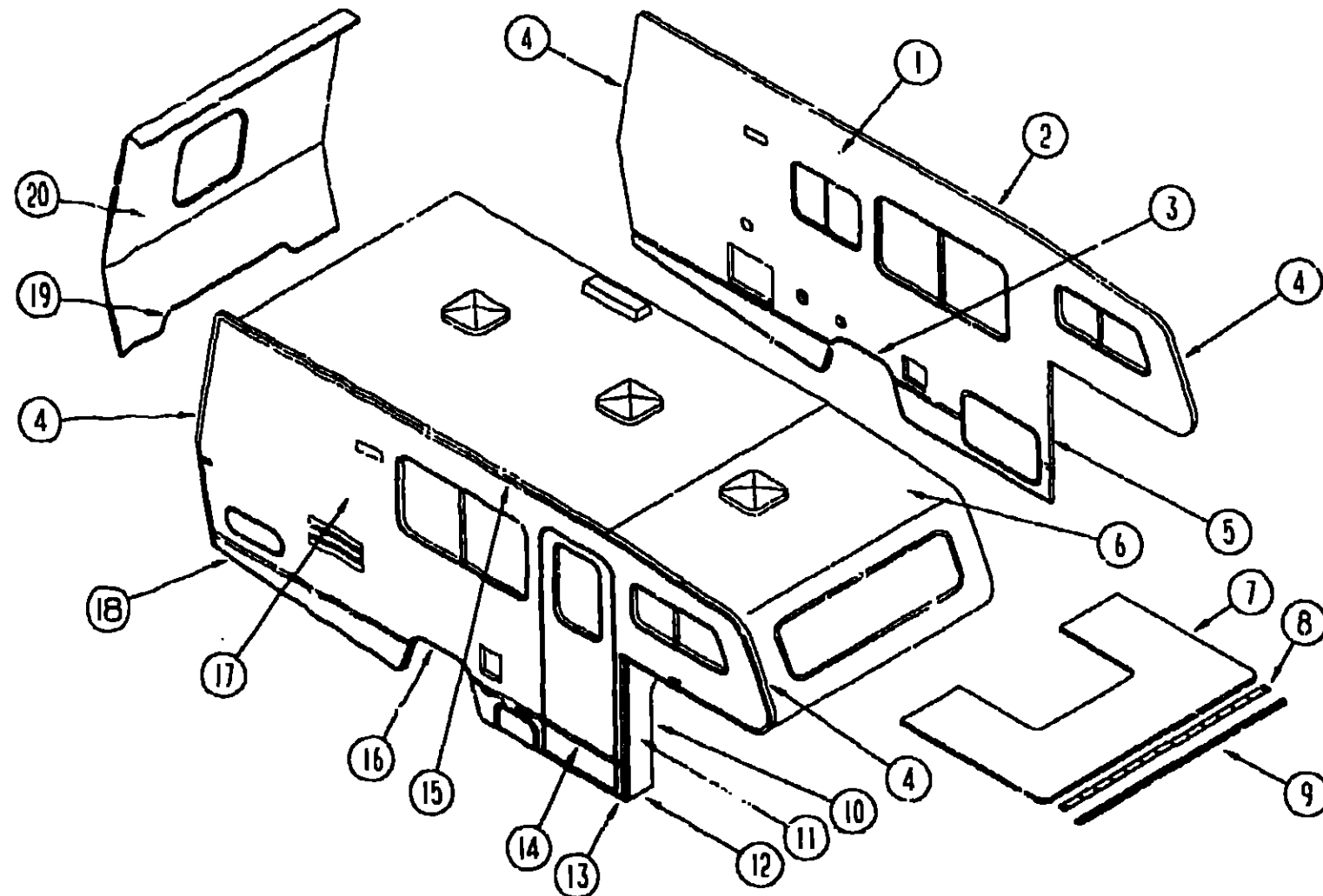
**1992 IT321RB INDEX**

FLOOR PLAN	D-01 -	D-02
ACCESSORIES		D-03
AUDIO VIDEO		D-04
BATH	D-05 -	D-06
CHASSIS	D-07 -	D-08
CURTAIN & CUSHION	D-09 -	D-15
DINETTE		D-16
DRIVERS COMPARTMENT		D-17
ELECTRICAL	D-18 -	D-21
EXTERIOR BODY	D-22 -	E-04
GALLEY	E-05 -	E-10
GENERATOR		E-11
HEATING & A/C		E-12
INTERIOR FINISH	E-13 -	E-16
LABEL	E-17 -	E-22
LP		E-23
LOUNGE		E-24
SEALANTS & FASTENERS	F-01 -	F-02
WATER & SEWAGE	F-03 -	F-06
WINDOW, VENT AND		
EXTERIOR DOOR	F-07 -	F-20

**EXTERIOR BODY GROUP (CONTINUED)**  
EXTERIOR BODY PANELS & TRIM

**1992 ITASCA**  
**TABLE OF CONTENTS**

INTRODUCTION	A-01 -	A-02
ABBREVIATIONS		A-03
ALPHABETICAL INDEX	A-04 -	A-05
IT320FB	A-07 -	C-24
IT321RB	D-01 -	F-20
IT321RL	F-21 -	I-16



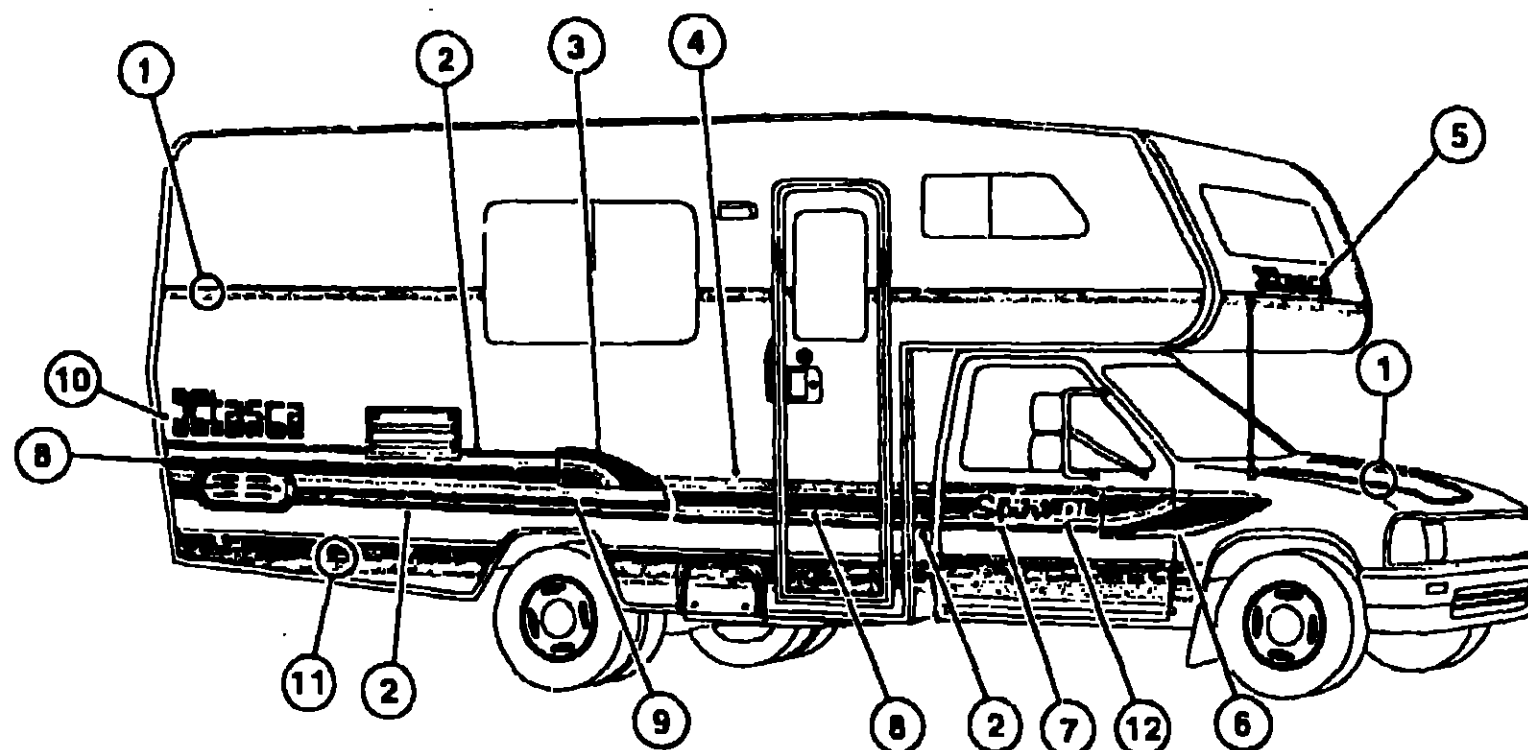
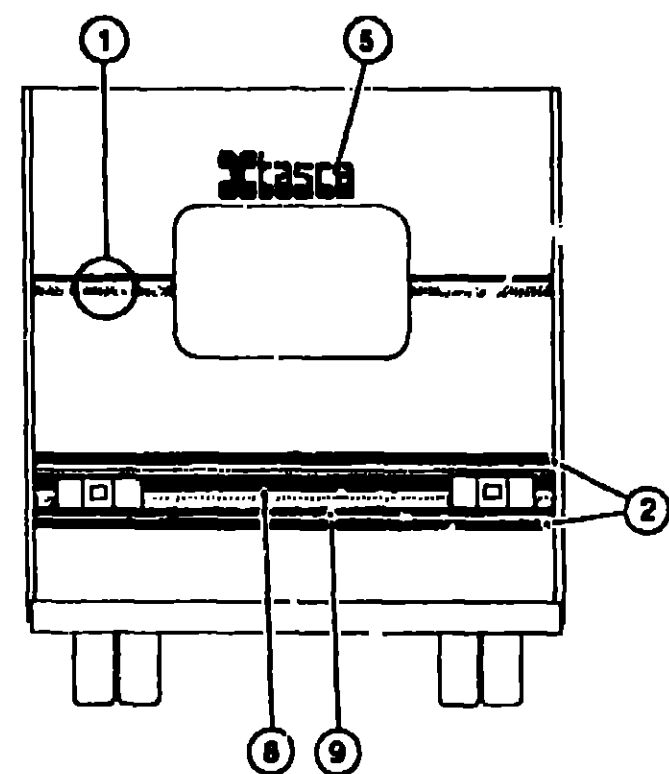
**1992 IT321RB INDEX**

FLOOR PLAN	D-01 -	D-02
ACCESSORIES		D-03
AUDIO VIDEO		D-04
BATH	D-05 -	D-06
CHASSIS	D-07 -	D-08
CURTAIN & CUSHION	D-09 -	D-15
DINETTE		D-16
DRIVERS COMPARTMENT		D-17
ELECTRICAL	D-18 -	D-21
EXTERIOR BODY	D-22 -	E-04
GALLEY	E-05 -	E-10
GENERATOR		E-11
HEATING & A/C		E-12
INTERIOR FINISH	E-13 -	E-16
LABEL	E-17 -	E-22
LP		E-23
LOUNGE		E-24
SEALANTS & FASTENERS	F-01 -	F-02
WATER & SEWAGE	F-03 -	F-06
WINDOW, VENT AND EXTERIOR DOOR	F-07 -	F-20

KEY	PART NUMBER	U/M DESCRIPTION
1	F03567-01-C29	EA SIDEWALL-DRIVER SIDE, W/O DOORS OR WINDOWS
	002726-01-001	EA GARNISH-U-CHANNEL, 1 3/8" X 1 1/2" - SERRATED - MILL ALUMINUM
2	096864-01-01A	EA TRIM-CONTOUR, ROOF TO SIDEWALL - DR OR PASS - 120°
3	100300-02-01A	EA TRIM-WHEELWELL, REAR - DRIVER SIDE - OFF WHITE
4	096854-01-01A	EA TRIM-CONTOUR, W/O VINYL INSERT - 108° - OFF WHITE
	079280-01-01A	FT INSERT-VINYL, ON EXTERIOR TRIM - 81° - OFF WHITE
		FROM: 01-00-00 THRU 09-30-91
	105312-01-01A	FT INSERT-TRIM, VINYL - OFF WHITE
		FROM 10-01-91 THRU 99-99-99
5	096970-06-01A	EA TRIM-WINGWALL, DRIVER SIDE VERTICAL - 46 5" - OFF WHITE
6	P00034-01-B05	EA ROOF ASSEMBLY-W/O VENTS OR LIGHTS
	M76177-01-700	EA SECTION-ROOF, OVER CAB TO FIRST ROOF SEAM
7	P00072-01-B05	EA PANEL-SLEEPER BOARD, W/O INTERIOR TRIM
8	100085-01-01A	EA TRIM-STRAP, SLEEPERBOARD - FLAT W/SCREW HOLES
9	100086-01-01A	EA TRIM-SLEEPERBOARD TO ROOF - OFF WHITE
10	089334-01-000	FT VINYL-EXTERIOR, BETWEEN WING WALL & CAB SEAL - WHITE

KEY	PART NUMBER	U/M DESCRIPTION
11	100682-01-B05	EA WINGWALL-PASSENGER
	100682-02-B05	EA WINGWALL-DRIVER
12	084704-02-000	EA TRIM-WINGWALL, OFF WHITE - DRIVER OR PASS SIDE
13	096970-05-01A	EA TRIM-WINGWALL, PASSENGER SIDE VERTICAL - 46 5" - OFF WHITE
14	002444-04-002	EA STRIP-FEATURE, W/O INSERT - 15' LONG - OFF WHITE
	001030-02-003	EA INSERT-FEATURE STRIP, 17' LONG - OFF WHITE
	003731-01-000	EA END CAP-FEATURE STRIP
	069726-02-000	EA BUMPER-88" DIAMETER X .40", BLACK
15	100483-01-01A	EA TRIM-CONTOUR, ROOF (AWNING) - OFF WHITE
	099583-55-001	EA RAIL-AWNING, 1 1/2" EA - OFF WHITE
16	100800-03-01A	EA TRIM-WHEELWELL, REAR - PASS SIDE - OFF WHITE
17	P03562-01-C29	EA SIDEWALL-PASSENGER SIDE, W/O DOORS OR WINDOWS
18	002776 03-012	EA EXTRUSION-U CHANNEL, 1.75" X 1 1/2" - OFF WHITE
	102766-51-001	EA EXTRUSION-U CHANNEL, 1.5" X 1 1/2" LONG - MILL ALUMINUM
	096787-51-001	EA EXTRUSION-U CHANNEL, 10 DEGREE ANGLE - 1 1/2" X 1 1/2" LONG - MILL ALUMINUM
19	085004-01-000	EA TRIM-BACKWALL, LOWER - OFF WHITE - DRIVER OR PASSENGER SIDE
	002365-01-001	EA U-CHANNEL, 1" X 1 1/2" - SERRATED - MILL ALUMINUM
20	P00035-01-C29	EA BACKWALL-W/O WINDOW, LIGHTS, OR DECALS
20	P00035-02-C29	EA BACKWALL-W/O WINDOW, LIGHTS, OR DECALS - DELUXE OPTION
20	P00802-01-C29	EA BACKWALL-W/O WINDOW, LIGHTS, OR DECALS - ECONOMY OPTION

**EXTERIOR BODY GROUP (CONTINUED)**  
DECALS, STRIPES & PAINT



**1992 ITASCA  
TABLE OF CONTENTS**

INTRODUCTION	A-01 -	A-02
ABBREVIATIONS		A-03
ALPHABETICAL INDEX	A-04 -	A-06
IT320FB	A-07 -	C-24
IT321RB	D-01 -	F-20
IT321RL	F-21 -	I-16

**1992 IT321RB INDEX**

FLOOR PLAN	D-01 -	D-02
ACCESSORIES		D-03
AUDIO VIDEO		D-04
BATH	D-05 -	D-06
CHASSIS	D-07 -	D-08
CURTAIN & CUSHION	D-09 -	D-15
DINETTE		D-16
DRIVERS COMPARTMENT		D-17
ELECTRICAL	D-18 -	D-21
EXTERIOR BODY	D-22 -	E-04
GALLEY	E-05 -	E-10
GENERATOR		E-11
HEATING & A/C		E-12
INTERIOR FINISH	E-13 -	E-16
LABEL	E-17 -	E-22
LP		E-23
LOUNGE		E-24
SEALANTS & FASTENERS	F-01 -	F-02
WATER & SEWAGE	F-03 -	F-06
WINDOW, VENT AND EXTERIOR DOOR	F-07 -	F-20

KEY	PART NUMBER	U/M	DESCRIPTION
1	094423-01-01A	FT	MULTISTRIPE-2 LINES, 3" - DK BLUE & LT BLUE W/1 MAGENTA DARK BLUE DUPONT #K9456, LIGHT BLUE DUPONT #K9457, MAGENTA DUPONT #G9842
2	093681-18-01A	FT	STRIPE-1 LINE, 1.25" WIDE - DARK BLUE DARK BLUE-DUPONT# K9456
3	100039-03-01A	EA	DECAL-SWEEP, DRIVER SIDE FRONT/PASSENGER SIDE REAR DARK BLUE DUPONT #K9456, MAGENTA DUPONT #G9842
4	093681-03-03A	FT	STRIPE-1 LINE, 1.5" WIDE - LIGHT BLUE LIGHT BLUE-DUPONT# K9457
5	078191-03-000	EA	DECAL-LOGO, "ITASCA" - DARK BLUE DARK BLUE-DUPONT# K9456
6	100039-04-01A	EA	DECAL-SWEEP, PASSENGER SIDE FRONT/DRIVER SIDE REAR DARK BLUE DUPONT #K9456, MAGENTA DUPONT #G9842
7	093565-01-04A	EA	DECAL-LOGO, "SPIRIT" - DARK BLUE & OFF WHITE DARK BLUE-DUPONT# K9456
8	094433-01-01A	FT	STRIPE-1 LINES, 5" WIDE - DARK BLUE W/2 MAGENTA STRIPES DARK BLUE DUPONT #K9456, MAGENTA DUPONT #G9842
9	094433-01-02A	FT	STRIPE-1 LINE, 5" - LIGHT BLUE W/2 MAGENTA STRIPES LIGHT BLUE DUPONT # K9457, MAGENTA DUPONT #G9842
10	078852-17-000	EA	DECAL-LOGO, "ITASCA" - 6.5" - DARK BLUE & OFF WHITE DARK BLUE-DUPONT# K9456
11	094448-01-02A	FT	MULTISTRIPE-8 LINES, 164 MM - DK BLUE DARK BLUE-DUPONT# K9456
12	104211-01-01A	EA	DECAL-DL OFF WHITE - DELUXE OPTION
	084075-01-000	EA	DECAL-"BY WINNERAGO INDUSTRIES". BLACK

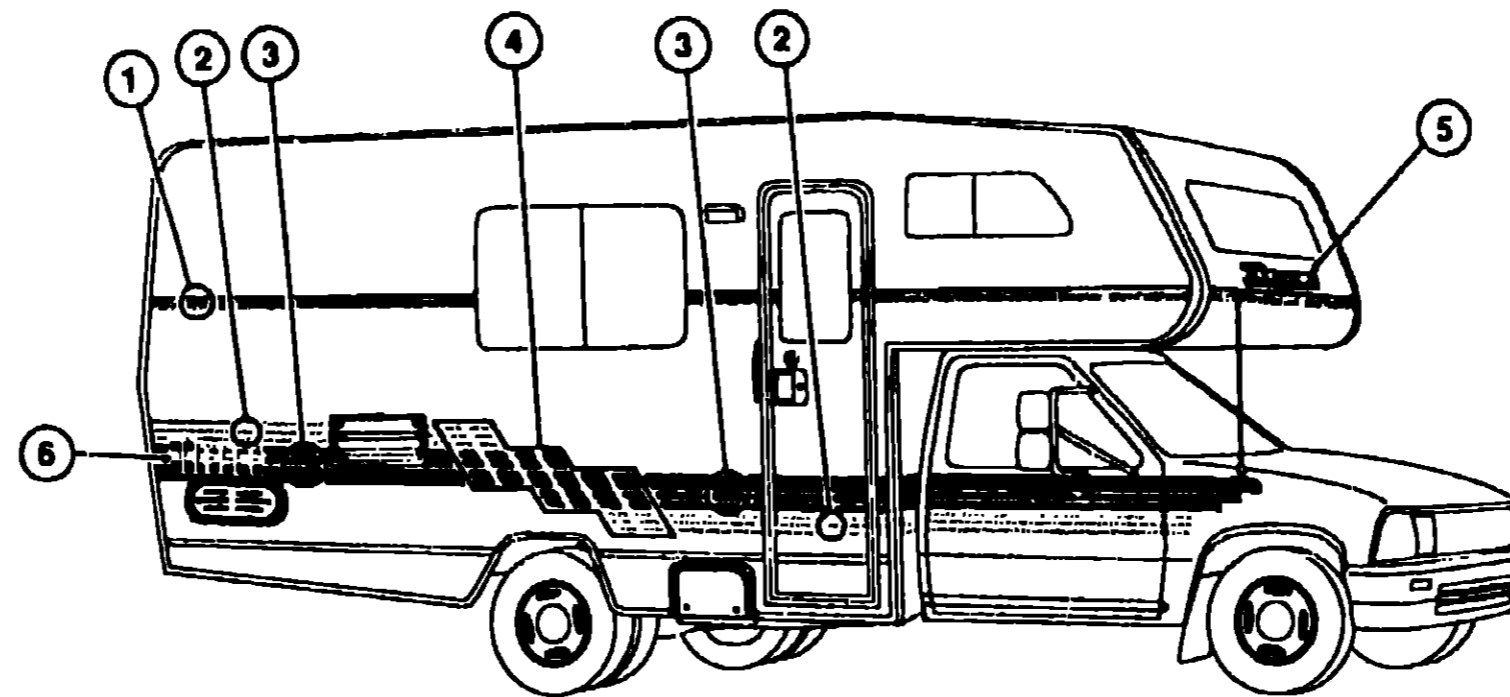
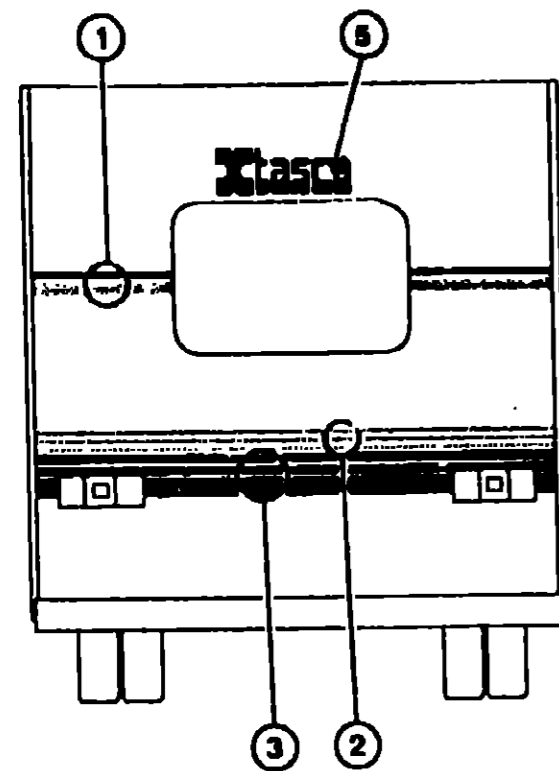
**DUPONT COLOR CODES**

OFF WHITE	L8723
DARK BLUE	K9456
LIGHT BLUE	K9457
MAGENTA	G9842

**EXTERIOR BODY GROUP (CONTINUED)**  
**DECALS, STRIPES & PAINT (EL MONTE RENTAL OPTION ONLY)**

**1992 ITASCA**  
**TABLE OF CONTENTS**

INTRODUCTION	A-01 -	A-02
ABBREVIATIONS		A-03
ALPHABETICAL INDEX	A-04 -	A-06
IT320RB	A-07 -	C-24
IT321RB	D-01 -	F-20
IT321RL	F-21 -	I-16



KEY	PART NUMBER	U/M	DESCRIPTION
1	093680-01-07A	FT	MULTISTRIPE-2 LINES, 3" WIDE - BLUE & VIOLET BLUE DUPONT #G9462, VIOLET DUPONT #K9463
2	092322-04-05A	FT	MULTISTRIPE-3 LINES, 3" WIDE - VIOLET VIOLET DUPONT #K9463
3	092322-03-05A	FT	MULTISTRIPE-3 LINES, 156 MM WIDE - BLUE & GRAY BLUE DUPONT #G9462, GRAY DUPONT #K9461
4	093675-01-05A	EA	DECAL-SIDE STEP, PASSENGER SIDE - GRAY/BLUE/VIOLET GRAY DUPONT #K9461, BLUE DUPONT #G9462, VIOLET DUPONT #K9463
	093675-02-05A	EA	DECAL-SIDE STEP, DRIVER SIDE - GRAY/BLUE/VIOLET GRAY DUPONT #K9461, BLUE DUPONT #G9462, VIOLET DUPONT #K9463
5	07B191-01-000	EA	DECAL-LOGO, 'ITASCA' - BLACK
6	078852-10-000	EA	DECAL-LOGO, 'ITASCA' - 6.5" - BLACK & OFF WHITE
	084075-01-000	EA	DECAL-"BY WINNEBAGO INDUSTRIES", BLACK

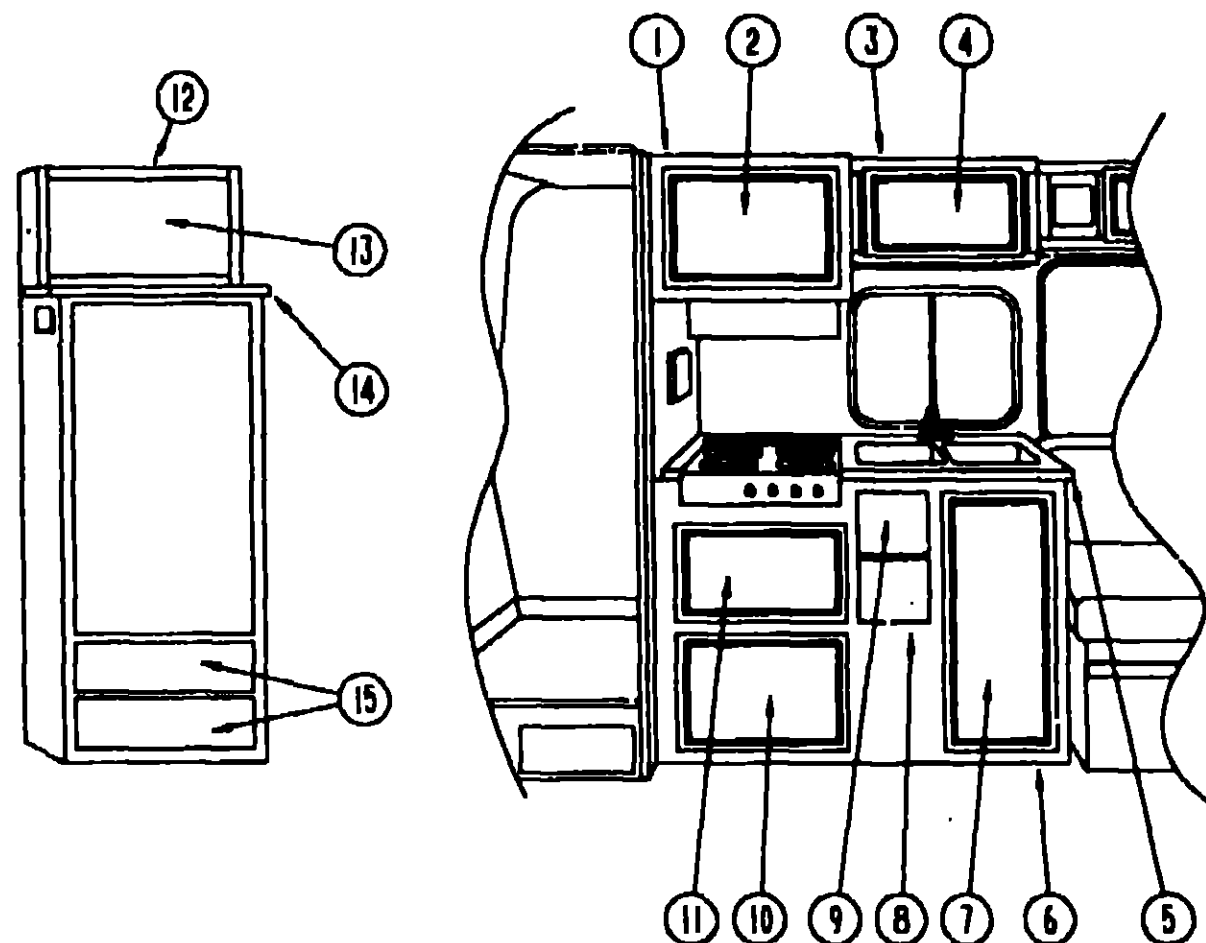
**DUPONT COLOR CODES**

OFF WHITE	L8723
BLUE	K9462
VIOLET	K9463
GRAY	K9461

**1992 IT321RB INDEX**

FLOOR PLAN	D-01 -	D-02
ACCESSORIES		D-03
AUDIO VIDEO		D-04
BATH	D-05 -	D-06
CHASSIS	D-07 -	D-08
CURTAIN & CUSHION	D-09 -	D-15
DINETTE		D-16
DRIVERS COMPARTMENT		D-17
ELECTRICAL	D-18 -	D-21
EXTERIOR BODY	D-22 -	E-04
GALLEY	E-05 -	E-10
GENERATOR		E-11
HEATING & A/C		E-12
INTERIOR FINISH	E-13 -	E-16
LABEL	E-17 -	E-22
LP		E-23
LOUNGE		E-24
SEALANTS & FASTENERS	F-01 -	F-02
WATER & SEWAGE	F-03 -	F-06
WINDOW, VENT AND EXTERIOR DOOR	F-07 -	F-20

**GALLEY GROUP**  
GALLEY CABINETS & COMPONENTS



**1992 ITASCA**  
**TABLE OF CONTENTS**

INTRODUCTION	A-01	A-02
ABBREVIATIONS		A-03
ALPHABETICAL INDEX	A-04	A-06
IT320RB	A-07	C-24
IT321RB	D-01	F-20
IT321RL	F-21	I-16

**1992 IT321RB INDEX**

FLOOR PLAN	D-01	D-02
ACCESSORIES		D-03
AUDIO VIDEO		D-04
BATH	D-05	D-06
CHASSIS	D-07	D-08
CURTAIN & CUSHION	D-09	D-15
DINETTE		D-16
DRIVERS COMPARTMENT		D-17
ELECTRICAL	D-18	D-21
EXTERIOR BODY	D-22	E-04
GALLEY	E-05	E-10
GENERATOR		E-11
HEATING & A/C		E-12
INTERIOR FINISH	E-13	E-16
LABEL	E-17	E-22
LP		E-23
LOUNGE		E-24
SEALANTS & FASTENERS	F-01	F-02
WATER & SEWAGE	F-03	F-06
WINDOW, VENT AND EXTERIOR DOOR	F-07	F-20

KEY	PART NUMBER	U/M DESCRIPTION
1	M05160-04-C29	EA CABINET-OVERHEAD, W/O DOORS OR HARDWARE
	108104-01-000	EA BRACKET ASM-MICROWAVE, RIGHT - EL MONTE OPTION
	108104-02-000	EA BRACKET ASM-MICROWAVE, LEFT - EL MONTE OPTION
	064219-01-000	EA RETAINER-MICROWAVE TIEDOWN STRAP - EL MONTE OPTION
	108106-01-01A	EA TRIM-MICROWAVE
2	P03702-77-C29	EA DOOR-CABINET, W/O HARDWARE - 14 9" X 21 8"
3	M05160-03-C29	EA CABINET-OVERHEAD, W/O DOORS OR HARDWARE
4	P03702-78-C29	EA DOOR-CABINET, W/O HARDWARE - 12" X 21.8"
	103235-01-B27	EA RACK-SPICE - DELUXE & EL MONTE RENTAL OPTIONS
5	100632-11-C29	EA COUNTERTOP-GALLEY CABINET
5	100632-16-C29	EA COUNTERTOP-GALLEY CABINET - DELUXE OPTIONS
	098335-02-C25	EA RAIL-GALLEY COUNTERTOP, 22.2"
6	M04164-05-C29	EA CABINET-GALLEY, W/O DOORS OR HARDWARE - STANDARD
6	M04164-06-C29	EA CABINET-GALLEY, W/O DOORS OR HARDWARE - CANADIAN OPTION
6	M04164-07-C29	EA CABINET-GALLEY, W/O DOORS OR HARDWARE - RANGE W/OVEN OPTION
6	M04164-08-C29	EA CABINET-GALLEY, W/O DOORS OR HARDWARE - RANGE W/OVEN OPTION CANADA
6	M04164-19-C29	EA CABINET-GALLEY, W/O DOORS OR HARDWARE - RANGE W/OVEN DELUXE OPTION
6	M04164-20-C29	EA CABINET-GALLEY, W/O DOORS OR HARDWARE RANGE W/OVEN DELUXE OPTION - CANADIAN
6	M04164-17-C29	EA CABINET-GALLEY, W/O DOORS OR HARDWARE - DELUXE OPTION
6	M04164-18-C29	EA CABINET-GALLEY, W/O DOORS OR HARDWARE - DELUXE OPTION - CANADIAN
6	M04164-09-C29	EA CABINET-GALLEY, W/O DOORS OR HARDWARE MICROWAVE OVEN & POWER PACK OPTIONS
6	M04164-10-C29	EA CABINET-GALLEY, W/O DOORS OR HARDWARE MICROWAVE OVEN & POWER PACK OPTIONS - CANADIAN
6	M04164-21-C29	EA CABINET-GALLEY, W/O DOORS OR HARDWARE MICROWAVE OVEN DELUXE OPTION
6	M04164-22-C29	EA CABINET-GALLEY, W/O DOORS OR HARDWARE MICROWAVE OVEN DELUXE & POWER PACK DELUXE OPTIONS - CANADIAN
6	M04164-15-C29	EA CABINET-GALLEY, W/O DOORS OR HARDWARE POWER PACK DELUXE OPTION
7	P03702-15-B87	EA DOOR-CABINET, W/O HARDWARE - 12" X 25.9"
8	P03397-80-C29	EA DRAWER-CABINET, W/O HARDWARE - 6.1" X 12" FACE SIZE
9	P03397-82-C29	EA DRAWER-CABINET, W/O HARDWARE - 6.1" X 12" FACE SIZE

KEY	PART NUMBER	U/M DESCRIPTION
10	P03702-76-C29	EA DOOR-CABINET, W/O HARDWARE - 21.8" X 14 9"
	P03702-75-C29	EA DOOR-CABINET, W/O HARDWARE - 21.8" X 12"
	099856-02-000	EA STRAP-TIEDOWN, MICROWAVE - BLACK
	098335-02-C25	EA RAIL-GALLEY, 22.2" LONG
	011053-04-000	EA FAUCET-GALLEY, SWING SPOUT 8"
	104114-01-01A	EA FAUCET-GALLEY, SINGLE CONTROL - DELUXE OPTION
	066437-01-000	EA STRAINER-SINK, GALLEY W/BASKET
	066437-01-700	EA BASKET-STRAINER, GALLEY SINK
	098654-01-000	EA SINK-GALLEY, DOUBLE W/MOUNTING HARDWARE - STAINLESS STEEL FROM: 00-00-00 THRU: 08-25-91
	102551-03-000	EA SINK-GALLEY, DOUBLE W/MOUNTING HARDWARE - STAINLESS STEEL FROM: 08-26-91 THRU: 99-99-99
	102551-04-000	EA SINK-GALLEY, DOUBLE W/MOUNTING HARDWARE - STAINLESS STEEL - CANADIAN FROM: 08-26-91 THRU: 99-99-99
	091530-01-B87	EA COVER-SINK, DELUXE OPTION
	090329-01-000	FT SEAL-T, REFRIGERATOR CABINET - .6" WIDE TOP X 2" TAIL
	008380-01-000	EA GROMMET-RUBBER, 5/8" HOLE X 1 1/2" DIAMETER - BLACK
12	M05160-11-C29	EA CABINET-OVERHEAD, W/O DOOR OR HARDWARE - DELUXE OPTION
13	P03702-79-C29	EA DOOR-CABINET, W/O HARDWARE - 10" X 19.1" - DELUXE OPTION
	058331-18-000	EA MIRROR-GLASS, SAFETY - 11.25" X 22.4" - DELUXE OPTION
	058331-46-000	EA MIRROR-GLASS, SAFETY - 9.8" X 22.4" - DELUXE OPTION
	058331-48-000	EA MIRROR-GLASS, SAFETY 502 MM X 554 MM - EL MONTE OPTION
	009089-01-000	EA CLIP-MIRROR
14	101985-11-C29	EA COUNTERTOP-REFRIGERATOR CABINET
14	104185-11-C29	EA COUNTERTOP-REFRIGERATOR CABINET - EL MONTE OPTION
	084070-01-000	EA POST-CENTER, 2.4" - BRASS - DELUXE OPTION
	084070-02-000	EA POST-END, 2.4" - BRASS - DELUXE OPTION
	084071-07-000	EA ROD-BRASS, 18.1" LONG - DELUXE OPTION
	084071-10-000	EA ROD-BRASS, 588 MM LONG - DELUXE OPTION
	084071-11-000	EA ROD-BRASS, 356 MM LONG - DELUXE OPTION
15	P03397-78-C29	EA DRAWER-CABINET, W/O HARDWARE - 6.1" X 23" FACE SIZE

**GALLEY GROUP (CONTINUED)**  
STANDARD REFRIGERATOR

KEY	PART NUMBER	U/M DESCRIPTION
	101991-02-000	EA REFRIGERATOR-2 WAY, 4 CU FT - DOMETIC RM2410
	101991-01-713	EA DRIP CHUTE, DOMETIC 2007507003
	101991-01-715	EA SHELF LOCK, OUTER - DOMETIC 2007393016
	101991-01-716	EA SHELF LOCK, INNER - DOMETIC 2007392018
	101991-01-717	EA SPRING HOUSING, LH - DOMETIC 2002236004
	101991-01-718	EA SPRING HOUSING, RH - DOMETIC 2002236012
	101991-01-719	EA SPRING, LH - DOMETIC 2002237002
	101991-01-720	EA SPRING, RH - DOMETIC 2002237010
	101991-01-721	EA CARRIER, DOMETIC 2002238000
	101991-01-725	EA SHUTTER, CPL /WHITE - DOMETIC 2002239065
	101991-01-726	EA HINGE, DOMETIC 2002244008
	101991-01-727	EA GASKET, DOMETIC 2000917019
	101991-01-728	EA PUSH BUTTON, GREY/BROWN - DOMETIC 2007479054
	101991-01-730	EA KNOB-SELECTOR, 12/120V - GREY/BROWN - DOMETIC 2007480177
	101991-01-740	EA THERMO ELECTRIC SAFETY VALVE, DOMETIC 2007422005
	101991-01-742	EA COUPLING, DOMETIC 2007518000
	101991-01-743	EA THERMOSTAT-DUAL, DOMETIC 2007199009
	101991-01-744	EA BYPASS SCREW, DOMETIC 0172819039
	101991-01-745	EA CUTOFF VALVE, DOMETIC 2007430008
	101991-01-746	EA SWITCH, DOMETIC 2007432004
	101991-01-747	EA SPRING, DOMETIC 2007577014
	101991-01-748	EA SPRING, DOMETIC 2007578004
	101991-01-749	EA LIGHTER, DOMETIC 2007423003
	101991-01-750	EA SPRING, DOMETIC 2007425008
	101991-01-752	EA ELECTRODE, DOMETIC 2930379009
	101991-01-753	EA SEALING RING, DOMETIC 0140748005
	101991-01-754	EA SNAP CATCH FOR 12/120V, DOMETIC 2930066028
	101991-01-756	EA BURNER RETAINER, DOMETIC 2007651009
	101991-01-757	EA BURNER JET NO.39 FOR PROPANE, DOMETIC 2007419159
	101991-01-759	EA HEATER, 120V/160W - DOMETIC 0173756016
	101991-02-700	EA DECORATION-#14, DOMETIC 2931583-03/9
	101991-02-701	EA HANDLE-#8, DOMETIC 2931600-01/5
	101991-02-702	EA DOOR-#1, DOMETIC 2931586-11/5
	101991-02-703	EA FRONT PANEL-#19, DOMETIC 2931293-02/7
	101991-02-706	EA COOLING UNIT, 335A - DOMETIC 293433599/9
	101991-02-707	EA HOLDER-BOTTLE, 7 1/2" - DOMETIC 2930715-05/3
	101991-02-708	EA HOLDER-BOTTLE, 8" - DOMETIC 2930715-06/1
	101991-02-709	EA SHELF-DOOR, DOMETIC 2002261-22/6
	101991-02-710	EA SHELF-DOOR, DOMETIC 2000571-22/0
	101991-02-711	EA KNOB, DOMETIC 2007480-21/9
	101991-02-714	EA HINGE-UPPER, DOMETIC 293129101/3
	101991-02-715	EA PLATE-MOUNTING, RIGHT - DOMETIC 293129701/0
	101991-02-716	EA PLATE-MOUNTING, LEFT - DOMETIC 293129702/8
	101991-02-717	EA PIN-HINGE, UPPER - DOMETIC 293128801/9
	101991-02-718	EA HINGE-LOWER, RIGHT - DOMETIC 293153901/5
	101991-02-719	EA HINGE-LOWER, LEFT - DOMETIC 293153801/7
	101991-02-720	EA PIN-HINGE, LOWER - DOMETIC 293128601/3
	101991-02-721	EA PLUG - DOMETIC 293151003/2
	101991-02-722	EA SEALING - DOMETIC 2931574012
	101991-02-723	EA BASE-FRONT, DOMETIC 293152801B
	101991-02-724	EA CATCH - DOMETIC 2931511014
	101991-02-725	EA SHELF W/NOTCH OUT - DOMETIC 2930133133
	101991-02-726	EA SHELF - DOMETIC 2002652333
	101991-02-727	EA THERMOCOUPLE, DOMETIC 2007417005
	101991-02-728	EA TERMINAL BLOCK, DOMETIC 7627202562
	101991-02-730	EA TERMINAL BLOCK, DOMETIC 2002633010
	101991-02-731	EA SHAFT-THERMOSTAT, DOMETIC 20074771002
	101991-02-732	EA SHAFT-SWITCH, DOMETIC 20074775003
	103251-01-01A	EA INSERT-1/8" X 20 3" X 27 8", BLACK ACRYLIC - DELUXE & EL MONTE OPTIONS

**GALLEY GROUP (CONTINUED)**  
JAPAN EXPORT OPTION L048

KEY	PART NUMBER	U/M DESCRIPTION
	064473-04-000	EA REFRIGERATOR-3 WAY, 4 9 CU FT - NORCOLD 875-EG3
	064473-03-700	EA ELECTRODE ASSY, NORCOLD 616078
	064473-03-701	EA HEATER AC (HORIZONTAL BURNER, NORCOLD 615625
	064473-03-704	EA DOOR GASKET (ALMOND)
	064473-03-709	EA PIN & CHAIN TRAVEL LOCK
	064473-03-710	EA RH BREAKER STRIP(BRN)
	064473-03-712	EA DOOR ASM-FREEZER, BROWN - NORCOLD 615246
	064473-03-714	EA MODE SELECTOR KNOB
	064473-03-715	EA THERMOSTAT KNOB
	064473-03-716	EA SWITCH-3-WAY, F/EG-2 & EG-3 - NORCOLD 616113
	064473-03-718	EA COOLING UNIT (HORIZ-BURNER) 61687137
	064473-03-719	EA FLUE-HORIZONTAL BURNER, NORCOLD# 616162
	064473-03-720	EA RELIGHTER, NORCOLD 616088
	064473-03-721	EA COMBINATION CONTROL - NORCOLD 616084
	064473-03-724	EA DOOR ASM-FREEZER, BLACK
	064473-03-727	EA LATCH-TRAVEL, MIDDLE - BLACK
	046955-01-713	EA PIN-HINGE, NORCOLD 611146
	064472-01-700	EA THERMOCOUPLE, NORCOLD 614363
	064472-01-728	EA HINGE TOP-LH CTR-LH LOWER RH NORCOLD 6135292 2
	064472-03-700	EA HINGE PIN-BOTTOM, NORCOLD 615507
	064473-01-702	EA OPIFICE, NORCOLD 61452122
	064473-01-708	EA TOP BREAKER STRIP, NORCOLD 613536-32
	064473-01-716	EA CRISPER COFFEE 4&6EG2 615191
	064473-01-717	EA HINGE PINS, NORCOLD 614736
	064473-01-720	EA DAIRY KEEPER, BROWN, NORCOLD 61466837
	064473-01-721	EA DOOR GASKET, NORCOLD 613507-30
	064473-01-726	EA DOOR FRAME, NORCOLD 614286
	064473-01-727	EA CRISPER, NORCOLD 615180
	084880-01-713	EA MALE CONNECTOR(INLET FITTING) - NORCOLD 61525522 2
	084880-01-715	EA VALVE-SHUT OFF, MANUAL - NORCOLD 61697922
	088248-01-706	EA BURNER-HORIZONTAL, NORCOLD 61588122

**REFRIGERATOR HARDWARE**

KEY	PART NUMBER	U/M DESCRIPTION
	054450-01-000	EA LEVEL-REFRIGERATOR
	065225-03-000	EA PLATE-TIEDOWN, REFRIGERATOR
	093646-01-000	EA BRACKET ASM-TIEDOWN - REFRIGERATOR
		FROM 00-00-00 THRU 05-05-92
	093646-02-000	EA BRACKET ASM-TIEDOWN - REFRIGERATOR
		FROM 00-00-00 THRU 05-05-92
	093646-05-000	EA BRACKET ASM-TIEDOWN - REFRIGERATOR
		FROM 05-05-92 THRU 99-99-99

**1992 ITASCA**  
**TABLE OF CONTENTS**

INTRODUCTION	A-01	A-02
ABBREVIATIONS		A-03
ALPHABETICAL INDEX	A-04	A-06
IT320RB	A-07	C-24
IT321RB	D-01	F-20
IT321RL	F-21	I-16

**1992 IT321RB INDEX**

FLOOR PLAN	D-01	D-02
ACCESSORIES		D-03
AUDIO VIDEO		D-04
BATH	D-05	D-06
CHASSIS	D-07	D-08
CURTAIN & CUSHION	D-09	D-15
DINETTE		D-16
DRIVERS COMPARTMENT		D-17
ELECTRICAL	D-18	D-21
EXTERIOR BODY	D-22	E-04
GALLEY	E-05	E-10
GENERATOR		E-11
HEATING & A/C		E-12
INTERIOR FINISH	E-13	E-16
LABEL	E-17	E-22
LP		E-23
LOUNGE		E-24
SEALANTS & FASTENERS	F-01	F-02
WATER & SEWAGE	F-03	F-06
WINDOW, VENT AND		
EXTERIOR DOOR	F-07	F-20



**GALLEY GROUP (CONTINUED)**  
RANGE W/OVEN OPTION L13B

KEY	PART NUMBER	U/M DESCRIPTION
	102022-01-02A	EA RANGE-16", 4 BURNER - MAGIC CHEF BT16RA 4Z
	055262-03-705	EA TRIM-CABINET, LEFT - BLACK - MAGIC CHEF 3608F011-70
	055282-03-707	EA TRIM-CABINET, RIGHT - BLACK - MAGIC CHEF 3608F012-70
	098507-02-701	EA INSERT BURNER (SLOTTED VENT) MAGIC CHEF 7214P015 50
	102020-01-700	EA SHELF-OVEN MAGIC CHEF - 7801 P027 60
	102020-01-701	EA HANDLE-DOOR MAGIC CHEF - 7701P092 60
	102020-01-702	EA PANEL-MANIFOLD MAGIC CHEF 2616F080 70
	102020-01-704	EA PANEL-DOOR BLACK - MAGIC CHEF - 7401F075 70
	102020-01-708	EA BURNER ASSEMBLY-OVEN MAGIC CHEF 3403V001 45
	102020-01-711	EA GRATE-TOP MAGIC CHEF 7518P012 60
	102020-01-712	EA KNOB-BURNER VALVE MAGIC CHEF 7733P044 60
	102020-01-713	EA KNOB-THERMOSTAT MAGIC CHEF 7731P042 60
	102020-01-714	EA PILOT-OVEN, MAGIC CHEF 568-143
	102020-01-715	EA PIPE-MANIFOLD MAGIC CHEF 7513P095 60
	102020-01-717	EA THERMOSTAT, MAGIC CHEF 7515P024 60
	102020-01-718	EA TOP MAIN ALMOND - MAGIC CHEF 2001F085 84
	102020-01-720	EA VALVE-MERCURY CONTROL MAGIC CHEF 7501F095 60
	102020-01-722	EA VALVE-TOP BURNER, MAGIC CHEF 7502P095 60
	102020-01-723	EA PILOT-BURNER MAGIC CHEF 7505P147 60
	102020-01-724	EA BUMPER-MAIN TOP, MAGIC CHEF 8007P008 60
	102022-01-702	EA PIPE-MANIFOLD MAGIC CHEF 7513P095 60
	102022-01-703	EA REGULATOR-PRESSURE MAGIC CHEF 7510P031 60
	102022-01-706	EA TRIM-LEFT, FLAT MAGIC CHEF 3608W022 70
	102022-01-707	EA TRIM-RIGHT FLAT - MAGIC CHEF 3608W023 70
	055516-03-000	EA BRACKET-REAR TIEDOWN RANGE W/OVEN
	055516-04-000	EA BRACKET-FRONT TIEDOWN RANGE W/OVEN

**STANDARD RANGE**

KEY	PART NUMBER	U/M DESCRIPTION
	081374-01-000	EA RANGE-4 BURNER, W/O OVEN - ALMOND - MAGIC CHEF BT85NA-4 FROM 05-27-91 THRU 01-26-92
	049045-01-703	EA VALVE-TOP BURNER MAGIC CHEF 897-584
	064782-02-711	EA TOP-MAIN-ALMOND-4BURNER SQ - MAGIC CHEF 50 27764A
	054782-02-712	EA GRATE-TOP BURNER, SQUARE HOLES MAGIC CHEF 50 25439
	064782-02-715	EA CLIP-GRATE, MAGIC CHEF 413-00015
	081374-01-700	EA TRIM-CAB TOP RIGHT BLACK - MAGIC CHEF 3608F015-70
	081374-01-701	EA TRIM-CAB TOP LEFT, BLACK - MAGIC CHEF 3608F016 70
	031374-01-702	EA PANEL-MANIFOLD WARM, BLACK - MAGIC CHEF 52-20712-5X
	081374-01-703	EA TRIM-TOP REAR, MAGIC CHEF 52-10354-3
	081374-01-704	EA GUARD-FABRIC, MAGIC CHEF 50-11-688-2
	081374-02-701	EA REGULATOR-PRESSURE MAGIC CHEF 976 27
	102019-01-01A	EA TOP-RANGE ALMOND TOP W/ALMOND TRIM - MAGIC CHEF BT85RA-4 FROM 00-00 00 TO 05-26-91 AND 01-27-92 TO 99-99-99
	052583-04-701	EA KNOB-TOP BURNER, MAGIC CHEF 7733P039 60
	102019-01-700	EA TRIM-RIGHT ALMOND - MAGIC CHEF 3608F015-74
	102019-01-701	EA TRIM-LEFT, ALMOND - MAGIC CHEF 3608F016-74
	102019-01-702	EA TRIM-REAR, ALMOND - MAGIC CHEF 3608F009-74
	102020-01-702	EA PANEL-MANIFOLD, MAGIC CHEF 2616F080-70
	102020-01-709	EA BUMPER-GRATE MAGIC CHEF 8007P018-60
	102020-01-711	EA GRATE-TOP, MAGIC CHEF 7518P012-60
	102020-01-718	EA TOP-MAIN, ALMOND - MAGIC CHEF 2001F085-84
	102020-01-721	EA VALVE-SHUT OFF, MAGIC CHEF 7506F095-60
	102020-01-722	EA VALVE-TOP BURNER, MAGIC CHEF 7502P095 60
	102020-01-724	EA BUMPER-MAIN TOP, MAGIC CHEF 8003P008-60
	102022-01-703	EA REGULATOR-PRESSURE, MAGIC CHEF 7510P031 60
	081587-03-000	EA BRACKET-TIEDOWN, RANGE - RIGHT
	081587-04-000	EA BRACKET-TIEDOWN RANGE - LEFT

**GALLEY GROUP (CONTINUED)**  
MONITOR PANEL

KEY	PART NUMBER	U/M DESCRIPTION
	097618-01 060	EA WIRE ASM MONITOR PANEL W/4 WHEELS & BLACK REVISION - LVS
	095449-01 060	EA WIRE ASSEMBLY WATER TANK TO MONITOR PANEL
	102765-02 01A	EA PANEL-MONITOR W/PLUG FOR 2 TANKS - LVS
	102765-01-700	EA SWITCH ON/OFF ALMOND - LVS 110 01
	037617-01 702	EA SWITCH TWAY ALMOND - LVS 107
	097617-01 703	EA CIRCUIT BOARD - LVS 5076 01
	102765-04 01A	EA PANEL MONITOR W/PLUG FOR 2 TANKS & WATER HEATER - LVS - 11 MONTE

**MICROWAVE OVEN**

KEY	PART NUMBER	U/M DESCRIPTION
	100049-01 000	EA OVEN MICROWAVE (LASAR MOS 0803W

**RANGE HOODS**

KEY	PART NUMBER	U/M DESCRIPTION
	100258-01 01A	EA HOOD RANGE W/O MONITOR PANEL VENTLINE US TC54001NAD FROM 00 00 00 THRU 09 01 91
	100258-02 01A	EA HOOD RANGE W/O MONITOR PANEL VENTLINE CANADIAN FROM 00 00 00 THRU 09 01 91
	100258-16 01A	EA HOOD RANGE W/O MONITOR PANEL VENTLINE US TC55008NAD FROM 09 02 91 THRU 99 99 99
	100258-17 01A	EA HOOD RANGE W/O MONITOR PANEL VENTLINE CANADIAN FROM 09 02 91 THRU 99 99 99
	090973-01 700	EA MOTOR - LVS LASER 1
	090973-01 702	EA BLADE FAN - LVS V4H3 1
	092596-01 709	EA BULB 612 VENTLINE V4415
	092596-01 710	EA SOCKET LIGHT VENTLINE CR2672
	096583-01 700	EA SWITCH ON/OFF VENTLINE 108
	096583-01 702	EA SWITCH TWO WAY MOMENTARY VENTLINE 112
	096593-01 707	EA FILTER GHEASE 9" X 6" - LVS CC246
	096593-01 708	EA LENS LAMP VENTLINE CC179
	100258-10 01A	EA HOOD NOSE LABEL CC428
	100258-10 01A	EA METER HOUR VENTLINE 150

**1992 ITASCA**  
**TABLE OF CONTENTS**

INTRODUCTION	A-01	-	A-02
ABBREVIATIONS			A-03
ALPHABETICAL INDEX	A-04	-	A-06
IT320RB	A-07	-	C-24
IT321RB	D-01	-	F-20
IT321RI	F-21	-	I-15

**1992 IT321RB INDEX**

FLOOR PLAN	D-01	-	D-02
ACCESSORIES			D-03
AUDIO VIDEO			D-04
BATH	D-05	-	D-06
CHASSIS	D-07	-	D-08
CURTAIN & CUSHION	D-09	-	D-15
DINETTE			D-16
DRIVERS COMPARTMENT			D-17
ELECTRICAL	D-18	-	D-21
EXTERIOR BODY	D-22	-	E-04
GALLEY	E-05	-	E-10
GENERATOR			E-11
HEATING & A/C			E-12
INTERIOR FINISH	E-13	-	E-16
LABEL	E-17	-	E-22
LP			E-23
LOUNGE			E-24
SEALANTS & FASTENERS	F-01	-	F-02
WATER & SEWAGE	F-03	-	F-06
WINDOW VENT AND EXTERIOR DOOR	F-07	-	F-20

**GENERATOR GROUP**  
2,500 WATT KOHLER GENERATOR OPTION L32Y

KEY	PART NUMBER	U/M DESCRIPTION
	007067-01-000	SF INSULATION-FIBERGLASS, 1" THICK X 4' - INCREMENTS OF 4 SF
	080662-03-000	EA PIPE-EXHAUST, GENERATOR
	080749-02-000	EA MUFFLER-KOHLER, 2 5CM - 21 - KOHLER PA-228158
	080749-03-000	EA HARDWARE KIT-MUFFLER, 2 5 KOHLER - PA-228296
	083561-04-000	EA GENERATOR-2 5KW KOHLER, PA-177111 - W/CONTROL PANEL ASM

**POWER PACK PACKAGE OPTION L38J**

KEY	PART NUMBER	U/M DESCRIPTION
	007067-01-000	SF INSULATION-FIBERGLASS, 1" THICK X 4' - INCREMENTS OF 4 SF
	080662-03-000	EA PIPE-EXHAUST, GENERATOR
	080749-02-000	EA MUFFLER-KOHLER, 2 5CM - 21 - KOHLER PA-228158
	080749-03-000	EA HARDWARE KIT-MUFFLER, 2 5 KOHLER - PA-228296
	083561-04-000	EA GENERATOR-2 5KW KOHLER PA-177111 - W/CONTROL PANEL ASM

**HEATING & AIR CONDITIONING GROUP**  
ROOF A/C

KEY	PART NUMBER	U/M DESCRIPTION
	093306-01-01A	EA A/C ROOF 7100 BTU - ROTARY - IVORY - COLEMAN 6727D709
	093306-01-700	EA SHROUD-IVORY / BRONZE - W/O LOGO - COLEMAN 6727A5721
	093306-01-701	EA DECAL PKG, LEFT & RIGHT - COLEMAN 679683591
	093306-01-702	EA FAN CAPACITOR, FAN 5 MFD - COLEMAN 14954421
	093306-01-703	EA FAN-4 BLADE, 9" DIAMETER - COLEMAN 67073321
	093306-01-704	EA OVERLOAD, COLEMAN 6707A3751
	093306-01-705	EA MOTOR-115V1 6A60H2-RPM - COLEMAN 67273119
	093306-01-706	EA BLOWER WHEEL, 6 5/16" X 2 7/8" WVD - COLEMAN 670732B1
	093306-01-707	EA START CAPACITOR, 47 - 55 MFD - COLEMAN 62503421
	093306-01-708	EA START RELAY, COLEMAN 9436-3151
	093306-01-711	EA CONDENSER COIL - COLEMAN 14520701
	093306-01-717	EA COMPRESSOR-PANASONIC, COLEMAN 1450-2019
	093306-01-716	EA COMPRESSOR-TECUMSEH, COLEMAN 6727-3659
	093306-01-712	EA COMPRESSOR, COLEMAN 6707C3579
	073742-02-704	EA RUN CAPACITOR (COMPRESSOR), COLEMAN 14994661
	093306-01-713	EA EVAPORATOR, COLEMAN 14520601
	037648-01-714	EA PACKAGE-GASKET, COLEMAN #6759-3281
	093307-01-000	EA CEILING ASM-A/C COOL, IVORY - COLEMAN 6727D714
	093306-01-709	EA DECAL F/THERMOSTAT AND SELECTOR, COLEMAN 6727A3341
	076303-01-710	EA THERMOSTAT, COLEMAN 67333411
	076303-01-707	EA FILTER-6" X 14 75" X 5", 12 PER PKG - COLEMAN 6703A3151
	093306-01-710	EA SHROUD-CEILING, IVORY W/DECAL - COLEMAN 67273511
	093306-01-714	EA SWITCH-SELECTOR, COLEMAN 67273251
	076303-01-708	EA KNOB & BOLT PKG, COLEMAN 67275841
	076303-01-701	EA KNOB-CONTROL, COLEMAN 67333241
	102289-01-000	EA SPRING-SCREW, ROOF A/C GASKET - COLEMAN 6757-150

**FURNACE**

KEY	PART NUMBER	U/M DESCRIPTION
	101990-01-000	EA FURNACE-17,000 BTU, SUBURBAN DD-17DS1
	069634-01-706	EA MODULE BOARD, SUBURBAN# 231427
	069634-01-716	EA VALVE-MANUAL SHUTOFF, SUBURBAN 160740
	101990-01-700	EA MICROSWITCH, SUBURBAN 231759
	101990-01-701	EA COMBUSTION AIR WHEEL, SUBURBAN 350126
	101990-01-702	EA BURNER, SUBURBAN 010763
	101990-01-703	EA ROOM AIR IMPELLER, SUBURBAN 350125
	101990-01-704	EA MOTOR, SUBURBAN 231761
	101990-01-705	EA TIME DELAY RELAY, SUBURBAN 231769
	101990-01-706	EA TERMINAL STRIP, SUBURBAN 231770
	101990-01-707	EA VALVE, SUBURBAN 160952
	101990-01-708	EA ELECTRODE, SUBURBAN 231762
	101990-01-709	EA GRILLE ASSEMBLY, SUBURBAN 030769
	101990-01-710	EA LIMIT SWITCH, SUBURBAN 231768
	101990-01-711	EA ORIFICE, SUBURBAN 530415
	101990-01-713	EA MOTOR GASKET, SUBURBAN 070849
	101990-01-714	EA MICROSWITCH GASKET, SUBURBAN 230877
	101990-01-715	EA COMBUSTION AIR GASKET - FRONT - SUBURBAN 390536
	101990-01-716	EA COMBUSTION AIR GASKET - REAR - SUBURBAN 070860
	101990-01-717	EA MANIFOLD GASKET, SUBURBAN 070847
	101990-01-718	EA BURNER ACCESS DOOR GASKET, SUBURBAN 070850
	101990-01-719	EA MODULE BOARD (IF BEFORE DATE CODE 9112), SUBURBAN 231328
	101990-02-006	EA VENT-FURNACE, OUTSIDE - 4-6" - SUBURBAN 260198

**1992 ITASCA**  
**TABLE OF CONTENTS**

INTRODUCTION	A-01 -	A-02
ABBREVIATIONS		A-03
ALPHABETICAL INDEX	A-04 -	A-06
IT320RB	A-07 -	C-24
IT321RB	D-01 -	F-20
IT321RL	F-21 -	I-16

**1992 IT321RB INDEX**

FLOOR PLAN	D-01 -	D-02
ACCESSORIES		D-03
AUDIO VIDEO		D-04
BATH	D-05 -	D-06
CHASSIS	D-07 -	D-08
CURTAIN & CUSHION	D-09 -	D-15
DINETTE		D-16
DRIVERS COMPARTMENT		D-17
ELECTRICAL	D-18 -	D-21
EXTERIOR BODY	D-22 -	E-04
GALLEY	E-05 -	E-10
GENERATOR		E-11
HEATING & A/C		E-12
INTERIOR FINISH	E-13 -	E-16
LABEL	E-17 -	E-22
LP		E-23
LOUNGE		E-24
SEALANTS & FASTENERS	F-01 -	F-02
WATER & SEWAGE	F-03 -	F-06
WINDOW, VENT AND EXTERIOR DOOR	F-07 -	F-20

**INTERIOR FINISH GROUP  
MOLDINGS & TRIMS**

KEY	PART NUMBER	U/M DESCRIPTION
	009767-12-000	FT MOLDING-SIDEWALL TO CEILING/CABINET - WELTING - OFF WHITE
	009778-11-000	FT U CHANNEL-PLASTIC 1" WIDE X 8" INCREMENTS - IVORY
	009778-15-000	FT U CHANNEL-PLASTIC, 1.25" X 8" INCREMENTS - RAMBLING OAK
	009809-21-000	EA MOLDING-CORNER, OUTSIDE - 1" - PLASTIC - WOODGRAIN
	009809-23-000	EA MOLDING-CORNER, OUTSIDE - 1" - PLASTIC - IVORY
	009812-17-000	EA MOLDING-CORNER, OUTSIDE - 5" - PLASTIC - LIGHT OAK
	009812-22-000	EA MOLDING-CORNER, OUTSIDE - 5" X 7" - PLASTIC - BROWN
	022992-11-000	FT MOLDING-REVERSE COVE, T-SHAPED - VINYL - IVORY
	070504-01-000	FT U-CHANNEL-PLASTIC, .065" WIDE - LIGHT BROWN - INC OF 8'
	070504-06-000	FT U-CHANNEL-PLASTIC, .115" WIDE - LIGHT OAK - INC OF 8'
	070504-19-000	FT U-CHANNEL-PLASTIC, .115" WIDE - BROWN - INC OF 8'
	069733-78-000	EA BATT STRIP-WOODGRAIN - 8' EA - RAMBLING OAK FROM: 00-00-00 THRU: 02-23-92
	069733-79-000	EA BATT STRIP-WOODGRAIN, 8' EA - FOREST OAK FROM: 02-24-92 THRU: 99-99-99
	085284-38-000	FT BATT STRIP-SHOWER, ADHESIVE BACKED - OFF WHITE FROM: 00-00-00 THRU: 03-15-92
	085284-76-000	FT BATT STRIP-SHOWER, ADHESIVE BACKED - OFF WHITE FROM: 03-16-92 THRU: 99-99-99
	085284-48-000	FT BATT STRIP-CEILING, ADHESIVE BACKED FROM: 00-00-00 THRU: 05-28-91
	085284-59-000	FT BATT STRIP-DECORATIVE, ADHESIVE BACKED - FAWN FROM: 05-29-91 THRU: 99-99-99
	085284-53-000	FT BATT STRIP-DECORATIVE, PLAIN - ADHESIVE BACKED
	088263-50-000	EA BATT STRIP-SHOWER, 8' EACH - OFF WHITE FROM: 00-00-00 THRU: 03-15-92
	088263-78-000	EA BATT STRIP-SHOWER, 8' EA - OFF WHITE FROM: 03-16-92 THRU: 99-99-99
	088263-51-000	EA BATT STRIP-CEILING, 8' EA - OFF WHITE FROM: 00-00-00 THRU: 05-28-91
	088263-71-000	EA BATT STRIP-DECORATIVE, 8' EA - FAWN FROM: 05-29-91 THRU: 99-99-99
	088263-66-000	EA BATT STRIP-DECORATIVE, W/FLOWERS - 8' EA
	084730-01-B27	EA MOLDING-SHELF, WOOD
	100040-01-000	EA LUMBER-VINYL WRAPPED, 7" X 1 5" X 8" - RAMBLING OAK
	100040-03-000	EA LUMBER-VINYL WRAPPED, .71" X 2" X 8" - RAMBLING OAK
	100041-01-000	EA MOLDING-VINYL WRAPPED, .7" X 1 57" X 84.02" - RAMBLING OAK
	100041-02-000	EA MOLDING-VINYL WRAPPED, .7" X 2 5" X 84" - RAMBLING OAK
	085746-01-000	FT TRIM-J, CARPET - 1 2" X .5" ANGLE - 10' LONG - PVC - BEIGE
	100659-01-B25	EA TRIM-FLOOR, 72" X 1" X 1/2" - WOOD
	086279-02-000	FT TRIM-INSERT, .9" - PLASTIC - OFF WHITE
	086229-01-000	EA RETAINER-BATTEN, CEILING - .75" WIDE - 7.6' EA

**CARPETING**

KEY	PART NUMBER	U/M DESCRIPTION
	096050-21-000	SY CARPET-12' ROLL, INCREMENTS OF 4 SY (C29)
	096050-23-000	SY CARPET-12' ROLL, INCREMENTS OF 4 SY (C30)
	096060-42-000	SY CARPET-12' ROLL, INCREMENTS OF 4 SY (C42)
	047034-02-000	SF PLASTIC-CARPET, 4' WIDE - CLEAR POLY

**INTERIOR FINISH GROUP (CONTINUED)  
FIRE EXTINGUISHER, SMOKE DETECTOR & CLOCK**

KEY	PART NUMBER	U/M DESCRIPTION
	094499-02-000	EA EXTINGUISHER-FIRE, DRY - 1A10BC - CANADIAN
	094499-01-000	EA EXTINGUISHER-FIRE, DRY W/MOUNTING BRACKET - 10 BC
	094499-01-700	EA BRACKET-MOUNTING, W/PLASTIC STRAP - FIRE EXTINGUISHER
	094651-01-01A	EA HOLDER-RECESSED, FIRE EXTINGUISHER - PLASTIC - LIGHT OAK FROM: 00-00-00 THRU: 05-02-92
	072852-01-000	EA DETECTOR-SMOKE, W/9 VOL? BATTERY
	072852-02-000	EA DETECTOR-SMOKE, W/9 VOLT BATTERY - CANADIAN
	100603-01-01A	EA CLOCK WALL, ROUND BEZEL - LVS 2060 FROM: 00-00-00 THRU: 05-05-91
	101333-01-000	EA BACKPLATE-CLOCK, 6" X 6" - PLASTIC - BLACK FROM: 05-05-91 THRU: 99-99-99
	104764-01-01A	EA CLOCK-WALL, SPARTUS 5616-42 FROM: 05-06-91 THRU: 99-99-99
	103921-01-C29	EA PAD-CLOCK (C29/C42)
	103921-01-C30	EA PAD-CLOCK (C30)
	091261-01-000	FT SLIPNOT-ANTISLIP, 1' WIDE (100' ROLL)

**PANELING, LAMINATES & PLASTIC**

KEY	PART NUMBER	U/M DESCRIPTION
	074497-18-000	SF PANELING-CEILING, 4' X 8" - INCREMENTS OF 32 SF FROM: 00-00-00 THRU: 05-28-91
	074497-19-000	SF PANELING-CEILING, 4' X 8" - INCREMENTS OF 32 SF FROM: 05-29-91 THRU: 99-99-99
	074497-17-000	SF PANELING-WOODGRAIN, 4' X 8" - INCREMENTS OF 32 SF FROM: 00-00-00 THRU: 11-03-91
	074497-21-000	SF PANELING-WOODGRAIN, 4' X 8" - INCREMENTS OF 32 SF FROM: 11-04-91 THRU: 99-99-99
	079666-02-000	SF PANELING-CLOSET, SOLID CEDAR - 4' X 8" - INCREMENTS OF 32 SF
	083618-02-000	SF PLYWOOD-OAK, 1 SIDE FINISHED - 3/16" X 4' X 8" - INCREMENTS OF 32 SF
	088272-72-000	SF PANELING-SHOWER, OFF WHITE - 4' X 7" - INCREMENTS OF 28 SF FROM: 00-00-00 THRU: 03-15-92
	088272-98-000	SF PANELING-SHOWER, OFF WHITE - 4' X 7" - INCREMENTS OF 28 SF FROM: 03-16-92 THRU: 99-99-99
	088272-86-000	SF PANELING-DECORATIVE, PLAIN - 4' X 7" - INCREMENTS OF 28 SF
	088272-87-000	SF PANELING-DECORATIVE, W/FLOWERS - 4' X 7" - INCREMENTS OF 28 SF
	074498-40-000	SF LAMINATE-PLASTIC, 5' X 8" - OFF WHITE - INC OF 40 SF FROM: 00-00-00 THRU: 05-12-91
	074498-41-000	SF LAMINATE-PLASTIC, 5' X 8" - ORCHID - INC OF 40 SF FROM: 05-13-91 THRU: 99-99-99
	076325-28-000	FT MOLDING-EDGE BAND, 1 5/16" WIDE FROM: 00-00-00 THRU: 05-12-91
	076325-34-000	FT MOLDING-EDGE BAND, 1 5/16" WIDE FROM: 05-13-91 THRU: 99-99-99
	000885-46-000	SF PARTICLE BOARD-3/8" X 48" X 96", 1 SIDE VINYL - WOODGRAIN - INC OF 32 SF FROM: 00-00-00 THRU: 11-03-91
	000885-56-000	SF PARTICLE BOARD-3/8" X 48" X 96", 1 SIDE VINYL - WOODGRAIN - INC OF 32 SF FROM: 11-04-91 THRU: 99-99-99
	089297-01-000	SF PLYWOOD-LUAN, OVERLAY GRADE - 4' X 8" - INCREMENTS OF 32 SF
	093743-01-02A	SF PLASTIC-ABS 11 5" WIDE ROLL - OFF WHITE
	093743-02-01A	SF PLASTIC-ABS 20" WIDE ROLL - OFF WHITE

**1992 ITASCA  
TABLE OF CONTENTS**

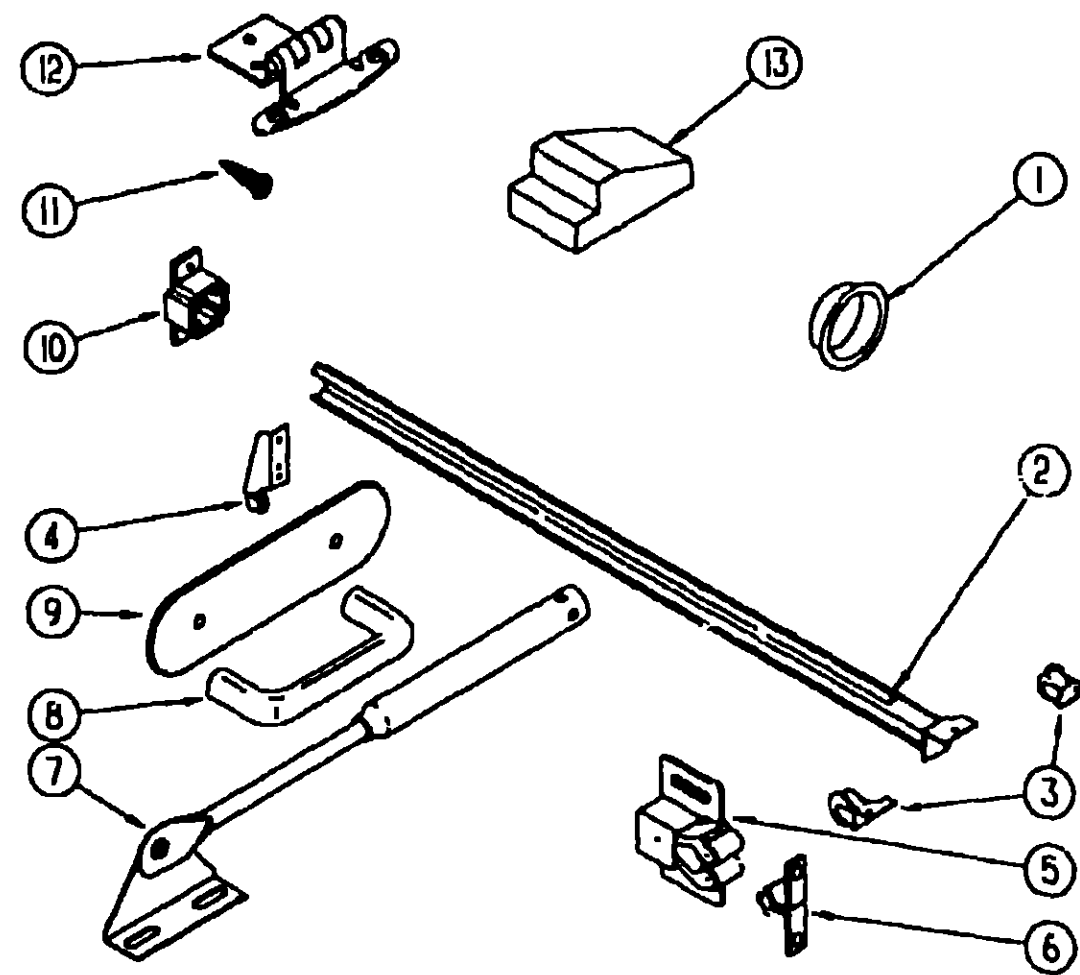
INTRODUCTION	A-01	A-02
ABBREVIATIONS		A-03
ALPHABETICAL INDEX	A-04	A-06
IT320RB	A-07	C-24
IT321RB	D-01	F-20
IT321RL	F-21	I-18

**1992 IT321RB INDEX**

FLOOR PLAN	D-01	D-02
ACCESSORIES		D-03
AUDIO VIDEO		D-04
BATH	D-05	D-06
CHASSIS	D-07	D-08
CURTAIN & CUSHION	D-09	D-15
DINETTE		D-16
DRIVERS COMPARTMENT		D-17
ELECTRICAL	D-18	D-21
EXTERIOR BODY	D-22	E-04
GALLEY	E-05	E-10
GENERATOR		E-11
HEATING & A/C		E-12
INTERIOR FINISH	E-13	E-16
LABEL	E-17	E-22
LP		E-23
LOUNGE		E-24
SEALANTS & FASTENERS	F-01	F-02
WATER & SEWAGE	F-03	F-06
WINDOW, VENT AND EXTERIOR DOOR	F-07	F-20

INTERIOR FINISH GROUP (CONTINUED)

CABINET DOOR & DRAWER HARDWARE



KEY	PART NUMBER	U/M	DESCRIPTION
1	009148-01-000 037688-01-000	EA FT	PULL-FINGER, 75" DIAMETER - BRASS RAIL-V GUIDE, DRAWER - INCREMENTS OF 10"
	0375E8-04-000	EA	BRACKET-MOUNTING, FRONT END OF DRAWER RAIL FROM 00-00-00 THRU 03-31-91
	0375P8-05-000	EA	BRACKET-MOUNTING REAR OF DRAWER RAIL FROM 00-00-00 THRU 03-31-91
2	102827-05-000	EA	TRACK-DRAWER, 22.6" LONG FROM 04-01-91 THRU 99-99-99
3	102827-03-000	EA	ROLLER DRAWER, NYLON - PAIR FROM 04-01-91 THRU 99-99-99
4	102827-02-000	EA	BRACKET-ROLLER, DRAWER - REAR FROM 04-01-91 THRU 99-99-99
5	093586-03-000	EA	CATCH-SPRING ROLLER
6	093586-04-000	EA	STRIKE-SPRING STEEL
7	074493-02-000	EA	SUPPORT-PISTON SPRING CABINET DOOR
8	103857-01-000	EA	PULL-CABINET, BRASS - 3" ON CENTER
9	081376-01-000	EA	BACKPLATE-DOOR PULL, BRASS - 8" X 4 25"
10	102827-04-000	EA	BRACKET-MOUNTING, DRAWER - REAR FROM 04-01-91 THRU 99-99-99
11	000G13-06-10G	EA	SCREW-6-20 X 5/8 PFH - ANTIQUE BRASS FROM 00-00-00 THRU 04-16-92
11	000G13-05-08G	EA	SCREW-6-20 X 5/8 PFH - ANTIQUE BRASS FROM 04-17-92 THRU 99-99-99
12	059777-02-000	EA	HINGE-CABINET DOOR, BURNISHED BRASS FROM 00-00-00 THRU 04-16-92
12	108138-01-000	EA	HINGE-CABINET DOOR, BURNISHED BRASS FROM 04-17-92 THRU 99-99-99
13	104886-01-000	EA	CATCH WOOD, VINYL FACE CABINET
13	104886-02-000	EA	CATCH WOOD, LAMINATED FACE CABINET
	105037-02-000	EA	FASTENER-WOOD, CORNER - METAL - 5" X 6"
	004354-01-000	EA	BUMPER-RUBBER, 5" DIA - BROWN
	023320-01-000	EA	PAD-FELT, 3/8" DIAMETER - BROWN
	016604-01-000	EA	BRACE-CABINET, ANGLE - 2 5" - METAL - UNPAINTED
	016604-03-000	EA	BRACE-CABINET, ANGLE - 2 5" - METAL - BEIGE

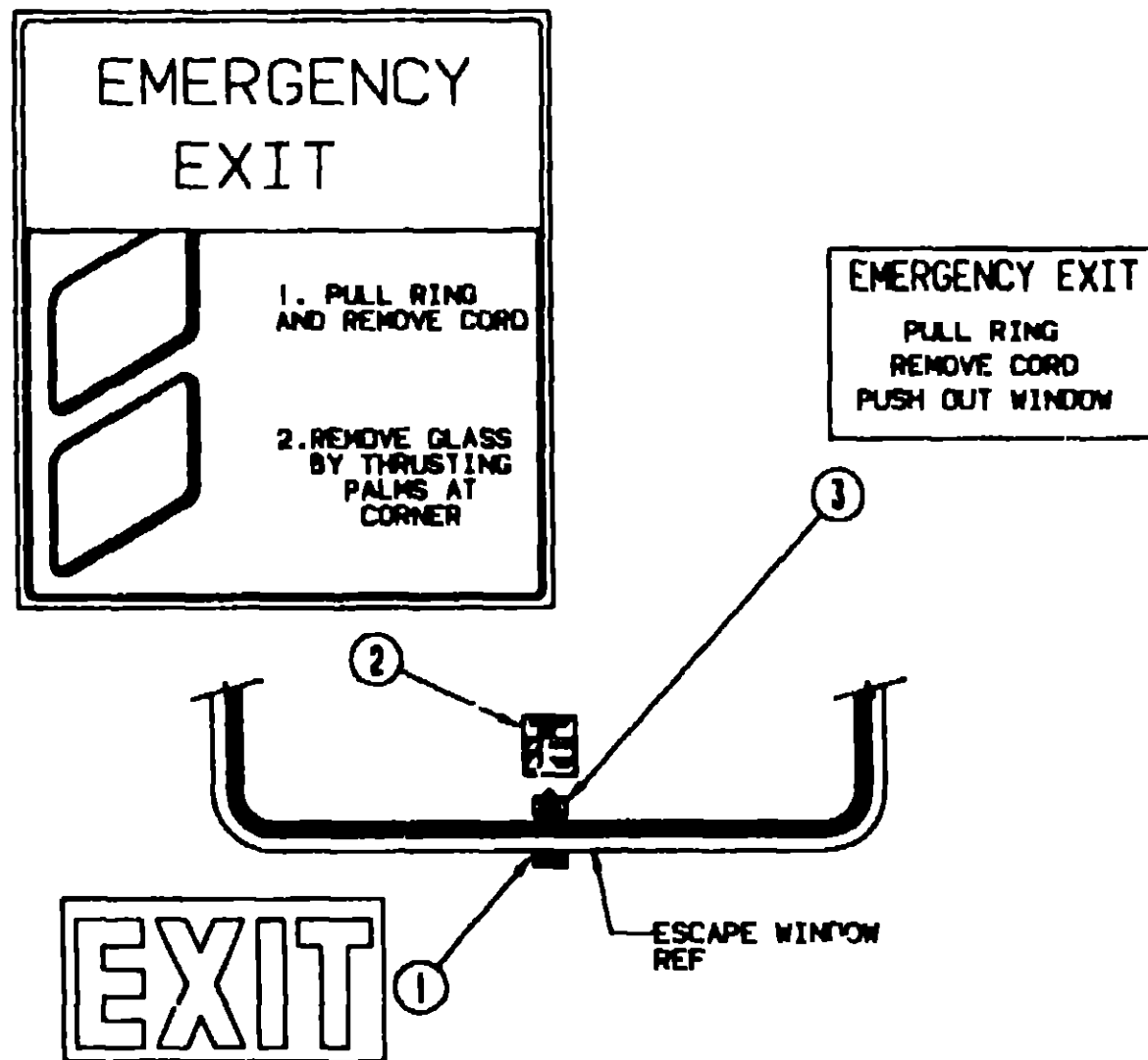
1992 ITASCA  
TABLE OF CONTENTS

INTRODUCTION	A-01 -	A-02
ABBREVIATIONS		A-03
ALPHABETICAL INDEX	A-04 -	A-06
IT320RB	A-07 -	C-24
IT321RB	D-01 -	F-20
IT321RL	F-21 -	I-16

1992 IT321RB INDEX

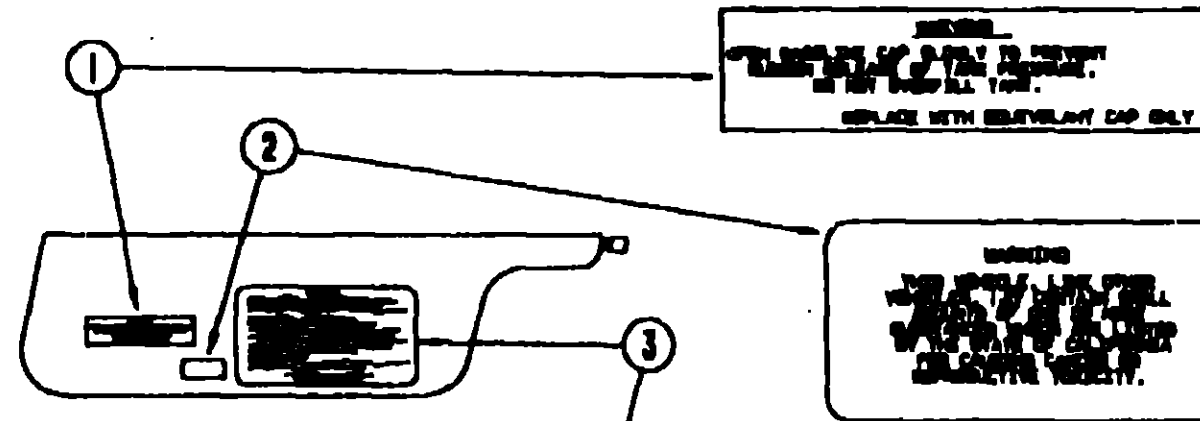
FLOOR PLAN	D-01 -	D-02
ACCESSORIES		D-03
AUDIO VIDEO		D-04
BATH	D-05 -	D-06
CHASSIS	D-07 -	D-08
CURTAIN & CUSHION	D-09 -	D-15
DINETTE		D-16
DRIVERS COMPARTMENT		D-17
ELECTRICAL	D-18 -	D-21
EXTERIOR BODY	D-22 -	E-04
GALLEY	E-05 -	E-10
GENERATOR		E-11
HEATING & A/C		E-12
INTERIOR FINISH	E-13 -	E-16
LABEL	E-17 -	E-22
LP		E-23
LOUNGE		E-24
SEALANTS & FASTENERS	F-01 -	F-02
WATER & SEWAGE	F-03 -	F-05
WINDOW, VENT AND EXTERIOR DOOR	F-07 -	F-20

**LABEL GROUP**



KEY	PART NUMBER	U/M DESCRIPTION	
1	039290-01-000	EA LABEL-WARNING, EXIT	
2	047731-01-000	EA LABEL-EMERGENCY EXIT	
3	006199-01-000	EA LABEL-EXIT, "ESCAPE WINDOW"	FROM 00-00-00 THRU 03-01-92
	107571-01-000	EA LABEL-ESCAPE/EXIT WINDOW	FROM 00-00-00 THRU 03-01-92 FROM 03-02-92 THRU 99-99-99

**LABEL GROUP (CONTINUED)**



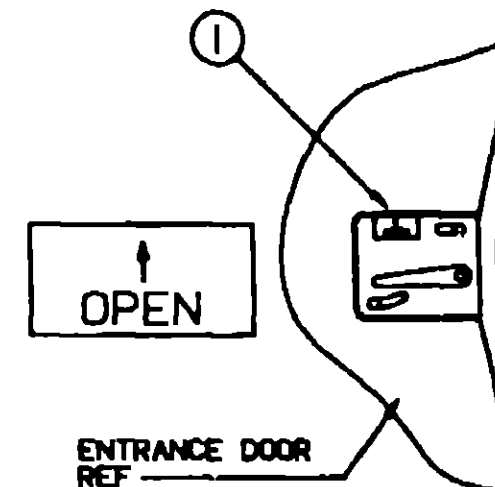
**CAUTION**

THIS MOTOR HOME HAS BEEN DESIGNED, MANUFACTURED AND TESTED WITH CARE FOR THE PROTECTION OF IT'S OCCUPANTS. BE ASSURED YOU PERFORM THE FOLLOWING INSPECTIONS FOR YOUR SAFETY AND THE SAFETY OF YOUR PASSENGERS BEFORE STARTING YOUR VEHICLE.

- 1. LP GAS SYSTEM-** TURN OFF AT TANK FOR TRAVELING. TEST FOR LEAKS UPON ARRIVAL AT DESTINATION. BEFORE LEAVING PLANTS.
- 2. WHEELS-** INSPECT FOR DAMAGE AND CHECK LUG NUTS FOR TIGHTNESS.
- 3. TIRES-** INSPECT FOR WEAR AND DAMAGE AND CHECK FOR RECOMMENDED AIR PRESSURE.
- 4. LIGHTS-** TEST FOR PROPER OPERATION OF ALL EXTERIOR AND INTERIOR LIGHTS INCLUDING BURN LIGHTS, HEADLIGHTS, TAIL LIGHTS, BRAKE LIGHTS, CLEARANCE LIGHTS AND TURN SIGNALS.
- 5. EXITS-** INSPECT RELEASE MECHANISM ON EMERGENCY EXIT VEHICLES. TEST BOTH LOCKS ON MAIN ENTRANCE DOOR FOR EASE OF OPERATION AND INSTRUCT PASSENGERS HOW TO USE BOTH REAR DOOR.
- 6. SEAT BELTS-** INSTRUCT PASSENGERS TO SECURE SEATS AND OBSERVE USE OF SEAT BELTS.
- 7. APPLIANCES-** TURN OFF AND LATCH OR LOCK WHEN THESE PROVIDED.
- 8. LOOSE PARCELS-** STORE SECURELY.
- 9. UTILITY SUPPLY :** DISCONNECT ALL ELECTRIC, WATER AND WATER LINES AND SECURE PROPERLY.
- 10. ENTRANCE DOOR STOP-** PLACE IN RETRACTED POSITION FOR TRAVELING.

READ YOUR MOTOR HOME AND CHASSIS OWNER'S MANUAL FOR FURTHER PRECAUTIONS

KEY	PART NUMBER	U/M DESCRIPTION
1	087207-05-000	EA LABEL-FUEL CAP REMOVAL
2	095689-01-000	EA LABEL-WARNING, CANCER/TOXICITY
3	056259-01-000	EA LABEL-SAFETY CHECK LIST



KEY	PART NUMBER	U/M DESCRIPTION
1	040944-01-000	EA LABEL-ENTRANCE DOOR, "OPEN"

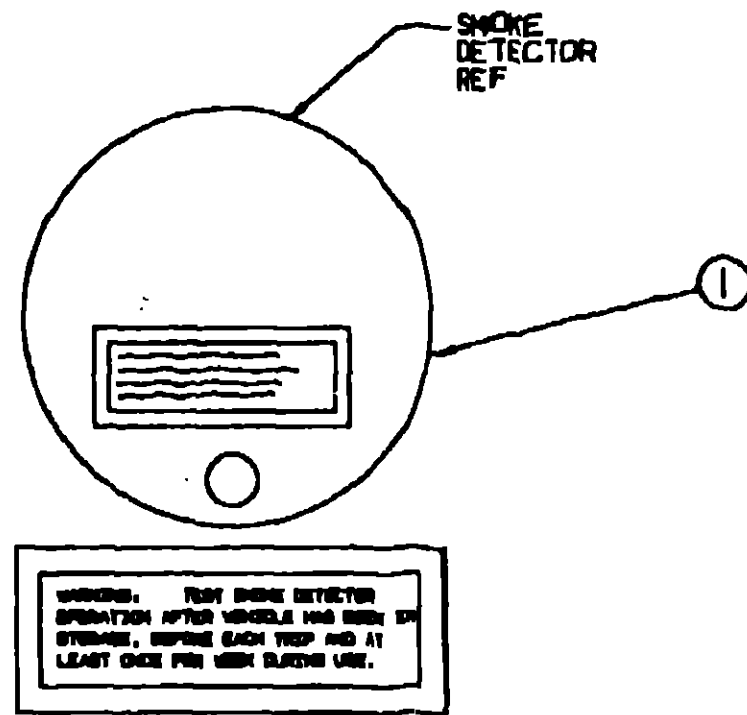
**1992 ITASCA  
TABLE OF CONTENTS**

INTRODUCTION	A-01 -	A-02
ABBREVIATIONS		A-03
ALPHABETICAL INDEX	A-04 -	A-06
IT320RB	A-07 -	C-24
IT321RB	D-01 -	F-20
IT321RL	F-21 -	I-16

**1992 IT321RB INDEX**

FLOOR PLAN	D-01 -	D-02
ACCESSORIES		D-03
AUDIO VIDEO		D-04
BATH	D-05 -	D-06
CHASSIS	D-07 -	D-08
CURTAIN & CUSHION	D-09 -	D-15
DINETTE		D-16
DRIVERS COMPARTMENT		D-17
ELECTRICAL	D-18 -	D-21
EXTERIOR BODY	D-22 -	E-04
GALLEY	E-05 -	E-10
GENERATOR		E-11
HEATING & A/C		E-12
INTERIOR FINISH	E-13 -	E-16
LABEL	E-17 -	E-22
LP		E-23
LOUNGE		E-24
SEALANTS & FASTENERS	F-01 -	F-02
WATER & SEWAGE	F-03 -	F-06
WINDOW, VENT AND EXTERIOR DOOR	F-07 -	F-20

**LABEL GROUP (CONTINUED)**

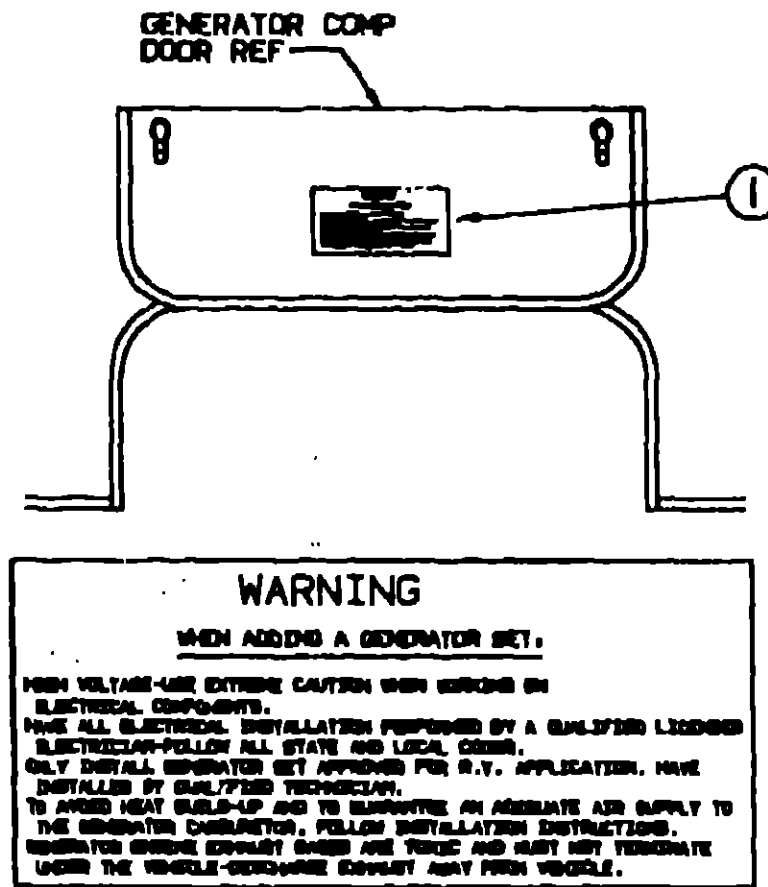


KEY	PART NUMBER	U/M DESCRIPTION
1	077956-01-000	EA LABEL-WARNING, SMOKE DETECTOR

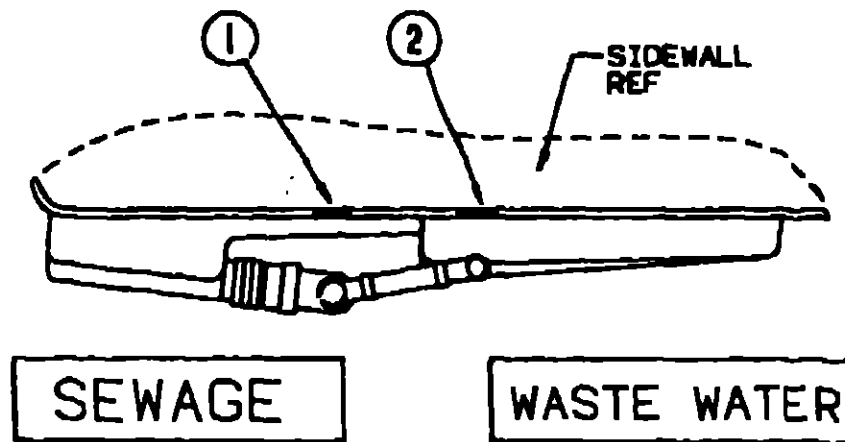
**MISCELLANEOUS LABELS**

KEY	PART NUMBER	U/M DESCRIPTION
	075220-01-000	EA LABEL-WARNING, EXTERIOR LOAD
	091243-01-000	EA LABEL-A/C COVER
	098641-01-000	EA LABEL-FUEL, UNLEADED - DASH
	006062-01-000	EA LABEL-ELECTRIC, 110V CONNECTION
	099509-01-000	EA LABEL-AWNING INSTALLATION
	006064-01-000	EA LABEL-SEAT W/O SEATBELT
	006064-02-000	EA LABEL-SEAT W/O SEATBELT, CANADIAN
	050225-01-000	EA LABEL-WARNING, STOVE VENT - U.S
	050222-01-000	EA LABEL-WARNING, STOVE VENT - CANADIAN
	093237-06-000	EA LABEL-CIRCUIT BREAKER, FRONT - REAR PANEL FROM: 01-27-92 THRU: 99-99-99
	093237-07-000	EA LABEL-CIRCUIT BREAKER, FRONT - REAR PNL/CONV FROM: 01-27-92 THRU: 99-99-99
	093237-08-000	EA LABEL-CIRCUIT BREAKER, FRONT - BATTERY CHARGER FROM: 01-27-92 THRU: 99-99-99

**LABEL GROUP (CONTINUED)**



KEY	PART NUMBER	U/M DESCRIPTION
1	07751001-000	EA LABEL-GENERATOR PREP



KEY	PART NUMBER	U/M DESCRIPTION
1	006187-01-000	EA LABEL-SEWAGE
2	006188-01-000	EA LABEL-WASTE WATER

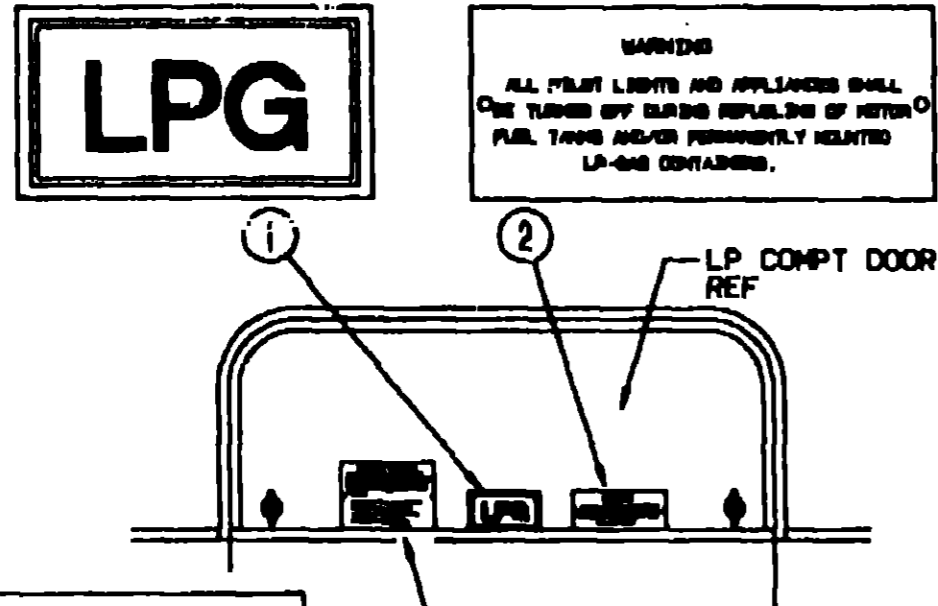
**1992 ITASCA  
TABLE OF CONTENTS**

INTRODUCTION	A-01	A-02
ABBREVIATIONS		A-03
ALPHABETICAL INDEX	A-04	A-06
IT320RB	A-07	C-24
IT321RB	D-01	F-20
IT321RL	F-21	I-16

**1992 IT321RB INDEX**

FLOOR PLAN	D-01	D-02
ACCESSORIES		D-03
AUDIO VIDEO		D-04
BATH	D-05	D-06
CHASSIS	D-07	D-08
CURTAIN & CUSHION	D-09	D-15
DINETTE		D-16
DRIVERS COMPARTMENT		D-17
ELECTRICAL	D-18	D-21
EXTERIOR BODY	D-22	E-04
GALLEY	E-05	E-10
GENERATOR		E-11
HEATING & A/C		E-12
INTERIOR FINISH	E-13	E-16
LABEL	E-17	E-22
LP		E-23
LOUNGE		E-24
SEALANTS & FASTENERS	F-01	F-02
WATER & SEWAGE	F-03	F-06
WINDOW, VENT AND		
EXTERIOR DOOR	F-07	F-20

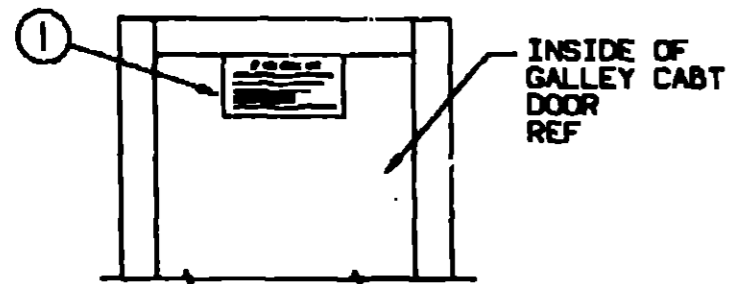
**LABEL GROUP (CONTINUED)**



**LP-GAS SYSTEM**  
THIS GAS PIPING SYSTEM IS DESIGNED FOR USE OF LIQUID PETROLEUM GAS ONLY. DO NOT BURN ANY OTHER GAS TO THIS SYSTEM.

SECURELY CAP INLET(S) WHEN NOT CONNECTED FOR USE. AFTER TURNING ON GAS, EXCEPT AFTER NORMAL CONTAINER REPLACEMENT, TEST GAS PIPING AND CONNECTIONS TO APPLIANCE FOR LEAKAGE WITH SOAPY WATER OR BUBBLE SOLUTION. DO NOT USE PRODUCTS THAT CONTAIN AMMONIA OR CHLORINE.  
P.N. 84631

KEY	PART NUMBER	U/M DESCRIPTION
1	074559-01-000	EA DECAL-LOGO, LPG - RED - (CALIF CODE)
2	006040-01-000	EA TAG-GAS REFUELING WARNING
2	006040-02-000	EA TAG-GAS REFUEL WARNING, CANADIAN
3	054531-01-000	EA LABEL-LP GAS ONLY
3	023769-01-000	EA LABEL-WARNING, LPG - CANADIAN

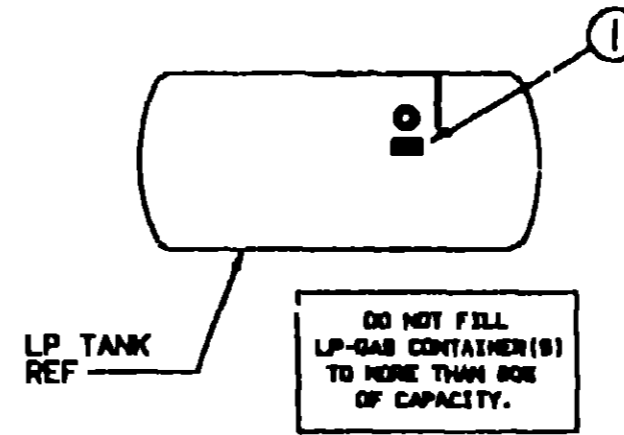


**IF YOU SMELL GAS**

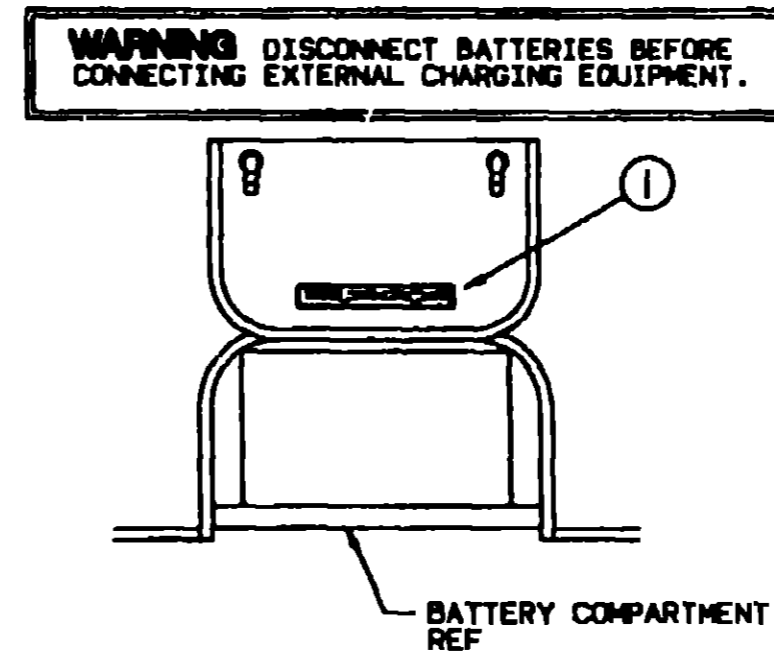
1. EXTINGUISH ANY OPEN FLAME, PILOT LIGHTS AND ALL BURNING MATERIALS.
2. SHUT OFF THE GAS SUPPLY AT THE TANK VALVE OR GAS SUPPLY CONNECTION.
3. OPEN DOORS AND OTHER VENTILATING OPENINGS.
4. DO NOT TOUCH ELECTRICAL SWITCHES.
5. LEAVE THE AREA UNTIL ODOR CLEARS.
6. HAVE THE GAS SYSTEM CHECKED AND LEAKAGE SOURCE CORRECTED BEFORE USING AGAIN.

KEY	PART NUMBER	U/M DESCRIPTION
1	073998-01-000	EA LABEL-LPG ODOR WARNING

**LABEL GROUP (CONTINUED)**



KEY	PART NUMBER	U/M DESCRIPTION
1	079565-01-000	EA LABEL-LPG 80 CAPACITY



KEY	PART NUMBER	U/M DESCRIPTION
1	065748-01-000	EA LABEL-CAUTION, BATTERY CHARGING

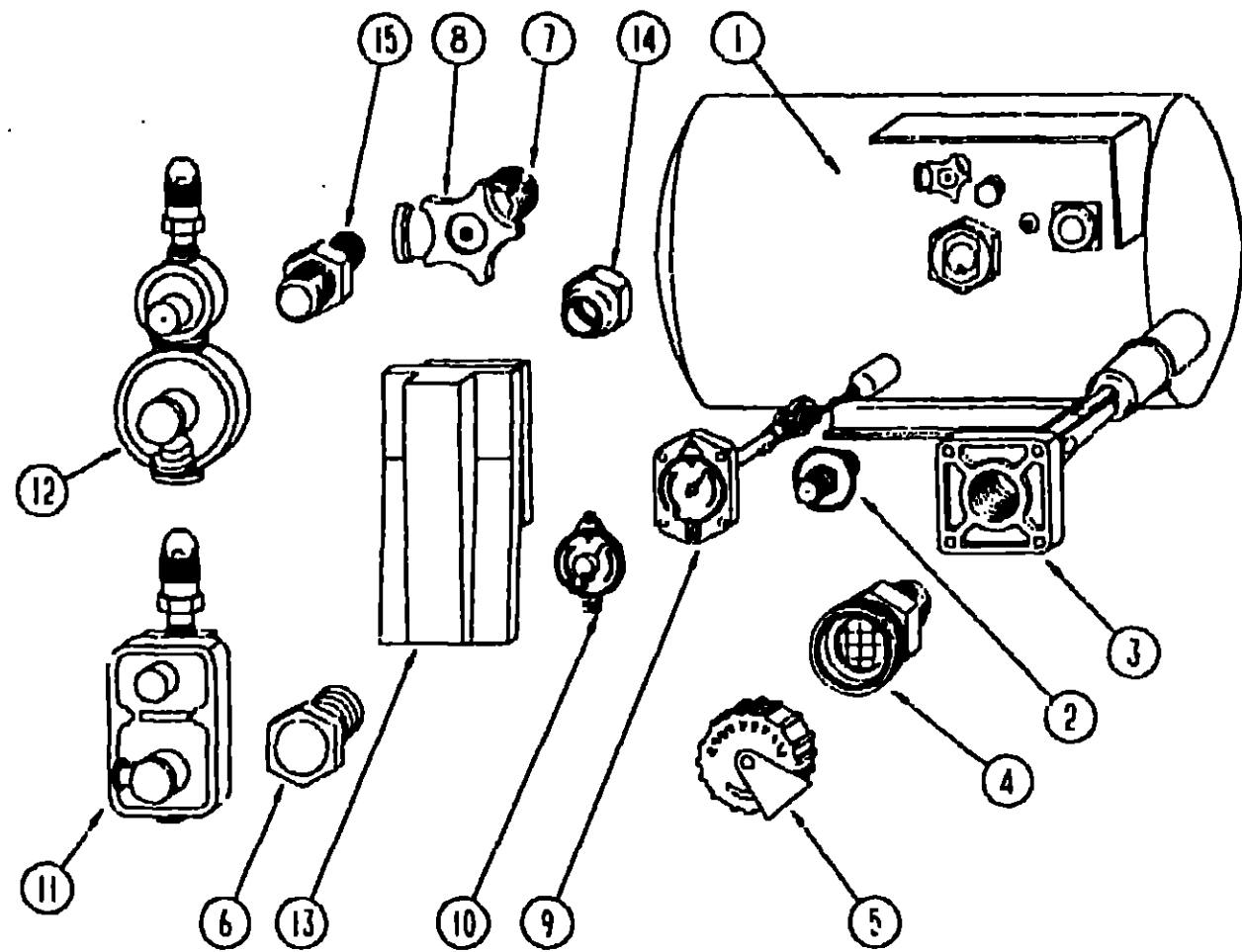
**1992 ITASCA  
TABLE OF CONTENTS**

INTRODUCTION	A-01	A-02
ABBREVIATIONS		A-03
ALPHABETICAL INDEX	A-04	A-06
IT320RB	A-07	C-24
IT321RB	D-01	F-20
IT321RL	F-21	I-16

**1992 IT321RB INDEX**

FLOOR PLAN	D-01	D-02
ACCESSORIES		D-03
AUDIO VIDEO		D-04
BATH	D-05	D-06
CHASSIS	D-07	D-08
CURTAIN & CUSHION	D-09	D-15
DINETTE		D-16
DRIVERS COMPARTMENT		D-17
ELECTRICAL	D-18	D-21
EXTERIOR BODY	D-22	E-04
GALLEY	E-05	E-10
GENERATOR		E-11
HEATING & A/C		E-12
INTERIOR FINISH	E-13	E-16
LABEL	E-17	E-22
LP		E-23
LOUNGE		E-24
SEALANTS & FASTENERS	F-01	F-02
WATER & SEWAGE	F-03	F-06
WINDOW, VENT AND EXTERIOR DOOR	F-07	F-20

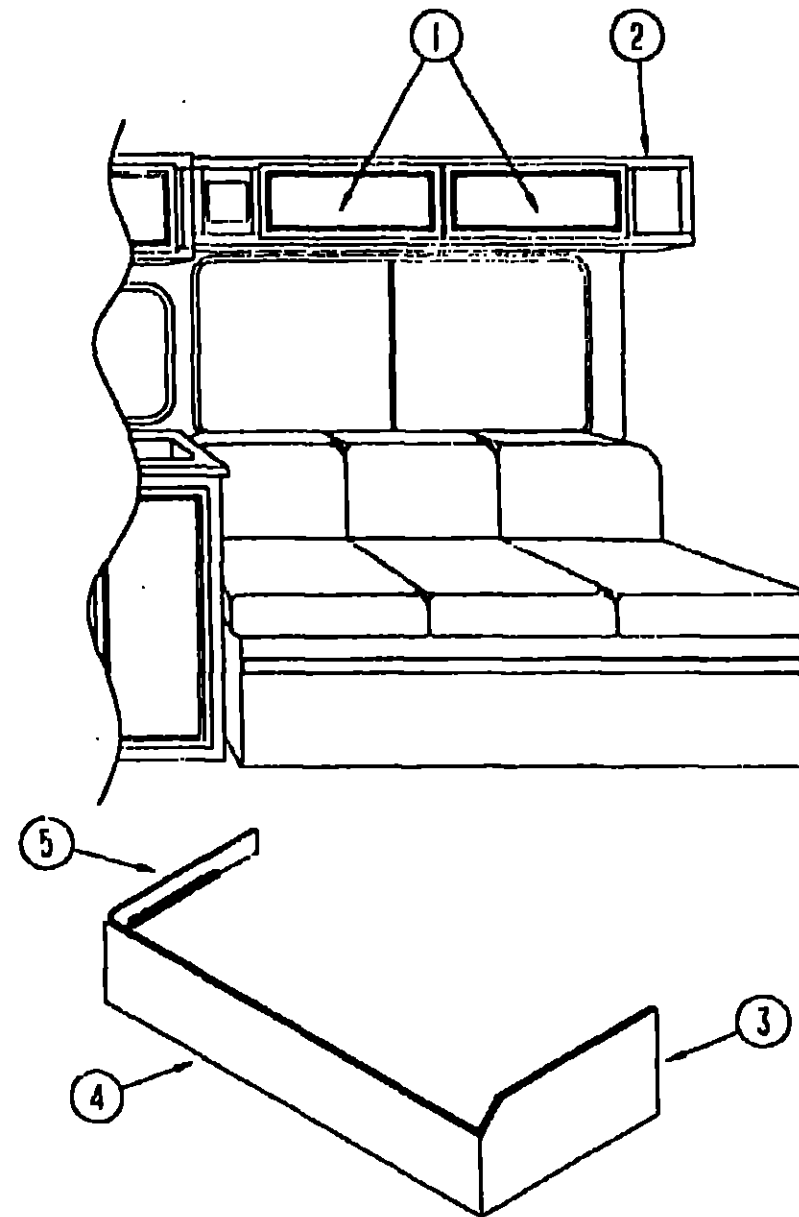
**LP GROUP**



**LP TANK & COMPONENTS**

KEY	PART NUMBER	U/M DESCRIPTION
1	074039-03-000	EA TANK-LP, 28 LB - BOTTOM MOUNT - 10" DIA X 23" LONG
2	040421-01-700	EA VALVE-LIQUID LEVEL, 20% LP - BRUNNER G-1013
3	040421-01-711	EA VALVE-80% W/FLOAT, PLATE, BOLTS & GASKET - BRUNNER
4	040421-01-701	EA VALVE-FILLER, LP SHORT - BRUNNER 7547B
5	040421-01-702	EA CAP-LP FILLER VALVE, PLASTIC - YELLOW - BRUNNER G-1014-A
6	040421-01-713	EA VALVE-VAPOR ONLY, 29000587
7	040421-01-712	EA VALVE-SERVICE W/HAND/WHEEL, W/O VAPOR RELIEF - 29000853
8	040421-01-708	EA HANDWHEEL-SERVICE VALVE, BRUNNER G-1015-A
9	074039-01-700	EA FLOAT ASM-BOLT ON, F/10" DIA TANK - BRUNNER 10C
10	040440-02-000	EA DIAL-TRANSMITTER, 0-90 OHM
11	058705-01-000	EA REGULATOR-TWO STAGE LPG, M'BRASS G2640 FROM: 00-00-00 THRU. 03-24-92
12	106150-03-000	EA REGULATOR-TWO STAGE LPG, M'BRASS 295-00 FROM: 03-25-92 THRU. 99-99-99
13	081338-01-000	EA COMPARTMENT-LP REGULATOR FROM: 00-00-00 THRU. 03-24-92
13	105656-01-000	EA COMPARTMENT-LP REGULATOR FROM 03-25-92 THRU. 99-99-99
	103613-01-000	EA DETECTOR-LP GAS
	065741-01-000	EA GAUGE-DIAPHRAGM PRESSURE - MARSHALLTOWN MFG
	065742-01-000	EA TEE, .38" F X .38" F X .25" FPT - BRASS
14	010377-02-000	EA NUT-BRASS, 3/8 FEMALE - FORGED
15	010323-01-000	EA ADAPTER-BRASS, 3/8" F X 1/2" MPT
	010265-01-000	EA ELBOW-BRASS, 90 DEGREE - 3/8" F X 1/2" FPT
	074458-01-000	EA ELBOW-3/8M FL TO 3/8F FL SVL ANCHOR BRASS A800
	010251-01-000	EA ELBOW-BRASS, 90 DEGREE - 3/8" F X 3/8" MPT
	033759-01-000	EA ELBOW-3/8" F X 3/8" F X 90 DEGREE
	008042-01-000	FT TUBING-VINYL, 65" ID

**LOUNGE GROUP**



**LOUNGE CABINETS**

KEY	PART NUMBER	U/M DESCRIPTION
1	P03702-73-C29	EA DOOR-CABINET, W/O HARDWARE - 10" X 25 2"
2	M05160-02-C29	EA CABINET-OVERHEAD, W/O DOORS OR HARDWARE
2	M05160-13-C29	EA CABINET-OVERHEAD, W/O DOORS OR HARDWARE - DELUXE OPTION
2	M05160-13-C30	EA CABINET-OVERHEAD, W/O DOORS OR HARDWARE - DELUXE OPTION
3	M04187-05-C29	EA CABINET-COUCH, LEFT SIDE W/FABRIC
3	M04187-05-C30	EA CABINET-COUCH, LEFT SIDE W/FABRIC
3	M04187-05-C42	EA CABINET-COUCH, LEFT SIDE W/FABRIC
3	M04187-22-C29	EA CABINET-COUCH, LEFT SIDE W/FABRIC - EL MONTE OPTION
3	M04187-22-C30	EA CABINET-COUCH, LEFT SIDE W/FABRIC - EL MONTE OPTION
3	M04187-22-C42	EA CABINET-COUCH, LEFT SIDE W/FABRIC - EL MONTE OPTION
4	M04187-04-C29	EA CABINET-COUCH, FRONT FACE W/FABRIC
4	M04187-04-C30	EA CABINET-COUCH, FRONT FACE W/FABRIC
4	M04187-04-C42	EA CABINET-COUCH, FRONT FACE W/FABRIC
5	M04187-06-C29	EA CABINET-COUCH, RIGHT SIDE W/FABRIC
5	M04187-06-C30	EA CABINET-COUCH, RIGHT SIDE W/FABRIC
5	M04187-06-C42	EA CABINET-COUCH, RIGHT SIDE W/FABRIC
5	M04187-23-C29	EA CABINET-COUCH, RIGHT SIDE W/FABRIC - EL MONTE OPTION
5	M04187-23-C30	EA CABINET-COUCH, RIGHT SIDE W/FABRIC - EL MONTE OPTION
5	M04187-23-C42	EA CABINET-COUCH, RIGHT SIDE W/FABRIC - EL MONTE OPTION
	082525-01-000	EA BRACE-COUCH, FLOOR MOUNT - ANGLE 3" LONG - METAL FROM: 00-00-00 THRU: 10-08-91
	082525-02-000	EA BRACE-COUCH, FLOOR MOUNT - ANGLE 3" LONG - METAL FROM: 10-09-91 THRU: 99-99-99
	050101-01-002	EA EXTRUSION-L SHAPED, 192" - ALUMINUM
	083125-05-000	EA BRACE-ANGLE, COUCH - 2 5" - BEIGE

**1992 ITASCA  
TABLE OF CONTENTS**

INTRODUCTION	A-01 - A-02
ABBREVIATIONS	A-03
ALPHABETICAL INDEX	A-04 - A-06
IT320RB	A-07 - C-24
IT321RB	D-01 - F-20
IT321RL	F-21 - I-16

**1992 IT321RB INDEX**

FLOOR PLAN	D-01 - D-02
ACCESSORIES	- D-03
AUDIO VIDEO	- D-04
BATH	D-05 - D-06
CHASSIS	D-07 - D-08
CURTAIN & CUSHION	D-09 - D-15
DINETTE	- D-16
DRIVERS COMPARTMENT	- D-17
ELECTRICAL	D-18 - D-21
EXTERIOR BOE	D-22 - E-04
GALLEY	E-05 - E-10
GENERATOR	- E-11
HEATING & A/C	- E-12
INTERIOR FINISH	E-13 - E-16
LABEL	E-17 - E-22
LP	E-23
LOUNGE	E-24
SEALANTS & FASTENERS	F-01 - F-02
WATER & SEWAGE	F-03 - F-06
WINDOW, VENT AND EXTERIOR DOOR	F-07 - F-20



**SEALANTS & FASTENERS GROUP  
SCREWS**

KEY	PART NUMBER	U/M DESCRIPTION
	000G68-06-10G	EA SCREW-8-18 X 5/8 POH - ANTIQUE BRASS
	000G13-06-09B	EA SCREW-6-20 X 1/2 PFH - ZINC
	000G13-05-08G	EA SCREW-6-20 X 50 PFH - ANTIQUE BRASS
	000G13-07-12B	EA SCREW-7-19 X 3/4 PFH - ZINC
	000G11-06-10J	EA SCREW-7-19 X 1/2 PPH - ZINC
	000G11-07-08B	EA SCREW, 7-19 X 1/2 PPH - ZN
	000G11-08-06B	EA SCREW, 8-18 X 3/8 PPH ZN
	000G11-08-12B	EA SCREW, 8-18 X 3/4 PPH ZN
	000G11-08-12D	EA SCREW, 8-18 X 3/4 PPH - BLACK
	000G11-08-12F	EA SCREW, 8-18 X 3/4 PPH - BEIGE
	000G11-08-12J	EA SCREW-8-18 X .75 PPH, OFF WHITE
	000G11-08-16S	EA SCREW, 8-18 X 1.00 PPH - OFF WHITE
	000G12-08-12S	EA SCREW-8-18X.75 POH OFF WHITE
	000G12-08-16S	EA SCREW, 8-18 X 1.00 POH - OFF WHITE
	000G13-08-16B	EA SCREW-8-18 X 1 PFH - ZINC
	000G67-10-08B	EA SCREW, 10-12 X 1/2 PPH ZN
	000G67-10-08R	EA SCREW, 10-12 X 1/2 PPH - BEIGE - TYPE A
	000G67-10-10B	EA SCREW, 10-12 X 5/8 PPH ZN - TYPE A
	000G67-10-10D	EA SCREW, 10-12 X 5/8 PPH - BLACK - TYPE A
	000G67-10-10R	EA SCREW, 10-12 X 5/8 PPH - TYPE A - BEIGE
	000G67-10-10S	EA SCREW, 10-12 X 5/8" - PPH - OFF WHITE
	000G67-10-12B	EA SCREW, 10-12 X 3/4" PPH - ZN
	000G57-10-12P	EA SCREW, 10-12 X .75" - PPH - DARK BROWN
	000G67-10-16B	EA SCREW, 10-12 X 1 PPH - ZN
	000G67-10-24B	EA SCREW, 10-12 X 1 1/2 PPH - ZN
	000G67-10-32B	EA SCREW, 10-12 X 2 PFH - ZN
	000G11-10-12D	EA SCREW-10-16 X 3/4 PPH - BLACK
	000G36-10-12E	EA SCREW-10-24 X 3/4 PFH TYPE 23 - CHROME PLATED
	000G32-10-06B	EA SCREW-10-32 X 3/8" - PPH - ZINC
	000G18-08-12B	EA SCREW-MACHINE-8-32 X 3/4" PPH ZINC
	000G18-08-22B	EA SCREW-MACHINE-8-32 X 1 3/8 PPH ZINC
	000G53-04-06B	EA SCREW-MACHINE-1/4-20 X 3/8 PPH -ZINC - UNDERCUT HEAD
	000G39-06-08B	EA SCREW-DR-6-18X1/2 ZN
	000G39-08-08B	EA SCREW-SF/DR, 8-18 X 1/2 PPH ZN
	000G39-08-08R	EA SCREW-SF/DR, 8-18 X 1/2 PPH - BEIGE
	000G39-08-08S	EA SCREW-SF/DR, 8-18 X 1/2 PPH - OFF WHITE
	000G39-08-12B	EA SCREW-SF/DR, 8-18 X 3/4 PPH ZN
	000G55-08-12M	EA SCREW-SF/DR-8-18 X 75 PWH - GRAY
	000G39-08-16S	EA SCREW-SF/DR 8-18 X 1 00 PPH - OFF WHITE
	000G39-08-24B	EA SCREW-SF/DR, 8-18 X 1 1/2 PPH ZN
	000G39-08-24S	EA SCREW-SF/DR-8-18 X1 50 - OFF WHITE
	000G39-10-10S	EA SCREW-SF/DR 10-16 X 52" PPH - OFF WHITE
	000G39-10-12D	EA SCREW-SF/DR 10-16 X 3/4 PPH - BLACK
	000G39-10-12R	EA SCREW-SF/DR, 10-16 X 3/4 PPH - FLUOROCARBON SILVER
	000G39-10-20B	EA SCREW-SF/DR 10-16 X 1 1/4 PPH - ZINC
	000G42-04-16B	EA SCREW-SF/DR 1/4-14 X 1 HWH - ZINC
	000G54-04-20B	EA SCREW 1/4-20 X 1 1/4 PTH - TYPE 23 - ZINC PLATED
	087721-01-000	EA SCREW-FLAT HEAD TAPPING - 1/4" X 1 1/4" LG ZINC
	075908-01-000	EA SCREW-MACHINE 10-32 X 56 PTH - ZINC EXTERNAL TOOTH
	076790-01-000	EA SCREW, 6-20 X 1 1/4 PPH - BLACK
	101289-01-01A	EA SCREW-MACHINE, 8-32 X 4 - POH - BRASS - FOR EXTENDED KNOB
	105126-01-000	EA SCREW-CACH-8-32X1 PPH TAPTIT N W/LITE WAX

**ADHESIVE AND SEALANTS**

KEY	PART NUMBER	U/M DESCRIPTION
	002707-02-000	FT TAPE-SEALER 5/16" X 1/2" - INCREMENTS OF 50 FT
	004020-01-000	QT ADHESIVE-ABS CEMENT QUART
	034552-02-000	EA SILICONE-TUBE 300 ML - CLEAR
	034552-05-000	EA SILICONE-TUBE 300 ML - OFF WHITE
	039518-01-000	EA SILICONE-TUBE 300 ML - BLACK
	103716-01-000	EA SILICONE-TUBE, OFF WHITE LEVEL - CSL 510
	053765-02-000	EA BEDDING COMPOUND-TUBE - WHITE

F-01

**SEALANTS & FASTENERS GROUP (CONTINUED)  
ADHESIVE AND SEALANTS CONT'D**

KEY	PART NUMBER	U/M DESCRIPTION
	053766-08-000	EA BEDDING COMPOUND-TUBE - GRAY
	063642-01-000	FT TAPE-ADHESIVE 10 MM X 1.5" WIDE X 180'
	069640-10-000	FT SEALER-RIBBON 1/32" X 1 1/2" INCREMENTS OF 90'
	069640-09-000	FT SEALER-RIBBON 1/32" X 2 1/2" - INCREMENTS OF 80'
	069640-11-000	FT SEALER-RIBBON 3/16"X3/8" - BLACK
	069640-01-000	FT SEALER-RIBBON 1/4" DIAMETER - INCREMENTS OF 30'
	069640-02-000	FT SEALER-RIBBON 1/2" X 1/8" - INCREMENTS OF 30' OR 60'
	069640-03-000	FT SEALER-RIBBON 3/4" X 1/8" - INCREMENTS OF 60'
	069640-06-000	FT SEALER-RIBBON 5/16" DIAMETER - INCREMENTS OF 25'
	069640-07-000	FT SEALER-RIBBON 2" X 3/32" - INCREMENTS OF 30' OR 45'
	072889-01-000	EA SEALANT-URETHANE, BLACK - 1/10 - ESSEX 552.2
	076322-01-000	FT TAPE-FOAM, DOUBLE COATED ADHESIVE BACKED - .75" X 216'
	076322-02-000	FT TAPE-FOAM, DOUBLE COATED ADHESIVE BACKED - 1" X 108'
	076322-03-000	FT TAPE-FOAM, DOUBLE COATED ADHESIVE BACKED - 5" X 108'
	076322-05-000	FT TAPE-FOAM, DOUBLE COATED - .025" X 1.5" X 108'
	091255-02-000	FT SEAL-ADHESIVE BACKED FOAM, .18" THICK X 1 5" WIDE
	067211-01-000	GL PROMOTER-ADHESIVE
	102352-01-000	EA SEALER-PUMPABLE BLACK

**NUTS, BOLTS AND GROMMETS**

KEY	PART NUMBER	U/M DESCRIPTION
	040921-04-000	EA NUT-SPEED U TYPE - NO 8 - 59" LENGTH X 44" WIDTH
	005081-01-000	EA NUT-SPEED C TYPE - NO 8 SCREW
	0MD01K-05-000	EA NUT-HEX M05 X 0 60 MM - RNO# 7903032006
	000D14-05-00B	EA NUT-HEX, 5/16-18 - ZN 5
	000D24-10-00B	EA NUT-HEX, SF/LK - 10-32 ZN
	000D39-04-00B	EA NUT-HEX, SER FLG LK 1/4 - 20 ZN
	000D39-05-00B	EA NUT-HEX, SER FLG LK - 5/16 - 18 ZN
	000D39-06-00B	EA NUT-HEX, SER FLG LK - 3/8-16 ZN
	000D39-08-00B	EA NUT-HEX, SER FLG LK - 1/2-13 ZN
	000D44-07-00B	EA NUT-HEX, SER FLG LK - 7/16-20 ZN
	064081-01-000	EA NUT-WING, 3/8" X 16 THREAD
	064081-02-000	EA NUT-WING, 5/8" X 11 THREAD - EL MONTE OPTION
	000C12-05-12B	EA BOLT-HEX-5/16-18X3/4 ZN 5
	000C12-05-16B	EA BOLT-HEX, 5/16-18 X 1 - ZINC 5
	000C12-06-32B	EA BOLT-HEX-3/8-16X2LG,ZN 5
	000C13-07-48B	EA BOLT-HEX, 7/16 - 20 X 3 - ZN 5
	000C18-05-40A	EA BOLT-ELEV, 5/16"-18 X 2 1/2" PL
	000C26-05-12B	EA BOLT-HEX-SER FLG 5/16-18X3/4 ZN
	000C26-05-20B	EA BOLT-HEX, SER FLG 5/16 - 18 X 1 1/4 ZINC
	071015-04-000	EA GROMMET-RUBBER 18" ID X 88" OD W/ 03" GROOVE - BLACK

**MISCELLANEOUS FASTENERS**

KEY	PART NUMBER	U/M DESCRIPTION
	087277-02-000	EA WASHER-PLASTIC, OFF WHITE
	044533-01-000	EA WASHER-PLASTIC 1 3/8"OD - FOR BUTTONS
	000E13-11-00B	EA WASHER-FLARE, 3/16" WIDE - ZN
	000E13-20-00B	EA WASHER-FL-7/16 WIDE ZN 5094-01 5115-01
	041322-01-000	EA WASHER-FL, 15/32ID X 2 3/8 OD - FOR SEAT BELT MOUNT
	056134-01-000	EA HOLDER-RING 36" DIAMETER - METAL
	007161-01-000	EA CLAMP-HOSE, SPRING TYPE - 1/2"
	010495-01-000	EA CLAMP-CABLE, 9/16"
	010497-01-000	EA CLAMP-CLOSED, 5/8" ID
	010497-03-000	EA CLAMP-CLOSED, 1" ID - CUSHIONED
	010499-01-000	EA CLAMP-CLOSED, 3/8" ID
	062401-01-000	EA CLAMP-HOSE, WORMGEAR 25" - 1"
	062401-02-000	EA CLAMP-HOSE, WORMGEAR, 1 55" - 2 5"
	062401-05-000	EA CLAMP-HOSE, WORMGEAR 22"-.62"
	075148-02-000	EA CLAMP-GROUNDING BRONZE SCREWS
	083609-01-000	EA CLAMP-WIRE, DUAL EQUAL - 5/8" DIAMETER
	080734-02-000	EA CLIP-WIRE NYLON

F-02

**1992 ITASCA  
TABLE OF CONTENTS**

INTRODUCTION	A-01	A-02
ABBREVIATIONS		A-03
ALPHABETICAL INDEX	A-04	A-06
IT320RB	A-07	C-24
IT321RB	D-01	F-20
IT321RL	F-21	I-16

**1992 IT321RB INDEX**

FLOOR PLAN	D-01	D-02
ACCESSORIES		D-03
AUDIO VIDEO		D-04
BATH	D-05	D-06
CHASSIS	D-07	D-08
CURTAIN & CUSHION	D-09	D-15
DINETTE		D-16
DRIVERS COMPARTMENT		D-17
ELECTRICAL	D-18	D-21
EXTERIOR BODY	D-22	E-04
GALLEY	E-05	E-10
GENERATOR		E-11
HEATING & A/C		E-12
INTERIOR FINISH	E-13	E-16
LABEL	E-17	E-22
LP		E-23
LOUNGE		E-24
SEALANTS & FASTENERS	F-01	F-02
WATER & SEWAGE	F-03	F-06
WINDOW, VENT AND EXTERIOR DOOR	F-07	F-20

**WATER & SEWAGE GROUP**  
FRESH WATER TANK

KEY	PART NUMBER	U/M DESCRIPTION
	064677-03-000	EA TANK-WATER, W/FITTINGS - 14 GALLON - 11" X 20" X 15"
	084677-01-000	EA TANK-WATER, 12.5 GALLON - W/O FITTINGS - 11" X 20" X 16"
	077954-02-000	EA FILTER-WATER TANK, SCREEN IN TANK
	079381-01-000	FT TUBING-SMOOTH, FLEXIBLE - 1 1/4" ID X 20'
	042989-03-000	EA FITTING-WATER TANK, SPINWELD - 1 1/4"NPT - PLASTIC - WHITE
	042989-04-000	EA FITTING-WATER TANK, SPINWELD - 3/8" FPT - PLASTIC - WHITE
	042989-05-000	EA FITTING-WATER TANK, SPINWELD - 1/2" FPT - PLASTIC - WHITE
	049032-01-000	EA PATCH-SPINWELD 3/8" - PLASTIC
	039861-01-000	EA SENDING UNIT W/SCREW, WASHER, WELL NUT AND TERMINAL RING

**WATER SYSTEM**

KEY	PART NUMBER	U/M DESCRIPTION
	036522-02-000	EA CAP-BRASS, 1/2" FLARE
	082144-02-000	EA CAP-PIPE, 1/2" FPT BRASS - HEX
	106258-01-000	EA CAP-INSERTABLE, 1/2" FLARE
	010224-01-000	EA ADAPTER-HOSE TO PIPE, 3/8" MPT X 3/8" BARB - BLACK PLASTIC
	044927-01-000	EA ADAPTER-HOSE TO PIPE 1 1/4" MPT X 1 1/4" BARB - BLACK PLASTIC
	079317-01-000	EA ADAPTER-SWIVEL, 1/2" TUBE X 1/2" FPT - PLASTIC - GRAY
	052960-01-000	EA DRAIN VALVE-IN LINE, HEADER - 1/2" F X 1/2" F - GRAY PLASTIC
	052960-03-000	EA DRAIN VALVE-IN LINE, HEADER - 5/8" F X 5/8" F - PLASTIC
	052961-01-000	EA DRAIN VALVE-IN LINE, HEADER - 1/2" F X 1/2" F X 1/2" F X 1/2" F - PLASTIC
	098417-01-000	EA CONNECTOR-5/8" F X 1/2" MPT, PLASTIC - KEVCO
	098420-01-000	EA CONNECTOR-SWIVEL, 1/2" FPT X 5/8" TUBE - PLASTIC
	101814-01-000	EA COUPLING-FEMALE, 1/2" X 1/2" FPT
	055290-01-000	EA ELBOW-5/8" F X 1/2" MPT
	057457-01-000	EA ELBOW-UNION, 1/2" X 1/2" FLARE
	087659-04-000	EA FILL-WATER, CITY - OFF WHITE
	065120-01-000	EA ELBCW-SWIVEL 1/2" FPT X 1/2" FLARE - PLASTIC - GRAY
	052952-01-000	EA NUT-PLASTIC, 1/2" F X 1/2" TUBE - GRAY
	052952-02-000	EA NUT-PLASTIC, 5/8" FLARE
	052953-01-000	EA NUT-FAUCET, 1/2" TUBE X 1/2" FPT - PLASTIC - GRAY
	052954-01-000	EA ADAPTER-NOSE CONE, 3/8" OR 1/2" TUBING - PLASTIC - GRAY
	039729-01-000	EA TEE-1/2" MPT X 1/2" MPT X 1/2" MPT, PLASTIC
	052955-01-000	EA TEE-WATER 1/2" F X 1/2" F X 1/2" MPT - PLASTIC - GRAY
	055291-01-000	EA TEE-PLASTIC, 5/8" F X 5/8" F X 5/8" F
	055293-01-000	EA TEE-PLASTIC, 5/8" F X 1/2" F X 5/8" F
	057974-01-000	EA TEE-5/8" F X 1/2" F X 1/2" F, PLASTIC
	052955-03-000	EA TEE-5/8" F X 5/8" F X 1/2" MPT - PLASTIC
	052958-01-000	EA TEE 1/2" F X 1/2" F X 1/2" F - PLASTIC - GRAY
	039800-01-000	FT TUBING-POLYBUTYL, 1/2" OD - INCREMENTS OF 20' - BLACK
	039800-02-000	FT TUBING-POLYBUTYL, 5/8" OD - INCREMENTS OF 20' - BLACK
	074462-02-000	FT TUBING-VINYL 3/8" ID - INCREMENTS OF 20' - CLEAR

**WATER PUMP**

KEY	PART NUMBER	U/M DESCRIPTION
	098607-01-000	EA PUMP-WATER W/ 5" MPT FITTING - FLOW 2.8 GPM
	098607-01-700	EA PUMP-HEAD-REPLACEMENT SHURFLO# 94-236-08
	098607-01-701	EA DRIVE ASM SHURFLO# 94-234-03
	098607-01-702	EA DIAPHRAGM-KIT SHURFLO# 94-233-10
	098607-01-703	EA VALVE ASM SHURFLO# 94-232-00
	098607-01-704	EA HOUSING-UPPER SHURFLO# 94-231-01
	098607-01-705	EA CHECK VALVE-KIT SHURFLO# 94-237-00
	098607-01-706	EA SWITCH ASM-COMplete SHURFLO# 94-230-00
	098607-01-707	EA MOTOR/BASE PLATE REPLACEMENT SHURFLO# 94-234-03

**WATER HEATER BYPASS VALVE OPTION**

KEY	PART NUMBER	U/M DESCRIPTION
	099725-01-000	EA BYPASS KIT-WATER HEATER, COMPLETE W/VALVE & TUBING
	099725-01-700	EA VALVE ONLY-CHECK, PLASTIC - RVK-100

**WATER & SEWAGE GROUP (CONTINUED)**  
WATER HEATER W/MOTOR AID

KEY	PART NUMBER	U/M DESCRIPTION
	051391-02-000	EA HEATER-WATER, ATWOOD G4-SM
	051391-01-700	EA HINGE KIT-W/CLIP, ATWOOD # 92568 & 92559
	051391-01-704	EA VALVE-RELIEF, 1/2" FITTING - ATWOOD# 91604
	051391-01-705	EA FASTENER-CAMLOC, ATWOOD# 92609
	051391-01-706	EA GRILLE-EXHAUST, ATWOOD# 92787
	051391-01-708	EA BURNER-MAIN, 3E ONLY - ATWOOD# 92615
	051391-01-709	EA PILOT ASM-W/THERMOCOUPLE & TUBE - ATWOOD# 91603
	051391-01-710	EA ORIFICE-MAIN BURNER, ATWOOD# 92742
	051391-01-711	EA ELBOW-ORIFICE, MAIN BURNER - ATWOOD# 92741
	051391-01-712	EA THERMOSTAT-3/8"NPT INLET - ATWOOD# 91601
	051391-01-714	EA ELBOW-45 DEGREE, 3/8" F X 3/8" MPT - ATWOOD# 91044
	051391-01-715	EA DRAIN PLUG, ATWOOD# 91561
	051391-02-700	EA TANK-INNER FOR G4SM - ATWOOD# 91414
	051391-03-000	EA HEATER-WATER, WELECTRIC IGNITION - ATWOOD G6A-3E - EL MONTE OPTION
	051391-01-700	EA HINGE KIT-W/CLIP, ATWOOD # 92568 & 92559
	051391-01-704	EA VALVE-RELIEF, 1/2" FITTING - ATWOOD# 91604
	051391-01-705	EA FASTENER-CAMLOC, ATWOOD# 92609
	051391-01-706	EA GRILLE-EXHAUST, ATWOOD# 92787
	051391-01-708	EA BURNER-MAIN, 3E ONLY - ATWOOD# 92515
	051391-01-710	EA ORIFICE-MAIN BURNER, ATWOOD# 92742
	051391-01-715	EA DRAIN PLUG, ATWOOD# 91561
	051391-04-700	EA TANK-INNER (G6A-3E), FRT MT - ATWOOD# 91608
	051391-04-701	EA THERMOSTAT-12 VDC, 120 PRESET - FRONT MOUNT ONLY - ATWOOD# 91470
	051391-04-706	EA TANK-INNER, G6A-4E & 6E - FRONT MOUNT - ATWOOD# 91641
	097967-01-000	EA SWITCH-WATER HEATER, REMOTE W/LIGHT - ATWOOD 91959
	051393-01-702	EA SWITCH-ENERGY CUT-OFF, ATWOOD# 91951
	051393-01-703	EA THERMOSTAT-REAR MOUNT, ATWOOD# 91952
	051393-01-704	EA CIRCUIT BOARD-W/BLACK BOX, ATWOOD# 91420
	051393-01-705	EA ORIFICE HOLDER-ATWOOD# 91925
	051393-01-716	EA SPARK & PROBE ASM, ATWOOD# 91606
	051393-01-718	EA VALVE-DUAL SOLENOID, ATWOOD# 91605
	051393-01-721	EA ECO&THERMOSTAT ASM-FRONT MOUNT, 140 DEGREE - ATWOOD# 91447
	051393-03-700	EA TANK-INNER (G6A-3E), REAR MT - ATWOOD# 91409
	008042-01-000	FT TUBING-VINYL, 65" ID

**EXTERIOR SHOWER OPTION L64R**

KEY	PART NUMBER	U/M DESCRIPTION
	103173-01-01A	EA KIT-SHOWER, EXTERIOR - OFF WHITE WITH EXTERIOR DOOR, FAUCET, HEAD & HOSE (PIECE PARTS ARE N/A) FROM: 00-00-00 THRU 03-24-91
	103173-02-01A	EA KIT-SHOWER, EXTERIOR - OFF WHITE WITH EXTERIOR DOOR, FAUCET, HEAD & HOSE FROM: 03-25-91 THRU 09-29-91
	103173-03-700	EA DISH-COMPARTMENT, PLASTIC - OFF WHITE - Y0001 FROM: 03-25-91 THRU 09-29-91
	103173-03-705	EA LABEL-AUXILIARY SHOWER, 00090 FROM 03-25-91 THRU 09-29-91
	103173-03-706	EA HEAD-SHOWER, W/HOSE & BRACKET FROM 03-25-91 THRU 09-29-91
	103173-03-707	EA FAUCET-SHOWER, W/ADAPTER - CHROME - 20154P01 FROM 03-25-91 THRU 09-29-91
	103173-03-708	EA STEM & BONNET, (SETS) - 39025 FROM 03-25-91 THRU 09-29-91
	055295-01-000	EA TEE-5/8" F X 1/2" MPT X 1/2" F, PLASTIC FROM 03-25-91 THRU 09-29-91
	046128-01-000	EA VALVE-DRAIN, PLASTIC - 1/2" FPT
	052957-02-000	EA ELBOW-MALE, 1/2" F X 1/2" MPT - PLASTIC - GRAY FROM 03-25-91 THRU 09-29-91
	052959-02-000	EA CONNECTOR, 1/2" F X 1/2" MPT - PLASTIC - GRAY
	075241-05-000	EA FAUCET-SHOWER, BONE FROM 09-30-91 THRU 99-99-99
	103092-01-000	EA SHOWER HEAD-W/60" HOSE FROM 09-30-91 THRU 99-99-99
	096241-03-000	EA SWITCH-BLANK FROM 09-30-91 THRU 99-99-99

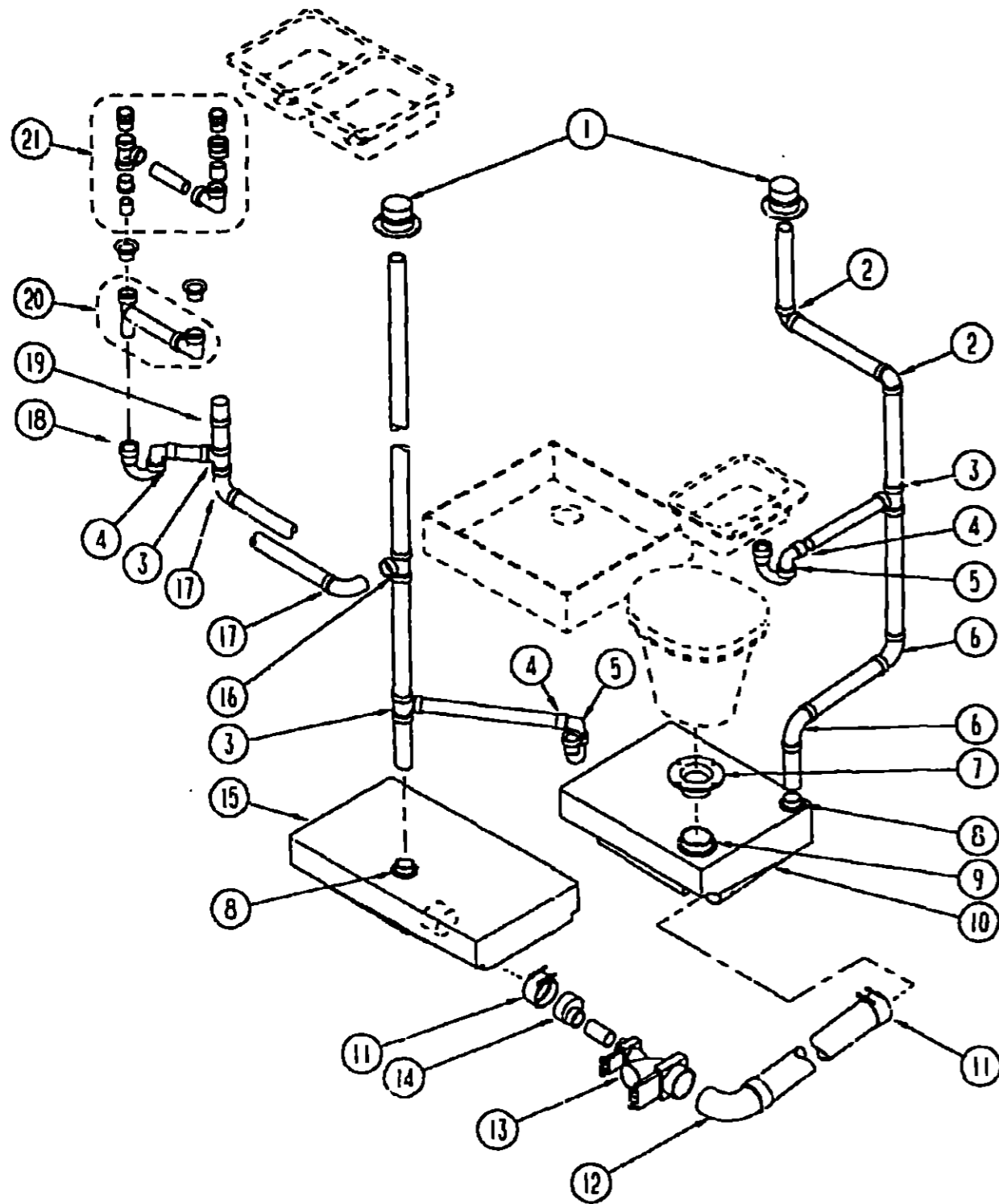
**1992 ITASCA**  
**TABLE OF CONTENTS**

INTRODUCTION	A-01	A-02
ABBREVIATIONS		A-03
ALPHABETICAL INDEX	A-04	A-06
IT320RB	A-07	C-24
IT321RB	D-01	F-20
IT321RL	F-21	I-16

**1992 IT321RB INDEX**

FLOOR PLAN	D-01	D-02
ACCESSORIES		D-03
AUDIO VIDEO		D-04
BATH	D-05	D-06
CHASSIS	D-07	D-08
CURTAIN & CUSHION	D-09	D-15
DINETTE		D-16
DRIVERS COMPARTMENT		D-17
ELECTRICAL	D-18	D-21
EXTERIOR BODY	D-22	E-04
GALLEY	E-05	E-10
GENERATOR		E-11
HEATING & A/C		E-12
INTERIOR FINISH	E-13	E-16
LABEL	E-17	E-22
LP		E-23
LOUNGE		E-24
SEALANTS & FASTENERS	F-01	F-02
WATER & SEWAGE	F-03	F-05
WINDOW VENT AND EXTERIOR DOOR	F-07	F-20

**WATER & SEWAGE GROUP (CONTINUED)**



**DRAINAGE SYSTEM**

KEY	PART NUMBER	U/M DESCRIPTION
1	083558-03-000	EA VENT-PLUMBING PIPE ROOF W/COVER - OFF WHITE
2	010006-01-000	EA ELBOW-45 DEG, 1/8 BEND - 1 1/2" HUB X HUB - BLACK PLASTIC
3	010079-01-000	EA TEE-SANITARY 1 1/2" X 1 1/2" X 1 1/4" H - PLASTIC - BLACK
4	107537-01-000	EA P-TRAP ADAPTER-1 1/4" SLIP - US
5	011066-03-700	EA P-TRAP KIT 1 1/2" X 1 1/4" P-TRAP W/1 1/2 TO 1 1/4 REDUCER - US FROM: 02-17-92 THRU: 99-99-99
5	107538-01-000	EA P-TRAP-PLASTIC, 1 1/4" W/EXT ARM - US FROM: 00-00-00 THRU: 02-16-92
5	011066-02-000	EA P-TRAP-1 1/4" HUB X SLIP JOINT W/UNION - ABS - CANADIAN FROM: 02-17-92 THRU: 99-99-99
6	010008-01-000	EA ELBOW-90 DEG, 1/4 BEND - 1 1/2" HUB X HUB - BLACK PLASTIC
7	063641-01-000	EA FLANGE-CLOSET, 4" X 3"
8	061607-01-000	EA GROMMET-HOLDING TANK, 1 1/2" NPS
9	061607-02-000	EA GROMMET-HOLDING TANK, 3" NPS
10	074300-01-000	EA TANK-HOLDING, 12 GALLON - 10.15" X 24.64" X 19.68"
11	078406-01-000	EA COUPLER-RUBBER, W/CLAMPS - 3" X 3"
12	041956-01-000	EA ELBOW-STREET, PLASTIC - 1/4" BD 3 X 90 XLT
13	070916-01-000	EA VALVE-DUAL DUMP, W/CAP - 3" X 1 1/2" - PLASTIC - BLACK
	070916-01-700	EA VALVE ONLY, 3"
	070916-01-701	EA VALVE ONLY, 1 1/2"
14	062422-01-000	EA ADAPTER-OFFSET REDUCER, 3" X 1 1/2" - PLASTIC - BLACK
	062415-01-000	EA CAP-SEWER 3" DIAMETER
	062415-01-700	EA STRING SEWER CAP
	010201-01-000	EA HOSE-SEWER 3" ID X 8'
	362416-01-000	EA ADAPTER-SEWER HOSE TO 3" PIPE
15	084670-01-000	EA TANK-HOLDING, 12 GALLON - 31 6" X 17 7" X 10 1"
	039861-01-000	EA SENDING UNIT W/SCREW WASHER WELL NUT AND TERMINAL RING
16	010071-01-000	EA TEE-SANITARY, 1 1/2" HUB X HUB X HUB - PLASTIC - BLACK
17	033761-01-000	EA ELBOW-TURN, 1/4 BEND X 1.5"HUB X 1 5"SPIGOT - BLK PLASTIC
18	011066-03-700	EA P-TRAP KIT 1 1/2" X 1 1/4" P-TRAP W/1 1/2 TO 1 1/4 REDUCER - US FROM: 00-00-00 THRU: 02-16-92
18	107538-01-000	EA P-TRAP-PLASTIC, 1 1/4" W/EXT ARM - US FROM: 02-17-92 THRU: 99-99-99
18	053335-01-000	EA P-TRAP-1 1/4" HUB X HUB, W/UNION - CANADIAN FROM: 00-00-00 THRU: 02-16-92
18	011071-01-000	EA P-TRAP-1 1/2, PLASTIC - CANADIAN FROM: 02-17-92 THRU: 99-99-99
19	079968-01-000	EA VENT-MECH TRAP ARM ANTI-SIPHON - 2" DIA X 7 3" - PLASTIC
20	011091-02-000	EA PIPE-DRAIN, DOUBLE SINK - BAFFLE TEE - 1 1/2" - US ONE PIPE W/TEE TO DRAIN BOTH SIDES OF SINK
21	010071-01-000	EA TEE-SANITARY, 1 1/2" HUB X HUB X HUB - PLASTIC - BLACK - CANADIAN FROM: 00-00-00 THRU: 02-16-92
21	010121-01-000	EA BUSHING-REDUCER, 1 1/2"SMOOTH X 1/4"HUB - PLASTIC - BLACK - CANADIAN FROM: 00-00-00 THRU: 02-16-92
21	033302-02-000	EA ADAPTER ASM-STRAINER, 1 1/2" - ABS - CANADIAN FROM: 00-00-00 THRU: 02-16-92
21	037101-02-000	EA ELBOW-PLASTIC, 1/4 BEND VENT 1 1/2"HUB - CANADIAN FROM: 00-00-00 THRU: 02-16-92
21	011091-03-000	EA PIPE-DRAIN, W/SEALS - DOUBLE SINK - EXTENDS 9" TO 16" - CANADIAN FROM: 02-17-92 THRU: 99-99-99

**SHOWER PAN & COMPONENTS**

KEY	PART NUMBER	U/M DESCRIPTION
	M02630-03-U28	EA SHOWER PAN W/NUT, STRAINER & WASHER
	066436-01-000	EA NUT-SLIP, TAILPIECE - 1 5"
	066440-01-000	EA STRAINER-SHOWER, W/RUBBER WASHER
	069735-01-000	EA WASHER-STRAINER TO TAILPIECE PLASTIC, 1.5"
	011069-03-000	EA TAILPIECE-SHOWER/TUB, 1 1/2" X 1 3/4" - PLASTIC

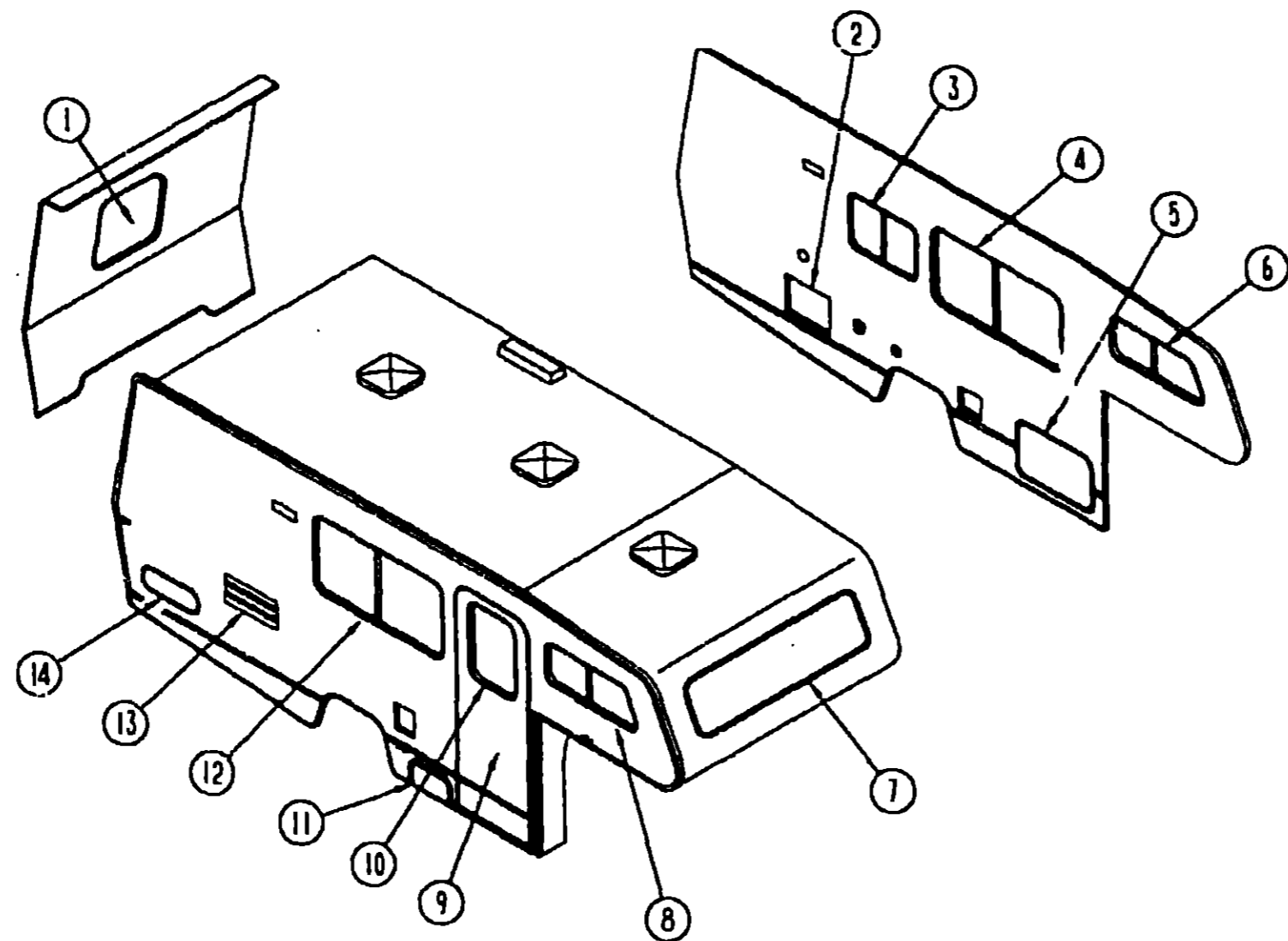
**1992 ITASCA  
TABLE OF CONTENTS**

INTRODUCTION	A-01	A-02
ABBREVIATIONS		A-03
ALPHABETICAL INDEX	A-04	A-06
IT320RB	A-07	C-24
IT321RB	D-01	F-20
IT321RL	F-21	I-16

**1992 IT321RB INDEX**

FLOOR PLAN	D-01	D-02
ACCESSORIES		D-03
AUDIO VIDEO		D-04
BATH	D-05	D-06
CHASSIS	D-07	D-08
CURTAIN & CUSHION	D-09	D-15
DINETTE		D-16
DRIVERS COMPARTMENT		D-17
ELECTRICAL	D-18	D-21
EXTERIOR BODY	D-22	E-04
GALLEY	E-05	E-10
GENERATOR		E-11
HEATING & A/C		E-12
INTERIOR FINISH	E-13	E-16
LABEL	E-17	E-22
LP		E-23
LOUNGE		E-24
SEALANTS & FASTENERS	F-01	F-02
WATER & SEWAGE	F-03	F-06
WINDOW, VENT AND EXTERIOR DOOR	F-07	F-20

**WINDOW, VENT & EXTERIOR DOOR GROUP**  
WINDOWS & DOORS



**1992 ITASCA  
TABLE OF CONTENTS**

INTRODUCTION	A-01 - A-02
ABBREVIATIONS	A-03
ALPHABETICAL INDEX	A-04 - A-05
IT320 RB	A-07 - C-24
IT321 RB	D-01 - F-20
IT321 RL	F-21 - I-16

**1992 IT321RB INDEX**

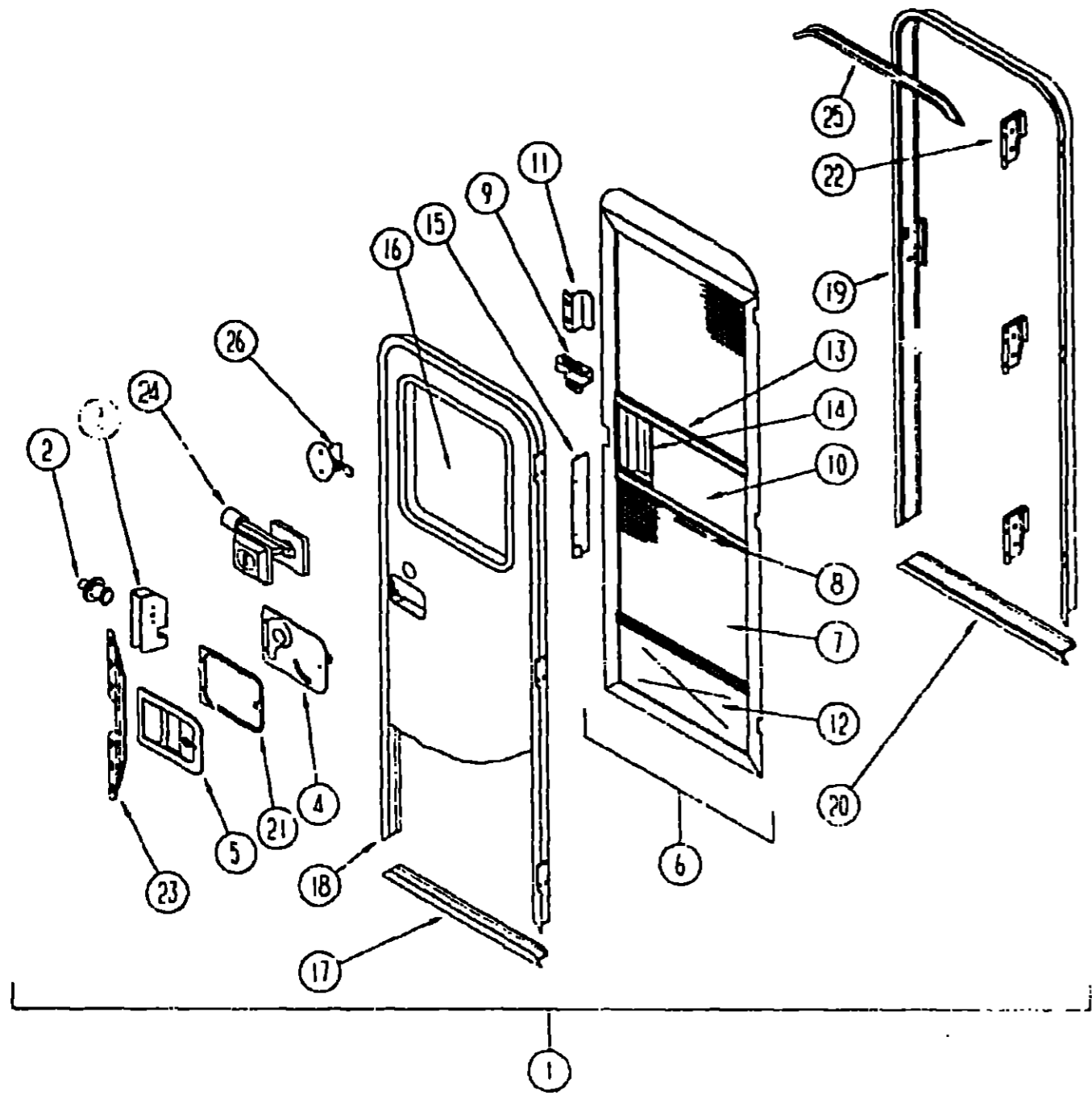
FLOOR PLAN	D-01 - D-02
ACCESSORIES	- D-03
AUDIO VIDEO	- D-04
BATH	D-05 - D-05
CHASSIS	D-07 - D-08
CURTAIN & CUSHION	D-09 - D-15
DINETTE	- D-16
DRIVERS COMPARTMENT	- D-17
ELECTRICAL	D-18 - D-21
EXTERIOR BODY	D-22 - E-04
GALLEY	E-05 - E-10
GENERATOR	- E-11
HEATING & A/C	- E-12
INTERIOR FINISH	E-13 - E-16
LABEL	E-17 - E-22
LP	E-23
LOUNGE	E-24
SEALANTS & FASTENERS	F-01 - F-02
WATER & SEWAGE	F-03 - F-05
WINDOW, VENT AND EXTERIOR DOOR	F-07 - F-20

KEY	PART NUMBER	U/M DESCRIPTION
1	079729-02-T03	EA WINDOW-ESCAPE REAR - 22" X 24"
2	052009-01-C00	EA DOOR-WATER HEATER OFF WHITE - ATWOOD 5575-27
3	098647-07-01A	EA WINDOW-SLIDING, W/BLACK INSIDE FRAME - EXCEL #8969 GFL FROM 00-00-00 THRU 06-02-91
3	098647-07-02A	EA WINDOW-SLIDING W/OFF WHITE INSIDE FRAME - EXCEL 8969-PRL FROM 06-03-91 THRU 99-99-99
4	098647-12-01A	EA WINDOW-SLIDING, W/BLACK INSIDE FRAME - EXCEL H023-GGL FROM 00-00-00 THRU 06-02-91
4	098647-12-02A	EA WINDOW-SLIDING W/OFF WHITE INSIDE FRAME - EXCEL H023-PRL FROM 06-03-91 THRU 99-99-99
5	102038-01-B05	EA DOOR-GENERATOR, 24" X 15 7" - OFF WHITE
5	102038-02-B05	EA DOOR-LUGGAGE, 16 1" X 24 5" - OFF WHITE
5	009426-02-000	EA HATCH-DOOR POWER CORD - OFF WHITE
6	098646-04-01A	EA WINDOW-DRIVER SIDE, W/BLACK INSIDE FRAME - EXCEL H245-DRL FROM 00-00-00 THRU 06-02-91
6	098646-04-02A	EA WINDOW-DRIVER SIDE, W/OFF WHITE INSIDE FRAME - EXCEL H245-MRL FROM 06-03-91 THRU 99-99-99
7	078533-09-E05	EA WINDOW-PICTURE, 12" X 59" - W/O INSIDE FRAME FROM 00-00-00 THRU 08-26-91
7	103313-02-C09	EA WINDOW-PICTURE 58 6" X 11 6" - W/O INSIDE FRAME FROM 08-27-91 THRU 99-99-99
8	098646-03-01A	EA WINDOW-PASSENGER SIDE, W/BLACK INSIDE FRAME - EXCEL H245-DRR FROM 00-00-00 THRU 06-02-91
8	098646-03-02A	EA WINDOW-PASSENGER SIDE W/OFF WHITE INSIDE FRAME - EXCEL H245-MRR FROM 06-03-91 THRU 99-99-99

KEY	PART NUMBER	U/M DESCRIPTION
9	M01870-38-C29	EA DOOR-ENTRANCE, W/WINDOW & SCREEN DOOR
10	079733-07-AA8	EA WINDOW-ENTRY DOOR, 17" X 25" - FROSTED GLASS - W/O INSIDE FRAME
11	079455-09-B05	EA DOOR-BATTERY, 13 2" X 8" - OFF WHITE
12	098647-11-01A	EA WINDOW-SLIDING, W/BLACK INSIDE FRAME - EXCEL H023-GGR FROM 00-00-00 THRU 06-02-91
12	098647-11-02A	EA WINDOW-SLIDING, W/OFF WHITE INSIDE FRAME - EXCEL H023-PGR FROM 06-03-91 THRU 99-99-99
13	084103-03-000	EA DOOR-REFRIGERATOR, VENTED W/O JAMB - OFF WHITE
	084104-01-700	EA LOCK-MALE, FASTENER - REFRIGERATOR DOOR
	084104-01-701	EA LOCK-FEMALE, FASTENER - REFRIGERATOR DOOR
	084104-03-000	EA JAMB-DOOR, REFRIGERATOR - OFF WHITE
14	078720-02-T15	EA DOOR-COMPARTMENT, LP - 16 9" X 5 4" - ALUMINUM - 07W
	093615-05-000	EA HOLDER-DOOR, OFF WHITE PLASTIC FROM 00-00-00 THRU 01-10-92
	102768-01-000	EA HOLDER-COMPARTMENT/ENTRY DOOR, METAL - MLZ FINISH FROM 01-11-92 THRU 99-99-99
	081240-03-000	EA DOOR-WATER FILL, LOCKABLE, 4" X 4 5/8" - OFF WHITE
	103173-03-701	EA DOOR-EXTERIOR SHOWER, PLASTIC - OFF WHITE - 02001 FROM 03-25-91 THRU 03-29-91
	105118-02-C05	EA DOOR-EXTERIOR SHOWER, 17 5" X 7 6" FROM 09-30-91 THRU 99-99-99

**WINDOW, VENT & EXTERIOR DOOR GROUP (CONTINUED)**

**ENTRY DOOR**



KEY	PART NUMBER	U/M	DESCRIPTION
1	M01870-38-C29	EA	DOOR-ENTRANCE, W/WINDOW & SCREEN DOOR
2	039539-01-000	EA	STRIKE-LOCK ENTRY DOOR - ROUND/THREADED WASHER
3	039540-01-000	EA	LATCH MECHANISM-HOOK, ENTRY DOOR - INTERIOR
	039715-01-000	EA	NUT-SERT, 1/4" DIAMETER - 20 THREADS
4	039975-04-000	EA	COVER-INTERIOR LATCH, W/TRIP ARM - RIGHT - BLACK
	039984-01-000	EA	CAP-ROUND, VINYL - 28" ID X 62" LONG - BLACK
	041546-03-000	EA	BRACKET-DOOR ANGLE 5" X 1 9" - BEIGE - METAL
5	045017-11-000	EA	LATCH-ENTRY DOOR MECHANISM W/LOCK & KEY - BLACK
	045017-11-701	EA	KEY-BLANK ROUND TOP - SILVER - TRIMARK
	055746-01-000	EA	PLUG-CAP, 1" DIAMETER
	058025-02-000	EA	CLIP-ROLLER LATCH CATCH, SCREEN DOOR
	058806-01-000	EA	PLUG-TAPERED, FOR DEADBOLT - PLASTIC - 66" DIA - RED
	063729-04-000	EA	RIVNUT, 10-32 UNF 010-080
	072853-01-000	EA	NUT-SERT-M5 X 0 8
	075671-01-000	FT	SEAL-SPONGE LAZY T SHAPE - 1 3" WIDE - BLACK FROM 00-00-00 THRU 08-18-91
	075671-04-000	FT	SEAL-SPONGE LAZY T SHAPE - W/ADHESIVE STRIPE - 5" WIDE FROM 08-19-91 THRU 99-99-99
6	075012-04-AA3	EA	DOOR SCREEN
7	002293-02-000	SF	SCREENING-WINDOW DOOR 26" - CHARCOAL
8	002294-01-000	FT	SPLINE-SCREENING 135" X 138" - BLACK
	002748-01-000	EA	CORNER KEY DOOR
9	006013-01-000	EA	CATCH-SINGLE ROLLER SCREEN DOOR
10	001014-01-013	EA	INSERT CENTER 10 25" X 16 31" - UNPAINTED
11	050712-04-000	EA	HANDLE SCREEN DOOR ALUMINUM - OFF WHITE
11	050712-05-000	EA	HANDLE-SCREEN DOOR UNPAINTED
12	078552-05-000	EA	INSERT SCREEN DOOR LOWER - MILL
	078553-02-000	EA	PLATE SCREEN DOOR
13	078777-03-000	EA	CHANNEL-SLIDE SCREEN DOOR CENTER SLIDER COVER - 17 4"
14	079086-02-000	EA	SLIDER-SCREEN DOOR OFF WHITE
15	079087-02-000	EA	STRIKE-SLIDER W/LIP FOR ELBOW CATCH - 1 5" X 8 6" - OFF WHITE
15	057609-32-000	EA	FRAME WINDOW ENTRY DOOR - OFF WHITE FROM 06-03-91 THRU 99-99-99
16	079733-07-AA9	EA	WINDOW ENTRY DOOR 17" X 25" FROSTED GLASS
16	002181-07-000	EA	GLASS WINDOW 18 2" X 16 25" X 24" FROSTED
16	087561-01-000	FT	SEAL GLASS EXTERIOR - 5" WIDE - VINYL - BLACK
	081914-01-000	EA	BUMPER RUBBER ROUND - 43" DIAMETER - BLACK
17	049748-05-000	EA	FRAME DOOR ENTRANCE BOTTOM OFF WHITE
	050340-01-000	FT	SEAL CAM CLOSED CELL 14" X 12" X 50
18	045276-02-01A	EA	FRAME DOOR ENTRANCE TOP & SIDES - OFF WHITE
19	055277-03-01A	EA	JAMB ENTRY DOOR W/BOTTOM OFF WHITE
20	051049-04-000	EA	JAMB DOOR ENTRANCE BOTTOM UNPAINTED
	079907-01-000	EA	STRIKER ROLLER CATCH WELDED TO DOOR JAMB 4" X 1 15"
21	056810-01-01A	EA	PLATE LATCH ENTRY DOOR PLASTIC - BLACK
22	057724-01-04A	EA	HINGE ENTRY DOOR UNPAINTED
23	058173-01-04A	EA	STRENER ENTRY DOOR SUPPORTS LATCH STRIKE UNPAINTED
	100128-02-000	FT	SEAL-PILE ADHESIVE BACK SCREEN DOOR - GRAY
24	101145-01-01A	EA	DEADBOLT ENTRY DOOR W/KEYS W/O ROLLER SCREWS
	045227-01-700	EA	KEY-BLANK DEADBOLT
	101147-01-000	EA	BOLT SECURITY 4 1/2" BACKSET
	102024-01-000	EA	BUMPER RUBBER FLAT - BLACK
25	044582-26-000	EA	CAP-DOOR DOOR JAMB UNPAINTED OFF WHITE
	075639-12-000	EA	GARNISH-ENTRANCE DOOR OFF WHITE
26	100412-01-000	EA	CATCH-SCREEN DOOR ROLLER CLIP W/BLACK PLASTIC CAP
	076725-01-000	EA	COVER ADJUSTER HINGE 6" X 1 1/2" PLASTIC - BEIGE
	051076-02-000	EA	HANDLE ASSIST ENTRY DOOR - BLACK
	077481-03-000	EA	COVER STRIKE ENTRY DOOR 6 5/8" X 2 5/8" PLASTIC - WHITE

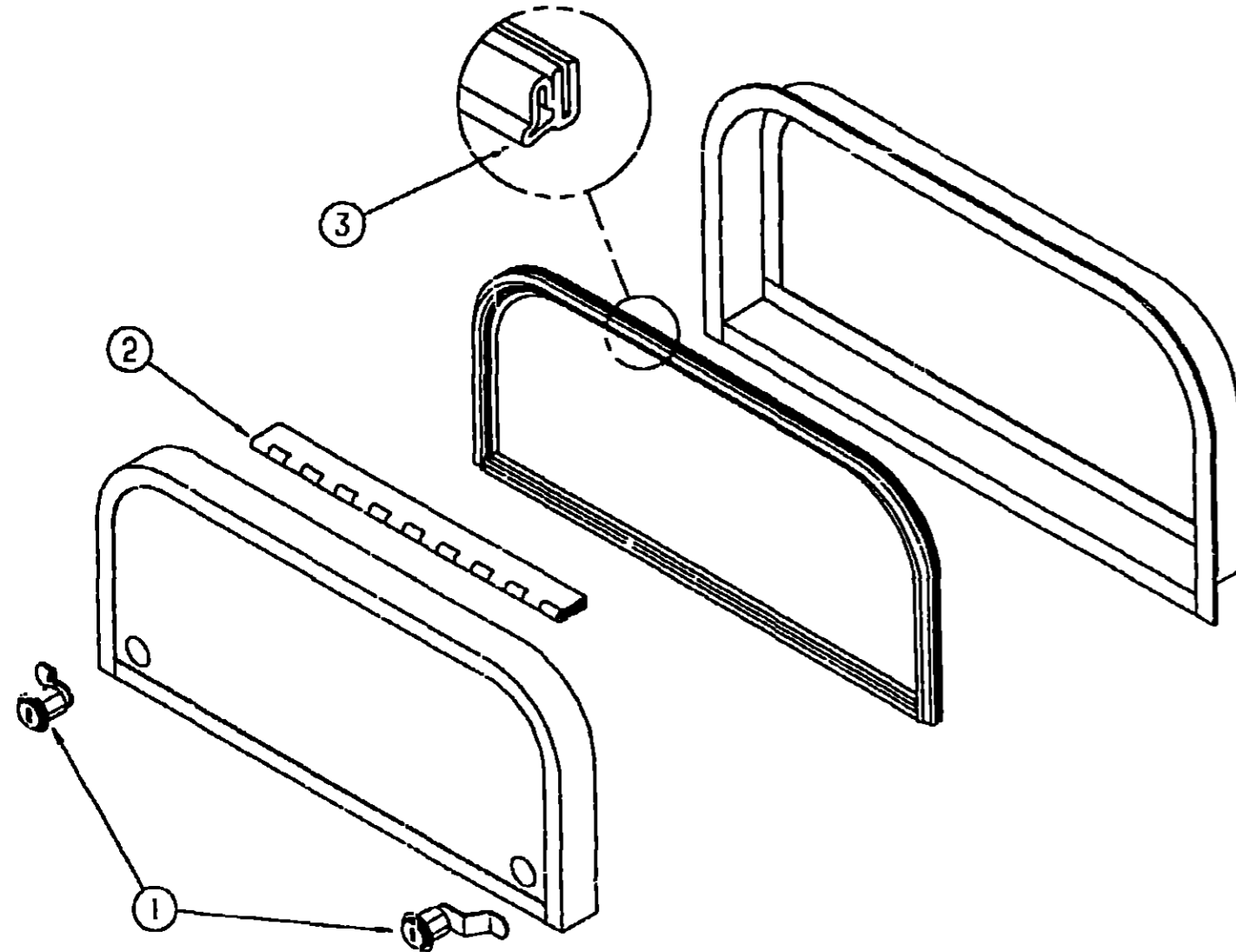
**1992 ITASCA  
TABLE OF CONTENTS**

INTRODUCTION	A-01 -	A-02
ABBREVIATIONS		A-03
ALPHABETICAL INDEX	A-04 -	A-06
IT320RB	A-07 -	C-24
IT321RB	D-01 -	F-20
IT321RL	F-21 -	I-16

**1992 IT321RB INDEX**

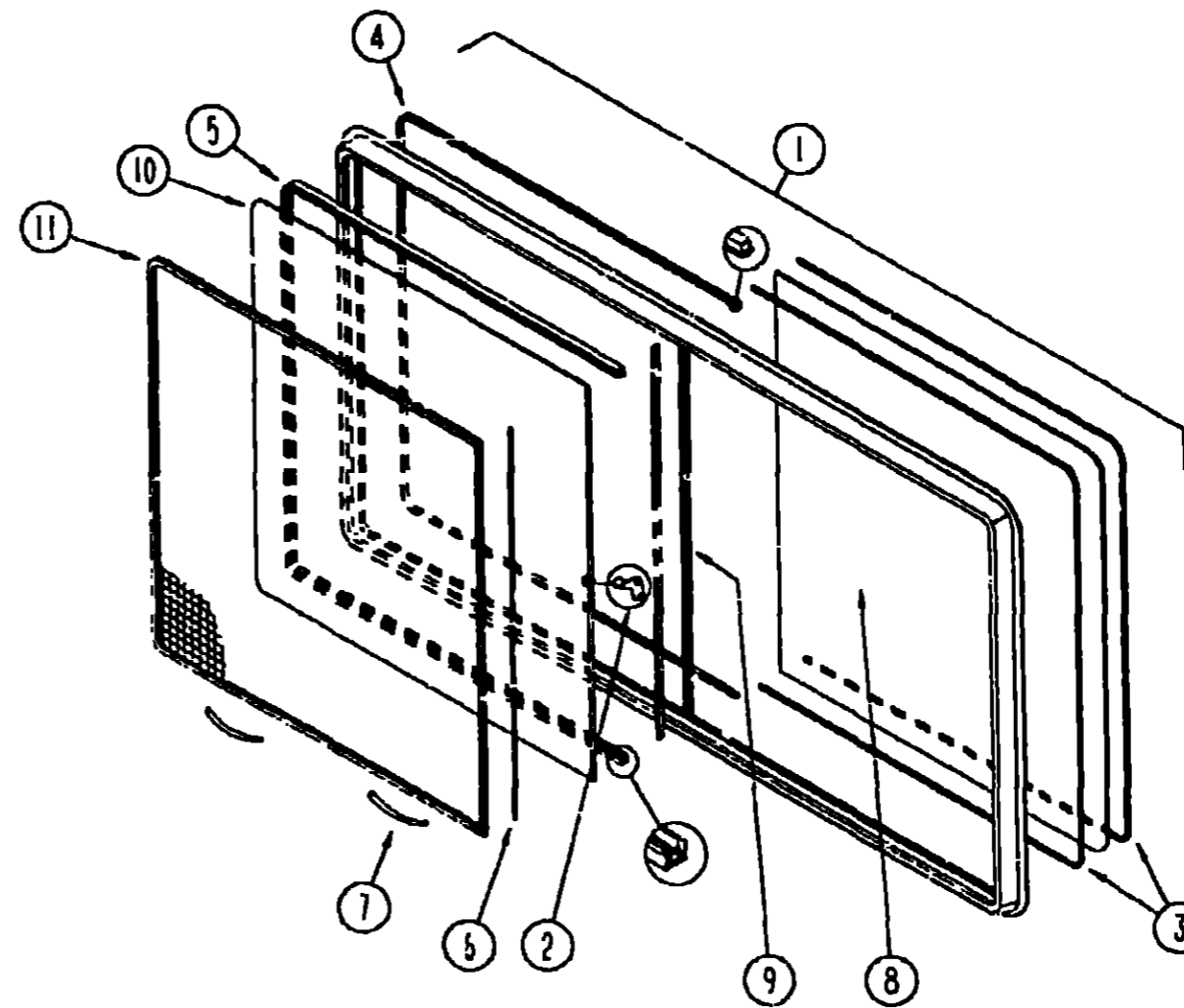
FLOOR PLAN	D-01 -	D-02
ACCESSORIES		D-03
AUDIO VIDEO		D-04
BATH	D-05 -	D-06
CHASSIS	D-07 -	D-08
CURTAIN & CUSHION	D-09 -	D-15
DINETTE		D-16
DRIVERS COMPARTMENT		D-17
ELECTRICAL	D-18 -	D-21
EXTERIOR BODY	D-22 -	E-04
GALLEY	E-05 -	E-10
GENERATOR		E-11
HEATING & A/C		E-12
INTERIOR FINISH	E-13 -	E-16
LABEL	E-17 -	E-22
LP		E-23
LOUNGE		E-24
SEALANTS & FASTENERS	F-01 -	F-02
WATER & SEWAGE	F-03 -	F-05
WINDOW VENT AND EXTERIOR DOOR	F-07 -	F-20

**WINDOW, VENT & EXTERIOR DOOR GROUP (CONTINUED)**



**EXTERIOR DOORS**

**WINDOW, VENT & EXTERIOR DOOR GROUP (CONTINUED)**



**LOUNGE SINGLE SLIDING WINDOW**

**1992 ITASCA  
TABLE OF CONTENTS**

INTRODUCTION	A-01 -	A-02
ABBREVIATIONS		A-03
ALPHABETICAL INDEX	A-04 -	A-06
IT320RB	A-07 -	C-24
IT321RB	D-01 -	F-20
IT321RL	F-21 -	I-16

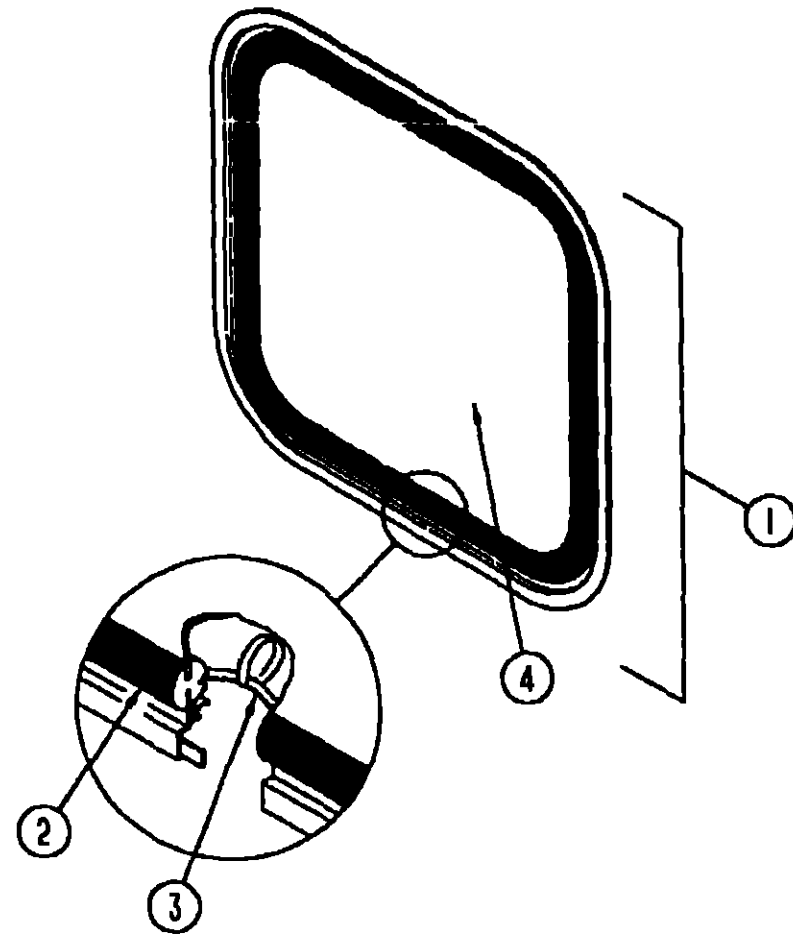
**1992 IT321RB INDEX**

FLOOR PLAN	D-01 -	D-02
ACCESSORIES		D-03
AUDIO VIDEO		D-04
BATH	D-05 -	D-06
CHASSIS	D-07 -	D-08
CURTAIN & CUSHION	D-09 -	D-15
DINETTE		D-16
DRIVERS COMPARTMENT		D-17
ELECTRICAL	D-18 -	D-21
EXTERIOR BODY	D-22 -	E-04
GALLEY	E-05 -	E-10
GENERATOR		E-11
HEATING & A/C		E-12
INTERIOR FINISH	E-13 -	E-16
LABEL	E-17 -	E-22
LP		E-23
LOUNGE		E-24
SEALANTS & FASTENERS	F-01 -	F-02
WATER & SEWAGE	F-03 -	F-06
WINDOW, VENT AND EXTERIOR DOOR	F-07 -	F-20

KEY	PART NUMBER	U/M DESCRIPTION
1	079366-04-000	EA LOCK-DOOR, KEY TYPE W/O KEYS - 1 9 OFF SET
	083223-03-000	EA LOCK-KEY TYPE (SET OF 1) W/O KEY (LUGGAGE DOOR)
	082684-01-700	EA KEY-COMPARTMENT DOOR LOCK, BH024
	052950-01-000	EA LOCK-TWIST TYPE WHITE - PLASTIC
		FROM 00-00-00 THRU 06-13-92
	009003-01-000	EA LOCK-TWIST TYPE W/CLIP
		FROM 06-14-92 THRU 99-99-99
2	034007-40-000	EA HINGE-PIANO, 1 5" X 96" - ALUMINUM - OFF WHITE
2	009065-01-000	EA HINGE-ALUMINUM, 1 1/2" X 96" - UNPAINTED
2	081801-02-000	EA HINGE-2" X 96" OFF WHITE
3	061075-07-000	FT SEAL-BULB W/WIRED U CHANNEL - 3" X 5" CHANNEL - BLACK
	002748-01-000	EA CORNER KEY-DOOR
	103226-51-003	EA TRIM-EXTRUDED, Z ANGLE - 41MM - ALUMINUM - EXTERIOR SHOWER
	091876-01-000	EA RETAINER-DOOR, 1 9" X 9" - METAL
	090340-01-000	FT SEAL-FOAM CLOSED CELL - 1/4" X 1/2" X 50'
	104692-01-000	FT SEAL-ADHESIVE BACK, 3/4" X 3/4"
		FROM 05-07-92 THRU 99-99-99
	107997-51-001	EA SPACER-86" X 6", ALUMINUM
		FROM 09-30-91 THRU 99-99-99
	109833-01-000	EA BEAUTY RING, 67" X 78" ID - STAINLESS STEEL - HUDSON LOCK
	109834-01-000	EA WASHER-64" X 752" ID, STAINLESS STEEL
	103173-03-702	EA PIN-HINGE, DOOR - EXTERIOR SHOWER KIT - 345
		FROM 03-25-91 THRU 09-29-91
	103173-03-703	EA SPRING-HINGE PIN, EXTERIOR SHOWER DOOR - 108
		FROM 03-25-91 THRU 09-29-91
	103173-03-704	EA LOCK ASSEMBLY, W/CLIP & KEY - EXTERIOR SHOWER DOOR - 00C00
		FROM 03-25-91 THRU 09-29-91

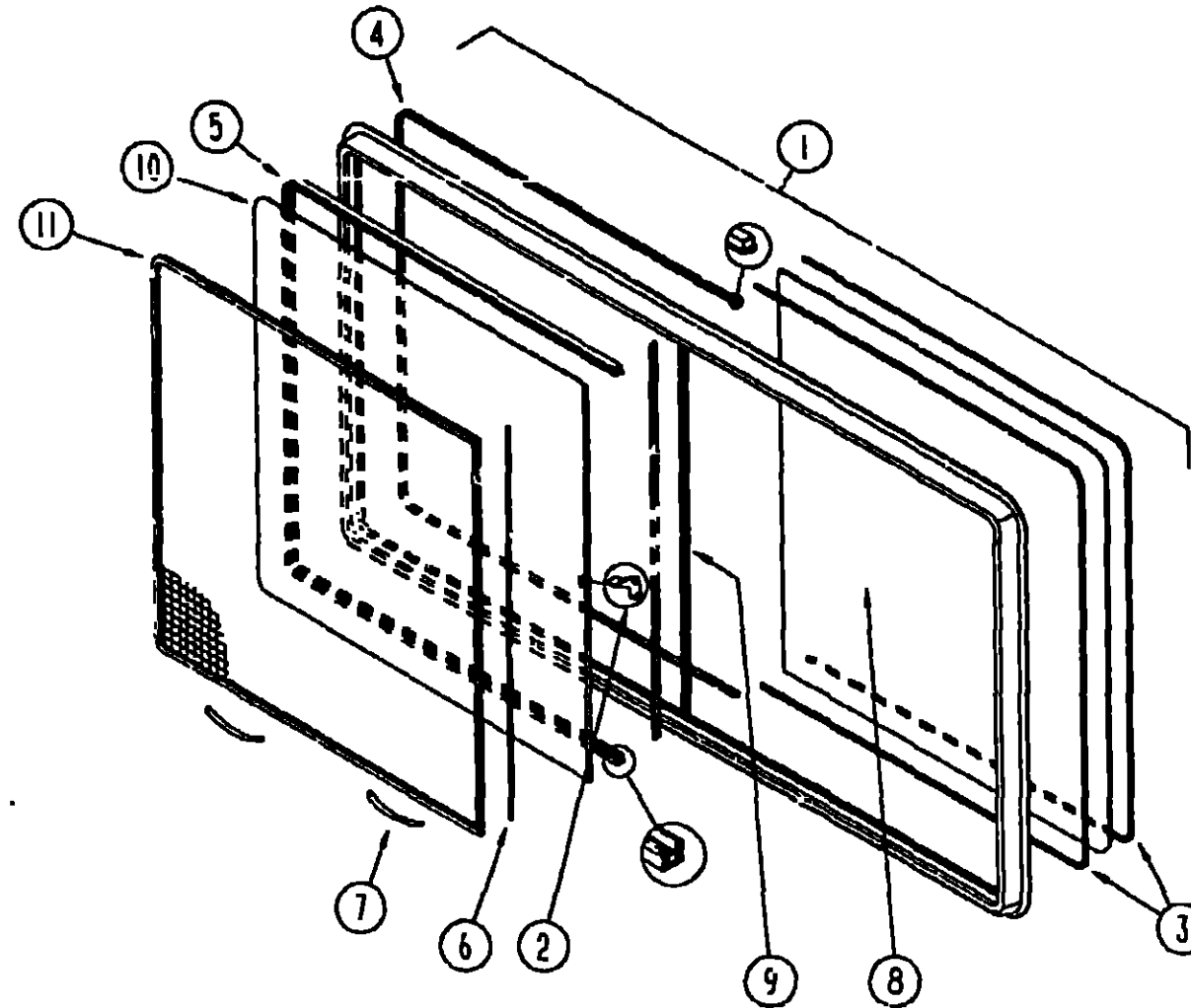
KEY	PART NUMBER	U/M DESCRIPTION
1	098647-12-01A	EA WINDOW-SLIDING, W/BLACK INSIDE FRAME - EXCEL H023-GRL
		FROM 00-00-00 THRU 06-02-91
1	098547-12-02A	EA WINDOW-SLIDING W/OFF WHITE INSIDE FRAME - EXCEL H023-PRL
		FROM 06-03-91 THRU 99-99-99
	098647-11-702	EA FRAME-INSIDE, BLACK - EXCEL H023-67
	098647-11-705	EA FRAME-INSIDE, OFF WHITE - EXCEL W023-67
2	098647-12-700	EA WINDOW-SLIDING, SINGLE - W/O INSIDE FRAME - 27" X 49" - EXCEL H023-GGL
	098644-01-700	EA LATCH-REPAIR KIT, EXCEL B801-CK
	098644-01-716	FT PLUG-FILLER, EXCEL 132-014470
	098644-01-717	FT SPLINE-SCREEN, EXCEL 132-004716
3	098644-01-705	FT GLAZING STRIP, EXCEL M926-12
4	098644-01-706	FT WEATHERSTRIP, EXCEL 171-010669
5	098644-01-708	FT CHANNEL-PIERCED RUN, EXCEL 122-016543
6	098644-01-710	FT TRACK-SCREEN SPACER, 12" LENGTH - EXCEL M401-31
	098644-01-711	FT WEATHERSTRIP-SCREEN, BLACK - EXCEL 171-016955
7	098644-01-713	EA SPRING-SCREEN FRAME (CLIP), PLASTIC - BLACK
8	098647-12-701	EA GLASS-STATIONARY, EXCEL 106-017262
9	098647-08-705	EA RAIL-LOCKING W/WEATHERSTRIP, EXCEL H022-17
10	098647-11-701	EA GLASS-SLIDING, W/SASH & LOCK - EXCEL H023-69
11	098647-11-704	EA SCREEN-W/SPRING & WEATHERSTRIP - EXCEL 410016-463

WINDOW, VENT & EXTERIOR DOOR GROUP (CONTINUED)



BACKWALL ESCAPE WINDOW

WINDOW, VENT & EXTERIOR DOOR GROUP (CONTINUED)



GALLEY SINGLE SLIDING WINDOW

1992 ITASCA  
TABLE OF CONTENTS

INTRODUCTION	A-01 -	A-02
ABBREVIATIONS		A-03
ALPHABETICAL INDEX	A-04 -	A-06
IT320RB	A-07 -	C-24
IT321RB	D-01 -	F-20
IT321RL	F-21 -	I-16

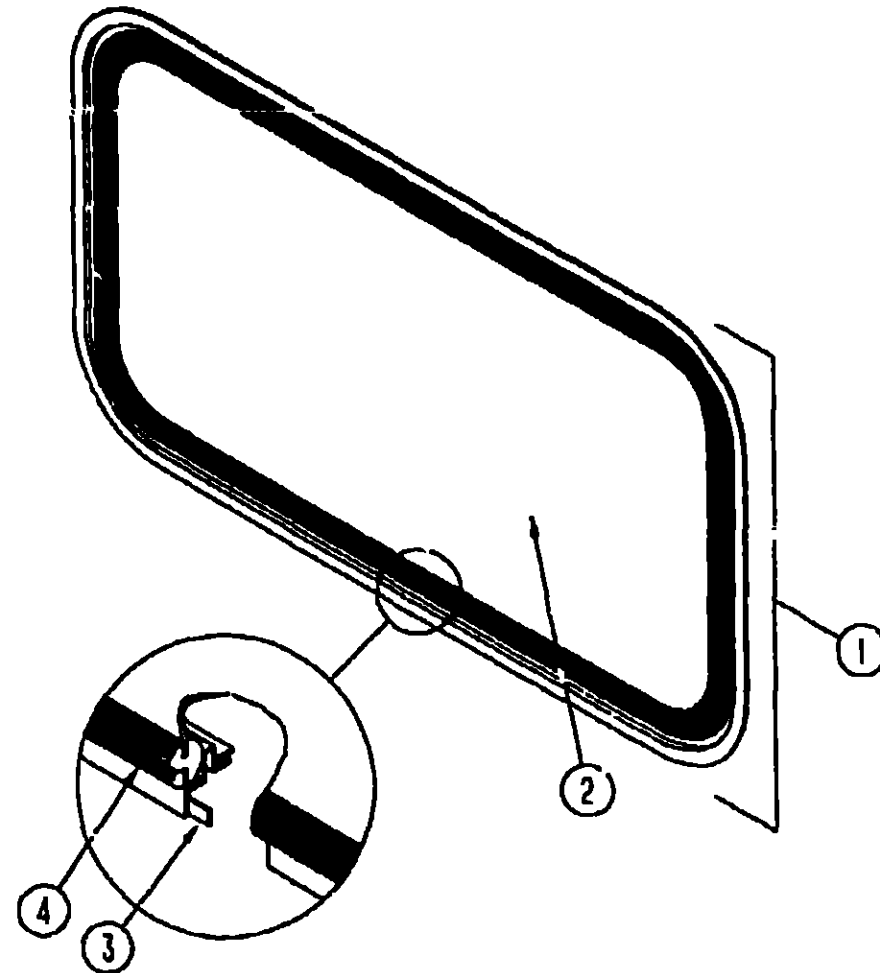
1992 IT321RB INDEX

FLOOR PLAN	D-01 -	D-02
ACCESSORIES		D-03
AUDIO VIDEO		D-04
BATH	D-05 -	D-06
CHASSIS	D-07 -	D-08
CURTAIN & CUSHION	D-09 -	D-15
DINETTE		D-16
DRIVERS COMPARTMENT		D-17
ELECTRICAL	D-18 -	D-21
EXTERIOR BODY	D-22 -	E-04
GALLEY	E-05 -	E-10
GENERATOR		E-11
HEATING & A/C		E-12
INTERIOR FINISH	E-13 -	E-16
LABEL	E-17 -	E-22
LP		E-23
LOUNGE		E-24
SEALANTS & FASTENERS	F-01 -	F-02
WATER & SEWAGE	F-03 -	F-05
WINDOW, VENT AND EXTERIOR DOOR	F-07 -	F-20

KEY	PART NUMBER	U/M DESCRIPTION
	020749-10-000	EA FRAME-WINDOW INSIDE - OFF WHITE
1	079729-02-T03	EA WINDOW-ESCAPE, REAR - 22" X 24"
2	002282-02-000	EA WEATHERSTRIP-WINDOW, .125" VULCANIZED - 79 1" LONG - BLACK
	077066-01-702	EA TAPE ASM-ESCAPE WINDOW, RED
3	002285-01-000	FT FILLER-WEATHER STRIP, RUBBER - BLACK
4	041392-03-000	EA GLASS-WINDOW, 1.3" X 21 65" X 19 61"

KEY	PART NUMBER	U/M DESCRIPTION
1	098647-07-01	EA WINDOW-SLIDING, W/BLACK INSIDE FRAME - EXCEL B969-GRL FROM: 00-00-00 THRU: 06-02-91
1	098647-07-02A	EA WINDOW-SLIDING W/OFF WHITE INSIDE FRAME - EXCEL B969-PRL FROM: 06-03-91 THRU: 99-99 99
	098647-06-704	EA FRAME-INSIDE, BLACK - EXCEL B969-67
	098647-06-706	EA FRAME-INSIDE, OFF WHITE - EXCEL V969-67
	098647-07-700	EA WINDOW-SLIDING, SINGLE - W/O INSIDE FRAME - 15" X 23 75" - EXCEL B969-G2L
2	098644-01-700	EA LATCH-REPAIR KIT, EXCEL B801-CK
	098644-01-716	FT PLUG-FILLER, EXCEL 132-014470
	098644-01-717	FT SPLINE-SCREEN, EXCEL 132-004716
3	098644-01-705	FT GLAZING STRIP, EXCEL M926-12
4	098644-01-706	FT WEATHERSTRIP, EXCEL 171-010668
5	098644-01-708	FT CHANNEL-PIERCED RUN, EXCEL 122-015543
6	098644-01-710	FT TRACK-SCREEN SPACER, 12' LENGTH - EXCEL M401-31
	098644-01-711	FT WEATHERSTRIP-SCREEN, BLACK - EXCEL 171-016955
7	098644-01-713	EA SPRING-SCREEN FRAME (CLIP), PLASTIC - BLACK
8	098647-06-700	EA GLASS-STATIONARY, 10 91" X 13 77" - EXCEL 106-016921
9	098647-06-701	EA RAIL-LOCKING W/WEATHERSTRIP, EXCEL B938-17
10	098647-06-702	EA GLASS-SLIDING, W/SASH & LATCH - EXCEL B969-G9
11	098647-06-703	EA SCREEN W/WEATHERSTRIP & FRAME SPRING (CLIP), EXCEL 410-016

**WINDOW, VENT & EXTERIOR DOOR GROUP (CONTINUED)**



**OVERHEAD BUNK FRONT WINDOW**

**WINDOW, VENT & EXTERIOR DOOR GROUP (CONTINUED)**

**PASSENGER SIDE BUNK SLANTED SLIDER WINDOWS**

KEY	PART NUMBER	U/M DESCRIPTION
	098646-03-01A	EA WINDOW-PASSENGER SIDE, W/BLACK INSIDE FRAME - EXCEL H245-DRR FROM 00-00-00 THRU 06-02-91
	098646-03-02A	EA WINDOW-PASSENGER SIDE, W/OFF WHITE INSIDE FRAME - EXCEL H245-MRR FROM 06-03-91 THRU 99-99-99
	098646-03-701	EA TRIM-INSIDE, PASSENGER SIDE - BLACK - EXCEL H245-67R FROM 00-00-00 THRU 06-02-91
	098645-03-703	EA TRIM-INSIDE, PASSENGER SIDE - OFF WHITE - EXCEL W245-67R FROM 06-03-91 THRU 99-99-99
	098646-03-702	EA WINDOW-SLIDING, W/O INSIDE FRAME - EXCEL H245G2R FROM 00-00-00 THRU 06-02-91
	098646-03-707	EA WINDOW-SLIDING, W/O INSIDE FRAME - EXCEL H245G1R FROM 06-03-91 THRU 99-99-99
	098644-01-700	EA LATCH-REPAIR KIT, EXCEL B801-CK
	098644-01-702	EA GLASS-SLIDING, W/SASH & LATCH - EXCEL B948-G9 FROM 00-00-00 THRU 06-02-91
	098644-05-701	EA GLASS-SLIDING, W/SASH & LATCH - EXCEL B948-G8 FROM 06-03-91 THRU 99-99-99
	098644-01-705	FT GLAZING STRIP, EXCEL M926-12
	098644-01-706	FT WEATHERSTRIP, EXCEL 171-010568
	098644-01-708	FT CHANNEL-PIERCED RUN, EXCEL 122-016543
	098644-01-710	FT TRACK-SCREEN SPACER, 12' LENGTH - EXCEL M401-31
	098644-01-711	FT WEATHERSTRIP-SCREEN, BLACK - EXCEL 171-016565
	098644-01-713	EA SPRING-SCREEN FRAME (CLIP), PLASTIC - BLACK
	098644-01-716	FT PLUG-FILLER, EXCEL 132-014470
	098644-01-717	FT SPLINE-SCREEN, EXCEL 132-004716
	098645-03-700	EA FILLER STRIP, EXCEL G03726
	098645-03-705	EA SCREEN ASSEMBLY - EXCEL 410015475
	098646-03-706	EA GLASS-STATIONARY, EXCEL 105017208 FROM 00-00-00 THRU 06-02-91
	098646-03-704	EA GLASS-STATIONARY, EXCEL 105017492 FROM 06-03-91 THRU 99-99-99

**DRIVER SIDE BUNK SLANTED SLIDER WINDOWS**

KEY	PART NUMBER	U/M DESCRIPTION
	098646-04-01A	EA WINDOW-DRIVER SIDE, W/BLACK INSIDE FRAME - EXCEL H245-DRL FROM 00-00-00 THRU 06-02-91
	098646-04-02A	EA WINDOW-DRIVER SIDE, W/OFF WHITE INSIDE FRAME - EXCEL H245-MRL FROM 06-03-91 THRU 99-99-99
	098646-04-701	EA TRIM-INSIDE, PASSENGER SIDE - BLACK - EXCEL H245-67L FROM 00-00-00 THRU 06-02-91
	098646-04-702	EA TRIM-INSIDE, PASSENGER SIDE - OFF WHITE - EXCEL W245-67L FROM 06-03-91 THRU 99-99-99
	098646-04-700	EA WINDOW-SLIDING, W/O INSIDE FRAME - EXCEL H245G2L FROM 00-00-00 THRU 06-02-91
	098646-04-703	EA WINDOW-SLIDING, W/O INSIDE FRAME - EXCEL H245G1L FROM 06-03-91 THRU 99-99-99
	098644-01-700	EA LATCH-REPAIR KIT, EXCEL B801-CK
	098644-01-702	EA GLASS-SLIDING, W/SASH & LATCH - EXCEL B948-G9 FROM 00-00-00 THRU 06-02-91
	098644-05-701	EA GLASS-SLIDING, W/SASH & LATCH - EXCEL B948-G8 FROM 06-03-91 THRU 99-99-99
	098644-01-705	FT GLAZING STRIP, EXCEL M926-12
	098644-01-706	FT WEATHERSTRIP, EXCEL 171-010568
	098644-01-708	FT CHANNEL-PIERCED RUN, EXCEL 122-016543
	098644-01-710	FT TRACK-SCREEN SPACER, 12' LENGTH - EXCEL M401-31
	098644-01-711	FT WEATHERSTRIP-SCREEN, BLACK - EXCEL 171-016565
	098644-01-713	EA SPRING-SCREEN FRAME (CLIP), PLASTIC - BLACK
	098644-01-716	FT PLUG-FILLER, EXCEL 132-014470
	098644-01-717	FT SPLINE-SCREEN, EXCEL 132-004716
	098645-03-700	EA FILLER STRIP, EXCEL G03726
	098645-03-705	EA SCREEN ASSEMBLY - EXCEL 410015475
	098646-03-706	EA GLASS-STATIONARY, EXCEL 105017208 FROM 00-00-00 THRU 06-02-91
	098646-03-704	EA GLASS-STATIONARY, EXCEL 105017492 FROM 06-03-91 THRU 99-99-99

**1992 ITASCA  
TABLE OF CONTENTS**

INTRODUCTION	A-01 - A-02
ABBREVIATIONS	A-03
ALPHABETICAL INDEX	A-04 - A-06
IT320RB	A-07 - C-24
IT321RB	D-01 - F-20
IT321RL	F-21 - I-16

**1992 IT321RB INDEX**

FLOOR PLAN	D-01 - D-02
ACCESSORIES	- D-03
AUDIO VIDEO	- D-04
BATH	D-05 - D-06
CHASSIS	D-07 - D-08
CURTAIN & CUSHION	D-09 - D-15
DINETTE	- D-16
DRIVERS COMPARTMENT	- D-17
ELECTRICAL	D-18 - D-21
EXTERIOR BODY	D-22 - E-04
GALLEY	E-05 - E-10
GENERATOR	- E-11
HEATING & A/C	- E-12
INTERIOR FINISH	E-13 - E-16
LABEL	E-17 - F-22
LP	E-23
LOUNGE	E-24
SEALANTS & FASTENERS	F-01 - F-02
WATER & SEWAGE	F-03 - F-05
WINDOW VENT AND EXTERIOR DOOR	F-07 - F-20





**WINDOW, VENT & EXTERIOR DOOR GROUP (CONTINUED)**  
**POWERED ROOF VENT**

KEY	PART NUMBER	U/M DESCRIPTION
	090394-01-Y12	EA VENT-ROOF, POWERED
	002825-01-000	EA WEATHER STRIP-ROOF VENT, GRAY
	008195-01-000	EA SWITCH-ROOF VENT, PUSH BUTTON, 12V
	008343-01-000	EA TIE-WIRE, 6"
	006386-01-000	EA GROMMET-SNAP, 2.5"
	009440-01-000	EA GEAR/ARM-VENT COVER, LIFT
	015910-03-000	EA BRACKET-HANDLE-VENT ROOF O/W '2810-01
	015911-01-000	EA TRACK-LIFT ARM, SLIDE - ROOF VENT
	048648-01-000	EA MOTOR-ROOF VENT, 1/8 SHAFT - 12V - JENSEN
	048649-01-000	EA FAN-ROOF VENT, 6 BLADES - 6" - JENSEN
	055218-01-000	EA COVER-ROOF VENT
	052639-01-200	EA HINGE-EXTRUSION, ROOF VENT 7"
	052639-01-001	EA HINGE-VENT COVER, 16"
	061503-01-000	EA GROMMET-SNAP, 3/16" ID - 3/8" HOLE - PLASTIC - BLACK
	078785-01-Y12	EA SCREEN-ROOF VENT, POWERED
	002291-02-000	SF SCREENING-ROOF VENT/WINDOW, 16" - BLACK
	002298-02-000	FT SPLINE-VENT/WINDOW SCREEN, 1.28 DIAMETER - BLACK
	009439-01-000	EA CRANK HANDLE-ROOF VENT
	009439-03-000	EA EXTENSION-CRANK HANDLE ROOF VENT - 9" - MILL
	009439-04-000	EA SCREW 8-32 X 1 1/4" POH

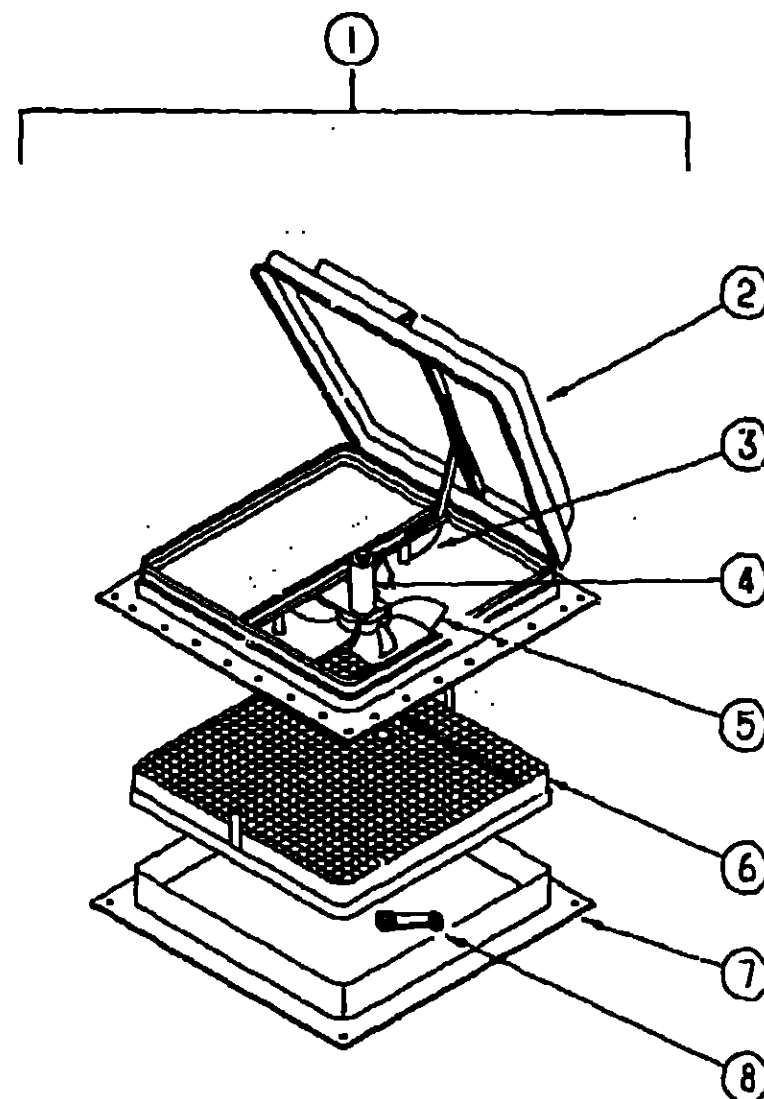
**NONPOWERED ROOF VENT**

KEY	PART NUMBER	U/M DESCRIPTION
	090395-01-Y12	EA VENT-ROOF, NONPOWERED
	002825-01-000	EA WEATHER STRIP-ROOF VENT, GRAY
	009440-01-000	EA GEAR/ARM-VENT COVER, LIFT
	015910-03-000	EA BRACKET-HANDLE-VENT ROOF O/W '2810-01
	015911-01-000	EA TRACK-LIFT ARM, SLIDE - ROOF VENT
	055218-01-000	EA COVER-ROOF VENT
	052639-01-001	EA HINGE-VENT COVER, 15"
	052639-01-200	EA HINGE-EXTRUSION, ROOF VENT 7"
	078785-01-Y12	EA SCREEN-ROOF VENT, NON POWERED - WHITE
	002291-02-000	SF SCREENING-ROOF VENT/WINDOW, 15" - BLACK
	002298-02-000	FT SPLINE-VENT/WINDOW SCREEN, 1.28 DIAMETER - BLACK
	009439-01-000	EA CRANK HANDLE-ROOF VENT
	009439-03-000	EA EXTENSION-CRANK HANDLE ROOF VENT - 9" - MILL
	009439-04-000	EA SCREW 8-32 X 1 1/4" POH

**REFRIGERATOR, RANGE HOOD & PLUMBING VENTS**

KEY	PART NUMBER	U/M DESCRIPTION
	065103-03-000	EA BASE-VENT REFRIGERATOR - ROOF - DOMETIC 3100529 01
	065103-04-000	EA CAP-VENT, REFRIGERATOR - ROOF - DOMETIC 3100529 019
	094616-01-000	EA SHROUD-RANGE HOOD VENT, OFFWHITE
	064878-09-000	EA VENT-RANGE HOOD, SHORT - LVS

**WINDOW, VENT & EXTERIOR DOOR GROUP (CONTINUED)**



**JENSEN POWERED ROOF VENT**

KEY	PART NUMBER	U/M DESCRIPTION
1	054469-08-000	EA VENT-ROOF POWERED - 14" X 14" - 12V - JENSEN C-727 - CSA
2	054469-03-702	EA LID-VENT, WHITE
3	054469-03-706	EA LIFT MECHANISM
4	048648-01-000	EA MOTOR-ROOF VENT, 1/8 SHAFT - 12V
5	048649-01-000	EA FAN-ROOF VENT, 6 BLADES - 5"
6	110951-01-700	EA SCREEN-ROOF VENT
7	064469-03-705	EA GARNISH-INNER, 2.5" WIDE
8	009439-01-000	EA CRANK HANDLE-ROOF VENT
	009439-04-000	EA SCREW 8-32 X 1 1/4" POH
	009439-03-000	EA EXTENSION-CRANK HANDLE ROOF VENT - 9" - MILL

**1992 ITASCA**  
**TABLE OF CONTENTS**

INTRODUCTION	A-01 -	A-02
ABBREVIATIONS		A-03
ALPHABETICAL INDEX	A-04 -	A-06
IT320RB	A-07 -	C-24
IT321RB	D-01 -	F-20
IT321RL	F-21 -	I-16

**1992 IT321RB INDEX**

FLOOR PLAN	D-01 -	D-02
ACCESSORIES		D-03
AUDIO VIDEO		D-04
BATH	D-05 -	D-06
CHASSIS	D-07 -	D-08
CURTAIN & CUSHION	D-09 -	D-15
DINETTE		D-16
DRIVERS COMPARTMENT		D-17
ELECTRICAL	D-18 -	D-21
EXTERIOR BODY	D-22 -	E-04
GALLEY	E-05 -	E-10
GENERATOR		E-11
HEATING & A/C		E-12
INTERIOR FINISH	E-13 -	E-16
LABEL	E-17 -	E-22
LP		E-23
LOUNGE		E-24
SEALANTS & FASTENERS	F-01 -	F-02
WATER & SEWAGE	F-03 -	F-06
WINDOW, VENT AND		
EXTERIOR DOOR	F-07 -	F-20