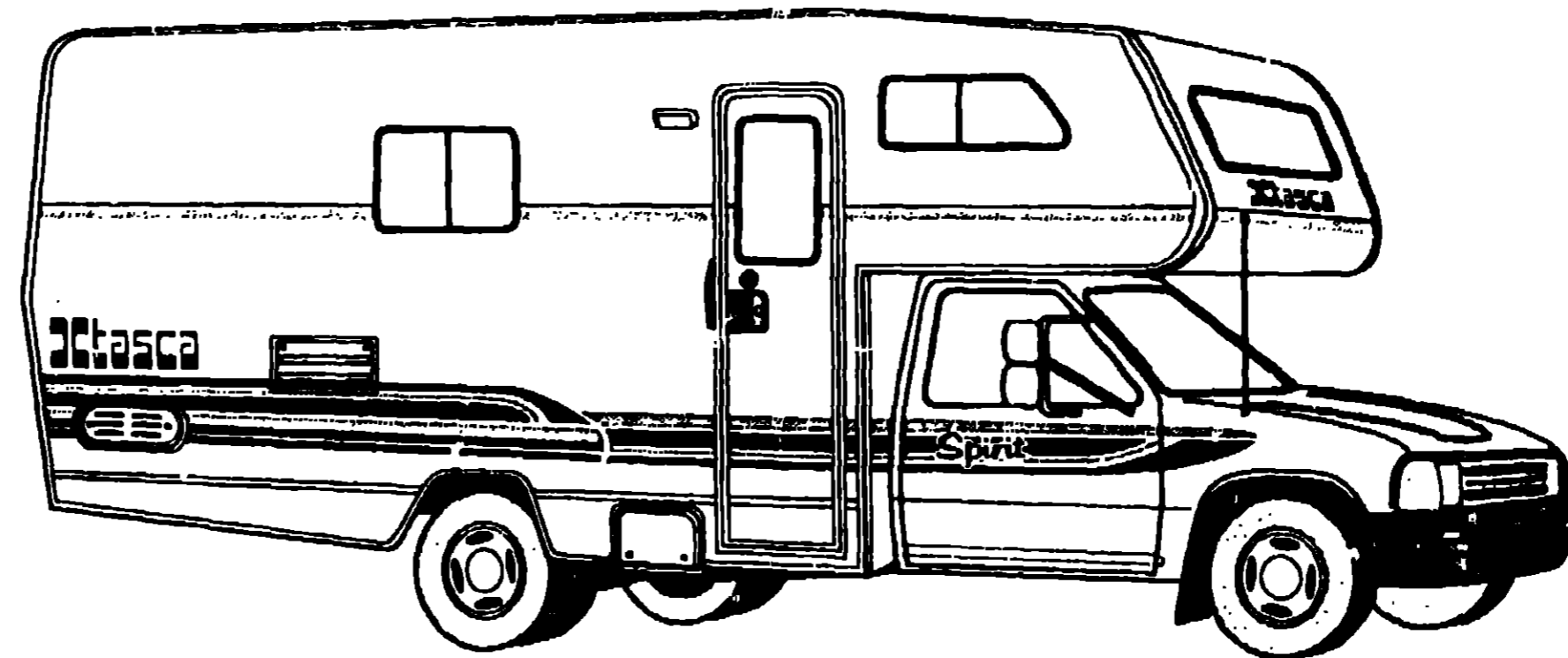


**1992 ITASCA  
TABLE OF CONTENTS**

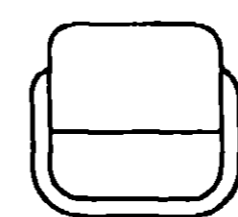
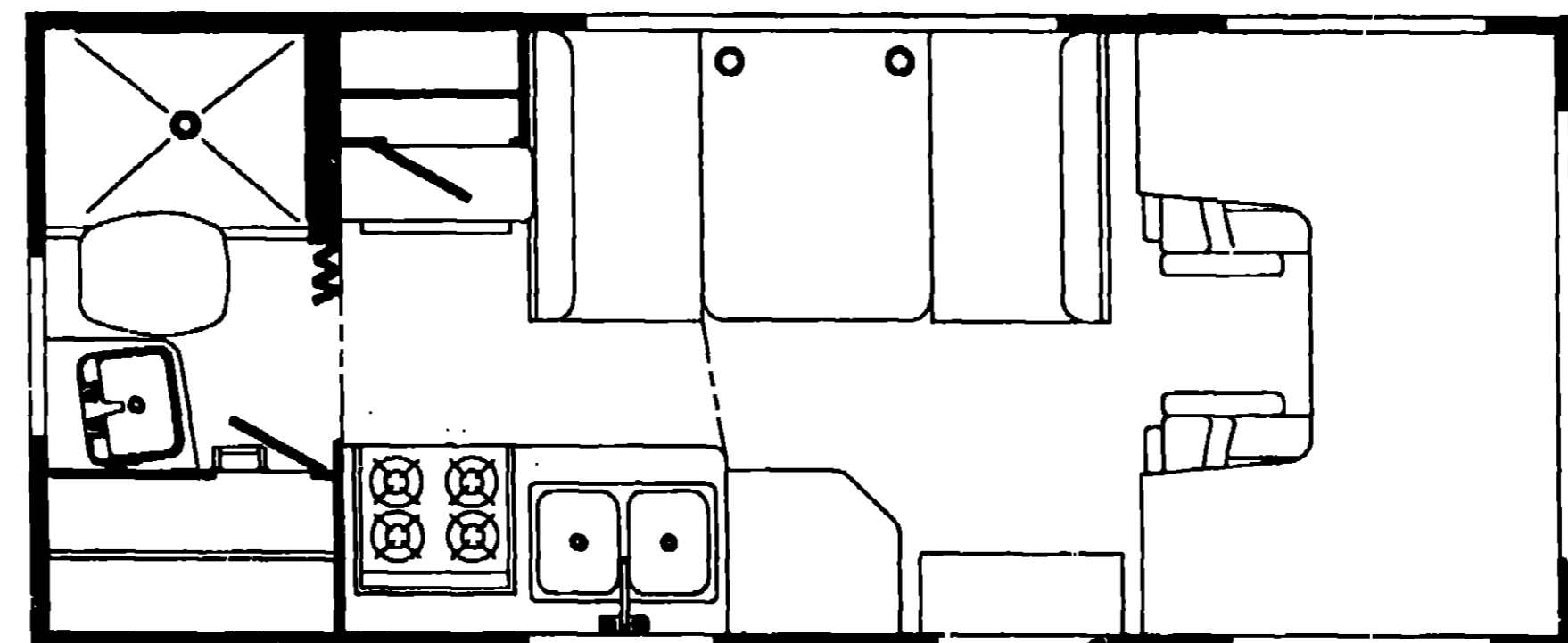
INTRODUCTION	A-01	A-02
ABBREVIATIONS		A-03
ALPHABETICAL INDEX	A-04	A-06
IT320RF	A-07	C-24
IT321RB	D-01	F-20
IT321RL	F-21	I-16



**1992  
IT320RB  
C29  
C30**

**1992 IT320RB INDEX**

FLOOR PLAN	A-07	A-08
ACCESSORIES		A-09
AUDIO VIDEO		A-10
BATH	A-11	A-12
CHASSIS	A-13	A-14
CURTAIN & CUSHION	A-15	A-20
DINETTE	A-21	A-22
DRIVERS COMPARTMENT		A-23
ELECTRICAL	A-24	B-03
EXTERIOR BODY	B-04	B-09
GALLEY	B-10	B-15
GENERATOR		B-16
HEATING & A/C		B-17
INTERIOR FINISH	B-18	B-20
LABEL	B-21	C-02
LP		C-03
LOUNGE		C-04
SEALANTS & FASTENERS	C-05	C-06
WATER & SEWAGE	C-07	C-10
WINDOW, VENT AND EXTERIOR DOOR	C-11	C-24



**ACCESSORIES GROUP  
OPERATORS MANUAL & BINDER**

KEY	PART NUMBER	U/M DESCRIPTION
	054185-86-000	EA MANUAL-OPERATOR, 1992 SPIRIT
	092318-01-000	EA BINDER-3 RING, MOTOR HOME MANUAL
	092319-01-000	EA POCKET PAGE-3 RING BINDER, PLASTIC

**AUDIO VIDEO GROUP  
RADIO SYSTEM COMPONENTS & ANTENNA**

KEY	PART NUMBER	U/M DESCRIPTION
	090050-01-000	EA ANTENNA-RADIO TOYOTA - AUDIOVOX FMF22T
	090051-02-000	EA SPEAKER-4" ROUND, AUDIOVOX
	090052-04-000	EA MOUNT-TRIM KIT RADIO - TOYOTA - JAPAN OPTION - AUDIOVOX 9005204000 FROM 00 00 00 THRU 01 05 92
	090052-03-000	EA MOUNT-TRIM KIT RADIO - TOYOTA - AUDIOVOX 5005203000 FROM 00 00 00 THRU 01 05-92
	090052-05-000	EA MOUNT-TRIM KIT RADIO TOYOTA AUDIOVOX IM TOY-92 FROM 01 06-92 THRU 99-99-99
	090982-01-000	EA RADIO AM-FM CASSETTE ELECTRIC TUNE - AUDIOVOX HCC 1035 FROM 00 00 00 THRU 01 05-92
	104089-01-000	EA RADIO AM: 16 STEREO, CASSETTE - AUDIOVOX IM-DXF FROM 01-06 92 THRU 99 99 99
	074979-01-000	EA SHIELD SPEAKER BACK - MOLDED PLASTIC - 8" X 9" - BEIGE

**TV ANTENNA**

KEY	PART NUMBER	U/M DESCRIPTION
	076319-15-000	EA ANTENNA-TV ROOF - NONPOWERED - 23 5' WINEGARD 1504
	076319-01-700	EA HEAD ANTENNA AMPLIFIED WINEGARD # VSA 03V
	076319-01-701	EA GEAR ELEVATING PLASTIC WINEGARD # 3200636
	076319-01-702	EA SHAFT ASM ELEVATING WINEGARD # VE 400A
	076319-01-703	EA BEARING NYLON 5"OD WINEGARD # 3200636
	076319-01-705	EA GROMMET NYLON 7/8"OD WINEGARD # 3200658
	076319-01-706	EA CHANK ELEVATING W/SET SCREW WINEGARD # 5755100
	076319-01-707	EA SPRING HANDLE WINEGARD # 5760800
	076319-01-709	EA PLATE DIRECTIONAL FOR HEAD WINEGARD # 3200644
	076319-01-710	EA CHANK-ELEVATING HALF MOON WINEGARD # 2750897
	082136-01-000	EA NUT HEX JAM 3/8 32 WINEGARD
	076319-03-000	ET CABLE-COAXIAL 75 OHM
	076319-12-000	EA CONNECTOR COAXIAL ONE PIECE
	093252-01-01A	EA PLATE WALL CABLE - BEIGE
	102837-01-02A	EA PLATE WALL CABLE/ANTENNA
	076319-06-000	EA ADAPTOR CABLE ROOF PLATE WINEGARD 01011

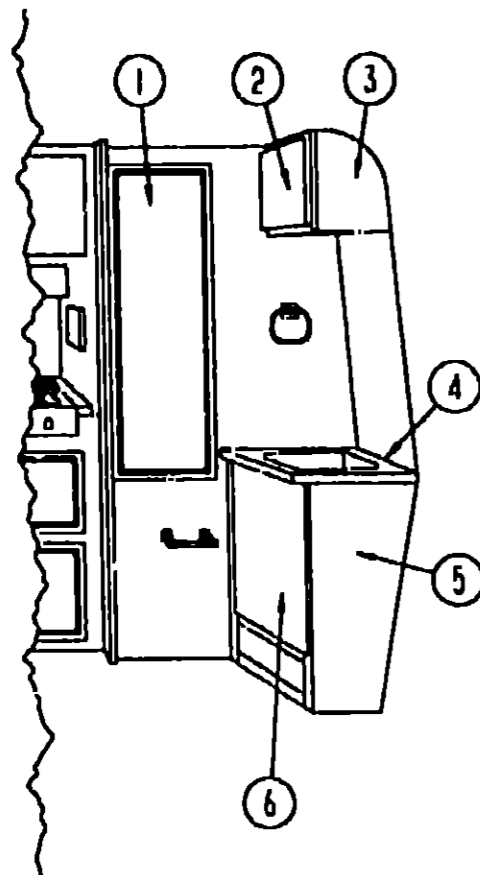
**1992 ITASCA  
TABLE OF CONTENTS**

INTRODUCTION	A 01	A-02
ABBREVIATIONS		A-03
ALPHABETICAL INDEX	A-04	A-06
IT320RB	A-07	C-24
IT321RB	D-01	F-20
IT321RL	F-21	I-16

**1992 IT320RB INDEX**

FLOOR PLAN	A-07	A-08
ACCESSORIES		A-09
AUDIO VIDEO		A-10
BATH	A-11	A-12
CHASSIS	A-13	A-14
CURTAIN & CUSHION	A-15	A-20
CINETTE	A-21	A-22
DRIVERS COMPARTMENT		A-23
ELECTRICAL	A-24	B-03
EXTERIOR BODY	B-04	B-09
GALLEY	B-10	B-15
GENERATOR		B-16
HEATING & A/C		B-17
INTERIOR FINISH	B-18	B-20
LABEL	B-21	C-02
LP		C-03
LOUNGE		C-04
SEALANTS & FASTENERS	C-05	C-06
WATER & SEWAGE	C-07	C-10
WINDOW VENT AND EXTERIOR DOOR	C-11	C-24

**BATH GROUP**



**BATH CABINETS & FIXTURES**

KEY	PART NUMBER	U/M DESCRIPTION
1	P03702-16-B87	EA DOOR-CABINET, MIRROR - W/O HARDWARE - 15 6" X 45 5" FROM: 00-00-00 THRU: 09-22-91
	058331-39-000	EA MIRROR-GLASS, SAFETY - 12 8" X 42.8" FROM: 00-00-00 THRU: 09-22-91
1	P04746-56-C29	EA DOOR-CABINET, MIRROR - W/O HARDWARE - 15 5" X 45 5" FROM: 09-23-91 THRU 11-20-91
1	P04536-12-C29	EA DOOR-CABINET, MIRROR - W/O HARDWARE - 15 6" X 45 5" FROM: 11-21-91 THRU: 99-99-99
2	P03702-72-C29	EA DOOR-CABINET, MIRROR - W/O HARDWARE - 12" X 29.1" FROM 00-00-00 THRU 09-22-91
	058331-40-000	EA MIRROR-GLASS, SAFETY - 9 2" X 26 4" FROM: 00-00-00 THRU: 09-22-91
2	P04746-57-C29	EA DOOR-CABINET, MIRROR - W/O HARDWARE - 12" X 29 1" FROM 09-23-91 THRU 11-19-91
2	P04536-11-C29	EA DOOR-CABINET, MIRROR - W/O HARDWARE - 12" X 29 1" FROM 11-20-91 THRU: 99-99-99
3	M05160-05-C29	EA CABINET-OVERHEAD, MEDICINE - W/O DOORS OR HARDWARE
4	099928-11-C29	EA COUNTERTOP-LAVATORY CABINET
5	M99928-02-C29	EA CABINET-LAVATORY W/COUNTERTOP
6	P03702-71-C29	EA DOOR-CABINET, W/O HARDWARE - 12" X 21 8"
	078238-23-B87	EA PANEL-ACCESS, 358 X 162
	042488-09-000	EA DOOR-FOLDING, OAK - 27 5" X 70 5" FROM 00-00-00 THRU 06-02-91
	042488-01-700	EA ROLLER & CLAMP-FOLDING DOOR FROM: 00-03-00 THRU: 06-02-91
	042488-04-700	EA LATCH & CATCH ASSEMBLY FROM: 00-00-00 THRU 06-02-91
	042488-04-701	EA HANDLE ASSEMBLY COMPLETE - BROWN FROM: 00-00-00 THRU: 06-02-91
	042488-11-000	EA DOOR-FOLDING, OFF WHITE FABRIC - 27 5" X 70 5" FROM: 06-03-91 THRU: 99-99-99
	080224-01-703	EA LATCH & CATCH ASSEMBLY-ALMOND, DE00020AL FROM: 06-03-91 THRU: 99-99-99
	080224-01-705	EA CATCH ONLY-DOOR JAMB, ALMOND - DE25020AL FROM: 06-03-91 THRU: 99-99-99
	075452-02-000	EA HOLDER-TOILET TISSUE, BRASS
	075454-02-000	EA RING-TOWEL, W/MOUNTING HARDWARE - BRASS

**BATH GROUP (CONTINUED)  
BATH CABINETS & FIXTURES CONT'D**

KEY	PART NUMBER	U/M DESCRIPTION
	075240-06-000	EA FAUCET-LAVATORY, BONE
	105218-01-01A	EA SPACER-FAUCET, LAVATORY SINK - 2" X 5 9" - ABS PLASTIC OFF WHITE FROM: 00-00-00 THRU 10-13-91
	091253-01-000	EA GASKET-FAUCET, LAVATORY/GALLEY
	096927-01-01A	EA SINK-LAVATORY, RECTANGULAR - PLASTIC - BONE
	096927-01-700	EA SINK-STOPPER
	096927-01-701	EA TAILPIECE-SINK

**BATH CABINET HARDWARE**

KEY	PART NUMBER	U/M DESCRIPTION
	009148-01-000	EA PULL-FINGER, .75" DIAMETER - BRASS
	059783-01-000	FT ROD-CLOTHES, SLOTTED - ALUMINUM - 7" LENGTH
	092464-03-01A	EA TRACK-SHOWER, CURVED - OFF WHITE
	009700-04-002	EA TRACK, L-SHAPED 195 2" - STRAIGHT - OFF WHITE
	009136-02-000	EA HANGER-RING, PIN TYPE - CURTAIN - BRASS
	009701-01-000	EA CARRIER-CURTAIN, L ROD
	009702-01-000	EA END STOP-CURTAIN CARRIER, L ROD
	094856-05-01A	EA TRACK-FOLDING DOOR, OFF WHITE

**TOILET**

KEY	PART NUMBER	U/M DESCRIPTION
	063740-01-000	EA TOILET-HIGH, HAND FLUSH - THETFORD, 150120
	063740-01-700	EA LEVER-WATER, THETFORD 12514
	063740-01-701	EA LEVER-FLUSH, THETFORD 12515
	063740-01-706	EA BOLT PACKAGE-CLOSET, THETFORD 12524
	063740-01-710	EA LINK, THETFORD 12513
	063740-01-711	EA SPRING-RETURN LEVER, THETFORD 12523
	063740-01-713	EA SEAL-BALL VALVE TO BOWL, THETFORD 12502
	063740-01-714	EA VALVE ASM-WATER, THETFORD 12492
	063740-01-716	EA SEAT & COVER, THETFORD 15017 - IVORY
	063740-01-717	EA TUBE-FLUSH, TOILET
	063740-02-700	EA SEAT & COVER, PARCHMENT - THETFORD 20829

**SHOWER COMPONENTS**

KEY	PART NUMBER	U/M DESCRIPTION
	075453-02-000	EA BAR-TOWEL, 18" BRASS
	011048-05-000	EA SHOWER HEAD-W/60" HOSE, W/O VACUUM BREAKER - CANADIAN FROM: 00-00-00 THRU: 11-03-91
	011048-02-000	EA SHOWER HEAD-W/60" HOSE - US FROM: 00-00-00 THRU: 11-03-91
	103092-02-000	EA SHOWER HEAD-W/60" HOSE - CANADIAN FROM: 11-04-91 THRU: 99-99-99
	103092-01-000	EA SHOWER HEAD-W/60" HOSE - US FROM: 11-04-91 THRU: 99-99-99
	075241-05-000	EA FAUCET-SHOWER, BONE
	075606-01-000	EA PANEL-FAUCET BACK, SHOWER - 5" X 9" - PLASTIC
	M02630-03-U28	EA SHOWER PAN W/NUT, STRAINER & WASHER
	066436-01-000	EA NUT-SLIP, TAILPIECE - 1.5"
	066440-01-000	EA STRAINER-SHOWER, W/RUBBER WASHER
	069735-01-000	EA WASHER-STRAINER TO TAILPIECE PLASTIC, 1.5"
	011069-03-000	EA TAILPIECE-SHOWER/TUB, 1 1/2" X 1 3/4" - PLASTIC
	057671-01-000	EA COVER-SCREW, #8 - PLASTIC - OFF WHITE*
	084724-02-000	EA TRIM-SHOWER, OFF WHITE
	080549-07-805	EA PANEL-DOOR, W/PULL

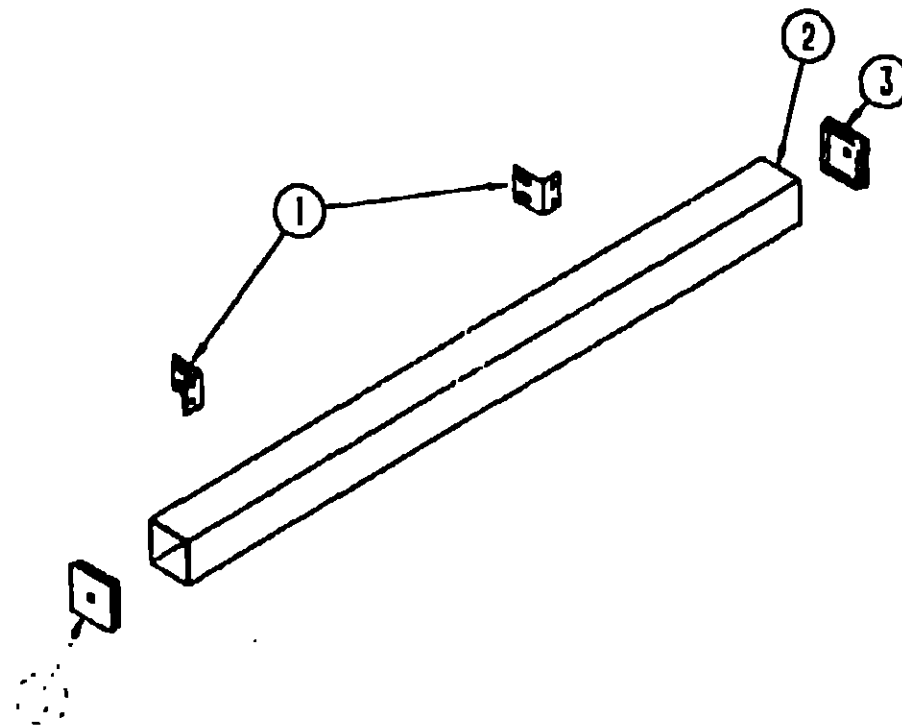
**1992 ITASCA  
TABLE OF CONTENTS**

INTRODUCTION	A-01	A-02
ABBREVIATIONS		A-03
ALPHABETICAL INDEX	A-04	A-06
IT320RB	A-07	C-24
IT321RB	D-01	F-20
IT321RL	F-21	I-16

**1992 IT320RB INDEX**

FLOOR PLAN	A-07	A-08
ACCESSORIES		A-09
AUDIO VIDEO		A-10
BATH	A-11	A-12
CHASSIS	A-13	A-14
CURTAIN & CUSHION	A-15	A-20
DINETTE	A-21	A-22
DRIVERS COMPARTMENT		A-23
ELECTRICAL	A-24	B-03
EXTERIOR BODY	B-04	B-09
GALLEY	B-10	B-15
GENERATOR		B-16
HEATING & A/C		B-17
INTERIOR FINISH	B-18	B-20
LABEL	B-21	C-02
LP		C-03
LOUNGE		C-04
SEALANTS & FASTENERS	C-05	C-06
WATER & SEWAGE	C-07	C-10
WINDOW, VENT AND EXTERIOR DOOR	C-11	C-24

### CHASSIS GROUP



#### REAR BUMPER & BRACKETS

KEY	PART NUMBER	U/M DESCRIPTION
1	102776-01-000	EA BRACKET-BUMPER, UNPAINTED
		FROM: 00-00-00 THRU 05-19-92
1	108752-01-01A	EA BRACKET-BUMPER, OFF WHITE
		FROM 05-20-92 THRU 99-99-99
2	102775-01-01A	EA BUMPER-REAR, OFF WHITE
		FROM: 00-00-00 THRU 05-19-92
2	103422-03-01A	EA BUMPER-REAR, OFF WHITE
		FROM: 05-20-92 THRU 99-99-99
3	039779-01-000	EA CAP-BUMPER, RUBBER - 4" X 4" - BLACK

#### SPARE TIRE W/RIM & MOUNTING BRACKET

KEY	PART NUMBER	U/M DESCRIPTION
	M00080-65-000	EA TIRE-SPARE, W/RIM - 185R14LT - BRIDGESTONE
	M00080-65-700	EA CARRIER-SPARE TIRE, TOYOTA
	M00080-65-701	EA TIRE-SPARE, W/RIM - 185R14LT - DUNLOP
	084773-01-000	EA BRACKET-MOUNTING, SPARE TIRE

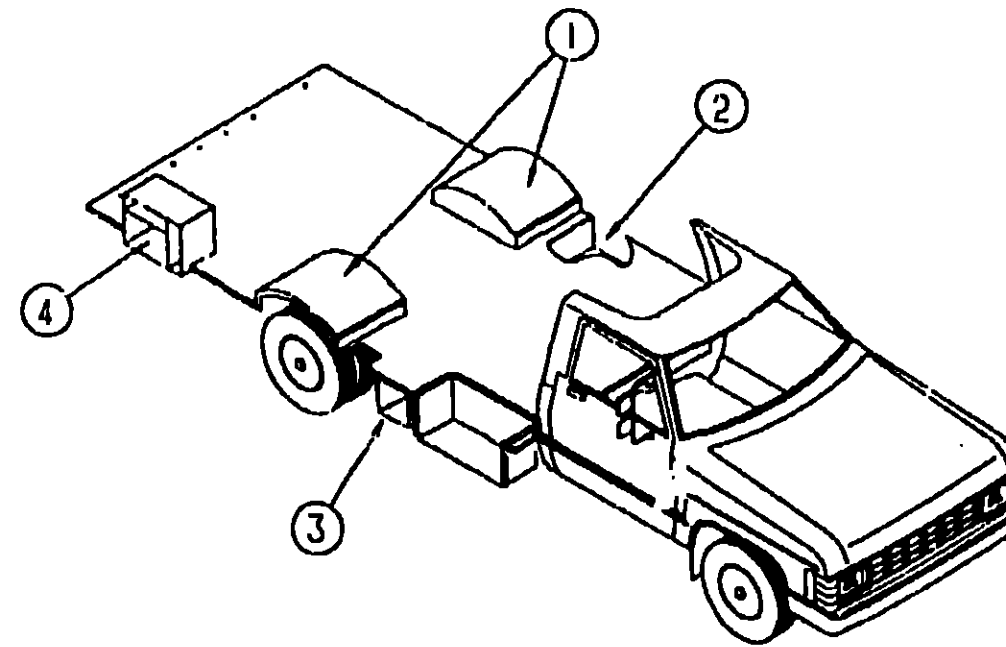
#### FUEL SYSTEM COMPONENTS

KEY	PART NUMBER	U/M DESCRIPTION
	007063-01-000	FT HOSE-GAS 1.125" ID X 1/2" OD
	087269-01-000	EA TEE-1/4" X 1/4" X 1/4", BRASS
	100599-01-000	EA NECK-FILLER, MAIN - UNLEADED FUEL
	078040-03-000	EA SHROUD-FUEL FILL, UPPER
	078200-01-000	EA GASKET-FUEL FILL, 3.5" OD X 2" ID
	095854-01-02A	EA SHROUD-FUEL FILL, OFF WHITE

#### MISCELLANEOUS CHASSIS COMPONENTS

KEY	PART NUMBER	U/M DESCRIPTION
	103247-01-000	EA BRACKET-LICENSE PLATE, REAR - JAPAN
	093048-04-000	EA PLATE ASM-SKID
	086780-01-000	EA GUARD-SPLASH, RUBBER - TOYOTA - SET OF 2 - BLACK
	102627-01-01A	EA COVER-HUB W/BOLT - GRAY - KAPER II
	102627-01-700	EA BOLT-HUB COVER, KAPER II
	055278-51-259	EA TUBING-STEEL, .75" X 1.5" X 12.5'
	008042-01-000	FT TUBING-VINYL, .65" ID

### CHASSIS GROUP (CONTINUED)



#### COMPARTMENTS & WHEELWELLS

KEY	PART NUMBER	U/M DESCRIPTION
1	084637-01-000	EA WHEELWELL-PLASTIC
2	078781-03-000	EA COMPARTMENT-STORAGE, 25.2" WIDE - GALVANIZED STEEL
3	100824-01-000	EA COMPARTMENT-BATTERY, PLASTIC
	004993-01-000	EA STRAP-BATTERY
4	096302-02-000	EA COMPARTMENT-GENERATOR, 25.1" WIDE X 17.7" DEEP
4	096350-02-000	EA COMPARTMENT-LUGGAGE, 25.2" WIDE X 17.5" DEEP
4	083665-02-000	EA TRAY-GENERATOR COMPARTMENT
4	083665-04-000	EA TRAY-STORAGE COMPARTMENT
4	096304-01-000	EA COVER-BAFFLE, GENERATOR
	077953-01-000	EA GROMMET-EDGE LINER, FITS 1"
	058027-01-000	FT SEAL D SHAPED - HOLLOW - SPONGE RUBBER - BLACK
	104231-01-01A	EA COVER-INTERIOR PIPE, FOR EXTERIOR SHOWER - PLASTIC
		INSIDE WARDROBE CABINET
	106208-01-01A	EA COMPARTMENT-SHOWER, EXTERIOR - OFF WHITE

#### EXHAUST SYSTEM COMPONENTS

KEY	PART NUMBER	U/M DESCRIPTION
	007125-06-000	EA CLAMP-MUFFLER, 2.25" DIAMETER
	084696-02-000	EA EXTENSION-TAILPIPE, 2" DIAMETER

#### REAR AIR BAG

KEY	PART NUMBER	U/M DESCRIPTION
	100293-01-000	EA AIRSPRING-MICRO MINI, 4" DIA - 3-T RV T-9E2
	100293-01-701	EA HOSE, W/MALE VALVES - 3T T9AL
	100293-01-703	EA FITTING-AIRLINE, FEMALE - ST 3114 701
	100293-01-704	EA AIR BAG KIT, BAG W/AIR LINE & BRACKETS TO MOUNT ON 1 SIDE - 3T RK-E2W
	100332-01-000	EA PLATE-VALVE, AIR SPRING

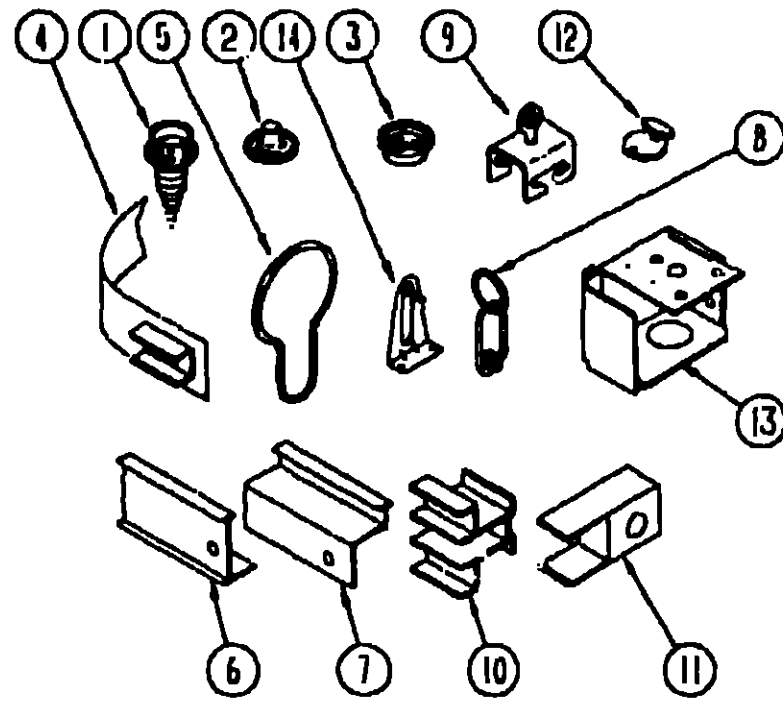
### 1992 ITASCA TABLE OF CONTENTS

INTRODUCTION	A-01 - A-02
ABBREVIATIONS	A-03
ALPHABETICAL INDEX	A-04 - A-06
IT320RB	A-07 - C-24
IT321RB	D-01 - F-20
IT321RL	F-21 - I-16

### 1992 IT320RB INDEX

FLOOR PLAN	A-07 - A-08
ACCESSORIES	- A-09
AUDIO VIDEO	- A-10
BATH	A-11 - A-12
CHASSIS	A-13 - A-14
CURTAIN & CUSHION	A-15 - A-20
DINETTE	A-21 - A-22
DRIVERS COMPARTMENT	- A-23
ELECTRICAL	A-24 - B-03
EXTERIOR BODY	B-04 - B-09
GALLEY	B-10 - B-15
GENERATOR	- B-16
HEATING & A/C	- B-17
INTERIOR FINISH	B-18 - B-20
LABEL	B-21 - C-02
LP	C-03
LOUNGE	C-04
SEALANTS & FASTENERS	C-05 - C-06
WATER & SEWAGE	C-07 - C-10
WINDOW, VENT AND EXTERIOR DOOR	C-11 - C-24

**CURTAIN & CUSHION GROUP**



**CURTAIN, BLIND & SHADE HARDWARE**

KEY	PART NUMBER	U/M DESCRIPTION
1	029130-01-000	EA SCREW-SNAP SOCKET 8 PH X 5/8"
2	029155-01-000	EA CAP-SNAP NICKEL
3	029156-01-000	EA SOCKET-SNAP FASTENER NICKEL
4	101031-01-000	YD TAPE-GLIDE CURTAIN- 4 25" SPACING
5	009136-02-000	EA HANGER-RING, PIN TYPE - CURTAIN - BRASS
6	092464-03-01A	EA TRACK-SHOWER, CURVED - OFF WHITE
6	009700-04-002	EA TRACK, L-SHAPED 195 2" - STRAIGHT - OFF WHITE
	101032-01-000	FT TRACK-CURTAIN, CEILING MOUNT - WHITE FROM: 00-00-00 THRU. 08-18-91
7	105450-05-01A	EA TRACK-CURTAIN, 79" LONG - ALUMINUM - OFF WHITE FROM: 08-19-91 THRU 99-99-99
8	009701-01-000	EA CARRIER-CURTAIN L ROD
9	009702-01-000	EA END STOP-CURTAIN CARRIER L ROD
10	101033-01-000	FT TRACK-CURTAIN LOW PROFILE - WHITE FROM: 00-00-00 THRU 03-01-92
10	101033-03-000	FT TRACK-CURTAIN LOW PROFILE - WHITE FROM: 03-02-92 THRU. 99-99-99
11	101033-02-000	EA END CAP-TRACK, CLEAR
12	102555-01-000	EA CLEAT-CORD, BLIND - OFF WHITE
13	083170-01-000	EA BRACKET-BLIND, RIGHT SIDE
13	083170-02-000	EA BRACKET-BLIND, LEFT SIDE
	093475-01-700	EA WAND-BLIND, W/METAL CLIP - 8" LONG
	093475-01-701	EA END CAP-BLIND, W/STUD
14	095591-02-000	EA BRACKET-HOLD DOWN, W/PIN - BLIND - METAL
	085522-03-000	EA PANEL-LEG, TWO SIDE 27" LONG - PLASTIC - BLACK
	089916-01-000	EA MOUNT-WINDOW LEG, 23.75" - ALUMINUM - BLACK 23.75" LONG - 6 3" BETWEEN SCREW HOLES
	103986-01-000	FT TRIM-VALANCE, U-CHANNEL - .75" WIDE - BRASS
	046867-01-000	EA GROMMET-BRASS - 7/16" ID X 1" OD
	088792-01-000	YD VELCRO-HOOK, .75" WIDE - BEIGE
	088792-02-000	YD VELCRO TAPE-LOOP, ADHESIVE BACKED - .75" WIDE - BEIGE

**CURTAIN & CUSHION GROUP (CONTINUED)  
FABRIC**

KEY	PART NUMBER	U/M DESCRIPTION
	029219-01-000	YD FABRIC-VINYL, 54" WIDE - WHITE
	103507-01-01A	YD FABRIC-VINYL, 54" WIDE - OFF WHITE
	072333-82-000	YD FABRIC-CURTAIN, 54" WIDE - BEIGE
	075244-04-000	YD FABRIC-VINYL SHOWER CURTAIN - 72" WIDE - SALMON (C29)
	075244-05-000	YD FABRIC-VINYL SHOWER CURTAIN - 72" WIDE - BLUE (C30)
	095000-90-000	YD FABRIC-UPHOLSTERY/CURTAIN, PATTERNED WOVEN - 54" WIDE (C29)
	095000-83-000	YD FABRIC-UPHOLSTERY/CURTAIN, PATTERNED VELOUR - 54" WIDE (C30)
	095000-91-000	YD FABRIC-UPHOLSTERY, STRIPED WOVEN - 54" WIDE (C29)
	095000-84-000	YD FABRIC-UPHOLSTERY DOTTED VELOUR - 54" WIDE (C30)
	095000-92-000	YD FABRIC-UPHOLSTERY/CURTAIN PLAIN VELOUR - 54" WIDE (C29) FROM 00-00-00 THRU 09-08-91
	095000-85-000	YD FABRIC-UPHOLSTERY/CURTAIN PLAIN VELOUR - 54" WIDE (C30) FROM 00-00-00 THRU 09-08-91
	104233-28-000	YD FABRIC-UPHOLSTERY/CURTAIN, PLAIN VELOUR - 54" WIDE (C29) FROM 09-09-91 THRU 99-99-99
	104233-27-000	YD FABRIC-UPHOLSTERY/CURTAIN, PLAIN VELOUR - 54" WIDE (C30) FROM 09-09-91 THRU 99-99-99

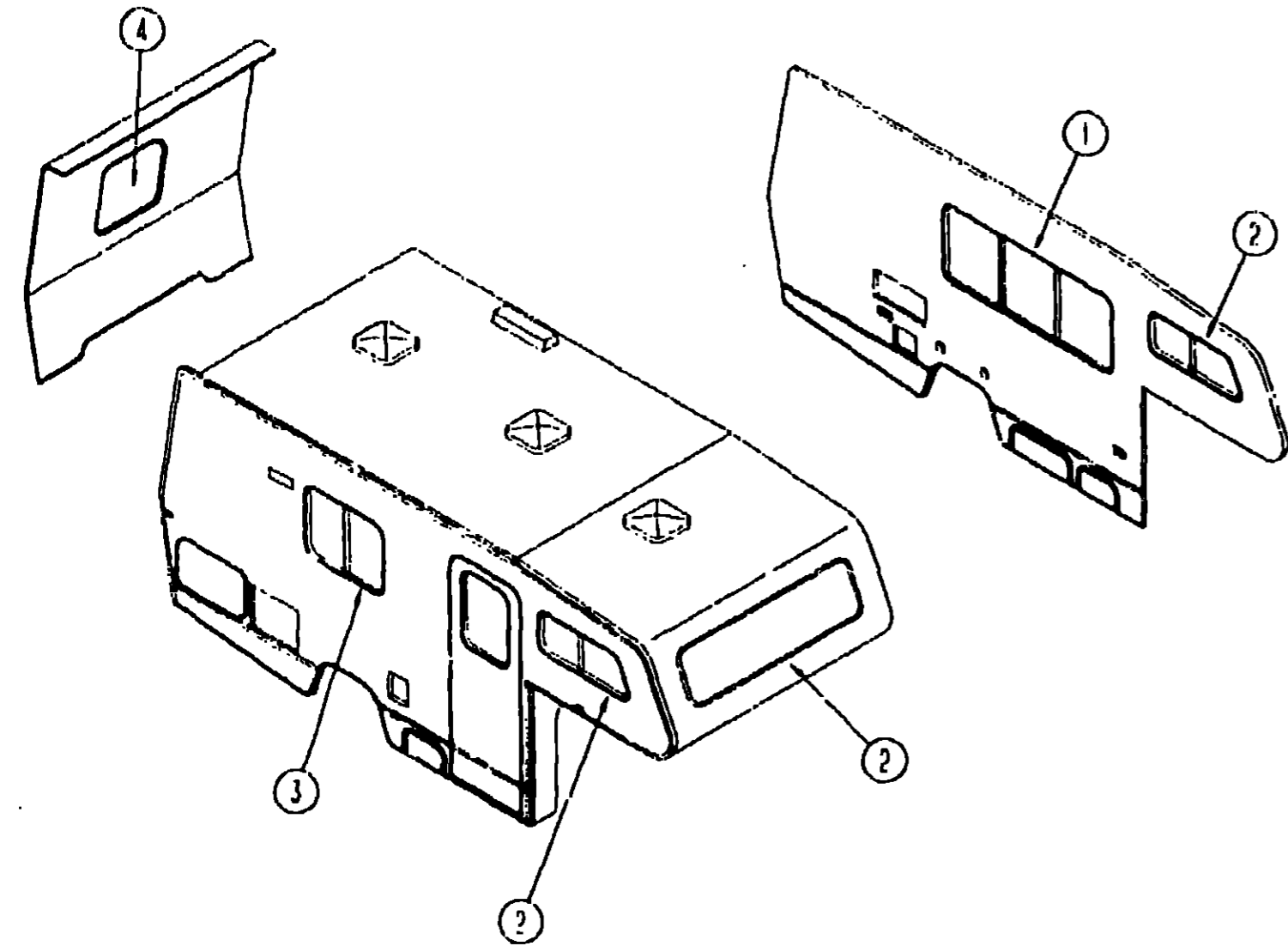
**1992 ITASCA  
TABLE OF CONTENTS**

INTRODUCTION	A-01	A-02
ABBREVIATIONS		A-03
ALPHABETICAL INDEX	A-04	A-06
IT320RB	A-07	C-24
IT321RL	D-01	F-20
IT321RL	F-21	I-16

**1992 IT320RB INDEX**

FLOOR PLAN	A-07	A-08
ACCESSORIES		A-09
AUDIO VIDEO		A-10
BATH	A-11	A-12
CHASSIS	A-13	A-14
CURTAIN & CUSHION	A-15	A-20
DINETTE	A-21	A-22
DRIVERS COMPARTMENT		A-23
ELECTRICAL	A-24	B-03
EXTERIOR BODY	B-04	B-09
GALLEY	B-10	B-15
GENERATOR		B-16
HEATING & A/C		B-17
INTERIOR FINISH	B-18	B-20
LABEL	B-21	C-02
LP		C-03
LOUNGE		C-04
SEALANTS & FASTENERS	C-05	C-06
WATER & SEWAGE	C-07	C-10
WINDOW, VENT AND EXTERIOR DOOR	C-11	C-24

**CURTAIN & CUSHION GROUP (CONTINUED)**  
WINDOW TREATMENT



KEY	PART NUMBER	U/M DESCRIPTION
1	104021-10-C29	EA VALANCE-64" (C29)
1	104021-10-C30	EA VALANCE-64" (C30)
1	100281-09-B87	EA LEG-RIGHT (C29)
1	100281-09-B88	EA LEG-RIGHT (C30)
1	100281-10-B87	EA LEG-LEFT (C29)
1	100281-10-B88	EA LEG-LEFT (C30)
1	093475-56-02A	EA BLIND-MINI, 60" X 27" DROP (C29/C30)
2	101034-05-C09	EA CURTAIN-16" X 28", TAPE TOP & BOTTOM (C29)
2	101034-06-C30	EA CURTAIN-16" X 28", TAPE TOP & BOTTOM (C30)
3	104021-06-B87	EA VALANCE 28 5" (C29)
3	104021-06-B88	EA VALANCE-28 5" (C30)
3	093475-64-02A	EA BLIND-MINI, 25" X 16" DROP (C29)
3	093475-64-04A	EA BLIND-MINI, 25" X 16" DROP (C30)
4	104021-06-B87	EA VALANCE-28 5" (C29)
4	104021-06-B88	EA VALANCE-28 5" (C30)
4	093475-43-02A	EA BLIND-MINI, 26 5" X 24" DROP (C29)
4	093475-43-04A	EA BLIND-MINI, 26 5" X 24" DROP (C30)
	076892-03-C09	EA CURTAIN-SNAP TOP, 35" X 55" - BEIGE
	101668-18-C05	EA CURTAIN-38 5" X 50", RIGHT - TAPE TOP (C29)
	101668-18-C30	EA CURTAIN-38 5" X 50", RIGHT - TAPE TOP (C30)
	101668-19-C09	EA CURTAIN-38 5" X 50", LEFT - TAPE TOP (C29)
	101668-19-C26	EA CURTAIN-38 5" X 50", LEFT - TAPE TOP (C30)
	084481-14-C09	EA CURTAIN-SHOWER, VINYL - 65" X 42" (C29)
	084481-14-C30	EA CURTAIN-SHOWER, VINYL - 65" X 42" (C30)
	073260-54-C09	EA TIEBACK-CURTAIN, SHOWER - 3" X 16" (C29)
	073260-54-C30	EA TIEBACK-CURTAIN, SHOWER - 3" X 16" (C30)
	073260-49-B87	EA TIEBACK-CURTAIN, 3" X 18" (C29)
	073260-49-B88	EA TIEBACK-CURTAIN, 3" X 18" (C30)
	084415-31-000	YD TRIM-BRAID, CURTAIN - PLUM (C29)
	084415-30-000	YD TRIM-BRAID, CURTAIN - BLUE (C30)

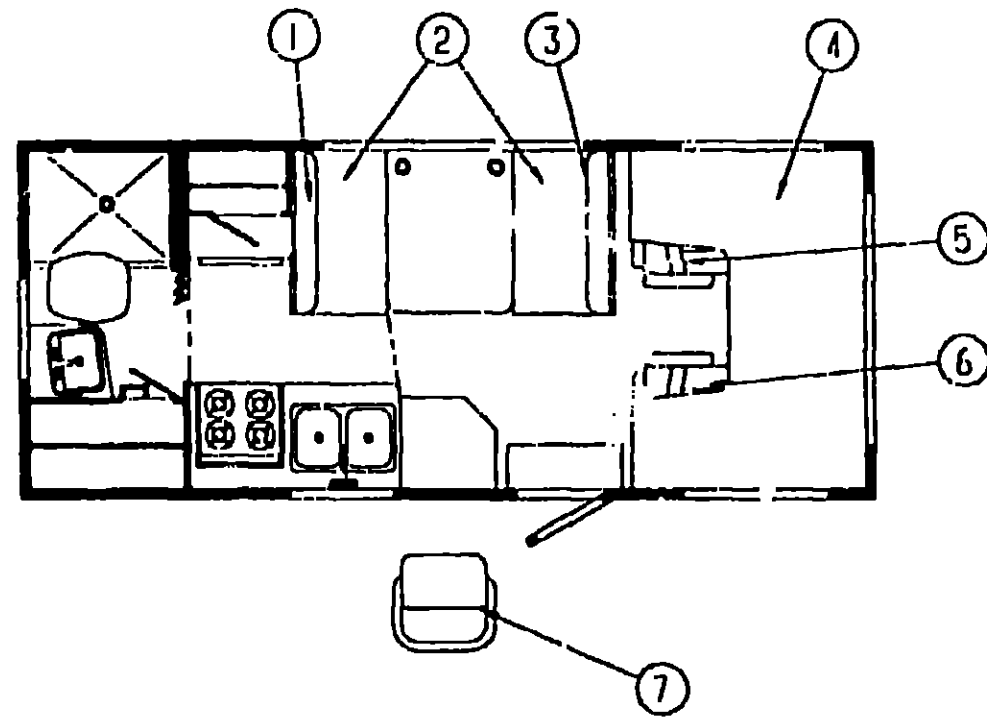
**1992 ITASCA**  
**TABLE OF CONTENTS**

INTRODUCTION	A-01	A-02
ABBREVIATIONS		A-03
ALPHABETICAL INDEX	A-04	A-05
IT320RB	A-07	C-24
IT321RB	D-01	F-20
IT321RL	F-21	I-16

**1992 IT320RB INDEX**

FLOOR PLAN	A-07	A-08
ACCESSORIES		A-09
AUDIO VIDEO		A-10
BATH	A-11	A-12
CHASSIS	A-13	A-14
CURTAIN & CUSHION	A-15	A-20
DINETTE	A-21	A-22
DRIVERS COMPARTMENT		A-23
ELECTRICAL	A-24	C-02
EXTERIOR BODY	B-04	B-07
GALLEY	B-10	B-15
GENERATOR		B-16
HEATING & A/C		B-17
INTERIOR FINISH	B-18	B-20
LABEL	B-21	C-02
LP		C-03
LOUNGE		C-04
SEALANTS & FASTENERS	C-05	C-06
WATER & SEWAGE	C-07	C-10
WINDOW, VENT AND EXTERIOR DOOR	C-11	C-24

**CURTAIN & CUSHION GROUP (CONTINUED)**



**DINETTE CUSHIONS**

KEY	PART NUMBER	U/M DESCRIPTION
1	088927-95-C29	EA CUSHION-14.5" X 38" X 5", DINETTE BACK - LEFT (C29)
1	088927-95-C30	EA CUSHION-14.5" X 38" X 5", DINETTE BACK - LEFT (C30)
	M88927-95-C29	EA COVER-CUSHION, 14.5" X 38" X 5" (C29)
	M88927-95-C30	EA COVER-CUSHION, 14.5" X 38" X 5" (C30)
2	088927-87-B87	EA CUSHION-23" X 38" X 5", DINETTE SEAT (C29)
2	088927-87-B88	EA CUSHION-23" X 38" X 5", DINETTE SEAT (C30)
	M88927-87-B87	EA COVER-SEAT CUSHION, 23" X 38" X 5" (C29)
	M88927-87-B88	EA COVER-SEAT CUSHION, 23" X 38" X 5" (C30)
3	088927-94-C29	EA CUSHION-14.5" X 38" X 5", DINETTE BACK - RIGHT (C29)
3	088927-94-C30	EA CUSHION-14.5" X 38" X 5", DINETTE BACK - RIGHT (C30)
	M88927-94-C29	EA COVER-CUSHION, 14.5" X 38" X 5" (C29)
	M88927-94-C30	EA COVER-CUSHION, 14.5" X 38" X 5" (C30)
	078155-01-000	EA STRAP-SNAP BACKREST CUSHION

**BUNK CUSHIONS**

KEY	PART NUMBER	U/M DESCRIPTION
4	084753-36-C29	EA CUSHION-53.5" X 81.5" X 5", U-SHAPED BUNK
4	084753-36-C30	EA CUSHION-53.5" X 81.5" X 5", U-SHAPED BUNK
	M34753-36-C29	EA COVER-CUSHION, U-SHAPED - 53.5" X 81.5" X 5"
	M84753-36-C30	EA COVER-CUSHION, U-SHAPED - 53.5" X 81.5" X 5"
4	084753-35-C29	EA CUSHION-24.5" X 44.5" X 5", BUNK FILLER
4	084753-35-C30	EA CUSHION-24.5" X 44.5" X 5", BUNK FILLER
	M84753-35-C29	EA COVER-CUSHION, FILLER - 24.5" X 44.5" X 5"
	M84753-35-C30	EA COVER-CUSHION, FILLER - 24.5" X 44.5" X 5"
	102695-06-000	YD TAPE-CARPET BIND, MAUVE #480 (C29)
	102695-04-000	YD TAPE-CARPET BIND, BLUE #529 (C30)

**BUCKET SEAT COVERS**

KEY	PART NUMBER	U/M DESCRIPTION
5	086740-07-C29	EA COVER ASM-SEAT & HEADREST, DRIVER
5	086740-07-C30	EA COVER ASM-SEAT & HEADREST, DRIVER
	M86740-07-C29	EA COVER-SEAT, DRIVER
	M86740-07-C30	EA COVER-SEAT, DRIVER
	102860-01-C29	EA COVER-HEADREST
	102860-01-C30	EA COVER-HEADREST
6	086740-06-C29	EA COVER ASM-SEAT & HEADREST, PASSENGER
6	086740-06-C30	EA COVER ASM-SEAT & HEADREST, PASSENGER
	M86740-06-C29	EA COVER-SEAT, PASSENGER
	M86740-06-C30	EA COVER-SEAT, PASSENGER
	102860-01-C29	EA COVER-HEADREST
	102860-01-C30	EA COVER-HEADREST

**SWIVEL CHAIR**

KEY	PART NUMBER	U/M DESCRIPTION
7	096100-04-C29	EA CHAIR-SWIVEL, W/O PEDESTAL
7	096100-04-C30	EA CHAIR-SWIVEL, W/O PEDESTAL
	M96100-04-C29	EA COVER-SWIVEL CHAIR
	M96100-04-C30	EA COVER-SWIVEL CHAIR
	088245-01-000	EA BASE-CHAIR, SWIVEL - W/LEGS
	007221-01-000	EA SPACER-SEAT, ADJUSTER
	069246-06-000	EA ADJUSTER-SWIVEL CHAIR, MANUAL - FORWARD & BACK
	069246-07-000	EA ADJUSTER-SWIVEL CHAIR, W/LOCKING ARM - FORWARD & BACK
	069705-02-000	EA BAR-SEAT BELT, 2.5" X 12.75"
	088245-03-000	EA PLATE-TOP, SWIVEL W/O TILT - W/LOCK
	088245-07-000	EA EXTENSION-BASE TO TOP PLATE, 6" LONG

**ASSIST HANDLE & SEATBELTS**

KEY	PART NUMBER	U/M DESCRIPTION
	053552-02-AAB	EA HANDLE-ASSIST, INTERIOR - ENTRY DOOR - VINYL - OFF WHITE
	069178-02-000	EA BRACKET-MOUNTING, ASSIST HANDLE - L ANGLE - STEEL
	000C16-07-16B	EA CARRIAGE BOLT-ASSIST HANDLE
	000D20-07-G0B	EA NUT-ACORN, ASSIST HANDLE
	007021-01-000	EA BELT-SEAT 2" X 90" - BLACK
	057759-01-000	EA WASHER BRACKET-SEAT BELT 4" DIAMETER

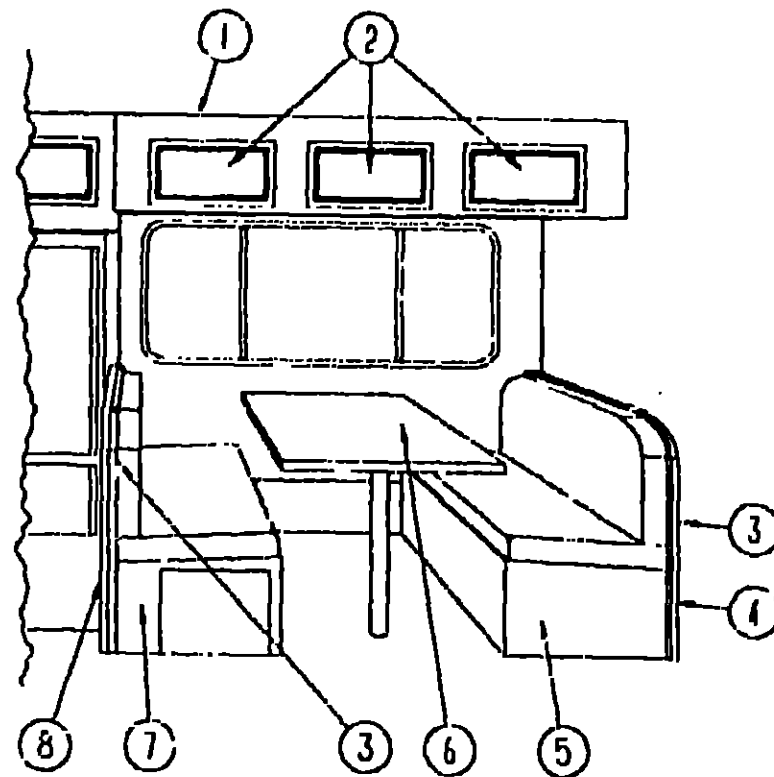
**1992 ITASCA  
TABLE OF CONTENTS**

INTRODUCTION	A-01 - A-02
ABBREVIATIONS	A-03
ALPHABETICAL INDEX	A-04 - A-06
IT320RB	A-07 - C-24
IT321RB	D-01 - F-20
IT321RL	F-21 - I-16

**1992 IT320RB INDEX**

FLOOR PLAN	A-07 - A-08
ACCESSORIES	A-09
AUDIO VIDEO	A-10
BATH	A-11 - A-12
CHASSIS	A-13 - A-14
CURTAIN & CUSHION	A-15 - A-20
DINETTE	A-21 - A-22
DRIVERS COMPARTMENT	A-23
ELECTRICAL	A-24 - B-03
EXTERIOR BODY	B-04 - B-09
GALLEY	B-10 - B-15
GENERATOR	B-16
HEATING & A/C	B-17
INTERIOR FINISH	B-18 - B-20
LABEL	B-21 - C-02
LP	C-03
LOUNGE	C-04
SEALANTS & FASTENERS	C-05 - C-06
WATER & SEWAGE	C-07 - C-10
WINDOW, VENT AND EXTERIOR DOOR	C-11 - C-24

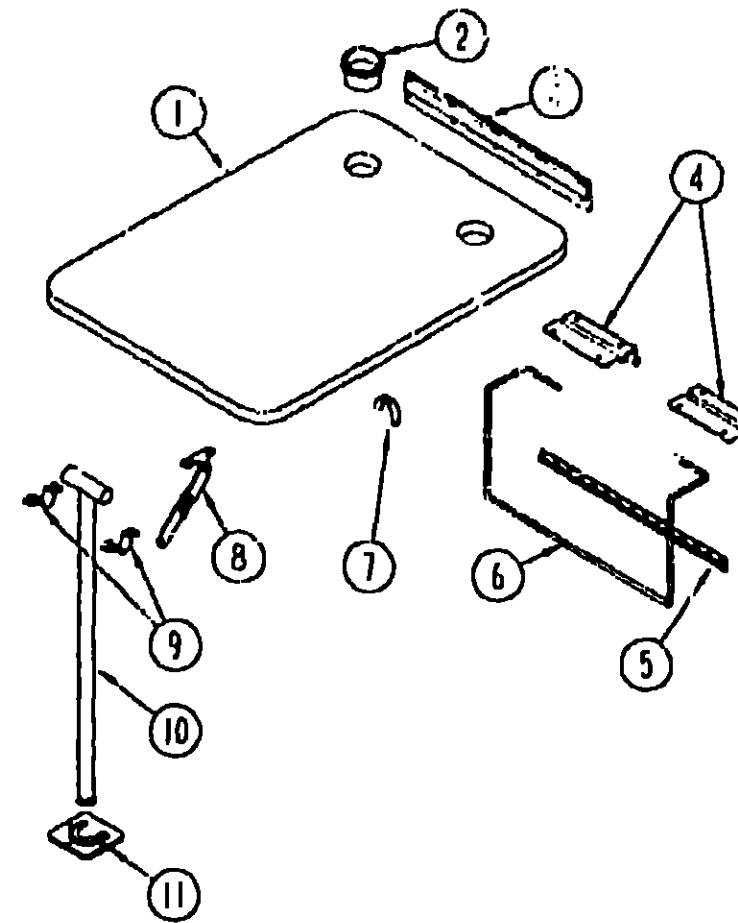
**DINETTE GROUP**



**CABINETS & PADS**

KEY	PART NUMBER	U/M DESCRIPTION
1	M05160-08-C29	EA CABINET-OVERHEAD, W/O DOORS OR HARDWARE
2	P03702-73-C29	EA DOOR-CABINET, W/O HARDWARE 10" X 25 2"
3	103869-02-C29	EA PAD-DINETTE
3	103869-02-C30	EA PAD-DINETTE
4	M03968-04-B27	EA CABINET-BACKREST, FRONT
5	M03969-01-B27	EA CABINET-SEATBASE, FRONT
6	M02115-09-C87	EA TABLE-DINETTE, W/O EDGE BAND
7	M03969-05-B27	EA CABINET-SEATBASE, REAR - U.S.
7	M03969-06-B27	EA CABINET-SEATBASE, REAR - CANADIAN
	081295-01-AA8	EA SUPPORT-BASE, DINETTE - 1 5' X 28" - WOOD
	081295-06-B27	EA SUPPORT-BASF, DINETTE - 1 5' X 25 2" - WOOD
	081518-01-B27	EA SEAT-TOP, DINETTE - PLYWOOD
8	M03969-05-B27	EA CABINET-BACKREST, REAR

**DINETTE GROUP (CONTINUED)**



**DINETTE TABLE & COMPONENTS**

KEY	PART NUMBER	U/M DESCRIPTION
1	M02115-09-B87	EA TABLE-DINETTE, W/O EDGE BAND OR HARDWARE
	076325-28-000	FT MOLDING-EDGE BAND, 1 5/16" WIDE
	076325-34-000	FT MOLDING-EDGE BAND, 1 5/16" WIDE
2	064781-06-000	EA HOLDER-CUP, TWO STEP - PLASTIC - OFF WHITE
3	053200-05-000	EA BRACKET-TABLE SUPPORT, UPPER WALL MOUNTED - 23.5" - BEIGE
4	088410-01-000	EA BRACKET-LIFT, TABLE MOUNTED - BEIGE
5	024281-07-000	EA BRACKET-LIFT ROD, LOWER WALL MOUNTED - 22.12" - BEIGE
6	024275-05-000	EA ROD TABLE LIFT, 8" X 23.5" - BEIGE
7	024283-01-000	EA CLIP-LEG, 1" - 1.125" OD - BLACK
8	024282-01-000	EA BRACE-TABLE LEG, HINGED
9	064050-03-000	EA CLAMP-SADDLE, LEG HINGE - BEIGE
10	024275-21-000	EA LEG-TABLE, METAL - BEIGE
11	049493-11-700	EA CATCH-LEG, FLOOR MOUNTED - 2 5" X 2 7" - METAL - E-COAT

**1992 ITASCA  
TABLE OF CONTENTS**

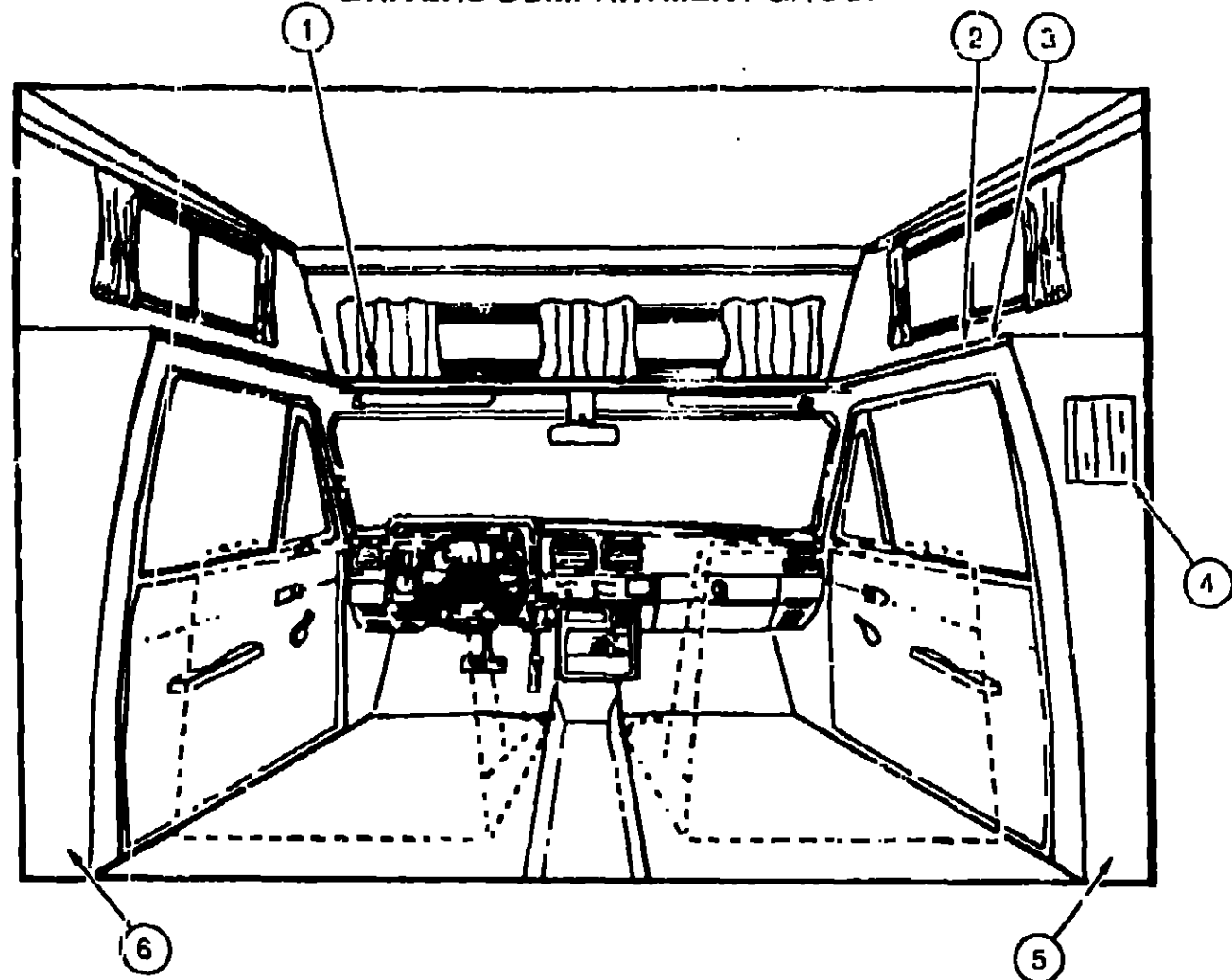
INTRODUCTION	A-01 - A-02
ABBREVIATIONS	A-03
ALPHABETICAL INDEX	A-04 - A-06
IT320RB	A-07 - C-24
IT321RB	D-01 - F-20
IT321RL	F-21 - I-16

**1992 IT320RB INDEX**

FLOOR PLAN	A-07 - A-08
ACCESSORIES	- A-09
AUDIO VIDEO	- A-10
BATH	A-11 - A-12
CHASSIS	A-13 - A-14
CURTAIN & CUSHION	A-15 - A-20
DINETTE	A-21 - A-22
DRIVERS COMPARTMENT	- A-23
ELECTRICAL	A-24 - B-03
EXTERIOR BODY	B-04 - B-09
GALLEY	B-10 - B-15
GENERATOR	- B-16
HEATING & A/C	- B-17
INTERIOR FINISH	B-18 - B-20
LABEL	B-21 - C-02
LP	C-03
LOUNGE	C-04
SEALANTS & FASTENERS	C-05 - C-06
WATER & SEWAGE	C-07 - C-10
WINDOW, VENT AND EXTERIOR DOOR	C-11 - C-24

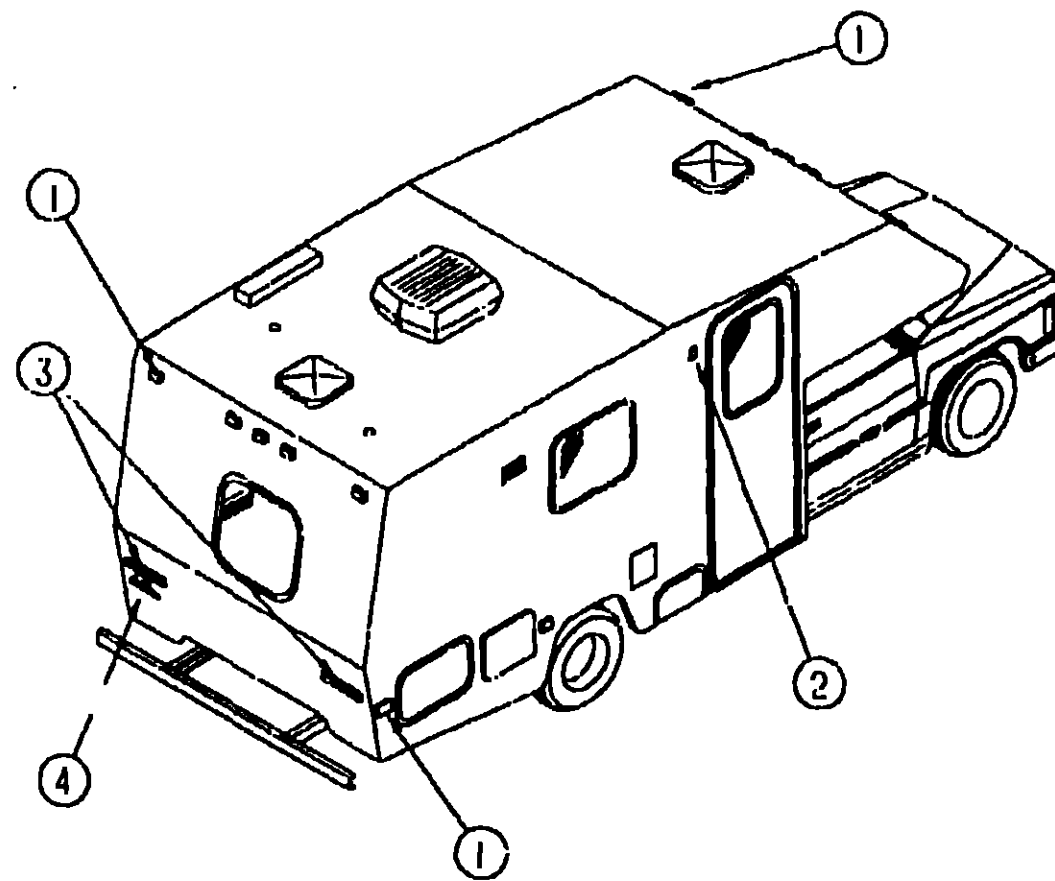


**DRIVERS COMPARTMENT GROUP**



**DRIVERS COMPARTMENT**

**ELECTRICAL GROUP**



**EXTERIOR LIGHTS**

**1992 ITASCA  
TABLE OF CONTENTS**

INTRODUCTION	A-01	A-02
ABBREVIATIONS		A-03
ALPHABETICAL INDEX	A-04	A-06
IT320RB	A-07	C-24
IT321RB	D-01	F-20
IT321RL	F-21	I-16

**1992 IT320RB INDEX**

FLOOR PLAN	A-07	A-08
ACCESSORIES		A-09
AUDIO VIDEO		A-10
BATH	A-11	A-12
CHASSIS	A-13	A-14
CURTAIN & CUSHION	A-15	A-20
DINETTE	A-21	A-22
DRIVERS COMPARTMENT		A-23
ELECTRICAL	A-24	B-03
EXTERIOR BODY	B-04	B-09
GALLEY	B-10	B-15
GENERATOR		E-16
HEATING & A/C		B-17
INTERIOR FINISH	B-18	B-20
LABEL	B-21	C-02
LP		C-03
LOUNGE		C-04
SEALANTS & FASTENERS	C-05	C-06
WATER & SEWAGE	C-07	C-10
WINDOW, VENT AND EXTERIOR DOOR	C-11	C-24

KEY	PART NUMBER	U/M	DESCRIPTION
1	P00072-01-B05	EA	PANEL-SLEEPER BOARD, W/O INTERIOR TRIM
	100085-01-01A	EA	TRIM-STRAP, SLEEPERBOARD - FLAT W/SCREW HOLES
	100086-01-01A	EA	TRIM-SLEEPERBOARD TO ROOF - OFF WHITE
2	079800-05-000	EA	TRIM-SLEEPERBOARD INNER - OFF WHITE
3	080742-03-000	FT	TRIM-VINYL-SLEEPER BOARD - OFF WHITE
4	086120-01-C29	EA	PAD ASM-MAP POCKET, 12" X 16"
4	086120-01-C30	EA	PAD ASM-MAP POCKET, 12" X 16"
	M86120-01-C29	EA	COVER-MAP POCKET
	M86120-01-C30	EA	COVER-MAP POCKET
5	M95402-01-000	EA	WINGWALL-INNER, PASSENGER - W/O CARPET
			FROM: 00-00-00 THRU: 05-02-92
5	M95402-03-000	EA	WINGWALL-INNER, PASSENGER - W/O CARPET
			FROM: 05-03-92 THRU: 99-99-99
6	M95402-02-000	EA	WINGWALL-INNER, DRIVER - W/O CARPET
	100138-01-000	EA	MODULE-DAYTIME RUNNING LIGHT - CANADIAN
	100159-05-000	EA	WIRE ASM-DAYTIME RUNNING LIGHTS, W/FUSE - CANADIAN
	081037-01-000	EA	LIGHT-INDICATOR, LVS 1436 - JAPAN
			FROM: 01-21-92 THRU: 99-99-99
	100715-01-000	EA	SPEEDOMETER-KILOMETER, TOYOTA 83110-89333
			FROM: 00-00-00 THRU: 01-05-92
	100715-03-000	EA	SPEEDOMETER-KILOMETER, TOYOTA 83110-35220
			FROM: 01-06-92 THRU: 99-99-99
	091178-01-C29	EA	MAT-FLOOR, DRIVER
	091178-01-C30	EA	MAT-FLOOR, DRIVER
	091179-01-C29	EA	MAT-FLOOR, PASSENGER
	091179-01-C30	EA	MAT-FLOOR, PASSENGER
	091261-01-000	FT	SLIPNOT-ANTISLIP-1' WIDE (100' ROLL)

KEY	PART NUMBER	U/M	DESCRIPTION
1	091983-01-000	EA	GASKET-CLEARANCE/SIDEMARKER LIGHT
1	042405-01-000	EA	LENS-CLEARANCE/SIDEMARKER LIGHT W/REFLEX - RED
1	042405-02-000	EA	LENS-CLEARANCE/SIDEMARKER LIGHT W/REFLEX - AMBER
1	042405-03-000	EA	BASE-CLEARANCE/SIDEMARKER LIGHT W/BULB - PLASTIC - WHITE
1	008213-01-000	EA	BULB-12V, .024 AMP - #57
2	097917-01-01A	EA	LIGHT-PORCH, ENTRY DOOR - OFF WHITE
2	097917-01-700	EA	LENS-LIGHT, PORCH
2	008215-01-000	EA	BULB-12V, .04 AMP - #1003
3	081638-02-000	EA	TAILLIGHT TRIPLE, W/OFF WHITE TRIM - DRIVER & PASSENGER SIDE
3	081638-01-700	EA	LENS-TAILLIGHT, RED - BARGMAN 30-84-010
3	081638-01-701	EA	LENS-TAILLIGHT, W/BACKUP - BARGMAN 30-84-700
3	081638-02-700	EA	LENS-TAILLIGHT, AMBER - BARGMAN 30-84-016
3	081638-04-000	EA	TAILLIGHT-TRIPLE, W/BLACK TRIM - JAPAN
			FROM: 00-00-00 THRU: 11-03-91
3	081638-01-700	EA	LENS-TAILLIGHT, RED - BARGMAN 30-84-010
3	081638-01-701	EA	LENS-TAILLIGHT, RED W/BACKUP - BARGMAN 30-84-700
3	081638-02-700	EA	LENS-TAILLIGHT, AMBER - BARGMAN 30-84-016
3	081638-06-000	EA	TAILLIGHT-TRIPLE, W/BLACK TRIM - BARGMAN 30-84-536 - JAPAN
			FROM: 11-04-91 THRU: 99-99-99
3	081638-01-700	EA	LENS-TAILLIGHT, RED - BARGMAN 30-84-010
3	081638-02-700	EA	LENS-TAILLIGHT, AMBER - BARGMAN 30-84-016
3	081638-06-700	EA	LENS-TAILLIGHT, CLEAR BACKUP - BARGMAN 30-84-050
3	037934-01-000	EA	BULB-12V, .21 AMP - #1156 - CLEAR GLASS (BACK UP & TURN SIGNAL)
3	039735-01-000	EA	BULB-12V, 2.1 AMP - #2057 OR 1157 CLEAR GLASS (BRAKE LIGHT)
3	081638-03-000	EA	WEDGE-TAIL LIGHT, OFF WHITE - DRIVER OR PASSENGER SIDE
3	081638-05-000	EA	WEDGE-TAIL LIGHT, BLACK - DRIVER OR PASSENGER SIDE - JAPAN
4	066432-01-000	EA	LIGHT-LICENSE PLATE W/BACKET, OFF WHITE
4	066432-02-000	EA	LIGHT-LICENSE PLATE W/O BRACKET, BLACK - JAPAN
4	103247-01-000	EA	BRACKET-LICENSE PLATE, REAR - JAPAN
4	106646-02-000	EA	REFLECTOR-STICK ON, RED - PETERSON 483R - JAPAN

**ELECTRICAL GROUP (CONTINUED)**  
EXPORT ELECTRIC CONVERSION OPTION L049

KEY	PART NUMBER	U/M DESCRIPTION
	092615-01-000	EA CONVERTER-40 AMP, W/CHARGER - B-W 32400P
	094809-01-000	EA CENTER-LOAD, 240V - 125A - TPL412CT
	094810-01-000	EA BREAKER-CIRCUIT, DOUBLE 30 AMP - GE THOL2130
	094811-01-000	EA BREAKER-CIRCUIT, DOUBLE 20 AMP - GE THOL2120

**JAPAN EXPORT OPTION L04F**

KEY	PART NUMBER	U/M DESCRIPTION
	083208-05-000	EA CONTROL CENTER-45A 100V/12V - BW J6345CNI

**CANADIAN OPTION L265**

KEY	PART NUMBER	U/M DESCRIPTION
	008289-02-000	EA BOX-ELECTRICAL, 4' X 4' - 1/2" X 3/4" KNOCKOUTS
	008294-02-000	EA COVER-ELECTRICAL BOX, BLANK STEEL - 4' X 4'
	083209-02-000	EA CIRCUIT BREAKER-15/15AMP, 120V - B-W H-15/15
	083209-06-000	EA CIRCUIT BREAKER-30/15 AMP, 120V - B-W D-30/15

**INTERIOR LIGHTS, SWITCHES & RECEPTACLES**

KEY	PART NUMBER	U/M DESCRIPTION
	104173-01-01A	EA LIGHT-DESIGNER, BRASS - #81-905 - U.S.
	009215-01-000	EA BULB-12V, 94 AMP - #1003
	104172-01-01A	EA LIGHT-BULLET, BEIGE - #787 SERIES - CANADIAN
	009215-01-000	EA BULB-12V, 94 AMP - #1003
	098024-01-01A	EA LIGHT-DOME, 1 BULB - US - IVORY
	098024-03-01A	EA LIGHT-DOME, 2 BULB - IVORY
	098024-01-700	EA LENS-DOME LIGHT
	008218-01-000	EA BULB-DOME LIGHT, 12V - #1141
	075723-01-000	EA SPACER-SWITCH, W/O HOLE - 2" X .9" X 2" - METAL - OFF WHITE
	079364-01-000	EA SWITCH-ON/OFF ROCKER, 2 PRONGS - BROWN
	096241-03-000	EA SWITCH-BLANK
	098351-01-01A	EA PLATE-SWITCH, 1 GANG - POLISHED BRASS
	075736-02-000	EA COVER-EXTERIOR RECEPTACLE, OFF WHITE
	058708-01-000	EA RECEPTACLE-ELECTRIC, DOUBLE - BROWN
	058708-02-000	EA RECEPTACLE-ELECTRIC, DOUBLE - IVORY
	058707-01-000	EA RECEPTACLE-ELECTRIC, SINGLE - BROWN
	097734-01-02A	EA EXTENSION-RECEPTACLE, 3.2" X 5" X .7" - PLASTIC - BROWN
	084076-01-000	EA RECEPTACLE-GFI, 15A - 125V - IVORY
	084076-02-000	EA RECEPTACLE-GFI, 15A - 125V - BROWN
	084077-01-000	EA PLATE-COVER RECEPTACLE - GFI - IVORY
	084077-02-000	EA PLATE-COVER RECEPTACLE - GFI - BROWN
	024924-02-000	EA RECEPTACLE-POWER CORD W/PARTIAL PLATE

**ELECTRICAL GROUP (CONTINUED)**  
CIRCUIT BREAKERS & FUSES

KEY	PART NUMBER	U/M DESCRIPTION
	008268-01-000	EA CIRCUIT BREAKER, W/MOUNT - 30A - 12V
	044468-03-000	EA CIRCUIT BREAKER, W/MOUNT BRACKET - 25 AMP - 12V DC
	083209-01-000	EA CIRCUIT BREAKER-15 AMP 120V - BW G-15 FROM: 00-00-00 THRU: 01-19-92
	083209-08-000	EA CIRCUIT BREAKER-BLANK - BW FROM: 00-00-00 THRU: 01-19-92
	083209-03-000	EA CIRCUIT BREAKER-15/20AMP 120V - BW -0-15/20 FROM: 01-20-92 THRU: 99-99-99
	083209-04-000	EA CIRCUIT BREAKER-30A 120V - BW L-30 FROM: 01-20-92 THRU: 99-99-99
	083209-05-000	EA CIRCUIT BREAKER-20A 120V - BW J-20
	008235-01-000	EA FUSE-AUTOMOTIVE 12V - 15AMP
	062901-05-000	EA FUSE-15 AMPS AUTOMOTIVE
	100341-01-000	EA FUSE HOLDER-IN LINE TYPE

**ELECTRICAL CONNECTORS**

KEY	PART NUMBER	U/M DESCRIPTION
	007940-01-000	EA RECEPTACLE-SLIDE, 16 TO 12 AWG - FEMALE END
	007942-01-000	EA TAB-WIRE, 18 TO 14 AWG
	007949-01-000	EA TAB-HOUSING, 1 POSITION
	007955-01-000	EA TAB-HOUSING, 6 POSITION
	008311-01-000	EA CONNECTOR-WIRE NUT, INSULATED - RED
	008314-01-000	EA CONNECTOR-WIRE NUT, INSULATED - GRAY
	008326-01-000	EA TERMINAL-RING, 16/14 WIRE - 3/8" STUD
	008328-01-000	EA TERMINAL-RING, 12/10 WIRE - #10 STUD FIT
	008331-01-000	EA TERMINAL-RING, TONGUE - #4 WIRE - 3/8" STUD - COPPER
	008348-01-000	EA TERMINAL-RING, 3/8" STUD - #2 WIRE CONNECTS CABLE TO DISCONNECT RELAY AND BATTERY
	008355-01-000	EA CONNECTOR-CABLE CLAMPING, 3/4"
	008356-01-000	EA CONNECTOR-PLASTIC, 3/8" AVG
	008398-01-000	EA CONNECTOR-1/2" X 90 DEGREE, FLEX CONDUIT - UL AND CSA
	033787-01-000	EA TERMINAL-RING, INSULATED
	035416-04-000	EA TERMINAL-RING #10 STUD FIT, INSULATED BARREL #16/14
	047443-01-000	EA TERMINAL-250 RECEPT. FIT, INSULATED - 16/14 AWG
	058028-01-000	EA CONNECTOR-ELECTRICAL PIGTAIL, NYLON - CLEAR
	063910-01-000	EA HOUSING-RELAY, BOSCH 3 334 485 008
	088473-10-000	EA PIN-HOUSING, 2 POSITION
	088474-09-000	EA HOUSING-SOCKET, 3 POSITION
	088474-10-000	EA HOUSING-SOCKET, 2 POSITION
	088475-01-000	EA PIN-CONNECTOR, 14 TO 20 AWG
	088476-01-000	EA SOCKET-CONNECTOR, BRASS - PRE-TIN

**1992 ITASCA  
TABLE OF CONTENTS**

INTRODUCTION	A-01 -	A-02
ABBREVIATIONS		A-03
ALPHABETICAL INDEX	A-04 -	A-06
IT320RB	A-07 -	C-24
IT321RB	D-01 -	F-20
IT321RL	F-21 -	I-16

**1992 IT320RB INDEX**

FLOOR PLAN	A-07 -	A-08
ACCESSORIES		A-09
AUDIO VIDEO		A-10
BATH	A-11 -	A-12
CHASSIS	A-13 -	A-14
CURTAIN & CUSHION	A-15 -	A-20
DINETTE	A-21 -	A-22
DRIVERS COMPARTMENT		A-23
ELECTRICAL	A-24 -	B-03
EXTERIOR BODY	B-04 -	B-09
GALLEY	B-10 -	B-15
GENERATOR		B-16
HEATING & A/C		B-17
INTERIOR FINISH	B-18 -	B-20
LABEL	B-21 -	C-02
LP		C-03
LOUNGE		C-04
SEALANTS & FASTENERS	C-05 -	C-06
WATER & SEWAGE	C-07 -	C-10
WINDOW, VENT AND EXTERIOR DOOR	C-11 -	C-24

**ELECTRICAL GROUP (CONTINUED)**  
BOXES, CONDUIT & COVERS

KEY	PART NUMBER	U/M DESCRIPTION
	008288-01-000	EA BOX-PLASTIC ELECTRIC, 3' X 3 1/2'
	008269-01-000	EA BOX-ELECTRIC, STEEL - 1/2" AND 3/4" KNOCKOUTS - 4' X 4'
	058049-01-000	EA BOX-ELECTRIC SWITCH, 2' X 3' X 2.25"
	091910-01-000	EA BOX-ELECTRIC, 3.75" X 3.5" X 1.75" - PLASTIC
	093603-01-000	EA BOX-ELECTRIC, 4' X 2 1/8" X 2 1/8" - STEEL
	041953-01-000	FT CONDUIT-CONVOLUTE SLIT, .5" ID
	041953-04-000	FT CONDUIT-CONVOLUTE, SLIT .50" ID
	041953-05-000	FT CONDUIT-CONVOLUTE SOLID, .62" ID
	041953-09-000	FT CONDUIT-CONVOLUTE, SLIT .50" ID
	041953-10-000	FT CONDUIT-CONVOLUTE, SLIT - .75" ID
	041953-11-000	FT CONDUIT-CONVOLUTE, SLIT- 1.06" ID
	008294-01-000	EA COVER-ELECTRICAL BOX, BLANK/STEEL - 4' X 4' - GRAY
	054250-01-000	EA COVER-ANGLED, W/O HOLE - 3.6' X 4.5' - PLASTIC - BEIGE ELECTRICAL PLATE SUPPORT
	054250-04-000	EA COVER-ANGLED, W/O HOLE - 3.6' X 4.5' - PLASTIC - OFF WHITE ELECTRICAL PLATE SUPPORT
	069238-01-000	EA COVER-ELECTRICAL BOX, W/HOLE - 4' X 4' - GRAY
	073626-04-000	EA COVER-ELECTRIC, 10.4' X 7.8' - BEIGE PLASTIC

**SOLENOID, POWER CONVERTER & POWER CORDS**

KEY	PART NUMBER	U/M DESCRIPTION
	008188-01-000	EA SOLENOID-3 POST, BATTERY CHANGE OVER
	083208-01-000	EA CONVERTOR-POWER 32A - 120V/12V - BW 6332
	008052-01-000	EA CORD-POWER, 10/3 - 30 AMP - 25' - CANADIAN
	008054-01-000	EA CORD-POWER, 10/3 - 30 AMP - 25'
	008054-02-000	EA CORD-POWER, 10-3 - 30 AMP - 33'

**EXTERIOR BODY GROUP**  
ALUMINUM, FIBERGLASS & STYROFOAM

KEY	PART NUMBER	U/M DESCRIPTION
	044487-01-001	EA SHEET-ALUMINUM, (ROOF) - .019" X 96" X 360" - MILL FINISH
	001054-01-011	EA SHEET-ALUMINUM, FLAT 024" X 48" X 96" - OFF WHITE
	077517-24-000	EA SHEET-FIBERGLASS, FLA - 48" X 96" - OFF WHITE
	076054-D3-005	EA SHEET-FIBERGLASS, FLAT - 48" X 224" - OFF WHITE
	076054-G7-001	EA SHEET-FIBERGLASS, FLAT - 41" X 27" - OFF WHITE
	076054-A2-000	EA SHEET-FIBERGLASS, FLAT - 25" X 48" - OFF WHITE
	000870-02-000	SF STYROFOAM-1 1/2" X 48" X 96", INCREMENTS OF 32 SF
	000870-05-000	SF STYRCFOAM-.5" X 24" X 96" - INCREMENTS OF 16 SF
	083574-03-000	SF STYROFOAM-3/4" X 48" X 96" - INCREMENTS OF 32 SF

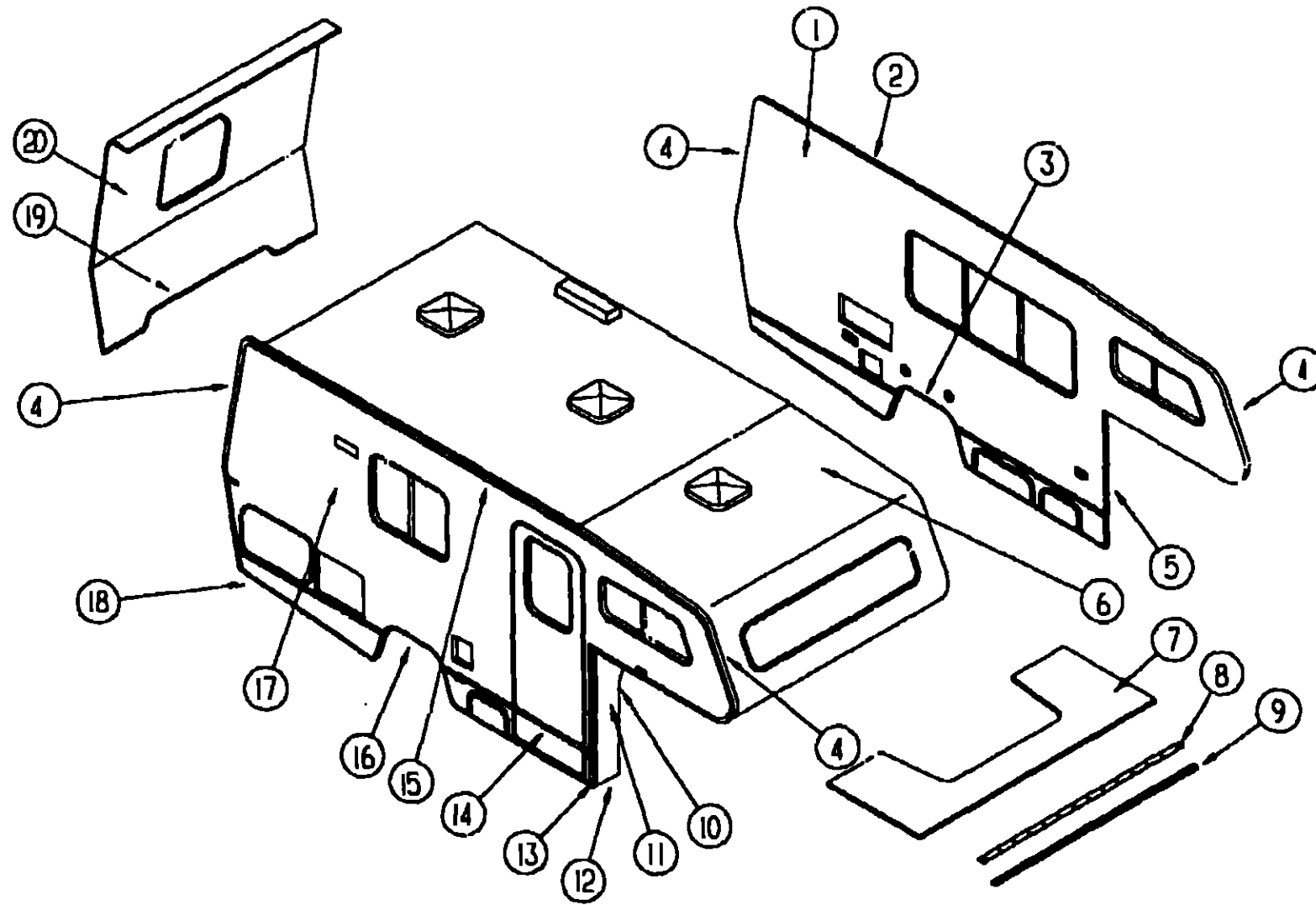
**1992 ITASCA**  
**TABLE OF CONTENTS**

INTRODUCTION	A-01 -	A-02
ABBREVIATIONS		A-03
ALPHABETICAL INDEX	A-04 -	A-06
IT320RB	A-07 -	C-24
IT321RB	D-01 -	F-20
IT321RL	F-21 -	I-16

**1992 IT320RB INDEX**

FLOOR PLAN	A-07 -	A-08
ACCESSORIES		A-09
AUDIO VIDEO		A-10
BATH	A-11 -	A-12
CHASSIS	A-13 -	A-14
CURTAIN & CUSHION	A-15 -	A-20
DINETTE	A-21 -	A-22
DRIVERS COMPARTMENT		A-23
ELECTRICAL	A-24 -	B-03
EXTERIOR BODY	B-04 -	B-09
GALLEY	B-10 -	B-15
GENERATOR		B-16
HEATING & A/C		B-17
INTERIOR FINISH	B-18 -	B-20
LABEL	B-21 -	C-02
LP		C-03
LOUNGE		C-04
SEALANTS & FASTENERS	C-05 -	C-06
WATER & SEWAGE	C-07 -	C-10
WINDOW, VENT AND		
EXTERIOR DOOR	C-11 -	C-24

**EXTERIOR BODY GROUP (CONTINUED)**  
EXTERIOR BODY PANELS & TRIM



**1992 ITASCA**  
**TABLE OF CONTENTS**

INTRODUCTION	A-01	A-02
ABBREVIATIONS		A-03
ALPHABETICAL INDEX	A-04	A-06
IT320RB	A-07	C-24
IT321RB	D-01	F-20
IT321RL	F-21	I-16

**1992 IT320RB INDEX**

FLOOR PLAN	A-07	A-08
ACCESSORIES		A-09
AUDIO VIDEO		A-10
BATH	A-11	A-12
CHASSIS	A-13	A-14
CURTAIN & CUSHION	A-15	A-20
DINETTE	A-21	A-22
DRIVERS COMPARTMENT		A-23
ELECTRICAL	A-24	B-03
EXTERIOR BODY	B-04	B-09
GALLEY	B-10	B-15
GENERATOR		B-16
HEATING & A/C		B-17
INTERIOR FINISH	B-18	B-20
LABEL	B-21	C-02
LP		C-03
LOUNGE		C-04
SEALANTS & FASTENERS	C-05	C-06
WATER & SEWAGE	C-07	C-10
WINDOW, VENT AND EXTERIOR DOOR	C-11	C-24

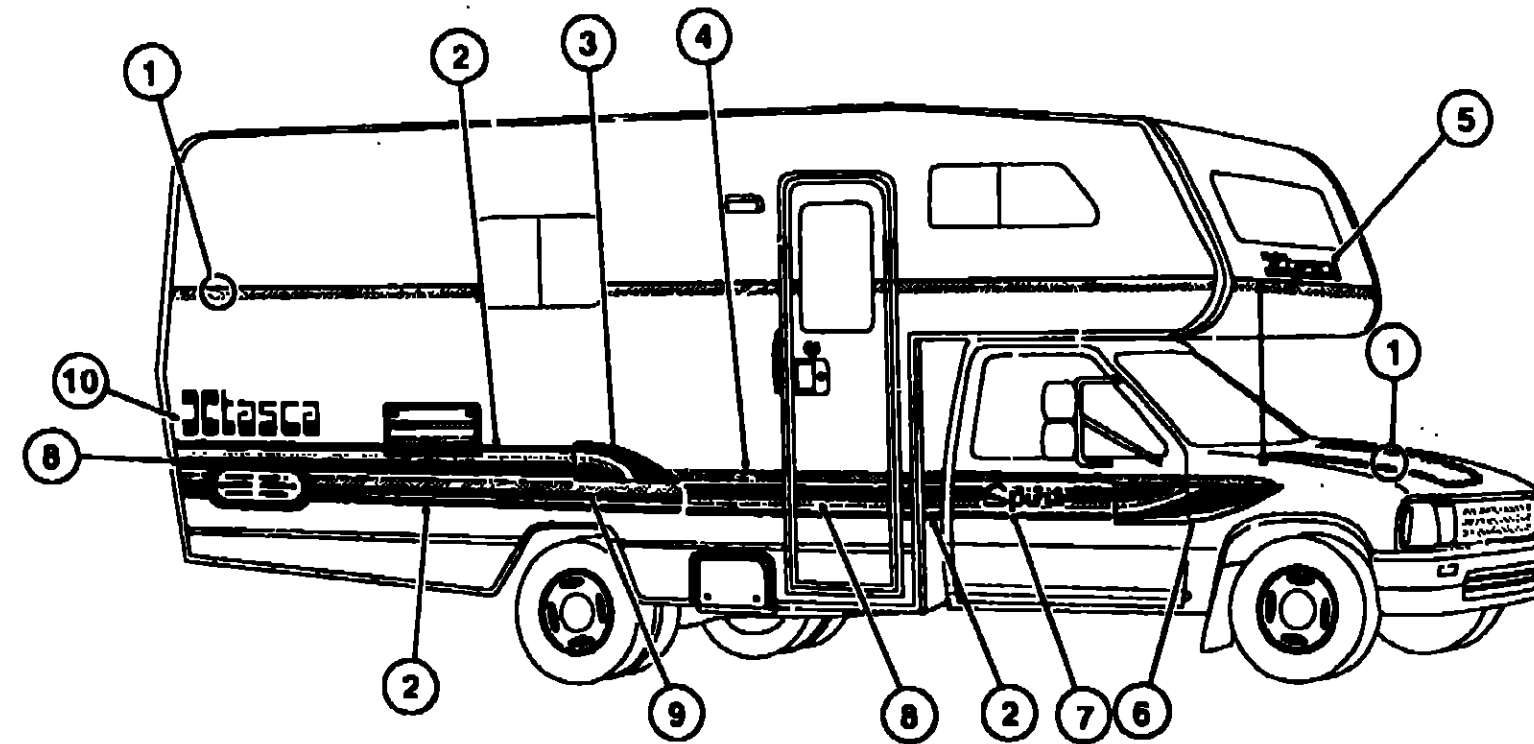
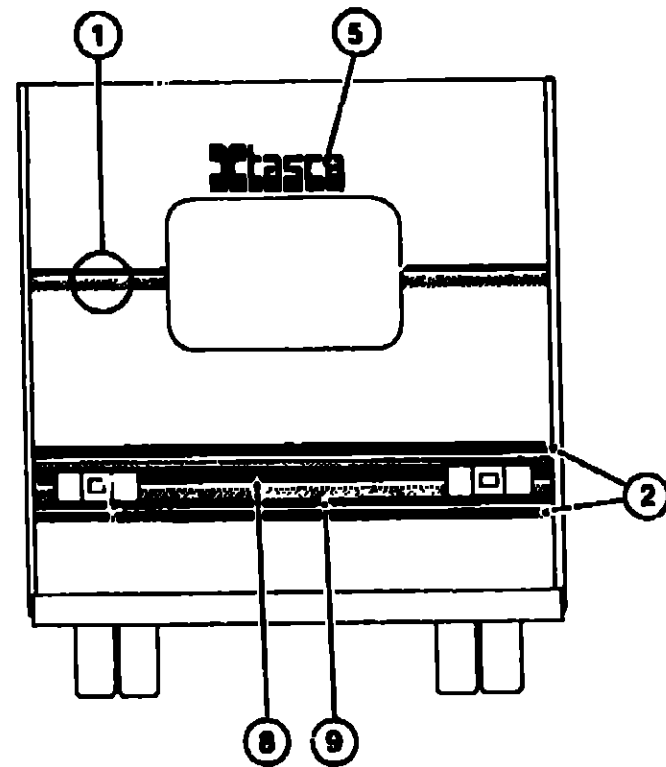
KEY	PART NUMBER	U/M DESCRIPTION
1	P03568-01-C29	EA SIDEWALL-DRIVER SIDE, W/O DOORS OR WINDOWS
	002726-01-001	EA GARNISH-U-CHANNEL, 1.38" X 19" - SERRATED - MILL ALUMINUM
2	096864-01-01A	EA TRIM-CONTOUR, ROOF TO SIDEWALL - DR OR PASS - 120"
3	160800-04-01A	EA TRIM-WHEELWELL, REAR - DRIVER SIDE - OFF WHITE
4	096854-01-01A	EA TRIM-CONTOUR, W/O VINYL INSERT - 108" - OFF WHITE
	079280-01-01A	FT INSERT-VINYL, ON EXTERIOR TRIM - 81" - OFF WHITE
	105312-01-01A	FT INSERT-TRIM, VINYL - OFF WHITE
		FROM: 00-00-00 THRU 09-30-91
		FROM: 10-01-91 THRU 99-99-99
5	096970-06-01A	EA TRIM-WINGWALL, DRIVER SIDE VERTICAL - 46.5" - OFF WHITE
6	P00948-01-B05	EA ROOF-W/O LIGHTS OR VENTS
	M76177-01-700	EA SECTION-ROOF, OVER CAB TO FIRST ROOF SEAM
7	P00072-01-B05	EA PANEL-SLEEPER BOARD, W/O INTERIOR TRIM
8	100085-01-01A	EA TRIM-STRAP, SLEEPERBOARD - FLAT W/SCREW HOLES
9	100086-01-01A	EA TRIM-SLEEPERBOARD TO ROOF - OFF WHITE
10	089334-01-000	FT VINYL-EXTERIOR, BETWEEN WINGWALL & CAB SEAL - WHITE

KEY	PART NUMBER	U/M DESCRIPTION
11	100682-01-B05	EA WINGWALL-PASSENGER
	100682-02-B05	EA WINGWALL-DRIVER
12	084704-02-000	EA TRIM-WINGWALL, OFF WHITE - DRIVER OR PASS SIDE
13	096970-05-01A	EA TRIM-WINGWALL, PASSENGER SIDE VERTICAL - 46.5" - OFF WHITE
14	002444-04-002	EA STRIP-FEATURE, W/O INSERT - 15" LONG - OFF WHITE
	001030-02-003	EA INSERT-FEATURE STRIP, 17" LONG - OFF WHITE
	009731-01-000	EA END CAP-FEATURE STRIP
	069726-02-000	EA BUMPER-.88" DIAMETER X 40", BLACK
15	100483-01-01A	EA TRIM-CONTOUR, ROOF (AWNING) - OFF WHITE
	099583-55-001	EA RAIL-AWNING, 10' EA - OFF WHITE
16	100800-03-01A	EA TRIM-WHEELWELL, REAR - PASS SIDE - OFF WHITE
	080267-17-000	EA TRIM-SIDEWALL, 9.8' LONG - OFF WHITE - DRIVER OR PASS SIDE
17	P03564-01-C29	EA SIDEWALL-PASSENGER SIDE, W/O DOORS OR WINDOWS
18	002776-03-012	EA EXTRUSION-U CHANNEL, 1.75" X 192" - OFF WHITE
	102766-51-001	EA EXTRUSION-U CHANNEL, 1.5" X 12' LONG - MILL ALUMINUM
	096787-51-001	EA EXTRUSION-U CHANNEL, 10 DEGREE ANGLE - 1.28" X 15' LONG - MILL ALUMINUM
19	085004-01-000	EA TRIM-BACKWALL, LOWER - OFF WHITE - DRIVER OR PASSENGER SIDE
	002365-01-001	EA U-CHANNEL, 1" X 18" - SERRATED - MILL ALUMINUM
20	P00035-01-C29	EA BACKWALL-W/O WINDOW, LIGHTS, OR DECALS

**EXTERIOR BODY GROUP (CONTINUED)**  
DECALS STRIPES & PAINT

**1992 ITASCA**  
**TABLE OF CONTENTS**

INTRODUCTION	A-01 -	A-02
ABBREVIATIONS		A-03
ALPHABETICAL INDEX	A-04 -	A-06
IT320RB	A-07 -	C-24
IT321RB	D-01 -	F-20
IT321RL	F-21 -	I-16



KEY	PART NUMBER	U/M	DESCRIPTION
1	094423-01-01A	FT	MULTISTRIPE-2 LINES, 3" - DK BLUE & LT BLUE W/1 MAGENTA DARK BLUE DUPONT #K9456, LIGHT BLUE DUPONT #K9457, MAGENTA DUPONT #G9842
2	093681-18-01A	FT	STRIPE-1 LINE, 1.25" WIDE - DARK BLUE DARK BLUE-DUPONT# K9456
3	100039-03-01A	EA	DECAL-SWEEP, DRIVER SIDE FRONT/PASSENGER SIDE REAR DARK BLUE DUPONT #K9456, MAGENTA DUPONT #G9842
4	093681-03-03A	FT	STRIPE-1 LINE, 1.5" WIDE - LIGHT BLUE LIGHT BLUE-DUPONT# K9457
5	078191-03-000	EA	DECAL-LOGO, "ITASCA" - DARK BLUE DARK BLUE-DUPONT# K9456
6	100039-04-01A	EA	DECAL-SWEEP, PASSENGER SIDE FRONT/DRIVER SIDE REAR DARK BLUE DUPONT #K9456, MAGENTA DUPONT #G9842
7	093565-01-04A	EA	DECAL-LOGO, "SPIRIT" - DARK BLUE & OFF WHITE DARK BLUE-DUPONT# K9456
8	094433-01-01A	FT	STRIPE-1 LINES, 5" WIDE - DARK BLUE W/2 MAGENTA STRIPES DARK BLUE DUPONT #K9456, MAGENTA DUPONT #G9842
9	094433-01-02A	FT	STRIPE-1 LINE, 5" - LIGHT BLUE W/2 MAGENTA STRIPES LIGHT BLUE DUPONT # K9457, MAGENTA DUPONT #G9842
10	078852-17-000	EA	DECAL-LOGO, "ITASCA" - 6.5" - DARK BLUE & OFF WHITE DARK BLUE-DUPONT# K9456
	084075-01-000	EA	DECAL-"BY WINNEBAGO INDUSTRIES", BLACK

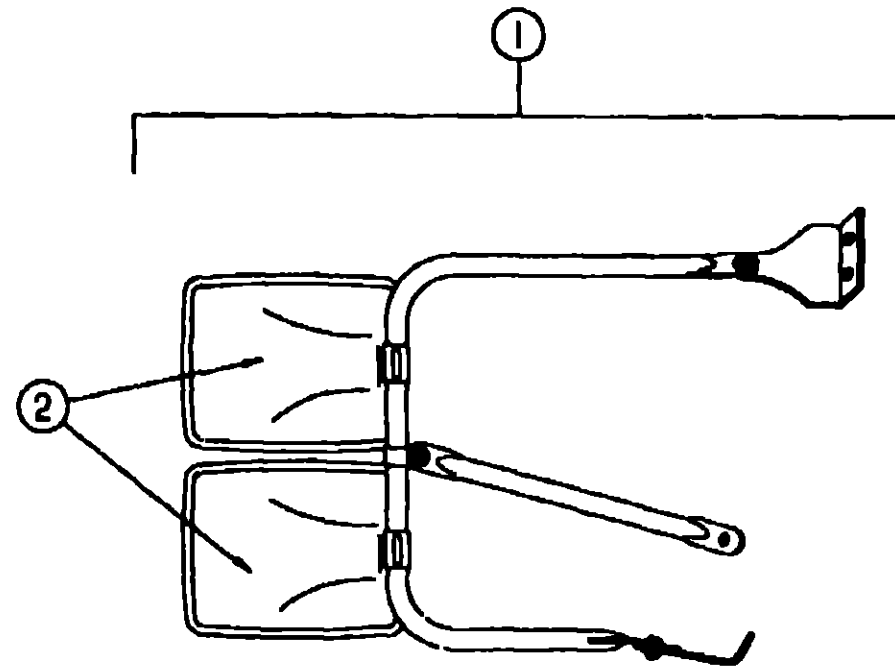
**1992 IT320RB INDEX**

FLOOR PLAN	A-07 -	A-08
ACCESSORIES		- A-09
AUDIO VIDEO		- A-10
BATH	A-11 -	A-12
CHASSIS	A-13 -	A-14
CURTAIN & CUSHION	A-15 -	A-20
DINETTE	A-21 -	A-22
DRIVERS COMPARTMENT		- A-23
ELECTRICAL	A-24 -	B-03
EXTERIOR BODY	B-04 -	B-09
GALLEY	B-10 -	B-15
GENERATOR		- B-16
HEATING & A/C		- E-17
INTERIOR FINISH	B-18 -	B-20
LABEL	B-21 -	C-02
LP		C-03
LOUNGE		C-04
SEALANTS & FASTENERS	C-05 -	C-06
WATER & SEWAGE	C-07 -	C-10
WINDOW, VENT AND EXTERIOR DOOR	C-11 -	C-24

**DUPONT COLOR CODES**

OFF WHITE	L8723
DARK BLUE	K9456
LIGHT BLUE	K9457
MAGENTA	G9842

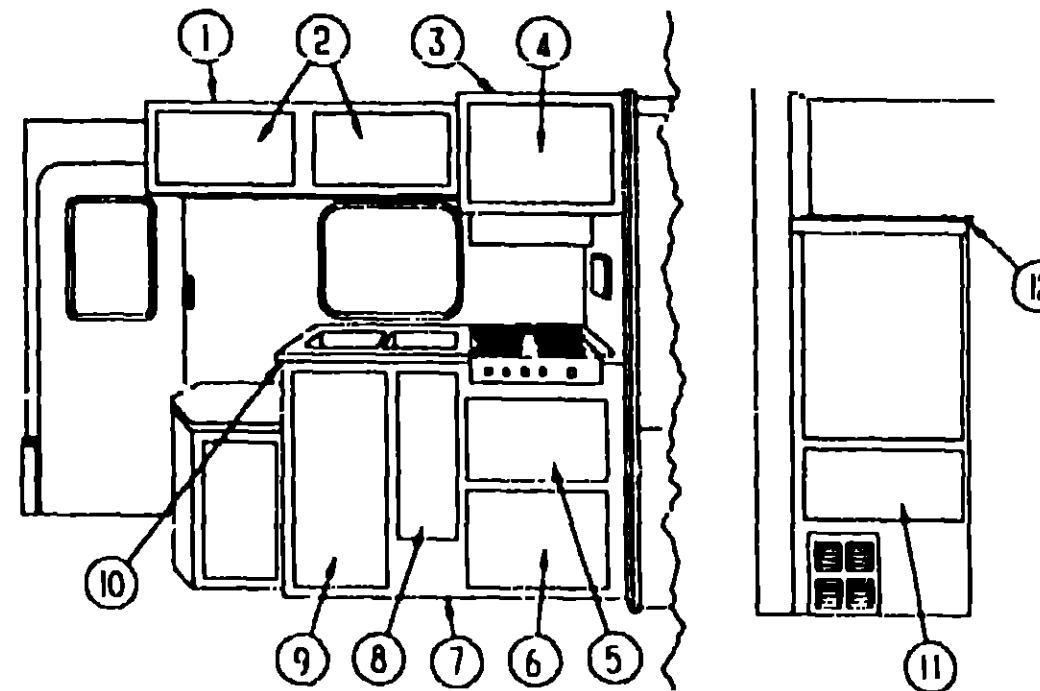
**EXTERIOR BODY GROUP (CONTINUED)**



**EXTERIOR MIRRORS**

KEY	PART NUMBER	U/M DESCRIPTION
1	084445-03-000	EA MIRROR-EXTERIOR, PASSENGER SIDE - VELVAC 712724-7
1	084445-04-000	EA MIRROR-EXTERIOR, DRIVER SIDE - VELVAC 712725-7
2	084445-03-700	EA HEAD-MIRROR, FLAT GLASS - DRIVER OR PASS SIDE - VELVAC 704176-5
2	084445-03-701	EA HEAD-MIRROR, CONVEX GLASS - DRIVER OR PASS SIDE - VELVAC 704187-5

**GALLEY GROUP**



**GALLEY CABINETS & COMPONENTS**

KEY	PART NUMBER	U/M DESCRIPTION
1	M05160 06 C29	EA CABINET OVERHEAD W/O DOORS OR HARDWARE
2	P03702 7B C29	EA DOOR CABINET W/O HARDWARE - 12" X 21 1/2"
3	M05160 07 C29	EA CABINET OVERHEAD W/O DOORS OR HARDWARE
4	P03702 77 C29	EA DOOR CABINET W/O HARDWARE - 14 9/16" X 21 1/2"
5	P03702 75 C29	EA DOOR CABINET W/O HARDWARE - 21 1/2" X 12"
5	106016 02 C29	EA FACT CABINET FOR MICROWAVE - JAPAN ONLY
	099856 02 000	EA STRAP TIE-DOWN MICROWAVE - BLACK
6	P03702 20 007	EA DOOR CABINET W/O HARDWARE - 554 MM X 365 MM
7	M03906 02 C29	EA CABINET GALLEY W/O HARDWARE - STANDARD
7	M03966 01 C29	EA CABINET GALLEY W/O HARDWARE - RANGE W/ VENT OPTION
7	M03966 03 C29	EA CABINET GALLEY W/O HARDWARE - JAPAN & MICROWAVE OPTIONS
8	P03702 81 C29	EA DOOR CABINET W/O HARDWARE - 100 MM X 640 MM
9	P03702 80 C29	EA DOOR CABINET W/O HARDWARE - 365 MM X 680 MM
	077404 02 000	EA DRAWER PLASTIC 20" X 12 7/8" - BEIGE
	094067 01 01A	EA DIVIDER DRAWER PLASTIC - LIGHT OAK
	077409 02 000	EA SLIDE DRAWER MOUNTED TO CABINET - PLASTIC - 20 7/8"
10	095470 13 C29	EA COUNTERTOP GALLEY CABINET
	011093 04 000	EA FAUCET GALLEY SWING SPOUT BT
	056437 01 000	EA STRAINER SINK GALLEY W/BASKET
	066437 01 700	EA BASKET STRAINER GALLEY SINK
	098654 01 000	EA SINK GALLEY DOUBLE W/MOUNTING HARDWARE - STAINLESS STEEL FROM 090600 TO 091209
	102551 03 000	EA SINK GALLEY DOUBLE W/MOUNTING HARDWARE - STAINLESS STEEL FROM 091600 TO 091909
	102551 04 000	EA SINK GALLEY DOUBLE W/MOUNTING HARDWARE - STAINLESS STEEL - CANADIAN FROM 081200 TO 091909
	090329 03 000	EA SEAL TIE-FRONT HATCH CABINET - 6" WIDE 12 1/2" X 21 1/2"
	008780 01 000	EA GROMMET RUBBER SURFACE X 1 1/2" DIA. BLACK
11	P03392 70 C29	EA DRAWER CABINET W/O HARDWARE - 6 1/2" X 21 1/2" - REFRIGERATOR
12	102023 11 C29	EA COUNTERTOP REFRIGERATOR CABINET

**1992 ITASCA  
TABLE OF CONTENTS**

INTRODUCTION	A-01 -	A-02
ABBREVIATIONS		A-03
ALPHABETICAL INDEX	A-04 -	A-06
IT320RB	A-07 -	C-24
IT321RB	D-01 -	F-20
IT321RL	F-21 -	I-16

**1992 IT320RB INDEX**

FLOOR PLAN	A-07 -	A-08
ACCESSORIES		A-09
AUDIO VIDEO		A-10
BATH	A-11 -	A-12
CHASSIS	A-13 -	A-14
CURTAIN & CUSHION	A-15 -	A-20
DINETTE	A-21 -	A-22
DRIVERS COMPARTMENT		A-23
ELECTRICAL	A-24 -	B-03
EXT. FRONT BODY	B-04 -	B-09
GALLEY	B-10 -	B-15
GENERATOR		B-16
HEATING & A/C		B-17
INTERIOR FINISH	B-18 -	B-20
LABEL	B-21 -	C-02
LP		C-03
LOUNGE		C-04
SEALANTS & FASTENERS	C-05 -	C-06
WATER & SEWAGE	C-07 -	C-10
WINDOW VENT AND EXT. FRONT DOOR	C-11 -	C-24

**GALLEY GROUP (CONTINUED)**  
STANDARD REFRIGERATOR

KEY	PART NUMBER	U/M DESCRIPTION
	101991-02-000	EA REFRIGERATOR-2 WAY 4 CU FT - DOMETIC RM2410
	101991-01-713	EA DRIP CHUTE, DOMETIC 2007507003
	101991-01-715	EA SHELF LOCK, OUTER - DOMETIC 2007393016
	101991-01-716	EA SHELF LOCK, INNER - DOMETIC 2007392018
	101991-01-717	EA SPRING HOUSING, LH - DOMETIC 2002236004
	101991-01-718	EA SPRING HOUSING, RH - DOMETIC 2002236012
	101991-01-719	EA SPRING, LH - DOMETIC 2002237002
	101991-01-720	EA SPRING, RH - DOMETIC 2002237010
	101991-01-721	EA CARRIER, DOMETIC 2002238000
	101991-01-725	EA SHUTTER, CPL /WHITE - DOMETIC 2002239065
	101991-01-726	EA HINGE, DOMETIC 2002244008
	101991-01-727	EA GASKET, DOMETIC 2000917019
	101991-01-728	EA PUSH BUTTON, GREY/BROWN - DOMETIC 2007479054
	101991-01-730	EA KNOB-SELECTOR, 12/120V - GREY/BROWN - DOMETIC 2007480177
	101991-01-740	EA THERMO ELECTRIC SAFETY VALVE, DOMETIC 2007422005
	101991-01-742	EA COUPLING, DOMETIC 2007518000
	101991-01-743	EA THERMOSTAT-DUAL, DOMETIC 2007199009
	101991-01-744	EA BYPASS SCREW, DOMETIC 0172819039
	101991-01-745	EA CUTOFF VALVE, DOMETIC 2007430008
	101991-01-746	EA SWITCH, DOMETIC 2007432004
	101991-01-747	EA SPRING, DOMETIC 2007577014
	101991-01-748	EA SPRING, DOMETIC 2007578004
	101991-01-749	EA LIGHTER, DOMETIC 2007423003
	101991-01-750	EA SPRING, DOMETIC 2007425008
	101991-01-752	EA ELECTRODE, DOMETIC 2930379009
	101991-01-753	EA SEALING RING, DOMETIC 0140748005
	101991-01-754	EA SNAP CATCH FOR 12/120V, DOMETIC 2930066028
	101991-01-756	EA BURNER RETAINER, DOMETIC 2007651009
	101991-01-757	EA BURNER JET NO 39 FOR PROPANE, DOMETIC 2007419159
	101991-01-760	EA HEATER, 12V/175W - DOMETIC 0173737016
	101991-02-700	EA DECORATION-#14, DOMETIC 2931583-03/9
	101991-02-701	EA HANDLE-#8, DOMETIC 2931600-01/5
	101991-02-702	EA DOOR-#1, DOMETIC 2931586-11/5
	101991-02-703	EA FRONT PANEL-#19, DOMETIC 2931293-02/7
	101991-02-706	EA COOLING UNIT, 335A - DOMETIC 293433599/9
	101991-02-707	EA HOLDER-BOTTLE, 7 1/2" - DOMETIC 2930715-05/3
	101991-02-708	EA HOLDER-BOTTLE, 8" - DOMETIC 2930715-06/1
	101991-02-709	EA SHELF-DOOR, DOMETIC 2002261-22/6
	101991-02-710	EA SHELF-DOOR, DOMETIC 2000571-22/0
	101991-02-711	EA KNOB, DOMETIC 2007480-21/9
	101991-02-714	EA HINGE-UPPER, DOMETIC 293129101/3
	101991-02-715	EA PLATE-MOUNTING RIGHT - DOMETIC 293129701/0
	101991-02-716	EA PLATE-MOUNTING, LEFT - DOMETIC 293129702/8
	101991-02-717	EA PIN-HINGE, UPPER - DOMETIC 293128801/9
	101991-02-718	EA HINGE-LOWER, RIGHT - DOMETIC 293153901/5
	101991-02-719	EA HINGE-LOWER, LEFT - DOMETIC 293153801/7
	101991-02-720	EA PIN-HINGE, LOWER - DOMETIC 293128601/3
	101991-02-721	EA PLUG - DOMETIC 293151003/2
	101991-02-722	EA SEALING - DOMETIC 2931574012
	101991-02-723	EA BASE-FRONT, DOMETIC 2931528018
	101991-02-724	EA CATCH - DOMETIC 2931511014
	101991-02-725	EA SHELF W/NOTCH OUT - DOMETIC 2930133133
	101991-02-726	EA SHELF - DOMETIC 2002652333
	101991-02-727	EA THERMOCOUPLE, DOMETIC 2007417005
	101991-02-728	EA TERMINAL BLOCK, DOMETIC 7627202562
	101991-02-729	EA SNAP CATCH, 2-WAY - DOMETIC 2007428002
	101991-02-730	EA TERMINAL BLOCK, DOMETIC 2002633010
	101991-02-731	EA SHAFT-THERMOSTAT, DOMETIC 20074771002
	101991-02-732	EA SHAFT-SWITCH, DOMETIC 20074775003

**GALLEY GROUP (CONTINUED)**  
JAPAN EXPORT OPTION L04F

KEY	PART NUMBER	U/M DESCRIPTION
	101991-03-000	EA REFRIGERATOR-3 WAY 4.0 CU FT - DOMETIC RM2410.3
	101991-03-700	EA SNAP CATCH, 3-WAY - DOMETIC 2930066028
	101991-01-713	EA DRIP CHUTE, DOMETIC 2007507003
	101991-01-715	EA SHELF LOCK, OUTER - DOMETIC 2007393016
	101991-01-716	EA SHELF LOCK, INNER - DOMETIC 2007392018
	101991-01-717	EA SPRING HOUSING, LH - DOMETIC 2002236004
	101991-01-718	EA SPRING HOUSING, RH - DOMETIC 2002236012
	101991-01-719	EA SPRING, LH - DOMETIC 2002237002
	101991-01-720	EA SPRING, RH - DOMETIC 2002237010
	101991-01-721	EA CARRIER, DOMETIC 2002238000
	101991-01-725	EA SHUTTER, CPL /WHITE - DOMETIC 2002239065
	101991-01-726	EA HINGE, DOMETIC 2002244008
	101991-01-727	EA GASKET, DOMETIC 2000917019
	101991-01-728	EA PUSH BUTTON, GREY/BROWN - DOMETIC 2007479054
	101991-01-730	EA KNOB-SELECTOR, 12/120V - GREY/BROWN - DOMETIC 2007480177
	101991-01-740	EA THERMO ELECTRIC SAFETY VALVE, DOMETIC 2007422005
	101991-01-742	EA COUPLING, DOMETIC 2007518000
	101991-01-743	EA THERMOSTAT-DUAL, DOMETIC 2007199009
	101991-01-744	EA BYPASS SCREW, DOMETIC 0172819039
	101991-01-745	EA CUTOFF VALVE, DOMETIC 2007430008
	101991-01-746	EA SWITCH, DOMETIC 2007432004
	101991-01-747	EA SPRING, DOMETIC 2007577014
	101991-01-748	EA SPRING, DOMETIC 2007578004
	101991-01-749	EA LIGHTER, DOMETIC 2007423003
	101991-01-750	EA SPRING, DOMETIC 2007425008
	101991-01-752	EA ELECTRODE, DOMETIC 2930379009
	101991-01-753	EA SEALING RING, DOMETIC 0140748005
	101991-01-754	EA SNAP CATCH FOR 12/120V, DOMETIC 2930066028
	101991-01-756	EA BURNER RETAINER, DOMETIC 2007651009
	101991-01-757	EA BURNER JET NO.39 FOR PROPANE, DOMETIC 2007419159
	101991-01-759	EA HEATER, 120V/160W - DOMETIC 0173756016
	101991-01-760	EA HEATER, 12V/175W - DOMETIC 0173737016
	101991-02-700	EA DECORATION-#14, DOMETIC 2931583-03/9
	101991-02-701	EA HANDLE-#8, DOMETIC 2931600-01/5
	101991-02-702	EA DOOR-#1, DOMETIC 2931586-11/5
	101991-02-703	EA FRONT PANEL-#19, DOMETIC 2931293-02/7
	101991-02-706	EA COOLING UNIT, 335A - DOMETIC 293433599/9
	101991-02-707	EA HOLDER-BOTTLE, 7 1/2" - DOMETIC 2930715-05/3
	101991-02-708	EA HOLDER-BOTTLE, 8" - DOMETIC 2930715-06/1
	101991-02-709	EA SHELF-DOOR, DOMETIC 2002261-22/6
	101991-02-710	EA SHELF-DOOR, DOMETIC 2000571-22/0
	101991-02-711	EA KNOB, DOMETIC 2007480-21/9
	101991-02-714	EA HINGE-UPPER, DOMETIC 293129101/3
	101991-02-715	EA PLATE-MOUNTING, RIGHT - DOMETIC 293129701/0
	101991-02-717	EA PIN-HINGE, UPPER - DOMETIC 293128801/9
	101991-02-718	EA HINGE-LOWER, RIGHT - DOMETIC 293153901/5
	101991-02-719	EA HINGE-LOWER, LEFT - DOMETIC 293153801/7
	101991-02-720	EA PIN-HINGE, LOWER - DOMETIC 293128601/3
	101991-02-721	EA PLUG - DOMETIC 293151003/2
	101991-02-722	EA SEALING - DOMETIC 2931574012
	101991-02-723	EA BASE-FRONT, DOMETIC 2931528018
	101991-02-724	EA CATCH - DOMETIC 2931511014
	101991-02-725	EA SHELF W/NOTCH OUT - DOMETIC 2930133133
	101991-02-726	EA SHELF - DOMETIC 2002652333
	101991-02-727	EA THERMOCOUPLE, DOMETIC 2007417005
	101991-02-728	EA TERMINAL BLOCK, DOMETIC 7627202562
	101991-02-730	EA TERMINAL BLOCK, DOMETIC 2002633010
	101991-02-731	EA SHAFT-THERMOSTAT, DOMETIC 20074771002
	101991-02-732	EA SHAFT-SWITCH, DOMETIC 20074775003

**1992 ITASCA**  
TABLE OF CONTENTS

INTRODUCTION	A-01	A-02
ABBREVIATIONS		A-03
ALPHABETICAL INDEX	A-04	A-05
IT320RB	A-07	C-24
IT321RB	D-01	F-20
IT321RL	F-21	I-16

**1992 IT320RB INDEX**

FLOOR PLAN	A-07	A-08
ACCESSORIES		A-09
AUDIO VIDEO		A-10
BATH	A-11	A-12
CHASSIS	A-13	A-14
CURTAIN & CUSHION	A-15	A-20
DINETTE	A-21	A-22
DRIVERS COMPARTMENT		A-23
ELECTRICAL	A-24	B-03
EXTERIOR BODY	B-04	B-09
GALLEY	B-10	B-15
GENERATOR		B-16
HEATING & A/C		B-17
INTERIOR FINISH	B-18	B-20
LABEL	B-21	C-02
LP		C-03
LOUNGE		C-04
SEALANTS & FASTENERS	C-05	C-06
WATER & SEWAGE	C-07	C-10
WINDOW, VENT AND EXTERIOR DOOR	C-11	C-24

**GALLEY GROUP (CONTINUED)**  
JAPAN EXPORT OPTION L04B

KEY	PART NUMBER	U/M DESCRIPTION
	064473-04-000	EA REFRIGERATOR-3 WAY, 4.9 CU FT - NORCOLD 875-EG3
	064473-03-700	EA ELECTRODE ASSY, NORCOLD 616078
	064473-03-701	EA HEATER-AC (HORIZONTAL BURNER), NORCOLD 615625
	064473-03-704	EA DOOR GASKET (ALMOND)
	064473-03-709	EA PIN & CHAIN TRAVEL LOCK
	064473-03-710	EA RH BREAKER STRIP(BRN)
	064473-03-712	EA DOOR ASM-FREEZER, BROWN - NORCOLD 615246
	064473-03-714	EA MODE SELECTOR KNOB
	064473-03-715	EA THERMOSTAT KNOB
	064473-03-716	EA SWITCH-3-WAY, F/EG-2 & EG-3 - NORCOLD 616113
	064473-03-718	EA COOLING UNIT (HORIZ-BURNER) 61687137
	064473-03-719	EA FLUE-HORIZONTAL BURNER, NORCOLD# 616162
	064473-03-720	EA RELIGHTER, NORCOLD 616088
	064473-03-721	EA COMBINATION CONTROL - NORCOLD 616084
	064473-03-724	EA DOOR ASM-FREEZER, BLACK
	064473-03-727	EA LATCH-TRAVEL, MIDDLE - BLACK
	046955-01-713	EA PIN-HINGE, NORCOLD 611146
	064472-01-700	EA THERMOCOUPLE, NORCOLD 614363
	064472-01-728	EA HINGE TOP-LH CTR-LH LOWER RH, NORCOLD 61352922
	064472-03-700	EA HINGE PIN-BOTTOM, NORCOLD 615507
	064473-01-702	EA ORIFICE, NORCOLD 61452122
	064473-01-708	EA TOP BREAKER STRIP, NORCOLD 613536-32
	064473-01-716	EA CRISPER COFFEE 4&6EG2 615191
	064473-01-717	EA HINGE PINS, NORCOLD 614736
	064473-01-720	EA DAIRY KEEPER, BROWN, NORCOLD 61466837
	064473-01-721	EA DOOR GASKET, NORCOLD 613507-30
	064473-01-726	EA DOOR FRAME, NORCOLD 614286
	064473-01-727	EA CRISPER, NORCOLD 615180
	084880-01-713	EA MALE CONNECTOR(INLET FITTING) - NORCOLD 615256222
	084880-01-715	EA VALVE-SHUT OFF, MANUAL - NORCOLD 61697922
	088248-01-706	EA BURNER-HORIZONTAL, NORCOLD 61588122

**REFRIGERATOR HARDWARE**

KEY	PART NUMBER	U/M DESCRIPTION
	054450-01-000	EA LEVEL-REFRIGERATOR
	065225-03-000	EA PLATE-TIEDOWN, REFRIGERATOR
	093646-01-000	EA BRACKET ASM-TIEDOWN - REFRIGERATOR FROM: 00-00-00 THRU: 05-05-92
	093646-02-000	EA BRACKET ASM-TIEDOWN - REFRIGERATOR FROM: 00-00-00 THRU: 05-05-92
	093646-05-000	EA BRACKET ASM-TIEDOWN - REFRIGERATOR FROM: 05-06-92 THRU: 99-99-99

**GALLEY GROUP (CONTINUED)**  
RANGE WOVEN OPTION L13B

KEY	PART NUMBER	U/M DESCRIPTION
	102022-01-02A	EA RANGE-16", 4 BURNER - MAGIC CHEF BT16RA-4Z
	055282-03-705	EA TRIM-CABINET, LEFT - BLACK - MAGIC CHEF 3608F011-70
	055282-03-707	EA TRIM-CABINET, RIGHT - BLACK - MAGIC CHEF 3608F012-70
	098507-02-701	EA INSERT-BURNER (SLOTTED VENT), MAGIC CHEF 7214P015-60
	102020-01-700	EA SHELF-OVEN, MAGIC CHEF - 7801-P027-60
	102020-01-701	EA HANDLE-DOOR, MAGIC CHEF - 7701P092-60
	102020-01-702	EA PANEL-MANIFOLD, MAGIC CHEF 2616F080-70
	102020-01-704	EA PANEL-DOOR, BLACK - MAGIC CHEF - 2401F075-70
	102020-01-708	EA BURNER ASSEMBLY-OVEN, MAGIC CHEF 3403W003-45
	102020-01-711	EA GRATE-TOP, MAGIC CHEF 7518P012-60
	102020-01-712	EA KNOB-BURNER VALVE, MAGIC CHEF 7733P044-60
	102020-01-713	EA KNOB-THERMOSTAT, MAGIC CHEF 7731P042-60
	102020-01-714	EA PILOT-OVEN, MAGIC CHEF 968-143
	102020-01-715	EA PIPE-MANIFOLD, MAGIC CHEF 7513P095-60
	102020-01-717	EA THERMOSTAT, MAGIC CHEF 7515P024-60
	102020-01-718	EA TOP-MAIN, ALMOND - MAGIC CHEF 2001F085-84
	102020-01-720	EA VALVE-MERCURY CONTROL, MAGIC CHEF 7501P056-60
	102020-01-722	EA VALVE-TOP BURNER, MAGIC CHEF 7502P095-60
	102020-01-723	EA PILOT-BURNER, MAGIC CHEF 7505P147-60
	102020-01-724	EA BUMPER-MAIN TOP, MAGIC CHEF 8003P008-60
	102022-01-702	EA PIPE-MANIFOLD, MAGIC CHEF 7513P096-60
	102022-01-703	EA REGULATOR-PRESSURE, MAGIC CHEF 7510P031-60
	102022-01-706	EA TRIM-LEFT, FLAT - MAGIC CHEF 3608W022-70
	102022-01-707	EA TRIM-RIGHT, FLAT - MAGIC CHEF 3608W023-70
	055516-03-000	EA BRACKET-REAR TIEDOWN, RANGE W/OVEN
	055516-04-000	EA BRACKET-FRONT TIEDOWN, RANGE W/OVEN

**STANDARD RANGE**

KEY	PART NUMBER	U/M DESCRIPTION
	081374-01-000	EA RANGE-4 BURNER, W/O OVEN - ALMOND - MAGIC CHEF BT85NA-4 FROM: 05-27-91 THRU: 01-26-92
	049045-01-703	EA VALVE-TOP BURNER, MAGIC CHEF 997-584
	064782-02-711	EA TOP-MAIN-ALMOND-4BURNER SQ - MAGIC CHEF 50-27764A
	064782-02-712	EA GRATE-TOP BURNER, SQUARE HOLES - MAGIC CHEF 50-25439
	064782-02-714	EA FITTING-PIPE NIPPLE, 1/8" - MAGIC CHEF 863-1
	064782-02-715	EA CLIP-GRATE; MAGIC CHEF 413-00015
	081374-01-700	EA TRIM-CAB TOP RIGHT, BLACK - MAGIC CHEF 3608F015-70
	081374-01-701	EA TRIM-CAB TOP LEFT, BLACK - MAGIC CHEF 3608F016-70
	081374-01-702	EA PANEL-MANIFOLD WARM, BLACK - MAGIC CHEF 52-20712-5X
	081374-01-703	EA TRIM-TOP REAR, MAGIC CHEF 52-10354-3
	081374-01-704	EA GUARD-FABRIC, MAGIC CHEF 50-11-688-2
	081374-02-701	EA REGULATOR-PRESSURE, MAGIC CHEF 976-27
	102019-01-01A	EA TOP-RANGE, ALMOND TOP W/ALMOND TRIM - MAGIC CHEF BT85RA-4 FROM 00-00-00 TO 05-26-91 AND 01-27-92 TO 99-99-99
	052583-04-701	EA KNOB-TOP BURNER, MAGIC CHEF 7733P039-60
	102019-01-700	EA TRIM-RIGHT, ALMOND - MAGIC CHEF 3608F015-74
	102019-01-701	EA TRIM-LEFT, ALMOND - MAGIC CHEF 3608F016-74
	102019-01-702	EA TRIM-REAR, ALMOND - MAGIC CHEF 3608F009-74
	102020-01-702	EA PANEL-MANIFOLD, MAGIC CHEF 2616F080-70
	102020-01-709	EA BUMPER-GRATE, MAGIC CHEF 8007P018-60
	102020-01-711	EA GRATE-TOP, MAGIC CHEF 7518P012-60
	102020-01-718	EA TOP-MAIN, ALMOND - MAGIC CHEF 2001F085-84
	102020-01-721	EA VALVE-SHUT OFF, MAGIC CHEF 7506F096-60
	102020-01-722	EA VALVE-TOP BURNER, MAGIC CHEF 7502P095-60
	102020-01-724	EA BUMPER-MAIN TOP, MAGIC CHEF 8003P008-60
	102022-01-703	EA REGULATOR-PRESSURE, MAGIC CHEF 7510P031-60
	081587-03-000	EA BRACKET-TIEDOWN, RANGE - RIGHT
	081587-04-000	EA BRACKET-TIEDOWN, RANGE - LEFT

**1992 ITASCA**  
**TABLE OF CONTENTS**

INTRODUCTION	A-01	A-02
ABBREVIATIONS		A-03
ALPHABETICAL INDEX	A-04	A-06
IT320RB	A-07	C-24
IT321RB	D-01	F-20
IT321RL	F-21	I-16

**1992 IT320RB INDEX**

FLOOR PLAN	A-07	A-08
ACCESSORIES		A-09
AUDIO VIDEO		A-10
BATH	A-11	A-12
CHASSIS	A-13	A-14
CURTAIN & CUSHION	A-15	A-20
DINETTE	A-21	A-22
DRIVERS COMPARTMENT		A-23
ELECTRICAL	A-24	B-03
EXTERIOR BODY	B-04	B-09
GALLEY	B-10	B-15
GENERATOR		B-16
HEATING & A/C		B-17
INTERIOR FINISH	B-18	B-20
LABEL	B-21	C-02
LP		C-03
LOUNGE		C-04
SEALANTS & FASTENERS	C-05	C-06
WATER & SEWAGE	C-07	C-10
WINDOW, VENT AND EXTERIOR DOOR	C-11	C-24



**GALLEY GROUP (CONTINUED)**  
**MONITOR PANEL**

KEY	PART NUMBER	U/M DESCRIPTION
	097618-01-000	EA WIRE ASM-MONITOR PANEL W/M WIRES & BLACK RESISTOR - LVS
	102765-02-01A	EA PANEL-MONITOR, W/PLUG - FOR 2 TANKS - LVS
	102765-01-700	EA SWITCH-ON/OFF ALMOND - LVS 110-01
	097517-01-702	EA SWITCH-1/WAY ALMOND - LVS 107
	097617-01-703	EA CIRCUIT BOARD - LVS 5076-01

**MICROWAVE OVEN**

KEY	PART NUMBER	U/M DESCRIPTION
	103049-01-000	EA OVEN-MICROWAVE, QUASAR MQS-0803W

**RANGE HOODS**

KEY	PART NUMBER	U/M DESCRIPTION
	100258-01-01A	EA HOOD-RANGE, W/O MONITOR PANEL - VENTLINE - US TCS4001NAD FROM: 00-00-00 THRU: 09-01-91
	100258-02-01A	EA HOOD-RANGE, W/O MONITOR PANEL - VENTLINE - CANADIAN FROM: 00-00-00 THRU: 09-01-91
	100258-16-01A	EA HOOD-RANGE, W/O MONITOR PANEL - VENTLINE - US TCS5008NAD FROM: 09-02-91 THRU: 99-99-99
	100258-17-01A	EA HOOD-RANGE, W/O MONITOR PANEL - VENTLINE - CANADIAN FROM: 09-02-91 THRU: 99-99-99
	090973-01-700	EA MOTOR - LVS CA50B-1
	090973-01-702	EA BLADE-FAN, LVS VA183-1
	092696-01-709	EA BULB-912, VENTLINE VA415
	092696-01-710	EA SOCKET-LIGHT, VENTLINE CB267-2
	096983-01-700	EA SWITCH-ON/OFF, VENTLINE 108
	096983-01-702	EA SWITCH-TWO WAY MOMENTARY, VENTLINE 112
	096983-01-707	EA FILTER-GREASE, 8" X 8" - LVS CC246
	096983-01-708	EA LENS-LAMP, VENTLINE CC179
	100258-01-700	EA HOOD-NOSE LABEL, CC428
	100258-10-01A	EA METER-HOUR, VENTLINE 150

**GENERATOR GROUP**  
**2,500 WATT KOHLER GENERATOR OPTION L32Y**

KEY	PART NUMBER	U/M DESCRIPTION
	007067-01-000	SF INSULATION-FIBERGLASS, 1" THICK X 4" - INCREMENTS OF 4 SF
	080662-03-000	EA PIPE-EXHAUST, GENERATOR
	080749-01-000	EA MUFFLER-KOHLER, 2.5 - PA-228173
	080749-03-000	EA HARDWARE KIT-MUFFLER, 2.5 KOHLER - PA-228296
	083501-04-000	EA GENERATOR-2.5KW KOHLER, PA-177111 - W/CONTROL PANEL ASM.

**2,500 WATT KOHLER GENERATOR OPTION L33B**

KEY	PART NUMBER	U/M DESCRIPTION
	007067-01-000	SF INSULATION-FIBERGLASS, 1" THICK X 4" - INCREMENTS OF 4 SF
	080662-03-000	EA PIPE-EXHAUST, GENERATOR
	080749-01-000	EA MUFFLER-KOHLER, 2.5 - PA-228173
	080749-03-000	EA HARDWARE KIT-MUFFLER, 2.5 KOHLER - PA-228296
	083561-05-000	EA GENERATOR-2.5KW KOHLER - CMZ-11

**1992 ITASCA**  
**TABLE OF CONTENTS**

INTRODUCTION	A-01	A-02
ABBREVIATIONS		A-03
ALPHABETICAL INDEX	A-04	A-06
IT320RB	A-07	C-24
IT321RB	D-01	F-20
IT321RL	F-21	I-16

**1992 IT320RB INDEX**

FLOOR PLAN	A-07	A-08
ACCESSORIES		A-09
AUDIO VIDEO		A-10
BATH	A-11	A-12
CHASSIS	A-13	A-14
CURTAIN & CUSHION	A-15	A-20
DINETTE	A-21	A-22
DRIVERS COMPARTMENT		A-23
ELECTRICAL	A-24	B-03
EXTERIOR BODY	B-04	B-09
GALLEY	B-10	B-15
GENERATOR		B-16
HEATING & AC		B-17
INTERIOR FINISH	B-18	B-20
LABEL	B-21	C-02
LP		C-03
LOUNGE		C-04
SEALANTS & FASTENERS	C-05	C-06
WATER & SEWAGE	C-07	C-10
WINDOW VENT AND		
EXTERIOR DOOR	C-11	C-24

**HEATING & AIR CONDITIONING GROUP**  
**ROOF A/C**

KEY	PART NUMBER	U/M DESCRIPTION
	093306-01-01A	EA A/C ROOF 7100 BTU - ROTARY - IVORY - COLEMAN 6727D709
	093306-01-700	EA SHROUD-IVORY / BRONZE - W/O LOGO - COLEMAN 6727A5721
	093306-01-701	EA DECAL PKG, LEFT & RIGHT - COLEMAN 6798B3591
	093306-01-702	EA FAN CAPACITOR, FAN 5 MFD - COLEMAN 14994421
	093306-01-703	EA FAN-4 BLADE, 9" DIAMETER - COLEMAN 67073321
	093306-01-704	EA OVERLOAD, COLEMAN 6707A3751
	093306-01-705	EA MOTOR-115V1 6A60H2-RPM - COLEMAN 67273119
	093306-01-706	EA BLOWER WHEEL, 6 5/16" X 2 7/8" WVD - COLEMAN 67073281
	093306-01-707	EA START CAPACITOR, 47 - 56 MFD - 250 - COLEMAN 62503421
	093306-01-708	EA START RELAY, COLEMAN 9436-3151
	093306-01-711	EA CONDENSER COIL - COLEMAN 14520701
	093306-01-717	EA COMPRESSOR-PANASONIC, COLEMAN 1450-2019
	093306-01-716	EA COMPRESSOR-TECUMSEH, COLEMAN 6727-3659
	093306-01-712	EA COMPRESSOR, COLEMAN 6707C3579
	073742-02-704	EA RUN CAPACITOR (COMPRESSOR), COLEMAN 14994661
	093306-01-713	EA EVAPORATOR, COLEMAN 14520601
	037648-01-714	EA PACKAGE-GASKET, COLEMAN #6759-3281
	093307-01-000	EA CEILING ASM-A/C COOL, IVORY - COLEMAN 6727D714
	093306-01-709	EA DECAL F/THERMOSTAT AND SELECTOR, COLEMAN 6727A3341
	076303-01-710	EA THERMOSTAT, COLEMAN 67333411
	076303-01-707	EA FILTER-6" X 14 7/8" X .5", 12 PER PKG - COLEMAN 6703A3151
	093306-01-710	EA SHROUD-CEILING, IVORY W/DECAL - COLEMAN 67273511
	093306-01-714	EA SWITCH-SELECTOR, COLEMAN 67273251
	076303-01-708	EA KNOB & BOLT PKG, COLEMAN 67275841
	076303-01-701	EA KNOB-CONTROL, COLEMAN 67333241
	102289-01-000	EA SPRING-SCREW, ROOF A/C GASKET - COLEMAN 6757-150

**FURNACE**

KEY	PART NUMBER	U/M DESCRIPTION
	101990-01-000	EA FURNACE-17,000 BTU, SUBURBAN DD-17DSI
	069634-01-706	EA MODULE BOARD, SUBURBAN# 231427
	069634 01-716	EA VALVE-MANUAL SHUTOFF, SUBURBAN 16C740
	101990-01-700	EA MICROSWITCH, SUBURBAN 231759
	101990-01-701	EA COMBUSTION AIR WHEEL, SUBURBAN 350126
	101990-01-702	EA BURNER, SUBURBAN 010763
	101990-01-703	EA ROOM AIR IMPELLER, SUBURBAN 350125
	101990-01-704	EA MOTOR, SUBURBAN 231761
	101990-01-705	EA TIME DELAY RELAY, SUBURBAN 231769
	101990-01-706	EA TERMINAL STRIP, SUBURBAN 231770
	101990-01-707	EA VALVE, SUBURBAN 160952
	101990-01-708	EA ELECTRODE, SUBURBAN 231762
	101990-01-709	EA GRILLE ASSEMBLY, SUBURBAN 030769
	101990-01-710	EA LIMIT SWITCH, SUBURBAN 231768
	101990-01-711	EA ORIFICE, SUBURBAN 530415
	101990-01-713	EA MOTOR GASKET, SUBURBAN 070849
	101990-01-714	EA MICROSWITCH GASKET, SUBURBAN 230877
	101990-01-715	EA COMBUSTION AIR GASKET - FRONT - SUBURBAN 390536
	101990-01-716	EA COMBUSTION AIR GASKET - REAR - SUBURBAN 070860
	101990-01-717	EA MANIFOLD GASKET, SUBURBAN 070847
	101990-01-718	EA BURNER ACCESS DOOR GASKET, SUBURBAN 070850
	101990-01-719	EA MODULE BOARD (IF BEFORE DATE CODE 9112), SUBURBAN 231328
	101990-02-000	EA VENT-FURNACE, OUTSIDE - 4-6" - SUBURBAN 260198

**INTERIOR FINISH GROUP**  
**MOLDINGS & TRIMS**

KEY	PART NUMBER	U/M DESCRIPTION
	009737-12-000	FT MOLDING-SIDEWALL TO CEILING/CABINET - WELTING - OFF WHITE
	009778-11-000	FT U CHANNEL-PLASTIC 1" WIDE X 8" INCREMENTS - IVORY
	009812-17-000	EA MOLDING-CORNER, OUTSIDE - .5" - PLASTIC - LIGHT OAK
	009812-22-000	EA MOLDING-CORNER, OUTSIDE - .5" X 7" - PLASTIC - BROWN
	009812-24-000	EA MOLDING-PLASTIC, OUTSIDE CORNER - .50" - IVORY
	022992-11-000	FT MOLDING-REVERSE COVE, T-SHAPED - VINYL - IVORY
	070504-01-000	FT U-CHANNEL-PLASTIC, .065" WIDE - LIGHT BROWN - INC OF 8'
	070504-06-000	FT U-CHANNEL-PLASTIC, .815" WIDE - LIGHT OAK - INC OF 8'
	070504-18-000	FT U-CHANNEL-PLASTIC, .065" WIDE - IVORY - INC. OF 8'
	070504-19-000	FT U-CHANNEL-PLASTIC, .815" WIDE - BROWN - INC OF 8'
	069733-78-000	EA BATT STRIP-WOODGRAIN, 8' EA - RAMBLING OAK FROM: 00-00-00 THRU: 02-23-92
	069733-79-000	EA BATT STRIP-WOODGRAIN, 8' EA - FOREST OAK FROM: 02-24-92 THRU: 99-99-99
	085284-38-000	FT BATT STRIP-SHOWER, ADHESIVE BACKED - OFF WHITE FROM: 00-00-00 THRU: 03-15-92
	085284-76-000	FT BATT STRIP-SHOWER, ADHESIVE BACKED - OFF WHITE FROM: 03-16-92 THRU: 99-99-99
	085284-48-000	FT BATT STRIP-CEILING, ADHESIVE BACKED FROM: 00-00-00 THRU: 05-28-91
	085284-59-000	FT BATT STRIP-DECORATIVE, ADHESIVE BACKED - FAWN FROM: 05-29-91 THRU: 99-99-99
	085284-53-000	FT BATT STRIP-DECORATIVE, PLAIN - ADHESIVE BACKED
	088263-50-000	EA BATT STRIP-SHOWER, 8' EACH - OFF WHITE FROM: 00-00-00 THRU: 03-15-92
	088263-78-000	EA BATT STRIP-SHOWER, 8' EA - OFF WHITE FROM: 03-16-92 THRU: 99-99-99
	088263-51-000	EA BATT STRIP-CEILING, 8' EA - OFF WHITE FROM: 00-00-00 THRU: 05-28-91
	088263-71-000	EA BATT STRIP-DECORATIVE, 8' EA - FAWN FROM: 05-29-91 THRU: 99-99-99
	088263-66-000	EA BATT STRIP-DECORATIVE, W/FLOWERS - 8'EA
	084730-01-B27	EA MOLDING-SHELF, WOOD
	100040-01-000	EA LUMBER-VINYL WRAPPED, 7" X 1 5" X 8" - RAMBLING OAK
	100040-03-000	EA LUMBER-VINYL WRAPPED, .71" X 2" X 8" - RAMBLING OAK
	100041-01-000	EA MOLDING-VINYL WRAPPED, 7" X 1 57" X 84 02" - RAMBLING OAK
	100041-02-000	EA MOLDING-VINYL WRAPPED, .7" X 2 5" X 84" - RAMBLING OAK
	085746-01-000	FT TRIM-J, CARPET - 1 2" X 5" ANGLE - 10' LONG - PVC - BEIGE
	100659-01-B25	EA TRIM-FLOOR, 72" X 1" X 1/2" - WOOD
	086279-02-000	FT TRIM-INSERT, 9" - PLASTIC - OFF WHITE

**CARPETING**

KEY	PART NUMBER	U/M DESCRIPTION
	096060-21-000	SY CARPET-12' ROLL, INCREMENTS OF 4 SY (C29)
	096060-23-000	SY CARPET-12' ROLL, INCREMENTS OF 4 SY (C30)
	047034-02-000	SF PLASTIC-CARPET- 4'WIDE - CLEAR POLY

**1992 ITASCA**  
**TABLE OF CONTENTS**

INTRODUCTION	A-01	A-02
ABBREVIATIONS		A-03
ALPHABETICAL INDEX	A-04	A-06
IT320RB	A-07	C-24
IT321RB	D-01	F-20
IT321RL	F-21	I-16

**1992 IT320RB INDEX**

FLOOR PLAN	A-07	A-08
ACCESSORIES		A-09
AUDIO VIDEO		A-10
BATH	A-11	A-12
CHASSIS	A-13	A-14
CURTAIN & CUSHION	A-15	A-20
DINETTE	A-21	A-22
DRIVERS COMPARTMENT		A-23
ELECTRICAL	A-24	B-03
EXTERIOR BODY	B-04	B-09
GALLEY	B-10	B-15
GENERATOR		B-16
HEATING & A/C		B-17
INTERIOR FINISH	B-18	B-20
LABEL	B-21	C-02
LP		C-03
LOUNGE		C-04
SEALANTS & FASTENERS	C-05	C-06
WATER & SEWAGE	C-07	C-10
WINDOW, VENT AND EXTERIOR DOOR	C-11	C-24

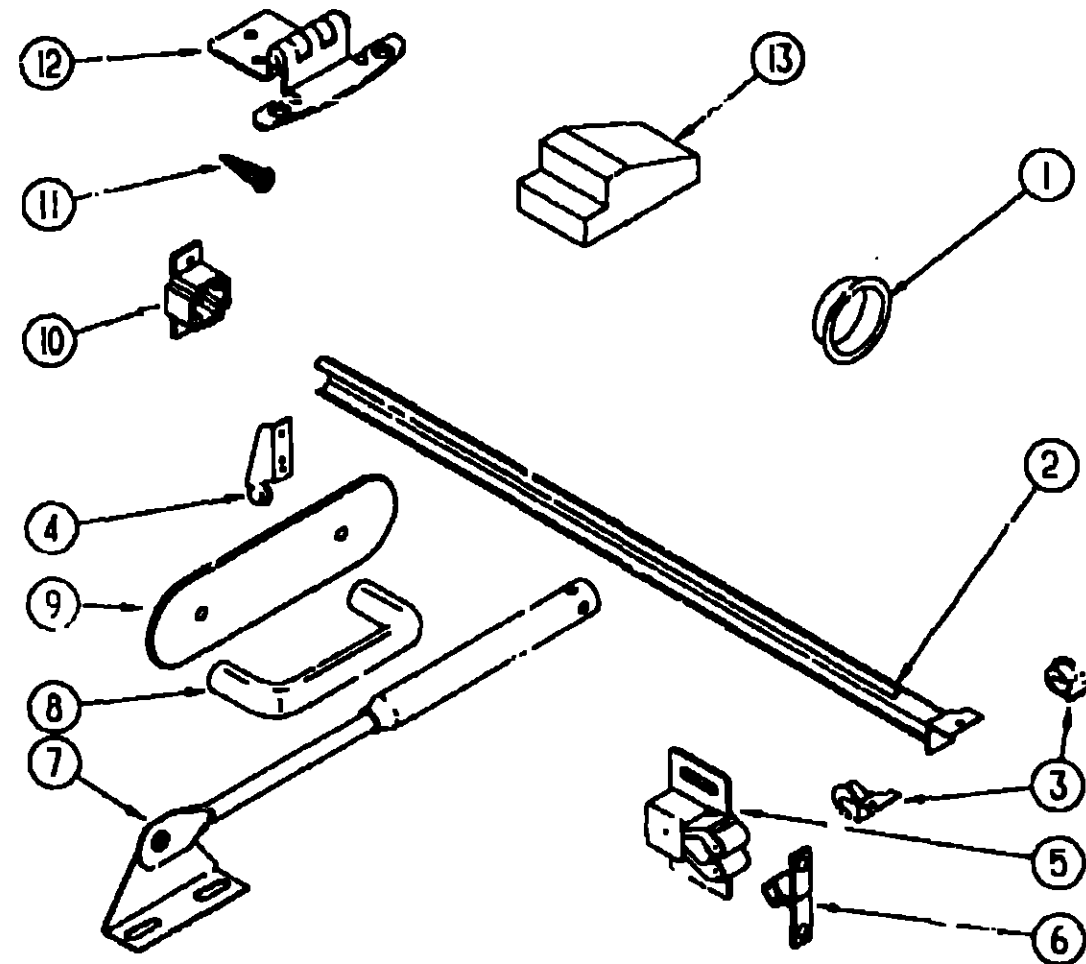
**INTERIOR FINISH GROUP (CONTINUED)**  
**FIRE EXTINGUISHER, SMOKE DETECTOR & CLOCK**

KEY	PART NUMBER	U/M	DESCRIPTION
	094499-02-000	EA	EXTINGUISHER-FIRE, DRY - 1A10BC - CANADIAN
	094499-01-000	EA	EXTINGUISHER-FIRE, DRY W/MOUNTING BRACKET - 10 BC
	094499-01-700	EA	BRACKET-MOUNTING, W/PLASTIC STRAP - FIRE EXTINGUISHER
	094651-01-01A	EA	HOLDER RECESSED, FIRE EXTINGUISHER - PLASTIC - LIGHT OAK FROM: 00-00-00 THRU: 05-02-92
	072852-01-000	EA	DETECTOR-SMOKE, W/9 VOLT BATTERY
	072852-02-000	EA	DETECTOR-SMOKE, W/9 VOLT BATTERY - CANADIAN
	100603-01-01A	EA	CLOCK WALL, ROUND BEZEL - LVS 2060 FROM: 00-00-00 THRU: 05-05-91
	101333-01-000	EA	BACKPLATE-CLOCK, 6" X 6" - PLASTIC - BLACK FROM: 05-06-91 THRU: 99-99-99
	104764-01-01A	EA	CLOCK-WALL, SPARTUS 5616-42 FROM: 05-06-91 THRU: 99-99-99
	038327-01-000	EA	TAPE-ANTI SLIP, 2" X 60"
	091261-01-000	FT	SLIPNOT-ANTISLIP, 1' WIDE (100' ROLL)

**PANELING, LAMINATES & PLASTIC**

KEY	PART NUMBER	U/M	DESCRIPTION
	074497-18-000	SF	PANELING-CEILING, 4' X 8' - INCREMENTS OF 32 SF FROM: 00-00-00 THRU: 05-28-91
	074497-19-000	SF	PANELING-CEILING, 4' X 8' - INCREMENTS OF 32 SF FROM: 05-29-91 THRU: 99-99-99
	074497-17-000	SF	PANELING-WOODGRAIN, 4' X 8' - INCREMENTS OF 32 SF FROM: 00-00-00 THRU: 11-03-91
	074497-21-000	SF	PANELING-WOODGRAIN, 4' X 8' - INCREMENTS OF 32 SF FROM: 11-04-91 THRU: 99-99-99
	079666-02-000	SF	PANELING-CLOSET, SOLID CEDAR - 4' X 8' - INCREMENTS OF 32 SF
	083618-02-000	SF	PLYWOOD-OAK, 1 SIDE FINISHED - 3/16" X 4' X 8' - INCREMENTS OF 32 SF
	088272-72-000	SF	PANELING-SHOWER, OFF WHITE - 4' X 7' - INCREMENTS OF 28 SF FROM: 00-00-00 THRU: 03-15-92
	086272-98-000	SF	PANELING-SHOWER, OFF WHITE - 4' X 7' - INCREMENTS OF 28 SF FROM: 03-16-92 THRU: 99-99-99
	088272-00-000	SF	PANELING-DECORATIVE, PLAIN - 4' X 7' - INCREMENTS OF 28 SF
	088272-87-000	SF	PANELING-DECORATIVE, W/FLOWERS - 4' X 7' - INC. OF 28 SF
	074498-40-000	SF	LAMINATE-PLASTIC, 5' X 8' - OFF WHITE - INCREMENTS OF 40 SF FROM: 00-00-00 THRU: 05-12-91
	074498-41-000	SF	LAMINATE-PLASTIC, 5' X 8' - ORCHID - INCREMENTS OF 40 SF FROM: 05-13-91 THRU: 99-99-99
	076325-28-000	FT	MOLDING-EDGE BAND, 1 5/16" WIDE FROM: 00-00-00 THRU: 05-12-91
	076325-34-000	FT	MOLDING-EDGE BAND, 1 5/16" WIDE FROM: 05-13-91 THRU: 99-99-99
	000885-46-000	SF	PARTICLE BOARD-3/8" X 48" X 96", 1 SIDE VINYL - WOODGRAIN - INC OF 32 SF FROM: 00-00-00 THRU: 11-03-91
	000885-56-000	SF	PARTICLE BOARD-3/8" X 48" X 96", 1 SIDE VINYL - WOODGRAIN - INC OF 32 SF FROM: 11-04-91 THRU: 99-99-99
	089297-01-000	SF	PLYWOOD-LUAN, OVERLAY GRADE - 4' X 8' - INCREMENTS OF 32 SF
	093743-01-02A	SF	PLASTIC-ABS 11.5" WIDE ROLL - OFF WHITE
	093743-02-01A	SF	PLASTIC-ABS 20" WIDE ROLL - OFF WHITE

**INTERIOR FINISH GROUP (CONTINUED)**



**CABINET DOOR & DRAWER HARDWARE**

KEY	PART NUMBER	U/M	DESCRIPTION
1	009148-01-000	EA	PULL-FINGER, .75" DIAMETER - BRASS
2	102827-05-000	EA	TRACK-DRAWER, 22.6" LONG
3	102827-03-000	EA	ROLLER-DRAWER, NYLON - PAIR
4	102827-02-000	EA	BRACKET-ROLLER, DRAWER - REAR
5	093586-03-000	EA	CATCH-SPRING, ROLLER
6	093586-04-000	EA	STRIKE-SPRING STEEL
7	074493-02-000	EA	SUPPORT-PISTON SPRING, CABINET DOOR
8	103857-01-000	EA	PULL-DOOR, CABINET - 3" - BRASS
9	081376-01-000	EA	BACKPLATE-DOOR PULL, BRASS - .8" X 4.25"
10	102827-04-000	EA	BRACKET-MOUNTING, DRAWER - REAR
11	000G13-06-10G	EA	SCREW-6-20 X 5/8 PFH - ANTIQUE BRASS FROM: 00-00-00 THRU: 04-16-92
11	000G13-06-08G	EA	SCREW-6-20 X 5/8 PFH - ANTIQUE BRASS FROM: 04-17-92 THRU: 99-99-99
12	059777-02-000	EA	HINGE-CABINET DOOR, BURNISHED BRASS FROM: 00-00-00 THRU: 04-16-92
12	108138-01-000	EA	HINGE-CABINET DOOR, BURNISHED BRASS FROM: 04-17-92 THRU: 99-99-99
13	104886-01-000	EA	CATCH-WOOD, VINYL FACE CABINET
13	104886-02-000	EA	CATCH-WOOD, LAMINATED FACE CABINET
	105037-02-000	EA	FASTENER-WOOD, CORNER - METAL - .5" X .6"
	004354-01-000	EA	BUMPER-RUBBER, .5" DIA - BROWN
	023320-01-000	EA	PAD-FELT, 3/8" DIAMETER - BROWN
	016604-01-000	EA	BRACE-CABINET, ANGLE - 2.5" - METAL - UNPAINTED
	016604-03-000	EA	BRACE-CABINET, ANGLE - 2.5" - METAL - BEIGE

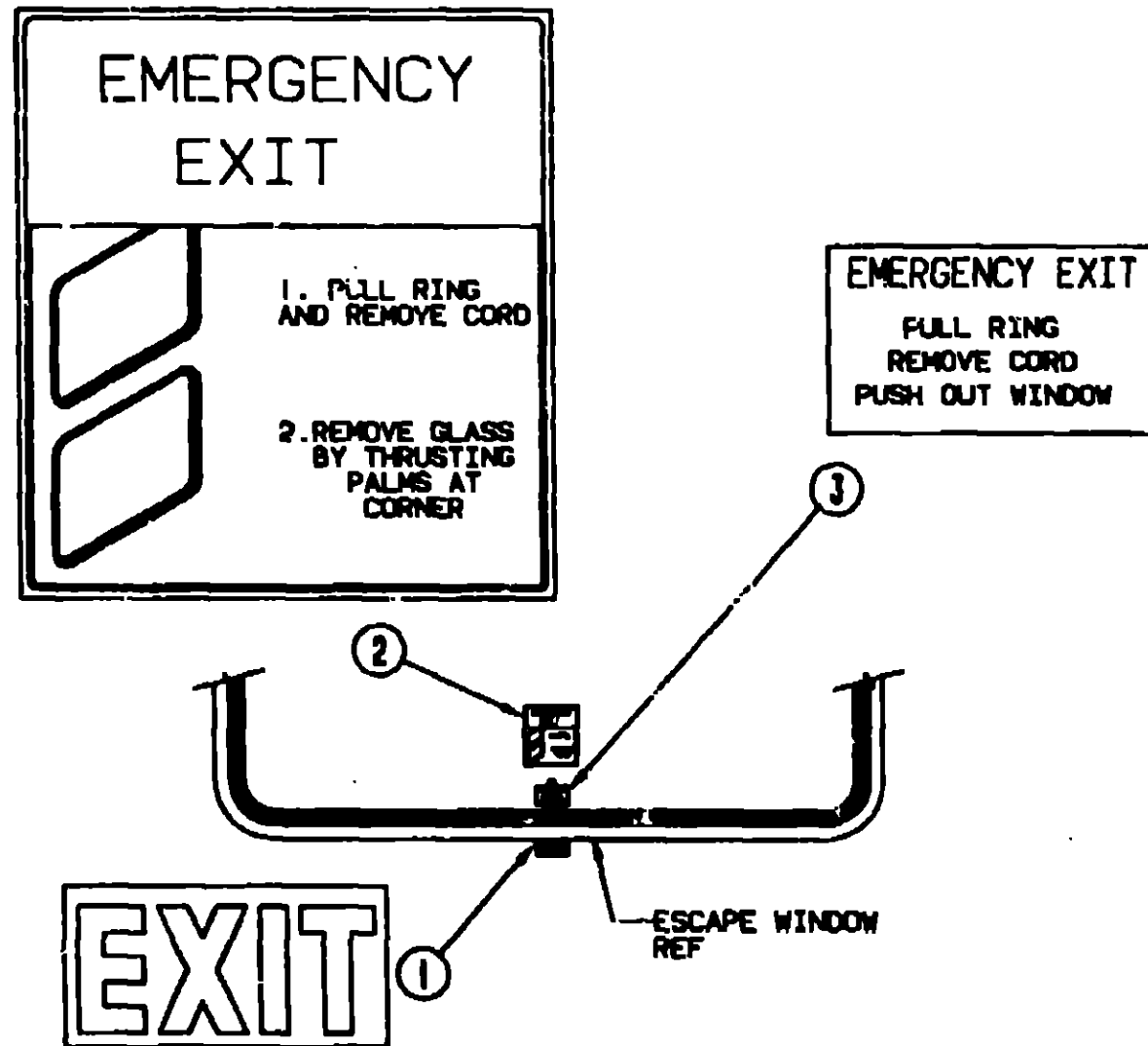
**1992 ITASCA**  
**TABLE OF CONTENTS**

INTRODUCTION	A-01 -	A-02
ABBREVIATIONS		A-03
ALPHABETICAL INDEX	A-04 -	A-06
IT320RB	A-07 -	C-24
IT321RB	D-01 -	F-20
IT321RL	F-21 -	I-15

**1992 IT320RB INDEX**

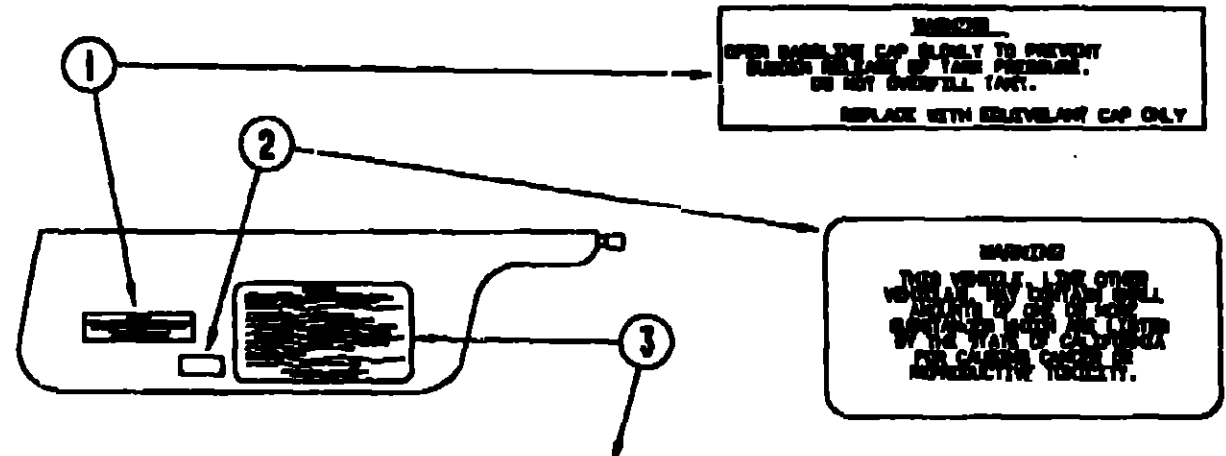
FLOOR PLAN	A-07 -	A-08
ACCESSORIES		A-09
AUDIO VIDEO		A-10
BATH	A-11 -	A-12
CHASSIS	A-13 -	A-14
CURTAIN & CUSHION	A-15 -	A-20
DINETTE	A-21 -	A-22
DRIVERS COMPARTMENT		A-23
ELECTRICAL	A-24 -	B-03
EXTERIOR BODY	B-04 -	B-09
GALLEY	B-10 -	B-15
GENERATOR		B-16
HEATING & A/C		B-17
INTERIOR FINISH	B-18 -	B-20
LABEL	B-21 -	C-02
LP		C-03
LOUNGE		C-04
SEALANTS & FASTENERS	C-05 -	C-06
WATER & SEWAGE	C-07 -	C-10
WINDOW, VENT AND EXTERIOR DOOR	C-11 -	C-24

LABEL GROUP



KEY	PART NUMBER	U/M DESCRIPTION	
1	039290-01-000	EA LABEL-WARNING, EXIT	
2	047731-01-000	EA LABEL-EMERGENCY EXIT	
3	008199-01-000	EA LABEL-EXIT, "ESCAPE WINDOW"	FROM: 00-00-00 THRU: 03-01-92
	107571-01-000	EA LABEL-ESCAPE/EXIT WINDOW	FROM: 00-00-00 THRU: 03-01-92 FROM: 03-02-92 THRU: 99-99-99

LABEL GROUP (CONTINUED)



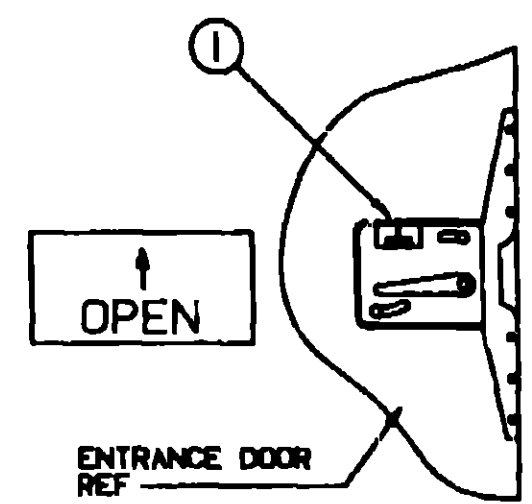
**CAUTION**

THIS METER HORN HAS BEEN DESIGNED, MANUFACTURED AND TESTED WITH CONCERN FOR THE PROTECTION OF IT'S OCCUPANTS. WE RECOMMEND YOU PERFORM THE FOLLOWING INSPECTIONS FOR YOUR SAFETY AND THE SAFETY OF YOUR PASSENGERS BEFORE STARTING YOUR VEHICLE.

1. LP GAS SYSTEM- TURN OFF AT TANK FOR TRAVELING. TEST FOR LEAKS UPON ARRIVAL AT DESTINATION. BEFORE LEAVING PILOTS.
2. WHEELS- INSPECT FOR DAMAGE AND CHECK LUL NUTS FOR TIGHTNESS.
3. TIRES- INSPECT FOR WEAR AND DAMAGE AND CHECK FOR RECOMMENDED AIR PRESSURE.
4. LIGHTING- TEST FOR PROPER OPERATION OF ALL INTERIOR AND EXTERIOR LIGHTS INCLUDING BASH LIGHTS, HEADLIGHTS, TAIL LIGHTS, BRAKE LIGHTS, CLEARANCE LIGHTS AND TURN SIGNALS.
5. EXITS- INSPECT RELEASE MECHANISM ON EMERGENCY EXIT WINDOW. TEST BOTH LOCKS ON MAIN ENTRANCE DOOR FOR EASE OF OPERATION AND INSTRUCT PASSENGERS HOW TO UNL. BOTH ENDS OF EXIT.
6. SEAT BELTS- DIRECT PASSENGERS TO DESIGNATED SEATS AND REMIND USE OF SEAT BELTS.
7. APPLIANCES- TURN OFF AND LATCH OR LOCK DEVICES WHERE PROVIDED.
8. LOOSE PARCELS- STORE SECURELY.
9. UTILITY SUPPLY LINES- DISCONNECT ALL ELECTRIC, SEWER AND WATER LINES AND SECURE PROPERLY.
10. ENTRANCE DOOR STOP- PLACE IN RETRACTED POSITION FOR TRAVELING.

READ YOUR METER HORN AND CHECKED OWNER'S MANUAL FOR FURTHER PRECAUTIONS

KEY	PART NUMBER	U/M DESCRIPTION
1	087207-05-000	EA LABEL-FUEL CAP REMOVAL
2	009689-01-000	EA LABEL-WARNING, CANCER/TOXICITY
3	056259-01-000	EA LABEL-SAFETY CHECK LIST



KEY	PART NUMBER	U/M DESCRIPTION
1	040944-01-000	EA LABEL-ENTRANCE DOOR, "OPEN"

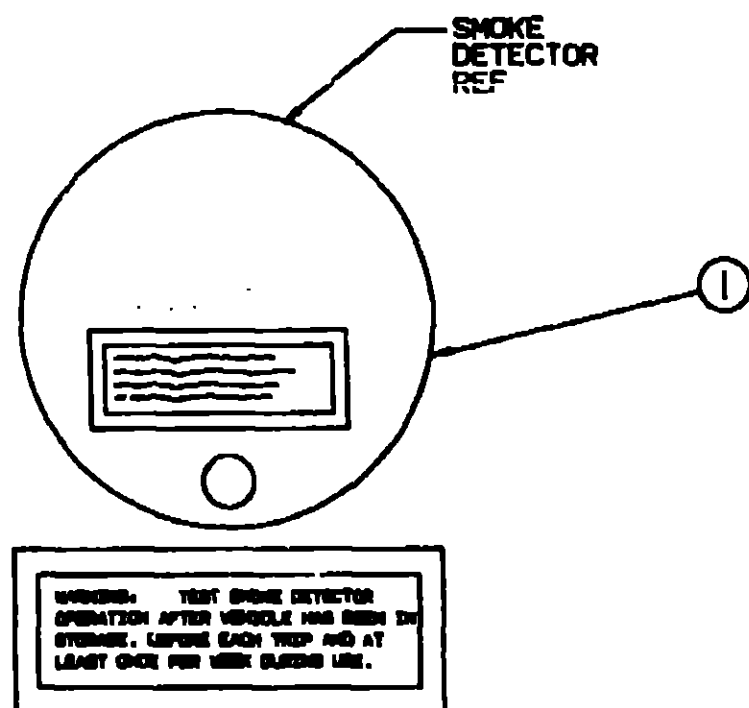
1992 ITASCA  
TABLE OF CONTENTS

INTRODUCTION	A-01 -	A-02
ABBREVIATIONS		A-03
ALPHABETICAL INDEX	A-04 -	A-06
IT320RB	A-07 -	C-24
IT321RB	D-01 -	F-20
IT321RL	F-21 -	I-16

1992 IT320RB INDEX

FLOOR PLAN	A-07 -	A-08
ACCESSORIES		A-09
AUDIO VIDEO		A-10
BATH	A-11 -	A-12
CHASSIS	A-13 -	A-14
CURTAIN & CUSHION	A-15 -	A-20
DINETTE	A-21 -	A-22
DRIVERS COMPARTMENT		A-23
ELECTRICAL	A-24 -	B-03
EXTERIOR BODY	B-04 -	B-09
GALLEY	B-10 -	B-15
GENERATOR		B-16
HEATING & A/C		B-17
INTERIOR FINISH	B-18 -	B-20
LABEL	B-21 -	C-02
LP		C-03
LOUNGE		C-04
SEALANTS & FASTENERS	C-05 -	C-06
WATER & SEWAGE	C-07 -	C-10
WINDOW, VENT AND EXTERIOR DOOR	C-11 -	C-24

**LABEL GROUP (CONTINUED)**

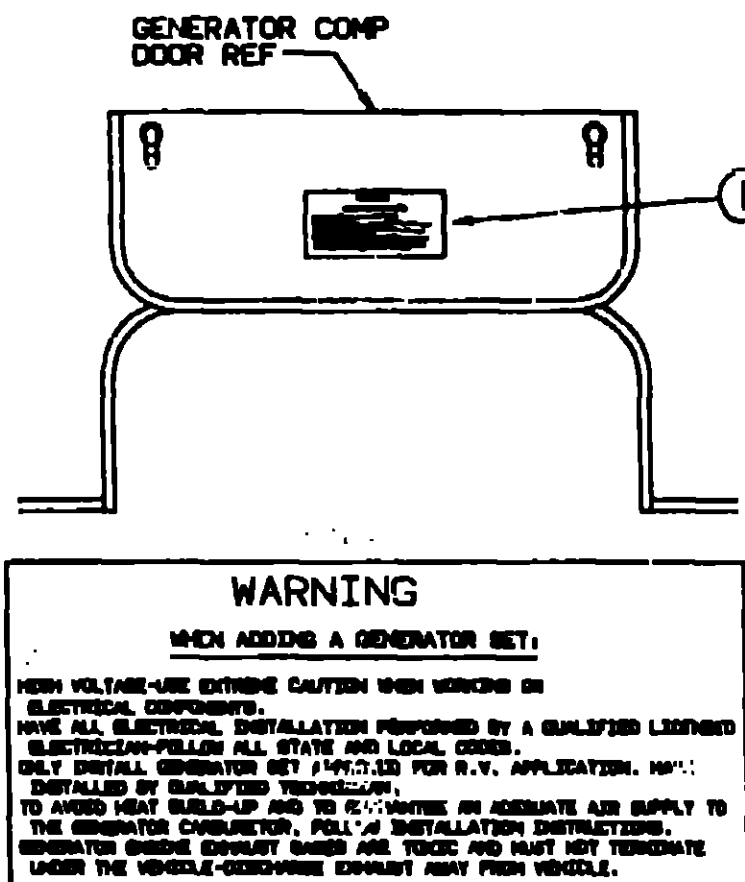


KEY	PART NUMBER	U/M DESCRIPTION
1	077956-01-000	EA LABEL-WARNING, SMOKE DETECTOR

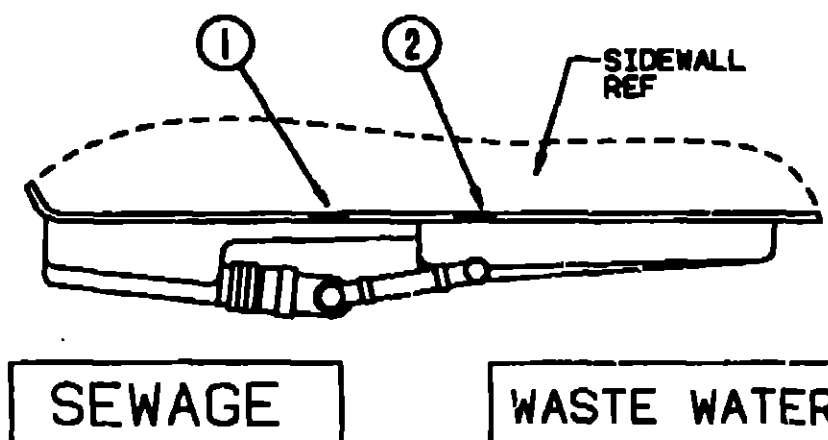
**MISCELLANEOUS LABELS**

KEY	PART NUMBER	U/M DESCRIPTION
	075220-01-000	EA LABEL-WARNING, EXTERIOR LOAD
	091243-01-000	EA LABEL-A/C COVER
	098641-01-000	EA LABEL-FUEL, UNLEADED - DASH
	006062-01-000	EA LABEL-ELECTRIC, 110V CONNECTION
	006062-03-000	EA LABEL-ELECTRIC, 100V CONNECTION - JAPAN
	099509-01-000	EA LABEL-AWNING INSTALLATION
	050225-01-000	EA LABEL-WARNING, STOVE VENT - U.S.
	050222-01-000	EA LABEL-WARNING, STOVE VENT - CANADIAN
	093237-06-000	EA LABEL-CIRCUIT BREAKER, REAR PANEL
	093237-07-000	EA LABEL-CIRCUIT BREAKER, REAR PANEL/CONVERTER
	093237-08-000	EA LABEL-CIRCUIT BREAKER, BATTERY CHARGER

**LABEL GROUP (CONTINUED)**



KEY	PART NUMBER	U/M DESCRIPTION
1	077510-01-000	EA LABEL-GENERATOR PREP



KEY	PART NUMBER	U/M DESCRIPTION
1	006187-01-000	EA LABEL-SEWAGE
2	006188-01-000	EA LABEL-WASTE WATER

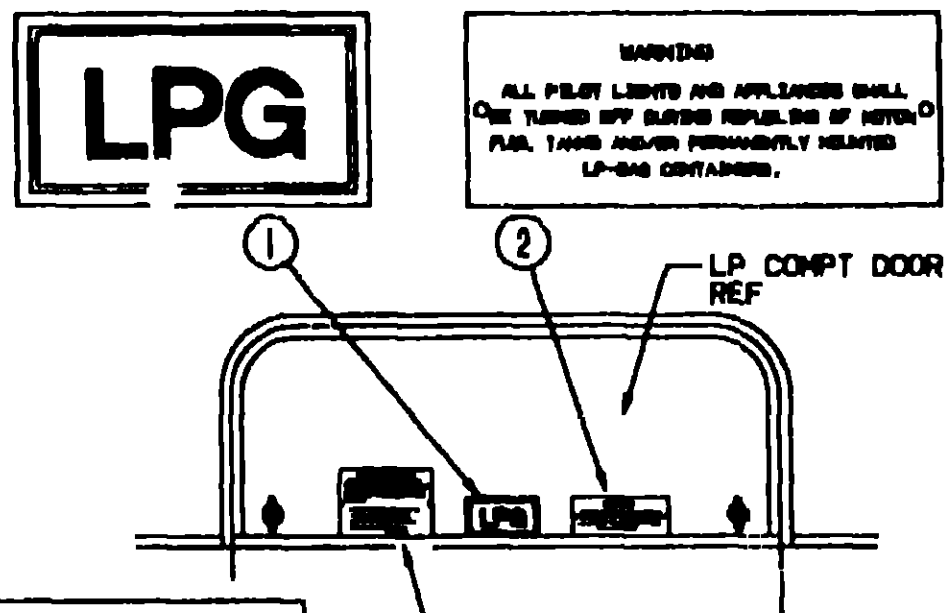
**1992 ITASCA  
TABLE OF CONTENTS**

INTRODUCTION	A-01 - A-02
ABBREVIATIONS	A-03
ALPHABETICAL INDEX	A-04 - A-06
IT320RB	A-07 - C-24
IT321RB	D-01 - F-20
IT321RL	F-21 - I-16

**1992 IT320RB INDEX**

FLOOR PLAN	A-07 - A-08
ACCESSORIES	- A-09
AUDIO VIDEO	- A-10
BATH	A-11 - A-12
CHASSIS	A-13 - A-14
CURTAIN & CUSHION	A-15 - A-20
DINETTE	A-21 - A-22
DRIVERS COMPARTMENT	- A-23
ELECTRICAL	A-24 - B-03
EXTERIOR BODY	B-04 - B-09
GALLEY	B-10 - B-15
GENERATOR	- B-16
HEATING & A/C	- B-17
INTERIOR FINISH	B-18 - B-20
LABEL	B-21 - C-02
LP	C-03
LOUNGE	C-04
SEALANTS & FASTENERS	C-05 - C-06
WATER & SEWAGE	C-07 - C-10
WINDOW, VENT AND	
EXTERIOR DOOR	C-11 - C-24

**LABEL GROUP (CONTINUED)**

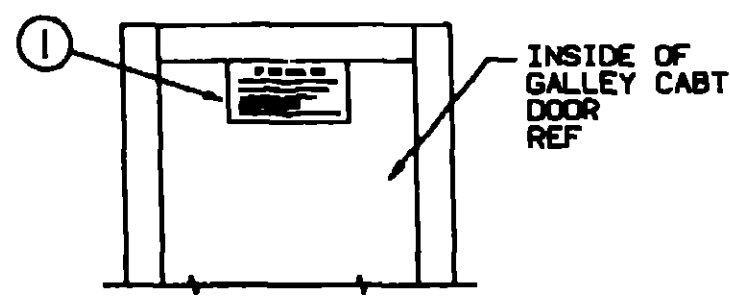


**WARNING**  
ALL PILOT LIGHTS AND APPLIANCES SHALL BE TURNED OFF DURING REFUELING OF MOTOR FUEL TANKS AND/OR PERMANENTLY RELATED LP-GAS CONTAINERS.

**LP-GAS SYSTEM**  
THIS GAS PIPING SYSTEM IS DESIGNED FOR USE OF LIQUEFIED PETROLEUM GAS ONLY. DO NOT CONNECT NATURAL GAS TO THIS SYSTEM.

SECURELY CAP INLET(S) WHEN NOT CONNECTED FOR USE. AFTER TURNING ON GAS, EXCEPT AFTER NORMAL CONTAINER REPLACEMENT, TEST GAS PIPING AND CONNECTIONS TO APPLIANCE FOR LEAKAGE WITH SOAPY WATER OR BUBBLE SOLUTION. DO NOT USE PRODUCTS THAT CONTAIN AMMONIA OR CHLORINE.  
P.N. 64831

KEY	PART NUMBER	U/M DESCRIPTION
1	074559-01-000	EA DECAL-LOGO, LPG - RED - (CALIF CODE)
2	006040-01-000	EA TAG-GAS REFUELING WARNING
2	006040-02-000	EA TAG-GAS REFUEL WARNING, CANADIAN
3	054531-01-000	EA LABEL-LP GAS ONLY
3	023769-01-000	EA LABEL-WARNING, LPG - CANADIAN



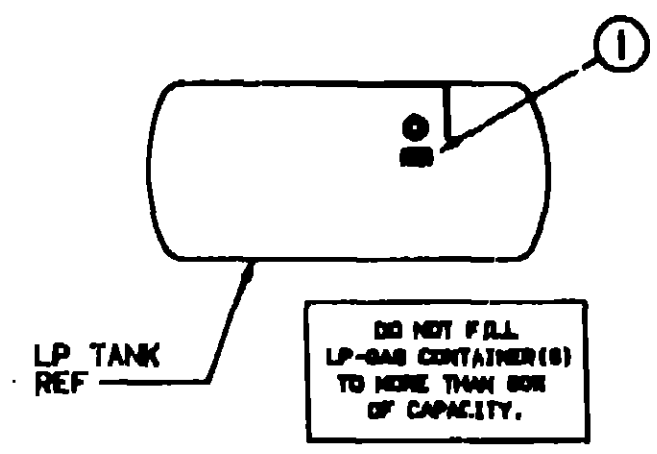
INSIDE OF GALLEY CABT DOOR REF

**IF YOU SMELL GAS**

1. EXTINGUISH ANY OPEN FLAME, PILOT LIGHTS AND ALL SMOKING MATERIALS.
2. SHUT OFF THE GAS SUPPLY AT THE TANK VALVE OR GAS SUPPLY CONNECTION.
3. OPEN DOORS AND OTHER VENTILATING OPENINGS.
4. DO NOT TOUCH ELECTRICAL SWITCHES.
5. LEAVE THE AREA UNTIL ODOR CLEARS.
6. HAVE THE GAS SYSTEM CHECKED AND LEAKAGE SOURCE CORRECTED BEFORE USING AGAIN.

KEY	PART NUMBER	U/M DESCRIPTION
1	073998-01-000	EA LABEL-LPG ODOR WARNING

**LABEL GROUP (CONTINUED)**

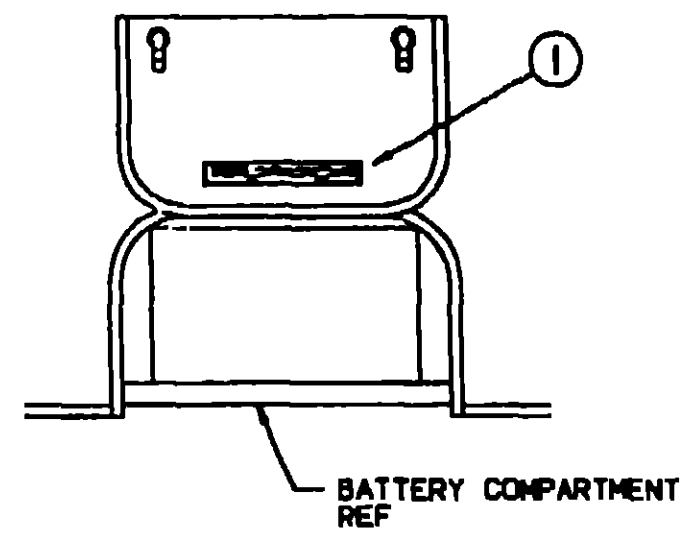


LP TANK REF

DO NOT FILL LP-GAS CONTAINER(S) TO MORE THAN 80% OF CAPACITY.

KEY	PART NUMBER	U/M DESCRIPTION
1	079965-01-000	EA LABEL-LPG DO CAPACITY

**WARNING** DISCONNECT BATTERIES BEFORE CONNECTING EXTERNAL CHARGING EQUIPMENT.



BATTERY COMPARTMENT REF

KEY	PART NUMBER	U/M DESCRIPTION
1	055748-01-000	EA LABEL-CAUTION, BATTERY CHARGING

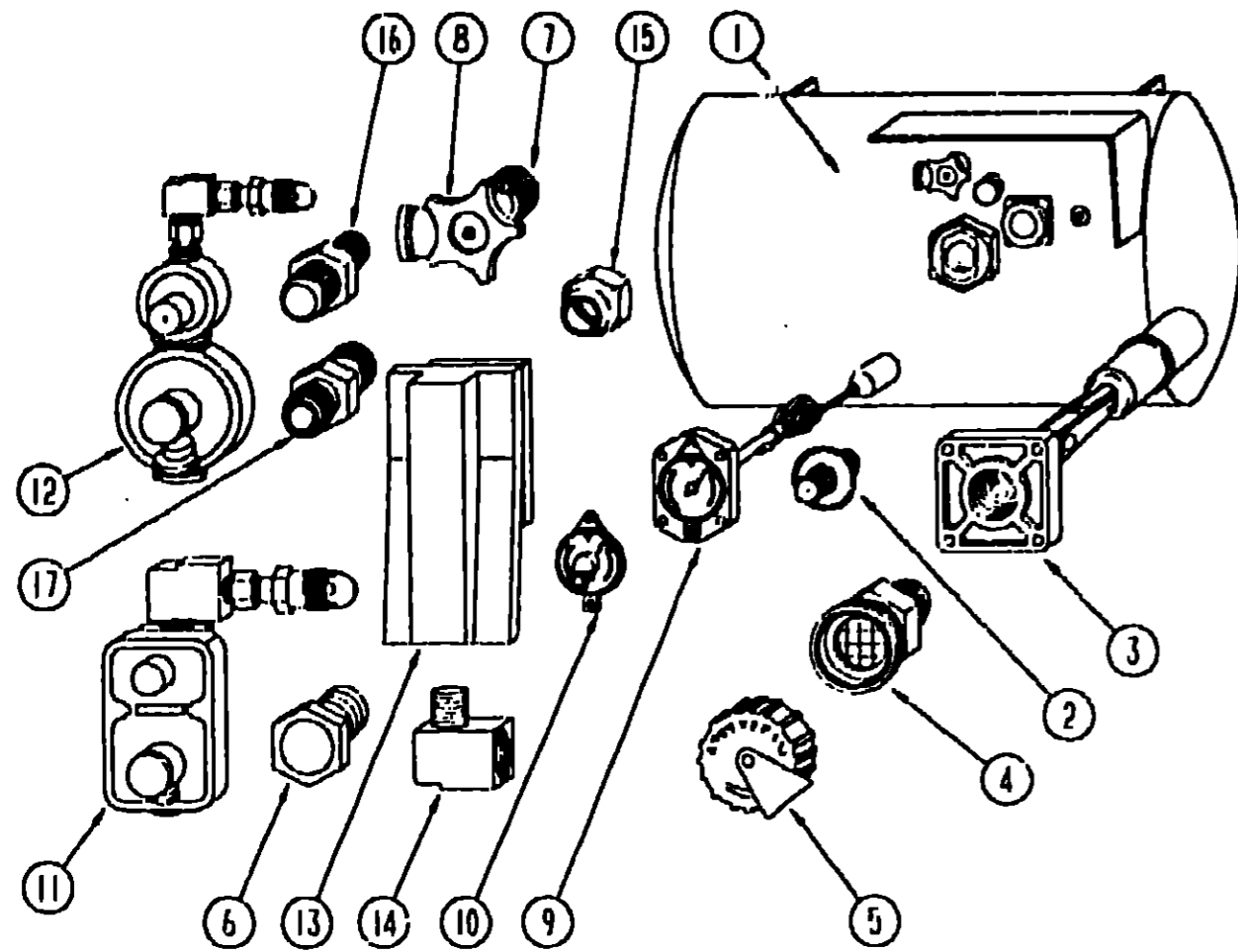
**1992 ITASCA TABLE OF CONTENTS**

INTRODUCTION	A-01 - A-02
ABBREVIATIONS	A-03
ALPHABETICAL INDEX	A-04 - A-06
IT320RH	A-07 - C-24
IT321RB	D-01 - F-20
IT321RL	F-21 - I-16

**1992 IT320RB INDEX**

FLOOR PLAN	A-07 - A-08
ACCESSORIES	- A-09
AUDIO VIDEO	- A-10
BATH	A-11 - A-12
CHASSIS	A-13 - A-14
CURTAIN & CUSHION	A-15 - A-20
DINETTE	A-21 - A-22
DRIVERS COMPARTMENT	- A-23
ELECTRICAL	A-24 - B-03
EXTERIOR BODY	B-04 - B-09
GALLEY	B-10 - B-15
GENERATOR	- B-16
HEATING & A/C	- B-17
INTERIOR FINISH	B-18 - B-20
LABEL	B-21 - C-02
LP	C-03
LOUNGE	C-04
SEALANTS & FASTENERS	C-05 - C-06
WATER & SEWAGE	C-07 - C-10
WINDOW, VENT AND EXTERIOR DOOR	C-11 - C-24

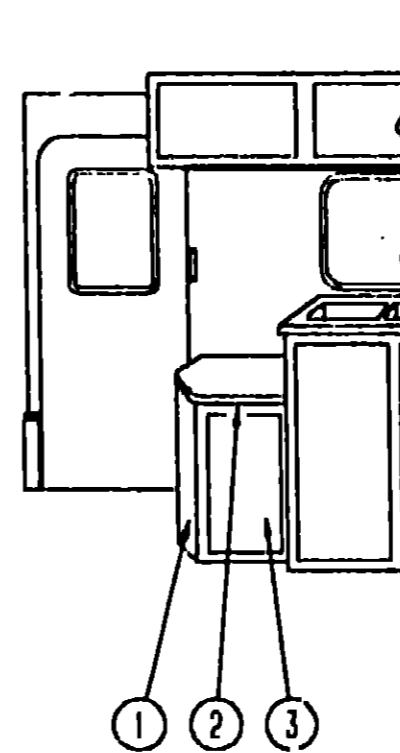
**LP GROUP**



**LP TANK & COMPONENTS**

KEY	PART NUMBER	U/M DESCRIPTION
1	074140-01-000	EA TANK-LP, 28 LB - 10" DIA X 23" LONG
2	040421-01-700	EA VALVE-LIQUID LEVEL, 20% LP - BRUNNER G-1013
3	040421-01-711	EA VALVE-80% W/FLOAT, PLATE, BOLTS & GASKET - BRUNNER
4	040421-01-701	EA VALVE-FILLER, LP SHORT - BRUNNER 7547B
5	040421-01-702	EA CAP-LP FILLER VALVE, PLASTIC - YELLOW - BRUNNER G-1014-A
6	040421-01-713	EA VALVE-VAPOR ONLY, 29000587
7	040421-01-712	EA VALVE-SERVICE W/HANDWHEEL, W/O VAPOR RELIEF - 290C0853
8	040421-01-708	EA HANDWHEEL-SERVICE VALVE, BRUNNER G-1015-A
9	074039-01-700	EA FLOAT ASM-BOLT ON, F/10" DIA TANK - BRUNNER 10C
10	040440-02-000	EA DIAL-TRANSMITTER, 0-90 OHM
11	076301-01-000	EA REGULATOR-TWO STAGE LPG, M'BRASS 273-00 FROM: 00-00-00 THRU: 03-24-92
12	106150-01-000	EA REGULATOR-TWO STAGE LPG, M'BRASS 293-00 FROM: 03-25-92 THRU: 99-99-99
13	081938-01-000	EA COMPARTMENT-LP REGULATOR FROM: 00-00-00 THRU: 03-24-92
13	105658-01-000	EA COMPARTMENT-LP REGULATOR FROM: 03-25-92 THRU: 99-99-99
	045703-01-000	EA HOSE-LP, 3/8" ID X 24" - 3/8 MPT X 1/2 F SWIVEL - U.S
	045703-02-000	EA HOSE-LP, 3/8" ID X 24" - 3/8 MPT X 1/2 F SWIVEL - CANADIAN
	103613-01-000	EA DETECTOR-LP GAS
	065741-01-000	EA GAUGE-DIAPHRAGM PRESSURE - MARSHALLTOWN MFG
	065742-01-000	EA TEE, 3/8" X 3/8" X 25FPT - BRASS
14	065318-02-000	EA ELBOW-90 DEGREE, 3/8" MPT TO 3/8" FPT
15	010377-02-000	EA NUT-BRASS, 3/8 FEMALE - FORGED
	095624-01-000	EA ELBOW-90 DEGREE, 1/4" FPT X 1/4" FPT - BRASS
16	071391-02-000	EA NIPPLE-HEX, 1/4 PIPE - 3325X4 WEATHERHEAD
17	010323-01-000	EA ADAPTER-BRASS, 3/8" X 1/2" MPT
	084884-01-000	EA PLUG-BRASS, 3/8"
	010380-02-000	EA NUT-BRASS, 1/2" FEMALE - FORGED
	008042-01-000	FT TUBING-VINYL, .65" ID

**LOUNGE GROUP**



**CORNER CABINET**

KEY	PART NUMBER	U/M DESCRIPTION
1	095469-01-C29	EA CABINET-CORNER, W/O DOOR OR HARDWARE
2	095469-12-C29	EA COUNTERTOP-CORNER CABINET
3	P03702-14-B87	EA DOOR-CABINET, W/O HARDWARE - 12" X 21.8"

**1992 ITASCA  
TABLE OF CONTENTS**

INTRODUCTION	A-01	A-02
ABBREVIATIONS		A-03
ALPHABETICAL INDEX	A-04	A-06
IT320RB	A-07	C-24
IT321RB	D-01	F-20
IT321RL	F-21	I-16

**1992 IT320RB INDEX**

FLOOR PLAN	A-07	A-08
ACCESSORIES		A-09
AUDIO VIDEO		A-10
BATH	A-11	A-12
CHASSIS	A-13	A-14
CURTAIN & CUSHION	A-15	A-20
DINETTE	A-21	A-22
DRIVERS COMPARTMENT		A-23
ELECTRICAL	A-24	B-03
EXTERIOR BODY	B-04	B-09
GALLEY	B-10	B-15
GENERATOR		B-16
HEATING & A/C		B-17
INTERIOR FINISH	B-18	B-20
LABEL	B-21	C-02
LP		C-03
LOUNGE		C-04
SEALANTS & FASTENERS	C-05	C-06
WATER & SEWAGE	C-07	C-10
WINDOW, VENT AND EXTERIOR DOOR	C-11	C-24

**SEALANTS & FASTENERS GROUP**

**SCREWS**

KEY	PART NUMBER	U/M DESCRIPTION
	000G68-06-100	EA SCREW-8-18 X 5/8 PPH - ANTIQUE BRASS
	000G13-08-08B	EA SCREW-8-20 X 1/2 PPH - ZINC
	000G13-08-08G	EA SCREW-8-20 X 50 PPH - ANTIQUE BRASS
	000G13-08-16R	EA SCREW, 8-20 X 1 PPH - BEIGE
	000G13-07-12B	EA SCREW-7-19 X 3/4 PPH - ZINC
	000G11-08-10B	EA SCREW, 8-20 X 5/8 PPH ZN
	000G11-08-10J	EA SCREW-7-19 X 1/2 PPH - ZINC
	000G11-07-08B	EA SCREW, 7-19 X 1/2 PPH - ZN
	000G11-08-06B	EA SCREW, 8-18 X 3/8 PPH ZN
	000G11-08-12B	EA SCREW, 8-18 X 3/4 PPH ZN
	000G11-08-12D	EA SCREW, 8-18 X 3/4 PPH - BLACK
	000G11-08-12F	EA SCREW, 8-18 X 3/4 PPH - BEIGE
	000G11-08-12S	EA SCREW-8-18 X .75 PPH, OFF WHITE
	000G11-08-16S	EA SCREW, 8-18 X 1.00 PPH - OFF WHITE
	000G12-08-12S	EA SCREW-8-18X 75 PPH OFF WHITE
	000G12-08-16S	EA SCREW, 8-18 X 1.00 PPH - OFF WHITE
	000G13-08-16J	EA SCREW-8-18 X 1 PPH - ZINC
	000G67-10-08B	EA SCREW, 10-12 X 1/2 PPH ZN
	000G67-10-08R	EA SCREW, 10-12 X 1/2 PPH - BEIGE - TYPE A
	000G67-10-10B	EA SCREW, 10-12 X 5/8 PPH ZN - TYPE A
	000G67-10-10D	EA SCREW, 10-12 X 5/8 PPH - BLACK - TYPE A
	000G67-10-10F	EA SCREW, 10-12 X 5/8 PPH - TYPE A - BEIGE
	000G67-10-10S	EA SCREW, 10-12 X 5/8 PPH - OFF WHITE
	000G67-10-12B	EA SCREW, 10-12 X 3/4 PPH - ZN
	000G67-10-12P	EA SCREW, 10-12 X .75" - PPH - DARK BROWN
	000G67-10-120	EA SCREW, 10-12 X .75" PPH - TAN
	000G67-10-24B	EA SCREW, 10-12 X 1 1/2 PPH - ZN
	000G67-10-32B	EA SCREW, 10-12 X 2 PPH - ZN
	000G11-10-12D	EA SCREW-10-16 X 3/4 PPH - BLACK
	000G36-10-12E	EA SCREW-10-24 X 3/4 PPH TYPE 23 - CHROME PLATED
	000G32-10-06B	EA SCREW-10-32 X 3/8" - PPH - ZINC
	000G18-08-12B	EA SCREW-MACHINE-8-32 X 3/4 PPH ZINC
	000G18-08-22B	EA SCREW-MACHINE-8-32 X 1 3/8 PPH ZINC
	000G53-04-06B	EA SCREW-MACHINE-1/4-20 X 3/8 PPH - ZINC - UNDERCUT HEAD
	000G39-06-08B	EA SCREW-DR-6-18X1/2 ZN
	000G39-08-08B	EA SCREW-SF/DR, 8-18 X 1/2 PPH ZN
	000G39-08-08R	EA SCREW-SF/DR, 8-18 X 1/2 PPH - BEIGE
	000G39-08-08S	EA SCREW-SF/DR, 8-18 X 1/2 PPH - OFF WHITE
	000G39-08-12B	EA SCREW-SF/DR, 8-18 X 3/4 PPH ZN
	000G55-08-12M	EA SCREW-SF/DR-8-18 X.75 PWH - GRAY
	000G39-08-16S	EA SCREW-SF/DR 8-18 X 1.00 PPH - OFF WHITE
	000G39-08-24S	EA SCREW-SF/DR-8-18 X1.50 - OFF WHITE
	000G39-10-10S	EA SCREW-SF/DR 10-16 X .62" PPH - OFF WHITE
	000G39-10-12D	EA SCREW-SF/DR 10-16 X 3/4 PPH - BLACK
	000G39-10-20B	EA SCREW-SF/DR 10-16 X 1 1/4 PPH - ZINC
	000G42-04-16B	EA SCREW-SF/DR 1/4-14 X 1 HWH - ZINC
	000G54-04-20B	EA SCREW 1/4-20 X 1 1/4 PTH - TYPE 23 - ZINC PLATED
	087721-01-000	EA SCREW-FLAT HEAD TAPPING - 1/4" X 1 1/4" LG ZINC
	075908-01-000	EA SCREW-MACHINE 10-32 X .56 PTH - ZINC EXTERNAL TOOTH
	076790-01-000	EA SCREW, 6-20 X 1 1/4 PPH - BLACK
	101289-01-01A	EA SCREW-MACHINE, 8-32 X 4 - PPH - BRASS - FOR EXTENDED KNOB
	105126-01-000	EA SCREW-CACH-8-32X1 PPH TAPTIT N W/LITE WAX

**ADHESIVE AND SEALANTS**

KEY	PART NUMBER	U/M DESCRIPTION
	002707-02-000	FT TAPE-SEALER 5/16" X 1/2" - INCREMENTS OF 50 FT
	004020-01-000	QT ADHESIVE-ABS CEMENT QUART
	034552-02-000	EA SILICONE-TUBE 300 ML - CLEAR
	034552-06-000	EA SILICONE-TUBE 300 ML - OFF WHITE
	039518-01-000	EA SILICONE-TUBE 300 ML - BLACK
	108716-01-000	EA SILICONE-TUBE, OFF WHITE LEVEL - CSL 510
	053766-02-000	EA BEDDING COMPOUND-TUBE - WHITE
	053766-08-000	EA BEDDING COMPOUND-TUBE - GRAY

**SEALANTS & FASTENERS GROUP (CONTINUED)**

**ADHESIVE AND SEALANTS CONT'D**

KEY	PART NUMBER	U/M DESCRIPTION
	063842-01-000	FT TAPE-ADHESIVE 10 MM X 1 5" WIDE X 100'
	069840-10-000	FT SEALER-RIBBON 1/32" X 1 1/2" INCREMENTS OF 50'
	069840-09-000	FT SEALER-RIBBON 1/32" X 2 1/2" - INCREMENTS OF 80'
	069840-11-000	FT SEALER-RIBBON 3/16"X3/8" - BLACK
	069840-01-000	FT SEALER-RIBBON 1/4" DIAMETER - INCREMENTS OF 30'
	069840-02-000	FT SEALER-RIBBON 1/2" X 1/8" - INCREMENTS OF 30' OR 60'
	069840-03-000	FT SEALER-RIBBON 3/4" X 1/8" - INCREMENTS OF 60'
	069840-06-000	FT SEALER-RIBBON 5/16" DIAMETER - INCREMENTS OF 25'
	069840-07-000	FT SEALER-RIBBON 2" X 3/32" - INCREMENTS OF 30' OR 45'
	072889-01-000	EA SEALANT-URETHANE, BLACK - 1/10 - ESSEX 552 2
	078322-01-000	FT TAPE-FOAM, DOUBLE COATED ADHESIVE BACKED - .75" X 216'
	078322-02-000	FT TAPE-FOAM, DOUBLE COATED ADHESIVE BACKED - 1" X 108'
	078322-03-000	FT TAPE-FOAM, DOUBLE COATED ADHESIVE BACKED - 5" X 108'
	078322-05-000	FT TAPE-FOAM, DOUBLE COATED - .025" X 1 5" X 108'
	071255-02-000	FT SEAL-ADHESIVE BACKED FOAM, 18" THICK X 1 5" WIDE
	087211-01-000	GL PROMOTER-ADHESIVE
	102352-01-000	EA SEALER-PUMPABLE BLACK

**NUTS, BOLTS AND GROMMETS**

KEY	PART NUMBER	U/M DESCRIPTION
	040921-04-000	EA NUT-SPEED U TYPE - NO 8 - 59" LENGTH X 44" WIDTH
	005081-01-000	EA NUT-SPEED C TYPE - NO 8 SCREW
	0MD01K-05-000	EA NUT-HEX M05 X 0 00 MM - RNO# 7503032006
	000D14-05-00B	EA NUT-HEX, 5/16-18 - ZN 5
	000D24-10-00B	EA NUT-HEX, SF/LK - 10-32 ZN
	000D39-05-00B	EA NUT-HEX, SER FLG LK - 5/16 - 18 ZN
	000D39-06-00B	EA NUT-HEX, SER FLG LK - 3/8-16 ZN
	000D39-08-00B	EA NUT-HEX, SER FLG LK - 1/2-13 ZN
	000D44-07-00B	EA NUT-HEX, SER FLG LK - 7/16-20 ZN
	000C12-05-12B	EA BOLT-HEX-5/16-18X3/4 ZN 5
	000C13-07-48B	EA BOLT-HEX, 7/16 - 20 X 3 - ZN 5
	000C18-05-40A	EA BOLT-ELEV-5/16-18X21/2 PL 33410-01-000
	000C26-05-12B	EA BOLT-HEX-SER FLG 5/16-16X3/4 ZN
	000C26-05-20B	EA BOLT-HEX, SER FLG 5/16 - 18 X 1 1/4 ZINC
	071015-04-000	EA GROMMET-RUBBER 18" ID X 88" OD W/.03" GROOVE - BLACK

**MISCELLANEOUS FASTENERS**

KEY	PART NUMBER	U/M DESCRIPTION
	087277-02-000	EA WASHER-PLASTIC, OFF WHITE
	044533-01-000	EA WASHER-PLASTIC 1 3/8"OD - FOR BUTTONS
	000E13-11-00B	EA WASHER-FLARE, 3/16" WIDE - ZN
	000E13-20-00B	EA WASHER-FL-7/16 WIDE ZN 5094-01 5115-01
	000E14-10-00B	EA WASHER-LK - NO 10 EXT TOOTH - ZN
	056134-01-000	EA HOLDER-RING 36" DIAMETER - METAL
	007161-01-000	EA CLAMP-HOSE, SPRING TYPE - 1/2"
	010495-01-000	EA CLAMP-CABLE, 9/16"
	010497-01-000	EA CLAMP-CLOSED, 5/8" ID
	010497-03-000	EA CLAMP-CLOSED, 1" ID - CUSHIONED
	010499-01-000	EA CLAMP-CLOSED, 3/8" ID
	062401-02-000	EA CLAMP-HOSE, WORMGEAR, 1 56" - 2 5"
	062401-05-000	EA CLAMP-HOSE, WORMGEAR - 2" X 3"
	062401-06-000	EA CLAMP-HOSE, WORMGEAR .22"-.62"
	075148-02-000	EA CLAMP-GROUNDING BRONZE SCREWS
	083609-01-000	EA CLAMP-WIRE, DUAL EQUAL - 5/8" DIAMETER
	083610-01-000	EA CLAMP-WIRE, DUAL - UNEQUAL DIAMETERS - 75" & 1 25"
	080734-02-000	EA CLIP-WIRE NYLON

**1992 ITASCA  
TABLE OF CONTENTS**

INTRODUCTION	A-01	A-02
ABBREVIATIONS		A-03
ALPHABETICAL INDEX	A-04	A-08
IT320RB	A-07	C-24
IT321RB	D-01	F-20
IT321RL	F-21	I-16

**1992 IT320RB INDEX**

FLOOR PLAN	A-07	A-08
ACCESSORIES		A-09
AUDIO VIDEO		A-10
BATH	A-11	A-12
CHASSIS	A-13	A-14
CURTAIN & CUSHION	A-15	A-20
DINETTE	A-21	A-22
DRIVERS COMPARTMENT		A-23
ELECTRICAL	A-24	B-03
EXTERIOR BODY	B-04	B-09
GALLEY	B-10	B-15
GENERATOR		B-16
HEATING & A/C		B-17
INTERIOR FINISH	B-18	B-20
LABEL	B-21	C-02
LP		C-03
LOUNGE		C-04
SEALANTS & FASTENERS	C-05	C-06
WATER & SEWAGE	C-07	C-10
WINDOW, VENT AND EXTERIOR DOOR	C-11	C-24



**WATER & SEWAGE GROUP  
FRESH WATER TANK**

KEY	PART NUMBER	U/M DESCRIPTION
	084677-02-000	EA TANK-WATER, 12.5 GALLON - W/FITTINGS - 11" X 20" X 16"
	084677-01-000	EA TANK-WATER, 12.5 GALLON - W/O FITTINGS - 11" X 20" X 16"
	077954-02-000	EA FILTER-WATER TANK, SCREEN IN TANK
	079381-01-000	FT TUBING-SMOOTH, FLEXIBLE - 1 1/4" ID X 20'
	042989-03-000	EA FITTING-WATER TANK, SPINWELD - 1 1/4" NPT - PLASTIC - WHITE
	042989-04-000	EA FITTING-WATER TANK, SPINWELD - 3/8" FPT - PLASTIC - WHITE
	042989-05-000	EA FITTING-WATER TANK, SPINWELD - 1/2" FPT - PLASTIC - WHITE
	045032-01-000	EA PATCH-SPINWELD 3/8" - PLASTIC
	039861-01-000	EA SENDING UNIT W/SCREW, WASHER, WELL NUT AND TERMINAL RING

**WATER SYSTEM**

KEY	PART NUMBER	U/M DESCRIPTION
	030522-02-000	EA CAP-BRASS, 1/2" FLARE FROM 00-00-00 THRU 01-25-92
	106258-01-000	EA CAP-INSERTABLE, 1/2" FLARE FROM 01-27-92 THRU 99-99-99
	010224-01-000	EA ADAPTER-HOSE TO PIPE 3/8" MPT X 3/8" BARB - BLACK PLASTIC
	044927-01-000	EA ADAPTER-HOSE TO PIPE 1 1/4" MPT X 1 1/4" BARB - BLACK PLASTIC
	079317-01-000	EA ADAPTER-SWIVEL, 1/2" TUBE X 1/2" FPT - PLASTIC - GRAY
	052960-01-000	EA DRAIN VALVE-IN LINE, HEADER - 1/2" F X 1/2" F - GRAY PLASTIC
	052961-02-000	EA DRAIN VALVE-IN LINE, HEADER - 1/2" MPT X 1/2" F X 1/2" F - GRAY PLASTIC
	010219-01-000	EA ELBOW-1 1/4" MPT X 1 1/4" BARB, WATER FILL - PLASTIC
	035539-01-000	EA ELBOW-PLASTIC, 3/8" MPT X 3/8" BARB
	087659-04-000	EA FILL-WATER, CITY - OFF WHITE
	065120-01-000	EA ELBOW-SWIVEL 1/2" FPT X 1/2" FLARE - PLASTIC - GRAY
	052952-01-000	EA NUT-PLASTIC, 1/2" F X 1/2" TUBE - GRAY
	052952-02-000	EA NUT-PLASTIC, 5/8" FLARE
	052953-01-000	EA NUT-FAUCET, 1/2" TUBE X 1/2" FPT - PLASTIC - GRAY
	052954-01-000	EA ADAPTER-NOSE CONE, 3/8" OR 1/2" TUBING - PLASTIC - GRAY
	052956-01-000	EA TEE-1/2" F X 1/2" MPT X 1/2" F - PLASTIC
	052955-01-000	EA TEE-WATER 1/2" F X 1/2" F X 1/2" MPT - PLASTIC - GRAY
	052958-01-000	EA TEE 1/2" F X 1/2" F X 1/2" F - PLASTIC - GRAY
	039800-01-000	FT TUBING-POLYBUTYL, 1/2" OD - INCREMENTS OF 20' - BLACK
	039800-02-000	FT TUBING-POLYBUTYL, 5/8" OD - INCREMENTS OF 20' - BLACK
	074462-02-000	FT TUBING-VINYL, 3/8" ID - INCREMENTS OF 20' - CLEAR

**WATER PUMP**

KEY	PART NUMBER	U/M DESCRIPTION
	098607-01-000	EA PUMP-WATER W/ 5" MPT FITTING - FLOW 2.8 GPM
	098607-01-700	EA PUMPHEAD-REPLACEMENT SHURFLO# 94-236-08
	098607-01-701	EA DRIVE ASM SHURFLO# 94-234-03
	098607-01-702	EA DIAPHRAGM-KIT SHURFLO# 94-233-10
	098607-01-703	EA VALVE ASM SHURFLO# 94-232-00
	098607-01-704	EA HOUSING-UPPER SHURFLO# 94-231-01
	098607-01-705	EA CHECK VALVE-KIT SHURFLO# 94-237-00
	098607-01-706	EA SWITCH ASM-COMplete SHURFLO# 94-230-00
	098607-01-707	EA MOTOR/BASE PLATE REPLACEMENT SHURFLO# 94-234-03

**WATER & SEWAGE GROUP (CONTINUED)  
WATER HEATER W/MOTOR AID**

KEY	PART NUMBER	U/M DESCRIPTION
	051391-02-000	EA HEATER-WATER, ATWOOD G4-SM
	051391-01-700	EA HINGE KIT-W/CLIP, ATWOOD # 92568 & 92559
	051391-01-704	EA VALVE-RELIEF, 1/2" FITTING - ATWOOD# 91604
	051391-01-705	EA FASTENER-CAMLOC, ATWOOD# 92609
	051391-01-706	EA GRILLE-EXHAUST, ATWOOD# 92787
	051391-01-708	EA BURNER-MAIN, 3E ONLY - ATWOOD# 92615
	051391-01-709	EA PILOT ASM-W/THERMOCOUPLE & TUBE - ATWOOD# 91603
	051391-01-710	EA ORIFICE-MAIN BURNER, ATWOOD# 92742
	051391-01-711	EA ELBOW-ORIFICE, MAIN BURNER - ATWOOD# 92741
	051391-01-712	EA THERMOSTAT-3/8" NPT INLET - ATWOOD# 91601
	051391-01-714	EA ELBOW-45 DEGREE, 3/8" F X 3/8" MPT - ATWOOD# 91044
	051391-01-715	EA DRAIN PLUG, ATWOOD# 91561
	051391-02-700	EA TANK-INNER FOR G4SM - ATWOOD# 91414
	008042-01-000	FT TUBING-VINYL, 65" ID

**EXTERIOR SHOWER OPTION L64R**

KEY	PART NUMBER	U/M DESCRIPTION
	103173-02-01A	EA KIT-SHOWER, EXTERIOR - OFF WHITE WITH EXTERIOR DOOR, FAUCET, HEAD & HOSE: FROM 00-30-00 THRU 09-29-91
	103173-03-700	EA DISH-COMPARTMENT, PLASTIC - OFF WHITE - 70001 FROM 00-00-00 THRU 09-29-91
	103173-03-705	EA LABEL-AUXILIARY SHOWER, 00090 FROM 00-00-00 THRU 09-29-91
	103173-03-706	EA HEAD-SHOWER, W/HOSE & BRACKET FROM 00-00-00 THRU 09-29-91
	103173-03-707	EA FAUCET-SHOWER, W/ADAPTER - CHROME - 0154P01 FROM 00-00-00 THRU 09-29-91
	103173-03-708	EA STEIN & BONNET, (SETS) - 39025 FROM 00-00-00 THRU 09-29-91
	052957-02-000	EA ELBOW-MALE, 1/2" F X 1/2" MPT - PLASTIC - GRAY FROM 00-00-00 THRU 09-29-91
	052952-01-000	EA NUT-PLASTIC, 1/2" F X 1/2" TUBE - GRAY
	046128-01-000	EA VALVE-DRAIN, PLASTIC - 1/2" FPT
	052959-02-000	EA CONNECTOR, 1/2" F X 1/2" MPT - PLASTIC - GRAY FROM 09-30-91 THRU 99-99-99
	057457-01-000	EA ELBOW-UNION, 1/2" X 1/2" FLARE FROM 09-30-91 THRU 99-99-99
	065120-01-000	EA ELBOW-SWIVEL, 1/2" FPT X 1/2" FLARE - PLASTIC - GRAY FROM 09-30-91 THRU 99-99-99
	075241-05-000	EA FAUCET-SHOWER, BONE FROM 09-30-91 THRU 99-99-99
	103092-01-000	EA SHOWER HEAD-W/60" HOSE FROM 09-30-91 THRU 99-99-99
	052958-01-000	EA TEE, 1/2" F X 1/2" F X 1/2" F - PLASTIC - GRAY FROM 09-30-91 THRU 99-99-99

**1992 ITASCA  
TABLE OF CONTENTS**

INTRODUCTION	A-01	A-02
ABBREVIATIONS		A-03
ALPHABETICAL INDEX	A-04	A-06
IT320RB	A-07	C-24
IT321RB	D-01	F-20
IT321RL	F-21	I-16

**1992 IT320RB INDEX**

FLOOR PLAN	A-07	A-08
ACCESSORIES		A-09
AUDIO VIDEO		A-10
BATH	A-11	A-12
CHASSIS	A-13	A-14
CURTAIN & CUSHION	A-15	A-20
DINETTE	A-21	A-22
DRIVERS COMPARTMENT		A-23
ELECTRICAL	A-24	B-03
EXTERIOR BODY	B-04	B-09
GALLEY	B-10	B-15
GENERATOR		B-16
HEATING & A/C		B-17
INTERIOR FINISH	B-18	B-20
LABEL	B-21	C-02
LP		C-03
LOUNGE		C-04
SEALANTS & FASTENERS	C-05	C-06
WATER & SEWAGE	C-07	C-10
WINDOW, VENT AND		
EXTERIOR DOOR	C-11	C-24

**WATER & SEWAGE GROUP (CONTINUED)**  
**PLUMBING VENTS**

KEY	PART NUMBER	U/M DESCRIPTION
	083558-03-000	EA VENT-PLUMBING PIPE ROOF W/COVER - OFF WHITE
	079968-01-000	EA VENT-MECH TRAP ARM ANTI-SIPHON - 2" DIA X 7 3/4" PLASTIC

**SHOWER & LAVATORY SINK P-TRAPS**

KEY	PART NUMBER	U/M DESCRIPTION
	011066-03-700	EA P-TRAP KIT 1 1/2" X 1 1/4" P-TRAP W/1 1/2 TO 1 1/4 REDUCER - US FROM 00-00-00 THRU 02-16-92
	107538-01-000	EA P-TRAP-PLASTIC, 1 1/4" W/EXT ARM - US FROM 02-17-92 THRU 99-99-99
	011066-02-000	EA P-TRAP-1 1/4" HUB X SLIP JOINT W/UNION - ABS - CANADIAN

**GALLEY SINK P-TRAPS**

KEY	PART NUMBER	U/M DESCRIPTION
	011066-03-700	EA P-TRAP KIT 1 1/2" X 1 1/4" P-TRAP W/1 1/2 TO 1 1/4 REDUCER - US FROM 00-00-00 THRU 02-16-92
	107538-01-000	EA P-TRAP-PLASTIC, 1 1/4" W/EXT ARM - US FROM 02-17-92 THRU 99-99-99
	107537-01-000	EA P-TRAP ADAPTER-1 1/4" SLIP - US FROM 02-17-92 THRU 99-99-99
	011066-02-000	EA P-TRAP-1 1/4" HUB X SLIP JOINT W/UNION - ABS - CANADIAN FROM 00-00-00 THRU 02-16-92
	011071-01-000	EA P-TRAP-1 1/2" - PLASTIC - CANADIAN FROM 02-17-92 THRU 99-99-99

**GALLEY SINK CONTINUOUS WASTE ASSEMBLIES**

KEY	PART NUMBER	U/M DESCRIPTION
	011091-02-000	EA PIPE-DRAIN DOUBLE SINK - BAFFLE TEE - 1 1/2" - US ONE PIPE W/TEE TO DRAIN BOTH SIDES OF SINK
	010071-01-000	EA TEE-SANITARY 1 1/2" HUB X HUB X HUB - PLASTIC - BLACK - CANADIAN FROM 00-00-00 THRU 02-16-92
	010121-01-000	EA BUSHING-REDUCER 1 1/2" SMOOTH X 1 1/4" HUB - PLASTIC - BLACK - CANADIAN FROM 00-00-00 THRU 02-16-92
	033302-02-000	EA ADAPTER ASM STRAINER, 1 1/2" - ABS - CANADIAN FROM 00-00-00 THRU 02-16-92
	037101-02-000	EA ELBOW-PLASTIC, 1/4 BEND VENT 1 1/2" HUB - CANADIAN FROM 00-00-00 THRU 02-16-92
	011091-03-000	EA PIPE DRAIN W/SEALS - DOUBLE SINK - EXTENDS 9" TO 16" - CANADIAN FROM 02-17-92 THRU 99-99-99

**HOLDING TANKS & GROMMETS**

KEY	PART NUMBER	U/M DESCRIPTION
	084679-01-000	EA TANK-HOLDING 12 GALLON - 31 6" X 17 7" X 10 1"
	074300-01-000	EA TANK-HOLDING, 12 GALLON - 10 15" X 24 5/4" X 19 60"
	051607-01-000	EA GROMMET-HOLDING TANK 1 1/2" NPS
	061607-02-000	EA GROMMET-HOLDING TANK 3" NPS
	039861-01-000	EA SENDING UNIT W/SCREW WASHER WELL NUT AND TERMINAL RING

**DRAINAGE LINE FITTINGS**

KEY	PART NUMBER	U/M DESCRIPTION
	010008-01-000	EA ELBOW-90 DEG, 1/4 BEND - 1 1/2" HUB X HUB - BLACK PLASTIC
	034250-01-000	EA ELBOW-90 DEGREE, LONG TURN - 1 1/2" HUB X HUB - ABS
	010079-01-000	EA TEE SANITARY 1 1/2" X 1 1/2" X 1 1/4" H - PLASTIC - BLACK
	063641-01-000	EA FLANGE-CLOSET, 4" X 3"
	010006-01-000	EA ELBOW-45 DEG, 1/8 BEND - 1 1/2" HUB X HUB - BLACK PLASTIC
	010009-01-000	EA ELBOW-90 DEGREE, 1/4 BEND - 1 1/2" - PLASTIC
	010073-01-000	EA WYE-45 DEGREE, 1 1/2" HUB X HUB X HUB - PLASTIC - BLACK
	010122-01-000	EA BUSHING-REDUCER, 1 1/2 SMOOTH X 1 1/4 THD - PLASTIC - BLACK
	010166-01-000	EA PLUG-THREADED, 1 1/4" DIAMETER - PLASTIC - BLACK

**WATER & SEWAGE GROUP (CONTINUED)**  
**DUMP VALVES & SEWER HOSE**

KEY	PART NUMBER	U/M DESCRIPTION
	078406-01-000	EA COUPLER RUBBER W/CLAMPS 3" X 3"
	062421-01-000	EA VALVE DUMP W/HANDLE 1 1/2" PLASTIC - BLACK
	078042-01-000	EA VALVE 3" X 1 1/2" TEE W/HANDLE - COULTERS #11
	010201-01-000	EA HOSE SEWER 3" ID X 8'
	062416-01-000	EA ADAPTER SEWER 1/2" TO 1 1/2"
	062415-01-000	EA CAP SEWER 1" DIA W/TEE
	062415-01-200	EA STRONGER W/TEE AP

**SHOWER PAN & COMPONENTS**

KEY	PART NUMBER	U/M DESCRIPTION
	102670-03-020	EA SHOWER PAN W/SEAL STRAPERS & WASHER
	066410-01-000	EA TUB FOOT TAPPLER 1 1/2"
	066410-01-040	EA STRAPER SHOWER W/SHOWER WASHER
	066715-01-000	EA WASH DR STRAINER TO TAPPLER PLASTIC 1 1/2"
	011059-01-000	EA TAPPLER SHOWER TUB 1 1/2" X 1 1/4" - PLASTIC

**1992 ITASCA**  
**TABLE OF CONTENTS**

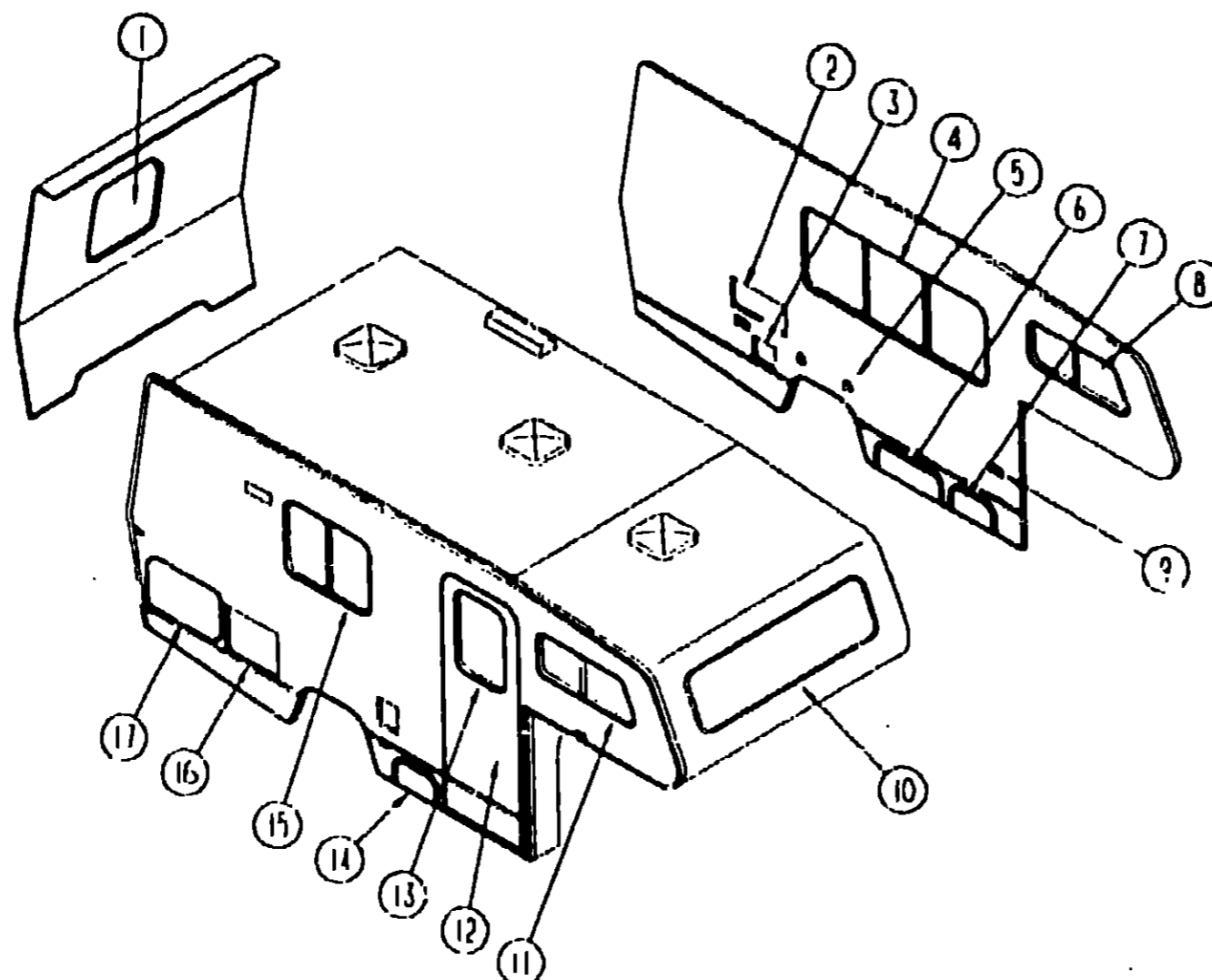
INTRODUCTION	A 01 -	A 02
ABBREVIATIONS		A 03
ALPHABETICAL INDEX	A 04 -	A 06
CROSS REF	A 07 -	C 24
INDEX	D 01 -	F 20
INDEX	F 21 -	F 36

**1992 IT320RB INDEX**

FLOOR PLAN	A 07 -	A 08
ACCESSORIES		A 09
ALUMINUM		A 10
BATH	A 11 -	A 12
CHANGES	A 13 -	A 14
CURTAIN & CUSHION	A 15 -	A 20
CONE TEE	A 21 -	A 22
DRIVERS COMPARTMENT		A 23
ELECTRICAL	A 24 -	B 03
EXTERIOR BODY	B 04 -	B 09
GALLEY	B 10 -	B 15
GENERATOR		B 16
HEATING & AC		B 17
INTERIOR FINISH	B 18 -	B 20
LABEL	B 21 -	C 02
LP		C 03
LOUNGE		C 04
SEALANTS & FASTENERS	C 05 -	C 06
WATER & SEWAGE	C 07 -	C 10
WINDOW VENT AND EXTERIOR DOOR	C 11 -	C 24

**WINDOW, VENT & EXTERIOR DOOR GROUP**  
WINDOWS & DOORS

**WINDOWS & DOORS**  
**1992 ITASCA**  
**TABLE OF CONTENTS**



INTRODUCTION	A-01	A-02
ABBREVIATIONS		A-03
ALPHABETICAL INDEX	A-04	A-08
IT320RB	A-07	C-24
IT321RB	D-01	F-20
IT321RL	F-21	I-16

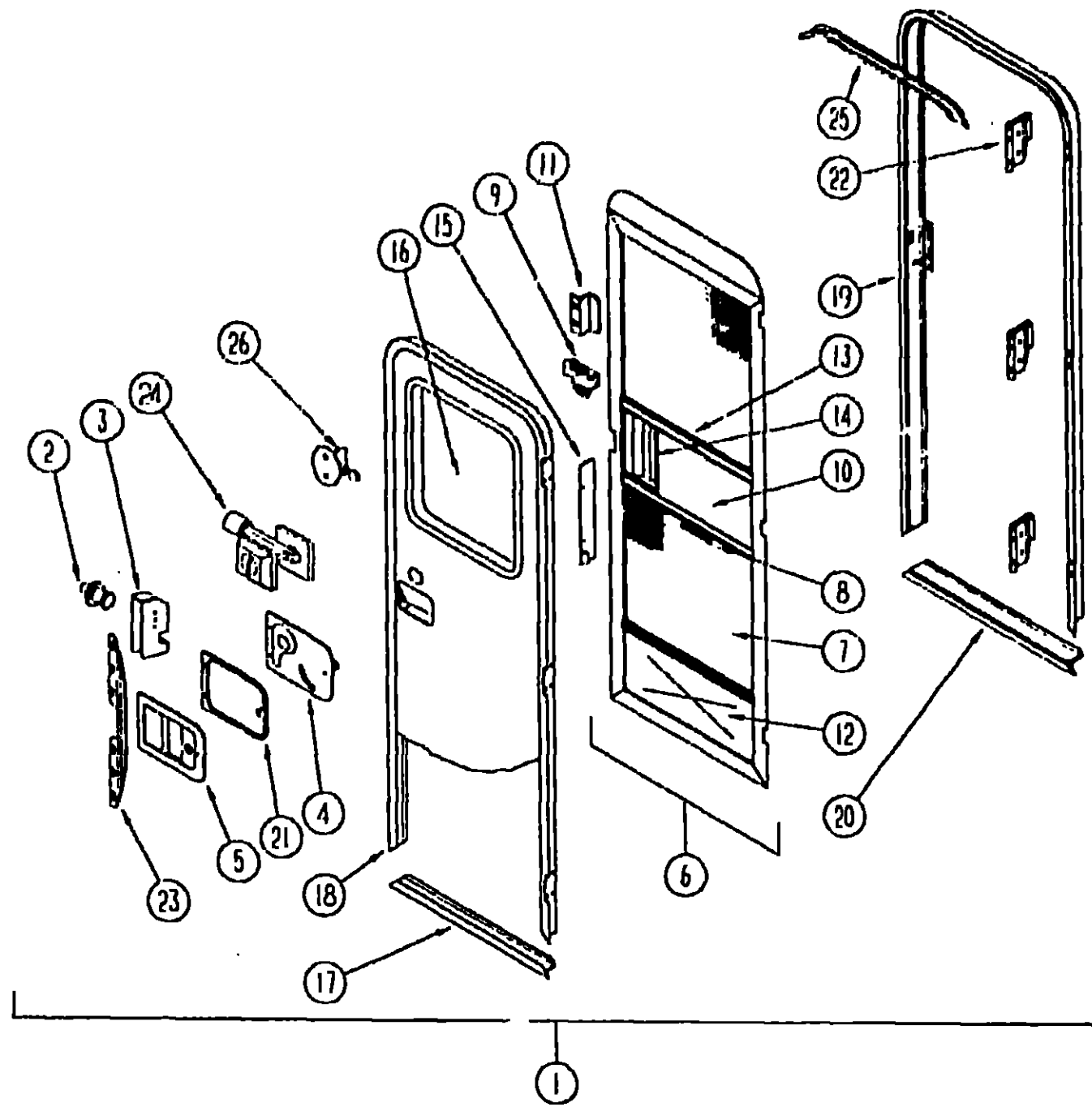
**1992 IT320RB INDEX**

FLOOR PLAN	A-07	A-08
ACCESSORIES		A-09
AUDIO VIDEO		A-10
BATH	A-11	A-12
CHASSIS	A-13	A-14
CURTAIN & CUSHION	A-15	A-20
DINETTE	A-21	A-22
DRIVERS COMPARTMENT		A-23
ELECTRICAL	A-24	B-03
EXTERIOR BODY	B-04	B-09
GALLEY	B-10	B-15
GENERATOR		B-16
HEATING & A/C		B-17
INTERIOR FINISH	B-18	B-20
LABEL	B-21	C-02
LP		C-03
LOUNGE		C-04
SEALANTS & FASTENERS	C-05	C-06
WATER & SEWAGE	C-07	C-10
WINDOW, VENT AND EXTERIOR DOORS	C-11	C-24

KEY	PART NUMBER	U/M DESCRIPTION
1	079729-02-T03	EA WINDOW-ESCAPE REAR - 22" X 23"
2	084103-03-000	EA DOOR-REFRIGERATOR, VENTED W/O JAMB - OFF WHITE
	084104-01-700	EA LOCK-MALE FASTENER - REFRIGERATOR DOOR
	084104-01-701	EA LOCK-FEMALE FASTENER - REFRIGERATOR DOOR
	084104-03-000	EA JAMB-DOOR, REFRIGERATOR - OFF WHITE
3	063742-01-000	EA DOOR-POWER CORD, OFF WHITE
	052424-01-000	EA JAMB-DOOR, 8" X 7 7" - PLASTIC - OFF WHITE
	054543-01-000	EA HATCH-POWER CORD, OFF WHITE
4	098645-01-01A	EA WINDOW-SLIDING, W/BLACK INSIDE FRAME, 24" X 60" - EXCEL B876-GRL FROM 00-00-00 THRU 06-02-91
4	098645-01-02A	EA WINDOW-SLIDING, W/OFF WHITE INSIDE FRAME, 24" X 60" - EXCEL B876-FRL FROM 06-03-91 THRU 99-99-99
5	009426-02-000	EA HATCH-ROUND OFF WHITE
6	079455-10-B05	EA DOOR-COMPARTMENT, W/JAMB & LATCHES - 9 5" X 30"
7	079455-11-B05	EA DOOR-LP COMPARTMENT, W/JAMB & LATCHES - 8 9" X 13 18"
8	098646-04-01A	EA WINDOW-SLIDING, W/BLACK INSIDE FRAME - EXCEL H245-DRL FROM 00-00-00 THRU 06-02-91
8	098646-04-02A	EA WINDOW-SLIDING, W/OFF WHITE INSIDE FRAME - EXCEL H245-MRL FROM 06-03-91 THRU 99-99-99
	083615-06-000	EA HOLDER-DOOR, OFF WHITE, PLASTIC FROM 00-00-00 THRU 01-10-92
	102768-01-000	EA HOLDER-COMPARTMENT/ENTRY DOOR, METAL - MILL FINISH FROM 01-11-92 THRU 99-99-99

KEY	PART NUMBER	U/M DESCRIPTION
9	081240-03-000	EA DOOR-WATER FILL, LOCKABLE, 4" X 4 5/8" - OFF WHITE
10	078533-09-005	EA WINDOW-PICTURE, W/O INSIDE FRAME - 12" X 59" FROM 00-00-00 THRU 08-26-91
10	103313-02-C09	EA WINDOW-PICTURE, 58 6" X 11 6" - W/O INSIDE FRAME FROM 08-27-91 THRU 99-99-99
11	098646-03-01A	EA WINDOW-SLIDING, W/BLACK INSIDE FRAME - EXCEL H245-DRR FROM 00-00-00 THRU 06-02-91
11	098646-03-02A	EA WINDOW-SLIDING, W/OFF WHITE INSIDE FRAME - EXCEL H245-MRR FROM 06-03-91 THRU 99-99-99
12	M01870 38-C29	FA DOOR-ENTRANCE, W/WINDOW & SCREEN DOOR
13	079733-07-AA8	EA WINDOW-ENTRY DOOR, 17" X 25" - FROSTED GLASS - W/O INSIDE FRAME
14	079455-09-005	EA DOOR-BATTERY, 13 18" X 7 98"
15	098647-06-01A	EA WINDOW-SLIDER, W/BLACK INSIDE FRAME - EXCEL B969-GRR FROM 00-00-00 THRU 06-02-91
15	098647-06-02A	EA WINDOW-SLIDER, W/OFF WHITE INSIDE FRAME - EXCEL B969-PRR FROM 06-03-91 THRU 99-99-99
16	052009-01-000	EA DOOR-WATER HEATER OFF WHITE - ATWOOD 5576-27
17	083840-02-Y03	EA DOOR-GENERATOR, 17 9" X 13 2" - OFF WHITE
17	083839-01-W87	EA DOOR-LUGGAGE, 13 23" X 17 07" - OFF WHITE
	103173-03-701	EA DOOR-EXTERIOR SHOWER, PLASTIC - OFF WHITE - 0E001 FROM 00-00-00 THRU 09-29-91
C-11	105118-02-C05	EA DOOR-EXTERIOR SHOWER, 17 5" X 7 6" FROM 09-30-91 THRU 99-99-99

**WINDOW, VENT & EXTERIOR DOOR GROUP (CONTINUED)**  
ENTRY DOOR



KEY	PART NUMBER	U/ I DESCRIPTION
1	M01870-38-C29	EA DOOR-ENTRANCE, W/WINDOW & SCREEN DOOR
2	039539-01-000	EA STRIKE-LOCK ENTRY DOOR - ROUND/THREADED WASHER
3	039540-01-000	EA LATCH MECHANISM-HOOK, ENTRY DOOR - INTERIOR
	039715-01-000	EA NUT-SERT, 1/4" DIAMETER - 20 THREADS
4	039979-04-000	EA COVER-INTERIOR LATCH, W/TRIP ARM - RIGHT - BLACK
	039984-01-000	EA CAP-ROUND, VINYL - 28" ID X 62" LONG - BLACK
	041546-03-000	EA BRACKET-DOOR ANGLE, 5" X 1 9" - BEIGE - METAL
5	045017-11-000	EA LATCH-ENTRY DOOR MECHANISM W/LOCK & KEY - BLACK
	045017-11-701	EA KEY-BLANK ROUND TOP - SILVER - TRIM/MARK
	056746-01-000	EA PLUG-CAP, 1" DIAMETER
	058025-02-000	EA CLIP-ROLLER LATCH CATCH, SCREEN DOOR
	058806-01-000	EA PLUG-TAPERED, FOR DEADBOLT - PLASTIC - 66" DIA - RED
	063729-04-000	EA RIVNUT, 10-32 UNF - 010-080
	072893-01-000	EA NUT-SERT-M5 X 0, 8
	075671-01-000	FT SEAL-SPONGE, LAZY T SHAPE - 1 3" WIDE - BLACK
		FROM 00-00-00 THRU. 08-18-91
	075671-04-000	FT SEAL-SPONGE, LAZY T SHAPE - W/ADHESIVE STRIPE - 5" WIDE
		FROM 08-19-91 THRU. 99-99-99
6	079012-04-AA3	EA DOOR-SCREEN
7	002293-02-000	SF SCREENING-WINDOW/DOOR, 26" - CHARCOAL
8	002294-01-000	FT SPLINE-SCREENING, 135" X 138" - BLACK
	002748-01-000	EA CORNER KEY-DOOR
9	009018-01-000	EA CATCH-SINGLE ROLLER, SCREEN DOOR
10	001014-01-013	EA INSERT-CENTER, 10 25" X 16 31" - UNPAINTED
11	050712-04-000	EA HANDLE-SCREEN DOOR, ALUMINUM - OFF WHITE
	050712-05-000	EA HANDLE-SCREEN DOOR, UNPAINTED
12	078552-05-000	EA INSERT-SCREEN DOOR, LOWER - MILL
	078595-02-000	EA PLATE-SCREEN DOOR
13	078777-03-000	EA CHANNEL-SLIDE, SCREEN DOOR CENTER SLIDER COVER - 17 4"
14	079086-02-000	EA SLIDER-SCREEN DOOR, OFF WHITE
15	079087-02-000	EA STRIKE-SLIDER, W/LIP FOR ELBOW CATCH - 1.5" X 8 6" - OFF WHITE
16	067609-32-000	EA FRAME-WINDOW, ENTRY DOOR - OFF WHITE
		FROM. 06-03-91 THRU. 99-99-99
16	079733-07-AAB	EA WINDOW-ENTRY DOOR, 17" X 25" - FROSTED GLASS
16	002181-07-000	EA GLASS-WINDOW, .182" X 16 25" X 24" - FROSTED
16	087561-01-000	FT SEAL-GLASS, EXTERIOR - 5" WIDE - VINYL - BLACK
	081914-01-000	EA BUMPER-RUBBER, ROUND - .43" DIAMETER - BLACK
17	089748-05-000	EA FRAME-DOOR, ENTRANCE - BOTTOM - OFF WHITE
	090340-01-000	FT SEAL-FOAM, CLOSED CELL - 1/4" X 1/2" X 50"
18	095276-02-01A	EA FRAME-DOOR, ENTRANCE - TOP & SIDES - OFF WHITE
19	095277-03-01A	EA JAMB-ENTRY DOOR W/BOTTOM, OFF WHITE
20	051049-04-000	EA JAMB-DOOR, ENTRANCE - BOTTOM - UNPAINTED
	079207-01-000	EA STRIKER-ROLLER CATCH, WELDED TO DOOR JAMB - 4" X 1.15"
21	096810-01-01A	EA PLATE-LATCH, ENTRY DOOR - PLASTIC - BLACK
22	097724-01-04A	EA HINGE-ENTRY DOOR, UNPAINTED
23	098173-01-04A	EA STIFFENER-ENTRY DOOR, SUPPORTS LATCH/STRIKE - UNPAINTED
	100128-02-000	FT SEAL-PILE, ADHESIVE BACK - SCREEN DOOR - GRAY
24	101145-01-01A	EA DEADBOLT-ENTRY DOOR, W/2 KEYS W/O BOLT OR SCREWS
	095229-01-700	EA KEY-BLANK, DEADBOLT
	101147-01-000	EA BOLT-SECURITY, 4.12" BACKSET
	102524-01-000	EA BUMPER-RUBBER, FLAT - BLACK
25	044582-26-000	EA CAP-DRIP, DOOR JAMB MOUNTED - OFF WHITE
	075639-12-000	EA GARNISH-ENTRANCE DOOR, OFF WHITE - INNER
26	100412-01-000	EA CATCH-SCREEN DOOR, THUMB CLIP W/BLACK PLASTIC CAP
	076725-01-000	EA COVER-ACCESS/HINGE - 6" X 3 2" - PLASTIC - BEIGE
	009126-02-000	EA HANDLE-ASSIST, ENTRY DOOR - BLACK
	077461-03-000	EA COVER-STRIKE ENTRY DOOR - 6.5" X 2.5" - PLASTIC - WHITE

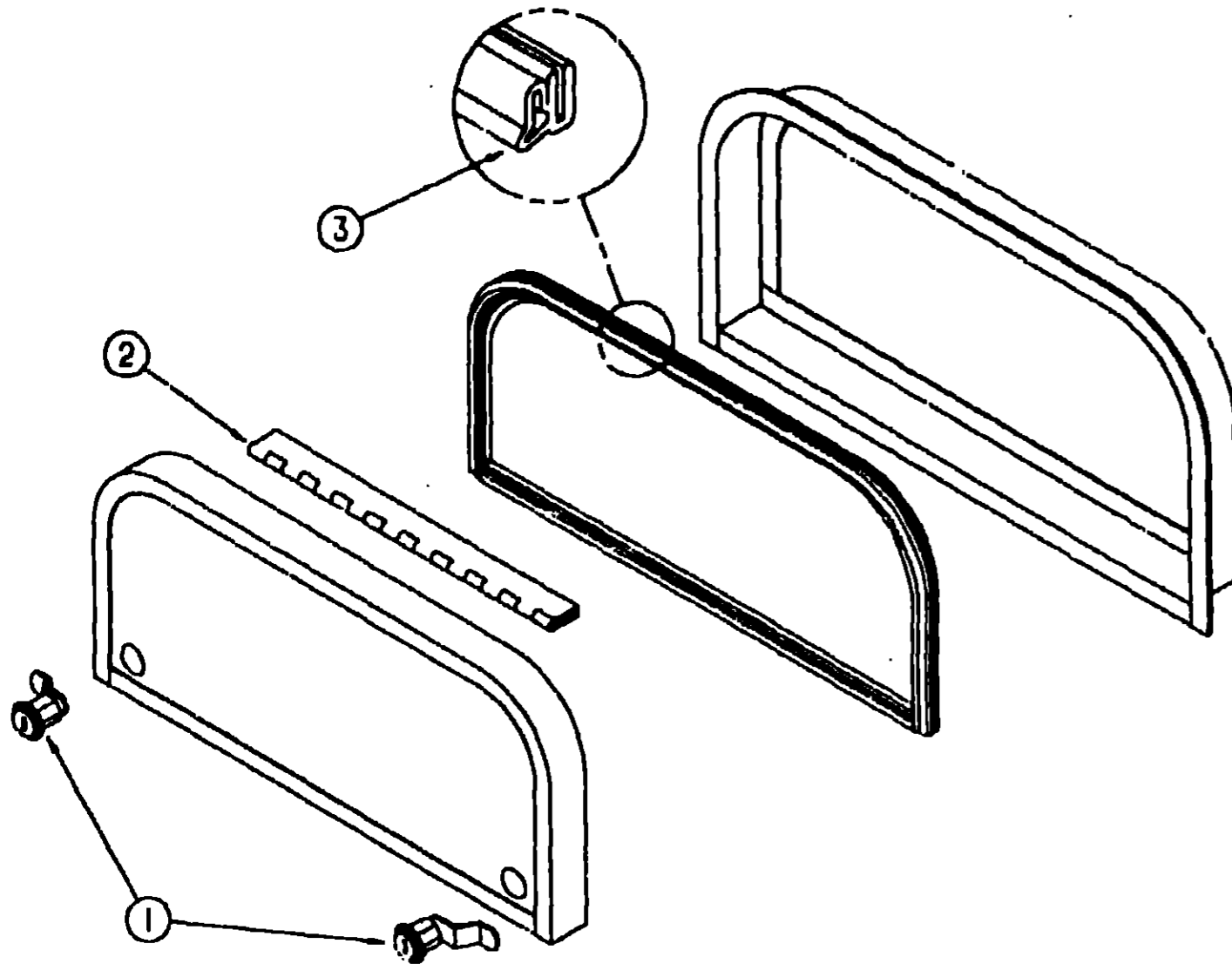
**1992 ITASCA**  
**TABLE OF CONTENTS**

INTRODUCTION	A-01 -	A-02
ABBREVIATIONS		A-03
ALPHABETICAL INDEX	A-04 -	A-06
IT320RB	A-07 -	C-24
IT321RB	D-01 -	F-20
IT321RL	F-21 -	I-16

**1992 IT320RB INDEX**

FLOOR PLAN	A-07 -	A-08
ACCESSORIES		A-09
AUDIO VIDEO		A-10
BATH	A-11 -	A-12
CHASSIS	A-13 -	A-14
CURTAIN & CUSHION	A-15 -	A-20
DINETTE	A-21 -	A-22
DRIVERS COMPARTMENT		A-23
ELECTRICAL	A-24 -	B-03
EXTERIOR BODY	B-04 -	B-09
GALLEY	B-10 -	B-15
GENERATOR		B-16
HEATING & A/C		B-17
INTERIOR FINISH	B-18 -	B-20
LABEL	B-21 -	C-02
LP		C-03
LOUNGE		C-04
SEALANTS & FASTENERS	C-05 -	C-06
WATER & SEWAGE	C-07 -	C-10
WINDOW, VENT AND EXTERIOR DOOR	C-11 -	C-24

**WINDOW, VENT & EXTERIOR DOOR GROUP (CONTINUED)**  
**EXTERIOR DOORS**



KEY	PART NUMBER	U/M DESCRIPTION	
1	079368-04-000	EA LOCK-DOOR, KEY TYPE W/O KEYS - 1 9 OFF SET	
	083223-03-000	EA LOCK-KEY TYPE (SET OF 1) W/O KEY (LUGGAGE DOOR)	
	082684-01-700	EA KEY-COMPARTMENT DOOR LOCK, B11024	
	079927-03-000	EA LOCK-TWIST TYPE, DOUBLE CAM - 2 10 OFF SET	
	042442-01-000	EA LOCK-TWIST TYPE, METAL (POWER CORD DOOR)	
	052950-01-000	EA LOCK-TWIST TYPE WHITE - PLASTIC	
		FROM 00-00-00 THRU 05-31-92	
	009003-01-000	EA LOCK-TWIST TYPE W/CLIP	
		FROM 06-01-92 THRU 99-99-99	
	2	034007-40-000	EA HINGE-PIANO, 1 5" X 96" - ALUMINUM - OFF WHITE
009055-01-000		EA HINGE-ALUMINUM, 1 1/2" X 96" - UNPAINTED	
081801-02-000		EA HINGE-2" X 96", OFF WHITE	
3		064076-07-000	FT SEAL-BULB W/WIRE RIGID U CHANNEL - 3" X 5" CHANNEL - BLACK
		002748-01-000	EA CORNER KEY-DOOR
091876-01-000		CA RETAINER-DOOR, 1 9" X 8" - METAL	
100157-01-000		FT SEAL-BULB W/WIRE RIGID U CHANNEL - 1" WIDE - RUBBER - BLK	
065745-01-000		FT TAPE-FOAM, 20" WIDE X 56" THICK - ADHESIVE ONE SIDE	
090340-01-000		FT SEAL-FOAM, CLOSED CELL - 1/4" X 1/2" X 50"	
104692-01-000		FT SEAL-ADHESIVE BACK, 3/4" X 34"	
	FROM 05-07-92 THRU 99-99-99		
107997-51-001	EA SPACER-86" X 6", ALUMINUM		
	FROM 09-30-91 THRU 99-99-99		
109833-01-000	EA BEAUTY RING, 67" X 78" ID - STAINLESS STEEL - HUDSON LOCK		
109834-01-000	EA WASHER-64" X 752" ID, STAINLESS STEEL		
059371-01-000	EA NUT-STUD, SELF LOCKING (POWER CORD DOOR)		
103173-03-702	EA PIN-HINGE, DOOR - EXTERIOR SHOWER KIT - 345		
	FROM 00-00-00 THRU 09-29-91		
103173-03-703	EA SPRING-HINGE PIN, EXTERIOR SHOWER DOOR - 108		
	FROM 00-00-00 THRU 09-29-91		
103173-03-704	EA LOCK ASSEMBLY, W/CLIP & KEY - EXTERIOR SHOWER DOOR - 00000		
	FROM 00-00-00 THRU 09-29-91		

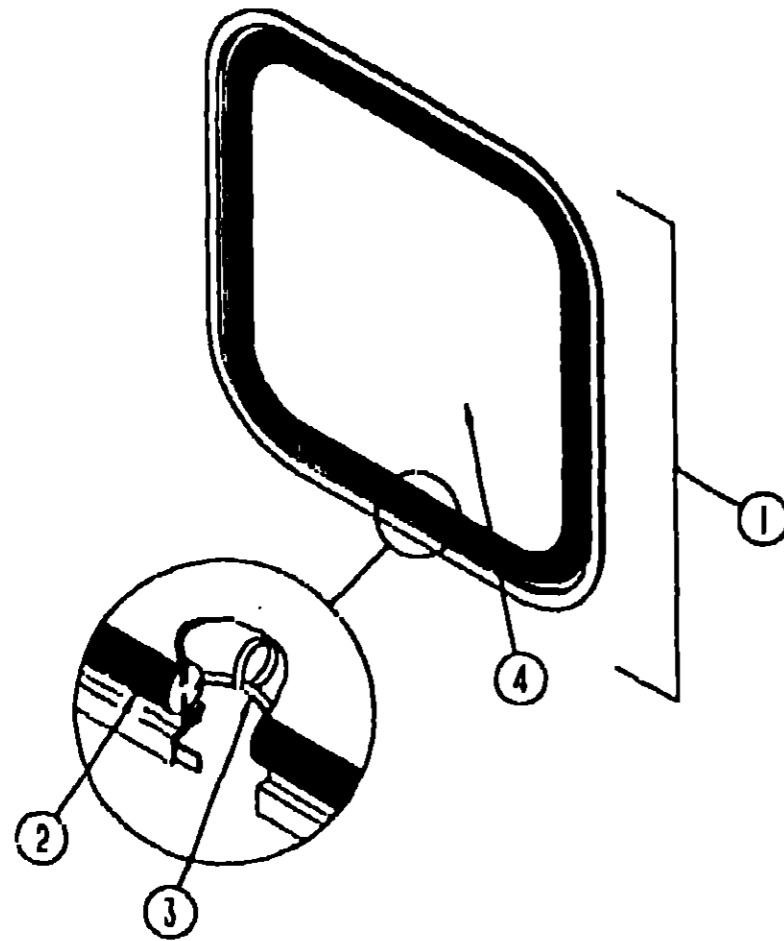
**1992 ITASCA**  
**TABLE OF CONTENTS**

INTRODUCTION	A-01	A-02
ABBREVIATIONS		A-03
ALPHABETICAL INDEX	A-04	A-06
IT320RB	A-07	C-24
IT321RB	D-01	F-20
IT321RL	F-21	I-16

**1992 IT320RB INDEX**

FLOOR PLAN	A-07	A-08
ACCESSORIES		A-09
AUDIO VIDEO		A-10
BATH	A-11	A-12
CHASSIS	A-13	A-14
CURTAIN & CUSHION	A-15	A-20
DINETTE	A-21	A-22
DRIVERS COMPARTMENT		A-23
ELECTRICAL	A-24	B-03
EXTERIOR BODY	B-04	B-09
GALLEY	B-10	B-15
GENERATOR		B-16
HEATING & A/C		B-17
INTERIOR FINISH	B-18	B-20
LABEL	B-21	C-02
LP		C-03
LOUNGE		C-04
SEALANTS & FASTENERS	C-05	C-06
WATER & SEWAGE	C-07	C-10
WINDOW, VENT AND EXTERIOR DOOR	C-11	C-24

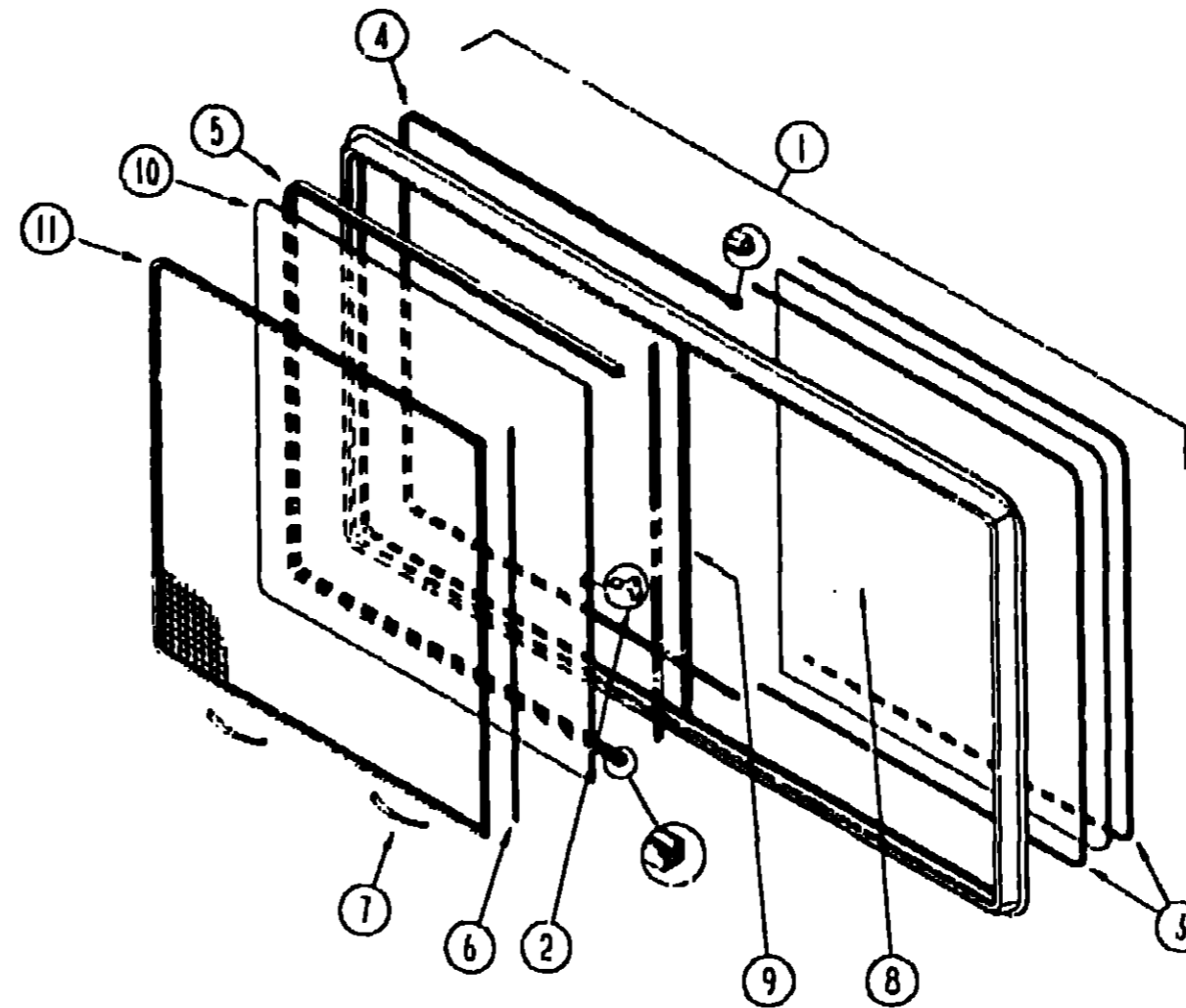
WINDOW, VENT & EXTERIOR DOOR GROUP (CONTINUED)



BACKWALL ESCAPE WINDOW

KEY	PART NUMBER	U/M DESCRIPTION
	020749-10-000	EA FRAME-WINDOW INSIDE - OFF WHITE
1	079729-02-103	EA WINDOW-ESCAPE, REAR - 22" X 24"
2	002282-02-001	EA WEATHERSTRIP-WINDOW, 125" VULCANIZED - 79 1" LONG - BLACK
	077066-01-702	EA TAPE ASM-ESCAPE WINDOW, RED
3	002285-01-000	FT FILLER-WEATHER STRIP, RUBBER - BLACK
4	041392-03-000	EA GLASS-WINDOW, 1/8" X 21 65" X 19 61"

WINDOW, VENT & EXTERIOR DOOR GROUP (CONTINUED)



GALLEY SINGLE SLIDING WINDOW

KEY	PART NUMBER	U/M DESCRIPTION
1	098647-06-01A	EA WINDOW-SLIDING, W/BLACK INSIDE FRAME - EXCEL B969 GRR FROM 00-00-00 THRU 06-02-91
1	098647-06-02A	EA WINDOW-SLIDING, W/OFF WHITE INSIDE FRAME - EXCEL B969 PRR FROM 06-03-91 THRU 99-99-99
	098647-06-704	EA FRAME-INSIDE, BLACK - EXCEL B969-67 FROM 00-00-00 THRU 06-02-91
	098647-06-706	EA FRAME-INSIDE, OFF WHITE - EXCEL V969-67 FROM 06-03-91 THRU 99-99-99
	098647-06-705	EA WINDOW-SLIDING, W/O INSIDE FRAME, EXCEL B969-G2R
2	098644-01-700	EA LATCH-REPAIR KIT, EXCEL B801-CK
	098644-01-716	FT PLUG-FILLER, EXCEL 132-014470
	098644-01-717	FT SPLINE-SCREEN, EXCEL 132-004716
3	098644-01-705	FT GLAZING STRIP, EXCEL M926-12
4	098644-01-706	FT WEATHERSTRIP, EXCEL 171-010668
5	098644-01-708	FT CHANNEL-PIERCED RUN, EXCEL 122-016543
6	098644-01-710	FT TRACK-SCREEN SPACER, 12' LENGTH - EXCEL M401-31
	098644-01-711	FT WEATHERSTRIP-SCREEN, BLACK - EXCEL 171-016965
7	098644-01-713	EA SPRING-SCREEN FRAME (CLIP), PLASTIC - BLACK
8	098647-06-700	EA GLASS-STATIONARY, 10.91" X 13.77" - EXCEL 106-016921
9	098647-06-701	EA RAIL-LOCKING W/WEATHERSTRIP, EXCEL B93B-17
10	098647-06-702	EA GLASS-SLIDING, W/SASH & LATCH - EXCEL B969-G9
11	098647-06-703	EA SCREEN W/WEATHERSTRIP & FRAME SPRING (CLIP), EXCEL 410-016

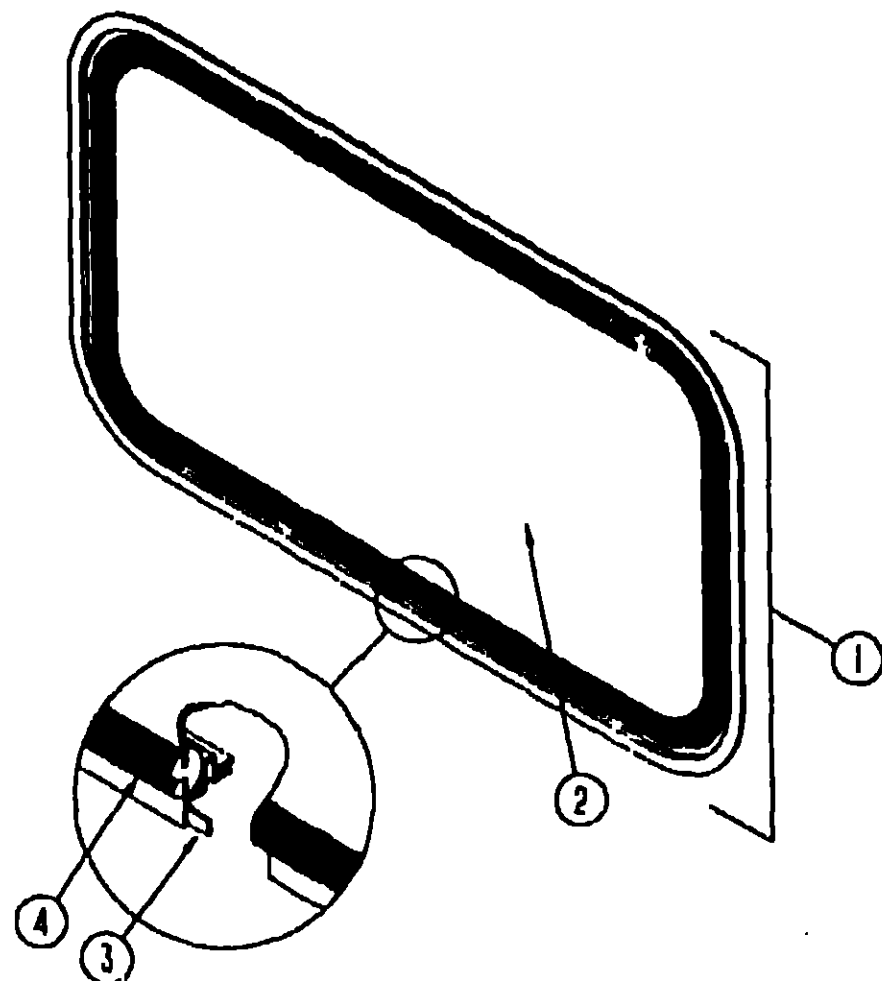
1992 ITASCA  
TABLE OF CONTENTS

INTRODUCTION	A-01	A-02
ABBREVIATIONS		A-03
ALPHABETICAL INDEX	A-04	A-06
IT320RB	A-07	C-24
IT321RB	D-01	F-20
IT321RL	F-21	I-16

1992 IT320RB INDEX

FLOOR PLAN	A-07	A-08
ACCESSORIES		A-09
AUDIO VIDEO		A-10
BATH	A-11	A-12
CHASSIS	A-13	A-14
CURTAIN & CUSHION	A-15	A-20
DINETTE	A-21	A-22
DRIVERS COMPARTMENT		A-23
ELECTRICAL	A-24	B-03
EXTERIOR BODY	B-04	B-09
GALLEY	B-10	B-15
GENERATOR		B-16
HEATING & A/C		B-17
INTERIOR FINISH	B-18	B-20
LABEL	B-21	C-02
LP		C-03
LOUNGE		C-04
SEALANTS & FASTENERS	C-05	C-06
WATER & SEWAGE	C-07	C-10
WINDOW, VENT AND EXTERIOR DOOR	C-11	C-24

**WINDOW, VENT & EXTERIOR DOOR GROUP (CONTINUED)**



**OVERHEAD BUNK FRONT WINDOW**

KEY	PART NUMBER	U/M	DESCRIPTION
	041938-13-000	EA	FRAME-WINDOW, INSIDE - 10.45" X 57.4" - BLACK FROM: 00-00-00 THRU: 06-02-91
	041938-14-000	EA	FRAME-WINDOW, INSIDE - 10.45" X 57.4" - OFF WHITE FROM: 06-03-91 THRU: 08-26-91
	067609-34-000	EA	FRAME-WINDOW, INSIDE - OFF WHITE FROM: 08-27-91 THRU: 99-99-99
1	078533-09-B05	EA	WINDOW-PICTURE, 12" X 59" - W/O INSIDE FRAME FROM: 00-00-00 THRU: 08-26-91
1	103313-02-C09	EA	WINDOW-PICTURE, 58.6" X 11.6" - W/O INSIDE FRAME FROM: 08-27-91 THRU: 99-99-99
2	002181-14-000	EA	GLASS- 115" X 10.3" X 57.3" - TINTED FROM: 00-00-00 THRU: 08-26-91
2	002181-16-000	EA	GLASS-PICTURE, 11.25" X 58.1" - GRAY FROM: 08-27-91 THRU: 99-99-99
3	069540-11-000	FT	SEALER-TAPE, 3/16" X 3/8" - BLACK
4	002281-02-000	EA	SEAL-WINDOW, EXTERIOR WEATHERSTRIP - SELF SEAL - .125" FROM: 00-00-00 THRU: 08-26-91
4	099154-01-000	FT	CHANNEL-GLAZING, STATIONARY GLASS - .62" X .45" - BLACK FROM: 08-27-91 THRU: 99-99-99

**WINDOW, VENT & EXTERIOR DOOR GROUP (CONTINUED)**

**PASSENGER SIDE BUNK SLANTED SLIDER WINDOWS**

KEY	PART NUMBER	U/M	DESCRIPTION
	098646-03-01A	EA	WINDOW-PASSENGER SIDE, W/BLACK INSIDE FRAME - EXCEL H245-DRR FROM: 00-00-00 THRU: 06-02-91
	098646-03-02A	EA	WINDOW-PASSENGER SIDE, W/OFF WHITE INSIDE FRAME - EXCEL H245-MRR FROM: 06-03-91 THRU: 99-99-99
	098646-03-701	EA	TRIM-INSIDE, PASSENGER SIDE - BLACK - EXCEL H245-67R FROM: 00-00-00 THRU: 06-02-91
	098646-03-703	EA	TRIM-INSIDE, PASSENGER SIDE - OFF WHITE - EXCEL W245-67R FROM: 06-03-91 THRU: 99-99-99
	098646-03-702	EA	WINDOW-SLIDING, W/O INSIDE FRAME - EXCEL H245G2R FROM: 00-00-00 THRU: 06-02-91
	098646-03-707	EA	WINDOW-SLIDING, W/O INSIDE FRAME - EXCEL H245G1R FROM: 06-03-91 THRU: 99-99-99
	098644-01-700	EA	LATCH-REPAIR KIT, EXCEL B801-CK
	098644-01-702	EA	GLASS-SLIDING, W/SASH & LATCH - EXCEL B948-G9 FROM: 00-00-00 THRU: 06-02-91
	098644-05-701	EA	GLASS-SLIDING, W/SASH & LATCH - EXCEL B948-G8 FROM: 06-03-91 THRU: 99-99-99
	098644-01-705	FT	GLAZING STRIP, EXCEL M926-12
	098644-01-708	FT	WEATHERSTRIP, EXCEL 171-010668
	098644-01-709	FT	CHANNEL-PIERCED RUN, EXCEL 122-016543
	098644-01-710	FT	TRACK-SCREEN SPACER, 12' LENGTH - EXCEL M401-31
	098644-01-711	FT	WEATHERSTRIP-SCREEN, BLACK - EXCEL 171-016965
	098644-01-713	EA	SPRING-SCREEN FRAME (CLIP), PLASTIC - BLACK
	098644-01-718	FT	PLUG-FILLER, EXCEL 132-014470
	098644-01-717	FT	SPLINE-SCREEN, EXCEL 132-004716
	098646-03-700	EA	FILLER STRIP, EXCEL G03726
	098646-03-705	EA	SCREEN ASSEMBLY - EXCEL 410016475
	098646-03-706	EA	GLASS-STATIONARY, EXCEL 106017200 FROM: 00-00-00 THRU: 06-02-91
	098646-03-704	EA	GLASS-STATIONARY, EXCEL 106017492 FROM: 06-03-91 THRU: 99-99-99

**DRIVER SIDE BUNK SLANTED SLIDER WINDOWS**

KEY	PART NUMBER	U/M	DESCRIPTION
	098646-04-01A	EA	WINDOW-DRIVER SIDE, W/BLACK INSIDE FRAME - EXCEL H245-DRL FROM: 00-00-00 THRU: 06-02-91
	098646-04-02A	EA	WINDOW-DRIVER SIDE, W/OFF WHITE INSIDE FRAME - EXCEL H245-MRL FROM: 06-03-91 THRU: 99-99-99
	098646-04-701	EA	TRIM-INSIDE, PASSENGER SIDE - BLACK - EXCEL H245-67L FROM: 00-00-00 THRU: 06-02-91
	098646-04-702	EA	TRIM-INSIDE, PASSENGER SIDE - OFF WHITE - EXCEL W245-67L FROM: 06-03-91 THRU: 99-99-99
	098646-04-700	EA	WINDOW-SLIDING, W/O INSIDE FRAME - EXCEL H245G2L FROM: 00-00-00 THRU: 06-02-91
	098646-04-703	EA	WINDOW-SLIDING, W/O INSIDE FRAME - EXCEL H245G1L FROM: 06-03-91 THRU: 99-99-99
	098644-01-700	EA	LATCH-REPAIR KIT, EXCEL B801-CK
	098644-01-702	EA	GLASS-SLIDING, W/SASH & LATCH - EXCEL B948-G9 FROM: 00-00-00 THRU: 06-02-91
	098644-05-701	EA	GLASS-SLIDING, W/SASH & LATCH - EXCEL B948-G8 FROM: 06-03-91 THRU: 99-99-99
	098644-01-705	FT	GLAZING STRIP, EXCEL M926-12
	098644-01-706	FT	WEATHERSTRIP, EXCEL 171-010668
	098644-01-708	FT	CHANNEL-PIERCED RUN, EXCEL 122-016543
	098644-01-710	FT	TRACK-SCREEN SPACER, 12' LENGTH - EXCEL M401-31
	098644-01-711	FT	WEATHERSTRIP-SCREEN, BLACK - EXCEL 171-016965
	098644-01-713	EA	SPRING-SCREEN FRAME (CLIP), PLASTIC - BLACK
	098644-01-718	FT	PLUG-FILLER, EXCEL 132-014470
	098644-01-717	FT	SPLINE-SCREEN, EXCEL 132-004716
	098646-03-700	EA	FILLER STRIP, EXCEL G03726
	098646-03-705	EA	SCREEN ASSEMBLY - EXCEL 410016475
	098646-03-706	EA	GLASS-STATIONARY, EXCEL 106017208 FROM: 00-00-00 THRU: 06-02-91
	098646-03-704	EA	GLASS-STATIONARY, EXCEL 106017492 FROM: 06-03-91 THRU: 99-99-99

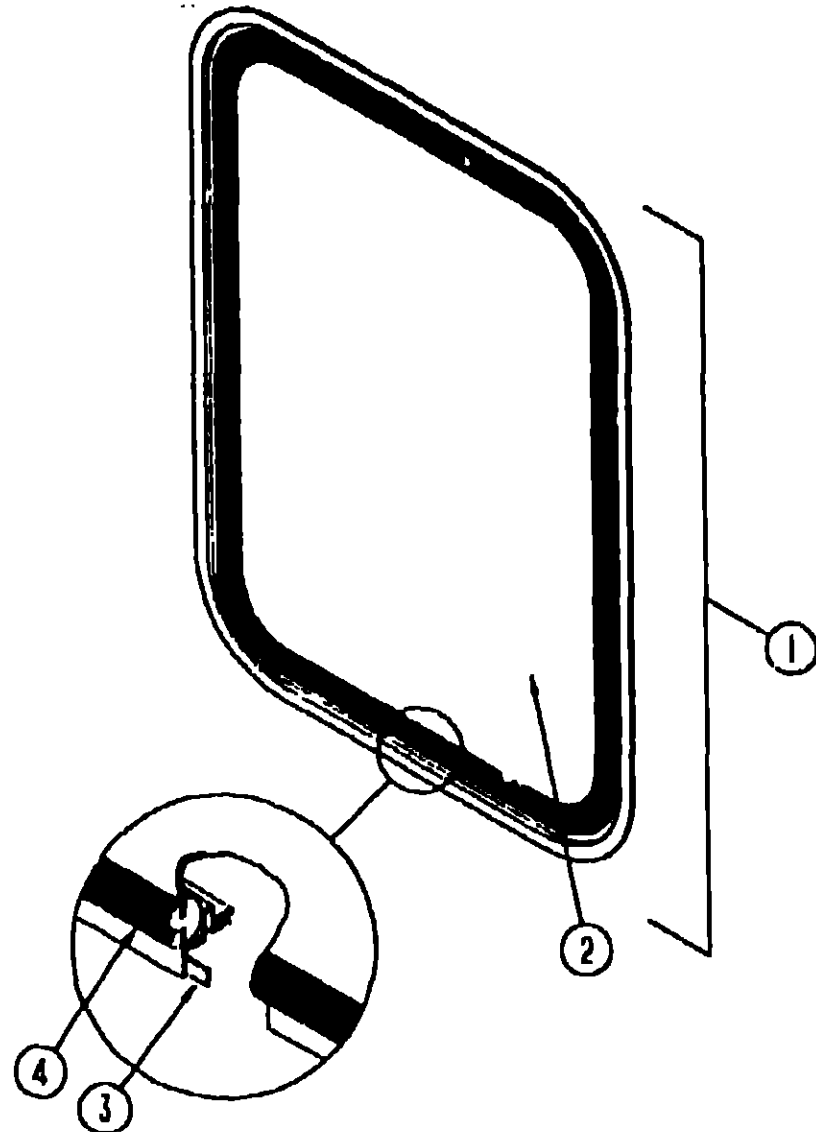
**1992 ITASCA  
TABLE OF CONTENTS**

INTRODUCTION	A-01 - A-02
ABBREVIATIONS	A-03
ALPHABETICAL INDEX	A-04 - A-06
IT320RB	A-07 - C-24
IT321RB	D-01 - F-20
IT321RL	F-21 - I-16

**1992 IT320RB INDEX**

FLOOR PLAN	A-07 - A-08
ACCESSORIES	- A-09
AUDIO VIDEO	- A-10
BATH	A-11 - A-12
CHASSIS	A-13 - A-14
CURTAIN & CUSHION	A-15 - A-20
DINETTE	A-21 - A-22
DRIVERS COMPARTMENT	- A-23
ELECTRICAL	A-24 - B-03
EXTERIOR BODY	B-04 - B-09
GALLEY	B-10 - B-15
GENERATOR	- B-16
HEATING & A/C	- B-17
INTERIOR FINISH	B-18 - B-20
LABEL	B-21 - C-02
LP	C-03
LOUNGE	C-04
SEALANTS & FASTENERS	C-05 - C-06
WATER & SEWAGE	C-07 - C-10
WINDOW, VENT AND EXTERIOR DOOR	C-11 - C-24

**WINDOW, VENT & EXTERIOR DOOR GROUP (CONTINUED)**



**ENTRY DOOR WINDOW**

KEY	PART NUMBER	U/M DESCRIPTION
1	079733-07-AAB	EA WINDOW-ENTR / DOOR 17" X 25" - FROSTED GLASS - W/O INSIDE FRAME
2	002181-07-000	EA GLASS-WINDOW 182" X 16 25" X 24" - FROSTED
3	069640-11-000	FT SEALER-TAPE, 3/16" X 3/8" BLACK
4	087561-01-000	FT SEAL-GLASS EXTERIOR - .5" WIDE - VINYL - BLACK
	079370-04-000	FT COVER-SCREW, WINDOW - VINYL - BLACK
	067609-32-000	EA FRAME-WINDOW, ENTRY DOOR - OFF WHITE

**WINDOW, VENT & EXTERIOR DOOR GROUP (CONTINUED)**

**DINETTE CENTER SLIDING WINDOW**

KEY	PART NUMBER	U/M DESCRIPTION
	098645-01-01A	EA WINDOW-SLIDING, W/P. ACK INSIDE FRAME - EXCEL B876-GRL FROM: 00-00-00 THRU: 06-02-91
	098645-01-02A	EA WINDOW-SLIDING, W/OFF WHITE INSIDE FRAME - EXCEL B876-PRL FROM: 06-03-91 THRU 99-99-99
	098645-01-708	EA FRAME-INSIDE, BLACK - EXCEL B448-67 FROM 00-00-00 THRU 06-02-91
	098645-01-710	EA FRAME-INSIDE, OFF WHITE - EXCEL V448-67 FROM: 06-03-91 THRU: 99-99-99
	098645-01-709	EA WINDC'W-SLIDING, W/O INSIDE FRAME, 24" X 60" - EXCEL D876-G2R
	098644-01-700	EA LATCH-REPAIR KIT, EXCEL B801-CK
	098644-01-718	FT PLUG-FILLER, EXCEL 132-014470
	098644-01-717	FT SPLINE-SCREEN, EXCEL 132-004716
	098644-01-705	FT GLAZING STRIP, EXCEL M926-12
	098644-01-708	FT WEATHERSTRIP, EXCEL 171-010658
	098644-01-708	FT CHANNEL-PIERCED RUN, EXCEL 122-016543
	098644-01-710	FT TRACK-SCREEN SPACER, 12' LENGTH - EXCEL M401-31
	098644-01-711	FT WEATHERSTRIP-SCREEN, BLACK - EXCEL 171-016965
	098644-01-713	EA SPRING-SCREEN FRAME (CLIP), PLASTIC - BLACK
	098645-01-700	EA GLASS-STATIONARY, 22.77" X 22 19" - EXCEL 106-010837
	098645-01-701	EA GLASS-STATIONARY, 22 7" X 14 19" - EXCEL 106-017022
	098645-01-705	EA GLASS-SLIDING, W/SASH & LATCH - EXCEL U8776-G9
	098645-01-707	EA SCREEN W/WEATHERSTRIP & FRAME SPRING (CLIP), EXCEL 410-015

**1992 ITASCA  
TABLE OF CONTENTS**

INTRODUCTION	A-01	A-02
ABBREVIATIONS		A-03
ALPHABETICAL INDEX	A-04	A-06
IT320RB	A-07	C-24
IT321RB	D-01	F-09
IT321RL	F-21	I-16

**1992 IT320RB INDEX**

FLOOR PLAN	A-07	A-08
ACCESSORIES		A-09
AUDIO VIDEO		A-10
BATH	A-11	A-12
CHASSIS	A-13	A-14
CURTAIN & CUSHION	A-15	A-20
DINETTE	A-21	A-22
DRIVERS COMPARTMENT		A-23
ELECTRICAL	A-24	B-03
EXTERIOR BODY	B-04	B-09
GALLEY	B-10	B-15
GENERATOR		B-16
HEATING & A/C		B-17
INTERIOR FINISH	B-18	B-20
LABEL	B-21	C-02
LP		C-03
LOUNGE		C-04
SEALANTS & FASTENERS	C-05	C-06
WATER & SEWAGE	C-07	C-10
WINDOW, VENT AND EXTERIOR DOOR	C-11	C-24



**WINDOW, VENT & EXTERIOR DOOR GROUP (CONTINUED)**

**POWERED ROOF VENT**

KEY	PART NUMBER	U/M DESCRIPTION
	090394-01-Y12	EA VENT-ROOF, POWERED
	002075-01-000	EA WEATHER STRIP-ROOF VENT, GRAY
	008193-01-000	EA SWITCH-ROOF VENT, PUSH BUTTON, 12V
	008343-01-000	EA TIE-WIRE, 6"
	008386-01-000	EA GROMMET-SNAP, 3/8"
	009440-01-000	EA GEAR/ARM-VENT COVER, LIFT
	015910-03-000	EA BRACKET-HANDLE-VENT ROOF O/W *2010-01
	015911-01-000	EA TRACK-LIFT ARM, SLIDE - ROOF VENT
	048648-01-000	EA MOTOR-ROOF VENT, 1/8 SHAFT - 12V - JENSEN
	048649-01-000	EA FAN-ROOF VENT, 6 BLADES - 6" - JENSEN
	055218-01-000	EA COVER-ROOF VENT
	052639-01-200	EA HINGE-EXTRUSION, ROOF VENT 7"
	052639-01-001	EA HINGE-VENT COVER, 16"
	061603-01-000	EA GROMMET-SNAP, 3/16" ID - 3/8" HOLE - PLASTIC - BLACK
	078785-01-Y12	EA SCREEN-ROOF VENT, POWERED
	002291-02-000	SF SCREENING-ROOF VENT/WINDOW, 16" - BLACK
	002298-02-000	FT SPLINE-VENT/WINDOW SCREEN, 1.28 DIAMETER - BLACK
	009439-01-000	EA CRANK HANDLE-ROOF VENT
	009439-03-000	EA EXTENSION-CRANK HANDLE ROOF VENT - 9" - MILL
	009439-04-000	EA SCREW 8-32 X 1 1/4" POH

**NONPOWERED ROOF VENT**

KEY	PART NUMBER	U/M DESCRIPTION
	090395-01-Y12	EA VENT-ROOF, NON-POWERED
	002825-01-000	EA WEATHER STRIP-ROOF VENT, GRAY
	009440-01-000	EA GEAR/ARM-VENT COVER, LIFT
	015910-03-000	EA BRACKET-HANDLE-VENT ROOF O/W *2010-01
	015911-01-000	EA TRACK-LIFT ARM, SLIDE - ROOF VENT
	055218-01-000	EA COVER-ROOF VENT
	052639-01-001	EA HINGE-VENT COVER, 16"
	052639-01-200	EA HINGE EXTRUSION, ROOF VENT 7"
	078788-01-Y12	EA SCREEN-ROOF VENT, NON POWERED - WHITE
	002291-02-000	SF SCREENING-ROOF VENT/WINDOW, 16" - BLACK
	002298-02-000	FT SPLINE-VENT/WINDOW SCREEN, 1.28 DIAMETER - BLACK
	009439-01-000	EA CRANK HANDLE-ROOF VENT
	009439-03-000	EA EXTENSION-CRANK HANDLE ROOF VENT - 9" - MILL
	009439-04-000	EA SCREW 8-32 X 1 1/4" POH

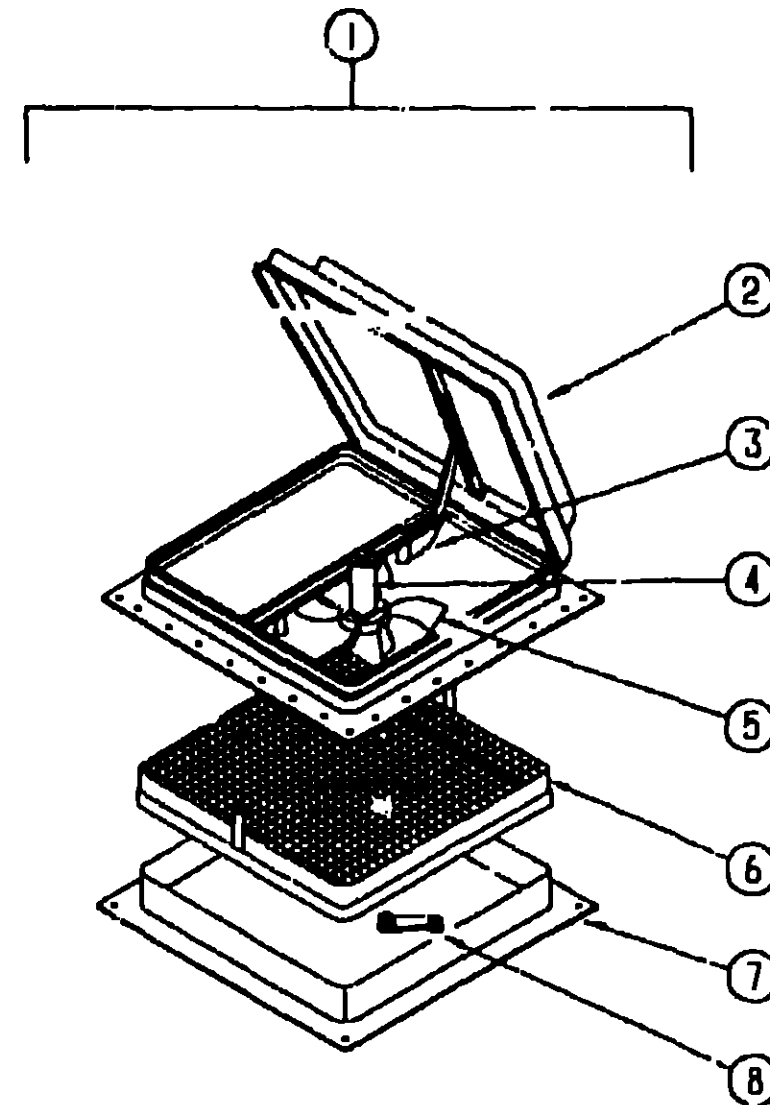
**JAPAN EXPORT OPTION L04F**

KEY	PART NUMBER	U/M DESCRIPTION
	084079-03-000	EA VENT-CEILING, POWERED EXHAUST - OFF WHITE - FANTASTIC VENT
	084079-01-700	EA VENT COVER - FANTASTIC 1020-19
	084079-01-703	EA CRANK-EXTERIOR, FANTASTIC 1060-09
	084079-01-704	EA BLADE-FAN, FANTASTIC 1070-00
	084079-01-705	EA MOTOR, FANTASTIC 1080-00
	084079-01-706	EA PLUG-12 VOLT, FANTASTIC 1090
	084079-01-707	EA SWITCH-SAFETY, FANTASTIC 112000
	084079-01-709	EA SWITCH-ON & OFF, MAIN POWER - FANTASTIC 1100.00
	084079-01-711	EA H-MOLDING, MOTOR MOUNT - PLASTIC - FANTASTIC
	084079-01-712	EA GARNISH-INTERIOR, 1 7/8" - OFF WHITE

**REFRIGERATOR, RANGE HOOD & PLUMBING VENTS**

KEY	PART NUMBER	U/M DESCRIPTION
	065103-03-000	EA BASE-VENT, REFRIGERATOR - ROOF - DOMETIC 3100529 01
	065103-04-000	EA CAP-VENT, REFRIGERATOR - ROOF - DOMETIC 3100529 019
	084616-01-000	EA SHROUD-RANGE HOOD VENT, OFF WHITE
	084878-09-000	EA VENT-RANGE HOOD, SHORT - LVS

**WINDOW, VENT & EXTERIOR DOOR GROUP (CONTINUED)**



**JENSEN POWERED ROOF VENT**

KEY	PART NUMBER	U/M DESCRIPTION
	1	064469-08-000 EA VENT-ROOF POWERED - 14" X 14" - 12V - JENSEN C-727 - CSA
	2	064469-03-702 EA LIFT-VENT, WHITE
	3	064469-03-706 EA LIFT MECHANISM
	4	048648-01-000 EA MOTOR ROOF VENT, 1/8 SHAFT - 12V
	5	048649-01-000 EA FAN-ROOF VENT, 6 BLADES - 6"
	6	110051-01-700 EA SCREEN-ROOF VENT
	7	064469-03-705 EA GARNISH-INNER, 2.5" WIDE
	8	009439-01-000 EA CRANK HANDLE-ROOF VENT
		009439-04-000 EA SCREW 8-32 X 1 1/4" POH
		009439-03-000 EA EXTENSION-CRANK HANDLE ROOF VENT - 9" - MILL

**1992 ITASCA  
TABLE OF CONTENTS**

INTRODUCTION	A-01 -	A-02
ABBREVIATIONS		A-03
ALPHABETICAL INDEX	A-04 -	A-08
IT320RB	A-07 -	C-24
IT321RB	D-01 -	F-20
IT321RL	F-21 -	I-16

**1992 IT320RB INDEX**

FLOOR PLAN	A-07 -	A-08
ACCESSORIES		A-09
AUDIO VIDEO		A-10
BATH	A-11 -	A-12
CHASSIS	A-13 -	A-14
CURTAIN & CUSHION	A-15 -	A-20
DINETTE	A-21 -	A-22
DRIVERS COMPARTMENT		A-23
ELECTRICAL	A-24 -	E-03
EXTERIOR BODY	B-04 -	B-09
GALLEY	B-10 -	B-15
GENERATOR		B-16
HEATING & A/C		B-17
INTERIOR FINISH	B-18 -	B-20
LABEL	B-21 -	C-02
LP		C-03
LOUNGE		C-04
SEALANTS & FASTENERS	C-05 -	C-06
WATER & SEWAGE	C-07 -	C-10
WINDOW, VENT AND EXTERIOR DOOR	C-11 -	C-24