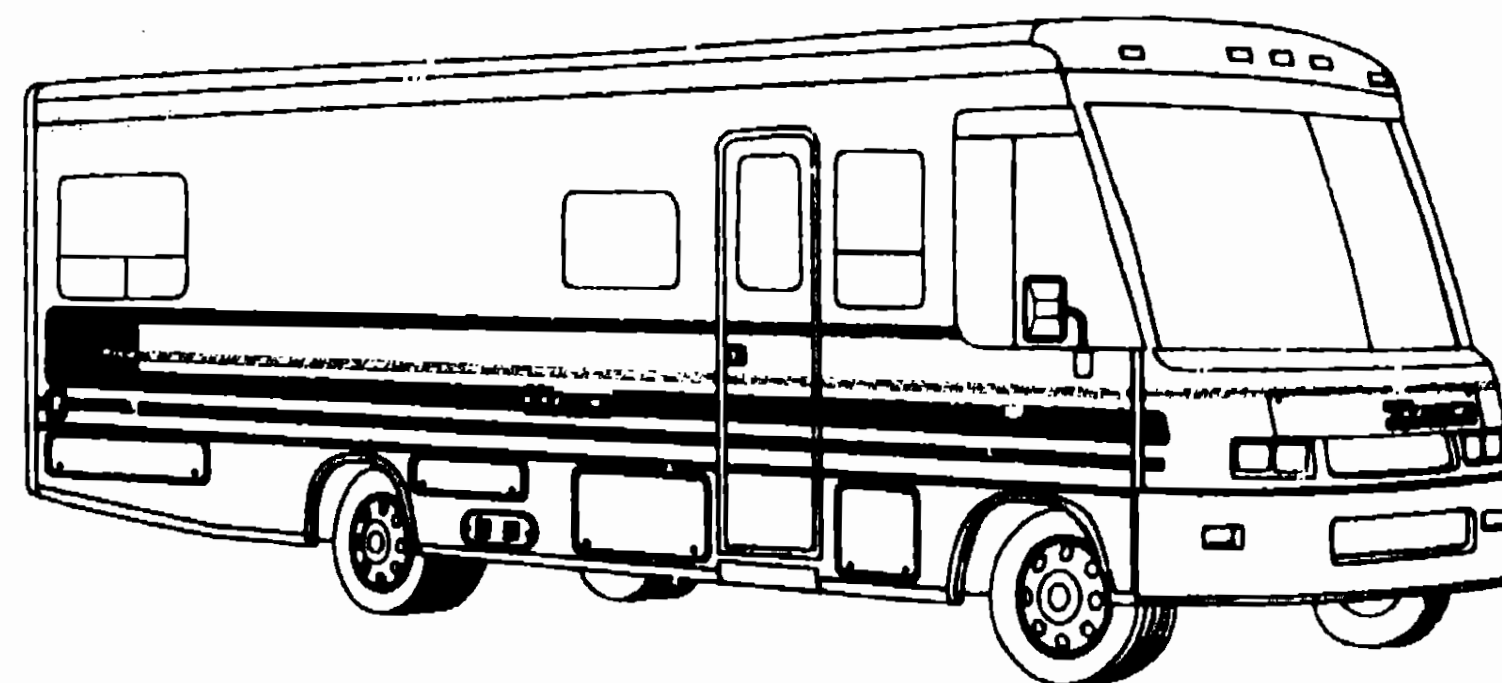


**1992 ITASCA  
TABLE OF CONTENTS**

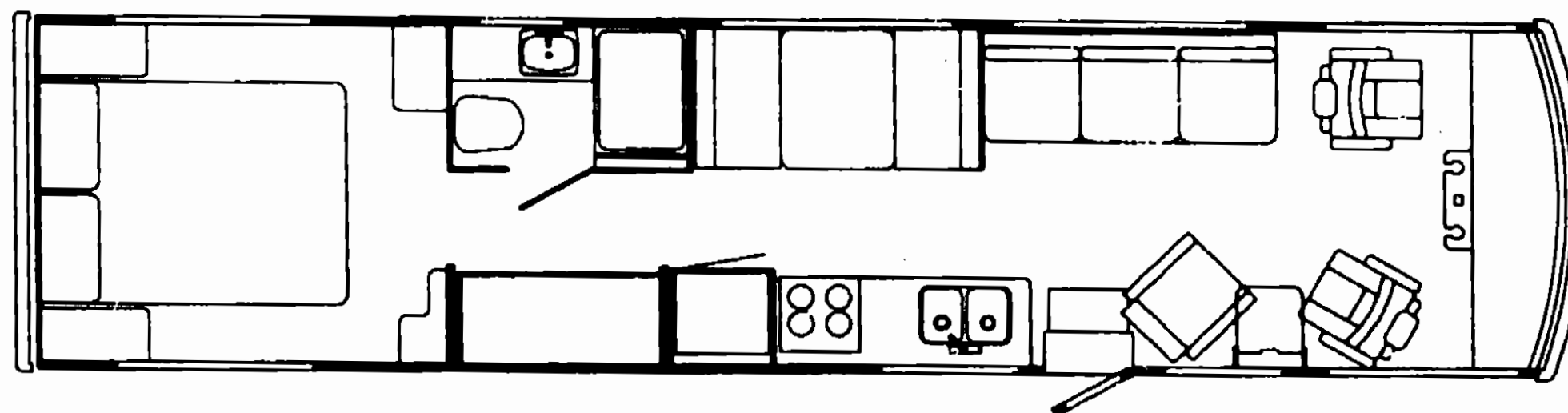
INTRODUCTION	A-01 - A-02
ABBREVIATIONS	A-03
ALPHABETICAL INDEX	A-04 - A-08
IKG34RQ	A-07 - E-18
IKG34RQ	E-19 - I-18



**1992  
IKG34RQ  
C27  
C28**

**1992 IKG34RQ INDEX**

FLOOR PLAN	E-19 - E-20
ACCESSORIES	E-21 - E-22
BATH	E-23 - F-02
BEDROOM	F-03 - F-04
CHASSIS	F-05 - F-08
CURTAIN & CUSHION	F-09 - F-18
DINETTE	F-19 - F-20
DRIVERS COMPARTMENT	F-21 - F-23
ELECTRICAL	F-24 - G-05
EXTERIOR BODY	G-06 - G-16
GALLEY	G-17 - G-21
GENERATOR	G-22
HEATING & A/C	G-23 - H-01
INTERIOR FINISH	H-02 - H-06
LABELS	H-07 - H-14
LP	H-15
LOUNGE	H-16 - H-18
SEALANTS & FASTENERS	H-19 - H-21
WATER & SEWAGE	H-22 - I-01
WINDOW, VENT & EXTERIOR DOOR	I-02 - I-16
WINDSHIELD & WIPER	I-17 - I-18



**ACCESSORIES GROUP  
OPERATOR MANUAL**

**ACCESSORIES GROUP (CONTINUED)  
TV - VCR SYSTEMS & ANTENNA**

**1992 ITASCA  
TABLE OF CONTENTS**

INTRODUCTION	A-01 - A-02
ABBREVIATIONS	A-03
ALPHABETICAL INDEX	A-04 - A-06
ICG34RQ	A-07 - E-18
IKG34RQ	E-19 - I-18

**1992 IKG34RQ INDEX**

FLOOR PLAN	E-19 - E-20
ACCESSORIES	E-21 - E-22
BATH	E-23 - F-02
BEDROOM	F-03 - F-04
CHASSIS	F-05 - F-08
CURTAIN & CUSHION	F-09 - F-18
DINETTE	F-19 - F-20
DRIVERS COMPARTMENT	F-21 - F-23
ELECTRICAL	F-24 - G-05
EXTERIOR BODY	G-06 - G-16
GALLEY	G-17 - G-21
GENERATOR	G-22
HEATING & A/C	G-23 - H-01
INTERIOR FINISH	H-02 - H-06
LABELS	H-07 - H-14
LP	H-15
LOUNGE	H-16 - H-18
SEALANTS & FASTENERS	H-19 - H-21
WATER & SEWAGE	H-22 - I-01
WINDOW, VENT & EXTERIOR DOOR	I-02 - I-16
WINDSHIELD & WIPER	I-17 - I-18

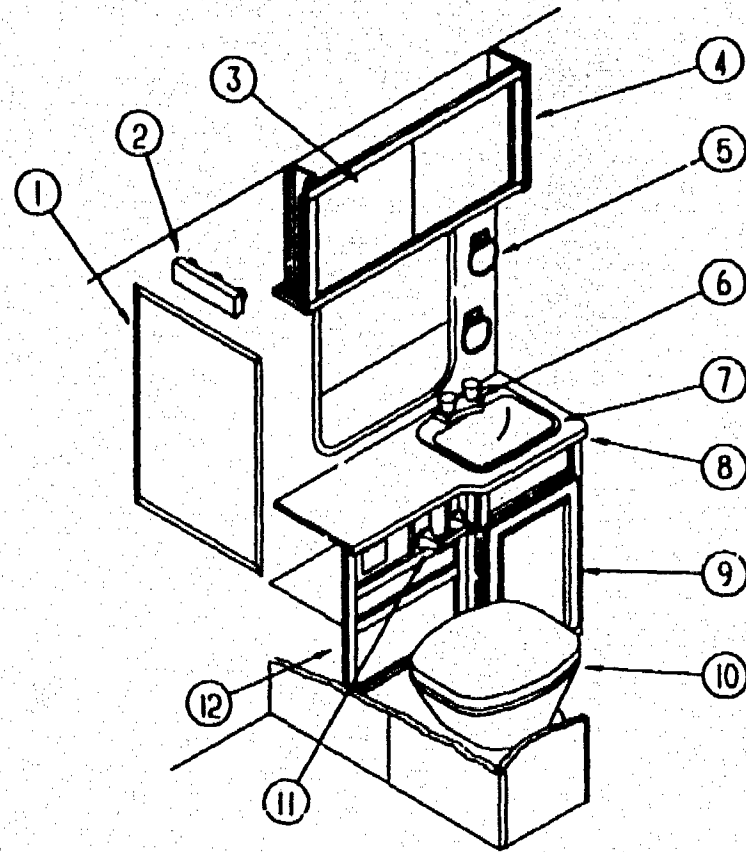
KEY	PART NUMBER	U/M DESCRIPTION
	054185-89-000	EA MANUAL - OPERATOR 92 BUNCRUISER - G-SERIES
	082318-01-000	EA BINDER-3 RING - MOTOR HOME MANUAL
	082319-01-000	EA POCKET PAGE-3 RING BINDER - PLASTIC
<b>RADIO SYSTEMS &amp; ANTENNA</b>		
KEY	PART NUMBER	U/M DESCRIPTION
	089340-03-000	EA GRILLE - SPEAKER - SPACER TAN
	093214-01-02A	EA GRILLE - SPEAKER - 4" BROWN
	089340-02-000	EA GRILLE - SPEAKER - 8 5" SQUARE
	073741-04-000	EA GRILLE - SPEAKER - OVAL - 4" X 6" - BLACK
	094097-01-000	EA SPEAKER - RADIO - W/O GRILLE - 5 25" DIA - AUDIOVOX 110C3030
	073741-03-000	EA SPEAKER - RADIO - OVAL - AUDIOVOX 110-2074 - 4" X 6"
	077089-02-000	EA CABLE - ANTENNA - RADIO - EXTENSION 98" - ARA 8700667
	097821-02-000	EA MOUNTING KIT - RADIO - AUDIOVOX WMK - A802
		FROM: 08-12-91 THRU 99-99-99
	081050-02-000	EA WIRE ASM - 9-PIN - RADIO - AUDIOVOX 112B-1761
	104089-01-000	EA RADIO - AM/FM STEREO - CASSETTE DIN AUDIOVOX IM-DXF
	087683-01-000	EA RADIO - AM/FM STEREO W/CASSETTE AUDIOVOX 144D1559
	090944-01-000	EA ANTENNA - RADIO - 18" RUBBER
	105248-01-000	EA ANTENNA - CB - ADVANCE 8604
	104899-01-C27	EA PLATE - RADIO MOUNTING
	105230-11-C25	EA SHELF ASM
	105230-12-C25	EA SUPPORT ASM
	105377-01-01A	EA BRACKET - TABLE HANGER OFF WHITE
		FROM: 06-25-91 THRU 99-99-99
	105377-01-02A	EA BRACKET - TABLE HANGER GRAY
		FROM: 00-00-00 THRU 06-24-91
	090862-01-000	EA BRACKET - HAT - ANTENNA - 3 1" X 3 9" - STEEL - BLACK

**REAR MONITOR SYSTEM**

KEY	PART NUMBER	U/M DESCRIPTION
	105249-01-000	EA TELEVISION SYSTEM - REAR VIEW - AUDIOVOX A05 10
	092881-01-000	EA WIRE - INSTRUMENT PANEL - REAR VIEW MONITOR
	106209-01-000	EA WIRE ASM - REAR MONITOR - UPPER
	106210-01-000	EA WIRE ASM - REAR MONITOR - POWER

KEY	PART NUMBER	U/M DESCRIPTION
	078319-09-000	EA WALLPLATE - CABLE RECEPTACLE - TV - SINGLE - BROWN
	082134-01-000	EA ADAPTER-TV - CABLE TO CABLE - WINEGARD F-81M
	088756-01-000	EA SPLITTER - TV - 2 WAY
	078319-03-000	FT CABLE - COAXIAL - 75 OHM
	078319-12-000	EA CONNECTOR - COAXIAL - ONE PIECE
	088757-03-000	EA CONTROL CENTER - SWITCH - VCR/TV - MAGNADYNE VCS-8
		FROM: 04-11-91 THRU 99-99-99
	088777-03-000	EA PLATE - WALL - CABLE - W/TV ANTENNA SWITCH & BOOSTER - IVORY
	098446-03-000	EA VCR-VHS - CABLE READY - REMOTE - MAGNAVOX VR9010
	098446-03-700	EA REMOTE FOR VCR-VHS
		FROM: 00-00-00 THRU 07-21-91
	098446-02-700	EA REMOTE F/MODE F/9912
	098446-03-700	EA REMOTE F/MODEL 0974588
	092310-01-700	EA REMOTE F/RK3955 0822335
	092310-02-700	EA REMOTE F/TV 0822334
	098447-03-000	EA TV-13" - COLOR W/REMOTE - U.S. - MAGNAVOX RR1337
	098447-03-700	EA REMOTE FOR TV-13"
		FROM: 00-00-00 THRU 08-23-91
	098447-04-000	EA TV-13" - COLOR W/REMOTE - CANADIAN - MAGNAVOX RR1330W
	098447-03-700	EA REMOTE FOR TV - 13"
		FROM: 00-00-00 THRU 08-23-91
	098819-01-000	EA SPEAKER - 2 WATT - 8 OHM - 4"
	092310-02-000	EA TV-COLOR - 9" - AC/DC - W/REMOTE - MAGNAVOX RD0945
		FROM: 00-00-00 THRU 09-03-91
	076319-01-000	EA ANTENNA - TV - ROOF MOUNT - 44.5" MAST
	076319-01-700	EA HEAD - ANTENNA - AMPLIFIED - WINEGARD
	076319-01-701	EA GEAR - ELEVATING - PLASTIC - WINEGARD
	076319-01-702	EA SHAFT ASM - ELEVATING - WINEGARD
	076319-01-703	EA BEARING - NYLON - 5"OD - WINEGARD
	076319-01-705	EA GROMMET - NYLON - 7/8"ID - WINEGARD
	076319-01-706	EA CRANK - ELEVATING - W/SET SCREW
	076319-01-707	EA SPRING - HANDLE - WINEGARD
	076319-01-709	EA PLATE - DIRECTIONAL - FOR HEAD - WINEGARD
	076319-01-706	EA CRANK - ELEVATING - W/SET SCREW - WINEGARD
	076319-08-000	EA WALLPLATE - CABLE RECEPTACLE - TV - SINGLE - IVORY
	082134-01-000	EA NUT - HEX JAM 3/8-32 WINEGARD
	088777-01-000	EA WALLPLATE - TV CABLE - W/ANTENNA SWITCH - IVORY

**BATH GROUP**  
**BATH CABINETS & PRIVACY DOOR**



KEY	PART NUMBER	U/M DESCRIPTION
1	058331-08-000	EA MIRROR
2	110235-01-01A	EA LIGHT - 3 BULB
3	101040-03-000	EA MIRROR - GLASS - FINGER PULL (364.2 X 445.0 MM)
4	104460-01-C27	EA CABINET ASM - MEDICINE
	042077-01-000	FT CHANNEL - U - WINDOW GLASS ON CABINET DOOR RUN - 3/16"
		FROM: 11-07-91 THRU: 09-99-99
	074031-01-000	FT CHANNEL - PILE - FLEX - SCHLEGEL 1328-2061-
		FROM: 00-00-00 THRU: 11-06-91
5	074383-07-000	EA TRACK - SLIDING DOOR - GOLD
	075454-02-000	EA RING-TOWEL - W/MOUNTING HARDWARE - BRASS
	100494-03-C27	EA DOOR ASM - BATH
	009151-01-000	EA WARP GUARD - CABINET/PRIVACY DOOR - 48"
	100357-01-000	EA ROD - TOWEL - BRASS W/ENDS BENT FOR BACK OF BATH DOOR
	102089-11-B03	EA MOUNT - ROD - RIGHT SIDE - FOR TOWEL RODS - 53.5" LONG - WOOD
	102089-12-B03	EA MOUNT - ROD - LEFT SIDE - FOR TOWEL RODS - 53.5" LONG - WOOD
6	075240-06-000	EA FAUCET - LAVATORY - BONE
7	096927-01-01A	EA SINK - LAVATORY - RECTANGULAR - PLASTIC - BONE
	096927-01-700	EA SINK STOPPER
	096927-01-701	EA TAILPIECE - SINK
	106017-01-C07	EA SHELF ASM - BATH (C27)
	106017-01-C08	EA SHELF ASM - BATH (C28)
8	104459-11-C27	EA COUNTERTOP ASM
8	104459-11-C08	EA COUNTERTOP ASM (C28)
9	P03701-B4-C07	EA DOOR ASM - W/O HARDWARE
		FROM: 00-00-00 THRU: 08-04-91
9	P04746-50-C07	EA DOOR ASM - W/O HARDWARE
		FROM: 08-05-91 THRU: 99-99-99
10	064076-02-000	EA TOILET - STARLITE - LOW - IVORY THETFORD - W/O WATERSAVER
	039341-02-700	EA COVER - SEAT - TOILET - IVORY 037151 THETFORD NEW
	039341-02-703	EA PLUG-HOLE - IVORY - THETFORD 03895-10
	039341-02-704	EA SEAT & COVER SET - THETFORD 08855 SL & SH NEWSTYLE
	039341-02-705	EA MOUNTING PACKAGE - THETFORD 08975 A.M
	039341-02-707	EA PIN-HINGE - TOILET - 12986 THETFORD
	064076-01-701	EA MECHANISM - FLUSHING - THETFORD 14622 IVORY STARLIGHT
	104013-03-C27	EA DOOR ASM - SLIDING
	103874-01-000	EA HANGER - SLIDING DOOR
	105218-01-01A	EA SPACE - FAUCET - LAVATORY SINK - 2" X 5.9" - ABS PLASTIC - OFF WHITE
		FROM: 00-00-00 THRU: 10-13-91
	011069-04-000	EA TAILPIECE - 1 1/2 X 1 1/4 X 8 - BRASS (TUB)
	091208-01-000	EA WASHER - RUBBER - .06" X .75" X .5"
	009151-01-C00	EA GUARD-WARP - CABINET/PRIVACY DOOR - 48"
	064467-01-000	EA GUIDE-POCKET - SLIDING DOOR - WALL MOUNTED
11	075452-02-000	EA HOLDER - TOILET TISSUE - BRASS
12	P04459-01-C27	EA CABINET ASM - LAVATORY
12	P04459-01-C28	EA CABINET ASM - LAVATORY

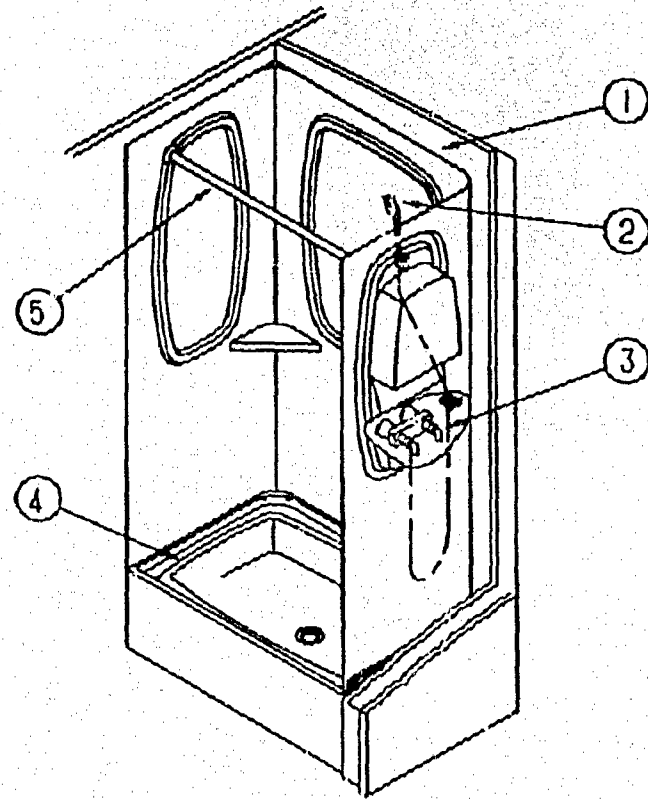
**1992 ITASCA**  
**TABLE OF CONTENTS**

INTRODUCTION	A-01 - A-02
ABBREVIATIONS	A-03
ALPHABETICAL INDEX	A-04 - A-06
ICG34RQ	A-07 - E-18
IKG34RQ	E-19 - I-18

**1992 IKG34RQ INDEX**

FLOOR PLAN	E-19 - E-20
ACCESSORIES	E-21 - E-22
BATH	E-23 - F-02
BEDROOM	F-03 - F-04
CHASSIS	F-05 - F-08
CURTAIN & CUSHION	F-09 - F-18
DINETTE	F-19 - F-20
DRIVERS COMPARTMENT	F-21 - F-23
ELECTRICAL	F-24 - G-05
EXTERIOR BODY	G-06 - G-16
GALLEY	G-17 - G-21
GENERATOR	G-22
HEATING & A/C	G-23 - H-01
INTERIOR FINISH	H-02 - H-06
LABELS	H-07 - H-14
LP	H-15
LOUNGE	H-16 - H-18
SEALANTS & FASTENERS	H-19 - H-21
WATER & SEWAGE	H-22 - I-01
WINDOW, VENT &	
EXTERIOR DOOR	I-02 - I-16
WINDSHIELD & WIPER	I-17 - I-18

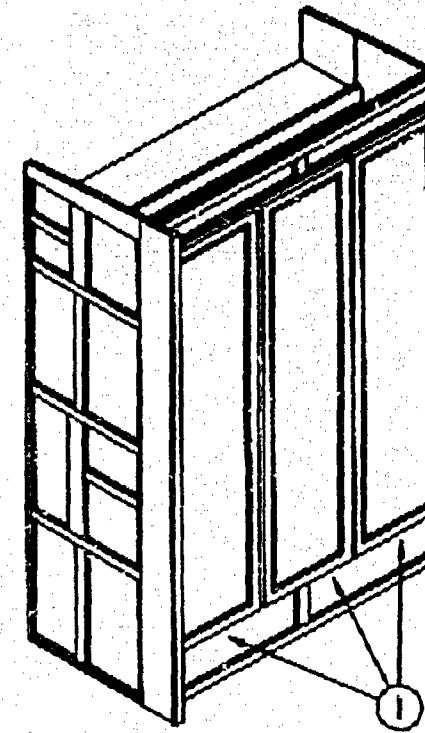
**BATH GROUP (CONTINUED)**



**SHOWER COMPONENTS**

KEY	PART NUMBER	U/M DESCRIPTION
1	104464-01-01A	EA SURROUND - SHOWER - OFF WHITE
2	103092-01-000	EA SHOWER HEAD - W/RO IN HOSE
3	075241-05-000	EA FAUCET - SHOWER, BONE
4	M02630-22-C07	EA SHOWER PAN ASM
5	102075-06-01A	EA CURTAIN ROD - SHOWER
	009112-01-000	EA FLANGE - CURTAIN ROD
	057671-01-000	EA COVER - SCREW - #8 - PLASTIC - OFF WHITE
	101452-01-01A	EA CADDY - SHOWER - OFF WHITE
	073260-54-C10	EA TIEBACK ASM. - 3'X16" (C27)
	073260-54-C30	EA TIEBACK ASM. - 3'X16" (C28)
	084481-22-C27	EA CURTAIN ASM. - SHOWER - 65X40 - GROMMET TOP
	084481-22-C08	EA CURTAIN ASM. - SHOWER - 65X40 - GROMMET TOP(C28)

**BATH GROUP (CONTINUED)**



**WARDROBE CABINET**

KEY	PART NUMBER	U/M DESCRIPTION
1	P03702-F1-C27	EA DOOR ASM - W/O HARDWARE
1	P04536-15-C27	EA DOOR ASM - W/O HARDWARE
		FROM: 00-00-00 THRU: 02-17-92
		FROM: 02-18-92 THRU: 99-99-99
	042438-01-000	EA DOWEL - CLOTHES ROD - 1" DIAMETER - WOOD
	009112-01-000	EA FLANGE - 1" CLOTHES ROD - PLASTIC - OFF WHITE

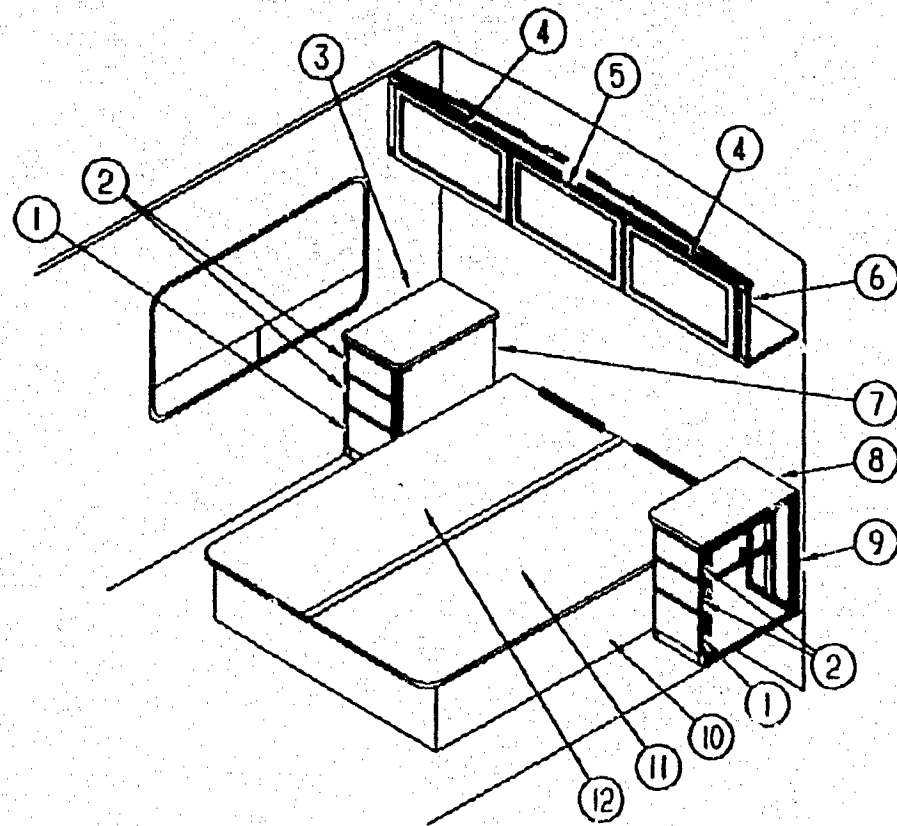
**1992 ITASCA  
TABLE OF CONTENTS**

INTRODUCTION	A-01 - A-02
ABBREVIATIONS	A-03
ALPHABETICAL INDEX	A-04 - A-06
ICG34RQ	A-07 - E-18
IKG34RQ	E-19 - I-18

**1992 IKG34RQ INDEX**

FLOOR PLAN	E-19 - E-20
ACCESSORIES	E-21 - E-22
BATH	E-23 - F-02
BEDROOM	F-03 - F-04
CHASSIS	F-05 - F-08
CURTAIN & CUSHION	F-09 - F-18
DINETTE	F-19 - F-20
DRIVERS COMPARTMENT	F-21 - F-23
ELECTRICAL	F-24 - G-05
EXTERIOR BODY	G-06 - G-16
GALLEY	G-17 - G-21
GENERATOR	G-22
HEATING & A/C	G-23 - H-01
INTERIOR FINISH	H-02 - H-06
LABELS	H-07 - H-14
LP	H-15
LOUNGE	H-16 - H-18
SEALANTS & FASTENERS	H-19 - H-21
WATER & SEWAGE	H-22 - I-01
WINDOW, VENT & EXTERIOR DOOR	I-02 - I-16
WINDSHIELD & WIPER	I-17 - I-18

**BEDROOM GROUP  
QUEEN BEDROOM**



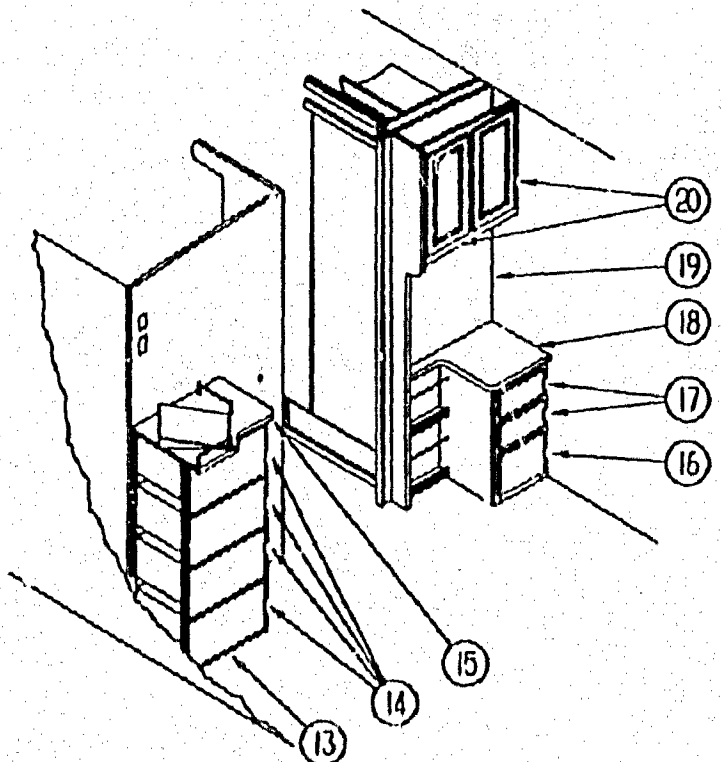
KEY	PART NUMBER	U/M	DESCRIPTION
1	P03397-A5-C27	EA	DRAWER ASM - CABINET - W/O HARDWARE FROM: 00-00-00 THRU: 01-19-92
1	P07104-99-C27	EA	DRAWER ASM - CABINET - W/O HARDWARE FROM: 01-20-92 THRU: 99-99-99
2	P03397-A7-C27	EA	DRAWER ASM - CABINET - W/O HARDWARE FROM: 00-00-00 THRU: 01-19-92
2	P07104-97-C27	EA	DRAWER ASM - W/O HARDWARE FROM: 01-20-92 THRU: 99-99-99
3	104361-11-C27	EA	COUNTERTOP ASM.
3	104361-11-C28	EA	COUNTERTOP ASM.
4	P03702-01-C25	EA	DOOR ASM - W/O HARDWARE FROM: 00-00-00 THRU: 08-04-91
4	P03702-12-C43	EA	DOOR ASM - W/O HARDWARE FROM: 08-05-91 THRU: 99-99-99
5	P03702-65-C27	EA	DOOR ASM - W/O HARDWARE
6	M05160-16-C27	EA	CABINET ASM - OVHD (ITASCA)
7	104361-01-C27	EA	CABINET ASM - W/COUNTERTOP - NIGHTSTAND
7	104361-01-C28	EA	CABINET ASM - W/COUNTERTOP - NIGHTSTAND
8	104362-11-C27	EA	COUNTERTOP ASM.
8	104362-11-C08	EA	COUNTERTOP ASM. (C28)
9	104362-01-C27	EA	CABINET ASM - W/COUNTERTOP - NIGHTSTAND
9	104362-01-C28	EA	CABINET ASM - W/COUNTERTOP - NIGHTSTAND
10	M05607-01-C27	EA	CABINET ASM - QUEEN BED
11	M05087-03-C27	EA	CABINET ASM - QUEEN BED TOP - LH
12	M05087-04-C27	EA	CABINET ASM - QUEEN BED TOP - RH
13	104404-01-C27	EA	CABINET ASM - WARDROBE - REAR - LH
13	104404-01-C28	EA	CABINET ASM - WARDROBE - REAR - LH
14	P03397-G9-C27	EA	DRAWER ASM - CABINET - W/O HARDWARE FROM: 00-00-00 THRU: 01-19-92
14	P07104-81-C27	EA	DRAWER ASM - W/O HARDWARE FROM: 01-20-92 THRU: 99-99-99
15	104404-11-C27	EA	COUNTERTOP ASM.
15	104404-11-C28	EA	COUNTERTOP ASM.
16	P07104-65-C27	EA	DRAWER ASM - W/O HARDWARE
17	P07104-63-C27	EA	DRAWER ASM - W/O HARDWARE
18	107261-12-C27	EA	COUNTERTOP ASM.
19	P07261-01-C27	EA	CABINET ASM - W/COUNTERTOP - VANITY
20	P03702-G9-C27	EA	DOOR ASM - W/O HARDWARE

**1992 ITASCA  
TABLE OF CONTENTS**

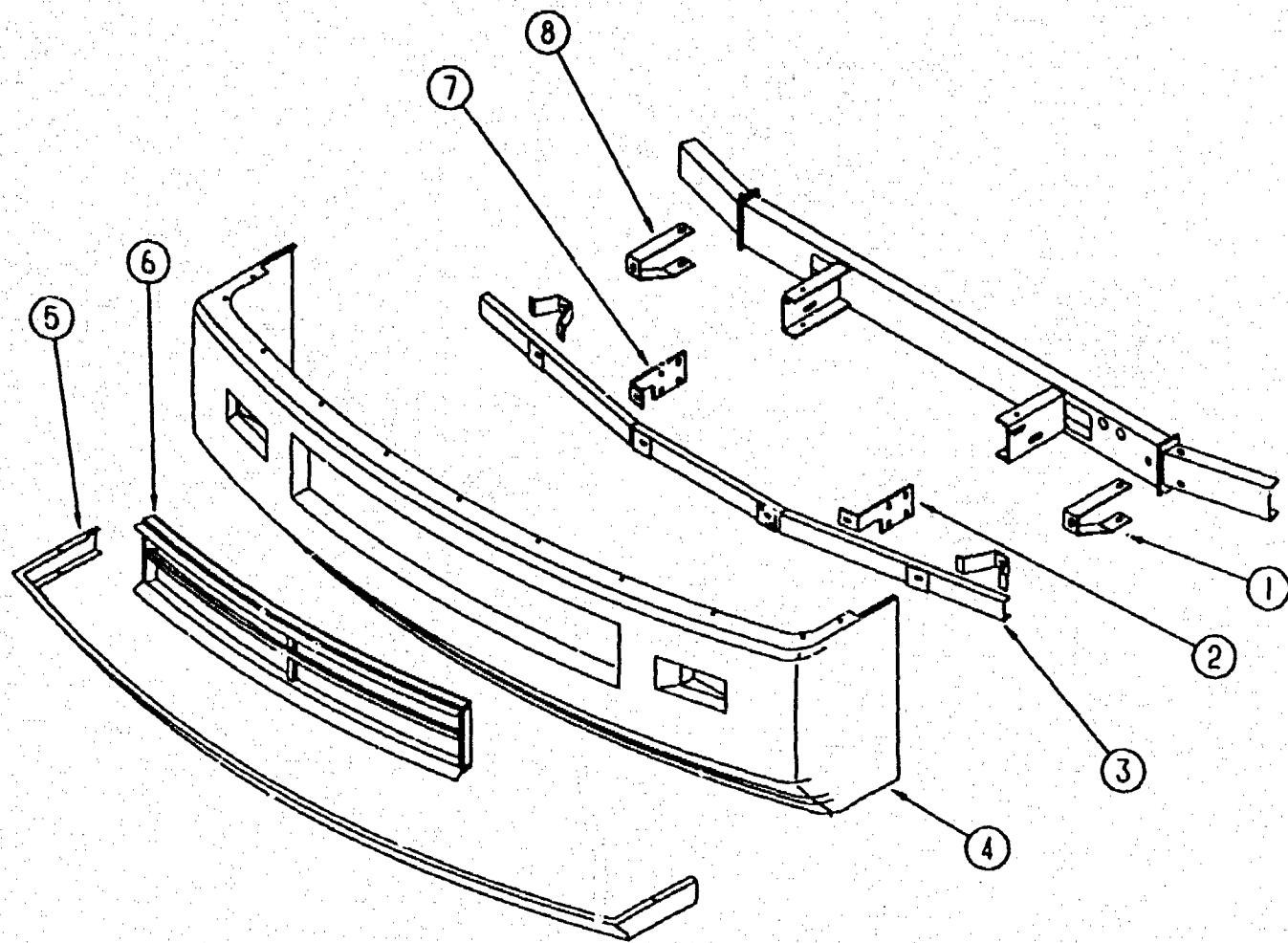
INTRODUCTION	A-01 - A-02
ABBREVIATIONS	A-03
ALPHABETICAL INDEX	A-04 - A-06
ICG34RQ	A-07 - E-18
IKG34RQ	E-19 - I-18

**1992 IKG34RQ INDEX**

FLOOR PLAN	E-19 - E-20
ACCESSORIES	E-21 - E-22
BATH	E-23 - F-02
BEDROOM	F-03 - F-04
CHASSIS	F-05 - F-08
CURTAIN & CUSHION	F-09 - F-18
DINETTE	F-19 - F-20
DRIVERS COMPARTMENT	F-21 - F-23
ELECTRICAL	F-24 - G-05
EXTERIOR BODY	G-06 - G-16
GALLEY	G-17 - G-21
GENERATOR	G-22
HEATING & A/C	G-23 - H-01
INTERIOR FINISH	H-02 - H-06
LABELS	H-07 - H-14
LP	H-15
LOUNGE	H-16 - H-18
SEALANTS & FASTENERS	H-19 - H-21
WATER & SEWAGE	H-22 - I-01
WINDOW, VENT & EXTERIOR DOOR	I-02 - I-16
WINDSHIELD & WIPER	I-17 - I-18



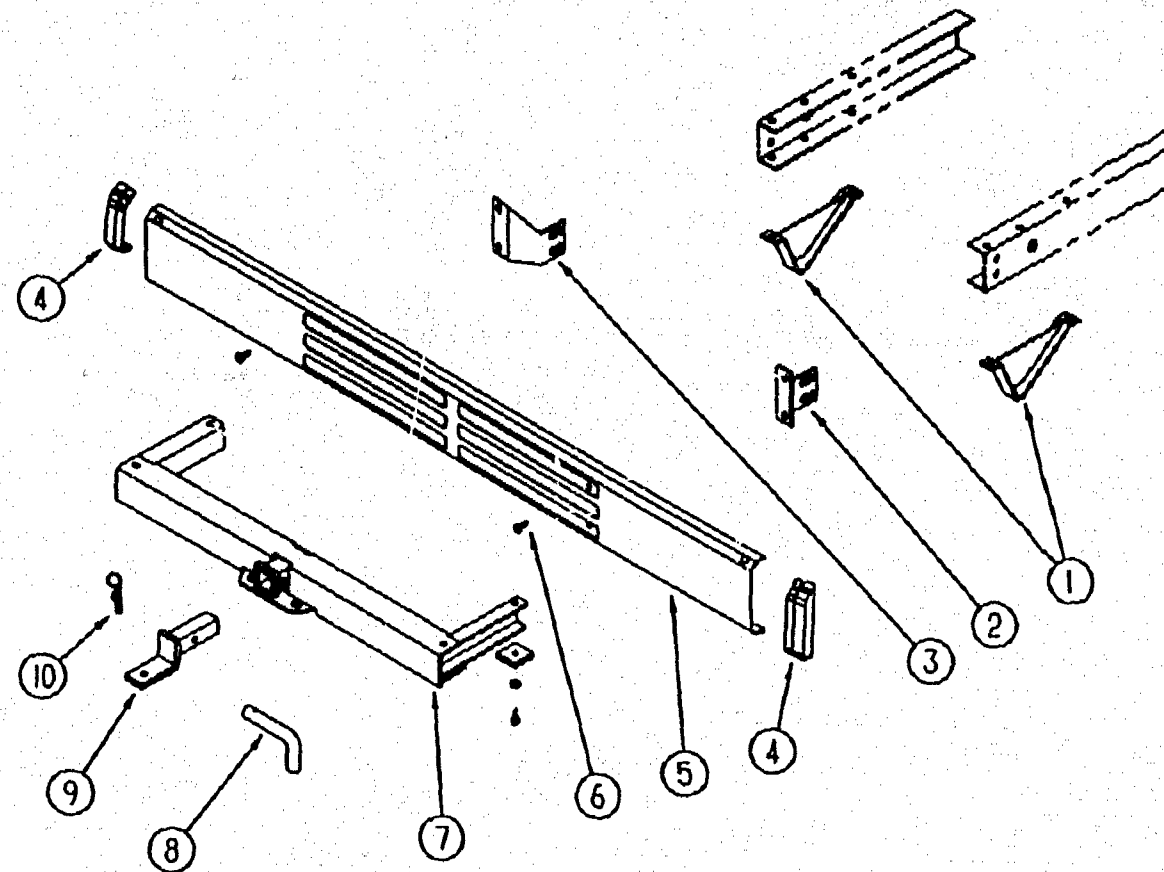
### CHASSIS GROUP



**FRONT BUMPER**

KEY	PART NUMBER	U/M	DESCRIPTION
1	105644-01-000	EA	BRACE - BUMPER - FRONT
2	086140-04-000	EA	SUPPORT - FRONT BUMPER - DRIVER SIDE - 9 1" X 4" - STEEL
3	103512-01-000	EA	CHANNEL ASM - BUMPER
4	104661-01-C27	EA	BUMPER PANEL ASM - FRONT
5	106291-01-C07	EA	SPOILER ASM.
6	104318-02-C07	EA	GRILL ASM.
7	086140-03-000	EA	SUPPORT - FRONT BUMPER - PASSENGER SIDE - 9 1" X 4" - STEEL
8	105644-01-000	EA	BRACE - BUMPER - FRONT
	106065-01-03A	EA	TRIM - BUMPER END CAP - GRAY

### CHASSIS GROUP (CONTINUED)



**REAR BUMPER**

KEY	PART NUMBER	U/M	DESCRIPTION
1	083376-01-000	EA	SKID PLATE
2	104418-03-000	EA	ANGLE - SUPPORT - BUMPER REAR
3	104418-04-000	EA	ANGLE - SUPPORT - BUMPER REAR
4	103228-01-02A	EA	END CAP - BUMPER REAR - GRAY
5	103099-03-02A	EA	REAR BUMPER - GRAY
6	102333-01-02A	EA	BOLT - 7/16"
7	106029-01-000	EA	HITCH ASM.
8	034512-01-000	EA	PIN
9	077613-01-000	EA	DRAW BAR
10	034513-01-000	EA	PIN - 3/16" WIRE

### 1992 ITASCA TABLE OF CONTENTS

INTRODUCTION	A-01 - A-02
ABBREVIATIONS	A-03
ALPHABETICAL INDEX	A-04 - A-06
ICG34RQ	A-07 - E-18
IKG34RQ	E-19 - I-18

### 1992 IKG34RQ INDEX

FLOOR PLAN	E-19 - E-20
ACCESSORIES	E-21 - E-22
BATH	E-23 - F-02
BEDROOM	F-03 - F-04
CHASSIS	F-05 - F-08
CURTAIN & CUSHION	F-09 - F-18
DINETTE	F-19 - F-20
DRIVERS COMPARTMENT	F-21 - F-23
ELECTRICAL	F-24 - G-05
EXTERIOR BODY	G-06 - G-16
GALLEY	G-17 - G-21
GENERATOR	G-22
HEATING & A/C	G-23 - H-01
INTERIOR FINISH	H-02 - H-09
LABELS	H-07 - H-14
LP	H-15
LOUNGE	H-16 - H-18
SEALANTS & FASTENERS	H-19 - H-21
WATER & SEWAGE	H-22 - I-01
WINDOW, VENT & EXTERIOR DOOR	I-02 - I-16
WINDSHIELD & WIPER	I-17 - I-18



**CHASSIS GROUP (CONTINUED)**  
**COMPARTMENTS & TRAYS**

KEY	PART NUMBER	U/M DESCRIPTION
	061420-01-000	EA PLUG - PLAS - 1.75 DIA.
	092887-01-000	EA HATCH - COMPARTMENT - SEWER HOSE - 6"
	092887-03-000	EA CAP - TWIST HATCH - SEWER HOSE - 4" ID - BEIGE
	092887-04-000	EA CHAIN - TWIST CAP - 9'
	093287-03-01A	EA NET - CARGO
	094657-01-000	EA TRAY - GENERATOR - 22.5" X 30.4" X 6.9"
	094657-02-000	EA TRAY - GENERATOR - 22.5" X 30.4" X 6.9" W/ANGLE & NUTS
	104742-01-C07	EA STORAGE COMPARTMENT ASM.
	104897-01-01A	EA BOX - ENTERTAINMENT CENTER - OFF WHITE (US)
	104897-03-01A	EA BOX - ENTERTAINMENT CENTER - OFF WHITE (CSA)
	104898-01-01A	EA PLATE - PLASTIC BOTTOM - OFF WHITE (CSA)
	104898-02-01A	EA PLATE - PLASTIC BOTTOM - OFF WHITE (US)
	055374-01-000	EA WHEELWELL - PLASTIC

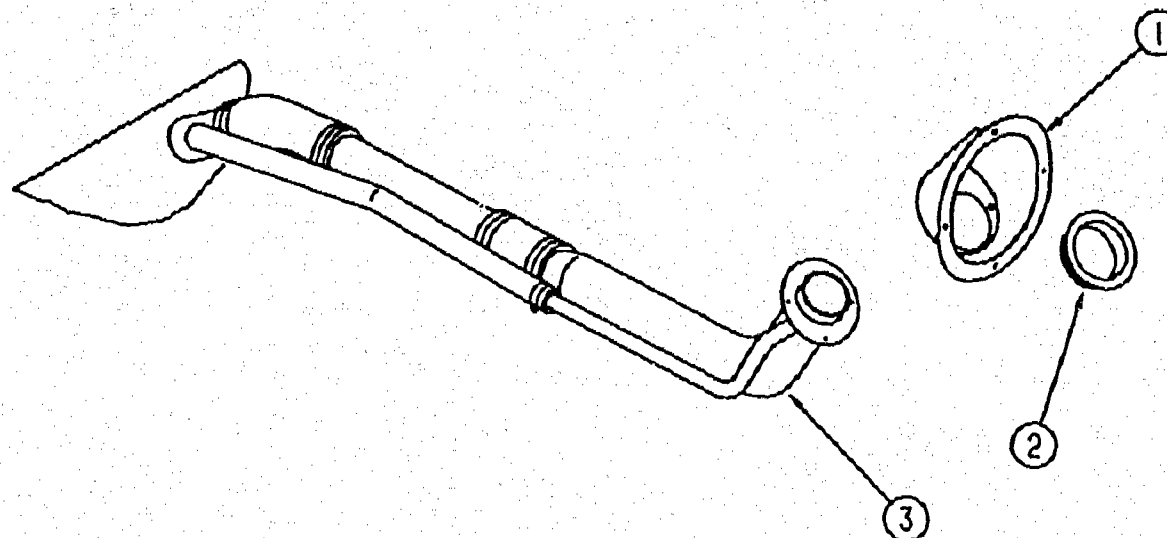
**STEP ASSEMBLIES**

KEY	PART NUMBER	U/M DESCRIPTION
	094707-01-01A	EA STEP - DOUBLE - ELECTRIC
	041250-01-000	EA SWITCH - PUSH BUTTON - IN DOOR JAMB - METAL - CHROME
	094707-02-700	EA MOTOR REPLACEMENT KIT - MODELS 32 & 28
	094707-02-701	EA LINKAGE ASM - MODEL 32
	094707-02-702	EA GEAR KIT
	094707-02-703	EA PARTS KIT - (BEARINGS & PINS)
	094707-02-704	EA CONNECTOR KIT - MOTOR
	094707-02-705	EA CONTROL UNIT - (ORANGE)
	100312-01-000	EA SWITCH - DOOR JAMB - ELECTRIC ENTRY STEP - METAL
	087618-04-000	EA TRIM - STEPWELL - OFF WHITE
	106251-01-C07	EA TRIM - STEPWELL - OFF WHITE

**SPARE TIRE HOIST**

KEY	PART NUMBER	U/M DESCRIPTION
	093267-01-000	EA HOIST - SPARE TIRE
	093375-05-000	EA EXTENSION - TIRE HOIST
	105499-01-000	EA BRACKET - TIRE HOIST
	093376-01-000	EA CRANK HANDLE - TIRE HOIST

**CHASSIS GROUP (CONTINUED)**



**1992 ITASCA**  
**TABLE OF CONTENTS**

INTRODUCTION	A-01 - A-02
ABBREVIATIONS	A-03
ALPHABETICAL INDEX	A-04 - A-06
ICG34RQ	A-07 - E-18
IKG34RQ	E-19 - I-18

**FUEL SYSTEM**

KEY	PART NUMBER	U/M DESCRIPTION
1	102551-01-03A	EA SHROUD - FUEL FILL - GRAY
2	078200-01-000	EA GASKET - FUEL FILL - 3.5"OD X 2"ID
3	087256-05-000	EA NECK ASM. - FUEL FILL
	007063-01-000	FT HOSE - GAS 1/4"ID X 1/2"OD
	108044-01-000	EA INDICATOR - RESTRICTION - FILTER
	108044-02-000	EA FITTING - BARB W/FILTER .15X1/8P
	108044-03-000	EA HOSE - VACUUM - EPDM 7/64 X 10'

**TIRES & LUG WRENCH**

KEY	PART NUMBER	U/M DESCRIPTION
	077030-02-000	EA EXTENSION - VALVE STEM - 1.25"
	095012-03-000	EA EXTENSION - VALVE STEM - DUAL WHEEL
	067324-03-000	EA TIRE - 8R19.5 LRF - MICHELIN
	051377-01-000	EA STEM - VALVE - TR 500
	080208-02-000	EA LUG WRENCH - 1.5" X .8"
	080208-02-000	EA BAR - LEVERAGE - LUG WRENCH

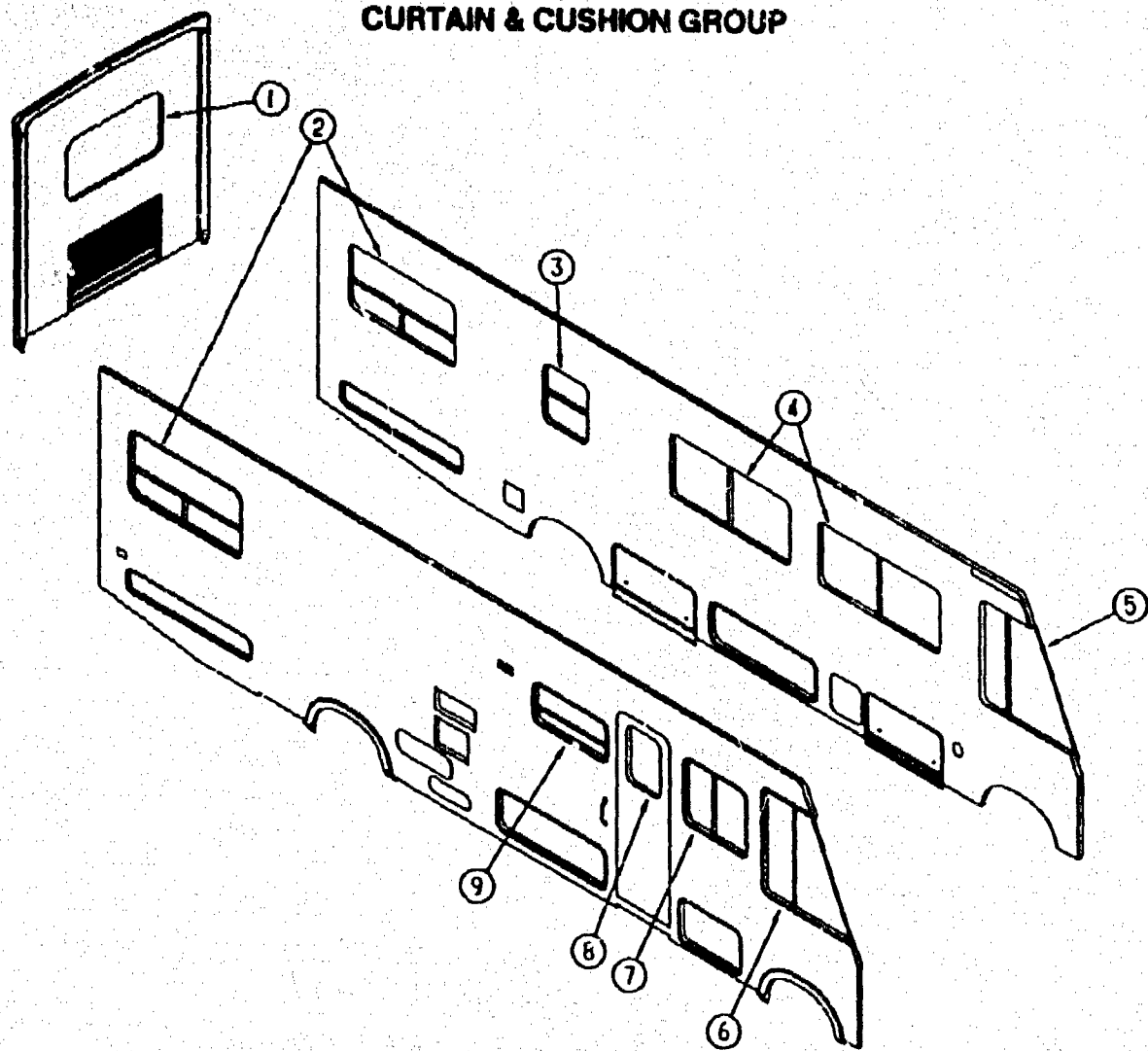
**WHEEL COVERS & LINERS**

KEY	PART NUMBER	U/M DESCRIPTION
	086271-01-000	EA LINER - WHEEL - SET OF 4 - 19.5 - STAINLESS STEEL - KAPER 11
	083181-10-000	EA RETAINER - WHEEL COVER - 19.5 - SET OF 4 - DELMET
	083181-10-700	EA RETAINER F/19.5 JD FT(1)ONLY JAL-195 FPC DELMET
	083181-10-701	EA RETAINER F/19.5 JD RR(1)ONLY JAL-195 RFC DELMET
	086281-01-000	EA RIM - STEEL - 19.5" X 8.75" BOLT - FIRESTONE 28179
	109443-03-000	EA WHEEL COVER - 19.5" 4/SET

**1992 IKG34RQ INDEX**

FLOOR PLAN	E-19 - E-20
ACCESSORIES	E-21 - E-22
BATH	F-03 - F-02
BEDROOM	F-03 - F-04
CHASSIS	F-05 - F-08
CURTAIN & CUSHION	F-09 - F-18
DINETTE	F-19 - F-20
DRIVERS COMPARTMENT	F-21 - F-23
ELECTRICAL	F-24 - G-05
EXTERIOR BODY	G-06 - G-16
GALLEY	G-17 - G-21
GENERATOR	G-22
HEATING & A/C	G-23 - H-01
INTERIOR FINISH	H-02 - H-06
LABELS	H-07 - H-14
LP	H-15
LOUNGE	H-16 - H-18
SEALANTS & FASTENERS	H-19 - H-21
WATER & SEWAGE	H-22 - I-01
WINDOW, VENT & EXTERIOR DOOR	I-02 - I-16
WINDSHIELD & WIPER	I-17 - I-18

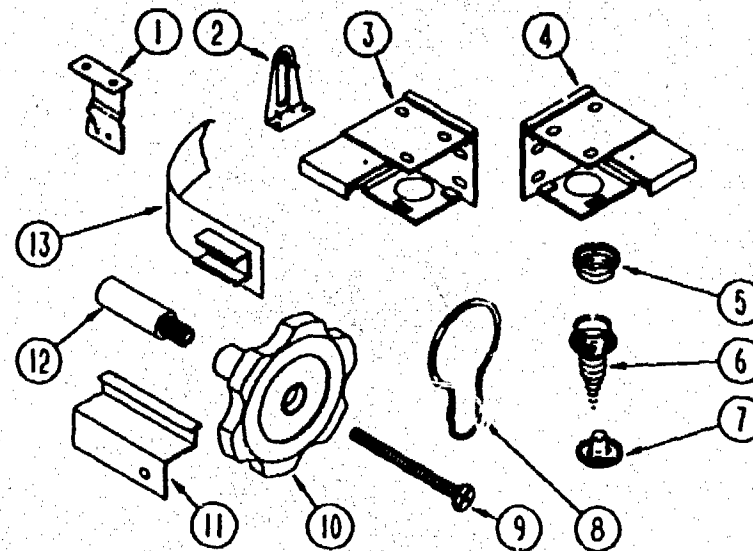
**CURTAIN & CUSHION GROUP**



**CURTAINS & WINDOW TREATMENT**

KEY	PART NUMBER	U/M DESCRIPTION
1	106348-01-C27	EA VALANCE ASM. - 53" GOTHIC - W/O CROWN
1	106348-01-C28	EA VALANCE ASM. - 53" GOTHIC - W/O CROWN
1	084755-80-C27	EA SHADE ASM. - PULL - 52 25 - NO TRIM
1	073323-54-C27	EA CURTAIN ASM. - SHEERS - 27"X80" - TOP&BOTTOM ROD (C28)
		FROM: 00-00-00 THRU: 03-01-92
1	073323-57-C07	EA CURTAIN ASM. - SHEERS - 30"X80" - TOP&BOTTOM ROD - NO HEADER (C27,C28)
		FROM: 03-02-92 THRU: 99-99-99
2	106348-02-C27	EA VALANCE ASM. - 56" GOTHIC - W/CROWN
2	106348-02-C28	EA VALANCE ASM. - 56" GOTHIC - W/CROWN
2	084755-75-C07	EA SHADE ASM. - PULL - 56 25" - NO TRIM (C27,C28)
2	073323-55-C07	EA CURTAIN ASM. - SHEERS - 29"X80" - TOP&BOTTOM ROD (C27,C28)
		FROM: 00-00-00 THRU: 03-01-92
2	073323-56-C07	EA CURTAIN ASM. - SHEERS - 33"X80" - TOP&BOTTOM ROD (C27,C28)
		FROM: 03-02-92 THRU: 99-99-99
3	093475-87-03A	EA MINI BLIND - 24"X29" DROP (C27,C28)
4	105906-01-03A	EA BLIND - WOVEN WOOD - 64"X31" (C27)
4	105906-01-01A	EA BLIND - WOVEN WOOD - 64"X31" (C28)
5	101668-28-C27	EA CURTAIN ASM. - 48"X80" - LEFT SIDE - TAPE TOP
5	101668-28-C28	EA CURTAIN ASM. - 48"X80" - LEFT SIDE - TAPE TOP
6	101668-27-C27	EA CURTAIN ASM. - 48"X80" - RIGHT SIDE - TAPE TOP
6	101668-27-C28	EA CURTAIN ASM. - 48"X80" - RIGHT SIDE - TAPE TOP
6	073260-50-C27	EA TIEBACK ASM. - 6"X18" W/BRAID
6	073260-50-C28	EA TIEBACK ASM. - 6"X18" W/BRAID
7	105906-02-03A	EA BLIND - WOVEN WOOD - 34"X31" (C27)
7	105906-02-01A	EA BLIND - WOVEN WOOD - 34"X31" (C28)
8	084755-57-C03	EA SHADE - PULL - 27 25"
0	093475-88-03A	EA MINI BLIND - 38"X18 5" DROP (C27,C28)

**CURTAIN & CUSHION GROUP (CONTINUED)**



**CURTAIN & BLIND HARDWARE**

KEY	PART NUMBER	U/M DESCRIPTION
1	034434-01-000	EA BRACKET - MOUNTING - ROLLER SHADE - 1 3/8"
	096843-01-000	EA SPRING - REWIND - ROLLER SHADE
	087253-01-000	EA ROLLER SHADE PULL - PLASTIC - CLEAR
		FROM: 00-00-00 THRU: 09-29-91
	106544-01-000	EA SHADE PULL - BRASS
		FROM: 09-30-91 THRU: 99-99-99
2	095591-02-000	EA BRACKET - HOLD DOWN - W/PIN - BLIND - METAL
3	083170-01-000	EA BRACKET - BLIND - RIGHT SIDE
4	033170-02-000	EA BRACKET - BLIND - LEFT SIDE
5	029156-01-000	EA SOCKET - SNAP - 9/16" O.D.
6	029130-01-000	EA SCREW - SNAP SOCKET - 8 PH X 5/8"
7	029155-01-000	EA CAP-SNAP - 5/32" O.D. OF PIN
8	009136-02-000	EA HANGER - RING - PIN TYPE - CURTAIN - BRASS
	039175-01-000	EA ROD - CAFE - CURTAIN - EXTENDS 48" TO 84"
	039175-02-000	EA BRACKET - CURTAIN ROD - EXTENDING CAFE
	039175-05-000	EA BRACKET - CURTAIN ROD - CENTER CAFE
	046867-01-000	EA GROMMET - BRASS - 7/16" ID X 1" OD
9	009439-07-000	EA SCREW - 8-32 X 1 1/4 POH - BLACK
10	009439-05-000	EA WINDOW KNOB - BLACK
11	105324-02-01A	EA TRACK - WRAPAROUND CURTAIN - OFF WHITE (PASSENGER SIDE)
11	105324-03-01A	EA TRACK - WRAPAROUND CURTAIN - OFF WHITE (DRIVER SIDE)
12	009439-06-000	EA EXTENSION - WINDOW CONTROL
	048394-02-000	YD VELCRO TAPE - HOOK - ADHESIVE BACK - .75" WIDE - BEIGE
	088792-02-000	YD VELCRO TAPE - LOOP - ADHESIVE BACKED - .75" WIDE - BEIGE
	029096-03-000	YD VELCRO TAPE - HOOK - 1" WIDE - BLACK
	068716-01-001	EA BRACKET - 90 DEGREE L-ANGLE - 192" - EXTRUDED ALUMINUM
	075943-02-000	EA BRACKET - ANGLE - WHOLES - 1" X 1.5" X 14" - ALUMINUM - BEIGE
	084432-06-000	FT SLAT - ROLLER SHADE - PLASTIC
13	101031-01-000	YD TAPE - GLIDE - CURTAIN - 4 25" SPACING

**ASSIST HANDLE & BUTTONS**

KEY	PART NUMBER	U/M DESCRIPTION
	069178-02-000	EA BRACKET - MOUNTING - ASSIST HANDLE - L ANGLE - WHOLES - ST
	000C16-07-16B	EA BOLT - CARRIAGE - ASSIST HANDLE - 7/16" - 14 X 1" ZN
	000D20-07-00B	EA NUT - ACORN - ASSIST HANDLE - 7/16" X 14 ZN
	053552-02-AA8	EA HANDLE - ASSIST - INTERIOR - ENTRY DOOR - VINYL - OFF WHITE
	070578-11-Y70	EA BUTTON - SNAP TOP - #30 - VINYL - OFF WHITE

**1992 ITASCA  
TABLE OF CONTENTS**

INTRODUCTION	A-01 - A-02
ABBREVIATIONS	A-03
ALPHABETICAL INDEX	A-04 - A-06
ICG34RQ	A-07 - E-18
IKG34RQ	E-19 - I-18

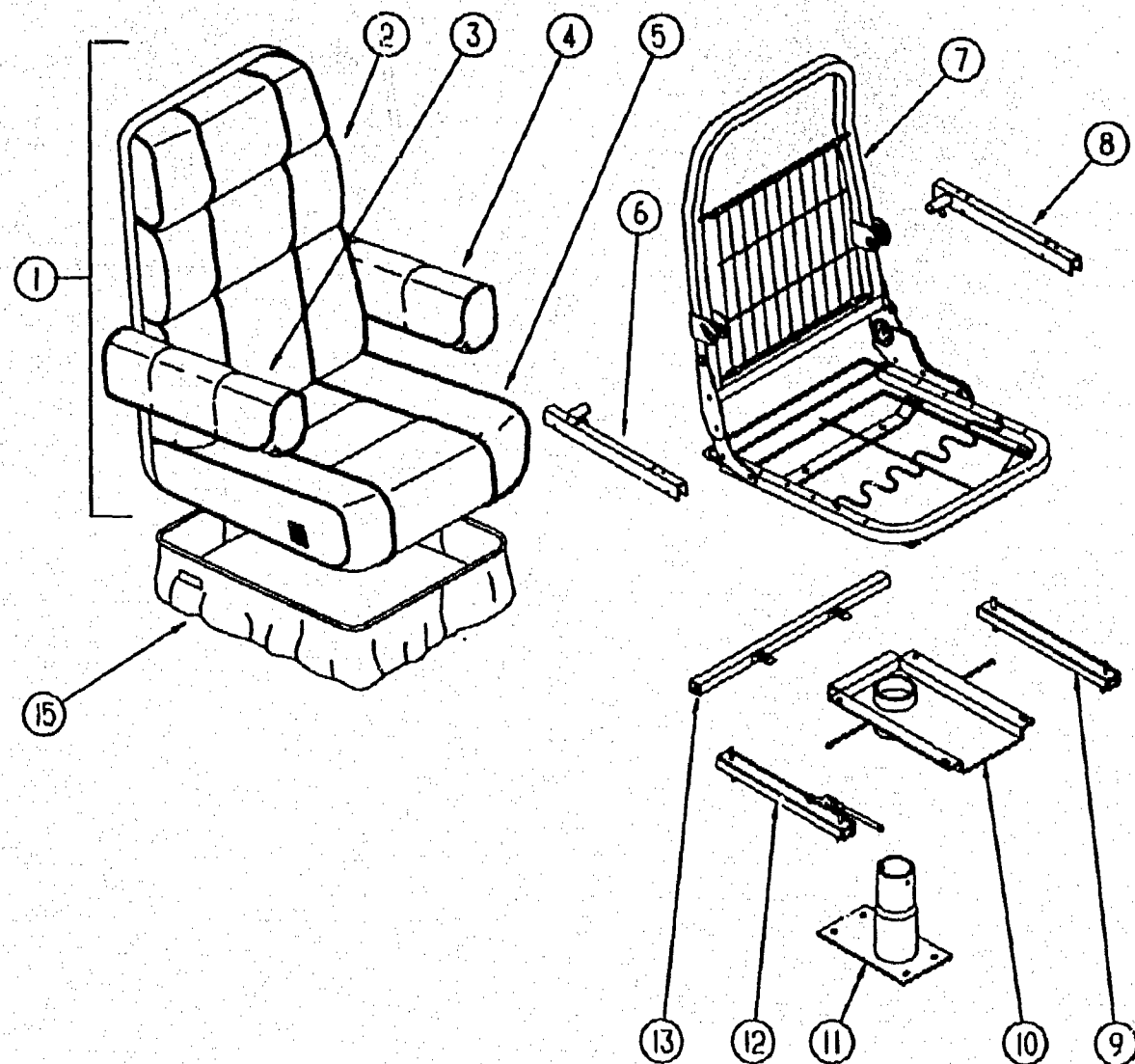
**1992 IKG34RQ INDEX**

FLOOR PLAN	E-19 - E-20
ACCESSORIES	E-21 - E-22
BATH	E-23 - F-02
BEDROOM	F-03 - F-04
CHASSIS	F-05 - F-08
CURTAIN & CUSHION	F-09 - F-18
DINETTE	F-19 - F-20
DRIVERS COMPARTMENT	F-21 - F-23
ELECTRICAL	F-24 - G-05
EXTERIOR BODY	G-06 - G-16
GALLEY	G-17 - G-21
GENERATOR	G-22
HEATING & A/C	G-23 - H-01
INTERIOR FINISH	H-02 - H-06
LABELS	H-07 - H-14
LP	H-15
LOUNGE	H-16 - H-18
SEALANTS & FASTENERS	H-19 - H-21
WATER & SEWAGE	H-22 - I-01
WINDOW, VENT & EXTERIOR DOOR	I-02 - I-16
WINDSHIELD & WIPER	I-17 - I-18



# CURTAIN & CUSHION GROUP (CONTINUED)

## BUCKET SEAT



KEY	PART NUMBER	U/M	DESCRIPTION
1	105390-03-C27	EA	SEAT ASM.
1	105390-01-C28	EA	SEAT ASM. - FANFARE
2	M03445-52-C27	EA	COVER ASM. - BACK
2	M03445-41-C28	EA	COVER ASM. - BACK
3	080243-49-C27	EA	ARMREST ASM. - RIGHT HAND
3	080243-49-C28	EA	ARMREST ASM. - RIGHT HAND
3	M80243-49-C27	EA	COVER ASM. - ARM - RIGHT HAND
3	M80243-49-C28	EA	COVER ASM. - ARM - RIGHT HAND
4	080243-50-C27	EA	ARMREST ASM. - LEFT HAND
4	080243-50-C28	EA	ARMREST ASM. - LEFT HAND
4	M80243-50-C27	EA	COVER ASM. - ARM - LEFT HAND
4	M80243-50-C28	EA	COVER ASM. - ARM - LEFT HAND
5	M03445-53-C27	EA	COVER ASM. - SEAT
5	M03445-42-C28	EA	COVER ASM. - SEAT
6	081268-01-000	EA	ROD & CHANNEL - ARMREST - RIGHT HAND - METAL
7	M80906-05-000	EA	FRAME - SEAT - BACK & SPRING
8	081268-02-000	EA	ROD & CHANNEL - ARMREST - LEFT HAND - METAL
	089368-04-000	EA	CABLE - SWIVEL - W/SWITCH - BUCKET SEAT
	089368-05-000	EA	CABLE - RECLINER - W/SWITCH - BUCKET SEAT
9	069246-02-000	EA	ADJUSTER - W/O LOCK - FORWARD & BACK
			FROM: 00-00-00 THRU: 04-05-92
10	093481-04-000	EA	TOP PLATE - PEDESTAL - BUCKET SEAT - W/O SEATBELT BAR
11	069585-40-000	EA	SUB PLATE - VERTICAL 9.60"
			FROM: 00-00-00 THRU: 03-31-92
11	107921-01-000	EA	SUB PLATE - FLOOR MOUNTED PEDESTAL - W/9 7/8" EXTENSION
			FROM: 04-01-92 THRU: 99-99-99
12	069246-05-000	EA	ADJUSTER - W/LOCK - FORWARD & BACK
	069246-05-700	EA	SPRING - ADJUSTER - FOR REMOTE
	069246-05-701	EA	CLIP - CABLE - FOR REMOTE
13	069585-29-000	EA	BAR - SEAT BELT - BUCKET SEATS - 20"
			FROM: 00-00-00 THRU: 04-05-92
15	071126-24-C27	EA	SKIRT - BUCKET SEAT
15	071126-24-C28	EA	SKIRT - BUCKET SEAT
	086120-04-C27	EA	PAD ASM. - MAP POCKET - 12"X16"
			FROM: 00-00-00 THRU: 01-06-92
	086120-05-C27	EA	PAD ASM. - MAP POCKET - 12"X16"
			FROM: 01-07-92 THRU: 99-99-99
	086120-04-C28	EA	PAD ASM. - MAP POCKET - 12"X16"
	101125-01-000	EA	RECLINER - SEAT BACK - LEFT HAND REMOTE
	097683-02-000	EA	BRACKET - REMOTE - SIDE MOUNT (DUEL CONTROL)
	097683-03-000	EA	BRACKET - REMOTE - SIDE MOUNT (SINGLE CONTROL)

## 1992 ITASCA TABLE OF CONTENTS

INTRODUCTION	A-01 - A-02
ABBREVIATIONS	A-03
ALPHABETICAL INDEX	A-04 - A-06
ICG34RQ	A-07 - E-18
IKG34RQ	E-19 - I-18

## 1992 IKG34RQ INDEX

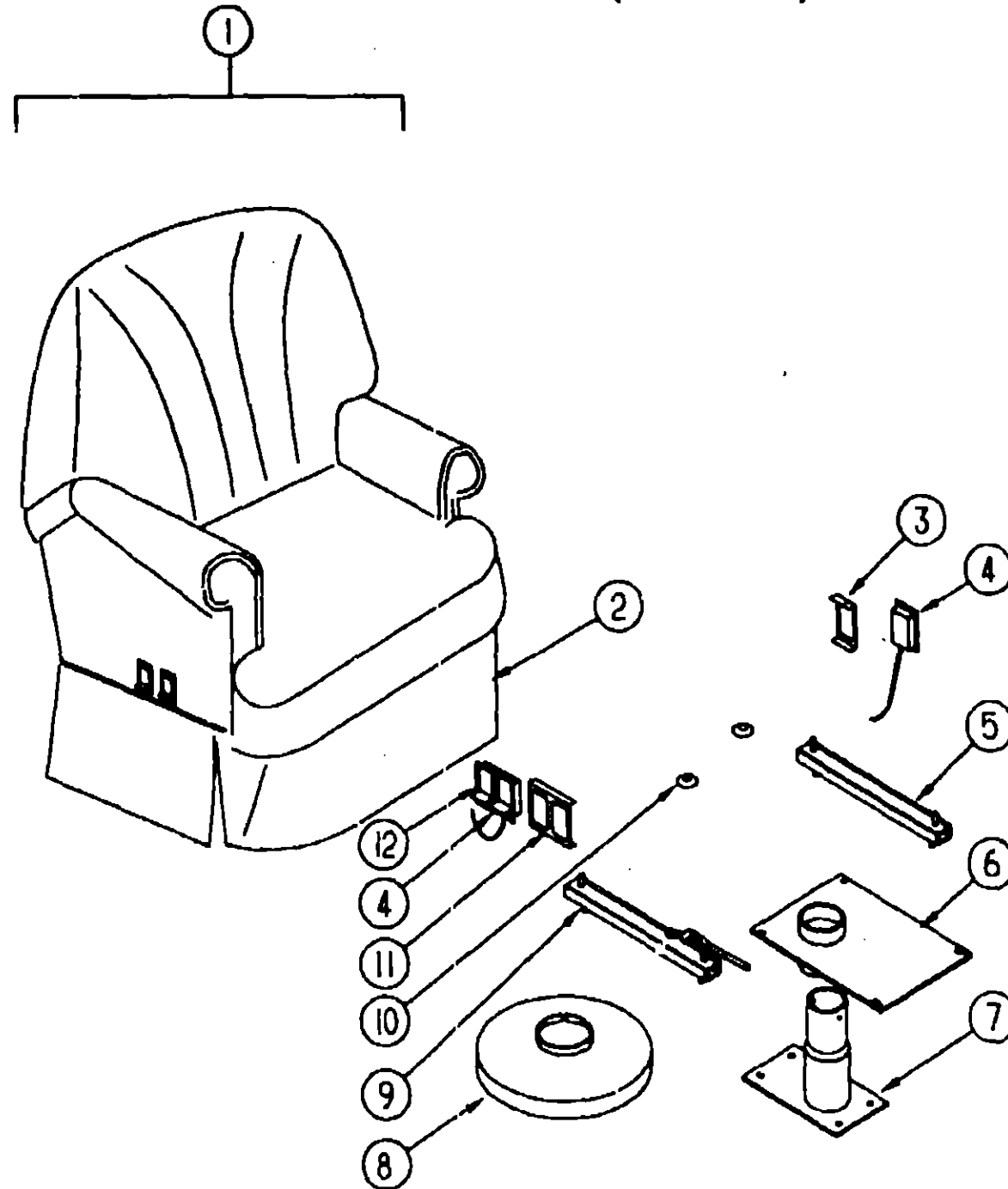
FLOOR PLAN	E-19 - E-20
ACCESSORIES	E-21 - E-22
BATH	E-23 - F-02
BEDROOM	F-03 - F-04
CHASSIS	F-05 - F-08
CURTAIN & CUSHION	F-09 - F-18
DINETTE	F-19 - F-20
DRIVERS COMPARTMENT	F-21 - F-23
ELECTRICAL	F-24 - G-05
EXTERIOR BODY	G-06 - G-16
GALLEY	G-17 - G-21
GENERATOR	G-22
HEATING & A/C	G-23 - H-01
INTERIOR FINISH	H-02 - H-06
LABELS	H-07 - H-14
LP	H-15
LOUNGE	H-16 - H-18
SEALANTS & FASTENERS	H-19 - H-21
WATER & SEWAGE	H-22 - I-01
WINDOW, VENT & EXTERIOR DOOR	I-02 - I-16
WINDSHIELD & WIPER	I-17 - I-18

**CURTAIN & CUSHION GROUP (CONTINUED)**  
FABRIC & TRIMS

KEY	PART NUMBER	U/M DESCRIPTION
	072333-92-000	YD FABRIC - DRAPERY - 54" WIDE - BEIGE
	072333-89-000	YD FABRIC - DRAPERY - INVERNESS - LACE SHEER - IVORY
	087272-01-000	YD FABRIC - DRAPERY - 48" WIDE - IVORY
	075244-06-000	YD FABRIC - VINYL - SHOWER CURTAIN - 72" WIDE - TEAL (C27)
	075244-05-000	YD FABRIC - VINYL - SHOWER CURTAIN - 72" WIDE - BLUE (C28)
	029219-01-000	YD FABRIC - VINYL - 54" WIDE - WHITE
	103907-01-02A	YD FABRIC - VINYL - 54" WIDE - GRAY
	103907-01-01A	YD FABRIC - VINYL - 54" WIDE - OFF WHITE
	088273-93-000	YD FABRIC - BEDSPREAD - MAIN (C27)
	088273-94-000	YD FABRIC - BEDSPREAD - MAIN (C28)
	088273-89-000	YD FABRIC - BEDSPREAD - ACCENT (C27)
	088273-71-000	YD FABRIC - BEDSPREAD - ACCENT (C28)
	096008-94-000	YD FABRIC - UPHOLSTERY - PATTERN ACCENT (C27)
	104233-18-000	YD FABRIC - UPHOLSTERY - PATTERN ACCENT (C28)
	096008-93-000	YD FABRIC - UPHOLSTERY - MAIN (C27)
	104233-19-000	YD FABRIC - UPHOLSTERY - MAIN (C28)
	104233-17-000	YD FABRIC - UPHOLSTERY - PLAIN ACCENT (C27)
	096008-85-000	YD FABRIC - UPHOLSTERY - PLAIN ACCENT (C28)
	057534-01-000	EA TIEBACK/TIEDOWN - BED/CURTAIN/DOOR - 6" - PLASTIC - CLEAR
	052859-01-AA8	FT TRIM - EDGE - VINYL - 1.5" WIDE - BEIGE
	095567-01-000	EA TACK-STRIP - 5'X625' ROLL

FROM: 00-00-00 THRU: 08-15-91

**CURTAIN & CUSHION GROUP (CONTINUED)**



SWIVEL CHAIR

KEY	PART NUMBER	U/M DESCRIPTION
1	106331-02-C27	EA SWIVEL CHAIR ASM.
1	106331-02-C28	EA SWIVEL CHAIR ASM.
1	F06331-02-C27	EA COVER - FANFARE - SWIVEL CHAIR
1	P06331-02-C28	EA COVER - FANFARE - SWIVEL CHAIR
2	085187-05-C27	EA SKIRT ASM.
2	085187-05-C28	EA SKIRT ASM.
3	097683-03-000	EA BRACKET - REMOTE - SIDE MOUNT (SINGLE CONTROL)
4	089368-04-000	EA FRAME - CABLE - REMOTE SWIVEL
	108049-02-000	EA CLIP - PEDESTAL CABLE
5	069246-06-000	EA ADJUSTER - SWIVEL CHAIR - MANUAL - FORWARD & BACK
6	093481-04-000	EA TOP PLATE - PEDESTAL - BUCKET SEAT - W/O SEATBELT BAR
7	093481-02-000	EA BASE - PEDESTAL - W/10" EXTENSION
8	093482-01-000	EA SHROUD - PEDESTAL - 13" - PLASTIC - BLACK
9	069246-07-000	EA ADJUSTER - SWIVEL CHAIR - W/LOCKING ARM - FORWARD & BACK
10	007221-01-000	EA SPACER - SEAT - ADJUSTER (4 USED)
11	097683-02-000	EA BRACKET - REMOTE - SIDE MOUNT (DUAL CONTROL)
12	089368-05-000	EA FRAME - CABLE - REMOTE RECLINE
	069246-05-700	EA SPRING - ADJUSTER - FOR REMOTE
	069246-05-701	EA CLIP - CABLE - FOR REMOTE
	057753-01-000	EA WASHER BRACKET - SEAT BELT - 4" DIAMETER
	007021-01-000	EA SEAT BELT - 2" X 90" - BLACK

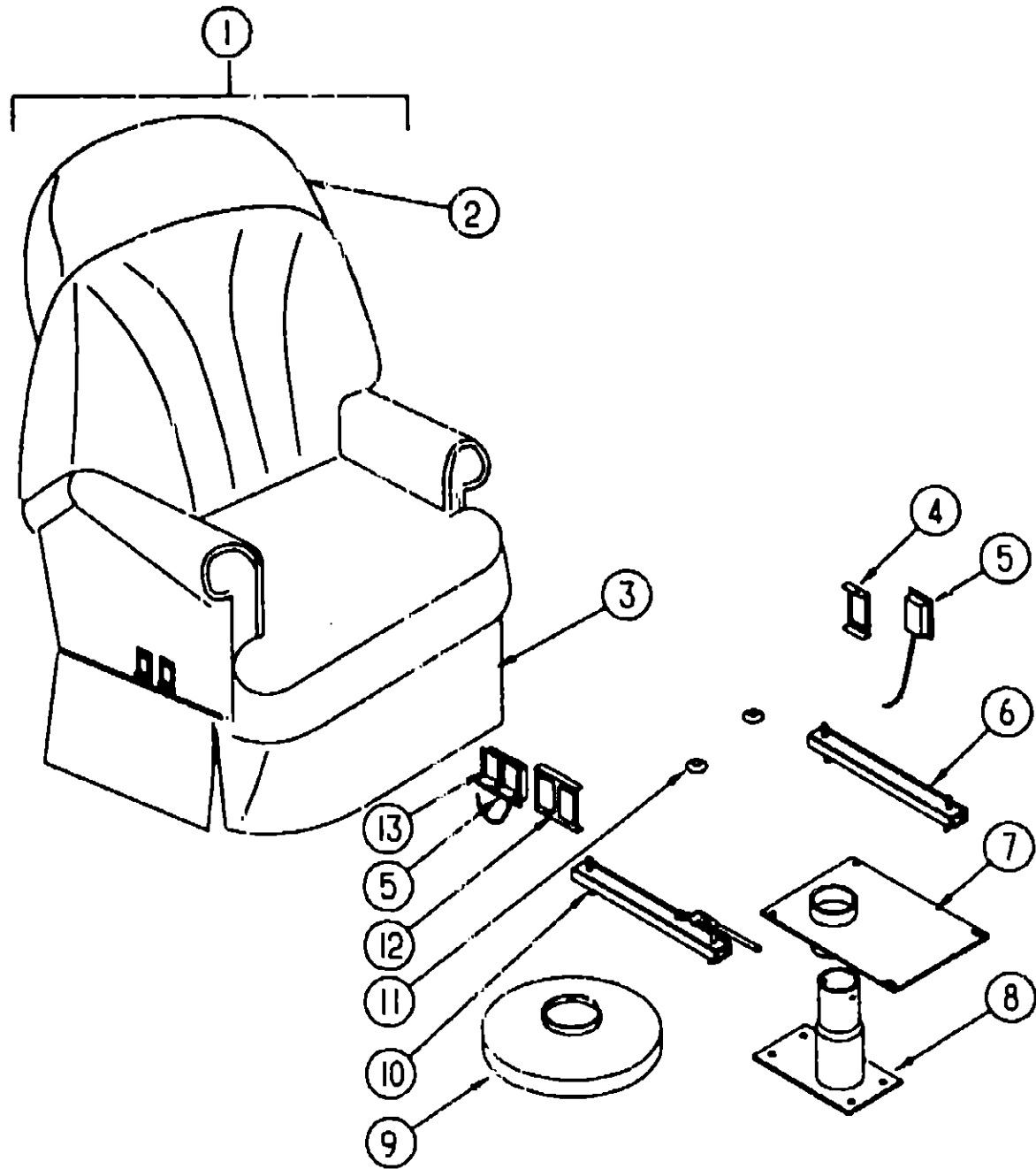
**1992 ITASCA**  
**TABLE OF CONTENTS**

INTRODUCTION	A-01 - A-02
ABBREVIATIONS	A-03
ALPHABETICAL INDEX	A-04 - A-06
ICG34RQ	A-07 - E-18
IKG34RQ	E-19 - I-18

**1992 IKG34RQ INDEX**

FLOOR PLAN	E-19 - E-20
ACCESSORIES	E-21 - E-22
BATH	E-23 - F-02
BEDROOM	F-03 - F-04
CHASSIS	F-05 - F-08
CURTAIN & CUSHION	F-09 - F-18
DINETTE	F-19 - F-20
DRIVERS COMPARTMENT	F-21 - F-23
ELECTRICAL	F-24 - G-05
EXTERIOR BODY	G-06 - G-16
GALLEY	G-17 - G-21
GENERATOR	G-22
HEATING & A/C	G-23 - H-01
INTERIOR FINISH	H-02 - H-06
LABELS	H-07 - H-14
LP	H-15
LOUNGE	H-16 - H-18
SEALANTS & FASTENERS	H-19 - H-21
WATER & SEWAGE	H-22 - I-01
WINDOW, VENT &	
EXTERIOR DOOR	I-02 - I-16
WINDSHIELD & WIPER	I-17 - I-18

**CURTAIN & CUSHION GROUP (CONTINUED)**  
**SWIVEL CHAIR (RECLINER W/HEADREST)**



KEY	PART NUMBER	U/M	DESCRIPTION	DATE RANGE
1	106331-02-C27	EA	SWIVEL CHAIR ASM.	FROM: 00-00-00 THRU: 01-05-92
1	106331-03-C27	EA	SWIVEL CHAIR ASM	FROM: 01-06-92 THRU: 99-99-99
1	106331-02-C28	EA	SWIVEL CHAIR ASM.	FROM: 00-00-00 THRU: 99-99-99
1	P06331-02-C27	EA	COVER - FANFARE - SWIVEL CHAIR	FROM: 00-00-00 THRU: 01-05-92
1	P06331-03-C27	EA	COVER - FANFARE - SWIVEL CHAIR	FROM: 01-06-92 THRU: 99-99-99
1	P06331-02-C28	EA	COVER - FANFARE - SWIVEL CHAIR	FROM: 00-00-00 THRU: 99-99-99
2	106514-01-C27	EA	HEADREST ASM - RECLINER	FROM: 00-00-00 THRU: 01-05-92
2	106514-02-C27	EA	HEADREST ASM - RECLINER	FROM: 01-06-92 THRU: 99-99-99
2	106514-01-C28	EA	HEADREST ASM - RECLINER	FROM: 00-00-00 THRU: 99-99-99
2	P06514-01-C27	EA	COVER - HEADREST - RECLINER	FROM: 00-00-00 THRU: 01-05-92
2	P06514-02-C27	EA	COVER - HEADREST - RECLINER	FROM: 01-06-92 THRU: 99-99-99
2	P06514-01-C28	EA	COVER - HEADREST - RECLINER	FROM: 00-00-00 THRU: 99-99-99
3	085187-05-C27	EA	SKIRT ASM.	FROM: 00-00-00 THRU: 01-05-92
3	085187-06-C27	EA	SKIRT ASM	FROM: 01-06-92 THRU: 99-99-99
3	085187-05-C28	EA	SKIRT ASM.	FROM: 00-00-00 THRU: 99-99-99
4	097683-03-000	EA	BRACKET - REMOTE - SIDE MOUNT (SINGLE CONTROL)	
5	089368 04 000	EA	FRAME - CABLE - REMOTE SWIVEL	
	108049-02-000	EA	CLIP - PEDESTAL CABLE	
6	069246-06-000	EA	ADJUSTER - SWIVEL CHAIR - MANUAL - FORWARD & BACK	
7	093481-04-000	EA	TOP PLATE - PEDESTAL - BUCKET SEAT - W/O SEATBELT BAR	
8	093481-02-000	EA	BASE - PEDESTAL - W/10" EXTENSION	
9	093482-01-000	EA	SHROUD - PEDESTAL - 13" - PLASTIC - BLACK	
10	069246-07-000	EA	ADJUSTER - SWIVEL CHAIR - W/LOCKING ARM - FORWARD & BACK	
11	007221-01-000	EA	SPACER - SEAT - ADJUSTER (4 USED)	
12	097683-02-000	EA	BRACKET - REMOTE - SIDE MOUNT (DUEL CONTROL)	
13	089368 05 000	EA	FRAME - CABLE - REMOTE RECLINE	
	069246-05-700	EA	SPRING - ADJUSTER - FOR REMOTE	
	069246-05-701	EA	CLIP - CABLE - FOR REMOTE	
	057759-01-000	EA	WASHER BRACKET - SEAT BELT - 4" DIAMETER	
	007021-J1-000	EA	SEAT BELT - 2" X 90" - BLACK	

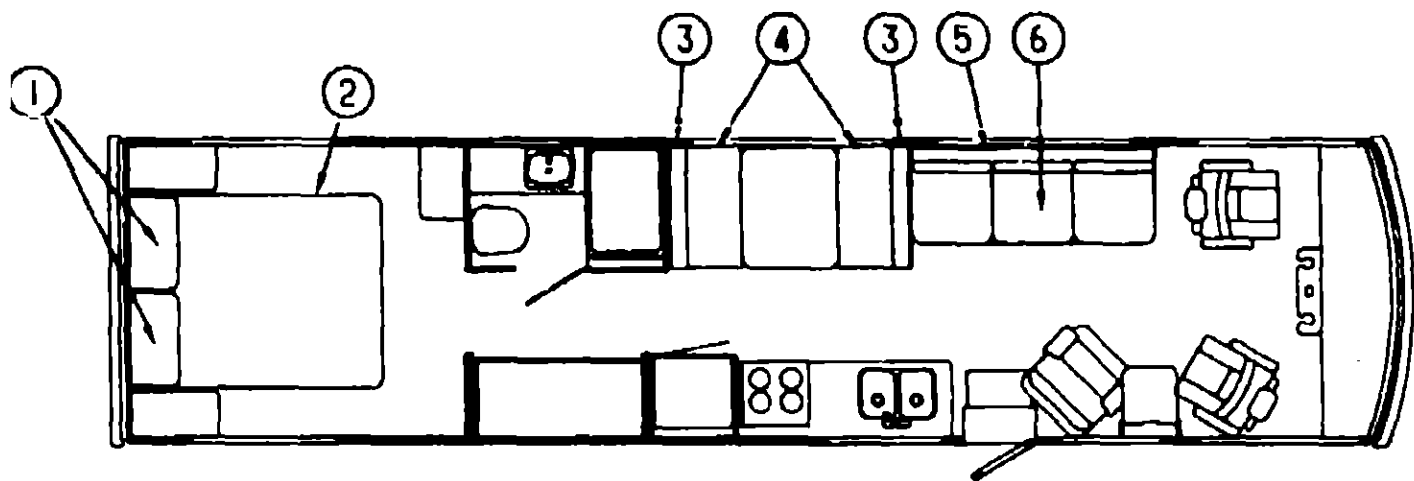
**1992 ITASCA**  
**TABLE OF CONTENTS**

INTRODUCTION	A-01 - A-02
ABBREVIATIONS	A-03
ALPHABETICAL INDEX	A-04 - A-06
ICG34RQ	A-07 - E-18
IKG34RQ	E-19 - I-18

**1992 IKG34RQ INDEX**

FLOOR PLAN	E-19 - E-20
ACCESSORIES	E-21 - E-22
BATH	E-23 - F-02
BEDROOM	F-03 - F-04
CHASSIS	F-05 - F-08
CURTAIN & CUSHION	F-09 - F-18
DINETTE	F-19 - F-20
DRIVERS COMPARTMENT	F-21 - F-23
ELECTRICAL	F-24 - G-05
EXTERIOR BODY	G-06 - G-16
GALLEY	G-17 - G-21
GENERATOR	G-22
HEATING & A/C	G-23 - H-01
INTERIOR FINISH	H-02 - H-06
LABELS	H-07 - H-14
LP	H-15
LOUNGE	H-16 - H-18
SEALANTS & FASTENERS	H-19 - H-21
WATER & SEWAGE	H-22 - I-01
WINDOW, VENT & EXTERIOR DOOR	I-02 - I-16
WINDSHIELD & WIPER	I-17 - I-18

**CURTAIN & CUSHION GROUP (CONTINUED)**



**QUEEN BED**

KEY	PART NUMBER	U/M DESCRIPTION
1	102061-11-C43	EA PILLOW SHAM ASM. (C27)
1	102061-11-C43	EA PILLOW SHAM ASM. (C28)
2	098176-05-000	EA MATTRESS - QUEEN - INNERSPRING - 59" X 79" - SEALY
2	106347-01-C27	EA BEDSP ASM - 60X80 THROW W/FLIP BEDSPREAD
2	106347-01-C28	EA BEDSP ASM - 60X80 THROW W/FLIP BEDSPREAD
	103669-07-C27	EA PILLOW ASM - 15X15 THROW (QUEEN BED)
	103669-07-C28	EA PILLOW ASM - 15X15 THROW (QUEEN BED)

**DINETTE CUSHIONS**

KEY	PART NUMBER	U/M DESCRIPTION
3	104146-01-C27	EA CUSHION - FAN VICTORIAN - W/STRAP-13.5"X38"X5"
3	104146-01-C28	EA CUSHION - FAN VICTORIAN - W/STRAP-13.5"X38"X5"
3	P04146-01-C27	EA COVER - VICTORIAN TUCK BACK - W/STRAP
3	P04146-01-C28	EA COVER - VICTORIAN TUCK BACK - W/STRAP
4	088927-87-C27	EA CUSHION - 23"X38"X5" - DINETTE SEAT
4	088927-87-C28	EA CUSHION - 23"X38"X5" - DINETTE SEAT
4	M88927-87-C27	EA COVER - 23"X38"X5" - DINETTE SEAT
4	M88927-87-C28	EA COVER - 23"X38"X5" - DINETTE SEAT
	078155-01-000	EA STRAP - SNAP - BACKREST CUSHION

**SOFA BED**

KEY	PART NUMBER	U/M DESCRIPTION
5	101175-04-C27	EA CUSHION - FAN - SOFA BACK - W/ARM - RIGHT HAND
5	101175-04-C28	EA CUSHION - FAN - SOFA BACK - W/ARM - RIGHT HAND
5	P01175-04-C27	EA COVER - FAN - SOFA BACK - W/ARM - RIGHT HAND
5	P01175-04-C28	EA COVER - FAN - SOFA BACK - W/ARM - RIGHT HAND
5	101175-05-C27	EA CUSHION - FAN - SOFA BACK - W/ARM - LEFT HAND
5	101175-05-C28	EA CUSHION - FAN - SOFA BACK - W/ARM - LEFT HAND
5	P01175-05-C27	EA COVER - FAN - SOFA BACK - W/ARM - LEFT HAND
5	P01175-05-C28	EA COVER - FAN - SOFA BACK - W/ARM - LEFT HAND
5	101175-06-C27	EA CUSHION - FAN - SOFA BACK - CENTER
5	101175-06-C28	EA CUSHION - FAN - SOFA BACK - CENTER
5	P01175-06-C27	EA COVER - FAN - SOFA BACK - CENTER
5	P01175-06-C28	EA COVER - FAN - SOFA BACK - CENTER
6	089007-05-C27	EA SOFA BED - SEAT - W/SKIRT
6	089007-05-C28	EA SOFA BED - SEAT - W/SKIRT
6	M89007-05-C27	EA COVER - SOFA BED - SEAT - W/SKIRT
6	M89007-05-C28	EA COVER - SOFA BED - SEAT - W/SKIRT
	103669-06-C27	EA PILLOW ASM - 15X15 THROW (SOFA BED)
	103669-06-C28	EA PILLOW ASM - 15X15 THROW (SOFA BED)
	079386-01-000	EA FRAME - COUCH

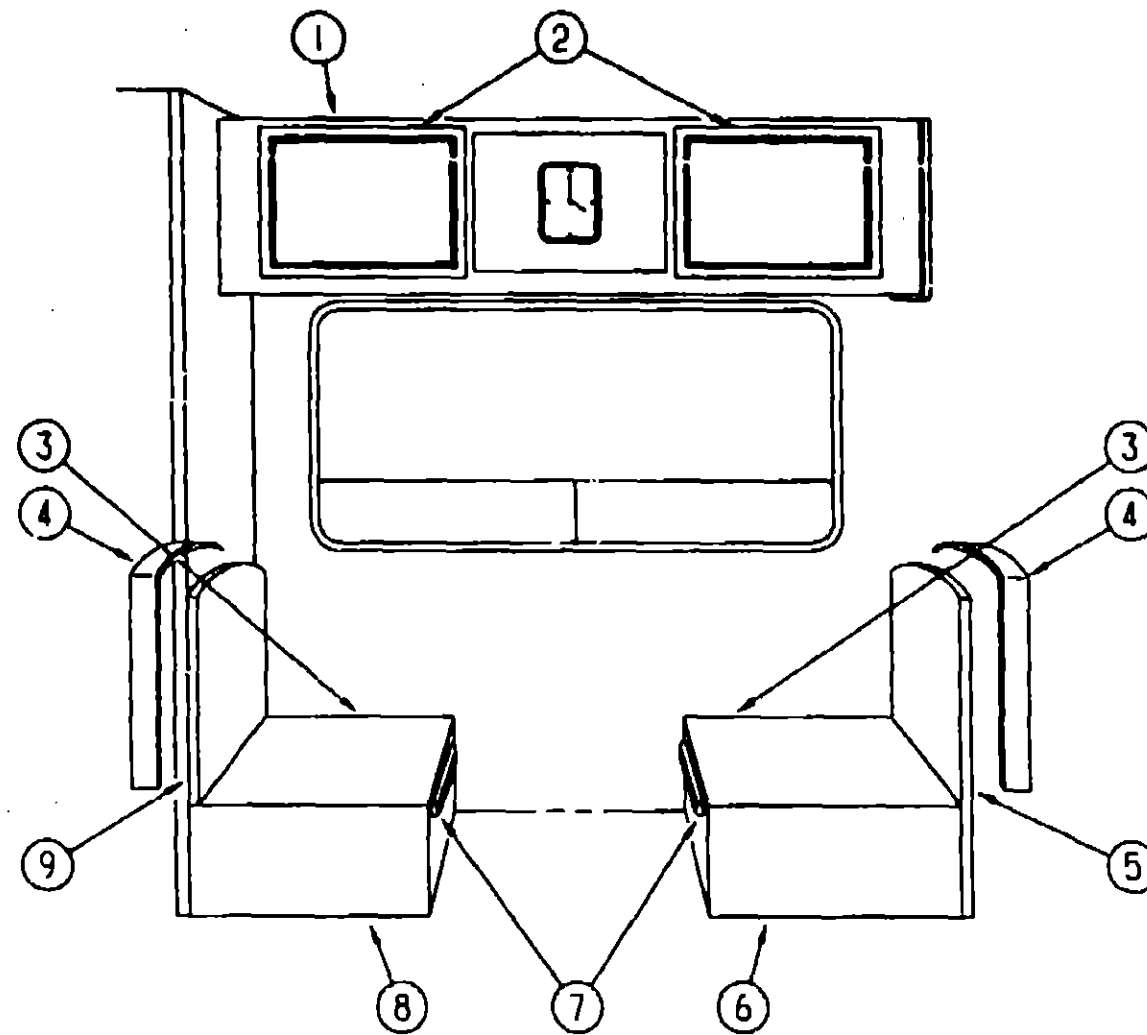
**1992 ITASCA  
TABLE OF CONTENTS**

INTRODUCTION	A-01 - A-02
ABBREVIATIONS	A-03
ALPHABETICAL INDEX	A-04 - A-06
ICG34RQ	A-07 - E-18
IKG34RQ	E-19 - I-18

**1992 IKG34RQ INDEX**

FLOOR PLAN	E-19 - E-20
ACCESSORIES	E-21 - E-22
BATH	E-23 - F-02
BEDROOM	F-03 - F-04
CHASSIS	F-05 - F-08
CURTAIN & CUSHION	F-09 - F-18
DINETTE	F-19 - F-20
DRIVERS COMPARTMENT	F-21 - F-23
ELECTRICAL	F-24 - G-05
EXTERIOR BODY	G-06 - G-16
GALLEY	G-17 - G-21
GENERATOR	G-22
HEATING & A/C	G-23 - H-01
INTERIOR FINISH	H-02 - H-06
LABELS	H-07 - H-14
LP	H-15
LOUNGE	H-16 - H-18
SEALANTS & FASTENERS	H-19 - H-21
WATER & SEWAGE	H-22 - I-01
WINDOW, VENT & EXTERIOR DOOR	I-02 - I-16
WINDSHIELD & WIPER	I-17 - I-18

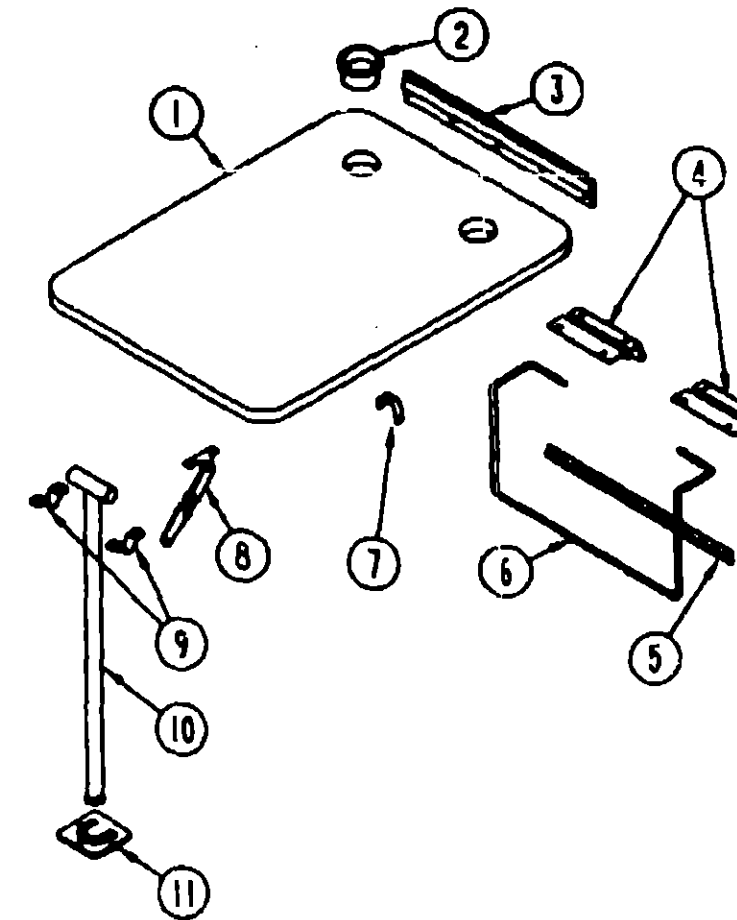
### DINETTE GROUP



**DINETTE & OVERHEAD CABINERY**

KEY	PART NUMBER	U/M DESCRIPTION
1	M05160-18-C27	EA CABINET - DINETTE OVERHEAD
1	M05160-18-C28	EA CABINET - DINETTE OVERHEAD
2	P03702-01-C43	EA DOOR ASM - W/O HARDWARE
FROM: 00-00-00 THRU: 11-17-91		
2	P03702-A5-C27	EA DOOR ASM - W/O HARDWARE
FROM: 11-18-91 THRU: 99-99-99		
	103128-01-C05	EA END CAP ASM. - RH
3	081518-01-B27	EA SEAT - DINETTE
4	104787-01-C27	EA PAD ASM. - DINETTE
4	104787-01-C26	EA PAD ASM. - DINETTE (C28)
5	M04174-12-C27	EA CABINET - SEATBACK - RH
6	M04175-12-C27	EA CABINET - SEATBASE - RH
7	081295-01-AA8	EA BED SUPPORT - DINETTE
8	M04175-13-C27	EA CABINET - SEATBASE - LH
9	M04174-13-C27	EA CABINET - SEATBACK - LH
FROM: 00-00-00 THRU: 01-12-92		

### DINETTE GROUP (CONTINUED)



**DINETTE TABLE ASM.**

KEY	PART NUMBER	U/M DESCRIPTION
1	M02115-09-C05	EA DINETTE TABLE (C27)
1	M02115-09-C12	EA DINETTE TABLE (C28)
2	064781-06-000	EA CUP HOLDER - 2 STEP
3	053200-05-000	EA BRACKET - TABLE SUPPORT - UPPER WALL MOUNTED - 23.5" - BEIGE
4	088410-01-000	EA BRACKET - LIFT - TABLE MOUNTED - BEIGE
5	024281-07-000	EA BRACKET - LIFT ROD - LOWER WALL MOUNTED - 22 1/2" - BEIGE
6	024275-05-000	EA ROD - TABLE LIFT - 8" X 23.5" - BEIGE
7	024283-01-000	EA CLIP - LEG - 1" - 1.125" OD - BLACK
8	024282-01-000	EA BRACE - TABLE LEG - HINGED
9	064050-03-000	EA CLAMP - SADDLE - LEG HINGE - BEIGE
10	024276-21-000	EA TABLE LEG - METAL - BEIGE
11	049493-11-000	EA LEG CATCH - FLOOR MOUNTED - 2.5" X 2.7" - METAL - E-COAT

### 1992 ITASCA TABLE OF CONTENTS

INTRODUCTION	A-01 - A-02
ABBREVIATIONS	A-03
ALPHABETICAL INDEX	A-04 - A-06
ICG34RQ	A-07 - E-18
IKG34RQ	E-19 - I-18

### 1992 IKG34FIQ INDEX

FLOOR PLAN	F-19 - E-20
ACCESSORIES	E-21 - E-22
BATH	E-23 - F-02
BEDROOM	F-03 - F-04
CHASSIS	F-05 - F-08
CURTAIN & CUSHION	F-09 - F-18
DINETTE	F-19 - F-20
DRIVERS COMPARTMENT	F-21 - F-23
ELECTRICAL	F-24 - G-05
EXTERIOR BODY	G-06 - G-16
GALLEY	G-17 - G-21
GENERATOR	G-22
HEATING & A/C	G-23 - H-01
INTERIOR FINISH	H-02 - H-06
LABELS	H-07 - H-14
LP	H-15
LOUNGE	H-16 - H-18
SEALANTS & FASTENERS	H-19 - H-21
WATER & SEWAGE	H-22 - I-01
WINDOW, VENT & EXTERIOR DOOR	I-02 - I-16
WINDSHIELD & WIPER	I-17 - I-18

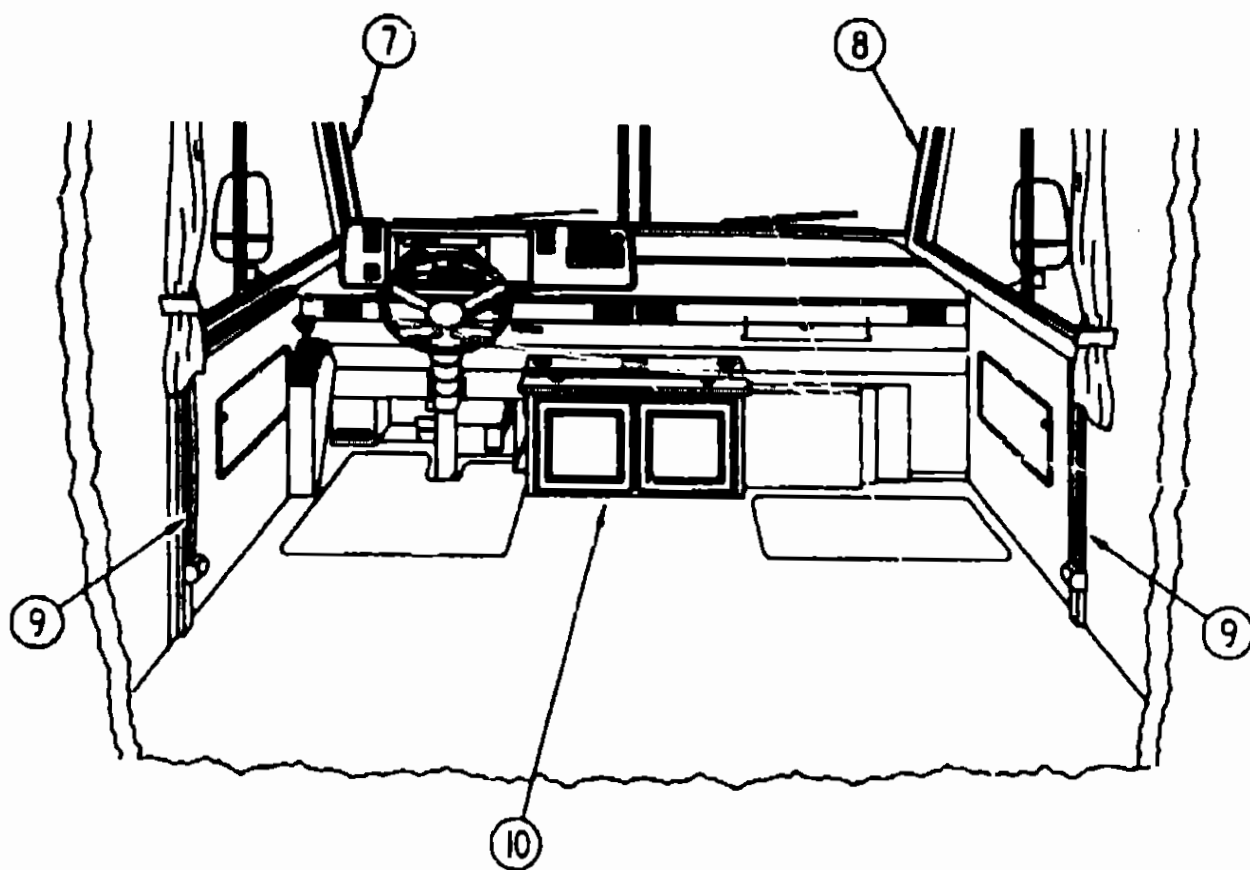
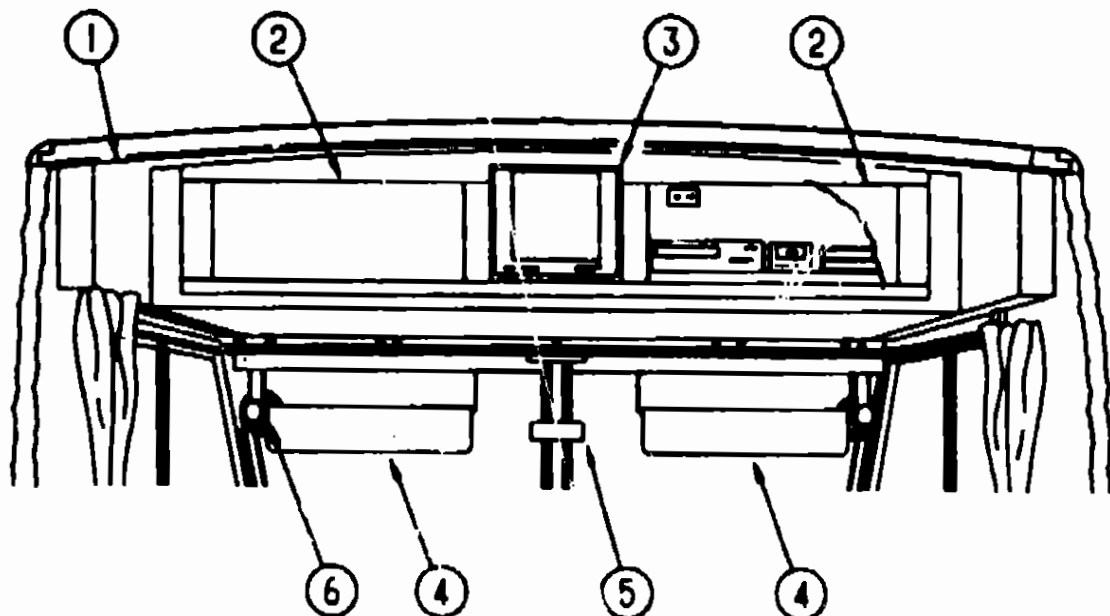
**DRIVER COMPARTMENT GROUP**  
UPPER & LOWER DRIVER COMPARTMENT

**KEY PART NUMBER**

1	104238-01-C27
2	100708-06-000
3	108911-01-D35
4	092285-15-C07
	007211-01-000
	074012-01-000
	102377-01-000
	046886-03-000
	024700-44-000
	024700-46-000
	103961-01-01A
	F77030-53-447
5	040714-01-000
6	036420-02-000
7	103931-04-02A
8	103931-03-02A
9	091990-01-01A
10	M05763-02-C27
	105899-01-C27
	P03702-F7-C27
	105980-01-01A
	M04032-01-AB1
	100628-02-000
	100676-02-000
	101150-01-000
	101150-02-000
	099637-01-000
	099717-01-000
	099717-02-000
	103040-02-C05
	P03077-01-C05
	P03077-02-C05
	P04415-01-C05
	100707-01-000
	101497-22-C07
	101497-23-C07
	101499-07-C07
	101499-08-C07
	103040-01-C05
	100622-01-01A
	106699-01-01A
	104289-01-C05
	104289-02-C05
	104289-03-C07
	104289-04-C07
	104826-01-C07

**U/M DESCRIPTION**

EA	CABINET ASM - FACE - OVHD - TV
EA	DOOR - GLASS - TV CABT 246 X 722
EA	CABINET ASM - FRAME - TV
EA	SUNVISOR ASM
EA	HINGE - SUNVISOR - 25.5" X 1.5" - METAL
EA	CLIP - SUNVISOR - SQUARE - PINCH ON
EA	BRACKET SUNVISOR - 1 PIECE - STEEL
EA	ASHTRAY - CHROME - W/COVER
EA	COVER - SIDEWALL ROLL BAR - OFF WHITE 53"
EA	COVER - SIDEWALL ROLL BAR - OFF WHITE 21.2"
EA	COVER - BRACKET - SEATBELT OFF WHITE
EA	FLAT WASHER
EA	MIRROR - REAR VIEW - W/ARM MOUNT & SET SCREW
EA	FAN - DEFROSTER - 2 SPEED - 6" DIAMETER
EA	INTERIOR COVER - A-PILLAR - LH - GRAY
EA	INTERIOR COVER - A-PILLAR - RH - GRAY
EA	SEAT BELT & SHOULDER HARNESS - DRIVER/PASSENGER SIDE
EA	CABINET ASM - W/BEVERAGE TRAY
EA	BEVERAGE TRAY
EA	DOOR ASM - W/O HARDWARE
EA	COVER - SHIFTER - BLACK
EA	DOWEL - WOOD - STAINED - 1" X 1.75"
EA	SHELF ASM - TV
EA	STAND - VCR
EA	SUPPORT - SHELF - TV - PASSENGER SIDE - STEEL
EA	SUPPORT - SHELF - TV - DRIVER SIDE - STEEL
EA	GROMMET - RUBBER - 37" X .94" DIAMETER - BLACK
EA	TIEDOWN - TV - STRAP ON FEMALE END IS 22.8" LONG
EA	TIEDOWN - TV - STRAP ON FEMALE END IS 28.7" LONG
EA	PANEL - LINER - OVHD TV
EA	SHELF - BASE - CABINET - LH VINYL
EA	SHELF - BASE - CABINET - RH - VINYL
EA	SHELF ASM - TV CABINET - VINYL
EA	SPACER - DOOR - GLASS - 8" DIA - 3" HOLE - PLASTIC
EA	PANEL ASM - END CAP - UP RH - TV
EA	PANEL ASM - END CAP - UP LH - TV
EA	PANEL ASM - END CAP - BOT RH
EA	PANEL ASM - END CAP - BOT LH
EA	PANEL - LINER - OVHD TV
EA	BRACKET - CABINET - TV - 9" X 1.5" - METAL - OFF WHITE
	FROM: 00-00-00 THRU: 10-05-91
EA	BRACKET - CABINET - OVHD TV O/W
	FROM: 10-06-91 THRU: 99-99-99
EA	PANEL - SIDE - OVHD TV (RH)
	FROM: 00-00-00 THRU: 08-11-91
EA	PANEL - SIDE - OVHD TV (LH)
	FROM: 00-00-00 THRU: 08-11-91
EA	PANEL - SIDE - OVHD TV (RH)
	FROM: 08-12-91 THRU: 99-99-99
EA	PANEL - SIDE - OVHD TV (LH)
	FROM: 08-12-91 THRU: 99-99-99
EA	SHELF ASM - TV
	FROM: 00-00-00 THRU: 08-12-91



**1992 ITASCA**  
**TABLE OF CONTENTS**

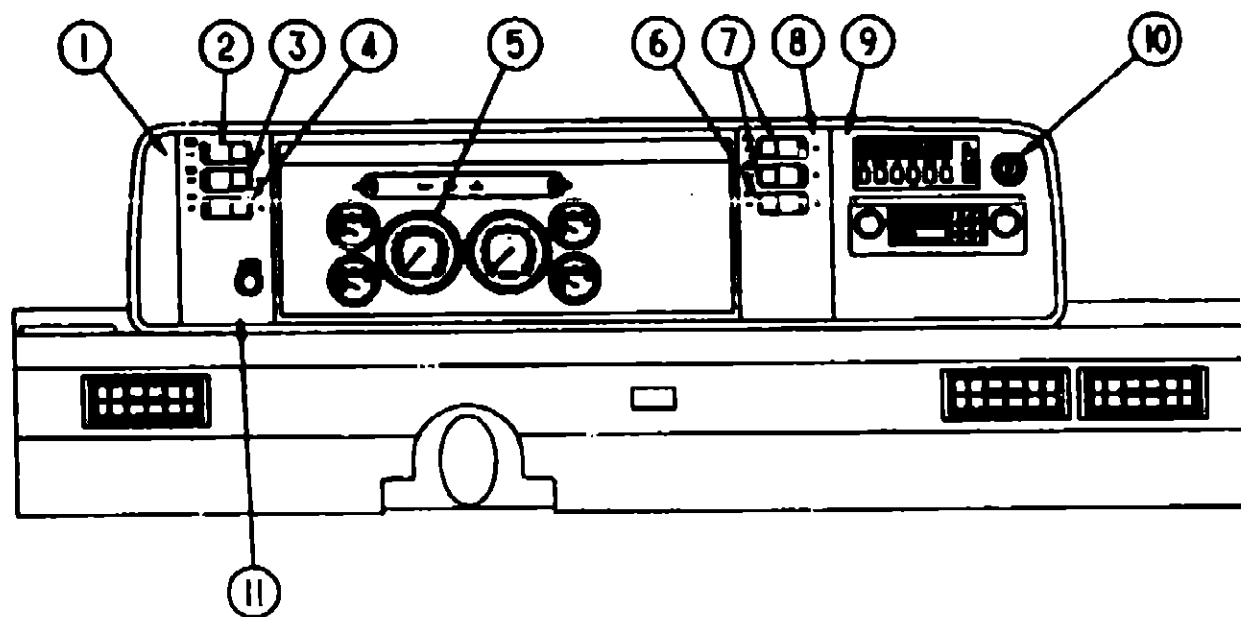
INTRODUCTION	A-01 - A-02
ABBREVIATIONS	A-03
ALPHABETICAL INDEX	A-04 - A-06
ICG34RQ	A-07 - E-18
IKG34RQ	E-19 - I-18

**1992 IKG34RQ INDEX**

FLOOR PLAN	E-19 - E-20
ACCESSORIES	E-21 - E-22
BATH	E-23 - F-02
BEDROOM	F-03 - F-04
CHASSIS	F-05 - F-08
CURTAIN & CUSHION	F-09 - F-18
DINETTE	F-19 - F-20
DRIVERS COMPARTMENT	F-21 - F-23
ELECTRICAL	F-24 - G-05
EXTERIOR BODY	G-06 - G-16
GALLEY	G-17 - G-21
GENERATOR	G-22
HEATING & A/C	G-23 - H-01
INTERIOR FINISH	H-02 - H-06
LABELS	H-07 - H-14
LP	H-15
LOUNGE	H-15 - H-18
SEALANTS & FASTENERS	H-19 - H-21
WATER & SEWAGE	H-22 - I-01
WINDOW, VENT &	
EXTERIOR DOOR	I-02 - I-16
WINDSHIELD & WIPER	I-17 - I-18



**DRIVER COMPARTMENT GROUP (CONTINUED)**



**DASH, GAUGES & SWITCHES (OSHKOSH)**

KEY	PART NUMBER	U/M DESCRIPTION
1	104056-01-03A	EA APPLIQUE - BEZEL LT DRESS UP
2	103875-05-000	EA SWITCH - ROCKER - SPDTON/NONE/ON
3	103875-04-000	EA SWITCH - ROCKER - SPDTON/OFF/MOM
4	103875-06-000	EA SWITCH - ROCKER - DPDTMOM/OFFMOM
5	105667-01-000	EA SPEEDOMETER - ELECT - METRIC
6	096241-03-000	EA BLANK
7	103875-03-000	EA SWITCH - ROCKER - SPST ON/OFF/ON
8	104056-04-01A	EA APPLIQUE - BEZEL - SWITCH - RIGHT - BLANK
8	104056-05-01A	EA APPLIQUE - BEZEL - SWITCH - RIGHT 3 SW - W/AUX. FANS
9	104056-06-03A	EA APPLIQUE - BEZEL - RIGHT - DRESS UP
10	063294-01-000	EA LIGHTER ASM. - CIGARETTE
11	104056-07-01A	EA APPLIQUE - BEZEL - SWITCH - LEFT
	103662-03-01A	EA BEZEL - INSTRUMENT PANEL
	100138-01-000	EA MODULE - DAYTIME RUNNING LIGHT
	077031-03-000	EA FILM - WHITE .75"X1.00"
	077031-01-000	EA FILM - BLACK 1" X 1.75"
	103812-03-02A	EA TRIM - DASH LOWER - GRAY
	P03817-01-000	EA DASH ASM - W/O VINYL
	103666-01-02A	EA POD - INSTRUMENT PANEL - GRAY
	104354-03-02A	EA APPLIQUE - LOWER DASH
	105615-01-000	FT FILM - PROTECTIVE CLEAR
	105927-02-000	EA PANEL ASM - DASH - TOP - W/STUD
	077539-01-000	EA BRACKET - MOUNTING - DASH PANEL - L/SHAPED - 2.5" X 1" X 1.5"

**ELECTRICAL GROUP  
ELECTRIC COMPONENTS**

KEY	PART NUMBER	U/M DESCRIPTION
	007093-01-000	EA FLASHER - SIGNAL - STAT
	007942-01-000	EA TAB - WIRE - 18 TO 14 AWG
	008188-01-000	EA SOLENOID - 3 POST - BATTERY CHANGE OVER
	095188-01-01A	EA SPACER - SWITCH - 2.3" X 3.4" - PLASTIC - DARK BROWN
	003326-01-000	EA TERMINAL - RING - 16/14 WIRE - 3/8" STUD
	008328-01-000	EA TERMINAL - RING - 12/10 WIRE - #10 STUD FIT
	008331-01-000	EA TERMINAL - RING - TONGUE - #4 WIRE - 3/8" STUD - COPPER
	008348-01-000	EA TERMINAL - RING - 3/8" STUD - #2 WIRE
	035416-04-000	EA TERMINAL - RING #10 STUD FITTING - INSULATED BARREL #16/14
	047443-01-000	EA TERMINAL - 250 RECP. FITTING - INSULATED - 16/14 AWG
	047443-02-000	EA TERMINAL - 250 RECP FITTING - INSULATED - 12/10 AWG
	062036-02-000	EA TERMINAL - PACK - CONNECTOR - 16/14 AWG
	104100-03-000	EA TERMINAL - 75 AMP AMP 53880-4 LOOSE
	103603-01-000	EA BULB - 12V NO.74 0.12A V WEDGE GE 22-25 OR EQUIV.
	008215-01-000	EA BULB - 12V - #1003 - 94AMP
	008218-01-000	EA BULB - DOME LIGHT - 12V - NUMBER 1141
	036196-01-000	EA BULB - 12V - #194 - 27AMP - BAYONETTE
	067479-01-000	EA BULB - 12V - NUMBER 1076
	067789-02-000	EA SOCKET - LAMP
	103608-01-000	EA SOCKET - WEDGE BASE W/LEADS JKL 2944-6 OR EQUIV
	075723-01-000	EA BLOCK - SWITCH - SPACER W/O HOLE
	095188-01-01A	EA SPACER - SWITCH - 2.3" X 3.4" - PLASTIC - DARK BROWN
	075723-02-000	EA SPACER - SWITCH - W/HOLE - 2" X .9" X 2" - METAL - OFF WHITE
		FOR ELECTRIC STEP DOOR JAMB SWITCH
	077479-01-000	EA BOOT - BATTERY TERMINAL - DOUBLE CABLE
	077479-02-000	EA BOOT - BATTERY TERMINAL - SINGLE CABLE
	086233-01-000	EA STUD - ISOLATED - 3/8" X 7/8" LONG
		FROM: 05-23-91 THRU: 99-99-99
	086273-01-000	EA RELAY - BATTERY DISCONNECT
	087949-01-000	EA BUSS BAR - 2 POSITION - 6" X 1.5" - ALUMINUM
	087949-02-000	EA BUSS BAR - 3 POS. 90 WIV
	090971-01-000	EA SPLICE - CABLE - 110V
	100341-01-000	EA FUSE HOLDER - IN LINE TYPE WESCO 8931-92020
	102568-01-B10	EA SPACER - RECEPTACLE - BETWEEN SIDEWALL & PLATE - WOOD
	092492-06-000	EA SEAL - ELECTRICAL BOX
	103873-01-000	EA SEAL - ELECTRICAL BOX/BULKHEAD ALFA III(215X215)
	103987-01-000	EA SEAL - SOLENOID ACCESS

**CONVERTER & LOAD CENTER**

KEY	PART NUMBER	U/M DESCRIPTION
	094809-01-000	EA LOAD CENTER - 240V - 125A - TPL412CT
	083208-02-000	EA CONVERTER - POWER - 45A - 120V/12V - BW 6345
	099048-01-000	EA INVERTER - 100 WATT

**1992 ITASCA  
TABLE OF CONTENTS**

INTRODUCTION	A-01 - A-02
ABBREVIATIONS	A-03
ALPHABETICAL INDEX	A-04 - A-06
ICG34RQ	A-07 - E-18
IKG34RQ	E-19 - I-18

**1992 IKG34RQ INDEX**

FLOOR PLAN	E-19 - E-20
ACCESSORIES	E-21 - E-22
BATH	E-23 - F-02
BEDROOM	F-03 - F-04
CHASSIS	F-05 - F-08
CURTAIN & CUSHION	F-09 - F-18
DINETTE	F-19 - F-20
DRIVERS COMPARTMENT	F-21 - F-23
ELECTRICAL	F-24 - G-05
EXTERIOR BODY	G-06 - G-16
GALLEY	G-17 - G-21
GENERATOR	G-22
HEATING & A/C	G-23 - H-01
INTERIOR FINISH	H-02 - H-06
LABELS	H-07 - H-14
LP	H-15
LOUNGE	H-16 - H-18
SEALANTS & FASTENERS	H-19 - H-21
WATER & SEWAGE	H-22 - I-01
WINDOW, VENT &	
EXTERIOR DOOR	I-02 - I-16
WINDSHIELD & WIPER	I-17 - I-18

ELECTRICAL GROUP (CONTINUED)

EXTERIOR LIGHTS

KEY	PART NUMBER	U/M	DESCRIPTION
1	092648-02-000	EA	LIGHT-CLEARANCE - AMBER BULB N/A FROM WINNEBAGO #1895 SK9 - LENS N/A SEPARATELY
2	097917-01-03A 003215-01-000	EA	LIGHT - PORCH - ENTRY DOOR - GRAY
2	097917-01-700 063749-01-000	EA	BULB LENS - LIGHT - PORCH HOUSING - HEADLAMP WIRING - LOW BEAM FROM 05-25-91 THRU 99-99-99
3	062648-01-000	EA	LIGHT - CLEARANCE - RED
4	081638-01-700	EA	LENS - TAILLIGHT - RED
4	081638-01-701	EA	LENS - TAILLIGHT - W/BACKUP
4	081638-01-000	EA	TAIL LIGHT - DOUBLE - W/BLACK TRIM - DRIVER & PASSENGER SIDE
	037934-01-000	EA	BULB #1155 (BACK UP & TURN SIGNAL)
	037935-01-000	EA	BULB #2057 OR #1157 (BRAKE LIGHT)
5	065432-02-000	EA	LIGHT - LICENSE PLATE
5	065432-03-000	EA	BRACKET - LICENSE PLATE
6	049185-02-000	EA	HEADLAMP CAPSULE - DRIVER SIDE - HIGH/LOW BEAM - W/BLACK RETAINER
6	049183-02-000	EA	HEADLAMP CAPSULE - DRIVER SIDE - HIGH BEAM - W/BLACK RETAINER
7	049187-02-000	EA	HEADLAMP CAPSULE - PASSENGER SIDE - HIGH BEAM - W/BLACK RETAINER
7	049185-02-000	EA	HEADLAMP CAPSULE - PASSENGER SIDE - HIGH/LOW BEAM - W/BLACK RETAINER
	049359-01-000	EA	SPRING - RETAINER - HEADLAMP
	073308-01-000	EA	SCREW - ADJUSTING - HEADLAMP
	095674-01-000	EA	NUT - HEADLAMP - BLACK
8	102520-01-000	EA	LIGHT - CLEARANCE - W/O SOCKET CONNECTIONS - AMBER NEEDS #057709-02-000 - 088474-09-000 & 088476-01-000 LENS IS NOT AVAILABLE SEPARATELY
	036196-01-000	EA	BULB
	102540-01-000	EA	SEAL - SCREW - ROUND - RUBBER
	102541-01-000	EA	GASKET - CLEARANCE LIGHT

INTERIOR LIGHTS

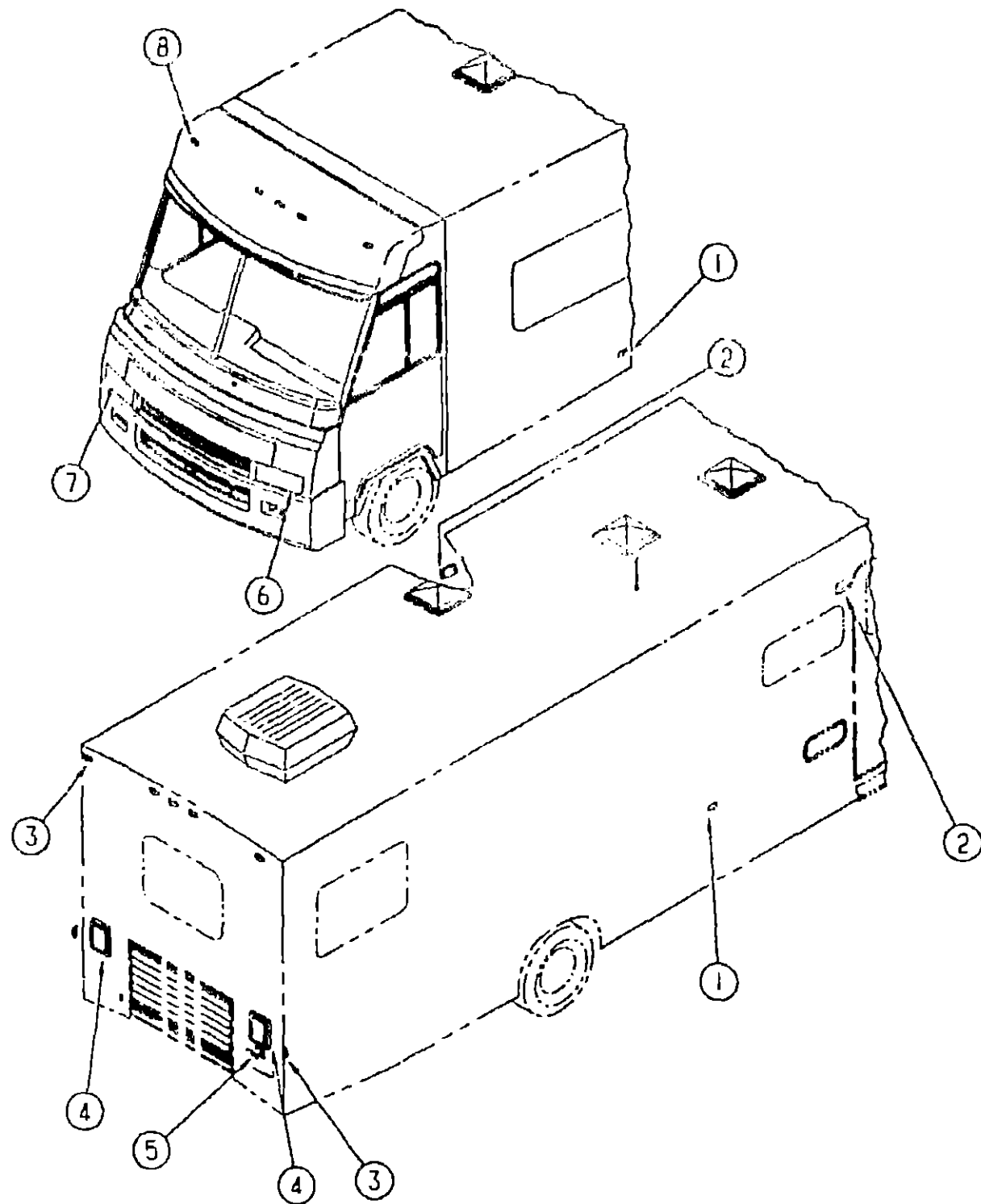
KEY	PART NUMBER	U/M	DESCRIPTION
	083978-01-000	EA	WASHER - MOUNTING - LAMP FROM 00-00-00 THRU 02-05-92
	065202-14-000	EA	LAMP - WALL - BRASS
	065202-18-000	EA	LAMP - WALL - BRASS - CANADIAN
	098024-01-01A	EA	DOME LIGHT - 1 BULB - US - IVORY
	098024-03-01A	EA	DOME LIGHT - 2 BULB - IVORY
	008218-01-000	EA	BULB - DOME LIGHT
	098024-01-700	EA	LENS - DOME LIGHT
	061424-01-000	EA	LIGHT - AISLE - 12V - RECTANGULAR
	008103-01-000	EA	BULB - AISLE
	065201-09-000	EA	SHADE - LAMP - FABRIC - PARCHMENT
	082169-01-000	EA	LIGHT - MAKE-UP - 3 BULB
	081633-01-700	EA	BULB - MAKE-UP
	086280-01-000	EA	LIGHT - SURFACE MOUNT - 12V - JENSEN 1236
	086280-01-700	EA	BULB - SURFACE MOUNT - 12 VOLT - 6 WATT
	087694-01-000	EA	LIGHT - WARDROBE/CLOSET - W/SWITCH
	087694-01-700	EA	BULB - GE561 - WARDROBE/CLOSET

1992 ITASCA  
TABLE OF CONTENTS

INTRODUCTION	A-01 - A-02
ABBREVIATIONS	A-03
ALPHABETICAL INDEX	A-04 - A-06
ICG34RQ	A-07 - E-18
IKG34RQ	E-19 - I-10

1992 IKG34RQ INDEX

FLOOR PLAN	E-19 - E-20
ACCESSORIES	E-21 - E-22
BATH	E-23 - F-02
BEDROOM	F-03 - F-04
CHASSIS	F-05 - F-08
CURTAIN & CUSHION	F-09 - F-18
DINETTE	F-19 - F-20
DRIVERS COMPARTMENT	F-21 - F-23
ELECTRICAL	F-24 - G-05
EXTERIOR BODY	G-06 - G-16
GALLEY	G-17 - G-21
GENERATOR	G-22
HEATING & A/C	G-23 - H-01
INTERIOR FINISH	H-02 - H-06
LABELS	H-07 - H-14
LP	H-15
LOUNGE	H-16 - H-18
SEALANTS & FASTENERS	H-19 - H-21
WATER & SEWAGE	H-22 - I-01
WINDOW, VENT & EXTERIOR DOOR	I-02 - I-16
WINDSHIELD & WIPER	I-17 - I-18



**ELECTRICAL GROUP (CONTINUED)**  
ELECTRICAL HOUSINGS

KEY	PART NUMBER	U/M DESCRIPTION
	088473-01-000	EA PIN HOUSING - 4 ROWS OF 3
	088473-02-000	EA PIN HOUSING - 15 POSITION
	088473-03-000	EA PIN HOUSING - 9 POSITION
	088473-05-000	EA PIN HOUSING - 6 POSITION (SINGLE ROW)
	088473-06-000	EA PIN HOUSING - 6 POSITION (TWO ROWS OF THREE)
	088473-08-000	EA PIN HOUSING - 4 POSITION
	088473-09-000	EA PIN HOUSING - 3 POSITION (SINGLE ROW)
	088473-10-000	EA PIN HOUSING - 2 POSITION
	088474-01-000	EA HOUSING - SOCKET - 12 POSITIONS
	088474-02-000	EA HOUSING - SOCKET - 15 POSITION (3 ROWS OF 5)
	088474-03-000	EA HOUSING - SOCKET - 9 POSITION
	088474-06-000	EA HOUSING - SOCKET - 6 POSITION (2 ROWS OF THREE)
	088474-07-000	EA HOUSING - SOCKET - 5 CAVITY AMP 1-480764-0
	088474-08-000	EA HOUSING - SOCKET - 4 POSITION (SINGLE ROW)
	088474-09-000	EA HOUSING - SOCKET - 3 POSITION
	088474-10-000	EA HOUSING - SOCKET - 2 POSITION
		FROM 04-08-91 THRU 99-99-99
	063910-01-000	EA HOUSING - RELAY - BOSCH 3 334 485 008
	050030-02-000	EA HOUSING - HEADLAMP WIRING - HIGH BEAM
		FROM 06-25-91 THRU 99-99-99
	100590-01-000	EA HOUSING - 5 PIN - WEATHER PACK
	100591-01-000	EA HOUSING - 3 PIN - FEMALE
	101571-01-000	EA HOUSING - 2 POSITION - MALE
	104100-01-000	EA HOUSING - 1 POSITION - 75 AMP AMP 53884-1
	106006-01-000	EA HOUSING - 1 POSITION - FEMALE - PACKARD 12015952
		FROM: 08-18-91 THRU 99-99-99
	108355-01-000	EA HOUSING - SWITCH
	088473-02-000	EA PIN HOUSING - 15 POSITION
	007949-01-000	EA TAB - HOUSING - 1 POSITION

**ELECTRICAL GROUP (CONTINUED)**  
SWITCHES, RECEPTACLES & COVERS

KEY	PART NUMBER	U/M DESCRIPTION
	096241-03-000	EA SWITCH - BLANK
	079364-01-000	EA SWITCH - ON/OFF ROCKER - 2 PRONGS - BROWN
	079364-02-000	EA SWITCH - ON/OFF - ROCKER - BROWN
	096241-07-000	EA SWITCH - ROCKER - DPDT - ON/ON - BLACK
	097734-01-02A	EA EXTENSION-RECEPTACLE - 3 2" X 5" X .7" - PLASTIC - BROWN
	098351-01-01A	EA PLATE - SWITCH - 1 GANG - POLISHED BRASS
	098351-02-01A	EA PLATE - SWITCH - 2 GANG - POLISHED BRASS
	098351-04-01A	EA PLATE - SWITCH - GENERATOR/DOOR LOCK - POLISH BRASS - JENSEN
	098351-05-01A	EA PLATE - SWITCH - 3 GANG - POLISH BRASS - JENSEN
	080015-02-000	EA RECEPTACLE - FLAG - .185 - 16/14 GA - AMP 3
	084076-02-000	EA RECEPTACLE - GFI - 15A - 125V - BROWN
	058707-01-000	EA RECEPTACLE - ELECTRIC - SINGLE - BROWN
	058708-01-000	EA RECEPTACLE - ELECTRIC - DOUBLE - BROWN
	058708-02-000	EA RECEPTACLE - ELECTRIC - DOUBLE - IVORY
	007940-01-000	EA RECEPTACLE - SLIDE - 16 TO 12 AWG - FEMALE END
	024924-02-000	EA RECEPTACLE - POWER CORD - W/PARTIAL PLATE
	075736-02-000	EA COVER - EXTERIOR RECEPTACLE - OFF WHITE
	088238-01-000	EA COVER - SWITCH - A/C SELECTOR - FRONT TO REAR A/C
	088238-02-000	EA COVER - SWITCH - A/C SELECTOR FOR FRONT OR REAR

**ELECTRICAL WIRING & BOXES**

KEY	PART NUMBER	U/M DESCRIPTION
	008052-01-000	EA CORD - POWER - 10/3 - 30 AMP - 25' - CANADIAN
	008054-01-000	EA CORD - POWER - 10/3 - 30 AMP - 25'
	008288-01-000	EA BOX - PLASTIC ELECTRIC - 3" X 3 1/2"
	008288-02-000	EA BOX - ELECTRIC - PLASTIC - 3 9/4" X 3 13" X 1 81"
	008289-01-000	EA BOX - ELECTRIC - STEEL - 1/2" AND 3/4" KNOCKOUTS - 4" X 4"
	008289-02-000	EA BOX - ELECTRICAL - 4" X 4" - 1/2" & 3/4" KNOCKOUTS - CANADIAN
	074890-01-000	EA BOX - EXTENSION - STEEL - OPEN SIDES - 4" X 4" X 1 1/2"
	058049-01-000	EA BOX - ELECTRIC SWITCH - 2" X 3" X 2 25"
	091910-01-000	EA BOX - ELECTRIC - 3.75" X 3 5" X 1 75" - PLASTIC
	104677-01-000	EA BOX - ELECTRICAL - CIRCUIT BREAKER
	075736-01-000	EA COVER - RECEPTACLE - EXTERIOR - GRAY
	031927-01-000	EA COVER - RECEPTACLE - DOUBLE - IVORY
	008294-01-000	EA COVER - ELECTRICAL BOX - BLANK/STEEL - 4" X 4" - GRAY
	008294-02-000	EA COVER - ELECTRICAL BOX - BLANK STEEL - 4" X 4" - CANADIAN
	074897-01-000	EA COVER - ELECTRIC BOX - 1 LARGE & 2 SMALL HOLES - 4" X 4"
	059238-01-000	EA COVER - ELECTRICAL BOX - W/HOLE - 4" X 4" - GRAY
		USED WITH 30 AMP RECEPTACLE
	084077-02-000	EA PLATE - COVER - RECEPTACLE - GFI - BROWN
	104016-01-000	EA WIRE ASM - AUX FANS
	102636-01-000	EA WIRE ASM - CLEARANCE LAMPS
	094831-08-000	EA WIRE ASSEMBLY - AC COMPRESSOR ADAPTER - SCS 036-0054
	103347-01-000	EA WIRE ASSEMBLY - COOLING FAN ADAPTER
		FROM: 00-00-00 THRU: 02-21-92
	088751-01-000	FT CABLE - BATTERY - 1/0 AWG - STRANDED - RED
	073328-B4-000	EA CABLE ASSEMBLY - BATTERY - W/TERMINALS
	097744-C2-000	EA HOUSING-TRAILER PIN, 48"
	097746-01-000	EA HOUSING CAP-TRAILER PIN

**1992 ITASCA**  
**TABLE OF CONTENTS**

INTRODUCTION	A-01 - A-02
ABBREVIATIONS	A-03
ALPHABETICAL INDEX	A-04 - A-06
ICG34RQ	A-07 - E-18
IKG34RQ	E-19 - I-18

**1992 IKG34RQ INDEX**

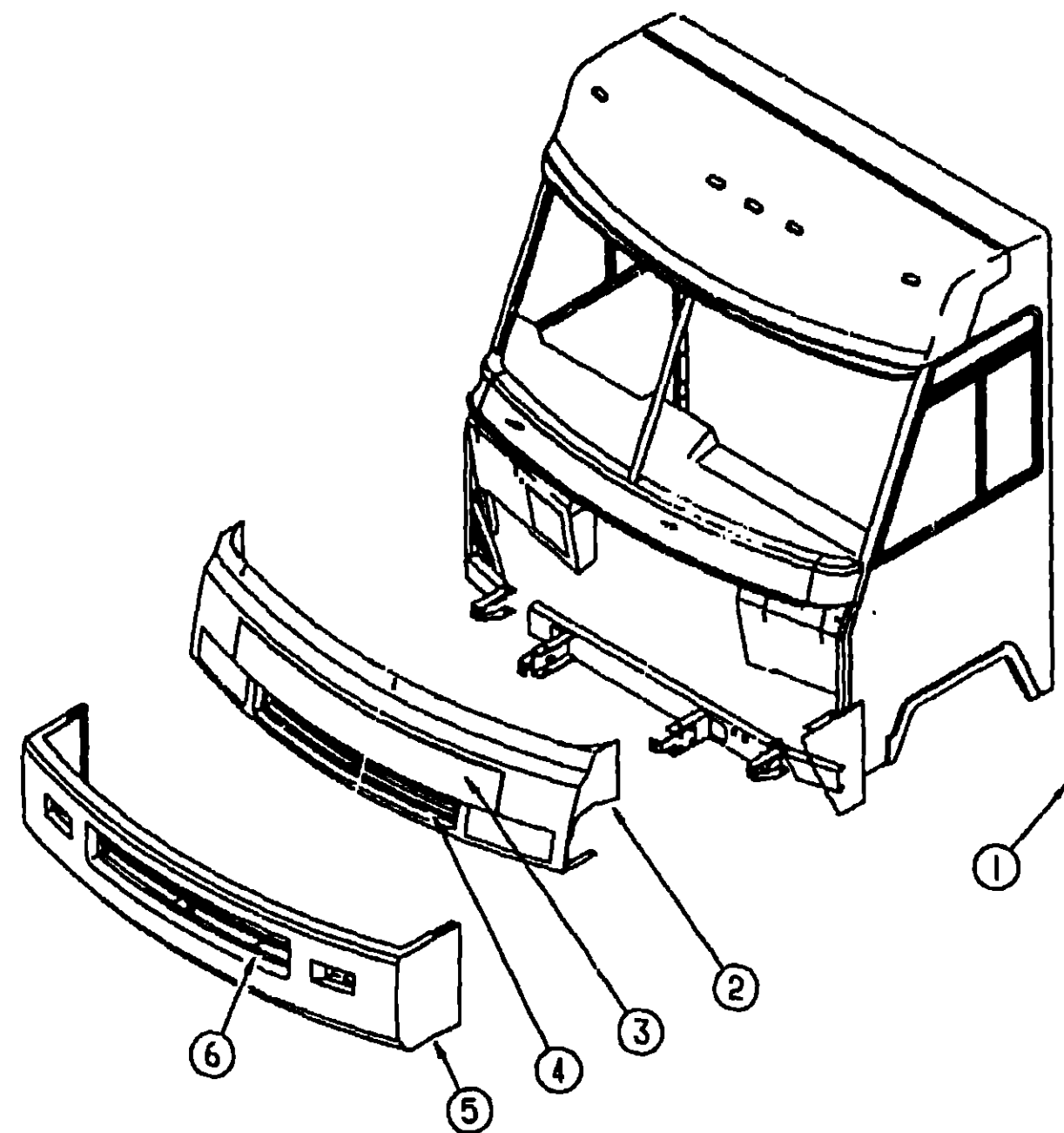
FLOOR PLAN	E-19 - E-20
ACCESSORIES	E-21 - E-22
BATH	E-23 - F-02
BEDROOM	F-03 - F-04
CHASSIS	F-05 - F-08
CURTAIN & CUSHION	F-09 - F-18
DINETTE	F-19 - F-20
DRIVERS COMPARTMENT	F-21 - F-23
ELECTRICAL	F-24 - G-05
EXTERIOR BODY	G-06 - G-16
GALLEY	G-17 - G-21
GENERATOR	G-22
HEATING & A/C	G-23 - H-01
INTERIOR FINISH	H-02 - H-03
LABELS	H-07 - H-14
LP	H-15
LOUNGE	H-16 - H-18
SEALANTS & FASTENERS	H-19 - H-21
WATER & SEWAGE	H-22 - I-01
WINDOW, VENT & EXTERIOR DOOR	I-02 - I-16
WINDSHIELD & WIPER	I-17 - I-18

**ELECTRICAL GROUP (CONTINUED)**  
ELECTRICAL CONNECTORS & CONDUIT

**EXTERIOR BODY GROUP**

**1992 ITASCA**  
**TABLE OF CONTENTS**

INTRODUCTION	A-01 - A-02
ABBREVIATIONS	A-03
ALPHABETICAL INDEX	A-04 - A-06
ICG34RQ	A-07 - E-18
IKG34RQ	E-19 - I-18



**FRONT END ASM**

**1992 IKG34RQ INDEX**

FLOOR PLAN	E-19 - E-20
ACCESSORIES	E-21 - E-22
BATH	E-23 - F-02
BEDROOM	F-03 - F-04
CHASSIS	F-05 - F-08
CURTAIN & CUSHION	F-09 - F-18
DINETTE	F-19 - F-20
DRIVERS COMPARTMENT	F-21 - F-23
ELECTRICAL	F-24 - G-05
EXTERIOR BODY	G-06 - G-16
GALLEY	G-17 - G-21
GENERATOR	G-22
HEATING & A/C	G-23 - H-01
INTERIOR FINISH	H-02 - H-06
LABELS	H-07 - H-14
LP	H-15
LOUNGE	H-16 - H-18
SEALANTS & FASTENERS	H-19 - H-21
WATER & SEWAGE	H-22 - I-01
WINDOW, VENT &	
EXTERIOR DOOR	I-02 - I-16
WINDSHIELD & WIPER	I-17 - I-18

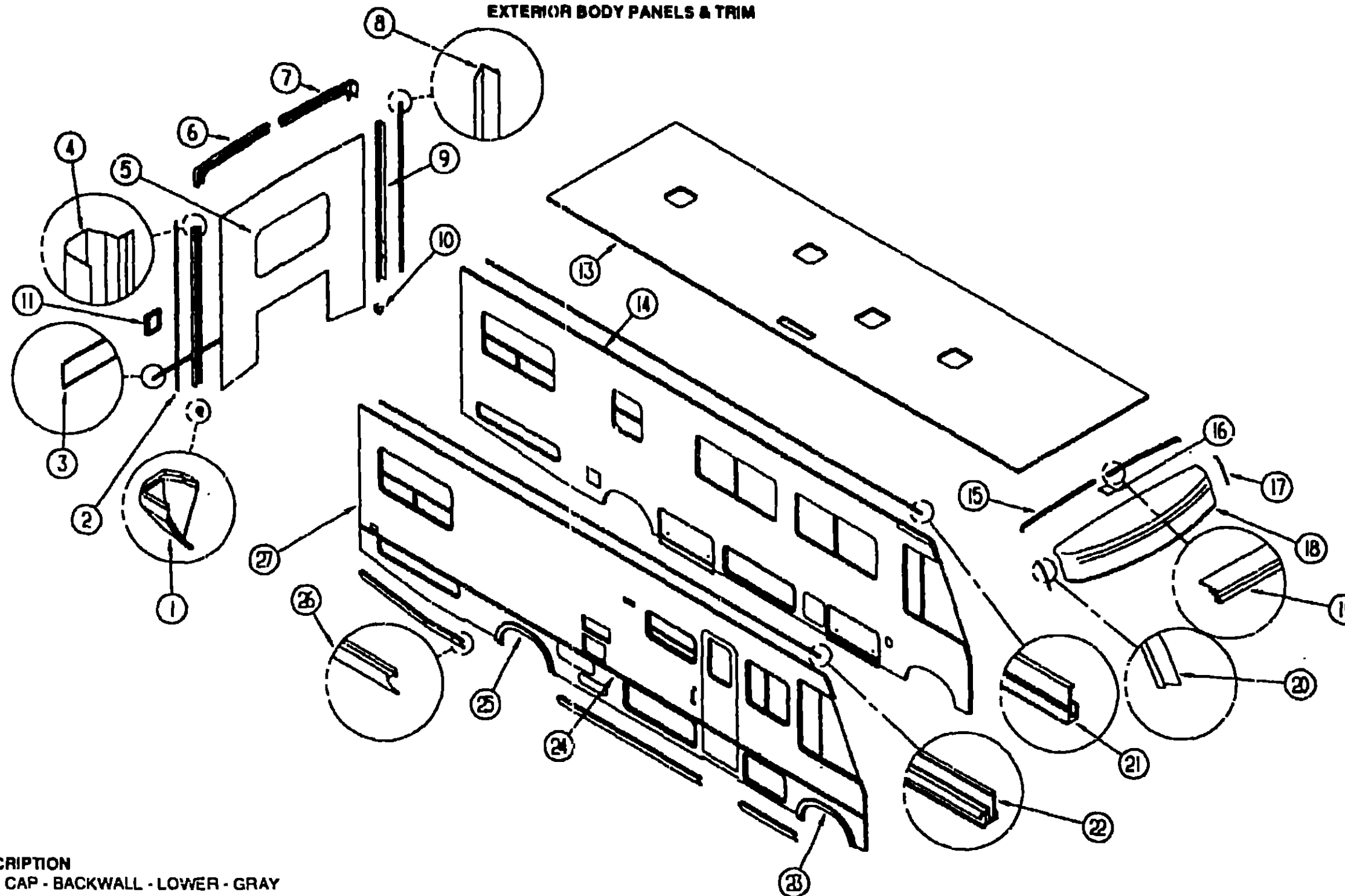
KEY	PART NUMBER	U/M DESCRIPTION
1	089922-13-000	EA TRIM - FIBERGLSSS - GRAY
2	104062-01-02A	EA PANEL - FRONT - LOWER - GRAY
3	104645-01-C27	EA PANEL ASM - HOOD - GRAY
4	104318-01-C07	EA GRILLE ASM - MESH - FACIA
5	104661-01-C27	EA BUMPER PANEL ASM - FRONT
	106065-01-03A	EA TRIM - BUMPER END CAP - GRAY
	106291-01-C27	EA SPOILER ASM.
6	104318-02-C07	EA GRILLE ASM - MESH - BUMPER
	058786-01-000	EA BOLT - ADJUSTING - HOOD - W/BLACK PAD - .31" #18 X 2"
		FROM: 00-00-00 THRU: 02-11-92
	058786-02-000	EA BOLT - ADJUSTING - HOOD - W/BLACK PAD - 5/16" #18 X 1.25"
		FROM: 02-12-92 THRU: 99-99-99
	104582-02-000	EA LINK ASM. - HINGE - HOOD - OUTER
	104584-03-000	EA BRACKET ASM. - HOOD HINGE BODY - RH
	104584-04-000	EA BRACKET ASM. - HOOD HINGE BODY - LH
	102330-02-000	EA LATCH - SINGLE HOLE - VISE ACTION
	105095-01-000	EA LINK ASM. - HINGE - HOOD - INNER RT
	105095-02-000	EA LINK ASM. - HINGE - HOOD - INNER LT
	105096-02-000	EA TUBE - TIMING - HOOD HINGE

KEY	PART NUMBER	U/M DESCRIPTION
	041953-01-000	FT CONDUIT - CONVOLUTE - SLIT - .5" ID
	041953-03-000	FT CONDUIT - CONVOLUTE - SLIT - 1" ID (CLOTHES ROD COVER)
	041953-05-000	FT CONDUIT - CONVOLUTE - SOLID - .62" ID
	041953-06-000	FT CONDUIT - CONVOLUTE - SLIT 3/75" ID
	041953-07-000	FT CONDUIT - CONVOLUTE - SLIT - .25" ID
	041953-08-000	FT CONDUIT - CONVOLUTE - SLIT - 1.50" ID
	041953-09-000	FT CONDUIT - CONVOLUTE - SLIT .50" ID
	041953-10-000	FT CONDUIT - CONVOLUTE - SLIT - .75" ID
	041953-11-000	FT CONDUIT - CONVOLUTE - SLIT - 1.06" ID
	041953-12-000	FT CONDUIT - CONVOLUTE - NON SLIT 1 1/4" ID
	008311-01-000	EA CONNECTOR - WIRE NUT - INSULATED - RED
	008312-01-000	EA CONNECTOR - WIRE NUT - INSULATED - BLUE
	008314-01-000	EA CONNECTOR - WIRE NUT - INSULATED - GRAY
	008355-01-000	EA CONNECTOR - CABLE CLAMPING - 3/16"
	008356-01-000	EA CONNECTOR - PLASTIC - 3/8" AVG
	058028-01-000	EA CONNECTOR - ELECTRICAL PIGTAIL - NYLON - CLEAR
	041480-01-000	EA CONNECTOR - STRAIGHT - 1/2" FLEX CONDUIT
	082740-01-000	EA CONNECTOR - PLASTIC BODY - FOR 2 MALE SPADES
	082740-01-000	EA CONNECTOR - PLASTIC BODY - FOR 2 MALE SPADES
	088475-01-000	EA PIN-CONNECTOR - 14 TO 20 AWG KEY
	088475-01-000	EA PIN-CONNECTOR - 14 TO 20 AWG
	088476-01-000	EA SOCKET - CONNECTOR - BRASS - PRE - TIN
		FROM: 04-08-91 THRU 99-99-99
	088476-02-000	EA SOCKET - CONNECTOR - 12-10 GA - PHOS. BRZ - PRE - TIN
	088476-01-000	EA SOCKET - CONNECTOR - BRASS - PRE - TIN
		FROM: 04-08-91 THRU 99-99-99
	088476-02-000	EA SOCKET - CONNECTOR - 12-10 GA - PHOS. BRZ - PRE - TIN

**CIRCUIT BREAKERS & FUSES**

KEY	PART NUMBER	U/M DESCRIPTION
	097611-01-000	EA CIRCUIT BREAKER - 6AMP - ATC - BLACK
	093654-01-000	EA CIRCUIT BREAKER - 6 AMP - HOUSE CONTROL PANEL
	093654-02-000	EA CIRCUIT BREAKER - 15 AMP
	093655-01-000	EA CIRCUIT BREAKER - 25 AMP
	093655-02-000	EA CIRCUIT BREAKER - 30 AMP - HOUSE CONTROL PANEL
	093655-03-000	EA CIRCUIT BREAKER - 40 AMP - USD 17440-4E03A2A
	094810-01-000	EA CIRCUIT BREAKER - DOUBLE 30 AMP - GE THQ12130
	094811-01-000	EA CIRCUIT BREAKER - DOUBLE 20 AMP - GE THQ12120
	083209-02-000	EA CIRCUIT BREAKER - 15/15AMP - 120V - BW H - 15/15
	083209-03-000	EA CIRCUIT BREAKER - 15/20AMP - 120V - BW - 0-15/20
	083209-04-000	EA CIRCUIT BREAKER - 30A - 120V - BW L - 30
	083209-06-000	EA CIRCUIT BREAKER - 30/15 AMP - 120V - BW D - 30/15
	083209-07-000	EA CIRCUIT BREAKER - 20/20A - 120V - BW K - 20/20
	083209-08-000	EA CIRCUIT BREAKER - BLANK - BW
	062901-02-000	EA FUSE - 5 AMP - AUTOMOTIVE
	062901-05-000	EA FUSE - 15 AMPS - AUTOMOTIVE
	062901-07-000	EA FUSE - AUTOMOTIVE - 25 AMPS
	008235-01-000	EA FUSE - AUTOMOTIVE - 12V - 15AMP
	062037-01-000	EA HOUSING - AUTO FUSE - NATURAL
	062037-02-000	EA HOUSING - AUTO FUSE - GREEN
	062037-03-000	EA HOUSING - AUTO FUSE - BLACK
	062037-04-000	EA HOUSING - AUTO FUSE - BLUE
	062037-05-000	EA HOUSING - AUTO FUSE - GRAY
	062037-06-000	EA HOUSING - AUTO FUSE - BROWN

**EXTERIOR BODY GROUP  
EXTERIOR BODY PANELS & TRIM**



**1992 ITASCA  
TABLE OF CONTENTS**

INTRODUCTION	A-01 - A-02
ABBREVIATIONS	A-03
ALPHABETICAL INDEX	A-04 - A-06
ICG34RQ	A-07 - E-18
IKG34RQ	E-19 - I-18

**1992 IKG34RQ INDEX**

FLOOR PLAN	E-19 - E-20
ACCESSORIES	E-21 - E-22
BATH	E-23 - F-02
BEDROOM	F-03 - F-04
CHASSIS	F-05 - F-08
CURTAIN & CUSHION	F-09 - F-18
DINETTE	F-19 - F-20
DRIVERS COMPARTMENT	F-21 - F-23
ELECTRICAL	F-24 - G-05
EXTERIOR BODY	G-06 - G-16
GALLEY	G-17 - G-21
GENERATOR	G-22
HEATING & A/C	G-23 - H-01
INTERIOR FINISH	H-02 - H-06
LABELS	H-07 - H-14
LP	H-15
LOUNGE	H-16 - H-18
SEALANTS & FASTENERS	H-19 - H-21
WATER & SEWAGE	H-22 - I-01
WINDOW, VENT & EXTERIOR DOOR	I-02 - I-18
WINDSHIELD & WIPER	I-17 - I-18

KEY	PART NUMBER	U/M DESCRIPTION
1	105167-01-02A	EA TRIM CAP - BACKWALL - LOWER - GRAY
2	104033-05-02A	EA TRIM - J - GRAY (PASSENGER SIDE)
3	093673-01-03A	EA MOLDING - PLASTIC - GRAY
4	103598-07-02A	EA TRIM - BACKWALL - SIDE - GRAY (PASSENGER SIDE)
5	M05191-07-C27	EA BACKWALL ASM
6	103599-01-02A	EA TRIM - BACKWALL - TOP - RIGHT - GRAY
7	103600-01-02A	EA TRIM - BACKWALL - TOP - LEFT - GRAY
8	104033-06-02A	EA TRIM - J - GRAY (DRIVER SIDE)
9	103598-08-02A	EA TRIM - BACKWALL - SIDE - GRAY (DRIVER SIDE)
10	105167-02-02A	EA TRIM CAP - BACKWALL - LOWER - GRAY
11	103355-01-02A	EA POD - TAILLIGHT - GRAY
13	P04539-01-C27	EA ROOF ASM
14	M05686-02-C27	EA SIDEWALL ASM (DRIVER SIDE)
15	103815-02-03A	EA TRIM - FRONT CAP/ROOF - RIGHT - GRAY
16	086754-04-000	EA CAP - JOINT - GRAY
17	103816-02-02A	EA TRIM - FRONT CAP/SDW - LEFT - GRAY
18	M05145-02-C27	EA CAP ASM - FRONT - GRAY
19	103815-03-03A	EA TRIM - FRONT CAP/ROOF - LEFT - GRAY
20	103816-03-02A	EA TRIM - FRONT CAP/SDW - RIGHT - GRAY

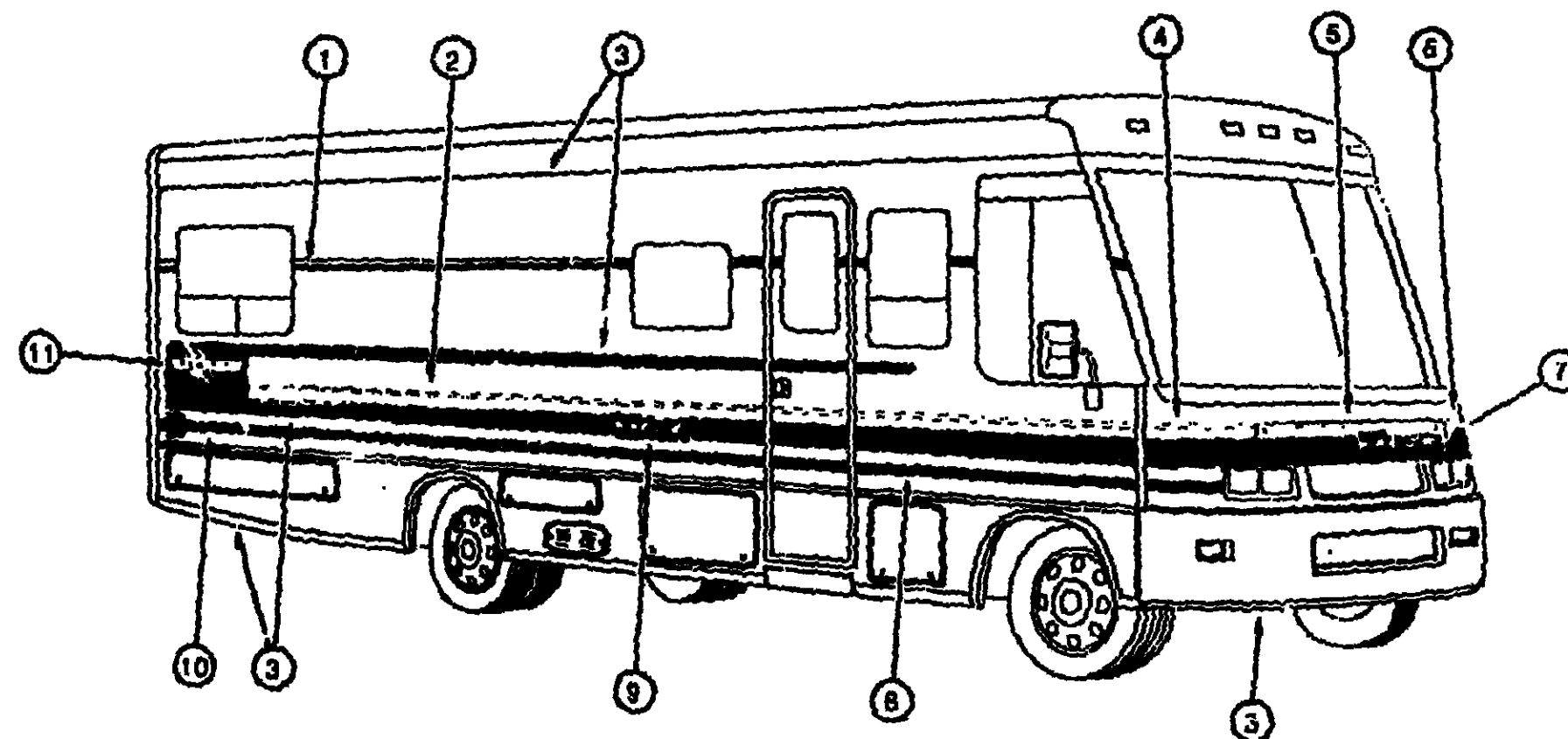
KEY	PART NUMBER	U/M DESCRIPTION
21	103801-01-02A	EA TRIM - ROOF - GRAY
22	103802-01-02A	EA RAIL - AWNING - GRAY
23	104068-01-02A	EA TRIM - WHEELWELL - FRONT - RH - GRAY
	104068-02-02A	EA TRIM - WHEELWELL - FRONT - LH - GRAY
24	C02444-01-020	EA FEATURE STRIP - W/HOLES
	001030-02-003	EA INSERT - FEATURE STRIP - 17' LONG
	009731-01-000	EA END CAP - FEATURE STRIP
25	106239-01-02A	EA TRIM - WHEELWELL - REAR - GRAY (DRIVER OR PASSENGER SIDE)
26	079407-05-002	EA ROCKER PANEL 192.00" - GRAY
27	M05685-02-C27	EA SIDEWALL ASM - QUEEN BED (PASSENGER SIDE)
	087972-08-000	EA TRIM - SIDEWALL - GRAY
	086180-55-003	EA U-CHANNEL - EXTRUDED - 1 6" X 16" - GRAY - SERRATED
	058267-01-000	FT CHANNEL - STEEL - W/HOLES - SIDEWALL STIFFENER - 2" X 20"

FROM 00-00-00 THRU: 08-23-91

**EXTERIOR BODY GROUP (CONTINUED )  
DECALS, FILM STRIPES & PAINT**

**1992 ITASCA  
TABLE OF CONTENTS**

INTRODUCTION	A-01 - A-02
ABBREVIATIONS	A-03
ALPHABETICAL INDEX	A-04 - A-06
ICG34RD	A-07 - E-18
IKG34RD	E-19 - I-18



**1992 IKG34RD INDEX**

FLOOR PLAN	E-19 - E-20
ACCESSORIES	E-21 - E-22
BATH	E-23 - F-02
BEDROOM	F-03 - F-04
CHASSIS	F-05 - F-08
CURTAIN & CUSHION	F-09 - F-18
DINETTE	F-19 - F-20
DRIVERS COMPARTMENT	F-21 - F-23
ELECTRICAL	F-24 - G-05
EXTERIOR BODY	G-06 - G-16
GALLEY	G-17 - G-21
GENERATOR	G-22
HEATING & A/C	G-23 - H-01
INTERIOR FINISH	H-02 - H-06
LABELS	H-07 - H-14
LP	H-15
LOUNGE	H-16 - H-18
SEALANTS & FASTENERS	H-19 - H-21
WATER & SEWAGE	H-22 - I-01
WINDOW, VENT & EXTERIOR DOOR	I-02 - I-16
WINDSHIELD & WIPER	I-17 - I-18

KEY	PART NUMBER	U/M DESCRIPTION
1	093581-32-01A	FT FILM - 25MM X 150FT - FIESTA (C27,C28) FROM: 00-00-00 THRU: 10-25-91
2	093681-11-10A	FT FILM - 44MM X 150FT - FIESTA (C27,C28) FROM: 00-00-00 THRU: 10-25-91
3	NPN	PAINT - GRAY METALLIC (DUPONT H9283U)
4	093681-34-01A	FT FILM - 46MM X 150FT - FIESTA (C27,C28) FROM: 00-00-00 THRU: 10-25-91
5	104753-02-01A	EA DECAL - FRDNT - DRIVER SIDE - FIESTA (C27,C28) FROM: 00-00-00 THRU: 10-25-91
6	078852-25-000	EA DECAL - LOGO - ITASCA 5"
7	104753-01-01A	EA DECAL - FRONT - PASSENGER SIDE - FIESTA (C27,C28) FROM: 00-00-00 THRU: 10-25-91
8	093681-29-03A	FT FILM - 51MM X 150 FT - FIESTA FROM: 00-00-00 THRU: 10-25-91
9	078852-24-000	EA DECAL - LOGO - ITASCA 8 5 (SIDE & BACKWALL)
10	106003-01-01A	EA DECAL - DIESEL
11	104752-01-01A	EA DECAL - SUNCRUISER W/ZIG ZAG - PASSENGER SIDE - FIESTA/LIGHT GRAY(C27,C28) FROM: 00-00-00 THRU: 10-25-91
11	104752-02-01A	EA DECAL - SUNCRUISER W/ZIG ZAG - DRIVER SIDE - FIESTA/LIGHT GRAY(C27,C28) FROM: 00-00-00 THRU: 10-25-91

**DUPONT PAINT COLOR CODES**

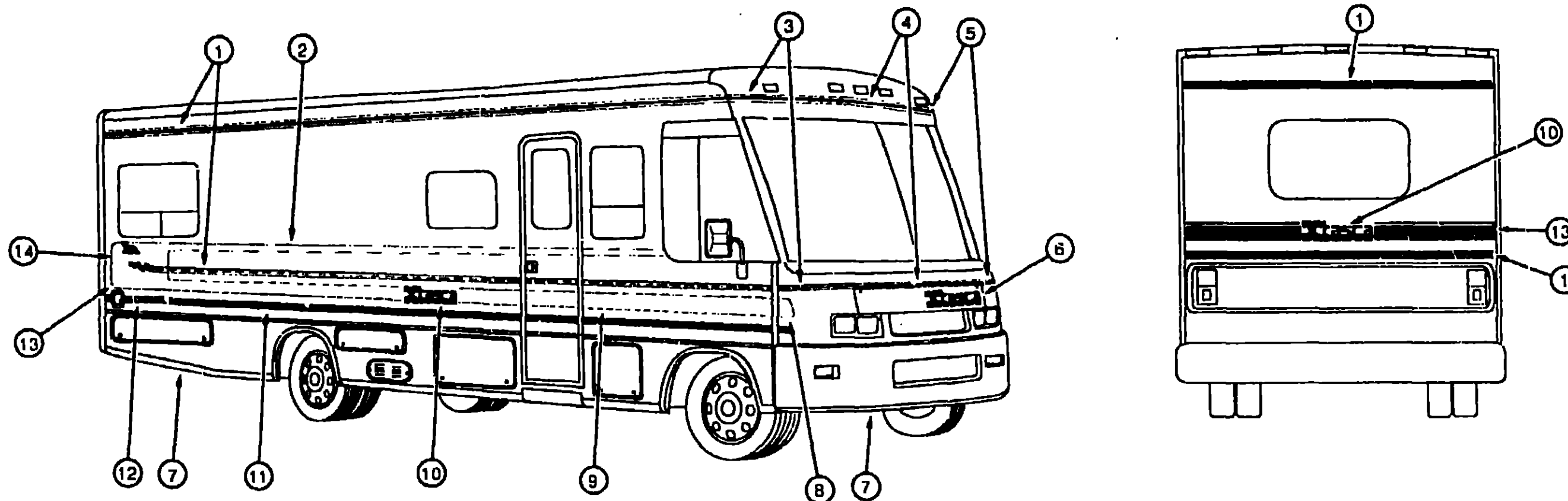
FIESTA (RED)	G9839
SEAMIST BLUE METALLIC	G9845
GRAY METALLIC	H9283U
ASH GRAY	L8730



**EXTERIOR BODY GROUP (CONTINUED)**  
DECALS, FILM STRIPES & PAINT

**1992 ITASCA**  
**TABLE OF CONTENTS**

INTRODUCTION	A-01 - A-02
ABBREVIATIONS	A-03
ALPHABETICAL INDEX	A-04 - A-06
ICG34RQ	A-07 - E-18
IKG34RQ	E-19 - I-18



**ITASCA (C27) (FROM: 10-26-91 THRU: 99-99-99)**

**ITASCA (C28) (FROM: 10-26-91 THRU: 99-99-99)**

**1992 IKG34RQ INDEX**

FLOOR PLAN	E-19 - E-20
ACCESSORIES	E-21 - E-22
BATH	E-23 - F-02
BEDROOM	F-03 - F-04
CHASSIS	F-05 - F-08
CURTAIN & CUSHION	F-09 - F-18
DINETTE	F-19 - F-20
DRIVERS COMPARTMENT	F-21 - F-23
ELECTRICAL	F-24 - G-05
EXTERIOR BODY	G-06 - G-16
GALLEY	G-17 - G-21
GENERATOR	G-22
HEATING & A/C	G-23 - H-01
INTERIOR FINISH	H-02 - H-06
LABELS	H-07 - H-14
LP	H-15
LOUNGE	H-16 - H-18
SEALANTS & FASTENERS	H-19 - H-21
WATER & SEWAGE	H-22 - I-01
WINDOW, VENT & EXTERIOR DOOR	I-02 - I-16
WINDSHIELD & WIPER	I-17 - I-18

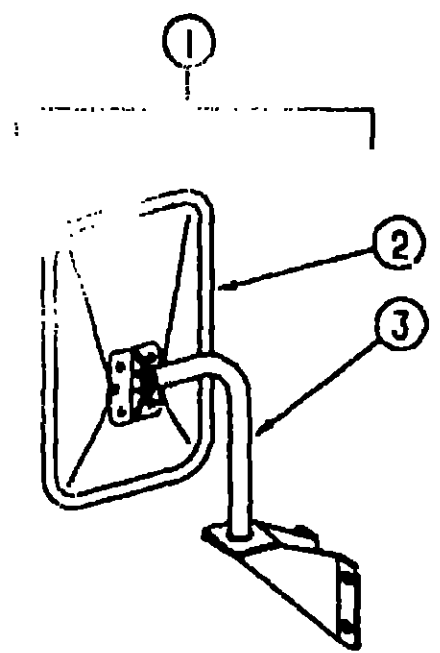
KEY	PART NUMBER	U/M	DESCRIPTION
1	094443-08-02A	FT	FILM - MULTISTRIPE 44MM X150FT - SEA MIST BLUE (OPTION C28)
2	094443-10-01A	FT	FILM - MULTISTRIPE 63.5MMX150' - GRAY/GRAY/GRAY
3	106570-01-02A	EA	DECAL - CORNER - FRONT - PASSENGER SIDE - SEA MIST BLUE (OPTION C28)
4	094443-09-02A	FT	FILM - MULTISTRIPE 46MM X150FT SEA MISTBLUE/SMB/S (OPTION C28)
5	106570-02-02A	EA	DECAL - CORNER - FRONT - DRIVER SIDE - SEA MIST BLUE (OPTION C28)
6	078852-28-000	EA	DECAL - LOGO - ITASCA 5" - SEA MIST BLUE/LT GRAY (OPTION C28)
7	NPN		PAINT - GRAY METALLIC (DUPONT H9283U)
8	106571-01-01A	EA	DECAL - FRONT - END CAP - PASSENGER SIDE - GRAY
	106571-02-01A	EA	DECAL - FRONT - END CAP - DRIVER SIDE - GRAY
9	094443-11-01A	FT	FILM - MULTISTRIPE 139.7MMX150 - GRAY/GRAY/GRAY
10	078852-29-000	EA	DECAL - LOGO - ITASCA 6.5" - SEA MIST BLUE/LT GRAY (OPTION C28)
11	093681-29-04A	FT	FILM-51MM X 150 FT - SEA MIST BLUE (OPTION C28)
12	106003-01-02A	EA	DECAL - "DIESEL" - SEA MIST BLUE (OPTION C28)
13	106572-01-01A	EA	DECAL - RADIUS - REAR - PASSENGER SIDE - GRAY
	106572-02-01A	EA	DECAL - RADIUS - REAR - DRIVER SIDE - GRAY
14	104752-03-02A	EA	DECAL - SUNCRUISER W/ZIG ZAG - PASSENGER SIDE (OPTION C28)
	104752-04-02A	EA	DECAL - SUNCRUISER W/ZIG ZAG - DRIVER SIDE (OPTION C28)
15	093680-36-01A	FT	FILM - MULTISTRIPE - 209.6MM X150FT - GRAY/GRAY

KEY	PART NUMBER	U/M	DESCRIPTION
1	094443-08-01A	FT	FILM - MULTISTRIPE 44MM X150FT
2	094443-10-01A	FT	FILM - MULTISTRIPE 63.5MMX150' GRAY/GRAY/GRAY
3	106570-01-01A	EA	DECAL - CORNER - FRONT - PASSENGER SIDE
4	094443-09-01A	FT	FILM - MULTISTRIPE 46MM X150FT
5	106570-02-01A	EA	DECAL - CORNER - FRONT - DRIVER SIDE
6	078852-25-000	EA	DECAL - LOGO - ITASCA 5"
7	NPN		PAINT - GRAY METALLIC (DUPONT H9283U)
8	106571-01-01A	EA	DECAL - FRONT - END CAP - PASSENGER SIDE - GRAY
	106571-02-01A	EA	DECAL - FRONT - END CAP - DRIVER SIDE - GRAY
9	094443-11-01A	FT	FILM - MULTISTRIPE 139.7MMX150 GRAY/GRAY/GRAY
10	078852-24-000	EA	DECAL - LOGO - ITASCA 6.5
11	093681-29-03A	FT	FILM-51MM X 150 FT - FIESTA
12	106003-01-01A	EA	DECAL - "DIESEL" - FIESTA
13	106572-01-01A	EA	DECAL - RADIUS - REAR - PASSENGER SIDE - GRAY
	106572-02-01A	EA	DECAL - RADIUS - REAR - DRIVER SIDE - GRAY
14	104752-03-01A	EA	DECAL - SUNCRUISER W/ZIG ZAG - PASSENGER SIDE
	104752-04-01A	EA	DECAL - SUNCRUISER W/ZIG ZAG - DRIVER SIDE
15	093680-36-01A	FT	FILM - MULTISTRIPE - 209.6MM X150FT - GRAY/GRAY

**DUPONT PAINT COLOR CODES**

FIESTA (RED)	G9839
SEAMIST BLUE METALLIC	G9845
GRAY METALLIC	H9283U
ASH GRAY	L8730

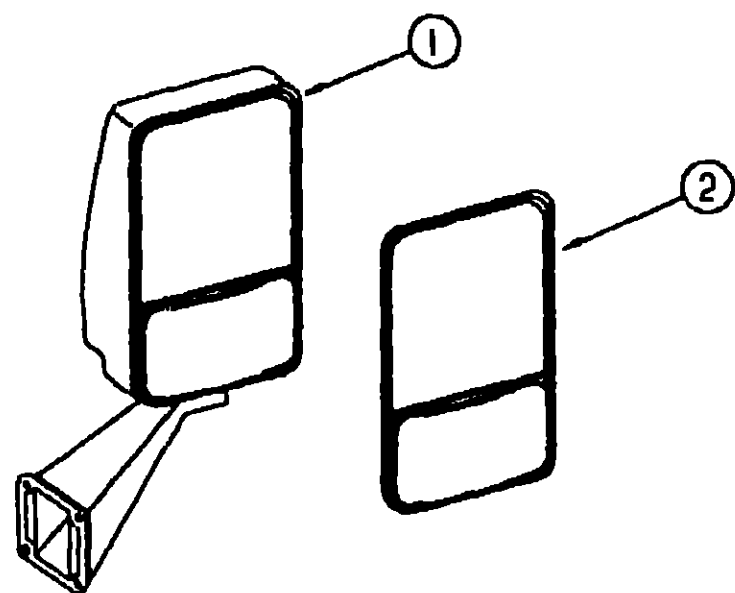
INTERIOR BODY GROUP (CONTINUED)



EXTERIOR MIRRORS

KEY	PART NUMBER	U/M DESCRIPTION
1	105076-01-01A	EA MIRROR ASM - SET OF 2 - DRIVER & PASSENGER SIDE
1	105076-01-702	EA MIRROR ASM - DRIVER & PASSENGER SIDE
2	105076-01-703	EA MIRROR HEAD ONLY - DRIVER & PASSENGER SIDE
3	105076-01-704	EA ARM - DRIVER & PASSENGER SIDE
	105439-01-000	EA MIRROR - AUX - CONVEX STICK-ON
	049347-01-700	EA MIRROR - FLAT GLASS

EXTERIOR BODY GROUP (CONTINUED)



EXTERIOR MIRROR OPTION

KEY	PART NUMBER	U/M DESCRIPTION
1	106015-09-01A	EA MIRROR ASM - PASSENGER SIDE
1	106015-10-01A	EA MIRROR ASM - DRIVER SIDE
2	106015-01-703	EA MIRROR KIT (BEZEL W/MIRRORS) PASSENGER SIDE
2	106015-02-702	EA MIRROR KIT (BEZEL W/MIRRORS) DRIVER SIDE

1992 ITASCA  
TABLE OF CONTENTS

INTRODUCTION	A-01 - A-02
ABBREVIATIONS	A-03
ALPHABETICAL INDEX	A-04 - A-06
ICG34RQ	A-07 - E-18
IKG34RQ	E-19 - I-18

1992 IKG34RQ INDEX

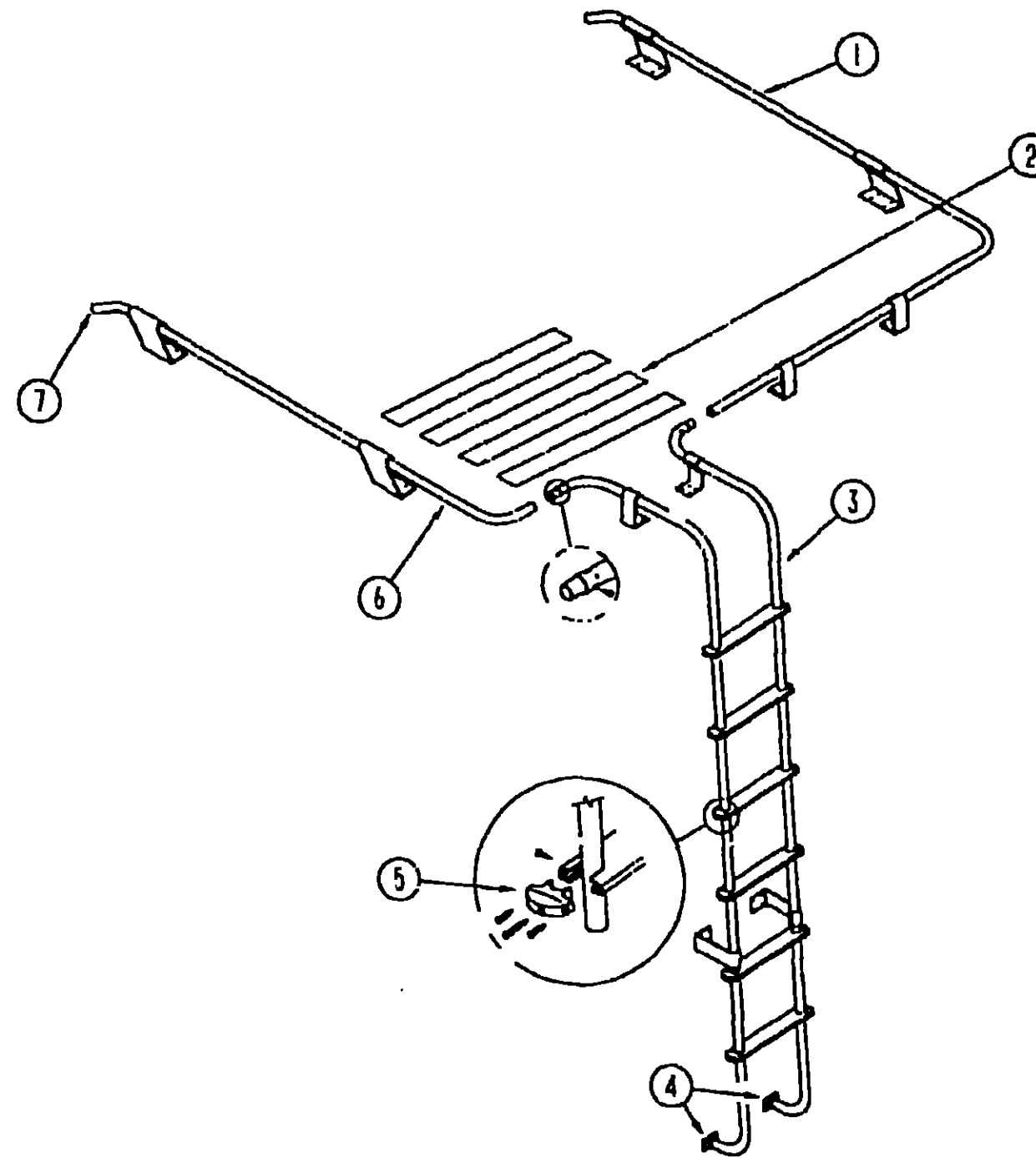
FLOOR PLAN	E-19 - E-20
ACCESSORIES	E-21 - E-22
BATH	E-23 - F-02
BEDROOM	F-03 - F-04
CHASSIS	F-05 - F-08
CURTAIN & CUSHION	F-09 - F-18
DINETTE	F-19 - F-20
DRIVERS COMPARTMENT	F-21 - F-23
ELECTRICAL	F-24 - G-05
EXTERIOR BODY	G-06 - G-16
GALLEY	G-17 - G-21
GENERATOR	G-22
HEATING & A/C	G-23 - H-01
INTERIOR FINISH	H-02 - H-06
LABELS	H-07 - H-14
LP	H-15
LOUNGE	H-16 - H-18
SEALANTS & FASTENERS	H-19 - H-21
WATER & SEWAGE	H-22 - I-01
WINDOW, VENT &	
EXTERIOR DOOR	I-02 - I-16
WINDSHIELD & WIPER	I-17 - I-18

**EXTERIOR BODY GROUP (CONTINUED)**

**STYROFOAM & FIBERGLASS SHEETING**

KEY	PART NUMBER	U/M DESCRIPTION
	083574-03-000	SF STYROFOAM - 3/4" X 48" X 96"
	000870-05-000	SF STYROFOAM - 5" X 24" X 96" (16 SF)
	000870-03-000	SF STYROFOAM - 1.34" X 48" X 96" (32 SF)
	083574-02-000	SF STYROFOAM - DOW TYPE SM - 1 5" X 24" X 90 5" (15 SF)
	076054-F4-000	EA FIBERGLASS SHEET 2438 X 2438 - GRAY
	077517-24-000	EA SHEET - FIBERGLASS - FLAT - 48" X 96" - GRAY
	076054-F8-000	EA FIBERGLASS SHEET 2590 X 9785 - GRAY
	077517-23-000	EA SHEET - FIBERGLASS - FLAT - 48" X 96" - GRAY
	065747-01-000	SF INSULATION - MICROFOAM - 5"

**EXTERIOR BODY GROUP (CONTINUED)**



**RACK & LADDER**

KEY	PART NUMBER	U/M DESCRIPTION	
1	081026-20-C07	EA RACK ASM (PASSENGER SIDE)	
1	107438-07-C07	EA RACK ASM. (PASSENGER SIDE)	FROM 07-00-00 THRU 03-01-92
2	038327-02-000	FT TAPE - ANTI SLIP - 2" X 60FT	
3	102953-05-C07	EA LADDER ASM	
4	067165-01-000	EA MOUNTING BRACKET - LADDER - LOWER	
5	076980-02-000	EA END CAP - STEP - BLACK	
6	081026-21-C07	EA RACK ASM (DRIVER SIDE)	
6	107438-08-C07	EA RACK ASM (DRIVER SIDE)	FROM 00-00-00 THRU 03-01-92
7	081114-01-000	EA PLUG - ROUND - RACK & LADDER ENDS - PLASTIC - 1" DIA	FROM: 03-02-92 THRU 99-99-99

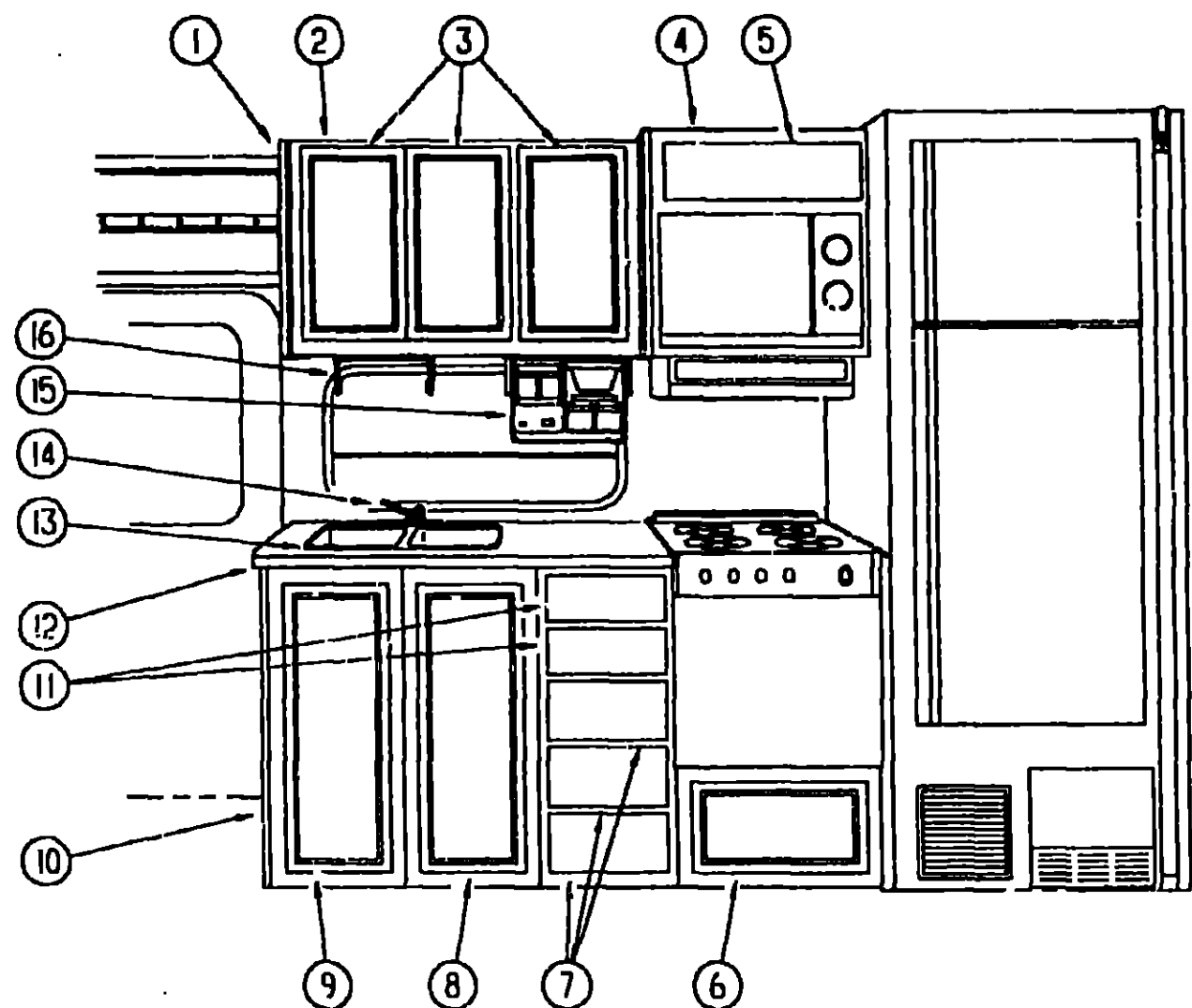
**1992 ITASCA  
TABLE OF CONTENTS**

INTRODUCTION	A-01 - A-02
ABBREVIATIONS	A-03
ALPHABETICAL INDEX	A-04 - A-06
ICG34RQ	A-07 - E-18
IKG34RQ	E-19 - I-18

**1992 IKG34RQ INDEX**

FLOOR PLAN	E-19 - E-20
ACCESSORIES	E-21 - E-22
BATH	E-23 - F-02
BEDROOM	F-03 - F-04
CHASSIS	F-05 - F-08
CURTAIN & CUSHION	F-09 - F-18
DINETTE	F-19 - F-20
DRIVERS COMPARTMENT	F-21 - F-23
ELECTRICAL	F-24 - G-05
EXTERIOR BODY	G-06 - G-16
GALLEY	G-17 - G-21
GENERATOR	G-22
HEATING & A/C	G-23 - H-01
INTERIOR FINISH	H-02 - H-06
LABELS	H-07 - H-14
LP	H-15
LOUNGE	H-16 - H-18
SEALANTS & FASTENERS	H-19 - H-21
WATER & SEWAGE	H-22 - I-01
WINDOW, VENT & EXTERIOR DOOR	I-02 - I-16
WINDSHIELD & WIPER	I-17 - I-18

**GALLEY GROUP**  
GALLEY CABINETS & FIXTURES



KEY	PART NUMBER	U/M DESCRIPTION
1	081319-20-C27	EA END CAP ASM. - OVERHEAD
2	P04372-01-C27	EA CABINET ASM - OVHD-GALLEY
3	P03702-82-C27	EA DOOR ASM - RAIL - W/O HARDWARE
4	M05019-69-C25	EA CABINET ASM - MICROWAVE OVHD
4	M05019-72-C27	EA CABINET ASM - MICROWAVE OVHD
		FROM: 00-00-00 THRU: 09-27-91
	104432-01-C27	EA CABINET ASM - A/C SWITCH
		FROM: 09-28-91 THRU: 99-99-99
5	P00523-82-B87	EA DOOR ASM - RAIL - W/O HARDWARE
6	P03397-98-C27	EA DRAWER ASM - CABINET - W/O HARDWARE
		FROM: 00-00-00 THRU: 01-19-92
6	P07104-87-C27	EA DRAWER ASM - W/O HARDWARE
		FROM 01-20-92 THRU: 99-99-99
7	P03397-96-C27	EA DRAWER ASM - W/O HARDWARE
		FROM 00-00-00 THRU: 01-19-92
7	P07104-93-C27	EA DRAWER ASM - W/O HARDWARE
		FROM 01-20-92 THRU: 99-99-99
8	P03702-A9-C27	EA DOOR ASM - W/O HARDWARE
9	P03702-A7-C27	EA DOOR ASM - W/O HARDWARE
10	M05620-03-C27	EA GALLEY CABINET ASM
10	M05620-03-C08	EA GALLEY CABINET ASM
11	P03397-94-C27	EA DRAWER ASM - W/O HARDWARE
		FROM 00-00-00 THRU 01-19-92
11	P07104-91-C27	EA DRAWER ASM - W/O HARDWARE
		FROM 01-20-92 THRU: 99-99-99
12	104371-12-C07	EA COUNTERTOP ASM. (C27)
12	104371-12-C08	EA COUNTERTOP ASM (C28)
	103614-01-000	EA BOARD - CUTTING - MAPLE
13	104113-01-000	EA SINK - STAINLES STEEL - DOUBLE
14	104114-01-01A	EA FAUCET - GALLEY - SINGLE CONTROL
	103635-01-000	EA FAUCET - SINGLE CONTROL - EVERPURE 5435-00
15	103799-01-02A	EA COFFEE MAKER ALMOND
	104610-01-000	EA STRAP ASM - COFFEE MAKER
16	103445-01-01A	EA HOLDER-PAPER TOWEL - PLASTIC - ALMOND
	090329-01-000	FT SEAL-T- REFRIGERATOR CABINET - 6" WIDE TOP X 2" TAIL

**1992 ITASCA**  
**TABLE OF CONTENTS**

INTRODUCTION	A-01 - A-02
ABBREVIATIONS	A-03
ALPHABETICAL INDEX	A-04 - A-06
ICG34RQ	A-07 - E-18
IKG34RQ	E-19 - I-18

**1992 IKG34RQ INDEX**

FLOOR PLAN	E-19 - E-20
ACCESSORIES	E-21 - E-22
BATH	E-23 - F-02
BEDROOM	F-03 - F-04
CHASSIS	F-05 - F-08
CURTAIN & CUSHION	F-09 - F-18
DINETTE	F-19 - F-20
DRIVERS COMPARTMENT	F-21 - F-23
ELECTRICAL	F-24 - G-05
EXTERIOR BODY	G-06 - G-16
GALLEY	G-17 - G-21
GENERATOR	G-22
HEATING & A/C	G-23 - H-01
INTERIOR FINISH	H-02 - H-06
LABELS	H-07 - H-14
LP	H-15
LOUNGE	H-16 - H-18
SEALANTS & FASTENERS	H-19 - H-21
WATER & SEWAGE	H-22 - I-01
WINDOW, VENT &	
EXTERIOR DOOR	I-02 - I-16
WINDSHIELD & WIPER	I-17 - I-18

**GALLEY GROUP (CONTINUED)**  
**RANGE, 4 BURNER (ALMOND) 22"**

KEY	PART NUMBER	U/M DESCRIPTION
	102020-01-03A	EA RANGE - 4 BURNER ALMOND - 22" - MAGIC CHEF BT22RA-4TZ FROM: 00-00-00 THRU: 01-19-92
102020-01-700	EA SHELF - OVEN	7801-P027-60
102020-01-701	EA HANDLE - DOOR	7701P092-60
102020-01-702	EA PANEL - MANIFOLD	2616F080-70
102020-01-708	EA BURNER ASSEMBLY - OVEN	3403W003-45
102020-01-709	EA BUMPER - GRATE	8007P018-60
102020-01-710	EA FILTER - PILOT	7507P046-6C
102020-01-711	EA GRATE - TOP	7518P012-60
102020-01-712	EA KNOB - BURNER VALVE	7733P044-60
102020-01-713	EA KNOB - THERMOSTAT	7731P042-60
102020-01-714	EA PILOT - OVEN	968-143
102020-01-715	EA PIPE - MANIFOLD	7513P095-60
102020-01-716	EA REGULATOR - PRESSURE	7510P033-60
102020-01-717	EA THERMOSTAT	7515P024-60
102020-01-718	EA TOP - MAIN - ALMOND	2001F085-R4
102020-01-720	EA VALVE - MERCURY CONTROL	7501P055-60
102020-01-721	EA VALVE - SHUT OFF	7506F096-60
102020-01-722	EA VALVE - TOP BURNER	7502P095-60
102020-01-723	EA PILOT - BURNER	7505P147-60
102020-01-724	EA BUMPER - MAIN TOP	8003P008-60
102020-01-725	EA GLASS - OUTER	7902P266-60
102020-01-727	EA TRIM - (LEFT)FLAT	3608W026-70
102020-01-728	EA TRIM - (RIGHT)FLAT	3608W027-70
102021-02-01A	EA COVER - BIFOLD - RANGE - ALMOND - MAGIC CHEF KR22A-1 FROM 00-00-00 THRU 01-19-92	

**RANGE, 4 BURNER (BLACK) 21"**

KEY	PART NUMBER	U/M DESCRIPTION
	107323-01-01A	EA RANGE - 21" 4 - BURNER BLACK FROM 01-20-92 THRU 99-99-99
	107314-01-01A	EA RANGE COVER - BIFOLD 21" BLK FROM: 01-20-92 THRU 99-99-99
107246-01-700	EA RANGE TOP (BLACK)	53083
107246-01-701	EA GRATE	53050
107323-01-700	EA RANGE TOP	53513
107323-01-702	EA TRIM LEFT	53023
107323-01-703	EA TRIM RIGHT	53024
107323-01-704	EA MANIFOLD COVER	53556
107323-01-705	EA TRIM VENT	53525
107323-01-706	EA TRIM BOTTOM	53526
107323-01-707	EA INSERT BLACKGLASS-N/HOLE	53426
107323-01-708	EA HANDLE ROD-N/HOLE	53085
107323-01-709	EA HANDLE END CAP-N/HOLE	53424
107323-01-710	EA GRATE CLIP	53301
107323-01-711	EA RUBBER GRATE CUSHION	53008

**GALLEY GROUP (CONTINUED)**  
**RANGE HOOD, W/HOUR METER - VENTLINE (USA)**

KEY	PART NUMBER	U/M DESCRIPTION
	100258-18-01A	EA HOOD - RANGE 22W W/O MONITOR PANEL
	090973-01-700	EA MOTOR - LVS CA508-1
	090973-01-702	EA BLADE-FAN - LVS VA183-1
	092696-01-709	EA BULB - 912 - VENTLINE VA415
	092696-01-710	EA SOCKET - LIGHT - VENTLINE CB267-2
	096983-01-700	EA SWITCH - ON/OFF - VENTLINE 108
	096983-01-702	EA SWITCH - TWO WAY MOMENTARY - VENTLINE 112
	096983-01-707	EA FILTER - GREASE - 8" X 8" - LVS
	096983-01-708	EA LENS - LAMP - VENTLINE
	100258-01-700	EA HOOD NOSE LABEL
	100258-10-01A	EA METER - HOUR - VENTLINE 150
	097618-01-000	EA WIRE ASM - MONITOR PANEL - W/4 WIRES & BLACK RESISTOR - LVS

**RANGE HOOD, W/O HOUR METER - VENTLINE (USA)**

KEY	PART NUMBER	U/M DESCRIPTION
	100258-16-01A	EA HOOD - RANGE W/O MONITOR PANEL
	090973-01-700	EA MOTOR - LVS CA508-1
	090973-01-702	EA BLADE-FAN - LVS VA183-1
	092696-01-709	EA BULB-912 - VENTLINE VA415
	092696-01-710	EA SOCKET - LIGHT - VENTLINE CB267-2
	096983-01-700	EA SWITCH - ON/OFF - VENTLINE 108
	096983-01-702	EA SWITCH - TWO WAY MOMENTARY - VENTLINE 112
	096983-01-707	EA FILTER-GREASE - 8" X 8" - LVS CC24G

**MONITOR PANEL (2 WATER TANKS & WATER HEATER)**

KEY	PART NUMBER	U/M DESCRIPTION
	102765-04-01A	EA PANEL - MONITOR - W/PLUG - FOR 2 TANKS & WATER HEATER - LVS

**1992 ITASCA**  
**TABLE OF CONTENTS**

INTRODUCTION	A-01 - A-02
ABBREVIATIONS	A-03
ALPHABETICAL INDEX	A-04 - A-06
ICG34RQ	A-07 - E-18
IKG34RQ	E-19 - I-18

**1992 IKG34RQ INDEX**

FLOOR PLAN	E-19 - E-20
ACCESSORIES	E-21 - E-22
BATH	E-23 - F-02
BEDROOM	F-03 - F-04
CHASSIS	F-05 - F-08
CURTAIN & CUSHION	F-09 - F-18
DINETTE	F-19 - F-20
DRIVERS COMPARTMENT	F-21 - F-23
ELECTRICAL	F-24 - G-05
EXTERIOR BODY	G-06 - G-16
GALLEY	G-17 - G-21
GENERATOR	G-22
HEATING & A/C	G-23 - H-01
INTERIOR FINISH	H-02 - H-06
LABELS	H-07 - H-14
LP	H-15
LOUNGE	H-16 - H-18
SEALANTS & FASTENERS	H-19 - H-21
WATER & SEWAGE	H-22 - I-01
WINDOW, VENT &	
EXTERIOR DOOR	I-02 - I-16
WINDSHIELD & W/PER	I-17 - I-18

**GALLEY GROUP (CONTINUED)**

**MICROWAVE OVEN**

KEY	PART NUMBER	U/M DESCRIPTION
	091289-04-000	EA OVEN - MICROWAVE
	098916-03-01A	EA BRACE - MICROWAVE CABINET - LEFT - 9 4" X 7 5" - STEEL
	098916-04-01A	EA BRACE - MICROWAVE CABINET - RIGHT - 9 4" X 7 5" - STEEL
	094745-01-01A	EA TRIM - MICROWAVE - LOWER - BLACK
	094774-03-01A	EA TRIM - MICROWAVE - EITHER SIDE - 1 5" X 14 8" - METAL - BLACK
	094750-01-000	EA BRACKET - MICROWAVE - 90 DEGREE - STEEL
	094756-02-01A	EA BRACKET - MICROWAVE - 6 1" LONG X 3 9" WIDE - STEEL - TAN

**REFRIGERATOR**

KEY	PART NUMBER	U/M DESCRIPTION
	103938-01-01A	EA REFRIGERATOR - 2 WAY - LARGE RIGHT HAND - DOUBLE DOOR - BLACK
	093646-01-000	EA BRACKET ASM - TIEDOWN - REFRIGERATOR
	093646-02-000	EA BRACKET ASM - TIEDOWN - REFRIGERATOR
	054450-01-000	EA LEVEL - REFRIGERATOR

**GENERATOR GROUP**

**ONAN GENERATOR, 6.5 KW MARQUIS LP (NMM-1R28116) (US,CSA)**

KEY	PART NUMBER	U/M DESCRIPTION
	105559-02-000	EA GENERATOR - 7KW MARQUIS LIQUID LP - WITH TRAY
	106234-01-000	EA PIPE - EXHAUST - GENERATOR
	106235-01-000	EA EXHAUST ADAPTOR
	024976-01-000	EA SWITCH - GENERATOR - W/O CIRCUIT BOARD
	007125-03-000	EA CLAMP - MUFFLER - 1 5" DIA
	010251-02-000	EA ELBOW - BF ASS - 90° 3/8 F X 1/4 MPT
	065820-09-000	EA HOSE ASM - LP 3/8 ID X28"
	045703-01-000	EA HOSE ASM - LP 3/8 ID X24"
	024976-01-000	EA SWITCH - GENERATOR - W/O CIRCUIT BOARD
	094657-02-000	EA TRAY ASM - GENERATOR
	100258-10-01A	EA HOUR METER

**KOHLER GENERATOR, 7.0KW LP LOW PROFILE (7CCKM22) (US,CSA)**

KEY	PART NUMBER	U/M DESCRIPTION
	105525-02-000	EA GENERATOR - 6.3 KW - LOW PROFILE - KOHLER 7CCKM22
	105526-01-000	EA SPARK ARRESTER
	105527-02-000	EA EXHAUST PIPE ADAPTER
	105530-01-000	EA MUFFLER - SIDE EXHAUST W/C SPARK ARRESTER
	105602-01-000	EA GASKET - EXHAUST
	105958-03-000	EA EXHAUST PIPE
	024976-01-000	EA SWITCH - GENERATOR - W/O CIRCUIT BOARD
	065820-09-000	EA HOSE ASM - HIGH PRESSURE - 28"
	007125-03-000	EA CLAMP - MUFFLER - 1 5" DIA
	007125-04-000	EA CLAMP - MUFFLER - 1 1" DIA

**1992 ITASCA  
TABLE OF CONTENTS**

INTRODUCTION	A-01 - A-02
ABBREVIATIONS	A-03
ALPHABETICAL INDEX	A-04 - A-06
ICG34RQ	A-07 - E-18
IKG34RQ	E-19 - I-18

**1992 IKG34RQ INDEX**

FLOOR PLAN	E-19 - E-20
ACCESSORIES	E-21 - E-22
BATH	E-23 - F-02
BEDROOM	F-03 - F-04
CHASSIS	F-05 - F-08
CURTAIN & CUSHION	F-09 - F-18
DINETTE	F-19 - F-20
DRIVERS COMPARTMENT	F-21 - F-23
ELECTRICAL	F-24 - G-05
EXTERIOR BODY	G-06 - G-16
GALLEY	G-17 - G-21
GENERATOR	G-22
HEATING & A/C	G-23 - H-01
INTERIOR FINISH	H-02 - H-06
LABELS	H-07 - H-14
LP	H-15
LOUNGE	H-16 - H-18
SEALANTS & FASTENERS	H-19 - H-21
WATER & SEWAGE	H-22 - I-01
WINDOW, VENT & EXTERIOR DOOR	I-02 - I-16
WINDSHIELD & WIPER	I-17 - I-18



**HEATING & AIR CONDITIONING GROUP  
AUTOMOTIVE AIR CONDITIONING**

**HEATING & AIR CONDITIONING GROUP (CONTINUED)  
FURNACE & REAR HEATER SYSTEMS**

**1992 ITASCA  
TABLE OF CONTENTS**

INTRODUCTION	A-01 - A-02
ABBREVIATIONS	A-03
ALPHABETICAL INDEX	A-04 - A-06
ICG34RQ	A-07 - E-18
IKG34RQ	E-19 - I-18

**1992 IKG34RQ INDEX**

FLOOR PLAN	E-19 - E-20
ACCESSORIES	E-21 - E-22
BATH	E-23 - F-02
BEDROOM	F-03 - F-04
CHASSIS	F-05 - F-06
CURTAIN & CUSHION	F-09 - F-18
DINETTE	F-19 - F-20
DRIVERS COMPARTMENT	F-21 - F-23
ELECTRICAL	F-24 - G-05
EXTERIOR BODY	G-06 - G-16
GALLEY	G-17 - G-21
GENERATOR	G-22
HEATING & A/C	G-23 - H-01
INTERIOR FINISH	H-02 - H-06
LABELS	H-07 - H-14
LP	H-15
LOUNGE	H-16 - H-18
SEALANTS & FASTENERS	H-19 - H-21
WATER & SEWAGE	H-22 - I-01
WINDOW VENT	I-02 - I-16
EXTERIOR DOOR	I-02 - I-16
WINDSHIELD & WIPER	I-17 - I-18

KEY	PART NUMBER	U/M DESCRIPTION
	072342-08-000	EA CONDENSER ASM - W/FANS
	072341-01-716	EA VALVE - DISCHARGE - 1/2" O-RING
	072342-08-700	EA COIL - CONDENSER
	072342-08-701	EA RECEIVER - DRIER
	072342-08-702	EA FTG - QUICK CONNECT MALE #4
	072342-08-703	EA BLADE - FAN-11"
	072342-08-704	EA HOSE #8 36.75 FT (NO FITTING)
	007076-01-000	EA HOSE - FLEXIBLE PVC - 2" ID - 10'
	007281-01-000	EA HOSE - FLEXIBLE PVC - 2 5/8" ID X 50'
	024990-05-000	EA OUTLET - DEFROSTER - W/SWIVEL - 2IN BLACK
	056402-05-000	EA BRACKET - HEATER VENT - ROUND - W/BEND - BLACK
	077075-01-000	EA GASKET - INSTRUMENT PANEL TO DEFROSTER PL:NUM - 6" X 11 3/4"
	077075-03-000	EA GASKET - IP TO DEF PLENUM - SPL
	103016-01-000	EA PLENUM - TRANSITION
	103017-01-000	EA PLENUM - DEFROSTER
	103558-01-01A	EA VENT - DEFROSTER - ABS OFF/WHITE
	103795-01-01A	EA LOUVER ASM - A/C CARY PROD BLACK
	103930-04-000	EA CONTROL/PLENUM SET
	103930-02-708	EA MOTOR - VACUUM SERVO - A/C
	103930-06-000	EA EVAPORATOR/HEATER ASM - PUSHER
	103930-01-700	EA ROD - AIR BLEND DOOR
	103930-01-701	EA PANEL - DOOR - FOR AIR BLEND
	103930-01-702	EA GASKET - DOOR - FOR AIR BLEND
	103930-01-703	EA COIL - HEATER
	103930-01-704	EA COIL EVAPORATOR
	103930-01-705	EA VALVE - EXPANSION BLOCK
	103930-01-706	EA GASKET - O-RING - #8
	103930-01-707	EA GASKET - O-RING - #10
	103930-01-710	EA RESISTOR - FUSED
	103930-01-711	EA THERMOSTAT
	103930-01-712	EA GASKET - O-RING
	103930-01-713	EA FITTING - QUICK CONNECT - #4
	103930-01-715	EA SWITCH - BINARY
	103930-01-717	EA WHEEL - CLOCK - WISE
	103930-01-718	EA HOSE #6
	103930-01-719	EA HOSE - #10
	103930-01-720	EA MOTOR
	103930-02-706	EA MOTOR - VACUUM SERVO - A/C
	103930-06-700	EA FITTING - QUICK - CONNECT #8
	103930-07-000	EA HOSE KIT #12 PRECHARGED
	103930-01-714	EA FITTING - SERVICE VALVE - #10
	103930-07-700	EA FITTING #10 FOR 90 F/#12 HOSE
	103930-07-701	EA FERRULE
	103930-07-702	EA HOSE #12 - 32 42 FT(NO FITTING)
	103930-07-703	EA FITTING #8 QC XST F/#12 HOSE
	103930-07-704	EA FITTING QUICK CONNECT #8
	024990-05-000	EA OUTLET - DEF-W/SWIV 2IN BLACK
	103930-05-000	EA MANUAL - OWNERS - HEATER - A/C

KEY	PART NUMBER	U/M DESCRIPTION	
	007108-01-000	FT HOSE - HEATER - 5/8" ID - HI-TEMP (FORD)	
	009198-01-000	FT DUCT - HEAT - FLEXIBLE - 4" ID X 25 FT	
	042777-01-000	EA ADAPTER - DUCT - 4"	
	092300-04-000	EA GASKET - FIBERGLASS	
	092300-06-000	EA FURNACE - 34,000 BTU	SUBURBAN NT34BW
	069634-01-706	EA MODULE BOARD	SUBURBAN 2314???
	069634-01-712	EA GASKET - MANIFOLD	SUBURBAN 070408
	069634-01-716	EA VALVE - MANUAL SHUTOFF	SUBURBAN 160740
	069634-01-720	EA ORIFICE - MAIN BURNER	SUBURBAN 0180222
	069634-01-729	EA VALVE - GAS - JOHNSON	SUBURBAN 160832
	069634-01-732	EA GASKET - BURNER ACCESS DOOR	SUBURBAN 070398
	069634-01-733	EA RELAY - TIME DELAY 20&30 BTU	SUBURBAN 231202
	075695-01-709	EA MICRO SWITCH (FOR MODEL.S 30 & 34S)	SUBURBAN 230509
	075696-01-700	EA MOTOR ASM	SUBURBAN 231208
	075696-02-709	EA DISC-GLASS	SUBURBAN 310026
	075696-02-727	EA BRACKET - MOTOR MOUNT	SUBURBAN 062138
	075696-02-728	EA GASKET - CROSSOVER TUBE	SUBURBAN 070385
	092300-01-700	EA CABINET	SUBURBAN X101176
	092300-01-701	EA CABINET FRONT	SUBURBAN 101172
	092300-01-704	EA GASKET - ELECTRODE	SUBURBAN 070163
	092300-01-705	EA ELECTRODE	SUBURBAN 230956
	092300-01-706	EA DOOR - BURNER ACCESS	SUBURBAN 020523
	092300-01-708	EA SWITCH LIMIT	SUBURBAN 231440
	092300-01-711	EA VENT CAP ASSEMBLY	SUBURBAN X260179
	092300-01-712	EA BURNER ASM	SUBURBAN X010701
	092300-01-715	EA MANIFOLD ASSEMBLY	SUBURBAN 171034
	092300-01-717	EA WIRE ASSEMBLY (POWER SUPPLY)	SUBURBAN X231428
	092300-01-718	EA ELBOW 90'	SUBURBAN 170374
	092300-01-720	EA WHEEL - ROOM AIR	SUBURBAN 350113
	092300-01-721	EA BLOWER HOUSING ASSEMBLY	SUBURBAN 390283
	092300-01-724	EA GASKET - MOTOR MOUNT	SUBURBAN 070384
	092300-01-726	EA WHEEL - COMBUSTION AIR	SUBURBAN 350110
	092300-01-727	EA GASKET - COMBUSTION AIR HOUSING	SUBURBAN 070386
	092300-01-728	EA HOUSING - COMBUSTION AIR (OUTSIDE)	SUBURBAN 390424
	092300-02-700	EA COMBUSTION CHAMBER ASM. 30&34 BW	SUBURBAN X021015
	092300-03-702	EA HOUSING - COMBUSTION AIR ASM NT - 34BW	SUBURBAN X390417
	093365-01-000	EA THERMOSTAT - WALL - FURNACE	SUBURBAN 0160902
	092300-09-000	EA FACE - FRONT - FURNACE	SUBURBAN 520607
	092300-08-000	EA VENT KIT - FURNACE - STRAIGHT	SUBURBAN 520608
	093365-01-000	EA THERMOSTAT - WALL - FURNACE	SUBURBAN 0160902
	093614-02-01A	EA GRILLE - RETURN AIR - BROWN	
	093614-01-01A	EA GRILLE - RETURN AIR - FURNACE - 15 6" X 7 6" - BROWN	
	056464-05-000	EA REGISTER - PLASTIC W/C DAMPER - 4" DIAMETER - GOLDEN	
	094600-01-02A	EA HEAT REGISTER - W/O DAMPER - 3 6" X 11 2" - BROWN	

# HEATING & AIR CONDITIONING GROUP (CONTINUED)

COLEMAN ROOF AIR 13500 BTU

KEY	PART NUMBER	U/M DESCRIPTION
	091225-01-000	EA A/C - ROOF 13500 BTU - SUPER MAC FROM: 00-00-00 THRU: 02-09-92
	091225-05-000	EA A/C - ROOF - 13500 SUPER MAC I/C FROM: 02-10-92 THRU: 99-99-99
	091227-01-000	EA CEILING ASM - A/C COOL ONLY
	102289-01-000	EA SPRING - SCREW - ROOF A/C GASKET
	073937-03-000	EA SWITCH - ROTARY SELECTOR - 3 DECK - A/C
	088238-01-000	EA COVER - SWITCH - A/C SELECTOR - FRONT TO REAR A/C
	P06091-01-000	EA CLAMP - A/C LINE
	022756-03-000	EA COVER - A/C PLASTIC - OFF WHT
	022756-02-000	EA COVER - PROTECTIVE - 5.5" ENDS X 8 2" - PLASTIC - OFF WHITE
	084077-03-000	EA COVER - BLANK - ROOF A/C - 5.2" X 3 5" - IVORY
	088238-02-000	EA COVER - SWITCH - A/C SELECTOR FOR FRONT OR REAR
	092633-01-02A	EA FRAME - PLATE - ROOF A/C - 5 7" X 3 9" - PLASTIC - OFF WHITE

## COLEMAN ROOF AIR 13500 BTU (EUROPEAN)

KEY	PART NUMBER	U/M DESCRIPTION
	092440-01-000	EA A/C-ROOF - 13500 BTU - 220V - 50HZ 6713C750
	092441-01-000	EA CEILING ASM - A/C - 220V - 50HZ 6712ET16
	102289-01-000	EA SPRING - SCREW - ROOF A/C GASKET 6757-150
	073937-03-000	EA SWITCH - ROTARY SELECTOR - 3 DECK - A/C CA20-USA892
	092633-02-02A	EA BLANK ROOF COVER - A/C - 5 1" X 5 1" - PLASTIC - OFF WHITE

# INTERIOR FINISH GROUP

INTERIOR TRIM, BATT STRIPS & MOLDINGS

KEY	PART NUMBER	U/M DESCRIPTION
	009767-10-000	FT WELTING - CABINET TO WALL - MAHOGANY
	009767-12-000	FT MOLDING - SIDEWALL TO CEILING/CABINET - WELTING - OFF WHITE
	009778-11-000	FT U CHANNEL - PLASTIC - 1" WIDE X 8" INCREMENTS - IVORY
	009778-12-000	FT U CHANNEL - PLASTIC - 1" WIDE X 8" INCREMENTS - WOODGRAIN
	009809-21-000	EA MOLDING - CORNER - OUTSIDE - 1" - PLASTIC - WOODGRAIN
	009809-25-000	EA MOLDING - CORNER - OUTSIDE - 1" - PLASTIC - OFF WHITE
	009812-22-000	EA MOLDING - CORNER - OUTSIDE - 5" X 7" - PLASTIC - BROWN
	022992-11-000	FT MOLDING - REVERSE COVE - T - SHAPED - VINYL - IVORY
	052372-02-000	BF LUMBER - CLASS II - 1X4XRL - CONSTRUCTION GRADE
	069733-78-000	EA BATT STRIP - WOODGRAIN - 8" EA - RAMBLING OAK FROM: 00-00-00 THRU: 02-23-92
	069733-79-000	EA BATT STRIP - WOODGRAIN - 8" EA - FOREST OAK FROM: 02-24-92 THRU: 99-99-99
	070504-01-000	FT U-CHANNEL - PLASTIC - .065" WIDE - LIGHT BROWN - INC OF 8"
	070504-19-000	FT U-CHANNEL - PLASTIC - .815" WIDE - BROWN - INC OF 8"
	070504-21-000	FT U-CHANNEL - PLASTIC - .735" WIDE - COUNTRY FOREST - 8"
	070504-23-000	FT EXTRUSION - U CHANNEL - 875 - COUNTRY FOREST
	072368-02-000	EA TRIM - VINYL - EDGE - BLACK
	072852-01-000	EA DETECTOR - SMOKE - W/9 VOLT BATTERY
	072852-02-000	EA DETECTOR - SMOKE - W/9 VOLT BATTERY - CANADIAN
	075249-01-000	EA RAILING - OAK - 72" EA - UNFINISHED
	076325-23-000	FT MOLDING - EDGE BAND - D315 PLATM .875X.030X600FT(C27)
	076325-27-000	FT MOLDING - EDGE BAND - 1 5/16" WIDE - REGAL OAK
	076325-31-000	FT MOLDING - EDGE BAND RAMBL. OAK 93 X 024 X 600'
	076325-32-000	FT MOLDING - EDGE BAND - 1 5/16" (C27)
	076325-33-000	FT MOLDING - EDGE BAND TAUPE #1036 .875X.024X600 (C27)
	076325-35-000	FT MOLDING - EDGE BAND TAUPE #1233 .875X.024X600 (C28)
	076325-34-000	FT MOLDING - EDGE BAND - 1 5/16" WIDE
	078323-06-B25	EA MOLDING - WALL CAP - LIPS BOTH SIDES - WOOD - 6 6" LONG
	078811-05-B11	EA BOTTOM - HEADLINER - W/SPEAKER CUTOUTS - VINYL - OFF WHITE
	083620-06-000	FT MOLDING - T - END CAP EDGE - W/WEDGE LIPS - .75" - REBER BIRCH FROM: 00-00-00 THRU: 01-06-91
	083620-07-000	FT MOLDING - T - END CAP EDGE - W/WEDGE LIPS - .75" - THOR PECAN FROM: 00-00-00 THRU: 08-11-91
	083620-07-000	FT MOLDING - T - END CAP EDGE - W/WEDGE LIPS - .75" - THOR PECAN FROM: 08-12-91 THRU: 99-99-99
	085284-32-000	FT BATT STRIP - WOODGRAIN - ADHESIVE BACK - RAMBLING OAK FROM: 00-00-00 THRU: 02-23-92
	085284-49-000	FT BATT STRIP - TAPE - MARBLE - DEWBERRY DECOR
	085284-50-000	FT BATT STRIP - TAPE - FRONDS - DEWBERRY DECOR
	085284-55-000	FT BATT STRIP - DECORATIVE - ADHESIVE BACKED - FAWN
	085284-67-000	FT STRIP - TAPE - 541 WINNI OAK - PLUSWOOD FROM: 02-24-92 THRU: 99-99-99
	086229-01-000	EA RETAINER - BATTEN - CEILING - .75" WIDE - 7 8" EA
	086229-04-000	EA BATTEN - CEILING - 1" WIDE - IVORY - 7.6" EA
	088263-61-000	EA BATT - STRIP - MARBLE - DEWBERRY DECOR
	088263-62-000	EA BATT - STRIP - FRONDS - DEWBERRY DECOR
	091261-01-000	FT SLIPNOT - ANTISLIP - 1" WIDE (100' ROLL)
	092330-D2-438	EA LUMBER - VINYL WRAPPED - .7" X 1.5" X 9" - WOODGRAIN
	093873-01-01A	EA TRIM - CARPET - L - ANGLE - 1.1" X 1 3" X 12" - VINYL - GRAY
	094499-01-000	EA EXTINGUISHER - FIRE - DRY W/MOUNTING BRACKET - 10 BC BRACKET ONLY #094499-01-700
	094499-01-700	EA BRACKET - MOUNTING - W/PLASTIC STRAP - FIRE EXTINGUISHER
	094499-02-000	EA EXTINGUISHER - FIRE - DRY - 1A10BC - CANADIAN
	100040-01-000	EA LUMBER - VINYL WRAPPED - 7" X 1.5" X 8" - RAMBLING OAK
	100040-01-000	EA LUMBER - VINYL WRAPPED - .7" X 1 5" X 8" - RAMBLING OAK
	100040-03-000	EA LUMBER - VINYL WRAPPED - .71" X 2" X 8" - RAMBLING OAK
	100040-06-000	EA LUMBER - VINYL WRAPPED - 766 RAMBLN OAK
	100041-01-000	EA MOLDING - VINYL WRAPPED - 1 57" X 84 02" - RAMBLING OAK
	100041-02-000	EA MOLDING - VINYL WRAPPED - .7" X 2 5" X 84" - RAMBLING OAK

## 1992 ITASCA TABLE OF CONTENTS

INTRODUCTION	A-01 - A-02
ABBREVIATIONS	A-03
ALPHABETICAL INDEX	A-04 - A-06
ICG34RQ	A-07 - E-18
IKG34RQ	E-19 - I-18

## 1992 IKG34RQ INDEX

FLOOR PLAN	E-19 - E-20
ACCESSORIES	E-21 - E-22
BATH	E-23 - F-02
BEDROOM	F-03 - F-04
CHASSIS	F-05 - F-08
CURTAIN & CUSHION	F-09 - F-18
DINETTE	F-19 - F-20
DRIVERS COMPARTMENT	F-21 - F-23
ELECTRICAL	F-24 - G-05
EXTERIOR BODY	G-06 - G-16
GALLEY	G-17 - G-21
GENERATOR	G-22
HEATING & A/C	G-23 - H-01
INTERIOR FINISH	H-02 - H-06
LABELS	H-07 - H-14
LP	H-15
LOUNGE	H-16 - H-18
SEALANTS & FASTENERS	H-19 - H-21
WATER & SEWAGE	H-22 - I-01
WINDOW, VENT & EXTERIOR DOOR	I-02 - I-16
WINDSHIELD & WIPER	I-17 - I-18

**INTERIOR FINISH GROUP (CONTINUED)**  
**INTERIOR TRIM, BATT STRIPS & MOLDINGS (CONT)**

KEY	PART NUMBER	U/M	DESCRIPTION
	100041-02-000	EA	MOLDING - VINYL WRAPPED - .7" X 2.5" X 84" - RAMBLING OAK
	101220-02-01A	EA	TRIM - LID - ENTRY STEP - 14.5" - ALUMINUM - BEIGE FROM: 00-00-00 THRU: 03-14-92
	101221-02-01A	EA	TRIM - LID - ENTRY STEP - 26 6" - ALUMINUM - BEIGE FROM: 00-00-00 THRU: 03-14-92
	101333-01-000	EA	BACKPLATE-CLOCK - 6" X 6" - PLASTIC - BLACK
	103186-01-02A	FT	MOLDING - EDGE - SHELF - 78" WIDE - PLASTIC - REGAL OAK
	103186-02-02A	FT	MOLDING - EDGE - SHELF - 1.3" WIDE - PLASTIC - REGAL OAK
	104764-01-01A	EA	CLOCK-WALL - SPARTUS 5616-42
	105004-01-02A	EA	MOLDING - VINYL WRAP - RAMBLING OAK
	105709-01-000	FT	T - MOLDING - 1" - MODERN IVORY FROM: 08-16-91 THRU: 99-99-99

**PANELING, PLASTIC LAMINATE & CARPET**

KEY	PART NUMBER	U/M	DESCRIPTION
	000885-46-000	SF	PARTICLE BOARD - 3/8" X 48" X 96" - 1 SIDE VINYL WOODGRAIN (32 SF) FROM: 00-00-00 THRU: 11-03-91
	000885-48-000	SF	PARTICLE BOARD - 3/4" X 60" X 96" - 2 SIDES VINYL WOODGRAIN (40 SF) FROM: 00-00-00 THRU: 11-03-91
	000885-56-000	SF	PART BD - 3/8X48X96 WINNI OAK VINYL 1 SIDE FROM 11-04-91 THRU: 99-99-99
	047034-02-000	SF	PLASTIC-CARPET - 4"WIDE - CLEAR POLY
	064970-56-012	EA	PLAS-ABS - .04" X 52" X 52" - BEIGE FROM: 00-00-00 THRU: 03-14-92
	065747-01-000	SF	INSULATION - MICROFOAM - 5"
	074497-17-000	SF	PANELING - WOODGRAIN - 4' X 8' (32 SF) FROM: 00-00-00 THRU: 11-03-91
	074497-21-000	SF	PANELING - WOODGRAIN - 4' X 8' (32 SF) FROM: 11-04-91 THRU: 99-99-99
	074498-34-000	SF	LAMINATE - PLASTIC - 5' X 8' (40 SF)
	074498-39-000	SF	LAMINATE - PLASTIC - 5' X 8' - GREY/BEIGE (40 SF)
	074498-41-000	SF	LAMINATE - PLASTIC ORCHID MIST
	075233-01-000	SY	PAD - CARPET - 3/8" X 6' ROLL
	083618-02-000	SF	PLYWOOD - OAK - 1 SIDE FINISHED - 3/16" X 4' X 8' (32 SF)
	088272-72-000	SF	PANELING - SHOWER - OFF WHITE - 4' X 7' (28 SF) FROM: 08-05-91 THRU: 03-15-92
	088272-98-000	SF	PANELING - SHOWER - OFF WHITE - 4' X 7' (28 SF) FROM: 03-16-92 THRU: 99-99-99
	088272-82-000	SF	PANELING - MARBLE DEWBERRY - 3MMX48X84 DECOR
	088272-83-000	SF	PANELING - FRONDS DEWBERRY - 3MMX48X84 DECOR
	088272-83-094	EA	PANELING - 0292X0524 MM - CAB MAIN
	088272-83-095	EA	PANELING - 2028X0098 MM - CAB MAIN
	088272-83-097	EA	PANELING - 0492X0102 MM - CAB MAIN
	089297-01-000	SF	PLYWOOD - LUAN - OVERLAY GRADE - 4' X 8' (32 SF)
	089351-03-000	YD	VINYL - CEILING - DIAMOND DESIGN - 54" WIDE
	093486-01-000	SY	CARPET-COMPARTMENT - 54" WIDE - DARK GRAY
	095688-01-000	SF	VENEER - FLAT LUANA 48X96
	096060-23-000	SY	CARPET - 12' ROLL (C28)
	096060-42-000	SY	CARPET - 12' ROLL(C27)
	102695-04-000	YD	TAPE - CARPET BIND - BLUE #529 (C27)
	102695-05-000	YD	TAPE - CARPET BIND - TEAL #458 (C28)
	105924-01-C27	EA	MAT - FLOOR 18X27 - G -SERIES
	105924-01-C28	EA	MAT - FLOOR 18X27 - G -SERIES

**INTERIOR FINISH GROUP (CONTINUED)**  
**DRAWER SLIDES**

KEY	PART NUMBER	U/M	DESCRIPTION
	106913-01-000	EA	SLIDE - DRAWER - CABINET - LEFT SIDE - 12" FROM: 01-20-92 THRU: 99-99-99
	106913-02-000	EA	SLIDE - DRAWER - CABINET - RIGHT SIDE - 12" FROM: 01-20-92 THRU: 99-99-99
	106913-03-000	EA	SLIDE - DRAWER - 12" LEFT SIDE
	106913-04-000	EA	SLIDE - DRAWER - 12" RIGHT SIDE
	106913-05-000	EA	SLIDE - DRAWER - CABINET - LEFT SIDE - 18" FROM 01-20-92 THRU: 99-99-99
	106913-06-000	EA	SLIDE - DRAWER - CABINET - RIGHT SIDE - 18" FROM: 01-20-92 THRU: 99-99-99
	106913-07-000	EA	SLIDE - DRAWER - DRAWER MOUNT - LEFT SIDE - 18"
	106913-08-000	EA	SLIDE - DRAWER - DRAWER MOUNT - RIGHT SIDE - 18"
	106913-17-000	EA	SLIDE - DRAWER - 22" LEFT CABINET FROM: 01-20-92 THRU: 99-99-99
	106913-18-000	EA	SLIDE - DRAWER - 22" RIGHT CABT FROM: 01-20-92 THRU: 99-99-99
	106913-19-000	EA	SLIDE - DRAWER - 22" LEFT SIDE
	106913-20-000	EA	SLIDE - DRAWER - 22" RIGHT SIDE

**MIRRORS**

KEY	PART NUMBER	U/M	DESCRIPTION
	058331-51-000	EA	MIRROR - SAFETY GLASS - 660X1016MM
	058331-08-000	EA	MIRROR - SAFETY GLASS - 24" X 30"
	058331-50-000	EA	MIRROR - SAFETY GLASS - 546 X 1590 FROM: 00-00-00 THRU 07-16-91
	058331-55-000	EA	MIRROR - SAFETY GLASS - 338MM X 1590MM FROM 07-17-91 THRU: 99-99-99
	103847-03-000	EA	MIRROR - DECORATIVE GLASS - 330MMX450MM FROM: 00-00-00 THRU: 07-23-91
	104755-01-000	EA	MIRROR - DECORATIVE GLASS - 330MMX450MM FROM: 07-24-91 THRU: 99-99-99
	104755-05-000	EA	MIRROR - DECORATIVE GLASS - 317MM X 627MM

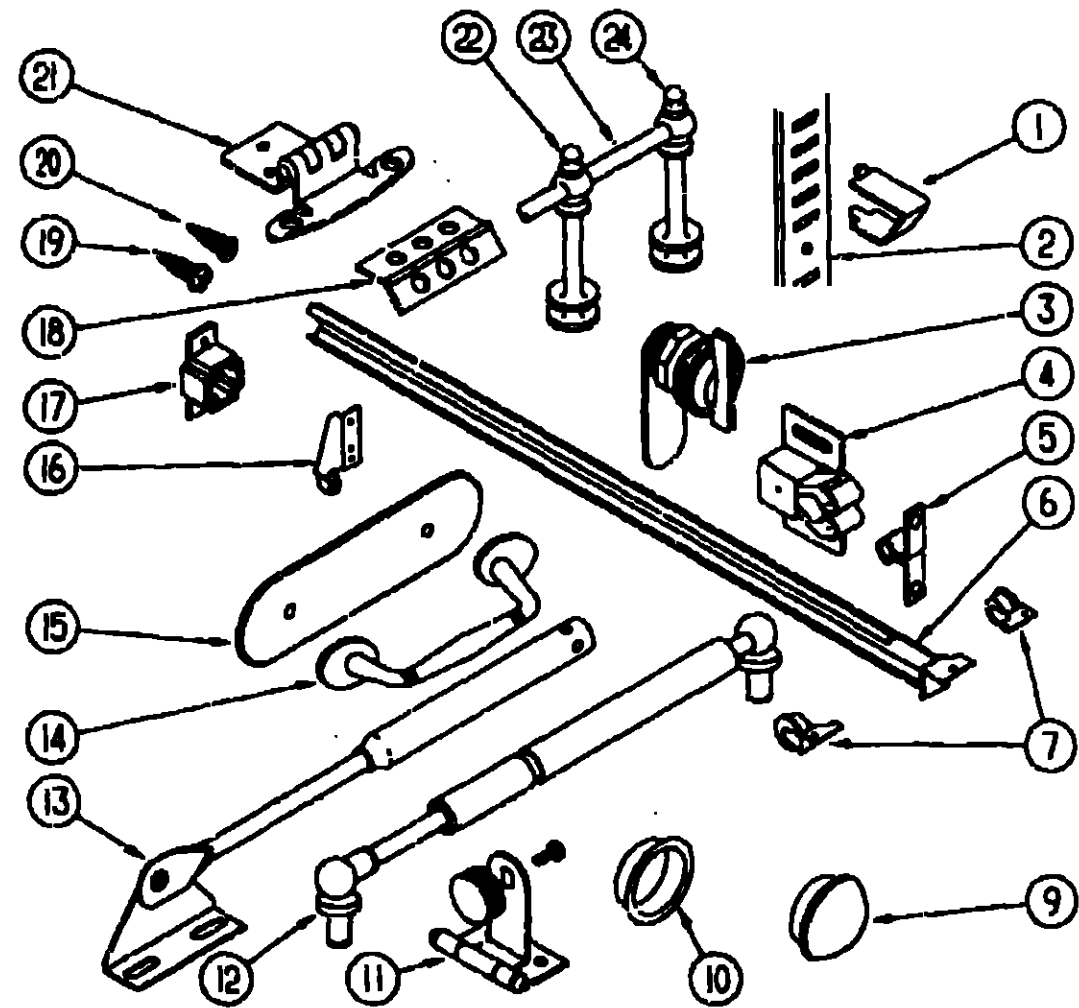
**1992 ITASCA**  
**TABLE OF CONTENTS**

INTRODUCTION	A-01 - A-02
ABBREVIATIONS	A-03
ALPHABETICAL INDEX	A-04 - A-06
ICG34RQ	A-07 - E-18
IKG34RQ	E-19 - I-18

**1992 IKG34RQ INDEX**

FLOOR PLAN	E-19 - E-20
ACCESSORIES	E-21 - E-22
BATH	E-23 - F-02
BEDROOM	F-03 - F-04
CHASSIS	F-05 - F-08
CURTAIN & CUSHION	F-09 - F-18
DINETTE	F-19 - F-20
DRIVERS COMPARTMENT	F-21 - F-23
ELECTRICAL	F-24 - G-05
EXTERIOR BODY	G-06 - G-16
GALLEY	G-17- G-21
GENERATOR	G-22
HEATING & A/C	G-23 - H-01
INTERIOR FINISH	H-02 - H-06
LABELS	H-07 - H-14
LP	H-15
LOUNGE	H-16 - H-18
SEALANTS & FASTENERS	H-19 - H-21
WATER & SEWAGE	H-22 - I-01
WINDOW, VENT &	
EXTERIOR DOOR	I-02 - I-16
WINDSHIELD & WIPER	I-17 - I-18

**INTERIOR FINISH GROUP (CONTINUED)**  
**CABINET HARDWARE**



KEY	PART NUMBER	U/M DESCRIPTION
1	098979-01-000	EA CLIP - ADJUSTABLE SHELF
2	098980-01-000	EA PILASTER - ADJUSTABLE SHELF - 18" LONG
2	098980-02-000	EA PILASTER - ADJUSTABLE SHELF - 12" LONG
3	100710-01-01A	EA LOCK - GLASS DOOR - TWIST TYPE - BRASS
	101272-01-000	EA CATCH - DOOR - GLASS
4	093585-03-000	EA CATCH - SPRING - ROLLER
5	093586-04-000	EA STRIKE - SPRING STEEL
	101756-01-000	EA PIN - SUPPORT - GLASS DOOR
6	102827-05-000	EA TRACK - DRAWER - 22 6" LONG
7	102827-03-000	EA ROLLER - DRAWER - NYLON - PAIR
		FROM: 00-00-00 THRU: 01-19-92
		FROM: 00-00-00 THRU: 01-19-92
9	042356-01-000	EA PLUG - MAHOGANY - 3/8" DIAMETER - WOOD
9	074045-01-000	EA PLUG - OAK - 1/2" DIAMETER
10	098410-01-01A	EA PULL - FINGER - OVAL - BRASS
11	100711-01-01A	EA HINGE - DOOR - GLASS
	104886-02-000	EA CATCH - WOOD - LAMINATED FACE
	105037-02-000	EA FASTENER - WOOD - CORNER - METAL - 5" X 6"

KEY	PART NUMBER	U/M DESCRIPTION
12	057460-04-000	EA SPRING - GAS
		FROM: 00-00-00 THRU: 08-05-91
12	107539-01-000	EA SPRING - GAS - 20" BLADE END - SPRING LIFT
		FROM: 03-30-92 THRU: 99-99-99
	057460-02-000	EA STUD - BALL - GAS SPRING - 10MM - 5/16" - 18
		FROM: 00-00-00 THRU: 08-05-91
	083024-01-000	EA SUPPORT - SPRING - TO FLOOR - 5 9" WIDE BASE X 7" HIGH - ST
		FROM: 00-00-00 THRU: 09-20-91
	089025-01-000	EA SUPPORT - SPRING - TO BED - ANGLE 1 5" X 11.8" LONG - STEEL
		FROM: 00-00-00 THRU: 08-05-91
	093276-01-000	EA BRACE - GAS PROP ROD - FLOOR MOUNT
		FROM: 00-00-00 THRU: 03-29-92
	057460-03-000	EA CLIP - SAFETY - WIREFORM TYPE - GAS SPRING
	103725-02-000	EA PROP - BED - AUTO CAM - 115/8
		FROM: 08-06-91 THRU: 02-24-92
	107030-02-000	EA BACKSOCKET - ADJUSTABLE - RIGHT
		FROM: 01-20-92 THRU: 99-99-99
	107030-01-000	EA BACKSOCKET - ADJUSTABLE - LEFT
		FROM: 01-20-92 THRU: 99-99-99
13	074493-02-000	EA SUPPORT - PISTON SPRING - CABINET DOOR
14	103856-01-000	EA PULL - CABINET - BRASS - 3" ON CENTER
15	100995-01-000	EA BACKPLATE - PULL - CABINET DOOR - 5.7" - BRASS
16	102827-02-000	EA BRACKET - ROLLER - DRAWER - REAR
17	102827-04-000	EA BRACKET - MOUNTING - DRAWER - REAR
		FROM: 00-00-00 THRU: 01-19-92
		FROM: 00-00-00 THRU: 08-04-91
	083204-03-000	EA BUTTON - RETAINING - MIRROR - 5/16" TIP - WALNUT
18	009059-02-000	EA HINGE - DOOR - 2" X 2.7" - BRASS
		FROM: 10-22-91 THRU: 99-99-99
	009063-01-000	EA HINGE - CONTINUOUS - 1 1/2" X 72" - UNPAINTED
	009066-01-000	EA HINGE - ALUMINUM - NO HOLES - 1 1/16" X 6" - UNPAINTED
	103130-01-000	EA HOOK - CUP - BRASS - 1 25"
	103868-03-01A	EA TRACK - DOOR - 1250 - OFF WHITE
	105847-05-C05	EA KEY RING HOLDER
19	000G13-06-10G	EA SCREW - 6-20 X 5/8 PFH - ANTIQUE BRASS
	004354-01-000	EA BUMPER - RUBBER - 5" DIA - BROWN
	016604-03-000	EA BRACE - CABINET - ANGLE - 2.5" - METAL - BEIGE
	023320-01-000	EA PAD - FELT - 3/8" DIAMETER - BROWN
	058335-02-000	EA LATCH - SHOWER/BATH DOOR - W/O LOCK - PLASTIC - BROWN
	065740-01-000	EA BRACE - CABINET CORNER - PLASTIC
	076790-01-000	EA SCREW - 6-20 X 1 1/4 PPH - BLACK
	079921-01-000	EA ROLLER - NYLON - W/STEEL SHAFT - BARBED
20	000G13-06-08G	EA SCREW #000G13-06-08G
		FROM: 04-17-92 THRU: 99-99-99
21	059777-02-000	EA HINGE - DOOR - CABINET - BURNISHED BRASS
	M05156-02-C07	EA RACK ASM-W/6 HOOKS
		FROM: 00-00-00 THRU: 08-04-91
	009112-01-000	EA FLANGE - 1" ROD - CLOTHES - PLASTIC - OFF WHITE
	042438-01-000	EA DOWEL - WOOD - CLOTHES ROD - 1" DIAMETER X 4"
	042438-06-000	EA DOWEL - WOOD - 1.5" X 26" - OAK
22	084070-01-000	EA POST - CENTER - 2 4" - BRASS
23	084071-15-000	EA ROD - BRASS 210MM
24	084070-02-000	EA POST - END - 2.4" - BRASS

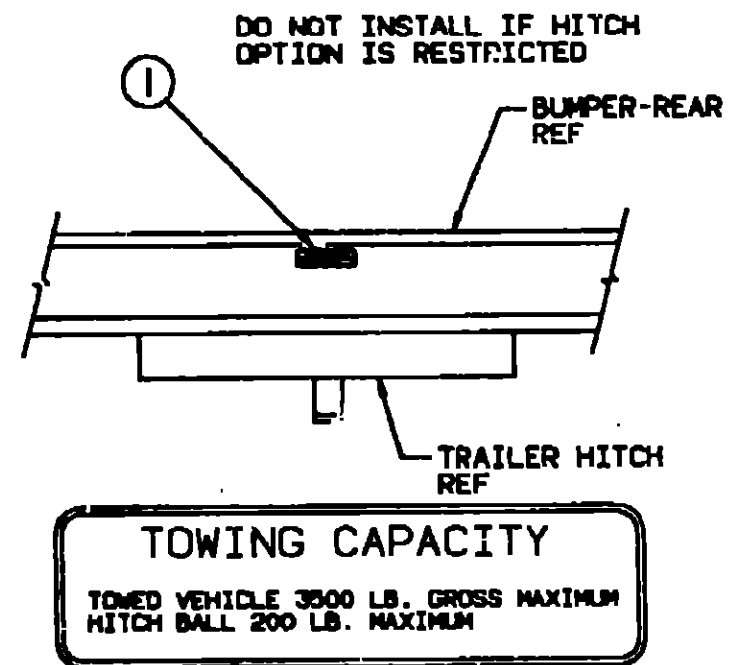
**1992 ITASCA**  
**TABLE OF CONTENTS**

INTRODUCTION	A-01 - A-02
ABBREVIATIONS	A-03
ALPHABETICAL INDEX	A-04 - A-06
ICG34RQ	A-07 - E-18
IKG34RQ	E-19 - I-18

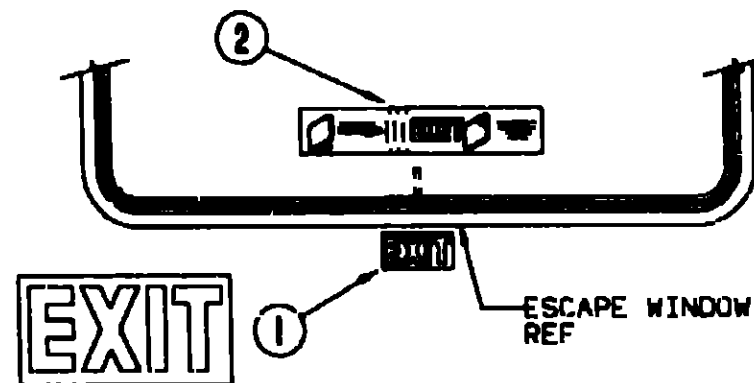
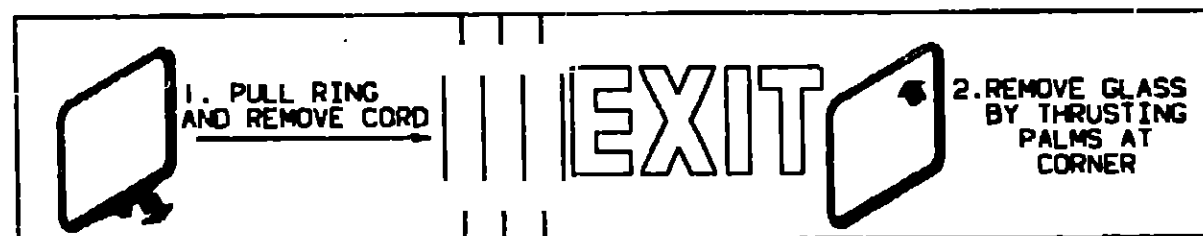
**1992 IKG34RQ INDEX**

FLOOR PLAN	E-19 - E-20
ACCESSORIES	E-21 - E-22
BATH	E-23 - F-02
BEDROOM	F-03 - F-04
CHASSIS	F-05 - F-08
CURTAIN & CUSHION	F-09 - F-18
DINETTE	F-19 - F-20
DRIVERS COMPARTMENT	F-21 - F-23
ELECTRICAL	F-24 - G-05
EXTERIOR BODY	G-06 - G-16
GALLEY	G-17 - G-21
GENERATOR	G-22
HEATING & A/C	G-23 - H-01
INTERIOR FINISH	H-02 - H-06
LABELS	H-07 - H-14
LP	H-15
LOUNGE	H-16 - H-18
SEALANTS & FASTENERS	H-19 - H-21
WATER & SEWAGE	H-22 - I-01
WINDOW, VENT &	
EXTERIOR DOOR	I-02 - I-16
WINDSHIELD & WIPER	I-17 - I-18

### LABELS GROUP



KEY	PART NUMBER	U/M DESCRIPTION
1	075221-03-000	EA LABEL - TRAILER HITCH

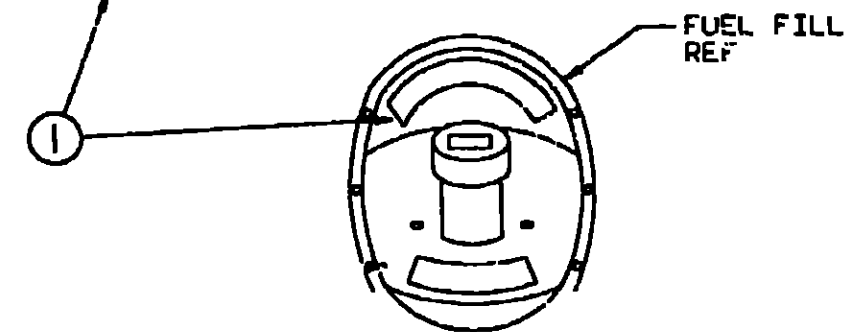


KEY	PART NUMBER	U/M DESCRIPTION
1	107571-01-000	EA LABEL - EXIT/ESCAPE WINDOW
2	039290-01-000	EA LABEL - EXIT WARNING

### LABELS GROUP (CONTINUED)

**WARNING:**  
ALL PILOT LIGHTS AND APPLIANCES SHALL BE TURNED OFF DURING REFUELLING OF MOTOR FUEL TANKS AND/OR PROPANE CONTAINERS.

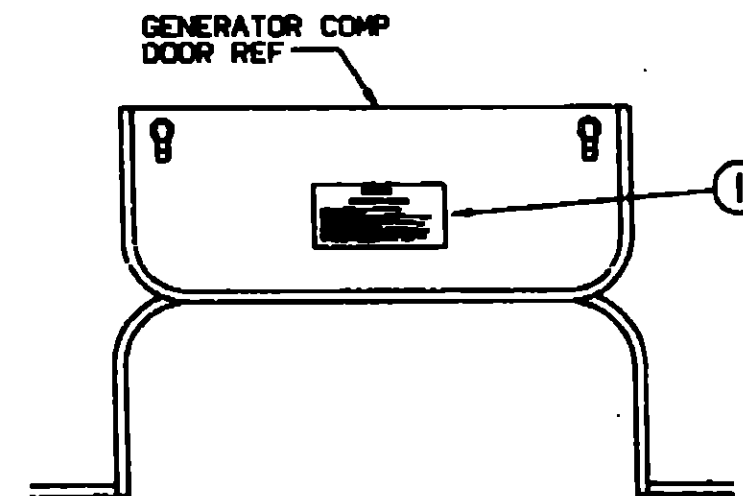
**AVERTISSEMENT:**  
FERMER TOUTES LES VEILLEUSES AINSI QUE TOUTS LES APPAREILS LORSQU'ON FAIT LE PLEIN DES RESERVOIRS A CARBURANT OU A PROPANE.



**DIESEL FUEL ONLY**

LABEL-DIESEL FUEL ONLY (CHASSIS SUPPLIED)

KEY	PART NUMBER	U/M DESCRIPTION
1	006040-01-000	EA TAG - GAS REFUELING WARNING
1	006040-02-000	EA TAG - GAS REFUELING WARNING (CANADIAN)



**WARNING**  
**WHEN ADDING A GENERATOR SET:**  
HIGH VOLTAGE-USE EXTREME CAUTION WHEN WORKING ON ELECTRICAL COMPONENTS.  
HAVE ALL ELECTRICAL INSTALLATION PERFORMED BY A QUALIFIED LICENSED ELECTRICIAN-FOLLOW ALL STATE AND LOCAL CODES.  
ONLY INSTALL GENERATOR SET APPROVED FOR R.V. APPLICATION. HAVE INSTALLED BY QUALIFIED TECHNICIAN.  
TO AVOID HEAT BUILD-UP AND TO ENSURE AN ADEQUATE AIR SUPPLY TO THE GENERATOR COMPARTMENT, FOLLOW INSTALLATION INSTRUCTIONS.  
GENERATOR EXHAUST DUES ARE TOXIC AND MUST NOT PERMEATE UNDER THE VEHICLE-SCHEDULED EXHAUST MUST FRESH VEHICLE.

KEY	PART NUMBER	U/M DESCRIPTION
1	077510-01-000	EA LABEL - GENERATOR PREP

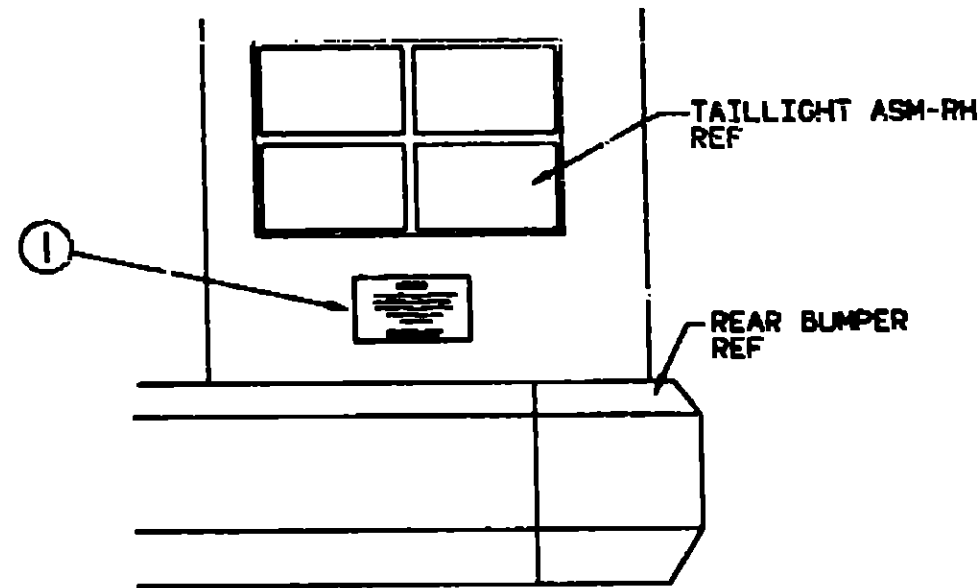
### 1992 ITASCA TABLE OF CONTENTS

INTRODUCTION	A-01 - A-02
ABBREVIATIONS	A-03
ALPHABETICAL INDEX	A-04 - A-06
ICG34RQ	A-07 - E-18
IKG34RQ	E-19 - I-18

### 1992 IKG34RQ INDEX

FLOOR PLAN	E-19 - E-20
ACCESSORIES	E-21 - E-22
BATH	E-23 - F-02
BEDROOM	F-03 - F-04
CHASSIS	F-05 - F-08
CURTAIN & CUSHION	F-09 - F-18
DINETTE	F-19 - F-20
DRIVERS COMPARTMENT	F-21 - F-23
ELECTRICAL	F-24 - G-05
EXTERIOR BODY	G-06 - G-16
GALLEY	G-17 - G-21
GENERATOR	G-22
HEATING & A/C	G-23 - H-01
INTERIOR FINISH	H-02 - H-06
LABELS	H-07 - H-14
LP	H-15
LOUNGE	H-16 - H-18
SEALANTS & FASTENERS	H-19 - H-21
WATER & SEWAGE	H-22 - I-01
WINDOW, VENT & EXTERIOR DOOR	I-02 - I-16
WINDSHIELD & WIPER	I-17 - I-18

**LABELS GROUP (CONTINUED)**

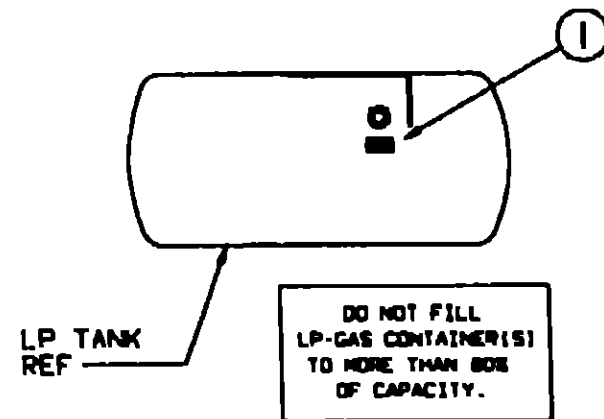


**WARNING**

DO NOT EXCEED THE VEHICLE WEIGHT RATINGS OR LOADING RECOMMENDATIONS (E.G., GROSS VEHICLE, GROSS AXLE, GROSS COMBINED) OF THE CHASSIS MANUFACTURER OR WINNEBAGO IND.

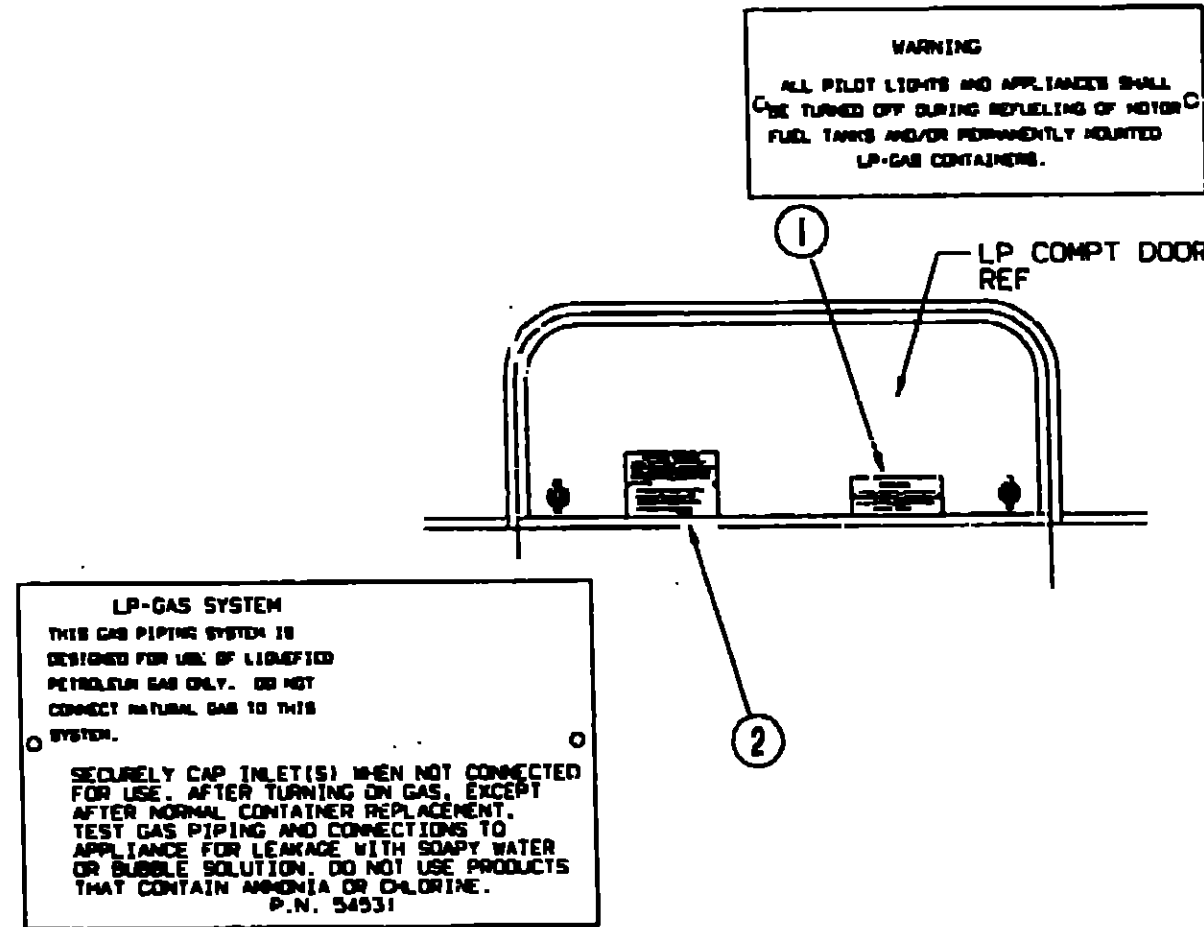
REFER TO YOUR OWNERS MANUAL, BEFORE LOADING OR TOWING.

KEY	PART NUMBER	U/M DESCRIPTION
1	075220-01-000	EA LABEL - WARNING - EXTERIOR LOAD

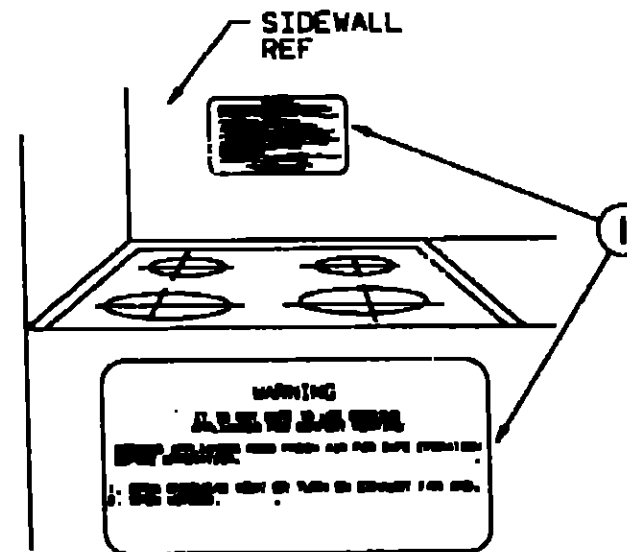


KEY	PART NUMBER	U/M DESCRIPTION
1	079965-01-000	EA LABEL - LPG - 80% CAPACITY

**LABELS GROUP (CONTINUED)**



KEY	PART NUMBER	U/M DESCRIPTION
1	006040-01-000	EA TAG - GAS REFUELING WARNING
1	006040-02-000	EA TAG - GAS REFUELING WARNING (CANADIAN)
2	054531-01-000	EA LABEL - LP GAS ONLY
2	023769-01-000	EA LABEL - WARNING - LPG (CANADIAN)



KEY	PART NUMBER	U/M DESCRIPTION
1	050225-01-000	EA LABEL - WARNING - STOVE VENT - US
1	050222-01-000	EA LABEL - WARNING - STOVE VENT - CSA

**1992 ITASCA  
TABLE OF CONTENTS**

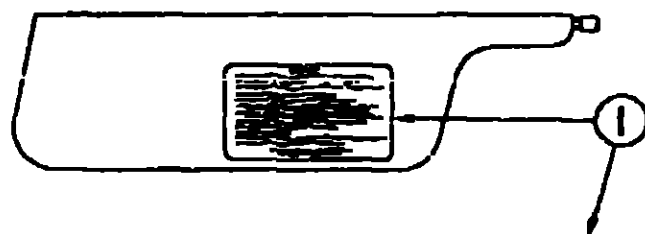
INTRODUCTION	A-01 - A-02
ABBREVIATIONS	A-03
ALPHABETICAL INDEX	A-04 - A-06
ICG34RQ	A-07 - E-18
IKG34RQ	E-19 - I-18

**1992 IKG34RQ INDEX**

FLOOR PLAN	E-19 - E-20
ACCESSORIES	E-21 - E-22
BATH	E-23 - F-02
BEDROOM	F-03 - F-04
CHASSIS	F-05 - F-08
CURTAIN & CUSHION	F-09 - F-18
DINETTE	F-19 - F-20
DRIVERS COMPARTMENT	F-21 - F-23
ELECTRICAL	F-24 - G-05
EXTERIOR BODY	G-06 - G-16
GALLEY	G-17 - G-21
GENERATOR	G-22
HEATING & A/C	G-23 - H-01
INTERIOR FINISH	H-02 - H-06
LABELS	H-07 - H-14
LP	H-15
LOUNGE	H-16 - H-18
SEALANTS & FASTENERS	H-19 - H-21
WATER & SEWAGE	H-22 - I-01
WINDOW, VENT & EXTERIOR DOOR	I-02 - I-16
WINDSHIELD & WIPER	I-17 - I-18



**LABELS GROUP (CONTINUED)**



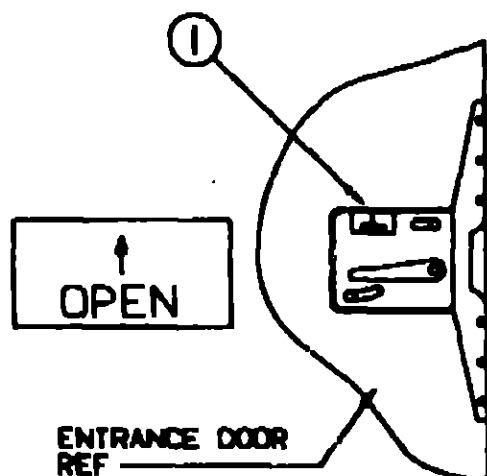
**CAUTION**

THIS MOTOR HOME HAS BEEN DESIGNED, MANUFACTURED AND TESTED WITH CONCERN FOR THE PROTECTION OF IT'S OCCUPANTS. WE RECOMMEND YOU PERFORM THE FOLLOWING INSPECTIONS FOR YOUR SAFETY AND THE SAFETY OF YOUR PASSENGERS BEFORE STARTING YOUR VEHICLE.

1. LP GAS SYSTEM- TURN OFF AT TANK FOR TRAVELING. TEST FOR LEAKS UPON ARRIVAL AT DESTINATION. BEFORE LIGHTING PILOTS.
2. WHEELS- INSPECT FOR DAMAGE AND CHECK LUG NUTS FOR TIGHTNESS.
3. TIRES- INSPECT FOR WEAR AND DAMAGE AND CHECK FOR RECOMMENDED AIR PRESSURE.
4. LIGHTING- TEST FOR PROPER OPERATION OF ALL INTERIOR AND EXTERIOR LIGHTS INCLUDING DASH LIGHTS, HEADLIGHTS, TAIL LIGHTS, BRAKE LIGHTS, CLEARANCE LIGHTS AND TURN SIGNALS.
5. EXITS- INSPECT RELEASE MECHANISM ON EMERGENCY EXIT WINDOW. TEST BOTH LOCKS ON MAIN ENTRANCE DOOR FOR EASE OF OPERATION AND INSTRUCT PASSENGERS HOW TO USE BOTH MEANS OF EXIT.
6. SEAT BELTS- DIRECT PASSENGERS TO DESIGNATED SEATS AND REQUIRE USE OF SEAT BELTS.
7. APPLIANCES- TURN OFF AND LATCH OR LOCK DOORS WHERE PROVIDED.
8. LOOSE PARCELS- STORE SECURELY.
9. UTILITY SUPPLY LINES- DISCONNECT ALL ELECTRIC, SEWER AND WATER LINES AND SECURE PROPERLY.
10. ENTRANCE DOOR STEP- PLACE IN RETRACTED POSITION FOR TRAVELING.

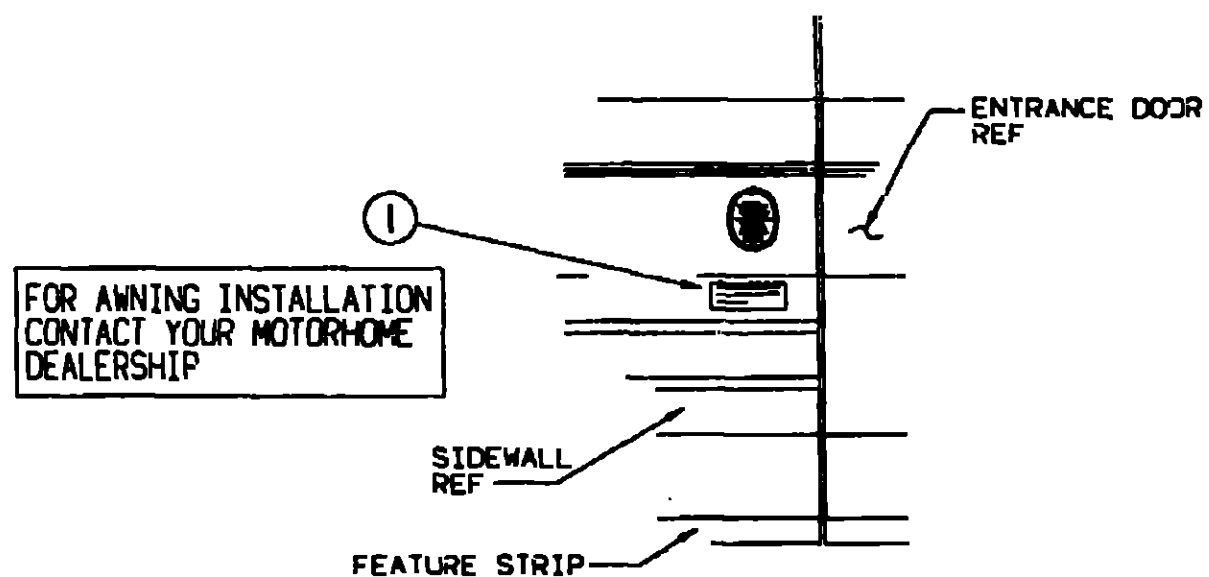
READ YOUR MOTOR HOME AND CHASSIS OWNER'S MANUAL FOR FURTHER PRECAUTIONS

**KEY PART NUMBER U/M DESCRIPTION**  
 1 056259-01-000 EA LABEL - SAFETY CHECK LIST

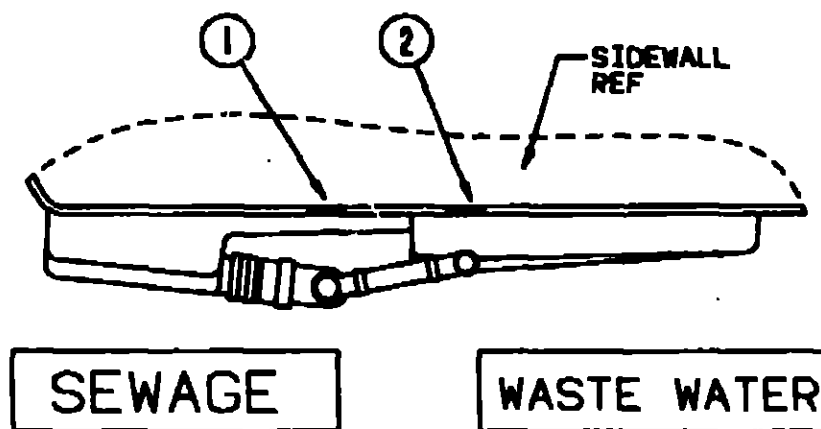


**KEY PART NUMBER U/M DESCRIPTION**  
 1 040944-01-000 EA LABEL - ENTRANCE DOOR - "OPEN"

**LABELS GROUP (CONTINUED)**



**KEY PART NUMBER U/M DESCRIPTION**  
 1 099509-01-000 EA LABEL - AWNING INSTALLATION



**KEY PART NUMBER U/M DESCRIPTION**  
 1 006187-01-000 EA LABEL - SEWAGE  
 2 006188-01-000 EA LABEL - WASTE WATER

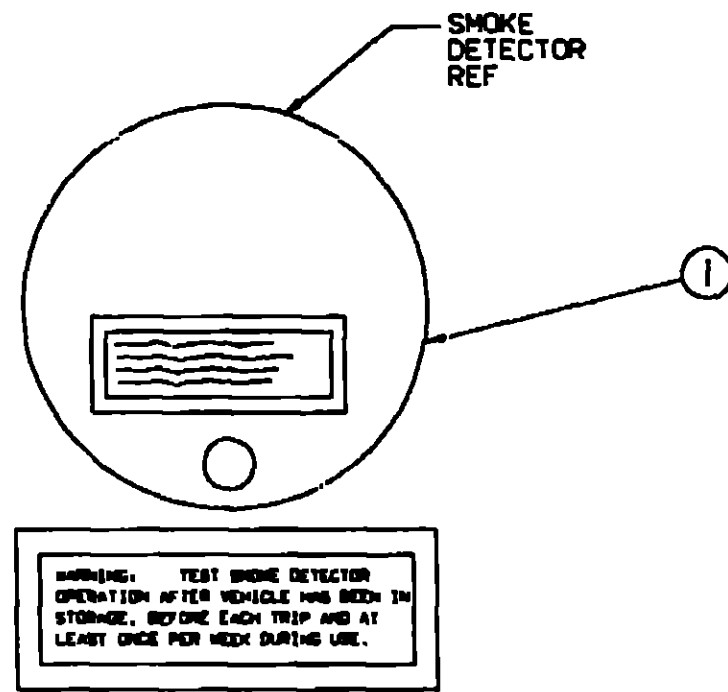
**1992 ITASCA  
 TABLE OF CONTENTS**

INTRODUCTION	A-01 - A-02
ABBREVIATIONS	A-03
ALPHABETICAL INDEX	A-04 - A-06
ICG34RQ	A-07 - E-18
IKG34RQ	E-19 - I-18

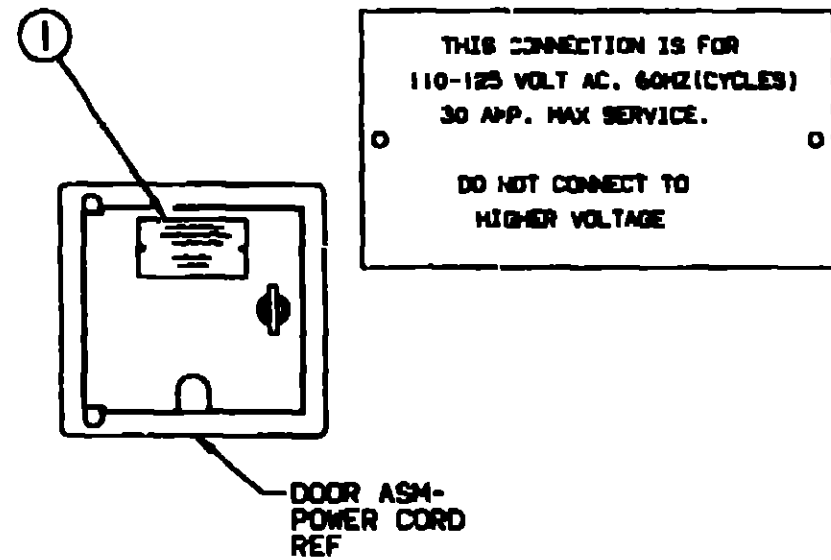
**1992 IKG34RQ INDEX**

FLOOR PLAN	E-19 - E-20
ACCESSORIES	E-21 - E-22
BATH	E-23 - F-02
BEDROOM	F-03 - F-04
CHASSIS	F-05 - F-08
CURTAIN & CUSHION	F-09 - F-18
DINETTE	F-19 - F-20
DRIVERS COMPARTMENT	F-21 - F-23
ELECTRICAL	F-24 - G-05
EXTERIOR BODY	G-06 - G-16
GALLEY	G-17 - G-21
GENERATOR	G-22
HEATING & A/C	G-23 - H-01
INTERIOR FINISH	H-02 - H-06
LABELS	H-07 - H-14
LP	H-15
LOUNGE	H-16 - H-18
SEALANTS & FASTENERS	H-19 - H-21
WATER & SEWAGE	H-22 - I-01
WINDOW, VENT & EXTERIOR DOOR	I-02 - I-16
WINDSHIELD & WIPER	I-17 - I-18

**LABELS GROUP (CONTINUED)**



KEY	PART NUMBER	U/M DESCRIPTION
1	077956-01-000	EA LABEL - WARNING - SMOKE DETECTOR



KEY	PART NUMBER	U/M DESCRIPTION
1	006062-01-000	EA TAG - ELECTRIC - 110V CONNECTION

**LABELS GROUP (CONTINUED)**

**MISCELLANEOUS LABELS**

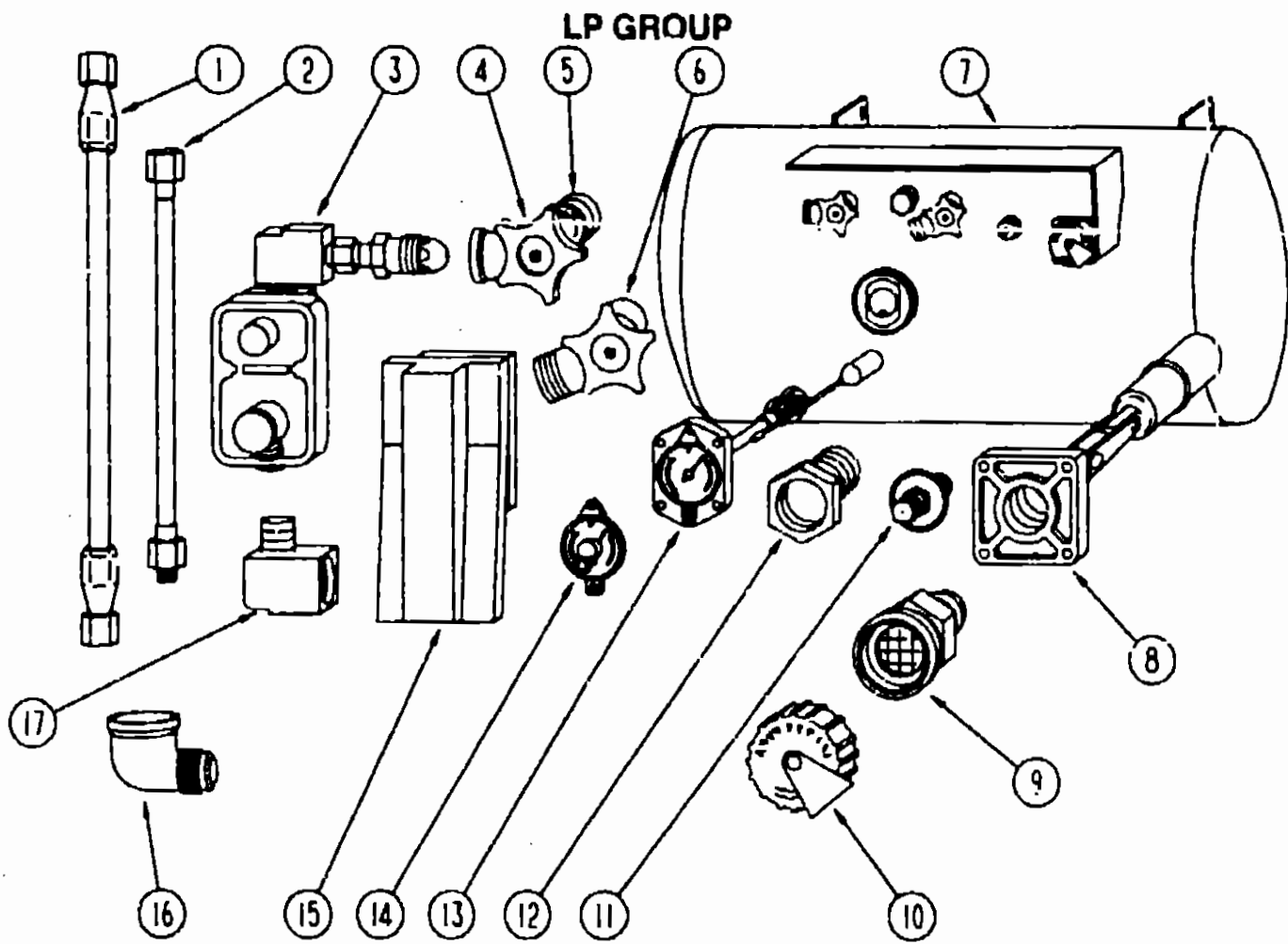
KEY	PART NUMBER	U/M DESCRIPTION
	061606-01-000	EA LABEL - OVERLAY - VEHICLE CERTIFICATION - ADHESIVE BACKED
	073998-01-000	EA LABEL - LPG ODOR WARNING
	074983-01-000	EA LABEL - SWITCH - A/C SELECTOR FOR FRONT OR REAR
	079986-01-000	EA LABEL - WARNING - STOWED - MOTION
	091224-02-000	EA LABEL - TRAILER LIGHTING
	091243-01-000	EA LABEL - A/C COVER - "AIR CONDITIONING CIRCUIT ETC."
	093236-07-000	EA LABEL - CIRCUIT BREAKERS - FRONT
	098379-03-000	EA LABEL - ELECTRICAL BOX - FRONT
	098379-04-000	EA LABEL - ELECTRICAL BOX - SIDE
	104678-01-000	EA LABEL - CB PREP

**1992 ITASCA  
TABLE OF CONTENTS**

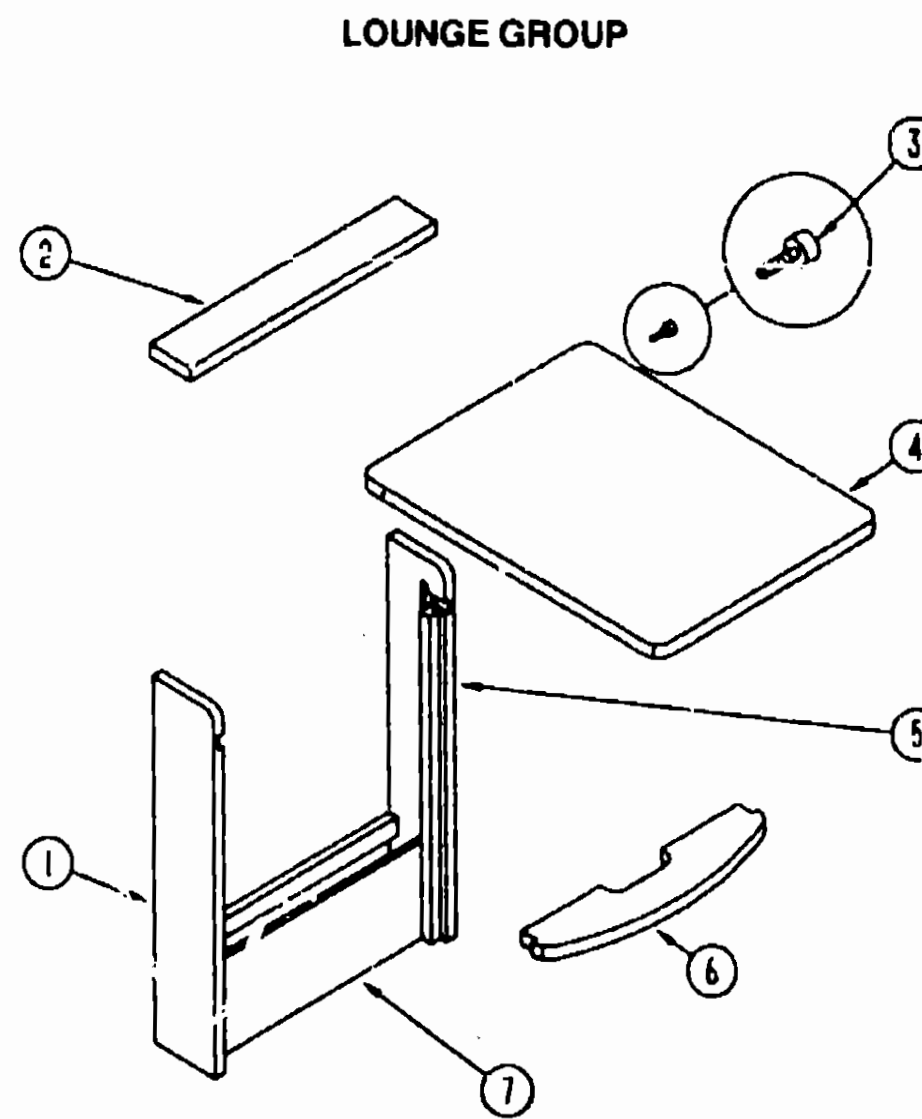
INTRODUCTION	A-01 - A-02
ABBREVIATIONS	A-03
ALPHABETICAL INDEX	A-04 - A-06
ICG34RQ	A-07 - E-18
IKG34RQ	E-19 - I-18

**1992 IKG34RQ INDEX**

FLOOR PLAN	E-19 - E-20
ACCESSORIES	E-21 - E-22
BATH	E-23 - F-02
BEDROOM	F-03 - F-04
CHASSIS	F-05 - F-08
CURTAIN & CUSHION	F-09 - F-18
DINETTE	F-19 - F-20
DRIVERS COMPARTMENT	F-21 - F-23
ELECTRICAL	F-24 - G-05
EXTERIOR BODY	G-06 - G-16
GALLEY	G-17 - G-21
GENERATOR	G-22
HEATING & AC	G-23 - H-01
INTERIOR FINISH	H-02 - H-06
LABELS	H-07 - H-14
LP	H-15
LOUNGE	H-16 - H-18
SEALANTS & FASTENERS	H-19 - H-21
WATER & SEWAGE	H-22 - I-01
WINDOW, VENT &	
EXTERIOR DOOR	I-02 - I-16
WINDSHIELD & WIPER	I-17 - I-18



LP TANK & COMPONENTS



PULLOUT TABLE

1992 ITASCA  
TABLE OF CONTENTS

INTRODUCTION	A-01 - A-02
ABBREVIATIONS	A-03
ALPHABETICAL INDEX	A-04 - A-06
ICG34RQ	A-07 - E-18
IKG34RQ	E-19 - I-18

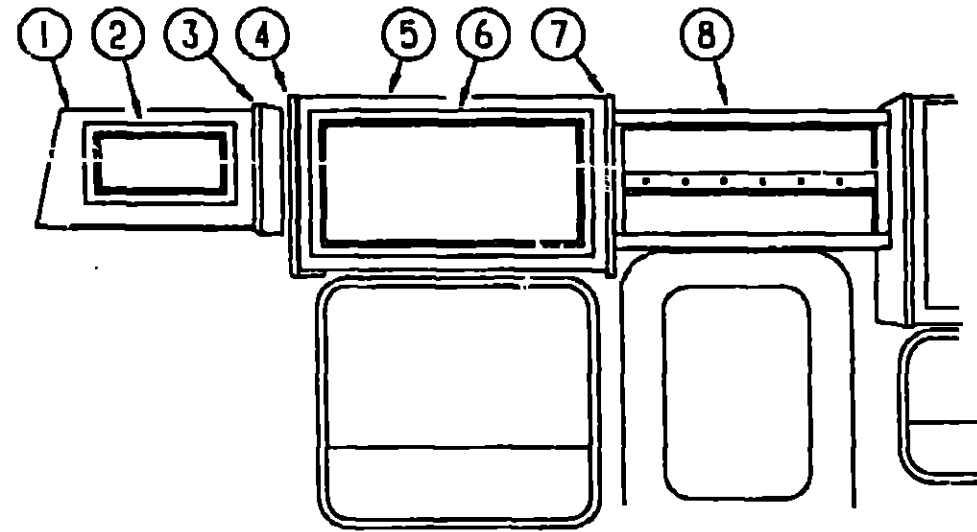
1992 IKG34RQ INDEX

FLOOR PLAN	E-19 - E-20
ACCESSORIES	E-21 - E-22
BATH	E-23 - F-02
BEDROOM	F-03 - F-04
CHASSIS	F-05 - F-08
CURTAIN & CUSHION	F-09 - F-18
DINETTE	F-19 - F-20
DRIVERS COMPARTMENT	F-21 - F-23
ELECTRICAL	F-24 - G-05
EXTERIOR BODY	G-06 - G-16
GALLEY	G-17 - G-21
GENERATOR	G-22
HEATING & A/C	G-23 - H-01
INTERIOR FINISH	H-02 - H-06
LABELS	H-07 - H-14
LP	H-15
LOUNGE	H-16 - H-18
SEALANTS & FASTENERS	H-19 - H-21
WATER & SEWAGE	H-22 - I-01
WINDOW, VENT &	
EXTERIOR DOOR	I-02 - I-16
WINDSHIELD & WIPER	I-17 - I-18

KEY	PART NUMBER	U/M DESCRIPTION
1	045703-05-000	EA HOSE - LP - 3/8" ID X 28' - 3/8" MPT X 1/2" F SWIVEL - US
1	045703-06-000	EA HOSE - LP - 3/8" ID X 28' - 3/8" MPT X 1/2" F SWIVEL - CANADA
2	045703-01-000	EA HOSE - LP - 3/8" ID X 24' - 3/8" MPT X 1/2" F SWIVEL
3	106150-01-000	EA REGULATOR - TWO STAGE
4	040421-01-708	EA HANDWHEEL - VAPOR RELIEF VALVE - BRUNNER G-1015-A
5	040421-01-712	EA VALVE - SERVICE W/HANDWHEEL
6	040421-01-710	EA VALVE - LIQUID SERVICE - SHUT OFF
7	088253-05-000	EA TANK - LP - 130 LB - LIQUID DRAW
8	040421-01-711	EA VALVE - 80% W/FLOAT - PLATE - BOLTS & GASKET - BRUNNER
9	040421-01-701	EA VALVE - SHORT LP FILLER W/YELLOW CAP - BRUNNER 75478
10	040421-01-702	EA CAP - LP FILLER VALVE - PLASTIC - YELLOW - BRUNNER G-1014-A
11	040421-01-710	EA GAUGE - LIQUID LEVEL - 20% LP - BRUNNER G-1013
12	040421-01-713	EA PRESSURE RELIEF VALVE
13	040421-01-707	EA GAUGE - FLOAT W/VISIBLE DIAL - BRUNNER MA-9 6244-4
14	040440-01-000	EA TRANSMITTER - DIAL - 90 OHM
15	105658-01-000	EA COMPARTMENT - LP REGULATOR
16	010265-01-000	EA ELBOW - BRASS - 90 DEGREE - 3/8" F X 1/2" FPT
17	065310-02-000	EA ELBOW - BRASS - 90 DEGREE - 3/8" MPT TO 3/8" FPT
	010251-01-000	EA ELBOW - BRASS - 90 DEGREE - 3/8" F X 3/8" MPT
	010285-01-000	EA CROSS - 3/8" F X 3/8" F X 3/8" F X 1/2" FPT - BRASS
	010377-02-000	EA NUT - BRASS - 3/8 FEMALE - FORGED
	010380-02-000	EA NUT - BRASS - 1/2" FEMALE - FORGED
	016188-03-000	EA GROMMET - GAS LINE - FLOOR - 3/8" HOLE X 2 1/8" DIAMETER RUBBER
	081642-01-000	EA TEE - 1/2" MPT X 1/2" FL X 3/8" FL - BRASS
	010497-05-000	EA CLAMP - CLOSED - .50" ID
	075148-02-000	EA CLAMP - GROUNDING - BRONZE SCREWS
	008380-01-000	EA GROMMET - RUBBER - 5/8" HOLE X 1 1/2" DIAMETER - BLACK
	010326-01-000	EA ADAPTER - FLARE - W/CONE GASKET 3/8" FEMALE FL X 1/2" MALE F
	065741-01-000	EA GAUGE - DIAPHRAGM PRESSURE - MARSHALLTOWN MFG
	071391-02-000	EA NIPPLE - HEX - .25 PIPE
	008042-01-000	FT TUBING - VINYL - .65" ID
	095624-01-000	EA ELBOW - BRASS - 90 1/4 FPT X 1/4 FPT

KEY	PART NUMBER	U/M DESCRIPTION
	M96873-01-B87	EA CABINET ASM - TABLE - W/O PULLOUT TOP
1	096873-14-B87	EA SIDE END - TABLE - 28 7" X 5 7" - LEFT SIDE
2	096873-15-B87	EA SHELF - SUPPORT
3	079921-01-000	EA NYLON ROLLER W/SHAFT
4	096573-11-B27	EA PULLOUT TOP - W/HANDLE
5	096873-13-B87	EA SIDE END - TABLE - 28 7" X 5 7" - RIGHT SIDE
6	096873-12-B87	EA SHELF - SUPPORT - UNDER PULL OUT TABLE TOP
7	096873-16-B87	EA PANEL - TABLE - FRONT BOTTOM - 18 1" X 6 7"
	080736-01-000	EA PULL - RECESSED - 1 25" X 4" - OAK

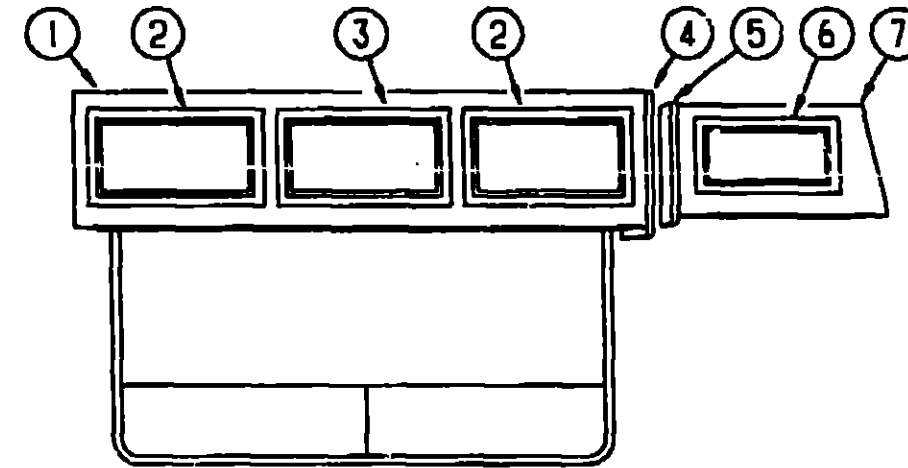
**LOUNGE GROUP (CONTINUED)**



**FRONT OVERHEAD CABINET (PASSENGER SIDE)**

KEY	PART NUMBER	U/M DESCRIPTION
1	M05160-24-C27	EA CABINET ASM. - FRONT OVERHEAD - RIGHT HAND
1	M05160-24-C28	EA CABINET ASM. - FRONT OVERHEAD - RIGHT HAND
2	P03702-33-B87	EA DOOR ASM - RAIL - W/O HARDWARE
3	104353-01-C05	EA END CAP ASM. (FRONT OVERHEAD)
4	103128-02-C05	EA END CAP ASM. - LH
5	M05160-17-C27	EA CABINET ASM. - OVERHEAD (C28)
6	P03702-A5-C27	EA DOOR ASM - RAIL - W/O HARDWARE
7	103128-01-C05	EA END CAP ASM. - RH
	104414-12-C27	EA SHELF ASM
8	105916-01-C27	EA CABINET ASM - OVHD - KEY RACK
		FROM: 08-05-91 THRU 99-99-99
8	105916-01-C28	EA CABINET ASM - OVHD - KEY RACK
		FROM: 08-05-91 THRU 99-99-99

**LOUNGE GROUP (CONTINUED)**



**FRONT OVERHEAD CABINET (DRIVER SIDE)**

KEY	PART NUMBER	U/M DESCRIPTION
1	M05160-15-C27	EA CABINET ASM.
	104312-11-C27	EA SHELF ASM.
2	P03702-65-C27	EA DOOR ASM - RAIL - W/O HARDWARE
3	P03702-01-C25	EA DOOR ASM - RAIL - W/O HARDWARE
		FROM: 00-00-00 THRU: 08-04-91
3	P03702-12-C43	EA DOOR ASM - RAIL - W/O HARDWARE
		FROM: 08-05-91 THRU: 99-99-99
4	103128-01-C05	EA END CAP ASM. - RH
5	104353-02-C05	EA END CAP ASM. (FRONT OVERHEAD)
6	P03702-33-B87	EA DOOR ASM - W/O HARDWARE
7	M05160-25-C27	EA CABINET ASM. - FRONT OVERHEAD - LEFT HAND
7	M05159-25-C28	EA CABINET ASM. - FRONT OVERHEAD - LEFT HAND

**1992 ITASCA  
TABLE OF CONTENTS**

INTRODUCTION	A-01 - A-02
ABBREVIATIONS	A-03
ALPHABETICAL INDEX	A-04 - A-06
ICG34RQ	A-07 - E-18
IKG34RQ	E-19 - I-18

**1992 IKG34RQ INDEX**

FLOOR PLAN	E-19 - E-20
ACCESSORIES	E-21 - E-22
BATH	E-23 - F-02
BEDROOM	F-03 - F-04
CHASSIS	F-05 - F-08
CURTAIN & CUSHION	F-09 - F-18
DINETTE	F-19 - F-20
DRIVERS COMPARTMENT	F-21 - F-23
ELECTRICAL	F-24 - G-05
EXTERIOR BODY	G-06 - G-16
GALLEY	G-17 - G-21
GENERATOR	G-22
HEATING & A/C	G-23 - H-01
INTERIOR FINISH	H-02 - H-06
LABELS	H-07 - H-14
LP	H-15
LOUNGE	H-16 - H-18
SEALANTS & FASTENERS	H-19 - H-21
WATER & SEWAGE	H-22 - I-01
WINDOW, VENT &	
EXTERIOR DOOR	I-02 - I-16
WINDSHIELD & WIPER	I-17 - I-18

**SEALANTS & FASTENERS GROUP**

**ADHESIVE AND BOLTS**

KEY	PART NUMBER	U/M DESCRIPTION
	004020-01-000	QT ADHESIVE - ABS CEMENT - QUART
	081377-01-700	EA ADHESIVE - CYANOACRYLATE - 10 GRAM TUBE
	004006-04-700	EA ADHESIVE - PIERCE - 1 GAL - J9270-X-1
	087211-01-000	GL ADHESIVE - PROMOTER
	004005-02-000	EA ADHESIVE - SWIFTS - 1 GAL - W1333
	099039-01-000	EA ADHESIVE - WEATHERSTRIP - 8 OZ.
	053766-02-000	EA BEDDING COMPOUND - TUBE - WHITE
	005200-01-000	EA BOLT - BUMPER - ROUND HEAD - SQUARE NECK - W/SST CAP 7/16- 14 X 1 1/4
	102333-01-01A	EA BOLT - CARRIAGE - 7/16 - 14 - STAINLESS STEEL CAP - BEIGE
	051387-06-000	EA BOLT - CARRIAGE - W/O HOLE - 5/16-18 X 9 5 ZN
	000C12-08-24B	EA BOLT - HEX - 1/2-13 X 1 1/2 - ZN 5
	000C12-05-16B	EA BOLT - HEX - 5/16-18 X 1 - ZINC 5
	000C12-10-24B	EA BOLT - HEX - 5/8-11 X 1 1/2 ZN - 5
	000C12-07-20B	EA BOLT - HEX - 7/16 - 14 X 1 1/4 - ZN5
	000C13-07-48B	EA BOLT - HEX - 7/16 - 20 X 3 - ZN 5
	000C26-04-10B	EA BOLT - HEX - SER FLG - 1/4-20 X 5/8 ZINC
	000C26-05-20B	EA BOLT - HEX - SER FLG 5/16-18 X 1 1/4 - ZINC
	000C12-05-24B	EA BOLT - HEX - 5/16-18X1 1/2 ZN 5

**CLAMPS - GROMMETS AND FASTENERS**

KEY	PART NUMBER	U/M DESCRIPTION
	010495-01-000	EA CLAMP - CABLE - 9/16"
	010497-06-000	EA CLAMP - CLOSED - 11/16" ID
	010497-03-000	EA CLAMP - CLOSED - 1" ID - CUSHIONED
	010499-01-000	EA CLAMP - CLOSED - 3/8" ID
	010497-01-000	EA CLAMP - CLOSED - 5/8" ID
	010497-08-000	EA CLAMP - CLOSED - .125"
	075148-02-000	EA CLAMP - GROUNDING - BRONZE SCREWS
	062401-02-000	EA CLAMP - HOSE - WORMGEAR - 1.56" - 2 5"
	062401-10-000	EA CLAMP - HOSE - WORMGEAR 1.06" - 2"
	073194-02-000	EA CLAMP - HOSE - WORMGEAR 32-50 MM
	062401-07-000	EA CLAMP - HOSE - WORMGEAR 5" - 7"
	062401-06-000	EA CLAMP - HOSE - WORMGEAR 22" - 62"
	062401-01-000	EA CLAMP - HOSE - WORMGEAR 25" - 1"
	062401-04-000	EA CLAMP - HOSE - WORMGEAR .69" - 1 25"
	062401-03-000	EA CLAMP - HOSE WORMGEAR - .22" - 1"
	083609-01-000	EA CLAMP - WIRE - DUAL - EQUAL 5/8" DIAMETER
	094362-02-000	EA CLIP - CHRISTMAS TREE - FLAT HEAD
	077953-01-000	EA GROMMET - EDGE LINER - FITS 1"
	023942-01-000	EA GROMMET - RUBBER - 2" OD
	071015-21-000	EA GROMMET - 50"ID - FITS .19" MATERIAL - RUBBER - SPLIT
	009066-01-000	EA HINGE - ALUMINUM - NO HOLES - 11/16" X 72" - UNPAINTED
	056134-02-000	EA HOLDER - RING - 1 5" ID PIPE SIZE - STEEL
	092321-01-000	FT INSULATION - FIBERGLASS - W/ALUMINUM FOIL
	077955-01-000	EA J CLIP - VINYL COATED - 3/8" USED IN WIRING TO CLEARANCE LIGHTS
	008401-01-000	EA STRAP - CONDUIT - 3/4" - 1 HOLE - GALVANIZED STEEL
	016604-01-000	EA BRACE - CABINET - ANGLED METAL - 2.5"

**NUTS**

KEY	PART NUMBER	U/M DESCRIPTION
	072893-01-300	EA NUTSERT - M5 X 0 - 8
	077049-01-000	EA NUT - ACORN - 10-32 ALUMINUM
	095094-01-000	EA NUT - ACORN - 1/4 - 20 ALUMINUM
	000D14-05-00B	EA NUT - HEX - 5/16-18 - ZN 5
	000D34-04-00B	EA NUT - HEX - LK 1/4 - 20 ZN
	000D39-04-00B	EA NUT - HEX - SER FLG LK 1/4 - 20 ZN
	000D39-08-00B	EA NUT - HEX - SER FLG LK - 1/2-13 ZN
	000D39-06-00B	EA NUT - HEX - SER FLG LK - 3/8-16 ZN
	000D39-05-00B	EA NUT - HEX - SER FLG LK - 5/16 - 18 ZN
	000D44-07-00B	EA NUT - HEX - SER FLG LK - 7/16-20 ZN
	000D24-10-00B	EA NUT - HEX - SF/LK - 10-32 ZN
	000J34-06-00B	EA NUT - HEX LK-3/8-16 GRADE C ZN
	075467-01-000	EA NUT - INVERTED FLARE - 1/4"
	081497-02-000	EA NUT - INVERTED FLARE - 1/4"
	063253-07-000	EA NUT - J - #8A .120- .130 PNL THK
	044364-02-000	EA NUT - SPEED - FLAT - ROUND
	040921-06-000	EA NUT - SPEED - U TYPE - NO 8

**SEALANTS & FASTENERS GROUP (CONTINUED)**

**NUTS (CONT)**

KEY	PART NUMBER	U/M DESCRIPTION
	040921-04-000	EA NUT - SPEED - U TYPE - NO. 8
	040921-05-000	EA NUT - SPEED - U TYPE - NO 8
	044364-01-000	EA NUT - SPEED - FLAT
	064081-01-000	EA NUT - WING - 3/8" X 16 THREAD
	084884-01-000	EA PLUG - BRASS - 3/8"
	000H16-04-06R	EA RIVET - POP - AL 1/8 X .313- .375
	069592-02-000	EA RIVET - T (POP) 1/4X 093- 156
	063729-04-000	EA RIVNUT - 10-32 UNF - 010- 080
	063729-01-000	EA RIVNUT - 1/4 X 20 UNC - 030- 125

**SCREWS**

KEY	PART NUMBER	U/M DESCRIPTION
	000G67-10-24B	EA SCREW - 10-12 X 1 1/2 PPH - ZN
	000G67-10-16P	EA SCREW - 10-12 X 1 PPH - DARK BROWN
	000G67-10-16B	EA SCREW - 10-12 X 1 PPH - ZN
	000G67-10-08B	EA SCREW - 10-12 X 1/2 PPH ZN
	000G67-10-08R	EA SCREW - 10-12 X 1/2 PPH - BEIGE - TYPE A
	000G67-10-12B	EA SCREW - 10-12 X 3/4 - PPH ZN
	000G67-10-10B	EA SCREW - 10-12 X 5/8 PPH ZN - TYPE A
	000G67-10-10R	EA SCREW - 10-12 X 5/8 PPH - TYPE A - BEIGE
	000G67-10-12P	EA SCREW - 10-12 X 75 PPH - DARK BROWN
	049465-01-000	EA SCREW - 10-16 W/WASHER PTH - DARK BROWN
	049465-04-000	EA SCREW - 10-16 X 1 PTH W/WASHER - BEIGE
	000G11-10-16B	EA SCREW - 10-16 X 1 - PPH ZN
	000G11-10-12R	EA SCREW - 10-16 X 3/4 PPH - BEIGE
	000G11-10-12D	EA SCREW - 10-16 X 3/4 PPH - BLACK
	000G68-06-10G	EA SCREW - 6-18 X 5/8 POH - ANTIQUE BRASS
	076790-01-000	EA SCREW - 6-20 X 1 1/4 PPH - BLACK
	000G13-06-16R	EA SCREW - 6-20 X 1 PFH - BEIGE
	000G13-06-08B	EA SCREW - 6-20 X 1/2 PFH ZN
	000G13-06-10G	EA SCREW - 6-20 X 5/8 PFH - ANTIQUE BRASS
	000G11-06-10B	EA SCREW - 6-20 X 5/8 PPH ZN
	000G11-06-10J	EA SCREW - 6-20 X 5/8 PPH - BRASS
	000G11-07-08B	EA SCREW - 7-19 X 1/2 PPH - ZN
	000G13-07-12B	EA SCREW - 7-19 X 3/4 PFH ZN
	000G13-08-16B	EA SCREW - 8-18 X 1 PFH - ZN
	000G11-08-08T	EA SCREW - 8-18 X 1/2 PPH
	000G11-08-08B	EA SCREW - 8-18 X 1/2 PPH ZN
	000G11-08-12B	EA SCREW - 8-18 X 3/4 PPH ZN
	000G11-08-12R	EA SCREW - 8-18 X 3/4 PPH - BEIGE
	000G11-08-12D	EA SCREW - 8-18 X 3/4 PPH - BLACK
	000G11-08-16R	EA SCREW - 8-18X1.00 PPH - BEIGE
	000G67-10-32B	EA SCREW - NO. 10 - 12 X 2 PPH ZN
	000G55-08-12W	EA SCREW - SF/DT - 8-18X.75 PWH
	000G67-10-12R	EA SCREW - 10-12X.75 PPH BEIGE
	000G67-10-120	EA SCREW - 10-12X.75 PPH TAN
	049465-03-000	EA SCREW - 10-16X1 POH W/WASHER
	000G11-10-12S	EA SCREW - 10-16X.75 PPH OFF WHITE
	000G54-04-20B	EA SCREW - 1/4-20X1 1/4 PTH TYP 23
	000G57-05-16J	EA SCREW - 5-20X1 PFH BRASS
	000G12-06-08T	EA SCREW - 6-20 X .50 POH - BLACK
	000G13-06-16J	EA SCREW - 6-20X1.00 PFH BRASS
	000G11-08-12P	EA SCREW - 8- 18X.75.DARK BROWN
	085318-01-000	EA SCREW - 8-08X1/2 -CRIMPTITE HD
	000G67-08-32B	EA SCREW - 8-15;2 PPH ZN
	000G12-08-16S	EA SCREW - 8-18 X 1" POH - OFF WHITE
	000G11-08-16S	EA SCREW - 8-18X1.00 PPH OFF WHITE
	009439-07-000	EA SCREW - 8-32X1 1/4 POH -BLACK
	087721-01-000	EA SCREW - FLAT HEAD - TAPPING - 1/4 X 1 1/4 LG ZN
	086763-01-000	EA SCREW - MACH - 10 - 32 X 1/4 PTH
	000G19-10-08B	EA SCREW - MACH - 10-32 X 1/2 PPH ZN
	000G19-10-10B	EA SCREW - MACH - 10-32 X 5/8 - PPH - ZINC
	000G50-04-12B	EA SCREW - MACH - 1/4-20 X 3/4 PPH ZN
	081908-01-000	EA SCREW - MACH 6-32X.62 W/NYLOCK
	089371-01-000	EA SCREW - MACH 8-32X3 5/16.ZN
	000G19-10-20B	EA SCREW - MACHINE - 10-32 X 1 1/14 PPH ZINK
	000G18-08-16B	EA SCREW - MACHINE - 8 X 32 X 1 - PPH ZN
	075908-01-000	EA SCREW - MACH-10-32X.56PTH(SEMS)

**1992 ITASCA  
TABLE OF CONTENTS**

INTRODUCTION	A-01 - A-02
ABBREVIATIONS	A-03
ALPHABETICAL INDEX	A-04 - A-06
ICG34RQ	A-07 - E-18
IKG34RQ	E-19 - I-18

**1992 IKG34RQ INDEX**

FLOOR PLAN	E-19 - E-20
ACCESSORIES	E-21 - E-22
BATH	E-23 - F-02
BEDROOM	F-03 - F-04
CHASSIS	F-05 - F-08
CURTAIN & CUSHION	F-09 - F-18
DINETTE	F-19 - F-20
DRIVERS COMPARTMENT	F-21 - F-23
ELECTRICAL	F-24 - G-05
EXTERIOR BODY	G-06 - G-10
GALLEY	G-17 - G-21
GENERATOR	G-22
HEATING & A/C	G-23 - H-01
INTERIOR FINISH	H-02 - H-06
LABELS	H-07 - H-14
LP	H-15
LOUNGE	H-16 - H-18
SEALANTS & FASTENERS	H-19 - H-21
WATER & SEWAGE	H-22 - I-01
WINDOW, VENT & EXTERIOR DOOR	I-02 - I-16
WINDSHIELD & WIPER	I-17 - I-18

**SEALANTS & FASTENERS GROUP (CONTINUED)**  
**SCREWS (CONT)**

KEY	PART NUMBER	U/M DESCRIPTION
	000G53-04-06B	EA SCREW - MACH-1/4-20X3/8 PPH 2N
	000G18-08-22B	EA SCREW - MACH-8-32X1 3/8 PPH ZN
	000G39-10-20B	EA SCREW - SF/DR - 10-16 X 1 1/4 PPH ZN
	000G39-10-12R	EA SCREW - SF/DR - 10-16 X 3/4 PPH - BEIGE
	000G39-10-12D	EA SCREW - SF/DR - 10-16 X 3/4 PPH - BLACK
	000G39-06-16T	EA SCREW - SF/DR - 6-20 X 1 PPH - BLACK
	000G39-06-10T	EA SCREW - SF/DR - 6-20 X 5/8 PPH - BLACK
	000G39-08-24B	EA SCREW - SF/DR - 8-18 X 1 1/2 PPH ZN
	000G39-08-16E	EA SCREW - SF/DR - 8-18 X 1 PPH CHROME
	000G39-08-16B	EA SCREW - SF/DR - 8-18 X 1 PPH ZN
	000G39-08-16T	EA SCREW - SF/DR - 8-18 X 1 PPH - BLACK
	000G55-08-16Z	EA SCREW - SF/DR - 8-18 X 1.00 - BEIGE
	000G39-08-08B	EA SCREW - SF/DR - 8-18 X 1/2 PPH ZN
	000G39-08-32B	EA SCREW - SF/DR - 8-18 X 2 PPH - ZINC
	000G39-08-12B	EA SCREW - SF/DR - 8-18 X 3/4 PPH ZN
	000G39-08-12T	EA SCREW - SF/DR - 8-18 X 3/4 PPH - BLACK
	000G39-08-06B	EA SCREW - SF/DR - 8-18 X 3/8 PPH ZN
	000G60-10-28T	EA SCREW - SF/DR - 10-16X1 7/8
	000G39-08-16R	EA SCREW - SF/DR - 8-18X1 00 PPH BEIGE
	000G39-08-08R	EA SCREW - SF/DT - 8-18X1/2 PPH
	079382-01-000	EA SCREW - SOCKET - 8-18 X 1" - BLACK

**SEALERS**

KEY	PART NUMBER	U/M DESCRIPTION
	106205 01 000	EA SEALER - PUMPABLE
	069640-02-000	FT SEALER - RIBBON - 1/2" X 1/8" - INCREMENTS OF 30'
	069640-09-000	FT SEALER - RIBBON - 1/32" X 2 1/2"
	069640-01-000	FT SEALER - RIBBON - 1/4" DIAMETER - INCREMENTS OF 20'
	069640-03-000	FT SEALER - RIBBON - 3/4" X 1/8" - INCREMENTS OF 60'
	069640-06-000	FT SEALER - RIBBON - 5/16" DIAMETER - INCREMENTS OF 25'
	091255-03-000	FT SEAL - FOAM - 1/4 X 3/16 ROLL
	091255-01-000	FT SEAL - FOAM - 3.2MM X 4.8MM
	090340-01-000	FT SEAL - FOAM - CLOSED CELL - 1/4" X 1/2" X 50'
	053752-01-000	GL SEAM SEALER - 5 GAL - ALUMINUM
	034552-04-000	EA SILICONE - TUBE - 300 ML - BEIGE
	034552-02-000	EA SILICONE - TUBE - 300 ML - CLEAR

**TAPES AND TIES**

KEY	PART NUMBER	U/M DESCRIPTION
	100028-01-000	FT TAPE - ADHESIVE - .031" X .75" WIDE
	004363-01-000	FT TAPE - ADHESIVE FOAM - 1 SIDE - 3/16" X 1/2" - GRAY
	093071-01-000	FT TAPE - BONDING - DOUBLE SIDED - 1/64" X 2"
	093071-01-000	FT TAPE - BONDING - DOUBLE SIDED - 1/64" X 2"
	076322-03-000	FT TAPE - FOAM - DOUBLE COATED - .045" X 5"
	088244-01-000	FT TAPE - FOAM - VINYL COATED - 2" WIDE - INCREMENTS OF 108 FT
	009200-01-000	EA TAPE - FURNACE - 1 1/2"
	087691-01-000	EA TAPE - MASKING - WEATHER RESISTANT
	008343-02-000	EA TIE - WIRE - 14"
	008343-01-000	EA TIE - WIRE - 6"

**WASHERS**

KEY	PART NUMBER	U/M DESCRIPTION
	077071-01-000	EA WASHER - FENDER - 3/16" ID X 1" OD
	000E13-14-00B	EA WASHER - FLAT - 1/4" WIDE ZN
	000E13-11-00B	EA WASHER - FLAT - 3/16" WIDE ZN
	000E13-17-00B	EA WASHER - FLAT - 3/8 AR ZN

**WATER & SEWAGE GROUP**  
**WATER PUMP (SHURFLOW)**

KEY	PART NUMBER	U/M DESCRIPTION
	098607-01-000	EA PUMP - WATER - W/ 5" MPT FITTING - FLOW 2 8 GPM - UL
	098607-01-700	EA PUMPHEAD - REPLACEMENT 94-236-08
	098607-01-701	EA DRIVE ASM 94-234-03
	098607-01-702	EA DIAPHRAGM - KIT 94-233-10
	098607-01-703	EA VALVE ASM 94-232-00
	098607-01-704	EA HOUSING - UPPER 94-231-01
	098607-01-705	EA CHECK VALVE - KIT 94-237-00
	098607-01-707	EA MOTOR/BASEPLATE REPLACEMENT 94-234-03
	098607-01-706	EA UPPER HOUSING/SWITCH KIT 94-230-00

**WATER HEATER W/O MOTOR AID ATWOOD (G6A-3E)**

KEY	PART NUMBER	U/M DESCRIPTION
	051391-03-000	EA HEATER - WATER - W/ELECTRIC IGNITION
	051391-01-700	EA HINGE KIT - W/CLIP 92568 & 92559
	051391-01-704	EA VALVE - RELIEF - 1/2" FITTING 91604
	051391-01-705	EA FASTENER - CAMLOC 92609
	051391-01-706	EA GRILLE - EXHAUST 92737
	051391-01-708	EA BURNER - MAIN - 3E ONLY 92615
	051391-01-710	EA ORIFICE - MAIN BURNER 92742
	051391-01-715	EA DRAIN PLUG 91561
	051391-04-700	EA TANK - INNER (G6A-3E) - FRT MT 91608
	051391-04-701	EA THERMOSTAT 12 VDC-120 PRESET 91470
	051391-04-706	EA TANK - INNER - FRONT MOUNT 91641
	097967-01-000	EA SWITCH - WATER HEATER - REMOTE W/LIGHT 91959
	051393-01-702	EA SWITCH - ENERGY CUT-OFF 91951
	051393-01-703	EA THERMOSTAT - REAR MOUNT 91952
	051393-01-704	EA CIRCUIT BOARD - W/BLACK BOX 91420
	051393-01-705	EA ORIFICE HOLDER 91925
	051393-01-716	EA SPARK & PROBE ASM 91606
	051393-01-718	EA VALVE - DUAL SOLENOID 91505
	051393-01-721	EA ECO&THERMOSTAT ASM - FRONT MOUNT - 140° 91447
	051393-03-700	EA TANK - INNER (G6A-3E) - REAR MOUNT 91409

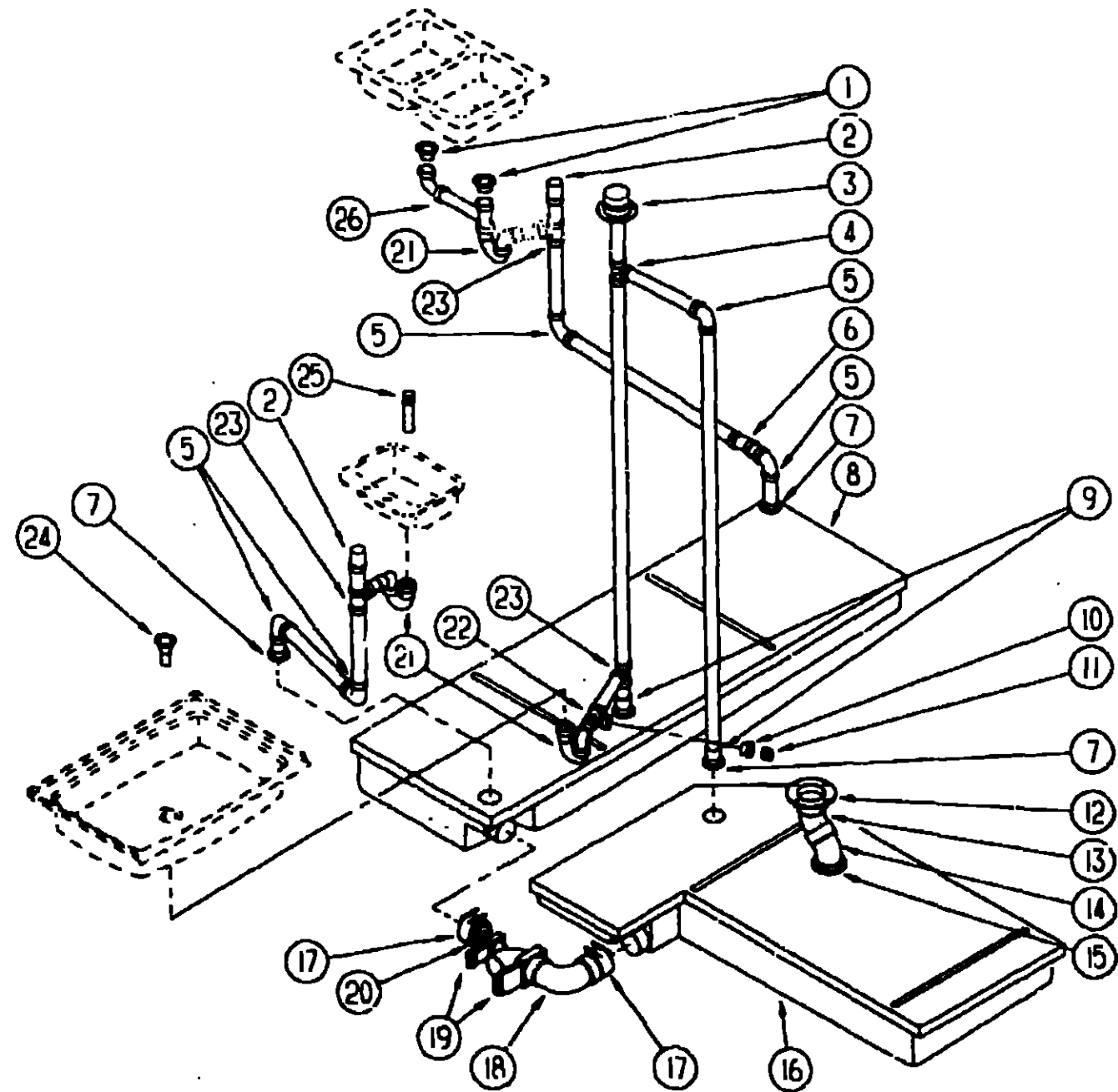
**1992 ITASCA**  
**TABLE OF CONTENTS**

INTRODUCTION	A-01 - A-02
ABBREVIATIONS	A-03
ALPHABETICAL INDEX	A-04 - A-CC
ICG34RQ	A-07 - E-18
IKG34RQ	E-19 - I-18

**1992 IKG34RQ INDEX**

FLOOR PLAN	E-19 - E-20
ACCESSORIES	E-21 - E-22
BATH	E-23 - F-02
BEDROOM	F-03 - F-04
CHASSIS	F-05 - F-08
CURTAIN & CUSHION	F-09 - F-18
DINETTE	F-19 - F-20
DRIVERS COMPARTMENT	F-21 - F-23
ELECTRICAL	F-24 - G-05
EXTERIOR BODY	G-06 - G-16
GALLEY	G-17 - G-21
GENERATOR	G-22
HEATING & A/C	G-23 - H-01
INTERIOR FINISH	H-02 - H-06
LABELS	H-07 - H-14
LP	H-15
LOUNGE	H-16 - H-18
SEALANTS & FASTENERS	H-19 - H-21
WATER & SEWAGE	H-22 - I-01
WINDOW, VENT & EXTERIOR DOOR	I-02 - I-16
WINDSHIELD & WIPER	I-17 - I-18

**WATER & SEWAGE GROUP (CONTINUED )  
DRAINAGE SYSTEM**



KEY PART NUMBER	U/M	DESCRIPTION
1	092303-01-000	EA STRAINER - SINK
2	079968-01-000	EA VENT - MECH. TRAP ARM - ANTI-SIPHON - 2" DIA X 7 3'
3	083558-02-000	EA VENT - PLUMBING PIPE ROOF - W/COVER - GRAY
4	010071-01-000	EA TEE - SANITARY - 1 1/2" HUB X HUB X HUB
5	010009-01-000	EA ELBOW - 90 DEGREE - 1/4 BEND - 1 1/2" HUB X HUB
6	010005-01-000	EA ELBOW - 22 1/2 DEGREE - 1/16 BEND - 1 1/2" HUB X HUB
7	061607-01-000	EA GROMMET - HOLDING TANK - 1 1/2" NPS
8	104352-01-000	EA TANK - HOLDING - 50 GAL
9	010115-01-000	EA COUPLING - 1 1/2" HUB X HUB - PLASTIC
10	050787-01-000	EA ADAPTER - CLEANOUT NISCO 5803-2
11	010166-01-000	EA PLUG - THREADED - 1 1/4" DIAMETER - PLASTIC - BLACK
12	063541-01-000	EA FLANGE - CLOSET - 4" X 3"
13	010024-01-000	EA ELBOW - PLASTIC - 1/8 BEND - 3 X 45 - H X H
14	010061-01-000	EA ELBOW - 45 DEGREE - STREET - 1/8 BEND - 3" S X H - PLASTIC
15	061607-02-000	EA GROMMET - HOLDING TANK - 3" NPS
16	104351-01-000	EA TANK - HOLDING - 55 GAL
17	078406-01-000	EA COUPLER - RUBBER - W/CLAMPS - 3" X 3"
18	041056-01-000	EA ELBOW - STREET - 1/4" BEND - 3" X 90° XLT
19	070916-01-000	EA VALVE ASM - DUAL DUMP - W/CAP - 3" X 1 1/2"
	070916-01-700	EA VALVE ONLY - 3"
	070916-01-701	EA VALVE ONLY - 1 1/2"
20	062422-01-000	EA ADAPTER - OFFSET REDUCER - 3" X 1 1/2"
21	011071-01-000	EA TRAP-P - 1 1/2 - PLASTIC
22	049910-01-000	EA TEE - SANITARY - 1 1/4" X 1 1/4" X 1 1/4" H
23	010079-01-000	EA TEE - SANITARY - 1 1/2" X 1 1/2" X 1 1/4" H
24	011069-03-000	EA TAILPIECE - SHOWER/TUB - 1 1/2" X 1 3/4" - PLASTIC (US)
24	011069-02-000	EA TAILPIECE - TUB/SHOWER - 1 1/2" X 1 1/4" X 4" - BRASS (CSA)
	066440-01-000	EA STRAINER - SHOWER - W/RUBBER WASHER
	066436-01-000	EA NUT - SLIP - TAILPIECE - 1.5"
25	096927-01-701	EA TAILPIECE - SINK
26	011091-02-000	EA PIPE - DRAIN - DOUBLE SINK - BAFFLE TEE - 1 1/2" (US)
26	011091-03-000	EA PIPE - DRAIN - W/SEALS - DOUBLE SINK (CSA)
	010201-01-000	EA HOSE - SEWER - 3" ID X 8'
	010201-02-000	EA HOSE - SEWER - 3" ID X 20 FEET
	062416-01-000	EA ADAPTER - SEWER HOSE TO 3" PIPE
	103354-01-000	EA CONNECTOR - HOSE - SEWER

FROM: 05-11-92 THRU 99-99-99

FROM: 00-00-00 THRU: 05-10-92

**1992 ITASCA  
TABLE OF CONTENTS**

INTRODUCTION	A-01 - A-02
ABBREVIATIONS	A-03
ALPHABETIC INDEX	A-04 - A-05
ICG34RQ	A-07 - E-18
IKG34RQ	E-19 - I-18

**1992 IKG34RQ INDEX**

FLOOR PLAN	E-19 - E-20
ACCESSORIES	E-21 - E-22
BATH	E-23 - F-02
BEDROOM	F-03 - F-04
CHASSIS	F-05 - F-08
CURTAIN & CUSHION	F-09 - F-18
DINETTE	F-19 - F-20
DRIVERS COMPARTMENT	F-21 - F-23
ELECTRICAL	F-24 - G-05
EXTERIOR BODY	G-06 - G-16
GALLEY	G-17 - G-21
GENERATOR	G-22
HEATING & A/C	G-23 - H-01
INTERIOR FINISH	H-02 - H-06
LABELS	H-07 - H-14
LP	H-15
LOUNGE	H-16 - H-18
SEALANTS & FASTENERS	H-19 - H-21
WATER & SEWAGE	H-22 - I-01
WINDOW, VENT &	
EXTERIOR DOOR	I-02 - I-16
WINDSHIELD & WIPER	I-17 - I-18

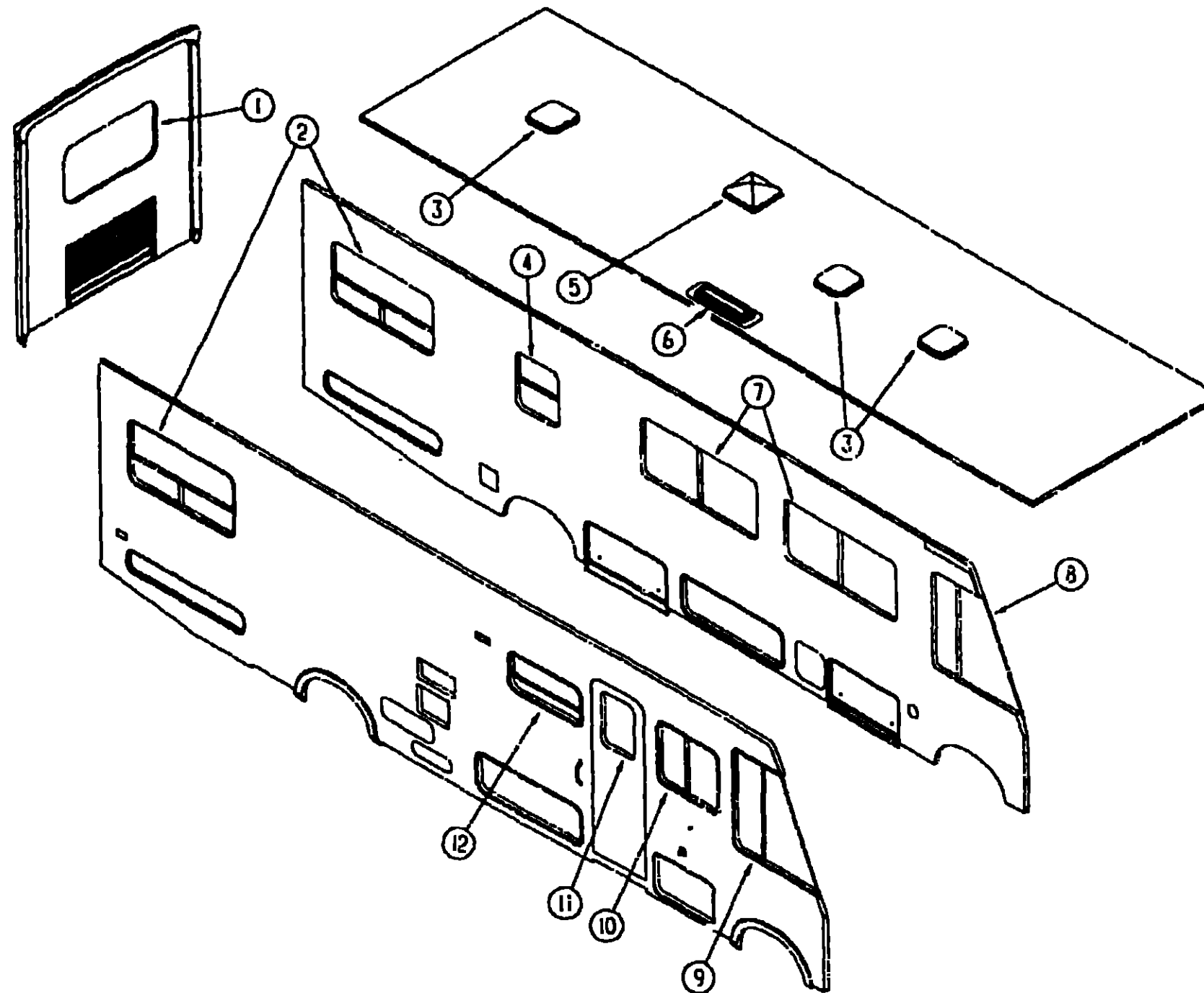


**WATER & SEWAGE GROUP (CONTINUED)**  
**WATER SYSTEM COMPONENTS**

**WINDOW, VENT & EXTERIOR DOOR GROUP**

**1992 ITASCA**  
**TABLE OF CONTENTS**

INTRODUCTION	A-01 - A-02
ABBREVIATIONS	A-03
ALPHABETICAL INDEX	A-04 - A-06
ICG34RQ	A-07 - E-18
IKG34RQ	E-19 - I-18



**WINDOWS & VENTS**

**1992 IKG34RQ INDEX**

FLOOR PLAN	E-19 - E-20
ACCESSORIES	E-21 - E-22
BATH	E-23 - F-02
BEDROOM	F-03 - F-04
CHASSIS	F-05 - F-08
CURTAIN & CUSHION	F-09 - F-18
DINETTE	F-19 - F-20
DRIVERS COMPARTMENT	F-21 - F-23
ELECTRICAL	F-24 - G-05
EXTERIOR BODY	G-06 - G-16
GALLEY	G-17 - G-21
GENERATOR	G-22
HEATING & A/C	G-23 - H-01
INTERIOR FINISH	H-02 - H-06
LABELS	H-07 - H-14
LP	H-15
LOUNGE	H-16 - H-18
SEALANTS & FASTENERS	H-19 - H-21
WATER & SEWAGE	H-22 - I-01
WINDOW, VENT & EXTERIOR DOOR	I-02 - I-16
WINDSHIELD & WIPER	I-17 - I-18

KEY	PART NUMBER	U/M DESCRIPTION
	039800-01-000	FT TUBING - POLYBUTYL - 1/2" OD - 20' - BLACK
	079381-01-000	FT TUBING - SMOOTH FLEXIBLE - 1 1/4" ID
	074462-02-000	FT TUBING - VINYL - 3/8" ID - CLEAR
	039800-02-000	FT TUBING - POLYBUTYL - 5/8" OD - 20' - BLACK
	052952-01-000	EA NUT-PLASTIC - 1/2" F X 1/2" TUBE - GRAY
	052952-02-000	EA NUT-PLASTIC - 5/8" FLARE
	052957-01-000	EA ELBOW - PLASTIC - 1/2" F X 3/8" MPT
	052957-02-000	EA ELBOW - MALE - 1/2" F X 1/2" MPT - PLASTIC - GRAY
	052957-04-000	EA ELBOW - 5/8" F X 3/4" MPT
	035539-01-000	EA ELBOW - PLASTIC - 3/4" MPT X 3/8" BARB
	055290-01-000	EA ELBOW - 5/8" F X 1/2" MPT
		FROM: 08-12-91 THRU: 99-99-99
	057457-01-000	EA ELBOW - UNION - 1/2" X 1/2" FLARE
	057457-02-000	EA ELBOW - UNION - 5/8" X 5/8" FLARE
		FROM: 08-12-91 THRU: 99-99-99
	065120-01-000	EA ELBOW - SWIVEL - 1/2" FPT X 1/2" FLARE - PLASTIC - GRAY
	103259-01-000	EA BRACKET - BYPASS - WATER HEATER
	052959-02-000	EA CONNECTOR - 1/2" F X 1/2" MPT - PLASTIC - GRAY
		FROM: 00-00-00 THRU: 03-02-92
	052960-01-000	EA DRAIN VALVE - IN LINE - HEADER - 1/2" F X 1/2" F - GRAY PLAS
	049032-01-000	EA PATCH-SPINWELD - 3/8" - PLASTIC
	036522-02-000	EA CAP - BRASS - 1/2" FLARE
		FROM: 00-00-00 THRU: 01-21-92
	106258-01-000	EA CAP - INSERTABLE 1/2 FLARE
		FROM: 01-22-92 THRU: 99-99-99
	039798-01-000	EA TEE - 1/2" MPT X 1/2" MPT X 1/2" MPT - PLASTIC
		FROM: 03-02-92 THRU: 99-99-99
	052955-01-000	EA TEE - WATER - 1/2" F X 1/2" F X 1/2" MPT - PLASTIC - GRAY
	052956-01-000	EA TEE - 1/2" F X 1/2" MPT X 1/2" F - PLASTIC
		FROM: 03-03-92 THRU: 99-99-99
	052958-01-000	EA TEE - 1/2" F X 1/2" F X 1/2" F - PLASTIC - GRAY
	055295-01-000	EA TEE - 5/8" F X 1/2" MPT X 1/2" F - PLASTIC
		FROM: 03-03-92 THRU: 99-99-99
	057973-01-000	EA TEE - PLASTIC - 1/2" F X 1/2" F X 5/8" F - WATER
	057974-01-000	EA TEE - 5/8" F X 1/2" F X 1/2" F - PLASTIC
	010227-01-000	EA TEE - PLAS - BARB 5/8" OR 3/4" HOSE
	079317-01-000	EA ADAPTER - SWIVEL - 1/2" TUBE X 1/2" FPT - PLASTIC - GRAY
	044927-01-000	EA ADAPTER - HOSE TO PIPE - 1 1/4" MPT X 1 1/4" BARB-BLACK PLASTIC
		FROM: 00-00-00 THRU: 01-15-92
	087659-03-000	EA FILL - WATER - CITY - GRAY
	101814-01-000	EA COUPLING - FEMALE - 1/2" X 1/2" FPT
		FROM: 08-19-91 THRU: 99-99-99
	701069-03-700	EA CARTRIDGE - WATER FILTER - AC - EVERPURE 9601-11

**FRESH WATER TANK**

KEY	PART NUMBER	U/M DESCRIPTION
	105627-01-000	EA TANK ASM - WATER - 100 GAL
	105627-02-000	EA TANK ASM - WATER - 100 GAL (W/FITTINGS)
	042989-05-000	EA FITTING - SPINWELD - PLAS 1/2 FPT
	042989-04-000	EA FITTING - WATER TANK - SPINWELD - 3/8" FPT - PLASTIC - WHITE
	042989-03-000	EA FITTING - SPINWELD - PLASTIC - 1/4" FPT
	049032-01-000	EA PATCH - SPINWELD - 3/8" - PLASTIC
	039861-01-000	EA SENDING UNIT W/SCREW - WASHER
	096449-01-000	EA WIRE ASM - TANK - WA-

KEY	PART NUMBER	U/M DESCRIPTION
1	078528-03-Y12	EA WINDOW - ESCAPE - 27" X 48" - W/O INSIDE FRAME
2	092234-11-Y12	EA WINDOW - DOUBLE TIPOUT - W/O INSIDE FRAME
3	090392-01-Y12	EA VENT - ROOF - NONPOWERED (1' ROOF)
4	092235-15-Y12	EA WINDOW - SINGLE TIPOUT - W/O INSIDE FRAME
5	090393-01-Y12	EA VENT - ROOF - POWERED
6	084073-03-000	EA REFRIGERATOR ROOF VENT - OFF WHITE
7	098647-10-02A	EA WINDOW ASM - SLIDER - W/INSIDE TRIM (OFF-WHITE)
8	103658-03-01A	EA WINDOW ASM - CAB - DRIVER SIDE
9	103658-04-01A	EA WINDOW ASM - CAB - PASSENGER SIDE
10	098647-08-02A	EA WINDOW ASM - SLIDER - W/INSIDE TRIM (OFF-WHITE)
11	079733-04-T03	EA WINDOW ASM - ENTRANCE DOOR - W/O INSIDE FRAME
12	092235-14-Y12	EA WINDOW - SINGLE TIPOUT - W/O INSIDE FRAME

**WINDOW, VENT & EXTERIOR DOOR GROUP (CONTINUED)**  
**DOUBLE TIPOUT WINDOW**

**BEDROOM WINDOW (DRIVER & PASSENGER SIDE)**

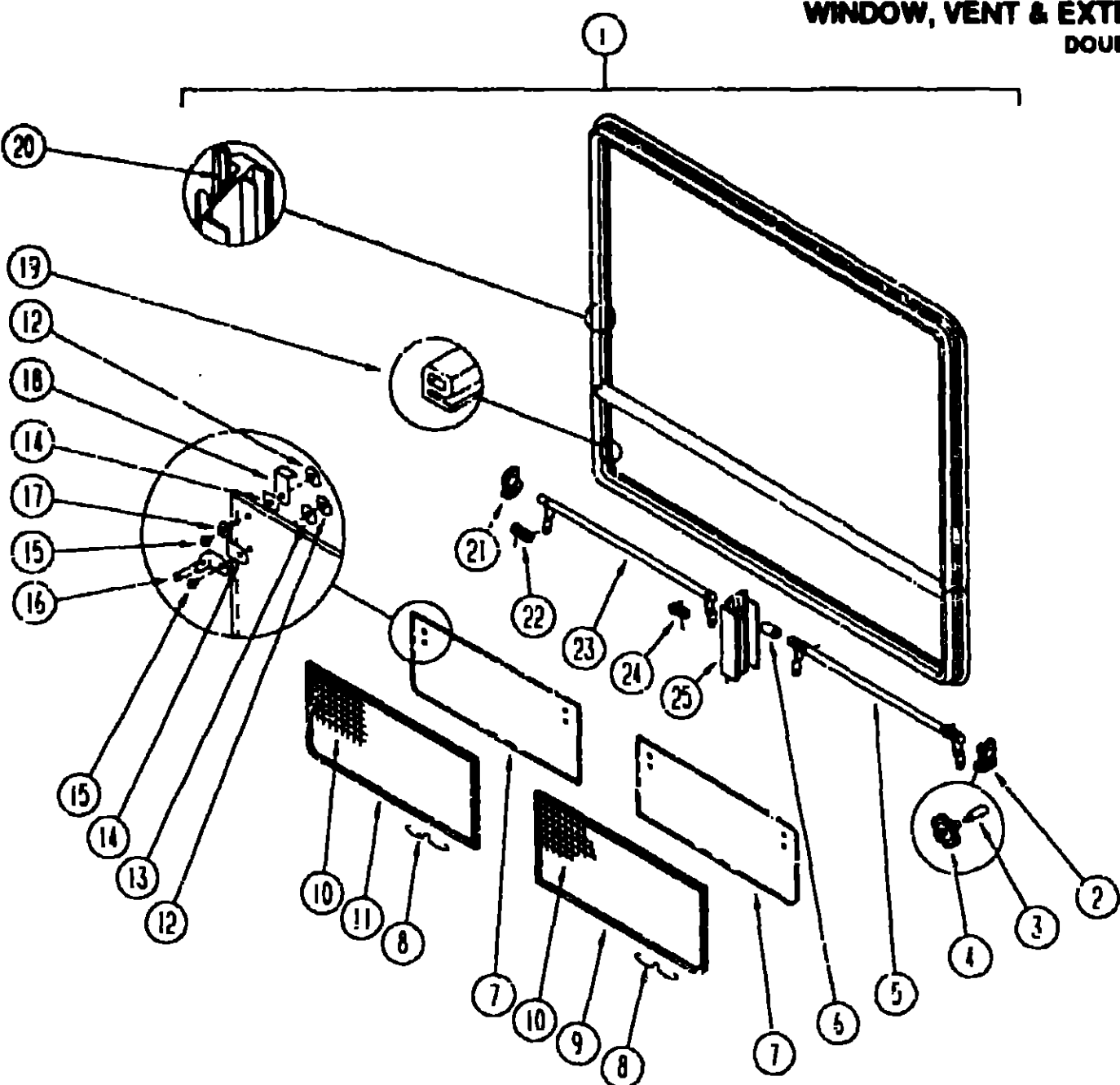
**1992 ITASCA**  
**TABLE OF CONTENTS**

INTRODUCTION	A-01 - A-02
ABBREVIATIONS	A-03
ALPHABETICAL INDEX	A-04 - A-06
ICG34RQ	A-07 - E-18
IKG34RQ	E-19 - I-18

**1992 IKG34RQ INDEX**

FLOOR PLAN	E-19 - E-20
ACCESSORIES	E-21 - E-22
BATH	E-23 - F-02
BEDROOM	F-03 - F-04
CHASSIS	F-05 - F-08
CURTAIN & CUSHION	F-09 - F-18
DINETTE	F-19 - F-20
DRIVERS COMPARTMENT	F-21 - F-23
ELECTRICAL	F-24 - G-05
EXTERIOR BODY	G-06 - G-16
GALLEY	G-17 - G-21
GENERATOR	G-22
HEATING & A/C	G-23 - H-01
INTERIOR FINISH	H-02 - H-06
LABELS	H-07 - H-14
LP	H-15
LOUNGE	H-16 - H-19
SEALANTS & FASTENERS	H-19 - H-21
WATER & SEWAGE	H-22 - I-01
WINDOW, VENT & EXTERIOR DOOR	I-02 - I-16
WINDSHIELD & WIPER	I-17 - I-18

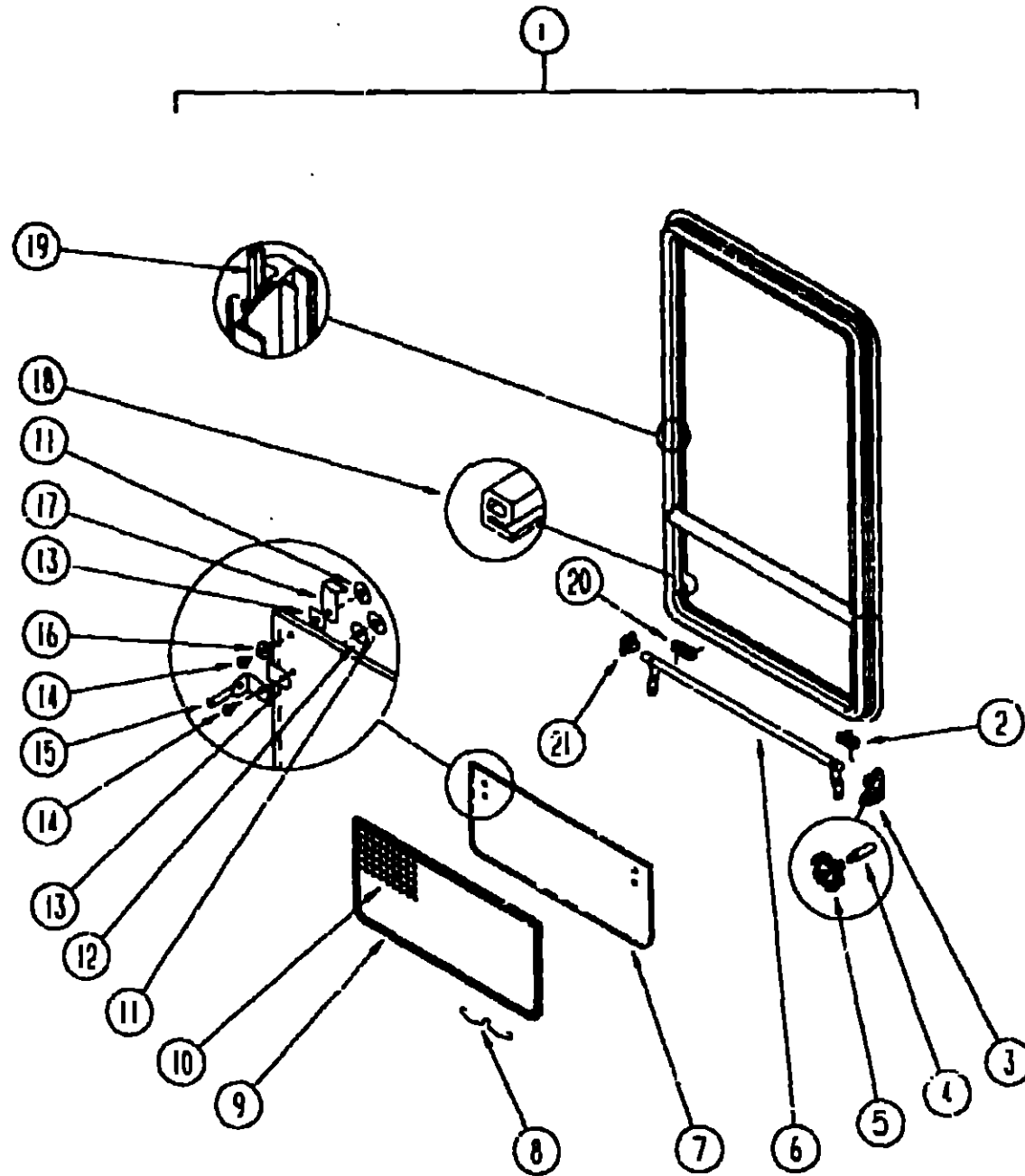
KEY	PART NUMBER	U/M DESCRIPTION
1	092234-11-Y12	EA WINDOW ASM -TIPOUT - DOUBLE (W/O INSIDE FRAME) FROM 07-08-91 THRU: 99-99-99
	090893-23-01A	EA INSIDE FRAME - WINDOW - OFF WHITE (NOT INCLUDED IN WINDOW ASM.) FROM 07-08-91 THRU 99-99-99
2	035302-02-000	EA OPERATOR - TORQUE - TIPOUT WINDOW - LEFT
3	009439-05-000	EA EXTENSION - WINDOW CONTROL (NOT INCLUDED IN WINDOW ASM)
4	009439-05-000	EA WINDOW KNOB - BLACK (NOT INCLUDED IN WINDOW ASM.)
	009439-07-000	EA SCREW - WINDOW KNOB - BLACK (NOT INCLUDED IN WINDOW ASM)
5	083227-07-000	EA TUBE - TORQUE - WINDOW - RIGHT
6	088816-51-001	EA TUBE - SLEEVE .02"ID X .035"OD X 1 2" LONG - ALUMINUM
7	084068-21-000	EA GLASS - TIPOUT - .11"X9 25"X26 4"
8	100168-01-000	EA CLIP - SPRING - SCREEN
9	100234-04-807	EA SCREEN - DOUBLE TIPOUT WINDOW
10	080218-03-000	SF SCREEN - FIBERGLASS - 12" WIDE
	100240-01-000	FT SPLINE - SCREEN - T-SHAPED
	081377-01-700	EA ADHESIVE - CYANOACRYLATE - 10 GRAM TUBE
11	100234-03-807	EA SCREEN - DOUBLE TIPOUT WINDOW
12	086762-01-000	EA T NUT 10-32
13	068927-03-000	EA SEAL - WINDOW - RUBBER - ROUND - 80" DIA - BLACK
14	084473-01-000	EA SEAL - RUBBER - TIPOUT WINDOW
15	086763-01-000	EA SCREW - MACH - 10 - 32 X 1/4 PTH
16	097578-01-000	EA LINKAGE - TIPOUT WINDOW
	081649-01-000	EA RING-SNAP - 7/32 SHAFT DIAMETER
17	084453-02-000	EA WASHER - .060 X 50 X 135 - PLASTIC
18	039913-01-000	EA HINGE - TIPOUT WINDOW - BLACK
19	084067-02-000	FT SEAL - E SHAPED - SPONGE - TIPOUT WINDOW - 4" X 4" - BLACK
20	069640-11-000	EA SEALER - TAPE - 3/16"X3/8" BLACK
21	035302-01-000	EA OPERATOR - TORQUE - TIPOUT WINDOW - RIGHT
	038886-01-000	EA TAPE - BUTYL - 31" X .31" X 148" LONG
22	080918-01-000	EA SPRING - TORQUE TUBE - LEFT
23	083228-07-000	EA TUBE - TORQUE - WINDOW - LEFT
24	080918-02-000	EA SPRING - TORQUE TUBE - RIGHT
25	088903-01-01A	EA MULLION - VERTICAL - 9 5" LONG - ALUMINUM - BLACK
	000G39-06-16T	EA SCREW-SF/DR - 6-20 X 1 PPH - BLACK



**WINDOW, VENT & EXTERIOR DOOR GROUP (CONTINUED)**  
**SINGLE TIPOUT WINDOW**

**GALLEY WINDOW**

**1992 ITASCA**  
**TABLE OF CONTENTS**



KEY	PART NUMBER	U/M DESCRIPTION
1	092235-14-Y12 090893-19-02A	EA WINDOW - TIPOUT (W/O INSIDE FRAME) EA INSIDE FRAME - WINDOW (NOT INCLUDED IN WINDOW ASM.) OFF WHITE
2	080918-02-000	EA SPRING - TORQUE TUBE - RIGHT
3	035302-02-000	EA OPERATOR - TORQUE - TIPOUT WINDOW - LEFT
4	009439-06-000	EA EXTENSION - WINDOW CONTROL (NOT INCLUDED IN WINDOW ASM.)
5	009439-05-000 009439-07-000	EA WINDOW KNOB - BLACK (NOT INCLUDED IN WINDOW ASM.) EA SCREW - 8-32 X 1 1/4 POH - BLACK (NOT INCLUDED IN WINDOW ASM.)
6	083150-15-000	EA TUBE ASM - TORQUE - WINDOW
7	084068-24-000	EA GLASS-TIPOUT - 9 2" X 35 3"
8	100168-01-000	EA CLIP - SPRING - SCREEN
9	100235-07-BU7	EA SCREEN - SINGLE TIPOUT WINDOW
10	080218-03-000 100240-01-000	SF SCREEN - FIBERGLASS - 12" WIDE FT SPLINE - SCREEN - T-SHAPED
11	086762-01-000	EA T NUT 10-32
12	068927-03-000	EA SEAL - WINDOW - RUBBER - ROUND - .80" DIA - BLACK
13	084473-01-000	EA SEAL - RUBBER - TIPOUT WINDOW
14	096763-01-000	EA SCREW - MACH - 10 - 32 X 1/4 PTH
15	097578-01-000 081649-01-000	EA LINKAGE - TIPOUT WINDOW EA RING - SNAP - 7/32 SHAFT DIA
16	064453-02-000	EA WASHER - .060 X .50 X .250 - PLASTIC
17	089913-01-000	EA HINGE - TIPOUT WINDOW - BLACK
18	084067-02-000	FT SEAL - E SHAPED - SPONGE - TIPOUT WINDOW - .4" X .4" - BLACK
19	069640-11-000	EA SEALER - TAPE - 3/16"X3/8" BLACK
20	080918-01-000	EA SPRING-TORQUE TUBE - LEFT
21	081354-01-000	EA SLEEVE - TORQUE TUBE - TIPOUT WINDOW - 1.3" X 1.2" X .7"

INTRODUCTION	A-01 - A-02
ABBREVIATIONS	A-03
ALPHABETICAL INDEX	A-04 - A-06
ICG34RQ	A-07 - E-18
IKG34RQ	E-19 - I-18

**BATH WINDOW**

KEY	PART NUMBER	U/M DESCRIPTION
1	092235-15-Y12 090293-21-02A	EA WINDOW - TIPOUT - (W/O INSIDE FRAME) EA INSIDE FRAME - WINDOW (NOT INCLUDED IN WINDOW ASM.) OFF WHITE
2	080918-02-000	EA SPRING-TORQUE TUBE - RIGHT
3	035302-02-000	EA OPERATOR - TORQUE - TIPOUT WINDOW - LEFT
4	009439-06-000	EA EXTENSION - WINDOW CONTROL (NOT INCLUDED IN WINDOW ASM.)
5	009439-05-000 009439-07-000	EA WINDOW KNOB - BLACK (NOT INCLUDED IN WINDOW ASM.) EA SCREW - 8-32 X 1 1/4 POH - BLACK (NOT INCLUDED IN WINDOW ASM.)
6	083150-16-000	EA TUBE ASM - TORQUE - WINDOW
7	084068-14-000	EA GLASS-TIPOUT - 9.2" X 21.3"
8	100168-01-000	EA CLIP - SPRING - SCREEN
9	100235-08-B07	EA SCREEN - SINGLE TIPOUT WINDOW
10	080218-03-000 100240-01-000	SF SCREEN - FIBERGLASS - 12" WIDE FT SPLINE - SCREEN - T-SHAPED
11	086762-01-000	EA T NUT 10-32
12	068927-03-000	EA SEAL - WINDOW - RUBBER - ROUND - .80" DIA - BLACK
13	084473-01-000	EA SEAL - RUBBER - TIPOUT WINDOW
14	096763-01-000	EA SCREW - MACH - 10 - 32 X 1/4 PTH
15	097578-01-000 081649-01-000	EA LINKAGE - TIPOUT WINDOW EA RING - SNAP - 7/32 SHAFT DIA.
16	064453-02-000	EA WASHER - .060 X .50 X .250 - PLASTIC
17	089913-01-000	EA HINGE - TIPOUT WINDOW - BLACK
18	084067-01-000	FT SEAL - E SHAPED - SPONGE - TIPOUT WINDOW - .4" X .4" - BLACK
19	069640-11-000	EA SEALER - TAPE - 3/16"X3/8" BLACK
20	080918-01-000	EA SPRING-TORQUE TUBE - LEFT
21	081354-01-000	EA SLEEVE - TORQUE TUBE - TIPOUT WINDOW - 1.3" X 1.2" X .7"

**1992 IKG34RQ INDEX**

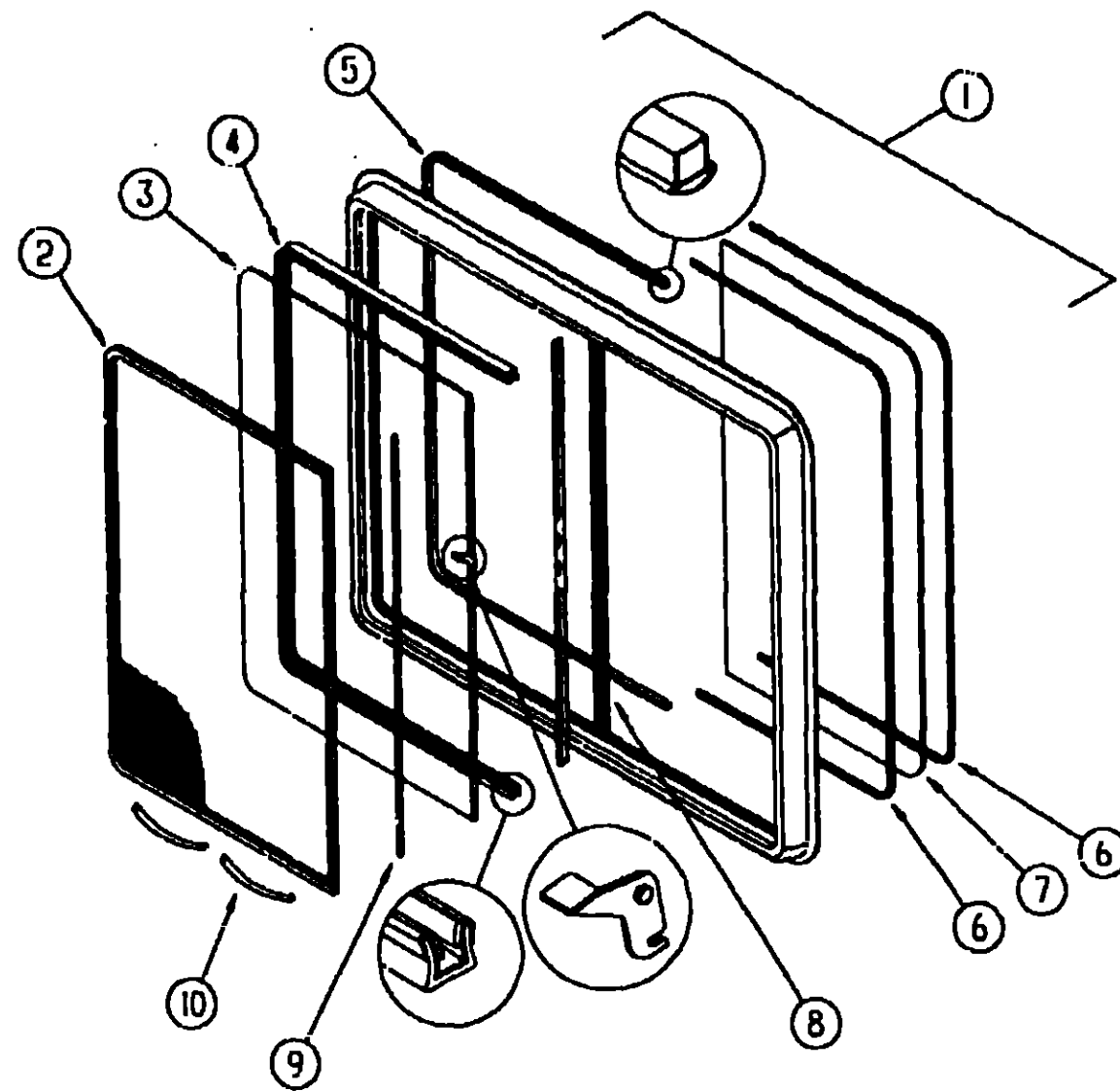
FLOOR PLAN	E-19 - E-20
ACCESSORIES	E-21 - E-22
BATH	E-23 - F-02
BEDROOM	F-03 - F-04
CHASSIS	F-05 - F-08
CURTAIN & CUSHION	F-09 - F-18
DINETTE	F-19 - F-20
DRIVERS COMPARTMENT	F-21 - F-23
ELECTRICAL	F-24 - G-05
EXTERIOR BODY	G-06 - G-16
GALLEY	G-17 - G-21
GENERATOR	G-22
HEATING & A/C	G-23 - H-01
INTERIOR FINISH	H-02 - H-06
LABELS	H-07 - H-14
LP	H-15
LOUNGE	H-16 - H-18
SEALANTS & FASTENERS	H-19 - H-21
WATER & SEWAGE	H-22 - I-01
WINDOW, VENT & EXTERIOR DOOR	I-02 - I-16
WINDSHIELD & WIPER	I-17 - I-18

**WINDOW, VENT & EXTERIOR DOOR GROUP (CONTINUED)**  
**SINGLE SLIDER WINDOW (EXCEL)**

**SLIDER WINDOW (EXCEL) (PASSENGER SIDE, LOUNGE)**

**1992 ITASCA**  
**TABLE OF CONTENTS**

INTRODUCTION	A-01 - A-02
ABBREVIATIONS	A-03
ALPHABETICAL INDEX	A-04 - A-06
ICG34RQ	A-07 - E-18
IKG34RQ	E-19 - I-18



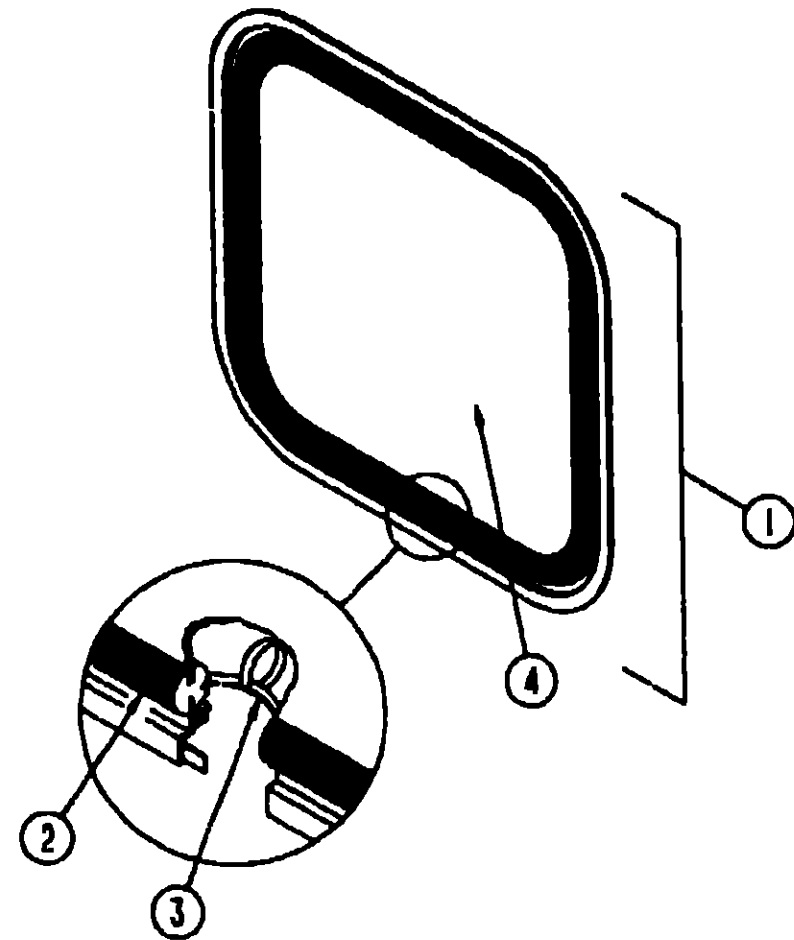
KEY	PART NUMBER	U/M DESCRIPTION
1	098647-08-02A	EA WINDOW ASM - SLIDER - W/INSIDE TRIM (OFF-WHITE)
1	098647-08-701	EA WINDOW ASM - SLIDER - W/O INSIDE TRIM
	098647-08-704	EA TRIM - INSIDE (OFF-WHITE)
2	098647-08-706	EA SCREEN W/WEATHERSTRIP & SPRING
3	098647-08-703	EA GLASS - SLIDING - W/SASH & LATCH
	098644-01-700	EA LATCH - REPAIR KIT
4	098644-01-708	FT CHANNEL - PIERCED RUN
5	098644-01-706	FT WEATHERSTRIP
5	098644-01-705	FT GLAZING STRIP
7	098647-08-700	EA GLASS - STATIONARY - RIGHT OR LEFT
8	098647-08-705	EA RAIL - LOCKING W/WEATHERSTRIP
9	098644-01-711	FT WEATHERSTRIP - SCREEN - BLACK
10	098644-01-713	EA SPRING - SCREEN FRAME (CLIP) - PLASTIC - BLACK
	098644-01-710	FT TRACK - SCREEN SPACER - 12' LENGTH
	098644-01-716	FT PLUG - FILLER
	098644-01-717	FT SPLINE - SCREEN

**SLIDER WINDOW (EXCEL) (DRIVER SIDE, DINETTE & LOUNGE)**

KEY	PART NUMBER	U/M DESCRIPTION
1	098647-10-02A	EA WINDOW ASM - SLIDER - W/INSIDE TRIM (OFF-WHITE)
1	098647-10-700	EA WINDOW ASM - SLIDER - W/O INSIDE TRIM
	098647-09-704	EA TRIM - INSIDE (OFF-WHITE)
2	098647-09-705	EA SCREEN W/SPRING & WEATHERSTRIP
3	098647-09-701	EA GLASS - SLIDING - W/SASH & LATCH
	098644-01-700	EA LATCH - REPAIR KIT
4	098644-01-708	FT CHANNEL - PIERCED RUN
5	098644-01-706	FT WEATHERSTRIP
6	098644-01-705	FT GLAZING STRIP
7	098647-09-700	EA GLASS - STATIONARY
9	098644-01-711	FT WEATHERSTRIP - SCREEN - BLACK
10	098644-01-713	EA SPRING - SCREEN FRAME (CLIP) - PLASTIC - BLACK
	098644-01-710	FT TRACK - SCREEN SPACER - 12' LENGTH
	098644-01-716	FT PLUG - FILLER
	098644-01-717	FT SPLINE - SCREEN

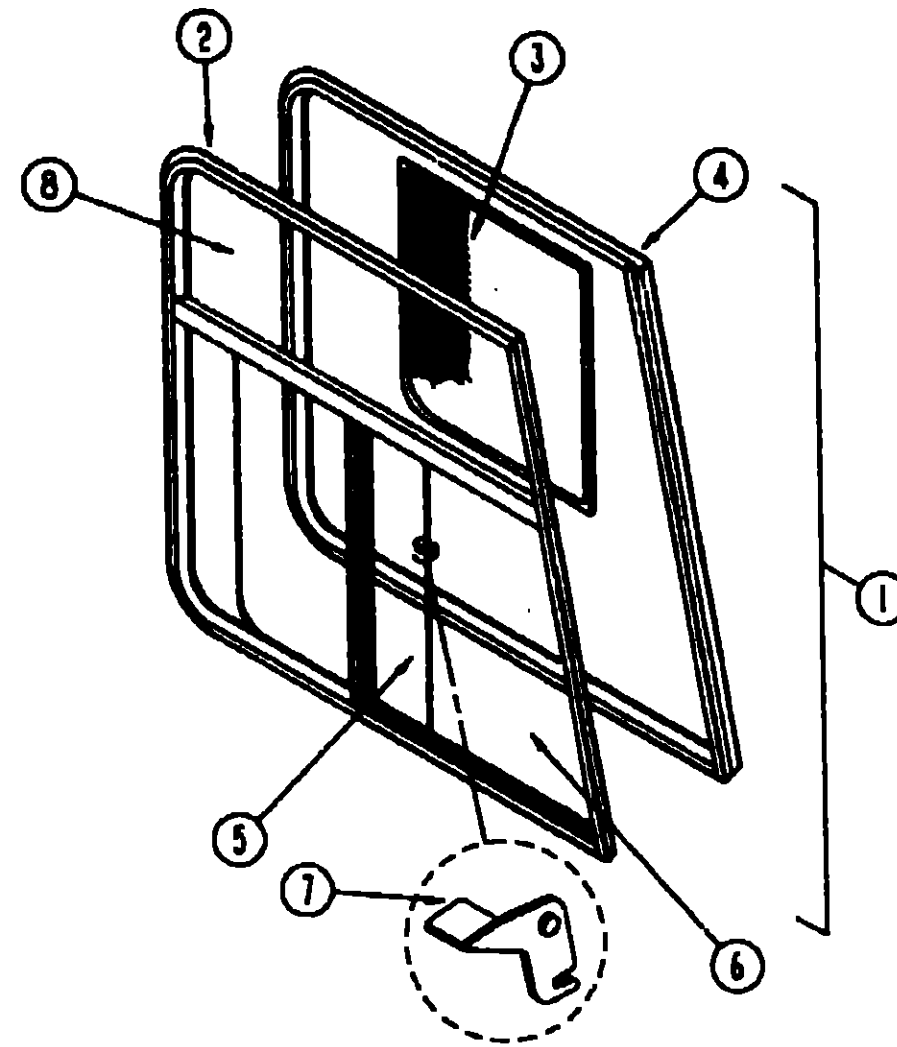
**1992 IKG34RQ INDEX**

FLOOR PLAN	E-19 - E-20
ACCESSORIES	E-21 - E-22
BATH	E-23 - F-02
BEDROOM	F-03 - F-04
CHASSIS	F-05 - F-08
CURTAIN & CUSHION	F-09 - F-18
DINETTE	F-19 - F-20
DRIVERS COMPARTMENT	F-21 - F-23
ELECTRICAL	F-24 - G-05
EXTERIOR BODY	G-06 - G-16
GALLEY	G-17 - G-21
GENERATOR	G-22
HEATING & A/C	G-23 - H-01
INTERIOR FINISH	H-02 - H-06
LABELS	H-07 - H-14
LP	H-15
LOUNGE	H-16 - H-18
SEALANTS & FASTENERS	H-19 - H-21
WATER & SEWAGE	H-22 - I-01
WINDOW, VENT &	
EXTERIOR DOOR	I-02 - I-16
WINDSHIELD & WIPER	I-17 - I-18



BACKWALL ESCAPE WINDOW

KEY	PART NUMBER	U/M DESCRIPTION
1	078528-03-Y12	EA WINDOW - REAR ESCAPE
	074816-08-000	EA FRAME - WINDOW INSIDE - OFF WHITE
2	002282-06-000	EA WEATHERSTRIP - WINDOW 125' VULCANIZED - 79 1" LONG - BLACK
3	077066-01-702	EA TAPE ASM - ESCAPE WINDOW
	002285-01-000	FT FILLER - WEATHER STRIP RUBBER - BLACK
4	076337-08-000	EA GLASS - WINDOW



FRONT CAB WINDOW (EXCEL)

KEY	PART NUMBER	U/M DESCRIPTION
1	103653-04-01A	EA WINDOW ASM - PASSENGER SIDE
1	103658-03-01A	EA WINDOW ASM - DRIVER SIDE
2	103658-04-701	EA WINDOW - SLIDER - W/O INSIDE FRAME - PASSENGER SIDE
2	103658-03-703	EA WINDOW - SLIDER - W/O INSIDE FRAME - DRIVER SIDE
3	103658-02-700	EA SCREEN ASM - WINDOW - PASSENGER SIDE
3	103658-01-700	EA SCREEN ASM - WINDOW - DRIVER SIDE
4	103658-04-700	EA INSIDE FRAME - PASSENGER SIDE
4	103658-03-702	EA INSIDE FRAME - DRIVER SIDE
5	103658-02-701	EA GLASS - SLIDING - W/SASH & LATCH - PASSENGER SIDE
5	103658-01-703	EA GLASS - SLIDING - W/SASH & LATCH - DRIVER SIDE
6	103658-03-701	EA GLASS - STATIONARY - BOTTOM - DRIVER OR PASSENGER SIDE
7	098644-01-700	EA LATCH - REPAIR KIT
8	103658-03-700	EA GLASS - STATIONARY - TOP - DRIVER OR PASSENGER SIDE

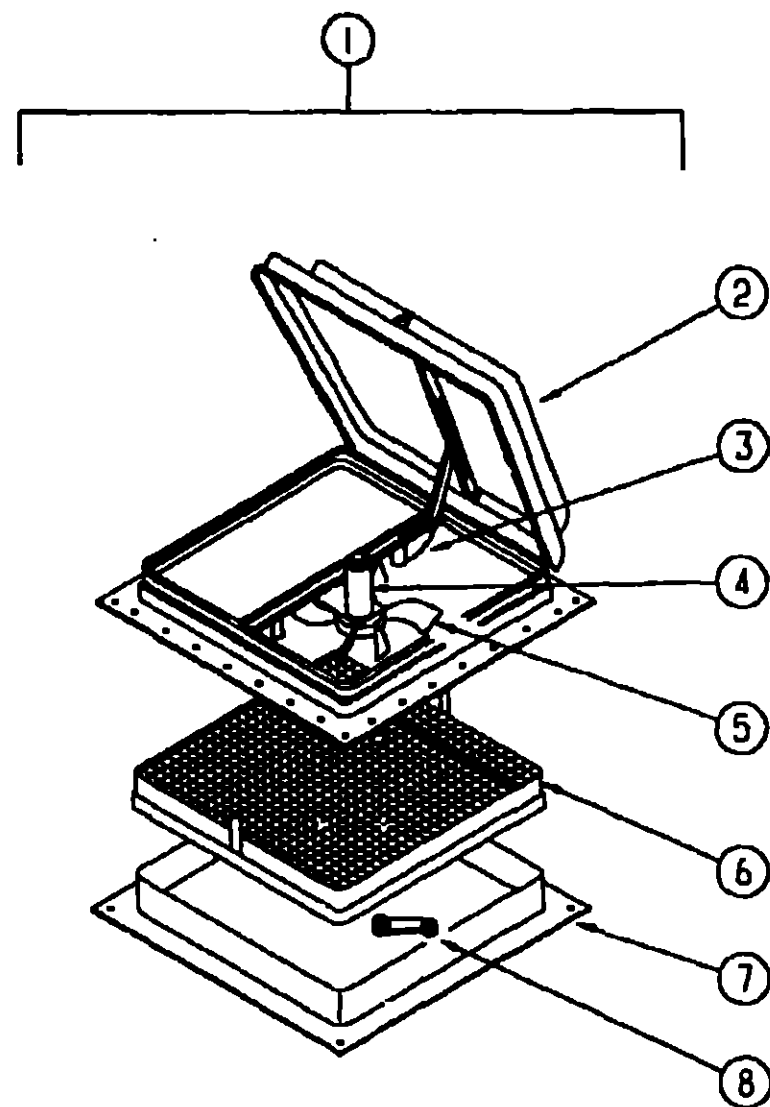
1992 ITASCA  
TABLE OF CONTENTS

INTRODUCTION	A-01 - A-02
ABBREVIATIONS	A-03
ALPHABETICAL INDEX	A-04 - A-06
ICG34RQ	A-07 - E-18
IKG34RQ	E-19 - I-18

1992 IKG34RQ INDEX

FLOOR PLAN	E-19 - E-20
ACCESSORIES	E-21 - E-22
BATH	E-23 - F-02
BEDROOM	F-03 - F-04
CHASSIS	F-05 - F-08
CURTAIN & CUSHION	F-09 - F-18
DINETTE	F-19 - F-20
DRIVERS COMPARTMENT	F-21 - F-23
ELECTRICAL	F-24 - G-05
EXTERIOR BODY	G-06 - G-16
GALLEY	G-17 - G-21
GENERATOR	G-22
HEATING & A/C	G-23 - H-01
INTERIOR FINISH	H-02 - H-06
LABELS	H-07 - H-14
LP	H-15
LOUNGE	H-16 - H-18
SEALANTS & FASTENERS	H-19 - H-21
WATER & SEWAGE	H-22 - I-01
WINDOW, VENT & EXTERIOR DOOR	I-02 - I-16
WINDSHIELD & WIPER	I-17 - I-18

**WINDOW, VENT & EXTERIOR DOOR GROUP (CONTINUED)**



**POWERED ROOF VENT (CANADIAN)**

KEY	PART NUMBER	U/M DESCRIPTION
1	064469-08-000	EA VENT - ROOF - POWERED
2	064469-03-702	EA LID - VENT - WHITE
3	064469-03-706	EA LIFT MECHANISM
4	048648-01-000	EA MOTOR - ROOF VENT, 1/8 SHAFT - 12V
5	048649-01-000	EA FAN - ROOF VENT - 6 BLADES - 6"
6	110051-01-700	EA SCREEN - ROOF VENT
7	064469-03-705	EA GARNISH - VENT 2.5 IN. WIDE
8	009439-01-000	EA CRANK HANDLE - ROOF VENT
	009439-04-000	EA SCREW - 8-32 X 1 1/4" POH
	009439-03-000	EA EXTENSION - CRANK HANDLE - ROOF VENT - .9"

**WINDOW, VENT & EXTERIOR DOOR GROUP (CONTINUED)  
POWERED ROOF VENT**

KEY	PART NUMBER	U/M DESCRIPTION
	090393-01-Y12	EA ROOF VENT - W/SCREEN
	078785-01-Y12	EA SCREEN - ROOF VENT
	002825-01-000	EA WEATHER STRIP - ROOF VENT - GRAY
	008195-01-000	EA SWITCH-ROOF VENT - PUSH BUTTON - 12V
	008386-01-000	EA GROMMET - SNAP - 3/8"
	009440-01-000	EA GEAR/ARM - VENT COVER - LIFT
	015911-01-000	EA TRACK - LIFT ARM - SLIDE - ROOF VENT
	048648-01-000	EA MOTOR - ROOF VENT - 1/8 SHAFT - 12V
	048649-01-000	EA FAN - ROOF VENT - 6 BLADES - 6"
	051384-01-000	EA COVER - ROOF VENT
	061603-01-000	EA GROMMET - SNAP - 3/16 ID - 3/8 HOLE - PLASTIC - BLACK
	052639-01-200	EA HINGE - EXTRUSION - ROOF VENT 7"
	052639-01-001	EA HINGE - VENT COVER - 192"
	002291-02-000	SF SCREENING - ROOF VENT/WINDOW - 16" - BLACK
	002298-02-000	FT SPLINE - VENT/WINDOW SCREEN - .128 DIAMETER - BLACK
	009439-01-000	EA CRANK HANDLE - ROOF VENT
	009439-03-000	EA EXTENSION - CRANK HANDLE - ROOF VENT - .9"
	009439-04-000	EA SCREW - 8-32 X 1 1/4" POH

**NON POWERED ROOF VENT**

KEY	PART NUMBER	U/M DESCRIPTION
	090392-01-Y12	EA ROOF VENT - W/SCREEN
	078786-01-Y12	EA SCREEN - ROOF VENT
	002825-01-000	EA WEATHER STRIP - ROOF VENT - GRAY
	009440-01-000	EA GEAR/ARM - VENT COVER - LIFT
	015911-01-000	EA TRACK - LIFT ARM - SLIDE - ROOF VENT
	051384-01-000	EA COVER - ROOF VENT
	052639-01-001	EA HINGE - VENT COVER - 192"
	009439-01-000	EA CRANK HANDLE - ROOF VENT
	009439-03-000	EA EXTENSION - CRANK HANDLE - ROOF VENT - .9"
	009439-04-000	EA SCREW - 8-32 X 1 1/4" POH
	002291-02-000	SF SCREENING - ROOF VENT/WINDOW - 16" - BLACK
	002298-02-000	FT SPLINE - VENT/WINDOW SCREEN - .128 DIAMETER - BLACK

**SIDEWALL VENT**

KEY	PART NUMBER	U/M DESCRIPTION
	084616-03-000	EA SHROUD - RANGE HOOD VENT - GRAY
	084878-09-000	EA VENT - RANGE HOOD - SHORT - LVS

**ROOF VENTS**

KEY	PART NUMBER	U/M DESCRIPTION
	083558-02-000	EA VENT - PLUMBING PIPE ROOF - W/COVER - GRAY
	084073-02-000	EA COVER - ROOF VENT - NORCOLD REFRIGERATOR - GRAY
	084073-04-000	EA BASE - ROOF VENT - NORCOLD REFRIGERATOR - BLACK

**1992 ITASCA  
TABLE OF CONTENTS**

INTRODUCTION	A-01 - A-02
ABBREVIATIONS	A-03
ALPHABETICAL INDEX	A-04 - A-06
ICG34RQ	A-07 - E-18
IKG34RQ	E-19 - I-18

**1992 IKG34RQ INDEX**

FLOOR PLAN	E-19 - E-20
ACCESSORIES	E-21 - E-22
BATH	E-23 - F-02
BEDROOM	F-03 - F-04
CHASSIS	F-05 - F-08
CURTAIN & CUSHION	F-09 - F-18
DINETTE	F-19 - F-20
DRIVERS COMPARTMENT	F-21 - F-23
ELECTRICAL	F-24 - G-05
EXTERIOR BODY	G-06 - G-16
GALLEY	G-17 - G-21
GENERATOR	G-22
HEATING & A/C	G-23 - H-01
INTERIOR FINISH	H-02 - H-06
LABELS	H-07 - H-14
LP	H-15
LOUNGE	H-16 - H-18
SEALANTS & FASTENERS	H-19 - H-21
WATER & SEWAGE	H-22 - I-01
WINDOW, VENT & EXTERIOR DOOR	I-02 - I-16
WINDSHIELD & WIPER	I-17 - I-18

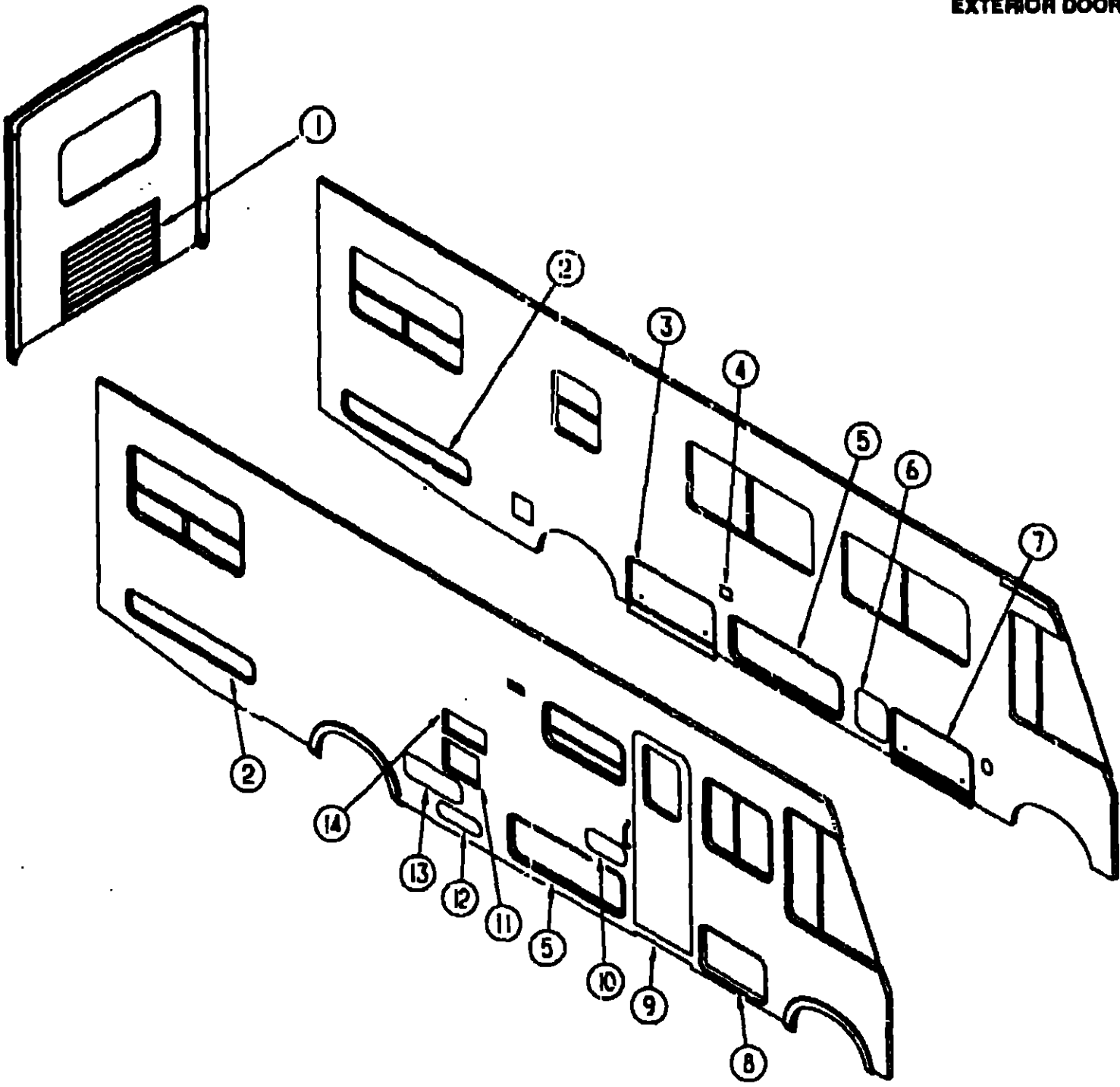
**WINDOW, VENT & EXTERIOR DOOR GROUP (CONTINUED)**  
**EXTERIOR DOORS & HARDWARE**

**1992 ITASCA  
 TABLE OF CONTENTS**

INTRODUCTION	A-01 - A-02
ABBREVIATIONS	A-03
ALPHABETICAL INDEX	A-04 - A-09
ICG34RQ	A-07 - E-18
IKG34RQ	E-19 - I-18

**1992 IKG34RQ INDEX**

FLOOR PLAN	E-19 - E-20
ACCESSORIES	E-21 - E-22
BATH	E-23 - F-02
BEDROOM	F-03 - F-04
CHASSIS	F-05 - F-08
CURTAIN & CUSHION	F-09 - F-18
DINETTE	F-19 - F-20
DRIVERS COMPARTMENT	F-21 - F-23
ELECTRICAL	F-24 - G-05
EXTERIOR BODY	G-06 - G-16
GALLEY	G-17 - G-21
GENERATOR	G-22
HEATING & A/C	G-23 - H-01
INTERIOR FINISH	H-02 - H-06
LABELS	H-07 - H-14
LP	H-15
LOUNGE	H-16 - H-18
SEALANTS & FASTENERS	H-19 - H-21
WATER & SEWAGE	H-22 - I-01
WINDOW, VENT & EXTERIOR DOOR	I-02 - I-16
WINDSHIELD & WIPER	I-17 - I-18

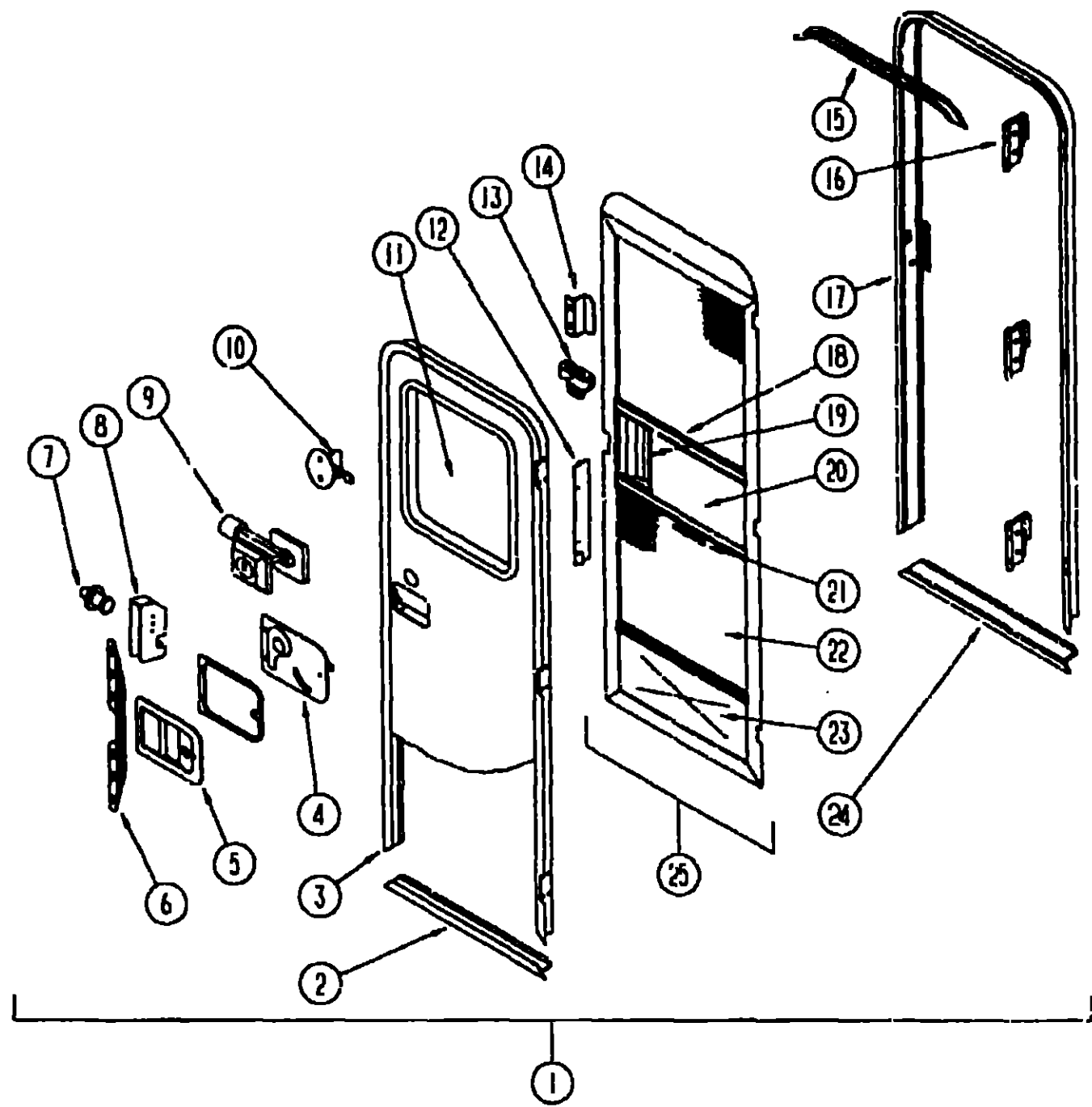


KEY	PART NUMBER	U/M DESCRIPTION	
7	079436-05-C27	EA DOOR ASM - LOWER	
	079578-20-C27	EA DOOR ASM - STORAGE	FROM: 00-00-00 THRU: 01-12-92
3	106987-13-C27	EA DOOR ASM - STORAGE	FROM: 01-13-92 THRU: 99-99-99
9	M01870-60-C27	EA DOOR - ENTRY - W/SCREEN DOOR	
10	105118-01-C25	EA DOOR ASM - ACCESS	
11	052009-03-000	EA DOOR - WATER HEATER - GRAY - ATWOOD 5578-27	
12	078720-02-T18	EA DOOR - COMPARTMENT - LP - 16 9" X 5 4" - ALUMINUM	
13	079578-25-C27	EA DOOR ASM - STORAGE	FROM: 00-00-00 THRU: 01-12-92
13	106987-17-C27	EA DOOR ASM - STORAGE	FROM: 01-13-92 THRU: 99-99-99
14	084103-02-000	EA DOOR - REFRIGERATOR - VENTED - W/O JAMB - GRAY	
14	084104-02-000	EA JAMB - REFRIGERATOR - GRAY	
	079366-04-000	EA LOCK - DOOR - KEY TYPE W/O KEYS - 1.9 OFF SET	
	079365-05-000	EA LOCK ASM - KEY TYPE W/O KEYS - 1.6 OFF SET	
	082684-01-700	EA KEY - COMPARTMENT DOOR LOCK	
	079927-03-000	EA LOCK - TWIST TYPE - DOUBLE CAM - 2.10 OFF SET	
	084104-01-700	EA LOCK - MALE - FASTENER - REFRIGERATOR DOOR	
	084104-01-701	EA LOCK - FEMALE - FASTENER - REFRIGERATOR DOOR	
	009126-02-000	EA HANDLE - ASSIST - ENTRY DOOR - BLACK	
	102328-01-000	EA KEY - BARREL - NICKEL PLATED	
	102758-01-000	EA HOLDER - COMPARTMENT/ENTRY DOOR - METAL - MILL FINISH	
	064073-07-000	FT SEAL - BULB - W/WIRED U CHANNEL - 3" X .5" CHANNEL - BLACK	
	034007-48-000	EA HINGE - CONTINUOUS - 1.5 X96" - ALUMINUM - GRAY	
	104099-01-02A	EA CATCH - DOOR HOLDER - STRIKE	
	104099-02-02A	EA CATCH - DOOR HOLDER - RETAINER	

KEY	PART NUMBER	U/M DESCRIPTION	
1	105546-01-C27	EA DOOR ASM - ENGINE ACCESS	
2	079578-24-C27	EA DOOR ASM - STORAGE	FROM: 00-00-00 THRU: 01-12-92
2	106987-16-C27	EA DOOR ASM - STORAGE	FROM: 01-13-92 THRU: 99-99-99
3	079436-04-C27	EA DOOR ASM - STORAGE	FROM: 00-00-00 THRU: 01-12-92
3	106987-18-C27	EA DOOR ASM - STORAGE	FROM: 01-13-92 THRU: 99-99-99
4	081240-02-000	EA DOOR - WATER FILL - LOCKABLE - 4" X 4 5/8" - GRAY	
5	079578-21-C27	EA DOOR ASM - STORAGE	FROM: 00-00-00 THRU: 01-12-92
5	106987-14-C27	EA DOOR ASM - STORAGE	FROM: 01-13-92 THRU: 99-99-99
6	105084-01-C27	EA DOOR ASM - FURNACE - EXTERIOR	



**WINDOW, VENT & EXTERIOR DOOR GROUP ( CONTINUED )**  
**ENTRANCE DOOR**



KEY	PART NUMBER	U/M DESCRIPTION
1	M01870-60-C27	EA DOOR - ENTRY - W/SCREEN DOOR
	041546-03-000	EA BRACKET - DOOR ANGLE - 5" X 1.9" - BEIGE - METAL
	093966-02-02A	EA GARNISH - RADIUS - ENTRY DOOR - 1.3" WIDE CHANNEL - OFF WHITE
	093673-01-03A	EA TRIM - ENTRANCE DOOR - 1.3" WIDE - GRAY
2	089748-03-000	EA FRAME - BOTTOM ENTRY DOOR - GRAY
3	095276-01-03A	EA FRAME - ENTRY DOOR - W/O BOTTOM - GRAY
4	039979-03-000	EA COVER - INTERIOR LATCH - W/TRIP ARM - BLACK
4	039979-04-000	EA COVER - INTERIOR LATCH - W/TRIP ARM - RIGHT - BLACK
5	045017-11-000	EA LATCH - PADDLE - MECHANISM W/LOCK CYLINDER & KEY - BLACK
	045017-11-701	EA KEY BLANK
6	098173-01-04A	EA STIFFENER - ENTRY DOOR - SUPPORTS LATCH/STRIKE AREA - MILL
7	039539-01-000	EA STRIKE - ENTRANCE DOOR LOCK
	077461-01-000	EA COVER - STRIKE - ENTRY DOOR - 6.5" X 2.56" - PLASTIC - BEIGE

KEY	PART NUMBER	U/M DESCRIPTION
8	039540-01-000	EA LATCH MECHANISM - HOOK - ENTRY DOOR - INTERIOR
	039715-01-000	EA NUT - SERT - 1/4" DIAMETER - 20 THREADS
	039984-01-000	EA CAP - ROUND - VINYL - .28" ID X .62" LONG - BLACK
	040944-01-000	EA LABEL - ENTRANCE DOOR - "OPEN"
	058806-01-000	EA PLUG - TAPERED - FOR DEADBOLT - PLASTIC - .66" DIAMETER - RED
9	101145-01-01A	EA DEADBOLT - ENTRY DOOR - BLACK
	095229-01-700	EA KEY ONLY - BLANK
	081067-01-000	EA SEAL - LOCK - FLAT W/SLIT
	101147-01-000	EA BOLT - SECURITY - 4.12" BACKSET
	039800-03-000	FT TUBING - POLYBUTYLENE - 3/8" OD
	081914-01-000	EA BUMPER - RUBBER - FOUND - BLACK
10	100412-01-000	EA CATCH - SCREEN DOOR
11	079733-04-T03	EA WINDOW - PICTURE - W/C INSIDE FRAME - 17" X 25"
	067609-32-000	EA FRAME - WINDOW - INSIDE PICTURE - 16.8" X 24.5" - OFF WHITE
	002181-06-000	EA GLASS - PICTURE WINDOW - .115" X 16.25" X 24"
	087561-01-000	FT SPLINE - GLASS - EXTERIOR - VINYL - BLACK
12	079087-02-000	EA STRIKE - SLIDER - W/LIP FOR ELBOW CATCH - 1.5" X 8.6" BEIGE
13	10940301-000	EA CATCH - SCREEN DOOR ROLLER
	058025-02-000	EA CLIP - ROLLER LATCH CATCH
	063729-04-000	EA RIVNUT - 10-32 UNF - .010- .080
	072893-01-000	EA NUTSEAT - M5 X 0 - 8
	075571-01-000	FT SEAL - SPONGE - LAZY T SHAPE - 1.3" WIDE - BLACK
		FROM: 00-00-00 THRU 08-18-91
		FROM: 08-19-91 THRU 99-99-99
	075671-04-000	FT SEAL - SPONGE - LAZY T SHAPE - W/ADHESIVE STRIPE - 5" WIDE
		FROM: 08-19-91 THRU 99-99-99
	100128-01-000	FT SEAL - PILE - ADHESIVE BACK - GRAY
	075908-01-000	EA SCREW - MACH - 10-32X 58PTH
14	050712-04-000	EA HANDLE - SCREEN DOOR - OFF WHITE
15	044582-06-000	EA CAP - DRIP - ENTRY DOOR - ALUMINUM - GRAY
16	097724-01-03A	EA HINGE - ENTRY DOOR - GRAY
17	095277-04-03A	EA JAMB ASM - ENTRANCE DOOR - GRAY
	079207-01-000	EA STRIKER - ROLLER CATCH - WELDED TO DOOR JAMB - 4" X 1.15"
18	078777-01-000	EA CHANNEL - SLIDE - SCREEN DOOR CENTER SLIDER COVER
19	079066-02-000	EA SLIDER - SCREEN DOOR - OFF WHITE
	078595-01-000	EA TOP PLATE - SCREEN DOOR - CURVED TOP - 4.7" X 25.35"
20	016454-01-000	EA INSERT - SCREEN DOOR - CENTER - LEATHER GRAIN ALUMINUM
21	002294-01-000	FT SPLINE - SCREENING - .135" X .136" - BLACK
22	002293-02-000	SF SCREENING - 26" - CHARCOAL
23	078552-03-000	EA KICK PANEL - SCREEN DOOR - LOWER INSERT - UNPAINTED
24	051049-01-000	EA JAMB BOTTOM - ENTRY DOOR - 25.9" - UNPAINTED
25	079012-05-B10	EA DOOR - SCREEN
	100128-01-000	FT SEAL - SCREEN DOOR
	085774-01-000	FT FASTENER - DUAL LOCK - 1" WIDE
	065774-02-000	FT FASTENER - DUAL LOCK - 1" WIDE
	090340-01-000	FT SEAL - FOAM - CLOSED CELL - 1/4" X 1/2" X 50'
	091968-03-000	FT TAPE - ADHESIVE - .04" X 1" WIDE
	093145-01-000	EA SLEEVE - WIRE - 10" LONG - PLASTIC - BLACK
	093145-01-000	EA GROMMET - WIRE - 1.7" X 3.1" - OVAL SHAPED - PLASTIC - BLK

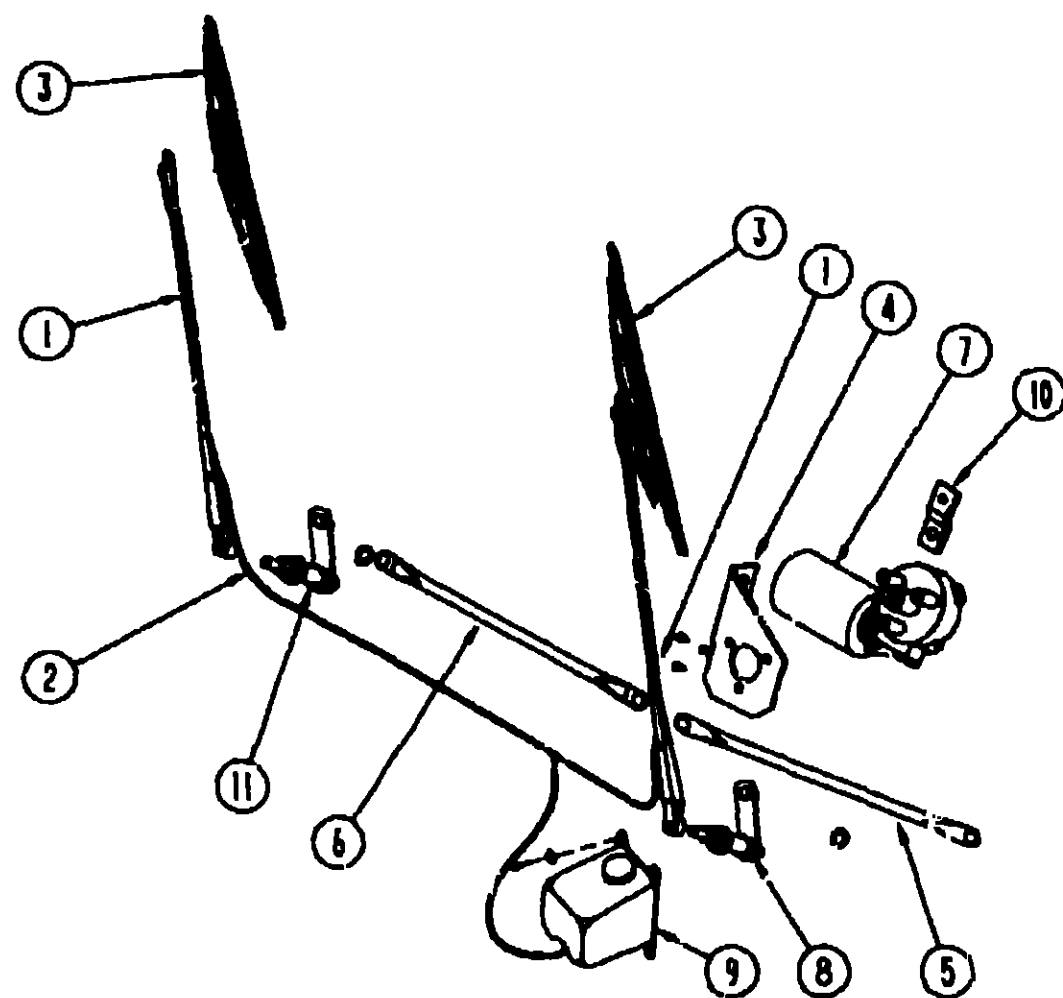
**1992 ITASCA  
TABLE OF CONTENTS**

INTRODUCTION	A-01 - A-02
ABBREVIATIONS	A-03
ALPHABETICAL INDEX	A-04 - A-06
ICG34RQ	A-07 - E-18
IKG34RQ	E-19 - I-18

**1992 IKG34RQ INDEX**

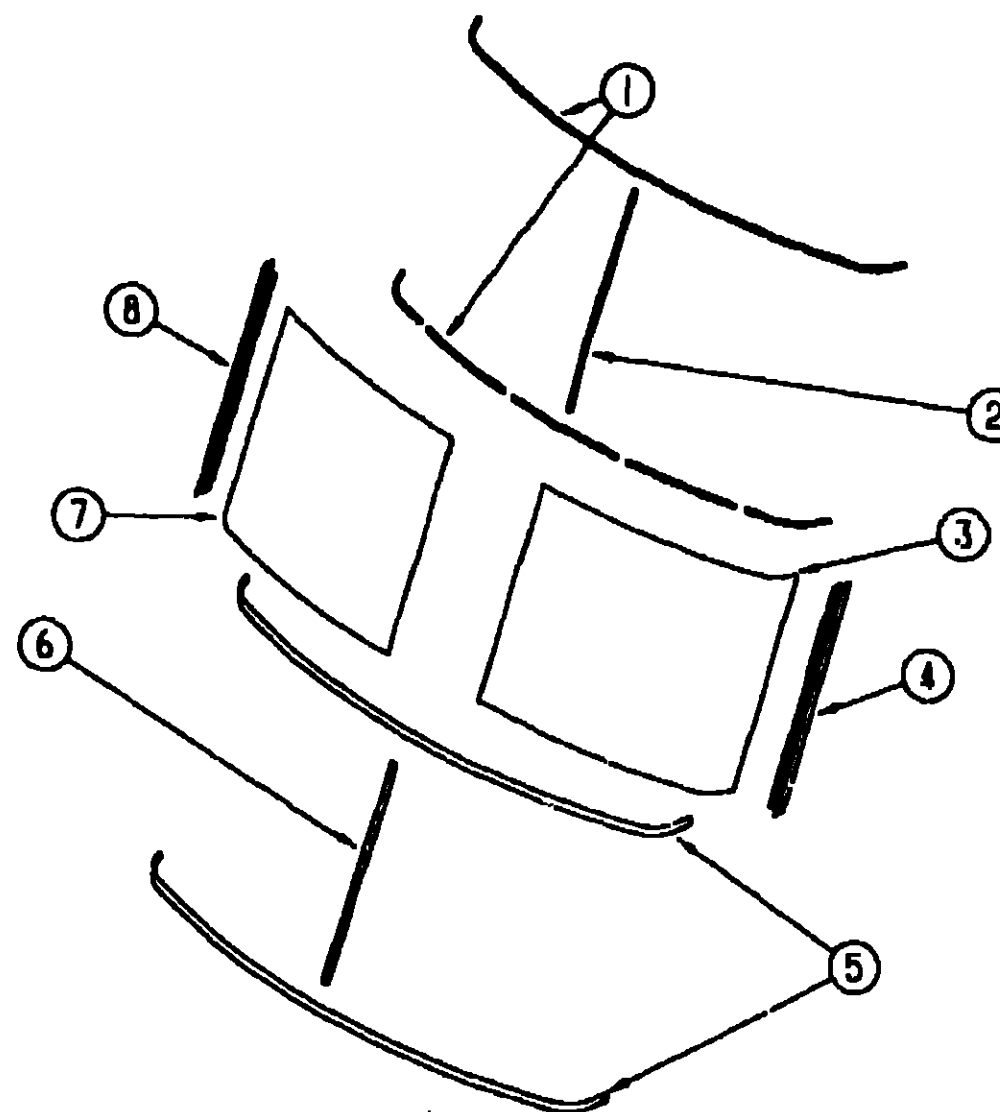
FLOOR PLAN	E-19 - E-20
ACCESSORIES	E-21 - E-22
BATH	E-23 - F-02
BEDROOM	F-03 - F-04
CHASSIS	F-05 - F-08
CURTAIN & CUSHION	F-09 - F-18
DINETTE	F-19 - F-20
DRIVERS COMPARTMENT	F-21 - F-23
ELECTRICAL	F-24 - G-05
EXTERIOR BODY	G-06 - G-16
GALLEY	G-17 - G-21
GENERATOR	G-22
HEATING & A/C	G-23 - H-01
INTERIOR FINISH	H-02 - H-06
LABELS	H-07 - H-14
LP	H-15
LOUNGE	H-16 - H-18
SEALANTS & FASTENERS	H-19 - H-21
WATER & SEWAGE	H-22 - I-01
WINDOW, VENT & EXTERIOR DOOR	I-02 - I-16
WINDSHIELD & WMPER	I-17 - I-18

**WINDSHIELD & WIPER GROUP**



**WINDSHIELD WIPER ASM**

**WINDSHIELD & WIPER GROUP (CONTINUED)**



**WINDSHIELD MOLDINGS & GLASS**

**1992 ITASCA  
TABLE OF CONTENTS**

INTRODUCTION	A-01 - A-02
ABBREVIATIONS	A-03
ALPHABETICAL INDEX	A-04 - A-06
ICG34RQ	A-07 - E-18
IKG34RQ	E-19 - I-18

**1992 IKG34RQ INDEX**

FLOOR PLAN	E-19 - E-20
ACCESSORIES	E-21 - E-22
BATH	E-23 - F-02
BEDROOM	F-03 - F-04
CHASSIS	F-05 - F-08
CURTAIN & CUSHION	F-09 - F-18
DINETTE	F-19 - F-20
DRIVERS COMPARTMENT	F-21 - F-23
ELECTRICAL	F-24 - G-05
EXTERIOR BODY	G-06 - G-16
GALLEY	G-17 - G-21
GENERATOR	G-22
HEATING & AC	G-23 - H-01
INTERIOR FINISH	H-02 - H-06
LABELS	H-07 - H-14
LP	H-15
LOUNGE	H-16 - H-18
SEALANTS & FASTENERS	H-19 - H-21
WATER & SEWAGE	H-22 - I-01
WINDOW, VENT & EXTERIOR DOOR	I-02 - I-16
WINDSHIELD & WIPER	I-17 - I-18

KEY	PART NUMBER	U/M DESCRIPTION
1	103671-01-000	EA ARM - WIPER - 24"
2	096931-01-700	EA HOSE
3	095954-01-000	EA BLADE - WIPER - WINDSHIELD - 24"
4	104549-01-000	EA BRACKET ASM - WIPER MOTOR
5	103672-01-000	EA LINK ASM - CONNECTING - 21 85° - DRIVER SIDE
6	103672-02-000	EA LINK ASM - CONNECTING - 21 85° - PASSENGER SIDE
7	104355-01-000	EA WIPER MOTOR - W/1.5" DRIVE ARM
7	104355-01-000	EA MOTOR - WIPER - W/1.5" DRIVE ARM
7	104355-04-000	EA MOTOR - WIPER - W/DRIVE ASM
		FROM: 00-00-00 THRU: 09-08-91
		FROM: 09-09-91 THRU: 99-99-99
8	096505-03-000	EA PIVOT & SHAFT ASM - WIPER - DRIVER SIDE
9	056000-02-000	EA WASHER - WINDSHIELD - BOTTLE & PUMP
10	104347-01-000	EA ARM - DRIVE - WIPER MOTOR - 1 54"
11	096505-02-000	EA PIVOT & SHAFT ASM - WIPER - PASSENGER SIDE
	067188-01-000	EA STUD - WIPER CRANK
	091206-02-000	EA CONTROL - WIPER - DASH - DANA

KEY	PART NUMBER	U/M DESCRIPTION
1	102935-01-000	EA CARRIER - REVEAL - WINDSHIELD
2	110268-03-000	EA CARRIER - REVEAL - WINDSHIELD
3	103788-02-000	EA GLASS - WINDSHIELD - DRIVER SIDE
4	103107-04-01A	EA TRIM - WINDSHIELD - SIDE - BLACK
5	102936-01-000	FT MOLDING - REVEAL - WINDSHIELD
6	103523-01-000	FT MOLDING - REVEAL - WINDSHIELD - CENTER
		FROM: 00-00-00 THRU: 11-10-91
6	102936-01-000	FT MOLDING - REVEAL - WINDSHIELD - CENTER
		FROM: 11-11-91 THRU: 99-99-99
7	103788-01-000	EA GLASS - WINDSHIELD - PASSENGER SIDE
8	103107-03-01A	EA TRIM - WINDSHIELD - SIDE - BLACK
	098788-03-000	EA CHANNEL - RIGID
	075710-01-000	EA FRAME - WINDSHIELD - CENTER DIVIDER - INNER
	077922-02-000	EA HEADER - WINDSHIELD
		FROM: 00-00-00 THRU: 01-19-92
	077922-03-000	EA HEADER WINDSHIELD END - PASSENGER
		FROM: 01-20-92 THRU: 99-99-99
	077922-04-000	EA HEADER WINDSHIELD END - DRIVER SIDE
		FROM: 01-20-92 THRU: 99-99-99
	077922-05-000	EA HEADER WINDSHIELD - CENTER
	078579-09-000	EA TRIM - WINDSHIELD - UPR INNER - PASSENGER SIDE - LIGHT GRAY
	078579-10-000	EA TRIM - WINDSHIELD - UPR INNER - DRIVER SIDE - LIGHT GRAY
	079765-10-000	EA TRIM - WINDSHIELD - CENTER - LIGHT GRAY
	077952-02-000	EA CAP - REVEAL MOLDING - CENTER TOP AND BOTTOM WINDSHIELD
		FROM: 00-00-00 THRU: 11-10-91
	077847-02-000	EA SUPPORT - WINDSHIELD - LOWER - W/O BRACKETS