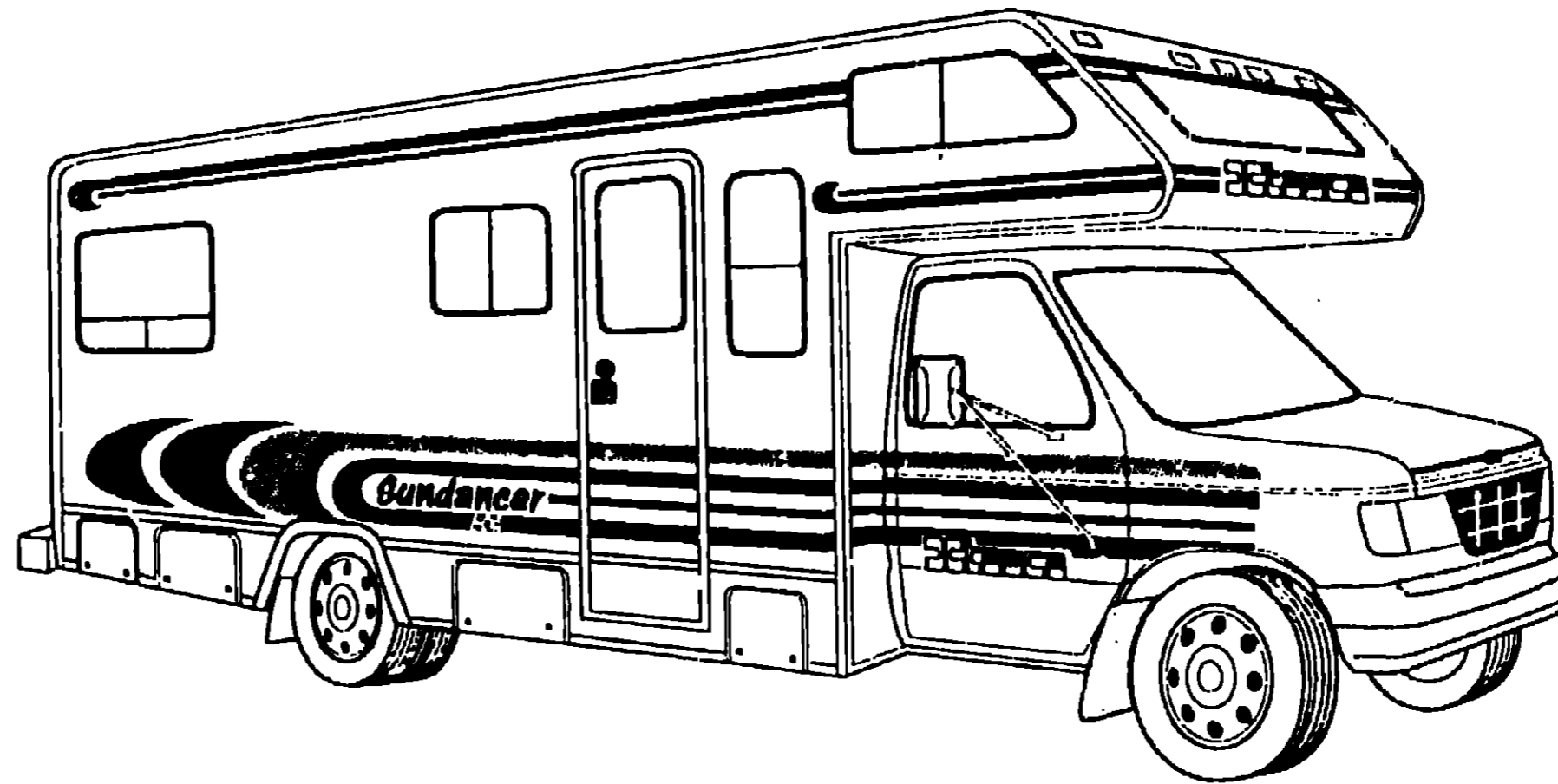
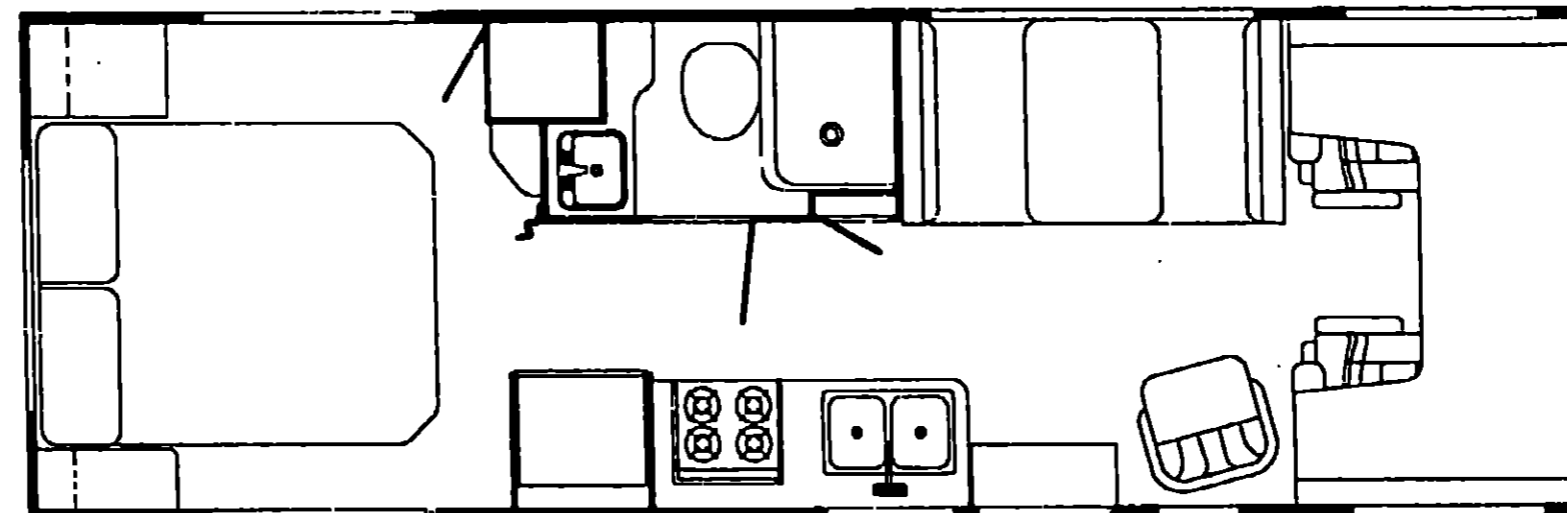
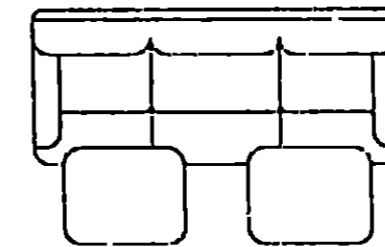
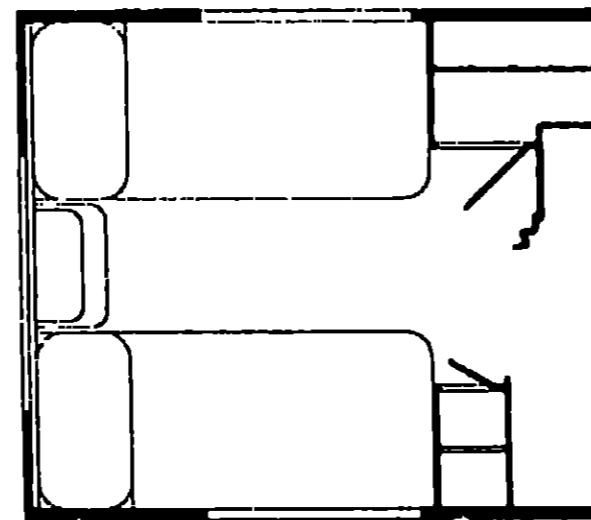


**1992 ITASCA  
TABLE OF CONTENTS**

INTRODUCTION	A-01	A-02
ABBREVIATIONS		A-03
ALPHABETICAL INDEX	A-04	A-06
IF527RQ	A-07	D-24
IF527IC	E-01	I-16



**1992  
IF527RQ  
C43  
C44**



**1992 IF527RQ INDEX**

FLOOR PLAN	A-07	A-08
ACCESSORIES		A-09
AUDIO VIDEO		A-10
BATH	A-11	A-12
BEDROOM	A-13	A-17
CHASSIS	A-18	A-22
CURTAIN & CUSHION	A-23	B-08
DINETTE	B-09	B-10
DRIVERS	B-11	B-12
ELECTRICAL	B-13	B-16
EXTERIOR BODY	B-17	B-24
GALLEY	C-01	C-05
GENERATOR		C-06
HEATING & A/C	C-07	C-08
INTERIOR FINISH	C-09	C-12
LABEL	C-13	C-19
LP		C-20
LOUNGE	C-21	C-22
SEALANTS & FASTENERS	C-23	D-01
WATER & SEWAGE	D-02	D-06
WINDOW, VENT AND EXTERIOR DOOR	D-07	D-24

## ACCESSORIES GROUP

### OPERATORS MANUAL

KEY	PART NUMBER	U/M DESCRIPTION
	054185 87-000	EA MANUAL OPERATOR 1992 SUNDANCER 500 SE HILLS
	092318 01-000	EA BINDER 3 RING MOTOR HOME MANUAL
	092319-01-000	EA POCKET PAGE 3 RING BINDER PLASTIC
	106751 01-000	DW TOP LEVEL DRAWING NUMBER FOR 1992 S. BODIE 5

## AUDIO VIDEO GROUP

### RADIO & ANTENNA COMPONENTS

KEY	PART NUMBER	U/M DESCRIPTION
	079385 02-000	EA KIT RADIO MOUNTING FORD FROM 00-00-00 THRU 10-05-91
	079482 01-000	EA RADIO AM/FM CASSETTE ELECTRONIC TUNE - AUDIOVOX HCC-1035 FROM 00-00-00 THRU 10-05-91
	081059 02-000	EA WIRE ASM 9 PIN RADIO - AUDIOVOX 112B 1751
	105450 01-000	EA RADIO AM/FM CASSETTE ELECTRONIC TUNE FORD AUDIOVOX ED CXT FROM 10-01-91 THRU 09-09-99
	106451 01-000	EA MOUNTING KIT RADIO FORD AUDIOVOX ED F00 92 FROM 10-07-91 THRU 09-09-99
	106137-01-000	EA PLUG ANTENNA HOLE (FORD)
	089349 02-000	EA GRILLE SPEAKER 6.5" SQUARE (OVHD CABINETS)
	089349-01-000	EA SPACER-SPEAKER GRILLE TAN - MAGNADYNE 6514 (OVHD CABINETS)
	094077 01-000	EA SPEAKER RADIO W/O GRILLE 5.25" DIA AUDIOVOX 11003003 (OVHD CABINETS)
	074741 04-000	EA GRILLE SPEAKER OVAL 4" X 6" BLACK (PATIO ENTERTAINMENT)
	077059 02-000	EA CABLE ANTENNA RADIO EXTENSION 6' APA 570507 (PATIO ENTERTAINMENT)
	087683 01-000	EA RADIO-AM-FM STEREO W/CASSETTE AUDIOVOX 14401559 (PATIO ENTERTAINMENT)
	090644-01-000	EA ANTENNA-RADIO 16" RUBBER (PATIO ENTERTAINMENT)
	090662 01-000	EA BRACKET-HAT ANTENNA 3 1/2" X 3 1/2" STEEL - BLACK (PATIO ENTERTAINMENT)
	104899 01-007	EA PLATE RADIO MOUNTING (PATIO ENTERTAINMENT)
	105230 11-005	EA SHELF ASM (PATIO ENTERTAINMENT)
	105230 12-052	EA SUPPORT ASM (PATIO ENTERTAINMENT)
	105377 01-01A	EA BRACKET TABLE HANGER - OFF WHITE (PATIO ENTERTAINMENT)
	105377 01-03A	EA BRACKET TABLE HANGER - MILK (PATIO ENTERTAINMENT)

### TV, VCR SYSTEMS & ANTENNA

KEY	PART NUMBER	U/M DESCRIPTION
	092310 01-000	EA TV COLOR 9" AC/DC W-REMOTE MAGNAVOX CH3940 FROM 00-00-00 THRU 01-26-92
	092310 01-700	EA REMOTE
	092310 03-000	EA TV-COLOR-9" AC/DC W-SWIVEL MAGNAVOX R00945 FROM 01-27-92 THRU 09-09-99
	092310-02-700	EA REMOTE
	098446-03-000	EA VCR-VHS CABLE READY REMOTE - MAGNAVOX VR2010
	098446-03-700	EA REMOTE FOR MODEL #5010
	105433 01-000	EA BRACKET-VCR
	075319-01-000	EA ANTENNA-TV ROOF MOUNT - 44 5" MAST - RVA W02
	075319-01-700	EA HEAD-ANTENNA AMPLIFIED - WINEGARD# RVSA U-V
	075319 01-701	EA GEAR-ELEVATING PLASTIC - WINEGARD# 2200046
	075319-01-702	EA SHAFT ASM ELEVATING WINEGARD# RVP-400A
	075319-01-703	EA BEARING-NYLON 5"OD - WINEGARD# 3200656
	075319 01-705	EA GROMMET-NYLON 7/8"ID - WINEGARD# 3200658
	075319-01-706	EA CRANK-ELEVATING W/SET SCREW - WINEGARD# 5755100
	075319-01-707	EA SPRING-HANDLE WINEGARD# 5160800
	075319-01-709	EA PLATE-DIRECTIONAL FOR HEAD - WINEGARD #3200644
	075319-06-000	EA ADAPTOR-CABLE ROOF PLATE WINEGARD RPJ-1
	082134-01-000	EA ADAPTER-TV CABLE TO CABLE - WINEGARD F-81M
	082136-01-000	EA NUT-HEX JAM 3/8-32 WINEGARD
	075319-08-000	EA WALLPLATE-CABLE RECEPTACLE TV - SINGLE - IVORY
	086777-02-000	EA WALLPLATE-TV CABLE W/ANTENNA SWITCH - BROWN
	075319-03-000	FT CABLE-COAXIAL 75 OHM
	075319-12-000	EA CONNECTOR-COAXIAL - ONE PIECE
	086756-01-000	EA SPLITTER-TV 2 WAY
	086757-03-000	EA CONTROL CENTER-SWITCH VCR/TV - MAGNADYNE VCS 6
	086777 04-000	EA PLATE-WALL ANTENNA-POWER - BROWN

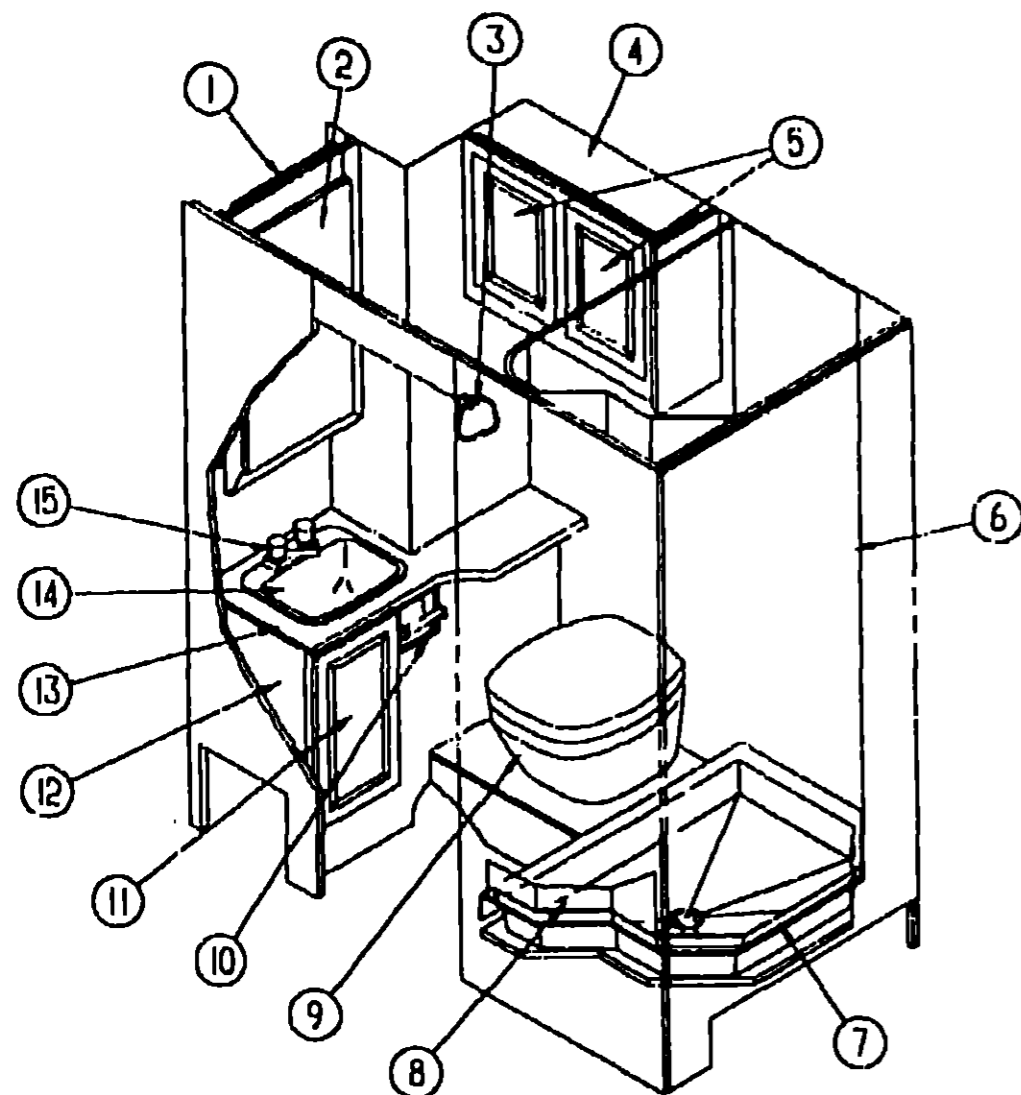
## 1992 ITASCA TABLE OF CONTENTS

INTRODUCTION	A-01	A-02
ABBREVIATIONS		A-03
ALPHABETICAL INDEX	A-04	A-06
IF527RQ	A-07	D-24
IF527RQ	E-01	H-16

## 1992 IF527RQ INDEX

FLOOR PLAN	A-07	A-08
ACCESSORIES		A-09
AUDIO VIDEO		A-10
BATH	A-11	A-12
BEDROOM	A-13	A-17
CHASSIS	A-18	A-22
CURTAIN & CUSHION	A-23	B-08
DINETTE	B-09	B-10
DRIVERS	B-11	B-12
ELECTRICAL	B-13	B-16
EXTERIOR BODY	B-17	B-24
GALLEY	C-01	C-05
GENERATOR		C-06
HEATING & A/C	C-07	C-08
INTERIOR FINISH	C-09	C-12
LABEL	C-13	C-19
LP		C-20
LOUNGE	C-21	C-22
SEALANTS & FASTENERS	C-23	D-01
WATER & SEWAGE	D-02	D-06
WINDOW, VENT AND EXTERIOR DOOR	D-07	D-24

**BATH GROUP**



**BATH CABINETS & FIXTURES**

KEY	PART NUMBER	U/M	DESCRIPTION
1	105350-01-C43	EA	CABINET-OVERHEAD, MEDICINE - W/O DOOR
2	P03661-01-B87	EA	DOOR-CABINET, W/O HARDWARE - 395MM X 750MM
	093446-10-B27	EA	MIRROR-WOOD FRAMED
	058331-32-000	EA	MIRROR-GLASS, SAFETY - 13 6" X 27 6"
	M03450-11-000	EA	TRIM-MIRROR, WOOD - OAK
3	075454-02-000	EA	RING-TOWEL, W/MOUNTING HARDWARE - BRASS
4	103129-01-B87	EA	CABINET-OVERHEAD, W/O DOORS & HARDWARE
	104335-05-C43	EA	END CAP-CABINET, OVERHEAD
5	P04536-13-C43	EA	DOOR-CABINET, W/O HARDWARE 325MM X 450MM
6	102803-01-01A	EA	SURROUND SHOWER, LARGE 3 SIDED SECTION - OFF WHITE
	103092-01-000	EA	SHOWER HEAD-W/60 IN HOSE (US & CANADIAN)
	075241-05-000	EA	FAUCET-SHOWER, BONE
	075606-01-000	EA	PANEL-FAUCET BACK, SHOWER - 5" X 9" - PLASTIC
7	M02673-06-B05	EA	PAN-SHOWER, OFF WHITE
	066440-01-000	EA	STRAINER-SHOWER, W/RUBBER WASHER
	069735-01-000	EA	WASHER-STRAINER TO TAILPIECE PLASTIC, 1 5"
	011069-02-000	EA	TAILPIECE-TUB/SHOWER, 1 1/2" X 1 1/4" X 4" - BRASS
	066436-01-000	EA	NUT-SLIP, TAILPIECE - 1.5"
	057671-01-000	EA	COVER-SCREW, #8 - PLASTIC - OFF WHITE
8	102804-01-01A	EA	SURROUND-SHOWER, SMALLER SECTION - OFF WHITE

**BATH GROUP (CONTINUED)**

**BATH CABINETS & FIXTURES (CONTINUED)**

KEY	PART NUMBER	U/M	DESCRIPTION
9	067487-01-000	EA	TOILET-12 37", IVORY - HAND FLUSH - THETFORD 150110
	063740-01-700	EA	LEVER-WATER, THETFORD 12514
	063740-01-701	EA	LEVER-FLUSH, THETFORD 12515
	063740-01-700	EA	BOLT PACKAGE-CLOSET, THETFORD 12524
	063740-01-710	EA	LINK-THETFORD 12513
	063740-01-711	EA	SPRING-RETURN LEVER, THETFORD 12523
	063740-01-713	EA	SEAL-BAIL VALVE TO BOWL, THETFORD 12502
	063740-01-714	EA	VALVE ASM-WATER, THETFORD 12492
	063740-01-716	EA	SEAT & COVER, THETFORD 15017
	063740-01-717	EA	TUBE-FLUSH, TOILET - 12509 THETFORD
	063641-01-000	EA	LARGE-CLOSET, 4" X 3"
10	005278-01-000	EA	HOLDER-TOILET TISSUE, RECESSED - BRASS
11	P03702-71-C29	EA	DOOR-CABINET W/O HARDWARE - 305 X 555MM
12	P03126-01-C43	EA	CABINET-LAVATORY W/O DOOR & HARDWARE (C43)
12	P03126-01-B87	EA	CABINET-LAVATORY, W/O DOOR & HARDWARE (C44)
13	103126-11-C52	EA	COUNTERTOP ASM (C43)
13	103126-11-B87	EA	COUNTERTOP ASM (C44)
14	096927-01-01A	EA	SINK-LAVATORY, RECTANGULAR - PLASTIC - BONE
	096927-01-700	EA	SINK-STOPPER
	096927-01-701	EA	TAILPIECE-SINK
15	075240-06-000	EA	FAUCET-LAVATORY, BONE
	091253-01-000	EA	GASKET-FAUCET, LAVATORY/GALLEY
	105218-01-01A	EA	SPACER-FAUCET, LAVATORY SINK - 2" X 5 9" - ABS PLASTIC O/W
			FROM 00-00-00 THRU 10-13-91
	075453-02-000	EA	BAR-TOWEL-18" BRASS
	078238-37-B87	EA	PANEL-ACCESS, 250 X 445MM

**BATH PRIVACY DOOR**

KEY	PART NUMBER	U/M	DESCRIPTION
	P05398-01-C43	EA	DOOR-PRIVACY, BATH
	102089-13-B29	EA	WOOD RAIL-TOWEL RACK, RIGHT SIDE - 26"
	102089-14-B29	EA	WOOD RAIL-TOWEL RACK, LEFT SIDE - 26"
	100357-01-000	EA	ROD-TOWEL, BRASS W/ENDS BENT FOR BACK OF BATH DOOR
	094485-01-01A	EA	KNOB-DOOR-POLISHED BRASS

**EXTERIOR SHOWER COMPONENTS**

KEY	PART NUMBER	U/M	DESCRIPTION
	075241-05-000	EA	FAUCET-SHOWER, BONE (EXTERIOR SHOWER)
	105260-02-000	EA	BRACKET-SUPPORT, FAUCET (EXTERIOR SHOWER)
	091952-02-000	EA	CLIP-GRIPPER, 3/4" (EXTERIOR SHOWER)

**1992 ITASCA  
TABLE OF CONTENTS**

INTRODUCTION	A-01	A-02
ABBREVIATIONS		A-03
ALPHABETICAL INDEX	A-04	A-06
IF527RQ	A-07	D-24
IF527RC	E-01	H-16

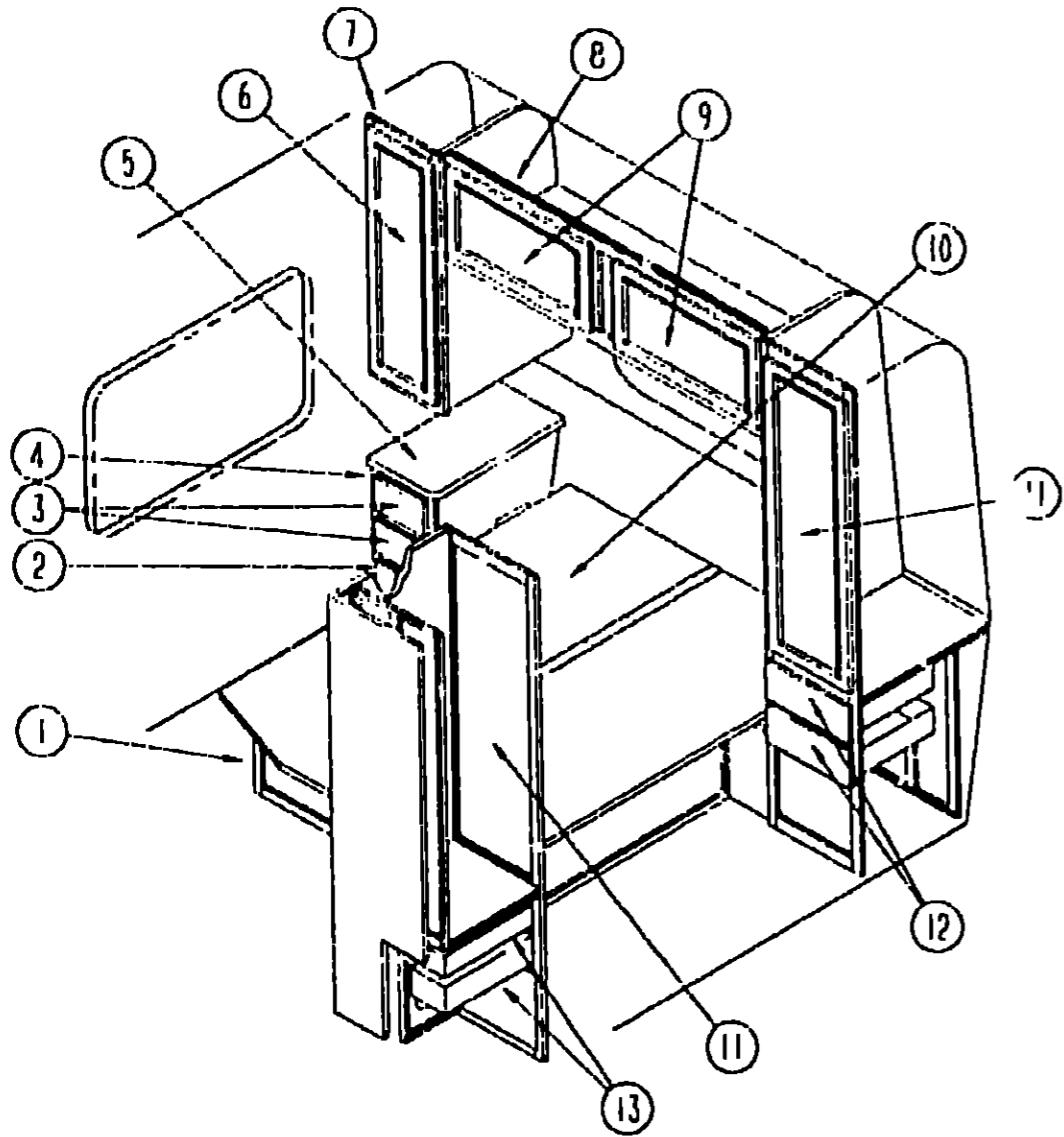
**1992 IF527RQ INDEX**

FLOOR PLAN	A-07	A-08
ACCESSORIES		A-09
AUDIO VIDEO		A-10
BATH	A-11	A-12
BEDROOM	A-13	A-17
CHASSIS	A-18	A-22
CURTAIN & CUSHION	A-23	B-08
DINETTE	B-09	B-10
DRIVERS	B-11	B-12
ELECTRICAL	B-13	B-16
EXTERIOR BODY	B-17	B-24
GALLEY	C-01	C-05
GENERATOR		C-06
HEATING & A/C	C-07	C-08
INTERIOR FINISH	C-09	C-12
LABEL	C-13	C-19
LP		C-20
LOUNGE	C-21	C-22
SEALANTS & FASTENERS	C-23	D-01
WATER & SEWAGE	D-02	D-06
WINDOW, VENT AND EXTERIOR DOOR	D-07	D-24

## BEDROOM GROUP

### QUEEN BEDROOM CABINETS & FOLDING PRIVACY DOOR

### 1992 ITASCA TABLE OF CONTENTS



KEY	PART NUMBER	U/M	DESCRIPTION
1	P03076-01-B27	EA	CABINET-QUEEN BED
2	P03397-02-B87	EA	DRAWER-CABINET, W/O HARDWARE - RADIUS - 214 X 284MM
3	P03397-06-B87	EA	DRAWER-CABINET, W/O HARDWARE - RADIUS - 214 X 404MM
4	105278-01-C43	EA	CABINET-NIGHTSTAND, W/O DOORS & HARDWARE
4	105278-01-C44	EA	CABINET-NIGHTSTAND W/O DOORS & HARDWARE
5	105278-11-C52	EA	COUNTERTOP ASSEMBLY (C43)
5	105278-11-C23	EA	COUNTERTOP ASSEMBLY (C44)
6	P03702-34-B87	EA	DOOR-CABINET, W/O HARDWARE - 305 X 1015MM
7	P05279-01-C43	EA	CABINET-SHIRT CLOSET - RIGHT
8	M05078-03-C43	EA	CABINET-OVERHEAD W/O DOOR & HARDWARE - REAR
9	P03702-12-C43	EA	DOOR-CABINET, W/O HARDWARE - 400 X 710MM
10	M05118-02-000	EA	TOP-QUEEN BED PASSENGER SIDE
	M05118-01-B05	EA	TOP-QUEEN BED, DRIVER SIDE
	057205-03-000	EA	ANGLE-SUPPORT, BED - 1' X 1 5' X 74" - METAL - OFF WHITE
	057460-02-000	EA	STUD-BALL, GAS SPRING - 10MM - 5/16" - 10
	057460-03-000	EA	CLIP-SAFETY, WIREFORM TYPE - GAS SPRING
	057460-04-000	EA	SPRING-GAS
	080199-02-Y12	EA	HINGE BED, TOP LIFT - METAL - BEIGE
	089024-01-000	EA	SUPPORT-SPRING, TO FLOOR - 5 9" WIDE BASE X 7" HIGH - STEEL
	089025-01-000	EA	SUPPORT-SPRING, TO BED - ANGLE 1 5" X 11 8" LONG STEEL
11	P03702-44-B87	EA	DOOR-CABINET, W/O HARDWARE - 390 X 1250MM
12	P03397-08-B87	EA	DRAWER-CABINET, W/O HARDWARE - RADIUS - 354 X 404MM
13	P03397-02-B87	EA	DRAWER-CABINET, W/O HARDWARE - RADIUS - 354 X 470MM
	009112-01-000	EA	FLANGE-1" ROD, CLOTHES - PLASTIC - OFF WHITE
	042438-01-000	EA	DOWEL-WOOD, CLOTHES ROD - 1" DIAMETER X 4'
	041953-12-000	FT	CONDUIT-CONVOLITE, NON SLIT 1 1" ID
	103195-01-C52	EA	SHELF-MAKE UP (C43)
	103195-01-B87	EA	SHELF-MAKE UP (C44)
	058331-27-000	EA	MIRROR-SAFETY GLASS-11 8" X 45 7"
	042488-10-000	EA	DOOR-FOLDING - FABRIC - 37" X 75" - OFF WHITE
	080224-01-703	EA	LATCH & CATCH ASSEMBLY - ALUMINUM
	080224-01-705	EA	CATCH-DOOR JAMB, ALUMINUM

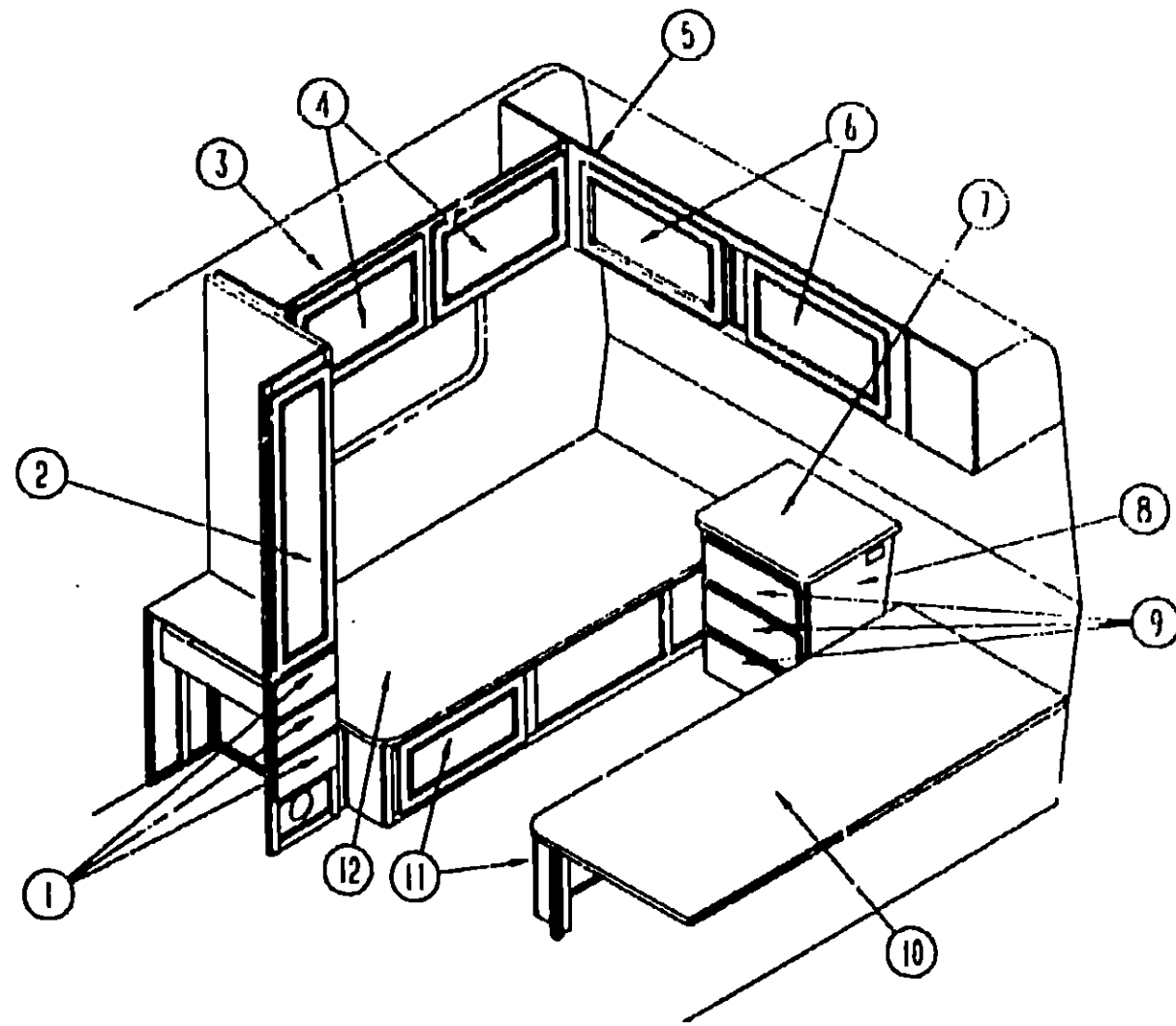
INTRODUCTION	A-01 - A-02
ABBREVIATIONS	A-03
ALPHABETICAL INDEX	A-04 - A-06
IF527RQ	A-07 - D-24
IF527RC	E-01 - H-16

### 1992 IF527RQ INDEX

FLOOR PLAN	A-07 - A-08
ACCESSORIES	A-09
AUDIO VIDEO	A-10
BATH	A-11 - A-12
BEDROOM	A-13 - A-17
CHASSIS	A-18 - A-22
CURTAIN & CUSHION	A-23 - B-08
DINETTE	B-09 - B-10
DRIVERS	B-11 - B-12
ELECTRICAL	B-13 - B-16
EXTERIOR BODY	B-17 - B-24
GALLEY	C-01 - C-05
GENERATOR	C-06
HEATING & A/C	C-07 - C-08
INTERIOR FINISH	C-09 - C-12
LABEL	C-13 - C-19
LP	C-20
LOUNGE	C-21 - C-22
SEALANTS & FASTENERS	C-23 - D-01
WATER & SEWAGE	D-02 - D-06
WINDOW, VENT AND EXTERIOR DOOR	D-07 - D-24

## BEDROOM GROUP (CONTINUED)

### TWIN BEDROOM CABINET, WALL MIRROR & FOLDING PRIVACY DOOR



KEY	PART NUMBER	U/M	DESCRIPTION
1	P03357 06 887	EA	DRAWER CABINET W/O HARDWARE - 268 X 500MM
	P03357 04 887	EA	DRAWER CABINET W/O HARDWARE - 354 X 530MM (DRIVER'S WARDROBE)
2	P03702 01 887	EA	DOOR CABINET W/O HARDWARE - 305 X 1220MM
3	M05678 05 043	EA	CABINET OVERHEAD W/O DOORS & HARDWARE - REAR - RIGHT
3	M05678 05 044	EA	CABINET OVERHEAD W/O DOORS & HARDWARE - REAR - RIGHT
4	P03702 01 025	EA	DOOR CABINET W/O HARDWARE - 400 X 520MM
	M05678 04 044	EA	CABINET OVERHEAD W/O DOORS & HARDWARE - REAR - LEFT
	M05678 04 041	EA	CABINET OVERHEAD W/O DOORS & HARDWARE - REAR - LEFT
	P03702 05 027	EA	DOOR CABINET W/O HARDWARE - 400 X 710MM
5	M05678 07 043	EA	CABINET OVERHEAD W/O DOORS & HARDWARE - REAR
5	M05678 07 044	EA	CABINET OVERHEAD W/O DOORS & HARDWARE - REAR
6	P03702 12 043	EA	DOOR CABINET W/O HARDWARE - 400 X 710MM
7	105298 11 042	EA	COUNTER TOP ASM (L-43)
7	105298 11 043	EA	COUNTER TOP ASM (C-44)
8	105298 01 043	EA	CABINET NIGHTSTAND W/O DOORS & HARDWARE
8	105298 01 044	EA	CABINET NIGHTSTAND W/O DOORS & HARDWARE
9	P03357 08 887	EA	DRAWER CABINET W/O HARDWARE RADIUS 422 X 248 MM
10	M05138 04 000	EA	TOP CABINET TWIN BED LEFT
	P03287 01 043	EA	CABINET TWIN BED LEFT
11	P03702 05 887	EA	DOOR CABINET W/O HARDWARE - 305 X 560MM
12	M05138 03 000	EA	TOP CABINET TWIN BED RIGHT
	P05285 01 043	EA	CABINET SHORT CLOSET W/O DOOR & HARDWARE - DRIVER'S SIDE
	P03702 04 887	EA	DOOR CABINET W/O HARDWARE - 305 X 1015MM
	009112 01 000	EA	FLANGE-1" ROD CLOTHES - PLASTIC - OFF WHITE
	042438 01 000	EA	DOWEL WOOD CLOTHES ROD - 1" DIAMETER X 4'
	041953 12 000	FT	CONDUIT-CONVOLITE NON SLIT 1 1/2"
	093446 07 832	EA	MIRROR WOOD FRAMED 136" X 47 4"
	058331 27 000	EA	MIRROR SAFETY GLASS 11 8" X 45 7"
	M03450 07 000	EA	TRIM MIRROR WOOD - OAK
	042488 10 000	EA	DOOR FOLDING FABRIC 37" X 75" - OFF WHITE
	080224 01 703	EA	LATCH & CATCH ASSEMBLY - ALUMINUM
	080224 01 705	EA	CATCH DOOR JAMB ALUMINUM

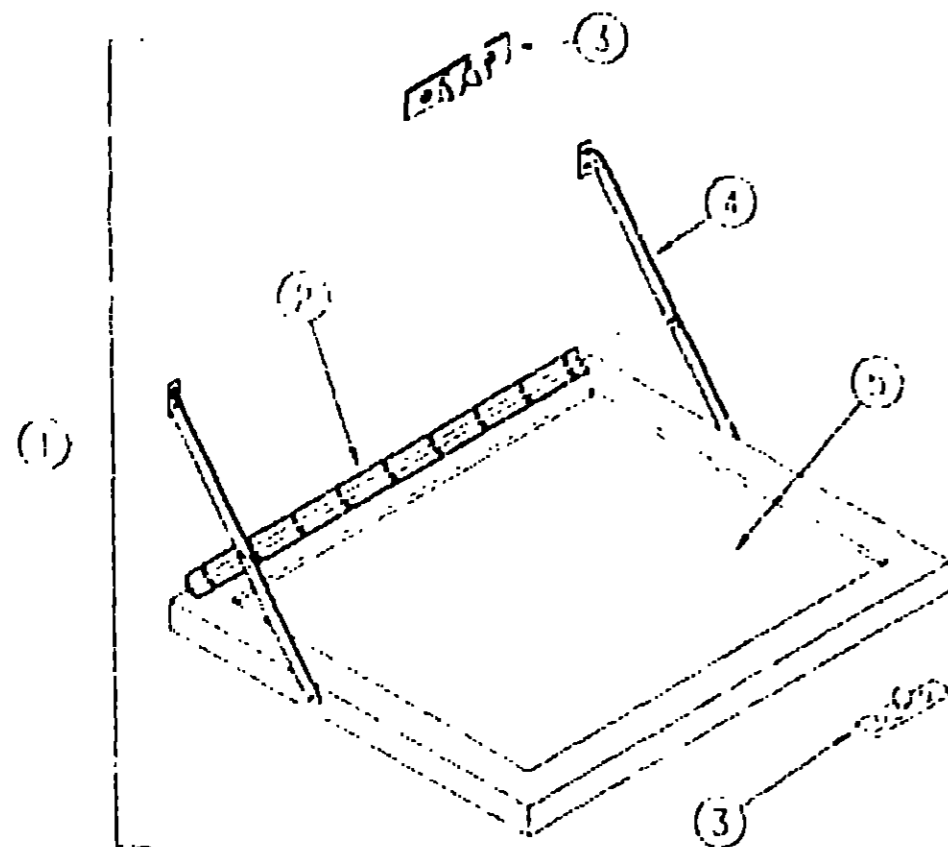
## 1992 ITASCA TABLE OF CONTENTS

INTRODUCTION	A 01 - A 02
ABBREVIATIONS	A 03
ALPHABETICAL INDEX	A 04 - A 05
IF527RQ	A 07 - D 24
IF527R-C	E 01 - H 16

## 1992 IF527RQ INDEX

FLOOR PLAN	A-07	A-08
ACCESSORIES		A-09
AUDIO VIDEO		A-10
BATH	A-11	A-12
BEDROOM	A-13	A-17
CHASSIS	A-18	A-22
CURTAIN & CUSHION	A-23	B-08
DINETTE	B-09	B-10
DRIVERS	B-11	B-12
ELECTRICAL	B-13	B-16
EXTERIOR BODY	B-17	B-24
GALLEY	C-01	C-05
GENERATOR		C-06
HEATING & A/C	C-07	C-08
INTERIOR FINISH	C-09	C-12
LABEL	C-13	C-19
LP		C-20
LOUNGE	C-21	C-22
SEALANTS & FASTENERS	C-23	D-01
WATER & SEWAGE	D-02	D-06
WINDOW, VENT AND EXTERIOR DOOR	D-07	D-24

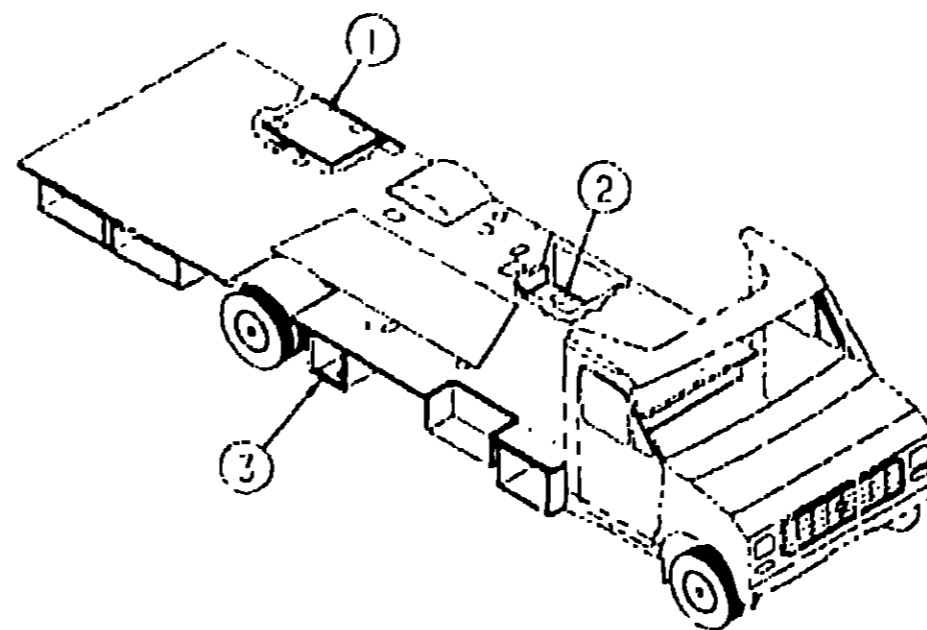
**BEDROOM GROUP (CONTINUED)**



**TV STAND**

KEY	PART NUMBER	U/M DESCRIPTION
1	084357 02 025	EA TV STAND ASM
2	084413 01 000	EA HINGE-CONTINUOUS W/ANGLES
3	084451 01 000	EA CATCH TV SHELF BRASS
4	084412 01 000	EA SUPPORT HINGED
5	084356 04-000	EA INSERT-TV STAND W/SUPPORT HINGE - METAL - TAN FROM 00-00-00 THRU 05-24-92
5	084356 08-000	EA INSERT-TV STAND W/SUPPORT HINGE - METAL - OFF WHITE FROM 05-25-92 THRU 09-09-99
5	088331 14-000	EA MIRROR-GLASS SAFETY - 14" X 12 7"

**CHASSIS GROUP**



**COMPARTMENTS, PLUGS & SEALS**

KEY	PART NUMBER	U/M DESCRIPTION
1	105471 06-000	EA COMPARTMENT-GENERATOR
1	078137-02 000	EA TRAY-STORAGE COMPARTMENT 27 18" WIDE X 21" DEEP
2	103639-01-000	EA DOOR-DRAINAGE COMPARTMENT 7 9" X 7 6" - STEEL
	074470 02 000	EA PIN PULL, HINGE RELEASE
3	105203-01-000	EA COMPARTMENT-BATTERY
	084993-01-000	EA STRAP-BATTERY
	065450-02-000	EA TIEDOWN-BATTERY, 14 3" TUBE FROM 00-00-00 THRU 01-14-92
	065450-05-000	EA TIEDOWN-BATTERY, 8 4" TUBE
	104897-02 01A	EA BOX-ENTERTAINMENT CENTER - OFF WHITE
	104898 01 01A	EA PLATE-PLASTIC BOTTOM - OFF WHITE
	065748 01 000	EA PLUG-CAP, 1 5" DIAMETER - BLACK
	058027-01-000	FT SEAL, D SHAPED - HOLLOW - SPONGE RUBBER - BLACK
	061420 01-000	EA PLUG-PLASTIC 1 75" - BROWN
	077953-01-000	EA GROMMET-EDGE LINER FITS 1"
	088270-01-000	FT SEAL-BULB, W/WIRE RIGID U-CHANNEL - 5" - RUBBER - BLACK

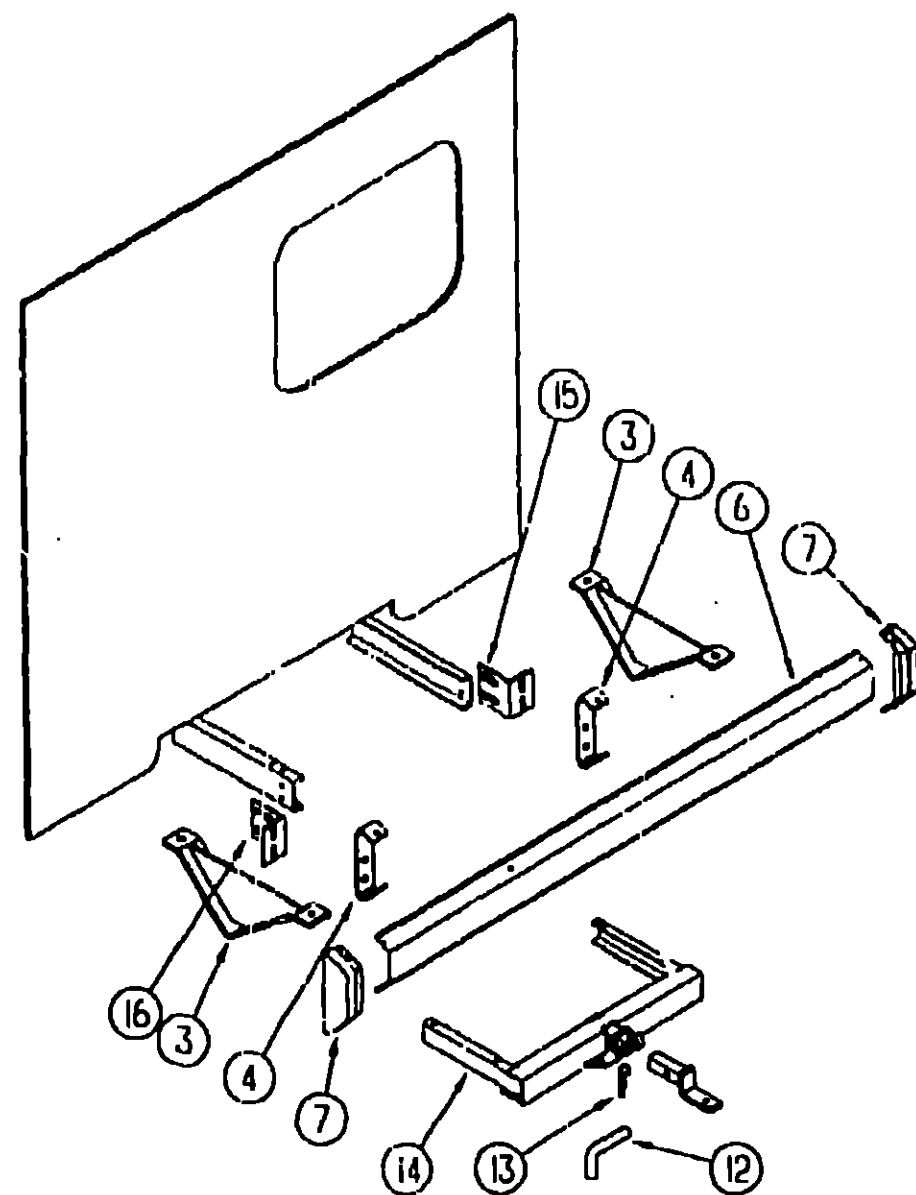
**1992 ITASCA  
TABLE OF CONTENTS**

INTRODUCTION	A-01 - A-02
ABBREVIATIONS	A-03
ALPHABETICAL INDEX	A-04 - A-06
IF527RQ	A-07 - D-24
IF527RC	E-01 - H-16

**1992 IF527RQ INDEX**

FLOOR PLAN	A-07 - A-08
ACCESSORIES	A-09
AUDIO VIDEO	A-10
BATH	A-11 - A-12
BEDROOM	A-13 - A-17
CHASSIS	A-18 - A-22
CURTAIN & CUSHION	A-23 - B-08
DINETTE	B-09 - B-10
DRIVERS	B-11 - B-12
ELECTRICAL	B-13 - B-16
EXTERIOR BODY	B-17 - B-24
GALLEY	C-01 - C-05
GENERATOR	C-06
HEATING & A/C	C-07 - C-08
INTERIOR FINISH	C-09 - C-12
LABEL	C-13 - C-19
LP	C-20
LOUNGE	C-21 - C-22
SEALANTS & FASTENERS	C-23 - D-01
WATER & SEWAGE	D-02 - D-06
WINDOW, VENT AND EXTERIOR DOOR	D-07 - D-24

CHASSIS GROUP (CONTINUED)



REAR BUMPER, SKID PLATE & TRAILER HITCH

KEY	PART NUMBER	U/M	DESCRIPTION
3	083376-01-000	EA	PLATE-SKID, 13 2" X 6" X 2" - STEEL
4	078670-02-000	EA	BRACKET-BUMPER, REAR - 2" X 8" - BENT ENDS - STEEL BLACK (2 USED)
6	103099-02-02A	EA	BUMPER-REAR, OFF WHITE
7	106147-01-01A	EA	CAP-END, BUMPER - OFF WHITE
12	034512-01-000	EA	PIN-LOCKING, DRAWBAR
13	034513-01-000	EA	PIN-HITCH, 3/16" WIRE
14	077617-02-000	EA	HITCH-TRAILER, W/O DRAWBAR - 41 1" WIDE - STEEL - BLACK
	077613-01-000	EA	DRAWBAR-HITCH, TRAILER TOWING
			FROM 00-00-00 THRU 02-02-92
	097744-01-000	EA	HOUSING-TRAILER PIN, 12"
	097744-02-000	EA	HOUSING-TRAILER PIN, 48"
	097745-01-000	EA	HOUSING-TRAILER RECP, 12"
	097746-01-000	EA	HOUSING CAP-TRAILER PIN
	097745-02-000	EA	HOUSING-RECEPTACLE, TRAILER - 48" WIRE LENGTH
15	105933-01-000	EA	BRACKET-BUMPER, REAR
16	105933-02-000	EA	BRACKET BUMPER, REAR

CHASSIS GROUP (CONTINUED)

EXHAUST SYSTEM COMPONENTS

KEY	PART NUMBER	U/M	DESCRIPTION
	007125-01-000	EA	CLAMP-MUFFLER, 1 62 DIAMETER
	091187-03-000	EA	HEAT SHIELD
	094918-03-000	EA	CLAMP-EXHAUST, 2 5"
	056753-04-000	EA	PIPE-EXHAUST

FUEL SYSTEM COMPONENTS

KEY	PART NUMBER	U/M	DESCRIPTION
	078010-04-000	EA	SHROUD-FUEL FILL, UPPER
	078200-01-000	EA	GASKET-FUEL FILL, 3 5"OD X 2"ID
	106308-01-000	EA	FUEL LINE ASM-FORD 5/16 HP
	106309-01-000	EA	FUEL LINE ASM-FORD, 3/8 HP
	007053-01-000	FT	HOSE-GAS 1/4"ID X 1/2"OD
	024138-01-000	FT	HOSE-FUEL 5/16" ID
	044317-01-000	FT	HOSE-FUEL, 3-8" ID

SUSPENSION SYSTEMS

KEY	PART NUMBER	U/M	DESCRIPTION
	100332-01-000	EA	PLATE-VALVE, AIR SPRING
	106067-01-000	EA	AIRSPRING-4IN DIA TWIN - 3 - T T-9FH2
	106067-03-700	EA	REPAIR KIT FOR TAPPED PISTON - 3-T BK-9FH3W

ENTRY STEPS

KEY	PART NUMBER	U/M	DESCRIPTION
	077848-02-000	EA	STEP-PULLOUT
	076241-09-000	EA	SUPPORT-STEP, ENTRY DOOR
	091176-01-000	EA	SUPPORT-BASE, ENTRANCE STEP
	094708-01-01A	EA	STEP-ENTRY DOOR, ELECTRIC - SINGLE - KWIKEE 2813
	094707-02-700	EA	MOTOR REPLACEMENT KIT - MODELS 32 & 28 - KWIKEE 9520
	094707-02-702	EA	GEAR KIT - KWIKEE 9525
	094707-02-703	EA	PARTS KIT, (BEARINGS & PINS) - KWIKEE 9530
	094707-02-704	EA	CONNECTOR KIT-MOTOR, KWIKEE 9537
	094707-02-705	EA	CONTROL UNIT, (ORANGE) - KWIKEE 9513
	097708-03-700	EA	LINKAGE ASM FOR 28 SERIES
	100312-01-000	EA	SWITCH-DOOR JAMB, ELECTRIC ENTRY STEP - METAL

DRIVESHAFT

KEY	PART NUMBER	U/M	DESCRIPTION
	103653-02-000	EA	DRIVESHAFT-FRONT FORD - 176"/188" DANA 910984-814 4
			FROM 00-00-00 THRU 11-10-91
	103653-06-000	EA	DRIVESHAFT ASM-BALANCED PAIR - 188"WHEELBASE (158)
			FROM 11-11-91 THRU 99-99-99
	074833-01-000	EA	SPACER-BEARING, DRIVESHAFT - 2" X 8" X 5" THICK

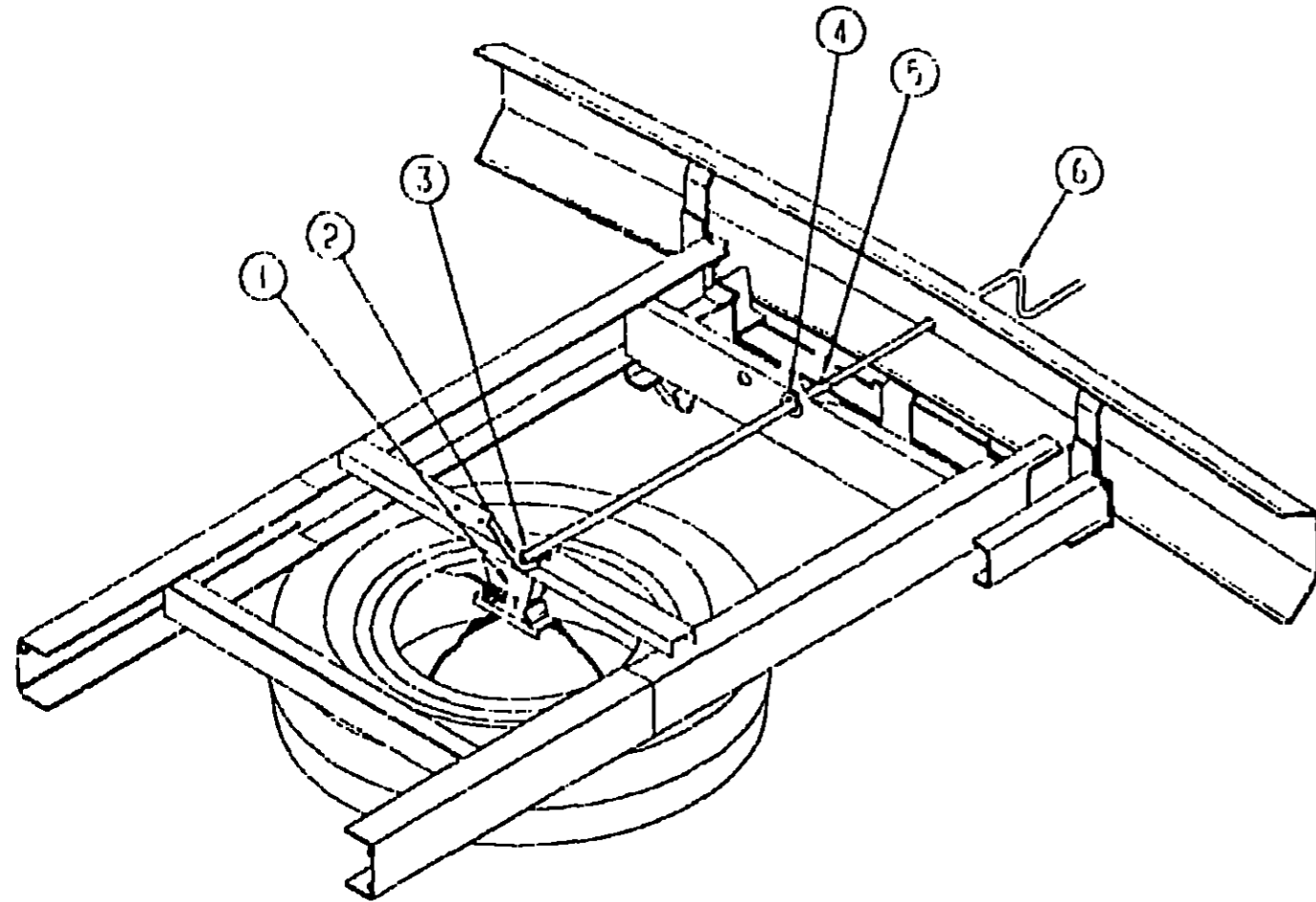
1992 ITASCA  
TABLE OF CONTENTS

INTRODUCTION	A-01 - A-02
ABBREVIATIONS	A-03
ALPHABETICAL INDEX	A-04 - A-06
IF527RQ	A-07 - D-24
IF527RC	E-01 - 11-16

1992 IF527RQ INDEX

FLOOR PLAN	A-07 - A-08
ACCESSORIES	A-09
AUDIO VIDEO	A-10
BATH	A-11 - A-12
BEDROOM	A-13 - A-17
CHASSIS	A-18 - A-22
CURTAIN & CUSHION	A-23 - B-08
DINETTE	B-09 - B-10
DRIVERS	B-11 - B-12
ELECTRICAL	B-13 - B-16
EXTERIOR BODY	B-17 - B-24
GALLEY	C-01 - C-05
GENERATOR	C-06
HEATING & A/C	C-07 - C-08
INTERIOR FINISH	C-09 - C-12
LABEL	C-13 - C-19
LP	C-20
LOUNGE	C-21 - C-22
SEALANTS & FASTENERS	C-23 - D-01
WATER & SEWAGE	D-02 - D-06
WINDOW, VENT AND EXTERIOR DOOR	D-07 - D-24

**CHASSIS GROUP (CONTINUED)**



**SPARE TIRE HOIST**

KEY	PART NUMBER	U/M	DESCRIPTION
1	093267-01-000	EA	HOIST-SPARE TIRE
2	000F10-06-32B	EA	PIN-COTTER 3/16 X 2 00 ZN
3	093375-04-000	EA	EXTENSION-TIRE HOIST
4	071015-11-000	EA	GROMMET-RUBBER 1" ID X 1 75" OD W/ 12" GROOVE - BLACK
5	035772-01-000	EA	PIN-ROLL, 125 DIA X 750
6	093376-01-000	EA	HANDLE-CRANK, TIRE HOIST
	083425-08-000	EA	TIRE-LT225/75R16 LRD - MICHELIN XCH4
	077030-02-000	EA	EXTENSION-VALVE STEM, 1 25"
	095012-03-000	EA	EXTENSION-VALVE STEM, DUAL WHEEL
	083617-03-000	EA	WHEEL-STEEL 16 OX6, ACCURIDE 28618

**CHASSIS GROUP (CONTINUED)**

**MUDFLAPS, DIRT GUARD, WHEELWELL & UNION**

KEY	PART NUMBER	U/M	DESCRIPTION
	106141-01-000	EA	FLAP-MUD, WHOLES & WINNEBAGO LOGO - BLACK
	017516-01-000	EA	FLAP-MUD, 14" X 18" - BLACK
	045731-04-000	EA	GUARD-ROCK, REAR
	102782-01-000	EA	WHEELWELL-PLASTIC
	095771-03-000	EA	NUT-HEX, FL PREV TORQUE - GRADE 6 DRIVER SHAFT
	088498-01-000	EA	UNION-INVERTED FLARE, BRASS - 3/16 - 3/8 - 24 THD - BRAKE LINE

**WHEEL LINERS & COVERS**

KEY	PART NUMBER	U/M	DESCRIPTION
	091209-11-000	EA	LINER-WHEEL SET 4 E350-KAPER II (FORD)
	091209-10-700	EA	COVER-AXLE, FRONT - 8 LUG - FORD
	091209-10-701	EA	COVER-AXLE, REAR - 8 LUG - FORD
	091209-01-700	EA	COVER-LUG NUT
	091209-11-700	EA	LINER-WHEEL, FRONT - 8 LUG - FORD
	091209-11-701	EA	LINER-WHEEL, REAR - 8 LUG - FORD
	083181-01-000	EA	COVER-WHEEL, 16" - SET OF FOUR
	083181-01-700	EA	COVER-WHEEL, 16" - 8 LUG - 1 ONLY

**1992 ITASCA  
TABLE OF CONTENTS**

INTRODUCTION	A-01	A-02
ABBREVIATIONS		A-03
ALPHABETICAL INDEX	A-04	A-06
IF527RQ	A-07	D-24
IF527RC	E-01	H-16

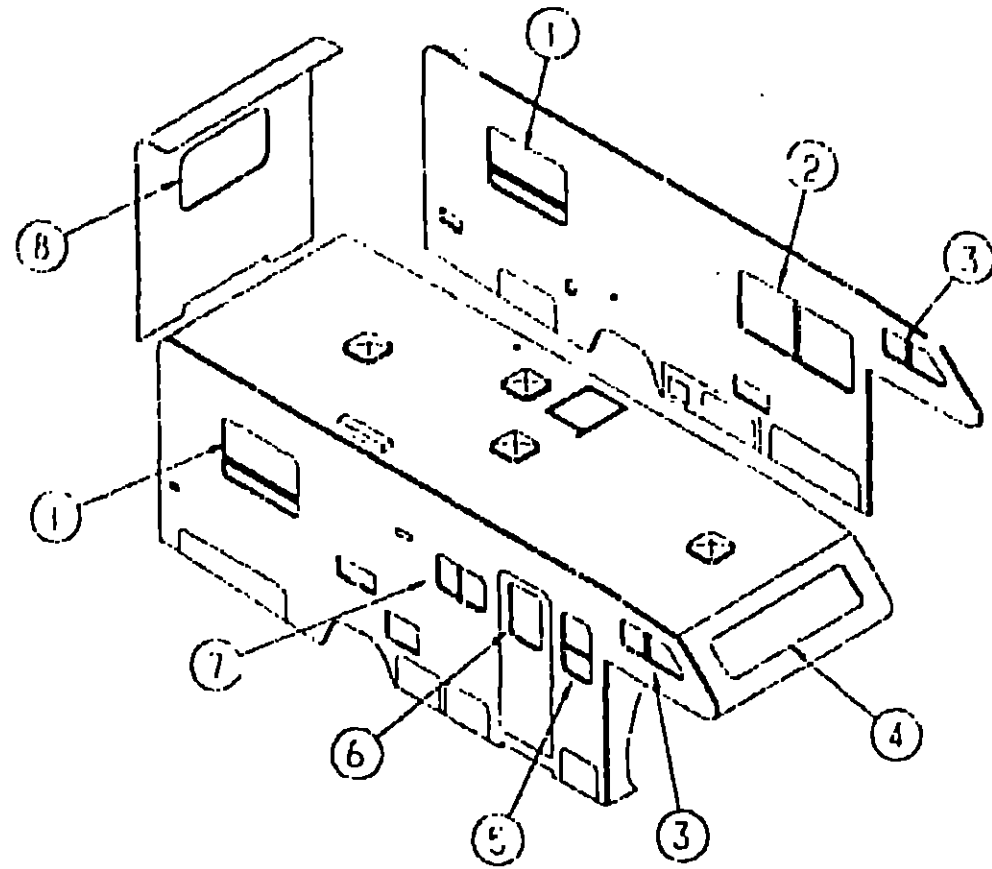
**1992 IF527RQ INDEX**

FLOOR PLAN	A-07	A-08
ACCESSORIES		A-09
AUDIO VIDEO		A-10
BATH	A-11	A-12
BEDROOM	A-13	A-17
CHASSIS	A-18	A-22
CURTAIN & CUSHION	A-23	B-08
DINETTE	B-09	B-10
DRIVERS	B-11	B-12
ELECTRICAL	B-13	B-16
EXTERIOR BODY	B-17	B-24
GALLEY	C-01	C-05
GENERATOR		C-06
HEATING & A/C	C-07	C-08
INTERIOR FINISH	C-09	C-12
LABEL	C-13	C-15
LP		C-20
LOUNGE	C-21	C-22
SEALANTS & FASTENERS	C-23	D-01
WATER & SEWAGE	D-02	D-06
WINDOW, VENT AND EXTERIOR DOOR	D-07	D-24



# CURTAIN & CUSHION GROUP

## CURTAINS & WINDOW TREATMENT



KEY	PART NUMBER	U/M	DESCRIPTION
3	097879-42-C43	EA	VALANCE-WINDOW, DRIVER SIDE - 5 5" X 43"
3	097878-39-C44	EA	VALANCE-WINDOW, DRIVER SIDE - 5 5" X 43"
3	097878-41-C43	EA	VALANCE-WINDOW, PASSENGER SIDE - 5 5" X 43"
3	097878-38-C44	EA	VALANCE-WINDOW, PASSENGER SIDE - 5 5" X 43"
3	101034-13-C43	EA	CURTAIN-TAPE TOP, DARTED - 16" X 25"
3	101034-13-C44	EA	CURTAIN-TAPE TOP, DARTED - 16" X 25"
4	097878-40-C43	EA	VALANCE-WINDOW, FLAT - 7" X 85 5"
4	097878-37-C44	EA	VALANCE-WINDOW, FLAT - 7" X 85 5"
4	101034-12-C43	EA	CURTAIN-TAPE TOP, DARTED - 22" X 45"
4	101034-12-C44	EA	CURTAIN-TAPE TOP, DARTED - 22" X 45"
5	104021-18-C43	EA	VALANCE-WINDOW, 19"
5	104021-02-C44	EA	VALANCE-WINDOW, 19"
5	093475-89-03A	EA	BLIND-MINI 17 5" X 29 5"
6	104021-19-C43	EA	VALANCE-WINDOW 31 25" - FLAT - TWO TONED (ENTRY DOOR)
6	104021-16-C44	EA	VALANCE-WINDOW, 31 25" - FLAT - TWO TONED (ENTRY DOOR)
6	084755-57-C03	EA	SHADE-WINDOW, ROLLER PULL TYPE - 27 25" (ENTRY DOOR)
7	104021-24-C43	EA	VALANCE-WINDOW, 28 5"
7	104021-06-C44	EA	VALANCE-WINDOW, 28 5"
7	093475-90-03A	EA	BLIND-MINI, 27" X 17 5"
8	104165-03-C43	EA	VALANCE-WINDOW 52" - PYRAMID W/CENTER SHIRRIN
8	104165-03-C44	EA	VALANCE-WINDOW 52" - PYRAMID W/CENTER SHIRRIN
8	104157-01-C52	EA	CURTAIN/LEG-WINDOW, 27" - RIGHT (C43)
8	104157-01-C44	EA	CURTAIN/LEG-WINDOW, 27" - RIGHT (C44)
8	104157-02-C52	EA	CURTAIN/LEG-WINDOW, 27" - LEFT (C43)
8	104157-02-C44	EA	CURTAIN/LEG-WINDOW, 27" - LEFT (C44)
8	093475-68-02A	EA	BLIND-MINI, 18" X 27"
8	073260-52-C43	EA	TIEBACK, 3" X 15" - GATHERED
8	073260-52-C44	EA	TIEBACK, 3" X 15" - GATHERED
	101563-05-B85	EA	CURTAIN-WINDSHIELD PRIVACY, 30" X 50" - RIGHT - TAPE TOP
	101568-06-B85	EA	CURTAIN-WINDSHIELD PRIVACY, 30" X 50" - LEFT - TAPE TOP
	073260-49-B43	EA	TIEBACK-CURTAIN, 3" X 18" (C43)
	073260-49-B44	EA	TIEBACK-CURTAIN, 3" X 18" (C44)
	076892-06-B85	EA	CURTAIN-SNAP TOP, WINGWALL PRIVACY, 40" X 72" - BEIGE
	084481-24-C04	EA	CURTAIN-SHOWER, 72" X 42" - GROMMET TOP (C43)
	084481-24-C24	EA	CURTAIN-SHOWER, 72" X 42" - GROMMET TOP (C44)
	073260-54-C10	EA	TIEBACK-CURTAIN, 3" X 16" (C43)
	073260-54-C30	EA	TIEBACK-CURTAIN, 3" X 16" (C44)
	057534-01-000	EA	TIEBACK-WINDOW-BELT-CURTAIN, 6" - PLASTIC - CLEAR

## 1992 ITASCA TABLE OF CONTENTS

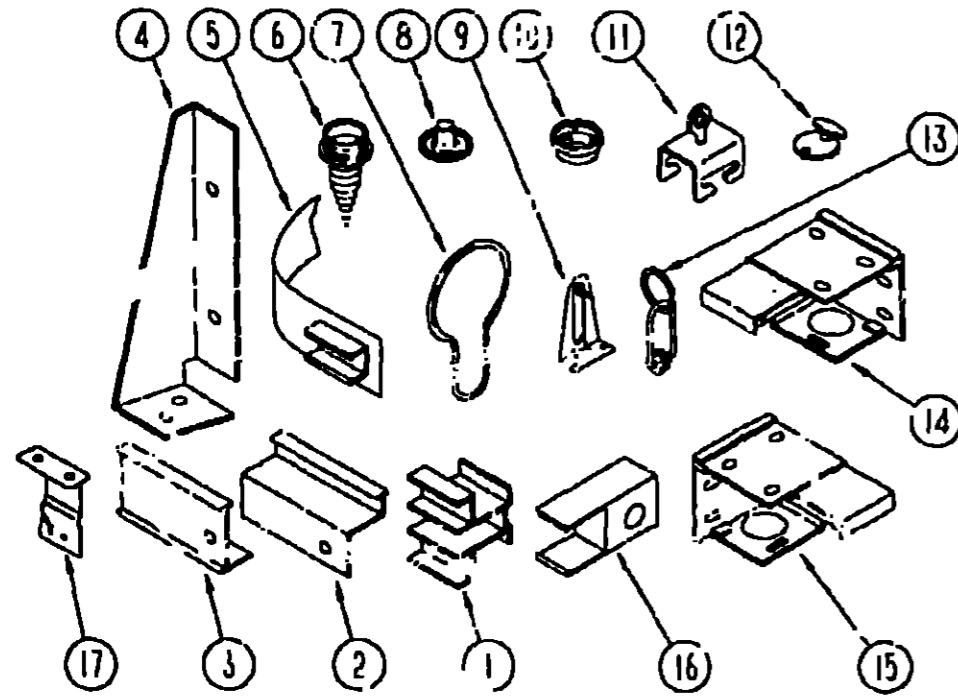
INTRODUCTION	A-01	A-02
ABBREVIATIONS		A-03
ALPHABETICAL INDEX	A-01	A-06
IF527RO	A-07	D-24
IF527RC	E-01	I-16

## 1992 IF527RO INDEX

FLOOR PLAN	A-07	A-08
ACCESSORIES		A-09
AUDIO VIDEO		A-10
BATH	A-11	A-12
BEDROOM	A-13	A-17
CHASSIS	A-18	A-22
CURTAIN & CUSHION	A-23	B-08
DINETTE	B-09	B-10
DRIVERS	B-11	B-12
ELECTRICAL	B-13	B-16
EXTERIOR BODY	B-17	B-24
GALLEY	C-01	C-05
GENERATOR		C-06
HEATING & A/C	C-07	C-08
INTERIOR FINISH	C-09	C-12
LABEL	C-13	C-19
LP		C-20
LOUNGE	C-21	C-22
SEALANTS & FASTENERS	C-23	D-01
WATER & SEWAGE	D-02	D-06
WINDOW, VENT AND EXTERIOR DOOR	D-07	D-24

KEY	PART NUMBER	U/M	DESCRIPTION
1	104165-02-C43	EA	VALANCE-WINDOW, 45" - PYRAMID W/CENTER SHIRRIN
1	104165-02-C44	EA	VALANCE-WINDOW, 45" - PYRAMID W/CENTER SHIRRIN
1	104348-01-C43	EA	VALANCE-TOPPER, GATHERED
1	104348-01-C44	EA	VALANCE-TOPPER, GATHERED
1	104157-01-C52	EA	CURTAIN/LEG-WINDOW, 27" - RIGHT (C43)
1	104157-01-C44	EA	CURTAIN/LEG-WINDOW, 27" - RIGHT (C44)
1	104157-02-C52	EA	CURTAIN/LEG-WINDOW, 27" - LEFT (C43)
1	104157-02-C44	EA	CURTAIN/LEG-WINDOW, 27" - LEFT (C44)
1	093475-79-01A	EA	BLIND-MINI, 42" X 28" - DROP
1	073260-52-C43	EA	TIEBACK, 3" X 15" - GATHERED
1	073260-52-C44	EA	TIEBACK, 3" X 15" - GATHERED
2	104021-17-C43	EA	VALANCE-WINDOW, 65" - W/BRASS TRIM (C43)
2	104021-12-C44	EA	VALANCE-WINDOW, 65" - W/BRASS TRIM (C44)
2	100281-78-C43	EA	LEG-WINDOW, RIGHT W/BRASS TRIM - NO HOLE - 27"
2	100281-09-C44	EA	LEG-WINDOW, RIGHT W/BRASS TRIM - NO HOLE - 27"
2	100281-79-C43	EA	LEG-WINDOW, LEFT W/BRASS TRIM - NO HOLE - 27"
2	100281-10-C44	EA	LEG-WINDOW, LEFT W/BRASS TRIM - NO HOLE - 27"
2	093475-76-01A	EA	BLIND-MINI, 60" X 28 5" DROP

**CURTAIN & CUSHION GROUP (CONTINUED)**



**CURTAINS, BLIND HARDWARE & TRACKS**

KEY	PART NUMBER	U/M DESCRIPTION
1	101033-03-000	FT TRACK-CURTAIN, WALL - WHITE - SHAPCO CT225
2	105450-05-01A	EA TRACK-CURTAIN, 79" LONG - ALUMINUM - OFF WHITE
2	105450-06-01A	EA TRACK-CURTAIN, 86" LONG - ALUMINUM - OFF WHITE
2	105450-08-01A	EA TRACK-CURTAIN, 36" LONG - ALUMINUM - OFF WHITE
3	092464-04-01A	EA TRACK-SHOWER - OFF WHITE
3	009700-04-002	EA TRACK, L-SHAPED - 195 2" - OFF WHITE
	046667-01-000	EA GROMMET-CHASSIS, 7/16" ID X 1" OD
	048394-02-000	YD VELCRO TAPE-HOOK, ADHESIVE BACK - 75" WIDE - BEIGE
	068716-01-001	EA BRACE-30 DEGREE L-ANGLE, 192" - EXTRUDED ALUMINUM
	075943-02-000	EA BRACE-ANGLE, W/HOLES - 1" X 1 1/2" X 14" - ALUMINUM - BEIGE
4	076827-02-000	EA BRACKET-LEG, 2.9" X 1.8" TRIANGLE - LEFT SIDE
	089522-03-000	EA PANEL-LEG, TWO SIDE 27" LONG - PLASTIC - BLACK
5	101031-01-000	YD TAPE-GLIDE, CURTAIN - 4 25" SPACING
6	029130-01-000	EA SCREW-SNAP SOCKET, 8 PH X 5/8"
7	009136-02-000	EA HANGER-RING, PIN TYPE - CURTAIN - BRASS
8	029155-01-000	EA CAP-SNAP, NICKEL
9	095591-02-000	EA BRACKET-HOLD DOWN, W/PIN - BLIND - METAL
10	029156-01-000	EA SOCKET-SNAP FASTENER, NICKEL
11	009702-01-000	EA END STOP-CURTAIN CARRIER, L ROD
12	102555-01-000	EA CLEAT-CORD, BLIND - OFF WHITE
13	009701-01-000	EA CARRIER-CURTAIN, L ROD
14	083170-01-000	EA BRACKET-BLIND, RIGHT SIDE
15	083170-02-000	EA BRACKET-BLIND, LEFT SIDE
16	101033-02-000	EA END CAP-TRACK, CLEAR
17	084434-01-000	EA BRACKET-MOUNTING, ROLLER SHADE - 1 3/8"
	084432-06-000	FT SLAT-ROLLER SHADE, PLASTIC
	084433-01-700	EA SPRING-REWIND, ROLLER SHADE
	106544-01-000	EA PULL-SHADE, BRASS
	103986-01-000	FT TRIM-VALANCE, U-CHANNEL - 75" WIDE - BRASS
	088792-01-000	YD VELCRO-HOOK, 75" WIDE - BEIGE
	088792-02-000	YD VELCRO TAPE-LOOP, ADHESIVE BACKED - 75" WIDE - BEIGE

**CURTAIN & CUSHION GROUP (CONTINUED)**

**ASSIST HANDLE, BUTTONS & SEATBELTS**

KEY	PART NUMBER	U/M DESCRIPTION
	070578-06-AA3	EA BUTTON-SNAP TOP, #30 - VINYL - BEIGE
	070578-10-C43	EA BUTTON-SCREW STUD, #30
	070578-10-C44	EA BUTTON-SCREW STUD, #30
	057759-01-000	EA WASHER BRACKET-SEAT BELT, 4" DIAMETER
	007021-01-000	EA BELT-SEAT, 2" X 90" - BLACK
	053552-02-AA8	EA HANDLE-ASSIST, INTERIOR - ENTRY DOOR - VINYL - OFF WHITE
	069178-02-000	EA BRACKET-MOUNTING, ASSIST HANDLE - L ANGLE - W/HOLES - STEEL
	000C16-07-16B	EA BOLT CARRIAGE, ASSIST HANDLE - 7/16" - 14 X 1" ZN
	000D20-07-00B	EA NUT-ACORN, ASSIST HANDLE - 7/16" X 14 ZN
	079349-01-C27	YD WELT ASM-ACCENT (C43)
	079349-01-C28	YD WELT ASM-ACCENT (C44)
	079349-04-C43	YD WELT ASM-NARROW, ACCENT - SWIVEL CHAIR (C43)
	079349-04-C26	YD WELT ASM-NARROW, ACCENT - SWIVEL CHAIR (C44)
	084415-33-000	YD TRIM-BRAID, CURTAIN (C43)
	084415-30-000	YD TRIM-BRAID, CURTAIN (C44)

**FABRICS**

KEY	PART NUMBER	U/M DESCRIPTION
	029219-01-000	YD FABRIC-VINYL, 54" WIDE - WHITE
	072333-82-000	YD FABRIC-CURTAIN, 54" WIDE - BEIGE
	075244-06-000	YD FABRIC-VINYL, SHOWER CURTAIN - 72" WIDE - TEAL (C43)
	075244-05-000	YD FABRIC-VINYL, SHOWER CURTAIN - 72" WIDE - BLUE (C44)
	079680-07-000	YD FABRIC-VINYL, 54" WIDE - BEIGE
	096008-93-000	YD FABRIC-UPHOLSTERY, PATTERNED WOVEN - TEAL (C43) (MAIN)
	104233-19-000	YD FABRIC-UPHOLSTERY, PATTERNED VELOUR (C44) (MAIN)
	096008-94-000	YD FABRIC-UPHOLSTERY, WOVEN LINES - BEIGES & GREEN (C43) (ACCENT)
	104233-18-000	YD FABRIC-UPHOLSTERY, SQUARED VELOUR (C44) (ACCENT)
	103907-01-01A	YD FABRIC-VINYL, 54" WIDE - OFF WHITE (C43)
	104233-17-000	YD FABRIC-UPHOLSTERY, STRIPED VELOUR (C43) (PLAIN ACCENT)
	096008-85-000	YD FABRIC-UPHOLSTERY, PLAIN - 54" WIDE (C44) (PLAIN ACCENT)
	104233-25-000	YD FABRIC-UPHOLSTERY, WOVEN LINES - BEIGES & GREENS (C43)
	104233-23-000	YD FABRIC-UPHOLSTERY, WOVEN LINES - BEIGES & BLUES (C44)
	104233-27-000	YD FABRIC-UPHOLSTERY, PLAIN VELOUR - LIGHT NAVY (C44)
	088273-93-000	YD FABRIC-BEDSPREAD, SHERBET (C43) (MAIN)
	088273-94-000	YD FABRIC-BEDSPREAD, FUGUE BLUE (C44) (MAIN)
	088273-89-000	YD FABRIC-BEDSPREAD, LILAC (C43) (ACCENT)
	088273-71-000	YD FABRIC-BEDSPREAD, PLAIN (C44) (ACCENT)

**THROW PILLOWS**

KEY	PART NUMBER	U/M DESCRIPTION
	103669-01-C43	EA PILLOW ASM-16" X 16" - THROW
	103669-01-C44	EA PILLOW ASM-16" X 16" - THROW
	104166-01-C43	EA PILLOW ASM-14" X 14" - W/FLANGE
	104166-01-C44	EA PILLOW ASM-14" X 14" - W/FLANGE

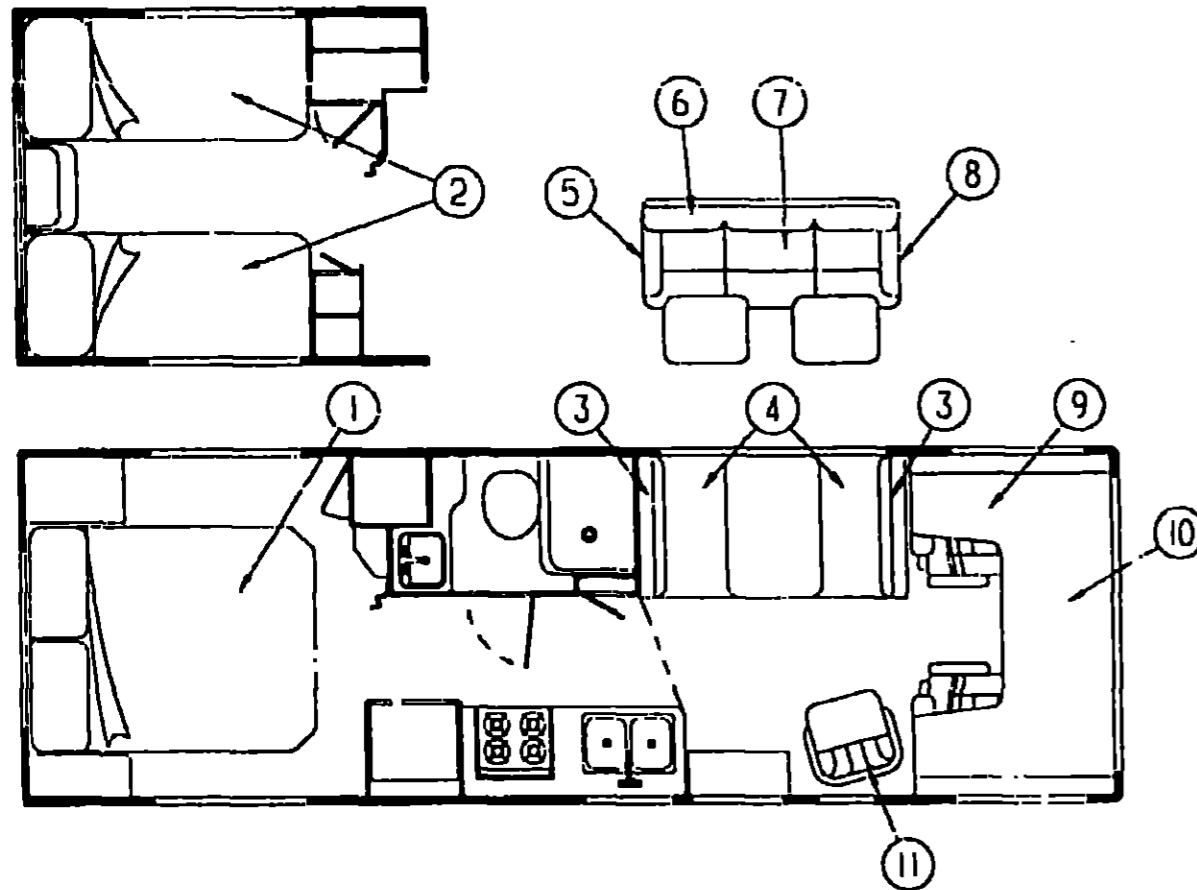
**1992 ITASCA  
TABLE OF CONTENTS**

INTRODUCTION	A-01	A-02
ABBREVIATIONS		A-03
ALPHABETICAL INDEX	A-04	A-06
IF527RQ	A-07	D-24
IF527RC	E-01	H-16

**1992 IF527RQ INDEX**

FLOOR PLAN	A-07	A-08
ACCESSORIES		A-09
AUDIO VIDEO		A-10
BATH	A-11	A-12
BEDROOM	A-13	A-17
CHASSIS	A-18	A-22
CURTAIN & CUSHION	A-23	B-08
DINETTE	B-09	B-10
DRIVERS	B-11	B-12
ELECTRICAL	B-13	B-16
EXTERIOR BODY	B-17	B-24
GALLEY	C-01	C-05
GENERATOR		C-06
HEATING & A/C	C-07	C-08
INTERIOR FINISH	C-09	C-12
LABEL	C-13	C-19
LP		C-20
LOUNGE	C-21	C-22
SEALANTS & FASTENERS	C-23	D-01
WATER & SEWAGE	D-02	D-06
WINDOW, VENT AND EXTERIOR DOOR	D-07	D-24

**CURTAIN & CUSHION GROUP (CONTINUED)**



**DINETTE CUSHIONS**

KEY	PART NUMBER	U/M DESCRIPTION
3	104146-01-C27	EA CUSHION-BACKREST, 13 5" X 38" X 5" (C43)
3	104146-01-C28	EA CUSHION-BACKREST, 13 5" X 30" X 5" (C44)
	P04146-01-C27	EA COVER-CUSHION, BACKREST - 13 5" X 38" X 5" (C43)
	P04146-01-C28	EA COVER-CUSHION, BACKREST - 13 5" X 38" X 5" (C44)
	078155-01-000	EA STRAP-SNAP, BACKREST CUSHION
4	088927-86-C43	EA CUSHION-SEATBASE, 23" X 38" X 5"
4	088927-86-C44	EA CUSHION-SEATBASE, 23" X 38" X 5"
	M88927-86-C43	EA COVER-CUSHION, SEATBASE - 23" X 38" X 5"
	M88927-86-C44	EA COVER-CUSHION, SEATBASE - 23" X 38" X 5"

**1992 ITASCA  
TABLE OF CONTENTS**

INTRODUCTION	A-01	A-02
ABBREVIATIONS		A-03
ALPHABETICAL INDEX	A-04	A-05
IF527RD	A-07	D-24
IF527RC	E-01	H-16

**COUCH**

KEY	PART NUMBER	U/M DESCRIPTION
5	101236-03-C43	EA ARMREST-COUCH, RIGHT SIDE
5	101236-03-C44	EA ARMREST-COUCH, RIGHT SIDE
	P01236-03-C43	EA COVER-ARMREST, RIGHT SIDE
	P01236-03-C44	EA COVER-ARMREST, RIGHT SIDE
	101085-07-000	EA FRAME-ARMREST BRACKET, RIGHT SIDE
	101568-03-000	EA BRACKET-ARMREST, COUCH - RIGHT SIDE - W/WELD STUD
	101568-01-000	EA BRACKET-ARMREST, COUCH - RIGHT SIDE - W/O WELD STUD
6	100032-02-C43	EA BACKREST-COUCH, W/ARMRESTS - 66 5"
6	100032-02-C44	EA BACKREST-COUCH, W/ARMRESTS - 66 5"
	P00032-02-C43	EA COVER-BACKREST, W/ARMRESTS - 66 5"
	P00032-02-C44	EA COVER-BACKREST, W/ARMRESTS - 66 5"
	101085-02-000	EA FRAME-BACK, COUCH - 66 5"
7	100032-01-C43	EA SEAT-COUCH, W/O BACKREST - 66 5"
7	100032-01-C44	EA SEAT-COUCH, W/O BACKREST - 66 5"
	P00032-01-C43	EA COVER-SEAT, COUCH - 66 5"
	P00032-01-C44	EA COVER-SEAT, COUCH - 66 5"
	101085-01-000	EA FRAME-SEAT, COUCH - 66 5"
	101085-03-000	EA FRAME-BASE, COUCH - 66 5"
	103513-12-B05	EA SUPPORT ASSEMBLY-COUCH
8	101236-04-C43	EA ARMREST-COUCH, LEFT SIDE
8	101236-04-C44	EA ARMREST-COUCH, LEFT SIDE
	P01236-04-C43	EA COVER-ARMREST, LEFT SIDE
	P01236-04-C44	EA COVER-ARMREST, LEFT SIDE
	101085-08-000	EA FRAME-ARMREST BRACKET, LEFT SIDE
	101568-04-000	EA BRACKET-ARMREST, COUCH - LEFT SIDE - W/WELD STUD
	101568-02-000	EA BRACKET-ARMREST, COUCH - LEFT SIDE - W/O WELD STUD

**QUEEN BEDSPREAD, PILLOW & MATTRESS**

KEY	PART NUMBER	U/M DESCRIPTION
	104565-02-C43	EA SHAM-PILLOW, W/O PILLOW
	104565-02-C44	EA SHAM-PILLOW, W/O PILLOW
1	104170-02-C43	EA BEDSPREAD-DOUBLE, 59" - FITTED
1	104170-02-C44	EA BEDSPREAD-DOUBLE, 59" - FITTED
1	098176-09-000	EA MATTRESS-INNERSPRING, 59" X 74" - SEALY - CUT CORNERS

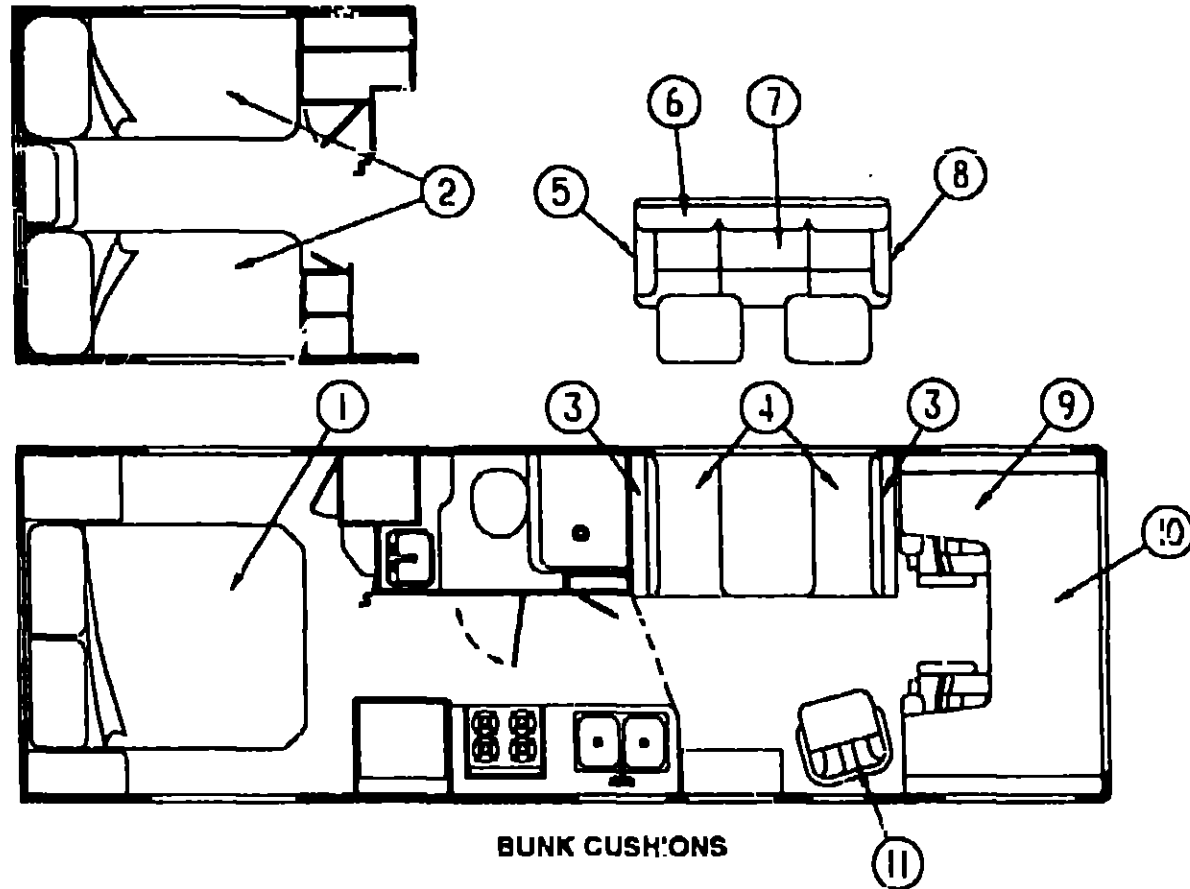
**TWIN BEDSPREAD, PILLOW & MATTRESS**

KEY	PART NUMBER	U/M DESCRIPTION
	104565-02-C43	EA SHAM-PILLOW, W/O PILLOW
	104565-02-C44	EA SHAM-PILLOW, W/O PILLOW
2	104358-01-C43	EA BEDSPREAD-TWIN, 33"
2	104358-01-C44	EA BEDSPREAD-TWIN, 33"
2	098176-01-000	EA MATTRESS-TWIN, 32" X 74"

**1992 IF527RQ INDEX**

FLOOR PLAN	A-07	A-08
ACCESSORIES		A-09
AUDIO VIDEO		A-10
BATH	A-11	A-12
BEDROOM	A-13	A-17
CHASSIS	A-18	A-22
CURTAIN & CUSHION	A-23	E-08
DINETTE	B-09	B-10
DRIVERS	B-11	B-12
ELECTRICAL	B-13	B-16
EXTERIOR BODY	B-17	B-24
GALLEY	C-01	C-05
GENERATOR		C-06
HEATING & A/C	C-07	C-08
INTERIOR FINISH	C-09	C-12
LABEL	C-13	C-19
LP		C-20
LOUNGE	C-21	C-22
SEALANTS & FASTENERS	C-23	D-01
WATER & SEWAGE	D-02	D-06
WINDOW, VENT AND EXTERIOR DOOR	D-07	D-24

**CURTAIN & CUSHION GROUP (CONTINUED)**



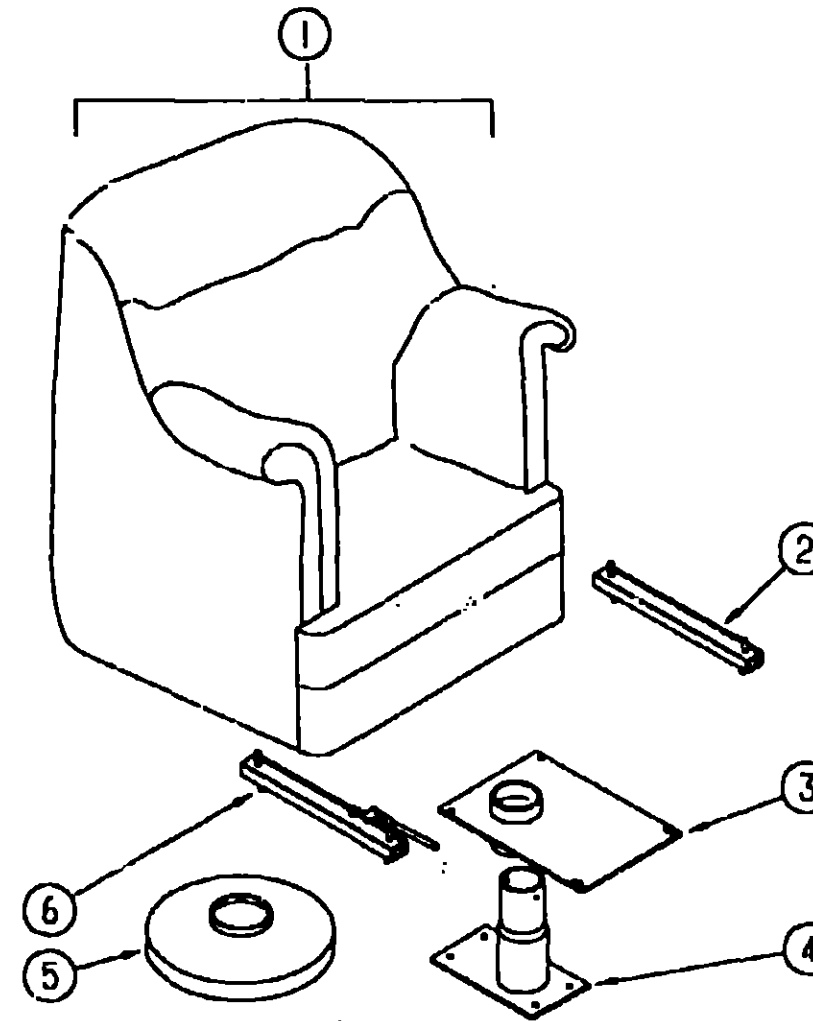
**BUNK CUSHIONS**

KEY	PART NUMBER	U/M DESCRIPTION
9	105573-02-C43	EA CUSHION-BUNK,REAR - 28" X 79" X 5" (C43) FROM 00-00-00 THRU 01-12-92
9	105573-05-C44	EA CUSHION-BUNK,REAR - 28" X 79" X 5" (C44) FROM 00-00-00 THRU 01-12-92
	P05573-02-C43	EA COVER-CUSHION, BUNK - REAR - 28" X 79" X 5" (C43) FROM 00-00-00 THRU 01-12-92
	P05573-05-C44	EA COVER-CUSHION, BUNK - REAR - 28" X 79" X 5" (C44) FROM 00-00-00 THRU 01-12-92
9	105573-00-C43	EA CUSHION-BUNK,REAR - 27" X 23" X 80" X 5" FROM 01-13-92 THRU 99-99-99
9	105573-10-C44	EA CUSHION-BUNK,REAR - 27" X 23" X 80" X 5" FROM 01-13-92 THRU 99-99-99
	P05573-08-C43	EA COVER-CUSHION, BUNK - REAR - 27" X 23" X 80" X 5" FROM 01-13-92 THRU 99-99-99
	P05573-10-C44	EA COVER-CUSHION, BUNK - REAR - 27" X 23" X 80" X 5" FROM 01-13-92 THRU 99-99-99
10	105573-01-C24	EA CUSHION-BUNK,FRONT - 32" X 79" X 5" (C43) FROM 00-00-00 THRU 01-12-92
10	105573-04-C44	EA CUSHION-BUNK,FRONT - 32" X 79" X 5" (C44) FROM 00-00-00 THRU 01-12-92
	P05573-01-C24	EA COVER-CUSHION, BUNK - FRONT - 32" X 79" X 5" (C43) FROM 00-00-00 THRU 01-12-92
	P05573-04-C44	EA COVER-CUSHION, BUNK - FRONT - 32" X 79" X 5" (C44) FROM 00-00-00 THRU 01-12-92
10	105573-07-C43	EA CUSHION-BUNK,FRONT - 32 5" X 80" X 5" FROM 01-13-92 THRU 99-99-99
10	105573-09-C44	EA CUSHION-BUNK,FRONT - 32 5" X 80" X 5" FROM 01-13-92 THRU 99-99-99
	P05573-07-C43	EA COVER-CUSHION, BUNK - FRONT - 32 5" X 80" X 5" FROM 01-13-92 THRU 99-99-99
	P05573-09-C44	EA COVER-CUSHION, BUNK - FRONT - 32 5" X 80" X 5" FROM 01-13-92 THRU 99-99-99

**SWIVEL CHAIR**

KEY	PART NUMBER	U/M DESCRIPTION
11	096429-09-C43	EA CHAIR-SWIVEL, W/O SKIRT
11	096429-09-C44	EA CHAIR-SWIVEL, W/O SKIRT

**CURTAIN & CUSHION GROUP (CONTINUED)**



**SWIVEL CHAIR**

KEY	PART NUMBER	U/M DESCRIPTION
1	096429-09-C43	EA CHAIR-SWIVEL, W/O SKIRT
1	096429-09-C44	EA CHAIR-SWIVEL, W/O SKIRT
	M96429-09-C43	EA COVER-SWIVEL CHAIR
	M96429-09-C44	EA COVER-SWIVEL CHAIR
	089368-04-000	EA CABLE-SWIVEL, W/SWITCH - BUCKET SEAT
	099202-04-C43	EA SKIRT ASM
	099202-04-C44	EA SKIRT ASM
2	065246-06-000	EA ADJUSTER SWIVEL CHAIR, MANUAL - FORWARD & BACK
3	093481-04-000	EA TOP PLATE-PEDESTAL, BUCKET SEAT - W/O SEATBELT BAR
4	093481-02-000	EA BASE-PEDESTAL, W/10" EXTENSION
5	093482-01-000	EA SHROUD-PEDESTAL, 13" - PLASTIC - BLACK
6	069246-07-000	EA ADJUSTER-SWIVEL CHAIR, W/LOCKING ARM - FORWARD & BACK
	007221-01-000	EA SPACER-SEAT, ADJUSTER - 4 USED PER SWIVEL CHAIR

**1992 ITASCA  
TABLE OF CONTENTS**

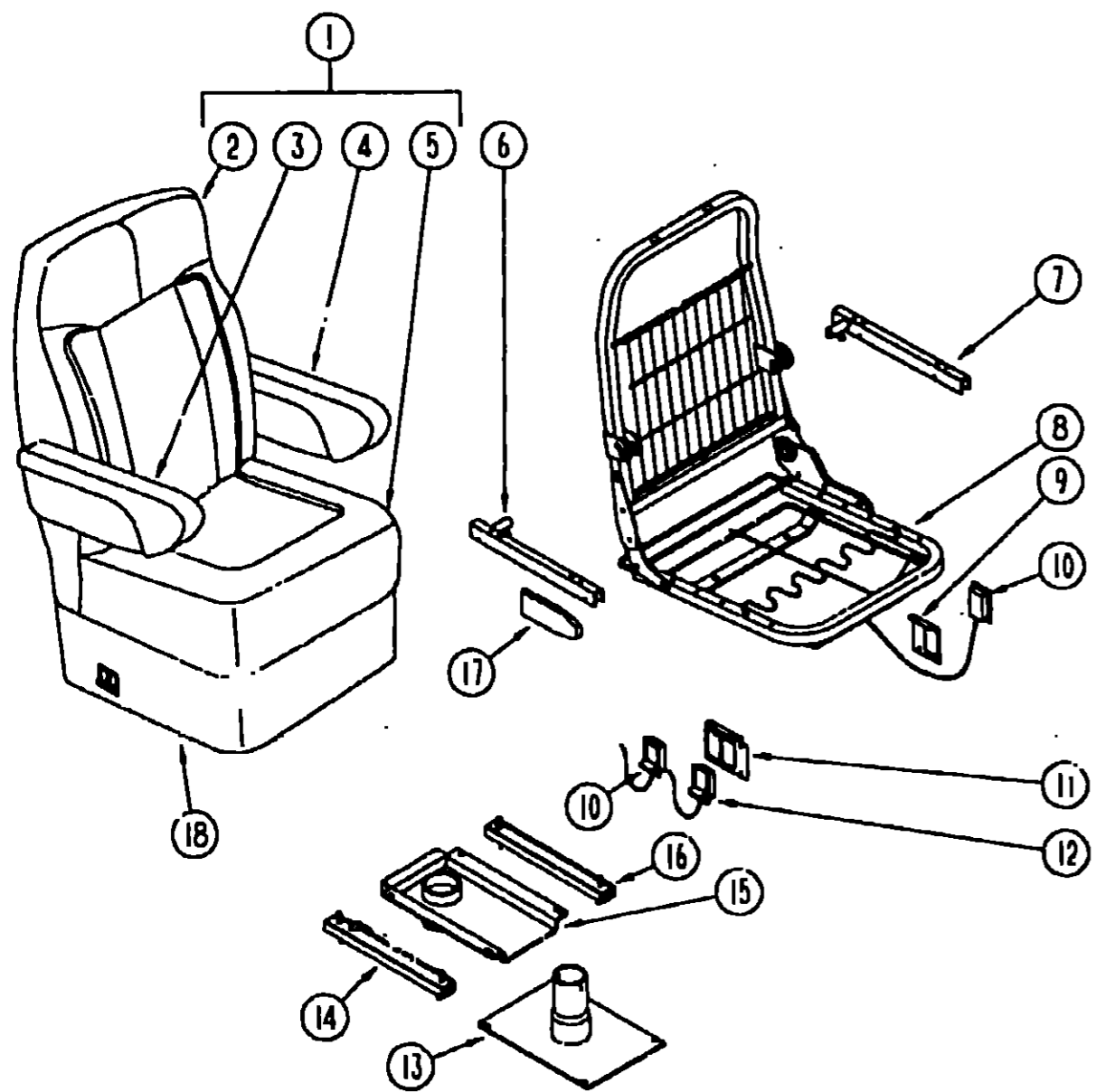
INTRODUCTION	A-01 - A-02
ABBREVIATIONS	A-03
ALPHABETICAL INDEX	A-04 - A-06
IF527RQ	A-07 - D-24
IF527RC	E-01 - H-16

**1992 IF527RQ INDEX**

FLOOR PLAN	A-07 - A-08
ACCESSORIES	A-09
AUDIO VIDEO	A-10
BATH	A-11 - A-12
BEDROOM	A-13 - A-17
CHASSIS	A-18 - A-22
CURTAIN & CUSHION	A-23 - B-08
DINETTE	B-09 - B-10
DRIVERS	B-11 - B-12
ELECTRICAL	B-13 - B-16
EXTERIOR BODY	B-17 - B-24
GALLEY	C-01 - C-05
GENERATOR	C-06
HEATING & A/C	C-07 - C-08
INTERIOR FINISH	C-09 - C-12
LABEL	C-13 - C-19
LP	C-20
LOUNGE	C-21 - C-22
SEALANTS & FASTENERS	C-23 - D-01
WATER & SEWAGE	D-02 - D-06
WINDOW, VENT AND EXTERIOR DOOR	D-07 - D-24

**CURTAIN, CUSHION GROUP (CONTINUED)**

**BUCKET SEATS**



KEY	PART NUMBER	U/M DESCRIPTION
1	093450-27-C43	EA SEAT-BUCKET, W/RIGHT ARMREST
1	093450-23-C44	EA SEAT-BUCKET, W/RIGHT ARMREST
1	093450-28-C43	EA SEAT-BUCKET, W/LEFT ARMREST
1	093450-24-C44	EA SEAT-BUCKET, W/LEFT ARMREST
1	093450-29-C43	EA SEAT-BUCKET, W/RIGHT ARMREST-RECLINING
1	093450-25-C44	EA SEAT-BUCKET, W/RIGHT ARMREST-RECLINING
1	093450-30-C43	EA SEAT-BUCKET, W/LEFT ARMREST-RECLINING
1	093450-26-C44	EA SEAT-BUCKET, W/LEFT ARMREST-RECLINING
2	M03445-62-C43	EA COVER-BACK, BUCKET
2	M03445-22-C44	EA COVER-BACK, BUCKET
3	080243-49-C27	EA ARMREST-RIGHT(C43)
3	080243-49-C28	EA ARMREST-RIGHT (C44)
	M80243-49-C27	EA COVER-ARMREST, RIGHT(C43)
	M80243-49-C28	EA COVER-ARMREST, RIGHT(C44)
4	080243-50-C27	EA ARMREST-LEFT(C43)
4	080243-50-C28	EA ARMREST-LEFT(C44)
	M80243-50-C27	EA COVER-ARMREST, LEFT (C43)
	M80243-50-C28	EA COVER-ARMREST, LEFT(C44)
5	M03445-63-C43	EA COVER-SEAT, BUCKET(C43)
5	M03445-23-C44	EA COVER-SEAT, BUCKET(C44)
6	081268-01-000	EA ROD & CHANNEL-ARMREST, RIGHT - METAL
7	081268-02-000	EA ROD & CHANNEL-ARMREST, LEFT - METAL
	081361-01-000	EA ROD-ARMREST, METAL - RIGHT OR LEFT HAND
8	M80906-06-000	EA FRAME-SEAT&BACK&SPRING
8	M80906-05-000	EA FRAME-SEAT&BACK&SPRING, RECLINING
	101125-01-000	EA RECLINER-SEAT BACK, LEFT HAND RFMOTE
9	097683-03-000	EA BRACKET-REMOTE, SIDE MOUNT - SINGLE
10	089368-04-000	EA CABLE-SWIVEL, W/SWITCH - BUCKET SEAT
11	097683-02-000	EA BRACKET-MOUNT, REMOTE
12	089368-05-000	EA CABLE-RECLINER, W/SWITCH - BUCKET SEAT
13	069585-02-000	EA PLATE-SUB. BASE - BUCKET SEAT - 12' X 13' - STEEL FROM 00-00-00 THRU 10-06-91
13	069585-41-000	EA PLATE-SUB. BASE - BUCKET SEAT - 12' X 13' - STEEL FROM 10-07-91 THRU 99-99-99
14	069246-05-000	EA ADJUSTER-SEAT/CHAIR, W/REMOTE - FORWARD & BACK
	069246-05-700	EA SPRING-ADJUSTER, FOR REMOTE
	069246-05-701	EA CLIP-CABLE, FOR REMOTE
15	093481-04-000	EA TOP PLATE-PEDESTAL, BUCKET SEAT - W/O SEATBELT BAR
16	069246-02-000	EA ADJUSTER-SEAT/CHAIR, W/O LOCK - FORWARD & BACK
	069585-03-000	EA PEDESTAL-LOWER, W/EXTENSION - 9' X 5' - STEEL
17	089369-08-000	EA SHIELD-CABLE, REMOTE RECLINER - BUCKET SEAT
18	071126-24-C27	EA SKIRT-BUCKET SEAT (C43)
18	071126-24-C28	EA SKIRT-BUCKET SEAT (C44)

**HEADREST FOR JAPAN EXPORT**

KEY	PART NUMBER	U/M DESCRIPTION
	085268-02-C43	EA HEADREST ASM-STRATON
	085268-02-C44	EA HEADREST ASM-STRATON
	M85268-02-C43	EA COVER ASM-HEADREST, STRATON
	M85268-02-C44	EA COVER ASM-HEADREST, STRATON
	081172-01-000	EA TRIM-HEADREST, PLASTIC - BLACK
	091313-01-000	EA GROMMET-HEADREST

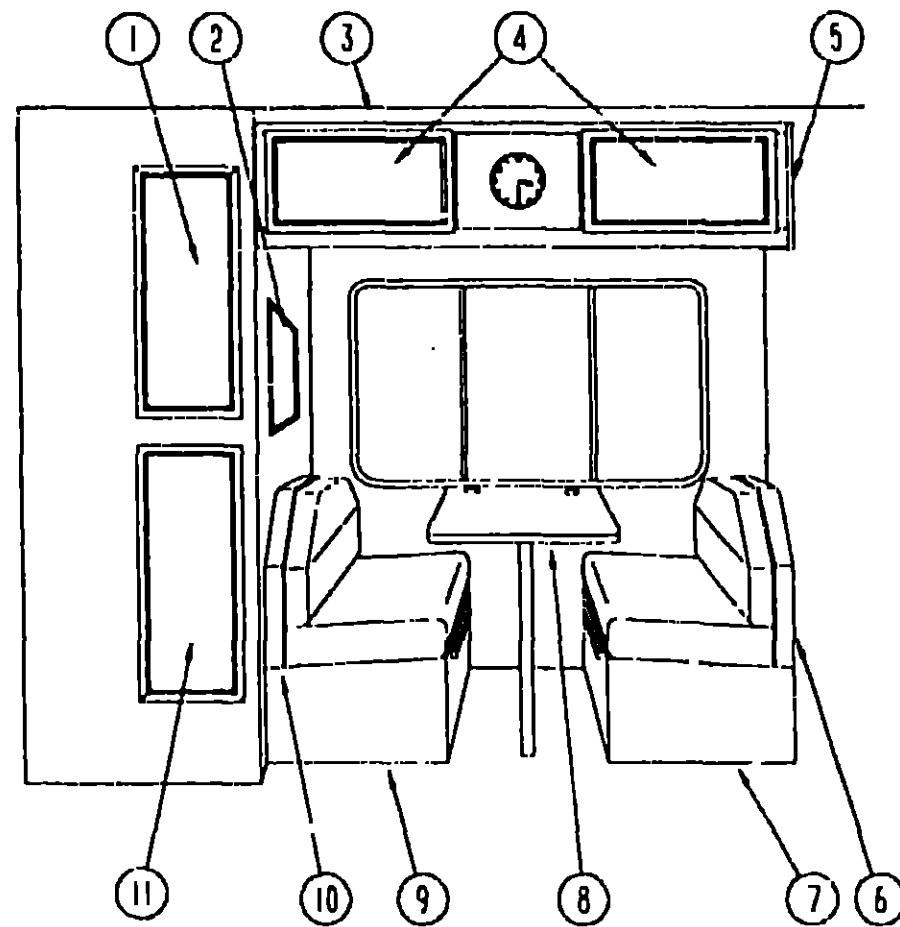
**1992 ITASCA  
TABLE OF CONTENTS**

INTRODUCTION	A-01	A-02
ABBREVIATIONS		A-03
ALPHABETICAL INDEX	A-04	A-06
IF527RQ	A-07	D-24
IF527RC	E-01	H-16

**1992 IF527RQ INDEX**

FLOOR PLAN	A-07	A-08
ACCESSORIES		A-09
AUDIO VIDEO		A-10
BATH	A-11	A-12
BEDROOM	A-13	A-17
CHASSIS	A-18	A-22
CURTAIN & CUSHION	A-23	B-08
DINETTE	B-09	B-10
DRIVERS	B-11	B-12
ELECTRICAL	B-13	B-16
EXTERIOR BODY	B-17	B-24
GALLEY	C-01	C-05
GENERATOR		C-06
HEATING & A/C	C-07	C-08
INTERIOR FINISH	C-09	C-12
LABEL	C-13	C-19
LP		C-20
LOUNGE	C-21	C-22
SEALANTS & FASTENERS	C-23	D-01
WATER & SEWAGE	D-02	D-06
WINDOW VENT AND EXTERIOR DOOR	D-07	D-24

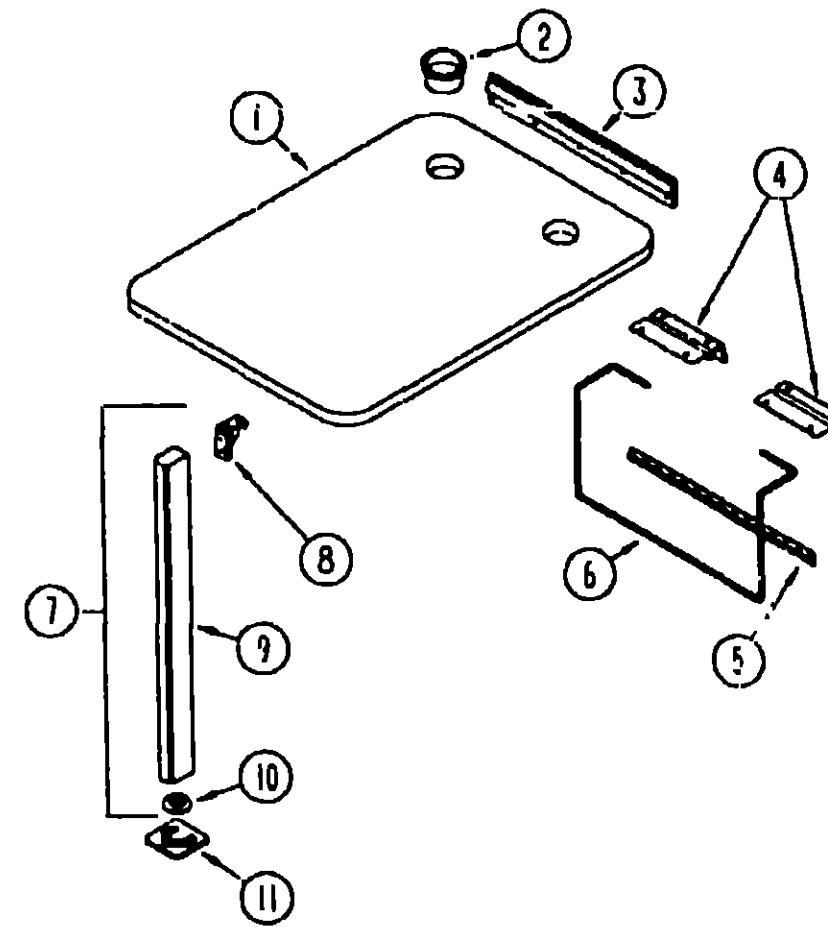
**DINETTE GROUP**



**CABINETS, PADS & TABLE**

KEY	PART NUMBER	U/M DESCRIPTION
1	P03702-34-B87	EA DOOR-CABINET, W/O HARDWARE - 305 X 1015 MM
2	093446-04-B87	EA MIRROR-WOOD FRAMED
	058331-01-000	EA MIRROR-SAFETY GLASS 15" X 26"
	M03450-04-000	EA TRIM-MIRROR, WOOD - OAK
3	M05678-02-C43	EA CABINET-OVERHEAD, W/O DOOR & HARDWARE
3	M05678-02-C44	EA CABINET-OVERHEAD, W/O DOOR & HARDWARE
4	P03702-65-C25	EA DOOR-CABINET, W/O HARDWARE - 400 X 520MM
5	104335-06-C43	EA END CAP-CABINET, OVERHEAD
6	M04174-12-C27	EA CABINET-BACKREST, RIGHT SIDE
	104787-01-C43	EA PAD-BACKREST DINETTE (C43)
	104787-01-C26	EA PAD-BACKREST, DINETTE (C44)
7	M04175-12-C27	EA CABINET-SEATBASE, RIGHT SIDE
	081518-01-B27	EA TOP-SEATBASE, RIGHT SIDE
	081295-01-AAB	EA SUPPORT-TABLE, MOUNTED TO BOTH SEATBASE CABINETS
8	M03475-04-C43	EA TABLE-DINETTE, W/O HARDWARE
8	M03475-04-C44	EA TABLE-DINETTE, W/O HARDWARE
9	M04175-16-C43	EA CABINET-SEATBASE, LEFT SIDE
	103595-11-C27	EA TOP-SEATBASE, LEFT SIDE
10	104787-02-C43	EA PAD-BACKREST, DINETTE (C52)
10	104787-02-C44	EA PAD-BACKREST, DINETTE (C53)
11	P03702-34-C43	EA DOOR-CABINET, W/O HARDWARE - 305 X 660MM

**DINETTE GROUP (CONTINUED)**



**DINETTE TABLE**

KEY	PART NUMBER	U/M DESCRIPTION
1	M03475-04-C43	EA TABLE-DINETTE W/O HARDWARE
1	M03475-04-C44	EA TABLE-DINETTE W/O HARDWARE
2	064781-06-000	EA HOLDER-CUP TWO STEP - OFF WHITE
3	053200-09-000	EA BRACKET-TABLE SUPPORT, UPPER WALL MOUNTED - 18 5" - BEIGE
4	088410-01-000	EA BRACKET-LIFT, TABLE MOUNTED - BEIGE
5	024281-11-000	EA BRACKET-LIFT ROD LOWER WALL MOUNTED - 17 12" - BEIGE
5	024275-11-000	EA ROD-TABLE LIFT 8" X 18 5" - BEIGE
7	092708-06-C31	EA LEG ASM-TABLE
8	093550-01-000	EA BRACKET-HINGE MOUNTS TO LEG & TABLE TOP - 17" X 2 6"
9	092707-01-02A	EA MOLDING-OAK REGAL
10	092593-01-04A	EA CATCH-LEG LEG MOUNTED - ROUND 1 4" DIA - METAL - BEIGE
11	049493-11-700	EA CATCH-LEG FLOOR MOUNTED - 2 5" X 2 7" - METAL - F COAT

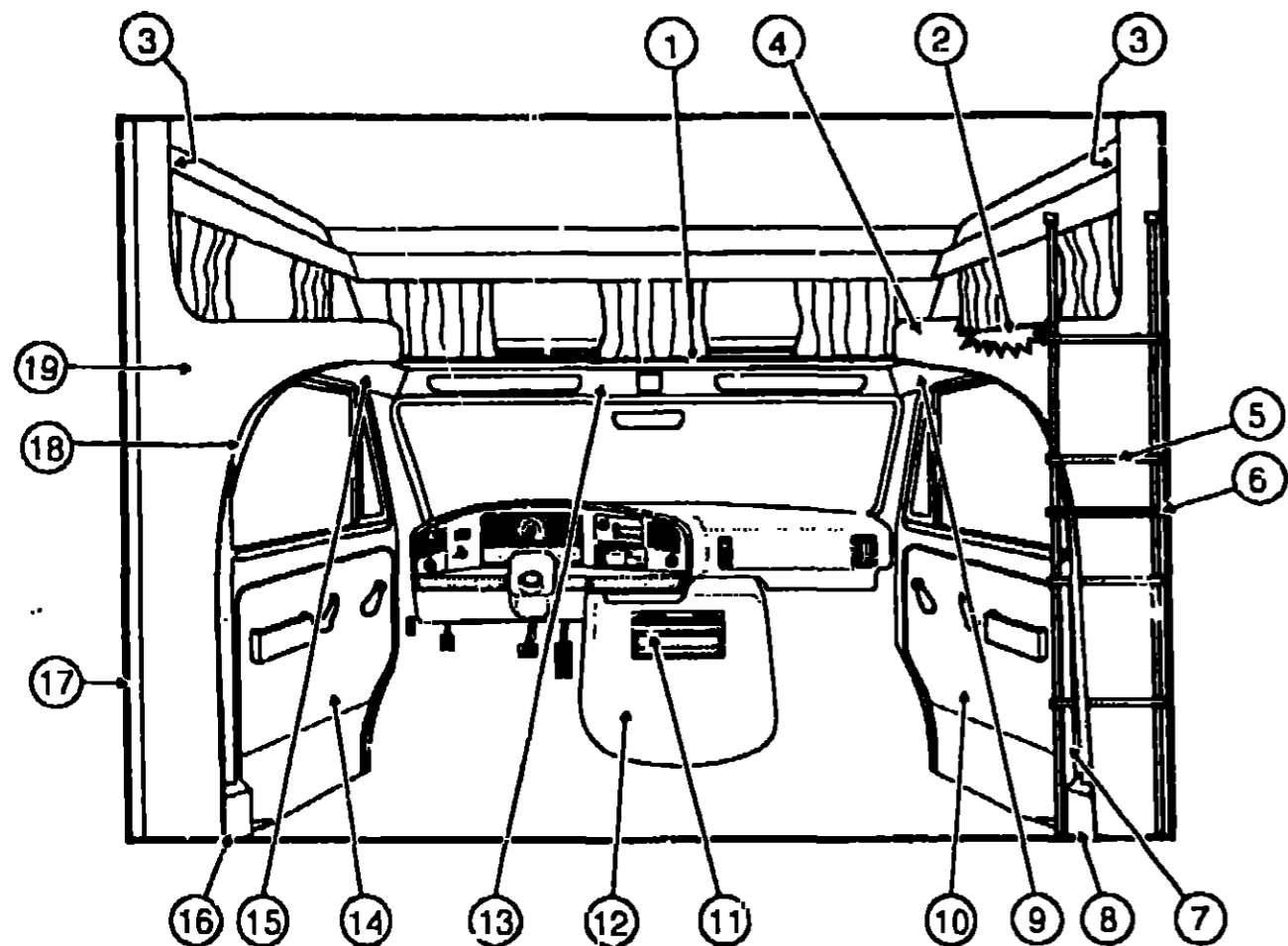
**1992 ITASCA  
TABLE OF CONTENTS**

INTRODUCTION	A-01 - A-02
ABBREVIATIONS	A-03
ALPHABETICAL INDEX	A-04 - A-06
IF527RO	A-07 - D-24
IF527RC	E-01 - H-16

**1992 IF527RQ INDEX**

FLOOR PLAN	A-07 - A-08
ACCESSORIES	A-09
AUDIO VIDEO	A-10
BATH	A-11 - A-12
BEDROOM	A-13 - A-17
CHASSIS	A-18 - A-22
CLUSTAIN & CUSHION	A-23 - B-08
DINETTE	B-09 - B-10
DRIVERS	B-11 - B-12
ELECTRICAL	B-13 - B-16
EXTERIOR BODY	B-17 - B-24
GALLEY	C-01 - C-05
GENERATOR	C-06
HEATING & A/C	C-07 - C-08
INTERIOR FINISH	C-09 - C-12
LABEL	C-13 - C-19
LP	C-20
LOUNGE	C-21 - C-22
SEALANTS & FASTENERS	C-23 - D-01
WATER & SEWAGE	D-02 - D-06
WINDOW VENT AND EXTERIOR DOOR	D-07 - D-24

**DRIVERS COMPARTMENT GROUP**



**DRIVERS COMPARTMENT**

KEY	PART NUMBER	U/M DESCRIPTION
1	106444-01-01A	EA TRIM-SLEEPERBOARD, INNER - OFF WHITE
1	080742-03-000	FT TRIM-VINYL, SLEEPER BOARD - OFF WHITE
2	105777-01-C52	EA PAD ASM-BUNK, OVERHEAD (FORD) (C52)
2	105777-01-C24	EA PAD ASM-BUNK, OVERHEAD (FORD) (C53)
3	082071-10-C52	EA COVER-WINGWALL
		FROM 00-00-00 THRU 10-27-91
3	082071-12-C52	EA COVER-WINGWALL
		FROM 10-28-91 THRU 99-99-99
4	105742-01-C52	EA WINGWALL ASM-INNER, RIGHT (FORD)
		FROM 00-00-00 THRU 10-06-91
4	106440-03-C52	EA WINGWALL ASM-INNER, RIGHT (FORD)
		FROM 10-07-91 THRU 99-99-99
	106445-01-C52	EA TRIM ASM-WINGWALL WRAP, RIGHT (FORD)
		FROM 10-07-91 THRU 99-99-99
		BETWEEN CAB STEEL & B PILLAR
5	106025-02-01A	EA LADDER-BUNK, BLACK - 1434 MM
	106025-01-700	EA LOCK SET F/BUNK LADDER
6	099856-03-000	EA TIE-DOWN ASM-TIEDOWN, BUNK LADDER
7	106446-01-C52	EA TRIM ASM-CAB, B-PILLAR - RIGHT (FORD)
		FROM 10-07-91 THRU 99-99-99
8	106431-01-01A	EA COVER-SEATBELT, RIGHT - OFF WHITE (FORD)
		FROM 10-07-91 THRU 99-99-99
9	091825-02-AA5	EA HEADLINER-VINYL COVERED, SIDE - 2 USED - OFF WHITE (FORD)
		FROM 00-00-00 THRU 10-06-91
9	106447-01-C52	EA TRIM ASM-CAB DOOR, UPPER - RIGHT (FORD)
		FROM 10-07-91 THRU 99-99-99
10	106432-01-C43	EA PANEL ASM-DOOR, INNER, RIGHT (FORD)
		FROM 10-07-91 THRU 99-99-99
10	106432-01-C44	EA PANEL ASM-DOOR, INNER, RIGHT (FORD)
		FROM 10-07-91 THRU 99-99-99

**DRIVERS COMPARTMENT GROUP (CONTINUED)**

**DRIVERS COMPARTMENT (CONTINUED)**

KEY	PART NUMBER	U/M DESCRIPTION
11	106534-01-C03	FA TRAY ASM-BEVERAGE (FORD)
		FROM: 00-00-00 THRU: 01-26-92
11	107134-02-C70	EA TRAY-BEVERAGE, OAK - W/CASSETTE (FORD)
		FROM 01-27-92 THRU 99-99-99
12	069885-23-C43	EA COVER-MOTOR, W/POCKET (FORD)
12	069885-23-C44	EA COVER-MOTOR, W/POCKET (FORD)
	046885-03-000	EA ASHTRAY-CHROME, W/COVER
13	091831-01-B05	EA HEADLINER-VINYL COVERED, FRONT - OFF WHITE (FORD)
		FROM 00-00-00 THRU 10-06-91
13	106448-01-C52	EA HEADLINER-VINYL COVERED, FRONT - OFF WHITE (FORD)
		FROM 10-07-91 THRU 99-99-99
14	106432-02-C43	EA PANEL ASM-DOOR, INNER, LEFT (FORD)
		FROM: 10-07-91 THRU 99-99-99
14	106432-02-C44	EA PANEL ASM-DOOR, INNER, LEFT (FORD)
		FROM: 10-07-91 THRU 99-99-99
15	091825-02-AA5	EA HEADLINER-VINYL COVERED, SIDE - 2 USED - OFF WHITE (FORD)
		FROM 00-00-00 THRU 10-06-91
15	106447-02-C52	EA TRIM ASM-CAB DOOR, UPPER - LEFT (FORD)
		FROM 10-07-91 THRU 99-99-99
	091871-05-000	EA COVER-SEATBELT, OFF WHITE
		FROM 00-00-00 THRU 10-06-91
16	106431-02-01A	EA COVER-SEATBELT, LEFT - OFF WHITE (FORD)
		FROM 10-07-91 THRU 99-99-99
17	082081-28-C43	EA COVER-WINGWALL, 1346MM LONG - VINYL - OFF WHITE - DRIVER SIDE
	082081-20-C52	EA COVER-WINGWALL, 2002MM LONG - VINYL - OFF WHITE - PASSENGER SIDE
18	106446-02-C52	EA TRIM ASM-CAB, B-PILLAR, RIGHT (FORD)
		FROM 10-07-91 THRU 99-99-99
19	105742-02-C52	EA WINGWALL ASM-INNER, LEFT (FORD)
		FROM 00-00-00 THRU 10-06-91
19	106440-04-C52	EA WINGWALL ASM-INNER, LEFT (FORD)
		FROM 10-07-91 THRU 99-99-99
	106445-02-C52	EA TRIM ASM-WINGWALL WRAP, LEFT (FORD)
		FROM 10-07-91 THRU 99-99-99
		BETWEEN CAB STEEL & B PILLAR TRIM

**INSTRUMENT CLUSTERS**

KEY	PART NUMBER	U/M DESCRIPTION
	094795-02-000	EA CLUSTER-INSTRUMENT PANEL, KILOMETER - FOUZ-17255-B (FORD)
		FROM 00-00-00 THRU 10-06-91
	094795-03-000	EA CLUSTER-INSTRUMENT PANEL, KILOMETER - FORD F2UF108498F (FORD)
		FROM 10-07-91 THRU 99-99-99
	094795-01-000	EA SPEEDOMETER-KILOMETER (FORD)
	081082-01-000	EA PLAQUE-MOUNTING, BATTERY/FUEL SWITCH - 2.4" X 1.4" - BLK (FORD)
	100138-01-000	EA MODULE-DAYTIME RUNNING LIGHT
	024461-01-000	EA SWITCH-BATT. BATT/DUAL/MOM

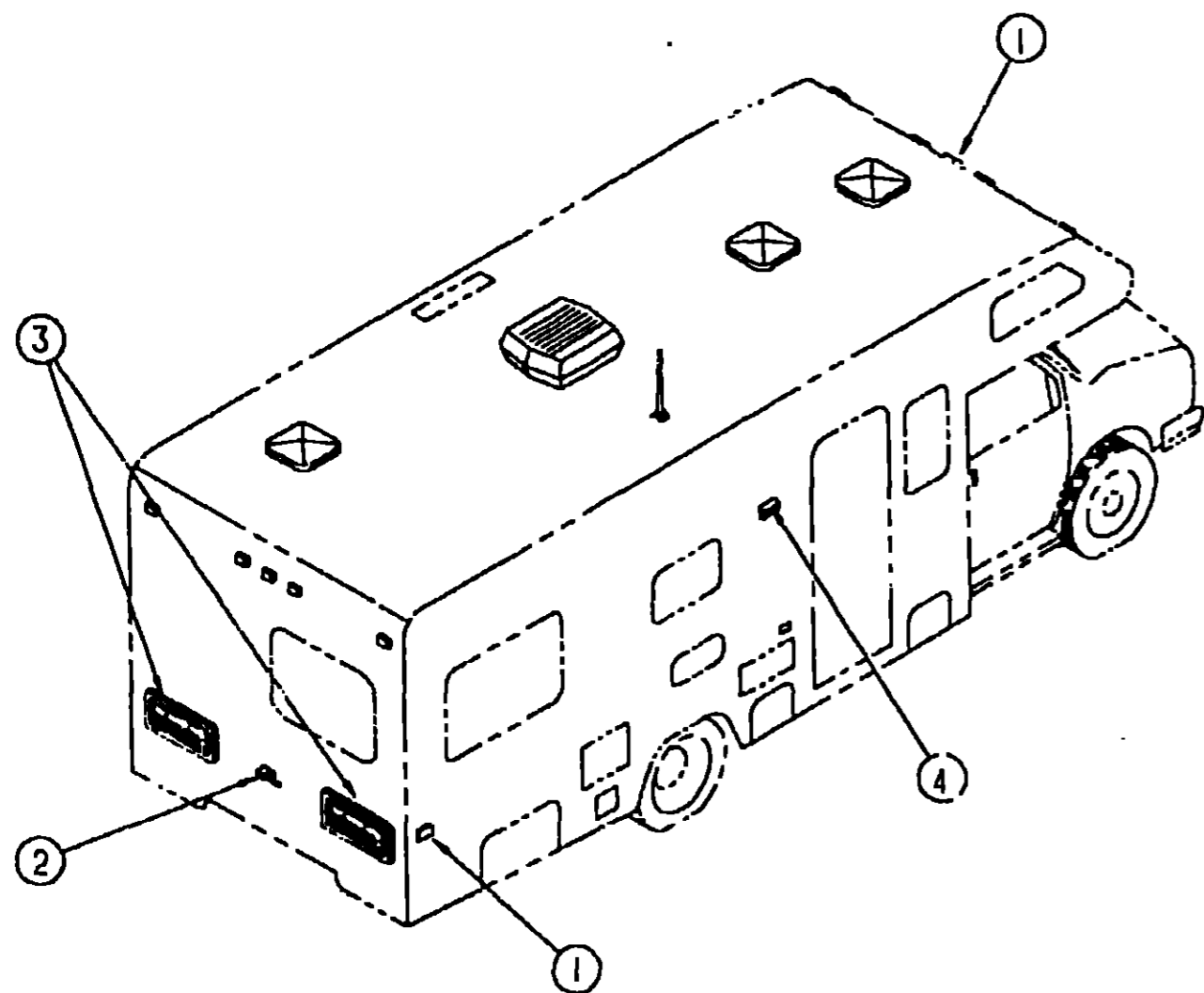
**1992 ITASCA  
TABLE OF CONTENTS**

INTRODUCTION	A-01 - A-02
ABBREVIATIONS	A-03
ALPHABETICAL INDEX	A-04 - A-06
IF527RQ	A-07 - D-24
IF527RC	E-01 - H-16

**1992 IF527RQ INDEX**

FLOOR PLAN	A-07 - A-08
ACCESSORIES	A-09
AUDIO VIDEO	A-10
BATH	A-11 - A-12
BEDROOM	A-13 - A-17
CHASSIS	A-18 - A-22
CURTAIN & CUSHION	A-23 - B-08
DINETTE	B-09 - B-10
DRIVERS	B-11 - B-12
ELECTRICAL	B-13 - B-16
EXTERIOR BODY	B-17 - B-24
GALLEY	C-01 - C-05
GENERATOR	C-06
HEATING & A/C	C-07 - C-08
INTERIOR FINISH	C-09 - C-12
LABEL	C-13 - C-19
LP	C-20
LOUNGE	C-21 - C-22
SEALANTS & FASTENERS	C-23 - D-01
WATER & SEWAGE	D-02 - D-06
WINDOW, VENT AND EXTERIOR DOOR	D-07 - D-24

**ELECTRICAL GROUP**



**EXTERIOR LIGHTS**

KEY	PART NUMBER	U/M	DESCRIPTION
1	042405-02-000	EA	LENS-CLEARANCE/SIDEMARKER LIGHT, W/REFLEX - AMBER
1	042405-03-000	EA	BASE-CLEARANCE/SIDEMARKER LIGHT, W/BULB - PLASTIC - WHITE
1	008213-01-000	EA	BULB
	091983-01-000	EA	GASKET-CLEARANCE/SIDEMARKER LIGHT
	042405-01-000	EA	LENS-CLEARANCE/SIDEMARKER LIGHT, W/REFLEX - RED
	042405-03-000	EA	BASE-CLEARANCE/SIDEMARKER LIGHT, W/BULB - PLASTIC - WHITE
	008213-01-000	EA	BULB
2	060432-01-000	EA	LIGHT-LICENSE PLATE, W/BACKET
3	103545-01-01A	EA	TAIL LIGHT ASM-TRIPLE, HORIZONTAL - BARGMAN 30-84-103
	037934-01-000	EA	BULB-12V NO1156 2 10AMP
	037935-01-000	EA	BULB-12V NO1157 2 10AMP
	081638-01-700	EA	LENS-TAILLIGHT (RED)
	103545-01-700	EA	LENS-BACKUP
4	097917-01-01A	EA	LIGHT-PORCH, ENTRY DOOR - OFF WHITE
	008215-01-000	EA	BULB
	097917-01-700	EA	LENS

**ELECTRICAL GROUP (CONTINUED)**

**INTERIOR LIGHTS & BULBS**

KEY	PART NUMBER	U/M	DESCRIPTION
	104173-01-01A	EA	LIGHT-DESIGNER, BRASS - #81-905 *A.W. ASPLUND
	104172-01-01A	EA	LIGHT-BULLET, BEIGE - #787 SERIES - BULB #93 12V
	086280-01-000	EA	LIGHT-SURFACE MOUNT, 12V - JENSEN 1236
	086280-01-700	EA	BULB-12 VOLT, 6 WATT
	078424-02-000	EA	LIGHT-FLUORESCENT, 12V DC - 18" - ALMOND
	091937-03-000	EA	BULB-FLUORESCENT LIGHT, 12V - THIN LITE 736
	078424-02-701	EA	LENS-LIGHT, FLUORESCENT - 18"
	082169-01-000	EA	LIGHT-MAKE-UP, 3 BULB - JENSEN X140-16BR
	081633-01-700	EA	BULB-MAKE UP LIGHT, JENSEN
	098024-01-01A	EA	LIGHT-DOME, 1 BULB - US - IVORY
	098024-03-01A	EA	LIGHT-DOME, 2 BULB - IVORY
	008218-01-000	EA	BULB
	098024-01-700	EA	LENS-DOME LIGHT

**SWITCHES & RECEPTACLES**

KEY	PART NUMBER	U/M	DESCRIPTION
	079364-01-000	EA	SWITCH-ON/OFF ROCKER, 2 PRONGS - BROWN
	079364-03-000	EA	SWITCH-ON/OFF ROCKER, 3 PRONGS - BROWN
	096241-07-000	EA	SWITCH-ROCKER, DPDT - ON/ON - BLACK
	108356-02-01A	EA	ACTUATOR-SWITCH, DIMPLE II-CARLING VVAZC00 BLACK
	108357-08-000	EA	SWITCH-ROCKER, DPDT - ON/NONE/ON - CARLING VDD1S00C-0
	098351-01-01A	FA	PLATE-SWITCH, 1 GANG - POLISHED BRASS
	098351-02-01A	EA	PLATE-SWITCH, 2 GANG - POLISHED BRASS
	098351-05-01A	EA	PLATE-SWITCH, 3 GANG - POLISH BRASS - JENSEN
	098351-03-01A	EA	PLATE-SWITCH, 2 GANG W/LABEL - JENSEN - POLISHED BRASS
	081994-02-000	EA	PLATE-SWITCH, EXTERIOR SHOWER
	095188-01-01A	EA	SPACER-SWITCH, 2 3" X 3 4" - PLASTIC - DARK BROWN
	075723-01-000	EA	SPACER-SWITCH, W/O HOLE - 2" X 9" X 2" - METAL - OFF WHITE
	075723-02-000	EA	SPACER-SWITCH, W/HOLE - 2" X 9" X 2" - METAL - OFF WHITE
	084076-02-000	EA	RECEPTACLE-GFI, 15A - 125V - BROWN
	084077-01-000	EA	PLATE-COVER, RECEPTACLE - GFI - IVORY
	058707-01-000	EA	RECEPTACLE-ELECTRIC, SINGLE - BROWN
	058708-01-000	EA	RECEPTACLE-ELECTRIC, DOUBLE - BROWN
	058708-02-000	EA	RECEPTACLE-ELECTRIC, DOUBLE - IVORY
	102568-01-232	EA	SPACER-RECEPTACLE, BETWEEN SIDEWALL & PLATE - WOOD
	097734-01-01A	EA	EXTENSION-RECEPTACLE, 3 2" X 5" X 7" - PLASTIC - IVORY
	024924-02-000	EA	RECEPTACLE-POWER CORD, W/PARTIAL PLATE
	075736-02-000	EA	COVER-EXTERIOR RECEPTACLE, OFF WHITE

**POWER CONVERTER/CONTROL CENTER**

KEY	PART NUMBER	U/M	DESCRIPTION
	083208-01-000	EA	POWER CONVERTER/CONTROL CENTER, 32A - 120V/12V - BW 6332
	092615-01-000	EA	CONVERTER-POWER, 40 AMP, W/CHARGER - B-W 3240DP
	094809-01-000	EA	CENTER-CONTROL, 240V - 125A - TPL412CT

**1992 ITASCA  
TABLE OF CONTENTS**

INTRODUCTION	A-01	A-02
ABBREVIATIONS		A-03
ALPHABETICAL INDEX	A-04	A-06
IF527RO	A-07	D-24
IF527HC	E-01	H-16

**1992 IF527RQ INDEX**

FLOOR PLAN	A-07	A-08
ACCESSORIES		A-09
AUDIO VIDEO		A-10
BATH	A-11	A-12
BEDROOM	A-13	A-17
CHASSIS	A-18	A-22
CURTAIN & CUSHION	A-23	B-08
DINETTE	B-09	B-10
DRIVERS	B-11	B-12
ELECTRICAL	B-13	B-16
EXTERIOR BODY	B-17	B-24
GALLEY	C-01	C-05
GENERATOR		C-06
HEATING & A/C	C-07	C-08
INTERIOR FINISH	C-09	C-12
LABEL	C-13	C-19
LP		C-20
LOUNGE	C-21	C-22
SEALANTS & FASTENERS	C-23	D-01
WATER & SEWAGE	D-02	D-06
WINDOW, VENT AND EXTERIOR DOOR	D-07	D-24



**ELECTRICAL GROUP (CONTINUED)**

**SOLENOID, FUSES & CIRCUIT BREAKERS**

KEY	PART NUMBER	U/M	DESCRIPTION
	008188-01-000	EA	SOLENOID-3 POST, BATTERY CHANGE OVER
	063910-01-000	EA	HOUSING-RELAY, BOSCH 3 334 485 008
	008235-01-000	EA	FUSE-AUTOMOTIVE, 12V - 15AMP
	062901-02-000	EA	FUSE 5 AMP, AUTOMOTIVE
	062901-05-000	EA	FUSE-15 AMPS, AUTOMOTIVE
	100341-01-000	EA	FUSE HOLDER-IN LINE TYPE - WESCO 8931-92020
	008211-01-000	EA	BREAKER-CIRCUIT, 12V - 6AMP
			FROM 00-00-00 THRU 12-05-91
	093654-01-000	EA	BREAKER-CIRCUIT, 6 AMP - HOUSE CONTROL PANEL
			FROM 12-06-91 THRU 99-99-99
	008268-01-000	EA	BREAKER-CIRCUIT, W/MOUNT - 30A - 12V
			FROM 00-00-00 THRU 12-05-91
	093655-02-000	EA	BREAKER-CIRCUIT, 30 AMP - HOUSE CONTROL PANEL
			FROM 12-06-91 THRU 99-99-99
	050283-02-000	EA	BAR-BUSS, CIRCUIT BREAKER
			FROM 00-00-00 THRU 12-05-91
	093655-01-000	EA	BREAKER-CIRCUIT, 25 AMP
			FROM 12-06-91 THRU 99-99-99
	083209-01-000	EA	BREAKER-CIRCUIT, 15 AMP, 120V - BW G-15 - CANADIAN
	083209-03-000	EA	BREAKER-CIRCUIT, 15/20AMP, 120V - BW G-15/20
	083209-04-000	EA	BREAKER-CIRCUIT, 30A - 120V - BW I-30
	083209-05-000	EA	BREAKER-CIRCUIT, 20A - 120V - BW J-20
	083209-06-000	EA	BREAKER-CIRCUIT, 30/15 AMP - 120V - BW D-30/15
	083209-08-000	EA	BREAKER-CIRCUIT, BLANK - BW
	094810-01-000	EA	BREAKER-CIRCUIT, DOUBLE 30 AMP - GE THOL2130
	094811-01-000	EA	BREAKER-CIRCUIT, DOUBLE 20 AMP - GE THOL2120

**POWER CORDS & ELECTRIC BOXES**

KEY	PART NUMBER	U/M	DESCRIPTION
	008052-01-000	EA	CORD-POWER, 10/3 - 30 AMP - 25' - CANADIAN
	008054-01-000	EA	CORD-POWER, 10/3 - 30 AMP - 25'
	008288-01-000	EA	BOX-PLASTIC ELECTRIC, 3' X 3 1/2'
	008289-01-000	EA	BOX-ELECTRIC, STEEL - 1/2" AND 3/4" KNOCKOUTS - 4' X 4'
	008289-02-000	EA	BOX-ELECTRICAL, 4' X 4' - 1/2" & 3/4" KNOCKOUTS - CANADIAN
	091910-01-000	EA	BOX-ELECTRIC, 3 7/8" X 3 5/8" X 1 7/8" - PLASTIC
	093603-01-000	EA	BOX-ELECTRIC, 4' X 2 1/8" X 2 1/8" - STEEL
	107165-01-01A	EA	BOX-CIRCUIT BREAKER, MOUNTING - BLACK
			FROM 12-06-91 THRU 99-99-99
	058049-01-000	EA	BOX-ELECTRIC SWITCH, 2" X 3" X 2 25"
	008294-02-000	EA	COVER-ELECTRICAL BOX, BLANK STEEL - 4' X 4' - CANADIAN
	069238-01-000	EA	COVER-ELECTRICAL BOX, W/HOLE - 4' X 4' - GRAY USED WITH 30 AMP RECEPTACLE

**WIRE ASSEMBLIES**

KEY	PART NUMBER	U/M	DESCRIPTION
	097618-01-000	EA	WIRE ASM-MONITOR PANEL, W/4 WIRES & BLACK RESISTOR - LV5
	100159-02-000	EA	WIRE ASM-DAYTIME RUNNING LIGHTS, W/FUSE
			FROM 00-00-00 THRU 10-06-91
	106851-01-000	EA	WIRE ASM-DAYTIME RUNNING LIGHTS, W/FUSE
			FROM 10-07-91 THRU 99-99-99
	103328-06-000	EA	WIRE ASM-PUMP, EXTERIOR SHOWER
	105306-01-000	EA	WIRE ASM-MONITOR PANEL ADAPT

**ELECTRICAL GROUP (CONTINUED)**

**CONNECTORS & CONDUIT**

KEY	PART NUMBER	U/M	DESCRIPTION
	007940-01-000	EA	RECEPTACLE-SLIDE, 16 TO 12 AWG - FEMALE END
	080015-02-000	EA	RECEPTACLE-FLAG, 185 - 16/14 GA - AMP 3
	080015-03-000	EA	RECEPTACLE FLAG, 250 - 14/16 GA
	008311-01-000	EA	CONNECTOR-WIRE NUT, INSULATED - RED
	008314-01-000	EA	CONNECTOR-WIRE NUT, INSULATED - GRAY
	098420-01-000	EA	CONNECTOR-SWIVEL 1/2" FPT X 5/8" TUBE - PLASTIC
	008355-01-000	EA	CONNECTOR-CABLE CLAMPING, 3/4"
	008356-01-000	EA	CONNECTOR-PLASTIC, 3/8" AVG
	041480-01-000	EA	CONNECTOR-STRAIGHT, 1/2" FLL, CONDUIT
	058028-01-000	EA	CONNECTOR-ELECTRICAL PIGTAIL, NYLON - CLEAR
	008326-01-000	EA	TERMINAL-RING, 15/14 WIRE - 3/8" STUD
	008328-01-000	EA	TERMINAL-RING 12/10 WIRE - #10 STUD FIT
	008331-01-000	EA	TERMINAL-RING TONGUE - #4 WIRE - 3/8" STUD - COPPER
	008348-01-000	EA	TERMINAL-RING, 3/8" STUD - #2 WIRE
			CONNECTS CABLE TO DISCONNECT RELAY AND BATTERY
	035416-04-000	EA	TERMINAL-RING #10 STUD FIT, INSULATED BARREL #16/14
	047443-01-000	EA	TERMINAL-250 RECEPT FIT INSULATED - 16/14 AWG
	047443-02-000	EA	TERMINAL-250 RECEPT FIT, INSULATED - 12/10 AWG
	087919-01-000	EA	BUSS BAR-2 POSITION 6" X 1 5/8" - ALUMINUM
	088475-01-000	EA	PIN-CONNECTOR, 14 TO 20 AWG
	088475-02-000	EA	PIN-CONNECTOR, 10 TO 12 AWG
	088473-01-000	EA	PIN-HOUSING, 4 ROWS OF 3
	088473-05-000	EA	PIN-HOUSING, 6 POSITION (SINGLE ROW)
	088473-06-000	EA	PIN-HOUSING, 6 POSITION (TWO ROWS OF THREE)
	088473-09-000	EA	PIN-HOUSING 3 POSITION (SINGLE ROW)
	088473-10-000	EA	PIN-HOUSING, 2 POSITION
	088473-03-000	EA	HOUSING PIN, 3 POSITION
	088473-07-000	EA	HOUSING-PIN, 5 CAVITY - AMP 1-480763 0
	088473-08-000	EA	HOUSING-PIN 4 POSITION
	088474-02-000	EA	HOUSING-SOCKET, 15 POSITION (3 ROWS OF 5)
	088474-03-000	EA	HOUSING-SOCKET, 9-POSITION
	088474-07-000	EA	HOUSING-SOCKET, 5 CAVITY - AMP 1-480764-0
	088474-09-000	EA	HOUSING SOCKET, 3 POSITION
	088474-10-000	EA	HOUSING-SOCKET 2 POSITION
	088474-06-000	EA	SOCKET-HOUSING, 6 POSITION (2 ROWS OF THREE)
	088474-08-000	EA	SOCKET-HOUSING, 4 POSITION (SINGLE ROW)
	088476-01-000	EA	SOCKET-CONNECTOR BRASS - PRE-TIN
	088476-02-000	EA	SOCKET-CONNECTOR, 12 10 GA - PHOS DRZ - PRE-TIN
	041953-01-000	FT	CONDUIT-CONVOLUTE SLIT 5/16"
	041953-03-000	FT	CONDUIT-CONVOLUTE SLIT 1" ID (CLOTHES ROD COVER)
	041953-06-000	FT	CONDUIT CONVOLUTE SLIT 3/8" ID
	041953-07-000	FT	CONDUIT-CONVOLUTE SLIT - 25" ID
	041953-08-000	FT	CONDUIT CONVOLUTE, SLIT 1 50" ID
	041953-09-000	FT	CONDUIT-CONVOLUTE SLIT 50" ID
	041953-10-000	FT	CONDUIT-CONVOLUTE SLIT - 75" ID
	041953-11-000	FT	CONDUIT-CONVOLUTE SLIT 1 06" ID
	041953-12-000	FT	CONDUIT-CONVOLUTE NON SLIT 1 1" ID

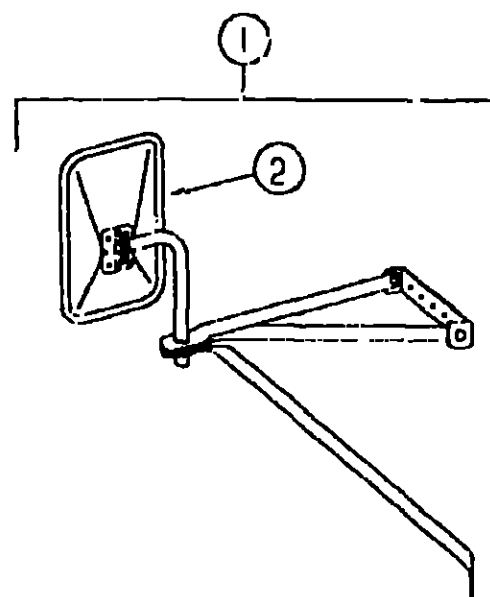
**1992 ITASCA  
TABLE OF CONTENTS**

INTRODUCTION	A-01	A-02
ABBREVIATIONS		A-03
ALPHABETICAL INDEX	A-04	A-06
IF527RO	A-07	D-24
IF527RC	E-01	11-16

**1992 IF527RQ INDEX**

FLOOR PLAN	A-07	A-08
ACCESSORIES		A-09
AUDIO VIDEO		A-10
BATH	A-11	A-12
BEDROOM	A-13	A-17
CHASSIS	A-18	A-22
CURTAIN & CUSHION	A-23	B-08
DINETTE	B-09	B-10
DRIVERS	B-11	B-12
ELECTRICAL	B-13	B-16
EXTERIOR BODY	B-17	B-24
GALLEY	C-01	C-05
GENERATOR		C-06
HEATING & A/C	C-07	C-08
INTERIOR FINISH	C-09	C-12
LABEL	C-13	C-19
LP		C-20
LOUNGE	C-21	C-22
SCALANIS & FASTENERS	C-23	D-01
WATER & SEWAGE	D-02	D-06
WINDOW VENT AND EXTERIOR DOOR	D-07	D-24

## EXTERIOR BODY GROUP



### EXTERIOR MIRRORS

KEY	PART NUMBER	U/M DESCRIPTION
1	106860-02-01A	EA MIRROR ASM-STAR HEAD, LOW MOUNT - VELVAC #713157 (FORD)
2	106860-02-700	EA MIRROR HEAD ONLY, DRIVER SIDE - STAR - VELVAC D747283-9
2	106860-02-701	EA MIRROR HEAD ONLY, PASS SIDE - STAR - VELVAC D747284-9
	106860-02-702	EA GLASS FLAT, VELVAC 702085-B
	105439-01-00C	EA MIRROR-CONVEX, STICK ON

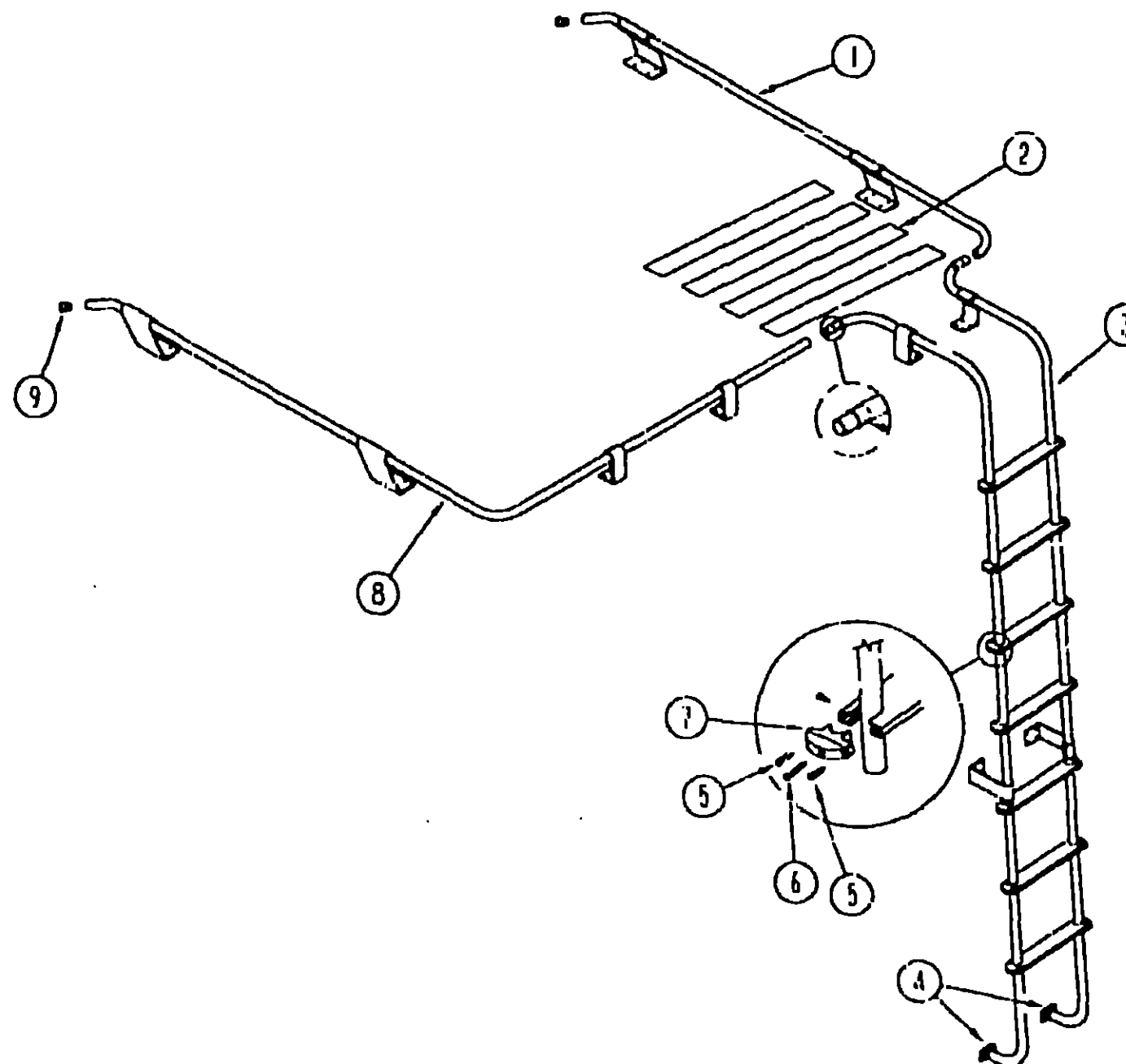
### RUNNING BOARDS

KEY	PART NUMBER	U/M DESCRIPTION
	072884-20-000	EA RUNNING BOARD SET-FORD, 39" - KEMBERLY K-7
	105461-01-000	EA RUNNING BOARD, FORD - RIGHT SIDE - QUALITY COMP
	105461-02-000	EA RUNNING BOARD, FORD - LEFT SIDE - QUALITY COMP
	105461-03-000	EA HARDWARE KIT-RUNNING BOARD - QUALITY COMP

### ASSIST HANDLE & BUMPER

KEY	PART NUMBER	U/M DESCRIPTION
	009126-02-000	EA HANDLE-ASSIST ENTRY DOOR - BLACK
	069726-02-000	EA BUMPER-88"DIA X 40", BLACK

## EXTERIOR BODY GROUP (CONTINUED)



### RACK & LADDER

KEY	PART NUMBER	U/M DESCRIPTION
1	081026-15-C05	EA RACK ASM-PASSENGER SIDE
		FROM 00-00-00 THRU 03-01-92
1	107438-05-C07	EA RACK ASM-PASSENGER SIDE
		FROM 03-02-92 THRU 99-99-99
	069726-02-000	EA BUMPER-88"DIA X 40" BLACK
2	038327-01-000	EA TAPE-ANTI SLIP 2" X 50"
3	102953-02-C03	EA LADDER ASM
4	067155-01-000	EA MOUNTING BRACKET-LADDER LOWER
5	009030-06-101	EA SCREW-5F-DH 6 20 X 5 8 PHEN BLACK
6	006068-10-36T	EA SCREW-10-12 X 2 25 PCH BLACK
7	076460-02-000	EA END CAP STEP BLACK
8	081026-19-C03	EA RACK ASM DRIVER SIDE
		FROM 03-02-00 THRU 03-01-92
8	107438-09-C03	EA RACK ASM DRIVER SIDE
		FROM 03-02-92 THRU 99-99-99
9	081114-01-000	EA PLUG ROUND, RACK & LADDER ENDS - PLASTIC 1" DIA

## 1992 ITASCA TABLE OF CONTENTS

INTRODUCTION	A-01 - A-02
ABBREVIATIONS	A-03
ALPHABETICAL INDEX	A-04 - A-05
IF527RQ	A-07 - D-24
IF527RC	E-01 - H-16

## 1992 IF527RQ INDEX

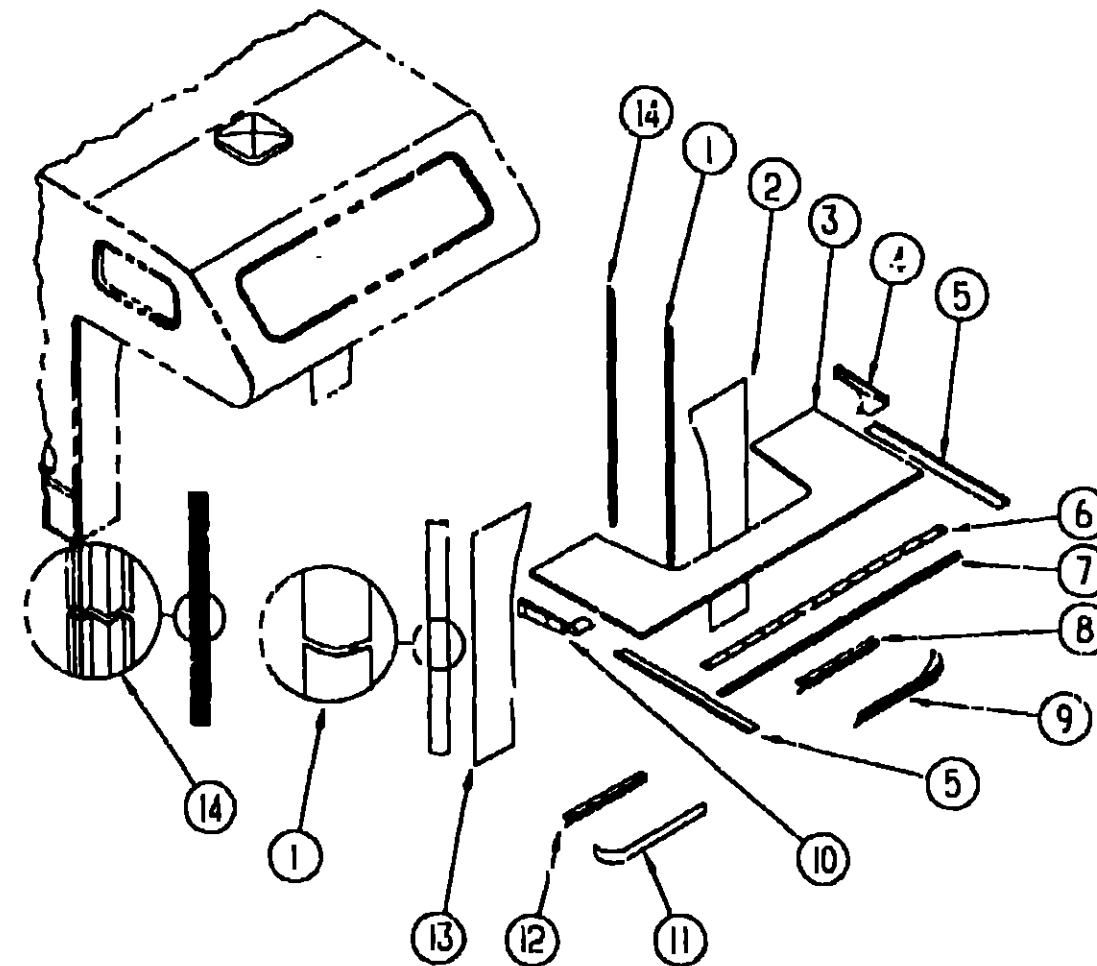
FLOOR PLAN	A-07 - A-08
ACCESSORIES	A-09
AUDIO VIDEO	A-10
BATH	A-11 - A-12
BEDROOM	A-13 - A-17
CHASSIS	A-18 - A-22
CURTAIN & CUSHION	A-23 - B-08
DINETTE	B-09 - B-10
DRIVERS	B-11 - B-12
ELECTRICAL	B-13 - B-16
EXTERIOR BODY	B-17 - B-24
GALLEY	C-01 - C-05
GENERATOR	C-06
HEATING & A/C	C-07 - C-08
INTERIOR FINISH	C-09 - C-12
LABEL	C-13 - C-19
LP	C-20
LOUNGE	C-21 - C-22
SEALANTS & FASTENERS	C-23 - D-01
WATER & SEWAGE	D-02 - D-06
WINDOW VENT AND EXTERIOR DOOR	D-07 - D-24

**EXTERIOR BODY GROUP (CONTINUED)**

**FIBERGLASS, STYROFOAM & U CHANNEL**

KEY	PART NUMBER	U/M DESCRIPTION
	076054-G7-001	EA SHEET-FIBERGLASS, 41" X 324" - OFF WHITE
	076054-H1-000	EA SHEET-FIBERGLASS, 2438 X 2591 - OFF WHITE
	076054-D6-001	EA SHEET-FIBERGLASS, 5' X 24' - OFF WHITE
		FROM: 00-00-00 THRU 05-18-92
	076054-F3-000	EA SHEET-FIBERGLASS, 2438 X 2438 - OFF WHITE
		FROM: 05-19-92 THRU 99-99-99
	076054-D3-001	EA SHEET-FIBERGLASS, 48" X 96" - OFF WHITE
	077517-24-000	EA SHEET-FIBERGLASS FLAT - 48" X 96" - OFF WHITE
	083574-02-000	SF STYROFOAM-1 5" X 11" X 90 5" - INCREMENTS OF 15 SF
	083574-03-000	SF STYROFOAM-3/4" X 48" X 96" - INCREMENTS OF 32 SF
	000870-03-000	SF STYROFOAM-1.34" X 48" X 96" - INCREMENTS OF 32 SF
	000870-05-000	SF STYROFOAM- 5" X 24" X 96", INCREMENTS OF 16 SF
	002365-01-001	EA U-CHANNEL, 1" X 18" - SERRATED - MILL FINISHED ALUMINUM
	002754-01-001	EA ANGLE-EXTRUDED, .75" X 75" X 18" - MILL ALUMINUM
	002726-01-001	EA GARNISH-U-CHANNEL, 1 3/8" X 19" - SERRATED - MILL ALUMINUM
	002779-01-001	EA U-CHANNEL-EXTRUDED, ALUMINUM - 1 7/8" X 192"
	055278-51-259	EA TUBING-STEEL, 75" X 1 5/8" X 12 5/8"
	058267-01-000	FT CHANNEL-STEEL, W/HOLES - SIDEWALL STIFFENER - 2" X 20"

**EXTERIOR BODY GROUP (CONTINUED)**



**1992 ITASCA  
TABLE OF CONTENTS**

INTRODUCTION	A-01 - A-02
ABBREVIATIONS	A-03
ALPHABETICAL INDEX	A-04 - A-06
IF527RQ	A-07 - D-24
IF527RC	E-01 - H-16

**FORD WINGWALLS, SLEEPERBOARD & TRIM**

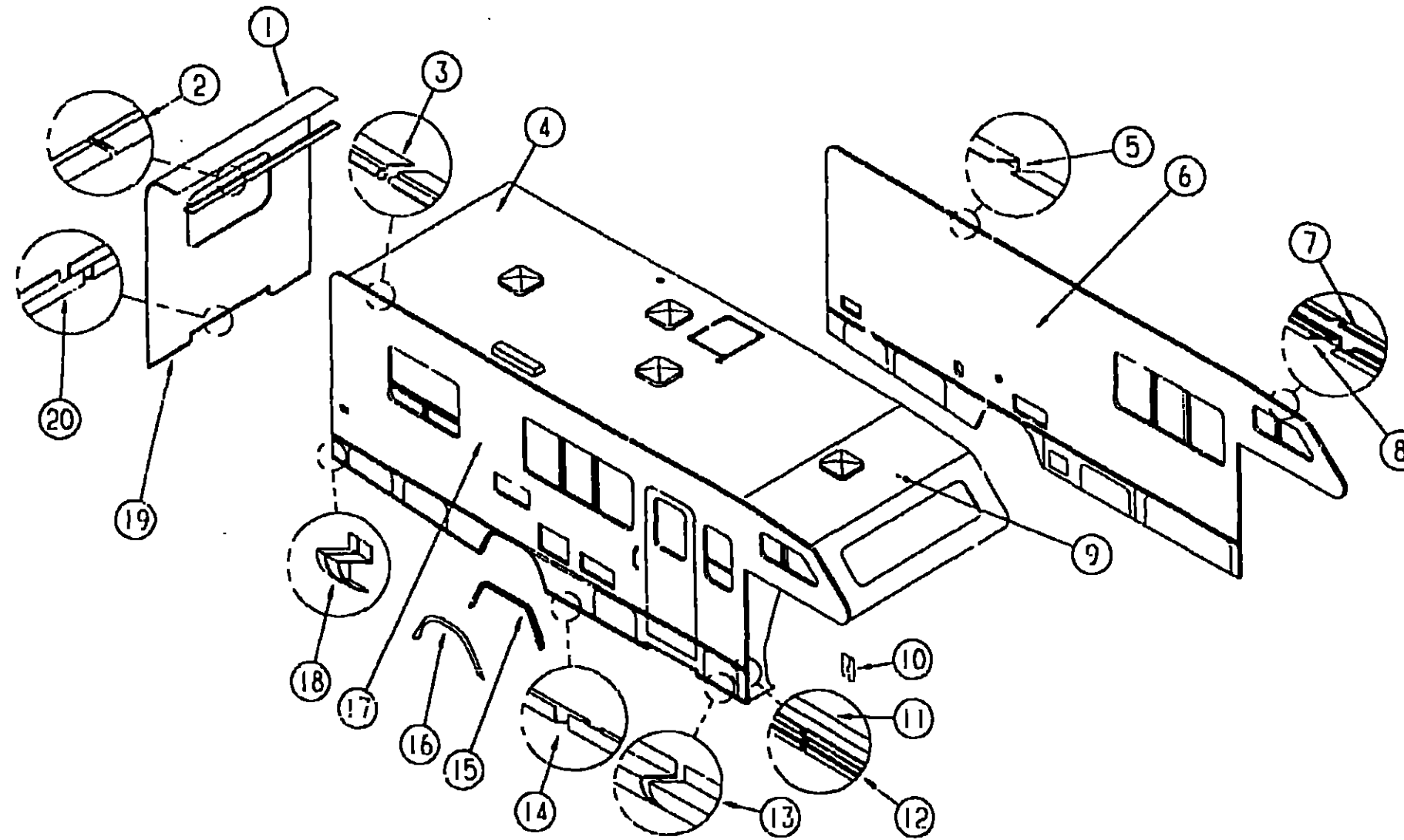
KEY	PART NUMBER	U/M DESCRIPTION
1	108037-01-01A	EA COVER-WINGWALL, CURVED - OFF WHITE
2	106439-04-C52	EA WINGWALL ASM, DRIVER SIDE - W/GUSSET
		FROM: 00-00-00 THRU: 03-15-92
2	108040-04-C52	EA WINGWALL ASM, DRIVER SIDE - W/GUSSET
		FROM: 03-16-92 THRU: 99-99-99
3	P06443-01-C03	EA SLEEPERBOARD ASM
4	104444-02-01A	EA COVER-TRIM, WINGWALL - LEFT - OFF WHITE
5	105312-01-01A	FT INSERT-TRIM, VINYL - OFF WHITE
5	096854-01-01A	EA TRIM-CONTOUR, W/O VINYL INSERT - 11/8" - OFF WHITE
6	100085-03-01A	EA TRIM-SLEEPERBOARD, FLAT - 2" X 87 1/2" - OFF WHITE
7	100086-02-01A	EA TRIM-SLEEPERBOARD, 2" X 90.7" - OFF WHITE
8	106146-01-01A	EA SUPPORT-COVER, WINGWALL - OFF WHITE (FORD)
9	106144-02-C52	EA COVER ASM-WINGWALL, W/SUPPORT - LEFT - OFF WHITE (FORD)
9	106145-02-01A	EA COVER-ASM-WINGWALL, W/O SUPPORT - LEFT - OFF WHITE (FORD)
10	104444-01-01A	EA COVER-TRIM, WINGWALL - RIGHT - OFF WHITE
11	106144-01-C52	EA COVER ASM-WINGWALL, W/SUPPORT - RIGHT - OFF WHITE (FORD)
11	106145-01-01A	EA COVER ASM-WINGWALL, W/O SUPPORT - RIGHT - OFF WHITE (FORD)
12	106146-01-01A	EA SUPPORT-COVER, WINGWALL - OFF WHITE (FORD)
13	106439-03-C52	EA WINGWALL ASM, PASSENGER SIDE - W/GUSSET
		FROM: 00-00-00 THRU: 03-15-92
13	108040-03-C52	EA WINGWALL ASM, PASSENGER SIDE - W/GUSSET
		FROM: 03-16-92 THRU: 99-99-99
14	105015-01-01A	EA TRIM-WINGWALL, CURVED - OFF WHITE
	089334-01-000	FT VINYL-EXTERIOR, BETWEEN WINGWALL & CAB SEAL - WHITE

**1992 IF527RQ INDEX**

FLOOR PLAN	A-07 - A-08
ACCESSORIES	A-09
AUDIO VIDEO	A-10
BATH	A-11 - A-12
BEDROOM	A-13 - A-17
CHASSIS	A-18 - A-22
CURTAIN & CUSHION	A-23 - B-08
DINETTE	B-09 - B-10
DRIVERS	B-11 - B-12
ELECTRICAL	B-13 - B-16
EXTERIOR BODY	B-17 - B-24
GALLEY	C-01 - C-05
GENERATOR	C-06
HEATING & A/C	C-07 - C-08
INTERIOR FINISH	C-09 - C-12
LABEL	C-13 - C-19
I.P.	C-20
LOUNGE	C-21 - C-22
SEALANTS & FASTENERS	C-23 - D-01
WATER & SEWAGE	D-02 - D-05
WINDOW, VENT AND EXTERIOR DOOR	D-07 - D-24

## EXTERIOR BODY GROUP (CONTINUED)

### EXTERIOR PANELS & TRIMS



## 1992 ITASCA TABLE OF CONTENTS

INTRODUCTION	A-01 - A-02
ABBREVIATIONS	A-03
ALPHABETICAL INDEX	A-04 - A-06
IF527RQ	A-07 - D-24
IF527RC	E-01 - H-16

## 1992 IF527RQ INDEX

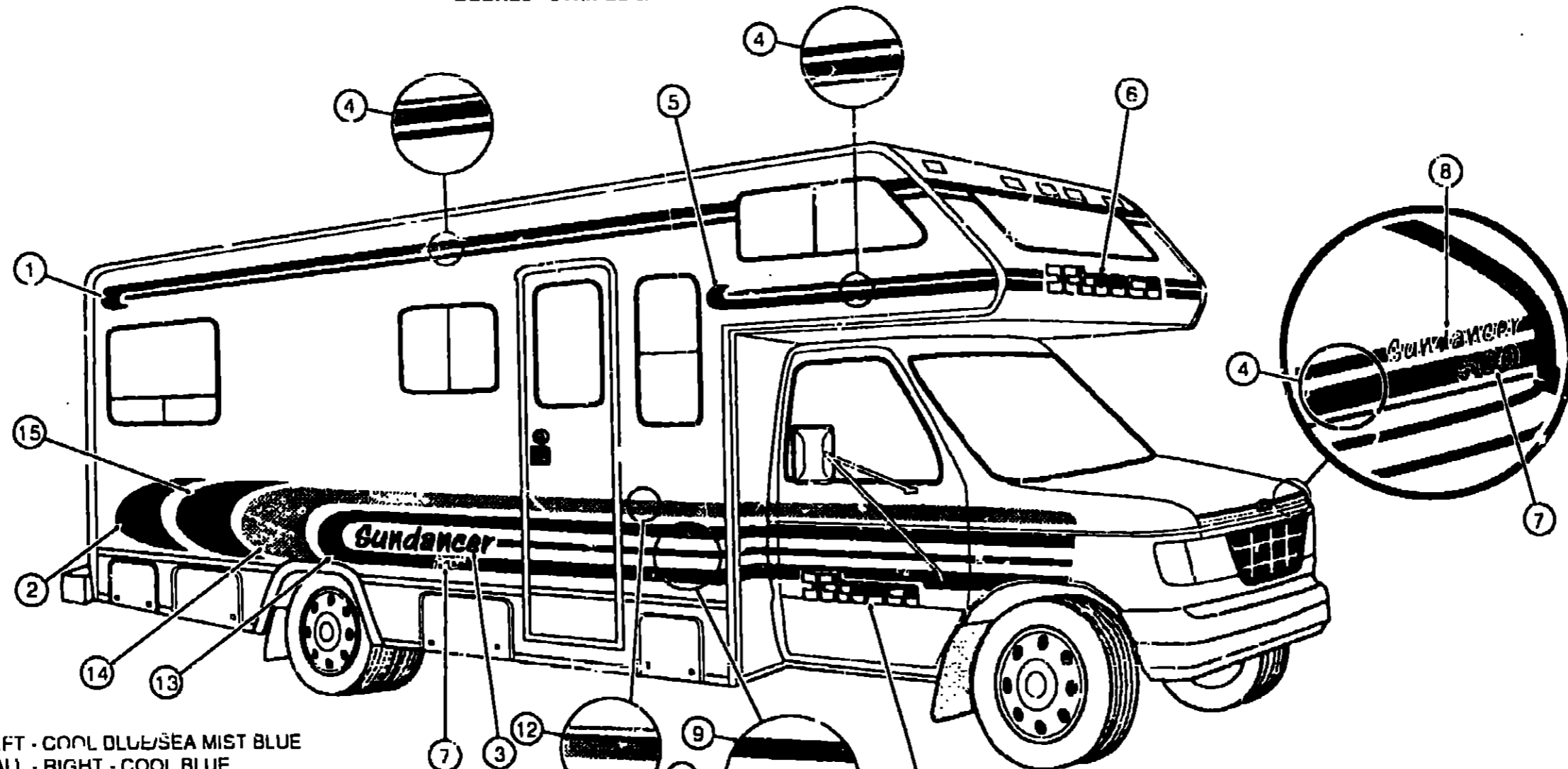
FLOOR PLAN	A-07 - A-08
ACCESSORIES	A-09
AUDIO VIDEO	A-10
BATH	A-11 - A-12
BEDROOM	A-13 - A-17
CHASSIS	A-18 - A-22
CURTAIN & CUSHION	A-23 - B-08
DINETTE	B-09 - B-10
DRIVERS	B-11 - B-12
ELECTRICAL	B-13 - B-16
EXTERIOR BODY	B-17 - B-24
GALLEY	C-01 - C-05
GENERATOR	C-06
HEATING & A/C	C-07 - C-08
INTERIOR FINISH	C-09 - C-12
LABEL	C-13 - C-19
L.P.	C-20
LOUNGE	D-01 - C-22
SEALANTS & FASTENERS	D-23 - D-01
WATER & SEWAGE	D-02 - D-06
WINDOW, VENT AND EXTERIOR DOOR	D-07 - D-24

KEY	PART NUMBER	U/M DESCRIPTION
1	P05217-01-C43	EA BACKWALL ASM W/BASES
2	078500-01-000	EA TRIM-ROOF TO BACKWALL
3	100483-01-01A	EA TRIM-CONTOUR, ROOF (AWNING) - OFF WHITE
3	099503-55-001	EA RAIL-AWNING, 10' EA - OFF WHITE
4	P05035-01-C43	EA ROOF ASM W/BASES
5	096864-01-01A	EA TRIM-CONTOUR, ROOF TO SIDEWALL - DR OR PASS - 120°
6	P04441-01-C43	EA SIDEWALL ASM-DRIVER SIDE
7	105312-01-01A	FT INSERT-TRIM, VINYL - OFF WHITE
8	096854-01-01A	EA TRIM-CONTOUR, W/O VINYL INSERT - 108° - OFF WHITE DR OR PASS - FRONT OVERHEAD CAB SECTION FROM ROOF TO WINGWALL - REAR - BACKWALL TO SIDEWALL VERTICAL SECTION
9	M76177-01-700	CA SECTION-ROOF, OVER CAB TO FIRST ROOF SEAM
10	009731-01-000	EA END CAP-FEATURE STRIP
11	001030-02-003	EA INSERT-FEATURE STRIP, 17' LONG - OFF WHITE
12	002444-04-002	EA STRIP-FEATURE, W/O INSERT - 15' LONG - OFF WHITE
	002444-01-C20	EA FEATURE STRIP-W/HOLES, 102° - OFF WHITE
13	104749-55-001	EA EXTR-ROCKER PANEL, OFF WHITE - 4877MM

KEY	PART NUMBER	U/M DESCRIPTION
14	091162-55-003	EA TRIM-SIDEWALL, BEVELED - ANGLED - 4877MM - OFF WHITE
15	105100-01-01A	EA TRIM-WHEELWELL, OFF WHITE FROM 00-00-00 THRU 04-15-92
15	105100-02-01A	EA TRIM-WHEELWELL, OFF WHITE FROM 04-16-92 THRU 99-99-99
16	105220-02-01A	EA TRIM-WHEELWELL, REAR - OFF WHITE
17	P04440-01-C43	EA SIDEWALL ASM-PASSENGER SIDE
	105025-03-C52	EA TRIM-SIDEWALL, ENTRY DOOR
18	106106-01-01A	EA CAP-END, ROCKER PANEL - OFF WHITE
	106106-02-01A	EA CAP-END, ROCKER PANEL - OFF WHITE
19	103334-02-01A	EA TRIM-BACKWALL, LOWER - OFF WHITE
20	103335-02-01A	EA TRIM-BACKWALL, LOWER - OFF WHITE
	002365-01-001	EA U-CHANNEL, 1" X 18" - SERRATED - MILL FINISHED ALUMINUM
	002754-01-001	EA ANGLE-EXTRUDED, 75° X 75° X 18" - MILL ALUMINUM
	002726-01-001	EA GARNISH-U-CHANNEL, 1 3/8" X 19" - SERRATED - MILL ALUMINUM
	002779-01-001	EA EXTR-U CHANNEL, 1 7/8 X 192 00 - FIRBED

# EXTERIOR BODY GROUP (CONTINUED)

## DECALS STRIPES & PAINT



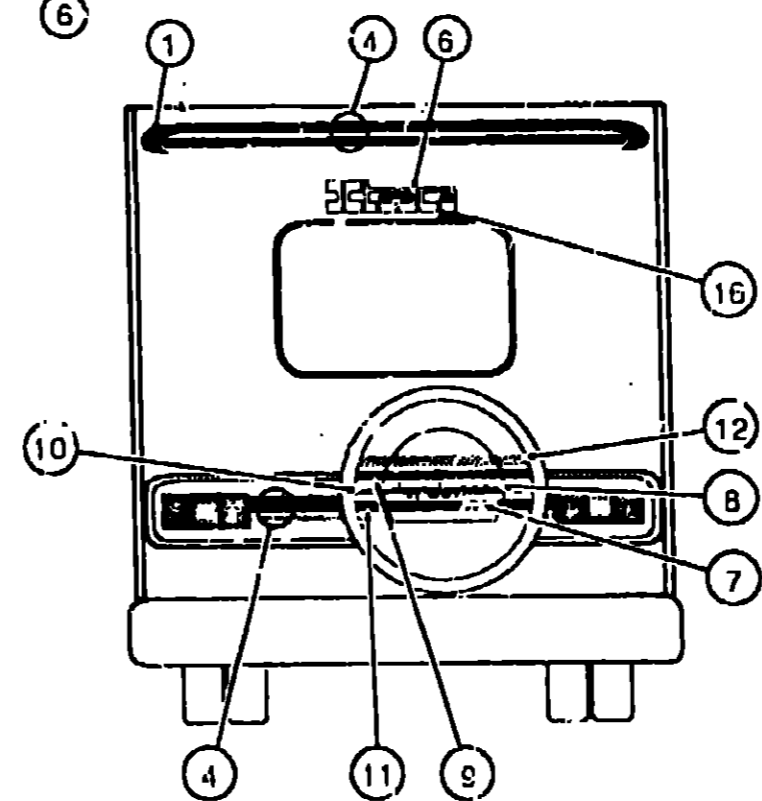
## 1992 ITASCA TABLE OF CONTENTS

INTRODUCTION	A-01	A-02
ABBREVIATIONS		A-03
ALPHABETICAL INDEX	A-04	A-06
IF527RQ	A-07	D-24
IF527RC	E-01	H-16

## 1992 IF527RQ INDEX

FLOOR PLAN	A-07	A-08
ACCESSORIES		A-09
AUDIO VIDEO		A-10
BATH	A-11	A-12
BEDROOM	A-13	A-17
CHASSIS	A-18	A-22
CURTAIN & CUSHION	A-23	B-08
DINETTE	B-09	B-10
DRIVERS	B-11	B-12
ELECTRICAL	B-13	D-16
EXTERIOR BODY	B-17	B-24
GALLEY	C-01	C-05
GENERATOR		C-06
HEATING & A/C	C-07	C-08
INTERIOR FINISH	C-09	C-12
LABEL	C-13	C-19
LP		C-20
LOUNGE	C-21	C-22
SEALANTS & FASTENERS	C-23	D-01
WATER & SEWAGE	D-02	D-05
WINDOW, VINYL AND EXTERIOR DOOR	D-07	D-24

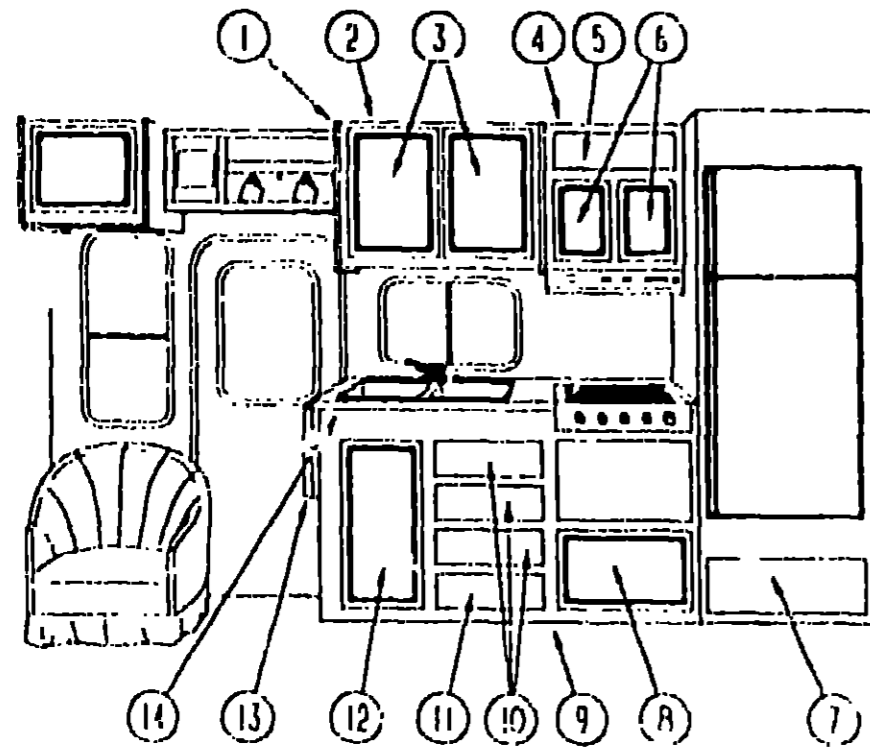
KEY	PART NUMBER	U/M	DESCRIPTION
1	105514-02-01A	EA	DECAL-END CAP, LEFT - COOL BLUE/SEA MIST BLUE
2	105516-01-01A	EA	DECAL-SWEEP, SMALL - RIGHT - COOL BLUE
	105516-02-01A	EA	DECAL-SWEEP, SMALL - LEFT - COOL BLUE
3	105515-01-01A	EA	DECAL-LOGO, SUNDANCER
4	094443-07-01A	FT	FILM-MULTISTRIPE 88MM - COOL BLUE/COOL BLUE/SEA MIST BLUE
5	105514-01-01A	EA	DECAL-END CAP, RIGHT - COOL BLUE/SEA MIST BLUE
6	078852-26-000	EA	DECAL-LOGO, ITASCA 5" - OFF WHITE/SEA MIST BLUE
7	106001-02-01A	EA	DECAL-LOGO, 500 - SMALL - OFF WHITE/COOL BLUE
	106001-01-01A	EA	DECAL-LOGO, 500 - LARGE - OFF WHITE/COOL BLUE
			FROM 00-00-00 THRU 11-22-91
8	105519-02-01A	EA	DECAL-LOGO, SUNDANCER - COOL BLUE
9	093681-35-03A	FT	FILM- 57MM - SEA MIST BLUE
10	093681-32-02A	FT	FILM- 25MM - COOL BLUE
11	093681-25-02A	FT	FILM- 83MM - SEA MIST BLUE
12	094423-04-01A	FT	FILM-OVERLAY, MULTISTRIPE - GRAY/GRAY/COOL BLUE
13	105515-01-01A	EA	DECAL-RADIUS, RIGHT - SEA MIST BLUE
	105515-02-01A	EA	DECAL-RADIUS, LEFT - SEA MIST BLUE
14	105518-01-01A	EA	DECAL-SWEEP, LARGE - RIGHT - GRAY/COOL BLUE
	105518-02-01A	EA	DECAL-SWEEP, LARGE - LEFT - GRAY/COOL BLUE
15	105517-01-01A	EA	DECAL-SWEEP, MID - RIGHT - SEA MIST BLUE
	105517-02-01A	EA	DECAL-SWEEP, MID - LEFT - SEA MIST BLUE
16	084075-01-000	EA	DECAL-"BY WINNEBAGO INDUSTRIES", BLACK
	074559-01-000	EA	DECAL-LOGO, I.F.G. - RED - (CALIF CODE)
	041561-03-000	EA	PAINT-LOW BAKE, OFF WHITE



### DUPONT COLOR CODES

COOL BLUE	G9851
SEA MIST BLUE	G9845
OFF WHITE	L8723
GRAY	H9283U

### GALLEY GROUP



CABINETS & FIXTURES

### GALLEY GROUP (CONTINUED)

#### LARGE NORCOLD 682 REFRIGERATOR

### 1992 ITASCA TABLE OF CONTENTS

INTRODUCTION	A-01	A-02
ABBREVIATIONS		A-03
ALPHABETICAL INDEX	A-04	A-06
IF527RQ	A-07	D-24
IF527RC	E-01	H-16

KEY	PART NUMBER	U/M	DESCRIPTION
	104137-02-01A	EA	REFRIGERATOR-LARGE DOUBLE DOOR 2-WAY - NORCOLD 682, III BLK
	064473-01-702	EA	ORIFICE-NORCOLD 61452122
	075217-01-734	EA	FUSE-3 AMP, NORCOLD# 61538622
	075217-01-730	EA	SWITCH-HUMIDITY, NORCOLD 61525922
	084880-01-713	EA	CONNECTOR-MALE, INLET FITTING - NORCOLD# 615255
	084880-01-715	EA	VALVE, SHUT OFF MANUAL - NORCOLD# 6157922
	084880-01-718	EA	VALVE-CAS - NORCOLD 61551822
	084880-01-722	EA	CRISPER COVER - NORCOLD 615641
	084880-01-726	EA	HINGE BRACKET (CTR HINGE), NORCOLD# 61566523
	084880-01-731	EA	HINGE PIN, NORCOLD 61578123
	084880-01-732	EA	LATCH, NORCOLD 61578522
	084880-01-734	EA	BRACKET-HINGE, TOP RH - BOTTOM LH - BROWN NORCOLD 61580837
	084880-01-735	EA	HINGE BRKT, TOP LH-BTM RH BRN - NORCOLD 61580937
	084880-01-739	EA	END CAP (SPRING CATCH) BRN - NORCOLD 61593722
	084880-01-740	EA	END CAP (STOP CATCH) - NORCOLD 61593830
	084880-01-744	EA	HINGE PIN SHAFT (CTR HINGE), NORCOLD 61566723
	084880-01-746	EA	CABLE, NORCOLD 61571522
	084880-01-747	EA	PLUG-HOLE - NORCOLD 61582022
	084880-01-749	EA	HINGE BUSHING - NORCOLD 615807
	084880-01-753	EA	THERMISTER 78" W/CLIP - NORCOLD 61693822
	084880-01-761	EA	END CAP (SPRING CATCH) BLACK - 61593730
	084880-02-700	EA	LOWER FLANGE 8663&8685, NORCOLD 61622123
	084880-03-701	EA	COOLING UNIT (HORIZ BURNER) - NORCOLD 61687317
	084880-03-705	EA	BRACKET FRONT REFRIG LIGHT - NORCOLD 61629722
	084880-03-706	EA	LAMP (BULB) - NORCOLD 61628922
	084880-03-707	EA	COVER FLAMP LAMP BULB - NORCOLD 61627922
	088248-01-706	EA	BURNER HORIZONTAL - NORCOLD 61588122
	088248-01-707	EA	ELECTRODE-SENSOR, (HORIZONTAL), NORCOLD# 61573322
	088248-01-708	EA	ELECTRODE-IGNITION, (HORIZONTAL) - NORCOLD# 61573222
	088248-01-709	EA	HEATER-AC, (HORIZONTAL) - NORCOLD# 615627
	094039-01-709	EA	PC BOARD-3-WAY, NORCOLD 61647522
	094039-01-701	EA	EYEBROW-SHELL, 3-WAY - BLK - PLASTIC - NORCOLD 61669622
	094039-01-703	EA	PLATE-HINGE LH - BROWN - NORCOLD 61531422
	094039-01-704	EA	PLATE-HINGE BLACK - NORCOLD 61631430
	094039-01-705	EA	PLATE-HINGE, TOP RH - LH BOTTOM - BROWN - NORCOLD 61631322
	094039-01-710	EA	PLATE-HINGE, BLACK - NORCOLD 61631330
	094039-01-712	EA	DOOR BIN (GRAY) SILVER BORDER - NORCOLD 61564060
	094039-01-713	EA	DOOR GASKET (LOWER) GRAY - NORCOLD 61568030
	094039-01-714	EA	LOWER DOOR LINER (BRN/WHT) - NORCOLD# 61581737-B
	094039-01-715	EA	LOWER DOOR LINER (BLK/WHT) - NORCOLD 61581738-B
	094039-01-716	EA	LOWER DOOR HANDLE ASSY (BRN) - NORCOLD# 61649937
	094039-01-717	EA	LOWER DOOR HANDLE ASSY (BLK) - NORCOLD 61649938
	094039-01-718	EA	MILK BIN (GRAY) W/SILVER TRIM - NORCOLD 61579460
	094039-01-719	EA	DAIRY KEEPER (GRAY) SILVER TR - 61580460
	094039-01-720	EA	CAB ASSEMBLY (BRN FRAME/WHT LINER) - NORCOLD# 61663237
	094039-01-721	EA	CAB ASSY (BLK FRAME WHT LINER - NORCOLD 61663238
	094039-01-722	EA	HOLE PLUG (BLK) HINGE HOLES - NORCOLD 61582030
	094039-01-723	EA	HINGE BRKT, TOP RH-BTM LH BLK - NORCOLD 61580938
	094039-01-724	EA	BRACKET-HINGE, TOP LH - BOTTOM RH - BLK - NORCOLD 61580938
	094039-01-725	EA	HINGE PIN (BLACK) (MALE) - NORCOLD 61578130
	094039-01-726	EA	SHELF-FREEZER EVAPORATOR - NORCOLD 615236
	094039-01-730	EA	HINGE PIN SHAFT (BLK) CTR HGE - NORCOLD 61566730
	094039-01-731	EA	CRISPER (GRAY) SILVER TRIM - NORCOLD 61571360
	094039-01-732	EA	FRONT COVER (BLK) BTM TRIM - NORCOLD 61522130
	094039-01-733	EA	WIRE SHELF (MIDDLE) - NORCOLD 61563822
	094039-01-734	EA	WIRE SHELF (TOP) W/RISER - NORCOLD 61563722
	094039-01-735	EA	INSIDE DRIP TRAY (WHITE) - NORCOLD 61572830
	094039-01-736	EA	SWITCH-LIGHT, BLACK - NORCOLD 615810

### 1992 IF527RQ INDEX

FLOOR PLAN	A-07	A-09
ACCESSORIES		A-09
AUDIO VIDEO		A-10
BATH	A-11	A-12
BEDROOM	A-13	A-17
CHASSIS	A-18	A-22
CURTAIN & CUSHION	A-23	B-08
DINETTE	B-09	B-10
DRIVEPS	B-11	B-12
ELECTRICAL	B-13	B-16
EXTERIOR BODY	B-17	B-24
GALLEY	C-01	C-05
GENERATOR		C-06
HEATING & A-C	C-07	C-08
INTERIOR FINISH	C-09	C-12
LABEL	C-13	C-19
LP		C-20
LOUNGE	C-21	C-22
SEALANTS & FASTENERS	C-23	D-01
WATER & SEWAGE	D-02	D-06
WINDOW VENT AND EXTERIOR DOOR	D-07	D-24

KEY	PART NUMBER	U/M	DESCRIPTION
1	104335-04-C43	EA	END CAP OVERHEAD
2	P02558-01-007	EA	CABINET-OVERHEAD, W/O DOORS & HARDWARE
3	P03702-56-B07	EA	DOOR-CABINET, W/O HARDWARE - 380 X 555MM
4	M05670-22-C43	EA	CABINET-OVERHEAD, RANGE
4	M05670-23-C43	EA	CABINET-OVERHEAD, MICROWAVE
	104335-02-C43	EA	CAP ASM-END-OVERHEAD
5	P00523-82-B07	EA	DOOR-CABINET, W/O HARDWARE - 180 X 555MM
6	P03702-63-B07	EA	DOOR-CABINET, W/O HARDWARE - 275 X 365MM
	103251-02-01A	EA	INSERT-ACRYLIC, 19 53" X 16 06" - REFRIGERATOR CABINET - BLACK
	103251-03-01A	EA	INSERT-ACRYLIC, 19 53" X 32 2" - REFRIGERATOR CABINET - BLACK
	103251-04-01A	EA	INSERT-ACRYLIC, 19 53" X 39 2" - REFRIGERATOR CABINET - BLACK
7	P03397-56-B07	EA	DRAWER-CABINET, W/O HARDWARE - 92 X 520MM
	090329-01-000	FT	SEAL-T-REFRIGERATOR CABINET - 6" WIDE TOP X 2" TAIL
8	P03702-60-B07	EA	DOOR-CABINET, W/O HARDWARE - 555 X 360MM
9	M05632-02-C43	EA	CABINET-GALLEY, W/O DOORS & HARDWARE
9	M05632-02-C44	EA	CABINET-GALLEY, W/O DOORS & HARDWARE
	094303-01-000	EA	STRAINER-SINK
	104114-01-01A	EA	FAUCET-GALLEY, SINGLE CONTROL
	104113-01-000	EA	SINK-DOUBLE, STAINLESS STEEL
	103614-01-000	EA	BOARD-CUTTING, MAPLE
10	P03397-58-B07	EA	DRAWER-CABINET, W/O HARDWARE - 412 X 288MM
11	P03397-17-C43	EA	DRAWER-CABINET, W/O HARDWARE - 412 X 200MM
12	P03702-17-B07	EA	DOOR-CABINET, W/O HARDWARE - 365 X 680MM
13	080812-04-C05	EA	EXTENSION-GALLEY (C43)
13	080812-04-B07	EA	EXTENSION-GALLEY (C44)
	009049-01-000	EA	SUPPORT-EXTENSION, GALLEY COUNTERTOP
	104181-01-01A	EA	SUPPORT-EXTENSION, GALLEY COUNTERTOP
			FROM 00-00-00 THRU 10-06-91
			FROM 10-07-92 THRU 99-99-99
14	105237-11-C52	EA	COUNTERTOP ASM (C43)
14	105237-11-C23	EA	COUNTERTOP ASM (C44)
	100081-01-01A	EA	TRAY-SILVERWARE, 9" X 13 3" - PLASTIC - ALMOND - RUBBERMAID

**GALLEY GROUP (CONTINUED)**

**LARGE NORCOLD 662 REFRIGERATOR (CONTINUED)**

KEY	PART NUMBER	U/M	DESCRIPTION
	094039-01-739	EA	SHELF (CUTOUT) - NORCOLD 61646722
	094039-01-742	EA	TRAY-F/CUTOUT SHELF, NORCOLD 61680922
	094039-04-700	EA	PC BOARD-2 WAY, NORCOLD# 61647322
	094039-04-702	EA	POWER SUPPLY (2 WAY) - NORCOLD 61647422
	093646-01-000	EA	BRACKET ASM-TIEDOWN, REFRIGERATOR - RIGHT SIDE
	093646-02-000	EA	BRACKET ASM-TIEDOWN, REFRIGERATOR - LEFT SIDE
	054450-01-000	EA	LEVEL-REFRIGERATOR

**SMALL NORCOLD 662 REFRIGERATOR**

KEY	PART NUMBER	U/M	DESCRIPTION
	104136-02-01A	EA	REFRIG-SMALL DBL DOOR 2-WAY - NORCOLD 662 RH BLK
	075217-01-734	EA	FUSE-3 AMP, NORCOLD 61530822
	075217-01-738	EA	SWITCH-HUMIDITY, NORCOLD 61525922
	084879-03-700	EA	COOLING UNIT - HORIZONTAL BURNER NORCOLD# 61687237
	084880-01-713	EA	CONNECTOR-MALE, INLET FITTING - NORCOLD# 616956
	084880-01-715	EA	VALVE SHUT OFF MANUAL - NORCOLD# 61697922
	084880-01-718	EA	VALVE-GAS, NORCOLD 61551822
	084880-01-722	EA	CAPSPER COVER - NORCOLD 615641
	084880-01-726	EA	HINGE BRACKET (CTR HINGE) - NORCOLD 61576523
	084880-01-731	EA	HINGE PIN, NORCOLD 61576123
	084880-01-732	EA	LATCH - NORCOLD 61576522
	084880-01-734	EA	BRACKET-HINGE, TOP RH - BOTTOM LH - BROWN NORCOLD 61580837
	084880-01-735	EA	HINGE BRKT, TOP LH-BTM RH BRN - NORCOLD 61580937
	084880-01-739	EA	END CAP (SPRING CATCH) BROWN - NORCOLD 61593722
	084880-01-740	EA	END CAP (STOP CATCH) - NORCOLD 61593830
	084880-01-746	EA	CABLE, NORCOLD 61571522
	084880-01-747	EA	PLUG-HOLE, NORCOLD 61582022
	084880-01-749	EA	HINGE BUSHING - NORCOLD 615807
	084880-01-753	EA	THERMISTER 78° W/CLIP - NORCOLD 61693022
	084880-01-761	EA	END CAP (SPRING CATCH) BLACK - 61593730
	084880-02-700	EA	LOWER FLANGE #663&8683, NORCOLD 61622123
	084880-03-705	EA	BRACKET FANT REFRIG LIGHT - NORCOLD 61629722
	084880-03-706	EA	LAMP (BULB) - NORCOLD 61628922
	084880-03-707	EA	COVER F/LAMP OR BULB - NORCOLD 61627922
	088248-01-706	EA	BURNER-HORIZONTAL, NORCOLD 61588122
	088248-01-707	EA	ELECTRODE-SENSOR, (HORIZONTAL) - NORCOLD# 61573322
	088248-01-708	EA	ELECTRODE-IGNITION, (HORIZONTAL) - NORCOLD# 61573222
	088248-01-709	EA	HEATER-AC (HORIZONTAL) - NORCOLD# 615627
	088248-01-710	EA	HEATER-DC, (HORIZONTAL) - 3 WAY - NORCOLD# 615628
	094039-01-700	EA	GASKET-LOWER, GRAY - NORCOLD 61567930
	094039-01-701	EA	LINER-DOOR, LOWER - BROWN/WHITE - NORCOLD 61581937-B
	094039-01-702	EA	LINER-DOOR, LOWER - BLACK/WHITE - NORCOLD 61581938-B
	094039-01-703	EA	HANDLE-DOOR, LOWER - BROWN - NORCOLD 61650137
	094039-01-704	EA	HANDLE-DOOR, LOWER - BLACK - NORCOLD 61650138
	094039-01-705	EA	CAB ASM-BLK, WHITE LINER - WITH FRAME - NORCOLD 61653138
	094039-01-703	EA	PLATE-HINGE, LH - BROWN - NORCOLD 61631422
	094039-01-704	EA	PLATE-HINGE, BLACK - NORCOLD 61631430
	094039-01-709	EA	PLATE-HINGE, TOP RH - LH BOTTOM - BROWN - NORCOLD 61631322
	094039-01-710	EA	PLATE-HINGE, BLACK - NORCOLD 61631330
	094039-01-712	EA	DOOR BIN(GRAY)SILVER BORDER - NORCOLD 61564050
	094039-01-718	EA	MILK BIN (GRAY)SILVER TRIM - NORCOLD 61579460
	094039-01-719	EA	DAIRY KEEPER (GRAY)SILVER TR 61580450
	094039-01-722	EA	HOLE PLUG (BLK) HINGE HOLES - NORCOLD 61582030
	094039-01-723	EA	HINGE BRKT, TOP RH-BTM LH BLK - NORCOLD 61580838
	094039-01-724	EA	BRACKET-HINGE, TOP LH - BOTTOM RH - BLK - NORCOLD 61580938
	094039-01-725	EA	HINGE PIN (BLACK)(MALE) - NORCOLD 61578130
	094039-01-726	EA	SHELF-FREEZER EVAPORATOR, NORCOLD 615236

**GALLEY GROUP (CONTINUED)**

**SMALL NORCOLD 662 REFRIGERATOR (CONTINUED)**

KEY	PART NUMBER	U/M	DESCRIPTION
	094039-01-730	EA	HINGE PIN SI (AFT) (BLK) CTR HGE - NORCOLD 61566730
	094039-01-732	EA	FRONT COVER(BLK) BTM TRIM - NORCOLD 61622130
	094039-01-733	EA	WIRE SHELF (MIDDLE) - NORCOLD 61563822
	094039-01-734	EA	WIRE SHELF (TOP) WRISER - NORCOLD 61563722
	094039-01-735	EA	INSIDE DRIP TRAY (WHITE) - NORCOLD 61572830
	094039-01-736	EA	SWITCH-LIGHT, BLACK - NORCOLD 615810
	094039-01-739	EA	SHELF (CUTOUT) - NORCOLD 61646722
	094039-04-700	EA	PC BOARD-2 WAY, NORCOLD# 61647322
	094039-04-701	EA	EYEBROW (SHELF) 2 WAY - NORCOLD 61669822
	094039-04-702	EA	POWER SUPPLY (2 WAY) - NORCOLD 61647422
	093646-01-000	EA	BRACKET ASM-TIEDOWN, REFRIGERATOR - RIGHT SIDE
	093646-02-000	EA	BRACKET ASM-TIEDOWN, REFRIGERATOR - LEFT SIDE
	054450-01-000	EA	LEVEL-REFRIGERATOR

**RANGE HOODS**

KEY	PART NUMBER	U/M	DESCRIPTION
	100258-22-02A	EA	HOOD-RANGE 22W W/MONITOR PANEL - VENTLINE US
	100258-23-02A	EA	HOOD-RANGE 22W W/MONITOR PANEL - VENTLINE CSA
	075470-01-703	EA	SWITCH-ON/MOMENTARY, JENSEN HP1016
	090973-01-700	EA	MOTOR - LVS CA508-1
	090973-01-702	EA	BLADE-FAN LVS VA103-1
	092696-01-701	EA	KNOB-LEVER, CARBF - PLASTIC - BLACK - VENTLINE CC225
	092696-01-702	EA	RESISTOR-WIRE, VENTLINE L7314
	092696-01-709	EA	BULB-912 VENTLINE VA415
	092696-01-710	EA	SOCKET-LIGHT VENTLINE CB267-2
	095983-01-700	EA	SWITCH-ON/OFF, VENTLINE 108
	095983-01-702	EA	SWITCH-TWO WAY MOMENTARY, VENTLINE 112
	095983-01-703	EA	SWITCH-ON/ON - JENSEN 115
	095983-01-707	EA	FILTER-GREASE, 8" X 8" - LVS CC246
	095983-01-708	EA	LENS-LAMP, VENTLINE CC179
	100258-04-701	EA	BEZEL-SWITCH LEVER CABLE TO VENT - VENTLINE CC116
	100258-04-702	EA	SWITCH-LEVER W/CABLE - VENTLINE CB547-1
	100258-11-700	EA	CIRCUIT BOARD, VENTLINE 5079-01
	100258-12-700	EA	PANEL ASM, VENTLINE 9076
	100258-10-01A	EA	METER-HOUR, VENTLINE 150

**1992 ITASCA  
TABLE OF CONTENTS**

INTRODUCTION	A-01	A-02
ABBREVIATIONS		A-03
ALPHABETICAL INDEX	A-04	A-06
IF527RQ	A-07	D-24
IF527RC	E-01	H-10

**1992 IF527RQ INDEX**

FLOOR PLAN	A-07	A-08
ACCESSORIES		A-09
AUDIO VIDEO		A-10
BATH	A-11	A-12
BEDROOM	A-13	A-17
CHASSIS	A-18	A-22
CURTAIN & CUSHION	A-23	B-08
DINETTE	B-09	B-10
DRIVERS	D-11	B-12
ELECTRICAL	B-13	B-16
EXTERIOR BODY	B-17	B-24
GALLEY	C-01	C-05
GENERATOR		C-06
HEATING & A/C	C-07	C-08
INTERIOR FINISH	C-09	C-12
LABEL	C-13	C-19
LP		C-20
LOUNGE	C-21	C-22
SEALANTS & FASTENERS	C-23	D-01
WATER & SEWAGE	D-02	D-06
WINDOW, VENT AND EXTERIOR DOOR	D-07	D-24

**GALLEY GROUP (CONTINUED)**

**MAGIC CHEF RANGE**

KEY	PART NUMBER	U/M	DESCRIPTION
	102022-01-03A	EA	RANGE-16" 4 BURNER BLACK - MAGIC CHEF
	055282-03-705	EA	TRIM-CABINET, LEFT - BLACK - MAGIC CHEF 3608F011-70
	055282-03-707	EA	TRIM-CABINET, RIGHT - BLACK - MAGIC CHEF 3608F012-70
	090507-02-701	EA	INSERT-BURNER (SLOTTED VENT), MAGIC CHEF 7214P015-60
	102020-01-700	EA	SHIELD-OVEN, MAGIC CHEF - 7801P027-60
	102020-01-701	EA	HANDLE-DOOR, MAGIC CHEF - 7701P092-60
	102020-01-702	EA	PANEL-MANIFOLD, MAGIC CHEF 2616F060-70
	102020-01-704	EA	PANEL-DOOR, BLACK - MAGIC CHEF - 2401F075-70
	102020-01-708	EA	BURNER ASSEMBLY-OVEN, MAGIC CHEF 3403W003-45
	102020-01-711	EA	GRATE-TOP, MAGIC CHEF 7510P012-60
	102020-01-712	EA	KNOB-BURNER VALVE, MAGIC CHEF 7733P044-60
	102020-01-713	EA	KNOB-THERMOSTAT, MAGIC CHEF 7731P042-60
	102020-01-714	EA	PILOT-OVEN, MAGIC CHEF 068-143
	102020-01-715	EA	PIPE-MANIFOLD, MAGIC CHEF 7513P055-60
	102020-01-717	EA	THERMOSTAT, MAGIC CHEF 7515P024-60
	102020-01-716	EA	TOP-MAIN, ALMOND - MAGIC CHEF 2001F085-04
	102020-01-719	EA	TOP-MAIN, BLACK - MAGIC CHEF 2001F085-50
	102020-01-720	EA	VALVE-MERCURY CONTROL, MAGIC CHEF 7501P055-60
	102020-01-722	EA	VALVE-TOP BURNER, MAGIC CHEF 7502P095-60
	102020-01-723	EA	PILOT-BURNER, MAGIC CHEF 7505P147-60
	102020-01-724	EA	BUMPER-MAIN TOP, MAGIC CHEF 8003P008-60
	102022-01-702	EA	PIPE-MANIFOLD, MAGIC CHEF 7513P055-60
	102022-01-703	EA	REGULATOR-PRESSURE, MAGIC CHEF 7510P031-60
	102022-01-706	EA	TRIM-LEFT, FLAT - MAGIC CHEF 3608W022-70
	102022-01-707	EA	TRIM-RIGHT, FLAT - MAGIC CHEF 3608W023-70
	055516-03-000	EA	BRACKET-REAR TIEDOWN, RANGE W/OVEN
	055516-04-000	EA	BRACKET-FRONT TIEDOWN, RANGE W/OVEN

**MICROWAVE OVEN**

KEY	PART NUMBER	U/M	DESCRIPTION
	091269-05-000	EA	OVEN-MICROWAVE, MAGIC CHEF M15E-9PB
	094745-01-01A	EA	TRIM-MICROWAVE, LOWER - BLACK
	094774-03-01A	EA	TRIM-MICROWAVE EITHER SIDE - 1 5" X 14 8" - METAL - BLACK
	092516-03-01A	EA	BRACE-MICROWAVE CABINET, LEFT - 9 4" X 7 5" - STEEL
	091916-04-01A	EA	BRACE-MICROWAVE CABINET, RIGHT - 9 4" X 7 5" - STEEL
	094750-01-000	EA	BRACKET-MICROWAVE, 90 DEGREE - STEEL

FROM 03-04-91 THRU 99-99-99

**COFFEE MAKER**

KEY	PART NUMBER	U/M	DESCRIPTION
	103799-C1-02A	EA	COFFEE MAKER, ALMOND
	104610-01-000	EA	STRAP ASM-COFFEE MAKER

**GENERATOR GROUP**

**4 KW KOHLER GENERATOR**

KEY	PART NUMBER	U/M	DESCRIPTION
	105523-01-000	EA	GENERATOR-4KW, LOW PROFILE - KOHLER 4CKM21
	105527-01-000	EA	PIPE-EXHAUST ADAPTER, KOHLER 278524
	105529-01-000	EA	MUFFLER-FRONT EXHAUST, W/O SPARK - KOHLER 278734
	105602-01-000	EA	BASKET-EXHAUST, KOHLER-278320
	105732-01-000	EA	TRAY ASM-GENERATOR
	105526-01-000	EA	ARRESTER-SPARK, KOHLER 278621
	106172-01-000	EA	PIPE-EXHAUST ADAPTER
	007067-01-000	SF	INSULATION-FIBERGLASS - 1" THICK X 4' - INCREMENTS OF 4 SF

**4 KW ONAN GENERATOR**

KEY	PART NUMBER	U/M	DESCRIPTION
	100974-01-000	EA	GENERATOR-40KW EMERALD PLUS, ONAN BGE-FA261000
	105732-01-000	EA	TRAY ASM-GENERATOR
	079654-05-000	EA	PIPE-EXHAUST, ANGLED - W/FLANGE - 2" ID - ONAN# 154-2539
	081364-01-000	EA	MUFFLER-GENERATOR W/8 5" LONG TAIL PIPE
	086252-01-000	EA	PIPE-EXHAUST, W/2 BOLT HOLE FLANGE
	006494-01-000	EA	BACKET-EXHAUST, W/DOUBLE BEND
	094059-01-000	EA	SPACER-GENERATOR ONAN
	076045-01-000	EA	STRAP-SUPPORT GENERATOR - 4 HOLE
	084365-01-000	EA	STRAP-SUPPORT GENERATOR - 2 HOLE
	007067-01-000	SF	INSULATION-FIBERGLASS 1" THICK X 4' - INCREMENTS OF 4 SF

**1992 ITASCA  
TABLE OF CONTENTS**

INTRODUCTION	A-01	A-02
ABBREVIATIONS		A-03
ALPHABETICAL INDEX	A-04	A-06
IF527RQ	A-07	D-24
IF527RC	E-01	H-16

**1992 IF527RQ INDEX**

FLOOR PLAN	A-07	A-08
ACCESSORIES		A-09
AUDIO VIDEO		A-10
BATH	A-11	A-12
BEDROOM	A-13	A-17
CHASSIS	A-18	A-22
CURTAIN & CUSHION	A-23	B-08
DINETTE	B-09	B-10
DRIVERS	B-11	B-12
ELECTRICAL	B-13	B-16
EXTERIOR BODY	B-17	B-24
GALLEY	C-01	C-05
GENERATOR		C-05
HEATING & A/C	C-07	C-08
INTERIOR FINISH	C-09	C-12
LABEL	C-13	C-19
LP		C-20
LOUNGE	C-21	C-22
SEALANTS & FASTENERS	C-23	D-01
WATER & SEWAGE	D-02	D-06
WINDOW, VENT AND EXTERIOR DOOR	D-07	D-24



**HEATING & AIR CONDITIONING GROUP**

**FURNACE**

KEY	PART NUMBER	U/M	DESCRIPTION
	093365-01-000	EA	THERMOSTAT-WALL, FURNACE - SUBURBAN 0160902
	093668-05-000	EA	FURNACE-30000 BTU - SUBURBAN SF-30
	095634-01-703	EA	RELAY, TIME DELAY 20/30 BTU - SUBURBAN 231202
	075665-01-701	EA	MICRO SWITCH (FOR MODELS 30 & 345) - SUBURBAN 230509
	090039-01-709	EA	GASKET OBSERVATION HOLE CUF - SUBURBAN 070367
	092300-01-704	EA	GASKET-ELECTRODE, SUBURBAN 070163
	092300-02-701	EA	ORFICE, MAIN BURNER - SUBURBAN 180214
	093668-01-700	EA	CABINET FRONT, SUBURBAN 101242
	093668-01-701	EA	CABINET ASM, SUBURBAN 101299
	093668-01-702	EA	ELECTRODE, SUBURBAN 231740
	093668-01-704	EA	VALVE, SUBURBAN 160938
	093668-01-705	EA	SWITCH-LIMIT, SUBURBAN 231630
	093668-01-706	EA	WHEEL-COMBUSTION AIR - SUBURBAN 350122
	093668-01-707	EA	VENT CAP & EXHAUST TUBE ASM - SUBURBAN 200193
	093668-01-708	EA	LOWER ASM (COMBUSTION AIR) - SUBURBAN 300441
	093668-01-709	EA	MOTOR ASM FOR SF 25 SF-30 - SUBURBAN 231706
	093668-01-710	EA	LOWER ASM (ROOM AIR) - SUBURBAN 390440
	093668-01-711	EA	WHEEL ROOM AIR - SUBURBAN 350123
	093668-01-712	EA	BOARD-MODULE, SUBURBAN 231741
	093668-01-713	EA	INTAKE VENT TUBE ASM - SUBURBAN 051044
	093668-02-700	EA	BURNER ASM COMPLETE (SF-30/SF-35) - SUBURBAN 010745
	093668-06-000	EA	DOOR-ACCESS FURNACE - OFF WHITE - SUBURBAN 520574

**REAR HEATER**

KEY	PART NUMBER	U/M	DESCRIPTION
	084405-01-000	EA	HEATER ASM-REAR DUCTED - W/MOTOR AID - EVANS
	084405-01-700	EA	HEATER CORE EVANS# F1200229
	084405-01-701	EA	FAN BLADES-EVANS# HV029971
	084405-01-702	EA	MOTOR ASM-12 V. EVANS# 200146
	087202-01-000	EA	SWITCH 4 POSITION, W/KNOB
	098076-01-000	EA	DECAL AUTO AIR & REAR HEATER

**HEATING COMPONENTS**

KEY	PART NUMBER	U/M	DESCRIPTION
	023146-01-000	EA	CLAMP-SCREW TYPE - 4"
	059636-02-000	EA	CONNECTOR-DUCT- 4" ID - SUBURBAN 050715
	009198-01-000	FT	DUCT-HEAT-FLEXIBLE - 4" ID X 25 FT
	093614-01-01A	EA	GRILLE-RETURN AIR- FURNACE - 15 6" X 7 6" - BROWN
	079059-01-000	EA	HOSE-90 DEGREE- 5/8" ID X 4" X 36"
	079059-13-000	EA	HOSE-90 DEGREE- 61" ID X 4" X 48"
	007108-01-000	FT	HOSE-HEATER- 5/8" ID - HI-TEMP - FORD CSE-M2D192-A
	056464-05-000	EA	REGISTER-PLASTIC W/O DAMPER - 4" DIAMETER - GOLDEN
	009200-01-000	EA	TAPE-FURNACE, 1 1/2"
	089367-01-000	EA	TEE-4" OD, 7" LONG - METAL
	076776-01-000	EA	TEE-BARB 5/8" X 5/8" X 5/8"
	088753-01-000	FT	TUBE-ALUMINIZED STEEL, 5.8" - 18 GAUGE
	008042-01-000	FT	TUBING-VINYL, 65" ID

**HEATING & AIR CONDITIONING GROUP (CONTINUED)**

**ROOF A/C**

KEY	PART NUMBER	U/M	DESCRIPTION
	093763-01-04A	EA	A/C-ROOF, 13500 BTU - OFF WHITE - COLEMAN 6759107070755F7
	093763-04-700	EA	SHROUD-ROOF A/C, W/O LOGOS - COLEMAN 6759-1601
	093306-01-701	EA	DECAL PKG LEFT/RIGHT, COLEMAN# 675903591
	076303-01-712	EA	MOTOR COLEMAN# 6707A3119
	091225-01-709	EA	START RELAY, COLEMAN# 1497-4131
	091225-01-710	EA	START CAPACITOR COLEMAN# 1497-0881
	073742-02-704	EA	RUN CAPACITOR (COMPRESSOR), COLEMAN# 1499-1661
	093763-01-702	EA	OVERLOAD, COLEMAN# 6759-3931
	093763-01-703	EA	IMPELLOR-7" DIA X 2 8" WIDE, COLEMAN# 6759-3271
	093763-01-704	EA	CAPACITOR FAN COLEMAN# 1499-3461
	093763-01-707	EA	EVAPORATOR COIL-COLEMAN# 1452-1351
	093763-01-708	EA	CONDENSER COIL-COLEMAN# 1452-1251
	093763-01-711	EA	GASKET PACKAGE COLEMAN# 6759-3281
	093763-01-712	EA	FAN BLADE-CONDENSER, COLEMAN# 6733-3221
	093763-01-713	EA	COMPRESSOR-E SERIES, COLEMAN# 6759-3999
	093764-01-000	EA	CEILING ASM-A/C COOL ONLY 15R - COLEMAN# 67590714
	042204-01-709	EA	THERMOSTAT IN GA OUT 5R COLEMAN# 6701-3401
	042205-01-702	EA	THERMOSTAT IN-89 OUT-5R COLEMAN# 6703-3401
	073742-01-701	EA	SELECTOR SWITCH (5 TERMINAL) COLEMAN# 6759-3251
	073742-01-702	EA	DECAL COOL ONLY COLEMAN# 675903431
	093763-01-705	EA	DECAL HEAT&COOL COLEMAN# 6759-3491
	081606-01-708	EA	LIMIT SWITCH (OPEN 160 CLOSE 110) COLEMAN# 6763-364
	091225-01-713	EA	KNOB (2 PER PACKAGE) COLEMAN# 6701-3951
	076303-01-707	EA	FILTER-6" X 14 3/4" X 1/2" 12 PER PKG COLEMAN# 6703A315.1
	091225-01-717	EA	DECAL (THERMOSTAT) COOL ONLY COLEMAN# 6759A3441
	081606-01-712	EA	CEILING SHROUD (IVORY), COLEMAN# 6769-5661
	093763-01-706	EA	DECAL-HEAT/COOL THERMOSTAT COLEMAN# 6759A3471
	093763-01-709	EA	HEAT ELEMENT COLEMAN# 6790-3321
	093763-01-710	EA	SINGLE PARTS PACKAGE, COLEMAN# 6759-5841
	102289-01-000	EA	SPRING-SCREW ROOF A/C GASKET - COLEMAN# 6757-150
	022756-02-000	EA	COVER PROTECTIVE 5 5" ENDS X 8 2" - PLASTIC - OFF WHITE
	022756-03-000	EA	COVER-A/C - PLASTIC - OFF WHITE

**A/C-13500 BTU-EUROPE**

KEY	PART NUMBER	U/M	DESCRIPTION
	092440-01-000	EA	A/C ROOF 13500 BTU 220V-50HZ COLEMAN# 6713C750
	092441-01-000	EA	CEILING ASM-A/C 220V-50HZ - COLEMAN# 6712ET16
	102289-01-000	EA	SPRING-SCREW ROOF A/C GASKET - COLEMAN# 6757-150
	084077-03-000	EA	COVER BLANK ROOF A/C 52" X 35" - IVORY

**1992 ITASCA  
TABLE OF CONTENTS**

INTRODUCTION	A-01	A-06
ABBREVIATIONS		A-03
ALPHABETICAL INDEX	A-04	A-06
IF527RQ	A-07	D-24
IF527RQ	E-01	H-16

**1992 IF527RQ INDEX**

FLOOR PLAN	A-07	A-08
ACCESSORIES		A-09
AUDIO VIDEO		A-10
BATH	A-11	A-12
BEDROOM	A-13	A-17
CHASSIS	A-18	A-22
CURTAIN & CUSHION	A-23	B-08
DINETTE	B-04	B-10
DRIVERS	B-11	B-12
ELECTRICAL	B-13	B-16
EXTERIOR BODY	B-17	B-24
GALLEY	C-01	C-05
GENERATOR		C-06
HEATING & A/C	C-07	C-08
INTERIOR FINISH	C-09	C-12
LABEL	C-13	C-19
LP		C-20
LOUNGE	C-21	C-22
SEALANTS & FASTENERS	C-23	D-01
WATER & SEWAGE	D-02	D-05
WINDOW VENT AND EXTERIOR DOOR	D-07	D-24

**INTERIOR FINISH GROUP**

**MOLDINGS & TRIMS**

KEY	PART NUMBER	U/M DESCRIPTION
	009767-10 000	FT MOLDING SIDEWALL TO CEILING/CABINET - WELTING - MANGOWAY
	009767-12 000	FT MOLDING SIDEWALL TO CEILING/CABINET - WELTING - OFF WHITE
	009809-21 000	EA MOLDING CORNER OUTSIDE - 1" - PLASTIC - WOODGRAIN
	009809-23 000	EA MOLDING CORNER OUTSIDE - 1" - PLASTIC - IVORY
	009809-25 000	EA MOLDING CORNER OUTSIDE - 1" - PLASTIC - OFF WHITE
	009812-22 000	EA MOLDING CORNER OUTSIDE - 3" X 7" - PLASTIC - BROWN
	009812-24 000	EA MOLDING PLASTIC OUTSIDE CORNER - 50" - IVORY
	009812-25 000	EA MOLDING CORNER OUTSIDE - 5" - PLASTIC - PECAN
	009815-05 000	FT MOLDING L SHAPED - 75" - IVORY
	022792-01 000	FT MOLDING-HELVETSE COVE L SHAPED - VINYL - WHITE
	022792-11 000	FT MOLDING-HELVETSE COVE L SHAPED - VINYL - IVORY
	022793-26 000	EA BATT STRIP WOODGRAIN 8 EA - RAMBLING OAK FROM 00 00 00 THRU 02 24 92
	022793-29 000	EA BATT STRIP WOODGRAIN 8 EA - FOREST OAK FROM 02 24 92 THRU 09 09 99
	020594-01 000	FT U CHANNEL PLASTIC .665" WIDE LIGHT BROWN - 100.00 FT
	020594-20 000	FT U CHANNEL PLASTIC .815" WIDE THICK PECAN - 100.00 FT
	020594-23 000	FT U CHANNEL PLASTIC .105" WIDE COUNTRY FOREST
	022490-01 000	EA BATTING OAK 72" EA - UNFINISHED
	026325-25 000	FT MOLDING EDGE BAND 1.545" WIDE WOODGRAIN
	026325-32 000	FT MOLDING EDGE BAND 1.545" WIDE (CAN)
	026325-34 000	FT MOLDING EDGE BAND 1.545" WIDE (CAN)
	026653-09 000	EA BATT STRIP-KEFELD WOODGRAIN
	026294-02 000	EA MOLDING SHIRT MATCHED WOOD - 6 LONG
	026294-07 000	FT MOLDING T END CAP EDGE - WEDGE LIPS - 75" - THICK PECAN
	026294-09 000	FT T MOLDING 3/4" WEDGE LIPS - MODERN IVORY
	026294-32 000	FT BATT STRIP WOODGRAIN ADHESIVE BACK - RAMBLING OAK FROM 00 00 00 THRU 02 23 92
	026294-67 000	FT BATT STRIP WOODGRAIN ADHESIVE BACK - VANILLE OAK FROM 02 24 92 THRU 09 09 99
	026294-35 000	FT BATT STRIP DECORATIVE ADHESIVE BACK - MARBLE
	026294-01 000	FT TRIM CARPET 1 1/2" X 5" ANGLE - 10 LONG - PVC - BEIGE
	026229-01 000	EA RETAINER BATTEN CEILING - 75" WIDE - 76 EA
	026229-04 000	EA BATTEN CEILING 1" WIDE - IVORY - 76 EA
	026253-01 000	EA BATT STRIP DECORATIVE 8 EA - MARBLE (MAIN)
	026253-02 000	EA BATT STRIP DECORATIVE 8 EA - FRONDS (BATH & GALLEY)
	026253-21 000	EA BATT STRIP DECORATIVE 8 EA - FAWN
	022707-06 01A	EA MOLDING OAK REGAL
	025873-01-02A	EA TRIM CARPET L ANGLE - 1 1/2" X 1 3/4" X 12" VINYL TAN
	026294-02 01A	EA TRIM J 5" EXPOSED - 1" X 52 1/2" LONG METAL - OFF WHITE
	100040-01 000	EA LUMBER VINYL WRAPPED 7" X 1 5/8" X 8" - RAMBLING OAK
	100041-01 000	EA LUMBER VINYL WRAPPED 7" X 2" X 8" - RAMBLING OAK
	100041-01 000	EA MOLDING VINYL WRAPPED 7" X 1 5/8" X 84 3/4" - RAMBLING OAK
	100041-02 000	EA MOLDING VINYL WRAPPED 7" X 2 5/8" X 84" - RAMBLING OAK
	102659-01-025	EA TRIM FLOOR 72" X 1 1/2" X 1 1/2" WOOD
	100818-01 02A	EA MOLDING VINYL WRAPPED L SHAPED 1 65" X 4" X 7" - RAMBLING OAK
	100819-01 02A	EA MOLDING VINYL WRAPPED L SHAPED 1 5" X 1 5/8" X 7" OAK
	100804-01 02A	EA MOLDING VINYL WRAP - RAMBLING OAK
	100818-01 01A	FT MOLDING EDGE 1.545" GOLD W/ADHESIVE

**INTERIOR FINISH GROUP (CONTINUED)**

**PANELING, LAMINATES & PLASTIC**

KEY	PART NUMBER	U/M DESCRIPTION
	000885-54 000	SF BOARD PARTICLE 3/8" X 3/8" X 55" FOREST OAK - VINYL 2 SIDES
	000885-55 000	SF BOARD PARTICLE 3/4" X 60" X 56" FOREST OAK - VINYL 2 SIDES
	003618-02 000	SF PLYWOOD OAK 1 SIDE FINISHED 3/16" X 4' X 8' (32 SF)
	003697-01 000	SF PLYWOOD LUM OVERLAY GRADE - 4' X 8' (32 SF)
	024498-01 000	SF VENEER FLAT LUMINA 48" X 96" - INC OF 32 SF
	024497-19 000	SF PANELING CEILING 4' X 8' - INC OF 32 SF
	024497-20 000	SF PANELING WOODGRAIN 4' X 8' - INCREMENTS OF 32 SF
	008272-72 000	SF PANELING SHOWER OFF WHITE 4' X 7' - INC OF 28 SF FROM 00 00 00 THRU 03-15-92
	008272-98 000	SF PANELING SHOWER ANTIQUE WHITE 4' X 7' - INC OF 28 SF FROM 03-16-92 THRU 09-09-99
	008272-82 000	SF PANELING MARBLE DEWBERRY 48" X 84" DECOR (MAIN WALL)
	008272-83 000	SF PANELING FRONDS DEWBERRY 48" X 84" DECOR (BATH & GALLEY)
	010351-01 000	7D VINYL CEILING DIAMOND DESIGN - 54" WIDE
	024498-39 000	SF LAMINATE PLASTIC 5' X 8' - GREEN BERRY - INC OF 40 SF (CAN)
	024498-41 000	SF LAMINATE PLASTIC 5' X 8' - GREEN MIST - INC OF 40 SF (CAN)
	023743-02 01A	SF PLASTIC-ABS 20" WIDE ROLL - OFF WHITE
	023743-03 01A	SF PLASTIC-ABS 10" WIDE - OFF WHITE

**CARPETING & FLOOR MATS**

KEY	PART NUMBER	U/M DESCRIPTION
	026699-42 000	SY CARPET 12 ROLL INCREMENTS OF 157' BE-SWIFT SPECIAL (CAN)
	026699-23 000	SY CARPET 12 ROLL INCREMENTS OF 457' (CAN)
	021054-32 000	SF PLASTIC CARPET 4 WIDE CLEAR POLY MINIMUM ORDER 1.00 SF
	025293-01 000	SY PAD CARPET 38" X 6 ROLL
	001075-02 000	EA MAT FLOOR ENTRANCE HATCH - WITASCA LOGO - 16 2" X 22" FROM 00 00 00 THRU 01 09 92
	001075-04 000	EA MAT FLOOR ENTRANCE HATCH - PLASTIC COLOR GRAY FROM 01 10 92 THRU 09 09 99
	003218-03 000	EA MAT FLOOR PASSENGER W/ LOGO CHEVY
	003218-04 000	EA MAT FLOOR DRIVER W/ LOGO CHEVY
	003219-03 000	EA MAT FLOOR PASSENGER 1" - FORD FROM 00 00 00 THRU 01 12 92
	003219-04 000	EA MAT FLOOR DRIVER 1" - FORD FROM 00 00 00 THRU 01 12 92
	100884-03 000	EA MAT FLOOR PASSENGER 1" - FORD FROM 01 13 92 THRU 09 09 99
	100884-04 000	EA MAT FLOOR DRIVER 1" - FORD FROM 01 13 92 THRU 09 09 99

**FIRE EXTINGUISHER, SMOKE DETECTOR & CLOCK**

KEY	PART NUMBER	U/M DESCRIPTION
	072852-01 000	EA DETECTOR SMOKE W/9 VOLT BATTERY
	072852-02 000	EA DETECTOR SMOKE W/9 VOLT BATTERY (CANADIAN)
	094499-01 000	EA EXTINGUISHER-FIRE DRY W MOUNTING BRACKET - 10 BC
	094499-02 000	EA EXTINGUISHER-FIRE DRY - 1A10BC - CANADIAN
	094499-01-700	EA BRACKET-MOUNTING W/PLASTIC STRAP - FIRE EXTINGUISHER
	100793-01 01A	EA CLOCK-WALL OVAL - 9 5/8" X 11 1/8" - GOLDENWARE 545121 (USED W BACKPLATE)
	101333-01 000	EA BACKPLATE CLOCK 6" X 5" - PLASTIC BLACK
	104764-01 01A	EA CLOCK WALL SPARTUS 5516-12

**1992 ITASCA  
TABLE OF CONTENTS**

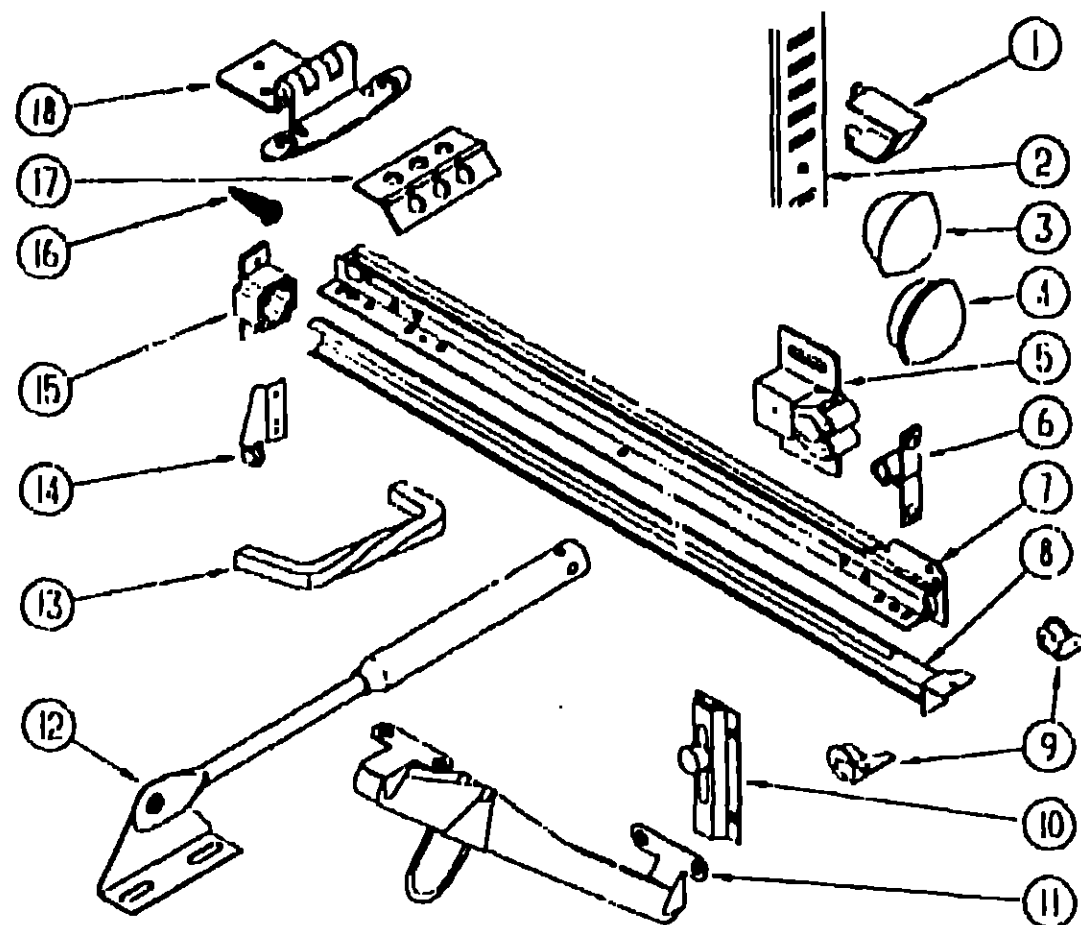
INTRODUCTION	A 01 - A 02
ABBREVIATIONS	A 03
ALPHABETICAL INDEX	A 04 - A 06
IF527RQ	A 07 - D 24
IF527RQ	E 01 - H 16

**1992 IF527RQ INDEX**

FLOOR PLAN	A 07 - A 08
ACCESSORIES	A 09
AUDIO VIDEO	A 10
BATH	A 11 - A 12
BEDROOM	A 13 - A 17
CHASSIS	A 18 - A 22
CURTAIN & CUSHION	A 23 - B 08
DMETTE	B 09 - B 10
DRIVERS	B 11 - B 12
ELECTRICAL	B 13 - B 16
EXTERIOR BODY	B 17 - B 24
GALLEY	C 01 - C 05
GENERATOR	C 06
HEATING & AC	C 07 - C 08
INTERIOR FINISH	C 09 - C 12
LABEL	C 13 - C 19
LP	C 20
LCUNGE	C 21 - C 22
SEALANTS & FASTENERS	C 23 - D 01
WATER & SEWAGE	D 02 - D 05
WINDOW, VENT AND EXTERIOR DOOR	D 07 - D 24

# INTERIOR FINISH GROUP (CONTINUED)

## CABINET & TABLE HARDWARE



KEY	PART NUMBER	U/M	DESCRIPTION
1	058979 01-000	EA	CLIP-ADJUSTABLE SHELF
2	058980 01-000	EA	PILASTER-ADJUSTABLE SHELF, 18" LONG
3	042356 01-000	EA	PLUG-BUTTON, MAHOOGANY - 3/8" DIAMETER - WOOD
4	074045 07-000	EA	PLUG-WOOD, 1/2"
5	053586 03-000	EA	CATCH-SPRING, ROLLER
6	053586 04-000	EA	STRIKE-SPRING STEEL
7	101910 03-000	EA	SLIDE-DRAWER, CABINET MOUNTED - SET OF 2 - 12" LONG
7	101910 04-000	EA	SLIDE-DRAWER, DRAWER MOUNTED - SET OF 2 - 12" LONG
8	102827 05-000	EA	TRACK-DRAWER, 22 1/2" LONG
9	102827 03-000	EA	ROLLER-DRAWER, NYLON - PAIR
10	061604 01-007	EA	SLIDE-BOLT, ANTIQUE BRASS
11	104181 01-017	EA	SUPPORT-LEAF 5 1/2" - EXTENDS TO 7 5/8" - SAFETY RING - METAL
12	074493 02-000	EA	SUPPORT-PISTON SPRING, CABINET DOOR
13	103857 01-000	EA	PULL-CABINET, BRASS - 3" ON CENTER
	081376 01-000	EA	BACKPLATE-DOOR PULL, BRASS - 8" X 4 25"
14	102827 02-000	EA	BRACKET-ROLLER, DRAWER - REAR
15	102827 04-000	EA	BRACKET-MOUNTING, DRAWER - REAR
16	000613 06-10G	EA	SCREW 6-20 X 5/8 PPH, ANTIQUE BRASS (HINGE 059777-02-000)
16	000613 06-08G	EA	SCREW 6-20 X 5/8 PPH, ANTIQUE BRASS (HINGE 108138-01-000)
17	009059 01-000	EA	HINGE-DOOR, 2" X 1 1/4" - BRASS
17	009059 02-000	EA	HINGE-DOOR, 2" X 2 7/8" - BRASS
18	059777 02 000	EA	HINGE-CABINET DOOR, BURNISHED BRASS
			FROM 00-00-00 THRU 04-16-92
18	108138 01-000	EA	HINGE-DOOR CABINET - BURNISHED BRASS
			FROM 04-17-92 THRU 09-09-99
	009063 01 000	EA	HINGE-CONTINUOUS, 1 1/2" X 72" - UNPAINTED
	065740 01 000	EA	BRACE-CABINET CORNER, PLASTIC
	016604 01 000	EA	BRACE-CABINET, ANGLE - 2 5/8" - METAL - UNPAINTED
	016604 03 000	EA	BRACE-CABINET, ANGLE - 2 5/8" - METAL - BEIGE
	076827 04-000	EA	BRACKET-BUNK/BED, 2 9/16" X 1 9/16" TRIANGLE - METAL - OFF WHITE
	076750 01-000	EA	SCREW, 6-20 X 1 1/4 PPH - BLACK
	083204 02-000	EA	BUTTON-RETAINING, MIRROR - 3/16" TIP - WALNUT
	004354 01-000	EA	BUMPER-RUBBER, 5" DIA - BROWN
	023320 01-000	EA	PAD-FELT, 3/8" DIAMETER - BROWN
	104886 01-000	EA	CATCH-WOOD VINYL FACE CABINET
	104886 02-000	EA	CATCH-WOOD, LAMINATED FACE
	105037 02-000	EA	FASTENER-WOOD, CORNER - METAL - 5" X 6"
	009112 01-000	EA	FLANGE-1" ROD, CLOTHES - PLASTIC - OFF WHITE
	042438 01-000	EA	DOWEL-WOOD, CLOTHES ROD - 1" DIAMETER X 4"
	042438 02-000	EA	DOWEL-WOOD, 2" X 2"
	076840 01-000	EA	CORD-BUNGIE, 24"
	091255 02-000	FT	SEAL-ADHESIVE BACKED FOAM, 1/8" THICK X 1 5/8" WIDE
	103130 01-000	EA	HOOK-CUP, BRASS - 1 1/2"
	064467 01-000	EA	GUIDE-POCKET SLIDING DOOR - WALL MOUNTED

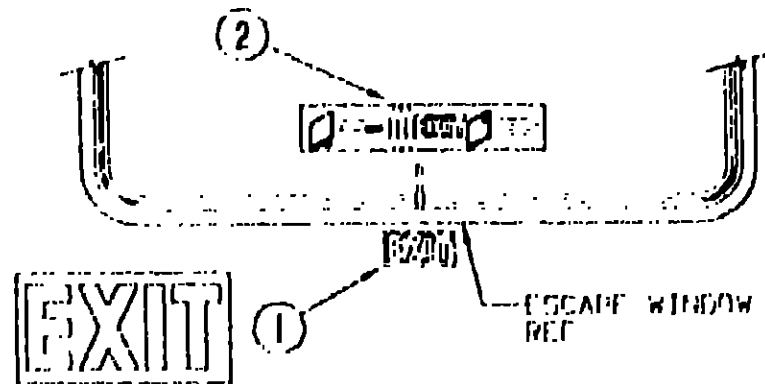
## 1992 ITASCA TABLE OF CONTENTS

INTRODUCTION	A-01 - A-02
ABBREVIATIONS	A-03
ALPHABETICAL INDEX	A-04 - A-06
IF527RQ	A-07 - D-24
IF527RC	E-01 - H-16

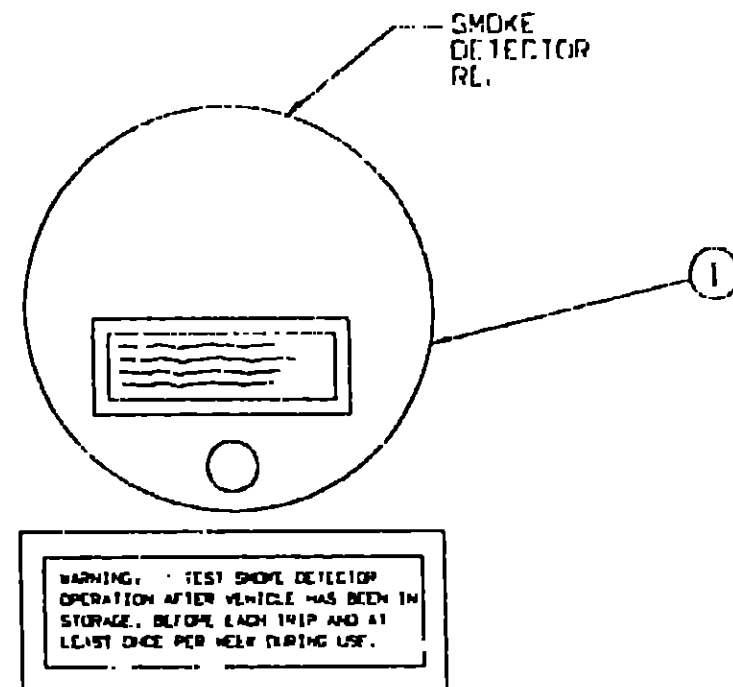
## 1992 IF527RQ INDEX

FLOOR PLAN	A-07 - A-08
ACCESSORIES	A-09
AUDIO VIDEO	A-10
BATH	A-11 - A-12
BEDROOM	A-13 - A-17
CHASSIS	A-18 - A-22
CURTAIN & CUSHION	A-23 - B-08
DINETTE	B-09 - B-10
DRIVERS	B-11 - B-12
ELECTRICAL	B-13 - B-16
EXTERIOR BODY	B-17 - B-24
GALLEY	C-01 - C-05
GENERATOR	C-06
HEATING & A/C	C-07 - C-08
INTERIOR FINISH	C-09 - C-12
LABEL	C-13 - C-19
LP	C-20
LOUNGE	C-21 - C-22
SEALANTS & FASTENERS	C-23 - D-01
WATER & SEWAGE	D-02 - D-06
WINDOW, VENT AND EXTERIOR DOOR	D-07 - D-24

**LABEL GROUP**

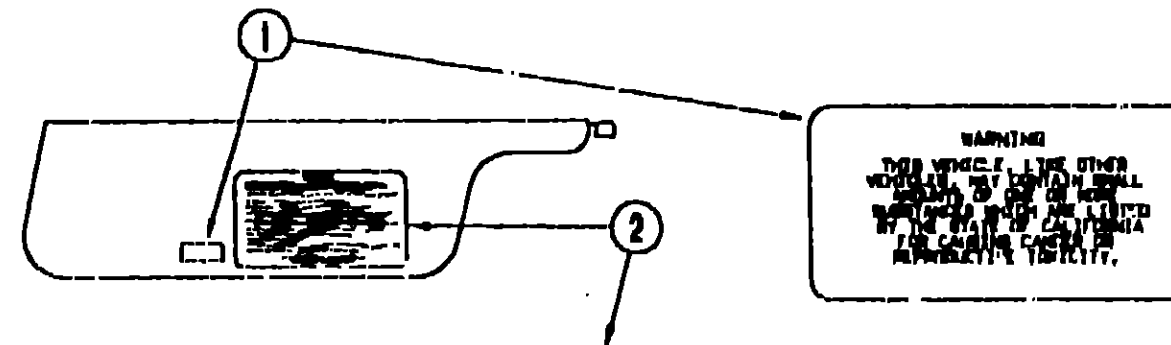


KEY	PART NUMBER	U/M DESCRIPTION
1	035250 01-000	EA LABEL-WARNING EXIT
2	107571 01-000	EA LABEL-ESCAPE EXIT WINDOW



KEY	PART NUMBER	U/M DESCRIPTION
1	077956-01-000	EA LABEL-WARNING, SMOKE DETECTOR

**LABEL GROUP (CONTINUED)**



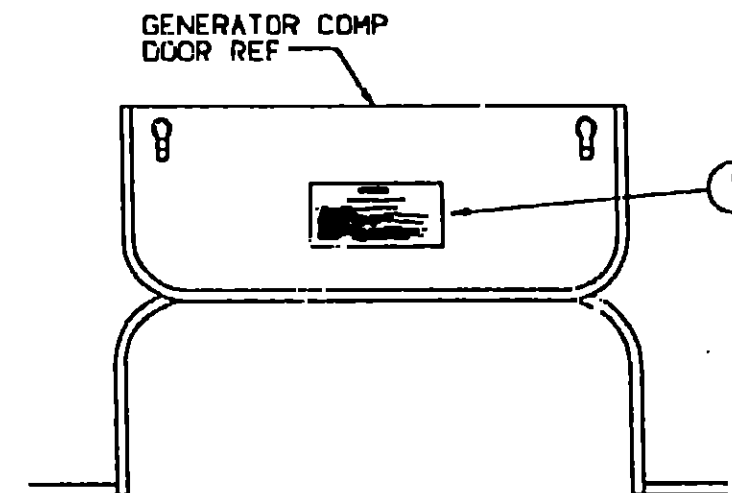
**CAUTION**

THIS MOTOR HOME HAS BEEN DESIGNED, MANUFACTURED AND TESTED WITH CONCERN FOR THE PROTECTION OF YOUR OCCUPANTS. WE RECOMMEND YOU PERFORM THE FOLLOWING INSPECTIONS FOR YOUR SAFETY AND THE SAFETY OF YOUR PASSENGERS BEFORE STARTING YOUR VEHICLE.

1. LP GAS SYSTEM- TURN OFF AT TANK FOR TRAVELING, TEST FOR LEAKS UPON ARRIVAL AT DESTINATION, BEFORE LIGHTING PIPES.
2. WHEELS- INSPECT FOR DAMAGE AND CHECK LUG NUTS FOR TIGHTNESS.
3. TIRES- INSPECT FOR WEAR AND DAMAGE AND CHECK FOR RECOMMENDED AIR PRESSURE.
4. LIGHTING- TEST FOR PROPER OPERATION OF ALL INTERIOR AND EXTERIOR LIGHTS INCLUDING DASH LIGHTS, HEADLIGHTS, TAIL LIGHTS, BRAKE LIGHTS, CLEARANCE LIGHTS AND TURN SIGNALS.
5. EXITS- INSPECT RELEASE MECHANISM ON EMERGENCY EXIT WINDOWS, TEST BOTH LOCKS ON MAIN ENTRANCE DOOR FOR EASE OF OPERATION AND INSTRUCT PASSENGERS HOW TO USE BOTH MEANS OF EXIT.
6. SEAT BELTS- DIRECT PASSENGERS TO DESIGNATED SEATS AND RESUME USE OF SEAT BELTS.
7. APPLIANCES- TURN OFF AND LATCH OR LOCK LEVER WHERE PROVIDED.
8. LOOSE PARCELS- STORE SECURELY.
9. UTILITY SUPPLY LINES- DISCONNECT ALL ELECTRIC, BEVER AND WATER LINES AND SECURE PROPERLY.
10. ENTRANCE DOOR STEP- PLACE IN RETRACTED POSITION FOR TRAVELING.

READ YOUR MOTOR HOME AND CHASSIS OWNER'S MANUAL FOR FURTHER PRECAUTIONS

KEY	PART NUMBER	U/M DESCRIPTION
1	055609-01-000	EA LABEL-WARNING, CANCER/TOXICITY
2	055259 01-000	EA LABEL-SAFETY CHECK LIST



KEY	PART NUMBER	U/M DESCRIPTION
1	077510-01-000	EA LABEL-GENERATOR PREP

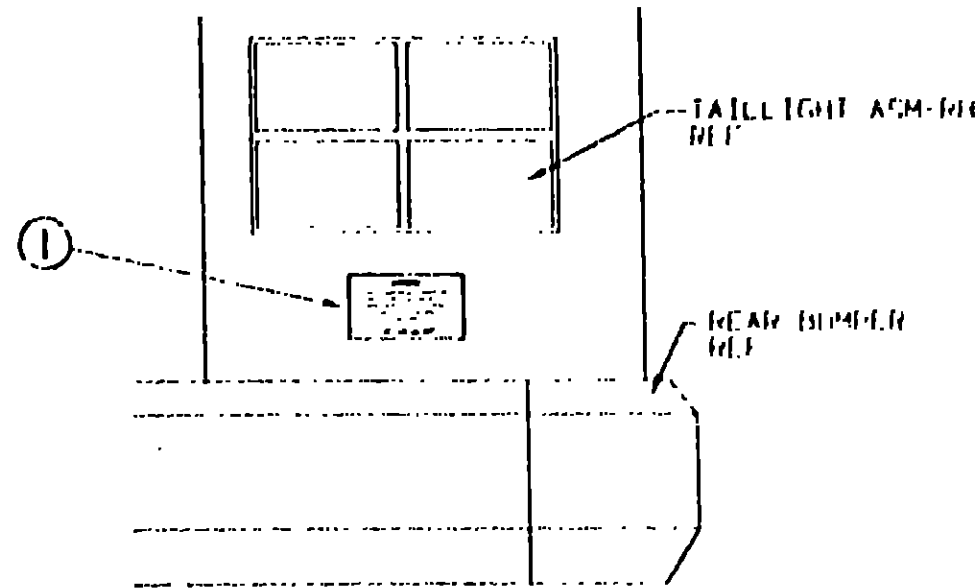
**1992 ITASCA  
TABLE OF CONTENTS**

INTRODUCTION	A-01	A-02
ABBREVIATIONS		A-03
ALPHABETICAL INDEX	A-04	A-06
IF527RQ	A-07	D-24
IF527RC	E-01	H-16

**1992 IF527RQ INDEX**

FLOOR PLAN	A-07	A-08
ACCESSORIES		A-09
AUDIO VIDEO		A-10
BATH	A-11	A-12
BEDROOM	A-13	A-17
CHASSIS	A-18	A-22
CURTAIN & CUSHION	A-23	B-08
DINETTE	B-09	B-10
DRIVERS	B-11	B-12
ELECTRICAL	B-13	B-16
EXTERIOR BODY	B-17	B-24
GALLEY	C-01	C-05
GENERATOR		C-06
HEATING & A/C	C-07	C-08
INTERIOR FINISH	C-09	C-12
LABEL	C-13	C-19
LP		C-20
LOUNGE	C-21	C-22
SEALANTS & FASTENERS	C-23	D-01
WATER & SEWAGE	D-02	D-06
WINDOW, VENT AND EXTERIOR DOOR	D-07	D-24

**LABEL GROUP (CONTINUED)**

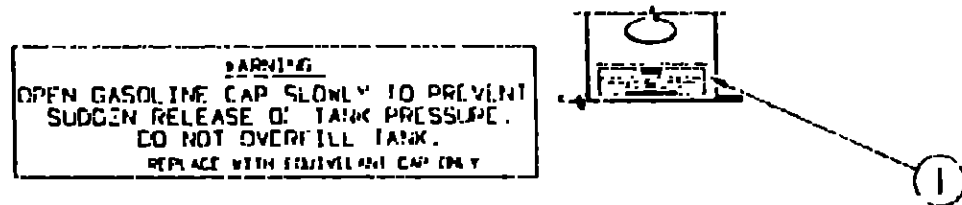


**WARNING**

DO NOT EXCEED THE VEHICLE WEIGHT RATINGS OR LOADING RECOMMENDATIONS (E.G., GROSS VEHICLE, GROSS AXLE, GROSS COMBINED) OF THE CHASSIS MANUFACTURER OR WINNEBAGO INC.

REFER TO YOUR OWNER'S MANUAL, BEFORE LOADING OR TOWING.

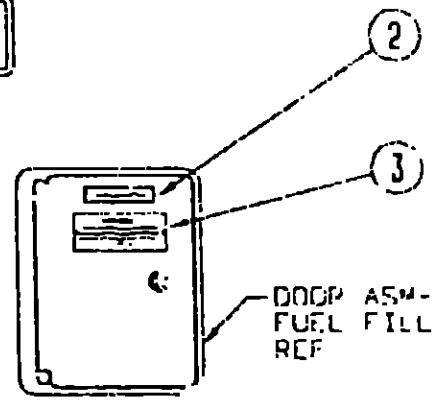
**KEY PART NUMBER U/M DESCRIPTION**  
 1 075220-01-000 EA LABEL-WARNING EXTERIOR LOAD



**UNLEADED FUEL ONLY**

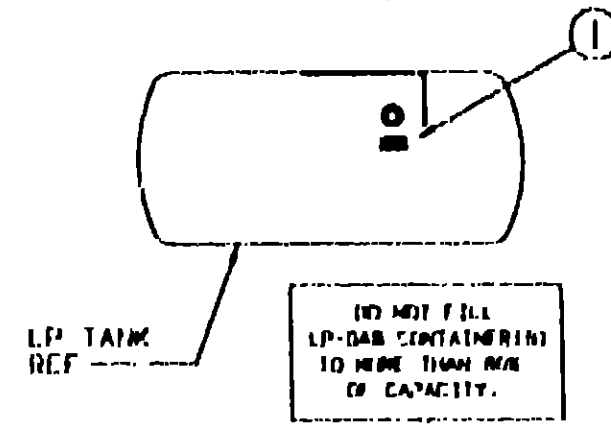
**WARNING**

ALL PILOT LIGHTS AND APPLIANCES SHALL BE TURNED OFF DURING REFUELING OF MOTOR FUEL TANKS AND/OR PERMANENTLY HEATED LP-GAS CONTAINERS.

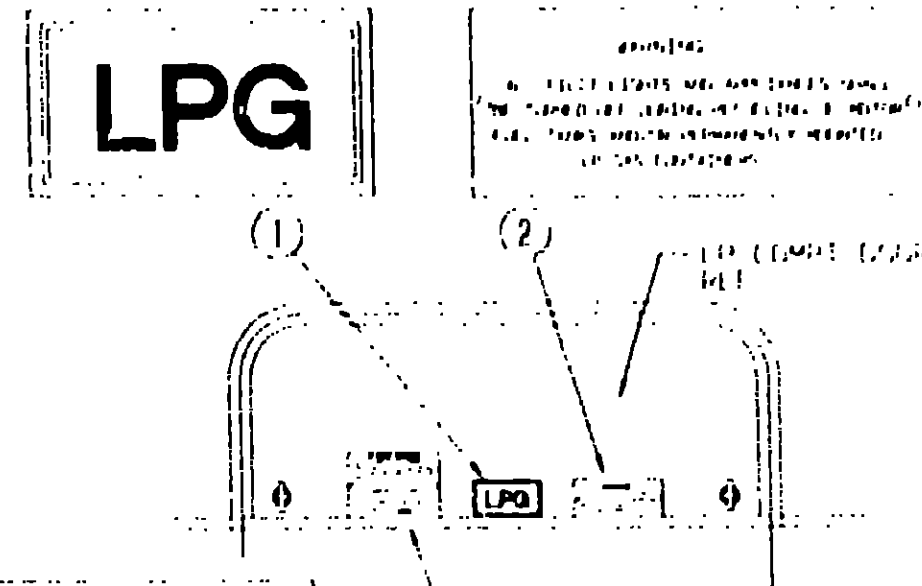


**KEY PART NUMBER U/M DESCRIPTION**  
 1 087207-05-000 EA LABEL-FUEL CAP REMOVAL  
 2 062043-01-000 EA LABEL-FUEL, UNLEADED  
 3 006040-01-000 EA TAG-GAS REFUELING WARNING  
 3 006040-02-000 EA TAG-GAS REFUEL WARNING, CANADIAN

**LABEL GROUP (CONTINUED)**



**KEY PART NUMBER U/M DESCRIPTION**  
 1 075220-01-000 EA LABEL-LPG 60 CAPACITY



**LP GAS SYSTEM**

THIS GAS PIPING SYSTEM IS DESIGNED FOR USE BY LICENSED TECHNICIANS ONLY. DO NOT CONNECT ANYTHING TO THIS SYSTEM.

SECURELY CAP INLET(S) WHEN NOT CONNECTED FOR USE. AFTER TIGHTENING OR GAS, EXCEPT AFTER NORMAL CONTAINER REPLACEMENT, TEST GAS PIPING AND CONNECTIONS TO APPROPRIATE FOR LEAKAGE WITH SOAPY WATER OR BUBBLE SOLUTION. DO NOT USE MATERIALS THAT CONTAIN AMMONIA OR OILS. P.N. 24931

**KEY PART NUMBER U/M DESCRIPTION**  
 1 074559-01-000 EA DECAL-LOGO LPG - RED - (CALIF CODE)  
 2 006040-01-000 EA TAG GAS REFUELING WARNING  
 2 006040-02-000 EA TAG GAS REFUEL WARNING, CANADIAN  
 3 054531-01-000 EA LABEL-LP GAS ONLY  
 3 023759-01-000 EA LABEL-WARNING LPG, CANADIAN

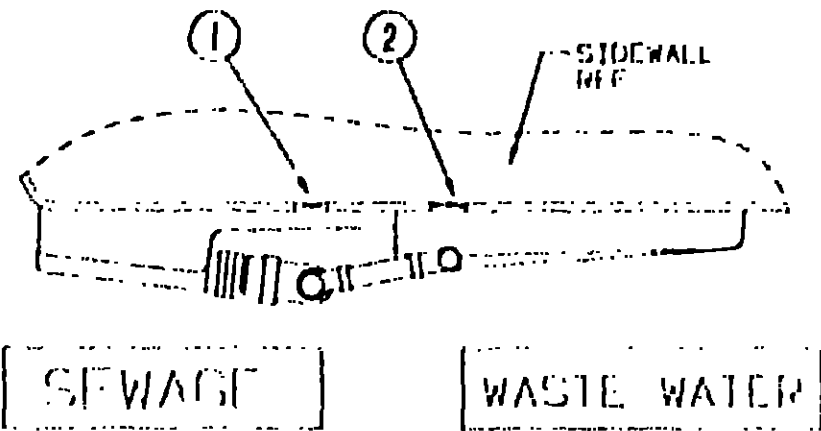
**1992 ITASCA TABLE OF CONTENTS**

INTRODUCTION	A-01	A-02
ABBREVIATIONS		A-03
ALPHABETICAL INDEX	A-04	A-06
IF 527RQ	A-07	D-24
IF 527RQ	E-01	H-16

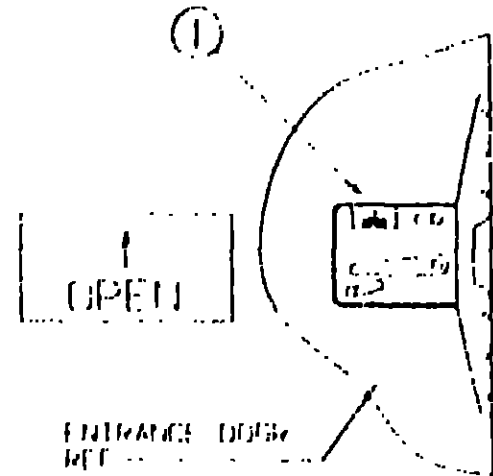
**1992 IF527RQ INDEX**

FLOOR PLAN	A-07	A-08
ACCESSORIES		A-09
AUDIO VIDEO		A-10
BATH	A-11	A-12
BEDROOM	A-13	A-17
CHASSIS	A-18	A-22
CURTAIN & CUSHION	A-23	B-08
DINETTE	B-09	B-10
DRIVERS	B-11	B-12
ELECTRICAL	B-13	B-16
EXTERIOR BODY	B-17	B-24
GALLEY	C-01	C-05
GENERATOR		C-06
HEATING & AC	C-07	C-08
INTERIOR FINISH	C-09	C-12
LABEL	C-13	C-19
LP		C-20
LOUNGE	C-21	C-22
SEALANTS & FASTENERS	C-23	D-01
WATER & SEWAGE	D-02	D-05
WINDOW VENT AND EXTERIOR DOOR	D-07	D-24

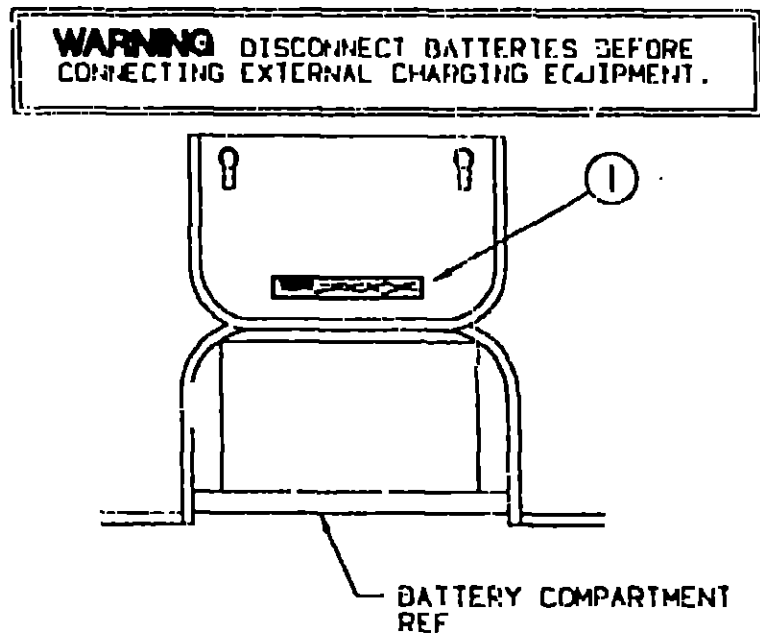
**LABEL GROUP (CONTINUED)**



KEY	PART NUMBER	U/M DESCRIPTION
1	066187 01 000	EA LABEL SEWAGE
2	066188 01 000	EA LABEL WASTE WATER

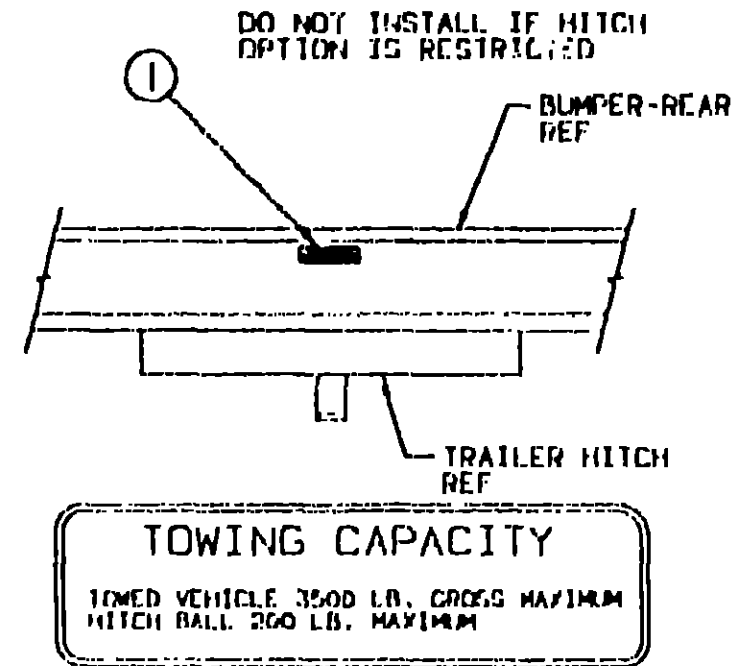


KEY	PART NUMBER	U/M DESCRIPTION
1	040754 01 000	EA LABEL ENTRANCE DOOR OPEN

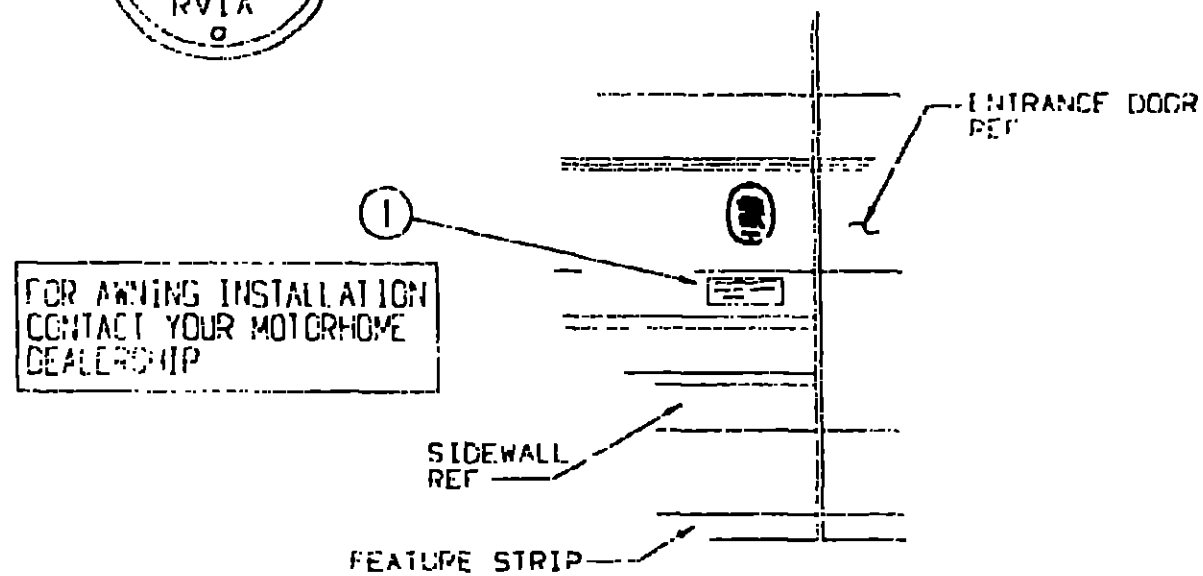
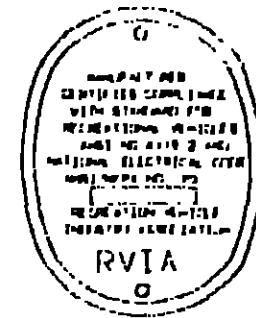


KEY	PART NUMBER	U/M DESCRIPTION
1	065748 01 000	EA LABEL CAUTION BATTERY CHARGING

**LABEL GROUP (CONTINUED)**



KEY	PART NUMBER	U/M DESCRIPTION
1	075221 01 000	EA LABEL TOWING CAPACITY



KEY	PART NUMBER	U/M DESCRIPTION
1	099509 01 000	EA LABEL AWNING INSTALLATION

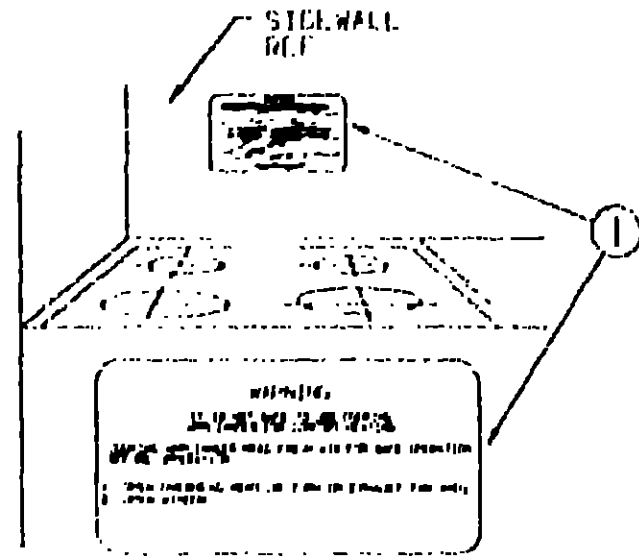
**1992 ITASCA  
TABLE OF CONTENTS**

INTRODUCTION	A-01	A-02
ABBREVIATIONS		A-03
ALPHABETICAL INDEX	A-04	A-06
IF5271Q	A-07	D-24
IF5271C	E-01	F-16

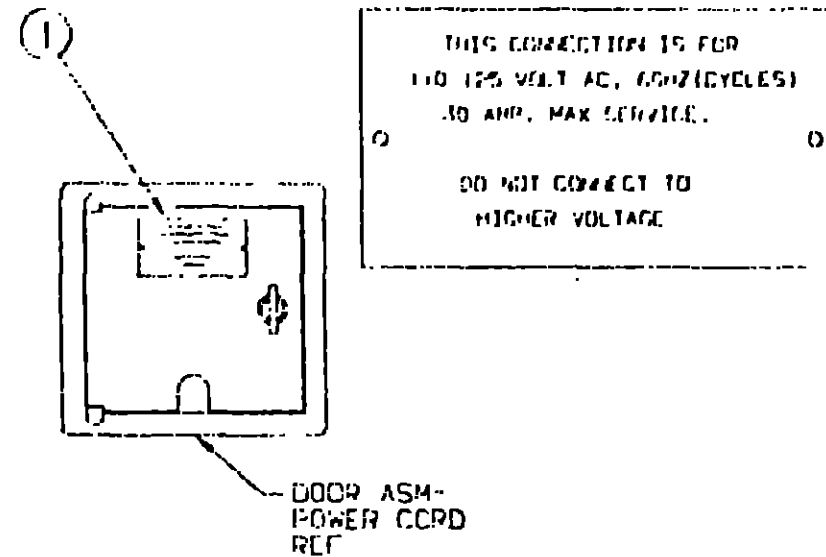
**1992 IF527RQ INDEX**

FLOOR PLAN	A-07	A-08
ACCESSORIES		A-09
AUDIO VIDEO		A-10
BATH	A-11	A-12
BEDROOM	A-13	A-17
CHASSIS	A-18	A-22
CURTAIN & CUSHION	A-23	B-00
DINETTE	B-09	B-10
DRIVERS	B-11	B-12
ELECTRICAL	B-13	B-16
EXTERIOR BODY	B-17	B-24
GALLEY	C-01	C-05
GENERATOR		C-06
HEATING & A/C	C-07	C-08
INTERIOR FINISH	C-09	C-12
LABEL	C-13	C-19
LP		C-20
LOUNGE	C-21	C-22
SEALANTS & FASTENERS	C-23	D-01
WATER & SEWAGE	D-02	D-06
WINDOW, VENT AND EXTERIOR DOOR	D-07	D-24

**LABEL GROUP (CONTINUED)**



KEY	PART NUMBER	U/M DESCRIPTION
1	050222-01-000	EA LABEL-WARNING STOVE VENT - US
1	050222-01-000	EA LABEL-WARNING STOVE VENT - CANADIAN

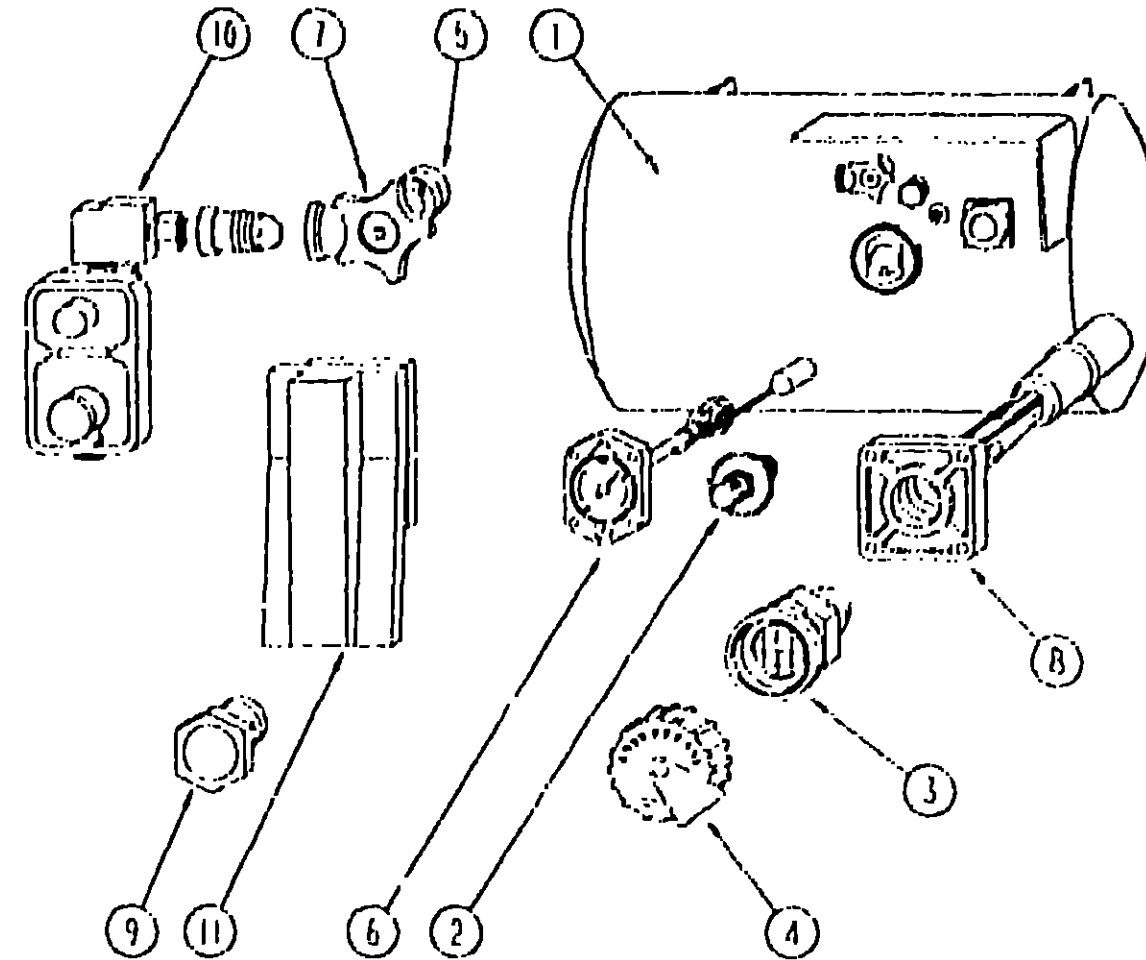


KEY	PART NUMBER	U/M DESCRIPTION
1	000052-01-000	EA TAG-ELECTRIC 110V CONNECTION

**MISCELLANEOUS LABELS**

KEY	PART NUMBER	U/M DESCRIPTION
	R77005-87-599	EA LABEL-FUEL UNLEADED - RNO 7700587599
	006064-01-000	EA LABEL-SEAT W/O SEATBELT NOT INTENDED FOR USE WHILE COACH IN MOTION
	006064-02-000	EA LABEL-SEAT W/O SEATBELT (CANADIAN)
	035709-01-000	EA LABEL-NO STORAGE
	061417-01-000	EA LABEL-FUEL ON FUEL FILL DOOR
	061606-01-000	EA LABEL-OVERLAY VEHICLE CERTIFICATION - ADHESIVE BACKED
	073998-01-000	EA LABEL-LPG ODOR WARNING
	087236-01-000	EA LABEL-CABLE, INPUT
	091224-02-000	EA LABEL-TRAILER LIGHTING
	091243-01-000	EA LABEL-A/C COVER, AIR CONDITIONING CIRCUIT ETC
	093236-08-000	EA LABEL-CIRCUIT BREAKER
	098541-01-000	EA LABEL-FUEL, UNLEADED - DASH
	104236-01-000	EA LABEL-GENERATOR CIRCUIT

**LP GROUP**



**LP TANK & COMPONENTS**

KEY	PART NUMBER	U/M DESCRIPTION
1	097821-01-000	EA TANK-LP, 60 LB BRUNNER - 14" X 30"
2	040421-01-700	EA VALVE-LIQUID LEVEL, 20% LP - BRUNNER G-1013
3	040421-01-701	EA VALVE-SHORT LP FILLER W/YELLOW CAP - BRUNNER 75478
4	040421-01-702	EA CAP-LP FILLER VALVE, PLASTIC - YELLOW - BRUNNER G-1014-A
5	040421-01-703	EA VALVE-SERVICE W/VAPOR RELIEF & HANDWHEEL
5	040421-01-707	EA GAUGE-FLOAT W/VISIBLE DIAL - BRUNNER MA-9 6244-4
7	040421-01-708	EA HANDWHEEL-SERVICE VALVE, BRUNNER G-1015-A
8	040421-01-711	EA VALVE-80% W/FLOAT PLATE BOLTS & GASKET - BRUNNER
9	040421-01-713	EA VALVE-VAPOR ONLY - 29000587
10	106150-01-000	EA REGULATOR-TWO STAGE - M3 BRASS 293-00
	105658-01-000	EA COMPARTMENT-LP REGULATOR
11	081938-01-000	EA COVER-COMPARTMENT, LP REGULATOR - BLACK
	040440-02-000	EA TRANSMITTER-DIAL, 0-90 OHM
	055741-01-000	EA GAUGE-DIAPHRAGM PRESSURE - MARSHALLTOWN MFG
	103613-01-000	EA DETECTOR-LP GAS
	024250-01-000	EA ADAPTER-BRASS 3/8" F X 1/2" FPT
	045703-01-000	EA HOSE-LP, 3/8" ID X 24" - 3/8" MPT X 1/2" F SWIVEL - U.S.
	045703-02-000	EA HOSE-LP, 3/8" ID X 24" - 3/8" MPT X 1/2" F SWIVEL - CANADA
	055742-01-000	EA TEE, 3/8" F X 3/8" F X 25" FPT - BRASS
	010377-02-000	EA NUT-BRASS, 3/8" FEMALE - FORGED
	095624-01-000	EA ELBOW-90 DEGREE, 1/4" FPT X 1/4" FPT - BRASS
	065318-02-000	EA ELBOW-90 DEGREE, 3/8" MPT TO 3/8" FPT
	071391-02-000	EA NIPPLE-HEX, 1/4" PIPE - 3325X4 WEATHERHEAD
	084884-01-000	EA PLUG-BRASS, 3/8"

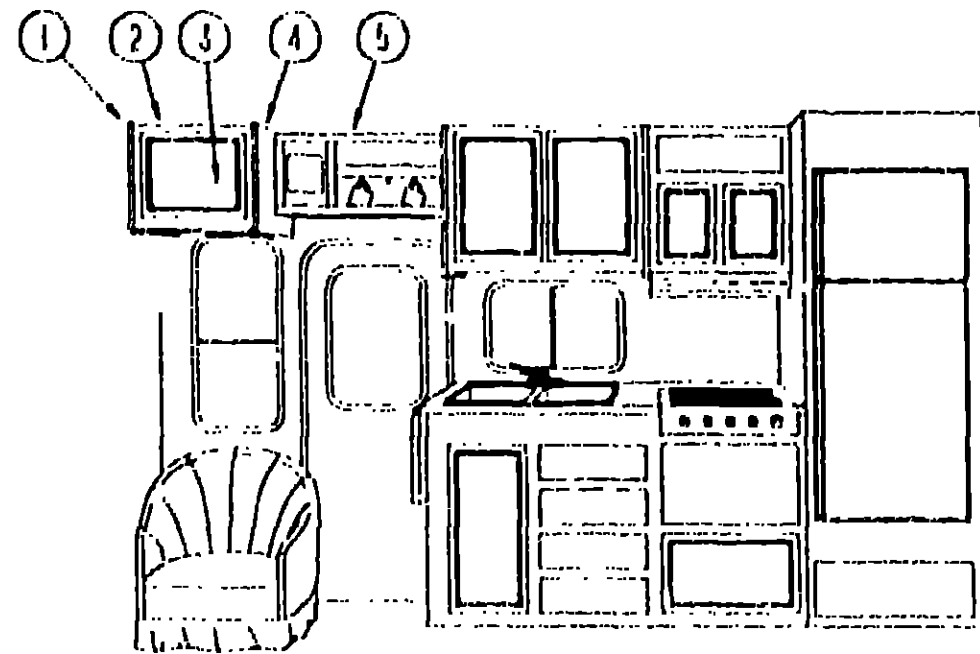
**1992 ITASCA TABLE OF CONTENTS**

INTRODUCTION	A-01 - A-02
ABBREVIATIONS	A-03
ALPHABETICAL INDEX	A-04 - A-06
IF527RQ	A-07 - D-24
IF527RC	F-01 - H-16

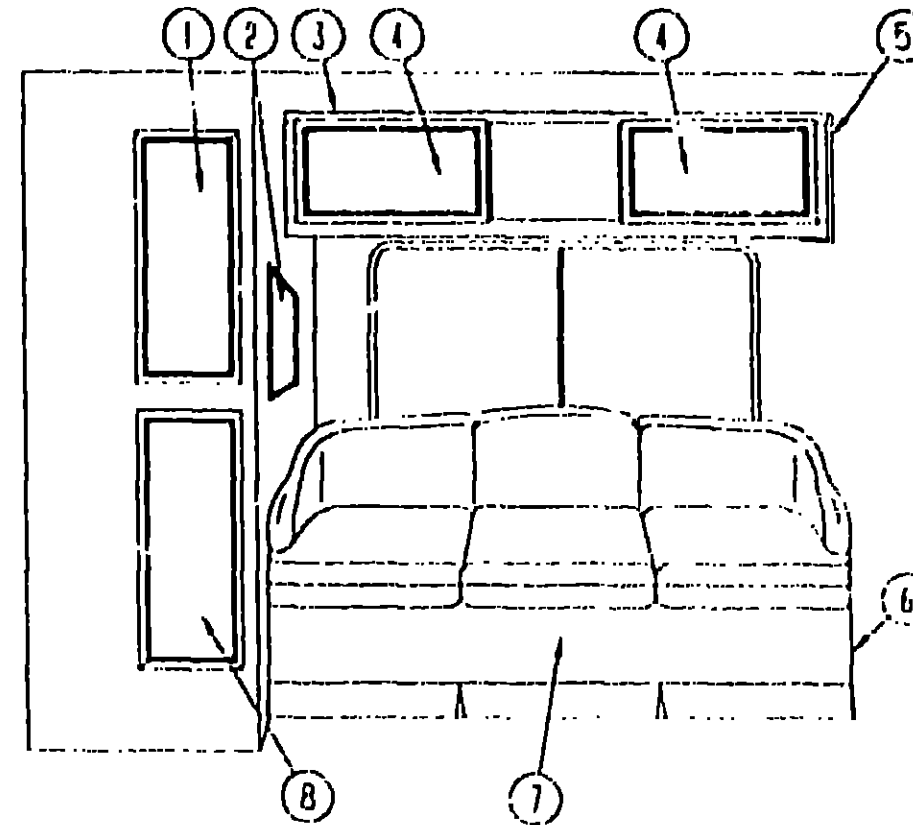
**1992 IF527RQ INDEX**

FLOOR PLAN	A-07 - A-08
ACCESSORIES	A-09
AUDIO VIDEO	A-10
BATH	A-11 - A-12
BEDROOM	A-13 - A-17
CHASSIS	A-18 - A-22
CURTAIN & CUSHION	A-23 - B-08
DINETTE	B-09 - B-10
DRIVERS	B-11 - B-12
ELECTRICAL	B-13 - B-16
EXTERIOR BODY	B-17 - B-24
GALLEY	C-01 - C-05
GENERATOR	C-06
HEATING & A/C	C-07 - C-08
INTERIOR FINISH	C-09 - C-12
LABEL	C-13 - C-19
LP	C-20
LOUNGE	C-21 - C-22
SEALANTS & FASTENERS	C-23 - D-01
WATER & SEWAGE	D-02 - D-06
WINDOW VENT AND EXTERIOR DOOR	D-07 - D-24

### LOUNGE GROUP



### LOUNGE GROUP (CONTINUED)



### 1992 ITASCA TABLE OF CONTENTS

INTRODUCTION	A-01 - A-02
ABBREVIATIONS	A-03
ALPHABETICAL INDEX	A-04 - A-06
IF527RQ	A-07 - D-24
IF52711C	E-01 - H-16

#### OVERHEAD CABINETS

KEY	PART NUMBER	U/M	DESCRIPTION
1	104335-07-C43	EA	END CAP-CABINET, OVERHEAD
1	104335-18-C43	EA	END CAP-CABINET, OVERHEAD (TV OPTION)
2	M05678-01-C43	EA	CABINET-OVERHEAD, W/O DOOR & HARDWARE - FRONT - RIGHT
2	M05678-26-C43	EA	CABINET-OVERHEAD, W/O DOOR & HARDWARE (TV OPTION)
	106452-11-C43	EA	SHELF ASM
	061604-01-000	EA	SLIDE-BOLT, ANTIQUE BRASS
	101910-03-000	EA	SLIDE-DRAWER, CABINET MOUNTED - SET OF 2 - 12" LONG
	101910-04-000	EA	SLIDE-DRAWER, DRAWER MOUNTED - SET OF 2 - 12"
3	P03702-01-C43	EA	DOOR-CABINET, W/O HARDWARE - 400 X 520MM
4	104335-06-C43	EA	END CAP-CABINET, OVERHEAD
4	104335-17-C43	EA	END CAP-CABINET, OVERHEAD (TV OPTION)
5	P05254-01-C43	EA	CABINET-OVERHEAD, ENTRANCE DOOR
	105047-04-C25	EA	HOLDER-KEY RING
	103130-01-000	EA	HOOK-KEY RING, BRASS - 1 25"

#### CABINETS & TABLE

KEY	PART NUMBER	U/M	DESCRIPTION
1	P03702-34-B87	EA	DOOR-CABINET, W/O HARDWARE - 305 X 1015 MM
2	093446-04-B87	EA	MIRROR-WOOD FRAMED
	050331-01-000	EA	MIRROR-SAFETY GLASS, 19" X 26"
	M03450-04-000	EA	TRIM-MIRROR, WOOD - OAK
3	M05678-02-C43	EA	CABINET-OVERHEAD, W/O DOOR & HARDWARE
3	M05678-02-C44	EA	CABINET-OVERHEAD, W/O DOOR & HARDWARE
4	P03702-65-C25	EA	DOOR-CABINET, W/O HARDWARE - 400 X 520MM
5	104335-06-C43	EA	END CAP-CABINET, OVERHEAD
6	M04187-18-C43	EA	CABINET-COUCH W/FABRIC
6	M04187-18-C44	EA	CABINET-COUCH W/FABRIC
7	M04187-17-C43	EA	CABINET-COUCH W/FABRIC
7	M04187-17-C44	EA	CABINET-COUCH W/FABRIC
	082525-02-000	EA	BRACE-COUCH, FLOOR MOUNT - ANGLE 3" LONG - METAL
	050101-01-002	EA	CORNER KEY-EXTRUDED, L-SHAPED - 192" - ALUMINUM
	063125-03-000	EA	BRACE-COUCH, TAN
8	P03702-G4-C43	EA	DOOR-CABINET, W/O HARDWARE - 305 X 660MM
	081298-01-B85	EA	TABLE-PEDESTAL, W/O HARDWARE & LEG (C43)
	081298-01-B87	EA	TABLE-PEDESTAL, W/O HARDWARE & LEG (C44)
	009040-02-000	EA	LEG-TABLE, 27 5" X 2 25" DIA - CHROME
	009040-03-000	EA	BASE-TABLE, RAISED
	041194-01-000	EA	BASE-TABLE, FLUSH - FLOOR MOUNTED
	062046-01-000	EA	CLIP-LEG, PEDESTAL - 1 7" X 2 2" - DIA FROM 2" TO 2 5"
	042438-02-000	EA	DOWEL-WOOD, 2" X 2"
	076840-01-000	EA	CORD-BUNGIE, 24"

#### 1992 IF527RQ INDEX

FLOOR PLAN	A-07 - A-08
ACCESSORIES	A-09
AUDIO VIDEO	A-10
BATH	A-11 - A-12
BEDROOM	A-13 - A-17
CHASSIS	A-18 - A-22
CURTAIN & CUSHION	A-23 - B-08
DINETTE	B-09 - B-10
DRIVERS	B-11 - B-12
ELECTRICAL	B-13 - B-16
EXTERIOR BODY	B-17 - B-24
GALLEY	C-01 - C-05
GENERATOR	C-06
HEATING & A/C	C-07 - C-08
INTERIOR FINISH	C-09 - C-12
LABEL	C-13 - C-19
LP	C-20
LOUNGE	C-21 - C-22
SEALANTS 3	
FASTENERS	C-23 - D-01
WATER & SEWAGE	D-02 - D-06
WINDOW, VENT AND EXTERIOR DOOR	D-07 - D-24



**SEALANTS & FASTENERS GROUP**

**ADHESIVE & FASTENERS**

KEY	PART NUMBER	U/M	DESCRIPTION
	034552-02-000	EA	SILICONE-TUBE, 300 ML - CLEAR
	034552-06-000	EA	SILICONE-TUBE, 300 ML - OFF WHITE
	053766-02-000	EA	BEDDING COMPOUND-TUBE, WHITE
	053766-05-000	EA	BEDDING COMPOUND-TUBE, CLEAR
	053766-08-000	EA	BEDDING COMPOUND-TUBE, GRAY - SCHINEL # 5522
	053642-01-000	FT	TAPE-ADHESIVE, 10MM X 1.5" - WIDE
	053640-01-000	FT	SEALER-RIBBON, 1/4" DIAMETER - INCREMENTS OF 30"
	053640-02-000	FT	SEALER-RIBBON, 1/2" X 1/8" - INCREMENTS OF 30" OR 60"
	053640-03-000	FT	SEALER-RIBBON, 3/4" X 1/8" - INCREMENTS OF 60"
	053640-05-000	FT	SEALER-RIBBON, 1/16" DIAMETER - INCREMENTS OF 25"
	053640-10-000	FT	SEALER-RIBBON, 1/32" X 1 1/2" INCREMENTS OF 90"
	053640-11-000	FT	SEALER-TAPE, 3/16" X 3/8", BLACK - MANUS
	053640-12-000	FT	SEALER-TAPE, 1/8" X 1 5" GRAY - MANUS
	053640-14-000	FT	SEALER-TAPE, 1/16" X 1" GRAY - MANUS
	072889-01-000	EA	SEALANT URETHANE, BLACK - V10 - LSSEX 552 2
	076314-02-000	FT	TAPE CARPET SEAM HEAT-BOND - 4" WIDE
	076322-01-000	FT	TAPE-FOAM DOUBLE COATED ADHESIVE BACKED - 75" X 2 1/2"
	076322-02-000	FT	TAPE-FOAM DOUBLE COATED ADHESIVE BACKED - 1" X 108"
	076322-03-000	FT	TAPE-FOAM DOUBLE COATED ADHESIVE BACKED - 5" X 108"
	076322-05-000	FT	TAPE-FOAM DOUBLE COATED - 025" X 1 5" X 108"
	087511-01-000	GL	PROMOTER-ADHESIVE
	091255-02-000	FT	SEAL ADHESIVE BACKED FOAM, 18" THICK X 1 5" WIDE
	094401-01-000	EA	SEALER BODY SEAM SEALER 3M FLEXICLEAR
	102352-01-000	EA	SEALER-PUMPABLE, BLACK - COLORIMETRIC MS101

**BOLTS, NUTS & WASHERS**

KEY	PART NUMBER	U/M	DESCRIPTION
	0M031K-05-070	EA	BOLT-HEX SER FLANGE - M8 X 070
	000C12-05-16B	EA	BOLT-HEX 5/16-18 X 1 - ZINC 5
	000C12-05-12B	EA	BOLT-HEX 3/8-16X2LG ZN 5
	000C12-07-24B	EA	BOLT-HEX 7/16-14X1 50 ZN 5 - MC-50
	000C12-08-24B	EA	BOLT-HEX 1/2-13 X 1 1/2 - ZN 5
	000C12-10-24B	EA	BOLT-HEX 5/8-11 X 1 1/2 ZN - 5
	000C13-07-48B	EA	BOLT-HEX 7/16 - 20 X 3 - ZN 5
	000C18-05-40A	EA	BOLT-ELEV 5/16-18X2 1/2 PL
	000C18-05-48B	EA	BOLT-ELEV 3/8-16 X 3 ZN - GDE 5
	000C26-04-10B	EA	BOLT-HEX, SER FLG - 1/4-20 X 5/8 ZINC
	000C26-05-12B	EA	BOLT-HEX-SER FLG 5/16 18X3/4 ZN
	000G45-05-16B	EA	BOLT-FLG, 5/16 - 9 X 1 ZN
	005200-01-000	EA	BOLT-BUMPER RD HD SO NECK - W/SST CAP - 7/16 - 14 X 1 1/4
	051387-06-000	EA	BOLT-CARRIAGE W/O HOLE - 5/16-18 X 9 5 ZN
	000D14-05-00B	EA	NUT-HEX, 5/16-18 - ZN 5
	000D24-10-00B	EA	NUT-HEX, SF/LK - 10-32 ZN
	000D39-04-00B	EA	NUT-HEX SER FLG LK 1/4 - 20 ZN
	000D39-05-00B	EA	NUT-HEX, SER FLG LK - 5/16 - 18 ZN
	000D39-06-00B	EA	NUT-HEX, SER FLG LK - 3/8-16 ZN
	000D39-08-00B	EA	NUT-HEX, SER FLG LK - 1/2-13 ZN
	000D41-07-00B	EA	NUT-HEX, SER FLG LK - 7/16-20 ZN
	000E13-11-00B	EA	WASHER-FLARE, 3/16" WIDE - ZN
	000E13-14-00B	EA	WASHER-FL, 1/4" WIDE ZN
	000E13-20-00B	EA	WASHER-FL, 7/16 WIDE ZN
	000E13-21-00B	EA	WASHER-FL, W/2 NAR ZN
	000E14-10-00B	EA	WASHER-LK, NO 10 EXT TOOTH - ZN
	041322-01-000	EA	WASHER-FL, 15/32 ID X 23/8 OD FOR SEAT BELT MT
	044533-01-000	EA	WASHER-PLASTIC, 1 3/8"OD - FOR BUTTONS

**SEALANTS & FASTENERS GROUP (CONTINUED)**

**SCREWS**

KEY	PART NUMBER	U/M	DESCRIPTION
	087721-01-000	EA	SCREW-FLAT HEAD, TAPPING - 1/4" X 1 1/4" LG ZN
	075908-01-000	EA	SCREW-MACHINE, 10-32 X 58 PTH - ZINC EXTERNAL TOOTH
	074046-01-000	EA	SCREW-6-18X1 1/2 PPH, BRONZE REF 013-08-24B
	000G11-06-10J	EA	SCREW, 6-20 X 5/8 PPH - BRASS
	000G11-07-08B	EA	SCREW, 7-19 X 1/2 PPH - ZN
	000G11-08-06B	EA	SCREW, 8-18 X 3/8 PPH ZN
	000G11-08-08B	EA	SCREW, 8-18 X 1/2 PPH - ZN
	000G11-08-12B	EA	SCREW, 8-18 X 3/4 PPH ZN
	000G11-08-12D	EA	SCREW, 8-18 X 3/4 PPH - BLACK
	000G11-08-12E	EA	SCREW-8-18X 75 PPH CHROME ESC025-4
	000G11-08-12F	EA	SCREW, 8-18 X 75 PPH - DARK BROWN
	000G11-08-12R	EA	SCREW, 8-18 X 3/4 PPH - BEIGE
	000G11-08-12S	EA	SCREW-8-18 X 75 PPH, OFF WHITE
	000G11-08-12T	EA	SCREW, 8-18 X 3/4 PPH - BLACK
	000G11-08-16S	EA	SCREW, 8-18 X 1 00 PPH - OFF WHITE
	000G11-10-12R	EA	SCREW, 10-16 X 3/4 PPH - BEIGE
	000G11-10-12S	EA	SCREW-10-16X 75 PPH OFF WHITE
	000G12-05-08T	EA	SCREW 6-20 X 50 PPH - BLACK
	000G12-08-12R	EA	SCREW-8-18X 75 PPH - BEIGE
	000G12-08-12S	EA	SCREW-8-18X 75 PPH OFF WHITE
	000G13-05-08R	EA	SCREW 6-20 X 1/2 PPH ZN
	000G13-05-08G	EA	SCREW-6 - 20 X 50 PPH ANTIQUE BRASS
	000G13-05-16J	EA	SCREW, 6-20 X 1 00 PPH - BRASS
	000G13-07-12B	EA	SCREW, 7-19 X 3/4 PPH ZN
	000G13-09-16B	EA	SCREW, 8-18 X 1 PPH - ZN
	000G13-10-12B	EA	SCREW, 10-16 X 3/4 PPH ZN
	000G18-08-16B	EA	SCREW-MACHINE 8 X 32 X 1, PPH ZN
	000G18-08-22B	EA	SCREW-M 1, 8-32 X 1 3/8 PPH ZN
	000G32-13-06D	EA	SCREW-10 3/2 X 3/8" - PPH - ZINC
	000G39-05-06B	EA	SCREW-DR-6-18X1/2 ZN
	000G39-06-10T	EA	SCREW-SF/DR, 6-20 X 5/8 PPH - BLACK
	000G39-06-10T	EA	SCREW-SF/DR, 6-20 X 5/8 PPH - BLACK
	000G39-05-15T	EA	SCREW-SF/DR, 6-20 X 1 PPH - BLACK
	000G39-08-06B	EA	SCREW-SF/DR, 8-18 X 3/8 PPH ZN
	000G39-08-03B	EA	SCREW-SF/DR, 8-18 X 1/2 PPH ZN
	000G39-03-08E	EA	SCREW-SF/DR, 8-18 X 1/2 PPH - CHROME
	000G39-08-08R	EA	SCREW-SF/DR, 8-18 X 1/2 PPH - BEIGE
	000G39-08-08S	EA	SCREW-SF/DR, 8-18 X 1/2 PPH - OFF WHITE
	000G39-08-12B	EA	SCREW-SF/DR, 8-18 X 3/4 PPH ZN
	000G39-08-16B	EA	SCREW-SF/DR, 8-18 X 1 PPH ZN
	000G39-08-16S	EA	SCREW-SF/DR, 8-18 X 1 00 PPH OFF WHITE
	000G39-08-24B	EA	SCREW-SF/DR, 8-18 X 1 1/2 PPH ZN
	000G39-10-12D	EA	SCREW-SF/DR, 10-16 X 3/4 PPH - BLACK
	000G39-10-12R	EA	SCREW-SF/DR, 10-16 X 3/4 PPH - BEIGE
	000G39-10-20B	EA	SCREW-SF/DR, 10-16 X 1 1/4 PPH ZN
	000G39-12-12E	EA	SCREW-SF/DR, 12 - 14 X 3/4 PPH - CHROME
	000G42-04-12B	EA	SCREW-SF/DR 1/4-14X3/4HW 1 ZN
	000G42-04-16B	EA	SCREW-SF/DR, 1/4-14 X 1 HW 1 - ZN
	000G50-04-12B	EA	SCREW-MACH 1/4-20 X 3/4 PPH ZN
	000G53-04-06B	EA	SCREW-MACHINE, 1/4-20 X 3/8 PPH ZN - UNDERCUT HEAD
	000G54-04-20B	EA	SCREW, 1/4-20 X 1 1/4 PTH - TYPE 23 - ZINC PLATED
	000G56-12-48B	EA	SCREW-WOOD, 12 - 11 X 3 PPH - SPECIAL HARDENED
	000G60-10-28T	EA	SCREW-SF/DR, 10-16 X 1 75 - BLACK
	000G67-10-08B	EA	SCREW, 10-12 X 1/2 PPH ZN
	000G67-10-08R	EA	SCREW, 10-12 X 1/2 PPH - BEIGE - TYPE A
	000G67-10-10B	EA	SCREW, 10-12 X 5/8 PPH ZN - TYPE A
	000G67-10-10D	EA	SCREW, 10-12 X 5/8 PPH - BLACK - TYPE A
	000G67-10-10R	EA	SCREW, 10-12 X 5/8 PPH - TYPE A - BEIGE

**1992 ITASCA  
TABLE OF CONTENTS**

INTRODUCTION	A-01	A-02
ABBREVIATIONS		A-03
ALPHABETICAL INDEX	A-04	A-06
IF527RO	A-07	D-24
IF527RC	E-01	F-15

**1992 IF527RO INDEX**

FLOOR PLAN	A-07	A-08
ACCESSORIES		A-09
AUDIO VIDEO		A-10
BATH	A-11	A-12
BEDROOM	A-13	A-17
CHASSIS	A-18	A-22
CURTAIN & CUSHION	A-23	B-08
DINETTE	B-09	B-10
DRIVERS	B-11	B-12
ELECTRICAL	B-13	B-16
EXTERIOR BODY	B-17	B-24
GALLEY	C-01	C-05
GENERATOR		C-06
HEATING & A/C	C-07	C-08
INTERIOR FINISH	C-09	C-12
LABEL	C-13	C-19
LP		C-20
LOUNGE	C-21	C-22
SEALANTS & FASTENERS	C-23	D-01
WATER & SEWAGE	D-02	D-06
WINDOW, VENT AND EXTERIOR DOOR	D-07	D-24

**SEALANTS & FASTENERS GROUP (CONTINUED)**

**SCREWS (CONTINUED)**

KEY	PART NUMBER	U/M	DESCRIPTION
	000G67-10-10S	EA	SCREW, 10-12 X 5/8" - PPH - OFF WHITE
	000G67-10-12B	EA	SCREW, 10-12 X 3/4" PPH - ZN
	000G67-10-12P	EA	SCREW, 10-12 X 7/8" - PPH - DARK BROWN
	000G67-10-12R	EA	SCREW, 10-12 X 7/8 PPH - BEIGE
	000G67-10-15B	EA	SCREW, 10-12 X 1 PPH - ZN
	000G67-10-16P	EA	SCREW, 10-12 X 1 PPH - DARK BRO' V:
	000G67-10-20D	EA	SCREW, 10-12 X 1 1/4 PPH - BLACK
	000G67-10-24B	EA	SCREW, 10-12 X 1 1/2 PPH - ZN
	000G67-10-32B	EA	SCREW, 10-12 X 2 PPH - ZN
	000G68-06-10G	EA	SCREW, 6-18 X 5/8 POH - ANTIC JE B'HA'SS
	000G68-10-36T	EA	SCREW, 10-12 X 2 25 POH BLACK
	049465-04-000	EA	SCREW, 10-16 X 1 PTH W/WASHER - BEIGE

**CLAMPS, GROMMETS & CLIPS**

KEY	PART NUMBER	U/M	DESCRIPTION
	000H16-04-06R	EA	RIVET-POP, AL 1/8 X 3/16 - 375
	007161-01-000	EA	CLAMP-HOSE, SPRING TYPE - 1/2"
	010495-01-000	EA	CLAMP-CABLE 9/16"
	010497-01-000	EA	CLAMP-CLOSED, 5/8" ID
	010497-03-000	EA	CLAMP-CLOSED, 1" ID - CUSHIONED
	010499-01-000	EA	CLAMP-CLOSED, 3/8" ID
	023942-01-000	EA	GROMMET-RUBBER, 2" OD
	044364-02-000	EA	NUT-SPEED, FLAT - ROUND
	062401-01-000	EA	CLAMP-HOSE, WORMGEAR 25" - 1"
	062401-02-000	EA	CLAMP-HOSE, WORMGEAR, 1 5/8" - 2 5/8"
	062401-04-000	EA	CLAMP-HOSE, WORMGEAR 1 9/16" - 1 25/32"
	062401-06-000	EA	CLAMP-HOSE, WORMGEAR 22" - 62"
	071015-11-000	EA	GROMMET-RUBBER, 1" ID X 1 7/8" OD W/ 12" GROOVE - BLACK
	071015-26-000	EA	GROMMET-RUBBER, 1 5/8" ID X 2 1/2" OD W/ 06" GROOVE - BLACK
	071015-30-000	EA	GROMMET-RUBBER, 31" ID X 81" OD W/ 12" GROOVE - BLACK
	075148-02-000	EA	CLAMP-GROUNDING, BRONZE SCREWS
	080211-05-000	EA	CLIP-XMAS TREE-36MM - FASNAP 09-280297
	080734-02-000	EA	CLIP-WIRE, NYLON
	082149-01-000	EA	STUD-CLINCH, 3/8" X 24 X 1 1/2 GDS
	083609-01-000	EA	CLAMP-WIRE, DUAL EQUAL - 5/8" DIAMETER
	083510-01-000	EA	CLAMP-WIRE, DUAL - UNEQUAL DIAMETERS - 7/8" & 1 1/4"
	085774-01-000	FT	FASTENER-DUAL HOOK, 1" WIDE - ADHESIVE BACK - BLACK
	085774-02-000	FT	FASTENER-DUAL LOOP, 1" WIDE - ADHESIVE BACK - BLACK
	094352-02-000	EA	CLIP-CHRISTMAS TREE, FLAT HEAD - 5" X 95"
	101447-01-000	EA	CLIP-U TYPE, TINNEMAN HOLDS SHOWER SURROUND TOGETHER

**WATER & SEWAGE GROUP**

**FRESH WATER TANK**

KEY	PART NUMBER	U/M	DESCRIPTION
	064214-07-000	EA	TANK-WATER, W/FITTINGS - 31 GALLON - 30" X 24" X 12.7"
	077954-02-000	EA	FILTER-WATER TANK, SCREEN IN TANK
	042989-03-000	EA	FITTING-WATER TANK, SPINWELD - 1 1/4"NPT - PLASTIC - WHITE
	042989-04-000	EA	FITTING-WATER TANK, SPINWELD - 3/8" FPT - PLASTIC - WHITE
	042989-05-000	EA	FITTING-WATER TANK, SPINWELD - 1/2" FPT - PLASTIC - WHITE
	049032-01-000	EA	PATCH-SPINWELD, 3/8" - PLASTIC
	035861-01-000	EA	SENDING UNIT, W/SCREW, WASHER, WELL NUT AND TERMINAL RING

**WATER SYSTEM**

KEY	PART NUMBER	U/M	DESCRIPTION
	036522-02-000	EA	CAP-BRASS, 1/2" FLARE
	106000-01-000	EA	CAP-FEMALE, W/CONE - 50 - KEVCO TC3F
	010224-01-000	EA	ADAPTER-HOSE TO PIPE, 3/8" MPT X 3/8" BARB - PLASTIC BLACK
	044927-01-000	EA	ADAPTER-HOSE TO PIPE, 1 1/4" MPT X 1 1/4" BARB - BLACK PLASTIC
	052954-01-000	EA	ADAPTER-NOSE CONE, 3/8" OR 1/2" TUBING - PLASTIC - GRAY
	079317-01-000	EA	ADAPTER-SWIVEL, 1/2" TUBE X 1/2" FPT - PLASTIC - GRAY
	106258-01-000	EA	CAP-INSERTABLE, 1/2" FLARE
	098417-01-000	EA	CONNECTOR-5/8" F X 1/2" MPT, PLASTIC - KEVCO
	101314-01-000	EA	COUPLING-FEMALE, 1/2" X 1/2" FPT
	052960-01-000	EA	DRAIN VALVE-IN LINE, HEADER - 1/2" F X 1/2" F - GRAY PLASTIC
	052960-03-000	EA	DRAIN VALVE-IN LINE, HEADER - 5/8" F X 5/8" F - PLASTIC
	052961-02-000	EA	DRAIN VALVE-IN LINE, HEADER - 1/2" MPT X 1/2" F X 1/2" F X 1/2" F - PLASTIC
	055290-01-000	EA	ELBOW-5/8" F X 1/2" MPT
	052957-02-000	EA	ELBOW-MALE, 1/2" F X 1/2" MPT - PLASTIC - GRAY
	087659-04-000	EA	FILL-WATER CITY, OFF WHITE
	046128-01-000	EA	VALVE-DRAIN PLASTIC, 1/2" FPT
	065120-01-000	EA	ELBOW-SWIVEL, 1/2" FPT X 1/2" FLARE - PLASTIC - GRAY
	052153-01-000	EA	NUT-FAUCET, 1/2" TUBE X 1/2" FPT - PLASTIC - GRAY
	052152-01-000	EA	NUT-PLASTIC, 1/2" F X 1/2" TUBE - GRAY
	052952-02-000	EA	NUT-PLASTIC, 5/8" FLARE
	039798-01-000	EA	TEE-1 1/2" MPT X 1/2" MPT X 1/2" MPT, PLASTIC
	052958-01-000	EA	TEE-1/2" F X 1/2" F X 1/2" F, PLASTIC - GRAY
	055291-01-000	EA	TEE-PLASTIC, 5/8" F X 5/8" F X 5/8" F
	055293-01-000	EA	TEE-PLASTIC, 5/8" F X 1/2" F X 5/8" F
	057973-01-000	EA	TEE-PLASTIC, 1/2" F X 1/2" F X 5/8" F - WATER
	057974-01-000	EA	TEE-5/8" F X 1/2" F X 1/2" F, PLASTIC
	039700-01-000	FT	TUBING-POLYBUTYL, 1/2" OD - INCREMENTS OF 20" - BLACK
	039800-02-000	FT	TUBING-POLYBUTYL, 5/8" OD - INCREMENTS OF 20" - BLACK
	079381-01-000	FT	TUBING-SMOOTH FLEXIBLE, 1 1/4" ID - INCREMENTS OF 20"
	074462-02-000	FT	TUBING-VINYL, 3/8" ID - CLEAR - INCREMENTS OF 20"

**1992 ITASCA  
TABLE OF CONTENTS**

INTRODUCTION	A-01	A-02
ABBREVIATIONS		A-03
ALPHABETICAL INDEX	A-04	A-06
IF527RQ	A-07	D-24
IF527RC	E-01	H-16

**1992 IF527RQ INDEX**

FLOOR PLAN	A-07	A-08
ACCESSORIES		A-09
AUDIO VIDEO		A-10
BATH	A-11	A-12
BEDROOM	A-13	A-17
CHASSIS	A-18	A-22
CURTAIN & CUSHION	A-23	B-08
DINETTE	B-09	B-10
DRIVERS	B-11	B-12
ELECTRICAL	B-13	B-16
EXTERIOR BODY	B-17	B-24
GALLEY	C-01	C-05
GENERATOR		C-06
HEATING & A/C	C-07	C-08
INTERIOR FINISH	C-09	C-12
LABEL	C-13	C-19
LP		C-20
LOUNGE	C-21	C-22
SEALANTS & FASTENERS	C-23	D-01
WATER & SEWAGE	D-02	D-06
WINDOW, VENT AND EXTERIOR DOOR	D-07	D-24

**WATER & SEWAGE GROUP (CONTINUED)**

**WATER HEATER W/O MOTOR AID**

KEY	PART NUMBER	U/M	DESCRIPTION
	051391-03-000	EA	HEATER-WATER, W/ELECTRIC IGNITION - ATWOOD G6A-3E
	051391-01-700	EA	HINGE KIT-W/CLIP, ATWOOD # 92568 & 92559
	051391-01-704	EA	VALVE-RELIEF, 1/2" FITTING - ATWOOD# 91604
	051391-01-705	EA	FASTENER-CAMLOC, ATWOOD# 92609
	051391-01-706	EA	GRILLE-EXHAUST, ATWOOD# 92787
	051391-01-708	EA	BURNER-MAIN, 3E ONLY - ATWOOD# 92615
	051391-01-710	EA	ORIFICE-MAIN BURNER, ATWOOD# 92742
	051391-01-715	EA	DRAIN PLUG, ATWOOD# 91561
	051391-04-700	EA	TANK-INNER (G6A-3E), FRT MT - ATWOOD# 91608
	051391-04-701	EA	THERMOSTAT 12 VDC-120 PRESET, ATWOOD# 91470
	051391-04-706	EA	TANK-INNER, G6A-4E & 6E - FRONT MOUNT - ATWOOD# 91641
	051393-01-702	EA	SWITCH-ENERGY CUT-OFF, ATWOOD# 91951
	051393-01-703	EA	THERMOSTAT-REAR MOUNT, ATWOOD# 91952
	051393-01-704	EA	CIRCUIT BOARD-W/BLACK BOX, ATWOOD# 91420
	051393-01-705	EA	ORIFICE HOLDER-ATWOOD# 91925
	051393-01-716	EA	SPARK & PROBE ASM, ATWOOD# 91606
	051393-01-718	EA	VALVE-DUAL SOLENOID, ATWOOD# 91605
	051393-01-721	EA	ECO&THERMOSTAT ASM-FRONT MOUNT, 140 DEGREE - ATWOOD# 91447
	051393-03-700	EA	TANK-INNER (G6A-3E), REAR MT - ATWOOD# 91409
	097967 01 000	EA	SWITCH-WATER HEATER, ATWOOD 91951

**WATER HEATER W/MOTOR AID & REAR HEATER**

KEY	PART NUMBER	U/M	DESCRIPTION
	051393-01-000	EA	HEATER-WATER-W/MOTOR AID-ATWOOD GH6-3E, GH6-4E, OR GH6-6E
	051391-01-700	EA	HINGE KIT-W/CLIP, ATWOOD # 92568 & 92559
	051391-01-704	EA	VALVE-RELIEF, 1/2" FITTING - ATWOOD# 91604
	051391-01-705	EA	FASTENER-CAMLOC, ATWOOD# 92609
	051391-01-706	EA	GRILLE-EXHAUST, ATWOOD# 92787
	051391-01-708	EA	BURNER-MAIN, 3E ONLY - ATWOOD# 92615
	051391-01-710	EA	ORIFICE-MAIN BURNER, ATWOOD# 92742
	051391-01-714	EA	ELBOW-45 DEGREE, 3/8" X 3/8" MPT - ATWOOD 91044
	051391-01-715	EA	DRAIN PLUG, ATWOOD# 91561
	051391-04-701	EA	THERMOSTAT 12 VDC-120 PRESET, ATWOOD# 91470
	051391-04-704	EA	TANK-INNER, FRONT MOUNT - GH6-4E & 6E - ATWOOD 91642
	051393-01-700	EA	TANK-INNER, 3E FRONT MOUNT - ATWOOD# 91023
	051393-01-702	EA	SWITCH-ENERGY CUT-OFF, ATWOOD# 91951
	051393-01-703	EA	THERMOSTAT-REAR MOUNT, ATWOOD# 91952
	051393-01-704	EA	CIRCUIT BOARD-W/BLACK BOX, ATWOOD# 91420
	051393-01-705	EA	ORIFICE HOLDER-ATWOOD# 91925
	051393-01-714	EA	TANK-INNER (GH6-3E), REAR MOUNT - ATWOOD# 91408
	051393-01-716	EA	SPARK & PROBE ASM, ATWOOD# 91606
	051393-01-718	EA	VALVE-DUAL SOLENOID, ATWOOD# 91605
	051393-01-721	EA	ECO&THERMOSTAT ASM-FRONT MOUNT, 140 DEGREE - ATWOOD# 91447

**WATER & SEWAGE GROUP (CONTINUED)**

**WATER PUMP**

KEY	PART NUMBER	U/M	DESCRIPTION
	098607-01-000	EA	PUMP-WATER, W/ 5" MPT FITTING - SHURFLO 2.8 GPM - UL
	098607-01-700	EA	PUMPHEAD-REPLACEMENT, SHURFLO# 94-236-08
	098607-01-701	EA	DRIVE ASM, SHURFLO# 94-234-03
	098607-01-702	EA	DIAPHRAGM-KIT, SHURFLO# 94-233-10
	098607-01-703	EA	VALVE ASM, SHURFLO# 94-232-00
	098607-01-704	EA	HOUSING-UPPER, SHURFLO# 94-231-01
	098607-01-705	EA	CHECK VALVE-KIT, SHURFLO# 94-237-00
	098607-01-706	EA	SWITCH ASM-COMplete, SHURFLO# 94-230-00
	098607-01-707	EA	MOTORBASEPLATE REPLACEMENT, SHURFLO# 94-234-03

**1992 ITASCA  
TABLE OF CONTENTS**

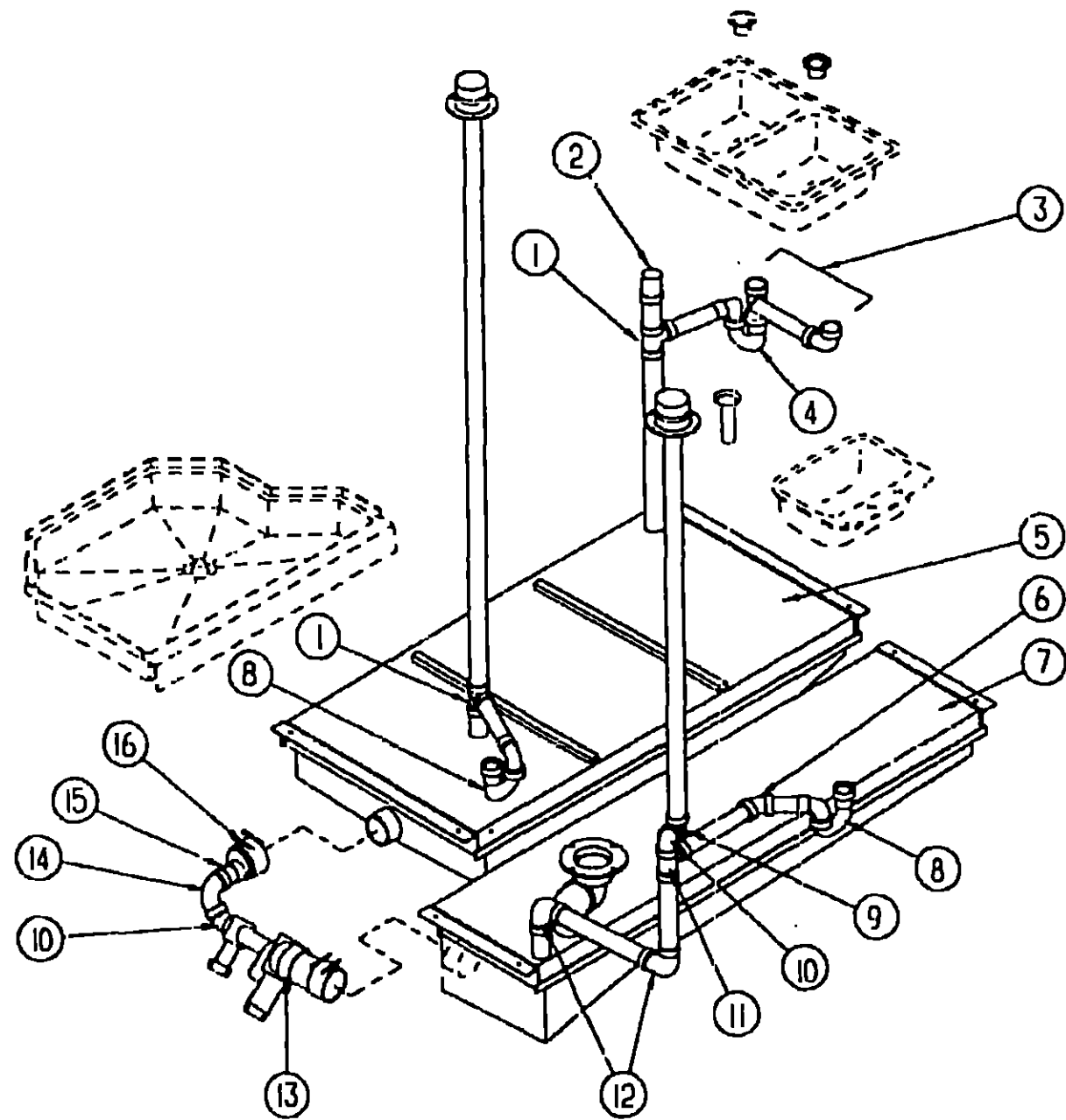
INTRODUCTION	A-01	A-02
ABBREVIATIONS		A-03
ALPHABETICAL INDEX	A-04 -	A-06
IF527RQ	A-07 -	D-24
IF527RC	E-01 -	H-16

**1992 IF527RQ INDEX**

FLOOR PLAN	A-07 -	A-08
ACCESSORIES		A-09
AUDIO VIDEO		A-10
BATH	A-11 -	A-12
BEDROOM	A-13 -	A-17
CHASSIS	A-18 -	A-22
CURTAIN & CUSHION	A-23 -	B-08
DINETTE	B-09 -	B-10
DRIVERS	B-11 -	B-12
ELECTRICAL	B-13 -	B-16
EXTERIOR BODY	B-17 -	B-24
GALLEY	C-01 -	C-05
GENERATOR		C-06
HEATING & A/C	C-07 -	C-08
INTERIOR FINISH	C-09 -	C-12
LABEL	C-13 -	C-19
LP		C-20
LOUNGE	C-21 -	C-22
FASTENERS &		
FASTENERS	C-23 -	D-01
WATER & SEWAGE	D-02 -	D-06
WINDOW, VENT AND		
EXTERIOR DOOR	D-07 -	D-24

# WATER & SEWAGE GROUP (CONTINUED)

## DRAINAGE SYSTEM



KEY	PART NUMBER	U/M	DESCRIPTION
1	010079-01-000	EA	TEE-SANITARY, 1 1/2" X 1 1/2" X 1 1/4" H - PLASTIC - BLACK
2	079968-01-000	EA	VENT-MECH TRAP ARM, ANTI-SIPHON - 2" DIA X 7'3" - PLASTIC
3	011091-02-000	EA	PIPE-DRAIN, W/SEALS - DOUBLE SINK - EXTENDS 9" TO 16"
3	011071-01-000	EA	P-TRAP-1 1/2" - PLASTIC (CSA)
3	010121-01-000	EA	BUSHING-REDUCER, 1 1/2"SMOOTH X 1/4"HUB - PLASTIC - BLACK (CSA)
3	037101-02-000	EA	ELBOW-PLASTIC, 1/4 BEND VENT 1 1/2"HUB (CSA)
3	023302-02-000	EA	ADAPTER ASM-STRAINER 1 1/2" - ABS (CSA)
4	011066-03-700	EA	P-TRAP, 1 1/2" TRAP X 1 1/4" SOCKET - PLASTIC (US) FROM: 00-00-00 THRU: 02-16-92
4	107537-01-000	EA	ADAPTER-P TRAP, 1 1/4" SLIP (US) FROM: 02-17-92 THRU: 99-99-99
4	107538-01-000	EA	P TRAP-PLASTIC, 1 1/4" W/EXT ARM (US) FROM: 02-17-92 THRU: 99-99-99
4	053335-01-000	EA	P TRAP-1 1/4" HUB X HUB, W/UNION (CSA) FROM: 00-00-00 THRU: 02-16-92
4	011071-01-000	EA	P-TRAP-1 1/2" - PLASTIC (CSA) FROM: 02-17-92 THRU: 99-99-99
5	102762-01-000	EA	TANK-HOLDING, 42 GALLON - W/O GROMMETS - 57 3/4" X 8 4" X 29"
6	010000-01-000	EA	ELBOW-45 DEG, 1/8 BEND - 1 1/4" HUB X 1 HUB - BLACK PLASTIC
7	102761-01-000	EA	TANK-HOLDING, 28 GALLON - W/O GROMMETS - 66 9" X 17 7" X 15 7"
8	011066-03-700	EA	P-TRAP, 1 1/2" TRAP X 1 1/4" SOCKET - PLASTIC (US) FROM: 00-00-00 THRU: 02-16-92
8	107537-01-000	EA	ADAPTER-P TRAP, 1 1/4" SLIP (US) FROM: 02-17-92 THRU: 99-99-99
8	107538-01-000	EA	P TRAP-PLASTIC, 1 1/4" W/EXT ARM (US) FROM: 02-17-92 THRU: 99-99-99
8	011066-02-000	EA	P TRAP-1 1/4" HUB X SLIP JOINT W/UNION - ABS (CSA)
9	010006-01-000	EA	ELBOW-45 DEG, 1/8 BEND - 1 1/2" HUB X HUB - BLACK PLASTIC
10	010051-01-000	EA	ELBOW-45 DEG BEND, 1 1/2" SPIGOT AND HUB - PLASTIC - BLACK
11	010079-01-000	EA	TEE-SANITARY, 1 1/2" X 1 1/2" X 1 1/4" H - PLASTIC - BLACK
12	010003-01-000	EA	ELBOW-90 DEG, 1/4 BEND - 1 1/2" HUB X HUB - BLACK PLASTIC
13	070916-01-000	EA	VALVE-DUAL OLMIP-W/CAP - 3" X 1 1/2" - PLASTIC - BLACK
	070916-01-700	EA	VALVE ONLY, 3"
	070916-01-701	EA	VALVE ONLY, 1 5"
	062416-01-000	EA	ADAPTER-SEWER HOSE TO 3" PIPE
	010201-01-000	EA	HOSE-SEWER, 3" ID X 8'
14	033761-01-000	EA	ELBOW-TURN, 1/4 BEND X 1 5"HUB X 1 5"SPIGOT - BLK PLASTIC
15	062422-01-000	EA	ADAPTER-OFFSET REDUCER, 3" X 1 1/2" - PLASTIC - BLACK
16	078406-01-000	EA	COUPLER-RUBBER, W/CLAMPS - 3" X 3"
	010061-01-000	EA	ELBOW-45 DEGREE, STREET - 1/8 BEND - 3" S X H - PLASTIC
	051607-01-000	EA	GROMMET-HOLDING TANK, 1 1/2" NPS
	061607-02-000	EA	GROMMET-HOLDING TANK, 3" NPS

## 1992 ITASCA TABLE OF CONTENTS

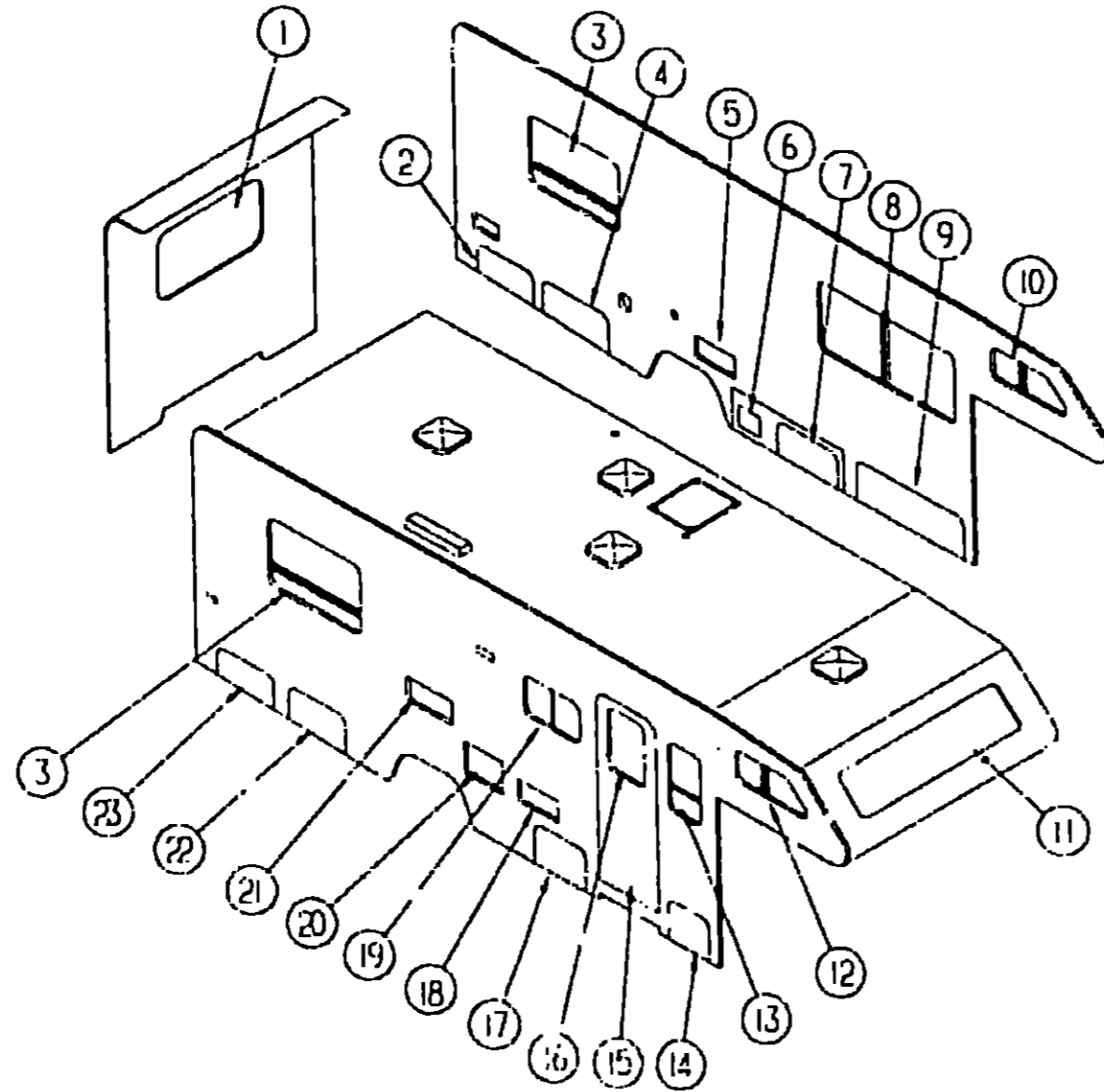
INTRODUCTION	A-01 - A-02
ABBREVIATIONS	A-03
ALPHABETICAL INDEX	A-04 - A-06
IF527RQ	A-07 - D-24
IF527RC	E-01 - H-16

## 1992 IF527RQ INDEX

FLOOR PLAN	A-07 - A-08
ACCESSORIES	A-09
AUDIO VIDEO	A-10
BATH	A-11 - A-12
BEDROOM	A-13 - A-17
CHASSIS	A-18 - A-22
CURTAIN & CUSHION	A-23 - B-08
DINETTE	B-09 - B-10
DRIVERS	B-11 - B-12
ELECTRICAL	B-13 - B-16
EXTERIOR BODY	B-17 - B-24
GALLEY	C-01 - C-05
GENERATOR	C-06
HEATING & A/C	C-07 - C-08
INTERIOR FINISH	C-09 - C-12
LABEL	C-13 - C-19
LP	C-20
LOUNGE	C-21 - C-22
SEALANTS & FASTENERS	C-23 - D-01
WATER & SEWAGE	D-02 - D-06
WINDOW, VENT AND EXTERIOR DOOR	D-07 - D-24

# WINDOW, VENT & EXTERIOR DOOR GROUP

## WINDOWS & DOORS



## 1992 ITASCA TABLE OF CONTENTS

INTRODUCTION	A 01	A 02
ABBREVIATIONS		A 03
ALPHABETICAL INDEX	A 04 -	A 05
IF527RQ	A 07 -	D 24
IF527RC	E-01 -	H-16

## 1992 IF527RQ INDEX

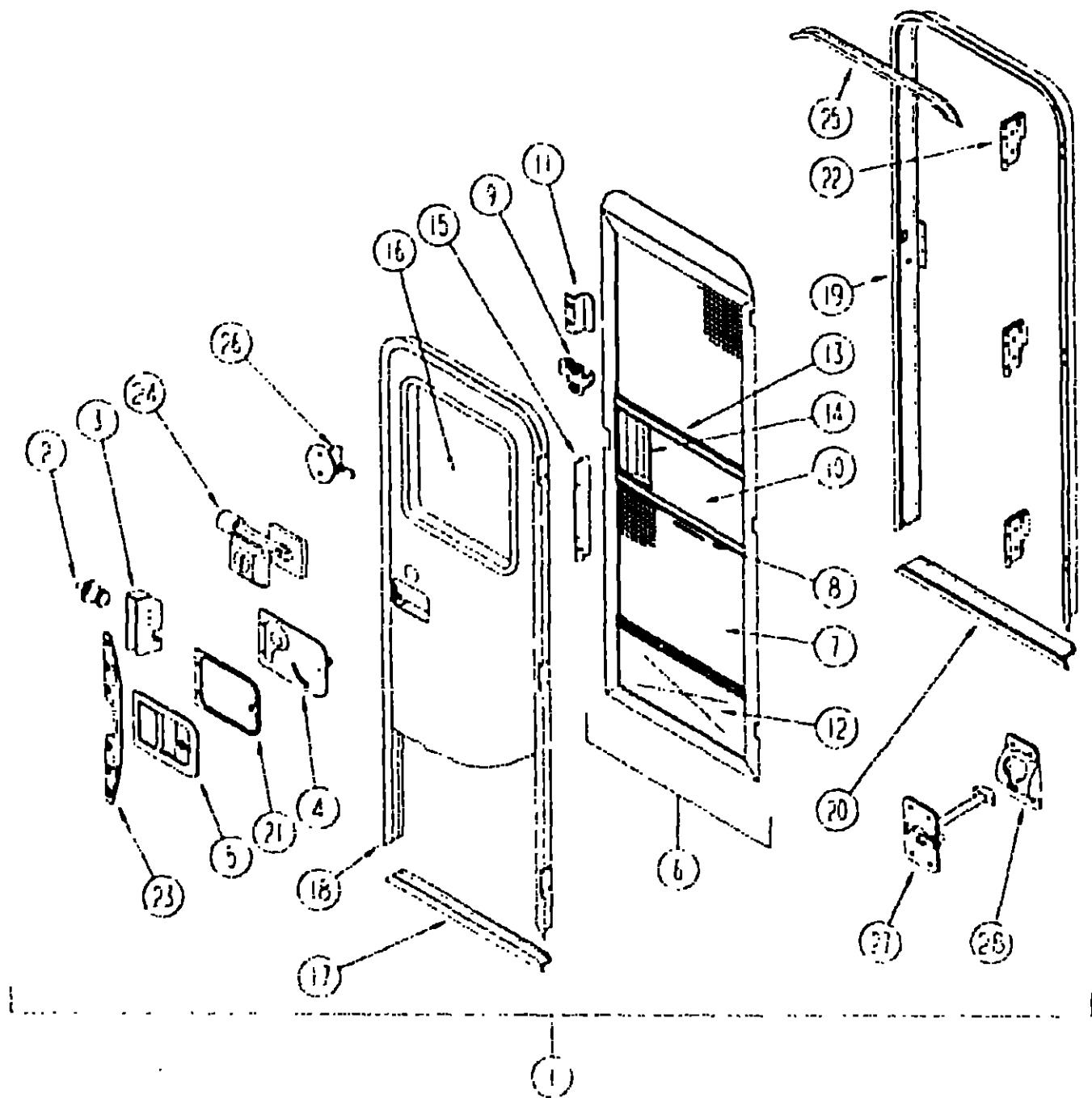
FLOOR PLAN	A 07 -	A 08
ACCESSORIES		A-09
AUDIO VIDEO		A-10
BATH	A-11	A-12
BEDROOM	A 13 -	A-17
CHASSIS	A-18 -	A 22
CURTAIN & CUSHION	A-23 -	B-08
DINETTE	B-09 -	B-10
DRIVERS	B-11 -	B-12
ELECTRICAL	B 13 -	B-16
EXTERIOR BODY	B-17 -	B 24
GALLEY	C 01 -	C 05
GENERATOR		C 05
HEATING & A/C	C 07 -	C 09
INTERIOR FINISH	C 09 -	C 12
LABEL	C-13 -	C-19
LP		C-20
LOUNGE	C 21 -	C 22
SEALANTS & FASTENERS	C 23 -	D 01
WATER & SEWAGE	D 02 -	D 06
WINDOW VENT AND EXTERIOR DOOR	D 07 -	D 24

KEY	PART NUMBER	U/M	DESCRIPTION
1	070528-03-Y12	EA	WINDOW-ESCAPE 27" X 48" - W/O INSIDE FRAME
2	105175-04-C52	EA	DOOR-COMPARTMENT LOWER - REAR
3	052235-12-Y12	EA	WINDOW-TIPOUT - SINGLE - W/O INSIDE FRAME
4	105175-03-C03	EA	DOOR ASM-LOWER REAR
4	105175-13-C03	EA	DOOR ASM-LOWER-REAR
			FROM 00-00-00 THRU 11-18-91
5	105118-02-C05	EA	DOOR EXTERIOR SHOWER
	P05300-01-C03	EA	PANEL-ACCESS EXTERIOR SEWER
	088794-01-000	EA	DOOR-POWER CORD, W/HATCH - OFF WHITE
6	105174-10-C03	EA	DOOR-COMPARTMENT LOWER - FRONT
7	098647-10-02A	EA	WINDOW-SLIDER HORIZONTAL - W/INSIDE TRIM - BLACK
9	105174-03-C03	EA	DOOR-COMPARTMENT, LOWER - FRONT
10	100322-02-700	EA	WINDOW-VENTED 12" X 35 8" - W/O INSIDE FRAME - EXCEL CH19 DK L
11	103313-01-B05	EA	WINDOW-PICTURE W/O INSIDE FRAME
12	100322-01-720	EA	WINDOW-VENTED 12" X 35 8" - W/O INSIDE FRAME - EXCEL CH19 DK R
13	098644-05-01A	EA	WINDOW-SLIDER, RAISED - W/INSIDE FRAME - EXCEL H250-FR

KEY	PART NUMBER	U/M	DESCRIPTION
14	105174-01-C03	EA	DOOR-COMPARTMENT LOWER - FRONT
15	W01870-63-C52	EA	DOOR-ENTRY W/WINDOW SCREEN & JAMB - OFF WHITE
16	079733-04-T03	EA	WINDOW ENTRY DOOR 17" X 25" - W/O INSIDE FRAME
17	105174-02-C03	EA	DOOR-COMPARTMENT LOWER - FRONT
18	105118-01-C05	EA	DOOR-EXTERIOR ENTERTAINMENT
19	052235-11-Y12	EA	WINDOW-TIPOUT SINGLE - W/O INSIDE FRAME
20	052009-01-000	EA	DOOR-WATER HEATER OFF WHITE - ATWOOD 5576-27
21	084103-03-000	EA	DOOR VENT-REFRIGERATOR - OFF WHITE
	084104-03-000	EA	JAMB-DOOR-REFRIGERATOR-OFF WHITE
	104104-01-700	EA	LOCK MALE FASTENER - REFRIGERATOR DOOR
	C 4104-01-701	EA	LOCK FEMALE FASTENER - REFRIGERATOR DOOR
22	105175-01-C52	EA	DOOR-COMPARTMENT LOWER - REAR
23	105175-02-C52	EA	DOOR-COMPARTMENT LOWER - REAR
	081240-02-000	EA	DOOR-WATER FILL-LOCKABLE-4" X 4 5/8" - OFF WHITE
	078010-03-000	EA	DOOR FUEL FILL, W/JAMB - OFF WHITE
	077963-01-000	EA	GASKET-DOOR, FUEL FILL - 10 1/4" X 8" W/PSA

## WINDOW, VENT & EXTERIOR DOOR GROUP (CONTINUED)

### ENTRY DOOR



KEY	PART NUMBER	U/M DESCRIPTION
5	045017-11-000	EA LATCH-ENTRY DOOR MECHANISM W/LOCK & KEY - BLACK
	045017-11-701	EA KEY BLANK
	058025 02 000	EA CLIP-ROLLER LATCH CATCH SCREEN DOOR
	063729 04-000	EA RIVNUT 10-32 UNF - 010-080
	072693-01-000	EA NUTSERT M5 X 9 9
	075571-04-000	FT SEAL-SPONGE LAZY T SHAPE W/ADHESIVE STRIPE - 5" WIDE
6	079012-01 001	EA DOOR-SCREEN
7	002293-02-000	SF SCREENING WINDOW/DOOR, 25" - CHARCOAL
8	002294 01 000	FT SPLINE SCREENING, 135" X 138" - BLACK
	002748 01-000	EA CORNER KEY-DOOR
9	109403-01-000	EA CATCH ASM-SINGLE ROLLER
10	016454-01 000	EA INSERT-CENTER LEATHER GRAIN ALUMINUM - UNPAINTED
10	001014 01 013	EA INSERT CENTER 10 25" X 16 31" - UNPAINTED
11	050712-04-000	EA HANDLE-SCREEN DOOR ALUMINUM - OFF WHITE
11	050712 05-000	EA HANDLE-SCREEN DOOR UNPAINTED
12	078552 03 000	EA KICK PANEL-SCREEN DOOR LOWER INSERT - UNPAINTED
	078555-01-000	EA TOP PLATE SCREEN DOOR CURVED TOP - 4 7" X 25 35"
13	078777 01-000	EA CHANNEL SLIDE SCREEN DOOR CENTER SLIDER COVER
14	079086-02-000	EA SLIDER SCREEN DOOR OFF WHITE
15	079087 02 000	EA STRIKE-SLIDER W/CLIP FOR ELBOW CATCH - 1 5" X 8 6" - OFF WHITE
	009016 01 000	EA CATCH ELBOW SPRING LOADED - SCREEN DOOR CATCH
15	079733-04-103	EA WINDOW PICTURE W/O INSIDE FRAME - 17" X 25"
	081914 01 000	EA BUMPER-RUBBER ROUND - 43" DIAMETER - BLACK
17	089748-01-000	EA FRAME BOTTOM ENTRY DOOR - 24 8" LONG - OFF WHITE
	090340 01 000	FT SEAL-FOAM CLOSED CELL 1 4" X 1 2" X 50
18	095275 01 01A	EA FRAME ENTRY DOOR W/O BOTTOM - OFF WHITE
19	095277-02 01A	EA JAMB-ENTRY DOOR W/BOTTOM - 25 9" X 74 5" - OFF WHITE
20	051049-01 000	EA JAMB-BOTTOM ENTRY DOOR 25 9" - UNPAINTED
	079207-01 000	EA STRIKER-ROLLER CATCH WELDED TO DOOR JAMB 4" X 1 15"
	095278 01 01A	EA JAMB DOOR ENTRANCE - 25 9" X 74 6" - UNPAINTED
21	095810-01-01A	EA PLATE LATCH ENTRY DOOR - PLASTIC - BLACK
22	097724-01-04A	EA HINGE-ENTRY DOOR UNPAINTED
23	098173 01 04A	EA STIFFENER-ENTRY DOOR SUPPORTS LATCH-STRIKE AREA - UNPAINTED
	100128 02 000	FT SEAL PILE ADHESIVE BACK - SCREEN DOOR GRAY
24	101145-01 01A	EA DEADBOLT ENTRY DOOR W/2 KEYS W/O BACK SET BOLT OR SCREWS
	095229 01 700	EA KEY BLANK FOR DEAD BOLT
	101147 01 000	EA BOLT SECURITY 4 12" BACKSET
	102524 01 000	EA BUMPER RUBBER FLAT - BLACK
25	044382-02-000	EA CAP-DRIP ENTRY DOOR - JAMB MOUNTED ALUMINUM - OFF WHITE
	064075 07 000	FT SEAL BULB W/WIRED U CHANNEL - 3" X 5" CHANNEL - BLACK
	075039 19 000	EA GARNISH-RADIUS ENTRY DOOR OFF WHITE
	077451 03 000	EA COVER STRIKE ENTRY DOOR 6 5" X 2 5" PLASTIC WHITE
	090340 01 000	FT SEAL FOAM CLOSED CELL - 1 4" X 1 2" X 50
	091876-01-000	EA RETAINER DOOR 1 9" X 8" - METAL
26	109412 01 000	EA CATCH SCREEN DOOR THUMB CLIP W/BLACK PLASTIC CAP
	104692 01-000	FT SEAL ADHESIVE BACK 3/4" X 3/4"
27	104099 01 01A	EA CATCH DOOR HOLDER STRIKE
28	104095 02 01A	EA CATCH DOOR HOLDER RETAINER

## 1992 ITASCA TABLE OF CONTENTS

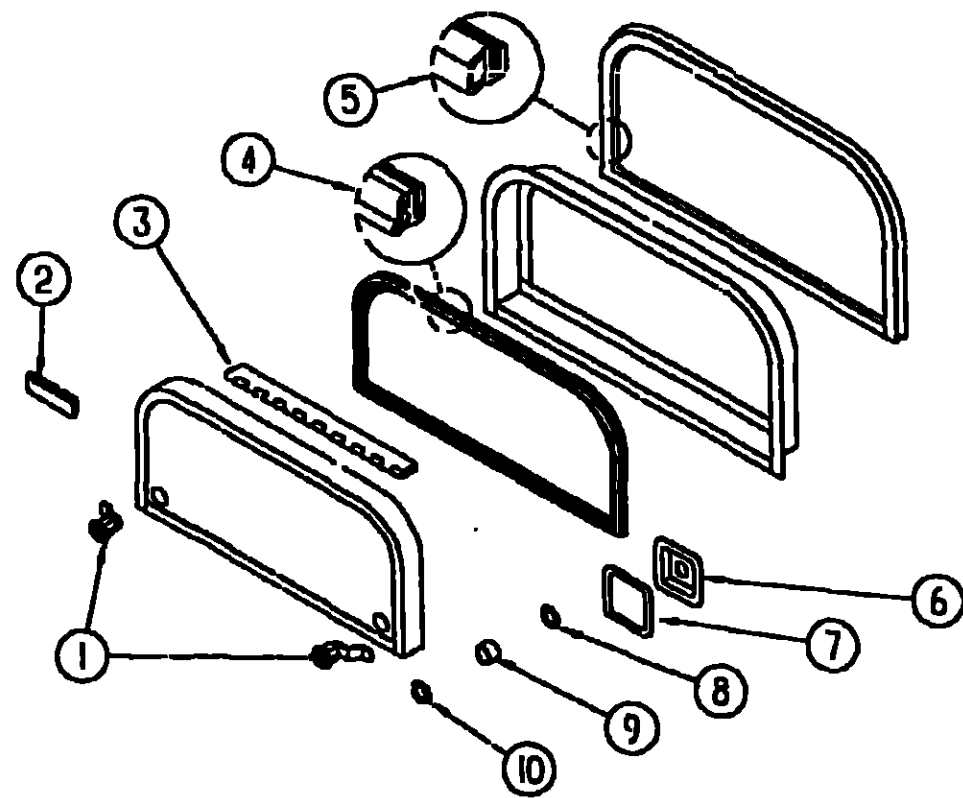
INTRODUCTION	A-01 - A-02
ABBREVIATIONS	A-03
ALPHABETICAL INDEX	A-04 - A-06
IF527RQ	A-07 - D-24
IF527HC	E-01 - H-16

## 1992 IF527RQ INDEX

FLOOR PLAN	A-07 - A-08
ACCESSORIES	A-09
AUDIO VIDEO	A-10
BATH	A-11 - A-12
BEDROOM	A-13 - A-17
CHASSIS	A-18 - A-22
CURTAIN & CUSHION	A-23 - B-08
DINETTE	B-09 - B-10
DRIVERS	B-11 - B-12
ELECTRICAL	B-13 - B-16
EXTERIOR BODY	B-17 - B-24
GALLEY	C-01 - C-05
GENERATOR	C-06
HEATING & A/C	C-07 - C-08
INTERIOR FINISH	C-09 - C-12
LABEL	C-13 - C-19
LP	C-20
LOUNGE	C-21 - C-22
SEALANTS & FASTENERS	C-23 - D-01
WATER & SEWAGE	D-02 - D-06
WINDOW VENT AND EXTERIOR DOOR	D-07 - D-24

KEY	PART NUMBER	U/M DESCRIPTION
1	001870 03 052	EA DOOR ENTRY W/SCREEN DOOR JAMB & WINDOW
2	039539 01 000	EA STRIKE LOCK ENTRY DOOR ROUND W/THREADED WASHER
3	039540-01 000	EA LATCH MECHANISM HOOK ENTRY DOOR INTERIOR
	039715 01 000	EA NUT SERT 1/4" DIAMETER - 20 THREADS
4	039979 04 000	EA COVER INTERIOR LATCH W/TRIP ARM - RIGHT - BLACK
	039984 01 000	EA CAP ROUND VINYL - 28" ID X 52" LONG - BLACK
	041546 03 000	EA SHACKLE DOOR ANGLE 5" X 1 9" BEIGE METAL

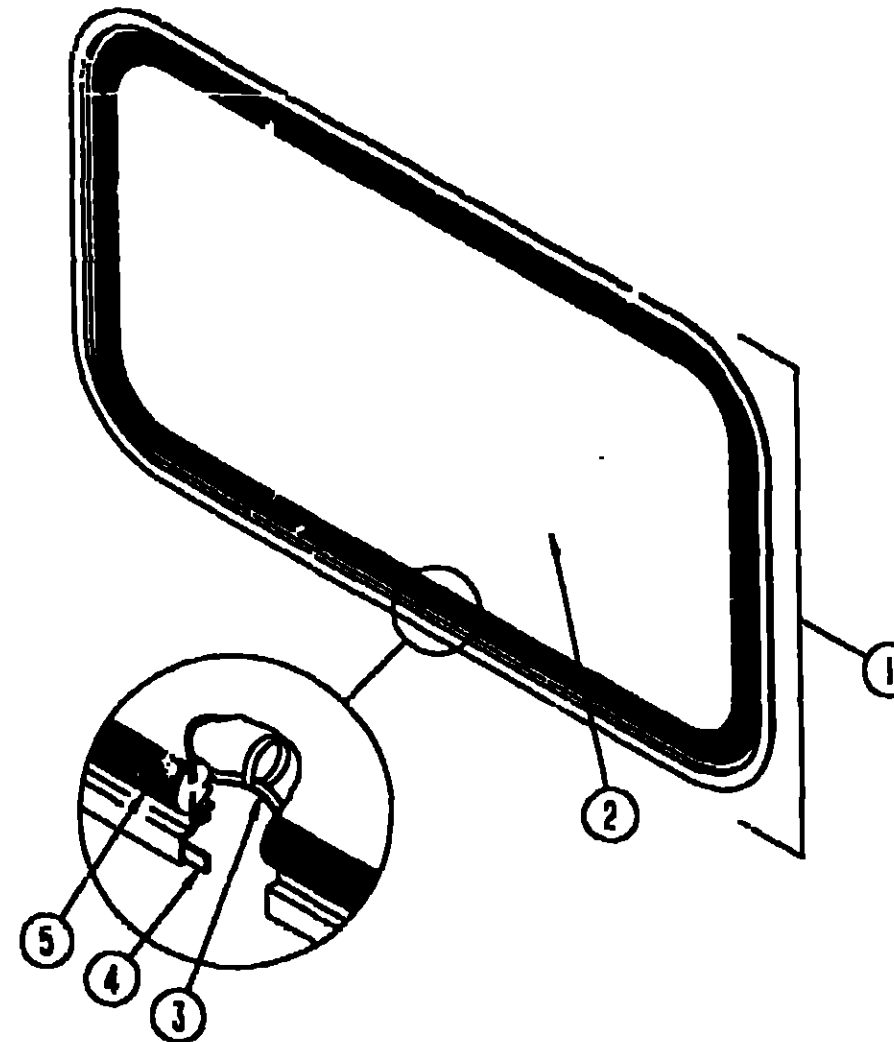
WINDOW, VENT & EXTERIOR DOOR GROUP (CONTINUED)



EXTERIOR DOOR COMPONENTS & HOLDERS

KEY	PART NUMBER	U/M DESCRIPTION
1	079366-04-000	EA LOCK-DCJR. KEY TYPE W/O KEYS - 1.9 OFF SET FROM 00-00-00 THRU 02-19-92
1	079366-05-000	EA LOCK ASM-KEY TYPE W/O KEYS 1.60 OFF SET FROM 02-20-92 THRU 99-99-99
	082684-01-700	EA KEY BLANK
1	079927-03-000	EA LOCK-TWIST TYPE, DOUBLE CAM - 2.10 OFF SET FROM 00-00-00 THRU 02-19-92
1	079927-04-000	EA LOCK ASM-TWIST TYPE 1.60 C/S ILLINOIS LOCK FROM 02-20-92 THRU 99-99-99
2	102768-01-000	EA HOLDER-COMPARTMENT/ENTPY DOOR, METAL - MILL FINISH
3	105376-01-02A	EA HINGE-CONTINUOUS, 2" X 140MM - OFF WHITE
	081801-02-000	EA HINGE-2" X 96", OFF WHITE
	084413-01-000	EA HINGE-CONTINUOUS, ALUMINUM - 1" X 72" - W/HOLES
4	064075-07-000	FT SEAL-BULB, W/WIRED U CHANNEL - 3" X 5" CHANNEL - BLACK
5	081632-02-000	FT SEAL BULB, DOOR - W/WIRE CARRIER - 3" WIDE - RUBBER - BLACK
6	097111-01-01A	EA POCKET-LOCK, VALANCE - OFF WHITE
7	090330-01-000	EA GASKET-LOCK POCKET
8	109834-01-000	EA WASHER 640 X 752MM ID - SST - HUDSON LOCK
9	107997-51-001	EA SPACER-EXTRUDED
10	109833-01-000	EA BEAUTY RING 670 X 780MM ID - SST - HUDSON LOCK
	096217-55-001	EA U-CHANNEL, 17.5" - OFF WHITE

WINDOW, VENT & EXTERIOR DOOR GROUP (CONTINUED)



BACKWALL ESCAPE WINDOW

KEY	PART NUMBER	U/M DESCRIPTION
	074816-08-000	EA FRAME-WINDOW, INSIDE - ESCAPE - OFF WHITE
1	078528-03-Y12	EA WINDOW-ESCAPE, BACKWALL - W/O INSIDE FRAME - 27" X 48"
2	076337-08-000	EA GLASS-WINDOW, 44 8" X 23 5"
3	002285-01-000	FT FILLER-WEATHER STRIP, RUBBER - BLACK
	077066-01-702	EA TAPE-RED POLY. 005 X 500 IN X 150' A ROLL
4	069640-10-000	FT SEALER-RIBBON, 1/32" X 1 1/2" INCREMENTS OF 90'
5	002202-04-000	EA WEATHERSTRIP-WINDOW, 125" X 109 25" - VULCANIZED - BLACK

1992 ITASCA  
TABLE OF CONTENTS

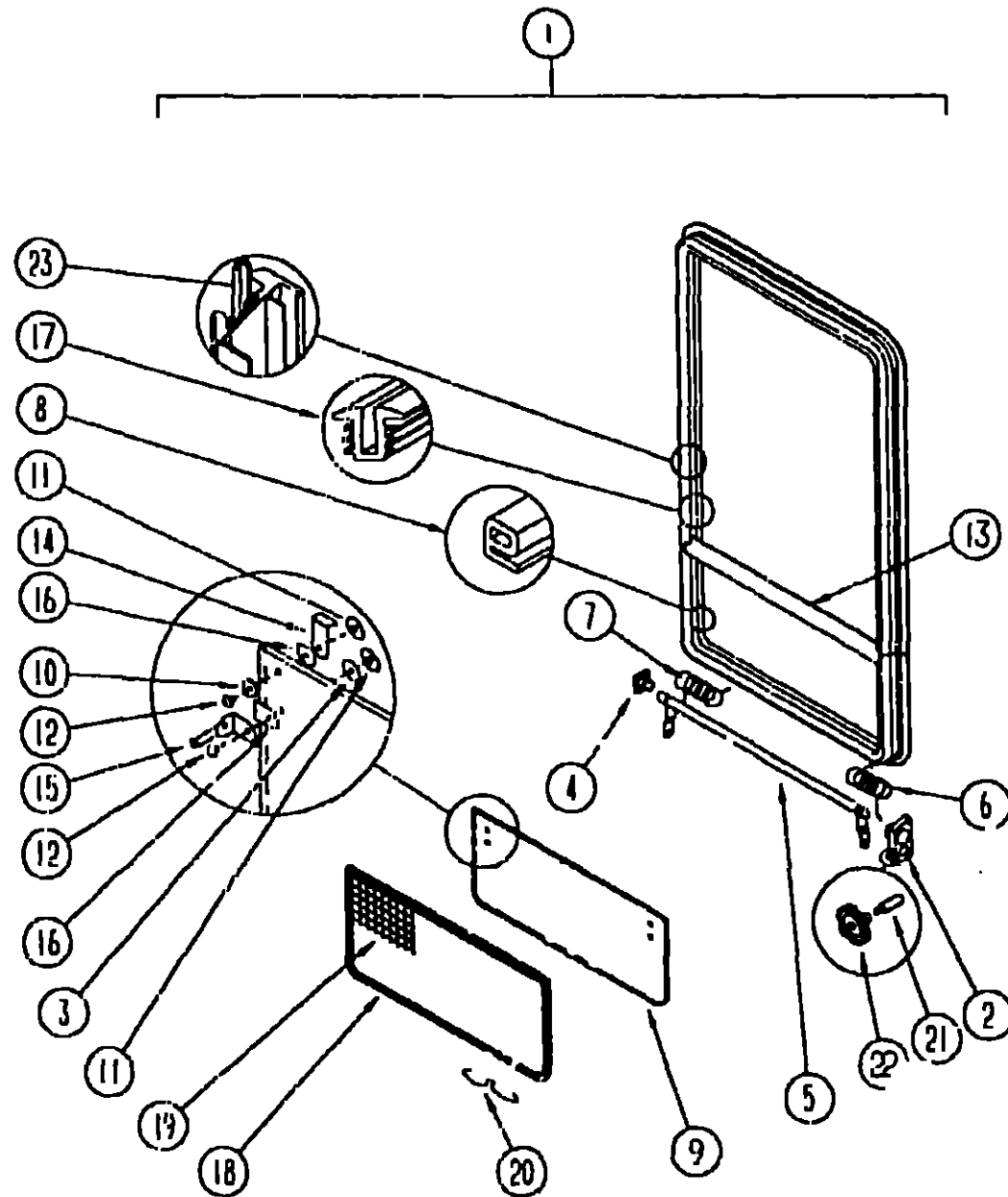
INTRODUCTION	A-01	A-02
ABBREVIATIONS		A-03
ALPHABETICAL INDEX	A-04	A-06
IF527RQ	A-07	D-24
IF527RC	E-01	H-16

1992 IF527RQ INDEX

FLOOR PLAN	A-07	A-08
ACCESSORIES		A-09
AUDIO VIDEO		A-10
BATH	A-11	A-12
BEDROOM	A-13	A-17
CHASSIS	A-18	A-22
CURTAIN & CUSHION	A-23	B-08
DINETTE	B-09	B-10
DRIVERS	B-11	B-12
ELECTRICAL	B-13	E-16
EXTERIOR BODY	B-17	D-24
GALLEY	C-01	C-05
GENERATOR		C-06
HEATING & A/C	C-07	C-08
INTERIOR FINISH	C-09	C-12
LABEL	C-13	C-19
LP		C-20
LOUNGE	C-21	C-22
SEALANTS & FASTENERS	C-23	D-01
WATER & SEWAGE	D-02	D-06
WINDOW VENT AND EXTERIOR DOOR	D-07	D-24

# WINDOW, VENT & EXTERIOR DOOR GROUP (CONTINUED)

## DRIVER & PASSENGER SIDE BEDROOM WINDOW



KEY	PART NUMBER	U/M	DESCRIPTION
	090893-18-02A	EA	FRAME-INSIDE, WINDOW RETAINER - OFF WHITE
1	092235-12-Y12	EA	WINDOW-SINGLE TIPOUT, W/O INSIDE FRAME
	000H14-06-14R	EA	RIVET-MANDREL BLIND, 3/16"
2	035302-02-000	EA	OPERATOR-TORQUE, TIPOUT WINDOW -
3	058927-03-000	EA	SEAL-WINDOW, RUBBER - ROUND - 80° DIA - BLACK
4	081354-01-000	EA	SLEEVE-TORQUE TUBE, TIPOUT WINDOW - 1 3/4" X 1 2" X 7"
	081649-01-000	EA	RING-SNAP, 7/32 SHAFT DIAMETER
5	0E3150-12-000	EA	TUBE-TORQUE, TIPOUT WINDOW - W/SPRING & ARM - 22 5" LONG
6	0E0918-01-000	EA	SPRING-TORQUE TUBE, LEFT
7	080918-02-000	EA	SPRING-TORQUE TUBE, RIGHT
8	084067-02-000	FT	SEAL-E SHAPED, SPONGE - TIPOUT WINDOW - 42" X 38"-BLACK
9	084068-17-000	EA	GLASS-TIPOUT, 9 2" X 24 5"
10	084453-02-000	EA	WASHER-06" X 5" X 25" - PLASTIC
11	086762-01-000	EA	T NUT 10-32
12	086763-01-000	EA	SCREW-MACHINE 10 - 32 X 1/4 PTH
13	087566-04-01A	EA	MULLION-HORIZONTAL, TIPOUT - BLACK
14	089913-01-000	EA	HINGE-TIPOUT WINDOW, BLACK
15	097578-01-000	EA	LINKAGE-TIPOUT WINDOW
	084453-01-000	EA	WASHER-06" X 5" X 135" - PLASTIC
16	084473-01-000	EA	SEAL-FLAT, W/CENTER HOLE & ADHESIVE SIDE - 8" X 9" - BLK
	095315-01-000	EA	RIVET SHOULDER, TIPOUT WINDOW
17	099154-01-000	FT	CHANNEL-GLAZING, STATIONARY GLASS - 62" X 45" - BLACK
18	100235-04-807	EA	SCREEN-SINGLE TIPOUT WINDOW
19	080218-03-000	SF	SCREENING-FIBERGLASS 12" WIDE
20	100188-01-000	EA	CLIP-SPRING, SCREEN
	100240-01-000	FT	SPLINE-SCREEN, T-SHAPED
21	009439-06-000	EA	EXTENSION-CRANK HANDLE WINDOW/ROOF VENT - BLACK
22	009439-05-000	EA	KNOB-OPERATOR, TIPOUT WINDOW
	009439-07-000	EA	SCREW, B-32 X 1 1/4 PCH - BLACK
23	059640-11-000	FT	TAPE-SEALER, 3/16" X 3/8" - BLACK

## 1992 ITASCA TABLE OF CONTENTS

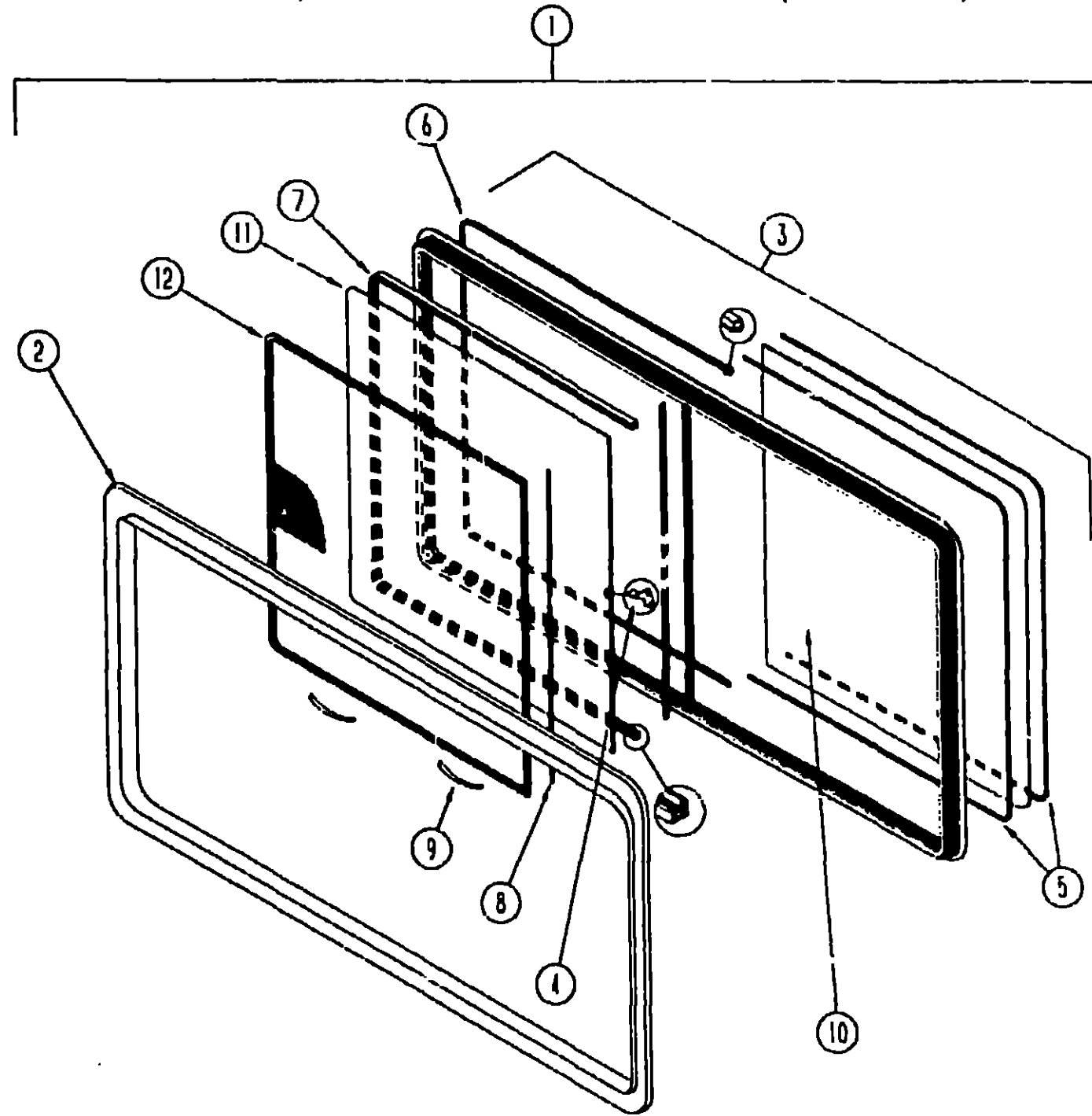
INTRODUCTION	A-01 - A-02
ABBREVIATIONS	A-03
ALPHABETICAL INDEX	A-04 - A-06
IF527RQ	A-07 - D-24
IF527RC	E-01 - H-16

## 1992 IF527RQ INDEX

FLOOR PLAN	A-07 - A-08
ACCESSORIES	A-09
AUDIO VIDEO	A-10
BATH	A-11 - A-12
BEDROOM	A-13 - A-17
CHASSIS	A-18 - A-22
CURTAIN & CUSHION	A-23 - B-08
DINETTE	B-09 - B-10
DRIVERS	B-11 - B-12
ELECTRICAL	B-13 - B-16
EXTERIOR BODY	B-17 - B-24
GALLEY	C-01 - C-05
GENERATOR	C-06
HEATING & A/C	C-07 - C-08
INTERIOR FINISH	C-09 - C-12
LABEL	C-13 - C-19
LP	C-20
LOUNGE	C-21 - C-22
SEALANTS & FASTENERS	C-23 - D-01
WATER & SEWAGE	D-02 - D-06
WINDOW VENT AND EXTERIOR DOOR	D-07 - D-24



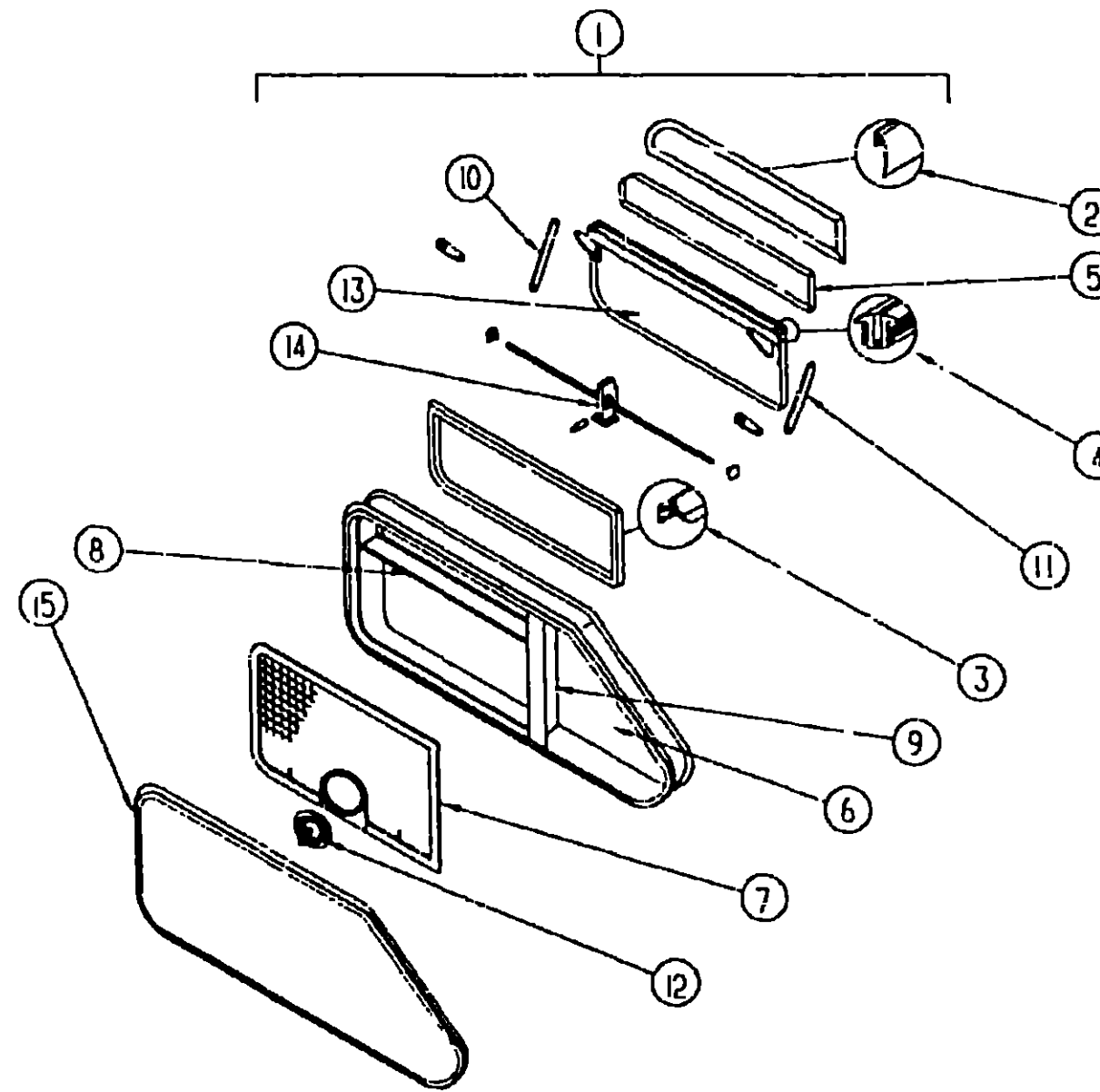
WINDOW, VENT & EXTERIOR DOOR GROUP (CONTINUED)



DINETTE OR COUCH SINGLE SLIDING WINDOW

KEY	PART NUMBER	U/M	DESCRIPTION
1	098647-10-02A	EA	WINDOW-SLIDER, HORIZONTAL - W/INSIDE FRAME - BLACK - EXCEL HQ24-PH1
2	098647-09-704	EA	TRIM-INSIDE (OFF-WHITE) - WQ24-G7 EXCEL-WHITE
3	098647-10-700	EA	WINDOW-SINGLE SLIDER - LEFT - W/O INSIDE FRAME - EXCEL HQ24-G2L
4	098644-01-700	EA	LATCH REPAIR KIT - EXCEL B801 CK
5	098644-01-705	FT	GLAZING STRIP EXCEL M925-12
6	098644-01-706	FT	WEATHERSTRIP EXCEL 171 010028
7	098644-01-708	FT	CHANNEL-PIERCED RUN EXCEL 122 010543
8	098644-01-710	FT	TRACK-SCREEN SPACER 12" LENGTH EXCEL M401-01
	098644-01-711	FT	WEATHERSTRIP-SCREEN BLACK - EXCEL 171 010565
9	098644-01-713	EA	SPRING-SCREEN FRAME (CLIP) PLASTIC - BLACK EXCEL 216 010505
	098644-01-716	FT	PLUG-FILLER, EXCEL 132-014470
	098644-01-717	FT	SPLINE-SCREEN MFG EXCEL 32-004710
10	098647-09-700	EA	GLASS-STATIONARY - 106 017193 EXCEL
11	098647-09-701	EA	GLASS-SLIDING W/SASH&LATCH - HQ24-G9 EXCEL
12	J98647-09-705	EA	SCREEN W/SPRING&WEATHERSTRIP 410 010664 EXCEL

WINDOW, VENT & EXTERIOR DOOR GROUP (CONTINUED)



DRIVER SIDE OVERHEAD BUNK WINDOW

KEY	PART NUMBER	U/M	DESCRIPTION
1	100322 02 700	EA	WINDOW-VENTED 12" X 35 8 W/O INSIDE FRAME - EXCEL CH19-DK L
2	098644 01 716	FT	PLUG-FILLER EXCEL 132 014470
3	100322 01 701	FT	SEAL-VENT EXCEL 122-016071
4	100322 01 702	FT	WEATHERSTRIP-HORIZONTAL RAIL EXCEL 132 015976
	100322 01 703	EA	STRIP-GLAZING BUTYL EXCEL 132 010723
	100322 01 704	EA	TAPE BUTYL EXCEL 154-016085
5	100322 01 705	EA	GLASS STATIONARY SMALL TOP - EXCEL 106 017264
6	100322-01 706	EA	GLASS STATIONARY LARGE FRONT - EXCEL 106 017265
7	100322-01 709	EA	SCREEN-DRIVER SIDE EXCEL 410-017269 L
8	100322 01 712	EA	RAIL HORIZONTAL EXCEL CH05 19 R OR L
9	100322 01 713	EA	BAR DIVISION VERTICAL - EXCEL CH19-20 R OR L
10	100322 01 714	EA	SUPPORT-TORQUE BAR EXCEL 130-015478 (L)
11	100322 01 715	EA	SUPPORT-TORQUE BAR CENTER RAIL EXCEL 130 015360
	100322 01 717	EA	E RING EXCEL 245 015975
12	100322 01 718	EA	HANDLE-DIAL EXCEL 410 010081
13	100322 01 722	EA	GLASS ASM VENT LEFT - EXCEL CH19 00L
14	100322 01 723	EA	OPERATOR ASM VENT GLASS LEFT - EXCEL CH19-15L
15	100322 02 701	EA	FRAME-INSIDE LEFT - WHITE EXCEL V25B 60L

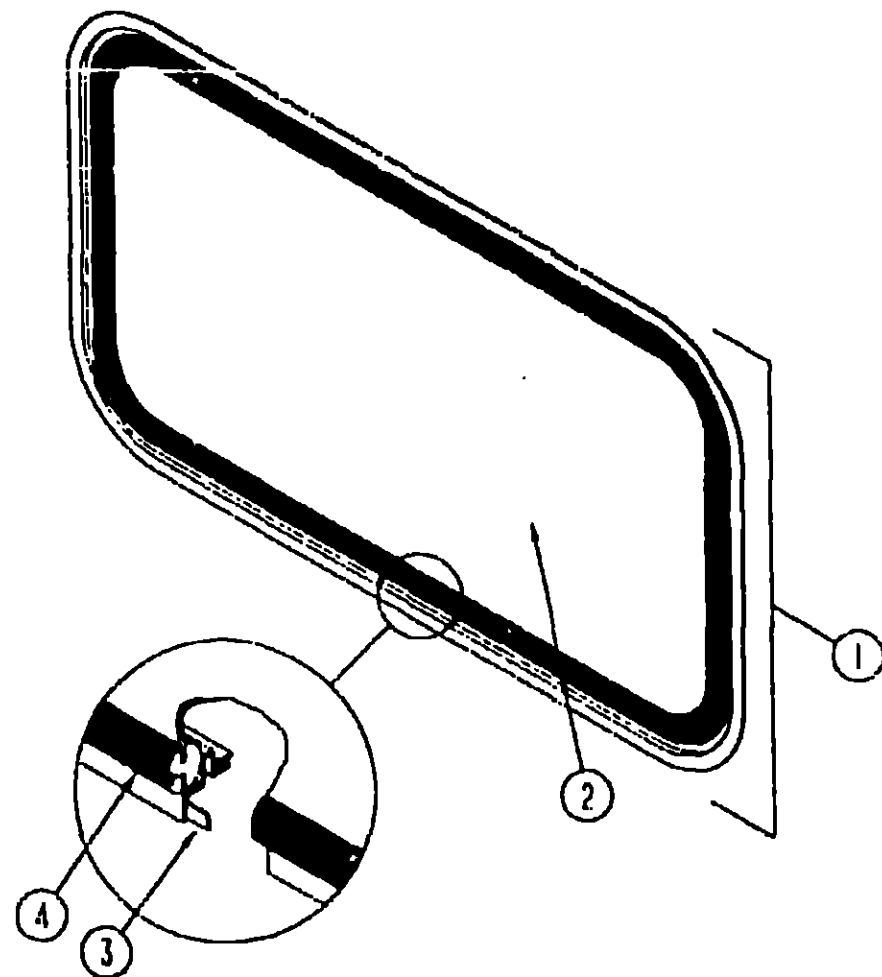
1992 ITASCA  
TABLE OF CONTENTS

INTRODUCTION	A-01	A-02
ABBREVIATIONS		A-03
ALPHABETICAL INDEX	A-04	A-05
IF527RQ	A-07	D-24
IF527RC	E-01	H-16

1992 IF527RQ INDEX

FLOOR PLAN	A-07	A-08
ACCESSORIES		A-09
AUDIO VIDEO		A-10
BATH	A-11	A-12
BEDROOM	A-13	A-17
CHASSIS	A-18	A-22
CURTAIN & CUSHION	A-23	B-08
DINETTE	B-09	B-10
DRIVERS	B-11	B-12
ELECTRICAL	B-13	B-16
EXTERIOR BODY	B-17	B-24
GALLEY	C-01	C-05
GENERATOR		C-06
HEATING & A/C	C-07	C-08
INTERIOR FINISH	C-09	C-12
LABEL	C-13	C-19
LP		C-20
LOUNGE	C-21	C-22
SEALANTS & FASTENERS	C-23	D-01
WATER & SEWAGE	D-02	D-06
WINDOW VENT AND EXTERIOR DOOR	D-07	D-24

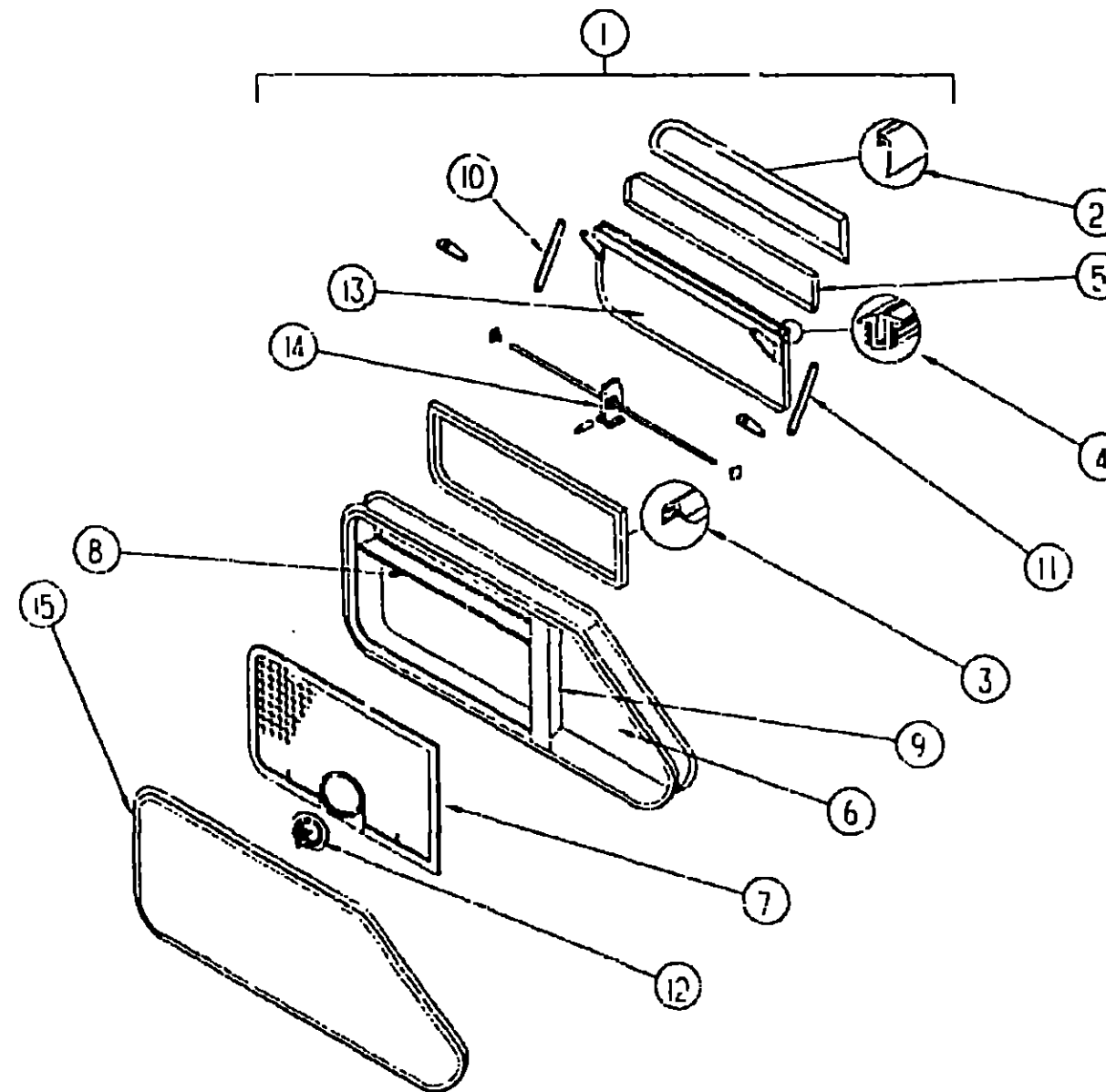
WINDOW, VENT & EXTERIOR DOOR GROUP (CONTINUED)



OVERHEAD BUNK FRONT WINDOW

KEY	PART NUMBER	U/M DESCRIPTION
	067609-03-000	EA FRAME INSIDE WINDOW
1	103313-01-B05	EA WINDOW-PICTURE W/O INSIDE FRAME
2	002181-15-000	EA GLASS PICTURE 11 25" X 58 1" GRAY
3	066640-11-000	FT SEALER TAPE 3'10" X 3'0" - BLACK
4	099153-01-000	FT CHANNEL-GLAZING STATIONARY GLASS - 62" X 45" - BLACK

WINDOW, VENT & EXTERIOR DOOR GROUP (CONTINUED)



PASSENGER SIDE OVERHEAD BUNK WINDOW

KEY	PART NUMBER	U/M DESCRIPTION
1	100322-01-720	EA WINDOW VENTED 12" X 35 B W/O INSIDE FRAME - EXCEL CH19-D&R
2	058644-01-716	FT PLUG-FILLER, EXCEL 132-014470
3	100322-01-701	FT SEAL-VENT, EXCEL 122-016071
4	100322-01-702	FT WEATHERSTRIP-HORIZONTAL RAIL, EXCEL 132-015976
	100322-01-703	EA STRIP-GLAZING BUTYL, EXCEL 132-010723
	100322-01-704	EA TAPE BUTYL, EXCEL 154-016083
5	100322-01-705	EA GLASS-STATIONARY, SMALL TOP - EXCEL 105-017254
6	100322-01-706	EA GLASS-STATIONARY, LARGE FRONT - EXCEL 105-017265
7	100322-01-709	EA SCREEN-PASSENGER SIDE, EXCEL 410-017270 R
8	100322-01-712	EA RAIL-HORIZONTAL, EXCEL CH05-19 R OR L
9	100322-01-713	EA BAR-DIVISION VERTICAL, EXCEL CH19-20 R OR L
10	100322-01-715	EA SUPPORT-TORQUE BAR, EXCEL 130-015979 (R)
11	100322-01-716	EA SUPPORT-TORQUE BAR-CENTER RAIL, EXCEL 130-015980
	100322-01-717	EA E-RING, EXCEL 245-015975
12	100322-01-718	EA HANDLE-DIAL, EXCEL 410-016081
13	100322-01-707	EA GLASS-VENT RIGHT, EXCEL CH19-D&R
14	100322-01-711	EA OPERATOR-VENT SUB-ASSEMBLY, EXCEL CH05-15 R OR L
15	100322-01-724	EA FRAME-INSIDE RIGHT, WHITE, V968-60R, EXCEL

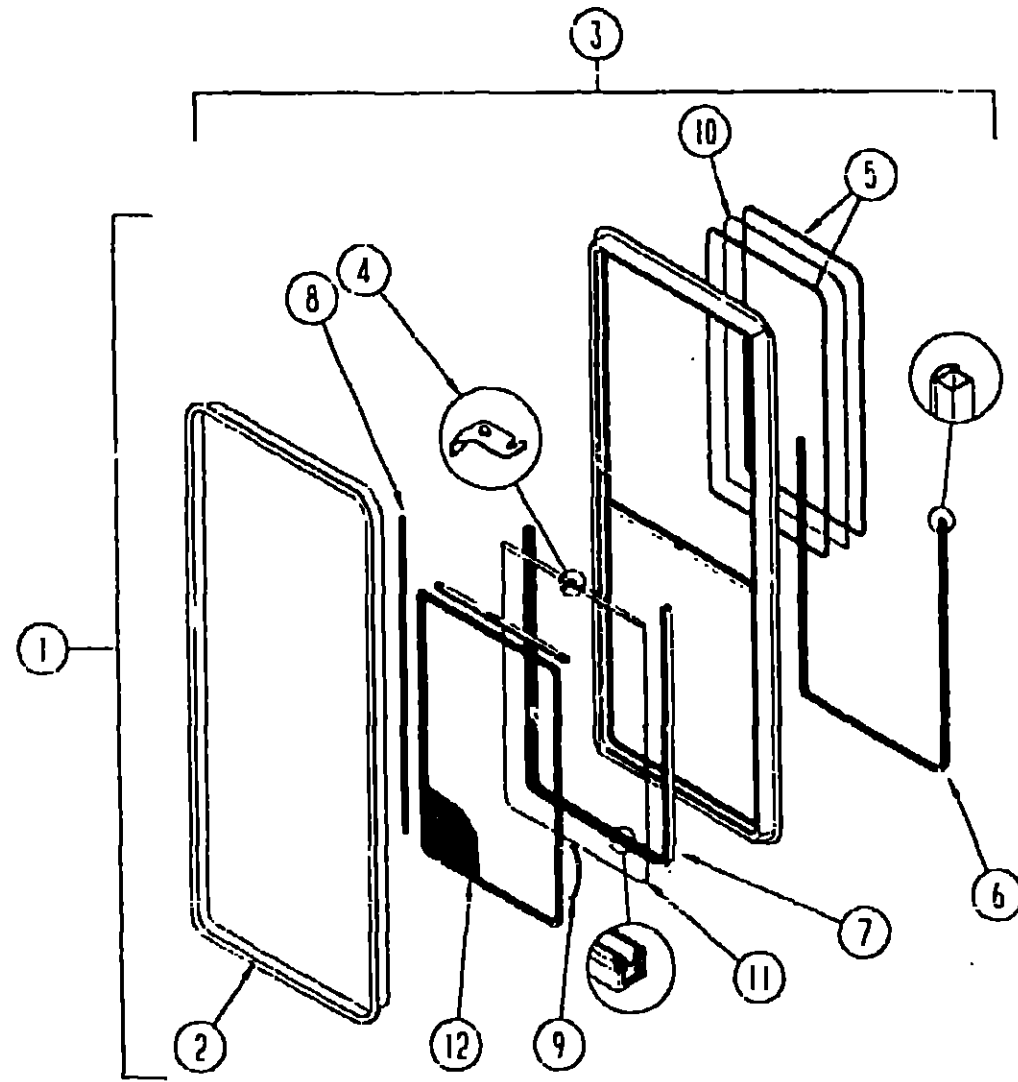
1992 ITASCA  
TABLE OF CONTENTS

INTRODUCTION	A-01 - A-02
ABBREVIATIONS	A-03
ALPHABETICAL INDEX	A-04 - A-06
IF527RQ	A-07 - D-24
IF527RC	E-01 - H-16

1992 IF527RQ INDEX

FLOOR PLAN	A-07 - A-08
ACCESSORIES	A-09
AUDIO VIDEO	A-10
BATH	A-11 - A-12
BEDROOM	A-13 - A-17
CHASSIS	A-18 - A-22
CURTAIN & CUSHION	A-23 - B-08
DINETTE	B-09 - B-10
DRIVERS	B-11 - B-12
ELECTRICAL	B-13 - B-16
EXTERIOR BODY	B-17 - B-24
GALLEY	C-01 - C-05
GENERATOR	C-06
HEATING & A/C	C-07 - C-08
INTERIOR FINISH	C-09 - C-12
LABEL	C-13 - C-19
LP	C-20
LOUNGE	C-21 - C-22
SFALANTS & FASTENERS	C-23 - D-01
WATER & SEWAGE	D-02 - D-06
WINDOW, VENT AND EXTERIOR DOOR	D-07 - D-24

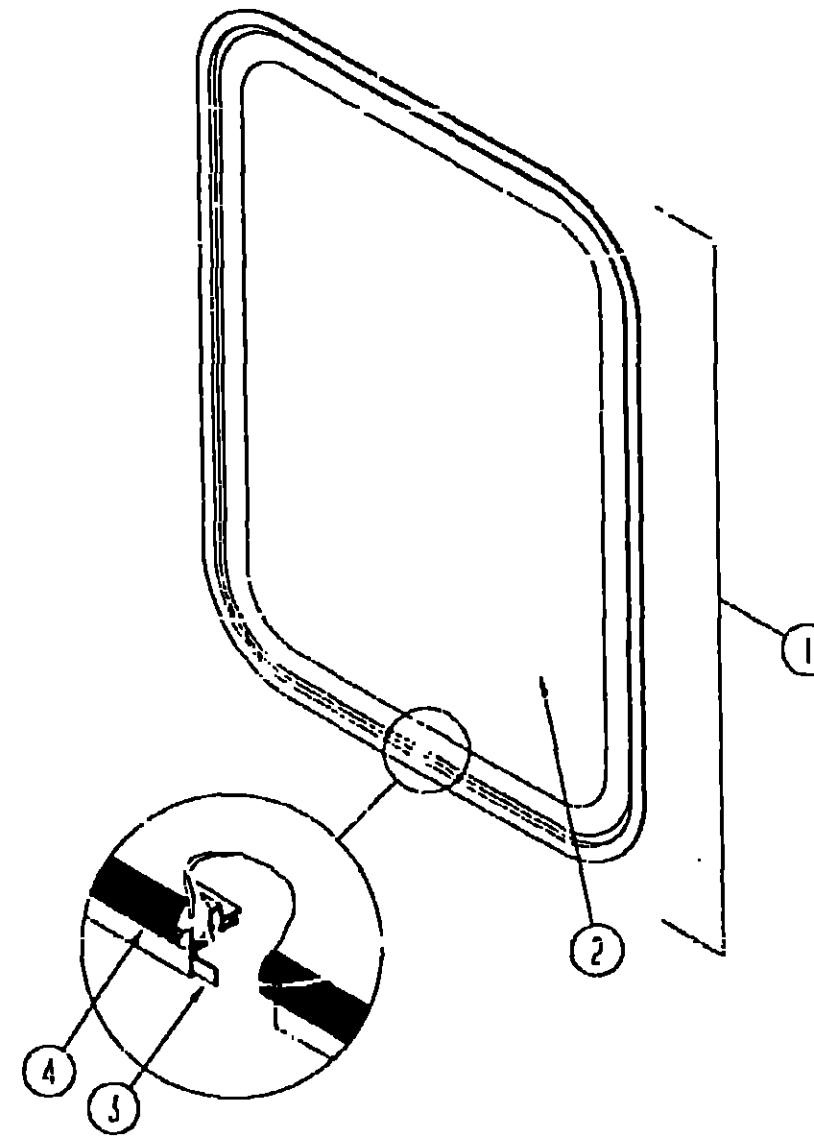
WINDOW, VENT & EXTERIOR DOOR GROUP (CONTINUED)



PASSENGER SIDE SWIVEL CHAIR WINDOW

KEY	PART NUMBER	U/M DESCRIPTION
1	098644-05-01A	EA WINDOW-SLIDER, VERTICAL W/INSIDE TRIM - EXCEL H250-PR
2	098644-05-700	EA TRIM-INSIDE (OFF-WHITE) - EXCEL W250-G7
3	098644-05-704	EA WINDOW ASM W/O INSIDE TRIM - EXCEL H250-G2R
4	098644-01-700	EA LATCH-REPAIR KIT, EXCEL B801-CK
5	098644-01-705	FT GLAZING STRIP, EXCEL M926-12
6	098644-01-706	FT WEATHERSTRIP, EXCEL 171-010668
7	098644-01-708	FT CHANNEL-PIERCED RUN, EXCEL 122-016543
8	098644-01-710	FT TRACK-SCREEN SPACER, 12' LENGTH - EXCEL M401-31
	098644-01-711	FT WEATHERSTRIP-SCREEN, BLACK - EXCEL 171-016565
9	098644-01-713	EA SPRING-SCREEN FRAME (CLIP), PLASTIC - BLACK
	098644-01-716	FT PLUG-FILLER, EXCEL 132-014470
	098644-01-717	FT SPLINE-SCREEN MFG, EXCEL 132-004716
10	098644-05-701	EA STATIONARY GLASS, EXCEL 106-018013
11	098644-05-702	EA SLIDE ASM, EXCEL B938-G9
12	098644-05-703	EA SCREEN ASM, EXCEL 410-016478

WINDOW, VENT & EXTERIOR DOOR GROUP (CONTINUED)



ENTRY DOOR WINDOW

KEY	PART NUMBER	U/M DESCRIPTION
	067609-32-000	EA FRAME-WINDOW ENTRY DOOR - OFF WHITE
1	079733-04-T03	EA WINDOW-PICTURE W/O INSIDE FRAME - 17" X 25"
2	002181-06-000	EA GLASS-PICTURE WINDOW, 115" X 16 25" X 24"
3	069640-11-000	FT SEALER-TAPE, 3/16" X 3/8" BLACK
4	081561-01-000	FT SEAL-GLASS, EXTERIOR 5" WIDE - VINYL - BLACK

1992 ITASCA  
TABLE OF CONTENTS

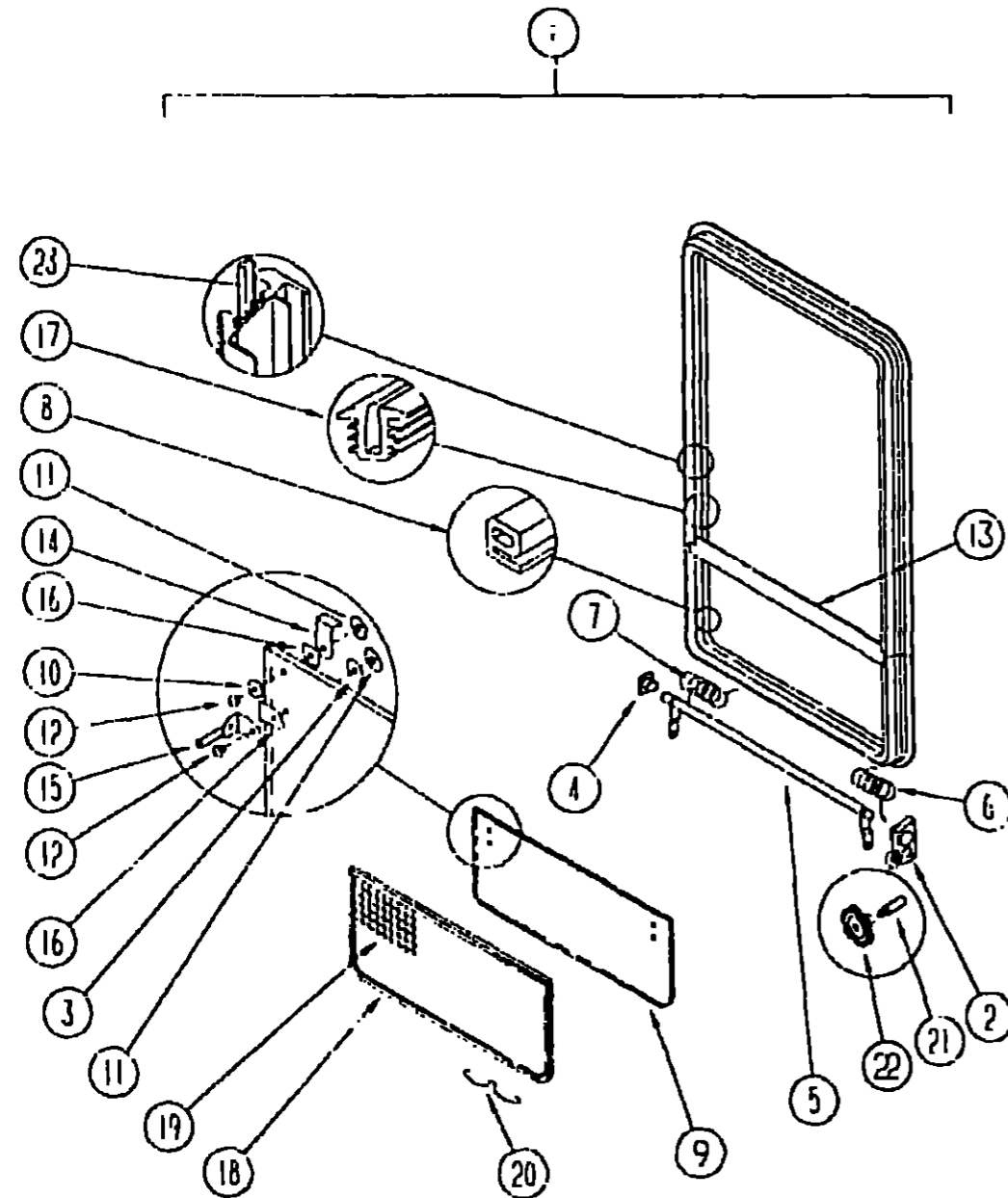
INTRODUCTION	A-01 - A-02
ABBREVIATIONS	A-03
ALPHABETICAL INDEX	A-04 - A-06
IF527RQ	A-07 - D-24
IF527RC	E-01 - H-16

1992 IF527RQ INDEX

FLOOR PLAN	A-07 - A-08
ACCESSORIES	A-09
AUDIO VIDEO	A-10
BATH	A-11 - A-12
BEDROOM	A-13 - A-17
CHASSIS	A-18 - A-22
CURTAIN & CUSHION	A-23 - B-08
DINETTE	B-09 - B-10
DRIVERS	B-11 - B-12
ELECTRICAL	B-13 - B-16
EXTERIOR BODY	B-17 - B-24
GALLEY	C-01 - C-05
GENERATOR	C-06
HEATING & A/C	C-07 - C-08
INTERIOR FINISH	C-09 - C-12
LABEL	C-13 - C-19
LP	C-20
LOUNGE	C-21 - C-22
SEALANTS & FASTENERS	C-23 - D-01
WATER & SEWAGE	D-02 - D-06
WINDOW, VENT AND EXTERIOR DOOR	D-07 - D-24

# WINDOW, VENT & EXTERIOR DOOR GROUP (CONTINUED)

## GALLEY WINDOW



KEY	PART NUMBER	U/M	DESCRIPTION
	090893-17-02A	EA	FRAME-INSIDE, WINDOW RETAINER - OFF WHITE
1	092235-11-Y12	EA	WINDOW-TIPOUT, SINGLE - W/O INSIDE FRAME
	000H14-06-14R	EA	RIVET-MANDREL BLIND 3/16"
2	035302-02-000	EA	OPERATOR-TORQUE, TIPOUT WINDOW -
3	068927-03-000	EA	SEAL-WINDOW, RUBBER - ROUND - 60° DIA - BLACK
4	081354-01-000	EA	SLEEVE-TORQUE TUBE, TIPOUT WINDOW - 1 3/4" X 1 2" X 7"
	081649-01-000	EA	RING-SNAP, 7/32 SHAFT DIAMETER
5	083150-10-000	EA	TUBE-TORQUE, TIPOUT WINDOW - W/SPRING & ARM - 22 5" LONG
6	080918-01-000	EA	SPRING-TORQUE TUBE, LEFT
7	080918-02-000	EA	SPRING-TORQUE TUBE, RIGHT
8	084067-02-000	FT	SEAL-E SHAPED, SPONGE - TIPOUT WINDOW - 42" X 38" - BLACK
9	084068-15-000	EA	GLASS-TIPOUT, 9 2" X 24 5"
10	084453-02-000	EA	WASHER-06" X 5" X 25" - PLASTIC
11	086762-01-000	EA	T NUT 10-32
12	086763-01-000	EA	SCREW-MACH, 10 - 32 X 1/4 PTH
13	087563-02-01A	EA	MULLION-HORIZONTAL, TIPOUT - BLACK
14	089913-01-000	EA	HINGE-TIPOUT WINDOW BLACK
15	097578-01-000	EA	LINKAGE-TIPOUT WINDOW
	084453-01-000	EA	WASHER-06" X 5" X 135" - PLASTIC
16	084473-01-000	EA	SEAL-FLAT, W/CENTER HOLE & ADHESIVE SIDE - 8" X 9" - BLK
	085315-01-000	EA	RIVET-SHOULDER, TIPOUT WINDOW
17	099154-01-000	FT	CHANNEL-GLAZING, STATIONARY GLASS - 62" X 45" - BLACK
18	100235-02-B07	EA	SCREEN-SINGLE TIPOUT WINDOW
19	080218-03-000	SF	SCREENING-FIBERGLASS, 12" WIDE
20	100168-01-000	EA	CLIP-SPRING, SCREEN
	100240-01-000	FT	SPLINE-SCREEN, T-SHAPED
21	009439-06-000	EA	EXTENSION-CRANK HANDLE, WINDOW /ROOF VENT - BLACK
22	009439-05-000	EA	KNOB-OPERATOR, TIPOUT WINDOW
	009439-07-000	EA	SCREW, 8-32 X 1 1/4 POH - BLACK
23	069640-11-000	FT	TAPE-SEALER, 3/16" X 3/8" - BLACK

## 1992 ITASCA TABLE OF CONTENTS

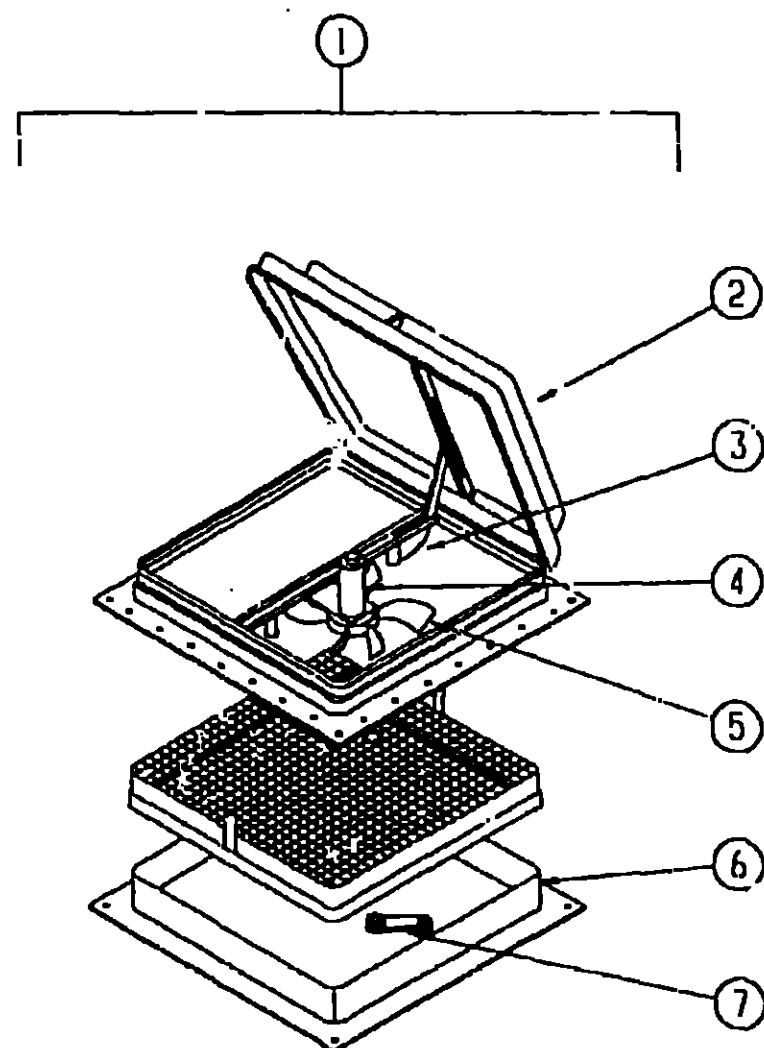
INTRODUCTION:	A-01 - A-02
ABBREVIATIONS	A-03
ALPHABETICAL INDEX	A-04 - A-06
IF527RQ	A-07 - D-24
IF527RC	E-01 - H-16

## 1992 IF527RQ INDEX

FLOOR PLAN	A-07 - A-08
ACCESSORIES	A-09
AUDIO VIDEO	A-10
BATH	A-11 - A-12
BEDROOM	A-13 - A-17
CHASSIS	A-18 - A-22
CURTAIN & CUSHION	A-23 - B-08
DINETTE	B-09 - B-10
DRIVERS	B-11 - B-12
ELECTRICAL	B-13 - B-16
EXTERIOR BODY	B-17 - B-24
GALLEY	C-01 - C-05
GENERATOR	C-06
HEATING & A/C	C-07 - C-08
INTERIOR FINISH	C-09 - C-12
LABEL	C-13 - C-19
LP	C-20
LOUNGE	C-21 - C-22
SEALANTS & FASTENERS	C-23 - D-01
WATER & SEWAGE	D-02 - D-06
WINDOW, VENT AND EXTERIOR DOOR	D-07 - D-24

WINDOW, VENT & EXTERIOR DOOR GROUP (CONTINUED)

WINDOW, VENT & EXTERIOR DOOR GROUP (CONTINUED)



JENSEN POWERED ROOF VENT

KEY	PART NUMBER	U/M DESCRIPTION
	009439-01-000	EA CRANK HANDLE-ROOF VENT
	009439-04-000	EA SCREW 8-32 X 1 1/4" POH
	009439-03-000	EA EXTENSION-CRANK HANDLE ROOF VENT - 9" - MILL
	009439-04-000	EA SCREW 8-32 X 1 1/4" POH
	090394-01-Y12	EA VENT-ROOF POWERED
	055218-01-000	EA COVER-ROOF VENT, PLASTIC
	002825-01-000	EA WEATHER STRIP-ROOF VENT GRAY
	008195-01-000	EA SWITCH-ROOF VENT PUSH BUTTON 12V
	008343-01-000	EA TIE-WIRE 6"
	008386-01-000	EA GROMMET-SNAP 3/8"
	009440-01-000	EA GEAR/ARM-VENT COVER LIFT
	015911-01-000	EA TRACK-LIFT ARM SLIDE - ROOF VENT
	048618-01-000	EA MOTOR-ROOF VENT 1/8 SHAFT - 12V - JENSEN
	048649-01-000	EA FAN-ROOF VENT 6 BLADES - 6" - JENSEN
	052639-01-001	EA HINGE-VENT COVER 16"
	052639-01-200	EA HINGE-EXTRUSION ROOF VENT 7"
	061603-01-000	EA GROMMET-SNAP 3/16"ID - 3/8" HOLE - PLASTIC - BLACK
	078786-01-Y12	EA SCREEN-ROOF VENT POWERED
	002291-02-000	SF SCREENING-ROOF VENT/WINDOW 16" - BLACK
	002298-02-000	FT SPLINE-VENT/WINDOW SCREEN 128 DIAMETER - BLACK

NONPOWERED ROOF VENT

KEY	PART NUMBER	U/M DESCRIPTION
	009439-01-000	EA CRANK HANDLE-ROOF VENT
	009439-04-000	EA SCREW 8-32 X 1 1/4" POH
	009439-03-000	EA EXTENSION-CRANK HANDLE ROOF VENT - 9" - MILL
	009439-04-000	EA SCREW 8-32 X 1 1/4" POH
	090395-01-Y12	EA VENT-ROOF NONPOWERED
	055218-01-000	EA COVER-ROOF VENT, PLASTIC
	002825-01-000	EA WEATHER STRIP-ROOF VENT GRAY
	009440-01-000	EA GEAR/ARM-VENT COVER LIFT
	015911-01-000	EA TRACK-LIFT ARM SLIDE - ROOF VENT
	052639-01-001	EA HINGE-VENT COVER 16"
	052639-01-200	EA HINGE-EXTRUSION ROOF VENT 7"
	078786-01-Y12	EA SCREEN-ROOF VENT NON POWERED - WHITE
	002291-02-000	SF SCREENING-ROOF VENT/WINDOW 16" - BLACK
	002298-02-000	FT SPLINE-VENT/WINDOW SCREEN 128 DIAMETER - BLACK

VENTS, SHROUDS & ROOF COVERS

KEY	PART NUMBER	U/M DESCRIPTION
	083558-03-000	EA VENT-PLUMBING PIPE ROOF W/COVER - OFF WHITE
	063752-01-000	EA SHROUD-RANGE, 18 5/8" X 20 5/8" X 16 2" - METAL - OFF WHITE
	064615-01-000	EA SHROUD-RANGE HOOD VENT, PLASTIC - OFF WHITE
	084878-09-000	EA VENT-RANGE HOOD, SHORT - LVS
	084073-03-000	EA COVER-ROOF VENT, REFRIGERATOR - OFF WHITE - NORCOLD
	084073-04-000	EA BASE-ROOF VENT, REFRIGERATOR - BLACK - NORCOLD

1992 ITASCA  
TABLE OF CONTENTS

INTRODUCTION	A-01	A-02
ABBREVIATIONS		A-03
ALPHABETICAL INDEX	A-04 -	A-06
IF527RQ	A-07 -	D-24
IF527RC	E-01 -	H-16

1992 IF527RQ INDEX

FLOOR PLAN	A-07 -	A-08
ACCESSORIES		A-09
AUDIO VIDEO		A-10
BATH	A-11 -	A-12
BEDROOM	A-13 -	A-17
CHASSIS	A-18 -	A-22
CURTAIN & CUSHION	A-23 -	B-08
DINETTE	B-09 -	B-10
DRIVERS	B-11 -	B-12
ELECTRICAL	B-13 -	B-16
EXTERIOR BODY	B-17 -	B-24
GALLEY	C-01 -	C-06
GENERATOR		C-06
HEATING & A/C	C-07 -	C-08
INTERIOR FINISH	C-09 -	C-12
LABEL	C-13 -	C-19
LP		C-20
LOUNGE	C-21 -	C-22
SEALANTS & FASTENERS	C-23 -	D-01
WATER & SEWAGE	D-02 -	D-06
WINDOW, VENT AND EXTERIOR DOOR	D-07 -	D-24

KEY	PART NUMBER	U/M DESCRIPTION
1	064469-08-000	EA VENT-ROOF, POWERED - 14" X 14" - 12V - CANADIAN
2	064469-03-702	EA LID-VENT WHITE
3	064469-03-706	EA LIFT MECHANISM
4	048648-01-000	EA MOTOR-ROOF VENT, 1/8 SHAFT - 12V
5	048649-01-000	EA FAN-ROOF VENT, 6 BLADES - 6"
6	064469-03-705	EA GARNISH, VENT 2 5/8 IN WIDE
7	009439-01-000	EA CRANK HANDLE-ROOF VENT

FANTASTIC ROOF VENTILATOR

KEY	PART NUMBER	U/M DESCRIPTION
	084079-03-000	EA VENT-CEILING, POWERED EXHAUST - OFF WHITE - FANTASTIC VENT
	084079-01-700	EA VENT COVER - FANTASTIC 1020-19
	084079-01-703	EA CRANK-EXTERIOR, FANTASTIC 1060-03
	084079-01-704	EA BLADE-FAN, FANTASTIC 1070-00
	084079-01-705	EA MOTOR, FANTASTIC 1080-00
	084079-01-706	EA PLUG-12 VOLT, FANTASTIC 1090
	084079-01-707	EA SWITCH-SAFETY, FANTASTIC 1120-00
	084079-01-709	EA SWITCH-ON & OFF, MAIN POWER - FANTASTIC 1100-00
	084079-01-711	EA H-MOLDING, MOTOR MOUNT - PLASTIC - FANTASTIC
	084079-01-712	EA GARNISH INT FIN 17/8 - OFF WHITE