

**1992 ITASCA  
TABLE OF CONTENTS**

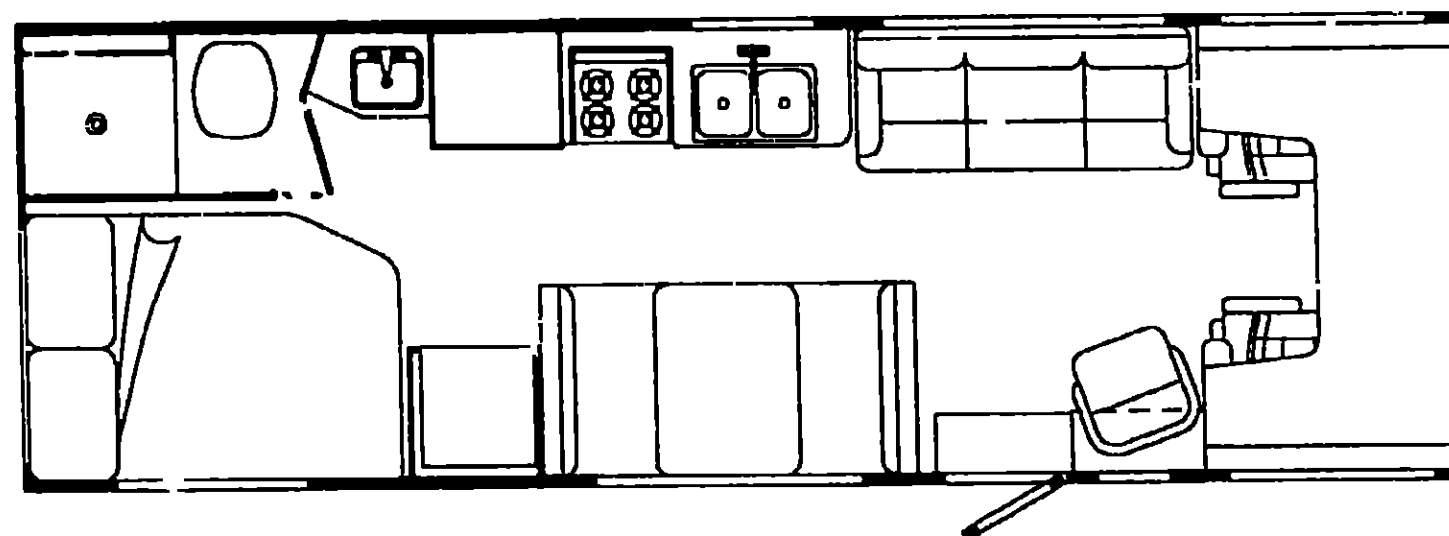
INTRODUCTION	A-01	A-02
ABBREVIATIONS		A-03
ALPHABETICAL INDEX	A-04	A-06
IF527HQ	A-07	D-24
IF527RC	E-01	H-16



**1992  
IF527RC  
C43  
C44**

**1992 IF527RC INDEX**

FLOOR PLAN	E-01	E-02
ACCESSORIES		E-03
AUDIO VIDEO		E-04
BATH	E-05	E-06
BEDROOM	E-07	E-08
CHASSIS	E-09	E-13
CURTAIN & CUSHION	E-14	E-22
DINETTE	E-23	E-24
DRIVERS	F-01	F-02
ELECTRICAL	F-03	F-05
EXTERIOR BODY	F-07	F-14
GALLEY	F-15	F-19
GENERATOR		F-20
HEATING & A/C	F-21	F-22
INTERIOR FINISH	F-23	G-02
LABEL	G-03	G-09
LP		G-10
LOUNGE	G-11	G-12
SEALANTS & FASTENERS	G-13	G-15
WATER & SEWAGE	G-16	G-20
WINDOW, VENT AND EXTERIOR DOOR	G-21	H-15



## ACCESSORIES GROUP

### OPERATORS MANUAL

KEY	PART NUMBER	U/M DESCRIPTION
	054185-87-000	EA MANUAL OPERATOR, 1992 SUNDANCE, - 500 SERIES
	092318-01-000	EA BINDER-3 RING MOTOR HOME MANUAL
	052319-01-000	EA POCKET PAGE-3 RING BINDER, PLASTIC
	106351-01-000	OV/ TOP LEVEL DRAWING NUMBER FOR 1992 C-BODIES

## AUDIO VIDEO GROUP

### RADIO & ANTENNA COMPONENTS

KEY	PART NUMBER	U/M DESCRIPTION
	079385-02-000	EA KIT-RADIO MOUNTING, FORD FROM 00-00-00 THRU 10-06-91
	090932-01-000	EA RADIO-AM/FM CASSETTE, ELECTRIC TUNE - AUDIOVOX HCC-1035 FROM 00-00-00 THRU 10-05-91
	081050-02-000	EA WIRE ASM-9-PIN, RADIO - AUDIOVOX 112B-1761
	105150-01-000	EA RADIO-AM/FM CASSETTE, ELECTRONIC TUNE - FORD - AUDIOVOX FD-CXF FROM 10-07-91 THRU 99-99-99
	10E451-01-000	EA MOUNTING KIT-RADIO, FORD AUDIOVOX FD-ECO-92 FROM 10-07-91 THRU 99-99-99
	103137-01-000	EA PLUG ANTENNA HOLE (FORD)
	099340-02-000	EA GRILLE-SPEAKER, 6 5" SQUARE (OVHD CABINETS)
	069340-03-000	EA SPACER-SPEAKER GRILLE, TAN - MAGNADYNE G514 (OVHD CABINETS)
	094097-01-000	EA SPEAKER-RADIO, W/O GRILLE - 5 25" DIA - AUDIOVOX 110C3030 (OVHD CABINETS)
	073741-04-000	EA GRILLE-SPEAKER, OVAL - 4" X 6" - BLACK (PATIO ENTERTAINMENT)
	077059-02-000	EA CABLE-ANTENNA, RADIO - EXTENSION 99" - ARA 6700567 (PATIO ENTERTAINMENT)
	087683-01-000	EA RADIO-AM-FM STEREO W/CASSETTE AUDIOVOX 144D1559 (PATIO ENTERTAINMENT)
	090944-01-000	EA ANTENNA-RADIO, 16" RUBBER (PATIO ENTERTAINMENT)
	090862-01-000	EA BRACKET-HAT, ANTENNA - 3 1" X 3 9" - STEEL - BLACK (PATIO ENTERTAINMENT)
	104899-01-C27	EA PLATE-RADIO MOUNTING (PATIO ENTERTAINMENT)
	105270-11-C05	EA SHELF ASM (PATIO ENTERTAINMENT)
	105230-12-C52	EA SUPPORT ASM (PATIO ENTERTAINMENT)
	105377-01-01A	EA BRACKET-TABLE HANGER - OFF WHITE (PATIO ENTERTAINMENT)
	105377-01-03A	EA BRACKET-TABLE HANGER - MILL (PATIO ENTERTAINMENT)

### TV, VCR SYSTEMS & ANTENNA

KEY	PART NUMBER	U/M DESCRIPTION
	092310-01-000	EA TV-COLOR, 9" - AC/DC - W/REMOTE - MAGNAVOX CH3940 FROM 00-00-00 THRU 01-26-92
	092310-01-700	EA REMOTE FOR RK3955 -0822335
	092310-03-000	EA TV-COLOR-9"-AC/DC W/SWIVEL MAGNAVOX RDO945 FROM 01-27-92 THRU 99-99-99
	092310-02-700	EA REMOTE FOR TV -0822334
	098446-03-000	EA VCR-VHS, CABLE READY - REMOTE - MAGNAVOX VR5010
	098446-03-700	EA REMOTE FOR MODEL #9010 -0974588
	106433-01-000	EA BRACKET-VCR
	076319-01-000	EA ANTENNA-TV, ROOF MOUNT - 44 5" MAST - RVA W02
	076319-01-700	EA HEAD-ANTENNA, AMPLIFIED - W/WINEGARD# RVSA J/V
	076319-01-701	EA GEAR-ELEVATING, PLASTIC - W/WINEGARD# 220004L
	076319-01-702	EA SHAFT ASM-ELEVATING, W/WINEGARD# RVP-400A
	076319-01-703	EA BEARING-NYLON, 5"OD - W/WINEGARD# 3200656
	076319-01-705	EA GROMMET-NYLON, 7/8"ID - W/WINEGARD# 3200658
	076319-01-706	EA CRANK-ELEVATING, W/SET SCREW - W/WINEGARD# 5755100
	076319-01-707	EA SPRING-HANDLE, W/WINEGARD# 5160800
	076319-01-709	EA PLATE-DIRECTIONAL, FOR HEAD - W/WINEGARD# 3200644
	076319-06-000	EA ADAPTOR-CABLE ROOF PLATE, W/WINEGARD RPJ-1
	082134-01-000	EA ADAPTER-TV, CABLE TO CABLE - W/WINEGARD F-81M
	082136-01-000	EA NUT-HEX JAM 3/8-32, W/WINEGARD
	076319-08-000	EA WALLPLATE-CABLE RECEPTACLE TV - SINGLE - IVORY
	036777-02-000	EA WALLPLATE-TV CABLE, W/ANTENNA SWITCH - BROWN
	076319-03-000	FT CABLE-COAXIAL, 75 OHM
	076319-12-000	EA CONNECTOR-COAXIAL - ONE PIECE
	085756-01-000	EA SPLITTER-TV, 2 WAY
	085757-03-000	EA CONTROL CENTER-SWITCH, VCR/TV - MAGNADYNE VCS-6
	086777-04-000	EA PLATE-WALL, ANTENNA/POWER - BROWN

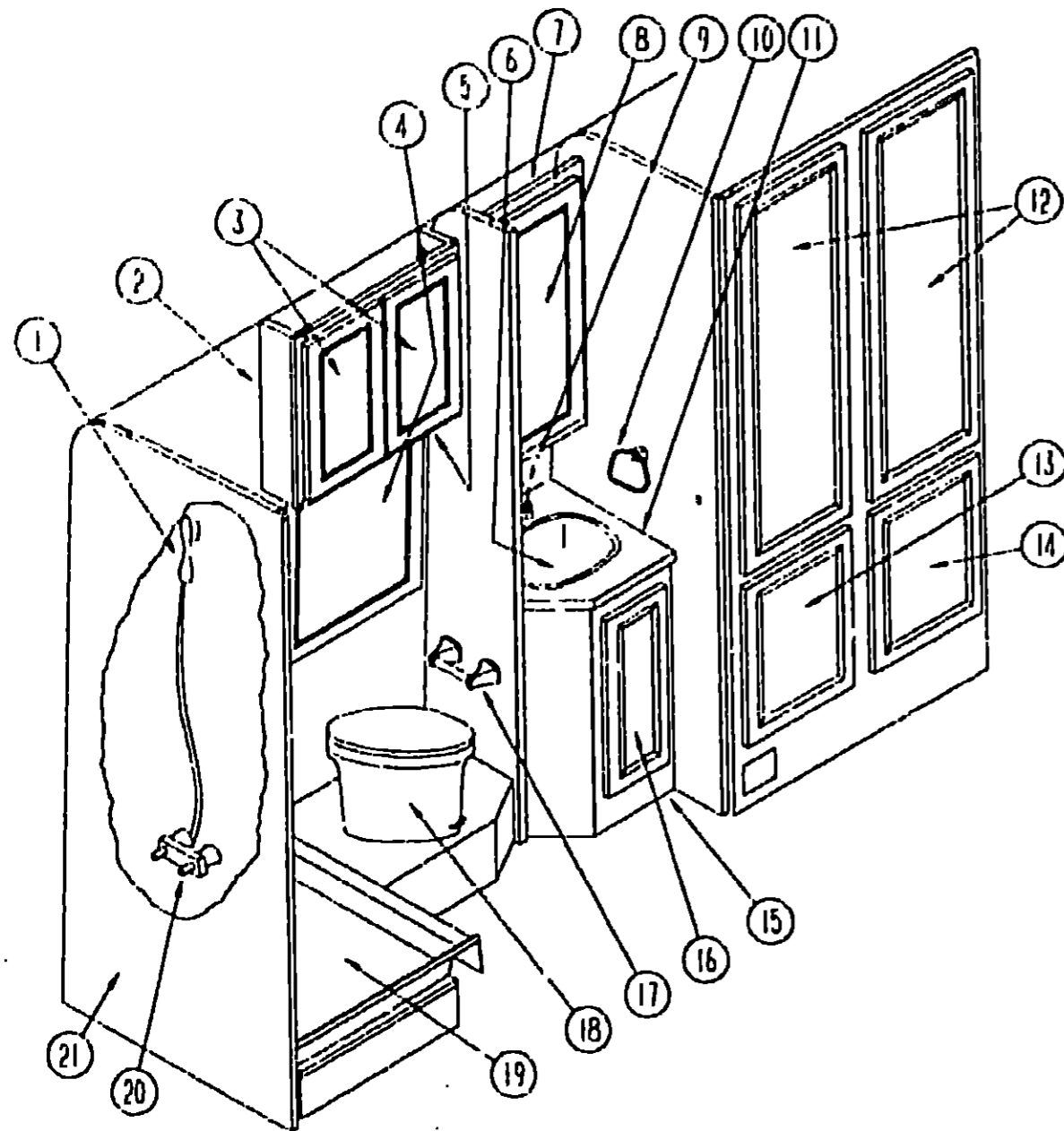
## 1992 ITASCA TABLE OF CONTENTS

INTRODUCTION	A-01	A-02
ABBREVIATIONS		A-03
ALPHABETICAL INDEX	A-04	A-06
IF527RC	A-07	D-24
IF527RC	E-01	H-16

## 1992 IF527RC INDEX

FLOOR PLAN	E-01	E-02
ACCESSORIES		E-03
AUDIO VIDEO		E-04
BATH	E-05	E-06
BEDROOM	E-07	E-08
CHASSIS	E-09	E-13
CURTAIN & CUSHION	E-14	E-22
DINETTE	E-23	E-24
DRIVERS	F-01	F-02
ELECTRICAL	F-03	F-06
EXTERIOR BODY	F-07	F-14
GALLEY	F-15	F-19
GENERATOR		F-20
HEATING & A/C	F-21	F-22
INTERIOR FINISH	F-23	G-02
LABEL	G-03	G-09
LP		G-10
LOUNGE	G-11	G-12
SEALANTS & FASTENERS	G-13	G-15
WATER & SEWAGE	G-16	G-20
WINDOW, VENT AND EXTERIOR DOOR	G-21	H-15

**BATH GROUP**



**BATH & SHOWER CABINETS & FIXTURES**

KEY	PART NUMBER	U/M DESCRIPTION
1	103092-01-000	EA SHOWER HEAD-W/60" HOSE
2	P05767-01-C43	EA CABINET-OVERHEAD, W/O DOORS & HARDWARE
3	P04536-18-C43	EA DOOR-CABINET, W/O HARDWARE - 285 X 500MM
4	093446-04-B87	EA MIRROR-WOOD FRAMED
	M03450-04-000	EA TRIM-MIRROR, WOOD - OAK
	058331-01-000	EA MIRROR-GLASS, SAFETY - 19" X 26"
5	075453-02-000	EA BAR-TOWEL, 18" BRASS
6	096927-01-01A	EA SINK-LAVATORY, RECTANGULAR - PLASTIC - BONE
	096927-01-700	EA SINK-STOPPER
	096927-01-701	EA TAILPIECE-SINK
7	102821-01-C43	EA CABINET ASM-MEDICINE
8	102326-02-000	EA DOOR-MIRROR, 500 X 750MM
	102327-01-01A	EA PULL-DOOR, SQUARE
9	075240-06-000	EA FAUCET-LAVATORY-BONE
10	075454-02-000	EA RING-TOWEL, W/MOUNTING HARDWARE - BRASS
11	105643-11-C52	EA COUNTERTOP ASM (C43)
11	105643-11-C53	EA COUNTERTOP ASM (C44)
12	P04536-07-C82	EA DOOR-CABINET, W/O HARDWARE - 305 X 1015MM
13	P03702-71-C29	EA DOOR-CABINET, W/O HARDWARE - 305 X 555MM
14	P03702-14-B87	EA DOOR-CABINET, W/O HARDWARE - 305 X 555MM

**BATH GROUP (CONTINUED)**

**BATH & SHOWER CABINETS & FIXTURES (CONTINUED)**

KEY	PART NUMBER	U/M DESCRIPTION
15	M05684-01-C43	EA CABINET-LAVATORY, W/O DOOR & HARDWARE - US
15	M05684-01-C44	EA CABINET-LAVATORY, W/O DOOR & HARDWARE - US
15	M05684-02-C43	EA CABINET-LAVATORY, W/O DOOR & HARDWARE - CSA
15	M05684-02-C44	EA CABINET-LAVATORY, W/O DOOR & HARDWARE - CSA
16	P03702-H2-C43	EA DOOR-CABINET, W/O HARDWARE - 365 X 555MM
17	075452-02-500	EA HOLDER-TOILET TISSUE, BRASS
18	067487-01-000	EA TOILET-12 3/4", IVORY - HAND FLUSH - THETFORD 150110
	063740-01-700	EA LEVER-WATER, THETFORD 12514
	063740-01-701	EA LEVER-FLUSH, THETFORD 12515
	063740-01-706	EA BOLT PACKAGE-CLOSET, THETFORD 12524
	063740-01-710	EA LINK-THETFORD 12513
	063740-01-711	EA SPRING-RETURN LEVER THETFORD 12523
	063740-01-713	EA SEAL-BALL VALVE TO BOWL, THETFORD 12502
	063740-01-714	EA VALVE ASM-WATER THETFORD 12492
	063740-01-716	EA SEAT & COVER, THETFORD 15017
	063740-01-717	EA TUBE-FLUSH, TOILET - 12509 THETFORD
	024676-01-000	EA FLANGE-CLOSET, TOILET - 4" X 3" - RED - US
	024676-02-000	EA FLANGE-CLOSET, TOILET - 4" X 3" - RED - CSA
19	M02429-06-000	EA PAN-SHOWER, OFF WHITE
	065436-01-000	EA NUT-SLIP, TAILPIECE - 1 5"
	066440-01-000	EA STRAINER-SHOWER, W/RUBBER WASHER
	069735-01-000	EA WASHER-STRAINER TO TAILPIECE PLASTIC - 1 5"
	011069-02-000	EA TAILPIECE-TUB/SHOWER, 1 1/2" X 1 1/4" X 4" - BRASS
	066436-01-000	EA NUT-SLIP, TAILPIECE - 1 5"
20	075241-05-000	EA FAUCET-SHOWER, BONE
	075606-01-000	EA PANEL-FAUCET BACK, SHOWER - 5" X 9" - PLASTIC
	057671-01-000	EA COVER-SCREW, #8 - PLASTIC - OFF WHITE
21	102046-01-01A	EA SURROUND-SHOWER, THREE SIDED - OFF WHITE

**BATH PRIVACY DOOR**

KEY	PART NUMBER	U/M DESCRIPTION
	P05398-01-C43	EA DOOR-PRIVACY, BATH
	100357-01-000	EA ROD-TOWEL, BRASS W/ENDS BENT FOR BACK OF BATH DOOR
	102089-13-B29	EA WOOD RAIL - TOWEL RACK - RIGHT SIDE - 26" LONG
	102089-14-B29	EA WOOD RAIL - TOWEL RACK - LEFT SIDE - 26" LONG
	094485-01-01A	EA KNOB-DOOR-POLISHED BRASS

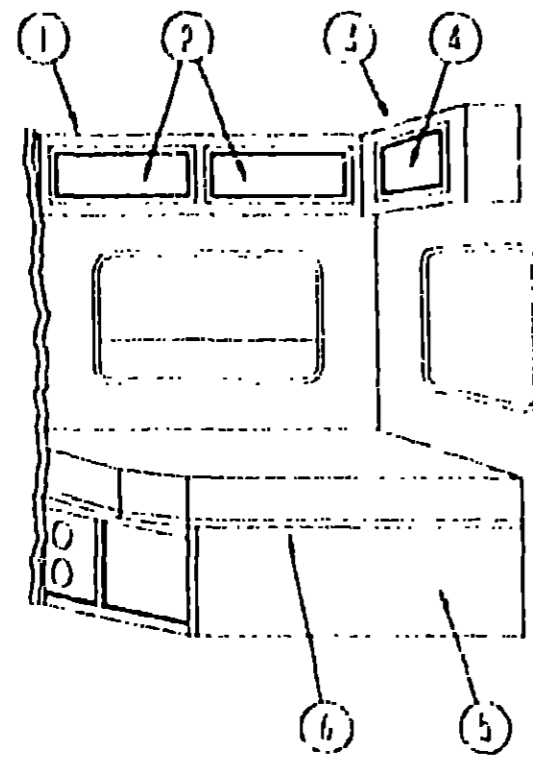
**1992 ITASCA  
TABLE OF CONTENTS**

INTRODUCTION	A-01	A-02
ABBREVIATIONS		A-03
ALPHABETICAL INDEX	A-04	A-06
IF527RC	A-07	D-24
IF527RC	E-01	H-16

**1992 IF527RC INDEX**

FLOOR PLAN	E-01	E-02
ACCESSORIES		E-03
AUDIO VIDEO		E-04
BATH	E-05	E-06
BEDROOM	E-07	E-08
CHASSIS	E-09	E-13
CURTAIN & CUSHION	E-14	E-22
DINETTE	E-23	E-24
DRIVERS	F-01	F-02
ELECTRICAL	F-03	F-06
EXTERIOR BODY	F-07	F-14
GALLEY	F-15	F-19
GENERATOR		F-20
HEATING & A/C	F-21	F-22
INTERIOR FINISH	F-23	G-02
LABEL	G-03	G-09
LP		G-10
LOUNGE	G-11	G-12
SEALANTS & FASTENERS	G-13	G-15
WATER & SEWAGE	G-16	G-20
WINDOW, VENT AND EXTERIOR DOOR	G-21	H-15

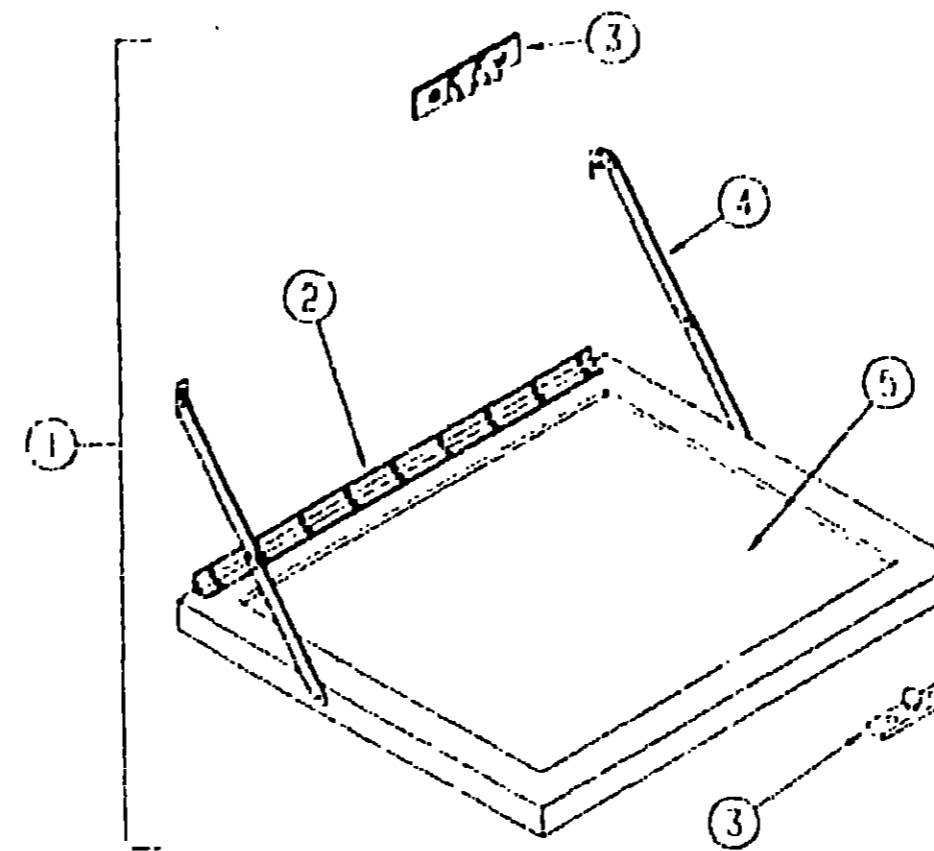
**BEDROOM GROUP**



**DOUBLE BEDROOM**

KEY	PART NUMBER	U/M	DESCRIPTION
1	M05678-16 C43	EA	CABINET-OVERHEAD W/O DOORS & HARDWARE - RIGHT REAR
2	P03702-05-C27	EA	DOOR-CABINET, W/O HARDWARE - 400 X 710MM
3	M05678-19-C43	EA	CABINET-OVERHEAD W/O DOORS & HARDWARE - REAR
4	P03702-F3-C43	EA	DOOR-CABINET W/O HARDWARE - 400 X 710MM
5	P05802-01 C43	EA	CABINET DOUBLE BED
	106230-01-C43	EA	DIVIDER-CABINET DOUBLE BED
6	M05689-02 000	EA	TOP-DOUBLE BED DRIVER SIDE
	M05689-01 C52	EA	TOP-DOUBLE BED PASSENGER SIDE

**BEDROOM GROUP (CONTINUED)**



**TV STAND**

KEY	PART NUMBER	U/M	DESCRIPTION
1	084357-02 B25	EA	TV STAND ASM
2	084413-01 000	EA	HINGE-CONTINUOUS W/HOLES
3	084451-01 000	EA	CATCH-TV SHELF, BRASS
4	084412-01 000	EA	SUPPORT-HINGED
5	084356-04-000	EA	INSERT-TV STAND W/SUPPORT HINGE - METAL - TAN FROM 00-00-00 THRU 05-24-92
5	084356-08-000	EA	INSERT-TV STAND W/SUPPORT HINGE - METAL - OFF WHITE FROM 05-25-92 THRU 99-99-99
5	058331-14-000	EA	MIRROR GLASS SAFETY - 14" X 12 7"

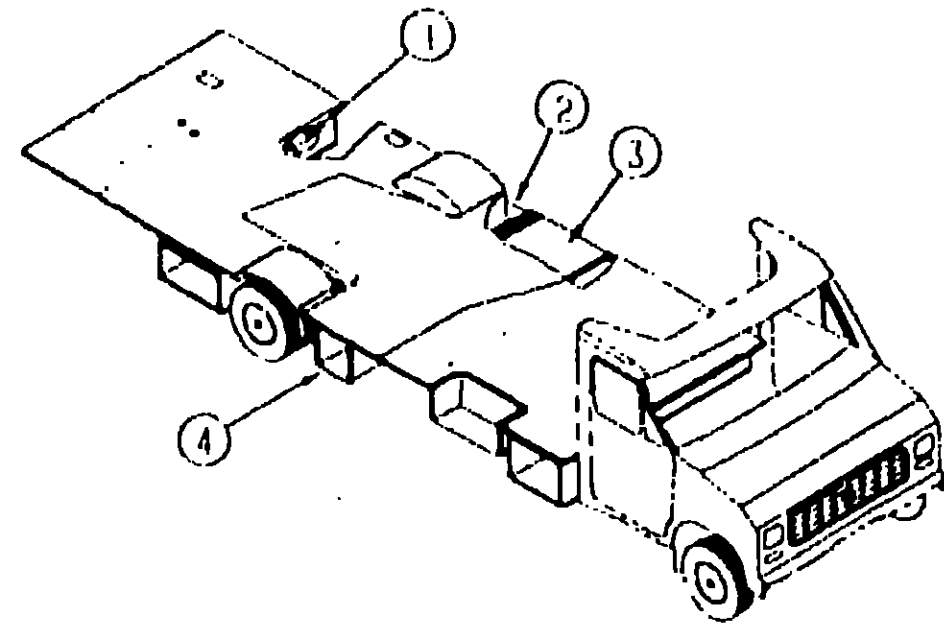
**1992 ITASCA  
TABLE OF CONTENTS**

INTRODUCTION	A 01	A 02
ABBREVIATIONS	A 03	A 03
ALPHABETICAL INDEX	A-04	A 06
IF 52/RC	A 07	D 24
IF 52/RC	E 01	H 16

**1992 IF527RC INDEX**

FLOOR PLAN	E-01	E-02
ACCESSORIES		E-03
AUDIO VIDEO		F-04
BATH	E-05	E-06
BEDROOM	E-07	E-08
CHASSIS	E-09	E-13
CURTAIN & CUSHION	E-14	E-22
DINETTE	E-23	E-24
DRIVERS	F-01	F-02
ELECTRICAL	F-03	F-06
EXTERIOR BODY	F-07	F-14
GALLEY	F-15	F-19
GENERATOR		F-20
HEATING & A/C	F-21	F-22
INTERIOR FINISH	F-23	G-02
LABEL	G-03	G-09
LP		G-10
LOUNGE	G-11	G-12
SEALANTS & FASTENERS	G-13	G-15
WATER & SEWAGE	G-15	G-20
WINDOW, VENT AND EXTERIOR DOOR	G-21	H-15

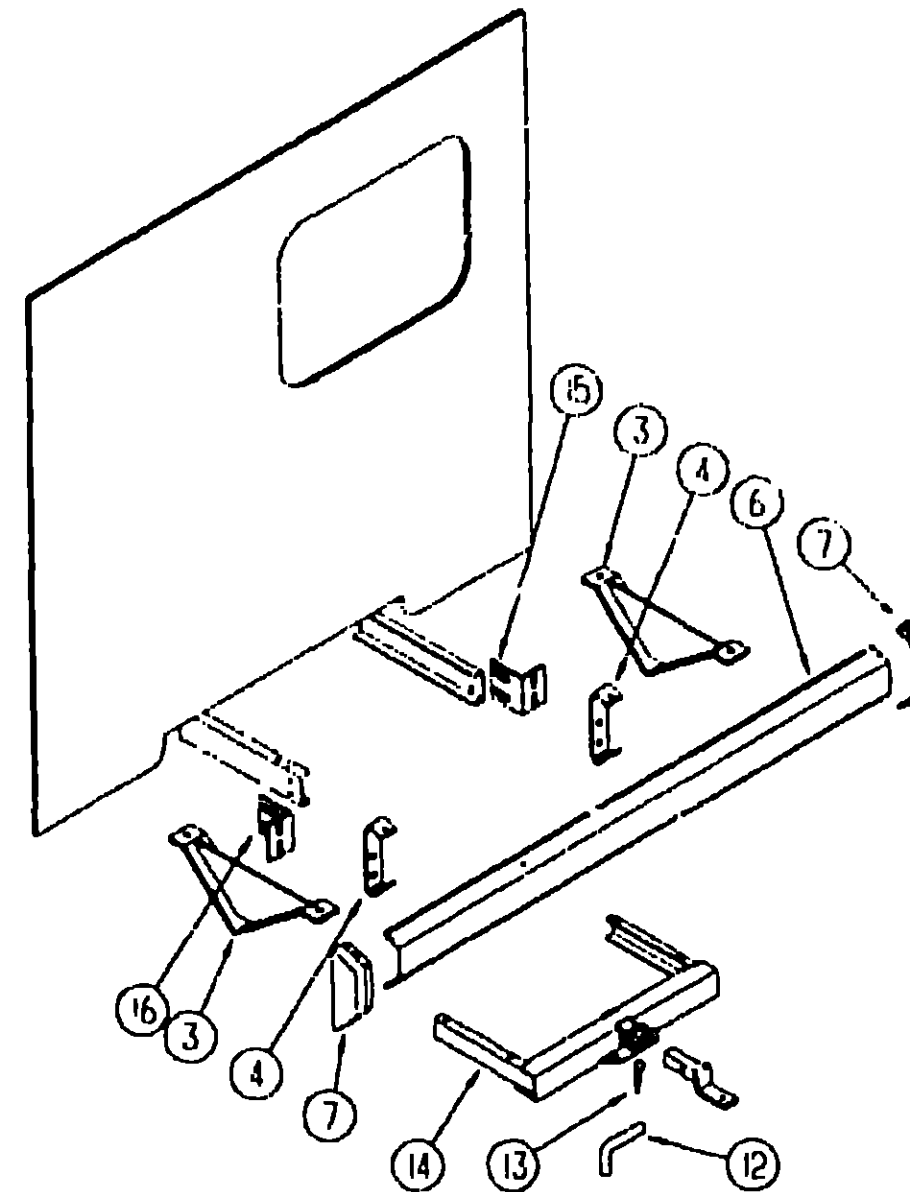
**CHASSIS GROUP**



**COMPARTMENTS, PLUGS & SEALS**

KEY	PART NUMBER	U/M DESCRIPTION
1	103639 01-000 074470 02-000	EA DOOR DRAINAGE COMPARTMENT 7'9" X 7'6" - STEEL EA PIN PULL HINGE RELEASE
2	102979 01-000	EA BOX POWER CORD
3	105471 05-000 078137 02-050	EA COMPARTMENT GENERATOR EA TRAY-STORAGE COMPARTMENT 27 1/8" WIDE X 21" DEEP
4	105203 01-000 084993-01-000 055450-02-000	EA COMPARTMENT-BATTERY EA STRAP BATTERY EA TIEDOWN BATTERY 14 3/4" TUBE
FROM 00-00-00 THRU 01-14-92		
	065450-05-000	EA TIEDOWN-BATTERY 8 1/4" TUBE
	104897 01-01A	EA BOX-ENTERTAINMENT CENTER - OFF WHITE
	104899 01-01A	EA PLATE-PLASTIC BOTTOM - OFF WHITE
	056748 01-000	EA PLUG-CAP 1 1/2" DIAMETER - BLACK
	058027-01-000	FT SEAL D SHAPED - HOLLOW - SPONGE RUBBER - BLACK
	061420 01-000	EA PLUG-PLASTIC 1 7/8" - BROWN
	077953-01-000	EA GROMMET-EDGE LINER, FITS 1"
	088270 01-000	FT SEAL BULB W/WIRE RIGID U-CHANNEL - 5" RUBBER - BLACK

**CHASSIS GROUP (CONTINUED)**



**REAR BUMPER, SKID PLATE & TRAILER HITCH**

KEY	PART NUMBER	U/M DESCRIPTION
3	083376 01-000	EA PLATE-SKID 13 1/2" X 6" X 2" STEEL
4	078670 02-000	EA BRACKET BUMPER REAR - 2" X 8" - BENT ENDS STEEL BLACK (2 USED)
5	103099-02-02A	EA BUMPER-REAR OFF WHITE
7	105147-01-01A	EA CAP-END BUMPER - OFF WHITE
12	034512-01-000	EA PIN-LOCKING DRAWBAR
13	034513-01-000	EA PIN HITCH 3/16" WIRE
14	077517-02-000 097744 01-000 097744-02-000 097745-01-000 097745-01-000 097745-01-000 097745-02-000	EA HITCH-TRAILER W/O DRAWBAR - 41 1/2" WIDE - STEEL - BLACK EA HOUSING-TRAILER PIN 12" EA HOUSING-TRAILER PIN 48" EA HOUSING-TRAILER RECP 12" EA HOUSING CAP-TRAILER PIN EA HOUSING-RECEPTACLE TRAILER - 48" WIRE LENGTH
15	105933-01-000	EA BRACKET-BUMPER REAR
16	105933-02-000	EA BRACKET BUMPER REAR

**1992 ITASCA  
TABLE OF CONTENTS**

INTRODUCTION	A-01 - A-02
ABBREVIATIONS	A-03
ALPHABETICAL INDEX	A-04 - A-06
IF527RC	A-07 - D-24
IF527RC	E-01 - H-16

**1992 IF527RC INDEX**

FLOOR PLAN	E-01 - E-02
ACCESSORIES	E-03
AUDIO VIDEO	E-04
BATH	E-05 - E-06
BEDROOM	E-07 - E-08
CHASSIS	E-09 - E-13
CURTAIN & CUSHION	E-14 - E-22
DINETTE	E-23 - E-24
DRIVERS	F-01 - F-02
ELECTRICAL	F-03 - F-06
EXTERIOR BODY	F-07 - F-14
GALLEY	F-15 - F-19
GENERATOR	F-20
HEATING & A/C	F-21 - F-22
INTERIOR FINISH	F-23 - G-02
LABEL	G-03 - G-09
LP	G-10
LOUNGE	G-11 - G-12
SEALANTS & FASTENERS	G-13 - G-15
WATER & SEWAGE	G-16 - G-20
WINDOW VENT AND EXTERIOR DOOR	G-21 - H-15

## CHASSIS GROUP (CONTINUED)

### EXHAUST SYSTEM COMPONENTS

KEY	PART NUMBER	U/M	DESCRIPTION
	007125-01-000	EA	CLAMP-MUFFLER, 1 1/2" DIAMETER
	091182-03-000	EA	HEAT SHIELD
	094918-03-000	EA	CLAMP-EXHAUST 2 1/2"
	096753-04-000	EA	PIPE-EXHAUST

### FUEL SYSTEM COMPONENTS

KEY	PART NUMBER	U/M	DESCRIPTION
	072447-04-000	EA	SHROUD-FUEL FILL, UPPER - PLASTIC
	078040-06-000	EA	SHROUD-FUEL FILL, UPPER
	063303-04-000	EA	SHROUD-FUEL FILL, LOWER
	078200-01-000	EA	GASKET-FUEL FILL, 3 1/2" OD X 2" ID
	106388-01-000	EA	FUEL LINE ASM-FORD, 5/16 HP
	106389-01-000	EA	FUEL LINE ASM-FORD, 3/8 HP
	007063-01-000	FT	HOSE-GAS 1/4" ID X 1/2" OD
	024138-01-000	FT	HOSE-FUEL, 5/16" ID
	044317-01-000	FT	HOSE-FUEL, 3/8" ID

### SUSPENSION SYSTEMS

KEY	PART NUMBER	U/M	DESCRIPTION
	103332-01-000	EA	PLATE-VALVE, AIR SPRING (FORD)
	106067-01-000	EA	AIRSPRING-4IN DIA TWIN (FORD)
	106057-03-700	EA	REPAIR KIT FOR TAPPED PISTON

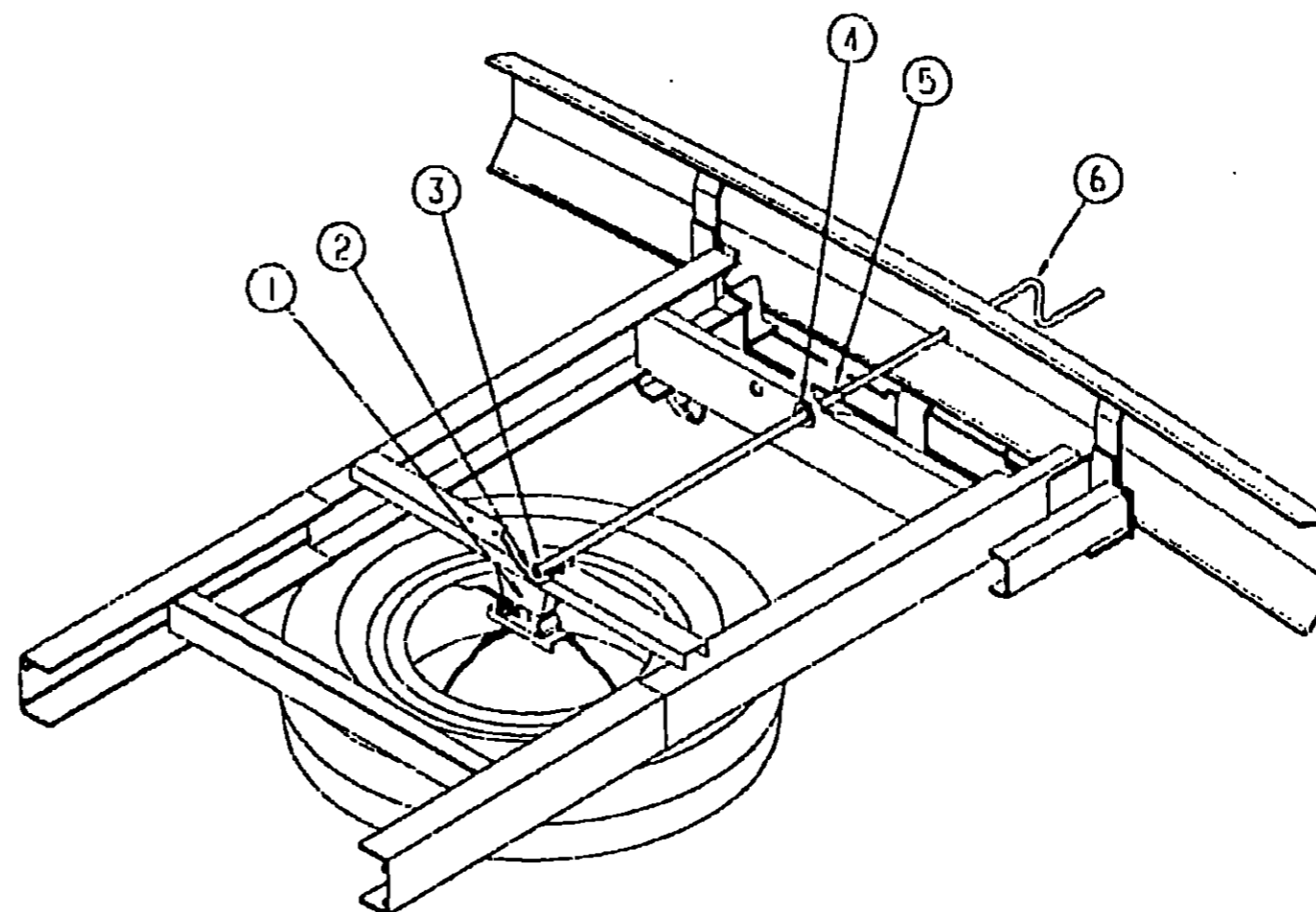
### ENTRY STEPS

KEY	PART NUMBER	U/M	DESCRIPTION
	077848-02-000	EA	STEP-PULLOUT
	076241-09-000	EA	SUPPORT-STEP ENTRY DOOR
	091176-01-000	EA	SUPPORT-BASE, ENTRANCE STEP
	094708-01-01A	EA	STEP-ENTRY DOOR, ELECTRIC - SINGLE - KWIKEE 2813
	094707-02-700	EA	MOTOR REPLACEMENT KIT
	094707-02-702	EA	GEAR KIT
	094707-02-703	EA	PARTS KIT (BEARINGS & PINS)
	094707-02-704	EA	MOTOR CONNECTOR KIT
	094707-02-705	EA	CONTROL UNIT (ORANGE)
	094707-03-700	EA	LINKAGE ASM FOR 28 SERIES
	100312-01-000	EA	SWITCH-DOOR JAMB, ELECTRIC ENTRY STEP - METAL

### DRIVESHAFT

KEY	PART NUMBER	U/M	DESCRIPTION
	103653-02-000	EA	DRIVESHAFT-FRONT, FORD - 176"/188" - DANA 910984-814 4
			FROM 00-00-00 THRU 11-10-91
	103653-06-000	EA	DRIVESHAFT ASM-BALANCED PAIR - 188" WHEELBASE (158)
			FROM 11-11-91 THRU 99-99-99
	074833-01-000	EA	SPACER-BEARING, DRIVESHAFT - 2" X 8" X 5" THICK

## CHASSIS GROUP (CONTINUED)



SPARE TIRE HOIST

KEY	PART NUMBER	U/M	DESCRIPTION
	1	093267-01-000	EA HOIST-SPARE TIRE
	2	000F10-06-32B	EA PIN-COTTER, 3/16 X 2 00 ZN
	3	093375-04-000	EA EXTENSION-TIRE HOIST
	4	071015-11-000	EA GROMMET-RUBBER, 1" ID X 1 7/8" OD W/ 12" GROOVE - BLACK
	5	035776-01-000	EA PIN-ROLL, 125 DIA X 750
	6	093376-01-000	EA HANDLE-CRANK, TIRE HOIST
		083425-08-000	EA TIRE-LT225/75R16 LRD - MICHELIN XCH4
		077030-02-000	EA EXTENSION-VALVE STEM, 1 25"
		095012-03-000	EA EXTENSION-VALVE STEM, DUAL WHEEL
		083617-03-000	EA WHEEL-STEEL 16 0X6, ACCURIDE 28518

## 1992 ITASCA TABLE OF CONTENTS

INTRODUCTION	A-01	A-02
ABBREVIATIONS		A-03
ALPHABETICAL INDEX	A-04	A-06
IF527RQ	A-07	D-24
IF527RC	E-01	H-16

## 1992 IF527RC INDEX

FLOOR PLAN	E-01	E-02
ACCESSORIES		E-03
AUDIO VIDEO		E-04
BATH	E-05	E-06
BEDROOM	E-07	E-08
CHASSIS	E-09	E-13
CURTAIN & CUSHION	E-14	E-22
DINETTE	E-23	E-24
DRIVERS	F-01	F-02
ELECTRICAL	F-03	F-06
EXTERIOR BODY	F-07	F-14
GALLEY	F-15	F-19
GENERATOR		F-20
HEATING & A/C	F-21	F-22
INTERIOR FINISH	F-23	G-02
LABEL	G-03	G-09
LP		G-10
LOUNGE	G-11	G-12
SEALANTS & FASTENERS	G-13	G-15
WATER & SEWAGE	G-16	G-20
WINDOW, VENT AND EXTERIOR DOOR	G-21	H-15

## CHASSIS GROUP (CONTINUED)

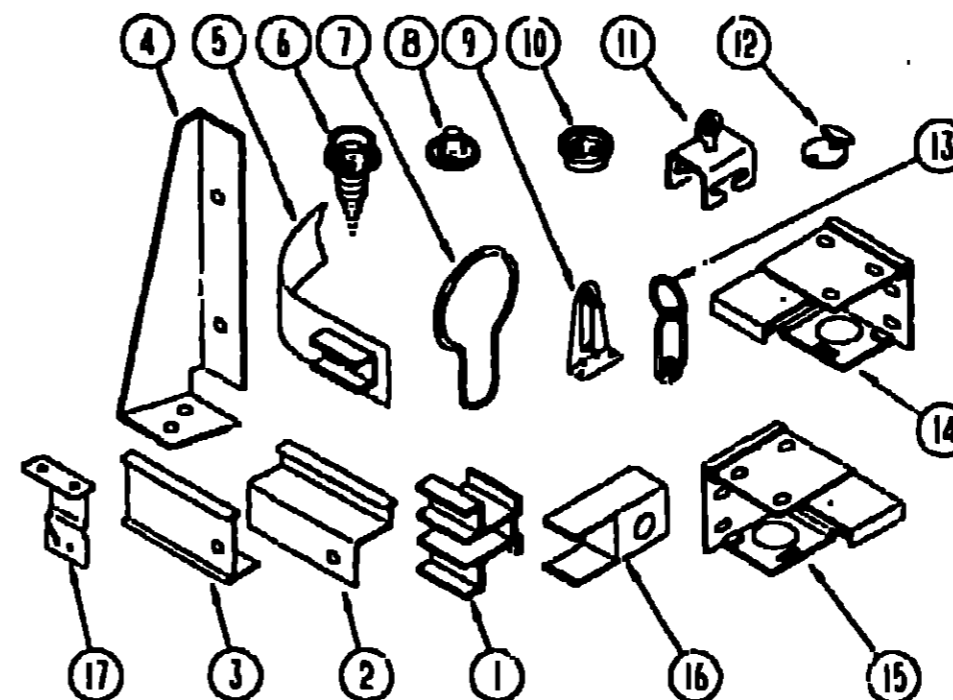
### MUDFLAPS, DIRT GUARD, WHEELWELL & UNION

KEY	PART NUMBER	U/M	DESCRIPTION
	017516 01-000	EA	FLAP-MUD, 14" X 18" - BLACK
	045731 04-000	EA	GUARD-ROCK, REAR
	102702 01-000	EA	WHEELWELL-PLASTIC
	085771 03-000	EA	NUT-NEX, FL. PREV TORQUE - GRADE G DRIVER SHAFT
	088198 01-000	EA	UNION-INVERTED FLANGE, BRASS - 3/16 - 3/8 - 24 TPI - BRAKE LINE

### WHEEL LINERS & COVERS

KEY	PART NUMBER	U/M	DESCRIPTION
	091209-11-000	EA	LINER-WHEEL, SET 4 C350-KAPER II (FORD)
	091209-10-700	EA	COVER-AXLE, FRONT - 8 LUG - FORD
	091209-10-701	EA	COVER-AXLE, REAR - 8 LUG - FORD
	091209 01-704	EA	COVER-LUG NUT
	091209 11-700	EA	LINER-WHEEL, FRONT - 8 LUG - FORD
	091209-11-701	EA	LINER-WHEEL, REAR - 8 LUG - FORD
	083181 01-000	EA	COVER WHEEL 16" - SET OF FOUR
	083181 01-700	EA	COVER-WHEEL 16" - 8 LUG - 1 ONLY

## CURTAIN & CUSHION GROUP



## 1992 ITASCA TABLE OF CONTENTS

INTRODUCTION	A-01 - A-02
ABBREVIATIONS	A-03
ALPHABETICAL INDEX	A-04 - A-06
IF527RC	A-07 - D-24
IF527RC	E-01 - H-16

## CURTAIN, BLIND HARDWARE & TRACKS

KEY	PART NUMBER	U/M	DESCRIPTION
1	101033-03-000	EA	TRACK-CURTAIN, WALL - WHITE - SHAPCO CT225
2	105450-05-01A	EA	TRACK-CURTAIN, 79" LONG - ALUMINUM - OFF WHITE
2	105450-06-01A	EA	TRACK-CURTAIN, 88" LONG - ALUMINUM - OFF WHITE
2	105450-07-01A	EA	TRACK-CURTAIN, 41 3/4" LONG - ALUMINUM - OFF WHITE
2	105450-08-01A	EA	TRACK-CURTAIN, 38" LONG - ALUMINUM - OFF WHITE
3	092464-05-01A	EA	TRACK-SHOWER - OFF WHITE
3	009700-04-002	EA	TRACK, L-SHAPED - 195 2" - OFF WHITE
	046867-01-000	EA	GROMMET-BRASS, 7/16" ID X 1" OD
	048394-02-000	YD	VELCRO TAPE-HOOK, ADHESIVE BACK - 75" WIDE - BEIGE
	060716-01-001	EA	BRACE-90 DEGREE L-ANGLE, 192" - EXTRUDED ALUMINUM
	075943-02-000	EA	BRACE-ANGLE, W/HOLES - 1" X 1 5/8" X 14" - ALUMINUM - BEIGE
4	076827-02-000	EA	BRACKET-LEG, 2 9/16" X 1 8/16" TRIANGLE - LEFT SIDE
	089522-03-000	EA	PANEL-LEG, TWO SIDE 27" LONG - PLASTIC - BLACK
5	101031-01-000	YD	TAPE-GLIDE, CURTAIN - 4 25" SPACING
6	029130-01-000	EA	SCREW-SNAP SOCKET, 8 PH X 5/8"
7	009136-02-000	EA	HANGER-RING, PIN TYPE - CURTAIN - BRASS
8	029155-01-000	EA	CAP-SNAP, NICKEL
9	095591-02-000	EA	BRACKET-HOLD DOWN, W/PIN - BLIND - METAL
10	029156-01-000	EA	SOCKET-SNAP FASTENER, NICKEL
11	009702-01-000	EA	END STOP-CURTAIN CARRIER, L ROD
12	102555-01-000	EA	CLEAT-CORD, BLIND - OFF WHITE
13	009701-01-000	EA	CARRIER-CURTAIN, L ROD
14	083170-01-000	EA	BRACKET-BLIND, RIGHT SIDE
15	083170-02-000	EA	BRACKET-BLIND, LEFT SIDE
16	101033-02-000	EA	END CAP-TRACK, CLEAR
17	084434-01-000	EA	BRACKET-MOUNTING, ROLLER SHADE - 1 3/8"
	084432-06-000	FT	SLAT-ROLLER SHADE, PLASTIC
	084433-01-700	EA	SPRING-REWIND, ROLLER SHADE
	106544-01-000	EA	PULL-SHADE, BRASS
	103986-01-000	FT	TRIM-VALANCE, U-CHANNELANNEL - 75" WIDE - BRASS
	088792-01-000	YD	VELCRO-HOOK, 75" WIDE - BEIGE
	088792-02-000	YD	VELCRO TAPE-LOOP, ADHESIVE BACKED - 75" WIDE - BEIGE

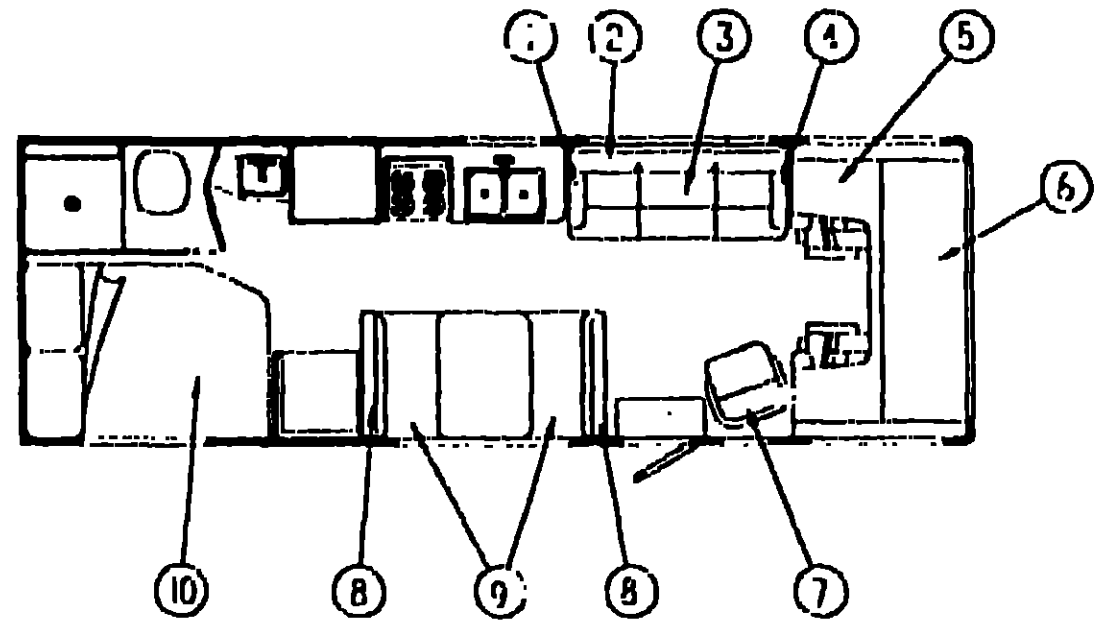
## 1992 IF527RC INDEX

FLOOR PLAN	E-01 - E-02
ACCESSORIES	E-03
AUDIO VIDEO	E-04
BATH	E-05 - E-06
BEDROOM	E-07 - E-08
CHASSIS	E-09 - E-13
CURTAIN & CUSHION	E-14 - E-22
DINETTE	E-23 - E-24
DRIVERS	F-01 - F-02
ELECTRICAL	F-03 - F-06
EXTERIOR BODY	F-07 - F-14
GALLEY	F-15 - F-19
GENERATOR	F-20
HEATING & A/C	F-21 - F-22
INTERIOR FINISH	F-23 - G-02
LABEL	G-03 - G-09
LP	G-10
LOUNGE	G-11 - G-12
SEALANTS & FASTENERS	G-13 - G-15
WATER & SEWAGE	G-16 - G-20
WINDOW, VENT AND EXTERIOR DOOR	G-21 - H-15





**CURTAIN & CUSHION GROUP (CONTINUED)**



**COUCH**

KEY	PART NUMBER	U/M DESCRIPTION
1	101236 03 C43	EA ARMREST COUCH RIGHT SIDE
1	101236 03 C44	EA ARMREST COUCH RIGHT SIDE
	P01236 01 C43	EA COVER ARMREST RIGHT SIDE
	P01236 03 C44	EA COVER ARMREST RIGHT SIDE
	101685 07 000	EA FRAME ARMREST BRACKET RIGHT SIDE
	101568 03 000	EA BRACKET ARMREST COUCH - RIGHT SIDE
	101568 01 000	EA BRACKET ARMREST COUCH - RIGHT SIDE
2	100032 02 C43	EA BACKREST COUCH W/ARMRESTS - 66 5"
2	100032 02 C44	EA BACKREST COUCH W/ARMRESTS - 66 5"
	P00032 02 C43	EA COVER BACKREST W/ARMRESTS - 66 5"
	P00032 02 C44	EA COVER BACKREST W/ARMRESTS - 66 5"
	101685 02 000	EA FRAME BACK COUCH - 66 5"
3	100032 01 C43	EA SEAT COUCH W/O BACKREST 66 5"
3	100032 01 C44	EA SEAT COUCH W/O BACKREST 66 5"
	P00032 01 C43	EA COVER SEAT COUCH - 66 5"
	P00032 01 C44	EA COVER SEAT COUCH - 66 5"
	101685 01 000	EA FRAME SEAT COUCH - 66 5"
	101685 03 000	EA FRAME BASE COUCH - 66 5"
	103513 12 B05	EA SUPPORT ASSEMBLY COUCH
4	101236 04 C43	EA ARMREST COUCH LEFT SIDE
4	101236 04 C44	EA ARMREST COUCH LEFT SIDE
	P01236 04 C43	EA COVER ARMREST LEFT SIDE
	P01236 04 C44	EA COVER ARMREST LEFT SIDE
	101685 08 000	EA FRAME ARMREST BRACKET LEFT SIDE
	101568 04 000	EA BRACKET ARMREST COUCH - LEFT SIDE
	101568 02 000	EA BRACKET ARMREST COUCH - LEFT SIDE

**BUNK CUSHIONS**

KEY	PART NUMBER	U/M DESCRIPTION
5	105573 02 C43	EA CUSHION-BUNK REAR - 28" X 79" X 5" (C43) FROM 00-00-00 THRU 01-12-92
5	105573 05 C44	EA CUSHION-BUNK REAR - 28" X 79" X 5" (C44) FROM 00-00-00 THRU 01-12-92
	P05573 02 C43	EA COVER-CUSHION BUNK - REAR - 28" X 79" X 5" (C43) FROM 00-00-00 THRU 01-12-92
	P05573 05 C44	EA COVER-CUSHION BUNK - REAR - 28" X 79" X 5" (C44) FROM 00-00-00 THRU 01-12-92

**BUNK CUSHIONS (CONTINUED)**

KEY	PART NUMBER	U/M DESCRIPTION
5	105573 06 C43	EA CUSHION-BUNK REAR - 27" X 23" X 80" X 5" FROM 01-13-92 THRU 99-99-99
5	105573 10 C44	EA CUSHION-BUNK REAR - 27" X 23" X 80" X 5" FROM 01-13-92 THRU 99-99-99
	P05573 06 C43	EA COVER-CUSHION BUNK - REAR - 27" X 23" X 80" X 5" FROM 01-13-92 THRU 99-99-99
	P05573 10 C44	EA COVER-CUSHION BUNK - REAR - 27" X 23" X 80" X 5" FROM 01-13-92 THRU 99-99-99
6	105573 01 C43	EA CUSHION-BUNK FRONT - 32" X 79" X 5" (C43) FROM 00-00-00 THRU 01-12-92
6	105573 04 C44	EA CUSHION-BUNK FRONT - 32" X 79" X 5" (C44) FROM 00-00-00 THRU 01-12-92
	P05573 01 C43	EA COVER-CUSHION BUNK FRONT - 32" X 79" X 5" (C43) FROM 00-00-00 THRU 01-12-92
	P05573 04 C44	EA COVER-CUSHION BUNK FRONT - 32" X 79" X 5" (C44) FROM 00-00-00 THRU 01-12-92
6	105573 07 C43	EA CUSHION-BUNK FRONT - 32 5" X 60" X 5" FROM 01-13-92 THRU 99-99-99
6	105573 09 C44	EA CUSHION-BUNK FRONT - 32 5" X 60" X 5" FROM 01-13-92 THRU 99-99-99
	P05573 07 C43	EA COVER-CUSHION BUNK - FRONT - 32 5" X 60" X 5" FROM 01-13-92 THRU 99-99-99
	P05573 09 C44	EA COVER-CUSHION BUNK - FRONT - 32 5" X 60" X 5" FROM 01-13-92 THRU 99-99-99

**SWIVEL CHAIR**

KEY	PART NUMBER	U/M DESCRIPTION
7	055429-11-C43	EA CHAIR-SWIVEL W/O SKIRT
7	055429-09-C44	EA CHAIR-SWIVEL W/O SKIRT

**DINETTE CUSHIONS**

KEY	PART NUMBER	U/M DESCRIPTION
8	104146-01-C27	EA CUSHION-BACKREST, 13 5" X 38" X 5" (C43)
8	104146-01-C26	EA CUSHION-BACKREST, 13 5" X 38" X 5" (C44)
	P04146-01-C27	EA COVER-CUSHION, BACKREST - 13 5" X 38" X 5" (C43)
	P04146-01-C26	EA COVER-CUSHION, BACKREST - 13 5" X 38" X 5" (C44)
	078155-01-000	EA STRAP SNAP, BACKREST CUSHION
9	058927-07-C27	EA CUSHION SEATBASE, 23" X 38" X 5" (C43)
9	058927-07-C26	EA CUSHION SEATBASE, 23" X 38" X 5" (C44)
	M08927-07-C27	EA COVER-CUSHION SEATBASE - 23" X 38" X 5" (C43)
	M08927-07-C26	EA COVER-CUSHION SEATBASE - 23" X 38" X 5" (C44)

**DOUBLE BEDSPREAD, PILLOW & MATTRESS**

KEY	PART NUMBER	U/M DESCRIPTION
	102161-03-C43	EA PILLOW SHAM-W/1" FLANGE
	102161-03-C44	EA PILLOW SHAM-W/1" FLANGE
10	104358 02-C43	EA BEDSPREAD-DOUBLE, 54" W/1" WELT ON BOTTOM
10	104358 02-C44	EA BEDSPREAD-DOUBLE, 54" W/1" WELT ON BOTTOM
10	098176-06-000	EA MATTRESS DOUBLE-SPRING 53" X 74" - SEALY - CUT CORNER

**1992 ITASCA  
TABLE OF CONTENTS**

INTRODUCTION	A 01 - A 02
ABBREVIATIONS	A-03
ALPHABETICAL INDEX	A-04 - A-06
IF527RC	A 07 - D-24
IF527RC	E-01 - H-16

**1992 IF527RC INDEX**

FLOOR PLAN	E-01 - E-02
ACCESSORIES	E-03
AUDIO VIDEO	E-04
BATH	E-05 - E-06
BEDROOM	E-07 - E-08
CHASSIS	E-09 - E-13
CURTAIN & CUSHION	E-14 - E-22
DINETTE	E-23 - E-24
DRIVERS	F-01 - F-02
ELECTRICAL	F-03 - F-05
EXTERIOR BODY	F-07 - F-14
GALLEY	F-15 - F-19
GENERATOR	F-20
HEATING & A/C	F-21 - F-22
INTERIOR FINISH	F-23 - G-02
LABEL	G-03 - G-09
LP	G-10
LOUNGE	G-11 - G-12
SEALANTS & FASTENERS	G-13 - G-15
WATER & SEWAGE	G-16 - G-20
WINDOW VENT AND EXTERIOR DOOR	G-21 - H-15

**CURTAIN & CUSHION GROUP (CONTINUED)**

**ASSIST HANDLE, BUTTONS & SEATBELTS**

KEY	PART NUMBER	U/M DESCRIPTION
	070578-06-AA7	EA BUTTON SNAP TOP, #30 - VINYL - BEIGE
	070578-10-C43	EA BUTTON-SCREW STUD, #30
	070578-10-C44	EA BUTTON-SCREW STUD #30
	057759-01-000	EA WASHER BRACKET-SEAT BELT 4" DIAMETER
	007021-01-000	EA BELT-SEAT, 2" X 56" - BLACK
	053552-02-AAA	EA HANDLE-ASSIST, INTERIOR - ENTRY DOOR - VINYL - OFF WHITE
	069178-02-000	EA BRACKET-MOUNTING, ASSIST HANDLE - L ANGLE - WHITES - STEEL
	000616-01-000	EA BOLT-CARRIAGE, ASSIST HANDLE - 7/16" - 14 X 1" ZN
	006020-07-000	EA NUT-ACORN, ASSIST HANDLE - 7/16" X 14 ZN
	079349-01-C27	YD WELT ASM-ACCENT (C43)
	079349-01-C28	YD WELT ASM-ACCENT (C44)
	079349-04-C43	YD WELT ASM-NARROW, ACCENT - SWIVEL CHAIR (C43)
	079349-04-C26	YD WELT ASM-WIDE, ACCENT - SWIVEL CHAIR (C44)
	084415-33-000	YD TRIM BRAID, CURTAIN (C43)
	084415-30-000	YD TRIM BRAID, CURTAIN (C44)

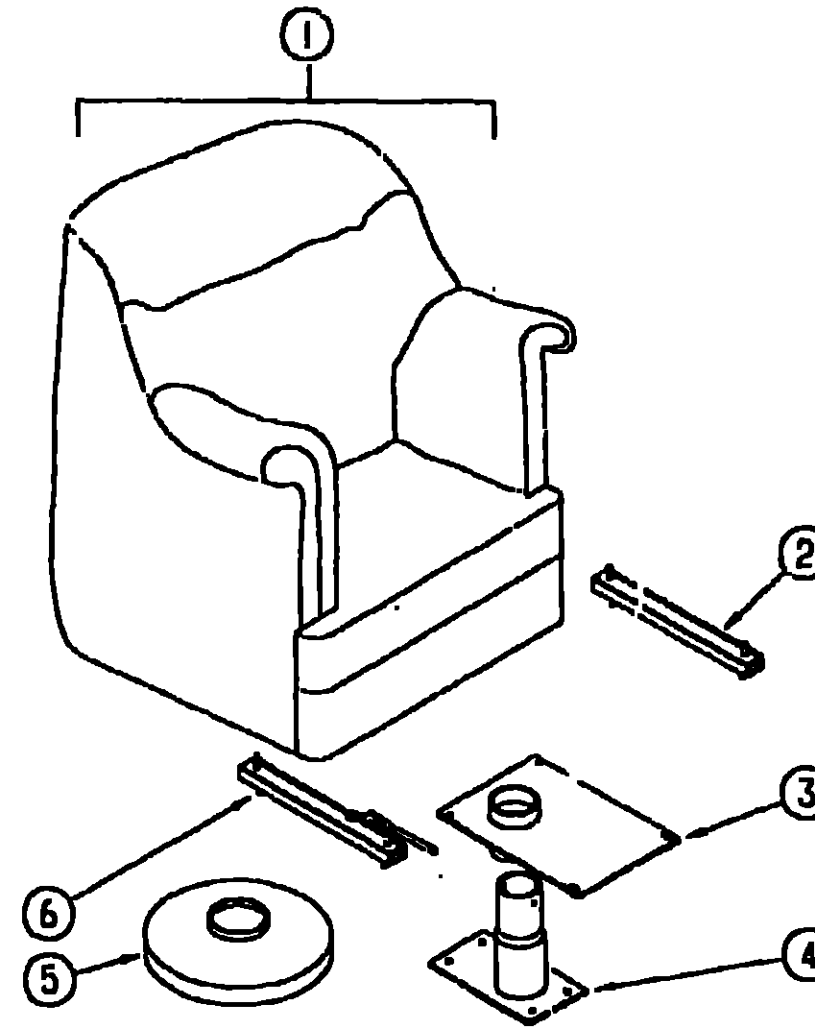
**FABRICS**

KEY	PART NUMBER	U/M DESCRIPTION
	029219-01-000	YD FABRIC-VINYL 54" WIDE - WHITE
	072333-12-000	YD FABRIC-CURTAIN, 54" WIDE - BEIGE
	075244-06-000	YD FABRIC-VINYL, SHOWER CURTAIN - 72" WIDE - TEAL (C43)
	075244-05-000	YD FABRIC-VINYL, SHOWER CURTAIN - 72" WIDE - BLUE (C44)
	075080-07-000	YD FABRIC-VINYL, 54" WIDE - BEIGE
	096008-93-000	YD FABRIC-UPHOLSTERY, PATTERNED WOVEN - TEAL (C43) (MAIN)
	104233-19-000	YD FABRIC-UPHOLSTERY, PATTERNED VELOUR (C44) (MAIN)
	096008-94-000	YD FABRIC-UPHOLSTERY, WOVEN LINES - BEIGES & GREEN (C43) (ACCENT)
	104233-18-000	YD FABRIC-UPHOLSTERY, SQUARED VELOUR (C44) (ACCENT)
	103907-01-01A	YD FABRIC-VINYL, 54" WIDE - OFF WHITE (C43)
	104233-17-000	YD FABRIC-UPHOLSTERY, STRIPED VELOUR (C43) (PLAIN ACCENT)
	096008-85-000	YD FABRIC-UPHOLSTERY, PLAIN - 54" WIDE (C44) (PLAIN ACCENT)
	104233-25-000	YD FABRIC-UPHOLSTERY, WOVEN LINES - BEIGES & GREENS (C43)
	104233-23-000	YD FABRIC-UPHOLSTERY, WOVEN LINES - BEIGES & BLUES (C44)
	104233-27-000	YD FABRIC-UPHOLSTERY, PLAIN VELOUR - LIGHT NAVY (C44)
	088273-93-333	YD FABRIC-BEDSPREAD, SHERBET (C43) (MAIN)
	088273-94-000	YD FABRIC-BEDSPREAD, FUGUE BLUE (C44) (MAIN)
	088273-89-000	YD FABRIC-BEDSPREAD, LILAC (C43) (ACCENT)
	088273-71-000	YD FABRIC-BEDSPREAD, PLAIN (C44) (ACCENT)

**THROW PILLOWS**

KEY	PART NUMBER	U/M DESCRIPTION
	103669-01-C43	EA PILLOW ASM-16" X 16" - THROW
	103669-01-C44	EA PILLOW ASM-16" X 15" - THROW
	104166-01-C43	EA PILLOW ASM-14" X 14" - W/2" FLANGE
	104166-01-C44	EA PILLOW ASM-14" X 14" - W/2" FLANGE

**CURTAIN & CUSHION GROUP (CONTINUED)**



**SWIVEL CHAIR**

KEY	PART NUMBER	U/M DESCRIPTION
1	096429-09-C43	EA CHAIR-SWIVEL, W/O SKIRT
1	096429-09-C44	EA CHAIR-SWIVEL, W/O SKIRT
	M96429-09-C43	EA COVER-SWIVEL CHAIR
	M96429-09-C44	EA COVER-SWIVEL CHAIR
	089368-04-000	EA CABLE-SWIVEL, W/SWITCH - BUCKET SEAT
	099202-04-C43	EA SKIRT ASM
	099202-04-C44	EA SKIRT ASM
2	069246-05-000	EA ADJUSTER-SWIVEL CHAIR, MANUAL - FORWARD & BACK
3	093491-04-000	EA TOP PLATE-PEDESTAL, BUCKET SEAT - W/O SEATBELT BAR
4	093481-02-000	EA BASE-PEDESTAL, W/10" EXTENSION
5	093482-01-000	EA SHROUD-PEDESTAL, 13" - PLASTIC - BLACK
6	069246-07-000	EA ADJUSTER-SWIVEL CHAIR, W/LOCKING ARM - FORWARD & BACK
	007221-01-000	EA SPACER-SEAT, ADJUSTER - 4 USED PER SWIVEL CHAIR

**1992 ITASCA  
TABLE OF CONTENTS**

INTRODUCTION	A-01 - A-02
ABBREVIATIONS	A-03
ALPHABETICAL INDEX	A-04 - A-06
IF527RC	A-07 - D-24
IF527RC	E-01 - H-16

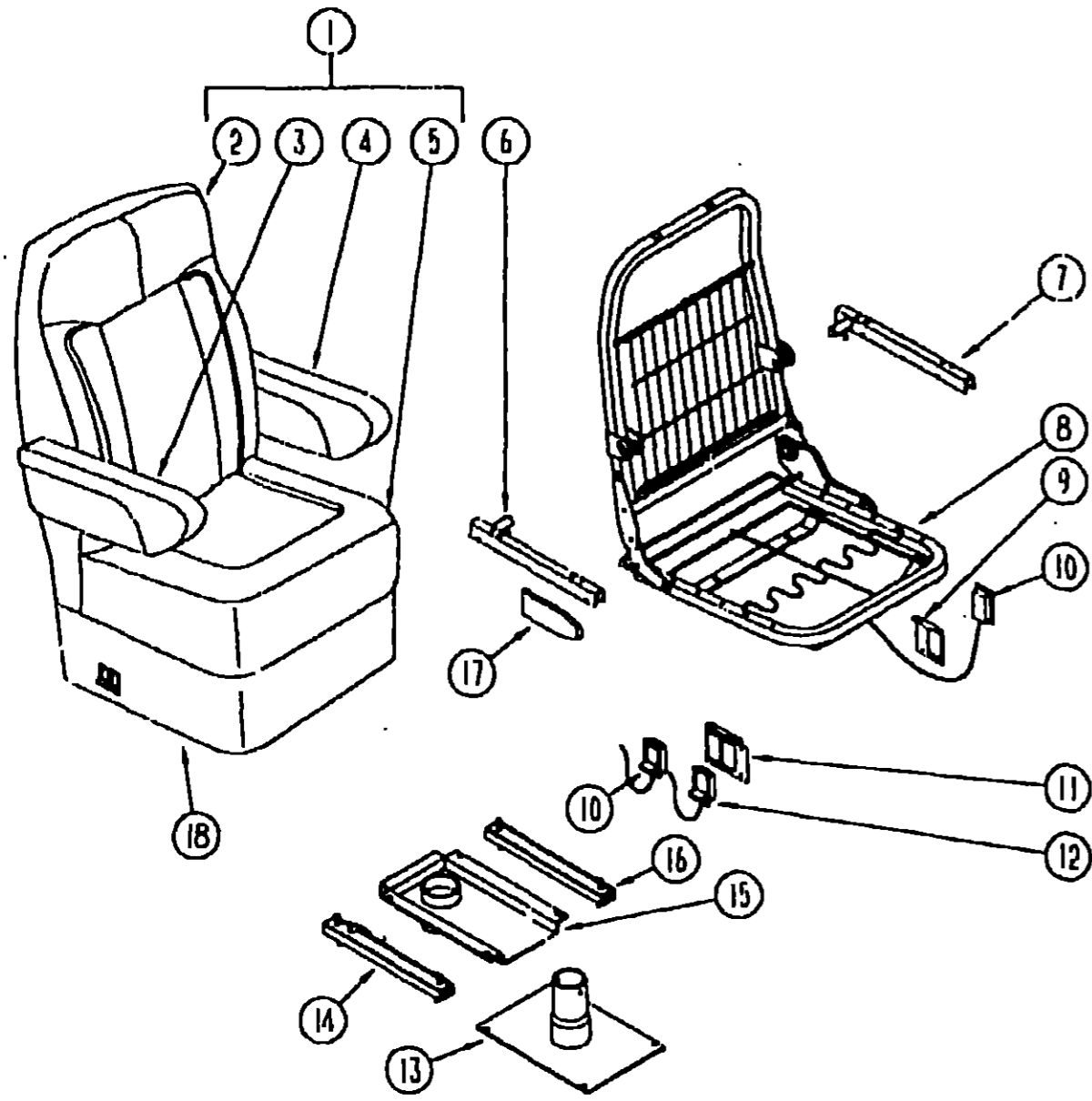
**1992 IF527RC INDEX**

FLOOR PLAN	E-01 - E-02
ACCESSORIES	E-03
AUDIO VIDEO	E-04
BATH	E-05 - E-06
BEDROOM	E-07 - E-08
CHASSIS	E-09 - E-13
CURTAIN & CUSHION	E-14 - E-22
DINETTE	E-23 - E-24
DRIVERS	F-01 - F-02
ELECTRICAL	F-03 - F-06
EXTERIOR BODY	F-07 - F-14
GALLEY	F-15 - F-19
GENERATOR	F-20
HEATING & A/C	F-21 - F-22
INTERIOR FINISH	F-23 - G-02
LABEL	G-03 - G-09
LP	G-10
LOUNGE	G-11 - G-12
SEALANTS & FASTENERS	G-13 - G-15
WATER & SEWAGE	G-16 - G-20
WINDOW, VENT AND EXTERIOR DOOR	G-21 - H-15

## CURTAIN, CUSHION GROUP (CONTINUED)

### BUCKET SEATS

KEY	PART NUMBER	U/M	DESCRIPTION
1	093450-27-C43	EA	SEAT-BUCKET, W/RIGHT ARMREST
1	093450-23-C44	EA	SEAT-BUCKET, W/RIGHT ARMREST
1	093450-28-C43	EA	SEAT-BUCKET, W/LEFT ARMREST
1	093450-24-C44	EA	SEAT-BUCKET, W/LEFT ARMREST
1	093450-29-C43	EA	SEAT-BUCKET W/RIGHT ARMREST-RECLINING
1	093450-25-C44	EA	SEAT-BUCKET, W/RIGHT ARMREST-RECLINING
1	093450-30-C43	EA	SEAT-BUCKET, W/LEFT ARMREST-RECLINING
1	093450-26-C44	EA	SEAT-BUCKET, W/LEFT ARMREST-RECLINING
2	M03445-62-C43	EA	COVER-BACK, BUCKET
2	M03445-22-C44	EA	COVER-BACK, BUCKET
3	080243-49-C27	EA	ARMREST-RIGHT(C43)
3	080243-49-C28	EA	ARMREST-RIGHT (C44)
	M00243-49-C27	EA	COVER-ARMREST, RIGHT(C43)
	M00243-49-C28	EA	COVER-ARMREST, RIGHT(C44)
4	080243-50-C27	EA	ARMREST-LEFT(C43)
4	080243-50-C28	EA	ARMREST-LEFT(C44)
	M00243-50-C27	EA	COVER-ARMREST, LEFT (C43)
	M00243-50-C28	EA	COVER-ARMREST, LEFT(C44)
5	M03445-63-C43	EA	COVER-SEAT BUCKET(C43)
5	M03445-23-C44	EA	COVER-SEAT BUCKET(C44)
6	081268-01-000	EA	ROD & CHANNEL-A: REST, RIGHT - METAL
7	081268-02-000	EA	ROD & CHANNEL-A: REST, LEFT - METAL
	081361-01-000	EA	ROD-ARMREST, METAL - RIGHT OR LEFT HAND
8	M80906-05-000	EA	FRAME-SEAT&BACK&SPRING
8	M80906-05-000	EA	FRAME-SEAT&BACK&SPRING, RECLINING
	101125-01-000	EA	RECLINER-SEAT BACK, LEFT HAND REMOTE
9	097683-03-000	EA	BRACKET-REMOTE, SIDE MOUNT - SINGLE
10	089368-04-000	EA	CABLE-SWIVEL, W/SWITCH - BUCKET SEAT
11	097683-02-000	EA	BRACKET-MOUNT, REMOTE
12	089368-05-000	EA	CABLE-RECLINER, W/SWITCHL - BUCKET SEAT
13	069585-02-000	EA	PLATE-SUB. BASE - BUCKET SEAT - 12' X 13' - STEEL
			FROM 09-00-00 THRU 10-06-91
13	069585-41-000	EA	PLATE-SUB. BASE - BUCKET SEAT - 12' X 13' - STEEL
			FROM 10-07-91 THRU 99-99-99
14	069246-05-000	EA	ADJUSTER-SEAT/CHAIR, W/REMOTE - FORWARD & BACK
	069246-05-700	EA	SPRING-ADJUSTER, FOR REMOTE
	069246-05-701	EA	CLIP-CABLE, FOR REMOTE
15	093481-04-000	EA	TOP PLATE-PEDESTAL, BUCKET SEAT - W/O SEATBELT BAR
16	069246-02-000	EA	ADJUSTER-SEAT/CHAIR, W/O LOCK - FORWARD & BACK
	089585-03-000	EA	PEDESTAL-LOWER, W/EXTENSION - 9' X 5' - STEEL
17	089369-08-000	EA	SHIELD-CABLE, REMOTE RECLINER - BUCKET SEAT
18	071126-24-C27	EA	SKIRT BUCKET SEAT (C43)
18	071126-24-C28	EA	SKIRT-BUCKET SEAT (C44)



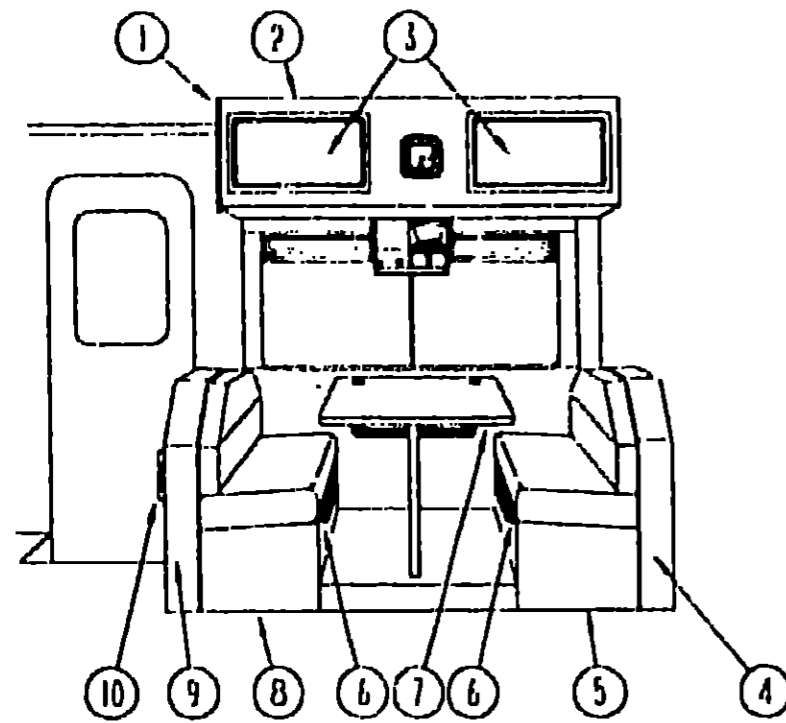
## 1992 ITASCA TABLE OF CONTENTS

INTRODUCTION	A-01 - A-02
ABBREVIATIONS	A-03
ALPHABETICAL INDEX	A-04 - A-06
IF527RC	A-07 - D-24
IF527HC	E-01 - H-16

## 1992 IF527RC INDEX

FLOOR PLAN	E-01 - E-02
ACCESSORIES	E-03
AUDIO VIDEO	E-04
BATH	E-05 - E-06
BEDROOM	E-07 - E-08
CHASSIS	E-09 - E-13
CURTAIN & CUSHION	E-14 - E-22
DINETTE	E-23 - E-24
DRIVERS	F-01 - F-02
ELECTRICAL	F-03 - F-06
EXTERIOR BODY	F-07 - F-14
GALLEY	F-15 - F-19
GENERATOR	F-20
HEATING & A/C	F-21 - F-22
INTERIOR FINISH	F-23 - G-02
LABEL	G-03 - G-09
LP	G-10
LOUNGE	G-11 - G-12
SEALANTS & FASTENERS	G-13 - G-15
WATER & SEWAGE	G-16 - G-20
WINDOW, VENT AND EXTERIOR DOOR	G-21 - H-15

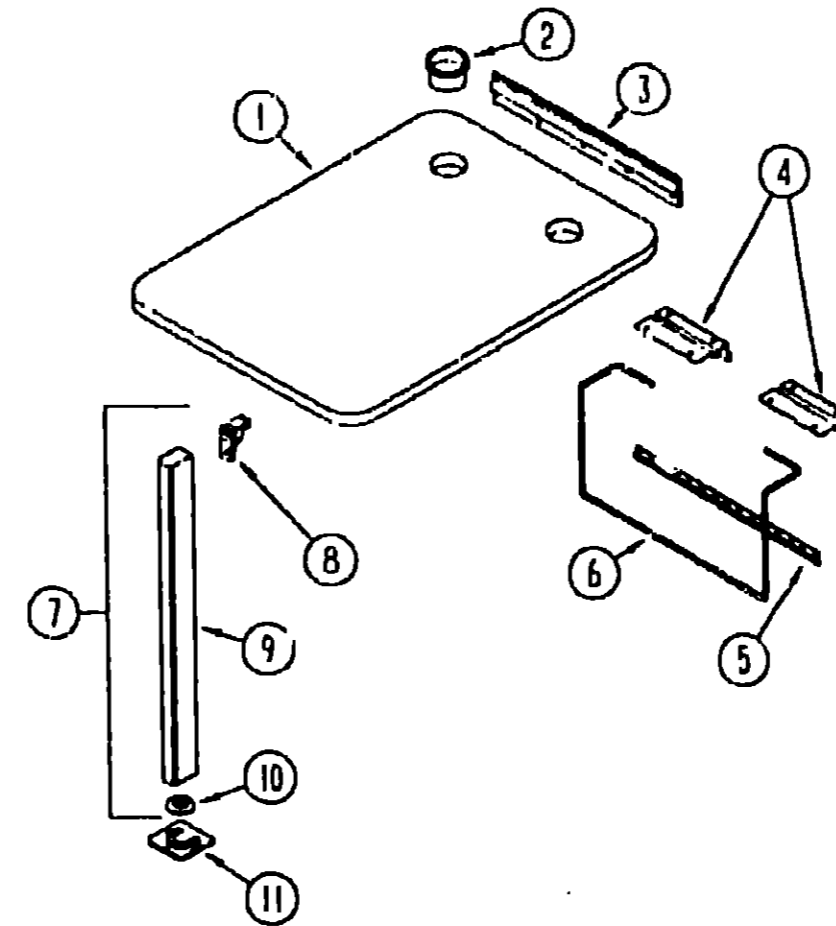
### DINETTE GROUP



#### CABINETS, PADS & TABLE

KEY	PART NUMBER	U/M	DESCRIPTION
1	104335-07-C43	EA	END CAP-CABINET, OVERHEAD
2	M0567B-17-C43	EA	CABINET-OVERHEAD, W/O DOORS & HARDWARE
2	M0567B-17-C44	EA	CABINET-OVERHEAD, W/O DOORS & HARDWARE
3	P03702-05-C27	EA	DOOR-CABINET W/O HARDWARE - 400 X 710MM
4	M04174-21-C43	EA	CABINET-BACKREST, RIGHT SIDE
	104787-01-C43	EA	PAD-BACKREST (C43)
	104787-01-C26	EA	PAD-BACKREST (C*4)
5	M04175-21-C43	EA	CABINET-SEATBASE, RIGHT SIDE
	001519-07-C43	EA	TOP-SEATBASE, RIGHT SIDE
6	001295-01-AAB	EA	SUPPORT-TABLE, DINETTE - 712MM LONG
7	M92743-12-C43	EA	TABLE-DINETTE, W/O HARDWARE
7	M92743-12-C44	EA	TABLE-DINETTE, W/O HARDWARE
8	M04175-22-C43	EA	CABINET-SEATBASE, LEFT SIDE
	107595-11-C27	EA	TOP-SEATBASE, LEFT SIDE
9	M04174-22-C43	EA	CABINET-BACKREST, LEFT SIDE
	104787-02-C43	EA	PAD-BACKREST
	104787-02-C44	EA	PAD-BACKREST
10	091257-06-000	EA	HANDLE-ASSIST, WOOD-MOUNTED TO BACK OF DINETTE

### DINETTE GROUP (CONTINUED)



#### DINETTE TABLE

KEY	PART NUMBER	U/M	DESCRIPTION
1	M92743-12-C43	EA	TABLE-DINETTE, W/O HARDWARE
1	M92743-12-C44	EA	TABLE-DINETTE, W/O HARDWARE
2	064781-06-000	EA	HOLDER-CUP, TWO STEP - OFF WHITE
3	053200-05-000	EA	BRACKET-TABLE SUPPORT, UPPER WALL MOUNTED - 23 5" - BEIGE
4	088410-01-000	EA	BRACKET-LIFT, TABLE MOUNTED - BEIGE
5	024281-07-000	EA	BRACKET-LIFT ROD, LOWER WALL MOUNTED - 22 12" - BEIGE
6	024275-05-000	EA	ROD-TABLE LIFT, 3' X 23 5" - BEIGE
7	092708-06-C31	EA	LEG ASM-TABLE
8	093550-01-000	EA	BRACKET-HINGE, MOUNTS TO LEG & TABLE TOP - 1 7" X 2 6"
9	092707-04-07A	EA	MOLDING-OAK, RAMBLING OAK
10	092593-01-04A	EA	CATCH-LEG, LEG MOUNTED - ROUND - 1 4" DIA - METAL - BEIGE
11	049493-11-700	EA	CATCH-LEG, FLOOR MOUNTED - 2 5" X 2 7" - METAL - E-COAT

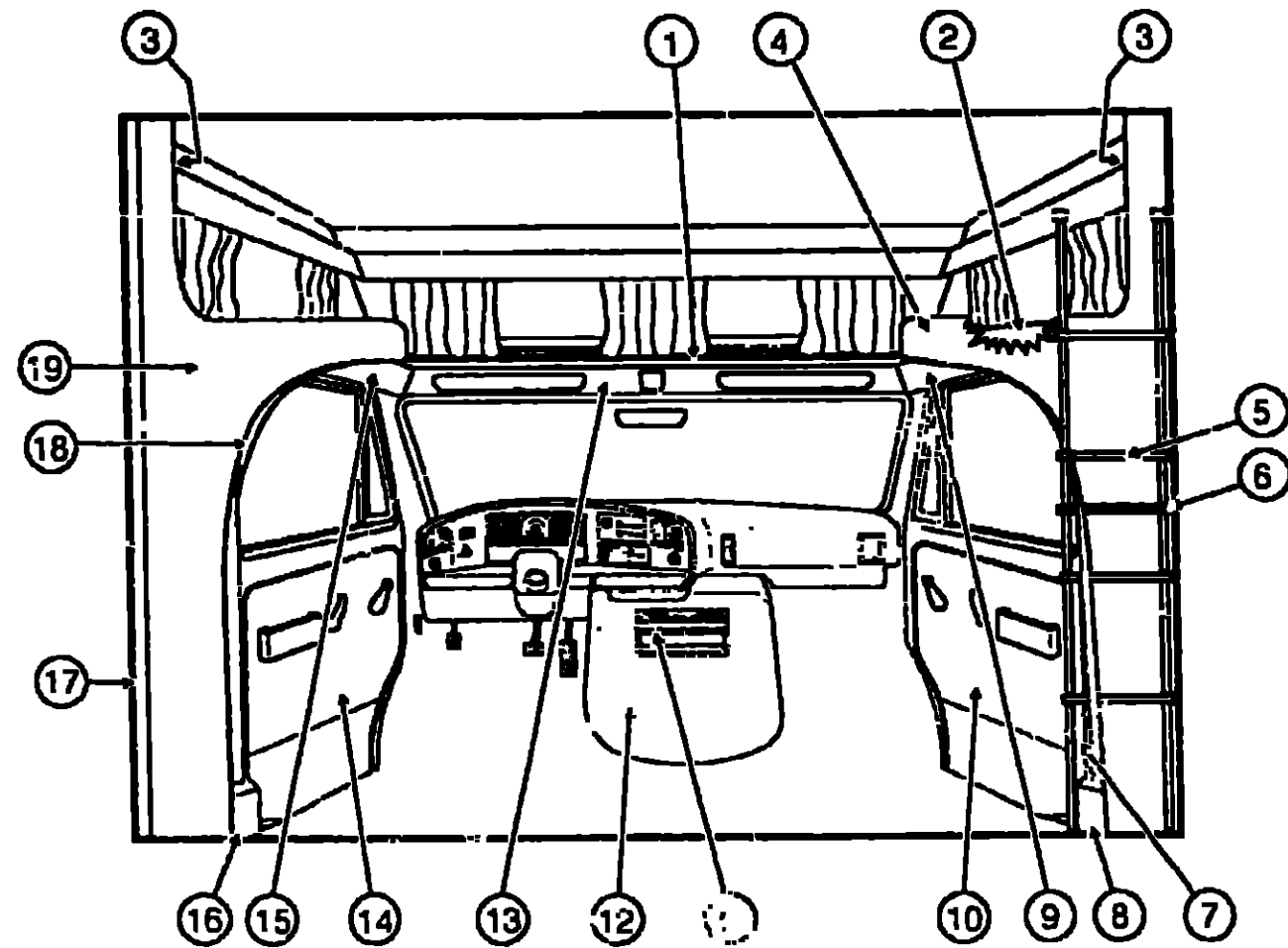
### 1992 ITASCA TABLE OF CONTENTS

INTRODUCTION	A-01	A-02
ABBREVIATIONS		A-03
ALPHABETICAL INDEX	A-04	A-06
IF527RO	A-07	D-24
IF527RC	E-01	H-16

### 1992 IF527RC INDEX

FLOOR PLAN	E-01	E-02
ACCESSORIES		E-02
AUDIO VIDEO		E-04
BATH	E-05	E-06
BEDROOM	E-07	E-08
CHASSIS	E-09	E-13
CURTAIN & CUSHION	E-14	E-22
DINETTE	E-23	E-24
DRIVERS	F-01	F-02
ELECTRICAL	F-03	F-05
EXTERIOR BODY	F-07	F-11
GALLEY	F-15	F-19
GENERATOR		F-20
HEATING & A/C	F-21	F-22
INTERIOR FINISH	F-23	G-02
LABEL	G-03	G-09
LP		G-10
LOUNGE	G-11	G-12
SEALANTS & FASTENERS	G-13	G-15
WATER & SEWAGE	G-16	G-20
WINDOW, VENT AND EXTERIOR DOOR	G-21	H-15

**DRIVERS COMPARTMENT GROUP**



**DRIVERS COMPARTMENT**

KEY	PART NUMBER	U/M DESCRIPTION
1	105444-01-01A	EA TRIM-SLEEPERBOARD, INNER - OFF WHITE
1	060742-03-000	FT TRIM-VINYL, SLEEPER BOARD - OFF WHITE
2	105777-01-C43	EA PAD ASM-BUNK OVERHEAD (FORD) (C43)
2	105777-01-C24	EA PAD ASM-BUNK OVERHEAD (FORD) (C44)
3	092071-10-C52	EA COVER-WINGWALL
3	082071-12-C52	EA COVER-WINGWALL
4	105742-01-C52	EA WINGWALL ASM-INNER, RIGHT (FORD)
4	105440-03-C52	EA WINGWALL ASM-INNER, RIGHT (FORD)
	105445-01-C52	EA TRIM ASM-WINGWALL WRAP, RIGHT (FORD)
		BETWEEN CAB STEEL & B PILLAR TRIM
5	105025-02-01A	EA LADDER-BUNK, BLACK - 1434 MM
	105025-01-700	EA BRACKET SET FOR BUNK LADDER
6	099856-03-000	EA STRAP ASM-TIEDOWN BUNK LADDER
7	105446-01-C52	EA TRIM ASM-CAB, B-PILLAR - RIGHT (FORD)
8	105431-01-01A	EA COVER-SEATBELT, RIGHT - OFF WHITE (FORD)
9	091825-02-AA5	EA HEADLINER-VINYL COVERED, SIDE - 2 USED - OFF WHITE (FORD)
9	105447-01-C52	EA TRIM ASM-CAB DOOR, UPPER - RIGHT (FORD)
10	105432-01-C43	EA PANEL ASM-DOOR, INNER, RIGHT (FORD)
10	105432-01-C44	EA PANEL ASM-DOOR, INNER, RIGHT (FORD)

**DRIVERS COMPARTMENT GROUP (CONTINUED)**

**DRIVERS COMPARTMENT (CONTINUED)**

KEY	PART NUMBER	U/M DESCRIPTION
11	106634-01-C03	EA TRAY ASM-BEVERAGE (FORD)
11	107134-02-C70	EA TRAY-BEVERAGE, OAK - W/CASSETTE (FORD)
12	069885-23-C43	EA COVER-MOTOR, W/POCKET (FORD)
12	059885-23-C44	EA COVER-MOTOR, W/POCKET (FORD)
	C46986-03-000	EA ASHTRAY-CHROME, W/COVER
13	091825-01-X08	EA HEADLINER-VINYL COVERED, FRONT - OFF WHITE (FORD)
13	105449-01-C52	EA HEADLINER-VINYL COVERED, FRONT - OFF WHITE (FORD)
14	105432-02-C43	EA PANEL ASM-DOOR, INNER, LEFT (FORD)
14	105432-02-C44	EA PANEL ASM-DOOR, INNER, LEFT (FORD)
15	091825-02-AA5	EA HEADLINER-VINYL COVERED, SIDE - 2 USED - OFF WHITE (FORD)
15	105447-02-C52	EA TRIM ASM-CAB DOOR, UPPER - LEFT (FORD)
16	091871-05-000	EA COVER-SEATBELT, OFF WHITE
16	105431-02-01A	EA COVER-SEATBELT, LEFT - OFF WHITE (FORD)
17	082081-18-C43	EA COVER-WINGWALL, 880MM LONG - VINYL - OFF WHITE - DRIVER SIDE
	082081-20-C52	EA COVER-WINGWALL, 2002MM LONG - VINYL - OFF WHITE - PASSENGER SIDE
18	105446-02-C52	EA TRIM ASM-CAB, B-PILLAR, RIGHT (FORD)
19	105742-02-C52	EA WINGWALL ASM-INNER, LEFT (FORD)
19	105440-04-C52	EA WINGWALL ASM-INNER, LEFT (FORD)
	105445-02-C52	EA TRIM ASM-WINGWALL WRAP, LEFT (FORD)

**INSTRUMENT CLUSTERS**

KEY	PART NUMBER	U/M DESCRIPTION
	034795-02-000	EA CLUSTER-INSTRUMENT PANEL, KILOMETER - FOUZ-17255-B (FORD)
	094795-03-000	EA CLUSTER-INSTRUMENT PANEL, KILOMETER - FORD F2UF10849BF (FORD)
	094795-01-000	EA SPEEDOMETER-KILOMETER (FORD)
	031022-01-000	EA PLAQUE-MOUNTING, BATTERY/FUEL SWITCH - 2 4" X 1 4" - BLK (FORD)
	100138-01-000	EA MODULE-DAYTIME RUNNING LIGHT
	024461-01-000	EA SWITCH-BATT, BATT/DUAL WDM

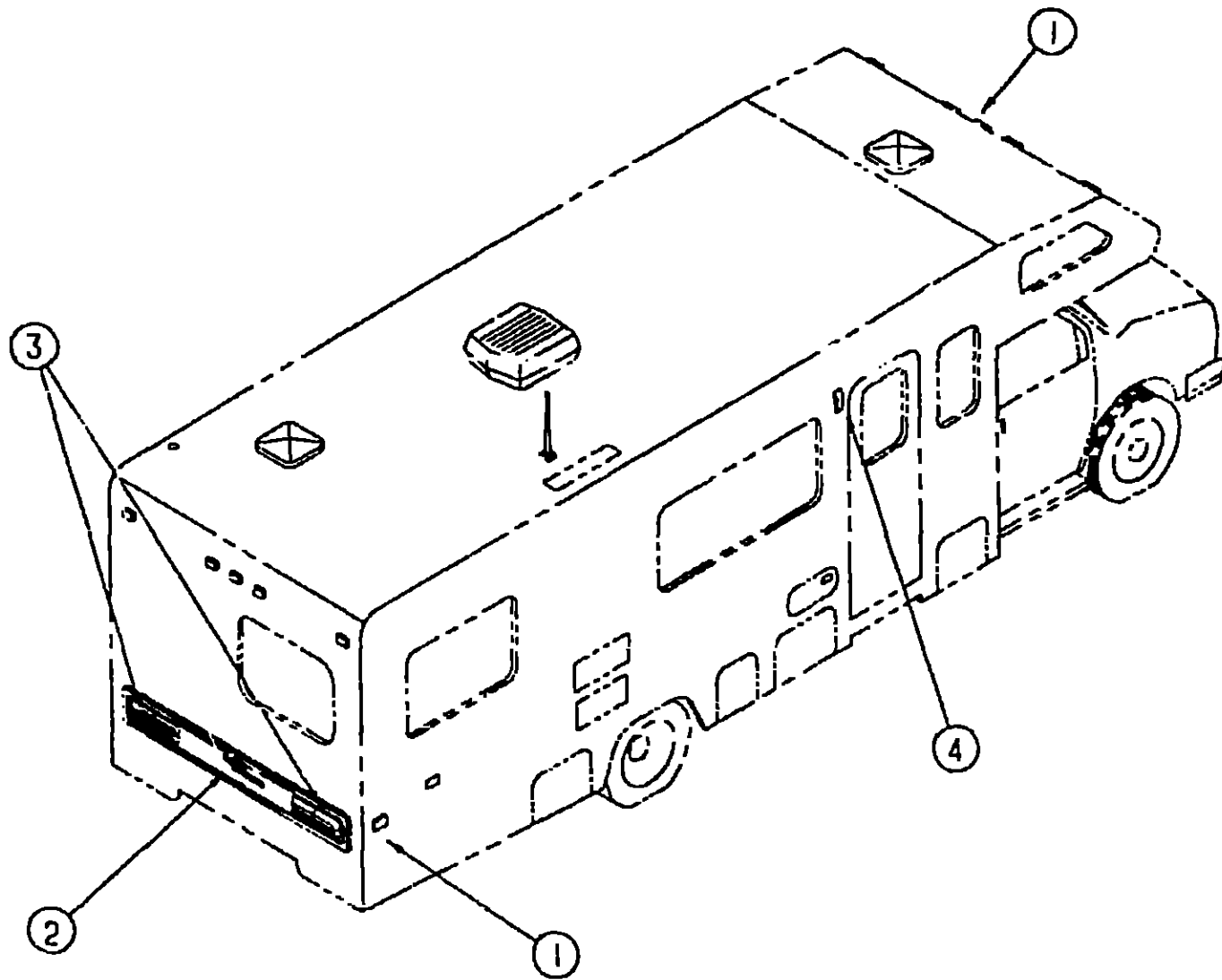
**1992 ITASCA  
TABLE OF CONTENTS**

INTRODUCTION	A-01 - A-02
ABBREVIATIONS	A-03
ALPHABETICAL INDEX	A-04 - A-05
IF527RQ	A-07 - D-24
IF527RC	E-01 - H-16

**1992 IF527RC INDEX**

FLOOR PLAN	E-01 - E-02
ACCESSORIES	E-03
AUDIO VIDEO	E-04
BATH	E-05 - E-06
BEDROOM	E-07 - E-08
CHASSIS	E-09 - E-13
CURTAIN & CUSHION	E-14 - E-22
DINETTE	E-23 - E-24
DRIVERS	F-01 - F-02
ELECTRICAL	F-03 - F-06
EXTERIOR BODY	F-07 - F-14
GALLEY	F-15 - F-19
GENERATOR	F-20
HEATING & A/C	F-21 - F-22
INTERIOR FINISH	F-23 - G-02
LABEL	G-03 - G-09
LP	G-10
LCUNGE	G-11 - G-12
SEALANTS & FASTENERS	G-13 - G-15
WATER & SEWAGE	G-16 - G-20
WINDOW VENT AND EXTERIOR DOOR	G-21 - H-15

## ELECTRICAL GROUP



### EXTERIOR LIGHTS

KEY	PART NUMBER	U/M DESCRIPTION
1	042405-02-000	EA LENS-CLEARANCE/SIDEMARKER LIGHT W/REFLEX - AMBER
1	042405-03-000	EA BASE-CLEARANCE/SIDEMARKER LIGHT W/BULB - PLASTIC - WHITE
1	008213-01-000	EA BULB
	091983-01-000	EA GASKET-CLEARANCE/SIDEMARKER LIGHT
	042405-01-000	EA LENS-CLEARANCE/SIDEMARKER LIGHT W/REFLEX - RED
	042405-03-000	EA BASE-CLEARANCE/SIDEMARKER LIGHT W/BULB - PLASTIC - WHITE
	008213-01-000	EA BULB
2	056432-01-000	EA LIGHT-LICENSE PLATE W/BACKET
3	103545-01-01A	EA TAILLIGHT ASM-TRIPLE HORIZONTAL - BARGMAN 30-84-103
	037934-01-000	EA BULB-12V NO1155 2 10AMP
	037935-01-000	EA BULB-12V NO1157 2 10AMP
	081638-01-700	EA LENS-TAILLIGHT (RED)
	103545-01-700	EA LENS-BACKUP
4	097917-01-01A	EA LIGHT PORCH ENTRY DOOR - OFF WHITE
	008215-01-000	EA BULB
	097917-01-700	EA LENS

## ELECTRICAL GROUP (CONTINUED)

### INTERIOR LIGHTS & BULBS

KEY	PART NUMBER	U/M DESCRIPTION
	104173-01-01A	EA LIGHT-DESIGNER, BRASS - #81-905 *A W. ASPLUND
	104172-01-01A	EA LIGHT-BULLET, SEIGE - #787 SERIES - BULB #53 12V
	061424-01-000	EA LIGHT-AISLE, 12V - RECTANGULAR
	008103-01-000	EA RUB-DASH/AISLE LIGHT, #53 - 12V - 12 AMP
	078424-02-000	EA LIGHT-FLUORESCENT, 12V DC - 18" - ALMOND
	091937-03-000	EA BULB-FLUORESCENT LIGHT, 12V - TYPICALITE 736
	078424-02-701	EA LENS-LIGHT, FLOUORESCENT - 18"
	082169-01-000	EA LIGHT-MAKE-UP, 3 BULB - JENSEN X148-16BR
	081633-01-700	EA BULB-MAKE UP LIGHT, JENSEN
	098024-01-01A	EA LIGHT-DOME, 1 BULB - US - IVORY
	098024-03-01A	EA LIGHT-DOME, 2 BULB - IVORY
	008218-01-000	EA BULB
	098024-01-700	EA LENS-DOME LIGHT
	085280-01-000	EA LIGHT-SURFACE MOUNT, 12V - JENSEN 1236
	066280-01-700	EA BULB-12 VOLT, 6 WATT

### SWITCHES & RECEPTACLES

KEY	PART NUMBER	U/M DESCRIPTION
	079364-01-000	EA SWITCH-ON/OFF ROCKER, 2 PRONGS - BROWN
	079364-03-000	EA SWITCH-ON/OFF ROCKER, 3 PRONGS - BROWN
	096241-07-000	EA SWITCH-ROCKER, DPDT - ON/ON - BLACK
	108356-02-01A	EA ACTUATOR-SWITCH, DIMPLE II-CARLING VVAZC00 BLA
	108357-08-000	EA SWITCH-ROCKER, DPDT - ON/NONE/ON - CARLING VDD1500C-0
	098351-01-01A	EA PLATE-SWITCH, 1 GANG - POLISHED BRASS
	098351-02-01A	EA PLATE-SWITCH, 2 GANG - POLISHED BRASS
	098351-05-01A	EA PLATE-SWITCH, 3 GANG - POLISH BRASS - JENSEN
	098351-05-01A	EA PLATE-SWITCH, 2 GANG W/LABEL - JENSEN - POLISHED BRASS
	081994-02-000	EA PLATE-SWITCH, EXTERIOR SHOWER
	095188-01-01A	EA SPACER-SWITCH, 2 3" X 3 4" - PLASTIC - DARK BROWN
	095188-02-01A	EA SPACER-SWITCH, 2 3" X 4 1" - PLASTIC - DARK BROWN
	075723-01-000	EA SPACER-SWITCH, W/G HOLE - 2" X 9" X 2" - METAL - OFF WHITE
	075723-02-000	EA SPACER-SWITCH, W/HOLE - 2" X 9" X 2" - METAL - OFF WHITE
	084076-01-000	EA RECEPTACLE-GFI, 15A - 125V - IVORY
	084077-01-000	EA PLATE-COVER, RECEPTACLE - GFI - IVORY
	058707-01-000	EA RECEPTACLE-ELECTRIC, SINGLE - BROWN
	058708-01-000	EA RECEPTACLE-ELECTRIC DOUBLE - BROWN
	058708-02-000	EA RECEPTACLE-ELECTRIC DOUBLE - IVORY
	102558-01-832	EA SPACER-RECEPTACLE, BETWEEN SIDEWALL & PLATE - WOOD
	097734-01-02A	EA EXTENSION-RECEPTACLE 3 2" X 5" X 7" - PLASTIC - IVORY
	024924-02-000	EA RECEPTACLE-POWER CORD W/PARTIAL PLATE
	075735-02-000	EA COVER-EXTERIOR RECEPTACLE, OFF WHITE

### POWER CONVERTER/CONTROL CENTERS

KEY	PART NUMBER	U/M DESCRIPTION
	083208-01-000	EA POWER CONVERTER/CONTROL CENTER 32A - 120V/12V - BW5332

## 1992 ITASCA TABLE OF CONTENTS

INTRODUCTION	A-01 - A-02
ABBREVIATIONS	A-03
ALPHABETICAL INDEX	A-01 - A-05
IF527RC	A-07 - D-24
IF527RC	E-01 - H-16

## 1992 IF527RC INDEX

FLOOR PLAN	E-01 - E-02
ACCESSORIES	E-03
AUDIO VIDEO	E-04
BATH	E-05 - E-06
BEDROOM	E-07 - E-08
CHASSIS	E-09 - E-13
CURTAIN & CUSHION	E-14 - E-22
DINETTE	E-23 - E-24
DRIVERS	F-01 - F-02
ELECTRICAL	F-03 - F-06
EXTERIOR BODY	F-07 - F-14
GALLEY	F-15 - F-19
GENERATOR	F-20
HEATING & A/C	F-21 - F-22
INTERIOR FINISH	F-23 - G-02
LABEL	G-03 - G-09
LP	G-10
LOUNGE	G-11 - G-12
SEALANTS & FASTENERS	G-13 - G-15
WATER & SEWAGE	G-16 - G-20
WINDOW VENT AND EXTERIOR DOOR	G-21 - H-15

**ELECTRICAL GROUP (CONTINUED)**

**SOLENOID, FUSES & CIRCUIT BREAKERS**

KEY	PART NUMBER	U/M	DESCRIPTION
	008188-01-000	EA	SOLENOID-3 POST, BATTERY CHANGE OVER
	063910-01-000	EA	HOUSING-RELAY, BOSCH 3 334 485 008
	008235-01-000	EA	FUSE-AUTOMOTIVE, 12V - 15AMP
	062901-02-000	EA	FUSE-5 AMP, AUTOMOTIVE
	062901-05-000	EA	FUSE-15 AMPS, AUTOMOTIVE
	100341-01-000	EA	FUSE HOLDER-IN LINE TYPE - WESCO 8931-92020
	006211-01-000	EA	BREAKER-CIRCUIT, 12V - 6AMP
	093654-01-000	EA	BREAKER-CIRCUIT, 6 AMP - HOUSE CONTROL PANEL FROM 00-00-00 THRU 12-05-91
	008268-01-000	EA	BREAKER-CIRCUIT, W/MOUNT - 30A - 12V FROM 12-06-91 THRU 99-99-99
	093655-02-000	EA	BREAKER-CIRCUIT 30 AMP - HOUSE CONTROL PANEL FROM 00-00-00 THRU 12-05-91
	050283-02-000	EA	BAR-BUSS, CIRCUIT BREAKER FROM 12-06-91 THRU 99-99-99
	093655-01-000	EA	BREAKER-CIRCUIT 25 AMP FROM 00-00-00 THRU 12-05-91
	083209-01-000	EA	BREAKER-CIRCUIT 15 AMP, 120V - BW G-15 - CANADIAN
	083209-03-000	EA	BREAKER-CIRCUIT 15/20AMP, 120V - BW D-15/20
	083209-04-000	EA	BREAKER-CIRCUIT 30A - 120V - BW L-30
	093209-05-000	EA	BREAKER-CIRCUIT 20A - 120V - BW J-20
	033209-06-000	EA	BREAKER-CIRCUIT, 30/15 AMP - 120V - BW D-30/15

**POWER CORDS & ELECTRIC BOXES**

KEY	PART NUMBER	U/M	DESCRIPTION
	003052-01-000	EA	CORD POWER, 10/3 - 30 AMP - 25' - CANADIAN
	008054-01-000	EA	CORD-POWER, 10/3 - 30 AMP - 25'
	008288-01-000	EA	BOX-PLASTIC ELECTRIC, 3' X 3 1/2"
	008289-01-000	EA	BOX-ELECTRIC, STEEL - 1 7/8" AND 3/4" KNOCKOUTS - 4' X 4'
	008289-02-000	EA	BOX-ELECTRIC, 4' X 4' - 1/2" & 3/4" KNOCKOUTS - CANADIAN
	091910-01-000	EA	BOX-ELECTRIC, 3 75" X 3 5" X 1 75" - PLASTIC
	093503-01-000	EA	BOX-ELECTRIC, 4' X 2 1/8" X 2 1/8" - STEEL
	107165-01-01A	EA	BOX-CIRCUIT BREAKER MOUNTING - BLACK FROM 12-06-91 THRU 99-99-99
	058049-01-000	EA	BOX-ELECTRIC SWITCH, 2' X 3' X 2 25"
	005294-01-000	EA	COVER-ELECTRIC BOX, BLANK/STEEL - 4' X 4' - GRAY
	008294-02-000	EA	COVER-ELECTRIC BOX, BLANK STEEL - 4' X 4' - CANADIAN
	059238-01-000	EA	COVER-ELECTRIC BOX, W/HOLE - 4' X 4' - GRAY USED WITH 30 AMP RECEPTACLE
	073625-04-000	EA	COVER-ELECTRIC, 10 4" X 7 8" - BEIGE PLASTIC

**WIRE ASSEMBLIES**

KEY	PART NUMBER	U/M	DESCRIPTION
	097618-01-000	EA	WIRE ASM-MONITOR PANEL, W/4 WIRES & BLACK RESISTOR - LVS
	100159-02-000	EA	WIRE ASM-DAYTIME RUNNING LIGHTS, W/FUSE FROM 00-00-00 THRU 10-06-91
	105851-01-000	EA	WIRE ASM-DAYTIME RUNNING LIGHTS W/FUSE FROM 10-07-91 THRU 99-99-99
	103328-06-000	EA	WIRE ASM-PUMP, EXTERIOR SHOWRE
	105306-01-000	EA	WIRE ASM-MONITOR PANEL ADAPT

**ELECTRICAL GROUP (CONTINUED)**

**CONNECTORS & CONDUIT**

KEY	PART NUMBER	U/M	DESCRIPTION
	077479-02-000	EA	BOOT-BATTERY TERMINAL, SINGLE CABLE
	007940-01-000	EA	RECEPTACLE-SLIDE, 16 TO 12 AWG - FEMALE END
	080015-02-000	EA	RECEPTACLE-FLAG, .185 - 16/14 GA - AMP 3
	080015-03-000	EA	RECEPTACLE-FLAG, 250 - 14/16 GA
	008311-01-000	EA	CONNECTOR-WIRE NUT, INSULATED - RED
	008311-01-000	EA	CONNECTOR-WIRE NUT, INSULATED - GRAY
	096420-01-000	EA	CONNECTOR-SWIVEL, 1/2" FPT X 5/8" TUBE - PLASTIC
	008355-01-000	EA	CONNECTOR-CABLE CLAMPING, 3/4"
	008356-01-000	EA	CONNECTOR-PLASTIC, 3/8" AVG
	041480-01-000	EA	CONNECTOR-STRAIGHT, 1/2" FLEX CONDUIT
	058028-01-000	EA	CONNECTOR-ELECTRICAL PIGTAIL, NYLON - CLEAR
	008325-01-000	EA	TERMINAL-RING, 16/14 WIRE - 3/8" STUD
	008328-01-000	EA	TERMINAL-RING, 12/10 WIRE - #10 STUD FIT
	008331-01-000	EA	TERMINAL-RING, TONGUE - #4 WIRE - 3/8" STUD - COPPER
	008348-01-000	EA	TERMINAL-RING, 3/8" STUD - #2 WIRE CONNECTS CABLE TO DISCONNECT RELAY AND BATTERY
	035416-01-000	EA	TERMINAL-RING #10 STUD FIT, INSULATED BARREL #16/14
	047443-01-000	EA	TERMINAL- 250 RECEPT FIT INSULATED - 16/14 AWG
	047443-02-000	EA	TERMINAL- 250 RECEPT FIT INSULATED - 12/10 AWG
	087949-01-000	EA	BUSS BAR-2 POSITION, 6' X 1 5" - ALUMINUM
	088475-01-000	EA	PIN-CONNECTOR, 14 TO 20 AWG
	088475-02-000	EA	PIN-CONNECTOR, 10 TO 12 AWG
	088473-05-000	EA	PIN-HOUSING 6 POSITION (SINGLE ROW)
	088473-06-000	EA	PIN-HOUSING 6 POSITION (TWO ROWS OF THREE)
	088473-09-000	EA	PIN-HOUSING, 3 POSITION (SINGLE ROW)
	088473-10-000	EA	PIN-HOUSING 2 POSITION
	088473-03-000	EA	HOUSING-PIN, 9-POSITION
	088473-07-000	EA	HOUSING-PIN, 5 CAVITY - AMP 1-480753-0
	088473-08-000	EA	HOUSING-PIN, 4 POSITION
	088474-02-000	EA	HOUSING-SOCKET, 15 POSITION (3 ROWS OF 5)
	088474-03-000	EA	HOUSING-SOCKET, 9-POSITION
	088474-07-000	EA	HOUSING-SOCKET, 5 CAVITY - AMP 1-480754-0
	088474-09-000	EA	HOUSING-SOCKET 3 POSITION
	088474-10-000	EA	HOUSING-SOCKET, 2 POSITION
	088474-06-000	EA	SOCKET-HOUSING, 6 POSITION (2 ROWS OF THREE)
	088474-08-000	EA	SOCKET-HOUSING, 4 POSITION (SINGLE ROW)
	088476-01-000	EA	SOCKET-CONNECTOR BRASS - PRE-TIN
	088476-02-000	EA	SOCKET-CONNECTOR, 12-10 GA - PHOS BRZ - PRE-TIN
	090971-01-000	EA	SPLICE CABLE 110V
	090971-02-000	EA	SPLICE-CABLE, 110V - TAP
	041953-01-000	FT	CONDUIT-CONVOLUTE SLIT 5"ID
	041953-01-000	FT	CONDUIT-CONVOLUTE SLIT 5"ID
	041953-03-000	FT	CONDUIT-CONVOLUTE SLIT 1"ID (CLOTHES ROD COVER)
	041953-06-000	FT	CONDUIT-CONVOLUTE, SLIT 3/5"ID
	041953-07-000	FT	CONDUIT-CONVOLUTE, SLIT - 25"ID
	041953-09-000	FT	CONDUIT-CONVOLUTE, SLIT, 1 50"ID
	041953-09-000	FT	CONDUIT-CONVOLUTE SLIT 50"ID
	041953-10-000	FT	CONDUIT-CONVOLUTE, SLIT - 75"ID
	041953-11-000	FT	CONDUIT-CONVOLUTE SLIT- 1 06"ID
	041953-12-000	FT	CONDUIT-CONVOLUTE, NON SLIT 1 1"ID

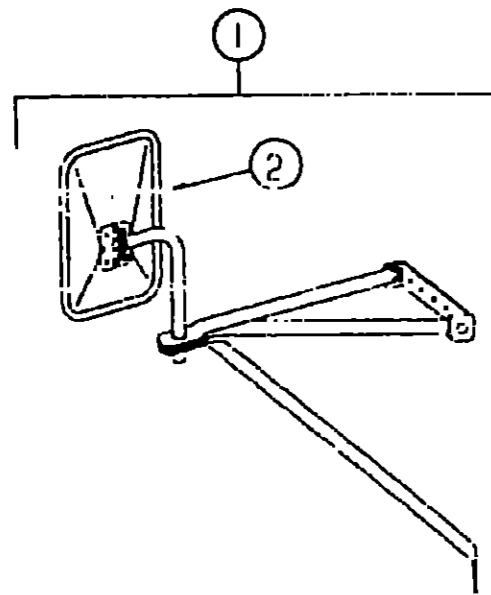
**1992 ITASCA  
TABLE OF CONTENTS**

INTRODUCTION	A-01	A-02
ABBREVIATIONS		A-03
ALPHABETICAL INDEX	A-04	A-05
IF527RC	A-07	D-24
IF527RC	E-01	H-16

**1992 IF527RC INDEX**

FLOOR PLAN	E-01	E-02
ACCESSORIES		E-03
AUDIO VIDEO		E-04
BATH	E-05	E-06
BEDROOM	E-07	E-08
CHASSIS	E-09	E-13
CURTAIN & CUSHION	E-14	E-22
DINETTE	E-23	E-24
DRIVERS	F-01	F-02
ELECTRICAL	F-03	F-05
EXTERIOR BODY	F-07	F-14
GALLEY	F-15	F-19
GENERATOR		F-20
HEATING & A/C	F-21	F-22
INTERIOR FINISH	F-23	G-02
LABEL	G-03	G-09
LP		G-10
LOUNGE	G-11	G-12
SEALANTS & FASTENERS	G-13	G-15
WATER & SEWAGE	G-16	G-20
WINDOW VENT AND EXTERIOR DOOR	G-21	H-15

**EXTERIOR BODY GROUP**



**EXTERIOR MIRRORS**

KEY	PART NUMBER	U/M DESCRIPTION
1	105860-02-01A	EA MIRROR ASM-STAR HEAD LOW MOUNT - VELVAC #713157 (FORD)
2	105860-02-700	EA MIRROR HEAD ONLY DRIVER SIDE STAR - VELVAC D747263-9
2	105860-02-701	EA MIRROR HEAD ONLY PASS SIDE STAR - VELVAC D747264-9
	105860-02-702	EA GLASS FLAT VELVAC 702085-8
	105860-01-702	EA HARDWARE PKG (F PEG & STAR) - VELVAC 748230
	105860-01-703	EA BRACE LOWER FORWARD - LEFT SIDE - VELVAC D7609410 - OFF WHITE
	105860-01-704	EA BRACE LOWER FORWARD - RIGHT SIDE - VELVAC D7609420 - OFF WHITE
	105439-01-000	EA MIRROR CONVEX STICK ON

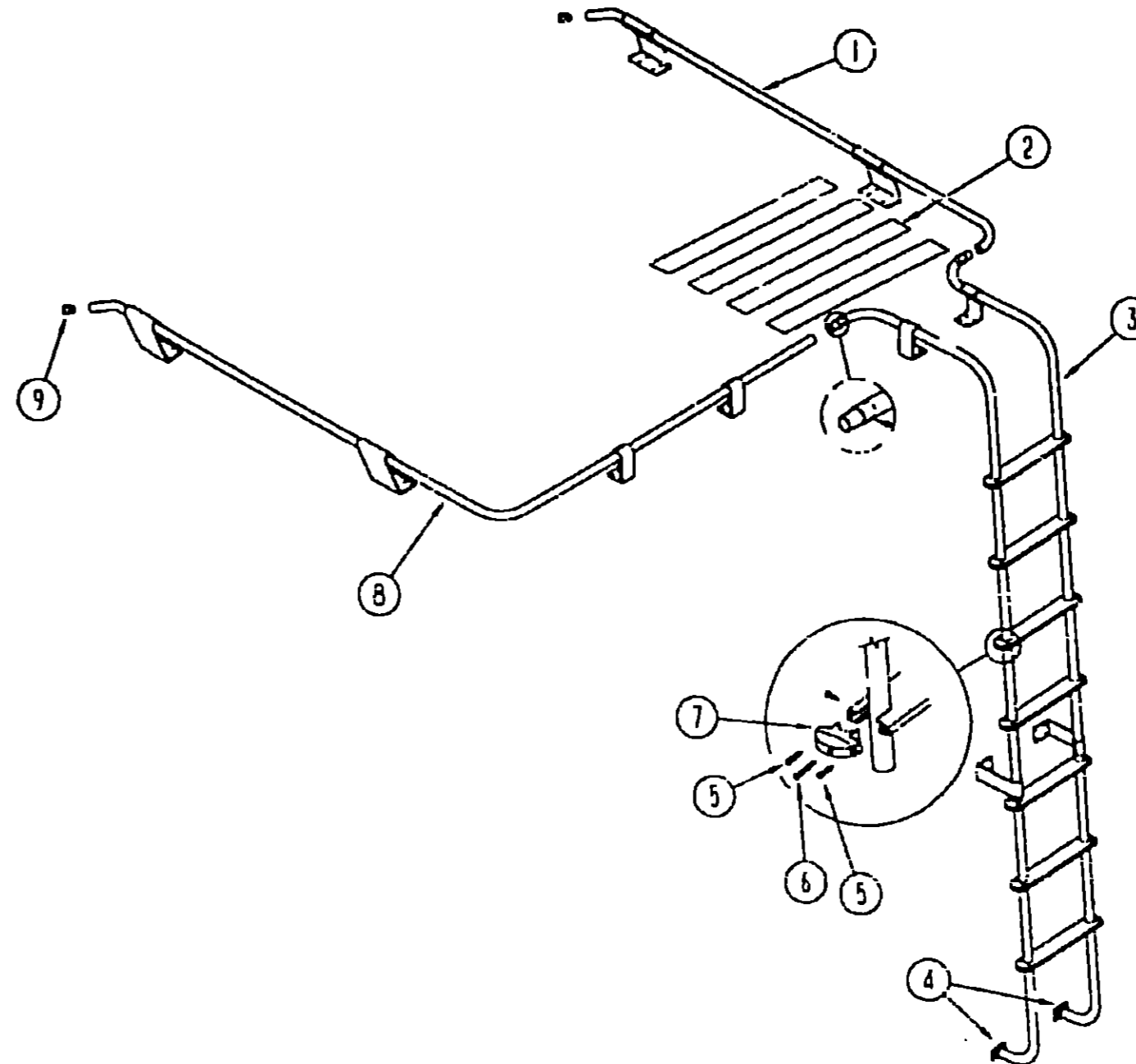
**RUNNING BOARDS**

KEY	PART NUMBER	U/M DESCRIPTION
	077564-20-000	EA RUNNING BOARD SET FORD 39' - KEMBERLY K 7
	105461-01-000	EA RUNNING BOARD FORD - RIGHT SIDE - QUALITY COMP
	105461-02-000	EA RUNNING BOARD FORD - LEFT SIDE - QUALITY COMP
	105461-03-000	EA HARDWARE KIT RUNNING BOARD - QUALITY COMP

**ASSIST HANDLE & BUMPER**

KEY	PART NUMBER	U/M DESCRIPTION
	005125-02-000	EA HANDLE-ASSIST ENTRY DOOR - BLACK
	069725-02-000	EA BUMPER-58'DIA X 43' BLACK

**EXTERIOR BODY GROUP (CONTINUED)**



**RACK & LADDER**

KEY	PART NUMBER	U/M DESCRIPTION
1	081025-15-005	EA RACK ASM-PASSENGER SIDE FROM 08-03-00 THRU 08-04-99
1	107438-05-007	EA RACK ASM-PASSENGER SIDE FROM 08-02-92 THRU 08-03-99
2	069725-02-000	EA BUMPER-58'DIA X 43' BLACK
3	068767-01-000	EA TAPE ANT-SLIP 2" X 30'
3	102913-02-003	EA LADDER ASM
4	067155-01-000	EA MOUNTING BRACKET LADDER - LOWER
5	000439-05-107	EA SCREW 5/16" DIA X 1 1/2" L - BLACK
5	000439-05-047	EA SCREW 1/2" DIA X 1 1/2" L - BLACK
7	076980-02-000	EA END CAP-STEP - BLACK
8	061025-15-005	EA RACK ASM-DRIVER SIDE FROM 08-03-00 THRU 08-04-99
8	107438-05-008	EA RACK ASM-DRIVER SIDE FROM 08-02-92 THRU 08-03-99
9	081144-01-000	EA PLUS ROUND RACK & LADDER ENDS - PLASTIC - M/D A

**1992 ITASCA  
TABLE OF CONTENTS**

INTRODUCTION	A-01 - A-02
ABBREVIATIONS	A-03
ALPHABETICAL INDEX	A-04 - A-06
IF527RG	A-07 - D-24
IF527RC	E-01 - H-15

**1992 IF527RC INDEX**

FLOOR PLAN	E-01 - E-02
ACCESSORIES	E-03
AUDIO VIDEO	E-04
BATH	E-05 - E-05
BEDROOM	E-07 - E-08
CHASSIS	E-09 - E-13
CURTAIN & CUSHION	E-14 - E-22
DINETTE	E-23 - E-24
DRIVERS	F-01 - F-02
ELECTRICAL	F-03 - F-05
EXTERIOR BODY	F-07 - F-14
GALLEY	F-15 - F-19
GENERATOR	F-20
HEATING & AC	F-21 - F-22
INTERIOR FINISH	F-23 - G-02
LABEL	G-03 - G-09
LE	G-10
LOUNGE	G-11 - G-12
SPECIALS	G-13 - G-15
FASTENERS	G-16 - G-18
WATER & SEWAGE	G-19 - G-20
WINDOW VENT AND EXTERIOR DOOR	G-21 - H-15

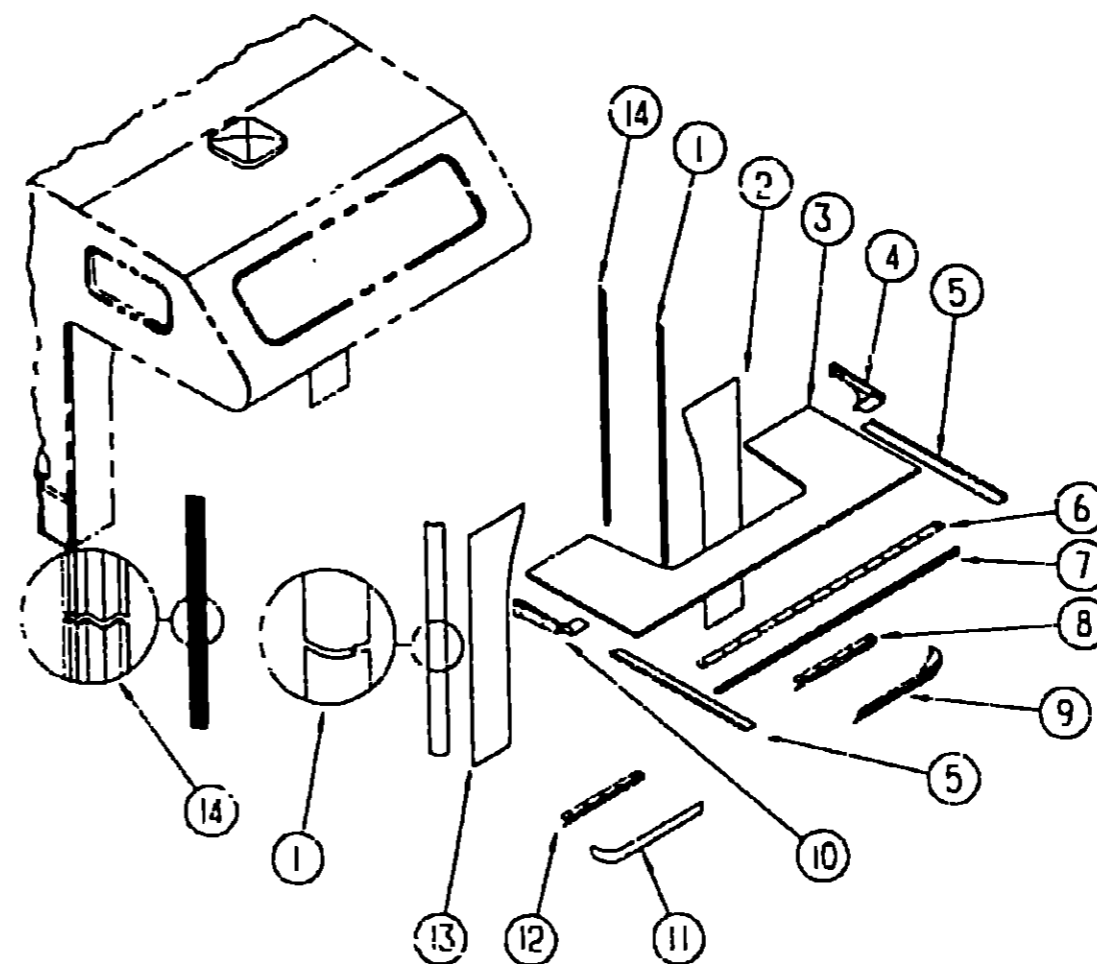


**EXTERIOR BODY GROUP (CONTINUED)**

**FIBERGLASS, STYROFOAM & U CHANNEL**

KEY	PART NUMBER	U/M DESCRIPTION
	076054-H1-000	EA SHEET-FIBERGLASS 2438 X 2591MM - OFF WHITE
	076054-G7-001	SF SHEET-FIBERGLASS 41" X 324" - OFF WHITE
	076054-D6-001	EA SHEET-FIBERGLASS 5' X 24" - OFF WHITE
	076054-F3-000	EA SHEET-FIBERGLASS 2438 X 2438MM - OFF WHITE
	076054-D3-001	EA SHEET-FIBERGLASS 48" X 96" - OFF WHITE
	077517-24-000	EA SHEET-FIBERGLASS FLAT - 48" X 96" - OFF WHITE
	083574-02-000	SF STYROFOAM-1 5" X 24" X 90 5"
	083574-03-000	SF STYROFOAM-3/4" X 48" X 96"
	000870-03-000	SF STYROFOAM-1 3/4" X 48" X 96" - INCREMENTS OF 32 SF
	000870-05-000	SF STYROFOAM- 5" X 24" X 96" INCREMENTS OF 16 SF
	002365-01-001	FA U CHANNEL 1" X 18" - SERRATED - MILL FINISHED ALUMINUM
	002754-01-001	EA ANGLE EXTRUDED 75" X 75" X 18" - MILL ALUMINUM
	002726-01-001	EA GARNISH-U-CHANNEL 1 3/8" X 19" - SERRATED - MILL ALUMINUM
	002779-01-001	EA U-CHANNEL EXTRUDED ALUMINUM
	055278-51-259	FT TUBING STEEL 75" X 1 5/8" X 12 5"
	058267-01-050	FT CHANNEL STEEL W/HOLES - SIDEWALL STIFFENER - 2" X 20"

**EXTERIOR BODY GROUP (CONTINUED)**



**1992 ITASCA  
TABLE OF CONTENTS**

INTRODUCTION	A-01 - A-02
ABBREVIATIONS	A-03
ALPHABETICAL INDEX	A-01 - A-06
IF527RO	A-07 - D-24
IF527RC	E-01 - H-16

**FORD WINGWALLS, SLEEPERBOARD & TRIM**

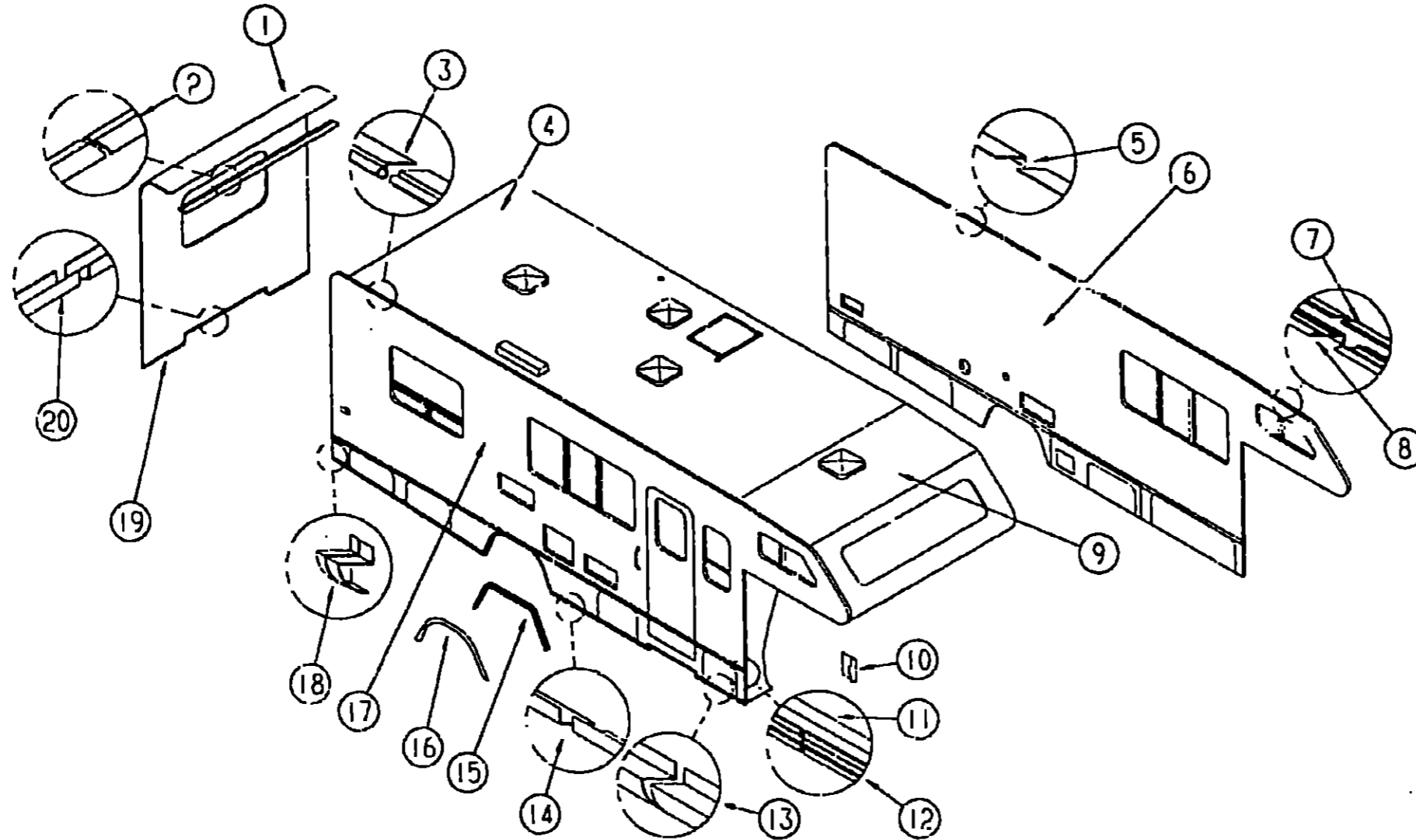
KEY	PART NUMBER	U/M DESCRIPTION
1	108037-01-01A	EA COVER WINGWALL CURVED - OFF WHITE
2	108439-04-052	EA WINGWALL ASM DRIVER SIDE W/GUSSET
		FROM: 05-00-00 THRU 03-15-92
2	108440-04-052	EA WINGWALL ASM DRIVER SIDE W/GUSSET
		FROM: 03-15-92 THRU 99-99-99
3	108443-01-003	EA SLEEPERBOARD ASM
4	104444-00-01A	EA COVER TRIM WINGWALL LEFT - OFF WHITE
5	105310-01-01A	FT INSERT TRIM VINYL - OFF WHITE
5	008854-01-01A	EA TRIM CONTOUR W/O VINYL INSERT - 108" - OFF WHITE
5	108085-03-01A	EA TRIM SLEEPERBOARD FLAT - 25" X 97 5" - OFF WHITE
7	100160-00-01A	EA TRIM SLEEPERBOARD 2 1/4" X 90" - OFF WHITE
8	108146-01-01A	EA SUPPORT COVER WINGWALL - OFF WHITE (FORD)
9	108144-02-000	EA COVER ASM WINGWALL W/SUPPORT LEFT - OFF WHITE (FORD)
9	108145-03-01A	EA COVER ASM WINGWALL W/O SUPPORT LEFT - OFF WHITE (FORD)
10	108143-01-01A	EA COVER TRIM WINGWALL - RIGHT - OFF WHITE
10	108144-01-002	EA COVER ASM WINGWALL W/SUPPORT RIGHT - OFF WHITE (FORD)
10	108145-01-01A	EA COVER ASM WINGWALL W/O SUPPORT RIGHT - OFF WHITE (FORD)
11	108146-01-01A	EA SUPPORT COVER WINGWALL - OFF WHITE (FORD)
11	108439-04-052	EA WINGWALL ASM PASSENGER SIDE W/GUSSET
		FROM: 05-00-00 THRU 03-15-92
11	108440-04-052	EA WINGWALL ASM PASSENGER SIDE W/GUSSET
		FROM: 03-15-92 THRU 99-99-99
14	108148-01-01A	EA TRIM WINGWALL CURVED - OFF WHITE
		FT VINYL INSERT TRIM BETWEEN WINGWALL & CAB REAR - WHITE

**1992 IF527RC INDEX**

FLOOR PLAN	E-01 - E-02
ACCESSORIES	E-03
AUDIO VIDEO	E-04
BATH	E-05 - E-06
BEDROOM	E-07 - E-08
CHASSIS	E-09 - E-13
CURTAIN & CUSHION	E-14 - E-22
DINETTE	E-23 - E-24
DRIVERS	F-01 - F-02
ELECTRICAL	F-03 - F-06
EXTERIOR BODY	F-07 - F-14
GALLEY	F-15 - F-19
GENERATOR	F-20
HEATING & A/C	F-21 - F-22
INTERIOR FINISH	F-23 - G-02
LABEL	G-03 - G-09
LP	G-10
LOUNGE	G-11 - G-12
SEALANTS & FASTENERS	G-13 - G-15
WATER & SEWAGE	G-16 - G-20
WINDOW VENT AND EXTERIOR DOOR	G-21 - H-15

# EXTERIOR BODY GROUP (CONTINUED)

## EXTERIOR PANELS & TRIMS



### 1992 ITASCA TABLE OF CONTENTS

INTRODUCTION	A-01 -	A-02
ABBREVIATIONS		A-03
ALPHABETICAL INDEX	A-04 -	A-06
IF527RO	A-07 -	D-24
IF527RC	E-01 -	H-16

### 1992 IF527RC INDEX

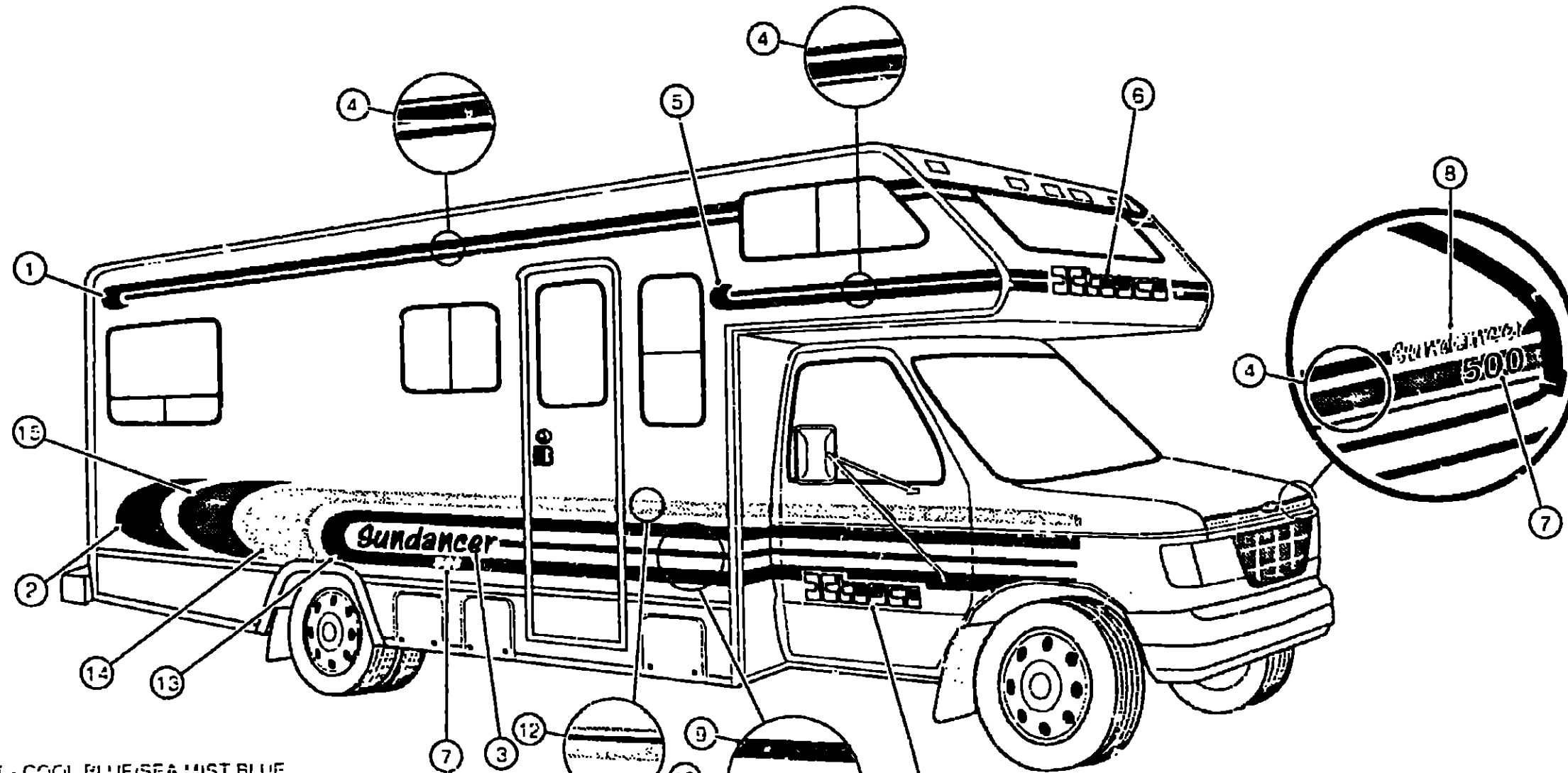
FLOOR PLAN	E-01 -	F-02
ACCESSORIES		E-03
AUDIO VIDEO		E-04
BATH	E-05 -	E-06
BEDROOM	E-07 -	E-08
CHASSIS	E-09 -	E-13
CURTAIN & CUSHION	E-14 -	E-22
DINETTE	E-23 -	E-24
DRIVERS	F-01 -	F-02
ELECTRICAL	F-03 -	F-05
EXTERIOR BODY	F-07 -	F-14
GALLEY	F-15 -	F-19
GENERATOR		F-20
HEATING & A/C	F-21 -	F-22
INTERIOR FINISH	F-23 -	G-02
LABEL	G-03 -	G-09
LP		G-10
LOUNGE	G-11 -	G-12
SEALANTS & FASTENERS	G-13 -	G-15
WATER & SEWAGE	G-16 -	G-20
WINDOW VENT AND EXTERIOR DOOR	G-21 -	H-15

KEY	PART NUMBER	U/M	DESCRIPTION
1	M05699-02-C43	EA	BACKWALL ASM W/BASES
2	078580-01-000	EA	TRIM-ROOF TO BACKWALL
3	100483-01-01A	EA	TRIM-CONTOUR, ROOF (AWNING) - OFF WHITE
3	099583-55-001	EA	RAIL-AWNING, 10' EA - OFF WHITE
4	P05334-01-C43	EA	ROOF ASM W/BASES
5	096864-01-01A	EA	TRIM-CONTOUR, ROOF TO SIDEWALL - DR OR PASS - 120'
6	P05333-01-C52	EA	SIDEWALL ASM-DRIVER SIDE
7	105312-01-01A	FT	INSERT-TRIM, VINYL - OFF WHITE
8	096854-01-01A	EA	TRIM-CONTOUR, W/O VINYL INSERT - 108' - OFF WHITE DR OR PASS - FRONT OVERHEAD CAB SECTION FROM ROOF TO WINGWALL - REAR - BACKWALL TO SIDEWALL VERTICAL SECTION
9	M76177-01-700	EA	SECTION-ROOF OVER CAB TO FIRST ROOF SEAM
10	009731-01-000	EA	END CAP-FEATURE STRIP
11	001030-02-003	EA	INSERT-FEATURE STRIP, 17' LONG - OFF WHITE
12	002444-04-002	EA	STRIP-FEATURE W/O INSERT - 15' LONG - OFF WHITE
	002444-01-020	EA	FEATURE STRIP-W/HOLES, OFF WHITE
13	104749-55-001	EA	EXTR-ROCKER PANEL, OFF WHITE - 4877MM

KEY	PART NUMBER	U/M	DESCRIPTION
14	091162-55-003	EA	ANGLE, 4877 LONG - OFF WHITE
15	105100-01-01A	EA	TRIM-WHEELWELL, OFF WHITE
15	105100-02-01A	EA	TRIM-WHEELWELL, OFF WHITE FROM 00-00-00 THRU 04-15-92
16	105220-02-01A	EA	TRIM-WHEELWELL, REAR - OFF WHITE FROM 04-16-92 THRU 99-99-99
17	P05332-01-C52	EA	SIDEWALL ASM-PASSENGER SIDE
	105025-04-C52	EA	TRIM-SIDEWALL BELOW ENTRY DOOR
18	106106-01-01A	EA	CAP-END, ROCKER PANEL - OFF WHITE
	105106-02-01A	EA	CAP-END, ROCKER PANEL - OFF WHITE
19	103334-02-01A	EA	TRIM-BACKWALL, LOWER - OFF WHITE
	002355-01-001	EA	U-CHANNEL, 1" X 18" - SERRATED - MILL FINISHED ALUMINUM
20	103335-02-01A	EA	TRIM-BACKWALL, LOWER - OFF WHITE
	002365-01-001	EA	U-CHANNEL, 1" X 18" - SERRATED - MILL FINISHED ALUMINUM
	002754-01-001	EA	ANGLE-EXTRUDED, 75' X 75' X 18" - MILL ALUMINUM
	002726-01-001	EA	GARNISH-U-CHANNEL 1 3/8" X 1 9/16" - SERRATED - MILL ALUMINUM
	002779-01-001	EA	U-CHANNEL-EXTRUDED, 1 7/8" X 1 9/16" - RIBBED

# EXTERIOR BODY GROUP (CONTINUED)

## DECALS STRIPES & PAINT

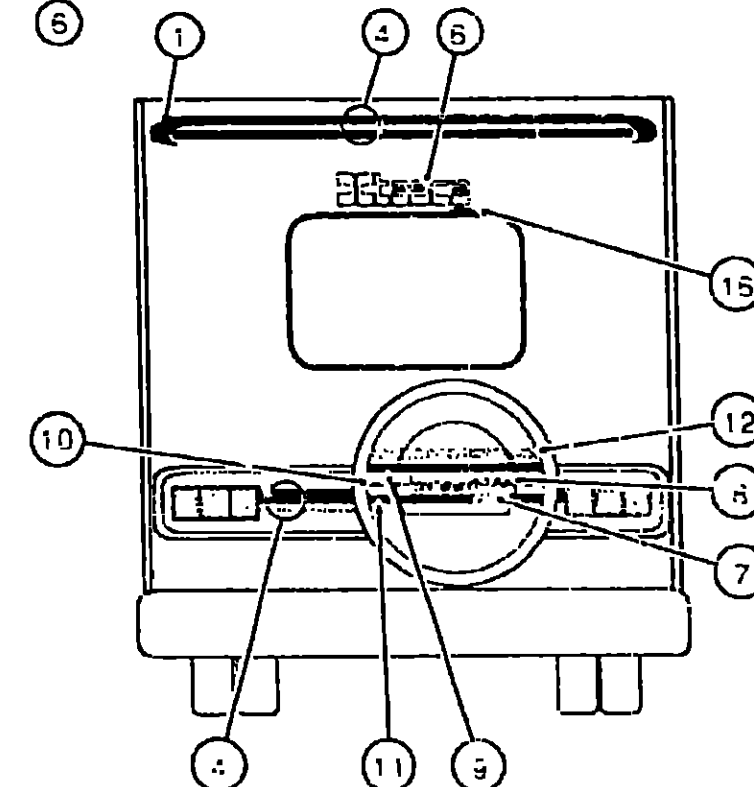


### 1992 ITASCA TABLE OF CONTENTS

INTRODUCTION	A-01	A-02
ABBREVIATIONS		A-03
ALPHABETICAL INDEX	A-04	A-06
IF527RQ	A-07	D-24
IF527RC	E-01	H-16

### 1992 IF527RC INDEX

FLOOR PLAN	E-01	E-02
ACCESSORIES		E-03
AUDIO VIDEO		E-04
BATH	E-05	E-06
BEDROOM	E-07	E-08
CHASSIS	E-09	E-13
CURTAIN & CUSHION	E-14	E-22
DINETTE	E-23	E-24
DRIVERS	F-01	F-02
ELECTRICAL	F-03	F-05
EXTERIOR BODY	F-07	F-14
FALVEY	F-15	F-19
GENERATOR		F-20
HEATING & A/C	F-21	F-22
INTERIOR FINISH	F-23	G-02
LABEL	G-03	G-09
LP		G-10
LOUNGE	G-11	G-12
SEALANTS & FASTENERS	G-13	G-15
WATER & SEWAGE	G-16	G-20
WINDOW VENT AND EXTERIOR DOOR	G-21	H-15



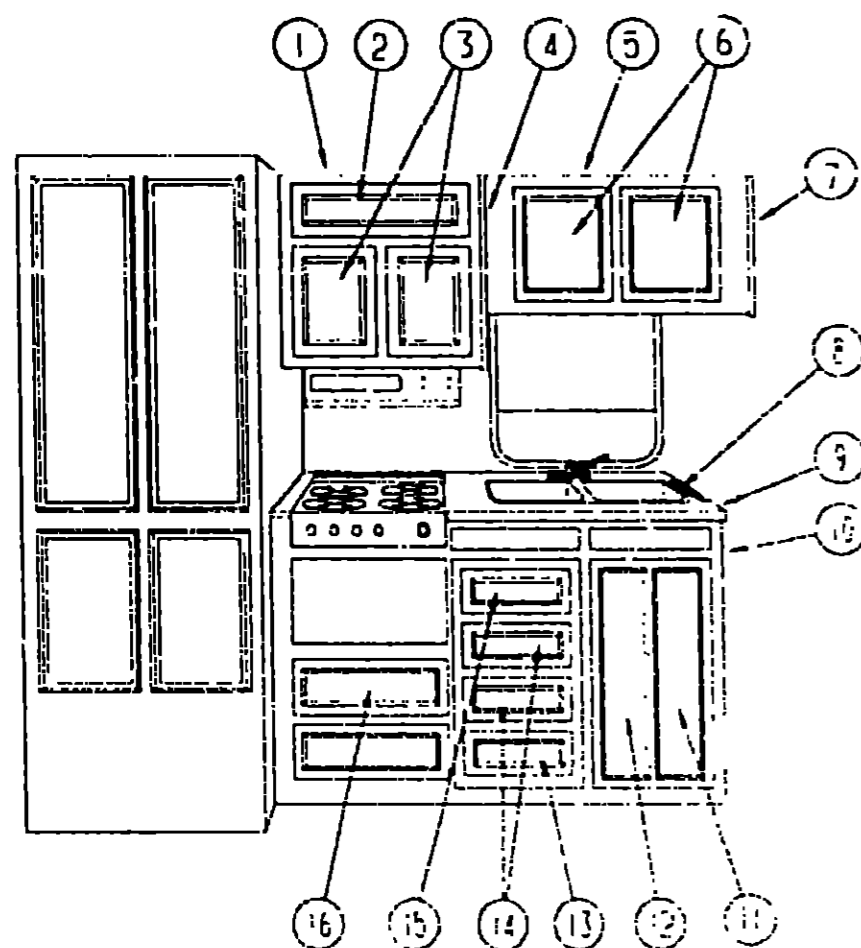
KEY	PART NUMBER	U/M	DESCRIPTION
1	105514-02-01A	EA	DECAL END CAP LEFT - COOL BLUE/SEA MIST BLUE
2	105516-01-01A	EA	DECAL SWEEP SMALL - RIGHT - COOL BLUE
	105516-02-01A	EA	DECAL SWEEP SMALL - LEFT - COOL BLUE
3	105519-01-01A	FA	DECAL LOGO SUNDANCER
4	094443-07-01A	FT	FILM MULTISTRIPE 88MM - COOL BLUE/COOL BLUE/SEA MIST BLUE
5	105514-01-01A	EA	DECAL END CAP RIGHT - COOL BLUE/SEA MIST BLUE
6	078612-25-000	FA	DECAL LOGO ITASCA 5' - OFF WHITE/SEA MIST BLUE
7	105501-02-01A	EA	DECAL LOGO 500 - SMALL - OFF WHITE/COOL BLUE
	105501-01-01A	EA	DECAL LOGO 500 - LARGE - OFF WHITE/COOL BLUE
8	105519-02-01A	FA	DECAL LOGO SUNDANCER - COOL BLUE
9	092631-35-03A	FT	FILM 57MM - SEA MIST BLUE
10	093081-32-02A	FT	FILM 25MM - COOL BLUE
11	093081-25-02A	FT	FILM 83MM - SEA MIST BLUE
12	094423-04-01A	FT	FILM OVERLAY MULTISTRIPE - GRAY/GRAY/COOL BLUE
13	105515-01-01A	EA	DECAL RADIUS RIGHT - SEA MIST BLUE
	105515-02-01A	EA	DECAL RADIUS LEFT - SEA MIST BLUE
14	105518-01-01A	EA	DECAL SWEEP LARGE - RIGHT - GRAY/COOL BLUE
	105518-02-01A	EA	DECAL SWEEP LARGE - LEFT - GRAY/COOL BLUE
15	105517-01-01A	EA	DECAL SWEEP MID - RIGHT - SEA MIST BLUE
	105517-02-01A	EA	DECAL SWEEP MID - LEFT - SEA MIST BLUE
16	084075-01-000	EA	DECAL "BY WINNEBAGO INDUSTRIES" BLACK
	074559-01-000	EA	DECAL LOGO LPG - RED - (CALIF CODE)
	041551-03-000	EA	PAINT LOW BAY - OFF WHITE

FROM 00-00-00 THRU 11-22-91

#### DUPONT COLOR CODES

COOL BLUE	10551
SEA MIST BLUE	09249
OFF WHITE	L8723
GRAY	H9283U

**GALLEY GROUP**



**CABINETS & FIXTURES**

KEY	PART NUMBER	U/M	DESCRIPTION
1	M05678-24-C43	EA	CABINET-OVERHEAD RANGE W/O DOORS & HARDWARE
1	M05678-25-C43	EA	CABINET OVERHEAD MICROWAVE W/O DOORS & HARDWARE
2	P00523-B2-B87	EA	DOOR-CABINET W/O HARDWARE - 150 X 554MM
3	P03702-63-B87	EA	DOOR-CABINET W/O HARDWARE - 275 X 555MM
4	104335-01-C43	EA	END CAP-CABINET OVERHEAD
5	P05770-01-C43	EA	CABINET OVERHEAD SINK W/O DOORS & HARDWARE
6	P03702-67-C25	EA	DOOR-CABINET W/O HARDWARE - 185 X 555MM
7	104335-03-C43	EA	END CAP-CABINET OVERHEAD
8	098335-02-C05	EA	RAIL-GALLEY 22 2" LONG (C43)
8	098335-02-C25	EA	RAIL-GALLEY 22 2" LONG (C44)
9	105532-11-C52	EA	COUNTERTOP-CABINET GALLEY (C43)
9	105532-11-C53	EA	COUNTERTOP-CABINET GALLEY (C44)
10	M05683-02-C43	EA	CABINET-GALLEY W/O DOORS & HARDWARE
10	M05683-02-C44	EA	CABINET-GALLEY W/O DOORS & HARDWARE
11	P03702-09-C25	EA	DOOR-CABINET W/O HARDWARE - 128 X 594MM
12	P03702-10-C25	EA	DOOR-CABINET W/O HARDWARE - 118 X 594MM
13	P03397-80-C29	EA	DRAWER-CABINET W/O HARDWARE - 270 X 365MM
14	P03397-H5-C43	EA	DRAWER-CABINET W/O HARDWARE - 170 X 404MM
15	P03397-K2-C43	EA	DRAWER-CABINET W/O HARDWARE - 171 X 364MM
16	P03397-H1-C43	EA	DRAWER-CABINET W/O HARDWARE - 122 X 425MM
	103251-02-01A	EA	INSERT-ACRYLIC 19 5/8" X 19 5/8" REFRIGERATOR CABINET BLACK
	103251-03-01A	EA	INSERT-ACRYLIC 19 5/8" X 19 5/8" REFRIGERATOR CABINET BLACK
	103251-04-01A	EA	INSERT-ACRYLIC 19 5/8" X 19 5/8" REFRIGERATOR CABINET BLACK
	090329-01-000	FT	SEAL-T-REFRIGERATOR CABINET - 51 W/O TOP X 11 TALL
	092303-01-000	EA	STRAINER SINK
	104114-01-01A	EA	FAUCET GALLEY SINGLE CONTROL
	104113-01-000	EA	SINK-DOUBLE STAINLESS STEEL
	103614-01-000	EA	BOARD-CUTTING WARE
	100081-01-01A	EA	TRAY SILVERWARE 31 X 13 1/2" PLASTIC ALMOND HUBBARD

**GALLEY GROUP (CONTINUED)**

**LARGE NORCOLD 682 REFRIGERATOR**

KEY	PART NUMBER	U/M	DESCRIPTION
	104137-02-01A	EA	REFRIGERATOR-LARGE DOUBLE DOOR 2-WAY - NORCOLD 682 RH BLK
	084473-01-702	EA	ORIFICE-NORCOLD 51452122
	084880-01-715	EA	VALVE SHUT OFF MANUAL - NORCOLD# 51597922
	075217-01-734	EA	FUSE-3 AMP - NORCOLD# 51538822
	075217-01-738	EA	SWITCH HUMIDITY - NORCOLD 51525922
	084880-01-713	EA	CONNECTOR MALE INLET FITTING - NORCOLD# 515255
	084880-01-715	EA	VALVE SHUT OFF MANUAL - NORCOLD# 51597922
	084880-01-718	EA	VALVE-GAS - NORCOLD 51551822
	084580-01-722	EA	CRISPER COVER - NORCOLD 515641
	084880-01-725	EA	HINGE BRACKET (CTR HINGE) - NORCOLD 51565523
	084880-01-731	EA	HINGE PIN - NORCOLD 51578123
	084560-01-732	EA	LATCH - NORCOLD 51579522
	084880-01-734	EA	BRACKET-HINGE TOP RH - BOTTOM LH - BROWN - NORCOLD 51581357
	084880-01-735	EA	HINGE BRKT TOP LH-BTM RH BRN - NORCOLD 51580937
	084580-01-739	EA	END CAP (SPRING CATCH) BRN - NORCOLD 51593722
	084580-01-740	EA	END CAP (STOP CATCH) - NORCOLD 51593830
	084580-01-744	EA	HINGE PIN SHAFT (CTR HINGE) - NORCOLD 51566723
	084580-01-746	EA	CABLE - NORCOLD 51571522
	084580-01-747	EA	PLUG-HOLE - NORCOLD 51582022
	084580-01-749	EA	HINGE BUSHING - NORCOLD 5159307
	084580-01-753	EA	THERMISTER 75" W OLP - NORCOLD 51593822
	084580-01-751	EA	END CAP (SPRING CATCH) BLACK - 51593730
	084580-02-700	EA	LOWER FLANGE 58538683 - NORCOLD 51522123
	084580-03-701	EA	COOLING UNIT (HORZ BURNER) - NORCOLD 51587337
	084580-03-705	EA	BRACKET-FINT PER G LIGHT - NORCOLD 51592922
	084580-03-706	EA	LAMP BULB - NORCOLD 51585922
	084580-03-707	EA	COVER FLAMP OR BULB - NORCOLD 51527922
	085245-01-705	EA	BURNER-HORIZONTAL - NORCOLD 51558122
	085245-01-707	EA	ELECTRODE-SENSOR (HORIZONTAL) - NORCOLD# 51573822
	085245-01-708	EA	ELECTRODE-IGNITION (HORIZONTAL) - NORCOLD# 51573222
	085245-01-709	EA	HEATER AC (HORIZONTAL) - NORCOLD# 515627
	084039-01-710	EA	PC BOARD-3-WAY - NORCOLD 51547522
	084039-01-701	EA	EYEBROW-SHELL 3-WAY - BLK - PLASTIC - NORCOLD 51562922
	084039-01-703	EA	PLATE-HINGE LH - BROWN - NORCOLD 51531422
	084039-01-704	EA	PLATE-HINGE BLACK - NORCOLD 51531430
	084039-01-705	EA	PLATE-HINGE TOP RH - LH-BOTTOM - BROWN - NORCOLD 51531322
	084039-01-710	EA	PLATE-HINGE BLACK - NORCOLD 51531330
	084039-01-712	EA	DOOR-BROWN GRAY SILVER BORDER - NORCOLD 51564050
	084039-01-713	EA	DOOR GASKET-LOWER GRAY - NORCOLD 51585030
	084039-01-714	EA	LOWER DOOR-LINER BRN-WHT - NORCOLD# 51581737 B
	084039-01-715	EA	LOWER DOOR-LINER BLK-WHT - NORCOLD 51581735 B
	084039-01-716	EA	LOWER DOOR-HANDLE ASSY BRN - NORCOLD# 51564037
	084039-01-717	EA	LOWER DOOR-HANDLE ASSY BLK - NORCOLD 51564038
	084039-01-718	EA	MILK BN GRAY W SILVER TRM - NORCOLD 51579480
	084039-01-719	EA	DOOR-KEEPER GRAY SILVER TRM - 51580450
	084039-01-720	EA	CAB ASSEMBLY BRN FRAME WHT LNER - NORCOLD# 51563037
	084039-01-721	EA	CAB ASSEMBLY BLK FRAME WHT LNER - NORCOLD 51563039
	084039-01-722	EA	HOLE-PLUG-BLK HINGE HOLES - NORCOLD 51582030
	084039-01-723	EA	HINGE BRKT TOP RH-BTM LH-BLK - NORCOLD 51580838
	084039-01-724	EA	BRACKET-HINGE TOP LH - BOTTOM RH - BLK - NORCOLD 51580938
	084039-01-725	EA	HUB-BLN BLACK MALE - NORCOLD 51578130
	084039-01-726	EA	SHAFT FREEZER EVAPORATOR - NORCOLD 515030
	084039-01-727	EA	HINGE PIN SHAFT BLK (CTR HINGE) - NORCOLD 51566730
	084039-01-728	EA	CRISPER GRAY SILVER TRM - NORCOLD 51579550
	084039-01-729	EA	FRONT COVER-BLK BTM TRM - NORCOLD 51582030
	084039-01-730	EA	WIRE-SHELF MIDDLE - NORCOLD 51568920
	084039-01-731	EA	WIRE-SHELF TOP W/ASER - NORCOLD 51579720
	084039-01-732	EA	WIRE-SHELF TRAY-WHT - NORCOLD 51579730
	084039-01-733	EA	SWITCH LIGHT BLACK - NORCOLD 515519

**1992 ITASCA  
TABLE OF CONTENTS**

INTRODUCTION	A-01 - A-02
ABBREVIATIONS	A-03
ALPHABETICAL INDEX	A-04 - A-05
IF527RC	A-07 - D-24
IF527RC	E-01 - F-16

**1992 IF527RC INDEX**

FLOOR PLAN	E-01 - E-02
ACCESSORIES	E-03
AUDIO VIDEO	F-01
BATH	E-05 - E-06
BEDROOM	E-07 - E-08
CHASSIS	E-09 - E-13
CURTAIN & CUSHION	F-14 - E-22
DINETTE	E-23 - E-24
DRIVERS	F-01 - F-02
ELECTRICAL	F-03 - F-05
EXTERIOR BODY	F-07 - F-14
GALLEY	F-15 - F-19
GENERATOR	F-20
HEATING & A/C	F-21 - F-22
INTERIOR FINISH	F-23 - G-02
LABEL	G-03 - G-09
LP	G-10
LOUNGE	G-11 - G-12
SEALANTS & FASTENERS	G-13 - G-15
WATER & SEWAGE	G-16 - G-20
WINDOW VENT AND EXTERIOR DOOR	G-21 - F-15

**GALLEY GROUP (CONTINUED)**

**LARGE NORCOLD 682 REFRIGERATOR (CONTINUED)**

KEY	PART NUMBER	U/M	DESCRIPTION
	094039-01-739	EA	SHELF (CUTOUT) - NORCOLD 61546722
	094039-01-742	EA	TRAY-F/CUTOUT SHELF - NORCOLD 61580922
	094039-04-700	EA	PC BOARD-2 WAY - NORCOLD# 61547322
	094039-04-702	EA	POWER SUPPLY (2 WAY) - NORCOLD 61647422
	093646-01-000	EA	BRACKET ASM-TIEDOWN REFRIGERATOR
	093646-02-000	EA	BRACKET ASM-TIEDOWN REFRIGERATOR
	054450-01-000	EA	LEVEL-REFRIGERATOR

**SMALL NORCOLD 662 REFRIGERATOR**

KEY	PART NUMBER	U/M	DESCRIPTION
	104138-02-01A	EA	REFRIG SMALL DE. DOOR 2 WAY - NORCOLD 662 RH BLK
	075217-01-734	EA	FUSE 3 AMP - NORCOLD 61533822
	075217-01-735	EA	SWITCH-HUMIDITY - NORCOLD 61525522
	084879-03-700	EA	COOLING UNIT - HORIZONTAL BURNER - NORCOLD# 61587237
	084880-01-713	EA	CONNECTOR MALE INLET FITTING - NORCOLD# 615256
	084880-01-715	EA	VALVE SHUT OFF MANUAL - NORCOLD# 61597922
	084880-01-716	EA	VALVE-GAS - NORCOLD 61551522
	084880-01-722	EA	CRISPER COVER - NORCOLD 615641
	084880-01-725	EA	HINGE BRACKET (CTR HINGE) - NORCOLD 61565523
	084880-01-731	EA	HINGE PIN - NORCOLD 61578123
	084880-01-732	EA	LATCH - NORCOLD 61578522
	084880-01-734	EA	BRACKET-HINGE TOP RH - BOTTOM LH - BROWN - NORCOLD 61580837
	084880-01-735	EA	HINGE BRKT TOP LH BTM RH BRN - NORCOLD 61580937
	084880-01-739	EA	END CAP (SPRING CATCH) BROWN - NORCOLD 61593722
	084880-01-740	EA	END CAP (STOP CATCH) - NORCOLD 61593830
	084880-01-746	EA	CABLE - NORCOLD 61571522
	084880-01-747	EA	PLUG HOLE - NORCOLD 61562022
	084880-01-749	EA	HINGE BUSHING - NORCOLD 615507
	084880-01-753	EA	THERMISTER 75° W/O P - NORCOLD 61593822
	084880-01-751	EA	END CAP (SPRING CATCH) BLACK - 61593730
	084880-02-700	EA	LOWER FLANGE 565388583 - NORCOLD 61622123
	084880-03-705	EA	BRACKET FRONT REFRIG LIGHT - NORCOLD 61529722
	084880-03-706	EA	LAMP (BULB) - NORCOLD 61528922
	084880-03-707	EA	COVER FLAMP OR BULB - NORCOLD 61527922
	088248-01-706	EA	BURNER HORIZONTAL - NORCOLD 61588122
	088248-01-707	EA	ELECTRODE SENSOR (HORIZONTAL) - NORCOLD# 61573322
	088248-01-708	EA	ELECTRODE IGNITION (HORIZONTAL) - NORCOLD# 61573222
	088248-01-709	EA	HEATER AC (HORIZONTAL) - NORCOLD# 615627
	088248-01-710	EA	HEATER DC (HORIZONTAL) - 3 WAY - NORCOLD# 615628
	094038-01-700	EA	GASKET LOWER GRAY - NORCOLD 61587930
	094038-01-701	EA	LINER DOOR LOWER - BROWN-WHITE - NORCOLD 61581937 B
	094038-01-702	EA	LINER DOOR LOWER - BLACK-WHITE - NORCOLD 61581938 B
	094038-01-703	EA	HANDLE DOOR LOWER - BROWN - NORCOLD 61580137
	094038-01-704	EA	HANDLE DOOR LOWER - BLACK - NORCOLD 61580138
	094038-01-705	EA	CAB ASM-BLK WHITE LINER - WITH FRAME - NORCOLD 61583138
	094039-01-703	EA	PLATE HINGE LH - BROWN - NORCOLD 61531422
	094039-01-704	EA	PLATE HINGE BLACK - NORCOLD 61531430
	094039-01-709	EA	PLATE HINGE TOP RH - LH BOTTOM - BROWN - NORCOLD 61531327
	094039-01-710	EA	PLATE HINGE BLACK - NORCOLD 61531330
	094039-01-712	EA	DOOR BAR (GRAY) SILVER BORDER - NORCOLD 61584000
	094039-01-718	EA	M/LK BIN (GRAY) SILVER TRIM - NORCOLD 61579400
	094039-01-719	EA	DAIRY KEEPER (GRAY) SILVER TRIM - 61550450
	094039-01-722	EA	HOLE PLUG (BLK) HINGE HOLES - NORCOLD 61582030
	094039-01-723	EA	HINGE BRKT TOP RH BTM LH BLK - NORCOLD 61580838
	094039-01-724	EA	BRACKET-HINGE TOP LH - BOTTOM RH - BLK - NORCOLD 61580938
	094039-01-725	EA	HINGE PIN (BLACK) MALE - NORCOLD 61578130
	094039-01-726	EA	SHELF FREEZER EVAPORATOR - NORCOLD 615135

**GALLEY GROUP (CONTINUED)**

**SMALL NORCOLD 662 REFRIGERATOR (CONTINUED)**

KEY	PART NUMBER	U/M	DESCRIPTION
	094039-01-730	EA	HINGE PIN SHAFT (BLK) CTR HGE - NORCOLD 61566730
	094039-01-732	EA	FRONT COVER (BLK) BTM TRIM - NORCOLD 61522130
	094039-01-733	EA	WIRE SHELF (MIDDLE) - NORCOLD 61557822
	094039-01-734	EA	WIRE SHELF (TOP) WRISER - NORCOLD 61563722
	094039-01-735	EA	INSIDE DRIP TRAY (WHITE) - NORCOLD 61572630
	094039-01-736	EA	SWITCH-LIGHT BLACK - NORCOLD 615810
	094039-01-739	EA	SHELF (CUTOUT) - NORCOLD 61646722
	094039-04-700	EA	PC BOARD-2 WAY - NORCOLD# 61547322
	094039-04-701	EA	EYEBROW (SHELL) 2 WAY - NORCOLD 61565822
	094039-04-702	EA	POWER SUPPLY (2 WAY) - NORCOLD 61547422
	093646-01-000	EA	BRACKET ASM-TIEDOWN REFRIGERATOR
	093646-02-000	EA	BRACKET ASM-TIEDOWN REFRIGERATOR
	054450-01-000	EA	LEVEL-REFRIGERATOR

**RANGE HOODS**

KEY	PART NUMBER	U/M	DESCRIPTION
	100258-22-02A	EA	HOOD RANGE 22W W MONITOR PANEL - VENTLINE US
	100258-23-02A	EA	HOOD RANGE 22W W MONITOR PANEL - VENTLINE CSA
	075470-01-703	EA	SWITCH-ON MOMENTARY JENSEN RP1015
	090973-01-700	EA	MOTOR LVS CA508 1
	090973-01-702	EA	BLADE-FAN LVS VA183 1
	092555-01-701	EA	KNOB-LEVER CABLE - PLASTIC - BLACK - VENTLINE CC225
	092555-01-702	EA	RESISTOR WIRE VENTLINE L7314
	092555-01-703	EA	BULB-912 VENTLINE VA415
	092555-01-710	EA	SOCKET-1/8" HT VENTLINE CB257-2
	092555-01-730	EA	SWITCH-ON OFF VENTLINE 108
	092555-01-702	EA	SWITCH-TWO WAY MOMENTARY VENTLINE 112
	092555-01-703	EA	SWITCH-ON ON - JENSEN 115
	092555-01-707	EA	FILTER-GREASE 8" X 8" - LVS CC245
	092555-01-708	EA	LENS-LAMP VENTLINE CC179
	100258-04-701	EA	BEZEL-SWITCH LEVER CABLE TO VENT - VENTLINE CC115
	100258-04-702	EA	SWITCH-LEVER W/CABLE - VENTLINE CB547-1
	100258-10-700	EA	METER-HOUR VENTLINE 150
	100258-11-700	EA	CIRCUIT BOARD VENTLINE 5079 01
	100258-12-700	EA	PANEL ASM VENTLINE 9075
	100258-10-01A	EA	METER-HOUR VENTLINE 150

**1992 ITASCA  
TABLE OF CONTENTS**

INTRODUCTION	A-01	A-02
ABBREVIATIONS		A-03
ALPHABETICAL INDEX	A-04	A-06
IF527RC	A-07	D-24
IF527RC	E-01	H-15

**1992 IF527RC INDEX**

FLOOR PLAN	E-01	E-02
ACCESSORIES		E-03
AUDIO VIDEO		E-04
BATH	E-05	E-06
BEDROOM	E-07	E-09
CHASSIS	E-09	E-13
CURTAIN & CUSHION	E-14	E-22
DINETTE	E-23	E-24
DRIVERS	F-01	F-02
ELECTRICAL	F-03	F-06
EXTERIOR BODY	F-07	F-14
GALLEY	F-15	F-19
GENERATOR		F-20
HEATING & A/C	F-21	F-22
INTERIOR FINISH	F-23	G-02
LABEL	G-03	G-09
LP		G-10
LOUNGE	G-11	G-12
SEALANTS & FASTENERS	G-13	G-15
WATER & SEWAGE	G-15	G-20
WINDOW VENT AND EXTERIOR DOOR	G-21	H-15

## GALLEY GROUP (CONTINUED)

### MAGIC CHEF RANGE

KEY	PART NUMBER	U/M	DESCRIPTION
	102022-01-03A	EA	RANGE-16" 4 BURNER BLACK - MAGIC CHEF
	055282-03-705	EA	TRIM-CABINET, LEFT - BLACK - MAGIC CHEF 3608F011-70
	055282-03-707	EA	TRIM-CABINET, RIGHT - BLACK - MAGIC CHEF 3608F012-70
	098507-02-701	EA	INSERT-BURNER (SLOTTED VENT), MAGIC CHEF 7214P015-60
	102020-01-700	EA	SHELF-OVEN, MAGIC CHEF - 7801-P027-60
	102020-01-701	EA	HANDLE-DOOR, MAGIC CHEF - 7701P092-60
	102020-01-702	EA	PANEL-MANIFOLD, MAGIC CHEF 2615F080-70
	102020-01-704	EA	PANEL-DOOR, BLACK - MAGIC CHEF - 2401F075-70
	102020-01-70P	EA	BURNER ASSEMBLY-OVEN, MAGIC CHEF 3403W003-45
	102020-01-711	EA	GRATE-TOP, MAGIC CHEF 7518P012-60
	102020-01-712	EA	KNOB-BURNER VALVE, MAGIC CHEF 7733P044-60
	102020-01-713	EA	KNOB-THERMOSTAT, MAGIC CHEF 7731P042-60
	102020-01-714	EA	PILOT-OVEN, MAGIC CHEF 958-143
	102020-01-715	EA	PIPE-MANIFOLD, MAGIC CHEF 7513P095-60
	102020-01-717	EA	THERMOSTAT, MAGIC CHEF 7515P024-60
	102020-01-718	EA	TOP MAIN, ALMOND - MAGIC CHEF 2001F085-64
	102020-01-719	EA	TOP MAIN, BLACK - MAGIC CHEF 2001F085-60
	102020-01-720	EA	VALVE-MERCURY CONTROL, MAGIC CHEF 7501P095-60
	102020-01-722	EA	VALVE-TOP BURNER, MAGIC CHEF 7502P095-60
	102020-01-723	EA	PILOT BURNER, MAGIC CHEF 7503P147-60
	102020-01-724	EA	BUMPER-MAIN TOP, MAGIC CHEF 8003P008-60
	102022-01-702	EA	PIPE-MANIFOLD, MAGIC CHEF 7513P095-60
	102022-01-703	EA	REGULATOR-PRESSURE, MAGIC CHEF 7510P031-60
	102022-01-706	EA	TRIM-LEFT FLAT, MAGIC CHEF 3608W022-70
	102022-01-707	EA	TRIM-RIGHT FLAT, MAGIC CHEF 3608W023-70
	055515-03-000	EA	BRACKET-REAR TIEDOWN, RANGE W/OVEN
	055515-04-000	EA	BRACKET-FRONT TIEDOWN, RANGE W/OVEN

### MICROWAVE OVEN

KEY	PART NUMBER	U/M	DESCRIPTION
	091263-05-000	EA	OVEN-MICROWAVE, MAGIC CHEF M15E-9FB
	094745-01-01A	EA	TRIM-MICROWAVE, LOWER, BLACK
	094774-03-01A	EA	TRIM-MICROWAVE, EITHER SIDE - 15" X 14.6" METAL - BLACK
	098915-03-01A	EA	BRACE-MICROWAVE CABINET, LEFT - 9.4" X 7.5" - STEEL
	098915-04-01A	EA	BRACE-MICROWAVE CABINET, RIGHT - 9.4" X 7.5" - STEEL
	094750-01-000	EA	BRACKET-MICROWAVE 90 DEGREE - STEEL

FROM 03-04-91 THRU 99-99-99

### COFFEE MAKER

KEY	PART NUMBER	U/M	DESCRIPTION
	103759-01-02A	EA	COFFEE MAKER, ALMOND
	104610-01-050	EA	STRAP ASM, COFFEE MAKER

## GENERATOR GROUP

### 4 KW KOHLER GENERATOR

KEY	PART NUMBER	U/M	DESCRIPTION
	105523-01-000	EA	GENERATOR-4KW LOW PROFILE, KOHLER 4CKM21
	105526-01-000	EA	ARRESTER-SPARK, KOHLER 278621
	105529-01-000	EA	MUFFLER-FRONT EXHAUST, W/O SPARK - KOHLER 278734
	105732-01-000	EA	TRAY ASM-GENERATOR
	106172-01-000	EA	PIPE-EXHAUST ADAPTER
	007067-01-000	SF	INSULATION-FIBERGLASS, 1" THICK X 4' - INCREMENTS OF 4 SF

### 4 KW ONAN GENERATOR

KEY	PART NUMBER	U/M	DESCRIPTION
	100974-01-000	EA	GENERATOR-4 KW EMERALD PLUS, ONAN BGE-FA/26100G
	105732-01-000	EA	TRAY ASM-GENERATOR
	081364-01-000	EA	MUFFLER-GENERATOR, W/B 5" LONG TAILPIPE
	086252-01-000	EA	PIPE-EXHAUST, W/2 BOLT HOLE FLANGE
	086494-01-000	EA	BPACKET-EXHAUST, W/DOUBLE BEND
	094059-01-000	EA	SPACER-GENERATOR, ONAN
	007125-04-000	EA	CLAMP-MUFFLER - 1 1/2" DIA

## 1992 ITASCA TABLE OF CONTENTS

INTRODUCTION	A-01 - A-02
ABBREVIATIONS	A-03
ALPHABETICAL INDEX	A-04 - A-06
IF527RO	A-07 - D-24
IF527RC	E-01 - H-15

## 1992 IF527RC INDEX

FLOOR PLAN	E-01 - E-02
ACCESSORIES	E-03
AUDIO VIDEO	E-04
BATH	E-05 - E-06
BEDROOM	E-07 - E-08
CHASSIS	E-09 - E-13
CURTAIN & CUSHION	E-14 - E-22
CINETTE	E-23 - E-24
DRIVERS	F-01 - F-02
ELECTRICAL	F-03 - F-06
EXTERIOR BODY	F-07 - F-14
GALLEY	F-15 - F-19
GENERATOR	F-20
HEATING & A/C	F-21 - F-22
INTERIOR FINISH	F-23 - G-02
LABEL	G-03 - G-09
LP	G-10
LOUNGE	G-11 - G-12
SEALANTS & FASTENERS	G-13 - G-15
WATER & SEWAGE	G-16 - G-20
WINDOW, VENT AND EXTERIOR DECOR	G-21 - H-15

**HEATING & AIR CONDITIONING GROUP**

**FURNACE**

KEY	PART NUMBER	U/M	DESCRIPTION
	093365-01-000	EA	THERMOSTAT-WALL, FURNACE - SUBURBAN 0160502
	098668-05-000	EA	FURNACE-30000 BTU - SUBURBAN SF-30
	069634-01-733	EA	DELAY, TIME DELAY 20&30 BTU, SUBURBAN 231202
	075695-01-709	EA	MICRO SWITCH (FOR MODELS 30 & 34S) - SUBURBAN 230509
	090039-01-709	EA	GASKET, OBSERVATION HOLE CUR. - SUBURBAN 070367
	092300-01-704	EA	GASKET-ELECTRODE, SUBURBAN 070163
	092300-02-701	EA	OFFICE, MAIN BURNER - SUBURBAN 160214
	098668-01-700	EA	CABINET FRONT, SUBURBAN 101242
	098658-01-701	EA	CABINET ASM, SUBURBAN 101299
	098668-01-702	EA	ELECTRODE, SUBURBAN 231740
	098668-01-704	EA	VALVE, SUBURBAN 160938
	098668-01-705	EA	SWITCH-LIMIT, SUBURBAN 231630
	098668-01-706	EA	WHEEL-COMBUSTION AIR, SUBURBAN 350122
	098668-01-707	EA	VENT CAP & EXHAUST TUBE ASM, SUBURBAN 260153
	098668-01-708	EA	BLOWER ASM (COMBUSTION AIR), SUBURBAN 390441
	098668-01-709	EA	MOTOR ASM -FOR SF-25, SF-30 - SUBURBAN 231706
	098668-01-710	EA	BLOWER ASM (ROOM AIR), SUBURBAN 390440
	098668-01-711	EA	WHEEL ROOM AIR - SUBURBAN 350123
	098668-01-712	EA	BOARD-MODULE SUBURBAN 231741
	098668-01-713	EA	INTAKE VENT TUBE ASM - SUBURBAN 051044
	098668-02-700	EA	BURNER ASM COMPLETE (SF-30/SF35), SUBURBAN 010745
	098668-05-000	EA	DOOR-ACCESS FURNACE - OFF WHITE - SUBURBAN 520574

**REAR HEATER**

KEY	PART NUMBER	U/M	DESCRIPTION
	084405-01-000	EA	HEATER ASM-REAR DUCTED - W/MOTOR AID - EVANS
	084405-01-700	EA	HEATER CORE
	084405-01-701	EA	FAN
	084405-01-702	EA	MOTOR-12 VOLT ASSY
	087202-01-000	EA	SWITCH-4 POSITION W/KNOB
	098076-01-000	EA	DECAL-AUTO AIR & REAR HEATER

**HEATING COMPONENTS**

KEY	PART NUMBER	U/M	DESCRIPTION
	023145-01-000	EA	CLAMP-SCREW TYPE - 4"
	069636-02-000	EA	CONNECTOR-DUCT 4" ID - SUBURBAN 050715
	093198-01-000	FT	DUCT-HEAT-FLEXIBLE - 4" ID X 25 FT
	092777-01-000	EA	ADAPTER-DUCT 4"
	093614-01-01A	EA	GRILLE-RETURN AIR FURNACE - 15 6" X 7 6" - BROWN
	079059-01-000	EA	HOSE-90 DEGREE- 5/8" ID X 4" X 35"
	079059-13-000	EA	HOSE-90 DEGREE- 61" ID X 4" X 48"
	079059-01-000	EA	HOSE-90 DEGREE- 5/8" ID X 4" X 35"
	007108-01-000	FT	HOSE-HEATER- 5/8" ID - HI-TEMP - FORD ESE-M2D152-A
	056464-05-000	EA	REGISTER-PLASTIC W/O DAMPER - 4" DIAMETER - GOLDEN
	009200-01-000	EA	TAPE FURNACE 1 1/2"
	089267-01-000	EA	TEE-4" OD, 7" LONG - METAL
	088753-01-000	FT	TUBE-ALUMINIZED STEEL 5/8" - 18 GAUGE
	028042-01-000	FT	TUBING-VINYL 65" ID

**HEATING & AIR CONDITIONING GROUP (CONTINUED)**

**ROOF A/C**

KEY	PART NUMBER	U/M	DESCRIPTION
	093763-01-04A	EA	A/C-ROOF, 135000 BTU - OFF WHITE - COLEMAN 6759D707/6759E7
	093763-04-700	EA	SHROUD-ROOF A/C, W/O LOGOS - COLEMAN 6759-4601
	093305-01-701	FA	DECAL PKG LEFT&RIGHT COLEMAN# 6798B3591
	076303-01-712	EA	MOTOR, COLEMAN# 6707A3119
	091225-01-709	EA	START RELAY, COLEMAN# 1497-4131
	091225-01-710	EA	START CAPACITOR, COLEMAN# 1497-0881
	073742-02-704	EA	RUN CAPACITOR (COMPRESSOR), COLEMAN# 1499-4661
	093763-01-702	EA	OVERLOAD, COLEMAN# 6759-3931
	093763-01-703	EA	IMPELLOR-7" DIA X 2 8" WIDE, COLEMAN# 6759-3271
	093763-01-704	EA	CAPACITOR-FAN, COLEMAN# 1499-3461
	093763-01-707	EA	EVAPORATOR COIL-COLEMAN# 1452-1351
	093763-01-708	EA	CONDENSER COIL-COLEMAN# 1452-1251
	093763-01-711	EA	GASKET PACKAGE, COLEMAN# 6759-3281
	093763-01-712	EA	FAN BLADE-CONDENSER, COLEMAN# 6733-322*
	093763-01-713	EA	COMPRESSOR-E SERIES, COLEMAN# 6759-3999
	093764-01-000	EA	CEILING ASM-A/C COOL ONLY, TSR - COLEMAN 6759C714
	042204-01-709	EA	THERMOSTAT IN-64, OUT-58, COLEMAN# 6701-3401
	042205-01-702	EA	THERMOSTAT IN-89, OUT-58, COLEMAN# 6703-3401
	073742-01-701	EA	SELECTOR SWITCH (5 TERMINAL), COLEMAN# 6759-3251
	073742-01-702	EA	DECAL COOL ONLY, COLEMAN# 6759C3431
	093763-01-703	EA	DECAL HEAT&COOL, COLEMAN# 6759-3491
	081606-01-708	EA	LIMIT SWITCH (OPEN 160, CLOSE 110), COLEMAN# 6703-304
	091225-01-713	EA	KNOB (2 PER PACKAGE), COLEMAN# 6701-3351
	076303-01-707	EA	FILTER-6" X 14 3/4" X 1/2", 12 PER PKG COLEMAN# 6703A3151
	091225-01-717	EA	DECAL (THERMOSTAT) COOL ONLY, COLEMAN# 6759A3441
	081606-01-712	EA	CEILING SHROUD (IVORY), COLEMAN# 6769-5051
	093763-01-705	EA	DECAL-HEAT/COOL THERMOSTAT, COLEMAN# 6799A3471
	093763-01-706	EA	HEAT ELEMENT-COLEMAN# 6798-3321
	093763-01-710	EA	SINGLE PARTS PACKAGE, COLEMAN# 6759-5841
	102289-01-000	EA	SPRING-SCREW ROOF A/C GASKET - COLEMAN 6757-150
	022755-02-000	EA	COVER-PROTECTIVE, 5 5" ENDS X 8 2" - PLASTIC - OFF WHITE
	022755-03-000	EA	COVER-A/C - PLASTIC - OFF WHITE

**A/C-13500 BTU-EUROPE**

KEY	PART NUMBER	U/M	DESCRIPTION
	092440-01-000	EA	A/C-ROD, 13500 BTU - 220V - 50HZ - COLEMAN# 6713C750
	092441-01-000	EA	CEILING ASM-A/C, 220V - 50HZ - COLEMAN# 6712ET16
	102289-01-000	EA	SPRING-SCREW ROOF A/C GASKET - COLEMAN 6757-150
	084077-03-000	EA	COVER-BLANK, ROOF A/C - 5 2" X 3 5" - IVORY

**1992 ITASCA  
TABLE OF CONTENTS**

INTRODUCTION	A-01	-	A-02
ABBREVIATIONS			A-03
ALPHABETICAL INDEX	A-04	-	A-06
IF527RC	A-07	-	D-24
IF527RC	E-01	-	H-15

**1992 IF527RC INDEX**

FLOOR PLAN	E-01	-	E-02
ACCESSORIES			E-03
AUDIO VIDEO			E-04
BATH	E-05	-	E-06
BEDROOM	E-07	-	E-08
CHASSIS	E-09	-	E-13
CURTAIN & CUSHION	E-14	-	E-22
DINETTE	E-23	-	E-24
DRIVERS	F-01	-	F-02
ELECTRICAL	F-03	-	F-06
EXTERIOR BODY	F-07	-	F-14
GALLEY	F-15	-	F-19
GENERATOR			F-20
HEATING & A/C	F-21	-	F-22
INTERIOR FINISH	F-23	-	G-02
LABEL	G-03	-	G-09
LP			G-10
LOUNGE	G-11	-	G-12
SEALANTS & FASTENERS	G-13	-	G-15
WATER & SEWAGE	G-16	-	G-20
WINDOW VENT AND EXTERIOR DOOR	G-21	-	H-15

**INTERIOR FINISH GROUP**

**MOLDINGS & TRIMS**

KEY	PART NUMBER	U/M DESCRIPTION
	009767-10-000	FT MOLDING-SIDEWALL TO CEILING/CABINET - WELTING - MAHOGANY
	009767-12-000	FT MOLDING-SIDEWALL TO CEILING/CABINET - WELTING - OFF WHITE
	009809-21-000	EA MOLDING-CORNER, OUTSIDE - 1" - PLASTIC - WOODGRAIN
	009809-23-000	EA MOLDING-CORNER, OUTSIDE - 1" - PLASTIC - IVORY
	009809-25-000	EA MOLDING-CORNER, OUTSIDE - 1" - PLASTIC - OFF WHITE
	009812-22-000	EA MOLDING-CORNER, OUTSIDE - 5" X 7" - PLASTIC - BROWN
	009812-24-000	EA MOLDING-PLASTIC, OUTSIDE CORNER - 50" - IVORY
	009812-25-000	EA MOLDING-CORNER, OUTSIDE - 5" - PLASTIC - PECAN
	009815-09-000	FT MOLDING-T, 75" - IVORY
	022992-01-000	FT MOLDING-REVERSE COVE, T-SHAPED - VINYL - WHITE
	022992-11-000	FT MOLDING-REVERSE COVE, T-SHAPED - VINYL - IVORY
	069733-78-000	EA BATT STRIP-WOODGRAIN - 8' EA - RAMBLING OAK FROM 00-00-00 THRU 02-23-92
	069733-79-000	EA BATT STRIP-WOODGRAIN 8' EA - FOREST OAK FROM 02-24-92 THRU 99-99-99
	070504-01-000	FT U-CHANNEL-PLASTIC, 065" WIDE - LIGHT BROWN - INC OF 8'
	070504-20-000	FT U-CHANNEL-PLASTIC, 815" WIDE - THOR PECAN - INC OF 8'
	070504-23-000	FT EXTRUSION-U CHANNEL - COUNTRY FOREST
	075249-01-000	EA RAILING-OAK, 72" EA - UNFINISHED
	076325-25-000	FT MOLDING-EDGE BAND, 1 5/16" WIDE - WOODGRAIN
	076325-32-000	FT MOLDING-EDGE BAND, 1 5/16" WIDE (C43)
	076325-34-000	FT MOLDING-EDGE BAND, 1 5/16" WIDE (C44)
	079653-09-000	EA BATT STRIP-KEFIFED, WOODGRAIN
	081294-02-000	EA MOLDING-SHELF, NOTCHED WOOD - 6' LONG
	083620-07-000	FT MOLDING-T, END CAP EDGE - W/EDGE LIPS - 75" - THOR PECAN
	083620-09-000	FT T-MOLDING, 3 4" W/EDGE LIPS - MODERN IVORY
	085284-32-000	FT BATT STRIP-WOODGRAIN ADHESIVE BACK - RAMBLING OAK FROM 00-00-00 THRU 02-23-92
	085284-67-000	FT BATT STRIP-WOODGRAIN, ADHESIVE BACK - WINNIE OAK FROM 02-24-92 THRU 99-99-99
	085284-49-000	FT BATT STRIP-DECORATIVE ADHESIVE BACK - MARBLE
	085746-01-000	FT TRIM-J, CARPET - 1 2" X 5" ANGLE - 10' LONG - PVC - BEIGE
	086229-01-000	EA RETAINER-BATTEN, CEILING - 75" WIDE - 7 6' EA
	086229-04-000	EA BATTEN CEILING 1" WIDE - IVORY - 7 6' EA
	088263-61-000	EA BATT STRIP-DECORATIVE - 8' EA - MARBLE (MAIN)
	088263-62-000	EA BATT STRIP-DECORATIVE - 8' EA - FRONDS (BATH & GALLEY)
	088263-71-000	EA BATT STRIP-DECORATIVE, 8' EA - FAWN
	092707-06-01A	EA MOLDING-OAK REGAL
	093073-01-02A	EA TRIM-CARPET, L-ANGLE - 1 1" X 1 3" X 12" - VINYL - TAN
	096204-02-01A	EA TRIM-L, 5" EXPOSED - 1" X 52 1" LONG - METAL - OFF WHITE
	100040-01-000	EA LUMBER-VINYL WRAPPED, 7" X 1 5" X 8" - RAMBLING OAK
	100040-03-000	EA LUMBER-VINYL WRAPPED, 7 1" X 2" X 8" - RAMBLING OAK
	100041-01-000	EA MOLDING-VINYL WRAPPED, 1 57" X 84 02" - RAMBLING OAK
	100041-02-000	EA MOLDING-VINYL WRAPPED, 7" X 2 5" X 84" - RAMBLING OAK
	100555-01-B25	EA TRIM-FLOOR, 72" X 1" X 1/2" - WOOD
	100810-01-02A	EA MOLDING-VINYL WRAPPED, 1 65" X 4" X 7" - RAMBLING OAK
	100819-01-02A	EA MOLDING-VINYL WRAPPED, L-SHAPED, 1 5" X 1 5" X 7" - OAK
	105004-01-02A	EA MOLDING-VINYL WRAP - RAMBLING OAK
	105516-01-01A	FT MOLDING-EDGE 5/16" - GOLD W/ADHESIVE

**INTERIOR FINISH GROUP (CONTINUED)**

**PANELING, LAMINATES & PLASTIC**

KEY	PART NUMBER	U/M DESCRIPTION
	000885-54-000	SF BOARD-PARTICLE, 3/8" X 48" X 96", FOREST OAK - VINYL 2 SIDES
	000885-59-000	SF BOARD-PARTICLE, 3/4" X 60" X 96", FOREST OAK - VINYL 2 SIDES
	003618-02-000	SF PLYWOOD OAK, 1 SIDE FINISHED - 2 1/2" X 4' X 8' (32 SF)
	089297-01-000	SF PLYWOOD-LUAN, OVERLAY GRADE - 4' X 8' (32 SF)
	095588-01-000	SF VENEER-FLAT LUANA, 48" X 96" - INC OF 32 SF
	071497-19-000	SF PANELING-CEILING, 4' X 8' - INC OF 32 SF
	074197-20-000	SF PANELING-WOODGRAIN, 4' X 8' - INCREMENTS OF 32 SF
	088172-72-000	SF PANELING-SHOWER, OFF WHITE - 4' X 7' - INC. OF 28 SF FROM: 00-00-00 THRU 03-15-92
	088172-98-000	SF PANELING-SHOWER, ANTIQUE WHITE, 4' X 7' - INC OF 28 SQ FT FROM 03-16-92 THRU: 99-99-99
	088272-82-000	SF PANELING-MARBLE DEWBERRY, 48" X 84" DECOR (MAIN WALL)
	088272-83-000	SF PANELING-FRONS DEWBERRY, 48" X 84" DECOR (BATH & GALLEY)
	039351-03-000	YD VINYL-CEILING, DIAMOND DESIGN - 54" WIDE
	074498-39-000	SF LAMINATE-PLASTIC, 5' X 8' - GREY/BEIGE - INC OF 40 SF (C43)
	074498-41-000	SF LAMINATE-PLASTIC, 5' X 8' - ORCHID MIST - INC. OF 40 SF (C44)
	093743-02-01A	SF PLASTIC-ABS, 20" WIDE ROLL - OFF WHITE
	093743-03-01A	SF PLASTIC-ABS, 10 8" WIDE - OFF WHITE

**CARPETING & FLOOR MATS**

KEY	PART NUMBER	U/M DESCRIPTION
	076060-42-000	SY CARPET-12' ROLL, INCREMENTS OF 4 SY - BROWN SPECIAL (C43)
	076060-23-000	SY CARPET-12' ROLL, INCREMENTS OF 4 SY (C44)
	047034-02-000	SF PLASTIC-CARPET, 4 WIDE - CLEAR POLY - MINIMUM ORDER 1 600 SF
	075233-01-000	SY PAD-CARPET, 3/8" X 6' ROLL
	081075-02-000	EA MAT-FLOOR, ENTRANCE DOOR - W/ITASCA LOGO - 10 2' X 25" FROM 00-00-00 THRU 01-09-92
	081075-04-000	EA MAT-FLOOR ENTRANCE, ITASCA - PLASTICOLOR GRAY FROM: 01-10-92 THRU 99-99-99
	083218-03-000	EA MAT-FLOOR, PASSENGER W/IT LOGO - CHEVY
	083218-04-000	EA MAT-FLOOR, DRIVER W/IT LOGO - CHEVY
	083219-03-000	EA MAT-FLOOR, PASSENGER - IT - FORD FROM: 00-00-00 THRU 01-12-92
	083219-04-000	EA MAT-FLOOR, DRIVER - IT - FORD FROM 00-00-00 THRU 01-12-92
	105884-02-000	EA MAT-FLOOR PASSENGER - IT - FORD FROM 01-13-92 THRU 99-99-99
	105884-04-000	EA MAT-FLOOR, DRIVER - IT - FORD FROM 01-13-92 THRU 99-99-99

**FIRE EXTINGUISHER, SMOKE DETECTOR & CLOCK**

KEY	PART NUMBER	U/M DESCRIPTION
	072852-01-000	EA DETECTOR-SMOKE, W/9 VOLT BATTERY
	072852-02-000	EA DETECTOR-SMOKE, W/9 VOLT BATTERY (CANADIAN)
	094499-01-000	EA EXTINGUISHER FIRE, DRY W/MOUNTING BRACKET - 10 BC
	094499-02-000	EA EXTINGUISHER-FIRE DRY - 1A10BC - CANADIAN
	094499-01-700	EA BRACKET-MOUNTING, W/PLASTIC STRAP - FIRE EXTINGUISHER
	100793-01-01A	EA CLOCK-WALL, OVAL - 9 5" X 11 1" - GOLDENHAIRE 545121 (USED W/BACKPLATE)
	101333-01-000	EA BACKPLATE-CLOCK, 6" X 6" - PLASTIC - BLACK
	104754-01-01A	EA CLOCK-WALL, SPARTUS 5616-42

**1992 ITASCA  
TABLE OF CONTENTS**

INTRODUCTION	A-01	A-02
ABBREVIATIONS		A-03
ALPHABETICAL INDEX	A-04	A-06
IF527RC	A-07	D-24
IF527RC	E-01	H-16

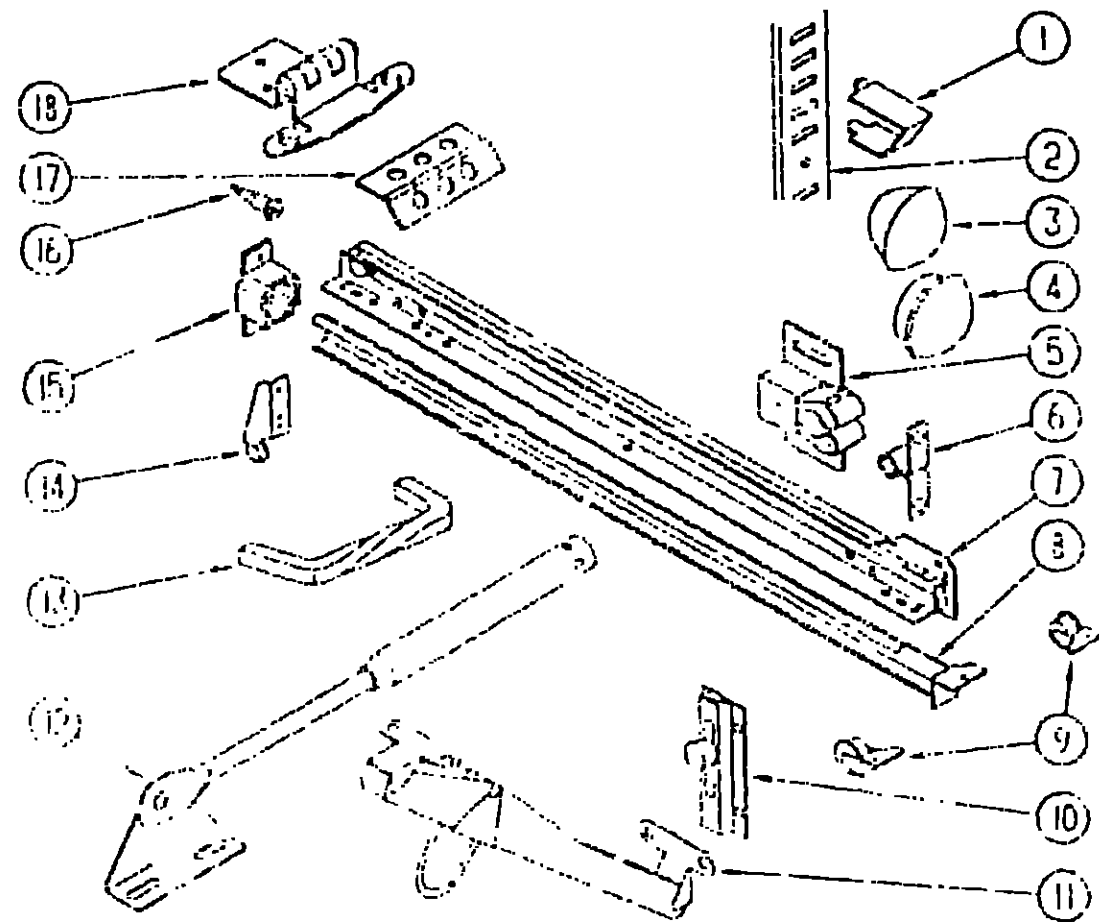
**1992 IF527RC INDEX**

FLOOR PLAN	E-01	E-02
ACCESSORIES		E-03
AUDIO VIDEO		E-04
BATH	E-05	E-06
BEDROOM	E-07	E-08
CHASSIS	E-09	E-13
CURTAIN & CUSHION	E-14	E-22
DINETTE	E-23	E-24
DRIVERS	F-01	F-02
ELECTRICAL	F-03	F-06
EXTERIOR BODY	F-07	F-14
GALLEY	F-15	F-19
GENERATOR		F-20
HEATING & A/C	F-21	F-22
INTERIOR FINISH	F-23	G-02
LABEL	G-03	G-09
LP		G-10
LOUNGE	G-11	G-12
SEALANTS & FASTENERS	G-13	G-15
WATER & SEWAGE	G-16	G-20
WINDOW, VENT AND EXTERIOR DOOR	G-21	H-15



# INTERIOR FINISH GROUP (CONTINUED)

## CABINET & TABLE HARDWARE



KEY	PART NUMBER	U/M	DESCRIPTION
1	036979-01-000	EA	CLIP-ADJUSTABLE SHELF
2	036950-01-000	EA	PILASTER-ADJUSTABLE SHELF, 18" LONG
3	042352-01-000	EA	PLUG-BUTTON, MAHOGANY - 3/8" DIAMETER - WOOD
4	074045-07-000	EA	PLUG WOOD 1/2"
5	032555-03-000	EA	CATCH-SPRING ROLLER
6	032556-04-000	EA	STRIKE-SPRING STEEL
7	101910-03-000	EA	SLIDE-DRAWER, CABINET MOUNTED - SET OF 2 - 12" LONG
7	101910-04-000	EA	SLIDE-DRAWER, DRAWER MOUNTED - SET OF 2 - 12" LONG
8	102927-05-000	EA	TRACK-DRAWER 22 1/2" LONG
9	102927-03-000	EA	ROLLER DRAWER NYLON - PAIR
10	031004-01-000	EA	SLIDE-BOLT ANTIQUE BRASS
11	041811-01-01A	EA	SUPPORT-LEAF 53" - EXTENDS TO 75" SAFETY RING - METAL
12	074433-02-000	EA	SUPPORT-PISTON SPRING CABINET DOOR
13	102927-01-000	EA	PIN, CABINET HANG - 3" DIA CENTER
14	031974-01-000	EA	BACKPLATE-PULL 5 1/2" BRASS
15	102927-01-000	EA	BRACKET ROLLER DRAWER - REAR
15	102927-04-000	EA	BRACKET MOUNTING DRAWER - REAR
16	001315-05-000	EA	SCREW 1/2 X 5/8 PH ANTIQUE BRASS - HINGE TO HINGE ONLY
16	001315-10-000	EA	SCREW 1/2 X 1 1/8 PH ANTIQUE BRASS - HINGE TO DOOR ONLY
17	001315-02-000	EA	HINGE DOOR 1 1/2 X 2 7/8 BRASS
18	042438-01-000	EA	HINGE CABINET DOOR BURNISHED BRASS FROM 11/16" TO 1 1/8" TO 1 1/4"
18	102927-01-000	EA	HINGE DOOR CABINET BURNISHED BRASS FROM 1/2" TO 1 1/8" TO 1 1/4"
10	001315-01-000	EA	HINGE-CONTINUOUS 1 1/2" X 7/8" UNPAINTED
11	074433-01-000	EA	BRACE CABINET CORNER PLASTIC
11	012144-01-000	EA	BRACE CABINET ANGLE - 2 1/2" METAL UNPAINTED
11	074433-02-000	EA	BRACE-CABINET ANGLE - 2 1/2" METAL BRASS
11	074433-04-000	EA	BRACKET BUNKBED 2 1/2" X 1 1/2" TRIANGLE - METAL OFF WHITE
11	074433-05-000	EA	SCREW 1/2 X 1 1/4 PH BLACK
11	081004-02-000	EA	BUTTON-RETAINING MIRROR - 3 1/8" T P WALNUT
11	074354-01-000	EA	BUMPER-RUBBER 3/4" DIA - BROWN
11	013320-01-000	EA	PAD FELT 3/8" DIAMETER - BROWN
11	104886-01-000	EA	CATCH-WOOD VINYL FACE CABINET
11	104886-02-000	EA	CATCH-WOOD LAMINATED FACE
11	105037-02-000	EA	FASTENER WOOD CORNER - METAL - 5" X 5"
11	001119-01-000	EA	FLANGE-ROD CLOTHES - PLASTIC - OFF WHITE
11	042438-01-000	EA	DOWEL WOOD CLOTHES ROD - 1" DIAMETER X 4"
11	042438-02-000	EA	DOWEL WOOD 2" X 2"
11	070840-01-000	EA	CORD-BUNGLE 3/4"
11	091255-02-000	FT	SEA-ADHESIVE BACKED FOAM 1/8" THICK X 1 1/2" WIDE
11	103130-01-000	EA	HOCK CUP BRASS - 1 1/8"
11	064457-01-000	EA	GUIDE-POCKET SLIDING DOOR - WALL MOUNTED
11	028254-01-000	EA	CATCH-MAGNETIC 1 1/8" X 7"
11	102327-01-01A	EA	PULL MIRROR SQUARE

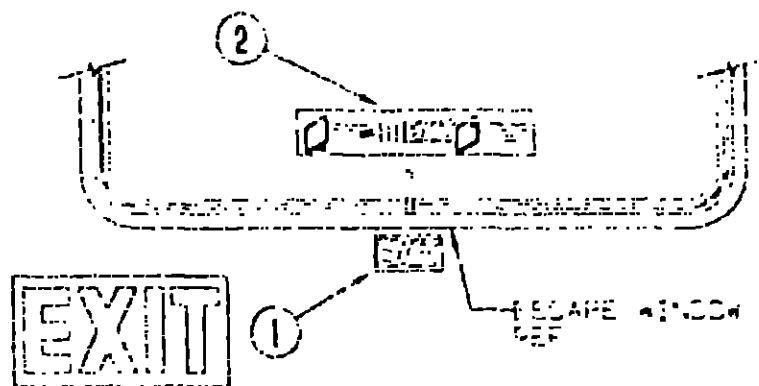
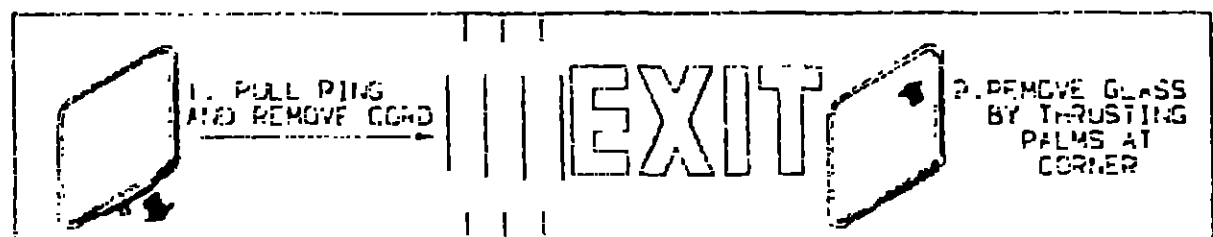
## 1992 ITASCA TABLE OF CONTENTS

INTRODUCTION	A-01	A-02
ABBREVIATIONS		A-03
ALPHABETICAL INDEX	A-04	A-05
IF527RQ	A-07	D-24
IF527RC	E-01	H-16

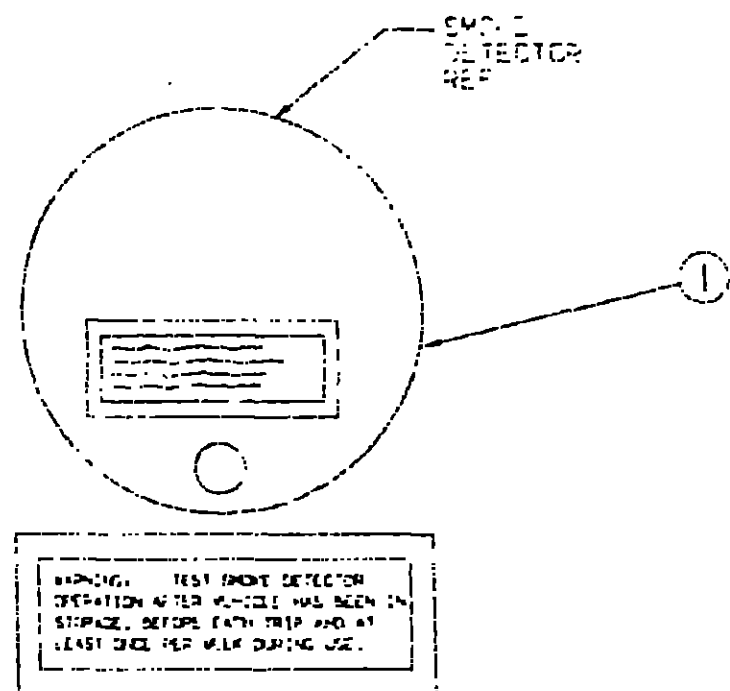
## 1992 IF527RC INDEX

FLOOR PLAN	E-01	E-02
ACCESSORIES		E-03
ALCOHOL		E-04
BATH	E-04	E-06
BEDROOM	E-07	E-09
CHASSIS	E-05	E-13
CURTAINS & CUSHION	E-14	F-22
DINETTE	E-23	E-24
DRIVERS	F-01	F-02
ELECTRICAL	F-03	F-05
ENTER-LEVEL	F-07	F-14
GALLEY	F-15	F-19
GENERATOR		F-20
HEATING & A/C	F-21	F-22
INTERIOR FINISH	F-23	G-02
LABEL	G-03	G-09
LF		G-10
LOUNGE	G-11	G-12
SEALANTS & FASTENERS	G-13	G-15
WATER & SEWAGE	G-16	G-20
WINDOW VENT AND EXTERIOR DOOR	G-21	H-15

**LABEL GROUP**

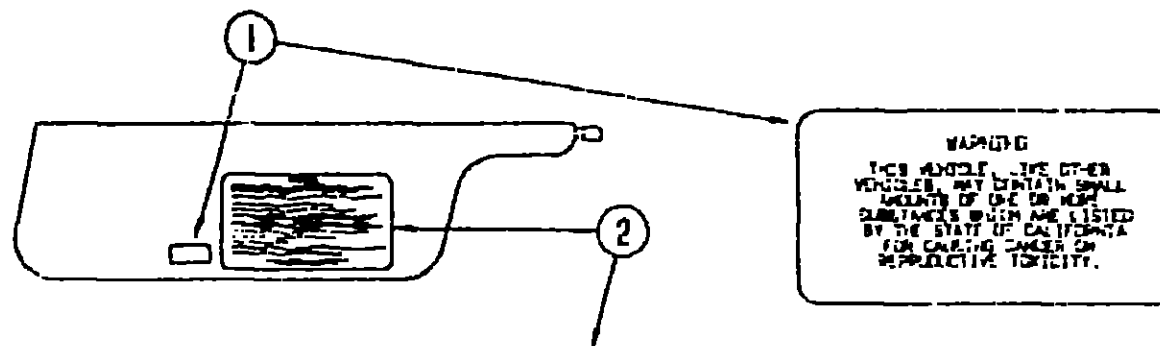


KEY	PART NUMBER	U/M DESCRIPTION
1	059290-01-000	EA LABEL WARNING EXIT
2	167571-01-000	EA LABEL-ESCAPE EXIT WINDOW



KEY	PART NUMBER	U/M DESCRIPTION
1	077956-01-000	EA LABEL-WARNING SMOKE DETECTOR

**LABEL GROUP (CONTINUED)**



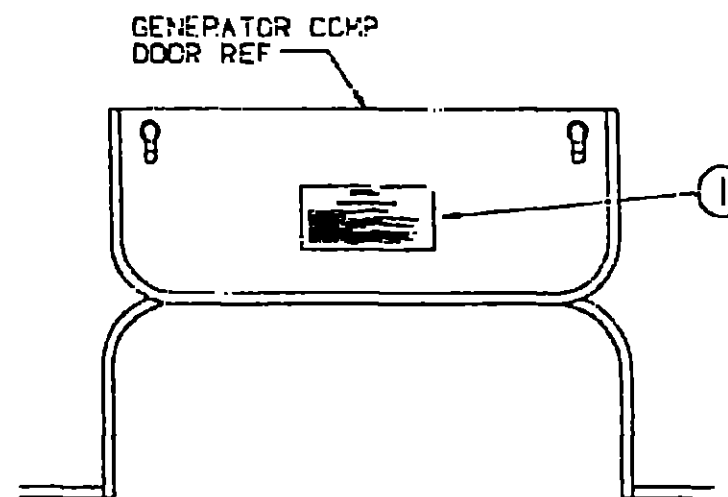
**CAUTION**

THIS MOTOR HOME HAS BEEN DESIGNED, MANUFACTURED AND TESTED WITH CONCERN FOR THE PROTECTION OF ITS OCCUPANTS. WE RECOMMEND YOU PERFORM THE FOLLOWING DIRECTIONS FOR YOUR SAFETY AND THE SAFETY OF YOUR PASSENGERS BEFORE STARTING YOUR VEHICLE.

1. LP GAS SYSTEM- TURN OFF AT TANK FOR TRAVELING. TEST FOR LEAKS UPON ARRIVAL AT DESTINATION. BEFORE LIGHTING PILOTS.
2. WHEELS- INSPECT FOR DAMAGE AND CHECK LID NUTS FOR TIGHTNESS.
3. TIRES- INSPECT FOR WEAR AND DAMAGE AND CHECK FOR RECOMMENDED AIR PRESSURE.
4. LIGHTING- TEST FOR PROPER OPERATION OF ALL INTERIOR AND EXTERIOR LIGHTS INCLUDING DASH LIGHTS, HEADLIGHTS, TAIL LIGHTS, BRAKE LIGHTS, CLEARANCE LIGHTS AND TURN SIGNALS.
5. EXITS- INSPECT RELEASE MECHANISM ON EMERGENCY EXIT WINDOW. TEST BOTH LEDS ON MAIN ENTRANCE DOOR FOR EASE OF OPERATION AND INSTRUCT PASSENGERS HOW TO USE BOTH MEANS OF EXIT.
6. SEAT BELTS- DIRECT PASSENGERS TO DESIGNATED SEATS AND REQUIRE USE OF SEAT BELTS.
7. APPLIANCES- PLUG OFF AND LATCH OR LOCK DEERS WHERE PROVIDED.
8. LODGE PARTS- STOPS SET UP ONLY.
9. UTILITY SUPPLY LINES- DISCONNECT ALL ELECTRIC, WARM AND WATER LINES AND SECURE PROPERLY.
10. ENTRANCE DOOR STEP- PLACE IN RETRACTED POSITION FOR TRAVELING.

READ YOUR MOTOR HOME AND CHASSIS OWNER'S MANUAL FOR FURTHER PRECAUTIONS

KEY	PART NUMBER	U/M DESCRIPTION
1	059509-01-000	EA LABEL-WARNING CANCER/TOXICITY
2	056252-01-000	EA LABEL-SAFETY CHECK LIST



**WARNING**

WHEN ADDING A GENERATOR SET:

HIGH VOLTAGE-USE EXTREME CAUTION WHEN WORKING ON ELECTRICAL COMPONENTS. HAVE ALL ELECTRICAL INSTALLATION PERFORMED BY A QUALIFIED LICENSED ELECTRICIAN-FOLLOW ALL STATE AND LOCAL CODES. ONLY INSTALL GENERATOR SET APPROVED FOR R.V. APPLICATION. HAVE INSTALLED BY QUALIFIED TECHNICIAN. TO AVOID HEAT BUILD-UP AND TO GUARANTEE AN ADEQUATE AIR SUPPLY TO THE GENERATOR CARBURETOR, FOLLOW INSTALLATION INSTRUCTIONS. GENERATOR ENGINE EXHAUST GASES ARE TOXIC AND MUST NOT TERMINATE UNDER THE VEHICLE-DISCHARGE EXHAUST AWAY FROM VEHICLE.

KEY	PART NUMBER	U/M DESCRIPTION
1	077510-01-000	EA LABEL-GENERATOR PREP

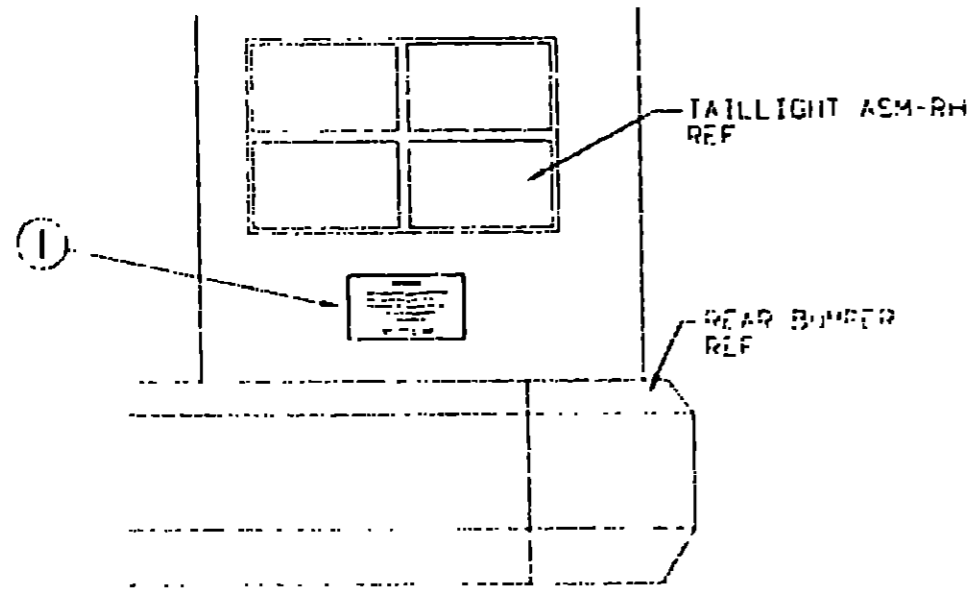
**1992 ITASCA  
TABLE OF CONTENTS**

INTRODUCTION	A-01 - A-02
ABBREVIATIONS	A-03
ALPHABETICAL INDEX	A-04 - A-05
IF527RQ	A-07 - D-24
IF527RC	E-01 - H-16

**1992 IF527RC INDEX**

FLOOR PLAN	E-01 - E-02
ACCESSORIES	E-03
AUDIO VIDEO	E-04
BATH	E-05 - E-06
BEDROOM	E-07 - E-08
CHASSIS	E-09 - E-10
CURTAIN & CUSHION	E-14 - E-22
DINETTE	E-23 - E-24
DRIVERS	F-01 - F-02
ELECTRICAL	F-03 - F-06
EXTERIOR BODY	F-07 - F-14
GALLEY	F-15 - F-19
GENERATOR	F-20
HEATING & AC	F-21 - F-22
INTERIOR FINISH	F-23 - G-02
LABEL	G-03 - G-09
LP	G-10
LOUNGE	G-11 - G-12
SEALANTS & FASTENERS	G-13 - G-15
WATER & SEWAGE	G-16 - G-20
WINDOW, VENT AND EXTERIOR DOOR	G-21 - H-15

**LABEL GROUP (CONTINUED)**

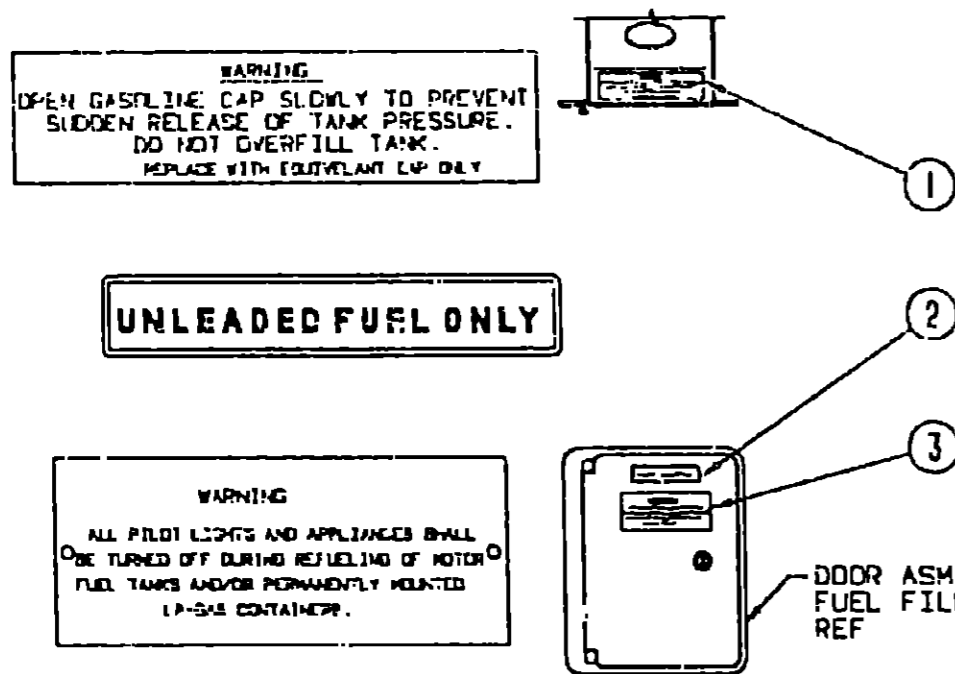


**WARNING**

DO NOT EXCEED THE VEHICLE WEIGHT RATINGS OR LOADING RECOMMENDATIONS OF YOUR VEHICLE, GROSS AXLE, GROSS COMBINED OF THE CHASSIS MANUFACTURER OR WINNEBAGO INC.

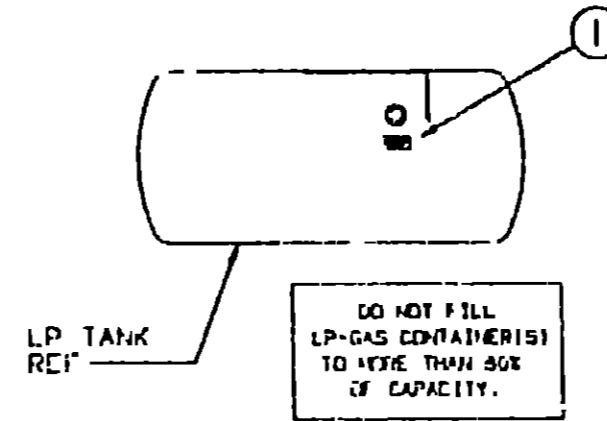
REFER TO YOUR OWNERS MANUAL, BEFORE LOADING OR TOWING.

**KEY PART NUMBER U/M DESCRIPTION**  
 1 075220-01-000 EA LABEL WARNING EXTERIOR LOAD

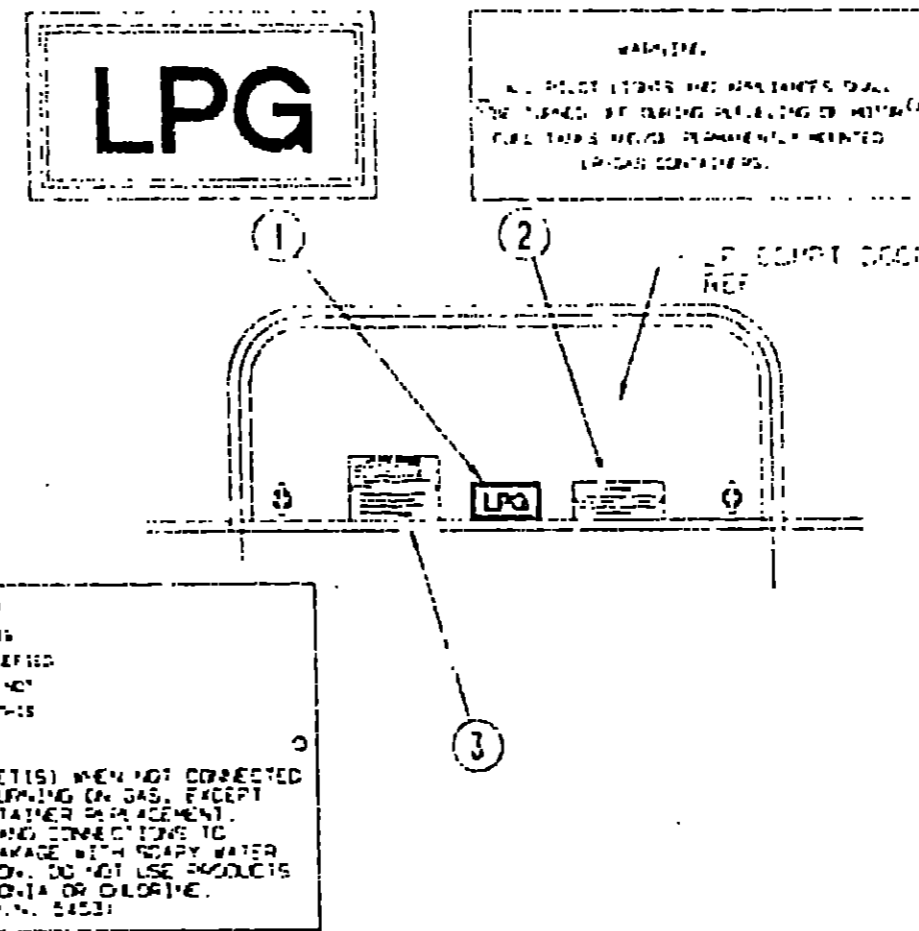


**KEY PART NUMBER U/M DESCRIPTION**  
 1 087207-05-000 EA LABEL-FUEL CAP REMOVAL  
 2 062043-01-000 EA LABEL-FUEL, UNLEADED  
 3 005040-01-000 EA TAG-GAS REFUELING WARNING  
 3 006040-02-000 EA TAG-GAS REFUEL WARNING CANADIAN

**LABEL GROUP (CONTINUED)**



**KEY PART NUMBER U/M DESCRIPTION**  
 1 079965-01-000 EA LABEL LP'S 80% CAPACITY



**KEY PART NUMBER U/M DESCRIPTION**  
 1 074555-01-000 EA DECAL-LOGO LPG - RED - (CALIF CODE)  
 2 005040-01-000 EA TAG-GAS REFUELING WARNING  
 2 005040-02-000 EA TAG-GAS REFUEL WARNING CANADIAN  
 3 054531-01-000 EA LABEL-LP GAS ONLY  
 3 023769-01-000 EA LABEL-WARNING LPG - CANADIAN

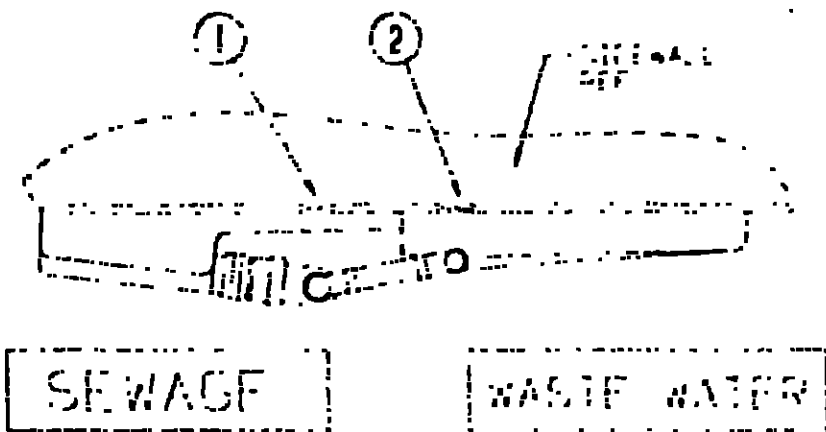
**1992 ITASCA TABLE OF CONTENTS**

INTRODUCTION	A 01 - A 02
ABBREVIATIONS	A 03
ALPHABETICAL INDEX	A 04 - A 05
IF527RC	A 07 - D 24
IF527RC	E 01 - H 16

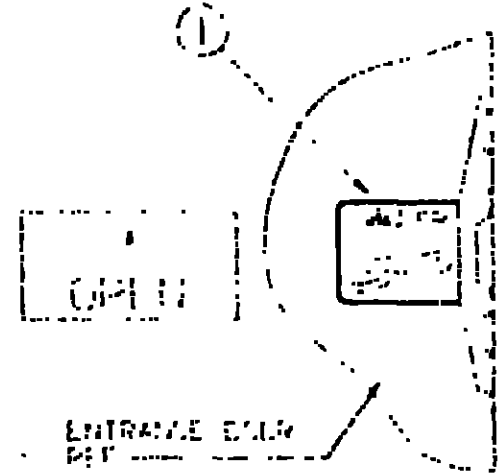
**1992 IF527RC INDEX**

FLOOR PLAN	E 01 - E 02
ACCESSORIES	E 03
AUDIO VIDEO	F 01
BATH	E 05 - E 06
BEDROOM	E 07 - E 08
CHASSIS	E 09 - E 13
CURTAIN & CUSHION	E 14 - E 22
INETTE	E 23 - E 24
DRIVERS	F 01 - F 02
ELECTRICAL	F 03 - F 06
EXTERIOR BODY	F 07 - F 14
GALLEY	F 15 - F 19
GENERATOR	F 20
HEATING & A/C	F 21 - F 22
INTERIOR FINISH	F 23 - G 02
LABEL	G 03 - G 09
LP	G 10
LOUNGE	G 11 - G 12
SEALANTS & FASTENERS	G 13 - G 15
WATER & SEWAGE	G 16 - G 20
WINDOW VENT AND EXTERIOR DOOR	G 21 - H 15

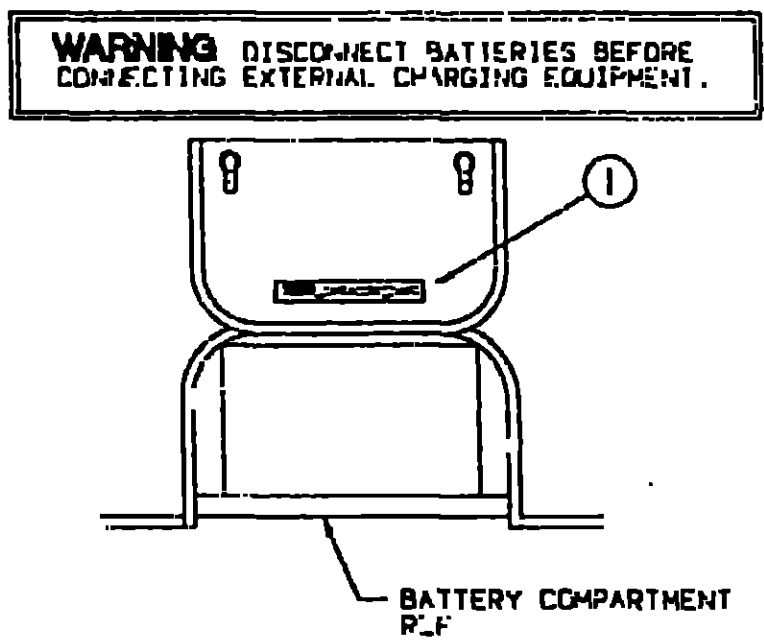
**LABEL GROUP (CONTINUED)**



KEY	PART NUMBER	U/M DESCRIPTION
1	065187 01 000	EA LABEL SEWAGE
2	065188 01 000	EA LABEL WASTE WATER

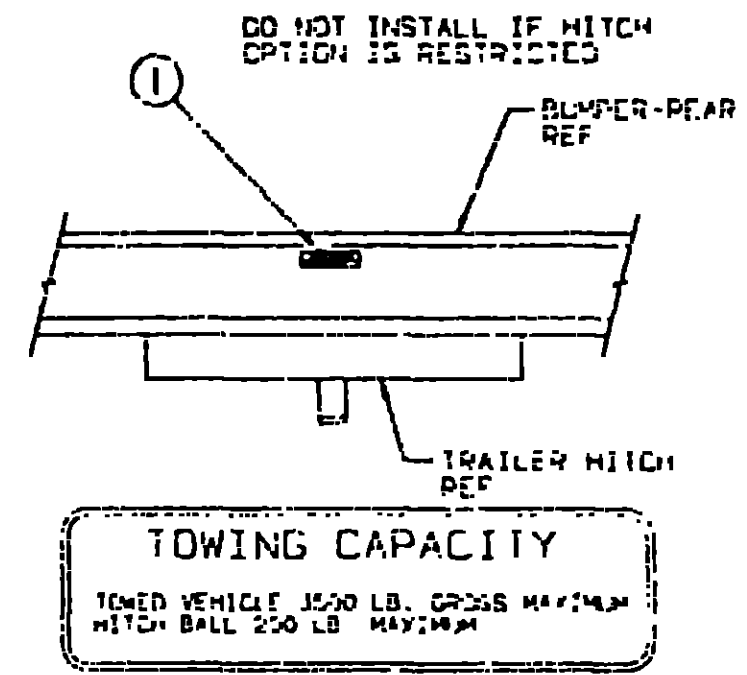


KEY	PART NUMBER	U/M DESCRIPTION
1	040344 01 000	EA LABEL ENTRANCE DOOR OPEN

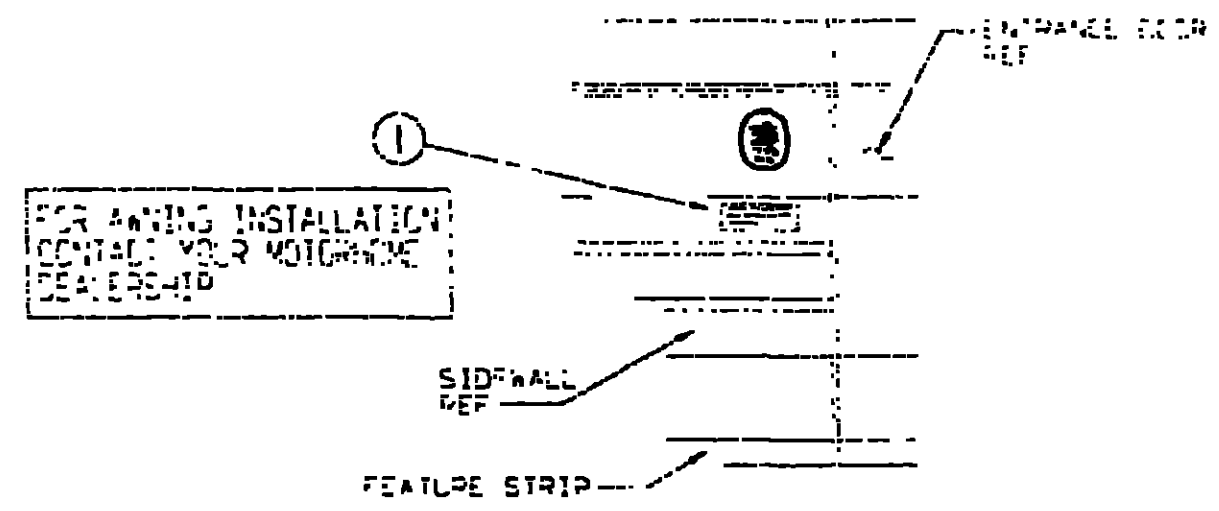
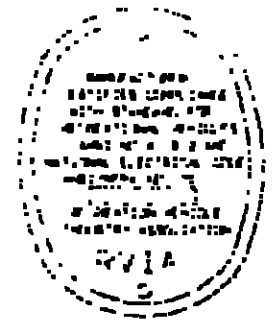


KEY	PART NUMBER	U/M DESCRIPTION
1	065748 01 000	EA LABEL CAUTION BATTERY CHARGING

**LABEL GROUP (CONTINUED)**



KEY	PART NUMBER	U/M DESCRIPTION
1	065187 01 000	EA LABEL TOWING CAPACITY



KEY	PART NUMBER	U/M DESCRIPTION
1	039509 01 000	EA LABEL AWNING INSTALLATION

**1992 ITASCA TABLE OF CONTENTS**

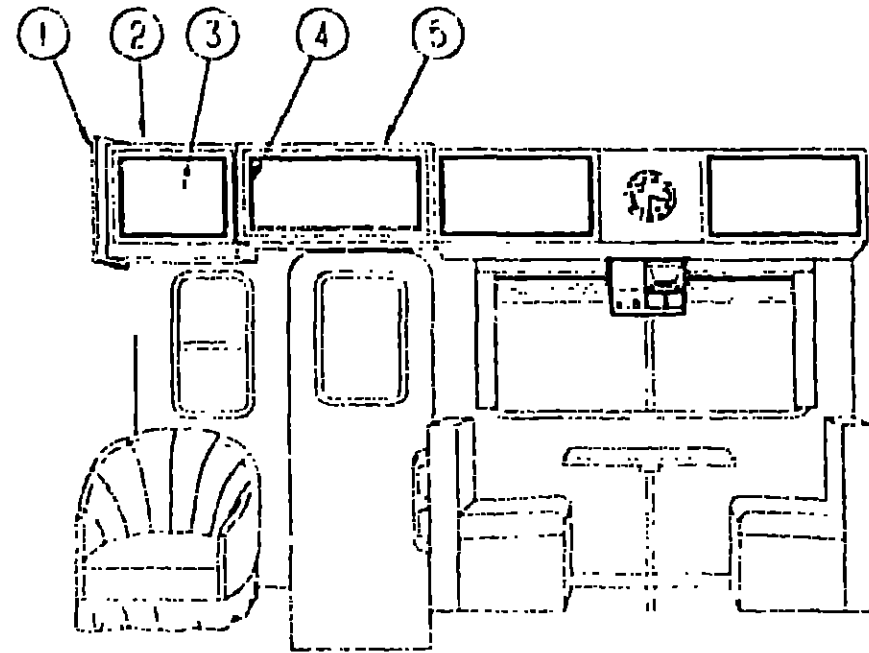
INTRODUCTION	A-1	A-2
ABBREVIATIONS	A-3	A-3
ALPHABETICAL INDEX	A-4	A-5
INDEX	A-6	A-7
INDEX	A-8	A-9

**1992 IF527RC INDEX**

FLOOR PLAN	E-1	E-2
ACCESSORIES	E-3	E-4
AUXILIARY	E-5	E-6
BATH	E-7	E-8
BEDROOM	E-9	E-10
CHASSIS	E-11	E-12
CURTAIN & CUSHION	F-13	F-14
DIETTE	F-15	F-16
DRIVERS	F-17	F-18
ELECTRICAL	F-19	F-20
EXTERIOR BODY	F-21	F-22
GALLEY	F-23	F-24
GENERATOR	F-25	F-26
HEATING & A/C	F-27	F-28
INTERIOR FINISH	F-29	F-30
LABEL	G-01	G-02
LP	G-03	G-04
LOUNGE	G-05	G-06
SEALANTS & FASTENERS	G-07	G-08
WATER & SEWAGE	G-09	G-10
WINDOW VENT AND EXTERIOR DOOR	G-11	H-12



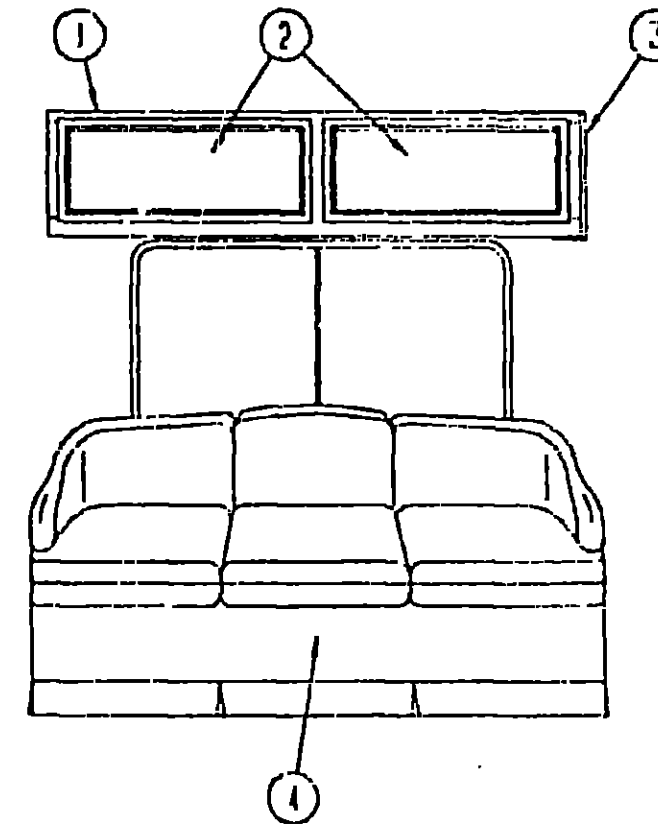
## LOUNGE GROUP



### OVERHEAD CABINETS

KEY	PART NUMBER	U/M	DESCRIPTION
1	104335-07-C43	EA	END CAP CABINET OVERHEAD
1	104335-16-C43	EA	END CAP CABINET OVERHEAD (TV OPTION)
2	M05678-01-C43	EA	CABINET OVERHEAD W/O DOOR & HARDWARE - FRONT - RIGHT
2	M05678-02-C43	EA	CABINET OVERHEAD W/O DOOR & HARDWARE (TV OPTION)
	106452-11-C43	EA	SHelf ASM
	061604-01-000	EA	SLIDE-BOLT ANTIQUE BRASS
	101910-03-000	EA	SLIDE DRAWER CABINET MOUNTED - SET OF 2 - 12" LONG
	101910-04-000	EA	SLIDE DRAWER DRAWER MOUNTED - SET OF 2 - 12" LONG
3	P03702-01-C25	EA	DOOR CABINET W/O HARDWARE - 400 X 520MM
4	104335-06-C13	EA	END CAP CABINET OVERHEAD
4	104335-17-C43	EA	END CAP CABINET OVERHEAD (TV OPTION)
5	P05254-01-C43	EA	CABINET OVERHEAD ENTRANCE DOOR
	105647-04-C25	EA	HOLDER-KEY RING
	103130-01-000	EA	HOCK KEY RING, BRASS - 1 25"

## LOUNGE GROUP (CONTINUED)



### CABINETS & TABLE

KEY	PART NUMBER	U/M	DESCRIPTION
1	M05678-18-C43	EA	CABINET OVERHEAD W/O DOOR & HARDWARE
1	M05678-19-C44	EA	CABINET OVERHEAD W/O DOOR & HARDWARE
2	P03702-F3-C43	EA	DOOR CABINET W/O HARDWARE - 400 X 710MM
3	104335-05-C43	EA	END CAP CABINET OVERHEAD
4	P05793-01-C44	EA	CABINET COUCH W/FABRIC
4	P05793-01-C44	EA	CABINET COUCH W/FABRIC
	103513-12-B05	EA	SUPPORT ASM-COUCH
	082525-02-000	EA	BRACE COUCH, FLOOR MOUNT - ANGLE 3" LONG - METAL
	050101-01-002	EA	EXTR-CORNER KEY L-SHAPED - 192" - ALUMINUM
	003125-03-007	EA	BRACE COUCH, TAN

## 1992 ITASCA TABLE OF CONTENTS

INTRODUCTION	A-01 - A-02
ABBREVIATIONS	A-03
ALPHABETICAL INDEX	A-04 - A-05
IF527RC	A-07 - D-24
IF527AC	E-01 - H-16

## 1992 IF527RC INDEX

FLOOR PLAN	E-01 - E-02
ACCESSORIES	E-03
AUDIO VIDEO	E-04
BATH	E-05 - F-05
BEDROOM	E-07 - E-08
CHASSIS	E-09 - E-13
CURTAIN & CUSHION	F-14 - E-22
DINETTE	E-23 - E-24
DRIVERS	F-01 - F-02
ELECTRICAL	F-03 - F-06
EXTERIOR BODY	F-07 - F-14
GALLEY	F-15 - F-19
GENERATOR	F-20
HEATING & AC	F-21 - F-22
INTERIOR FINISH	F-23 - G-02
LABEL	G-03 - G-09
LP	G-10
LOUNGE	G-11 - G-12
SEALANTS & FASTENERS	G-13 - G-15
WATER & SEWAGE	G-16 - G-20
WINDOW, VENT AND EXTERIOR DOOR	G-21 - H-15

**SEALANTS & FASTENERS GROUP**

**ADHESIVE & FASTENERS**

KEY	PART NUMBER	U/M	DESCRIPTION
	034552-02-000	EA	SILICONE TUBE, 300 ML - CLEAR
	034552-05-000	EA	SILICONE TUBE, 300 ML - OFF WHITE
	053765-02-000	EA	BEDDING COMPOUND-TUBE, WHITE
	053765-05-000	EA	BEDDING COMPOUND-TUBE, CLEAR
	053765-08-000	EA	BEDDING COMPOUND-TUBE, GRAY - SCHNEE # 5722
	060042-01-000	FT	TAPE-ADHESIVE, 10MM X 1.5 - WIDE
	060640-01-000	FT	SEALER RIBBON, 1/4" DIAMETER - INCREMENTS OF 30"
	060640-02-000	FT	SEALER RIBBON, 1/2" X 1/8" - INCREMENTS OF 30" OR 60"
	060640-03-000	FT	SEALER RIBBON, 3/4" X 1/8" - INCREMENTS OF 30"
	060640-06-000	FT	SEALER RIBBON, 5/16" DIAMETER - INCREMENTS OF 25"
	060640-10-000	FT	SEALER RIBBON, 1/2" X 1/2" - INCREMENTS OF 30"
	060640-11-000	FT	SEALER-TAPE, 3/16" X 1/8" - BLACK - MANUS
	060640-12-000	FT	SEALER-TAPE, 1/4" X 1/8" - GRAY - MANUS
	060640-14-000	FT	SEALER-TAPE, 1/16" X 1" - GRAY - MANUS
	072089-01-000	EA	SEALANT URETHANE, BLACK - 1110 - ESSEX 5122
	075314-02-000	FT	TAPE, CARPET SEAM HEAL-BOND - 4" WIDE
	075322-01-000	FT	TAPE, FOAM, DOUBLE COATED ADHESIVE BACKED - 75" X 216"
	075322-02-000	FT	TAPE, FOAM, DOUBLE COATED ADHESIVE BACKED - 1" X 105"
	075322-03-000	FT	TAPE, FOAM, DOUBLE COATED ADHESIVE BACKED - 5" X 105"
	075322-04-000	FT	TAPE, FOAM, DOUBLE COATED - 625" X 1 5/8" X 105"
	075322-05-000	GL	PROMOTER ADHESIVE
	075322-06-000	FT	SEAL ADHESIVE BACKED FOAM, 1/8" THICK X 1 5/8" WIDE
	075322-07-000	EA	SEALER-BODY SEAM SEALER, 3M FLEXICLEAR
	075322-08-000	EA	SEALER-PUMPABLE, BLACK - GLO-BOND, 1110 - ESSEX

**BOLTS, NUTS & WASHERS**

KEY	PART NUMBER	U/M	DESCRIPTION
	030014-08-000	EA	BOLT-HEX, SER FLNGE - M8 X 080
	030012-05-10B	EA	BOLT-HEX, 5-16-18 X 1 - ZINC 5
	030012-06-3LE	EA	BOLT-HEX, 3-8-16X216 ZN5
	030012-07-24B	EA	BOLT-HEX, 7/16-14X150 ZN5 - MC-93
	030012-08-24B	EA	BOLT-HEX, 1-2-13 X 1 1/2 - ZN 5
	030012-10-24B	EA	BOLT-HEX, 5/8-11 X 1 1/2 ZN-5
	030013-07-48B	EA	BOLT-HEX, 7/16-20 X 3 - ZN 5
	030018-05-40A	EA	BOLT-ELEV, 5/16-18X216 PL
	030018-05-44B	EA	BOLT-ELEV, 3/8-16 X 3 ZN - GDE 5
	030026-04-10B	EA	BOLT-HEX, SER FLG - 1/4-20 X 5 B ZINC
	030026-05-12B	EA	BOLT-HEX, SER FLG, 5/16-18X3/4 - ZN
	030026-05-16B	EA	BOLT-HEX - SER FLG, 3/8 - 16 X 1
	030045-05-16B	EA	BOLT-LAG, 5/16-9 X 1 ZN
	030200-01-000	EA	BOLT BUMPER, ROND SQ NECK - W/SST CAP - 7-16 - 14 X 1 1/4
	031387-06-000	EA	BOLT CARRIAGE, W/O HOLE - 5/16-18 X 5 ZN
	030014-05-00B	EA	NUT-HEX, 5/16-18 - ZN 5
	030024-10-00B	EA	NUT-HEX, SER FLG - 10-32 ZN
	030039-04-00B	EA	NUT-HEX, SER FLG LK 1/4 - 20 ZN
	030039-05-00B	EA	NUT-HEX, SER FLG LK - 5/16 - 18 ZN
	030039-06-00B	EA	NUT-HEX, SER FLG LK - 3/8-16 ZN
	030039-08-00B	EA	NUT-HEX, SER FLG LK - 1/2-13 ZN
	030044-07-00B	EA	NUT-HEX, SER FLG LK - 7/16-20 ZN
	030013-11-00B	EA	WASHER-FLANG, 3/16" WIDE - ZN
	030013-14-00B	EA	WASHER-FL, 1/4" WIDE ZN
	030013-20-00B	EA	WASHER-FL, 7/16 WIDE ZN
	030013-21-00B	EA	WASHER-FL, W2 NAR ZN
	030014-10-00B	EA	WASHER-LK, NO. 10 EXT TOOTH - ZN
	041322-01-000	EA	WASHER-FL, 15/32 ID X 23.8 OD - FOR SEAT BELT MT
	044533-01-000	EA	WASHER-PLASTIC, 1 3/8" O.D. - FOR BUTTONS

**SEALANTS & FASTENERS GROUP (CONTINUED)**

**SCREWS**

KEY	PART NUMBER	U/M	DESCRIPTION
	087721-01-000	EA	SCREW-FLAT HEAD TAPPING - 1/4" X 1 1/4" LG ZN
	075909-01-000	EA	SCREW-MACHINE, 10-32 X 55 PTH - ZINC EXTERNAL TOOTH
	074045-01-000	EA	SCREW-8-18X1 1/2 PFH BRONZE REF G13-09-24B
	000G11-05-10J	EA	SCREW, 5-20 X 5/8 PPH - BRASS
	000G11-07-09B	EA	SCREW, 7-12 X 1/2 PPH - 7N
	000G11-08-06B	EA	SCREW, 8-18 X 3/8 PPH 7N
	000G11-08-08B	EA	SCREW, 8-18 X 1/2 PPH - ZN
	000G11-08-12B	EA	SCREW, 8-18 X 3/4 PPH ZN
	000G11-08-12D	EA	SCREW, 8-18 X 3/4 PPH - BLACK
	000G11-08-12E	EA	SCREW, 8-18X 75 PPH CHROME ES0025-1
	000G11-08-12F	EA	SCREW, 8-18 X 75 PPH - DARK BROWN
	000G11-08-12R	EA	SCREW, 8-18 X 3/4 PPH - BEIGE
	000G11-08-12S	EA	SCREW, 8-18 X 75 PPH - OFF WHITE
	000G11-08-12T	EA	SCREW, 8-18 X 3/4 PPH - BLACK
	000G11-08-16S	EA	SCREW, 8-18 X 1 1/2 PPH - OFF WHITE
	000G11-10-12H	EA	SCREW, 10-16 X 3/4 PPH - BEIGE
	000G11-10-12S	EA	SCREW, 10-16 X 75 PPH OFF WHT
	000G12-05-08T	EA	SCREW, 5-20 X 50 PPH - BLACK
	000G12-08-12H	EA	SCREW, 8-18 X 75 PPH - BEIGE
	000G12-08-12S	EA	SCREW, 8-18 X 75 PPH OFF WHITE
	000G13-05-08B	EA	SCREW, 5-20 X 1/2 PPH ZN
	000G13-05-08G	EA	SCREW, 5-20 X 50 PPH ANTIGUE BRASS
	000G13-05-16J	EA	SCREW, 5-20 X 1 00 PPH - BRASS
	000G13-07-12B	EA	SCREW, 7-16 X 3/4 PPH ZN
	000G13-08-16B	EA	SCREW, 8-18 X 1 PPH ZN
	000G13-10-12B	EA	SCREW, 10-16 X 3/4 PPH ZN
	000G18-08-16B	EA	SCREW-MACHINE, 8 X 32 X 1 PPH ZN
	000G18-08-22B	EA	SCREW-MACH, 8-32 X 1 3/8 PPH ZN
	000G32-10-06B	EA	SCREW, 10-32 X 3/8" - PPH - ZINC
	000G39-05-08B	EA	SCREW-DR, 6-18X1/2 ZN
	000G39-05-10T	EA	SCREW-SF/DR, 6-20 X 5/8 PPH - BLACK
	000G39-05-10T	EA	SCREW-SF/DR, 6-20 X 5/8 PPH - BLACK
	000G39-05-16T	EA	SCREW-SF/DR, 6-20 X 1 PPH - BLACK
	000G39-08-06B	EA	SCREW-SF/DR, 8-18 X 3/8 PPH ZN
	000G39-08-08B	EA	SCREW-SF/DR, 8-18 X 1/2 PPH ZN
	000G39-08-08E	EA	SCREW-SF/DR, 8-18 X 1/2 PPH - CHROME
	000G39-08-08R	EA	SCREW-SF/DR, 8-18 X 1/2 PPH - BEIGE
	000G39-08-08S	EA	SCREW-SF/DR, 8-18 X 1/2 PPH - OFF WHITE
	000G39-08-12B	EA	SCREW-SF/DR, 8-18 X 3/4 PPH ZN
	000G39-08-16B	EA	SCREW-SF/DR, 8-18 X 1 PPH ZN
	000G39-08-16S	EA	SCREW-SF/DR, 8-18 X 1 00 PPH, OFF WHITE
	000G39-09-24B	EA	SCREW-SF/DR, 8-18 X 1 1/2 PPH ZN
	000G39-10-12D	EA	SCREW-SF/DR, 10-16 X 3/4 PPH - BLACK
	000G39-10-12H	EA	SCREW-SF/DR, 10-16 X 3/4 PPH - BEIGE
	000G39-10-20B	EA	SCREW-SF/DR, 10-16 X 1 1/4 PPH ZN
	000G39-12-12E	EA	SCREW-SF/DR, 12 - 14 X 3/4 PPH - CHROME
	000G42-04-12B	EA	SCREW-SF/DR, 1/4-14X3/4RWH ZN
	000G42-04-16B	EA	SCREW-SF/DR, 1/4-14 X 1 RWH - ZN
	000G50-04-12B	EA	SCREW-MACH, 1/4-20 X 3/4 PPH ZN
	000G53-04-06B	EA	SCREW-MACHINE, 1/4-20 X 3/8 PPH ZN - UNDERCUT HEAD
	000G54-04-20B	EA	SCREW, 1/4-20 X 1 1/4 PTH - TYPE 23 - ZINC PLATED
	000G55-12-45D	EA	SCREW-WOOD, 12 - 11 X 3 PPH - SPECIAL HARDENED
	000G60-10-28T	EA	SCREW-SF/DR, 10-16 X 1 75 - BLACK
	000G67-10-08B	EA	SCREW, 10-12 X 1/2 PPH ZN
	000G67-10-08R	EA	SCREW, 10-12 X 1/2 PPH - BEIGE - TYPE A
	000G67-10-10B	EA	SCREW, 10-12 X 5/8 PPH ZN - TYPE A
	000G67-10-10D	EA	SCREW, 10-12 X 5/8 PPH - BLACK - TYPE A
	000G67-10-10R	EA	SCREW, 10-12 X 5/8 PPH - TYPE A - BEIGE

**1992 ITASCA TABLE OF CONTENTS**

INTRODUCTION	A-01	A-02
ABBREVIATIONS		A-03
ALPHABETICAL INDEX	A-04	A-06
IF527RC	A-07	D-24
IF527RC	E-01	H-16

**1992 IF527RC INDEX**

FLOOR PLAN	E-01	E-02
ACCESSORIES		E-03
AUDIO VIDEO		E-04
BATH	E-05	E-06
BEDROOM	E-07	E-08
CHASSIS	E-09	E-13
CURTAIN & CUSHION	L-14	E-22
DINETTE	E-23	E-24
DRIVERS	F-01	F-02
ELECTRICAL	F-03	F-05
EXTERIOR BODY	F-07	F-14
GALLEY	F-15	F-19
GENERATOR		F-20
HEATING & A/C	F-21	F-22
INTERIOR FINISH	F-23	G-02
LABEL	G-03	G-09
LP		G-10
LOUNGE	G-11	G-12
SEALANTS & FASTENERS	G-13	G-15
WATER & SEWAGE	G-16	G-20
WINDOW, VENT AND EXTERIOR DOOR	G-21	H-15





**WATER & SEWAGE GROUP (CONTINUED)**

**WATER HEATER W/O MOTOR AID**

KEY	PART NUMBER	U/M	DESCRIPTION
	05190100100	EA	HEATER WATER WHEELER CONNECTION ATWOOD 051000
	05190101700	EA	VALVE KIT W/OBJ ATWOOD # 051000 3 051000
	05190101701	EA	VALVE HEATER 1/2" FITTING ATWOOD # 051000
	05190101702	EA	FASTENER SCREW 1/2" ATWOOD # 051000
	05190101703	EA	SHIELD EXHAUST ATWOOD # 051000
	05190101704	EA	BURNER MANIFOLD ATWOOD # 051000
	05190101705	EA	CONTROL VALVE ASSEMBLY ATWOOD # 051000
	05190101706	EA	DRAIN PLUG ATWOOD # 051000
	05190101707	EA	TANK INSULATION FRONT ATWOOD # 051000
	05190101708	EA	THERMOSTAT FRONT MOUNT - 120V 1/2" ATWOOD # 051000
	05190101709	EA	TANK INNER SHEATH MOUNT ATWOOD # 051000
	05190101710	EA	SWITCH ENERGY CUT OFF ATWOOD # 051000
	05190101711	EA	THERMOSTAT REAR MOUNT ATWOOD # 051000
	05190101712	EA	CONTROL BOARD W/BLACK BOX ATWOOD # 051000
	05190101713	EA	CARRIER HOUSING ATWOOD # 051000
	05190101714	EA	VALVE DUAL ELEMENT ATWOOD # 051000
	05190101715	EA	ELECTRICAL MOUNT MOUNT MOUNT MOUNT ATWOOD # 051000
	05190101716	EA	TANK INNER SHEATH MOUNT ATWOOD # 051000
	05190101717	EA	SWITCH WATER HEATER ATWOOD # 051000

**WATER HEATER W MOTOR AID & REAR HEATER**

KEY	PART NUMBER	U/M	DESCRIPTION
	05190101718	EA	HEATER WATER W/MOTOR AID ATWOOD # 051000
	05190101719	EA	VALVE KIT W/OBJ ATWOOD # 051000 3 051000
	05190101720	EA	VALVE HEATER 1/2" FITTING ATWOOD # 051000
	05190101721	EA	FASTENER SCREW 1/2" ATWOOD # 051000
	05190101722	EA	SHIELD EXHAUST ATWOOD # 051000
	05190101723	EA	BURNER MANIFOLD ATWOOD # 051000
	05190101724	EA	CONTROL VALVE ASSEMBLY ATWOOD # 051000
	05190101725	EA	DRAIN PLUG ATWOOD # 051000
	05190101726	EA	THERMOSTAT FRONT MOUNT - 120V 1/2" ATWOOD # 051000
	05190101727	EA	TANK INNER SHEATH MOUNT ATWOOD # 051000
	05190101728	EA	SWITCH ENERGY CUT OFF ATWOOD # 051000
	05190101729	EA	THERMOSTAT REAR MOUNT ATWOOD # 051000
	05190101730	EA	CONTROL BOARD W/BLACK BOX ATWOOD # 051000
	05190101731	EA	CARRIER HOUSING ATWOOD # 051000
	05190101732	EA	TANK INNER SHEATH MOUNT ATWOOD # 051000
	05190101733	EA	SPARK ARRESTOR ATWOOD # 051000
	05190101734	EA	VALVE DUAL ELEMENT ATWOOD # 051000
	05190101735	EA	ELECTRICAL MOUNT MOUNT MOUNT MOUNT ATWOOD # 051000

**WATER & SEWAGE GROUP (CONTINUED)**

**WATER PUMP**

KEY	PART NUMBER	U/M	DESCRIPTION
	05190101736	EA	PUMP WATER W/ MOTOR PUMP ASSEMBLY 2 1/2 GPM 1/2"
	05190101737	EA	PUMP HEAD REPLACEMENT
	05190101738	EA	DRIVE ASSEMBLY
	05190101739	E	DIAPHRAGM KIT
	05190101740	EA	VALVE ASSEMBLY
	05190101741	EA	HOUSING COVER
	05190101742	EA	CHECK VALVE KIT
	05190101743	EA	CHECK VALVE KIT
	05190101744	EA	MOTOR BASE LATE REPLACEMENT

**1992 ITASCA  
TABLE OF CONTENTS**

INTRODUCTION	A 01 - A 02
ABBREVIATIONS	A 03
ALPHABETICAL INDEX	A 04 - A 05
APPENDIX	A 07 - D 24
INDEX	E 01 - H 15

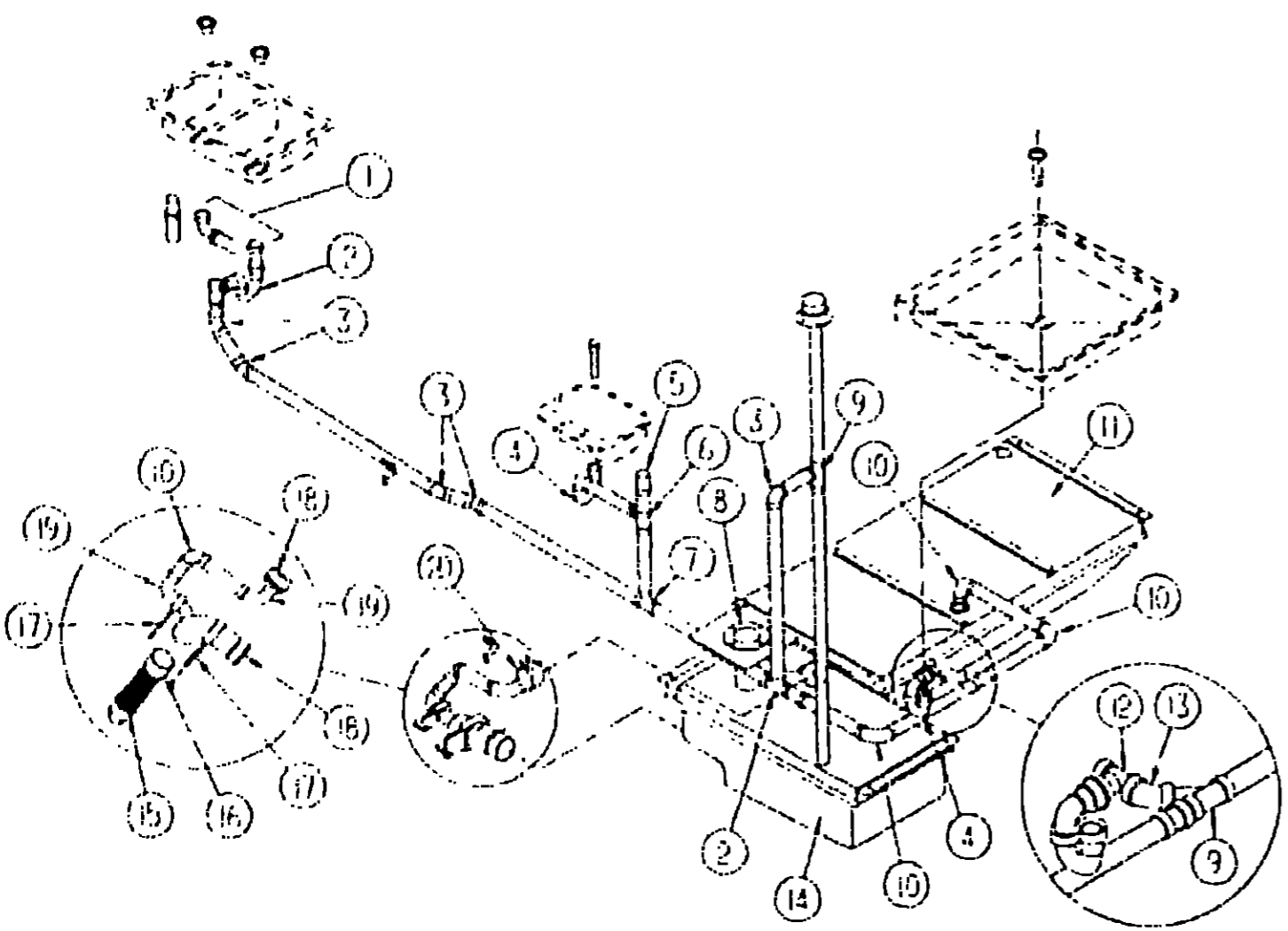
**1992 IF527RC INDEX**

FLOOR PLAN	E 01 - E 02
ACCESSORIES	E 03
AUDIO VIDEO	E 04
BATH	E 05 - E 06
BEDROOM	E 07 - E 08
CHASSIS	E 09 - E 10
CURTAINS & CUSHION	E 11 - E 22
DIAPHRAGM	E 23 - E 24
DRIVERS	F 01 - F 02
ELECTRICAL	F 03 - F 06
EXTERIOR BODY	F 07 - F 14
GALLERY	F 15 - F 19
GENERATOR	F 20
HEATING & A/C	F 21 - F 22
INTERIOR FINISH	F 23 - G 02
LABEL	G 03 - G 09
LP	G 10
LOUNGE	G 11 - G 12
SEALANTS & FASTENERS	G 13 - G 15
WATER & SEWAGE	G 16 - G 20
WINDOW VENT AND EXTERIOR DOOR	G 21 - H 15

# WATER & SEWAGE GROUP (CONTINUED)

## DRAINAGE SYSTEM

## 1992 ITASCA TABLE OF CONTENTS



KEY	PART NUMBER	U/M	DESCRIPTION
1	011001-02-000	EA	PIPE DRAIN W SEALS - DOUBLE SINK - EXTENDS 9' TO 15'
2	011071-01-000	EA	P-TRAP-1 1/2" - PLASTIC (CSA)
3	010101-01-000	EA	BUSHING REDUCER 1 1/2" SMOOTH X 1 1/4" (B) PLASTIC - BLACK (CSA)
4	007101-02-000	EA	ELBOW PLASTIC 1 1/4" SEND VENT 1 1/2" HUB (CSA)
5	051100-01-000	EA	ADAPTER ASM-STRAINER 1 1/2" ABS (CSA)
6	010101-01-000	EA	P-TRAP 1 1/2" TRAP X 1 1/4" SOCKET - PLASTIC (US)
			FROM 00-00-00 THRU 02-16-92
7	003001-01-000	EA	P-TRAP-1 1/4" HUB X HUB W UNION (CSA)
			FROM 00-00-00 THRU 02-16-92
8	100101-01-000	EA	P-TRAP ADAPTER 1 1/4" SLP (US)
			FROM 02-17-92 THRU 09-09-99
9	100101-01-000	EA	P-TRAP PLASTIC 1 1/4" W EXT ARM (US)
			FROM 02-17-92 THRU 09-09-99
10	011071-01-000	EA	P-TRAP-1 1/2" - PLASTIC (CSA)
			FROM 02-17-92 THRU 09-09-99
11	010101-01-000	EA	ELBOW 45 DEG 1 1/2" BEND - 1 1/2" HUB X HUB - BLACK PLASTIC
12	010101-01-000	EA	P-TRAP 1 1/2" TRAP X 1 1/4" SOCKET - PLASTIC (US)
			FROM 00-00-00 THRU 02-16-92
13	100101-01-000	EA	P-TRAP ADAPTER 1 1/4" SLP (US)
			FROM 00-17-92 THRU 09-09-99
14	100101-01-000	EA	P-TRAP PLASTIC 1 1/4" W EXT ARM (US)
			FROM 02-17-92 THRU 09-09-99
15	011071-01-000	EA	P-TRAP 1 1/2" HUB X HUB W UNION - ABS (CSA)
16	010101-01-000	EA	VALVE-MECH TRAP ARM ANTIS-PHON 2" DIA X 7 1/2" - PLASTIC
17	010101-01-000	EA	TEE-SANITARY 1 1/2" X 1 1/2" X 1 1/4" - PLASTIC - BLACK
18	010101-01-000	EA	TEE-SANITARY 1 1/2" HUB X HUB X HUB - PLASTIC - BLACK
19	010101-01-000	EA	SHOWELT-HOLDING TANK 3" NPS
20	010101-01-000	EA	WYE 45 DEGREE 1 1/2" HUB X HUB X HUB - PLASTIC - BLACK
21	010101-01-000	EA	ELBOW 90 DEG 1 1/2" BEND - 1 1/2" HUB X HUB - BLACK PLASTIC
22	010101-01-000	EA	SHOWELT-HOLDING TANK 1 1/2" NPS
23	100101-01-000	EA	TANK HOLDING 42 GALLON - 37 1/2" X 34 1/2" X 23"
24	010101-01-000	EA	TEE-SANITARY 1 1/2" X 1 1/2" X 1 1/4" - PLASTIC - BLACK
25	010101-01-000	EA	BUSHING 3/4" X 1 1/2" HUB - PLASTIC
26	010101-01-000	EA	ELBOW 45 DEG BEND 1 1/2" SPIGOT AND HUB - PLASTIC - BLACK
27	100101-01-000	EA	TANK HOLDING 32 GALLON
28	010101-01-000	EA	HOSE-SEWER 3" ID X 6'
29	002410-01-000	EA	ADAPTER-SEWER HOSE TO 3" PIPE
30	010101-01-000	EA	VALVE-DUAL DUMP W CAP - 3" X 1 1/2" - PLASTIC - BLACK
			EA VALVE ONLY 3"
			EA VALVE ONLY 1 1/2"
31	010101-01-000	EA	COUPLER RUBBER W CLAMPS - 3" X 3"
32	100101-01-000	EA	ELBOW-TURN 1 1/4 BEND X 1 5" HUB X 1 5" SPIGOT - BLK PLASTIC
33	002422-01-000	EA	ADAPTER-OFFSET REDUCER 3" X 1 1/2" - PLASTIC - BLACK
34	002430-01-000	EA	ELBOW 90 DEGREE LONG TURN - 1 1/2" HUB X HUB - ABS
			EA ELBOW 45 DEGREE STREET - 1 1/2 BEND - 3" S X H - PLASTIC

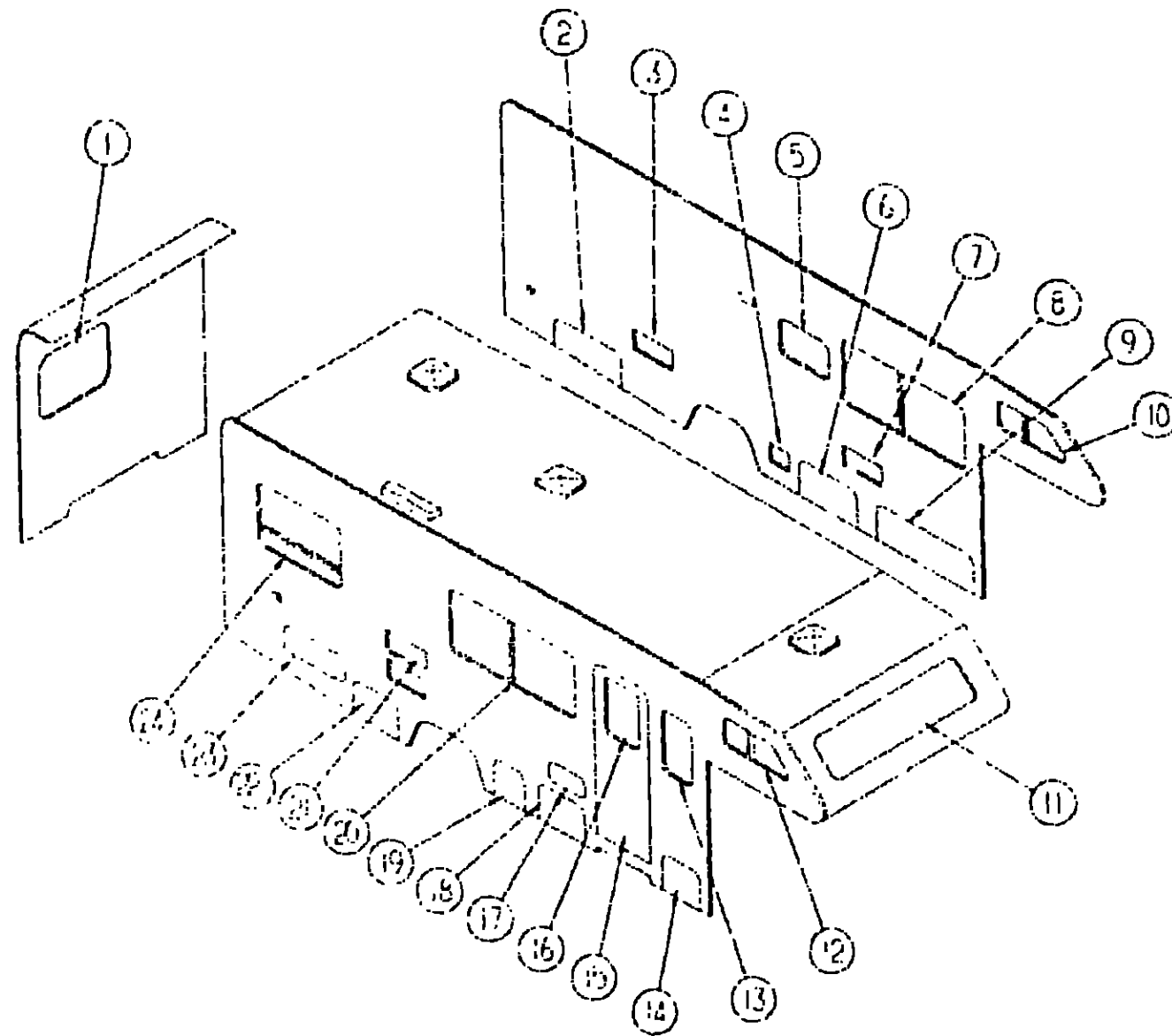
INTRODUCTION	A-01 - A-02
ABBREVIATIONS	A-03
ALPHABETICAL INDEX	A-04 - A-06
IF527RC	A-07 - D-24
IF527RC	E-01 - H-15

## 1992 IF527RC INDEX

FLOOR PLAN	E-01 - E-02
ACCESSORIES	E-03
ADDI VIDEO	E-04
BATH	E-05 - E-06
BEDROOM	E-07 - E-08
CHASSIS	E-09 - E-13
CURTAIN & CUSHION	E-14 - E-22
DINETTE	E-23 - E-24
DRIVERS	F-01 - F-02
ELECTRICAL	F-03 - F-06
EXTERIOR BODY	F-07 - F-14
GALLEY	F-15 - F-19
GENERATOR	F-20
HEATING & A/C	F-21 - F-22
INTERIOR FINISH	F-23 - G-02
LABEL	G-03 - G-09
LP	G-10
LOUNGE	G-11 - G-12
SEALANTS & FASTENERS	G-13 - G-15
WATER & SEWAGE	G-16 - G-20
WINDOW VENT AND EXTERIOR DOOR	G-21 - H-15

# WINDOW, VENT & EXTERIOR DOOR GROUP

## WINDOWS & DOORS



## 1992 ITASCA TABLE OF CONTENTS

INTRODUCTION	A-01	A-02
ABBREVIATIONS		A-03
ALPHABETICAL INDEX	A-04	A-05
IF527RQ	A-07	D-24
IF527RC	E-01	H-16

## 1992 IF527RC INDEX

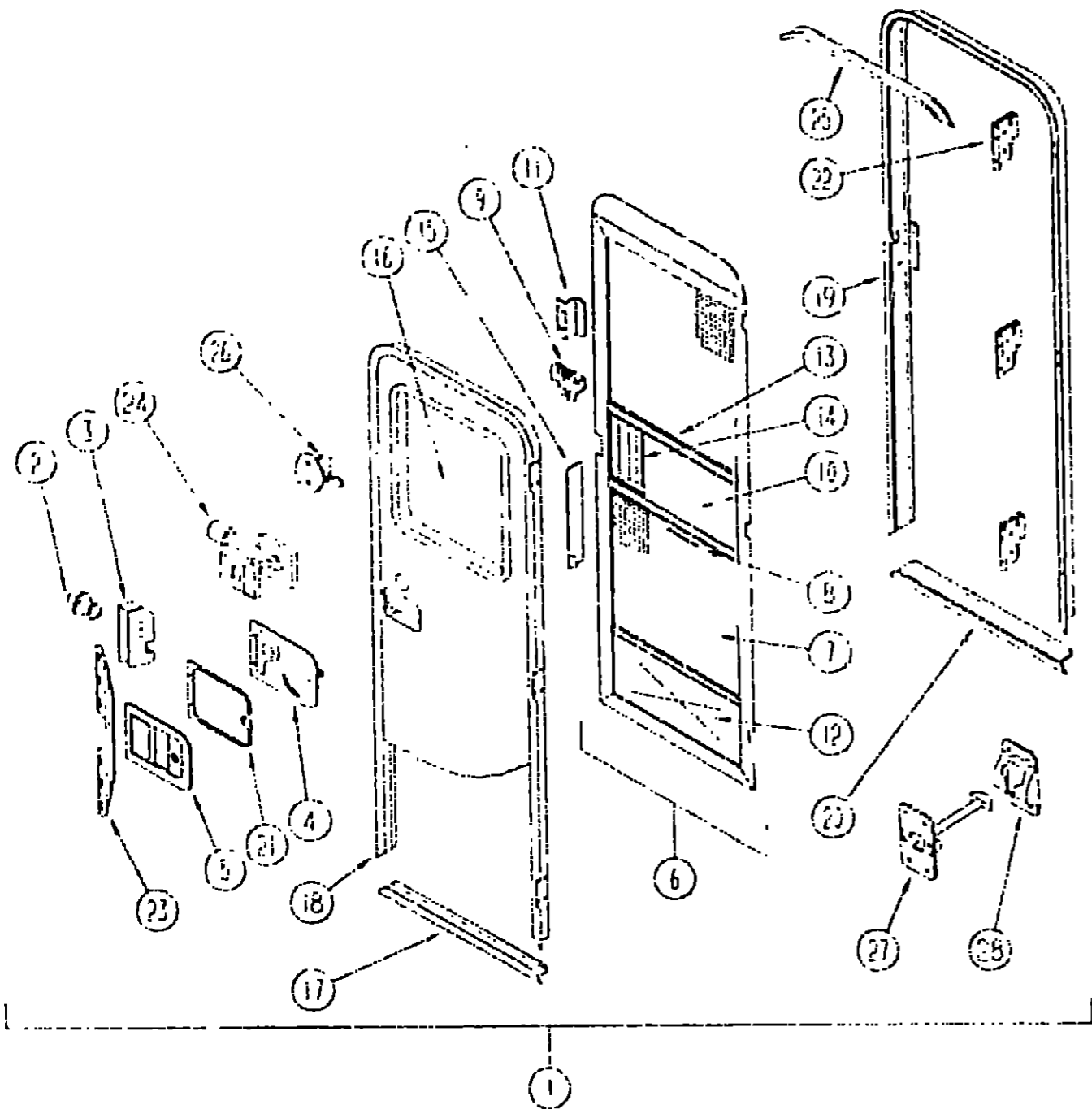
FLOOR FLAN	E-01	E-02
ACCESSORIES		E-03
AUDIO VIDEO		E-04
BATH	E-05	E-05
BEDROOM	E-07	E-08
CHASSIS	E-09	E-13
CURTAIN & CL. SHH.	E-14	E-22
DINETTE	F-23	F-24
DRIVERS	F-01	F-02
ELECTRICAL	F-03	F-06
EXTERIOR BODY	F-07	F-14
GALLEY	F-15	F-19
GENERATOR		F-20
HEATING & A/C	F-21	F-22
INTERIOR FINISH	F-23	G-02
LABEL	G-03	G-09
LP		G-10
LOUNGE	G-11	G-12
SEALANTS & FASTENERS		G-13 - G-15
WATER & SEWAGE	G-16	G-20
WINDOW, VENT AND EXTERIOR DOOR	G-21	H-15

KEY	PART NUMBER	U/M	DESCRIPTION
1	078529-04-C05	EA	WINDOW ESCAPE - W/O INSIDE FRAME
2	105175-05-C52	EA	DOOR COMPARTMENT LOWER - REAR
3	105118-02-C35	EA	DOOR COMPARTMENT EXTERIOR SHOWER
4	058754-01-000	EA	DOOR POWER CORD W/HATCH - OFF WHITE
5	092235-11-Y12	EA	WINDOW-TIPOUT SINGLE - W/O INSIDE FRAME
6	105174-05-C52	EA	DOOR COMPARTMENT LOWER - FRONT
7	052009-01-000	EA	DOOR-WATER HEATER - OFF WHITE - ATWOOD 5575-27
8	058647-10-02A	EA	WINDOW-SLIDER HORIZONTAL - W/INSIDE TRIM - BLACK
9	105174-03-C03	EA	DOOR COMPARTMENT LOWER - FRONT
10	100322-02-700	EA	WINDOW-VENTED 12" X 35 8" - W/O INSIDE FRAME - EXCEL CH19-DK L
11	103313-01-605	EA	WINDOW-PICTURE W/O INSIDE FRAME
12	100322-01-720	EA	WINDOW-VENTED 12" X 35 8" - W/O INSIDE FRAME - EXCEL CH19-DK R
13	058644-05-01A	EA	WINDOW-SLIDER RAISED - W/INSIDE FRAME - EXCEL H250-PH

KEY	PART NUMBER	U/M	DESCRIPTION
14	105174-01-C03	EA	DOOR COMPARTMENT LOWER - FRONT
15	M01870-63-C52	EA	DOOR-ENTRY, W/WINDOW SCREEN & JAMB - OFF WHITE
16	079733-04-T03	EA	WINDOW-ENTRY DOOR 17" X 25" - W/O INSIDE FRAME
17	105118-01-C05	EA	DOOR COMPARTMENT EXTERIOR ENTERTAINMENT
18	105174-02-C03	EA	DOOR COMPARTMENT LOWER - FRONT
19	105174-04-C03	EA	DOOR COMPARTMENT LOWER - FRONT
20	058647-05-C2A	EA	WINDOW-SLIDER HORIZONTAL - W/INSIDE TRIM - BLACK
21	084103-03-000	EA	DOOR-VENT-REFRIGERATOR - OFF WHITE
	084104-03-000	EA	JAMB-DOOR-REFRIGERATOR-OFF WHITE
	084104-01-700	EA	LOCK MALE - FASTENER - REFRIGERATOR DOOR
	084104-01-701	EA	LOCK-FEMALE - FASTENER - REFRIGERATOR DOOR
22	105175-05-C52	EA	DOOR COMPARTMENT LOWER - REAR
23	079578-07-X08	EA	DOOR COMPARTMENT, 27" X 12" - OFF WHITE
24	092235-12-Y12	EA	WINDOW-TIPOUT SINGLE - W/O INSIDE FRAME
	081240-03-000	EA	DOOR-WATER FILL-LOCKABLE-4" X 4" 8" - OFF WHITE
	078010-03-000	EA	DOOR-FUEL FILL W/JAMB - OFF WHITE
	077953-01-000	EA	GASKET-DOOR, FUEL FILL - 10 1" X 8" - W/PSA

# WINDOW, VENT & EXTERIOR DOOR GROUP (CONTINUED)

## ENTRY DOOR



KEY	PART NUMBER	U/M DESCRIPTION
5	045017-11-000	EA LATCH-ENTRY DOOR MECHANISM W/LOCK & KEY - BLACK
	045017-11-701	EA KEY BLANK
	055025-02-000	EA CLIP-ROLLER LATCH CATCH, SCREEN DOOR
	053729-04-000	EA RIVNUT 10-32 UNF - 010-050
	072693-01-000	EA NUTSERT-M5 X 0.8
	075571-04-000	FT SEAL-SPONGE LAZY T SHAPE - W/ADHESIVE STRIPE - 5' WIDE
6	075012-01-U01	EA DOOR-SCREEN
7	002293-02-000	SF SCREENING-WINDOW DOOR 26" - CHARCOAL
8	002294-01-000	FT SPLINE-SCREENING 125" X 138" BLACK
	002748-01-000	EA CORNER KEY-DOOR
9	109403-01-000	EA CATCH-ASIA-SINGLE ROLLER
10	015454-01-000	EA INSERT-CENTER LEATHER GRAIN ALUMINUM - UNPAINTED
10	001014-01-013	EA INSERT-CENTER 10 25" X 16 31" - UNPAINTED
11	050712-04-000	EA HANDLE-SCREEN DOOR, ALUMINUM - OFF WHITE
11	050712-05-000	EA HANDLE-SCREEN DOOR UNPAINTED
12	078552-03-000	EA KICK PANEL-SCREEN DOOR LOWER INSERT - UNPAINTED
	078555-01-000	EA TOP PLATE SCREEN DOOR CURVED TOP - 4 7" X 25 30"
12	076777-01-000	EA CHANNEL SLIDE SCREEN DOOR CENTER SLIDER COVER
14	079090-02-000	EA SLIDER-SCREEN DOOR OFF WHITE
15	079087-02-000	EA STRIKE SLIDER W/UPPER ELBOW CATCH - 1 9" X 8 6" - OFF WHITE
	005016-01-000	EA CATCH-ELBOW, SPRING LOADED SCREEN DOOR CATCH
16	079739-04-100	EA WINDOW PICTURE W/O RISER FRAME - 17" X 25"
	081514-51-000	EA BUMPER RUBBER ROUND - 43" DIAMETER - BLACK
17	059746-01-000	EA FRAME BOTTOM ENTRY DOOR - 24 8" LONG - OFF WHITE
	059340-01-000	FT SEAL-FOAM CLOSED CELL - 1 4" X 1 2" X 50'
18	059276-01-01A	EA FRAME-ENTRY DOOR W/O BOTTOM - OFF WHITE
19	059277-02-01A	EA JAMB-ENTRY DOOR, W/BOTTOM 25 9" X 74 5" - OFF WHITE
20	051035-01-000	EA JAMB-BOTTOM ENTRY DOOR - 25 9" - UNPAINTED
	079097-01-000	EA STRIKER-ROLLER CATCH WELDED TO DOOR JAMB - 4" X 1 15"
	059276-01-01A	EA JAMB DOOR ENTRANCE - 25 9" X 74 6" - UNPAINTED
21	059810-01-01A	EA PLATE-LATCH ENTRY DOOR - PLASTIC - BLACK
22	037724-01-04A	EA HINGE-ENTRY DOOR UNPAINTED
23	008173-01-04A	EA STIFFENER-ENTRY DOOR SUPPORTS LATCH/STRIKE AREA - UNPAINTED
	100129-02-000	FT SEAL-FILE ADHESIVE BACK - SCREEN DOOR - GRAY
24	101145-01-01A	EA DEADBOLT-ENTRY DOOR W/2 KEYS W/O BACK SET BOLT OR SCREWS
	035229-01-700	EA KEY BLANK FOR DEADBOLT
	101147-01-000	EA BOLT-SECURITY 4 12" BACKSET
	102524-01-000	EA BUMPER-RUBBER FLAT - BLACK
25	044552-02-000	EA CAP-DRIP ENTRY DOOR - JAMB MOUNTED - ALUMINUM - OFF WHITE
	054075-07-000	FT SEAL-BULB W/WIRED U CHANNEL - 3" X 5" CHANNEL - BLACK
	075536-12-000	EA GARNISH-RADIUS ENT DOOR CAV 192 W/IF427RO
	077461-03-000	EA COVER-STRIKE ENTRY DOOR - 3 5" X 2 5" - PLASTIC - WHITE
	050340-01-000	FT SEAL-FOAM CLOSED CELL - 1 4" X 1 2" X 50'
	058206-03-000	EA PLUG-TAPEDED PLASTIC - RED
26	100412-01-000	EA CATCH-SCREEN DOOR THUMB CLIP W/BLACK PLASTIC CAP
	104592-01-000	FT SEAL-ADHESIVE BACK, 3/4" X 3/4"
27	104099-01-01A	EA CATCH-DOOR HOLDER, STRIKE
28	104099-02-01A	EA CATCH-DOOR HOLDER, RETAINER

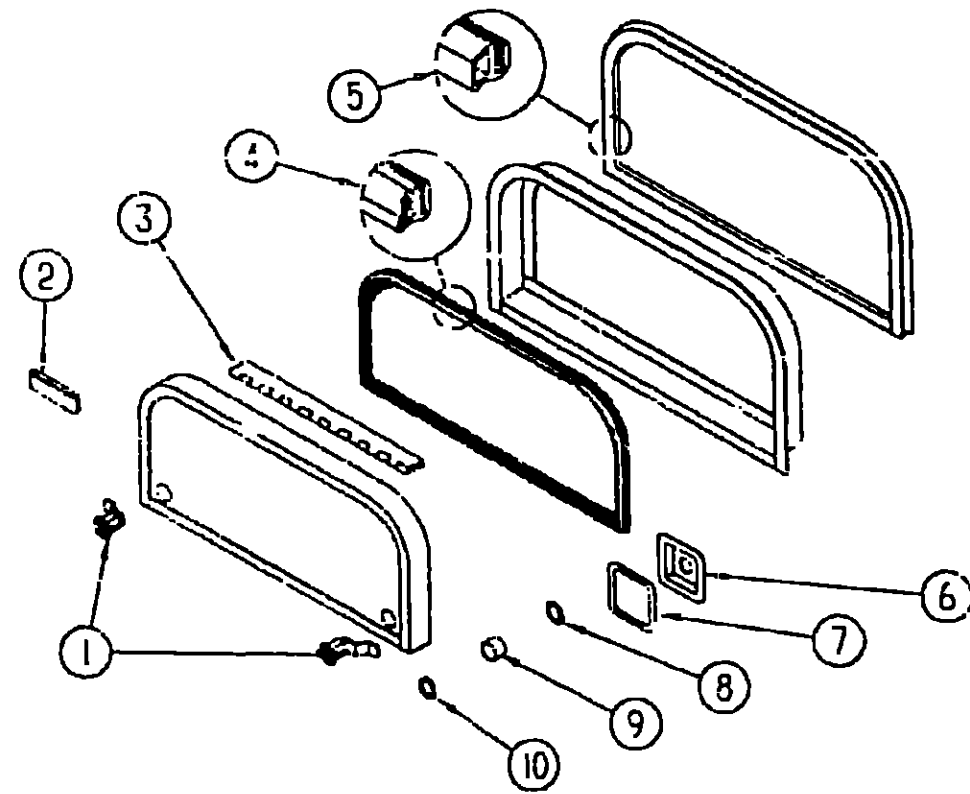
KEY	PART NUMBER	U/M DESCRIPTION
1	MC01670-63-C52	EA DOOR-ENTRY W/SCREEN DOOR & JAMB
2	035539-01-000	EA STRIKE-LOCK ENTRY DOOR - ROUND W/THREADED WASHER
3	035540-01-000	EA LATCH-MECHANISM-HOOK, ENTRY DOOR - INTERIOR
	039715-01-000	EA NUT-SERT 1/4" DIAMETER - 20 THREADS
4	039379-04-000	EA COVER-INTERIOR LATCH W/TRIP ARM - RIGHT - BLACK
	039984-01-000	EA CAP-ROUND, VINYL - 28" ID X 62" LONG - BLACK
	041546-03-000	EA BRACKET-DOOR ANGLE 5" X 1 9" - BEIGE - METAL

## 1992 ITASCA TABLE OF CONTENTS

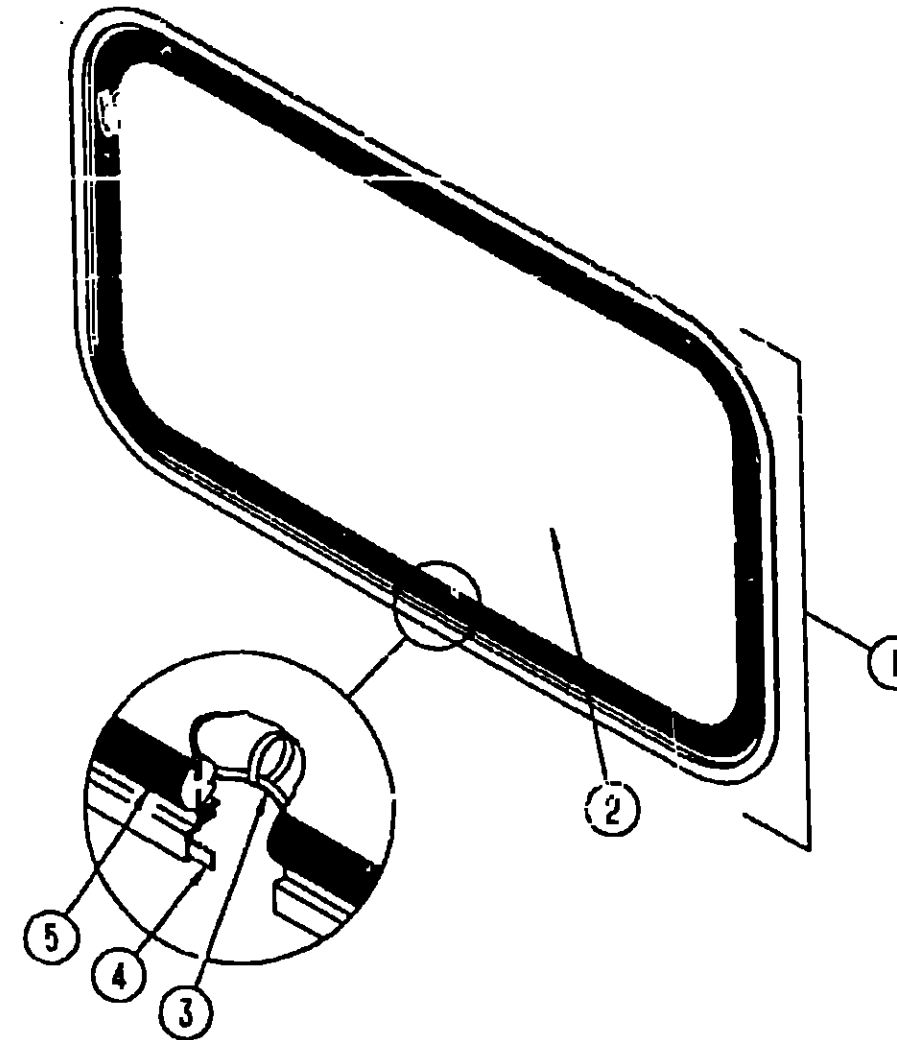
INTRODUCTION	A-01 - A-02
ABBREVIATIONS	A-03
ALPHABETICAL INDEX	A-04 - A-06
IF527RO	A-07 - D-24
IF527RC	E-01 - H-16

## 1992 IF527RC INDEX

FLOOR PLAN	E-01 - E-02
ACCESSORIES	F-03
AUDIO VIDEO	E-04
BATH	E-05 - E-06
BEDROOM	E-07 - E-09
CHASSIS	E-02 - E-13
CURTAIN & CUSHION	E-14 - E-22
DINETTE	E-23 - E-24
DRIVERS	F-01 - F-02
ELECTRICAL	F-05 - F-06
EXTERIOR BODY	F-07 - F-14
GALLEY	F-15 - F-19
GENERATOR	F-20
HEATING & A/C	F-21 - F-22
INTERIOR FINISH	F-23 - G-02
LABEL	G-03 - G-05
LP	G-10
LOUNGE	G-11 - G-12
SEALANTS & FASTENERS	G-13 - G-15
WATER & SEWAGE	G-16 - G-20
WINDOW VENT AND EXTERIOR DOOR	G-21 - H-15



EXTERIOR DOOR COMPONENTS & HOLDERS



BACKWALL ESCAPE WINDOW

1992 ITASCA  
TABLE OF CONTENTS

INTRODUCTION	A-01 - A-02
ABBREVIATIONS	A-03
ALPHABETICAL INDEX	A-04 - A-06
IF527RC	A-07 - D-24
IF527RC	E-01 - H-16

1992 IF527RC INDEX

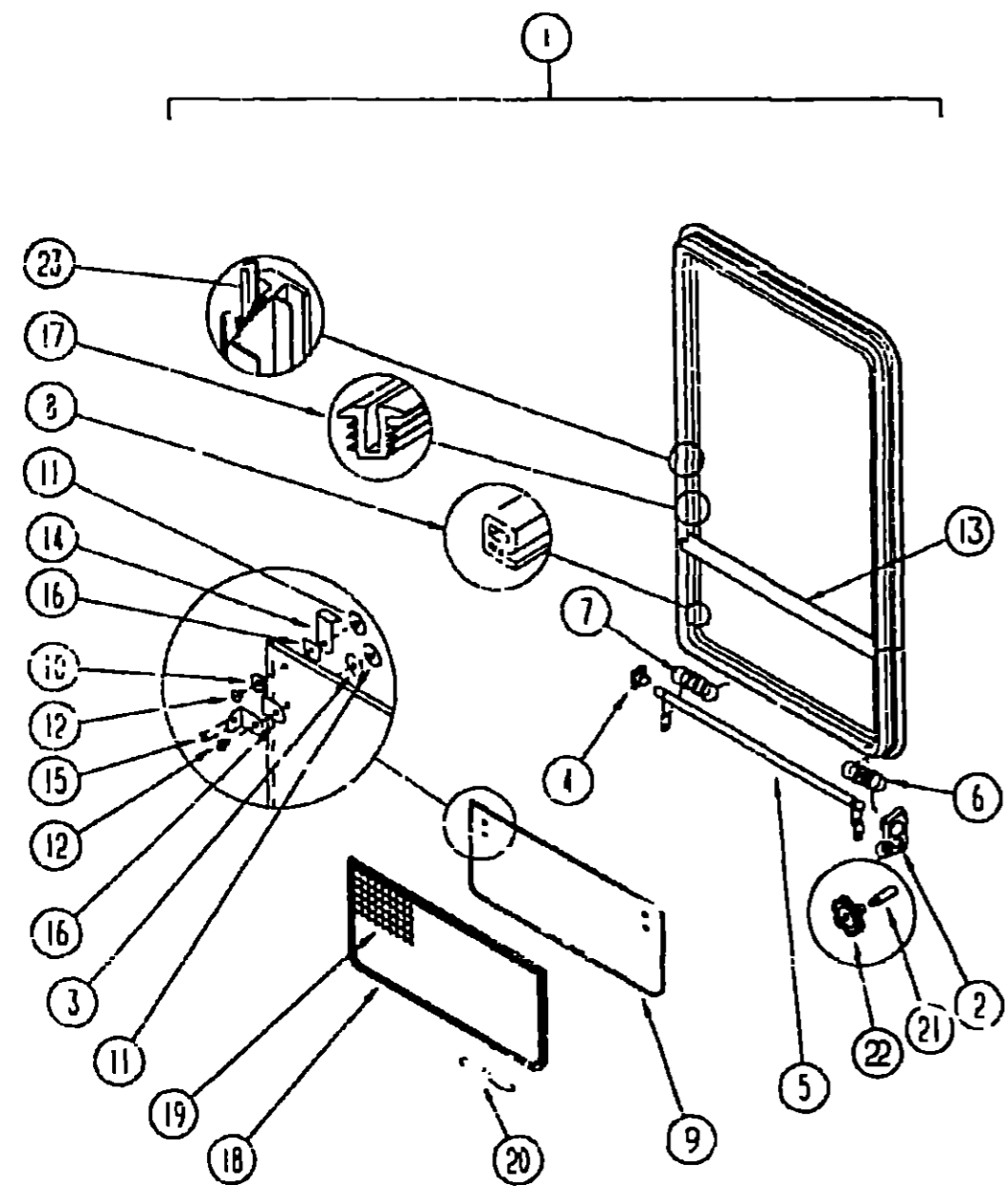
FLOOR PLAN	E-01 - E-02
ACCESSORIES	E-03
AUDIO VIDEO	E-04
BATH	E-05 - E-06
BEDROOM	E-07 - E-08
CHASSIS	E-09 - E-13
CURTAIN & CUSHION	E-14 - E-22
DINETTE	E-23 - E-24
DRIVERS	F-01 - F-02
ELECTRICAL	F-03 - F-05
EXTERIOR BODY	F-07 - F-14
GALLEY	F-15 - F-19
GENERATOR	F-20
HEATING & A/C	F-21 - F-22
INTERIOR FINISH	F-23 - G-02
LABEL	G-03 - G-09
LP	G-10
LOUNGE	G-11 - G-12
SEALANTS & FASTENERS	G-13 - G-15
WATER & SEWAGE	G-16 - G-20
WINDOW, VENT AND EXTERIOR DOOR	G-21 - H-15

KEY	PART NUMBER	U/M DESCRIPTION
1	079386-04-000	EA LOCK-DOOR KEY TYPE W/O KEYS - 1 9 OFF SET
1	079386-03-000	EA LOCK ASM KEY TYPE W/O KEYS 1 60OFF SET
	082084-01-700	FA KEY BLANK
1	079927-03-000	EA LOCK-TWIST TYPE, DOUBLE CAM - 2 10 OFF SET
1	079927-04-000	EA LOCK ASM-TWIST TYPE 1 60 O'S HILLINC'S LOCK
2	102750-01-000	EA HOLDER-COMPARTMENT ENTRY DOOR METAL - MILL FINISH
3	105376-01-02A	EA HINGE-CONTINUOUS 2" X 140MM - OFF WHITE
	081601-02-000	EA HINGE-2" X 96" OFF WHITE
	084413-01-000	FA HINGE-CONTINUOUS, ALUMINUM - 1" X 72" - W/HOLES
4	064075-07-000	FT SEAL-BULB, W/WIRED U CHANNEL - 3" X 5" CHANNEL - BLACK
5	081632-02-000	FT SEAL-BULB, DOOR - W/WIRE CARRIER - 8" WIDE - RUBBER - BLACK
6	097111-01-01A	EA POCKET-LOCK, VALANCE - OFF WHITE
7	055338-01-000	EA GASKET-LOCK POCKET
8	109834-01-000	EA WASHER 640X 752ID SST - HUDSON LOCK
9	107997-51-001	EA EXTR-SPACER 0015 24
10	109833-01-000	EA BEAUTY RING 670X 780ID SST - HUDSON LOCK
	056217-55	EA U-CHANNEL, 17 5" - OFF WHITE

KEY	PART NUMBER	U/M DESCRIPTION
	074815-09-000	EA FRAME-WINDOW, INSIDE - ESCAPE - OFF WHITE
1	078529-04-C05	EA WINDOW-ESCAPE, BACKWALL - W/O INSIDE FRAME
2	076337-09-000	EA GLASS-WINDOW, 44 8" X 23 5"
3	002285-01-000	FT FILLER-WEATHER STRIP RUBBER - BLACK
	077065-01-702	EA RED POLY 005X 500 1/4X150 ROLL
4	055640-10-000	FT SEALER-RIBBON, 1 32" X 1 1/2" INCREMENTS OF 50'
5	002282-04-000	EA WEATHERSTRIP-WINDOW 125" X 109 25" - VULCANIZED - BLACK

# WINDOW, VENT & EXTERIOR DOOR GROUP (CONTINUED)

## PASSENGER SIDE BEDROOM WINDOW



KEY	PART NUMBER	U/M DESCRIPTION
	090893-18-02A	EA FRAME-INSIDE, WINDOW RETAINER - OFF WHITE
1	092235-12-Y12	EA WINDOW-SINGLE TIPOUT, W/O INSIDE FRAME
	009H14-05-14R	EA RIVET-MANDREL BLIND, 3/16"
2	035302-02-000	EA OPERATOR-TORQUE, TIPOUT WINDOW -
3	058927-03-000	EA SEAL-WINDOW, RUBBER - ROUND - 60" DIA - BLACK
4	081354-01-000	EA SLEEVE-TORQUE TUBE, TIPOUT WINDOW - 1 3/4" X 1 1/2" X 7"
	091649-01-000	EA RING-SNAP, 7/32 SHAFT DIAMETER
5	083150-12-000	EA TUBE-TORQUE, TIPOUT WINDOW - W/SPRING & ARM - 22 5/8" LONG
6	080318-01-000	EA SPRING-TORQUE TUBE, LEFT
7	080918-02-000	EA SPRING-TORQUE TUBE, RIGHT
8	08-067-02-000	FT SEAL-E SHAPED, SPONGE - TIPOUT WINDOW - 42" X 38"-BLACK
9	09-068-17-000	EA GLASS-TIPOUT, 9 2/3" X 24 5/8"
10	08-4453-02-000	EA WASHER-05" X 5" X 25" - PLASTIC
11	055752-01-000	EA T NUT 10-32
12	086763-01-000	EA SCREW-MACH. 10 - 32 X 1/4 PTH
13	087586-04-01A	EA MULLION-HORIZONTAL, TIPOUT - BLACK
14	089913-01-000	EA HINGE-TIPOUT WINDOW BLACK
15	097578-01-000	EA LINKAGE-TIPOUT WINDOW
	08-4453-01-000	EA WASHER-05" X 5" X 135" - PLASTIC
16	08-4473-01-000	EA SEAL-FLAT, W/CENTER HOLE & ADHESIVE SIDE - 6" X 9" - BLK
	085315-01-000	EA RIVET-SHOULDER TIPOUT WINDOW
17	099154-01-000	FT CHANNEL-GLAZING, STATIONARY GLASS - 62" X 45" - BLACK
18	100235-04-007	EA SCREEN-SINGLE TIPOUT WINDOW
19	080218-03-000	SF SCREENING-FIBERGLASS 12" WIDE
20	100158-01-000	EA CLIP SPRING, SCREEN
	100240-01-000	FT SPLINE-SCREEN T-SHAPED
21	009439-05-000	EA EXTENSION-CRANK HANDLE, WINDOW/ROOF VENT - BLACK
22	009439-05-000	EA KNOB-OPERATOR, TIPOUT WINDOW
	009439-07-000	EA SCREW, 8-32 X 1 1/4 POH - BLACK
23	089540-11-000	FT TAPE-SEALER, 3/16" X 3/8" - BLACK

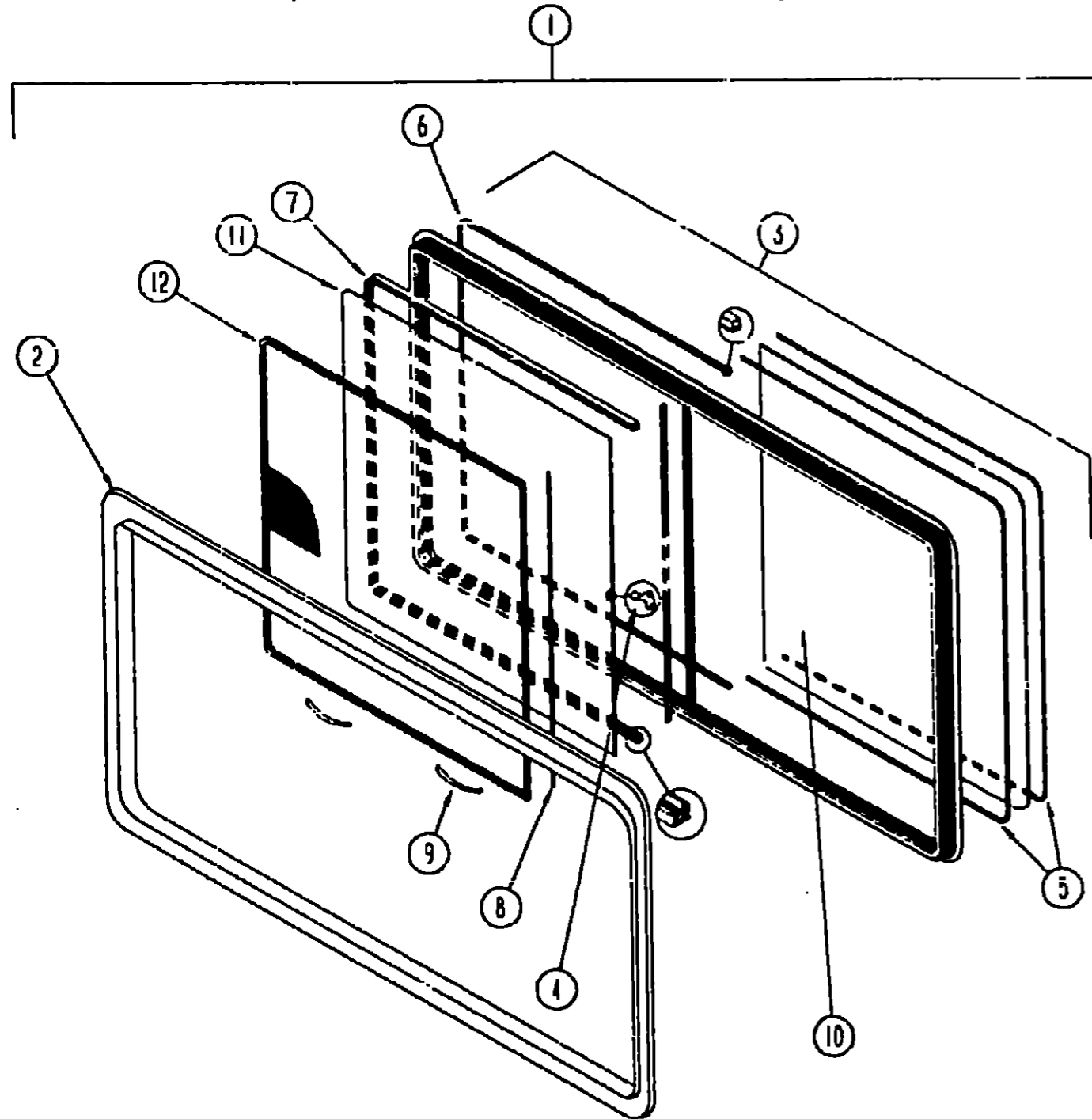
### 1992 ITASCA TABLE OF CONTENTS

INTRODUCTION	A-01 - A-02
ABBREVIATIONS	A-03
ALPHABETICAL INDEX	A-04 - A-06
IF527RC	A-07 - D-24
IF527RC	E 01 - H-16

### 1992 IF527RC INDEX

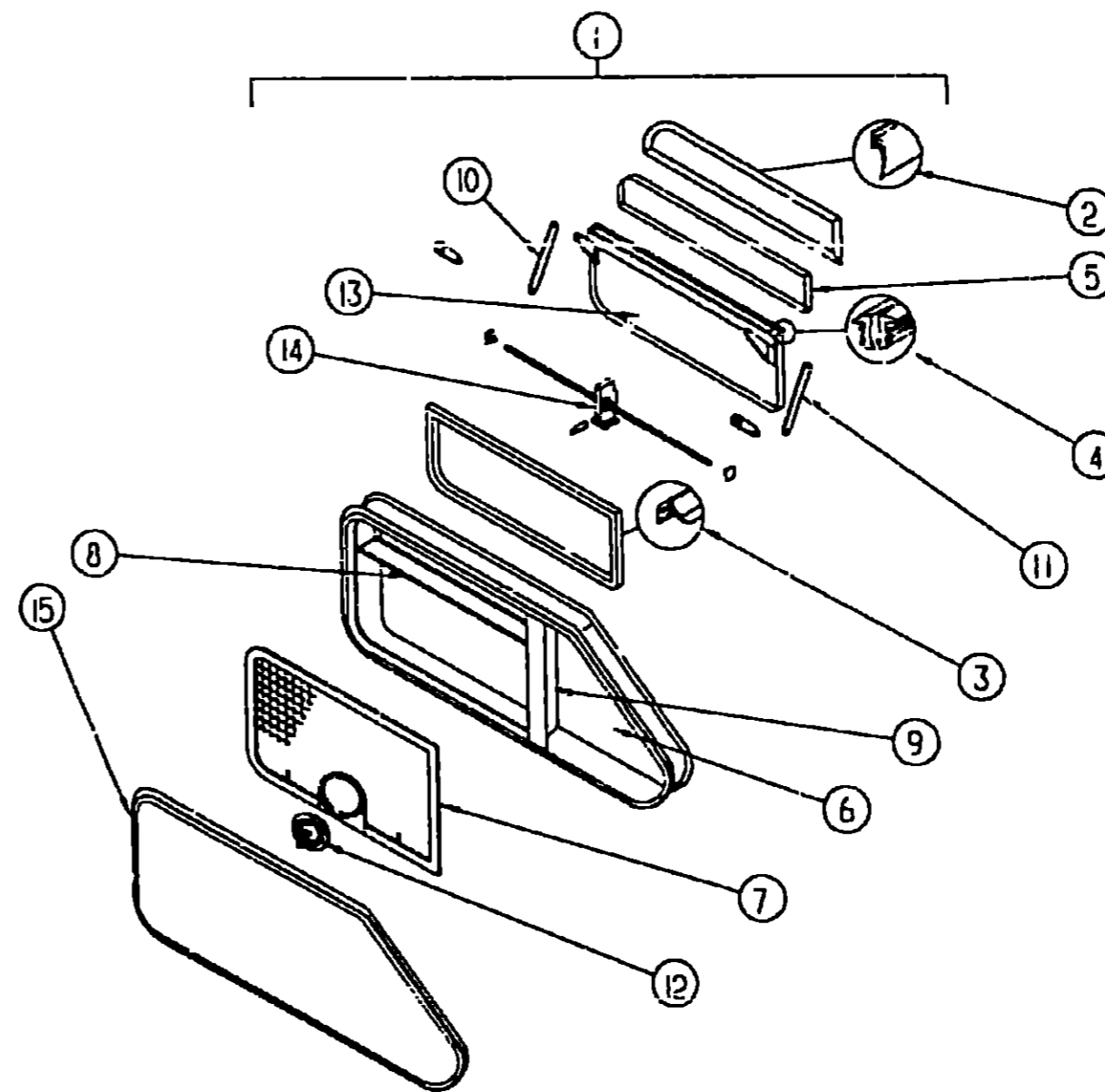
FLOOR PLAN	E-01 - E-02
ACCESSORIES	F-03
AUDIO VIDEO	E-04
BATH	E-05 - E-06
BEDROOM	E-07 - E-08
CHASSIS	E-09 - E-13
CURTAIN & CUSHION	E-14 - E-22
DINETTE	E-23 - E-24
DRIVERS	F-01 - F-02
ELECTRICAL	F-03 - F-05
EXTERIOR BODY	F-07 - F-14
GALLEY	F-15 - F-19
GENERATOR	F-20
HEATING & A.C.	F-21 - F-22
INTERIOR FINISH	F-23 - G-02
LABEL	G-03 - G-09
LP	G-10
LOUNGE	G-11 - G-12
SEALANTS & FASTENERS	G-13 - G-15
WATER & SEWAGE	G-16 - G-20
WINDOW VENT AND EXTERIOR DOOR	G-21 - H-15

WINDOW, VENT & EXTERIOR DOOR GROUP (CONTINUED)



DRIVER SIDE COUCH WINDOW

WINDOW, VENT & EXTERIOR DOOR GROUP (CONTINUED)



DRIVER SIDE OVERHEAD BUNK WINDOW

1992 ITASCA  
TABLE OF CONTENTS

INTRODUCTION	A-01	A-02
ABBREVIATIONS		A-03
ALPHABETICAL INDEX	A-04	A-06
IF527AU	A-07	D-24
IF527RC	E-01	H-16

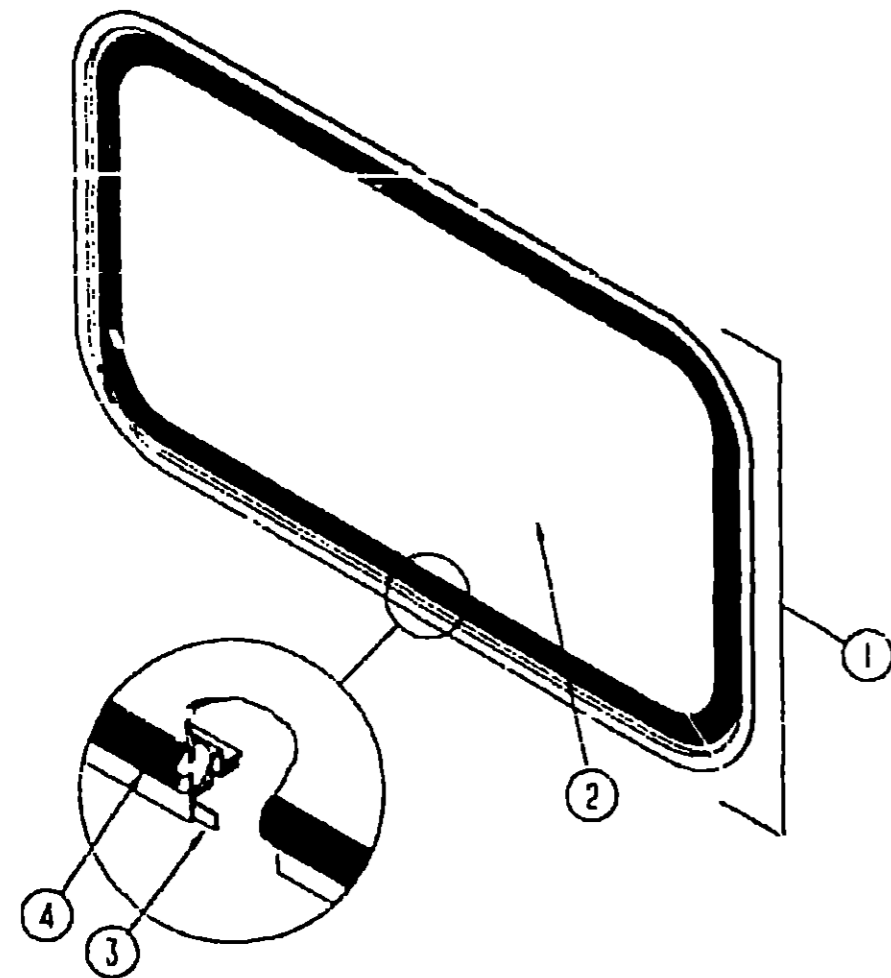
1992 IF527RC INDEX

FLOOR PLAN	E-01	E-02
ACCESSORIES		E-03
AUDIO VIDEO		E-04
BATH	E-05	E-06
BEDROOM	E-07	E-08
CHASSIS	E-09	E-13
CURTAIN & CUSHION	E-14	E-22
DINETTE	E-23	E-24
DRIVERS	F-01	F-02
ELECTRICAL	F-03	F-06
EXTERIOR BODY	F-07	F-14
GALLEY	F-15	F-19
GENERATOR		F-20
HEATING & A/C	F-21	F-22
INTERIOR FINISH	F-23	G-02
LABEL	G-03	G-09
LP		G-10
LOUNGE	G-11	G-12
SEALANTS & FASTENERS	G-13	G-15
WATER & SEWAGE	G-16	G-20
WINDOW VENT AND EXTERIOR DOOR	G-21	H-15

KEY	PART NUMBER	U/M	DESCRIPTION
1	098647-10-02A	EA	WINDOW-SLIDER HORIZONTAL - W/INSIDE FRAME - BLACK
2	098647-09-701	EA	TRIM-INSIDE (OFF-WHITE) - W/024-67 EXCEL-WHITE
3	098647-10-700	EA	WINDOW-SINGLE SLIDER - LEFT (W/O INSIDE FRAME)
4	098644-01-700	EA	LATCH REPAIR KIT
5	098644-01-705	FT	GLAZING STRIP, EXCEL M925-12
6	098644-01-705	FT	WEATHERSTRIP EXCEL 171-010569
7	098644-01-708	FT	CHANNEL PIERCED RUN EXCEL 122-016543
8	098644-01-710	FT	TRACK-SCREEN SPACER 12' LENGTH - EXCEL M401-31
	098644-01-711	FT	WEATHERSTRIP-SCREEN BLACK - EXCEL 171-016955
9	098644-01-713	EA	SPRING-SCREEN FRAME (CLIP) PLASTIC - BLACK - EXCEL 226-016956
	098644-01-716	FT	PLUG-FILLER, EXCEL 132-014470
	098644-01-717	FT	SPLINE-SCREEN MFG, EXCEL 32-004716
10	098647-09-700	EA	GLASS-STATIONARY - 106 017193 EXCEL
11	098647-09-701	EA	GLASS-SLIDING W/SASH&LATCH - H024-G9 EXCEL
12	098647-09-705	EA	SCREEN W/SPRING,G&WEATHERSTRIP - 410-016464 EXCEL

KEY	PART NUMBER	U/M	DESCRIPTION
1	100322-02-700	EA	WINDOW-VENTED, 12' X 35 8 W/O INSIDE FRAME - EXCEL CH19-DK L
2	098644-01-716	FT	PLUG-FILLER, EXCEL 132-014470
3	100322-01-701	FT	SEAL-VENT EXCEL 122-016071
4	100322-01-702	FT	WEATHERSTRIP-HORIZONTAL RAIL EXCEL 132-015976
	100322-01-703	EA	STRIP-GLAZING BUTYL EXCEL 132-010723
	100322-01-704	EA	TAPE-BUTYL, EXCEL 154-016083
5	100322-01-705	EA	GLASS-STATIONARY, SMALL TOP - EXCEL 106-017264
6	100322-01-706	EA	GLASS-STATIONARY, LARGE FRONT - EXCEL 106-017265
7	100322-01-708	EA	SCREEN-DRIVER SIDE, EXCEL 410-017259 L
8	100322-01-712	EA	RAIL-HORIZONTAL EXCEL CH05-19 R OR L
9	100322-01-713	EA	BAR-DIVISION, VERTICAL - EXCEL CH19-20 R OR L
10	100322-01-714	EA	SUPPORT-TORQUE BAR, EXCEL 130-015978 (L)
11	100322-01-716	EA	SUPPORT-TORQUE BAR, CENTER RAIL - EXCEL 130-015980
	100322-01-717	EA	E-RING, EXCEL 245-015975
12	100322-01-718	EA	HANDLE-DIAL, EXCEL 410-016081
13	100322-01-722	EA	GLASS ASM -VENT, LEFT - EXCEL CH19-06L
14	100322-01-723	EA	OPERATOR ASM -VENT GLASS LEFT - EXCEL CH19-15L
15	100322-02-701	EA	FRAME-INSIDE, LEFT - WHITE - EXCEL V568-60L

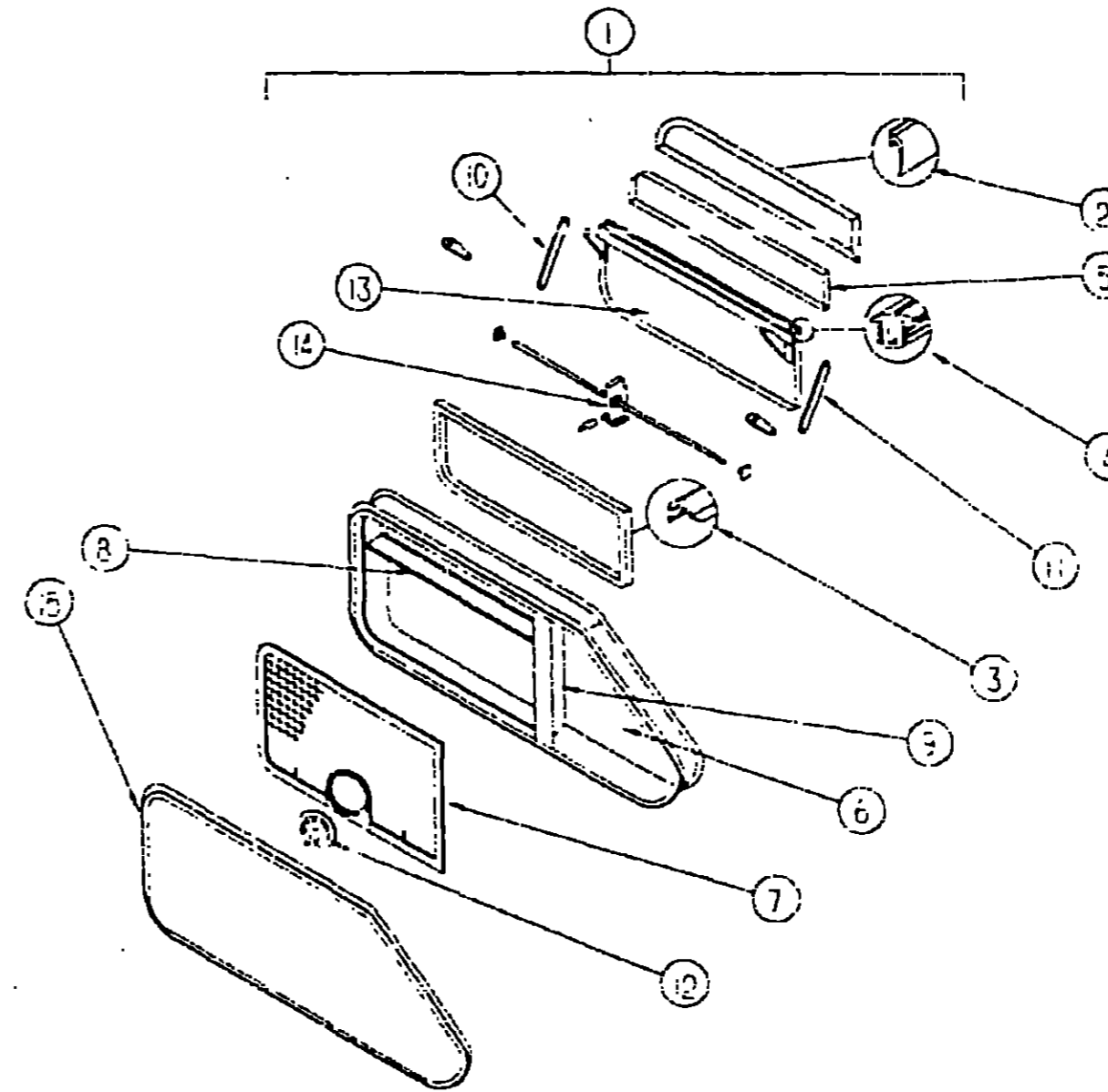
WINDOW, VENT & EXTERIOR DOOR GROUP (CONTINUED)



OVERHEAD BUNK FRONT WINDOW

KEY	PART NUMBER	U/M DESCRIPTION
	067609-33-000	EA FRAME INSIDE WINDOW
1	103313-01-B95	EA WINDOW PICTURE W/O INSIDE FRAME
2	002181-15-000	EA GLASS PICTURE 11 25" X 56 1" - GRAY
3	000640-11-000	FT SEALER-TAPE 3/16" X 3/8" - BLACK
4	069154-01-000	FT CHANNEL-GLAZING STATIONARY GLASS - 62" X 45" - BLACK

WINDOW, VENT & EXTERIOR DOOR GROUP (CONTINUED)



PASSENGER SIDE OVERHEAD BUNK WINDOW

KEY	PART NUMBER	U/M DESCRIPTION
1	100322-01-720	EA WINDOW-VENTED 12" X 35 3/8" W/O INSIDE FRAME - EXCEL CH19-DK R
2	066644-01-716	FT PLUG-FILLER EXCEL 132-014470
3	100322-01-701	FT SEAL-VENT EXCEL 122-015071
4	100322-01-702	FT WEATHERSTRIP-HORIZONTAL RAIL EXCEL 132-015975
	100322-01-703	EA STRIP-GLAZING BUTYL EXCEL 132-010723
	100322-01-704	EA TAPE-BUTYL EXCEL 154-016023
5	100322-01-705	EA GLASS-STATIONARY SMALL TOP - EXCEL 106-017254
5	100322-01-706	EA GLASS-STATIONARY LARGE FRONT - EXCEL 106-017255
7	100322-01-709	EA SCREEN PASSENGER SIDE EXCEL 410-017270 R
6	100322-01-712	EA RAIL-HORIZONTAL EXCEL CH05-19 R OR L
9	100312-01-713	EA BAR-DIVISION VERTICAL - EXCEL CH19-20 R OR L
10	100312-01-715	EA SUPPORT-TORQUE BAR EXCEL 130-015979 (R)
11	100322-01-716	EA SUPPORT-TORQUE BAR CENTER RAIL - EXCEL 130-015980
	100322-01-717	EA E-RING EXCEL 245-015975
12	100322-01-718	EA HANDLE-DIAL EXCEL 410-015081
13	100322-01-707	EA GLASS-VENT RIGHT - EXCEL CH19-D6R
14	100322-01-711	EA OPERATOR VENT SUB ASSEMBLY - EXCEL CH05-15 R OR L
15	100322-01-724	EA FRAME-INSIDE RIGHT - WHITE V669-60R EXCEL

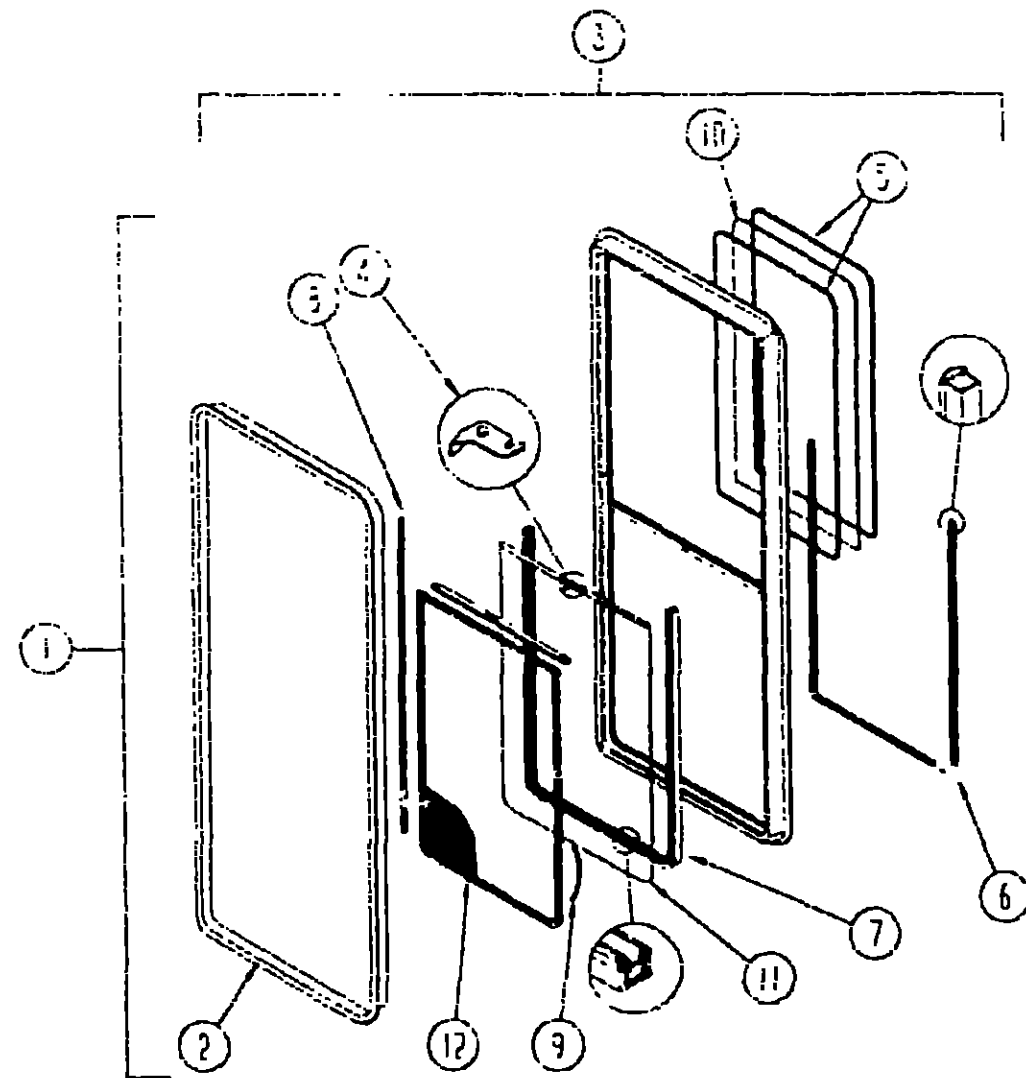
1992 ITASCA  
TABLE OF CONTENTS

INTRODUCTION	A-01 - A-02
ABBREVIATIONS	A-03
ALPHABETICAL INDEX	A-04 - A-06
IF527RC	A-07 - D-24
IF527RC	E-01 - H-16

1992 IF527RC INDEX

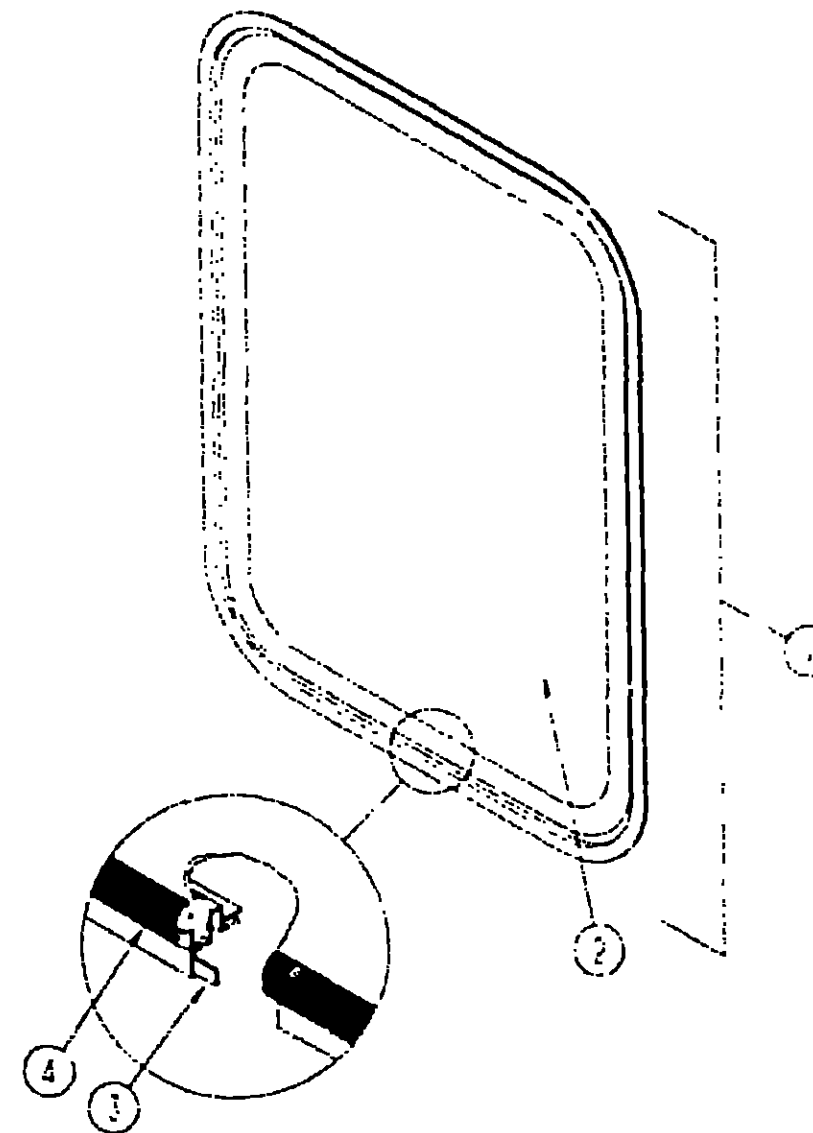
FLOOR PLAN	E-01	E-02
ACCESSORIES		E-03
AUDIO VIDEO		E-04
BATH	E-05	E-06
BEDROOM	E-07	E-08
CHASSIS	E-09	E-10
CURTAIN & CUSHION	E-14	E-22
DINETTE	F-23	E-24
DRIVERS	F-01	F-02
ELECTRICAL	F-03	F-06
EXTERIOR BODY	F-07	F-14
GALEBY	F-15	F-19
GENERATOR		F-20
HEATING & A/C	F-21	F-22
INTERIOR FINISH	F-23	G-02
LABEL	G-03	G-09
LP		G-10
LOUNGE	G-11	G-12
SEALANTS & FASTENERS	G-13	G-15
WATER & SEWAGE	G-19	G-20
WINDOW VENT AND EXTERIOR DOOR	G-21	H-15





PASSENGER SIDE SWIVEL CHAIR WINDOW

KEY	PART NUMBER	U/M DESCRIPTION
1	098644-05-01A	EA WINDOW SLIDER VERTICAL W/INSIDE TRIM - EXCEL M250-FR
2	098644-05-700	EA TRIM-INSIDE (OFF WHITE) - EXCEL W250-57
3	098644-05-704	EA WINDOW ASM. W/O INSIDE TRIM - EXCEL M250-G2R
4	098644-01-702	EA LATCH-REPAIR KIT EXCEL B501-CK
5	098644-01-705	FT GLAZING STRIP EXCEL M926-12
6	098644-01-706	FT WEATHERSTRIP EXCEL 171-010568
7	098644-01-708	FT CHANNEL PIERCED RUN EXCEL 122-016543
8	098644-01-710	FT TRACK-SCREEN SPACER 12" LENGTH EXCEL M401-31
	098644-01-711	FT WEATHERSTRIP-SCREEN BLACK - EXCEL 171-016955
9	098644-01-713	EA SPRING SCREEN FRAME (CLIP) PLASTIC - BLACK
	098644-01-715	FT PLUG-FILLER EXCEL 132-014470
	098644-01-717	FT SPLINE-SCREEN MFG EXCEL 132-004715
10	098644-05-701	EA STATIONARY GLASS EXCEL 105-018013
11	098644-05-702	EA SLIDE ASM EXCEL B938-G9
12	098644-05-703	EA SCREEN ASM EXCEL 410-015475



ENTRY DOOR WINDOW

KEY	PART NUMBER	U/M DESCRIPTION
	067503-02-000	EA FRAME WINDOW ENTRY DOOR - OFF WHITE
1	079725-04-103	EA WINDOW-PICTURE W/O INSIDE FRAME 17" X 25"
2	002181-05-000	EA GLASS PICTURE WINDOW 17.5" X 15.25" X 24"
3	059640-11-000	FT SEALER-TAPE 3.16" X 3.8" BLACK
4	087551-01-000	FT SEAL-GLASS EXTERIOR - 5" WIDE - VINYL - BLACK

1992 ITASCA  
TABLE OF CONTENTS

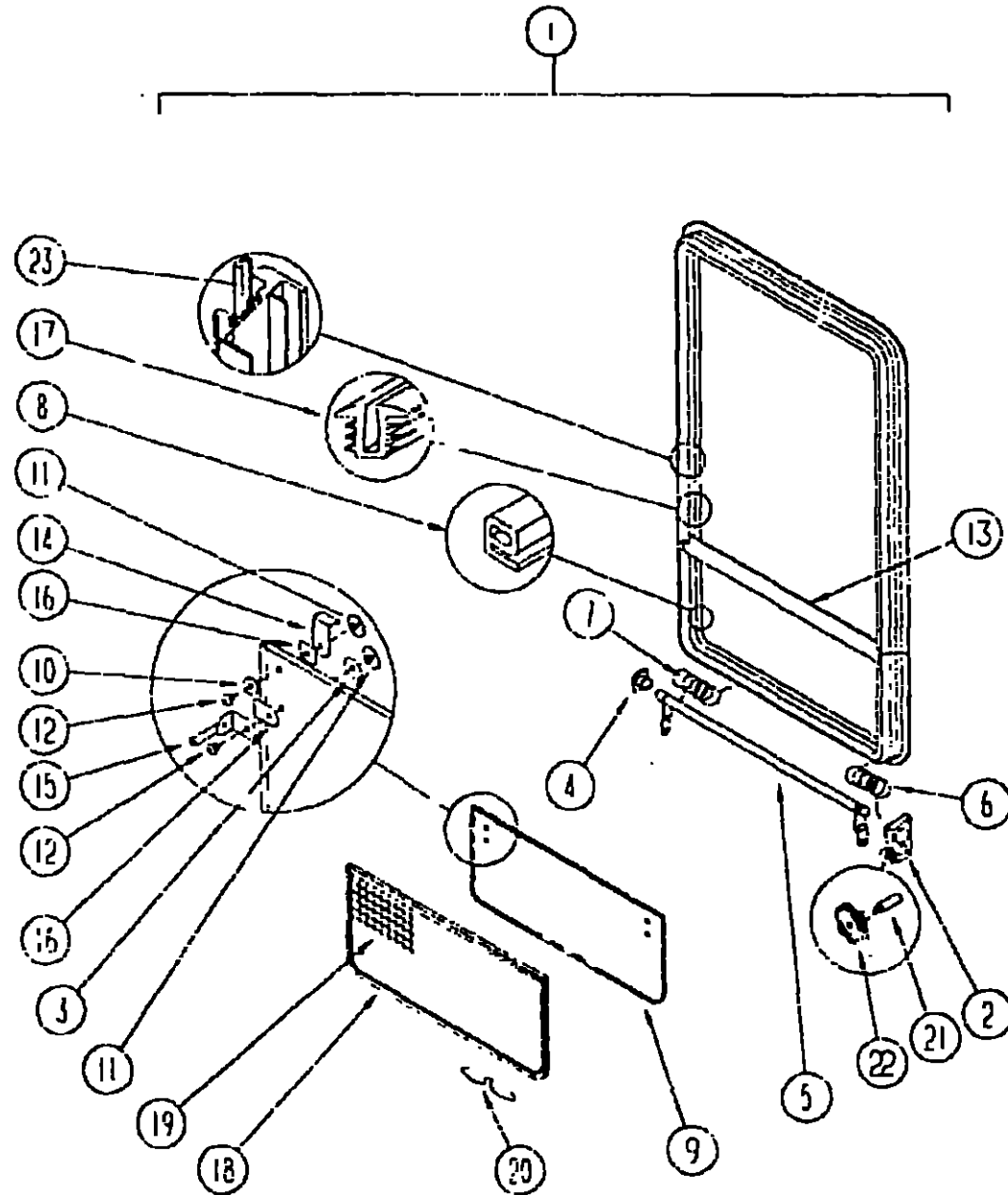
INTRODUCTION	A-01 - A-02
ABBREVIATIONS	A-03
ALPHABETICAL INDEX	A-04 - A-06
IF527RU	A-07 - D-24
IF527RC	E-01 - H-16

1992 IF527RC INDEX

FLOOR PLAN	E-01 - E-02
ACCESSORIES	E-03
AUDIO VIDEO	E-04
BATH	E-05 - E-06
BEDROOM	E-07 - E-08
CHASSIS	E-09 - E-13
CURTAIN & CUSHION	E-14 - E-22
DINETTE	E-23 - E-24
DRIVERS	F-01 - F-02
ELECTRICAL	F-03 - F-06
EXTERIOR BODY	F-07 - F-14
GALLEY	F-15 - F-19
GENERATOR	F-20
HEATING & A/C	F-21 - F-22
INTERIOR FINISH	F-23 - G-02
LABEL	G-03 - G-09
LP	G-10
LOUNGE	G-11 - G-12
SEALANTS & FASTENERS	G-13 - G-15
WATER & SEWAGE	G-16 - G-20
WINDOW VENT AND EXTERIOR DOOR	G-21 - H-16

# WINDOW, VENT & EXTERIOR DOOR GROUP (CONTINUED)

## GALLEY WINDOW



KEY	PART NUMBER	U/M	DESCRIPTION
	090893-17-02A	EA	FRAME-INSIDE, WINDOW RETAINER - OFF WHITE
1	092235-11-Y12	EA	WINDOW-TIPOUT, SINGLE - W/O INSIDE FRAME
	000H14-05-14R	EA	RIVET-MANDREL BLIND, 3/16"
2	035302-02-000	EA	OPERATOR-TORQUE, TIPOUT WINDOW -
3	058927-03-000	EA	SEAL-WINDOW, RUBBER - ROUND - 30" DIA - BLACK
4	081354-01-000	EA	SLEEVE-TORQUE TUBE, TIPOUT WINDOW - 1 3/4" X 1 1/2" X .7"
	081649-01-000	EA	RING-SNAP, 7/32 SHAFT DIAMETER
5	083150-10-000	EA	TUBE-TORQUE, TIPOUT WINDOW - W/SPRING & ARM - 22 5/8" LONG
6	080918-01-000	EA	SPRING-TORQUE TUBE, LEFT
7	080918-02-000	EA	SPRING-TORQUE TUBE, RIGHT
8	084067-02-000	FT	SEAL-E SHAPED, SPONGE - TIPOUT WINDOW - 42" X 38"-BLACK
9	084058-15-000	EA	GLASS-TIPOUT 9 1/2" X 24 5/8"
10	084453-02-000	EA	WASHER-.06" X 5/8" X 25" - PLASTIC
11	086762-01-000	EA	T NUT 10-32
12	085763-01-000	EA	SCREW-MACH. 10 - 32 X 1/4 PTH
13	087555-02-01A	EA	MULLION-HORIZONTAL, TIPOUT - BLACK
14	089913-01-000	EA	HINGE-TIPOUT WINDOW, BLACK
15	097578-01-000	EA	LINKAGE-TIPOUT WINDOW
16	084453-01-000	EA	WASHER-.06" X 5/8" X 135" - PLASTIC
16	084473-01-000	EA	SEAL-FLAT W/CENTER HOLE & ADHESIVE SIDE - 8" X 9" - BLK
	085315-01-000	EA	RIVET-SHOULDER, TIPOUT WINDOW
17	099154-01-000	FT	CHANNEL-GLAZING, STATIONARY GLASS - 52" X 45" - BLACK
18	100235-02-B07	EA	SCREEN-SINGLE T. POUT WINDOW
19	080218-03-000	SF	SCREENING-FIBERGLASS 12" WIDE
20	100158-01-000	EA	CLIP-SPRING, SCREEN
	100240-01-000	FT	SPLINE-SCREEN, T-SHAPED
21	009439-06-000	EA	EXTENSION-CRANK HANDLE, WINDOW /RCOF VENT - BLACK
22	009439-05-000	EA	KNOB-OPERATOR, TIPOUT WINDOW
	009439-07-000	EA	SCREW, 8-32 X 1 1/4 POH - BLACK
23	059540-11-000	FT	TAPE-SEALER, 3/16" X 3/8" - BLACK

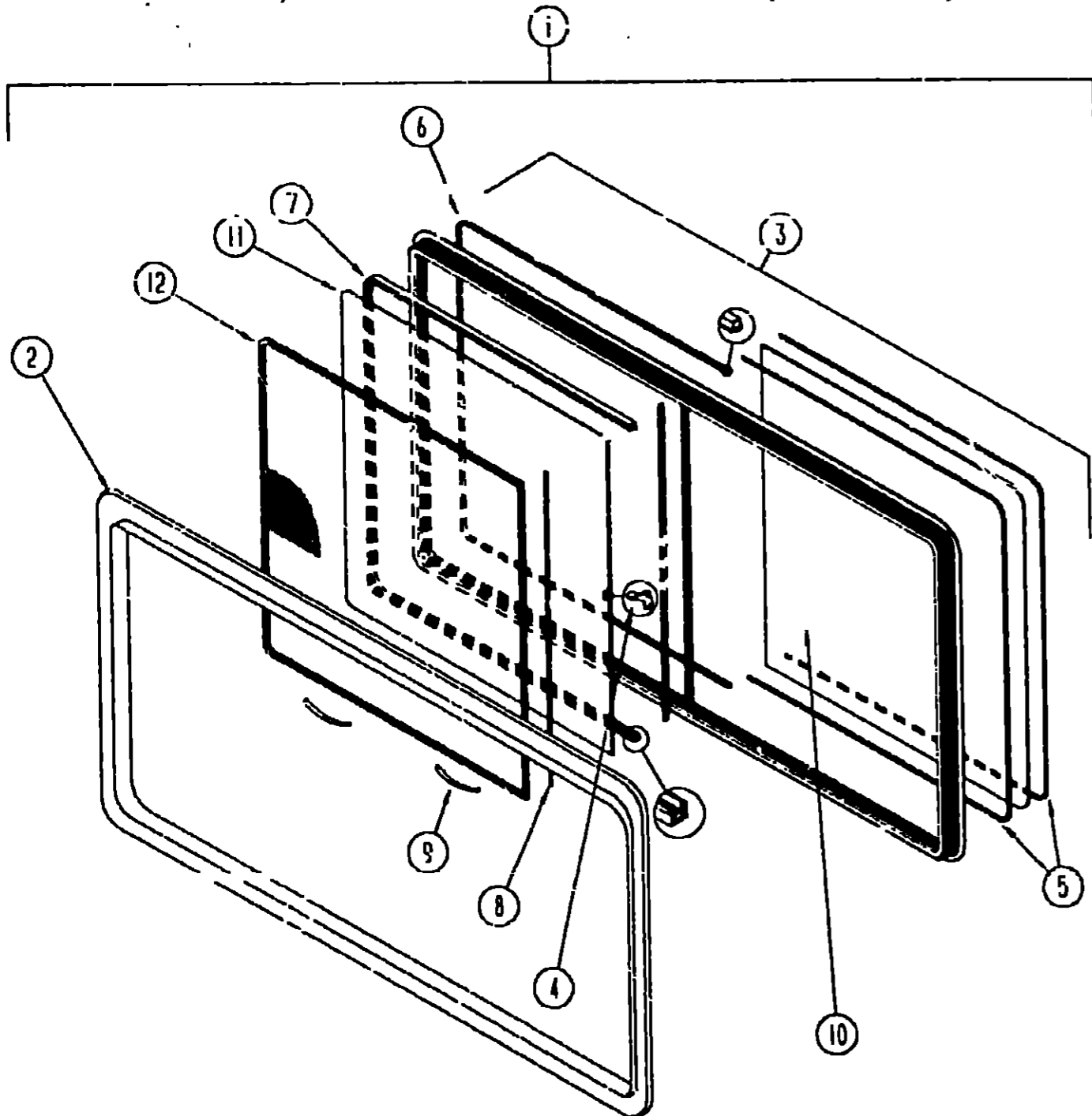
## 1992 ITASCA TABLE OF CONTENTS

INTRODUCTION	A-01	A-02
ABBREVIATIONS		A-03
ALPHABETICAL INDEX	A-04	A-05
IF52/RC	A-07	U-24
IF527RC	E-01	H-15

## 1992 IF527RC INDEX

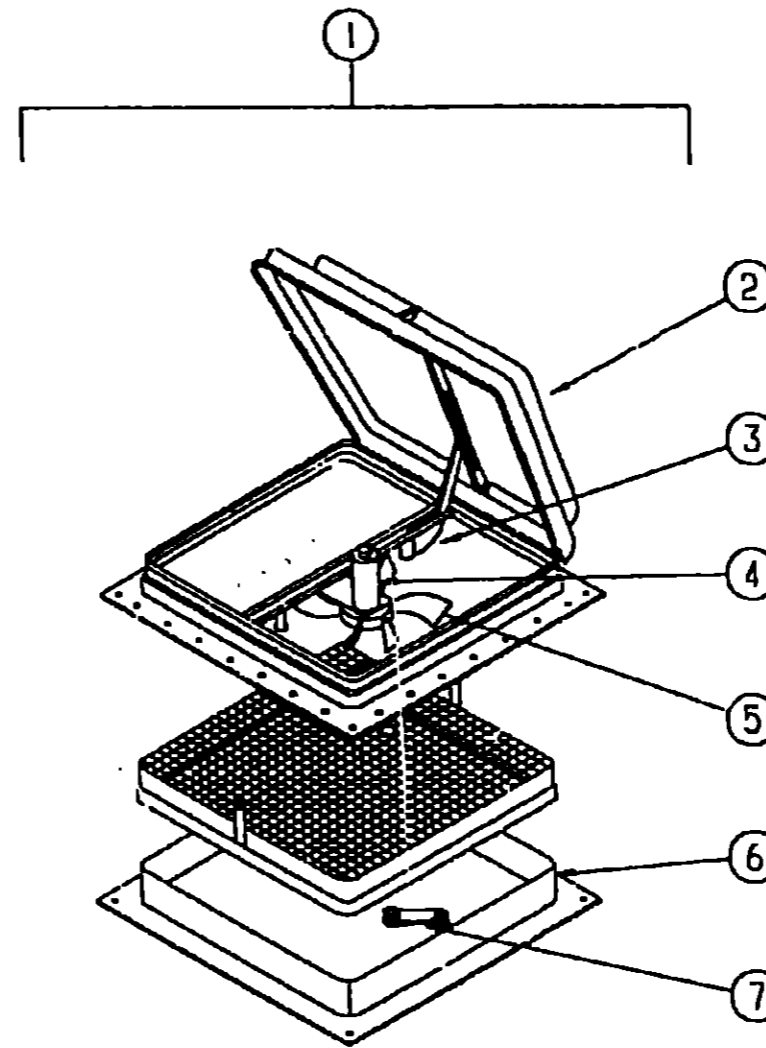
FLOOR PLAN	E-01	E-02
ACCESSORIES		E-03
AUDIO VIDEO		E-04
BATH	E-05	E-06
BEDROOM	E-07	E-08
CHASSIS	E-09	E-13
CURTAIN & CUSHION	E-14	E-22
DINETTE	E-23	E-24
DRIVERS	F-01	F-02
ELECTRICAL	F-03	F-06
EXTERIOR BODY	F-07	F-14
GALLEY	F-15	F-19
GENERATOR		F-20
HEATING & A/C	F-21	F-22
INTERIOR FINISH	F-23	G-02
LABEL	G-03	G-09
LP		G-10
LOUNGE	G-11	G-12
SEALANTS & FASTENERS	G-13	G-15
WATER & SEWAGE	G-16	G-20
WINDOW VENT AND EXTERIOR DOOR	G-21	H-15

WINDOW, VENT & EXTERIOR DOOR GROUP (CONTINUED)



PASSENGER SIDE DINETTE WINDOW

WINDOW, VENT & EXTERIOR DOOR GROUP (CONTINUED)



JENSEN POWERED ROOF VENT

KEY	PART NUMBER	U/M DESCRIPTION
1	064469-08-000	EA VENT-ROOF, POWERED - 14" X 14" - 12V - CANADIAN
2	064469-03-702	EA LID-VENT WHITE
3	064469-03-705	EA LIFT MECHANISM
4	048648-01-000	EA MOTOR-ROOF VENT, 1/8 SHAFT - 12V
5	048649-01-000	EA FAN ROOF VENT, 6 BLADES - 6"
6	064469-03-705	EA GARNISH, VENT 2.5 IN WIDE
7	009439-01-000	EA CRANK HANDLE-ROOF VENT

FANTASTIC ROOF VENTILATOR

KEY	PART NUMBER	U/M DESCRIPTION
	084079-03-000	EA VENT-CEILING, POWERED EXHAUST - OFF WHITE - FANTASTIC VENT
	084079-01-700	EA VENT COVER - FANTASTIC 1020-19
	084079-01-703	EA CRANK-EXTERIOR FANTASTIC 1060-09
	084079-01-704	EA BLADE-FAN, FANTASTIC 1070-00
	084079-01-705	EA MOTOR, FANTASTIC 1080-00
	084079-01-706	EA PLUG-12 VOLT, FANTASTIC 1090
	084079-01-707	EA SWITCH-SAFETY, FANTASTIC 1120-00
	084079-01-709	EA SWITCH-ON & OFF, MAIN POWER - FANTASTIC 1100-00
	084079-01-711	EA H-MOLDING, MOTOR MOUNT - PLASTIC - FANTASTIC
	084079-01-712	EA GARNISH INT FIN 17/8 - OFF WHITE

1992 ITASCA  
TABLE OF CONTENTS

INTRODUCTION	A-01 - A-02
ABBREVIATIONS	A-03
ALPHABETICAL INDEX	A-04 - A-06
IF527RQ	A-07 - D-24
IF527RC	E-01 - H-16

1992 IF527RC INDEX

FLOOR PLAN	E-01 - E-02
ACCESSORIES	E-03
AUDIO VIDEO	E-04
BATH	E-05 - E-06
BEDROOM	F-07 - E-08
CHASSIS	E-09 - E-13
CURTAIN & CUSHION	E-14 - E-22
DINETTE	E-23 - E-24
DRIVERS	F-01 - F-02
ELECTRICAL	F-03 - F-05
EXTERIOR BODY	F-07 - F-14
GALLEY	F-15 - F-19
GENERATOR	F-20
HEATING & A/C	F-21 - F-22
INTERIOR FINISH	F-23 - G-02
LABEL	G-03 - G-09
LP	G-10
LOUNGE	G-11 - G-12
SEALANTS	
FASTENERS	G-13 - G-15
WATER & SEWAGE	G-16 - G-20
WINDOW, VENT AND EXTERIOR DOOR	G-21 - H-15

KEY	PART NUMBER	U/M DESCRIPTION
1	098647-09-02A	FA WINDOW-SLIDER HORIZONTAL - W/INSIDE FRAME - BLACK
2	098647-09-704	EA TRIM-INSIDE (OFF-WHITE) - W024-67 EXCEL-WHITE
3	098647-09-703	EA WINDOW-SINGLE SLIDER - LEFT (W/O INSIDE FRAME)
4	098644-01-700	EA LATCH REPAIR KIT
5	098644-01-705	FT GLAZING STRIP, EXCEL M926-12
6	098644-01-706	FT WEATHERSTRIP EXCEL 171-010E58
7	098644-01-708	FT CHANNEL-PIERCED RUN EXCEL 122-015543
8	098644-01-710	FT TRACK-SCREEN SPACER 12' LENGTH - EXCEL M401-31
	098644-01-711	FT WEATHERSTRIP-SCREEN BLACK - EXCEL 171-016965
9	098644-01-713	EA SPRING-SCREEN FRAME (CLIP) PLASTIC - BLACK - EXCEL 226-016966
	098644-01-716	FT PLUG-FILLER, EXCEL 132-014470
	098644-01-717	FT SPLINE-SCREEN MFG EXCEL 32 054716
10	098647-09-700	EA GLASS-STATIONARY - 106-017193 EXCEL
11	098647-09-701	EA GLASS-SLIDING, W/SASH&LATCH - H024-G9 EXCEL
12	098647-09-705	EA SCREEN W/SPRING&WEATHERSTRIP - 410-016464 EXCEL

WINDOW, VENT & EXTERIOR DOOR GROUP (CONTINUED)

POWERED ROOF VENT

KEY	PART NUMBER	U/M DESCRIPTION
	009439-01-000	EA CRANK HANDLE-ROOF VENT
	009439-04-000	EA SCREW 8-32 X 1 1/4" F0H
	009439-03-000	EA EXTENSION-CRANK HANDLE ROOF VENT - 9" WALL
	009439-04-000	EA SCREW 8-32 X 1 1/4" F0H
	090394-01-Y12	EA VENT ROOF POWERED
	055218-01-000	EA COVER ROOF VENT PLASTIC
	002825-01-000	EA WEATHER STRIP-ROOF VENT GRAY
	006195-01-000	EA SWITCH-ROOF VENT PUSH BUTTON 12V
	008343-01-000	EA TIE-WIRE 6"
	008386-01-000	EA GROMMET-SNAP 3/8"
	009440-01-000	EA GEAR/ARM-VENT COVER LIFT
	015911-01-000	EA TRACK-LIFT ARM SLIDE - ROOF VENT
	048648-01-000	EA MOTOR-ROOF VENT 1/8" SHAFT - 12V - JENSEN
	048649-01-000	EA FAN-ROOF VENT 6 BLADES 6" - JENSEN
	052639-01-001	EA HINGE-VENT COVER 15"
	052639-01-200	EA HINGE-EXTRUSION ROOF VENT 7"
	061603-01-000	EA GROMMET SNAP 3/16" HD - 3/8" HOLE - PLASTIC - BLACK
	078785-01-Y12	EA SCREEN-ROOF VENT POWERED
	002291-02-000	SF SCREENING-ROOF VENT-WINDOW 16" - BLACK
	002298-02-000	FT SPLINE-VENT-WINDOW SCREEN: 128 DIAMETER - BLACK

NONPOWERED ROOF VENT

KEY	PART NUMBER	U/M DESCRIPTION
	009439-01-000	EA CRANK HANDLE ROOF VENT
	009439-04-000	EA SCREW 8-32 X 1 1/4" F0H
	009439-03-000	EA EXTENSION-CRANK HANDLE ROOF VENT - 9" WALL
	009439-04-000	EA SCREW 8-32 X 1 1/4" F0H
	090395-01-Y12	EA VENT-ROOF NONPOWERED
	055218-01-000	EA COVER-ROOF VENT PLASTIC
	002825-01-000	EA WEATHER STRIP-ROOF VENT GRAY
	009440-01-000	EA GEAR/ARM VENT COVER LIFT
	015911-01-000	EA TRACK-LIFT ARM SLIDE - ROOF VENT
	052639-01-001	EA HINGE-VENT COVER 15"
	052639-01-200	EA HINGE-EXTRUSION ROOF VENT 7"
	078786-01-Y12	EA SCREEN-ROOF VENT NON POWERED - WHITE
	002291-02-000	SF SCREENING ROOF VENT-WINDOW 16" - BLACK
	002298-02-000	FT SPLINE-VENT-WINDOW SCREEN: 128 DIAMETER - BLACK

VENTS, SHROUDS & ROOF COVERS

KEY	PART NUMBER	U/M DESCRIPTION
	003550-03-000	EA VENT-FLUING PIPE ROOF W/COVER - OFF WHITE
	063752-01-000	EA SHROUD-RANGE 15 5/8" X 20 5/8" X 15 2" - METAL - OFF WHITE
	084616-01-000	EA SHROUD-RANGE HOOD VENT PLASTIC - OFF WHITE
	084878-09-000	EA VENT-RANGE HOOD SHORT - LVS
	084073-03-000	EA COVER-ROOF VENT REFRIGERATOR - OFF WHITE - NO HOOD
	084073-04-000	EA BASE-ROOF VENT REFRIGERATOR - BLACK - NO HOOD

1992 ITASCA  
TABLE OF CONTENTS

INTRODUCTION	A-01	A-02
ABBREVIATIONS		A-03
ALPHABETICAL INDEX	A-04	A-05
IF527RC	A-07	D-24
IF527RC	E-01	H-16

1992 IF527RC INDEX

FLOOR PLAN	E-01	E-02
ACCESSORIES		E-03
AUDIO VIDEO		E-04
BATH	E-05	E-05
BEDROOM	E-07	E-08
CHASSIS	E-09	E-13
CURTAIN & CUSHION	E-14	E-22
DINETTE	E-23	E-24
DRIVERS	F-01	F-02
ELECTRICAL	F-03	F-05
EXTERIOR BODY	F-07	F-14
GALLEY	F-15	F-19
GENERATOR		F-20
HEATING & A/C	F-21	F-22
INTERIOR FINISH	F-23	G-02
LABEL	G-03	G-09
LP		G-10
LOUNGE	G-11	G-12
SEALANTS & FASTENERS	G-13	G-15
WATER & SEWAGE	G-16	G-20
WINDOW VENT AND EXTERIOR DOOR	G-21	H-15