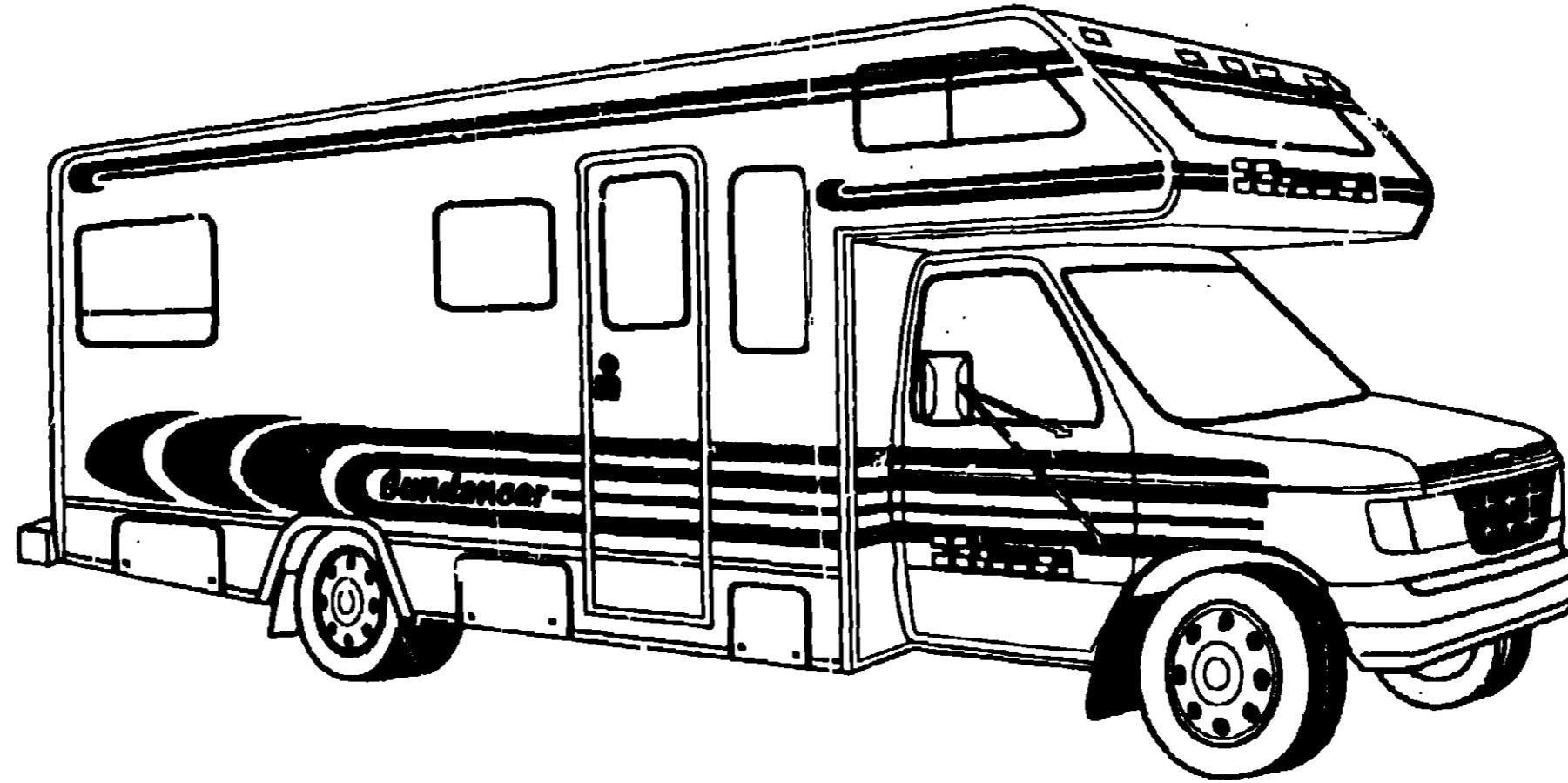
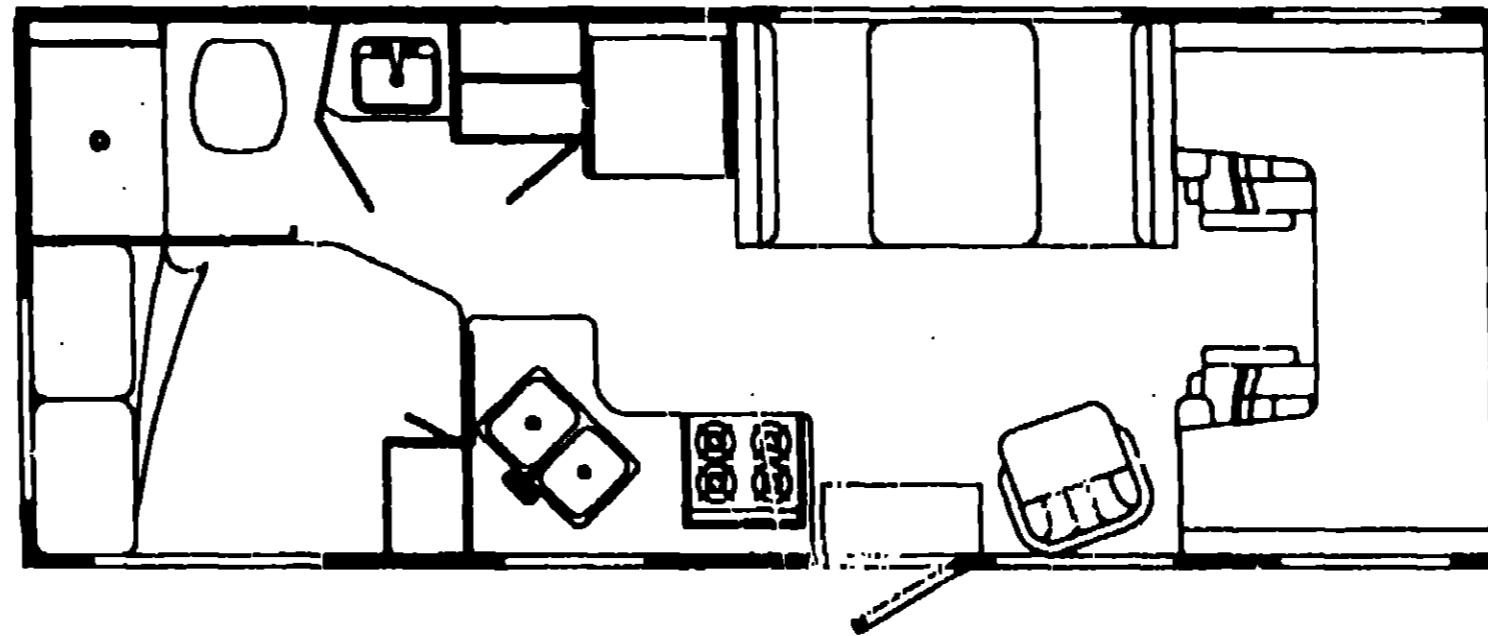


**1992
IF524RC
C43
C44**



**1992 ITASCA
TABLE OF CONTENTS**

INTRODUCTION	A-01	A-02
ABBREVIATIONS		A-03
ALPHABETICAL INDEX	A-04	A-06
IC522RG	A-07	D-16
IF524RC	D-17	H-04



1992 IF524RC INDEX

FLOOR PLAN	D-17	D-18
ACCESSORIES		D-19
AUDIO VIDEO		D-20
BATH	D-21	D-22
BEDROOM	D-23	D-24
CHASSIS	E-01	E-04
CURTAIN & CUSHION	E-05	E-13
DINETTE	E-14	E-15
DRIVERS	E-16	E-17
ELECTRICAL	E-18	E-21
EXTERIOR BODY	E-22	F-04
GALLEY	F-05	F-10
GENERATOR		F-11
HEATING & A/C	F-12	F-13
INTERIOR FINISH	F-14	F-17
LABEL	F-18	F-24
LP		G-01
LOUNGE		G-02
SEALANTS & FASTENERS	G-03	G-05
WATER & SEWAGE	G-08	G-10
WINDOW, VENT AND EXTERIOR DOOR	G-11	H-04

ACCESSORIES GROUP

OPERATORS MANUAL

KEY	PART NUMBER	U/M DESCRIPTION
	054185-07-000	EA MANUAL-OPERATOR, 1992 SUNDANCER, 500 SERIES
	092318-01-000	EA BINDER-3 RING, MOTOR HOME MANUAL
	092319-01-000	EA POCKET PAGE-3 RING BINDER, PLASTIC
	106351-01-000	DW TOP LEVEL DRAWING FOR 1992 C-BODIES

AUDIO VIDEO GROUP

RADIO & ANTENNA COMPONENTS

KEY	PART NUMBER	U/M DESCRIPTION
	106450-02-000	EA RADIO-AM/FM CASS,ELECT AUDIOVOX FD-CXD (FORD)
	106451-01-000	EA MOUNTING KIT-RADIO FORD AUDIOVOX FD-ECO-92 (FORD)
	081059-02-000	EA WIRE ASM-9-PIN, RADIO - AUDIOVOX 112B-1761 (FORD)
	106137-01-000	EA PLUG-ANTENNA HOLE,92 E350 (FORD)
	089340-02-000	EA GRILLE-SPEAKER, 6.5" SQUARE (OVHD CABINETS)
	089340-03-000	EA SPACER-SPEAKER GRILLE, TAN MAGNADYNE G514 (OVHD CABINETS)
	094097-01-000	EA SPEAKER-RADIO, W/O GRILLE - 5 25" DIA - AUDIOVOX 110C3030 (OVHD CABINETS)
	073741-04-000	EA GRILLE-SPEAKER, OVAL - 4" X 6" - BLACK (PATIO ENTERTAINMENT)
	105305-01-000	EA WIRE ASM-SPEAKER ADAPTER (JAPAN EXPORT ONLY)
	077060-02-000	EA CABLE-ANTENNA, RADIO - EXTENSION 96" - ARA 6700667 (PATIO ENTERTAINMENT)
	087683-01-000	EA RADIO-AM/FM STEREO W/CASSETTE AUDIOVOX 144D1559 (PATIO ENTERTAINMENT)
	090944-01-000	EA ANTENNA-RADIO, 16" RUBBER (PATIO ENTERTAINMENT)
	099862-01-000	EA BRACKET-HAT,ANTENNA - 3 1" X 3 9" - STEEL - BLACK (PATIO ENTERTAINMENT)
	104899-01-C05	EA PLATE-RADIO MOUNTING (PATIO ENTERTAINMENT)
	105230-01-C52	EA SHELF ASM-EXTERIOR TV (C43)
	105230-01-C44	EA SHELF ASM-EXTERIOR TV (C44)
	105230-11-C05	EA SHELF ASM (C43)
	105230-11-C25	EA SHELF ASM (C44)
	105230-12-C52	EA SUPPORT ASM (C43)
	105230-12-C25	EA SUPPORT ASM (C44)
	105377-01-01A	EA BRACKET-TABLE HANGER - OFF WHITE (PATIO ENTERTAINMENT)
	105377-01-03A	EA BRACKET-TABLE HANGER - MILL (PATIO ENTERTAINMENT)

TV, ANTENNA & VCR SYSTEMS

KEY	PART NUMBER	U/M DESCRIPTION
	092310-03-000	EA TV-COLOR, 9" - AC/DC W/SWIVEL - MAGNAVOX RDO945
	092310-02-700	EA REMOTE FOR MAGNAVOX RDO945
	098446-03-000	EA VCR-VHS, CABLE READY - REMOTE - MAGNAVOX VR9010
	098446-03-700	EA REMOTE FOR MAGNAVOX VR9010
	086757-03-000	EA CONTROL CENTER-SWITCH, VCR/TV - MAGNADYNE VCS-6
	086777-04-000	EA PLATE-WALL, CABLE - W/TV ANTENNA SWITCH & BOOSTER - BROWN
	076319-09-000	EA WALLPLATE-CABLE RECEPTACLE, TV - SINGLE - BROWN
	086756-01-000	EA SPLITTER-TV, 2 WAY
	082134-01-000	EA ADAPTER-TV, CABLE TO CABLE - WINEGARD F-81M
	076319-06-000	EA ADAPTOR-CABLE ROOF PLATE, WINEGARD RPJ-1
	076319-03-000	FT CABLE-COAXIAL, 75 OHM
	076319-12-000	EA CONNECTOR-COAXIAL, ONE PIECE
	082136-01-000	EA NUT-HEX JAM 3/8-32 - WINEGARD
	076319-01-000	EA ANTENNA-TV, ROOF MOUNT - 44 5" MAST - RVA W02
	076319-01-700	EA HEAD-ANTENNA, AMPLIFIED - WINEGARD# RVSA U/V
	076319-01-701	EA GEAR-ELEVATING, PLASTIC - WINEGARD# 2200046
	076319-01-702	EA SHAFT ASM-ELEVATING, WINEGARD# RVP-400A
	076319-01-703	EA BEARING-NYLON, 5"OD - WINEGARD# 3200656
	076319-01-705	EA GROMMET-NYLON, 7/8"ID - WINEGARD# 3200658
	076319-01-706	EA CRANK-ELEVATING, W/SET SCREW - WINEGARD# 5755100
	076319-01-707	EA SPRING-HANDLE, WINEGARD# 5160800
	076319-01-709	EA PLATE-DIRECTIONAL, FOR HEAD - WINEGARD #3200644

1992 ITASCA

TABLE OF CONTENTS

INTRODUCTION	A-01 -	A-02
ABBREVIATIONS		A-03
ALPHABETICAL INDEX	A-04 -	A-06
IC522RG	A-07 -	D-16
IF524RC	D-17 -	H-04

1992 IF524RC INDEX

FLOOR PLAN	D-17 -	D-18
ACCESSORIES		D-19
AUDIO VIDEO		D-20
BATH	D-21 -	D-22
BEDROOM	D-23 -	D-24
CHASSIS	E-01 -	E-04
CURTAIN & CUSHION	E-05 -	E-13
DINETTE	E-14 -	E-15
DRIVERS	E-16 -	E-17
ELECTRICAL	E-18 -	E-21
EXTERIOR BODY	E-22 -	F-04
GALLEY	F-05 -	F-10
GENERATOR		F-11
HEATING & A/C	F-12 -	F-13
INTERIOR FINISH	F-14 -	F-17
LABEL	F-18 -	F-24
LP		G-01
LOUNGE		G-02
SEALANTS & FASTENERS	G-03 -	G-05
WATER & SEWAGE	G-06 -	G-10
WINDOW, VENT AND EXTERIOR DOOR	G-11 -	H-04

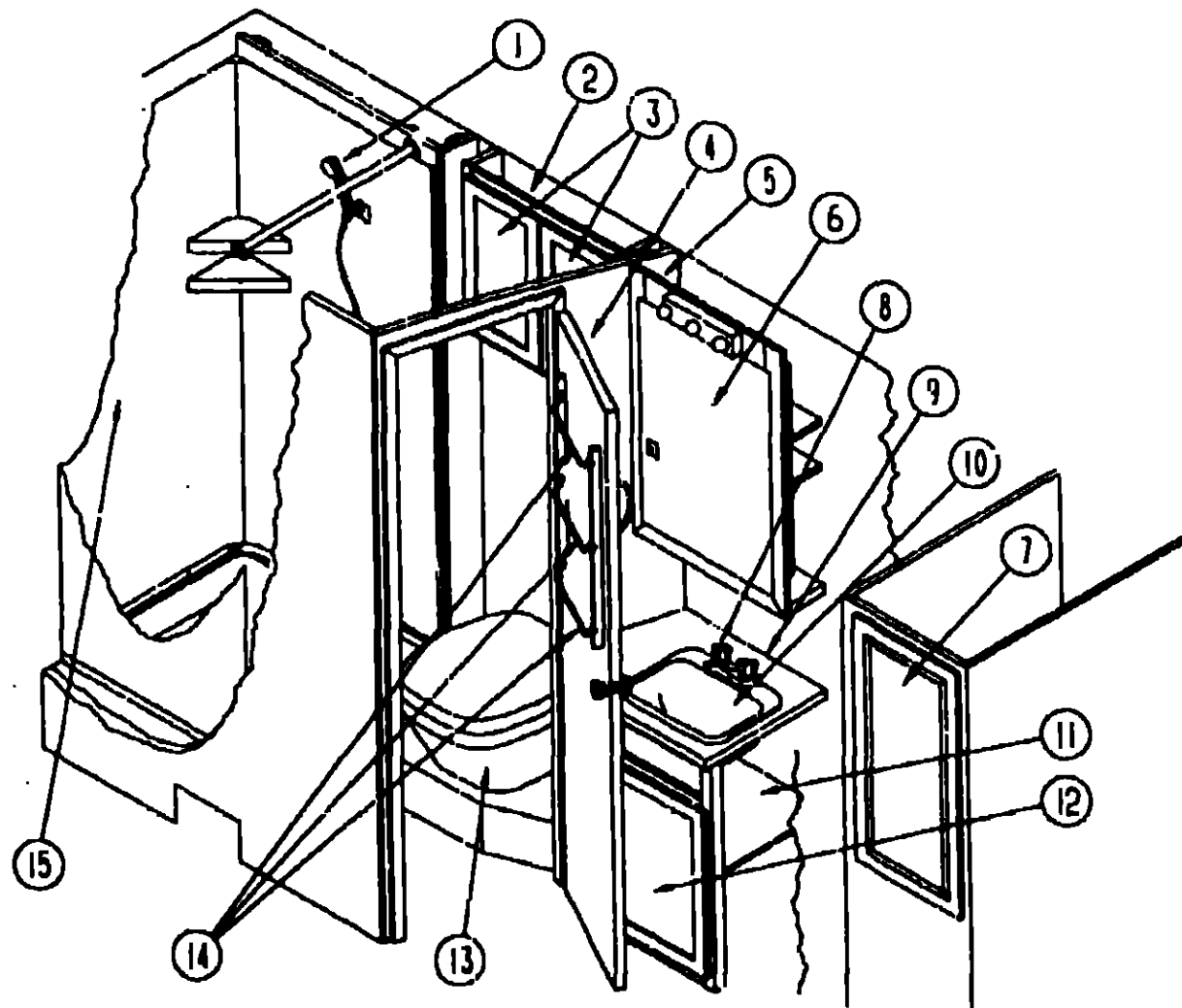
BATH GROUP

BATH & SHOWER CABINETS & FIXTURES

KEY	PART NUMBER	U/M DESCRIPTION
10	096927-01-01A	EA SINK-LAVATORY, RECTANGULAR - PLASTIC - BONE
	096927-01-700	EA SINK-STOPPER
	096927-01-701	EA TAILPIECE-SINK STOPPER
11	M05752-01-C43	EA CABINET ASM-LAVATORY
	M05752-01-C44	EA CABINET ASM-LAVATORY
11	M05752-02-C43	EA CABINET ASM-LAVATORY (CANADIAN)
	M05752-02-C44	EA CABINET ASM-LAVATORY (CANADIAN)
12	P03702-H2-C43	EA DOOR-CABINET, W/O HARDWARE - 365 X 555MM
	075452-02-000	EA HOLDER-TOILET TISSUE, BRASS
	075454-02-000	EA RING-TOWEL, W/MOUNTING HARDWARE - BRASS
	067487-01-000	EA TOILET-12.37", IVORY - HAND FLUSH - THETFORD 150110
	063740-01-700	EA LEVER-WATER, THETFORD 12514
	063740-01-701	EA LEVER-FLUSH, THETFORD 12515
	063740-01-706	EA BOLT PACKAGE-CLOSET, THETFORD 12524
	063740-01-710	EA LINK, THETFORD 12513
	063740-01-711	EA SPRING-RETURN LEVER, THETFORD 12523
	063740-01-713	EA SEAL-BALL VALVE TO BOWL, THETFORD 12502
	063740-01-714	EA VALVE ASM-WATER, THETFORD 12492
	063740-01-716	EA SEAT & COVER, THETFORD 15017
14	063740-01-717	EA TUBE-FLUSH, TOILET 12509 THETFORD
	100357-01-000	EA ROD-TOWEL, BRASS W/ENDS BENT FOR BACK OF BATH DOOR
	102089-13-B29	EA MOUNT-ROD, RIGHT SIDE - FOR TOWEL RODS - 26" LONG - WOOD
	102089-14-B29	EA MOUNT-ROD, LEFT SIDE - FOR TOWEL RODS - 26" LONG - WOOD
	042356-01-000	EA PLUG-BUTTON, MAHOGANY - 3/8" DIAMETER - WOOD
	105629-01-01A	EA SURROUND-SHOWER, OFF WHITE
	057671-01-000	EA COVER-SCREW, #8 - PLASTIC - OFF WHITE
15	M02673-05-B13	EA PAN-SHOWER, 29.8" X 22.7" X 5.7" - OFF WHITE - PLASTIC

KEY	PART NUMBER	U/M DESCRIPTION
14	075241-05-000	EA FAUCET-SHOWER, BONE (EXTERIOR SHOWER)
	093527-02-000	EA BRACKET-SQUEEGEE/SHOWER HEAD (EXTERIOR SHOWER)
	103092-01-000	EA SHOWER HEAD-W/60 IN HOSE (EXTERIOR SHOWER)
	105269-02-000	EA BRACKET-SUPPORT, FAUCET (EXTERIOR SHOWER)

EXTERIOR SHOWER COMPONENTS



1992 ITASCA

TABLE OF CONTENTS

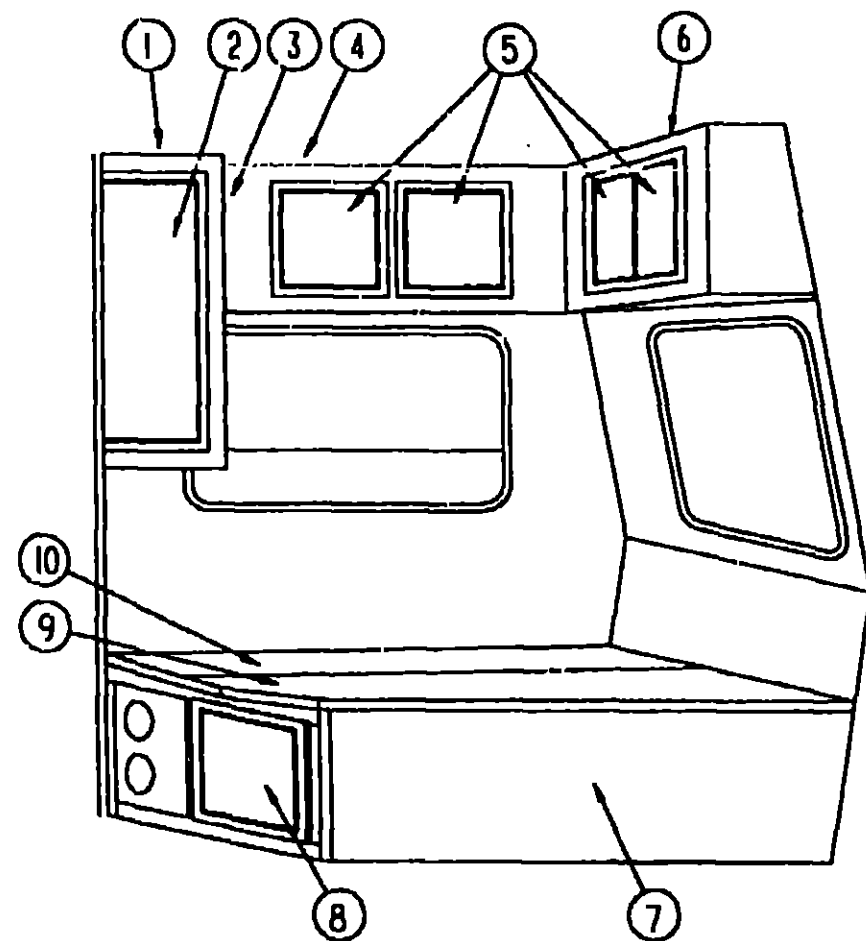
INTRODUCTION	A-01	A-02
ABBREVIATIONS		A-03
ALPHABETICAL INDEX	A-04	A-06
IC522RG	A-07	D-16
IF524RC	D-17	H-04

1992 IF524RC INDEX

FLOOR PLAN	D-17	D-18
ACCESSORIES		D-19
AUDIO VIDEO		D-20
BATH	D-21	D-22
BEDROOM	D-23	D-24
CHASSIS	E-01	E-04
CURTAIN & CUSHION	E-05	E-13
DINETTE	E-14	E-15
DRIVERS	E-16	E-17
ELECTRICAL	E-18	E-21
EXTERIOR BODY	E-22	F-04
GALLEY	F-05	F-10
GENERATOR		F-11
HEATING & A/C	F-12	F-13
INTERIOR FINISH	F-14	F-17
LABEL	F-18	F-24
LP		G-01
LOUNGE		G-02
SEALANTS & FASTENERS	G-03	G-05
WATER & SEWAGE	G-06	G-10
WINDOW, VENT AND EXTERIOR DOOR	G-11	H-04

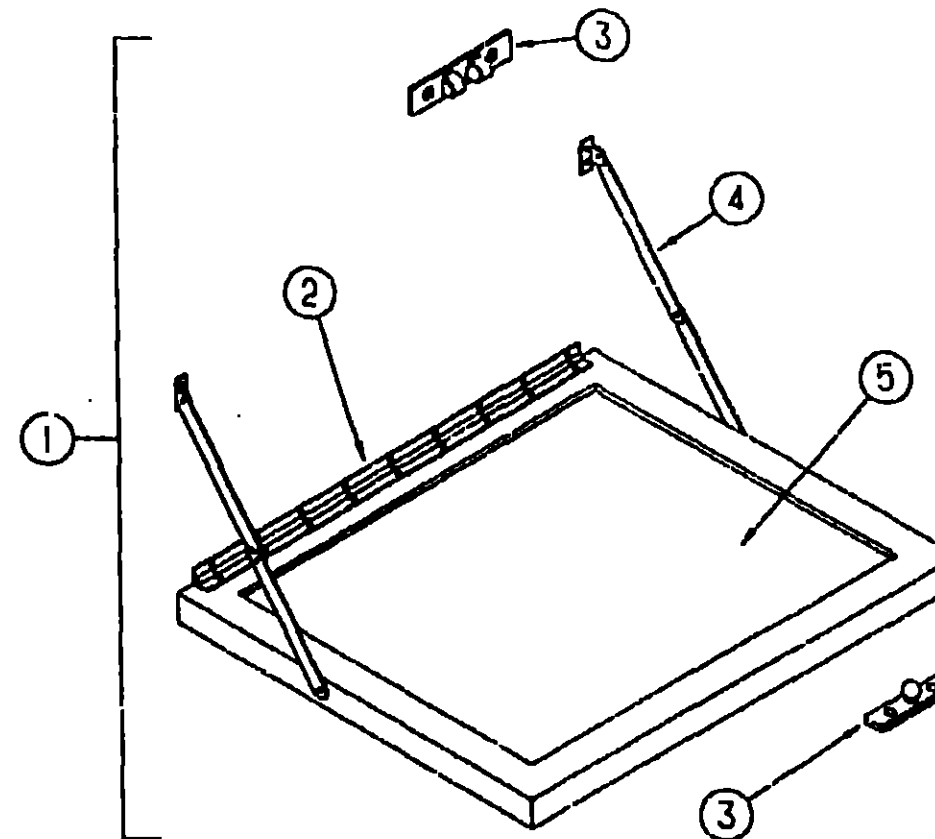
KEY	PART NUMBER	U/M DESCRIPTION
1	103092-01-000	EA SHOWER HEAD-W/60 IN HOSE
	075241-05-000	EA FAUCET-SHOWER, BONE
	075606-01-000	EA PANEL-FAUCET BACK, SHOWER - 5" X 9" - PLASTIC
2	P05767-01-C43	EA CABINET-STORAGE, W/O DOORS & HARDWARE - BATH
	P04536-18-C43	EA DOOR-CABINET, W/O HARDWARE - 285 X 500MM
4	075453-02-000	EA BAR-TOWEL, 18" BRASS
	P05398-01-C43	EA DOOR ASM-BATH W/O LOCK
5	058331-27-000	EA MIRROR-SAFETY GLASS, 11.8" X 45.7"
	106978-01-C43	EA CABINET ASM-MEDICINE, W/O DOOR & HARDWARE
6	P03661-01-B87	EA DOOR-CABINET, W/MIRROR - W/O HARDWARE - 15.5" X 29.5"
	093446-10-B27	EA MIRROR-WOOD FRAMED
	M03450-11-000	EA TRIM-MIRROR, WOOD - OAK
	058331-32-000	EA MIRROR-GLASS, SAFETY - 13.6" X 27.6"
	P04536-12-C29	EA DOOR-CABINET, W/O HARDWARE - 395 X 1155MM
7	042438-01-000	EA DOWEL-WOOD, CLOTHES ROD - 1" DIAMETER X 4'
	009112-01-000	EA FLANGE-1" ROD, CLOTHES - PLASTIC - OFF WHITE
8	075240-06-000	EA FAUCET-LAVATORY, BONE
	091253-01-000	EA GASKET-FAUCET, LAVATORY/GALLEY
9	107154-11-C52	EA COUNTERTOP ASM (C43)
	107154-11-C44	EA COUNTERTOP ASM (C44)

BEDROOM GROUP



BEDROOM CABINETS & FOLDING PRIVACY DOOR

BEDROOM GROUP (CONTINUED)



TV STAND

**1992 ITASCA
TABLE OF CONTENTS**

INTRODUCTION	A-01	A-02
ABBREVIATIONS		A-03
ALPHABETICAL INDEX	A-04	A-06
IC522RG	A-07	D-16
IF524RC	D-17	H-04

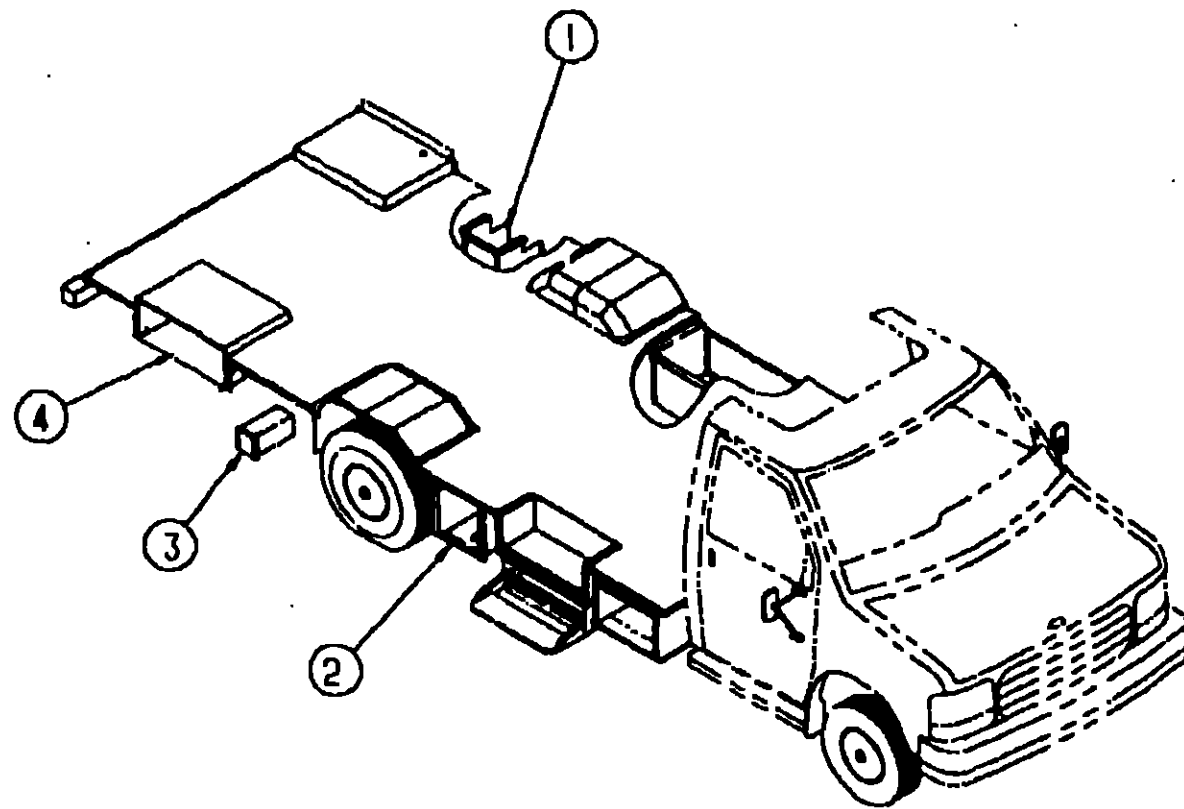
1992 IF524RC INDEX

FLOOR PLAN	D-17	D-18
ACCESSORIES		D-19
AUDIO VIDEO		D-20
BATH	D-21	D-22
BEDROOM	D-23	D-24
CHASSIS	E-01	E-04
CURTAIN & CUSHION	E-05	E-13
DINETTE	E-14	E-15
DRIVERS	E-16	E-17
ELECTRICAL	E-10	E-21
EXTERIOR BODY	E-22	F-04
GALLEY	F-05	F-10
GENERATOR		F-11
HEATING & A/C	F-12	F-13
INTERIOR FINISH	F-14	F-17
LABEL	F-13	F-24
LP		G-01
LOUNGE		G-02
SEALANT J & FASTENERS	G-03	G-05
WATER & SEWAGE	G-06	G-10
WINDOW, VENT AND EXTERIOR DOOR	G-11	H-04

KEY	PART NUMBER	U/M DESCRIPTION
1	10E236-01-C43	EA CABINET ASM-SHIRT CLOSET
2	P03702-34-B87	EA DOOR-CABINET, W/O HARDWARE - 305 X 1015MM
3	104335-09-C43	EA END CAP-CABINET, OVERHEAD
4	M05678-38-C43	EA CABINET ASM-OVERHEAD, REAR - RIGHT
4	M05678-38-C44	EA CABINET ASM-OVERHEAD, REAR - RIGHT
5	P03702-G3-C43	EA DOOR-CABINET, W/O HARDWARE - 305 X 475MM
6	M05678-39-C43	EA CABINET ASM-OVERHEAD, REAR
6	M05678-39-C44	EA CABINET ASM-OVERHEAD, REAR
7	P07083-01-C43	EA CABINET ASM-DOUBLE BED
8	P03702-39-C43	EA DOOR-CABINET, W/O HARDWARE - 305 X 555MM
9	M05747-02-C52	EA DOUBLE BED TOP DETAIL B (W/CUT CORNER)
10	M05747-01-000	EA DOUBLE BED TOP DETAIL A
	042488-08-000	EA DOOR-FOLDING, WOVEN OAK - 75" X 50"
	042488-04-700	EA LEAD EDGE & CATCH ASSEMBLY

KEY	PART NUMBER	U/M DESCRIPTION
1	084357-02-C43	EA TV STAND ASM
2	084413-01-000	EA HINGE-CONTINUOUS, W/HOLES
3	084451-01-000	EA CATCH-TV SHELF, BRASS
4	084412-01-000	EA SUPPORT-HINGED
5	084356-04-000	EA INSERT-TV STAND, W/SUPPORT HINGE - METAL - TAN
		FROM: 00-00-00 THRU: 05-24-92
5	084356-08-000	EA INSERT-TV STAND, W/SUPPORT HINGE - METAL - OFF WHITE
		FROM: 05-25-92 THRU: 99-99-99
5	058331-14-000	EA MIRROR-GLASS, SAFETY - 14" X 12.7"

CHASSIS GROUP



COMPARTMENTS, PLUGS & SEALS

KEY	PART NUMBER	U/M DESCRIPTION
1	101868-07-000	EA COMPARTMENT ASM-POWER, CORD
2	105203-02-000	EA COMPARTMENT-BATTERY
	084993-01-000	EA STRAP-BATTERY
	104897-01-01A	EA BOX-ENTERTAINMENT CENTER - OFF WHITE
	104898-01-01A	EA PLATE-PLASTIC BOTTOM - OFF WHITE
3	085967-01-000	EA COMPARTMENT-SEWER HOSE, 6' X 6.6' X 17.8' - PLASTIC
4	105471-04-000	EA COMPARTMENT ASM-GENERATOR
	106208-01-01A	EA COMPARTMENT-SHOWER, EXTERIOR - OFF WHITE
	058027-01-000	FT SEAL, D SHAPED - HOLLOW - SPONGE RUBBER - BLACK
	061420-01-000	EA FLUG-PLASTIC, 1.75" - BROWN
	077931-01-000	EA CAP-PLASTIC, .56" ID - BLACK
	077953-01-000	EA GROMMET-EDGE LINER, FITS 1"

CHASSIS GROUP (CONTINUED)

EXHAUST SYSTEM FOR JAPAN EXPORT

KEY	PART NUMBER	U/M DESCRIPTION
	007125-08-000	EA CLAMP-MUFFLER, 3" DIA
	095190-01-000	EA HANGER-EXHAUST, .7" X 1.4"
	103428-01-000	EA PIPE-EXHAUST, TAIL - FORD - REAR

FUEL SYSTEM

KEY	PART NUMBER	U/M DESCRIPTION
	070040-05-000	EA SHROUD-FUEL FILL, UPPER
	083578-01-000	EA BOOT-FUEL FILL, RUBBER
	007063-01-000	FT HOSE-GAS 1/4"ID X 1/2"OD
	007111-02-000	EA HOSE-FUEL FILL, 2.00 ID

SUSPENSION SYSTEMS

KEY	PART NUMBER	U/M DESCRIPTION
	100332-01-000	EA PLATE-VALVE, AIR SPRING (FORD)
	106067-01-000	EA AIRSPRING-4IN. DIA TWIN (FORD)
	106067-03-700	EA REPAIR KIT F/TAPPEDPISTON

ENTRY STEPS

KEY	PART NUMBER	U/M DESCRIPTION
	077848-02-000	EA STEP-PULLOUT
	091176-01-000	EA SUPPORT-BASE-ENTRANCE STEP
	094708-01-01A	EA STEP-ENTRY DOOR, ELECTRIC - SINGLE - KWIKEE 2813
	094707-02-700	EA MOTOR REPLACEMENT KIT - KWIKEE 9520
	094707-02-702	EA GEAR KIT - KWIKEE 9525
	094707-02-703	EA PARTS KIT (BEARINGS & PINS) - KWIKEE 9530
	094707-02-704	EA MOTOR CONNECTOR KIT - KWIKEE 9537
	094707-02-705	EA CONTROL UNIT (ORANGE) - KWIKEE 9513
	094708-03-700	EA LINKAGE ASM F/28 SERIES - KWIKEE KWIKEE 9513
	100312-01-000	EA SWITCH-DOOR JAMB, ELECTRIC ENTRY STEP - METAL

1992 ITASCA TABLE OF CONTENTS

INTRODUCTION	A-01	A-02
ABBREVIATIONS		A-03
ALPHABETICAL INDEX	A-04	A-06
IC522RG	A-07	D-16
IF524RC	D-17	H-04

1992 IF524RC INDEX

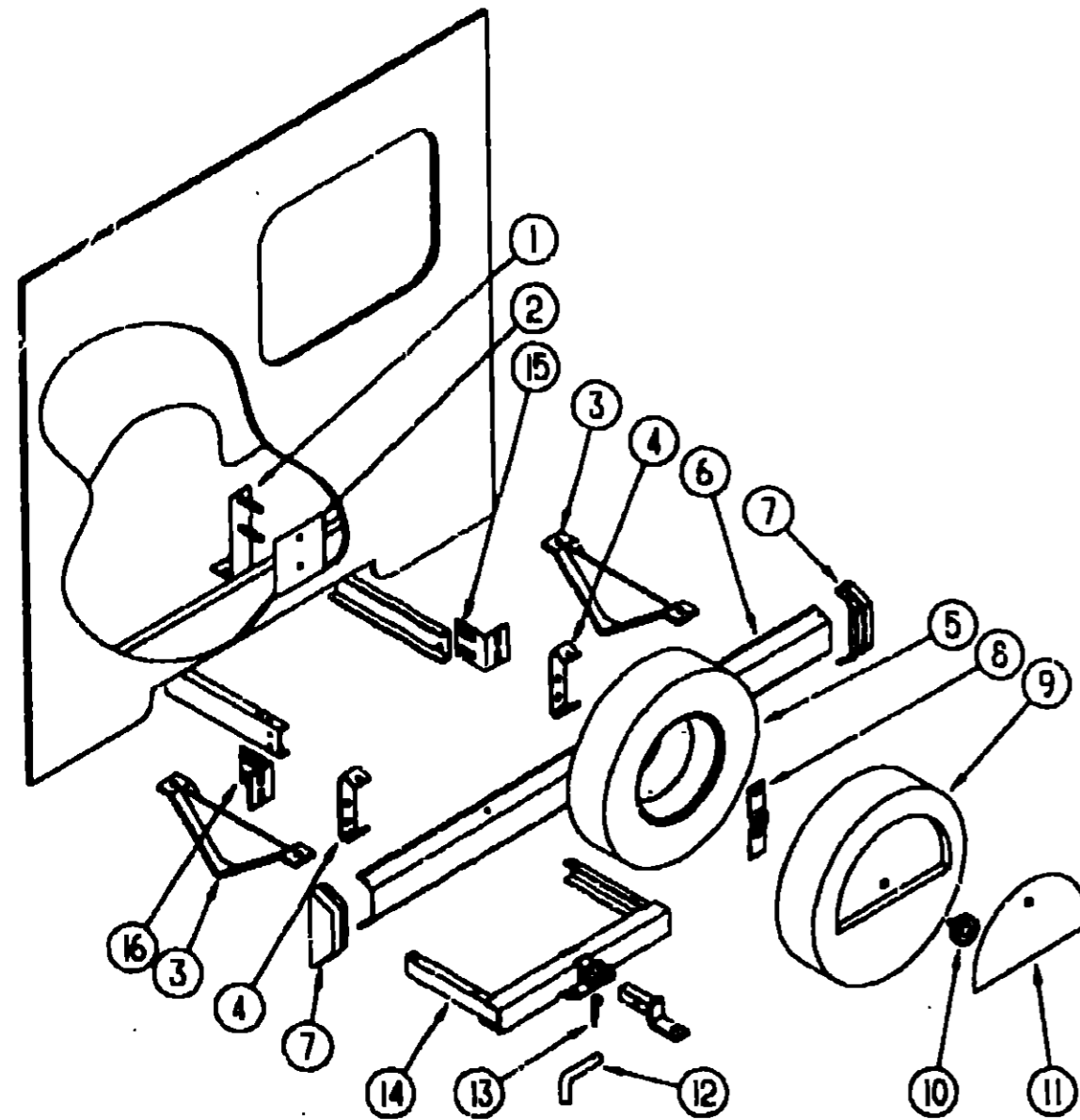
FLOOR PLAN	D-17	D-18
ACCESSORIES		D-19
AUDIO VIDEO		D-20
BATH	D-21	D-22
BEDROOM	D-23	D-24
CHASSIS	E-01	E-04
CURTAIN & CUSHION	E-05	E-13
DINETTE	E-14	E-15
DRIVERS	E-16	E-17
ELECTRICAL	E-18	E-21
EXTERIOR BODY	E-22	F-04
GALLEY	F-05	F-10
GENERATOR		F-11
HEATING & A/C	F-12	F-13
INTERIOR FINISH	F-14	F-17
LABEL	F-18	F-24
LP		G-01
LOUNGE		G-02
SEALANTS & FASTENERS	G-03	G-05
WATER & SEWAGE	G-06	G-10
WINDOW, VENT AND EXTERIOR DOOR	G-11	H-04

CHASSIS GROUP (CONTINUED)

CHASSIS GROUP (CONTINUED)

SPARE TIRE & TRAILER HITCH (CONTINUED)

**1992 ITASCA
TABLE OF CONTENTS**



KEY	PART NUMBER	U/M DESCRIPTION
10	064082-02-000	EA NUT-RETAINING, WHEEL COVER
11	M02047-01-T95	EA PANEL-DOOR, TIRE COVER
	077400-02-000	EA LOCK-KEY TYPE
	082604-01-700	EA KEY-COMPAITMENT DOOR LOCK, BH024
12	034512-01-000	EA PIN-LOCKING, DRAWBAR
13	034513-01-000	EA PIN-HITCH, 3/16" WIRE
14	077617-02-000	EA HITCH-TRAILER, W/O DRAWBAR - 41 1" WIDE - STEEL - BLACK
15	105933-01-000	EA BRACKET-BUMPER, REAR
16	105933-02-000	EA BRACKET-BUMPER, REAR
	103247-01-000	EA BRACKET-LICENSE PLATE, REAR (JAPAN EXPORT ONLY)
	097744-01-000	EA HOUSING-TRAILER PIN, 12"
	097744-02-000	EA HOUSING-TRAILER PIN, 48"
	097745-01-000	EA HOUSING-TRAILER RECP, 12"
	097746-01-000	EA HOUSING CAP-TRAILER PIN
	097745-02-000	EA HOUSING-RECEPTACLE TRAILER - 48" WIRE LENGTH

INTRODUCTION	A-01	A-02
ABBREVIATIONS		A-03
ALPHABETICAL INDEX	A-04	A-06
IC522RC	A-07	D-16
IF524RC	D-17	H-04

MUD FLAPS, ROCK GUARDS & WHEELWELLS

KEY	PART NUMBER	U/M DESCRIPTION
	017516-01-000	EA FLAP-MUD, 14" X 18" - BLACK
	106141-01-000	EA FLAP-MUD, W/HOLES & WINNEBAGO LOGO - BLACK (JAPAN EXPORT ONLY)
	045731-04-000	EA GUARD-ROCK, REAR
	096322-01-000	EA WHEELWELL-REAR, DRIVER OR PASSENGER - PLASTIC

WHEEL LINERS

KEY	PART NUMBER	U/M DESCRIPTION
	091209-11-000	EA LINER-WHEEL, SET 4 E350, KAPER II #1304-F0L8 (FORD)
	091209-10-700	EA COVER-AXLE, FRONT - 8 LUG - FORD - 144 KAPER
	091209-10-701	EA COVER-AXLE, REAR - 8 LUG - FORD - 145 KAPER
	091209-10-705	EA COVER-LUG NUT - 36 KAPER
	091209-11-700	EA LINER-WHEEL, FRONT - 8 LUG - FORD - 14 1/2 KAPER
	091209-11-701	EA LINER-WHEEL, REAR - 8 LUG - FORD - 150 KAPER

1992 IF524RC INDEX

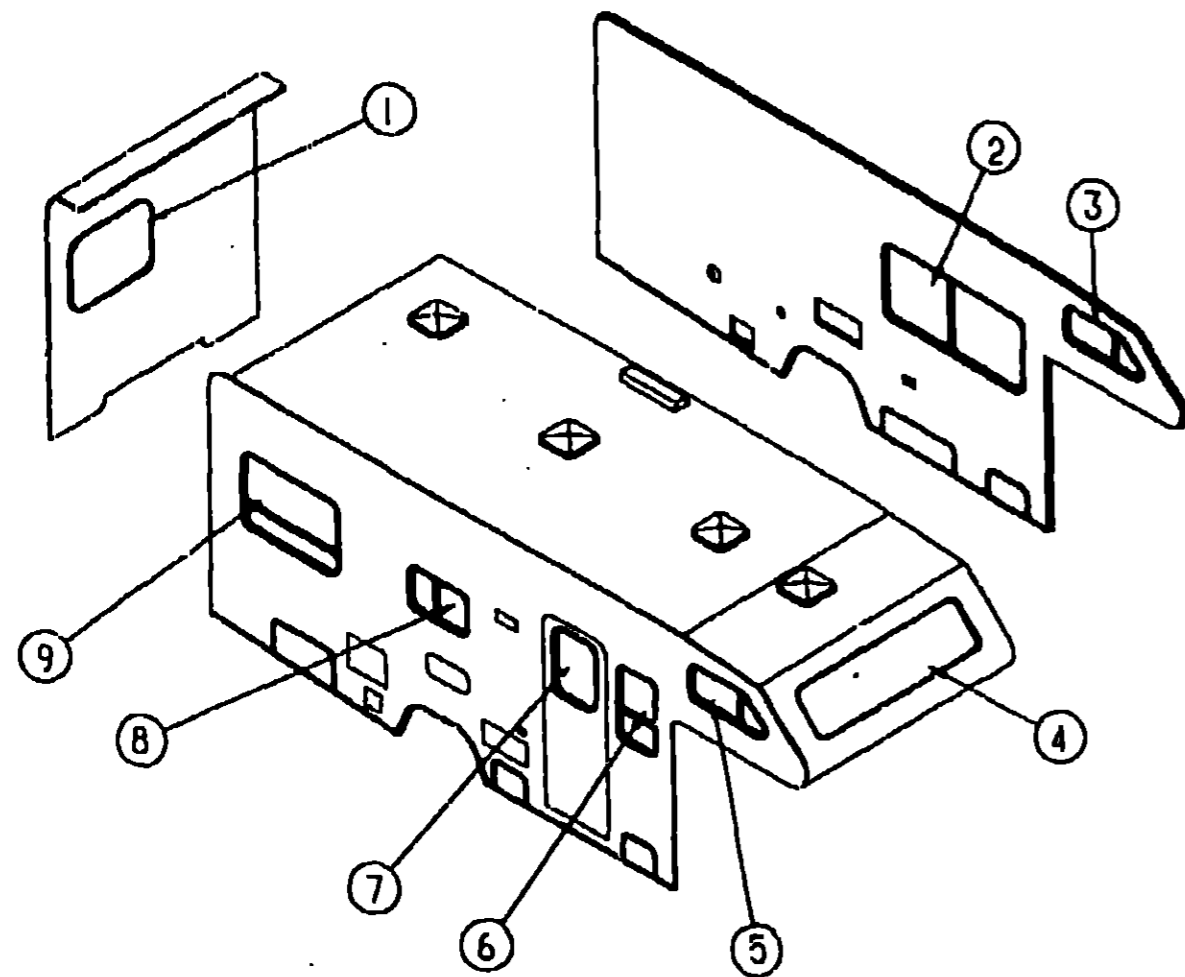
FLOOR PLAN	D-17	D-18
ACCESSORIES		D-19
AUDIO VIDEO		D-20
BATH	D-21	D-22
BEDROOM	D-23	D-24
CHASSIS	E-01	E-04
CURTAIN & CUSHION	E-05	E-13
DINETTE	E-14	E-15
DRIVERS	E-16	E-17
ELECTRICAL	E-18	E-21
EXTERIOR BODY	E-22	F-04
GALLEY	F-05	F-10
GENERATOR		F-11
HEATING & A/C	F-12	F-13
INTERIOR FINISH	F-14	F-17
LABEL	F-18	F-24
LP		G-01
LOUNGE		G-02
SEALANTS & FASTENERS	G-03	G-05
WATER & SEWAGE	G-06	G-10
WINDOW, VENT AND EXTERIOR DOOR	G-11	H-04

SPARE TIRE & TRAILER HITCH

KEY	PART NUMBER	U/M DESCRIPTION
1	105209-06-000	EA BRACKET ASM-SPARE TIRE (FORD)
1	105209-02-000	EA BRACKET-SUPPORT, SPARE TIRE - W/O BOLTS
2	105208-01-000	EA PLATE-SPARE TIRE
3	083376-01-000	EA PLATE-SKID, 13.2" X 6" X 2" - STEEL
4	078670-02-000	EA BRACKET-BUMPER, REAR - 2" X 8" - BENT ENDS - STEEL - BLK (2 USED)
5	083425-08-000	EA TIRE-LT225/75R16 LRD, MICHELIN XCH4 (FORD)
5	083617-03-000	EA WHEEL-STL 16.0X6,92 E350, ACCURIDE 28618 (FORD)
	077030-02-000	EA EXTENSION-VALVE STEM, 1.25"
	095012-03-000	EA EXTENSION-VALVE STEM, DUAL WHEEL
6	103099-02-02A	EA BUMPER-REAR, OFF WHITE
7	106147-01-01A	EA CAP-END, BUMPER - OFF WHITE
8	105531-02-000	EA RETAINER ASM-SPARE TIRE
9	079799-01-000	EA COVER-TIRE, OFF WHITE

CURTAIN, CUSHION GROUP

WINDOW TREATMENT



KEY	PART NUMBER	U/M DESCRIPTION
1	104156-01-C43	EA VALANCE-WINDOW, 41" W/DOUBLE RUFFLE
1	104156-01-C44	EA VALANCE-WINDOW, 41" W/DOUBLE RUFFLE
1	104157-01-C43	EA CURTAIN LEG-WINDOW, 27" - RIGHT (C43)
1	104157-01-C44	EA CURTAIN LEG-WINDOW, 27" - RIGHT (C44)
1	104157-02-C43	EA CURTAIN LEG-WINDOW, 27" - LEFT (C43)
1	104157-02-C44	EA CURTAIN LEG-WINDOW, 27" - LEFT (C44)
1	093475-78-01A	EA BLIND-MINI, 36" X 28" DROP
2	104021-17-C43	EA VALANCE-WINDOW, 65"
2	104021-12-C44	EA VALANCE-WINDOW, 65.5"
2	100281-78-C43	EA LEG-WINDOW, RIGHT - NO HOLE - 27"
2	100281-09-C44	EA LEG-WINDOW, RIGHT - NO HOLE - 27"
2	100281-79-C43	EA LEG-WINDOW, LEFT - NO HOLE - 27"
2	100281-10-C44	EA LEG-WINDOW, LEFT - NO HOLE - 27"
2	093475-76-01A	EA BLIND-MINI, 60" X 28.5" DROP
3	097878-42-C43	EA VALANCE-WINDOW, LEFT - 5.5" X 43"
3	097878-39-C44	EA VALANCE-WINDOW, LEFT - 5.5" X 43"
3	101034-13-C43	EA CURTAIN-WINDOW, 16" X 25", - DARTED TAPE TOP & BOTTOM
3	101034-13-C44	EA CURTAIN-WINDOW, 16" X 25", - DARTED TAPE TOP & BOTTOM

KEY	PART NUMBER	U/M DESCRIPTION
4	097878-40-C43	EA VALANCE-WINDOW, FLAT - 7" X 85.5"
4	097878-37-C44	EA VALANCE-WINDOW, FLAT - 7" X 85.5"
4	101034-12-C43	EA CURTAIN-WINDOW, 22" X 45" - DARTED TAPE TOP & BOTTOM
4	101034-12-C44	EA CURTAIN-WINDOW, 22" X 45" - DARTED TAPE TOP & BOTTOM
5	097878-41-C43	EA VALANCE-WINDOW, RIGHT - 5.5" X 43"
5	097878-38-C44	EA VALANCE-WINDOW, RIGHT - 5.5" X 43"
5	101034-13-C43	EA CURTAIN-WINDOW, 16" X 25" - DARTED TAPE TOP & BOTTOM
5	101034-13-C44	EA CURTAIN-WINDOW, 16" X 25" - DARTED TAPE TOP & BOTTOM
8	104021-18-C43	EA VALANCE-WINDOW, 20"
6	104021-02-C44	EA VALANCE-WINDOW, 20"
6	093475-89-03A	EA BLIND-MINI, 17.5" X 29.5" DROP
7	104021-19-C43	EA VALANCE-WINDOW, 31.25" - FLAT
7	104021-16-C44	EA VALANCE-WINDOW, 31.25" - FLAT
7	08-1755-57-C03	EA SHADE-WINDOW, ROLLER PULL TYPE - 27.25"
8	093475-90-03A	EA BLIND-MINI, 27" X 17.5" DROP
9	104165-02-C43	EA VALANCE-WINDOW, 46"
9	104165-02-C44	EA VALANCE-WINDOW, 46"
9	104157-01-C43	EA CURTAIN LEG-WINDOW, 27" - RIGHT (C43)
9	104157-01-C44	EA CURTAIN LEG-WINDOW, 27" - RIGHT (C44)
9	104157-02-C43	EA CURTAIN LEG-WINDOW, 27" - LEFT (C43)
9	104157-02-C44	EA CURTAIN LEG-WINDOW, 27" - LEFT (C44)
9	093475-79-01A	EA BLIND-MINI, 42" X 28" DROP
	093475-01-700	EA WAND-BLIND, W/METAL CLIP - 8" LONG
	093475-01-701	EA END CAP-BLIND, W/STJD
	084481-24-C04	EA CURTAIN-SHOWER, 72" X 42" - GROMMET TOP (C43)
	084481-24-C24	EA CURTAIN-SHOWER, 72" X 42" - GROMMET TOP (C44)
	076892-05-B85	EA CURTAIN-SNAP TOP, WINDOW WALL PRIVACY - 40" X 72" - BEIGE
	101668-05-B85	EA CURTAIN-WINDSHIELD, 30" X 50" - PASSENGER - TAPE TOP
	101668-06-B85	EA CURTAIN-WINDSHIELD, 30" X 50" - DRIVER - TAPE TOP
	101668-20-C06	EA CURTAIN-BUNK PRIVACY, 70" X 60" TAPE TOP
	057534-01-000	EA TIEBACK/TIEDOWN-BED/CURTAIN/DOOR, 6" - PLASTIC - CLEAR
	073260-49-C43	EA TIEBACK-CURTAIN, 3" X 18" (WINDSHIELD CURTAIN)
	073260-49-C44	EA TIEBACK-CURTAIN, 3" X 18" (WINDSHIELD CURTAIN)
	073260-52-C43	EA TIEBACK ASM-3" X 15" GATHERED (BEDROOM CURTAIN)
	073260-52-C44	EA TIEBACK ASM-3" X 15" GATHERED (BEDROOM CURTAIN)
	073260-54-C10	EA TIEBACK ASM-3" X 16" (C43) (SHOWER CURTAIN)
	073260-54-C30	EA TIEBACK ASM-3" X 16" (C44) (SHOWER CURTAIN)
	073260-55-C43	EA TIEBACK ASM-4" X 15" (C43) (PRIVACY CURTAIN)
	073260-55-C26	EA TIEBACK ASM-4" X 15" (C44) (PRIVACY CURTAIN)

1992 ITASCA

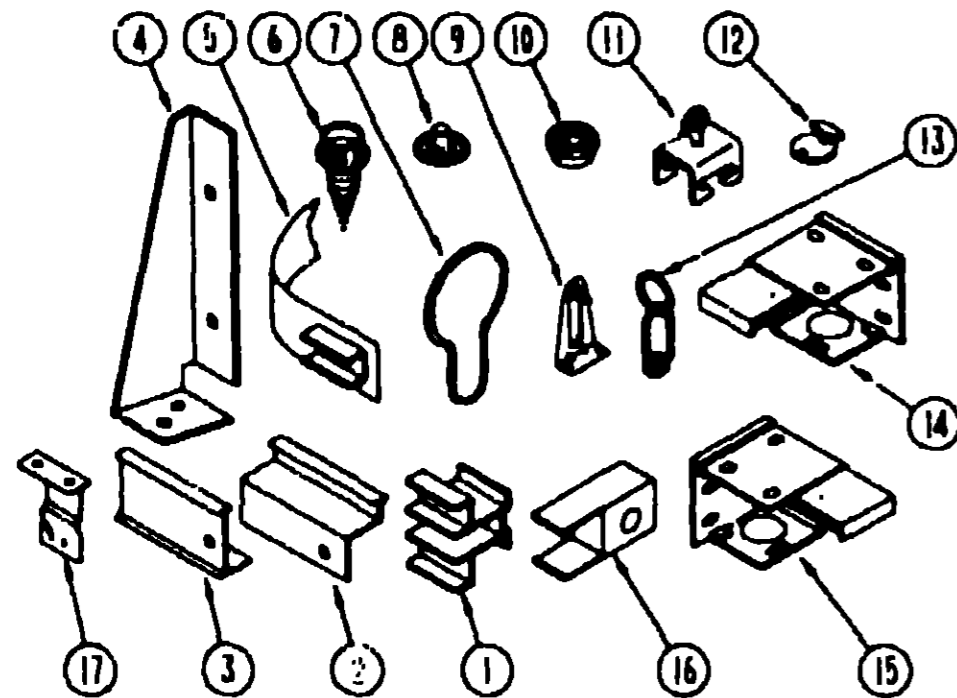
TABLE OF CONTENTS

INTRODUCTION	A-01 - A-02
ABBREVIATIONS	A-03
ALPHABETICAL INDEX	A-04 - A-06
IC522RC	A-07 - D-16
IF524RC	D-17 - H-04

1992 IF524RC INDEX

FLOOR PLAN	D-17 - D-18
ACCESSORIES	D-19
AUDIO VIDEO	D-20
BATH	D-21 - D-22
BEDROOM	D-23 - D-24
CHASSIS	E-01 - E-04
CURTAIN & CUSHION	E-05 - E-13
DINETTE	E-14 - E-15
DRIVERS	E-16 - E-17
ELECTRICAL	E-18 - E-21
EXTERIOR BODY	E-22 - F-04
GALLEY	F-05 - F-10
GENERATOR	F-11
HEATING & A/C	F-12 - F-13
INTERIOR FINISH	F-14 - F-17
LABEL	F-18 - F-24
LP	G-01
LOUNGE	G-02
SEALANTS & FASTENERS	G-03 - G-05
WATER & SEWAGE	G-06 - G-10
WINDOW VENT AND EXTERIOR DOOR	G-11 - H-04

CURTAIN, CUSHION GROUP (CONTINUED)



CURTAIN, BLIND HARDWARE & TRACKS

KEY	PART NUMBER	U/M DESCRIPTION
1	101033-03-000	EA TRACK-CURTAIN, WALL - WHITE - SHAPCO CT225
2	105450-02-01A	EA TRACK-CURTAIN, 48" LONG - ALUMINUM - OFF WHITE
2	105450-05-01A	EA TRACK-CURTAIN, 79" LONG - ALUMINUM - OFF WHITE
2	105450-06-01A	EA TRACK-CURTAIN, 88" LONG - ALUMINUM - OFF WHITE
2	105450-07-01A	EA TRACK-CURTAIN, 41 3/4" LONG - ALUMINUM - OFF WHITE
3	092464-05-01A	EA TRACK-SHOWER - OFF WHITE
3	009700-04-002	EA TRACK, L-SHAPED - 195 2" - OFF WHITE
	046867-01-000	EA GROMMET-BRASS - 7/16" ID X 1" OD
	048394-02-000	YD VELCRO TAPE-HOOK, ADHESIVE BACK - .75" WIDE - BEIGE
	068716-01-001	EA BRACE-90 DEGREE L-ANGLE, 192" - EXTRUDED ALUMINUM
4	076827-02-000	EA BRACKET-LEG, 2 9" X 1 8" TRIANGLE - LEFT SIDE
	089522-03-000	EA PANEL-LEG, TWO SIDE 27" LONG - PLASTIC - BLACK
5	101031-01-000	YD TAPE-GLIDE, CURTAIN - 4 25" SPACING
6	029130-01-000	EA SCREW-SNAP SOCKET, 8 PH X 5/8"
7	009136-02-000	EA HANGER-RING, PIN TYPE - CURTAIN - BRASS
8	029155-01-000	EA CAP-SNAP, NICKEL
9	095591-02-000	EA BRACKET-HOLD DOWN, W/PIN - BLIND - METAL
10	029156-01-000	EA SOCKET-SNAP FASTENER, NICKEL
11	009702-01-000	EA END STOP-CURTAIN CARRIER, L ROD
12	102555-01-000	EA CLEAT-CORD, BLIND - OFF WHITE
13	009701-01-000	EA CARRIER-CURTAIN, L ROD
14	083170-01-000	EA BRACKET-BLIND, RIGHT SIDE
15	083170-02-000	EA BRACKET-BLIND, LEFT SIDE
16	101033-02-000	EA END CAP-TRACK, CLEAR - EC100 SHAPCO
17	084434-01-000	EA BRACKET-MOUNTING, ROLLER SHADE - 1 3/8"
	106544-01-000	EA PULL-SHADE, BRASS
	084432-06-000	FT SLAT-ROLLER SHADE, PLASTIC
	084433-01-000	EA SPRING-REWIND, ROLLER SHADE
	103986-01-000	FT TRIM-VALANCE, U-CHANNEL - .75" WIDE - BRASS
	088792-01-000	YD VELCRO-HOOK, .75" WIDE - BEIGE
	088792-02-000	YD VELCRO TAPE-LOOP, ADHESIVE BACKED - .75" WIDE - BEIGE

CURTAIN, CUSHION GROUP (CONTINUED)

THROW PILLOWS

KEY	PART NUMBER	U/M DESCRIPTION
	104166-01-C43	EA PILLOW ASM-14" X 14" - W/2" FLANGE
	104166-01-C44	EA PILLOW ASM-14" X 14" - W/2" FLANGE

ASSIST HANDLE, BUTTONS & SEATBELTS

KEY	PART NUMBER	U/M DESCRIPTION
	070578-06-AA3	EA BUTTON-SNAP TOP, #30 - VINYL - BEIGE
	070578-10-C43	EA BUTTON-SCREW STUD, #30
	070578-10-C44	EA BUTTON-SCREW STUD, #30
	057759-01-000	EA WASHER BRACKET-SEAT BELT, 4" DIAMETER
	007021-01-000	EA BELT-SEAT, 2" X 90" - BLACK
	053552-02-AAB	EA HANDLE-ASSIST, INTERIOR - ENTRY DOOR - VINYL - OFF WHITE
	069178-02-000	EA BRACKET-MOUNTING, ASSIST HANDLE - L ANGLE - W/HOLES - STEEL
	000C16-07-16B	EA BOLT-CARRIAGE, ASSIST HANDLE - 7/16" - 14 X 1" ZN
	000D20-07-00B	EA NUT-ACORN, ASSIST HANDLE - 7/16" X 14 ZN
	079349-01-C27	YD WELT ASM-ACCENT (C43)
	079349-01-C28	YD WELT ASM-ACCENT (C44)
	079349-04-C43	YD WELT ASM-NARROW, ACCENT - SWIVEL CHAIR (C43)
	079349-04-C26	YD WELT ASM-NARROW, ACCENT - SWIVEL CHAIR (C44)
	084415-33-000	YD TRIM-BRAID, CURTAIN (C43)
	084415-30-000	YD TRIM-BRAID, CURTAIN (C44)

FABRICS

KEY	PART NUMBER	U/M DESCRIPTION
	029219-01-000	YD FABRIC-VINYL, 54" WIDE - WHITE
	072333-82-000	YD FABRIC-CURTAIN, 54" WIDE - BEIGE
	075244-06-000	YD FABRIC-VINYL, SHOWER CURTAIN - 72" WIDE - TEAL (C43)
	075244-05-000	YD FABRIC-VINYL, SHOWER CURTAIN - 72" WIDE - BLUE (C44)
	079680-07-000	YD FABRIC-VINYL, 54" WIDE - BEIGE
	096008-93-000	YD FABRIC-UPHOLSTERY, PATTERNED WOVEN - TEAL (C43) (MAIN)
	104233-19-000	YD FABRIC-UPHOLSTERY, PATTERNED VELOUR (C44) (MAIN)
	096008-94-000	YD FABRIC-UPHOLSTERY, WOVEN LINES - BEIGES & GREEN (C43) (ACCENT)
	104233-18-000	YD FABRIC-UPHOLSTERY, SQUARED VELOUR (C44) (ACCENT)
	103907-01-01A	YD FABRIC-VINYL, 54" WIDE - OFF WHITE (C43)
	104233-17-000	YD FABRIC-UPHOLSTERY, STRIPED VELOUR (C43) (PLAIN ACCENT)
	056008-85-000	YD FABRIC-UPHOLSTERY, PLAIN - 54" WIDE (C44) (PLAIN ACCENT)
	104233-25-000	YD FABRIC-UPHOLSTERY, WOVEN LINES - BEIGES & GREENS (C43)
	104233-23-000	YD FABRIC-UPHOLSTERY, WOVEN LINES - BEIGES & BLUES (C44)
	104233-27-000	YD FABRIC-UPHOLSTERY, PLAIN VELOUR - LIGHT NAVY (C44)
	088273-93-333	YD FABRIC-BEDSPREAD, SHERBET (C43) (MAIN)
	088273-94-000	YD FABRIC-BEDSPREAD, FUGUE BLUE (C44) (MAIN)
	088273-89-000	YD FABRIC-BEDSPREAD, LILAC (C43) (ACCENT)
	088273-71-000	YD FABRIC-BEDSPREAD, PLAIN (C44) (ACCENT)

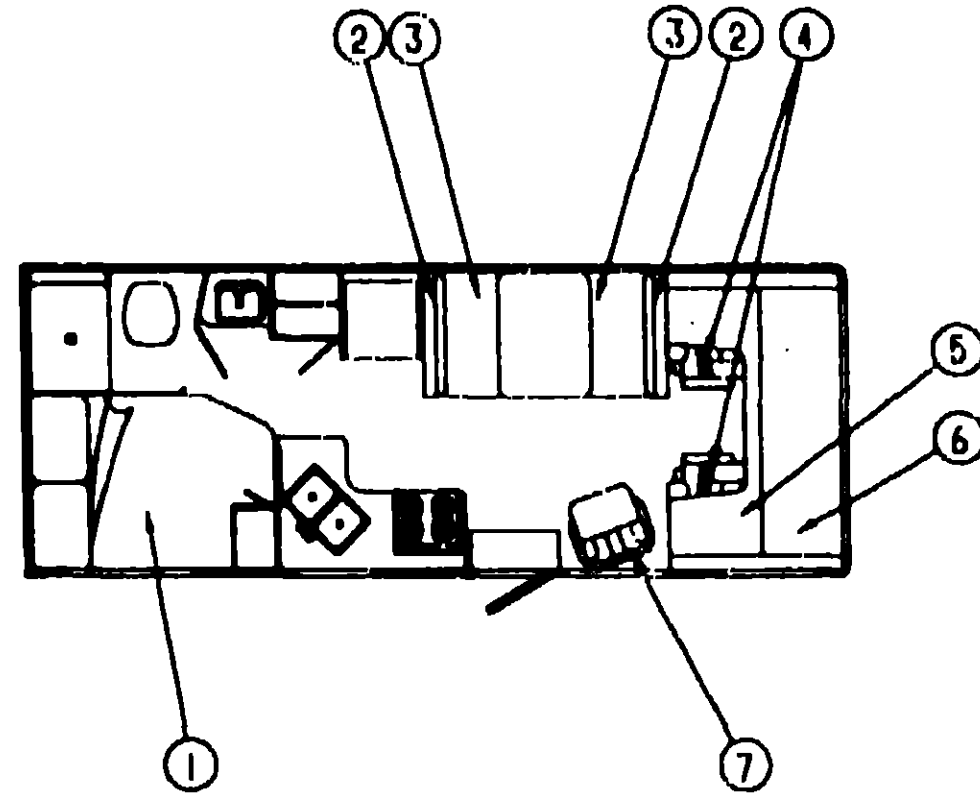
**1992 ITASCA
TABLE OF CONTENTS**

INTRODUCTION	A 01 -	A-02
ABBREVIATIONS		A-03
ALPHABETICAL INDEX	A 04 -	A-06
IC522RC	A 07 -	D-16
IF524RC	D-17 -	H-04

1992 IF524RC INDEX

FLOOR PLAN	D-17 -	D-18
ACCESSORIES		D-19
AUDIO VIDEO		D-20
BATH	D-21 -	D-22
BEDROOM	D-23 -	D-24
CHASSIS	E-01 -	E-04
CURTAIN & CUSHION	E-05 -	E-13
DINETTE	E-14 -	E-15
DRIVERS	E-16 -	E-17
ELECTRICAL	E-18 -	E-21
EXTERIOR BODY	E-22 -	F-04
GALLEY	F-05 -	F-10
GENERATOR		F-11
HEATING & A/C	F-12 -	F-13
INTERIOR FINISH	F-14 -	F-17
LABEL	F-18 -	F-24
LP		G-01
LOUNGE		G-02
SEALANTS & FASTENERS	G-03 -	G-05
WATER & SEWAGE	G-06 -	G-10
WINDOW, VENT AND EXTERIOR DOOR	G-11 -	H-04

CURTAIN, CUSHION GROUP (CONTINUED)



BEDSPREAD & MATTRESS

KEY	PART NUMBER	U/M DESCRIPTION
1	104358-02-C43	EA BEDSPREAD-DOUBLE, 54"
1	104358-02-C44	EA BEDSPREAD-DOUBLE, 54"
	104565-02-C43	EA SHAM-PILLOW, W/O PILLOW (C43)
	104565-02-C44	EA SHAM-PILLOW, W/O PILLOW (C44)
1	098176-06-000	EA MATTRESS-DOUBLE, INNERSPRING - 53" X 74"

DINETTE CUSHIONS

KEY	PART NUMBER	U/M DESCRIPTION
2	104146-01-C27	EA CUSHION-BACKREST, 13.5" X 38" X 5" (C43)
2	104146-01-C28	EA CUSHION-BACKREST, 13.5" X 38" X 5" (C44)
	P04146-01-C27	EA COVER-CUSHION, BACKREST - 13.5" X 38" X 5" (C43)
	P04146-01-C28	EA COVER-CUSHION, BACKREST - 13.5" X 38" X 5" (C44)
	078155-01-000	EA STRAP-SNAP, BACKREST CUSHION
3	088927-87-C27	EA CUSHION-SEATBASE, 23" X 38" X 5"
3	088927-87-C28	EA CUSHION-SEATBASE, 23" X 38" X 5"
	M88927-87-C27	EA COVER-CUSHION, SEATBASE - 23" X 38" X 5"
	M88927-87-C28	EA COVER-CUSHION, SEATBASE - 23" X 38" X 5"

BUCKET SEATS

KEY	PART NUMBER	U/M DESCRIPTION
4	093450-27-C43	EA SEAT-BUCKET-W/RIGHT ARMREST
4	093450-23-C44	EA SEAT-BUCKET-W/RIGHT ARMREST
4	093450-28-C43	EA SEAT-BUCKET-W/LEFT ARMREST
4	093450-24-C44	EA SEAT-BUCKET-W/LEFT ARMREST
4	093450-29-C43	EA SEAT-BUCKET-W/RIGHT ARMREST-RECLINING
4	093450-25-C44	EA SEAT-BUCKET-W/RIGHT ARMREST-RECLINING
4	093450-30-C43	EA SEAT-BUCKET-W/LEFT ARMREST-RECLINING
4	093450-26-C44	EA SEAT-BUCKET-W/LEFT ARMREST-RECLINING

BUNK CUSHIONS

KEY	PART NUMBER	U/M DESCRIPTION
5	105573-02-C43	EA CUSHION-BUNK, REAR - 28" X 79" X 5" FROM: 00-00-00 THRU: 01-12-92
5	105573-05-C44	EA CUSHION-BUNK, REAR - 28" X 79" X 5" FROM: 00-00-00 THRU: 01-12-92
	P05573-02-C43	EA COVER-CUSHION, BUNK - REAR - 28" X 79" X 5" FROM: 00-00-00 THRU: 01-12-92
	P05573-05-C44	EA COVER-CUSHION, BUNK - REAR - 28" X 79" X 5" FROM: 00-00-00 THRU: 01-12-92
5	105573-08-C43	EA CUSHION-BUNK, REAR - 27" X 23" X 80" X 5" FROM: 00-00-00 THRU: 01-12-92
5	105573-10-C44	EA CUSHION-BUNK, REAR - 27" X 23" X 80" X 5" FROM: 01-13-92 THRU: 99-99-99
	P05573-08-C43	EA COVER-CUSHION, BUNK - REAR - 27" X 23" X 80" X 5" FROM: 01-13-92 THRU: 99-99-99
	P05573-10-C44	EA COVER-CUSHION, BUNK - REAR - 27" X 23" X 80" X 5" FROM: 01-13-92 THRU: 99-99-99
6	105573-01-C43	EA CUSHION-BUNK, FRONT - 32" X 79" X 5" FROM: 00-00-00 THRU: 01-12-92
6	105573-04-C44	EA CUSHION-BUNK, FRONT - 32" X 79" X 5" FROM: 00-00-00 THRU: 01-12-92
	P05573-01-C43	EA COVER-CUSHION, BUNK - FRONT - 32" X 79" X 5" FROM: 00-00-00 THRU: 01-12-92
	P05573-04-C44	EA COVER-CUSHION, BUNK - FRONT - 32" X 79" X 5" FROM: 00-00-00 THRU: 01-12-92
6	105573-07-C43	EA CUSHION-BUNK, FRONT - 32.5" X 80" X 5" FROM: 01-13-92 THRU: 99-99-99
6	105573-09-C44	EA CUSHION-BUNK, FRONT - 32.5" X 80" X 5" FROM: 01-13-92 THRU: 99-99-99
	P05573-07-C43	EA COVER-CUSHION, BUNK - FRONT - 32.5" X 80" X 5" FROM: 01-13-92 THRU: 99-99-99
	P05573-09-C44	EA COVER-CUSHION, BUNK - FRONT - 32.5" X 80" X 5" FROM: 01-13-92 THRU: 99-99-99

SWIVEL CHAIR

KEY	PART NUMBER	U/M DESCRIPTION
7	096429-09-C43	EA CHAIR-SWIVEL, W/O SKIRT
7	096429-09-C44	EA CHAIR-SWIVEL, W/O SKIRT

**1992 ITASCA
TABLE OF CONTENTS**

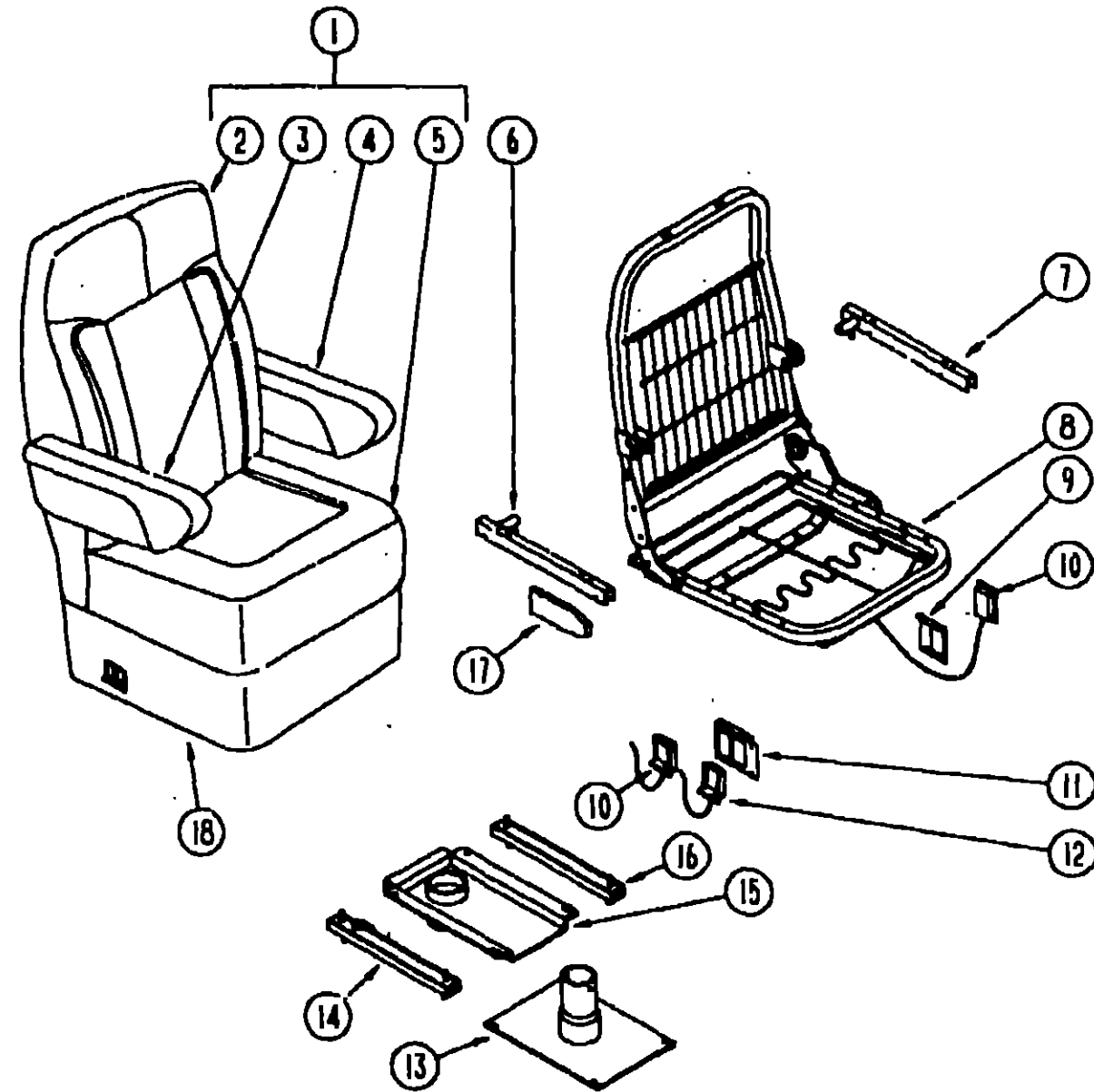
INTRODUCTION	A-01 - A-02
ABBREVIATIONS	A-03
ALPHABETICAL INDEX	A-04 - A-06
IC522RC	A-07 - D-15
IF524RC	D-17 - H-04

1992 IF524RC INDEX

FLOOR PLAN	D-17 - D-18
ACCESSORIES	- D-19
AUDIO VIDEO	- D-20
BATH	D-21 - D-22
BEDROOM	D-23 - D-24
CHASSIS	E-01 - E-04
CURTAIN & CUSHION	E-05 - E-13
DINETTE	E-14 - E-15
DRIVERS	E-16 - E-17
ELECTRICAL	E-18 - E-21
EXTERIOR BODY	E-22 - F-04
GALLEY	F-05 - F-10
GENERATOR	- F-11
HEATING & A/C	F-12 - F-13
INTERIOR FINISH	F-14 - F-17
LABEL	F-18 - F-24
LP	- G-01
LOUNGE	- G-02
SEALANTS & FASTENERS	G-03 - G-05
WATER & SEWAGE	G-06 - G-10
WINDOW, VENT AND EXTERIOR DOOR	G-11 - H-04

CURTAIN, CUSHION GROUP (CONTINUED)

BUCKET SEATS



KEY	PART NUMBER	U/M DESCRIPTION
1	093450-27-C43	EA SEAT-BUCKET, W/RIGHT ARMREST
1	093450-23-C44	EA SEAT-BUCKET, W/RIGHT ARMREST
1	093450-28-C43	EA SEAT-BUCKET, W/LEFT ARMREST
1	093450-24-C44	EA SEAT-BUCKET, W/LEFT ARMREST
1	093450-29-C43	EA SEAT-BUCKET, W/RIGHT ARMREST-RECLINING
1	093450-25-C44	EA SEAT-BUCKET, W/RIGHT ARMREST-RECLINING
1	093450-30-C43	EA SEAT-BUCKET, W/LEFT ARMREST-RECLINING
1	093450-26-C44	EA SEAT-BUCKET, -W/LEFT ARMREST-RECLINING
2	M03445-62-C43	EA COVER-BACK, BUCKET
2	M03445-22-C44	EA COVER-BACK, BUCKET

KEY	PART NUMBER	U/M DESCRIPTION
1	080243-49-C27	EA ARMREST-RIGHT(C43)
3	080243-49-C28	EA ARMREST-RIGHT (C44)
	M80243-49-C27	EA COVER-ARMREST, RIGHT(C43)
	M80243-49-C28	EA COVER-ARMREST, RIGHT(C44)
4	080243-50-C27	EA ARMREST-LEFT(C43)
4	080243-50-C28	EA ARMREST-LEFT(C44)
	M80243-50-C27	EA COVER-ARMREST, LEFT (C43)
	M80243-50-C28	EA COVER-ARMREST, LEFT(C44)
5	M03445-63-C43	EA COVER-SEAT, BUCKET(C43)
5	M03445-23-C44	EA COVER-SEAT, BUCKET(C44)
6	081268-01-000	EA ROD & CHANNEL-ARMREST, RIGHT - METAL
7	081268-02-000	EA ROD & CHANNEL-ARMREST, LEFT - METAL
	081361-01-000	EA ROD-ARMREST, METAL - RIGHT OR LEFT HAND
8	M80908-08-000	EA FRAME-SEAT&BACK&SPRING
8	M80906-05-000	EA FRAME-SEAT&BACK&SPRING, RECLINING
	101125-01-000	EA RECLINER-SEAT BACK, LEFT HAND REMOTE
9	097683-03-000	EA BRACKET-REMOTE, SIDE MOUNT - SINGLE
10	089368-04-000	EA CABLE-SWIVEL, W/SWITCH - BUCKET SEAT
11	097683-02-000	EA BRACKET-MOUNT, REMOTE
12	089368-05-000	EA CABLE-RECLINER, W/SWITCHL - BUCKET SEAT
13	069585-02-000	EA PLATE-SUB, BASE - BUCKET SEAT - 12" X 13" - STEEL
		FROM: 00-00-00 THRU: 10-06-91
13	069585-41-000	EA PLATE-SUB, BASE - BUCKET SEAT - 12" X 13" - STEEL
		FROM: 10-07-91 THRU: 99-99-99
14	069246-05-000	EA ADJUSTER-SEAT/CHAIR, W/REMOTE - FORWARD & BACK
	069246-05-700	EA SPRING-ADJUSTER, FOR REMOTE
	069246-05-701	EA CLIP-CABLE, FOR REMOTE
15	093481-04-000	EA TOP PLATE-PEDESTAL, BUCKET SEAT - W/O SEATBELT BAR
16	069246-02-000	EA ADJUSTER-SEAT/CHAIR, W/O LOCK - FORWARD & BACK
	069585-03-000	EA PEDESTAL-LOWER, W/EXTENSION - 9" X 5" - STEEL
17	089369-08-000	EA SHIELD-CABLE, REMOTE RECLINER - BUCKET SEAT
18	071126-24-C27	EA SKIRT-BUCKET SEAT (C43)
18	071126-24-C28	EA SKIRT-BUCKET SEAT (C44)

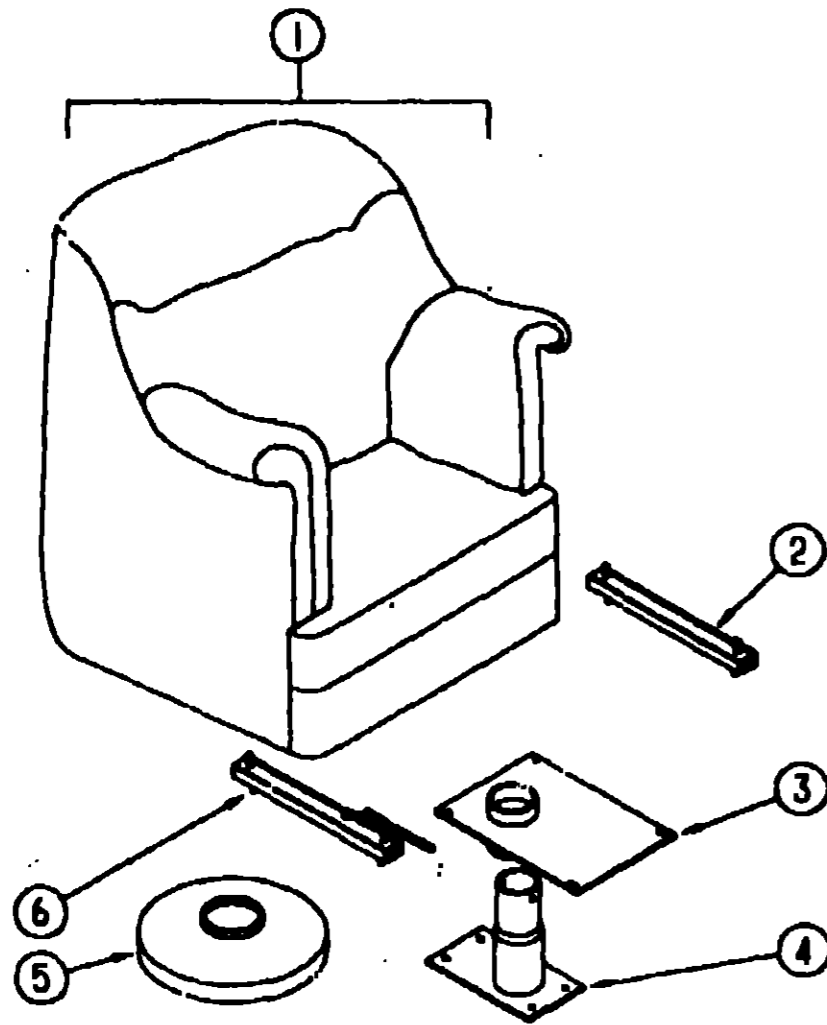
1992 ITASCA TABLE OF CONTENTS

INTRODUCTION	A-01	A-02
ABBREVIATIONS		A-03
ALPHABETICAL INDEX	A-04	A-08
IC522RG	A-07	D-16
IF524RC	D-17	H-04

1992 IF524RC INDEX

FLOOR PLAN	D-17	D-18
ACCESSORIES		D-19
AUDIO VIDEO		D-20
BATH	D-21	D-22
BEDROOM	D-23	D-24
CHASSIS	E-01	E-04
CURTAIN & CUSHION	E-05	E-13
DINETTE	E-14	E-15
DRIVERS	E-16	E-17
ELECTRICAL	E-18	E-21
EXTERIOR BODY	E-22	F-04
GALLEY	F-05	F-10
GENERATOR		F-11
HEATING & A/C	F-12	F-13
INTERIOR FINISH	F-14	F-17
LABEL	F-18	F-24
LP		G-01
LOUNGE		G-02
SEALANTS & FASTENERS	G-03	G-05
WATER & SEWAGE	G-06	G-10
WINDOW, VENT AND EXTERIOR DOOR	G-11	H-04

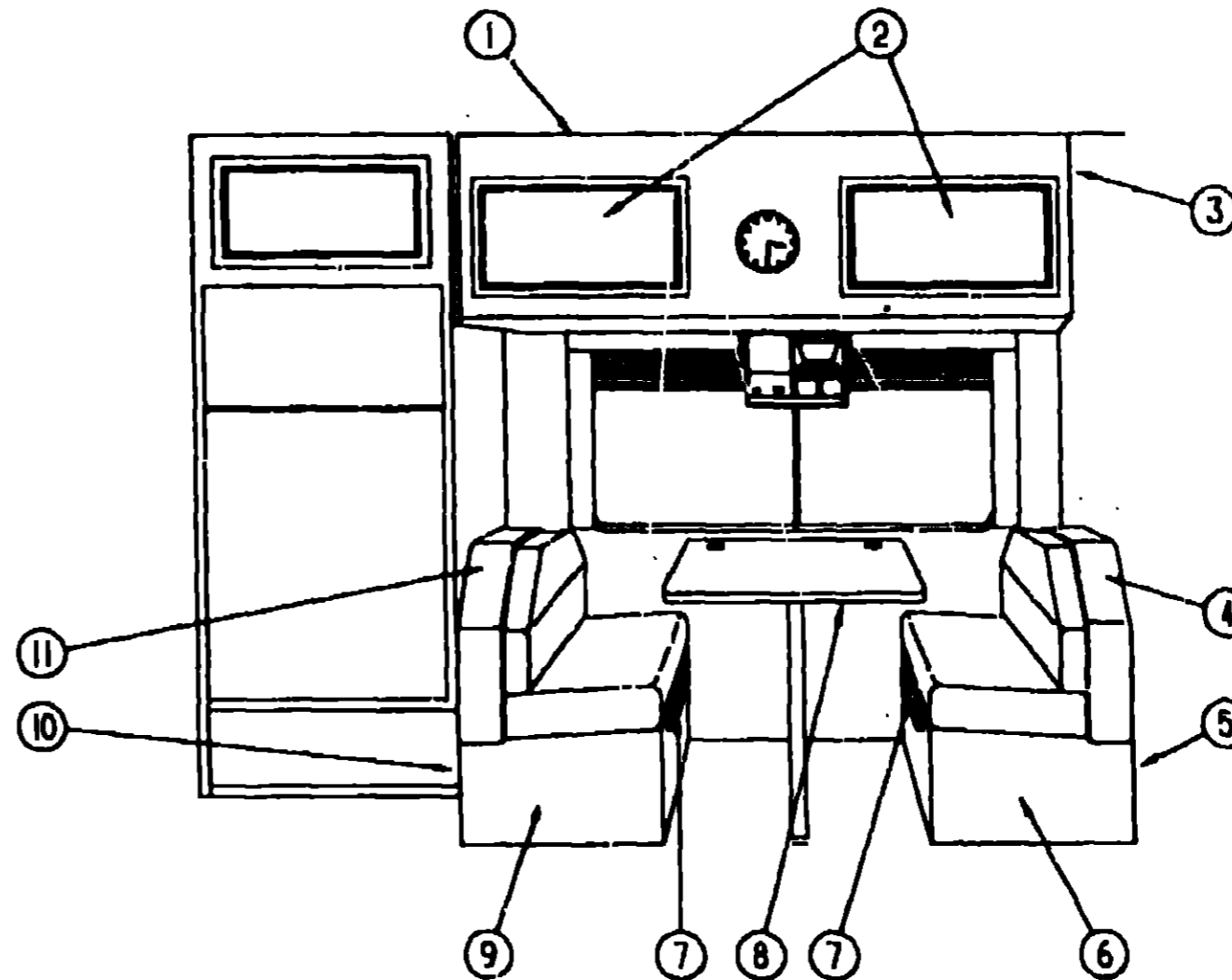
CURTAIN, CUSHION GROUP (CONTINUED)



SWIVEL CHAIR

KEY	PART NUMBER	U/M DESCRIPTION
1	096429-09-C43	EA CHAIR-SWIVEL, W/O SKIRT
1	096429-09-C44	EA CHAIR-SWIVEL, W/O SKIRT
	M96429-09-C43	EA COVER-SWIVEL CHAIR
	M96429-09-C44	EA COVER-SWIVEL CHAIR
	089368-04-000	EA CABLE-SWIVEL, W/SWITCH - BUCKET SEAT
	099202-04-C43	EA SKIRT ASM
	099202-04-C44	EA SKIRT ASM
2	069246-06-000	EA ADJUSTER-SWIVEL CHAIR, MANUAL - FORWARD & BACK
3	093481-04-000	EA TOP PLATE-PEDESTAL, BUCKET SEAT - W/O SEATBELT BAR
4	093481-02-000	EA BASE-PEDESTAL, W/10" EXTENSION
5	093482-01-000	EA SHROUD-PEDESTAL, 13" - PLASTIC - BLACK
6	069246-07-000	EA ADJUSTER-SWIVEL CHAIR, W/LOCKING ARM - FORWARD & BACK
	007221-01-000	EA SPACER-SEAT, ADJUSTER - 4 USED PER SWIVEL CHAIR

DINETTE GROUP



CABINETS, TABLE, PADS & WALL MIRROR

KEY	PART NUMBER	U/M DESCRIPTION
1	M05678-40-C43	EA CABINET-OVERHEAD, DINETTE
1	M05678-40-C44	EA CABINET-OVERHEAD, DINETTE
2	P03702-12-C43	EA DOOR-CABINET, W/O HARDWARE - 400 X 710MM
3	104335-08-C43	EA END CAP-CABINET, OVERHEAD
4	104787-01-C27	EA PAD-BACKREST, RIGHT SIDE (C43)
4	104787-01-C26	EA PAD-BACKREST, RIGHT SIDE (C44)
5	M04174-28-C43	EA CABINET-BACKREST, RIGHT SIDE
6	M04175-29-C43	EA CABINET-SEATBASE, RIGHT SIDE
	103596-11-C27	EA SEAT ASM
7	081295-01-AA8	EA SUPPORT-BED, DINETTE - 28"
8	M02115-09-C05	EA TABLE-DINETTE (C43)
8	M02115-09-C12	EA TABLE-DINETTE (C44)
9	M04175-30-C52	EA CABINET-SEATBASE, LEFT SIDE
	103596-11-C05	EA SEAT ASM
10	M04174-29-C43	EA CABINET-BACKREST, LEFT SIDE
11	104787-02-C43	EA PAD-BACKREST, LEFT SIDE
11	104787-02-C44	EA PAD-BACKREST, LEFT SIDE
	058331-47-000	EA MIRROR-GLASS, SAFETY - 562 X 384MM

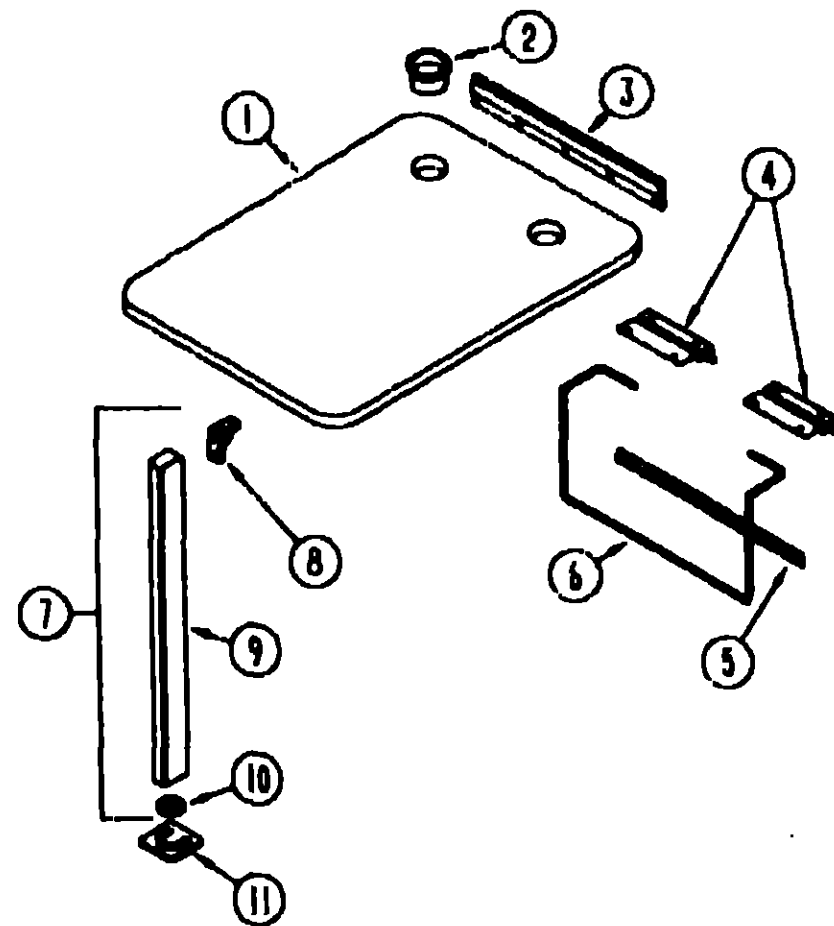
**1992 ITASCA
TABLE OF CONTENTS**

INTRODUCTION	A-01	A-02
ABBREVIATIONS		A-03
ALPHABETICAL INDEX	A-04	A-05
IC522RG	A-07	D-16
IF524RC	D-17	H-04

1992 IF524RC INDEX

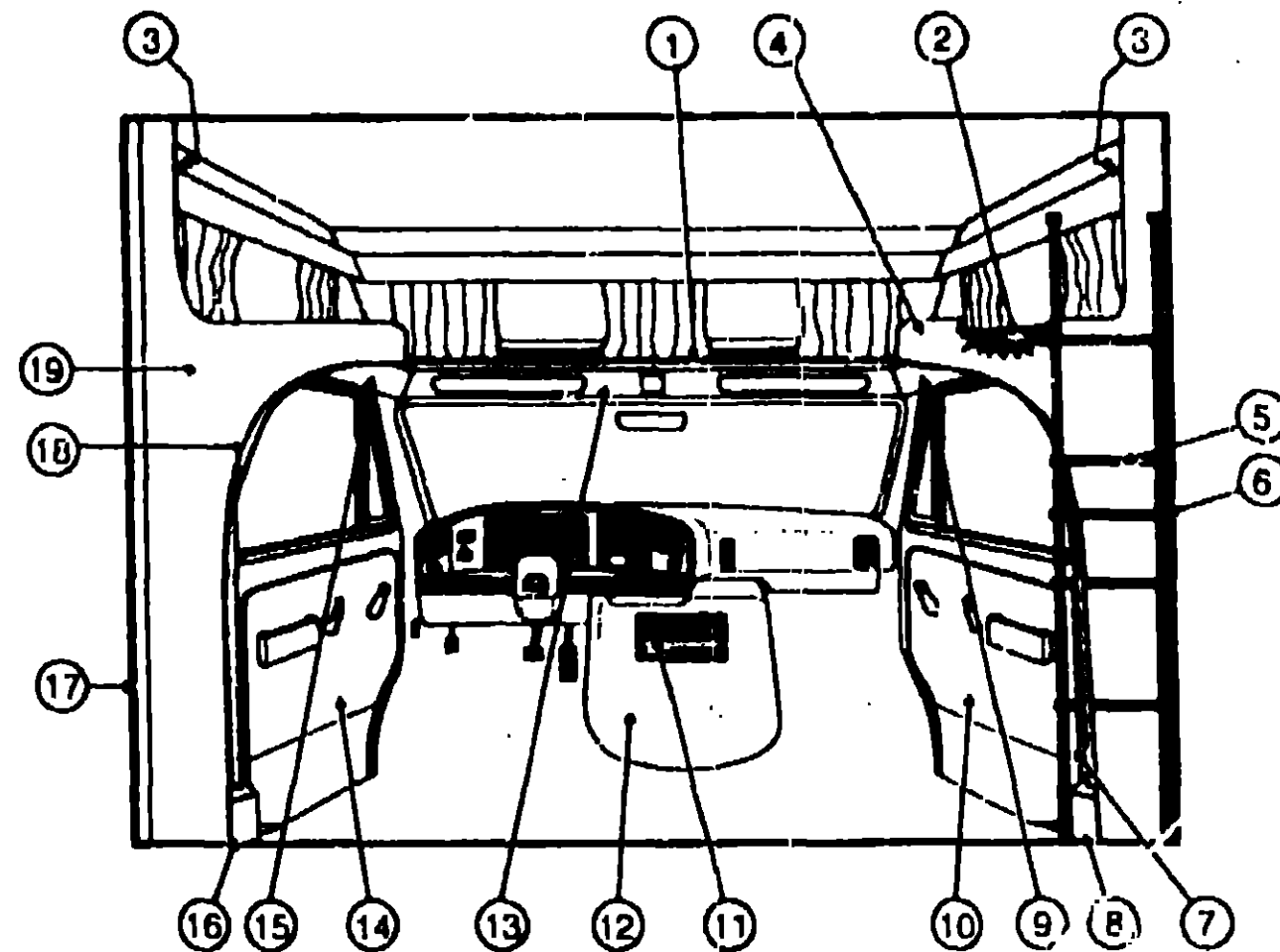
FLOOR PLAN	D-17	D-18
ACCESSORIES		D-19
AUDIO VIDEO		D-20
BATH	D-21	D-22
BEDROOM	D-23	D-24
CHASSIS	E-01	E-04
CURTAIN & CUSHION	E-05	E-13
DINETTE	E-14	E-15
DRIVERS	E-16	E-17
ELECTRICAL	E-18	E-21
EXTERIOR BODY	E-22	F-04
GALLEY	F-05	F-10
GENERATOR		F-11
HEATING & A/C	F-12	F-13
INTERIOR FINISH	F-14	F-17
LABEL	F-18	F-24
LP		G-01
LOUNGE		G-02
SEALANTS & FASTENERS	G-03	G-05
WATER & SEWAGE	G-06	G-10
WINDOW, VENT AND EXTERIOR DOOR	G-11	H-04

DINETTE GROUP



DINETTE TABLE

DRIVERS COMPARTMENT GROUP



FORD DRIVERS COMPARTMENT

1992 ITASCA TABLE OF CONTENTS

INTRODUCTION	A-01	A-02
ABBREVIATIONS		A-03
ALPHABETICAL INDEX	A-04	A-05
IC522RG	A-07	D-16
IF524RC	D-17	H-04

1992 IF524RC INDEX

FLOOR PLAN	D-17	D-18
ACCESSORIES		D-19
AUDIO VIDEO		D-20
BATH	D-21	D-22
BEDROOM	D-23	D-24
CHASSIS	E-01	E-04
CURTAIN & CUSHION	E-05	E-13
DINETTE	E-14	E-15
DRIVERS	E-16	E-17
ELECTRICAL	E-18	E-21
EXTERIOR BODY	E-22	F-04
GALLEY	F-05	F-10
GENERATOR		F-11
HEATING & A/C	F-12	F-13
INTERIOR FINISH	F-14	F-17
LABEL	F-18	F-24
LP		G-01
LOUNGE		G-02
SEALANTS & FASTENERS	G-03	G-05
WATER & SEWAGE	G-06	G-10
WINDOW, VENT AND EXTERIOR DOOR	G-11	H-04

KEY	PART NUMBER	U/M DESCRIPTION
1	M02115-09-C05	EA TABLE-DINETTE (C43)
1	M02115-09-C12	EA TABLE-DINETTE (C44)
2	064781-06-000	EA HOLDER-CUP, TWO STEP - OFF WHITE
3	053200-05-000	EA BRACKET-TABLE SUPPORT, UPPER WALL MOUNTED - 23.5" - BEIGE
4	088410-01-000	EA BRACKET-LIFT, TABLE MOUNTED - BEIGE
5	024281-07-000	EA BRACKET-LIFT ROD, LOWER WALL MOUNTED - 22.12" - BEIGE
6	024275-05-000	EA ROD-TABLE LIFT, 8" X 23.5" - BEIGE
7	092708-06-C11	EA LEG ASM-TABLE
8	093550-01-000	EA BRACKET-HINGE, MOUNTS TO LEG & TABLE TOP - 1.7" X 2.6"
9	092707-01-01A	EA MOUNTING-OAK, REGAL
10	092593-01-04A	EA CATCH-LEG, LEG MOUNTED - ROUND - 1.4" DIA - METAL - BEIGE
11	049493-11-700	EA CATCH-LEG, FLOOR MOUNTED - 2.5" X 2.7" - METAL - E-COAT

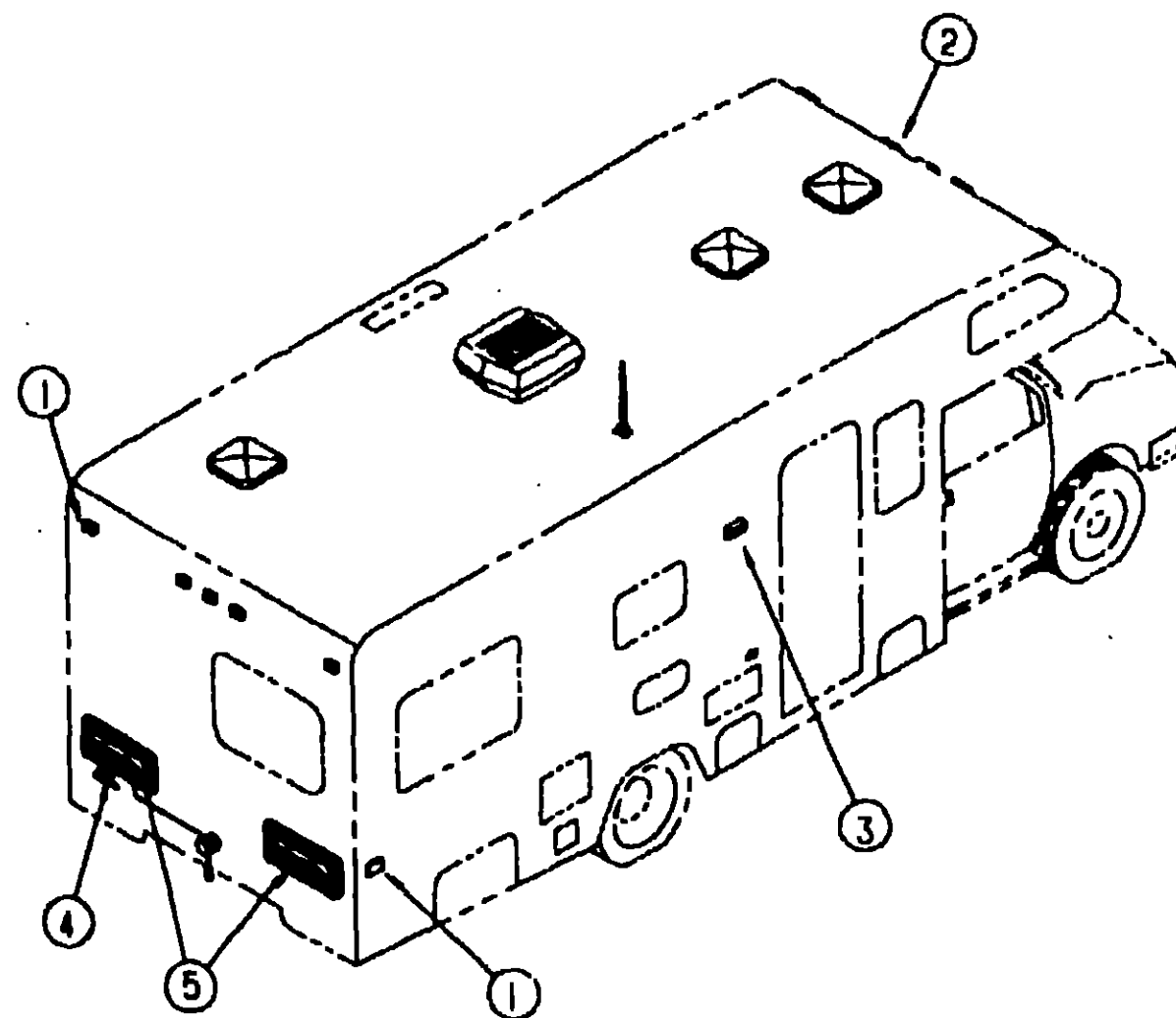
KEY	PART NUMBER	U/M DESCRIPTION
1	105444-01-01A	EA TRIM-SLEEPERBOARD, INNER - OFF WHITE
1	080742-03-000	FT TRIM-VINYL, SLEEPER BOARD - OFF WHITE
2	105777-01-C43	EA PAD ASM-BUNK, OVERHEAD (FORD) (C43)
2	105777-01-C24	EA PAD ASM-BUNK, OVERHEAD (FORD) (C44)
3	082071-12-C52	EA COVER-WINGWALL
4	106440-03-C52	EA WINGWALL ASM-INNER, RIGHT (FORD)
	106445-01-C52	EA TRIM ASM-WINGWALL WRAP, RIGHT (FORD) BETWEEN CAB STEEL & B PILLAR TRIM
5	106025-01-01A	EA LADDER-BUNK, BLACK - 1434 MM
	106025-01-700	EA BRACKET SET F/BUNK LADDER
6	099856-03-000	EA STRAP ASM-TIEDOWN, BUNK LADDER
7	106446-01-C52	EA TRIM ASM-CAB, B-PILLAR - RIGHT (FORD)
8	106431-01-01A	EA COVER-SEATBELT, RIGHT - OFF WHITE (FORD)
9	106447-01-C52	EA TRIM ASM-CAB DOOR, UPPER - RIGHT (FORD)
10	106432-01-C82	EA PANEL ASM-DOOR, INNER, RIGHT (FORD) (C43)
10	106432-01-C83	EA PANEL ASM-DOOR, INNER, RIGHT (FORD) (C44)
11	107134-02-C43	EA TRAY-BEVERAGE, OAK - W/CASSETTE HOLDER (FORD)
	046886-03-000	EA ASHTRAY-CHROME, W/COVER
12	069885-23-C43	EA COVER-MOTOR, W/POCKET
12	069885-23-C44	EA COVER-MOTOR, W/POCKET
13	106448-01-C52	EA HEADLINER-VINYL COVERED, FRONT - OFF WHITE (FORD)
14	106432-02-C82	EA PANEL ASM-DOOR, INNER, LEFT (FORD) (C43)
14	106432-02-C83	EA PANEL ASM-DOOR, INNER, LEFT (FORD) (C44)
15	106447-02-C52	EA TRIM ASM-CAB DOOR, UPPER - LEFT (FORD)
16	106431-02-01A	EA COVER-SEATBELT, LEFT - OFF WHITE (FORD)
17	082081-29-C43	EA COVER-WINGWALL, 6.9' LONG - VINYL - OFF WHITE (1 USED ON EACH SIDE)
18	106446-02-C52	EA TRIM ASM-CAB, B-PILLAR, RIGHT (FORD)
19	106440-04-C52	EA WINGWALL ASM-INNER, LEFT (FORD)
	106445-02-C52	EA TRIM ASM-WINGWALL WRAP, LEFT (FORD) BETWEEN CAB STEEL & B PILLAR TRIM

DRIVERS COMPARTMENT GROUP

INSTRUMENT CLUSTERS

KEY	PART NUMBER	U/M DESCRIPTION
	094795-02-000	EA CLUSTER-INSTRUMENT PANEL, KILOMETER - FOUZ-17255-B (1991 FORD) FROM 00-00-00 THRU 10-08-91
	094795-03-000	EA CLUSTER-INSTRUMENT PANEL, KILOMETER - FORD F2UF108498F (1992 FORD) FROM 10-07-91 THRU 99-99-99
	094795-01-000	EA SPEEDOMETER-KILOMETER (FORD)
	081082-01-000	EA PLAQUE-MOUNTING, BATTERY/FUEL SWITCH - 2 4" X 1 4" - BLK (FORD)
	100138-01-000	EA MODULE-DAYTIME RUNNING LIGHT
	024461-01-000	EA SWITCH-BATT, BATT/DUAL/MOM

ELECTRICAL GROUP



EXTERIOR LIGHTS

KEY	PART NUMBER	U/M DESCRIPTION
1	042405-01-000	EA LENS-CLEARANCE/SIDEMARKER LIGHT, W/REFLEX - RED
1	042405-03-000	EA BASE-CLEARANCE/SIDEMARKER LIGHT W/BULB - PLASTIC - WHITE
1	008213-01-000	EA BULB
2	042405-02-000	EA LENS-CLEARANCE/SIDEMARKER LIGHT - W/REFLEX - AMBER
2	042405-03-000	EA BASE-CLEARANCE/SIDEMARKER LIGHT W/BULB - PLASTIC - WHITE
2	008213-01-000	EA BULB
	091983-01-000	EA GASKET-CLEARANCE/SIDEMARKER LIGHT
3	097917-01-01A	EA LIGHT-POPCH, ENTRY DOOR - OFF WHITE
	008215-01-000	EA BULB
	097917-01-700	EA LENS
4	066432-01-000	EA LIGHT-LICENSE PLATE, W/BACKET
	066432-02-000	EA LIGHT-LICENSE BLACK (JAPAN EXPORT ONLY)
5	103545-01-01A	EA TAIL LIGHT ASM-TRIPLE, HORIZONTAL - BARGMAN 30-84-103
	037934-01-000	EA BULB-12V NO1156 2.10AMP
	037935-01-000	EA BULB-12V NO1157 2.10AMP
	081638-01-700	EA LENS-TAILLIGHT (RED) - 30-84-010
	103545-01-700	EA BULB-BACKUP - 30-84-711
5	105846-01-01A	EA TRIM-TAIL LIGHT, REAR - LIGHT GRAY
	103545-02-01A	EA TAIL LIGHT ASM TRIPLE AMBER (JAPAN EXPORT ONLY)
	037934-01-000	EA BULB-12V, #1156 - 2 1AMP - CLEAR GLASS BACK UP & TURN SIGNAL
	037935-01-000	EA BULB-12V, #1157 OR #2057 - 2.1AMP - CLEAR GLASS BRAKE LIGHT
	081638-01-700	EA LENS-TAILLIGHT, RED - BARGMAN 30-84-010
	081638-02-700	EA LENS-TAILLIGHT, AMBER - BARGMAN 30-84-016
	103545-01-700	EA LENS-BACKUP - 30-84-711
	106646-02-000	EA REFLECTOR-STICK ON, RED - PETERSON (JAPAN EXPORT ONLY)

1992 ITASCA TABLE OF CONTENTS

INTRODUCTION	A-01	A-02
ABBREVIATIONS		A-03
ALPHABETICAL INDEX	A-04	A-06
IF522RC	A-07	D-16
IF524RC	D-17	H-04

1992 IF524RC INDEX

FLOOR PLAN	D-17	D-18
ACCESSORIES		D-19
AUDIO VIDEO		D-20
BATH	D-21	D-22
BEIJROOM	D-23	D-24
CHASSIS	E-01	E-04
CURTAIN & CUSHION	E-05	E-13
DINETTE	E-14	E-15
DRIVERS	E-16	E-17
ELECTRICAL	E-18	E-21
EXTERIOR BODY	E-22	F-04
GALLEY	F-05	F-10
GENERATOR		F-11
HEATING & A/C	F-12	F-13
INTERIOR FINISH	F-14	F-17
LABEL	F-18	F-24
LP		G-01
LOUNGE		G-02
SEALANTS & FASTENERS	G-03	G-05
WATER & SEWAGE	G-06	G-10
WINDOW, VENT AND EXTERIOR DOOR	G-11	H-04

ELECTRICAL GROUP (CONTINUED)

INTERIOR LIGHTS & BULBS

KEY	PART NUMBER	U/M	DESCRIPTION
	104173-01-01A	EA	LIGHT-DESIGNER, BRASS - #81-905 'A' W. ASPLUND
	104172-01-01A	EA	LIGHT-BULLET, BEIGE - #787 SERIES BULB #93 12V
	061424-01-000	EA	LIGHT-AISLE, 12V - RECTANGULAR
	009103-01-000	EA	BULB
	078424-02-000	EA	LIGHT-FLUORESCENT, 12V DC - 18" - ALMOND
	091937-03-000	EA	BULB-FLUORESCENT LIGHT, 12V - THIN LITE 736
	078424-02-701	EA	LENS-LIGHT, FLUORESCENT - 18"
	082169-01-000	EA	LIGHT-MAKE-UP, 3 BULB - JENSEN X148-16BR
	081633-01-700	EA	BULB-MAKE UP LIGHT, JENSEN
	087694-01-000	EA	LIGHT-WARDROBE/CLOSET, W/SWITCH
	087694-01-700	EA	BULB - GE561
	098024-01-01A	EA	LIGHT-DOME, 1 BULB - US - IVORY
	098024-03-01A	EA	LIGHT-DOME, 2 BULB - IVORY
	008218-01-000	EA	BULB
	098024-01-700	EA	LENS-DOME LIGHT
	086280-01-000	EA	LIGHT-SURFACE MOUNT, 12V - JENSEN 1236
	086280-01-700	EA	BULB-12 VOL.T, 6 WATT

SWITCHES & RECEPTACLES

KEY	PART NUMBER	U/M	DESCRIPTION
	100312-01-000	EA	SWITCH-DOOR JAMB, ELECTRIC ENTRY STEP - METAL
	075723-01-000	EA	SPACER-SWITCH, W/O HOLE - 2"X9"X2" - METAL - OFF WHITE
	075723-02-000	EA	SPACER-SWITCH, W/HOLE - .2" X .9" X 2" - METAL - OFF WHITE FOR ELECTRIC STEP DOOR JAMB SWITCH
	095188-01-01A	EA	SPACER-SWITCH, 2.3" X 3.4" - PLASTIC - DARK BROWN
	095188-02-01A	EA	SPACER-SWITCH, 2.3" X 4.1" - PLASTIC - DARK BROWN
	079364-01-000	EA	SWITCH-ON/OFF ROCKER, 2 PRONGS - BROWN
	079364-03-000	EA	SWITCH-ON/OFF ROCKER, 3 PRONGS - BROWN
	096241-07-000	EA	SWITCH-ROCKER, DPDT - ON/OFF - BLACK
	098351-01-01A	EA	PLATE-SWITCH, 1 GANG - POLISHED BRASS - JENSEN
	098351-02-01A	EA	PLATE-SWITCH, 2 GANG - POLISHED BRASS - JENSEN
	098351-05-01A	EA	PLATE-SWITCH, 3 GANG - POLISHED BRASS - JENSEN
	098351-06-01A	EA	PLATE-SWITCH, 2 GANG W/LABEL - JENSEN - POLISHED BRASS
	108357-08-000	EA	SWITCH-ROCKER, DPDT - ON/NONE/ON - CARLING VDD1500
	108356-02-01A	EA	ACTUATOR-SWITCH DIMPLE II - CARLING VVAZCOO BLACK
	108355-01-000	EA	HOUSING-SWITCH - CAFILING VCH
	084076-01-000	EA	RECEPTACLE-GFI, 15A - 125V - IVORY
	084077-01-000	EA	PLATE-COVER, RECEPTACLE - GFI - IVORY
	097734-01-02A	EA	EXTENSION-RECEPTACLE, 3.2" X 5" X .7" - PLASTIC - BROWN
	102568-01-B32	EA	SPACER-RECEPTACLE, BETWEEN SIDEWALL & PLATE - WOOD
	058707-01-000	EA	RECEPTACLE-ELECTRIC, SINGLE - BROWN
	058708-01-000	EA	RECEPTACLE-ELECTRIC, DOUBLE - BROWN
	058708-02-000	EA	RECEPTACLE-ELECTRIC, DOUBLE - IVORY
	075736-02-000	EA	COVER-EXTERIOR RECEPTACLE, OFF WHITE
	054250-01-000	EA	COVER-ANGLED, W/O HOLE - 3.6" X 4.5" - PLASTIC - BEIGE ELECTRICAL PLATE SUPPORT
	054250-04-000	EA	COVER-ANGLED, W/O HOLE - 3.6" X 4.5" - PLASTIC - OFF WHITE ELECTRICAL PLATE SUPPORT

CONTROL CENTER/POWER CONVERTER

KEY	PART NUMBER	U/M	DESCRIPTION
	083208-01-000	EA	CONTROL CENTER/CONVERTER, 32A - 120V/12V - BW 6332
	083208-05-000	EA	CONTROL CENTER/CONVERTER, 45A 100V/12V - BW J6345CNI (JAPAN EXPORT ONLY)
	094809-01-000	EA	CONTROL CENTER/CONVERTER, 240V - 125A - TPL412CT (ELECTRIC EXPORT ONLY)

ELECTRICAL GROUP (CONTINUED)

CIRCUIT BREAKERS & FUSES

KEY	PART NUMBER	U/M	DESCRIPTION
	008211-01-000	EA	BREAKER-CIRCUIT, 12V - 6AMP
	008268-01-000	EA	BREAKER-CIRCUIT, W/MOUNT 30A - 12V
	008235-01-000	EA	FUSE-AUTOMOTIVE, 12V - 15AMP
	008277-01-000	EA	FUSE-HOLDER, PANEL MOUNT - BLACK
	033573-01-000	EA	CIRCUIT BREAKER, W/MOUNTING - 20A - 12V
	062901-02-000	EA	FUSE-5 AMP, AUTOMOTIVE
	062901-05-000	EA	FUSE-15 AMPS, AUTOMOTIVE
	062901-06-000	EA	FUSE-20 AMPS, AUTOMOTIVE
	083209-01-000	EA	CIRCUIT BREAKER-15 AMP, 120V - BW G-15 - CANADIAN
	083209-02-000	EA	CIRCUIT BREAKER-15/15AMP, 120V - BW H-15/15
	083209-03-000	EA	CIRCUIT BREAKER-15/20AMP, 120V - BW - 0-15/20
	083209-04-000	EA	CIRCUIT BREAKER-30A, 120V - BW L-30
	083209-06-000	EA	CIRCUIT BREAKER-30/15 AMP, 120V - BW D-30/15
	083209-08-000	EA	BREAKER-CIRCUIT, BLANK - BW
	093654-01-000	EA	CIRCUIT BREAKER-6 AMP, HOUSE CONTROL PANEL
	093655-01-000	EA	CIRCUIT BREAKER-25 AMP
	093655-02-000	EA	CIRCUIT BREAKER-30 AMP, HOUSE CONTROL PANEL
	094810-01-000	EA	BREAKER-CIRCUIT, DOUBLE 30 AMP - GL THQL2130
	094811-01-000	EA	BREAKER-CIRCUIT, DOUBLE 20 AMP - GE THQL2120
	107165-01-01A	EA	BOX-CIRCUIT BREAKER MNT BLK

ELECTRIC CORDS & BOXES

KEY	PART NUMBER	U/M	DESCRIPTION
	008052-01-000	EA	CORD-POWER, 10/3 - 30 AMP - 25' - CANADIAN
	008054-01-000	EA	CORD-POWER, 10/3 - 30 AMP - 25'
	008288-01-000	EA	BOX-PLASTIC ELECTRIC, 3" X 3 1/2"
	008288-02-000	EA	BOX-ELECTRIC, PLASTIC - 3.94" X 3.13" X 1.81"
	008289-01-000	EA	BOX-ELECTRIC, STEEL - 1/2" AND 3/4" KNOCKOUTS - 4" X 4"
	008289-02-000	EA	BOX-ELECTRICAL, 4" X 4" - 1/2" & 3/4" KNOCKOUTS - CANADIAN
	008294-01-000	EA	COVER-ELECTRICAL BOX, BLANK/STEEL - 4" X 4" - GRAY
	008294-02-000	EA	COVER-ELECTRICAL BOX, BLANK STEEL - 4" X 4" - CANADIAN
	058049-01-000	EA	BOX-ELECTRIC SWITCH, 2" X 3" X 2.25"
	069238-01-000	EA	COVER-ELECTRICAL BOX, W/HOLE - 4" X 4" - GRAY USED WITH 30 AMP RECEPTACLE
	091910-01-000	EA	BOX-ELECTRIC, 3.75" X 3.5" X 1.75" - PLASTIC
	093603-01-000	EA	BOX-ELEC-STL 4X2 1/8X2 1/8 STL CTY 58371 1/2

WIRE ASSEMBLIES

KEY	PART NUMBER	U/M	DESCRIPTION
	100159-02-000	EA	WIRE ASM-DAYTIME RUNNING LIGHTS, W/FUSE
	103328-06-000	EA	WIRE ASM-PUMP, EXTERIOR SHOWER
	096449-01-000	EA	WIRE ASSEMBLY-WATER TANK TO MONITOR PANEL
	105306-01-000	EA	WIRE ASM-MONITOR PANEL ADAPT
	107363-01-000	EA	WIRE ASM-LP DETECTOR SWITCH

**1992 ITASCA
TABLE OF CONTENTS**

INTRODUCTION	A-01 -	A-02
ABBREVIATIONS		A-03
ALPHABETICAL INDEX	A-04 -	A-06
IC522RG	A-07 -	D-16
IF524RC	D-17 -	H-04

1992 IF524RC INDEX

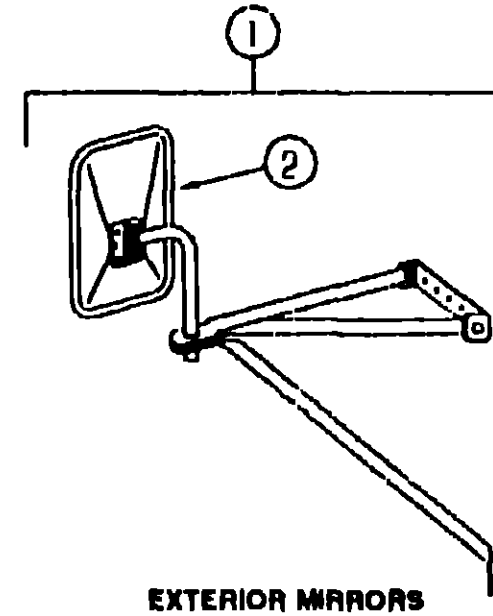
FLOOR PLAN	D-17 -	D-18
ACCESSORIES		D-19
AUDIO VIDEO		D-20
BATH	D-21 -	D-22
BEDROOM	D-23 -	D-24
CHASSIS	E-01 -	E-04
CURTAIN & CUSHION	E-05 -	E-13
DINETTE	E-14 -	E-15
DRIVERS	E-16 -	E-17
ELECTRICAL	E-18 -	E-21
EXTERIOR BODY	E-22 -	F-04
GALLEY	F-05 -	F-10
GENERATOR		F-11
HEATING & A/C	F-12 -	F-13
INTERIOR FINISH	F-14 -	F-17
LABEL	F-18 -	F-24
LP		G-01
LOUNGE		G-02
SEALANTS & FASTENERS	G-03 -	G-05
WATER & SEWAGE	G-06 -	G-10
WINDOW, VENT AND EXTERIOR DOOR	G-11 -	H-04

ELECTRICAL GROUP (CONTINUED)

ELECTRIC CONNECTORS & CONDUIT

KEY	PART NUMBER	U/M DESCRIPTION
	007942-01-000	EA TAB-WIRE, 18 TO 14 AWG
	007949-01-000	EA TAB-HOUSING, 1 POSITION
	008474-10-000	EA HOUSING-SOCKET 2 POSITION
	007040-01-000	EA RECEPTACLE-SLIDE, 18 TO 12 AWG - FEMALE END
	008188-01-000	EA SOLENOID-3 POST, BATTERY CHANGE OVER
	008311-01-000	EA CONNECTOR-WIRE NUT, INSULATED - RED
	008314-01-000	EA CONNECTOR-WIRE NUT, INSULATED - GRAY
	008328-01-000	EA TERMINAL-RING, 18/14 WIRE - 3/8" STUD
	008328-01-000	EA TERMINAL-RING, 12/10 WIRE - #10 STUD FIT
	008331-01-000	EA TERMINAL-RING, TONGUE - #4 WIRE - 3/8" STUD - COOPER
	008348-01-000	EA TERMINAL-RING, 3/8" STUD - #2 WIRE CONNECTS CABLE TO DISCONNECT RELAY AND BATTERY
	035416-04-000	EA TERMINAL-RING #10 STUD FIT, INSULATED BARREL #10/1
	008355-01-000	EA CONNECTOR-CABLE CLAMPING, 3/4"
	008358-01-000	EA CONNECTOR-PLASTIC, 3/8" AVG
	024824-02-000	EA RECEPTACLE-POWER CORD, W/PARTIAL PLATE
	041953-01-000	FT CONDUIT-CONVOLUTE SLIT, .5" ID
	041953-03-000	FT CONDUIT-CONVOLUTE SLIT, 1" ID (CLOTHES ROD COVR)
	041953-05-000	FT CONDUIT-CONVOLUTE SOLID, .62" ID
	041953-06-000	FT CONDUIT-CONVOLUTE, SLIT .375" ID
	041953-07-000	FT CONDUIT-CONVOLUTE, SLIT - .25" ID
	041953-08-000	FT CONDUIT-CONVOLUTE, SLIT, 1.5" ID
	041953-09-000	FT CONDUIT-CONVOLUTE, SLIT .50" ID
	041953-10-000	FT CONDUIT-CONVOLUTE, SLIT - .75" ID
	041953-11-000	FT CONDUIT-CONVOLUTE, SLIT- 1.05" ID
	041953-12-000	FT CONDUIT-CONVOLUTE, NON SLIT 1.1" ID
	047443-01-000	EA TERMINAL-.250 RECEPT. FIT, INSULATED - 18/14 AWG
	047443-02-000	EA TERMINAL-.250 RECEPT. FIT, INSULATED - 12/10 AWG
	050293-02-000	EA BAR-BUSS, CIRCUIT BREAKER
	058028-01-000	EA CONNECTOR-ELECTRICAL PIGTAIL, NYLON - CLEAR
	062036-02-000	EA TERMINAL-PACK-CON, 18/14 AWG
	062037-01-000	EA HOUSING-AUTO FUSE, NATURAL
	063910-01-000	EA HOUSING-RELAY, BOSCH 3 334 485 008
	077479-01-000	EA BOOT-BATTERY TERMINAL, DOUBLE CABLE
	080015-02-000	EA RECEPTACLE-FLAG, .185 - 18/14 GA - AMP 3
	080015-03-000	EA RECEPTACLE-FLAG, .250 - 14/16 GA
	087949-01-000	EA BUSS BAR-2 POSITION, .6" X 1.5" - ALUMINUM
	088473-01-000	EA HOUSING-PIN, 12 POSITION - 4 ROWS OF 3
	088473-03-000	EA HOUSING-PIN, 9 POSITION - 4 ROWS OF 3
	088473-05-000	EA HOUSING-PIN, 6 POSITION (SINGLE ROW)
	088473-06-000	EA HOUSING-PIN, 6 POSITION (TWO ROWS OF THREE)
	088473-07-000	EA HOUSING-PIN, 5 CAVITY, AMP 1-480763-0
	088473-08-000	EA HOUSING-PIN, 4 POSITION
	088473-09-000	EA HOUSING-PIN, 3 POSITION (SINGLE ROW)
	088473-10-000	EA HOUSING-PIN, 2 POSITION
	088474-02-000	EA HOUSING-SOCKET, 15 POSITION (3 ROWS OF 5)
	088474-06-000	EA HOUSING-SOCKET, 6 POSITION (2 ROWS OF THREE)
	088474-07-000	EA HOUSING-SOCKET, 5 CAVITY, AMP 1-480764-0
	088474-08-000	EA HOUSING-SOCKET, 4 POSITION (SINGLE ROW)
	088474-09-000	EA HOUSING-SOCKET, 3 POSITION
	088474-10-000	EA HOUSING-SOCKET, 2 POSITION
	088475-01-000	EA PIN-CONNECTOR, 14 TO 20 AWG
	088475-02-000	EA PIN-CONNECTOR, 10 TO 12 AWG
	088476-01-000	EA SOCKET-CONNECTOR, BRASS - PRE-TIN
	088476-02-000	EA SOCKET-CONNECTOR, 12-10 GA - PHOS. BRZ - PRE-TIN
	090971-01-000	EA SPLICE-CABLE, 110V
	100341-01-000	EA FUSE HOLDER-IN LINE TYPE WESCO 8931-92020

EXTERIOR BODY GROUP



KEY	PART NUMBER	U/M DESCRIPTION
1	106860-02-01A	EA MIRROR ASM-STAR HEAD, LOW MOUNT - VELVAC #713157 (FOR...)
2	106860-02-700	EA MIRROR HEAD ONLY, DRIVER SIDE - STAR - VELVAC D747283-9
2	106860-02-701	EA MIRROR HEAD ONLY, PASS SIDE - STAR - VELVAC D747284-9
	106860-02-702	EA GLASS-FLAT, VELVAC 702086-8

RUNNING BOARDS

KEY	PART NUMBER	U/M DESCRIPTION
	072884-20-000	EA RUNNING BOARD SET-FORD, 39" - KEMBERLY K-7
	106461-01-000	EA RUNNING BOARDS - FORD - RIGHT (OPTIONAL)
	106461-02-000	EA RUNNING BOARDS - FORD - LEFT (OPTIONAL)
	106461-03-000	EA HARDWARE KIT, RUNNING BOARDS (OPTIONAL)

ASSIST HANDLE & BUMPER

KEY	PART NUMBER	U/M DESCRIPTION
	009126-02-000	EA HANDLE-ASSIST, ENTRY DOOR - BLACK
	069726-02-000	EA BUMPER-.88"DIA X .40", BLACK

FIBERGLASS, STYROFOAM & U CHANNEL

KEY	PART NUMBER	U/M DESCRIPTION
	076054-G7-001	EA SHEET-FIBERGLASS, 41' X 324" - OFF WHITE
	076054-H1-000	EA SHEET-FIBERGLASS, 2438 X 2591 - OFF WHITE
	076054-D6-002	EA SHEET-FIBERGLASS, 96" X 96" - OFF WHITE
	076054-D6-001	EA SHEET-FIBERGLASS, 5' X 24' - OFF WHITE
	076054-F3-000	EA FIBERGLASS SHEET - 2438 X 2438 - OFF WHITE
	107337-01-01A	SF FIBERGLASS FLEX PANEL 104" X 500" - KEMLITE OFF WHITE
	076054-D3-001	EA SHEET-FIBERGLASS, 48' X 96" - OFF WHITE
	077517-24-000	EA SHEET-FIBERGLASS, FLAT - 48" X 96" - OFF WHITE
	083574-03-000	SF STYROFOAM-3/4" X 48" X 96" - INCREMENTS OF 32 SF
	000870-03-000	SF STYROFOAM-1.34" X 48" X 96" - INCREMENTS OF 32 SF
	000870-05-000	SF STYROFOAM-.5" X 24" X 96", INCREMENTS OF 16 SF
	002365-01-001	EA U-CHANNEL, 1" X 18" - SERRATED - MILL FINISHED ALUMINUM
	002754-01-001	EA ANGLE-EXTRUDED, .75" X .75" X 18" - MILL ALUMINUM
	002726-01-001	EA GARNISH-U-CHANNEL, 1.36" X 19" - SERRATED - MILL ALUMINUM
	002779-01-001	EA U-CHANNEL, EXTRUDED - 1.75" X 192" - ALUMINUM
	055278-51-259	FT TUBING-STEEL, .75" X 1.5" X 12.5'

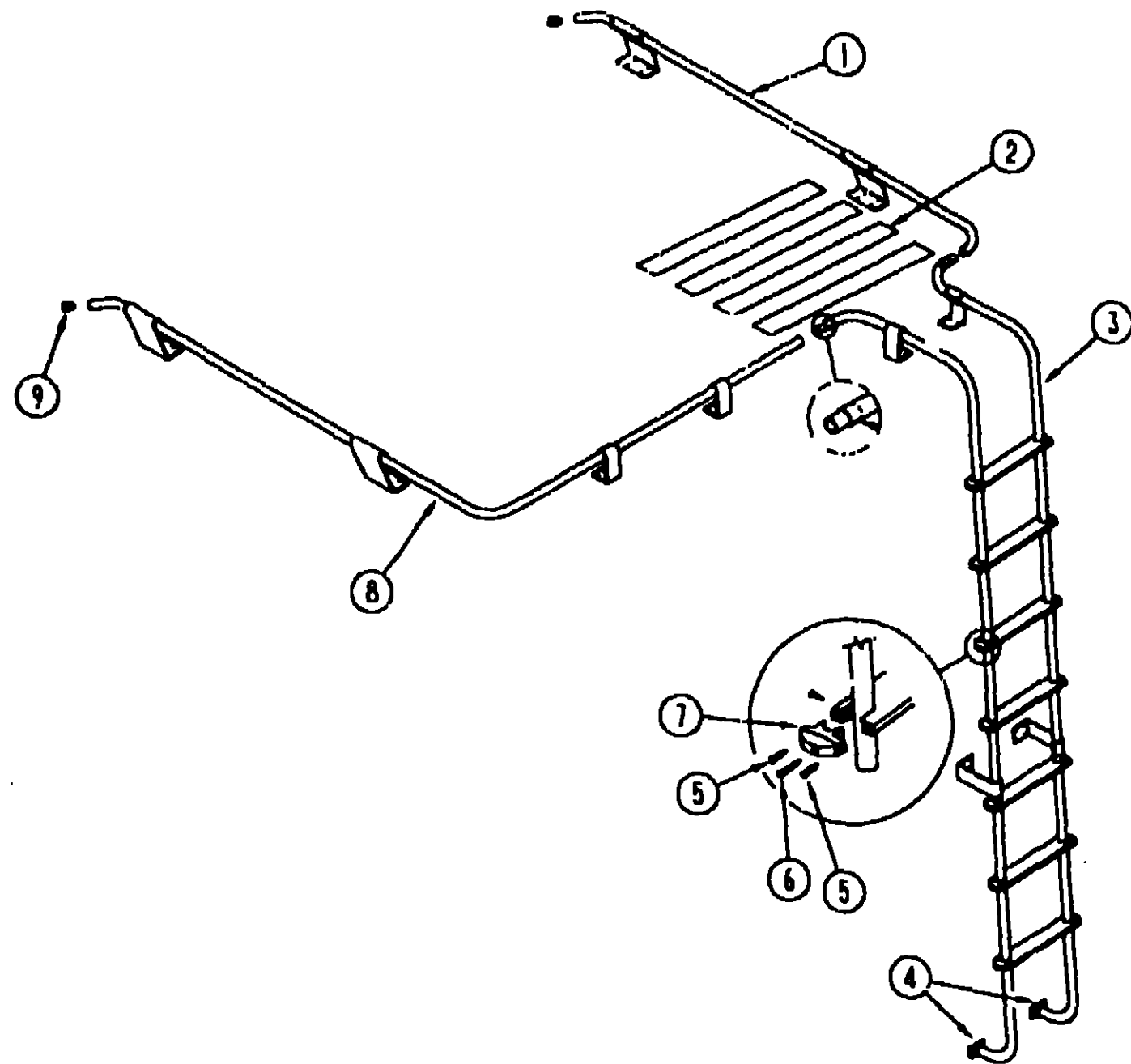
1992 ITASCA TABLE OF CONTENTS

INTRODUCTION	A-01	A-02
ABBREVIATIONS		A-03
ALPHABETICAL INDEX	A-04	A-06
IC522RC	A-07	D-16
IF524RC	D-17	H-04

1992 IF524RC INDEX

FLOOR PLAN	D-17	D-18
ACCESSORIES		D-19
AUDIO VIDEO		D-20
BATH	D-21	D-22
BEDROOM	D-23	D-24
CHASSIS	E-01	E-04
CURTAIN & CUSHION	E-05	E-10
DINETTE	E-14	E-15
DRIVERS	E-15	E-17
ELECTRICAL	E-19	E-21
EXTERIOR BODY	E-22	F-04
GALLEY	F-05	F-10
GENERATOR		F-11
HEATING & A/C	F-12	F-13
INTERIOR FINISH	F-14	F-17
LABEL	F-18	F-24
LP		G-01
LOUNGE		G-02
SEALANTS & FASTENERS	G-03	G-05
WATER & SEWAGE	G-06	G-10
WINDOW, VENT AND EXTERIOR DOOR	G-11	H-04

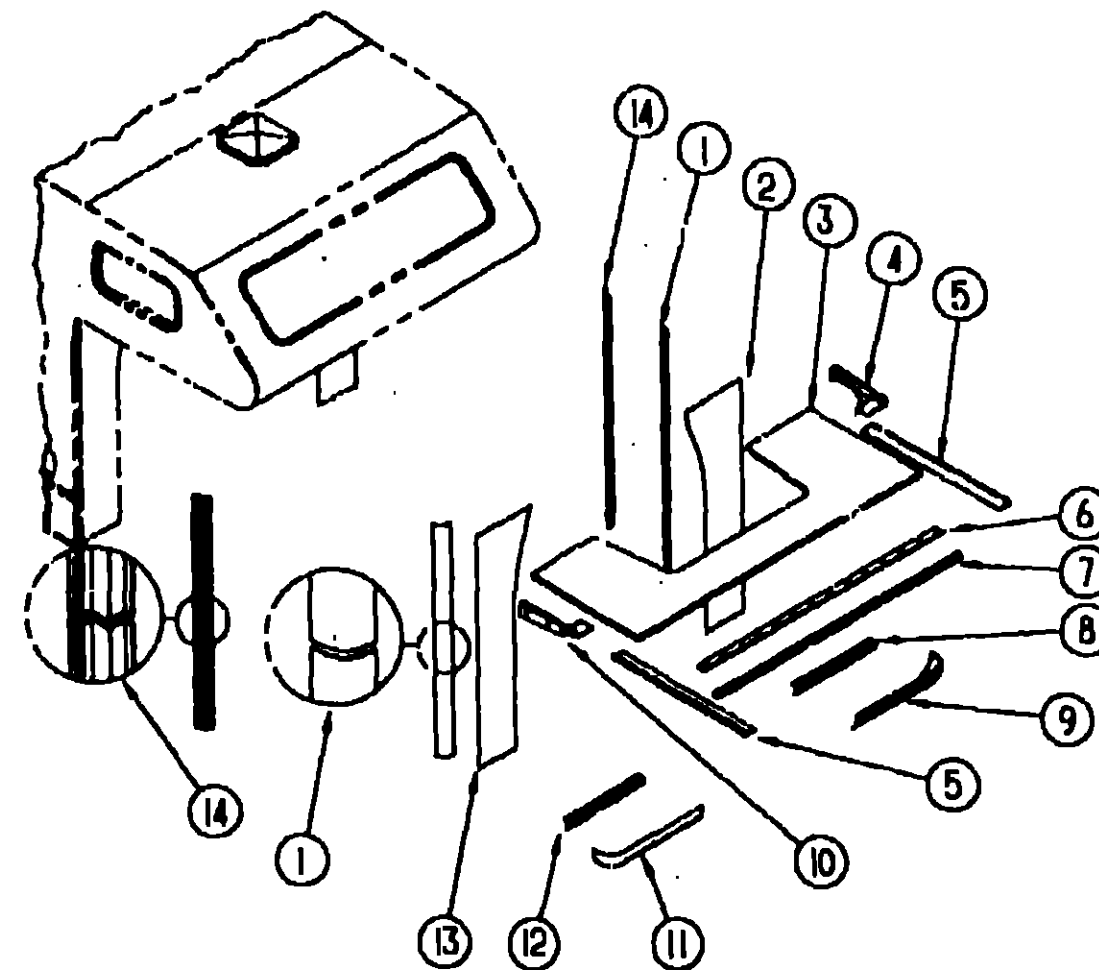
EXTERIOR BODY GROUP (CONTINUED)



LUGGAGE RACK & LADDERS

KEY	PART NUMBER	U/M DESCRIPTION
1	081026-15-C05	EA RACK ASM-PASSENGER SIDE
1	107438-05-C07	EA RACK ASM-PASSENGER SIDE
2	038327-01-000	EA TAPE-ANTI SLIP, 2" X 60"
3	102953-02-C03	EA LADDER ASM.
4	067165-01-000	EA MOUNTING BRACKET-LADDER, LOWER
5	00G639-06-10T	EA SCREW-SF/DR-6-20X5/6PPHBLACK
6	00G668-10-36T	EA SCREW-10-12X2 25 POH BLACK
7	076980-02-000	EA END CAP-STEP, BLACK
8	081026-19-C03	EA RACK ASM-DRIVER SIDE
8	107438-09-C03	EA RACK ASM-DRIVER SIDE
9	081114-01-000	EA PLUG-ROUND, RACK & LADDER ENDS - PLASTIC - 1" DIA.

EXTERIOR BODY GROUP (CONTINUED)



FORD WINGWALLS, SLEEPERBOARD & TRIM

KEY	PART NUMBER	U/M DESCRIPTION
1	108037-01-01A	EA COVER-WINGWALL, CURVED - OFF WHITE
2	106439-02-C52	EA WINGWALL ASM, DRIVER SIDE - W/GUSSET
2	108040-02-C52	EA WINGWALL ASM, DRIVER SIDE - W/GUSSET
3	P06443-01-C03	EA SLEEPERBOARD ASM
4	104444-02-01A	EA COVER-TRIM, WINGWALL - LEFT - OFF WHITE
5	105312-01-01A	FT INSERT-TRIM, VINYL - OFF WHITE
5	096854-01-01A	EA TRIM-CONTOUR, W/O VINYL INSERT - 108" - OFF WHITE
6	100085-03-01A	EA TRIM-SLEEPERBOARD, FLAT - 2.5" X 87.5" - OFF WHITE
7	100086-02-01A	EA TRIM-SLEEPERBOARD, 2" X 90.7" - OFF WHITE
8	106146-01-01A	EA SUPPORT-COVER, WINGWALL - OFF WHITE (FORD)
9	106144-02-C52	EA COVER ASM-WINGWALL, W/SUPPORT - LEFT - OFF WHITE (FORD)
9	106145-02-01A	EA COVER ASM-WINGWALL, W/O SUPPORT - LEFT - OFF WHITE (FORD)
10	104444-01-01A	EA COVER-TRIM, WINGWALL - RIGHT - OFF WHITE
11	106144-01-C52	EA COVER ASM-WINGWALL, W/SUPPORT - RIGHT - OFF WHITE (FORD)
11	106145-01-01A	EA COVER ASM-WINGWALL, W/O SUPPORT - RIGHT - OFF WHITE (FORD)
12	106146-01-01A	EA SUPPORT-COVER, WINGWALL - OFF WHITE (FORD)
13	106439-01-C52	EA WINGWALL ASM, PASSENGER SIDE - W/GUSSET
13	108040-01-C52	EA WINGWALL ASM, PASSENGER SIDE - W/GUSSET
14	105015-01-01A	EA TRIM-WINGWALL, CURVED - OFF WHITE
	089334-01-000	FT VINYL-EXTERIOR, BETWEEN WINGWALL & CAB SEAL - WHITE

**1992 ITASCA
TABLE OF CONTENTS**

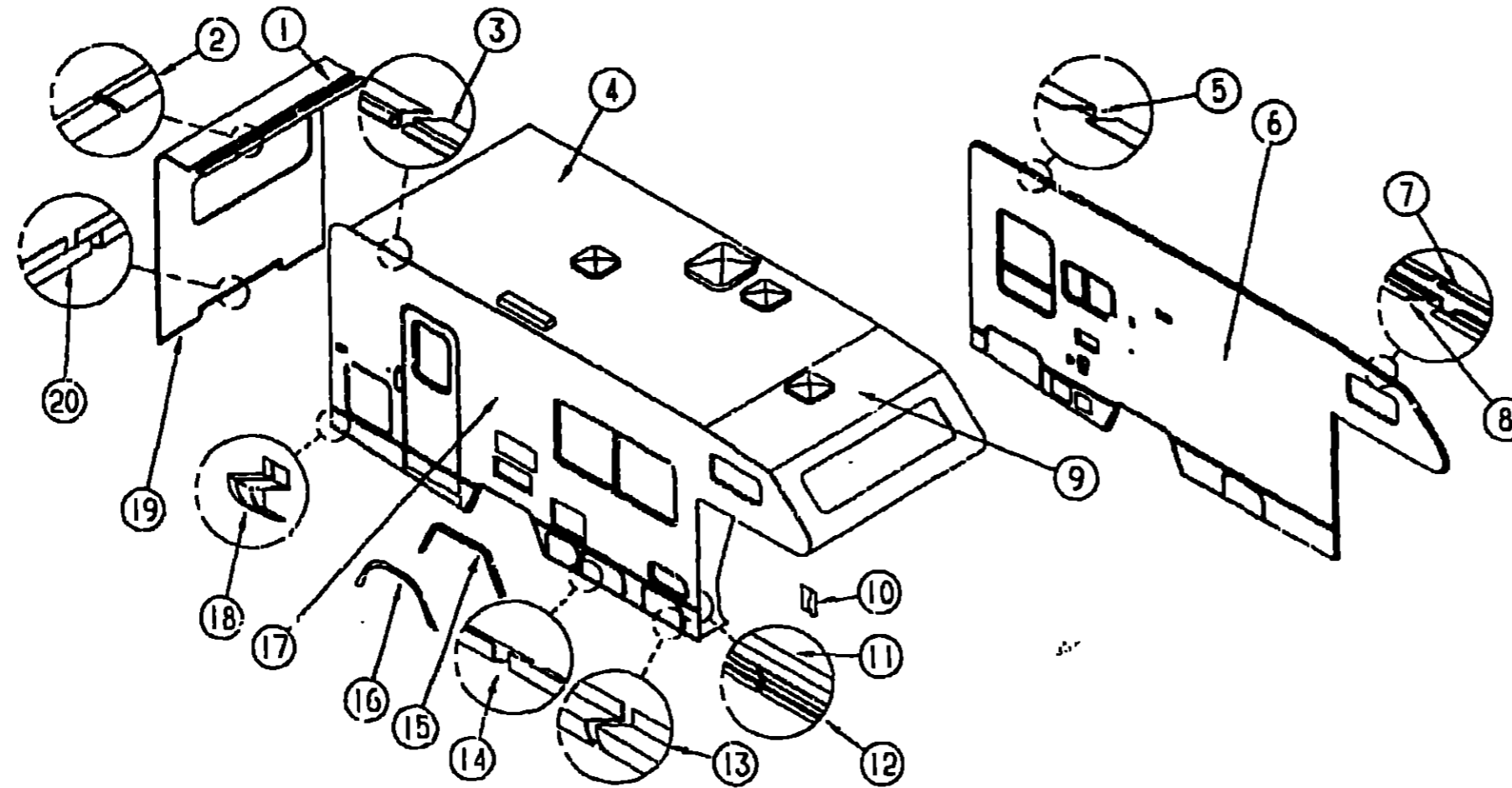
INTRODUCTION	A-01	A-02
ABBREVIATIONS		A-03
ALPHABETICAL INDEX	A-04	A-06
IC522H.3	A-07	D-18
IF524RC	D-17	H-04

1992 IF524RC INDEX

FLOOR PLAN	D-17	D-18
ACCESSORIES		D-19
AUDIO VIDEO		D-20
BATH	D-21	D-22
BEDROOM	D-23	D-24
CHASSIS	E-01	E-04
CURTAIN & CUSHION	E-05	E-13
DINETTE	E-14	E-15
DRIVERS	E-16	E-17
ELECTRICAL	E-18	F-21
EXTERIOR BODY	E-22	F-04
GALLEY	F-05	F-10
GENERATOR		F-11
HEATING & A/C	F-12	F-13
INTERIOR FINISH	F-14	F-17
LABEL	F-18	F-24
LP		G-01
LOUNGE		G-02
SEALANTS & FASTENERS	G-03	G-05
WATER & SEWAGE	G-06	G-10
WINDOW, VENT & EXTERIOR DOOR	G-11	H-04

EXTERIOR BODY GROUP (CONTINUED)

EXTERIOR PANELS & TRIMS



1992 ITASCA TABLE OF CONTENTS

INTRODUCTION	A-01 - A-02
ABBREVIATIONS	A-03
ALPHABETICAL INDEX	A-04 - A-06
IC522RG	A-07 - D-16
IF524RC	D-17 - H-04

1992 IF524RC INDEX

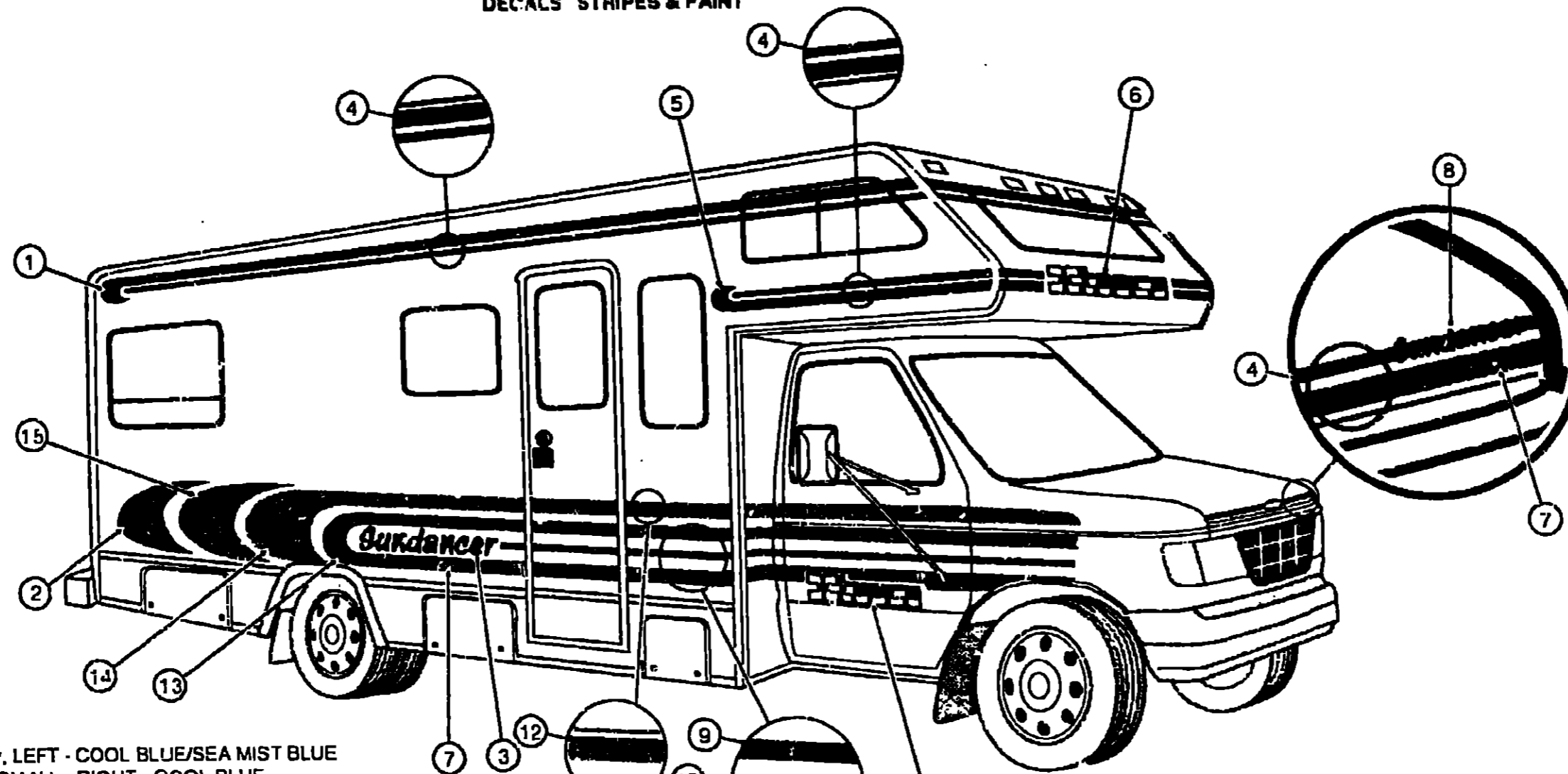
FLOOR PLAN	D-17 - D-18
ACCESSORIES	D-19
AUDIO VIDEO	D-20
BATH	D-21 - D-22
BEDROOM	D-23 - D-24
CHASSIS	E-01 - E-04
CURTAIN & CUSHION	E-05 - E-13
DINETTE	E-14 - E-15
DRIVERS	E-16 - E-17
ELECTRICAL	E-18 - E-21
EXTERIOR BODY	E-22 - F-04
GALLEY	F-05 - F-10
GENERATOR	F-11
HEATING & A/C	F-12 - F-13
INTERIOR FINISH	F-14 - F-17
LABEL	F-18 - F-24
LP	G-01
LOUNGE	G-02
SEALANTS & FASTENERS	G-03 - G-05
WATER & SEWAGE	G-06 - G-10
WINDOW, VENT AND EXTERIOR DOOR	G-11 - H-04

KEY	PART NUMBER	U/M DESCRIPTION
1	P06673-01-C43	EA BACKWALL ASM W/BASES
1	P06673-02-C43	EA BACKWALL ASM W/BASES (JAPAN EXPORT ONLY)
2	078580-01-090	EA TRIM-ROOF TO BACKWALL
3	100483-01-01A	EA TRIM-CONTOUR, ROOF (AWNING) - OFF WHITE
3	099583-55-001	EA RAIL-AWNING, 10' EA - OFF WHITE
4	P06851-01-C43	EA ROOF ASM W/BASES
4	M05751-01-C43	EA ROOF ASM W/BASES (JAPAN EXPORT ONLY)
5	096264-01-01A	EA TRIM-CONTOUR, ROOF TO SIDEWALL - DR OR PASS - 120°
6	P06308-01-C43	EA SIDEWALL ASM-DRIVER SIDE
7	105312-01-01A	FT INSERT-TRIM, VINYL - OFF WHITE
8	096854-01-01A	EA TRIM-CONTOUR, W/O VINYL INSERT - 108' - OFF WHITE DR OR PASS - FRONT OVERHEAD CAB SECTION FROM ROOF TO WINGWALL - REAR - BACKWALL TO SIDEWALL VERTICAL SECTION
9	M76177-01-700	EA SECTION-ROOF, OVER CAB TO FIRST ROOF SEAM
10	009731-01-000	EA END CAP-FEATURE STRIP
11	C01030-02-003	EA INSERT-FEATURE STRIP, 17' LONG - OFF WHITE
12	002444-04-002	EA STRIP-FEATURE, W/O INSERT - 15' LONG - OFF WHITE
	002444-01-020	EA FEATURE STRIP-W/HOLES, 15' LONG - OFF WHITE

KEY	PART NUMBER	U/M DESCRIPTION
13	104749-55-001	EA EXTR-ROCKER PANEL, OFF WHITE - 4877MM
14	105099-12-01A	EA TRIM-SIDEWALL, BEVELED - 140MM - OFF WHITE
14	105099-13-01A	EA TRIM-SIDEWALL, BEVELED - 2054MM - OFF WHITE
14	105099-14-01A	EA TRIM-SIDEWALL, BEVELED - 694MM - OFF WHITE
	091162-55-003	EA ANGLE, 4877 - OFF WHITE
15	105100-01-01A	EA TRIM-WHEELWELL, EXTRUDED ALUMINUM - OFF WHITE FROM: 00-00-00 THRU 04-15-92
15	105100-02-01A	EA TRIM-WHEELWELL, EXTRUDED ALUMINUM - OFF WHITE FROM 04-16-92 THRU 99-99-99
16	105220-01-01A	EA TRIM-WHEELWELL, REAR - OFF WHITE
17	P06309-01-C43	EA SIDEWALL ASM-PASSENGER SIDE
18	105105-01-01A	EA CAP-END, ROCKER PANEL - OFF WHITE
	105105-02-01A	EA CAP-END, ROCKER PANEL - OFF WHITE
19	103334-02-01A	EA TRIM-BACKWALL, LOWER - OFF WHITE
20	103335-02-01A	EA TRIM-BACKWALL, LOWER - OFF WHITE
	002365-01-001	EA U-CHANNEL, 1" X 18' - SERRATED - MILL FINISHED ALUMINUM
	002754-01-001	EA ANGLE-EXTRUDED, .75" X .75" X 18' - MILL ALUMINUM
	002725-01-001	EA GARNISH-U-CHANNEL, 1.39" X 19' - SERRATED - MILL ALUMINUM
	002779-01-001	EA EXTR-U CHANNEL, 1.75X192.00 - RIBBED

EXTERIOR BODY GROUP (CONTINUED)

DECALS STRIPES & PAINT

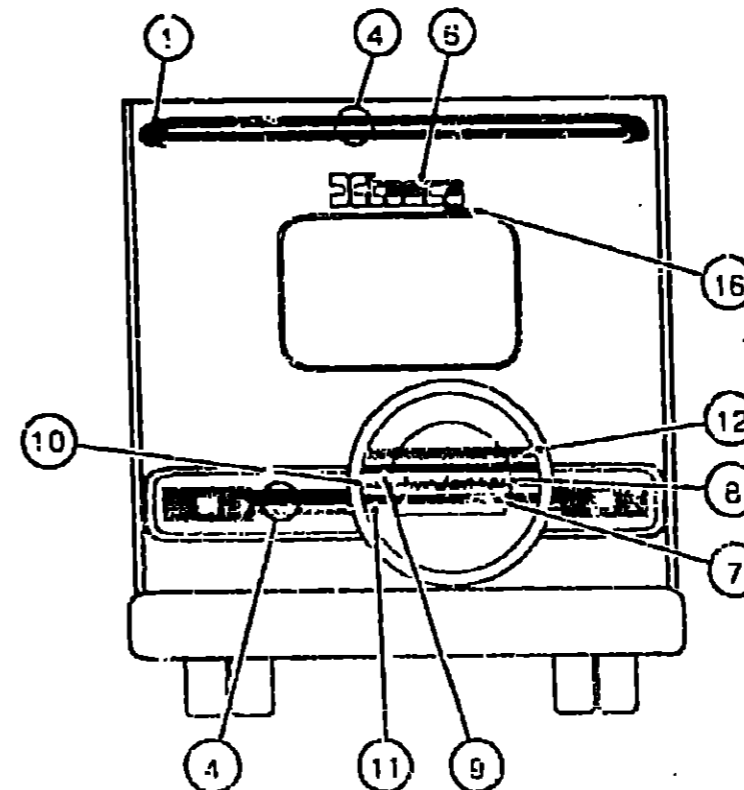


1992 ITASCA TABLE OF CONTENTS

INTRODUCTION	A-01	A-02
ABBREVIATIONS		A-03
ALPHABETICAL INDEX	A-04	A-06
IC522RG	A-07	D-16
IF524RC	D-17	H-04

1992 IF524RC INDEX

FLOOR PLAN	D-17	D-18
ACCESSORIES		D-19
AUDIO VIDEO		D-20
BATH	D-21	D-22
BEDROOM	D-23	D-24
CHASSIS	E-01	E-04
CURTAIN & CUSHION	E-05	E-13
DINETTE	E-14	E-15
DRIVERS	E-16	E-17
ELECTRICAL	E-18	E-21
EXTERIOR BODY	E-22	F-04
GALLEY	F-05	F-10
GENERATOR		F-11
HEATING & A/C	F-12	F-13
INTERIOR FINISH	F-14	F-17
LABEL	F-18	F-24
LP		G-01
LOUNGE		G-02
SEALANTS & FASTENERS	G-03	G-05
WATER & SEWAGE	G-05	G-10
WINDOW VENT AND EXTERIOR DOOR	G-11	H-04



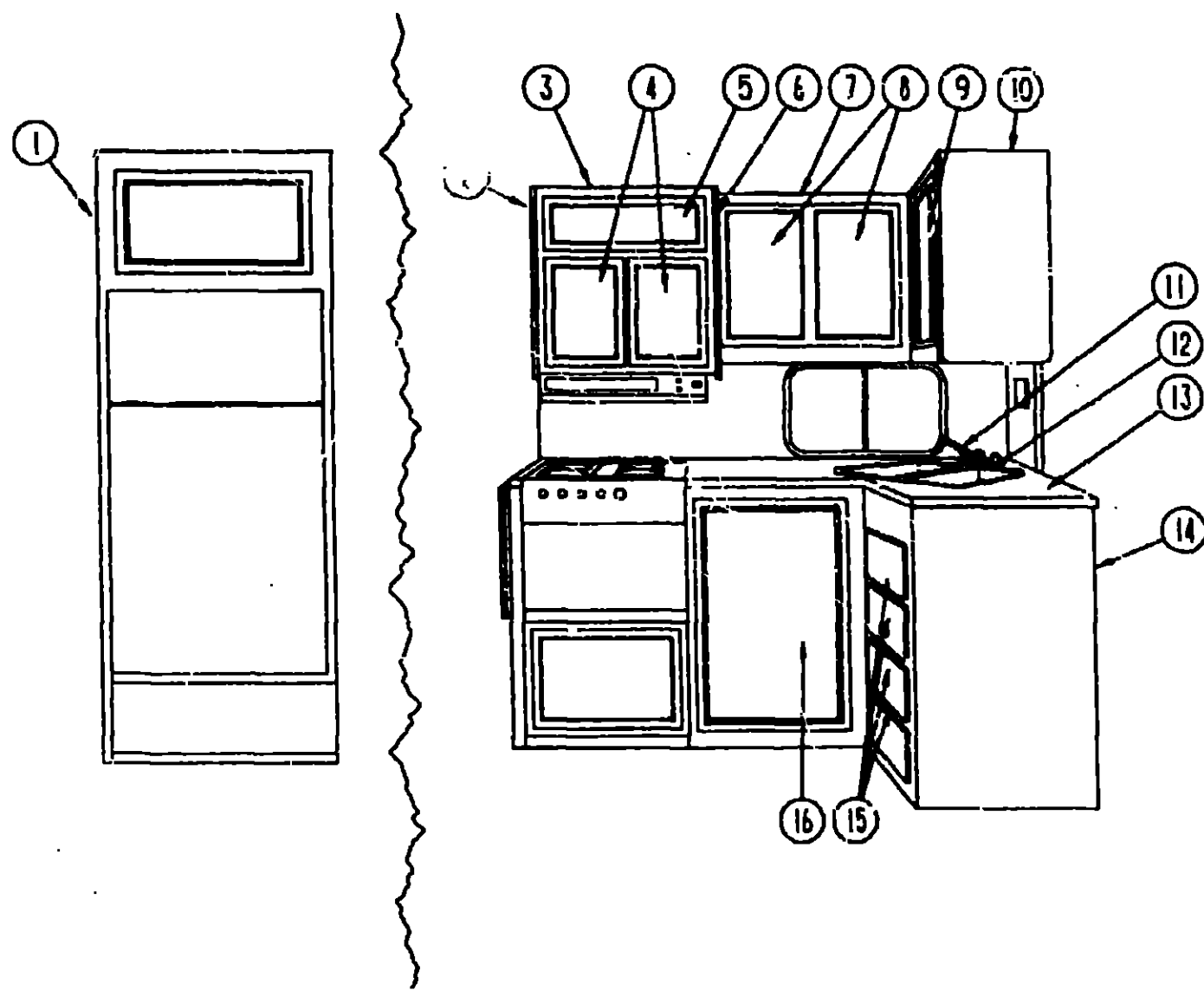
KEY	PART NUMBER	U/M	DESCRIPTION
1	105514-02-01A	EA	DECAL-END CAP, LEFT - COOL BLUE/SEA MIST BLUE
2	105516-01-01A	EA	DECAL-SWEEP, SMALL - RIGHT - COOL BLUE
	105516-02-01A	EA	DECAL-SWEEP, SMALL - LEFT - COOL BLUE
3	105519-01-01A	EA	DECAL-LOGO, SUNDANCER
	105519-02-02A	EA	DECAL-LOGO, SUNDANCER - OFF WHITE/DARK BLUE
4	094443-07-01A	FT	FILM-MULTISTRIPE 88MM - COOL BLUE/COOL BLUE/SEA MIST BLUE
5	105514-01-01A	EA	DECAL-END CAP, RIGHT - COOL BLUE/SEA MIST BLUE
6	078652-26-000	EA	DECAL-LOGO, ITASCA 5" - OFF WHITE/SEA MIST BLUE
7	106031-02-01A	EA	DECAL-LOGO, 500 - SMALL - OFF WHITE/COOL BLUE
	105501-01-01A	EA	DECAL-LOGO, 500 - LARGE - OFF WHITE/COOL BLUE
			FROM: 00-09-00 THRU: 11-22-91
8	105519-02-01A	EA	DECAL-LOGO, SUNDANCER - COOL BLUE
9	033681-25-03A	F1	FILM- 57MM - SEA MIST BLUE
10	093691-32-02A	FT	FILM- 25MM - COOL BLUE
11	093681-25-02A	FT	FILM- 83MM - SEA MIST BLUE
12	094423-04-01A	FT	FILM-OVERLAY, MULTISTRIPE - GRAY/GRAY/COOL BLUE
13	105515-01-01A	EA	DECAL-RADIUS, RIGHT - SEA MIST BLUE
	105515-02-01A	EA	DECAL-RADIUS, LEFT - SEA MIST BLUE
14	105518-01-01A	EA	DECAL-SWEEP, LARGE - RIGHT - GRAY/COOL BLUE
	105518-02-01A	EA	DECAL-SWEEP, LARGE - LEFT - GRAY/COOL BLUE
15	105517-01-01A	EA	DECAL-SWEEP, MID - RIGHT - SEA MIST BLUE
	105517-02-01A	EA	DECAL-SWEEP, MID - LEFT - SEA MIST BLUE
16	084075-01-000	EA	DECAL-"BY WINNEBAGO INDUSTRIES", BLACK
	074550-01-000	EA	DECAL-LOGO, LPG - RED - (CALIF CODE)
	041551-03-000	EA	PAINT-LOW BAKE OFF WHITE

DUPONT COLOR CODES

COOL BLUE	G9951
SEA MIST BLUE	G9845
OFF WHITE	LB723
GRAY	H9283U

GALLEY GROUP

GALLEY CABINETS & FIXTURES



1992 ITASCA TABLE OF CONTENTS

INTRODUCTION	A-01 -	A-02
ABBREVIATIONS		A-03
ALPHABETICAL INDEX	A-04 -	A-06
IC522RG	A-07 -	D-16
IF524RC	D-17 -	H-04

1992 IF524RC INDEX

FLOOR PLAN	D-17 -	D-18
ACCESSORIES		D-19
AUDIO VIDEO		D-20
BATH	D-21 -	D-22
BEDROOM	D-23 -	D-24
CHASSIS	E-01 -	E-04
CURTAIN & CUSHION	E-05 -	E-13
DINETTE	E-14 -	E-15
DRIVERS	E-16 -	E-17
ELECTRICAL	E-18 -	E-21
EXTERIOR BODY	E-22 -	F-04
GALLEY	F-05 -	F-10
GENERATOR		F-11
HEATING & A/C	F-12 -	F-13
INTERIOR FINISH	F-14 -	F-17
LABEL	F-18 -	F-24
LP		G-01
LOUNGE		G-02
SEALANTS & FASTENERS	G-03 -	G-05
WATER & SEWAGE	G-06 -	G-10
WINDOW VENT AND EXTERIOR DOOR	G-11 -	H-04

KEY	PART NUMBER	U/M DESCRIPTION
1	P03702-G7-C43	EA DOOR-CABINET, W/O HARDWARE - 255 X 640MM
	090329-G1-000	FT SEAL-T, REFRIGERATOR CABINET - 6" WIDE TOP X 2" TALL
	103251-02-01A	EA INSERT-ACRYLIC BLACK - 19 53 X 16 06
	103251-03-01A	EA INSERT-ACRYLIC BLACK - 19 53 X 32 20
	103251-04-01A	EA INSERT-ACRYLIC BLACK - 19 53 X 39 20 (LARGE REFRIGERATOR OPTION ONLY)
2	104335-13-C43	EA END CAP-CABINET, OVERHEAD
3	M05678-37-C43	EA CABINET-OVERHEAD, W/O DOORS & HARDWARE - MICROWAVE
3	M05678-36-C43	EA CABINET-OVERHEAD, W/O DOORS & HARDWARE - RANGE
4	P03702-63-B67	EA DOOR-CABINET, W/O HARDWARE - 275 X 535MM
5	P03702-32-B87	EA DOOR-CABINET, W/O HARDWARE - 280 X 555MM
6	104335-12-C43	EA END CAP-CABINET, OVERHEAD
7	106885-01-C43	EA CABINET-OVERHEAD, W/O DOORS & HARDWARE - SINK
8	P03702-G6-C43	EA DOOR-CABINET, W/O HARDWARE - 265 X 640MM
9	P03702-F9-C43	EA DOOR-CABINET, W/O HARDWARE - 390 X 650MM

KEY	PART NUMBER	U/M DESCRIPTION
10	M05678-34-C43	EA CABINET-OVERHEAD, W/O DOORS & HARDWARE - CENTER
11	104114-01-01A	EA FAUCET-GALLEY, SINGLE CONTROL
12	104113-01-000	EA SINK-STAINLESS STEEL, DOUBLE
	055437-01-000	EA STRAINER-SINK, GALLEY W/BASKET
13	107054-13-C52	EA COUNTERTOP ASM (C43)
13	107054-13-C44	EA COUNTERTOP ASM (C44)
14	P07054-01-C43	EA CABINET-GALLEY, W/O DOORS & HARDWARE
14	P07054-01-C44	EA CABINET-GALLEY, W/O DOORS & HARDWARE
15	P03397-70-D87	EA DRAWER ASM-CABINET, 250 X 405MM
16	P03702-G8-C43	EA DOOR-CABINET, W/O HARDWARE - 400 X 710MM
	080812-04-C05	EA EXTENSION ASM-GALLEY (C43)
	080812-04-B87	EA EXTENSION ASM-GALLEY (C44)
	100051-01-01A	EA TRAY-SILVERWARE, 9" X 13 3/4" - PLAS - ALMOND - RUBBERMAID
	103610-01-C05	EA COVER ASM-SINK

GALLEY GROUP (CONTINUED)

LARGE NORCOLD 682 REFRIGERATOR

KEY	PART NUMBER	U/M DESCRIPTION
	104137-03-01A	EA REFRIGERATOR-2 WAY, LARGE DOUBLE DOOR - NORCOLD 682 LH BLACK
	064473-01-702	EA ORFICE - NORCOLD 6EG-2 - NORCOLD 61452122
	075217-01-733	EA SHUT-OFF COCK 838&8310 EG-3 - NORCOLD 61539222
	075217-01-734	EA FUSE 3AMP 838&8310 EG-3 - NORCOLD 61538922
	075217-01-736	EA SWITCH ROCKER 3-POS BLK(HUM) - NORCOLD 61525922
	084880-01-713	EA MALE CONNECTOR(INLET FITTING) - NORCOLD 615256222
	084880-01-718	EA GAS VALVE (ASCO) - NORCOLD 61551822
	084880-01-722	EA CRISPER COVER - NORCOLD 61564122
	084880-01-731	EA HINGE PIN - NORCOLD 61578123
	084880-01-732	EA LATCH - NORCOLD 61576522
	084880-01-734	EA HINGE BRKT, TOP RH-BTM LH BRN - NORCOLD 61580937
	084880-01-735	EA HINGE BRKT, TOP LH-BTM RH BRN - NORCOLD 61580937
	084880-01-739	EA END CAP (SPRING CATCH) BRN - NORCOLD 61593722
	084880-01-740	EA END CAP (STOP CATCH) - NORCOLD 61593830
	084880-01-746	EA CABLE - NORCOLD 61571522
	084880-01-747	EA HOLE FLUG - NORCOLD 61582022
	084880-01-749	EA HINGE BUSHING - NORCOLD 61580722
	084880-01-753	EA THERMISTER-78" W/O CLIP - NORCOLD 61697822
	084880-01-761	EA END CAP (SPRING CATCH) BLACK - NORCOLD 61593730
	084880-02-700	EA LOWER FLANGE 8663&8683 - NORCOLD 61522123
	084880-03-701	EA COOLING UNIT (HORIZ BURNER) - NORCOLD 61587337
	084880-03-705	EA BRACKET F/INT REFRIG LIGHT - NORCOLD 61629722
	084880-03-706	EA LAMP (BULB) - NORCOLD 61628922
	084880-03-707	EA COVER F/LAMP OR BULB - NORCOLD 61627922
	088248-01-706	EA BURNER (HORIZONTAL) - NORCOLD 61588122
	088248-01-707	EA SENSOR ELECTRODE (HORIZONTAL) - NORCOLD 61573322
	088248-01-708	EA SPARK ELECTRODE (HORIZONTAL) - NORCOLD 61573222
	088248-01-709	EA HEATER AC (HORIZONTAL) - NORCOLD 61562722
	094039-01-700	EA PC BOARD (3 WAY) ASSY - NORCOLD 61547522
	094039-01-701	EA EYEBROW (3 WAY) SHELL - NORCOLD 61669922
	094039-01-703	EA HINGE PLATE (BRN) L H - NORCOLD 61631422
	094039-01-704	EA HINGE PLATE (BLK) L H - NORCOLD 61631430
	094039-01-709	EA HINGE PLATE(BRN) RHTOP LHBTM - NORCOLD 61631322
	094039-01-710	EA HINGE PLATE(BLK) RHTOP LHBTM - NORCOLD 61631330
	094039-01-712	EA DOOR BIN(GRAY)SILVER BORDER - NORCOLD 61564060
	094039-01-713	EA DOOR GASKET(LOWER) GRAY - NORCOLD 61582030
	094039-01-714	EA LOWER DOOR LINER (BRN/WHIT) - NORCOLD 61581737-B
	094039-01-715	EA LOWER DOOR LINER (BLK/WHIT) - NORCOLD 61581738-B
	094039-01-716	EA LOWER DOOR HANDLE ASSY (BRN) - NORCOLD 61649937
	094039-01-717	EA LOWER DOOR HANDLE ASSY (BLK) - NORCOLD 61649938
	094039-01-718	EA MILK BIN (GRAY)W/SILVER TRIM - NORCOLD 61579460
	094039-01-719	EA DAIRY KEEPER (GRAY)SILVER TR - NORCOLD 61580460
	094039-01-720	EA CAB ASSY(BRN FRAME, WHT LINER) - NORCOLD 61663237
	094039-01-721	EA CAB ASSY(BLK FRAME, WHT LINER) - NORCOLD 61663238
	094039-01-722	EA HOLE PLUG (BLK) HINGE HOLES - NORCOLD 61582030
	094039-01-723	EA HINGE BRKT, TOP RH BTM LH BLK - NORCOLD 61580938
	094039-01-724	EA HINGE BRKT, TOP LH-BTM RH BLK - NORCOLD 61580939
	094039-01-725	EA HINGE PIN (BLACK)(MALE) - NORCOLD 61578130
	094039-01-726	EA EVAPORATOR SHELF - NORCOLD 61523622
	094039-01-727	EA HINGE BRKT(BRN) CTR HINGE - NORCOLD 61566523
	094039-01-728	EA HINGE BRKT(BLK) CTR HINGE - NORCOLD 61566530
	094039-01-729	EA HINGE PIN SHAFT(BRN)CTR HINGE - NORCOLD 61566723
	094039-01-730	EA HINGE PIN SHAFT(BLK)CTR HINGE - NORCOLD 61566730
	094039-01-731	EA CRISPER (GRAY) SILVER TRIM - NORCOLD 61571360
	094039-01-732	EA FRONT COVER(BLK) BTM TRIM - NORCOLD 61622130
	094039-01-733	EA WIRE SHELF (MIDDLE) - NORCOLD 61563822
	094039-01-734	EA WIRE SHELF (TOP) WRISER - NORCOLD 61583722
	094039-01-735	EA INSIDE DRIP TRAY (WHITE) - NORCOLD 61572830
	094039-01-736	EA LIGHT SWITCH (BLACK) - NORCOLD 61581022

GALLEY GROUP (CONTINUED)

LARGE NORCOLD 682 REFRIGERATOR (CONTINUED)

KEY	PART NUMBER	U/M DESCRIPTION
	094039-01-738	EA MANUAL SHUT-OFF HARPER WYMAN - NORCOLD 61635922
	094039-01-739	EA SHELF (CUTOUT) - NORCOLD 61646722
	094039-01-741	EA TRAY-SHELF, PLASTIC - GRAY - NORCOLD 61660922
	094039-04-700	EA PC BOARD (2 WAY) - NORCOLD 61647322
	094039-04-702	EA POWER SUPPLY (2 WAY) - NORCOLD 61647422

SMALL NORCOLD 662 REFRIGERATOR

KEY	PART NUMBER	U/M DESCRIPTION
	104138-03-01A	EA REFRIG-SMALL DBL DOOR 2-WAY - NORCOLD 662 LH BLK
	075217-01-734	EA FUSE-3 AMP, NORCOLD 61538622
	075217-01-738	EA SWITCH-HUMIDITY, NORCOLD 61525922
	084879-03-700	EA COOLING UNIT - HORIZONTAL BURNER, NORCOLD 61587237
	084880-01-713	EA CONNECTOR-MALE, INLET FITTING - NORCOLD 615256
	084880-01-715	EA VALVE SHUT OFF, MANUAL - NORCOLD 61597322
	084880-01-718	EA VALVE-GAS NORCOLD 61551822
	084880-01-722	EA CRISPER COVER - NORCOLD 615641
	084880-01-726	EA HINGE BRACKET (CTR HINGE), NORCOLD 61566523
	084880-01-731	EA HINGE PIN, NORCOLD - NORCOLD 61578123
	084880-01-732	EA LATCH, NORCOLD - NORCOLD 61578522
	084880-01-734	EA BRACKET-HINGE, TOP RH - BOTTOM LH - BROWN, NORCOLD 61580837
	084880-01-735	EA HINGE BRKT, TOP LH-BTM RH BRN - NORCOLD 61580937
	084880-01-739	EA END CAP (SPRING CATCH) BRN - NORCOLD 61593722
	084880-01-740	EA END CAP (STOP CATCH) - NORCOLD 61593830
	084880-01-746	EA CABLE, NORCOLD - NORCOLD 61571522
	084880-01-747	EA PLUG-HOLE, NORCOLD - NORCOLD 61582022
	084880-01-749	EA HINGE BUSHING - NORCOLD 615807
	084880-01-753	EA THERMISTER 78" W/CLIP - NORCOLD 61693822
	084880-01-761	EA END CAP (SPRING CATCH) BLACK - NORCOLD 61593730
	084880-02-700	EA LOWER FLANGE 8663&8683, NORCOLD 61622123
	084880-03-705	EA BRACKET F/INT REFRIG LIGHT - NORCOLD 61629722
	084880-03-706	EA LAMP (BULB) - NORCOLD 61628922
	084880-03-707	EA COVER F/LAMP OR BULB - NORCOLD 61627922
	088248-01-706	EA BURNER-HORIZONTAL, NORCOLD 61588122
	088248-01-707	EA ELECTRODE-SENSOR, (HORIZONTAL), NORCOLD 61573322
	088248-01-708	EA ELECTRODE-IGNITION, (HORIZONTAL) - NORCOLD 61573222
	088248-01-709	EA HEATER-AC (HORIZONTAL) - NORCOLD 615527
	088248-01-710	EA HEATER-DC, (HORIZONTAL) - 3 WAY - NORCOLD 615628
	094039-01-700	EA GASKET-LOWER, GRAY - NORCOLD 61557930
	094039-01-701	EA LINER-DOOR, LOWER - BROWN/WHITE - NORCOLD 61581937-B
	094039-01-702	EA LINER-DOOR, LOWER - BLACK/WHITE - NORCOLD 61581938-B
	094039-01-703	EA HANDLE-DOOR, LOWER - BROWN - NORCOLD 61650137
	094039-01-704	EA HANDLE-DOOR, LOWER - BLACK - NORCOLD 61650138
	094039-01-705	EA CAB ASM-BLK, WHITE LINER - WITH FRAME - NORCOLD 61663138
	094039-01-703	EA PLATE-HINGE, LH - BROWN - NORCOLD 61631422
	094039-01-704	EA PLATE-HINGE, BLACK - NORCOLD 61631430
	094039-01-709	EA PLATE-HINGE, TOP RH - LH BOTTOM - BROWN - NORCOLD 61631322
	094039-01-710	EA PLATE-HINGE, BLACK - NORCOLD 61631330
	094039-01-712	EA DOOR BIN(GRAY)SILVER BORDER - NORCOLD 61564060
	094039-01-718	EA MILK BIN (GRAY)W/SILVER TRIM - NORCOLD 61579460
	094039-01-719	EA DAIRY KEEPER (GRAY)SILVER TR - NORCOLD 61580460
	094039-01-722	EA HOLE PLUG (BLK) HINGE HOLES - NORCOLD 61582030
	094039-01-723	EA HINGE BRKT, TOP RH BTM LH BLK - NORCOLD 61580938
	094039-01-724	EA BRACKET-HINGE, TOP LH - BOTTOM RH - BLK - NORCOLD 61580939
	094039-01-725	EA HINGE PIN (BLACK)(MALE) - NORCOLD 61578130
	094039-01-726	EA SHELF-FREEZER EVAPORATOR, NORCOLD 615236
	094039-01-730	EA HINGE PIN SHAFT(BLK) CTR HINGE - NORCOLD 61566730
	094039-01-732	EA FRONT COVER(BLK) BTM TRIM - NORCOLD 61622130

1992 ITASCA

TABLE OF CONTENTS

INTRODUCTION	A-01	A-02
ABBREVIATIONS		A-03
ALPHABETICAL INDEX	A-04	A-06
IC522RG	A-07	D-16
IF524RC	D-17	H-04

1992 IF524RC INDEX

FLOOR PLAN	D-17	D-18
ACCESSORIES		D-19
AUDIO VIDEO		D-20
BATH	D-21	D-22
BEDROOM	D-23	D-24
CHASSIS	E-01	E-04
CURTAIN & CUSHION	E-05	E-13
DINETTE	E-14	E-15
DRIVERS	E-16	E-17
ELECTRICAL	E-18	E-21
EXTERIOR BODY	E-22	F-04
GALLEY	F-05	F-10
GENERATOR		F-11
HEATING & A/C	F-12	F-13
INTERIOR FINISH	F-14	F-17
LABEL	F-18	F-24
LP		G-01
LOUNGE		G-02
SEALANTS & FASTENERS	G-03	G-05
WATER & SEWAGE	G-06	G-10
WINDOW, VENT AND EXTERIOR DOOR	G-11	H-04

GALLEY GROUP (CONTINUED)

SMALL NORCOLD 662 REFRIGERATOR (CONTINUED)

KEY	PART NUMBER	U/M DESCRIPTION
	094039-01-733	EA WIRE SHELF (MIDDLE) - NORCOLD 61563822
	094039-01-734	EA WIRE SHELF (TOP) W/RISER - NORCOLD 61563722
	094039-01-735	EA INSIDE DRIP TRAY (WHITE) - NORCOLD 61572830
	094039-01-736	EA SWITCH-LIGHT, BLACK - NORCOLD 615810
	094039-01-739	EA SHELF (CUTOUT) - NORCOLD 61646722
	094039-04-700	EA PC BOARD-2 WAY, NORCOLD - NORCOLD 61647322
	094039-04-701	EA EYEBROW (SHELL) 2 WAY - NORCOLD 61669822
	094039-04-702	EA POWER SUPPLY (2 WAY) - NORCOLD 61647422
	093646-01-000	EA BRACKET ASM-TIEDOWN, REFRIGERATOR - RIGHT
	093646-02-000	EA BRACKET ASM-TIEDOWN, REFRIGERATOR - LEFT
	054450-01-000	EA LEVEL-REFRIGERATOR

RANGE HOODS

KEY	PART NUMBER	U/M DESCRIPTION
	100258-22-02A	EA HOOD-RANGE 22W W/MONITOR PANEL, VENTLINE (US)
	100258-23-02A	EA HOOD-RANGE 22W W/MONITOR PANEL, VENTLINE (CSA)
	075470-01-703	EA SWITCH/ON-MOMENTARY - VENTLINE RP1016
	090973-01-700	EA MOTOR 12 VOLT CSA-UL APRVD - VENTLINE CA508-1
	090373-01-702	EA BLADE-FAN - VENTLINE VA183-1
	092696-01-701	EA PLASTIC KNOB F/CABLE - VENTLINE CC 225
	092696-01-702	EA RESISTER/WIRE ASS'Y - VENTLINE L7314
	092696-01-709	EA LAMP #912 - VENTLINE VA415
	092696-01-710	EA LAMP HOLDER - VENTLINE CB257-2
	096983-01-700	EA SWITCH-ON-OFF - VENTLINE 103
	096983-01-702	EA SWITCH-TWO WAY MOM - VENTLINE 112
	096983-01-703	EA SWITCH ON-ON - VENTLINE 115
	095983-01-707	EA MESH FILTER - VENTLINE CC246
	096983-01-708	EA LAMP LENS - VENTLINE CC179
	100258-04-702	EA SWITCH OR LEVER W/CABLE ASSY - VENTLINE CB547-1
	100258-10-700	EA HOUR METER ONLY(PARTS SALES) - VENTLINE 150
	100258-11-700	EA CIRCUIT BOARD - VENTLINE 5079-01
	100258-12-700	EA PANEL ASM - VENTLINE 9076
	097618-01-000	EA WIRE ASM-MONITOR PANEL, W/4 WIRES OR BLACK RESISTOR - LVS

GALLEY GROUP (CONTINUED)

MAGIC CHEF RANGE

KEY	PART NUMBER	U/M DESCRIPTION
	102022-01-03A	EA RANGE-16" 4 BURNER BLACK - MAGIC CHEF
	055282-03-705	EA TRIM CAB LT. BLK. BT16 - MAGIC CHEF 3608F011-70
	055282-03-707	EA TRIM CAB RT. BLK. BT16 - MAGIC CHEF 3608F012-70
	098507-02-701	EA INSERT,BURNER (SLOTTED VENT) - MAGIC CHEF 7214P015-60
	102020-01-700	EA SHELF-OVEN - MAGIC CHEF 7801-P027-60
	102020-01-701	EA HANDLE,DOOR - MAGIC CHEF 7701P092-60
	102020-01-702	EA PANEL,MANIFOLD - MAGIC CHEF 2616F080-70
	102020-01-704	EA PANEL,DOOR (BLACK) SPEC 49 - MAGIC CHEF 2401F075-70
	102020-01-708	EA BURNER ASSEMBLY (OVEN) - MAGIC CHEF 3403W003-45
	102020-01-711	EA GRATE, TOP - MAGIC CHEF 7518P012-60
	102020-01-712	EA KNOB,BURNER VALVE - MAGIC CHEF 7733P044-60
	102020-01-713	EA KNOB,THERMOSTAT - MAGIC CHEF 7731P042-60
	102020-01-714	EA PILOT OVEN - MAGIC CHEF 968-143
	102020-01-715	EA PIPE,MANIFOLD - MAGIC CHEF 7513P095-60
	102020-01-717	EA THERMOSTAT - MAGIC CHEF 7515P024-60K
	102020-01-718	EA TOP,MAIN (ALMOND) - MAGIC CHEF 2001F085-84
	102020-01-719	EA TOP,MAIN (BLACK) - MAGIC CHEF 2001F085-90
	102020-01-720	EA VALVE,MERCURY CONTROL - MAGIC CHEF 7501P055-60
	102020-01-722	EA VALVE, TOP BURNER - MAGIC CHEF 7502P095-60
	102020-01-723	EA PILOT,BURNER - MAGIC CHEF 7505P179-60
	102020-01-724	EA BUMPER,MAIN TOP - MAGIC CHEF 8003P008-60
	102022-01-702	EA PIPE,MANIFOLD - MAGIC CHEF 7513P096-60
	102022-01-703	EA REGULATOR,PRESSURE - MAGIC CHEF 7510P031-60
	102022-01-706	EA TRIM (LEFT) FLAT - MAGIC CHEF 3608W022-70
	102022-01-707	EA TRIM (RIGHT) FLAT - MAGIC CHEF 3608W023-70
	055516-03-000	EA BRACKET-REAR TIEDOWN, RANGE W/OVEN - RIGHT
	055516-04-000	EA BRACKET-FRONT TIEDOWN, RANGE W/OVEN - LEFT

MICROWAVE OVEN

KEY	PART NUMBER	U/M DESCRIPTION
	091269-05-000	EA OVEN-MICROWAVE, MAGIC CHEF M15E-9PB (U S)
	091269-04-000	EA OVEN-MICROWAVE, MAGIC CHEF M15-B (CANADIAN)
	094745-01-01A	EA TRIM-MICROWAVE, LOWER - BLACK
	094774-03-01A	EA TRIM-MICROWAVE, EITHER SIDE - 1 5" X 14 8" - METAL - BLACK
	094750-01-000	EA BRACKET-MICROWAVE, 90 DEGREE - STEEL
	098916-06-01A	EA BRACE-MICROWAVE CABINET, LEFT
	098916-07-01A	EA BRACE-MICROWAVE CABINET, RIGHT

COFFEE MAKER & PLASTIC DRAWER

KEY	PART NUMBER	U/M DESCRIPTION
	103799-01-02A	EA COFFEE MAKER-ALMOND
	104510-01-000	EA STRAP ASM-COFFEE MAKER
	077404-02-000	EA DRAWER-PLASTIC, 20" X 12 7" - BEIGE
	094057-01-01A	EA DIVIDER-DRAWER, PLASTIC

1992 ITASCA

TABLE OF CONTENTS

INTRODUCTION	A-01	A-02
ABBREVIATIONS		A-03
ALPHABETICAL INDEX	A-04	A-06
IC522RG	A-07	D-16
IF524RC	D-17	H-04

1992 IF524RC INDEX

FLOOR PLAN	D-17	D-18
ACCESSORIES		D-19
AUDIO VIDEO		D-20
BATH	D-21	D-22
BEDROOM	D-23	D-24
CHASSIS	E-01	E-04
CURTAIN & CUSHION	E-05	E-13
DINETTE	E-14	E-15
DRIVERS	E-16	E-17
ELECTRICAL	E-18	E-21
EXTERIOR BODY	E-22	F-04
GALLEY	F-05	F-10
GENERATOR		F-11
HEATING & A/C	F-12	F-13
INTERIOR FINISH	F-14	F-17
LABEL	F-18	F-24
LP		G-01
LOUNGE		G-02
SEALANTS & FASTENERS	G-03	G-05
WATER & SEWAGE	G-06	G-10
WINDOW, VENT AND EXTERIOR DOOR	G-11	H-04

GENERATOR GROUP

4.0 KW KOHLER GENERATOR

KEY	PART NUMBER	U/M DESCRIPTION
	105523-01-000	EA GENERATOR-4KW LOW PROFILE - KOHLER 4CKM21
	105526-01-000	EA ARRESTER-SPARK, KOHLER 278621
	105529-01-000	EA MUFFLER-FRONT EXHAUST, W/O SPARK - KOHLER 278734
	105732-01-000	EA TRAY ASM-GENERATOR
	106172-01-000	EA PIPE-EXHAUST ADAPTER
	007067-01-000	SF INSULATION-FIBERGLASS, 1" THICK X 4' - INCREMENTS OF 4 SF
	086494-01-000	EA BRACKET-EXHAUST, W/DOUBLE BEND
	007125-04-000	EA CLAMP-MUFFLER, 1.1" DIA
	008401-01-000	EA STRAP-CONDUIT, 3/4" - 1 HOLE - GALVANIZED STEEL

3.5 KW ONAN EXPORT GENERATOR

KEY	PART NUMBER	U/M DESCRIPTION
	100974-04-000	EA GENERATOR-4.0KW EMERALD PLUS ONAN BGE-FN/29236G WITH ONAN TRAY #403-2218
	079654-05-000	EA PIPE-EXHAUST, ANGLED - W/FLANGE - 2" ID - ONAN# 154-2539
	079654-01-700	EA HINGE KIT-ONAN, EMERALD - ONAN 406-0569
	081354-01-000	EA MUFFLER-GENERATOR, W/5' LONG TAILPIPE
	093591-02-000	EA PIPE-EXHAUST, GENERATOR - CURVED - 1.5" OD
	007067-01-000	SF INSULATION-FIBERGLASS, 1" THICK X 4' - INCREMENTS OF 4 SF
	078045-01-000	EA STRAP-SUPPORT, GENERATOR - 4 HOLE
	034365-01-000	EA STRAP-SUPPORT, GENERATOR - 2 HOLE
	094059-01-000	EA SPACER-GENERATOR, ONAN
	007125-04-000	EA CLAMP-MUFFLER, 1.1" DIA
	008401-01-000	EA STRAP-CONDUIT, 3/4" - 1 HOLE - GALVANIZED STEEL

4.0 KW ONAN GENERATOR

KEY	PART NUMBER	U/M DESCRIPTION
	100974-01-000	EA GENERATOR-4.0KW EMERALD PLUS, ONAN BGE-FA/26100G WITH ONAN GENERATOR TRAY #403-2218
	105732-01-000	EA TRAY ASM-GENERATOR
	081364-01-000	EA MUFFLER-GENERATOR, W/8.5' LONG TAILPIPE
	086252-01-000	EA PIPE-EXHAUST, W/2 BOLT HOLE FLANGE
	086494-01-000	EA BRACKET-EXHAUST, W/DOUBLE BEND
	007067-01-000	SF INSULATION-FIBERGLASS, 1" THICK X 4' - INCREMENTS OF 4 SF
	094059-01-000	EA SPACER-GENERATOR, ONAN
	007125-04-000	EA CLAMP-MUFFLER, 1.1" DIA
	008401-01-000	EA STRAP-CONDUIT, 3/4" - 1 HOLE - GALVANIZED STEEL

HEATING & AIR CONDITIONING GROUP

SUBURBAN 25000 BTU FURNACE

KEY	PART NUMBER	U/M DESCRIPTION
	098668-04-000	EA FURNACE-25000 BTU, SUBURBAN SF-25
	069634-01-733	EA RELAY, TIME DELAY 20&30 BTU, SUBURBAN 231202
	075695-01-709	EA MICRO SWITCH (FOR MODELS 30 & 34S) - SUBURBAN#230509
	090039-01-703	EA ORFICE-MAIN BURNER, SUBURBAN# 180193
	090039-01-709	EA GASKET, OBSERVATION HOLE CUR. 070367
	092300-01-704	EA GASKET-ELECTRODE, SUBURBAN 070163
	098668-01-700	EA CABINET FRONT, SUBURBAN 101242
	098668-01-701	EA CABINET ASM, SUBURBAN 101299
	098668-01-702	EA ELECTRODE, SUBURBAN 231740
	098668-01-703	EA BURNER ASM, COMP.(SF-25) 010762
	098668-01-704	EA VALVE, SUBURBAN 160938
	098668-01-705	EA SWITCH-LIMIT, SUBURBAN 231630
	098668-01-706	EA WHEEL-COMBUSTION AIR, SUBURBAN 350122
	098668-01-707	EA VENT CAP & EXHAUST TUBE ASM, SUBURBAN 260193
	098668-01-708	EA BLOWER ASM (COMBUSTION AIR), SUBURBAN 390441
	098668-01-709	EA MOTOR ASM.-FOR SF-25, SF-30 - SUBURBAN 231706
	098668-01-710	EA BLOWER ASM (ROOM AIR), SUBURBAN 390440
	098668-01-711	EA WHEEL, ROOM AIR - SUBURBAN 350123
	098668-01-712	EA BOARD-MODULE, SUBURBAN 231741
	098668-01-713	EA INTAKE VENT TUBE ASM 051044
	098668-06-000	EA DOOR-ACCESS, FURNACE - OFF WHITE - SUBURBAN 520574
	093365-01-000	EA THERMOSTAT-WALL, FURNACE - SUBURBAN 0160902

SUBURBAN 30000 BTU FURNACE

KEY	PART NUMBER	U/M DESCRIPTION
	098668-05-000	EA FURNACE-30000 BTU SUBURBAN SF-30
	069634-01-733	EA RELAY, TIME DELAY 20&30 BTU, SUBURBAN 231202
	075695-01-709	EA MICRO SWITCH (FOR MODELS 30 & 34S) - SUBURBAN#230509
	090039-01-709	EA GASKET, OBSERVATION HOLE CUR. 070357
	092300-01-704	EA GASKET-ELECTRODE, SUBURBAN 070163
	092300-02-701	EA ORFICE, MAIN BURNER - SUBURBAN 180214
	098668-01-700	EA CABINET FRONT, SUBURBAN 101242
	098668-01-701	EA CABINET ASM, SUBURBAN 101299
	098668-01-702	EA ELECTRODE, SUBURBAN 231740
	098668-01-704	EA VALVE, SUBURBAN 160938
	098668-01-705	EA SWITCH-LIMIT, SUBURBAN 231630
	098668-01-706	EA WHEEL-COMBUSTION AIR, SUBURBAN 350122
	098668-01-707	EA VENT CAP & EXHAUST TUBE ASM, SUBURBAN 260193
	098668-01-708	EA BLOWER ASM (COMBUSTION AIR), SUBURBAN 390441
	098668-01-709	EA MOTOR ASM.-FOR SF-25, SF-30 - SUBURBAN 231706
	098668-01-710	EA BLOWER ASM (ROOM AIR), SUBURBAN 390440
	098668-01-711	EA WHEEL, ROOM AIR - SUBURBAN 350123
	098668-01-712	EA BOARD-MODULE, SUBURBAN 231741
	098668-01-713	EA INTAKE VENT TUBE ASM 051044
	098668-02-700	EA BURNER ASM COMPLETE (SF-30/SF35), SUBURBAN 010745

REAR HEATER

KEY	PART NUMBER	U/M DESCRIPTION
	084405-01-000	EA HEATER ASM-REAR, DUCTED - W/MOTOR AID - EVANS
	084405-01-700	EA HEATER CORE - EVANS FT200229
	084405-01-701	EA FAN - EVANS HV029931
	084405-01-702	EA MOTOR, 12 VOLT ASSEMBLY - EVANS 200146

1992 ITASCA

TABLE OF CONTENTS

INTRODUCTION	A-01	A-02
ABBREVIATIONS		A-03
ALPHABETICAL INDEX	A-04	A-06
IC522RG	A-07	D-16
IF524RC	D-17	H-04

1992 IF524RC INDEX

FLOOR PLAN	D-17	D-18
ACCESSORIES		D-19
AUDIO VIDEO		D-20
BATH	D-21	D-22
BEDROOM	D-23	D-24
CHASSIS	E-01	E-04
CURTAIN & CUSHION	E-05	E-13
DINETTE	E-14	E-15
DRIVERS	E-16	E-17
ELECTRICAL	E-18	E-21
EXTERIOR BODY	E-22	F-04
GALLEY	F-05	F-10
GENERATOR		F-11
HEATING & A/C	F-12	F-13
INTERIOR FINISH	F-14	F-17
LABEL	F-18	F-24
LP		G-01
LOUNGE		G-02
SEALANTS & FASTENERS	G-03	G-05
WATER & SEWAGE	G-05	G-10
WINDOW, VENT AND EXTERIOR DOOR	G-11	H-04

HEATING & AIR CONDITIONING GROUP (CONTINUED)

HEATING SYSTEM COMPONENTS

KEY	PART NUMBER	U/M DESCRIPTION
	093614-01-01A	EA GRILLE-RETURN AIR, FURNACE - 15.6" X 7.6" - BROWN
	056464-05-000	EA REGISTER-PLASTIC W/O DAMPER - 4" DIAMETER - GOLDEN
	009198-01-000	FT DUCT-HEAT, FLEXIBLE - 4" ID X 25 FT
	009200-01-000	EA TAPE-FURNACE, 1 1/2"
	023146-01-000	EA CLAMP-SCREW TYPE - 4"
	069636-02-000	EA CONNECTOR-DUCT, 4" ID - SUBURBAN 050715
	079059-01-000	EA HOSE-90 DEGREE, 5/8" ID X 4" X 36"
	079059-02-000	EA HOSE-90 DEGREE, .61" ID X 4" X 6"
	007108-01-000	FT HOSE-HEATER, 5/8" ID - HI-TEMP - FORD ESE-M2D192-A
	088753-01-000	FT TUBE-ALUMINIZED STEEL, 5/8" - 18 GAUGE
	008042-01-000	FT TUBING-VINYL, .65" ID

ROOF A/C

KEY	PART NUMBER	U/M DESCRIPTION
	093763-01-04A	EA A/C-ROOF, 135000 BTU - OFF WHITE - COLEMAN 6759D707/6759E7
	093763-04-700	EA SHROUD-ROOF A/C, W/O LOGOS - COLEMAN 6759-4601
	093306-01-701	EA DECAL PKG. LEFT&RIGHT, COLEMAN# 6798B3591
	076303-01-712	EA MOTOR, COLEMAN# 6707A3119
	091225-01-709	EA START RELAY, COLEMAN# 1497-4131
	091225-01-710	EA START CAPACITOR, COLEMAN# 1497-0881
	073742-02-704	EA RUN CAPACITOR (COMPRESSOR), COLEMAN# 1499-4661
	093763-01-702	EA OVERLOAD, COLEMAN# 6759-3931
	093763-01-703	EA IMPELLOR-7" DIA X 2.8" WIDE, COLEMAN# 6759-3271
	093763-01-704	EA CAPACITOR-FAN, COLEMAN# 1499-3461
	093763-01-707	EA EVAPORATOR COIL-COLEMAN# 1452-1351
	093763-01-708	EA CONDENSER COIL-COLEMAN# 1452-1251
	093763-01-711	EA GASKET PACKAGE, COLEMAN# 6759-3281
	093763-01-712	EA FAN B .IDE-CONDENSER, COLEMAN# 6733-3221
	093763-01-713	EA COMPRESSOR-E SERIES, COLEMAN# 6759-3999
	093764-01-000	EA CEILING ASM-A/C COOL ONLY, TSR - COLEMAN 6759D714
	042204-01-709	EA THERMOSTAT IN-64,OUT-58, COLEMAN# 6701-3401
	042205-01-702	EA THERMOSTAT IN-89,OUT-58, COLEMAN# 6703-3401
	073742-01-701	EA SELECTOR SWITCH (5 TERMINAL), COLEMAN# 6759-3251
	073742-01-702	EA DECAL COOL ONLY, COLEMAN# 6759C3431
	093763-01-703	EA DECAL HEAT&COOL, COLEMAN# 6759-3491
	081606-01-708	EA LIMIT SWITCH (OPEN 160,CLOSE 110), COLEMAN# 6703-304
	091225-01-713	EA KNOB (2 PER PACKAGE), COLEMAN# 5701-3351
	076303-01-707	EA FILTER-6" X 14 3/4" X 1/2", 12 PER PKG COLEMAN# 6703A3151
	091225-01-717	EA DECAL (THERMOSTAT) COOL ONLY, COLEMAN# 6799A3441
	081606-01-712	EA CEILING SHROUD (IVORY), COLEMAN# 6769-5061
	093763-01-705	EA DECAL-HEAT/COOL THERMOSTAT, COLEMAN# 6799A3471
	093763-01-706	EA HEAT ELEMENT-COLEMAN# 6798-3321
	093763-01-710	EA SINGLE PARTS PACKAGE, COLEMAN# 6759-5841
	102289-01-000	EA SPRING-SCREW ROOF A/C GASKET - COLEMAN 6757-150
	022756-02-000	EA COVER-PROTECTIVE, 5 5" ENDS X 8 2" - PLASTIC - OFF WHITE
	022756-03-000	EA COVER-A/C - PLASTIC - OFF WHITE

EUROPEAN ROOF A/C

KEY	PART NUMBER	U/M DESCRIPTION
	092440-01-000	EA A/C-ROOF, 13500 BTU - 220V - 50HZ - COLEMAN# 6713C750
	092441-01-000	EA CEILING ASM-A/C, 220V - 50HZ - COLEMAN# 6712ET16
	102289-01-000	EA SPRING-SCREW ROOF A/C GASKET - COLEMAN 6757-150

INTERIOR FINISH GROUP

MOLDINGS & TRIMS

KEY	PART NUMBER	U/M DESCRIPTION
	009767-12-000	FT MOLDING-SIDEWALL TO CEILING/CABINET - WELTING - OFF WHITE
	009809-21-000	EA MOLDING-CORNER, OUTSIDE - 1" - PLASTIC - WOODGRAIN
	009809-23-000	EA MOLDING-CORNER, OUTSIDE - 1" - PLASTIC - IVORY
	009812-22-000	EA MOLDING-CORNER, OUTSIDE - .5" X 7" - PLASTIC - BROWN
	009812-24-000	EA MOLDING-PLASTIC, OUTSIDE CORNER - .50" - IVORY
	009812-25-000	EA MOLDING-CORNER, OUTSIDE - .5" - PLASTIC - PECAN
	009815-09-000	FT MOLDING-T, .75" - IVORY
	022992-01-000	FT MOLDING-REVERSE COVE, T-SHAPED - VINYL - WHITE
	022992-11-000	FT MOLDING-REVERSE COVE, T-SHAPED - VINYL - IVORY
	069733-70-000	EA BATT STRIP-WOODGRAIN - 8' EA - RAMBLING OAK
		FROM: 00-00-00 THRU: 02-23-92
	069733-79-000	EA BATT STRIP-WOODGRAIN, 8' EA - FOREST OAK
		FROM: 02-24-92 THRU: 99-99-99
	070504-01-000	FT U-CHANNEL-PLASTIC, .065" WIDE - LIGHT BROWN - INC OF 8'
	070504-20-000	FT U-CHANNEL-PLASTIC, .815" WIDE - THOR PECAN - INC OF 8'
	070504-23-000	FT EXTRUSION-U CHANNEL, - COUNTRY FOREST
	075249-01-000	EA RAILING-OAK, 72" EA - UNFINISHED
	076325-25-000	FT MOLDING-EDGE BAND, 1 5/16" WIDE - WOODGRAIN
	076325-32-000	FT MOLDING-EDGE BAND, 1 5/16" WIDE (C43)
	076325-34-000	FT MOLDING-EDGE BAND, 1 5/16" WIDE (C44)
	079653-09-000	EA BATT STRIP-KERFED, WOODGRAIN
	081294-02-000	EA MOLDING-SHELF, NOTCHED WOOD - 6' LONG
	083620-07-000	FT MOLDING-T, END CAP EDGE - WEDGE LIPS - .75" - THOR PECAN
	083620-09-000	FT T-MOLDING, 3/4 WEDGE LIPS *MODERN IVORY
	085284-32-000	FT BATT STRIP-WOODGRAIN, ADHESIVE BACK - RAMBLING OAK
		FROM: 00-00-00 THRU: 02-23-92
	085284-67-000	FT BATT STRIP-WOODGRAIN, ADHESIVE BACK - WINNIE OAK
		FROM: 02-24-92 THRU: 99-99-99
	085284-49-000	FT BATT STRIP-DECORATIVE, ADHESIVE BACK - MARBLE
	085746-01-000	FT TRIM-J, CARPET - 1.2" X .5" ANGLE - 10' LONG - PVC - BEIGE
	086229-01-000	EA RETAINER-BATTEN, CEILING - .75" WIDE - 7.6' EA
	086229-04-000	EA BATTEN-CEILING, 1" WIDE - IVORY - 7.6' EA
	088263-61-000	EA BATT STRIP-DECORATIVE - 8' EA - MARBLE (MAIN)
	088263-62-000	EA BATT STRIP-DECORATIVE - 8' EA - FRONDS (BATH & GALLEY)
	088263-71-000	EA BATT STRIP-DECORATIVE, 8' EA - FAWN
	092707-06-01A	EA MOLDING-OAK, REGAL
	093873-01-02A	EA TRIM-CARPET, L-ANGLE - 1.1" X 1 3" X 12" - VINYL - TAN
	096204-02-01A	EA TRIM-J, .5" EXPOSED - 1" X 52.1" LONG - METAL - OFF WHITE
	100040-01-000	EA LUMBER-VINYL WRAPPED, 7" X 1.5" X 8" - RAMBLING OAK
	100040-03-000	EA LUMBER-VINYL WRAPPED, .71" X 2" X 8" - RAMBLING OAK
	100041-01-000	EA MOLDING-VINYL WRAPPED, 1.57" X 84 02" - RAMBLING OAK
	100041-02-000	EA MOLDING-VINYL WRAPPED, 7" X 2 5" X 84" - RAMBLING OAK
	100659-01-B25	EA TRIM-FLOOR, 72" X 1" X 1/2" - WOOD
	100818-01-02A	EA MOLDING-VINYL WRAPPED, 1.65" X .4" X 7" - RAMBLING OAK
	100819-01-02A	EA MOLDING-VINYL WRAPPED, L-SHAPED, 1.5" X 1.5" X 7" - OAK
	105004-01-02A	EA MOLDING-VINYL WRAP - RAMBLING OAK
	105618-01-01A	FT MOLDING-EDGE, 5/16" - GOLD W/ADHESIVE

1992 ITASCA

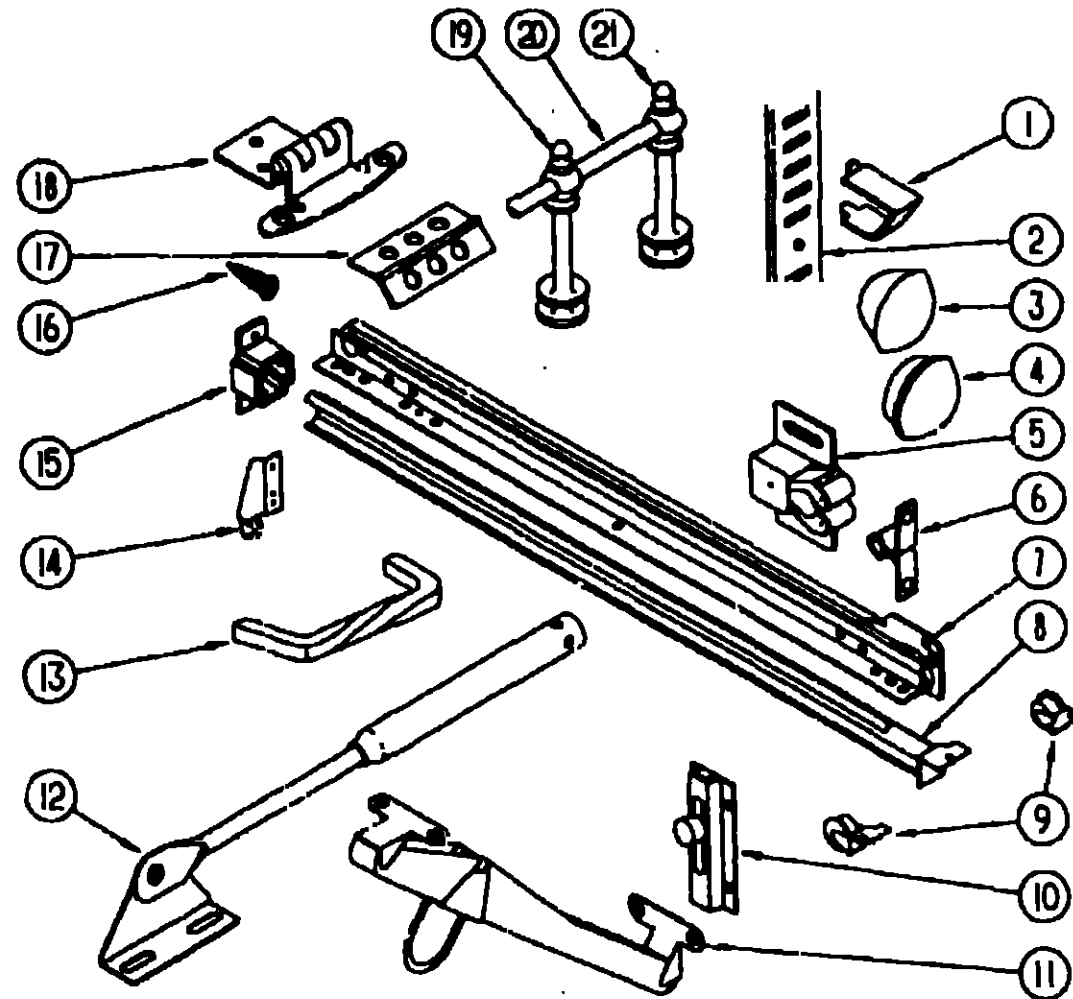
TABLE OF CONTENTS

INTRODUCTION	A-01	A-02
ABBREVIATIONS		A-03
ALPHABETICAL INDEX	A-04	A-06
ICS22RC	A-07	D-16
IF524RC	D-17	H-04

1992 IF524RC INDEX

FLOOR PLAN	D-17	D-18
ACCESSORIES		D-19
AUDIO VIDEO		D-20
BATH	D-21	D-22
BEDROOM	D-23	D-24
CHASSIS	E-01	E-04
CURTAIN & CUSHION	E-05	E-13
DINETTE	E-14	E-15
DRIVERS	E-16	E-17
ELECTRICAL	E-18	E-21
EXTERIOR BODY	E-22	F-04
GALLEY	F-05	F-10
GENERATOR		F-11
HEATING & A/C	F-12	F-13
INTERIOR FINISH	F-14	F-17
LABEL	F-18	F-24
LP		G-01
LOUNGE		G-02
SEALANTS & FASTENERS	G-03	G-05
WATER & SEWAGE	G-08	G-10
WINDOW, VENT AND EXTERIOR DOOR	G-11	H-04

INTERIOR FINISH GROUP (CONTINUED)



CABINET & TABLE HARDWARE

KEY	PART NUMBER	U/M DESCRIPTION
1	098979-01-000	EA CLIP-ADJUSTABLE SHELF
2	098980-01-000	EA PILASTER-ADJUSTABLE SHELF, 18" LONG
3	042356-01-000	EA PLUG-BUTTON, MAHOGANY - 3/8" DIAMETER - WOOD
4	074045-07-000	EA PLUG-WOOD, 1/2" - NATURAL
5	093586-03-000	EA CATCH-SPRING, ROLLER
6	093586-04-000	EA STRIKE-SPRING STEEL
7	106913-01-000	EA SLIDE-DRAWER, CABINET MOUNTED - LEFT SIDE - 12" LONG
		FROM 00-00-00 THRU 03-15-92
	106913-02-000	EA SLIDE-DRAWER, CABINET MOUNTED - RIGHT SIDE - 12" LONG
		FROM 00-00-00 THRU 03-15-92
7	106913-03-000	EA SLIDE-DRAWER, DRAWER MOUNTED - LEFT SIDE - 12" LONG
		FROM 00-00-00 THRU 03-15-92
	106913-04-000	EA SLIDE-DRAWER, DRAWER MOUNTED - RIGHT SIDE - 12" LONG
		FROM 00-00-00 THRU 03-15-92
7	101910-03-000	EA SLIDE-DRAWER, CABINET MOUNTED - SET OF 2 - 12" LONG
		FROM 03-16-92 THRU 99-99-99
7	101910-04-000	EA SLIDE-DRAWER, DRAWER MOUNTED - SET OF 2 - 12" LONG
		FROM 03-16-92 THRU 99-99-99
8	102827-05-000	EA TRACK-DRAWER, 22 5/8" LONG
9	102827-03-000	EA ROLLER-DRAWER, NYLON - PAIR
10	061604-01-000	EA SLIDE-BOLT, ANTIQUE BRASS
11	104181-01-01A	EA SUPPORT-LEAF, 5 3/4" - EXTENDS TO 7 5/8" - SAFETY RING - METAL
12	074493-02-000	EA SUPPORT-PISTON SPRING, CABINET DOOR
13	103857-01-000	EA PULL-CABINET, BRASS - 3" ON CENTER
	081376-01-000	EA BACKPLATE-DOOR PULL, BRASS - 8" X 4 25/64"
14	102827-02-000	EA BRACKET-ROLLER, DRAWER - REAR
15	102827-04-000	EA BRACKET-MOUNTING, DRAWER - REAR

INTERIOR FINISH GROUP (CONTINUED)

CABINET & TABLE HARDWARE (CONTINUED)

KEY	PART NUMBER	U/M DESCRIPTION
16	000G13-06-10G	EA SCREW-6-20 X 5/8 PPH, ANTIQUE BRASS (HINGE C 9777-02-000)
16	000G13-06-08G	EA SCREW-6-20 X 5/8 PPH, ANTIQUE BRASS (HINGE 108138-01-000)
17	009059-01-000	EA HINGE-DOOR, 2" X 1.4" - BRASS
17	009059-02-000	EA HINGE-DOOR, 2" X 2.7" - BRASS
18	059777-02-000	EA HINGE-CABINET DOOR, BURNISHED BRASS
		FROM 00-00-00 THRU 04-16-92
18	108138-01-000	EA HINGE-DOOR, CABINET - BURNISHED BRASS
		FROM 04-17-92 THRU 99-99-99
19	084070-01-000	EA POST-CENTER, 2 4/8" - BRASS
20	084071-07-000	EA ROD-BRASS, 18.1" LONG
20	084071-13-000	EA ROD-BRASS, 72" LONG
21	084070-02-000	EA POST-END, 2 4/8" - BRASS
	009053-01-000	EA HINGE-CONTINUOUS, 1 1/2" X 72" - UNPAINTED
	065740-01-000	EA BRACE-CABINET CORNER, PLASTIC
	015604-01-000	EA BRACE-CABINET, ANGLE - 2 5/8" - METAL - UNPAINTED
	016604-03-000	EA BRACE-CABINET, ANGLE - 2 5/8" - METAL - BEIGE
	076827-04-000	EA BRACKET-BUNK/BED, 2.9" X 1 8/8" TRIANGLE - METAL - OFF WHITE
	076790-01-000	EA SCREW, 6-20 X 1 1/4 PPH - BLACK
	083204-02-000	EA BUTTON-RETAINING, MIRROR - 3/16" TIP - WALNUT
	004354-01-000	EA BUMPER-RUBBER, .5" DIA - BROWN
	023320-01-000	EA PAD-FELT, 3/8" DIAMETER - BROWN
	104886-01-000	EA CATCH-WOOD, VINYL FACE CABINET
	104886-02-000	EA CATCH-WOOD, LAMINATED FACE
	105037-02-000	EA FASTENER-WOOD, CORNER - METAL - 5" X 6"
	009112-01-000	EA FLANGE-1" ROD, CLOTHES - PLASTIC - OFF WHITE
	042438-01-000	EA DOWEL-WOOD, CLOTHES ROD - 1" DIAMETER X 4"
	042438-02-000	EA DOWEL-WOOD, 2" X 2"
	075847-01-000	EA CORD-BUNGIE, 24"
	091255-02-000	FT SEAL-ADHESIVE BACKED FOAM, 18" THICK X 1 5/8" WIDE
	103130-01-000	EA HOOK-CUP, BRASS - 1 25/64"
	064467-01-000	EA GUIDE-POCKET, SLIDING DOOR - WALL MOUNTED

PANELING, LAMINATES & PLASTIC

KEY	PART NUMBER	U/M DESCRIPTION
	000885-54-000	SF PART BD-3/4X48X96 FORM 1 OAK VINYL 2 SIDES
	000885-59-000	SF PART BD-3/4X60X96 FORM 1 OAK - VINYL 2 SIDES
	093618-02-000	SF PLYWOOD-OAK, 1 SIDE FINISHED - 3/16" X 4' X 8' (32 SF)
	089297-01-000	SF PLYWOOD-LUAN OVERLAY GRADE - 4' X 8' (32 SF)
	095688-01-000	SF VENEER-FLAT LUANA, 48" X 96" - INC OF 32 SF
	074497-19-000	SF PANELING-CEILING, 4' X 8' - INC OF 32 SF
	074497-20-000	SF PANELING-WOODGRAIN, 4' X 8' - INCREMENTS OF 32 SF
	088272-72-000	SF PANELING-SHOWER, OFF WHITE - 4' X 7' - INC OF 28 SF
		FROM 00-00-00 THRU 03-15-92
	088272-98-000	SF PANELING-SHOWER, ANTIQUE WHITE, 4' X 7' - INC OF 28 SQ FT
		FROM 03-16-92 THRU 99-99-99
	058272-82-000	SF PANELING-MARBLE DEWBERRY, 48" X 84" DECOR (MAIN WALL)
	088272-83-000	SF PANELING-FRONS DEWBERRY, 48" X 84" DECOR (BATH & GALLEY)
	089351-03-000	YD VINYL-CEILING, DIAMOND DESIGN - 54" WIDE
	074496-39-000	SF LAMINATE-PLASTIC, 5' X 8' - GREY/BEIGE - INC OF 40 SF (C43)
	074498-41-000	SF LAMINATE-PLASTIC, 5' X 8' - ORCHID MIST - INC OF 40 SF (C44)
	093743-02-01A	SF PLASTIC-ABS, 20" WIDE ROLL - OFF WHITE
	093743-03-01A	SF PLASTIC-ABS, 10 8/8" WIDE - OFF WHITE

1992 ITASCA

TABLE OF CONTENTS

INTRODUCTION	A-01 -	A-02
ABBREVIATIONS		A-03
ALPHABETICAL INDEX	A-04 -	A-06
IC522RG	A-07 -	D-16
IF524RC	D-17 -	H-04

1992 IF524RC INDEX

FLOOR PLAN	D-17 -	D-18
ACCESSORIES		D-19
AUDIO VIDEO		D-20
BATH	D-21 -	D-22
BEDROOM	D-23 -	D-24
CHASSIS	E-01 -	E-04
CURTAIN & CUSHION	E-05 -	E-17
DINETTE	E-14 -	E-15
DRIVERS	E-16 -	E-17
ELECTRICAL	E-18 -	E-21
EXTERIOR BODY	E-22 -	F-04
GALLEY	F-05 -	F-10
GENERATOR		F-11
HEATING & A/C	F-12 -	F-13
INTERIOR FINISH	F-14 -	F-17
LABEL	F-18 -	F-24
LP		G-01
LOUNGE		G-02
SEALANTS & FASTENERS	G-03 -	G-05
WATER & SEWAGE	G-06 -	G-10
WINDOW, VENT AND		
EXTERIOR DOOR	G-11 -	H-04

INTERIOR FINISH GROUP (CONTINUED)

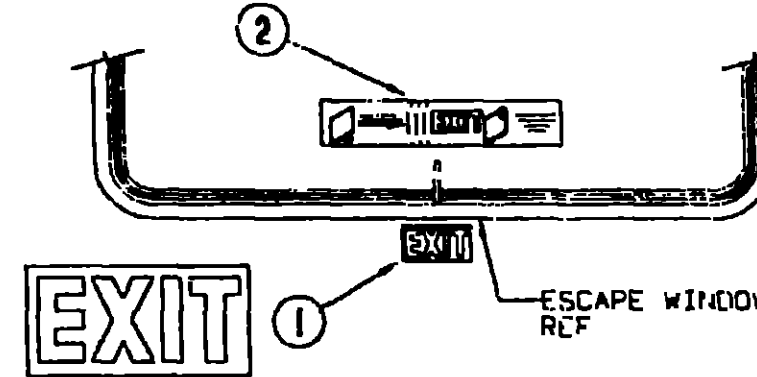
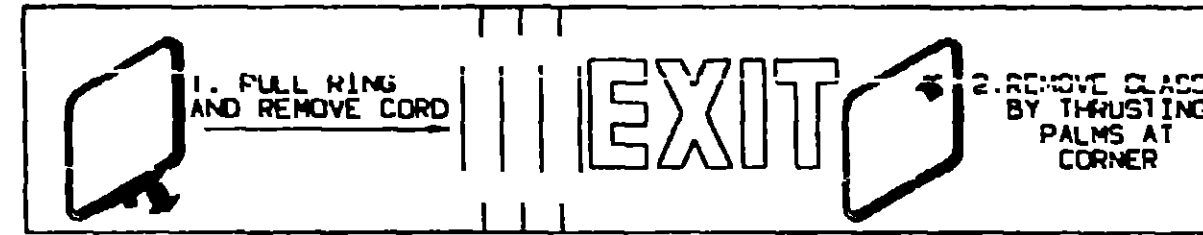
CARPETING & FLOOR MATS

KEY	PART NUMBER	U/M	DESCRIPTION
	096060-42-000	SY	CARPET-12' ROLL, INCREMENTS OF 4 SY - BROWN SPECIAL (C43)
	096060-23-000	SY	CARPET-12' ROLL, INCREMENTS OF 4 SY (C44)
	047034-02-000	SF	PLASTIC-CARPET, 4' WIDE - CLEAR POLY - MINIMUM ORDER 1,600 SF
	075233-01-000	SY	PAD-CARPET, 3/8" X 3' ROLL
	081075-02-000	EA	MAT-FLOOR, ENTRANCE DOOR - W/ITASCA LOGO - 10 2" X 26" FROM: 00-00-00 THRU: 01-09-92
	081075-04-000	EA	MAT-FLOOR ENTRANCE, ITASCA - PLASTICOLOR GRAY FROM: 01-10-92 THRU 99-99-99
	083218-03-000	EA	MAT-FLOOR, PASSENGER W/IT LOGO - CHEVY
	083218-04-000	EA	MAT-FLOOR, DRIVER W/IT LOGO - CHEVY
	083219-03-000	EA	MAT-FLOOR, PASSENGER - IT - FORD FROM 00-00-00 THRU: 01-12-92
	083219-04-000	EA	MAT-FLOOR, DRIVER - IT - FORD FROM 00-00-00 THRU: 01-12-92
	105884-03-000	EA	MAT-FLOOR, PASSENGER - IT - FORD FROM 01-13-92 THRU 99-99-99
	106884-04-000	EA	MAT-FLOOR, DRIVER - IT - FORD FROM: 01-13-92 THRU: 99-99-99

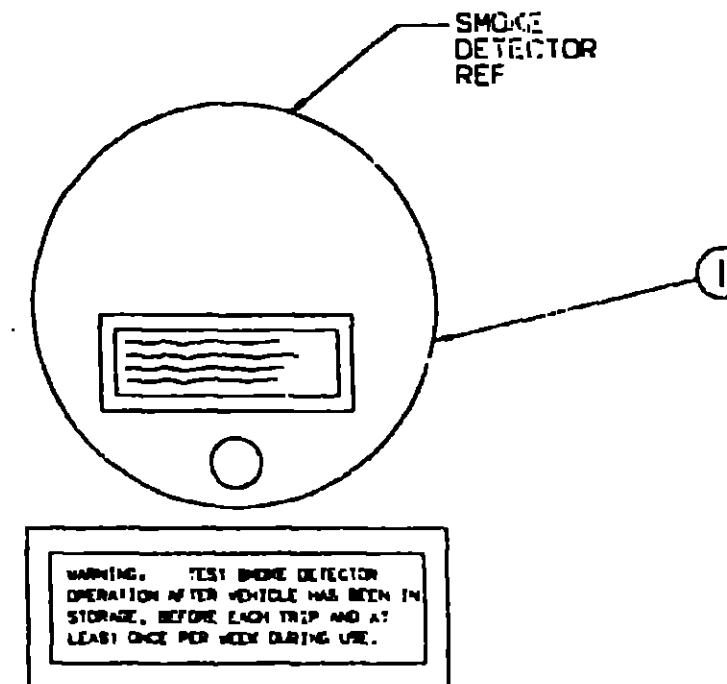
FIRE EXTINGUISHER, SMOKE DETECTOR & CLOCK

KEY	PART NUMBER	U/M	DESCRIPTION
	072852-01-000	EA	DETECTOR-SMOKE, W/9 VOLT BATTERY
	072852-02-000	EA	DETECTOR-SMOKE, W/9 VOLT BATTERY (CANADIAN)
	094499-01-000	EA	EXTINGUISHER-FIRE, DRY W/MOUNTING BRACKET - 10 BC
	094499-02-000	EA	EXTINGUISHER-FIRE, DRY - 1A10BC - CANADIAN
	094499-01-700	EA	BRACKET-MOUNTING, W/PLASTIC STRAP - FIRE EXTINGUISHER
	100793-01-01A	EA	CLOCK-WALL, OVAL - 9 5" X 11 1" - GOLDENAIRE 545121 (USED W/BACKPLATE)
	101333-01-000	EA	BACKPLATE-CLOCK, 6" X 6" - PLASTIC - BLACK
	104764-01-01A	EA	CLOCK-WALL, SPARTUS 5616-42

LABEL GROUP



KEY	PART NUMBER	U/M	DESCRIPTION
1	039290-01-000	EA	LABEL-WARNING, EXIT
2	107571-01-000	EA	LABEL-ESCAPE EXIT, WINDOW



KEY	PART NUMBER	U/M	DESCRIPTION
1	077956-01-000	EA	LABEL-WARNING, SMOKE DETECTOR

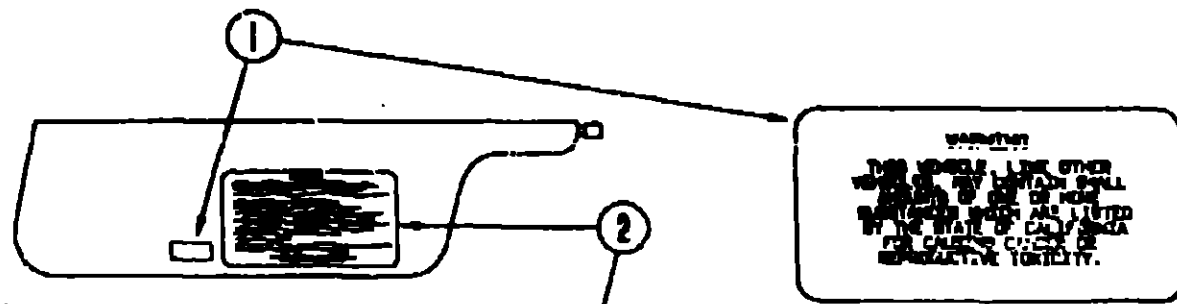
**1992 ITASCA
TABLE OF CONTENTS**

INTRODUCTION	A-01	A-02
ABBREVIATIONS		A-03
ALPHABETICAL INDEX	A-04	A-06
IC522RG	A-07	D-16
IF524RC	D-17	H-04

1992 IF524RC INDEX

FLOOR PLAN	D-17	D-18
ACCESSORIES		D-19
AUDIO VIDEO		D-20
BATH	D-21	D-22
BEDROOM	D-23	D-24
CHASSIS	E-01	E-04
CURTAIN & CUSHION	E-05	E-13
DINETTE	E-14	E-15
DRIVERS	E-16	E-17
ELECTRICAL	E-18	E-21
EXTERIOR BODY	E-22	F-04
GALLEY	F-05	F-10
GENERATOR		F-11
HEATING & A/C	F-12	F-13
INTERIOR FINISH	F-14	F-17
LABEL	F-18	F-24
LP		G-01
LOUNGE		G-02
SEALANTS & FASTENERS	G-03	G-05
WATER & SEWAGE	G-06	G-10
WINDOW, VENT AND EXTERIOR DOOR	G-11	H-04

LABEL GROUP (CONTINUED)



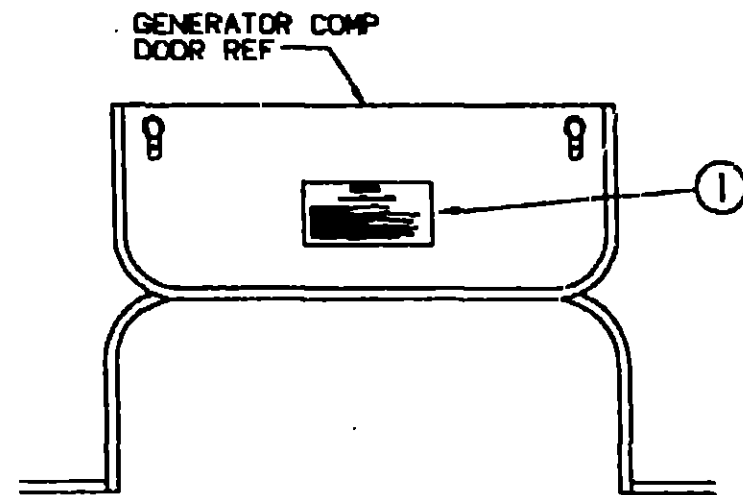
CAUTION

THIS MOTOR HOME HAS BEEN DESIGNED, MANUFACTURED AND TESTED WITH CONSIDERATION FOR THE PROTECTION OF IT'S OCCUPANTS. WE RECOMMEND YOU PERFORM THE FOLLOWING INSPECTIONS FOR YOUR SAFETY AND THE SAFETY OF YOUR PASSENGERS BEFORE STARTING YOUR VEHICLE.

1. LP GAS SYSTEM- TURN OFF AT TANK FOR TRAVELING. TEST FOR LEAKS UPON ARRIVAL AT DESTINATION. BEFORE LIGHTING PILLS.
2. WHEELS- INSPECT FOR DAMAGE AND CHECK LUG NUTS FOR TIGHTNESS.
3. TIRES- INSPECT FOR WEAR AND DAMAGE AND CHECK FOR RECOMMENDED AIR PRESSURE.
4. LIGHTING- TEST FOR PROPER OPERATION OF ALL INTERIOR AND EXTERIOR LIGHTS INCLUDING DASH LIGHTS, HEADLIGHTS, TAIL LIGHTS, BRAKE LIGHTS, CLEARANCE LIGHTS AND TURN SIGNALS.
5. EXITS- INSPECT RELEASE MECHANISM ON EMERGENCY EXIT WINDOW. TEST BOTH LOCKS ON MAIN ENTRANCE DOOR FOR EASE OF OPERATION AND INSTRUCT PASSENGERS HOW TO USE BOTH MEANS OF EXIT.
6. SEAT BELTS- DIRECT PASSENGERS TO DESIGNATED SEATS AND REQUIRE USE OF SEAT BELTS.
7. APPLIANCES- TURN OFF AND LATCH OR LOCK DOORS WHERE PROVIDED.
8. LOUVE PANELS- STORE SECURELY.
9. UTILITY SUPPLY LINES- DISCONNECT ALL ELECTRIC, SEWER AND WATER LINES AND SECURE PROPERLY.
10. ENTRANCE DOOR STEP- PLACE IN RETRACTED POSITION FOR TRAVELING.

READ YOUR MOTOR HOME AND CHASSIS OWNER'S MANUAL FOR FURTHER PRECAUTIONS

KEY	PART NUMBER	U/M DESCRIPTION
1	099689-01-000	EA LABEL-WARNING, CANCER/TOXICITY
2	056259-01-000	EA LABEL-SAFETY CHECK LIST



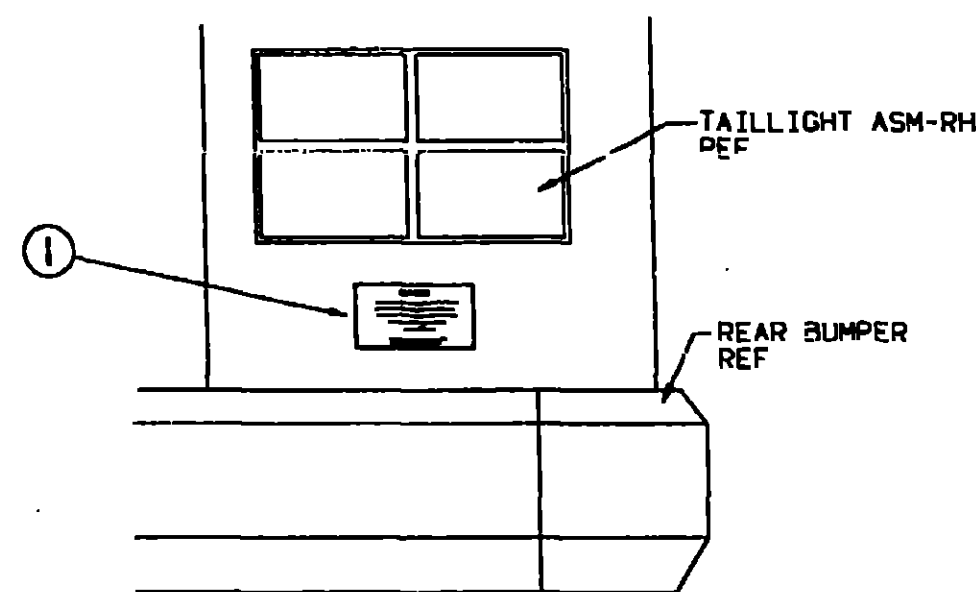
WARNING

WHEN ADDING A GENERATOR SET:

HIGH VOLTAGE-LIKE EXTREME CAUTION WHEN WORKING ON ELECTRICAL COMPONENTS.
 HAVE ALL ELECTRICAL INSTALLATION PERFORMED BY A QUALIFIED LICENSED ELECTRICIAN-FOLLOW ALL STATE AND LOCAL CODES.
 ONLY INSTALL GENERATOR SET APPROVED FOR R.V. APPLICATION. HAVE INSTALLED BY QUALIFIED TECHNICIAN.
 TO AVOID HEAT BUILD-UP AND TO GUARANTEE AN ADEQUATE AIR SUPPLY TO THE GENERATOR COMPARTMENT, FOLLOW INSTALLATION INSTRUCTIONS.
 MONITOR EXHAUST GASES ARE TOXIC AND MUST NOT TERMINATE UNDER THE VEHICLE-DISCHARGE EXHAUST AWAY FROM VEHICLE.

KEY	PART NUMBER	U/M DESCRIPTION
1	077510-01-000	EA LABEL-GENERATOR PREP

LABEL GROUP (CONTINUED)



WARNING

DO NOT EXCEED THE VEHICLE WEIGHT RATINGS OR LOADING RECOMMENDATIONS (E.G., GROSS VEHICLE, GROSS AXLE, GROSS COMBINED) OF THE CHASSIS MANUFACTURER OR WINNEBAGO IND.

REFER TO YOUR OWNERS MANUAL, BEFORE LOADING OR TOWING.

KEY	PART NUMBER	U/M DESCRIPTION
1	075220-01-000	EA LABEL-WARNING, EXTERIOR LOAD

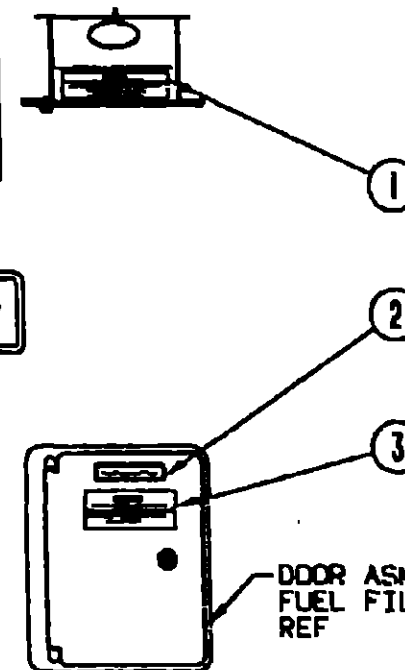
WARNING

OPEN GASOLINE CAP SLOWLY TO PREVENT SUDDEN RELEASE OF TANK PRESSURE. DO NOT OVERFILL TANK. REPLACE WITH EQUIVALENT CAP ONLY

UNLEADED FUEL ONLY

WARNING

ALL PILOT LIGHTS AND APPLIANCES SHALL BE TURNED OFF DURING REFUELING OF MOTOR FUEL TANKS AND/OR PERMANENTLY MOUNTED LP-GAS CONTAINERS.



KEY	PART NUMBER	U/M DESCRIPTION
1	087207-05-000	EA LABEL-FUEL CAP REMOVAL
2	052043-01-000	EA LABEL-FUEL, UNLEADED
3	006040-01-000	EA TAG-GAS REFUELING WARNING
3	006040-02-000	EA TAG-GAS REFUEL WARNING, CANADIAN

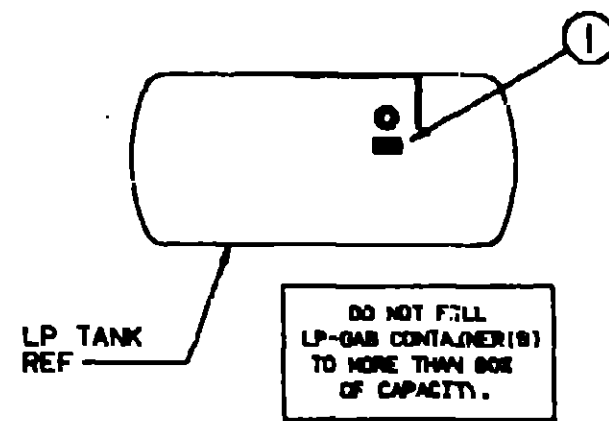
**1992 ITASCA
 TABLE OF CONTENTS**

INTRODUCTION	A-01	A-02
ABBREVIATIONS		A-03
ALPHABETICAL INDEX	A-04	A-05
IC522RG	A-07	D-16
IF524RC	D-17	H-04

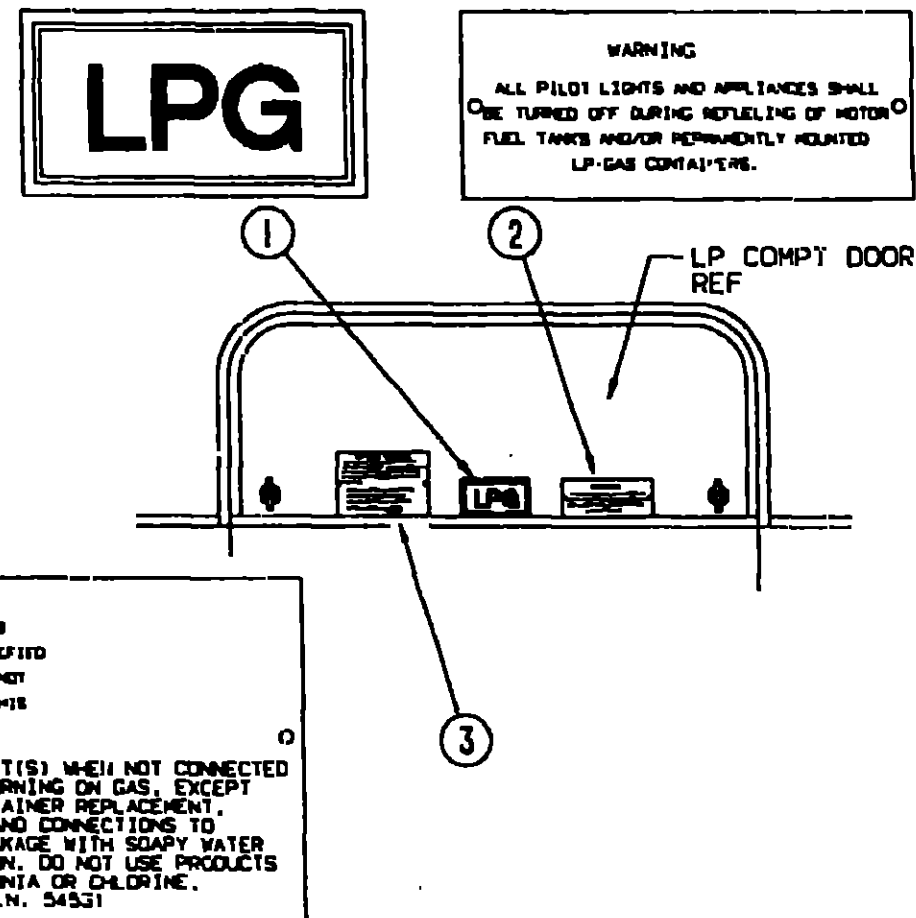
1992 IF524RC INDEX

FLOOR PLAN	D-17	D-18
ACCESSORIES		D-19
AUDIO VIDEO		D-20
BATH	D-21	D-22
BEDROOM	D-23	D-24
CHASSIS	E-01	E-04
CURTAIN & CUSHION	E-05	E-13
DINETTE	E-14	E-15
DRIVERS	E-16	E-17
ELECTRICAL	E-18	E-21
EXTERIOR BODY	E-22	F-04
GALLEY	F-05	F-10
GENERATOR		F-11
HEATING & A/C	F-12	F-13
INTERIOR FINISH	F-14	F-17
LABEL	F-18	F-24
LP		G-01
LOUNGE		G-02
SEALANTS & FASTENERS	G-03	G-05
WATER & SEWAGE	G-06	G-10
WINDOW, VENT AND EXTERIOR DOOR	G-11	H-04

LABEL GROUP (CONTINUED)

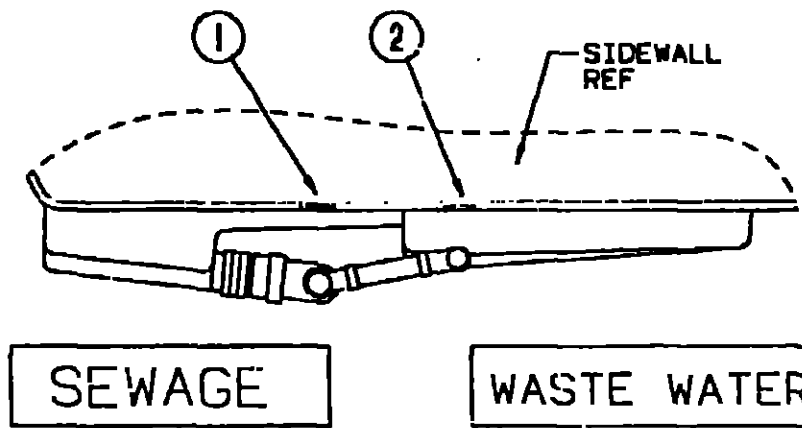


KEY	PART NUMBER	U/M DESCRIPTION
1	079965-01-000	EA LABEL-LPG 80 CAPACITY

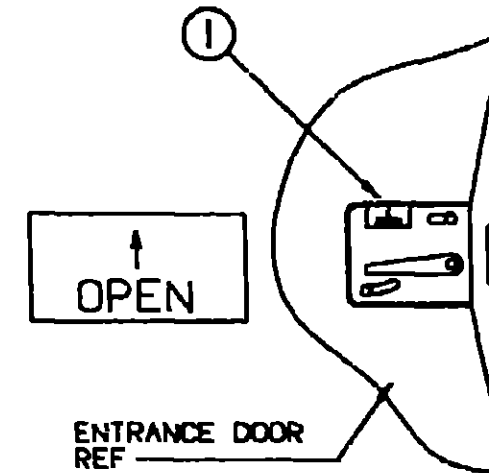


KEY	PART NUMBER	U/M DESCRIPTION
1	074559-01-000	EA DECAL-LOGO, LPG - RED - (CALIF CODE)
2	006040-01-000	EA TAG-GAS REFUELING WARNING
2	006040-02-000	EA TAG-GAS REFUEL WARNING, CANADIAN
3	054531-01-000	EA LABEL-LP GAS ONLY
3	023769-01-000	EA LABEL-WARNING, LPG - CANADIAN

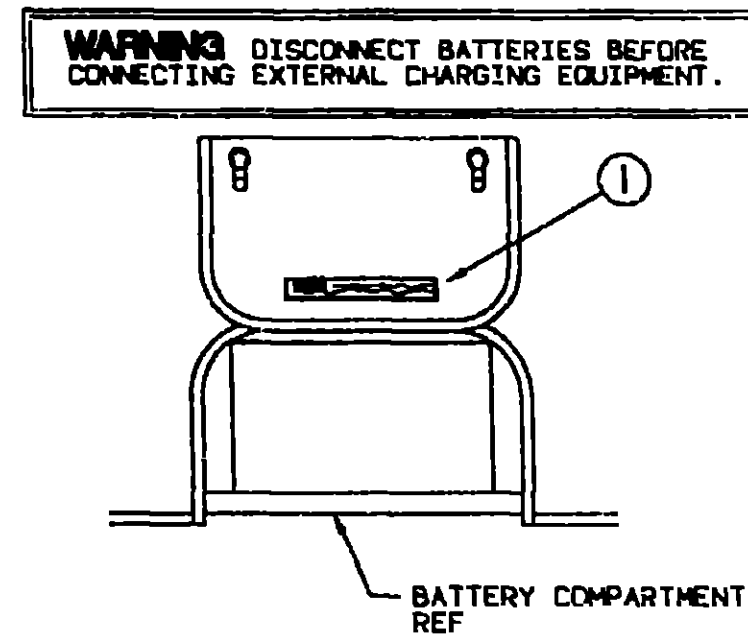
LABEL GROUP (CONTINUED)



KEY	PART NUMBER	U/M DESCRIPTION
1	006187-01-000	EA LABEL-SEWAGE
2	006188-01-000	EA LABEL-WASTE WATER



KEY	PART NUMBER	U/M DESCRIPTION
1	040944-01-000	EA LABEL-ENTRANCE DOOR, "OPEN"



KEY	PART NUMBER	U/M DESCRIPTION
1	065748-01-000	EA LABEL-CAUTION, BATTERY CHARGING

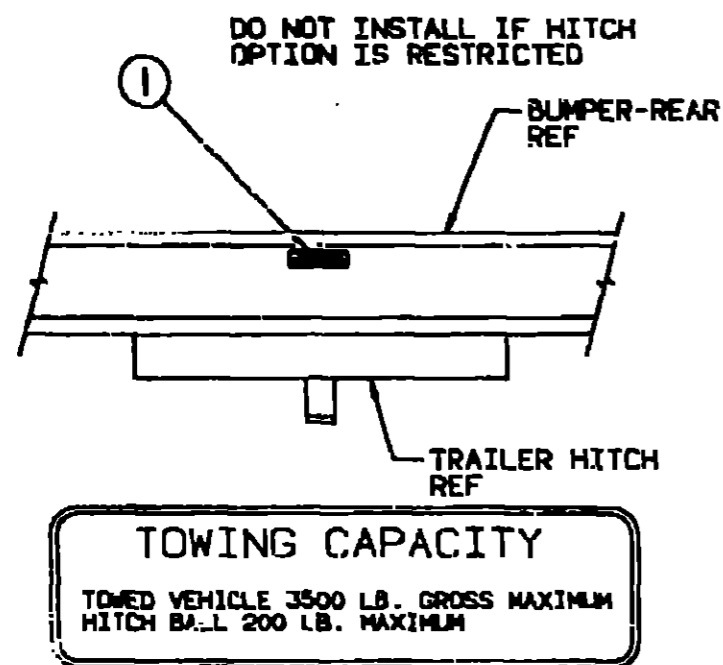
**1992 ITASCA
TABLE OF CONTENTS**

INTRODUCTION	A-01 -	A-02
ABBREVIATIONS		A-03
ALPHABETICAL INDEX	A-04 -	A-06
IC522RG	A-07 -	D-15
IF524RC	D-17 -	H-6

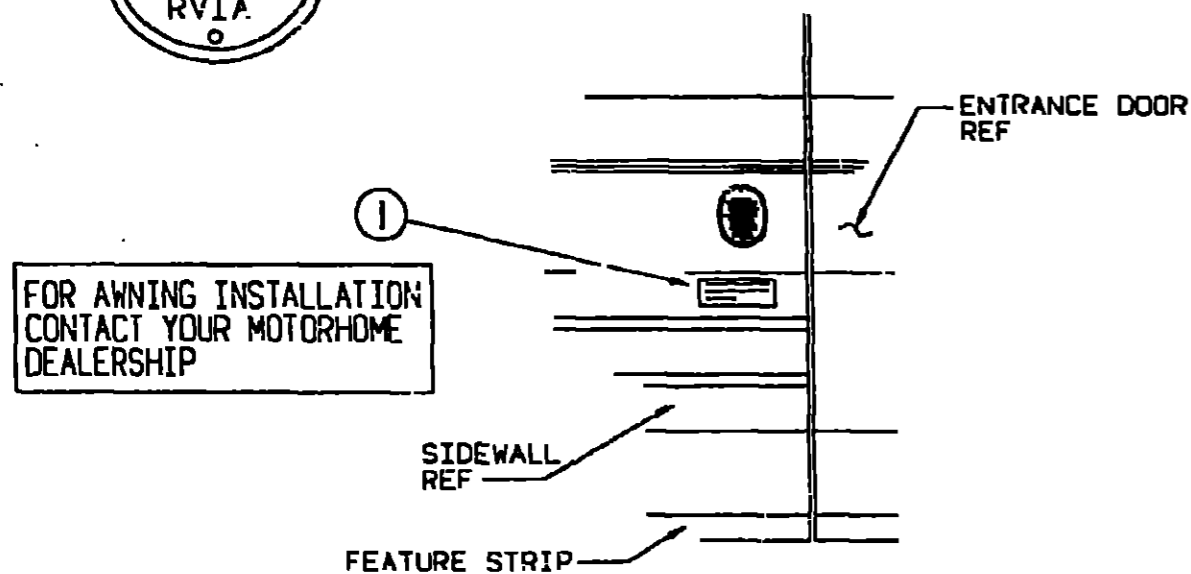
1992 IF524RC INDEX

FLOOR PLAN	D-17 -	D-18
ACCESSORIES		D-19
AUDIO VIDEO		D-20
BATH	D-21 -	D-22
BEDROOM	D-23 -	D-24
CHASSIS	E-01 -	E-04
CURTAIN & CUSHION	E-05 -	E-13
DINETTE	E-14 -	E-15
DRIVERS	E-16 -	E-17
ELECTRICAL	E-18 -	E-21
EXTERIOR BODY	E-22 -	F-04
GALLEY	F-05 -	F-10
GENERATOR		F-11
HEATING & A/C	F-12 -	F-13
INTERIOR FINISH	F-14 -	F-17
LABEL	F-18 -	F-24
LP		G-01
LOUNGE		G-02
SEALANTS & FASTENERS	G-03 -	G-05
WATER & SEWAGE	G-06 -	G-10
WINDOW, VENT AND EXTERIOR DOOR	G-11 -	H-04

LABEL GROUP (CONTINUED)

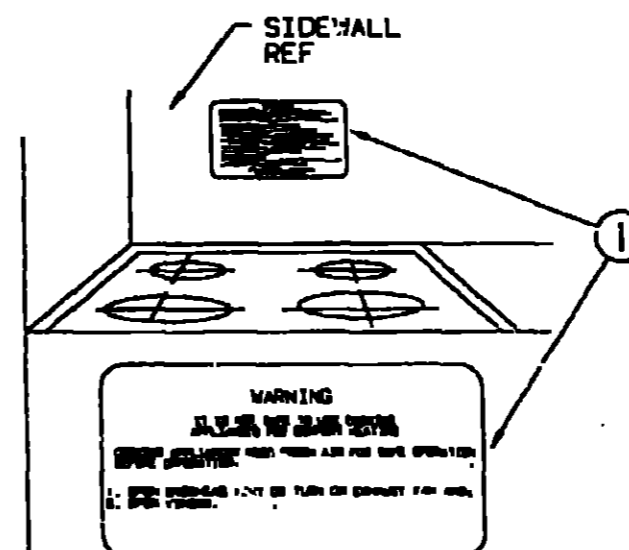


KEY	PART NUMBER	U/M DESCRIPTION
1	075221-01-000	EA LABEL-TOWING CAPACITY

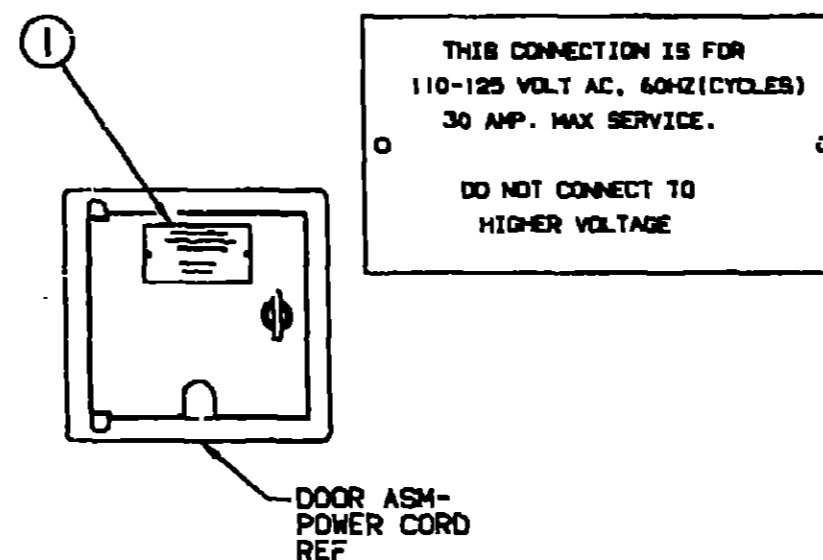


KEY	PART NUMBER	U/M DESCRIPTION
1	099509-01-000	EA LABEL-AWNING INSTALLATION

LABEL GROUP (CONTINUED)



KEY	PART NUMBER	U/M DESCRIPTION
1	050225-01-000	EA LABEL-WARNING, STOVE VENT - US
1	050222-01-000	EA LABEL-WARNING, STOVE VENT - CANADIAN



KEY	PART NUMBER	U/M DESCRIPTION
1	006062-01-000	EA TAG-ELECTRIC, 110V CONNECTION

MISCELLANEOUS LABELS

KEY	PART NUMBER	U/M DESCRIPTION
	R77005-87-699	EA LABEL-FUEL, "UNLEADED" - RNO 7700587699
	060364-01-000	EA LABEL-SEAT W/O SEATBELT NOT INTENDED FOR USE WHILE COACH IN MOTION
	006064-02-000	EA LABEL-SEAT W/O SEATBELT (CANADIAN)
	035709-01-000	EA LABEL-NO STORAGE
	061417-01-000	EA LABEL-FUEL ON FUEL FILL DOOR
	061606-01-000	EA LABEL-OVERLAY, VEHICLE CERTIFICATION - ADHESIVE BACKED
	073998-01-000	EA LABEL-LPG ODOR WARNING
	087236-01-000	EA LABEL-CABLE, INPUT
	091224-02-000	EA LABEL-TRAILER LIGHTING
	091243-01-000	EA LABEL-A/C COVER, "AIR CONDITIONING CIRCUIT, ETC."
	093236-08-000	EA LABEL-CIRCUIT BREAKER
	098541-01-000	EA LABEL-FUEL, UNLEADED - DASH
	104236-01-000	EA LABEL-GENERATOR CIRCUIT

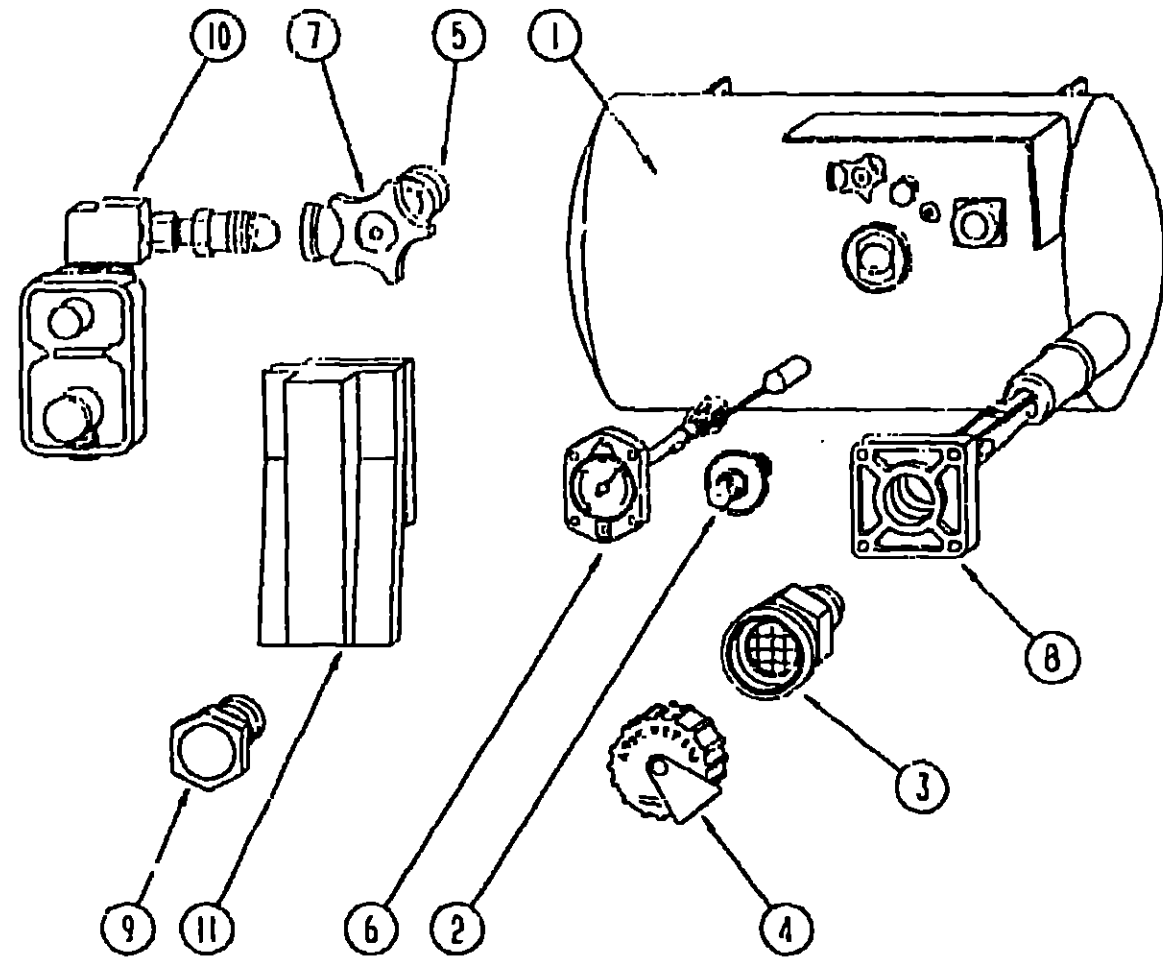
**1992 ITASCA
TABLE OF CONTENTS**

INTRODUCTION	A-01 -	A-02
ABBREVIATIONS		A-03
ALPHABETICAL INDEX	A-04 -	A-06
IC522RG	A-07 -	D-16
IF524RC	D-17 -	H-04

1992 IF524RC INDEX

FLOOR PLAN	D-17 -	D-18
ACCESSORIES		D-19
AUDIO VIDEO		D-20
BATH	D-21 -	D-22
BEDROOM	D-23 -	D-24
CHASSIS	E-01 -	E-04
CURTAIN & CUSHION	E-05 -	E-13
DINETTE	E-14 -	E-15
DRIVERS	E-16 -	E-17
ELECTRICAL	E-18 -	E-21
EXTERIOR BODY	E-22 -	F-04
GALLEY	F-05 -	F-10
GENERATOR		F-11
HEATING & A/C	F-12 -	F-13
INTERIOR FINISH	F-14 -	F-17
LABEL	F-18 -	F-24
LP		G-01
LOUNGE		G-02
SEALANTS & FASTENERS	G-03 -	G-05
WATER & SEWAGE	G-06 -	G-10
WINDOW, VENT AND EXTERIOR DOOR	G-11 -	H-04

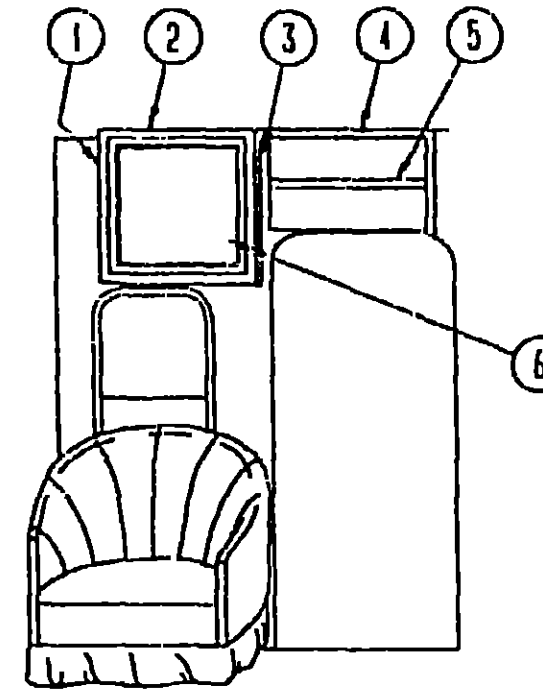
LP GROUP



LP TANK & COMPONENTS

KEY	PART NUMBER	U/M DESCRIPTION
1	097821-01-000	EA TANK-LP, 60 LB BRUNNER - 14' X 30'
2	040421-01-700	EA VALVE-LIQUID LEVEL, 20% LP - BRUNNER G-1013
3	040421-01-701	EA VALVE-SHORT LP FILLER W/YELLOW CAP - BRUNNER 73478
4	040421-01-702	EA CAP-LP FILLER VALVE, PLASTIC - YELLOW - BRUNNER G-1014-A
5	040421-01-703	EA VALVE-SERVICE, W/VAPOR RELIEF - BRUNNER G-1015
6	040421-01-707	EA GAUGE-FLOAT W/VISIBLE DIAL - BRUNNER MA-9 6244-4
7	040421-01-708	EA HANDWHEEL-SERVICE VALVE, BRUNNER G-1015-A
8	040421-01-711	EA VALVE-80% W/FLOAT, PLATE, BOLTS & GASKET - BRUNNER LLL(BROWN)
9	040421-01-713	EA VALVE-VAPOR ONLY - 29000587
10	106150-01-000	EA REGULATOR-TWO STAGE - M'BRASS 293-00
	105658-01-000	EA COMPARTMENT-LP REGULATOR
11	081938-01-000	EA COVER-COMPARTMENT, LP REGULATOR - BLACK
	040440-02-000	EA TRANSMITTER-DIAL, 0-90 OHM - BRUNNER 5414502063
	065741-01-000	EA GAUGE-DIAPHRAGM PRESSURE - MARSHALLTOWN MFG
	103613-01-000	EA DETECTOR-LP GAS - CCI 7730/PRE-TELL 1
	045703-01-000	EA HOSE-LP, 3/8" ID X 24' - 3/8" MPT X 1/2" F SWIVEL - U.S.
	045703-02-000	EA HOSE-LP, 3/8" ID X 24' - 3/8" MPT X 1/2" F SWIVEL - CANADIAN
	010323-01-000	EA ADAPTER-BRASS, 3/8" F X 1/2" MPT
	010326-01-000	EA ADAPTER-FLARE, W/CONE GASKET - 3/8" FEMALE X 1/2" MALE
	065742-01-000	EA TEE, .38F X .38F X .25FPT - BRASS
	010377-02-000	EA NUT-BRASS, 3/8" FEMALE - FORGED
	010380-02-000	EA NUT-BRASS, 1/2" FEMALE - FORGED
	095624-01-000	EA ELBOW-90 DEGREE, 1/4" FPT X 1/4" FPT - BRASS
	065318-02-000	EA ELBOW-90 DEGREE, 3/8" MPT TO 3/8" FPT
	010251-01-000	EA ELBOW-BRASS, 90 DEGREE - 3/8" F X 3/8" MPT
	071391-02-000	EA NIPPLE-HEX, 1/4" PIPE - 3325X4 WEATHERHEAD
	084884-01-000	EA PLUG-BRASS, 3/8"

LOUNGE GROUP



OVERHEAD CABINETS

KEY	PART NUMBER	U/M DESCRIPTION
1	104335-09-C03	EA END CAP-CABINET, OVERHEAD
1	104335-22-C52	EA END CAP-CABINET, OVERHEAD (TV CABINET)
2	M05624-35-C52	EA CABINET-OVERHEAD, W/O DOORS & HARDWARE
2	M05624-41-C52	EA CABINET-OVERHEAD, W/O DOORS & HARDWARE (TV CABINET)
2	M05624-41-C53	EA CABINET-OVERHEAD, W/O DOORS & HARDWARE (TV CABINET)
3	104335-08-C52	EA END CAP-CABINET, OVERHEAD
3	104335-21-C52	EA END CAP-CABINET, OVERHEAD (TV CABINET)
4	PC5254-01-C03	EA CABINET-OVERHEAD - ENTRANCE
5	105847-04-C05	EA KEY RING HOLDER
	103130-01-000	EA HOOK-CUP, BRASS - 1 25"
6	P04746-02-CC5	EA DOOR-CABINET, W/O HARDWARE - 400 X 520MM

**1992 ITASCA
TABLE OF CONTENTS**

INTRODUCTION	A-01 - A-02
ABBREVIATIONS	A-03
ALPHABETICAL INDEX	A-04 - A-05
IC522RG	A-07 - D-16
IF524RC	D-17 - H-04

1992 IF524RC INDEX

FLOOR PLAN	D-17 - D-18
ACCESSORIES	- D-19
AUDIO VIDEO	- D-20
BATH	D-21 - D-22
BEDROOM	D-23 - D-24
CHASSIS	E-01 - E-04
CURTAIN & CUSHION	E-05 - E-13
DINETTE	E-14 - E-15
DRIVERS	E-16 - E-17
ELECTRICAL	E-18 - E-21
EXTERIOR BODY	E-22 - F-04
GALLEY	F-05 - F-10
GENERATOR	- F-11
HEATING & A/C	F-12 - F-13
INTERIOR FINISH	F-14 - F-17
LABEL	F-18 - F-24
LP	- G-01
LOUNGE	- G-02
SEALANTS & FASTENERS	G-03 - G-05
WATER & SEWAGE	G-06 - G-10
WINDOW, VENT AND EXTERIOR DOOR	G-11 - H-04

SEALANTS & FASTENERS GROUP

ADHESIVE AND FASTENERS

KEY	PART NUMBER	U/M DESCRIPTION
	004020-01-000	QT ADHESIVE-ABS CEMENT, QUART
	034552-02-000	EA SILICONE-TUBE, 300 ML - CLEAR - CSL 302
	034552-02-050	EA SILICONE-TUBE 300ML OFF WHITE - CSL 302
	053755-02-000	EA BEDDING COMPOUND-TUBE, WHITE - SCHNEE 5522
	053755-06-000	EA BEDDING COMPOUND-TUBE CLEAR - SCHNEE 5522
	053755-08-000	EA BEDDING COMPOUND-TUBE GRAY - SCHNEE # 5522
	055640-01-000	FT TAPE-ADHESIVE, 10MM X 1 5/8" WIDE
	055640-01-000	FT SEALER-RIBBON, 1/4" DIAMETER - INCREMENTS OF 30'
	055640-02-000	FT SEALER-RIBBON, 1/2" X 1/8" - INCREMENTS OF 30' OR 60'
	055640-03-000	FT SEALER-RIBBON, 3/4" X 1/8" - INCREMENTS OF 60'
	055640-05-000	FT SEALER-RIBBON, 5/16" DIAMETER - INCREMENTS OF 25'
	055640-11-000	FT SEALER-RIBBON, 3/16" X 3/8" - INCREMENTS OF 30' OR 45'
	055640-10-000	FT SEALER-RIBBON, 1/32" X 1 1/2" INCREMENTS OF 60'
	065640-12-000	FT SEALER-TAPE, 1/8"X1 5" - GRAY - MANUS
	065640-14-000	FT SEALER-TAPE, 1/16"X1" - GRAY - MANUS
	072089-01-000	EA SEALANT-URETHANE, BLACK - 1/10 - ESSEX 50702
	076322-05-000	FT TAPE-FOAM, DOUBLE COATED - 025" X 1 5" X 108'
	076314-02-000	FT TAPE-CARPET SEAM, HEAT-BOND - 4" WIDE
	076322-01-000	FT TAPE-FOAM, DOUBLE COATED ADHESIVE BACKED - 75" X 216'
	076322-02-000	FT TAPE-FOAM, DOUBLE COATED ADHESIVE BACKED - 1" X 108'
	075322-03-000	FT TAPE-FOAM, DOUBLE COATED ADHESIVE BACKED - 5" X 105'
	027211-01-000	GL PROMOTER-ADHESIVE
	094401-01-000	EA SEALER-BODY SEAM SEALER, 3M FLEXICLEAR
	102352-01-000	EA SEALER-PUMPABLE BLACK - COLORIMETRIC MS101

BOLTS, NUTS, WASHERS & SCREWS

KEY	PART NUMBER	U/M DESCRIPTION
	0MC31K-03-020	EA BOLT-HEX, SER FLANGE - M8 X 020
	000C12-05-16B	EA BOLT-HEX, 5/16-18 X 1 - ZINC 5
	000C12-05-32B	EA BOLT-HEX-3/8-16X2LG.ZN 5
	000C12-07-20B	EA BOLT-HEX, 7/16 - 14 X 1 1/4" - ZN5
	000C12-08-24B	EA BOLT-HEX, 1/2-13 X 1 1/2 - ZN 5
	000C13-07-48B	EA BOLT-HEX, 7/16 - 20 X 3 - ZN 5
	000C18-05-40A	EA BOLT-ELEV-5/16-18X2 1/2 FL - 33410-01-000
	000C18-06-48B	EA BOLT-ELEV, 3/8-16 X 3 ZN - GDE 5
	000C26-04-10B	EA BOLT-HEX, SER FLG - 1/4-20 X 5/8 ZINC
	000C26-05-12B	EA BOLT-HEX-SER FLG 5/16-18X3/4 - ZN
	005200-01-000	EA BOLT-BUMPER, RD HD SQ NECK - W/SST CAP - 7/16 - 14 X 1 1/4
	051387-05-000	EA BOLT-CARRIAGE, W/O HOLE - 5/16-18 X 9 5 ZN
	000D24-10-00B	EA NUT-HEX, 5F/LK - 10-32 ZN
	000D29-09-00B	EA NUT-HEX SELFLOCK 9/16-12 ZN - MC-90 CHASSIS
	000D39-04-00B	EA NUT-HEX, SER FLG LK 1/4 - 20 ZN
	000D39-05-00B	EA NUT-HEX, SER FLG LK - 5/16 - 18 ZN
	000D39-06-00B	EA NUT-HEX, SER FLG LK - 3/8-16 ZN
	000D39-08-00B	EA NUT-HEX, SER FLG LK - 1/2-13 ZN
	000D44-07-00B	EA NUT-HEX, SER FLG LK - 7/16-20 ZN
	000E13-20-00B	EA WASHER-FL-7/16 WIDE ZN - 5094-01 5115-01
	044533-01-000	EA WASHER-PLASTIC, 1 3/8"OD - FOR BUTTONS
	049465-03-000	EA SCREW, 10-16 X 1 POH W/WASHER - OFF WHITE
	049465-04-000	EA SCREW, 10-16 X 1 PTH W/WASHER - BEIGE
	0MG22B-03-00B	EA SCREW-MACH.M3.0X.5X0 PPH ZN
	000G11-06-10B	EA SCREW, 6-20 X 5/8 PPH ZN
	000G11-06-10J	EA SCREW, 6-20 X 5/8 PPH - BRASS
	000G11-07-09B	EA SCREW, 7-19 X 1/2 PPH - ZN
	000G11-08-09B	EA SCREW, 8-18 X 1/2 PPH - ZN
	000G11-08-12B	EA SCREW, 8-18 X 3/4 PPH ZN
	000G11-08-12D	EA SCREW, 8-18 X 3/4 PPH - BLACK
	000G11-08-12E	EA SCREW-8-18X.75 PPH CHROME - ES0025.4

SEALANTS & FASTENERS GROUP (CONTINUED)

SCREWS

KEY	PART NUMBER	U/M DESCRIPTION
	000G11-08-12A	EA SCREW, 8-18 X 3/4 PPH - BEIGE
	000G11-08-12S	EA SCREW-8-18 X 75 PPH OFF WHITE
	000G11-08-12T	EA SCREW 8-18 X 3/4 PPH - BLACK
	000G11-08-16S	EA SCREW 8-18 X 1 1/8 PPH - OFF WHITE
	000G11-10-12D	EA SCREW 10-16 X 3/4 PPH - BLACK
	000G11-10-12S	EA SCREW 10-16X 75 PPH OFF WHIT
	000G11-10-16B	EA SCREW, 10-16 X 1 - PPH ZN
	000G11-10-24P	EA SCREW 10-16 X 1 1/2 PPH - DARK BROWN
	000G12-05-12S	EA SCREW-6-10X 75 PPH OFF WHITE
	000G13-06-09B	EA SCREW-6-20 X 1 1/2 PPH ZN
	000G13-06-09G	EA SCREW-6-20 X 1 1/2 PPH ANTIQUE BRASS
	000G13-06-16J	EA SCREW 6-20 X 1 1/2 PPH - BRASS
	000G13-06-16R	EA SCREW 6-20 X 1 PPH - BEIGE
	000G13-07-12B	EA SCREW, 7-19 X 3/4 PPH ZN
	000G13-08-16B	EA SCREW, 8-18 X 1 PPH - ZN
	000G18-08-16B	EA SCREW-MACHINE, 8 X 32 X 1, PPH ZN
	000G18-08-24P	EA SCREW-MACH, 8-32 X 1 3/8 PPH ZN
	000G32-10-02S	EA SCREW-10-32 X 3/8" - PPH - ZINC
	000G39-05-08B	EA SCREW-DR 6-18X1/2 ZN
	000G39-06-10T	EA SCREW-SF/DR 6-20 X 5/8 PPH - BLACK
	000G39-06-16T	EA SCREW-SF/DR, 6-20 X 1 PPH - BLACK
	000G39-08-08B	EA SCREW-SF/DR, 8-18 X 1/2 PPH ZN
	000G39-08-08R	EA SCREW-SF/DR, 8-18 X 1/2 PPH - BEIGE
	000G39-08-08S	EA SCREW-SF/DR, 8-18 X 1/2 PPH - OFF WHITE
	000G39-08-12B	EA SCREW-SF/DR 9-10 X 3/4 PPH ZN
	000G39-08-16B	EA SCREW-SF/DR, 8-18 X 1 PPH ZN
	000G39-08-16S	EA SCREW-SF/DR - 8 18 X 1 1/2 PPH, OFF WHITE
	000G39-08-24B	EA SCREW-SF/DR, 8-18 X 1 1/2 PPH ZN
	000G39-08-24S	EA SCREW-SF/DR-8-18X1 5/8 OFF WHITE
	000G39-10-10S	EA SCREW-SF/DR, 10-16 X 62" - PPH - OFF WHITE
	000G39-10-12D	EA SCREW-SF/DR, 10-16 X 3/4 PPH - BLACK
	000G39-10-20B	EA SCREW-SF/DR, 10-16 X 1 1/4 PPH ZN
	000G39-12-12E	EA SCREW-SF/DR, 12 - 14 X 3/4 PPH - CHROME
	000G42-04-12B	EA SCREW-SF/DR 1/4-14X3/4HWH ZN
	000G42-04-16B	EA SCREW-SF/DR 1/4-14 X 1 HVH ZN
	000G50-04-12B	EA SCREW-MACH, 1/4-20 X 3/4 PPH ZN
	000G53-04-06B	EA SCREW-MACHINE, 1/4-20 X 3/8 PPH ZN - UNDERCUT HEAD
	000G54-04-20B	EA SCREW, 1/4-20 X 1 1/4 PTH - TYPE 23 - ZINC PLATED
	000G60-10-23T	EA SCREW-SF/DR, 10-16 X 1 75 - BLACK
	000G67-10-08B	EA SCREW, 10-12 X 1/2 PPH ZN
	000G67-10-08R	EA SCREW, 10-12 X 1/2 PPH - BEIGE - TYPE A
	000G67-10-10B	EA SCREW-10-12 X 5/8 PPH ZN - TYPE A
	000G67-10-10D	EA SCREW-10, 12 X 5/8 PPH - BLACK - TYPE A
	000G67-10-10R	EA SCREW, 10-12 X 5/8 PPH - TYPE A - BEIGE
	000G67-10-12B	EA SCREW, 10-12 X 3/4 PPH - ZN
	000G67-10-12P	EA SCREW, 10-12 X .75" - PPH - DARK BROWN
	000G67-10-12R	EA SCREW, 10-12 X .75 PPH - BEIGE
	000G67-10-15B	EA SCREW, 10-12 X 1 PPH - ZN
	000G67-10-24B	EA SCREW, 10-12 X 1 1/2 PPH - ZN
	000G67-10-32B	EA SCREW, NO 10 - 12 X 2 PPH ZN
	000G68-05-10G	EA SCREW-6-18 X 5/8 POH, ANTIQUE BRASS
	000G68-10-35T	EA SCREW-10-12 X 2 25 POH BLACK
	075908-01-000	EA SCREW-MACHINE, 10-32 X .56 PTH - ZINC EXTERNAL TOOTH
	087721-01-000	EA SCREW-FLAT HEAD, TAPPING - 1/4" X 1 1/4" LG ZN
	G74046-01-000	EA SCREW-8-18X1 1/2 PPH,BRONZE REF G13-08-24B

1992 IFASCA
TABLE OF CONTENTS

INTRODUCTION	A-01 - A-02
ABBREVIATIONS	A-03
ALPHABETICAL INDEX	A-04 - A-05
IF524RC	B-07 - B-08
IF524RC	D-17 - D-18

1992 IF524RC INDEX

FLOOR PLAN	D-17 - D-18
ACCESSORIES	- D-19
AUDIO VIDEO	- D-20
BATH	D-21 - D-22
BEDROOM	D-23 - D-24
CHASSIS	E-01 - E-04
CURTAIN & CUSHION	E-05 - E-13
DINETTE	E-14 - E-15
DRIVERS	E-16 - E-17
ELECTRICAL	E-18 - E-21
EXTERIOR BODY	E-22 - F-04
GALLEY	F-05 - F-10
GENERATOR	- F-11
HEATING & A/C	F-12 - F-13
INTERIOR FINISH	F-14 - F-17
LABEL	F-18 - F-24
LP	- G-01
LOUNGE	- G-02
SEALANTS & FASTENERS	G-03 - G-05
WATER & SEWAGE	G-06 - G-10
WINDOW, VENT AND EXTERIOR DOOR	G-11 - H-04

SEALANTS & FASTENERS GROUP (CONTINUED)

CLAMPS, GROMMETS, CLIPS & FASTENERS

KEY	PART NUMBER	U/M DESCRIPTION
	007161-01-000	EA CLAMP-HOSE, SPRING TYPE - 1/2"
	010455-01-000	EA CLAMP-CABLE, 3/16"
	010495-02-000	EA CLAMP-CABLE, 3/8"
	010497-01-000	EA CLAMP-CLOSED, 5/8" ID
	010497-03-000	EA CLAMP-CLOSED, 1" ID - CUSHIONED
	010499-01-000	EA CLAMP-CLOSED, 3/8" ID
	016150-03-000	EA GROMMET 1/2" LINE - 3/8" HOLE X 2 1/8" DIAMETER - RUBBER
	020982-01-000	EA GROMMET-RUBBER 2" OD
	055134-02-000	EA HOLDER-RING 1 1/8" DIAMETER - METAL
	052401-01-000	EA CLAMP-HOSE, WORMGEAR 25" - 1"
	052401-02-000	EA CLAMP-HOSE, WORMGEAR 1 5/8" - 2 5/8"
	062401-04-000	EA CLAMP-HOSE WORMGEAR 65" - 1 25"
	062401-05-000	EA CLAMP-HOSE, WORMGEAR 22" - 62"
	060116-04-000	EA NUT-POP AL 1/8" X 3/16 375
	070522-02-000	EA NUT-T (POP) - 1/4" X 093 - 155
	071015-11-000	EA GROMMET-RUBBER, 1" ID X 1 7/8" OD W/ 12" GROOVE - BLACK
	075140-03-000	EA CLAMP-GROUNDING BRONZE SCREWS
	080211-05-000	EA CLIP-YMAS TREE-25MM FASNAP 09-28029/
	080734-02-000	EA CLIP-WIRE, NYLON
	082119-01-000	EA STUD-CLINCH, 3/8" X 24 X 1 1/2 GD5
	083503-01-000	EA CLAMP-WIRE, DUAL EQUAL - 5/8" DIAMETER
	083510-01-000	EA CLAMP-WIRE, DUAL - UNEQUAL DIAMETERS - 7/8" & 1 25"
	085774-01-000	FT FASTENER-DUAL HOOK, 1" WIDE - ADHESIVE BACK - BLACK
	085774-02-000	FT FASTENER-DUAL LOOP, 1" WIDE - ADHESIVE BACK - BLACK

WATER & SEWAGE GROUP

FRONT FRESH WATER TANK

KEY	PART NUMBER	U/M DESCRIPTION
	074510-03-000	EA TANK-WATER, W/FITTINGS - 16 GALLON - 33 4" X 11 4" X 10 6"
	074510-01-000	EA TANK-WATER, W/O FITTINGS - 16 GALLON - 33 4" X 11 4" X 10 6"
	035535-01-000	EA ELBOW-PLASTIC 3/8" MPT X 3/8" BARB
	040032-01-000	EA PATCH-SPINWELD, 3/8" - PLASTIC
	052955-02-000	EA CONNECTOR, 1/2" F X 1/2" MPT - PLASTIC - GRAY
	042989-02-000	EA FITTING-WATER TANK, SPINWELD - 1/2" NPT - PLASTIC - WHITE
	042989-04-000	EA FITTING-WATER TANK, SPINWELD - 3/8" FPT - PLASTIC - WHITE
	042989-05-000	EA FITTING-WATER TANK, SPINWELD - 1/2" FPT - PLASTIC - WHITE
	077954-02-000	EA FILTER-WATER TANK, SCREEN IN TANK
	079301-01-000	FT TUBING-SMOOTH FLEXIBLE, 1 1/4" ID

REAR FRESH WATER TANK

KEY	PART NUMBER	U/M DESCRIPTION
	053520-10-000	EA TANK-WATER, W/FITTINGS - 18 GALLON - 27" X 17 2" X 10"
	053520-01-000	EA TANK-WATER, 18 GALLON - W/O FITTINGS - 27" X 17 2" X 10"
	039951-01-000	EA SENDING UNIT-W/SCREW, WASHER, WELL NUT & TERMINAL RING
	023441-01-000	EA TEE-BARB, 3/8" - PLASTIC
	035533-01-000	EA ELBOW-PLASTIC, 3/8" MPT X 3/8" BARB
	052956-01-000	EA TEE-1/2" F X 1/2" MPT X 1/2" F - PLASTIC
	052959-02-000	EA CONNECTOR, 1/2" F X 1/2" MPT - PLASTIC - GRAY
	042989-03-000	EA FITTING-WATER TANK, SPINWELD - 1 1/4" NPT - PLASTIC - WHITE
	042989-04-000	EA FITTING-WATER TANK, SPINWELD - 3/8" FPT - PLASTIC - WHITE
	042989-05-000	EA FITTING-WATER TANK, SPINWELD - 1/2" FPT - PLASTIC - WHITE
	040032-01-000	EA PATCH-SPINWELD, 3/8" - PLASTIC
	077954-02-000	EA FILTER-WATER TANK, SCREEN IN TANK

WATER SYSTEM

KEY	PART NUMBER	U/M DESCRIPTION
	087659-04-000	EA FILL-WATER, CITY - OFF WHITE
	087659-01-700	EA CAP & STRAP-WATER FILL
	095449-01-000	EA WIRE ASSEMBLY-WATER TANK TO MONITOR PANEL
	046120-01-000	EA VALVE-DRAIN, PLASTIC - 1/2" FPT
	052950-01-000	EA DRAIN VALVE-IN LINE, HEADER - 1/2" F X 1/2" F - GRAY PLAS
	052950-03-000	EA DRAIN VALVE-IN LINE, HEADER - 5/8" F X 5/8" F - PLASTIC
	052959-02-000	EA CONNECTOR, 1/2" F X 1/2" MPT - PLASTIC - GRAY
	052959-03-000	EA CONNECTOR, 1/2" F X 3/8" MPT - PLASTIC - GRAY
	010219-01-000	EA ELBOW-1 1/4" MPT X 1 1/4" BARB, PLASTIC
	057457-01-000	EA ELBOW-UNION, 1/2" X 1/2" FLARE
	055120-01-000	EA ELBOW-SWIVEL, 1/2" FPT X 1/2" FLARE - PLASTIC - GRAY
	052957-02-000	EA ELBOW-MALE, 1/2" F X 1/2" MPT - PLASTIC - GRAY
	055290-01-000	EA ELBOW-5/8" F X 1/2" MPT
	052952-01-000	EA NUT-PLASTIC, 1/2" F X 1/2" TUBE - GRAY
	052952-02-000	EA NUT-PLASTIC, 5/8" FLARE
	052955-03-000	EA TEE-5/8" F X 5/8" F X 1/2" MPT - PLASTIC
	052956-02-000	EA TEE-5/8" F X 1/2" MPT X 5/8" F - PLASTIC
	052953-01-000	EA TEE, 1/2" F X 1/2" F X 1/2" F - PLASTIC - GRAY
	057974-01-000	EA TEE-5/8" F X 1/2" F X 1/2" F, PLASTIC
	074463-01-000	EA TEE-4 WAY, 1/2" FLARE - PLASTIC - GRAY
	052955-01-000	EA TEE-WATER, 1/2" F X 1/2" F X 1/2" MPT - PLASTIC - GRAY
	074462-02-000	FT TUBING-VINYL, 3/8" ID - CLEAR
	079381-01-000	FT TUBING-SMOOTH FLEXIBLE, 1 1/4" ID
	039800-01-000	FT TUBING-POLYBUTYL, 1/2" OD - INCREMENTS OF 20" - BLACK
	039800-02-000	FT TUBING-POLYBUTYL, 5/8" OD - INCREMENTS OF 20" - BLACK
	052954-01-000	EA ADAPTER-NOSE CONE, 3/8" OR 1/2" TUBING - PLASTIC - GRAY
	079317-01-000	EA ADAPTER-SWIVEL, 1/2" TUBE X 1/2" FPT - PLASTIC - GRAY
	101814-01-000	EA COUPLING-FEMALE, 1/2" X 1/2" FPT
	106258-01-000	EA CAP-INSERTABLE 1/2 FLARE - KEVCO 64398 BONNET

1992 ITASCA

TABLE OF CONTENTS

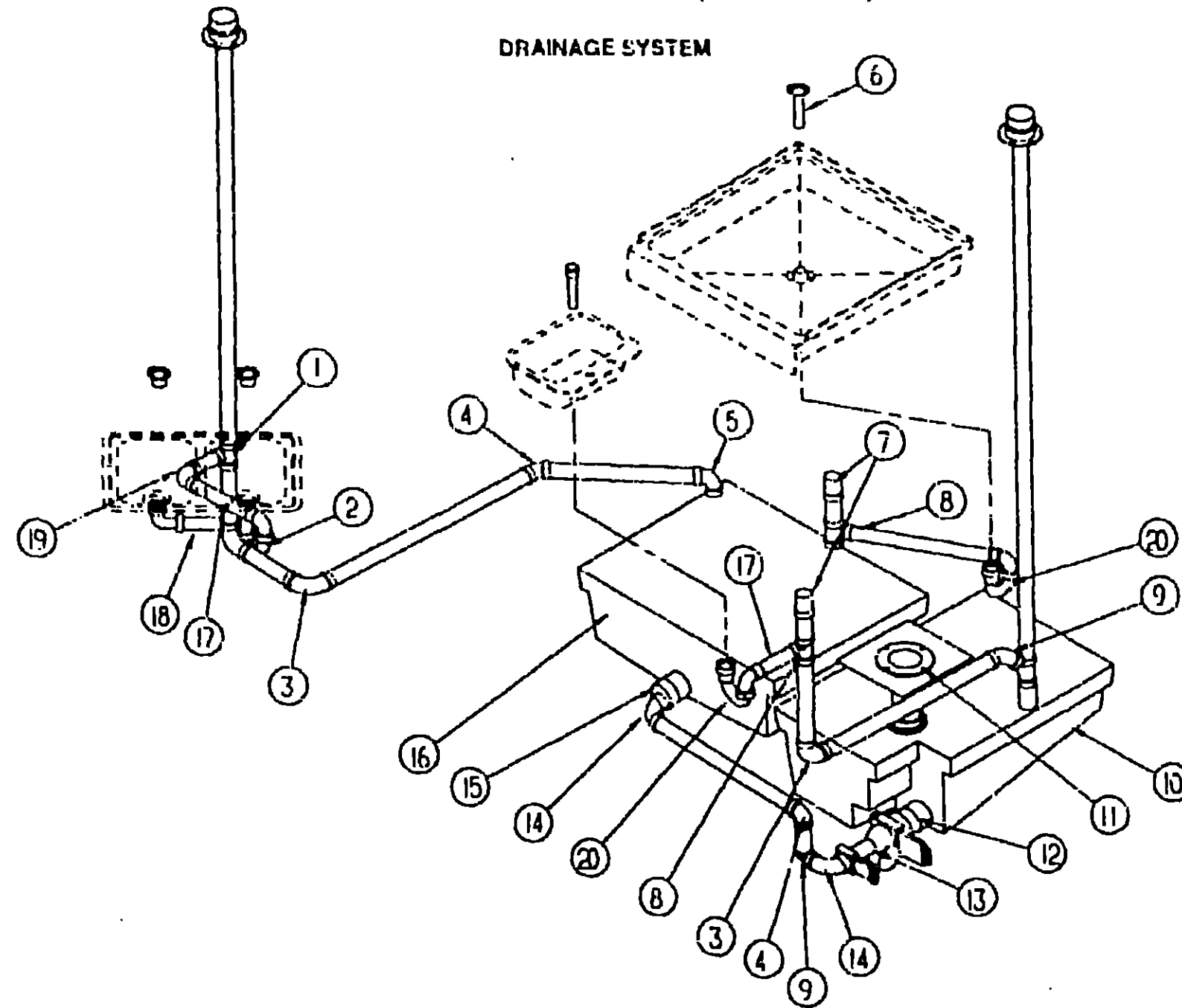
INTRODUCTION	A-01	A-02
ABBREVIATIONS		A-03
ALPHABETICAL INDEX	A-04	A-06
IF522RC	A-07	D-16
IF524RC	D-17	H-04

1992 IF524RC INDEX

FLOOR PLAN	D-17	D-18
ACCESSORIES		D-19
AUDIO VIDEO		D-20
BATH	D-21	D-22
BEDROOM	D-23	D-24
CHASSIS	E-01	E-04
CURTAIN & CUSHION	E-05	E-13
DINETTE	E-14	E-15
DRIVERS	E-16	E-17
ELECTRICAL	E-18	E-21
EXTERIOR BODY	E-22	F-04
GALLEY	F-05	F-10
GENERATOR		F-11
HEATING & A/C	F-12	F-13
INTERIOR FINISH	F-14	F-17
LABEL	F-18	F-24
LP		G-01
LOUNGE		G-02
SEALANTS & FASTENERS	G-03	G-05
WATER & SEWAGE	G-06	G-10
WINDOW, VENT AND EXTERIOR DOOR	G-11	H-04

WATER & SEWAGE GROUP (CONTINUED)

DRAINAGE SYSTEM



KEY	PART NUMBER	U/M DESCRIPTION
1	010071-01-000	EA TEE-SANITARY, 1 1/2" HUB X HUB X HUB - PLASTIC - BLACK
2	107538-01-000	EA P TRAP-PLASTIC, 1 1/4" W/EXT ARM
3	053335-01-000	EA P TRAP-PLASTIC, 1 1/4" - H X H W/UNION (CANADIAN)
3	010008-01-000	EA ELBOW-90 DEG, 1/4 BEND - 1 1/2" HUB X HUB - BLACK PLASTIC
4	010006-01-000	EA ELBOW-45 DEG 1/8 BEND - 1 1/2" HUB X HUB - BLACK PLASTIC
5	034750-01-000	EA ELBOW-90 DEGREE, LONG TURN - 1 1/2" HUB X HUB- ABS
6	011069-02-000	EA TAILPIECE-TUB/SHOWER, 1 1/2" X 1 1/4" X 4" - BRASS
	066436-01-000	EA NUT-SLIP, TAILPIECE - 1 5"
	066440-01-000	EA STRAINER-SHOWER, W/RUBBER WASHER
	069735-01-000	EA WASHER-STRAINER TO TAILPIECE PLASTIC, 1 5"
7	079968-01-000	EA VENT-MECH, TRAP ARM, ANTI-SIPHON - 2" DIA X 7 3" - PLASTIC
8	010079-01-000	EA TEE-SANITARY, 1 1/2" X 1 1/2" X 1 1/4" H - PLASTIC - BLACK
9	010051-01-000	EA ELBOW-45 DEG BEND, 1 1/2" SPIGOT AND HUB - PLASTIC - BLACK
10	074870-01-000	EA TANK-HOLDING, W/O GROMMETS - 30 GAL - 35 5" X 13 3" X 23"
	061607-01-000	EA GROMMET-HOLDING TANK, 1 1/2" NPS
	061607-02-000	EA GROMMET-HOLDING TANK, 3" NPS
11	003641-01-000	EA FLANGE-CLOSET, 4" X 3"
12	071406-01-000	EA COUPLER-RUBBER, W/CLAMPS - 3" X 3"

KEY	PART NUMBER	U/M DESCRIPTION
13	070916-01-000	EA VALVE-DUAL DUMP, W/CAP - 3" X 1 1/2" - PLASTIC - BLACK
	070916-01-700	EA VALVE ONLY, 3"
	070916-01-701	EA VALVE ONLY, 1 1/2"
	010201-01-000	EA HOSE-SEWER, 3" ID X 8'
	062416-01-000	EA ADAPTER-SEWER HOSE TO 3" PIPE
14	033761-01-000	EA ELBOW-TURN, 1/4 BEND X 1 5"HUB X 1 5"SPIGOT - BLK PLASTIC
15	062422-01-000	EA ADAPTER-OFFSET REDUCER, 3" X 1 1/2" - PLASTIC - BLACK
16	074861-01-000	EA TANK-HOLDING, W/O GROMMETS - 35 GALLON - 35" X 11" X 27"
	061507-01-000	EA GROMMET-HOLDING TANK, 1 1/2" NPS
17	107537-01-000	EA P TRAP ADAPTER-1 1/4" SLIP
18	011091-02-000	EA PIPE-DRAIN, DOUBLE SINK - BAFFLE TEE - 1 1/2" ONE PIPE W/TEE TO DRAIN BOTH SIDES OF SINK
18	011091-03-000	EA PIPE-DRAIN, W/SEALS - DOUBLE SINK - EXTENDS 9" TO 16"(CANADIAN)
19	031111-01-000	EA ELBOW-90 DEGREE, 1/4 BEND - 1 1/4" - PLASTIC
20	107538-01-000	EA P TRAP-PLASTIC, 1 1/4" W/EXT ARM
20	011066-02-000	EA P TRAP-PLASTIC, 1 1/4" (CANADIAN)
	050787-01-000	EA ADAPTER-CLEANOUT - NIBCO 5803-2
	091208-01-000	EA WASHER-RUBBER, 05" X 75" X 5"
	010166-01-000	EA PLUG-THREADED, 1 1/4" DIAMETER - PLASTIC - BLACK

**1992 ITASCA
TABLE OF CONTENTS**

INTRODUCTION	A-01	A-02
ABBREVIATIONS		A-03
ALPHABETICAL INDEX	A-04	A-05
IC522RG	A-07	D-15
IF524RC	D-17	H-04

1992 IF524RC INDEX

FLOOR PLAN	D-17	D-18
ACCESSORIES		D-19
AUDIO VIDEO		D-20
BATH	D-21	D-22
BEDROOM	D-23	D-24
CHASSIS	E-01	E-04
CURTAIN & CUSHION	E-05	E-13
DINETTE	E-14	E-15
DRIVERS	E-16	E-17
ELECTRICAL	E-18	E-21
EXTERIOR BODY	E-22	F-04
GALLEY	F-05	F-10
GENERATOR		F-11
HEATING & A/C	F-12	F-13
INTERIOR FINISH	F-14	F-17
LABEL	F-18	F-24
LP		G-01
LOUNGE		G-02
SEALANTS & FASTENERS	G-03	G-05
WATER & SEWAGE	G-06	G-10
WINDOW, VENT AND EXTERIOR DOOR	G-11	H-04

WATER & SEWAGE GROUP (CONTINUED)

WATER HEATERS WITH & WITHOUT MOTOR AID

KEY	PART NUMBER	U/M DESCRIPTION
	051393-01-000	EA WATER HEATER-W/MOTOR AID, PILOTLESS IGNITION ATWOOD GH6-3E, GH6-4E OR GH6-6E
	051391-01-700	EA HINGE KIT-W/CLIP, ATWOOD# 92508 & 92559
	051391-01-704	EA VALVE-RELIEF, 1/2" FITTING - ATWOOD# 91604
	051391-01-705	EA FASTENER-CAMLOC, ATWOOD# 92609
	051391-01-706	EA GRILLE-EXHAUST, ATWOOD# 92787
	051391-01-709	EA BURNER-MAIN 3E ONLY - ATWOOD# 92615
	051391-01-710	EA ORIFICE-MAIN BURNER ATWOOD# 92742
	051391-01-714	EA ELBOW-45 DEGREE, 3/8" F X 3/8" MPT - ATWOOD 91044
	051391-01-715	EA DRAIN PLUG, ATWOOD# 91561
	051391-04-701	EA THERMOSTAT 12 VDC-120 PRESET, ATWOOD# 91470
	051391-04-704	EA TANK-INNER, FRONT MOUNT - GH6-3E & 6E ATWOOD 91642
	051393-01-700	EA TANK-INNER, 3E FRONT MOUNT - ATWOOD# 91023
	051393-01-702	EA SWITCH-ENERGY CUT-OFF, ATWOOD# 91951
	051393-01-703	EA THERMOSTAT-REAR MOUNT, ATWOOD# 91952
	051393-01-704	EA CIRCUIT BOARD-W/BLACK BOX ATWOOD# 91420
	051393-01-705	EA ORIFICE HOLDER-ATWOOD# 91925
	051393-01-714	EA TANK-INNER (GH6-3E) REAR MOUNT - ATWOOD# 91408
	051393-01-716	EA SPARK & PROBE ASM, ATWOOD# 91605
	051393-01-718	EA VALVE-DUAL SOLENOID, ATWOOD# 91605
	051393-01-721	EA ECO&THERMOSTAT ASM-FRONT MOUNT, 140 DEGREE - ATWOOD# 91447
	051391-03-000	EA HEATER-WATER, W/ELECTRIC IGNITION - ATWOOD G6A-3E
	051391-01-700	EA HINGE KIT-W/CLIP, ATWOOD # 92568 & 92559
	051391-01-704	EA VALVE-RELIEF, 1/2" FITTING - ATWOOD# 91604
	051391-01-705	EA FASTENER-CAMLOC, ATWOOD# 92609
	051391-01-706	EA GRILLE-EXHAUST, ATWOOD# 92787
	051391-01-708	EA BURNER-MAIN, 3E ONLY - ATWOOD# 92615
	051391-01-710	EA ORIFICE-MAIN BURNER, ATWOOD# 92742
	051391-01-715	EA DRAIN PLUG, ATWOOD# 91561
	051391-04-700	EA TANK-INNER (G6A-3E), FRT MT - ATWOOD# 91603
	051391-04-701	EA THERMOSTAT 12 VDC-120 PRESET, ATWOOD# 91470
	051391-04-705	EA TANK-INNER, G6A-4E & 6E - FRONT MOUNT - ATWOOD# 91641
	051393-01-702	EA SWITCH-ENERGY CUT-OFF, ATWOOD# 91951
	051393-01-703	EA THERMOSTAT-REAR MOUNT, ATWOOD# 91952
	051393-01-704	EA CIRCUIT BOARD-W/BLACK BOX, ATWOOD# 91420
	051393-01-705	EA ORIFICE HOLDER-ATWOOD# 91925
	051393-01-716	EA SPARK & PROBE ASM, ATWOOD# 91605
	051393-01-718	EA VALVE-DUAL SOLENOID, ATWOOD# 91605
	051393-01-721	EA ECO&THERMOSTAT ASM-FRONT MOUNT, 140 DEGREE - ATWOOD# 91447
	051393-03-700	EA TANK-INNER (G6A-3E), REAR MT - ATWOOD# 91409

WATER & SEWAGE GROUP (CONTINUED)

WATER PUMP

KEY	PART NUMBER	U/M DESCRIPTION
	058007-01-000	EA PUMP-WATER W/S MPT FITTING - SHURFLO 2.8 GPM - L.L
	058007-01-700	EA PUMPHAD-REPLACEMENT SHURFLO# 94-236-00
	058007-01-701	EA DRIVE ASM SHURFLO# 94-234-03
	058007-01-702	EA DIAPHRAGM-KIT SHURFLO# 94-233-10
	058007-01-703	EA VALVE ASM SHURFLO# 94-232-00
	058007-01-705	EA HOUSING-UPPER SHURFLO# 94-231-01
	058007-01-706	EA CHECK VALVE KIT SHURFLO# 94-237-00
	058007-01-707	EA SWITCH ASM-COMplete SHURFLO# 94-230-03
	058007-01-707	EA MOTOR-BASEPLATE REPLACEMENT SHURFLO# 94-234-03

**1992 ITASCA
TABLE OF CONTENTS**

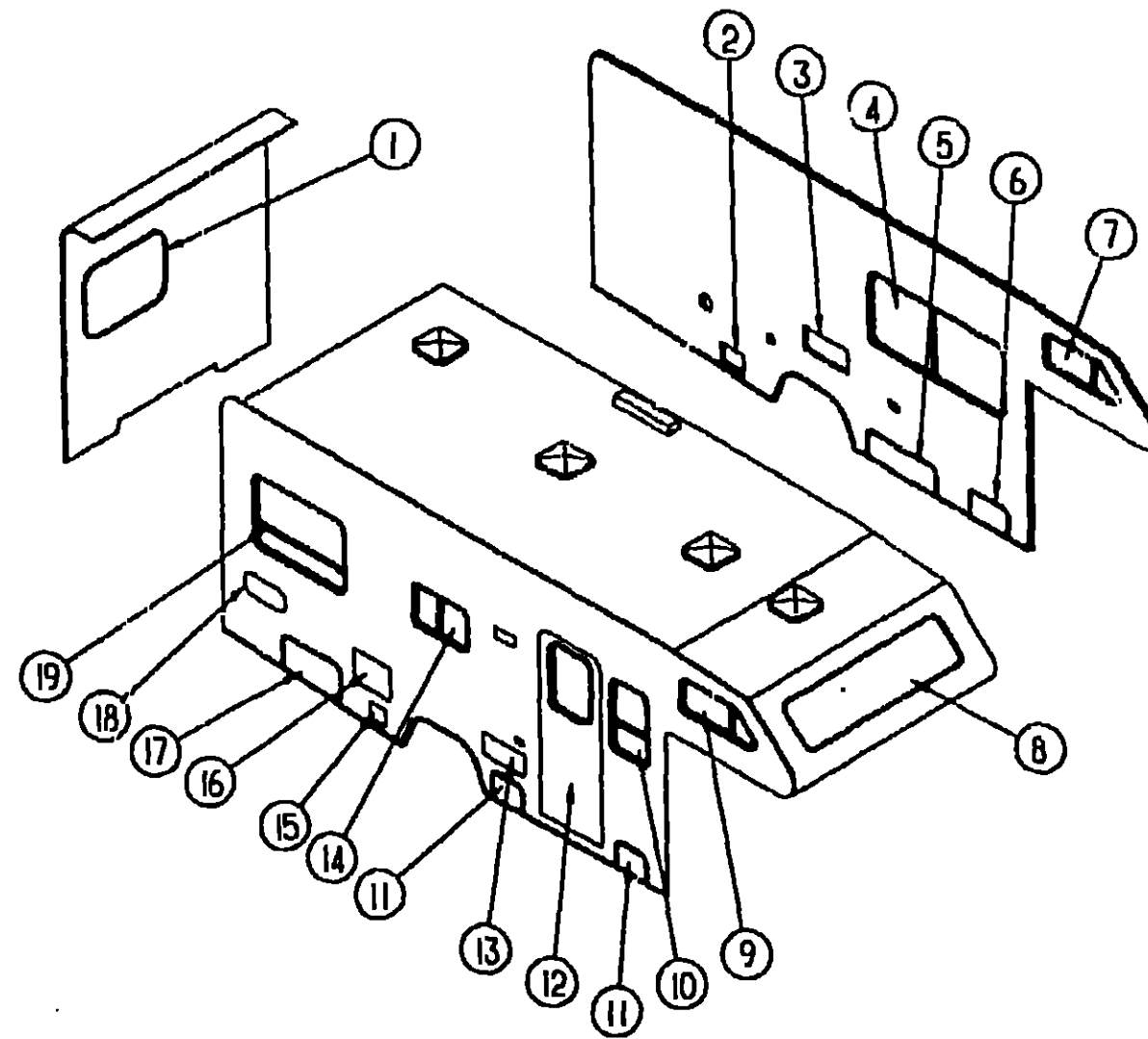
INTRODUCTION	A-01 -	A-02
ABBREVIATIONS		A-03
ALPHABETICAL INDEX	A-01 -	A-06
IC522RG	A-07 -	D-16
IF524RC	D-17 -	H-04

1992 IF524RC INDEX

FLOOR PLAN	D-17 -	D-18
ACCESSORIES		D-19
AUDIO VIDEO		D-20
BATH	D-21 -	D-22
BEDROOM	D-23 -	D-24
CHASSIS	E-01 -	E-04
CURTAIN & CUSHION	E-05 -	E-13
DINETTE	E-14 -	E-15
DRIVERS	E-16 -	E-17
ELECTRICAL	E-18 -	E-21
EXTERIOR BODY	E-22 -	F-04
GALLEY	F-05 -	F-10
GENERATOR		F-11
HEATING & A/C	F-12 -	F-13
INTERIOR FINISH	F-14 -	F-17
LABEL	F-18 -	F-24
LP		G-01
LOUNGE		G-02
SEALANTS & FASTENERS	G-03 -	G-05
WATER & SEWAGE	G-06 -	G-10
WINDOW, VENT AND EXTERIOR DOOR	G-11 -	H-04

WINDOW, VENT & EXTERIOR DOOR GROUP

WINDOWS & DOORS



1992 ITASCA TABLE OF CONTENTS

INTRODUCTION	A-01 -	A-02
ABBREVIATIONS		A-03
ALPHABETICAL INDEX	A-04 -	A-06
IC522RG	A-07 -	D-16
IF524RC	D-17 -	H-04

1992 IF524RC INDEX

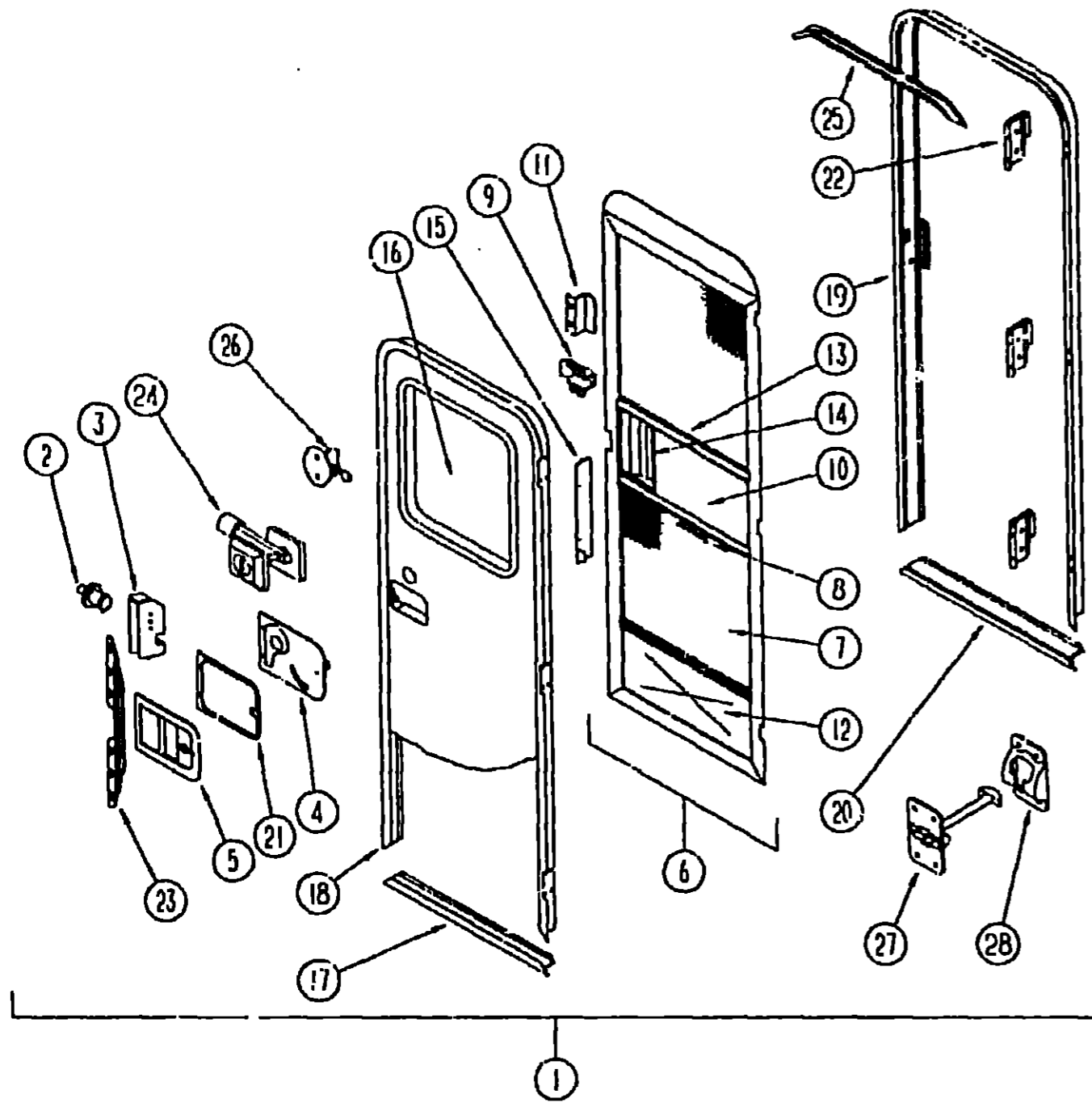
FLOOR PLAN	D-17 -	D-18
ACCESSORIES		D-19
AUDIO VIDEO		D-20
BATH	D-21 -	D-22
BEDROOM	D-23 -	D-24
CHASSIS	E-01 -	E-04
CURTAIN & CUSHION	E-05 -	E-13
DINETTE	E-14 -	E-15
DRIVERS	E-16 -	E-17
ELECTRICAL	E-18 -	E-21
EXTERIOR BODY	E-22 -	F-04
GALLEY	F-05 -	F-10
GENERATOR		F-11
HEATING & A/C	F-12 -	F-13
INTERIOR FINISH	F-14 -	F-17
LABEL	F-18 -	F-24
LP		G-01
LOUNGE		G-02
SEALANTS & FASTENERS	G-03 -	G-05
WATER & SEWAGE	G-06 -	G-10
WINDOW, VENT AND EXTERIOR DOOR	G-11 -	H-04

KEY	PART NUMBER	U/M DESCRIPTION
1	078528-04-C05	EA WINDOW ASM-ESCAPE, W/O INSIDE FRAME
2	098764-01-000	EA DOOR-POWER CORD, W/HATCH - OFF WHITE
3	084103-03-000	EA DOOR-REFRIGERATOR, VENTED - W/O JAMB - OFF WHITE
3	084104-01-700	EA LOCK-MALE, FASTENER - REFRIGERATOR DOOR
3	084104-01-701	EA LOCK-FEMALE, FASTENER - REFRIGERATOR DOOR
3	084104-03-000	EA JAMB-DOOR, REFRIGERATOR - OFF WHITE
4	098647-10-02A	EA WINDOW ASM-SLIDER, HORIZONTAL - W/INSIDE FRAME - EXCEL H024-PRL
5	105174-11-C03	EA DOOR ASM-LOWER, FRONT
6	105174-07-C03	EA DOOR ASM-LOWER, FRONT
7	100322-02-700	EA WINDOW-VENTED, 12" X 35.8 - W/O INSIDE FRAME - EXCEL CH19-DK L
8	103313-01-B05	EA WINDOW-PICTURE, W/O INSIDE FRAME
9	100322-01-720	EA WINDOW-VENTED, 12" X 35.8" - W/O INSIDE FRAME - EXCEL CH19-DK R
10	098644-05-01A	EA WINDOW ASM-SLIDER, VERTICAL - W/INSIDE FRAME - EXCEL H250-PR

KEY	PART NUMBER	U/M DESCRIPTION
11	105174-09-C03	EA DOOR ASM-LOWER, FRONT
12	M01870-63-C52	EA DOOR-ENTRY, W/SCREEN DOOR & JAMB
13	105118-01-C05	EA DOOR ASM-EXTERIOR ENTERTAINMENT
14	092235-11-Y12	EA WINDOW-TIPOUT, SINGLE - W/O INSIDE FRAME
	078010-03-000	EA DOOR-FUEL FILL, W/JAMB - OFF WHITE
	081240-03-000	EA DOOR-WATER FILL, LOCKABLE, 4" X 4 5/8" - OFF WHITE
15	052423-01-000	EA DOOR-ACCESS, 6.6" X 6.3" - PLASTIC - OFF WHITE
15	052424-01-000	EA JAMB-DOOR, 8" X 7.7" - PLASTIC - OFF WHITE
16	052009-01-000	EA DOOR-WATER HEATER, OFF WHITE - ATWOOD 5576-27
17	105175-12-C52	EA DOOR ASM-LOWER, REAR
18	105118-02-C05	EA DOOR ASM-EXTERIOR SHOWER
19	092235-12-Y12	EA WINDOW-TIPOUT, SINGLE - W/O INSIDE FRAME

WINDOW, VENT & EXTERIOR DOOR GROUP (CONTINUED)

ENTRY DOOR



KEY	PART NUMBER	U/M DESCRIPTION
1	M01870-63-C52	EA DOOR-ENTRY WSCREEN DOOR & JAMB
2	039539-01-000	EA STRIKE-LOCK, ENTRY DOOR - ROUND W/THREADED WASHER
3	039540-01-000	EA LATCH MECHANISM-HOCK, ENTRY DOOR - INTERIOR
	039715-01-000	EA NUT-SERT, 1/4" DIAMETER - 20 THREADS
4	039979-04-000	EA COVER-INTERIOR LATCH, W/TRIP ARM - RIGHT - BLACK
	039984-01-000	EA CAP-ROUND, VINYL - .28" ID X .62" LONG - BLACK
	041546-03-000	EA BRACKET-DOOR ANGLE, 5" X 1.9" - BEIGE - METAL
5	045017-11-000	EA LATCH-ENTRY DOOR, MECHANISM W/LOCK & KEY - BLACK
	045017-11-701	EA KEY BLANK
	058025-02-000	EA CLIP-ROLLER LATCH CATCH, SCREEN DOOR
	063729-04-000	EA RIVNUT, 10-32 UNF - .010-.080
	072893-01-000	EA NUTSERT-M5 X 0.8
	075671-04-000	FT SEAL-SPONGE, LAZY T SHAPE - W/ADHESIVE SIDE - .5" WIDE

KEY	PART NUMBER	U/M DESCRIPTION
6	079012-01-U01	EA DOOR-SCREEN
7	002293-02-000	SF SCREENING-WINDOW/DOOR, 26" - CHARCOAL
8	002294-01-000	FT SPLINE-SCREENING, .135" X 138" - BLACK
	002748-01-000	EA CORNER KEY-DOOR
9	109403-01-000	EA CATCH-ASM-SINGLE ROLLER
10	016454-01-000	EA INSERT-CENTER, LEATHER GRAIN ALUMINUM - UNPAINTED
10	001014-01-013	EA INSERT-CENTER, 10.25" X 16.31" - UNPAINTED
11	050712-04-000	EA HANDLE-SCREEN DOOR, ALUMINUM - OFF WHITE
11	050712-05-000	EA HANDLE-SCREEN DOOR, UNPAINTED
12	078552-03-000	EA KICK PANEL-SCREEN DOOR, LOWER INSERT - UNPAINTED
	078595-01-000	EA TOP PLATE-SCREEN DOOR, CURVED TOP - 4.7" X 25.35"
13	078777-01-000	EA CHANNEL-SLIDE, SCREEN DOOR CENTER SLIDER COVER
14	079086-02-000	EA SLIDER-SCREEN DOOR, OFF WHITE
15	079087-02-000	EA STRIKE-SLIDER, W/LIP FOR ELBOW CATCH - 1.5" X 8.6" - OFF WHITE
	009016-01-000	EA CATCH-ELBOW, SPRING LOADED - SCREEN DOOR CATCH
16	079733-04-T03	EA WINDOW-PICTURE, W/O INSIDE FRAME - 17" X 25"
	081914-01-C00	EA BUMPER-RUBBER, ROUND - .43" DIAMETER - BLACK
17	089748-01-000	EA FRAME-BOTTOM, ENTRY DOOR - 24.8' LONG - OFF WHITE
	090340-01-000	FT SEAL-FOAM, CLOSED CELL - 1/4" X 1/2" X 50'
18	095276-01-01A	EA FRAME-ENTRY DOOR, W/O BOTTOM - OFF WHITE
19	095277-02-01A	EA JAMB-ENTRY DOOR, W/BOTTOM - 25.9" X 74.5" - OFF WHITE
20	051040-01-000	EA JAMB-BOTTOM, ENTRY DOOR - 25.9" - UNPAINTED
	079207-01-000	EA STRIKER-ROLLER CATCH, WELDED TO DOOR JAMB - 4" X 1.15"
	095278-01-01A	EA JAMB-DOOR, ENTRANCE - 25.9" X 74.6" - UNPAINTED
21	096810-01-01A	EA PLATE-LATCH, ENTRY DOOR - PLASTIC - BLACK
22	097724-01-04A	EA HINGE-ENTRY DOOR, UNPAINTED
23	098173-01-04A	EA STIFFENER-ENTRY DOOR, SUPPORTS LATCH/STRIKE AREA - UNPAINTED
	100128-02-000	FT SEAL-PILE, ADHESIVE BACK - SCREEN DOOR - GRAY
24	101145-01-01A	EA DEADBOLT-ENTRY DOOR, W/2 KEYS W/O BACK SET BOLT OR SCREWS
	095229-01-700	EA KEY BLANK FOR DEADBOLT
	101147-01-000	EA BOLT-SECURITY, 4.12" BACKSET
	102524-01-000	EA BUMPER-RUBBER, FLAT - BLACK
25	044582-02-000	EA CAP-DRIP, ENTRY DOOR - JAMB MOUNTED - ALUMINUM - OFF WHITE
	064075-07-000	FT SEAL-BULB, W/WIRED U CHANNEL - 3" X .5" CHANNEL - BLACK
	075639-19-000	EA GARNISH-RADIUS, ENT DOOR O/W '92 W/AF427RQ
	077461-03-000	EA COVER-STRIKE, ENTRY DOOR - 6.5" X 2.5" - PLASTIC - WHITE
	090340-01-000	FT SEAL-FOAM, CLOSED CELL - 1/4" X 1/2" X 50'
	091876-01-000	EA RETAINER-DOOR, 1.9" X .8" - METAL
26	100412-01-000	EA CATCH-SCREEN DOOR, THUMB CLIP W/BLACK PLASTIC CAP
	104692-01-000	FT SEAL-ADHESIVE BACK, 3/4" X 34"
27	104099-01-01A	EA CATCH-DOOR HOLDER, STRIKE
28	104099-02-01A	EA CATCH-DOOR HOLDER, RETAINER

1992 ITASCA

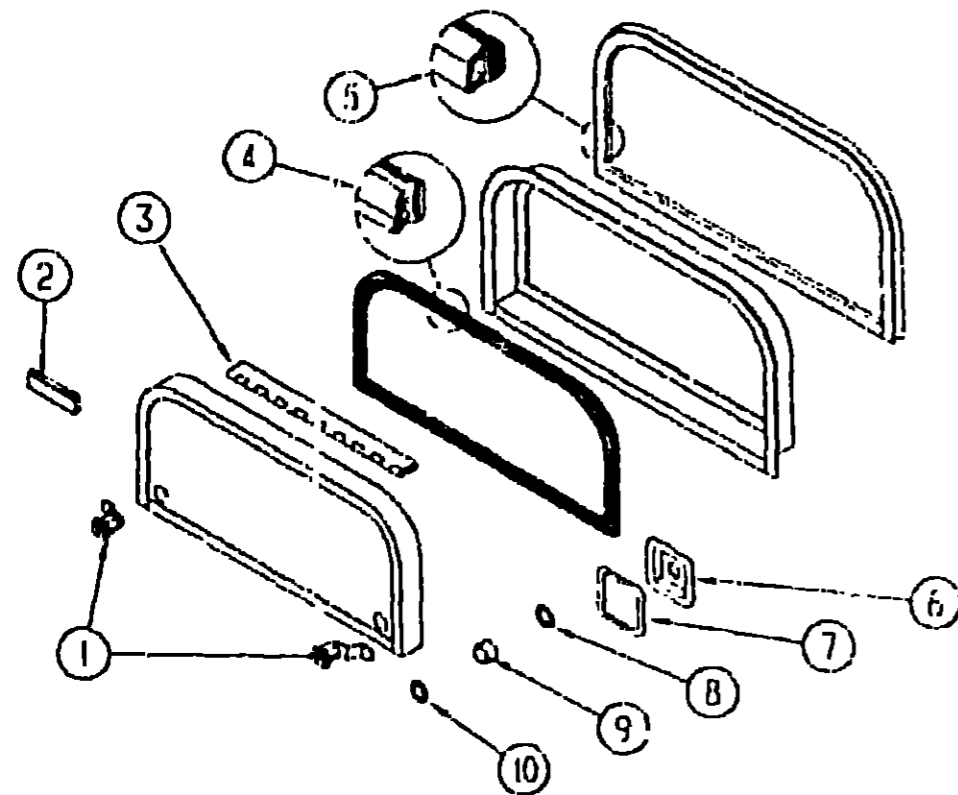
TABLE OF CONTENTS

INTRODUCTION	A-01	A-02
ABBREVIATIONS		A-03
ALPHABETICAL INDEX	A-04	A-06
IC522RG	A-07	D-16
IF524RC	D-17	H-C4

1992 IF524RC INDEX

FLOOR PLAN	D-17	D-18
ACCESSORIES		D-19
AUDIO VIDEO		D-20
BATH	D-21	D-22
BEDROOM	D-23	D-24
CHASSIS	E-01	E-04
CURTAIN & CUSHION	E-05	E-13
DINETTE	E-14	E-15
DRIVERS	E-16	E-17
ELECTRICAL	E-18	E-21
EXTERIOR BODY	E-22	F-04
GALLEY	F-05	F-10
GENERATOR		F-11
HEATING & A/C	F-12	F-13
INTERIOR FINISH	F-14	F-17
LABEL	F-18	F-24
LP		G-01
LOUNGE		G-02
SEALANTS & FASTENERS	G-03	G-05
WATER & SEWAGE	G-06	G-10
WINDOW, VENT AND EXTERIOR DOOR	G-11	H-04

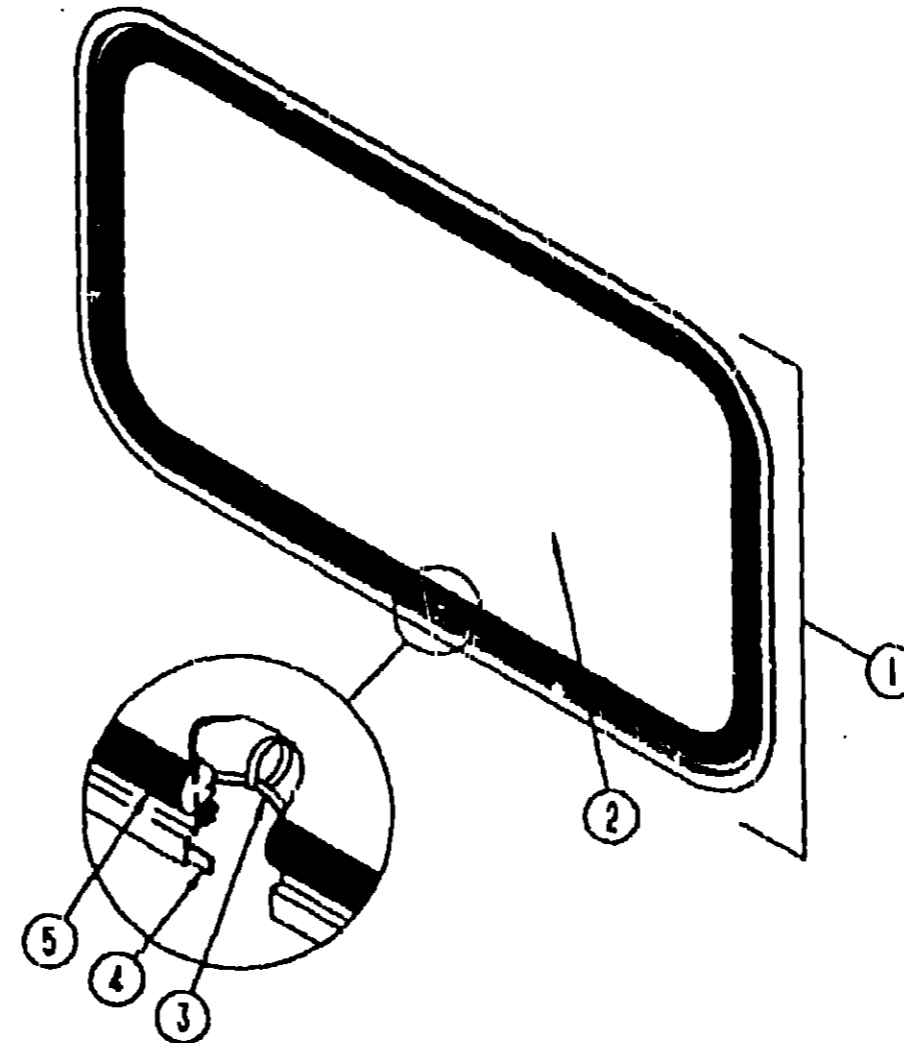
WINDOW, VENT & EXTERIOR DOOR GROUP (CONTINUED)



EXTERIOR DOOR COMPONENTS & HOLDERS

KEY	PART NUMBER	U/M DESCRIPTION
1	079356-04-000	EA LOCK-DOOR, KEY TYPE W/O KEYS - 1.9 OFF SET FROM 00-00-00 THRU 02-19-92
1	079366-05-000	EA LOCK ASM-KEY TYPE W/O KEYS 1.60 OFF SET FROM 02-20-92 THRU 99-99-99
	082684-01-700	EA KEY BLANK
1	079927-03-000	EA LOCK-TWIST TYPE, DOUBLE CAM - 2.10 OFF SET FROM 00-00-00 THRU 02-19-92
1	079927-04-000	EA LOCK ASM-TWIST TYPE 1.60 O/S ILLINOIS LOCK FROM 02-20-92 THRU 99-99-99
2	102768-01-000	EA HOLDER-COMPARTMENT/ENTRY DOOR, METAL - MILL FINISH
3	105376-01-02A	EA HINGE-CONTIN, 2"X140MM - OFF WHITE
	081801-02-000	EA HINGE-2" X 95", OFF WHITE
	084413-01-000	EA HINGE-CONTINUOUS, ALUMINUM - 1" X 72" - W/HOLES
4	064075-07-000	FT SEAL-BULB, W/WIRED U CHANNEL - .3" X 5" CHANNEL - BLACK
5	081632-02-000	FT SEAL-BULB, DOOR - W/WIRE CARRIER - .8" WIDE - RUBBER - BLACK
6	097111-01-01A	EA POCKET-LOCK, VALANCE - OFF WHITE
7	099338-01-000	EA GASKET-LOCK POCKET
8	109834-01-000	EA WASHER 640X 752ID SST - HUDSON LOCK
9	107997-51-001	EA EXTR-SPACER, 0015, 24
10	109833-01-000	EA BEAUTY RING 670X 780ID SST - HUDSON LOCK
	096217-55-001	EA U-CHANNEL, 17.5" - OFF WHITE

WINDOW, VENT & EXTERIOR DOOR GROUP (CONTINUED)



BEDROOM ESCAPE WINDOW

KEY	PART NUMBER	U/M DESCRIPTION
	074816-09-000	EA FRAME-WINDOW, INSIDE - ESCAPE - OFF WHITE
1	076528-04-C05	EA WINDOW ESCAPE, BACKWALL - W/O INSIDE FRAME
2	076337-09-000	EA GLASS-WINDOW, 832.6 X 597.8MM
3	002285-01-000	FT FILLER-WEATHER STRIP, RUBBER - BLACK
	077065-01-702	EA RED POLY 005X 500INX150 ROLL
4	069640-10-000	FT SEALER-RIBBON, 1/32" X 1 1/2" INCREMENTS OF 90'
5	002282-04-000	EA WEATHERSTRIP-WINDOW, 125" X 109.25" - VULCANIZED - BLACK

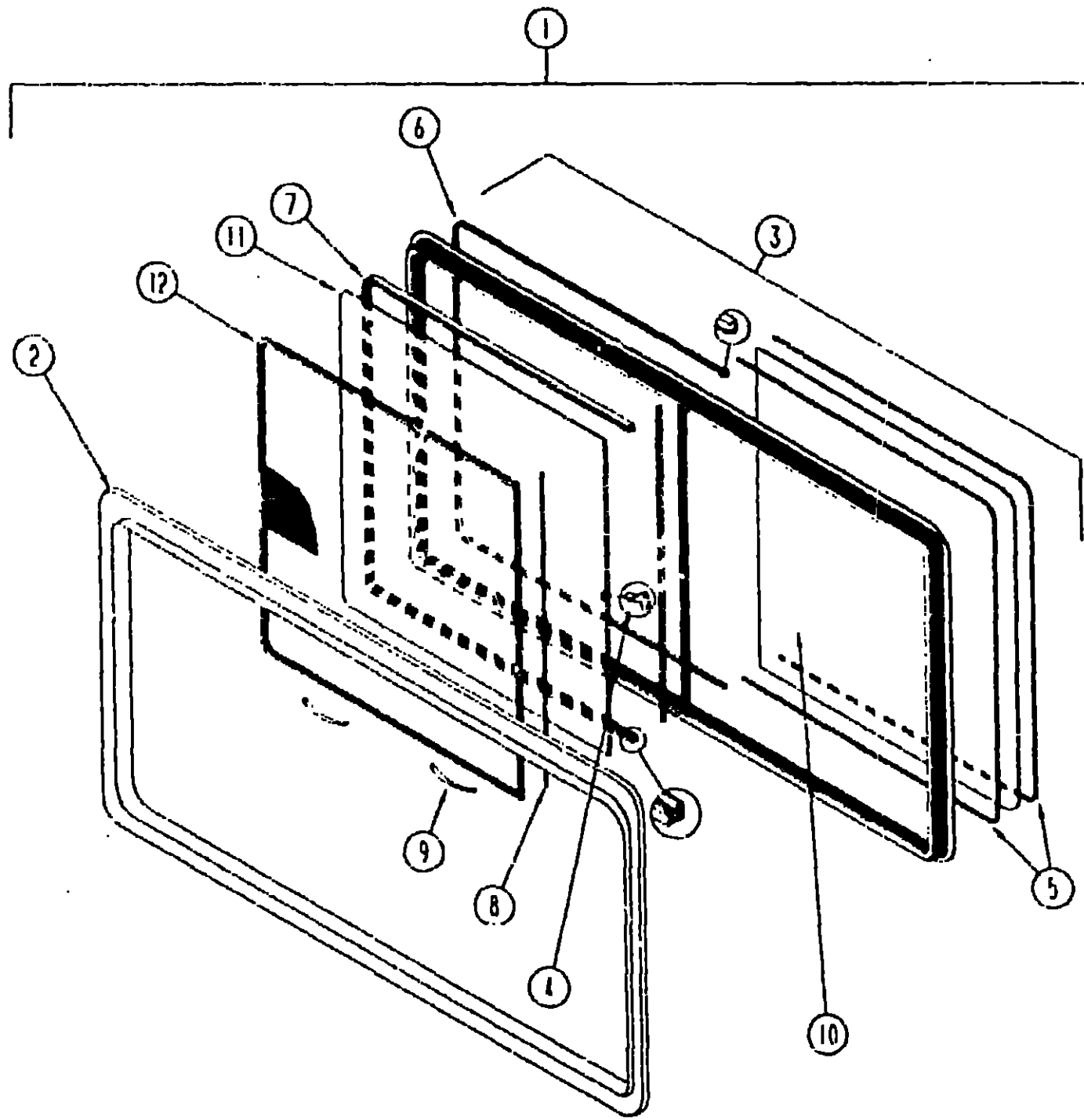
1992 ITASCA
TABLE OF CONTENTS

INTRODUCTION	A-01	A-02
ABBREVIATIONS		A-03
ALPHABETICAL INDEX	A-04	A-06
IF522RC	A-07	D-16
IF524RC	D-17	H-04

1992 IF524RC INDEX

FLOOR PLAN	D-17	D-18
ACCESSORIES		D-19
AUDIO VIDEO		D-20
BATH	D-21	D-22
BEDROOM	D-23	D-24
CHASSIS	E-01	E-04
CURTAIN & CUSHION	E-05	E-13
DINETTE	E-14	E-15
DRIVERS	E-16	E-17
ELECTRICAL	E-18	E-21
EXTERIOR BODY	E-22	F-01
GALLEY	F-03	F-10
GENERATOR		F-11
HEATING & A/C	F-12	F-13
INTERIOR FINISH	F-14	F-17
LABEL	F-18	F-24
LP		G-01
LOUNGE		G-02
SEALANTS & FASTENERS	G-03	G-05
WATER & SEWAGE	G-06	G-10
WINDOW, VENT AND EXTERIOR DOOR	G-11	H-04

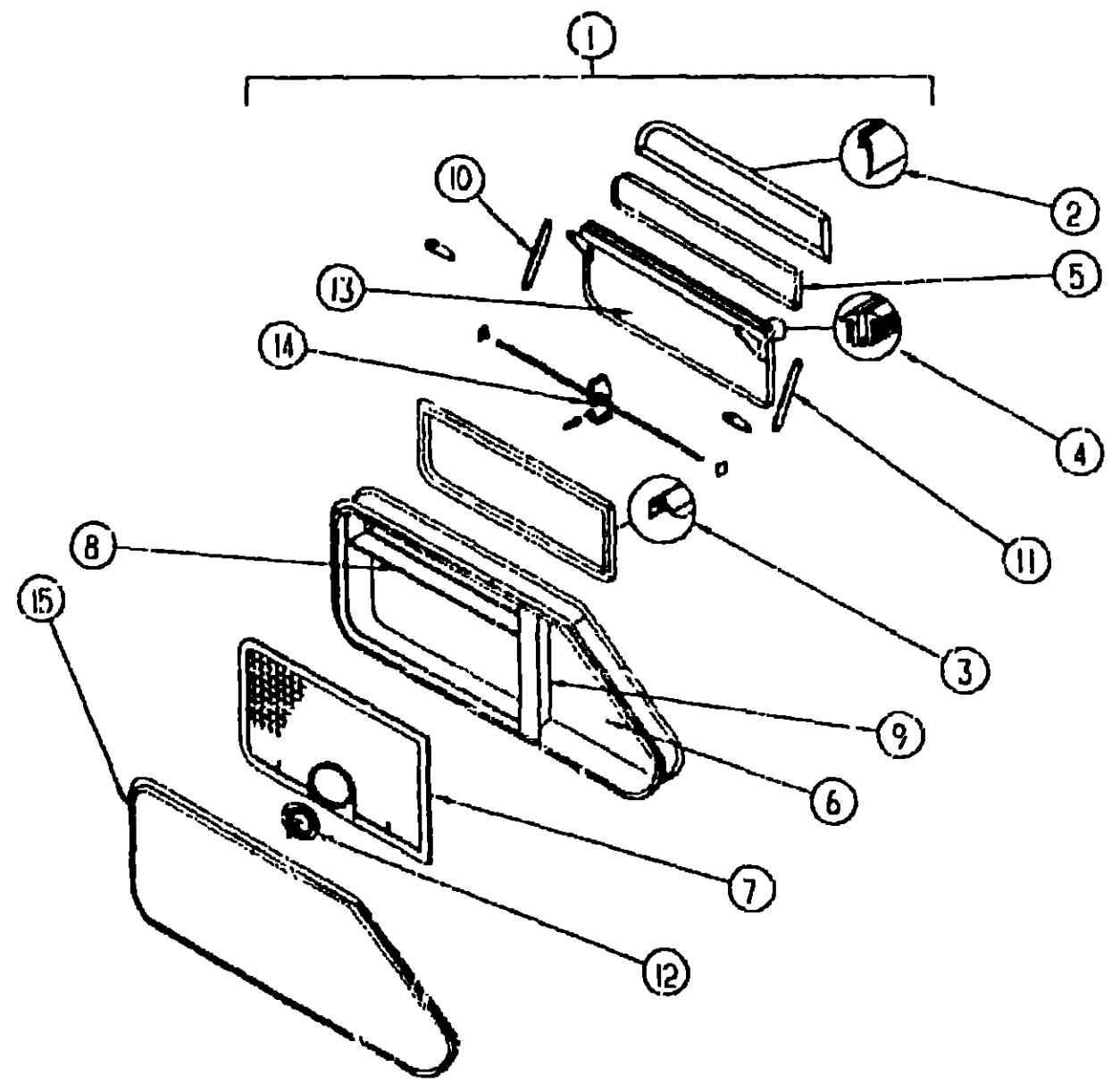
WINDOW, VENT & EXTERIOR DOOR GROUP (CONTINUED)



DRIVER SIDE DINETTE WINDOW

KEY	PART NUMBER	U/M DESCRIPTION
1	098647-10-02A	EA WINDOW ASM-SLIDER, HORIZONTAL - W/INSIDE FRAME - EXCEL H024-PRL
2	098647-09-704	EA TRIM-INSIDE (OFF-WHITE) - W024-67 EXCEL WHITE
3	098647-10-700	EA WINDOW-SINGLE SLIDER, W/O INSIDE FRAME - H024-G2L EXCEL
4	098644-01-700	EA LATCH-REPAIR KIT, EXCEL B801-CK
5	098644-01-705	FT GLAZING STRIP, EXCEL M926-12
6	098644-01-706	FT WEATHERSTRIP, EXCEL 171-010568
7	092544-01-708	FT CHANNEL-PIERCED RUN, EXCEL 122-015543
8	098644-01-710	FT TRACK-SCREEN SPACER, 12' LENGTH - EXCEL M401-31
9	098644-01-711	FT WEATHERSTRIP-SCREEN, BLACK - EXCEL 171-016955
10	098644-01-713	EA SPRING-SCREEN FRAME (CLIP), PLASTIC - BLACK
	098644-01-715	FT PLUG-FILLER, EXCEL 132-014470
	098644-01-717	FT SPLINE-SCREEN MFG - EXCEL 32-C04716
11	098647-09-701	EA GLASS STATIONARY - 106-017193 EXCEL
12	098647-09-705	EA GLASS SLIDING, W/SASH & LATCH - H024-G9 EXCEL
13	098647-09-705	EA SCREEN W/SPRING & WEATHERSTRIP - 410-016464 EXCEL

WINDOW, VENT & EXTERIOR DOOR GROUP (CONTINUED)



DRIVER SIDE OVERHEAD BUNK WINDOW

KEY	PART NUMBER	U/M DESCRIPTION
1	100322-02-700	EA WINDOW-VENTED, 12' X 35 8 - W/O INSIDE FRAME - EXCEL CH19-DK L
2	098644-01-716	FT PLUG-FILLER, EXCEL 132-014470
3	100322-01-701	FT SEAL-VENT, EXCEL 122-016071
4	100322-01-702	FT WEATHERSTRIP-HORIZONTAL RAIL, EXCEL 132-015976
	100322-01-703	EA STRIP-GLAZING,BUTYL EXCEL 132-010723
	100322-01-704	EA TAPE-BUTYL, EXCEL 154-016083
5	100322-01-705	EA GLASS-STATIONARY, SMALL TOP - EXCEL 106-017264
6	100322-01-705	EA GLASS-STATIONARY, LARGE FRONT - EXCEL 106-017265
7	100322-01-709	EA SCREEN-DRIVER SIDE, EXCEL 410-017269 L
8	160322-01-712	EA RAIL-HORIZONTAL, EXCEL CH05-19 R OR L
9	100322-01-713	EA BAR-DIVISION, VERTICAL - EXCEL CH19-20 R OR L
10	100322-01-714	EA SUPPORT-TORQUE BAR, EXCEL 130-015978 (L)
11	160322-01-715	EA SUPPORT-TORQUE BAR, CENTER RAIL - EXCEL 130-015980
	100322-01-717	EA E-RING, EXCEL 245-015975
12	100322-01-718	EA HANDLE-DIAL, EXCEL 410-016081
13	100322-01-722	EA GLASS ASM-VENT, LEFT - EXCEL CH19-05L
14	100322-01-723	EA OPERATOR ASM-VENT GLASS, LEFT - EXCEL CH19-15L
15	100322-02-701	EA FRAME-INSIDE, LEFT - WHITE - EXCEL V968-60L

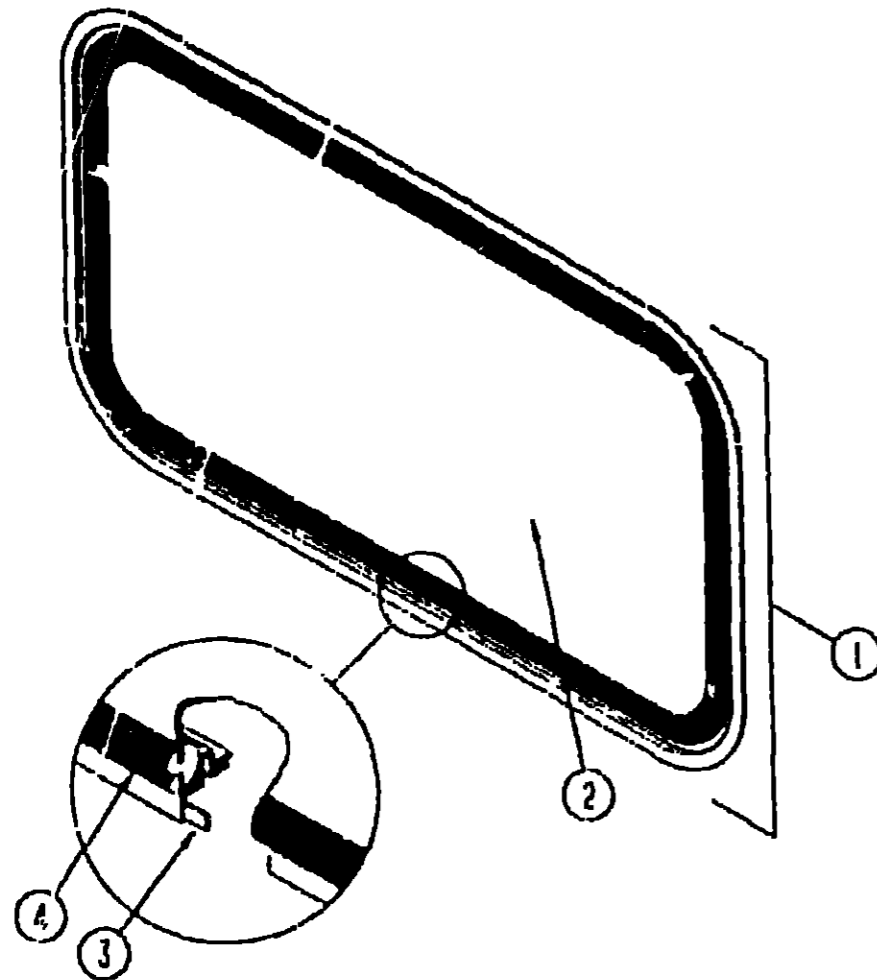
1992 ITASCA
TABLE OF CONTENTS

INTRODUCTION	A-01 - A-02
ABBREVIATIONS	A-03
ALPHABETICAL INDEX	A-04 - A-05
IC522RG	A-07 - D-16
IF524RC	D-17 - H-04

1992 IF524RC INDEX

FLOOR PLAN	D-17 - D-19
ACCESSORIES	- D-19
AUDIO VIDEO	- D-20
BATH	D-21 - D-22
BEDROOM	D-23 - D-24
CHASSIS	E-01 - E-04
CURTAIN & CUSHION	E-05 - E-13
DINETTE	E-14 - E-15
DRIVERS	E-16 - E-17
ELECTRICAL	E-18 - E-21
EXTERIOR BODY	E-22 - F-04
GALLEY	F-05 - F-10
GENERATOR	- F-11
HEATING & A/C	F-12 - F-13
INTERIOR FINISH	F-14 - F-17
LABEL	F-18 - F-24
LP	- G-01
LOUNGE	- G-02
SEALANTS & FASTENERS	G-03 - G-05
WATER & SEWAGE	G-06 - G-10
WINDOW, VENT AND EXTERIOR DOOR	G-11 - H-04

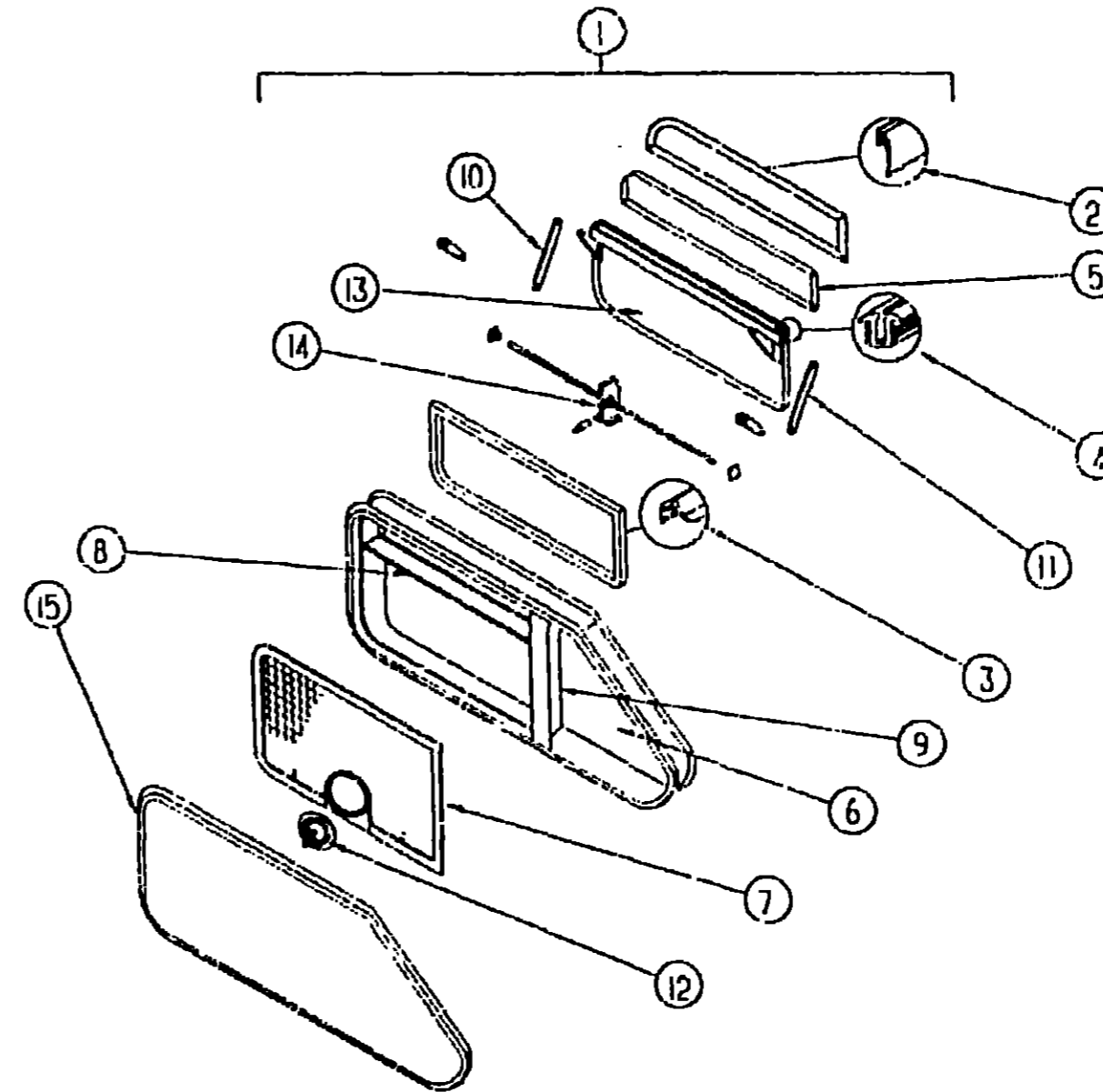
WINDOW, VENT & EXTERIOR DOOR GROUP (CONTINUED)



OVERHEAD BUNK FRONT WINDOW

KEY	PART NUMBER	U/M DESCRIPTION
	067609-33-000	EA FRAME-INSIDE WINDOW
1	103313-01-805	EA WINDOW ASM-PICTURE, W/O INSIDE FRAME
2	002181-15-000	EA GLASS-PICTURE 11 25" X 58 1" - GRAY
3	062640-11-000	FT SEALER-TAPE, 3/16" X 3/8" BLACK
4	099154-01-000	FT CHANNEL-GLAZING STATIONARY GLASS - 62" X 45" - BLACK

WINDOW, VENT & EXTERIOR DOOR GROUP (CONTINUED)



PASSENGER SIDE OVERHEAD BUNK WINDOW

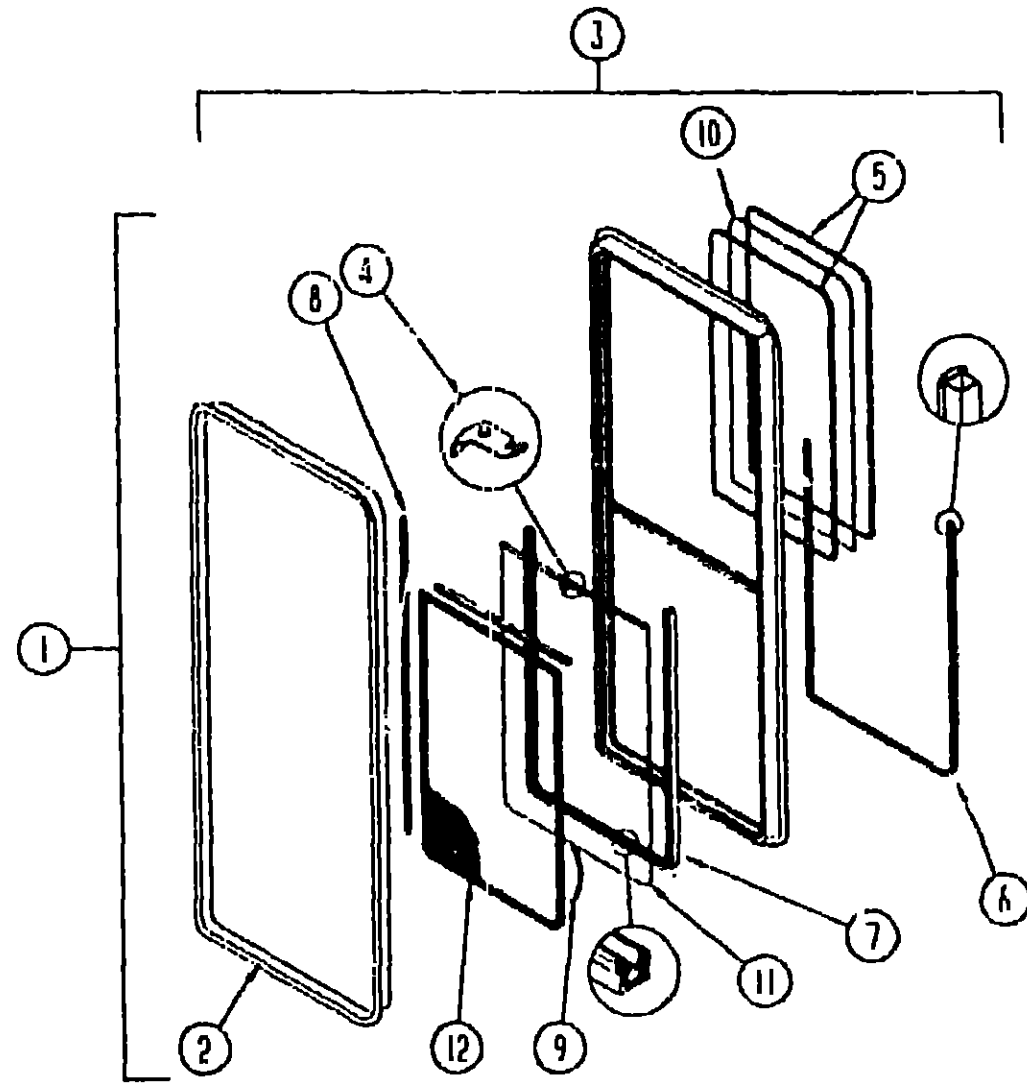
KEY	PART NUMBER	U/M DESCRIPTION
1	100322-01-720	EA WINDOW-VENTED, 12" X 35 8 - W/O INSIDE FRAME - EXCEL CH19-DK R
2	098644-01-716	FT PLUG-FILLER, EXCEL 132-014470
3	100322-01-701	FT SEAL-VENT, EXCEL 122-016071
4	100322-01-702	FT WEATHERSTRIP-HORIZONTAL RAIL, EXCEL 132-015976
	100322-01-703	EA STRIP-GLAZING, BUTYL EXCEL 132-010723
	100322-01-704	EA TAPE-BUTYL, EXCEL 154-016083
5	100322-01-705	EA GLASS-STATIONARY, SMALL TOP - EXCEL 106-017264
6	100322-01-706	EA GLASS-STATIONARY, LARGE FRONT - EXCEL 106-017265
7	100322-01-709	EA SCREEN-PASSENGER SIDE, EXCEL 410-017270 R
8	100322-01-712	EA RAIL-HORIZONTAL, EXCEL CH05-19 R OR L
9	100322-01-713	EA BAR-DIVISION, VERTICAL - EXCEL CH19-20 R OR L
10	100322-01-715	EA SUPPORT-TORQUE BAR, EXCEL 130-015979 (R)
11	100322-01-716	EA SUPPORT-TORQUE BAR, CENTER RAIL - EXCEL 130-015980
	100322-01-717	EA E-RING, EXCEL 245-015975
12	100322-01-718	EA HANDLE-DIAL, EXCEL 410-016081
13	100322-01-707	EA GLASS-VENT, RIGHT - EXCEL CH19-D5R
14	100322-01-711	EA OPERATOR-VENT, SUB ASSEMBLY - EXCEL CH05-15 R OR L
15	100322-01-724	EA FRAME-INSIDE, RIGHT - WHITE V969-60R EXCEL

1992 ITASCA
TABLE OF CONTENTS

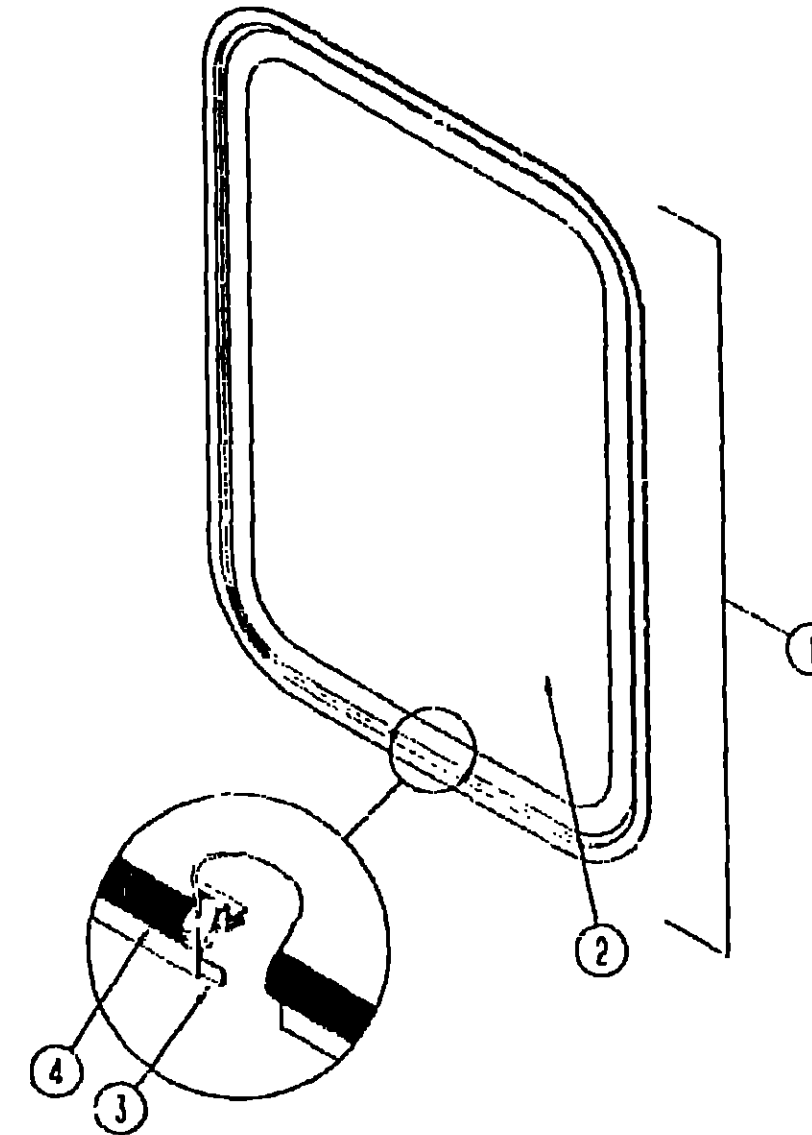
INTRODUCTION	A-01 - A-02
ABBREVIATIONS	A-03
ALPHABETICAL INDEX	A-04 - A-06
IC522RG	A-07 - D-16
IF524RC	D-17 - H-04

1992 IF524RC INDEX

FLOOR PLAN	D-17 - D-18
ACCESSORIES	- D-19
AUDIO VIDEO	- D-20
BATH	D-21 - D-22
BEDROOM	D-23 - D-24
CHASSIS	E-01 - E-04
CURTAIN & CUSHION	E-05 - E-13
DINETTE	E-14 - E-15
DRIVERS	E-16 - E-17
ELECTRICAL	E-18 - E-21
EXTERIOR BODY	E-22 - F-04
GALLEY	F-05 - F-10
GENERATOR	- F-11
HEATING & A/C	F-12 - F-13
INTERIOR FINISH	F-14 - F-17
LABEL	F-18 - F-24
LP	- G-01
LOUNGE	- G-02
SEALANTS & FASTENERS	G-03 - G-05
WATER & SEWAGE	G-06 - G-10
WINDOW, VENT AND EXTERIOR DOOR	G-11 - H-04



PASSENGER SIDE LOUNGE WINDOW



ENTRY DOOR WINDOW

1992 ITASCA
TABLE OF CONTENTS

INTRODUCTION	A-01 -	A-02
ABBREVIATIONS		A-03
ALPHABETICAL INDEX	A-04 -	A-06
IC522RG	A-07 -	D-16
IF524RC	D-17 -	H-04

1992 IF524RC INDEX

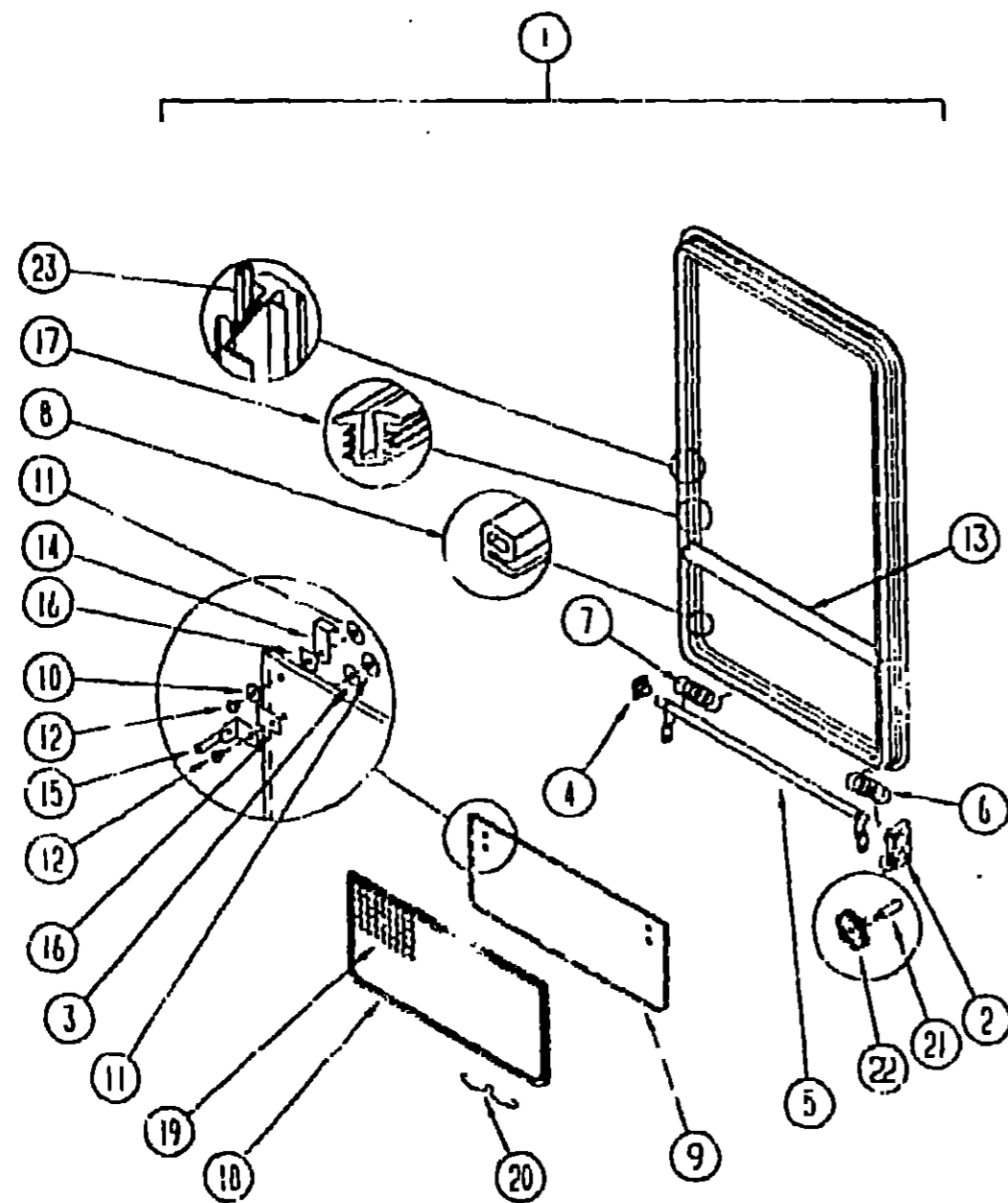
FLOOR PLAN	D-17 -	D-18
ACCESSORIES		D-19
AUDIO VIDEO		D-20
BATH	D-21 -	D-22
BEDROOM	D-23 -	D-24
CHASSIS	E-01 -	E-04
CURTAIN & CUSHION	E-05 -	E-13
DINETTE	E-14 -	E-15
DRIVERS	E-16 -	E-17
ELECTRICAL	E-18 -	E-21
EXTERIOR BODY	E-22 -	F-04
GALLEY	F-05 -	F-10
GENERATOR		F-11
HEATING & A/C	F-12 -	F-13
INTERIOR FINISH	F-14 -	F-17
LABEL	F-18 -	F-24
LP		G-01
LOUNGE		G-02
SEALANTS & FASTENERS	G-03 -	G-05
WATER & SEWAGE	G-06 -	G-10
WINDOW, VENT AND EXTERIOR DOOR	G-11 -	H-04

KEY	PART NUMBER	U/M DESCRIPTION
1	098644-05-01A	EA WINDOW ASM-SLIDER, VERTICAL - W/INSIDE FRAME - EXCEL H250-PR
2	098644-05-700	EA TRIM-INSIDE (OFF-WHITE) - EXCEL W250-67
3	098644-05-704	EA WINDOW ASM W/O INSIDE TRIM - EXCEL H250-G2R
4	098644-01-700	EA LATCH-REPAIR KIT, EXCEL B801-CK
5	098644-01-705	FT GLAZING STRIP, EXCEL M926-12
6	098644-01-706	FT WEATHERSTRIP, EXCEL 171-010568
7	098644-01-708	FT CHANNEL-PIERCED RUN, EXCEL 122-016543
8	098644-01-710	FT TRACK-SCREEN SPACER, 12' LENGTH - EXCEL M401-31
	098644-01-711	FT WEATHERSTRIP-SCREEN, BLACK - EXCEL 171-016565
9	098644-01-713	EA SPRING-SCREEN FRAME (CLIP), PLASTIC - BLACK
	098644-01-716	FT PLUG-FILLER, EXCEL 132-014470
	098644-01-717	FT SPLINE-SCREEN MFG - EXCEL 132-004716
10	098644-05-701	EA STATIONARY GLASS - EXCEL 106-01B013
11	098644-05-702	EA SLIDE ASM - EXCEL B938-G9
12	098644-05-703	EA SCREEN ASM - EXCEL 410-016478

KEY	PART NUMBER	U/M DESCRIPTION
	067609-32-000	EA FRAME-WINDOW, ENTRY DOOR - OFF WHITE
1	079733-04-T03	EA WINDOW-PICTURE, W/O INSIDE FRAME - 17" X 25"
2	002181-06-000	EA GLASS-PICTURE WINDOW, .115" X 16.25" X 24"
3	069640-11-000	FT SEALER-TAPE, 3/16" X 3/8" BLACK
4	087561-01-000	FT SEAL-GLASS, EXTERIOR - .5" WIDE - VINYL - BLACK

WINDOW, VENT & EXTERIOR DOOR GROUP (CONTINUED)

GALLEY WINDOW



KEY	PART NUMBER	U/M	DESCRIPTION
	090893-17-02A	EA	FRAME-INSIDE, WINDOW RETAINER - OFF WHITE
1	092235-11-Y12	EA	WINDOW-TIPOUT, SINGLE - W/O INSIDE FRAME
	000H14-05-14R	EA	RIVET-MANDREL BLIND, 3/16"
2	035302-02-000	EA	OPERATOR-TORQUE, TIPOUT WINDOW -
3	068927-03-000	EA	SEAL-WINDOW, RUBBER - ROUND - 20" DIA. - BLACK
4	081354-01-000	EA	SLEEVE-TORQUE TUBE, TIPOUT WINDOW - 1.3" X 1.2" X .7"
	091649-01-000	EA	RING-S JAP, 7/32 SHAFT DIAMETER
5	063150-10-000	EA	TUBE-TORQUE, TIPOUT WINDOW - W/SPRING & ARM - 22.5" LONG
6	080918-01-000	EA	SPRING-TORQUE TUBE, LEFT
7	080918-02-000	EA	SPRING-TORQUE TUBE, RIGHT
8	084067-02-000	FT	SEAL-E SHAPED, SPONGE - TIPOUT WINDOW - 42" X 38" - BLACK
9	084068-15-000	EA	GLASS-TIPOUT, 9 2" X 24.5"
10	084453-02-000	EA	WASHER-.06" X .5" X .25" - PLASTIC
11	086762-01-000	EA	T NUT 10-32
12	086763-01-000	EA	SCREW-MACH, 10 - 32 X 1/4 PTH
13	087565-02-01A	EA	MULLION-HORIZONTAL, TIPOUT - BLACK
14	089913-01-000	EA	HINGE-TIPOUT WINDOW, BLACK
15	097578-01-000	EA	LINKAGE-TIPOUT WINDOW
	084453-01-000	EA	WASHER-.06" X .5" X .135" - PLASTIC
16	084473-01-000	EA	SEAL-FLAT, W/CENTER HOLE & ADHESIVE SIDE - .8" X .9" - BLK
	085315-01-000	EA	RIVET-SHOULDER, TIPOUT WINDOW
17	099154-01-000	FT	CHANNEL-GLAZING, STATIONARY GLASS - 62" X .45" - BLACK
18	100235-02-D07	EA	SCREEN-SINGLE TIPOUT WINDOW
19	080218-03-000	SF	SCREENING-FIBERGLASS, 12" WIDE
20	100100-01-000	EA	CLIP-SPRING, SCREEN
	100240-01-000	FT	SPLINE-SCREEN, T-SHAPED
21	009439-06-000	EA	EXTENSION-CRANK HANDLE, WINDOW/ROOF VENT - BLACK
22	009439-05-000	EA	KNOB-OPERATOR, TIPOUT WINDOW - W/SPRING & ARM
	009439-07-000	EA	SCREW, 8-32 X 1 1/4 POH - BLACK
23	069640-11-000	FT	TAPE-SEALER, 3/16" X 3/8" - BLACK

1992 ITASCA TABLE OF CONTENTS

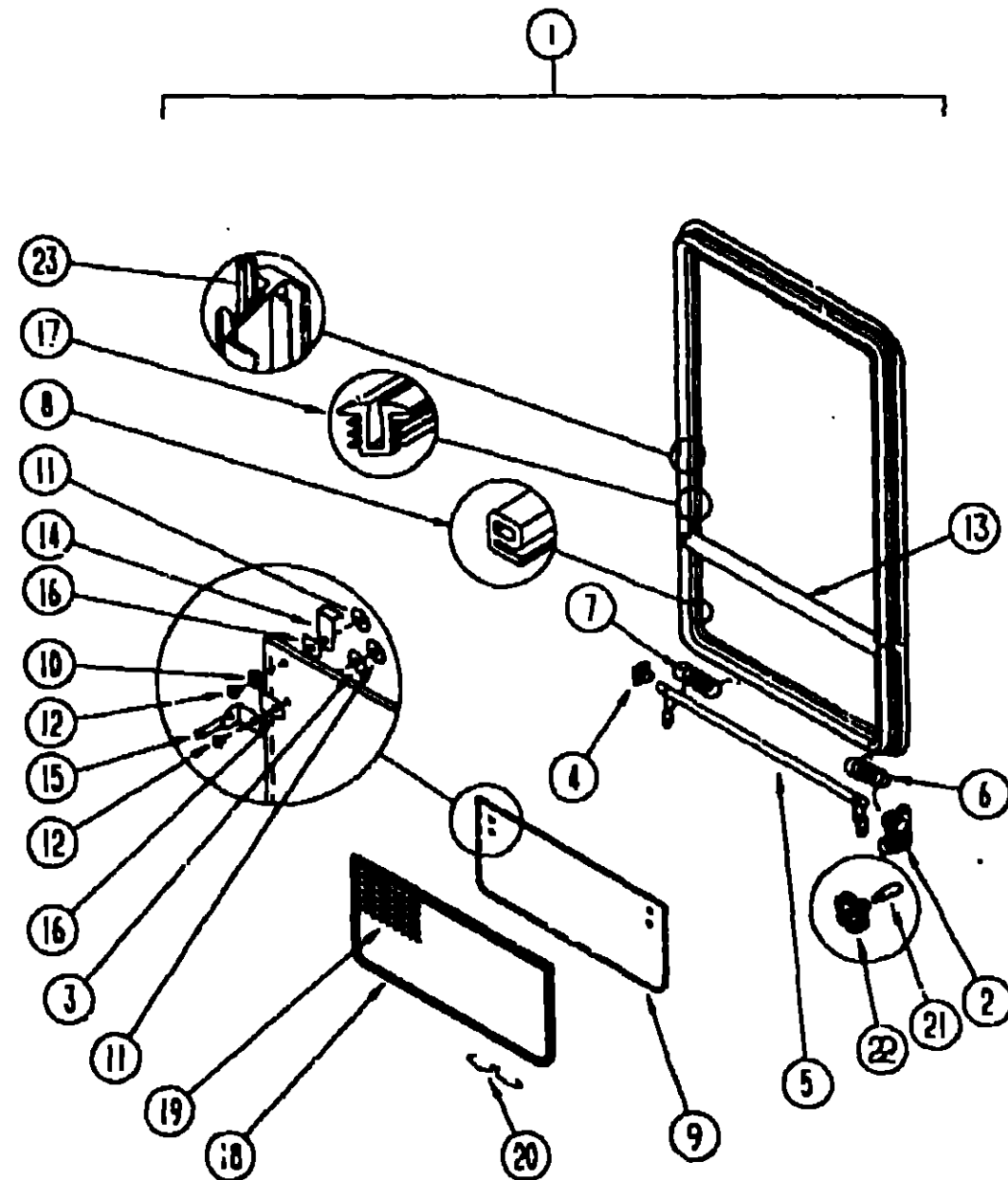
INTRODUCTION	A-01	A-02
ABBREVIATIONS		A-03
ALPHABETICAL INDEX	A-04	A-06
IC522RG	A-07	C-16
IF524RC	D-17	H-04

1992 IF524RC INDEX

FLOOR PLAN	D-17	D-18
ACCESSORIES		D-19
AUDIO VIDEO		D-20
BATH	D-21	D-22
BEDROOM	D-23	D-24
CHASSIS	E-01	E-04
CURTAIN & CUSHION	E-05	E-13
DINETTE	E-14	E-15
DRIVERS	E-16	E-17
ELECTRICAL	E-18	E-21
EXTERIOR BODY	E-22	F-04
GALLEY	F-05	F-10
GENERATOR		F-11
HEATING & A/C	F-12	F-13
INTERIOR FINISH	F-14	F-17
LABEL	F-18	F-24
LP		G-01
LOUNGE		G-02
SEALANTS & FASTENERS	G-03	G-05
WATER & SEWAGE	G-06	G-10
WINDOW, VENT AND EXTERIOR DOOR	G-11	H-04

WINDOW, VENT & EXTERIOR DOOR GROUP (CONTINUED)

PASSENGER SIDE BEDROOM WINDOW



KEY	PART NUMBER	U/M	DESCRIPTION
	090893-18-02A	EA	FRAME-INSIDE, WINDOW RETAINER - OFF WHITE
1	092235-12-Y12	EA	WINDOW-TIPOUT, SINGLE - W/O INSIDE FRAME
	000H14-06-14R	EA	RIVET-MANDREL BLIND, 3/16"
2	035302-02-000	EA	OPERATOR-TORQUE, TIPOUT WINDOW -
3	068927-03-000	EA	SEAL-WINDOW, RUBBER - ROUND - .80" DIA - BLACK
4	081354-01-000	EA	SLEEVE-TORQUE TUBE, TIPOUT WINDOW - 1.3" X 1.2" X .7"
	081649-01-000	EA	RING-SNAP, 7/32 SHAFT DIAMETER
5	093150-12-000	EA	TUBE-TORQUE, TIPOUT WINDOW - W/SPRING & ARM - 22.5" LONG
6	080918-01-000	EA	SPRING-TORQUE TUBE, LEFT
7	080918-02-000	EA	SPRING-TORQUE TUBE, RIGHT
8	084067-02-000	FT	SEAL-E SHAPED, SPONGE - TIPOUT WINDOW - 42" X .38"-BLACK
9	084068-17-000	EA	GLASS-TIPOUT, 9.2" X 24.5"
10	084453-02-000	EA	WASHER-.06" X .5" X .25" - PLASTIC
11	086762-01-000	EA	T NUT 10-32
12	088763-01-000	EA	SCREW-MACH, 10 - 32 X 1/4 PTH
13	087566-04-01A	EA	MULLION-HORIZONTAL, TIPOUT - BLACK
14	089913-01-000	EA	HINGE-TIPOUT WINDOW, BLACK
15	097578-01-000	EA	LINKAGE-TIPOUT WINDOW
	084453-01-000	EA	WASHER-.06" X .5" X .135" - PLASTIC
16	084473-01-000	EA	SEAL-FLAT, W/CENTER HOLE & ADHESIVE SIDE - .8" X .9" - BLK
	085315-01-000	EA	RIVET-SHOULDER, TIPOUT WINDOW
17	099154-01-000	FT	CHANNEL-GLAZING, STATIONARY GLASS - .62" X .45" - BLACK
18	100235-04-B07	EA	SCREEN-SINGLE TIPOUT WINDOW
19	080218-03-000	SF	SCREENING-FIBERGLASS, 12" WIDE
20	100168-01-000	EA	CLIP-SPRING, SCREEN
	100240-01-000	FT	SPLINE-SCREEN, T-SHAPED
21	009439-06-000	EA	EXTENSION-CRANK HANDLE, WINDOW /RCOF VENT - BLACK
22	009439-05-000	EA	KNOB-OPERATOR, TIPOUT WINDOW - W/SPRING & ARM
	009439-07-000	EA	SCREW, 8-32 X 1 1/4 POH - BLACK
23	069640-11-000	FT	TAPE-SEALER, 3/16" X 3/8" - BLACK

1992 ITASCA TABLE OF CONTENTS

INTRODUCTION	A-01 -	A-02
ABBREVIATIONS		A-03
ALPHABETICAL INDEX	A-04 -	A-06
IC522RG	A-07 -	D-16
IF524RC	D-17 -	H-04

1992 IF524RC INDEX

FLOOR PLAN	D-17 -	D-18
ACCESSORIES		D-19
AUDIO VIDEO		D-20
BATH	D-21 -	D-22
BEDROOM	D-23 -	D-24
CHASSIS	E-01 -	E-04
CURTAIN & CUSHION	E-05 -	E-13
DINETTE	E-14 -	E-15
DRIVERS	E-16 -	E-17
ELECTRICAL	E-18 -	E-21
EXTERIOR BODY	E-22 -	F-04
GALLEY	F-05 -	F-10
GENERATOR		F-11
HEATING & A/C	F-12 -	F-13
INTERIOR FINISH	F-14 -	F-17
LABEL	F-18 -	F-24
LP		G-01
LOUNGE		G-02
SEALANTS & FASTENERS	G-03 -	G-05
WATER & SEWAGE	G-06 -	G-10
WINDOW, VENT AND EXTERIOR DOOR	G-11 -	H-04

WINDOW, VENT & EXTERIOR DOOR GROUP (CONTINUED)

WINDOW, VENT & EXTERIOR DOOR GROUP (CONTINUED)

1992 ITASCA

TABLE OF CONTENTS

INTRODUCTION	A-01 -	A-02
ABBREVIATIONS		A-03
ALPHABETICAL INDEX	A-04 -	A-06
IC522RG	A-07 -	D-16
IF524RC	D-17 -	H-04

1992 IF524RC INDEX

FLOOR PLAN	D-17 -	D-18
ACCESSORIES		D-19
AUDIO VIDEO		D-20
BATH	D-21 -	D-22
BEDROOM	D-23 -	D-24
CHASSIS	E-01 -	E-04
CURTAIN & CUSHION	E-05 -	E-13
DINETTE	E-14 -	E-15
DRIVERS	E-16 -	E-17
ELECTRICAL	E-18 -	E-21
EXTERIOR BODY	E-22 -	F-04
GALLEY	F-05 -	F-10
GENERATOR		F-11
HEATING & A/C	F-12 -	F-13
INTERIOR FINISH	F-14 -	F-17
LABEL	F-18 -	F-24
LP		G-01
LCUNGE		G-02
SEALANTS & FASTENERS	G-03 -	G-05
WATER & SEWAGE	G-06 -	G-10
WINDOW, VENT AND EXTERIOR DOOR	G-11 -	H-04

POWERED ROOF VENT

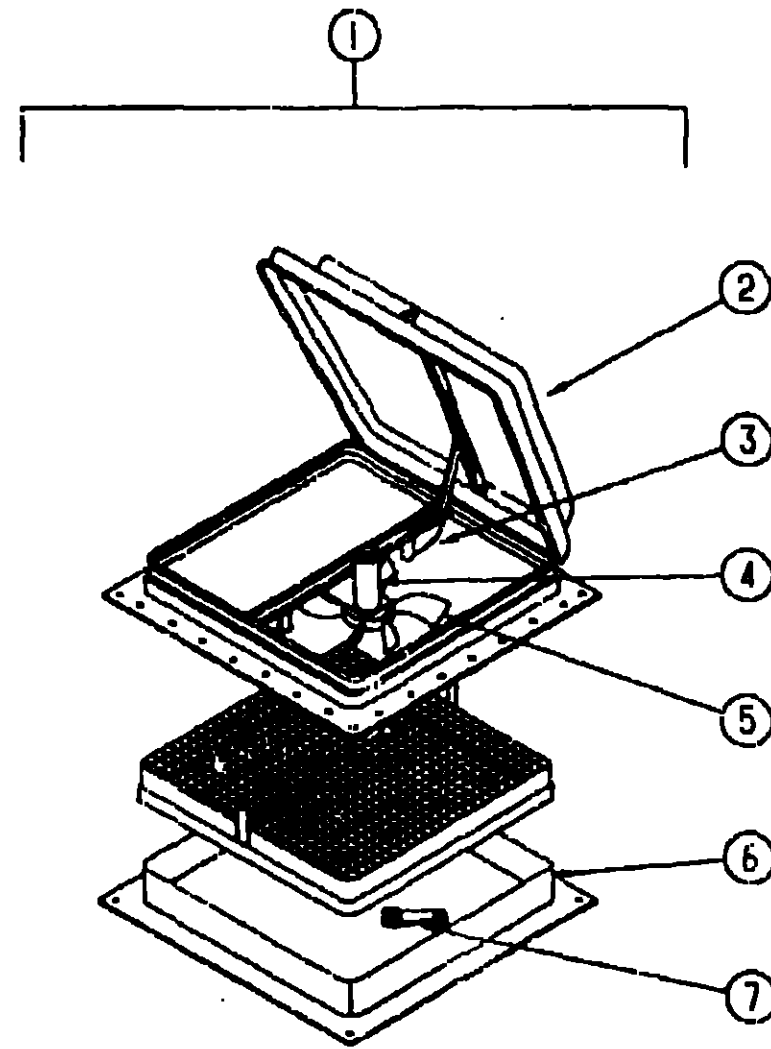
KEY	PART NUMBER	U/M DESCRIPTION
	090394-01-Y12	EA VENT-ROOF POWERED
	055218-01-000	EA COVER-ROOF VENT, PLASTIC
	002825-01-000	EA WEATHER STRIP-ROOF VENT GRAY
	008195-01-000	EA SWITCH-ROOF VENT PUSH BUTTON 12V
	008343-01-000	EA TIE-WIRE 6"
	003386-01-000	EA GROMMET-SNAP 3/8"
	009440-01-000	EA GEAR/ARM-VENT COVER LIFT
	015911-01-000	EA TRACK-LIFT ARM SLIDE - ROOF VENT
	048648-01-000	EA MOTOR-ROOF VENT 1/8 SHAFT - 12V - JENSEN
	048649-01-000	EA FAN-ROOF VENT 6 BLADES - 6" - JENSEN
	052639-01-001	EA HINGE-VENT COVER 16"
	052639-01-200	EA HINGE-EXTRUSION ROOF VENT 7"
	061603-01-000	EA GROMMET-SNAP 3/16"ID - 3/8" HOLE - PLASTIC - BLACK
	078785-01-Y12	EA SCREEN-ROOF VENT POWERED
	002291-02-000	SF SCREENING-ROOF VENT/WINDOW 16" - BLACK
	002298-02-000	FT SPLINE-VENT/WINDOW SCREEN 128 DIAMETER - BLACK
	009439-01-000	EA CRANK HANDLE-ROOF VENT
	009439-04-000	EA SCREW 8-32 X 1 1/4" POH
	009439-02-000	EA KNOB-ROOF VENT MILL
	003439-03-000	EA EXTENSION-CRANK HANDLE ROOF VENT - 9" - MILL

NONPOWERED ROOF VENT

KEY	PART NUMBER	U/M DESCRIPTION
	090395-01-Y12	EA VENT-ROOF NONPOWERED
	055218-01-000	EA COVER-ROOF VENT, PLASTIC
	002825-01-000	EA WEATHER STRIP-ROOF VENT GRAY
	009440-01-000	EA GEAR/ARM-VENT COVER LIFT
	015911-01-000	EA TRACK-LIFT ARM SLIDE - ROOF VENT
	052639-01-001	EA HINGE-VENT COVER 16"
	052639-01-200	EA HINGE-EXTRUSION ROOF VENT 7"
	078786-01-Y12	EA SCREEN-ROOF VENT NON POWERED - WHITE
	002291-02-000	SF SCREENING-ROOF VENT/WINDOW 16" - BLACK
	002299-02-000	FT SPLINE-VENT/WINDOW SCREEN 128 DIAMETER - BLACK
	009439-01-000	EA CRANK HANDLE-ROOF VENT
	009439-02-000	EA KNOB-ROOF VENT MILL
	009439-03-000	EA EXTENSION-CRANK HANDLE ROOF VENT - 9" - MILL
	009439-04-000	EA SCREW 8-32 X 1 1/4" POH

VENTS, SHROUDS & ROOF COVERS

KEY	PART NUMBER	U/M DESCRIPTION
	083558-03-000	EA VENT-PLUMBING PIPE ROOF VENT/COVER - OFF WHITE
	063752-01-000	EA SHROUD-RANGE, 18 5" X 20 6" X 16 2" - METAL - OFF WHITE
	084616-01-000	EA SHROUD-RANGE HOOD VENT, PLASTIC - OFF WHITE
	084878-09-000	EA VENT-RANGE HOOD, SHORT - LVS
	084073-03-000	EA COVER-ROOF VENT, REFRIGERATOR - OFF WHITE - NORCOLD
	084073-04-000	EA BASE-ROOF VENT, REFRIGERATOR - BLACK - NORCOLD



JENSEN POWERED ROOF VENT

KEY	PART NUMBER	U/M DESCRIPTION
1	064469-08-000	EA VENT-ROOF, POWERED - 14" X 14" - 12V - CANADIAN
2	064469-03-702	EA LID-VENT WHITE - JENSEN 290-WH
3	064469-03-706	EA LIFT MECHANISM - JENSEN RP-1022
4	048648-01-000	EA MOTOR-ROOF VENT, 1/8 SHAFT - 12V
5	048649-01-000	EA FAN-ROOF VENT, 6 BLADES - 6"
6	064459-03-705	EA GARNISH, VENT 2 5 IN WIDE - JENSEN RP-1021
7	009439-01-000	EA HANDLE-ROOF VENT

FANTASTIC ROOF VENTILATOR

KEY	PART NUMBER	U/M DESCRIPTION
	084079-03-000	EA VENT-CEILING, POWERED EXHAUST - OFF WHITE - FANTASTIC VENT
	084079-01-700	EA VENT COVER - FANTASTIC 1020-19
	084079-01-703	EA CRANK-EXTERIOR, FANTASTIC 1060-09
	084079-01-704	EA BLADE-FAN, FANTASTIC 1070-00
	084079-01-705	EA MOTOR, FANTASTIC 1080-00
	084079-01-706	EA PLUG-12 VOLT, FANTASTIC 1090
	084079-01-707	EA SWITCH-SAFETY, FANTASTIC 1120-00
	084079-01-709	EA SWITCH-ON & OFF, MAIN POWER - FANTASTIC 1100-00
	084079-01-711	EA H-MOLDING, MOTOR MOUNT - PLASTIC - FANTASTIC
	084079-01-712	EA GARNISH INT. FIN 17/8 - OFF WHITE