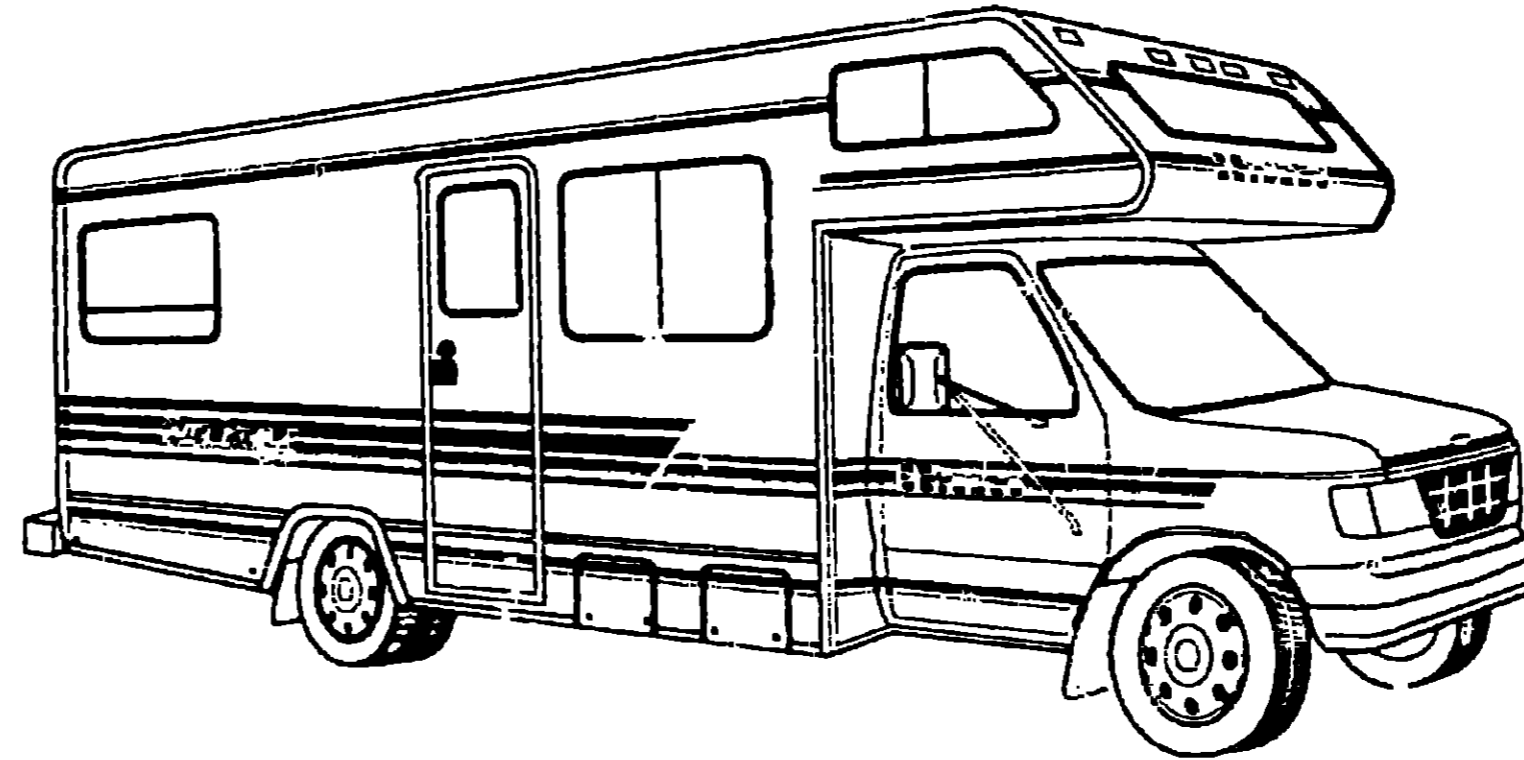
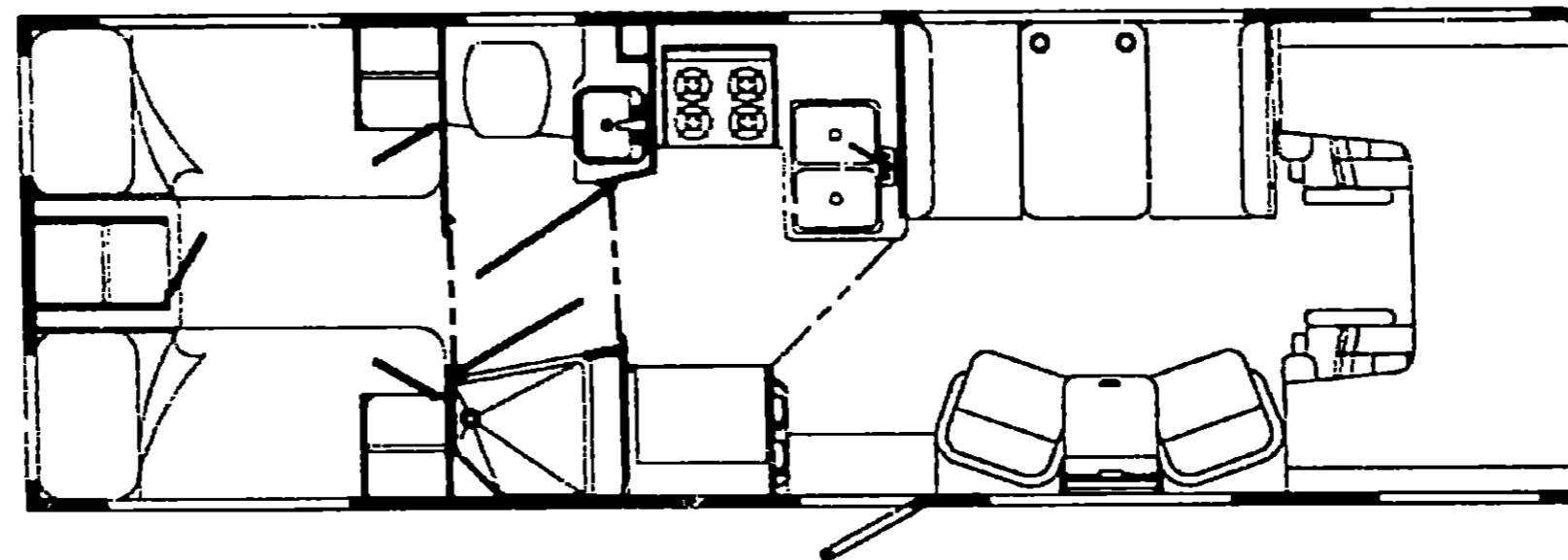
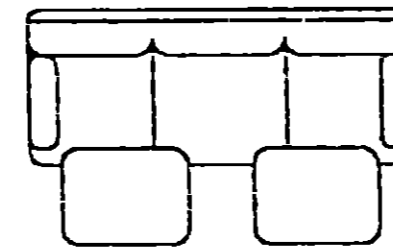
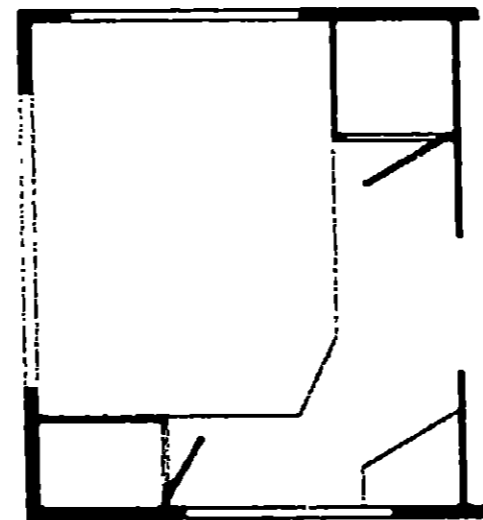


**1992 ITASCA  
TABLE OF CONTENTS**

INTRODUCTION	A-01 - A-02
ABBREVIATIONS	A-03
ALPHABETICAL INDEX	A-04 - A-06
IF427RQ	A-07 - D-16
IF427RC	D-17 - G-22
IF427RT	G-23 - F-07



**1992  
IF427RT  
C23  
C24**



**1992 IF427RT INDEX**

FLOOR PLAN	G-23 - G-24
ACCESSORIES	F-01
ADD-ONS	F-02
BATH	F-03 - F-04
BEDROOM	F-05 - F-06
CHASSIS	F-07 - F-08
CURTAIN & CUSHION	F-09 - F-10
CHEST	F-11 - F-12
DRIVERS	F-13 - F-14
ELECTRICAL	F-15 - F-16
EXTERIOR BODY	F-17 - F-18
GALLEY	F-19 - F-20
GENERATOR	F-21
HEATING & AC	F-22 - F-23
INTERIOR PAINT	F-24 - F-25
LABEL	F-26 - F-27
LP	F-28
LOUNGE	F-29 - F-30
SEALANTS & FASTENERS	F-31 - F-32
WATER & SEWAGE	F-33 - F-34
WINDOW VENT AND EXTERIOR DOOR	F-35 - F-36

## ACCESSORIES GROUP

### OPERATORS MANUAL

KEY	PART NUMBER	U/M DESCRIPTION
	054185-02-000	EA MANUAL-OPERATOR-1992 SUN-DANCER
	092310-01-000	EA BINDER 3-RING-MOTOR HOME MANUAL
	092319-01-000	EA POCKET PAGE-3-RING BINDER PLASTIC
	105351-01-000	LW TOP LEVEL DRAWINGS 1992 C-BODY

## AUDIO VIDEO GROUP

### RADIO SYSTEM COMPONENTS & ANTENNA

KEY	PART NUMBER	U/M DESCRIPTION
	105450-01-000	EA RADIO-AM-FM CASSETTE-ELECT FORD - AUDIOVOX FD-CXF
	105451-01-000	EA MOUNTING KIT-RADIO FORD AUDIOVOX FD-ECC-92
	105137-01-000	EA PLUG-ANTENNA HOLE-92 E350
	085340-02-000	EA GRILLE-SPEAKER- 5 5" SQUARE
	085340-03-000	EA GRILLE-SPEAKER-SPACER TAN - MAGNADYNE G514
	094027-01-000	EA SPEAKER-RADIO- W/O GRILLE - 5 25" DIA - AUDIOVOX 11003030

### TV, VCR SYSTEMS & ANTENNA

KEY	PART NUMBER	U/M DESCRIPTION
	092310-01-000	EA TV-COLOR- 9" - AC/DC - W/REMOTE - MAGNAVOX CH3940 FROM 00-00-00 THRU 01-26-92
	092310-01-700	EA REMOTE F/RK0955-0822335
	092310-03-000	EA TV-COLOR-5" AC/DC W/ SWIVEL - MAGNAVOX RD0945 FROM 01-27-92 THRU 99-99-99
	092310-02-700	EA REMOTE F/TV-0822334
	092445-03-000	EA VCR-VHS- CABLE READY - REMOTE - MAGNAVOX VR5010
	092445-03-700	EA REMOTE F/ MODEL #9010-0974533
	105433-01-000	EA BRACKET-VCR
	075319-01-000	EA ANTENNA-TV- ROOF MOUNT - 44 5" MAST - RVA W27
	075319-01-700	EA HEAD-ANTENNA- AMPLIFIED - WINEGARD# RVSA UV
	075319-01-701	EA GEAR-ELEVATING- PLASTIC - WINEGARD# 2200046
	075319-01-702	EA SHAFT ASM-ELEVATING- WINEGARD# RVP-400A
	075319-01-703	EA BEARING-NYLON- 5"OD - WINEGARD# 3200555
	075319-01-705	EA GRC W/MET-NYLON- 7/8"ID - WINEGARD# 3200553
	075319-01-706	EA CRANK-ELEVATING- W/SET SCREW - WINEGARD# 5755100
	075319-01-707	EA SPRING-HANDLE- WINEGARD# 5150800
	075319-01-709	EA PLATE-DIRECTIONAL- FOR HEAD - WINEGARD# 3200544
	075319-05-000	EA ADAPTOR-CABLE ROOF PLATE- WINEGARD FPJ-1
	082134-01-000	EA ADAPTER-TV- CABLE TO CABLE - WINEGARD F-51" M
	082135-01-000	EA NUT-HEX JAM 3/8-32- WINEGARD
	075319-03-000	FT CABLE-COAXIAL- 75 CHM
	075319-12-000	EA CONNECTOR-COAXIAL- ONE PIECE
	085757-03-000	EA CONTROL CENTER-SWITCH- VCR/TV - MAGNADYNE VCS-6
	085777-04-000	EA PLATE-WALL- ANTENNA/POWER - BROWN

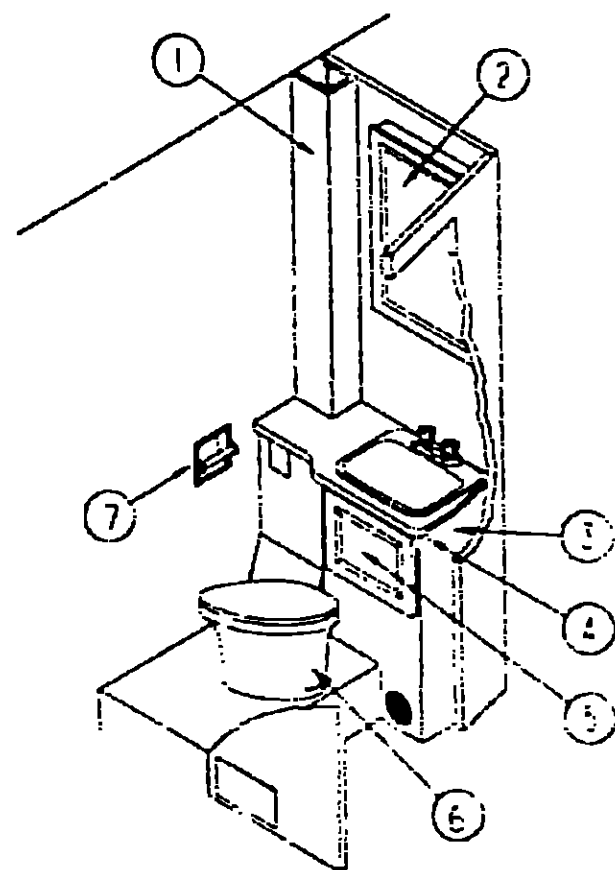
## 1992 ITASCA TABLE OF CONTENTS

INTRODUCTION	A-01	-	A-02
ABBREVIATIONS			A-03
ALPHABETICAL INDEX	A-04	-	A-05
IF427RQ	A-07	-	D-15
IF427RC	D-17	-	G-22
IF427RT	G-23	-	K-07

## 1992 IF427RT INDEX

FLOOR PLAN	G-23	-	G-24
ACCESSORIES			H-01
AUDIO VIDEO			H-02
BATH	H-03	-	H-04
BEDROOM	H-05	-	H-06
CHASSIS	H-07	-	H-09
CURTAIN & CUSHION	H-10	-	H-19
DINETTE	H-20	-	H-21
DRIVERS	H-22	-	H-24
ELECTRICAL	I-01	-	I-04
EXTERIOR BODY	I-05	-	I-11
GALLEY	I-12	-	I-15
GENERATOR			I-15
HEATING & A/C	I-17	-	I-18
INTERIOR FINISH	I-19	-	I-22
LABEL	I-23	-	J-05
LP			J-07
LOUNGE	J-03	-	J-09
SEALANTS & FASTENERS	J-10	-	J-12
WATER & SEWAGE	J-13	-	J-15
WINDOW, VENT AND EXTERIOR DOOR	J-17	-	K-07

**BATH GROUP**



**BATH & SHOWER CABINETRY & HARDWARE**

KEY	PART NUMBER	U/M DESCRIPTION
1	095927-02-C23	EA CABINET ASM - PIPE COVER
2	106744-01-C03	EA CABINET ASM-MEDICINE
3	103551-01-000	EA DOOR ASM-W/MIRROR - W/O HARDWARE - 355 X 750
3	M92359-02-C23	EA CABINET ASM-LAVATORY(US)
3	M04043-01-C23	EA CABINET ASM-LAVATORY(CSA)
	075240-05-000	EA FAUCET-LAVATORY- BONE
	091253-01-000	EA GASKET-FAUCET- LAVATORY/GALLEY
	095927-01-01A	EA SINK-LAVATORY- RECTANGULAR - PLASTIC - BONE
	095927-01-700	EA SINK-STOPPER
	095927-01-701	EA TAILPIECE-SINK
	091253-01-000	EA GASKET-FAUCET- LAVATORY/GALLEY
4	092359-13-C23	EA COUNTERTOP ASM
5	P05223-51-C03	EA DOOR ASM-W/O HARDWARE - ROUNDED - 355 X 455
6	067487-01-000	EA TOILET-12 3/4" - IVORY - HAND FLUSH - THETFORD 15011C
	063740-01-700	EA LEVER-WATER- THETFORD 12514
	063740-01-701	EA LEVER-FLUSH- THETFORD 12515
	063740-01-705	EA BOLT PACKAGE-CLOSET- THETFORD 12524
	063740-01-710	EA LINK- THETFORD 12513
	063740-01-711	EA SPRING-RETURN LEVER- THETFORD 12523
	063740-01-713	EA SEAL-BALL VALVE TO BOWL- THETFORD 12502
	063740-01-714	EA VALVE ASM-WATER- THETFORD 12492
	063740-01-715	EA SEAT & COVER- IVORY - THETFORD 15017
	063740-01-717	EA TUBE-FLUSH- TOILET - THETFORD 12509
	024575-01-000	EA FLANGE-CLOSET- TOILET - 4" X 3" - RED
	024575-02-000	EA FLANGE-CLOSET- 4" X 3" - ABS - CANADIAN
7	C75452-02-000	EA HOLDER-TOILET TISSUE- BRASS
	C75454-02-000	EA RING-TOWEL- W MOUNTING HARDWARE - BRASS

**BATH GROUP (CONTINUED )**

**BATH & SHOWER CABINETRY & HARDWARE (CONTINUED)**

KEY	PART NUMBER	U/M DESCRIPTION
	075241-05-000	EA FAUCET-SHOWER- BONE
	081614-02-000	EA DISH-SOAP - W PLASTIC COVER - BRASS
	075453-02-000	EA BAR-TOWEL - 16" BRASS
	103092-01-000	EA SHOWER HEAD - W/60" HOSE
	075505-01-000	EA PANEL-FAUCET BACK- SHOWER - 5" X 9" - PLASTIC
	M02573-03-X31	EA PAN-SHOWER- 28 1" X 31 9" - PLASTIC - OFF WHITE
	065440-01-000	EA STRAINER-SHOWER - W/RUBBER WASHER
	069735-01-000	EA WASHER-STRAINER TO TAILPIECE PLASTIC, 1.5"
	011069-02-000	EA TAILPIECE-TUB/SHOWER - 1 1/2" X 1 1/4" X 4" - BRASS
	065435-01-000	EA NUT-SLIP - TAILPIECE - 1.5"
	069735-01-000	EA WASHER-STRAINER TO TAILPIECE PLASTIC, 1.5"
	065435-01-000	EA STRAINER-NUT
	057571-01-000	EA COVER-SCREW- #8 - PLASTIC - OFF WHITE
	060507-01-000	EA PANEL-SKYLIGHT- OUTER - FLEXIGLASS - 23 25" X 20 3"
	060508-01-000	EA PANEL-SKYLITE- INNER - PLEXIGLASS - 23 25" X 20 3"
	063527-02-000	EA BRACKET-SQUEEGEE SHOWER HEAD (EXTERIOR SHOWER)

FROM 10-02-92 THRU 99-99-99

**BATH PRIVACY DOOR**

KEY	PART NUMBER	U/M DESCRIPTION
	V52429-05-535	EA DOOR ASM-BATHROOM - W/O HARDWARE
	V52429-07-535	EA DOOR ASM-SHOWER BATH - W/O HARDWARE
	009151-01-000	EA GUARD-WARP- CABINET PRIVACY DOOR - 48"
	069335-02-000	EA LATCH-BATHROOM DOOR
	M4158-01-000	EA HINGE BURNISHED BRASS

**1992 ITASCA  
TABLE OF CONTENTS**

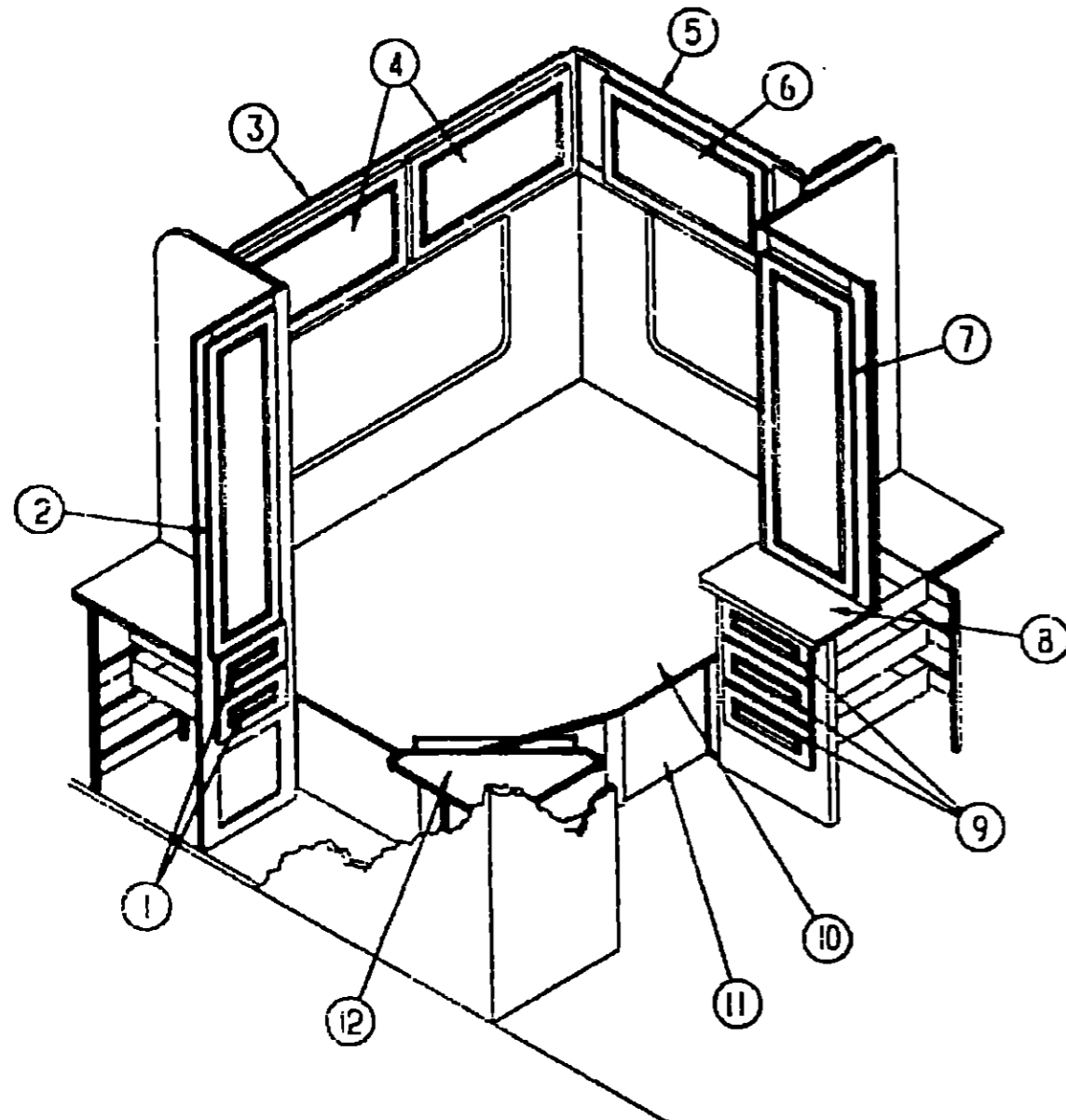
INTRODUCTION	A-01	A-02
ABBREVIATIONS		A-03
ALPHABETICAL INDEX	A-04	A-05
IF427RQ	A-07	D-16
IF427RC	D-17	G-22
IF427RT	G-23	K-07

**1992 IF427RT INDEX**

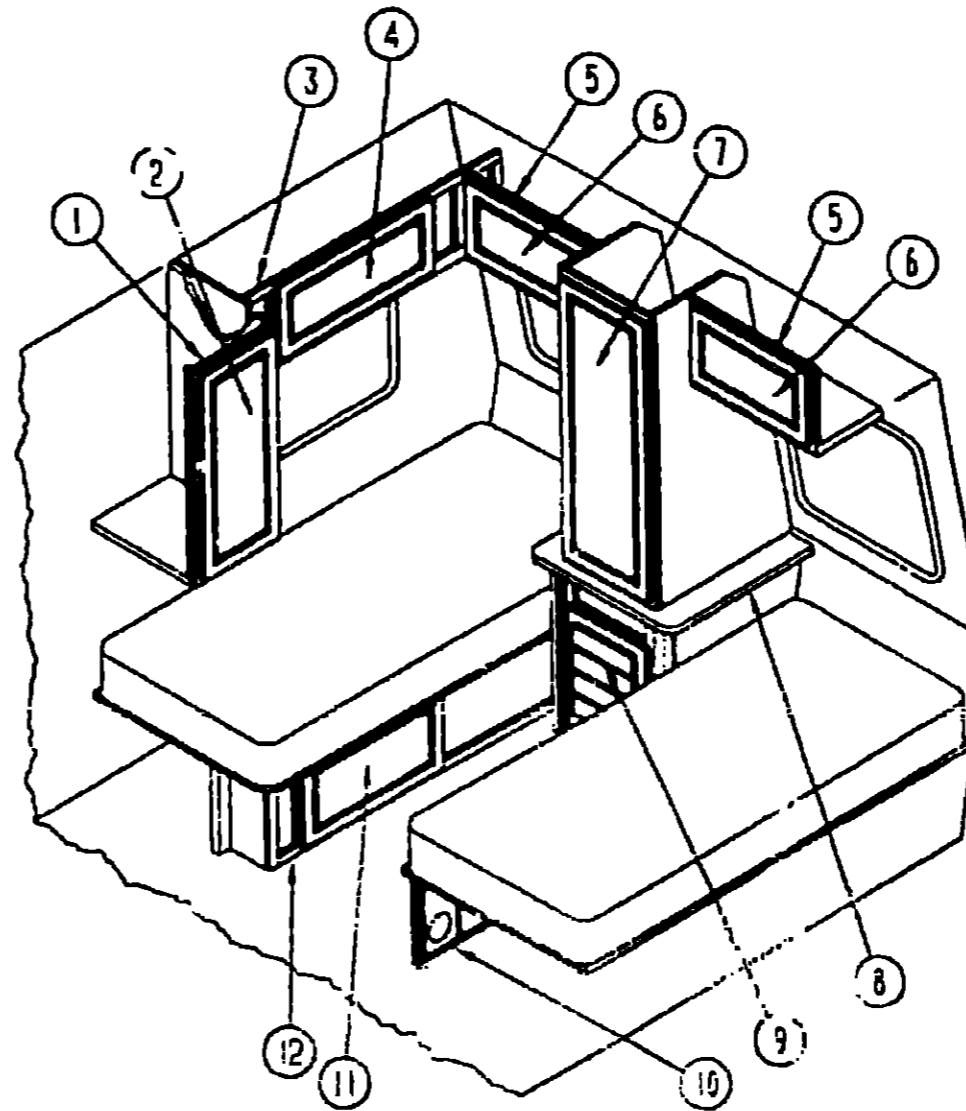
FLOOR PLAN	G-23	G-24
ACCESSORIES		H-01
AUDIO VIDEO		H-02
BATH	H-03	H-04
BEDROOM	H-05	H-06
CHASSIS	H-07	H-09
CURTAIN & CUSHION	H-10	H-15
DINETTE	H-20	H-21
DRIVERS	H-22	H-24
ELECTRICAL	I-01	I-04
EXTERIOR BODY	I-05	I-11
GALLEY	I-12	I-15
GENERATOR		I-15
HEATING & A/C	I-17	I-18
INTERIOR FINISH	I-19	I-22
LABEL	I-23	J-05
LP		J-07
LOUNGE	J-08	J-09
SEALANTS & FASTENERS	J-10	J-12
WATER & SEWAGE	J-13	J-15
WINDOW VENT AND EXTERIOR DOOR	J-17	K-07

**BEDROOM GROUP**

**BEDROOM GROUP (CONTINUED)**



**DOUBLE BEDROOM**



**TWIN BEDROOM**

**1992 ITASCA  
TABLE OF CONTENTS**

INTRODUCTION	A-01 - A-02
ABBREVIATIONS	A-03
ALPHABETICAL INDEX	A-04 - A-06
INDEX	A-07 - D-16
IF427RC	D-17 - G-22
IF427RT	G-23 - K-07

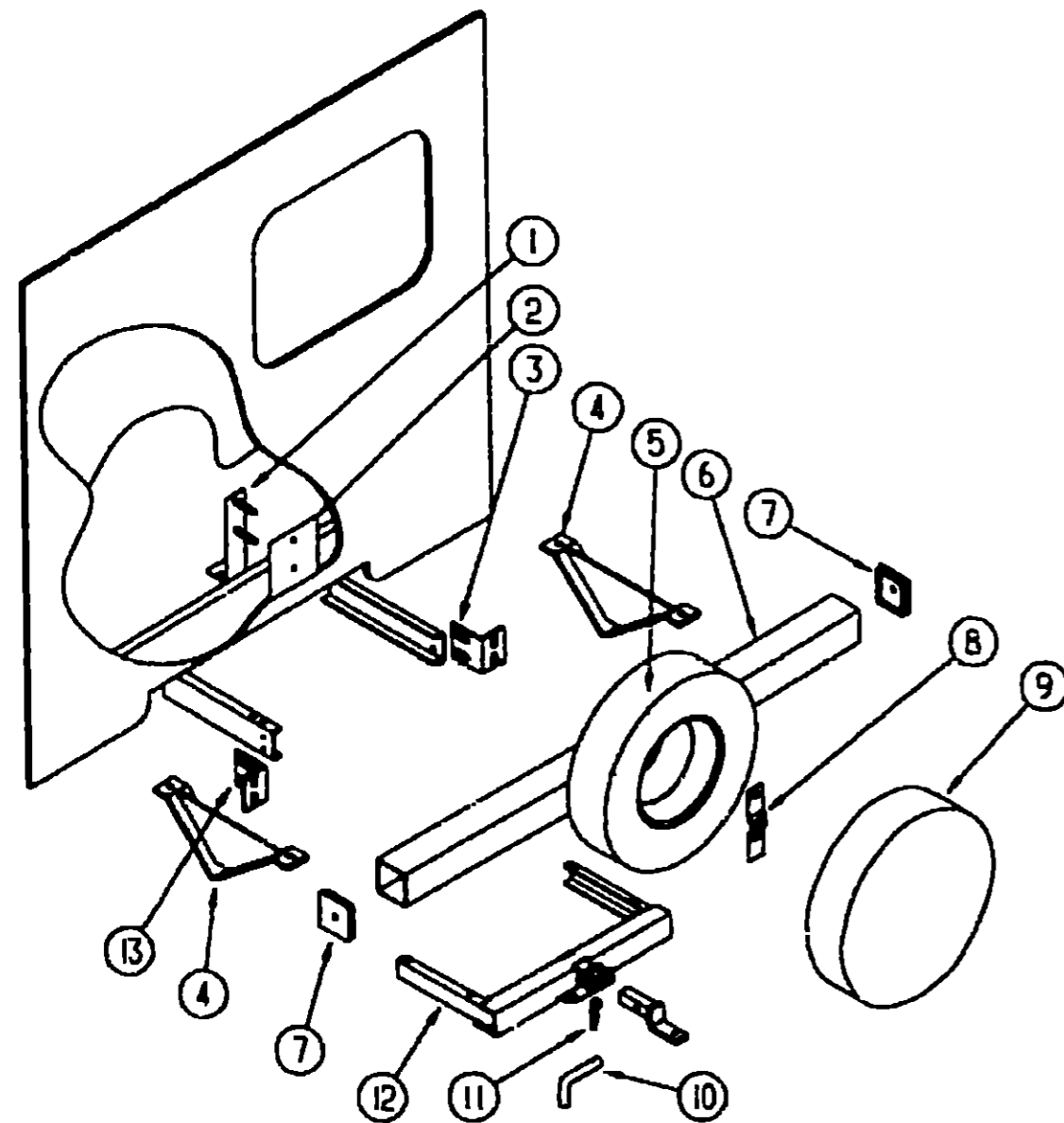
**1992 IF427RT INDEX**

FLOOR PLAN	G-23 - G-24
ACCESSORIES	H-01
AUDIO VIDEO	H-02
BATH	H-03 - H-04
BEDROOM	H-05 - H-06
CHASSIS	H-07 - H-09
CURTAIN & CUSHION	H-10 - H-19
DINETTE	H-20 - H-21
DRIVERS	H-22 - H-24
ELECTRICAL	I-01 - I-04
EXTERIOR BODY	I-05 - I-11
GALLEY	I-12 - I-15
GENERATOR	I-16
HEATING & A/C	I-17 - I-18
INTERIOR FINISH	I-19 - I-22
LABEL	I-23 - J-06
LP	J-07
LOUNGE	J-08 - J-09
SEALANTS & FASTENERS	J-10 - J-12
WATER & SEWAGE	J-13 - J-16
WINDOW, VENT AND EXTERIOR DOOR	J-17 - K-07

KEY	PART NUMBER	U/M	DESCRIPTION
1	P07104-59-C03	EA	DRAWER ASM - RADIUS
2	P05223-19-C03	EA	DOOR ASM-W/O HARDWARE-ROUNDED - 305 X 1220
3	M05523-42-C03	EA	CABINET ASM-OVERHEAD-REAR
4	P05223-05-C03	EA	DOOR ASM-W/O HARDWARE-ROUNDED - 400 X 710
5	M05523-43-C03	EA	CABINET ASM-OVERHEAD-REAR (C23)
6	M05523-43-C24	EA	CABINET ASM-OVERHEAD-REAR (C24)
7	P05223-05-C03	EA	DOOR ASM-W/O HARDWARE-ROUNDED - 400 X 710
8	P05223-27-C03	EA	DOOR ASM-W/O HARDWARE-ROUNDED - 355 X 1155
9	107352-12-C23	EA	COUNTERTOP ASM
10	107104-B1-C03	EA	DRAWER ASM - RADIUS
11	M05775-01-C03	EA	CABINET ASM-BED TOP
	057450-02-000	EA	BALL STUD-10MM BALL-5/16-18 - GAS SPRING
	057450-03-000	EA	SAFETY CUP WIREFORM TYPE - GAS SPRING
	057450-04-000	EA	GAS SPRING - FAN2PL
12	P07399-01-C03	EA	CABINET ASM - DOUBLE BED
	P05223-62-C03	EA	DOOR ASM-W/O HARDWARE-ROUNDED - 340 X 655
	107535-01-C03	EA	SHelf ASM - TV STAND
	075827-04-000	EA	BRACKET-TV STAND - 2 5" X 1 8" TR ANGLE - METAL - OFF WHITE
	075827-05-000	EA	BRACKET-TV STAND

KEY	PART NUMBER	U/M	DESCRIPTION
1	105531-01-C03	EA	CABINET ASM-SHIRT CLOSET-PASSENGER'S SIDE
2	105532-01-C03	EA	CABINET ASM-SHIRT CLOSET-DRIVER'S SIDE
3	P05223-07-C03	EA	DOOR ASM-W/O HARDWARE-ROUNDED - 305 X 1015
4	M05523-29-C03	EA	CABINET ASM-OVERHEAD - REAR-PASSENGER'S SIDE
	104335-07-C03	EA	CAP ASM-END-OVERHEAD
	M05523-28-C03	EA	CABINET ASM-OVERHEAD - REAR-DRIVER'S SIDE
	104335-06-C03	EA	CAP ASM-END-OVERHEAD
5	P05223-05-C03	EA	DOOR ASM-W/O HARDWARE-ROUNDED - 400 X 710
6	P05223-11-C23	EA	CABINET ASM-OVERHEAD - REAR
7	P05223-32-C03	EA	DOOR ASM-W/O HARDWARE-ROUNDED - 355 X 1155
8	105755-11-C03	EA	COUNTERTOP
9	P07104-03-C03	EA	DRAWER COMPLETE-SLIDE-RADIUS
10	P05806-01-C03	EA	CABINET ASM-TWIN BED-DRIVER'S SIDE
	M05738-01-C03	EA	TWIN BED TOP ASM-DRIVER'S SIDE
11	P05223-02-C03	EA	DOOR ASM-W/O HARDWARE-ROUNDED - 355 X 650
12	P05805-01-C03	EA	CABINET ASM-TWIN BED-PASSENGER'S SIDE
	M05738-02-C03	EA	TWIN BED TOP ASM-PASSENGER'S SIDE

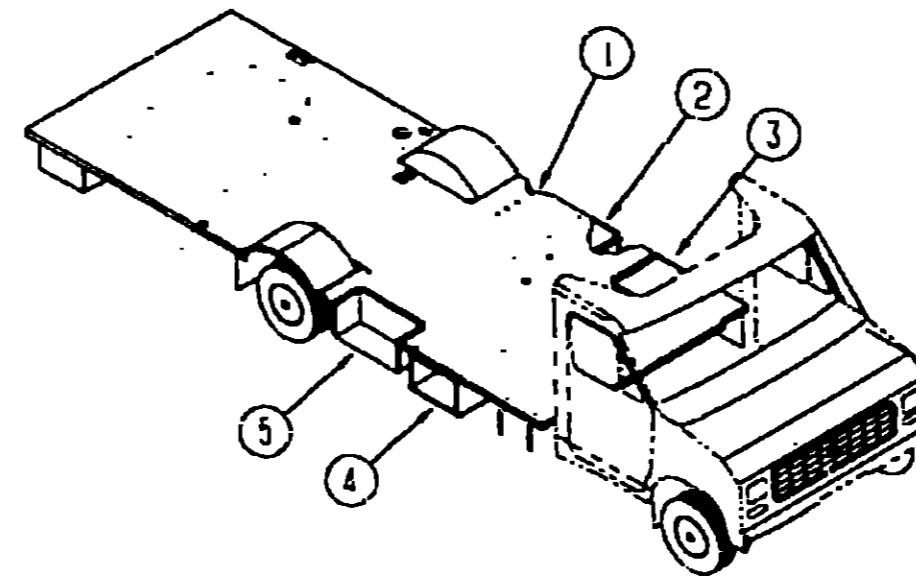
## CHASSIS GROUP



REAR BUMPER, TOWING & SPARE TIRE CARRIER

KEY	PART NUMBER	U/M DESCRIPTION
1	105209-06 C52	EA BRACKET ASM-SPARE TIRE
2	105208-01-000	EA PLATE-SPARE TIRE
3	104420-01-000	EA SUPPORT-ANGLE-BUMPER REAR-RIGHT
4	083375-01-000	EA PLATE-SKID-13 2" X 5" X 2" - STEEL
5	070917-04-000	EA TIRE-FIRESTONE- LT 215 - 65R16 LRD - 4RS (273295)
6	083425-08-000	EA TIRE-LT225/75R16 LRD MICHELIN XCH4
7	103422-02-01A	EA BUMPER-SQUARE-ALUMINUM-OFF WHITE
8	039779-01-000	EA CAP-BUMPER-RUBBER - 4" X 4" - BLACK
9	105531-02-000	EA RETAINER ASM-SPARE TIRE
10	104708-05-C23	EA COVER-TIRE-32" SUNDANCER - SILKSCREENED-OFF WHITE
11	034512-01-000	EA PIN-LOCKING-DRAWBAR
12	034513-01-000	EA PIN-HITCH-3/16" WIRE
	077617-02-000	EA HITCH-TRAILER-W/O DRAWBAR - 41 1" WIDE - STEEL - BLACK
	077613-01-000	EA DRAWBAR-HITCH-TRAILER TOWING
		FROM 00-00-00 THRU. 02-02-92
13	104420-02-000	EA SUPPORT-ANGLE-BUMPER REAR-LEFT
	097744-01-000	EA HOUSING-TRAILER PIN-12"
	097744-02-000	EA HOUSING-TRAILER PIN-48"
	097745-01-000	EA HOUSING-TRAILER RECEPTACLE-12"
	097745-01-000	EA HOUSING CAP-TRAILER PIN
	097745-02-000	EA HOUSING-RECEPTACLE-TRAILER - 48" WIRE LENGTH

## CHASSIS GROUP (CONTINUED)



COMPARTMENTS & TRAYS

KEY	PART NUMBER	U/M DESCRIPTION
1	101870-02-000	EA COMPARTMENT ASM-POWER CORD
2	104859-04-000	EA COMPARTMENT ASM-STORAGE
3	105471-05-000	EA COMPARTMENT ASM-GENERATOR
		FROM 00-00-00 THRU 03-11-92
3	105471-08-000	EA COMPARTMENT ASM GENERATOR
		FROM 03-12-92 THRU 99-99-99
4	105203-02-000	EA COMPARTMENT-BATTERY
	084993-01-000	EA STRAP-BATTERY
5	077848-01-000	EA STEP-PULLOUT-W/BRACKETS - BLACK
5	077848-02-000	EA STEP-PULLOUT
5	091175-01-000	EA SUPPORT-BASE-ENTRANCE STEP
5	075241-10-000	EA SUPPORT-STEP- ENTRY DOOR
	076241-01-000	EA BOX-SUPPORT- ENTRY DOOR STEP
		FROM 00-00-00 THRU 02-03-92
	105208-01-01A	EA COMPARTMENT-EXTERIOR SHOWER - OFF WHITE PLASTIC
	059027-01-000	FT SEAL- D SHAPED - HOLLOW - SPONGE RUBBER - BLACK
	088270-01-000	FT SEAL-BULB- W/WIRE RIGID U-CHANNEL - 5" - RUBBER - BLACK
	055748-01-000	EA PLUG-CAP- 1 5" DIAMETER - BLACK
	009055-01-000	EA HINGE-CONTINUOUS - AL 1 1/16 X 72 PLAIN

CHASSIS MISCELLANEOUS

KEY	PART NUMBER	U/M DESCRIPTION
	091182-01-000	EA HEAT SHIELD
	084993-01-000	EA STRAP-BATTERY
	088498-01-000	EA UNION-INVERTED FLARE- BRASS - 3/16-BRAKE LINE

MUDFLAPS, TIRES AND WHEELS

KEY	PART NUMBER	U/M DESCRIPTION
	017515-01-000	EA FLAP-MUD- 14" X 18" - BLACK
	045731-04-000	EA GUARD-ROCK- REAR
	055278-51-259	EA TUBING-STEEL- 75" X 1 5" X 12 5"
	054059-01-700	EA FLAP-MUD- FRONT - SET OF 2 - RUBBER - BLACK
	051377-01-000	EA STEM-VALVE- TR 500
	077030-02-000	EA EXTENSION-VALVE STEM- 1 25"
	095012-03-000	EA EXTENSION-VALVE STEM- DUAL WHEEL
	070917-04-000	EA TIRE-FIRESTONE- LT 215 - 65R16 LRD - 4RS (273295)
	083425-08-000	EA TIRE-LT225/75R16 LRD - MICHELIN XCH4
	083617-01-000	EA WHEEL-FORD- 5 00 X 16 0 - 6 HOLE - FIRESTONE
	033517-03-000	EA WHEEL-STEEL- 16 0X6 - ACCURIDE 29518
	095322-01-000	EA WHEELWELL-PLASTIC

## 1992 ITASCA TABLE OF CONTENTS

INTRODUCTION	A-01 - A-02
ABBREVIATIONS	A-03
ALPHABETICAL INDEX	A-04 - A-06
IF427RD	A-07 - D-15
IF427RC	D-17 - G-22
IF427RT	G-23 - K-07

## 1992 IF427RT INDEX

FLOOR PLAN	G-23 - G-24
ACCESSORIES	H-01
AUDIO VIDEO	H-02
BATH	H-03 - H-04
BEDROOM	H-05 - H-06
CHASSIS	H-07 - H-09
CURTAIN & CUSHION	H-10 - H-19
DINETTE	H-20 - H-21
DRIVERS	H-22 - H-24
ELECTRICAL	I-01 - I-04
EXTERIOR BODY	I-05 - I-11
GALLEY	I-12 - I-15
GENERATOR	I-16
HEATING & A/C	I-17 - I-18
INTERIOR FINISH	I-19 - I-22
LABEL	I-23 - J-05
LP	J-07
LOUNGE	J-08 - J-09
SEALANTS & FASTENERS	J-10 - J-12
WATER & SEWAGE	J-13 - J-15
WINDOW, VENT AND EXTERIOR DOOR	J-17 - K-07

## CHASSIS GROUP (CONTINUED)

### DRIVESHAFT

KEY	PART NUMBER	U/M	DESCRIPTION
	103553-05-700	EA	DRIVESHAFT ASM-BALANCED PAIR E350182*WB(153)
	074833-01-000	EA	SPACE BEARING DRIVESHAFT - 2" X 5" X 5" THICK

### WHEEL LINERS & COVERS

KEY	PART NUMBER	U/M	DESCRIPTION
	091209-11-000	EA	LINER-WHEEL-SET 4 E350-KAFER II (FORD)
	091209-10-700	EA	COVER-AXLE-FRONT - 8 LUG - FORD
	091209-10-701	EA	COVER-AXLE-REAR - 8 LUG - FORD
	091209-10-705	EA	COVER-LUG NUT
	091209-11-700	EA	LINER-WHEEL-FRONT - 8 LUG - FORD
	091209-11-701	EA	LINER-WHEEL-REAR - 8 LUG - FORD
	093181-01-000	EA	COVER-WHEEL-15" - SET OF FOUR
	093181-01-700	EA	COVER-WHEEL-15" - 8 LUG - 1 ONLY

### FUEL SYSTEM COMPONENTS

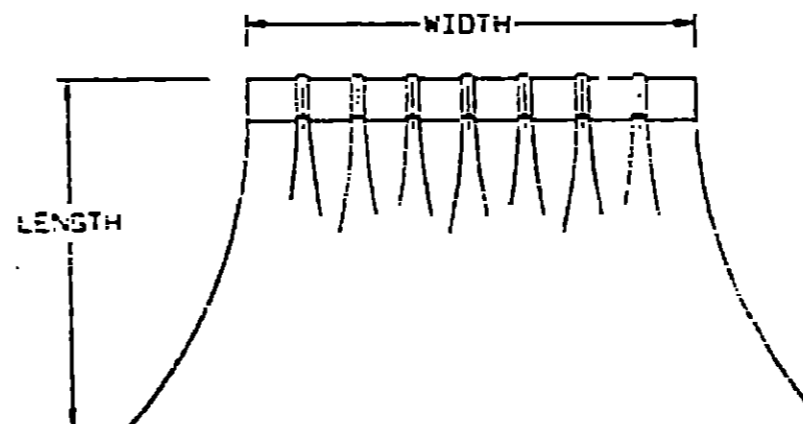
KEY	PART NUMBER	U/M	DESCRIPTION
	007053-01-000	FT	HOSE - GAS - 1/4" ID X 12" OD
	024138-01-000	FT	HOSE - FUEL - 3/8" ID
			FROM 00-00-01 TRU 02-27-92
	078040-05-000	EA	SHROUD - FUEL FILL - UPPER
	078200-01-000	EA	GASKET - FUEL FILL - 3.5" OD X 2" ID
	102551-01-02A	EA	SHROUD - FUEL FILL - OFF WHITE

## CURTAIN & CUSHION GROUP

### NOTICE

IN ORDER TO ASSIST OUR PARTS SALES DEPT IN PROVIDING INTERIOR SOFTWARE ITEMS, PLEASE INCLUDE THE SERIAL NUMBER AND THE COLOR CODE NUMBER FROM THE VEHICLE CERTIFICATION LABEL WHEN ORDERING. THIS LABEL IS LOCATED ON THE LEFT SIDEWALL AT THE END OF THE DASH (A-BODY) OR ON THE DRIVER'S DOOR LATCH PLATE (C-BODY).

AN EXAMPLE OF A COLOR CODE NUMBER IS 307, WHICH DESIGNATES AN OVERALL COLOR SCHEME OF A PARTICULAR UNIT. THE COLOR LISTED AFTER THE ITEM DESCRIPTION ON THE MICROFICHE, INDICATES THE OVERALL UNIT COLOR. ORDER THE ITEM YOU DESIRE ACCORDING TO UNIT COLOR CODE.



NOTE: USE THIS ILLUSTRATION WHEN DETERMINING LENGTH AND WIDTH MEASUREMENTS FOR CURTAINS. YOU WILL NOTE THE WIDTH MEASUREMENT IS TAKEN ON THE TOP OF THE CURTAIN WITH THE CURTAIN FULLY EXTENDED. THE LENGTH MEASUREMENT IS TAKEN FROM TOP TO BOTTOM.

### FABRIC

KEY	PART NUMBER	U/M	DESCRIPTION
	072333-82-000	YD	FABRIC-CURTAIN-54" WIDE - BEIGE
	103907-01-01A	YD	FABRIC-VINYL-54" WIDE - OFF WHITE
	075244-04-000	YD	FABRIC-VINYL-SHOWER CURTAIN - 72" WIDE - SALMON(C23)
	075244-05-000	YD	FABRIC-VINYL-SHOWER CURTAIN - 72" WIDE - ROBIN BLUE(C24)
	088273-73-000	YD	FABRIC-CURTAIN-BEDSPREAD-PATTERNED - 54" WIDE(C23)
	088273-70-000	YD	FABRIC-CURTAIN-BEDSPREAD-PATTERNED - 54" WIDE(C24)
	088273-72-000	YD	FABRIC-CURTAIN-BEDSPREAD-PLAIN - 54" WIDE (C23)
	088273-67-000	YD	FABRIC-CURTAIN-BEDSPREAD-PLAIN - 54" WIDE (C24)
	095008-90-000	YD	FABRIC-UPHOLSTERY-CURTAIN - PATTERNED WOVEN - 54" WIDE (C23)
	095008-83-000	YD	FABRIC-UPHOLSTERY-CURTAIN - PATTERNED WOVEN - 54" WIDE (C24)
	104233-28-000	YD	FABRIC-UPHOLSTERY-CURTAIN - PLAIN - 54" WIDE(C23)
	104233-27-000	YD	FABRIC-UPHOLSTERY-CURTAIN - PLAIN - 54" WIDE(C24)
	095008-91-000	YD	FABRIC-UPHOLSTERY-DOTTED VELOUR - 54" (C23)
	104233-23-000	YD	FABRIC-UPHOLSTERY-VANDERBILT-ICE BLUE (C24)

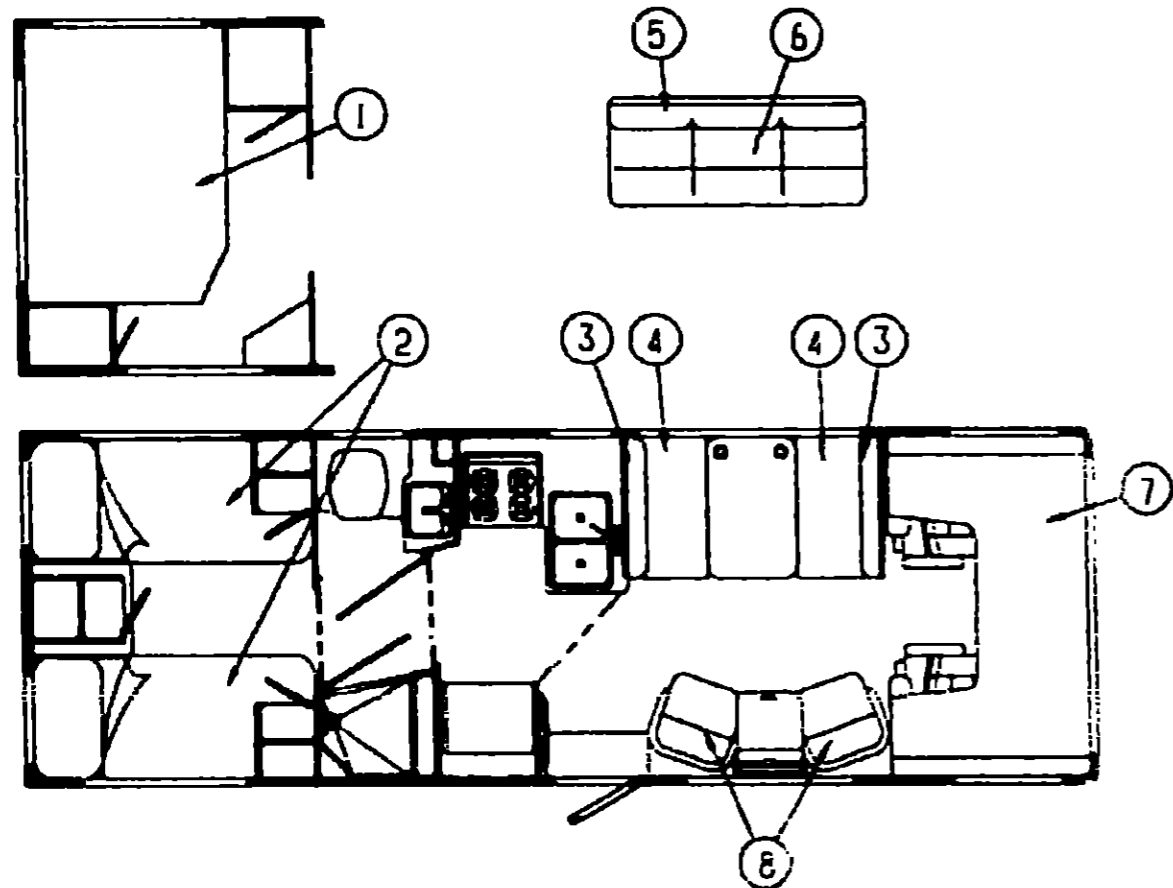
## 1992 ITASCA TABLE OF CONTENTS

INTRODUCTION	A-01 - A-02
ABBREVIATIONS	A-03
ALPHABETICAL INDEX	A-04 - A-05
IF427RQ	A-07 - D-16
IF427RC	D-17 - G-22
IF427RT	G-23 - K-07

## 1992 IF427RT INDEX

FLOOR PLAN	G-23 - G-24
ACCESSORIES	H-01
AUDIO VIDEO	H-02
BATH	H-03 - H-04
BEDROOM	H-05 - H-06
CHASSIS	H-07 - H-09
CURTAIN & CUSHION	H-10 - H-19
DAKETTE	H-20 - H-21
EXTERIORS	H-22 - H-24
ELECTRICAL	I-01 - I-04
EXTERIOR BODY	I-05 - I-11
GALLEY	I-12 - I-15
GENERATOR	I-16
HEATING & A/C	I-17 - I-18
INTERIOR FINISH	I-19 - I-22
LABEL	J-23 - J-26
LP	J-07
LOUNGE	J-08 - J-09
SEALANTS & FASTENERS	J-10 - J-12
WATER & SEWAGE	J-13 - J-15
WINDOW VENT AND EXTERIOR DOOR	J-17 - K-07

**CURTAIN & CUSHION GROUP (CONTINUED)**



**DOUBLE BEDSPREAD, PILLOW & MATTRESS**

KEY	PART NUMBER	U/M DESCRIPTION
1	065365-08-B67	EA BEDSPREAD-54"THROW W/ROUNDED CORNER (C23)
1	065365-08-B68	EA BEDSPREAD-54"THROW W/ROUNDED CORNER (C24)
1	101123-C3-000	EA MATTRESS-DOUBLE- 53" X 74"
1	P01123-03-000	EA COVER-MATTRESS-DOUBLE- 53" X 74"
	081997-09-C23	EA SHAM ASM-PILLOW W/1/2"WELT
	081997-09-C24	EA SHAM ASM-PILLOW W/1/2"WELT

**TWIN BEDSPREAD, PILLOW & MATTRESS**

KEY	PART NUMBER	U/M DESCRIPTION
2	065365-07-B67	EA BEDSPREAD-33"THROW W/ROUNDED CORNER (C23)
2	065365-07-B68	EA BEDSPREAD-33"THROW W/ROUNDED CORNER (C24)
2	101123-C2-000	EA MATTRESS-TWIN- 32" X 74"
2	P01123-03-000	EA COVER-MATTRESS-TWIN- 32" X 74"
	081997-09-C23	EA SHAM ASM-PILLOW W/1/2"WELT
	081997-09-C24	EA SHAM ASM-PILLOW W/1/2"WELT

**CURTAIN & CUSHION GROUP (CONTINUED)**

**DINETTE CUSHIONS**

KEY	PART NUMBER	U/M DESCRIPTION
3	104164-01-C25	EA CUSHION-13 5X38X5-FAN VICTORIAN(C23) FROM 00-00-00 THRU 12-01-91
3	104164-01-C26	EA CUSHION-13 5X38X5-FAN VICTORIAN(C24) FROM 00-00-00 THRU 12-01-91
	P04164-01-C25	EA COVER-13 5X38X5-FAN VICTORIA(C23) FROM 00-00-00 THRU 12-01-91
	P04164-01-C26	EA COVER-13 5X38X5-FAN VICTORIA(C24) FROM 00-00-00 THRU 12-01-91
3	104164-05-C25	EA CUSHION-13 5X38X5-FAN VICTORIAN(C23) FROM 12-02-91 THRU 99-99-99
3	104164-05-C26	EA CUSHION-13 5X38X5-FAN VICTORIAN(C24) FROM 12-02-91 THRU 99-99-99
	P04164-05-C25	EA COVER-13 5X38X5-FAN VICTORIA(C23) FROM 12-02-91 THRU 99-99-99
	P04164-05-C26	EA COVER-13 5X38X5-FAN VICTORIA(C24) FROM 12-02-91 THRU 99-99-99
4	104164-02-C25	EA CUSHION-21X38X5-DINETTE SEAT(C23)
4	104164-02-C26	EA CUSHION-21X38X5-DINETTE SEAT(C24)
	P04164-02-C25	EA COVER-21X38X5-DINETTE SEAT(C23)
	P04164-02-C26	EA COVER-21X38X5-DINETTE SEAT(C24)
	078155-01-000	EA STRAP-SMALL BACKREST CUSHION

**COUCH**

KEY	PART NUMBER	U/M DESCRIPTION
5	100032-09-B67	EA BED-PRESTO-TUCK BACK-65 5"(C23)
5	100032-09-B68	EA BED-PRESTO-TUCK BACK-65 5"(C24)
	P00032-09-B67	EA COVER-PRESTO-TUCK BACK-65 5"(C23)
	P00032-09-B68	EA COVER-PRESTO-TUCK BACK-65 5"(C24)
	101085-C2-000	EA FRAME-BACK- COUCH - 65 5"
5	100032-10-B67	EA BED-PRESTO-TUCK SEAT-65 5"(C23)
5	100032-10-B68	EA BED-PRESTO-TUCK SEAT-65 5"(C24)
	P00032-10-B67	EA COVER-PRESTO-TUCK SEAT-65 5"(C23)
	P00032-10-B68	EA COVER-PRESTO-TUCK SEAT-65 5"(C24)
	101085-01-000	EA FRAME-SEAT- COUCH - 65 5"
	101085-03-000	EA FRAME-BASE- COUCH - 65 5"

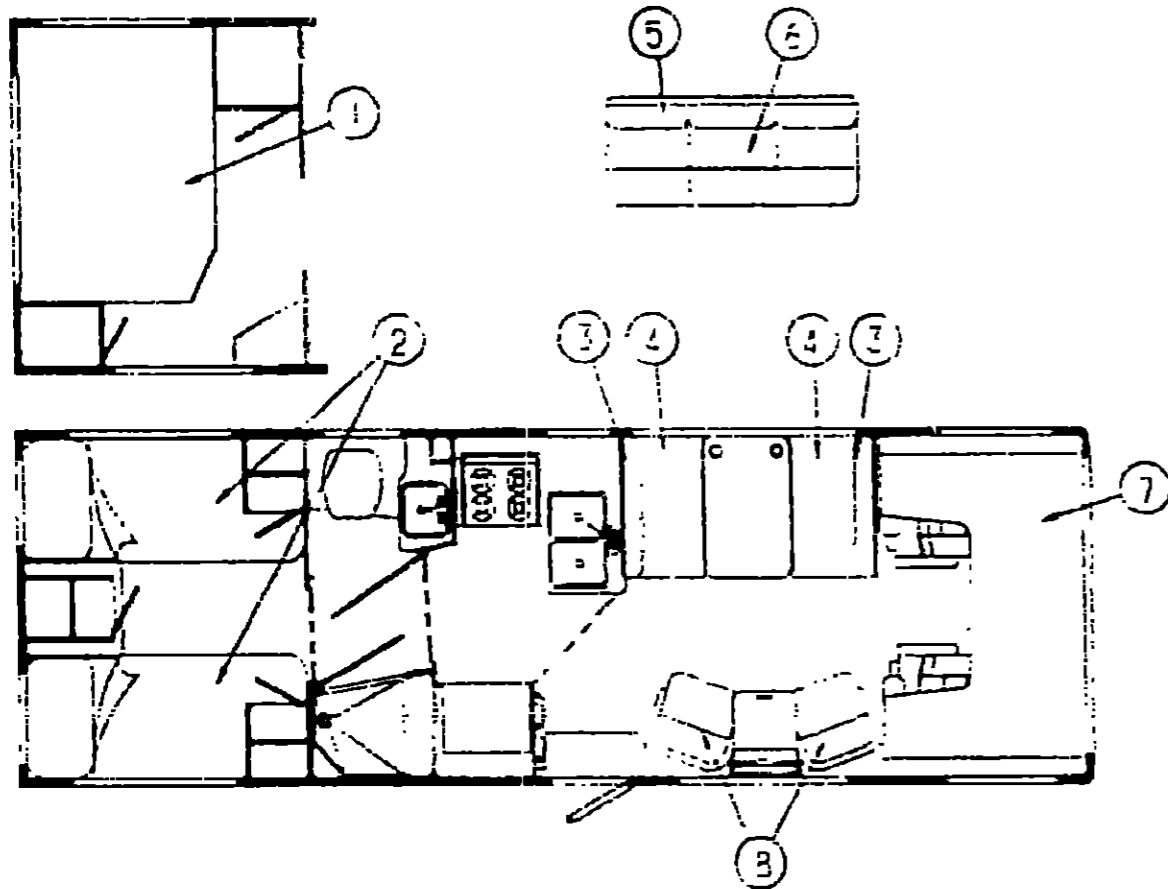
**1992 ITASCA  
TABLE OF CONTENTS**

INTRODUCTION	A-01 - A-01
ABBREVIATIONS	A-02 - A-03
ALPHABETICAL INDEX	A-04 - A-05
IF427RO	A-07 - D-16
IF427RC	D-17 - G-22
IF427RT	G-23 - K-07

**1992 IF427RT INDEX**

FLOOR PLAN	G-23 - G-24
ACCESSORIES	H-01
AUDIO VIDEO	H-02
BATH	H-03 - H-04
BEDROOM	H-05 - H-06
CHASSIS	H-07 - H-09
CURTAIN & CUSHION	H-10 - H-19
DINETTE	H-20 - H-21
DRIVERS	H-22 - H-24
ELECTRICAL	I-01 - I-04
EXTERIOR BODY	I-05 - I-11
GALLEY	I-12 - I-15
GENERATOR	I-16
HEATING & A/C	I-17 - I-18
INTERIOR FINISH	I-19 - I-22
LABEL	I-23 - J-05
LP	J-07
LOUNGE	J-08 - J-09
SEALANTS & FASTENERS	J-10 - J-12
WATER & SEWAGE	J-13 - J-16
WINDOW VENT AND EXTERIOR DOOR	J-17 - K-07

**CURTAIN & CUSHION GROUP (CONTINUED)**



**BUNK CUSHIONS**

KEY	PART NUMBER	U/M DESCRIPTION
8	095429-C7-257	EA CHAIR-SWIVEL - W/O BASE, PIPE, PLATE OR SKIRT(C23)
8	095429-C7-553	EA CHAIR-SWIVEL - W/O BASE, PIPE, PLATE OR SKIRT(C24)
	M95429-C7-937	EA COVER-SWIVEL CHAIR(C23)
	M95429-C7-955	EA COVER-SWIVEL CHAIR(C24)
	095202-C4-637	EA SKIRT-SWIVEL CHAIR(C23)
	095202-C4-658	EA SKIRT-SWIVEL CHAIR(C24)
	065535-C3-000	EA FEDESTAL-LOWER-W/EXTENSION - 9" X 5" - STEEL
	093431-G2-000	EA BASE-FEDESTAL-W/10" EXTENSION
	007221-01-000	EA SPACER-SEAT-ADJUSTER
	065246-C6-030	EA ADJUSTER-SWIVEL CHAIR- MANUAL - FORWARD & BACK
	065246-07-000	EA ADJUSTER-SWIVEL CHAIR-W/LOCKING ARM - FORWARD & BACK
	033432-01-000	EA SHROUD-PEDESTAL-13" - PLASTIC - BLACK

**SWIVEL CHAIR**

**1992 ITASCA  
TABLE OF CONTENTS**

INTRODUCTION	A-01 - A-02
ABBREVIATIONS	A-03
ALPHABETICAL INDEX	A-04 - A-05
IF427RD	A-07 - D-15
IF427RC	D-17 - G-22
IF427RT	G-23 - K-07

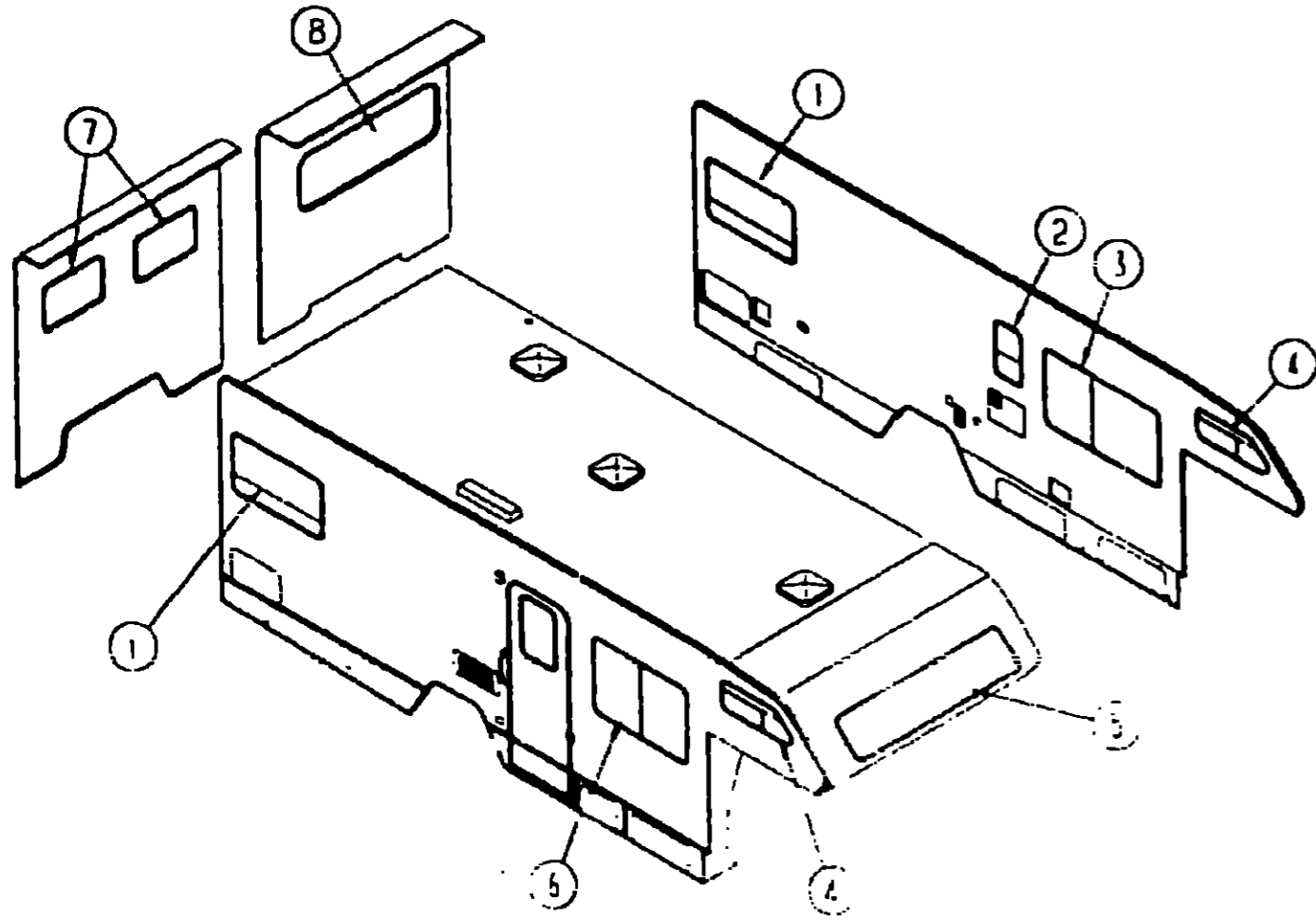
**1992 IF427RT INDEX**

FLOOR PLAN	G-23 - G-24
ACCESSORIES	H-01
AUDIO VIDEO	H-02
BATH	H-03 - H-04
BEDROOM	H-05 - H-06
CHASSIS	H-07 - H-09
CURTAIN & CUSHION	H-10 - H-19
DINETTE	H-20 - H-21
DRIVERS	H-22 - H-24
ELECTRICAL	I-01 - I-04
EXTERIOR BODY	I-05 - I-11
GALLEY	I-12 - I-15
GENERATOR	I-16
HEATING & A/C	I-17 - I-19
INTERIOR FINISH	I-19 - I-22
LABEL	I-23 - J-05
LP	J-07
LOUNGE	J-08 - J-09
SEALANTS & FASTENERS	J-10 - J-12
WATER & SEWAGE	J-13 - J-15
WINDOW, VENT AND EXTERIOR DOOR	J-17 - K-07

KEY	PART NUMBER	U/M DESCRIPTION
7	105573-01-C03	EA CUSHION-OVERHEAD-FRONT-32 X 79 X 5 FROM 00-00-00 THRU 01-12-92
7	105573-01-C04	EA CUSHION-OVERHEAD-FRONT-31 X 79 X 5 FROM 00-00-00 THRU 01-12-92
	P05573-01-C03	EA COVER-OVERHEAD-FRONT-32 X 79 X 5 FROM 00-00-00 THRU 01-12-92
	P05573-01-C04	EA COVER-OVERHEAD-FRONT-32 X 79 X 5 FROM 00-00-00 THRU 01-12-92
7	105573-02-C03	EA CUSHION-OVERHEAD-REAR-28 X 79 X 5 FROM 00-00-00 THRU 01-12-92
7	105573-02-C04	EA CUSHION-OVERHEAD-REAR-28 X 79 X 5 FROM 00-00-00 THRU 01-12-92
	P05573-02-C03	EA COVER-OVERHEAD-REAR-28 X 79 X 5 FROM 00-00-00 THRU 01-12-92
	P05573-02-C04	EA COVER-OVERHEAD-REAR-28 X 79 X 5 FROM 00-00-00 THRU 01-12-92
7	105573-07-C03	EA CUSHION-OVERHEAD-FRONT-32 5 X 60 X 5 FROM 01-13-92 THRU 99-99-99
7	105573-07-C04	EA CUSHION-OVERHEAD-FRONT-32 5 X 60 X 5 FROM 01-13-92 THRU 99-99-99
	P05573-07-C03	EA COVER-OVERHEAD-FRONT-32 5 X 60 X 5 FROM 01-13-92 THRU 99-99-99
	P05573-07-C04	EA COVER-OVERHEAD-FRONT-32 5 X 60 X 5 FROM 01-13-92 THRU 99-99-99
7	105573-08-C03	EA CUSHION-OVERHEAD-REAR-27 X 23 X 50 X 5 FROM 01-13-92 THRU 99-99-99
7	105573-08-C04	EA CUSHION-OVERHEAD-REAR-27 X 23 X 50 X 5 FROM 01-13-92 THRU 99-99-99
	P05573-08-C03	EA COVER-OVERHEAD-REAR-27 X 23 X 50 X 5 FROM 01-13-92 THRU 99-99-99
	P05573-08-C04	EA COVER-OVERHEAD-REAR-27 X 23 X 50 X 5 FROM 01-13-92 THRU 99-99-99
	102285-12-C00	YD TANK CART BUND #474 LT TAN ES-CD 114"



**CURTAIN & CUSHION GROUP (CONTINUED)**



**CURTAINS & WINDOW TREATMENT**

KEY	PART NUMBER	U/M	DESCRIPTION
1	076892-10-C03	EA	CURTAIN ASM - 25" X 20" - PLAIN HEM T&B (C03)
1	076892-10-C24	EA	CURTAIN ASM - 25" X 20" - PLAIN HEM T&B (C24)
1	094552-19-C23	EA	VALANCE ASM - 47" - W/DOUBLE WELT
1	094552-19-C24	EA	VALANCE ASM - 47" - W/DOUBLE WELT
1	093465-30-C23	EA	VALANCE ASM - RUFFLED-W/DOUBLE WELT - 8" X 35"
1	093465-30-C24	EA	VALANCE ASM - RUFFLED-W/DOUBLE WELT - 8" X 35"
1	084755-39-C03	EA	SHADE ASM - PULL - 25 25" - LINEN-NO TRIM
1	084755-39-C24	EA	SHADE ASM - PULL - 25 25" - LINEN-NO TRIM
2	105323-03-C23	EA	VALANCE ASM - 44" TIBET
2	105323-04-C24	EA	VALANCE ASM - 44" TIBET
2	084755-85-C03	EA	SHADE ASM - PULL - 42 25" - W/BRAID (C03)
2	084755-85-C24	EA	SHADE ASM - PULL - 42 25" - W/BRAID (C24)
3	076892-09-C03	EA	CURTAIN ASM - 31" X 20" - PLAIN HEM T&B (C03)
3	076892-09-C24	EA	CURTAIN ASM - 31" X 20" - PLAIN HEM T&B (C24)
3	105363-01-C23	EA	VALANCE ASM - 65" TIBET
3	105323-02-C24	EA	VALANCE ASM - 65" TIBET
3	084755-81-C03	EA	SHADE ASM - PULL - 42 25" - LINEN (C03)
3	084755-81-C24	EA	SHADE ASM - PULL - 42 25" - LINEN (C24)
4	101034-06-C03	EA	CURTAIN ASM - 15" X 20" - TAPE TOP & BOTTOM (C03)
4	101034-06-C24	EA	CURTAIN ASM - 15" X 20" - TAPE TOP & BOTTOM (C24)
5	101034-11-C03	EA	CURTAIN ASM - 21" X 45" - DART - DITARE (C03)
5	101034-11-C24	EA	CURTAIN ASM - 21" X 45" - DART - DITARE (C24)
6	076892-11-C03	EA	CURTAIN ASM - 25" X 20" - PLAIN HEM T&B (C03)
6	076892-11-C24	EA	CURTAIN ASM - 25" X 20" - PLAIN HEM T&B (C24)
6	105323-15-C23	EA	VALANCE ASM - 44" TIBET
6	105323-15-C24	EA	VALANCE ASM - 44" TIBET
6	084755-09-C03	EA	SHADE ASM - PULL - 42 25" - W/BRAID (C03)
6	084755-09-C24	EA	SHADE ASM - PULL - 42 25" - W/BRAID (C24)

**CURTAIN & CUSHION GROUP (CONTINUED)**

**CURTAINS & WINDOW TREATMENT (CONT)**

KEY	PART NUMBER	U/M	DESCRIPTION
7	076892-11-C03	EA	CURTAIN ASM - 25" X 20" - PLAIN HEM T&B (C23)
7	076892-11-C24	EA	CURTAIN ASM - 25" X 20" - PLAIN HEM T&B (C24)
7	094552-21-C23	EA	VALANCE ASM - 29" - W/DOUBLE WELT
7	094552-21-C24	EA	VALANCE ASM - 29" - W/DOUBLE WELT
7	093465-32-C23	EA	VALANCE ASM - RUFFLED-W/DOUBLE WELT - 8" X 35"
7	093465-32-C24	EA	VALANCE ASM - RUFFLED-W/DOUBLE WELT - 8" X 35"
7	084755-39-C23	EA	SHADE ASM - PULL - 25 25" - LINEN-NO TRIM
7	084755-39-C24	EA	SHADE ASM - PULL - 25 25" - LINEN-NO TRIM
8	076892-09-C03	EA	CURTAIN ASM - 31" X 20" - PLAIN HEM T&B (C23)
8	076892-09-C24	EA	CURTAIN ASM - 31" X 20" - PLAIN HEM T&B (C24)
8	094552-18-C23	EA	VALANCE ASM - 52" - W/DOUBLE WELT
8	094552-18-C24	EA	VALANCE ASM - 52" - W/DOUBLE WELT
8	093465-29-C23	EA	VALANCE ASM - RUFFLED-W/DOUBLE WELT - 8" X 58"
8	093465-29-C24	EA	VALANCE ASM - RUFFLED-W/DOUBLE WELT - 8" X 58"
8	084755-77-C03	EA	SHADE ASM - FULL - 49 25" - LINEN-NO TRIM
8	076892-06-B05	EA	CURTAIN ASM - SNAP TOP - WINGWALL PRIVACY - 40" X 72" - BEIGE
8	084481-10-B05	EA	CURTAIN ASM - SHOWER - VINYL - 32" X 70" (C23)
8	084481-10-B06	EA	CURTAIN ASM - SHOWER - VINYL - 32" X 70" (C24)
8	101558-05-B05	EA	CURTAIN ASM - 30" X 50" - RIGHT - TAPE TOP
8	101558-05-B06	EA	CURTAIN ASM - 30" X 50" - LEFT - TAPE TOP
8	101220-04-C03	EA	TIEBACK CURTAIN - 3" X 16" (C23)
8	101220-04-C04	EA	TIEBACK CURTAIN - 3" X 16" (C24)
8	101220-04-B05	EA	TIEBACK CURTAIN - 3" X 18" (C23)
8	101220-04-B06	EA	TIEBACK CURTAIN - 3" X 18" (C24)
8	081280-46-C04	EA	TIEBACK - CLEAR PLASTIC
8	081280-46-C05	EA	TIEBACK - CLEAR PLASTIC

**ASSIST HANDLE & SEATBELTS**

KEY	PART NUMBER	U/M	DESCRIPTION
8	076892-01-C23	YD	WELTING FABRIC (C23)
8	076892-01-C24	YD	WELTING FABRIC (C24)
8	084481-01-C03	YD	TRIM BRAD CURTAIN - FULL (C03)
8	084481-01-C04	YD	TRIM BRAD CURTAIN - BLUE (C04)
8	081280-01-C03	EA	TIEBACK DOWN-BED CURTAIN DOOR - 3" - CLEAR PLASTIC
8	081280-01-C04	EA	TIEBACK DOWN-BED CURTAIN DOOR - 3" - CLEAR PLASTIC
8	081280-01-B05	EA	HANDLE ASSIST - INTERIOR ENTRY DOOR - VINYL - OFF WHITE
8	081280-01-B06	EA	BRACKET MOUNTING - ASSIST HANDLE - 1/2" ANGLE - W HOLES - ST
8	081280-01-C05	EA	BOLT - DASH - ASSIST HANDLE - 7/16" - 1/4 X 1" ZN
8	081280-01-C06	EA	NUT - DASH - ASSIST HANDLE - 7/16" - 1/4 ZN
8	081280-01-C07	EA	WASHER BRACKET - SEAT BELT - 1" DIAMETER
8	081280-01-C08	EA	BOLT - SEAT - 2" X 20" - BLACK

**1992 ITASCA  
TABLE OF CONTENTS**

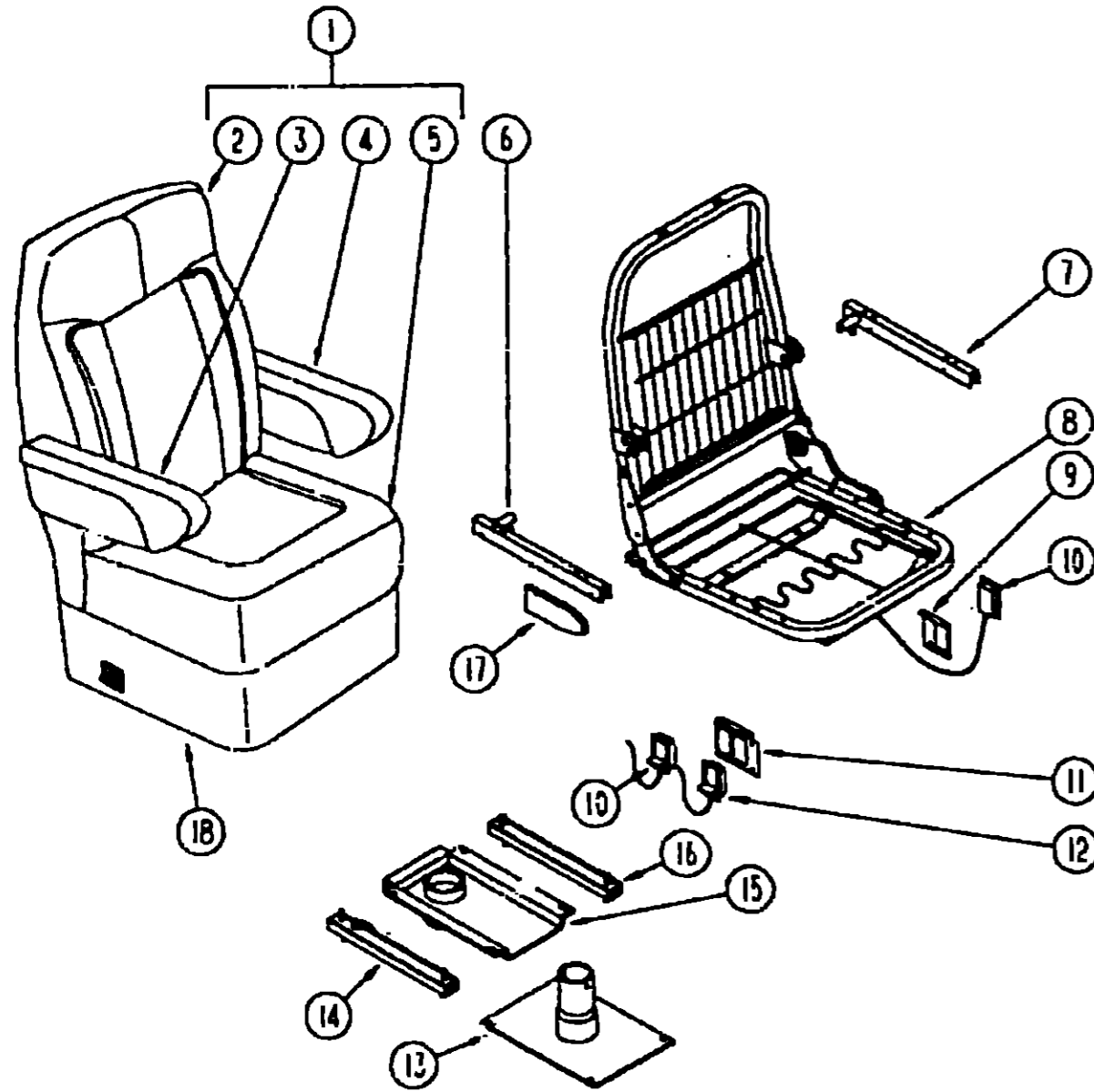
INTRODUCTION	A-01 - A-02
ABBREVIATIONS	A-03
ALPHABETICAL INDEX	A-04 - A-05
IF427RO	A-07 - D-15
IF427RC	D-17 - G-22
IF427RT	G-23 - K-37

**1992 IF427RT INDEX**

FLOOR PLAN	G-23 - G-24
ACCESSORIES	H-01
AUDIO VIDEO	H-02
BATH	H-03 - H-04
BEDROOM	H-05 - H-06
CHASSIS	H-07 - H-09
CURTAIN & CUSHION	H-10 - H-19
DINETTE	H-20 - H-21
DRIVERS	H-22 - H-24
ELECTRICAL	I-01 - I-04
EXTERIOR BODY	I-05 - I-11
GALLEY	I-12 - I-15
GENERATOR	I-15
HEATING & A/C	I-17 - I-18
INTERIOR FINISH	I-19 - I-22
LABEL	I-23 - J-06
LP	J-07
LOUNGE	J-08 - J-09
SEALANTS & FASTENERS	J-10 - J-12
WATER & SEWAGE	J-13 - J-15
WINDOW VENT AND EXTERIOR DOOR	J-17 - K-07

**CURTAIN & CUSHION GROUP (CONTINUED)**

**BUCKET SEATS**



KEY	PART NUMBER	U/M	DESCRIPTION
1	093450-23-C23	EA	SEAT-BUCKET-W/RIGHT ARMREST
1	093450-23-C24	EA	SEAT-BUCKET-W/RIGHT ARMREST
1	093450-24-C23	EA	SEAT-BUCKET-W/LEFT ARMREST
1	093450-24-C24	EA	SEAT-BUCKET-W/LEFT ARMREST
1	093450-25-C23	EA	SEAT-BUCKET-W/RIGHT ARMREST-RECLINING
1	093450-25-C24	EA	SEAT-BUCKET-W/RIGHT ARMREST-RECLINING
1	093450-25-C23	EA	SEAT-BUCKET-W/LEFT ARMREST-RECLINING
1	093450-25-C24	EA	SEAT-BUCKET-W/LEFT ARMREST-RECLINING
1	093450-26-C24	EA	SEAT-BUCKET-W/LEFT ARMREST-RECLINING
2	M03445-22-C25	EA	COVER-BACK-BUCKET(C23)
2	M03445-22-C24	EA	COVER-BACK-BUCKET(C24)
3	080243-49-C23	EA	ARMREST-RIGHT (C23)
3	080243-49-C25	EA	ARMREST-RIGHT (C24)
	M80243-49-C23	EA	COVER-ARMREST-RIGHT(C23)
	M80243-49-C25	EA	COVER-ARMREST-RIGHT(C24)
4	080243-50-C23	EA	ARMREST-LEFT(C23)
4	080243-50-C25	EA	ARMREST-LEFT(C24)
	M80243-50-C23	EA	COVER-ARMREST-LEFT (C23)
	M80243-50-C25	EA	COVER-ARMREST-LEFT(C24)
5	M03445-23-C25	EA	COVER-SEAT-BUCKET(C23)
5	M03445-23-C24	EA	COVER-SEAT-BUCKET(C24)
6	081258-01-000	EA	ROD & CHANNEL-ARMREST- RIGHT - METAL
7	081258-02-000	EA	ROD & CHANNEL-ARMREST- LEFT - METAL
	081351-01-000	EA	ROD-ARMREST- METAL - RIGHT OR LEFT HAND
8	M80905-05-000	EA	FRAME-SEAT, BACK & SPRING
8	M80905-05-000	EA	FRAME-SEAT, BACK & SPRING-RECLINING
	101125-01-000	EA	RECLINER-SEAT BACK- LEFT HAND REMOTE
9	097683-03-000	EA	BRACKET-REMOTE- SIDE MOUNT - SINGLE
10	069358-04-000	EA	CABLE-SWIVEL- W/SWITCH - BUCKET SEAT
11	097583-02-000	EA	BRACKET-MOUNT- REMOTE
12	069352-05-000	EA	CABLE-RECLINER- W/SWITCH - BUCKET SEAT
13	069525-41-000	EA	PLATE-SUB- BASE - BUCKET SEAT - 12" X 13" - STEEL
14	069246-05-000	EA	ADJUSTER-SEAT/CHAIR- W/REMOTE - FORWARD & BACK
	069246-05-700	EA	SPRING-ADJUSTER- FOR REMOTE
	069246-05-701	EA	CLIP-CABLE- FOR REMOTE
15	093481-04-000	EA	TOP PLATE-PEDESTAL- BUCKET SEAT - W/O SEATBELT BAR
16	069246-02-000	EA	ADJUSTER-SEAT/CHAIR- W/O LOCK - FORWARD & BACK
	069535-03-000	EA	PEDESTAL-LOWER- W/EXTENSION - 9" X 5" - STEEL
17	089359-08-000	EA	SHIELD-CABLE- REMOTE RECLINER - BUCKET SEAT
18	071125-24-C23	EA	SKIRT-BUCKET SEAT(C23)
18	071125-24-C24	EA	SKIRT-BUCKET SEAT(C24)

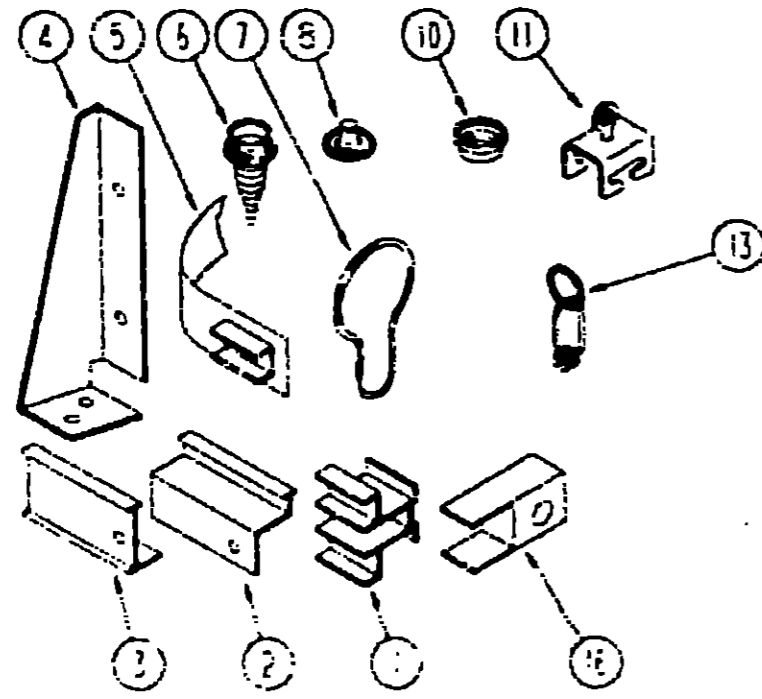
**1992 ITASCA  
TABLE OF CONTENTS**

INTRODUCTION	A-01 - A-02
ABBREVIATIONS	A-03
ALPHABETICAL INDEX	A-04 - A-05
IF427RO	A-07 - D-15
IF427RC	D-17 - G-22
IF427RT	G-23 - K-07

**1992 IF427RT INDEX**

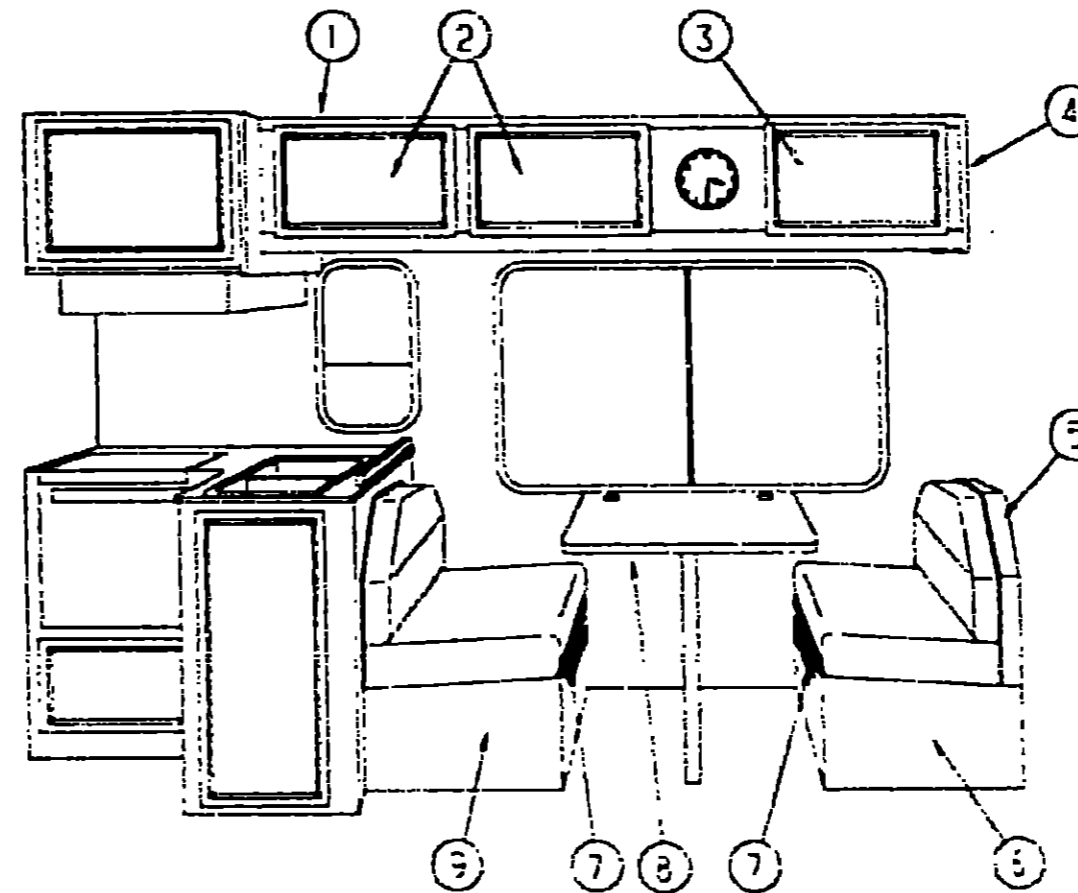
FLOOR PLAN	G-23 - G-24
ACCESSORIES	H-01
AUDIO V-DEG	H-02
BATH	H-03 - H-04
BEDROOM	H-05 - H-06
CHASSIS	H-07 - H-09
CURTAIN & CUSHION	H-10 - H-19
D-NETTE	H-20 - H-21
DRIVERS	H-22 - H-24
ELECTRICAL	I-01 - I-04
EXTERIOR BODY	I-05 - I-11
GALLEY	I-12 - I-15
GENERATOR	I-15
HEATING & A/C	I-17 - I-18
INTERIOR FINISH	I-19 - I-22
LABEL	I-23 - J-05
LP	J-07
LOUNGE	J-08 - J-09
SEALANTS & FASTENERS	J-10 - J-12
WATER & SEWAGE	J-13 - J-15
WINDOW, VENT AND EXTERIOR DOOR	J-17 - K-07

**CURTAIN & CUSHION GROUP (CONTINUED)**



**CURTAIN & BLIND HARDWARE**

**DINETTE GROUP**



**DINETTE CABINETS & TABLE**

**1992 ITASCA  
TABLE OF CONTENTS**

INTRODUCTION	A-01	A-02
ABBREVIATIONS		A-03
ALPHABETICAL INDEX	A-04	A-05
IF427RO	A-07	D-15
IF427RC	D-17	G-02
IF427RT	G-23	K-07

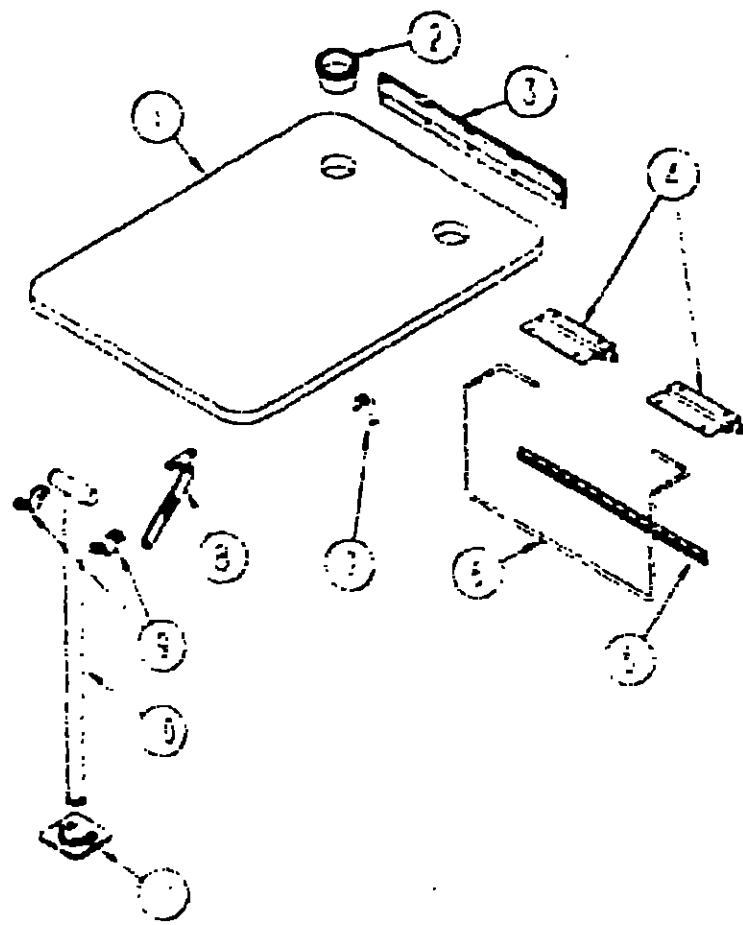
KEY	PART NUMBER	U/M	DESCRIPTION
1	101033-03-000	FT	TRACK-WALL-WHITE-OT225 SHAPED
2	105450-06-01A	EA	TRACK-CURTAIN-OFF WHITE
3	092404-01-01A	EA	TRACK-CURTAIN-OFF WHITE
4	075627-04-000	EA	BRACKET-CURTAIN-WOOD-OFF WHITE
5	101031-01-000	YD	TAPE GUIDE-CURTAIN-4 25" SPACING
6	029130-01-000	EA	SCREW-SNAP SOCKET-5 PH X 5/8"
7	009136-02-000	EA	HANGER-RING-PIN TYPE-CURTAIN BRASS
8	029155-01-000	EA	CAP-SNAP-NICKEL
10	029156-01-000	EA	SOCKET-SNAP FASTENER-NICKEL
11	009702-01-000	EA	END STOP-CURTAIN CARRIER-L ROD
13	009701-01-000	EA	CARRIER-CURTAIN-L ROD
15	101033-02-000	EA	END CAP-TRACK-CLEAR
	045557-01-000	EA	GROMMET-BRASS-7/16" ID X 1" OD
	045134-02-000	YD	VELCRO TAPE-HOOK-ADHESIVE BACK-75" WIDE-BEIGE
	055003-01-000	EA	BRACKET-DRAPERY RETAINING-RIGHT-METAL
	055003-02-000	EA	BRACKET-DRAPERY RETAINING-LEFT-METAL
	055115-01-001	EA	BRACE-90 DEGREE L-ANGLE-152"-EXTRUDED ALUMINUM
	075543-02-000	EA	BRACE ANGLE-WHOLES-1" X 1 1/2" X 1 1/4"-ALUMINUM-BEIGE
	064432-06-000	FT	SLAT-ROLLER SHADE-PLASTIC
	061433-05-000	EA	SHADE-ROLLER-12 25"
	064434-01-000	EA	BRACKET-MOUNTING-ROLLER SHADE-1 3/8"
	068792-01-000	YD	VELCRO TAPE-LOOP-ADHESIVE BACKED-75" WIDE-BEIGE
	068792-02-000	YD	VELCRO TAPE-LOOP-ADHESIVE BACKED-75" WIDE-BEIGE
	055843-01-000	EA	SPRING-REWIND-ROLLER SHADE
	105544-01-000	EA	PULL SHADE BRASS

KEY	PART NUMBER	U/M	DESCRIPTION
1	M05223-00-C23	EA	CABINET ASM-OVERHEAD DINETTE
1	M05223-00-C24	EA	CABINET ASM-OVERHEAD DINETTE
2	P05223-11-C03	EA	DOOR ASM-W/O HARDWARE-ROUNDED-400 X 520
3	P05223-04-C03	EA	DOOR ASM-W/O HARDWARE-ROUNDED-400 X 520
4	104335-23-C03	EA	CAP ASM-END-OVERHEAD
5	M04174-27-C03	EA	CABINET-SEATBACK-RIGHT
5	104787-01-C23	EA	PAD ASM-DINETTE
5	M04175-27-C03	EA	CABINET-SEATBASE-RIGHT
	081519-01-503	EA	SEAT-TOP-DINETTE-PLYWOOD
7	081295-01-AA3	EA	SUPPORT-BED-DINETTE
8	M51299-08-587	EA	TABLE-DINETTE
9	M04175-25-C03	EA	CABINET-SEATBASE-LEFT
	081519-01-503	EA	SEAT-TOP-DINETTE-PLYWOOD

**1992 IF427RT INDEX**

FLOOR PLAN	G-23	G-24
ACCESSORIES		H-01
AUD DIVIDED		H-02
BATH	H-03	H-04
BEDROOM	H-05	H-06
CHASSIS	H-07	H-08
CURTAIN & CUSHION	H-10	H-19
DINETTE	H-20	H-21
DP VERS	H-22	H-24
ELECTRICAL	J-01	J-04
EXTERIOR BODY	J-05	J-11
GALLEY	J-12	J-15
GENERATOR		J-16
HEATING & A/C	J-17	J-18
INTERIOR FINISH	J-19	J-22
LABEL	J-23	J-05
LP		J-07
LOUNGE	J-08	J-09
SEALANTS & FASTENERS	J-10	J-12
WATER & SEWAGE	J-13	J-15
WINDOW VENT AND EXTERIOR DOOR	J-17	K-07

**DINETTE GROUP (CONTINUED)**



**DINETTE TABLE & HARDWARE**

KEY	PART NUMBER	U/M	DESCRIPTION
1	051277-08-000	EA	TABLE DINETTE
2	054751-02-000	EA	HOLDER CUP-TWO STEP - OFF WHITE
3	053700-09-000	EA	BRACKET-TABLE SUPPORT-UPPER WALL MOUNTED - 18 1/2" - BEIGE
4	053410-01-000	EA	BRACKET-LIFT-TABLE MOUNTED - BEIGE
5	024251-11-000	EA	BRACKET-LIFT-POD-LOWER WALL MOUNTED - 17 1/2" - BEIGE
6	024275-11-000	EA	POD-TABLE LIFT 8" X 15 5/8" - BEIGE
7	024269-01-000	EA	CUP LEG 11" X 1 3/8" OD - BLACK
8	024242-01-000	EA	BRACE-TABLE LEG HINGED
9	054030-03-000	EA	CLAMP-SADDLE LEG-HINGE - BEIGE
10	024275-21-000	EA	LEG-TABLE-METAL - BEIGE
11	042453-11-700	EA	CATCH LEG-FLOOR MOUNTED - 2 5/8" X 2 7/8" METAL - BEIGE COAT

**DRIVERS COMPARTMENT GROUP**

**DASH, GAUGES & SWITCHES**

KEY	PART NUMBER	U/M	DESCRIPTION
	034795-03-000	EA	CLUSTER-INSTRUMENT PANEL - KILOMETER - FCRD F2UF1G349BF (CSA)
	100138-01-000	EA	MODULE-DAYTIME RUNNING LIGHT
	024451-01-000	EA	SWITCH-BATTERY - BATT-DUAL M.O.M.
	051052-01-000	EA	PLAQUE-MOUNTING-BATTERY-FUEL SWITCH - 2 1/4" X 1 1/4" - BLK

**1992 ITASCA  
TABLE OF CONTENTS**

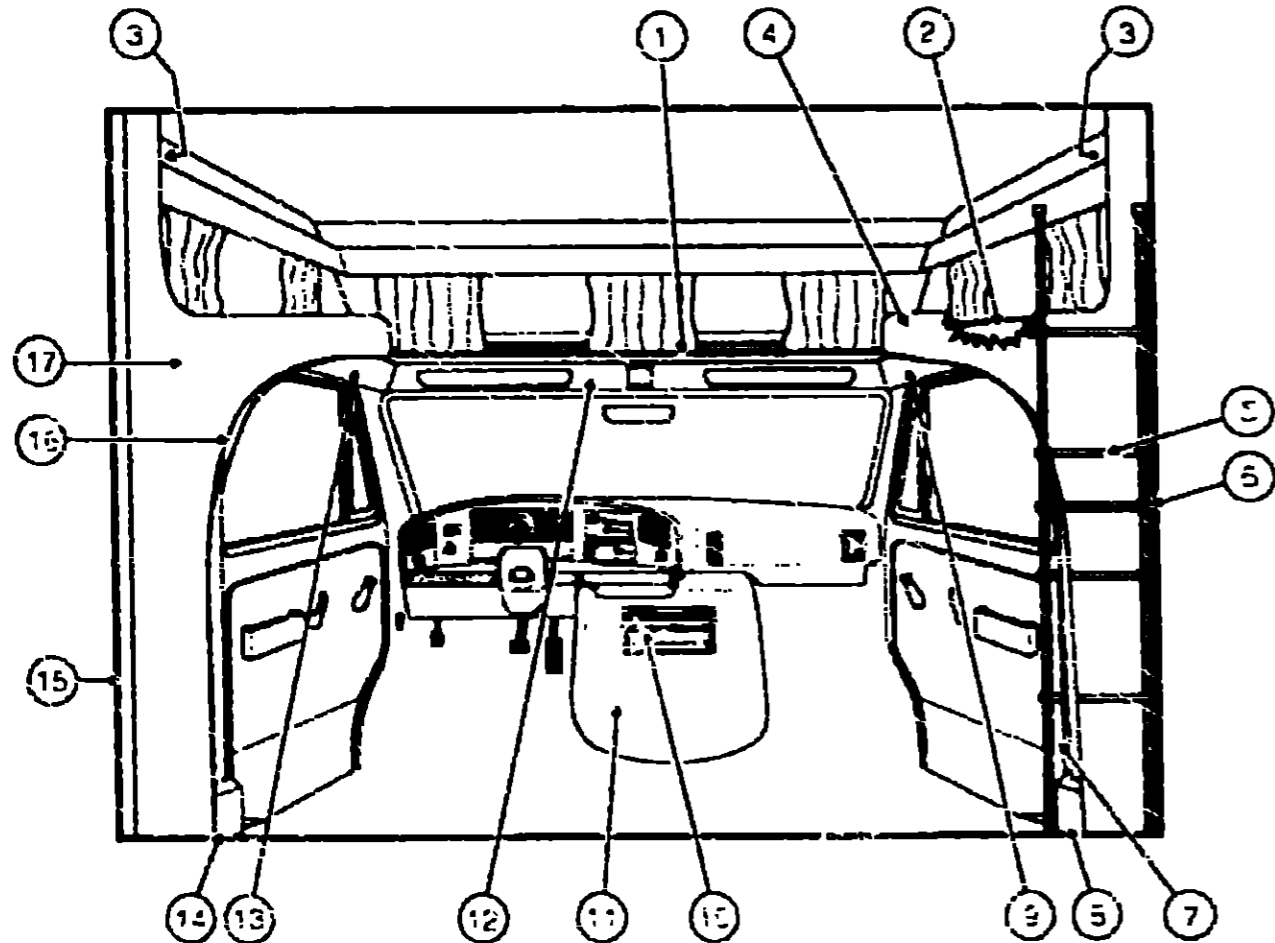
INTRODUCTION	A-01 - A-02
ABBREVIATIONS	A-03
ALPHABETICAL INDEX	A-04 - A-06
IF427RD	A-07 - D-16
IF427RC	D-17 - G-22
IF427RT	G-23 - K-07

**1992 IF427RT INDEX**

FLOOR PLAN	G-23 - G-24
ACCESSORIES	H-01
AUDIO/VIDEO	H-02
BATH	H-03 - H-04
BEDROOM	H-05 - H-06
CHASSIS	H-07 - H-09
CURTAIN & CUSHION	H-10 - H-19
DINETTE	H-20 - H-21
DRIVERS	H-22 - H-24
ELECTRICAL	I-01 - I-04
EXTERIOR BODY	I-05 - I-11
GALLEY	I-12 - I-15
GENERATOR	I-15
HEATING & A/C	I-17 - I-18
INTERIOR FINISH	I-19 - I-22
LABEL	I-23 - J-05
LP	J-07
LOUNGE	J-08 - J-09
SEALANTS & FASTENERS	J-10 - J-12
WATER & SEWAGE	J-13 - J-15
WINDOW VENT AND EXTERIOR DOOR	J-17 - K-07

## DRIVERS COMPARTMENT GROUP (CONTINUED)

### DRIVER COMPARTMENT



KEY	PART NUMBER	U/M	DESCRIPTION
1	105444-01-01A	EA	TRIM-SLEEPER BOARD-INNER-OFF WHITE
1	050742-03-000	FT	TRIM-VINYL-SLEEPER BOARD-OFF WHITE
2	105777-01-C23	EA	PAD ASM-BUNK-OVERHEAD
2	105777-01-C24	EA	PAD ASM-BUNK-OVERHEAD
3	052071-12-C03	EA	TRIM-WINGWALL- 31 5" X 5 5" - VINYL COVERED
4	105440-01-C23	EA	WINGWALL ASM-INNER-RIGHT
	105445-01-C03	EA	TRIM ASM-WINGWALL WRAP-RIGHT
5	105025-01-01A	EA	LADDER-BUNK(BLACK)-1434 MM
	105025-01-700	EA	BRACKET SET F:BUNK LADDER 05-0030-00
5	059855-03-000	EA	STRAP ASM - LADDER
7	105445-01-C03	EA	TRIM ASM-CAB-B-PILLAR-RIGHT
8	106431-01-01A	EA	COVER-SEAT BELT-RIGHT-OFF WHITE
9	106447-01-C03	EA	TRIM ASM-CAB DOOR-UPPER-RIGHT
10	106534-01-C03	EA	TRAY ASM-BEVERAGE
			FROM 00-00-00 THRU 01-25-92
10	107134-02-C70	EA	TRAY-BEVERAGE-OAK FORD - W/CASSETTE HOLDER
			FROM 01-27-92 THRU 99-99-99
	059855-03-000	EA	ASHTRAY-CHROME- W/COVER
11	059855-23-C23	EA	COVER-MOTOR-W/POCKET-FORD
11	059855-23-C24	EA	COVER-MOTOR-W/POCKET-FORD
12	105445-01-C52	EA	HEADLINER-VINYL COVERED - FRONT - OFF WHITE
13	105447-02-C03	EA	TRIM ASM-CAB DOOR-UPPER-LEFT
14	106431-02-01A	EA	COVER-SEAT BELT-LEFT - OFF WHITE
15	052081-18-C03	EA	TRIM-WINGWALL- 1 5" X 22 4" - VINYL COVERED
	052081-20-C03	EA	TRIM-WINGWALL- 1 5" X 78 8" - VINYL COVERED (DRIVER SIDE)
16	105445-02-C03	EA	TRIM ASM-CAB-B-PILLAR-RIGHT
17	105440-02-C23	EA	WINGWALL ASM-INNER-LEFT
	105445-02-C03	EA	TRIM ASM-WINGWALL WRAP-LEFT

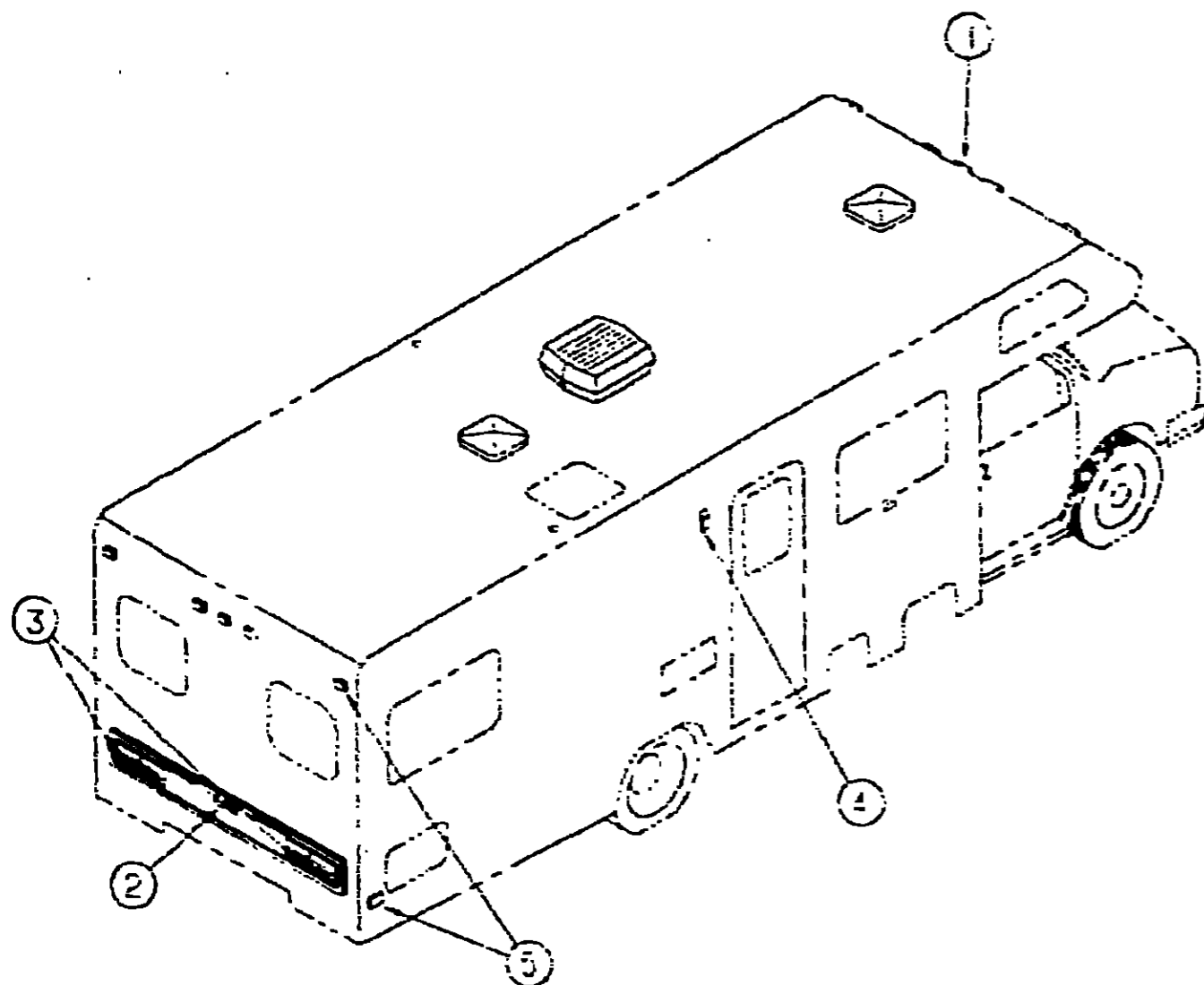
## 1992 ITASCA TABLE OF CONTENTS

INTRODUCTION	A-01	-	A-02
ABBREVIATIONS			A-03
ALPHABETICAL INDEX	A-04	-	A-06
IF427RO	A-07	-	D-16
IF427RC	D-17	-	G-22
IF427RT	G-23	-	K-07

## 1992 IF427RT INDEX

FLOOR PLAN	G-23	-	G-24
ACCESSORIES			F-01
AUDIO VIDEO			F-02
BATH	H-03	-	H-04
BEDROOM	H-05	-	H-06
CHASSIS	H-07	-	H-09
CURTAIN & CUSHION	H-10	-	H-19
DINETTE	H-20	-	H-21
DRIVERS	H-22	-	H-24
ELECTRICAL	I-01	-	I-04
EXTERIOR BODY	I-05	-	I-11
GALLEY	I-12	-	I-15
GENERATOR			I-15
HEATING & A/C	I-17	-	I-18
INTERIOR FINISH	I-19	-	I-22
LABEL	J-23	-	J-06
LP			J-07
LOUNGE	J-08	-	J-09
SEALANTS & FASTENERS	J-10	-	J-12
WATER & SEWAGE	J-13	-	J-16
WINDOW, VENT AND EXTERIOR DOOR	J-17	-	K-07

## ELECTRICAL GROUP



EXTERIOR LIGHTS

KEY	PART NUMBER	U/M DESCRIPTION
1	091583-01-000	EA GASKET-CLEARANCE'S/DEMARKER LIGHT
1	042405-02-000	EA LENS-CLEARANCE'S/DEMARKER LIGHT W/REFLEX - AMBER
1	042405-03-000	EA BASE-CLEARANCE'S/DEMARKER LIGHT W/BULB - PLASTIC - WHITE
	002210-01-000	EA BULB-12V - NO 57 - 24 AMP
2	055432-01-000	EA LIGHT-LICENSE PLATE W/BACKET
3	051533-01-000	EA TAILLIGHT-DOUBLE - W/BLACK TRIM DRIVER & PASS SIDE
	037934-01-000	EA BULB #1155 (BACK UP & TURN SIGNAL)
	037935-01-000	EA BULB #2037 OR #1157 (BRAKE LIGHT)
3	091635-01-700	EA LENS-TAILLIGHT - RED
3	091635-01-701	EA LENS-TAILLIGHT - W/BACKUP
	103355-01-01A	EA POD-TAILLIGHT OFF WHITE
4	097917-01-01A	EA LIGHT-PORCH ENTRY DOOR - OFF WHITE
4	002215-01-000	EA BULB-12V #1003-94AMP
4	097917-01-700	EA LENS-LIGHT PORCH
5	042405-03-000	EA BASE-CLEARANCE'S/DEMARKER LIGHT W/BULB - PLASTIC - WHITE
5	091583-01-000	EA GASKET CLEARANCE'S/DEMARKER LIGHT
5	042405-01-000	EA LENS-CLEARANCE'S/DEMARKER LIGHT W/REFLEX - RED

## ELECTRICAL GROUP (CONTINUED)

### ELECTRIC BOXES & POWER CORDS

KEY	PART NUMBER	U/M DESCRIPTION
	002253-01-000	EA BOX-PLASTIC ELECTRIC - 3' X 3 1/2'
	002253-02-000	EA BOX-PLASTIC ELECTRIC - 3 9/4' X 3 13' X 1 8 1/2'
	002253-01-000	EA BOX-ELECTRIC - STEEL - 1-2' AND 3-4' KNOCKOUTS - 4' X 4'
	002253-02-000	EA BOX-ELECTRIC - STEEL - 1-2' AND 3-4' KNOCKOUTS - CANADIAN
	059049-01-000	EA BOX-ELECTRIC SWITCH - 2' X 3' X 2 25"
	051910-01-000	EA BOX-ELECTRIC - 3 75' X 3 5' X 1 75" - PLASTIC
	093503-01-000	EA BOX-ELEC-STL 4X2 1/8X2 1/8 STL CTY 58371 1/2
	067249-01-000	EA BUS BAR-2 POSITION - 6' X 1 5" - ALUMINUM
		FROM 12-05-91 THRU 59-59-99
	002254-01-000	EA CORD-POWER - 10/3 - 30 AMP - 25'
	002252-01-000	EA CORD-POWER - 10/3 - 30 AMP - 25' - CANADIAN
	069223-01-000	EA COVER-ELECTRICAL BOX - WHOLE - 4' X 4' - GRAY
		USED WITH 30 AMP RECEPTACLE
	002254-01-000	EA COVER-ELECTRICAL BOX - BLANK STEEL - 4' X 4' - GRAY
	002254-02-000	EA COVER-ELECTRICAL BOX - BLANK STEEL - 4' X 4' - CANADIAN
	002185-01-000	EA SOLENOID-3 POST - BATTERY CHANGE OVER

### WIRING ASSEMBLIES

KEY	PART NUMBER	U/M DESCRIPTION
	103323-05-000	EA WIRE ASM-PUMP-EXTERIOR SHOWER
	055449-01-000	EA WIRE ASM-WATER TANK TO MONITOR PANEL
	105851-01-000	EA WIRE ASM-DAYTIME RUNNING LIGHTS-W/FUSE

### SWITCHES & RECEPTACLES

KEY	PART NUMBER	U/M DESCRIPTION
	075723-01-000	EA BLOCK-SWITCH - SPACER W/O HOLE
	097734-01-02A	EA EXTENSION-RECEPTACLE - 3 2' X 5' X 7' - PLASTIC - BROWN
	075735-02-000	EA COVER-EXTERIOR RECEPTACLE - OFF WHITE
	007940-01-000	EA RECEPTACLE-SLIDE - 15 TO 12 AWG - FEMALE END
	024924-02-000	EA RECEPTACLE-POWER CORD - W/PARTIAL PLATE
	059707-01-000	EA RECEPTACLE-ELECTRIC - SINGLE - BROWN
	059703-01-000	EA RECEPTACLE-ELECTRIC - DOUBLE - BROWN
	060015-02-000	EA RECEPTACLE-FLAG - 185 - 18 1/4 GA - AMP 3
	060015-03-000	EA RECEPTACLE-FLAG - 250 - 14 1/8 GA
	084075-01-000	EA RECEPTACLE-GFI - 15A - 125V - IVORY
	095156-01-01A	EA SPACER-SWITCH - 2 3' X 3 4' - PLASTIC - DARK BROWN
	102553-01-010	EA SPACER-RECEPTACLE - BETWEEN SIDEWALL & PLATE - WOOD
	095241-07-000	EA SWITCH-ROCKER - DFDT - ON/OFF - BLACK
	075554-01-000	EA SWITCH-ON/OFF ROCKER - 2 PRONGS - BROWN
	084077-01-000	EA PLATE-COVER - RECEPTACLE - GFI - IVORY
	014250-04-000	EA COVER - ANGLED - W/O HOLE - 3 6" X 4 5" - PLASTIC - OFF WHITE
	069351-01-01A	EA PLATE-SWITCH - 1 GANG - POLISHED BRASS
	069351-02-01A	EA PLATE-SWITCH - 2 GANG - POLISHED BRASS

### CONTROL CENTER/POWER CONVERTER

KEY	PART NUMBER	U/M DESCRIPTION
	094809-01-000	EA CONTROL CENTER - 240V - 125A - TFL4120T
	092915-01-000	EA CONVERTER - 40 AMP - W/CHARGER - B/W 32400P

## 1992 ITASCA TABLE OF CONTENTS

INTRODUCTION	A-01 - A-02
ABBREVIATIONS	A-03
ALPHABETICAL INDEX	A-04 - A-05
IF427RC	A-07 - D-15
IF427RD	D-17 - G-22
IF427RT	G-23 - K-07

## 1992 IF427RT INDEX

FLOOR PLAN	G-23 - G-24
ACCESSORIES	H-01
AUDIO VIDEO	H-02
BATH	H-03 - H-04
BEDROOM	H-05 - H-06
CHASSIS	H-07 - H-09
CURTAIN & CUSHION	H-10 - H-19
DINETTE	H-20 - H-21
DOVERS	H-22 - H-24
ELECTRICAL	I-01 - I-04
EXTERIOR BODY	I-05 - I-11
GALLEY	I-12 - I-15
GENERATOR	I-16
HEATING & A/C	I-17 - I-18
INTERIOR FINISH	I-19 - I-22
LABEL	I-23 - I-06
LP	J-07
LOUNGE	J-08 - J-09
SEALANTS & FASTENERS	J-10 - J-12
WATER & SEWAGE	J-13 - J-16
WINDOW VENT AND EXTERIOR DOOR	J-17 - K-07

**ELECTRICAL GROUP (CONTINUED)**

**FUSES & CIRCUIT BREAKERS**

KEY	PART NUMBER	U/M	DESCRIPTION
	062901-02-000	EA	FUSE-5 AMP-AUTOMOTIVE
	062901-03-000	EA	FUSE-15 AMPS-AUTOMOTIVE
	062905-01-000	EA	FUSE-15 AMP-AUTOMOTIVE-12V
	100641-01-000	EA	FUSE HOLDER IN LINE TYPE
	107155-01-01A	EA	BOX-CIRCUIT BREAKER MOUNT-BLACK
			FROM 12-08-91 THRU 09-09-99
	705211-01-000	EA	CIRCUIT BREAKER-12V-15AMP
			FROM 00-00-00 THRU 12-08-91
	069554-01-000	EA	CIRCUIT BREAKER-5 AMP - HOUSE CONTROL PANEL
			FROM 12-08-91 THRU 09-09-99
	069209-01-000	EA	CIRCUIT BREAKER-15 AMP - 120V - BW-G-15(CANADIAN)
	069209-02-000	EA	CIRCUIT BREAKER-15 15AMP - 120V - BW - 15 15
	069209-03-000	EA	CIRCUIT BREAKER-15 20AMP - 120V - BW - 0-15 20
	069209-05-000	EA	CIRCUIT BREAKER 30 15 AMP - 120V - BW-D-30 15
	069559-02-000	EA	CIRCUIT BREAKER-30 AMP - HOUSE CONTROL PANEL
	069209-04-000	EA	CIRCUIT BREAKER-30A 120V - BW-L-30
	064810-01-000	EA	CIRCUIT BREAKER DOUBLE 30 AMP GE TH-02130
	064811-01-000	EA	CIRCUIT BREAKER-DOUBLE 30 AMP GE TH-02130

**CONDUIT**

KEY	PART NUMBER	U/M	DESCRIPTION
	041953-01-000	FT	CONDUIT-CONVOLUTE SUT - 3/4" D
	041953-03-000	FT	CONDUIT-CONVOLUTE SUT - 1" D-CLOTHES ROD COVER
	041953-05-000	FT	CONDUIT-CONVOLUTE SUT - 3/8" D
	041953-07-000	FT	CONDUIT-CONVOLUTE SUT - 2 3/4" D
	041953-08-000	FT	CONDUIT-CONVOLUTE SUT - 1 5/8" D
	041953-09-000	FT	CONDUIT-CONVOLUTE SUT - 5/8" D
	041953-10-000	FT	CONDUIT-CONVOLUTE SUT - 7/8" D
	041953-11-000	FT	CONDUIT-CONVOLUTE SUT - 1 05" D

**INTERIOR LIGHTS**

KEY	PART NUMBER	U/M	DESCRIPTION
	069024-01-01A	EA	LIGHT-DOME - 1 BULB - 03 - IVORY
	069024-03-01A	EA	LIGHT-DOME - 2 BULB - IVORY
	069218-01-000	EA	BULB-DOME LIGHT - 12W - NUMBER 1141
	069024-01-000	EA	LENS-DOME LIGHT

**ELECTRICAL GROUP (CONTINUED)**

**CONNECTORS, HOUSINGS, & TERMINALS**

KEY	PART NUMBER	U/M	DESCRIPTION
	069355-01-000	EA	CONNECTOR-CABLE CLAMP-1/8 - 3/4"
	158028-01-000	EA	CONNECTOR-ELECTRICAL PLASTIC - NYLON - CLEAR
	069475-01-000	EA	CONNECTOR-PIN-14 TO 20 AWG
	069475-02-000	EA	CONNECTOR-PIN - 10 TO 12 AWG
	069356-01-000	EA	CONNECTOR-PLASTIC - 05 AWG
	069475-01-000	EA	CONNECTOR-SOCKET - BRASS - PRE-TIN
	069475-02-000	EA	CONNECTOR-SOCKET-12-10 GA - PHOS BRZ - PRE-TIN
	069514-01-000	EA	CONNECTOR-WIRE NUT - INSULATED - GRAY
	069910-01-000	EA	HOLDING RELAY - BOSCH - 3 334 485 008
	069473-05-000	EA	HOUSING-PIN 5 POSITION SINGLE ROW
	069473-06-000	EA	HOUSING-PIN 5 POSITION (TWO ROWS OF THREE)
	069473-08-000	EA	HOUSING-PIN 4 POSITION
	069473-09-000	EA	HOUSING-PIN 3 POSITION SINGLE ROW
			FROM 12-12-91 THRU 09-09-99
	069473-10-000	EA	HOUSING-PIN 3 POSITION
	069474-05-000	EP	HOUSING-SOCKET 4 POSITION 2 ROWS OF THREE
	069474-07-000	EP	HOUSING-SOCKET 4 POSITION 1 ROW 1-480754-0
	069474-08-000	EP	HOUSING-SOCKET 4 POSITION SINGLE ROW
	069474-09-000	EA	HOUSING-SOCKET 3 POSITION
	069474-10-000	EA	HOUSING-SOCKET 2 POSITION
	069325-01-000	EA	TERMINAL-PIN - 16 AWG - 36" STLD
	069325-01-000	EA	TERMINAL-PIN - 12 AWG - 36" STLD FT
	069325-01-000	EA	TERMINAL-PIN - TONGUE - 14 AWG - 36" STLD - COPPER
	069325-01-000	EA	TERMINAL-PIN - 36" STLD - #2 WIRE
	069416-04-000	EA	CONNECTS CABLE TO DISCONNECT RELAY AND BATTERY
	047443-01-000	EA	TERMINAL-PIN 36" STLD FT - INSULATED BARREL #18 14
	047443-01-000	EA	TERMINAL-200 RECEPTACLE FT - INSULATED - 12 14 AWG
	077479-02-000	EA	BOOT-BATTERY TERMINAL - SINGLE CABLE
	091971-01-000	EA	SPICE-CABLE-110 VOLT
	092671-02-000	EA	SPICE-CABLE-110 VOLT - TAP

**1992 ITASCA  
TABLE OF CONTENTS**

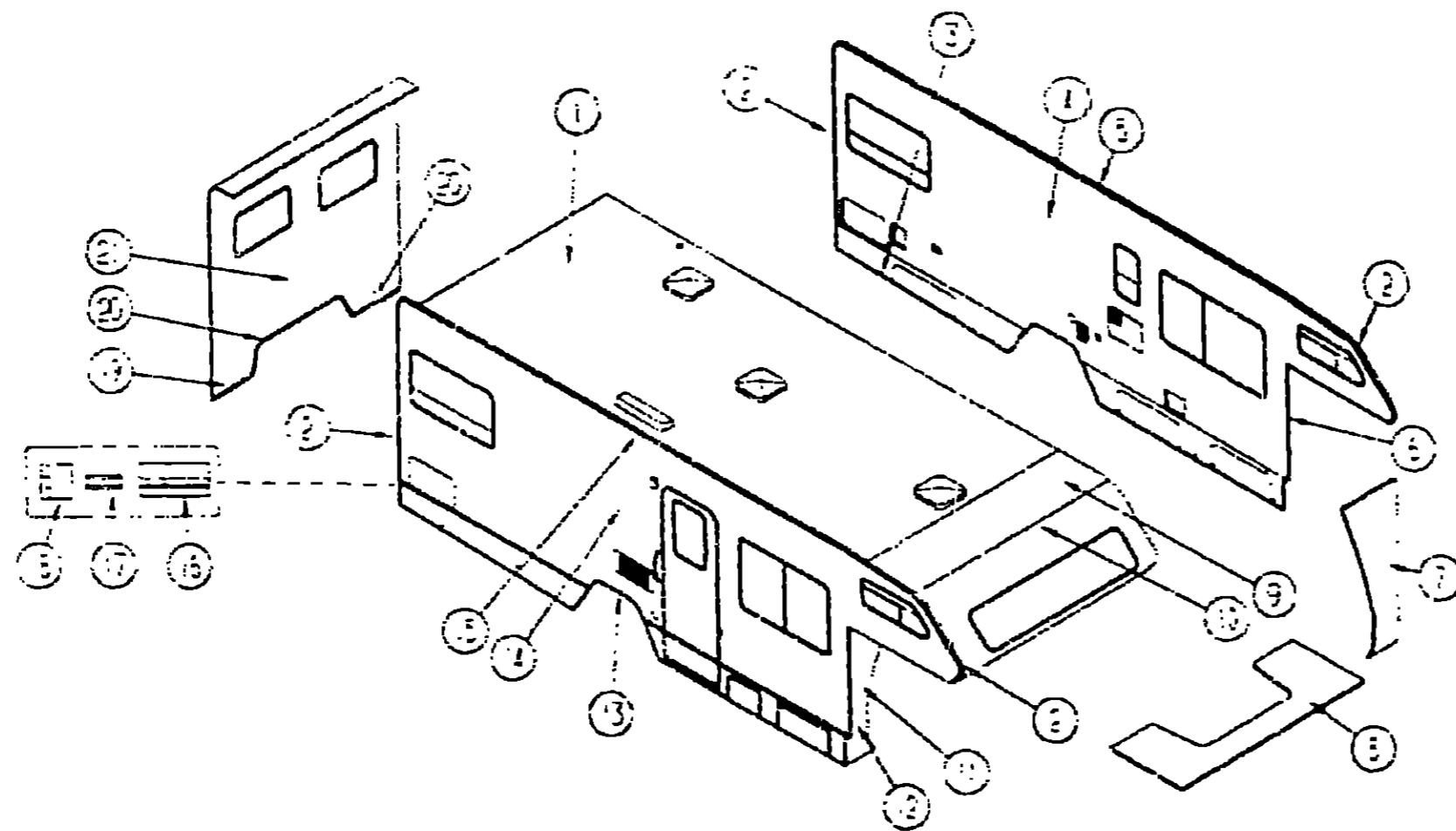
INTRODUCTION	A-01 - A-02
ABBREVIATIONS	A-03
ALPHABETICAL INDEX	A-04 - A-07
F427RC	A-07 - D-15
F427RC	D-17 - G-22
F427RT	G-23 - K-07

**1992 F427RT INDEX**

FLOOR PLAN	G-23 - G-24
ACCESSORIES	H-01
AUX DIV DEO	H-02
BATH	H-03 - H-04
BEDROOM	H-05 - H-06
CHASSIS	H-07 - H-09
CURTAIN & CUSHION	H-10 - H-19
DINETTE	H-20 - H-21
DRIVERS	H-22 - H-24
ELECTRICAL	I-01 - I-04
EXTERIOR BODY	I-05 - I-11
GALLEY	I-12 - I-15
GENERATOR	I-16
HEATING & AC	I-17 - I-18
INTERIOR FINISH	I-19 - I-22
LABEL	I-23 - I-05
LP	J-07
LOUNGE	J-08 - J-09
SEALANTS & FASTENERS	J-10 - J-12
WATER & SEWAGE	J-13 - J-16
WINDOW VENT AND EXTERIOR DOOR	J-17 - K-07

# EXTERIOR BODY GROUP

## EXTERIOR BODY PANELS



## 1992 ITASCA TABLE OF CONTENTS

INTRODUCTION	A-01 - A-02
ABBREVIATIONS	A-03
ALPHABETICAL INDEX	A-04 - A-06
IF427RQ	A-07 - D-16
IF427RC	D-17 - G-22
IF427RT	G-23 - K-07

## 1992 IF427RT INDEX

FLOOR PLAN	G-23 - G-24
ACCESSORIES	H-01
AUDIO VIDEO	H-02
BATH	H-03 - H-04
BEDROOM	H-05 - H-06
CHASSIS	H-07 - H-09
CURTAIN & CUSHION	H-10 - H-19
DINETTE	H-20 - H-21
DRIVERS	H-22 - H-24
ELECTRICAL	I-01 - I-04
EXTERIOR BODY	I-05 - I-11
GALLEY	I-12 - I-15
GENERATOR	I-16
HEATING & A/C	I-17 - I-18
INTERIOR FINISH	I-19 - I-22
LABEL	I-23 - J-05
LP	J-07
LOUNGE	J-08 - J-09
SEALANTS & FASTENERS	J-10 - J-12
WATER & SEWAGE	J-13 - J-16
WINDOW VENT AND EXTERIOR DOOR	J-17 - K-07

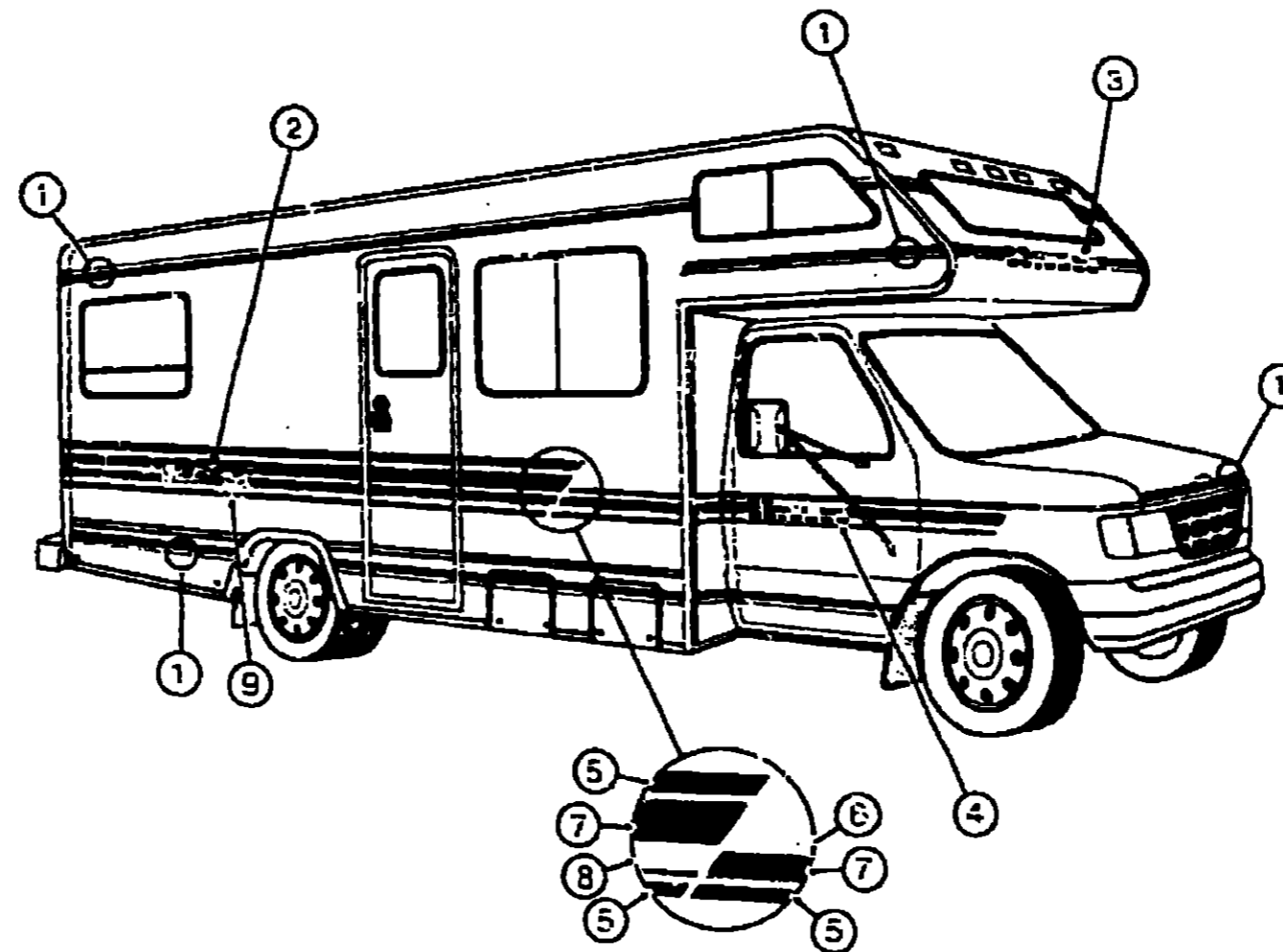
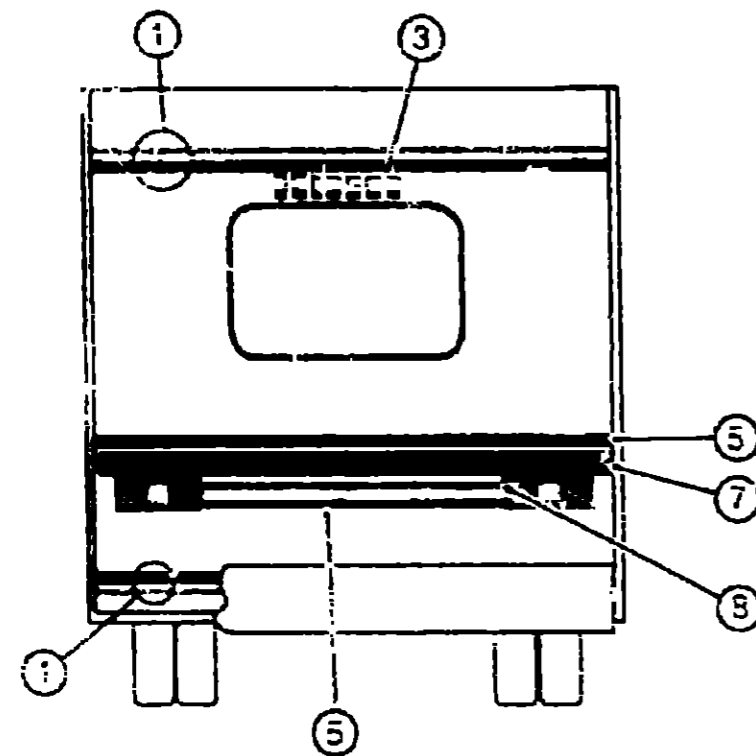
KEY	PART NUMBER	U/M	DESCRIPTION
1	P056191-01-C23	EA	ROOF ASM W BASES
2	095554-01-01A	EA	TRIM-CONTOUR - W/O VINYL INSERT - 105" - OFF WHITE
	103312-01-01A	FT	INSERT-TRIM - VINYL - OFF WHITE
3	155072-55-001	EA	EXTR CHANNEL - OFF WHITE - 4977MM
4	P056031-01-C23	EA	SIDEWALL ASM-LEFT
5	095554-01-01A	EA	TRIM-CONTOUR - ROOF TO SIDEWALL - DR OR PASS - 130"
	064575-54-003	EA	STL ANG ROOF JOINT 1220 MM-OFF WHITE
6	104479-04-01A	EA	TRIM-CONTOUR-FRONT-DRIVER - OFF WHITE
7	105438-02-003	EA	WINGWALL ASM - LEFT
	075203-04-000	EA	TRIM-WINGWALL - 13 5" - OFF WHITE
	059334-01-000	FT	VINYL-EXTERIOR - BETWEEN WINGWALL & CAB SEAL - WHITE
8	P056443-01-003	EA	SLEEPERBOARD ASM
	100085-03-01A	EA	TRIM-SLEEPERBOARD - FLAT - 2 5' X 67 5" - OFF WHITE
	100055-03-01A	EA	TRIM-SLEEPERBOARD - 2' X 50 7" - OFF WHITE
9	075559-01-000	EA	TRIM-ROOF TO FRONT CAP
10	M75177-01-700	EA	ROOF - FRONT CAP TO FIRST SEAM
11	105438-01-003	EA	WINGWALL ASM - RIGHT

KEY	PART NUMBER	U/M	DESCRIPTION
12	105475-03-01A	EA	TRIM-CONTOUR-FRONT-PASSENGER - OFF WHITE
	075203-04-000	EA	TRIM-WINGWALL - 13 5" - OFF WHITE
	059334-01-000	FT	VINYL-EXTERIOR - BETWEEN WINGWALL & CAB SEAL - WHITE
13	105100-01-01A	EA	TRIM-WHEELWELL - OFF WHITE
			FROM 00-00-00 THRU 04-15-92
13	105100-02-01A	EA	TRIM-WHEELWELL - OFF WHITE
			FROM 04-15-92 THRU 99-99-99
14	P055630-01-C23	EA	SIDEWALL ASM - RIGHT
15	103483-01-01A	EA	TRIM-CONTOUR - ROOF (AWNING) - OFF WHITE
	095555-55-001	EA	RAIL-AWNING - 10' EA - OFF WHITE
15	002444-01-020	EA	FEATURE STRIP - WHOLE-OFF WHITE
	002444-04-002	EA	STRIP-FEATURE - W/O INSERT - 15' LONG - OFF WHITE
17	001030-02-003	EA	INSERT-FEATURE STRIP - 17' LONG - OFF WHITE
18	009731-01-000	EA	END CAP - FEATURE STRIP
19	103334-02-01A	EA	TRIM-BACKWALL - LOWER - OFF WHITE
20	103335-02-01A	EA	TRIM-BACKWALL - LOWER - OFF WHITE
21	M05592-01-C23	EA	BACKWALL ASM - TWIN BED
	M05592-02-C23	EA	BACKWALL ASM - DOUBLE BED



# EXTERIOR BODY GROUP (CONTINUED)

## DECALS & MULTI-STRIPE



### 1992 ITASCA TABLE OF CONTENTS

INTRODUCTION	A-01 - A-02
ABBREVIATIONS	A-03
ALPHABETICAL INDEX	A-04 - A-06
IF427RQ	A-07 - D-15
IF427RC	D-17 - G-22
IF427RT	G-23 - K-07

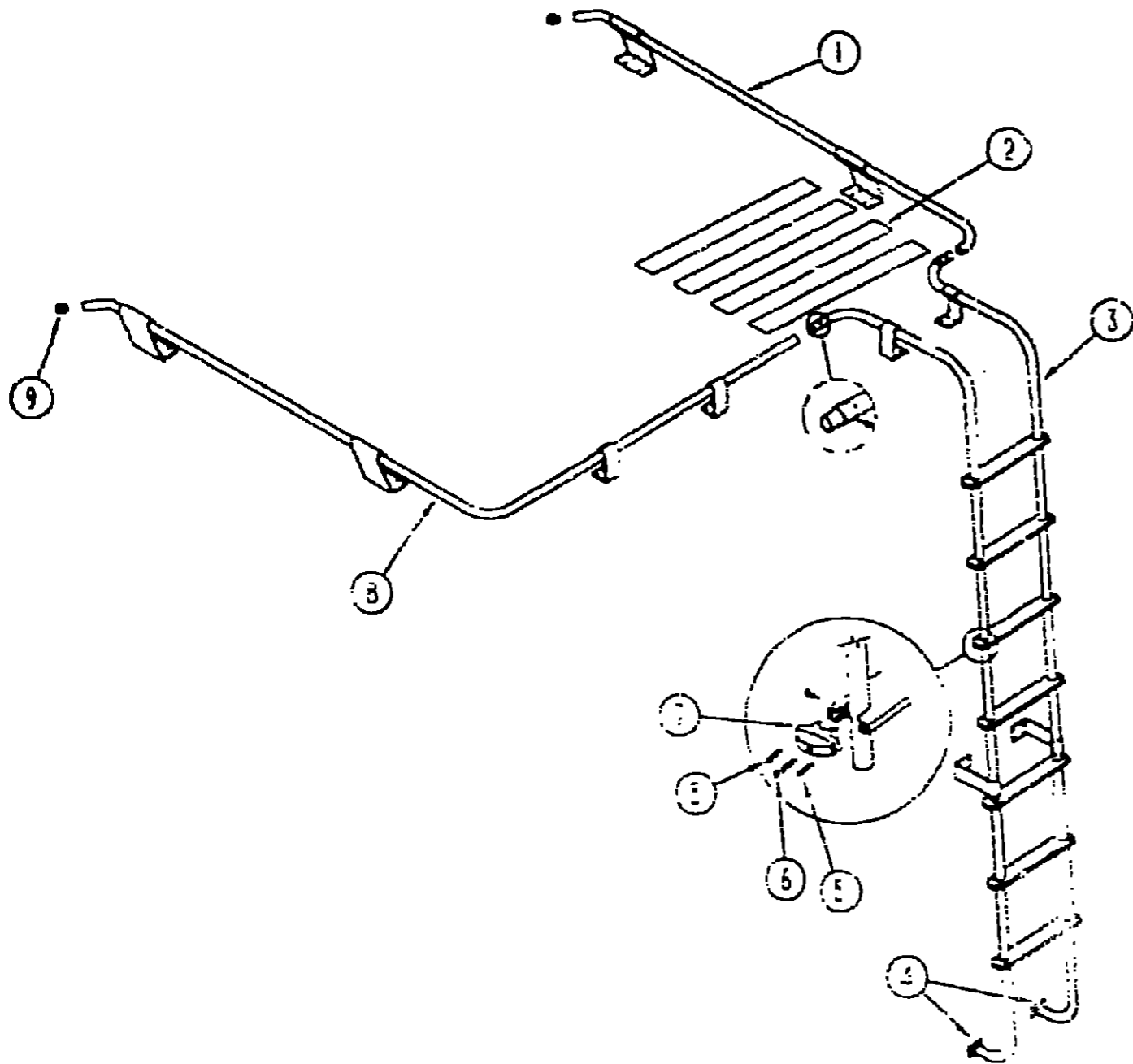
### 1992 IF427RT INDEX

FLOOR PLAN	G-23 - G-24
ACCESSORIES	H-01
AUDIO VIDEO	H-02
BATH	H-03 - H-04
BEDROOM	H-05 - H-06
CHASSIS	H-07 - H-09
CURTAIN & CUSHION	H-10 - H-19
DINETTE	H-20 - H-21
DRIVERS	H-22 - H-24
ELECTRICAL	I-01 - I-04
EXTERIOR BODY	I-05 - I-11
GALLEY	I-12 - I-15
GENERATOR	I-15
HEATING & A/C	I-17 - I-18
INTERIOR FINISH	I-19 - I-22
LABEL	I-23 - J-06
LP	J-07
LOUNGE	J-08 - J-09
SEALANTS & FASTENERS	J-10 - J-12
WATER & SEWAGE	J-13 - J-15
WINDOW, VENT AND EXTERIOR DOOR	J-17 - K-07

KEY	PART NUMBER	U/M	DESCRIPTION
1	394423-01-01A	FT	MULTISTRIPED LINES - 3" - DK BLUE & LT BLUE W/1 MAGENTA
2	105519-02-02A	EA	DECAL LOGO - SUNDANCER
3	078197-03-000	EA	DECAL LOGO - ITASCA - DARK BLUE
4	078852-27-000	EA	DECAL LOGO - ITASCA - 5.00
5	093287-18-01A	FT	STRIPED LINE - 1.25" WIDE - DARK BLUE
6	073687-03-03A	FT	STRIPED LINE - 1.5" WIDE - LIGHT BLUE
7	094433-01-01A	FT	MULTISTRIPED LINE - 5" - DARK BLUE W/1 MAGENTA STRIPE
8	074433-01-02A	FT	STRIPED LINE - 5" - LIGHT BLUE W/2 MAGENTA STRIPES
9	106025-01-01A	EA	DECAL LOGO - 400
	PC4409-05-000	EA	SILKSCREEN - 32" SUNDANCER (PIPE COVER)
	004307-01-000	EA	PAINT - SPRAY - BLACK
	041557-03-000	EA	PAINT - LOW BAKE - OFF WHITE
	044466-03-000	EA	PAINT - LOW BAKE - BEIGE

DUPONT COLOR CODES  
 DARK BLUE - DUPONT# K9455  
 LIGHT BLUE - DUPONT# K9457  
 MAGENTA - DUPONT# 39842  
 OFF WHITE - DUPONT# R13723

**EXTERIOR BODY GROUP (CONTINUED)**



**RACK & LADDER**

KEY	PART NUMBER	U/M	DESCRIPTION
1	081025-15-005	EA	RACK ASM-PASSENGER SIDE FROM 00-00-00 THRU 03-01-92
1	107438-05-007	EA	RACK ASM-PASSENGER SIDE FROM 03-02-92 THRU 09-09-99
	069725-02-000	EA	BLUMPER-66" DIA X 40" BLACK
2	038927-01-000	EA	TAPE-ANTI-SLIP 2" X 60"
3	102950-05-082	EA	LADDER ASM-TWIN BED
3	102950-02-003	EA	LADDER ASM-DOUBLE BED
4	067103-01-000	EA	MOUNTING BRACKET-LADDER-LOWER
5	000669-05-107	EA	SCREW SPDR-6-20 X 3/8 FF-BLACK
6	000669-10-387	EA	SCREW 10-10 X 2-25 FF-BLACK
7	076930-02-000	EA	END CAP-STEP-BLACK
8	081025-19-003	EA	RACK ASM-DRIVER SIDE FROM 00-00-00 THRU 03-01-92
8	107438-08-003	EA	RACK ASM-DRIVER SIDE FROM 03-02-92 THRU 09-09-99
9	051114-01-000	EA	FLIP END ROUND RACK & LADDER ENDS-PLASTIC-1" DIA

**EXTERIOR BODY GROUP (CONTINUED)**

**ASSIST HANDLES AND RUNNING BOARDS**

KEY	PART NUMBER	U/M	DESCRIPTION
	102728-01-000	EA	HOLDER-COMPARTMENT ENTRY DOOR-METAL-MILL FINISH
	104099-01-014	EA	CATCH-DOOR HOLDER-STRIKE-OFF WHITE
	104099-02-014	EA	CATCH-DOOR HOLDER-RETAINER-OFF WHITE
	009125-02-000	EA	HANDLE-ASSIST-ENTRY DOOR-BLACK
	072854-20-000	EA	SET-RUNNING BOARD-FORD-40"
	002725-01-007	EA	GARNISH-U-CHANNEL-1.35" X 1.9" -SERPATED-MILL ALUM NUM
	002725-01-001	EA	ANGLE-EXTRUDED-75" X 75" X 15"-MILL ALUM NUM

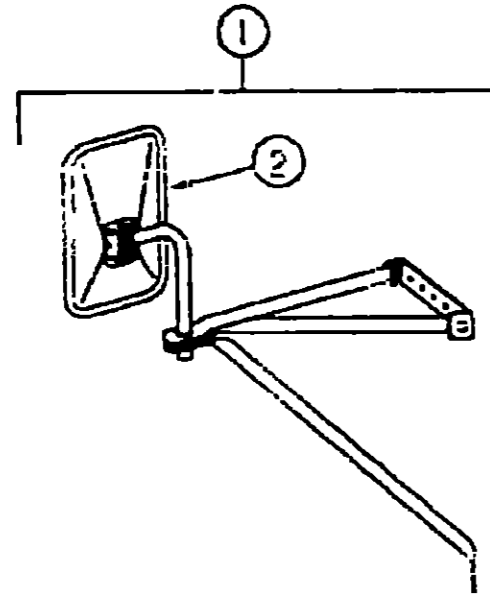
**1992 ITASCA  
TABLE OF CONTENTS**

INTRODUCTION	A-01	A-02
ABBREVIATIONS		A-03
ALPHABETICAL INDEX	A-04	A-05
IF427RC	A-07	D-16
IF427RC	D-17	G-22
IF427RT	G-23	K-07

**1992 IF427RT INDEX**

FLOOR PLAN	G-23	G-24
ACCESSORIES		H-01
AUDIO/VIDEO		H-02
BATH	F-03	F-04
BEDROOM	F-05	F-06
CHASSIS	F-07	F-09
CURTAIN & CUSHION	H-10	H-19
DINETTE	H-20	H-21
DRIVERS	H-22	H-24
ELECTRICAL	I-01	I-04
EXTERIOR BODY	I-05	I-11
GALLEY	I-12	I-15
GENERATOR		I-16
HEATING & A/C	I-17	I-19
INTERIOR FINISH	I-19	I-22
LABEL	I-23	J-05
LP		J-07
LOUNGE	J-08	J-09
SEALANTS & FASTENERS	J-10	J-12
WATER & SEWAGE	J-13	J-15
WINDOW VENT AND EXTERIOR DOOR	J-17	K-07

**EXTERIOR BODY GROUP (CONTINUED)**



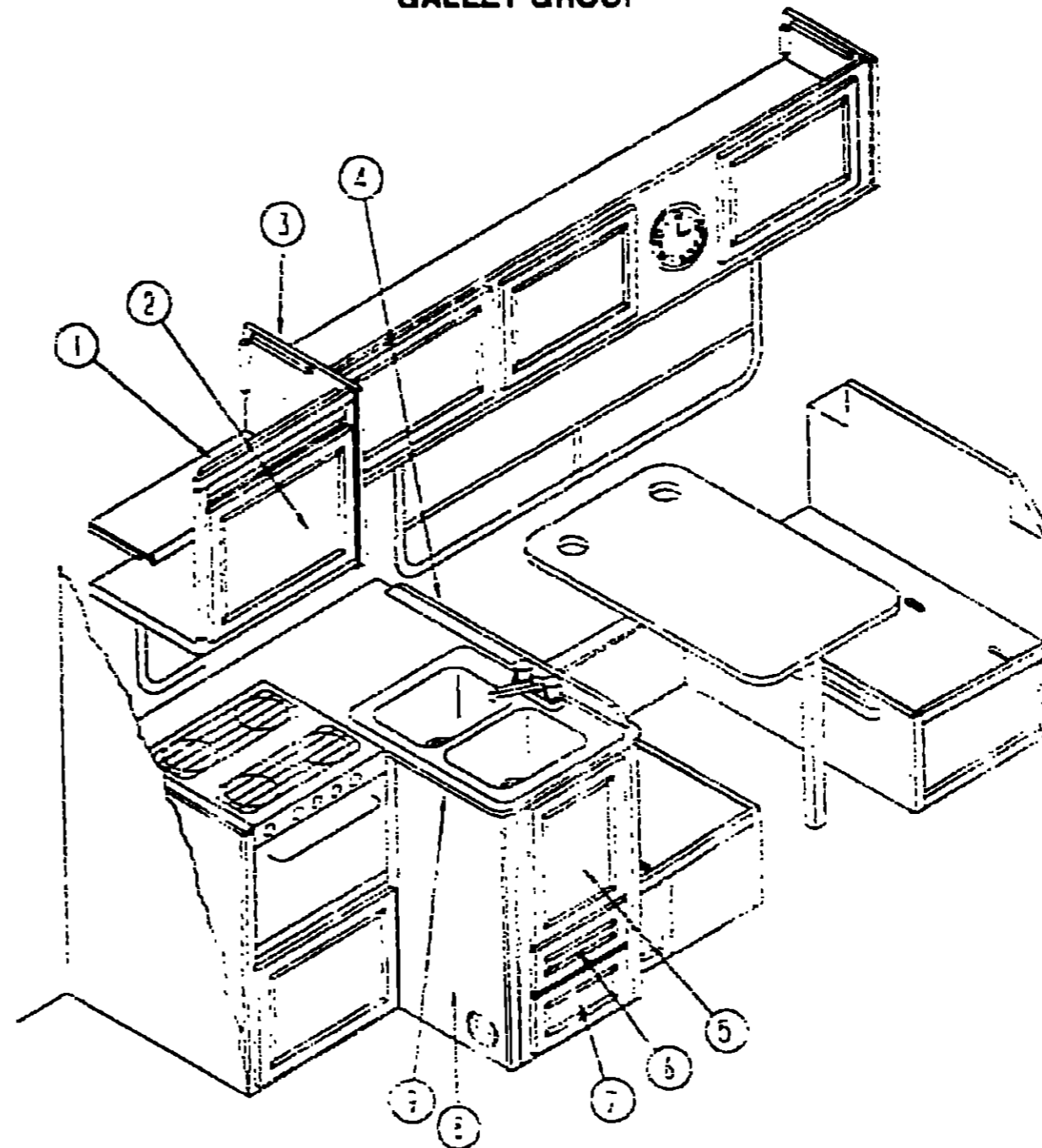
**EXTERIOR MIRRORS**

KEY	PART NUMBER	U/M DESCRIPTION
1	105550-01-51A	EA MIRROR ASM-REG HEAD LOW VOLAT - OFF WHITE
2	105550-01-700	EA HEAD MIRROR HEAD
3	105550-01-701	EA ARM
4	105550-01-703	EA BRACE LOWER FORWARD - DRIVER
4	105550-01-704	EA BRACE LOWER FORWARD - PASSENGER
	105550-01-702	EA HARDWARE PKG

**FIBERGLASS & STYROFOAM**

KEY	PART NUMBER	U/M DESCRIPTION
	077517-23-000	EA FIBERGLASS SHEET-FLAT - 48" X 96" - GRAY
	077517-24-000	EA FIBERGLASS SHEET-FLAT - 48" X 96" - OFF WHITE
	076054-11-000	EA FIBERGLASS SHEET-2438 X 2551 - OFF WHITE
	076054-F3-000	EA FIBERGLASS SHEET-2438 X 2438 - OFF WHITE
	076054-G7-000	EA FIBERGLASS SHEET-41" X 200" - OFF WHITE
	009670-03-000	SF STYROFOAM-134 X 48" X 96" - INCREMENTS OF 32 SF
	009870-05-000	SF STYROFOAM-51" X 24" X 96" - INCREMENTS OF 16 SF
	033574-02-000	SF STYROFOAM-DOW TYPE SM-15" X 24" X 90 5" - INC OF 16 SF
	033574-03-000	SF STYROFOAM-34" X 48" X 96" - INCREMENTS OF 32 SF
	002355-01-001	EA U-CHANNEL-1" X 1 1/2" - SERRATED - MILL FINISHED ALUMINUM
	059257-01-000	EA CHANNEL-STEEL HOLES - SIDEWALL STIFFENER - 2" X 2"
	009726-01-001	EA GARNISH U-CHANNEL-1 3/8" X 1 1/2" - MILL ALUMINUM
	002754-01-001	EA ANGLE-EXTRUDED-1 1/2" X 1 1/2" X 1 1/2" - MILL ALUMINUM

**GALLEY GROUP**



**GALLEY CABINETS & COMPONENTS**

KEY	PART NUMBER	U/M DESCRIPTION
1	105529-03-003	EA CAB NET ASM-MICROWAVE-STANDARD
	081321-53-503	EA CAB NET SHELF COMPONENTS
2	P05223-01-003	EA DOOR ASM-W/O HARDWARE-ROUNDED - 355 X 555
3	104335-20-003	EA END CAP-OVER-HEAD
4	095335-03-003	EA GALLEY RAIL-75" X 1020 MM
5	P05223-03-003	EA DOOR ASM-W/O HARDWARE-ROUNDED
6	P07104-02-003	EA DRAWER COMPLETE-SLIDE-RADIUS
7	P07104-01-003	EA DRAWER COMPLETE-SLIDE-RAD L/S
8	P05755-01-003	EA CABINET ASM-GALLEY
9	105755-11-003	EA COUNTERTOP ASM
	055437-01-000	EA STRAINER-SINK, GALLEY W/BASIN
	011053-04-000	EA FAUCET-GALLEY - SWING SPOUT 6"
	102510-01-000	EA SINK-STAINLESS STEEL - DOUBLE - 17" X 25"
	102510-01-003	EA COVER ASM-SINK
	090329-01-000	FT SEAL-T-REFR GERATOR CABINET - 6" W. DE TOP X 2" TAIL
	091057-03-000	EA HANDLE-ASSIST - PAVLING CAB

**1992 ITASCA  
TABLE OF CONTENTS**

INTRODUCTION	A-01	- A-02
ABBREVIATIONS	A-03	- A-03
ALPHABETICAL INDEX	A-04	- A-06
IF427RO	A-07	- D-16
IF427RC	D-17	- G-22
IF427RT	G-23	- K-07

**1992 IF427RT INDEX**

FLOOR PLAN	G-23	G-24
ACCESSORIES		H-01
AUDIO/VIDEO		H-02
BATH	H-03	- H-04
BEDROOM	H-05	- H-05
CHASSIS	H-07	- H-09
CURTAIN & CUSHION	H-10	- H-19
DINETTE	H-20	- H-21
DRIVERS	H-22	- H-24
ELECTRICAL	I-01	- I-04
EXTERIOR BODY	I-05	- I-11
GALLEY	I-12	- I-15
GENERATOR		I-16
HEATING & A/C	I-17	- I-19
INTERIOR FINISH	I-19	- I-22
LABEL	I-23	- I-25
LP		J-07
LOUNGE	J-08	- J-09
SEALANTS & FASTENERS	J-10	- J-12
WATER & SEWAGE	J-13	- J-15
WINDOW VENT AND EXTERIOR DOOR	J-16	- K-07

**GALLEY GROUP (CONTINUED)**

**RANGE HOOD**

KEY	PART NUMBER	U/M DESCRIPTION
	100258-15-01A	EA HOOD-RANGE-W/O MONITOR PANEL-VENTLINE-US-TC55008NAD
	100258-17-01A	EA HOOD-RANGE-22"W W/O MONITOR PANEL-VENTLINE-CSA-TC55008NAC
	100258-18-01A	EA HOOD-RANGE-22"W W/O MONITOR PANEL-VENTLINE-US-TP55007NAD
	090973-01-700	EA MOTOR - LVS DA508-A
	090973-01-702	EA BLADE-FAN-LVS VA153-A
	092592-01-703	EA BULB-PILOT-VENTLINE VA415
	092592-01-710	EA SOCKET-PILOT-VENTLINE CB257-2
	092593-01-703	EA SWITCH-ON/OFF-VENTLINE 105
	092593-01-702	EA SWITCH-TWO POSITION-ADJUTARY-VENTLINE 112
	092593-01-707	EA FILTER-GREASE-16" - LVS CC245
	092593-01-708	EA LENS-LAMP-VENTLINE CC173
	100258-01-703	EA HOOD NOSE LABEL CC428
	100258-10-01A	EA METER-HOUR-VENTLINE 150

**RANGE**

KEY	PART NUMBER	U/M DESCRIPTION
	102022-01-02A	EA RANGE-18" 4 BURNER - MAGIC CHEF BT18RA 4Z
	102022-03-706	EA TRIM CAB LEFT - BLACK BT18
	102022-03-707	EA TRIM CAB RIGHT - BLACK BT18
	093597-02-701	EA INSERT BURNER SLOTTED VENT
	102022-01-700	EA SHELF OVEN
	102022-01-701	EA HANDLE DOOR
	102022-01-702	EA PANEL MAIN FOLD
	102022-01-704	EA PANEL DOOR (BLACK)
	102022-01-708	EA BURNER ASSEMBLY OVEN
	102022-01-711	EA GRATE TOP
	102022-01-712	EA KNOB BURNER VALVE
	102022-01-713	EA KNOB THERMOSTAT
	102022-01-714	EA PILOT OVEN
	102022-01-715	EA PIPE MAN FOLD
	102022-01-717	EA THERMOSTAT
	102022-01-718	EA TOP MAIN (ALMOND)
	102022-01-720	EA VALVE-MERCURY CONTROL
	102022-01-722	EA VALVE-TOP BURNER
	102022-01-723	EA PILOT BURNER
	102022-01-724	EA BUMPER MAIN TOP
	102022-01-702	EA PIPE MAN FOLD
	102022-01-703	EA REGULATOR-PRESSURE
	102022-01-706	EA TRIM (LEFT) FLAT
	102022-01-707	EA TRIM (RIGHT) FLAT

**MONITOR PANEL**

KEY	PART NUMBER	U/M DESCRIPTION
	102765-03-01A	EA MONITOR PANEL W/PLUG FOR 2 TANKS & WATER HEATER - LVS
	102765-12-01A	EA MONITOR PANEL W/PLUG FOR 2 TANKS - LVS
	091156-01-000	EA WIRE ASM MONITOR PANEL W/4 W/FES & BLACK RESISTOR - LVS

**GALLEY GROUP (CONTINUED)**

**COFFEE MAKER, MICROWAVE, & TRIMS**

KEY	PART NUMBER	U/M DESCRIPTION
	091259-06-000	EA OVEN-MICROWAVE - MAGIC CHEF M155-53
	094745-01-01A	EA TRIM-MICROWAVE- LOWER - BLACK
	094774-03-01A	EA TRIM-MICROWAVE- EITHER SIDE - 1 5" X 14 8" - METAL - BLACK
	094755-02-01A	EA BRACKET-L M.CROWAVE - 6 1" LONG X 3 9" WIDE - STEEL - TAN
	094750-01-000	EA BRACKET-MICROWAVE- 90 DEGREE - STEEL
	103759-01-02A	EA COFFEEMAKER - GRAY
	104610-01-000	EA STRAP ASM - COFFEE MAKER
	055515-03-000	EA BRACKET-REAR TIEDOWN - RANGE W/OVEN
	055516-04-000	EA BRACKET-FRONT TIEDOWN - RANGE W/OVEN
	093546-01-000	EA BRACKET ASM-TIEDOWN-REFRIGERATOR - RIGHT
	093546-02-000	EA BRACKET ASM-TIEDOWN-REFRIGERATOR - LEFT
	054450-01-000	EA LEVEL-REFRIGERATOR
	069752-01-000	EA SHROUD-RANGE- 18 5" X 20 5" X 15 2" - METAL - OFF WHITE

**1992 ITASCA  
TABLE OF CONTENTS**

INTRODUCTION	A-01	- A-02
ABBREVIATIONS		A-03
ALPHABETICAL INDEX	A-04	- A-06
IF427RO	A-07	- D-16
IF427RC	D-17	- G-22
IF427RT	G-23	- K-07

**1992 IF427RT INDEX**

FLOOR PLAN	G-23	- G-24
ACCESSORIES		H-01
AUDIO VIDEO		H-02
BATH	H-03	- H-04
BEDROOM	H-05	- H-06
CHASSIS	H-07	- H-09
CURTAIN & CUSHION	H-10	- H-13
DINETTE	H-20	- H-21
DRIVERS	H-22	- H-24
ELECTRICAL	I-01	- I-04
EXTERIOR BODY	I-05	- I-11
GALLEY	I-12	- I-15
GENERATOR		I-16
HEATING & A/C	I-17	- I-18
INTERIOR FINISH	I-19	- I-22
LABEL	I-23	- J-05
LP		J-07
LOUNGE	J-08	- J-09
SEALANTS & FASTENERS	J-10	- J-12
WATER & SEWAGE	J-13	- J-15
WINDOW VENT AND EXTERIOR DOOR	J-17	- K-07

**GALLEY GROUP (CONTINUED)**

**REFRIGERATOR**

KEY	PART NUMBER	U/M	DESCRIPTION
	103622-01-01A	EA	REFRIGERATOR 4 WAY - RIGHT HINGED DOOR - NO F.C.O.L.D. 452 BLACK
	084472-01-700	EA	THERMOCOUPLE - NO F.C.O.L.D. 614553
	084473-03-715	EA	SWITCH 3-WAY - FOR EG-2 & EM-3 MODELS - NO F.C.O.L.D. 615117
	084473-03-720	EA	REL. SWITCH - NO F.C.O.L.D. 615028
	084473-03-721	EA	COMBINATION CONTROL - NO F.C.O.L.D. 615034
	015217-01-758	EA	SWITCH - HUMIDITY - NO F.C.O.L.D. 61535922
	084579-03-700	EA	COOLING UNIT - HORIZONTAL BURNER - NO F.C.O.L.D. 6155137
	084580-01-705	EA	CR. SPER. NO F.C.O.L.D. 614522
	084580-01-715	EA	VALVE SHUT OFF - MANUAL - NO F.C.O.L.D. 61557522
	084580-01-722	EA	CR. SPER. COVER - NO F.C.O.L.D. 615547
	084580-01-732	EA	LATCH - NO F.C.O.L.D. 61575522
	084580-03-705	EA	BRACKET FOR ANTERIOR REFRIGERATOR LIGHT - NO F.C.O.L.D. 61529722
	084580-03-706	EA	LAMP BULB - NO F.C.O.L.D. 61525322
	084580-03-707	EA	COVER FOR LAMP OR BULB - NO F.C.O.L.D. 61511922
	084580-01-706	EA	BURNER - HORIZONTAL - NO F.C.O.L.D. 61558122
	084549-01-709	EA	HEATER - CO. - HORIZONTAL - NO F.C.O.L.D. 615527
	084549-01-710	EA	HEATER - CO. - HORIZONTAL - 3-WAY - NO F.C.O.L.D. 615528
	084035-01-700	EA	BASKET - LOWER - GRAY - NO F.C.O.L.D. 61557930
	084035-01-702	EA	LINER - DOOR - LOWER - BLACK/WHITE - NO F.C.O.L.D. 61551935
	084035-01-702	EA	GASKET (GRAY) - UPPER - NO F.C.O.L.D. 61557530
	084035-01-704	EA	PLATE - HINGE - BLACK - LEFT TOP - RIGHT BOTTOM - NO F.C.O.L.D. 61557410
	084035-01-710	EA	PLATE - HINGE - BLACK - RIGHT TOP - LEFT BOTTOM - NO F.C.O.L.D. 61557510
	084035-01-722	EA	HOLE PLUG - BLACK - HINGE HOLES - NO F.C.O.L.D. 61552030
	084035-01-723	EA	HINGE BRACKET - TOP RIGHT - BOTTOM LEFT - BLACK - NO F.C.O.L.D. 61553535
	084035-01-724	EA	BRACKET - HINGE - TOP LEFT - BOTTOM RIGHT - BLACK - NO F.C.O.L.D. 61553535
	084035-01-725	EA	HINGE PIN - BLACK - MALE - NO F.C.O.L.D. 61578130
	084035-01-725	EA	SHelf - FREEZER EVAPORATOR - NO F.C.O.L.D. 615201
	084035-01-726	EA	HINGE BRACKET (BLACK) - CENTER - HINGE - NO F.C.O.L.D. 61555530
	084035-01-730	EA	HINGE PIN - SHAFT (BLACK) - CENTER - HINGE - NO F.C.O.L.D. 61555730
	084035-01-732	EA	FRONT COVER (BLACK) - BOTTOM TRAY - NO F.C.O.L.D. 61522130
	084035-01-733	EA	WIRE SHELF (MIDDLE) - NO F.C.O.L.D. 61555522
	084035-01-734	EA	WIRE SHELF (TOP) - W/RESEAL - NO F.C.O.L.D. 61553722
	084035-01-735	EA	INSIDE DRIP TRAY (WHITE) - NO F.C.O.L.D. 61572830
	084035-01-735	EA	SWITCH - LIGHT - BLACK - NO F.C.O.L.D. 615510
	103622-01-700	EA	HANDLE ASM - DOOR - UPPER - NO F.C.O.L.D. 61549035
	084580-01-754	EA	JUICE RACK (SMOKE GRAY) - NO F.C.O.L.D. 61550540
	103622-01-702	EA	BIN - SHELF - DOOR - NO F.C.O.L.D. 61554340
	103622-01-705	EA	HANDLE ASM - DOOR - LOWER - NO F.C.O.L.D. 61545535
	084035-01-716	EA	MILK BIN (GRAY/W SILVER TRAY) - NO F.C.O.L.D. 61579450
	103622-01-707	EA	KEEPER - DAIRY - NO F.C.O.L.D. 61580440
	103622-01-708	EA	CRISPER - NO F.C.O.L.D. 61571340
	103622-01-709	EA	KNOB - SELECTOR - NO F.C.O.L.D. 61541922
	103622-01-710	EA	KNOB - THERMOSTAT - NO F.C.O.L.D. 61542322
	103622-01-711	EA	PANEL CONTROL - 2-WAY - NO F.C.O.L.D. 61544022
	103622-01-712	EA	INDICATOR - FLAME - NO F.C.O.L.D. 61503022
	103622-01-713	EA	SWITCH - IGNITION - NO F.C.O.L.D. 61549722

**GENERATOR GROUP**

**KOHLER GENERATOR & INSTALLATION PARTS**

KEY	PART NUMBER	U/M	DESCRIPTION
	103622-01-000	EA	GENERATOR 4 KW W/PROF. KOHLER 40XW21
	007067-01-000	SP	INSULATION FIBERGLASS 1" THICK X 4" - INCREMENTS OF 4 SF
	007125-04-000	EA	CLAMP MUFFLER 1" ID A
	103622-01-000	EA	ARRESTER - SPARK - KOHLER 278521
	103627-01-000	EA	PIPE EXHAUST ADAPTER - KOHLER 278524
	103629-01-000	EA	MUFFLER FRONT EXHAUST - W/O SPARK - KOHLER 278734
	103632-01-000	EA	BASKET EXHAUST - KOHLER 278933
	103732-01-000	EA	TRAY ASM - GENERATOR
	008401-01-000	EA	PIPE EXHAUST ADAPTER
		EA	STRAP CONDUIT 3/4" - 1 HOLE - GALVANIZED STEEL

**ONAN GENERATOR & INSTALLATION PARTS**

KEY	PART NUMBER	U/M	DESCRIPTION
	103674-01-000	EA	GENERATOR 4 KW EMERALD PLUS - ONAN BGE-FX 251009
	007067-01-000	SP	INSULATION FIBERGLASS 1" THICK X 4" - INCREMENTS OF 4 SF
	007125-04-000	EA	CLAMP MUFFLER 1" ID A
	103732-01-000	EA	TRAY ASM - GENERATOR
	084384-01-000	EA	MUFFLER GENERATOR - W/5" LONG TAIL PIPE
	084385-01-000	EA	PIPE EXHAUST - W/3 BOLT HOLE FLANGE
	084394-01-000	EA	BRACKET EXHAUST - W/DOUBLE BEND
	084395-01-000	EA	SPACER GENERATOR - ONAN
	084396-01-000	EA	STRAP - FRONT - GENERATOR - 2 HOLE
	079554-05-000	EA	PIPE EXHAUST - ANGLED - W/FLANGE - 2" ID - ONAN # 154-2539
	008401-01-000	EA	STRAP CONDUIT 3/4" - 1 HOLE - GALVANIZED STEEL

**GENERATOR-3500W EXPORT**

KEY	PART NUMBER	U/M	DESCRIPTION
	103674-04-000	EA	GENERATOR 4 KW EMERALD PLUS - ONAN BGE-FX 232559
			WITH ONAN TRAY #403-2218
	007067-01-000	SP	INSULATION FIBERGLASS 1" THICK X 4" - INCREMENTS OF 4 SF
	079045-01-000	EA	STRAP SUPPORT - GENERATOR - 4 HOLE
	079054-05-000	EA	PIPE EXHAUST - ANGLED - W/FLANGE - 2" ID - ONAN # 154-2539
	079054-01-000	EA	HINGE KIT - ONAN - EMERALD - ONAN 405-0559
	084384-01-000	EA	MUFFLER - GENERATOR - W/5" LONG TAIL PIPE
	084385-01-000	EA	STRAP SUPPORT - GENERATOR - 2 HOLE
	084395-02-000	EA	PIPE EXHAUST - GENERATOR - CURVED - 1 1/2" OD
	084035-01-000	EA	SPACER - GENERATOR - ONAN
	007125-04-000	EA	CLAMP MUFFLER 1" ID A

**1992 ITASCA  
TABLE OF CONTENTS**

INTRODUCTION	A 01	A 02
ABBREVIATIONS		A 03
ALPHABETICAL INDEX	A 04	A 05
IF427RT	A 07	D 05
IF427RT	D 07	D 21
IF427RT	D 03	K 01

**1992 IF427RT INDEX**

FLOOR PLAN	G 03	G 24
ACCESSORIES		H 01
AUDIO VIDEO		H 01
BATH	H 03	H 04
BEDROOM	H 05	H 05
CABINETS	H 07	H 09
CURTAINS & OUTHOUSE	H 10	H 10
CINETTE	H 00	H 21
DRIVERS	H 02	H 04
ELECTRICAL	H 01	H 04
EXTERIOR BODY	H 05	H 11
GALLEY	H 02	H 05
GENERATOR		H 05
HEATING & A/C	H 07	H 05
INTERIOR FINISH	H 05	H 01
LABEL	H 05	H 01
LP		H 07
LOUNGE	H 08	H 02
SEALANTS & FASTENERS	H 10	H 02
WATER & SEWAGE	H 03	H 05
WINDOW VENT AND EXTERIOR DOOR	H 07	H 02



**INTERIOR FINISH GROUP**

**MOLDINGS & TRIMS**

KEY	PART NUMBER	U/M	DESCRIPTION
	065254-03-000	FT	BATT STRIP WOODGRAIN ADHESIVE BACKED - REGAL OAK FROM 00-00-00 THRU 02-03-92
	065254-56-000	FT	BATT STRIP WOODGRAIN ADHESIVE BACKED - FOREST OAK FROM 02-24-92 THRU 99-99-99
	065254-76-000	FT	BATT STRIP SHOWER ADHESIVE BACKED
	065253-63-000	EA	BATT STRIP DECORATIVE - PLAN - 8' LONG - (MAIN)
	065254-53-000	FT	BATT STRIP DECORATIVE - PLAN - ADHESIVE BACKED (MAIN)
	065253-66-000	EA	BATT STRIP DECORATIVE - W/FLOWERS - 8' LONG - GALLEY BATH
	065254-55-000	FT	BATT STRIP DECORATIVE - W/FLOWERS - ADHESIVE BACKED (GALLEY BATH)
	065253-71-000	EA	BATT STRIP DECORATIVE - 5' TROWELL WORK - CEILING
	065254-54-000	FT	BATT STRIP TAPE TROWELL WORK - CEILING
	092330-02-439	EA	LUMBER VINYL WRAPPED 7' X 15' X 8' - WOODGRAIN
	092330-03-000	EA	LUMBER VINYL WRAPPED 2' X 95' - WOODGRAIN
	092330-04-000	EA	LUMBER VINYL WRAPPED - REGAL OAK
	103750-01-02A	FT	MOLDING EDGE SHELF - 75' WIDE - PLASTIC - REGAL OAK
	009757-12-000	FT	MOLDING SIDE WALL TO CEILING CABINET - WELDING - OFF WHITE
	009819-24-000	EA	MOLDING CORNER OUTSIDE - 1" - PLASTIC - THOR PECAN
	009819-25-000	EA	MOLDING CORNER OUTSIDE - 1" - PLASTIC - IVORY
	009819-26-000	EA	MOLDING CORNER OUTSIDE - 1" - PLASTIC - IVORY
	009819-27-000	EA	MOLDING VINYL WRAPPED 7' X 15' X 8' - WOODGRAIN
	009819-28-000	EA	MOLDING VINYL WRAPPED 7' X 25' X 8' - WOODGRAIN
	105904-01-01A	EA	MOLDING VINYL WRAP - REGAL OAK
	075249-01-000	EA	TRAILING OAK 72" EA - LAMP - SHED
	065745-01-000	FT	TRIM CARPET - 12' X 5" ANGLE - 10' LONG - PVC - BEIGE
	100659-01-0B1	EA	TRIM FLOOR 72" X 1" X 12" WOOD
	080520-07-000	FT	T MOLDING 3/4 WEDGE LFS - END CAP - THOR PECAN
	065820-09-000	FT	T MOLDING 3/4 WEDGE LFS - MODERN IVORY
	105759-01-000	FT	T MOLDING 1" WEDGE LFS - MODERN IVORY
	075504-20-000	FT	U CHANNEL PLASTIC - 8' 15" WIDE - THOR PECAN - NO OF 8
	075504-20-000	FT	U CHANNEL PLASTIC - 8' 15" WIDE - THOR PECAN - NO OF 8
	009778-11-000	FT	U CHANNEL PLASTIC - 1" WIDE - IVORY - NO OF 8
	065229-01-000	EA	RETAINER BATTEN CEILING - 75' WIDE - 75' EA

**CARPETING & FLOOR MATS**

KEY	PART NUMBER	U/M	DESCRIPTION
	065060-21-000	SY	CARPET 12' ROLL - INCREMENTS OF 4 SY - PALE CROWN
	093488-01-000	SY	CARPET COMPARTMENT - 64" WIDE - DARK GRAY
	047034-02-000	SF	PLASTIC CARPET - 4' WIDE - CLEAR POLY - M & M ORDER 1500 SF
	040669-01-000	EA	MAT FLOOR WITASCA LOGO - 10' 5" X 25" - RUBBER - BLACK
	081075-02-000	EA	MAT FLOOR ENTRANCE DOOR WITASCA LOGO
	081075-04-000	EA	MAT FLOOR ENTRANCE WITASCA - PLASTIC COLOR GRAY
	063219-03-000	EA	MAT FLOOR PASSENGER - IV
	063219-04-000	EA	MAT FLOOR DRIVER - IV
	105654-03-000	EA	MAT FLOOR FRONT RIGHT - FORD
	105654-04-000	EA	MAT FLOOR FRONT LEFT - FORD

**INTERIOR FINISH GROUP (CONTINUED)**

**FIRE EXTINGUISHER, SMOKE DETECTOR & CLOCK**

KEY	PART NUMBER	U/M	DESCRIPTION
	094459-01-000	EA	EXTINGUISHER - FIRE - DRY W MOUNTING BRACKET - 10 BC
	094459-02-000	EA	EXTINGUISHER - FIRE - DRY - 1A10BC - CANADIAN
	094459-01-700	EA	BRACKET - MOUNTING - W PLASTIC STRAP - FIRE EXTINGUISHER
	094651-01-02A	EA	HOLDER - FIRE EXTINGUISHER - RECESSED - GREY FROM 00-00-00 THRU 08-04-92
	072852-01-000	EA	DETECTOR - SMOKE - W 9 VOLT BATTERY (USA)
	072852-02-000	EA	DETECTOR - SMOKE - W 9 VOLT BATTERY (CSA)
	104754-01-01A	EA	CLOCK - WALL - SPARTUS 5516-42
	101353-01-000	EA	BACKPLATE CLOCK - 6' X 6" - PLASTIC - BLACK

**PANELING, LAMINATES & PLASTIC**

KEY	PART NUMBER	U/M	DESCRIPTION
	074497-19-000	SF	PANELING - CEILING - 4' X 8' - TROWEL FAWN - INCREMENTS OF 32 SF
	065272-72-000	SF	PANELING - SHOWER - 4' X 7' - OFF WHITE - INCREMENTS OF 25 SF FROM 00-00-00 THRU 03-15-92
	065272-95-000	SF	PANELING - SHOWER - OFF WHITE - 4' X 7' - NO OF 25 SQ FT FROM 03-15-92 THRU 99-99-99
	074497-20-000	SF	PANELING - WOODGRAIN - 4' X 8' - FOREST OAK - INCREMENTS OF 32 SF
	065272-65-000	SF	PANELING DECORATIVE - PLAN - 4' X 7' - INCREMENTS OF 25 SF
	065272-67-000	SF	PANELING DECORATIVE - W/FLOWERS - 4' X 7' - NO OF 25 SF
	074458-41-000	SF	LAMINATE - PLASTIC - OFF - D M STEVAMAR MR 155K
	074458-24-000	SF	LAMINATE - PLASTIC - STEELING
	075325-34-000	FT	MOLDING EDGE BAND - 15' 15" WIDE - PALE CROWN
	075325-27-000	FT	MOLDING EDGE BAND - 15' 15" WIDE - REGAL OAK
	000865-55-000	SF	PARTICLE BOARD - 35' X 45' X 9/16" - SIDE VINYL - FOREST OAK (32 SF)
	000865-54-000	SF	PARTICLE BOARD - 35' X 45' X 3/8" - 2 SIDES VINYL - FOREST OAKS (32 SF)
	000865-56-000	SF	PARTICLE BOARD - 45' X 55' X 3/8" - FOREST OAK - VINYL 2 SIDES
	085297-01-000	SF	PLYWOOD - LAMINATE OVERLAY GRADE - 4' X 8' - NO OF 02 SF
	063743-02-01A	SF	PLASTIC ABS 20" WIDE ROLL - OFF WHITE
	063743-03-01A	SF	PLASTIC ABS - 10 5/8" WIDE - OFF WHITE
	065518-02-000	SF	PLYWOOD - OAK - 1 SIDE FINISHED - 3/8" X 4' X 8' (32 SF)
	095688-01-000	SF	VENEER - PLAT - LUANA - 48" X 96"

**1992 ITASCA  
TABLE OF CONTENTS**

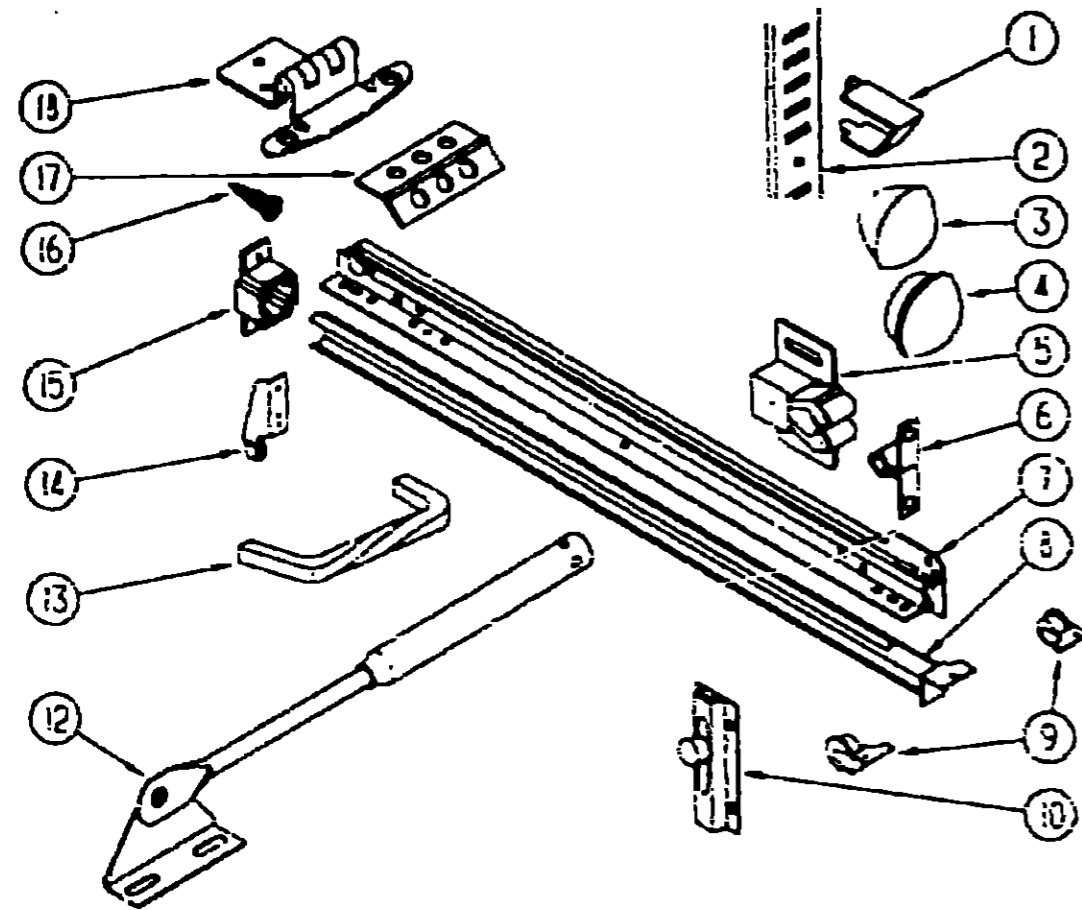
INTRODUCTION	A-01	-	A-02
ABBREVIATIONS			A-03
ALPHABETICAL INDEX	A-04	-	A-06
F427RC	A-07	-	D-15
F427RD	D-17	-	G-22
F427RT	G-23	-	K-07

**1992 IF427RT INDEX**

FLOOR PLAN	G-23	-	G-24
ACCESSORIES			H-01
AUDIO/VIDEO			H-02
BATH	H-03	-	H-04
BEDROOM	H-05	-	H-06
CHASSIS	H-07	-	H-09
CURTAIN & CUSHION	H-10	-	H-19
GALETTE	H-20	-	H-21
DRIVERS	H-22	-	H-24
ELECTRICAL	I-01	-	I-04
EXTERIOR BODY	I-05	-	I-11
GALLEY	I-12	-	I-15
GENERATOR			I-16
HEATING & A/C	I-17	-	I-18
INTERIOR FINISH	I-19	-	I-22
LABEL	J-23	-	J-25
LP			J-07
LOUNGE	J-08	-	J-09
SEALANTS & FASTENERS	J-10	-	J-12
WATER & SEWAGE	J-13	-	J-16
WINDOW, VENT AND EXTERIOR DOOR	J-17	-	K-07

# INTERIOR FINISH GROUP (CONTINUED)

## CABINET & TABLE HARDWARE



KEY	PART NUMBER	U/M	DESCRIPTION
1	056379-01-000	EA	CLIP-ADJUSTABLE SHELF
2	036260-01-000	EA	PILASTER-ADJUSTABLE SHELF- 18" LONG
3	842356-01-000	EA	PLUG-BUTTON-MAHOAGANY - 3/8" DIAMETER - WOOD
4	074045-07-000	EA	PLUG-WOOD-1/2" - NATURAL
5	033566-03-000	EA	CATCH-SPRING-ROLLER
6	033565-04-000	EA	STRIKE-SPRING STEEL
7	101910-03-000	EA	SLIDE-DRAWER-CABINET MOUNTED - SET OF 2 - 12" LONG
7	101910-04-000	EA	SLIDE-DRAWER-DRAWER MOUNTED - SET OF 2 - 12" LONG
8	102827-05-000	EA	TRACK-DRAWER 22 5" LONG
9	102827-03-000	EA	ROLLER-DRAWER NYLON - PAIR
10	091504-01-000	EA	SLIDE-BOLT-ANTIQUE BRASS
12	074493-02-000	EA	SUPPORT-PISTON SPRING CABINET DOOR
13	102845-01-000	EA	PULL-CABINET BRASS - TWIST - 1 1/2" X 3/4"
	100395-01-000	EA	BACKPLATE FULL CABINET DOOR - 57" - BRASS FROM 12-09-91 THRU 09-09-99
14	102827-02-000	EA	BRACKET-ROLLER-DRAWER - REAR
15	102827-04-000	EA	BRACKET-MOUNTING DRAWER - REAR
16	000313-02-100	EA	SCREWS-20 X 5/8 PPH-ANTIQUE BRASS FROM 00-00-00 THRU 04-14-92
16	000313-06-080	EA	SCREWS-20 X 5/8 PPH-ANTIQUE BRASS FROM 04-15-92 THRU 09-09-99
17	009159-02-000	EA	HINGE-DOOR-2" X 2 7/8" - BRASS
18	059777-02-000	EA	HINGE-CABINET DOOR-BURNISHED BRASS FROM 00-00-00 THRU 04-16-92
18	108138-01-000	EA	HINGE-DOOR CABINET - BURNISHED BRASS FROM 04-17-92 THRU 09-09-99
	102849-01-000	EA	HINGE-BRASS-VARIABLE OVERLAY (OVER-HEAD RANGE CABINET)
	023320-01-000	EA	PAD-FELT 3/8" DIAMETER - BROWN
	105237-02-000	EA	FASTENER-WOOD CORNER - METAL - 5" X 5"
	004354-01-000	EA	BUFFER-RUBBER- 5" DIA - BROWN
	009063-01-000	EA	HINGE-CONTINUOUS- 1 1/2" X 7 1/2" - UNPAINTED
	009066-01-000	EA	HINGE-ALUMINUM- NO HOLES - 1 1/8" X 5" - UNPAINTED
	015504-01-000	EA	BRACE-CABINET- ANGLE - 2 5/8" - METAL - UNPAINTED
	015504-03-000	EA	BRACE-CABINET- ANGLE - 2 5/8" - METAL - BEIGE
	055740-01-000	EA	BRACE-CABINET CORNER- PLASTIC
	075790-01-000	EA	SCREW- 5-20 X 1 1/4 PPH - BLACK
	059793-01-000	FT	ROD-CLOTHES SLOTTED - ALUMINUM - 7 LENGTH
	009059-01-000	EA	CLIP-MIRROR
	009112-01-000	EA	FLANGE-1" ROD-CLOTHES - PLASTIC - OFF WHITE
	042436-01-000	EA	DOWEL-WOOD-CLOTHES ROD - 1" DIAMETER X 4"
	042436-02-000	EA	DOWEL WOOD-2" X 2"
	064761-05-000	EA	HOLDER-CLIP-TWO STEP - OFF WHITE
	103267-01-000	EA	STOP-DOOR
	103130-01-000	EA	HOOK-CLIP-BRASS-1 25"
	052072-05-AA3	EA	SUPPORT - CABINET(BATH)
	075827-04-000	EA	BRACKET-BUNKBED - 2 5/8" X 1 5/8" TRIANGLE-METAL-OFF WHITE
	075827-03-000	EA	BRACKET-HEADER-SLIDING DOOR-METAL
	104565-01-000	EA	CATCH-WOOD-VINYL FACED CABINET
	104565-02-000	EA	CATCH-WOOD-LAMINATED FACED CABINET

## 1992 ITASCA TABLE OF CONTENTS

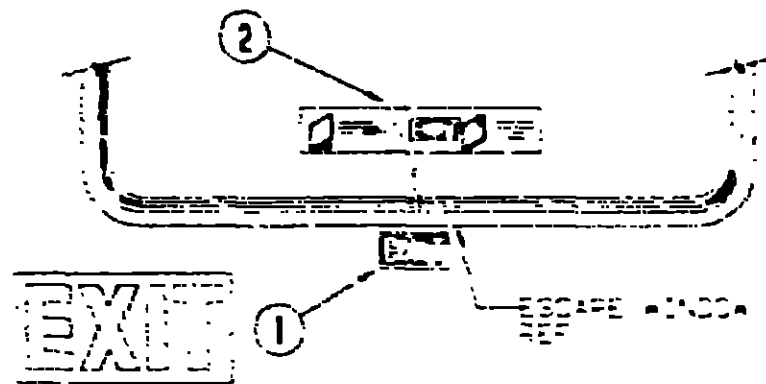
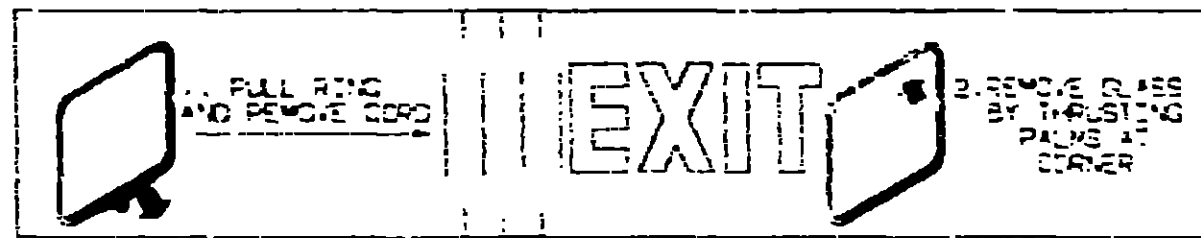
INTRODUCTION	A-01 - A-02
ABBREVIATIONS	A-03
ALPHABETICAL INDEX	A-04 - A-06
IF427FG	A-07 - D-15
IF427FD	D-17 - G-22
IF427RT	G-23 - K-37

## 1992 IF427RT INDEX

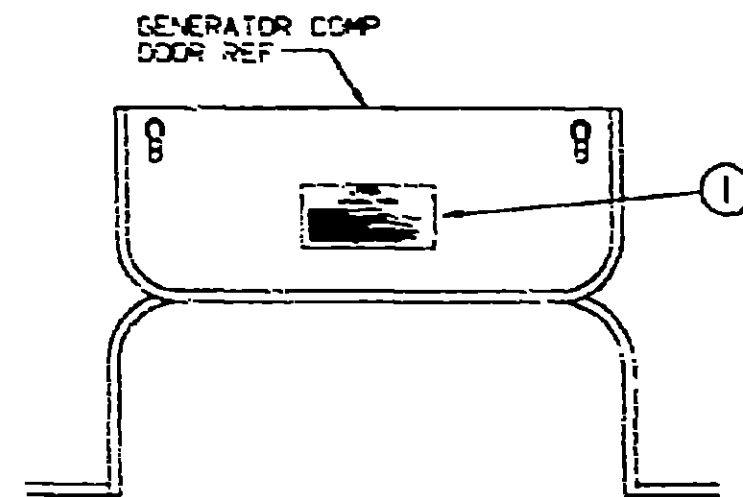
FLOOR PLAN	G-23 - G-24
ACCESSORIES	H-01
ADD ON VIDEO	H-02
BATH	H-03 - H-04
BEDROOM	H-05 - H-06
CHASSIS	H-07 - H-09
CURTAIN & OLSHON	H-10 - H-16
DINETTE	H-20 - H-21
DRIVERS	H-22 - H-24
ELECTRICAL	I-01 - I-04
EXTERIOR BODY	I-05 - I-11
GALLEY	I-12 - I-15
GENERATOR	I-16
HEATING & A/C	I-17 - I-18
INTERIOR FINISH	I-19 - I-22
LABEL	I-23 - J-00
LP	J-01
LOUNGE	J-03 - J-09
SEALANTS & FASTENERS	J-10 - J-12
WATER & SEWAGE	J-13 - J-16
WINDOW, VENT AND EXTERIOR DOOR	J-17 - K-07



**LABELS GROUP**



KEY	PART NUMBER	U/M DESCRIPTION
1	035226-01-000	EA LABEL WARNING-EXIT
2	107571-01-000	EA LABEL EXIT ESCAPE WINDOW



**WARNING**

**WHEN ADDING A GENERATOR SET:**

HIGH VOLTAGE-USE EXTREME CAUTION WHEN WORKING ON ELECTRICAL COMPONENTS.

HAVE ALL ELECTRICAL INSTALLATION PERFORMED BY A QUALIFIED LICENSED ELECTRICIAN-FOLLOW ALL STATE AND LOCAL CODES.

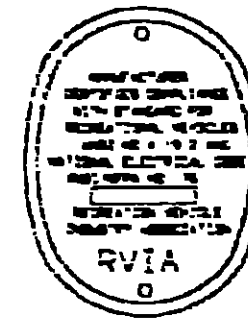
ONLY INSTALL GENERATOR SET APPROVED FOR U.S. APPLICATION AND INSTALLED BY QUALIFIED TECHNICIAN.

TO AVOID HEAT BUILD-UP AND TO GUARANTEE AN ADEQUATE AIR SUPPLY TO THE GENERATOR COMPARTMENT, FOLLOW INSTALLATION INSTRUCTIONS.

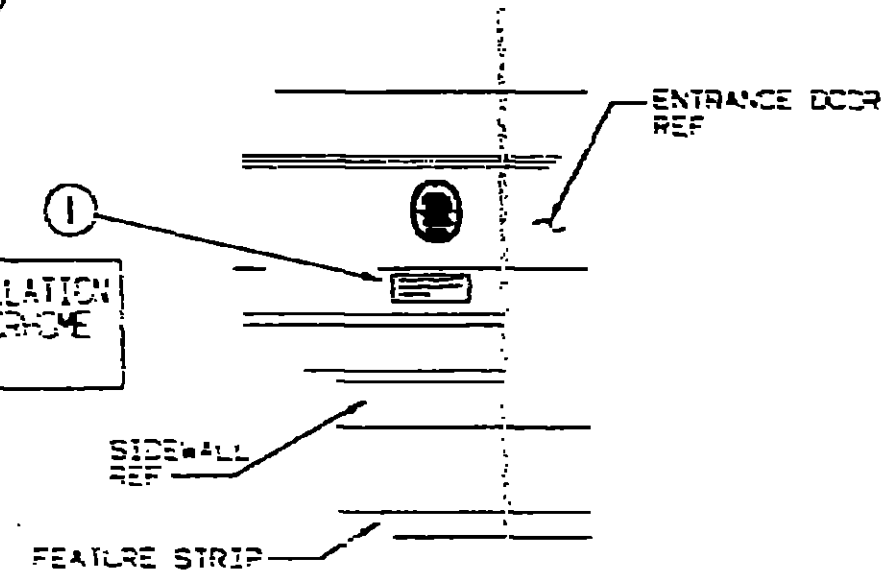
GENERATOR EXHAUST ENDS ARE TO BE TIGHT AND MUST NOT TERMINATE UNDER THE VEHICLE-CHROME EXHAUST MUST BE KEPT AWAY FROM VEHICLE.

KEY	PART NUMBER	U/M DESCRIPTION
1	077570-01-000	EA LABEL-GENERATOR PREP

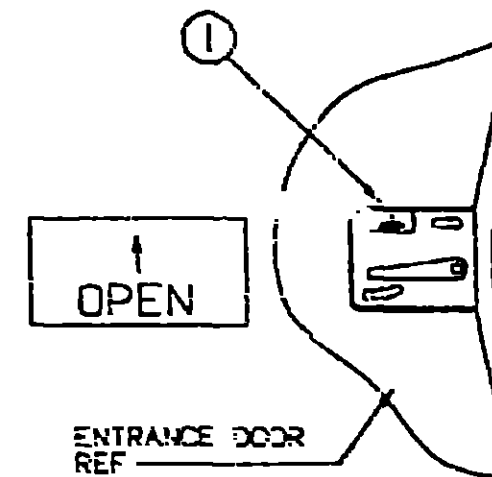
**LABELS GROUP (CONTINUED)**



FOR FINISH INSTALLATION  
CONTACT YOUR MOTORHOME  
DEALER/SHOP



KEY	PART NUMBER	U/M DESCRIPTION
1	095509-01-000	EA LABEL-AWNING INSTALLATION



KEY	PART NUMBER	U/M DESCRIPTION
1	040944-01-000	EA LABEL-ENTRANCE DOOR "OPEN"

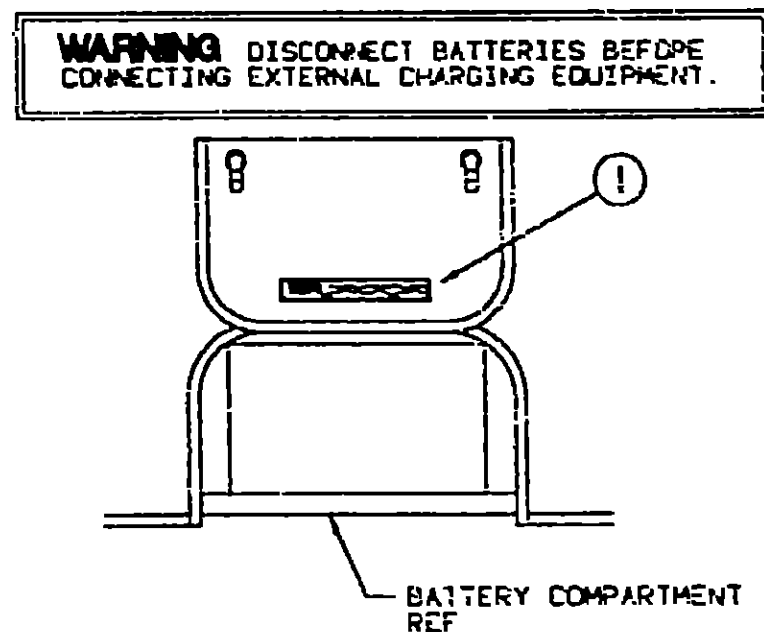
**1992 ITASCA  
TABLE OF CONTENTS**

INTRODUCTION	A-01 - A-02
ABBREVIATIONS	A-03
ALPHABETICAL INDEX	A-04 - A-05
IF427RD	A-07 - D-16
IF427RD	D-17 - G-22
IF427RT	G-23 - K-27

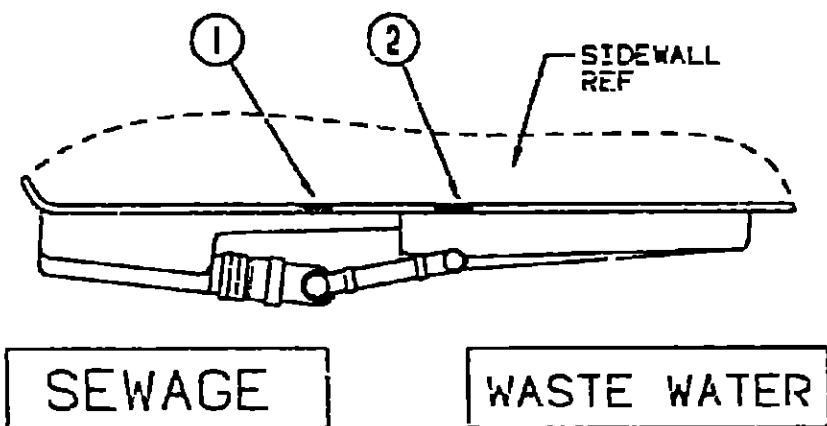
**1992 IF427RT INDEX**

FLOOR PLAN	G-25 - G-24
ACCESSORIES	H-01
AUDIO/VIDEO	H-02
BATH	H-03 - H-04
BEDROOM	H-05 - H-06
CHASSIS	H-07 - H-09
CURTAIN & CUSHION	H-10 - H-19
CINETTE	H-20 - H-21
DRIVERS	H-22 - H-24
ELECTRICAL	I-01 - I-04
EXTERIOR BODY	I-05 - I-11
GALLEY	I-12 - I-15
GENERATOR	I-16
HEATING & A/C	I-17 - I-18
INTERIOR FINISH	I-19 - I-22
LABEL	I-23 - J-05
LP	J-07
LOUNGE	J-08 - J-09
SEALANTS & FASTENERS	J-10 - J-12
WATER & SEWAGE	J-13 - J-16
WINDOW VENT AND EXTERIOR DOOR	J-17 - K-07

LABELS GROUP (CONTINUED)

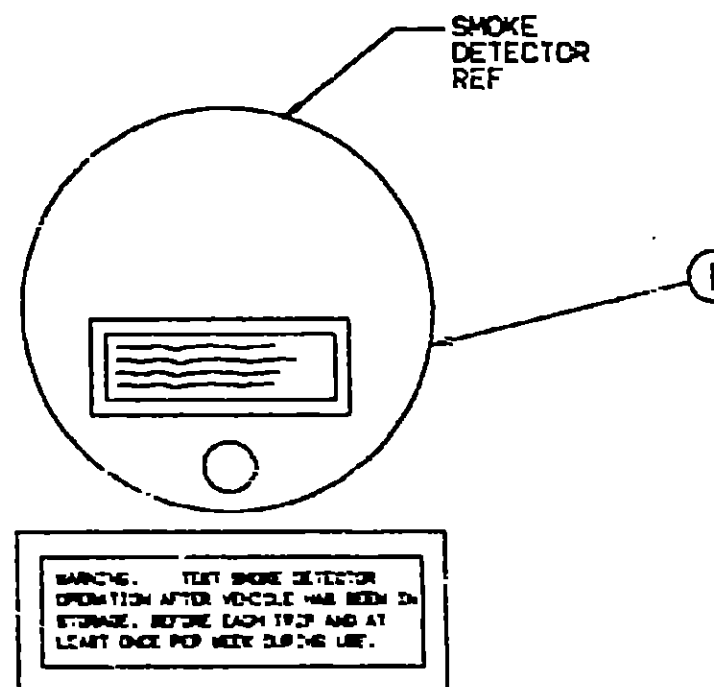


KEY PART NUMBER U/M DESCRIPTION  
 1 065748-01-000 EA LABEL-CAUTION-BATTERY CHARGING

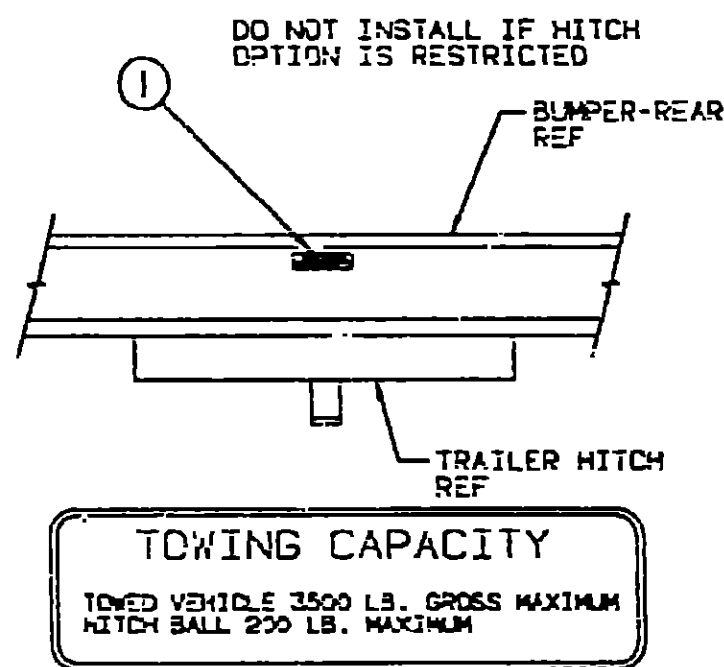


KEY PART NUMBER U/M DESCRIPTION  
 1 005167-01-000 EA LABEL-SEWAGE  
 2 005168-01-000 EA LABEL-WASTE WATER

LABELS GROUP (CONTINUED)



KEY PART NUMBER U/M DESCRIPTION  
 1 077935-01-000 EA LABEL-WARNING-SMOKE DETECTOR



KEY PART NUMBER U/M DESCRIPTION  
 1 075221-01-000 EA LABEL-TOWING CAPACITY

1992 ITASCA  
 TABLE OF CONTENTS

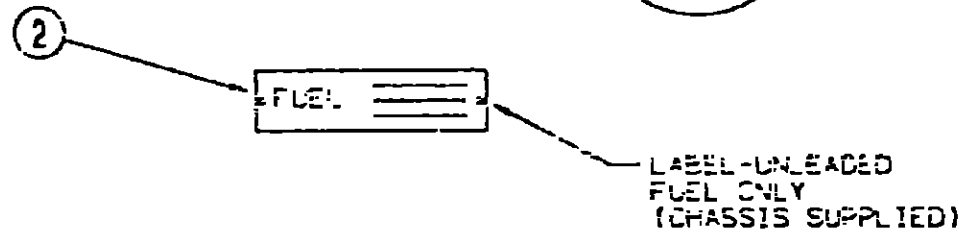
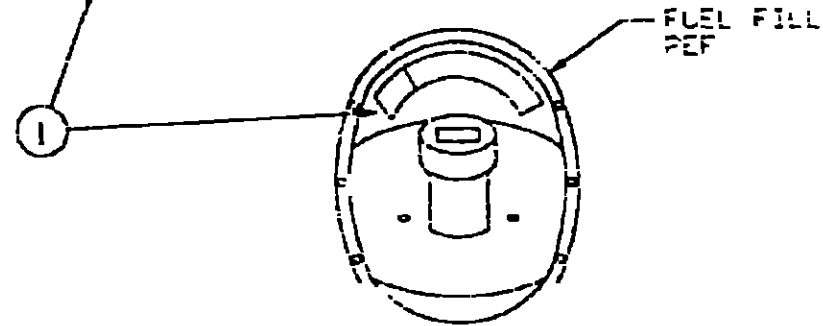
INTRODUCTION	A-01 - A-02
ABBREVIATIONS	A-03
ALPHABETICAL INDEX	A-04 - A-05
IF427RQ	A-07 - D-15
IF427FC	D-17 - G-22
IF427RT	G-23 - K-07

1992 IF427RT INDEX

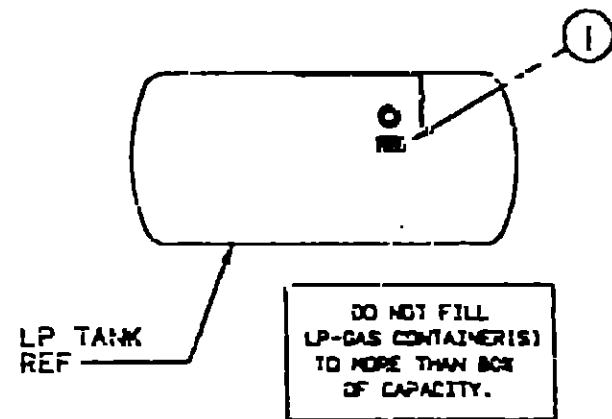
FLOOR PLAN	G-23 - G-24
ACCESSORIES	H-01
AUDIO VIDEO	H-02
BATH	H-03 - H-04
BEDROOM	H-05 - H-06
CHASSIS	H-07 - H-09
CURTAIN & CUSHION	H-10 - H-19
DINETTE	H-20 - H-21
DRIVERS	H-22 - H-24
ELECTRICAL	I-01 - I-04
EXTERIOR BODY	I-05 - I-11
GALLEY	I-12 - I-15
GENERATOR	I-16
HEATING & A/C	I-17 - I-18
INTERIOR FINISH	I-19 - I-22
LABEL	I-23 - J-05
LP	J-07
LOUNGE	J-08 - J-09
SEALANTS & FASTENERS	J-10 - J-12
WATER & SEWAGE	J-13 - J-15
WINDOW VENT AND EXTERIOR DOOR	J-17 - K-07

**LABELS GROUP (CONTINUED)**

<b>CAUTION</b>	TO HELP AVOID PERSONAL INJURY DURING REMOVAL OF FUEL FILLER CAP, SLOWLY LOOSEN CAP 1/2 TURN TO ALLOW ANY FUEL PRESSURE TO BE RELIEVED BEFORE TURNING CAP FURTHER.
FUEL SPRAY MAY CAUSE PERSONAL INJURY	STOP ADDING FUEL AFTER FIRST SHUTOFF BY AUTOMATIC NOZZLE WHEN TANK IS NEARLY FULL. DO NOT OVERFILL FUEL TANK. SEE OWNERS MANUAL FOR ADDITIONAL INFORMATION.
	PRINTED IN U.S.A. REC. PT. NO. 136-1763

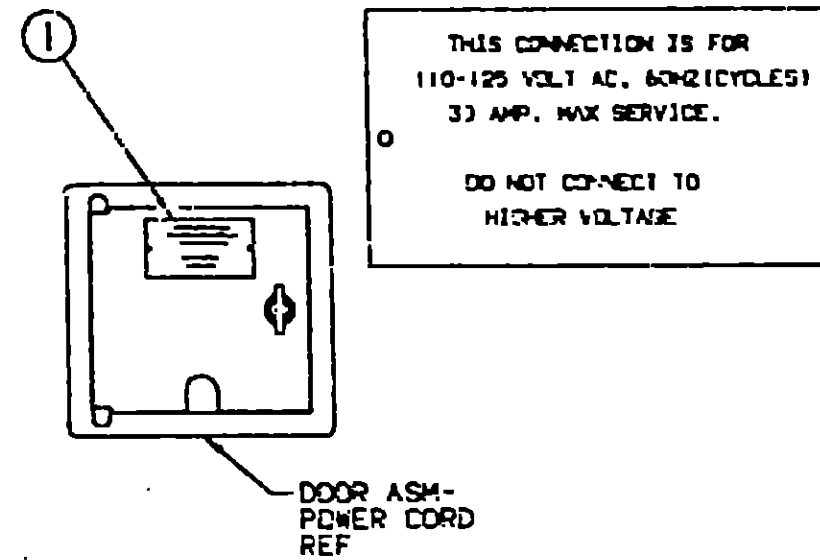


KEY	PART NUMBER	U/M DESCRIPTION
1	057207-06-000	EA LABEL-GAS OVERFILL
2	052043-01-000	EA LABEL-FUEL UNLEADED

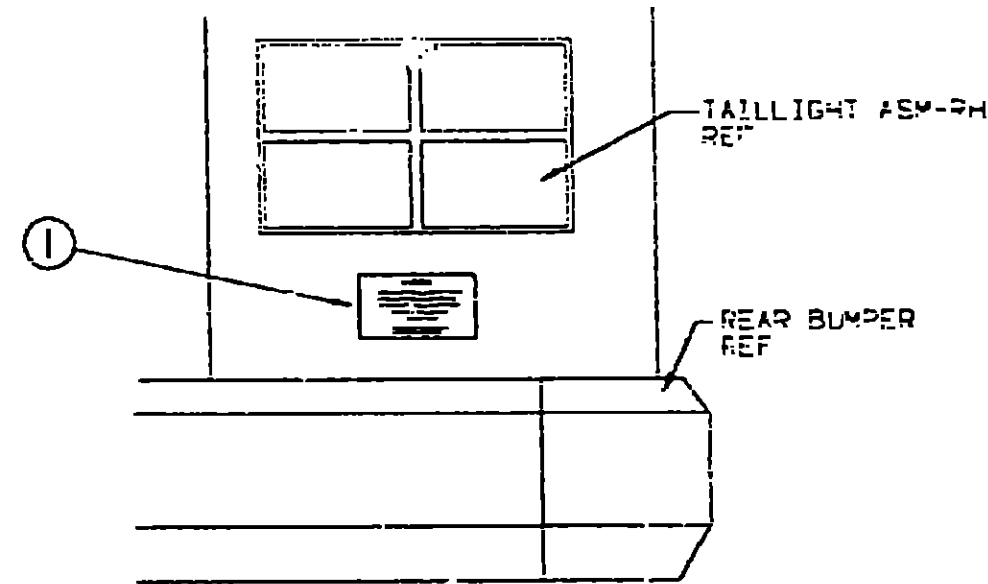


KEY	PART NUMBER	U/M DESCRIPTION
1	054531-01-000	EA LABEL-LP GAS ONLY

**LABELS GROUP (CONTINUED)**



KEY	PART NUMBER	U/M DESCRIPTION
1	005062-01-000	EA TAG-ELECTRIC-110V CONNECTION



**WARNING**

DO NOT EXCEED THE VEHICLE WEIGHT RATINGS OR LOADING RECOMMENDATIONS (E.G., GROSS VEHICLE, GROSS AXLE, GROSS COMBINED) OF THE CHASSIS MANUFACTURER OR WINNEBAGO INC.

REFER TO YOUR OWNERS MANUAL, BEFORE LOADING OR TOWING.

KEY	PART NUMBER	U/M DESCRIPTION
	075220-01-000	EA LABEL-WARNING-EXTERIOR LOAD

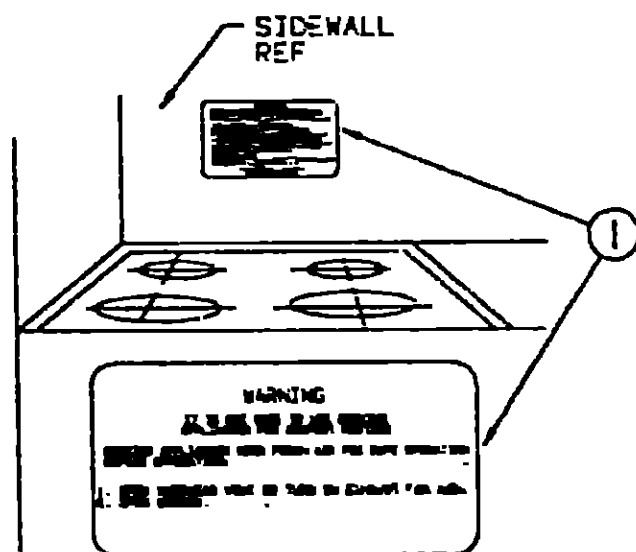
**1992 ITASCA  
TABLE OF CONTENTS**

INTRODUCTION	A-01 - A-02
ABBREVIATIONS	A-03
ALPHABETICAL INDEX	A-04 - A-06
IF427RQ	A-07 - D-16
IF427RC	D-17 - G-22
IF427RT	G-23 - K-07

**1992 IF427RT INDEX**

FLOOR PLAN	G-23 - G-24
ACCESSORIES	H-01
AUDIO VIDEO	H-02
BATH	H-03 - H-04
BEDROOM	H-05 - H-06
CHASSIS	H-07 - H-09
CURTAIN & CUSHION	H-10 - H-19
DINETTE	H-20 - H-21
DRIVERS	H-22 - H-24
ELECTRICAL	I-01 - I-04
EXTERIOR BODY	I-05 - I-11
GALLEY	I-12 - I-15
GENERATOR	I-16
HEATING & A/C	I-17 - I-18
INTERIOR FINISH	I-19 - I-22
LABEL	J-23 - J-06
LP	J-07
LOUNGE	J-08 - J-09
SEALANTS & FASTENERS	J-10 - J-12
WATER & SEWAGE	J-13 - J-16
WINDOW, VENT AND EXTERIOR DOOR	J-17 - K-07

**LABELS GROUP (CONTINUED)**

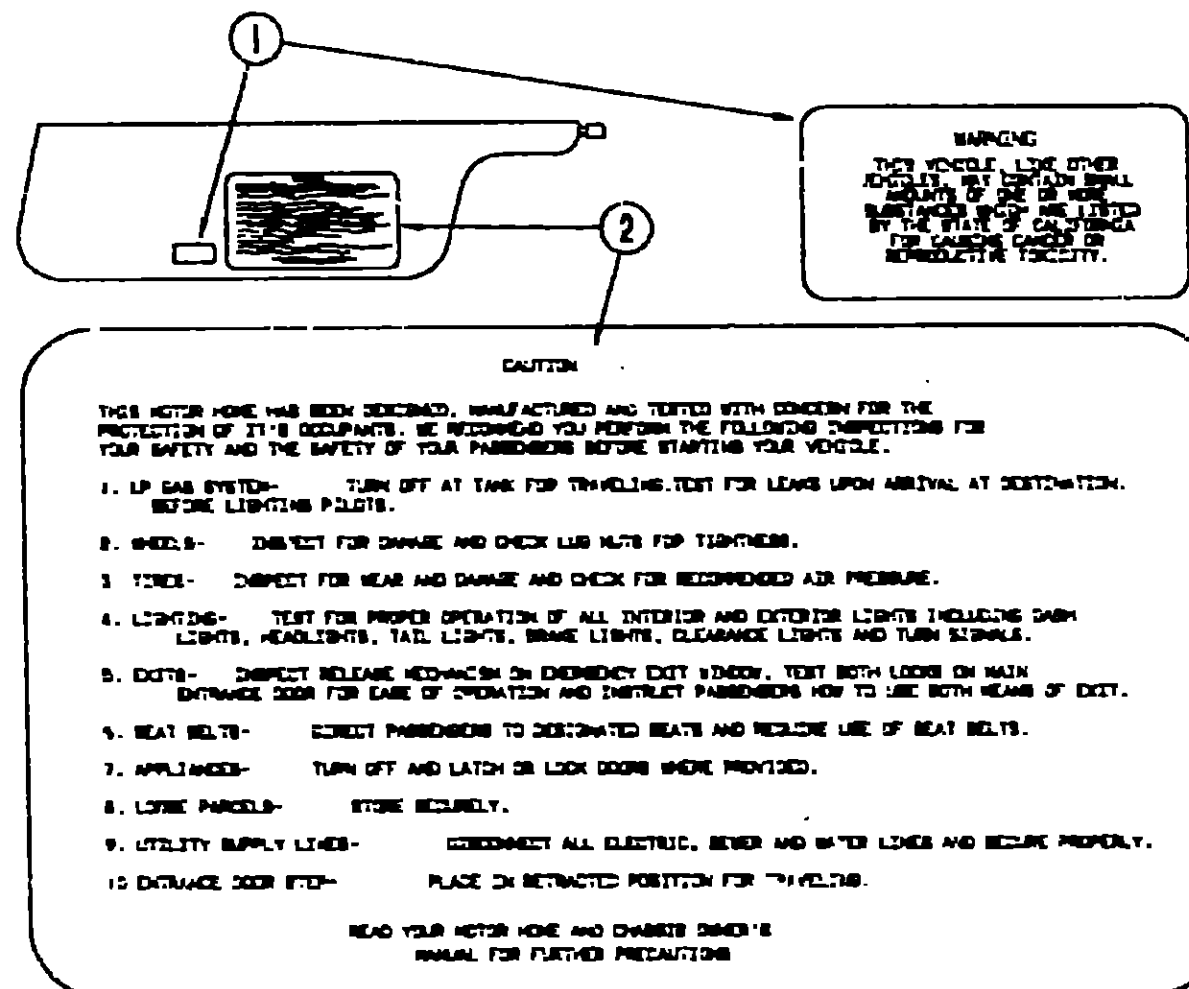


KEY	PART NUMBER	U/M	DESCRIPTION
	104238-01-000	EA	LABEL-GENERATOR CIRCUIT
	006054-01-000	EA	LABEL-SEAT W/O SEATBELT (US) NOT INTENDED FOR USE WHILE COACH IN MOTION
	006054-02-000	EA	LABEL-SEAT W/O SEATBELT (CSA) NOT INTENDED FOR USE WHILE COACH IN MOTION
	091224-02-000	EA	LABEL-TRAILER LIGHTING
	091243-01-000	EA	LABEL-A/C COVER - "AIR CONDITIONING CIRCUIT ETC"
	093235-03-000	EA	LABEL-CIRCUIT BREAKER
	093541-01-000	EA	LABEL-FUEL - UNLEADED - DASH
	074559-01-000	EA	DECAL-LOGO - LPG - RED - (CALIF CODE)
	073998-01-000	EA	LABEL-LPG O.D.COR WARNING
	087236-01-000	EA	LABEL-CABLE - INPUT
	051417-01-000	EA	LABEL-FUEL - ON FUEL FILL DOOR
	005040-01-000	EA	TAG-GAS REFUELING WARNING-US
	005040-02-000	EA	TAG-GAS REFUEL WARNING-CANADIAN

**1992 ITASCA  
TABLE OF CONTENTS**

INTRODUCTION	A-01	A-02
ABBREVIATIONS		A-03
ALPHABETICAL INDEX	A-04	A-06
IF427RQ	A-07	D-16
IF427RC	D-17	G-22
IF427RT	G-23	K-07

KEY	PART NUMBER	U/M	DESCRIPTION
1	050225-01-000	EA	LABEL-WARNING-STOVE VENT - US

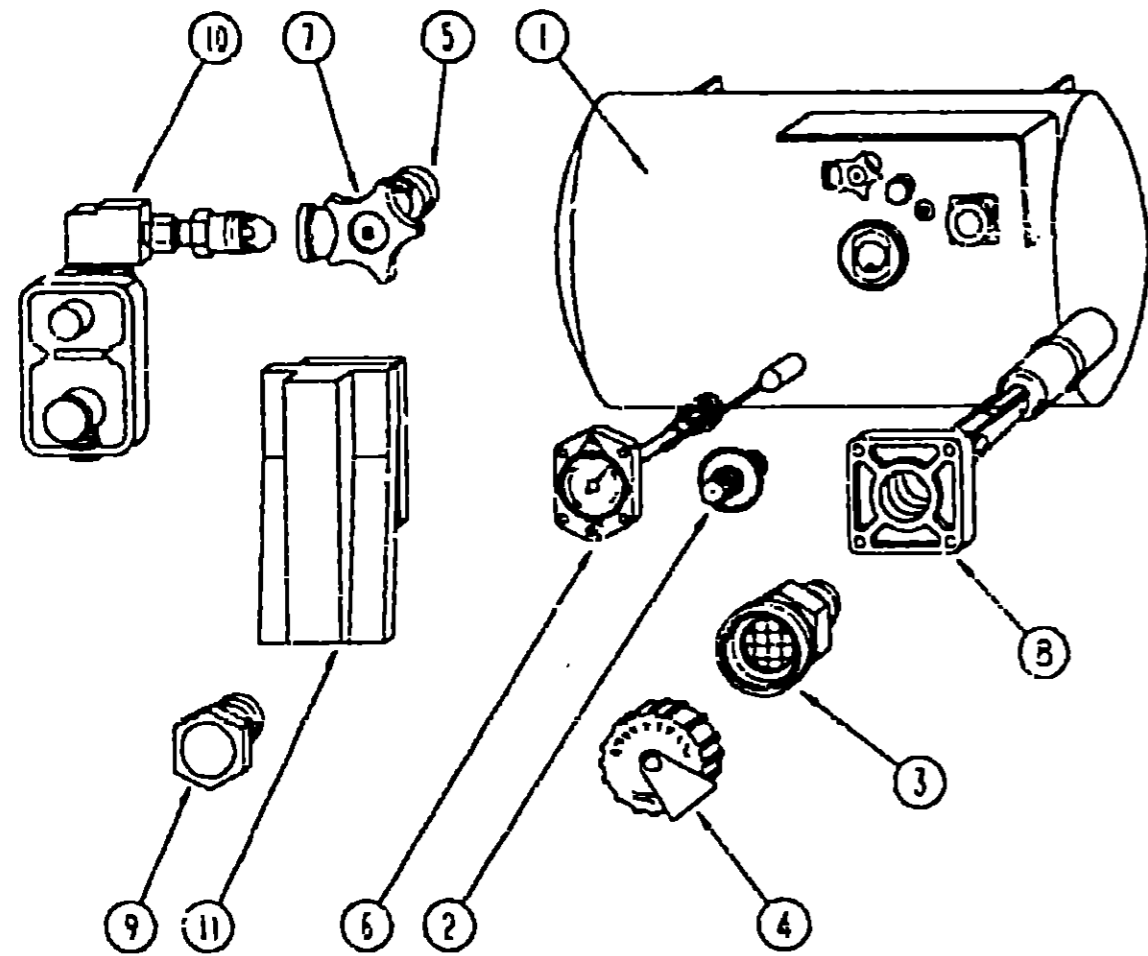


**1992 IF427RT INDEX**

FLOOR PLAN	G-23	G-24
ACCESSORIES		H-01
AUDIO VIDEO		H-02
BATH	H-03	H-04
BEDROOM	H-05	H-06
CHASSIS	H-07	H-09
CURTAIN & CUSHION	H-10	H-19
DINETTE	H-20	H-21
DRIVERS	H-22	H-24
ELECTRICAL	I-01	I-04
EXTERIOR BODY	I-05	I-11
GALLEY	I-12	I-15
GENERATOR		I-15
HEATING & A/C	I-17	I-18
INTERIOR FINISH	I-19	I-22
LABEL	I-23	J-05
LP		J-07
LOUNGE	J-08	J-09
SEALANTS & FASTENERS	J-10	J-12
WATER & SEWAGE	J-13	J-16
WINDOW VENT AND EXTERIOR DOOR	J-17	K-07

KEY	PART NUMBER	U/M	DESCRIPTION
1	092539-01-000	EA	LABEL-WARNING-CANCER/TOXICIT
2	092559-01-000	EA	LABEL-SAFETY CHECK LIST

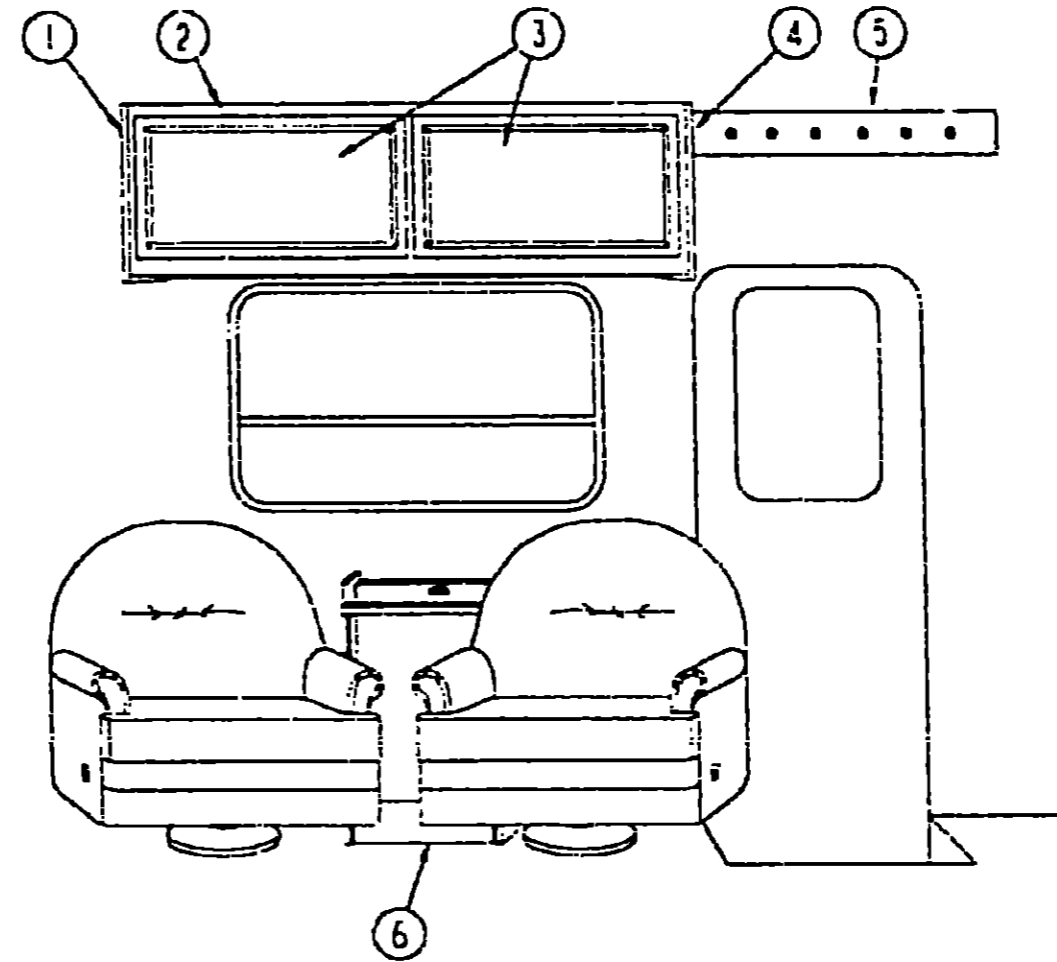
**LP GROUP**



**LP TANK & COMPONENTS**

KEY	PART NUMBER	U/M	DESCRIPTION
1	030450-01-000	EA	TANK-LP-42LB 13DIA X 24 LONG
2	040421-01-700	EA	VALVE-LIQUID LEVEL-20% LP - BRUNNER G-1013
3	040421-01-701	EA	VALVE-SHORT LP FILLER W/YELLOW CAP - BRUNNER 75475
4	040421-01-702	EA	CAP-LP FILLER VALVE-PLASTIC-YELLOW-BRUNNER G-1014-A
5	040421-01-703	EA	VALVE-SERVICE W/HANDWHEEL (FEGO 9105CO) - BRUNNER G-1015
6	040421-01-707	EA	GAUGE-FLOAT W/VISIBLE DIAL - BRUNNER MA-9 5244-4
	040440-02-000	EA	DIAL-TRANSMITTER 0-90 OHM
7	040421-01-708	EA	HANDWHEEL-SERVICE VALVE BRUNNER G-1015-A
8	040421-01-711	EA	VALVE W/PLATE-BOLT & GASKET-60%
9	040421-01-713	EA	VALVE-VAPOR ONLY-BRUNNER 29000587
10	105150-01-000	EA	REGULATOR-TWO STAGE - 293-00
11	105558-01-000	EA	COMPARTMENT-LP REGULATOR
	055741-01-000	EA	GAUGE-DIAPHRAGM PRESSURE - MARSHALLTOWN MFG
	055742-01-000	EA	TEE 3/8" F X 3/8" F X 25FPT - BRASS
	010377-02-000	EA	NUT-BRASS 3/8" FEMALE - FORGED
	045703-01-000	EA	HOSE-LP-3/8" ID X 24' - 3/8" MPT X 1/2" F SWIVEL - U.S.
	045703-02-000	EA	HOSE-LP-3/8" ID X 24' - 3/8" MPT X 1/2" F SWIVEL - CANADA
	103813-01-000	EA	DETECTOR-LP GAS - CCI 7730 PRE-TELL 1
			FROM 01-20-92 THRU 99-99-99
	055318-02-000	EA	ELBOW-90 DEGREE-3/8" MPT TO 3/8" FPT
	051938-01-000	EA	COVER-COMPARTMENT-LP REGULATOR - BLACK
	055524-01-000	EA	ELBOW-90 DEGREE-1/4" FPT X 1/4" FPT - BRASS
	010251-01-000	EA	ELBOW-90 DEGREE 3/8" F X 3/8" MPT - BRASS
	071391-02-000	EA	NIPPLE-HEX-1/4" PIPE - 3025X4 WEATHERHEAD
	010323-01-000	EA	ADAPTER BRASS-3/8" F X 1/2" MPT
	010380-02-000	EA	NUT-BRASS-1/2" FEMALE - FORGED
	010377-02-000	EA	NUT-BRASS-3/8" FEMALE - FORGED

**LOUNGE GROUP**



**OVERHEAD & SWIVEL CHAIR CABINETS**

KEY	PART NUMBER	U/M	DESCRIPTION
1	104335-07-C52	EA	CAP ASM-END-OVERHEAD
1	104335-18-C03	EA	CAP ASM-END-OVERHEAD - W/TV
2	105523-32-C03	EA	CABINET ASM-OVERHEAD-RIGHT
2	105523-31-C03	EA	CABINET ASM-OVERHEAD-TV
	105809-13-C03	EA	SHLF ASM
	051504-01-000	EA	SLIDE-SOLT-ANTIQUE BRASS
	101910-03-000	EA	SLIDE-DRAWER-CABINET MOUNTED - SET OF 2 - 12" LONG
	101910-04-000	EA	SLIDE-DRAWER-DRAWER MOUNTED - SET OF 2 - 12"
3	F05223-05-C03	EA	DOOR ASM-W/O HARDWARE-400 X 710
4	104335-06-C52	EA	CAP ASM-END-OVERHEAD
4	104335-17-C03	EA	CAP ASM-END-OVERHEAD - W/TV
5	105847-05-C05	EA	KEY RING HOLDER
	103130-01-000	EA	HOCK-CLP-BRASS - 1 25"
6	105873-01-C03	EA	TABLE ASM-PULLOUT
	055873-11-C23	EA	PANEL ASM-PULLOUT TCP
	050735-01-000	EA	FULL-RECESSED - 1 25" X 4" - OAK

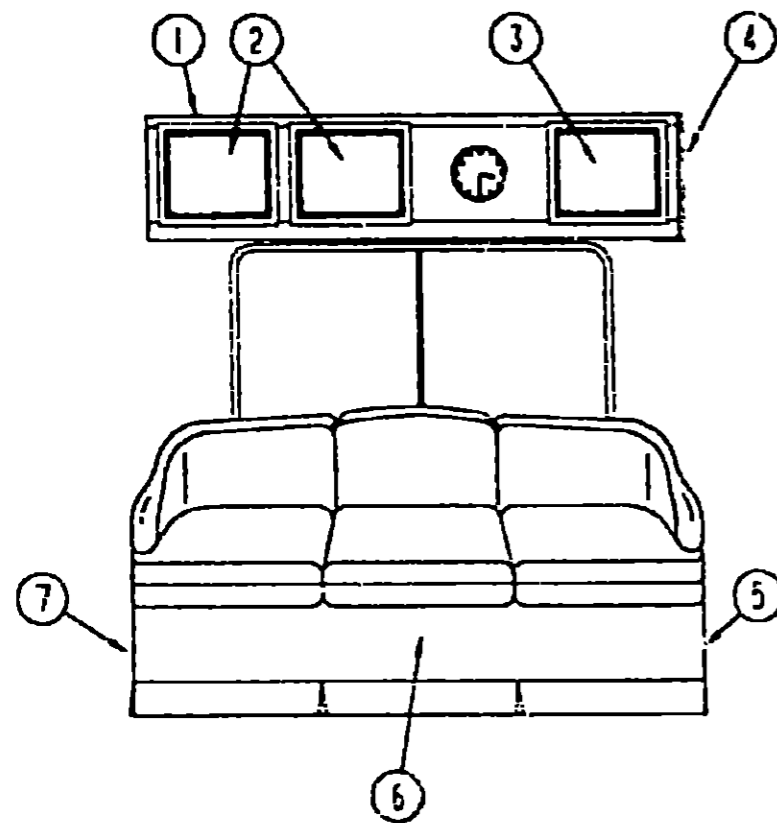
**1992 ITASCA  
TABLE OF CONTENTS**

INTRODUCTION	A-01 - A-02
ABBREVIATIONS	A-03
ALPHABETICAL INDEX	A-04 - A-05
IF427RO	A-07 - D-16
IF427FC	D-17 - G-22
IF427RT	G-23 - K-07

**1992 IF427RT INDEX**

FLOOR PLAN	G-23 - G-24
ACCESSORIES	H-01
AUDIO VIDEO	H-02
BATH	H-03 - H-04
BEDROOM	H-05 - H-05
CHASSIS	H-07 - H-09
CURTAIN & CUSHION	H-10 - H-19
DINETTE	H-20 - H-21
DRIVERS	H-22 - H-24
ELECTRICAL	I-01 - I-04
EXTERIOR BODY	I-05 - I-11
GALLEY	I-12 - I-15
GENERATOR	I-16
HEATING & A/C	I-17 - I-18
INTERIOR FINISH	I-19 - I-22
LABEL	I-23 - J-05
LP	J-07
LOUNGE	J-08 - J-09
SEALANTS & FASTENERS	J-10 - J-12
WATER & SEWAGE	J-13 - J-15
WINDOW, VENT AND EXTERIOR DOOR	J-17 - K-07

**LOUNGE GROUP (CONTINUED)**



**LOUNGE CABINET HARDWARE**

KEY	PART NUMBER	U/M DESCRIPTION
1	M05523-30-C03	EA CABINET ASM-OVERHEAD DINETTE
1	M05523-30-C04	EA CABINET ASM-OVERHEAD DINETTE
2	P05223-11-C03	EA DOOR ASM-W/O HARDWARE-ROUNDED - 400 X 520
3	P05223-04-C03	EA DOOR ASM-W/O HARDWARE ROUNDED - 400 X 520
4	104335-23-C03	EA CAP ASM- END - OVERHEAD
5	M04187-12-B87	EA PANEL-CABINET-COUCH - LEFT SIDE - W/FABRIC (C23)
5	M04187-12-B88	EA PANEL-CABINET-COUCH - LEFT SIDE - W/FABRIC (C24)
6	M04187-13-B87	EA CABINET-COUCH - FRONT - W/FABRIC (C23)
6	M04187-13-B88	EA CABINET-COUCH - FRONT - W/FABRIC (C24)
7	M05029-01-B05	EA PANEL ASM
	033125-05-000	EA BRACE-ANGLE-COUCH-2 5" - BEIGE
	032525-01-000	EA BRACE-COUCH-FLOOR MOUNT - ANGLE 3" LONG - METAL
	105547-01-000	EA BRACKET-HOLD DOWN COUCH
	050101-01-002	EA EXTR-CORNER KEY L-SHAPED - 1 1/2" - ALUMINUM
	033125-03-000	EA BRACE-COUCH TAN
	033125-05-000	EA BRACE-ANGLE-COUCH-2 5" - BEIGE
	021295-01-C53	EA TABLE ASM PEDESTAL
	009040-02-000	EA PEDESTAL TABLE LEG-27 5" X 2 25" DIA - CHROME
	041194-01-000	EA BASE-TABLE - FLUSH - FLOOR MOUNTED
	052046-01-000	EA CLIP LEG PEDESTAL - 1 7" X 2 2" - DIA FROM 2" TO 2 5"
	002929-01-001	EA EXTR-BRACKET TABLE

**SEALANTS & FASTENERS GROUP**

**ADHESIVE**

KEY	PART NUMBER	U/M DESCRIPTION
	004020-01-000	QT ADHESIVE-ABS CEMENT
	034552-02-000	EA SILICONE-TUBE- 300 ML - CLEAR
	034552-05-000	EA SILICONE-TUBE 300ML- OFF WHITE
	053755-02-000	EA BEDDING COMPOUND-TUBE- WHITE
	053765-05-000	EA BEDDING COMPOUND-TUBE- CLEAR
	053765-08-000	EA BEDDING COMPOUND-TUBE- GRAY - SCHNEE # 5522
	053842-01-000	FT TAPE-ADHESIVE- 10MM X 1 5" WIDE
	091255-02-000	FT SEAL-ADHESIVE BACKED FOAM- 18" THICK X 1 5" WIDE
	069540-01-000	FT SEALER-RIBBON- 1/4" DIAMETER - INCREMENTS OF 30'
	069540-02-000	FT SEALER-RIBBON- 1/2" X 1/8" - INCREMENTS OF 30' OR 60'
	069540-03-000	FT SEALER-RIBBON- 3/4" X 1/8" - INCREMENTS OF 60'
	069540-05-000	FT SEALER-RIBBON- 5/16" DIAMETER - INCREMENTS OF 25'
	069540-10-000	FT SEALER-RIBBON- 1/32" X 1 1/2" INCREMENTS OF 90'
	069540-07-000	FT SEALER-RIBBON- 3/32" DIAMETER - INCREMENTS OF 30' OR 45'
	069540-11-000	FT SEALER-TAPE-3/16"X3 8" BLACK MANUS
	072889-01-000	EA SEALANT-URETHANE- BLACK - 1/10 - ESSEX 552 2
	075322-01-000	FT TAPE-FOAM- DOUBLE COATED ADHESIVE BACKED - 75" X 216"
	075322-02-000	FT TAPE-FOAM- DOUBLE COATED ADHESIVE BACKED - 1" X 103"
	075322-05-000	FT TAPE-FOAM- DOUBLE COATED - 025" X 1 5" X 103"
	057211-01-000	GL PROMOTER-ADHESIVE
	102352-01-000	EA SEALER-PUMPABLE BLACK - COLOIMETRIC MS101

**BOLTS, NUTS, & WASHERS**

KEY	PART NUMBER	U/M DESCRIPTION
	CVC31K-08-020	EA BOLT-HEX- SERRATED FLANGE - 1/8 X 020
	000C12-05-15B	EA BOLT-HEX- 5/16-18 X 1 - ZINC 5
	000C12-05-64B	EA BOLT-HEX-5/16 18X4
	000C12-05-32B	EA BOLT-HEX-3/8-15X2LG - ZINC 5
	000C12-08-24B	EA BOLT-HEX- 1/2-13 X 1 1/2 - ZINC 5
	000C12-10-24B	EA BOLT-HEX- 5/8-11 X 1 1/2 - ZINC - 5
	000C12-10-64B	EA BOLT-HEX-5/8-11X4 0 - ZINC 5
	000C13-07-48B	EA BOLT-HEX- 7/16 - 20 X 3 - ZINC 5
	000C18-05-40A	EA BOLT-ELEV-5/16-16X2 1/2 PL 33410-01-000
	000C18-05-48B	EA BOLT-ELEV- 3/8-16 X 3 - ZINC - GDE 5
	000C26-04-10B	EA BOLT-HEX- SERRATED FLANGE - 1/4-20 X 5/8 - ZINC
	000C26-05-12B	EA BOLT-HEX- SERRATED FLANGE 5/16-16X3/4 - ZINC
	000D24-10-00B	EA NUT-HEX- SELF LOCKING - 10-32 - ZINC
	000D29-09-00B	EA NUT-HEX SELFLOCK 9/16-12 - ZINC - MC-90 CHASSIS
	000D39-04-00B	EA NUT-HEX- SERRATED FLANGE - LOCKING 1/4 - 20 - ZINC
	000D39-05-00B	EA NUT-HEX- SERRATED FLANGE - LOCKING - 5/16 - 18 - ZINC
	000D39-06-00B	EA NUT-HEX- SERRATED FLANGE - LOCKING - 3/8-16 - ZINC
	000D39-08-00B	EA NUT-HEX- SERRATED FLANGE - LOCKING - 1/2-13 - ZINC
	000D44-07-00B	EA NUT-HEX- SERRATED FLANGE - LOCKING - 7/16-20 - ZINC
	000E11-07-00B	EA WASHER-LK-7/16 MED SPLIT - ZINC 05114-01-000
	000E13-14-00B	EA WASHER-FLANGE- 1/4" W/DIA - ZINC
	000E13-20-00B	EA WASHER-FLANGE-7/16 WIDE - ZINC 5094-01 5115-01
	000E13-21-00B	EA WASHER-FLANGE - W/2 NAR - ZINC
	057277-02-000	EA WASHER-PLASTIC - OFF WHITE
	044533-01-000	EA WASHER-PLASTIC- 1 3/8" OD (FOR BUTTONS)
	041322-01-000	EA WASHER-FL-15/32" ID X 23/8" OD (FOR SEAT BELT MOUNTING)

**1992 ITASCA  
TABLE OF CONTENTS**

INTRODUCTION	A-01	- A-02
ABBREVIATIONS		A-03
ALPHABETICAL INDEX	A-04	- A-05
IF427RQ	A-07	- D-15
IF427RC	D-17	- G-22
IF427RT	G-23	- K-07

**1992 IF427RT INDEX**

FLOOR PLAN	G-23	- G-24
ACCESSORIES		H-01
AUDIO VIDEO		H-02
BATH	H-03	- H-04
BEDROOM	H-05	- H-06
CHASSIS	H-07	- H-09
CURTAIN & CUSHION	H-10	- H-19
DINETTE	H-20	- H-21
DRIVERS	H-22	- H-24
ELECTRICAL	I-01	- I-04
EXTERIOR BODY	I-05	- I-11
GALLEY	I-12	- I-15
GENERATOR		I-15
HEATING & A/C	I-17	- I-18
INTERIOR FINISH	I-19	- I-22
LABEL	I-23	- J-05
LP		J-07
LOUNGE	J-06	- J-09
SEALANTS & FASTENERS	J-10	- J-12
WATER & SEWAGE	J-13	- J-15
WINDOW VENT AND EXTERIOR DOOR	J-17	- K-07

**SEALANTS & FASTENERS GROUP (CONTINUED)**

**SCREWS**

KEY	PART NUMBER	U/M DESCRIPTION
	000G54-04-20B	EA SCREW- 1/4-20 X 1 1/4 PTH - TYPE 23 - ZINC PLATED
	000G68-05-10G	EA SCREW- 5-18 X 5/8 PCH - ANTIQUE BRASS
	000G13-05-05B	EA SCREW- 6-20 X 3/8 PPH-ZINC
	000G11-05-10B	EA SCREW- 6-20 X 5/8 PPH-ZINC
	000G11-05-10J	EA SCREW- 6-20 X 5/8 PPH - BRASS
	000G13-05-05B	EA SCREW- 6-20 X 1/2 PPH-ZINC
	000G13-05-05G	EA SCREW- 6-20 X 5/8 PPH ANTIQUE BRASS
	000G11-07-08B	EA SCREW- 7-19 X 1/2 PPH - ZINC
	000G13-07-12B	EA SCREW- 7-19 X 3/4 PPH-ZINC
	000G11-08-05B	EA SCREW- 8-18 X 3/8 PPH - ZINC
	000G11-08-05B	EA SCREW- 8-18 X 1/2 PPH - ZINC
	000G11-08-12B	EA SCREW- 8-18 X 3/4 PPH-ZINC
	000G11-08-12D	EA SCREW- 8-18 X 3/4 PPH - BLACK
	000G11-08-12E	EA SCREW- 8-18 X 7/8 PPH - CHROME
	000G11-08-12P	EA SCREW- 8-18 X 7/8 PPH - DARK BROWN
	000G11-08-12F	EA SCREW- 8-18 X 3/4 PPH - BEIGE
	000G11-08-12S	EA SCREW- 8-18 X 7/8 PPH - OFF WHITE
	000G12-08-12S	EA SCREW- 8-18 X 7/8 PCH - OFF WHITE
	000G11-08-12T	EA SCREW- 8-18 X 3/4 PPH - BLACK
	000G11-08-16S	EA SCREW- 8-18 X 1 00 PPH - OFF WHITE
	074045-01-000	EA SCREW- 8-18 X 1 1/2 PPH BRONZE REF G13-08-24B
	000G57-10-05B	EA SCREW- 10-12 X 1/2 PPH - ZINC
	000G57-10-05R	EA SCREW- 10-12 X 1/2 PPH - BEIGE - TYPE A
	000G57-10-10B	EA SCREW- 10-12 X 5/8 PPH - ZINC - TYPE A
	000G57-10-10D	EA SCREW- 10-12 X 5/8 PPH - BLACK - TYPE A
	000G57-10-10R	EA SCREW- 10-12 X 5/8 PPH - TYPE A - BEIGE
	000G57-10-10S	EA SCREW- 10-12 X 5/8 PPH - OFF WHITE
	000G57-10-12B	EA SCREW- 10-12 X 3/4 PPH - ZINC
	000G57-10-12P	EA SCREW- 10-12 X 7/8 PPH - DARK BROWN
	000G57-10-12R	EA SCREW- 10-12 X 7/8 PPH - BEIGE
	000G57-10-120	EA SCREW- 10-12 X 7/8 PPH - TAN
	000G57-10-16B	EA SCREW- 10-12 X 1 PPH - ZINC
	000G57-10-16P	EA SCREW- 10-12 X 1 PPH - DARK BROWN
	000G57-10-20D	EA SCREW- 10-12 X 1 1/4 PPH - BLACK
	000G57-10-24B	EA SCREW- 10-12 X 1 1/2 PPH - ZINC
	000G57-10-32B	EA SCREW- 10-12 X 2 PPH - ZINC
	000G57-10-35T	EA SCREW- 10-12 X 2 25 PPH - BLACK
	000G58-10-35T	EA SCREW- 10-12 X 2 25 PCH - BLACK
	000G11-10-12S	EA SCREW- 10-15 X 7/8 PPH - OFF WHITE
	045455-04-000	EA SCREW- 10-15 X 1 PTH W/WASHER - BEIGE
	000G32-10-05B	EA SCREW- 10-32 X 3/8 PPH - ZINC

**SEALANTS & FASTENERS GROUP (CONTINUED)**

**SCREWS (CONTINUED)**

KEY	PART NUMBER	U/M DESCRIPTION
	000G53-04-05B	EA SCREW-MACHINE- 1/4-20 X 3/8 PPH ZINC - UNDERCUT HEAD
	000G18-08-16B	EA SCREW-MACHINE- 8 X 32 X 1 - PPH - ZINC
	075909-01-000	EA SCREW-MACHINE- 10- 32 X 55 PTH - ZINC EXTERNAL TOOTH
	000G18-08-22B	EA SCREW-MACH- 8-32 X 1 3/8 PPH - ZINC
	000G42-04-12B	EA SCREW-SF/DR 1/4-14 X 3/4 HWH-ZINC
	000G42-04-15B	EA SCREW-SF/DR- 1/4-14 X 1 HWH - ZINC
	000G39-05-05B	EA SCREW-DR- 6-18 X 1/2 - ZINC
	000G39-05-10T	EA SCREW-SF/DR- 6-20 X 5/8 PPH - BLACK
	000G39-05-15T	EA SCREW-SF/DR- 6-20 X 1 PPH - BLACK
	000G39-08-08B	EA SCREW-SF/DR- 8-16 X 1/2 PPH - ZINC
	000G39-08-08R	EA SCREW-SF/DR- 8-16 X 1/2 PPH - BEIGE
	000G39-08-08S	EA SCREW-SF/DR- 8-16 X 1/2 PPH - OFF WHITE
	000G39-08-12B	EA SCREW-SF/DR- 8-18 X 3/4 PPH - ZINC
	000G39-08-16B	EA SCREW-SF/DR- 8-18 X 1 PPH - ZINC
	000G39-08-16S	EA SCREW-SF/DR- 8-18 X 1 PPH - OFF WHITE
	000G39-08-24B	EA SCREW-SF/DR- 8-18 X 1 1/2 PPH - ZINC
	000G39-10-12D	EA SCREW-SF/DR- 10-15 X 3/4 PPH - BLACK
	000G39-10-12E	EA SCREW-SF/DR- 10-15 X 7/8 PPH - FLUOROCARBON COVER
	000G39-10-20B	EA SCREW-SF/DR- 10-15 X 1 1/4 PPH-ZINC
	000G50-10-28T	EA SCREW-SF/DR- 10-16 X 1 7/8 - BLACK
	000G39-12-12E	EA SCREW-SF/DR- 12 - 14 X 3/4 PPH - CHROME
	087721-01-000	EA SCREW-FLAT HEAD - TAPPING - 1/4" X 1 1/4" LG ZIN
	000G50-04-12B	EA SCREW-MACH- 1/4 - 20 X 3/4 PPH - ZINC

**CLAMPS, GROMMETS & CLIPS**

KEY	PART NUMBER	U/M DESCRIPTION
	059592-02-000	EA RIVET-T. (POP) - 1/4 X 093 - 155
	070H15-04-05R	EA RIVET-POP- AL 1/8 X 313- 375
	007151-01-000	EA CLAMP-HOSE- SPRING TYPE - 1/2"
	010495-01-000	EA CLAMP-CABLE- 9/16"
	010497-01-000	EA CLAMP-CLOSED- 5/8" ID
	010497-03-000	EA CLAMP-CLOSED- 1" ID - CUSHIONED
	010499-01-000	EA CLAMP-CLOSED- 3/8" ID
	023942-01-000	EA GROMMET-RUBBER- 2" OD
	052401-01-000	EA CLAMP-HOSE- WORMGEAR 25" - 1"
	052401-05-000	EA CLAMP-HOSE- WORMGEAR 22" - 62"
	071015-11-000	EA GROMMET-RUBBER- 1" ID X 1 7/8" OD W/ 12" GROOVE - BLACK
	071015-25-000	EA GROMMET-RUBBER- 1 5/8" ID X 2 1/2" OD W/ 65" GROOVE - BLACK
	075148-02-000	EA CLAMP-GROUNDING- BRONZE SCREWS
	080734-02-000	EA CLIP-WIRE- NYLON
	082149-01-000	EA STUD-CLINCH- 3/8" X 24 X 1 1/2 GD5
	083509-01-000	EA CLAMP-WIRE- DUAL - EQUAL - 5/8" DIAMETER
	083510-01-000	EA CLAMP-WIRE- DUAL - UNEQUAL DIAMETERS - 7/8" & 1 25"
	085774-01-000	FT FASTENER-DUAL HOOK- 1" WIDE - ADHESIVE BACK - BLACK
	085774-02-000	FT FASTENER-DUAL LOOP- 1" WIDE - ADHESIVE BACK - BLACK
	055134-02-000	EA HOLDER-RING - 1 8" DIAMETER - METAL
	105247-01-000	EA INSERT NUT 8-32 THD X 3/4 LG

**1992 ITASCA  
TABLE OF CONTENTS**

INTRODUCTION	A-1	- A-02
ABBREVIATIONS		A-03
ALPHABETICAL INDEX	A-04	- A-05
IF427FO	A-07	- D-15
IF427FC	D-17	- G-22
IF427RT	G-23	- K-07

**1992 IF427RT INDEX**

FLOOR PLAN	G-23	- G-24
ACCESSORIES		H-01
AUDIO VIDEO		H-02
BATH	H-03	- H-04
BEDROOM	H-05	- H-06
CHASSIS	H-07	- H-09
CURTAIN & CUSHION	H-10	- H-19
DINETTE	H-20	- H-21
DRIVERS	H-22	- H-24
ELECTRICAL	I-01	- I-04
EXTERIOR BODY	I-05	- I-11
GALLEY	I-12	- I-15
GENERATOR		I-16
HEATING & A/C	I-17	- I-18
INTERIOR FINISH	I-19	- I-22
LABEL	I-23	- J-05
LP		J-07
LOUVER	J-08	- J-09
SEALANTS & FASTENERS	J-10	- J-12
WATER & SEWAGE	J-13	- J-16
WINDOW, VENT AND EXTERIOR DOOR	J-17	- K-07

**WATER & SEWAGE GROUP****FRESH WATER TANK**

KEY	PART NUMBER	U/M	DESCRIPTION
	054214-01-000	EA	TANK-WATER - W/O FITTINGS - 31 GALLON (TWIN BED)
	054214-05-000	EA	TANK-WATER - W/FITTINGS - 31 GALLON (TWIN BED)
	054214-10-000	EA	TANK-WATER - W/O FITTINGS - 31 GALLON (DOUBLE BED)
	054214-09-000	EA	TANK-WATER - W/FITTINGS - 31 GALLON (DOUBLE BED)
	077954-02-000	EA	FILTER-WATER TANK SCREEN - IN TANK
	042999-03-000	EA	FITTING-WATER TANK SPINWELD - 1 1/4" NPT - PLASTIC - WHITE
	042999-04-000	EA	FITTING-WATER TANK SPINWELD - 3/8" FPT - PLASTIC - WHITE
	042999-05-000	EA	FITTING-WATER TANK SPINWELD - 1/2" FPT - PLASTIC - WHITE
	049032-01-000	EA	PATCH-SPINWELD 3/8" - PLASTIC
	039951-01-000	EA	SENDING UNIT W/ SCREW - WASHER - WELL NUT AND TERMINAL RING

**WATER SYSTEM**

KEY	PART NUMBER	U/M	DESCRIPTION
	010224-01-000	EA	ADAPTER-HOSE TO PIPE 3/8" MPT X 3/8" BARB - PLASTIC BLACK
	044927-01-000	EA	ADAPTER-HOSE TO PIPE 1 1/4" MPT X 1 1/4" BARB - BLACK PLASTIC
	052954-01-000	EA	ADAPTER-NOSE CONE - 3/8" OR 1/2" TUBING - PLASTIC - GRAY
	079317-01-000	EA	ADAPTER-SWIVEL 1/2" TUBE X 1/2" FPT - PLASTIC - GRAY
	106258-01-000	EA	CAP-INSERTABLE 1/2 FLARE
	052953-03-000	EA	CONNECTOR- 1/2" F X 3/8" MPT - PLASTIC - GRAY
	052959-02-000	EA	CONNECTOR- 1/2" F X 1/2" MPT - PLASTIC - GRAY
	058417-01-000	EA	CONNECTOR- 5/8" F X 1/2" MPT - PLASTIC
	101814-01-000	EA	COLPLING-FEMALE 1/2" X 1/2" FPT
	052950-01-000	EA	DRAIN VALVE-IN LINE HEADER - 1/2" F X 1/2" F - GRAY PLAS
	035539-01-000	EA	ELBOW-3/8" MPT X 3/8" BARB - PLASTIC
	010219-01-000	EA	ELBOW - 1 1/4" MPT X 1 1/4" BARB - WATER FILL - PLASTIC
	057457-01-000	EA	ELBOW-UNION- 1/2" X 1/2" FLARE
	052957-02-000	EA	ELBOW-MALE- 1/2" F X 1/2" MPT - PLASTIC - GRAY
	057659-04-000	EA	FILL-WATER CITY - OFF WHITE
	087659-01-700	EA	FILL-WATER STRAP & CAP ONLY - V-1022-00
	045128-01-000	EA	VALVE-DRAIN PLASTIC - 1/2" FPT
	045128-01-000	EA	DRAIN VALVE IN LINE - HEADER - 1/2" F X 1/2" F X 1/2" F X 1/2"
	055120-01-000	EA	ELBOW-SWIVEL 1/2" FPT X 1/2" FLARE - PLASTIC - GRAY
	052952-01-000	EA	NUT-PLASTIC 1/2" F X 1/2" TUBE - GRAY
	052952-02-000	EA	NUT-PLASTIC 5/8" FLARE
	052953-01-000	EA	NUT-FAUCET - 1/2" TUBE X 1/2" FPT - PLASTIC - GRAY
	039793-01-000	EA	TEE-1/2" MPT X 1/2" MPT X 1/2" MPT PLASTIC
	052959-01-000	EA	TEE 1/2" F X 1/2" F X 1/2" F - PLASTIC - GRAY
	052955-01-000	EA	TEE 1/2" F X 1/2" F X 1/2" MPT - PLASTIC - GRAY
	052955-01-000	EA	TEE 1/2" F X 1/2" MPT X 1/2" F - PLASTIC
	055291-01-000	EA	TEE-PLASTIC 5/8" F X 5/8" F X 5/8" F
	055295-01-000	EA	TEE-PLASTIC- 5/8" F X 1/2" MPT X 1/2" F
	074453-01-000	EA	TEE-4 WAY- 1/2" FLARE - PLASTIC - GRAY
	059800-01-000	FT	TUBING-POLYBUTYL 1/2" OD - INCREMENTS OF 20' - BLACK
	059800-02-000	FT	TUBING-POLYBUTYL 3/8" OD - INCREMENTS OF 20' - BLACK
	079321-01-000	FT	TUBING-SMOOTH FLEXIBLE 1 1/4" ID - INCREMENTS OF 20'
	074452-02-000	FT	TUBING-VINYL 3/8" ID - CLEAR - INCREMENTS OF 20'

**WATER PUMP**

KEY	PART NUMBER	U/M	DESCRIPTION
	099507-01-000	EA	PUMP-WATER - W/5" MPT FITTING - SHURFLO 2.8 GPM - LL
	099507-01-700	EA	PUMP HEAD-REPLACEMENT - 94-235-02
	099507-01-701	EA	DRIVE ASSEMBLY - 94-234-03
	099507-01-702	EA	DIAPHRAGM KIT - 94-233-10
	099507-01-703	EA	VALVE ASSEMBLY - 94-232-00
	099507-01-704	EA	HOUSING-UPPER - 94-231-01
	099507-01-705	EA	CHECK VALVE KIT - 94-237-00
	099507-01-706	EA	UPPER HOUSING/SWITCH KIT - 94-231-20
	099507-01-707	EA	MOTOR/BASEPLATE REPLACEMENT - 94-235-03

**WATER & SEWAGE GROUP (CONTINUED)****WATER HEATER W/REAR HEATER**

KEY	PART NUMBER	U/M	DESCRIPTION
	051391-03-000	EA	HEATER-WATER - W/ELECTRIC IGNITION - ATWOOD G5A-3E
	051391-01-700	EA	HINGE KIT-W/CLIP - ATWOOD # 92553 & 92559
	051391-01-704	EA	VALVE-RELIEF - 1/2" FITTING - ATWOOD# 91604
	051391-01-705	EA	FASTENER-CAMLOC - ATWOOD# 92609
	051391-01-706	EA	GRILLE-EXHAUST - ATWOOD# 92787
	051391-01-708	EA	BURNER-MAIN - 3E ONLY - ATWOOD# 92515
	051391-01-710	EA	ORIFICE-MAIN BURNER - ATWOOD# 92742
	051391-01-715	EA	DRAIN PLUG - ATWOOD# 91551
	051391-04-700	EA	TANK-INNER (G5A-3E) - FRT MT - ATWOOD# 91608
	051391-04-701	EA	THERMOSTAT 12 VDC-120 PRESET - ATWOOD# 91470
	051391-04-706	EA	TANK-INNER - G5A-4E & 6E - FRONT MOUNT - ATWOOD# 91641
	097967-01-000	EA	SWITCH-WATER HEATER - ATWOOD 91959
	051393-01-703	EA	THERMOSTAT-REAR MOUNT - ATWOOD# 91952
	051393-01-704	EA	CIRCUIT BOARD-W/BLACK BOX - ATWOOD# 91420
	051393-01-705	EA	ORIFICE HOLDER-ATWOOD# 91925
	051393-01-716	EA	SPARK & PROBE ASM - ATWOOD# 91606
	051393-01-718	EA	VALVE-DUAL SOLENOID - ATWOOD# 91605
	051393-01-721	EA	ECO&THERMOSTAT ASM-FRONT MOUNT - 140 DEGREE - ATWOOD# 91447
	051393-03-700	EA	TANK-INNER (G5A-3E) - REAR MT - ATWOOD# 91409

**WATER HEATER W/MOTOR AID**

KEY	PART NUMBER	U/M	DESCRIPTION
	051391-01-000	EA	HEATER-WATER-W/MOTOR AID-ATWOOD GH5-3E -GH5-4E -OR GH5-5E
	051391-01-700	EA	HINGE KIT-W/CLIP - ATWOOD # 92553 & 92559
	051391-01-704	EA	VALVE-RELIEF - 1/2" FITTING - ATWOOD# 91604
	051391-01-705	EA	FASTENER-CAMLOC - ATWOOD# 92609
	051391-01-706	EA	GRILLE-EXHAUST - ATWOOD# 92787
	051391-01-708	EA	BURNER-MAIN - 3E ONLY - ATWOOD# 92515
	051391-01-710	EA	ORIFICE-MAIN BURNER - ATWOOD# 92742
	051391-01-714	EA	ELBOW-45 DEGREE - 3/8" F X 3/8" MPT - ATWOOD 91044
	051391-01-715	EA	DRAIN PLUG - ATWOOD# 91551
	051391-04-701	EA	THERMOSTAT 12 VDC-120 PRESET - ATWOOD# 91470
	051391-04-704	EA	TANK-INNER - FRONT MOUNT - GH5-4E & 6E - ATWOOD 91642
	051393-01-700	EA	TANK-INNER - 3E FRONT MOUNT - ATWOOD# 91023
	097967-01-000	EA	SWITCH-WATER HEATER - ATWOOD 91959
	051393-01-703	EA	THERMOSTAT-REAR MOUNT - ATWOOD# 91952
	051393-01-704	EA	CIRCUIT BOARD-W/BLACK BOX - ATWOOD# 91420
	051393-01-705	EA	ORIFICE HOLDER-ATWOOD# 91925
	051393-01-714	EA	TANK-INNER (GH5-3E) -REAR MOUNT - ATWOOD# 91409
	051393-01-716	EA	SPARK & PROBE ASM - ATWOOD# 91606
	051393-01-718	EA	VALVE-DUAL SOLENOID - ATWOOD# 91605
	051393-01-721	EA	ECO&THERMOSTAT ASM-FRONT MOUNT - 140 DEGREE - ATWOOD# 91447

**WATER HEATER**

KEY	PART NUMBER	U/M	DESCRIPTION
	051391-01-000	EA	HEATER-WATER - ATWOOD G5A-3
	051391-01-700	EA	HINGE KIT-W/CLIP - ATWOOD # 92553 & 92559
	051391-01-702	EA	TANK-INNER - G5A-2E, 3E, 6E - WATER HEATER - ATWOOD 91412
	051391-01-704	EA	VALVE-RELIEF - 1/2" FITTING - ATWOOD# 91604
	051391-01-705	EA	FASTENER-CAMLOC - ATWOOD# 92609
	051391-01-706	EA	GRILLE-EXHAUST - ATWOOD# 92787
	051391-01-708	EA	BURNER-MAIN - 3E ONLY - ATWOOD# 92515
	051391-01-709	EA	PILOT ASM-W/THERMOCLIP & TUBE 91503 ATWOOD# 91214
	051391-01-710	EA	ORIFICE-MAIN BURNER - ATWOOD# 92742
	051391-01-711	EA	ELBOW-ORIFICE -MAIN BURNER 92741 ATWOOD#
	051391-01-712	EA	THERMOSTAT-3/8" NPT INLET 91601 ATWOOD# 91043
	051391-01-714	EA	ELBOW-45 DEGREE - 3/8" F X 3/8" MPT - ATWOOD 91044
	051391-01-715	EA	DRAIN PLUG - ATWOOD# 91551

**1992 ITASCA  
TABLE OF CONTENTS**

INTRODUCTION	A-01	-	A-02
ABBREVIATIONS			A-03
ALPHABETICAL INDEX	A-04	-	A-05
IF427RO	A-07	-	D-16
IF427RC	D-17	-	G-22
IF427RT	G-23	-	K-07

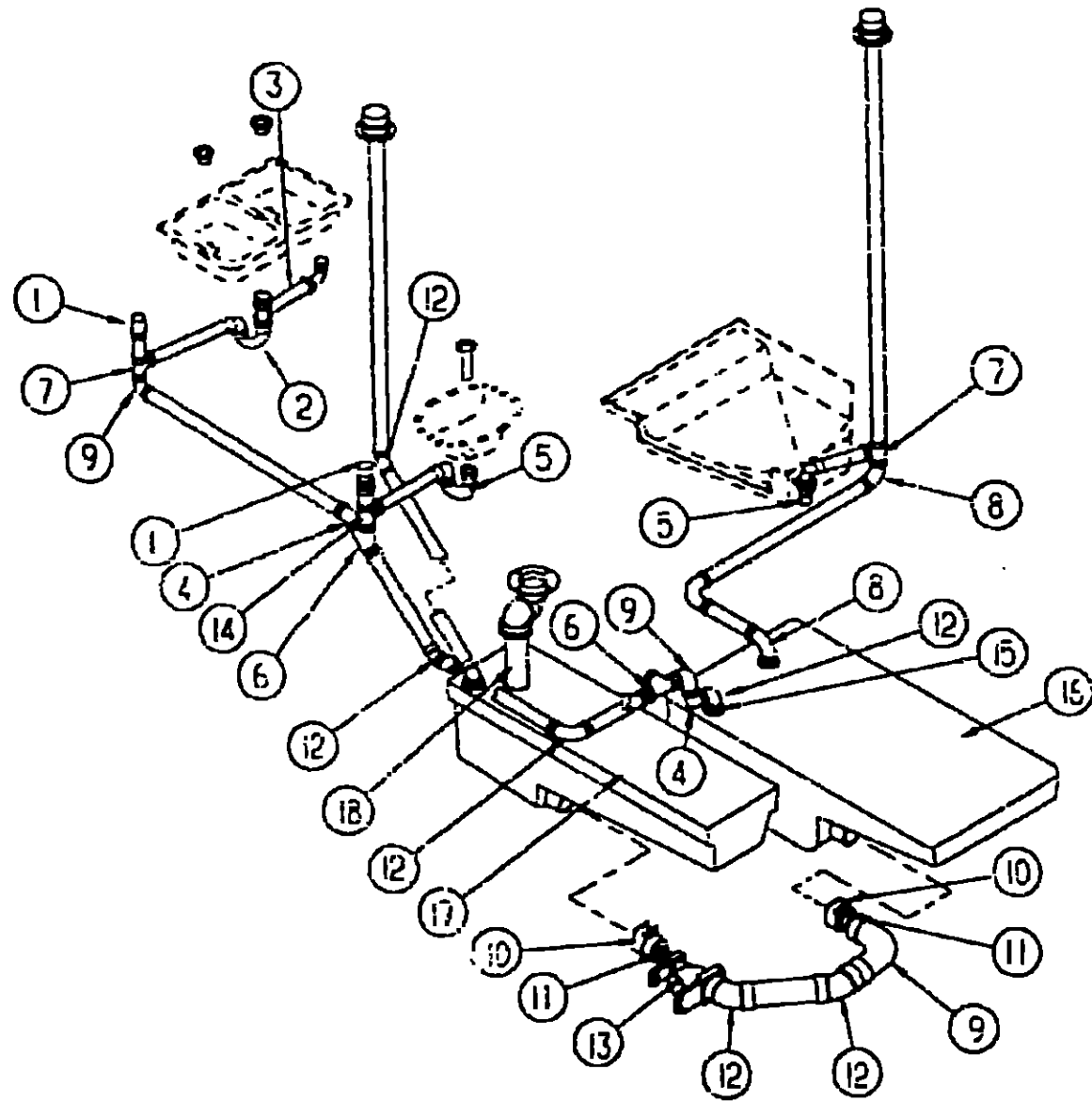
**1992 IF427RT INDEX**

FLOOR PLAN	G-23	-	G-24
ACCESSORIES			H-01
AUDIO V. VIDEO			H-02
BATH	H-03	-	H-04
BEDROOM	H-05	-	H-06
CHASSIS	H-07	-	H-08
CURTAIN & CUSHION	H-10	-	H-19
D. NETTE	H-20	-	H-21
DRIVERS	H-22	-	H-24
ELECTRICAL	I-01	-	I-04
EXTERIOR BODY	I-05	-	I-11
GALLEY	I-12	-	I-15
GENERATOR			I-16
HEATING & A/C	I-17	-	I-18
INTERIOR FINISH	I-19	-	I-22
LABEL	I-23	-	J-05
LP			J-07
LOUNGE	J-08	-	J-09
SEALANTS & FASTENERS	J-10	-	J-12
WATER & SEWAGE	J-13	-	J-15
WINDOW VENT AND EXTERIOR DOOR	J-17	-	K-07



# WATER & SEWAGE GROUP (CONTINUED)

## DRAINAGE SYSTEM



KEY	PART NUMBER	U/M DESCRIPTION
1	079958-01-000	EA VENT-MECH TRAP ARM - ANTI-SIPHON - 2" DIA X 7'3" - PLASTIC
2	011055-03-000	EA P TRAP - PLASTIC 1 1/4 & 1 1/2 (US)
		FROM 00-00-00 THRU 02-15-92
2	053335-01-000	EA P-TRAP - PLASTIC 1 1/4 & 1 1/2 (CSA)
		FROM 00-00-00 THRU 02-15-92
2	107535-01-000	EA P-TRAP - PLASTIC 1 1/4 WEXT ARM (US)
		FROM 02-17-92 THRU 99-99-99
2	107537-01-000	EA ADAPTER - P-TRAP - 1 1/4 SLIP (US)
		FROM 02-17-92 THRU 99-99-99
2	011071-01-000	EA P-TRAP - PLASTIC 1 1/2 (CSA)
		FROM 02-17-92 THRU 99-99-99
2	053302-02-000	EA ADAPTER ASM-STRAINER - 1 1/2" - ABS - CANADIAN
2	037101-02-000	EA ELBOW-PLASTIC - 1/4 BEND VENT 1 1/2" HUB - CSA
2	010121-01-000	EA BUSHING-REDUCER - 1 1/2" SMOOTH X 1 1/4" HUB - PLASTIC - BLACK
3	011091-02-000	EA PIPE-DRAIN - DOUBLE SINK - SAFFLE TEE - 1 1/2" (US)
		ONE PIPE W/TEE TO DRAIN BOTH SIDES OF SINK
3	010071-01-000	EA TEE-PLAS-1 1/2 HXHXH (CSA)
		FROM 00-00-00 THRU 02-15-92
3	010121-01-000	EA BUSHING-PLASTIC - RED 1 1/2 S X 1 1/4 H (CSA)
		FROM 00-00-00 THRU 02-15-92
3	037101-02-000	EA ELBOW-PLASTIC - 1/4 BD VENT 1 1/2" H (CSA)
		FROM 00-00-00 THRU 02-15-92
3	053302-02-000	EA ADAPTER ASM-SWVC STRAIN 1 1/2 (CSA)
		FROM 00-00-00 THRU 02-15-92
3	011091-03-000	EA PIPE-DRAIN - W/SEALS - DOUBLE SINK - EXTENDS 9" TO 15" (CSA)
		FROM 02-17-92 THRU 99-99-99
4	010051-01-000	EA ELBOW-45 DEG BEND - 1 1/2" SPIGOT AND HUB - PLASTIC - BLACK
5	011055-03-000	EA P-TRAP-PLAS 1 1/4 & 1 1/2 (US)
		FROM 00-00-00 THRU 02-15-92
5	107535-01-000	EA P-TRAP-PLAS 1 1/4 WEXT ARM (US)
		FROM 02-17-92 THRU 99-99-99
5	107537-01-000	EA ADAPTER - P-TRAP - 1 1/4 SLIP (US)
		FROM 02-17-92 THRU 99-99-99
5	011055-02-000	EA P TRAP-PLAS 1 1/4 (CSA)
5	010073-01-000	EA WYE-45 DEGREE - 1 1/2" HUB X HUB X HUB - PLASTIC - BLACK
6	010165-01-000	EA PLUG-THREADED - 1 1/4" DIAMETER - PLASTIC - BLACK
6	010122-01-000	EA BUSHING-REDUCER - 1 1/2 SMOOTH X 1 1/4 THD - PLASTIC - BLACK
7	010079-01-000	EA TEE-SANITARY - 1 1/2" X 1 1/2" X 1 1/4" H - PLASTIC - BLACK
8	010008-01-000	EA ELBOW-90 DEG - 1 1/2" BEND - 1 1/2" HUB X HUB - BLACK PLASTIC
9	033751-01-000	EA ELBOW-TURN - 1/4 BEND X 1 5" HUB X 1 5" SPIGOT - BLK PLASTIC
10	078405-01-000	EA COUPLER-RUBBER - W/CLAMPS - 3" X 3"
11	052422-01-000	EA ADAPTER-OFFSET REDUCER - 3" X 1 1/2" - PLASTIC - BLACK
12	010005-01-000	EA ELBOW-45 DEG, 1/8 BEND - 1 1/2" HUB X HUB - BLACK PLASTIC
13	070915-01-000	EA VALVE-DUAL DUMP - W/CAP - 3" X 1 1/2" - PLASTIC - BLACK
13	070915-01-700	EA VALVE ONLY - 3"
13	070915-01-701	EA VALVE ONLY - 1 1/2"
13	052415-01-000	EA ADAPTER SEWER HOSE TO 3" PIPE
13	010201-01-000	EA HOSE-SEWER - 3" ID X 5'
13	052415-01-000	EA CAP-SEWER - 3" DIAMETER
		FROM 00-00-00 THRU 04-24-92
13	052415-01-700	EA STRING-SEWER CAP - SV7 STRAP
14	053342-01-000	EA TEE-PLASTIC - 1 5" STREET X 1/2" HUB X 1/2" HUB
14	010121-01-000	EA BUSHING-REDUCER - 1 1/2" SMOOTH X 1/4" HUB - PLASTIC - BLACK
15	051507-01-000	EA GROWMET-HOLDING TANK 1 1/2" NPS
15	051507-01-000	EA TANK-HOLDING - 35 GAL - W/O FITTINGS - 27" X 9 3/4" X 53 9"
17	053341-01-000	EA TANK-HOLDING - 30 GALLON - 14 5/8" X 8 3/4" X 51 9"
15	051507-02-000	EA GROWMET-HOLDING TANK - 3" NPS
		051208-01-000
		EA WASHER-RUBBER - 05" X 75" X 5"

## 1992 ITASCA TABLE OF CONTENTS

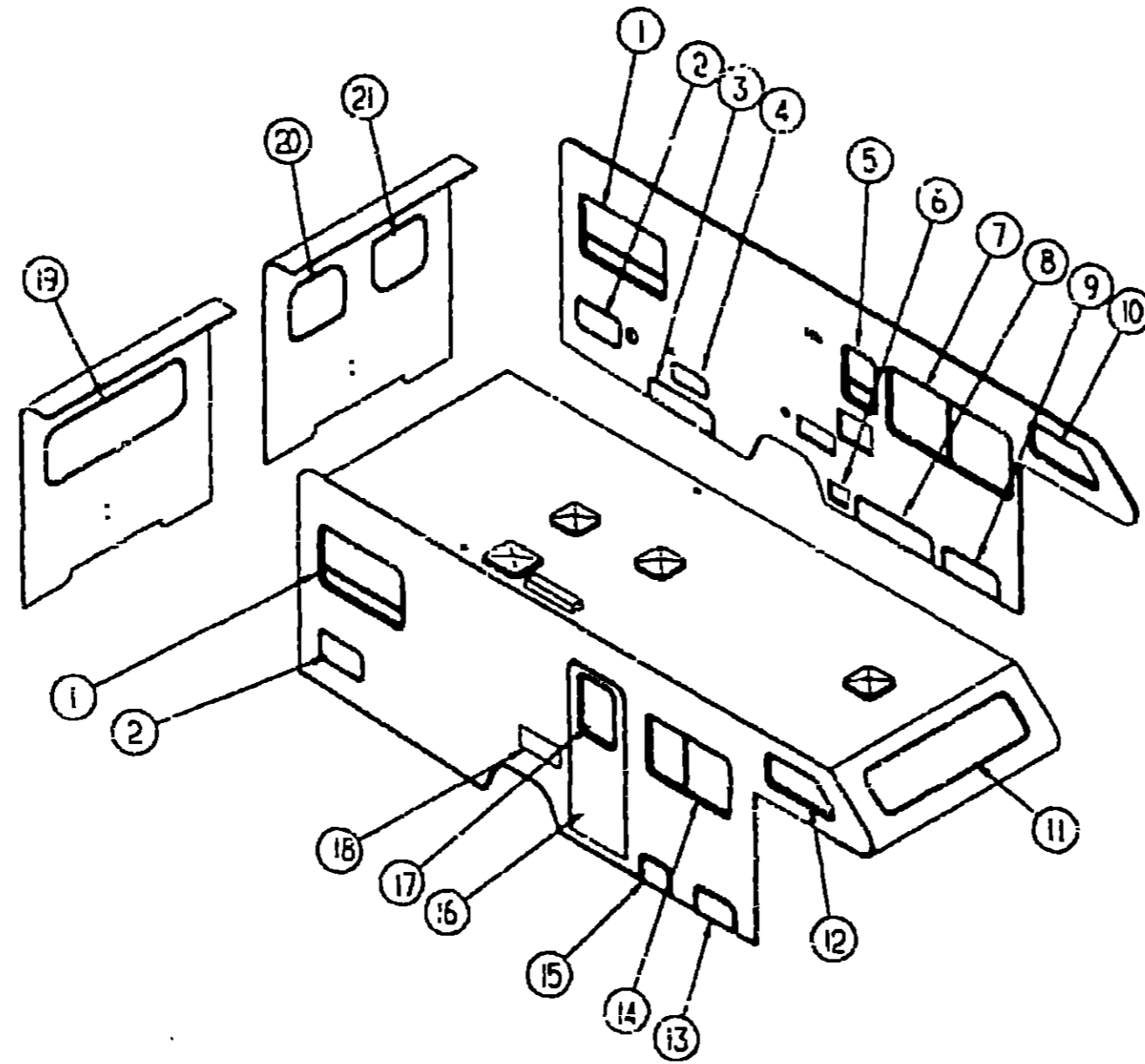
INTRODUCTION	A-01 - A-02
ABBREVIATIONS	A-03
ALPHABETICAL INDEX	A-04 - A-05
IF427RO	A-07 - D-16
IF427RC	D-17 - G-22
IF427RT	G-23 - K-07

## 1992 IF427RT INDEX

FLOOR PLAN	G-23 - G-24
ACCESSORIES	H-01
AUDIO VIDEO	H-02
BATH	H-03 - H-04
BEDROOM	H-05 - H-06
CHASSIS	H-07 - H-08
CURTAIN & CUSHION	H-10 - H-19
DINETTE	H-20 - H-21
DRIVERS	H-22 - H-24
ELECTRICAL	I-01 - I-04
EXTERIOR BODY	I-05 - I-11
GALLEY	I-12 - I-15
GENERATOR	I-16
HEATING & A/C	I-17 - I-18
INTERIOR FINISH	I-19 - I-22
LABEL	I-23 - J-05
LP	J-07
LOUNGE	J-08 - J-09
SEALANTS & FASTENERS	J-10 - J-12
WATER & SEWAGE	J-13 - J-15
WINDOW, VENT AND EXTERIOR DOOR	J-17 - K-07

# WINDOW, VENT & EXTERIOR DOOR GROUP

## WINDOWS & DOORS



## 1992 ITASCA TABLE OF CONTENTS

INTRODUCTION	A-01	-	A-02
ABBREVIATIONS			A-03
ALPHABETICAL INDEX	A-04	-	A-05
IF427RQ	A-07	-	D-15
IF427RC	D-17	-	G-22
IF427RT	G-23	-	K-07

## 1992 IF427RT INDEX

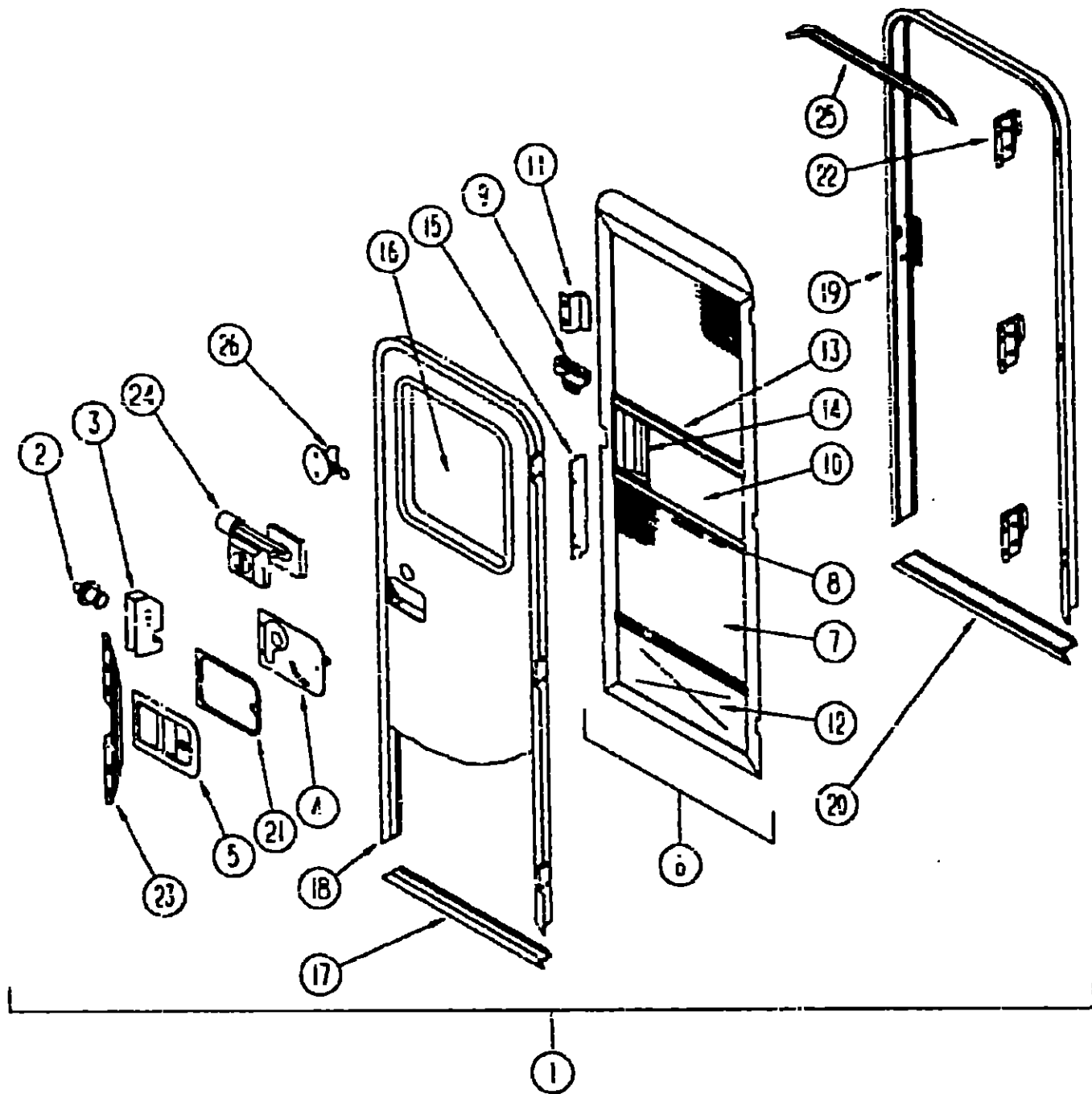
FLOOR PLAN	G-23	-	G-24
ACCESSORIES			H-01
AUDIO VIDEO			H-02
BATH	H-03	-	H-04
BEDROOM	H-05	-	H-06
CHASSIS	H-07	-	H-09
CURTAIN & CUSHION	H-10	-	H-19
DINETTE	H-20	-	H-21
DRIVERS	H-22	-	H-24
ELECTRICAL	I-01	-	I-04
EXTERIOR BODY	I-05	-	I-11
GALLEY	I-12	-	I-15
GENERATOR			I-16
HEATING & A/C	I-17	-	I-18
INTERIOR FINISH	I-19	-	I-22
LABEL	I-23	-	J-05
LP			J-07
LOUNGE	J-08	-	J-09
SEALANTS & FASTENERS	J-10	-	J-12
WATER & SEWAGE	J-13	-	J-15
WINDOW, VENT AND EXTERIOR DOOR	J-17	-	K-07

KEY	PART NUMBER	U/M	DESCRIPTION
1	092235-07-Y12	EA	WINDOW-TIPOUT - 24 3" X 40 3"
2	079578-04-C03	EA	DOOR ASM-STORAGE - 12 90X22 10
3	105175-11-C03	EA	DOOR ASM-LOWER - REAR
4	105118-02-C05	EA	DOOR-STORAGE- 17 5" X 7 5"
5	099544-01-02A	EA	WINDOW ASM-SLIDER RAISE - BLACK
6	068734-01-000	EA	DOOR-POWER CORD - W/HATCH - OFF WHITE
7	099547-10-02A	EA	WINDOW ASM-SLIDER HORIZONTAL - BLACK
8	105174-14-C03	EA	DOOR ASM-LOWER-FRONT
9	105174-13-C03	EA	DOOR ASM-LOWER-FRONT
10	099545-05-01A	EA	WINDOW ASM-SLANTED SLIDER
11	103313-01-B05	EA	WINDOW-PICTURE
12	099545-05-01A	EA	WINDOW ASM-SLANTED SLIDER
13	105174-05-C03	EA	DOOR ASM-LOWER-FRONT
14	099547-05-02A	EA	WINDOW ASM-SLIDER HORIZONTAL - BLACK

KEY	PART NUMBER	U/M	DESCRIPTION
15	105174-05-C03	EA	DOOR ASM-LOWER-FRONT
16	W01870-02-B57	EA	DOOR-ENTRY-WINDOW, SCREEN & JAMB - OFF WHITE
17	079733-07-AA8	EA	WINDOW-ENTRY DOOR 17" X 25" - FRONT W/ GLASS
18	084103-03-000	EA	DOOR-REFRIGERATOR- VENTED - W/ CORD - OFF WHITE
	084104-03-000	EA	JAMB-DOOR-REFRIGERATOR - OFF WHITE
	084104-01-700	EA	LOCK-MALE- FASTENER - REFRIGERATOR DOOR
	084104-01-701	EA	LOCK-FEMALE- FASTENER - REFRIGERATOR DOOR
19	076525-03-Y12	EA	WINDOW-ESCAPE- 27" X 48"
20	079729-03-W17	EA	WINDOW-ESCAPE- REAR - 22" X 24"
21	079729-02-T03	EA	WINDOW-ESCAPE- REAR - 24" X 20"
	082509-01-000	EA	DOOR-WATER HEATER - OFF WHITE - ATWOOD 5575 27
	081240-03-000	EA	DOOR-WATER FILL- LOCKABLE- 4" X 4 55" - OFF WHITE
	082584-01-700	EA	KEY
	082584-01-700	EA	KEY-SINGLE

WINDOW, VENT & EXTERIOR DOOR GROUP (CONTINUED)

ENTRY DOOR



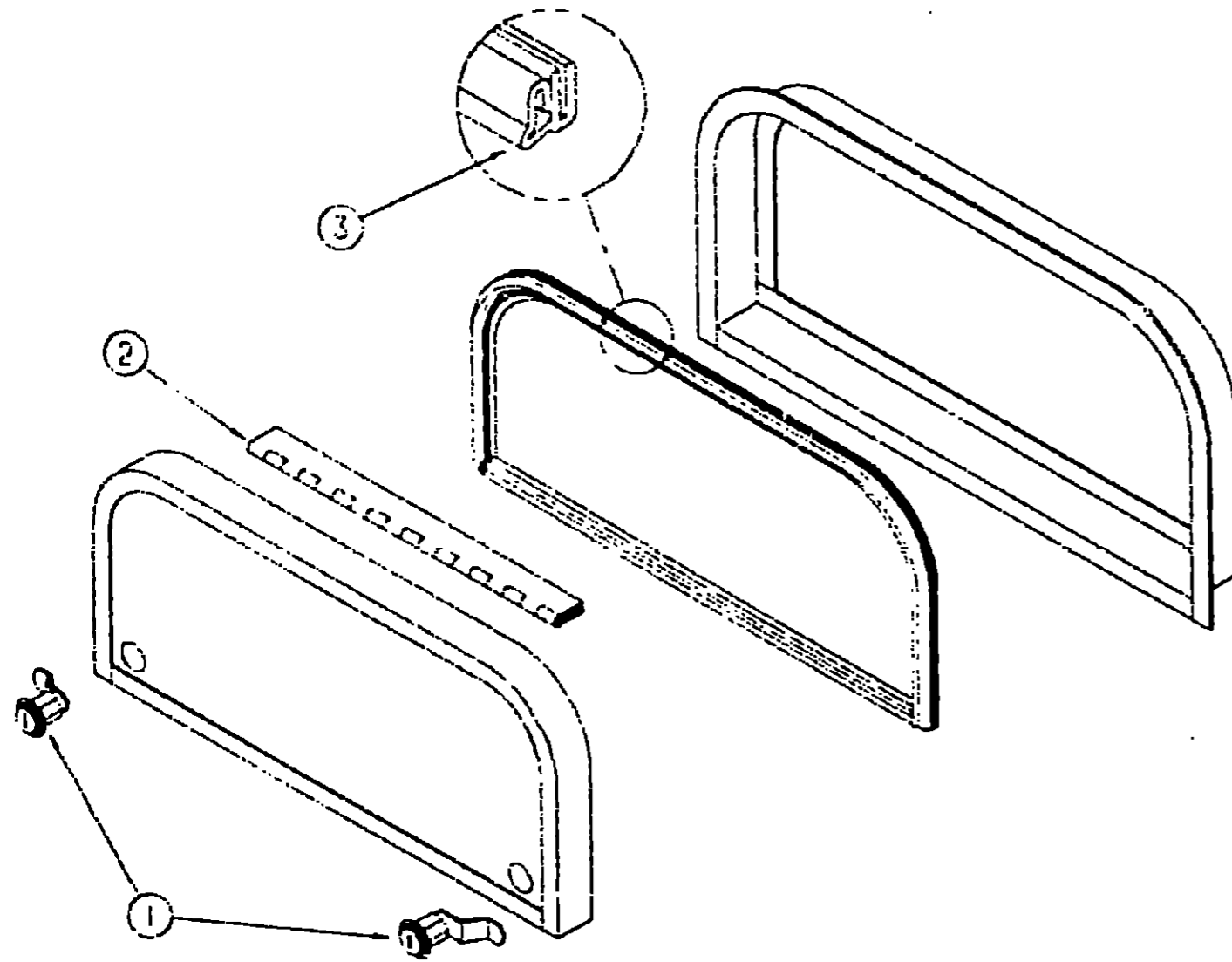
KEY	PART NUMBER	U/M DESCRIPTION
1	W01870-32-587	EA DOOR-ENTRY-W WINDOW- SCREEN & JAMB - OFF WHITE
2	039539-01-000	EA STRIKE-LOCK ENTRY DOOR - ROUND/THREADED WASHER
3	039540-01-000	EA LATCH MECHANISM-HOOK ENTRY DOOR - INTERIOR
4	039715-01-000	EA NUT-SERT 1/4" DIAMETER - 29 THREADS
	039979-04-000	EA COVER-INTERIOR LATCH W/TRIP ARM - RIGHT - BLACK
	039984-01-000	EA CAP-ROUND VINYL - 28" ID X 62" LONG - BLACK
	041545-03-000	EA BRACKET-DOOR ANGLE 5" X 1 9" - BEIGE - METAL
5	045017-11-000	EA LATCH-ENTRY DOOR MECHANISM W/LOCK & KEY - BLACK
	045017-11-701	EA KEY-BLANK ROUND TOP - SILVER - TRIM MARK
	0557 - 01-000	EA PLUG-CAP 1 5" DIAMETER
	058025-02-000	EA CLIP-ROLLER LATCH CATCH SCREEN DOOR
	053723-04-000	EA RIVNUT 10-32 UNF - G10-050
	072893-01-000	EA NUTSERT-M5 X 0.8
	075571 04-000	FT SEAL-SPONGE LAZY T SHAPE - W ADHESIVE STRIPE - 5" WIDE
6	079012-01-U01	EA DOOR-SCREEN
7	002293-02-000	SF SCREENING-WINDOW/DOOR 26" - CHARCOAL
8	002294-01-000	FT SPLINE-SCREENING 135" X 138" - BLACK
9	002749-01-000	EA CORNER KEY-DOOR
10	109403-01-000	EA CATCH-SINGLE ROLLER SCREEN DOOR
11	001014-01-013	EA INSERT-CENTER 10 25" X 16 31" - UNPAINTED
11	050712-04-000	EA HANDLE-SCREEN DOOR ALUM. NLM - OFF WHITE
11	050712-05-000	EA HANDLE-SCREEN DOOR UNPAINTED
12	078552-03-000	EA INSERT-SCREEN DOOR LOWER - MILL
	078555-01-000	EA PLATE-SCREEN DOOR
13	078777-01-000	EA CHANNEL-SLIDE SCREEN DOOR CENTER SLIDER COVER - 17 4"
14	079055-02-000	EA SLIDER-SCREEN DOOR OFF WHITE
15	079037-02-000	EA STRIKE-SLIDER W/LIP FOR ELBOW CATCH - 1 5" X 3 5"
15	057609-32-000	EA FRAME-WINDOW-ENTRY DOOR - OFF WHITE
15	079733-07-AA3	EA WINDOW-ENTRY DOOR 17" X 25" - FROSTED GLASS
16	050216-02-000	FT SPLINE-GLASS EXTERIOR - VINYL - 15" - BLACK
16	002181-07-000	EA GLASS-WINDOW 18 2" X 16 25" X 2 4" - FROSTED
16	037551-01-000	FT SEAL-GLASS EXTERIOR - 5" WIDE - VINYL - BLACK
	081914-01-000	EA BUMPER-RUBBER ROUND - 43" DIAMETER - BLACK
17	089748-01-000	EA FRAME-DOOR ENTRANCE - BOTTOM - OFF WHITE
	090340-01-000	FT SEAL-FOAM CLOSED CELL - 1/4" X 1/2" X 50"
18	095276-01-01A	EA FRAME-DOOR ENTRANCE - TOP & SIDES - OFF WHITE
19	095277-02-01A	EA JAMB-ENTRY DOOR - 25 9" X 74 5" - OFF WHITE
	095278-01-01A	EA JAMB-DOOR- ENTRANCE - 25 9" X 74 5" - UNPAINTED
20	051049-01-000	EA JAMB-DOOR-ENTRANCE-BOTTOM - 25 9" - UNPAINTED
	079207-01-000	EA STRIKER-ROLLER CATCH WELDED TO DOOR JAMB - 4" X 1 15"
21	095310-01-01A	EA PLATE-LATCH ENTRY DOOR - PLASTIC - BLACK
22	097724-01-04A	EA HINGE-ENTRY DOOR UNPAINTED
23	099173-01-04A	EA STIFFENER-ENTRY DOOR SUPPORTS LATCH/STRIKE
	100128-02-000	FT SEAL-PILE ADHESIVE BACK - SCREEN DOOR - GRAY
24	101145-01-01A	EA DEADBOLT-ENTRY DOOR W/2 KEYS W/O BOLT OR SCREWS
	095223-01-700	EA KEY BLANK
	101147-01-000	EA BOLT-SECURITY 4 12" BACKSET
	102524-01-000	EA BUMPER-RUBBER FLAT - BLACK
25	044582-02-000	EA CAP-DRIP DOOR JAMB MOUNTED - OFF WHITE
	075539-19-000	EA GARNISH-ENTRANCE DOOR OFF WHITE
26	100412-01-000	EA CATCH-SCREEN DOOR THUMB CLIP W/BLACK PLASTIC CAP
	077481-03-000	EA COVER-STRIKE ENTRY DOOR - 5 5" X 2 5" - PLASTIC - WHITE

1992 ITASCA  
TABLE OF CONTENTS

INTRODUCTION	A-01	-	A-02
ABBREVIATIONS			A-03
ALPHABETICAL INDEX	A-04	-	A-06
IF427RQ	A-07	-	D-16
IF427RC	D-17	-	G-22
IF427RT	G-23	-	K-07

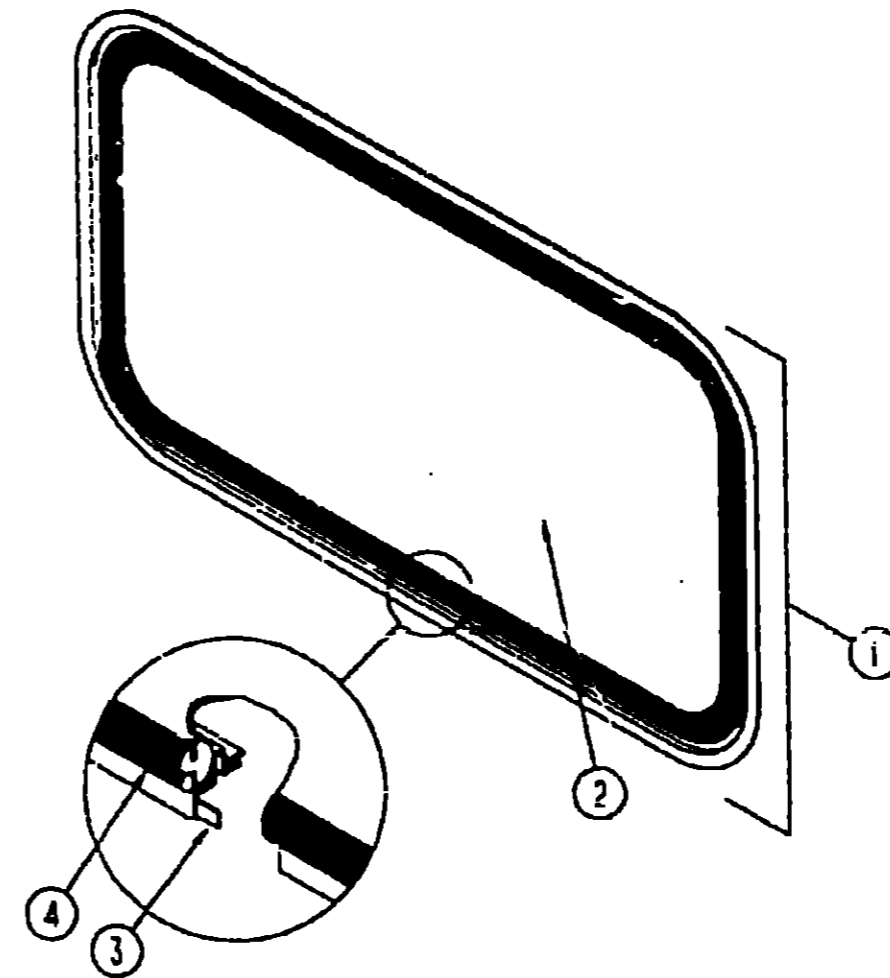
1992 IF427RT INDEX

FLOOR PLAN	G-23	-	G-24
ACCESSORIES			H-01
AUDIO V.CEO			H-02
BATH	H-03	-	H-04
BEDROOM	H-05	-	H-06
CHASSIS	H-07	-	H-09
CURTAIN & CUSHION	H-10	-	H-19
DINETTE	H-20	-	H-21
DRIVERS	H-22	-	H-24
ELECTRICAL	I-01	-	I-04
EXTERIOR BODY	I-05	-	I-11
GALLEY	I-12	-	I-15
GENERATOR			I-16
HEATING & A/C	I-17	-	I-18
INTERIOR FINISH	I-19	-	I-22
LABEL	I-23	-	J-06
LP			J-07
LUNGE	J-08	-	J-09
PLANTS & FASTENERS	J-10	-	J-12
WATER & SEWAGE	J-13	-	J-16
WINDOW VENT AND EXTERIOR DOOR	J-17	-	K-07



EXTERIOR DOORS

KEY	PART NUMBER	U/M	DESCRIPTION
1	079356-04-000	EA	LOCK-DOOR KEY TYPE W/O KEYS - 19 OFF SET FROM 00-00-00 THRU 02-19-92
	079356-05-000	EA	LOCK ASM-KEY TYPE W/O KEYS 1600 OFF SET FROM 02-20-92 THRU 99-99-99
	082684-01-700	EA	KEY - BLANK
	079927-03-000	EA	LOCK-TW-ST TYPE-DOUBLE CAM - 210 OFF SET FROM 00-00-00 THRU 02-19-92
	079927-04-000	EA	LOCK ASM-TWIST TYPE 1650 C S ILLINOIS LOCK FROM 02-20-92 THRU 99-99-99
2	051601-02-000	EA	HINGE-2" X 95" OFF WHITE
3	054075-07-000	FT	SEAL-BULB W/WIRED U CHANNEL - 3" X 5" CHANNEL - BLACK
	090340-01-000	FT	SEAL-FOAM CLOSED CELL - 1/4" X 1/2" X 50'
	081532-02-000	FT	SEAL-BULB-DOOR - W/WIRE CARRIER - 5" WIDE - RUBBER - BLK
	079358-01-000	FT	SEAL-BULB- W/WIRED U CHANNEL - 37" X 57" CHANNEL - BLK W/ADHESIVE- VENTED BULB SECTION & BULB LIP
	100157-01-000	FT	SEAL-BULB- W/WIRE RIGID U CHANNEL - 1" WIDE - RUBBER - BLK
	097111-01-01A	EA	POCKET-LOCK-VALANCE-OFF WHT
	098338-01-000	EA	GASKET-LOCK POCKET
	096217-55-001	EA	U-CHANNEL - 17 5" - OFF WHITE
	091876-01-000	EA	RETAINER-DOOR-19" X 8" - METAL
	102758-01-000	EA	HOLDER-COMPARTMENT/ENTRY DOOR- METAL - W/LL FINISH



OVERHEAD BUNK FRONT WINDOW

KEY	PART NUMBER	U/M	DESCRIPTION
	067509-33-000	EA	FRAME-INSIDE WINDOW/
1	103313-01-005	EA	WINDOW ASM-PICTURE
2	002181-15-000	EA	GLASS-PICTURE 1/8 X 15 4" X 71 2" - GRAY
3	069540-11-000	FT	SEALER-TAPE - 3/16" X 3/8" - BLACK
4	093154-01-000	FT	CHANNEL-GLAZING STATIONARY GLASS - 62" X 45" - BLACK

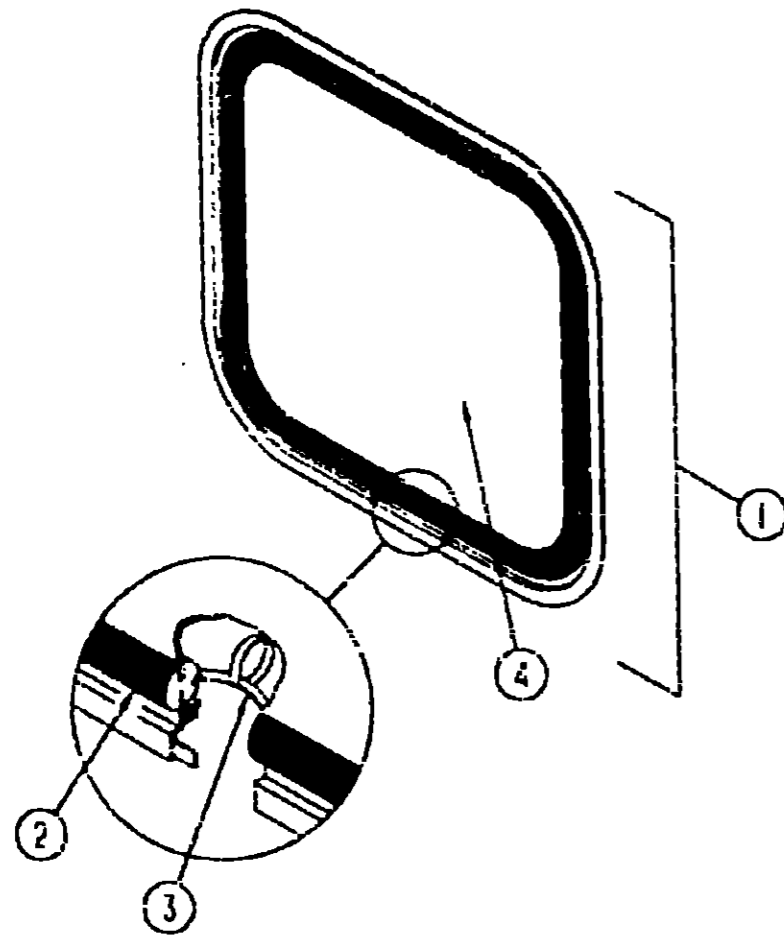
1992 ITASCA  
TABLE OF CONTENTS

INTRODUCTION	A-01	-	A-02
ABBREVIATIONS			A-03
ALPHABETICAL INDEX	A-04	-	A-05
IF427RG	A-07	-	D-15
IF427PC	D-17	-	G-22
IF427RT	G-23	-	K-07

1992 IF427RT INDEX

FLOOR PLAN	G-23	-	G-24
ACCESSORIES			H-01
AUDIO VIDEO			H-02
BATH	H-03	-	H-04
BEDROOM	H-05	-	H-06
CHASSIS	H-07	-	H-09
CURTAIN & CUSHION	H-10	-	H-19
DINETTE	H-20	-	H-21
DRIVERS	H-22	-	H-24
ELECTRICAL	I-01	-	I-04
EXTERIOR BODY	I-05	-	I-11
GALLEY	I-12	-	I-15
GENERATOR			I-16
HEATING & A/C	I-17	-	I-18
INTERIOR FINISH	I-19	-	I-22
LABEL	I-23	-	J-05
LP			J-07
LOUNGE	J-08	-	J-09
SEALANTS & FASTENERS	J-10	-	J-12
WATER & SEWAGE	J-13	-	J-15
WINDOW VENT AND EXTERIOR DOOR	J-17	-	K-07

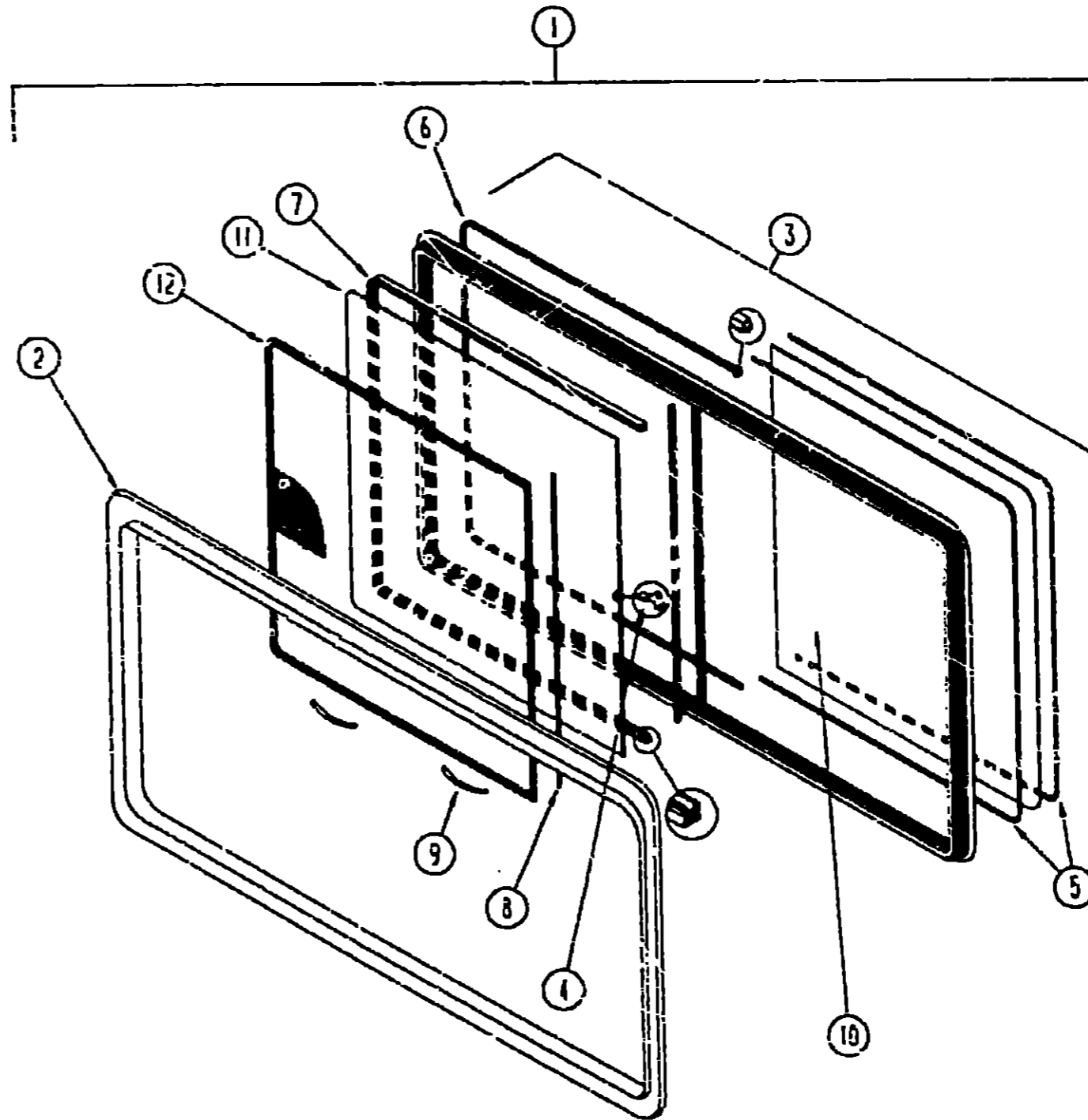
WINDOW, VENT & EXTERIOR DOOR GROUP (CONTINUED)



BACKWALL ESCAPE WINDOW (DOUBLE BED)

KEY	PART NUMBER	U/M DESCRIPTION
	0740-01-000	EA FRAME-WINDOW INSIDE - ESCAPE-OFF WHITE
1	095547-09-712	EA WINDOW-ESCAPE PEAR - 27" X 48"
2	095544-01-700	EA WEATHERSTRIP - 125" X 133 25" - BLACK
3	095544-01-702	EA TAPE ASM-ESCAPE WINDOW
	095544-01-000	FT FILLER-WEATHER STRIP RUBBER - BLACK
4	095544-01-000	EA GLASS-WINDOW - ESCAPE - 44 8" X 23 5"

WINDOW, VENT & EXTERIOR DOOR GROUP (CONTINUED)



DINETTE/LOUNGE SLIDING WINDOW

KEY	PART NUMBER	U/M DESCRIPTION
1	095547-10-02A	EA WINDOW ASM-SLIDER-HORIZONTAL - BLACK (W/ INSIDE FRAME)
2	095547-09-704	EA TRIM-INSIDE (OFF-WHITE) - W024-67 EXCEL-WHITE
3	095547-10-700	EA WINDOW-SINGLE SLIDER - LEFT (W/O INSIDE FRAME)
4	095544-01-700	EA LATCH REPAIR KIT
5	095544-01-705	FT GLAZING STRIP - EXCEL M926-12
6	095544-01-706	FT WEATHERSTRIP - EXCEL 171-010655
7	095544-01-708	FT CHANNEL-PIERCED RUN - EXCEL 122-016543
8	095544-01-710	FT TRACK-SCREEN SPACER 12' LENGTH - EXCEL M401-31
	095544-01-711	FT WEATHERSTRIP-SCREEN BLACK - EXCEL 171-016955
9	095544-01-713	EA SPRING-SCREEN FRAME (CLIP) PLASTIC - BLACK - EXCEL 225-016955
	095544-01-716	FT PLUG-FILLER - EXCEL 132-014470
	095544-01-717	FT SPLINE-SCREEN MFG - EXCEL 32-034715
10	095547-09-700	EA GLASS-STATIONARY - 105-017193 EXCEL
11	095547-09-701	EA GLASS-SLIDING- W/SASH & LATCH W024-69 EXCEL
12	095547-09-705	EA SCREEN W/SPRING & WEATHERSTRIP - 410-015454 EXCEL

1992 ITASCA  
TABLE OF CONTENTS

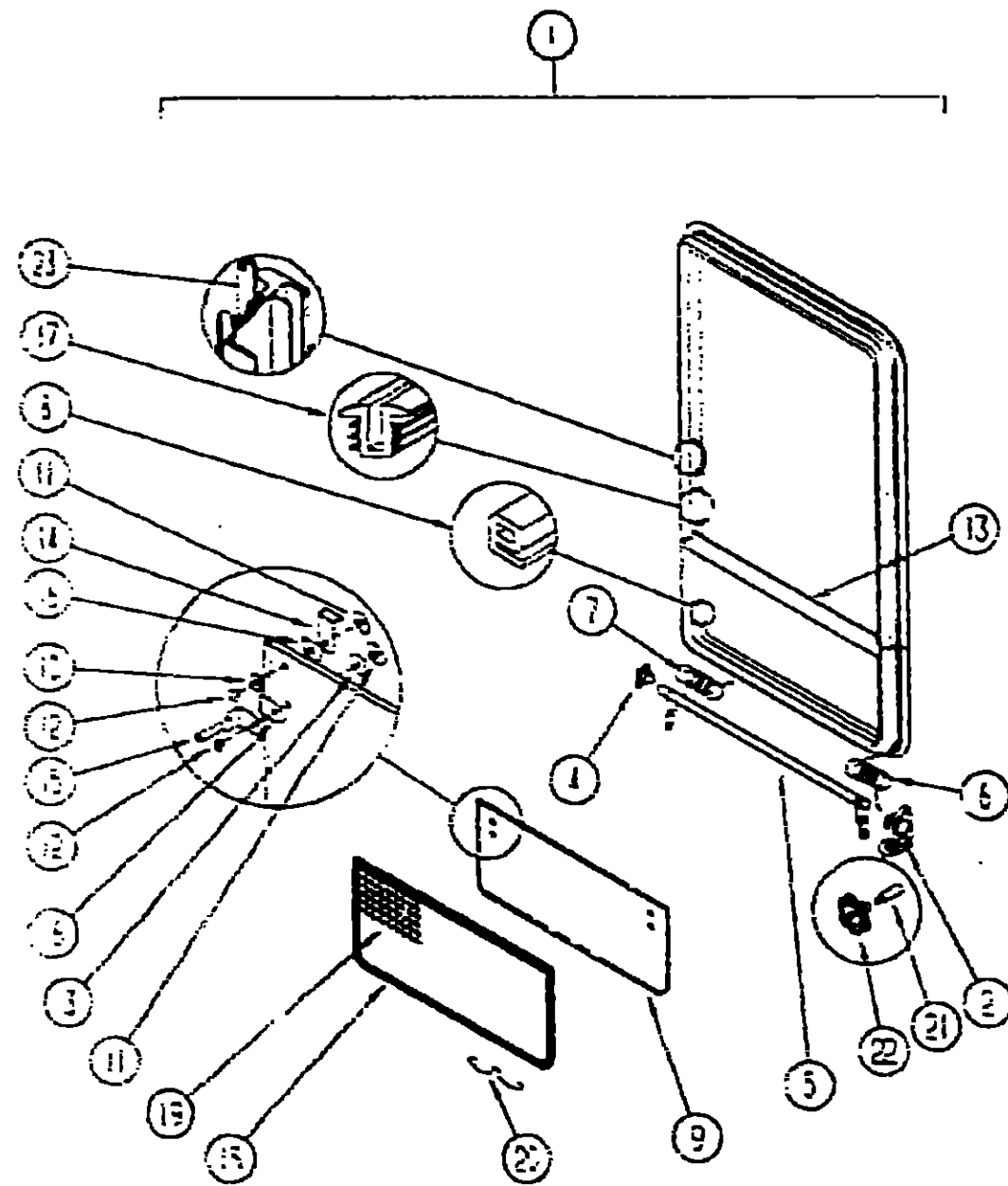
INTRODUCTION	A-01 - A-02
ABBREVIATIONS	A-03
ALPHABETICAL INDEX	A-04 - A-05
IF427RQ	A-07 - D-15
IF427RC	D-17 - G-22
IF427RT	G-23 - K-07

1992 IF427RT INDEX

FLOOR PLAN	G-23 - G-24
ACCESSORIES	H-01
AUDIO VIDEO	H-02
BATH	H-03 - H-04
BEDROOM	H-05 - H-06
CHASSIS	H-07 - H-09
CURTAIN & CUSHION	H-10 - H-19
DINETTE	H-20 - H-21
DRIVERS	H-22 - H-24
ELECTRICAL	I-01 - I-04
EXTERIOR BODY	I-05 - I-11
GALLEY	I-12 - I-13
GENERATOR	I-15
HEATING & A/C	I-17 - I-18
INTERIOR FINISH	I-19 - I-22
LABEL	I-23 - J-05
LP	J-07
LOUNGE	J-08 - J-09
SEALANTS & FASTENERS	J-10 - J-12
WATER & SEWAGE	J-13 - J-15
WINDOW VENT AND EXTERIOR DOOR	J-17 - K-07

# WINDOW, VENT & EXTERIOR DOOR GROUP (CONTINUED)

## BEDROOM TIPOUT WINDOW



KEY	PART NUMBER	U.M.	DESCRIPTION
	090653-11-00A	EA	FRAME-INSIDE-WINDOW/FETANER-OFF WHITE
1	092235-07-Y12	EA	WINDOW TIPOUT-SINGLE-W/O INSIDE FRAME
	000H14-05-14F	EA	RIVET-MANDREL BUND-3/16"
2	095502-02-000	EA	OPERATOR-TORQUE-TIPOUT WINDOW-LEFT
3	095527-03-000	EA	SEAL-WINDOW-RUBBER-ROUND-50" DIA -BLACK
4	091384-01-000	EA	SLEEVE-TORQUE TUBE-TIPOUT WINDOW-1 3/4" X 1 1/2" X 7"
	091849-01-000	EA	RING-SNAP-7/32 SHAFT DIAMETER
5	091150-12-000	EA	TUBE ASM-TORQUE-WINDOW
6	090518-01-000	EA	SPRING-TORQUE TUBE-LEFT
7	090518-02-000	EA	SPRING-TORQUE TUBE-RIGHT
8	094067-02-000	FT	SEAL-SHAPED-SPONGE-TIPOUT WINDOW-42" X 33" -BLACK
9	094069-17-000	EA	GLASS-TIPOUT-9 1/2" X 25"
10	094453-02-000	EA	WASHER-08" X 5" X 25" -PLASTIC
11	095732-01-000	EA	T NUT 10-32
12	095733-01-000	EA	SCREW WASH-10-32 X 1/4" TH
13	097555-04-01A	EA	MULLION-HORIZONTAL-TIPOUT-BLACK
14	099913-01-000	EA	RINGS-TIPOUT WINDOW-BLACK
15	097573-01-000	EA	UNLAGE-TIPOUT WINDOW
	094453-01-000	EA	WASHER-08" X 5" X 135" -PLASTIC
16	094473-01-000	EA	SEAL-FLAT-W CENTER HOLE & ADHESIVE 609-6" X 9" -BLK
	095916-01-000	EA	RIVET-SHOULDER-TIPOUT WINDOW
17	099140-01-000	FT	CHANNEL-GLAZING-STAT ONARY GLASS-62" X 48" -BLACK
18	100238-01-000	EA	SCREENS-NGLE-TIPOUT WINDOW
19	090216-01-000	SP	SCREEN-NG-REERGLASS-12" WIDE
20	100191-01-000	EA	CLIP-SPRING-SCREEN
	100240-01-000	FT	SPRING-SCREEN-T-SHAPED
21	009439-08-000	EA	EXTENSION-CRANK HANDLE-WINDOW ROOF VENT-BLACK
22	009439-05-000	EA	KNOB-OPERATOR-TIPOUT WINDOW-W/SPRING & ARM
	009439-07-000	EA	SCREW-9/32 X 1 1/4" PH -BLACK
23	095540-11-000	FT	TAPE-SEALER-3/16" X 3/8" -BLACK

## 1992 ITASCA TABLE OF CONTENTS

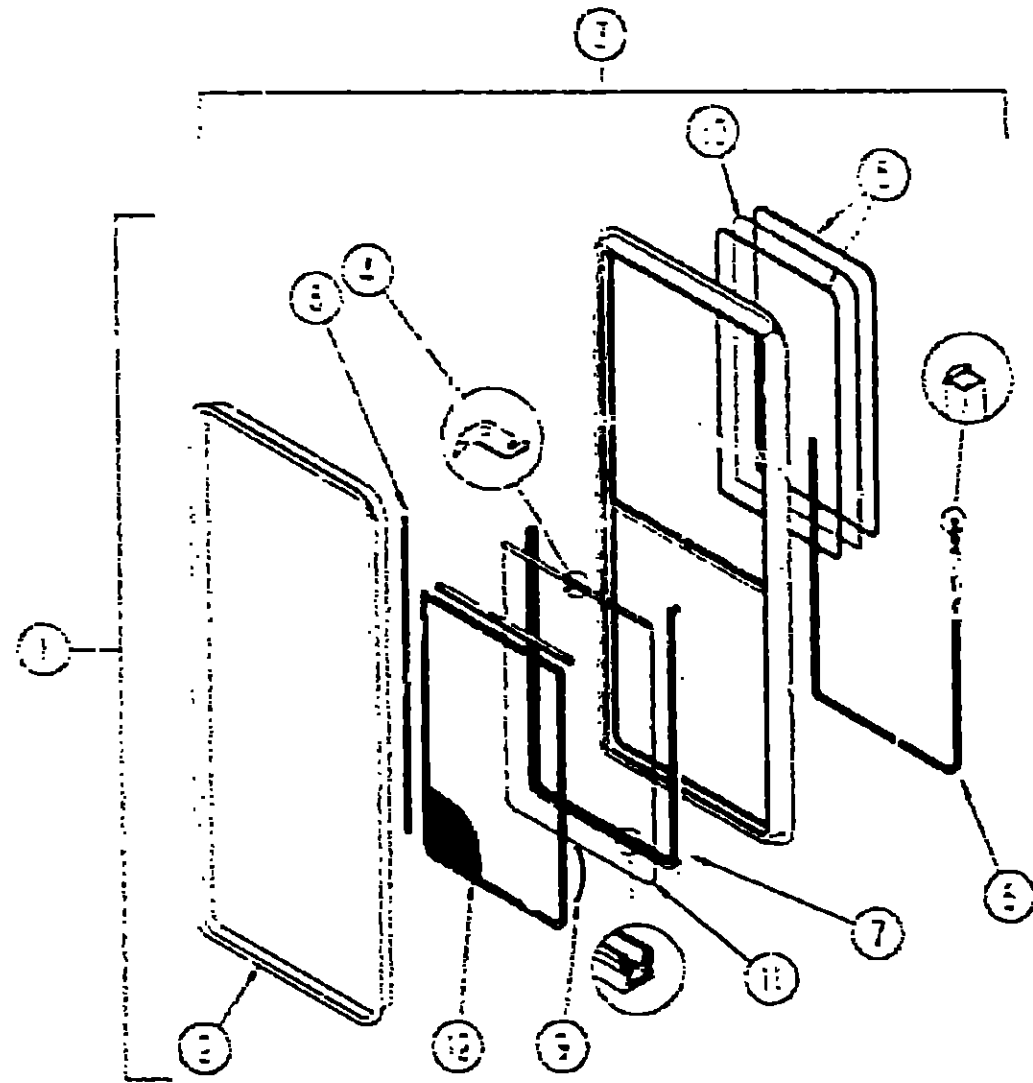
INTRODUCTION	A-01	A-02
ABBREVIATIONS		A-03
ALPHABETICAL INDEX	A-04	A-06
IF427RT	A-07	D-16
IF427RT	D-17	G-22
IF427RT	G-23	K-07

## 1992 IF427RT INDEX

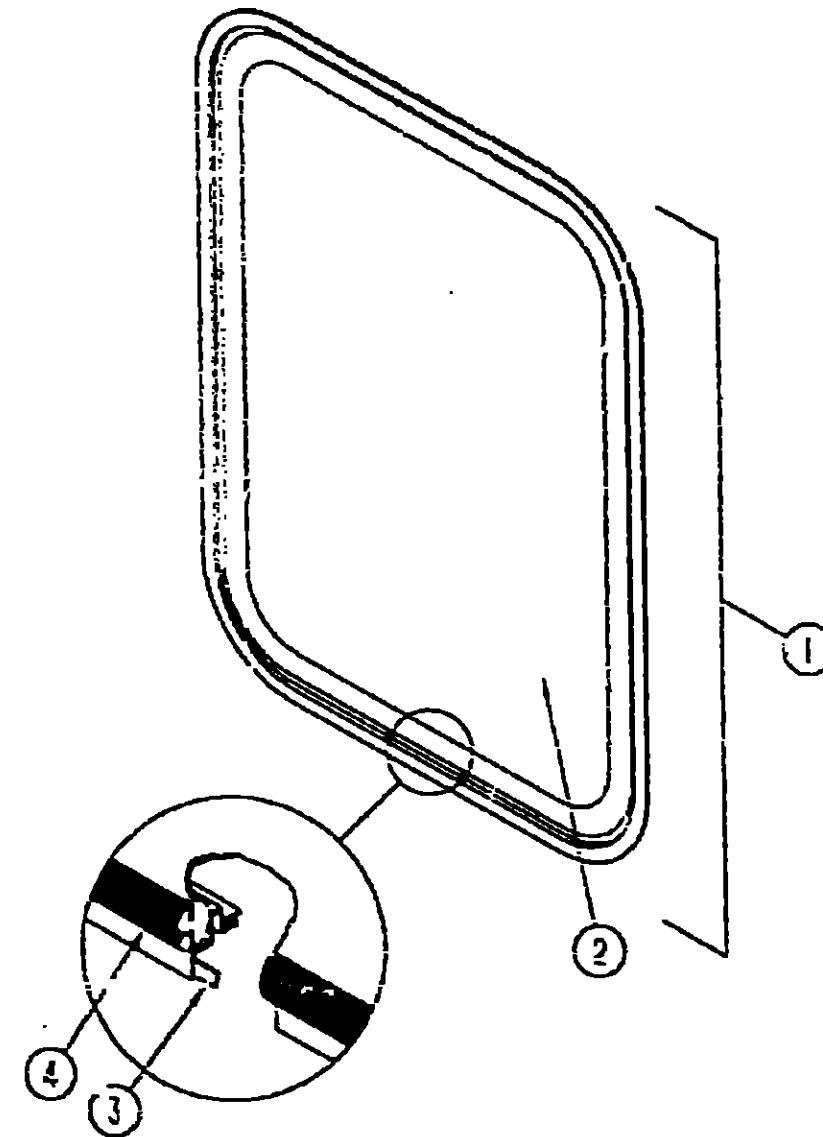
FLOOR PLAN	G-23	G-24
ACCESSORIES		H-01
AUDIO VIDEO		H-02
BATH	H-03	H-04
BEDROOM	H-05	H-06
CHASSIS	H-07	H-09
CURTAINS & CUSHION	H-10	H-13
CEILING	H-20	H-21
DRIVERS	H-22	H-24
ELECTRICAL	I-01	I-04
EXTERIOR BODY	I-05	I-11
GALLEY	I-12	I-15
GENERATOR		I-16
HEATING & AC	I-17	I-18
INTERIOR PAINT	I-19	I-22
LABEL	J-03	J-05
LP		J-07
LOUNGE	J-02	J-09
SEALANTS & FASTENERS	J-10	J-12
WATER & SEWAGE	J-13	J-15
WINDOW VENT AND EXTERIOR DOORS	J-17	K-07

WINDOW, VENT & EXTERIOR DOOR GROUP (CONTINUED)

WINDOW, VENT & EXTERIOR DOOR GROUP (CONTINUED)



GALLEY VERTICAL SLIDER WINDOW



ENTRY DOOR WINDOW

1992 ITASCA  
TABLE OF CONTENTS

INTRODUCTION	A-01	-	A-02
ABBREVIATIONS			A-03
ALPHABETICAL INDEX	A-04	-	A-05
IF427RD	A-07	-	D-16
IF427FD	D-17	-	G-22
IF427RT	G-23	-	K-07

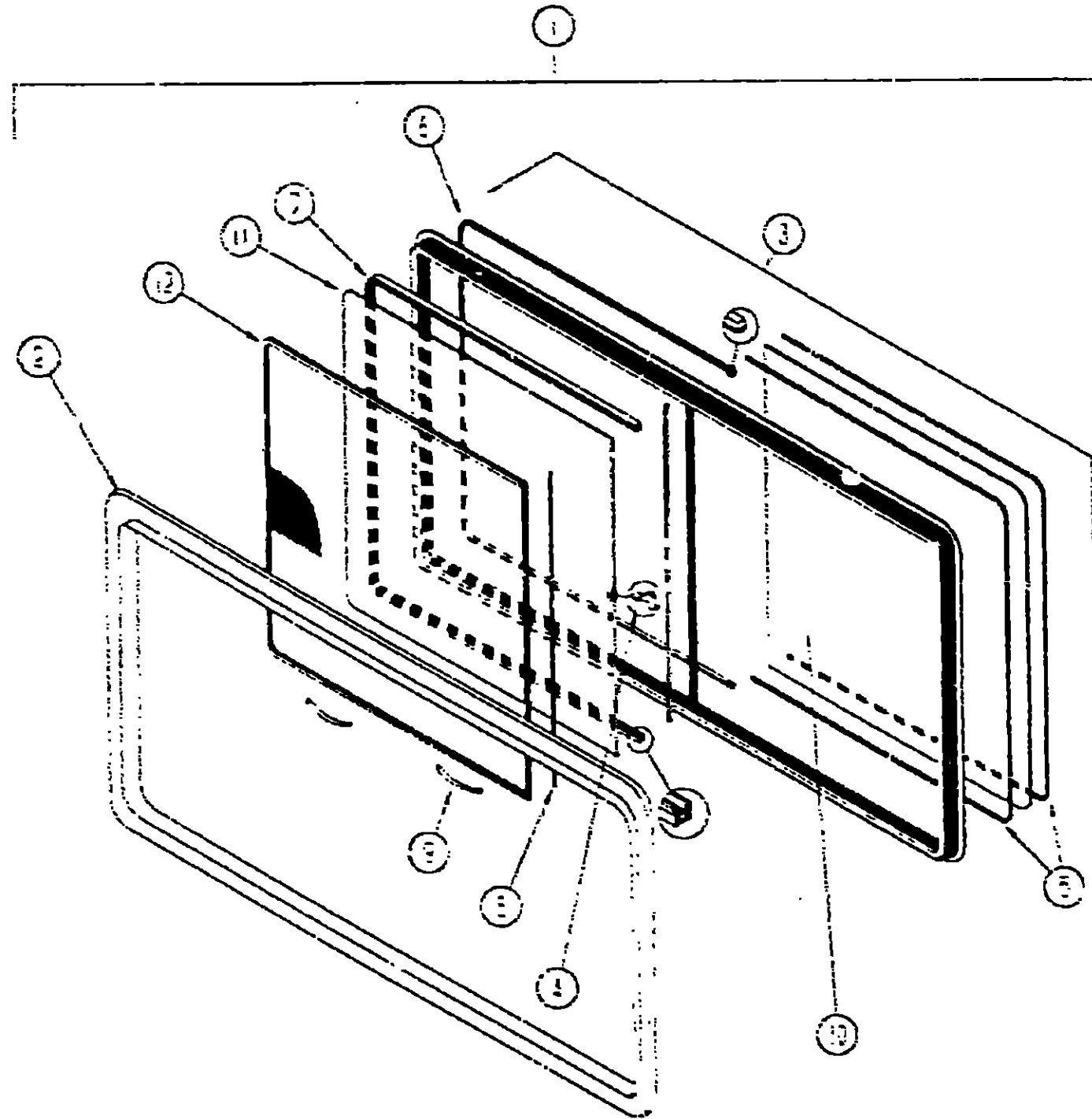
1992 IF427RT INDEX

FLOOR PLAN	G-23	-	G-24
ACCESSORIES			H-01
AUDIO VIDEO			I-02
BATH	F-03	-	F-04
BEDROOM	F-05	-	F-06
CHASSIS	F-07	-	F-09
CURTAIN & CUSHION	F-10	-	F-19
CHEST	F-20	-	F-21
DRIVERS	F-22	-	H-24
ELECTRICAL	I-01	-	I-04
EXTERIOR BODY	I-05	-	I-11
GALLEY	I-12	-	I-15
GENERATOR			I-16
HEATING & AC	I-17	-	I-18
INTERIOR FINISH	I-19	-	I-22
LABEL	I-23	-	J-06
LP			J-07
LOUNGE	J-08	-	J-09
SEALANTS & FASTENERS	J-10	-	J-12
WATER & SEWAGE	J-13	-	J-16
WINDOW VENT AND EXTERIOR DOOR	J-17	-	K-07

KEY	PART NUMBER	U/M	DESCRIPTION
1	056544-01-02A	EA	WINDOW-SLIDING SINGLE - WINDSIDE FRAME - EXCEL #250-R5
2	056544-01-716	EA	TRIM-INSIDE (OFF-WHITE) - 1989-87 EXCEL WHITE
3	056544-01-715	EA	WINDOW-SLIDING SINGLE - WINDINSIDE FRAME - EXCEL 8969-G2R
4	056544-01-700	EA	LATCH-REPAIR KIT EXCEL 8801-OK
5	056544-01-705	FT	GLAZING STRIP EXCEL M926-12
6	056544-01-706	FT	WEATHERSTRIP EXCEL 171-010566
7	056544-01-708	FT	CHANNEL-PERFORATED FLX EXCEL 122-016543
8	056544-01-710	FT	TRACK-SCREEN SPACER 12" LENGTH - EXCEL M401-31
9	056544-01-711	FT	WEATHERSTRIP-SCREEN BLACK - EXCEL 171-016365
10	056544-01-713	EA	SPRING-SCREEN FRAME (CLIP) PLASTIC - BLACK
11	056544-01-715	FT	PLUG-FILLER- EXCEL 130-014470
12	056544-01-717	FT	SPLINE-SCREEN- EXCEL 132-004716
10	056544-01-704	EA	GLASS-STATIONARY - EXCEL 106-016013
11	056544-01-709	EA	GLASS-SLIDING W/ SASH & LATCH - EXCEL 8969-G3
12	056544-01-712	EA	SCREEN W/ WEATHERSTRIP & FRAME SPRING (CLIP) EXCEL 410-016473
	056544-01-707	EA	LOCKING RAIL

KEY	PART NUMBER	U/M	DESCRIPTION
1	079733-07-AAS	EA	WINDOW-ENTRY DOOR 17" X 25" - FROSTED GLASS
2	002181-07-000	EA	GLASS-WINDOW - 16 1/2" X 16 25" X 24" - FROSTED
3	050216-02-000	FT	SPLINE-GLASS EXTERIOR - VINYL - 1 1/2" - BLACK
4	057561-01-000	FT	SEAL-GLASS EXTERIOR - 5" WIDE - VINYL - BLACK

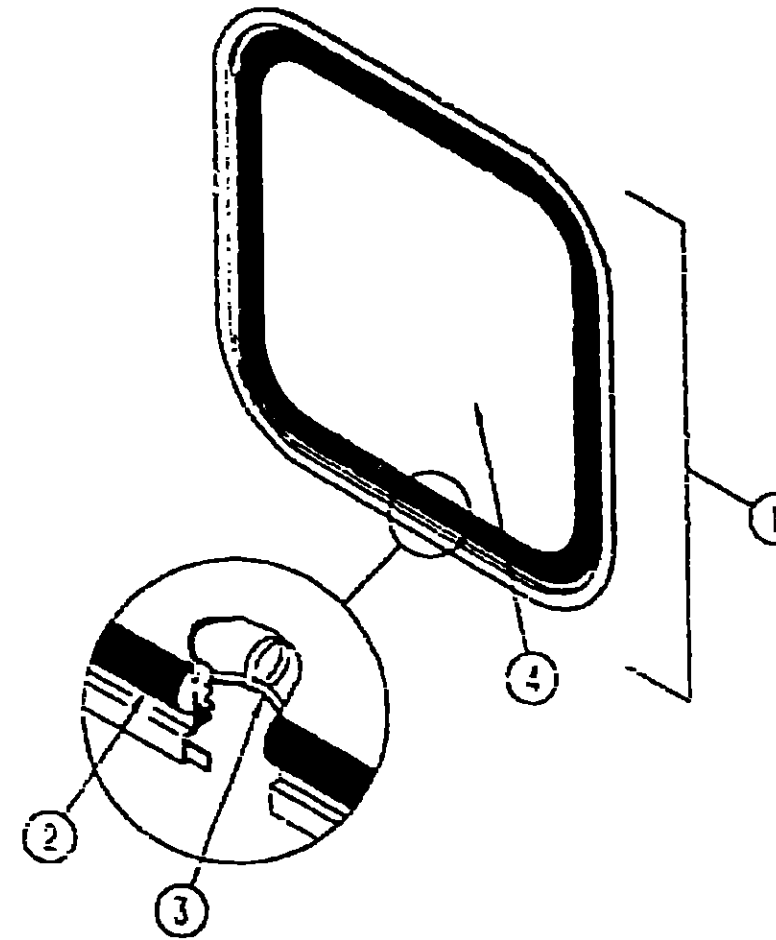
WINDOW, VENT & EXTERIOR DOOR GROUP (CONTINUED)



LOUNGE SLIDING WINDOW

KEY	PART NUMBER	U/M DESCRIPTION
1	095547-05-02A	EA WINDOW ASM-SLIDER-HORIZONTAL - BLACK (W/ INSIDE FRAME)
2	095547-05-707	EA TRIM INSIDE (OFF-WHITE) - W024-57 EXCEL-WHITE
3	095547-05-706	EA WINDOW SINGLE SLIDER - LEFT (W/ INSIDE FRAME)
4	095544-01-700	EA LATCH REPAIR KIT
5	095544-01-705	FT GLAZING STRIP - EXCEL M995-12
6	095544-01-706	FT WEATHERSTRIP - EXCEL 171-015558
7	095544-01-708	FT CHANNEL PERCED RUB EXCEL 122-015543
8	095544-01-710	FT TRACK-SCREEN SPACER 12 LENGTH - EXCEL M401 31
	095544-01-711	FT WEATHERSTRIP-SCREEN BLACK - EXCEL 171-015555
9	095544-01-713	EA SPRING-SCREEN FRAME (CLIP) PLASTIC - BLACK - EXCEL 225-015566
	095544-01-715	FT PLUG-FILLER EXCEL 132-014470
	095544-01-717	FT SPOKE-SCREEN MFG-EXCEL 32-004715
10	095547-05-700	EA GLASS-STATIONARY - 105-017193 EXCEL
11	095547-05-702	EA GLASS SLIDING W/ SASH & LATCH - H024-03 EXCEL
12	095547-05-704	EA SCREEN W/ SPRING & WEATHERSTRIP - 410-015454 EXCEL

WINDOW, VENT & EXTERIOR DOOR GROUP (CONTINUED)



BACKWALL ESCAPE WINDOW (TWIN BED)

KEY	PART NUMBER	U/M DESCRIPTION
	020749-10-000	EA FRAME-WINDOW INSIDE - OFF WHITE
1	073729-02-703	EA WINDOW-ESCAPE-REAR - 22" X 24"
1	073729-03-W17	EA WINDOW-ESCAPE-REAR - 24" X 22"
2	002232-02-000	EA WEATHERSTRIP-WINDOW- 125" VULCANIZED - 75 1" LONG - BLACK
3	077066-01-702	EA TAPE ASM-ESCAPE WINDOW
	002255-01-000	FT FILLER-WEATHER STRIP RUBBER - BLACK
4	041392-03-000	EA GLASS-WINDOW- 16" X 21.65" X 19.61"

1992 ITASCA  
TABLE OF CONTENTS

INTRODUCTION	A-01 - A-02
ABBREVIATIONS	A-03 - A-03
ALPHABETICAL INDEX	A-04 - A-06
IF42TRQ	A-07 - D-15
IF42TRC	D-17 - G-22
IF42TRT	G-23 - K-07

1992 IF427RT INDEX

FLOOR PLAN	G-03 - G-24
ACCESSORIES	H-01
ALD O/V DEC	H-02
BATH	H-03 - H-04
BEDROOM	H-05 - H-06
CHASSIS	H-07 - H-09
CURTAINS & CUSHION	H-10 - H-18
NETTE	H-20 - H-21
DRIVERS	H-22 - H-24
ELECTRICAL	I-01 - I-04
EXTERIOR BODY	I-05 - I-11
GALLEY	I-12 - I-15
GENERATOR	I-16
HEATING & A/C	I-17 - I-18
INTERIOR FINISH	I-19 - I-22
LABEL	I-23 - J-05
LP	J-07
LOUNGE	J-08 - J-09
SEALANTS & FASTENERS	J-10 - J-12
WATER & SEWAGE	J-13 - J-16
WINDOW, VENT AND EXTERIOR DOOR	J-17 - K-07



**WINDOW, VENT & EXTERIOR DOOR GROUP (CONTINUED)**

**BUNK SLANTED SLIDER WINDOWS**

KEY	PART NUMBER	U.M	DESCRIPTION
	098545-05-01A	EA	WINDOW-SLANTED SLIDER-PASSENGER SIDE
	098545-05-01A	EA	WINDOW-SLANTED SLIDER-DRIVER SIDE
	098544-01-700	EA	LATCH REPAIR KIT (BLACK)
	098544-01-705	FT	GLAZING STRIP
	098544-01-705	FT	WEATHERSTRIP GLASS
	098544-01-705	FT	CHANNEL FLUMPEREDED GLASS
	098544-01-710	FT	TRACK SPACER FOR SCREEN #2
	098544-01-711	FT	WEATHERSTRIP SCREEN BLACK
	098544-01-713	EA	SCREEN CLIPS (METAL, BLACK)
	098544-01-716	FT	PLUG FILLER
	098544-01-717	FT	SPRINGS SCREEN ASM
	098545-05-700	EA	STATIONARY GLASS
	098545-05-701	EA	SLIDE ASM
	098545-05-702	EA	SCREEN ASM

**VENTS, SHROUDS AND ROOF COVERS**

KEY	PART NUMBER	U.M	DESCRIPTION
	110051-03-01A	EA	VENT ROOF-NONPOWERED - 2' ROOF - LENSEN 7724 WHE
	110051-03-01A	EA	VENT ROOF-POWERED - 2' ROOF - LENSEN 7757 WHE
	084578-01-000	EA	SHROUD RANGE HOOD VENT-OFF WHITE
	084578-03-000	EA	VENT RANGE HOOD-SHORT-LYS
	002291-02-000	SP	SCREENING ROOF VENT WINDOW-18" - BLACK
	002291-02-000	FT	SPRINGS VENT WINDOW SCREEN- 128 DIAMETER - BLACK
	002291-02-000	SP	SCREENING ROOF VENT WINDOW-18" - BLACK
	002291-02-000	FT	SPRINGS VENT WINDOW SCREEN- 128 DIAMETER - BLACK
	083558-03-000	EA	VENT PLUMBING FEE ROOF-W COVER - OFF WHITE
	084073-03-000	EA	COVER-ROOF VENT-REFRIGERATOR - OFF WHITE - NO HOLLOW
	084073-04-000	EA	BASE-ROOF VENT-REFRIGERATOR - BLACK - NO ROLL

**1992 ITASCA  
TABLE OF CONTENTS**

INTRODUCTION	A-01 - A-02
ABBREVIATIONS	A-03
ALPHABETICAL INDEX	A-04 - A-05
IF427RD	A-07 - L-16
IF427RC	D-17 - G-22
IF427RT	G-23 - K-37

**1992 IF427RT INDEX**

FLOOR PLAN	G-23 - G-24
ACCESSORIES	H-01
AUDIO/VIDEO	H-02
BATH	H-03 - H-04
BEDROOM	H-05 - H-06
CLOSET	H-07 - H-08
CURTAINS & CUSHIONS	H-09 - H-10
COVERS	H-11 - H-12
COVERS	H-13 - H-14
ELECTRICAL	H-15 - H-16
EXTERIOR BODY	H-17 - H-18
GALLEY	H-19 - H-20
GENERATOR	H-21 - H-22
HEATING & A/C	H-23 - H-24
INTERIOR FINISH	H-25 - H-26
LABELS	H-27 - H-28
LA	J-01
LOUNGE	J-02 - J-03
SEALANTS & FASTENERS	J-04 - J-05
WATER & SEWAGE	J-06 - J-07
WINDOW VENT AND EXTERIOR DOOR	J-08 - K-37