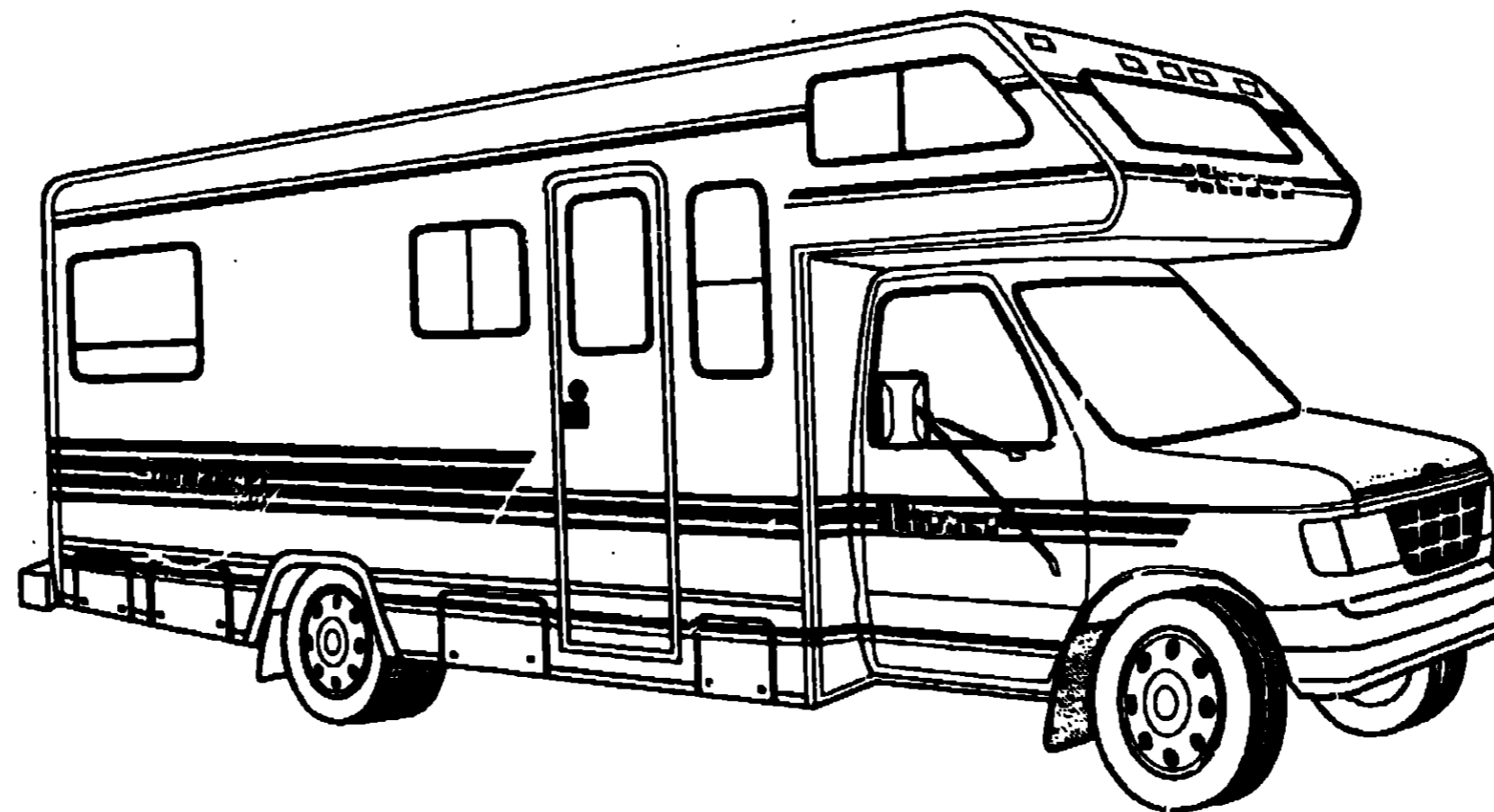
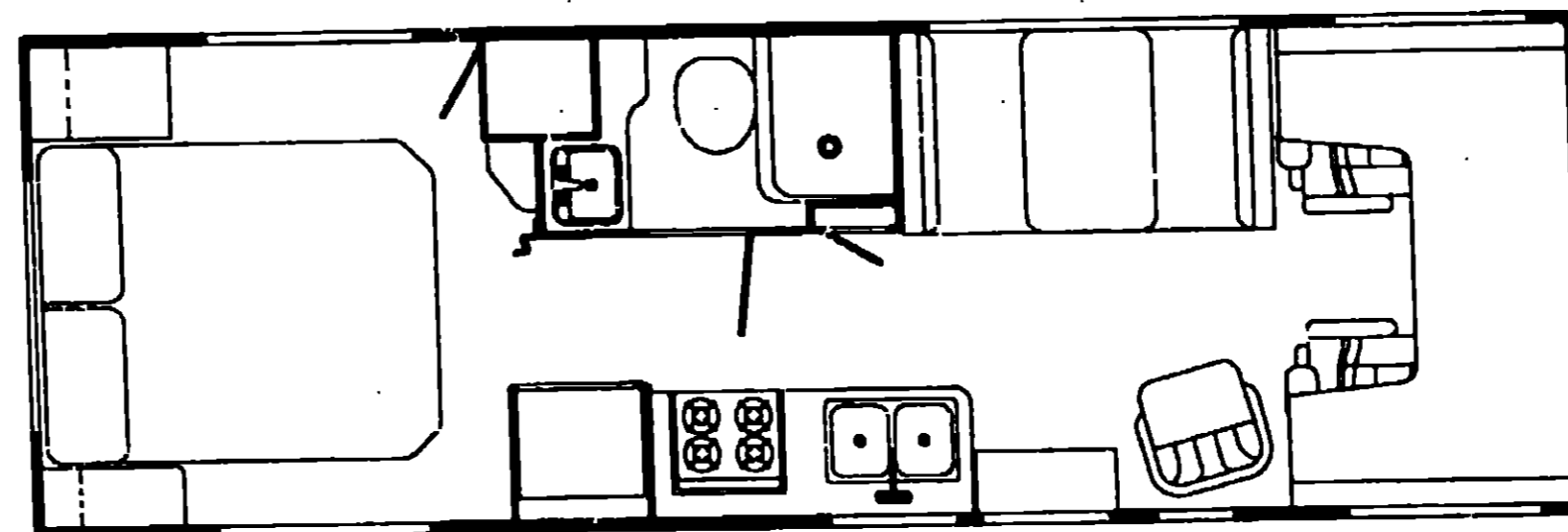
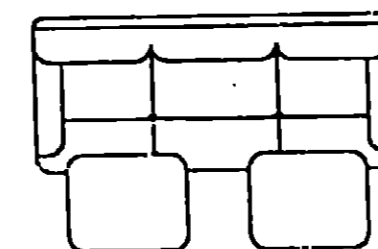
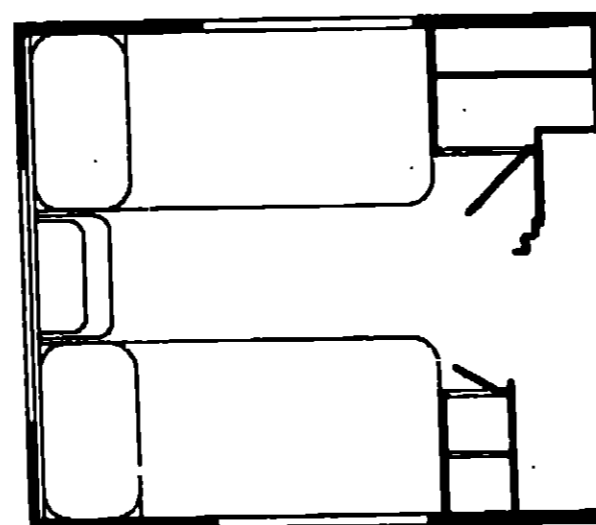


**1992 ITASCA
TABLE OF CONTENTS**

INTRODUCTION	A-01 - A-02
ABBREVIATIONS	A-03
ALPHABETICAL INDEX	A-04 - A-06
IF427HQ	A-07 - D-16
IF427RC	D-17 - G-22
IF427RT	G-23 - K-07



**1992
IF427RQ
C23
C24**



A-07

1992 IF427RQ INDEX

FLOOR PLAN	A-07 - A-08
ACCESSORIES	A-09
AUDIO VIDEO	A-10
BATH	A-11 - A-12
BEDROOM	A-13 - A-14
CHASSIS	A-15 - A-17
CURTAIN & CUSHION	A-18 - B-03
DINETTE	B-04 - B-05
DRIVERS	B-06 - B-08
ELECTRICAL	B-09 - B-12
EXTERIOR BODY	B-13 - B-19
GALLEY	B-20 - B-23
GENERATOR	B-24
HEATING & A/C	C-01 - C-02
INTERIOR FINISH	C-03 - C-06
LABEL	C-07 - C-14
LP	C-15
LOUNGE	C-16 - C-17
SEALANTS & FASTENERS	C-18 - C-20
WATER & SEWAGE	C-21 - C-24
WINDOW, VENT AND EXTERIOR DOOR	D-01 - D-16

ACCESSORIES GROUP

OPERATORS MANUAL

KEY	PART NUMBER	U/M DESCRIPTION
	054185-92-000	EA MANUAL-OPERATOR-1992 SUNDANCER
	092318-01-000	EA BINDER-3 RING- MOTOR HOME MANUAL
	092319-01-000	EA POCKET PAGE-3 RING BINDER- PLASTIC
	106351-01-000	DW TOP LEVEL DRAWING - 1992 C-BODY

AUDIO VIDEO GROUP

RADIO SYSTEM COMPONENTS & ANTENNA

KEY	PART NUMBER	U/M DESCRIPTION
	079385-02-000	EA KIT-RADIO MOUNTING- FORD FROM: 00-00-00 THRU 10-06-91
	090982-01-000	EA RADIO-AM/FM CASSETTE- ELECTRIC TUNE - AUDIOVOX HCC-1035 FROM 00-00-00 THRU 10-06-91
	081059-02-000	EA WIRE ASM-9-PIN- RADIO - AUDIOVOX 112B-1761
	106450-01-000	EA RADIO-AM/FM CASSETTE-ELECT FORD - AUDIOVOX FD-CXF FROM: 10-07-91 THRU 99-99-99
	106451-01-000	EA MOUNTING KIT-RADIO FORD AUDIOVOX FD-ECO-92 FROM. 10-07-91 THRU 99-99-99
	108137-01-000	EA PLUG-ANTENNA HOLE-92 E350
	089340-02-000	EA GRILLE-SPEAKER- 6 5" SQUARE
	089340-03-000	EA GRILLE-SPEAKER-SPACER TAN *MAGNADYNE G514
	094097-01-000	EA SPEAKER-RADIO- W/O GRILLE - 5 25" DIA - AUDIOVOX 110C3030
	105305-01-000	EA WIRE ASM-SPEAKER ADAPTER(FD) FROM 00-00-00 THRU 02-16-92

TV, VCR SYSTEMS & ANTENNA

KEY	PART NUMBER	U/M DESCRIPTION
	092310-01-000	EA TV-COLOR- 9" - AC/DC - W/REMOTE - MAGNAVOX CH3940 FROM 00-00-00 THRU 01-26-92
	092310-01-700	EA REMOTE F/RK3955 -0822335
	092310-03-000	EA TV-COLOR-9"-AC/DC W/SWIVEL MAGNAVOX RDO945 FROM 01-27-92 THRU 99-99-99
	092310-02-700	EA REMOTE F/TV -0822334
	098446-03-000	EA VCR-VHS- CABLE READY - REMOTE - MAGNAVOX VR9010
	098446-03-700	EA REMOTE F/MODEL #9010 -0974588
	106423-01-000	EA BRACKET-VCR
	076319-01-000	EA ANTENNA-TV- ROOF MOUNT - 44 5" MAST - RVA W02
	076319-01-700	EA HEAD-ANTENNA- AMPLIFIED - WINEGARD# RVSA U/V
	076319-01-701	EA GEAR-ELEVATING- PLASTIC - WINEGARD# 2200046
	076319-01-702	EA SHAFT ASM-ELEVATING- WINEGARD# RVP-400A
	076319-01-703	EA BEARING-NYLON- 5"OD - WINEGARD# 3200656
	076319-01-705	EA GROMMET-NYLON- 7/8"ID - WINEGARD# 3200658
	076319-01-706	EA CRANK-ELEVATING- W/SET SCREW - WINEGARD# 5755100
	076319-01-707	EA SPRING-HANDLE- WINEGARD# 5160800
	076319-01-709	EA PLATE-DIRECTIONAL- FOR HEAD - WINEGARD #3200644
	076319-06-000	EA ADAPTOR-CABLE ROOF PLATE- WINEGARD RPJ-1
	082134-01-000	EA ADAPTER-TV- CABLE TO CABLE - WINEGARD F-81M
	082136-01-000	EA NUT-HEX JAM 3/8-32- WINEGARD
	086777-02-000	EA WALLPLATE-TV CABLE W/ANTENNA SWITCH - BROWN
	076319-03-000	FT CABLE-COAXIAL- 75 OHM
	076319-12-000	EA CONNECTOR-COAXIAL- ONE PIECE
	086757-03-000	EA CONTROL CENTER-SWITCH- VCR/TV - MAGNADYNE VCS-6
	086777-04-000	EA PLATE-WALL- ANTENNA/POWER - BROWN

1992 ITASCA TABLE OF CONTENTS

INTRODUCTION	A-01 - A-02
ABBREVIATIONS	A-03
ALPHABETICAL INDEX	A-04 - A-06
IF427RQ	A-07 - D-16
IF427RC	D-17 - G-22
IF427RT	G-23 - K-07

1992 IF427RQ INDEX

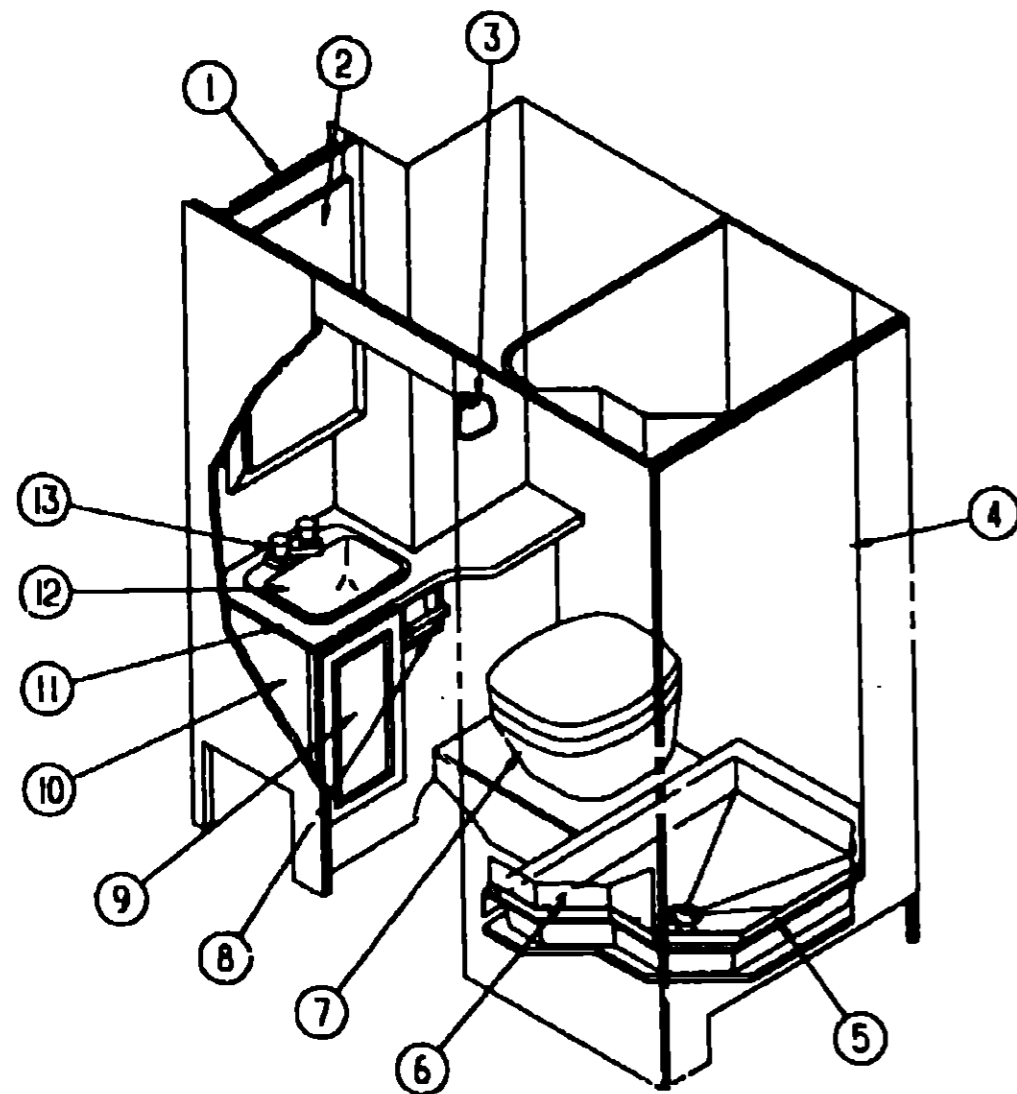
FLOOR PLAN	A-07 - A-08
ACCESSORIES	A-09
AUDIO VIDEO	A-10
BATH	A-11 - A-12
BEDROOM	A-13 - A-14
CHASSIS	A-15 - A-17
CURTAIN & CUSHION	A-18 - B-03
DINETTE	B-04 - B-05
DRIVERS	B-06 - B-08
ELECTRICAL	B-09 - B-12
EXTERIOR BODY	B-13 - B-19
GALLEY	B-20 - B-23
GENERATOR	B-24
HEATING & A/C	C-01 - C-02
INTERIOR FINISH	C-03 - C-06
LABEL	C-07 - C-14
LP	C-15
LOUNGE	C-16 - C-17
SEALANTS & FASTENERS	C-18 - C-20
WATER & SEWAGE	C-21 - C-24
WINDOW, VENT AND EXTERIOR DOOR	D-01 - D-16

BATH GROUP

BATH GROUP (CONTINUED)

BATH CABINETRY & HARDWARE (CONTINUED)

**1992 ITASCA
TABLE OF CONTENTS**



KEY	PART NUMBER	U/M	DESCRIPTION
8	075452-02-000	EA	HOLDER-TOILET TISSUE-BRASS
9	P05223-01-C03	EA	DOOR ASM-W/O HARDWARE-305 X 555
	058331-51-C00	EA	MIRROR-GLASS SAFETY-WALL-660 X 1016
	091208-01-000	EA	WASHER-RUBBER-.06" X 75" X 5"
	078238-37-B85	EA	PANEL-ACCESS- 250 X 445
10	P03126-01-C23	EA	CABINET ASM-LAVATORY
11	103126-11-B87	EA	COUNTERTOP ASM
12	096927-01-01A	EA	SINK-LAVATORY- RECTANGULAR - PLASTIC - BONE
	096927-01-700	EA	SINK-STOPPER
	096927-01-701	EA	TAILPIECE-SINK
13	075240-06-000	EA	FAUCET-LAVATORY-BONE
	091253-01-000	EA	GASKET-FAUCET-LAVATORY/GALLEY
	105218-01-01A	EA	SPACER-FAUCET-LAVATORY SINK - 2' X 5 9" - ABS PLASTIC O/W FROM: 03-00-00 THRU 10-13-91
	075453-02-000	EA	BAR-TOWEL-18" BRASS
	065435-01-000	EA	NUT-SLIP-TAILPIECE - 1 5"

INTRODUCTION	A-01 - A-02
ABBREVIATIONS	A-03
ALPHABETICAL INDEX	A-04 - A-06
IF427RQ	A-07 - D-16
IF427RC	D-17 - G-22
IF427RT	G-23 - K-07

BATH CABINETRY & HARDWARE

BATH PRIVACY DOOR

SHOWER COMPONENTS

KEY	PART NUMBER	U/M	DESCRIPTION
	M87868-09-C03	EA	DOOR ASM-CABINET-BATH
	094485-01-C1A	EA	KNOB-DOOR-POLISHED BRASS

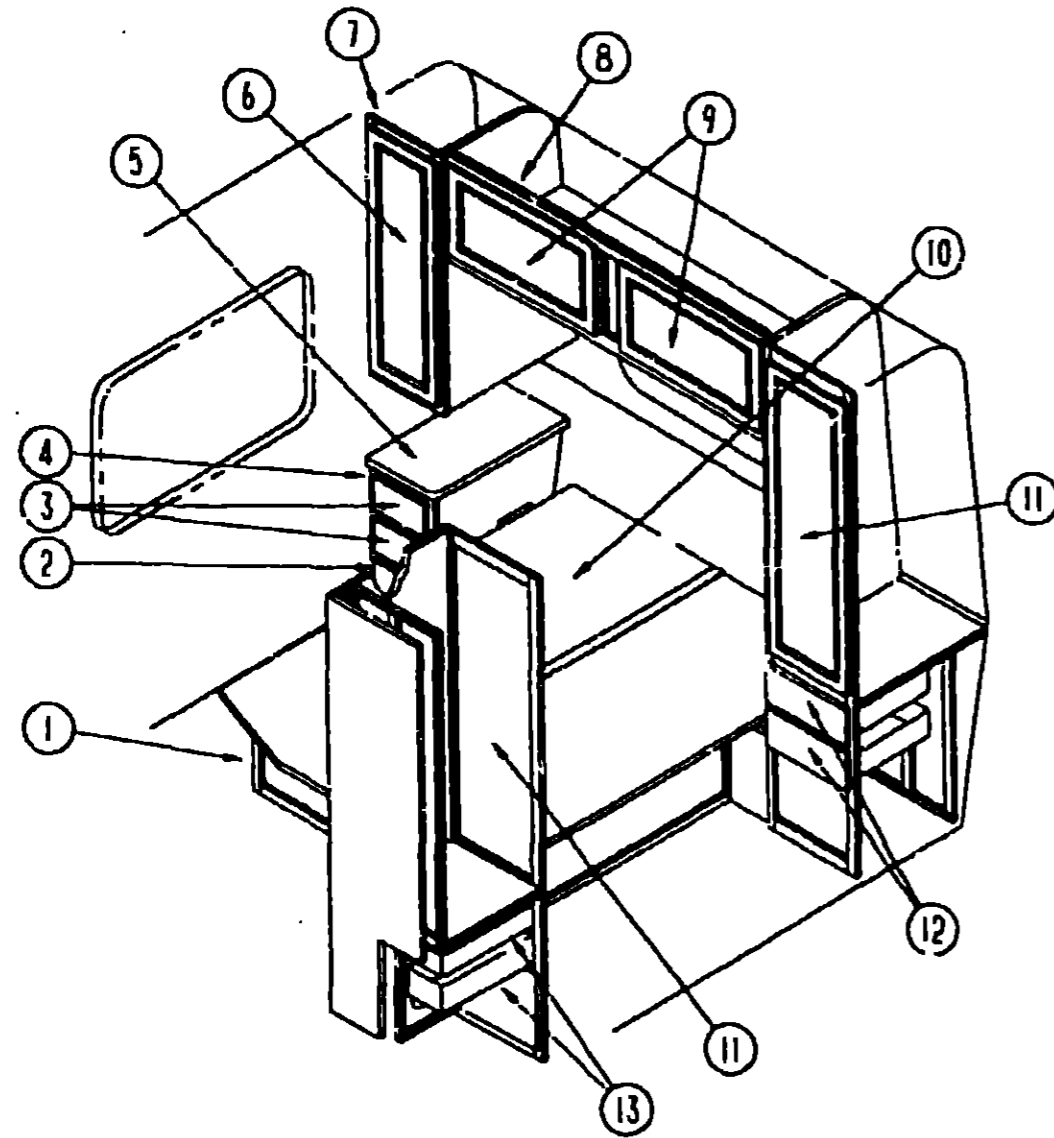
KEY	PART NUMBER	U/M	DESCRIPTION
	075241-05-000	EA	FAUCET-SHOWER-BONE (EXTERIOR SHOWER)
	105269-02-000	EA	BRACKET-SUPPORT-FAUCET (EXTERIOR SHOWER)
	091952-02-000	EA	CLIP-GRIPPER, 3/4" (EXTERIOR SHOWER)

1992 IF427RQ INDEX

FLOOR PLAN	A-07 - A-08
ACCESSORIES	A-09
AUDIO VIDEO	A-10
BATH	A-11 - A-12
BEDROOM	A-13 - A-14
CHASSIS	A-15 - A-17
CURTAIN & CUSHION	A-18 - B-03
DINETTE	B-04 - B-05
DRIVERS	B-06 - B-08
ELECTRICAL	B-09 - B-12
EXTERIOR BODY	B-13 - B-19
GALLEY	B-20 - B-23
GENERATOR	B-24
HEATING & A/C	C-01 - C-02
INTERIOR FINISH	C-03 - C-06
LABEL	C-07 - C-14
LP	C-15
LOUNGE	C-16 - C-17
SEALANTS & FASTENERS	C-18 - C-20
WATER & SEWAGE	C-21 - C-24
WINDOW, VENT AND EXTERIOR DOOR	D-01 - D-16

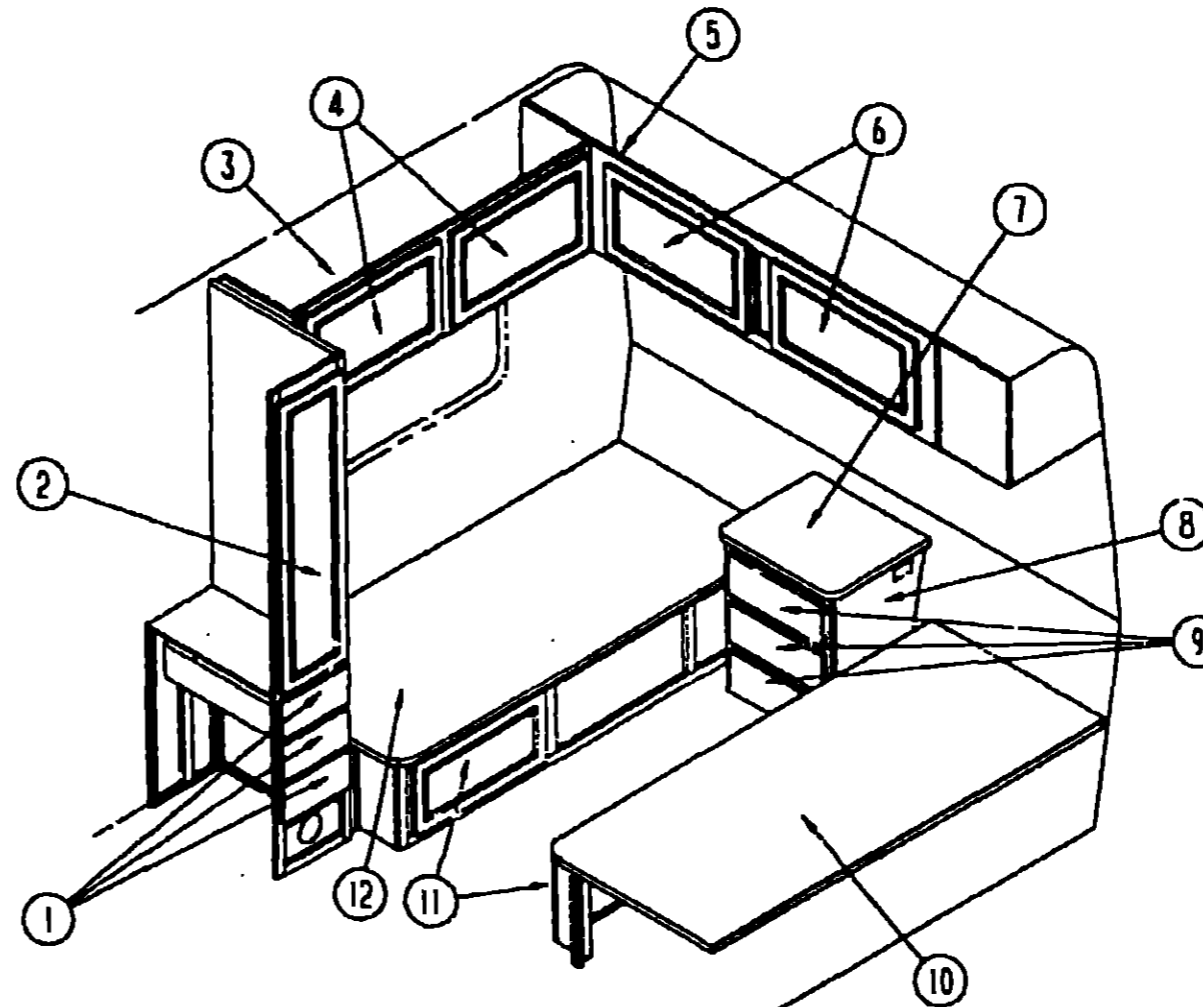
KEY	PART NUMBER	U/M	DESCRIPTION
1	105350-01-C03	EA	CABINET ASM-MEDICINE
2	P03661-01-C03	EA	DOOR ASM-MIRROR-HARDWARE- 395 X 750
	058331-32-000	EA	MIRROR-GLASS SAFETY - 13 6" X 27 6"
	M03450-11-000	EA	TRIM-MIRROR-WOOD - OAK
	093446-10-B05	EA	MIRROR-WOOD FRAMED
3	075454-02-000	EA	RING-TOWEL-W/MOUNTING HARDWARE - BRASS
4	102803-01-01A	EA	SURROUND-SHOWER-LARGE 2 SIDED SECTION - OFF WHITE
	075606-01-000	EA	PANEL-FAUCET BACK- SHOWER - 5' X 9" - PLASTIC
	103092-01-000	EA	SHOWER HEAD-W/60 IN HOSE(US & CANADIAN)
	075241-05-000	EA	FAUCET-SHOWER-BONE
5	M02673-06-B05	EA	PAN-SHOWER- OFF WHITE
	066440-01-000	EA	STRAINER-SHOWER-W/RUBBER WASHER
	069735-C1-000	EA	WASHER-STRAINER TO TAILPIECE PLASTIC- 1 5"
	011069-02-000	EA	TAILPIECE-TUB/SHOWER- 1 1/2" X 1 1/4" X 4" - BRASS
	066436-01-000	EA	NUT-SLIP- TAILPIECE - 1.5"
	057671-01-000	EA	COVER-SCREW-#8 - PLASTIC - OFF WHITE
6	102804-01-01A	EA	SURROUND-SHOWER-SMALLER SECTION - OFF WHITE
7	067487-01-000	EA	TOILET-12 37"- IVORY - HAND FLUSH - THETFORD 150110
	063740-01-700	EA	LEVER-WATER-THETFORD 12514
	063740-01-701	EA	LEVER-FLUSH-THETFORD 12515
	063740-01-706	EA	BOLT PACKAGE-CLOSET-THETFORD 12524
	063740-01-710	EA	LINK-THETFORD 12513
	063740-01-711	EA	SPRING-RETURN LEVER-THETFORD 12523
	063740-01-713	EA	SEAL-BALL VALVE TO BOWL-THETFORD 12502
	063740-01-714	EA	VALVE ASM-WATER-THETFORD 12492
	063740-01-716	EA	SEAT & COVER-THETFORD 15017
	063740-01-717	EA	TUBE-FLUSH-TOILET-12509 THETFORD
	063641-01-000	EA	FLANGE-CLOSET- 4' X 3"

BEDROOM GROUP



QUEEN BEDROOM

BEDROOM GROUP (CONTINUED)



TWIN BEDROOM

**1992 ITASCA
TABLE OF CONTENTS**

INTRODUCTION	A-01 - A-02
ABBREVIATIONS	A-03
ALPHABETICAL INDEX	A-04 - A-06
IF427RO	A-07 - D-15
IF427RC	D-17 - G-22
IF427RT	G-23 - K-07

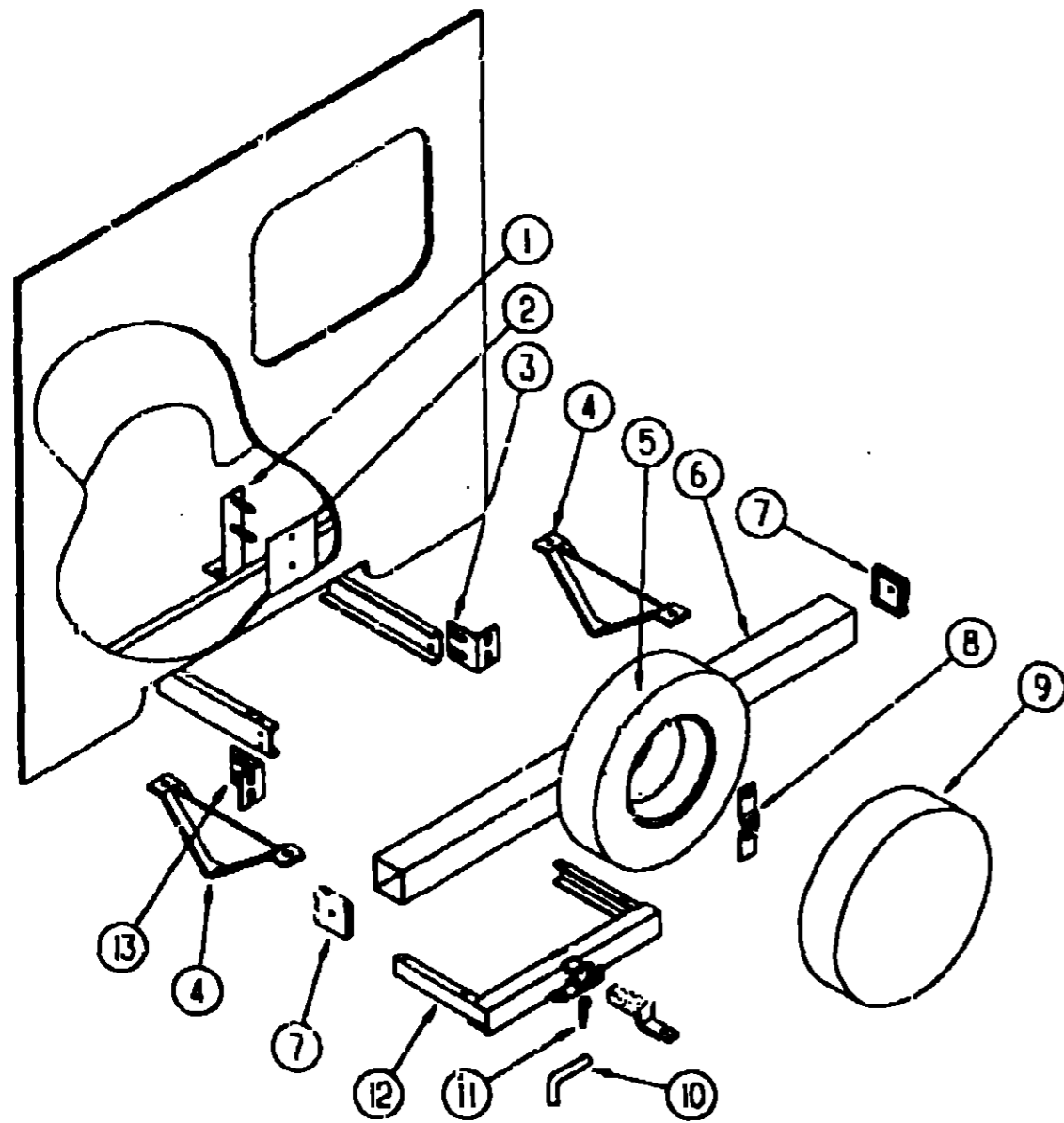
1992 IF427RQ INDEX

FLOOR PLAN	A-07 - A-08
ACCESSORIES	A-09
AUDIO VIDEO	A-10
BATH	A-11 - A-12
BEDROOM	A-13 - A-14
CHASSIS	A-15 - A-17
CURTAIN & CUSHION	A-18 - B-03
DINETTE	B-04 - B-05
DRIVERS	B-06 - B-08
ELECTRICAL	B-09 - B-12
EXTERIOR BODY	B-13 - B-19
GALLEY	B-20 - B-23
GENERATOR	B-24
HEATING & A/C	C-01 - C-02
INTERIOR FINISH	C-03 - C-06
LABEL	C-07 - C-14
LP	C-15
LOUNGE	C-16 - C-17
SEALANTS & FASTENERS	C-18 - C-20
WATER & SEWAGE	C-21 - C-24
WINDOW, VENT AND EXTERIOR DOOR	D-01 - D-16

KEY	PART NUMBER	U/M	DESCRIPTION
1	P05308-01-C03	EA	CABINET ASM-QUEEN BED BOTTOM
2	P03397-G5-C03	EA	DRAWER ASM-CABINET-RADIUS - 214 X 284
3	P03397-G1-C03	EA	DRAWER ASM-CABINET-RADIUS - 214 X 404
4	105278-01-C23	EA	CABINET ASM-NIGHTSTAND
5	105278-11-C23	EA	COUNTERTOP ASM
6	P05223-07-C03	EA	DOOR ASM-W/O HARDWARE- 305 X 1015
7	P05279-01-C03	EA	CABINET ASM-SHIRT CLOSET - RIGHT
8	M05623-03-C03	EA	CABINET ASM-OVERHEAD - REAR
9	P05223-06-C03	EA	DOOR ASM-W/O HARDWARE- 365 X 680
10	M05631-02-C03	EA	QUEEN BED TOP-PASSENGER SIDE
	M05631-01-C03	EA	QUEEN BED TOP-DRIVER SIDE
	103725-02-000	EA	PROP-BED-AUTO CLAM- 11 5/8
11	P05223-10-C03	EA	DOOR ASM-W/O HARDWARE- 390 X 1250
12	P03397-G3-C03	EA	DRAWER ASM-CABINET-RADIUS - 354 X 404
13	P03397-F2-C03	EA	DRAWER ASM-CABINET-RADIUS - 354 X 470
	103195-01-B87	EA	COUNTERTOP-VANITY
	058331-27-000	EA	MIRROR-SAFETY GLASS- 11.8" X 45 7"
	042488-10-000	EA	DOOR-FOLDING - FABRIC - 37" X 75" - OFF WHITE
	078238-37-B85	EA	PANEL-ACCESS - 250 X 445

KEY	PART NUMBER	U/M	DESCRIPTION
1	P03397-F6-C03	EA	DRAWER ASM-CABINET- 268 X 500
	P03397-F4-C03	EA	DRAWER ASM-CABINET- 354 X 536 (DRIVER'S WARDROBE)
2	P05223-08-C03	EA	DOOR ASM-W/O HARDWARE- 305 X 1220
3	M05623-05-C23	EA	CABINET ASM-OVERHEAD-REAR-RIGHT
	M05623-05-C24	EA	CABINET ASM-OVERHEAD-REAR-LEFT
	M05623-06-C24	EA	CABINET ASM-OVERHEAD-REAR-LEFT
4	P05223-11-C03	EA	DOOR ASM-W/O HARDWARE- 400 X 520
5	M05623-07-C23	EA	CABINET ASM-OVERHEAD-REAR
5	M05623-07-C24	EA	CABINET ASM-OVERHEAD-REAR
6	P05223-13-C03	EA	DOOR ASM-W/O HARDWARE- 400 X 710
7	105298-11-C23	EA	COUNTERTOP ASM
8	105298-01-C23	EA	CABINET ASM-NIGHTSTAND
9	P03397-F8-C03	EA	DRAWER ASM-CABINET-RADIUS- 422 X 248
10	M05138-04-000	EA	CABINET ASM-TWIN BED-TOP-LEFT
	P05287-01-C03	EA	CABINET ASM-TWIN BED-LEFT
11	P05223-02-C03	EA	DOOR ASM-W/O HARDWARE- 305 X 660
12	M05138-03-000	EA	CABINET ASM-TWIN BED-TOP RIGHT
	P05286-01-C03	EA	CABINET ASM-TWIN BED-RIGHT
	042488-10-000	EA	DOOR-FOLDING- FABRIC - 37" X 75" - OFF WHITE

CHASSIS GROUP



REAR BUMPER, TOWING & SPARE TIRE CARRIER

KEY	PART NUMBER	U/M DESCRIPTION
1	105209-05-C52	EA BRACKET ASM-SPARE TIRE
2	105208-01-000	EA PLATE-SPARE TIRE
3	104420-01-000	EA SUPPORT-ANGLE-BUMPER REAR-RIGHT
4	083376-01-000	EA PLATE-SKID-13 2" X 6" X 2" - STEEL
5	070917-04-000	EA TIRE-FIRESTONE- LT 215 - 85R16 LRD - 4RS (273295)
5	083425-08-000	EA TIRE-LT225/75R16 LRD MICHELIN XCH4
6	103422-02-01A	EA BUMPER-SQUARE-ALUMINUM-OFF WHITE
7	039779-01-000	EA CAP-BUMPER-RUBBER - 4" X 4" - BLACK
8	105531-02-000	EA RETAINER ASM-SPARE TIRE
9	104408-06-C23	EA COVER-TIRE-32"SUNDANCER -SILKSCREENED-OFF WHITE
10	034512-01-000	EA PIN-LOCKING-DRAWBAR
11	034513-01-000	EA PIN-HITCH-3/16" WIRE
12	077617-02-000	EA HITCH-TRAILER-WO DRAWBAR - 41 1" WIDE - STEEL - BLACK
	077613-01-000	EA DRAWBAR ASM ONLY
		FROM 00-00-00 THRU 02-02-92
13	104420-02-000	EA SUPPORT-ANGLE-BUMPER REAR-LEFT
	097744-01-000	EA HOUSING-TRAILER PIN-12"
	097744-02-000	EA HOUSING-TRAILER PIN-48"
	097745-01-000	EA HOUSING-TRAILER RECEPTACLE-12"
	097746-01-000	EA HOUSING CAP-TRAILER PIN
	097745-02-000	EA HOUSING-RECEPTACLE-TRAILER - 48" WIRE LENGTH

CHASSIS GROUP (CONTINUED)

COMPARTMENTS & TRAYS

KEY	PART NUMBER	U/M DESCRIPTION
	058027-01-000	FT SEAL-D SHAPED - HOLLOW - SPONGE RUBBER - BLACK
	061420-01-000	EA PLUG-PLASTIC- 1 7/8" - BROWN
	077953-01-000	EA GROMMET-EDGE LINER- FITS 1"
	088270-01-000	FT SEAL-BULB- W/WIRE RIGID U-CHANNEL - 5" - RUBBER - BLACK
	103639-01-000	EA DOOR-DRAINAGE COMPARTMENT- 7.9" X 7.6" - STEEL
	074470-02-000	EA PIN-PULL- HINGE RELEASE -LEFT SIDE
	105471-06-000	EA COMPARTMENT ASM-GENERATOR
	009055-01-000	EA HINGE-CONTINUOUS - AL 1 1/16 X 72 - PLAIN

EXHAUST SYSTEM COMPONENTS

KEY	PART NUMBER	U/M DESCRIPTION
	007125-01-000	EA CLAMP-MUFFLER-1 62 DIAMETER
	091182-03-000	EA HEAT SHIELD
	094918-03-000	EA CLAMP-EXHAUST- 2.5"
	095753-04-000	EA PIPE-EXHAUST (FORD)

CHASSIS MISCELLANEOUS

KEY	PART NUMBER	U/M DESCRIPTION
	065450-05-000	EA TIEDOWN-BATTERY- 8.4' TUBE
		FROM 00-00-00 THRU 12-02-91
	084993-01-000	EA STRAP-BATTERY
	088458-01-000	EA UNION-INVERTED FLARE- BRASS - 3/16-BRAKE LINE

MUDFLAPS, TIRES AND WHEELS

KEY	PART NUMBER	U/M DESCRIPTION
	017516-01-000	EA FLAP-MUD- 14" X 18" - BLACK
	045731-04-000	EA GUARD-ROCK- REAR
	055278-51-259	EA TUBING-STEEL- .75" X 1.5" X 12.5"
	064089-01-700	EA FLAP-MUD- FRONT - SET OF 2 - RUBBER - BLACK
	051377-01-000	EA STEM-VALVE- TR 500
	077030-02-000	EA EXTENSION-VALVE STEM- 1.25"
	095012-03-000	EA EXTENSION-VALVE STEM- DUAL WHEEL
	070917-04-000	EA TIRE-FIRESTONE- LT 215 - 85R16 LRD - 4RS (273295)
	083425-08-000	EA TIRE-LT225/75R16 LRD MICHELIN XCH4
	083617-01-000	EA WHEEL-FORD- 6.00 X 16.0 - 8 HOLE - FIRESTONE
	083617-03-000	EA WHEEL-STEEL-16.0X6 - ACCURIDE 28618
	102782-01-000	EA WHEELWELL-PLASTIC

DRIVESHAFT

KEY	PART NUMBER	U/M DESCRIPTION
	103653-04-000	EA DRIVESHAFT-FRONT- FORD - 176"/188" - DANA 910984-814.4
		FROM 00-00-00 THRU 11-10-91
	103653-06-700	EA DRIVESHAFT ASM-BALANCED PAIR E350188*WB(158)
		FROM: 11-11-91 THRU 99-99-99
	074833-01-000	EA SPACER-BEARING-DRIVESHAFT - 2" X 8" X 5" THICK

WHEEL LINERS & COVERS

KEY	PART NUMBER	U/M DESCRIPTION
	091209-11-000	EA LINER-WHEEL-SET 4 E350- KAPER II (FORD)
	091209-10-700	EA COVER-AXLE-FRONT - 8 LUG - FORD
	091209-10-701	EA COVER-AXLE-REAR - 8 LUG - FORD
	091209-10-705	EA COVER-LUG NUT
	091209-11-700	EA LINER-WHEEL-FRONT - 8 LUG - FORD
	091209-11-701	EA LINER-WHEEL- REAR - 8 LUG - FORD
	083181-01-000	EA COVER-WHEEL- 16" - SET OF FOUR
	083181-01-700	EA COVER-WHEEL- 16" - 8 LUG - 1 ONLY

**1992 ITASCA
TABLE OF CONTENTS**

INTRODUCTION	A-01	A-02
ABBREVIATIONS		A-03
ALPHABETICAL INDEX	A-04	A-06
IF427RQ	A-07	D-16
IF427RC	D-17	G-22
IF4275T	G-23	K-07

1992 IF427RQ INDEX

FLOOR PLAN	A-07	A-08
ACCESSORIES		A-09
AUDIO VIDEO		A-10
BATH	A-11	A-12
BEDROOM	A-13	A-14
CHASSIS	A-15	A-17
CURTAIN & CUSHION	A-18	B-03
DINETTE	B-04	B-05
DRIVERS	B-06	B-08
ELECTRICAL	B-09	B-12
EXTERIOR BODY	B-13	B-19
GALLEY	B-20	B-23
GENERATOR		B-24
HEATING & A/C	C-01	C-02
INTERIOR FINISH	C-03	C-06
LABEL	C-07	C-14
LP		C-15
LOUNGE	C-16	C-17
SEALANTS & FASTENERS	C-18	C-20
WATER & SEWAGE	C-21	C-24
WINDOW, VENT AND EXTERIOR DOOR	D-31	D-16

CHASSIS GROUP (CONTINUED)

FUEL SYSTEM COMPONENTS

KEY	PART NUMBER	U/M	DESCRIPTION	
	007063-01-000	FT	HOSE-GAS 1/4"ID X 1/2"OD	
	106388-01-000	EA	FUEL LINE ASM-FORD-5/16 HP	FROM 10-07-91 THRU 99-99-99
	106389-01-000	EA	FUEL LINE ASM-FORD-3/8 HP	FROM 10-07-91 THRU 99-99-99
	024138-01-000	FT	HOSE-FUEL - 5/16" ID	
	044317-01-000	FT	HOSE-FUEL - 3/8" ID	
	090105-02-000	EA	NECK-FILLER-FUEL	FROM 00-00-00 THRU 10-06-91
	078040-04-000	EA	SHROUD-FUEL FILL- UPPER	
	078200-01-000	EA	GASKET-FUEL FILL - 3 5"OD X 2"ID	
	102951-01-02A	EA	SHROUD-FUEL FILL-OFF WHITE	FROM 00-00-00 THRU 04-19-92
	095854-01-02A	EA	SHROUD-FUEL FILL-OFF WHITE	FROM 04-20-92 THRU 99-99-99

ENTRY STEPS

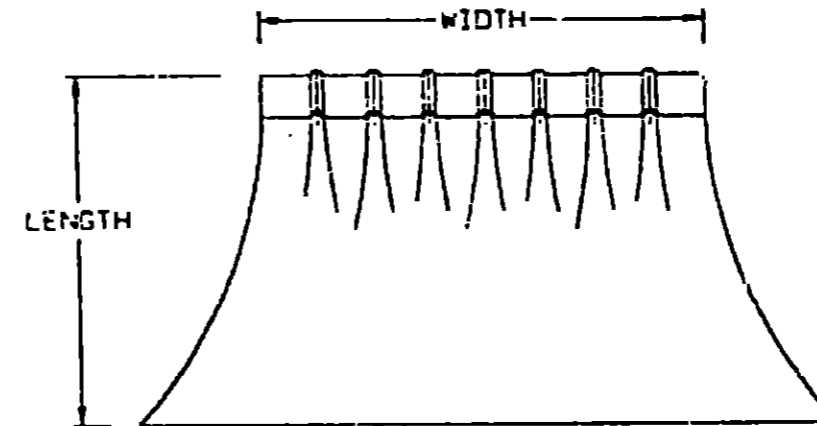
KEY	PART NUMBER	U/M	DESCRIPTION
	077848-01-000	EA	STEP-PULLOUT- W/BRACKETS - BLACK
	077848-02-000	EA	STEP-PULLOUT
	091176-01-000	EA	SUPPORT-BASE-ENTRANCE STEP
	076241-09-000	EA	SUPPORT-STEP- ENTRY DOOR

CURTAIN & CUSHION GROUP

NOTICE

IN ORDER TO ASSIST OUR PARTS SALES DEPT. IN PROVIDING INTERIOR SOFTWARE ITEMS, PLEASE INCLUDE THE SERIAL NUMBER AND THE COLOR CODE NUMBER FROM THE VEHICLE CERTIFICATION LABEL WHEN ORDERING. THIS LABEL IS LOCATED ON THE LEFT SIDEWALL AT THE END OF THE DASH (A-BODY), OR ON THE DRIVER'S DOOR LATCH PLATE (C-BODY).

AN EXAMPLE OF A COLOR CODE NUMBER IS B07, WHICH DESIGNATES AN OVERALL COLOR SCHEME OF A PARTICULAR UNIT. THE COLOR LISTED AFTER THE ITEM DESCRIPTION ON THE MICROFICHE, INDICATES THE OVERALL UNIT COLOR. ORDER THE ITEM YOU DESIRE ACCORDING TO UNIT COLOR CODE.



NOTE: USE THIS ILLUSTRATION WHEN DETERMINING LENGTH AND WIDTH MEASUREMENTS FOR CURTAINS. YOU WILL NOTE THE WIDTH MEASUREMENT IS TAKEN ON THE TOP OF THE CURTAIN WITH THE CURTAIN FULLY EXTENDED. THE LENGTH MEASUREMENT IS TAKEN FROM TOP TO BOTTOM.

FABRIC

KEY	PART NUMBER	U/M	DESCRIPTION
	072333-82-000	YD	FABRIC-CURTAIN- 54" WIDE - BEIGE
	103907-01-01A	YD	FABRIC-VINYL- 54" WIDE - OFF WHITE
	075244-04-000	YD	FABRIC-VINYL- SHOWER CURTAIN - 72" WIDE - SALMON(C23)
	075244-05-000	YD	FABRIC-VINYL- SHOWER CURTAIN - 72" WIDE - ROBIN BLUE(C24)
	088273-73-000	YD	FABRIC-CURTAIN/BEDSPREAD-PATTERNED - 54" WIDE(C23)
	088273-70-000	YD	FABRIC-CURTAIN/BEDSPREAD-PATTERNED - 54" WIDE(C24)
	088273-72-000	YD	FABRIC-CURTAIN/BEDSPREAD-PLAIN - 54" WIDE(C23)
	089273-67-000	YD	FABRIC-CURTAIN/BEDSPREAD-PLAIN - 54" WIDE(C24)
	096008-90-000	YD	FABRIC-UPHOLSTERY/CURTAIN - PATTERNED WOVEN - 54" WIDE (C23)
	096008-83-000	YD	FABRIC-UPHOLSTERY/CURTAIN - PATTERNED WOVEN - 54" WIDE (C24)
	096008-92-000	YD	FABRIC-UPHOLSTERY/CURTAIN - PLAIN - 54" WIDE(C23)
	104233-28-000	YD	FABRIC-UPHOLSTERY/CURTAIN - PLAIN - 54" WIDE(C23) FROM 00-00-00 THRU 09-08-91 FROM 09-09-91 THRU 99-99-99
	036008-85-000	YD	FABRIC-UPHOLSTERY/CURTAIN - PLAIN - 54" WIDE(C24) FROM 00-00-00 THRU 09-08-91 FROM 09-09-91 THRU 99-99-99
	104233-27-000	YD	FABRIC-UPHOLSTERY/CURTAIN - PLAIN - 54" WIDE(C24) FROM 09-09-91 THRU 99-99-99
	096008-91-000	YD	FABRIC-UPHOLSTERY- DOTTED VELOUR - 54" (C23)
	104233-23-000	YD	FABRIC-UPHOLSTERY-VANDERBILT-ICE BLUE (C24)

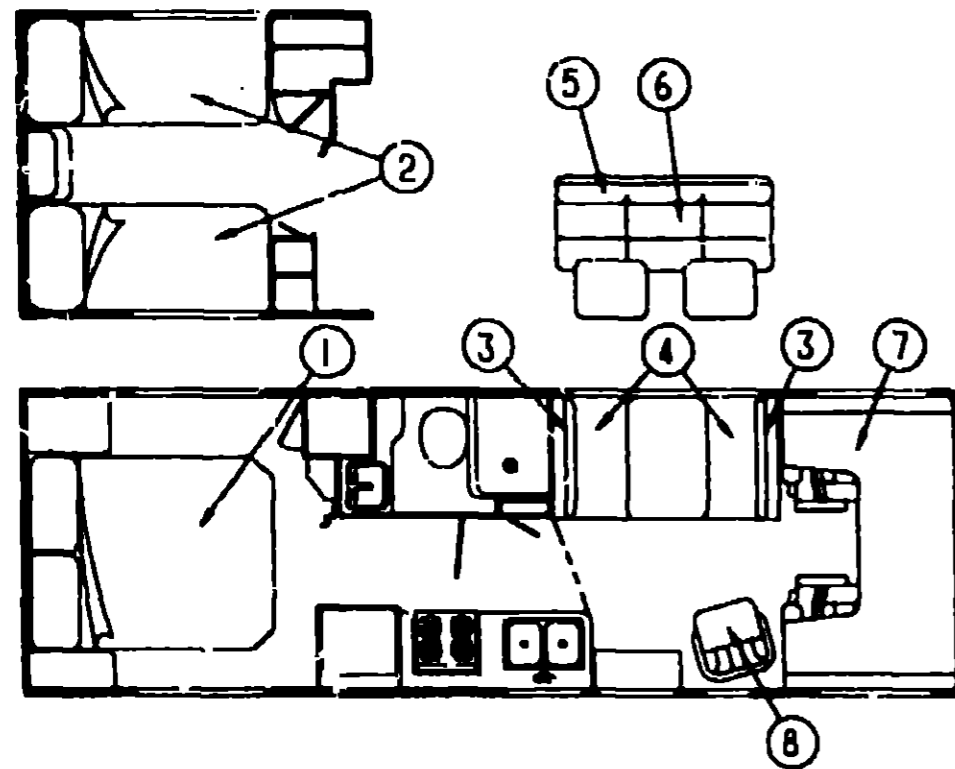
1992 ITASCA TABLE OF CONTENTS

INTRODUCTION	A-01	A-02
ABBREVIATIONS		A-03
ALPHABETICAL INDEX	A-04	A-06
IF427RQ	A-07	D-16
IF427RC	D-17	G-22
IF427RT	G-23	K-07

1992 IF427RQ INDEX

FLOOR PLAN	A-07	A-08
ACCESSORIES		A-09
AUDIO VIDEO		A-10
BATH	A-11	A-12
BEDROOM	A-13	A-14
CHASSIS	A-15	A-17
CURTAIN & CUSHION	A-18	B-03
DINETTE	B-04	B-05
DRIVERS	B-06	B-08
ELECTRICAL	B-09	B-12
EXTERIOR BODY	B-13	B-19
GALLEY	B-20	B-23
GENERATOR		B-24
HEATING & A/C	C-01	C-02
INTERIOR FINISH	C-03	C-06
LABEL	C-07	C-14
LP		C-15
LOUNGE	C-16	C-17
SEALANTS & FASTENERS	C-18	C-20
WATER & SEWAGE	C-21	C-24
WINDOW, VENT AND EXTERIOR DOOR	D-01	D-16

CURTAIN & CUSHION GROUP (CONTINUED)



QUEEN BEDSPREAD, PILLOW & MATTRESS

KEY	PART NUMBER	U/M	DESCRIPTION
1	085365-09-B87	EA	BEDSPREAD-60" THROW W/ROUNDED CORNER
1	085365-09-B88	EA	BEDSPREAD-60" THROW W/ROUNDED CORNER
1	101123-05-000	EA	MATTRESS-QUEEN- 59" X 74" - FOAM
	P01123-05-000	EA	COVER-MATTRESS-QUEEN- 59" X 74" - FOAM
	081997-09-C23	EA	SHAM ASM-PILLOW W/4" RUFFLE
	081997-09-C24	EA	SHAM ASM-PILLOW W/4" RUFFLE

TWIN BEDSPREAD, PILLOW & MATTRESS

KEY	PART NUMBER	U/M	DESCRIPTION
2	085365-07-B87	EA	BEDSPREAD- 33" THROW W/ROUNDED CORNER
2	085365-07-B88	EA	BEDSPREAD- 33" THROW W/ROUNDED CORNER
2	101123-02-000	EA	MATTRESS-TWIN- 32" X 74" - FOAM
	P01123-02-000	EA	COVER-MATTRESS-TWIN- 32" X 74" - FOAM
	P01123-02-000	EA	COVER-MATTRESS- 32" X 74"
	081997-09-C23	EA	SHAM ASM-PILLOW W/4" RUFFLE
	081997-09-C24	EA	SHAM ASM-PILLOW W/4" RUFFLE

CURTAIN & CUSHION GROUP (CONTINUED)

DINETTE CUSHIONS

KEY	PART NUMBER	U/M	DESCRIPTION
3	104164-01-C25	EA	CUSHION- 13 5 X 38 X 5 -FAN VICTORIAN(C23) FROM 00-00-00 THRU 12-01-91
3	104164-01-C26	EA	CUSHION- 13 5 X 38 X 5 -FAN VICTORIAN(C24) FROM 00-00-00 THRU 12-01-91
	P04164-01-C25	EA	COVER- 13 5 X 38 X 5 -FAN VICTORIA(C23) FROM 00-00-00 THRU 12-01-91
	P04164-01-C26	EA	COVER- 13 5 X 38 X 5 -FAN VICTORIA(C24) FROM 00-00-00 THRU 12-01-91
3	104164-08-C25	EA	CUSHION- 13 5 X 38 X 5 -FAN VICTORIAN(C23) FROM 12-02-91 THRU 99-99-99
3	104164-08-C26	EA	CUSHION- 13 5 X 38 X 5 -FAN VICTORIAN(C23) FROM 12-02-91 THRU 99-99-99
	P04164-08-C25	EA	COVER- 13 5 X 38 X 5 -FAN VICTORIA(C23) FROM 12-02-91 THRU 99-99-99
	P04154-08-C26	EA	COVER- 13 5 X 38 X 5 -FAN VICTORIA(C24) FROM 12-02-91 THRU 99-99-99
4	104164-02-C25	EA	CUSHION- 21 X 38 X 5 -DINETTE SEAT(C23)
4	104164-02-C25	EA	CUSHION- 21 X 38 X 5 -DINETTE SEAT(C24)
	P04146-02-C25	EA	COVER- 21 X 38 X 5 -DINETTE SEAT(C23)
	P04146-02-C26	EA	COVER- 21 X 38 X 5 -DINETTE SEAT(C24)
	076155-01-000	EA	STRAP-SNAP- BACKREST CUSHION

COUCH

KEY	PART NUMBER	U/M	DESCRIPTION
5	100032-09-B87	EA	BED-PRESTO-FAN BACK- 66 5"(C23)
5	100032-09-B88	EA	BED-PRESTO-FAN BACK- 66 5"(C24)
	P00032-09-B87	EA	COVER-PRESTO-FAN BACK- 66 5"(C23)
	P00032-09-B88	EA	COVER-PRESTO-FAN BACK- 66 5"(C24)
	101085-02-000	EA	FRAME-BACK- COUCH - 66 5"
6	100032-10-B87	EA	BED-PRESTO-FAN SEAT- 66 5"(C23)
6	100032-10-B88	EA	BED-PRESTO-FAN SEAT- 66 5"(C24)
	P00032-10-B87	EA	COVER-PRESTO-FAN SEAT- 66 5"(C23)
	P00032-10-B88	EA	COVER-PRESTO-FAN SEAT- 66 5"(C24)
	101065-01-000	EA	FRAME-SEAT- COUCH - 66 5"
	101085-03-000	EA	FRAME-BASE- COUCH - 66 5"
	103513-12-B05	EA	COUCH SUPPORT ASM

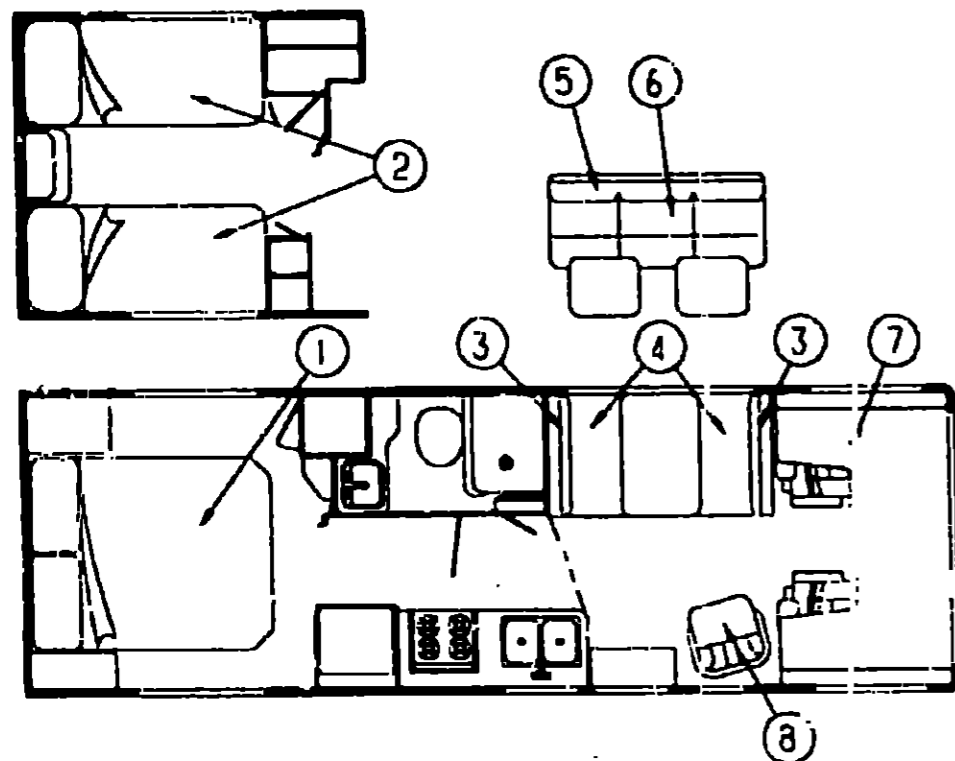
**1992 ITASCA
TABLE OF CONTENTS**

INTRODUCTION	A-01 - A-02
ABBREVIATIONS	A-03
ALPHABETICAL INDEX	A-04 - A-05
IF427RQ	A-07 - D-16
IF427RC	D-17 - G-22
IF427RT	G-23 - K-07

1992 IF427RQ INDEX

FLOOR PLAN	A-07 - A-08
ACCESSORIES	A-09
AUDIO VIDEO	A-10
BATH	A-11 - A-12
BEDROOM	A-13 - A-14
CHASSIS	A-15 - A-17
CURTAIN & CUSHION	A-18 - B-03
DINETTE	B-04 - B-05
DRIVERS	B-06 - B-08
ELECTRICAL	B-09 - B-12
EXTERIOR BODY	B-13 - B-19
GALLEY	B-20 - B-23
GENERATOR	B-24
HEATING & A/C	C-01 - C-02
INTERIOR FINISH	C-03 - C-06
LABEL	C-07 - C-14
LP	C-15
LOUNGE	C-16 - C-17
SEALANTS & FASTENERS	C-18 - C-20
WATER & SEWAGE	C-21 - C-24
WINDOW, VENT AND EXTERIOR DECOR	D-01 - D-16

CURTAIN & CUSHION GROUP (CONTINUED)



BUNK CUSHIONS

KEY	PART NUMBER	U/M DESCRIPTION
7	105573-04-C23	EA CUSHION-OVERHEAD-FRONT- 32 X 79 X 5 FROM 00-00-00 THRU 01-12-92
7	105573-01-C24	EA CUSHION-OVERHEAD-FRONT-32 X 79 X 5 FROM 00-00-00 THRU 01-12-92
	P05573-04-C23	EA COVER-OVERHEAD-FRONT-32 X 79 X 5 FROM 00-00-00 THRU 01-12-92
	P05573-01-C24	EA COVER-OVERHEAD-FRONT-32 X 79 X 5 FROM 00-00-00 THRU 01-12-92
7	105573-05-C23	EA CUSHION-OVERHEAD-REAR- 28 X 79 X 5 FROM 00-00-00 THRU 01-12-92
7	105573-02-C24	EA CUSHION-OVERHEAD-REAR- 28 X 79 X 5 FROM 00-00-00 THRU 01-12-92
	F05573-05-C23	EA COVER-OVERHEAD-REAR- 28 X 79 X 5 FROM 00-00-00 THRU 01-12-92
	P05573-02-C24	EA COVER-OVERHEAD-REAR- 28 X 79 X 5 FROM 00-00-00 THRU 01-12-92
7	105573-09-C23	EA CUSHION-OVERHEAD-FRONT- 32 5 X 80 X 5 FROM 01-13-92 THRU 99-99-99
7	105573-07-C24	EA CUSHION-OVERHEAD-FRONT- 32 5 X 80 X 5 FROM 01-13-92 THRU 99-99-99
	P05573-09-C23	EA COVER-OVERHEAD-FRONT- 32 5 X 80 X 5 FROM 01-13-92 THRU 99-99-99
	P05573-07-C24	EA COVER-OVERHEAD-FRONT- 32 5 X 80 X 5 FROM 01-13-92 THRU 99-99-99
7	105573-10-C23	EA CUSHION-OVERHEAD-REAR- 27 X 23 X 80 X 5 FROM 01-13-92 THRU 99-99-99
7	105573-08-C24	EA CUSHION-OVERHEAD-REAR- 27 X 23 X 80 X 5 FROM 01-13-92 THRU 99-99-99
	P05573-10-C23	EA COVER-OVERHEAD-REAR- 27 X 23 X 80 X 5 FROM 01-13-92 THRU 99-99-99
	P05573-08-C24	EA COVER-OVERHEAD-REAR- 27 X 23 X 80 X 5 FROM 01-13-92 THRU 99-99-99
	102695-12-000	YD TAPE-CART BIND-#474 LT TAN ESHCO 1 1/4" FROM 09-01-92 THRU 99-99-99

CURTAIN & CUSHION GROUP (CONTINUED)

SWIVEL CHAIR

KEY	PART NUMBER	U/M DESCRIPTION
8	096429-07-B87	EA CHAIR-SWIVEL, W/O BASE, PIPE, PLATE OR SKIRT(C23)
8	096429-07-B88	EA CHAIR-SWIVEL, W/O BASE, PIPE, PLATE OR SKIRT(C24)
	M55429-07-B87	EA COVER-SWIVEL CHAIR(C23)
	M55429-07-B88	EA COVER-SWIVEL CHAIR(C24)
	099202-04-B87	EA SKIRT-SWIVEL CHAIR(C23)
	099202-04-B88	EA SKIRT-SWIVEL CHAIR(C24)
	069585-03-000	EA PEDESTAL-LOWER-W/EXTENSION - 9" X 5" - STEEL
	073481-02-000	EA BASE-PEDESTAL-W/10" EXTENSION
	007221-01-000	EA SPACER-SEAT ADJUSTER
	069246-05-000	EA ADJUSTER-SWIVEL CHAIR- MANUAL - FORWARD & BACK
	069246-07-000	EA ADJUSTER-SWIVEL CHAIR-W/LOCKING ARM - FORWARD & BACK
	093482-01-000	EA SHROUD-PEDESTAL-13" - PLASTIC - BLACK

ASSIST HANDLE & SEATBELTS

KEY	PART NUMBER	U/M DESCRIPTION
	079349-01-B87	YD WELTING-FABRIC(C23)
	079349-01-B88	YD WELTING-FABRIC(C24)
	079349-03-B87	YD WELTING-FABRIC(C23)
	079349-03-B88	YD WELTING-FABRIC(C24)
	084415-31-000	YD TRIM-BRAID-CURTAIN - PLUM(C23)
	084415-30-000	YD TRIM-BRAID-CURTAIN - BLUE(C24)
	057534-01-000	EA TIEBACK-TIEDOWN-BED/CURTAIN-DOOR- 6" - CLEAR PLASTIC
	053552-02-AA8	EA HANDLE-ASSIST- INTERIOR - ENTRY DOOR - VINYL - OFF WHITE
	069178-02-000	EA BRACKET-MOUNTING- ASSIST HANDLE - L ANGLE - WHOLES - ST
	000015-07-15B	EA BOLT-CARRIAGE- ASSIST HANDLE - 7/16" - 14 X 1" ZN
	000020-07-00B	EA NUT-ACORN-ASSIST HANDLE - 7/16" X 14 ZN
	057759-01-000	EA WASHER BRACKET-SEAT BELT- 4" DIAMETER
	007021-01-000	EA BELT-SEAT- 2" X 50" - BLACK

FROM 11-01-91 THRU 99-99-99

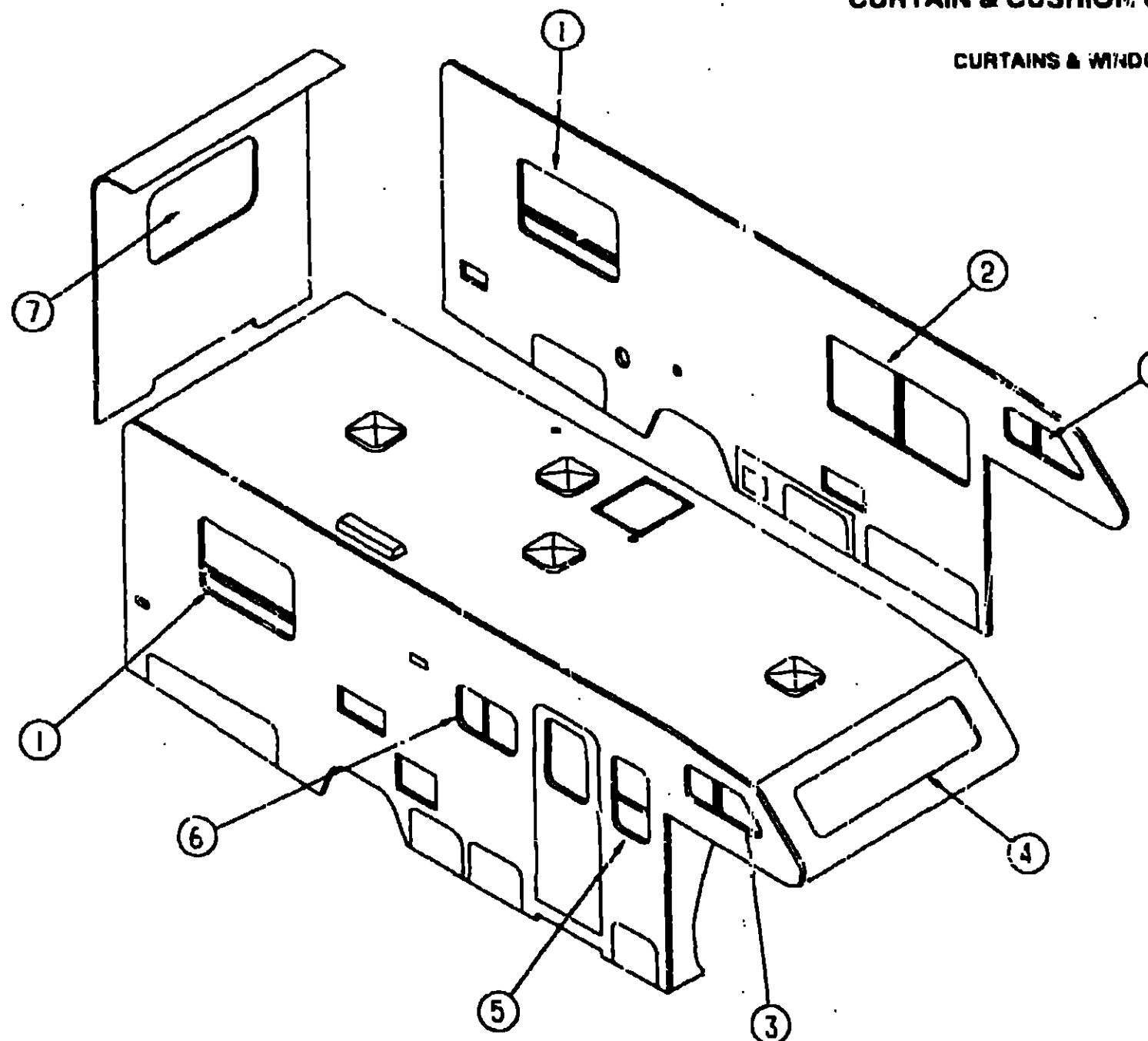
**1992 ITASCA
TABLE OF CONTENTS**

INTRODUCTION	A-01 - A-02
ABBREVIATIONS	A-03
ALPHABETICAL INDEX	A-04 - A-06
IF427RQ	A-07 - D-16
IF427RC	D-17 - G-22
IF427RT	G-23 - K-07

1992 IF427RQ INDEX

FLOOR PLAN	A-07 - A-08
ACCESSORIES	A-09
AUDIO VIDEO	A-10
BATH	A-11 - A-12
BEDROOM	A-13 - A-14
CHASSIS	A-15 - A-17
CURTAIN & CUSHION	A-18 - B-03
DINETTE	B-04 - B-05
DRIVERS	B-06 - B-08
ELECTRICAL	B-09 - B-12
EXTERIOR BODY	B-13 - B-19
GALLEY	B-20 - B-23
GENERATOR	B-24
HEATING & A/C	C-01 - C-02
INTERIOR FINISH	C-03 - C-06
LABEL	C-07 - C-14
LP	C-15
LUNGE	C-15 - C-17
SEALANTS & FASTENERS	C-18 - C-20
WATER & SEWAGE	C-21 - C-24
WINDOW, VENT AND EXTERIOR DOOR	D-01 - D-16

CURTAIN & CUSHION GROUP (CONTINUED)



CURTAINS & WINDOW TREATMENT

KEY	PART NUMBER	U/M DESCRIPTION
4	101034-11-C03	EA CURTAIN ASM-21X45-DARTED TAPE T&B W/BRAID (C23)
4	101034-11-C24	EA CURTAIN ASM-21X45-DARTED TAPE T&B W/BRAID (C24)
5	106363-03-C23	EA VALANCE ASM-19" TIBET
5	106363-04-C24	EA VALANCE ASM-19" TIBET
5	076892-09-C03	EA CURTAIN ASM-31X20-PLAIN HEM T&B (C23)
5	076892-09-C24	EA CURTAIN ASM-31X20-PLAIN HEM T&B (C24)
5	084755-71-C03	EA SHADE ASM-PULL-17 25-NO TRIM
		FROM 00-00-00 THRU 10-31-91
5	084755-83-C03	EA SHADE ASM-PULL-17 25-W/BRAID (C23)
		FROM 11-01-91 THRU 99-99-99
5	084755-83-C24	EA SHADE ASM-PULL-17 25-W/BRAID (C24)
		FROM 11-01-91 THRU 99-99-99
6	106363-13-C23	EA VALANCE ASM-28" TIBET
6	106363-14-C24	EA VALANCE ASM-28" TIBET
6	084755-39-C03	EA SHADE ASM-PULL-26 25-LINEN NO TRIM
		FROM 00-00-00 THRU 10-31-91
6	084755-84-C03	EA SHADE ASM-PULL-26 25-W/BRAID (C23)
		FROM 11-01-91 THRU 99-99-99
6	084755-84-C24	EA SHADE ASM-PULL-26 25-W/BRAID (C24)
		FROM 11-01-91 THRU 99-99-99
7	094552-18-C23	EA VALANCE ASM-52"-W/DOUBLE WELTING
7	094552-18-C24	EA VALANCE ASM-52"-W/DOUBLE WELTING
7	093465-29-C23	EA VALANCE ASM-TOPPER-W/1/2" WELTING - 8" X 58"
7	093465-29-C24	EA VALANCE ASM-TOPPER-W/1/2" WELTING - 8" X 58"
7	076892-09-C03	EA CURTAIN ASM-31X20-PLAIN HEM T&B (C23)
7	076892-09-C24	EA CURTAIN ASM-31X20-PLAIN HEM T&B (C24)
7	084755-77-C03	EA SHADE ASM-PULL-49 25-NO TRIM
	101668-14-B85	EA CURTAIN ASM-TAPE TOP- PASSENGER - 30" X 50" - BEIGE (C23)
		FROM 00-00-00 THRU 09-22-91
	101668-14-B88	EA CURTAIN ASM-TAPE TOP- PASSENGER - 30" X 50" - BEIGE (C24)
		FROM 00-00-00 THRU 09-22-91
	101668-15-B85	EA CURTAIN ASM-TAPE TOP- DRIVER - 30" X 50" - BEIGE (C23)
		FROM 00-00-00 THRU 09-22-91
	101668-15-B88	EA CURTAIN ASM-TAPE TOP- DRIVER - 30" X 50" - BEIGE (C24)
		FROM 00-00-00 THRU 09-22-91
	101668-05-B85	EA CURTAIN ASM-30X50 RIGHT- TAPE TOP
		FROM 09-23-91 THRU 99-99-99
	101668-06-B85	EA CURTAIN ASM-30X50 LEFT- TAPE TOP
		FROM 09-23-91 THRU 99-99-99
	076892-06-B85	EA CURTAIN ASM-SNAP TOP- WINGWALL PRIVACY - 40" X 72" - BEIGE
	084481-24-C23	EA CURTAIN ASM-SHOWER-72 X42
	084481-24-C24	EA CURTAIN ASM-SHOWER-72 X42
	073260-49-B85	EA TIEBACK-CURTAIN- 3" X 18" (C23)
	073260-49-B88	EA TIEBACK-CURTAIN- 3" X 18" (C24)
	073260-54-C09	EA TIEBACK ASM-3X16 (C23)
	073260-54-C30	EA TIEBACK ASM-3X16 (C24)
	057534-01-000	EA TIEBACK - CLEAR PLASTIC

**1992 ITASCA
TABLE OF CONTENTS**

INTRODUCTION	A-01 - A-02
ABBREVIATIONS	A-03
ALPHABETICAL INDEX	A-04 - A-06
IF427RQ	A-07 - D-16
IF427RC	D-17 - G-22
IF427RT	G-23 - K-07

1992 IF427RQ INDEX

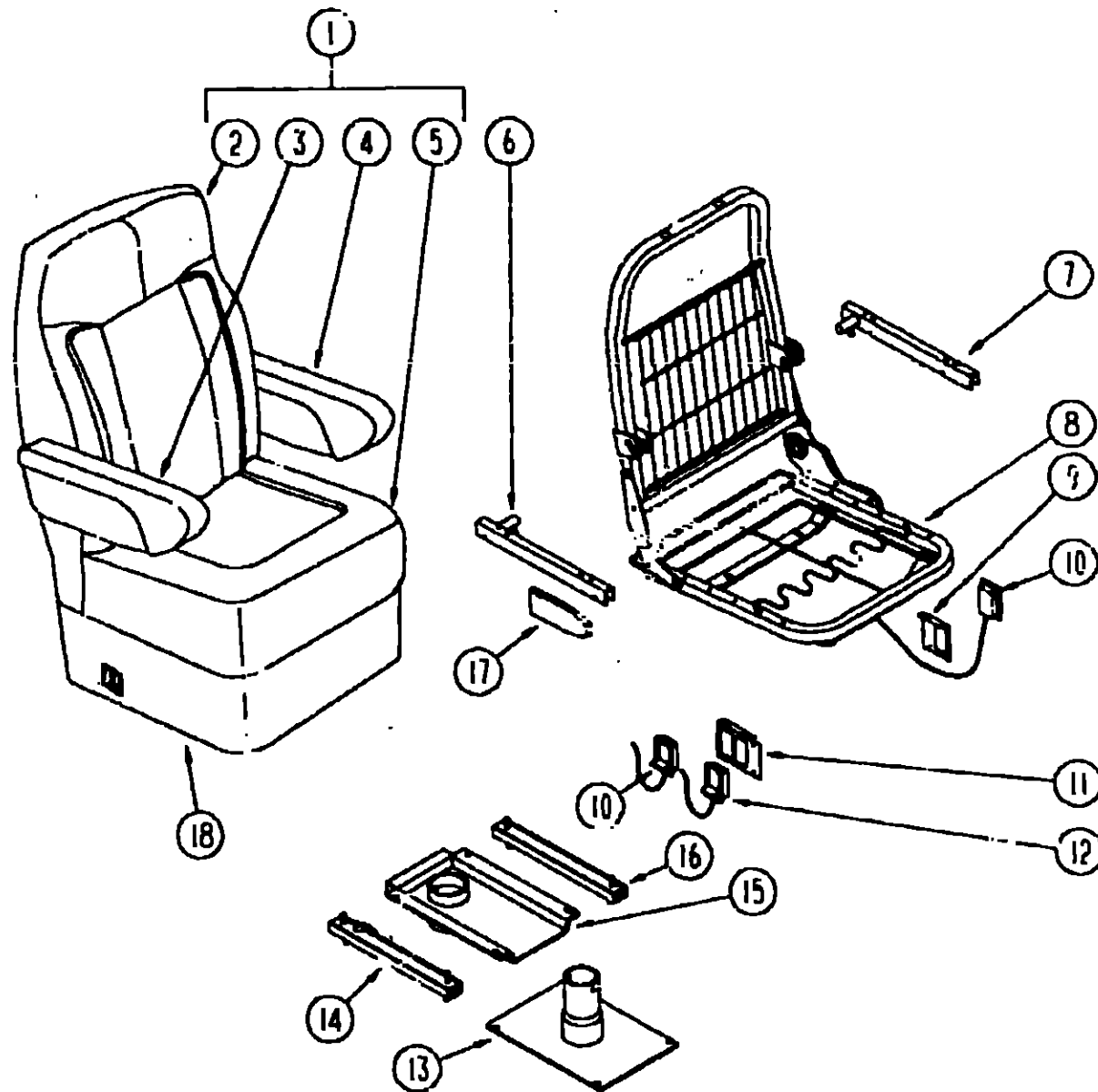
FLOOR PLAN	A-07 - A-08
ACCESSORIES	A-09
AUDIO VIDEO	A-10
BATH	A-11 - A-12
BEDROOM	A-13 - A-14
CHASSIS	A-15 - A-17
CURTAIN & CUSHION	A-18 - B-03
DINETTE	B-04 - B-05
DRIVERS	B-06 - B-08
ELECTRICAL	B-09 - B-12
EXTERIOR BODY	B-13 - B-19
GALLEY	B-20 - B-23
GENERATOR	B-24
HEATING & A/C	C-01 - C-02
INTERIOR FINISH	C-03 - C-06
LABEL	C-07 - C-14
LP	C-15
LOUNGE	C-16 - C-17
SEALANTS & FASTENERS	C-18 - C-20
WATER & SEWAGE	C-21 - C-24
WINDOW, VENT AND EXTERIOR DOOR	D-01 - D-16

KEY	PART NUMBER	U/M DESCRIPTION
1	094552-19-C23	EA VALANCE ASM-RUFFLE - W/WOOD - 47"
1	094552-19-C24	EA VALANCE ASM-RUFFLE - W/WOOD - 47"
1	093465-30-C23	EA VALANCE - RUFFLE - 8" X 53
1	093465-30-C24	EA VALANCE - RUFFLE - 8" X 53
1	104348-01-B87	EA VALANCE ASM - TOPPER - W/GATHERS (C23)
1	104348-01-B88	EA VALANCE ASM - TOPPER - W/GATHERS (C24)
1	076892-09-C03	EA CURTAIN ASM-31"X 20"-PLAIN HEM T&B (C23)
1	076892-09-C24	EA CURTAIN ASM-31"X 20"-PLAIN HEM T&B (C24)
1	084755-78-C03	EA SHADE ASM-PULL-44 25-NO TRIM
		FROM 00-00-00 THRU 10-31-91
2	106363-01-C23	EA VALANCE ASM-65" TIBET (C23)
2	106363-02-C24	EA VALANCE ASM-65" TIBET (C24)
2	076892-09-C03	EA CURTAIN ASM-31X20-PLAIN HEM T&B (C23)
2	076892-09-C24	EA CURTAIN ASM-31X20-PLAIN HEM T&B (C24)
2	084755-76-C03	EA SHADE ASM-PULL-62 25-NO TRIM
		FROM 00-00-00 THRU 10-31-91
2	084755-81-C03	EA SHADE ASM-PULL-62 25-W/BRAID(C23)
		FROM 11-01-91 THRU 99-99-99
2	084755-81-C24	EA SHADE ASM-PULL-62 25-W/BRAID(C24)
		FROM 11-01-91 THRU 99-99-99
3	101034-06-C09	EA CURTAIN ASM-16X28-SMALL DARTED TAPE T&BT-W/BRAID TRIM (C23)
3	101034-06-C30	EA CURTAIN ASM-16X28-SMALL DARTED TAPE T&BT-W/BRAID TRIM (C24)

CURTAIN & CUSHION GROUP (CONTINUED)

BUCKET SEATS

KEY	PART NUMBER	U/M	DESCRIPTION
1	093450-23-C23	EA	SEAT-BUCKET-W/RIGHT ARMREST
1	093450-23-C24	EA	SEAT-BUCKET-W/RIGHT ARMREST
1	093450-24-C23	EA	SEAT-BUCKET-W/LEFT ARMREST
1	093450-24-C24	EA	SEAT-BUCKET-W/LEFT ARMREST
1	093450-25-C23	EA	SEAT-BUCKET-W/RIGHT ARMREST-RECLINING
1	093450-25-C24	EA	SEAT-BUCKET-W/RIGHT ARMREST-RECLINING
1	093450-26-C23	EA	SEAT-BUCKET-W/LEFT ARMREST-RECLINING
1	093450-26-C24	EA	SEAT-BUCKET-W/LEFT ARMREST-RECLINING
2	M03445-22-C25	EA	COVER-BACK-BUCKET(C23)
2	M03445-22-C24	EA	COVER-BACK-BUCKET(C24)
3	080243-49-C23	EA	ARMREST-RIGHT (C23)
3	080243-49-C25	EA	ARMREST-RIGHT (C24)
	M80243-49-C23	EA	COVER-ARMREST-RIGHT(C23)
	M80243-49-C25	EA	COVER-ARMREST-RIGHT(C24)
4	080243-50-C23	EA	ARMREST-LEFT(C23)
4	080243-50-C26	EA	ARMREST-LEFT(C24)
	M80243-50-C23	EA	COVER-ARMREST-LEFT (C23)
	M80243-50-C26	EA	COVER-ARMREST-LEFT(C24)
5	M03445-23-C25	EA	COVER-SEAT-BUCKET(C23)
5	M03445-23-C24	EA	COVER-SEAT-BUCKET(C24)
5	081268-01-000	EA	ROD & CHANNEL-ARMREST-RIGHT-METAL
7	081268-02-000	EA	ROD & CHANNEL-ARMREST-LEFT-METAL
	081361-01-000	EA	ROD-ARMREST-METAL-RIGHT OR LEFT HAND
8	M80906-06-000	EA	FRAME-SEAT&SACK&SPRING
8	M80906-05-000	EA	FRAME-SEAT&BACK&SPRING-RECLINING
	101125-01-000	EA	RECLINER-SEAT BACK-LEFT HAND REMOTE
9	097683-03-000	EA	BRACKET-REMOTE-SIDE MOUNT-SINGLE
10	089368-04-000	EA	CABLE-SWIVEL-W/SWITCH-BUCKET SEAT
11	097683-02-000	EA	BRACKET-MOUNT-REMOTE
12	089368-05-000	EA	CABLE-RECLINER-W/SWITCH-BUCKET SEAT
13	069585-02-000	EA	PLATE-SUB-BASE-BUCKET SEAT-12" X 13"-STEEL FROM 00-00-00 THRU 10-06-91
13	069585-41-000	EA	PLATE-SUB-BASE-BUCKET SEAT-12" X 13"-STEEL FROM 10-07-91 THRU 99-99-99
14	069246-05-500	EA	ADJUSTER-SEAT/CHAIR-W/REMOTE-FORWARD & BACK
	069246-05-700	EA	SPRING-ADJUSTER-FOR REMOTE
	069246-05-701	EA	CLIP-CABLE-FOR REMOTE
15	093481-04-000	EA	TOP PLATE-PEDESTAL-BUCKET SEAT-W/O SEATBELT BAR
16	069246-02-000	EA	ADJUSTER-SEAT/CHAIR-W/O LOCK-FORWARD & BACK
	069585-03-000	EA	PEDESTAL-LOWER-W/EXTENSION-9" X 5"-STEEL
17	039369-08-000	EA	SHIELD-CABLE-REMOTE RECLINER-BUCKET SEAT
18	071126-24-B87	EA	SKIRT-BUCKET SEAT(C23)
18	071126-24-B88	EA	SKIRT-BUCKET SEAT(C24)
	085268-02-B87	EA	HEADREST-BUCKET SEAT(C23)
	085268-02-B88	EA	HEADREST-BUCKET SEAT(C24)
	M85268-02-B87	EA	COVER-HEADREST(C23)
	M85268-02-B88	EA	COVER-HEADREST(C24)
	081172-01-000	EA	TRIM-HEADREST-PLASTIC-BLACK
	081313-01-000	EA	GR/MET-HEADREST



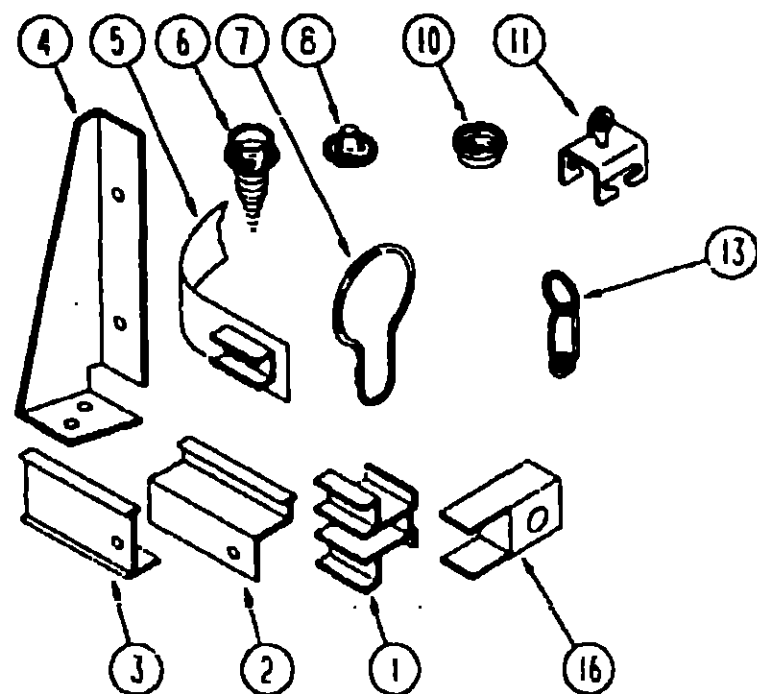
1992 ITASCA TABLE OF CONTENTS

INTRODUCTION	A-01	A-02
ABBREVIATIONS		A-03
ALPHABETICAL INDEX	A-04	A-06
IF427RQ	A-07	D-16
IF427RC	D-17	G-22
IF427RT	G-23	K-07

1992 IF427RQ INDEX

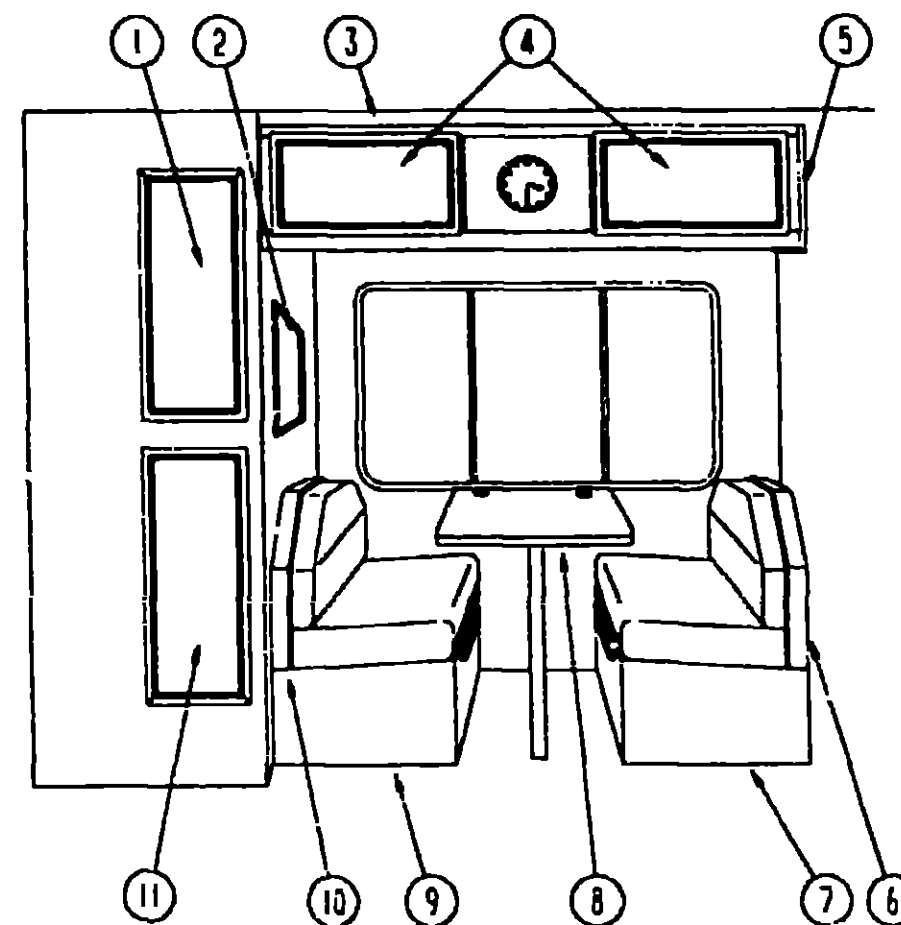
FLOOR PLAN	A-07	A-08
ACCESSORIES		A-09
AUDIO VIDEO		A-10
BATH	A-11	A-12
BEDROOM	A-13	A-14
CHASSIS	A-15	A-17
CURTAIN & CUSHION	A-18	B-03
DINETTE	B-04	B-05
DRIVERS	B-06	B-08
ELECTRICAL	B-09	B-12
EXTERIOR BODY	B-13	B-19
GALLEY	B-20	B-23
GENERATOR		B-24
HEATING & A/C	C-01	C-02
INTERIOR FINISH	C-03	C-06
LABEL	C-07	C-14
LP		C-15
LOUNGE	C-16	C-17
SEALANTS & FASTENERS	C-16	C-20
WATER & SEWAGE	C-21	C-24
WINDOW VENT AND EXTERIOR DOOR	D-01	D-16

CURTAIN & CUSHION GROUP (CONTINUED)



CURTAIN & BLIND HARDWARE

DINETTE GROUP



CABINETS & TABLE

**1992 ITASCA
TABLE OF CONTENTS**

INTRODUCTION	A-01 - A-4
ABBREVIATIONS	A-03
ALPHABETICAL INDEX	A-04 - A-06
IF427RQ	A-07 - D-16
IF427RC	D-17 - G-22
IF427RT	G-23 - K-07

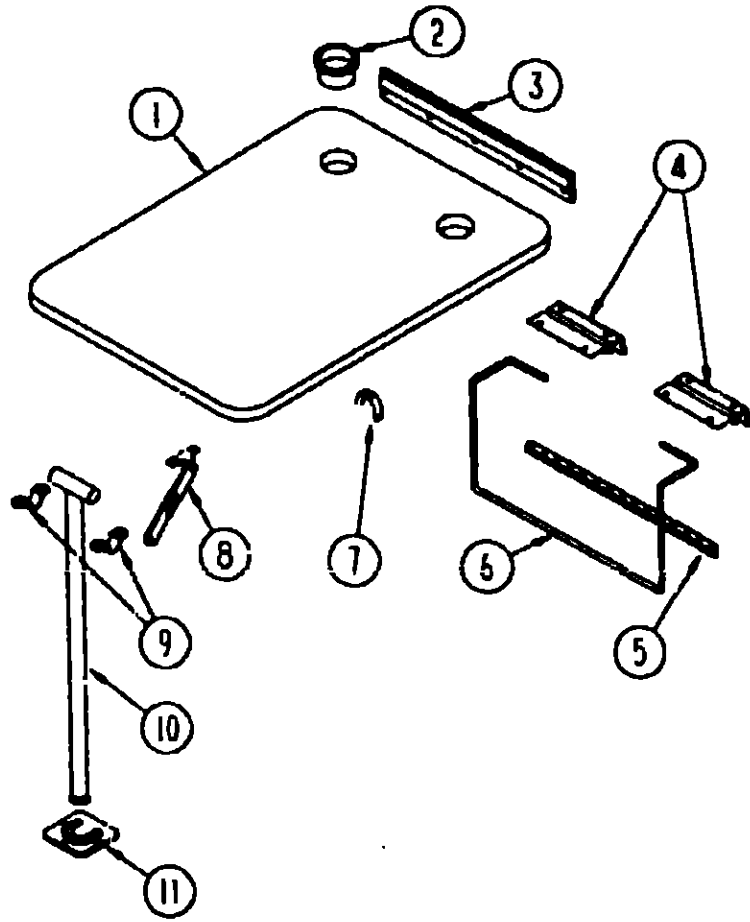
KEY	PART NUMBER	U/M	DESCRIPTION
1	101033-03-000	FT	TRACK-WALL- WHITE- CT225 - SHAPCO
2	105450-06-01A	EA	TRACK-CURTAIN OFF WHITE
3	092464-04-01A	EA	TRACK-CURTAIN- OFF WHITE
4	075827-04-000	EA	BRACKET-CURTAIN-W/WOOD OFF WHITE
5	101031-01-000	YD	TAPE-GLIDE-CURTAIN - 4 25" SPACING
6	029130-01-000	EA	SCREW-SNAP SOCKET- 8 PH X 5/8"
7	009136-02-000	EA	HANGER-RING- PIN TYPE - CURTAIN - BRASS
8	029155-01-000	EA	CAP-SNAP NICKEL
10	029156-01-000	EA	SOCKET-SNAP FASTENER- NICKEL
11	009702-01-000	EA	END STOP-CURTAIN CARRIER- L ROD
13	009701-01-000	EA	CARRIER-CURTAIN-L ROD
16	101033-02-000	EA	END CAP-TRACK- CLEAR
	046867-01-000	EA	GROMMET-BRASS - 7/16" ID X 1" OD
	048J94-02-000	YD	VELCRO TAPE-HOOK- ADHESIVE BACK - 75" WIDE - BEIGE
	056003-01-000	EA	BRACKET-DRAPERY RETAINING- RIGHT - METAL
	056003-02-000	EA	BRACKET-DRAPERY RETAINING- LEFT - METAL
	058716-01-001	EA	BRACE-90 DEGREE L-ANGLE- 1/2" - EXTRUDED ALUMINUM
	075943-02-000	EA	BRACE-ANGLE- W/HOLES - 1" X 1 5" X 14" - ALUMINUM - BEIGE
	084432-06-000	FT	SLAT-ROLLER SHADE- PLASTIC
	096843-01-000	EA	SPRING-REWIND- ROLLER SHADE
	084433-05-000	EA	SHADE-ROLLER-72 25"
	082239-02-000	EA	BRACE-TRIM-18 7" LONG - METAL - BEIGE
	088792-01-000	YD	VELCRO-HOOK- 75" WIDE - BEIGE
	068792-02-000	YD	VELCRO TAPE-LOOP- ADHESIVE BACKED - 75" WIDE - BEIGE
	087253-01-000	EA	PULL-ROLLER SHADE-PLASTIC - CLEAR
			FROM 00-00-00 THRU 09-29-91
	106544-01-000	EA	PULL-SHADE-BRASS
			FROM 09-30-91 THRU 99-99-99
	086276-01-000	EA	TAPE DOUBLE SIDED - 1/2"
	084434-01-000	EA	BRACKET-MOUNTING-ROLLER SHADE - 1 3/8"

KEY	PART NUMBER	U/M	DESCRIPTION
1	P05223-07-C03	EA	DOOR ASM-W/O HARDWARE-305 X 1015
2	058331-01-000	EA	MIRROR-GLASS-SAFETY - 19" X 26"
3	M05623-02-C23	EA	CABINET ASM-OVERHEAD DINETTE
3	M05623-02-C24	EA	CABINET ASM-OVERHEAD DINETTE
4	P05223-04-C03	EA	DOOR ASM-W/O HARDWARE-400 X 520
5	104335-06-C52	EA	CAP ASM-END-OVERHEAD
5	M04174-12-C07	EA	CABINET-SEATBACK-RIGHT
	104787-01-C23	EA	PAD ASM-DINETTE(C23)
	104787-01-C26	EA	PAD ASM-DINETTE(C24)
7	M04175-12-C07	EA	CABINET-SEATBASE-RIGHT
	081295-01-AA8	EA	SUPPORT-BED-DINETTE
8	M81299-08-B87	EA	TABLE-DINETTE
9	M04175-16-C03	EA	CABINET-SEATBASE-LEFT
10	104787-02-C23	EA	PAD ASM-DINETTE(C23)
10	104787-02-C24	EA	PAD ASM-DINETTE (C24)
11	P05223-07-C03	EA	DOOR ASM-W/O HARDWARE-305 X 1015

1992 IF427RQ INDEX

FLOOR PLAN	A-07 - A-08
ACCESSORIES	A-09
AUDIO VIDEO	A-10
BATH	A-11 - A-12
BEDROOM	A-13 - A-14
CHASSIS	A-15 - A-17
CURTAIN & CUSHION	A-18 - B-03
DINETTE	B-04 - B-05
DRIVERS	B-06 - B-08
ELECTRICAL	B-09 - B-12
EXTERIOR BODY	B-13 - B-19
GALLEY	B-20 - B-23
GENERATOR	B-24
HEATING & A/C	C-01 - C-02
INTERIOR FINISH	C-03 - C-06
LABEL	C-07 - C-14
LP	C-15
LOUNGE	C-15 - C-17
SEALANTS & FASTENERS	C-18 - C-20
WATER & SEWAGE	C-21 - C-24
WINDOW, VENT AND EXTERIOR DOOR	D-01 - D-1E

DINETTE GROUP (CONTINUED)



DINETTE TABLE & HARDWARE

KEY	PART NUMBER	U/M DESCRIPTION
1	M81299-08-C03	EA TABLE-DINETTE
2	064781-06-000	EA HOLDER-CLIP-TWO STEP - OFF WHITE
3	053200-09-000	EA BRACKET-TABLE SUPPORT-UPPER WALL MOUNTED - 18 5" - BEIGE
4	088410-01-000	EA BRACKET-LIFT-TABLE MOUNTED - BEIGE
5	024281-11-000	EA BRACKET-LIFT ROD-LOWER WALL MOUNTED - 17 12" - BEIGE
6	024275-11-000	EA ROD-TABLE LIFT-8" X 18 5" - BEIGE
7	024283-01-000	EA CLIP-LEG-1" - 1 125" OD - BLACK
8	024282-01-000	EA BRACE-TABLE LEG-HINGED
9	064050-03-000	EA CLAMP-SADDLE-LEG HINGE - BEIGE
10	024276-21-000	EA LEG-TABLE-METAL - BEIGE
11	049493-11-700	EA CATCH-LEG-FLOOR MOUNTED - 2 5" X 2 7" - METAL - E-COAT

DRIVERS COMPARTMENT GROUP

DASH, GAUGES & SWITCHES

KEY	PART NUMBER	U/M DESCRIPTION
	094795-02-000	EA CLUSTER-INSTRUMENT PANEL-KILOMETER - FOUZ-17255-B(CSA) FROM: 00-00-00 THRU 10-06-91
	094795-03-000	EA CLUSTER-INSTRUMENT PANEL-KILOMETER - FORD F2UF10849BF(CSA) FROM: 10-07-91 THRU 99-99-99
	100138-01-000	EA MODULE-DAYTIME RUNNING LIGHT
	094795-01-000	EA SPEEDOMETER-KILOMETER
	024461-01-000	EA SWITCH-BATTERY - BATT/DUAL/MOM
	081082-01-000	EA PLAQUE-MOUNTING-BATTERY/FUEL SWITCH - 2 4" X 1 4" - BLK

1992 ITASCA TABLE OF CONTENTS

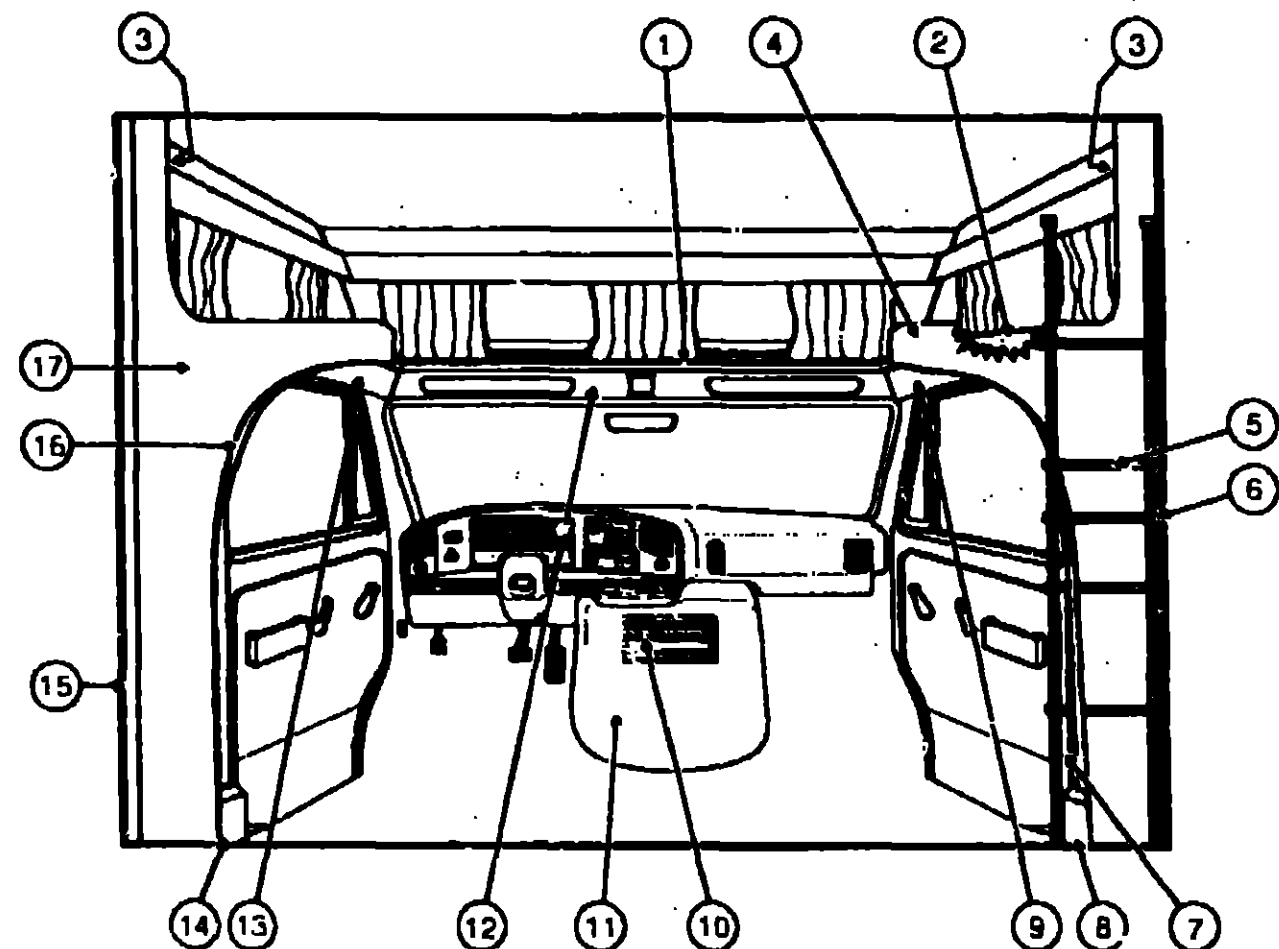
INTRODUCTION	A-01 - A-02
ABBREVIATIONS	A-03
ALPHABETICAL INDEX	A-04 - A-06
IF427RQ	A-07 - D-16
IF427RC	D-17 - G-22
IF427RT	G-23 - K-07

1992 IF427RQ INDEX

FLOOR PLAN	A-07 - A-08
ACCESSORIES	A-09
AUDIO VIDEO	A-10
BATH	A-11 - A-12
BEDROOM	A-13 - A-14
CHASSIS	A-15 - A-17
CURTAIN & CUSHION	A-18 - B-03
DINETTE	B-04 - B-05
DRIVERS	B-06 - B-08
ELECTRICAL	B-09 - B-12
EXTERIOR BODY	B-13 - B-19
GALLEY	B-20 - B-23
GENERATOR	B-24
HEATING & A/C	C-01 - C-02
INTERIOR FINISH	C-03 - C-06
LABEL	C-07 - C-14
LP	C-15
LOUNGE	C-16 - C-17
SEALANTS & FASTENERS	C-18 - C-20
WATER & SEWAGE	C-21 - C-24
WINDOW, VENT AND EXTERIOR DOOR	D-01 - D-16

DRIVERS COMPARTMENT GROUP (CONTINUED)

DRIVER COMPARTMENT



KEY	PART NUMBER	U/M	DESCRIPTION
1	079800-04-000	EA	TRIM-SLEEPER BOARD-INNER-METAL-OFF WHITE FROM: 00-00-00 THRU: 10-06-91
1	106444-01-01A	EA	TRIM-SLEEPER BOARD-INNER-OFF WHITE FROM: 10-07-91 THRU: 99-99-99
1	080742-03-000	FT	TRIM-VINYL-SLEEPER BOARD-OFF WHITE
2	105777-01-C23	EA	PAD ASM-BUNK-OVERHEAD
2	105777-01-C24	EA	PAD ASM-BUNK-OVERHEAD
3	082071-12-B05	EA	TRIM-WINGWALL-31.5" X 5 5" - VINYL COVERED
4	105740-01-C03	EA	WINGWALL ASM-INNER-RIGHT FROM: 00-00-00 THRU: 10-06-91
4	106440-03-C23	EA	WINGWALL ASM-INNER-RIGHT FROM: 10-07-91 THRU: 99-99-99
	106445-01-C52	EA	TRIM ASM-WINGWALL WRAP-RIGHT FROM: 10-07-91 THRU: 99-99-99
5	106025-02-01A	EA	LADDER-BUNK(BLACK)-1322 MM
	106025-01-700	EA	BRACKET SET F/BUNK LADDER 08-0030-00
6	099856-03-000	EA	STRAP ASM - LADDER
7	106446-01-C52	EA	TRIM ASM-CAB-B-PILLAR-RIGHT FROM 10-07-91 THRU: 99-99-99
8	106431-01-01A	EA	COVER-SEAT BELT-RIGHT-OFF WHITE FROM 10-07-91 THRU 99-99-99
9	091825-02-AA5	EA	HEADLINER-VINYL COVERED - 2 USED - 2 - 4" X 23 5" - OFF WHITE FROM 00-00-00 THRU 10-06-91
9	106447-01-C52	EA	TRIM ASM-CAB DOOR-UPPER-RIGHT FROM 10-07-91 THRU 99-99-99
10	106634-01-C03	EA	TRAY ASM-BEVERAGE FROM 00-00-00 THRU: 01-26-92
10	107134-02-C70	EA	TRAY-BEVERAGE-OAK FORD - W/CASSETTE HOLDER FROM: 01-27-92 THRU 99-99-99
	046886-03-000	EA	ASHTRAY-CHROME- W/COVER
11	069885-23-C23	EA	COVER-MOTOR-W/POCKET-FORD
11	069885-23-C24	EA	COVER-MOTOR-W/POCKET-FORD
12	091831-01-B05	EA	HEADLINER-VINYL COVERED- FRONT - OFF WHITE FROM 00-00-00 THRU 10-06-91
12	106448-01-C52	EA	HEADLINER-VINYL COVERED- FRONT - OFF WHITE FROM: 10-07-91 THRU: 99-99-99
13	091825-02-AA5	EA	HEADLINER-VINYL COVERED- FRONT - 4" X 23 5" - OFF WHITE FROM 00-00-00 THRU: 10-06-91
13	106447-02-C52	EA	TRIM ASM-CAB DOOR-UPPER-LEFT FROM 10-07-91 THRU 99-99-99
14	091871-05-000	EA	COVER-SEAT BELT - OFF WHITE FROM 00-00-00 THRU: 10-06-91
14	106431-02-01A	EA	COVER-SEAT BELT-LEFT - OFF WHITE FROM 10-07-91 THRU 99-99-99
15	082081-20-B05	EA	TRIM-WINGWALL- 1 5" X 78 8" - VINYL COVERED
15	106446-02-C52	EA	TRIM ASM-CAB-B-PILLAR-RIGHT FROM 10-07-91 THRU 99-99-99
17	105740-02-C03	EA	WINGWALL ASM-INNER-LEFT FROM 00-00-00 THRU 10-06-91
17	106440-04-C23	EA	WINGWALL ASM-INNER-LEFT FROM 10-07-91 THRU 99-99-99
	106445-02-C52	EA	TRIM ASM-WINGWALL WRAP-LEFT FROM 10-07-91 THRU 99-99-99

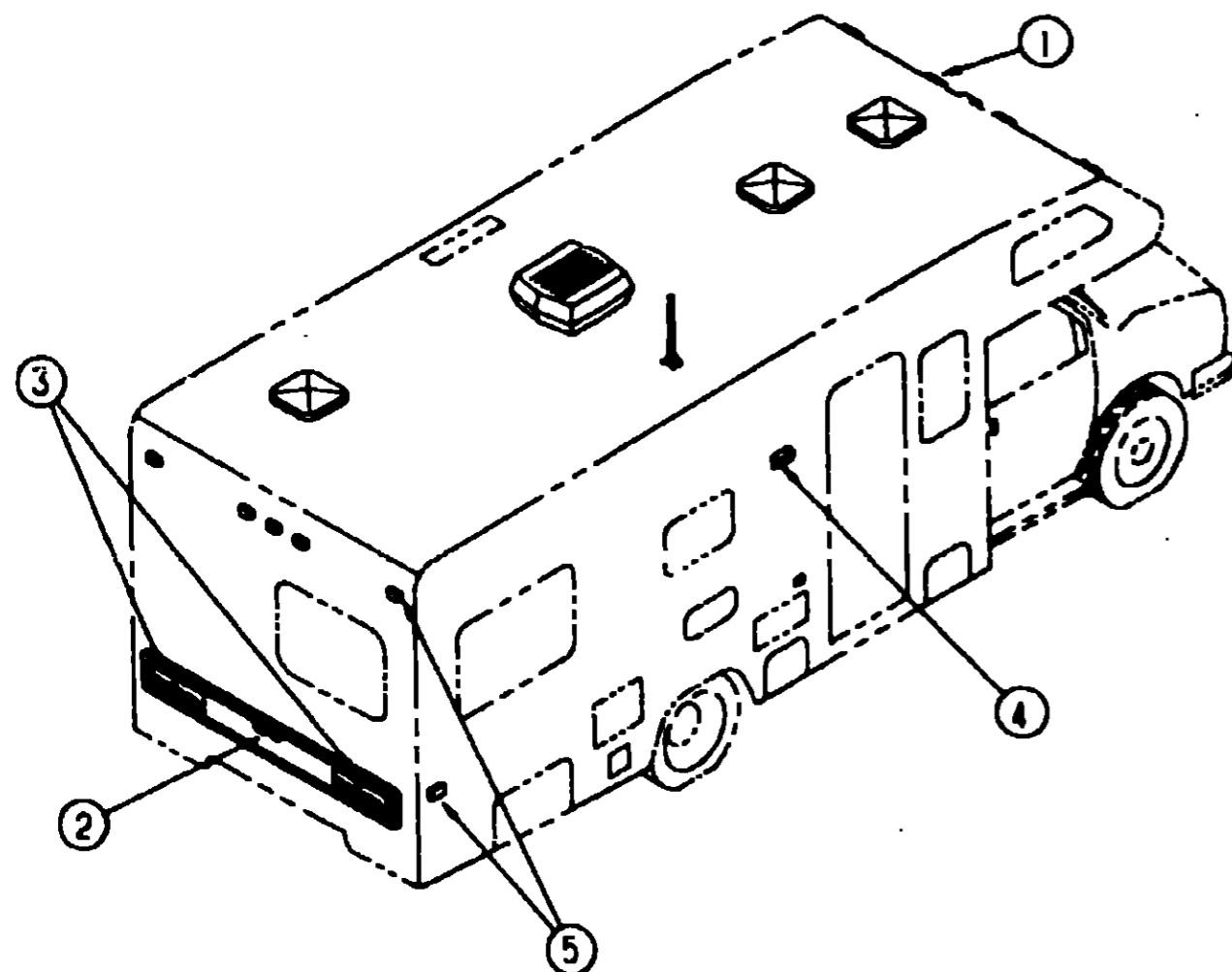
1992 ITASCA TABLE OF CONTENTS

INTRODUCTION	A-01 - A-02
ABBREVIATIONS	A-03
ALPHABETICAL INDEX	A-04 - A-06
IF427RQ	A-07 - D-16
IF427RC	D-17 - G-22
IF427RT	G-23 - K-07

1992 IF427RQ INDEX

FLOOR PLAN	A-07 - A-08
ACCESSORIES	A-09
AUDIO VIDEO	A-10
BATH	A-11 - A-12
BEDROOM	A-13 - A-14
CHASSIS	A-15 - A-17
CURTAIN & CUSHION	A-18 - B-03
DINETTE	B-04 - B-05
DRIVERS	B-06 - B-08
ELECTRICAL	B-09 - B-12
EXTERIOR BODY	B-13 - B-19
GALLEY	B-20 - B-23
GENERATOR	B-24
HEATING & A/C	C-01 - C-02
INTERIOR FINISH	C-03 - C-06
LABEL	C-07 - C-14
LP	C-15
LOUNGE	C-16 - C-17
SEALANTS & FASTENERS	C-18 - C-20
WATER & SEWAGE	C-21 - C-24
WINDOW, VENT AND EXTERIOR DOOR	D-01 - D-16

ELECTRICAL GROUP



EXTERIOR LIGHTS

KEY	PART NUMBER	U/M DESCRIPTION
1	051983-01-000	EA GASKET-CLEARANCE/SIDEMARKER LIGHT
1	042405-02-000	EA LENS-CLEARANCE/SIDEMARKER LIGHT W/REFLEX - AMBER
1	042405-03-000	EA BASE-CLEARANCE/SIDEMARKER LIGHT W/BULB - PLASTIC - WHITE
	008213-01-000	EA BULB -12 V - NO 57 - 24 AMP
2	066432-01-000	EA LIGHT-LICENSE PLATE W/BRACKET
3	081638-01-000	EA TAILLIGHT-DOUBLE- W/BLACK TRIM - DRIVER & PASS SIDE
	037934-01-000	EA BULB #1156 (BACK UP & TURN SIGNAL)
	037935-01-000	EA BULB #2057 OR #1157 (BRAKE LIGHT)
3	081638-01-700	EA LENS-TAILLIGHT - RED
3	081538-01-701	EA LENS-TAILLIGHT - W/BACKUP
	103355-01-01A	EA POD-TAILLIGHT OFF WHITE
4	097917-01-01A	EA LIGHT-PORCH ENTRY DOOR - OFF WHITE
4	008215-01-000	EA BULB-12V-#1003-94AMP
4	097917-01-700	EA LENS-LIGHT PORCH
5	091983-01-000	EA GASKET-CLEARANCE/SIDEMARKER LIGHT
5	042405-01-000	EA LENS-CLEARANCE/SIDEMARKER LIGHT W/REFLEX - RED
5	042405-03-000	EA BASE-CLEARANCE/SIDEMARKER LIGHT W/BULB - PLASTIC - WHITE
	008213-01-000	EA BULB -12 V - NO 57 - 24 AMP

ELECTRICAL GROUP (CONTINUED)

ELECTRIC BOXES & POWER CORDS

KEY	PART NUMBER	U/M DESCRIPTION
	008288-01-000	EA BOX-PLASTIC ELECTRIC - 3' X 3 1/2'
	008289-01-000	EA BOX-ELECTRIC - STEEL - 1/2" AND 3/4" KNOCKOUTS - 4' X 4'
	008289-02-000	EA BOX-ELECTRICAL - 4' X 4' - 1/2" & 3/4" KNOCKOUTS - CANADIAN
	058049-01-000	EA BOX-ELECTRIC SWITCH - 2' X 3' X 2 25"
	091910-01-000	EA BOX-ELECTRIC - 3.75' X 3.5' X 1.75' - PLASTIC
	093603-01-000	EA BOX-ELEC-STEEL 4 X 2 1/8 X 2 1/8 STL CTY 58371 1/2
	087949-01-000	EA BUSS BAR-2 POSITION - .6' X 1.5' - ALUMINUM FRCM: 12-06-91 THRU 99-99-99
	008054-01-000	EA CORD-POWER - 10/3 - 30 AMP - 25'
	008052-01-000	EA CORD-POWER - 10/3 - 30 AMP - 25' - CANADIAN
	069238-01-000	EA COVER-ELECTRICAL BOX - WHOLE - 4' X 4' - GRAY USED WITH 30 AMP RECEPTACLE
	008294-02-000	EA COVER-ELECTRICAL BOX - BLANK STEEL - 4' X 4' - CANADIAN
	008188-01-000	EA SOLENCID-3 POST - BATTERY CHANGE OVER

WIRING ASSEMBLIES

KEY	PART NUMBER	U/M DESCRIPTION
	103328-06-000	EA WIRE ASM-PUMP-EXTERIOR SHOWER
	100159-02-000	EA WIRE ASM-DAYTIME RUNNING LIGHTS-W/FUSE FROM 00-00-00 THRU 10-06-91
	106851-01-000	EA WIRE ASM-DAYTIME RUNNING LIGHTS-W/FUSE FROM 10-07-91 THRU 99-99-99

SWITCHES & RECEPTACLES

KEY	PART NUMBER	U/M DESCRIPTION
	075723-01-000	EA BLOCK-SWITCH - SPACER W/O HOLE
	097734-01-01A	EA EXTENSION-RECEPTACLE - 3 2' X 5' X 7' - PLASTIC - IVORY
	075736-02-000	EA COVER-EXTERIOR RECEPTACLE - OFF WHITE
	007940-01-000	EA RECEPTACLE-SLIDE - 16 TO 12 AWG - FEMALE END
	024924-02-000	EA RECEPTACLE-POWER CORD - W/PARTIAL PLATE
	058707-01-000	EA RECEPTACLE-ELECTRIC - SINGLE - BROWN
	058708-01-000	EA RECEPTACLE-ELECTRIC - DOUBLE - BROWN
	058708-02-000	EA RECEPTACLE-ELECTRIC - DOUBLE - IVORY
	080015-02-000	EA RECEPTACLE-FLAG - .185 - 16/14 GA - AMP 3
	080015-03-000	EA RECEPTACLE-FLAG - 250 - 14/16 GA
	084076-01-000	EA RECEPTACLE-GFI - 15A - 125V - IVORY
	095188-01-01A	EA SPACER-SWITCH - 2 3' X 3 4' - PLASTIC - DARK BROWN
	102568-01-B10	EA SPACER-RECEPTACLE - BETWEEN SIDEWALL & PLATE - WOOD
	096241-07-000	EA SWITCH-ROCKER - DPDT - ON/OFF - BLACK FROM 00-00-00 THRU 06-14-92
	079364-01-000	EA SWITCH-ON/OFF-ROCKER - 2 PRONGS - BROWN
	108355-01-000	EA HOUSING-SWITCH - CARLING VCH FROM 07-02-92 THRU 99-99-99
	108357-08-000	EA SWITCH-ROCKER - DPDT - ON/NONE/ON - VDD1S00C-0 FROM 06-15-92 THRU 99-99-99
	108356-02-01A	EA ACTUATOR-SWITCH DIMPLE II - CARLING VVAZC00 BLA FROM 06-15-92 THRU 99-99-99
	084077-01-000	EA PLATE-COVER - RECEPTACLE - GFI - IVORY
	098351-01-01A	EA PLATE-SWITCH - 1 GANG - POLISHED BRASS
	098351-06-01A	EA PLATE-SWITCH - 2 GANG W/LABEL - JENSEN - POLISHED BRASS

CONTROL CENTER & CONVERTOR

KEY	PART NUMBER	U/M DESCRIPTION
	094809-01-000	EA CENTER-LOAD - 240V - 125A - TPL412CT
	083208-01-000	EA CONVERTOR-POWER - 32A - 120V/12V - BW 6332
	092615-01-000	EA CONVERTER-40 AMP - W/CHARGER - B-W 32400P

1992 ITASCA TABLE OF CONTENTS

INTRODUCTION	A-01 - A-02
ABBREVIATIONS	A-03
ALPHABETICAL INDEX	A-04 - A-06
IF427RQ	A-07 - D-16
IF427RC	D-17 - G-22
IF427RT	G-23 - K-07

1992 IF427RQ INDEX

FLOOR PLAN	A-07 - A-08
ACCESSORIES	A-09
AUDIO VIDEO	A-10
BATH	A-11 - A-12
BEDROOM	A-13 - A-14
CHASSIS	A-15 - A-17
CURTAIN & CUSHION	A-18 - B-03
DINETTE	B-04 - B-05
DRIVERS	B-06 - B-08
ELECTRICAL	B-09 - B-12
EXTERIOR BODY	B-13 - B-19
GALLEY	B-20 - B-23
GENERATOR	B-24
HEATING & A/C	C-01 - C-02
INTERIOR FINISH	C-03 - C-06
LABEL	C-07 - C-14
LP	C-15
LOUNGE	C-16 - C-17
SEALANTS & FASTENERS	C-18 - C-20
WATER & SEWAGE	C-21 - C-24
WINDOW, VENT AND EXTERIOR DOOR	D-01 - D-16

ELECTRICAL GROUP (CONTINUED)

FUSES & CIRCUIT BREAKERS

KEY	PART NUMBER	U/M	DESCRIPTION
	062901-02-000	EA	FUSE - 5 AMP - AUTOMOTIVE
	062901-05-000	EA	FUSE - 15 AMP - AUTOMOTIVE
	008235-01-000	EA	FUSE - 15 AMP - AUTOMOTIVE-12V
	100341-01-000	EA	FUSE HOLDER - IN LINE TYPE
	107165-01-01A	EA	BOX - CIRCUIT BREAKER MOUNT-BLACK
	008211-01-000	EA	CIRCUIT BREAKER - 12V - 6AMP FROM: 12-06-91 THRU 99-99-99
	093654-01-000	EA	CIRCUIT BREAKER - 6 AMP - HOUSE CONTROL PANEL FROM: 00-00-00 THRU 12-05-91
	083209-01-000	EA	CIRCUIT BREAKER - 15 AMP - 120V - BW G-15(CANADIAN)
	083209-03-000	EA	CIRCUIT BREAKER - 15/20AMP - 120V - BW - 0-15/20
	094811-01-000	EA	CIRCUIT BREAKER - DOUBLE - 20 AMP - GE THQL2120
	083209-05-000	EA	CIRCUIT BREAKER - 20A - 120V - BW J-20
	083209-06-000	EA	CIRCUIT BREAKER - 30/15 AMP - 120V - BW D-30/15
	008268-01-000	EA	CIRCUIT BREAKER - W/MOUNT - 30A - 12V FROM: 07-00-00 THRU 12-05-91
	093655-02-000	EA	CIRCUIT BREAKER - 30 AMP - HOUSE CONTROL PANEL FROM: 12-06-91 THRU 99-99-99
	094810-01-000	EA	CIRCUIT BREAKER - DOUBLE - 30 AMP - GE THQL2130
	083209-04-000	EA	CIRCUIT BREAKER - 30A - 120V - BW L-30
	083209-08-000	EA	CIRCUIT BREAKER - BLANK - 6W

CONDUIT

KEY	PART NUMBER	U/M	DESCRIPTION
	041953-01-000	FT	CONDUIT-CONVOLUTE SLIT - 5" ID
	041953-03-000	FT	CONDUIT-CONVOLUTE SLIT - 1" ID (CLOTHES ROD COVER)
	041953-06-000	FT	CONDUIT-CONVOLUTE SLIT - 3/5" ID
	041953-07-000	FT	CONDUIT-CONVOLUTE SLIT - 25" ID
	041953-08-000	FT	CONDUIT-CONVOLUTE SLIT - 1 50" ID
	041953-09-000	FT	CONDUIT-CONVOLUTE SLIT - 50" ID
	041953-10-000	FT	CONDUIT-CONVOLUTE SLIT - 75" ID
	041953-11-000	FT	CONDUIT-CONVOLUTE SLIT - 1 06" ID
	041953-12-000	FT	CONDUIT-CONVOLUTE NON SLIT - 1 1" ID

INTERIOR LIGHTS

KEY	PART NUMBER	U/M	DESCRIPTION
	008103-01-000	EA	BULB-DASH/AISLE LIGHT - #53 - 12 V - 12 AMP
	098024-01-01A	EA	LIGHT-DOME - 1 BULB - US - IVORY
	008218-01-000	EA	BULB DOME LIGHT - 12V - NUMBER 1141
	098024-01-700	EA	LENS-DOME LIGHT
	098024-03-01A	EA	LIGHT-DOME - 2 BULB - IVORY
	008218-01-000	EA	BULB-DOME LIGHT - 12V - NUMBER 1141
	098024-01-700	EA	LENS-DOME LIGHT

ELECTRICAL GROUP (CONTINUED)

CONNECTORS, HOUSINGS, & TERMINALS

KEY	PART NUMBER	U/M	DESCRIPTION
	008355-01-000	EA	CONNECTOR-CABLE CLAMPING - 3/4"
	058028-01-000	EA	CONNECTOR-ELECTRICAL PIGTAIL - NYLON - CLEAR
	088475-01-000	EA	CONNECTOR-PIN - 14 TO 20 AWG
	088475-02-000	EA	CONNECTOR-PIN - 10 TO 12 AWG
	008356-01-000	EA	CONNECTOR-PLASTIC - 3/8" AVG
	088476-01-000	EA	CONNECTOR-SOCKET - BRASS - PRE-TIN
	088476-02-000	EA	CONNECTOR-SOCKET-12-10 GA - PHOS. BRONZE - PRE-TIN
	098420-01-000	EA	CONNECTOR-SWIVEL - 1/2" FPT X 5/8" TUBE - PLASTIC
	008311-01-000	EA	CONNECTOR-WIRE NUT - INSULATED - RED
	008314-01-000	EA	CONNECTOR-WIRE NUT - INSULATED - GRAY
	062037-01-000	EA	HOUSING - AUTO FUSE - NATURAL
	063910-01-000	EA	HOUSING-RELAY - BOSCH 3 334 485 008
	088473-01-000	EA	HOUSING-PIN - 4 ROWS OF 3
	088473-03-000	EA	HOUSING-PIN - 9 POSITION
	088473-05-000	EA	HOUSING-PIN - 6 POSITION (SINGLE ROW)
	088473-06-000	EA	HOUSING-PIN - 6 POSITION (TWO ROWS OF THREE)
	088473-07-000	EA	HOUSING-PIN - 5 CAVITY AMP 1-480753-0
	088473-08-000	EA	HOUSING-PIN - 4 POSITION
	088473-09-000	EA	HOUSING-PIN - 3 POSITION (SINGLE ROW) FROM: 12-12-91 THRU 99-99-99
	088473-10-000	EA	HOUSING-PIN - 2 POSITION
	088474-03-000	EA	HOUSING-SOCKET - 9 POSITION
	088474-05-000	EA	HOUSING-SOCKET - 6 POSITION (2 ROWS OF THREE)
	088474-07-000	EA	HOUSING-SOCKET - 5 CAVITY - AMP 1-480764-0
	088474-08-000	EA	HOUSING-SOCKET - 4 POSITION (SINGLE ROW)
	088474-09-000	EA	HOUSING-SOCKET - 3 POSITION
	088474-10-000	EA	HOUSING-SOCKET - 2 POSITION
	008326-01-000	EA	TERMINAL-RING - 16/14 WIRE - 3/8" STUD
	008328-01-000	EA	TERMINAL-RING - 12/10 WIRE - #10 STUD FIT
	008331-01-000	EA	TERMINAL-RING - TONGUE - #4 WIRE - 3/8" STUD - COPPER
	008348-01-000	EA	TERMINAL-RING - 3/8" STUD - #2 WIRE CONNECTS CABLE TO DISCONNECT RELAY AND BATTERY
	035416-04-000	EA	TERMINAL-RING #10 STUD FIT - INSULATED BARREL #16/14
	047443-01-000	EA	TERMINAL-250 RECEPTACLE FIT - INSULATED - 16/14 AWG
	047443-02-000	EA	TERMINAL-250 RECEPTACLE FIT - INSULATED - 12/10 AWG FROM: 01-01-91 THRU 07-01-92
	050003-02-000	EA	TERMINAL-PIN 16-14 AWG - ETC B-279X(0 176)
	062036-02-000	EA	TERMINAL-PACK-CON - 16/14 AWG

**1992 ITASCA
TABLE OF CONTENTS**

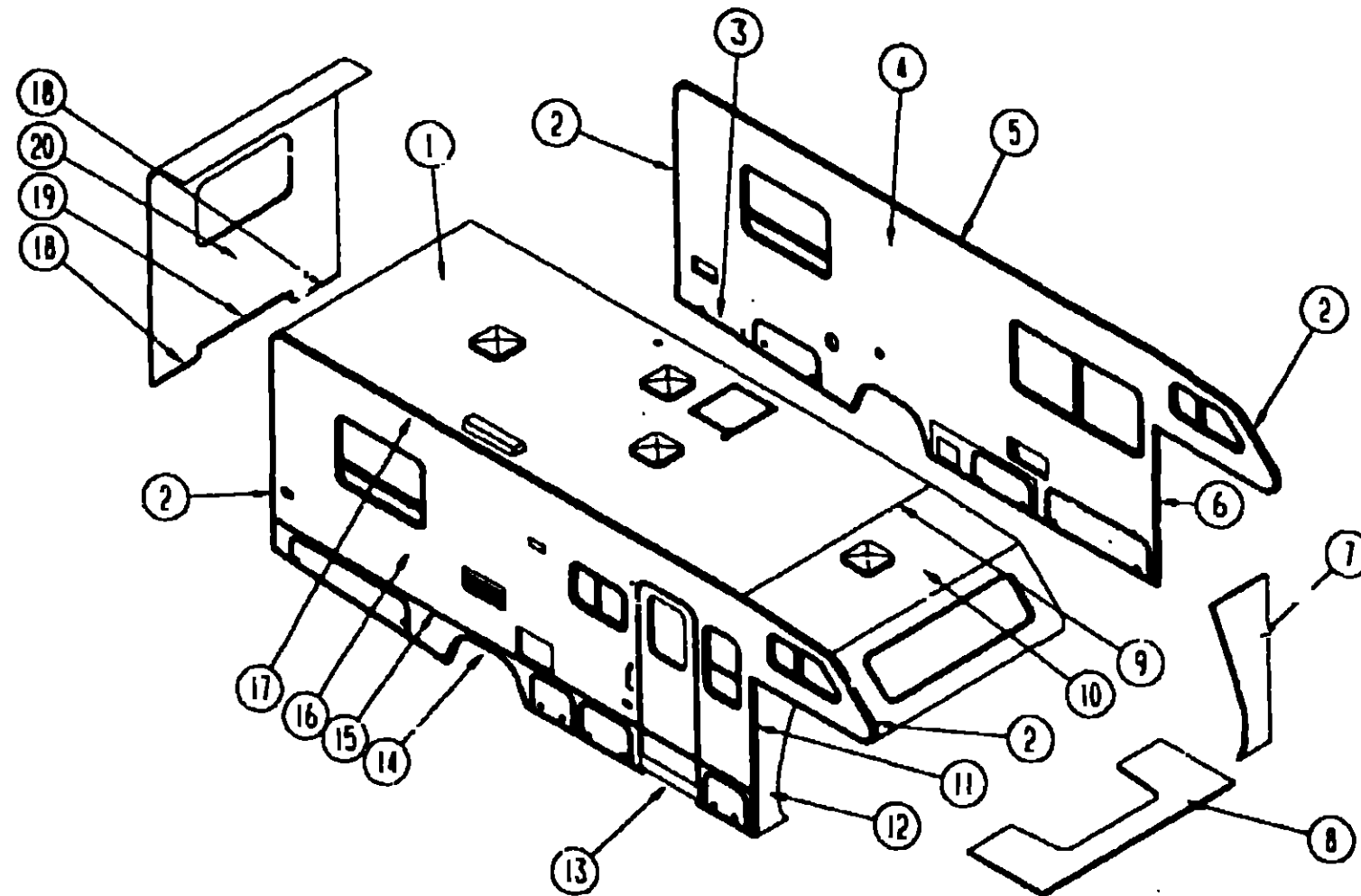
INTRODUCTION	A-01	A-02
ABBREVIATIONS		A-03
ALPHABETICAL INDEX	A-04	A-06
IF427RQ	A-07	D-16
IF427RC	D-17	G-22
IF427RT	G-23	K-07

1992 IF427RQ INDEX

FLOOR PLAN	A-07	A-08
ACCESSORIES		A-09
AUDIO VIDEO		A-10
BATH	A-11	A-12
BEDROOM	A-13	A-14
CHASSIS	A-15	A-17
CURTAIN & CUSHION	A-18	B-03
DINETTE	B-04	B-05
DRIVERS	B-06	B-08
ELECTRICAL	B-09	B-12
EXTERIOR BODY	B-13	B-19
GALLEY	B-20	B-23
GENERATOR		B-24
HEATING & A/C	C-01	C-02
INTERIOR FINISH	C-03	C-06
LABEL	C-07	C-14
LP		C-15
LOUNGE	C-16	C-17
SEALANTS & FASTENERS	C-16	C-20
WATER & SEWAGE	C-21	C-24
WINDOW VENT AND EXTERIOR DOOR	D-01	D-16

EXTERIOR BODY GROUP

EXTERIOR BODY PANELS



1992 ITASCA TABLE OF CONTENTS

INTRODUCTION	A-01 - A-02
ABBREVIATIONS	A-03
ALPHABETICAL INDEX	A-04 - A-06
IF427RQ	A-07 - D-16
IF427RC	D-17 - G-22
IF427RT	G-23 - K-07

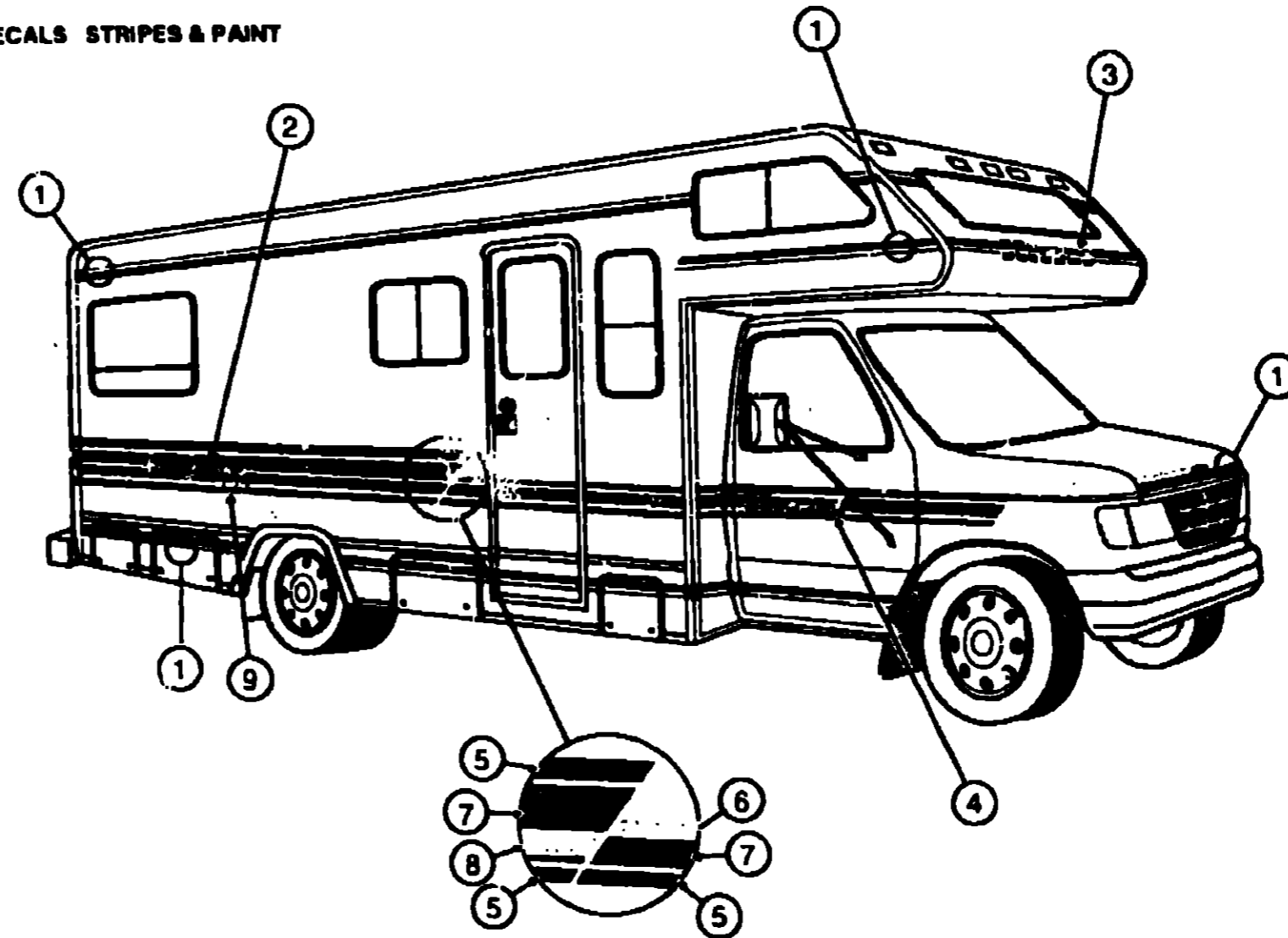
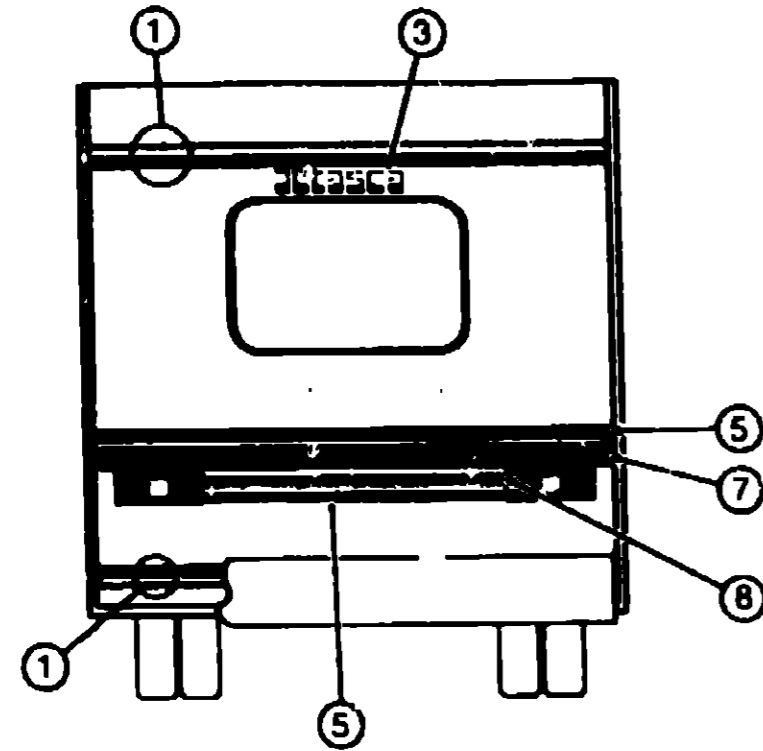
1992 IF427RQ INDEX

FLOOR PLAN	A-07 - A-08
ACCESSORIES	A-09
AUDIO VIDEO	A-10
BATH	A-11 - A-12
BEDROOM	A-13 - A-14
CHASSIS	A-15 - A-17
CURTAIN & CUSHION	A-18 - B-03
DINETTE	B-04 - B-05
DRIVERS	B-06 - B-08
ELECTRICAL	B-09 - B-12
EXTERIOR BODY	B-13 - B-19
GALLEY	B-20 - B-23
GENERATOR	B-24
HEATING & A/C	C-01 - C-02
INTERIOR FINISH	C-03 - C-06
LABEL	C-07 - C-14
LP	C-15
LOUNGE	C-16 - C-17
SEALANTS & FASTENERS	C-18 - C-20
WATER & SEWAGE	C-21 - C-24
WINDOW, VENT AND EXTERIOR DOOR	D-01 - D-16

KEY	PART NUMBER	U/M	DESCRIPTION
1	P05035-02-C23	EA	ROOF ASM W/BASES
2	096854-01-01A	EA	TRIM-CONTOUR - W/O VINYL INSERT - 108" - OFF WHITE
2	079280-01-01A	FT	INSERT-VINYL- ON EXTERIOR TRIM - 81" - OFF WHITE FROM: 00-00-00 THRU: 09-30-91
2	105312-01-01A	FT	INSERT-TRIM- VINYL - OFF WHITE FROM 10-01-91 THRU 99-99-99
3	098072-55-001	EA	EXTN-CHANNEL - OFF WHITE - 4877MM
4	P05188-01-C23	EA	SIDEWALL ASM - LEFT
5	096864-01-01A	EA	TRIM-CONTOUR- ROOF TO SIDEWALL - DRIVER OR PASSENGER - 120"
6	064675-54-004	EA	STEEL-ANGLE - ROOF JOINT - 0545 MM - OFF WHITE
6	104479-04-01A	EA	TRIM-CONTOUR-FRONT- DRIVER - OFF WHITE
7	P05018-04-C03	EA	WINGWALL ASM-LEFT W/GUSSET FROM 00-00-00 THRU 10-06-91
7	106438-04-C03	EA	WINGWALL ASM-LEFT FROM 10-07-91 THRU 99-99-99
	079203-03-000	EA	TRIM-WINGWALL - 14 2" - OFF WHITE
	089334-01-000	FT	VINYL-EXTERIOR - BETWEEN WINGWALL & CAB SEAL - WHITE
8	P03290-01-B05	EA	SLEEPERBOARD - OVERHEAD CAB FROM 00-00-00 THRU: 10-06-91
8	P06443-01-C03	EA	SLEEPERBOARD ASM FROM 10-07-91 THRU 99-99-99
	100085-03-01A	EA	TRIM-SLEEPERBOARD- FLAT - 2 5" X 87 5" - OFF WHITE
	100086-02-01A	EA	TRIM-SLEEPERBOARD- 2" X 90 7" - OFF WHITE
9	078580-01-000	EA	TRIM-ROOF TO FRONT CAP

KEY	PART NUMBER	U/M	DESCRIPTION
10	M76177-01-700	EA	ROOF - FRONT CAP TO FIRST SEAM
11	104479-03-01A	EA	TRIM-CONTOUR - FRONT - PASSENGER - OFF WHITE
12	P05018-03-C03	EA	WINGWALL ASM - RIGHT W/GUSSET FROM 00-00-00 THRU: 10-06-91
12	106438-03-C03	EA	WINGWALL ASM - RIGHT FROM 10-07-91 THRU 99-99-99
	079203-03-000	EA	TRIM-WINGWALL - 14 2" - OFF WHITE
	089334-01-000	FT	VINYL-EXTERIOR - BETWEEN WINGWALL & CAB SEAL - WHITE
13	105025-01-C03	EA	TRIM ASM-SIDEWALL
14	105100-01-01A	EA	TRIM-WHEELWELL - OFF WHITE FROM: 00-00-00 THRU: 04-15-92
14	105100-02-01A	EA	TRIM-WHEELWELL - OFF WHITE FROM: 04-16-92 THRU: 99-99-99
15	009731-01-000	EA	END CAP - FEATURE STRIP
	002444-01-020	EA	FEATURE STRIP - W/HOLES - 182" - OFF WHITE
	002444-04-002	EA	STRIP-FEATURE- W/O INSERT - 15' LONG - OFF WHITE
16	P05187-01-C23	EA	SIDEWALL ASM - RIGHT
17	100483-01-01A	EA	TRIM-CONTOUR - ROOF (AWNING) - OFF WHITE
	099583-55-001	EA	RAIL-AWNING - 10' EA - OFF WHITE
18	103334-02-01A	EA	TRIM-BACKWALL - LOWER - OFF WHITE
19	103335-02-01A	EA	TRIM-BACKWALL - LOWER - OFF WHITE
20	P05217-02-C23	EA	BACKWALL ASM

DECALS STRIPES & PAINT



1992 ITASCA
TABLE OF CONTENTS

INTRODUCTION	A-01	A-02
ABBREVIATIONS		A-03
ALPHABETICAL INDEX	A-04	A-06
IF427RQ	A-07	D-16
IF427RC	D-17	G-22
IF427RT	G-23	K-07

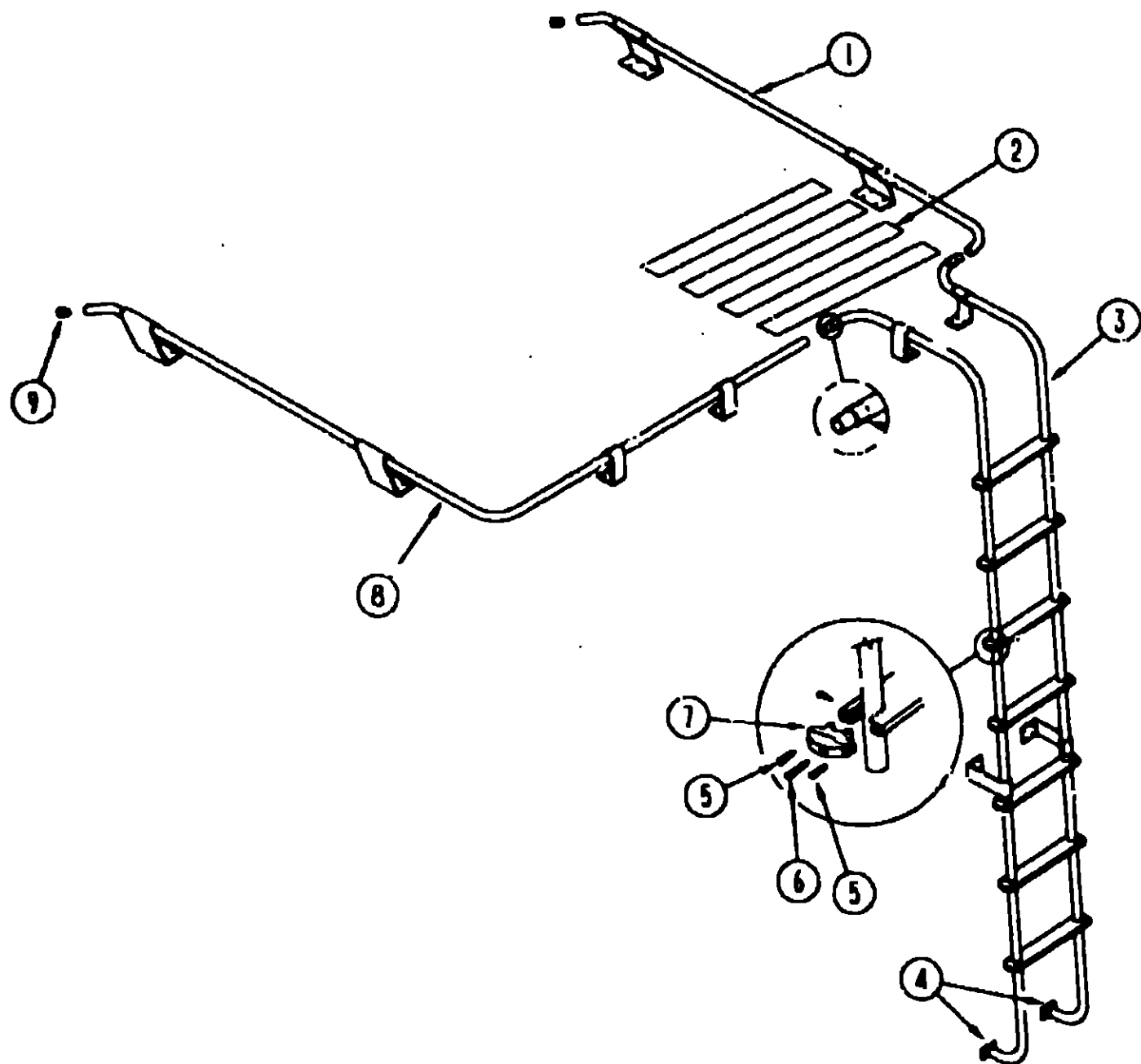
1992 IF427RQ INDEX

FLOOR PLAN	A-07	A-08
ACCESSORIES		A-09
AUDIO VIDEO		A-10
BATH	A-11	A-12
BEDROOM	A-13	A-14
CHASSIS	A-15	A-17
CURTAIN & CUSHION	A-18	B-03
DINETTE	B-04	B-05
DRIVERS	B-06	B-08
ELECTRICAL	B-09	B-12
EXTERIOR BODY	B-13	B-19
GALLEY	B-20	B-23
GENERATOR		B-24
HEATING & A/C	C-01	C-02
INTERIOR FINISH	C-03	C-06
LABEL	C-07	C-14
LP		C-15
LOUNGE	C-16	C-17
SEALANTS & FASTENERS	C-18	C-20
WATER & SEWAGE	C-21	C-22
WINDOW, VENT AND EXTERIOR DOOR	D-01	D-16

KEY	PART NUMBER	U/M	DESCRIPTION
1	094423-01-01A	FT	MULTISTRIPE-2 LINES - 3' - DK BLUE & LT BLUE W/1 MAGENTA
2	105519-02-02A	EA	DECAL-LOGO - SUNDANCER
3	078191-03-000	EA	DECAL-LOGO - "ITASCA" - DARK BLUE
4	073852-27-000	EA	DECAL-LOGO - ITASCA - 5 00 "
5	033691-18-01A	FT	STRIPE-1 LINE - 1 25" WIDE - DARK BLUE
6	093681-03-03A	FT	STRIPE-1 LINE - 1 5" WIDE - LIGHT BLUE
7	094433-01-01A	FT	MULTISTRIPE-1 LINES - 5' - DARK BLUE W/1 MAGENTA STRIPE
8	094433-01-02A	FT	STRIPE-1 LINE - 5' - LIGHT BLUE W/2 MAGENTA STRIPES
9	106026-01-01A	EA	DECAL-LOGO - 400
	P04408-06-000	EA	SILKSCREEN- 32" SUNDANCER
	004308-01-000	EA	PAINT-SPLAY - BLACK
	041561-03-000	EA	PAINT-LOW BAKE - OFF WHITE
	044486-03-000	EA	PAINT-LOW BAKE - BEIGE

DUPONT COLOR CODES
 DARK BLUE - DUPONT# K9456
 LIGHT BLUE - DUPONT# K9457
 MAGENTA - DUPONT# G9842
 OFF WHITE - DUPONT # L8723

EXTERIOR BODY GROUP (CONTINUED)



RACK & LADDER

KEY	PART NUMBER	U/M DESCRIPTION
1	U81026-15-C05	EA RACK ASM-PASSENGER SIDE FROM 00-00-00 THRU 03-01-92
1	107438-05-C07	EA RACK ASM-PASSENGER SIDE FROM 03-02-92 THRU 99-99-99
	069726-02-000	EA BUMPER-88"DIA X 40"-BLACK
2	039327-01-000	EA TAPE-ANTI SLIP-2" X 50"
3	102953-02-C03	EA LADDER ASM
4	067165-01-000	EA MOUNTING BRACKET-LADDER-LOWER
5	000G39-06-10T	EA SCREW-SF/DR-6-20 X 5/8 PPH-BLACK
6	000G68-10-36T	EA SCREW-10-12 X 2-25 PPH-BLACK
7	076980-02-000	EA END CAP-STEP-BLACK
8	081026-19-C03	EA RACK ASM-DRIVER SIDE FROM 00-00-00 THRU 03-01-92
8	107438-09-C03	EA RACK ASM-DRIVER SIDE FROM 03-02-92 THRU 99-99-99
9	081114-01-000	EA PLUG-ROUND-RACK & LADDER ENDS-PLASTIC-1" DIA

EXTERIOR BODY GROUP (CONTINUED)

ASSIST HANDLES AND RUNNING BOARDS

KEY	PART NUMBER	U/M DESCRIPTION
	009126-02-000	EA HANDLE-ASSIST-ENTRY DOOR-BLACK
	101396-01-000	EA RUNNING BOARD-PASSENGER SIDE FROM 00-00-00 THRU 10-06-91
	101396-02-000	EA RUNNING BOARD-DRIVER SIDE FROM 00-00-00 THRU 10-06-91
	101396-03-000	EA KIT-HARDWARE RUNNING BOARD FROM 00-00-00 THRU 10-06-91
	106461-01-000	EA RUNNING BOARD-RIGHT-QUALITY COMP FROM 00-00-00 THRU 10-06-91
	106461-02-000	EA RUNNING BOARD-LEFT-QUALITY COMP FROM 10-07-91 THRU 99-99-99
	106461-03-000	EA HARDWARE-KIT RUNNING BOARD-QUALITY FROM 10-07-91 THRU 99-99-99
	072884-20-000	EA SET RUNNING BOARD-40"
	002726-01-001	EA GARNISH-U-CHANNEL-1 3/8" X 1 9/16"-SERRATED-MILL ALUMINUM
	002754-01-001	EA ANGLE-EXTRUDED-75" X 75" X 1 1/2"-MILL ALUMINUM
	002365-01-001	EA U-CHANNEL-1" X 1 1/2"-SERRATED-MILL FINISHED ALUMINUM

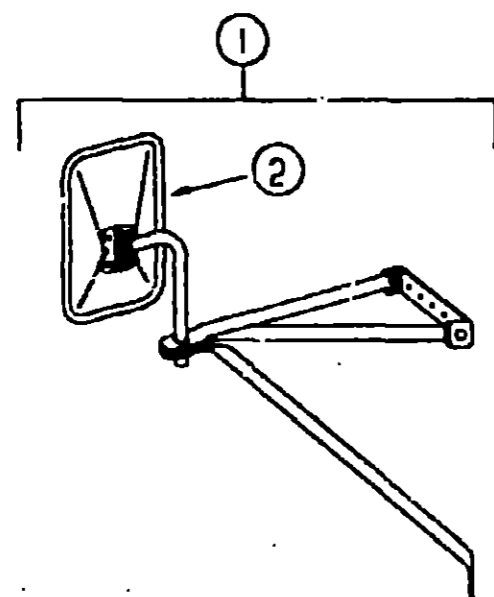
**1992 ITASCA
TABLE OF CONTENTS**

INTRODUCTION	A-01 - A-02
ABBREVIATIONS	A-03
ALPHABETICAL INDEX	A-04 - A-06
IF427RQ	A-07 - D-16
IF427RC	D-17 - G-22
IF427RT	G-23 - K-07

1992 IF427RQ INDEX

FLOOR PLAN	A-07 - A-08
ACCESSORIES	A-09
AUDIO VIDEO	A-10
BATH	A-11 - A-12
BEDROOM	A-13 - A-14
CHASSIS	A-15 - A-17
CURTAIN & CUSHION	A-18 - B-03
DINETTE	B-04 - B-05
DRIVERS	B-06 - B-08
ELECTRICAL	B-09 - B-12
EXTERIOR BODY	B-13 - B-19
GALLEY	B-20 - B-23
GENERATOR	B-24
HEATING & A/C	C-01 - C-02
INTERIOR FINISH	C-03 - C-06
LABEL	C-07 - C-14
LP	C-15
LOUNGE	C-16 - C-17
SEALANTS & FASTENERS	C-18 - C-20
WATER & SEWAGE	C-21 - C-24
WINDOW, VENT AND EXTERIOR DOOR	D-01 - D-16

EXTERIOR BODY GROUP (CONTINUED)



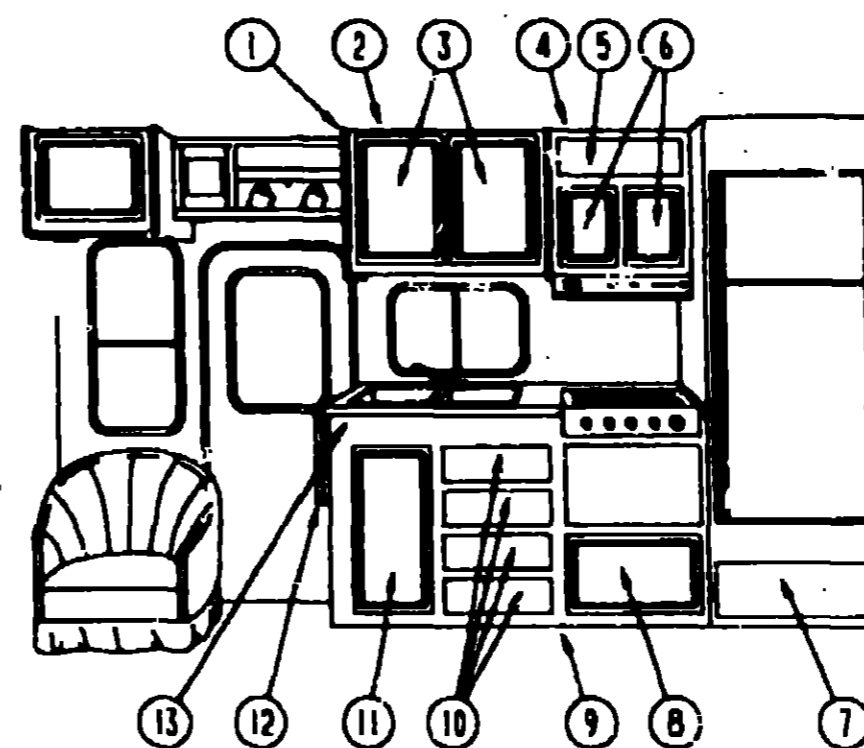
EXTERIOR MIRRORS

KEY	PART NUMBER	U/M	DESCRIPTION
1	049347-01-000	EA	MIRROR HEAD-EXTERIOR-10 5" X 7 5" - STAINLESS STEEL
1	106860-01-01A	EA	MIRROR ASM-REG HEAD LOW MOUNT - OFF WHITE
2	049347-01-700	EA	GLASS MIRROR REPLACEMENT
2	106860-01-700	EA	HEAD - MIRROR HEAD
3	062047-01-000	EA	ARM-WEST COAST MIRROR
3	106860-01-701	EA	ARM
4	106860-01-703	EA	BRACE LOWER FORWARD - DRIVER
4	106860-01-704	EA	BRACE LOWER FORWARD - PASSENGER
	106860-01-702	EA	HARDWARE PKG

FIBERGLASS & STYROFOAM

KEY	PART NUMBER	U/M	DESCRIPTION
	077517-23-000	EA	FIBERGLASS SHEET-FLAT - 48" X 96" - GRAY
	077517-24-000	EA	FIBERGLASS SHEET- FLAT - 48" X 96" - OFF WHITE
	076054-H1-000	EA	FIBERGLASS SHEET-2438 X 2591 - OFF WHITE
	076054-F3-000	EA	FIBERGLASS SHEET-2438 X 2438 - OFF WHITE
	000870-03-000	SF	STYROFOAM-1 3/4 X 48" X 96" - INCREMENTS OF 32 SF
	000870-05-000	SF	STYROFOAM- 5" X 24" X 96" - INCREMENTS OF 16 SF
	083574-01-000	SF	STYROFOAM- DOW TYPE SM - 1 5" X 24" X 85 25" - INC OF 14 S
	083574-02-000	SF	STYROFOAM- DOW TYPE SM - 1 5" X 24" X 90 5" - INC OF 15 SF
	083574-03-000	SF	STYROFOAM-3/4" X 48" X 96" - INCREMENTS OF 32 SF

GALLEY GROUP



GALLEY CABINETS & COMPONENTS

KEY	PART NUMBER	U/M	DESCRIPTION
1	081200-36-B05	EA	END CAP-OVERHEAD
1	104335-04-C52	EA	END CAP-OVERHEAD
2	P02558-01-B05	EA	CABINET-OVERHEAD- W/O DOORS OR HARDWARE
3	P05223-09-C03	EA	DOOR ASM-W/O HARDWARE-380 X 555
4	M05623-22-C03	EA	CABINET ASM-MICROWAVE-STANDARD
4	M05623-23-C03	EA	CABINET ASM-MICROWAVE-OPTIONAL
	104335-02-C52	EA	CAP ASM-END-OVERHEAD
5	P00523-A8-C03	EA	DOOR ASM-W/O HARDWARE- 180 X 555
6	P05223-12-C03	EA	DOOR ASM-W/O HARDWARE- 275 X 365
7	P03397-E7-C03	EA	DRAWER ASM-CABINET-RADIUS - 592 X 520
	050229-01-000	FT	SEAL-T- REFRIGERATOR CABINET - 6" WIDE TOP X 2" TAIL
8	P05223-03-C03	EA	DOOR ASM-W/O HARDWARE-555 X 380
9	M05632-01-C23	EA	CABINET ASM-GALLEY
	092303-01-000	EA	STRAINER-SINK
	103243-01-000	EA	FAUCET-GALLEY-DUAL CONTROL - 8 IN CENTERSET
	104113-01-000	EA	SINK-STAINLESS STEEL-DOUBLE
	103610-01-C08	EA	COVER ASM-SINK
10	P03397-E9-C03	EA	DRAWER ASM-W/O HARDWARE- 412 X 288
11	P05223-06-C03	EA	DOOR ASM-W/O HARDWARE- 365 X 680
12	080812-04-B87	EA	EXTENSION ASM-GALLEY
	009049-01-000	EA	SUPPORT-EXTENSION - GALLEY COUNTERTOP
			FROM 00-00-00 THRU 10-06-91
	104181-01-01A	EA	SUPPORT-EXTENSION - GALLEY COUNTERTOP
			FROM 10-07-92 THRU 99-99-99
13	105237-11-C23	EA	COUNTERTOP ASM
	P02558-01-B05	EA	CABINET-OVERHEAD- W/O DOORS OR HARDWARE
	008380-01-000	EA	GROMMET-RUBBER- 5/8" HOLE X 1 1/2" DIAMETER - BLACK

**1992 ITASCA
TABLE OF CONTENTS**

INTRODUCTION	A-01 - A-02
ABBREVIATIONS	A-03
ALPHABETICAL INDEX	A-04 - A-06
IF427RQ	A-07 - D-16
IF427RC	D-17 - G-22
IF427RT	G-23 - K-07

1992 IF427RQ INDEX

FLOOR PLAN	A-07 - A-08
ACCESSORIES	A-09
AUDIO VIDEO	A-10
BATH	A-11 - A-12
BEDROOM	A-13 - A-14
CHASSIS	A-15 - A-17
CURTAIN & CUSHION	A-18 - B-03
DINETTE	B-04 - B-05
DRIVERS	B-06 - B-08
ELECTRICAL	B-09 - B-12
EXTERIOR BODY	B-13 - B-19
GALLEY	B-20 - B-23
GENERATOR	B-24
HEATING & A/C	C-01 - C-02
INTERIOR FINISH	C-03 - C-06
LABEL	C-07 - C-14
LP	C-15
LOUNGE	C-15 - C-17
SEALANTS & FASTENERS	C-18 - C-20
WATER & SEWAGE	C-21 - C-24
WINDOW, VENT AND EXTERIOR DOOR	D-01 - D-16

GALLEY GROUP (CONTINUED)

RANGE HOOD

KEY	PART NUMBER	U/M DESCRIPTION
	100258-01-01A	EA HOOD-RANGE-W/O MONITOR PANEL-VENTLINE-US FROM 00-00-00 THRU 09-01-91
	100258-02-01A	EA HOOD-RANGE-W/O MONITOR PANEL-VENTLINE-CANADIAN FROM 00-00-00 THRU 09-01-91
	100258-03-01A	EA HOOD-RANGE-W/O MONITOR PANEL-VENTLINE-US-TCS4002 FROM 00-00-00 THRU 09-01-91
	100258-16-01A	EA HOOD-RANGE-W/O MONITOR PANEL-VENTLINE-US-TCS5008NAD FROM 09-02-91 THRU 99-99-99
	100258-17-01A	EA HOOD-RANGE-22W-W/O MONITOR PANEL-VENTLINE-USA-TCS5008NAC FROM 09-02-91 THRU 99-99-99
	100258-18-01A	EA HOOD-RANGE-22W-W/O MONITOR PANEL-VENTLINE-US-TPS5007NAD FROM 09-02-91 THRU 99-99-99
	090973-01-700	EA MOTOR - LVS CA508-1
	090973-01-702	EA BLADE-FAN- LVS VA183-1
	092696-01-709	EA BULB-912- VENTLINE VA415
	092696-01-710	EA SOCKET-LIGHT- VENTLINE CB267-2
	095983-01-700	EA SWITCH-ON/OFF- VENTLINE 108
	095983-01-702	EA SWITCH-TWO WAY MOMENTARY- VENTLINE 112
	095983-01-707	EA FILTER-GREASE- 8" X 8" - LVS CC246
	095983-01-708	EA LENS-1 AMP- VENTLINE CC179
	100256-01-700	EA HOOD NOSE LABEL CC42B
	100258-10-01A	EA METER-HOUR- VENTLINE 150

RANGE

KEY	PART NUMBER	U/M DESCRIPTION
	102022-01-02A	EA RANGE-16"- 4 BURNER - MAGIC CHEF BT16RA-4Z
	055282-03-705	EA TRIM CAB LEFT - BLACK BT16
	055282-03-707	EA TRIM CAB RIGHT - BLACK BT16
	098507-02-701	EA INSERT-BURNER (SLICED VENT)
	102020-01-700	EA SHELF-OVEN
	102020-01-701	EA HANDLE-DOOR
	102020-01-702	EA PANEL-MAINFOLD
	102020-01-704	EA PANEL-DOOR (BLACK)
	102020-01-708	EA BURNER ASSEMBLY (OVEN)
	102020-01-711	EA GRATE-TOP
	102020-01-712	EA KNOB-BURNER VALVE
	102020-01-713	EA KNOB-THERMOSTAT
	102020-01-714	EA PILOT-OVEN
	102020-01-715	EA PIPE-MANIFOLD
	102020-01-717	EA THERMOSTAT
	102020-01-718	EA TOP-MAIN (ALMOND)
	102020-01-720	EA VALVE-MERCURY CONTROL
	102020-01-722	EA VALVE-TOP BURNER
	102020-01-723	EA PILOT-BURNER
	102020-01-724	EA BUMPER-MAIN TOP
	102022-01-702	EA PIPE-MANIFOLD
	102022-01-703	EA REGULATOR-PRESSURE
	102022-01-706	EA TRIM (LEFT) FLAT
	102022-01-707	EA TRIM (RIGHT) FLAT

GALLEY GROUP (CONTINUED)

MONITOR PANEL

KEY	PART NUMBER	U/M DESCRIPTION
	102765-04-01A	EA MONITOR PANEL-W/PLUG - FOR 2 TANKS & WATER HEATER - LVS
	102765-02-01A	EA MONITOR PANEL-W/PLUG - FOR 2 TANKS - LVS
	097618-01-000	EA WIRE ASM-MONITOR PANEL- W/4 WIRES & BLACK RESISTOR - LVS
COFFEE MAKER, MICROWAVE, & TRIMS		
KEY	PART NUMBER	U/M DESCRIPTION
	098916-03-01A	EA BRACE-MICROWAVE CABINET- LEFT - 9 4" X 7 5" - STEEL
	098916-04-01A	EA BRACE-MICROWAVE CABINET- RIGHT - 9 4" X 7 5" - STEEL
	091269-06-000	EA OVEN-MICROWAVE - MAGIC CHEF M15E-5B
	094745-01-01A	EA TRIM-MICROWAVE- LOWER - BLACK
	094774-03-01A	EA TRIM-MICROWAVE- EITHER SIDE - 1 5" X 14 8" - METAL - BLACK
	094750-01-000	EA BRACKET-MICROWAVE- 90 DEGREE - STEEL FROM 03-04-91 THRU 99-99-99
	103799-01-02A	EA COFFEEMAKER - GRAY
	104610-01-000	EA STRAP ASM-COFFEE MAKER
	055516-03-000	EA BRACKET-REAR TIEDOWN- RANGE W/OVEN
	055516-04-000	EA BRACKET-FRONT TIEDOWN- RANGE W/OVEN
	093646-01-000	EA BRACKET ASM-TIEDOWN-REFRIGERATOR - RIGHT
	093646-02-000	EA BRACKET ASM-TIEDOWN-REFRIGERATOR - LEFT
	054450-01-000	EA LEVEL-REFRIGERATOR
	063752-01-000	EA SHROUD-RANGE- 18 5" X 20 6" X 16 2" - METAL - OFF WHITE
	007125-04-000	EA CLAMP-MUFFLER-1 1" DIA

**1992 ITASCA
TABLE OF CONTENTS**

INTRODUCTION	A-01 - A-02
ABBREVIATIONS	A-03
ALPHABETICAL INDEX	A-04 - A-06
IF427RQ	A-07 - D-16
IF427RC	D-17 - G-22
IF427RT	G-23 - K-07

1992 IF427RQ INDEX

FLOOR PLAN	A-07 - A-08
ACCESSORIES	A-09
AUDIO VIDEO	A-10
BATH	A-11 - A-12
BEDROOM	A-13 - A-14
CHASSIS	A-15 - A-17
CURTAIN & CUSHION	A-18 - B-03
DINETTE	B-04 - B-05
DRIVERS	B-06 - B-08
ELECTRICAL	B-09 - B-12
EXTERIOR BODY	B-13 - B-19
GALLEY	B-20 - B-23
GENERATOR	B-24
HEATING & A/C	C-01 - C-02
INTERIOR FINISH	C-03 - C-06
LABEL	C-07 - C-14
LP	C-15
LOUNGE	C-16 - C-17
SEALANTS & FASTENERS	C-18 - C-20
WATER & SEWAGE	C-21 - C-24
WINDOW, VENT AND EXTERIOR DOOR	D-01 - D-16

GALLEY GROUP (CONTINUED)

REFRIGERATOR

KEY	PART NUMBER	U/M	DESCRIPTION
	103622-01-01A	EA	REFRIGERATOR-2 WAY- RIGHT HINGED DOOR - NORCOLD 462 BLACK
	064472-01-700	EA	THERMOCOUPLE-NORCOLD 614363
	064473-03-716	EA	SWITCH-3-WAY- FOR EG-2 & EG-3 MODELS - NORCOLD 616113
	064473-03-720	EA	RELIGHTER- NORCOLD 615088
	064473-03-721	EA	COMBINATION CONTROL - NORCOLD 616084
	075217-01-738	EA	SWITCH-HUMIDITY- NORCOLD 61525922
	084879-03-703	EA	COOLING UNIT - HORIZONTAL BURNER- NORCOLD 61687237
	084880-01-705	EA	ORIFICE - NORCOLD 614522
	084880-01-715	EA	VALVE-SHUT OFF- MANUAL - NORCOLD 61697922
	084880-01-722	EA	CRISPER COVER - NORCOLD 615641
	084880-01-732	EA	LATCH- NORCOLD 61578522
	084880-03-705	EA	BRACKET FOR INTERIOR REFRIGERATOR LIGHT - NORCOLD 61529722
	084880-03-706	EA	LAMP (BULB) - NORCOLD 61628922
	084880-03-707	EA	COVER FOR LAMP OR BULB - NORCOLD 61627922
	088248-01-705	EA	BURNER-HORIZONTAL- NORCOLD 61588122
	088248-01-709	EA	HEATER-AC- (HORIZONTAL) - NORCOLD 615627
	088248-01-710	EA	HEATER-DC- (HORIZONTAL) - 3 WAY - NORCOLD 615628
	094038-01-700	EA	GASKET-LOWER- GRAY - NORCOLD 61567930
	094038-01-702	EA	LINER-DOOR- LOWER - BLACK/WHITE - NORCOLD 61581938-B
	094039-01-702	EA	GASKET (GRAY) UPPER - NORCOLD 61567930
	094039-01-704	EA	PLATE-HINGE- BLACK - TOP LEFT - BOTTOM RIGHT - NORCOLD 61631430
	094039-01-710	EA	PLATE-HINGE- BLACK - TOP RIGHT-BOTTOM LEFT BLACK - NORCOLD 61631330
	094039-01-722	EA	HOLE PLUG (BLACK) HINGE HOLES - NORCOLD 61582030
	094039-01-723	EA	HINGE BRACKET-TOP RIGHT-BOTTOM LEFT BLACK - NORCOLD 61580838
	094039-01-724	EA	BRACKET-HINGE- TOP LEFT - BOTTOM RIGHT - BLACK - NORCOLD 61580938
	094039-01-725	EA	HINGE PIN (BLACK)(MALE) - NORCOLD 61578130
	094039-01-726	EA	SHELF-FREEZER EVAPORATOR- NORCOLD 615236
	094039-01-728	EA	HINGE BRACKET(BLACK) CENTER HINGE - NORCOLD 61566530
	094039-01-730	EA	HINGE PIN SHAFT(BLACK) CENTER HINGE - NORCOLD 61566730
	094039-01-732	EA	FRONT COVER(BLACK) BOTTOM TRIM - NORCOLD 61622130
	094039-01-733	EA	WIRE SHELF (MIDDLE) - NORCOLD 61563822
	094039-01-734	EA	WIRE SHELF (TOP) W/RISER - NORCOLD 61563722
	094039-01-735	EA	INSIDE DRIP TRAY (WHITE) 61572830
	094039-01-736	EA	SWITCH-LIGHT- BLACK - NORCOLD 615810
	103622-01-700	EA	HANDLE ASM-DOOR- UPPER - NORCOLD 61649038
	084880-01-754	EA	JUICE-RACK (SMOKE GRAY) - NORCOLD 61580540
	103622-01-702	EA	BIN-SHELF- DOOR - NORCOLD 61564040
	103622-01-705	EA	HANDLE ASM-DOOR- LOWER - NORCOLD 61648938
	094039-01-718	EA	MILK BIN (GRAY)W/SILVER TRIM - NORCOLD 61579460
	103622-01-707	EA	KEEPER-DAIRY- NORCOLD 61580440
	103622-01-708	EA	CRISPER-NORCOLD 61571340
	103622-01-709	EA	KNOB-SELECTOR- NORCOLD 61641822
	103622-01-710	EA	KNOB-THERMOSTAT- NORCOLD 61642322
	103622-01-711	EA	PANEL-CONTROL- 2-WAY - NORCOLD 61644022
	103622-01-712	EA	INDICATOR-FLAME- NORCOLD 61609022
	103622-01-713	EA	SWITCH-IGNITION- NORCOLD 61649722

GENERATOR GROUP

KOHLER GENERATOR & INSTALLATION PARTS

KEY	PART NUMBER	U/M	DESCRIPTION
	105523-01-000	EA	GENERATOR-4KW LOW PROFILE KOHLER 4CKM21
	007067-01-000	SF	INSULATION-FIBERGLASS - 1" THICK X 4' - INCREMENTS OF 4 SF
	105525-01-000	EA	ARRESTER-SPARK - KOHLER 278621
	105527-01-000	EA	PIPE-EXH. ULET ADAPTER - KOHLER 278524
	105529-01-000	EA	MUFFLER-FRONT EXHAUST - W/O SPARK - KOHLER 278734
	105602-01-000	EA	GASKET-EXHAUST - KOHLER-278320
	105732-01-000	EA	TRAY ASM-GENERATOR
	106172-01-000	EA	PIPE-EXHAUST ADAPTER

ONAN GENERATOR & INSTALLATION PARTS

KEY	PART NUMBER	U/M	DESCRIPTION
	100974-01-000	EA	GENERATOR-4 KW EMERALD PLUS - ONAN BGE-FA/25100G
	105732-01-000	EA	TRAY ASM-GENERATOR
	079654-05-000	EA	PIPE-EXHAUST - ANGLED - W/FLANGE - 2" ID - ONAN# 154-2539
	081364-01-000	EA	MUFFLER-GENERATOR - W/8 5" LONG TAILPIPE
	086252-01-000	EA	PIPE-EXHAUST - W/2 BOLT HOLE FLANGE
	086494-01-000	EA	BRACKET-EXHAUST - W/DOUBLE BEND
	094059-01-000	EA	SPACER-GENERATOR - ONAN
	078045-01-000	EA	STRAP-SUPPORT-GENERATOR - 4 HOLE
	084355-01-000	EA	STRAP-SUPPORT-GENERATOR - 2 HOLE

**1992 ITASCA
TABLE OF CONTENTS**

INTRODUCTION	A-01	A-02
ABBREVIATIONS		A-03
ALPHABETICAL INDEX	A-04	A-05
IF427RQ	A-07	D-16
IF427RC	D-17	G-22
IF427RT	G-23	K-07

1992 IF427RQ INDEX

FLOOR PLAN	A-07	A-08
ACCESSORIES		A-09
AUDIO VIDEO		A-10
BATH	A-11	A-12
BEDROOM	A-13	A-14
CHASSIS	A-15	A-17
CURTAIN & CUSHION	A-18	B-03
DINETTE	B-04	B-05
DRIVERS	B-06	B-08
ELECTRICAL	B-09	B-12
EXTERIOR BODY	B-13	B-19
GALLEY	B-20	B-23
GENERATOR		B-24
HEATING & A/C	C-01	C-02
INTERIOR FINISH	C-03	C-06
LABEL	C-07	C-14
LP		C-15
LOUNGE	C-16	C-17
SEALANTS & FASTENERS	C-18	C-20
WATER & SEWAGE	C-21	C-24
WINDOW, VENT AND EXTERIOR DOOR	D-01	D-16

HEATING & AIR CONDITIONING GROUP

HEATING & AIR CONDITIONING GROUP (CONTINUED)

FURNACE

KEY	PART NUMBER	U/M	DESCRIPTION
	065513-01-000	EA	FURNACE-3000 BTU SUBURBAN ST 30
	065534-01-703	EA	RELAY-TIME DELAY 20510 BTU- SUBURBAN 231202
	075551-01-709	EA	MOTOR SWITCH FOR MOFELS 30 & 345- SUBURBAN 230202
	060019-01-709	EA	GASKET OBSERVATION-HOLE COVER 070007
	062000-01-704	EA	GASKET ELECTRODE SUBURBAN 070153
	069350-01-701	EA	CRIDGE MANIFOLD SUBURBAN 150214
	075515-01-709	EA	CABINET FRONT SUBURBAN 101242
	061006-01-701	EA	CABINET ASM SUBURBAN 101037
	061004-01-702	EA	ELECTRODE SUBURBAN 251740
	061005-01-702	EA	VALVE SUBURBAN 100928
	075516-01-705	EA	SWITCH VALVE SUBURBAN 231530
	075518-01-705	EA	WHEEL COMB. ST. ON AIR SUBURBAN 100122
	065058-01-707	EA	VENT CAP 3/4" DIA. V. TUBE ASM SUBURBAN 200133
	065059-01-708	EA	BLOWER ASM (C) 1/2" STATIONARY SUBURBAN 300441
	065060-01-709	EA	MOTOR ASM FOR ST. 30 & 30 SUBURBAN 201705
	065061-01-709	EA	BLOWER ASM (C) ON AIR SUBURBAN 300442
	065062-01-701	EA	WHEEL R. ON AIR SUBURBAN 350123
	065063-01-701	EA	BOARD MODULE SUBURBAN 001741
	065064-01-701	EA	INTAKE VENT TUBE ASM SUBURBAN 051024
	065065-01-701	EA	BURNER ASM COMPLETE 1/2" 1/2" 3/8" SLE BAL 010745
	065066-01-701	EA	CRIDGE MANIF. PAPER SUBURBAN 070112
	065067-01-701	EA	MOTOR ASM ST. 30 SUBURBAN 201707
	065068-01-701	EA	COOR. ACCESS. FURNACE OFF WHITE SUBURBAN 220514
	065069-01-000	EA	THERMOSTAT WALL FURNACE SUBURBAN 015002

HEATING COMPONENTS

KEY	PART NUMBER	U/M	DESCRIPTION
	023149-01-000	EA	CLAVE SCREW 1/8" DIA
	065535-01-000	EA	CONNECTOR DUCT 1/2" ID SUBURBAN 060715
	065156-01-000	FT	DUCT HEAT FLEX 1/2" ID X 25 FT
	065514-01-000	EA	GRILLE RETURN AIR FURNACE-12 5/8" X 7 1/2" - BROWN
	075059-01-000	EA	HOSE 1/2" DEGREE-5 5/8" ID X 4" X 36"
	007108-01-000	FT	HOSE 1/2" WATER-5 5/8" ID X 10' TEMP. FORD ESE-M2D142 A
	065044-05-000	EA	REGISTER PLASTIC W/CO DAMPER-1" DIAMETER-GOLDEN
	075200-01-000	EA	TAPE FURNACE-1 1/2"
	060357-01-000	EA	TEE 4" CO. 7" LONG-METAL
	065757-01-000	FT	TUBE ALUMINIZED STEEL-5 8" 1/8 GAUGE
	008042-01-000	FT	TUBING VINYL 65" ID

REAR HEATER

KEY	PART NUMBER	U/M	DESCRIPTION
	084405-01-000	EA	HEATER ASM-REAR-DUCTED-W/MOTOR A/D - EVANS
	084405-01-700	EA	HEATER CORE - FT200222
	084405-01-701	EA	FAN - HV029331
	084405-01-702	EA	MOTOR-12 VOLT ASSY - F0200180
	087002-01-000	EA	SWITCH-4 POSITION-WKNCB
	087075-01-000	EA	DECAL AUTO AIR & REAR HEATER

ROOF A/C

KEY	PART NUMBER	U/M	DESCRIPTION
	063753-01-04A	EA	A/C-ROOF-13500 BTU - OFF WHITE - COLEMAN 6759D7075759E7
	073742-02-704	EA	RUN CAPACITOR (COMPRESSOR)-COLEMAN 1459-251
	075503-01-712	EA	MOTOR-COLEMAN# 5707A3119
	091225-01-703	EA	START RELAY-COLEMAN# 1437-4131
	091225-01-710	EA	START CAPACITOR-COLEMAN# 1437-0621
	093306-01-701	EA	DECAL PKG LEFT&RIGHT-COLEMAN 675933501
	093753-01-702	EA	OVERLOAD COLEMAN# 5759-3931
	093753-01-703	EA	WPELLOR-7" DIA X 2 8" WDE COLEMAN# 5753-3271
	093753-01-704	EA	CAPACITOR FAN COLEMAN# 1459-3451
	093753-01-707	EA	EVAPORATOR COIL COLEMAN# 1452-1351
	093753-01-708	EA	CONDENSER COIL-COLEMAN# 1452-1251
	093753-01-709	EA	COMPRESSOR COLEMAN# 6749A5609
	093753-01-712	EA	FAN BLADE-CONDENSER COLEMAN# 5733-3221
	093753-04-700	EA	SHROUD-ROOF A/C W/CO LOGOS - COLEMAN 6759-4501
	093754-01-000	EA	CEILING ASM-A/C COOL ONLY-TSR-COLEMAN 6759D714
	042204-01-709	EA	THERMOSTAT N64 OUT. CB-COLEMAN# 6701-3401
	073742-01-701	EA	SELECTOR SWITCH (5 TERMINAL)-COLEMAN# 6759-3251
	075303-01-707	EA	FILTER-6" X 14 3/4" X 1 1/2"-12 PER PKG - COLEMAN 5703A3151
	081505-01-712	EA	CEILING SHROUD (IVORY)-COLEMAN# 6769-5061
	091225-01-713	EA	KNOB (2 PER PACKAGE)-COLEMAN# 5701-3351
	091225-01-717	EA	DECAL (THERMOSTAT) COOL ONLY-COLEMAN# 6739A3441
	093753-01-710	EA	SINGLE PARTS PACKAGE-COLEMAN# 6759-5841
	102289-01-000	EA	SPRING-SCREW-ROOF A/C GASKET - COLEMAN 6757-150
	094077-03-000	EA	COVER-BLANK-ROOF A/C - 5 2" X 3 5" - IVORY

A/C-13500 BTU EUROPE

KEY	PART NUMBER	U/M	DESCRIPTION
	092440-01-000	EA	A/C-ROOF-13500 BTU - 220V - 50HZ - COLEMAN# 6713C750
	092441-01-000	EA	CEILING ASM-A/C-220V - 50HZ - COLEMAN# 6712E116
	102289-01-000	EA	SPRING-SCREW-ROOF A/C GASKET - COLEMAN 6757-150
	094077-03-000	EA	COVER-BLANK ROOF A/C - 5 2" X 3 5" - IVORY

1992 ITASCA TABLE OF CONTENTS

INTRODUCTION	A-01	A-02
ABBREVIATIONS		A-03
ALPHABETICAL INDEX	A-04	A-05
IF427RQ	A-07	D-15
IF427PC	D-17	G-22
IF427RT	G-23	K-07

1992 IF427RQ INDEX

FLOOR PLAN	A-07	A-08
ACCESSORIES		A-09
AUDIO/VIDEO		A-10
BATH	A-11	A-12
BEDROOM	A-13	A-14
CHASSIS	A-15	A-17
CURTAIN & CUSHION	A-18	B-03
DINETTE	B-04	B-05
DRIVERS	B-06	B-08
ELECTRICAL	B-09	B-12
EXTERIOR BODY	B-13	B-19
GALLEY	B-20	B-23
GENERATOR		B-24
HEATING & A/C	C-01	C-02
INTERIOR FINISH	C-03	C-05
LABEL	C-07	C-14
LIFT		C-15
COULAGE	C-15	C-17
SEALANTS & FASTENERS	C-15	C-20
WATER & SEWAGE	C-21	C-24
WINDOW VENT AND EXTERIOR DOOR	D-01	D-16

INTERIOR FINISH GROUP

MOLDINGS & TRIMS

KEY	PART NUMBER	U/M	DESCRIPTION
	085284 03 000	FT	BATT STRIP WOODGRAIN ADHESIVE BACKED - REGAL OAK FROM 00-00-00 THRU 02-23-92
	085284 05 000	FT	BATT STRIP WOODGRAIN ADHESIVE BACKED - FOREST OAK FROM 02-24-92 THRU 09-09-99
	085283 01 000	EA	BATT STRIP DECORATIVE - PLAIN - 5' LONG (MAIN)
	085284 01 000	FT	BATT STRIP DECORATIVE - PLAIN - ADHESIVE BACKED (MAIN)
	085283 02 000	EA	BATT STRIP DECORATIVE - W/FLOWERS - 8' LONG (GALLEY BATH)
	085284 02 000	FT	BATT STRIP DECORATIVE - W/FLOWERS - ADHESIVE BACKED (GALLEY BATH)
	085283 03 000	EA	BATT STRIP DECORATIVE - 6" - TROWELL WORK (CEILING)
	085284 03 000	FT	BATT STRIP TAPE - TROWELL WORK (CEILING)
	092330 02-438	EA	LUMBER VINYL WRAPPED 7' X 15' X 9' WOODGRAIN
	092330 02-438	EA	LUMBER VINYL WRAPPED 7' X 2' X 96" WOODGRAIN
	092330 03 000	EA	LUMBER VINYL WRAPPED 2' X 20' - WOODGRAIN
	092330 05 000	EA	LUMBER VINYL WRAPPED - 629 REGAL OAK
	085285 01 000	FT	MOLDING EDGE SHELF - 78" WIDE - PLASTIC - REGAL OAK
	085285 12 000	FT	MOLDING SIDEWALL TO CEILING CABINET - WELTING - OFF WHITE
	085285 23 000	EA	MOLDING CORNER - OUTSIDE - 1" - PLASTIC - MODERN IVORY
	085285 24 000	EA	MOLDING CORNER - OUTSIDE - 1" - PLASTIC - THORPECAN
	085285 25 000	EA	MOLDING CORNER - OUTSIDE - 1" - PLASTIC - MODERN IVORY
	085285 26 000	EA	MOLDING CORNER - OUTSIDE - 1" - PLASTIC - THORPECAN
	085285 27 000	EA	MOLDING CORNER - OUTSIDE - 1" - PLASTIC - MODERN IVORY
	085285 28 000	EA	MOLDING CORNER - OUTSIDE - 1" - PLASTIC - THORPECAN
	085285 29 000	EA	MOLDING CORNER - OUTSIDE - 1" - PLASTIC - MODERN IVORY
	085285 30 000	EA	MOLDING CORNER - OUTSIDE - 1" - PLASTIC - THORPECAN
	085285 31 000	EA	MOLDING CORNER - OUTSIDE - 1" - PLASTIC - MODERN IVORY
	085285 32 000	EA	MOLDING CORNER - OUTSIDE - 1" - PLASTIC - THORPECAN
	085285 33 000	EA	MOLDING CORNER - OUTSIDE - 1" - PLASTIC - MODERN IVORY
	085285 34 000	EA	MOLDING CORNER - OUTSIDE - 1" - PLASTIC - THORPECAN
	085285 35 000	EA	MOLDING CORNER - OUTSIDE - 1" - PLASTIC - MODERN IVORY
	085285 36 000	EA	MOLDING CORNER - OUTSIDE - 1" - PLASTIC - THORPECAN
	085285 37 000	EA	MOLDING CORNER - OUTSIDE - 1" - PLASTIC - MODERN IVORY
	085285 38 000	EA	MOLDING CORNER - OUTSIDE - 1" - PLASTIC - THORPECAN
	085285 39 000	EA	MOLDING CORNER - OUTSIDE - 1" - PLASTIC - MODERN IVORY
	085285 40 000	EA	MOLDING CORNER - OUTSIDE - 1" - PLASTIC - THORPECAN
	085285 41 000	EA	MOLDING CORNER - OUTSIDE - 1" - PLASTIC - MODERN IVORY
	085285 42 000	EA	MOLDING CORNER - OUTSIDE - 1" - PLASTIC - THORPECAN
	085285 43 000	EA	MOLDING CORNER - OUTSIDE - 1" - PLASTIC - MODERN IVORY
	085285 44 000	EA	MOLDING CORNER - OUTSIDE - 1" - PLASTIC - THORPECAN
	085285 45 000	EA	MOLDING CORNER - OUTSIDE - 1" - PLASTIC - MODERN IVORY
	085285 46 000	EA	MOLDING CORNER - OUTSIDE - 1" - PLASTIC - THORPECAN
	085285 47 000	EA	MOLDING CORNER - OUTSIDE - 1" - PLASTIC - MODERN IVORY
	085285 48 000	EA	MOLDING CORNER - OUTSIDE - 1" - PLASTIC - THORPECAN
	085285 49 000	EA	MOLDING CORNER - OUTSIDE - 1" - PLASTIC - MODERN IVORY
	085285 50 000	EA	MOLDING CORNER - OUTSIDE - 1" - PLASTIC - THORPECAN
	085285 51 000	EA	MOLDING CORNER - OUTSIDE - 1" - PLASTIC - MODERN IVORY
	085285 52 000	EA	MOLDING CORNER - OUTSIDE - 1" - PLASTIC - THORPECAN
	085285 53 000	EA	MOLDING CORNER - OUTSIDE - 1" - PLASTIC - MODERN IVORY
	085285 54 000	EA	MOLDING CORNER - OUTSIDE - 1" - PLASTIC - THORPECAN
	085285 55 000	EA	MOLDING CORNER - OUTSIDE - 1" - PLASTIC - MODERN IVORY
	085285 56 000	EA	MOLDING CORNER - OUTSIDE - 1" - PLASTIC - THORPECAN
	085285 57 000	EA	MOLDING CORNER - OUTSIDE - 1" - PLASTIC - MODERN IVORY
	085285 58 000	EA	MOLDING CORNER - OUTSIDE - 1" - PLASTIC - THORPECAN
	085285 59 000	EA	MOLDING CORNER - OUTSIDE - 1" - PLASTIC - MODERN IVORY
	085285 60 000	EA	MOLDING CORNER - OUTSIDE - 1" - PLASTIC - THORPECAN
	085285 61 000	EA	MOLDING CORNER - OUTSIDE - 1" - PLASTIC - MODERN IVORY
	085285 62 000	EA	MOLDING CORNER - OUTSIDE - 1" - PLASTIC - THORPECAN
	085285 63 000	EA	MOLDING CORNER - OUTSIDE - 1" - PLASTIC - MODERN IVORY
	085285 64 000	EA	MOLDING CORNER - OUTSIDE - 1" - PLASTIC - THORPECAN
	085285 65 000	EA	MOLDING CORNER - OUTSIDE - 1" - PLASTIC - MODERN IVORY
	085285 66 000	EA	MOLDING CORNER - OUTSIDE - 1" - PLASTIC - THORPECAN
	085285 67 000	EA	MOLDING CORNER - OUTSIDE - 1" - PLASTIC - MODERN IVORY
	085285 68 000	EA	MOLDING CORNER - OUTSIDE - 1" - PLASTIC - THORPECAN
	085285 69 000	EA	MOLDING CORNER - OUTSIDE - 1" - PLASTIC - MODERN IVORY
	085285 70 000	EA	MOLDING CORNER - OUTSIDE - 1" - PLASTIC - THORPECAN
	085285 71 000	EA	MOLDING CORNER - OUTSIDE - 1" - PLASTIC - MODERN IVORY
	085285 72 000	EA	MOLDING CORNER - OUTSIDE - 1" - PLASTIC - THORPECAN
	085285 73 000	EA	MOLDING CORNER - OUTSIDE - 1" - PLASTIC - MODERN IVORY
	085285 74 000	EA	MOLDING CORNER - OUTSIDE - 1" - PLASTIC - THORPECAN
	085285 75 000	EA	MOLDING CORNER - OUTSIDE - 1" - PLASTIC - MODERN IVORY
	085285 76 000	EA	MOLDING CORNER - OUTSIDE - 1" - PLASTIC - THORPECAN
	085285 77 000	EA	MOLDING CORNER - OUTSIDE - 1" - PLASTIC - MODERN IVORY
	085285 78 000	EA	MOLDING CORNER - OUTSIDE - 1" - PLASTIC - THORPECAN
	085285 79 000	EA	MOLDING CORNER - OUTSIDE - 1" - PLASTIC - MODERN IVORY
	085285 80 000	EA	MOLDING CORNER - OUTSIDE - 1" - PLASTIC - THORPECAN
	085285 81 000	EA	MOLDING CORNER - OUTSIDE - 1" - PLASTIC - MODERN IVORY
	085285 82 000	EA	MOLDING CORNER - OUTSIDE - 1" - PLASTIC - THORPECAN
	085285 83 000	EA	MOLDING CORNER - OUTSIDE - 1" - PLASTIC - MODERN IVORY
	085285 84 000	EA	MOLDING CORNER - OUTSIDE - 1" - PLASTIC - THORPECAN
	085285 85 000	EA	MOLDING CORNER - OUTSIDE - 1" - PLASTIC - MODERN IVORY
	085285 86 000	EA	MOLDING CORNER - OUTSIDE - 1" - PLASTIC - THORPECAN
	085285 87 000	EA	MOLDING CORNER - OUTSIDE - 1" - PLASTIC - MODERN IVORY
	085285 88 000	EA	MOLDING CORNER - OUTSIDE - 1" - PLASTIC - THORPECAN
	085285 89 000	EA	MOLDING CORNER - OUTSIDE - 1" - PLASTIC - MODERN IVORY
	085285 90 000	EA	MOLDING CORNER - OUTSIDE - 1" - PLASTIC - THORPECAN
	085285 91 000	EA	MOLDING CORNER - OUTSIDE - 1" - PLASTIC - MODERN IVORY
	085285 92 000	EA	MOLDING CORNER - OUTSIDE - 1" - PLASTIC - THORPECAN
	085285 93 000	EA	MOLDING CORNER - OUTSIDE - 1" - PLASTIC - MODERN IVORY
	085285 94 000	EA	MOLDING CORNER - OUTSIDE - 1" - PLASTIC - THORPECAN
	085285 95 000	EA	MOLDING CORNER - OUTSIDE - 1" - PLASTIC - MODERN IVORY
	085285 96 000	EA	MOLDING CORNER - OUTSIDE - 1" - PLASTIC - THORPECAN
	085285 97 000	EA	MOLDING CORNER - OUTSIDE - 1" - PLASTIC - MODERN IVORY
	085285 98 000	EA	MOLDING CORNER - OUTSIDE - 1" - PLASTIC - THORPECAN
	085285 99 000	EA	MOLDING CORNER - OUTSIDE - 1" - PLASTIC - MODERN IVORY
	085285 00 000	EA	MOLDING CORNER - OUTSIDE - 1" - PLASTIC - THORPECAN

CARPETING & FLOOR MATS

KEY	PART NUMBER	U/M	DESCRIPTION
	085285 21 000	SY	CARPET-12' ROLL - INCREMENTS OF 4 SY - PALE ORCHID
	085285 01 000	SY	CARPET COMPARTMENT - 64" WIDE - DARK GRAY
	047634 02 000	SF	PLASTIC CARPET - 4' WIDE - CLEAR FOLY - MINIMUM ORDER 1600 SF
	040069 01 000	EA	MAT FLOOR W/ITASCA LOGO - 19.5' X 26" - RUBBER - BLACK
	085285 02 000	EA	MAT FLOOR ENTRANCE DOOR - W/ITASCA LOGO FROM 00-00-00 THRU 01-09-92
	085285 04 000	EA	MAT FLOOR ENTRANCE - ITASCA - PLASTIC COLOR GRAY FROM 01-10-92 THRU 09-09-99
	085285 03 000	EA	MAT FLOOR PASSENGER - FROM 00-00-00 THRU 01-12-92
	085285 04 000	EA	MAT FLOOR DRIVER - FROM 00-00-00 THRU 01-12-92
	106684 03 000	EA	MAT FLOOR FRONT RIGHT - FORD FROM 01-10-92 THRU 09-09-99
	106684 04 000	EA	MAT FLOOR FRONT LEFT - FORD FROM 01-10-92 THRU 09-09-99

INTERIOR FINISH GROUP (CONTINUED)

FIRE EXTINGUISHER, SMOKE DETECTOR & CLOCK

KEY	PART NUMBER	U/M	DESCRIPTION
	094499-01-000	EA	EXTINGUISHER-FIRE- DRY W/MOUNTING BRACKET - 10 BC
	094499-02-000	EA	EXTINGUISHER-FIRE- DRY - 1A10BC - CANADIAN
	094499-01-700	EA	BRACKET-MOUNTING- W/PLASTIC STRAP - FIRE EXTINGUISHER
	094551-01-02A	EA	HOLDER-FIRE EXTINGUISHER- RECESSED - GREY FROM 00-00-00 THRU 05-04-92
	072852-01-000	EA	DETECTOR-SMOKE - W/9 VOLT BATTERY (US)
	072852-02-000	EA	DETECTOR-SMOKE - W/9 VOLT BATTERY (CSA)
	104754-01-01A	EA	CLOCK-WALL SPARTUS 5616-42
	101333-01-000	EA	BACKPLATE-CLOCK - 6" X 6" - PLASTIC - BLACK

PANELING, LAMINATES & PLASTIC

KEY	PART NUMBER	U/M	DESCRIPTION
	074497-19-000	SF	PANELING-CEILING - 4' X 8' - TROWWORKFAWN - INCREMENTS OF 32 SF
	074497-20-000	SF	PANELING-WOODGRAIN - 4' X 8' - FOREST OAK- INCREMENTS OF 32 SF
	074497-17-000	SF	PANELING-WOODGRAIN - 4' X 8' - RAMBLING OAK- INCREMENTS OF 32 SF FROM 00-00-00 THRU 11-03-91
	074497-21-000	SF	PANELING-WOODGRAIN - 4' X 8' - WINNI OAK-INCREMENTS OF 32 SF FROM 11-04-91 THRU 09-09-99
	085272-55-000	SF	PANELING-DECORATIVE - PLAIN - 4' X 7' - INCREMENTS OF 28 SF
	085272-37-000	SF	PANELING-DECORATIVE - W/FLOWERS - 4' X 7' - INC OF 28 SF
	074498-41-000	SF	LAMINATE PLASTIC - 5' X 8' - ORCHID W/ST - INC OF 40 SF
	075325-34-00	FT	MOLDING-EDGE BAND - 1 5/16" WIDE
	000885-34-000	SF	PARTICLE BOARD - 3/8" X 49" X 97" - 1 SIDE VINYL-LIGHT OAK(33 SF) FROM 00-00-00 THRU 11-03-91
	000885-55-000	SF	PARTICLE BOARD - 3/8" X 49" X 97" - 1 SIDE VINYL-FOREST OAK(33 SF) FROM 11-04-91 THRU 09-09-99
	000885-54-000	SF	PART BOARD - 3/8" X 48" X 96" - FOREST OAK VINYL 2 SIDES
	085297-01-000	SF	PLYWOOD - LUAN OVERLAY GRADE - 4' X 8' - INC OF 32 SF
	093743-02-01A	SF	PLASTIC - ABS-20" WIDE ROLL - OFF WHITE
	093743-03-01A	SF	PLASTIC - ABS-10 1/2" WIDE - OFF WHITE
	085518-02-000	SF	PLYWOOD-OAK - 1 SIDE FINISHED - 3/16" X 4' X 8' (32 SF)
	085558-01-000	SF	VENEER-FLAT LUANA - 48" X 96"

1992 ITASCA TABLE OF CONTENTS

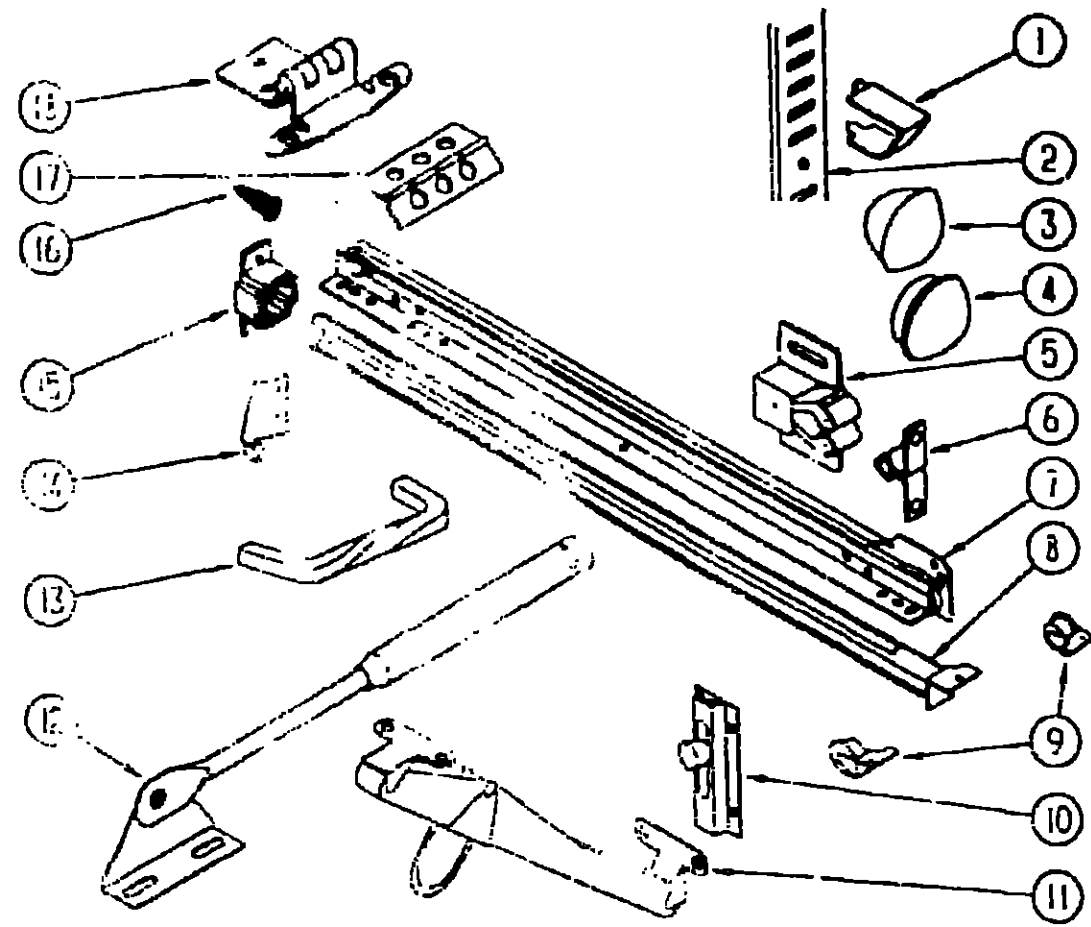
INTRODUCTION	A-01	A-02
ABBREVIATIONS		A-03
ALPHABETICAL INDEX	A-04	A-05
IF427RQ	A-07	D-15
IF427RC	D-17	G-32
IF427RT	G-23	K-07

1992 IF427RQ INDEX

FLOOR PLAN	A-07	A-09
ACCESSORIES		A-09
AUDIO VIDEO		A-10
BATH	A-11	A-12
BEDROOM	A-13	A-14
CHASSIS	A-15	A-17
CURTAIN & CUSHION	A-18	B-03
CNETTE	B-04	B-05
DRIVERS	B-06	B-08
ELECTRICAL	B-09	B-12
EXTERIOR BODY	B-13	B-19
GALLEY	B-20	B-23
GENERATOR		B-24
HEATING & A/C	C-01	C-02
INTERIOR FINISH	C-03	C-05
LABEL	C-07	C-14
LP		C-15
LOUNGE	C-16	C-17
SEALANTS & FASTENERS	C-18	C-20
WATER & SEWAGE	C-21	C-24
WINDOW VENT AND EXTERIOR DOOR	D-01	D-16

INTERIOR FINISH GROUP (CONTINUED)

CABINET & TABLE HARDWARE



KEY	PART NUMBER	U/M	DESCRIPTION
1	096979-01-000	EA	CLIP-ADJUSTABLE SHELF
2	096980-01-000	EA	PILASTER-ADJUSTABLE SHELF- 18" LONG
3	042356-01-000	EA	PLUG-BUTTON-WAHOOGANY - 3/8" DIAMETER - WOOD
4	074045-07-000	EA	PLUG-WOOD-1/2" - NATURAL
5	093586-03-000	EA	CATCH-SPRING-ROLLER
6	093586-04-000	EA	STRIKE-SPRING STEEL
7	101910-03-000	EA	SLIDE-DRAWER-CABINET MOUNTED - SET OF 2 - 12" LONG
7	101910-04-000	EA	SLIDE-DRAWER-DRAWER MOUNTED - SET OF 2 - 12" LONG
8	102827-05-000	EA	TRACK-DRAWER - 22 5/8" LONG
9	102827-03-000	EA	ROLLER-DRAWER NYLON - PAIR
10	051594-01-000	EA	SLIDE-BOLT-ANTIQUE BRASS
11	104181-01-000	EA	SUPPORT-LEAF 5 3/4" - EXTENDS TO 7 5/8" - SAFETY RING - METAL
12	074493-02-000	EA	SUPPORT-PISTON SPRING - CABINET DOOR
13	096845-01-000	EA	FULL-CABINET BRASS - TWIST - 1 1/4" X 3 1/4"
	100995-01-000	EA	BACKPLATE FULL - CABINET DOOR - 5 7/8" - BRASS FROM 12-09-91 THRU 99-99-99
14	102527-02-000	EA	BRACKET-ROLLER - DRAWER - REAR
15	102827-04-000	EA	BRACKET-MOUNTING DRAWER - REAR
15	000G13-05-10G	EA	SCREW 5 20 X 5/8 PFH - ANTIQUE BRASS FROM 00-00-00 THRU 04-14-92
15	000G13-05-06G	EA	SCREW 5 20 X 5/8 PFH - ANTIQUE BRASS FROM 04-15-92 THRU 99-99-99
17	009059-02-050	EA	HINGE-DOOR- 2" X 2 7/8" - BRASS
18	059777-02-000	EA	HINGE-CABINET DOOR - BURNISHED BRASS FROM 00-00-00 THRU 04-15-92
18	108135-01-000	EA	HINGE-DOOR CABINET - BURNISHED BRASS FROM 04-17-92 THRU 99-99-99
	109549-01-000	EA	HINGE-BRASS-VARIABLE OVERLAY (OVERHEAD RANGE CABINET)
	023320-01-000	EA	PAD-FELT 3/8" DIAMETER - BROWN
	105037-02-000	EA	FASTENER-WOOD CORNER - METAL - 5" X 5"
	004354-01-000	EA	BUMPER-RUBBER - 5" DIA - BROWN
	009053-01-000	EA	HINGE-CONTINUOUS - 1 1/2" X 72" - UNPAINTED
	009056-01-000	EA	HINGE-ALUMINUM- NO HOLES - 1 1/16" X 6" - UNPAINTED
	016504-01-000	EA	BRACE-CABINET- ANGLE - 2 5/8" - METAL - UNPAINTED
	016604-03-000	EA	BRACE-CABINET- ANGLE - 2 5/8" - METAL - BEIGE
	055740-01-000	EA	BRACE-CABINET CORNER- PLASTIC
	075720-01-000	EA	SCREW- 5-20 X 1 1/4 PFH - BLACK
	059763-01-000	FT	ROD-CLOTHES-SLOTTED - ALUMINUM - 7' LENGTH
	009069-01-000	EA	CLIP-MIRROR
	009112-01-000	EA	FLANGE-1" ROD - CLOTHES - PLASTIC - OFF WHITE
	042438-01-000	EA	DOWEL-WOOD - CLOTHES ROD - 1" DIAMETER X 4"
	042438-02-000	EA	DOWEL-WOOD - 2" X 2"
	054781-05-000	EA	HOLDER-CUP - TWO STEP - OFF WHITE
	103257-01-000	EA	STOP-DOOR
	103130-01-000	EA	HOCK-CUP - BRASS - 1 25"
	079937-04-000	EA	BRACKET-BUNK BED - 2 9/16" X 1 5/8" TRIANGLE - METAL - OFF WHITE
	104855-01-000	EA	CATCH-WOOD-VINYL FACED CABINET
	104855-02-000	EA	CATCH-WOOD-LAMINATED FACED CABINET

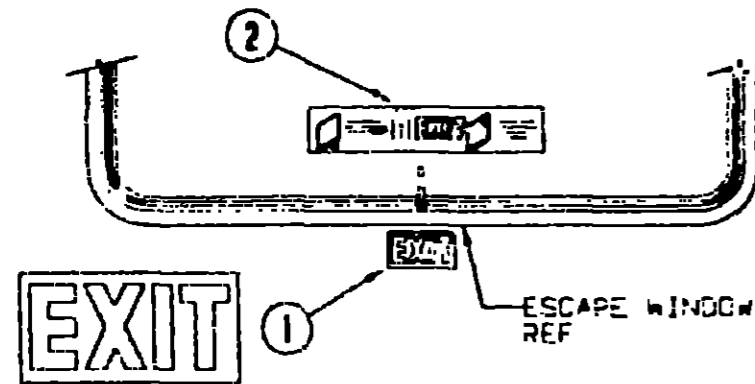
1992 ITASCA TABLE OF CONTENTS

INTRODUCTION	A-01 - A-02
ABBREVIATIONS	A-03
ALPHABETICAL INDEX	A-04 - A-05
IF427RQ	A-07 - D-16
IF427RC	D-17 - G-22
IF427RT	G-23 - K-27

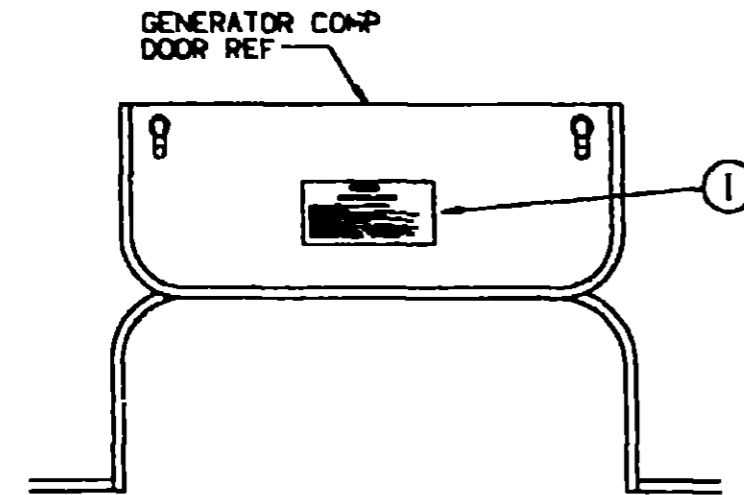
1992 IF427RQ INDEX

FLOOR PLAN	A-07 - A-08
ACCESSORIES	A-09
AUDIO VIDEO	A-10
BATH	A-11 - A-12
BEDROOM	A-13 - A-14
CHASSIS	A-15 - A-17
CURTAIN & CUSHION	A-18 - B-03
DINETTE	B-04 - B-05
DRIVERS	B-06 - B-08
ELECTRICAL	B-09 - B-12
EXTERIOR BODY	B-13 - B-19
GALLEY	B-20 - B-23
GENERATOR	B-24
HEATING & A/C	C-01 - C-02
INTERIOR FINISH	C-03 - C-06
LABEL	C-07 - C-14
LP	C-15
LOUNGE	C-16 - C-17
SEALANTS & FASTENERS	C-18 - C-20
WATER & SEWAGE	C-21 - C-24
WINDOW, VENT AND EXTERIOR DOOR	D-01 - D-16

LABELS GROUP



KEY	PART NUMBER	U/M DESCRIPTION
1	039250-01-000	EA LABEL-WARNING-EXIT
2	107571-01-000	EA LABEL-EXIT-ESCAPE WINDOW



WARNING

WHEN ATTACHING A GENERATOR SET:

HIGH VOLTAGE-USE EXTREME CAUTION WHEN WORKING ON ELECTRICAL COMPONENTS.

HAVE ALL ELECTRICAL INSTALLATION PERFORMED BY A QUALIFIED LICENSED ELECTRICIAN-FOLLOW ALL STATE AND LOCAL CODES.

ONLY INSTALL GENERATOR SET APPROVED FOR R.V. APPLICATION. HAVE INSTALLED BY QUALIFIED TECHNICIAN.

TO AVOID HEAT BUILD-UP AND TO GUARANTEE AN ADEQUATE AIR SUPPLY TO THE GENERATOR CASE/UNIT, FOLLOW INSTALLATION INSTRUCTIONS.

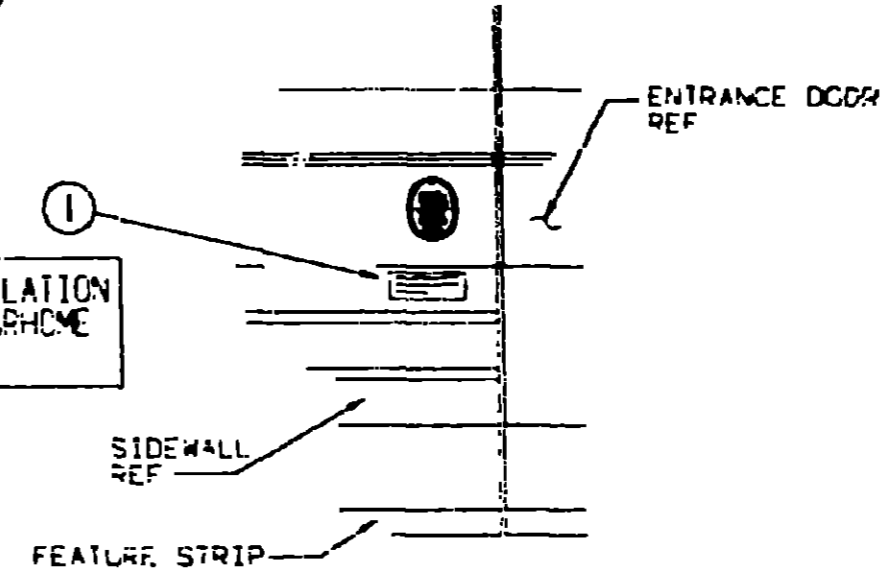
GENERATOR ENGINE EXHAUST MUST BE TRUCK AND MUST NOT TERMINATE UNDER THE VEHICLE-ENGINE EXHAUST MUST BE AWAY FROM VEHICLE.

KEY	PART NUMBER	U/M DESCRIPTION
1	077510-01-000	EA LABEL-GENERATOR PREP

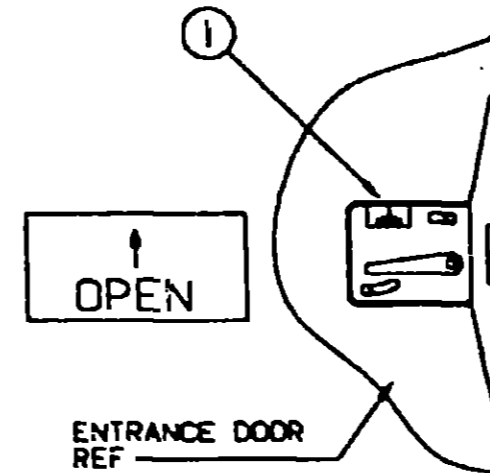
LABELS GROUP (CONTINUED)



FOR AWNING INSTALLATION CONTACT YOUR MOTORHOME DEALERSHIP



KEY	PART NUMBER	U/M DESCRIPTION
1	099509-01-000	EA LABEL-AWNING INSTALLATION



KEY	PART NUMBER	U/M DESCRIPTION
1	040944-01-000	EA LABEL-ENTRANCE DOOR 'OPEN'

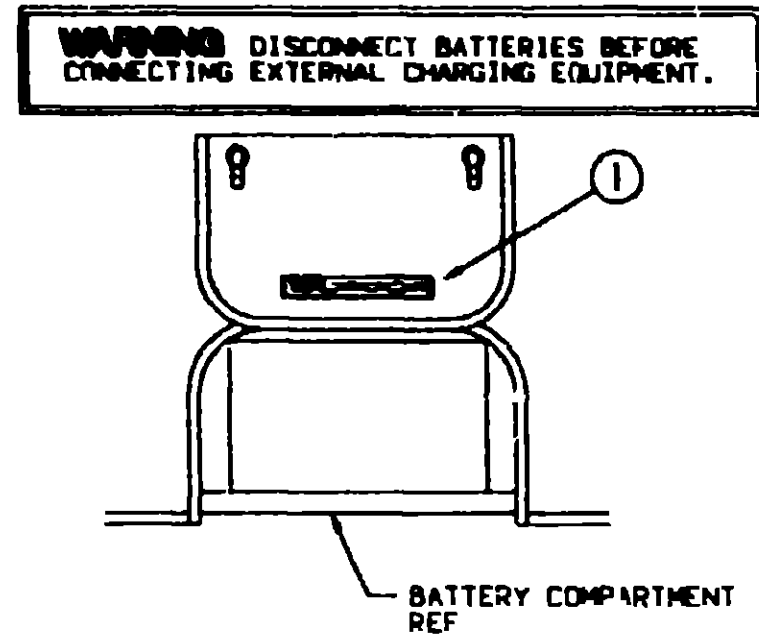
1992 ITASCA TABLE OF CONTENTS

INTRODUCTION	A-01 - A-02
ABBREVIATIONS	A-03
ALPHABETICAL INDEX	A-04 - A-06
IF427RQ	A-07 - D-16
IF427RC	D-17 - G-22
IF427RT	G-23 - K-07

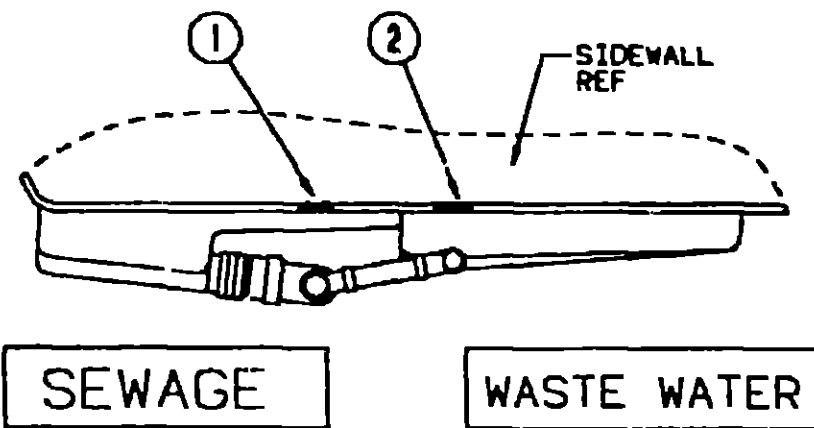
1992 IF427RQ INDEX

FLOOR PLAN	A-07 - A-08
ACCESSORIES	A-09
AUDIO VIDEO	A-10
BATH	A-11 - A-12
BEDROOM	A-13 - A-14
CHASSIS	A-15 - A-17
CURTAIN & CUSHION	A-18 - B-03
DINETTE	B-04 - B-05
DRIVERS	B-06 - B-08
ELECTRICAL	B-09 - B-12
EXTERIOR BODY	B-13 - B-19
GALLEY	B-20 - B-23
GENERATOR	B-24
HEATING & A/C	C-01 - C-02
INTERIOR FINISH	C-03 - C-06
LABEL	C-07 - C-14
LP	C-15
LOUNGE	C-16 - C-17
SEALANTS & FASTENERS	C-18 - C-20
WATER & SEWAGE	C-21 - C-24
WINDOW, VENT AND EXTERIOR DOOR	D-01 - D-16

LABELS GROUP (CONTINUED)

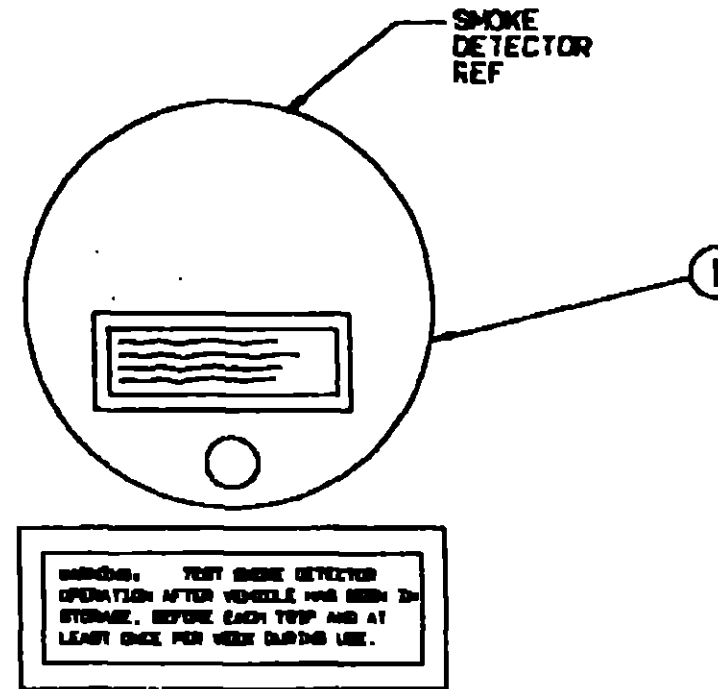


KEY	PART NUMBER	U/M DESCRIPTION
1	0E5748-01-000	EA LABEL CAUTION BATTERY CHARGING

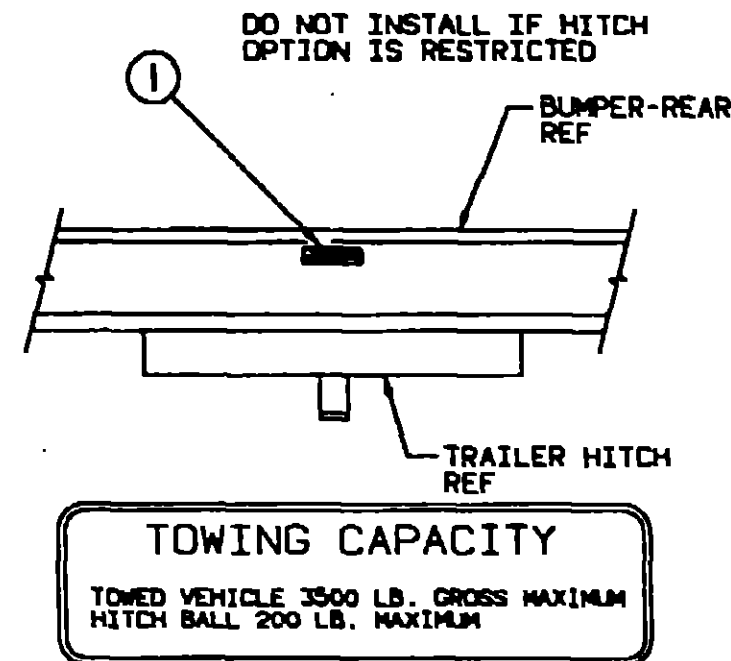


KEY	PART NUMBER	U/M DESCRIPTION
1	005187-01-000	EA LABEL-SEWAGE
2	005188-01-000	EA LABEL-WASTE WATER

LABELS GROUP (CONTINUED)



KEY	PART NUMBER	U/M DESCRIPTION
1	077956-01-000	EA LABEL-WARNING-SMOKE DETECTOR



KEY	PART NUMBER	U/M DESCRIPTION
1	075221-01-000	EA LABEL-TOWING CAPACITY

**1992 ITASCA
TABLE OF CONTENTS**

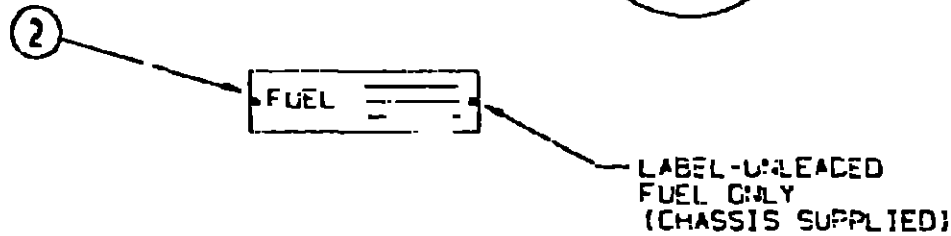
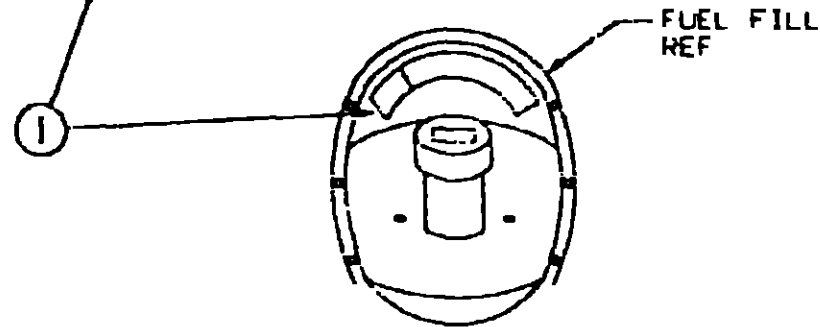
INTRODUCTION	A-01 - A-02
ABBREVIATIONS	A-03
ALPHABETICAL INDEX	A-04 - A-06
IF427RO	A-07 - D-16
IF427RC	D-17 - G-22
IF427RT	G-23 - K-07

1992 IF427RQ INDEX

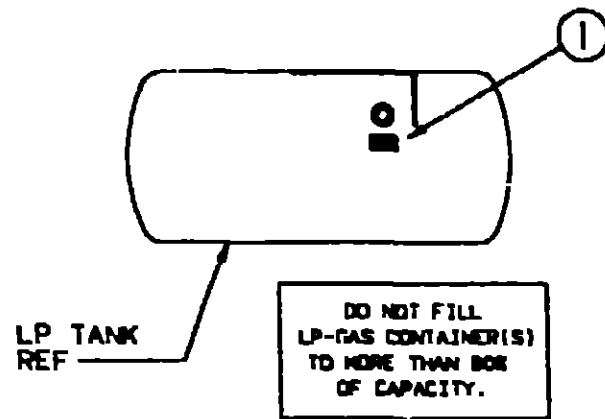
FLOOR PLAN	A-07 - A-08
ACCESSORIES	A-09
AUDIO VIDEO	A-10
BATH	A-11 - A-12
BEDROOM	A-13 - A-14
CHASSIS	A-15 - A-17
CURTAIN & CUSHION	A-18 - B-03
DINETTE	B-04 - B-05
DRIVERS	B-06 - B-08
ELECTRICAL	B-09 - B-12
EXTERIOR BODY	B-13 - B-19
GALLEY	B-20 - B-23
GENERATOR	B-24
HEATING & A/C	C-01 - C-02
INTERIOR FINISH	C-03 - C-05
LABEL	C-07 - C-14
LP	C-15
LOUNGE	C-16 - C-17
SEALANTS & FASTENERS	C-18 - C-20
WATER & SEWAGE	C-21 - C-24
WINDOW, VENT AND EXTERIOR DOOR	D-01 - D-16

LABELS GROUP (CONTINUED)

CAUTION	TO HELP AVOID PERSONAL INJURY DURING REMOVAL OF FUEL FILLER CAP, SLOWLY LOOSEN CAP 1/2 TURN TO ALLOW ANY FUEL PRESSURE TO BE RELIEVED BEFORE TURNING CAP FURTHER.
FUEL SPRAY MAY CAUSE PERSONAL INJURY	STOP ADDING FUEL AFTER FIRST SHUTOFF BY AUTOMATIC NOZZLE WHEN TANK IS NEARLY FULL. DO NOT OVERFILL FUEL TANK. SEE OWNERS MANUAL FOR ADDITIONAL INFORMATION.
	PRINTED IN U.S.A. M.C. #1 10 (26) 1763

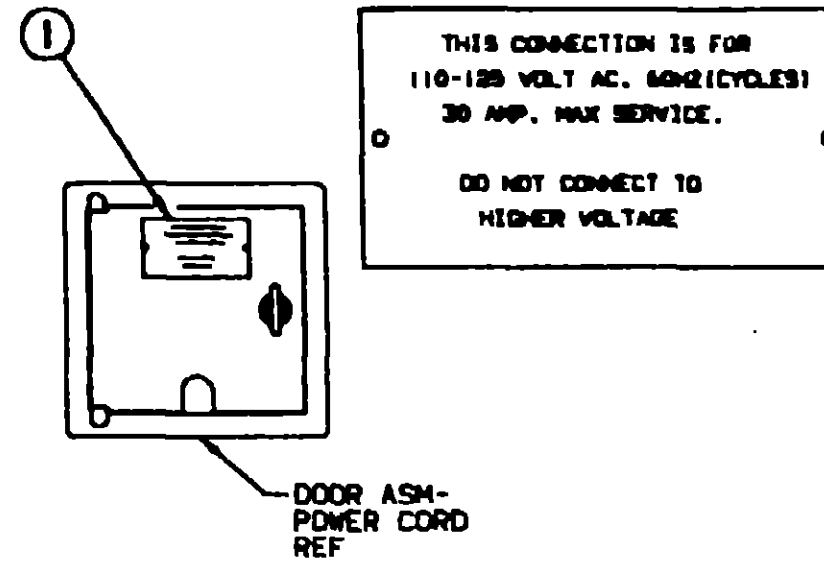


KEY PART NUMBER	U/M DESCRIPTION
1 087207-06-000	EA LABEL-GAS OVERFILL
2 062043-01-000	EA LABEL-FUEL-UNLEADED

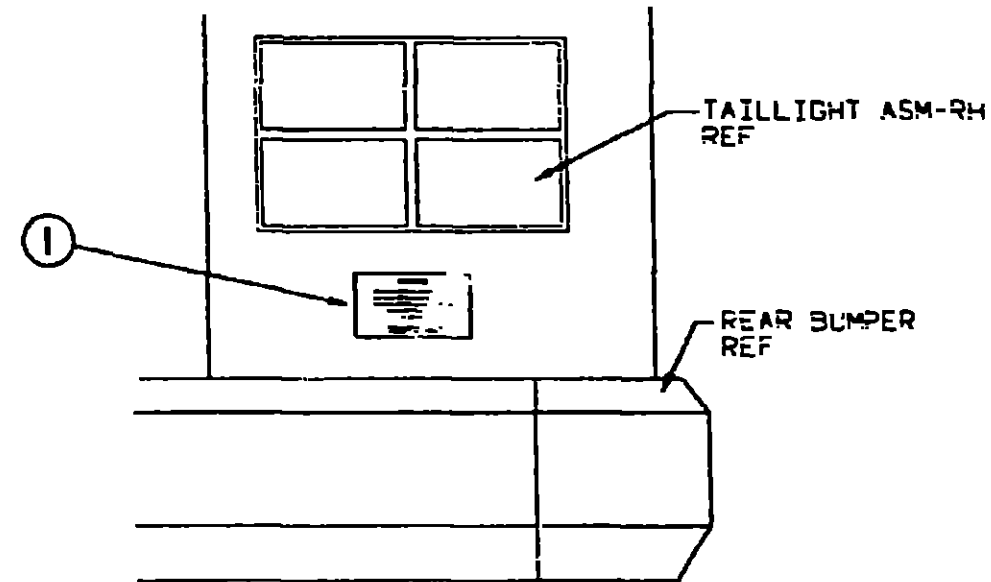


KEY PART NUMBER	U/M DESCRIPTION
1 054531-01-000	EA LABEL-LP GAS ONLY

LABELS GROUP (CONTINUED)



KEY PART NUMBER	U/M DESCRIPTION
1 005052-01-000	EA TAG-ELECTRIC-110V CONNECTION



WARNING

DO NOT EXCEED THE VEHICLE WEIGHT RATINGS OR LOADING RECOMMENDATIONS (E.G., GROSS VEHICLE, GROSS AXLE, GROSS COMBINED) OF THE CHASSIS MANUFACTURER OR WINNEBAGO INC.

REFER TO YOUR OWNERS MANUAL, BEFORE LOADING OR TOWING.

KEY PART NUMBER	U/M DESCRIPTION
1 075220-01-000	EA LABEL-WARNING-EXTERIOR LOAD

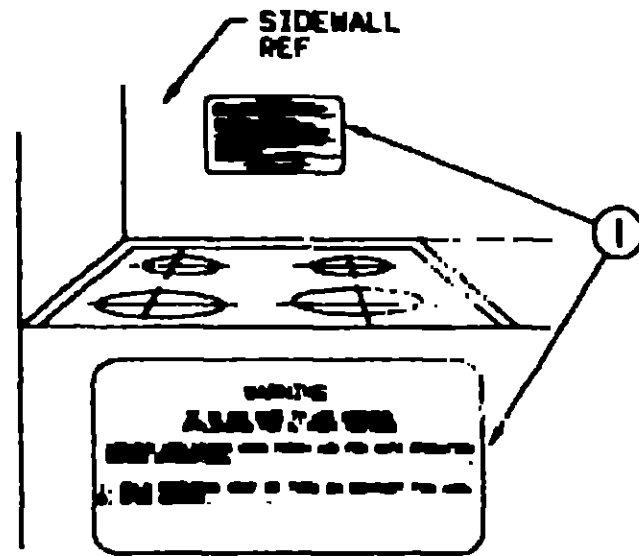
1992 ITASCA TABLE OF CONTENTS

INTRODUCTION	A-01 - A-02
ABBREVIATIONS	A-03
ALPHABETICAL INDEX	A-04 - A-06
IF427RQ	A-07 - C-3
IF427RC	D-17 - G-22
IF427RT	G-23 - K-07

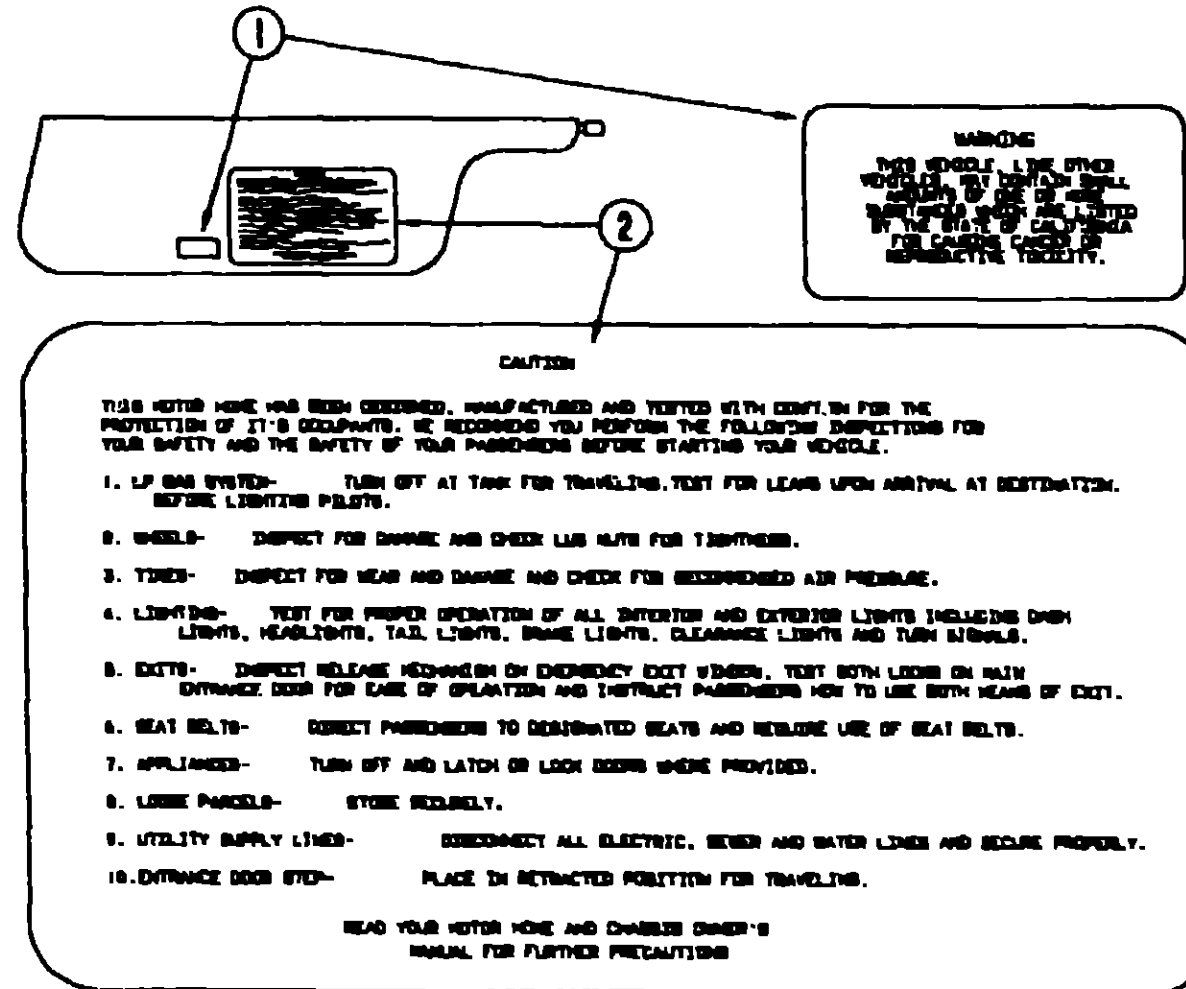
1992 IF427RQ INDEX

FLOOR PLAN	A-07 - A-08
ACCESSORIES	A-09
AUDIO VIDEO	A-10
BATH	A-11 - A-12
BEDROOM	A-13 - A-14
CHASSIS	A-15 - A-17
CURTAIN & CUSHION	A-18 - B-03
DINETTE	B-04 - B-05
DRIVERS	B-06 - B-08
ELECTRICAL	B-09 - B-12
EXTERIOR BODY	B-13 - B-19
GALLEY	B-20 - B-23
GENERATOR	B-24
HEATING & A/C	C-01 - C-02
INTERIOR FINISH	C-03 - C-06
LABEL	C-07 - C-14
LP	C-15
LOUNGE	C-16 - C-17
SEALANTS & FASTENERS	C-18 - C-20
WATER & SEWAGE	C-21 - C-24
WINDOW, VENT AND EXTERIOR DOOR	D-01 - D-16

LABELS GROUP (CONTINUED)



KEY	PART NUMBER	U/M DESCRIPTION
1	050225-01-000	EA LABEL-WARNING-STOVE VENT - US



KEY	PART NUMBER	U/M DESCRIPTION
1	095689-01-000	EA LABEL-WARNING-CANCER/TOXICITY
2	056259-01-000	EA LABEL-SAFETY CHECK LIST

LABELS GROUP (CONTINUED)

MISCELLANEOUS LABELS

KEY	PART NUMBER	U/M DESCRIPTION
	104236-01-000	EA LABEL-GENERATOR CIRCUIT
	036064-01-000	EA LABEL-SEAT W/O SEATBELT (US) NOT INTENDED FOR USE WHILE COACH IN MOTION
	006064-02-000	EA LABEL-SEAT W/O SEATBELT (CSA) NOT INTENDED FOR USE WHILE COACH IN MOTION
	091224-02-000	EA LABEL-TRAILER LIGHTING
	091243-01-000	EA LABEL-A/C COVER - "AIR CONDITIONING CIRCUIT ETC."
	093236-08-000	EA LABEL-CIRCUIT BREAKER
	098641-01-000	EA LABEL-FUEL - UNLEADED - DASH
	074559-01-000	EA DECAL-LOGO - LPG - RED - (CALIF CODE)
	073998-01-000	EA LABEL-LPG ODOR WARNING
	087236-01-000	EA LABEL-CABLE - INPUT
	061417-01-000	EA LABEL-FUEL - ON FUEL FILL DOOR
	006040-01-000	EA TAG-GAS REFUELING WARNING - JS
	006040-02-000	EA TAG-GAS REFUEL WARNING - CANADIAN

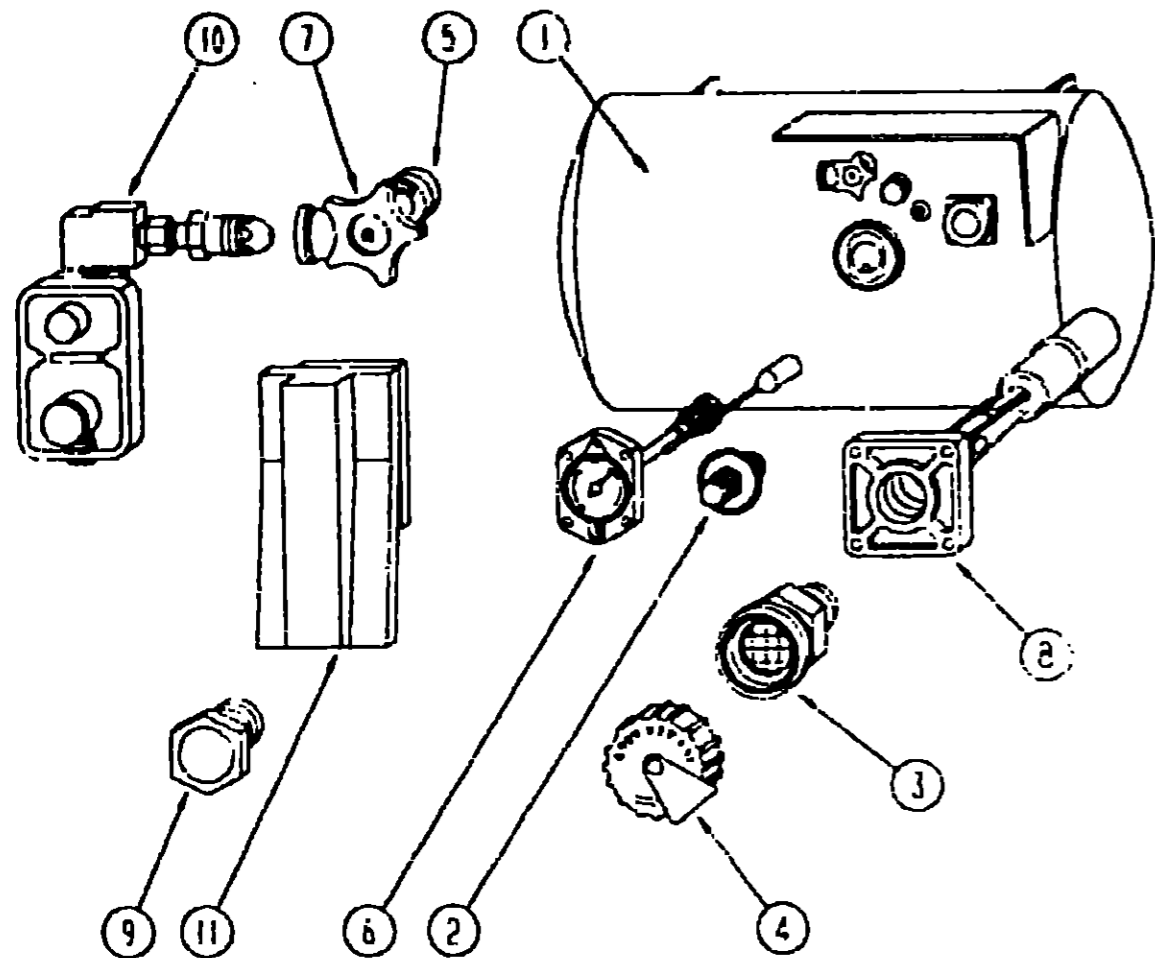
**1992 ITASCA
TABLE OF CONTENTS**

INTRODUCTION	A-01 - A-02
ABBREVIATIONS	A-03
ALPHABETICAL INDEX	A-04 - A-06
IF427RQ	A-07 - D-16
IF427RC	D-17 - G-22
IF427RT	G-23 - K-07

1992 IF427RQ INDEX

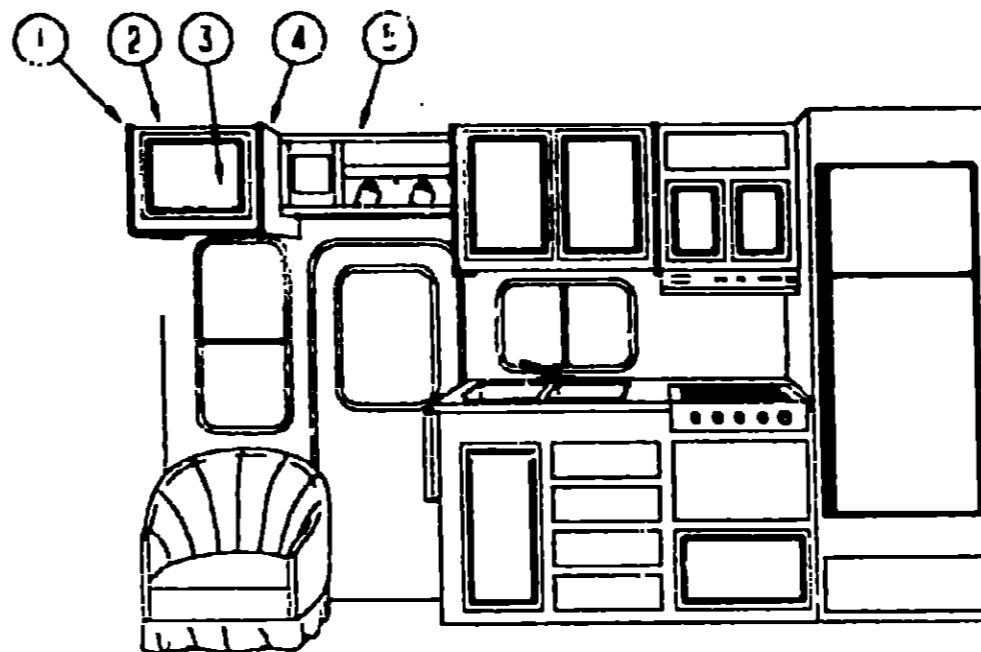
FLOOR PLAN	A-07 - A-08
ACCESSORIES	A-09
AUDIO VIDEO	A-10
BATH	A-11 - A-12
BEDROOM	A-13 - A-14
CHASSIS	A-15 - A-17
CURTAIN & CUSHION	A-18 - B-02
DINETTE	B-04 - B-05
DRIVERS	B-06 - B-08
ELECTRICAL	B-09 - B-12
EXTERIOR BODY	B-13 - B-19
GALLEY	B-20 - B-23
GENERATOR	B-24
HEATING & A/C	C-01 - C-02
INTERIOR FINISH	C-03 - C-06
LABEL	C-07 - C-14
LP	C-15
LOUNGE	C-16 - C-17
SEALANTS & FASTENERS	C-18 - C-20
WATER & SEWAGE	C-21 - C-24
WINDOW, VENT AND EXTERIOR DOOR	D-01 - D-16

LP GROUP



LP TANK & COMPONENTS

LOUNGE GROUP



O'VERHEAD CABINETRY

**1992 ITASCA
TABLE OF CONTENTS**

INTRODUCTION	A-01 - A-02
ABBREVIATIONS	A-03
ALPHABETICAL INDEX	A-04 - A-05
IF427RQ	A-07 - D-15
IF427RC	D-17 - G-22
IF427RT	G-23 - K-07

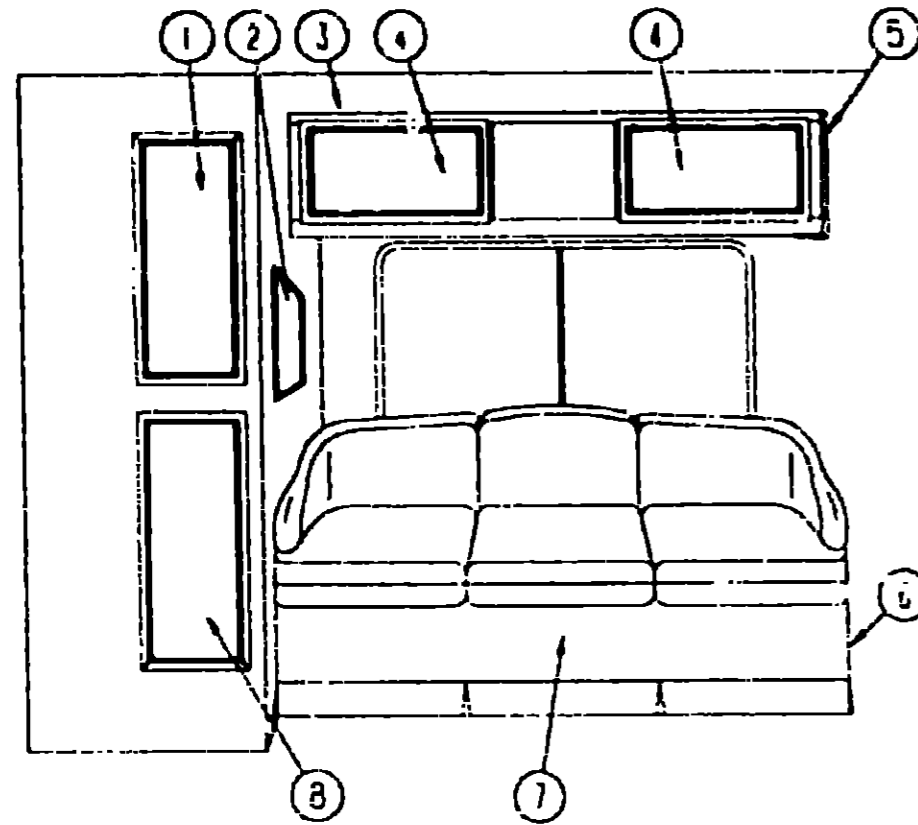
KEY	PART NUMBER	U/M	DESCRIPTION	
1	081280-40-C03	EA	CAP ASM-END-OVERHEAD	
				FROM 00-00-00 THRU 08-29-91
1	104335-07-C52	EA	CAP ASM-END-OVERHEAD	
				FROM 08-30-91 THRU 99-99-99
1	104335-18-C03	EA	CAP ASM-END-OVERHEAD W/TV	
2	M05623-01-C03	EA	CABINET ASM-OVERHEAD-FRONT-RIGHT	
2	M05523-26-C03	EA	CABINET ASM-OVERHEAD TV	
	106452-11-C03	EA	SHelf ASM	
	G61504-01-000	EA	SLIDE-BOLT-ANTIQUE BRASS	
	101910-03-000	EA	SLIDE-DRAWER-CABINET MOUNTED - SET OF 2 - 12" LONG	
	101910-04-000	EA	SLIDE-DRAWER-DRAWER MOUNTED - SET OF 2 - 12"	
3	P05223 04 C03	EA	DOOR ASM-W/O HARDWARE	
4	081280-39-C03	EA	CAP ASM-END-OVERHEAD	
				FROM 00-00-00 THRU 08-29-91
4	104335-06-C52	EA	CAP ASM-END-OVERHEAD	
				FROM 08-30-91 THRU 99-99-99
4	104335-17-C03	EA	CAP ASM-END-OVERHEAD W/TV	
5	105847-05-C05	EA	KEY RING HOLDER	
	103130-01-000	EA	HOCK-CUP-BRASS - 1 25"	

1992 IF427RQ INDEX

FLOOR PLAN	A-07 - A-08
ACCESSORIES	A-09
AUDIO VIDEO	A-10
BATH	A-11 - A-12
BEDROOM	A-13 - A-14
CHASSIS	A-15 - A-17
CURTAIN & CUSHION	A-18 - B-03
DINETTE	B-04 - B-05
DRIVERS	B-06 - B-08
ELECTRICAL	B-09 - B-12
EXTERIOR BODY	B-13 - B-15
GALLEY	B-20 - B-23
GENERATOR	B-24
HEATING & A/C	C-01 - C-02
INTERIOR FINISH	C-03 - C-06
LABEL	C-07 - C-14
LP	C-15
LOUNGE	C-16 - C-17
SEALANTS & FASTENERS	C-18 - C-20
WATER & SEWAGE	C-21 - C-24
WINDOW, VENT AND EXTERIOR DOOR	D-01 - D-16

KEY	PART NUMBER	U/M	DESCRIPTION
1	080450-1-000	EA	TANK-LP - 42LB 13D!AX24LONG
2	040421-01-700	EA	VALVE-LIQUID LEVEL - 20% LP - BRUNNER G-1013
3	040421-01-701	EA	VALVE-SHORT LP FILLER W/YELLOW CAP - BRUNNER 75478
4	040421-01-702	EA	CAP-LP FILLER VALVE - PLASTIC - YELLOW - BRUNNER G-1014-A
5	040421-01-703	EA	VALVE-SERVICE W/HANDWHEEL (REGO 9106CO) - BRUNNER G-1015
6	040421-01-707	EA	GAUGE-FLOAT W/VISIBLE DIAL - BRUNNER VA-9 6244-4
	040440-02-000	EA	DIAL-TRANSMITTER 0-90 OHM
7	040421-01-708	EA	HANDWHEEL-SERVICE VALVE BRUNNER G-1015-A
8	040421-01-711	EA	VALVE W/PLATE - BOLT & GASKET - 80%
9	040421-01-713	EA	VALVE-VAPOR ONLY - BRUNNER 29000587
10	106150-01-000	EA	REGULATOR-TWO STAGE - 293-00
11	105656-01-000	EA	COMPARTMENT-LP REGULATOR
	065741-01-000	EA	GAUGE-DIAPHRAGM PRESSURE - MARSHALLTOWN MFG
	065742-01-000	EA	TEE - 3/8" F X 3/8" F X 25" FPT - BRASS
	010377-02-000	EA	NUT-BRASS - 3/8" FEMALE - FORGED
	045703-01-000	EA	HOSE-LP - 3/8" ID X 24' - 3/8" MPT X 1/2" F SWIVEL - U.S
	045703-02-000	EA	HOSE-LP - 3/8" ID X 24' - 3/8" MPT X 1/2" F SWIVEL - CANADA
	103613-01-000	EA	DETECTOR-LP GAS - CCI 7750.PRE-TELL 1
			FROM 01-20-92 THRU 99-99-99
	065318-02-000	EA	ELBOW-90 DEGREE - 3/8" MPT TO 3/8" FPT
	081938-01-000	EA	COVER-COMPARTMENT - LP REGULATOR - BLACK
	095624-01-000	EA	ELBOW-90 DEGREE - 1/4" FPT X 1/4" FPT - BRASS
	071391-02-000	EA	NIPPLE-HEX - 1/4" PIPE - 3325 X 4 WEATHERHEAD
	024250-01-000	EA	ADAPTER-BRASS - 3/8" F X 1/2" FPT
	010377-02-000	EA	NUT BRASS - 3/8 FEMALE - FORGED
	010251-01-000	EA	ELBOW-BRASS - 90 DEGREE - 3/8" F X 3/8" MPT

LOUNGE GROUP (CONTINUED)



LOUNGE CABINET HARDWARE

KEY	PART NUMBER	U/M	DESCRIPTION
1	F05223-07-C03	EA	DOOR ASM-W/O HARDWARE-305 X 1015
2	056331-01-000	EA	MIRROR-GLASS-SAFETY - 15" X 26"
3	M05523-02-C03	EA	CABINET ASM-OVERHEAD
3	M05523-02-C04	EA	CABINET ASM-OVERHEAD
4	P05223-04-C03	EA	DOOR ASM-W/O HARDWARE - 400 X 520
5	104335-06-C52	EA	CAP ASM-END-OVERHEAD
6	M04187-18-B87	EA	CABINET-COUCH W/FABRIC - SIDE(C23)
6	M04187-18-B88	EA	CABINET-COUCH W/FABRIC - SIDE(C24)
7	M04187-17-B87	EA	CABINET-COUCH W/FABRIC - FRONT(C23)
7	M04187-17-B88	EA	CABINET-COUCH W/FABRIC - FRONT(C24)
	082525-02-000	EA	BRACE-COUCH FLOOR MOUNT - ANGLE 3" LONG - METAL
	050101-01-X02	EA	EXTR-CORNER KEY L-SHAPED - 192" - ALUMINUM
	083125-03-000	EA	BRACE-COUCH TAN
8	P05223-07-C03	EA	DOOR ASM-W/O HARDWARE-305 X 1015
	081296-01-B87	EA	TABLE ASM-PEDESTAL
	069040-02-000	EA	PEDESTAL TABLE LEG-27 5" X 2 25" DIA - CHROME
	041194-01-000	EA	BASE-TABLE- FLUSH - FLOOR MOUNTED
	052046-01-000	EA	CLIP-LEG- PEDESTAL - 1 7" X 2 2" - DIA FROM 2" TO 2 5"
	002929-01-001	EA	EXTR- BRACKET TABLE

SEALANTS & FASTENERS GROUP

ADHESIVE

KEY	PART NUMBER	U/M	DESCRIPTION
	034552-02-000	EA	SILICONE-TUBE- 300 ML - CLEAR
	034552-06-000	EA	SILICONE-TUBE 300 ML- OFF WHITE
	053755-06-000	EA	BEDDING COMPOUND-TUBE- CLEAR
	053755-08-000	EA	BEDDING COMPOUND-TUBE - GRAY - SCHNEE # 5522
	063542-01-000	FT	TAPE-ADHESIVE- 10 MM X 1 5" WIDE
	091255-02-000	FT	SEAL-ADHESIVE BACKED FOAM - 18" THICK X 1 5" WIDE
	069540-01-000	FT	SEALER-RIBBON- 1/4" DIAMETER - INCREMENTS OF 30'
	069540-02-000	FT	SEALER-RIBBON- 1/2" X 1/8" - INCREMENTS OF 30 OR 60'
	069540-03-000	FT	SEALER-RIBBON- 3/4" X 1/8" - INCREMENTS OF 60'
	069540-06-000	FT	SEALER-RIBBON- 5/16" DIAMETER - INCREMENTS OF 25'
	069540-10-000	FT	SEALER-RIBBON- 1/32" X 1 1/2" INCREMENTS OF 90'
	069540-11-000	FT	SEALER-TAPE- 3/16" X 3 3/8" - BLACK - MANUS
	072629-01-000	EA	SEALANT-URETHANE- BLACK - 1/10 - ESSEX 552 2
	075314-02-000	FT	TAPE-CARPET SEAM- HEAT-BOND - 4" WIDE
	075322-01-000	FT	TAPE-FOAM- DOUBLE COATED ADHESIVE BACKED - 75" X 216"
	075322-02-000	FT	TAPE-FOAM- DOUBLE COATED ADHESIVE BACKED - 1" X 108"
	075322-05-000	FT	TAPE-FOAM- DOUBLE COATED - 025" X 1 5" X 108
	087211-01-000	GL	PRCMOTER ADHESIVE
	102352-01-000	EA	SEALER-PUMPABLE BLACK COLORIMETRIC MS101
	103716-01-000	EA	SILICONE(TUBE) OFF WHITE- LEVEL- CSL 510

BOLTS, NUTS, & WASHERS

KEY	PART NUMBER	U/M	DESCRIPTION
	051387-06-000	EA	BOLT-CARRIAGE- W/O HOLE - 5/16-18 X 9 5 ZINC
	0MC31K-08-020	EA	BOLT-HEX-SERRATED FLANGE - WB X 020
	000C26-04-105	EA	BOLT-HEX-SERRATED FLANGE - 1/4-20 X 5 8 ZINC
	000C26-05-129	EA	BOLT-HEX-SERRATED FLANGE 5/16-18X3/4 ZINC
	000C12-05-163	EA	BOLT-HEX- 5/16-18 X 1 - ZINC 5
	000C12-06-32B	EA	BOLT-HEX-3/8-13X2LG-ZINC 5
	000C12-08-24B	EA	BOLT-HEX- 1/2-13 X 1 1/2 - ZINC 5
	000C12-10-24B	EA	BOLT-HEX- 5/8-11 X 1 1/2 ZINC - 5
	000C13-07-46B	EA	BOLT-HEX- 7/16 - 20 X 3 - ZINC 5
	000C18-05-40A	EA	BOLT-ELEV-5/16-18X2 1/2 FL
	000C18-06-48B	EA	BOLT-ELEV- 3/8-16 X 3 ZINC - GRADE 5
	000G45-05-16B	EA	BOLT-LAG 5/16 - 9 X 1 ZINC
	000D14-05-00B	EA	NUT-HEX- 5/16-18 - ZINC 5
	000D24-10-00B	EA	NUT-HEX-SELF LOCKING-10-32 ZINC
	104359-01-000	EA	NUT-HEX-HEAVY-5 8-11 UNC SPARE TIRE INSTL
	000D29-09-00B	EA	NUT-HEX-SELF LOCKING- 5/16-12 ZINC
	000D39-04-00B	EA	NUT-HEX-SERRATED FLANGE-LOCKING 1/4 - 20 ZINC
	000D39-05-00B	EA	NUT-HEX-SERRATED FLANGE-LOCKING - 5/16 - 18 ZINC
	000D39-06-00B	EA	NUT-HEX-SERRATED FLANGE-LOCKING - 3/8-16 ZINC
	000D39-08-00B	EA	NUT-HEX-SERRATED FLANGE-LOCKING - 1/2-13 ZINC
	000D44-07-00B	EA	NUT-HEX-SERRATED FLANGE-LOCKING - 7/16-20 ZINC
	044354-02-000	EA	NUT-SPEED- FLAT - ROUND
	000E11-07-00B	EA	WASHER-LOCKING-7/16 MED SPLIT ZINC
	000E13-11-00B	EA	WASHER-FLARE-3/16" WIDE - ZINC
	000E13-14-00B	EA	WASHER-FLARE-1/4" WIDE ZINC
	000E13-20-00B	EA	WASHER-FLARE-7/16 WIDE ZINC
	000E13-21-00B	EA	WASHER-FLARE-W/2 NAR ZINC
	000E14-10-00B	EA	WASHER-LOCKING - NO 10 EXT TOOTH - ZINC
	041322-01-000	EA	WASHER-FLARE-15/32 ID X 23 OD FOR SEAT BELT MT
	044533-01-000	EA	WASHER-PLASTIC- 1 3/8" CD - FOR BUTTONS

1992 ITASCA TABLE OF CONTENTS

INTRODUCTION	A-01 - A-02
ABBREVIATIONS	A-03
ALPHABETICAL INDEX	A-04 - A-06
IF427RQ	A-07 - D-16
IF427RC	D-17 - G-22
IF427RT	G-23 - K-07

1992 IF427RQ INDEX

FLOOR PLAN	A-07 - A-08
ACCESSORIES	A-09
AUDIO VIDEO	A-10
BATH	A-11 - A-12
BEDROOM	A-13 - A-14
CHASSIS	A-15 - A-17
CURTAIN & CUSHION	A-18 - B-03
DINETTE	B-04 - B-05
DRIVERS	B-06 - B-08
ELECTRICAL	B-09 - B-12
EXTERIOR BODY	B-13 - B-19
GALLEY	B-20 - B-23
GENERATOR	B-24
HEATING & A/C	C-01 - C-02
INTERIOR FINISH	C-03 - C-06
LABEL	C-07 - C-14
LP	C-15
LOUNGE	C-16 - C-17
SEALANTS & FASTENERS	C-18 - C-20
WATER & SEWAGE	C-21 - C-24
WINDOW, VENT AND EXTERIOR DOOR	D-01 - D-16

SEALANTS & FASTENERS GROUP (CONTINUED)

SCREWS

KEY	PART NUMBER	U/M	DESCRIPTION
	000G54-04-20B	EA	SCREW-1/4-20 X 1 1/4 PTH - TYPE 23 - ZINC PLATED
	000G68-06-10G	EA	SCREW-5-13 X 5/8 PCH - ANTIQUE BRASS
	000G11-06-10J	EA	SCREW-5-20 X 5/8 PPH - BRASS
	000G12-06-08T	EA	SCREW-5-20 X 5/8 PCH - BLACK
	000G13-06-08B	EA	SCREW-5-20 X 5/8 PPH ZN
	000G13-06-08G	EA	SCREW-5-20 X 5/8 PPH ANTIQUE BRASS
	000G13-06-16J	EA	SCREW-6-20 X 1 00 PPH - BRASS
	000G13-06-24J	EA	SCREW-6-20 X 1 50 PPH BRASS
	000G11-07-08B	EA	SCREW-7-19 X 5/8 PPH - ZINC
	000G13-07-12B	EA	SCREW-7-19 X 7/8 PPH - ZINC
	000G13-08-16B	EA	SCREW-8-18 X 1 PPH - ZINC
	0740-5-01-00C	EA	SCREW-8-18 X 1 50 PTH - BRONZE
	000G11-08-05B	EA	SCREW-8-18 X 3/8 PPH - ZINC
	000G11-08-08B	EA	SCREW-8-18 X 5/8 PPH - ZINC
	000G11-08-12B	EA	SCREW-8-18 X 7/8 PPH ZINC
	000G11-08-12D	EA	SCREW-8-18 X 7/8 PPH - BLACK
	000G11-08-12E	EA	SCREW-8-18 X 7/8 PPH - CHROME
	000G11-08-12F	EA	SCREW-8-18 X 7/8 PPH - DARK BROWN
	000G11-08-12R	EA	SCREW-8-18 X 7/8 PPH - BEIGE
	000G11-08-12S	EA	SCREW-8-18 X 7/8 PPH - OFF WHITE
	000G11-08-12T	EA	SCREW-8-18 X 7/8 PPH - BLACK
	000G12-08-12R	EA	SCREW-8-18 X 7/8 PCH - BEIGE
	000G12-08-12S	EA	SCREW-8-18 X 7/8 PCH - OFF WHITE
	000G12-08-16S	EA	SCREW-8-18 X 1 00 PCH - OFF WHITE
	000G11-08-16S	EA	SCREW-8-18 X 1 00 PPH - OFF WHITE
	000G67-10-08B	EA	SCREW-10-12 X 1/2 PPH - ZINC
	000G67-10-08R	EA	SCREW-10-12 X 1/2 PPH - BEIGE - TYPE A
	000G67-10-10B	EA	SCREW-10-12 X 5/8 PPH ZINC - TYPE A
	000G67-10-10R	EA	SCREW-10-12 X 5/8 PPH - TYPE A - BEIGE
	000G67-10-10S	EA	SCREW-10-12 X 5/8 - PPH - OFF WHITE
	000G67-10-12B	EA	SCREW-10-12 X 3/4 PPH - ZINC
	000G67-10-12P	EA	SCREW-10-12 X 7/8 - PPH - DARK BROWN
	000G67-10-12R	EA	SCREW-10-12 X 7/8 PPH - BEIGE
	000G67-10-12D	EA	SCREW-10-12 X 7/8 PPH TAN
	000G67-10-16B	EA	SCREW-10-12 X 1 PPH - ZINC
	000G67-10-16P	EA	SCREW-10-12 X 1 PPH - DARK BROWN
	000G67-10-20D	EA	SCREW-10-12 X 1 1/4 PPH - BLACK
	000G67-10-24B	EA	SCREW-10-12 X 1 1/2 PPH - ZINC
	000G67-10-32B	EA	SCREW-10-12 X 2 PPH - ZINC
	000G58-10-36T	EA	SCREW-10-12 X 2 25 PCH - BLACK
	000G11-10-12S	EA	SCREW-10-16 X 7/8 PPH - OFF WHT
	045465-04-060	EA	SCREW-10-16 X 1 PTH W/WASHER - BEIGE
	000G13-10-12B	EA	SCREW-10-16 X 3/4 PPH - ZINC
	000G32-10-06B	EA	SCREW-10-32 X 3/8 PPH - ZINC
	01MG27B-03-00B	EA	SCREW-MACHINE - M3 0 X 5 X 8 PPH - ZINC
	000G18-08-16B	EA	SCREW-MACHINE - 8 X 32 X 1 PPH - ZINC
	000G18-08-22B	EA	SCREW-MACHINE - 8-32 X 1 3/8 PPH - ZINC
	000G50-04-12B	EA	SCREW-MACHINE - 1/4-20 X 3/4 PPH - ZINC
	000G53-04-06B	EA	SCREW-MACHINE - 1/4-20 X 3/8 PPH - ZINC - UNDERCUT HEAD
	075908-01-070	EA	SCREW-MACHINE - 10-32 X 5/8 PTH - ZINC - EXTERNAL TOOTH

SEALANTS & FASTENERS GROUP (CONTINUED)

SCREWS (CONTINUED)

KEY	PART NUMBER	U/M	DESCRIPTION
	000G39-06-08B	EA	SCREW-DR-6-18X1/2 - ZINC
	000G39-06-10T	EA	SCREW-SELF DRIVING- 6-20 X 5/8 PPH - BLACK
	000G39-06-16T	EA	SCREW-SELF DRIVING- 6-20 X 1 PPH - BLACK
	000G39-08-06B	EA	SCREW-SELF DRIVING- 8-18 X 3/8 PPH - ZINC
	000G39-08-08B	EA	SCREW-SELF DRIVING- 8-18 X 1/2 PPH - ZINC
	000G39-08-08R	EA	SCREW-SELF DRIVING- 8-18 X 1/2 PPH - BEIGE
	000G39-08-08S	EA	SCREW-SELF DRIVING- 8-18 X 1/2 PPH - OFF WHITE
	000G39-08-12B	EA	SCREW-SELF DRIVING- 8-18 X 3/4 PPH ZINC
	000G39-08-12R	EA	SCREW-SELF DRIVING- 8-18 X 3/4 PPH - BEIGE
	000G39-08-15B	EA	SCREW-SELF DRIVING- 8-18 X 1 PPH - ZINC
	000G39-08-15S	EA	SCREW-SELF DRIVING - 8-18 X 1 00 PPH - OFF WHITE
	000G39-08-24B	EA	SCREW-SELF DRIVING- 8-18 X 1 1/2 PPH - ZINC
	000G39-10-12D	EA	SCREW-SELF DRIVING- 10-16 X 3/4 PPH - BLACK
	000G39-10-12R	EA	SCREW-SELF DRIVING- 10-16 X 3/4 PPH - BEIGE
	000G60-10-28T	EA	SCREW-SELF DRIVING- 10-16 X 1 7/8 - BLACK
	000G39-10-129	EA	SCREW-SELF DRIVING-10-16X 7/8 PPH - FLUOROCARBON SILVER
	000G39-10-20B	EA	SCREW-SELF DRIVING- 10-16 X 1 1/4 PPH - ZINC
	000G39-12-12E	EA	SCREW-SELF DRIVING- 12 - 14 X 3/4 PPH - CHROME
	000G42-04-12B	EA	SCREW-SELF DRIVING 1/4-14X3/4HWH - ZINC
	000G42-04-16B	EA	SCREW-SELF DRIVING 1/4-14 X 1 HWH - ZINC
	000G55-12-48B	EA	SCREW-WOOD- 12 - 11 X 3 PCH - SPECIAL HARDENED
	087721-01-00C	EA	SCREW-FLAT HEAD- TAPPING - 1/4" X 1 1/4" LG ZINC

CLAMPS, GROMMETS, & CLIPS

KEY	PART NUMBER	U/M	DESCRIPTION
	000H16-04-05R	EA	RIVET-FOP- AL 1/8 X 3/16 - 375
	007161-01-000	EA	CLAMP-HOSE- SPRING TYPE - 1/2"
	010495-01-000	EA	CLAMP-CABLE- 9/16"
	010497-01-000	EA	CLAMP-CLOSED- 5/8" ID
	010497-03-000	EA	CLAMP-CLOSED- 1" ID - CUSHIONED
	010499-01-000	EA	CLAMP-CLOSED- 3/8" ID
	023942-01-000	EA	GROMMET-RUBBER- 2" OD
	062401-01-000	EA	CLAMP-HOSE- WORMGEAR 25" - 1"
	062401-02-000	EA	CLAMP-HOSE- WORMGEAR- 1 55" - 2 5"
	062401-04-000	EA	CLAMP-HOSE- WORMGEAR 69" - 1 25"
	062401-06-000	EA	CLAMP-HOSE- WORMGEAR 22" - 62"
	071015-11-000	EA	GROMMET-RUBBER- 1" ID X 1 7/8" OD W/ 12" GROOVE - BLACK
	071015-26-000	EA	GROMMET-RUBBER- 1 5" ID X 2 12" OD W/ 06" GROOVE - BLACK
	071015-30-000	EA	GROMMET-RUBBER- 31" ID X 81" OD W/ 12" GROOVE - BLACK
	075148-02-000	EA	CLAMP-GROUNDING- BRONZE SCREWS
	080734-02-000	EA	CLIP-WIRE- NYLON
	082149-01-000	EA	STUD-CLINCH- 3/8" X 24 X 1 1/2 GD5
	083609-01-070	EA	CLAMP-WIRE- DUAL EQUAL - 5/8" DIAMETER
	083610-01-000	EA	CLAMP-WIRE- DUAL - UNEQUAL DIAMETERS - 7/8" & 1 25"
	085774-01-000	FT	FASTENER-DUAL HOOK- 1" WIDE - ADHESIVE BACK - BLACK
	085774-02-000	FT	FASTENER-DUAL LOOP- 1" WIDE - ADHESIVE BACK - BLACK
	101447-01-000	EA	CLIP-U TYPE- TINNEMAN HOLDS SHOWER SURROUND TOGETHER

**1992 ITASCA
TABLE OF CONTENTS**

INTRODUCTION	A-01	A-02
ABBREVIATIONS		A-03
ALPHABETICAL INDEX	A-04	A-06
IF427RQ	A-07	D-16
IF427RC	D-17	G-22
IF427RT	G-23	K-07

1992 IF427RQ INDEX

1. DESCRIPTION	A-07	A-08
ACCESSORIES		A-09
AUDIO/VIDEO		A-10
BATH	A-11	A-12
BEDROOM	A-13	A-14
CHASSIS	A-15	A-17
CURTAIN & CUSHION	A-18	B-03
DINETTE	B-04	B-05
DRIVERS	B-06	B-08
ELECTRICAL	B-09	B-12
EXTERIOR BODY	B-13	B-19
GALLEY	B-20	B-23
GENERATOR		B-24
HEATING & A/C	C-01	C-02
INTERIOR FINISH	C-03	C-06
LABEL	C-07	C-14
LP		C-15
LOUNGE	C-16	C-17
SEALANTS & FASTENERS	C-18	C-20
WATER & SEWAGE	C-21	C-24
WINDOW, VENT AND EXTERIOR DOOR	D-01	D-16

WATER & SEWAGE GROUP

FRESH WATER TANK

KEY	PART NUMBER	U/M DESCRIPTION
	064214-07-000	EA TANK WATER - W FITTINGS - 31 GALLON - 30" X 24" X 12 7"
	077954-02-000	EA FILTER WATER TANK SCREEN IN TANK
	042589-03-000	EA FITTING WATER TANK SPINWELD - 1 1/4" FPT - PLASTIC - WHITE
	042589-04-000	EA FITTING WATER TANK SPINWELD - 3/8" FPT - PLASTIC - WHITE
	042589-05-000	EA FITTING WATER TANK SPINWELD - 1/2" FPT - PLASTIC - WHITE
	043032-01-000	EA PATCH SPINWELD 3/8" PLASTIC
	033451-01-000	EA SPENDING UNIT W/SCREW - WASHER - WELL NUT AND TERMINAL RING

WATER SYSTEM

KEY	PART NUMBER	U/M DESCRIPTION
	036522-02-000	EA CAP BRASS 1/2" FLARE
	105000-01-000	EA CAP FEMALE W/ CONE 50 KEVCO TCSF
	010274-01-000	EA ADAPTER HOSE TO PIPE 3/8" MPT X 3/8" BARB - PLASTIC BLACK
	044927-01-000	EA ADAPTER HOSE TO PIPE 1 1/4" MPT X 1 1/4" BARB - BLACK PLASTIC
	052954-01-000	EA ADAPTER HOSE CONE - 3/8" OR 1/2" TUBING - PLASTIC - GRAY
	079317-01-000	EA ADAPTER SWIVEL 1/2" TUBE X 1/2" FPT - PLASTIC - GRAY
	106259-01-000	EA CAP INSERTABLE 1/2 FLARE
	059417-01-000	EA CONNECTOR 5/8" F X 1/2" MPT PLASTIC - KEVCO
	101814-01-000	EA COUPLING FEMALE 1/2" X 1/2" FPT
	052950-01-000	EA DRAIN VALVE IN LINE HEADER - 1/2" F X 1/2" F - GRAY PLAS
	052950-03-000	EA DRAIN VALVE IN LINE HEADER - 5/8" F X 5/8" F - PLASTIC
	052951-02-000	EA DRAIN VALVE IN LINE HEADER - 1/2" MPT X 1/2" F X 1/2" F - PLASTIC
	055290-01-000	EA ELBOW 5/8" F X 1/2" MPT
	052957-02-000	EA ELBOW MALE - 1/2" F X 1/2" MPT - PLASTIC - GRAY
	087659-04-000	EA FILL WATER CITY - OFF WHITE
	087659-01-700	EA FILL WATER STRAP & CAP ONLY - V#322-00
	046128-01-000	EA VALVE DRAIN PLASTIC - 1/2" FPT
	065120-01-000	EA ELBOW SWIVEL 1/2" FPT X 1/2" FLARE - PLASTIC - GRAY
	052953-01-000	EA NUT FAUCET - 1/2" TUBE X 1/2" FPT - PLASTIC - GRAY
	052952-01-000	EA NUT PLASTIC 1/2" F X 1/2" TUBE - GRAY
	052952-02-000	EA NUT PLASTIC 5/8" FLARE
	039798-01-000	EA TEE 1/2" MPT X 1/2" MPT X 1/2" MPT PLASTIC
	052958-01-000	EA TEE 1/2" F X 1/2" F X 1/2" F - PLASTIC - GRAY
	055291-01-000	EA TEE PLASTIC 5/8" F X 5/8" F X 5/8" F
	055293-01-000	EA TEE PLASTIC - 5/8" F X 1/2" F X 5/8" F
	057973-01-000	EA TEE PLASTIC - 1/2" F X 1/2" F X 5/8" F - WATER
	057974-01-000	EA TEE 5/8" F X 1/2" F X 1/2" F PLASTIC
	039800-01-000	FT TUBING POLYBUTYL 1 1/2" OD - INCREMENTS OF 20' - BLACK
	039600-02-000	FT TUBING POLYBUTYL 5/8" OD - INCREMENTS OF 20' - BLACK
	079361-01-000	FT TUBING SMOOTH FLEXIBLE 1 1/4" ID - INCREMENTS OF 20'
	074462-02-000	FT TUBING VINYL 3/8" ID - CLEAR - INCREMENTS OF 20'

WATER PUMP

KEY	PART NUMBER	U/M DESCRIPTION
	058607-01-000	EA PUMP WATER - W/ 5" MPT FITTING - SHURFLO 2.8 GPM - UL
	098607-01-700	EA PUMP HEAD REPLACEMENT - 94-235-05
	098607-01-701	EA DRIVE ASSEMBLY - 94-234-03
	098607-01-702	EA DIAPHRAGM KIT - 94-233-10
	098607-01-703	EA VALVE ASSEMBLY - 94-232-03
	098607-01-704	EA HOUSING UPPER - 94-231-01
	098607-01-705	EA CHECK VALVE KIT - 94-237-00
	098607-01-706	EA UPPER HOUSING SWITCH KIT - 94-231-20
	098607-01-707	EA MOTOR BASEPLATE REPLACEMENT - 94-235-03

WATER & SEWAGE GROUP (CONTINUED)

WATER HEATER W/ REAR HEATER

KEY	PART NUMBER	U/M DESCRIPTION
	097967-01-000	EA SWITCH WATER HEATER - ATWOOD# 91959
	051391-03-000	EA HEATER WATER - W/ELECTRIC IGNITION - ATWOOD# G6A-3E
	051391-01-700	EA HINGE KIT W/CLIP - ATWOOD# 92558 & 92559
	051391-01-704	EA VALVE RELIEF - 1/2" FITTING - ATWOOD# 91504
	051391-01-705	EA FASTENER CAMLOC - ATWOOD# 92509
	051391-01-706	EA GRILLE EXHAUST - ATWOOD# 92787
	051391-01-708	EA BURNER MAIN - 3E ONLY - ATWOOD# 92515
	051391-01-710	EA ORIFICE MAIN BURNER - ATWOOD# 92742
	051391-01-715	EA DRAIN PLUG - ATWOOD# 91551
	051391-04-700	EA TANK INNER (G6A-3E) - FRONT MOUNT - ATWOOD# 91628
	051391-04-701	EA THERMOSTAT 12 VDC-120 PRESET - ATWOOD# 91470
	051391-04-705	EA TANK INNER - G6A-4E & 6E - FRONT MOUNT - ATWOOD# 91641
	051393-01-702	EA SWITCH ENERGY CUT-OFF - ATWOOD# 91551
	051393-01-703	EA THERMOSTAT REAR MOUNT - ATWOOD# 91552
	051393-01-704	EA CIRCUIT BOARD W/BLACK BOX - ATWOOD# 91420
	051393-01-705	EA CRIFICE HOLDER ATWOOD# 91925
	051393-01-716	EA SPARK & PROBE ASM - ATWOOD# 91605
	051393-01-716	EA VALVE DUAL SOLENOID - ATWOOD# 91605
	051353-01-721	EA ECO & THERMOSTAT ASM-FRONT MOUNT - 140 DEGREE - ATWOOD# 91447
	051393-03-700	EA TANK INNER (G6A-3E) - REAR MOUNT - ATWOOD# 91409

WATER HEATER W/MOTOR AID

KEY	PART NUMBER	U/M DESCRIPTION
	051393-01-000	EA HEATER WATER W/MOTOR AID ATWOOD# G6H-3E - G6H-4E - OR G6H-6E
	051391-01-700	EA HINGE KIT W/CLIP - ATWOOD# 92558 & 92559
	051391-01-704	EA VALVE RELIEF - 1/2" FITTING - ATWOOD# 91504
	051391-01-705	EA FASTENER CAMLOC - ATWOOD# 92509
	051391-01-706	EA GRILLE EXHAUST - ATWOOD# 92787
	051391-01-708	EA BURNER MAIN - 3E ONLY - ATWOOD# 92515
	051391-01-710	EA CRIFICE MAIN BURNER - ATWOOD# 92742
	051391-01-714	EA ELBOW 45 DEGREE - 3/8" F X 3/8" MPT - ATWOOD# 91044
	051391-01-715	EA DRAIN PLUG - ATWOOD# 91551
	051391-04-701	EA THERMOSTAT 12 VDC-120 PRESET - ATWOOD# 91470
	051391-04-704	EA TANK INNER - FRONT MOUNT - G6H-4E & 6E - ATWOOD# 91642
	051393-01-700	EA TANK INNER - 3E FRONT MOUNT - ATWOOD# 91023
	051393-01-702	EA SWITCH ENERGY CUT-OFF - ATWOOD# 91551
	051393-01-703	EA THERMOSTAT REAR MOUNT - ATWOOD# 91552
	051393-01-704	EA CIRCUIT BOARD W/BLACK BOX - ATWOOD# 91420
	051393-01-705	EA CRIFICE HOLDER ATWOOD# 91925
	051393-01-714	EA TANK INNER (G6H-3E) - REAR MOUNT - ATWOOD# 91409
	051393-01-716	EA SPARK & PROBE ASM - ATWOOD# 91605
	051393-01-716	EA VALVE DUAL SOLENOID - ATWOOD# 91605
	051393-01-721	EA ECO & THERMOSTAT ASM-FRONT MOUNT - 140 DEGREE - ATWOOD# 91447

WATER HEATER

KEY	PART NUMBER	U/M DESCRIPTION
	051391-01-000	EA HEATER WATER - ATWOOD# G6A-3
	051391-01-700	EA HINGE KIT W/CLIP - ATWOOD# 92558 & 92559
	051391-01-702	EA TANK INNER - G6A-2E 3E 6E - WATER HEATER - ATWOOD# 91412
	051391-01-704	EA VALVE RELIEF - 1/2" FITTING - ATWOOD# 91504
	051391-01-705	EA FASTENER CAMLOC - ATWOOD# 92509
	051391-01-706	EA GRILLE EXHAUST - ATWOOD# 92787
	051391-01-708	EA BURNER MAIN - 3E ONLY - ATWOOD# 92515
	051391-01-709	EA PILOT ASM W/THERMO COUPLER & TUBE - 91503 ATWOOD# 91214
	051391-01-710	EA CRIFICE MAIN BURNER - ATWOOD# 92742
	051391-01-711	EA ELBOW CRIFICE - MAIN BURNER - 92741 ATWOOD#
	051391-01-712	EA THERMOSTAT 3/8" NPT INLET - 91501 ATWOOD# 91043
	051391-01-714	EA ELBOW 45 DEGREE - 3/8" F X 3/8" MPT - ATWOOD# 91044
	051391-01-715	EA DRAIN PLUG - ATWOOD# 91551

**1992 IFASCA
TABLE OF CONTENTS**

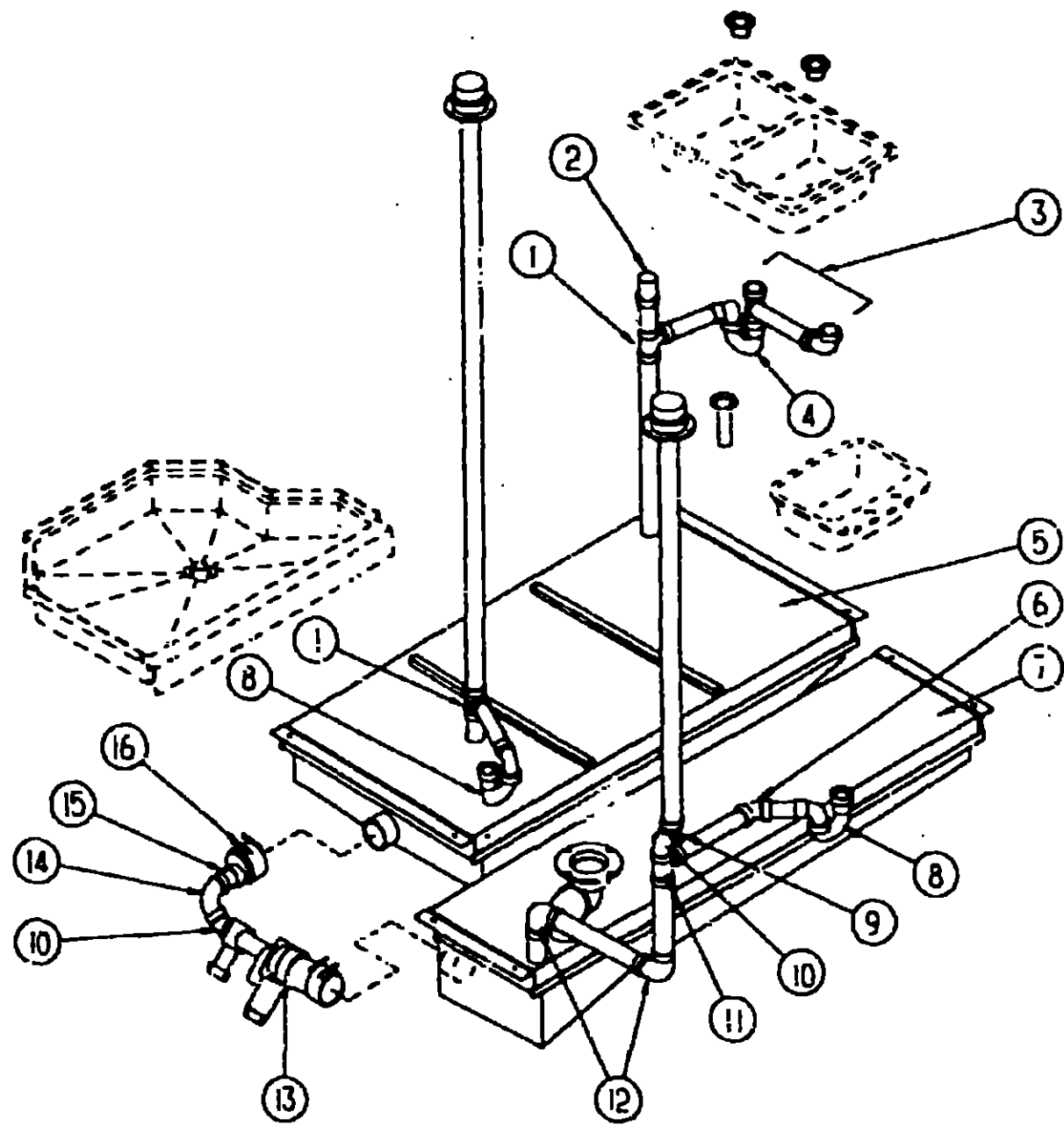
INTRODUCTION	A-01	A-02
ABBREVIATIONS		A-03
ALPHABETICAL INDEX	A-04	A-06
IF427RQ	A-07	D-15
IF427RC	D-17	G-27
IF427RT	G-23	K-07

1992 IF427RQ INDEX

FLOOR PLAN	A-07	A-08
ACCESSORIES		A-09
AUDIO VIDEO		A-10
BATH	A-11	A-12
BEDROOM	A-13	A-14
CHASSIS	A-15	A-17
CURTAIN & CUSHION	A-18	B-03
DINETTE	B-04	B-05
DRIVERS	B-06	B-06
ELECTRICAL	B-09	B-12
EXTERIOR BODY	B-13	B-19
GALLEY	B-20	B-23
GENERATOR		B-21
HEATING & A/C	C-01	C-02
INTERIOR FINISH	C-03	C-06
LABEL	C-07	C-14
LP		C-15
LOUNGE	C-15	C-17
SEALANTS & FASTENERS	C-18	C-20
WATER & SEWAGE	C-21	C-24
WINDOW VENT AND EXTERIOR DOOR	D-01	D-16

WATER & SEWAGE GROUP (CONTINUED)

DRAINAGE SYSTEM



KEY	PART NUMBER	U/M	DESCRIPTION
1	010079-01-000	EA	TEE-SANITARY - 1 1/2" X 1 1/2" X 1 1/4" H - PLASTIC - BLACK
2	079958-01-000	EA	VENT-MECH TRAP ARM - ANTI-SIPHON - 2" DIA X 7 3/4" - PLASTIC
3	011091-02-000	EA	PIPE-DRAIN - W/SEALS - DOUBLE SINK - EXTENDS 9" TO 16"
	011071-01-000	EA	P-TRAP - 1 1/2" - PLASTIC (CSA)
	010121-01-000	EA	BUSHING-REDUCER - 1 1/2" SMOOTH X 1/4" HUB - PLASTIC - BLACK (CSA)
	037101-02-000	EA	ELBOW-PLASTIC - 1/4 BEND VENT 1 1/2" HUB (CSA)
	033302-02-000	EA	ADAPTER ASM-STRAINER - 1 1/2" - ABS (CSA)
4	011055-03-700	EA	P-TRAP - 1 1/2" TRAP X 1 1/4" SOCKET - PLASTIC (US) FROM 00-00-00 THRU 02-15-92
4	107537-01-000	EA	P-TRAP ADAPTER-1 1/4" SLIP (US) FROM 02-17-92 THRU 99-99-99
4	107538-01-000	EA	P-TRAP-PLASTIC - 1 1/4" W/EXT ARM (US) FROM 02-17-92 THRU 99-99-99
4	053335-01-000	EA	P-TRAP-1 1/4" HUB X HUB - W/UNION (CSA) FROM 00-00-00 THRU 02-15-92
4	011071-01-000	EA	P-TRAP-1 1/2" - PLASTIC (CSA) FROM 02-17-92 THRU 99-99-99
5	102752-01-000	EA	TANK-HOLDING - 42 GALLON - 57 4" X 8 4" X 29"
6	010500-01-000	EA	ELBOW-45 DEG - 1/8 BEND - 1 1/4" HUB X HUB - BLACK PLASTIC
7	102751-01-000	EA	TANK-HOLDING - 28 GALLON - 65 9" X 17 7" X 15 7"
8	011055-03-700	EA	P-TRAP - 1 1/2" TRAP X 1 1/4" SOCKET - PLASTIC (US) FROM 00-00-00 THRU 02-15-92
8	107537-01-000	EA	P-TRAP ADAPTER-1 1/4" SLIP (US) FROM 02-17-92 THRU 99-99-99
8	107538-01-000	EA	P-TRAP-PLASTIC - 1 1/4" W/EXT ARM (US) FROM 02-17-92 THRU 99-99-99
8	011055-02-000	EA	P-TRAP-1 1/4" HUB X SLIP JOINT - W/UNION - ABS (CSA)
9	010005-01-000	EA	ELBOW-45 DEG - 1/8 BEND - 1 1/2" HUB X HUB - BLACK PLASTIC
10	010051-01-000	EA	ELBOW-45 DEG BEV'D - 1 1/2" SPIGOT AND HUB - PLASTIC - BLACK
11	010079-01-000	EA	TEE-SANITARY - 1 1/2" X 1 1/2" X 1 1/4" H - PLASTIC - BLACK
12	010008-01-000	EA	ELBOW-90 DEG - 1/4 BEND - 1 1/2" HUB X HUB - BLACK PLASTIC
13	070916-01-000	EA	VALVE-DUAL DUMP-W/CAP - 3" X 1 1/2" - PLASTIC - BLACK
	052416-01-000	EA	ADAPTER-SEWER HOSE TO 3" PIPE
	010201-01-000	EA	HOSE-SEWER - 3" ID X 6'
14	033761-01-000	EA	ELBOW-TURN - 1/4 BEND X 1 5" HUB X 1 5" SPIGOT - BLK PLASTIC
15	052422-01-000	EA	ADAPTER-OFFSET REDUCER - 3" X 1 1/2" - PLASTIC - BLACK
16	078405-01-000	EA	COUPLER-RUBBER - W/CLAMPS - 3" X 3"
	010051-01-000	EA	ELBOW-45 DEGREE - STREET - 1/8 BEND - 3" S X H - PLASTIC
	010071-01-000	EA	TEE-SANITARY - 1 1/2" HUB X HUB X HUB - PLASTIC - BLACK
	010121-01-000	EA	BUSHING-REDUCER - 1 1/2" SMOOTH X 1/4" HUB - PLASTIC - BLACK
	033302-02-000	EA	ADAPTER ASM-STRAINER - 1 1/2" - ABS - CANADIAN
	037101-02-000	EA	ELBOW-PLASTIC - 1/4 BEND VENT 1 1/2" HUB - CSA
	051607-01-000	EA	GROMMET-HOLDING TANK - 1 1/2" NPS
	051507-02-000	EA	GROMMET-HOLDING TANK - 3" NPS

1992 ITASCA TABLE OF CONTENTS

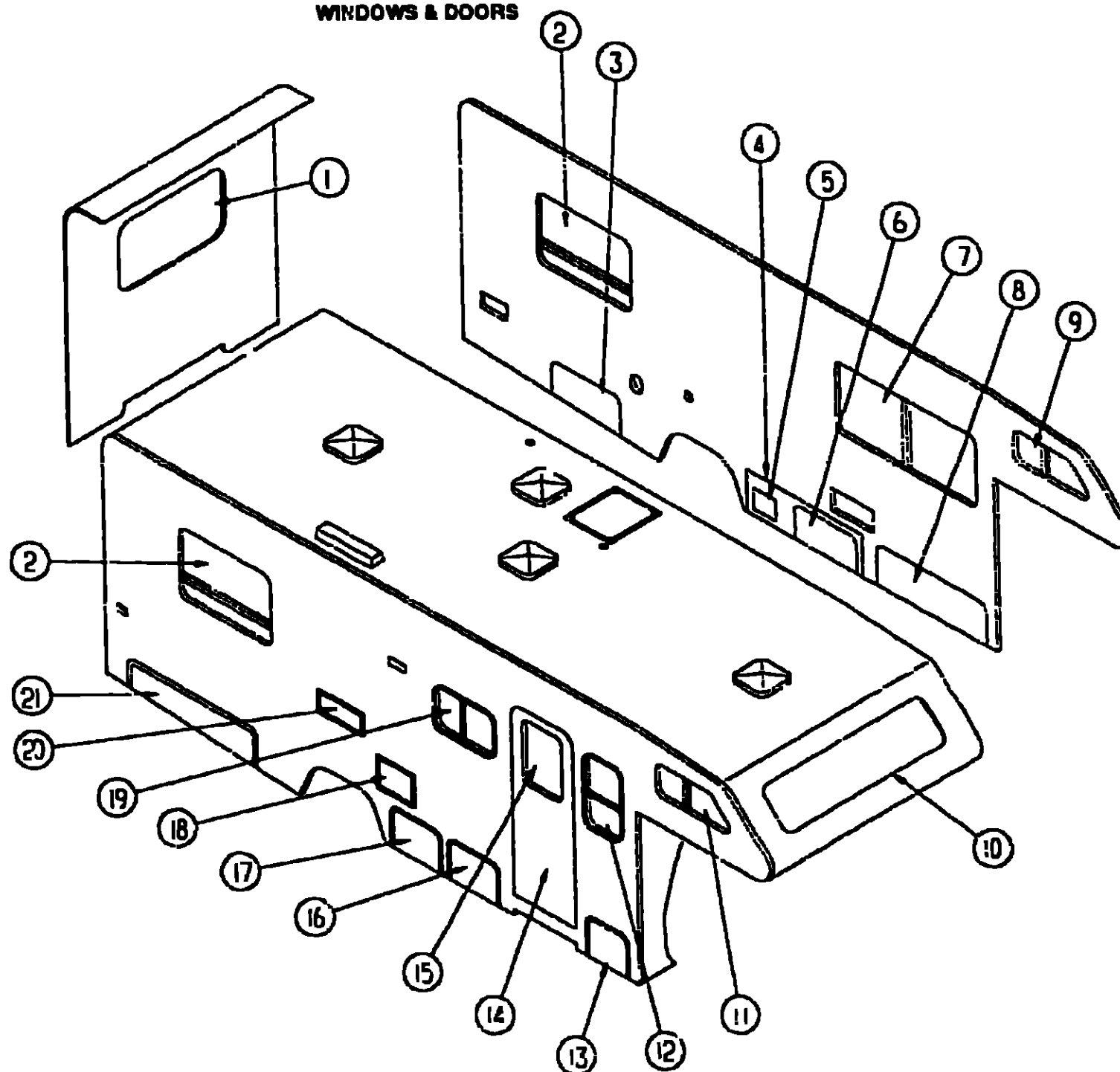
INTRODUCTION	A-01 - A-02
ABBREVIATIONS	A-03
ALPHABETICAL INDEX	A-04 - A-06
IF427RQ	A-07 - D-16
IF427RC	D-17 - G-22
IF427RT	G-23 - K-07

1992 IF427RQ INDEX

FLOOR PLAN	A-07 - A-08
ACCESSORIES	A-09
AUDIO VIDEO	A-10
BATH	A-11 - A-12
BEDROOM	A-13 - A-14
CHASSIS	A-15 - A-17
CURTAIN & CUSHION	A-18 - B-03
DINETTE	B-04 - B-05
DRIVERS	B-06 - B-08
ELECTRICAL	B-09 - B-12
EXTERIOR BODY	B-13 - B-19
GALLEY	B-20 - B-23
GENERATOR	B-24
HEATING & A/C	C-01 - C-02
INTERIOR FINISH	C-03 - C-06
LABEL	C-07 - C-14
LP	C-15
LOUNGE	C-16 - C-17
SEALANTS & FASTENERS	C-18 - C-20
WATER & SEWAGE	C-21 - C-24
WINDOW VENT AND EXTERIOR DOOR	D-01 - D-16

WINDOW, VENT & EXTERIOR DOOR GROUP

WINDOWS & DOORS



1992 ITASCA TABLE OF CONTENTS

INTRODUCTION	A-01	A-02
ABBREVIATIONS		A-03
ALPHABETICAL INDEX	A-04	A-06
IF427RQ	A-07	D-16
IF427PC	D-17	G-22
IF427RT	G-23	K-07

1992 IF427RQ INDEX

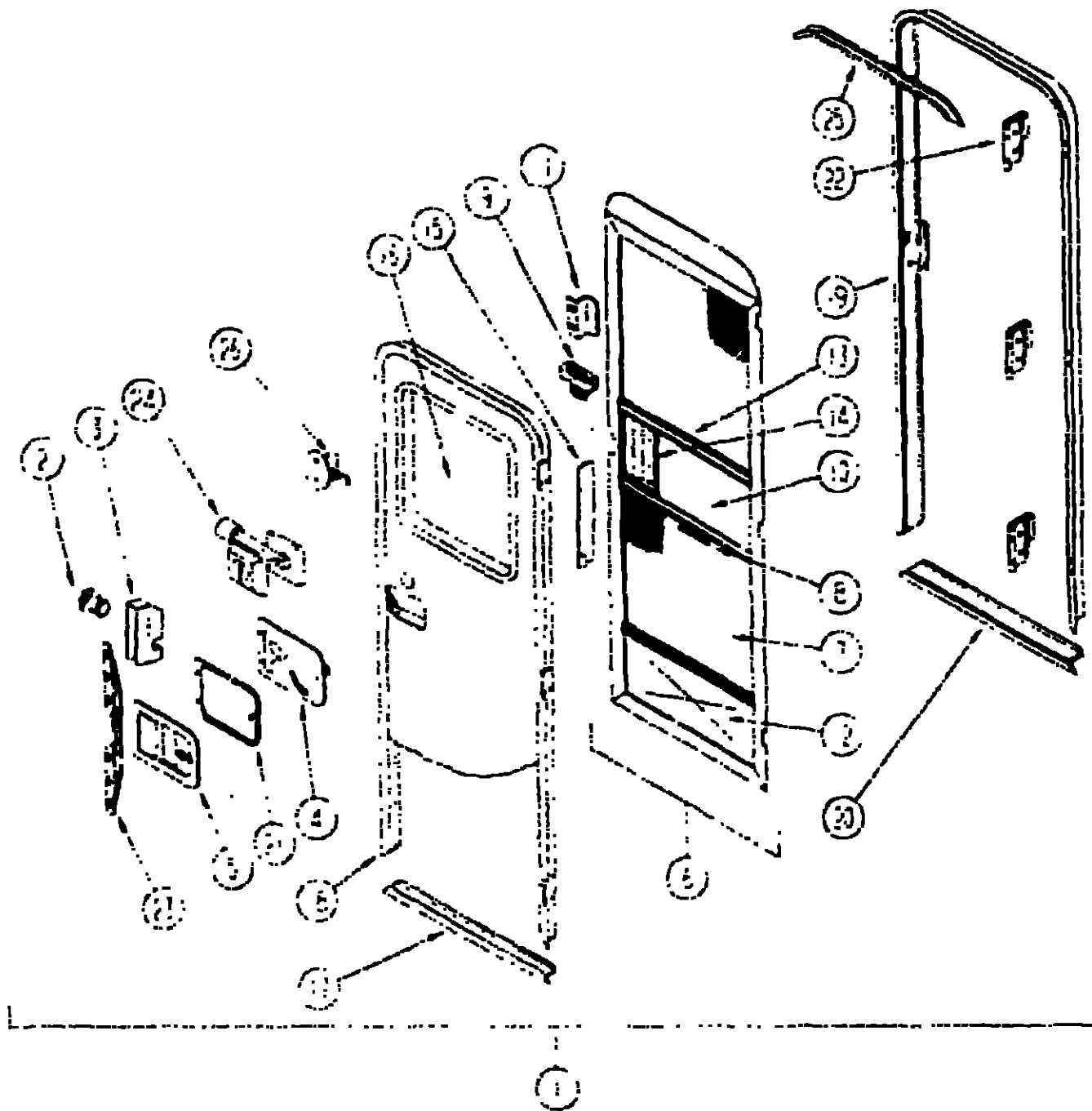
FLOOR PLAN	A-07	A-08
ACCESSORIES		A-09
AUDIO VIDEO		A-10
BATH	A-11	A-12
BEDROOM	A-13	A-14
CHASSIS	A-15	A-17
CURTAIN & CUSHION	A-18	B-03
DINETTE	B-04	B-05
DRIVERS	B-06	B-08
ELECTRICAL	B-09	B-12
EXTERIOR BODY	B-13	B-19
GALLEY	B-20	B-23
GENERATOR		B-24
HEATING & A/C	C-01	C-02
INTERIOR FINISH	C-03	C-06
LABEL	C-07	C-14
LP		C-15
LOUNGE	C-16	C-17
SEALANTS & FASTENERS	C-18	C-20
WATER & SEWAGE	C-21	C-24
WINDOW VENT AND EXTERIOR DOOR	D-01	D-16

KEY	PART NUMBER	U/M	DESCRIPTION
1	079526-03 Y12	EA	WINDOW-ESCAPE - 27" X 43"
2	092235-12 Y12	EA	WINDOW-TIPOUT - SINGLE
3	105175-03-C03	EA	DOOR ASM-LOWER - REAR
			FROM 00-00-00 THRU 11-15-91
3	105175-13-C03	EA	DOOR ASM-LOWER - REAR
			FROM 11-15-91 THRU 99-99-99
4	P05300-01-C03	EA	PANEL ASM - SEWER ACCESS
5	088754-01-003	EA	DOOR POWER COORD WATCH - OFF WHITE
6	105174-10-C03	EA	DOOR ASM-LOWER - FRONT
7	095547-10-02A	EA	WINDOW ASM-SLIDER - HORIZONTAL - BLACK
8	105174-03-C03	EA	DOOR ASM-LOWER - FRONT
9	079625-05-01A	EA	WINDOW ASM-SLANTED SLIDER - DRIVER
10	103213-01-505	EA	WINDOW PICTURE
11	095045-01-01A	EA	WINDOW ASM-SLANTED SLIDER - PASSENGER

KEY	PART NUMBER	U/M	DESCRIPTION
12	095544-05-01A	EA	WINDOW ASM-SLIDER RAISE - BLACK
13	105174-01-C03	EA	DOOR ASM-LOWER-FRONT
14	W01970-32-987	EA	DOOR-ENTRY - W/WINDOW SCREEN & JAMB - OFF WHITE
15	079753-07-AA8	EA	WINDOW-ENTRY DOOR 17" X 25" - FROSTED GLASS
16	105174-02-C03	EA	DOOR ASM-LOWER - FRONT
17	105174-04-C03	EA	DOOR ASM-LOWER - FRONT
			FROM 11-15-91 THRU 99-99-99
18	C52009-01-000	EA	DOOR-WATER HEATER - OFF WHITE - ATWOOD 5575-27
19	C58547-06-02A	EA	WINDOW ASM-SLIDER - HORIZONTAL - BLACK
20	C84103-03-000	EA	DOOR-VENT-REFRIGERATOR - OFF WHITE
	C84104-03-000	EA	JAMB-DOOR-REFRIGERATOR - OFF WHITE
	C84104-01-700	EA	LOCK-MALE DZUS FASTENER - 201-721-010
	C84104-01-701	EA	LOCK-FEMALE DZUS FASTENER - 201-803-010
21	079578-28-C03	EA	DOOR ASM-STORAGE
	081740-03-000	EA	DOOR-WATER FILL-LOCKABLE-4' X 4 5/8" - OFF WHITE
	082584-01-700	EA	KEY-SINGLE

WINDOW, VENT & EXTERIOR DOOR GROUP (CONTINUED)

ENTRY DOOR



KEY	PART NUMBER	U/M	DESCRIPTION
1	W01870-32-887	EA	DOOR-ENTRY-WINDOW-SCREEN & JAMB - OFF WHITE
2	035539-01-000	EA	STRIKE-LOCK ENTRY DOOR - ROUND/THREADED WASHER
3	035540-01-000	EA	LATCH MECHANISM-HOOK ENTRY DOOR - INTERIOR
	039715-01-000	EA	NUT SERT 1/4" DIAMETER - 20 THREADS
4	035979-04-000	EA	COVER-INTERIOR LATCH W/TRIP ARM - RIGHT - BLACK
	035984-01-000	EA	CAP ROUND VINYL - 28" ID X 62" LONG - BLACK
	041546-03-000	EA	BRACKET-DOOR ANGLE 5" X 1 9" - BEIGE - METAL
5	045017-11-000	EA	LATCH-ENTRY DOOR MECHANISM W/LOCK & KEY - BLACK
	045017-11-701	EA	KEY-BLANK ROUND TOP - SILVER - TRI MARK
	055748-01-000	EA	PLUG-CAP 1 5" DIAMETER
	059025-02-000	EA	CLIP-ROLLER LATCH CATCH SCREEN DOOR
	053729-04-000	EA	RIVNUT 10-32 UNF - 010-080
	072893-01-000	EA	NUTSERT M5 X 0.8
	075671-04-000	FT	SEAL-SPONGE LAZY T SHAPE - W/ADHESIVE STRIPE - 5" WIDE
6	075012-01-001	EA	DOOR-SCREEN
7	002293-02-000	SF	SCREEN NG-WINDOW DOOR 25" - CHARCOAL
8	002294-01-000	FT	SPLINE-SCREENING 135" X 135" - BLACK
	002749-01-000	EA	CORNER KEY-DOOR
9	109403-01-000	EA	CATCH-SINGLE ROLLER SCREEN DOOR
10	001014-01-013	EA	INSERT-CENTER 10 23" X 16 31" - UNPAINTED
11	050712-04-000	EA	HANDLE-SCREEN DOOR ALUM. NUM - OFF WHITE
11	050712-05-000	EA	HANDLE-SCREEN DOOR UNPAINTED
12	078552-03-000	EA	INSERT-SCREEN DOOR LOWER - WILL
	078595-01-000	EA	PLATE-SCREEN DOOR
13	078777-01-000	EA	CHANNEL-SLIDE SCREEN DOOR CENTER SLIDER COVER - 17 4"
14	078085-02-000	EA	SLIDER-SCREEN DOOR OFF WHITE
15	078097-02-000	EA	STRIKE-SLIDER W/LIP FOR ELBOW CATCH - 1 5" X 8 6"
14	057609-32-000	EA	FRAME-WINDOW-ENTRY DOOR - OFF WHITE
16	075733-07-AA3	EA	WINDOW-ENTRY DOOR 17" X 25" - FROSTED GLASS
16	050216-02-000	FT	SPLINE-GLASS EXTERIOR - VINYL - 19" - BLACK
16	002181-07-000	EA	GLASS-WINDOW 182" X 16 25" X 24" - FROSTED
15	037551-01-000	FT	SEAL-GLASS EXTERIOR - 5" WIDE - VINYL - BLACK
	031914-01-000	EA	BUMPER-RUBBER ROUND - 43" DIAMETER - BLACK
17	085748-01-000	EA	FRAME-DOOR ENTRANCE - BOTTOM - OFF WHITE
	070340-01-000	FT	SEAL-FOAM CLOSED CELL - 1/4" X 1/2" X 50'
18	095276-01-01A	EA	FRAME-DOOR ENTRANCE - TOP & SIDES - OFF WHITE
19	095277-02-01A	EA	JAMB-ENTRY DOOR - 25 9" X 74 5" - OFF WHITE
	095278-01-01A	EA	JAMB-DOOR-ENTRANCE - 25 9" X 74 5" - UNPAINTED
20	051049-01-000	EA	JAMB-DOOR-ENTRANCE-BOTTOM - 25 9" - UNPAINTED
	079207-01-000	EA	STRIKER-ROLLER CATCH WELDED TO DOOR JAMB - 4" X 1 15"
21	092510-01-01A	EA	PLATE-LATCH ENTRY DOOR - PLASTIC - BLACK
22	097724-01-04A	EA	HINGE-ENTRY DOOR UNPAINTED
23	095173-01-04A	EA	STIFFENER-ENTRY DOOR SUPPORTS LATCH-STRIKE
	100129-02-000	FT	SEAL-PILE ADHESIVE BACK - SCREEN DOOR - GRAY
24	101145-01-01A	EA	DEADBOLT-ENTRY DOOR W/2 KEYS W/O BOLT OR SCREWS
	095229-01-700	EA	KEY-BLANK
	101147-01-000	EA	BOLT-SECURITY 4 12" BACKSET
	102524-01-000	EA	BUMPER-RUBBER FLAT - BLACK
25	044582-02-000	EA	CAP-DRIP DOOR JAMB MOUNTED - OFF WHITE
	075639-03-000	EA	GARNISH-ENTRANCE DOOR OFF WHITE
25	100412-01-000	EA	CATCH-SCREEN DOOR THUMB CLIP W/BLACK PLASTIC CAP
	077451-03-000	EA	COVER-STRIKE ENTRY DOOR 1 5" X 2 5" - PLASTIC - WHITE

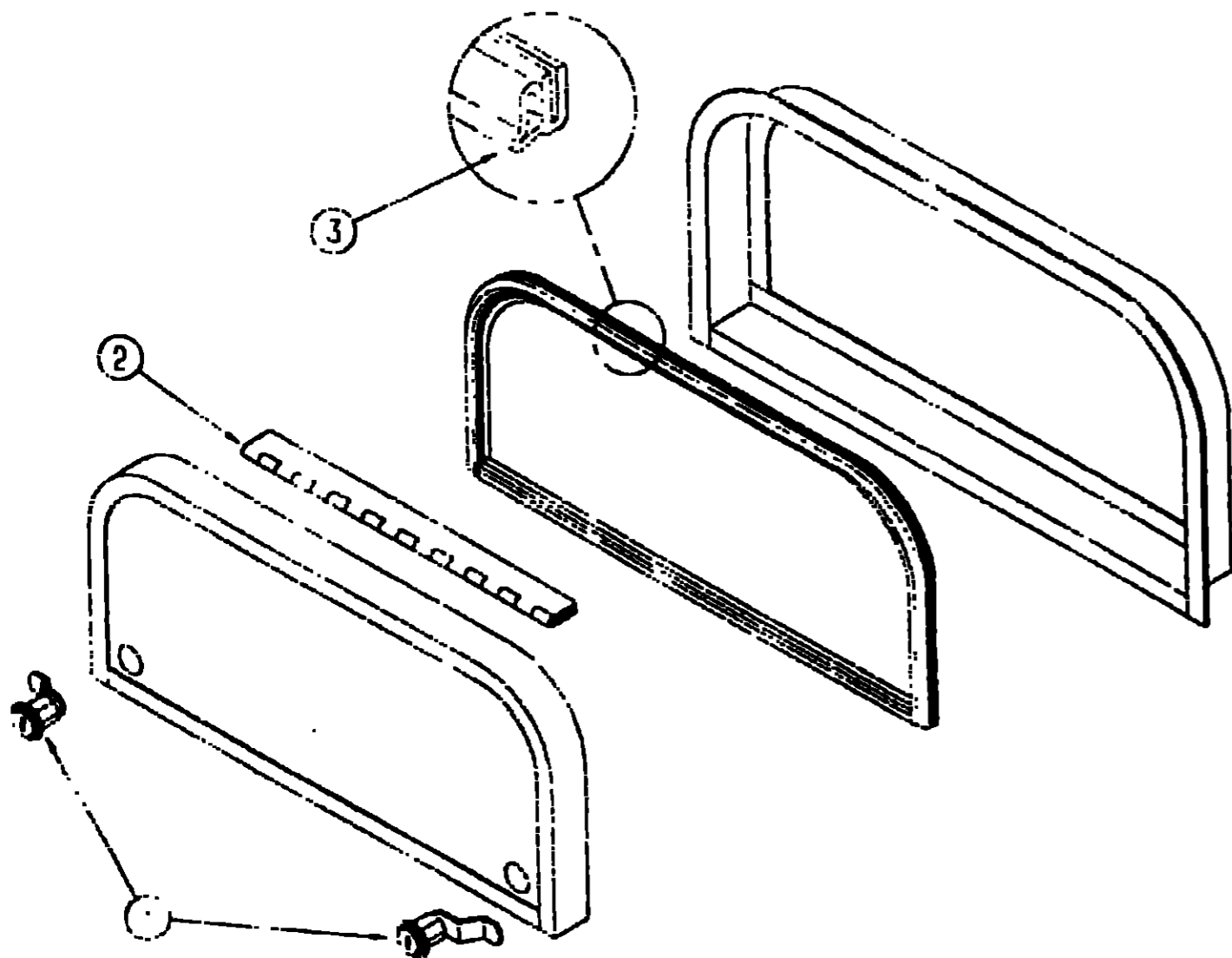
1992 ITASCA
TABLE OF CONTENTS

INTRODUCTION	A-01	A-02
ABBREVIATIONS		A-03
ALPHABETICAL INDEX	A-04	A-05
IF427RO	A-07	D-16
IF427RC	D-17	G-22
IF427RT	G-23	K-07

1992 IF427RQ INDEX

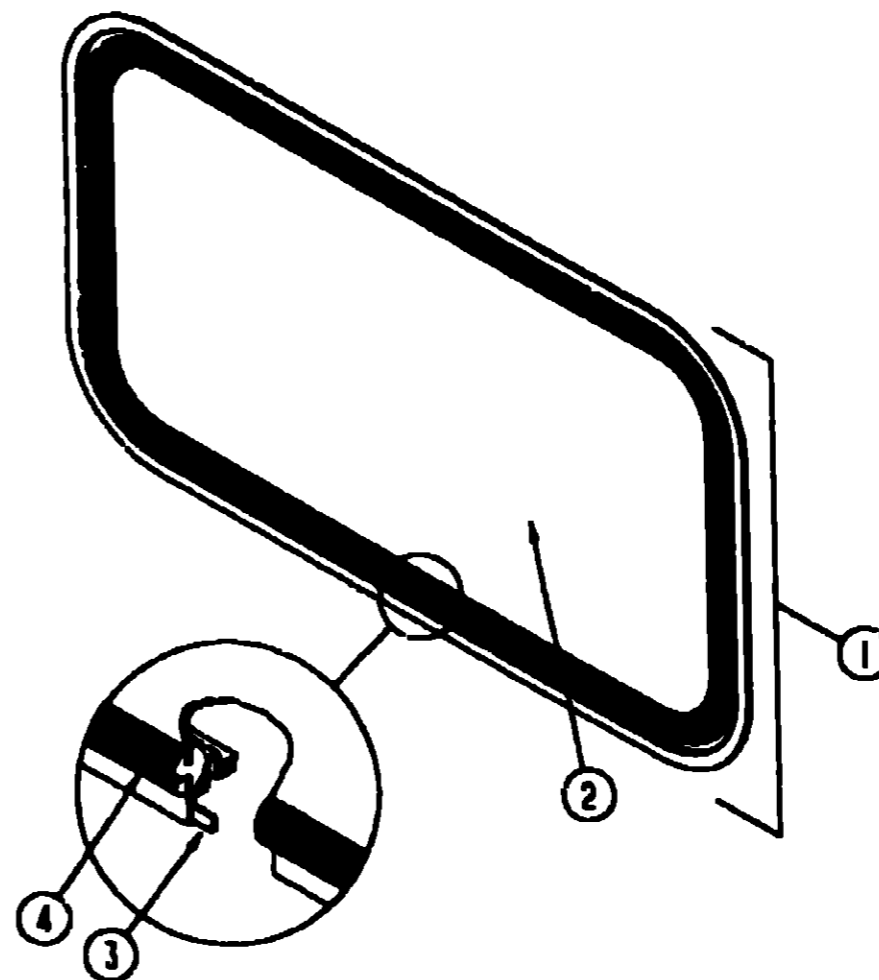
FLOOR PLAN	A-07	A-08
ACCESSORIES		A-09
AUDIO VIDEO		A-10
BATH	A-11	A-12
BEDROOM	A-13	A-14
CHASSIS	A-15	A-17
CURTAIN & CUSHION	A-18	B-03
DINETTE	B-04	B-05
DRIVERS	B-06	B-08
ELECTRICAL	B-09	B-12
EXTERIOR BODY	B-13	B-19
GALLEY	B-20	B-23
GENERATOR		B-24
HEATING & A/C	C-01	C-02
INTERIOR FINISH	C-03	C-06
LABEL	C-07	C-14
LP		C-15
LOUNGE	C-16	C-17
SEALANTS & FASTENERS	C-18	C-20
WATER & SEWAGE	C-21	C-24
WINDOW VENT AND EXTERIOR DOOR	D-01	D-16

WINDOW, VENT & EXTERIOR DOOR GROUP (CONTINUED)



EXTERIOR DOORS

WINDOW, VENT & EXTERIOR DOOR GROUP (CONTINUED)



OVERHEAD BUNK FRONT WINDOW

**1992 ITASCA
TABLE OF CONTENTS**

INTRODUCTION	A-01 -	A-02
ABBREVIATIONS		A-03
ALPHABETICAL INDEX	A-04 -	A-06
IF427RQ	A-07 -	D-16
IF427RC	D-17 -	G-22
IF427RT	G-23 -	K-07

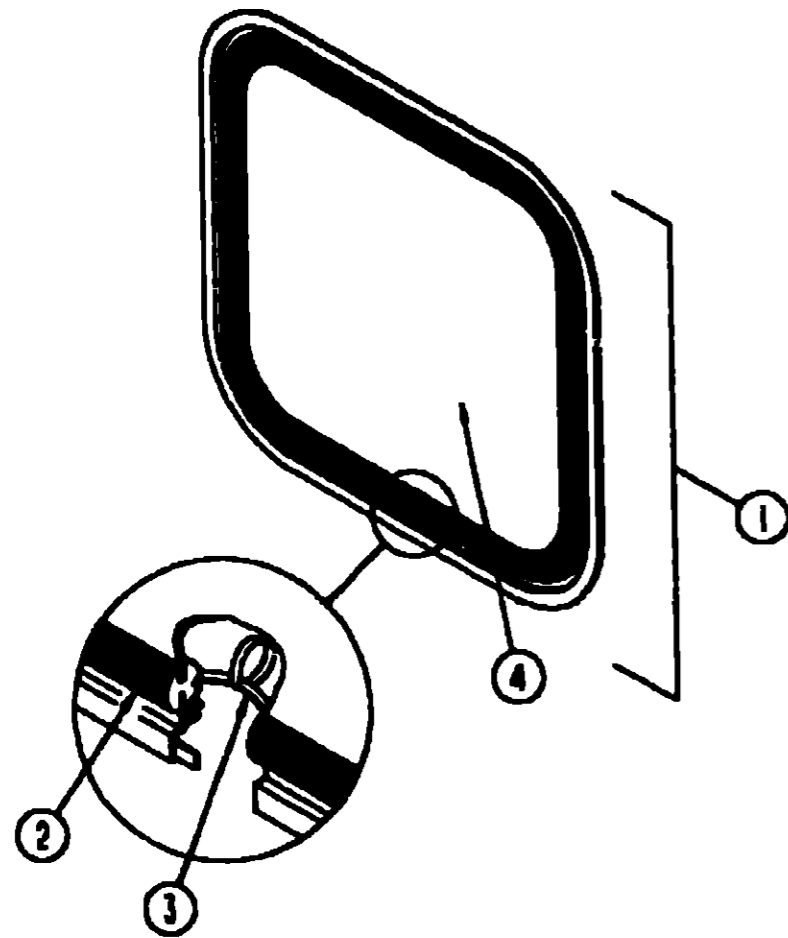
1992 IF427RQ INDEX

FLOOR PLAN	A-07 -	A-08
ACCESSORIES		A-09
AUDIO VIDEO		A-10
BATH	A-11 -	A-12
BEDROOM	A-13 -	A-14
CHASSIS	A-15 -	A-17
CURTAIN & CUSHION	A-18 -	B-03
DINETTE	B-04 -	B-05
DRIVERS	B-06 -	B-08
ELECTRICAL	B-09 -	B-12
EXTERIOR BODY	B-13 -	B-19
GALLEY	B-20 -	B-23
GENERATOR		B-24
HEATING & A/C	C-01 -	C-02
INTERIOR FINISH	C-03 -	C-06
LABEL	C-07 -	C-14
LP		C-15
LOUNGE	C-16 -	C-17
SEALANTS & FASTENERS	C-18 -	C-20
WATER & SEWAGE	C-21 -	C-24
WINDOW, VENT AND EXTERIOR DOOR	D-01 -	D-16

KEY	PART NUMBER	U/M	DESCRIPTION
1	072118-04-000	EA	LOCK DOOR KEY TYPE W/O KEYS - 1 9 OFF SET
			FROM 00-00-00 THRU 02-19-92
	072116-05-000	EA	LOCK ASM-KEY TYPE W/O KEYS 1 50 OFF SET
			FROM 02-20-92 THRU 99-99-99
	082524-01-700	EA	KEY - BLANK
	175927-03-000	EA	LOCK-TWIST TYPE- DOUBLE CAM 2 10 OFF SET
			FROM 00-00-00 THRU 02-19-92
	073927-04-000	EA	LOCK ASM-TWIST TYPE 1 50 O/S ILLINOIS LOCK
			FROM 02-20-92 THRU 99-99-99
2	081801-01-000	EA	HINGE-2" X 5 1/2" OFF WHITE
1	064075-07-000	FT	SEAL-BULB W/WIRED U CHANNEL - 3" X 5" CHANNEL - BLACK
	090340-01-000	FT	SEAL-FOAM CLOSED CELL - 1/4" X 1/2" X 50'
	104692-01-000	FT	SEAL-ADHESIVE BACK 3/4" X 34"
	097111-01-01A	EA	POCKET-LOCK-VALANCE-OFF WHT
	074109-01-000	EA	GASKET-LOCK POCKET
	095217-55-001	EA	U-CHANNEL - 17 5' - OFF WHITE
	091575-01-000	EA	RETAINER-DOOR-1 9" X 8" - METAL
	102753-01-000	EA	HOLDER-COMPARTMENT/ENTRY DOOR - METAL - MILL FINISH
	104099-01-01A	EA	CATCH-DOOR HOLDER - STRIKE - OFF WHITE
	104099-02-01A	EA	CATCH-DOOR HOLDER - RETAINER - OFF WHITE

KEY	PART NUMBER	U/M	DESCRIPTION
	067609-33-000	EA	FRAME-INSIDE WINDOW
1	103313-01-B05	EA	WINDOW ASM-PICTURE
2	002181-15-000	EA	GLASS-PICTURE 1/8 X 16 4" X 71 2" - GRAY
3	059540-11-000	FT	SEALER-TAPE - 3/16" X 3/8" - BLACK
4	099154-01-000	FT	CHANNEL-GLAZING STATIONARY GLASS - 52" X 45" - BLACK

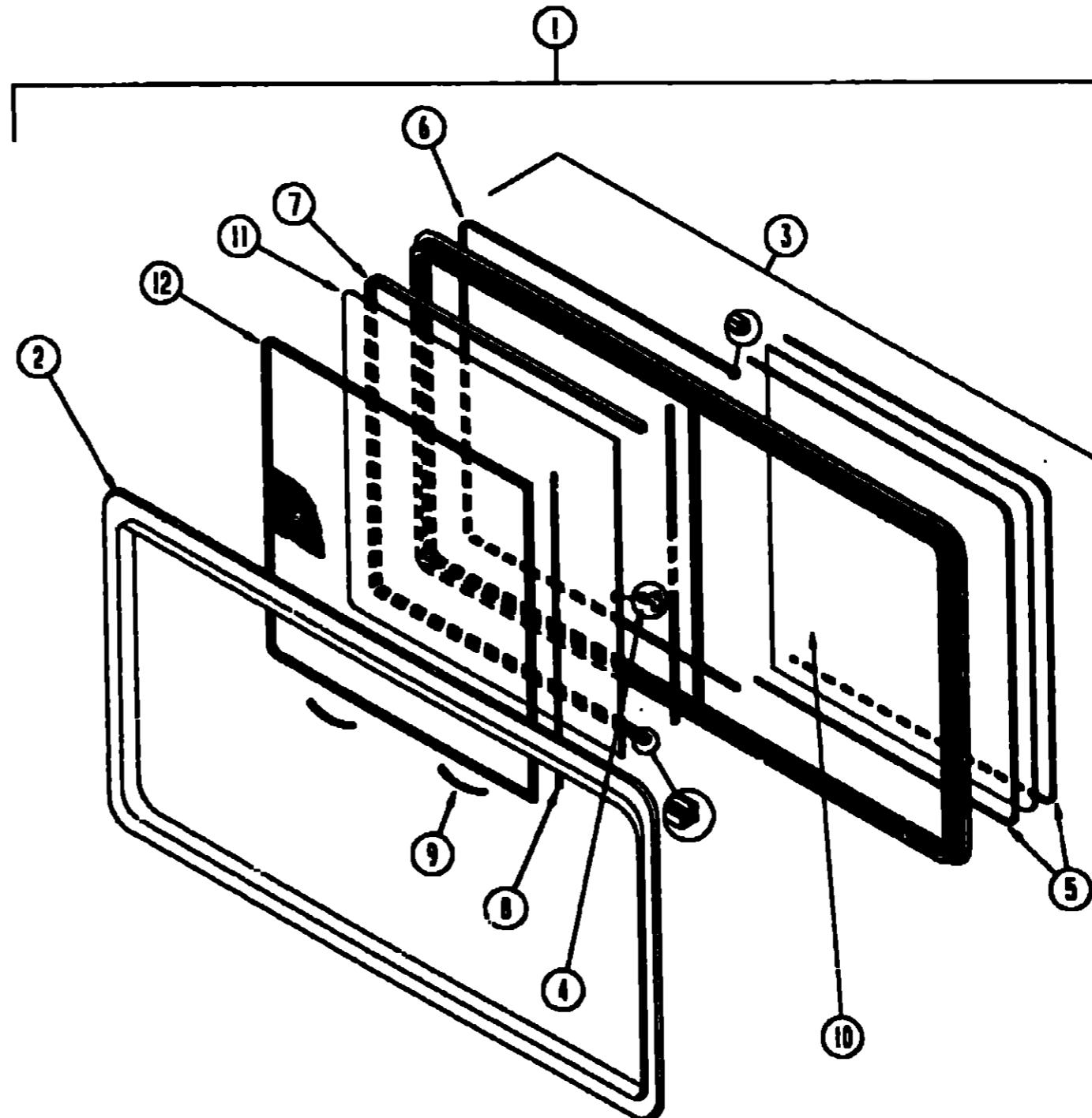
WINDOW, VENT & EXTERIOR DOOR GROUP (CONTINUED)



BACKWALL ESCAPE WINDOW

KEY	PART NUMBER	U/M	DESCRIPTION
	074816-08-000	EA	FRAME-WINDOW INSIDE ESCAPE - OFF WHITE
1	078528-03-Y12	EA	WINDOW-ESCAPE REAR - 27" X 48"
2	002282-06-000	EA	WEATHERSTRIP - 125' X 133 25' - BLACK
3	077066-01-702	EA	TAPE ASM-ESCAPE WINDOW
	002285-01-000	FT	FILLER-WEATHER STRIP RUBBER - BLACK
4	076337-08-000	EA	GLASS-WINDOW - ESCAPE - 44 8" X 23 5"

WINDOW, VENT & EXTERIOR DOOR GROUP (CONTINUED)



GALLEY SINGLE SLIDING WINDOW

KEY	PART NUMBER	U/M	DESCRIPTION
1	098647-10-02A	EA	WINDOW ASM-SLIDER-HORIZONTAL - BLACK (W/ INSIDE FRAME)
2	098647-09-704	EA	TRIM-INSIDE (OFF-WHITE) - W024-67 EXCEL-WHITE
3	098647-10-700	EA	WINDOW-SINGLE SLIDER - LEFT (W/O INSIDE FRAME)
4	098644-01-700	EA	LATCH REPAIR KIT
5	098644-01-705	FT	GLAZING STRIP - EXCEL M925-12
6	098644-01-706	FT	WEATHERSTRIP - EXCEL 171-010668
7	098644-01-708	FT	CHANNEL-PIERCED RUN - EXCEL 122-016543
8	098644-01-710	FT	TRACK-SCREEN SPACER 12' LENGTH - EXCEL M401-31
	098644-01-711	FT	WEATHERSTRIP-SCREEN BLACK - EXCEL 171-016965
9	098644-01-713	EA	SPRING-SCREEN FRAME (CLIP) PLASTIC - BLACK -EXCEL 225-016965
	098644-01-716	FT	PLUG-FILLER - EXCEL 132-014470
	098644-01-717	FT	SPLINE-SCREEN MFG - EXCEL 32-004716
10	098647-09-700	EA	GLASS-STATIONARY - 106-017153 EXCEL
11	098647-09-701	EA	GLASS-SLIDING - W/SASH&LATCH - W024-G9 EXCEL
12	098647-09-705	EA	SCREEN W/SPRING & WEATHERSTRIP - 410-016464 EXCEL

**1992 ITASCA
TABLE OF CONTENTS**

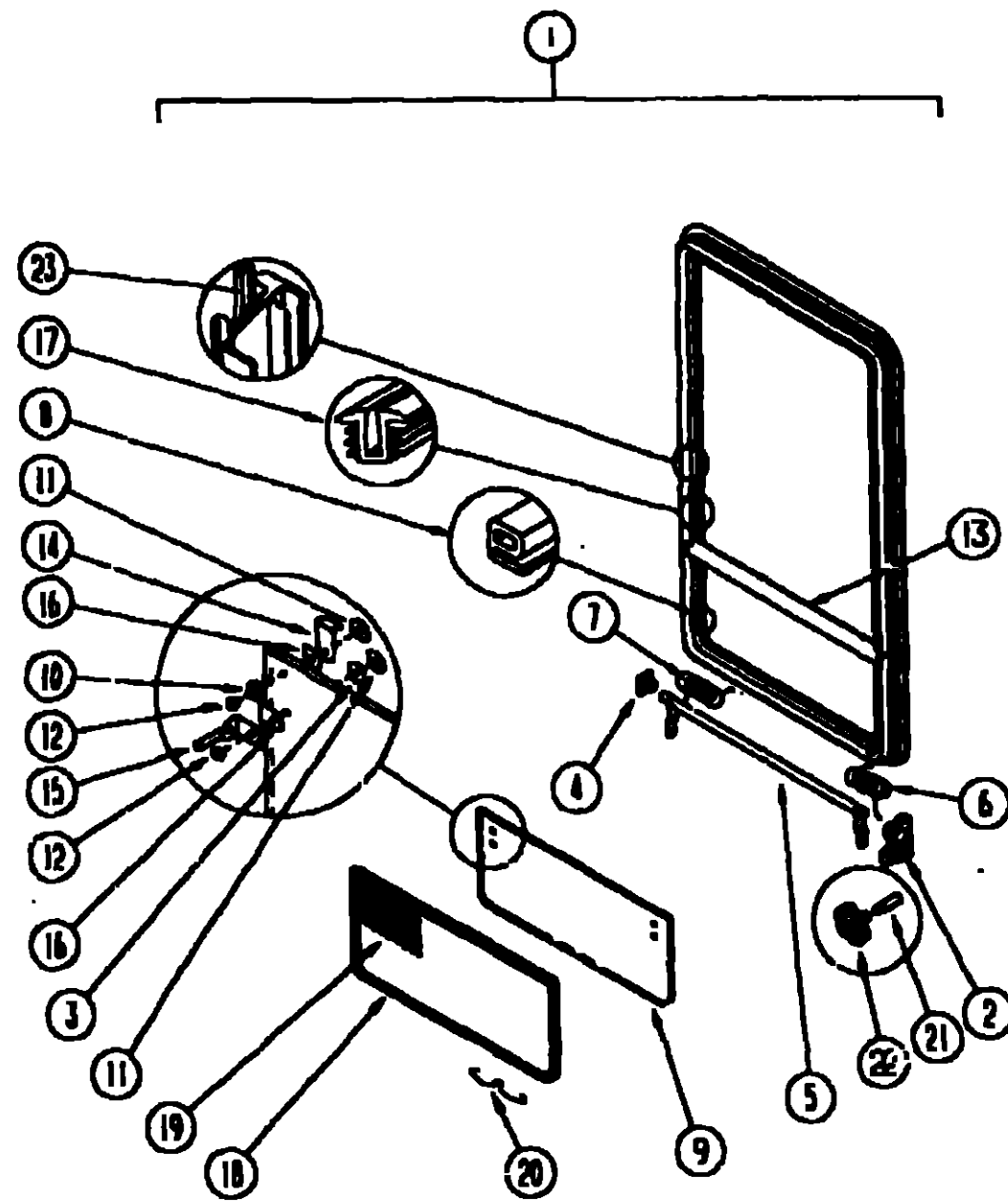
INTRODUCTION	A-01 - A-02
ABBREVIATIONS	A-03
ALPHABETICAL INDEX	A-04 - A-06
IF427RQ	A-07 - D-16
IF427RC	D-17 - G-22
IF427RT	G-23 - K-07

1992 IF427RQ INDEX

FLOOR PLAN	A-07 - A-08
ACCESSORIES	A-09
AUDIO VIDEO	A-10
BATH	A-11 - A-12
BEDROOM	A-13 - A-14
CHASSIS	A-15 - A-17
CURTAIN & CUSHION	A-18 - B-03
DINETTE	B-04 - B-05
DRIVERS	B-06 - B-08
ELECTRICAL	B-09 - B-12
EXTERIOR BODY	B-13 - B-19
GALLEY	B-20 - B-23
GENERATOR	B-24
HEATING & A/C	C-01 - C-02
INTERIOR FINISH	C-03 - C-06
LABEL	C-07 - C-14
LP	C-15
LOUNGE	C-16 - C-17
SEALANTS & FASTENERS	C-18 - C-20
WATER & SEWAGE	C-21 - C-24
WINDOW, VENT AND EXTERIOR DOOR	D-01 - D-16

WINDOW, VENT & EXTERIOR DOOR GROUP (CONTINUED)

BEDROOM TIPOUT WINDOW



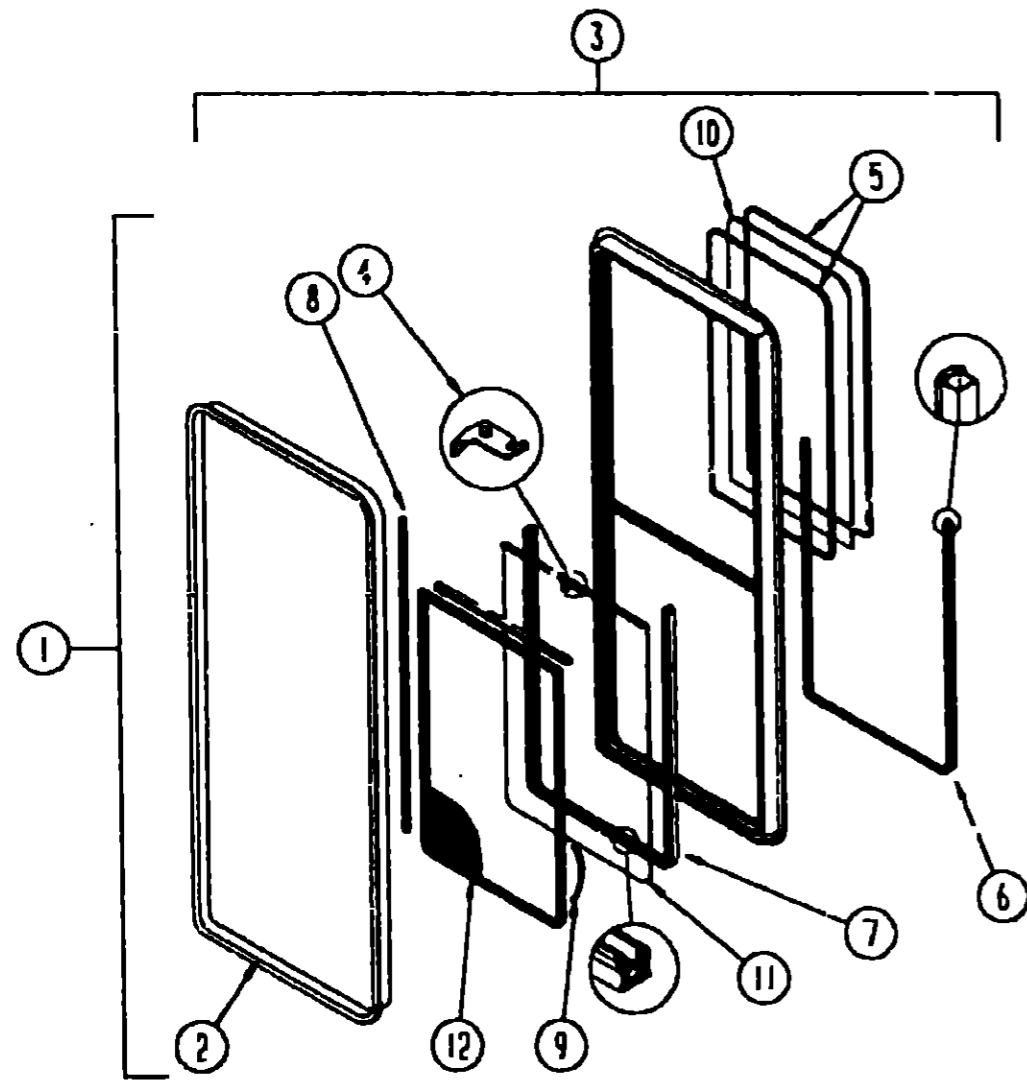
KEY	PART NUMBER	U/M	DESCRIPTION
1	090893-18-02A	EA	FRAME-INSIDE - WINDOW RETAINER - OFF WHITE
	092235-12-Y12	EA	WINDOW-TIPOUT - SINGLE - W/O INSIDE FRAME
	000H14-06-14R	EA	RIVET-MANDREL BLIND - 3/16"
2	J35302-02-000	EA	OPERATOR-TORQUE - TIPOUT WINDOW - LEFT
3	068927-03-000	EA	SEAL-WINDOW - RUBBER - ROUND - .80" DIA - BLACK
4	081354-01-000	EA	SLEEVE-TORQUE TUBE - TIPOUT WINDOW - 1 3" X 1 2" X 7"
	081649-01-000	EA	RING-SNAP - 7/32 SHAFT DIAMETER
5	083150-12-000	EA	TUBE ASM-TORQUE - WINDOW
6	080918-01-000	EA	SPRING-TORQUE TUBE - LEFT
7	080918-02-000	EA	SPRING-TORQUE TUBE - RIGHT
8	084067-02-000	FT	SEAL-E SHAPED - SPONGE - TIPOUT WINDOW - .42" X 38" - BLACK
9	084068-17-000	EA	GLASS-TIPOUT - 9 2" X 26"
10	084453-02-000	EA	WASHER-.06" X 5" X 25" - PLASTIC
11	086762-01-000	EA	T NUT 10-32
12	086763-01-000	EA	SCREW-MACH. 10 - 32 X 1/4 PTH
13	087566-04-01A	EA	MULLION-HORIZONTAL - TIPOUT - BLACK
14	089913-01-000	EA	HINGE-TIPOUT WINDOW - BLACK
15	097578-01-000	EA	LINKAGE-TIPOUT WINDOW
	084453-01-000	EA	WASHER-.06" X 5" X 135" - PLASTIC
16	084473-01-000	EA	SEAL-FLAT - W/CENTER HOLE & ADHESIVE SIDE - 8" X 9" - BLK
	085315-01-000	EA	RIVET-SHOULDER - TIPOUT WINDOW
17	099154-01-000	FT	CHANNEL-GLAZING - STATIONARY GLASS - 62" X 45" - BLACK
18	100235-04-B07	EA	SCREEN-SINGLE TIPOUT WINDOW
19	080218-03-000	SF	SCREENING-FIBERGLASS - 12" WIDE
20	100168-01-000	EA	CLIP-SPRING - SCREEN
	100240-01-000	FT	SPLINE-SCREEN - T-SHAPED
21	009439-06-000	EA	EXTENSION-CRANK HANDLE - WINDOW /ROOF VENT - BLACK
22	009439-05-000	EA	KNOB-OPERATOR - TIPOUT WINDOW - W/SPRING & ARM
	009439-07-000	EA	SCREW - 8-32 X 1 1/4 POH - BLACK
23	069640-11-000	FT	TAPE-SEALER - 3/16" X 3/8" - BLACK

1992 ITASCA TABLE OF CONTENTS

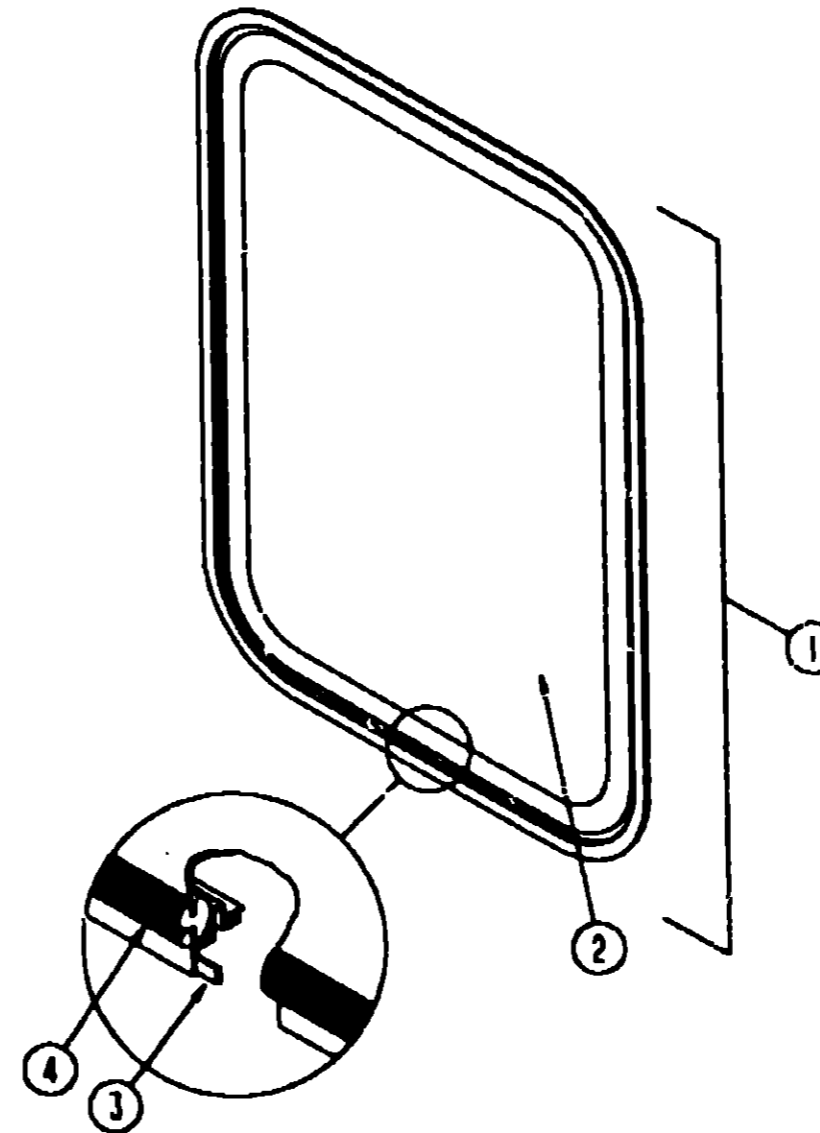
INTRODUCTION	A-01 - A-02
ABBREVIATIONS	A-03
ALPHABETICAL INDEX	A-04 - A-06
IF427RQ	A-07 - D-16
IF427RC	D-17 - G-22
IF427RT	G-23 - K-07

1992 IF427RQ INDEX

FLOOR PLAN	A-07 - A-08
ACCESSORIES	A-09
AUDIO VIDEO	A-10
BATH	A-11 - A-12
BEDROOM	A-13 - A-14
CHASSIS	A-15 - A-17
CURTAIN & CUSHION	A-18 - B-03
DINETTE	B-04 - B-05
DRIVERS	B-06 - B-08
ELECTRICAL	B-09 - B-12
EXTERIOR BODY	B-13 - B-19
GALLEY	B-20 - B-23
GENERATOR	B-24
HEATING & A/C	C-01 - C-02
INTERIOR FINISH	C-03 - C-06
LABEL	C-07 - C-14
LP	C-15
LOUNGE	C-16 - C-17
SEALANTS & FASTENERS	C-18 - C-20
WATER & SEWAGE	C-21 - C-24
WINDOW, VENT AND EXTERIOR DOOR	D-01 - D-16



LOUNGE VERTICAL SLIDER WINDOW



ENTRY DOOR WINDOW

1992 ITASCA
TABLE OF CONTENTS

INTRODUCTION	A-01 - A-02
ABBREVIATIONS	A-03
ALPHABETICAL INDEX	A-04 - A-06
IF427RQ	A-07 - D-16
IF427RC	D-17 - G-22
IF427RT	G-23 - K-07

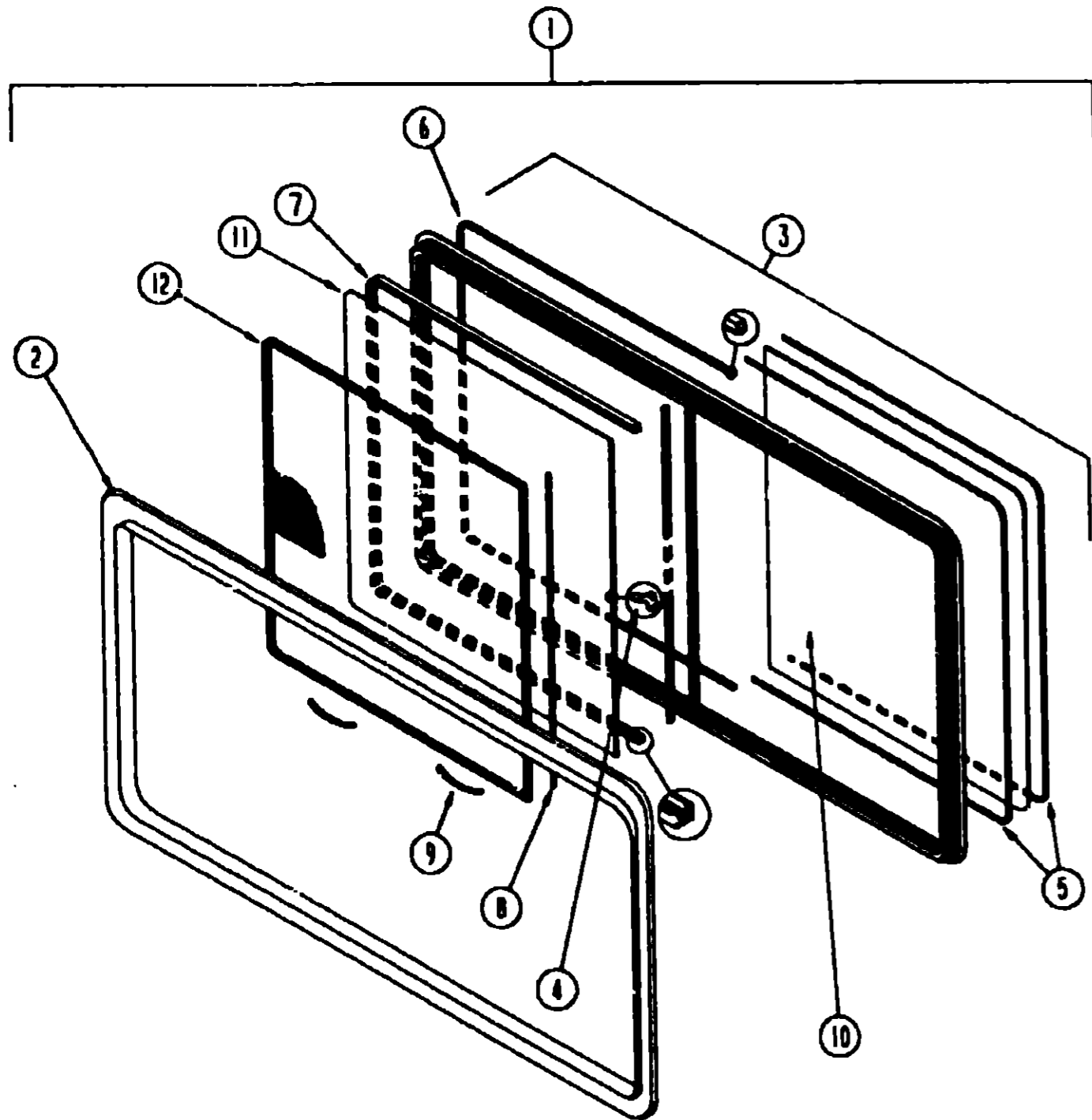
1992 IF427RQ INDEX

FLOOR PLAN	A-07 - A-08
ACCESSORIES	A-09
AUDIO VIDEO	A-10
BATH	A-11 - A-12
BEDROOM	A-13 - A-14
CHASSIS	A-15 - A-17
CURTAIN & CUSHION	A-18 - B-03
DINETTE	B-04 - B-05
DRIVERS	B-06 - B-08
ELECTRICAL	B-09 - B-12
EXTERIOR BODY	B-13 - B-19
GALLEY	B-20 - B-23
GENERATOR	B-24
HEATING & A/C	C-01 - C-02
INTERIOR FINISH	C-03 - C-06
LABEL	C-07 - C-14
LP	C-15
LOUNGE	C-16 - C-17
SEALANTS & FASTENERS	C-18 - C-20
WATER & SEWAGE	C-21 - C-24
WINDOW, VENT AND EXTERIOR DOOR	D-01 - D-16

KEY	PART NUMBER	U/M DESCRIPTION
1	098644-05-01A	EA WINDOW-SLIDING SINGLE - W/INSIDE FRAME - EXCEL H250-FR
2	098644-05-700	EA TRIM-INSIDE (OFF WHITE) - V969-67 EXCEL WHITE
3	098644-05-704	EA WINDOW-SLIDING SINGLE - W/O INSIDE FRAME - EXCEL B969-G2R
4	098644-01-700	EA LATCH-REPAIR KIT - EXCEL B801-CK
5	098644-01-705	FT GLAZING STRIP - EXCEL M926-12
6	098644-01-706	FT WEATHERSTRIP - EXCEL 171-010668
7	098644-01-708	FT CHANNEL-PIERCED RUN - EXCEL 122-016543
8	098644-01-710	FT TRACK-SCREEN SPACER 12" LENGTH - EXCEL M401-31
	098644-01-711	FT WEATHERSTRIP-SCREEN BLACK - EXCEL 171-016965
9	098644-01-713	EA SPRING-SCREEN FRAME (CLIP) PLASTIC - BLACK
	098644-01-716	FT PLUG-FILLER - EXCEL 132-014470
	098644-01-717	FT SPLINE-SCREEN - EXCEL 132-004716
10	098644-05-701	EA GLASS-STATIONARY - EXCEL 1G5-018013
11	098644-05-702	EA GLASS-SLIDING - W/SASH & LATCH - EXCEL B969-G9
12	098644-05-703	EA SCREEN W/WEATHERSTRIP & FRAME SPRING (CLIP) - EXCEL 410-016478

KEY	PART NUMBER	U/M DESCRIPTION
1	079733-07-AA8	EA WINDOW-ENTRY DOOR - 17" X 25" - FROSTED GLASS
2	002181-07-000	EA GLASS-WINDOW - 182" X 16 25" X 24" - FROSTED
3	050216-02-000	FT SPLINE-GLASS EXTERIOR - VINYL - 19" - BLACK
4	087561-01-000	FT SEAL-GLASS EXTERIOR - 5" WIDE - VINYL - BLACK

WINDOW, VENT & EXTERIOR DOOR GROUP (CONTINUED)



GALLEY SLIDING WINDOW

KEY	PART NUMBER	U/M	DESCRIPTION
1	098647-06-02A	EA	WINDOW ASM-SLIDER-HORIZONTAL - BLACK (W/ INSIDE FRAME)
2	098647-11-705	EA	TRIM-INSIDE (OFF-WHITE) - W324-67 EXCEL-WHITE
3	098647-06-705	EA	WINDOW-SINGLE SLIDER - LEFT (W/O INSIDE FRAME)
4	098644-01-700	EA	LATCH REPAIR KIT
5	098644-01-705	FT	GLAZING STRIP - EXCEL M925-12
6	098644-01-706	FT	WEATHERSTRIP - EXCEL 171-010668
7	098644-01-708	FT	CHANNEL-PIERCED RUN EXCEL 122-016543
8	098644-01-710	FT	TRACK-SCREEN SPACER 12' LENGTH - EXCEL M401-31
9	098644-01-711	FT	WEATHERSTRIP-SCREEN BLACK - EXCEL 171-015965
	098644-01-713	EA	SPRING-SCREEN FRAME (CLIP) PLASTIC - BLACK - EXCEL 225-015966
	098644-01-716	FT	PLUG-FILLER-EXCEL 132-014470
	098644-01-717	FT	SPLINE-SCREEN MFG-EXCEL 32-004716
10	098647-05-700	EA	GLASS-STATIONARY - 106-017193 EXCEL
11	098647-06-702	EA	GLASS-SLIDING - W/SASH&LATCH - H024-G9 EXCEL
12	098647-06-703	EA	SCREEN W/SPRING&WEATHERSTRIP - 410-016454 EXCEL
	098647-06-701	EA	RAIL-LOCKING W/WEATHERSTRIP

WINDOW, VENT & EXTERIOR DOOR GROUP (CONTINUED)

BUNK SLANTED SLIDER WINDOWS

KEY	PART NUMBER	U/M	DESCRIPTION
	098646-05-01A	EA	WINDOW-SLANTED SLIDER - PASSENGER SIDE
	098646-06-01A	EA	WINDOW-SLANTED SLIDER - DRIVER SIDE
	098644-01-700	EA	LATCH REPAIR KIT (BLACK)
	098644-01-705	FT	GLAZING STRIP
	098644-01-706	FT	WEATHERSTRIP - GLASS
	098644-01-708	FT	CHANNEL-RUN - PIERCED - GLASS
	098644-01-710	FT	TRACK-SPACER - FOR SCREEN 12'
	098644-01-711	FT	WEATHERSTRIP-SCREEN, BLACK
	098644-01-713	EA	SCREEN CLIPS (METAL)(BLACK)
	098644-01-716	FT	PLUG-FILLER
	098644-01-717	FT	SPLINE-SCREEN ASM
	098646-05-700	EA	STATIONARY GLASS
	098646-05-701	EA	SLIDE ASM
	098646-05-702	EA	SCREEN ASM

**1992 ITASCA
TABLE OF CONTENTS**

INTRODUCTION	A-01	A-02
ABBREVIATIONS		A-03
ALPHABETICAL INDEX	A-04	A-06
IF427RQ	A-07	D-16
IF427RC	D-17	G-22
IF427RT	G-23	K-07

1992 IF427RQ INDEX

FLOOR PLAN	A-07	A-08
ACCESSORIES		A-09
AUDIO VIDEO		A-10
BATH	A-11	A-12
BEDROOM	A-13	A-14
CHASSIS	A-15	A-17
CURTAIN & CUSHION	A-18	B-03
DINETTE	B-04	B-05
DRIVERS	B-06	B-08
ELECTRICAL	B-09	B-12
EXTERIOR BODY	B-13	B-19
GALLEY	B-20	B-23
GENERATOR		B-24
HEATING & A/C	C-01	C-02
INTERIOR FINISH	C-03	C-06
LABEL	C-07	C-14
LP		C-15
LOUNGE	C-16	C-17
SEALANTS & FASTENERS	C-18	C-20
WATER & SEWAGE	C-21	C-24
WINDOW, VENT AND EXTERIOR DOOR	D-01	D-16

WINDOW, VENT & EXTERIOR DOOR GROUP (CONTINUED)

POWERED ROOF VENT

KEY	PART NUMBER	U/M	DESCRIPTION
	090394-01-Y12	EA	VENT-ROOF POWERED
	009439-01-000	EA	CRANK HANDLE-ROOF VENT
	009439-04-000	EA	SCREW 8-32 X 1 1/4" PCH
	009439-05-000	EA	KNOB-CRANK - WINDOW AND ROOF VENT - BLACK - DECO 718128
	055218-01-000	EA	COVER-ROOF VENT - PLASTIC
	002825-01-000	EA	WEATHER STRIP-ROOF VENT - GRAY
	008195-01-000	EA	SWITCH-ROOF VENT PUSH BUTTON 12V
	008343-01-000	EA	TIE-WIRE 6"
	008386-01-000	EA	GROMMET-SNAP 3/8"
	009440-01-000	EA	GEAR/ARM-VENT COVER LIFT
	015911-01-000	EA	TRACK-LIFT ARM SLIDE - ROOF VENT
	048648-01-000	EA	MOTOR-ROOF VENT 1/8 SHAFT - 12V - JENSEN
	048649-01-000	EA	FAN-ROOF VENT 6 BLADES - 6" - JENSEN
	052639-01-001	EA	HINGE-VENT COVER 16"
	052639-01-200	EA	HINGE-EXTRUSION ROOF VENT 7"
	061603-01-000	EA	GROMMET-SNAP 3/16"ID - 3/8" HOLE PLASTIC - BLACK
	078785-01-Y12	EA	SCREEN-ROOF VENT POWERED
	002291-02-000	SF	SCREENING-ROOF VENT/WINDOW 16" - BLACK
	002298-02-000	FT	SPLINE-VENT/WINDOW SCREEN 128 DIAMETER - BLACK

NONPOWERED ROOF VENT

KEY	PART NUMBER	U/M	DESCRIPTION
	090395-01-Y12	EA	VENT-ROOF - NONPOWERED
	009439-01-000	EA	CRANK HANDLE - ROOF VENT
	009439-04-000	EA	SCREW 8-32 X 1 1/4" PCH
	009439-05-000	EA	KNOB-CRANK - WINDOW AND ROOF VENT - BLACK - DECO 718128
	055218-01-000	EA	COVER-ROOF VENT - PLASTIC
	002825-01-000	EA	WEATHER STRIP-ROOF VENT GRAY
	009440-01-000	EA	GEAR/ARM-VENT COVER LIFT
	015911-01-000	EA	TRACK-LIFT ARM SLIDE - ROOF VENT
	052639-01-001	EA	HINGE-VENT COVER 16"
	052639-01-200	EA	HINGE-EXTRUSION ROOF VENT 7"
	078786-01-Y12	EA	SCREEN-ROOF VENT NON POWERED - WHITE
	002291-02-000	SF	SCREENING-ROOF VENT/WINDOW 16" - BLACK
	002298-02-000	FT	SPLINE-VENT/WINDOW SCREEN 128 DIAMETER - BLACK

VENTS, SHROUDS AND ROOF COVERS

KEY	PART NUMBER	U/M	DESCRIPTION
	065103-03-000	EA	BASE-VENT REFRIGERATOR- ROOF - DOMETIC 3100529 01
	065103-04-000	EA	CAP-VENT REFRIGERATOR - ROOF - DOMETIC 3100529 019
	084878-09-000	EA	VENT-RANGE HOOD - SHORT - LVS
	063752-01-000	EA	SHROUD-RANGE - 18 5" X 20 6" X 16 2" - METAL - OFF WHITE
	084616-01-000	EA	SHROUD-RANGE HOOD VENT - OFF WHITE
	083558-03-000	EA	VENT-PLUMBING PIPE ROOF W/COVER - OFF WHITE
	080508-01-000	EA	PANEL-SKYLITE - INNER - PLEXIGLASS - 23 25" X 20 3"
	080507-01-000	EA	PANEL-SKYLIGHT - OUTER - PLEXIGLASS - 23 25" X 20 3"

**1992 ITASCA
TABLE OF CONTENTS**

INTRODUCTION	A-01	A-02
ABBREVIATIONS		A-03
ALPHABETICAL INDEX	A-04	A-06
IF427RQ	A-07	D-16
IF427RC	D-17	G-22
IF427RT	G-23	K-07

1992 IF427RQ INDEX

FLOOR PLAN	A-07	A-08
ACCESSORIES		A-09
AUDIO VIDEO		A-10
BATH	A-11	A-12
BEDROOM	A-13	A-14
CHASSIS	A-15	A-17
CURTAIN & CUSHION	A-18	B-03
DINETTE	B-04	B-05
DRIVERS	B-06	B-08
ELECTRICAL	B-09	B-12
EXTERIOR BODY	B-13	B-19
GALLEY	B-20	B-23
GENERATOR		B-24
HEATING & A/C	C-01	C-02
INTERIOR FINISH	C-03	C-06
LABEL	C-07	C-14
LP		C-15
LOUNGE	C-16	C-17
SEALANTS & FASTENERS	C-18	C-20
WATER & SEWAGE	C-21	C-24
WINDOW VENT AND EXTERIOR DOOR	D-01	D-16