

**1992 ITASCA  
TABLE OF CONTENTS**

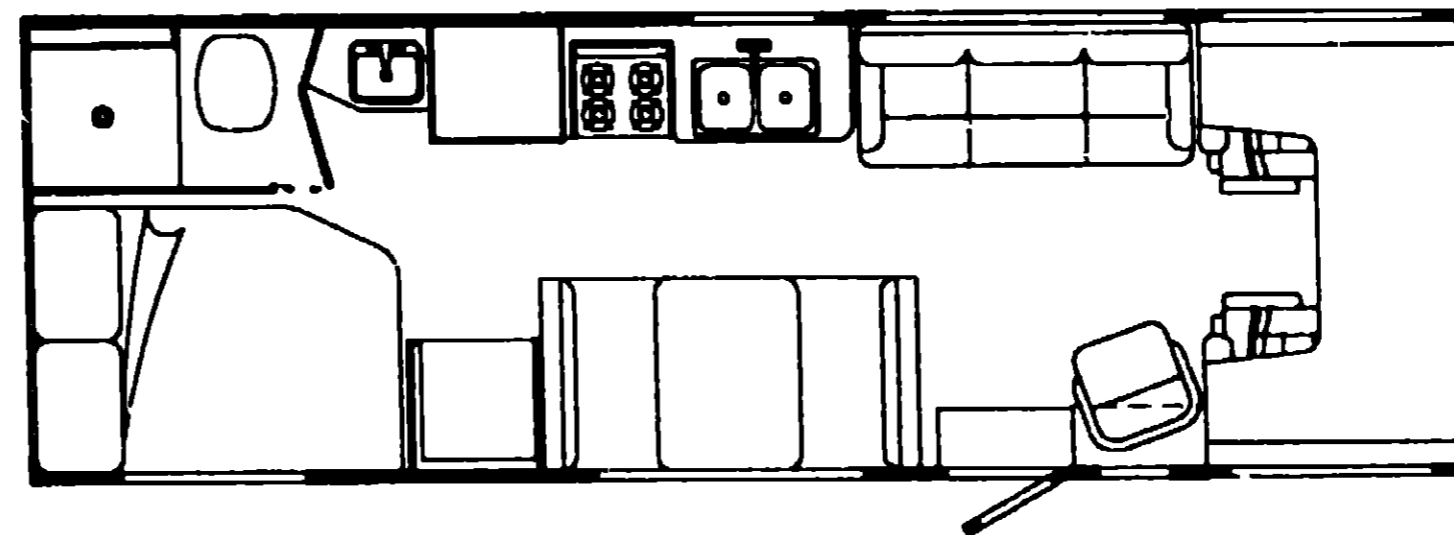
INTRODUCTION	A-01 - A-02
ABBREVIATIONS	A-03
ALPHABETICAL INDEX	A-04 - A-06
IF427RQ	A-07 - D-16
IF427RC	D-17 - G-22
IF427RT	G-23 - K-07



**1992  
IF427RC  
C23  
C24**

**1992 IF427RC INDEX**

FLOOR PLAN	D-17 - D-18
ACCESSORIES	D-19
AUDIO VIDEO	D-20
BATH	D-21 - D-22
BEDROOM	D-23
CHASSIS	D-24 - E-02
CURTAIN & CUSHION	E-03 - E-10
DINETTE	E-11 - E-12
DRIVERS	E-13 - E-14
ELECTRICAL	E-15 - E-18
EXTERIOR BODY	E-19 - F-01
GALLEY	F-02 - F-05
GENERATOR	F-06
HEATING & A/C	F-07 - F-08
INTERIOR FINISH	F-09 - F-12
LABEL	F-13 - F-20
LP	F-21
LOUNGE	F-22 - F-23
SEALANTS & FASTENERS	F-24 - G-02
WATER & SEWAGE	G-03 - G-06
WINDOW, VENT AND EXTERIOR DOOR	G-07 - G-22



## ACCESSORIES GROUP

### OPERATORS MANUAL

KEY	PART NUMBER	U/M DESCRIPTION
	054 55-92-000	EA MANUAL-OPERATOR-1992 SUNDANCER
	092318-01-000	EA BINDER-3 RING- MOTOR HOME MANUAL
	092319-01-000	EA POCKET PAGE-3 RING BINDER- PLASTIC
	106351-01-000	DW TOP LEVEL DRAWING - 1992 C-BODY

## AUDIO VIDEO GROUP

### RADIO SYSTEM COMPONENTS & ANTENNA

KEY	PART NUMBER	U/M DESCRIPTION
	081059-02-000	EA WIRE ASM-9-PIN- RADIO - AUDIOVOX 112B-1751
	106450-01-000	EA RADIO-AM/FM CASSETTE-ELECT FORD - AUDIOVOX FD-CXF
	106451-01-000	EA MOUNTING KIT-RADIO FORD AUDIOVOX FD-ECO-92
	108137-01-000	EA PLUG-ANTENNA HOLE-92 E350
	089340-02-000	EA GRILLE-SPEAKER- 6 5" SQUARE
	089340-03-000	EA GRILLE-SPEAKER-SPACER TAN - MAGNADYNE G514
	094097-01-000	EA SPEAKER-RADIO- W/O GRILLE - 5 25" DIA - AUDIOVOX 110C3030
	103305-01-000	EA WIRE ASM-SPEAKER ADAPTER - FORD

FROM 00-00-00 THRU 02-15-92

### TV, VCR SYSTEMS & ANTENNA

KEY	PART NUMBER	U/M DESCRIPTION
	092310-01-000	EA TV-COLOR- 9" - AC/DC - W.REMOTE - MAGNAVOX CH3940 FROM 00-00-00 THRU 01-25-92
	092310-01-700	EA REMOTE F/RK3955 -0822335
	092310-03-000	EA TV-COLOR-9"-AC/DC W/SWIVEL - MAGNAVOX RDO945 FROM 01-27-92 THRU 99-99-99
	092310-02-700	EA REMOTE F/TV -0822334
	098446-03-000	EA VCR-VHS- CABLE READY - REMOTE - MAGNAVOX VR5010
	098446-03-700	EA REMOTE F-MODEL #5010 -0974588
	106433-01-000	EA BRACKET-VCR
	076319-01-000	EA ANTENNA-TV- ROOF MOUNT - 44 5" MAST - RVA W02
	076319-01-700	EA HEAD ANTENNA- AMPLIFIED - WINEGARD# RVSA U/V
	076319-01-701	EA GEAR-ELEVATING- PLASTIC - WINEGARD# 2200046
	076319-01-702	EA SHAFT ASM-ELEVATING- WINEGARD# RVP-400A
	076319-01-703	EA BEARING-NYLON- 5"OD - WINEGARD# 3200656
	076319-01-705	EA GROMMET-NYLON- 7/8"ID - WINEGARD# 3200658
	076319-01-706	EA CRANK-ELEVATING- W/SET SCREW - WINEGARD# 5755100
	076319-01-707	EA SPRING-HANDLE- WINEGARD# 5160800
	076319-01-709	EA PLATE-DIRECTIONAL- FOR HEAD - WINEGARD #3200644
	076319-06-000	EA ADAPTOR-CABLE ROOF PLATE- WINEGARD RPJ-1
	082134-01-000	EA ADAPTER-TV- CABLE TO CABLE - WINEGARD F-81M
	082136-01-000	EA NUT-HEX JAM 3/8-32- WINEGARD
	086777-02-000	EA WALLPLATE-TV CABLE- W/ANTENNA SWITCH - BROWN
	076319-03-000	FT CABLE-COAXIAL- 75 OHM
	076319-12-000	EA CONNECTOR-COAXIAL- ONE PIECE
	086757-03-000	EA CONTROL CENTER-SWITCH- VCR/TV - MAGNADYNE VCS-C
	086777-04-000	EA PLATE-WALL- ANTENNA/POWER - BROWN

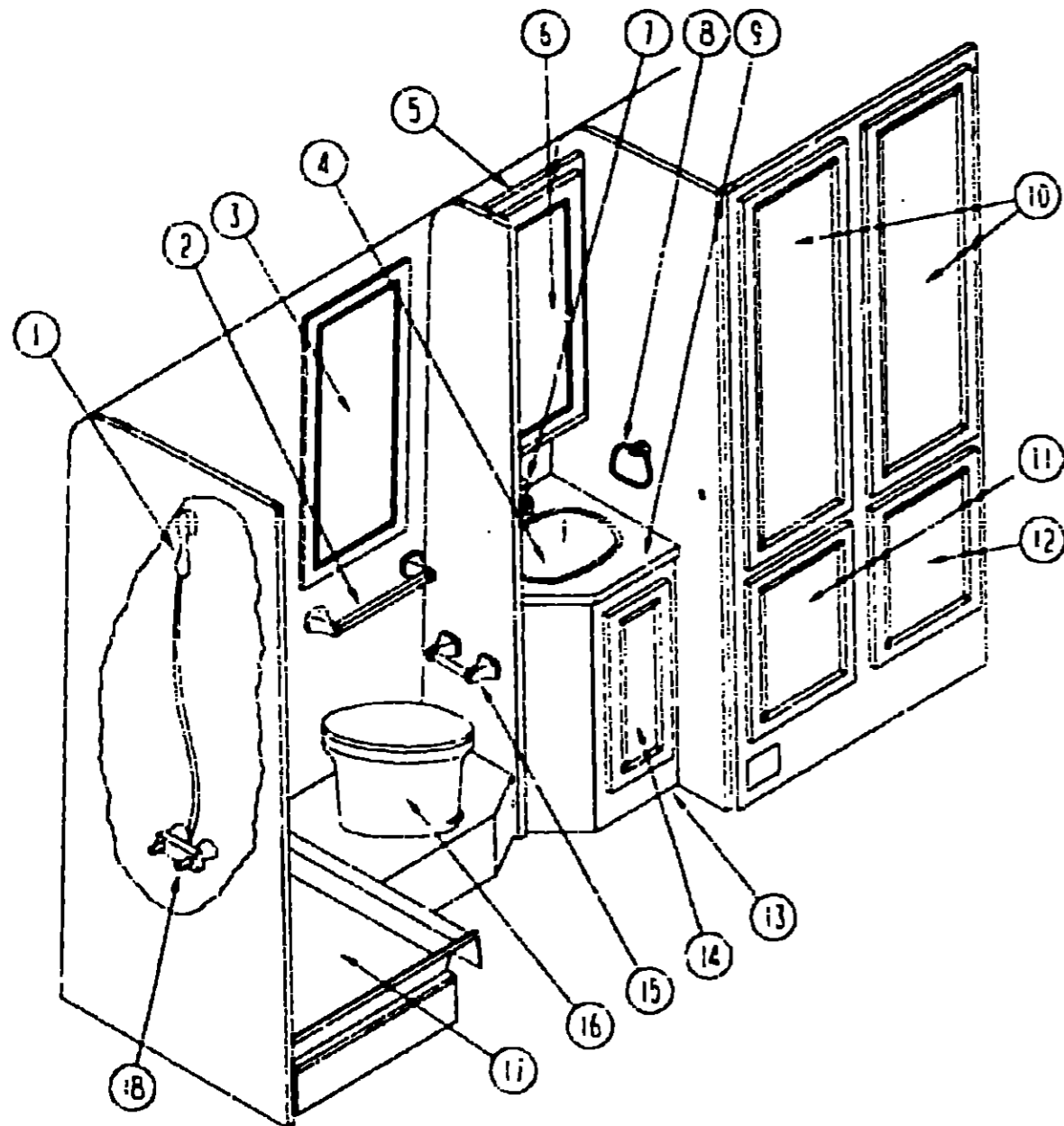
## 1992 ITASCA TABLE OF CONTENTS

INTRODUCTION	A-01	A-02
ABBREVIATIONS		A-03
ALPHABETICAL INDEX	A-04	A-06
IF427RQ	A-07	D-16
IF427RC	D-17	G-22
IF427RT	G-23	K-07

## 1992 IF427RC INDEX

FLOOR PLAN	D-17	D-18
ACCESSORIES		D-19
AUDIO VIDEO		D-20
BATH	D-21	D-22
BEDROOM		D-23
CHASSIS	D-24	E-02
CURTAIN & CUSHION	E-03	E-10
DINETTE	E-11	E-12
DRIVERS	E-13	E-14
ELECTRICAL	E-15	E-18
EXTERIOR BODY	E-19	F-01
GALLEY	F-02	F-05
GENERATOR		F-06
HEATING & A/C	F-07	F-08
INTERIOR FINISH	F-09	F-12
LABEL	F-13	F-20
LP		F-21
LOUNGE	F-22	F-23
SEALANTS & FASTENERS	F-24	G-02
WATER & SEWAGE	G-03	G-06
WINDOW VENT AND EXTERIOR DOOR	G-07	G-22

**BATH GROUP**



**BATH & SHOWER CABINETS & HARDWARE**

KEY	PART NUMBER	U/M DESCRIPTION
1	103092-01-000	EA SHOWER HEAD-W/50 IN HOSE
2	075453-02-000	EA BAR-TOWEL-16" BRASS
3	058331-21-000	EA MIRROR-GLASS-SAFETY - 438MMX835MM
4	095927-01-01A	EA SINK-LAVATORY-RECTANGULAR-PLASTIC-SCENE
	095927-01-700	EA SINK-STOPPER
	095927-01-701	EA TAILPIECE-SINK
5	102821-02-C52	EA CABINET ASM-MEDICINE
6	P05223-01-C03	EA DOOR ASM-MIRROR-HARDWARE-395 X 750
	058331-32-000	EA MIRROR GLASS-SAFETY - 13 5" X 27 5"
	M03450-11-000	EA TRIM-MIRROR-WOOD - OAK
	093445-10-B05	EA MIRROR-WOOD-FRAMED
7	075240-05-000	EA FAUCET LAVATORY-BONE
8	075454-02-000	EA RING-TOWEL-W/MOUNTING HARDWARE - BRASS
9	105643-11-C53	EA COUNTERTOP ASM
10	P05223-25-C03	EA DOOR ASM-W/O HARDWARE - ROUNDED - 395 X 1015
11	P05223-01-C03	EA DOOR ASM-W/O HARDWARE - ROUNDED - 305 X 555
12	P05223-23-C03	EA DOOR ASM-W/O HARDWARE - ROUNDED - 395 X 555
13	M05684-01-C53	EA CABINET ASM-LAVATORY-US
13	M05684-02-C53	EA CABINET ASM-LAVATORY-CSA
14	P05223-64-C03	EA DOOR ASM-W/O HARDWARE - ROUNDED - 395 X 555
15	075452-02-000	EA HOLDER-TOILET TISSUE-BRASS

**BATH GROUP (CONTINUED )**

**BATH & SHOWER CABINETS & HARDWARE (CONTINUED)**

KEY	PART NUMBER	U/M DESCRIPTION
15	067487-01-000	EA TOILET-12 37" - IVORY - HAND FLUSH - THETFORD 150110
	063740-01-700	EA LEVER-WATER-THETFORD 12514
	063740-01-701	EA LEVER-FLUSH-THETFORD 12515
	063740-01-705	EA BOLT PACKAGE-CLOSET-THETFORD 12524
	063740-01-710	EA LINK-THETFORD 12513
	063740-01-711	EA SPRING-RETURN LEVER-THETFORD 12523
	063740-01-713	EA SEAL-BALL VALVE TO BOWL-THETFORD 12502
	063740-01-714	EA VALVE ASM-WATER-THETFORD 12492
	063740-01-716	EA SEAT & COVER-THETFORD 15017
	063740-01-717	EA TUBE-FLUSH-TOILET-12509 THETFORD
	024675-01-000	EA FLANGE-CLOSET-TOILET - 4" X 3" - RED - US
	024675-02-000	EA FLANGE-CLOSET-TOILET - 4" X 3" - RED - CSA
17	M02429-06-000	EA PAN-SHOWER-OFF WHITE
	065436-01-000	EA NUT-SLIP-TAILPIECE - 1 5"
	065440-01-000	EA STRAINER-SHOWER-W/RUBBER WASHER
	065935-01-000	EA WASHER-STRAINER TO TAILPIECE PLASTIC- 1 5"
	G11069-02-000	EA TAILPIECE-TUB-SHOWER- 1 1/2" X 1 1/4" X 4" - BRASS
	065435-01-000	EA NUT-SLIP-TAILPIECE - 1 5"
18	075241-05-000	EA FAUCET-SHOWER-BONE
18	075505-01-000	EA PANEL-FAUCET BACK-SHOWER - 5" X 9" - PLASTIC
	057571-01-000	EA COVER-SCREW-#8 - PLASTIC - OFF WHITE

**BATH PRIVACY DOOR**

KEY	PART NUMBER	U/M DESCRIPTION
	V87966-09-C03	EA DOOR ASM-CABINET-BATH
	094465-01-01A	EA FINISH-COR-POLISHED BRASS

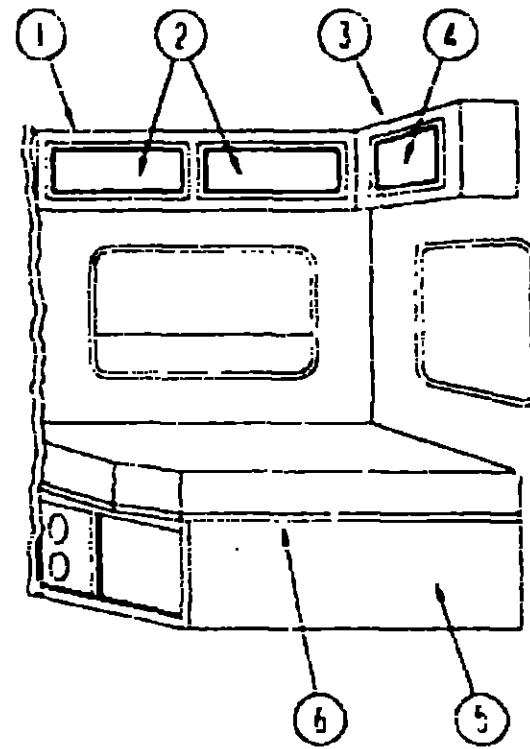
**1992 ITASCA  
TABLE OF CONTENTS**

INTRODUCTION	A-01	A-02
ABBREVIATIONS		A-03
ALPHABETICAL INDEX	A-04	A-05
IF427RC	A-07	D-15
IF427RC	D-17	G-22
IF427RT	G-23	K-07

**1992 IF427RC INDEX**

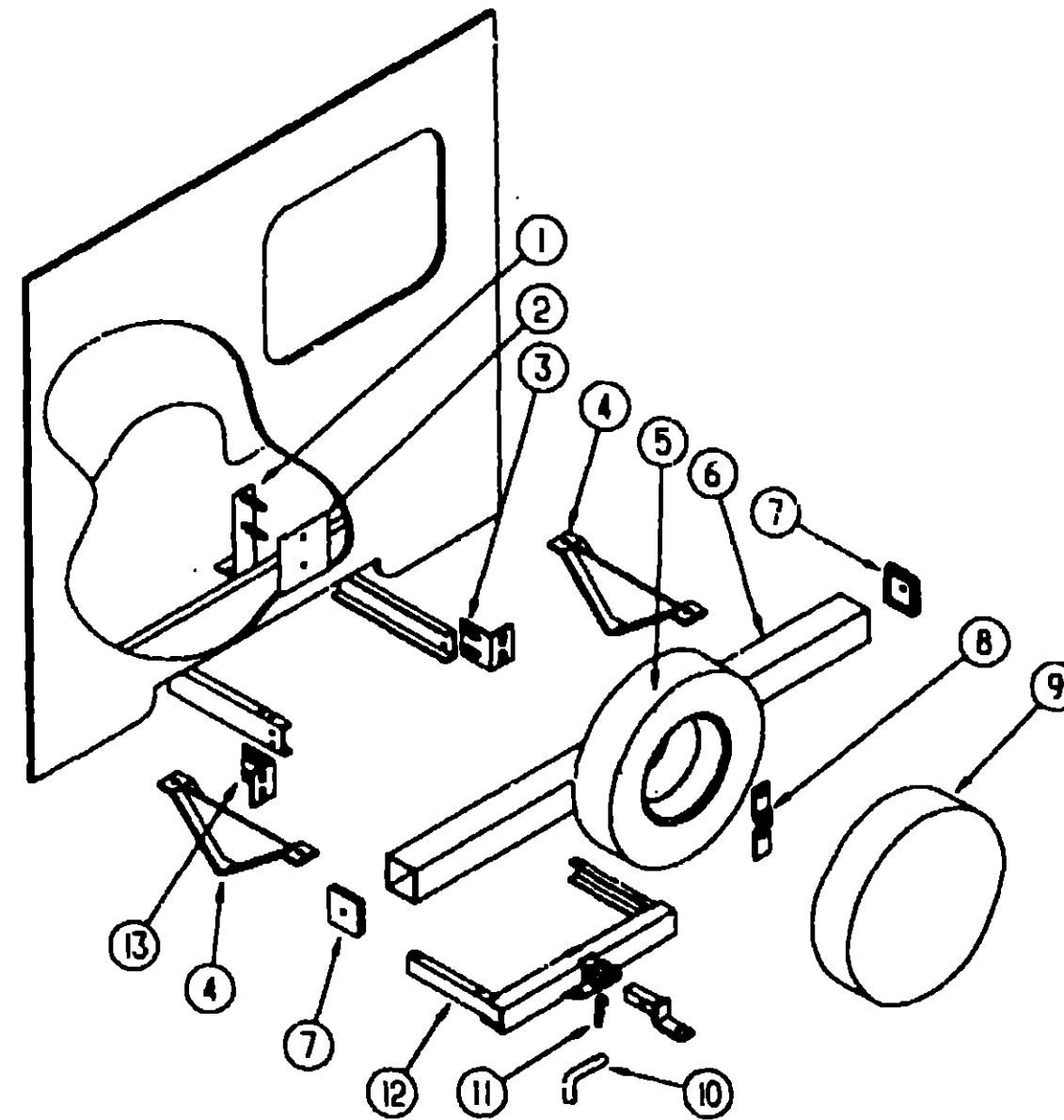
FLOOR PLAN	D-17	D-19
ACCESSORIES		D-19
AUDIO VIDEO		D-20
BATH	D-21	D-22
BEDROOM		D-23
CHASSIS	D-24	E-02
CURTAIN & CUSHION	E-03	E-10
DIVETTE	E-11	E-12
DRIVERS	E-13	E-14
ELECTRICAL	E-15	E-18
EXTERIOR BODY	E-19	F-01
GALLEY	F-02	F-05
GENERATOR		F-06
HEATING & A/C	F-07	F-08
INTERIOR FINISH	F-09	F-12
LABEL	F-13	F-20
LP		F-21
LOUNGE	F-22	F-23
SEALANTS & FASTENERS	F-24	G-02
WATER & SEWAGE	G-03	G-05
WINDOW VENT AND EXTERIOR DOOR	G-07	G-22

### BEDROOM GROUP



DOUBLE BEDROOM

### CHASSIS GROUP



REAR BUMPER, TOWING & SPARE TIRE CARRIER

### 1992 ITASCA TABLE OF CONTENTS

INTRODUCTION	A-01 - A-02
ABBREVIATIONS	A-03
ALPHABETICAL INDEX	A-04 - A-06
IF427RD	A-07 - D-16
IF427RC	D-17 - G-22
IF427RT	G-23 - K-07

### 1992 IF427RC INDEX

FLOOR PLAN	D-17 - D-18
ACCESSORIES	D-19
AUDIO VIDEO	D-20
BATH	D-21 - D-22
BEDROOM	D-23
CHASSIS	D-24 - E-02
CURTAIN & CUSHION	E-03 - E-10
DINETTE	E-11 - E-12
DRIVERS	E-13 - E-14
ELECTRICAL	E-15 - E-18
EXTERIOR BODY	E-19 - F-01
GALLEY	F-02 - F-05
GENERATOR	F-06
HEATING & A/C	F-07 - F-08
INTERIOR FINISH	F-09 - F-12
LABEL	F-13 - F-20
LP	F-21
LOUNGE	F-22 - F-23
SEALANTS & FASTENERS	F-24 - G-02
WATER & SEWAGE	G-03 - G-06
WINDOW VENT AND EXTERIOR DOOR	G-07 - G-22

KEY	PART NUMBER	U/M	DESCRIPTION
1	M05523-16-C23	EA	CABINET ASM-OVERHEAD-REAR
2	P00523-05-C03	EA	DOOR ASM-W/O HARDWARE-400 X 710
3	M05523-19-C23	EA	CABINET ASM-OVERHEAD-REAR
3	M05523-19-C24	EA	CABINET ASM-OVERHEAD-REAR
4	P00523-13-C03	EA	DOOR ASM-W/O HARDWARE-RADIUS - 245 X 555
5	P05802-01-C52	EA	CABINET ASM DOUBLE BED
6	M05539-02-000	EA	BED TOP - DRIVER SIDE
	M05539-01-C52	EA	BED TOP - PASSENGER SIDE

KEY	PART NUMBER	U/M	DESCRIPTION
1	105209-03-C52	EA	BRACKET ASM-SPARE TIRE
2	105208-01-000	EA	PLATE-SPARE TIRE
3	104420-01-000	EA	SUPPORT-ANGLE-BUMPER REAR-RIGHT
4	083376-01-500	EA	PLATE-SK-D-13 2' X 6" X 2" - STEEL
5	070917-04-000	EA	TIRE-FIRESTONE-LT 215 - 85R15 LRD - 4RS (273295)
5	093425-08-000	EA	TIRE-LT225/75R15 LRD - MICHELIN XCH4
6	103422-02-01A	EA	BUMPER-SQUARE-ALUMINUM-OFF WHITE
7	039779-01-000	EA	CAP-BUMPER-RUBBER - 4" X 4" - BLACK
8	105531-02-000	EA	RETAINER ASM-SPARE TIRE
9	104408-05-C23	EA	COVER-TIRE-32" SUNDANCER - SILKSCREENED-CFF WHITE
10	034512-01-000	EA	PIN-LOCKING-DRAWBAR
11	034513-01-000	EA	PIN-HITCH-3/16" WIRE
12	077517-02-000	EA	HITCH-TRAILER-W/O DRAWBAR - 41 1" WIDE - STEEL - BLACK
	077513-01-000	EA	DRAWBAR ASM ONLY
13	104420-02-000	EA	SUPPORT-ANGLE-BUMPER REAR-LEFT
	097744-01-000	EA	HOUSING-TRAILER PIN-12"
	097744-02-000	EA	HOUSING-TRAILER PIN-48"
	097745-01-000	EA	HOUSING-TRAILER RECEPTACLE-12"
	097745-01-000	EA	HOUSING CAP-TRAILER PIN
	097745-02-000	EA	HOUSING-RECEPTACLE-TRAILER - 48" WIRE LENGTH

FROM 00-00 00 THRU 02-02-92

## CHASSIS GROUP (CONTINUED)

### COMPARTMENTS & TRAYS

KEY	PART NUMBER	U/M DESCRIPTION
	058027-01-000	FT SEAL-D SHAPED - HOLLOW - SPONGE RUBBER - BLACK
	061429-01-000	EA FLUG PLASTIC 1.75" BROWN
	077953-01-000	EA GROMMET EDGE LINER FITS 1"
	088270-01-000	FT SEAL-BULB W/WIRE RIGID U-CHANNEL 5" RUBBER BLACK
	103639-01-000	EA DOOR DRAINAGE COMPARTMENT 1.91" X 7.5" STEEL
	074479-02-000	EA PIN-FULL HINGE RELEASE LEFT SIDE
	105471-06-000	EA COMPARTMENT ASM GENERATOR
	112472-01-000	EA BOX POWER FORD
	000655-01-000	EA HINGE CONTINUOUS AL-11/16 X 7/2" FLANK

### EXHAUST SYSTEM COMPONENTS

KEY	PART NUMBER	U/M DESCRIPTION
	091152-01-000	EA HEAT SHIELD
	004975-03-000	EA CLAMP EXHAUST 2.5"
	006753-04-000	EA PIPE EXHAUST (FORD)

### CHASSIS MISCELLANEOUS

KEY	PART NUMBER	U/M DESCRIPTION
	061470-05-000	EA TIE-DOWN BATTERY 54" TUBE FROM 00-00-00 THRU 12-02-91
	084959-01-000	EA STRAP BATTERY
	088405-01-000	EA UNION-INVERTED FLARE BRASS 3/8" BRAKE LINE

### MUDFLAPS, TIRES AND WHEELS

KEY	PART NUMBER	U/M DESCRIPTION
	017515-01-000	EA FLAP MUD 14" X 18" BLACK
	045731-04-000	EA GUARD ROCK REAR
	055279-51-259	EA TUBING STEEL 75" X 1.5" X 12.5"
	004059-01-700	EA FLAP MUD-FRONT SET OF 2 - RUBBER - BLACK
	051077-01-000	EA STEM VALVE-TR 500
	077050-02-000	EA EXTENSION VALVE STEM 1.25"
	055012-03-000	EA EXTENSION VALVE STEM DUAL WHEEL
	072917-04-000	EA TIRE FIRESTONE LT 215-85R16 LRD 4RS (273295)
	083425-08-000	EA TIRE LT225/75R16 LRD MICHELIN XCH4
	053517-01-000	EA WHEEL FORD 500 X 16.0 16-HOLE FIRESTONE
	083517-03-000	EA WHEEL STEEL 16.0 X 5 - ADCLP DS 28616
	110782-01-000	EA WHEELWELL PLASTIC

### DRIVESHAFT

KEY	PART NUMBER	U/M DESCRIPTION
	103655-05-700	EA DRIVESHAFT ASM BALANCED PAR E350156"WB1156"
	074633-01-000	EA SPACER BEARING DRIVESHAFT 2" X 5" X 5" THICK

### WHEEL LINERS & COVERS

KEY	PART NUMBER	U/M DESCRIPTION
	091209-11-000	EA LINER WHEEL-SET 48350 KAPERLY FORD
	091209-10-700	EA COVER AXLE FRONT 8 LUG FORD
	091209-10-701	EA COVER AXLE REAR 8 LUG FORD
	091209-10-705	EA COVER LUG NUT
	091209-11-700	EA LINER WHEEL FRONT 8 LUG FORD
	091209-11-701	EA LINER WHEEL REAR 8 LUG FORD
	083181-01-000	EA COVER WHEEL 16" - SET OF FOUR
	083181-01-700	EA COVER WHEEL 16" - 8 LUG - 1 ONLY

## CHASSIS GROUP (CONTINUED)

### FUEL SYSTEM COMPONENTS

KEY	PART NUMBER	U/M DESCRIPTION
	007053-01-000	FT HOSE-GAS 1/4" ID X 1/2" OD
	105388-01-000	EA FUEL LINE ASM-FORD-5/16 HP
	105389-01-000	EA FUEL LINE ASM-FORD-3/8 HP
	024135-01-000	FT HOSE FUEL - 5/16" ID
	044317-01-000	FT HOSE-FUEL - 3/8" ID
	075040-06-000	EA SHROUD - FUEL FILL - UPPER
	053303-04-000	EA SHROUD - FUEL FILL - LOWER
	075200-01-000	EA GASKET-FUEL FILL - 3.5" OD X 2" ID
	102951-01-02A	EA SHROUD-FUEL FILL-OFF WHITE
	095654-01-02A	EA SHROUD-FUEL FILL-OFF WHITE

FROM 00-00-00 THRU 04-19-92

FROM 04-20-92 THRU 99-99-99

### ENTRY STEPS

KEY	PART NUMBER	U/M DESCRIPTION
	077848-01-000	EA STEP-PULLOUT-WBRACKETS - BLACK
	077848-02-000	EA STEP PULLOUT
	091175-01-000	EA SUPPORT BASE-ENTRANCE STEP
	075241-03-000	EA SUPPORT-STEP-ENTRY DOOR

## 1992 ITASCA TABLE OF CONTENTS

INTRODUCTION	A-01	A-02
ABBREVIATIONS		A-03
ALPHABETICAL INDEX	A-04	A-06
IF427RQ	A-07	D-15
IF427RC	D-17	G-22
IF427RT	G-23	K-07

## 1992 IF427RC INDEX

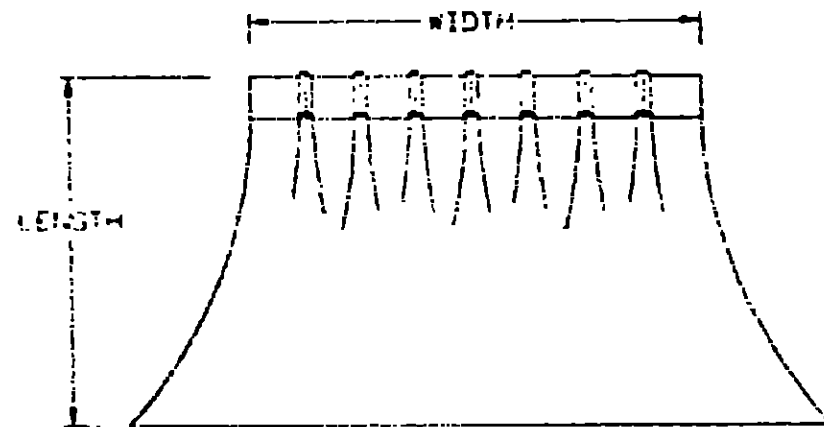
FLOOR PLAN	D-17	D-18
ACCESSORIES		D-19
AUDIO VIDEO		D-20
BATH	D-21	D-22
BEDROOM		D-23
CHASSIS	D-24	E-02
CURTAIN & CUSHION	E-03	E-10
DINETTE	E-11	E-12
DRIVERS	E-13	E-14
ELECTRICAL	E-15	E-18
EXTERIOR BODY	E-19	F-01
GALLEY	F-02	F-05
GENERATOR		F-06
HEATING & AC	F-07	F-08
INTERIOR FINISH	F-09	F-12
LABEL	F-13	F-20
LP		F-21
LOUNGE	F-22	F-23
SEALANTS & FASTENERS	F-24	G-02
WATER & SEWAGE	G-03	G-06
WINDOW VENT AND EXTERIOR DOOR	G-07	G-22

## CURTAIN & CUSHION GROUP

### NOTICE

IN ORDER TO ASSIST OUR PARTS SALES DEPT. IN PROVIDING INTER. OR SOFTWARE ITEMS PLEASE INCLUDE THE SERIAL NUMBER AND THE COLOR CODE NUMBER FROM THE VEHICLE CERTIFICATION LABEL WHEN ORDERING. THIS LABEL IS LOCATED ON THE LEFT SIDE WALL AT THE END OF THE DASH (A-BODY) OR ON THE DRIVER'S DOOR LATCH PLATE (B-BODY).

AN EXAMPLE OF A COLOR CODE NUMBER IS 697 WHICH DESIGNATES AN OVERALL COLOR SCHEME OF A PARTICULAR UNIT. THE COLOR LISTED AFTER THE ITEM DESCRIPTION ON THE MICROFICHE INDICATES THE OVERALL UNIT COLOR. ORDER THE ITEM YOU DESIRE ACCORDING TO UNIT COLOR CODE.

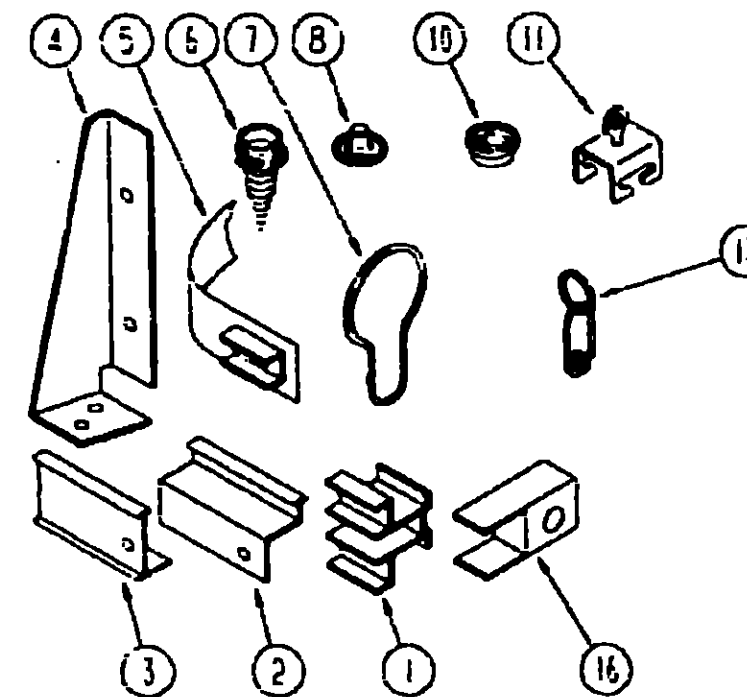


NOTE: USE THIS ILLUSTRATION WHEN DETERMINING LENGTH AND WIDTH MEASUREMENTS FOR CURTAINS. YOU WILL NOTE THE WIDTH MEASUREMENT IS TAKEN ON THE TOP OF THE CURTAIN WITH THE CURTAIN FULLY EXTENDED. THE LENGTH MEASUREMENT IS TAKEN FROM TOP TO BOTTOM.

### FABRIC

KEY	PART NUMBER	U/M	DESCRIPTION
	072333-62-000	YD	FABRIC-CURTAIN-54" WIDE - BEIGE
	103907-01-01A	YD	FABRIC-VINYL-54" WIDE - OFF WHITE
	075944-04-000	YD	FABRIC-VINYL-SHOWER CURTAIN-72" WIDE - SALMON(C23)
	075244-05-000	YD	FABRIC-VINYL-SHOWER CURTAIN-72" WIDE - ROBIN BLUE(C24)
	058273-73-000	YD	FABRIC-CURTAIN-BEDSPREAD-PATTERNED-54" WIDE(C23)
	058273-70-000	YD	FABRIC-CURTAIN-BEDSPREAD-PATTERNED-54" WIDE(C24)
	058273-72-000	YD	FABRIC-CURTAIN-BEDSPREAD-PLAIN-54" WIDE(C23)
	058273-67-000	YD	FABRIC-CURTAIN-BEDSPREAD-PLAIN-54" WIDE(C24)
	095008-90-000	YD	FABRIC-UPHOLSTERY CURTAIN-PATTERNED WOVEN-54" WIDE(C23)
	095008-83-000	YD	FABRIC-UPHOLSTERY CURTAIN-PATTERNED WOVEN-54" WIDE(C24)
	104233-25-000	YD	FABRIC-UPHOLSTERY CURTAIN-PLAIN-54" WIDE(C23)
	104233-27-000	YD	FABRIC-UPHOLSTERY CURTAIN-PLAIN-54" WIDE(C24)
	025004-91-000	YD	FABRIC-UPHOLSTERY-DOTTED VELOUR-54" WIDE(C23)
	104233-23-000	YD	FABRIC-UPHOLSTERY-VANDERSLOOT BLUE(C24)

## CURTAIN & CUSHION GROUP (CONTINUED)



### CURTAIN & BLIND HARDWARE

KEY	PART NUMBER	U/M	DESCRIPTION
	101033-03-000	FT	TRACK-WALL-WHITE-CT225-SHAPCO
	105450-05-01A	EA	TRACK-CURTAIN-OFF WHITE
	092454-05-01A	EA	TRACK-CURTAIN-OFF WHITE
	075827-04-000	EA	BRACKET-CURTAIN-W/WOOD-OFF WHITE
	101031-01-000	YD	TAPE-GLIDE-CURTAIN-4 25" SPACING
	029130-01-000	EA	SCREW-SNAP SOCKET-8 PH X 5/8"
	005135-02-000	EA	HANGER-RING-PIN TYPE-CURTAIN-BRASS
	029155-01-000	EA	CAP-SNAP-NICKEL
	029155-01-000	EA	SOCKET-SNAP FASTENER-NICKEL
	009702-01-000	EA	END STOP-CURTAIN CARRIER-L ROD
	009701-01-000	EA	CARRIER-CURTAIN-L ROD
	101033-02-000	EA	END CAP-TRACK-CLEAR
	046867-01-000	EA	GROMMET-BRASS-7/16" ID X 1" OD
	046394-02-000	YD	VELCRO TAPE-HOOK-ADHESIVE BACK-75" WIDE-BEIGE
	055003-01-000	EA	BRACKET-DRAPERY RETAINING-RIGHT-METAL
	055003-02-000	EA	BRACKET-DRAPERY RETAINING-LEFT-METAL
	058716-01-001	EA	BRACE-90 DEGREE L-ANGLE-192"-EXTRUDED ALUMINUM
	075943-02-000	EA	BRACE-ANGLE-W/HOLES-1" X 1 1/2" X 1 1/4"-ALUMINUM-BEIGE
	084432-05-000	FT	SLAT-ROLLER SHADE-PLASTIC
	084433-05-000	EA	SHADE-ROLLER-72 25"
	084434-01-000	EA	BRACKET-MOUNTING-ROLLER SHADE-1 3/8"
	068792-01-000	YD	VELCRO-HOOK-75" WIDE-BEIGE
	053792-02-000	YD	VELCRO TAPE-LOOP-ADHESIVE BACKED-75" WIDE-BEIGE
	025843-01-000	EA	SPRING-REWIND-ROLLER SHADE
	105544-01-000	EA	PULL SHADE-BRASS
	105450-04-01A	EA	TRACK-CURTAIN-55" LONG-ALUMINUM-OFF WHITE
	105450-07-01A	EA	TRACK-CURTAIN-41 3/4" LONG-ALUMINUM-OFF WHITE

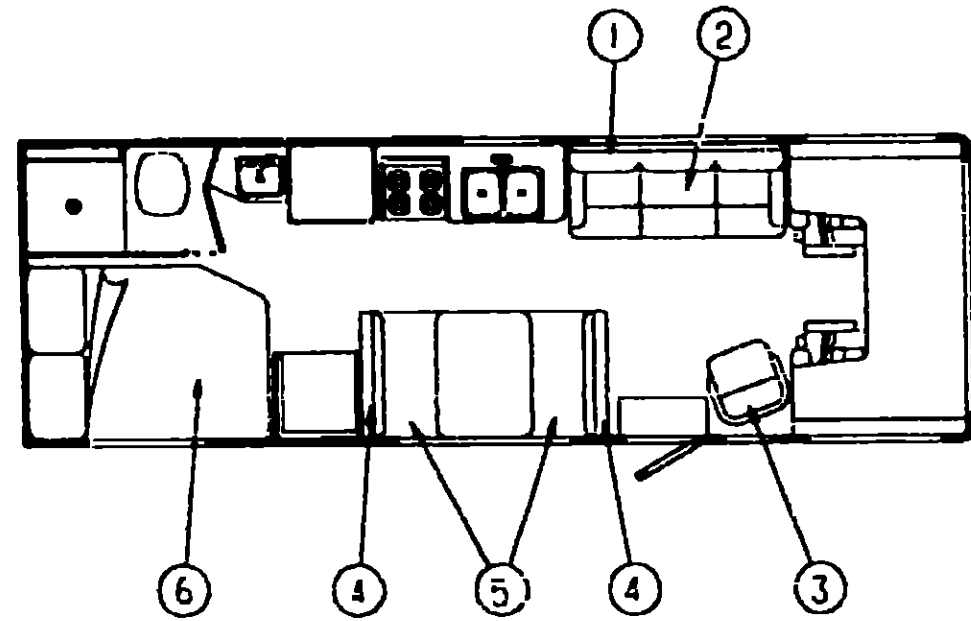
## 1992 ITASCA TABLE OF CONTENTS

INTRODUCTION	A-01 - A-02
ABBREVIATIONS	A-03
ALPHABETICAL INDEX	A-04 - A-05
IF427RO	A-07 - D-16
IF427RC	D-17 - G-22
IF427RT	G-23 - K-07

## 1992 IF427RC INDEX

FLOOR PLAN	D-17 - D-18
ACCESSORIES	D-19
AUDIO VIDEO	D-20
BATH	D-21 - D-22
BEDROOM	D-23
CHASSIS	D-24 - E-02
CURTAIN & CUSHION	E-03 - E-10
DINETTE	E-11 - E-12
DRIVERS	E-13 - E-14
ELECTRICAL	E-15 - E-18
EXTERIOR BODY	E-19 - F-01
GALLEY	F-02 - F-05
GENERATOR	F-06
HEATING & A/C	F-07 - F-08
INTERIOR FINISH	F-09 - F-12
LABEL	F-13 - F-20
LP	F-21
LOUNGE	F-22 - F-23
SEALANTS & FASTENERS	F-24 - G-02
WATER & SEWAGE	G-03 - G-06
WINDOW VENT AND EXTERIOR DOOR	G-07 - G-22

**CURTAIN & CUSHION GROUP (CONTINUED)**



**COUCH**

KEY	PART NUMBER	U/M DESCRIPTION
1	100032-09-B87	EA BED-PRESTO-TUCK BACK - 55 5"(C23)
1	100032-09-B88	EA BED-PRESTO-TUCK BACK - 55 5"(C24)
	P00032-09-B87	EA COVER-PRESTO-TUCK BACK - 55 5(C23)
	P00032-09-B88	EA COVER-PRESTO-TUCK BACK - 55 5(C24)
	101085-02-000	EA FRAME BACK-COUCH - 66 5"
2	100032-10-B87	EA BED-PRESTO-TUCK SEAT - 55 5"(C23)
2	100032-10-B88	EA BED-PRESTO-TUCK SEAT - 55 5"(C24)
	P00032-10-B87	EA COVER-PRESTO-TUCK SEAT - 55 5"(C23)
	P00032-10-B88	EA COVER-PRESTO-TUCK SEAT - 55 5(C24)
	101085-01-000	EA FRAME-SEAT-COUCH - 66 5"
	101085-03-000	EA FRAME-BASE-COUCH - 66 5"

**SWIVEL CHAIR**

KEY	PART NUMBER	U/M DESCRIPTION
3	095429-07-B87	EA CHAIR-SWIVEL - W/O BASE, PIPE, PLATE OR SKIRT(C23)
3	095429-07-B88	EA CHAIR-SWIVEL - W/O BASE, PIPE, PLATE OR SKIRT(C24)
	M95429-07-B87	EA COVER-SWIVEL CHAIR(C23)
	M95429-07-B88	EA COVER-SWIVEL CHAIR(C24)
	099202-04-B87	EA SKIRT-SWIVEL CHAIR(C23)
	099202-04-B88	EA SKIRT-SWIVEL CHAIR(C24)
	069585-03-000	EA PEDESTAL-LOWER-W/EXTENSION - 9" X 5" - STEEL
	093481-09-000	EA BASE-PEDESTAL-W/10" EXTENSION
	007221-01-000	EA SPACER-SEAT-ADJUSTER
	009246-06-000	EA ADJUSTER-SWIVEL CHAIR- MANUAL - FORWARD & BACK
	069246-07-000	EA ADJUSTER-SWIVEL CHAIR-W/LOCKING ARM - FORWARD & BACK
	093482-01-000	EA SHROUD-PEDESTAL-13" - PLASTIC - BLACK

**CURTAIN & CUSHION GROUP (CONTINUED)**

**DINETTE CUSHIONS**

KEY	PART NUMBER	U/M DESCRIPTION
4	104164-01-C25	EA CUSHION- 13 5 X 38 X 5-FAN VICTORIAN(C23) FROM 00-00-00 THRU 12-01-91
4	104164-01-C26	EA CUSHION- 13 5 X 38 X 5-FAN VICTORIAN(C24) FROM 00-00-00 THRU 12-01-91
	P04164-01-C25	EA COVER- 13 5 X 38 X 5-FAN VICTORIAN(C23) FROM 00-00-00 THRU 12-01-91
	P04164-01-C26	EA COVER- 13 5 X 38 X 5-FAN VICTORIAN(C24) FROM 00-00-00 THRU 12-01-91
4	104164-08-C25	EA CUSHION- 13 5 X 38 X 5-FAN VICTORIAN(C23) FROM 12-02-91 THRU 99-99-99
4	104164-08-C26	EA CUSHION- 13 5 X 38 X 5-FAN VICTORIAN(C24) FROM 12-02-91 THRU 99-99-99
	P04164-08-C25	EA COVER- 13 5 X 38 X 5-FAN VICTORIAN(C23) FROM 12-02-91 THRU 99-99-99
	P04164-08-C26	EA COVER- 13 5 X 38 X 5-FAN VICTORIAN(C24) FROM 12-02-91 THRU 99-99-99
5	104164-02-C25	EA CUSHION - 21 X 38 X 5-DINETTE SEAT(C23)
5	104164-02-C26	EA CUSHION - 21 X 38 X 5-DINETTE SEAT(C24)
	P04164-02-C25	EA COVER- 21 X 38 X 5-DINETTE SEAT(C23)
	P04164-02-C26	EA COVER- 21 X 38 X 5-DINETTE SEAT(C24)
	078155-01-000	EA STRAP-SNAP- BACKREST CUSHION

**DOUBLE BEDSPREAD, PILLOW & MATTRESS**

KEY	PART NUMBER	U/M DESCRIPTION
6	085355-09-B87	EA BEDSPREAD-54"THROW W/ROUNDED CORNER (C23);
6	085355-08-B88	EA BEDSPREAD-54"THROW W/ROUNDED CORNER (C24)
6	101123-03-000	EA MATTRESS-DOUBLE- 53" X 74"
6	P01123-03-000	EA COVER-MATTRESS-DOUBLE- 53" X 74"
	081997-09-C23	EA SHAM ASM-PILLOW W/1/2"WELT
	081997-09-C24	EA SHAM ASM-PILLOW W/1/2"WELT

**ASSIST HANDLE & SEATBELTS**

KEY	PART NUMBER	U/M DESCRIPTION
	079349-01-C23	YD WELTING-FABRIC (C23)
	079349-01-C28	YD WELTING-FABRIC (C24)
	084415-31-000	YD TRIM-BRAID-CURTAIN - PLUM (C23)
	084415-30-000	YD TRIM-BRAID-CURTAIN - BLUE (C24)
	057534-01-000	EA TIEBACK/TIEDOWN-BED/CURTAIN/DOOR- 6" - CLEAR PLASTIC
	053552-02-AA8	EA HANDLE-ASSIST- INTERIOR - ENTRY DOOR - VINYL - OFF WHITE
	059178-02-000	EA BRACKET-MOUNTING- ASSIST HANDLE - L ANGLE - W/HOLES - ST
	000C16-07-16B	EA BOLT-CARRIAGE- ASSIST HANDLE - 7/16" - 14 X 1" ZN
	000D20-07-00B	EA NUT-ACORN-ASSIST HANDLE - 7/16" X 14 ZN
	057759-01-000	EA WASHER BRACKET-SEAT BELT- 4" DIAMETER
	007021-01-000	EA BELT-SEAT- 2" X 90" - BLACK

FROM 11-01-91 THRU 99-99-99

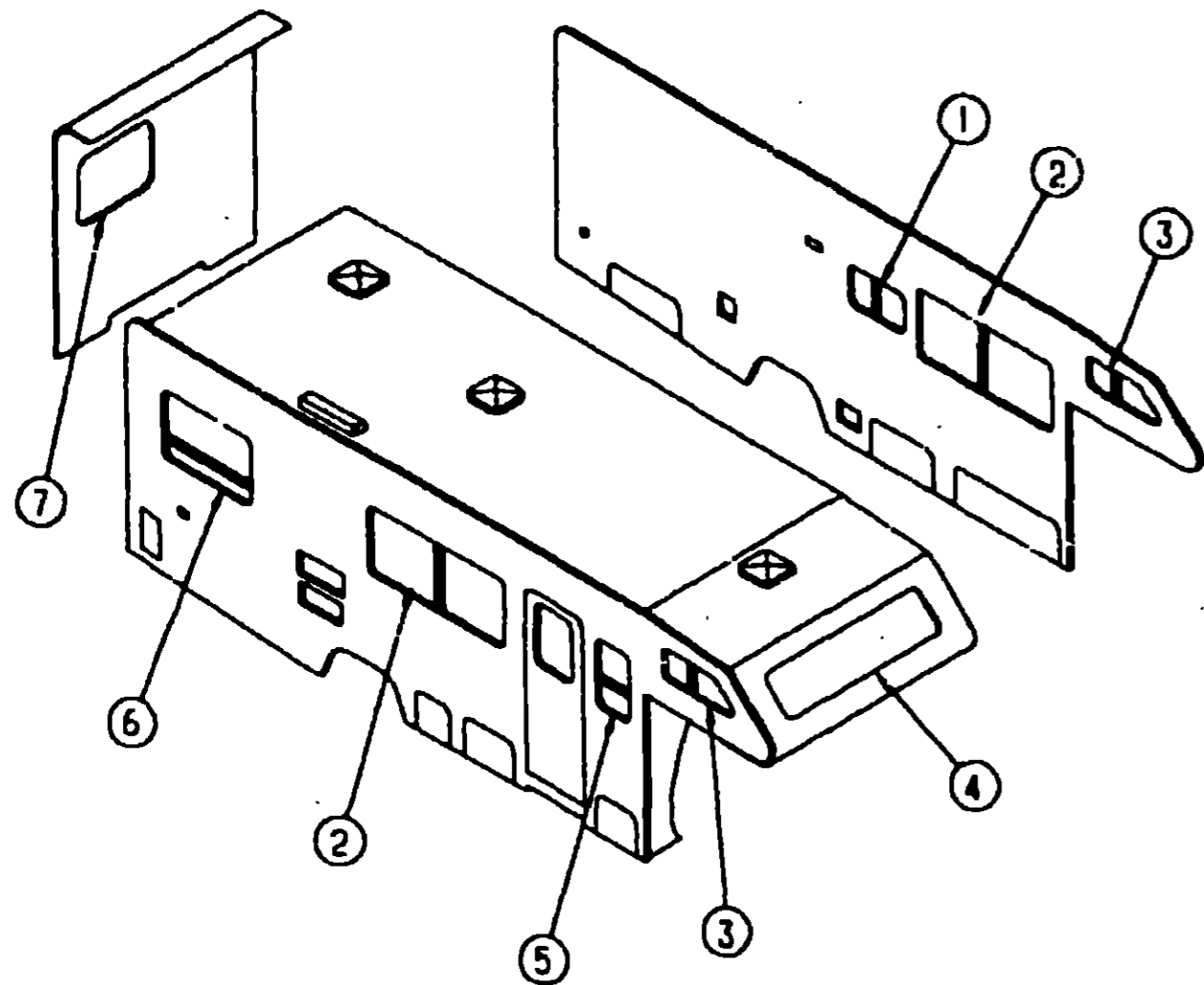
**1992 ITASCA  
TABLE OF CONTENTS**

INTRODUCTION	A-01 - A-02
ABBREVIATIONS	A-03
ALPHABETICAL INDEX	A-04 - A-05
IF427RQ	A-07 - D-16
IF427RC	D-17 - G-22
IF427RT	G-23 - K-07

**1992 IF427RC INDEX**

FLOOR PLAN	D-17 - D-18
ACCESSORIES	D-19
AUDIO VIDEO	D-20
BATH	D-21 - D-22
BEDROOM	D-23
CHASSIS	D-24 - E-02
CURTAIN & CUSHION	E-03 - E-10
DINETTE	E-11 - E-12
DRIVERS	E-13 - E-14
ELECTRICAL	E-15 - E-18
EXTERIOR BODY	E-19 - F-01
GALLEY	F-02 - F-05
GENERATOR	F-06
HEATING & A/C	F-07 - F-08
INTERIOR FINISH	F-09 - F-12
LABEL	F-13 - F-20
LP	F-21
LOUNGE	F-22 - F-23
SEALANTS & FASTENERS	F-24 - G-02
WATER & SEWAGE	G-03 - G-05
WINDOW, VENT AND EXTERIOR DOOR	G-07 - G-22

**CURTAIN & CUSHION GROUP (CONTINUED)**



**CURTAINS & WINDOW TREATMENT**

KEY	PART NUMBER	U/M DESCRIPTION
1	106363-13-C23	EA VALANCE ASM-28" - TIBET
1	106363-14-C24	EA VALANCE ASM-28" - TIBET
1	084755-84-C03	EA SHADE ASM-PULL-26 25" -W/BRAID (C23)
1	084755-84-C24	EA SHADE ASM-PULL-26 25" -W/BRAID (C24)
2	106363-01-C23	EA VALANCE ASM- 65" - TIBET
2	106363-02-C24	EA VALANCE ASM- 65" - TIBET
2	076892-09-C03	EA CURTAIN ASM-31" X 20" - PLAIN HEM T&B (C23)
2	076892-09-C24	EA CURTAIN ASM-31" X 20" - PLAIN HEM T&B (C24)
2	084755-81-C03	EA SHADE ASM-PULL- 62 25" -W/BRAID (C23)
2	084755-81-C24	EA SHADE ASM-PULL- 62 25" -W/BRAID (C24)
3	101034-06-C09	EA CURTAIN ASM-16" X 28" -SMALL DARTED TAPE T&BT-W/BRAID TRIM (C23)
3	101034-06-C30	EA CURTAIN ASM-16" X 28" -SMALL DARTED TAPE T&BT-W/BRAID TRIM (C24)
4	101034-11-C03	EA CURTAIN ASM-21" X 45" -DARTED TAPE T&B W/BRAID (C23)
4	101034-11-C24	EA CURTAIN ASM-21" X 45" -DARTED TAPE T&B W/BRAID (C24)
5	106363-03-C23	EA VALANCE ASM-19" - TIBET
5	106363-04-C24	EA VALANCE ASM-19" - TIBET
5	076892-09-C03	EA CURTAIN ASM-31" X 20"-PLAIN HEM T&B (C23)
5	076892-09-C24	EA CURTAIN ASM-31" X 20"-PLAIN HEM T&B (C24)
5	084755-83-C03	EA SHADE ASM-PULL-17 25" -W/BRAID (C23)
5	084755-83-C24	EA SHADE ASM-PULL-17 25" -W/BRAID (C24)
6	094552-19-C23	EA VALANCE ASM - RUFFLED-47"-W/WOOD
6	094552-19-C24	EA VALANCE ASM - RUFFLED-47"-W/WOOD
6	093465-30-C23	EA VALANCE ASM - RUFFLED-W/1/2" WELTING - 8" X 53"
6	093465-30-C24	EA VALANCE ASM - RUFFLED-W/1/2" WELTING - 8" X 53"
6	104348-01-B87	EA VALANCE ASM-TOPPER-W/1/2"WELTING (C23)
6	104348-01-C25	EA VALANCE ASM-TOPPER-W/1/2"WELTING (C24)
6	076892-09-C03	EA CURTAIN ASM-31" X 20" - PLAIN HEM T&B (C23)
6	076892-09-C24	EA CURTAIN ASM-31" X 20" - PLAIN HEM T&B (C24)
6	084755-78-C03	EA SHADE ASM-PULL - 44 25" -NO TRIM

**CURTAIN & CUSHION GROUP (CONTINUED)**

**CURTAINS & WINDOW TREATMENT (CONT)**

KEY	PART NUMBER	U/M DESCRIPTION
7	094552-20-C23	EA VALANCE ASM - RUFFLED-40"-W/WOOD
7	094552-20-C24	EA VALANCE ASM - RUFFLED-40"-W/WOOD
7	093465-31-C23	EA VALANCE ASM - RUFFLED-W/1/2" WELTING - 8" X 46"
7	093465-31-C24	EA VALANCE ASM - RUFFLED-W/1/2" WELTING - 8" X 46"
7	076892-09-C03	EA CURTAIN ASM-31" X 20" - PLAIN HEM T&B (C23)
7	076892-09-C24	EA CURTAIN ASM-31" X 20" - PLAIN HEM T&B (C24)
7	084755-79-C03	EA SHADE ASM-PULL-37 25" -NO TRIM
	101668-14-B87	EA CURTAIN ASM-30 X 50 RIGHT- TAPE TOP (C23)
	101668-14-B88	EA CURTAIN ASM-30 X 50 RIGHT- TAPE TOP (C24)
	101668-15-B87	EA CURTAIN ASM-30 X 50 LEFT- TAPE TOP (C23)
	101668-15-B88	EA CURTAIN ASM-30 X 50 LEFT- TAPE TOP (C24)
	101668-01-C03	EA CURTAIN ASM-54 X 50 - TAPE TOP (ROOM DIVIDER)
	076892-06-B85	EA CURTAIN-SNAP TOP- WINGWALL PRIVACY - 40" X 72" - BEIGE
	084481-08-B85	EA CURTAIN ASM-SHOWER-70" X 32" (C23)
	084481-08-B88	EA CURTAIN ASM-SHOWER-70" X 32" (C24)
	073260-55-C05	EA TIEBACK-CURTAIN- 4" X 15" (C23)
	073260-55-C25	EA TIEBACK-CURTAIN- 4" X 15" (C24)
	073260-49-B87	EA TIEBACK-CURTAIN- 3" X 18" (C23)
	073260-49-B88	EA TIEBACK-CURTAIN- 3" X 18" (C24)
	073260-54-C09	EA TIEBACK ASM - 3" X 16" (C23)
	073260-54-C30	EA TIEBACK ASM - 3" X 16" (C24)
	057534-01-000	EA TIEBACK - CLEAR PLASTIC

**BUNK CUSHIONS**

KEY	PART NUMBER	U/M DESCRIPTION
	105573-04-C23	EA CUSHION-OVERHEAD-FRONT-32 X 79 X 5 (C23) FROM 00-00-00 THRU 01-12-92
	105573-01-C04	EA CUSHION-OVERHEAD-FRONT-32 X 79 X 5 (C24) FROM 00-00-00 THRU 01-12-92
	P05573-04-C23	EA COVER-OVERHEAD-FRONT-32 X 79 X 5 (C23) FROM 00-00-00 THRU 01-12-92
	P05573-01-C04	EA COVER-OVERHEAD-FRONT-32 X 79 X 5 (C24) FROM 00-00-00 THRU 01-12-92
	105573-05-C23	EA CUSHION-OVERHEAD-REAR-28 X 79 X 5 (C23) FROM 00-00-00 THRU 01-12-92
	105573-02-C04	EA CUSHION-OVERHEAD-REAR-28 X 79 X 5 (C24) FROM 00-00-00 THRU 01-12-92
	P05573-05-C23	EA COVER-OVERHEAD-REAR-28 X 79 X 5 (C23) FROM 00-00-00 THRU 01-12-92
	P05573-02-C04	EA COVER-OVERHEAD-REAR-28 X 79 X 5 (C24) FROM 00-00-00 THRU 01-12-92
	105573-09-C23	EA CUSHION-OVERHEAD-FRONT-32 5 X 80 X 5 (C23) FROM 01-13-92 THRU 99-99-99
	105573-07-C24	EA CUSHION-OVERHEAD-FRONT-32 5 X 80 X 5 (C24) FROM 01-13-92 THRU 99-99-99
	P05573-09-C23	EA COVER-OVERHEAD-FRONT-32 5 X 80 X 5 (C23) FROM 01-13-92 THRU 99-99-99
	P05573-07-C24	EA COVER-OVERHEAD-FRONT-32 5 X 80 X 5 (C24) FROM 01-13-92 THRU 99-99-99
	105573-10-C23	EA CUSHION-OVERHEAD-REAR-27 X 23 X 80 X 5 (C23) FROM 01-13-92 THRU 99-99-99
	105573-08-C24	EA CUSHION-OVERHEAD-REAR-27 X 23 X 80 X 5 (C24) FROM 01-13-92 THRU 99-99-99
	P05573-10-C23	EA COVER-OVERHEAD-REAR-27 X 23 X 80 X 5 (C23) FROM 01-13-92 THRU 99-99-99
	P05573-08-C24	EA COVER-OVERHEAD-REAR-27 X 23 X 80 X 5 (C24) FROM 01-13-92 THRU 99-99-99
	102695-12-000	YD TAPE-CART BIND-#474 LT TAN ESHCO 1 1/4" FROM 09-01-91 THRU 99-99-99

**1992 ITASCA  
TABLE OF CONTENTS**

INTRODUCTION	A-01 - A-02
ABBREVIATIONS	A-03
ALPHABETICAL INDEX	A-04 - A-06
IF427RQ	A-07 - D-16
IF427RC	D-17 - G-22
IF427RT	G-23 - K-07

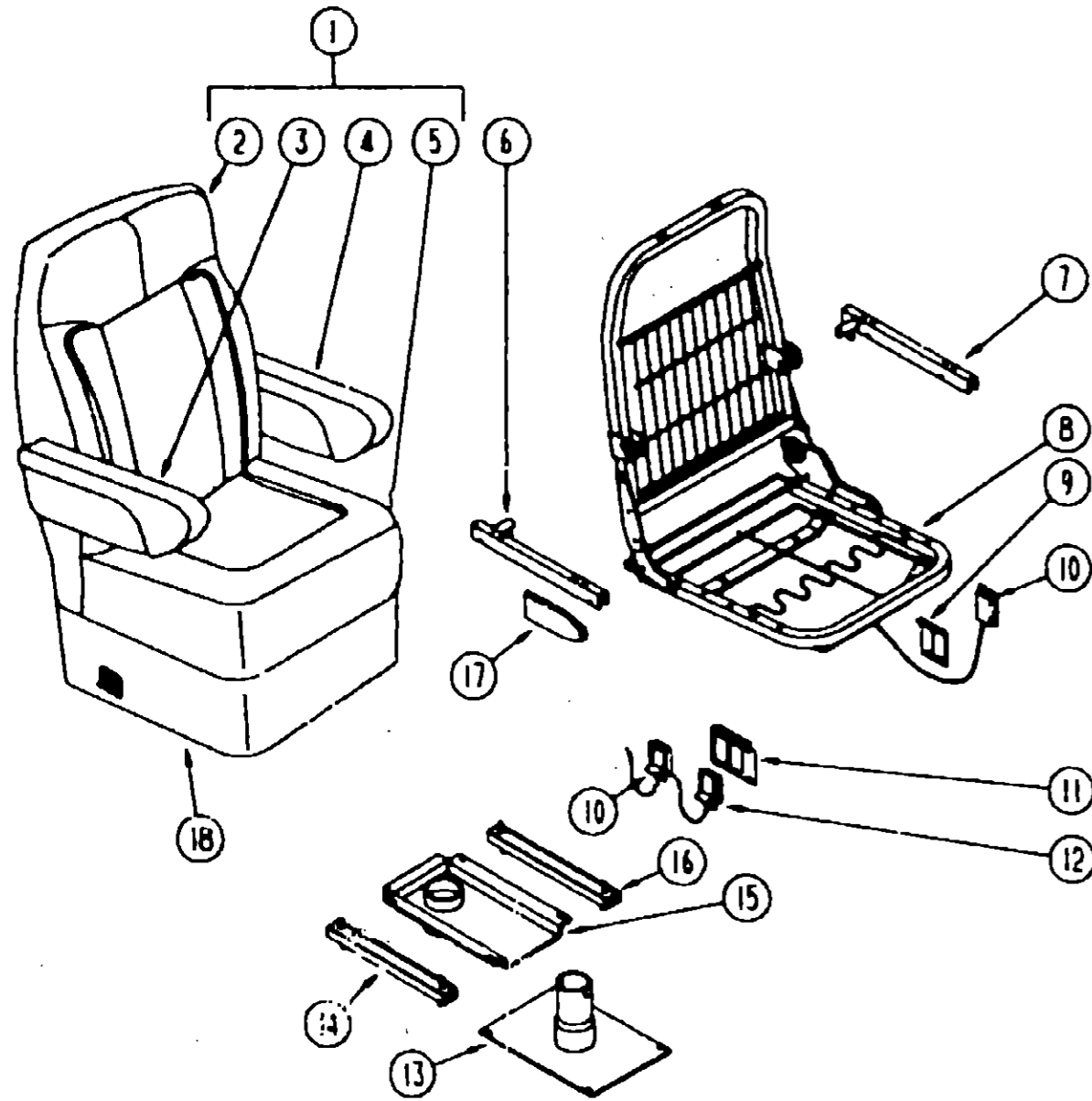
**1992 IF427RC INDEX**

FLOOR PLAN	D-17 - D-18
ACCESSORIES	D-19
AUDIO VIDEO	D-20
BATH	D-21 - D-22
BEDROOM	D-23
CHASSIS	D-24 - E-02
CURTAIN & CUSHION	E-03 - E-10
DINETTE	E-11 - E-12
DRIVERS	E-13 - E-14
ELECTRICAL	E-15 - E-18
EXTERIOR BCDY	E-19 - F-01
GALLEY	F-02 - F-05
GENERATOR	F-06
HEATING & A/C	F-07 - F-08
INTERIOR FINISH	F-09 - F-12
LABEL	F-13 - F-20
LP	F-21
LOUNGE	F-22 - F-23
SEALANTS & FASTENERS	F-24 - G-02
WATER & SEWAGE	G-03 - G-06
WINDOW, VENT AND EXTERIOR DOOR	G-07 - G-22



# CURTAIN & CUSHION GROUP (CONTINUED)

## BUCKET SEATS



KEY	PART NUMBER	U/M	DESCRIPTION
1	093450-23-C23	EA	SEAT-BUCKET-W/RIGHT ARMREST
1	093450-23-C24	EA	SEAT-BUCKET-W/RIGHT ARMREST
1	093450-24-C23	EA	SEAT-BUCKET-W/LEFT ARMREST
1	093450-24-C24	EA	SEAT-BUCKET-W/LEFT ARMREST
1	093450-25-C23	EA	SEAT-BUCKET-W/RIGHT ARMREST-RECLINING
1	093450-25-C24	EA	SEAT-BUCKET-W/RIGHT ARMREST-RECLINING
1	093450-26-C23	EA	SEAT-BUCKET-W/LEFT ARMREST-RECLINING
1	093450-26-C24	EA	SEAT-BUCKET-W/LEFT ARMREST-RECLINING
2	M03445-22-C25	EA	COVER-BACK-BUCKET(C23)
2	M03445-22-C24	EA	COVER-BACK-BUCKET(C24)
3	080243-49-C23	EA	ARMREST-RIGHT (C23)
3	080243-49-C26	EA	ARMREST-RIGHT (C24)
	M80243-49-C23	EA	COVER-ARMREST-RIGHT(C23)
	M80243-49-C25	EA	COVER-ARMREST-RIGHT(C24)
4	080243-50-C23	EA	ARMREST-LEFT(C23)
4	080243-50-C26	EA	ARMREST-LEFT(C24)
	M80243-50-C23	EA	COVER-ARMREST- LEFT (C23)
	M80243-50-C26	EA	COVER-ARMREST- LEFT(C24)
5	M03445-23-C25	EA	COVER-SEAT- BUCKET(C23)
5	M03445-23-C24	EA	COVER-SEAT- BUCKET(C24)
6	081268-01-000	EA	ROD & CHANNEL-ARMREST- RIGHT - METAL
7	081268-02-000	EA	ROD & CHANNEL-ARMREST- LEFT - METAL
	081351-01-000	EA	ROD-ARMREST- METAL - RIGHT OR LEFT HAND
8	M50906-06-000	EA	FRAME-SEAT, BACK & SPRING
8	M60906-05-000	EA	FRAME-SEAT, BACK & SPRING - RECLINING
	101125-01-000	EA	RECLINER-SEAT BACK- LEFT HAND REMOTE
9	097683-03-000	EA	BRACKET-REMOTE- SIDE MOUNT - SINGLE
10	089358-04-000	EA	CABLE-SWIVEL- W/SWITCH - BUCKET SEAT
11	097683-02-000	EA	BRACKET-MOUNT- REMOTE
12	089358-05-000	EA	CABLE-RECLINER- W/SWITCH - BUCKET SEAT
13	069585-02-000	EA	PLATE-SUB- BASE - BUCKET SEAT - 12" X 13" - STEEL
			FROM 00-00-00 THRU 10-06-91
13	069585-41-000	EA	PLATE-SUB- BASE - BUCKET SEAT - 12" X 13" - STEEL
			FROM 10-07-91 THRU 99-99-99
14	069246-05-000	EA	ADJUSTER-SEAT/CHAIR- W/REMOTE - FORWARD & BACK
	069246-05-700	EA	SPRING-ADJUSTER- FOR REMOTE
	069246-05-701	EA	CLIP-CABLE- FOR REMOTE
15	093481-04-000	EA	TOP PLATE-PEDESTAL- BUCKET SEAT - W/O SEATBELT BAR
16	069246-02-000	EA	ADJUSTER-SEAT/CHAIR- W/O LOCK - FORWARD & BACK
	069585-03-000	EA	PEDESTAL-LOWER- W/EXTENSION - 9" X 5" - STEEL
17	089359-08-000	EA	SHIELD-CABLE- REMOTE RECLINER - BUCKET SEAT
18	071125-24-C23	EA	SKIRT-BUCKET SEAT(C23)
18	071125-24-C24	EA	SKIRT-BUCKET SEAT(C24)

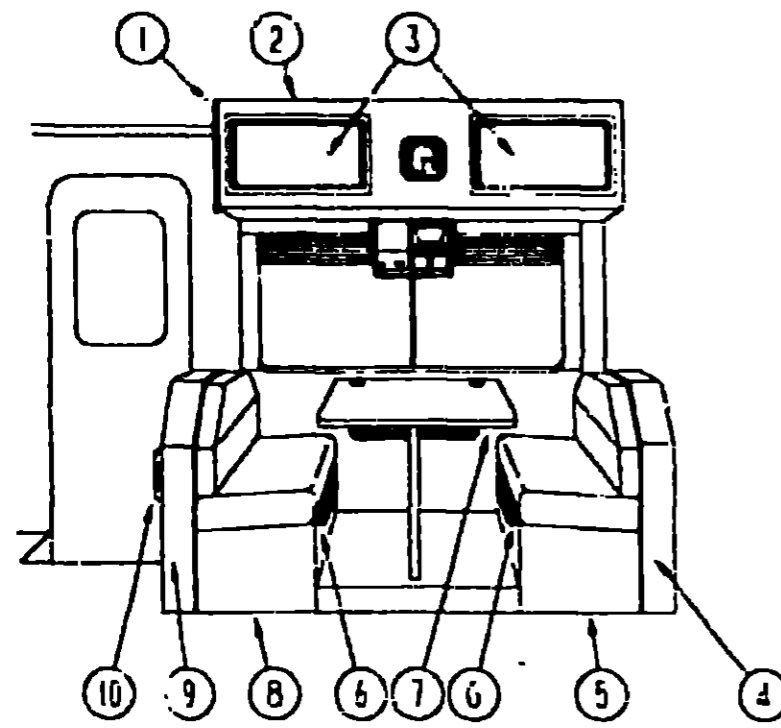
## 1992 ITASCA TABLE OF CONTENTS

INTRODUCTION	A-01 - A-02
ABBREVIATIONS	A-03
ALPHABETICAL INDEX	A-04 - A-06
IF427RQ	A-07 - D-10
IF427RC	D-17 - G-22
IF427RT	G-23 - K-07

## 1992 IF427RC INDEX

FLOOR PLAN	D-17 - D-18
ACCESSORIES	D-19
AUDIO VIDEO	D-20
BATH	D-21 - D-22
BEDROOM	D-23
CHASSIS	D-24 - E-02
CURTAIN & CUSHION	E-03 - E-10
DINETTE	E-11 - E-12
DRIVERS	E-13 - E-14
ELECTRICAL	E-15 - E-18
EXTERIOR BODY	E-19 - F-01
GALLEY	F-02 - F-05
GENERATOR	F-06
HEATING & A/C	F-07 - F-08
INTERIOR FINISH	F-09 - F-12
LABEL	F-13 - F-20
LP	F-21
LOUNGE	F-22 - F-23
SEALANTS & FASTENERS	F-24 - G-02
WATER & SEWAGE	G-03 - G-06
WINDOW, VENT AND EXTERIOR DOOR	G-07 - G-22

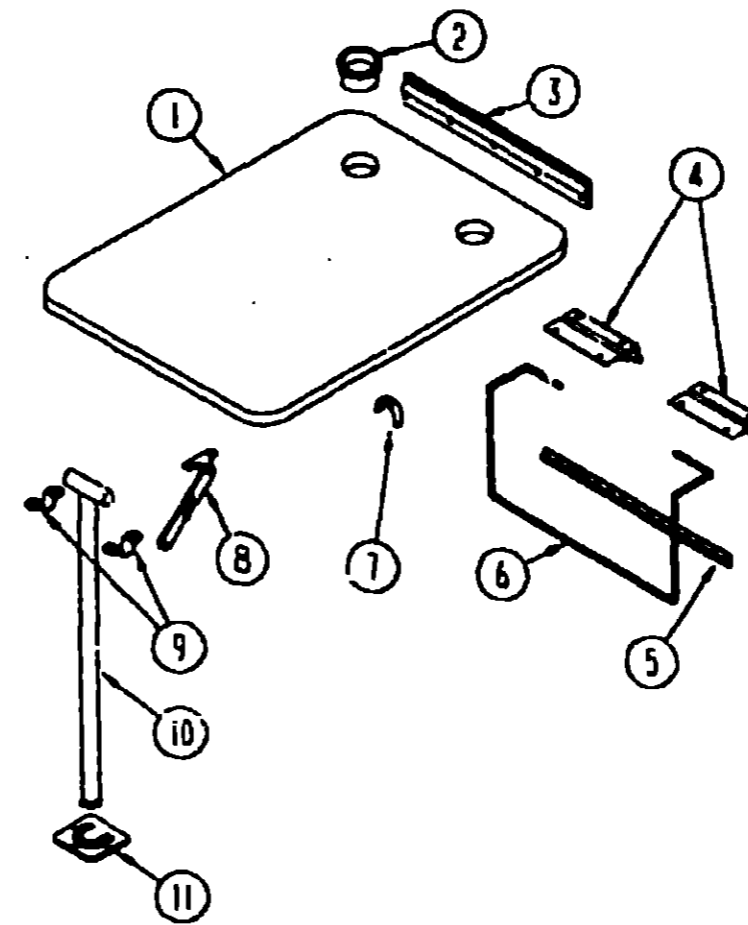
### DINETTE GROUP



CABINETS & TABLE

KEY	PART NUMBER	U/M	DESCRIPTION
1	104335-07-C52	EA	CAP ASM-END - OVERHEAD
2	M05623-17-C23	EA	CABINET ASM-OVERHEAD DINETTE
2	M05623-17-C24	EA	CABINET ASM-OVERHEAD DINETTE
3	P05223-05-C03	EA	DOOR ASM-W/O HARDWARE - ROUNDED - 400" X 710"
4	M04174-21-C52	EA	CABINET-SEATBACK-RIGHT
4	104787-01-C23	EA	PAD ASM-DINETTE (C23)
4	104787-01-C26	EA	PAD ASM-DINETTE (C24)
5	M04175-21-C52	EA	CABINET-SEATBASE-RIGHT
6	G81295-01-AA8	EA	SUPPORT-BED-DINETTE
7	M02115-09-B87	EA	TABLE-DINETTE
8	M04175-22-C52	EA	CABINET-SEATBASE-LEFT
9	M04174-22-C52	EA	CABINET-SEATBACK-LEFT
9	104787-02-C23	EA	PAD ASM-DINETTE
9	104787-02-C24	EA	PAD ASM-DINETTE
10	091257-02-000	EA	HANDLE-ASSIST-ENTRY DOOR - STAINED
10	091257-08-000	EA	HANDLE-ASSIST-ENTRY DOOR - STAINED

### DINETTE GROUP (CONTINUED)



DINETTE TABLE & HARDWARE

KEY	PART NUMBER	U/M	DESCRIPTION
1	M02115-09-B85	EA	TABLE-DINETTE
2	064781-06-000	EA	HOLDER-CUP-TWO STEP - OFF WHITE
3	053200-05-000	EA	BRACKET-TABLE SUPPORT-UPPER WALL MOUNTED - 23 5" - BEIGE
4	088410-01-000	EA	BRACKET-LIFT-TABLE MOUNTED - BEIGE
5	024281-07-000	EA	BRACKET-LIFT ROD-LOWER WALL MOUNTED - 22 12" - BEIGE
6	024275-05-000	EA	ROD-TABLE LIFT-8" X 23 5" - BEIGE
7	024283-01-000	EA	CLIP-LEG-1" - 1.125" OD - BLACK
8	024282-01-000	EA	BRACE-TABLE LEG-HINGED
9	064050-03-000	EA	CLAMP-SADDLE-LEG HINGE - BEIGE
10	024275-21-000	EA	LEG-TABLE- METAL - BEIGE
11	049493-11-700	EA	CATCH-LEG-FLOOR MOUNTED - 2 5" X 2 7" - METAL - E-COAT

### 1992 ITASCA TABLE OF CONTENTS

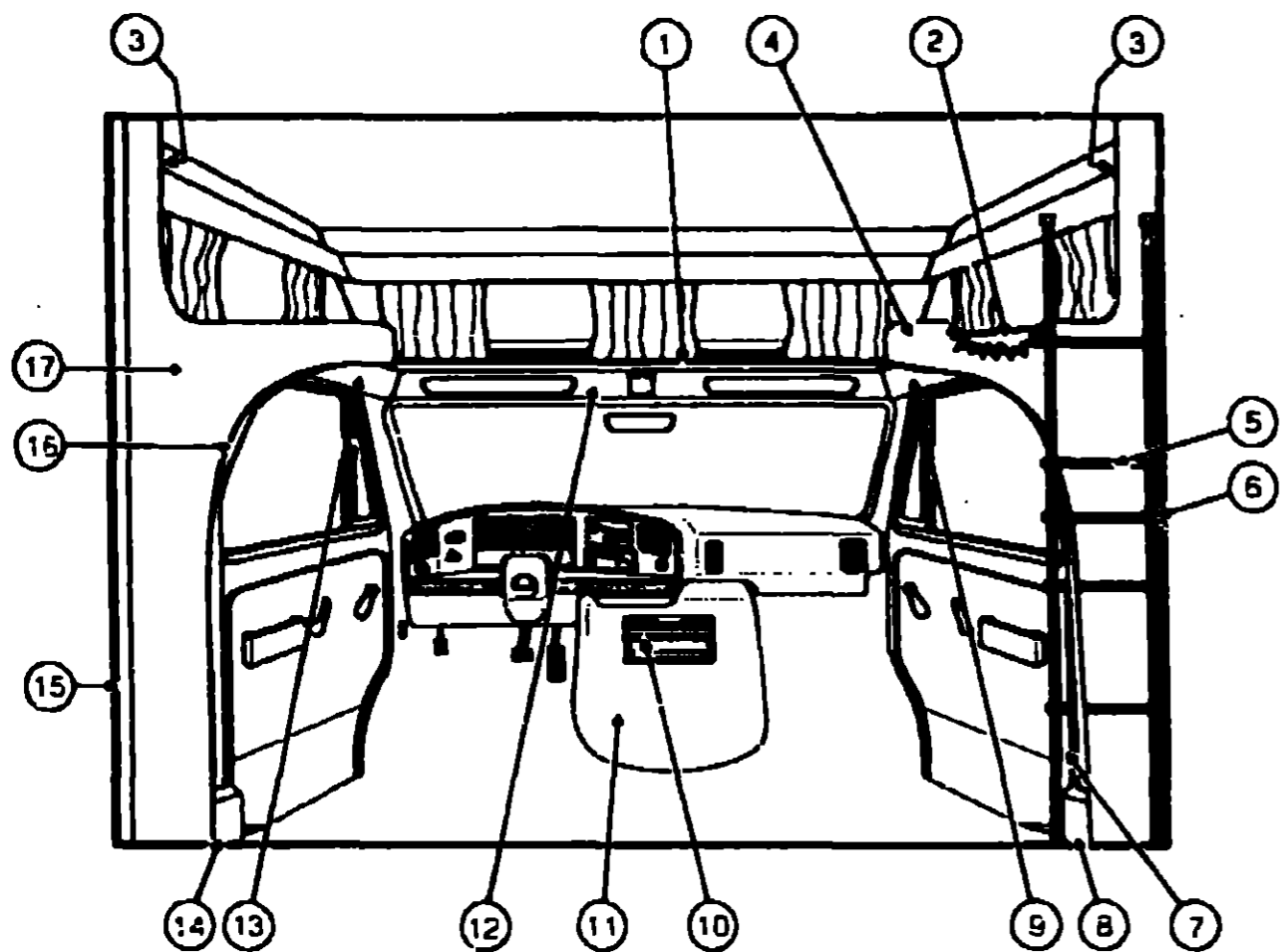
INTRODUCTION	A-01 - A-02
ABBREVIATIONS	A-03
ALPHABETICAL INDEX	A-04 - A-06
IF427RQ	A-07 - D-16
IF427RC	D-17 - G-22
IF427RT	G-23 - K-07

### 1992 IF427RC INDEX

FLOOR PLAN	D-17 - D-18
ACCESSORIES	D-19
AUDIO VIDEO	D-20
BATH	D-21 - D-22
BEDROOM	D-23
CHASSIS	D-24 - E-02
CURTAIN & CUSHION	E-03 - E-10
DINETTE	E-11 - E-12
DRIVERS	E-13 - E-14
ELECTRICAL	E-15 - E-18
EXTERIOR BODY	E-19 - F-01
GALLEY	F-02 - F-05
GENERATOR	F-06
HEATING & A/C	F-07 - F-08
INTERIOR FINISH	F-09 - F-12
LABEL	F-13 - F-20
LP	F-21
LOUNGE	F-22 - F-23
SEALANTS & FASTENERS	F-24 - G-02
WATER & SEWAGE	G-03 - G-06
WINDOW, VENT AND EXTERIOR DOOR	G-07 - G-22

# DRIVERS COMPARTMENT GROUP

## DRIVER COMPARTMENT



KEY	PART NUMBER	U/M	DESCRIPTION
1	106444-01-01A	EA	TRIM-SLEEPER BOARD-INNER-OFF WHITE
1	080742-03-000	FT	TRIM-VINYL-SLEEPER BOARD-OFF WHITE
2	105777-01-C23	EA	PAD ASM-BUNK-OVERHEAD
2	105777-01-C24	EA	PAD ASM-BUNK-OVERHEAD
3	082071-12-B05	EA	TRIM-WINGWALL- 31 5" X 5 5" - VINYL COVERED
4	106440-03-C23	EA	WINGWALL ASM-INNER-RIGHT
	106445-01-C52	EA	TRIM ASM-WINGWALL WRAP-RIGHT
5	106025-02-01A	EA	LADDER-BUNK(BLACK)-1322 MM
	106025-01-700	EA	BRACKET SET F/BUNK LADDER C8-0030-00
6	099856-03-000	EA	STRAP ASM - LADDER
7	106445-01-C52	EA	TRIM ASM-CAB-B-PILLAR-RIGHT
8	106431-01-01A	EA	COVER-SEAT BELT-RIGHT-OFF WHITE
9	106447-01-C52	EA	TRIM ASM-CAB DOOR-UPPER-RIGHT
10	106634-01-C03	EA	TRAY ASM-BEVERAGE
			FROM 00-00-00 THRU 01-25-92
10	107134-02-C7D	EA	TRAY-BEVERAGE-OAK FORD - W/CASSETTE HOLDER
			FROM 01-27-92 THRU 99-99-99
	046886-03-000	EA	ASHTRAY-CHROME- W/COVER
11	069885-23-C23	EA	COVER-MOTOR-W/POCKET-FORD
11	069885-23-C24	EA	COVER-MOTOR-W/POCKET-FORD
12	106448-01-C52	EA	HEADLINER-VINYL COVERED - FRONT - OFF WHITE
13	106447-02-C52	EA	TRIM ASM-CAB DOOR-UPPER-LEFT
14	106431-02-01A	EA	COVER-SEAT BELT-LEFT - OFF WHITE
15	082081-18-C03	EA	TRIM-WINGWALL- 1 5" X 22 4" - VINYL COVERED
	082081-20-C03	EA	TRIM-WINGWALL- 1 5" X 78 6" - VINYL COVERED (DRIVER SIDE)
16	106446-02-C52	EA	TRIM ASM-CAB-B-PILLAR-RIGHT
17	106440-04-C23	EA	WINGWALL ASM-INNER-LEFT
	106445-02-C52	EA	TRIM ASM-WINGWALL WRAP-LEFT

### DASH, GAUGES & SWITCHES

KEY	PART NUMBER	U/M	DESCRIPTION
	094795-03-000	EA	CLUSTER-INSTRUMENT PANEL - 2KILOMETER - FORD F2UF106135F (CSA)
	100138-01-000	EA	MODULE-DAYTIME RUNNING LIGHT
	024461-01-000	EA	SWITCH-BATTERY - BATT/DUAL/MOM
	081082-01-000	EA	PLAQUE-MOUNTING- BATTERY/FUEL SWITCH - 2 4" X 1 4" - BLK

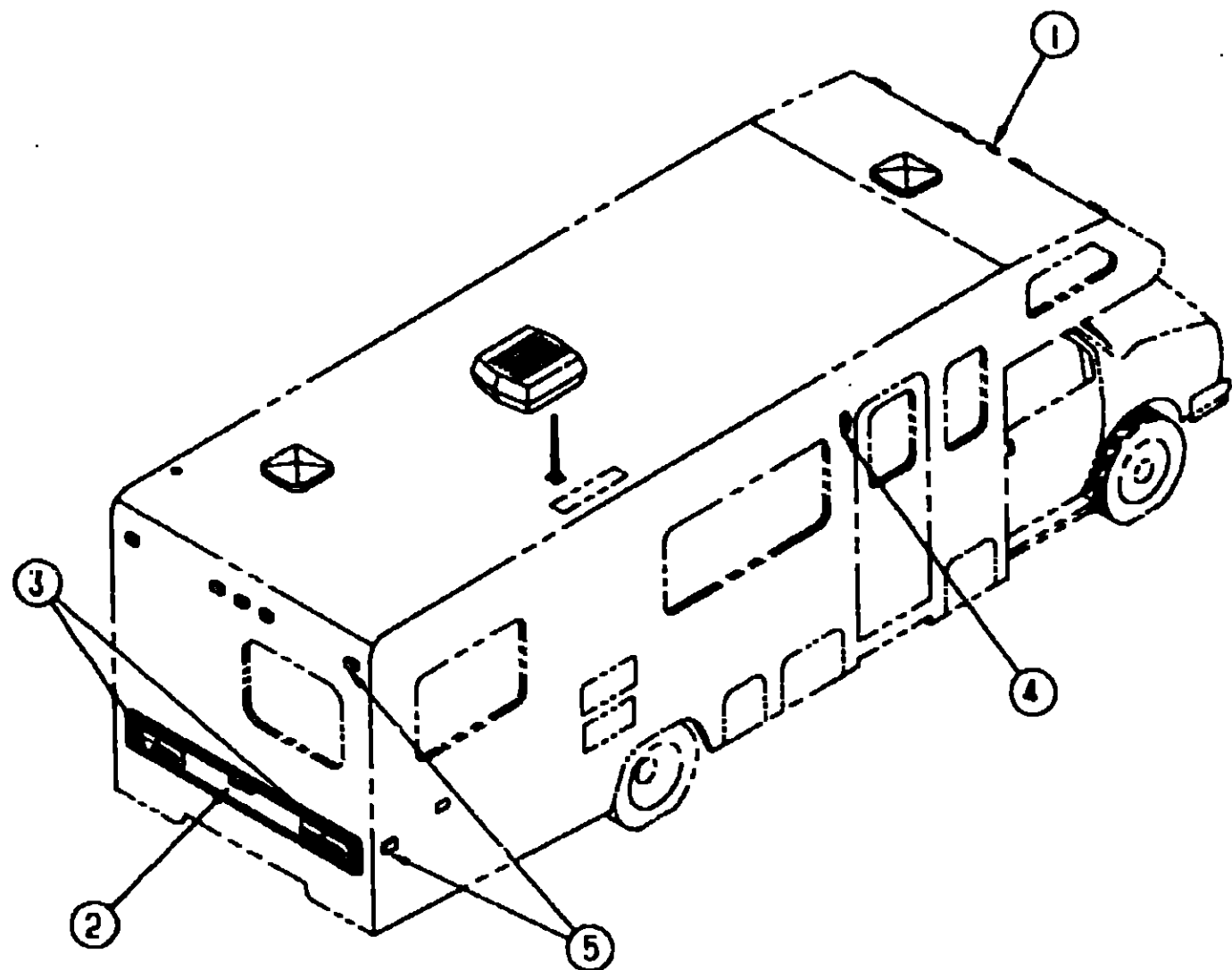
## 1992 ITASCA TABLE OF CONTENTS

INTRODUCTION	A-01 - A-02
ABBREVIATIONS	A-03
ALPHABETICAL INDEX	A-04 - A-06
IF427RO	A-07 - D-16
IF427RC	D-17 - G-22
IF427RT	G-23 - K-07

### 1992 IF427RC INDEX

FLOOR PLAN	D-17 - D-18
ACCESSORIES	D-19
AUDIO VIDEO	D-20
BATH	D-21 - D-22
BEDROOM	D-23
CHASSIS	D-24 - E-02
CURTAIN & CUSHION	E-03 - E-10
DINETTE	E-11 - E-12
DRIVERS	E-13 - E-14
ELECTRICAL	E-15 - E-18
EXTERIOR BODY	E-19 - F-01
GALLEY	F-02 - F-05
GENERATOR	F-06
HEATING & A/C	F-07 - F-08
INTERIOR FINISH	F-09 - F-12
LABEL	F-13 - F-20
LP	F-21
LOUNGE	F-22 - F-23
SEALANTS & FASTENERS	F-24 - G-02
WATER & SEWAGE	G-03 - G-06
WINDOW, VENT AND EXTERIOR DOOR	G-07 - G-22

## ELECTRICAL GROUP



### EXTERIOR LIGHTS

KEY	PART NUMBER	U/M DESCRIPTION
1	091983-01-000	EA GASKET-CLEARANCE/SIDEMARKER LIGHT
1	042405-02-000	EA LENS-CLEARANCE/SIDEMARKER LIGHT W/REFLEX - AMBER
1	042405-03-000	EA BASE-CLEARANCE/SIDEMARKER LIGHT W/BULB - PLASTIC - WHITE
	008213-01-000	EA BULB -12 V - NO 57 - 24 AMP
2	055432-01-000	EA LIGHT-LICENSE PLATE W/BRACKET
3	081538-01-000	EA TAILLIGHT-DOUBLE- W/BLACK TRIM -DRIVER & PASS SIDE
	037934-01-000	EA BULB #1155 (BACK UP & TURN SIGNAL)
	037935-01-000	EA BULB #2057 OR #1157 (BRAKE LIGHT)
3	081638-01-700	EA LENS-TAILLIGHT - RED
3	081538-01-701	EA LENS-TAILLIGHT - W/BACKUP
	103355-01-01A	EA POD-TAILLIGHT - OFF WHITE
4	097917-01-01A	EA LIGHT-PORCH - ENTRY DOOR - OFF WHITE
4	008215-01-000	EA BULB-12V - #1003-94AMP
4	097917-01-700	EA LENS-LIGHT - PORCH
5	091983-01-000	EA GASKET-CLEARANCE/SIDEMARKER LIGHT
5	042405-01-000	EA LENS-CLEARANCE/SIDEMARKER LIGHT W/REFLEX - RED
5	042405-03-000	EA BASE-CLEARANCE/SIDEMARKER LIGHT W/BULB - PLASTIC - WHITE
	008213-01-000	EA BULB -12 V - NO 57 - 24 AMP

## ELECTRICAL GROUP (CONTINUED)

### ELECTRIC BOXES & POWER CORDS

KEY	PART NUMBER	U/M DESCRIPTION
	008288-01-000	EA BOX-PLASTIC ELECTRIC - 3' X 3 1/2'
	008289-01-000	EA BOX-ELECTRIC - STEEL - 1/2" & 3/4" KNOCKOUTS - 4' X 4'
	008289-02-000	EA BOX-ELECTRICAL - 4' X 4' - 1/2" & 3/4" KNOCKOUTS - CANADIAN
	058049-01-000	EA BOX-ELECTRIC SWITCH - 2' X 3' X 2 25'
	091910-01-000	EA BOX-ELECTRIC - 3 75" X 3 5" X 1 75" - PLASTIC
	093503-01-000	EA BOX-ELEC-STEEL 4 X 2 1/8 X 2 1/8 - STEEL CITY 58371 1/2
	087549-01-000	EA BUSS BAR-2 POSITION - 6' X 1 5" - ALUMINUM FROM 12-06-91 THRU 59-99-99
	008054-01-000	EA CORD-POWER - 10/3 - 30 AMP - 25'
	008052-01-000	EA CORD-POWER - 10/3 - 30 AMP - 25' - CANADIAN
	069238-01-000	EA COVER-ELECTRICAL BOX - W/HOLE - 4' X 4' - GRAY USED WITH 30 AMP RECEPTACLE
	008294-01-000	EA COVER-ELECTRICAL BOX - BLANK STEEL - 4' X 4' - GRAY
	008294-02-000	EA COVER-ELECTRICAL BOX - BLANK STEEL - 4' X 4' - CANADIAN
	008188-01-000	EA SOLENOID-3 POST - BATTERY CHANGE OVER

### WIRING ASSEMBLIES

KEY	PART NUMBER	U/M DESCRIPTION
	103328-05-000	EA WIRE ASM-PUMP-EXTERIOR SHOWER
	095449-01-000	EA WIRE ASM- WATER TANK TO MONITOR PANEL
	105351-01-000	EA WIRE ASM-DAYTIME RUNNING LIGHTS-W/FUSE

### SWITCHES & RECEPTACLES

KEY	PART NUMBER	U/M DESCRIPTION
	108356-02-01A	EA ACTUATOR-SWITCH DIMPLE II
	075723-01-000	EA BLOCK-SWITCH - SPACER W/O HOLE
	075730-02-000	EA COVER-EXTERIOR RECEPTACLE - OFF WHITE
	097734-01-02A	EA EXTENSION-RECEPTACLE - 3 2" X 5" X 7" - PLASTIC - BROWN
	084077-01-000	EA PLATE-COVER - RECEPTACLE - GFI - IVORY
	098351-01-01A	EA PLATE-SWITCH - 1 GANG - POLISHED BRASS
	098351-05-01A	EA PLATE SWITCH - 3 GANG - JENSEN - POLISHED BRASS
	095188-01-01A	EA SPACER-SWITCH - 2 3" X 3 4" - PLASTIC - DARK BROWN
	102568-01-B10	EA SPACER-RECEPTACLE - BETWEEN SIDEWALL & PLATE - WOOD
	095241-07-000	EA SWITCH-ROCKER - DPDT - ON/OFF - BLACK
	079364-01-000	EA SWITCH-ON/OFF ROCKER - 2 PRONGS - BROWN
	079364-03-000	EA SWITCH-ON/OFF ROCKER - 2 PRONGS - BROWN
	007940-01-000	EA RECEPTACLE-SLIDE - 16 TO 12 AWG - FEMALE END
	024924-02-000	EA RECEPTACLE-POWER CORD - W/PARTIAL PLATE
	058707-01-000	EA RECEPTACLE-ELECTRIC - SINGLE - BROWN
	058708-01-000	EA RECEPTACLE-ELECTRIC - DOUBLE - BROWN
	058708-02-000	EA RECEPTACLE-ELECTRIC - DOUBLE - IVORY
	080015-02-000	EA RECEPTACLE-FLAG - 185 - 16/14 GA - AMP 3
	080015-03-000	EA RECEPTACLE-FLAG - 250 - 14/16 GA
	084076-01-000	EA RECEPTACLE-GFI - 15A - 125V - IVORY

## 1992 ITASCA TABLE OF CONTENTS

INTRODUCTION	A-01	A-02
ABBREVIATIONS		A-03
ALPHABETICAL INDEX	A-04	A-06
IF427RD	A-07	D-15
IF427RC	D-17	G-22
IF427RT	G-23	K-07

## 1992 IF427RC INDEX

FLOOR PLAN	D-17	D-18
ACCESSORIES		D-19
AUDIO VIDEO		D-20
BATH	D-21	D-22
BEDROOM		D-23
CHASSIS	D-24	E-02
CURTAIN & CUSHION	E-03	E-10
DINETTE	E-11	E-12
DRIVERS	E-13	E-14
ELECTRICAL	E-15	E-18
EXTERIOR BODY	E-19	F-01
GALLEY	F-02	F-05
GENERATOR		F-06
HEATING & A/C	F-07	F-08
INTERIOR FINISH	F-09	F-12
LABEL	F-13	F-20
LP		F-21
LOUNGE	F-22	F-23
SEALANTS & FASTENERS	F-24	G-02
WATER & SEWAGE	G-03	G-06
WINDOW, VENT AND EXTERIOR DOOR	G-07	G-22

**ELECTRICAL GROUP (CONTINUED)**

**FUSES & CIRCUIT BREAKERS**

KEY	PART NUMBER	U/M DESCRIPTION
	062901-02-000	EA FUSE-5 AMP-AUTOMOTIVE
	062901-05-000	EA FUSE-15 AMPS-AUTOMOTIVE
	009235-01-000	EA FUSE-15 AMP-AUTOMOTIVE-12V
	100341-01-000	EA FUSE HOLDER-IN LINE TYPE
	107165-01-01A	EA BOX-CIRCUIT BREAKER MOUNT-BLACK
		FROM 12-05-91 THRU 99-99-99
	008211-01-000	EA CIRCUIT-BREAKER-12V - 5AMP
		FROM 00-00-00 THRU 12-05-91
	093654-01-000	EA CIRCUIT BREAKER-5 AMP - HOUSE CONTROL PANEL
		FROM 12-05-91 THRU 99-99-99
	083209-01-000	EA CIRCUIT BREAKER-15 AMP - 120V - BW G-15(CANADIAN)
	083209-03-000	EA CIRCUIT BREAKER-15/20AMP - 120V - RW - 0-15/20
	083209-05-000	EA CIRCUIT BREAKER-20A - 120V - BW J-20
	083209-06-000	EA CIRCUIT BREAKER-30/15 AMP - 120V - BW D-30/15
	008258-01-000	EA CIRCUIT-BREAKER- W.MOUNT -30A - 12V
		FROM 00-00-00 THRU 12-05-91
	093655-02-000	EA CIRCUIT BREAKER-30 AVP - HOUSE CONTROL PANEL
		FROM 12-05-91 THRU 99-99-99
	083209-04-000	EA CIRCUIT BREAKER-30A - 120V - BW L-30

**CONDUIT**

KEY	PART NUMBER	U/M DESCRIPTION
	041953-01-000	FT CONDUIT-CONVOLUTE SLIT - 5" ID
	041953-03-000	FT CONDUIT-CONVOLUTE SLIT - 1" ID (CLOTHES ROD COVER)
	041953-06-000	FT CONDUIT-CONVOLUTE SLIT - 3/8" ID
	041953-07-000	FT CONDUIT-CONVOLUTE SLIT - 25" ID
	041953-08-000	FT CONDUIT-CONVOLUTE SLIT - 1 5/8" ID
	041953-09-000	FT CONDUIT-CONVOLUTE SLIT - 50" ID
	041953-10-000	FT CONDUIT-CONVOLUTE SLIT - 75" ID
	041953-11-000	FT CONDUIT-CONVOLUTE SLIT- 1 05" ID
	041953-12-000	FT CONDUIT-CONVOLUTE NON SLIT - 1 1" ID

**INTERIOR LIGHTS**

KEY	PART NUMBER	U/M DESCRIPTION
	061424-01-000	EA LIGHT-AISLE - 12V - RECTANGULAR
		FROM 00-00-00 THRU 01-20-92
	008103-01-000	EA BULB-DASH/AISLE LIGHT - #53 - 12 V - 12 AMP
	098024-01-01A	EA LIGHT-DOME - 1 BULB - US - IVORY
	008218-01-000	EA BULB-DOME LIGHT - 12V - NUMBER 1141
	095024-01-700	EA LENS-DOME LIGHT
	098024-03-01A	EA LIGHT-DOME - 2 BULB - IVORY
	008218-01-000	EA BULB-DOME LIGHT - 12V - NUMBER 1141
	098024-01-700	EA LENS-DOME LIGHT

**ELECTRICAL GROUP (CONTINUED)**

**CONNECTORS, HOUSINGS, & TERMINALS**

KEY	PART NUMBER	U/M DESCRIPTION
	077479-02-000	EA BOOT-BATTERY TERMINAL-SINGLE CABLE
	008355-01-000	EA CONNECTOR-CABLE CLAMPING - 3/4"
	058028-01-000	EA CONNECTOR-ELECTRICAL PIGTAIL - NYLON - CLEAR
	088475-01-000	EA CONNECTOR-PIN-14 TO 20 AWG
	088475-02-000	EA CONNECTOR-PIN- 10 TO 12 AWG
	008355-01-000	EA CONNECTOR-PLASTIC - 3/8" AVG
	088476-01-000	EA CONNECTOR-SOCKET- BRASS - PRE-TIN
	088476-02-000	EA CONNECTOR-SOCKET-12-10 GA - PHOS BRZ - PRE-TIN
	098420-01-000	EA CONNECTOR-SWIVEL - 1/2" FPT X 5/8" TUBE - PLASTIC
	008311-01-000	EA CONNECTOR-WIRE NUT - INSULATED - RED
	008314-01-000	EA CONNECTOR-WIRE NUT - INSULATED - GRAY
	063910-01-000	EA HOUSING-RELAY - BOSCH 3 334 485 008
	088473-03-000	EA HOUSING-PIN-9-POSITION
	088473-05-000	EA HOUSING-PIN-6 POSITION (SINGLE ROW)
	088473-05-000	EA HOUSING-PIN-6 POSITION (TWO ROWS OF THREE)
	088473-08-000	EA HOUSING-PIN-4 POSITION
	088473-09-000	EA HOUSING-PIN-3 POSITION (SINGLE ROW)
		FROM 12-12-91 THRU 99-99-99
	088473-10-000	EA HOUSING-PIN-2 POSITION
	088474-03-000	EA HOUSING-SOCKET-9-POSITION
	088474-06-000	EA HOUSING-SOCKET-6 POSITION (2 ROWS OF THREE)
	088474-07-000	EA HOUSING-SOCKET-5 CAVITY - AMP 1-480764-0
	068474-08-000	EA HOUSING-SOCKET-4 POSITION (SINGLE ROW)
	068474-09-000	EA HOUSING-SOCKET-3 POSITION
	088474-10-000	EA HOUSING-SOCKET-2 POSITION
	090971-01-000	EA SPLICE-CABLE-110 VOLT
	090971-02-000	EA SPLICE-CABLE-110 VOLT - TAP
	008325-01-000	EA TERMINAL-RING - 15/14 WIRE - 3/8" STUD
	008328-01-000	EA TERMINAL-RING - 12/10 WIRE - #10 STUD FIT
	008331-01-000	EA TERMINAL-RING - TONGUE - #4 WIRE - 3/8" STLD - COPPER
	008348-01-000	EA TERMINAL-RING - 3/8" STUD - #2 WIRE
		CONNECTS CABLE TO DISCONNECT RELAY AND BATTERY
	035416-04-000	EA TERMINAL-RING #10 STUD FIT - INSULATED BARREL #15/14
	047443-01-000	EA TERMINAL- 250 RECEP FIT - INSULATED - 15/14 AWG
	047443-02-000	EA TERMINAL- 250 RECEP FIT - INSULATED - 12/10 AWG
	050003-02-000	EA TERMINAL-PIN - 16-14 AWG ETC 3-279X(0 175)

**1992 ITASCA  
TABLE OF CONTENTS**

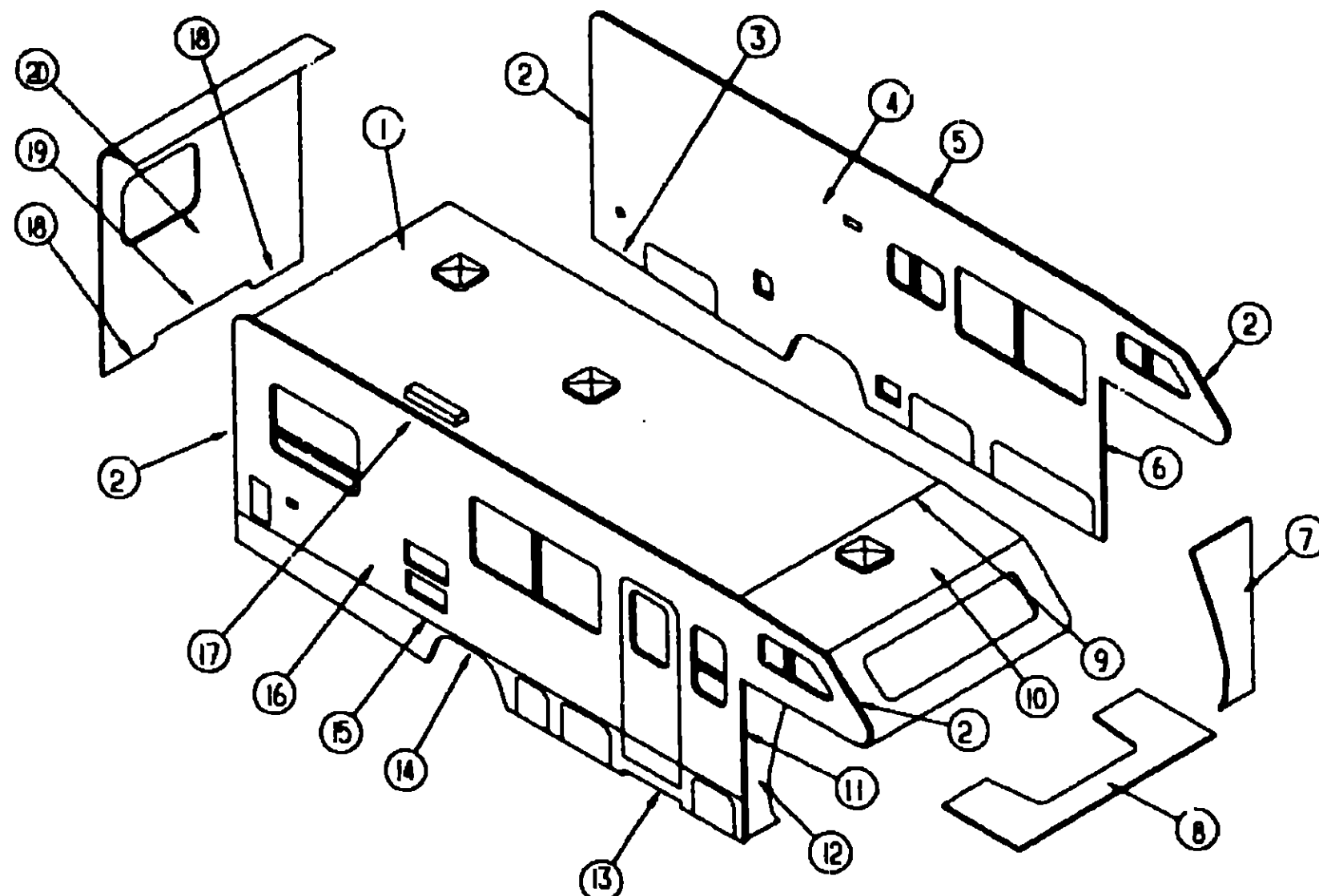
INTRODUCTION	A-01 - A-02
ABBREVIATIONS	A-03
ALPHABETICAL INDEX	A-04 - A-06
IF427RQ	A-07 - D-16
IF427RC	D-17 - G-22
IF427RT	G-23 - K-07

**1992 IF427RC INDEX**

FLOOR PLAN	D-17 - D-18
ACCESSORIES	D-19
AUDIO VIDEO	D-20
BATH	D-21 - D-22
BEDROOM	D-23
CHASSIS	D-24 - E-02
CURTAIN & CUSHION	E-03 - E-10
DINETTE	E-11 - E-12
DRIVERS	E-13 - E-14
ELECTRICAL	E-15 - E-18
EXTERIOR BODY	E-19 - F-01
GALLEY	F-02 - F-05
GENERATOR	F-06
HEATING & A/C	F-07 - F-08
INTERIOR FINISH	F-09 - F-12
LABEL	F-13 - F-20
LP	F-21
LOUNGE	F-22 - F-23
SEALANTS & FASTENERS	F-24 - G-02
WATER & SEWAGE	G-03 - G-06
WINDOW, VENT AND EXTERIOR DOOR	G-07 - G-22

# EXTERIOR BODY GROUP

## EXTERIOR BODY PANELS



### 1992 ITASCA TABLE OF CONTENTS

INTRODUCTION	A-01	A-02
ABBREVIATIONS		A-03
ALPHABETICAL INDEX	A-04	A-05
IF427RQ	A-07	D-15
IF427RC	D-17	G-22
IF427RT	G-23	K-07

### 1992 IF427RC INDEX

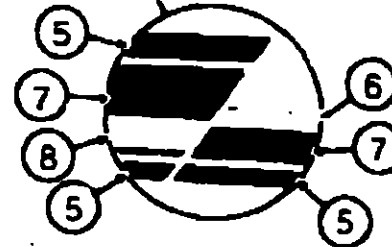
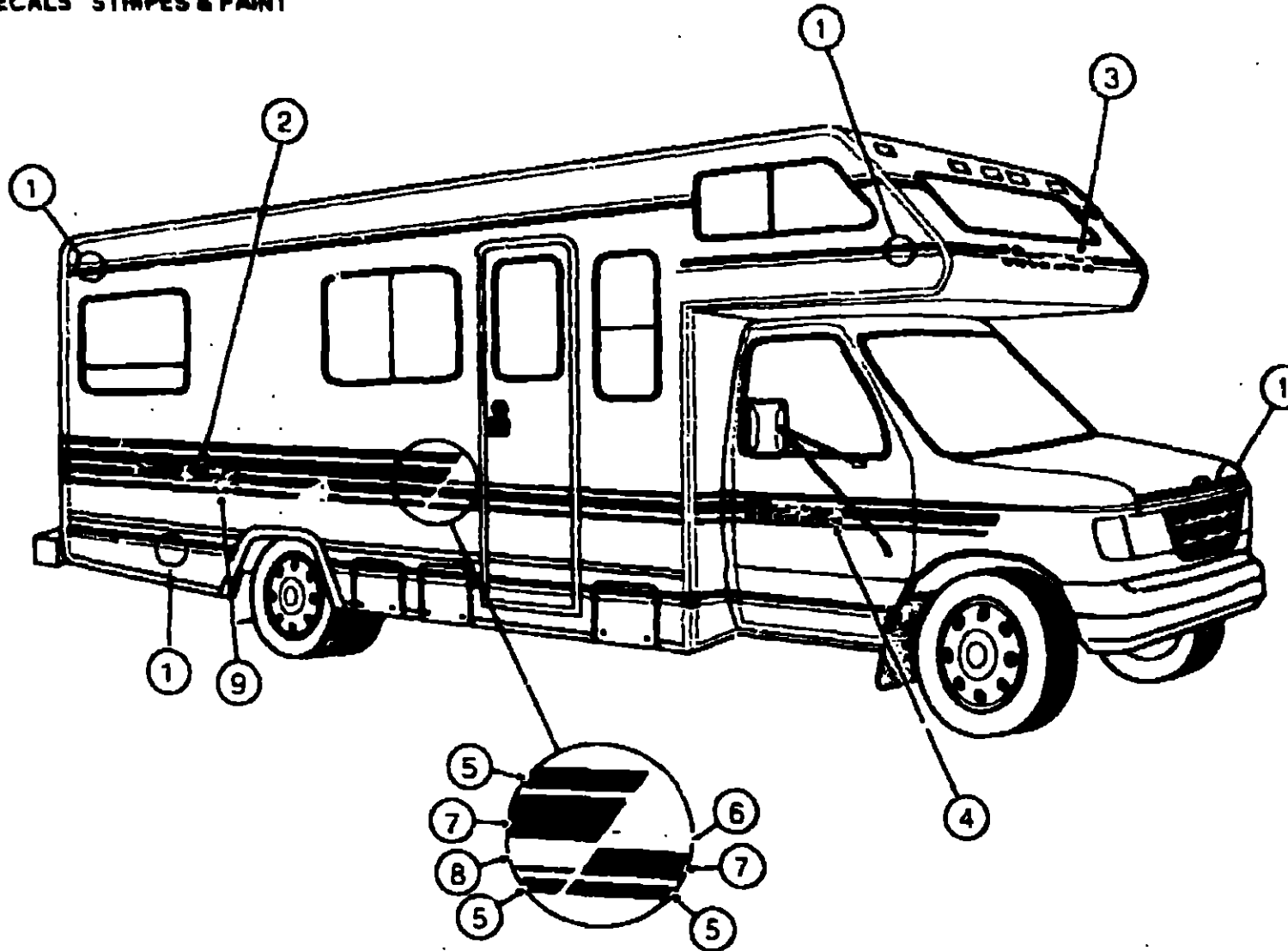
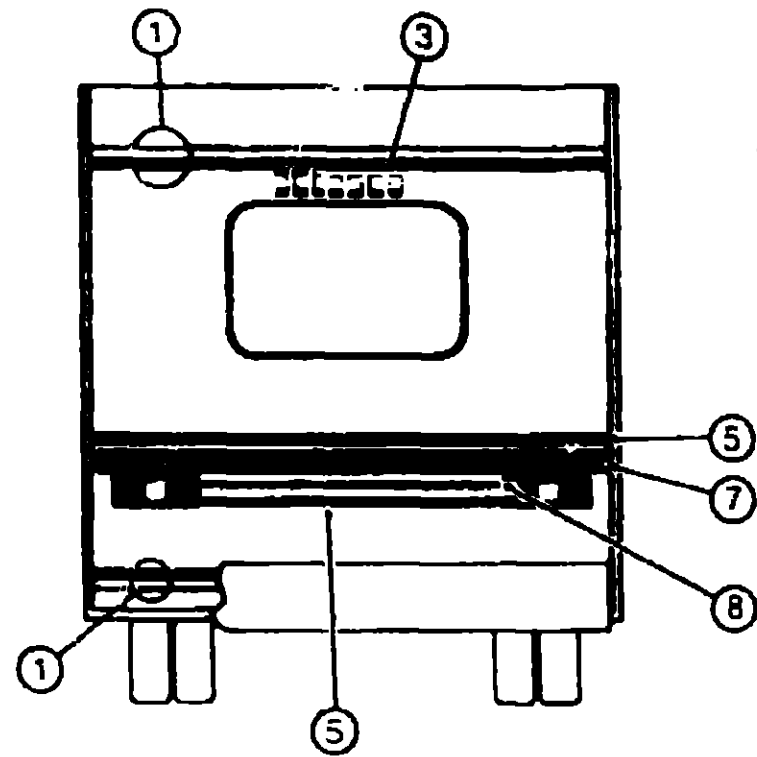
FLOOR PLAN	D-17	D-18
ACCESSORIES		D-19
AUDIO VIDEO		D-20
BATH	D-21	D-22
BEDROOM		D-23
CHASSIS	D-24	E-02
CURTAIN & CUSHION	E-03	E-10
DINETTE	E-11	E-12
DRIVERS	E-13	E-14
ELECTRICAL	E-15	E-18
EXTERIOR BODY	E-19	F-01
GALLEY	F-02	F-05
GENERATOR		F-06
HEATING & A/C	F-07	F-03
INTERIOR FINISH	F-09	F-12
LABEL	F-13	F-20
LP		F-21
LOUNGE	F-22	F-23
SEALANTS & FASTENERS	F-24	G-02
WATER & SEWAGE	G-03	G-05
WINDOW VENT AND EXTERIOR DOOR	G-07	G-22

KEY	PART NUMBER	U/M	DESCRIPTION
1	P05334-02-C23	EA	ROOF ASM W/BASES
2	056854-01-01A	EA	TRIM-CONTOUR - W/O VINYL INSERT - 108" - OFF WHITE
	105312-01-01A	FT	INSERT-TRIM - VINYL - OFF WHITE
3	099072-55-001	EA	EXTR-CHANNEL - OFF WHITE - 4877MM
4	P05555-01-C23	EA	SIDEWALL ASM-LEFT
5	095354-01-01A	EA	TRIM-CONTOUR - ROOF TO SIDEWALL - DRIVER OR PASSENGER - 120"
	064675-54-004	EA	STL-ANG ROOF JOINT-0545 MM-OFF WHITE
6	104479-04-01A	EA	TRIM-CONTOUR-FRONT- DRIVER - OFF WHITE
7	105438-04-C03	EA	WINGWALL ASM - DRIVER
	079203-03-000	EA	TRIM-WINGWALL - 14 2" - OFF WHITE
	069334-01-000	FT	VINYL-EXTERIOR - BETWEEN WINGWALL & CAB SEAL - WHITE
8	P05443-01-C03	EA	SLEEPERBOARD ASM
	100065-03-01A	EA	TRIM-SLEEPERBOARD - FLAT - 2 5" X 97 5" - OFF WHITE
	100066-02-01A	EA	TRIM-SLEEPERBOARD - 2" X 90 7" - OFF WHITE
9	075580-01-L00	EA	TRIM-ROOF TO FRONT CAP
10	M76177-01-700	EA	ROOF - FRONT CAP TO FIRST SEAM
11	104479-03-01A	EA	TRIM-CONTOUR-FRONT- PASSENGER - OFF WHITE

KEY	PART NUMBER	U/M	DESCRIPTION
12	105438-03-C03	EA	WINGWALL ASM - PASSENGER
	079203-03-000	EA	TRIM-WINGWALL - 14 2" - OFF WHITE
	069334-01-000	FT	VINYL-EXTERIOR - BETWEEN WINGWALL & CAB SEAL - WHITE
13	105025-02-C03	EA	TRIM ASM-SIDEWALL
	105026-05-01A	EA	TRIM-SIDEWALL-141MM-MILL
	105026-06-01A	EA	TRIM-SIDEWALL-136MM-MILL
14	105100-01-01A	EA	TRIM-WHEELWELL-OFF WHITE
14	105100-02-01A	EA	TRIM-WHEELWELL-OFF WHITE
			FROM 00-00-00 THRU 04-15-92
15	009731-01-000	EA	END CAP-FEATURE STRIP
15	002444-01-020	EA	FEATURE STRIP - W/HOLES - 182" - OFF WHITE
	002444-04-002	EA	STRIP-FEATURE - W/O INSERT - 15' LONG - OFF WHITE
	001030-02-003	EA	INSERT-FEATURE STRIP - 17' LONG - OFF WHITE
16	P05554-01-C23	EA	SIDEWALL ASM - RIGHT
17	100483-01-01A	EA	TRIM-CONTOUR - ROOF (AWNING) - OFF WHITE
	059583-55-001	EA	RAIL-AWNING - 10" EA - OFF WHITE
18	103334-02-01A	EA	TRIM-BACKWALL - LOWER - OFF WHITE
19	103335-02-01A	EA	TRIM-BACKWALL - LOWER - OFF WHITE
20	M05559-01-C23	EA	BACKWALL ASM

**EXTERIOR BODY GROUP (CONTINUED)**

**DECALS STRIPES & PAINT**



**1992 ITASCA  
TABLE OF CONTENTS**

INTRODUCTION	A-01	A-02
ABBREVIATIONS		A-03
ALPHABETICAL INDEX	A-04	A-06
IF427RQ	A-07	D-16
IF427RC	D-17	G-22
IF427RT	G-23	K-07

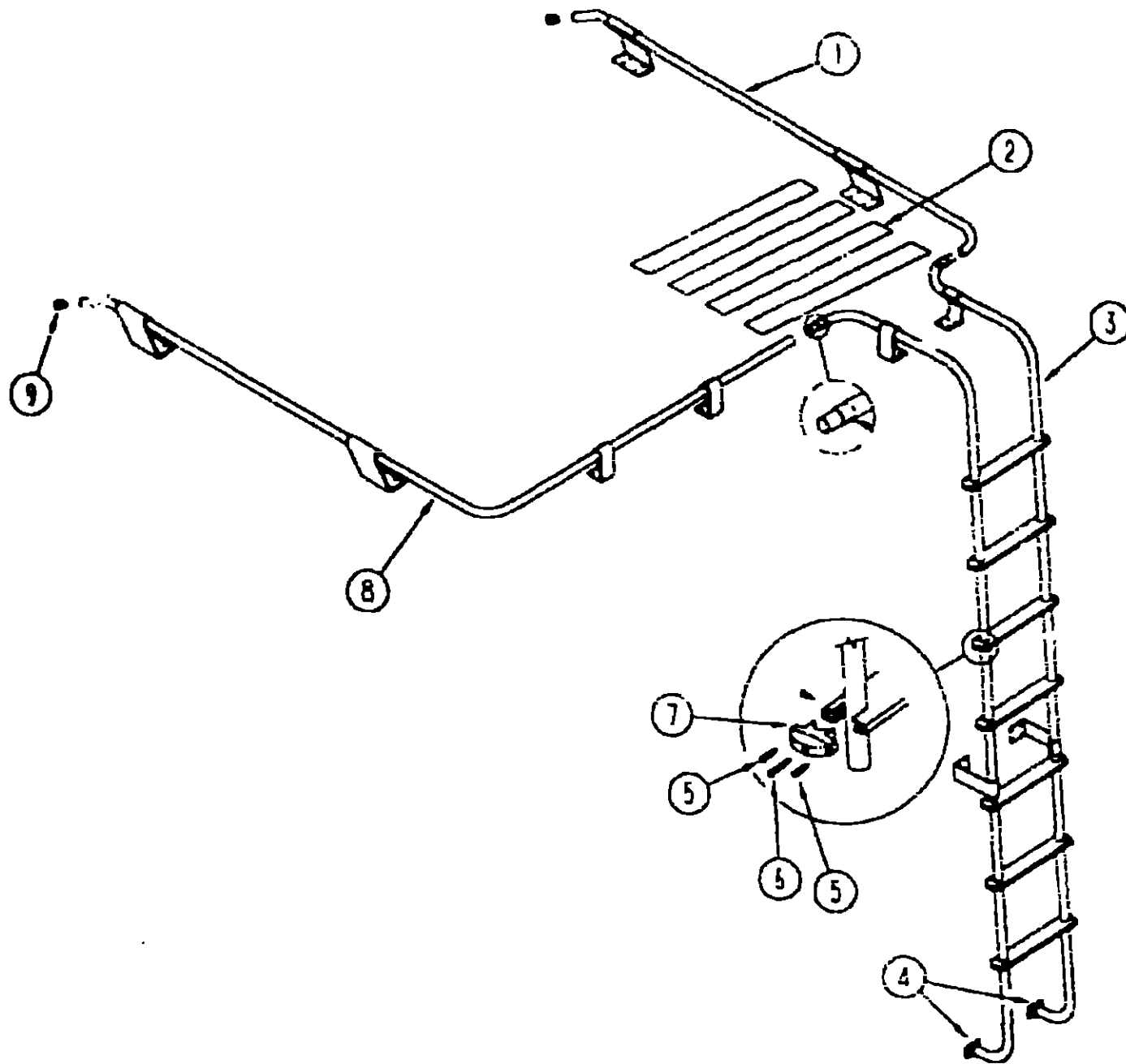
**1992 IF427RC INDEX**

FLOOR PLAN	D-17	D-18
ACCESSORIES		D-19
AUDIO VIDEO		D-20
BATH	D-21	D-22
BEDROOM		D-23
CHASSIS	D-24	E-02
CURTAIN & CUSHION	E-03	E-10
DINETTE	E-11	E-12
DRIVERS	E-13	E-14
ELECTRICAL	E-15	E-18
EXTERIOR BODY	E-19	F-01
GALLEY	F-02	F-05
GENERATOR		F-06
HEATING & A/C	F-07	F-08
INTERIOR FINISH	F-09	F-12
LABEL	F-13	F-20
LP		F-21
LOUNGE	F-22	F-23
SEALANTS & FASTENERS	F-24	G-02
WATER & SEWAGE	G-03	G-06
WINDOW VENT AND EXTERIOR DOOR	G-07	G-22

KEY	PART NUMBER	U/M	DESCRIPTION
1	094423-01-01A	FT	MULTISTRIPE-2 LINES - 3" - DK BLUE & LT BLUE W/1 MAGENTA
2	105519-02-02A	EA	DECAL-LOGO - SUNDANCER
3	078191-03-000	EA	DECAL-LOGO - ITASCA™ - DARK BLUE
4	078852-27-000	EA	DECAL-LOGO - ITASCA™ - 5"
5	093581-18-01A	FT	STRIPES-1 LINE - 1.25" WIDE - DARK BLUE
6	093581-03-03A	FT	STRIPES-1 LINE - 1.5" WIDE - LIGHT BLUE
7	094433-01-01A	FT	MULTISTRIPE-1 LINES - 5" - DARK BLUE W/1 MAGENTA STRIPE
8	094433-01-02A	FT	STRIPES-1 LINE - 5" - LIGHT BLUE W/2 MAGENTA STRIPES
9	101026-01-01A	EA	DECAL-LOGO - 400
	PC4408-06-000	EA	SILKSCREEN - 32" SUNDANCER
	004309-01-000	EA	PAINT-SPRAY - BLACK
	041561-00-000	EA	PAINT-LOWBAKE - OFF WHITE
	044466-03-000	EA	PAINT-LOWBAKE - BEIGE

DUPONT COLOR CODES  
 DARK BLUE - DUPONT# K5456  
 LIGHT BLUE - DUPONT# K5457  
 MAGENTA - DUPONT# G5842  
 OFF WHITE - DUPONT# L6723

**EXTERIOR BODY GROUP (CONTINUED)**



**RACK & LADDER**

KEY	PART NUMBER	U/M DESCRIPTION
	009126-02-000	EA HANDLE-ASSIST ENTRY DOOR - BLACK
	072554-20-000	EA SET RUNNING BOARD - FORD - 40"
	002726-01-001	EA GASKET-CHANNEL - 1.38" X .19" - SEPRATED - MILL ALUMINUM
	002754-01-001	EA ANGLE-EXTRUDED - 75" X 75" X .16" - MILL ALUMINUM

**EXTERIOR BODY GROUP (CONTINUED)**

**ASSIST HANDLES AND RUNNING BOARDS**

**1992 ITASCA  
TABLE OF CONTENTS**

INTRODUCTION	A-01 - A-02
ABBREVIATIONS	A-03
ALPHABETICAL INDEX	A-04 - A-05
IF427RC	A-07 - D-16
IF427RD	D-17 - G-22
IF427RT	G-23 - K-07

**1992 IF427RC INDEX**

FLOOR PLAN	D-17 - D-18
ACCESSORIES	D-19
AUDIO VIDEO	D-20
BATH	D-21 - D-22
BEDROOM	D-23
CHASSIS	E-01 - E-02
CURTAINS & CUSHIONS	E-03 - E-10
DINETTE	E-11 - E-12
DRIVERS	E-13 - E-14
ELECTRICAL	E-15 - E-18
EXTERIOR BODY	E-19 - F-01
GALLEY	F-02 - F-05
GENERATOR	F-06
HEATING & A/C	F-07 - F-08
INTERIOR FINISH	F-09 - F-12
LABEL	F-13 - F-20
LP	F-21
LOUNGE	F-22 - F-23
SEALANTS & FASTENERS	F-24 - G-02
WATER & SEWAGE	G-03 - G-05
WINDOW VENT AND EXTERIOR DOOR	G-07 - G-22

KEY	PART NUMBER	U/M DESCRIPTION
1	081026-15-005	EA RACK ASM-PASSENGER SIDE
1	107438-05-007	EA RACK ASM-PASSENGER SIDE
	069726-02-000	EA BUMPER-66"D A X 40" BLACK
2	035327-01-050	EA TAPE-ANTI SLIP - 2" X 60"
3	102553-02-003	EA LADDER ASM
4	067155-01-000	EA MOUNTING BRACKET LADDER LOWER
5	000G39-05-10T	EA SCREW-SPDR - 5/16 X 5/8 FFH - BLACK
6	000G58-10-06T	EA SCREW-10/32 X 2 25 PCH BLACK
7	075960-02-000	EA END CAP STEP - BLACK
8	081026-15-003	EA RACK ASM-DRIVER SIDE
8	107438-05-003	EA RACK ASM-DRIVER SIDE
9	081114-01-000	EA PLUG-ROUND - RACK & LADDER ENDS - PLASTIC - 1 1/2" DIA

FROM 00-00-00 THRU 03-01-92

FROM 03-02-92 THRU 99-99-99

FROM 00-00-00 THRU 03-01-92

FROM 03-02-92 THRU 99-99-99





**GALLEY GROUP (CONTINUED)**

**RANGE HOOD**

KEY	PART NUMBER	U/M	DESCRIPTION
	100258-16-01A	EA	HOOD-RANGE-W/O MONITOR PANEL-VENTLINE-US-TCS5008NAD
	100258-17-01A	EA	HOOD-RANGE-22W-W/O MONITOR PANEL-VENTLINE-CSA-TCS5008NAC
	100255-18-01A	EA	HOOD-RANGE-22W-W/O MONITOR PANEL-VENTLINE-US-TFS5007NAD
	090573-01-700	EA	MOTOR - LVS CASS 1
	090573-01-702	EA	BLADE TAN - LVS VA163-1
	090576-01-709	EA	BULB 912- VENTLINE VA415
	092525-01-710	EA	SOCKET LIGHT- VENTLINE CB257 2
	090583-01-700	EA	SWITCH ON/OFF- VENTLINE 108
	090583-01-702	EA	SWITCH-TWO WAY MOMENTARY- VENTLINE 112
	090583-01-707	EA	FILTER GREASE- 8" X 8" - LVS CC245
	090583-01-706	EA	LENS LAMP- VENTLINE CC179
	100258-01-700	EA	HOOD NOSE LABEL CC428
	100258-10-01A	EA	METER FLOW- VENTLINE 150

**RANGE**

KEY	PART NUMBER	U/M	DESCRIPTION
	100258-10-01A	EA	PAN & HOT AIR BURNER - MFG DOHER BTLRHA 42
	090573-01-715	EA	TRIM LABEL LEFT - BLACK BT16
	090573-01-707	EA	TRIM LABEL RIGHT - BLACK BT16
	090573-01-701	EA	IGNITER BURNER - SLOTTED VENT
	100258-01-700	EA	SHIELD OVEN
	100258-01-701	EA	HANDLE DOOR
	100258-01-702	EA	PANEL MAIN
	100258-01-704	EA	PANEL DOOR BLACK
	100258-01-716	EA	BURNER ASSEMBLY OVEN
	100258-01-711	EA	GRATE TOP
	100258-01-712	EA	FLUE BURNER VALVE
	100258-01-713	EA	KNOB THERMOSTAT
	100258-01-714	EA	PISTON OVEN
	100258-01-717	EA	PISTON MAIN
	100258-01-718	EA	PISTON STAT
	100258-01-719	EA	TOP MAIN ALUMINUM
	100258-01-720	EA	VALVE MAIN - CONTACT
	100258-01-722	EA	VALVE TOP BURNER
	100258-01-723	EA	PISTON BURNER
	100258-01-724	EA	BURNER MAIN TOP
	100258-01-725	EA	PISTON MAIN
	100258-01-726	EA	REGULATOR PRESSURE
	100258-01-727	EA	TRIM LEFT LABEL
	100258-01-728	EA	TRIM RIGHT LABEL

**MONITOR PANEL**

KEY	PART NUMBER	U/M	DESCRIPTION
	100258-14-01A	EA	MONITOR PANEL W/ HOT AIR BURNER & WATER HEATER - LVS
	100258-15-01A	EA	MONITOR PANEL W/ HOT AIR BURNER & TANKS - LVS
	100258-16-01A	EA	MONITOR PANEL W/ HOT AIR BURNER & TANKS - BLACK - LVS

**GALLEY GROUP (CONTINUED)**

**COFFEE MAKER, MICROWAVE, & TRIMS**

KEY	PART NUMBER	U/M	DESCRIPTION
	098916-03-01A	EA	BRACE-MICROWAVE CABINET- LEFT - 9 4" X 7 5" - STEEL
	098916-04-01A	EA	BRACE-MICROWAVE CABINET- RIGHT - 9 4" X 7 5" - STEEL
	091259-06-000	EA	OVEN-MICROWAVE - MAGIC CHEF M15E-5B
	094745-01-01A	EA	TRIM-MICROWAVE- LOWER - BLACK
	094774-03-01A	EA	TRIM-MICROWAVE- EITHER SIDE - 1 5" X 14 8" - METAL - BLACK
	094750-01-000	EA	BRACKET-MICROWAVE- 90 DEGREE - STEEL
	103799-01-02A	EA	COFFEEMAKER - GRAY
	104510-01-000	EA	STRAP ASM - COFFEE MAKER
	055516-03-000	EA	BRACKET-REAR TIEDOWN - RANGE W/OVEN
	055516-04-000	EA	BRACKET-FRONT TIEDOWN - RANGE W/OVEN
	093846-01-000	EA	BRACKET ASM-TIEDOWN-REFRIGERATOR - RIGHT
	093845-02-000	EA	BRACKET ASM-TIEDOWN-REFRIGERATOR - LEFT
	054450-01-000	EA	LEVEL-REFRIGERATOR
	053752-01-000	EA	SHROUD-RANGE- 18 5" X 20 5" X 16 2" - METAL - OFF WHITE

**1992 ITASCA  
TABLE OF CONTENTS**

INTRODUCTION	A-01	A-02
ABBREVIATIONS	A-03	A-03
ALPHABETICAL INDEX	A-04	A-05
IF427RC	A-07	D-16
IF427RC	D-17	G-22
F427RT	G-23	K-07

**1992 IF427RC INDEX**

FLOOR PLAN	D-17	D-18
ACCESSORIES		D-19
AUDIO VIDEO		D-20
BATH	D-21	D-22
BEDROOM		D-23
CHASSIS	D-24	E-03
CURTAIN & CUSHION	E-03	E-11
DINETTE	E-11	E-12
DRIVERS	E-13	E-14
ELECTRICAL	E-15	E-18
EXTERIOR BODY	E-19	F-01
GALLEY	F-02	F-03
GENERATOR		F-04
HEATING & A/C	F-07	F-08
INTERIOR FINISH	F-10	F-12
LABEL	F-13	F-20
LP		F-21
LOUNGE	F-22	F-23
SEA LANTS & FASTENERS	F-24	G-02
WATER & SEWAGE	G-03	G-08
WINDOW VENT AND EXTERIOR DOOR	G-07	G-22

## GALLEY GROUP (CONTINUED)

### REFRIGERATOR

KEY	PART NUMBER	U/M	DESCRIPTION
	103622-01-01A	EA	REFRIGERATOR-2 WAY- RIGHT HINGED DOOR - NORCOLD 452 BLACK
	054472-01-700	EA	THERMOCOUPLE-NORCOLD 614363
	054473-03-716	EA	SWITCH 3-WAY- FOR EG-2 & EG-3 MODELS - NORCOLD 615113
	054473-03-720	EA	RELIGHTER-NORCOLD 615088
	054473-03-721	EA	COMBINATION CONTROL - NORCOLD 616054
	075217-01-739	EA	SWITCH HUMIDITY-NORCOLD 61525922
	054679-03-700	EA	COOLING UNIT - HORIZONTAL BURNER-NORCOLD 61587237
	054680-01-705	EA	ORFICE - NORCOLD 614522
	054680-01-715	EA	VALVE SHUT OFF- MANUAL - NORCOLD 61597922
	054680-01-722	EA	CRISPER COVER - NORCOLD 615641
	054680-01-732	EA	LATCH-NORCOLD 61578527
	054680-03-705	EA	SPACKET FOR INTERIOR REFRIGERATOR LIGHT - NORCOLD 61529722
	054680-03-707	EA	LAMP (BULB) - NORCOLD 61628922
	054680-03-707	EA	COVER FOR LAMP OR BULB - NORCOLD 61527922
	054680-03-707	EA	BURNER-HORIZONTAL-NORCOLD 61588122
	054680-01-709	EA	HEATER - AC - (HORIZONTAL) - NORCOLD 615527
	054680-01-710	EA	HEATER - DC - (HORIZONTAL) - 3 WAY - NORCOLD 615528
	054680-01-700	EA	GASKET LOWER- GRAY - NORCOLD 61567930
	054680-01-702	EA	INNER DOOR LOWER- BLACK/WHITE - NORCOLD 61581058 B
	054680-01-702	EA	GASKET (GRAY) UPPER - NORCOLD 61567930
	054680-01-704	EA	PLATE HINGE- BLACK - LEFT TOP - RIGHT BOTTOM - NORCOLD 61631430
	054680-01-710	EA	PLATE HINGE- BLACK - RIGHT TOP - LEFT BOTTOM - NORCOLD 61631330
	054680-01-722	EA	HOLE PLUG (BLACK) HINGE HOLES - NORCOLD 61582030
	054680-01-723	EA	HINGE BRACKET-TOP RIGHT-BOTTOM LEFT BLACK - NORCOLD 61580835
	054680-01-724	EA	BRACKET-HINGE TOP LEFT - BOTTOM RIGHT - BLACK - NORCOLD 61580935
	054680-01-725	EA	HINGE PIN (BLACK) (MALE) - NORCOLD 61578130
	054680-01-728	EA	SHELF FREEZER EVAPORATOR-NORCOLD 615235
	054680-01-728	EA	HINGE BRACKET(BLACK) CENTER HINGE - NORCOLD 61555530
	054680-01-730	EA	HINGE PIN SHAFT(BLACK) CENTER HINGE - NORCOLD 61555730
	054680-01-732	EA	FRONT COVER(BLACK) BOTTOM TRIM - NORCOLD 61622100
	054680-01-733	EA	WIRE SHELF (MIDDLE) - NORCOLD 61553822
	054680-01-734	EA	WIRE SHELF (TOP) W-RISER - NORCOLD 61553722
	054680-01-735	EA	INSIDE DRIP TRAY (WHITE) - 61572830
	054680-01-735	EA	SWITCH LIGHT- BLACK - NORCOLD 615610
	103622-01-702	EA	HANDLE ASM DOOR UPPER - NORCOLD 61649035
	054680-01-754	EA	JUICE RACK (SMOKE GRAY) - NORCOLD 61580540
	103622-01-702	EA	BIN SHELF DOOR - NORCOLD 61564040
	103622-01-705	EA	HANDLE ASM DOOR LOWER - NORCOLD 61648935
	054680-01-718	EA	MILK BIN (GRAY) W SILVER TRIM - NORCOLD 61579450
	103622-01-707	EA	KEEPER-DAIRY - NORCOLD 61580440
	103622-01-709	EA	DRUMMER-NORCOLD 61571340
	103622-01-709	EA	KNOB SELECTOR-NORCOLD 61541822
	103622-01-710	EA	KNOB THERMOSTAT-NORCOLD 61642322
	103622-01-711	EA	PANEL CONTROL-2-WAY - NORCOLD 61644022
	103622-01-712	EA	INDICATOR FLAME-NORCOLD 61609022
	103622-01-713	EA	SWITCH IGNITION-NORCOLD 61640722

## GENERATOR GROUP

### KOHLER GENERATOR & INSTALLATION PARTS

KEY	PART NUMBER	U/M	DESCRIPTION
	105523-01-000	EA	GENERATOR-4KW LOW PROFILE - KOHLER 4CKM21
	007067-01-000	SF	INSULATION-FIBERGLASS - 1" THICK X 4' - INCREMENTS OF 4 SF
	105526-01-000	EA	ARRESTER-SPARK - KOHLER 278621
	105529-01-000	EA	MUFFLER-FRONT EXHAUST - W/O SPARK - KOHLER 278734
	105732-01-000	EA	TRAY ASM - GENERATOR
	105172-01-000	EA	PIPE - EXHAUST ADAPTER

### ONAN GENERATOR & INSTALLATION PARTS

KEY	PART NUMBER	U/M	DESCRIPTION
	100974-01-000	EA	GENERATOR-4 KW EMERALD PLUS - ONAN BGE-FA-25100G
	105732-01-000	EA	TRAY ASM-GENERATOR
	051354-01-000	EA	MUFFLER - GENERATOR - W/8 5" LONG TAILPIPE
	065252-01-000	EA	PIPE EXHAUST - W/2 BOLT HOLE FLANGE
	035494-01-000	EA	BRACKET-EXHAUST - W/DOUBLE BEND
	094059-01-000	EA	SPACER-GENERATOR - ONAN
	007125-04-000	EA	CLAMP-MUFFLER - 1" DIA

## 1992 ITASCA TABLE OF CONTENTS

INTRODUCTION	A-01	A-02
ABBREVIATIONS		A-03
ALPHABETICAL INDEX	A-04	A-06
IF427RO	A-07	D-16
IF427RC	D-17	G-22
IF427RT	G-23	K-07

## 1992 IF427RC INDEX

FLOOR PLAN	D-17	D-18
ACCESSORIES		D-19
AUDIO VIDEO		D-20
BATH	D-21	D-22
BEDROOM		D-23
CHASSIS	D-24	E-02
CURTAIN & CUSHION	E-03	E-10
DINETTE	E-11	E-12
DRIVERS	E-13	E-14
ELECTRICAL	E-15	E-18
EXTERIOR BODY	E-19	F-01
GALLEY	F-02	F-05
GENERATOR		F-05
HEATING & A/C	F-07	F-08
INTERIOR FINISH	F-09	F-12
LABEL	F-13	F-20
LP		F-21
LOUNGE	F-22	F-23
SEALANTS & FASTENERS	F-24	G-02
WATER & SEWAGE	G-03	G-06
WINDOW, VENT AND EXTERIOR DOOR	G-07	G-22

**HEATING & AIR CONDITIONING GROUP**

**FURNACE**

KEY	PART NUMBER	U/M DESCRIPTION
	098668-05-000	EA FURNACE-30000 BTU-SUBURBAN SF-30
	069634-01-733	EA RELAY-TIME DELAY 20&30 BTU- SUBURBAN 231202
	075595-01-709	EA MICRO SWITCH (FOR MODELS 30 & 34S) - SUBURBAN 230509
	090039-01-709	EA GASKET-OBSERVATION HOLE COVER 070357
	092300-01-704	EA GASKET-ELECTRODE- SUBURBAN 070163
	092300-02-701	EA ORIFICE- MAIN BURNER - SUBURBAN 180214
	095668-01-700	EA CABINET FRONT- SUBURBAN 101242
	098668-01-701	EA CABINET ASM- SUBURBAN 101299
	098668-01-702	EA ELECTRODE- SUBURBAN 231740
	095668-01-704	EA VALVE- SUBURBAN 160938
	098668-01-705	EA SWITCH-LIMIT- SUBURBAN 231630
	098668-01-706	EA WHEEL-COMBUSTION AIR- SUBURBAN 350122
	098668-01-707	EA VENT CAP & EXHAUST TUBE ASM- SUBURBAN 260193
	098668-01-708	EA BLOWER ASM (COMBUSTION AIR)- SUBURBAN 390441
	098668-01-709	EA MOTOR ASM -FOR SF-25- SF-30 - SUBURBAN 231705
	095668-01-710	EA BLOWER ASM (ROOM AIR)- SUBURBAN 390440
	095668-01-711	EA WHEEL-ROOM AIR - SUBURBAN 350123
	095668-01-712	EA BOARD-MODULE- SUBURBAN 231741
	095668-01-713	EA INTAKE VENT TUBE ASM-SUBURBAN 051044
	098668-02-700	EA BURNER ASM COMPLETE (SF-30/SF35)- SUBURBAN 010745
	069634-01-720	EA ORIFICE-MAIN BURNER- SUBURBAN 0180222
	095668-03-700	EA MOTOR ASM-SF-35- SUBURBAN 231707
	098668-05-000	EA DOOR-ACCESS- FURNACE - OFF WHITE - SUBURBAN 520574
	093365-01-000	EA THERMOSTAT-WALL- FURNACE - SUBURBAN 0160902

**HEATING COMPONENTS**

KEY	PART NUMBER	U/M DESCRIPTION
	023146-01-000	EA CLAMP-SCREW TYPE - 4"
	069636-02-000	EA CONNECTOR-DUCT- 4" ID - SUBURBAN 050715
	009196-01-000	FT DUCT-HEAT- FLEXIBLE - 4" ID X 25 FT
	093514-01-01A	EA GRILLE-RETURN AIR- FURNACE - 15 6" X 7 5" - BROWN
	075059-01-000	EA HOSE-90 DEGREE- 5 5"ID X 4" X 36"
	007109-01-000	FT HOSE-HEATER- 5-8" ID - HI-TEMP - FORD ESE M20192-A
	055464-05-000	EA REGISTER-PLASTIC W/O DAMPER - 4" DIAVETER - GOLDEN
	009200-01-000	EA TAPE-FURNACE- 1 1/2"
	069357-01-000	FA TEE-4" OD- 7" LONG - METAL
	069753-01-000	FT TUBE-ALUMINIZED STEEL- 5/8" - 18 GAUGE
	069642-01-000	FT TUBING-VINYL- 65" ID
	092777-01-000	EA ADAPTER-DUCT - 4"

**HEATING & AIR CONDITIONING GROUP (CONTINUED)**

**REAR HEATER**

KEY	PART NUMBER	U/M DESCRIPTION
	084405-01-000	EA HEATER ASM-REAR- DUCTED - W/MOTOR AID - EVANS
	084405-01-700	EA HEATER CORE - FT20229
	084405-01-701	EA FAN - HV029931
	084405-01-702	EA MOTOR-12 VOLT ASSY - R0200180
	087202-01-000	EA SWITCH-4 POSITION- W/KNOB
	098076-01-000	EA DECAL-AUTO AIR & REAR HEATER

**ROOF A/C**

KEY	PART NUMBER	U/M DESCRIPTION
	093763-01-04A	EA A/C-ROOF- 135000 BTU - OFF WHITE - COLEMAN 6759D707/6759E7
	073742-02-704	EA RUN CAPACITOR (COMPRESSOR)- COLEMAN 14994661
	076303-01-712	EA MOTOR- COLEMAN# 6707A3119
	091225-01-709	EA START RELAY- COLEMAN# 1497-4131
	091225-01-710	EA START CAPACITOR- COLEMAN# 1497-0881
	093306-01-701	EA DECAL PKG LEFT&RIGHT- COLEMAN 679933591
	093763-01-702	EA OVERLOAD- COLEMAN #6759-3931
	093763-01-703	EA IMPELLOR-7" DIA X 2 8" WIDE- COLEMAN# 6759-3271
	093763-01-704	EA CAPACITOR-FAN- COLEMAN# 1499-3461
	093763-01-707	EA EVAPORATOR COIL-COLEMAN# 1452-1351
	093763-01-708	EA CONDENSER COIL-COLEMAN# 1452-1251
	093763-01-709	EA COMPRESSOR-COLEMAN# 6749A3609
	093763-01-712	EA FAN BLADE-CONDENSER- COLMAN# 6733-3221
	093763-04-700	EA SHROUD-ROOF A/C- W/O LOGOS - COLEMAN 6759-4601
	093764-01-000	EA CEILING ASM-A/C COOL ONLY- TSR - COLEMAN 6759D714
	042204-01-709	EA THERMOSTAT-IN 64 OUT 58- COLEMAN# 6701-34...
	073742-01-701	EA SELECTOR SWITCH (5 TERMINAL)- COLEMAN# 6759-3251
	076303-01-707	EA FILTER-6" X 14 3/4" X 1/2"- 12 PER PKG - COLEMAN 6703A3151
	081605-01-712	EA CEILING SHROUD (IVORY)- COLEMAN# 6759-5061
	091225-01-713	EA KNOB (2 PER PACKAGE)- COLEMAN# 6701-3351
	091225-01-717	EA DECAL (THERMOSTAT) COOL ONLY- COLEMAN# 6799A3441
	093763-01-710	EA SINGLE PARTS PACKAGE- COLEMAN# 6759-5841
	102289-01-000	EA SPRING-SCREW- ROOF A/C GASKET - COLEMAN 6757-150
	034077-03-000	EA COVER-BLANK- ROOF A/C - 5 2" X 3 5" - IVORY

**A/C-13500 BTU-EUROPE**

KEY	PART NUMBER	U/M DESCRIPTION
	092440-01-000	EA A/C-ROOF- 13500 BTU - 220V - 50HZ - COLEMAN# 6713C750
	092441-01-000	EA CEILING ASM-A/C- 220V - 50HZ - COLEMAN# 6712ET16
	102289-01-000	EA SPRING-SCREW- ROOF A/C GASKET - COLEMAN 6757-150
	022756-03-000	EA COVER-A/C PLASTIC-OFF WHITE
	022756-02-000	EA COVER-PROTECTIVE- 5 5" ENDS X 8 2" - PLASTIC - OFF WHITE
	034077-03-000	EA COVER-BLANK- ROOF A/C - 5 2" X 3 5" - IVORY

**1992 ITASCA  
TABLE OF CONTENTS**

INTRODUCTION	A-01	A-02
ABBREVIATIONS		A-03
ALPHABETICAL INDEX	A-04	A-06
IF427RQ	A-07	D-16
IF427RC	D-17	G-22
IF427RT	G-23	K-07

**1992 IF427RC INDEX**

FLOOR PLAN	D-17	D-18
ACCESSORIES		D-19
AUDIO VIDEO		D-20
BATH	D-21	D-22
BEDROOM		D-23
CHASSIS	D-24	E-02
CURTAIN 3 : SHCN	E-03	E-10
DINETTE	E-11	E-12
DRIVERS	E-13	E-14
ELECTRICAL	E-15	E-18
EXTERIOR BODY	E-19	F-01
GALLEY	F-02	F-05
GENERATOR		F-06
HEATING & A/C	F-07	F-08
INTERIOR FINISH	F-09	F-12
LABEL	F-13	F-20
LP		F-21
LOUNGE	F-22	F-23
SEALANTS & FASTENERS	F-24	G-02
WATER & SEWAGE	G-03	G-05
WINDOW VENT AND EXTERIOR DOOR	G-07	G-22

**INTERIOR FINISH GROUP**

**MOLDINGS & TRIMS**

KEY	PART NUMBER	U/M DESCRIPTION
	085284-03-000	FT BATT STRIP-WOODGRAIN- ADHESIVE BACKED - REGAL OAK FROM 00-00-00 THRU 02-23-92
	085284-55-000	FT BATT STRIP-WOODGRAIN- ADHESIVE BACKED - FOREST OAK FROM 02-24-92 THRU 99-99-99
	088263-53-000	EA BATT STRIP-DECORATIVE- PLAIN - 8' LONG (MAIN)
	085284-53-000	FT BATT STRIP-DECORATIVE- PLAIN - ADHESIVE BACKED (MAIN)
	088263-55-000	EA BATT STRIP-DECORATIVE- W/FLOWERS - 8' LONG (GALLEY/BATH)
	085284-53-000	FT BATT STRIP-DECORATIVE- W/FLOWERS - ADHESIVE BACKED (GALLEY/BATH)
	088263-71-000	EA BATT STRIP-DECORATIVE- 8' - TROWELL WORK (CEILING)
	085284-59-000	FT BATT STRIP-TAPE-TROWELL WORK (CEILING)
	092330-D2-438	EA LUMBER-VINYL WRAPPED 7' X 1 5/8" X 9" - WOODGRAIN
	092330-03-000	EA LUMBER-VINYL WRAPPED 2' X 95" - WOODGRAIN
	092330-05-000	EA LUMBER-VINYL WRAPPED -REGAL OAK
	103185-01-02A	FT MOLDING-EDGE- SHELF - 78" WIDE - PLASTIC - REGAL OAK
	009757-12-000	FT MOLDING-SIDEWALL TO CEILING CABINET - WELTING - OFF WHITE
	005809-24-000	EA MOLDING-CORNER- OUTSIDE - 1" - PLASTIC - THOR PECAN
	005812-25-000	EA MOLDING-CORNER- OUTSIDE - 5" - PLASTIC - PECAN
	022992-11-000	FT MOLDING REVERSE COVE- T-SHAPED - VINYL - IVORY
	092331-D2-134	EA MOLDING-VINYL WRAPPED- 7' X 1 5/8" X 84" - WOODGRAIN
	092331-F2-134	EA MOLDING-VINYL WRAPPED 7' X 2 5/8" X 7" - WOODGRAIN
	105004-01-01A	EA MOLDING-VINYL WRAP -REGAL OAK
	075249-01-000	EA RAILING-OAK- 72" EA - UNFINISHED
	085745-01-000	FT TRIM-J- CARPET - 1 1/2" X 5" ANGLE 10' LONG PVC - BEIGE
	106559-01-AB1	EA TRIM FLOOR- 72" X 1" X 1 1/2" - WOOD
	083520-07-000	FT T-MOLDING-3/4 WEDGE LIPS END CAP- THOR PECAN
	083520-09-000	FT T-MOLDING-3/4 WEDGE LIPS MODERN IVORY
	105703-01-000	FT T-MOLDING-1" WEDGE LIPS MODERN IVORY
	070504-20-000	FT U-CHANNEL-PLASTIC 2 1/8" WIDE - THOR PECAN - INC OF 8'
	070504-01-000	FT U-CHANNEL-PLASTIC 1 5/8" WIDE - LIGHT BROWN - INC OF 8'
	085225-01-000	EA RETAINER BATTEN CEILING 75" WIDE - 7 5/8" EA

**CARPETING & FLOOR MATS**

KEY	PART NUMBER	U/M DESCRIPTION
	096050-21-000	SY CARPET-12 ROLL-INCREMENTS OF 4 SY - PALE ORCHID
	093465-01-000	SY CARPET COMPARTMENT- 54" WIDE - DARK GRAY
	047034-C2-000	SF PLASTIC CARPET - 4" WIDE - CLEAR POLY- MINIMUM ORDER 1500 SF
	040029-01-000	EA MAT FLOOR-WITASCA LOGO - 10 5/8" X 29" - RUBBER - BLACK
	081075-02-000	EA MAT FLOOR ENTRANCE DOOR WITASCA LOGO FROM 00-00-00 THRU 01-09-92
	081075-04-000	EA MAT FLOOR ENTRANCE WITASCA - PLAST COLOR GRAY FROM 01-10-92 THRU 99-99-99
	083219-03-000	EA MAT FLOOR-PASSENGER - I FROM 00-00-00 THRU 01-12-92
	083219-04-000	EA MAT FLOOR-DRIVER - I FROM 00-00-00 THRU 01-12-92
	105584-03-000	EA MAT FLOOR FRONT-RIGHT- FORD FROM 01-10-92 THRU 99-99-99
	105584-04-000	EA MAT FLOOR FRONT-LEFT - FORD FROM 01-10-92 THRU 99-99-99

**INTERIOR FINISH GROUP (CONTINUED)**

**FIRE EXTINGUISHER, SMOKE DETECTOR & CLOCK**

KEY	PART NUMBER	U/M DESCRIPTION
	094499-01-000	EA EXTINGUISHER-FIRE- DRY W/MOUNTING BRACKET - 10 BC
	094499-02-000	EA EXTINGUISHER-FIRE- DRY - 1A10BC - CANADIAN
	094499-01-700	EA BRACKET-MOUNTING- W/PLASTIC STRAP - FIRE EXTINGUISHER
	094499-01-02A	EA HOLDER-FIRE EXTINGUISHER- RECESSED - GREY FROM 00-00-00 THRU 05-04-92
	072852-01-000	EA DETECTOR-SMOKE - W/9 VOLT BATTERY(US)
	072852-02-000	EA DETECTOR-SMOKE - W/9 VOLT BATTERY(CSA)
	104754-01-01A	EA CLOCK-WALL - SPARTUS 5515-42
	101333-01-000	EA BACKPLATE-CLOCK - 5" X 6" - PLASTIC - BLACK

**PANELING, LAMINATES & PLASTIC**

KEY	PART NUMBER	U/M DESCRIPTION
	074497-19-000	SF PANELING-CEILING- 4' X 8' -TROWOR FAWN - INCREMENTS OF 32 SF
	08F 2-72-000	SF PANELING-SHOWER- 4' X 7' -OFF WHITE - INCREMENTS OF 28 SF FROM 00-00-00 THRU 03-15-92
	088272-98-000	SF PANELING-SHOWER - OFF WHITE - 4' X 7' - INC OF 28 SQ FT FROM 03-16-92 THRU 99-99-99
	074497-20-000	SF PANELING-WOODGRAIN - 4' X 8' - FOREST OAK- INCREMENTS OF 32 SF
	074497-21-000	SF PANELING-WOODGRAIN - 4' X 8' - WINNI OAK- INCREMENTS OF 32 SF
	088272-66-000	SF PANELING-DECORATIVE - PLAIN - 4' X 7' - INCREMENTS OF 28 SF
	088272-87-000	SF PANELING-DECORATIVE - W/FLOWERS - 4' X 7' - INC OF 28 SF
	074498-41-000	SF LAMINATE-PLASTIC - ORCHID MIST-NEVAMAR MR-1-55K
	076325-34-000	FT MOLDING-EDGE BAND - 1 5/16" WIDE - PALE ORCHID
	000885-55-000	SF PARTICLE BOARD-3/8" X 49" X 97" - 1 SIDE VINYL-FOREST OAK(33 SF)
	000885-52-000	SF PARTICLE BOARD-3/8" X 49" X 95" - 2 SIDE VINYL-WOODGRAIN (32SF)
	000885-54-000	SF PARTICLE BOARD-3/8" X 49" X 95" - 2 SIDE VINYL-FOREST OAKS (32SF)
	000885-59-000	SF PART BD-3/4" X 50" X 95" - FOREST OAK - VINYL 2 SIDES
	089297-01-000	SF PLYWOOD-LUAN OVERLAY GRADE - 4' X 8' - INC OF 32 SF
	093743-02-01A	SF PLASTIC-ABS 20" WIDE ROLL - OFF WHITE
	093743-03-01A	SF PLASTIC-ABS- 10 8" WIDE - OFF WHITE
	083518-02-000	SF PLYWOOD-OAK- 1 SIDE FINISHED - 3/16" X 4' X 8' (32 SF)
	055588-01-000	SF VENEER-FLAT LUANA - 45" X 95"

**1992 ITASCA  
TABLE OF CONTENTS**

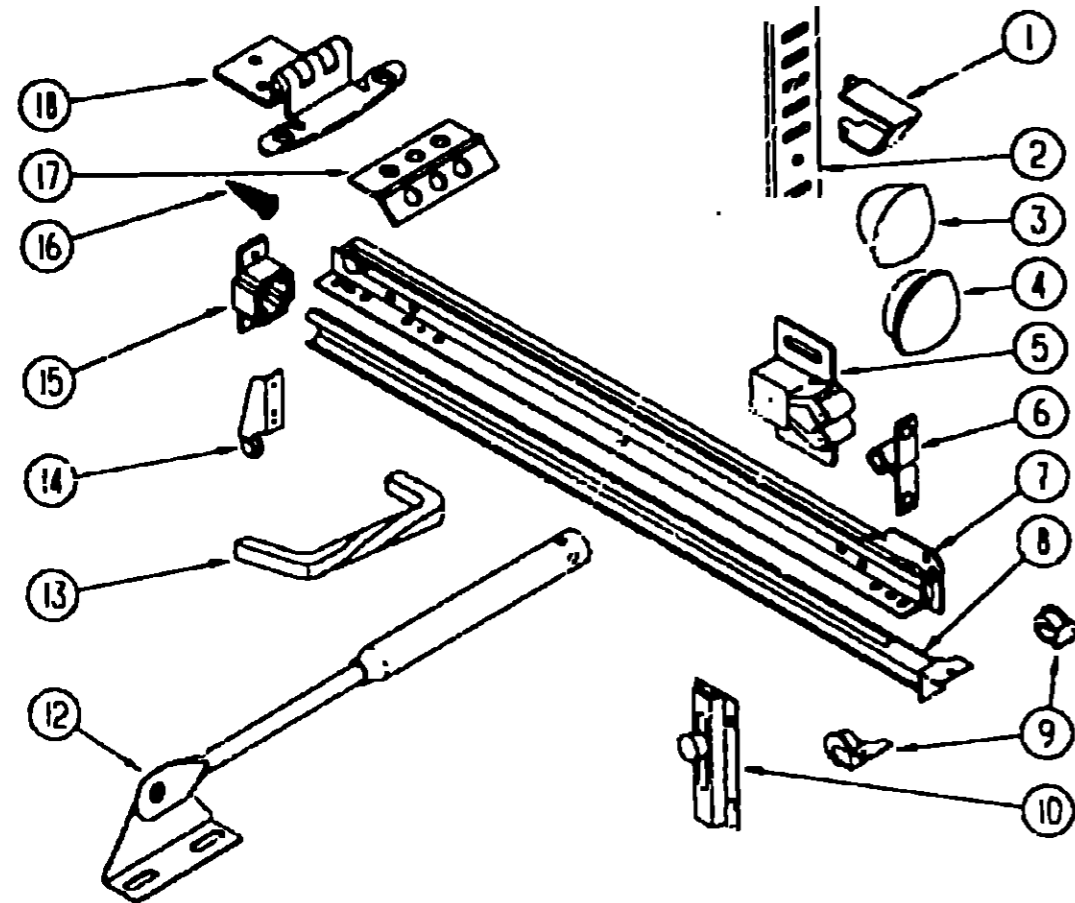
INTRODUCTION	A-01 - A-02
ABBREVIATIONS	A-03
ALPHABETICAL INDEX	A-04 - A-05
IF427RO	A-07 - D-16
IF427RC	D-17 - G-22
IF427RT	G-23 - K-07

**1992 IF427RC INDEX**

FLOOR PLAN	D-17 - D-18
ACCESSORIES	D-19
AUDIO VIDEO	D-20
BATH	D-21 - D-22
BEDROOM	D-23
CHASSIS	D-24 - E-02
CURTAIN & CUSHION	E-03 - E-10
DINETTE	E-11 - E-12
DRIVERS	E-13 - E-14
ELECTRICAL	E-15 - E-16
EXTERIOR BODY	E-19 - F-01
GALLEY	F-02 - F-05
GENERATOR	F-05
HEATING & A/C	F-07 - F-08
INTERIOR FINISH	F-09 - F-12
LABEL	F-13 - F-20
LP	F-21
LOUNGE	F-22 - F-23
SEALANTS & FASTENERS	F-24 - G-02
WATER & SEWAGE	G-03 - G-05
WINDOW VENT AND EXTERIOR DOOR	G-07 - G-22

# INTERIOR FINISH GROUP (CONTINUED)

## CABINET & TABLE HARDWARE



KEY	PART NUMBER	U/M DESCRIPTION
1	098979-01-000	EA CLIP-ADJUSTABLE SHELF
2	098980-01-000	EA PILASTER-ADJUSTABLE SHELF- 18" LONG
3	042356-01-000	EA PLUG-BUTTON-MAHOGANY - 3/8" DIAMETER - WOOD
4	074045-07-000	EA PLUG-WOOD-1/2"-NATURAL
5	093585-03-000	EA CATCH-SPRING-ROLLER
6	093585-04-000	EA STRIKE-SPRING STEEL
7	101910-03-000	EA SLIDE-DRAWER-CABINET MOUNTED - SET OF 2 - 12" LONG
7	101910-04-000	EA SLIDE-DRAWER-DRAWER MOUNTED - SET OF 2 - 12" LONG
8	102827-05-000	EA TRACK-DRAWER 22 6" LONG
9	102827-03-000	EA ROLLER-DRAWER NYLON - PAIR
10	051604-01-000	EA SLIDE-BOLT-ANTIQUE BRASS
12	074493-02-000	EA SUPPORT-PISTON SPRING CABINET DOOR
13	095645-01-000	EA PULL-CABINET BRASS - TWIST - 1 1" X 3 4"
	100995-01-000	EA BACKPLATE-PULL CASINET DOOR - 5 7" - BRASS FROM 12-09-91 THRU 99-99-99
14	102827-02-000	EA BRACKET-ROLLER- DRAWER - REAR
15	102827-04-000	EA BRACKET-MOUNTING DRAWER - REAR
15	000G13-05-10G	EA SCREW-6-20 X 5/8 PPH- ANTIQUE BRASS FROM 00-00-00 THRU 04-14-92
16	000G13-06-03G	EA SCREW-6-20 X 5/8 PPH- ANTIQUE BRASS FROM 04-15-92 THRU 99-99-99
17	005059-02-000	EA HINGE-DOOR- 2" X 2 7" - BRASS
18	059777-02-000	EA HINGE-CABINET DOOR- BURNISHED BRASS FROM 00-00-00 THRU 04-14-92
18	108135-01-000	EA HINGE-DOOR CABINET - BURNISHED BRASS FROM 04-17-92 THRU 99-99-99
	105649-01-000	EA HINGE-BRASS-VARIABLE OVERLAY (OVERHEAD RANGE CABINET)
	023320-01-000	EA PAD-FELT 3 8" DIAMETER - BROWN
	105037-02-000	EA FASTENER-WOOD CORNER - METAL - 5" X 5"
	004354-01-000	EA BUMPER-RUBBER- 5" DIA - BROWN
	009053-01-000	EA HINGE-CONTINUOUS- 1 1/2" X 72" - UNPAINTED
	009065-01-000	EA HINGE-ALUMINUM- NO HOLES - 1 1/16" X 6" - UNPAINTED
	015504-01-000	EA BRACE-CABINET- ANGLE - 2 5" - METAL - UNPAINTED
	015504-03-000	EA BRACE-CABINET- ANGLE - 2 5" - METAL - BEIGE
	065740-01-000	EA BRACE-CABINET CORNER- PLASTIC
	076750-01-000	EA SCREW- 6-20 X 1 1/4 PPH - BLACK
	059783-01-000	FT ROD-CLOTHES SLOTTED - ALUMINUM - 7' LENGTH
	009085-01-000	EA CLIP-MIRROR
	009112-01-000	EA FLANGE-1" ROD- CLOTHES - PLASTIC - OFF WHITE
	042438-01-000	EA DOWEL-WOOD- CLOTHES ROD - 1" DIAMETER X 4"
	042438-02-000	EA DOWEL-WOOD- 2" X 2"
	054781-05-000	EA HOLDER-CUP- TWO STEP - OFF WHITE
	103257-01-000	EA STOP-DOOR
	103130-01-000	EA HOOK-CUP-BRASS-1 25"
	075827-04-000	EA BRACKET-BUNK BED - 2 9" X 1 8" TRIANGLE-METAL-OFF WHITE
	104866-01-000	EA CATCH-WOOD-VINYL FACED CABINET
	*04866-02-000	EA CATCH-WOOD-LAMINATED FACED CABINET

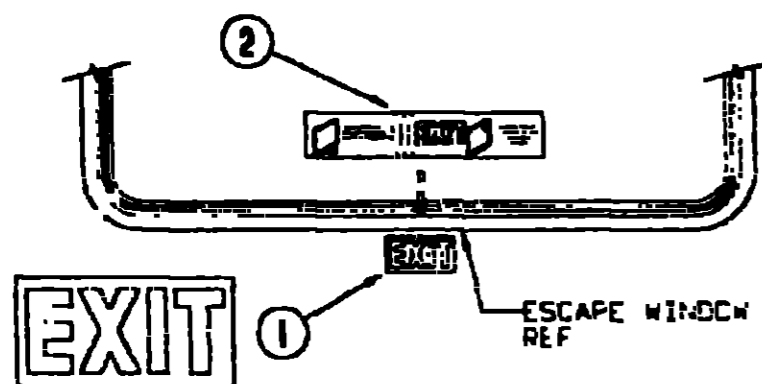
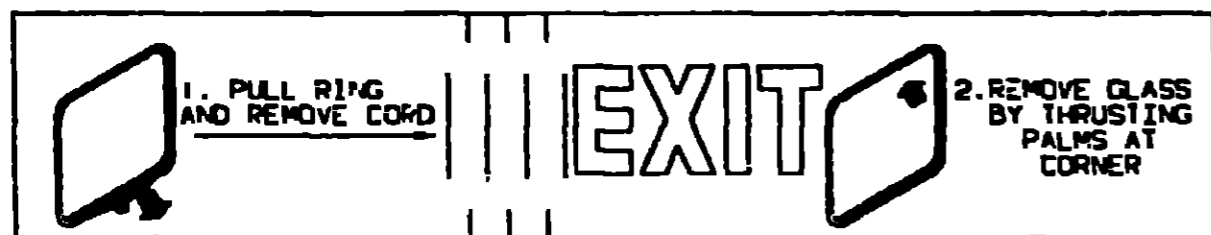
## 1992 ITASCA TABLE OF CONTENTS

INTRODUCTION	A-01	A-02
ABBREVIATIONS		A-03
ALPHABETICAL INDEX	A-04	A-06
IF427RO	A-07	D-16
IF427RC	D-17	G-22
IF427RT	G-23	K-07

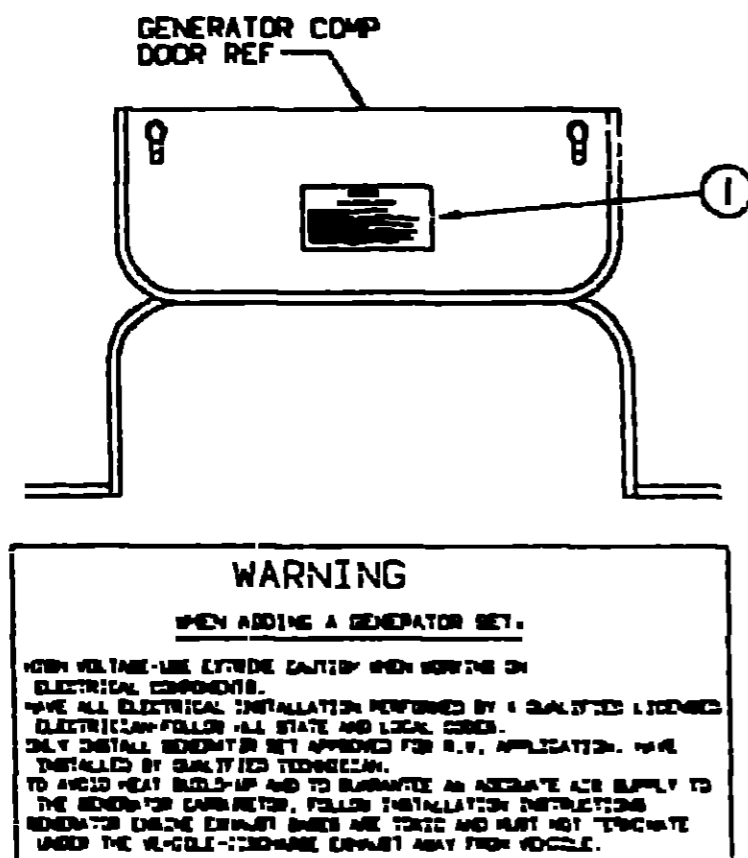
## 1992 IF427RC INDEX

FLOOR PLAN	D-17	D-18
ACCESSORIES		D-19
AUDIO VIDEO		D-20
BATH	D-21	D-22
BEDROOM		D-23
CHASSIS	D-24	E-02
CURTAIN & CUSHION	E-03	E-10
DINETTE	E-11	E-12
DRIVERS	E-13	E-14
ELECTICAL	E-15	E-18
EXTERIOR BODY	E-19	F-01
GALLEY	F-02	F-05
GENERATOR		F-06
HEATING & A/C	F-07	F-08
INTERIOR FINISH	F-09	F-12
LABEL	F-13	F-20
LP		F-21
LOUNGE	F-22	F-23
SEALANTS & FASTENERS	F-24	G-02
WATER & SEWAGE	G-03	G-05
WINDOW VENT AND EXTERIOR DOOR	G-07	G-22

**LABELS GROUP**



KEY	PART NUMBER	U/M DESCRIPTION
1	035290-01-000	EA LABEL-WARNING-EXIT
2	107571-01-000	EA LABEL-EXIT-ESCAPE WINDOW

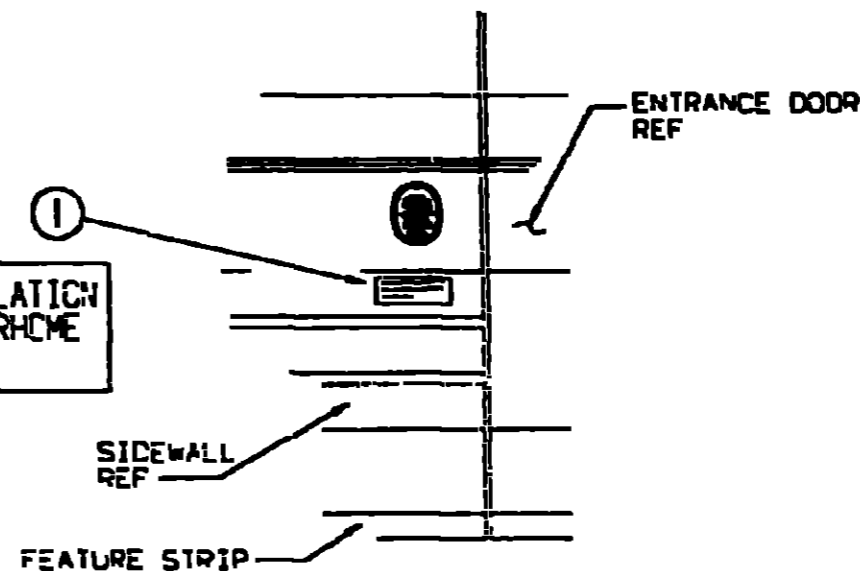


KEY	PART NUMBER	U/M DESCRIPTION
1	07510-01-000	EA LABEL-GENERATOR PREP

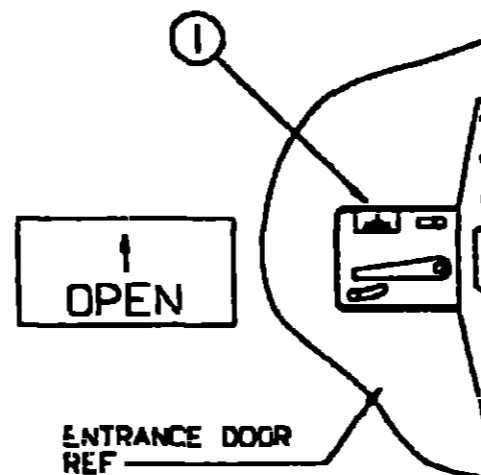
**LABELS GROUP (CONTINUED)**



FOR AWNING INSTALLATION CONTACT YOUR MOTORHOME DEALERSHIP



KEY	PART NUMBER	U/M DESCRIPTION
1	099509-01-000	EA LABEL-AWNING INSTALLATION



KEY	PART NUMBER	U/M DESCRIPTION
1	040944-01-000	EA LABEL-ENTRANCE DOOR 'OPEN'

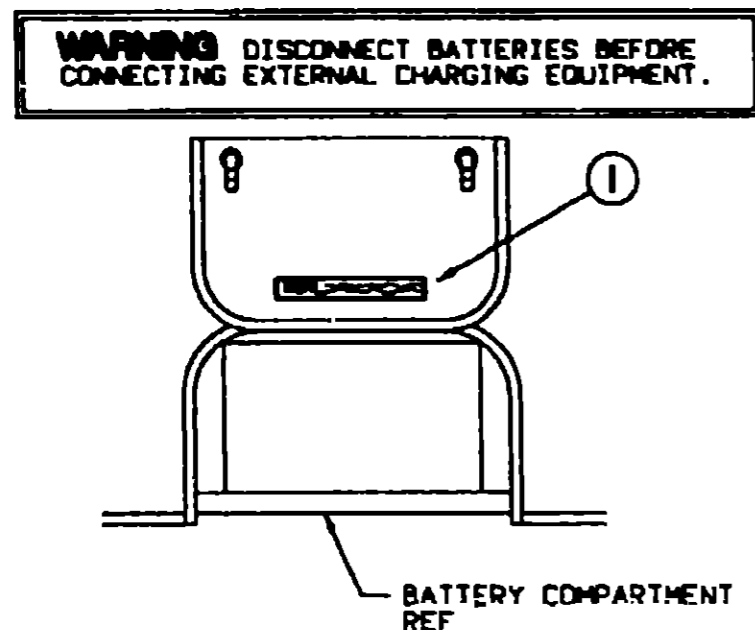
**1992 ITASCA TABLE OF CONTENTS**

INTRODUCTION	A-01	A-02
ABBREVIATIONS		A-03
ALPHABETICAL INDEX	A-04	A-05
IF427RO	A-07	D-16
IF427RC	D-17	G-22
IF427RT	G-23	K-07

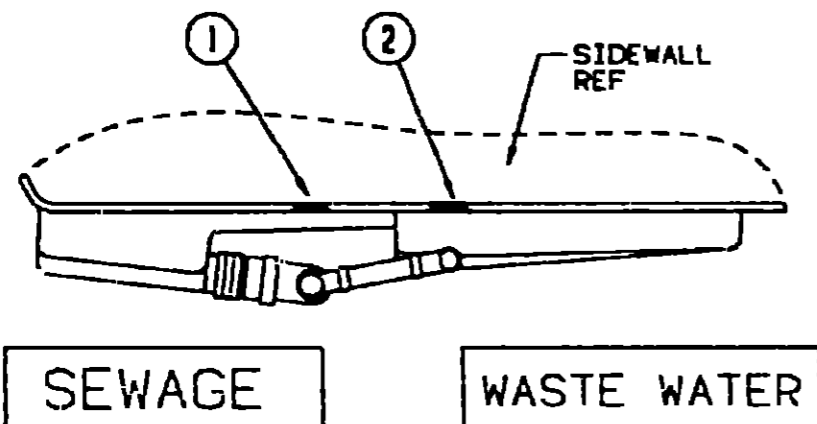
**1992 IF427RC INDEX**

FLOOR PLAN	D-17	D-18
ACCESSORIES		D-19
AUDIO VIDEO		D-20
BATH	D-21	D-22
BEDROOM		D-23
CHASSIS	D-24	E-07
CURTAIN & CUSHION	E-03	E-10
DIAPHE	E-11	E-12
DRIVERS	E-13	E-14
ELECTRICAL	E-15	E-16
EXTERIOR BODY	E-19	F-01
GALLEY	F-02	F-05
GENERATOR		F-06
HEATING & A/C	F-07	F-08
INTERIOR FINISH	F-09	F-12
LABEL	F-13	F-20
LP		F-21
LOUNGE	F-22	F-23
SEALANTS & FASTENERS	F-24	G-02
WATER & SEWAGE	G-03	G-05
WINDOW VENT AND EXTERIOR DOOR	G-07	G-22

**LABELS GROUP (CONTINUED)**

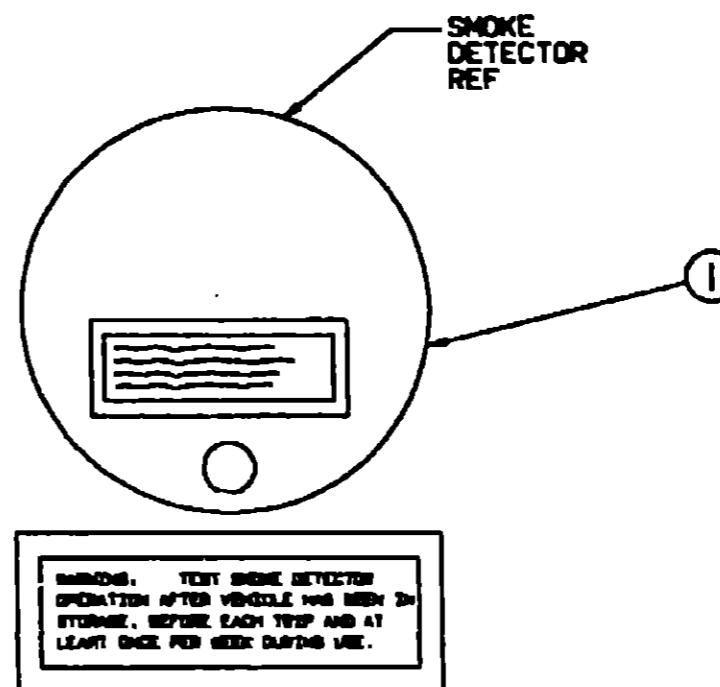


**KEY PART NUMBER U/M DESCRIPTION**  
 1 065748-01-000 EA LABEL-CAUTION-BATTERY CHARGING

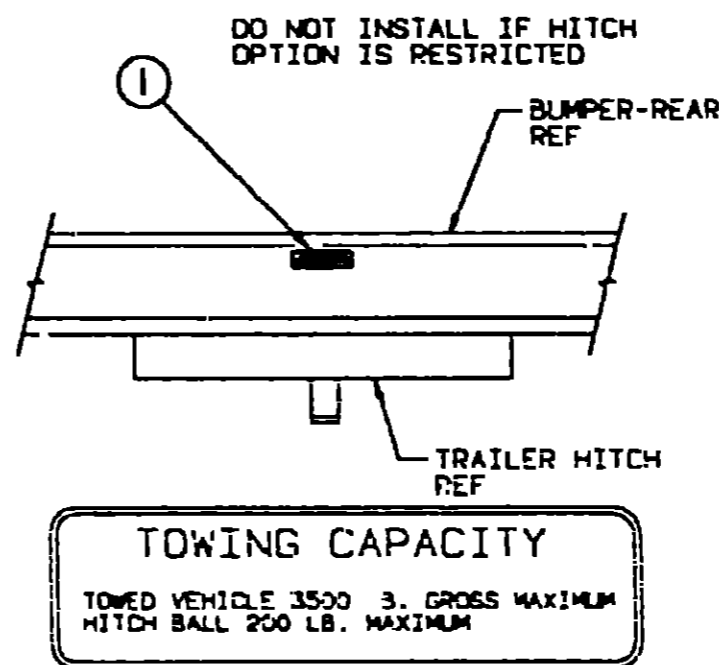


**KEY PART NUMBER U/M DESCRIPTION**  
 1 005187-01-000 EA LABEL SEWAGE  
 2 005188-01-000 EA LABEL WASTE WATER

**LABELS GROUP (CONTINUED)**



**KEY PART NUMBER U/M DESCRIPTION**  
 1 077956-01-000 EA LABEL-WARNING-SMOKE DETECTOR



**KEY PART NUMBER U/M DESCRIPTION**  
 1 075221-01-000 EA LABEL-TOWING CAPACITY

**1992 ITASCA TABLE OF CONTENTS**

INTRODUCTION	A-01 - A-02
ABBREVIATIONS	A-03
ALPHABETICAL INDEX	A-04 - A-06
IF427RQ	A-07 - D-16
IF427RC	D-17 - G-22
IF427RT	G-23 - K-07

**1992 IF427RC INDEX**

FLOOR PLAN	D-17 - D-18
ACCESSORIES	D-19
AUDIO VIDEO	D-20
BATH	D-21 - D-22
BEDROOM	D-23
CHASSIS	D-24 - E-02
CURTAIN & CUSHION	E-03 - E-10
DINETTE	E-11 - E-12
DRIVERS	E-13 - E-14
ELECTRICAL	E-15 - E-18
EXTERIOR BODY	E-19 - F-01
GALLEY	F-02 - F-05
GENERATOR	F-05
HEATING & A/C	F-07 - F-08
INTERIOR FINISH	F-09 - F-12
LABEL	F-13 - F-20
LP	F-21
LOUNGE	F-22 - F-23
SEALANTS & FASTENERS	F-24 - G-02
WATER & SEWAGE	G-03 - G-05
WINDOW VENT AND EXTERIOR DOOR	G-07 - G-22



**LABELS GROUP (CONTINUED)**

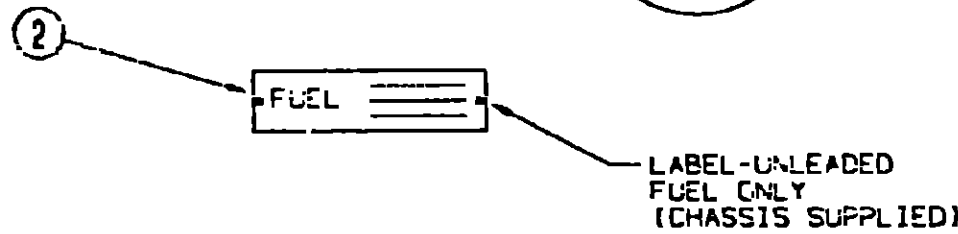
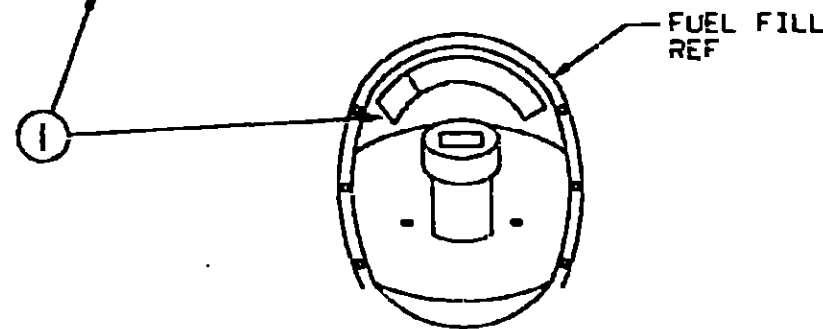
**CAUTION**  
**FUEL SPRAY MAY CAUSE PERSONAL INJURY**

TO HELP AVOID PERSONAL INJURY DURING REMOVAL OF FUEL FILLER CAP, SLOWLY LOOSEN CAP 1/2 TURN TO ALLOW ANY FUEL PRESSURE TO BE RELIEVED BEFORE TURNING CAP FURTHER.

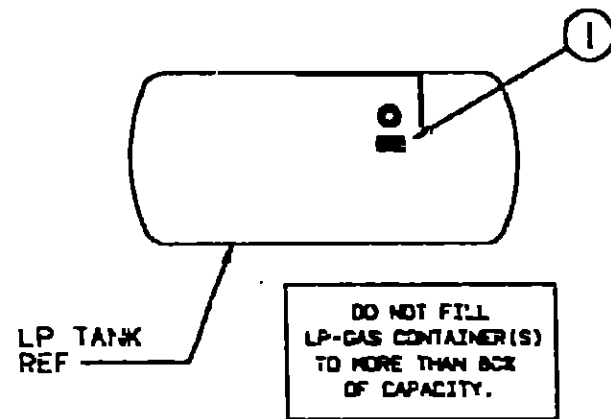
STOP ADDING FUEL AFTER FIRST SHUTOFF BY AUTOMATIC NOZZLE WHEN TANK IS NEARLY FULL. DO NOT OVERFILL FUEL TANK.

SEE OWNERS MANUAL FOR ADDITIONAL INFORMATION.

PRINTED IN U.S.A. RLC PT NO 13611763

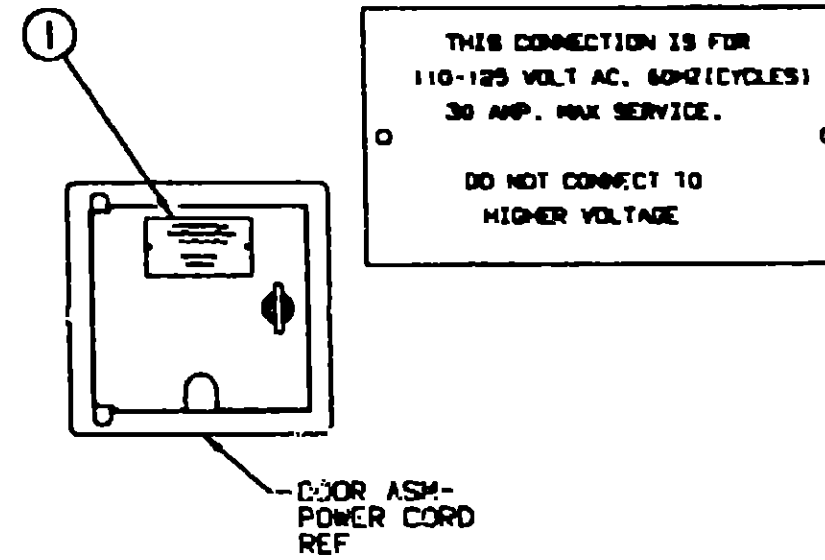


KEY	PART NUMBER	U/M DESCRIPTION
1	037207-05-000	EA LABEL-GAS OVERFILL
2	052043-01-000	EA LABEL-FUEL-UNLEADED

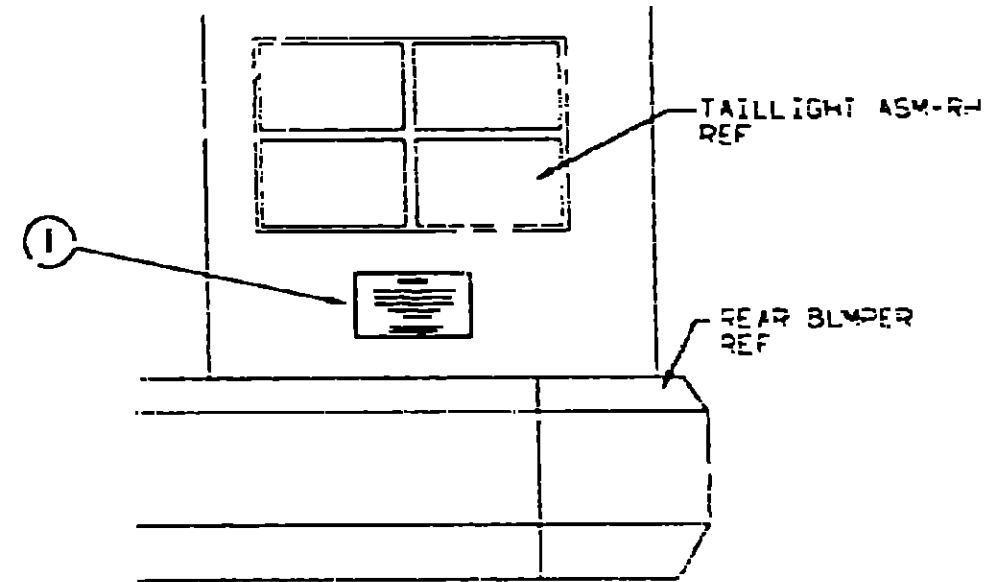


KEY	PART NUMBER	U/M DESCRIPTION
1	054531-01-000	EA LABEL LP GAS ONLY

**LABELS GROUP (CONTINUED)**



KEY	PART NUMBER	U/M DESCRIPTION
1	005052-01-000	EA TAG-ELECTRIC-110V CONNECTION



**WARNING**

DO NOT EXCEED THE VEHICLE WEIGHT RATINGS OR LOADING RECOMMENDATIONS (E.G., GROSS VEHICLE, GROSS AXLE, GROSS COMBINED) OF THE CHASSIS MANUFACTURER OR WYNEBAGO, INC.

REFER TO YOUR OWNERS MANUAL, BEFORE LOADING OR TOWING.

KEY	PART NUMBER	U/M DESCRIPTION
1	07522-0-01-000	EA LABEL WARNING EXTERIOR LOAD

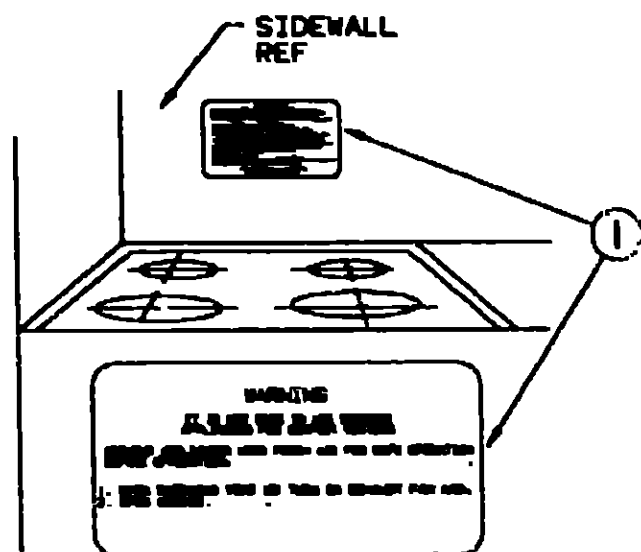
**1992 ITASCA  
 TABLE OF CONTENTS**

INTRODUCTION	A-01 - A-02
ABBREVIATIONS	A-03
ALPHABETICAL INDEX	A-04 - A-06
IF427RQ	A-07 - D-15
IF427RC	D-17 - G-22
IF427RT	G-23 - K-07

**1992 IF427RC INDEX**

FLOOR PLAN	D-17 - D-18
ACCESSORIES	D-19
AUDIO VIDEO	D-20
BATH	D-21 - D-22
BEDROOM	D-23
CHASSIS	D-24 - E-02
CURTAIN & CUSHION	E-03 - E-10
DAWETTE	E-11 - E-12
DRIVERS	E-13 - E-14
ELECTRICAL	E-15 - E-18
EXTERIOR BODY	E-19 - F-01
GALLEY	F-02 - F-05
GENERATOR	F-06
HEATING & A/C	F-07 - F-08
INTERIOR FINISH	F-09 - F-12
LABEL	F-13 - F-20
LP	F-21
LOUNGE	F-22 - F-23
SEALANTS & FASTENERS	F-24 - G-02
WATER & SEWAGE	G-03 - G-05
WINDOW VENT AND EXTERIOR DOOR	G-07 - G-22

**LABELS GROUP (CONTINUED)**



**LABELS GROUP (CONTINUED)**

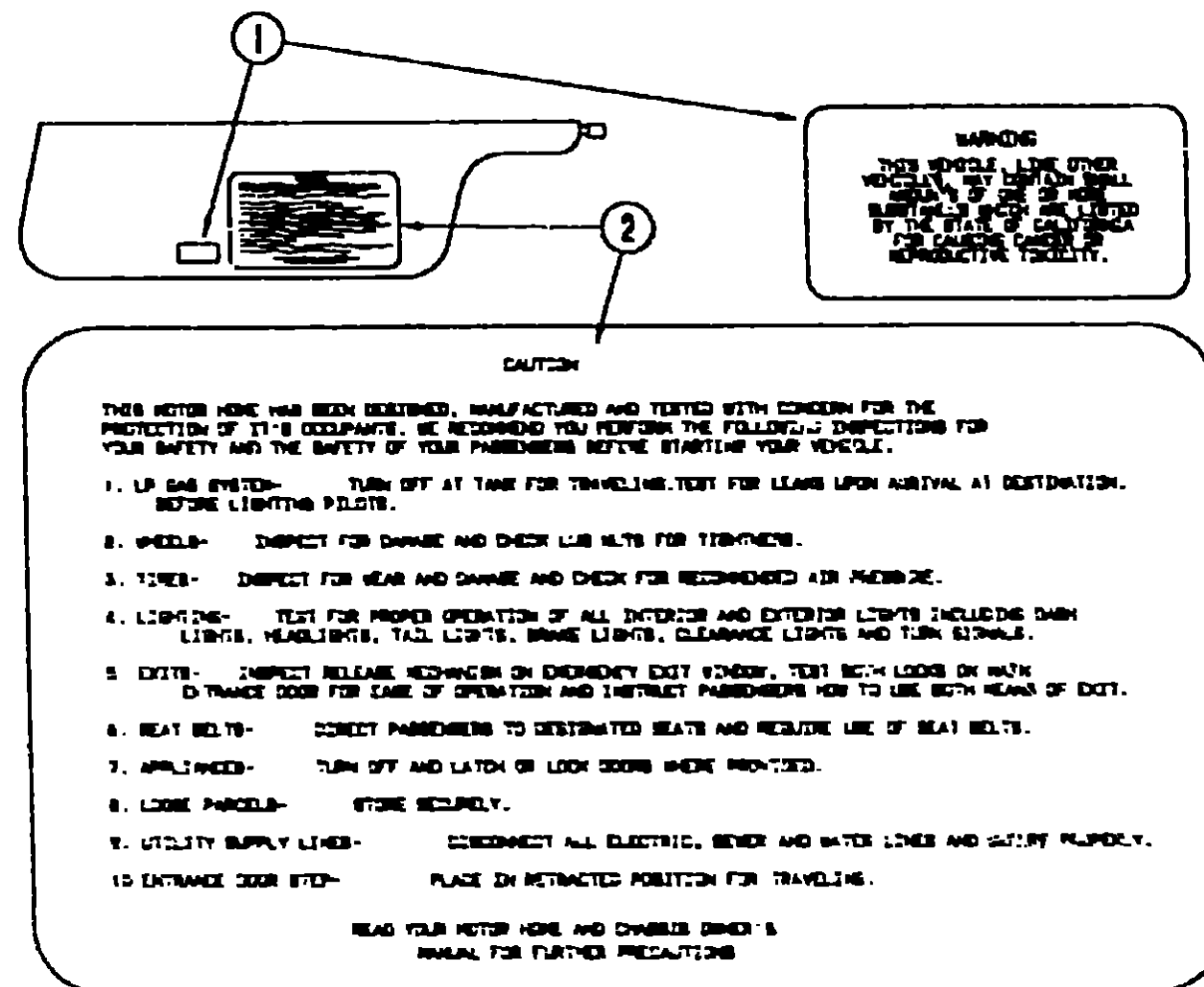
**MISCELLANEOUS LABELS**

KEY	PART NUMBER	U/M	DESCRIPTION
	104236-01-000	EA	LABEL-GENERATOR CIRCUIT
	006054-01-000	EA	LABEL-SEAT W/O SEATBELT (US) NOT INTENDED FOR USE WHILE COACH IN MOTION
	006064-02-000	EA	LABEL-SEAT W/O SEATBELT (CSA) NOT INTENDED FOR USE WHILE COACH IN MOTION
	091224-02-000	EA	LABEL-TRAILER LIGHTING
	091243-01-000	EA	LABEL-AC COVER - "AIR CONDITIONING CIRCUIT ETC"
	093236-08-000	EA	LABEL-CIRCUIT BREAKER
	093641-01-000	EA	LABEL-FUEL - UNLEADED - DASH
	074559-01-000	EA	DECAL-LOGO - LPG - RED - (CALIF CODE)
	073998-01-000	EA	LABEL-LPG ODOR WARNING
	087236-01-000	EA	LABEL-CABLE - INFUT
	061417-01-000	EA	LABEL-FUEL - ON FUEL FILL DOOR
	005040-01-000	EA	TAG-GAS REFUELING WARNING-US
	006040-02-000	EA	TAG-GAS REFUEL WARNING-CANADIAN

**1992 ITASCA  
TABLE OF CONTENTS**

INTRODUCTION	A-01 - A-02
ABBREVIATIONS	A-03
ALPHABETICAL INDEX	A-04 - A-06
IF427RO	A-07 - D-16
IF427RC	D-17 - G-22
IF427RT	G-23 - K-07

KEY	PART NUMBER	U/M	DESCRIPTION
1	050225-01-000	EA	LABEL-WARNING-STOVE VENT - US

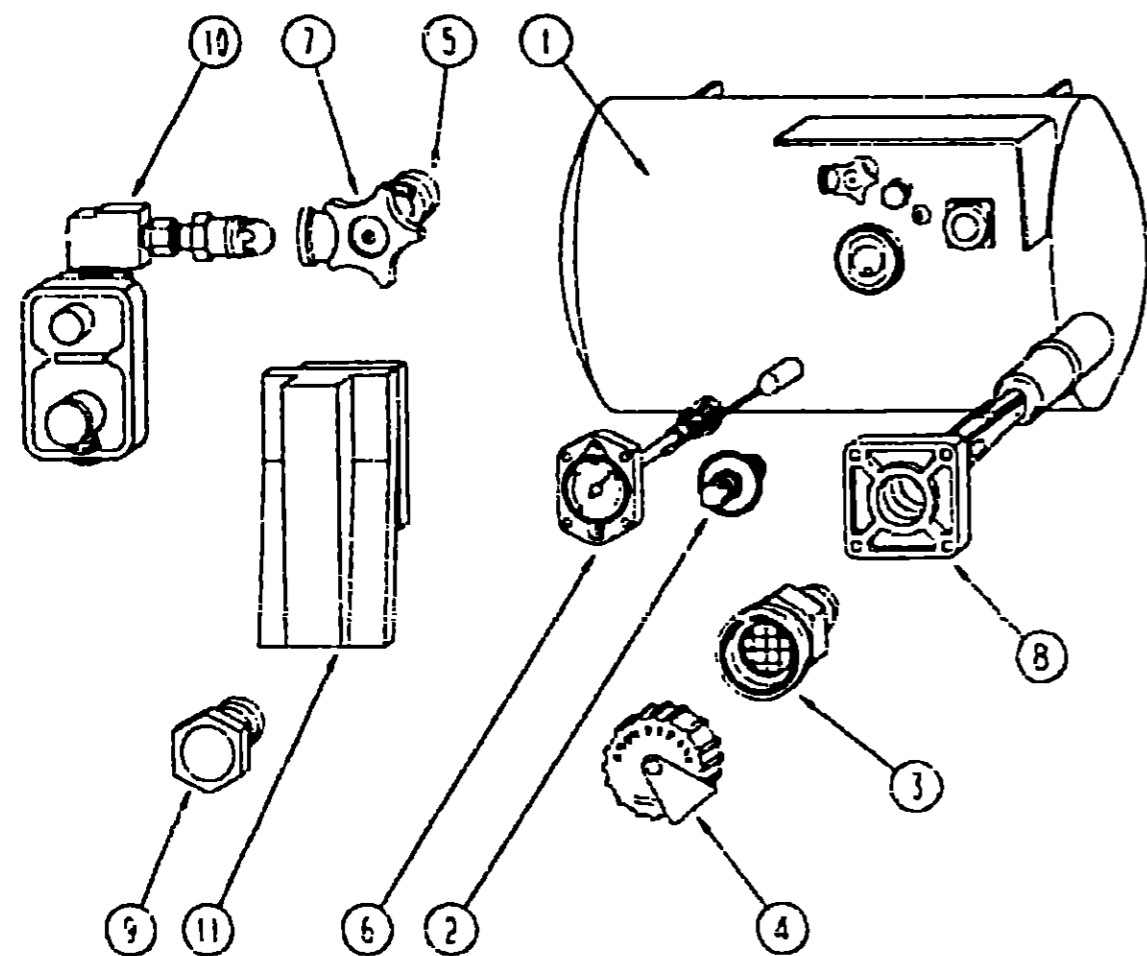


**1992 IF427RC INDEX**

FLOOR PLAN	D-17 - D-18
ACCESSORIES	D-19
AUDIO VIDEO	D-20
BATH	D-21 - D-22
BEDROOM	D-23
CHASSIS	D-24 - E-02
CURTAIN & CUSHION	E-03 - E-10
DINETTE	E-11 - E-12
DRIVERS	E-13 - E-14
ELECTRICAL	E-15 - E-18
EXTERIOR BODY	E-19 - F-01
GALLEY	F-02 - F-05
GENERATOR	F-05
HEATING & A/C	F-07 - F-08
INTERIOR FINISH	F-09 - F-12
LABEL	F-13 - F-20
LP	F-21
LOUNGE	F-22 - F-23
SEALANTS & FASTENERS	F-24 - G-02
WATER & SEWAGE	G-03 - G-06
WINDOW VENT AND EXTERIOR DOOR	G-07 - G-22

KEY	PART NUMBER	U/M	DESCRIPTION
1	093689-01-000	EA	LABEL-WARNING-CANCER/TOXICIT
2	056259-01-000	EA	LABEL-SAFETY CHECK LIST

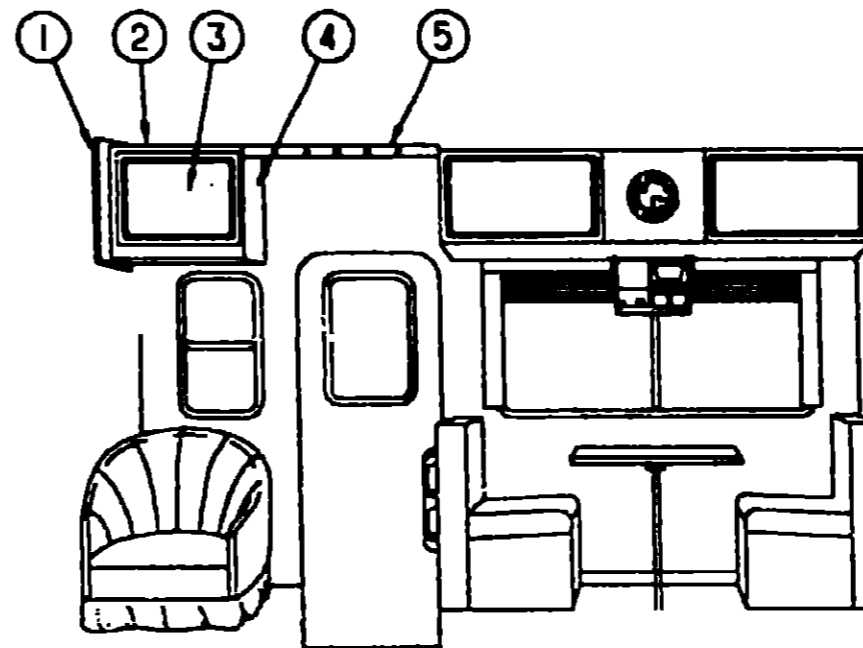
**LP GROUP**



**LP TANK & COMPONENTS**

KEY	PART NUMBER	U/M DESCRIPTION
1	C80450-01-000	EA TANK-LP-42LB 13DIAX24LONG
2	040421-01-700	EA VALVE-LIQUID LEVEL- 20% LP - BRUNNER G-1013
3	040421-01-701	EA VALVE-SHORT LP FILLER W/YELLOW CAP - BRUNNER 75478
4	040421-01-702	EA CAP-LP FILLER VALVE- PLASTIC - YELLOW - BRUNNER G-1014-A
5	040421-01-703	EA VALVE-SERVICE W/HANDWHEEL (REGO 9105CO) - BRUNNER G-1015
6	040421-01-707	EA GAUGE-FLOAT W/VISIBLE DIAL - BRUNNER WA-9 5244-4
	040440-02-000	EA DIAL-TRANSMITTER 0-90 OHM
7	040421-01-708	EA HANDWHEEL-SERVICE VALVE BRUNNER G-1015-A
8	040421-01-711	EA VALVE W PLATE- BOLT & GASKET - 50%
9	040421-01-713	EA VALVE-VAPOR ONLY- BRUNNER 29000587
10	105150-01-000	EA REGULATOR-TWO STAGE - 293-00
11	105558-01-000	EA COMPARTMENT-LP REGULATOR
	055741-01-000	EA GAUGE-DIAPHRAGM PFEFFER - MARSHALLTOWN MFG
	055742-01-000	EA TEE 3/8" F X 3/8" F X 25" FPT - BRASS
	010377-02-000	EA NUT-BRASS 3/8" FEMALE - FORGED
	045703-01-000	EA HOSE-LP- 3/8" ID X 24" - 3/8" MPT X 1/2" F SWIVEL - U.S
	045703-02-000	EA HOSE-LP- 3/8" ID X 24" - 3/8" MPT X 1/2" F SWIVEL - CANADA
	103513-01-000	EA DETECTOR-LP GAS - CCI 7730FRE-TELL 1
		FROM: 01-20-92 THRU 99-99-99
	055318-02-000	EA ELBOW-90 DEGREE- 3/8" MPT TO 3/8" FPT
	081938-01-000	EA COVER-COMPARTMENT- LP REGULATOR - BLACK
	095524-01-000	EA ELBOW-90 DEGREE- 1/4" FPT X 1/4" FPT - BRASS
	035340-01-000	EA ELBOW- 3/8" MPT X 1/2" F - BRASS
	071391-02-000	EA NIPPLE-PEX- 1/4" PIPE - 3325 X 4 WEATHERHEAD
	010323-01-000	EA ADAPTER-BRASS- 3/8" F X 1/2" MPT
	010380-02-000	EA NUT-BRASS - 1/2" FEMALE - FORGED
	010377-02-000	EA NUT-BRASS - 3/8" FEMALE - FORGED

**LOUNGE GROUP**



**OVERHEAD CABINET**

KEY	PART NUMBER	U/M DESCRIPTION
1	104335-07-C52	EA CAP ASM-END-OVERHEAD
1	104335-18-C03	EA CAP ASM-END-OVERHEAD - W/TV
2	M05523-01-C03	EA CABINET ASM-OVERHEAD-FRONT-RIGHT
2	M05523-25-C03	EA CABINET ASM-OVERHEAD TV
	105452-11-C03	EA SHELF ASM
	051604-01-000	EA SLIDE-BOLT-ANTIQUE BRASS
	101910-03-000	EA SLIDE-DRAWER-CABINET MOUNTED - SET OF 2 - 12" LONG
	101910-04-000	EA SLIDE-DRAWER-DRAWER MOUNTED - SET OF 2 - 12"
3	P05223-04-C03	EA DOOR ASM-W/O HARDWARE
4	104335-05-C52	EA CAP ASM-END-OVERHEAD
4	104335-17-C03	EA CAP ASM-END-OVERHEAD - W/TV
5	105847-08-C23	EA KEY RING HOLDER
	103130-01-000	EA HOOK-CUP-BRASS - 1 25"

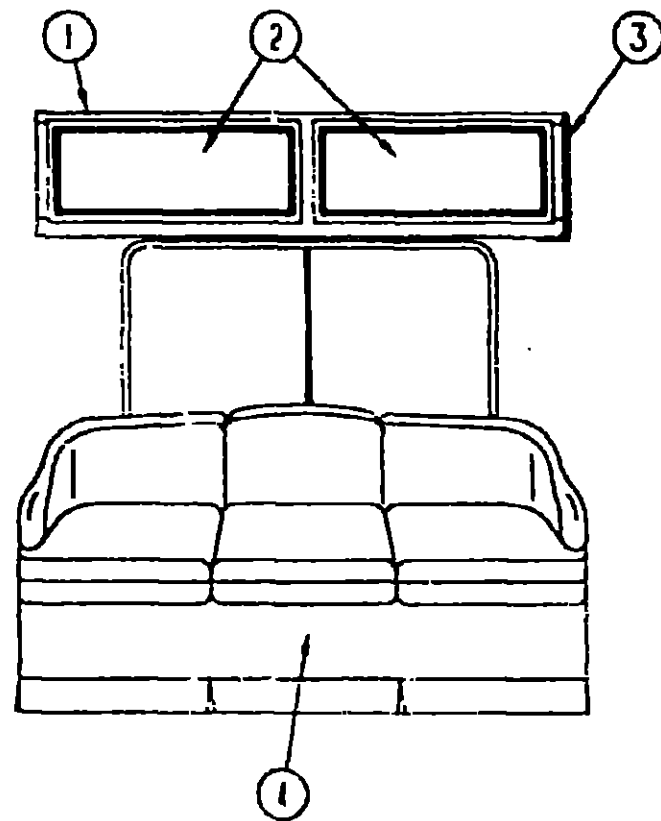
**1992 ITASCA  
TABLE OF CONTENTS**

INTRODUCTION	A-01	A-02
ABBREVIATIONS		A-03
ALPHABETICAL INDEX	A-04	A-05
IF427RO	A-07	D-16
IF427RC	D-17	G-22
IF427RT	G-23	K-07

**1992 IF427RC INDEX**

FLOOR PLAN	D-17	D-18
ACCESSORIES		D-19
AUDIO VIDEO		D-20
BATH	D-21	D-22
BEDROOM		D-23
CHASSIS	D-24	E-02
CURTAIN & CUSHION	E-03	E-10
DINETTE	E-11	E-12
DRIVERS	E-13	E-14
ELECTRICAL	E-15	E-16
EXTERIOR BODY	E-19	F-01
GALLEY	F-02	F-05
GENERATOR		F-06
HEATING & A/C	F-07	F-08
INTERIOR FINISH	F-09	F-12
LABEL	F-13	F-20
LP		F-21
LOUNGE	F-22	F-23
SEALANTS & FASTENERS	F-24	G-02
WATER & SEWAGE	G-03	G-05
WINDOW VENT AND EXTERIOR DOOR	G-07	G-22

**LOUNGE GROUP (CONTINUED)**



**LOUNGE CABINET HARDWARE**

KEY	PART NUMBER	U/M DESCRIPTION
1	M05623-18-C23	EA CABINET ASM OVERHEAD
1	M05623-18-C24	EA CABINET ASM OVERHEAD
2	P05223-20-C03	EA DOOR ASM W/O HARDWARE-400 X 520
3	M04335-05-C52	EA CAP ASM END-OVERHEAD
4	P05793-01-C23	EA CABINET ASM COUCH FACE
4	P05793-01-C24	EA CABINET ASM COUCH FACE
	082525-02-000	EA BRACE-COUCH FLOOR MOUNT - ANGLE 3" LONG METAL
	050101-01-002	EA EXTR CORNER KEY L SHAPED - 192" ALUM NUM
	083125-03-000	EA BRACE-COUCH TAN - 2 5"
	083125-05-000	EA BRACE-ANGLE COUCH 2 5" BE SE

**SEALANTS & FASTENERS GROUP**

KEY	PART NUMBER	U/M DESCRIPTION
	034552-02-000	EA SILICONE-TUBE- 300 ML - CLEAR
	034552-05-000	EA SILICONE-TUBE 300 ML- OFF WHITE
	053765-02-000	EA BEDDING COMPOUND-TUBE- WHITE
	053765-05-000	EA BEDDING COMPOUND-TUBE- CLEAR
	053765-08-000	EA BEDDING COMPOUND-TUBE- GRAY - SCHNEE # 5522
	053542-01-000	FT TAPE-ADHESIVE- 10 MM X 1 5" WIDE
	091255-02-000	FT SEAL-ADHESIVE BACKED FOAM - 18" THICK X 1 5" WIDE
	059540-01-000	FT SEALER-RIBBON- 1/4" DIAMETER - INCREMENTS OF 30"
	059540-02-000	FT SEALER-RIBBON- 1/2" X 1 8" - INCREMENTS OF 30" OR 60"
	059540-03-000	FT SEALER-RIBBON- 3/4" X 1 8" - INCREMENTS OF 60"
	059540-05-000	FT SEALER-RIBBON- 5/16" DIAMETER - INCREMENTS OF 25"
	059540-10-000	FT SEALER-RIBBON- 1/32" X 1 1/2" INCREMENTS OF 90"
	059540-11-000	FT SEALER-TAPE-3/16" X 3 5" - BLACK - MANUS
	072889-01-000	EA SEALANT-URETHANE- BLACK - 1/10 - ESSEX 552 2
	075314-02-000	FT TAPE-CARPET SEAM- HEAT-BOND - 4" WIDE
	075322-01-000	FT TAPE-FOAM- DOUBLE COATED ADHESIVE BACKED - 75" X 2 1/2"
	075322-02-000	FT TAPE-FOAM- DOUBLE COATED ADHESIVE BACKED - 1" X 109"
	075322-05-000	FT TAPE-FOAM- DOUBLE COATED - 025" X 1 5"
	087211-01-000	GL PROMOTER- ADHESIVE
	102352-01-000	EA SEALER-PUMPABLE BLACK - COLOR METRIC MS101
	108716-01-000	EA SILICONE(TUBE) OFF WHITE - LEVEL - CSL 510

**ADHESIVE**

**BOLTS, NUTS, & WASHERS**

KEY	PART NUMBER	U/M DESCRIPTION
	051387-05-000	EA BOLT-CARRIAGE- W/O HOLE - 5/16-18 X 9 5 ZINC
	0V031K-08-020	EA BOLT-HEX-SERRATED FLANGE - 1/8 X 020
	000028-04-10B	EA BOLT-HEX-SERRATED FLANGE - 1/4-20 X 5 8 ZINC
	000025-05-12B	EA BOLT-HEX-SERRATED FLANGE 5/16-18X3 4 ZINC
	000012-05-15B	EA BOLT-HEX- 5/16-18 X 1 - ZINC 5
	000012-05-32B	EA BOLT-HEX-3 8-16 X 2LG - ZINC 5
	000012-05-24B	EA BOLT-HEX- 1 2-13 X 1 1/2 - ZINC 5
	000012-10-24B	EA BOLT-HEX- 5 8-11 X 1 1/2 ZINC - 5
	000013-07-45B	EA BOLT-HEX- 7/16 - 20 X 3 - ZINC 5
	000016-05-40A	EA BOLT-ELEV-5/16-18 X 21/2 PL
	000016-06-48B	EA BOLT-ELEV- 3 8-16 X 3 ZINC - GRADE 5
	000045-05-15B	EA BOLT LAG 5/16 - 9 X 1 7/8
	000014-05-00B	EA NUT-HEX- 5/16-18 - ZINC 5
	000024-10-00B	EA NUT-HEX-SELF LOCKING-10-32 ZINC
	104359-01-000	EA NUT-HEX-HEAVY-5 8-11 UNCL - SPAPE T RE INSEL
	000029-05-00B	EA NUT-HEX-SELF LOCKING-9/16-12 ZINC
	000039-04-00B	EA NUT-HEX-SERRATED FLANGE-LOCKING 1 4 - 20 ZINC
	000039-05-00B	EA NUT-HEX-SERRATED FLANGE-LOCKING - 5/16 - 18 ZINC
	000039-06-00B	EA NUT-HEX-SERRATED FLANGE-LOCKING - 3 8-16 ZINC
	000039-08-01B	EA NUT-HEX-SERRATED FLANGE LOCKING - 1/2-13 ZINC
	000044-07-00B	EA NUT-HEX-SERRATED FLANGE-LOCKING - 7/16-20 ZINC
	044354-02-000	EA NUT-SPEED- FLAT - ROUND
	000011-07-00B	EA WASHER-LOCKING-7/16 MED SPLIT ZINC
	000013-11-00B	EA WASHER-FLARE-3 1/8" WIDE - ZINC
	000013-14-00B	EA WASHER-FLARE-1 4" WIDE ZINC
	000013-20-00B	EA WASHER-FLARE-1 1/8 WIDE ZINC
	000013-21-00B	EA WASHER-FLARE-W2 NAR ZINC
	000014-10-00B	EA WASHER LOCKING - NO 10 EXT TOOTH - ZINC
	041322-01-000	EA WASHER-FLARE-15/32" ID X 23 8" OD (FOR SEAT BELT MOUNT)
	044533-01-000	EA WASHER-PLASTIC- 1 3 8" CD (FOR BUTTONS)

**1992 ITASCA  
TABLE OF CONTENTS**

INTRODUCTION	A-01	A-02
ABBREVIATIONS		A-03
ALPHABETICAL INDEX	A-04	A-05
IF427RC	A-07	D-15
IF427RC	D-17	G-22
IF427RT	G-23	K-07

**1992 IF427RC INDEX**

FLOOR PLAN	D-17	D-18
ACCESSORIES		D-19
AUDIO/VIDEO		D-20
BATH	D-21	D-22
BEDROOM		D-23
CHASSIS	D-24	E-02
CURTAINS & BUS-ON	E-03	E-10
DINETTE	E-11	E-12
DRIVERS	E-13	E-14
ELECTRICAL	E-15	E-16
EXTERIOR BODY	E-17	F-01
GALLEY	F-02	F-05
GENERATOR		F-06
HEATING & A/C	F-07	F-08
INTERIOR FINISH	F-09	F-12
LABEL	F-13	F-20
LP		F-21
LOUNGE	F-22	F-23
SEALANTS & FASTENERS	F-24	G-02
WATER & SEWAGE	G-03	G-05
WINDOW/VENT AND EXTERIOR DOOR	G-07	G-22



**WATER & SEWAGE GROUP**

**FRESH WATER TANK**

KEY	PART NUMBER	U/M DESCRIPTION
	054214-05-000	EA TANK WATER WRITINGS 31 GALLON
	077954-02-000	EA FILTER WATER TANK SCREEN IN TANK
	042959-05-000	EA FITTING WATER TANK SPINWELD 1 1/4" MPT PLASTIC WHITE
	042959-04-000	EA FITTING WATER TANK SPINWELD 3/8" FPT PLASTIC WHITE
	042959-05-000	EA FITTING WATER TANK SPINWELD 1 1/2" FPT PLASTIC WHITE
	042959-04-000	EA PATCH SPINWELD 3/8" PLASTIC
	039591-01-000	EA SENDING UNIT W/SCREW WASHER WELL NUT AND TERMINAL RING

**WATER SYSTEM**

KEY	PART NUMBER	U/M DESCRIPTION
	039592-02-000	EA CAP BRASS 1/2" FLARE
	176000-01-000	EA CAP FEMALE W/ONE 50-48VDC TUBE
	010224-01-000	EA ADAPTER HOSE TO PIPE 3/8" MPT X 3/8" BARB PLASTIC BLACK
	044927-01-000	EA ADAPTER HOSE TO PIPE 1 1/4" MPT X 1 1/4" BARB BLACK PLASTIC
	052954-01-000	EA ADAPTER NOSE ONE 3/8" OR 1/2" TUBING PLASTIC GRAY
	019317-01-000	EA ADAPTER SWIVEL 1/2" TUBE X 1/2" MPT PLASTIC GRAY
	105255-01-000	EA CAP INSERTABLE 1/2 FLARE
	052959-03-001	EA CONNECTOR 1/2" F X 3/8" MPT PLASTIC GRAY
	101914-01-000	EA CUMULATIVE FEMALE 1/2" X 1/2" FPT
	052959-01-000	EA DRAIN VALVE NO LINE HEADER 1/2" MPT X 1/2" F GRAY PLAS
	045290-01-000	EA ELBOW 3/8" F X 1/2" MPT
	052957-02-000	EA ELBOW MALE 1/2" F X 1/2" MPT PLASTIC GRAY
	057559-04-000	EA FILL WATER CTY - OFF WHITE
	057559-01-700	EA FILL WATER STRAP & CAP ONLY - VES22-07
	045128-01-000	EA VALVE DRAIN PLASTIC 1/2" FPT
	052120-01-000	EA ELBOW SWIVEL 1/2" FPT X 1/2" FLARE PLASTIC GRAY
	052957-01-000	EA NUT PLASTIC 1/2" F X 1/2" TUBE GRAY
	052952-02-000	EA NUT PLASTIC 5/8" FLARE
	039759-01-000	EA TEE 1/2" MPT X 1/2" MPT X 1/2" MPT PLASTIC
	052958-01-000	EA TEE 1/2" F X 1/2" F X 1/2" F PLASTIC GRAY
	052955-01-000	EA TEE 1/2" F X 1/2" F X 1/2" MPT PLASTIC GRAY
	052956-01-000	EA TEE 1/2" F X 1/2" MPT X 1/2" F PLASTIC
	052291-01-000	EA TEE PLASTIC 5/8" F X 5/8" F X 5/8" F
	052293-01-000	EA TEE PLASTIC 5/8" F X 1/2" F X 5/8" F
	057574-01-000	EA TEE 5/8" F X 1/2" F X 1/2" F PLASTIC
	074453-02-000	EA TEE 4 WAY 1/2" FLARE X 1/2" MPT PLASTIC GRAY
	074453-03-000	EA TEE 4 WAY 1/2" FLARE X 1/2" MPT
	039500-01-000	FT TUBING POLYBUTYLENE 1/2" OD INCREMENTS OF 20 - BLACK
	039500-02-000	FT TUBING POLYBUTYLENE 3/8" OD INCREMENTS OF 20 - BLACK
	079251-01-000	FT TUBING SMOOTH FLEXIBLE 1 1/4" ID INCREMENTS OF 20
	074452-02-000	FT TUBING VALVE 3/8" OD CLEAR INCREMENTS OF 20

**WATER PUMP**

KEY	PART NUMBER	U/M DESCRIPTION
	095507-01-000	EA PUMP WATER W/5" MPT FITTING SH-UFLO 2.5 GPM - UL
	095507-01-700	EA PUMP HEAD REPLACEMENT - 94-235-05
	095507-01-701	EA DRIVE ASSEMBLY - 94-234-03
	095507-01-702	EA DIAPHRAGM KIT - 94-233-10
	095507-01-703	EA VALVE ASSEMBLY - 94-232-00
	095507-01-704	EA HOUSING UPPER - 94-231-01
	095507-01-705	EA CHECK VALVE KIT - 94-237-00
	095507-01-706	EA UPPER HOUSING SWITCH KIT - 94-231-20
	095507-01-707	EA MOTOR BASE PLATE REPLACEMENT - 94-235-03

**EXTERIOR SHOWER COMPONENTS**

KEY	PART NUMBER	U/M DESCRIPTION
	075241-05-000	EA FAUCET SHOWER BONE
	051954-02-000	EA PLATE SWITCH EXTERIOR SHOWER

**WATER & SEWAGE GROUP (CONTINUED)**

**WATER HEATER W/REAR HEATER**

KEY	PART NUMBER	U/M DESCRIPTION
	051391-02-000	EA HEATER WATER W/ELECTR IGNITION - ATWOOD G6A 3E
	051391-01-700	EA HINGE KIT W/CLIP - ATWOOD # 92558 & 92559
	051391-01-704	EA VALVE RELIEF 1 1/2" FITTING - ATWOOD# 91504
	051391-01-705	EA FASTENER CAMLOC - ATWOOD# 92509
	051391-01-706	EA GRILLE EXHAUST - ATWOOD# 92757
	051391-01-709	EA BURNER MAIN 3E ONLY - ATWOOD# 92515
	051391-01-710	EA OFFICE MAIN BURNER - ATWOOD# 92742
	051391-01-715	EA DRAIN PLUG - ATWOOD# 91551
	051391-04-700	EA TANK INNER (G6A 3E) - FRONT MOUNT - ATWOOD# 91508
	051391-04-701	EA THERMOSTAT 12 VDC 120 PRESET - ATWOOD# 91470
	051391-04-705	EA TANK INNER - G6A 4E & 5E - FRONT MOUNT - ATWOOD# 91541
	097457-01-000	EA SWITCH WATER HEATER - ATWOOD 91959
	051393-01-703	EA THERMOSTAT REAR MOUNT - ATWOOD# 91552
	051393-01-704	EA CIRCUIT BOARD W/BLACK BOX - ATWOOD# 91420
	051393-01-705	EA OFFICE HOLDER - ATWOOD# 91925
	051393-01-715	EA SPARK & PROBE ASM - ATWOOD# 91505
	051393-01-716	EA VALVE DUAL SOLENOID - ATWOOD# 91503
	051393-01-721	EA ECO THERMOSTAT ASM FRONT MOUNT 140 DEGREE - ATWOOD# 91447
	051393-03-700	EA TANK INNER G6A 3E - REAR MOUNT - ATWOOD# 91439

**WATER HEATER W/MOTOR AID**

KEY	PART NUMBER	U/M DESCRIPTION
	051393-01-000	EA HEATER WATER W/MOTOR AID ATWOOD G6B 3E G6B 4E OR G6B 5E
	051391-01-700	EA HINGE KIT W/CLIP - ATWOOD # 92558 & 92559
	051391-01-704	EA VALVE RELIEF 1 1/2" FITTING - ATWOOD# 91504
	051391-01-705	EA FASTENER CAMLOC - ATWOOD# 92509
	051391-01-706	EA GRILLE EXHAUST - ATWOOD# 92757
	051391-01-709	EA BURNER MAIN 3E ONLY - ATWOOD# 92515
	051391-01-710	EA OFFICE MAIN BURNER - ATWOOD# 92742
	051391-01-715	EA ELBOW 45 DEGREE - 3/8" F X 3/8" MPT - ATWOOD# 91044
	051391-01-716	EA DRAIN PLUG - ATWOOD# 91551
	051391-04-701	EA THERMOSTAT 12 VDC 120 PRESET - ATWOOD# 91470
	051391-04-704	EA TANK INNER - FRONT MOUNT - G6B 4E & 5E - ATWOOD 91542
	051393-01-700	EA TANK INNER 3E FRONT MOUNT - ATWOOD# 91023
	097457-01-000	EA SWITCH WATER HEATER - ATWOOD 91959
	051393-01-703	EA THERMOSTAT REAR MOUNT - ATWOOD# 91552
	051393-01-704	EA CIRCUIT BOARD W/BLACK BOX - ATWOOD# 91420
	051393-01-705	EA OFFICE HOLDER - ATWOOD# 91925
	051393-01-715	EA TANK INNER (G6B 3E) - REAR MOUNT - ATWOOD# 91439
	051393-01-716	EA SPARK & PROBE ASM - ATWOOD# 91505
	051393-01-719	EA VALVE DUAL SOLENOID - ATWOOD# 91503
	051393-01-721	EA ECO THERMOSTAT ASM FRONT MOUNT 140 DEGREE - ATWOOD# 91447

**WATER HEATER**

KEY	PART NUMBER	U/M DESCRIPTION
	051391-01-000	EA HEATER WATER - ATWOOD G6A 3
	051391-01-700	EA HINGE KIT W/CLIP - ATWOOD # 92558 & 92559
	051391-01-702	EA TANK INNER - G6A 2E 3E 5E - WATER HEATER - ATWOOD 91412
	051391-01-704	EA VALVE RELIEF 1 1/2" FITTING - ATWOOD# 91504
	051391-01-705	EA FASTENER CAMLOC - ATWOOD# 92509
	051391-01-706	EA GRILLE EXHAUST - ATWOOD# 92757
	051391-01-709	EA BURNER MAIN 3E ONLY - ATWOOD# 92515
	051391-01-709	EA PILOT ASM W/THERMOPL & TUBE - 91503 ATWOOD# 91214
	051391-01-710	EA OFFICE MAIN BURNER - ATWOOD# 92742
	051391-01-711	EA ELBOW OFFICE MAIN BURNER - 92741 ATWOOD#
	051391-01-712	EA THERMOSTAT 3/8" MPT INLET - 91501 ATWOOD# 91043
	051391-01-714	EA ELBOW 45 DEGREE - 3/8" F X 3/8" MPT - ATWOOD 91044
	051391-01-715	EA DRAIN PLUG - ATWOOD# 91551

**1992 ITASCA  
TABLE OF CONTENTS**

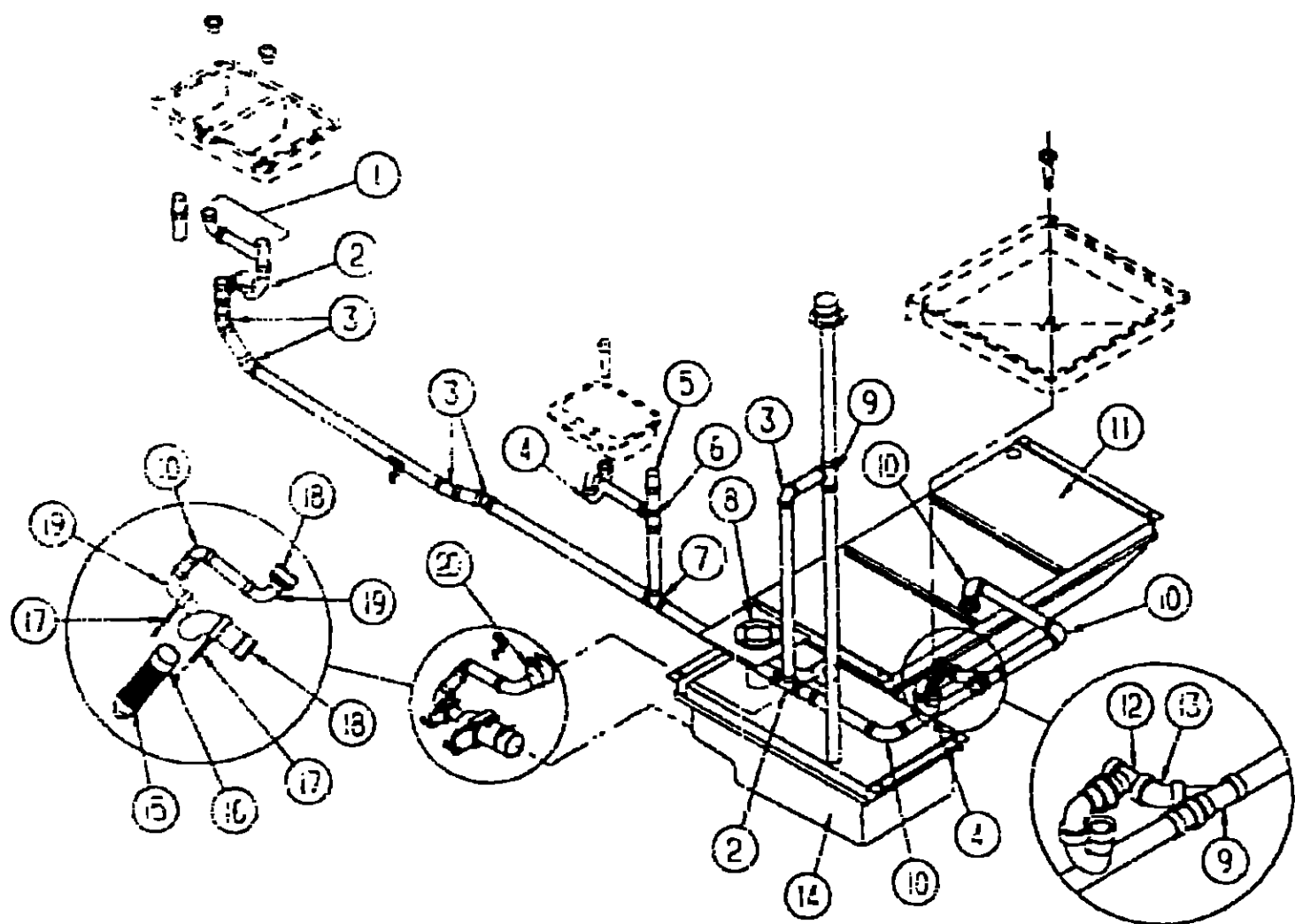
INTRODUCTION	A-01	A-02
ABBREVIATIONS		A-03
ALPHABETICAL INDEX	A-04	A-05
F427FQ	A-07	D-15
F427RC	D-17	G-22
F427RT	G-23	K-07

**1992 IF427RC INDEX**

FLOOR PLAN	D-17	D-18
ACCESSORIES		D-19
AIRC CONDIC		D-20
BATH	D-01	D-22
BED ROOM		D-23
CHASSIS	D-04	F-02
CURTAINS & CUSHION	F-03	F-10
DIAPHRAGM	F-11	F-12
DRIVERS	F-13	F-14
ELECTRICAL	F-15	F-16
EXTERIOR BODY	F-19	F-01
GALLEY	F-02	F-05
GENERATOR		F-06
HEATING & A/C	F-07	F-08
INTERIOR FINISH	F-09	F-12
LABEL	F-13	F-20
LP		F-21
LOUNGE	F-22	F-23
SEALANTS & FASTENERS	F-24	G-02
WATER & SEWAGE	G-03	G-06
WINDOW VENT AND EXTERIOR DOOR	G-07	G-22

# WATER & SEWAGE GROUP (CONTINUED)

## DRAINAGE SYSTEM



KEY	PART NUMBER	U/M DESCRIPTION
1	011091-02-000	EA PIPE-DRAIN - W/SEALS - DOUBLE SINK - EXTENDS 9" TO 16"
1	011071-01-000	EA P-TRAP - 1 1/2" - PLASTIC (CSA)
1	010121-01-000	EA BUSHING-REDUCER - 1 1/2" SMOOTH X 1 1/4" HUB - PLASTIC - BLACK (CSA)
1	037101-02-000	EA ELBOW-PLASTIC - 1/4 BEND VENT 1 1/2" HUB (CSA)
1	033302-02-000	EA ADAPTER ASM-STRAINER - 1 1/2" - ABS (CSA)
2	011065-03-700	EA P-TRAP - 1 1/2" TRAP X 1 1/4" SOCKET - PLASTIC (US) FROM 00-00-00 THRU 02-16-92
2	053335-01-000	EA P-TRAP-1 1/4" HUB X HUB - W/UNION (CSA) FROM 00-00-00 THRU 02-16-92
2	107537-01-000	EA P-TRAP ADAPTER 1 1/4" SLP (US) FROM 02-17-92 THRU 99-99-99
2	107538-01-000	EA P-TRAP-PLASTIC - 1 1/4" W EXT ARM (US) FROM 02-17-92 THRU 99-99-99
2	011071-01-000	EA P-TRAP-1 1/2" - PLASTIC (CSA) FROM 02-17-92 THRU 99-99-99
3	010005-01-000	EA ELBOW-45 DEG - 1/8 BEND - 1 1/2" HUB X HUB - BLACK PLASTIC
4	011065-03-700	EA P-TRAP - 1 1/2" TRAP X 1 1/4" SOCKET - PLASTIC (US) FROM 00-00-00 THRU 02-16-92
4	107537-01-000	EA P-TRAP ADAPTER-1 1/4" SLP (US) FROM 02-17-92 THRU 99-99-99
4	107538-01-000	EA P-TRAP-PLASTIC - 1 1/4" W EXT ARM (US) FROM 02-17-92 THRU 99-99-99
4	011065-02-000	EA P-TRAP-1 1/4" HUB X SLP JOINT - W/UNION - ABS (CSA)
5	079368-01-000	EA VENT MECH TRAP ARM - ANTI SIPHON - 2" DIA X 7'3" - PLASTIC
6	010079-01-000	EA TEE-SANITARY - 1 1/2" X 1 1/2" X 1 1/4" H - PLASTIC - BLACK
7	010071-01-000	EA TEE-SANITARY - 1 1/2" HUB X HUB X HUB - PLASTIC - BLACK
8	051607-02-000	EA GROMMET-HOLDING TANK - 3" NPS
8	010073-01-000	EA WYE-45 DEGREE - 1 1/2" HUB X HUB X HUB - PLASTIC - BLACK
10	010009-01-000	EA ELBOW-90 DEG - 1/4 BEND - 1 1/2" HUB X HUB - BLACK PLASTIC
10	051607-01-000	EA GROMMET-HOLDING TANK - 1 1/2" NPS
11	102762-03-000	EA TANK-HOLDING - 42 GALLON - 57 1/4" X 8 1/4" X 29"
12	010079-01-000	EA TEE-SANITARY - 1 1/2" X 1 1/2" X 1 1/4" H - PLASTIC - BLACK
12	010123-01-000	EA BUSHING-2" X 1 1/2" HUB - PLASTIC
13	010051-01-000	EA ELBOW-45 DEG BEND - 1 1/2" SPIGOT AND HUB - PLASTIC - BLACK
14	104753-02-000	EA TANK-HOLDING - 32 GALLON
15	010201-01-000	EA HOSE-SEWER - 3" ID X 8'
16	052419-01-000	EA ADAPTER-SEWER HOSE TO 3" PIPE
17	070916-01-000	EA VALVE-DUAL DUMP W/CAP - 3" X 1 1/2" - PLASTIC - BLACK
18	075405-01-000	EA COUPLER RUBBER - W/CLAMPS - 3" X 3"
19	033761-01-000	EA ELBOW-TURN - 1/4 BEND X 1 5/8" HUB X 1 5/8" SPIGOT - BLK PLASTIC
20	052422-01-000	EA ADAPTER-OFFSET REDUCER - 3" X 1 1/2" - PLASTIC - BLACK
	010121-01-000	EA BUSHING-REDUCER-1 1/2" SMOOTH X 1 1/4" HUB - BLACK PLASTIC
	033302-02-000	EA ADAPTER ASM - STRAINER - 1 1/2" - CSA
	037101-02-000	EA ELBOW-PLASTIC - 1/4 BEND VENT 1 1/2" HUB - CSA
	034250-01-000	EA ELBOW-90 DEGREE - LONG TURN - 1 1/2" HUB X HUB - ABS

## 1992 ITASCA TABLE OF CONTENTS

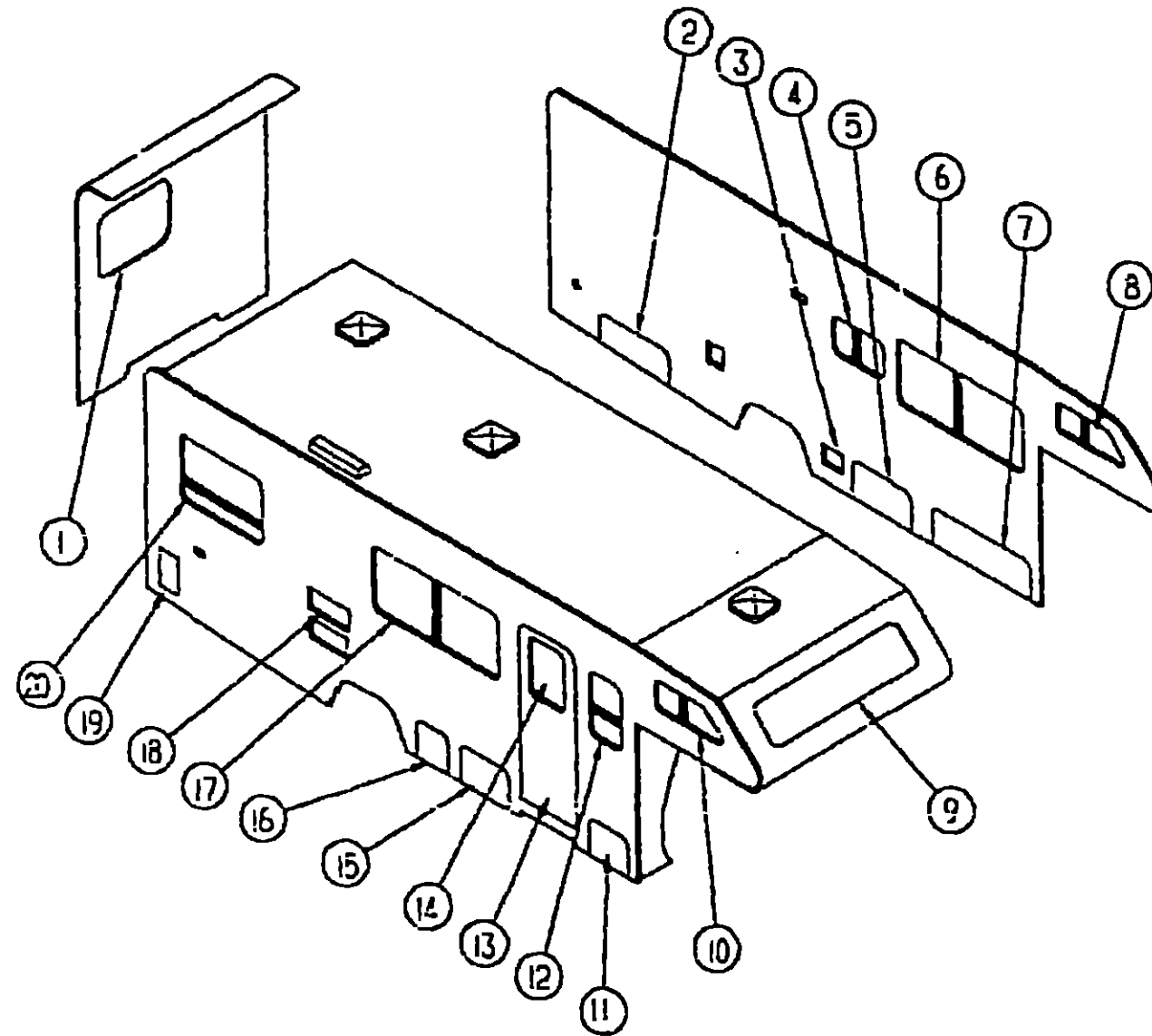
INTRODUCTION	A-01 - A-02
ABBREVIATIONS	A-03
ALPHABETICAL INDEX	A-04 - A-05
IF427RO	A-07 - D-16
IF427RC	D-17 - G-22
IF427RT	G-23 - K-07

## 1992 IF427RC INDEX

FLOOR PLAN	D-17 - D-18
ACCESSORIES	D-19
AUDIO VIDEO	D-20
BATH	D-21 - D-22
BEDROOM	D-23
CHASSIS	D-24 - E-02
CURTAIN & CUSHION	E-03 - E-10
D NETTE	E-11 - E-12
DECKERS	E-13 - E-14
ELECTRICAL	E-15 - E-18
EXTERIOR BODY	E-19 - F-01
GALLEY	F-02 - F-05
GENERATOR	F-05
HEATING & A/C	F-07 - F-08
INTERIOR FINISH	F-09 - F-12
LABEL	F-13 - F-20
LP	F-21
LOUNGE	F-22 - F-23
SEALANTS & FASTENERS	F-24 - G-02
WATER & SEWAGE	G-03 - G-05
WINDOW, VENT AND EXTERIOR DECOR	G-07 - G-22

# WINDOW, VENT & EXTERIOR DOOR GROUP

## WINDOWS & DOORS



## 1992 ITASCA TABLE OF CONTENTS

INTRODUCTION	A-01 - A-02
ABBREVIATIONS	A-03
ALPHABETICAL INDEX	A-04 - A-05
IF427RQ	A-07 - D-16
IF427RC	D-17 - G-22
IF427RT	G-23 - K-07

## 1992 IF427RC INDEX

FLOOR PLAN	D-17 - D-18
ACCESSORIES	D-19
AUDIO VIDEO	D-20
BATH	D-21 - D-22
BEDROOM	D-23
CHASSIS	D-24 - E-02
CURTAIN & CUSHION	E-03 - E-10
DINETTE	E-11 - E-12
DRIVERS	E-13 - E-14
ELECTRICAL	E-15 - E-18
EXTERIOR BODY	E-19 - F-01
GALLEY	F-02 - F-05
GENERATOR	F-06
HEATING & A/C	F-07 - F-09
INTERIOR FINISH	F-09 - F-12
LABEL	F-13 - F-20
LP	F-21
LOUNGE	F-22 - F-23
SEALANTS & FASTENERS	F-24 - G-02
WATER & SEWAGE	G-03 - G-05
WINDOW, VENT AND EXTERIOR DOOR	G-07 - G-22

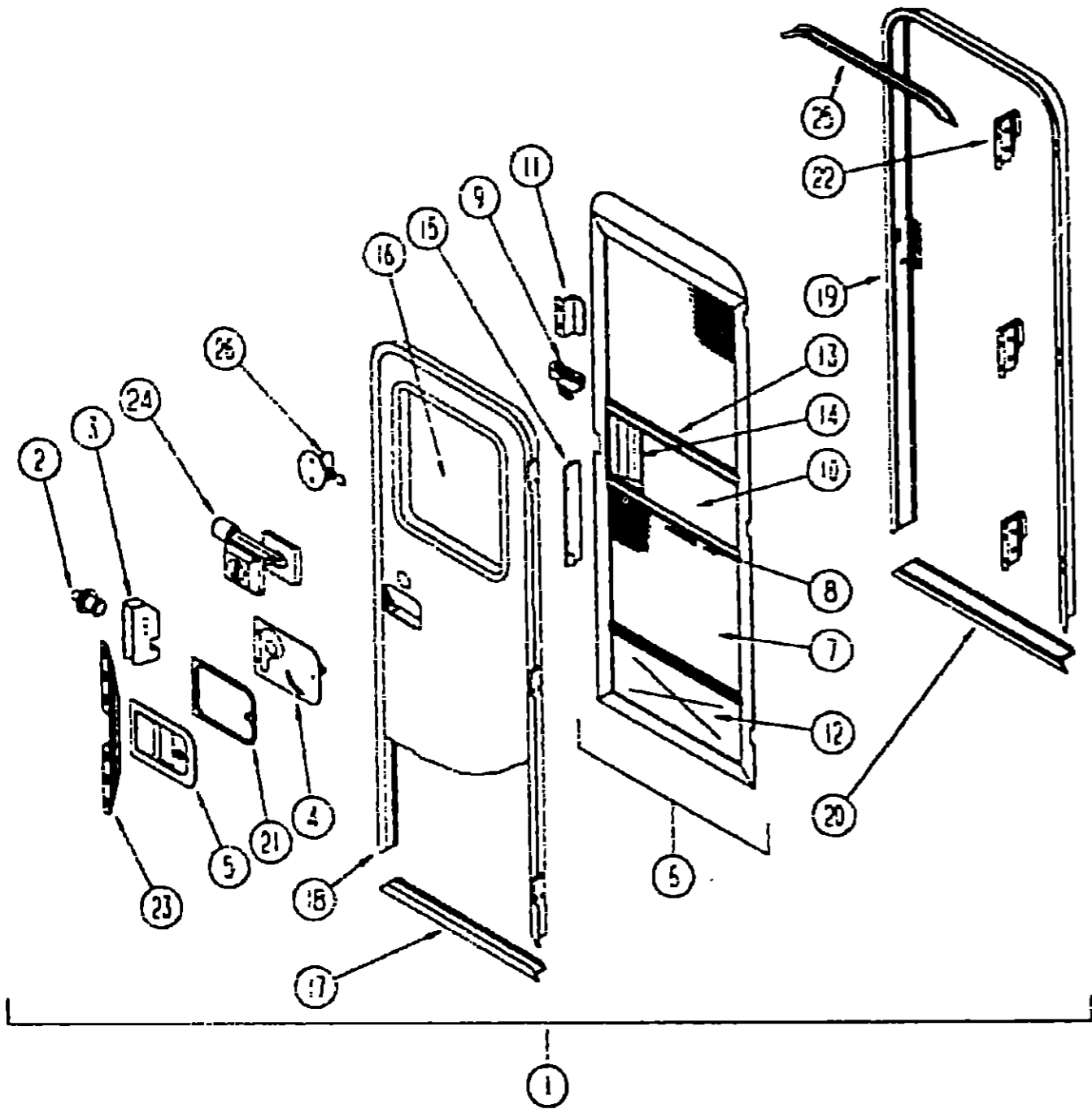
KEY	PART NUMBER	U/M DESCRIPTION
1	078523-04-005	EA WINDOW-ESCAPE - 27" X 48"
2	105175-06-052	EA DOOR ASM-LOWER REAR
3	088794-01-000	EA DOOR-POWER CORD-W/HATCH - OFF WHITE
4	095547-07-02A	EA WINDOW SINGLE SLIDER
5	105174-05-052	EA DOOR ASM-LOWER FRONT
6	095547-10-02A	EA WINDOW ASM-SLIDER-HORIZONTAL - BLACK
7	105174-03-003	EA DOOR ASM-LOWER FRONT
8	095545-05-01A	EA WINDOW ASM-SLANTED SLIDER - DRIVER
9	103313-01-005	EA WINDOW PICTURE
10	095545-05-01A	EA WINDOW ASM-SLANTED SLIDER - PASSENGER
11	105174-01-003	EA DOOR ASM-LOWER FRONT
12	095544-05-01A	EA WINDOW ASM-SLIDER RAISE - BLACK

KEY	PART NUMBER	U/M DESCRIPTION
13	M01875-32-537	EA DOOR-ENTRY-WINDOW SCREEN & JAMB - OFF WHITE
14	079733-07-AA3	EA WINDOW-ENTRY DOOR 17" X 25" - FROSTED GLASS
15	105174-02-003	EA DOOR ASM-LOWER-FRONT
16	105174-04-003	EA DOOR ASM-LOWER-FRONT
17	095547-03-02A	EA WINDOW ASM-SLIDER-HORIZONTAL - BLACK
18	034103-03-000	EA DOOR-VENT-REFRIGERATOR - OFF WHITE
18	034104-03-000	EA JAMB-DOOR-REFRIGERATOR - OFF WHITE
	052009-01-000	EA DOOR-WATER HEATER - OFF WHITE - ATWOOD 5575-27
19	079578-07-003	EA DOOR ASM-STORAGE
20	095547-05-02A	EA WINDOW ASM-SLIDER-HORIZONTAL - BLACK
	081240-03-009	EA DOOR-WATER FILL-LOCKABLE 4" X 4.5 8" - OFF WHITE
	032584-01-700	EA KEY-SINGLE



WINDOW, VENT & EXTERIOR DOOR GROUP (CONTINUED)

ENTRY DOOR



KEY	PART NUMBER	U/M	DESCRIPTION
1	W01370-32-537	EA	DOOR-ENTRY- W/WINDOW, SCREEN & JAMB - OFF WHITE
2	039539-01-030	EA	STRIKE-LOCK ENTRY DOOR - ROUND/THREADED WASHER
3	039540-01-000	EA	LATCH MECHANISM-HOOK ENTRY DOOR - INTERIOR
	039715-01-000	EA	NUT-SERT 1/4" DIAVETER - 20 THREADS
4	039979-04-000	EA	COVER-INTERIOR LATCH W/TRIP ARM - RIGHT - BLACK
	039954-01-000	EA	CAP-ROUND VINYL - 25" ID X 62" LONG - BLACK
	041545-03-000	EA	BRACKET-DOOR ANGLE 5" X 1 9" - BEIGE - METAL
5	045017-11-000	EA	LATCH-ENTRY DOOR MECHANISM W/LOCK & KEY - BLACK
	045017-11-701	EA	KEY-BLANK ROUND TOP - SILVER - TRIMARK
	056743-01-000	EA	PLUG-CAP 1 5" DIAMETER
	056025-02-000	EA	CLIP-ROLLER LATCH CATCH SCREEN DOOR
	063729-04-000	EA	RIVNUT 10-32 UNF - 010-060
	072593-01-000	EA	NUTSERT-M5 X 0.8
	075571-04-000	FT	SEAL-SPONGE LAZY T SHAPE - W/ADHESIVE STRIPE - 5" WIDE
5	079012-01-L01	EA	DOOR-SCREEN
7	002293-02-000	SF	SCREENING-WINDOW DOOR 25" - CHARCOAL
8	002294-01-000	FT	SPLINE-SCREENING 135" X 135" - BLACK
	002748-01-000	EA	CORNER KEY-DOOR
9	109403-01-000	EA	CATCH-SINGLE ROLLER SCREEN DOOR
10	001014-01-013	EA	INSERT-CENTER 10 25" X 16 31" - UNPAINTED
11	050712-01-000	EA	HANDLE-SCREEN DOOR ALUMINUM - OFF WHITE
11	050712-05-000	EA	HANDLE-SCREEN DOOR UNPAINTED
12	078552-03-000	EA	INSERT-SCREEN DOOR LOWER - V-ILL
	078595-01-000	EA	PLATE-SCREEN DOOR
13	078777-01-000	EA	CHANNEL-SLIDE SCREEN DOOR CENTER SLIDER COVER - 17 4"
14	079066-02-000	EA	SLIDER-SCREEN DOOR OFF WHITE
15	079067-02-000	EA	STRIKE-SLIDER W/LIP FOR ELBOW CATCH - 1 5" X 8 5"
15	067503-32-000	EA	FRAME-WINDOW-ENTRY DOOR - OFF WHITE
15	079733-07-AA8	EA	WINDOW-ENTRY DOOR 17" X 25" - FROSTED GLASS
15	050216-02-000	FT	SPLINE-GLASS EXTERIOR - VINYL - 19" - BLACK
15	002181-07-000	EA	GLASS-WINDOW 182" X 16 25" X 24" - FROSTED
15	087551-01-000	FT	SEAL-GLASS EXTERIOR - 5" WIDE - VINYL - BLACK
	081914-01-000	EA	BUMPER-RUBBER ROUND - 43" DIAMETER - BLACK
17	089748-01-000	EA	FRAME-DOOR ENTRANCE - BOTTOM - OFF WHITE
	090343-01-000	FT	SEAL-FOAM CLOSED CELL - 1 1/4" X 1 1/2" X 50"
18	095275-01-01A	EA	FRAME-DOOR ENTRANCE - TOP & SIDES - OFF WHITE
19	095277-02-01A	EA	JAMB-ENTRY DOOR - 25 9" X 74 5" - OFF WHITE
	095278-01-01A	EA	JAMB-DOOR- ENTRANCE - 25 9" X 74 6" - UNPAINTED
20	051049-01-000	EA	JAMB-DOOR-ENTRANCE-BOTTOM - 25 9" - UNPAINTED
	079207-01-000	EA	STRIKER-ROLLER CATCH WELDED TO DOOR JAMB - 4" X 1 15"
21	055810-01-01A	EA	PLATE-LATCH ENTRY DOOR - PLASTIC - BLACK
22	097724-01-04A	EA	HINGE-ENTRY DOOR UNPAINTED
23	098173-01-04A	EA	STIFFENER-ENTRY DOOR SUPPORTS LATCH STRIKE
	100123-02-000	FT	SEAL-PILE ADHESIVE BACK - SCREEN DOOR - GRAY
24	101145-01-01A	EA	DEADBOLT-ENTRY DOOR W/2 KEYS W/O BOLT OR SCREWS
	055229-01-700	EA	KEY BLANK
	101147-01-000	EA	BOLT-SECURITY 4 12" BACKSET
	102524-01-000	EA	BUMPER-RUBBER FLAT - BLACK
25	044582-02-000	EA	CAP-DRIP DOOR JAMB MOUNTED - OFF WHITE
	075639-19-000	EA	GARNISH-ENTRANCE DOOR OFF WHITE
25	100412-01-000	EA	CATCH-SCREEN DOOR THUMB CLIP W/BLACK PLASTIC CAP
	077451-03-000	EA	COVER-STRIKE ENTRY DOOR - 6 5" X 2 5" - PLASTIC - WHITE

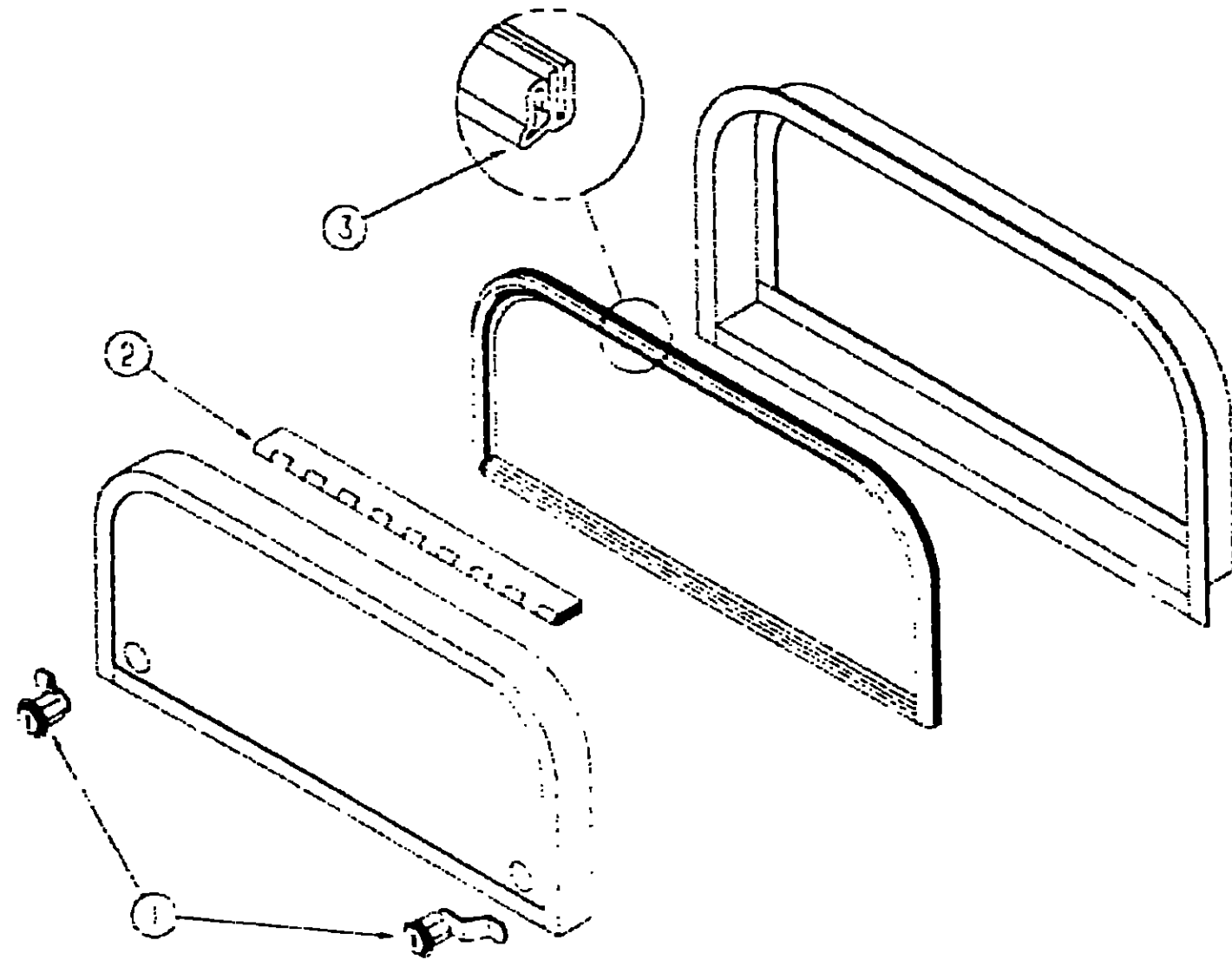
1992 ITASCA  
TABLE OF CONTENTS

INTRODUCTION	A-01 - A-02
ABBREVIATIONS	A-03
ALPHABETICAL INDEX	A-04 - A-05
IF427RD	A-07 - D-16
IF427RC	D-17 - G-22
IF427RT	G-23 - K-07

1992 IF427RC INDEX

FLOOR PLAN	D-17 - D-18
ACCESSORIES	D-19
AUDIO VIDEO	D-20
BATH	D-21 - D-22
BEDROOM	D-23
CHASSIS	D-24 - E-02
CURTAIN & CUSHION	E-03 - E-10
DINETTE	E-11 - E-12
DRIVERS	E-13 - E-14
ELECTRICAL	E-15 - E-16
EXTERIOR BODY	E-19 - F-01
GALLEY	F-02 - F-05
GENERATOR	F-06
HEATING & A/C	F-07 - F-08
INTERIOR FINISH	F-09 - F-12
LABEL	F-13 - F-20
LP	F-21
LOUNGE	F-22 - F-23
SEALANTS & FASTENERS	F-24 - G-02
WATER & SEWAGE	G-03 - G-05
WINDOW, VENT AND EXTERIOR DOOR	G-07 - G-22

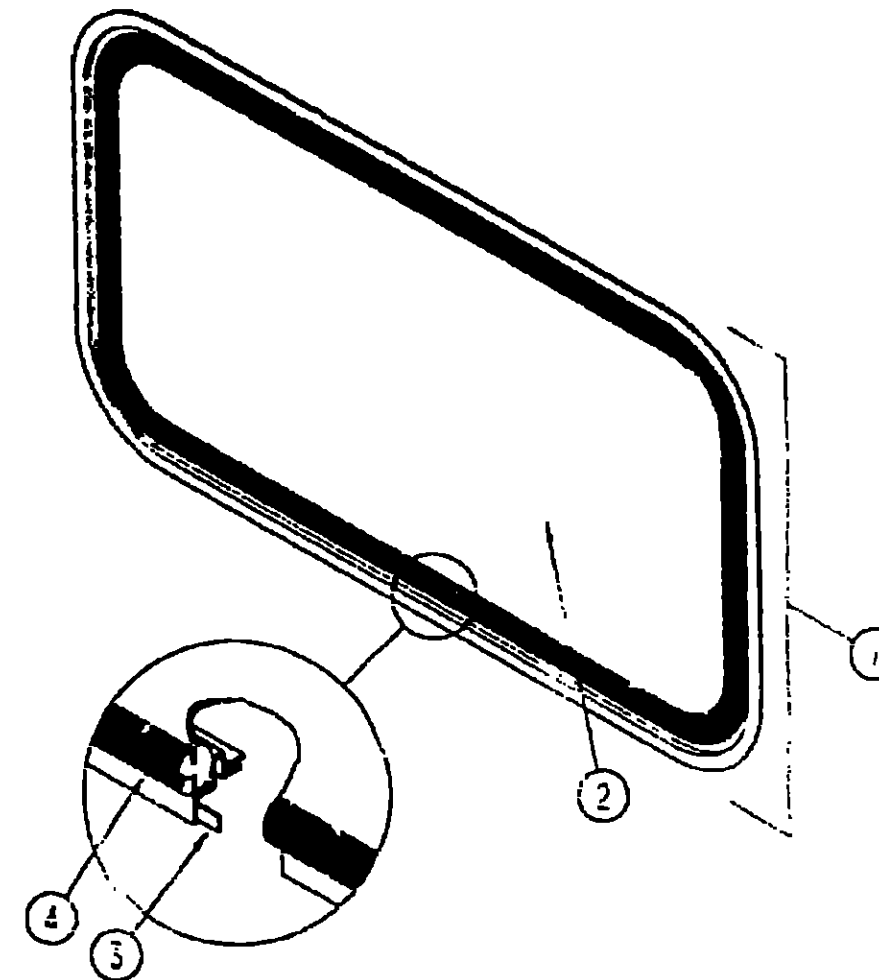
WINDOW, VENT & EXTERIOR DOOR GROUP (CONTINUED)



EXTERIOR DOORS

KEY	PART NUMBER	U/M	DESCRIPTION
1	079355-04-000	EA	LOCK DOOR KEY TYPE W/O KEYS - 18 OFF SET FROM 03-00-00 THRU 02-19-92
	079355-05-000	EA	LOCK ASM KEY TYPE W/O KEYS - 18 OFF SET FROM 02-20-92 THRU 09-99-99
	082694-01-700	EA	KEY - BLANK
	079227-03-000	EA	LOCK TWIST TYPE - DOUBLE CAM - 2 1/2 OFF SET FROM 03-00-00 THRU 02-19-92
	079227-04-000	EA	LOCK ASM TWIST TYPE 150 D.S. - LUNG BLOCK FROM 02-20-92 THRU 09-99-99
2	061601-02-000	EA	HINGE - 2" X 95" - OFF WHITE
3	054075-07-000	FT	SEAL-BULB W/W RED U CHANNEL - 3" X 5" CHANNEL - BLACK
	090340-01-000	FT	SEAL-FOAM CLOSED CELL - 1/4" X 1/2" X 50
	104592-01-000	FT	SEAL-ADHESIVE BACK 3/4" X 3/4"
	097111-01-01A	EA	POCKET-LOCK-VALANCE-OFF WHT
	098333-01-000	EA	GASKET-LOCK POCKET
	095217-55-001	EA	U-CHANNEL - 17 5/8" - OFF WHITE
	091876-01-000	EA	RETAINER-DOOR-1 9" X 6" - METAL
	102758-01-000	EA	HOLDER-COMPARTMENT-ENTRY DOOR - METAL - MILL FINISH
	104099-01-01A	EA	CATCH DOOR HOLDER - STRIKE - OFF WHITE
	104099-02-01A	EA	CATCH-DOOR HOLDER - RETAINER - OFF WHITE

WINDOW, VENT & EXTERIOR DOOR GROUP (CONTINUED)



OVERHEAD BUNK FRONT WINDOW

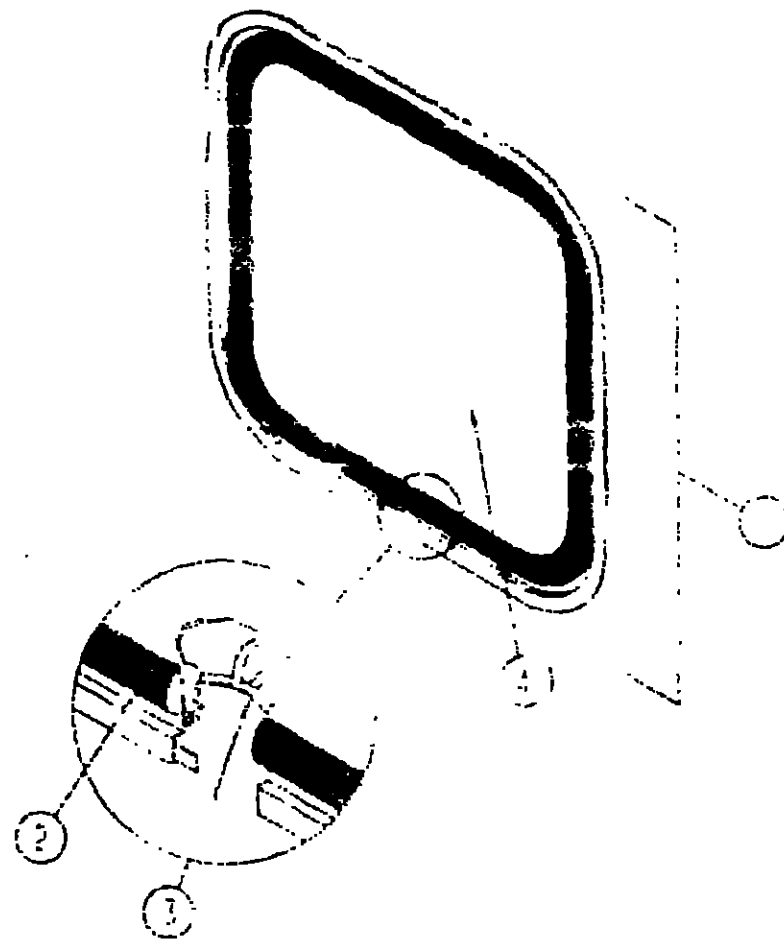
KEY	PART NUMBER	U/M	DESCRIPTION
	067603-03-000	EA	FRAME-INSIDE WINDOW
1	100373-01-80E	EA	WINDOW ASM-PICTURE
2	001151-15-000	EA	GLASS-PICTURE 16" X 16 1/4" X 7/8" 2" - GRAY
3	069240-11-000	FT	SEALER-TAPE - 3/16" X 3/8" - BLACK
4	089154-01-000	FT	CHANNEL-GLAZING STATIONARY GLASS - 52" X 40" - BLACK

1992 ITASCA  
TABLE OF CONTENTS

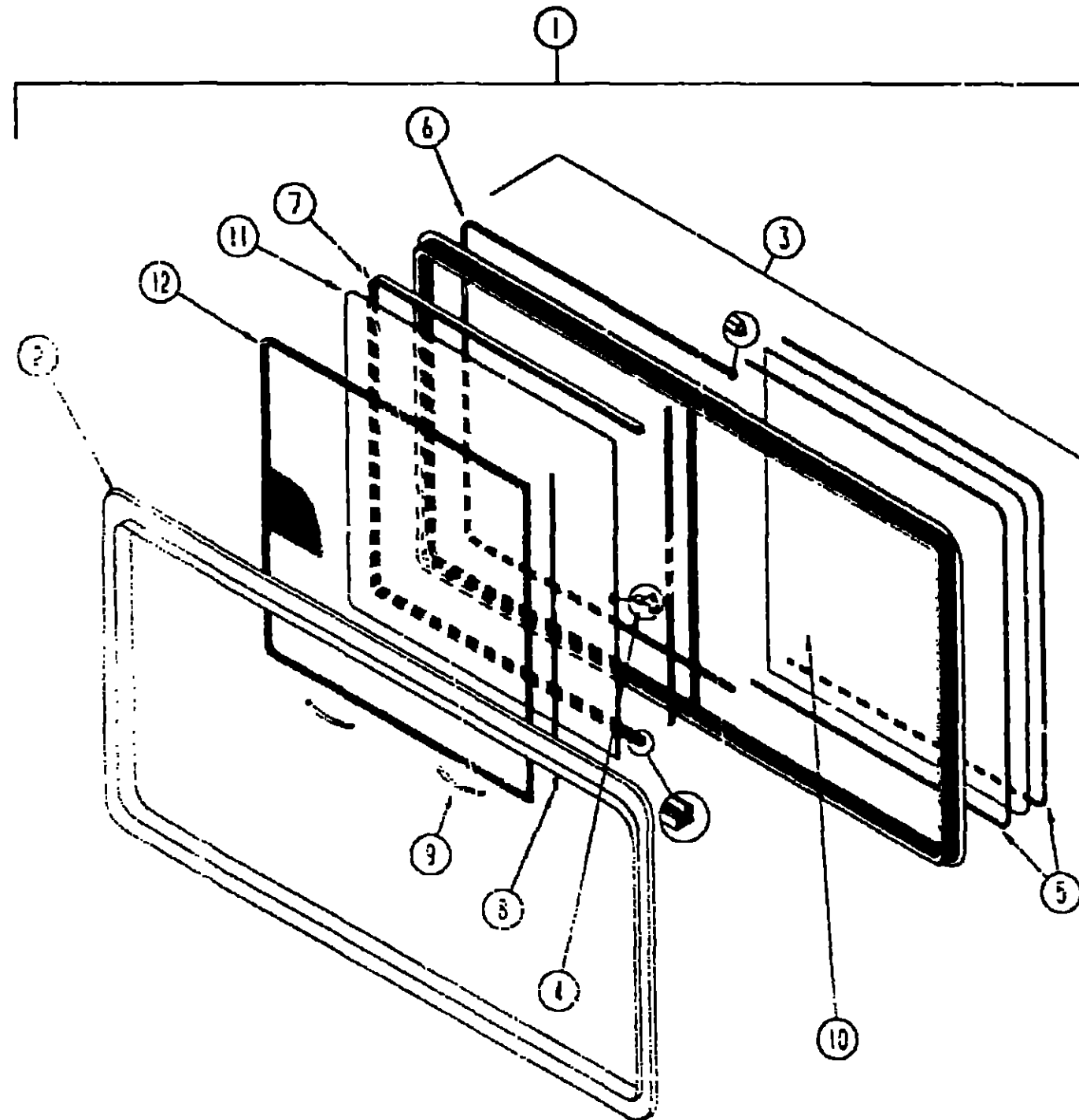
	A-01	A-02
INTRODUCTION	A-01	A-02
ABBREVIATIONS	A-03	A-03
ALPHABETICAL INDEX	A-04	A-05
IF427RC	A-07	D-15
IF427RD	D-17	D-22
IF427RT	G-23	G-27

1992 IF427RC INDEX

	D-17	D-15
ENTERPLAN	D-17	D-15
ACCESSORIES		D-20
ADDIOMDEL		D-22
BATH	D-21	D-22
BEDROOM		D-17
CHASSIS	D-24	D-17
CURTAINS & CUSHIONS	E-03	E-11
DINETTE	E-11	E-12
DRIVERS	G-13	G-14
ELECTRICAL	E-15	E-16
EXTERIOR BODY	E-19	E-21
GALLEY	F-02	F-03
GENERATOR		F-05
HEATING & A/C	F-07	F-08
INTERIOR FINISH	F-09	F-12
LABEL	F-13	F-20
LP		F-21
LOUNGE	F-22	F-23
SEALANTS & FASTENERS	F-24	G-02
WATER & SEWAGE	G-03	G-05
WINDOW VENT AND EXTERIOR DOOR	G-07	G-22



BLACKWALL ESCAPE WINDOW



LOUNGE SINGLE SLIDING WINDOW

1992 ITASCA  
TABLE OF CONTENTS

INTRODUCTION	A-01	A-02
ABBREVIATIONS		A-03
ALPHABETICAL INDEX	A-04	A-05
IF427RC	A-07	D-16
IF427RC	D-17	C-22
IF427RT	G-23	K-07

1992 IF427RC INDEX

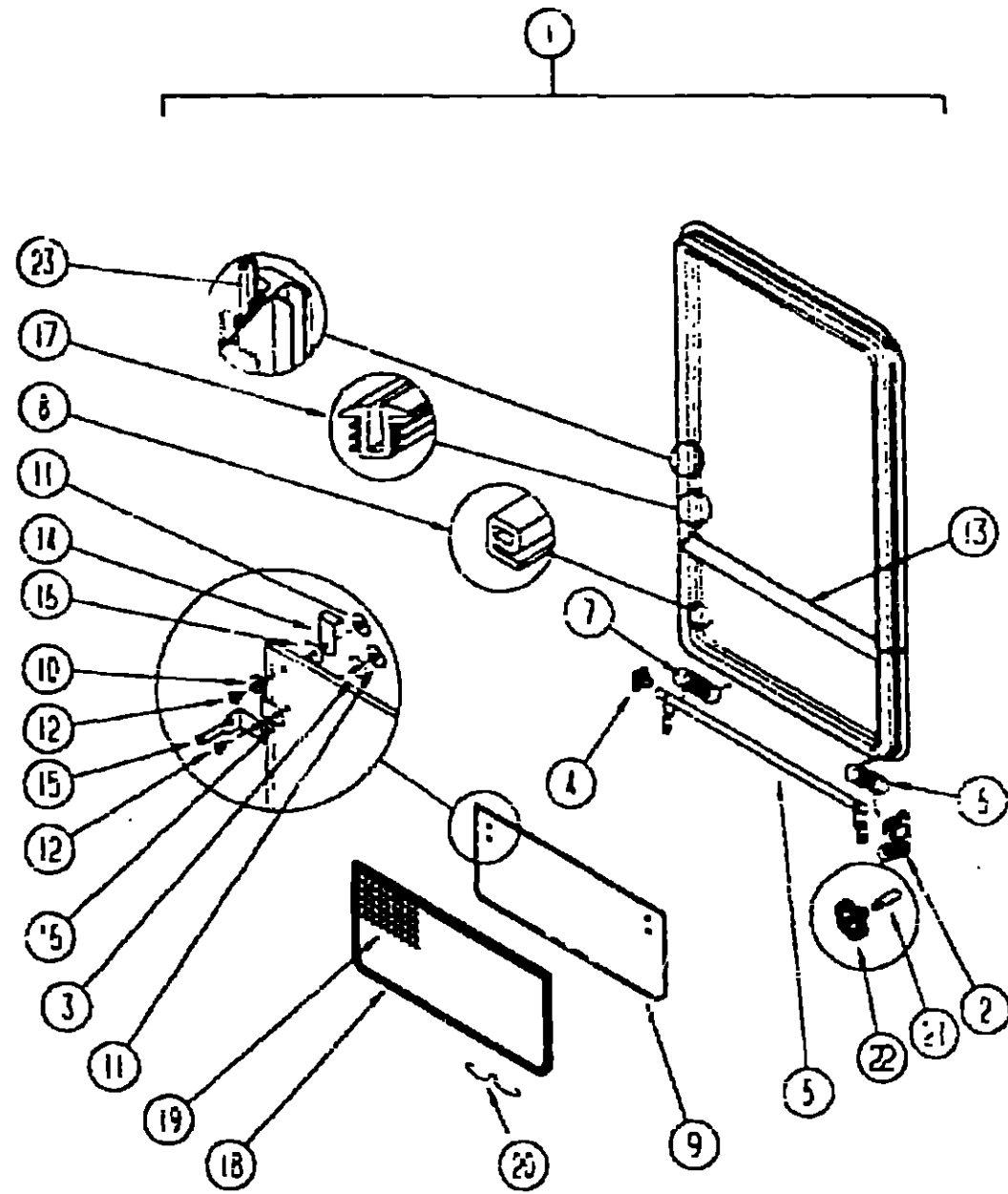
FLOOR PLAN	D-17	D-18
ACCESSORIES		D-19
ADD ON DEC		D-20
BATH	D-21	D-22
BEDROOM		D-23
CHASSIS	D-24	E-02
CURTAIN & CUSHION	E-03	E-10
DIAPHRAGM	E-11	E-12
DRIVERS	E-13	E-14
ELECTRICAL	E-15	E-18
EXTERIOR BODY	E-19	F-01
GALLEY	F-02	F-03
GENERATOR		F-05
HEATING & A/C	F-07	F-08
INTERIOR FINISH	F-09	F-12
LABEL	F-13	F-20
LP		F-21
LOUNGE	F-22	F-23
SEALANTS & FASTENERS	F-24	G-02
WATER & SEWAGE	G-03	G-05
WINDOW VENT AND EXTERIOR DOOR	G-07	G-22

KEY	PART NUMBER	U/M DESCRIPTION
1	098547-01-02A	EA FRAME WINDOW W/ INSIDE FRAME (BLACK W/ INSIDE FRAME)
2	098547-09-704	EA TRIM INSIDE OFF WHITE - W024-67 EXCEL WHITE
3	098547-01-700	EA WINDOW SINGLE SLIDER - LEFT W/O INSIDE FRAME;
4	098544-01-703	EA LATCH REPAIR KIT
5	098544-01-705	FT GLAZING STRIP - EXCEL M525-12
6	098544-01-706	FT WEATHERSTRIP - EXCEL 171-010553
7	098544-01-708	FT CHANNEL PERCED RUN - EXCEL 122-016543
8	098544-01-710	FT TRACK-SCREEN SPACER 12" LENGTH - EXCEL M401-31
9	098544-01-711	FT WEATHERSTRIP-SCREEN BLACK - EXCEL 171-016965
	098544-01-713	EA SPRING-SCREEN FRAME (CLIP) PLASTIC - BLACK - EXCEL 225-016955
	098544-01-716	FT PLUG-FILLER EXCEL 132-014470
	098544-01-717	FT SPLINE SCREEN MFG-EXCEL 32-004715
10	098547-09-700	EA GLASS-STAT CLARY - 105-017193 EXCEL
11	098547-09-701	EA GLASS SLIDING - W SASH & LATCH - H024-G9 EXCEL
12	098547-09-705	EA SCREEN W SPRING & WEATHERSTRIP - 410-016464 EXCEL

KEY	PART NUMBER	U/M DESCRIPTION
1	098547-01-02A	EA WINDOW ASM SLIDER-HORIZONTAL - BLACK W/ INSIDE FRAME)
2	098547-09-704	EA TRIM INSIDE OFF WHITE - W024-67 EXCEL WHITE
3	098547-01-700	EA WINDOW SINGLE SLIDER - LEFT W/O INSIDE FRAME;
4	098544-01-703	EA LATCH REPAIR KIT
5	098544-01-705	FT GLAZING STRIP - EXCEL M525-12
6	098544-01-706	FT WEATHERSTRIP - EXCEL 171-010553
7	098544-01-708	FT CHANNEL PERCED RUN - EXCEL 122-016543
8	098544-01-710	FT TRACK-SCREEN SPACER 12" LENGTH - EXCEL M401-31
9	098544-01-711	FT WEATHERSTRIP-SCREEN BLACK - EXCEL 171-016965
	098544-01-713	EA SPRING-SCREEN FRAME (CLIP) PLASTIC - BLACK - EXCEL 225-016955
	098544-01-716	FT PLUG-FILLER EXCEL 132-014470
	098544-01-717	FT SPLINE SCREEN MFG-EXCEL 32-004715
10	098547-09-700	EA GLASS-STAT CLARY - 105-017193 EXCEL
11	098547-09-701	EA GLASS SLIDING - W SASH & LATCH - H024-G9 EXCEL
12	098547-09-705	EA SCREEN W SPRING & WEATHERSTRIP - 410-016464 EXCEL

# WINDOW, VENT & EXTERIOR DOOR GROUP (CONTINUED)

## BEDROOM TIPOUT WINDOW



KEY	PART NUMBER	U/M	DESCRIPTION
	090393-18-02A	EA	FRAME INSIDE - WINDOW RETAINER - OFF WHITE
1	092235-12-M12	EA	WINDOW-TIPOUT - SINGLE - W/O INSIDE FRAME
	000414-08-14R	EA	RIVET-MANDREL BLIND - 3/16"
2	035502-02-000	EA	OPERATOR-TORQUE - TIPOUT WINDOW - LEFT
3	068927-03-000	EA	SEAL-WINDOW - RUBBER - ROUND - 80" DIA - BLACK
4	081354-01-000	EA	SLEEVE-TORQUE TUBE - TIPOUT WINDOW - 1 3/4" X 1 1/2" X 7"
	081649-01-000	EA	RING-SNAP - 7/32 SHAF. DIA. 1/8" THK
5	083150-12-000	EA	TUBE ASM-TORQUE - WINDOW-
6	060918-01-000	EA	SPRING-TORQUE TUBE - LEFT
7	060918-02-000	EA	SPRING-TORQUE TUBE - RIGHT
8	084057-02-000	FT	SEAL-SHAPED - SPONGE - TIPOUT WINDOW - 12" X 38" - BLACK
9	084058-17-000	EA	GLASS-TIPOUT - 9 1/2" X 25"
10	084453-02-000	EA	WASHER - 3/8" X 5/8" X .25" - PLASTIC
11	085722-01-000	EA	T NUT 10-32
12	085753-01-000	EA	SCREW-MACHINE - 10-32 X 1.4 PTH
13	087566-04-01A	EA	MULLION HORIZONTAL - TIPOUT - BLACK
14	089913-01-000	EA	PAGE-TIPOUT WINDOW - BLACK
15	097578-01-000	EA	LINKAGE-TIPOUT WINDOW
	084453-01-000	EA	WASHER - 3/8" X 5/8" X .25" - PLASTIC
16	084473-01-000	EA	SEAL-FLAT - W/CENTER HOLE & ADHESIVE SIDE - 8" X 6" - BLK
	085315-01-000	EA	RIVET-SHOULDER - TIPOUT WINDOW
17	099154-01-000	FT	CHANNEL GLAZING - STATIONARY GLASS - 62" X 45" - BLACK
18	100235-04-807	EA	SCREEN-SINGLE TIPOUT WINDOW
19	087218-03-000	SP	SCREEN-NG-FIBERGLASS - 12" WIDE
20	100165-01-000	EA	CLIP-SPRING - SCREEN
	100240-01-000	FT	SPRING-SCREEN - T-SHAPED
21	009439-06-000	EA	EXTENSION-CRANK HANDLE WINDOW ROOF VENT - BLACK
22	009439-06-000	EA	KNOB-OPERATOR - TIPOUT WINDOW - W/SPRING & ARM
	009439-07-000	EA	SCREW - 8 32 X 1 1/4 PCH - BLACK
23	069640-11-000	FT	TAPE-SEALER - 3 1/8" X 3 5/8" - BLACK

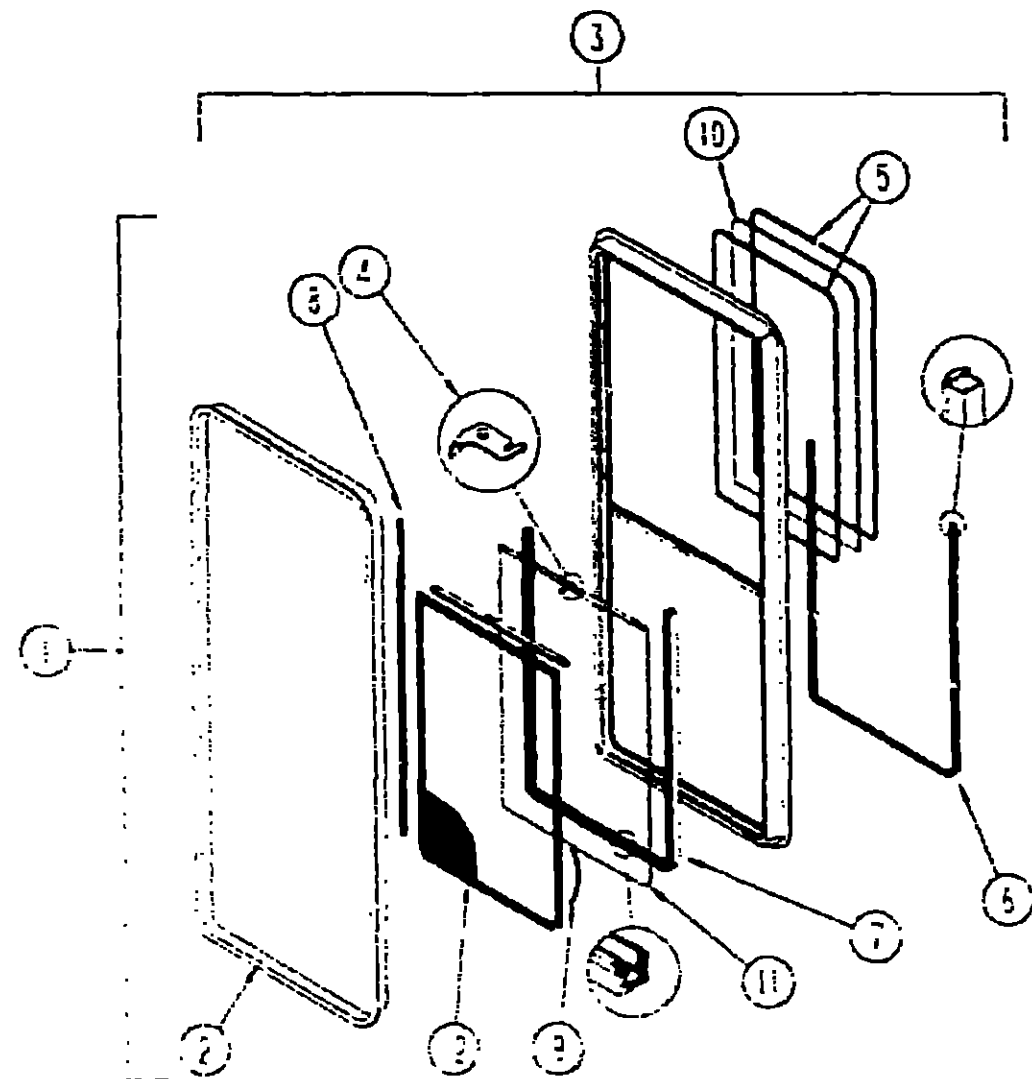
## 1992 ITASCA TABLE OF CONTENTS

INTRODUCTION	A-01	F-02
ABBREVIATIONS	A-02	F-03
ALPHABETICAL INDEX	A-04	F-04
IF427RC	A-07	F-05
IF427RC	B-17	F-17
IF427RT	C-25	F-27

## 1992 IF427RC INDEX

FLOOR PLAN	D-17	D-18
ACCESSORIES		D-19
AUDIO VIDEO		D-20
BATH	D-21	D-22
BEDROOM		D-23
CLASSIS	D-24	F-02
CURTAINS & CLEN-CO	E-03	E-10
CINETTE	E-11	E-12
COFFERS	E-13	E-14
ELECTRICAL	E-15	E-18
EXTERIOR BODY	E-19	F-01
GALLEY	F-02	F-03
GENERATOR		F-05
HEATING & A/C	F-07	F-08
INTERIOR FINISH	F-09	F-12
LABEL	F-13	F-20
LP		F-21
LOUNGE	F-22	F-23
SEALANTS & FASTENERS	F-24	G-02
WATER & SEWAGE	G-03	G-05
WINDOW VENT AND EXTERIOR DOOR	G-07	G-22

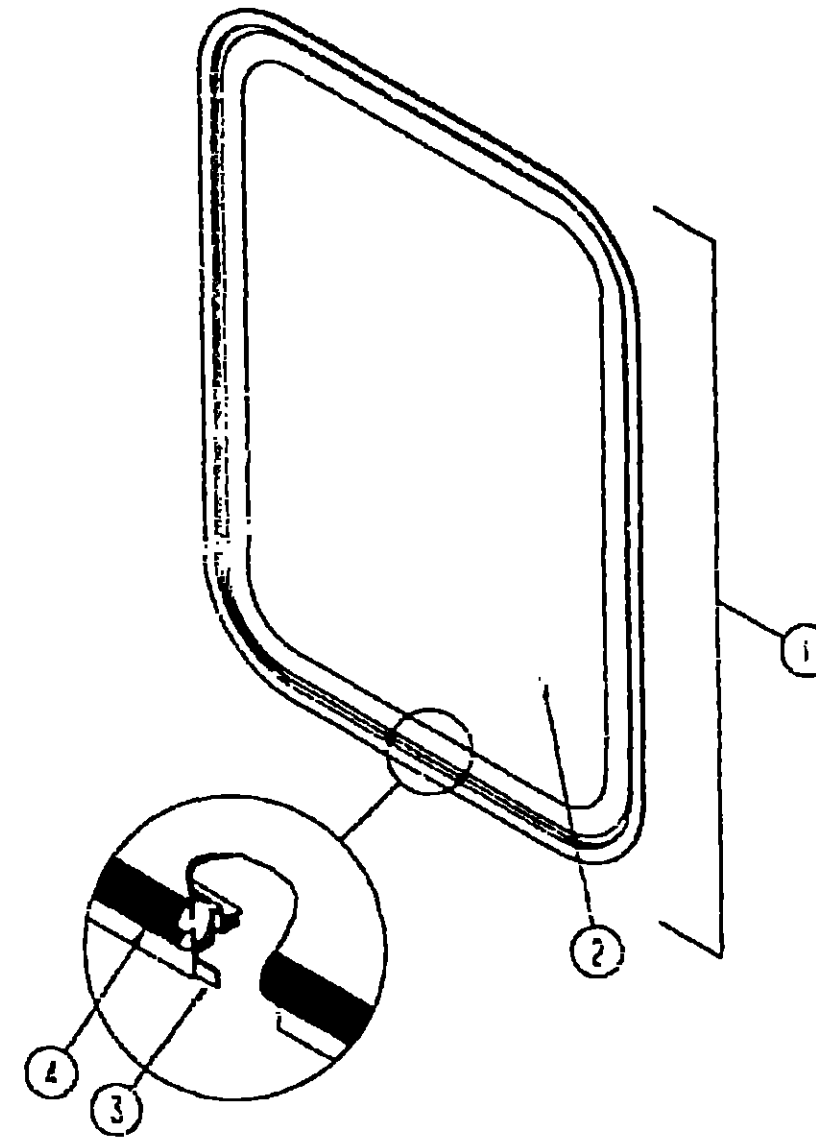
WINDOW, VENT & EXTERIOR DOOR GROUP (CONTINUED)



LOUNGE VERTICAL SLIDER WINDOW

KEY	PART NUMBER	U/M	DESCRIPTION
1	036644-05-01A	EA	WINDOW SLIDING SINGLE - W/INS DE FRAME - EXCEL H-250-PR
2	036644-05-700	EA	TRIM INS DE (OFF-WHITE) - V959-87 EXCEL WHITE
3	036644-05-704	EA	WINDOW SLIDING SINGLE - W/INS DE FRAME - EXCEL B959-G2R
4	036644-01-700	EA	LATCH-REPAIR KIT - EXCEL B801-OK
5	036644-01-705	FT	GLAZING STRIP - EXCEL M525-12
6	036644-01-706	FT	WEATHERSTRIP - EXCEL 171-010668
7	036644-01-708	FT	CHANNEL PIERCED RUN - EXCEL 122-015543
8	036644-01-710	FT	TRACK SCREEN SPACER 12" LENGTH - EXCEL W401-31
9	036644-01-711	FT	WEATHERSTRIP-SCREEN BLACK - EXCEL 171-016965
10	036644-01-713	EA	SPRING SCREEN FRAME (CLIP) PLASTIC - BLACK
	036644-01-716	FT	PLUG FILLER - EXCEL 132-014470
	036644-01-717	FT	SPLINE-SCREEN - EXCEL 132-004715
11	036644-05-701	EA	GLASS STATIONARY - EXCEL 105-015013
12	036644-05-702	EA	GLASS SLIDING W/ASH & LATCH - EXCEL B959-G9
12	036644-05-703	EA	SCREEN W/WEATHERSTRIP & FRAME SPRING (CLIP) - EXCEL 410-015478

WINDOW, VENT & EXTERIOR DOOR GROUP (CONTINUED)



ENTRY DOOR WINDOW

KEY	PART NUMBER	U/M	DESCRIPTION
1	079733-07-448	EA	WINDOW-ENTRY DOOR - 17" X 25" - FROSTED GLASS
2	002181-07-000	EA	GLASS-WINDOW 182" X 16 25" X 24" - FROSTED
3	050216-02-000	FT	SPLINE-GLASS EXTERIOR - VINYL - 19" - BLACK
4	087581-01-000	FT	SEAL-GLASS EXTERIOR - 5" WIDE - VINYL - BLACK

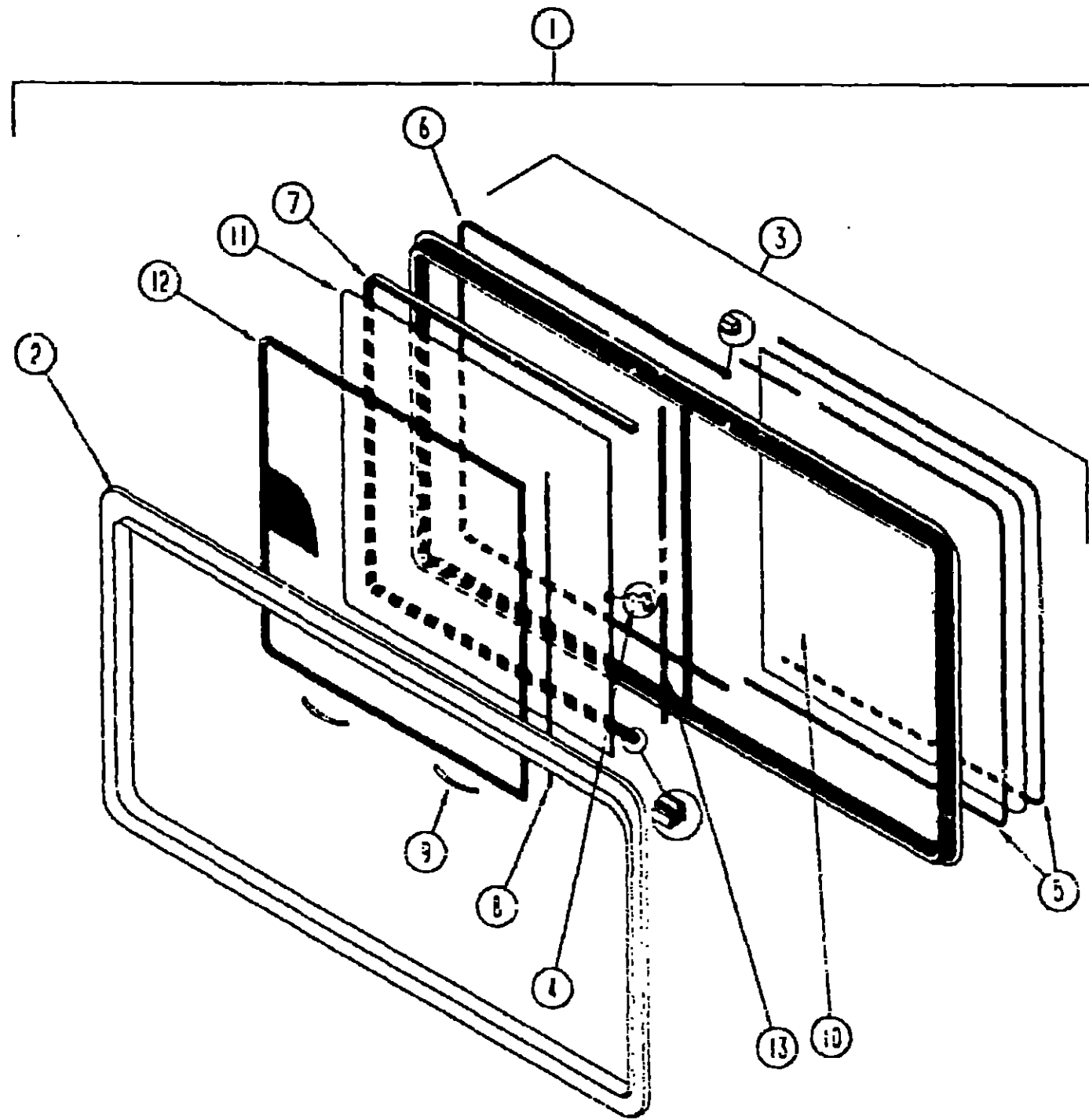
1992 ITASCA  
TABLE OF CONTENTS

INTRODUCTION	A-01 - A-02
ABBREVIATIONS	A-03
ALPHABETICAL INDEX	A-04 - A-06
IF427RQ	A-07 - D-16
IF427RC	D-17 - G-22
IF427RT	G-23 - K-07

1992 IF427RC INDEX

FLOOR PLAN	D-17 - D-18
ACCESSORIES	D-19
AUDIO VIDEO	D-20
BATH	D-21 - D-22
BEDROOM	D-23
CHASSIS	D-24 - E-02
CURTAIN & CUSHION	E-03 - E-10
DINETTE	E-11 - E-12
DRIVERS	E-13 - E-14
ELECTRICAL	E-15 - E-18
EXTERIOR BODY	E-19 - F-01
GALLEY	F-02 - F-05
GENERATOR	F-06
HEATING & A/C	F-07 - F-08
INTERIOR FINISH	F-09 - F-12
LABEL	F-13 - F-20
LP	F-21
LOUNGE	F-22 - F-23
SEALANTS & FASTENERS	F-24 - G-02
WATER & SEWAGE	G-03 - G-05
WINDOW VENT AND EXTERIOR DOOR	G-07 - G-22

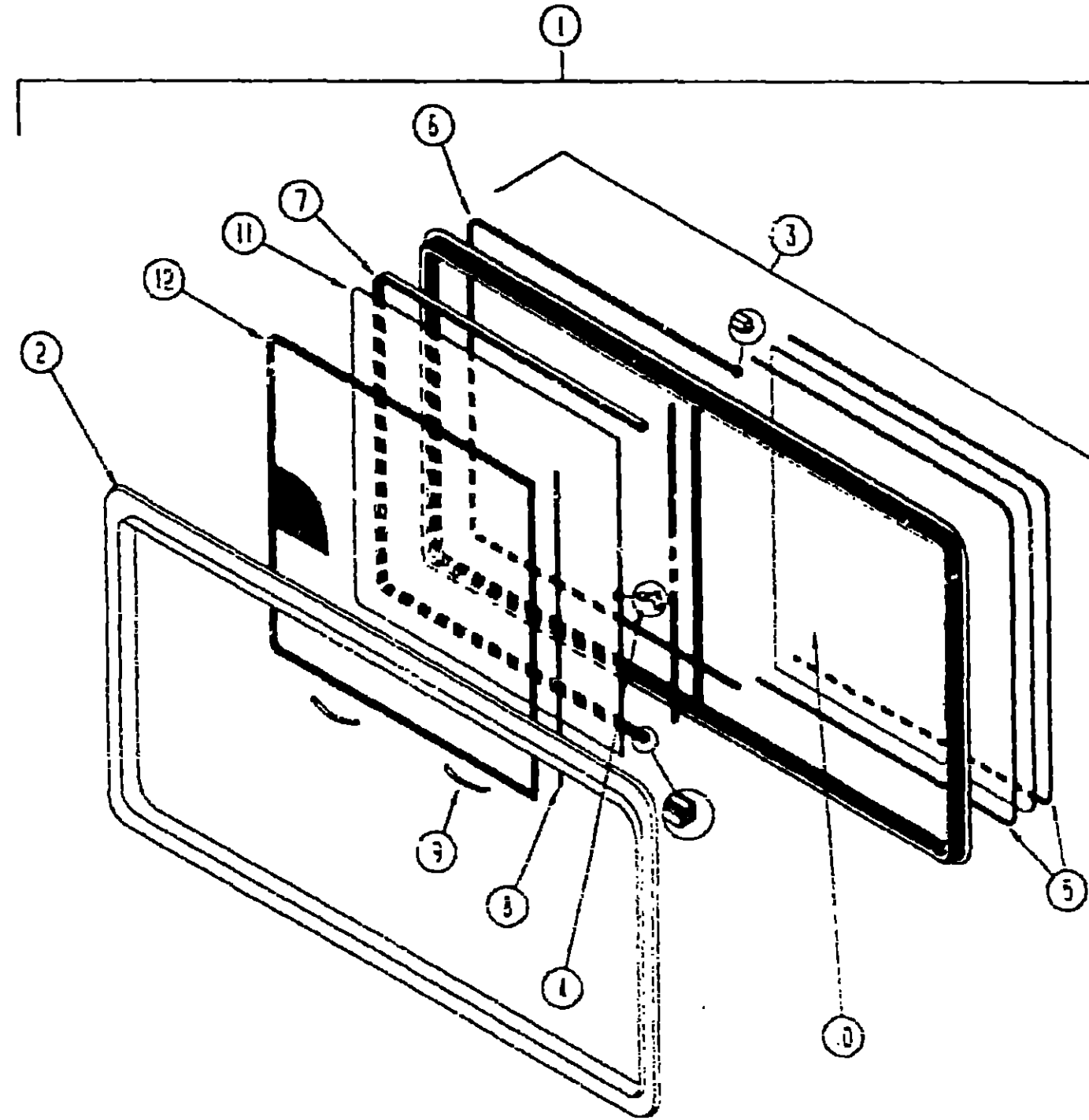
WINDOW, VENT & EXTERIOR DOOR GROUP (CONTINUED)



GALLEY SLIDING WINDOW

KEY	PART NUMBER	U/M	DESCRIPTION
1	099547-07-02A	EA	WINDOW ASM-SLIDER-HORIZONTAL-BLACK (W/INSIDE FRAME)
2	099547-06-705	EA	TRIM-INSIDE (OFF-WHITE)-W024-67 EXCEL-WHITE
3	099547-07-700	EA	WINDOW-SINGLE SLIDER-LEFT (W/INSIDE FRAME)
4	099544-01-700	EA	LATCH REPAIR KIT
5	099544-01-705	FT	GLAZING STRIP-EXCEL M925-12
6	099544-01-706	FT	WEATHERSTRIP-EXCEL 171-010568
7	099544-01-703	FT	CHANNEL-PIERCED R/LN-EXCEL 122-016543
8	099544-01-710	FT	TRACK-SCREEN SPACER 12" LENGTH-EXCEL M401-31
	099544-01-711	FT	WEATHERSTRIP-SCREEN BLACK-EXCEL 171-016965
9	099544-01-713	EA	SPRING-SCREEN FRAME (CLIP) PLASTIC-BLACK-EXCEL 225-016965
	099544-01-716	FT	PLUG-FILLER EXCEL 132-014470
	099544-01-717	FT	SPLINE-SCREEN MFG-EXCEL 32-204716
10	099547-06-700	EA	GLASS-STATIONARY-105-017193 EXCEL
11	099547-06-702	EA	GLASS-SLIDING W/SASH & LATCH-H024-69 EXCEL
12	099547-06-703	EA	SCREEN W/SPRING & WEATHERSTRIP-4'0-0'1654 EXCEL
13	099547-06-701	EA	STATIONARY LOCKING RAIL ASM

WINDOW, VENT & EXTERIOR DOOR GROUP (CONTINUED)



DINETTE SINGLE SLIDING WINDOW

KEY	PART NUMBER	U/M	DESCRIPTION
1	099547-09-02A	EA	WINDOW ASM-SLIDER-HORIZONTAL-BLACK (W/INSIDE FRAME)
2	099547-09-704	EA	TRIM-INSIDE (OFF-WHITE)-W024-67 EXCEL-WHITE
3	099547-09-703	EA	WINDOW-SINGLE SLIDER-LEFT (W/INSIDE FRAME)
4	099544-01-700	EA	LATCH REPAIR KIT
5	099544-01-705	FT	GLAZING STRIP-EXCEL M925-12
6	099544-01-706	FT	WEATHERSTRIP-EXCEL 171-010568
7	099544-01-703	FT	CHANNEL-PIERCED R/LN-EXCEL 122-016543
8	099544-01-710	FT	TRACK-SCREEN SPACER 12" LENGTH-EXCEL M401-31
	099544-01-711	FT	WEATHERSTRIP-SCREEN BLACK-EXCEL 171-016965
9	099544-01-713	EA	SPRING-SCREEN FRAME (CLIP) PLASTIC-BLACK-EXCEL 225-016965
	099544-01-716	FT	PLUG-FILLER EXCEL 132-014470
	099544-01-717	FT	SPLINE-SCREEN MFG-EXCEL 32-204716
10	099547-09-700	EA	GLASS-STATIONARY-105-017193 EXCEL
11	099547-09-701	EA	GLASS-SLIDING W/SASH & LATCH-H024-69 EXCEL
12	099547-09-705	EA	SCREEN W/SPRING & WEATHERSTRIP-4'0-0'1654 EXCEL

1992 ITASCA  
TABLE OF CONTENTS

INTRODUCTION	A-01 - A-02
ABBREVIATIONS	A-03
ALPHABETICAL INDEX	A-04 - A-09
IF427FO	A-07 - D-15
IF427RC	D-17 - G-22
IF427RT	G-23 - K-07

1992 IF427RC INDEX

FLOOR PLAN	D-17 - D-18
ACCESSORIES	D-19
AUXiliary DECK	D-20
BATH	D-21 - D-22
BEDROOM	D-23
CHASSIS	D-24 - E-02
CURTAIN & CUSHION	E-03 - E-10
CINETTE	E-11 - E-12
COVERS	E-13 - E-14
ELECTRICAL	E-15 - E-16
EXTERIOR BODY	E-19 - F-01
GALLEY	F-02 - F-05
GENERATOR	F-06
HEATING & A/C	F-07 - F-08
INTERIOR FURNISH	F-09 - F-12
JABEL	F-13 - F-20
LP	F-21
LOUNGE	F-22 - F-23
SEALANTS & FASTENERS	F-24 - G-02
WATER & SEWAGE	G-03 - G-06
WINDOW VENT AND EXTERIOR DOOR	G-07 - G-22

**WINDOW, VENT & EXTERIOR DOOR GROUP (CONTINUED)**

**BUNK SLANTED SLIDER WINDOWS**

KEY	PART NUMBER	U/M	DESCRIPTION
	098645-05-51A	EA	WINDOW-SLANTED SLIDER-PASSENGER SIDE
	098645-05-01A	EA	WINDOW-SLANTED SLIDER-DRIVER SIDE
	098644-01-700	EA	LATCH REPAIR KIT (BLACK)
	098644-01-705	FT	GLAZING STRIP
	098644-01-706	FT	WEATHERSTRIP-GLASS
	098644-01-708	FT	CHANNEL-RUN - PIERCED - GLASS
	098644-01-710	FT	TRACK-SPACER - FOR SCREEN 12
	098644-01-711	FT	WEATHERSTRIP SCREEN - BLACK
	098644-01-713	EA	SCREEN CLIPS (METAL)-BLACK
	098644-01-715	FT	PLUG FILLER
	098644-01-717	FT	SPLINE SCREEN ASM
	098645-05-700	EA	STATIONARY GLASS
	098645-05-701	EA	SLIDE ASM
	098645-05-702	EA	SCREEN ASM

**WINDOW, VENT & EXTERIOR DOOR GROUP (CONTINUED)**

**POWERED ROOF VENT**

KEY	PART NUMBER	U/M	DESCRIPTION
	090394-01-Y12	EA	VENT-ROOF POWERED
	009439-01-000	EA	CRANK HANDLE-ROOF VENT
	009439-04-000	EA	SCREWS-32 X 1 1/4" PH
	009439-05-000	EA	KNOB-CRANK WINDOW AND ROOF VENT - BLACK - DECO 715125
	055218-01-000	EA	COVER-ROOF VENT PLASTIC
	002825-01-000	EA	WEATHER STRIP-ROOF VENT GRAY
	003195-01-000	EA	SWITCH-ROOF VENT PUSH BUTTON 12V
	002343-01-000	EA	TIE WIRE 5"
	008355-01-000	EA	GROMMET-SNAP 3/8"
	009440-01-000	EA	GEAR ARM-VENT COVER LIFT
	015911-01-000	EA	TRACK-LIFT ARM SLIDE - ROOF VENT
	045548-01-000	EA	MOTOR-ROOF VENT 1/8 SHAFT - 12V - JENSEN
	045549-01-000	EA	FAN-ROOF VENT 5 BLADES - 5" - JENSEN
	052539-01-001	EA	HINGE-VENT COVER 15"
	052539-01-200	EA	HINGE-EXTRUSION ROOF VENT 7"
	051503-01-000	EA	GROMMET-SNAP 3/16" D - 3/8" HOLE - PLASTIC - BLACK
	078755-01-Y12	EA	SCREEN-ROOF VENT POWERED
	002291-02-000	SF	SCREENING ROOF VENT WINDOW 15" - BLACK
	002293-02-000	FT	SPLINE-VENT WINDOW SCREEN - 1/8" DIAMETER - BLACK

**NONPOWERED ROOF VENT**

KEY	PART NUMBER	U/M	DESCRIPTION
	090395-01-Y12	EA	VENT-ROOF NONPOWERED
	009439-01-000	EA	CRANK HANDLE ROOF VENT
	009439-04-000	EA	SCREWS-32 X 1 1/4" PH
	009439-05-000	EA	KNOB-CRANK WINDOW AND ROOF VENT - BLACK - DECO 715125
	055218-01-000	EA	COVER ROOF VENT PLASTIC
	002825-01-000	EA	WEATHER STRIP-ROOF VENT GRAY
	009440-01-000	EA	GEAR ARM-VENT COVER LIFT
	015911-01-000	EA	TRACK-LIFT ARM SLIDE - ROOF VENT
	052539-01-001	EA	HINGE-VENT COVER 15"
	052539-01-200	EA	HINGE-EXTRUSION ROOF VENT 7"
	078755-01-Y12	EA	SCREEN-ROOF VENT NON POWERED - WHITE
	002291-02-000	SF	SCREENING ROOF VENT WINDOW 15" - BLACK
	002293-02-000	FT	SPLINE-VENT WINDOW SCREEN - 1/8" DIAMETER - BLACK

**VENTS, SHROUDS AND ROOF COVERS**

KEY	PART NUMBER	U/M	DESCRIPTION
	055103-03-000	EA	BASE-VENT REFRIGERATOR - ROOF - COMET 03100529 01
	055103-04-000	EA	CAP-VENT REFRIGERATOR - ROOF - COMET 03100529 019
	084875-09-000	EA	VENT-RANGE HOOD - SHORT - LVS
	092535-02-01A	EA	VENT-RANGE HOOD - EXTERIOR - WOODGR - OFF WHITE
	084515-01-000	EA	SHROUD-RANGE HOOD VENT - OFF WHITE
	053555-03-000	EA	VENT-FULLSING PIPE ROOF WOODGR - OFF WHITE

**1992 ITASCA  
TABLE OF CONTENTS**

INTRODUCTION	A-01	A-02
ABBREVIATIONS		A-03
ALPHABETICAL INDEX	A-04	A-05
IF427RC	A-07	D-15
IF427RD	D-17	G-22
IF427RT	G-23	K-07

**1992 IF427RC INDEX**

FLOOR PLAN	D-17	D-18
ACCESSORIES		D-19
AUDIO VIDEO		D-20
BATH	D-21	D-22
BEDROOM		D-23
CHASSIS	D-24	E-02
CURTAIN & CUSHION	E-03	E-10
DIAPHRAGM	E-11	E-12
DRIVERS	E-13	E-14
ELECTRICAL	E-15	E-18
ENTER OR BODY	E-19	F-01
GALLEY	F-02	F-05
GENERATOR		F-06
HEATING & AC	F-07	F-08
INTERIOR FINISH	F-09	F-12
LABEL	F-13	F-20
LP		F-21
LOUNGE	F-22	F-23
SEALANTS & FASTENERS	F-24	G-02
WATER & SEWAGE	G-03	G-05
WINDOW VENT AND EXTERIOR DOOR	G-07	G-22