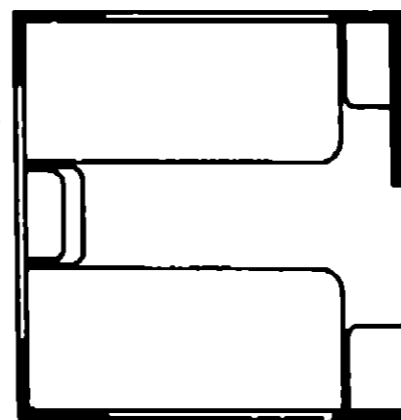
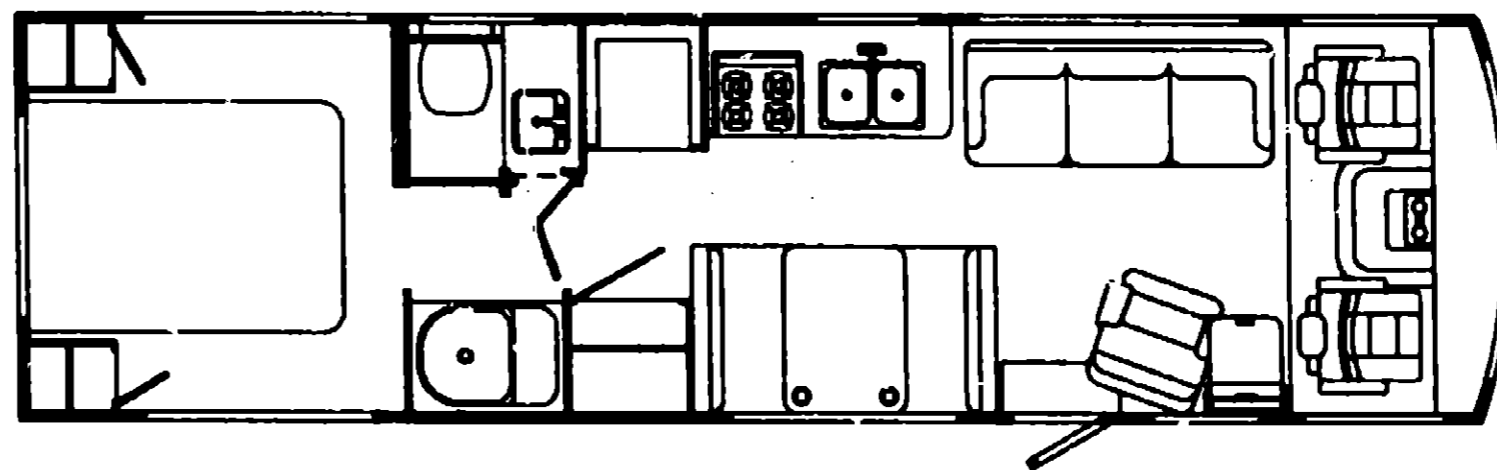
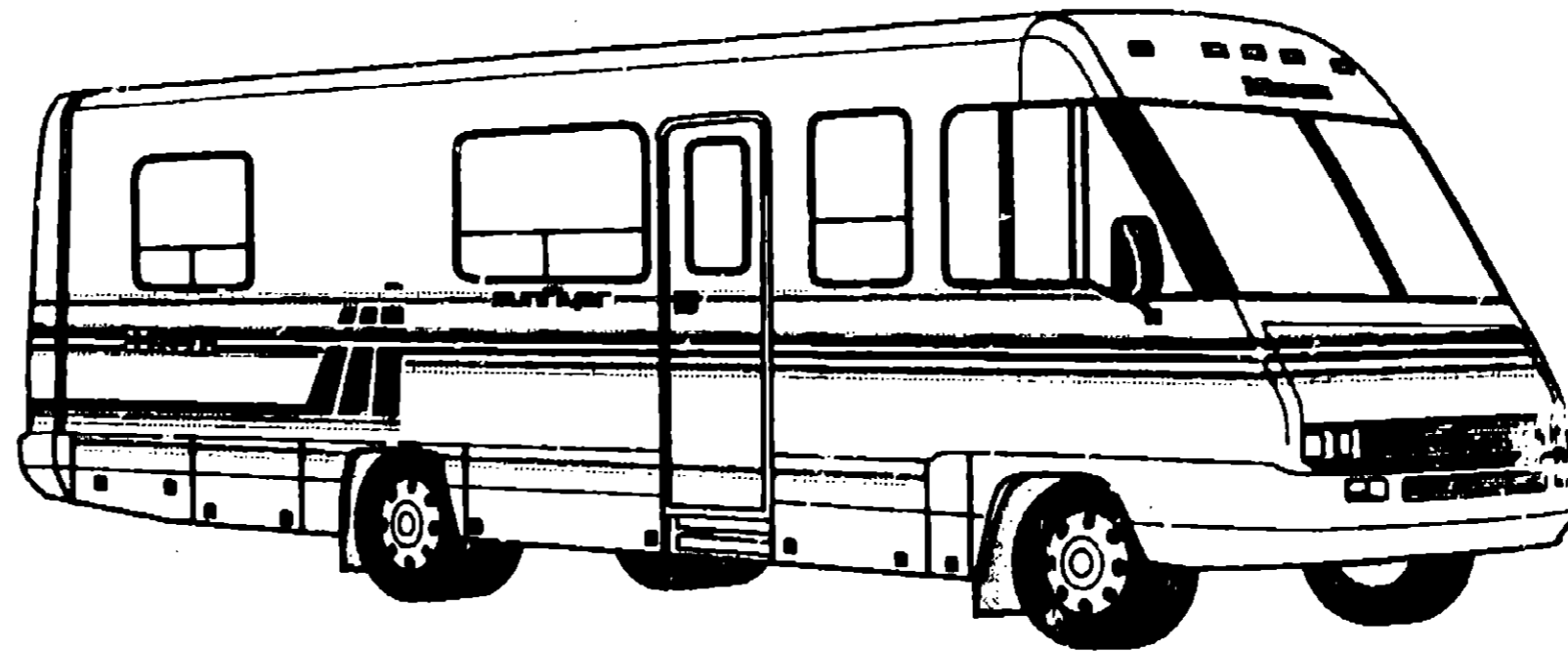


**1992 ITASCA
TABLE OF CONTENTS**

INTRODUCTION	A-01	A-02
ABBREVIATIONS		A-03
ALPHABETICAL INDEX	A-04	A-08
ICN32RQ	A-07	F-18
ICN34RQ	F-19	L-06

**1992
ICN32RQ
C31
C32
C33**



1992 ICN32RQ INDEX

FLOOR PLAN	A-07	A-08
ACCESSORIES		A-09
AUDIO/VIDEO	A-10	A-12
BATH	A-13	A-16
BEDROOM	A-17	A-20
CHASSIS	A-21	B-08
CURTAINS & CUSHIONS	B-09	B-22
DINETTE	B-23	B-24
DRIVERS	C-01	C-08
ELECTRICAL	C-09	C-14
EXTERIOR BODY	C-15	C-24
GALLEY	D-01	D-08
GENERATORS	D-09	D-10
HEATING & A/C	D-11	D-14
INTERIOR FINISH	D-15	D-18
LABEL	D-19	E-02
LP		E-03
LOUNGE	E-04	E-05
SEALANTS & FASTENERS	E-06	E-08
WATER & SEWAGE	E-09	E-14
WINDOW, VENT AND EXTERIOR DOOR	E-15	F-14
WINDSHIELD & WIPER	F-15	F-18

ACCESSORIES GROUP
INTERIOR ACCESSORIES

KEY	PART NUMBER	U/M DESCRIPTION
	108185-02-000	EA VACUUM CLEANING TOOL SET HP W/30' HOSE
	108185-01-000	EA VACUUM CLEANER-BUILT IN HP 19-1 DELUXE
	092304-01-700	EA BAGS-VACUUM CLEANER, 8 IN BAG - #HP-4908
	092304-02-000	EA TOOLS-CLEANING SET, VACUUM CLEANER - VACUFLO #HP-6348
	092304-02-700	EA BRUSH-HAND POWER, VACUUM CLEANER - VACUFLO #HP-6970
	092304-02-701	EA TOOL-DUSTING, VACUUM CLEANER, VACUFLO #HP 1142
	092304-02-702	EA TOOL-RUG, VACUUM CLEANER - VACUFLO #HP 4982
	092304-02-703	EA TOOL-CREVICE, VACUUM CLEANER - VACUFLO #HP 1141
	092304-02-704	EA MOTOR-VACUUM CLEANER, VACUFLO #HP-5098
	092304-02-705	EA HOSE-VACUUM-20' #4988-20
	092304-02-706	EA ADAPTER-HOSE #4976
	092304-02-707	EA TOOL-UPHOLSTERY #139
	092304-02-708	EA WAND #4978

OWNERS MANUAL

KEY	PART NUMBER	U/M DESCRIPTION
	054185-90-000	EA MANUAL-OPERATORS, 92 SUNFLYER
	092318-01-000	EA BINDER-3 RING, MOTOR HOME MANUAL
	092319-01-000	EA POCKET PAGE-3 RING BINDER, PLASTIC
	106353-01-000	EA TOP LEVEL 1992 N-SERIES DRAWING NUMBER

AUDIO/VIDEO GROUP
RADIO SYSTEM AND COMPONENTS

KEY	PART NUMBER	U/M DESCRIPTION
	097480-03-000	EA RADIO-AM/FM, STEREO/CASSETTE - SONY XR-5550
	103698-01-000	EA RADIO-AM/FM, STEREO/CASSETTE - ADVANTZ AE8000AF
	097459-01-000	EA RADIO-AM/FM, STEREO/CASSETTE - AUDIOVOX IM-DXA
	097621-02-000	EA MOUNTING KIT-RADIO, AUDIOVOX WMK-AB02
	097620-03-000	EA MOUNTING KIT-RADIO, SONY - XR-300 INCLUDES CLIPS, SCREWS & PLASTIC BRACKET
	097622-01-000	EA HARNESS-ADAPTOR, RADIO OUTPUT - AUDIOVOX 1123-1969
	099998-01-000	EA BRACKET-RADIO, AUDIOVOX - 6.4" X 9.3" - STEEL
	097820-04-000	EA BRACKET-FACE, RADIO - SONY - STEEL
	073741-03-000	EA SPEAKER-RADIO, OVAL - AUDIOVOX 110-2074 - 4" X 8"
	094007-01-000	EA SPEAKER-RADIO, W/O GRILLE - 5.25" DIA - AUDIOVOX 110C3030
	073741-04-000	EA GRILLE-SPEAKER, OVAL - 4" X 8" - BLACK
	089340-02-000	EA GRILLE-SPEAKER, 8.5" SQUARE
	074979-01-000	EA SHIELD-SPEAKER BACK - MOLDED PLASTIC - 8" X 9" - BEIGE FROM: 00-00-00 THRU: 07-17-91
	074979-09-000	EA SHIELD-SPEAKER BACK - MOLDED PLASTIC - LIGHT OAK 00-00-00 THRU: 07-17-91
	103698-02-000	EA WIRE ASM-9 PIN, ADVANTZ 8000HRN
	100014-01-000	EA TRAY-RADIO, SONY - STEEL
	090944-01-000	EA ANTENNA-RADIO, 16" RUBBER
	077069-02-000	EA CABLE-ANTENNA, RADIO - EXTENSION 96" - ARA 6700667
	090962-01-000	EA BRACKET-HAT, ANTENNA - 3.1" X 9" - STEEL - BLACK FROM: 00-00-00 THRU: 01-23-92
	104498-01-000	EA BRACKET-ANTENNA MOUNT FROM: 01-24-92 THRU: 99-99-99

TV ANTENNA

KEY	PART NUMBER	U/M DESCRIPTION
	076319-01-000	EA ANTENNA-TV, ROOF MOUNT - 44.5" MAST - RVA W02
	076319-01-700	EA HEAD-ANTENNA, AMPLIFIED - WINEGARD #RVSA U/V
	076319-01-701	EA GEAR-ELEVATING, PLASTIC - WINEGARD #220046
	076319-01-702	EA SHAFT ASM-ELEVATING - WINEGARD #RVP - 400A
	076319-01-703	EA BEARING-NYLON, 5" OD - WINEGARD #3200656
	076319-01-705	EA GROMMET-NYLON, 7/8" ID - WINEGARD #320058
	076319-01-706	EA CRANK-ELEVATING, W/SET SCREW - WINEGARD #5755100
	076319-01-707	EA SPRING, HANDLE - WINEGARD #5160800
	076319-01-709	EA DIRECTIONAL PLATE FOR HEAD - WINEGARD #3200644
	086756-01-000	EA SPLITTER-TV, 2 WAY
	076319-03-000	FT CABLE-COAXIAL, 75 OHM
	076319-04-000	EA CONNECTOR W/FERRULE
	076319-12-000	EA CONNECTOR-COAXIAL, ONE PIECE
	076319-06-000	EA ADAPTER-CABLE ROOF PLATE, WINEGARD RPJ-1
	076319-11-000	EA ADAPTER-COAX WITH SPLITTER - WINEGARD MSJ-6
	082134-01-000	EA ADAPTER-TV, CABLE TO CABLE - WINEGARD MSJ-6
	093252-01-01A	EA PLATE-WALL, CABLE - BEIGE
	076319-08-000	EA PLATE-WALL, CABLE RECEPTACLE - SINGLE - IVORY
	086777-01-000	EA PLATE-WALL, TV CABLE, W/ANTENNA SWITCH - IVORY
	082136-01-000	EA NUT-HEX JAM 3/8 - 32 - WINEGARD

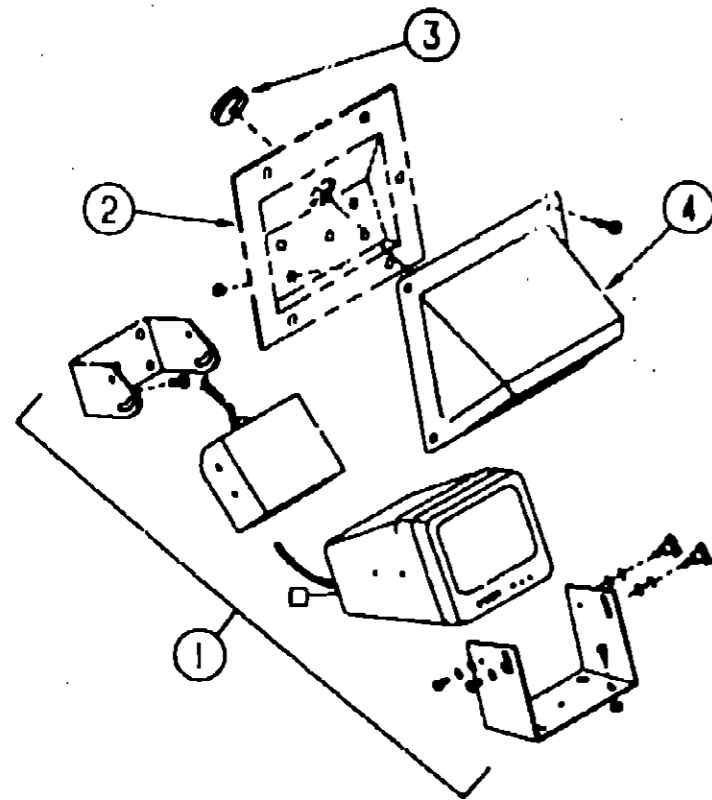
1992 ITASCA
TABLE OF CONTENTS

INTRODUCTION	A-01	A-02
ABBREVIATIONS		A-03
ALPHABETICAL INDEX	A-04	A-08
ICN32RQ	A-07	F-18
ICN34RQ	F-19	L-06

1992 ICN32RQ INDEX

FLOOR PLAN	A-07	A-08
ACCESSORIES		A-09
AUDIO/VIDEO	A-10	A-12
BATH	A-13	A-16
BEDROOM	A-17	A-20
CHASSIS	A-21	B-08
CURTAINS & CUSHIONS	B-09	B-22
DINETTE	B-23	B-24
DRIVERS	C-01	C-08
ELECTRICAL	C-09	C-14
EXTERIOR BODY	C-15	C-24
GALLEY	D-01	D-08
GENERATORS	D-06	D-10
HEATING & A/C	D-11	D-14
INTERIOR FINISH	D-15	D-18
LABEL	D-19	E-02
LP		E-03
LOUNGE	E-04	E-05
SEALANTS & FASTENERS	E-06	E-08
WATER & SEWAGE	E-09	E-14
WINDOW, VENT AND		
EXTERIOR DOOR	E-15	F-14
WINDSHIELD & WIPER	F-15	F-18

AUDIO/VIDEO GROUP (CONTINUED)



REAR VIEW TELEVISION

KEY	PART NUMBER	U/M DESCRIPTION
1	093040-04-000	EA TELEVISION SYSTEM-REAR VIEW
2	102813-01-01A	EA SHROUD-CAMERA, INNER
3	071015-29-000	EA GROMMET
4	102903-01-03A	EA SHROUD-CAMERA, OUTER - OFF WHITE
	093041-01-000	EA CABLE-MONITOR/CAMERA, INTERNAL USE
	093041-02-000	EA CABLE-MONITOR/CAMERA, EXTERNAL USE
	093071-01-000	FT TAPE-BONDING, DOUBLE SIDED - 1/64" X 2"
	092681-01-000	EA WIRE-INSTRUMENT PANEL, REAR MONITOR - CHEVY
	062037-01-000	EA HOUSING-AUTO FUSE, NATURAL - CHEVY
	094001-01-000	EA CLAMP-CAMERA
	099319-01-000	EA BRACKET-CAMERA, ADJUSTABLE
	099228-01-000	EA LENS-REF., MONITOR SHROUD
	096717-01-000	EA WIRE ASM.-REAR MONITOR, UPPER
	093040-03-000	FA WIRE-REAR MONITOR
	100319-01-000	EA RETAINER-LENS, CAMERA
	099303-01-01A	EA CAPLUG-RIGHT HAND, BLACK
	099305-01-01A	EA CAPLUG-RIGHT HAND, WHITE

AUDIO/VIDEO GROUP (CONTINUED)
TV AND VCR SWITCHING SYSTEM

KEY	PART NUMBER	U/M DESCRIPTION
	086757-03-000	EA CONTROL CENTER-SWITCHING - MAGNADYNE
	086777-03-000	EA PLATE-WALL, ANTENNA/POWER, IVORY
	078319-03-000	FT CABLE-COAXIAL, 75 OHM
	076319-12-000	EA CONNECTOR-COAXIAL, ONE PIECE
	076319-04-000	EA CONNECTOR W/FERRULE
	098446-03-000	EA VCR-VHS, CABLE READY - REMOTE - MAGNAVOX VR9912 FROM: 00-00-00 THRU: 07-21-91
	093446-02-700	EA REMOTE-MAGNAVOX #9912
	098446-04-000	EA VCR-VHS, CABLE READY - REMOTE - MAGNAVOX VF9110 FROM: 07-22-91 THRU: 99-99-99
	098446-03-700	EA REMOTE-MAGNAVOX #9010
	098447-04-000	EA TV-13", COLOR W/REMOTE - CANADIAN - MAGNAVOX RR1330W
	098447-03-700	EA REMOTE-TV, MAGNAVOX RR1337W & RR1330W
	098447-03-000	EA TV-13" COLOR REMOTE U.S.A. MAGNAVOX RR1337W
	098447-03-700	EA REMOTE-TV, MAGNAVOX RR1337W & RR1330W
	098819-01-000	EA SPEAKER-2 WATT, 8 OHM - 4"
	093214-01-02A	EA GRILLE-SPEAKER, 4" BROWN
	099030-01-000	EA WIRE-SPEAKER, TV
	099637-01-000	EA GROMMET
	099717-02-000	EA TIEDOWN, TV - 28.7" LONG
	076319-09-000	EA WALLPLATE-TV RECEPTACLE - BROWN
	093901-01-000	EA PLATE-TELEPHONE & TV EXTERIOR HOOK UP - METAL
	100954-01-000	EA SHELF-TV, STEEL
	101150-01-000	EA SUPPORT-TV SHELF, RIGHT SIDE - STEEL
	101150-02-000	EA SUPPORT-TV SHELF, LEFT SIDE - STEEL
	086756-01-000	EA SPLITTER-TV, 2 WAY

CB ANTENNA

KEY	PART NUMBER	U/M DESCRIPTION
	105248-01-000	EA ANTENNA-CB, ADVANCE 8604

TELEPHONE COMPONENTS

KEY	PART NUMBER	U/M DESCRIPTION
	093901-01-000	EA PLATE-TELEPHONE & TV EXTERIOR HOOK UP - METAL
	093254-01-000	EA HOUSING-TELEPHONE, AMP 554171-1
	093253-01-02A	EA PLATE-WALL, TELEPHONE - BROWN - LEVITON 402

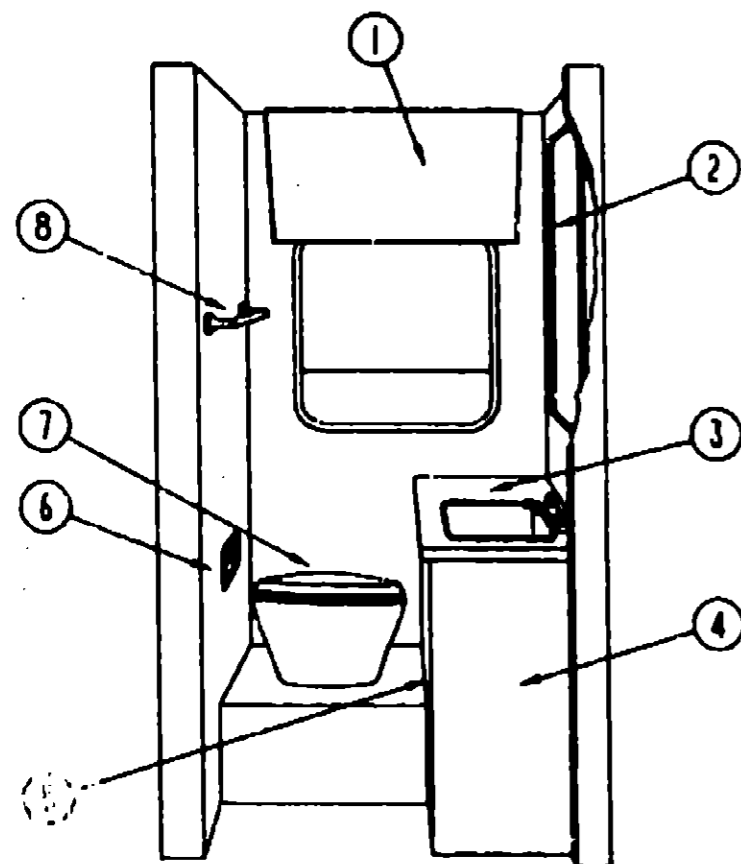
1992 ITASCA
TABLE OF CONTENTS

INTRODUCTION	A-01 - A-02
ABBREVIATIONS	A-03
ALPHABETICAL INDEX	A-04 - A-06
ICN32RQ	A-07 - F-18
ICN34RQ	F-19 - L-06

1992 ICN32RQ INDEX

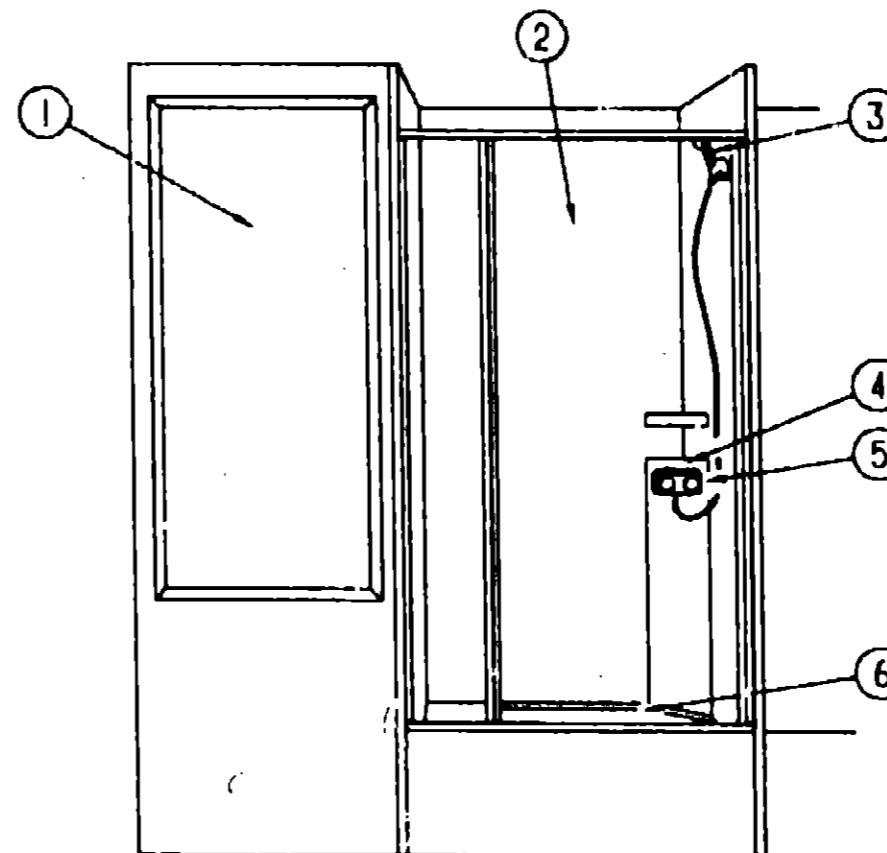
FLOOR PLAN	A-07 - A-08
ACCESSORIES	A-09
AUDIO/VIDEO	A-10 - A-12
BATH	A-13 - A-16
BEDROOM	A-17 - A-20
CHASSIS	A-21 - B-08
CURTAINS & CUSHIONS	B-09 - B-22
DINETTE	B-23 - B-24
DRIVERS	C-01 - C-08
ELECTRICAL	C-09 - C-14
EXTERIOR BODY	C-15 - C-24
GALLEY	D-01 - D-08
GENERATORS	D-09 - D-10
HEATING & A/C	D-11 - D-14
INTERIOR FINISH	D-15 - D-18
LABEL	D-19 - E-02
LP	E-03
LOUNGE	E-04 - E-05
SEALANTS & FASTENERS	E-06 - E-08
WATER & SEWAGE	E-09 - E-14
WINDOW, VENT AND	
EXTERIOR DOOR	E-15 - F-14
WINDSHIELD & WIPER	F-15 - F-18

BATH GROUP



BATH CABINET - DRIVER SIDE

BATH GROUP (CONTINUED)



BATH CABINET-PASSENGER SIDE

**1992 ITASCA
TABLE OF CONTENTS**

INTRODUCTION	A-01 -	A-02
ABBREVIATIONS		A-03
ALPHABETICAL INDEX	A-04 -	A-08
ICN32RQ	A-07 -	F-18
ICN34RQ	F-19 -	L-08

1992 ICN32RQ INDEX

FLOOR PLAN	A-07 -	A-08
ACCESSORIES		A-09
AUDIO/VIDEO	A-10 -	A-12
BATH	A-13 -	A-16
BEDROOM	A-17 -	A-20
CHASSIS	A-21 -	B-08
CURTAINS & CUSHIONS	B-09 -	B-22
DINETTE	B-23 -	B-24
DRIVERS	C-01 -	C-08
ELECTRICAL	C-09 -	C-14
EXTERIOR BODY	C-15 -	C-21
GALLEY	D-01 -	D-08
GENERATORS	D-09 -	D-10
HEATING & A/C	D-11 -	D-14
INTERIOR FINISH	D-15 -	D-18
LABEL	E-19 -	E-02
LP		E-03
LOUNGE	E-04 -	E-05
SEALANTS & FASTENERS	E-06 -	E-08
WATER & SEWAGE	E-09 -	E-14
WINDOW, VENT AND EXTERIOR DOOR	E-15 -	F-14
WINDSHIELD & WIPER	F-15 -	F-18

KEY	PART NUMBER	U/M DESCRIPTION
1	099683-01-01A	EA CABINET-MEDICINE, JENSEN
	093446-06-Y15	EA DOOR ASM. - MIRROR - MEDICINE CABINET
	083513-03-00G	EA BRACKET-MEDICINE CABINET, FRONT SIDE - BEIGE
	083513-04-000	EA BRACKET-MEDICINE CABINET, REAR SIDE - BEIGE
	078026-31-W13	EA TRIM-MEDICINE CABINET, 2.5" X 12.7" - WOOD
2	093446-03-Y15	EA MIRROR ASM
3	096990-11-C12	EA COUNTERTOP-CABINET, LAVATORY
		FROM: 00-00-00 THRU: 01-18-92
3	107252-11-C31	EA COUNTERTOP-CABINET, LAVATORY
		FROM: 01-19-92 THRU: 99-99-99
4	M04173-02-C31	EA CABINET-LAVATORY, W/O DOORS OR HARDWARE
		FROM: 00-00-00 THRU: 01-18-92
4	M05754-03-C31	EA CABINET-LAVATORY, W/O DOORS OR HARDWARE
		FROM: 01-19-92 THRU: 99-99-99
5	P03702-C6-C31	EA DOOR-CABINET, W/O HARDWARE - 305MM X 555MM
6	085278-01-000	EA HOLDER-PAPER, RECESSED - BRASS
7	064076-01-000	EA TOILET-THETFORD, MODEL 50 - 15.6" X 18.9" X 11.1" - IVORY
8	075453-01-000	EA BAR-TOWEL, 18" - BRASS

KEY	PART NUMBER	U/M DESCRIPTION
1	P03702-E0-C31	EA DOOR-CABINET, W/O HARDWARE - 525MM X 1220MM
		FROM: 00-00-00 THRU: 01-05-92
1	P04536-14-C31	EA DOOR-CABINET, W/O HARDWARE - 525MM X 1220MM
		FROM: 01-06-92 THRU: 99-99-99
	041953-03-000	FT CONDUIT-CONVOLUTED SLIT, 1" ID (CLOTHES ROD COVER)
	009112-01-000	EA FLANGE-1" ROD, CLOTHES - PLASTIC - OFF WHITE
	042438-01-000	EA DOWEL-WOOD, CLOTHES ROD - 1" DIAMETER X 4'
	101532-01-01A	EA TOP CAP-SHOWER, 35" X 23" X 9" - PLASTIC - OFF WHITE
2	101530-01-01A	EA SURROUND-SHOWER, 59" X 24" - PLASTIC - OFF WHITE
2	101531-01-01A	EA SURROUND-SHOWER, TWO SIDED - PLASTIC - OFF WHITE
3	103092-01-000	EA HEAD-SHOWER, W/60" HOSE
3	103092-02-000	EA HEAD-SHOWER, W/60" HOSE - CANADIAN
4	075606-01-000	EA PANEL-FAUCET BACK, SHOWER - PLASTIC
5	075241-04-000	EA FAUCET-SHOWER, BRASS
5	075241-05-000	EA FAUCET-SHOWER, BONE - CANADIAN
6	M02630-16-B07	EA PAN-SHOWER, W/STRAINER
	066729-01-000	EA STRAINER-TUB/SHOWER DRAIN
	069735-01-000	EA WASHER-STRAINER TO TAILPIECE PLASTIC, 1.5"
	069640-01-000	FT SEALER-RIBBON, 1/4" DIAMETER - INCREMENTS OF 20'
	093950-01-02A	EA TRIM-THRESHOLD, SHOWER - TAN

BATH GROUP (CONTINUED)

BATH DOOR & COMPONENTS

KEY	PART NUMBER	U/M DESCRIPTION
	M92870-01-B29	EA DOOR-CABINET, W/O HARDWARE - 24.4" X 75" FROM: 00-00-00 THRU: 01-18-92
	M87868-12-C31	EA DOOR-CABINET, W/O HARDWARE - 24.4" X 75" FROM: 01-19-92 THRU: 99-99-99
	095040-01-01A	EA HEADER-DOOR, BATH - TAN - FRONT AISLE MOUNT FROM: 00-00-00 THRU: 01-18-92
	093251-01-B29	EA HEADER-DOOR, BATH, 36.7" X 2.3" - WALL MOUNT FROM: 00-00-00 THRU: 01-18-92
	093168-03-01A	EA TRIM-DOOR, BATH - HINGE SIDE - 75" - METAL - TAN
	093169-01-01A	EA TRIM-DOOR, BATH - CAPS LATCH SIDE W/LIP - 2.2 X 75" - METAL - TAN
	009059-02-000	EA HINGE-2" X 2.7", BRASS
	094485-01-01A	EA KNOB-DOOR, POLISHED BRASS
	093184-01-01A	EA PLATE-STRIKE, BATH DOOR - TAN
	093213-01-000	EA CATCH-ROLLER, NYLON
	081604-01-000	EA SLIDE-BOLT, ANTIQUE BRASS
	092652-01-000	EA GUIDE WHEEL-DOOR, TOP MOUNT
	093212-01-01A	EA BOLT-DOOR, BRASS
	101430-01-01A	EA HINGE-2 IN-BRASS .060 IN
	102920-01-01A	EA HINGE-SPRING LOADED - BRASS
	100357-01-000	EA BAR-TOWEL, BRASS - W/ENDS BENT FOR BACK OF BATH DOOR
	102089-13-B29	EA MOUNT-ROD, RIGHT SIDE - FOR TOWEL RODS - 26" LONG - WOOD
	102089-14-B29	EA MOUNT-ROD, LEFT SIDE - FOR TOWEL RODS - 26" LONG - WOOD

BIFOLD DOOR & COMPONENTS

KEY	PART NUMBER	U/M DESCRIPTION
	M92871-01-B29	EA DOOR-BI-FOLD - W/O HARDWARE - 13.2" X 75.4" EACH FROM: 00-00-00 THRU: 01-18-92
	M03865-01-B29	EA DOOR-BI-FOLD - W/O HARDWARE - 13" X 75" EACH
	P06862-01-C31	EA DOOR-BI-FOLD - W/O HARDWARE FROM: 01-19-92 THRU: 99-99-99
	093250-03-B29	EA HEADER-DOOR, BATH - 36.7" X 2.3" - WALL MOUNT - WOOD FROM: 00-00-00 THRU: 01-18-92
	093250-05-C31	EA HEADER-DOOR, BATH - 36.7" X 2.3" - WALL MOUNT - WOOD FROM: 01-19-92 THRU: 99-99-99
	093170-03-01A	EA HEADER-DOOR, BATH BIFOLD - FRONT AISLE MOUNT - PANELED FROM: 00-00-00 THRU: 01-18-92
	093170-05-01A	EA HEADER-DOOR, BATH BIFOLD - FRONT AISLE MOUNT - PANELED FROM: 01-19-92 THRU: 99-99-99
	093273-01-Y12	EA LUMBER-DRILLED, 78.7" - AT BATH BIFOLD HINGE END FROM: 01-19-92 THRU: 99-99-99
	081604-01-000	EA SLIDE-BOLT, ANTIQUE BRASS
	092652-01-000	EA GUIDE WHEEL-DOOR, TOP MOUNT
	093212-01-01A	EA BOLT-DOOR, BRASS
	093281-01-B29	EA TRIM-OAK, DOOR - 2" X 74.3"
	003832-01-01A	EA KNOB-DOOR, BRIGHT BRASS
	102920-01-01A	EA HINGE-SPRING LOADED - BRASS
	093184-01-01A	EA PLATE-STRIKE, BATH DOOR - TAN FROM: 00-00-00 THRU: 01-18-92
	093184-01-03A	EA PLATE-STRIKE, BATH DOOR - MILL FROM: 01-19-92 THRU: 99-99-99

BATH GROUP (CONTINUED)

SHOWER DOOR & COMPONENTS

KEY	PART NUMBER	U/M DESCRIPTION
	092574-03-01A	EA DOOR-SHOWER, SOLID W/PANEL - GOLD TRIM
	092574-01-700	EA KNOB-SAFETY LATCH
	092574-01-701	EA BRACKETS-TOWEL BAR, W/STUDS
	092574-01-702	EA TOWEL BAR 30"
	092574-01-703	EA PULL-DOOR, GOLD
	092574-01-704	EA SCREW-GOLD #6 3/8
	092574-01-705	EA MAGNETIC STRIP 56-7/8"
	092574-01-708	EA STRIKE JAMB 56-7/8"

PORCELAIN MARINE TOILET

KEY	PART NUMBER	U/M DESCRIPTION
	039341-02-000	EA TOILET-MARINE-IVORY W/IV LID *THETFORD AQUA-M
	039341-02-700	EA COVER-SEAT, TOILET - IVORY #037151 THETFORD
	039341-02-701	EA RING-SEAT MODEL SH IVORY #081021
	039341-02-703	EA PLUG-HOLE, TOILET - IVORY #03895-10 THETFORD
	039341-02-704	EA RING & COVER-SEAT, IVORY #08855 THETFORD
	039341-02-705	EA MOUNTING PKG-W/SEAL, BOLT&NU #00975 THETFORD
	039341-02-706	EA HINGE POST, #0371704
	039341-02-707	EA PIN-HINGE, TOILET - #12986 THETFORD

TOILET & COMPONENTS

KEY	PART NUMBER	U/M DESCRIPTION
	064076-02-000	EA TOILET-STARLITE, LOW, IVORY - THETFORD W/O WATER SAVER
	064076-01-000	EA MECHANISM-FLUSHING, THETFORD - #14622 - IVORY - STARLIGHT
	039341-02-700	EA COVER-SEAT, TOILET - IVORY #037151 THETFORD
	039341-02-701	EA RING-SEAT MODEL SH IVORY #081021
	039341-02-703	EA PLUG-HOLE, TOILET - IVORY #03895-10 THETFORD
	039341-02-704	EA RING & COVER-SEAT, IVORY #08855 THETFORD
	039341-02-705	EA MOUNTING PKG-W/SEAL, BOLT&NUT #08975 THETFORD
	039341-02-706	EA HINGE POST, #0371704
	039341-02-707	EA PIN-HINGE, TOILET - #12986 THETFORD

LAVATORY SINK

KEY	PART NUMBER	U/M DESCRIPTION
	096927-01-01A	EA SINK LAVATORY, RECTANGULAR - PLASTIC - BONE
	096927-01-700	EA SINK-STOPPER

MISCELLANEOUS BATH COMPONENTS

KEY	PART NUMBER	U/M DESCRIPTION
	075454-02-000	EA RING-TOWEL, W/MOUNTING HARDWARE - BRASS
	075240-05-000	EA FAUCET-LAVATORY, BRASS
	105218-01-01A	EA SPACER-FAUCET, LAVATORY SINK
	057671-01-000	EA COVER-SCREW, #3 - PLASTIC - OFF WHITE
	075240-05-000	EA FAUCET-SHOWER, BONE - CANADIAN
	075240-06-000	EA FAUCET-LAVATORY, BONE - CANADIAN

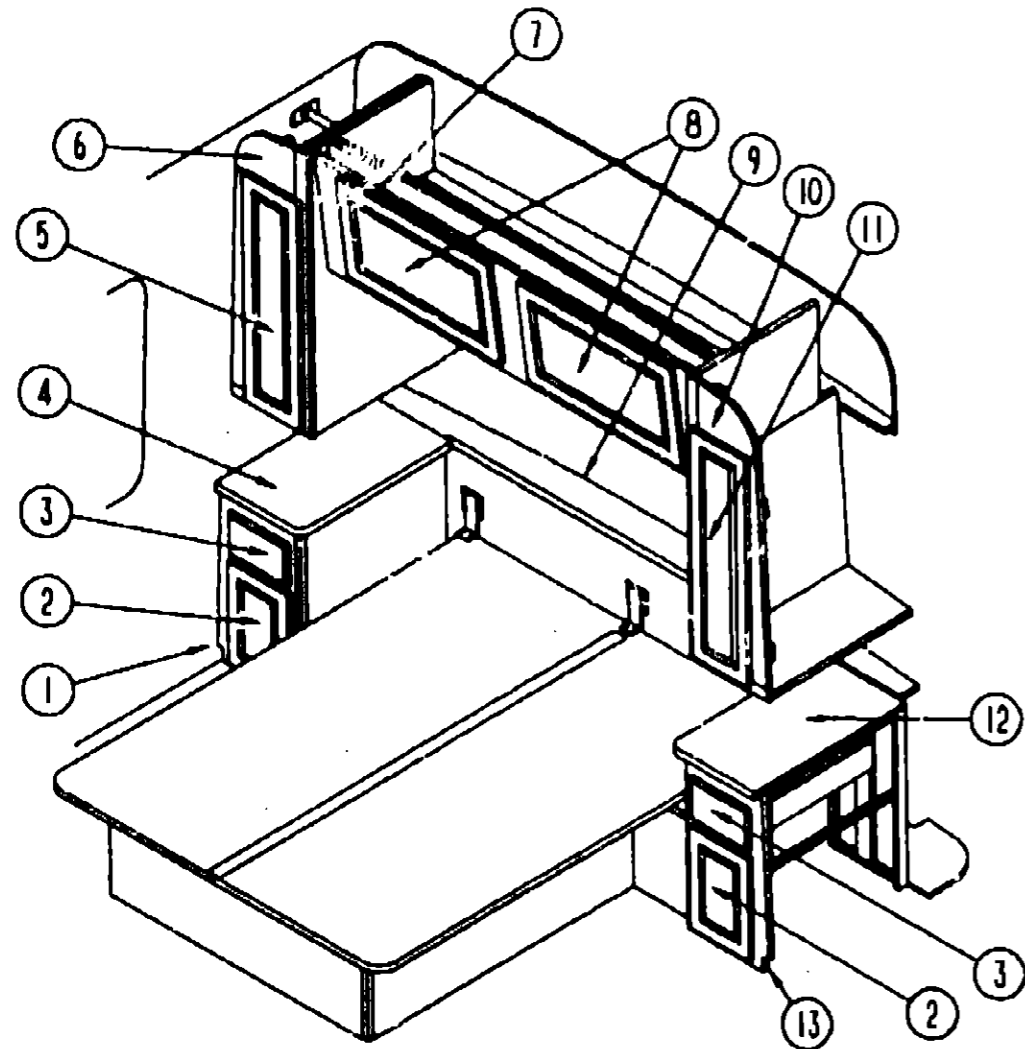
**1992 ITASCA
TABLE OF CONTENTS**

INTRODUCTION	A-01	A-02
ABBREVIATIONS		A-03
ALPHABETICAL INDEX	A-04	A-06
ICN32RQ	A-07	F-18
ICN34RQ	F-19	L-06

1992 ICN32RQ INDEX

FLOOR PLAN	A-07	A-08
ACCESSORIES		A-09
AUDIO/VIDEO	A-10	A-12
BATH	A-13	A-16
BEDROOM	A-17	A-20
CHASSIS	A-21	B-08
CURTAINS & CUSHIONS	B-09	B-22
DINETTE	B-23	B-24
DRIVERS	C-01	C-08
ELECTRICAL	C-09	C-14
EXTERIOR BODY	C-15	C-24
GALLEY	D-01	D-08
GENERATORS	D-09	D-10
HEATING & AC	D-11	D-14
INTERIOR FINISH	D-15	D-18
LABEL	D-19	F-02
LP		E-03
LOUNGE	E-04	E-05
SEALANTS & FASTENERS	E-06	E-08
WATER & SEWAGE	E-09	E-14
WINDOW, VENT AND		
EXTERIOR DOOR	E-15	F-14
WINDSHIELD & WIPER	F-15	F-18

**BEDROOM GROUP
QUEEN BED CABINETS AND COMPONENTS**

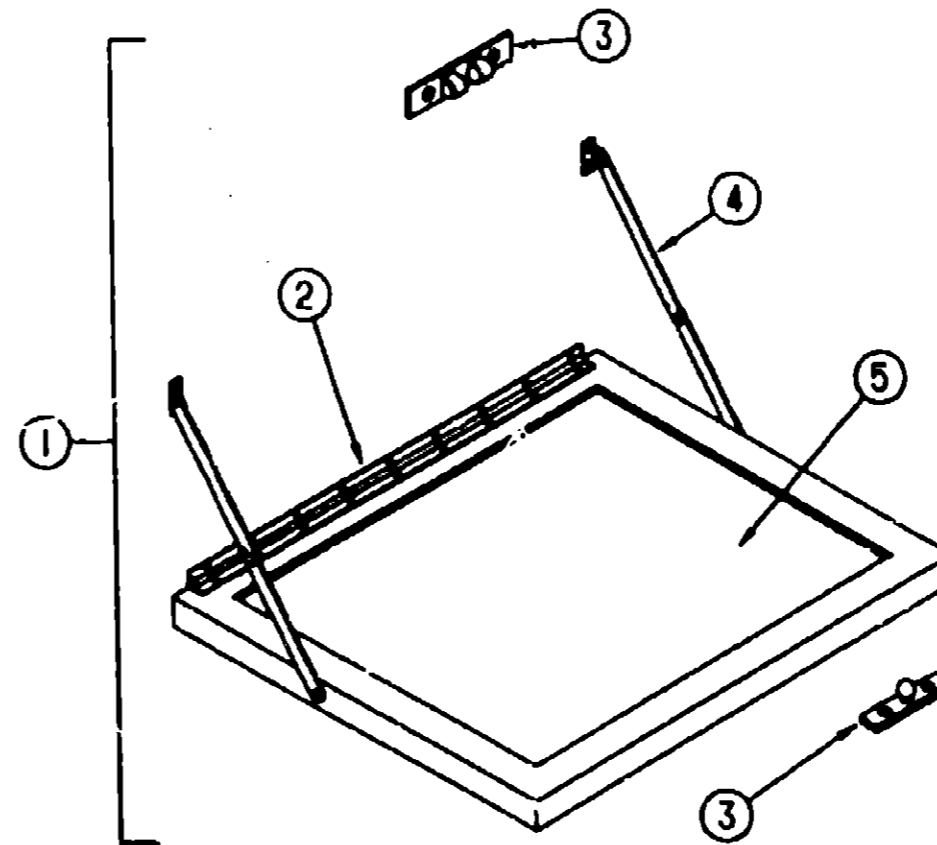


KEY	PART NUMBER	U/M DESCRIPTION
8	P03702-E2-C31	EA DOOR-CABINET, BACKWALL - W/O HARDWARE - 390 X 650 MM
	105085-01-000	EA MIRROR-GLASS, DECORATIVE
	041273-89-000	FT DECAL-STRIPING, 3.5" - GOLD
9	092525-02-C12	EA COUNTERTOP-BACKWALL
10	104509-01-C31	EA CABINET-SHIRT CLOSET, DRIVER SIDE - W/O DOORS OR HARDWARE
11	P03702-C8-C31	EA DOOR-CABINET, W/O HARDWARE - 250 X 850 MM
	104512-01-C31	EA CABINET-RADIO, NIGHTSTAND
	P04512-01-C31	EA CABINET-RADIO, NIGHTSTAND
12	104511-12-C12	EA COUNTERTOP-NIGHTSTAND - DRIVER SIDE
13	M05812-03-C31	EA CABINET-NIGHTSTAND, DRIVER SIDE
13	M05612-02-C31	EA CABINET-NIGHTSTAND, DRIVER SIDE - CANADIAN
	P04434-01-C31	EA CABINET-QUEEN BED
	M05185-01-C31	EA TOP-CABINET, QUEEN BED - PASSENGER SIDE
	M05185-02-C31	EA TOP-CABINET, QUEEN BED - DRIVER SIDE

**1992 ITASCA
TABLE OF CONTENTS**

INTRODUCTION	A-01 - A-02
ABBREVIATIONS	A-03
ALPHABETICAL INDEX	A-04 - A-06
ICN32RQ	A-07 - F-18
ICN34RQ	F-19 - L-06

KEY	PART NUMBER	U/M DESCRIPTION
1	M05633-01-C31	EA CABINET-NIGHTSTAND, PASSENGER SIDE
2	P03702-C6-C31	EA DOOR-CABINET, W/O HARDWARE - 305 X 555 MM
3	P02003-16-C31	EA DRAWER-CABINET, W/O HARDWARE
3	P07104-22-C31	EA DRAWER-CABINET, W/O HARDWARE: FROM: 00-00-00 THRU: 01-04-92 FROM: 01-05-92 THRU: 99-99-92
4	104510-12-C12	EA COUNTERTOP-NIGHTSTAND - PASSENGER SIDE
5	P03702-E3-C31	EA DOOR-CABINET, W/O HARDWARE - 1250 X 370 MM
6	104508-01-C31	EA CABINET-SHIRT CLOSET, PASSENGER SIDE - W/O DOORS OR HARDWARE
	041953-03-000	FT CONDUIT-CONVOLUTED SLIT, 1" ID (CLOTHES ROD COVER)
	009112-01-000	EA FLANGE-1" ROD, CLOTHES - PLASTIC - OFF WHITE
	042438-31-000	EA DOWEL-WOOD, CLOTHES ROD - 1" DIAMETER X 4'
7	M04185-47-C31	EA CABINET-OVERHEAD, BACKWALL - W/O DOORS OR HARDWARE
	092082-02-01A	EA SHELF-CABINET, BACKWALL OVERHEAD



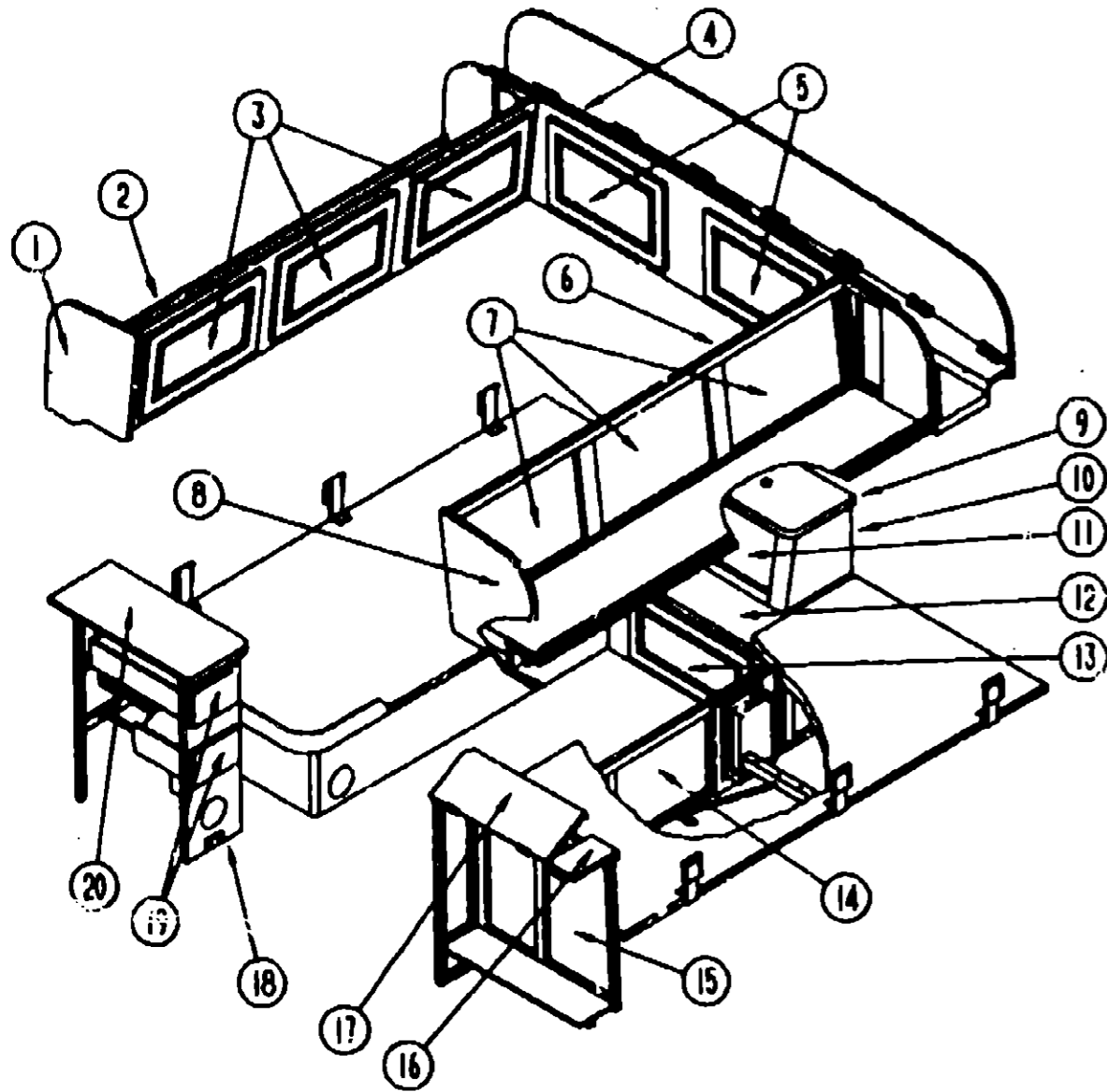
TV STAND

KEY	PART NUMBER	U/M DESCRIPTION
1	084357-01-B29	EA TV STAND ASSEMBLY
2	084413-01-000	EA HINGE-CONTINUOUS, W/WHOLE
3	084451-01-000	EA CATCH-TV SHELF, BRASS
4	084412-01-000	EA SUPPORT-HINGED
5	084356-03-000	EA INSERT-TV STAND, W/SUPPORT HINGE - METAL - TAN
5	058331-10-000	EA MIRROR-GLASS, SAFETY - 14" X 17"

1992 ICN32RQ INDEX

FLOOR PLAN	A-07 - A-08
ACCESSORIES	A-09
AUDIO/VIDEO	A-10 - A-12
BATH	A-13 - A-16
BEDROOM	A-17 - A-20
CHASSIS	A-21 - B-08
CURTAINS & CUSHIONS	B-09 - B-22
DINETTE	B-23 - B-24
DRIVERS	C-01 - C-08
ELECTRICAL	C-09 - C-14
EXTERIOR BODY	C-15 - C-24
GALLEY	D-01 - D-08
GENERATORS	D-09 - D-10
HEATING & A/C	D-11 - D-14
INTERIOR FINISH	D-15 - D-18
LABEL	D-19 - E-02
LP	E-03
LOUNGE	E-04 - E-05
SEALANTS & FASTENERS	E-06 - E-08
WATER & SEWAGE	E-09 - E-14
WINDOW, VENT AND	
EXTERIOR DOOR	E-15 - F-14
WINDSHIELD & WIPER	F-15 - F-18

BEDROOM GROUP (CONTINUED)
TWIN BEDS CABINETS AND COMPONENTS



KEY	PART NUMBER	U/M	DESCRIPTION
1	105729-01-C31	EA	END CAP-CABINET, OVERHEAD - FRONT
2	M04165-45-C31	EA	CABINET-OVERHEAD, PASSENGER SIDE - W/O DOORS OR HARDWARE
3	P03702-B5-C31	EA	DOOR-CABINET, W/O HARDWARE - 365 X 555 MM
4	M04165-48-C31	EA	CABINET-OVERHEAD, BACKWALL - W/O DOORS OR HARDWARE
5	P03702-C5-C31	EA	DOOR-CABINET, W/O HARDWARE - 340 X 555 MM
6	M04165-46-C31	EA	CABINET-OVERHEAD, DRIVER SIDE - W/O DOORS OR HARDWARE
7	P03702-C5-C31	EA	DOOR-CABINET, W/O HARDWARE - 365 X 555 MM
8	105729-01-C31	EA	END CAP-CABINET, OVERHEAD - FRONT
9	092858-11-C12	EA	COUNTERTOP-NIGHTSTAND, UPPER
10	104833-01-C31	EA	CABINET-NIGHTSTAND, W/O DOORS OR HARDWARE (C11/C13/C54)
11	104833-14-C31	EA	DOOR-TAMBOUR, W/O HARDWARE - 11.8" X 15"
	104833-14-C11	EA	DOOR-TAMBOUR, W/O HARDWARE
12	092858-12-C12	EA	COUNTERTOP-NIGHTSTAND, LOWER
13	P02003-20-C31	EA	DRAWER-CABINET, W/O HARDWARE
			FROM: 00-00-00 THRU: 01-04-92
13	P07104-28-C31	EA	DRAWER-CABINET, W/O HARDWARE
			FROM: 01-05-92 THRU: 99-99-99
14	P03702-C2-C31	EA	DOOR-CABINET, W/O HARDWARE - 325 X 450 MM
	M93231-01-B29	EA	CABINET-TWIN BED, DRIVER SIDE - W/O DOORS OR HARDWARE
	M03864-01-B29	EA	TOP-CABINET, TWIN BED - DRIVER SIDE
	M92683-01-B29	EA	CABINET-TWIN BED, PASSENGER SIDE - W/O DOORS OR HARDWARE
	M03863-01-B29	EA	TOP-CABINET, TWIN BED - PASSENGER SIDE
15	M92861-01-C31	EA	CABINET-CLOTHES HAMPER, W/O HARDWARE OR FLIP-UP TOP
16	092861-11-C12	EA	COUNTERTOP-HAMPER, STATIONARY
17	092861-12-C12	EA	TOP-HAMPER, FLIP-UP - W/HINGE
18	105094-01-C31	EA	CABINET-NIGHTSTAND, W/O DOORS, HARDWARE OR COUNTERTOP
19	P02003-17-C31	EA	DRAWER-CABINET, W/O HARDWARE
			FROM: 00-00-00 THRU: 01-04-92
19	P07104-24-C31	EA	DRAWER-CABINET, W/O HARDWARE
			FROM: 01-05-92 THRU: 99-99-99
20	105094-11-C12	EA	COUNTERTOP-NIGHTSTAND
	094791-01-B29	EA	TRIM-COUNTERTOP, 1.5" X 4.25" - WOOD - RIGHT SIDE
	094791-02-B29	EA	TRIM-COUNTERTOP, 1.5" X 4.25" - WOOD - LEFT SIDE
	092525-02-C12	EA	COUNTERTOP-BACKWALL.

1992 ITASCA
TABLE OF CONTENTS

INTRODUCTION	A-01	A-02
ABBREVIATIONS		A-03
ALPHABETICAL INDEX	A-04	A-08
ICN32RQ	A-07	F-18
ICN34RQ	F-19	L-06

1992 ICN32RQ INDEX

FLOOR PLAN	A-07	A-08
ACCESSORIES		A-09
AUDIO/VIDEO	A-10	A-12
BATH	A-13	A-16
BEDROOM	A-17	A-20
CHASSIS	A-21	B-08
CURTAINS & CUSHIONS	B-09	B-22
DINETTE	B-23	B-24
DRIVERS	C-01	C-08
ELECTRICAL	C-09	C-14
EXTERIOR BODY	C-15	C-24
GALLEY	D-01	D-06
GENERATORS	D-09	D-10
HEATING & A/C	D-11	D-14
INTERIOR FINISH	D-15	D-18
LABEL	D-19	E-02
LP		E-03
LOUNGE	E-04	E-05
SEALANTS & FASTENERS	E-06	E-08
WATER & SEWAGE	E-09	E-14
WINDOW, VENT AND		
EXTERIOR DOOR	E-15	F-14
WINDSHIELD & WIPER	F-15	F-18

**CHASSIS GROUP
CHASSIS COMPONENTS**

KEY	PART NUMBER	U/M DESCRIPTION
	093137-02-000	EA PANEL-COWL, PASSENGER - STEEL - FORD
	093009-01-000	EA PANEL-COWL, DRIVER - STEEL - FORD OR CHEVY
	093137-01-000	EA PANEL-COWL, PASSENGER - STEEL - CHEVY

PARK BRAKE CABLE - FORD

KEY	PART NUMBER	U/M DESCRIPTION
	096351-01-000	EA CABLE-BRAKE, PARK - FORD CHASSIS

PARK BRAKE LEVER & CABLE - CHEVY

KEY	PART NUMBER	U/M DESCRIPTION
	093631-01-000	EA LEVER-PARK BRAKE, FOOT OPERATED CHEVY PROVIDED AUTOMATIC PARK BRAKE AFTER 5-13-90
	093074-01-000	EA CABLE-PARK BRAKE, FOOT OPERATED
	098770-02-000	EA SUPPORT-STEERING COLUMN

JETRIDE SUSPENSION- W/PARK & LEVEL - FORD

KEY	PART NUMBER	U/M DESCRIPTION
	101619-01-000	EA WIRE ASSEMBLY-INSTRUMENT PANEL, AIR RIDE CONTROL
	031045-05-000	EA ADAPTER-1/4" ID BARB X 1/8" MPT FROM: 10-14-91 THRU: 99-99-99
	071374-04-000	EA FITTING-BULKHEAD, 1/8" X 1/8" FNPT FROM: 10-14-91 THRU: 99-99-99
	090436-40-000	EA FILTER-INTAKE, COMPRESSOR - JET #50822 FROM: 10-14-91 THRU: 99-99-99
	090436-27-000	EA COMPRESSOR-W/TANK & WIRING, JET# 345-1
	090436-07-700	EA COMPRESSOR (ONLY) - JET #50701
	090436-18-000	EA MOUNT-AIRSPRING, UPPER DRIVER - JET# 40375
	090436-19-000	EA MOUNT-AIRSPRING, UPPER PASSENGER - JET# 40378
	090436-20-000	EA MOUNT-SPRING/AXLE, LOWER DRIVER - JET# 40373
	090436-21-000	EA MOUNT-SPRING/AXLE, LOWER PASSENGER - JET# 40374
	090436-22-000	EA U-BOLT, 1-14 X 4" X 14" - W/NUTS - JET# 40351
	090436-23-000	EA SPRING-LEAF, SEMI - FORD - JET# 40361
	090436-25-000	EA U-BOLT, 1-14 X 4" X 15" - W/NUTS - JET# 40352
	090436-26-000	EA BAR-STABILIZER, REAR - JET# 40358
	091250-03-000	EA BUSHING-SWAY BAR, 1.75" CUT - HELLWIG# PB 732
	090436-28-000	EA SHIELD-HEAT, FUEL TANK - JET# 40360
	090436-29-000	EA BRACKET-BRAKE HOSE/FRAME, JET# 40362
	090436-30-000	EA BRACKET-BRAKE HOSE/CALIPER, JET# 40364
	090436-31-000	EA BAR-TRACK, W/BOLTS & BRACKETS - JET# 40356
	090436-32-000	EA CONTROL-PARK/LEVEL, ELECTRIC - JET #60778
	090436-34-000	EA WIRING-ELECTRONIC, JET #60712
	090436-35-000	EA COMPRESSOR-TANK, W/O WIRING - JET# 60703
	097372-04-01A	EA SWITCH-MOMENTARY/OFF/MOMENTARY

**CHASSIS GROUP (CONTINUED)
JETRIDE SUSPENSION W/PARK & LEVEL - CHEVY**

KEY	PART NUMBER	U/M DESCRIPTION
	101619-01-000	EA WIRE ASSEMBLY-INSTRUMENT PANEL, AIR RIDE CONTROL
	000C12-05-18B	EA BOLT-HEX, 5/16-18 X 1 - ZINC 5
	000E13-17-00B	EA WASHER-FLARE, 3/8" AR ZN
	007125-11-000	EA CLAMP-MUFFLER, 2.75"
	016379-02-000	EA STRAP-HANGER EXTENSION, 2" X 1" - STEEL
	071374-03-000	EA FITTING-BULKHEAD, 1/4" X 1/4" MNPT
	030436-38-000	EA SPRING-LEAF, 7 SEMI - JET# AR P30-18
	090436-05-030	EA VALVE-HEIGHT, PARK/LEVEL - JET# 358-359
	090436-08-000	EA CONTROL-PARK/LEVEL, W/WIRING - JET# 340-364
	090436-09-000	EA MOUNT-AIRSPRING, UPPER PASSENGER - JET# 378
	090436-34-000	EA WIRING-ELECTRONIC, JET #60712
	090436-07-700	EA COMPRESSOR (ONLY) - JET #50701
	090436-35-000	EA COMPRESSOR-TANK, W/O WIRING - JET# 60703
	090436-36-000	EA MOUNT-SPRING, LH - UPPER ELT - CHEVY - JET# 60750
	090436-37-000	EA MOUNT-SPRING, RH - UPPER ELT - CHEVY - JET# 60751
	090436-10-000	EA MOUNT-SPRING/AXLE, LOWER DRIVER - JET# 373
	090436-11-000	EA MOUNT-SPRING/AXLE, LOWER PASSENGER - JET# 374
	090436-12-000	EA U-BOLT-FOREWARD, STRAIGHT - 7/8" - JET# 351
	090436-13-000	EA U-BOLT-REARWARD, BENT - 7/8" - JET# 351-1
	090436-14-000	EA BAR-TRACK, W/PIVOT BOLTS & BRACKET - JET# 356-1
	091250-01-000	EA BUSHING-SWAY BAR, 1.25" CUT - HELLWIG# PB 731
	091250-02-000	EA BUSHING-SWAY BAR, 1.25" UNCUT - HELLWIG# PB 734
	091250-03-000	EA BUSHING-SWAY BAR, 1.75" CUT - HELLWIG# PB 732
	031045-05-000	EA ADAPTER-1/4" ID BARB X 1/8" MPT FROM: 09-30-91 THRU: 99-99-99
	071374-04-000	EA FITTING-BULKHEAD, 1/8" X 1/8" FNPT FROM: 09-30-91 THRU: 99-99-99
	090436-40-000	EA FILTER-INTAKE, COMPRESSOR - JET #50822 FROM: 09-30-91 THRU: 99-99-99

FUEL NECK & HOSE - FORD

KEY	PART NUMBER	U/M DESCRIPTION
	095604-01-000	EA HOSE-FUEL FILL, FORMED 2" ID
	044317-01-000	FT HOSE-FUEL, 3/8" ID
	024138-01-000	FT HOSE-FUEL, 5/16" ID
	007053-01-000	FT HOSE-GAS 1/4" ID X 1/2" OD
	098805-01-000	EA PIPE-VENT, FUEL FILL - 12" LONG
	098805-01-000	EA PIPE-FUEL, FUEL FILL - 11.4" LONG
	095606-01-000	EA NECK-FUEL FILL, W/CHECK VALVE - L-SHAPED - 18.2" LONG
	083578-01-000	EA BOOT-FUEL FILL, RUBBER
	084235-01-000	EA SUPPORT-FLANGE, FUEL FILL BOOT - 6.9" X 9.2" - PLASTIC
	078200-01-000	EA GASKET-FUEL FILL - 3.5" OD X 2" ID
	093810-03-000	EA SHROUD-FUEL FILL, LOWER - 18.1" - GALVANIZED STEEL
	072447-04-000	EA SHROUD-FUEL FILL, UPPER - PLASTIC
	088753-01-000	EA TUBE-ALUMINIZED STEEL, 5/8" - 18 GAUGE
	079660-01-000	EA GROMMET-SEAL VALVE - FUEL - FORD
	080081-01-000	EA STRAP-MOUNTING, FUEL LINE - 2" X 32"
	024142-01-000	EA TEE-BARB, 3/16" - PLASTIC

**1992 ITASCA
TABLE OF CONTENTS**

INTRODUCTION	A-01	A-02
ABBREVIATIONS		A-03
ALPHABETICAL INDEX	A-04	A-06
ICN32RQ	A-07	F-18
ICN34RQ	F-19	L-06

1992 ICN32RQ INDEX

FLOOR PLAN	A-07	A-08
ACCESSORIES		A-09
AUDIO/VIDEO	A-10	A-12
BATH	A-13	A-16
BEDROOM	A-17	A-20
CHASSIS	A-21	B-08
CURTAINS & CUSHIONS	B-09	B-22
DINETTE	B-23	B-24
DRIVERS	C-01	C-09
ELECTRICAL	C-09	C-14
EXTERIOR BODY	C-15	C-24
GALLEY	D-01	D-08
GENERATORS	D-09	D-10
HEATING & A/C	D-11	D-14
INTERIOR FINISH	D-15	D-18
LABEL	D-19	E-02
LP		E-03
LOUNGE	E-04	E-05
SEALANTS & FASTENERS	E-06	E-08
WATER & SEWAGE	E-09	E-14
WINDOW, VENT AND		
EXTERIOR DOOR	E-15	F-14
WINDSHIELD & WIPER	F-15	F-18

CHASSIS GROUP (CONTINUED)

HYDRAULIC LEVELING JACKS - CHEVY

KEY	PART NUMBER	U/M DESCRIPTION
	100532-01-000	EA LEVELING SYSTEM-HYDRAULIC, HWH# AP7371
	100533-04-000	EA BRACKETS-FRONT LEVELING JACK, HWH# AP7392
	100534-05-000	EA BRACKETS-REAR LEVELING JACKS, HWH# AP6656
	100535-02-000	EA BRACKET-PUMP, LEVELING JACK, HWH P6282
	100536-02-000	EA HOSE KIT-LEVELING JACKS, HWH# AP7374
	096808-01-000	EA SPACER-PEDESTAL, DRIVER

HYDRAULIC LEVELING JACKS - FORD

KEY	PART NUMBER	U/M DESCRIPTION
	100532-01-000	EA LEVELING SYSTEM-HYDRAULIC, HWH# AP7371
	096808-01-000	EA SPACER-PEDESTAL, DRIVER
	100533-03-000	EA BRACKETS-FRONT LEVELING JACK, HWH# AP7391
	100534-08-000	EA BRACKETS-REAR LEVELING JACKS, HWH# AP6957
	100535-02-000	EA BRACKET-PUMP, LEVELING JACK, HWH P6282
	100536-03-000	EA HOSE KIT-LEVELING JACKS, HWH# AP7374

RADIATOR OVERFLOW COMPONENTS

KEY	PART NUMBER	U/M DESCRIPTION
	099100-01-000	EA CAP-BOTTLE, OVERFLOW - GM 14054390 - FORD OR CHEVY
	096630-01-000	EA BOTTLE-OVERFLOW, RADIATOR - GM 14042454
	076310-01-000	EA BAFFLE-RADIATOR, .12' X 15' X 62" - RUBBER
	079059-02-000	EA HOSE-90 DEGREE, .61"ID X 4" X 6"

SPEED CONTROL

KEY	PART NUMBER	U/M DESCRIPTION
	102362-01-000	EA SPEED CONTROL-1991 CHEVY, DANA 59L-111010B
	094369-01-706	EA SERVO-DANA 53D-11116-R
	102362-01-700	EA CABLE ONLY-REPLACEMENT, DANA 59C-03001
	102362-01-707	EA CONTROL SWITCH & LEVER ASM, DANA 53D-08X63-F
	102362-01-701	EA REGULATOR ASM-ELECTRONIC, DANA 57C-08X13-R
	091900-01-702	EA WIPER CONTROL MODULE, DANA 66C-00061
	094369-01-705	EA VACUUM RESERVOIR, DANA 59C-02243
	102362-01-704	EA HARNESS ASM-MAIN WIRING, DANA 59D-02975
	102362-01-703	EA HARNESS ASM-PIVOT SW. TO WPR, DANA 53C-02973
	094863-01-704	EA HOUSING-4 PIN, SPEED CONTROL - TOYOTA - DANA 59C-02291
	102362-01-705	EA THROTTLE RETAINER CLIP, DANA 59A-02821
	102362-01-706	EA THROTTLE STUD, DANA 59A-02979

CHASSIS GROUP (CONTINUED)

WHEEL COVERS - FORD

KEY	PART NUMBER	U/M DESCRIPTION
	098532-01-000	EA COVER-WHEEL, FORD - SET OF 4 - 16"
	098532-01-701	EA COVER-WHEEL, FORD - 1 EACH ONLY - 16"
	098532-01-700	EA COVER-LUG NUT, FORD - CHROME

WHEEL COVERS - CHEVY

KEY	PART NUMBER	U/M DESCRIPTION
	109443-01-000	EA COVER-WHEEL, SET OF 4 - 19.5" - W/HARDWARE
	109443-01-700	EA COVER-WHEEL, FRONT OR REAR
	109443-01-701	EA SET-BRACKET, 1 FRONT WHEEL
	109443-01-702	EA SET-BRACKET, 1 REAR WHEEL
	109443-01-700	EA CAP-CENTER, CHROME

STAINLESS STEEL WHEEL LINERS - 16" - FORD

KEY	PART NUMBER	U/M DESCRIPTION
	091209-08-000	EA LINER-WHEEL, OVER LUG - 16" - FORD - SET OF 4 - KAPER II
	091209-08-700	EA LINER-WHEEL, FRONT - FORD - 16" - 10 LUG - KAPER
	091209-08-701	EA LINER-WHEEL, REAR - FORD - 16" - 10 LUG - KAPER
	091209-08-702	EA COVER-AXLE, REAR - 16" - FORD - KAPER
	091209-08-704	EA COVER-LUG NUT, 16" - FORD - KAPER
	095012-03-000	EA EXTENSION-VALVE STEM, DUAL WHEEL
	077030-02-000	EA EXTENSION-VALVE STEM, 1.25"

STAINLESS STEEL WHEEL LINERS - 19.5" - CHEVY

KEY	PART NUMBER	U/M DESCRIPTION
	077030-02-000	EA EXTENSION-VALVE STEM, 1.25"
	091209-01-000	EA LINER-WHEEL, SET OF 4 - 19.5" - GM - KAPER II
	091209-01-700	EA SIMULATOR-FRONT WHEEL
	091209-01-701	EA SIMULATOR-REAR WHEEL
	091209-01-702	EA COVER-FRONT AXLE
	091209-01-703	EA REAR AXLE COVER
	091209-01-704	EA COVER-LUG NUT
	095012-01-000	EA EXTENSION-VALVE STEM, DUAL WHEEL

FORD TIRE & WHEEL

KEY	PART NUMBER	U/M DESCRIPTION
	083425-02-000	EA TIRE-MICHELIN, LT235 / 85R16 LRE - FORD FROM: 00-00-00 THRU: 08-27-91
	083425-05-000	EA TIRE-MICHELIN, LT235 / 85R16 LRE - FORD
	051377-03-000	EA STEM-VALVE
	095853-01-000	EA WHEEL-STEEL, 16"X6K - E8TZ - 1015 - A - ACCURIDE 28375-12

CHEVY TIRE

KEY	PART NUMBER	U/M DESCRIPTION
	007324-04-000	EA TIRE-8R19.5 LRD, MICHELIN XZA
	051377-01-000	EA STEM-VALVE
	093237-02-01A	EA NET-CARGO, SPARE TIRE RETAINER

**1992 FASCIA
TABLE OF CONTENTS**

INTRODUCTION	A-01	A-02
ABBREVIATIONS		A-03
ALPHABETICAL INDEX	A-04	A-06
ICN32RQ	A-07	F-18
ICN34HQ	F-19	L-06

1992 ICN32RQ INDEX

FLOOR PLAN	A-07	A-08
ACCESSORIES		A-09
AUDIO/M/DEO	A-10	A-12
BATH	A-13	A-16
BEDROOM	A-17	A-20
CHASSIS	A-21	B-08
CURTAINS & CUSHIONS	B-09	B-22
DINETTE	B-23	B-24
DRIVERS	C-01	C-08
ELECTRICAL	C-09	C-14
EXTERIOR BODY	C-15	C-24
GALLEY	D-01	D-08
GENERATORS	D-09	D-10
HEATING & A/C	D-11	D-14
INTERIOR FINISH	D-15	D-18
LABEL	D-19	E-02
LP		E-03
LOUNGE	E-04	E-05
SEALANTS & FASTENERS	E-06	E-08
WATER & SEWAGE	E-09	E-14
WINDOW, VENT AND		
EXTERIOR DOOR	E-15	F-14
WINDSHIELD & WIPER	F-15	F-18

CHASSIS GROUP (CONTINUED)

FUEL FILL COMPONENTS - CHEVY

KEY	PART NUMBER	U/M DESCRIPTION
	072447-04-000	EA SHROUD-FUEL FILL, UPPER
	093810-03-000	EA SHROUD-FUEL FILL, LOWER
	083578-01-000	EA BOOT-FUEL FILL
	084235-01-000	EA SUPPORT-FLANGE, FUEL FILL BOOT
	086254-01-000	EA RETAINER-SENDER, FUEL
	078200-01-000	EA GASKET-FUEL FILL, 3.5"OD X 2"ID
	086486-02-000	EA STRAP-FUEL TANK, STEEL
	098804-01-000	EA PIPE-VENT, FILL - 12" LONG
	098805-01-000	EA PIPE-FUEL, FILL - 11.4" LONG
	079880-01-000	EA GROMMET-SEAL, VALVE - FUEL - FORD# E1FZ-9B076-B
	007083-01-000	FT HOSE-GAS 1/4"ID X 1/2"OD
	024138-01-000	FT HOSE-FUEL 5/16"ID
	040731-01-000	EA NIPPLE-INLET MANIFOLD, GM 3838094
	082401-03-000	EA CLAMP-HOSE WORMGEAR, 22" - 1"
	082401-05-000	EA CLAMP-HOSE, WORMGEAR 2" - 3"
	067797-01-000	FT SPACER-STRAP, W/FOAM ADHESIVE - .31" X 1.5" - NEOPRENE
	076785-02-000	EA ELBOW-BRASS, 90 DEGREE - 3/4" FPT X 3/4" MPT
	088753-01-000	FT TUBE-ALUMINIZED STEEL, 5/8" - 18 GAUGE

DRIVESHAFT - CHEVY

KEY	PART NUMBER	U/M DESCRIPTION
	075302-08-000	EA DRIVESHAFT-YOKE/YOKE
	075302-25-000	EA DRIVESHAFT-REAR PAIR
	103864-01-000	EA SUPPORT ASM-BEARING

FROM: 02-18-92 THRU: 99-99-99

DRIVESHAFT - FORD

KEY	PART NUMBER	U/M DESCRIPTION
	095511-02-000	EA DRIVESHAFT-FRONT - FORD
	074833-01-000	EA SPACER-DRIVESHAFT, 2" X 8" X .5" THICK - FORD

ENTRY STEP BOX & DRIVER DOOR STEP

KEY	PART NUMBER	U/M DESCRIPTION
	088412-04-000	EA TRIM-STEPBOX, ENTRY DOOR - BEIGE
	077309-02-000	EA TRIM-STEPWELL, ENTRY DOOR
	092893-02-01A	EA LINER-STEP BOX, ENTRANCE DOOR - 5" - BLACK
	M92055-01-000	EA PANEL-ACCESS, STEP WELL - W/HINGE
	088254-01-000	EA CATCH-MAGNETIC, 1.8" X .7"
	009063-01-000	EA HINGE-CONTINUOUS, 1 1/2" X 72"
	098645-01-000	EA PULL-CABINET, BRASS - RIBBON
	083977-08-000	EA STEP-DRIVER DOOR - BLACK

ELECTRIC ENTRY STEP

KEY	PART NUMBER	U/M DESCRIPTION
	094707-01-01A	EA STEP-DOUBLE, ENTRANCE - ELECTRIC
	094707-02-700	EA MOTOR REPLACEMENT KIT - MODELS 32 & 28 - KWIKEE 9520
	094707-02-701	EA LINKAGE ASM - MODEL 32 - KWIKEE 9523
	094707-02-702	EA GEAR KIT - KWIKEE 9525
	094707-02-703	EA PARTS KIT, (BEARINGS & PINS) - KWIKEE 9530
	094707-02-704	EA CONNECTOR KIT-MOTOR, KWIKEE 9537
	094707-02-705	EA CONTROL UNIT, (ORANGE) - KWIKEE 9513
	041250-01-000	EA SWITCH-PUSH BUTTON, IN DOOR JAMB - CHROME
	100312-01-000	EA SWITCH-DOOR JAMB, ELECTRIC ENTRY STEP - METAL

CHASSIS GROUP (CONTINUED)

MUDFLAP & LUG WRENCH

KEY	PART NUMBER	U/M DESCRIPTION
	020187-03-000	EA DIRT GUARD-STEEL, FOR MUDFLAP
	106141-01-000	EA FLAP-MUD, WHOLES - WINNEBAGO LOGO - BLACK
	080208-01-000	EA LUG WRENCH, 1.06X1.00
	080208-02-000	EA LEVERAGE BAR-LUG WRENCH

FRONT SHOCKS

KEY	PART NUMBER	U/M DESCRIPTION
	104993-01-000	EA SHOCK ABSORBER-GAS, P30 FRONT - BILSTEIN B46-1173

MISCELLANEOUS COMPONENTS

KEY	PART NUMBER	U/M DESCRIPTION
	093287-02-01A	EA NET-CARGO, SPARE TIRE RETAINER
	093395-01-000	EA ANGLE-SHELF, TIRE
	015365-01-000	EA PIN-TIRE CARRIER, CADMIUM PLATED
	075466-01-000	EA UNION-INVERTED FL TUBE, 1/4"
	088498-01-000	EA UNION-INVERTED, BRASS - 3/16 - 3/8 - 24THD
	075467-01-000	EA NUT-INVERTED FLARE, 1/4"
	088497-02-000	EA NUT-INVERTED FLARE, 1/4"
	084884-01-000	EA PLUG-BRASS, 3/8"
	000C12-05-16B	EA BOLT-HEX, 5/16-18 X 1 - ZINC 5
	000D39-05-00B	EA NUT-HEX, SER FLG LK - 5/16 - 18 ZN
	062401-07-000	EA CLAMP-HOSE, WORMGEAR 5" - 7"
	088244-01-000	FT TAPE-FOAM, VINYL COATED - 2" WIDE - INCREMENTS OF 108 FT
	051387-06-000	EA BOLT-CARRIAGE, W/O HOLE - 5/16-18 X 9.5 ZN
	102333-01-01A	EA BOLT-CARRIAGE, 7/16 - 14 - STAINLESS STEEL CAP - BEIGE
	0C0E13-17-00B	EA WASHER-FL-3/8 AR ZN
	071015-08-000	EA GROMMET-1.75"ID, FITS .06" MATERIAL, RUBBER
	000D39-05-00B	EA NUT-HEX, SER FLG LK - 5/16 - 18 ZN
	000C12-10-24B	EA BOLT-HEX, 5/8-11 X 1 1/2 ZN - 5
	098342-01-000	EA WYE-CONNECTOR, 2.5" - FLEX HOSE
	074142-01-000	EA TEE-BARB, 3/16" - PLASTIC
	M04019-01-000	EA BRIDGE-WHEELWELL, E-COATED
	093300-01-000	EA BOX-TOOL, W/TRAY - 16" X 7.5"

BATTERY/GENERATOR TRAYS & COMPONENTS

KEY	PART NUMBER	U/M DESCRIPTION
	093895-01-000	EA TRAY-BATTERY, HOUSE - W/GUIDE & LATCH STRIKE
	090604-03-000	EA TRAY-BATTERY, AUTO - W/TWO HEX NUTS - CHEVY
	090604-04-000	EA TRAY-BATTERY, AUTO - W/TWO HEX NUTS - FORD
	093885-02-000	EA PLATE-TRAY, BATTERY - 4.8" X 8.7" - STEEL
	074994-01-000	EA GUIDE-TRACK, BATTERY TRAY
	065450-05-000	EA BRACKET-BATTERY, TIE DOWN - 8.4" TUBE - CHEVY
	087475-02-000	EA BRACKET-BATTERY, TIE DOWN - 13.5" X 1.3" - FORD
	093718-01-000	EA PLATE-STRIKE, BATTERY/STORAGE COMPARTMENT
	077479-01-000	EA BOOT-BATTERY TERM, DBL CABLE
	077479-02-000	EA BOOT-BATTERY TERMINAL, SINGLE CABLE
	051387-08-000	EA BOLT-CARRIAGE, W/O HOLE - 5/16-18 X 9.5 ZN
	086253-01-000	EA STUD-ISOLATED, 3/8" X 7/8" LONG
	015385-01-000	EA PIN-CADMIUM PLATED
	094657-01-000	EA TRAY-GENERATOR, 22.5" X 30.4" X 6.9"
	094657-02-000	EA TRAY-GENERATOR, 22.5" X 30.4" X 6.9" W/ANGLE & NUTS

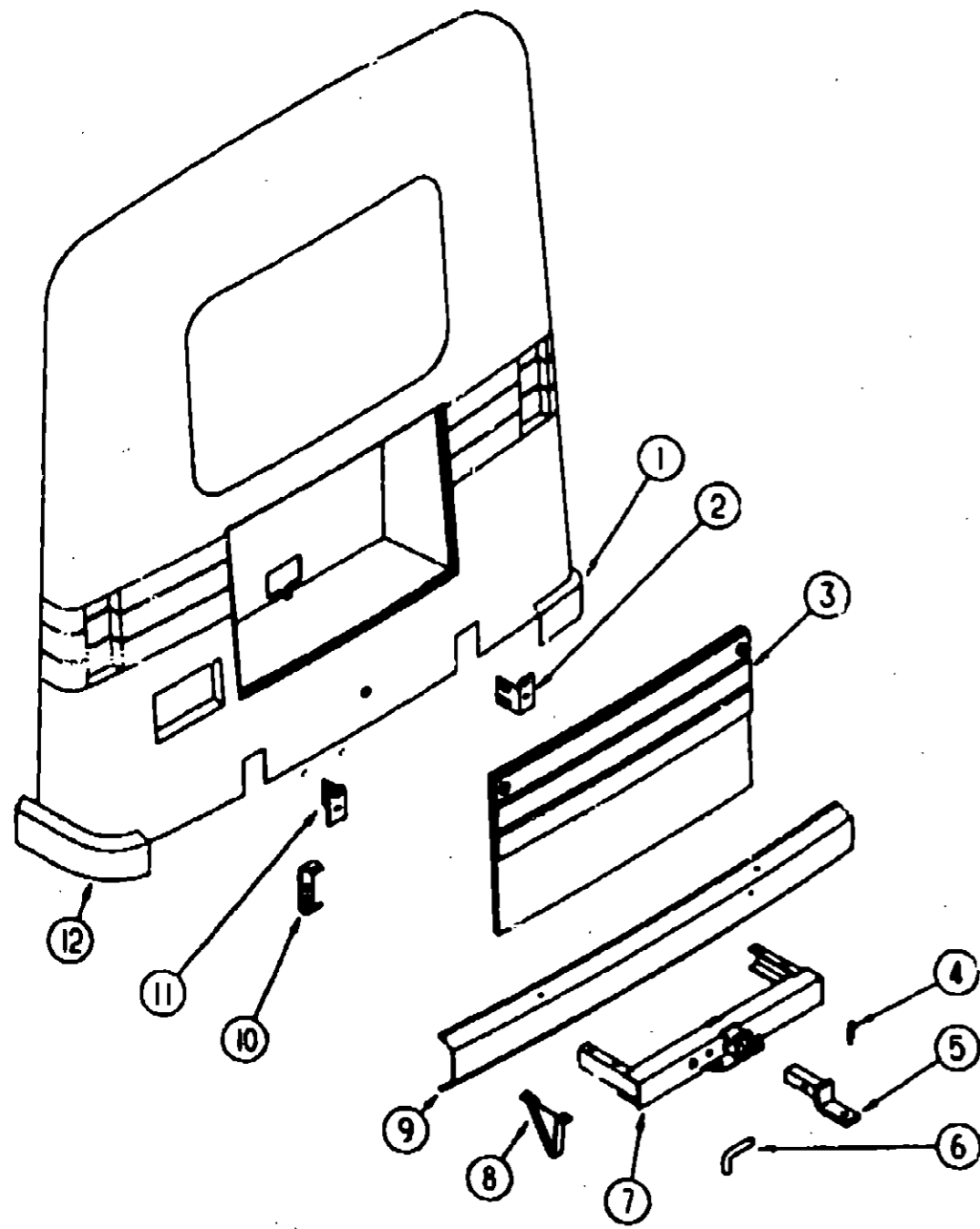
**1992 ITASCA
TABLE OF CONTENTS**

INTRODUCTION	A-01	A-02
ABBREVIATIONS		A-03
ALPHABETICAL INDEX	A-04	A-06
ICN32RQ	A-07	F-18
ICN34RQ	F-19	L-08

1992 ICN32RQ INDEX

FLOOR PLAN	A-C7	A-08
ACCESSORIES		A-09
AUDIO/VIDEO	A-10	A-12
BATH	A-13	A-18
BEDROOM	A-17	A-20
CHASSIS	A-21	B-08
CURTAINS & CUSHIONS	B-09	B-22
DINETTE	B-23	B-24
DRIVERS	C-01	C-08
ELECTRICAL	C-09	C-14
EXTERIOR BODY	C-15	C-24
GALLEY	D-01	D-08
GENERATORS	D-09	D-10
HEATING & A/C	D-11	D-14
INTERIOR FINISH	D-15	D-18
LABEL	D-19	E-02
LP		E-03
LOUNGE	E-04	E-05
SEALANTS & FASTENERS	E-08	E-08
WATER & SEWAGE	E-09	E-14
WINDOW, VENT AND		
EXTERIOR DOOR	E-15	F-14
WINDSHIELD & WIPER	F-15	F-18

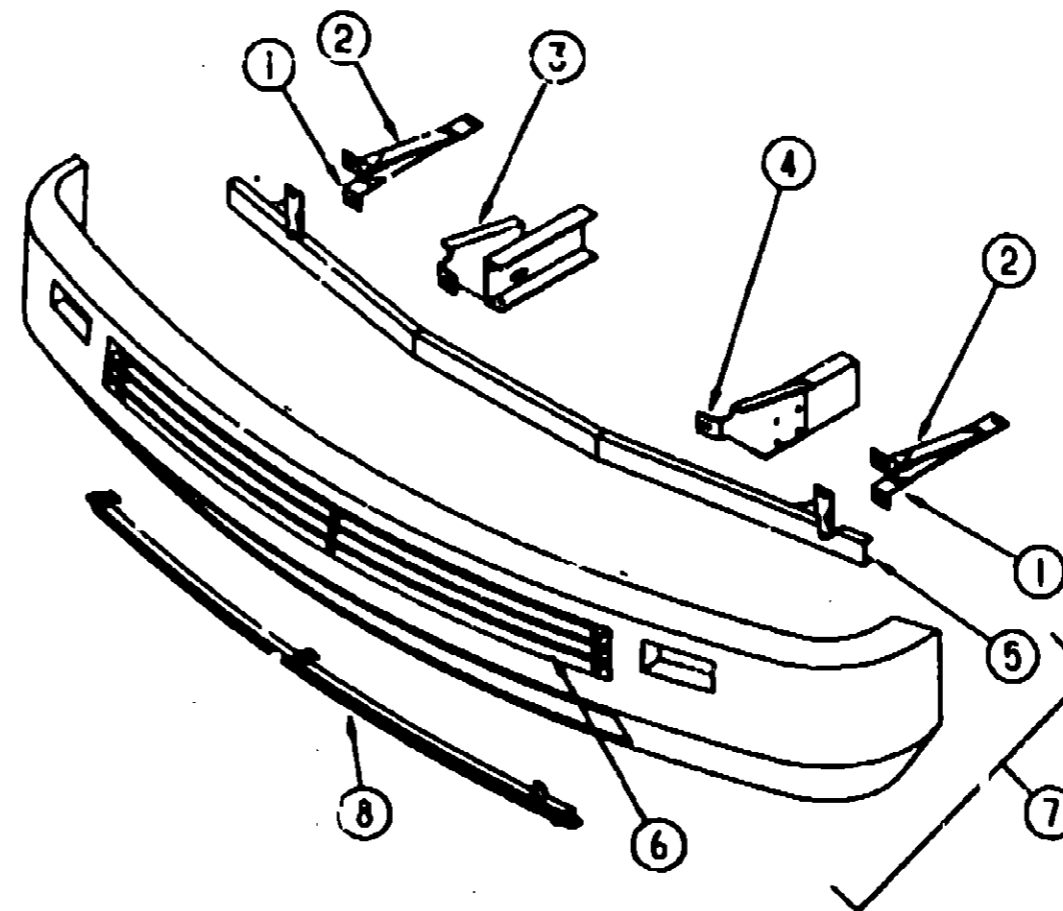
CHASSIS GROUP (CONTINUED)



REAR BUMPER, END CAP & TRAILER HITCH

KEY	PART NUMBER	U/M DESCRIPTION
1	092551-01-01A	EA END CAP-REAR BUMPER
2	078558-01-000	EA ANGLE SUPPORT-REAR BUMPER
3	097198-01-AE6	EA DOOR PANEL-REAR
	058747-01-000	EA PLUG-CAP, .75" DIAMETER
	081420-05-000	EA PLUG-PLASTIC, 1.8" DIAMETER
4	034513-01-000	EA PIN-HITCH, 3/16" WIRE
5	077813-01-000	EA DRAWBAR-HITCH, TRAILER TOWING
6	034512-01-000	EA PIN-LOCKING, DRAWBAR
7	077617-04-000	EA HITCH W/O DRAWBAR
8	093048-01-000	EA PLATE-SKID, REAR BUMPER
9	077851-09-000	EA BUMPER-REAR, OFF WHITE
9	077851-06-000	EA BUMPER-REAR, UNFINISHED
	093000-01-000	EA CHANNEL-BUMPER, STEEL
	102333-01-02A	EA BOLT-BUMPER, OFF WHITE W/STAINLESS STEEL CAP
	093275-01-000	EA BRACE-BUMPER LOWER, 2' X 16.3" - BLACK
10	077865-01-000	EA BRACKET-REAR BUMPER
11	078558-02-000	EA SUPPORT-ANGLE, REAR BUMPER
	093385-01-000	EA BRACKET-LICENSE PLATE
12	032251-02-01A	EA CAP-END, REAR BUMPER
	081107-01-000	EA BRACKET-BUMPER PIN
	093385-01-000	EA BRACKET-LICENSE PLATE

CHASSIS GROUP (CONTINUED)



FRONT BUMPER

KEY	PART NUMBER	U/M DESCRIPTION
1	093275-01-000	EA BRACE-BUMPER, LOWER - 2' X 16.3" - BLACK
2	093034-01-000	EA BRACE-BUMPER, UPPER - 2' X 16.3" - BLACK
3	093749-01-000	EA SUPPORT-BUMPER, EXTENSION - RIGHT
4	093749-02-000	EA SUPPORT-BUMPER, EXTENSION - LEFT
5	093000-01-000	EA CHANNEL ASM.-STEEL BUMPER
6	093004-01-Y33	EA GRILLE-5 BAR, BLACK
7	M93848-01-Y35	EA PANEL-BUMPER, W/GRILLE & LIGHTS
8	093005-01-Y33	EA GRILLE-2 BAR, BLACK
8	093171-02-000	EA BRACKET-GRILLE, UPPER

COMPARTMENTS AND PROP RODS

KEY	PART NUMBER	U/M DESCRIPTION
	093834-07-000	EA COMPARTMENT-TANK, HOLDING - 85" X 27.8" - GALVANIZED STEEL
	092283-01-000	EA COMPARTMENT, FURNACE W/EXHAUST HOLES - 14" X 14.6"
	092283-01-000	EA COMPARTMENT, FURNACE W/EXHAUST HOLES - 14" X 14.6"
	092284-05-000	EA COMPARTMENT, STORAGE/FURNACE - 45.9" X 24.3" GALVANIZED
	093638-05-000	EA COMPARTMENT, STORAGE - 19.1" X 27.8" - GALVANIZED
	093718-01-000	EA PLATE-STRIKE, COMPARTMENT - 3.4" X 2.5" FLAT - STEEL - BLK
	092839-01-000	EA BRACKET-DOOR PROP
	092985-01-000	EA BRACKET-POWER CORD
	094278-01-000	EA ROD-PROP, COMPARTMENT DOOR
	094378-02-000	EA ROD-PROP, GENERATOR COMPARTMENT DOOR
	093081-01-02A	EA STRIKER-DOOR, COMPARTMENT - 3.7" X 2.5" ANGLED - ST. - BLK
	094387-02-000	EA STRIKER-DOOR, GENERATOR - W/BEND 2.5" WIDE - STEEL - BLACK
	093718-01-000	EA PLATE-STRIKE, BATTERY/STORAGE COMPARTMENT
	093899-02-000	EA PLATE-STRIKER BOLT, 1.1" X 1.8" - METAL
	074470-01-000	EA PIN-PULL, HINGE RELEASE - RIGHT SIDE
	074470-02-000	EA PIN-PULL, HINGE RELEASE - LEFT SIDE
	077953-01-000	EA GRIMMET-EDGE LINER, FITS 1"
	088270-01-000	FT SEAL-BULB, W/WIRE RIGID U-CHANNEL - 5" - RUBBER - BLACK
	093305-01-01A	FT TRIM-EDGE, C-TYPE - WIRE CARRIER - .35" X .24" - VINYL

**1992 ITASCA
TABLE OF CONTENTS**

INTRODUCTION	A-01	A-02
ABBREVIATIONS		A-03
ALPHABETICAL INDEX	A-04	A-06
ICN32RQ	A-07	F-18
ICN34RQ	F-19	L-06

1992 ICN32RQ INDEX

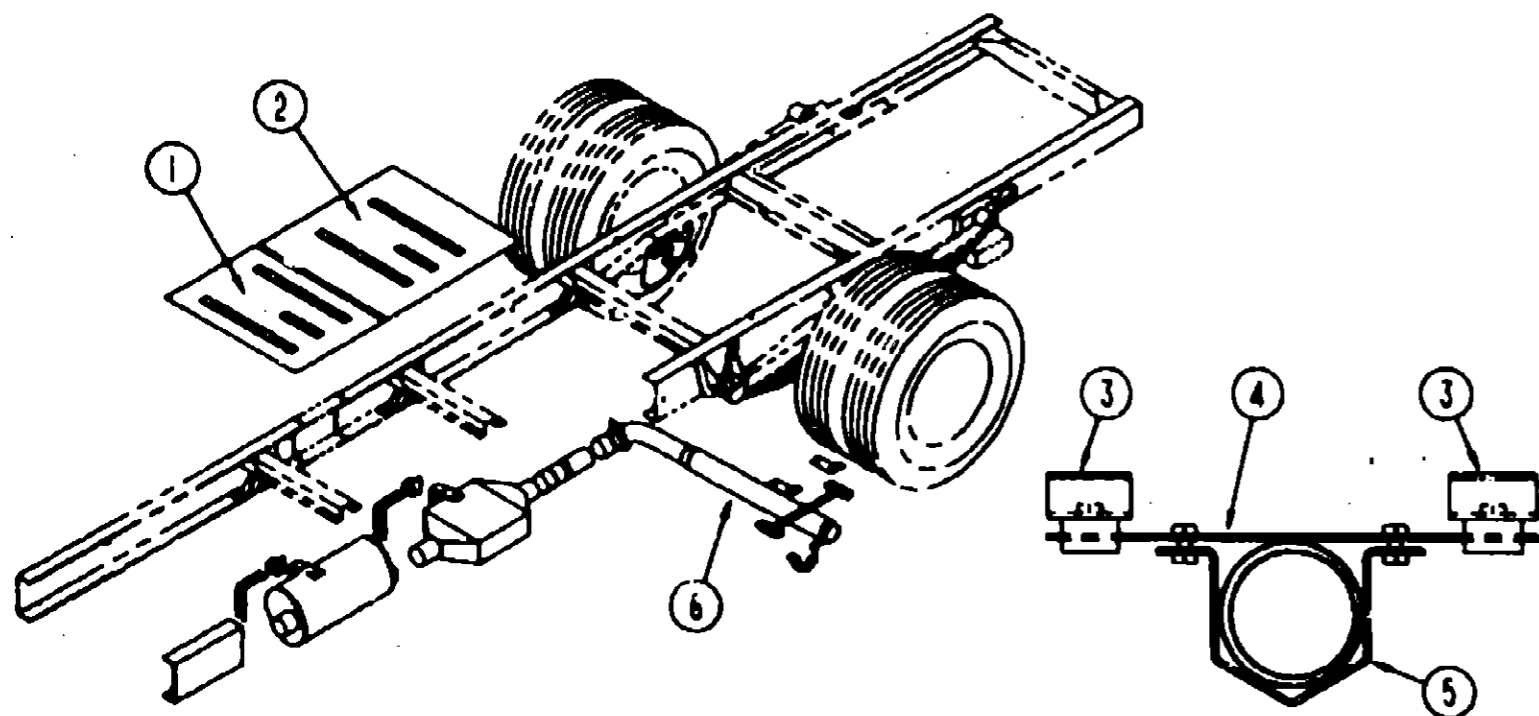
FLOOR PLAN	A-07	A-08
ACCESSORIES		A-09
AUDIO/VIDEO	A-10	A-12
BATH	A-13	A-16
BEDROOM	A-17	A-20
CHASSIS	A-21	B-08
CURTAINS & CUSHIONS	B-09	B-22
DINETTE	B-23	B-24
DRIVERS	C-01	C-08
ELECTRICAL	C-09	C-14
EXTERIOR BODY	C-15	C-24
GALLEY	D-01	D-08
GENERATORS	D-09	D-10
HEATING & A/C	D-11	D-14
INTERIOR FINISH	D-15	D-18
LABEL	D-19	E-02
LP		E-03
LOUNGE	E-04	E-05
SEALANTS & FASTENERS	E-06	E-08
WATER & SEWAGE	E-09	E-14
WINDOW, VENT AND EXTERIOR DOOR	E-15	F-14
WINDSHIELD & WIPER	F-15	F-18

CHASSIS GROUP (CONTINUED)

CHASSIS GROUP (CONTINUED)

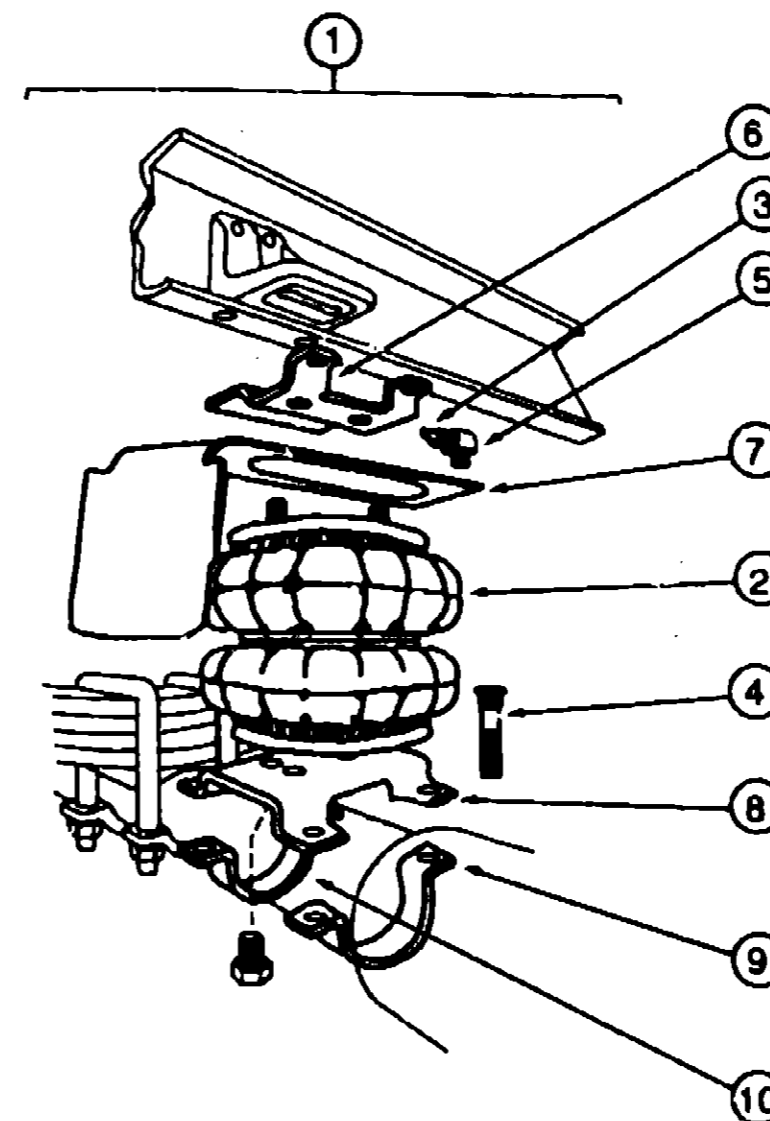
**1992 ITASCA
TABLE OF CONTENTS**

INTRODUCTION	A-01	A-02
ABBREVIATIONS		A-03
ALPHABETICAL INDEX	A-04	A-08
ICN32RQ	A-07	F-18
ICN34RQ	F-19	L-06



CHEVY EXHAUST COMPONENTS

KEY	PART NUMBER	U/M	DESCRIPTION
1	101544-01-000	EA	SHIELD-HEAT, EXHAUST - 19.7" X 28.9"
2	101544-02-000	EA	SHIELD-HEAT, EXHAUST - 30" X 28.9"
3	095522-02-000	EA	BRACKET-EXHAUST, UPPER
4	095523-04-000	EA	BRACKET-EXHAUST, UPPER
5	095223-02-000	EA	BRACKET-EXHAUST, LOWER - STRAIGHT - W/NUTS
6	096599-01-000	EA	PIPE-EXHAUST, W/BENDS - 38.8" LONG
	095190-01-000	EA	HANGER-EXHAUST, 4" X 1.4" - CHEVY PROVIDED PRIOR TO 12-89
	098054-01-000	EA	SUPPORT-EXHAUST PIPE - W/BENDS
	098087-02-000	EA	BRACKET-STRAP, EXHAUST PIPE - W/CENTER BENT LIP - 13" X 5"



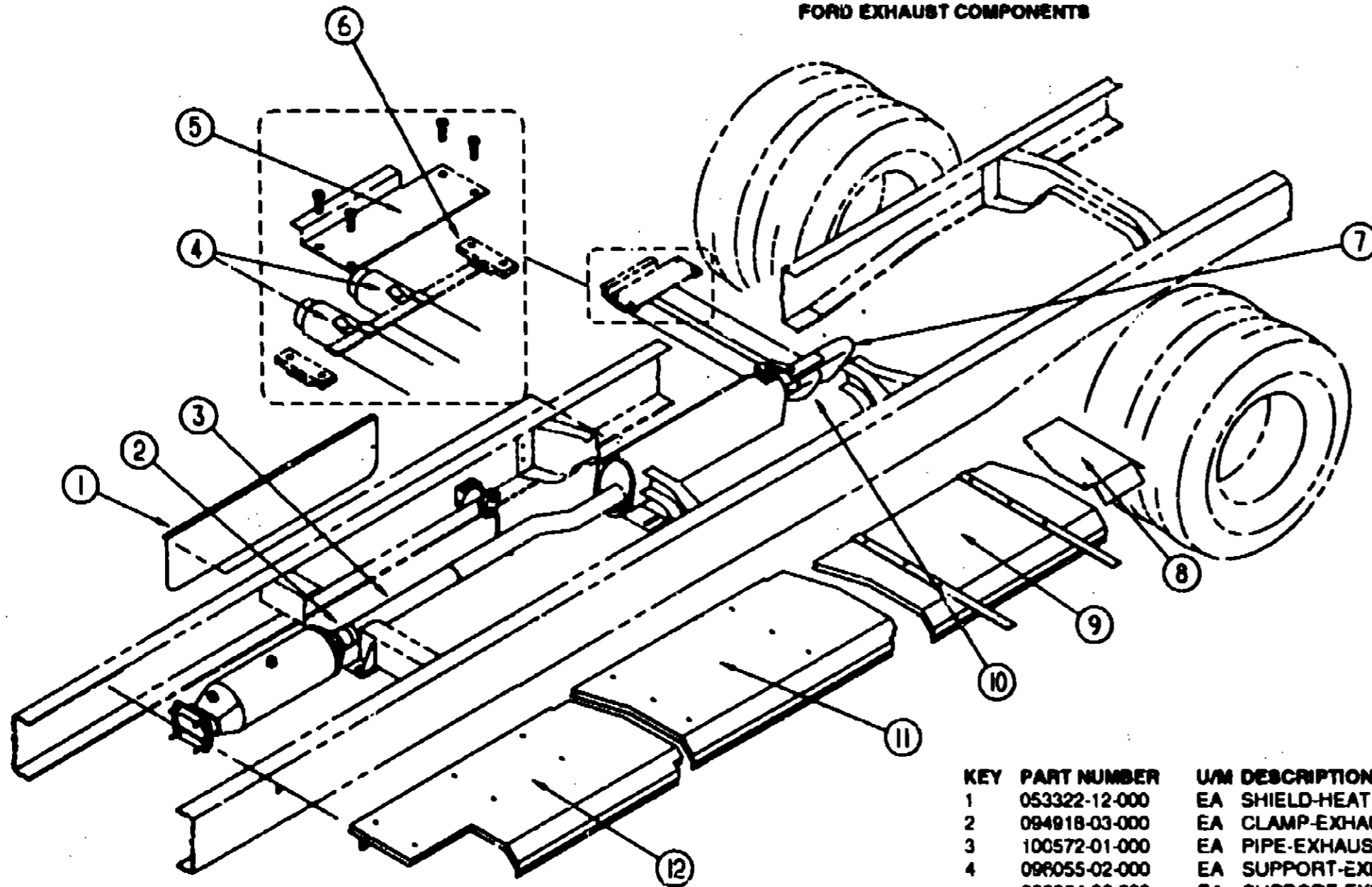
REAR AXLE AIR SPRINGS

KEY	PART NUMBER	U/M	DESCRIPTION
1	084086-01-000	EA	AIRSPRING-BELLOWS, REAR AXLE - FIRESTONE# MHA224
2	084086-01-700	EA	AIR BAG-ONLY, FIRESTONE# W21-760-0335
3	084086-01-701	EA	TUBING-DOT 1/4" X 18' - FIRESTONE# 21-0938
4	084086-01-702	EA	BOLT-RIBBED NECK, 3/8"-24 X 2.5" FIRESTONE# 21-0829
5	084086-01-703	EA	INFLATING VALVE-DOT 1/4" TUBING, FIRESTONE# 21-0931
	084086-01-704	EA	ELBOW CONNECTOR, FIRESTONE# 21-0935
	084086-01-705	EA	TUBING PROTECTORS, FIRESTONE# 21-0899
6	084086-01-706	EA	BRACKET-UPPER TO FRAME, FIRESTONE# 21-0150
	084086-01-708	EA	AIRLINE SERVICE KIT, FIRESTONE# W21-760-2012
	084086-01-709	EA	HEAT SHIELD, FIRESTONE# 21-1004
	084086-01-710	EA	BOLT PACKAGE, FIRESTONE 2135823002
7	084086-01-711	EA	HEAT SHIELD-224 DOS SYSTEM, FIRESTONE 21-5042
8	084086-01-707	EA	BRACKET-LOWER, TOP - PASSENGER SIDE - FIRESTONE# 21-1182
9	084086-01-712	EA	BRACKET-LOWER, TOP - DRIVER SIDE - FIRESTONE 21-5037
	084086-01-713	EA	AXLE STRAP BRACKET, AXLE TUBE - 3 USED - FIRESTONE 21-1153
10	084086-01-714	EA	AXLE STRAP BRACKET, DIFFERENTIAL - 1 USED - FIRESTONE 21-5038
	084086-03-000	EA	BRACKET-AXLE, FIRESTONE #W21-760-2044

1992 ICN32RQ INDEX

FLOOR PLAN	A-07	A-08
ACCESSORIES		A-09
AUDIO/VIDEO	A-10	A-12
BATH	A-13	A-16
BEDROOM	A-17	A-20
CHASSIS	A-21	B-08
CURTAINS & CUSHIONS	B-09	B-22
DINETTE	B-23	B-24
DRIVERS	C-01	C-08
ELECTRICAL	C-09	C-14
EXTERIOR BODY	C-15	C-24
GALLEY	D-01	D-08
GENERATORS	D-09	D-10
HEATING & A/C	D-11	D-14
INTERIOR FINISH	D-15	D-18
LABEL	D-19	E-02
LP		E-03
LOUNGE	E-04	E-05
SEALANTS & FASTENERS	E-06	E-08
WATER & SEWAGE	E-09	E-14
WINDOW, VENT AND		
EXTERIOR DOOR	E-15	F-14
WINDSHIELD & WIPER	F-15	F-18

CHASSIS GROUP (CONTINUED)
FORD EXHAUST COMPONENTS



KEY	PART NUMBER	UM DESCRIPTION
1	053322-12-000	EA SHIELD-HEAT EXHAUST, - 32" X 9" - STEEL
2	094918-03-000	EA CLAMP-EXHAUST PIPE, 2.5"
3	100572-01-000	EA PIPE-EXHAUST, OFFSET - 15.2" LONG - 2.5" ID - FORD
4	096055-02-000	EA SUPPORT-EXHAUST PIPE, 1" X 15.8"
	098054-02-000	EA SUPPORT-EXHAUST PIPE, BENT - 2.8" X 8" - STEEL
5	096087-02-000	EA BRACKET-STRAP, EXHAUST PIPE - 5.8" X 13" - W/NUTS
	096087-01-000	EA BRACKET-STRAP, EXHAUST PIPE - W/CENTER BENT LIP - 5" X 13"
	007125-07-000	EA CLAMP-MUFFLER, 2.50" DIAMETER - FORD
		FROM: 00-00-00 THRU: 01-13-92
	007125-11-000	EA CLAMP-MUFFLER, 2.75" DIAMETER - FORD
		FROM: 01-14-92 THRU: 99-99-99
8	095190-01-000	EA HANGER-EXHAUST, 4" X 1.4"
7	100600-01-000	EA PIPE-EXHAUST, REAR - 42" LONG - FORD
		FROM: 00-00-00 THRU: 08-20-91
7	100600-02-000	EA PIPE-EXHAUST, REAR - FORD
		FROM: 08-21-91 THRU: 99-99-99
8	099430-01-000	EA SHIELD-EXHAUST, REAR - 14" X 19.1" - FROM EDGE TO BEND
9	098795-02-000	EA SHIELD-EXHAUST 15.87" X 35.39"
10	100601-01-000	EA PIPE-EXHAUST, FRONT - 40.7" LONG - FORD
		FROM: 00-00-00 THRU: 08-20-91
10	100601-02-000	EA PIPE-EXHAUST, FRONT - 40.7" LONG - FORD
		FROM: 08-21-91 THRU: 99-99-99
11	098795-05-000	EA SHIELD-EXHAUST, - GALVANIZED STEEL
12	098798-04-000	EA SHIELD-EXHAUST, CONVERTER
	098443-03-000	EA SUPPORT-SHIELD, EXHAUST, 1.5" X 29.2" - PRIMED
	007125-05-000	EA CLAMP-MUFFLER, 2.00" DIAMETER - FORD
		FROM: 00-00-00 THRU: 01-13-92
	007125-08-000	EA CLAMP-MUFFLER, 2.00" DIAMETER - FORD
		FROM: 01-14-92 THRU: 99-99-99

1992 ITASCA
TABLE OF CONTENTS

INTRODUCTION	A-01 -	A-02
ABBREVIATIONS		A-03
ALPHABETICAL INDEX	A-04 -	A-06
ICN32RQ	A-07 -	F-18
ICN34RQ	F-19 -	L-08

1992 ICN32RQ INDEX

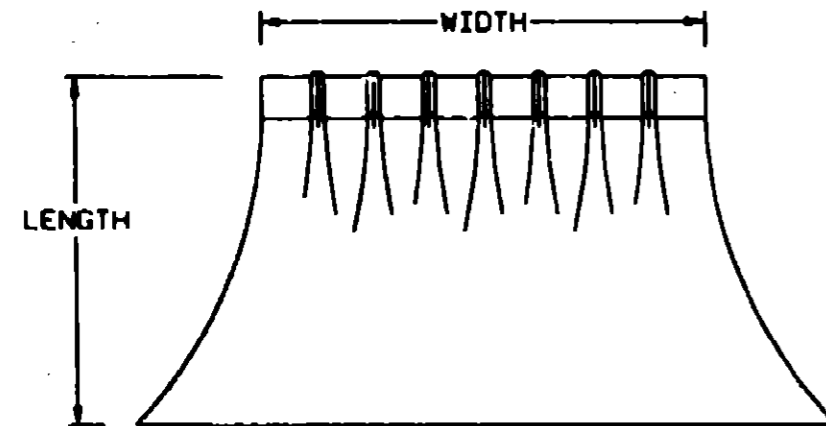
FLOOR PLAN	A-07 -	A-08
ACCESSORIES		A-09
AUDIOW/VIDEO	A-10 -	A-12
BATH	A-13 -	A-16
BEDROOM	A-17 -	A-20
CHASSIS	A-21 -	B-08
CURTAINS & CUSHIONS	B-09 -	B-22
DINETTE	B-23 -	B-24
DRIVERS	C-01 -	C-08
ELECTRICAL	C-09 -	C-14
EXTERIOR BODY	C-15 -	C-24
GALLEY	D-01 -	D-08
GENERATORS	D-09 -	D-10
HEATING & A/C	D-11 -	D-14
INTERIOR FINISH	D-15 -	D-18
LABEL	D-19 -	E-02
LP		E-03
LOUNGE	E-04 -	E-05
SEALANTS & FASTENERS	E-06 -	E-08
WATER & SEWAGE	E-09 -	E-14
WINDOW, VENT AND		
EXTERIOR DOOR	E-15 -	F-14
WINDSHIELD & WIPER	F-15 -	F-18

CURTAIN & CUSHION GROUP

NOTICE

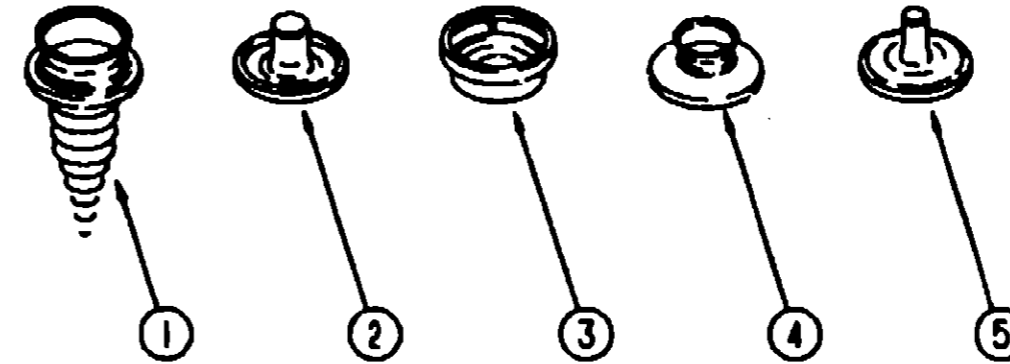
IN ORDER TO ASSIST OUR PARTS SALES DEPT. IN PROVIDING INTERIOR SOFTWARE ITEMS, PLEASE INCLUDE THE SERIAL NUMBER AND THE COLOR CODE NUMBER FROM THE VEHICLE CERTIFICATION LABEL WHEN ORDERING. THIS LABEL IS LOCATED ON THE LEFT SIDEWALL AT THE END OF THE DASH (A-BODY), OR ON THE DRIVER'S DOOR LATCH PLATE (C-BODY).

AN EXAMPLE OF A COLOR CODE NUMBER IS B07, WHICH DESIGNATES AN OVERALL COLOR SCHEME OF A PARTICULAR UNIT. THE COLOR LISTED AFTER THE ITEM DESCRIPTION ON THE MICROFICHE, INDICATES THE OVERALL UNIT COLOR. ORDER THE ITEM YOU DESIRE ACCORDING TO UNIT COLOR CODE.



NOTE: USE THIS ILLUSTRATION WHEN DETERMINING LENGTH AND WIDTH MEASUREMENTS FOR CURTAINS. YOU WILL NOTE THE WIDTH MEASUREMENT IS TAKEN ON THE TOP OF THE CURTAIN WITH THE CURTAIN FULLY EXTENDED. THE LENGTH MEASUREMENT IS TAKEN FROM TOP TO BOTTOM.

CURTAIN & CUSHION GROUP (CONTINUED)



SNAP FASTENERS

KEY	PART NUMBER	U/M	DESCRIPTION
1	029130-01-000	EA	SCREW-SNAP SOCKET, 8 PH X 5/8"
2	029155-01-000	EA	CAP-SNAP, .158" DIA X .17" BARREL
3	029156-01-000	EA	SOCKET-SNAP FASTENER, NICKEL - 9/16" O.D
4	029093-01-000	EA	EYELET-NICKEL FINISH
5	029092-01-000	EA	STUD-NICKEL FINISH

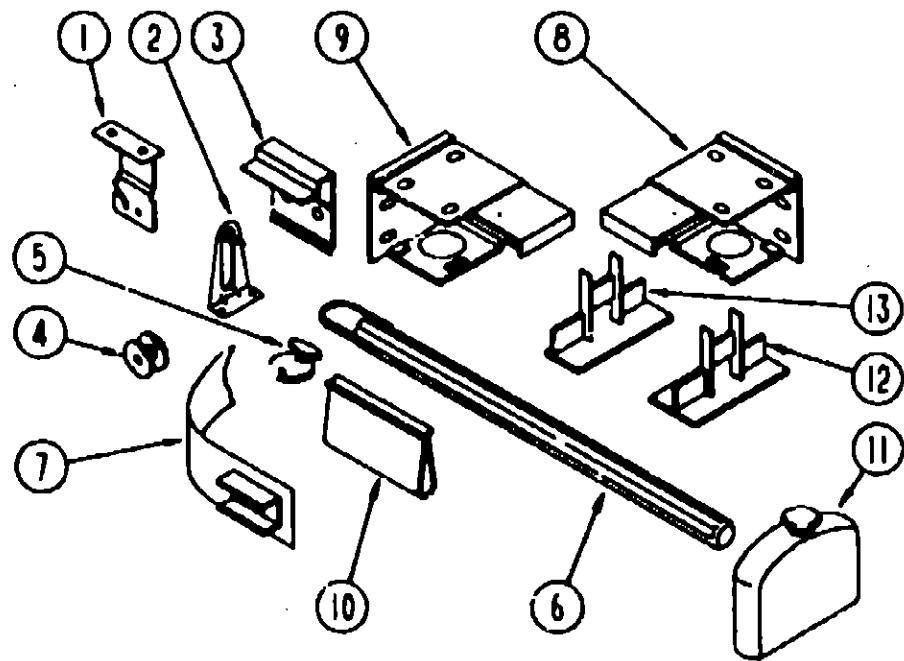
1992 ITASCA TABLE OF CONTENTS

INTRODUCTION	A-01	A-02
ABBREVIATIONS		A-03
ALPHABETICAL INDEX	A-04	A-08
ICN32RQ	A-07	F-18
ICN34RQ	F-19	L-08

1992 ICN32RQ INDEX

FLOOR PLAN	A-07	A-08
ACCESSORIES		A-09
AUDIO/VIDEO	A-10	A-12
BATH	A-13	A-18
BEDROOM	A-17	A-20
CHASSIS	A-21	B-08
CURTAINS & CUSHIONS	B-09	B-22
DINETTE	B-23	B-24
DRIVERS	C-01	C-08
ELECTRICAL	C-09	C-14
EXTERIOR BODY	C-15	C-24
GALLEY	D-01	D-08
GENERATORS	D-09	D-10
HEATING & A/C	D-11	D-14
INTERIOR FINISH	D-15	D-18
LABEL	D-19	E-02
LP		E-03
LOUNGE	E-04	E-05
SEALANTS & FASTENERS	E-06	E-08
WATER & SEWAGE	E-09	E-14
WINDOW, VENT AND EXTERIOR DOOR	E-15	F-14
WINDSHIELD & WIPER	F-15	F-18

CURTAIN & CUSHION GROUP (CONTINUED)



CURTAIN HARDWARE

KEY	PART NUMBER	U/M DESCRIPTION
1	084434-01-000	EA BRACKET-MOUNTING, ROLLER SHADE - 1 3/8"
2	095591-02-000	EA BRACKET-BLIND, HOLD-DOWN - W/PIN
3	097565-01-000	EA BRACKET-MOUNTING, PLEATED BLIND
4	097592-01-000	EA SPOOL-CORD, ELEVATED BLIND HOLDUP - CLEAR PLASTIC
5	102555-01-000	EA CLEAT-CORD, BLIND - OFF WHITE
6	083475-01-700	EA WAND-BLIND, W/METAL CLIP - 8" LONG
7	101031-01-000	YD TAPE-GLIDE, CURTAIN - 4.25" SPACING
8	083170-01-000	EA BRACKET-BLIND, RIGHT SIDE
9	083170-02-000	EA BRACKET-BLIND, LEFT SIDE
10	108544-01-000	EA PULL-SHADE, BRASS
11	093475-01-701	EA END CAP-BLIND, W/STUD - CLEAR PLASTIC
12	094907-03-000	EA END CAP BOTTOM, PLEATED BLIND - PLASTIC - GRAY
13	094907-02-000	EA END CAP TOP, PLEATED BLIND - PLASTIC - GRAY
	105325-02-01A	EA TRACK-CURTAIN, WRAPAROUND - DRIVER - OFF WHITE
	105325-01-01A	EA TRACK-CURTAIN, WRAPAROUND - PASSENGER - OFF WHITE
	075943-08-000	EA BRACE-L-SHAPED, 8" LONG - ALUMINUM - BEIGE
	075943-02-000	EA BRACE-ANGLE, W/HOLES - 1" X 1.5" X 14" - ALUMINUM - BEIGE
	075943-08-000	EA BRACE-VALANCE, 14" - OFF WHITE
	048394-02-000	YD VELCRO TAPE-HOOK, ADHESIVE BACK - .75" WIDE - BEIGE
	029094-04-000	YD TAPE-LOOP, 1.0 WIDE, BLACK
	029094-05-000	YD TAPE-LOOP, .50 WIDE, BEIGE
	088792-01-000	YD VELCRO-5/8" HOOK, NON-ADHES
	088792-02-000	YD VELCRO-3/4" LOOP, ADHESIVE
	029096-03-000	YD TAPE-HOOK, 1.0 WIDE, BLACK
	088276-01-000	EA TAPE-DOUBLE SIDED, 1/2"
	048887-01-000	EA GROMMET-BRASS - 7/16" ID X 1" OD
	078155-01-000	EA STRAP-BACK CUSHION, SNAP
	084432-08-000	EA SLAT-SHADE, PLASTIC
	098843-01-000	EA SPRING-REWIND, ROLLER SHADE

CURTAIN & CUSHION GROUP (CONTINUED)

CURTAIN HARDWARE (CONTINUED)

KEY	PART NUMBER	U/M DESCRIPTION
	089918-01-000	EA MOUNT-WINDOW LEG, 23.75" - ALUMINUM - BLACK
	089522-02-000	EA PANEL-LEG, TWO SIDED - 31.5" - PLASTIC - BLACK
	097565-01-000	EA MOUNTING BRACKET CLIPS
	097591-01-000	EA SPRING-EXTENSION, PLEATED BLIND
	097593-08-000	EA CORD-BLIND, PLEATED - PEWTER
	094896-02-000	EA GROMMET-CORD, PLEATED BLIND - NYLON - GRAY

FABRICS AND TRIMS

KEY	PART NUMBER	U/M DESCRIPTION
	087272-01-000	YD FABRIC-LINING, CURTAIN - 48" WIDE - IVORY
	072333-88-000	YD FABRIC-CURTAIN, TEXTURED PLAIN
	072333-88-000	YD FABRIC-CURTAIN/BEDSPREAD, PLAIN (C31/C32)
	072333-87-000	YD FABRIC-CURTAIN/BEDSPREAD, PLAIN (C33)
	088273-87-000	YD FABRIC-CURTAIN/BEDSPREAD, PLAIN ACCENT (C31)
	088273-89-000	YD FABRIC-CURTAIN/BEDSPREAD, PLAIN ACCENT (C32)
	088273-88-000	YD FABRIC-CURTAIN/BEDSPREAD, PLAIN ACCENT (C33)
	088273-90-000	YD FABRIC-CURTAIN/BEDSPREAD, PATTERNED MAIN (C31)
	088273-87-000	YD FABRIC-CURTAIN/BEDSPREAD, PATTERNED MAIN (C32)
	088273-85-000	YD FABRIC-CURTAIN/BEDSPREAD, PATTERNED MAIN (C33)
	104233-10-000	YD FABRIC-UPHOLSTERY, PATTERN ACCENT (C31)
	104233-08-000	YD FABRIC-UPHOLSTERY, PATTERN ACCENT (C32)
	104233-06-000	YD FABRIC-UPHOLSTERY, PATTERN ACCENT (C33)
	104233-09-000	YD FABRIC-UPHOLSTERY, MAIN (C31)
	104233-05-000	YD FABRIC-UPHOLSTERY, MAIN (C32)
	104233-06-000	YD FABRIC-UPHOLSTERY, MAIN (C33)
	104233-01-000	YD FABRIC-UPHOLSTERY, PLAIN ACCENT (C31)
	104233-11-000	YD FABRIC-UPHOLSTERY, PLAIN ACCENT (C31)
	096008-78-000	YD FABRIC-UPHOLSTERY, PLAIN ACCENT (C32)
	104233-47-000	YD FABRIC-UPHOLSTERY, PLAIN ACCENT (C33)
	104233-30-000	YD FABRIC-UPHOLSTERY, PLAIN ACCENT (C33)
	079349-01-C31	YD WELTING-ACCENT FABRIC (C31)
	079349-01-B85	YD WELTING-ACCENT FABRIC (C32)
	079349-01-B04	YD WELTING-ACCENT FABRIC (C33)
	084415-34-000	YD TRIM-BRAID, FRINGE (C31)
	084415-35-000	YD TRIM-BRAID, FRINGE (C32)
	084415-36-000	YD TRIM-BRAID, FRINGE (C33)
	029219-01-000	YD FABRIC-VINYL, 54" WIDE - WHITE
	079680-07-000	YD FABRIC-VINYL, 54" WIDE - BEIGE
	103907-01-01A	YD FABRIC-VINYL, 54" WIDE - OFF WHITE
	052859-01-AA8	FT TRIM-EDGE, VINYL - 1.5" WIDE - BEIGE
	076796-02-000	YD VINYL-FOAMBACK, 42" WIDE - GRAY
	057534-01-000	EA TIEBACK/TIEDOWN-BED/CURTAIN/DOOR, 6" - PLASTIC - CLEAR

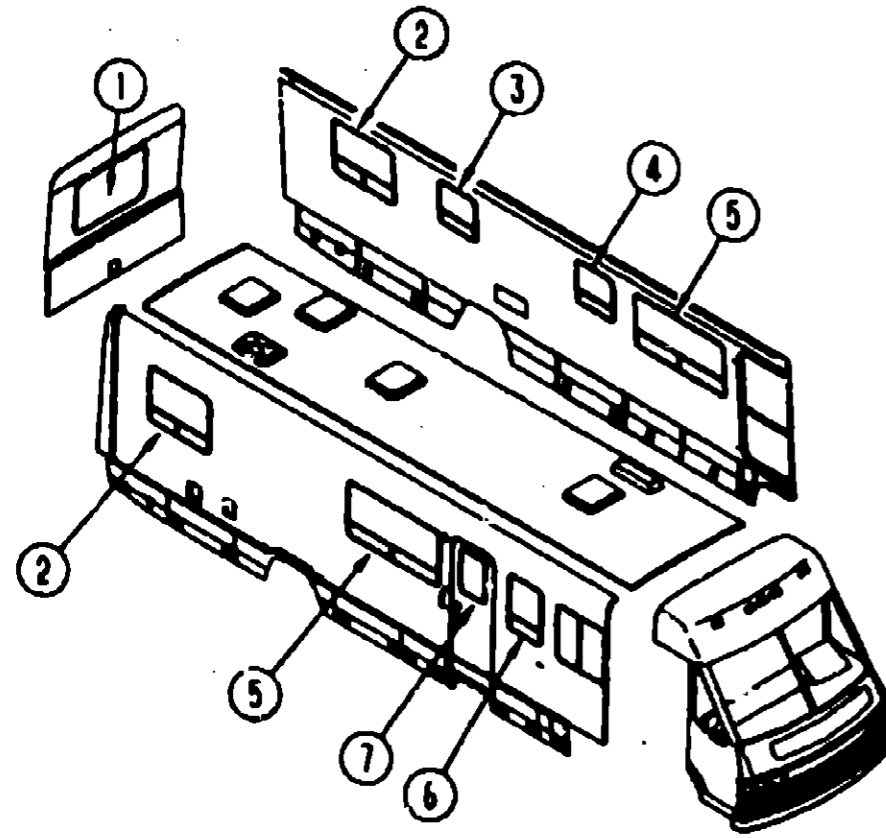
**1992 ITASCA
TABLE OF CONTENTS**

INTRODUCTION	A-01	A-02
ABBREVIATIONS		A-03
ALPHABETICAL INDEX	A-04	A-08
ICN32RQ	A-07	F-18
ICN34RQ	F-19	L-06

1992 ICN32RQ INDEX

FLOOR PLAN	A-07	A-08
ACCESSORIES		A-09
AUDIO/VIDEO	A-10	A-12
BATH	A-13	A-16
BEDROOM	A-17	A-20
CHASSIS	A-21	B-08
CURTAINS & CUSHIONS	B-09	B-22
DINETTE	B-23	B-24
DRIVERS	C-01	C-08
ELECTRICAL	C-09	C-14
EXTERIOR BODY	C-15	C-24
GALLEY	D-01	D-08
GENERATORS	D-09	D-10
HEATING & A/C	D-11	D-14
INTERIOR FINISH	D-15	D-18
LABEL	D-19	E-02
LP		E-03
LOUNGE	E-04	E-05
SEALANTS & FASTENERS	E-08	E-08
WATER & SEWAGE	E-09	E-14
WINDOW, VENT AND		
EXTERIOR DOOR	E-15	F-14
WINDSHIELD & WIPER	F-15	F-18

CURTAIN & CUSHION GROUP (CONTINUED)
WINDOW TREATMENT



KEY	PART NUMBER	U/M DESCRIPTION
3	100281-63-C31	EA LEG-ASM, RIGHT SIDE
3	100281-63-C32	EA LEG-ASM, RIGHT SIDE
3	100281-63-C33	EA LEG-ASM, RIGHT SIDE
3	100281-64-C31	EA LEG-ASM, LEFT SIDE
3	100281-64-C32	EA LEG-ASM, LEFT SIDE
3	100281-64-C33	EA LEG-ASM, LEFT SIDE
3	093475-71-05A	EA BLIND-MINI, 13.5" X 28.5" DROP (C31)
3	093475-71-06A	EA BLIND-MINI, 13.5" X 28.5" DROP (C32/C33)
4	093475-85-04A	EA BLIND-MINI, 28" X 22.5" DROP ((C31)
4	093475-85-05A	EA BLIND-MINI, 28" X 22.5" DROP (C32/C33)
5	100281-61-C31	EA LEG ASM, RIGHT
5	100281-61-C32	EA LEG ASM, RIGHT
5	100281-61-C33	EA LEG ASM, RIGHT
5	100281-62-C31	EA LEG ASM, LEFT
5	100281-62-C32	EA LEG ASM, LEFT
5	100281-62-C33	EA LEG ASM, LEFT
5	096803-09-C31	EA BLIND-DAY/NIGHTER, 57.5" X 31.5 DROP
5	096803-09-C32	EA BLIND-DAY/NIGHTER, 57.5" X 31.5 DROP
5	096803-09-C33	EA BLIND-DAY/NIGHTER, 57.5" X 31.5 DROP
6	100281-61-C31	EA LEG ASM, RIGHT
6	100281-61-C32	EA LEG ASM, RIGHT
6	100281-61-C33	EA LEG ASM, RIGHT
6	100281-73-C31	EA LEG ASM, LEFT
6	100281-73-C32	EA LEG ASM, LEFT
6	100281-73-C33	EA LEG ASM, LEFT
6	096803-14-C31	EA BLIND-DAY/NIGHTER, 21" X 32" DROP
6	096803-14-C32	EA BLIND-DAY/NIGHTER, 21" X 32" DROP
6	096803-14-C33	EA BLIND-DAY/NIGHTER, 21" X 32" DROP
7	084755-25-C31	EA SHADE ASM-PULL, 27.25
7	084755-25-C32	EA SHADE ASM-PULL, 27.25
7	084755-25-C33	EA SHADE ASM-PULL, 27.25
	073260-50-C31	EA TIEBACK-CURTAIN, W/BRAID - 6" X 18"
	073260-50-C32	EA TIEBACK-CURTAIN, W/BRAID - 6" X 18"
	073260-50-C33	EA TIEBACK-CURTAIN, W/BRAID - 6" X 18"
	057534-01-000	EA TIEBACK-CLEAR, 6"

FRONT WRAP AROUND WINDSHIELD CURTAINS

KEY	PART NUMBER	U/M DESCRIPTION
	101688-21-C31	EA CURTAIN-WTAPE TOP - 38" X 78"
	101688-21-C32	EA CURTAIN-WTAPE TOP - 38" X 78"
	101688-21-C33	EA CURTAIN-WTAPE TOP - 38" X 78"

**1992 ITASCA
TABLE OF CONTENTS**

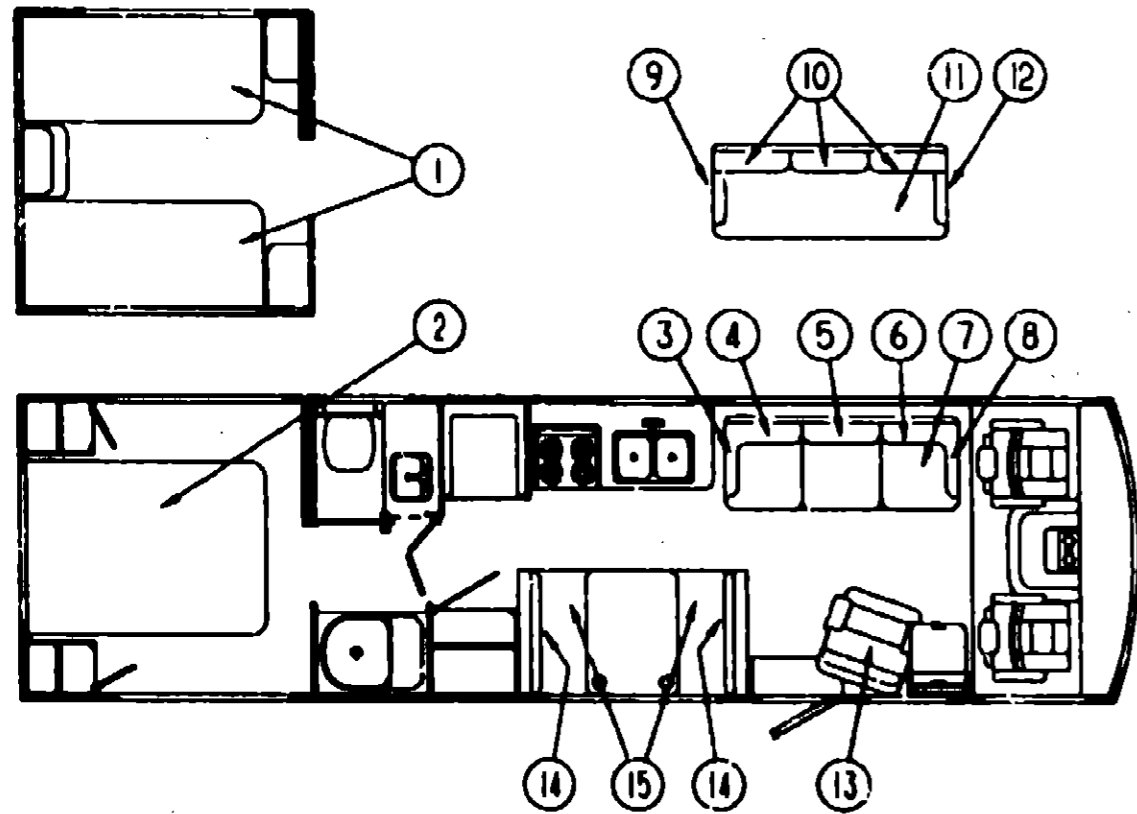
INTRODUCTION	A-01 -	A-02
ABBREVIATIONS		A-03
ALPHABETICAL INDEX	A-04 -	A-06
ICN32RC	A-07 -	F-18
ICN34RQ	F-19 -	L-06

1992 ICN32RQ INDEX

FLOOR PLAN	A-07 -	A-08
ACCESSORIES		A-09
AUDIO/VIDEO	A-10 -	A-12
BATH	A-13 -	A-16
BEDROOM	A-17 -	A-20
CHASSIS	A-21 -	B-08
CURTAINS & CUSHIONS	B-09 -	B-22
DINETTE	B-23 -	B-24
DRIVERS	C-01 -	C-08
ELECTRICAL	C-09 -	C-14
EXTERIOR BODY	C-15 -	C-24
GALLEY	D-01 -	D-08
GENERATORS	D-09 -	D-10
HEATING & A/C	D-11 -	D-14
INTERIOR FINISH	D-15 -	D-18
LABEL	D-19 -	E-02
LP		E-03
LOUNGE	E-04 -	E-05
SEALANTS & FASTENERS	E-06 -	E-08
WATER & SEWAGE	E-09 -	E-14
WINDOW, VENT AND		
EXTERIOR DOOR	E-15 -	F-14
WINDSHIELD & WIPER	F-15 -	F-18

KEY	PART NUMBER	U/M DESCRIPTION
1	100281-69-C31	EA LEG ASM-RIGHT SIDE
1	100281-69-C32	EA LEG ASM-RIGHT SIDE
1	100281-69-C33	EA LEG ASM-RIGHT SIDE
1	100281-70-C31	EA LEG ASM-LEFT SIDE
1	100281-70-C32	EA LEG ASM-LEFT SIDE
1	100281-70-C33	EA LEG ASM-LEFT SIDE
1	096803-15-C31	EA BLIND-DAY/NIGHTER, 45.5" X 33" DROP
1	096803-15-C32	EA BLIND-DAY/NIGHTER, 45.5" X 33" DROP
1	096803-15-C33	EA BLIND-DAY/NIGHTER, 45.5" X 33" DROP
1	104155-03-C31	EA VALANCE-WINDOW, 12" X 51"
1	104155-03-C32	EA VALANCE-WINDOW, 12" X 51"
1	104155-03-C33	EA VALANCE-WINDOW, 12" X 51"
2	100281-71-C31	EA LEG ASM-RIGHT SIDE
2	100281-71-C32	EA LEG ASM-RIGHT SIDE
2	100281-71-C33	EA LEG ASM-RIGHT SIDE
2	100281-72-C31	EA LEG ASM-LEFT SIDE
2	100281-72-C32	EA LEG ASM-LEFT SIDE
2	100281-72-C33	EA LEG ASM-LEFT SIDE
2	104155-02-C31	EA VALANCE-WINDOW, 45"
2	104155-02-C32	EA VALANCE-WINDOW, 45"
2	104155-02-C33	EA VALANCE-WINDOW, 45"
2	096803-13-C31	EA BLIND-DAY/NIGHTER, 39.5" X 33" DROP
2	096803-13-C32	EA BLIND-DAY/NIGHTER, 39.5" X 33" DROP
2	096803-13-C33	EA BLIND-DAY/NIGHTER, 39.5" X 33" DROP

CURTAIN & CUSHION GROUP (CONTINUED)



DRIVERS SIDE COUCH

KEY	PART NUMBER	U/M DESCRIPTION
3	104653-01-C33	EA CUSHION-ARMREST, VICTORIAN FROM: 00-00-00 THRU: 08-04-91
	P04653-01-C33	EA COVER-CUSHION, ARMREST - VICTORIAN
4	104654-01-C33	EA CUSHION-BACK, VICTORIAN FROM: 00-00-00 THRU: 08-04-91
	P04654-01-C33	EA COVER-CUSHION, BACK, VICTORIAN
4	104654-03-C33	EA CUSHION-BACK, VICTORIAN FROM: 00-00-00 THRU: 08-04-91
	P04654-03-C33	EA COVER-BACK CUSHION, VICTORIAN
5	104654-02-C33	EA CUSHION-BACK, VICTORIAN FROM: 00-00-00 THRU: 08-04-91
	P04654-02-C33	EA COVER-BACK CUSHION, VICTORIAN
6	104652-01-C33	EA CUSHION-SEAT, VICTORIAN FROM: 00-00-00 THRU: 08-04-91
	P04652-01-C33	EA COVER-CUSHION, SOFA SEAT - VICTORIAN
7	104653-02-C33	EA CUSHION-ARMREST, VICTORIAN FROM: 00-00-00 THRU: 08-04-91
	P04653-02-C33	EA COVER-CUSHION, ARMREST - VICTORIAN
8	105433-01-000	EA FRAME ASM-BED
	079386-02-000	EA HARDWARE-KIT
	102872-01-000	EA STRIKE-COUCH, W/ROD - 4.5 - STEEL - CANADIAN

**1992 ITASCA
TABLE OF CONTENTS**

INTRODUCTION	A-01 - A-02
ABBREVIATIONS	A-03
ALPHABETICAL INDEX	A-04 - A-08
ICN32RQ	A-07 - F-18
ICN34RQ	F-19 - L-06

TWIN BEDSPREAD & MATTRESS

KEY	PART NUMBER	U/M DESCRIPTION
1	105569-02-C31	EA BEDSPREAD-TWIN, 33" - LEFT
1	105569-02-C32	EA BEDSPREAD-TWIN, 33" - LEFT
1	105569-02-C33	EA BEDSPREAD-TWIN, 33" - LEFT
1	105569-01-C31	EA BEDSPREAD-TWIN, 33" - RIGHT
1	105569-01-C32	EA BEDSPREAD-TWIN, 33" - RIGHT
1	105569-01-C33	EA BEDSPREAD-TWIN, 33" - RIGHT
	098178-01-000	EA MATTRESS-INNERSPRING, 32 X 74

QUEEN BEDSPREAD & MATTRESS

KEY	PART NUMBER	U/M DESCRIPTION
2	104843-04-C31	EA BEDSPREAD-FITTED, QUEEN - 60"
2	104843-04-C32	EA BEDSPREAD-FITTED, QUEEN - 60"
2	104843-04-C33	EA BEDSPREAD-FITTED, QUEEN - 60"
	098178-04-000	EA MATTRESS-INNERSPRING, 59 X 74

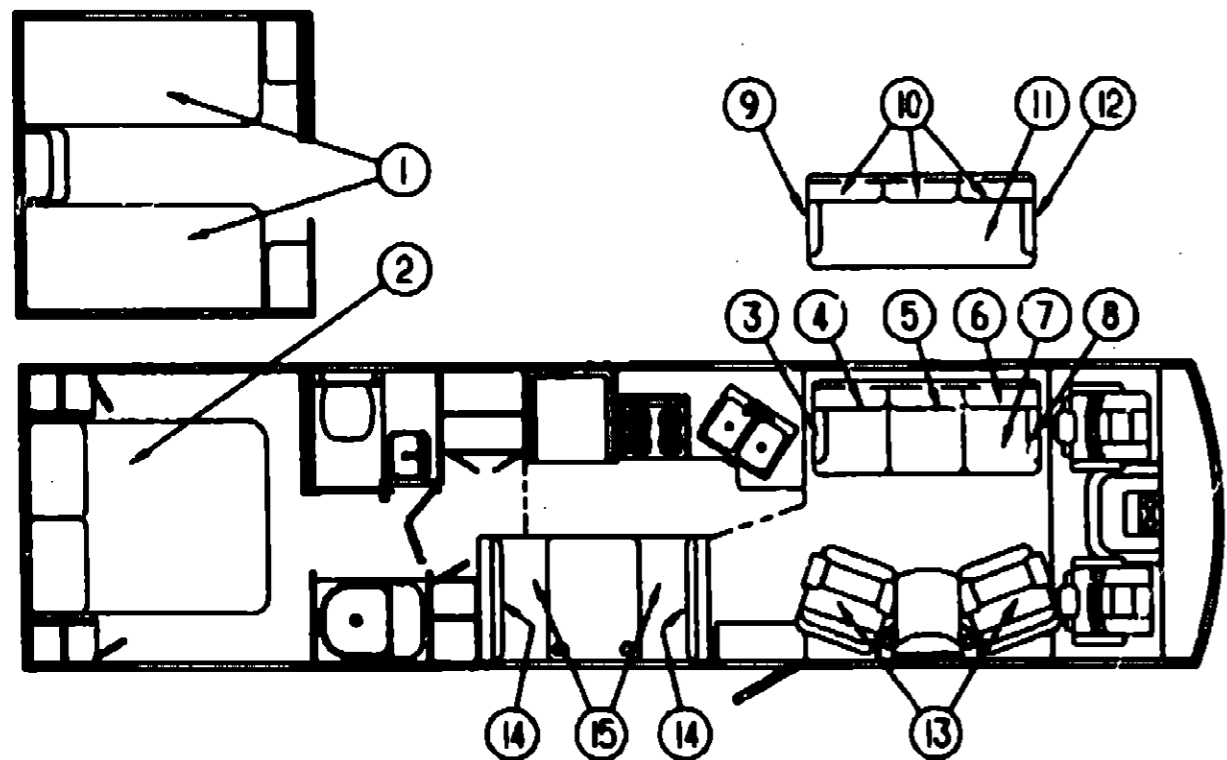
PILLOWS & SHAMS

KEY	PART NUMBER	U/M DESCRIPTION
	104862-01-C31	EA SHAM-W/O PILLOW
	104862-01-C32	EA SHAM-W/O PILLOW
	104832-01-C33	EA SHAM-W/O PILLOW
	103869-05-C31	EA PILLOW-THROW, W/ACCENT RUFFLE - 15" X 15"
	103869-05-C32	EA PILLOW-THROW, W/ACCENT RUFFLE - 15" X 15"
	103869-05-C33	EA PILLOW-THROW, W/ACCENT RUFFLE - 15" X 15"
	103869-04-C31	EA PILLOW-THROW, 15" X 15"
	103869-04-C32	EA PILLOW-THROW, 15" X 15"
	103869-04-C33	EA PILLOW-THROW, 15" X 15"

1992 ICN32RQ INDEX

FLOOR PLAN	A-07 - A-08
ACCESSORIES	A-09
AUDIO/VIDEO	A-10 - A-12
BATH	A-13 - A-16
BEDROOM	A-17 - A-20
CHASSIS	A-21 - B-08
CURTAINS & CUSHIONS	B-09 - B-22
DINETTE	B-23 - B-24
DRIVERS	C-01 - C-08
ELECTRICAL	C-09 - C-14
EXTERIOR BODY	C-15 - C-24
GALLEY	D-01 - D-08
GENERATORS	D-09 - D-10
HEATING & A/C	D-11 - D-14
INTERIOR FINISH	D-15 - D-18
LABEL	D-19 - E-02
LP	E-03
LOUNGE	E-04 - E-05
SEALANTS & FASTENERS	E-06 - E-08
WATER & SEWAGE	E-09 - E-14
WINDOW, VENT AND	
EXTERIOR DOOR	E-15 - F-14
WINDSHIELD & WIPER	F-15 - F-18

CURTAIN & CUSHION GROUP (CONTINUED)



DRIVERS SIDE COUCH

KEY	PART NUMBER	U/M DESCRIPTION
13	101178-04-C31	EA CHAIR-SWIVEL, W/O BASE OR SKIRT
13	101178-04-C32	EA CHAIR-SWIVEL, W/O BASE OR SKIRT
13	101178-04-C33	EA CHAIR-SWIVEL, W/O BASE OR SKIRT

SWIVEL CHAIR

BACKREST CUSHIONS

KEY	PART NUMBER	U/M DESCRIPTION
14	104164-01-C31	EA CUSHION BACKREST - 15" X 38" X 5" FROM: 00-00-00 THRU: 12-01-91
14	104164-01-C32	EA CUSHION BACKREST - 15" X 38" X 5" FROM: 00-00-00 THRU: 12-01-91
14	104164-01-C33	EA CUSHION BACKREST - 15" X 38" X 5" FROM: 00-00-00 THRU: 12-01-91
	P04164-01-C31	EA COVER BACKREST - 15" X 38" X 5"
	P04164-01-C32	EA COVER BACKREST - 15" X 38" X 5"
	P04164-01-C33	EA COVER BACKREST - 15" X 38" X 5"
14	104164-08-C31	EA CUSHION BACKREST - 15" X 38" X 5" FROM: 12-02-91 THRU: 99-99-99
14	104164-08-C32	EA CUSHION BACKREST - 15" X 38" X 5" FROM: 12-02-91 THRU: 99-99-99
14	104164-08-C33	EA CUSHION BACKREST - 15" X 38" X 5" FROM: 12-02-91 THRU: 99-99-99
	P04164-08-C31	EA COVER BACKREST - 15" X 38" X 5"
	P04164-08-C32	EA COVER BACKREST - 15" X 38" X 5"
	P04164-08-C33	EA COVER BACKREST - 15" X 38" X 5"

SEAT CUSHIONS

KEY	PART NUMBER	U/M DESCRIPTION
15	104164-02-C31	EA CUSHION SEAT - 22" X 38" X 5"
15	104164-02-C32	EA CUSHION SEAT - 22" X 38" X 5"
15	104164-02-C33	EA CUSHION SEAT - 22" X 38" X 5"
	P04164-02-C31	EA COVER-SEAT, DINETTE - 22" X 38" X 5"
	P04164-02-C32	EA COVER-SEAT, DINETTE - 22" X 38" X 5"
	P04164-02-C33	EA COVER-SEAT, DINETTE - 22" X 38" X 5"

ASSIST HANDLE

KEY	PART NUMBER	U/M DESCRIPTION
	053552-02-AA8	EA HANDLE-ASSIST, INTERIOR - ENTRY DOOR - VINYL
	046867-01-000	EA GROMMET-BRASS, 7/16" ID X 10 D
	069178-02-000	EA BRACKET-MOUNTING, ASSIST HANDLE
	000C16-07-16B	EA BOLT-CARRIAGE, ASSIST HANDLE - 7/16" - 14 X 1" ZN
	000D20-07-00B	EA NUT-ACORN, ASSIST HANDLE - 7/16" X 14 ZN

**1992 ITASCA
TABLE OF CONTENTS**

INTRODUCTION	A-01 - A-02
ABBREVIATIONS	A-03
ALPHABETICAL INDEX	A-04 - A-06
ICN32RQ	A-07 - F-18
ICN34RQ	F-19 - L-06

1992 ICN32RQ INDEX

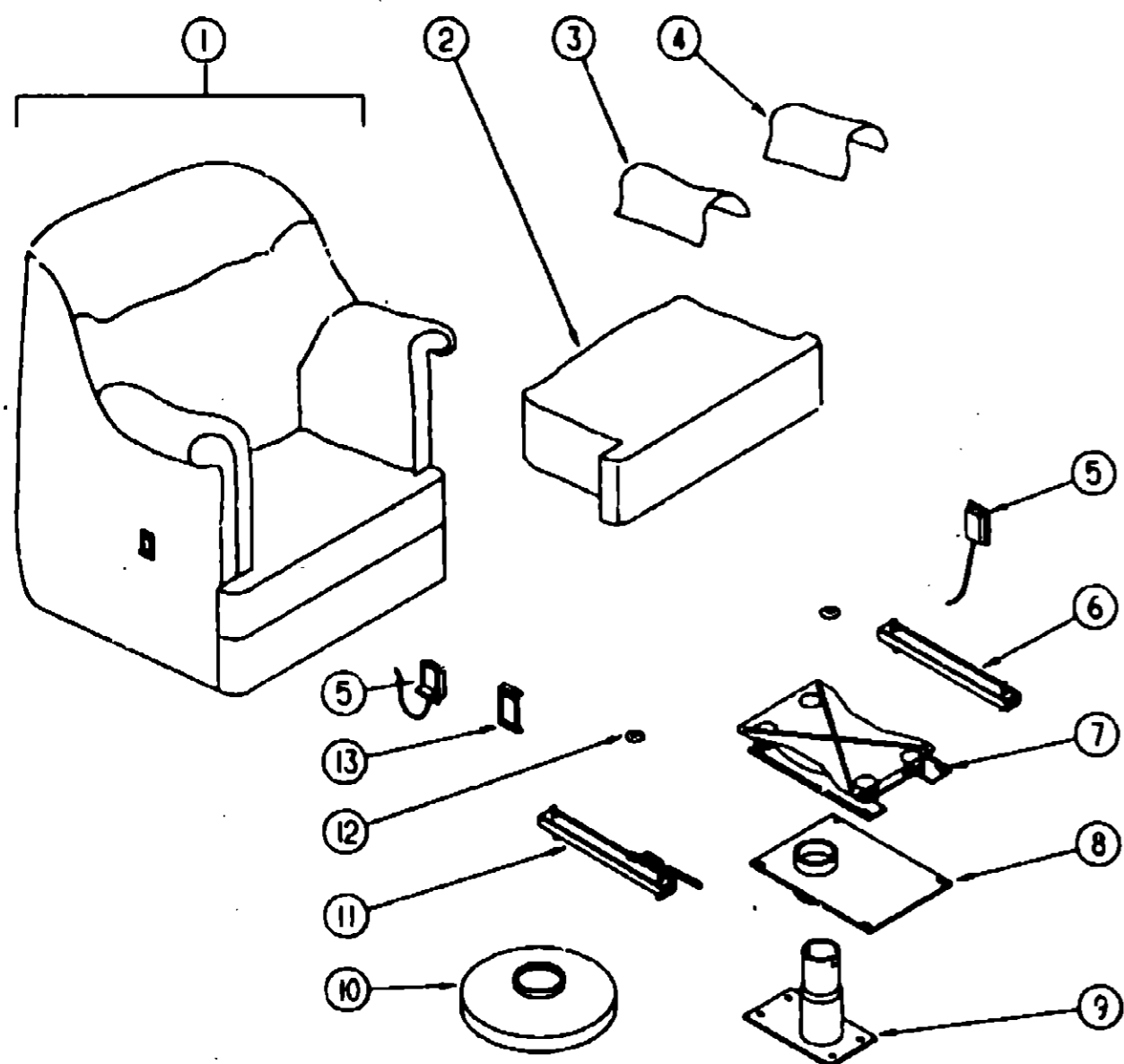
FLOOR PLAN	A-07 - A-08
ACCESSORIES	A-09
AUDIO/VIDEO	A-10 - A-12
BATH	A-13 - A-16
BEDROOM	A-17 - A-20
CHASSIS	A-21 - B-08
CURTAINS & CUSHIONS	B-09 - B-22
DINETTE	B-23 - B-24
DRIVERS	C-01 - C-08
ELECTRICAL	C-09 - C-14
EXTERIOR BODY	C-15 - C-24
GALLEY	D-01 - D-08
GENERATORS	D-09 - D-10
HEATING & A/C	D-11 - D-14
INTERIOR FINISH	D-15 - D-18
LABEL	D-19 - E-02
LP	E-03
LOUNGE	E-04 - E-05
SEALANTS & FASTENERS	E-06 - E-08
WATER & SEWAGE	E-09 - E-14
WINDOW, VENT AND	
EXTERIOR DOOR	E-15 - F-14
WINDSHIELD & WIPER	F-15 - F-18

KEY	PART NUMBER	U/M DESCRIPTION
9	104708-01-C31	EA CUSHION-ARMREST, CLUB SOFA
9	104708-01-C32	EA CUSHION-ARMREST, CLUB SOFA
9	104708-01-C33	EA CUSHION-ARMREST, CLUB SOFA
		FROM: 08-05-91 THRU: 99-99-99
	P04708-01-C31	EA COVER-CUSHION-ARMREST, CLUB SOFA
	P04708-01-C32	EA COVER-CUSHION-ARMREST, CLUB SOFA
	P04708-01-C33	EA COVER-CUSHION-ARMREST, CLUB SOFA
10	104655-01-C31	EA CUSHION-BACK, CLUB SOFA
10	104655-01-C32	EA CUSHION-BACK, CLUB SOFA
10	104655-01-C33	EA CUSHION-BACK, CLUB SOFA
		FROM: 08-05-91 THRU: 99-99-99
	P04655-01-C31	EA COVER-CUSHION-BACK, CLUB SOFA
	P04655-01-C32	EA COVER-CUSHION-BACK, CLUB SOFA
	P04655-01-C33	EA COVER-CUSHION-BACK, CLUB SOFA
11	104705-01-C31	EA CUSHION-SEAT, CLUB SOFA
11	104705-01-C32	EA CUSHION-SEAT, CLUB SOFA
11	104705-01-C33	EA CUSHION-SEAT, CLUB SOFA
		FROM: 08-05-91 THRU: 99-99-99
	P04705-01-C31	EA COVER-CUSHION, CLUB SOFA SEAT
	P04705-01-C32	EA COVER-CUSHION, CLUB SOFA SEAT
	P04705-01-C33	EA COVER-CUSHION, CLUB SOFA SEAT
12	104708-02-C31	EA CUSHION-ARMREST, CLUB SOFA
12	104708-02-C32	EA CUSHION-ARMREST, CLUB SOFA
12	104708-02-C33	EA CUSHION-ARMREST, CLUB SOFA
		FROM: 08-05-91 THRU: 99-99-99
	P04708-02-C31	EA COVER-CUSHION, ARMREST - CLUB SOFA
	P04708-02-C32	EA COVER-CUSHION, ARMREST - CLUB SOFA
	P04708-02-C33	EA COVER-CUSHION, ARMREST - CLUB SOFA
	105433-01-000	EA FRAME ASM-BED
	079388-02-000	EA HARDWARE-KIT
	102874-01-000	EA CATCH-COUCH, W/BRACKET & SPRING - STEEL - CANADIAN
	102872-01-000	EA STRIKE-COUCH, W/ROD - 4.5" - STEEL - CANADIAN

CURTAIN & CUSHION GROUP (CONTINUED)

PASSENGER SIDE SWIVEL CHAIR

KEY	PART NUMBER	U/M	DESCRIPTION
1	101178-04-C31	EA	CHAIR-SWIVEL, W/O BASE OR SKIRT
1	101178-04-C32	EA	CHAIR-SWIVEL, W/O BASE OR SKIRT
1	101178-04-C33	EA	CHAIR-SWIVEL, W/O BASE OR SKIRT
	P01178-04-C31	EA	COVER-SWIVEL CHAIR
	P01178-04-C32	EA	COVER-SWIVEL CHAIR
	P01178-04-C33	EA	COVER-SWIVEL CHAIR
2	102754-04-C31	EA	SEAT-SWIVEL CHAIR
2	102754-04-C32	EA	SEAT-SWIVEL CHAIR
2	102754-04-C33	EA	SEAT-SWIVEL CHAIR
	P02754-04-C31	EA	COVER-SEAT, SWIVEL CHAIR
	P02754-04-C32	EA	COVER-SEAT, SWIVEL CHAIR
	P02754-04-C33	EA	COVER-SEAT, SWIVEL CHAIR
3	F01178-27-C31	EA	COVER-ARMREST, SWIVEL CHAIR - RIGHT SIDE
3	P01178-27-C32	EA	COVER-ARMREST, SWIVEL CHAIR - RIGHT SIDE
3	P01178-27-C33	EA	COVER-ARMREST, SWIVEL CHAIR - RIGHT SIDE
4	P01178-28-C31	EA	COVER-ARMREST, SWIVEL CHAIR - LEFT SIDE
4	P01178-28-C32	EA	COVER-ARMREST, SWIVEL CHAIR - LEFT SIDE
4	P01178-28-C33	EA	COVER-ARMREST, SWIVEL CHAIR - LEFT SIDE
5	097683-03-000	EA	CABLE-SWIVEL, W/SWITCH - BUCKET SEAT
	089368-01-000	EA	FRAME-CHAIR, REMOTE RECLINER
	089368-02-000	EA	FRAME-CABLE, REMOTE RECLINER
	089368-03-000	EA	FRAME-CABLE, REMOTE SLIDE
6	069246-01-000	EA	ADJUSTER-SEAT/CHAIR, W/LOCK - FORWARD & BACK
7	101187-01-000	EA	ROCKER BOX-CHAIR, SWIVEL
8	093481-05-000	EA	TOP PLATE-PEDESTAL, W/LOCK
9	093481-01-000	EA	BASE-PEDESTAL, W/6" EXTENSION
10	093482-01-000	EA	SHROUD-PEDESTAL, 13" - PLASTIC - BLACK
11	069246-02-000	EA	ADJUSTER-SEAT/CHAIR, W/O LOCK - FORWARD & BACK
	069246-05-700	EA	SPRING-ADJUSTER, FOR REMOTE
	069246-05-701	EA	CLIP-CABLE, FOR REMOTE
12	007221-01-000	EA	SPACER-SEAT, ADJUSTER
13	087330-03-000	EA	BRACKET-REMOTE, SLIDING MOUNT
	087330-02-000	EA	BRACKET-STOP, SLIDING TRACK



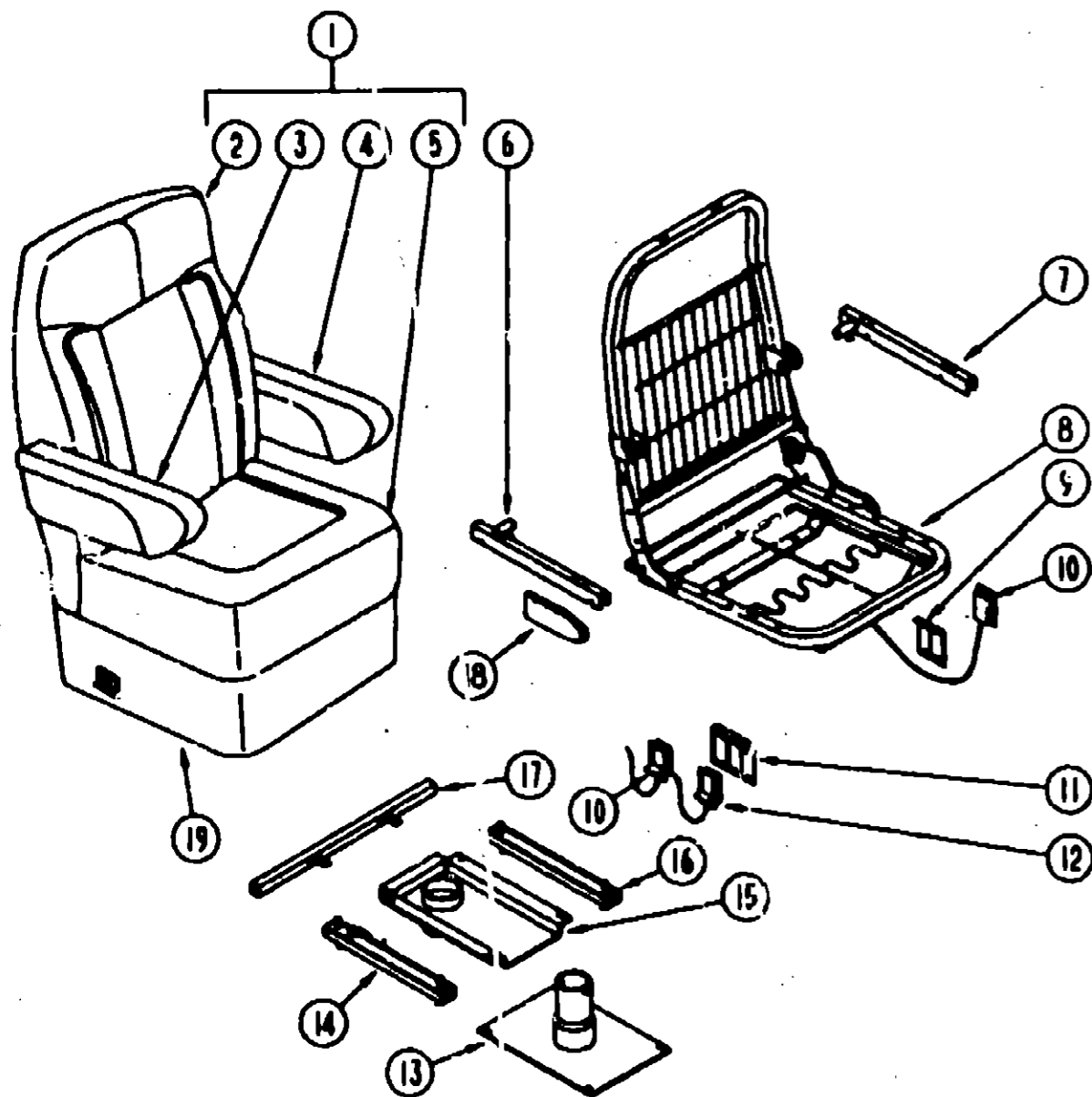
1992 PASCAL TABLE OF CONTENTS

INTRODUCTION	A-01	A-02
ABBREVIATIONS		A-03
ALPHABETICAL INDEX	A-04 -	A-06
ICN32RQ	A-07 -	F-16
ICN34RQ	F-10 -	L-08

1992 ICN32RQ INDEX

FLOOR PLAN	A-07 -	A-08
ACCESSORIES		A-09
AUDIO/VIDEO	A-10 -	A-12
BATH	A-13 -	A-16
BEDROOM	A-17 -	A-20
CHASSIS	A-21 -	E-08
CURTAINS & CUSHIONS	B-09 -	E-22
DINETTE	B-23 -	E-24
DRIVERS	C-01 -	C-08
ELECTRICAL	C-09 -	C-14
EXTERIOR BODY	C-15 -	C-24
GALLEY	D-01 -	C-08
GENERATORS	D-09 -	C-10
HEATING & A/C	D-11 -	C-14
INTERIOR FINISH	D-15 -	C-18
LABEL	D-19 -	E-02
LP		E-03
LOUNGE	E-04 -	E-05
SEALANTS & FASTENERS	E-06 -	E-08
WATER & SEWAGE	E-09 -	E-14
WINDOW, VENT AND EXTERIOR DOOR	E-15 -	E-14
WINDSHIELD & WIPER	F-15 -	F-18

CURTAIN & CUSHION GROUP (CONTINUED)
DRIVER & PASSENGER BUCKET SEATS



KEY	PART NUMBER	U/M	DESCRIPTION
5	M03445-38-C31	EA	COVER-SEAT
5	M03445-38-C32	EA	COVER-SEAT
5	M03445-38-C33	EA	COVER-SEAT
6	101124-01-000	EA	ARMREST, RIGHT HAND - METAL
	101124-02-000	EA	ARMREST, LEFT HAND - METAL
7	081361-01-000	EA	ROD-ARMREST, RIGHT OR LEFT HAND - METAL
8	M80908-05-000	EA	FRAME-SEAT, BACK & SPRING
	080731-02-000	EA	HINGE-SLAVE, RECLINER - LEFT HAND
	081362-01-000	EA	BRACKET-ARMREST, RIGHT HAND
	081362-02-000	EA	BRACKET-ARMREST, LEFT HAND
	101125-01-000	EA	RECLINER-SEATBACK, LEFT HAND REMOTE
9	097883-03-000	EA	BRACKET-CABLE
10	089368-04-000	EA	CABLE-SWIVEL, W/SWITCH - BUCKET SEAT
11	097883-02-000	EA	BRACKET-CABLE
12	089368-05-000	EA	CABLE-RECLINER, W/SWITCH - BUCKET SEAT
13	069585-08-000	EA	BASE-BUCKET SEAT, BOLTS TO FLOOR - VERTICAL 8°
14	069248-05-000	EA	ADJUSTER-SLIDE, W/LOCK
	069248-05-700	EA	SPRING-ADJUSTER, FOR REMOTE
	069248-05-701	EA	CLIP-CABLE, FOR REMOTE
15	093481-04-000	EA	TOP PLATE-PEDESTAL, BUCKET SEAT - W/O SEATBELT BAR
16	089248-02-000	EA	ADJUSTER-BUCKET SEAT W/O LOCK, FORWARD AND BACK
	092759-01-000	EA	PEDESTAL-TELESCOPING, PASSENGER
			FROM: 00-00-00 THRU: 01-29-92
	092759-01-700	EA	POWER HEAD F/TELESCOPING PEDESTAL
	092759-01-701	EA	SHIM KIT-PEDESTAL, W/SHIMS
	092759-02-000	EA	PEDESTAL-TELESCOPING
			FROM: 01-30-92 THRU: 99-99-99
	107921-01-000	EA	PEDESTAL-BUCKET SEAT, 4.50 - FLEXSTEEL
17	069585-29-000	EA	BAR-SEAT BELT, BUCKET SEATS - 20°
	093481-01-000	EA	BASE-PEDESTAL, W/6° EXTENSION
18	089368-08-000	EA	SHIELD-CABLE, REMOTE RECLINER - BUCKET SEAT
	089248-06-000	EA	ADJUSTER-SEAT/CHAIR, W/LOCK
	108049-01-000	EA	CABLE-28°, FLEXSTEEL PEDESTAL
			FROM: 03-08-92 THRU: 99-99-99
	108049-02-000	EA	CABLE-PEDESTAL CLIP
			FROM: 03-08-92 THRU: 99-99-99
19	071126-24-C31	EA	SKIRT-BUCKET SEAT (C31)
19	071126-24-B85	EA	SKIRT-BUCKET SEAT (C32)
19	071126-24-B04	EA	SKIRT-BUCKET SEAT (C33)
	091990-01-01A	EA	SEAT BELT-SHOULDER HARNESS - DRIVERS/PASSENGERS - BLACK
	091990-01-700	EA	BOLT COVER
	091990-02-01A	EA	BRACKET-SEAT BELT, DRIVERS - FLOOR MOUNT

KEY	PART NUMBER	U/M	DESCRIPTION
1	101171-07-C31	EA	SEAT-BUCKET, W/C BASE OR SKIRT
1	101171-07-C32	EA	SEAT-BUCKET, W/O BASE OR SKIRT
1	101171-07-C33	EA	SEAT-BUCKET, W/O BASE OR SKIRT
2	M03445-43-C31	EA	COVER-BACK
2	M03445-43-C32	EA	COVER-BACK
2	M03445-43-C33	EA	COVER-BACK
3	080243-47-C31	EA	ARMREST-RIGHT SIDE
3	080243-47-C32	EA	ARMREST-RIGHT SIDE
3	080243-47-C33	EA	ARMREST-RIGHT SIDE
	M10243-47-C31	EA	COVER-ARMREST, RIGHT SIDE
	M10243-47-C32	EA	COVER-ARMREST, RIGHT SIDE
	M10243-47-C33	EA	COVER-ARMREST, RIGHT SIDE
4	080243-48-C31	EA	ARMREST, LEFT SIDE
4	080243-48-C32	EA	ARMREST, LEFT SIDE
4	080243-48-C33	EA	ARMREST, LEFT SIDE
	M30243-48-C31	EA	COVER-ARMREST, LEFT SIDE
	M80243-48-C32	EA	COVER-ARMREST, LEFT SIDE
	M80243-48-C33	EA	COVER-ARMREST, LEFT SIDE

KEY	PART NUMBER	U/M	DESCRIPTION
	089585-39-000	EA	PLATE-TOP, BUCKET SEAT - POWERED
	071126-26-C31	EA	SKIRT ASM-POWER SEAT
	071126-26-C32	EA	SKIRT ASM-POWER SEAT
	071126-26-C33	EA	SKIRT ASM-POWER SEAT
	107921-07-000	EA	PEDESTAL-POWER SEAT, 4.50 - FLEXSTEEL
	107921-05-000	EA	TOP PLATE - FLEXSTEEL
	107921-06-000	EA	BEARING KIT - FLEXSTEEL
	081373-01-000	EA	UNIT-POWER, BUCKET SEAT - 6 WAY
			FROM: 00-00-00 THRU: 11-10-91
	081373-03-000	EA	UNIT-POWER, BUCKET SEAT - 6 WAY
			FROM: 11-11-91 THRU: 99-99-99
	081373-01-700	EA	SWITCH-CONTROL, W/ BRACKET
	069585-37-000	EA	PLATE-SUB, VERTICAL - 5°
	096808-01-000	EA	SPACER-PEDESTAL, DRIVER

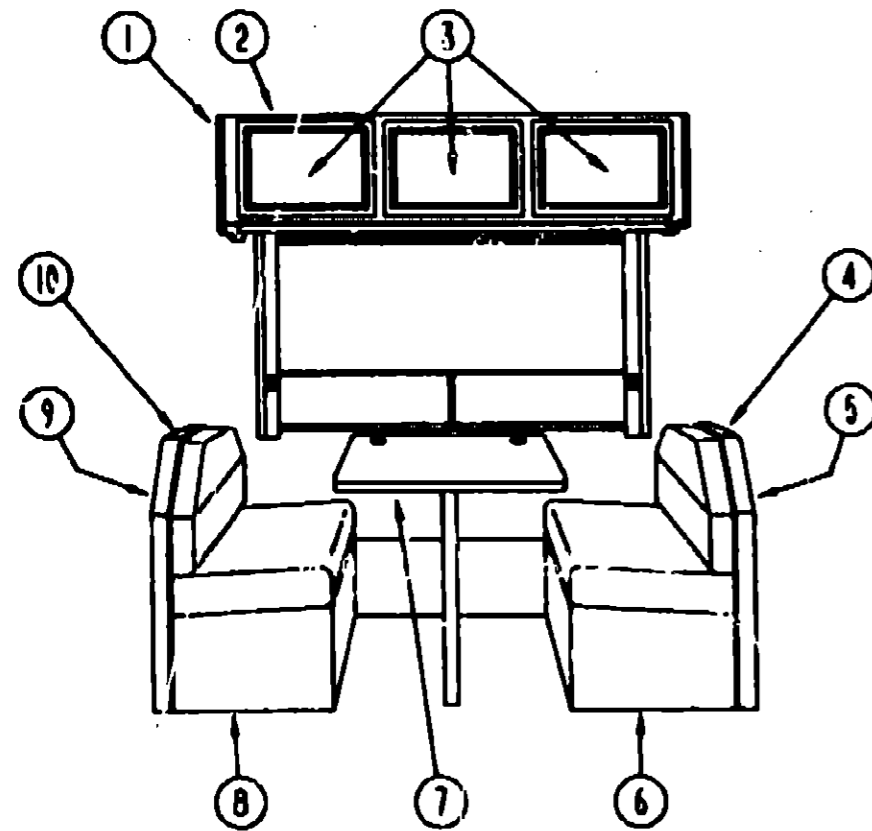
1992 ITASCA
TABLE OF CONTENTS

INTRODUCTION	A-01	A-02
ABBREVIATIONS		A-03
ALPHABETICAL INDEX	A-04	A-08
ICN32RQ	A-07	F-18
ICN34RQ	F-19	L-08

1992 ICN32RQ INDEX

FLOOR PLAN	A-07	A-08
ACCESSORIES		A-09
AUDIO/VIDEO	A-10	A-12
BATH	A-13	A-16
BEDROOM	A-17	A-20
CHASSIS	A-21	B-08
CURTAINS & CUSHIONS	B-09	B-22
DINETTE	B-23	B-24
DRIVERS	C-01	C-08
ELECTRICAL	C-09	C-14
EXTERIOR BODY	C-15	C-24
GALLEY	D-01	D-08
GENERATORS	D-09	D-10
HEATING & A/C	D-11	D-14
INTERIOR FINISH	D-15	D-18
L: BEL	D-19	E-02
LP		E-03
LOUNGE	E-04	E-05
SEALANTS & FASTENERS	E-08	E-08
WATER & SEWAGE	E-09	E-14
WINDOW, VENT AND		
EXTERIOR DOOR	E-15	F-14
WINDSHIELD & WIPER	F-15	F-18

DINETTE GROUP



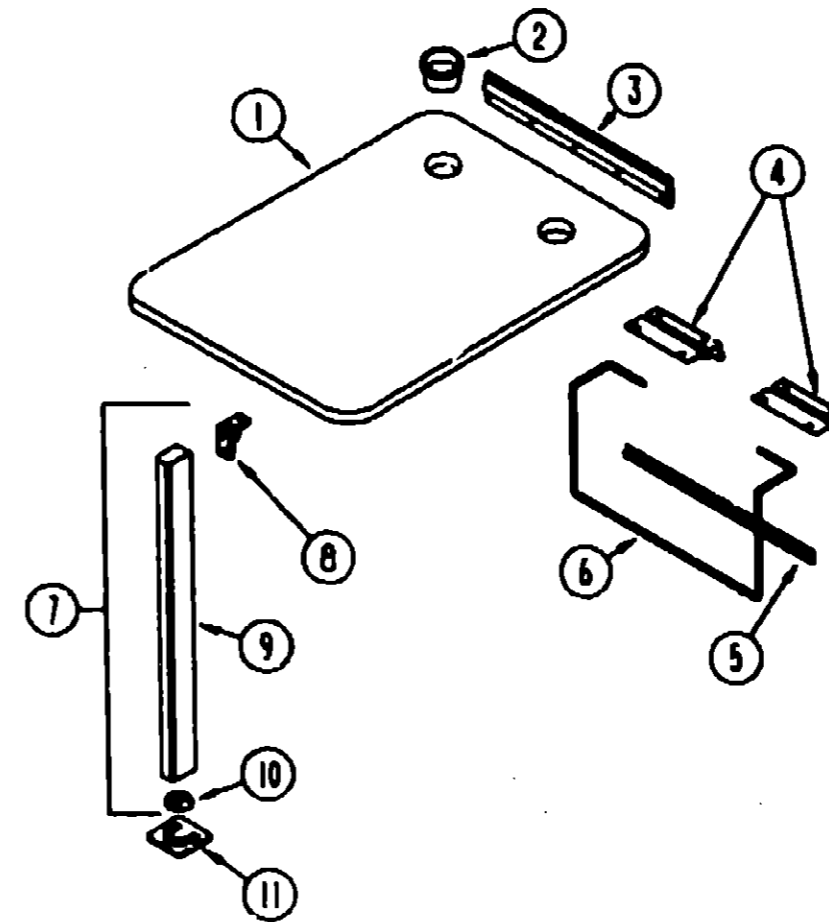
OVERHEAD CABINET, PADS & SEATBELT

KEY	PART NUMBER	U/M DESCRIPTION
1	103918-01-C31	EA END CAP-CABINET, OVERHEAD - LEFT
2	M04165-43-C31	EA CABINET-OVERHEAD, DINETTE - W/O DOORS OR HARDWARE
3	P03702-B5-C31	EA DOOR-CABINET, W/O HARDWARE - 365 X 555 MM
4	105478-01-C31	EA PAD-BACKREST TOP, DINETTE
4	105478-01-C32	EA PAD-BACKREST TOP, DINETTE
4	105478-01-C33	EA PAD-BACKREST TOP, DINETTE
5	M04089-12-C31	EA CABINET-BACKREST, RIGHT - W/O DOORS OR HARDWARE
6	M04070-12-C31	EA CABINET-SEATBASE, RIGHT - W/O DOORS OR HARDWARE OR SEAT PADS
7	M02115-09-C12	EA TABLE-DINETTE, W/O HARDWARE
8	M04070-13-C31	EA CABINET-SEATBASE, LEFT - W/O DOORS OR HARDWARE OR SEAT PADS
9	M04089-13-C31	EA CABINET-BACKREST, LEFT - W/O DOORS OR HARDWARE
	081295-01-AA8	EA SUPPORT-BED, DINETTE
	102298-01-B29	EA CABINET-HANDRAIL, ENTRY STEP - USED WITH PULLOUT TABLE
10	105478-02-C31	EA PAD-BACKREST TOP, DINETTE
10	105478-02-C32	EA PAD-BACKREST TOP, DINETTE
10	105478-02-C33	EA PAD-BACKREST TOP, DINETTE
	070578-04-C31	EA BUTTON-SCREW STUD
	070578-04-C32	EA BUTTON-SCREW STUD
	070578-04-C33	EA BUTTON-SCREW STUD
	007021-01-000	EA BELT-SEAT, 2" X 90" - BLACK
	000044-07-008	EA NUT-HEX, SER FLG LK - 7/16-20 ZN
	057759-01-000	EA WASHER BRACKET-SEAT BELT, 4" DIAMETER

ASSIST HANDRAIL

KEY	PART NUMBER	U/M DESCRIPTION
	P02788-03-B32	EA HANDRAIL-W/O MOUNTING BRACKETS, 28" - WOOD
	042438-02-000	EA DOWEL-WOOD, 2" X 2"
	096882-01-01A	EA BRACKET-MOUNTING, HANDRAIL - BRASS

DINETTE GROUP (CONTINUED)



DINETTE TABLE & COMPONENTS

KEY	PART NUMBER	U/M DESCRIPTION
1	M02115-09-C12	EA TABLE-DINETTE, W/O HARDWARE
2	004354-01-000	EA BUMPER-CABINET DOOR, RUBBER - BROWN
3	064781-06-000	EA HOLDER-CUP, TWO STEP - OFF WHITE
3	053200-05-000	EA BRACKET-TABLE SUPPORT, UPPER WALL MOUNTED - 23.5" - BEIGE FROM: 00-00-00 THRU: 07-22-91
3	053200-09-000	EA BRACKET-TABLE SUPPORT, UPPER WALL MOUNTED - 18.5" - BEIGE FROM: 07-23-91 THRU: 99-99-99
4	088410-01-000	EA BRACKET-LIFT, TABLE MOUNTED - BEIGE
5	024281-07-000	EA BRACKET-LIFT ROD, LOWER WALL MOUNTED 22.12" - BEIGE FROM: 00-00-00 THRU: 07-22-91
5	024281-11-000	EA BRACKET-LIFT ROD, LOWER WALL MOUNTED 17.12" - BEIGE FROM: 07-23-91 THRU: 99-99-99
6	024275-05-000	EA ROD-TABLE LIFT, 8" X 23.5" - BEIGE FROM: 00-00-00 THRU: 07-22-91
6	024275-11-000	EA ROD-TABLE LIFT, 8" X 18.5" - BEIGE FROM: 07-23-91 THRU: 99-99-99
7	092707-01-01A	EA MOLDING-WOOD, TABLE LEG - 27" - REGAL OAK
8	093550-01-000	EA BRACKET-HINGE, MOUNTS TO LEG & TABLE TOP - 1.7" X 2.6"
9	092708-07-C31	EA LEG-TABLE, W/CATCH & BRACKET
10	092593-01-04A	EA CATCH-LEG, LEG MOUNTED - 1.4" DIA - METAL - BEIGE
11	049493-11-700	EA CATCH-LEG, FLOOR MOUNTED - 2.5" X 2.7" - METAL - E-COAT

1992 ITASCA TABLE OF CONTENTS

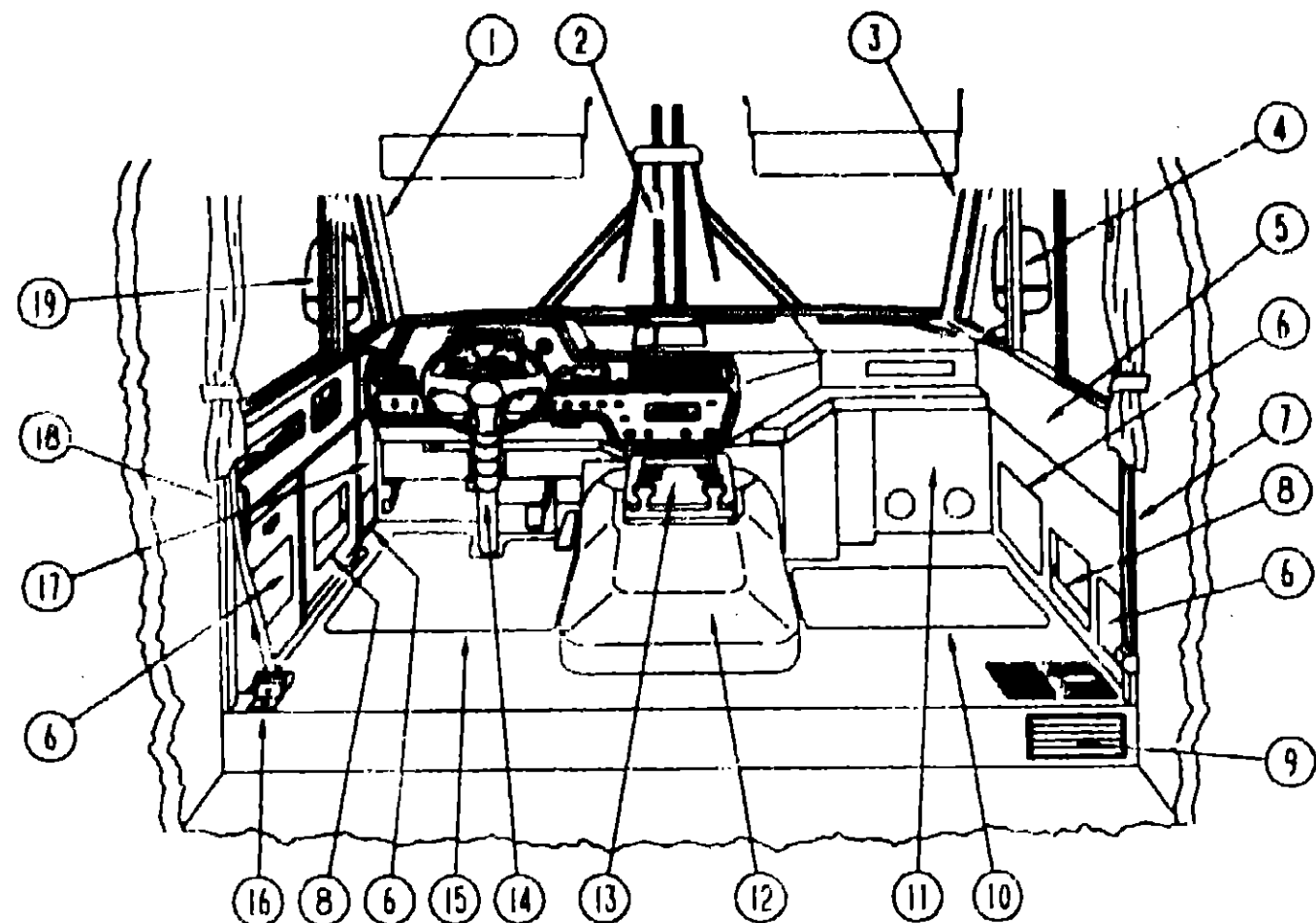
INTRODUCTION	A-01	A-02
ABBREVIATIONS		A-03
ALPHABETICAL INDEX	A-04	A-08
ICN32RQ	A-07	F-18
ICN34RQ	F-19	L-08

1992 ICN32RQ INDEX

FLOOR PLAN	A-07	A-08
ACCESSORIES		A-09
AUDIO/VIDEO	A-10	A-12
BATH	A-13	A-18
BEDROOM	A-17	A-20
CHASSIS	A-21	B-08
CURTAINS & CUSHIONS	B-09	B-22
DINETTE	B-23	B-24
DRIVERS	C-01	C-08
ELECTRICAL	C-09	C-14
EXTERIOR BODY	C-15	C-24
GALLEY	D-01	D-08
GENERATORS	D-09	D-10
HEATING & A/C	D-11	D-14
INTERIOR FINISH	D-15	D-18
LABEL	D-19	E-02
LP		E-03
LOUNGE	E-04	E-06
SEALANTS & FASTENERS	E-05	E-08
WATER & SEWAGE	E-09	E-14
WINDOW, VENT AND EXTERIOR DOOR	E-15	F-14
WINDSHIELD & WIPER	F-15	F-18

DRIVERS COMPARTMENT GROUP

LOWER DRIVERS COMPARTMENT (CONTINUED)

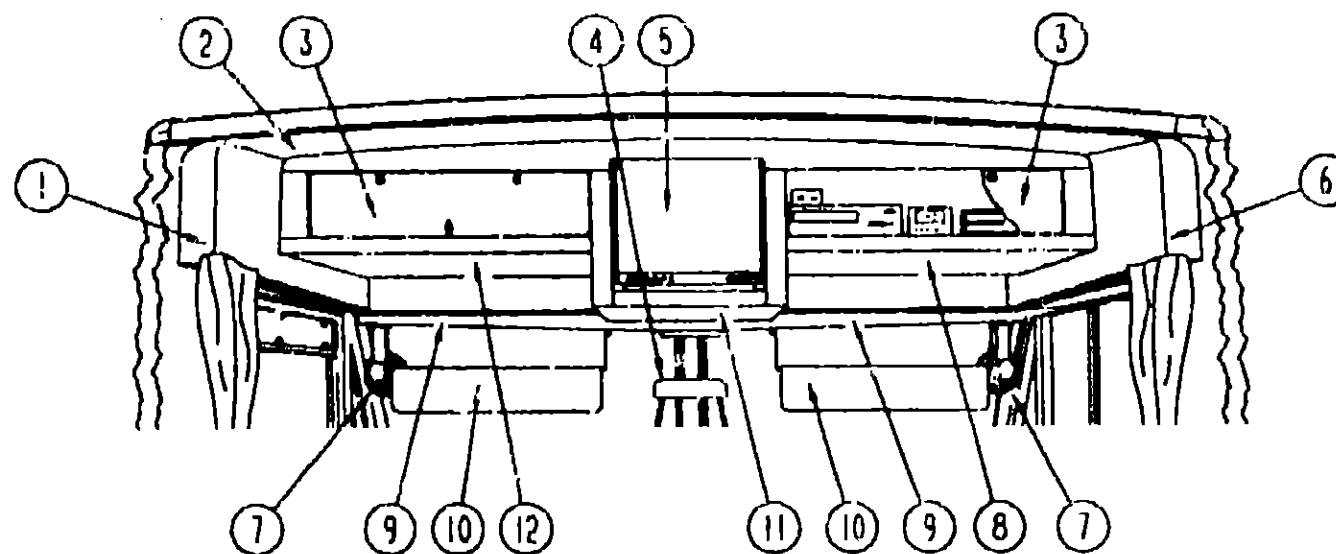


LOWER DRIVERS COMPARTMENT

KEY	PART NUMBER	U/M DESCRIPTION
12	097562-01-000	EA COVER-MOTOR W/O CARPET
	077564-01-000	EA BRACKET-MOUNTING, MOTOR COVER
	092408-01-000	EA TRIM-MOTOR COVER, ALUMINUM
	039623-01-000	FT SEAL-MOTOR COVER, RUBBER BULB TYPE - BLACK
13	096133-01-B29	EA TRAY-BEVERAGE, WOOD
	098911-01-01A	EA INSERT-BEVERAGE TRAY
	077920-02-000	EA WIRE ASM-BEVERAGE TRAY
14	103498-04-000	EA BOOT-STEERING COLUMN
	096770-02-000	EA SUPPORT-STEERING COLUMN
15	081202-02-000	EA MAT-FLOOR, FRONT - DRIVER
16	091990-02-01A	EA BRACKET-SEAT BELT, DRIVERS - FLOOR MOUNT
17	092583-02-02A	EA PANEL-KICK, LOWER DRIVER SIDE - GRAY
18	097239-01-01A	EA COVER-B PILLAR, DR - 58" X 2 2" - PLASTIC - OFF WHITE
	091990-01-01A	EA SEAT BELT-SHOULDER HARNESS - DRIVERS/PASSENGERS - BLACK
	091990-01-700	EA BOLT COVER
19	092585-02-02A	EA COVER-HINGE PILLAR, DRIVER - GRAY

1992 ITASCA TABLE OF CONTENTS

INTRODUCTION	A-01 -	A-02
ABBREVIATIONS		A-03
ALPHABETICAL INDEX	A-04 -	A-08
ICN32RQ	A-07 -	F-18
ICN34RQ	F-19 -	L-08



UPPER DRIVERS COMPARTMENT

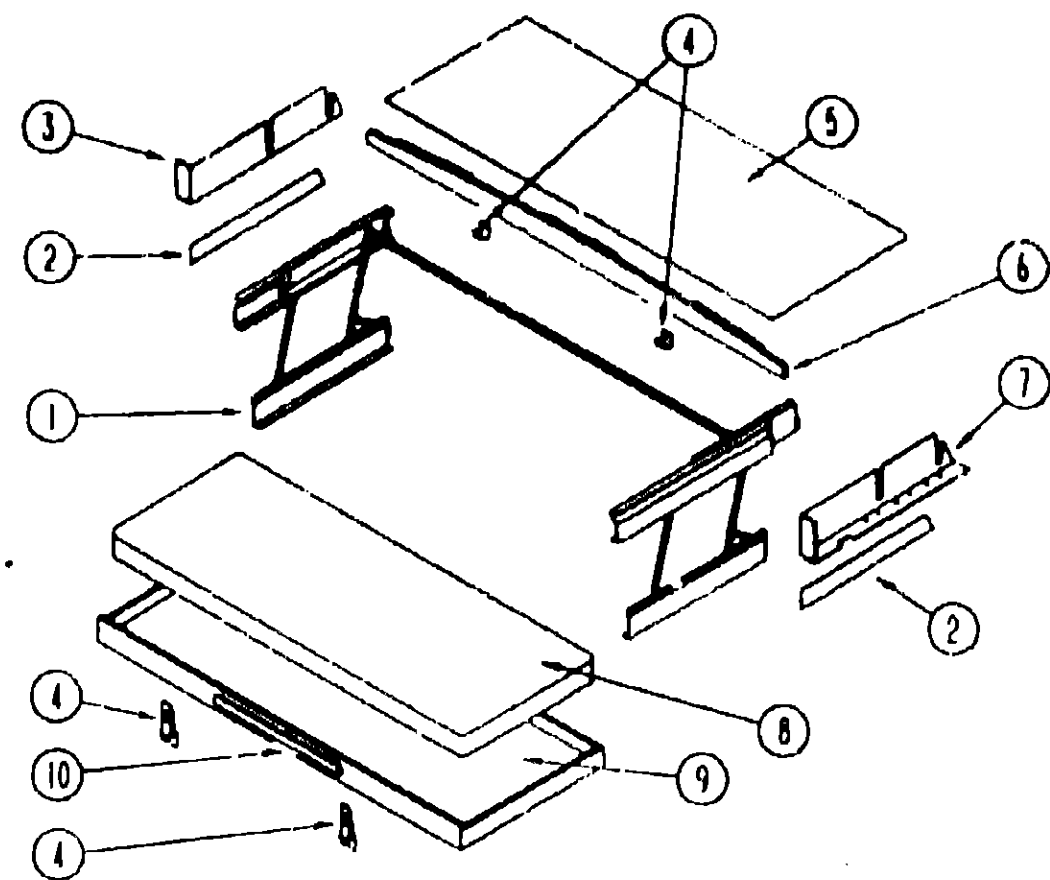
1992 ICN32RQ INDEX

FLOOR PLAN	A-07 -	A-08
ACCESSORIES		A-09
AUDIO/VIDEO	A-10 -	A-12
BATH	A-13 -	A-16
BEDROOM	A-17 -	A-20
CHASSIS	A-21 -	B-08
CURTAINS & CUSHIONS	E-09 -	B-22
DINETTE	B-23 -	B-24
DRIVERS	C-01 -	C-08
ELECTRICAL	C-09 -	C-14
EXTERIOR BODY	C-15 -	C-24
GALLEY	D-01 -	D-08
GENERATORS	D-09 -	D-10
HEATING & A/C	D-11 -	D-14
INTERIOR FINISH	D-15 -	D-18
LABEL	D-19 -	E-02
LP		E-03
LOUNGE	E-04 -	E-05
SEALANTS & FASTENERS	E-06 -	E-08
WATER & SEWAGE	E-09 -	E-14
WINDOW, VENT AND		
EXTERIOR DOOR	E-15 -	F-14
WINDSHIELD & WIPER	F-15 -	F-18

KEY	PART NUMBER	U/M DESCRIPTION	
1	092471-04-01A	EA TRIM-SIDE, UPPER DRIVER - OFF WHITE	
2	100898-01-B29	EA CABINET FACE, FRONT OVERHEAD	
3	100708-03-000	EA DOOR-GLASS, W/O HARDWARE	
4	040714-01-000	EA MIRROR-INSIDE REAR VIEW, W/ARM MOUNT & SCREW SET	
	040714-01-700	EA MIRROR INSIDE REAR VIEW KIT	
5	P00523-84-B29	EA DOOR-CABINET, CENTER OVERHEAD - W/O HARDWARE	
6	092471-03-01A	EA TRIM-SIDE, UPPER PASSENGER - OFF WHITE - 33 1/4"	
7	036420-02-000	EA FAN-DEFROSTER, 2 SPEED - 6" DIAMETER	
	097372-03-01A	EA SWITCH-ON/OFF/ON	
	000G39-08-24B	EA SCREW-SF/DR, 8-18 X 1 1/2 PPH ZN	
8	P00957-01-B07	EA SHELF-CABINET BASE, PASSENGER SIDE	
9	093884-03-B07	EA HEADLINER-FRONT, PLASTIC - OFF WHITE	
	100518-01-01A	EA RETAINER-HEADLINER, 18.9" X 1.3" - METAL - OFF WHITE	
10	082286-13-C11	EA SUNVISOR-DRIVER OR PASSENGER - OFF WHITE	
	000G39-10-12D	EA SCREW-SF/DR, 10-16 X 3/4 PPH - BLACK	
	102377-01-000	EA BRACKET-VISOR, 1 PIECE	
	007211-01-000	EA HINGE-SUNVISOR	
	074012-01-000	EA CLIP-SUNVISOR, SQUARE - PINCH ON	
	100423-01-01A	EA PLATE-MOUNT, SUNVISOR, TRIANGLE SHAPED - PLASTIC - OFF WHITE	
11	P00958-01-B07	EA SHELF-CABINET BASE, CENTER	
	100954-01-000	EA SHELF-TV, STEEL	
	101150-01-000	EA SUPPORT-SHELF, TV - PASSENGER SIDE - STEEL	
	101150-02-000	EA SUPPORT-SHELF, TV - DRIVER SIDE - STEEL	
C-01	12	P00957-02-B07	EA SHELF-CABINET BASE, DRIVER SIDE

KEY	PART NUMBER	U/M DESCRIPTION
1	092584-02-02A	EA COVER-A PILLAR, DRIVER - GRAY
2	077144-08-000	EA COVER-CENTER PILLAR, WINDSHIELD - GRAY
2	077144-02-000	EA COVER-CENTER PILLAR, WINDSHIELD - GRAY - UNCUT
3	092584-01-02A	EA COVER-A PILLAR, PASSENGER - GRAY
4	092585-01-02A	EA COVER-HINGE PILLAR, PASSENGER SIDE - GRAY
5	092582-01-02A	EA PANEL-PASSENGER SIDE - GRAY
5	093195-01-C31	EA PAD-DOOR
6	093195-01-C32	EA PAD-DOOR
6	093195-01-C33	EA PAD-DOOR
7	097240-01-01A	EA COVER-B PILLAR, PASS - 58" X 2 1" - PLASTIC - OFF WHITE
8	M92582-01-02A	EA PANEL-TOE KICK, PASSENGER SIDE - GRAY
	091739-02-000	EA PANEL-TOE KICK, DRIVER SIDE
	097308-01-02A	EA COVER-MAP POCKET - GRAY
9	093614-01-01A	EA GRILLE-RETURN AIR, FURNACE - 15.6" X 7.6" - BROWN
10	081202-01-000	EA MAT-FLOOR, FRONT - PASSENGER
11	095757-01-C12	EA COVER-HEATER, W/2 LOUVERED OUTLETS - 10.2" X 17.5" (C31) FROM: 00-00-00 THRU 09-01-91
11	095757-01-C12	EA COVER-HEATER, W/2 LOUVERED OUTLETS - 10.2" X 17.5" (C31) FROM: 09-02-91 THRU 99-99-99
11	095757-01-C32	EA COVER-HEATER, W/2 LOUVERED OUTLETS - 10.2" X 17.5" (C32) FROM: 00-00-00 THRU 09-01-91
11	095757-01-C32	EA COVER-HEATER, W/2 LOUVERED OUTLETS - 10.2" X 17.5" (C32) FROM: 09-02-91 THRU 99-99-99
11	095757-01-C33	EA COVER-HEATER, W/2 LOUVERED OUTLETS - 10.2" X 17.5" (C33) FROM: 00-00-00 THRU 09-01-91
11	095757-01-C33	EA COVER-HEATER, W/2 LOUVERED OUTLETS - 10.2" X 17.5" (C33) FROM: 09-02-91 THRU 99-99-99
	024990-04-000	EA OUTLET DEFROSTER, W/SWIVEL - 2" DIA - BEIGE
	080752-17-000	EA WHEEL-STEERING W/2 HORN BUTTONS

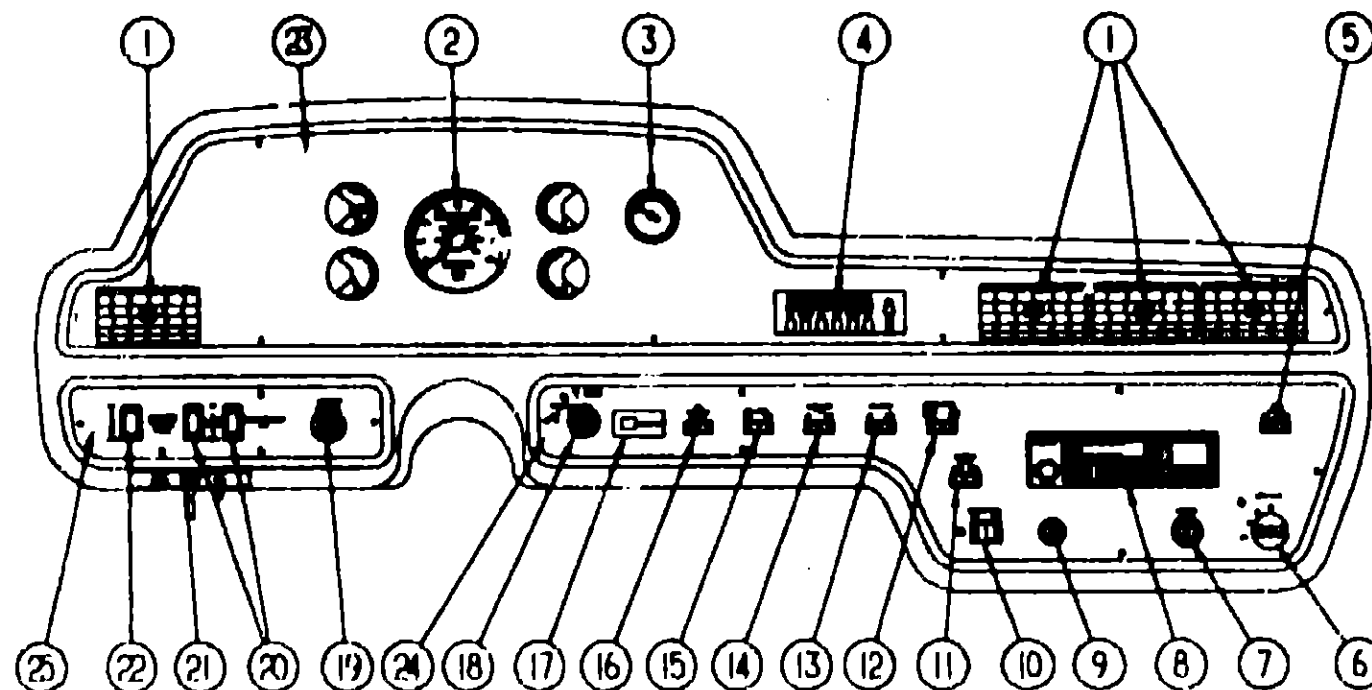
DRIVERS COMPARTMENT GROUP (CONTINUED)



FRONT BUNK-SINGLE

KEY	PART NUMBER	U/M DESCRIPTION
1	076760-02-000	EA BUNK HARDWARE-COMLETE
	076760-02-700	EA SPRING-GAS-BUNK HARDWARE
2	092472-02-01A	EA TRIM-SIDE, SIDE - LOWER DR & PASS - 15.5' LONG - OFF WHITE
3	092471-02-01A	EA TRIM-SIDE, UPPER DRIVER - OFF WHITE - 33 1/4"
4	042541-04-700	EA LATCH ASM-W/STRIKE, (2 SETS) - BRASS
	042541-04-000	EA LATCH-W/STRIKE - BRASS
	042541-05-000	EA STRIKE-BRASS
	049465-04-000	EA SCREW, 10-16 X 1 PTH W/WASHER - BEIGE
	075943-02-000	EA BRACE-ANGLE, W/HOLES - 1" X 1.5" X 14" - ALUMINUM - BEIGE
5	093884-03-B07	EA HEADLINER-FRONT, PLASTIC - OFF WHITE
	100423-01-01A	EA PLATE-MOUNTING, TRIANGLE SHAPED - PLASTIC
6	M93055-01-Y12	EA BOARD-BUNK, TRIM - CEILING MOUNTED
	016604-03-000	EA BRACE-L/ANGLED, 2.5" - BEIGE
7	092471-01-01A	EA TRIM-SIDE, UPPER PASSENGER - OFF WHITE - 33 1/4"
8	079145-05-000	EA CUSHION-BUNK, OVERHEAD - 30" X 73" X 4"
	M79145-05-000	EA COVER-BUNK CUSHION, OVERHEAD - 30" X 73" X 4"
	102695-11-000	YD TAPE-CART BIND, MATTRESS - 3/4" WIDE - LIGHT TAN
9	081717-04-Y12	EA BED-BUNK, FRONT
10	094659-01-B25	EA HANDLE-BUNK, OAK

DRIVERS COMPARTMENT GROUP (CONTINUED)



DASH SWITCHES, GAUGES & COMPONENTS (FORD)

KEY	PART NUMBER	U/M DESCRIPTION
1	076783-02-000	EA LOUVER ASM-ADJUSTABLE VENT - AIR CONDITIONING
2	094794-02-000	EA INSTRUMENT CLUSTER - CANADIAN - FORD
3	024460-04-000	EA VACUUM GAUGE
4	072341-01-710	EA CONTROL HEAD ASM-W/O DECAL - AIR CONDITIONING
	072341-01-722	EA DECAL ASM-CONTROL HEAD
5	097372-01-01A	EA MAP LIGHT SWITCH
6	087202-02-000	EA SWITCH- W/O KNOB, 4 POSITION
	090977-01-000	EA KNOB-SWITCH, ROTARY
7	089294-01-000	EA CIGARETTE LIGHTER
8	097459-01-000	EA RADIO-AM/FM STEREO, CASSETTE
	097460-02-000	EA RADIO-AM/FM STEREO, CASSETTE - WELECTRONIC TUNE
9	085759-01-000	EA LIGHT-WARNING, "LOW AIR"
10	086272-02-000	EA AUXILIARY BATTERY DISCONNECT SWITCH
11	097372-05-01A	EA BATTERY MODE SWITCH
12	097372-08-01A	EA RADIO POWER SWITCH
13	097372-01-01A	EA AIR HORN SWITCH
14	097372-03-01A	EA AUXILIARY DEFROST FAN SWITCH
15	097372-01-01A	EA FOG LIGHT SWITCH
16	097372-07-01A	EA ICC COURTESY BLINK SWITCH
17	NONE	EA OVERDRIVE CANCEL SWITCH (CHASSIS SUPPLIED)
18	091006-02-000	EA WINDSHIELD WIPER/WASHER SWITCH
19	090675-01-000	EA HEADLIGHT SWITCH
20	097372-04-01A	EA LEVEL SWITCH-AIR RIDE, LEFT OR RIGHT
21	051057-04-000	EA SEARCHLIGHT SWITCH
22	097372-03-01A	EA AIR RIDE MODE SWITCH
23	100602-03-02A	EA BEZEL-INSTRUMENT PANEL - UPPER (FORD)
		FROM: 00-00-00 THRU: 08-11-91
23	100602-06-01A	EA BEZEL-INSTRUMENT PANEL - UPPER - NO APPLIQUE - (FORD)
		FROM: 08-12-91 THRU: 99-99-99
	100602-09-02A	EA APPLIQUE-BEZEL - INSTRUMENT PANEL - SUNFLYER - (FORD)
		FROM: 08-12-91 THRU: 99-99-99
24	101024-03-01A	EA BEZEL-INSTRUMENT PANEL LOWER - RIGHT - (FORD)
		FROM: 00-00-00 THRU: 03-01-92
24	101024-04-01A	EA BEZEL-INSTRUMENT PANEL LOWER - RIGHT - (FORD & CHEVY)
		FROM: 03-02-92 THRU: 99-99-99
	101024-06-01A	EA APPLIQUE-BEZEL, INSTRUMENT PANEL, LOWER - RIGHT - (FORD & CHEVY)
		FROM: 03-02-92 THRU: 99-99-99
25	101025-01-01A	EA BEZEL-INSTRUMENT PANEL, LOWER LEFT - FORD
		FROM: 00-00-00 THRU: 03-01-92
25	101025-07-01A	EA BEZEL-INSTRUMENT PANEL, LOWER LEFT - FORD
		FROM: 03-02-92 THRU: 99-99-99
	101025-08-01A	EA APPLIQUE-BEZEL, INSTRUMENT PANEL, LOWER LEFT - FORD
		FROM: 03-02-92 THRU: 99-99-99

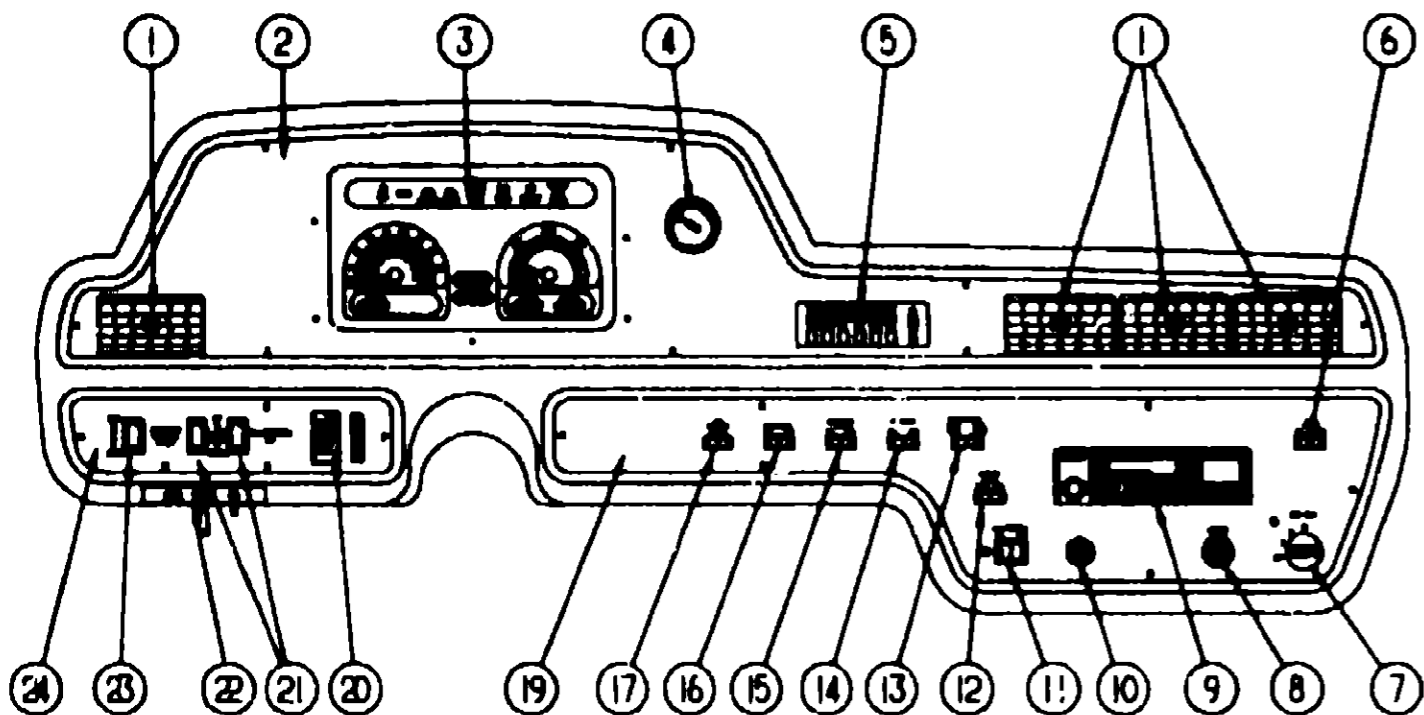
**1992 ITASCA
TABLE OF CONTENTS**

INTRODUCTION	A-01 -	A-02
ABBREVIATIONS		A-03
ALPHABETICAL INDEX	A-04 -	A-08
ICN32RQ	A-07 -	F-18
ICN34RQ	F-19 -	L-08

1992 ICN32RQ INDEX

FLOOR PLAN	A-07 -	A-08
ACCESSORIES		A-09
AUDIO/VIDEO	A-10 -	A-12
BATH	A-13 -	A-16
BEDROOM	A-17 -	A-20
CHASSIS	A-21 -	B-08
CURTAINS & CUSHIONS	B-09 -	B-22
DINETTE	B-23 -	B-24
DRIVERS	C-01 -	C-08
ELECTRICAL	C-09 -	C-14
EXTERIOR BODY	C-15 -	C-24
GALLEY	D-01 -	D-08
GENERATORS	D-09 -	D-10
HEATING & A/C	D-11 -	D-14
INTERIOR FINISH	D-15 -	D-18
LABEL	D-19 -	E-02
LP		E-03
LOUNGE	E-04 -	E-05
SEALANTS & FASTENERS	E-06 -	E-08
WATER & SEWAGE	E-09 -	E-14
WINDOW, VENT AND		
EXTERIOR DOOR	E-15 -	F-14
WINDSHIELD & WIPER	F-15 -	F-18

DRIVERS COMPARTMENT GROUP (CONTINUED)
DASH SWITCHES, GAUGES & COMPONENTS (CHEVY)



KEY	PART NUMBER	U/M DESCRIPTION
1	078793-02-000	EA LOUVER ASM. - ADJUSTABLE VENT - AIR CONDITIONING
2	100802-01-02A	EA BEZEL ASM. - INSTRUMENT PANEL - UPPER - CHEVY FROM: 00-00-00G THRU: 02-17-91
2	100802-05-01A	EA BEZEL ASM. - INSTRUMENT PANEL - UPPER - CHEVY FROM: 03-18-91 THRU: 99-99-99
	100802-06-02A	EA APPLIQUE-BEZEL - INSTRUMENT PANEL - SUNFLYER FROM: 03-18-91 THRU: 99-99-99
3	NOTE	EA INSTRUMENT CLUSTER-GAS (US) IS SUPPLIED BY CHASSIS MANUFACTURER GM
3	094798-03-000	EA INSTRUMENT CLUSTER-GAS, CANADIAN - CHEVY FROM: 00-00-00 THRU: 09-25-91
3	094798-05-000	EA INSTRUMENT CLUSTER-GAS, CANADIAN - CHEVY FROM: 09-26-91 THRU: 99-99-99
4	024460-04-000	EA VACCUM GAUGE
5	07231-01-710	EA CONTROL HEAD ASM. - W/O DECAL - AIR CONDITIONING
5	072341-01-722	EA DECAL ASM. - CONTROL HEAD
6	097372-01-01A	EA SWITCH-MAP LIGHT
7	090979-01-000	EA PLUG-INSTRUMENT PANEL, .45" DIA
7	087202-02-000	EA SWITCH-REAR AUTO HEATER
7	090977-01-000	EA KNOB-REAR AUTO HEATER SWITCH
8	089294-01-000	EA LIGHTER-CIGARETTE
9	097459-01-000	EA RADIO-AM/FM STEREO, CASSETTE
9	097480-02-000	EA RADIO-AM/FM STEREO, CASSETTE W/ELECTRONIC TUNE
10	085759-01-000	EA LIGHT-WARNING, "LOW AIR"
11	086272-02-000	EA SWITCH-BATTERY DISCONNECT
11	081087-01-000	EA LIGHT ASM - INDICATOR, JENSEN
12	097372-05-01A	EA SWITCH-DIAL BATTERY
13	097372-08-01A	EA SWITCH-RADIO POWER
14	097372-06-01A	EA SWITCH-BLANK
15	097372-06-01A	EA SWITCH-BLANK
15	097372-03-01A	EA SWITCH-AUXILIARY FANS
16	097372-06-01A	EA SWITCH-BLANK
17	097372-07-01A	EA SWITCH-COURTESY BLINKERS
19	101024-02-01A	EA INSTRUMENT PANEL, LOWER - RIGHT - CHEVY FROM: 00-00-00 THRU: 09-29-91
19	101024-04-01A	EA INSTRUMENT PANEL, LOWER - RIGHT - CHEVY FROM: 09-30-91 THRU: 99-99-99
19	101024-05-01A	EA APPLIQUE-INSTRUMENT PANEL, LOWER - RIGHT - CHEVY FROM: 09-30-91 THRU: 99-99-99
20	NOTE	EA SWITCH-HEADLAMP (CHASSIS PROVIDED)
21	097372-04-01A	EA LEVEL SWITCH-AIR RIDE, LEFT OR RIGHT
22	051057-04-000	EA SEARCHLIGHT SWITCH
23	097372-08-01A	EA AIR RIDE MODE SWITCH
24	101025-02-01A	EA BEZEL-INSTRUMENT PANEL, LOWER LEFT - CHEVY FROM: 00-00-00 THRU: 09-29-91
24	101025-06-01A	EA BEZEL-INSTRUMENT PANEL, LOWER LEFT - CHEVY FROM: 09-30-91 THRU: 99-99-99
	101025-10-01A	EA APPLIQUE-BEZEL, INSTRUMENT PANEL, LOWER LEFT - CHEVY FROM: 09-30-91 THRU: 99-99-99

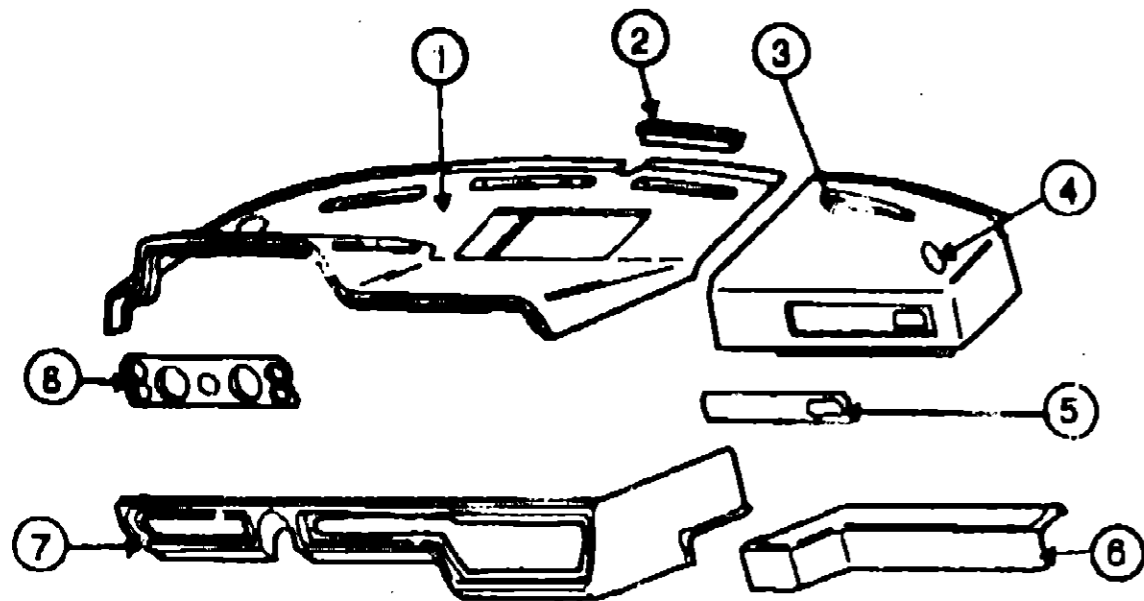
1992 ITASCA
TABLE OF CONTENTS

INTRODUCTION	A-01 - A-02
ABBREVIATIONS	A-03
ALPHABETICAL INDEX	A-04 - A-08
ICN32RQ	A-07 - F-18
ICN34RQ	F-19 - L-08

1992 ICN32RQ INDEX

FLOOR PLAN	A-07 - A-08
ACCESSORIES	A-09
AUDIOWIDEO	A-10 - A-12
BATH	A-13 - A-16
BEDROOM	A-17 - A-20
CHASSIS	A-21 - B-08
CURTAINS & CUSHIONS	B-09 - B-22
DINETTE	B-23 - B-24
DRIVERS	C-01 - C-08
ELECTRICAL	C-09 - C-14
EXTERIOR BODY	C-15 - C-24
GALLEY	D-01 - D-08
GENERATORS	D-09 - D-10
HEATING & AC	D-11 - D-14
INTERIOR FINISH	D-15 - D-18
LABEL	D-19 - E-02
L.P.	E-03
LOUNGE	E-04 - E-05
SEALANTS & FASTENERS	E-06 - E-08
WATER & SEWAGE	E-09 - E-14
WINDOW, VENT AND EXTERIOR DOOR	E-15 - F-14
WINDSHIELD & WIPER	F-15 - F-18

DRIVERS COMPARTMENT GROUP (CONTINUED)



DASH & INSTRUMENT PANELS

KEY	PART NUMBER	U/M DESCRIPTION
1	102122-02-829	EA TOP-PADDED DASH, UPPER - LEFT - VINYL - GRAY
2	103017-01-000	EA PLENUM-DEFROSTER
	077075-01-000	EA GASKET-INSTRUMENT PANEL TO DEFROSTER PLENUM, 6" X 11.3"
	077075-02-000	EA GASKET-INSTRUMENT PANEL TO DEFROSTER PLENUM, 6" X 10.2"
3	085252-02-Y33	EA TOP-PADDED DASH, UPPER - RIGHT - VINYL - GRAY
4	073741-03-000	EA SPEAKER-OVAL, 4" X 6"
4	073741-04-000	EA GRILLE-OVAL SPEAKER, 4" X 6"
5	076797-03-000	EA INSTRUMENT PANEL, RIGHT - MATTE
		FROM: 00-00-00 THRU: 03-01-92
5	076797-04-000	EA INSTRUMENT PANEL, RIGHT - MATTE
		FROM: 03-02-92 THRU: 99-99-99
	076797-05-000	EA APPLIQUE-INSTRUMENT PANEL, RIGHT
		FROM: 03-02-92 THRU: 99-99-99
6	076734-04-000	EA TRAY-INSTRUMENT PANEL, RIGHT - PLASTIC - GRAY
7	101055-01-02A	EA DASH-INSTRUMENT PANEL, LOWER - LEFT - GRAY
	076867-01-000	EA BRACKET-"V" LIPPED, 3.5" X 1" - STEEL - W/O SCREW HOLE
	076867-02-000	EA BRACKET-"V" LIPPED, 2.4" X 1" - STEEL - W/SCREW HOLE
	076872-01-000	EA BRACKET-"V" LIPPED, 2.7" X 1" - STEEL - W/O SCREW HOLE
	077001-01-000	EA ANGLE-MOUNTING, ROOF PANEL - "V" ANGLE - 3" X 2.4" X 1.5"
8	077353-01-000	EA SHROUD-INSTRUMENT CLUSTER, 20" X 5.1" - PLASTIC - BLACK
8	077353-09-000	EA SHROUD-INSTRUMENT CLUSTER, 20" X 5.1" - PLASTIC - BLACK (W/GENERATOR)

DRIVERS COMPARTMENT GROUP (CONTINUED)
DASH COMPONENTS

KEY	PART NUMBER	U/M DESCRIPTION
	100138-01-000	EA MODULE-DAYTIME RUNNING LIGHT - CANADIAN
	100158-01-000	EA WIRE ASM-DAYTIME RUNNING LIGHTS - CANADIAN
	100159-01-000	EA WIRE ASM-DAYTIME RUNNING LIGHTS, W/FUSE - CANADIAN
	097372-08-01A	EA SWITCH-BLANK
	098241-03-000	EA SWITCH-BLANK
	079384-01-000	EA SWITCH-ON/OFF, ROCKER - BROWN
	087202-02-000	EA SWITCH-4 POSITION, W/O KNOB
	080977-01-000	EA KNOB-SWITCH, ROTARY - ROGAN - NK-2-WL
	097372-03-01A	EA SWITCH-AUXILIARY FANS
	083912-02-000	EA RELAY-CANISTER, 1:1PDT - W/RESISTOR
	076788-01-000	EA SOCKET-MINI BAYONET 1.AMP
	076788-02-000	EA CYLINDER-CARDBOARD, LAMP
	076788-03-000	EA LAMP PLATE ASM.
	076788-04-000	EA LAMP PLATE ASM. - TURN SIGNAL
	087201-01-000	EA LIGHT-DUMP VALVE
	088476-01-000	EA SOCKET-CONNECTOR
	077031-01-000	EA FILM-BLACK, 1" X 1.75"
	077031-02-000	EA FILM-AMBER, 1" X 1.75"
	024990-01-000	EA OUTLET-DEFROSTER, W/SWIVEL - 2" - TAN
	062901-02-000	EA FUSE-5 AMP, AUTOMOTIVE
	081914-01-000	EA BUMPER-RUBBER, ROUND - .43" DIA. - BLACK
	086285-01-000	EA SPACER-NYLON, 5" OD X .257" ID
	079382-01-000	EA SCREW-SOCKET, 8-18 X 1" - BLACK
	079383-03-000	EA SCREW-SF/DR, 8-20 X 1PL WASHER - BEIGE

1992 ITASCA
TABLE OF CONTENTS

INTRODUCTION	A-01	A-02
ABBREVIATIONS		A-03
ALPHABETICAL INDEX	A-04	A-08
ICN32RQ	A-07	F-18
ICN34RQ	F-19	L-08

1992 ICN32RQ INDEX

FLOOR PLAN	A-07	A-08
ACCESSORIES		A-09
AUDIO/VIDEO	A-10	A-12
BATH	A-13	A-16
BEDROOM	A-17	A-20
CHASSIS	A-21	B-08
CURTAINS & CUSHIONS	B-09	B-22
DINETTE	B-23	B-24
DRIVERS	C-01	C-08
ELECTRICAL	C-09	C-14
EXTERIOR BODY	C-15	C-24
GALLEY	D-01	D-08
GENERATORS	D-09	D-10
HEATING & A/C	D-11	D-14
INTERIOR FINISH	D-15	D-18
LABEL	D-19	E-02
LP		E-03
LOUNGE	E-04	E-05
SEALANTS & FASTENERS	E-06	E-08
WATER & SEWAGE	E-09	E-14
WINDOW, VENT AND		
EXTERIOR DOOR	E-15	F-14
WINDSHIELD & WIPER	F-15	F-18

ELECTRICAL GROUP
SWITCHES, PLATES & RECEPTACLES

KEY	PART NUMBER	U/M DESCRIPTION
	093351-02-01A	EA PLATE-SWITCH, 2 GANG - POLISHED BRASS
	078984-01-000	EA SWITCH-ON/OFF ROCKER, BROWN
	078984-01-000	EA SWITCH-ON/OFF ROCKER, BLACK
	084078-02-000	EA RECEPTACLE-3/4", 15A - 125V - BROWN
	084077-02-000	EA PLATE-COVER, RECEPTACLE - GFI - BROWN
	102588-01-832	EA SPACER-RECEPTACLE, BETWEEN SIDE WALL & PLATE - WOOD
	058708-02-000	EA RECEPTACLE-DOUBLE ELECTRIC, IVORY
	080015-01-000	EA RECEPTACLE-FLAG, .25 - 22/18 GA IVORY
	098351-03-01A	EA PLATE-SWITCH, 3 GANG - POLISHED BRASS
	058707-01-000	EA RECEPTACLE-ELECTRIC, SINGLE - BROWN
	058708-02-000	EA RECEPTACLE-DOUBLE ELECTRIC, IVORY
	098351-01-01A	EA PLATE-SWITCH, 1 GANG - POLISHED BRASS
	094086-01-01A	EA SWITCH PLATE-SINGLE GANG - BLACK
	055188-01-01A	EA SPACER-SWITCH, DARK BROWN
	075736-03-000	EA COVER-EXTERIOR RECEPTACLE, BEIGE

WIRE HARNESS ASSEMBLIES

KEY	PART NUMBER	U/M DESCRIPTION
	102682-01-000	EA WIRE ASSEMBLY-BACKWALL, GM
	102682-02-000	EA WIRE ASSEMBLY-BACKWALL, FORD
	101849-01-000	EA WIRE ASSEMBLY-COOLING FAN ADAPTER
	101819-01-000	EA WIRE ASSEMBLY-INSTRUMENT PANEL, AIR RIDE CONTROL
	101137-01-000	EA WIRE ASSEMBLY-INSTRUMENT PANEL, AIR RIDE LIGHTS
	102343-02-000	EA WIRE ASSEMBLY-INSTRUMENT PANEL, CHEVY
	105513-01-000	EA WIRE ASSEMBLY-INSTRUMENT PANEL, FORD
	077920-02-000	EA WIRE ASSEMBLY-BEVERAGE TRAY

INTERIOR LIGHTS

KEY	PART NUMBER	U/M DESCRIPTION
	091937-04-000	EA LIGHT-FLUORESCENT, 12V - RECESSED- THIN LINE
	091937-03-000	EA BULB-FLUORESCENT LIGHT
	078424-02-701	EA LENS-LIGHT, FLUORESCENT - 18"
	082169-01-000	EA LIGHT-MAKE-UP, 3 BULB - JENSEN X148-10BR
	081633-01-700	EA BULB-MAKE UP LIGHT, JENSEN
	086280-01-000	EA LIGHT-SURFACE MOUNT, 12V - JENSEN 1236
	086280-01-700	EA BULB, 12V - 6 WATT
	087694-02-000	EA LIGHT-WARDROBE/CLOSET, W/SWITCH
	087694-01-700	EA BULB-WARDROBE/CLOSET, GE 561
	098024-01-01A	EA LIGHT-DOME, 1 BULB - US - IVORY
	098024-01-700	EA LENS-DOME LIGHT
	008218-01-000	EA BULB-DOME LIGHT, 12V - NUMBER 1141
	007309-01-000	EA LIGHT-STEPWELL, 12V
	061424-01-000	EA LIGHT-AISLE, 12V - RECTANGULAR
	008103-01-000	EA BULB-AISLE LIGHT, NUMBER 53 - 12 V - .12 AMP
	065201-08-000	EA SHADE-LAMP, W/GOLD TRIM - PARCHMENT
	065201-09-000	EA SHADE-LAMP, FABRIC - PARCHMENT
	065202-14-000	EA LAMP-WALL, W/O SHADE - BRASS
	065202-15-000	EA LAMP-WALL, W/O SHADE - BRASS - CANADIAN
	067479-01-000	EA BULB-12V, NUMBER 1076 - WALL LAMP
	090353-05-000	EA LIGHT-READING, DOUBLE - BLACK
	008103-01-000	EA BULB-AISLE LIGHT, NUMBER 53 - 12 V - .12 AMP
	082686-07-000	EA SHADE-TABLE LAMP
	082686-09-000	EA LAMP-TABLE, W/O SHADE
	067479-01-000	EA BULB-12V, NUMBER 1076 - WALL LAMP
	083978-01-000	EA WASHER-MOUNTING, LAMP
	082686-10-000	EA LAMP-TABLE, W/O SHADE - BRASS - CANADIAN

ELECTRICAL GROUP (CONTINUED)
ELECTRICAL CONNECTORS

KEY	PART NUMBER	U/M DESCRIPTION
	047443-01-000	EA TERMINAL-.250 RECEPT. FIT, INSULATED - 18/14 AWG
	078978-01-000	EA TERMINAL-WEDGE BASE, 19 AWG
	047443-01-000	EA TERMINAL-.250 RECEPTACLE. FIT, INSULATED - 18/14 AWG
	035418-04-000	EA TERMINAL-RING #10 STUD FIT, INSULATED BARREL #18/14
	088273-01-700	EA TERMINAL WIRE ASM
	008348-01-000	EA TERMINAL-RING, 3/8" STUD - #12 WIRE
	008331-01-000	EA TERMINAL-RING, TONGUE - #4 WIRE - 3/8" STUD - COPPER
	008328-01-000	EA TERMINAL-RING, 18/14 WIRE - 3/8" STUD
	008328-01-000	EA TERMINAL-RING, 12/10 WIRE - #10 STUD FIT
	082037-01-000	EA HOUSING-AUTO FUSE, NATURAL
	082037-02-000	EA HOUSING-AUTO FUSE, GREEN
	082037-03-000	EA HOUSING-AUTO FUSE, BLACK
	082037-04-000	EA HOUSING-AUTO FUSE, BLUE
	082037-05-000	EA HOUSING-AUTO FUSE, GRAY
	082037-06-000	EA HOUSING-AUTO FUSE, BROWN
	083910-01-000	EA HOUSING-RELAY
	101571-01-000	EA HOUSING-2 POSITION, MALE
	084398-01-000	EA HOUSING-TRAILER, RECEPTACLE
	097744-02-000	EA HOUSING-TRAILER PIN, 48"
	097746-01-000	EA HOUSING CAP-TRAILER PIN
	088474-03-000	EA HOUSING-SOCKET, 9-POSITION
	074017-02-000	EA HOUSING-5 POSITION, RIGHT ANGLED
	031965-01-000	EA HOUSING-TAB 2 POSITION
	088474-08-000	EA HOUSING-SOCKET, 4 POSITION (SINGLE ROW)
	088473-01-000	EA PIN-HOUSING, 4 ROWS OF 3
	088473-02-000	EA PIN-HOUSING, 15 POSITION
	088473-03-000	EA PIN-HOUSING, 9-POSITION
	088473-05-000	EA PIN-HOUSING, 8 POSITION (SINGLE ROW)
	088473-06-000	EA PIN-HOSING, 6 POSITION (TWO ROWS OF THREE)
	088473-07-000	EA PIN-HOSING, 5 CAVITY
	088473-08-000	EA PIN-HOUSING, 4 POSITION
	088473-09-000	EA PIN-HOUSING, 3 POSITION (SINGLE ROW)
	088473-10-000	EA PIN-HOUSING, 2 POSITION
	100590-01-000	EA HOUSING-5 PIN, WEATHER PACK
	101751-01-000	EA HOUSING-1 PIN, WEATHER PACK
	079090-01-000	EA CONNECTOR-MOLDED, 12/2 LEAD
	008314-01-000	EA CONNECTOR-WIRE NUT, INSULATED - GRAY
	058028-01-000	EA CONNECTOR-ELECTRICAL PIGTAIL, NYLON - CLEAR
	082740-01-000	EA CONNECTOR-PLASTIC BODY, FOR 2 MALE SPADES
	082742-01-000	EA CONNECTOR BODY-3 CNCY FEMALE
	008355-01-000	EA CONNECTOR-CABLE CLAMPING, 3/4"
	008356-01-000	EA CONNECTOR-PLASTIC, 3/8" AVG
	008311-01-000	EA CONNECTOR-WIRE NUT, INSULATED - RED
	088475-01-000	EA SOCKET-CONNECTOR
	088475-02-000	EA SOCKET-CONNECTOR 12-10 GA
	088475-01-000	EA PIN-CONNECTOR
	088475-02-000	EA PIN-CONNECTOR
	088474-02-000	EA SOCKET-HOUSING, 15 POSITION (3 ROWS OF 5)
	088474-03-000	EA SOCKET-HOUSING, 9 POSITION
	088474-06-000	EA SOCKET-HOUSING, 6 POSITION (2 ROWS OF THREE)
	088474-07-000	EA SOCKET-HOUSING
	088474-08-000	EA SOCKET-HOUSING, 4 POSITION (SINGLE ROW)
	083474-09-000	EA SOCKET-HOUSING, 3 POSITION (SINGLE ROW)
	067789-02-000	EA SOCKET-LAMP
	067789-03-000	EA SOCKET-LAMP, W/6" BROWN/WHITE LEAD
	077000-01-000	EA SOCKET ASM-W/8" PIGTAIL LEADS

INVERTER OPTION

KEY	PART NUMBER	U/M DESCRIPTION
	099048-01-000	EA INVERTER-100 WATT
	088475-01-000	EA PIN-CONNECTOR
	088476-01-000	EA SOCKET-CONNECTOR

1992 ITASCA
TABLE OF CONTENTS

INTRODUCTION	A-01	A-02
ABBREVIATIONS		A-03
ALPHABETICAL INDEX	A-04	A-06
ICN32RQ	A-07	F-18
ICN34RQ	F-19	L-08

1992 ICN32RQ INDEX

FLOOR PLAN	A-07	A-08
ACCESSORIES		A-09
AUDIO/VIDEO	A-10	A-12
BATH	A-13	A-16
BEDROOM	A-17	A-20
CHASSIS	A-21	B-08
CURTAINS & CUSHIONS	B-09	B-22
DINETTE	B-23	B-24
DRIVE-INS	C-01	C-08
ELECTRICAL	C-09	C-14
EXTERIOR BODY	C-15	C-24
GALLEY	D-01	D-08
GENERATORS	D-09	D-10
HEATING & A/C	D-11	D-14
INTERIOR FINISH	D-15	D-18
LABEL	D-19	E-02
LP		E-03
LOUNGE	E-04	E-05
SEALANTS & FASTENERS	E-06	E-08
WATER & SEWAGE	E-09	E-14
WINDOW, VENT AND		
EXTERIOR DOOR	E-15	F-14
WINDSHIELD & WIPER	F-15	F-18

ELECTRICAL GROUP (CONTINUED)

CIRCUIT BREAKERS

KEY	PART NUMBER	U/M	DESCRIPTION
	093874-01-000	EA	PLATE-CIRCUIT BREAKER, 1 HOUSE
	092547-01-000	EA	LABEL-CIRCUIT BREAKER
	091213-01-000	EA	BOX-CIRCUIT BREAKER- W/KNOCKOUTS - 5.3" X 11.8" X 2.5"
	093854-01-000	EA	CIRCUIT BREAKER-8 AMP, HOUSE CONTROL PANEL
	093854-02-000	EA	CIRCUIT BREAKER-15 AMP
	093854-03-000	EA	CIRCUIT BREAKER-20 AMP, HOUSE CONTROL PANEL
	093855-01-000	EA	CIRCUIT BREAKER-25 AMP
	093855-02-000	EA	CIRCUIT BREAKER-30 AMP, HOUSE CONTROL PANEL
	093855-03-000	EA	CIRCUIT BREAKER-40 AMP
	097811-01-000	EA	CIRCUIT BREAKER-6AMP,ATC - BLACK
	008211-01-000	EA	CIRCUIT-BREAKER, 12V - 6AMP
	083209-02-000	EA	CIRCUIT BREAKER-15/15AMP, 120V
	083209-03-000	EA	CIRCUIT BREAKER-15/20AMP, 120V - BW - 0-15/20
	083209-05-000	EA	CIRCUIT BREAKER-20A, 120V - BW J-20
	083209-08-000	EA	CIRCUIT BREAKER-30/15 AMP, 120V - BW D-30/15
	088779-01-000	EA	CIRCUIT BREAKER-15 AMP, FASCO 1781

MISCELLANEOUS ELECTRICAL COMPONENTS

KEY	PART NUMBER	U/M	DESCRIPTION
	067762-01-000	EA	CONVERTER-40 AMP, W/CHARGER - TRIAD TU-740-2
	036196-01-000	EA	BULB-12V - #194 - .27AMP
	080734-02-000	EA	CLIP-WIRE, NYLON
	083610-01-000	EA	CLAMP-WIRE, DUAL - UNEQUAL 5/8" AND 1 1/4" DIAMETERS
	008343-01-000	EA	TIE-WIRE, 6"
	000343-02-000	EA	TIE-WIRE, 14"
	007942-01-000	EA	TAB-WIRE, 18 TO 14 AWG
	007949-01-000	EA	TAB-HOUSING, 1 POSITION
	008026-01-000	FT	WIRE-12/2, ROMEX - W/GROUND
	008001-01-000	FT	WIRE-10AWG, STRAND - WHITE
	008026-01-000	FT	WIRE-12/2, ROMEX - W/GROUND
	086298-01-000	EA	WIRE-BATTERY DISCONNECT, RED
	086298-02-000	EA	WIRE-BATTERY DISCONNECT, GREEN
	008037-01-000	FT	CABLE-BATTERY, 1AWG - STRANDED - BLACK
	008037-02-000	FT	CABLE-BATTERY, 1AWG - STRANDED - RED
	086273-01-000	EA	RELAY-BATTERY DISCONNECT
	077479-01-000	EA	BOOT-BATTERY TERM, DBL CABLE
	077479-02-000	EA	BOOT-BATTERY TERMINAL, SINGLE CABLE
	073328-F2-000	EA	CABLE-8 GA, BLACK
	041953-01-000	FT	CONDUIT-CONVOLUTE SLIT, 1/2" ID
	041953-11-000	FT	CONDUIT-CONVOLUTE, SLIT- 1.06" ID
	041953-07-000	FT	CONDUIT-CONVOLUTED, SLIT, .25" ID
	041953-09-000	FT	CONDUIT-CONVOLUTED, SLIT .50" ID
	041953-05-000	FT	CONDUIT-CONVOLUTE SOLID, .62" ID
	093144-01-000	EA	CONDUIT-WIRE, GM# 15592046
	041953-03-000	FT	CONDUIT-CONVOLUTE SLIT, 1" ID (CLOTHES ROD COVER)
	058049-01-000	EA	BOX-ELECTRIC SWITCH, 2" X 3" X 2.25"
	008288-01-000	EA	BOX-PLASTIC ELECTRIC, 3" X 3 1/2"
	008288-02-000	EA	BOX-ELECTRIC, PLASTIC - 3.94" X 3.13" X 1.81"
	008289-01-000	EA	BOX-ELECTRIC, STEEL - 1/2" AND 3/4" KNOCKOUTS - 4" X 4"
	074890-01-000	EA	BOX-EXTENSION, STEEL - OPEN SIDES - 4" X 4" X 1 1/2"
	074897-01-000	EA	COVER-ELECTRIC BOX, 1 LARGE & 2 SMALL HOLES - 4" X 4"
	008294-01-000	EA	COVER-ELECTRICAL BOX, STEEL/BLANK - 4" X 4" - GRAY
	054250-04-000	EA	COVER-ANGLED, W/O HOLE - 3.6" X 4.5" - PLASTIC - OFF WHITE
	092786-01-000	EA	BUSS BAR-2.1" LONG
	092786-02-000	EA	BUSS BAR-3.3" LONG
	000G11-08-088	EA	SCREW, 8-18 X 1/2 PPH ZN
	055278-01-001	FT	TUBING-STEEL .75" X 1.5" X 288"
	090971-02-000	EA	SPLICE-CALBE, 110V - TAP
	031968-01-000	EA	PLUG-CONTACT, BRASS

ELECTRICAL GROUP (CONTINUED)

MISCELLANEOUS ELECTRICAL COMPONENTS (CONTINUED)

KEY	PART NUMBER	U/M	DESCRIPTION
	088781-01-000	EA	DIODE-6.0A/100 VOLT - MOTOROLA, NO MR751
	008054-02-000	EA	CORD-POWER, 10-3 - 30AMP - 33'
	083912-02-000	EA	RELAY-CANISTER, SPDT W/RESIST
	008188-01-000	EA	SOLENOID-3 POST, BATTERY CHANGE OVER
	007093-01-000	EA	FLASHER-SIGNAL STAT
	082038-02-000	EA	TERMINAL-PACK-CON, 18/14 AWG
	080015-02-000	EA	RECEPTACLE-FLAG, .186 - 18/14 GA - AMP 3
	007940-01-000	EA	RECEPTACLE-SLIDE, 18 TO 12 AWG
	000C26-04-10B	EA	BOLT-HEX, SER FLG - 1/4-20 X 5/8 ZINC
	086233-01-000	EA	STUD-ISOLATED, 3/8" X 7/8" LONG
	077955-01-000	EA	J CLIP-VINYL COATED, 3/8"
	000D39-04-00B	EA	NUT-HEX, SER FLG LK 1/4 - 20 ZN
	085318-01-000	EA	SCREW-8-08DX1/2, CRIMPTITE HD

ELECTRICAL SERVICE DOORS (UNDER HOOD)

KEY	PART NUMBER	U/M	DESCRIPTION
	098527-01-000	EA	DOOR-CIRCUIT BREAKERS
	098527-02-000	EA	DOOR ASM-FUSES
	093613-01-000	EA	LATCH-1/4 TURN, HANDLE
	098196-01-000	EA	LATCH-1/4 TURN, T-BAR
	092492-01-000	EA	SEAL-ELECTRICAL BOX

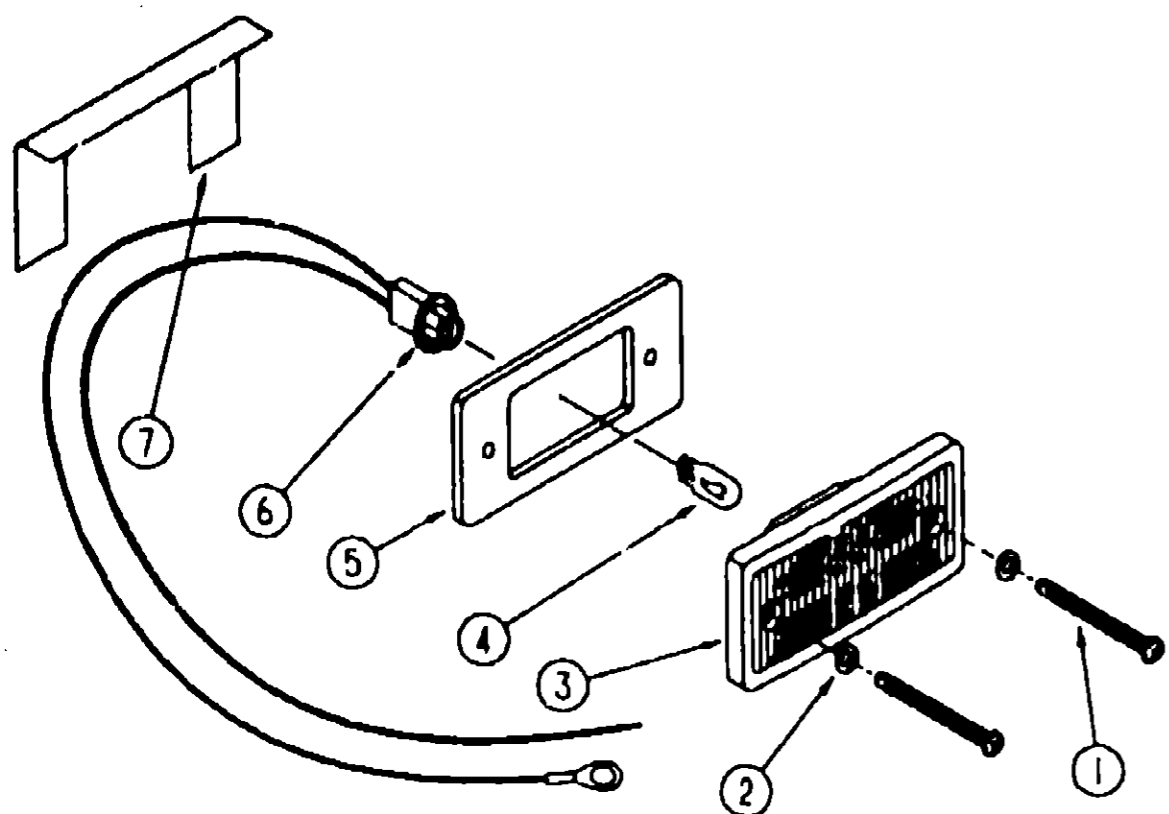
**1992 ITASCA
TABLE OF CONTENTS**

INTRODUCTION	A-01	A-02
ABBREVIATIONS		A-03
ALPHABETICAL INDEX	A-04	A-06
ICN32RQ	A-07	F-18
ICN34RQ	F-19	L-08

1992 ICN32RQ INDEX

FLOOR PLAN	A-07	A-08
ACCESSORIES		A-09
AUDIO/VIDEO	A-10	A-12
BATH	A-13	A-16
BEDROOM	A-17	A-20
CHASSIS	A-21	B-08
CURTAINS & CUSHIONS	B-09	B-22
DINETTE	B-23	B-24
DRIVERS	C-01	C-08
ELECTRICAL	C-09	C-14
EXTERIOR BODY	C-15	C-24
GALLEY	D-01	D-08
GENERATORS	D-09	D-10
HEATING & A/C	D-11	D-14
INTERIOR FINISH	D-15	D-18
LABEL	D-19	E-02
LP		E-03
LOUNGE	E-04	E-05
SEALANTS & FASTENERS	E-06	E-08
WATER & SEWAGE	E-09	E-14
WINDOW, VENT AND		
EXTERIOR DOOR	E-15	F-14
WINDSHIELD & WIPER	F-15	F-18

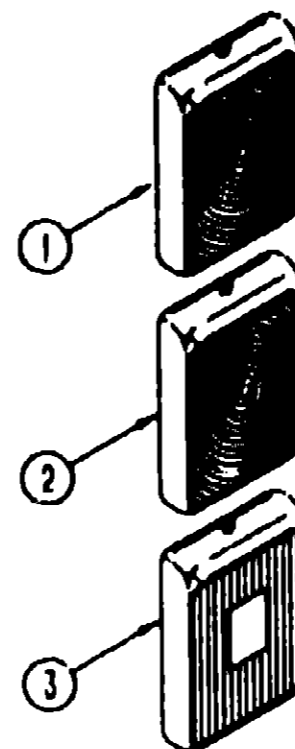
ELECTRICAL GROUP (CONTINUED)



CLEARANCE LIGHTS

KEY	PART NUMBER	U/M DESCRIPTION
1	000G39-08-248	EA SCREW, SELF DRIVING
	077955-01-000	EA J CLIP-VINYL COATED, 3/8" - USED IN WIRING TO CLEARANCE LIGHTS
2	102540-01-000	EA SEAL-SCREW, CLEARANCE LIGHT
3	102520-02-000	EA LIGHT-CLEARANCE, W/O SOCKET CONNECTION - RED
4	036196-01-000	EA BULB-12V - #194 - 27AMP
5	102541-01-000	EA GASKET-CLEARANCE LIGHT
6	075458-03-000	EA SOCKET ASM.-CAB MARKER
7	102582-01-000	EA BRACKET-CLEARANCE LIGHT

ELECTRICAL GROUP (CONTINUED)



EXTERIOR TAILLIGHTS

KEY	PART NUMBER	U/M DESCRIPTION
1	089291-01-000	EA LIGHT-TURN, W/RED LENS
	037935-01-000	EA BULB-#1157 - 12V - 2.1 AMP
2	089292-01-000	EA LIGHT-TURN, W/AMBER LENS
	037935-01-000	EA BULB-12V, #1157 OR #2057 - 2.1 AMP - CLEAR GLASS
	076345-02-000	EA SOCKET-PARK/TURN LAMP
3	089290-01-000	EA LIGHT-BACKUP, W/RED & CLEAR LENS
	037935-01-000	EA BULB-12V, #1157 OR #2057 - 2.1 AMP - CLEAR GLASS

EXTERIOR LIGHTS

KEY	PART NUMBER	U/M DESCRIPTION
	097917-01-01A	EA LIGHT-PORCH, OFF WHITE
	097917-01-700	EA LENS-LIGHT, PORCH
	042405-03-000	EA BASE-CLEARANCE/SIDEMARKER LIGHT - RECTANGULAR
	042405-01-000	EA LENS-CLEARANCE/SIDEMARKER LIGHT - FRONT - W/REFLEX - RED
	036196-01-000	EA BULB-12V - #194 - 27AMP
	091983-01-000	EA GASKET-SIDE MARKER LIGHT
	089362-01-000	EA LIGHT-SIDE MARKER, AMBER LENS & BASE - W/O BULB
	008103-01-000	EA BULB-12V - 12 AMP
	084901-01-000	EA LAMP-PARK/TURN, GM #916558 (BULB #MP#2057)
	076345-01-000	EA LENSE-PARK/TURN, 2.7" X 8" - AMBER
	037936-01-000	EA BULB-12V - #N0157A - 2.10 AMP
	087201-01-000	EA LIGHT-DUMP VALVE
	007309-01-000	EA LIGHT-STEP WELL - 12V
	088747-03-000	EA LAMP-FOG, CLEAR LENS - PER LUX 550 SERIES
	088747-03-700	EA COVER-LIGHT, FOG - PER LUX 050-005835
	088747-03-701	EA BEZEL-LIGHT, FOG - PER LUX 050-005001
	093159-01-000	EA BRACKET-FOG LAMP, PASSENGER SIDE
	093159-02-000	EA BRACKET-FOG LAMP, DRIVER SIDE

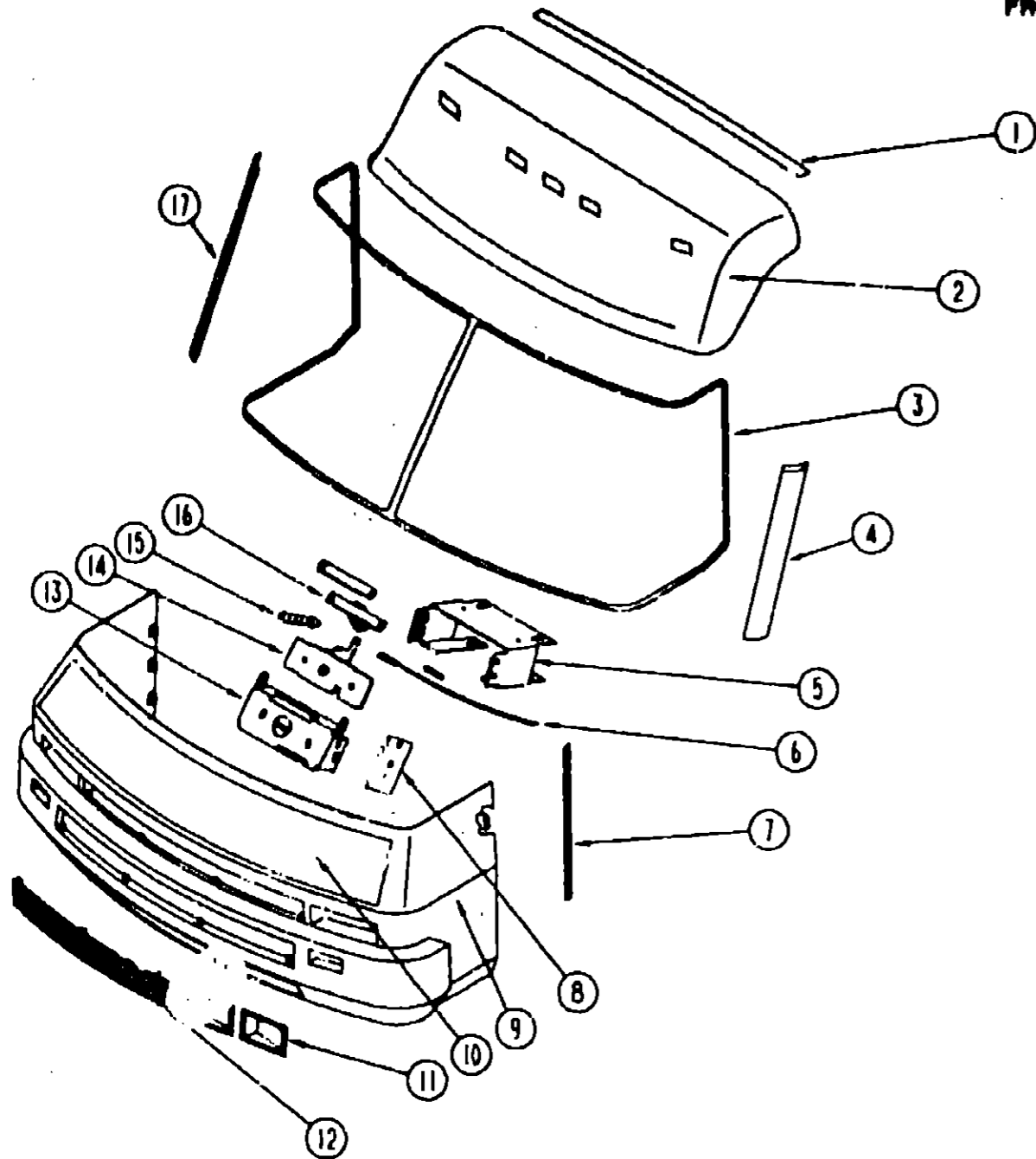
**1992 ITASCA
TABLE OF CONTENTS**

INTRODUCTION	A-01 - A-02
ABBREVIATIONS	A-03
ALPHABETICAL INDEX	A-04 - A-08
ICN32RQ	A-07 - F-18
ICN34RQ	F-19 - L-08

1992 ICN32RQ INDEX

FLOOR PLAN	A-07 - A-08
ACCESSORIES	A-09
AUDIO/VIDEO	A-10 - A-12
BATH	A-13 - A-16
BEDROOM	A-17 - A-20
CHASSIS	A-21 - B-08
CURTAINS & CUSHIONS	B-09 - B-22
DINETTE	B-23 - B-24
DRIVERS	C-01 - C-08
ELECTRICAL	C-09 - C-14
EXTERIOR BODY	C-15 - C-24
GALLEY	D-01 - D-08
GENERATORS	D-09 - D-10
HEATING & A/C	D-11 - D-14
INTERIOR FINISH	D-15 - D-18
LABEL	D-19 - E-02
LP	E-03
LOUNGE	E-04 - E-05
SEALANTS & FASTENERS	E-06 - E-08
WATER & SEWAGE	E-09 - E-14
WINDOW, VENT AND	
EXTERIOR DOOR	E-15 - F-14
WINDSHIELD & WIPER	F-15 - F-18

**EXTERIOR BODY GROUP
FRONT END COMPONENTS**



KEY	PART NUMBER	U/M DESCRIPTION
	076716-02-000	EA BRACKET ASM- LATCH - INCLUDED WITH HOOD
	085496-05-000	EA HINGE-HOOD, UPPER PASSENGER
	085496-06-000	EA HINGE-HOOD, UPPER DRIVER
	093851-01-Y35	EA HINGE-HOOD, PASSENGER
	093851-02-Y35	EA HINGE-HOOD, DRIVER
	077252-01-000	EA PIN-HINGE
	058786-01-000	EA BOLT-HOOD ADJUSTING
	R77007-51-429	EA BRACKET-HOOD RELEASE
	076772-01-000	EA CLIP-SPEED, TUBE TYPE
	077049-01-000	EA NUT-ACORN, 10-32 ALUMINUM
	093295-02-000	EA BRACKET-LATCH, HOOD
	093284-02-000	EA BRACE-LATCH, HOOD - 25.7" X 1" - L ANGLE - STEEL
	077048-01-000	EA SHAFT-ADAPTOR, WINDSHIELD PANTOGRAPH ARM
	086235-02-000	EA BEARING-SNAPIN, 3/16" ID X 3/16"
	095094-01-000	EA NUT-ACORN, 1/4 - 20 ALUMINUM
11	091339-02-01A	EA BEZEL-HEADLAMP, DRIVER - BLACK
	091839-01-01A	EA BEZEL-HEADLAMP, PASSENGER - BLACK
	049185-01-000	EA HEADLAMP ASM-PASSENGER HIGH/LO
	049186-01-000	EA HEADLAMP ASM-DRIVERS HIGH/LO
	049187-01-000	EA HEADLAMP ASM-PASSENGER HIGH
	049188-01-000	EA HEADLAMP ASM-DRIVERS HIGH
	050030-02-000	EA HOUSING-HEADLAMP WIRING, HIGHBEAM
	063749-01-000	EA HOUSING-HEADLAMP WIRING, LOW BEAM
	049359-01-000	EA SPRING-HEADLAMP RETAINER, GM - #0496096
	074048-01-000	EA INSERT-KNURLED, BRASS - #8-32 - FOR HEADLIGHTS
	040830-01-000	EA NUT-HEADLAMP BEZEL
	073308-01-000	EA SCREW-ADJUSTING, HEADLAMP
	096574-01-000	EA NUT-HEADLAMP, BLACK - FORD
	096675-01-000	EA KNOB-HEADLAMP, W/SHAFT - FORD
	093350-02-000	EA BRACKET ASM-HOOD,BUMPER,LWR
	076696-01-000	EA BRACKET-HINGE MOUNTING,HOOD
	076697-01-000	EA PLATE-TAPPING
12	093004-01-Y33	EA GRILLE-5 BAR, BLACK
	093005-01-Y33	EA GRILLE-2 BAR, BLACK
	093171-02-000	EA BRACKET-GRILLE, UPPER
13	073336-02-000	EA BRACKET-MOUNTING, LATCH
14	R77007-51-429	EA LATCH ASM.-HOOD RELEASE
15	R77006-38-499	EA SPRING-CABLE,HOOD LATCH
16	R77007-01-950	EA STRIKER-LATCH, HOOD
	093284-02-000	EA BRACE-LATCH, HOOD - 25.7" X 1" - L ANGLE - STEEL
17	091901-01-000	EA TRIM-A'PILLER, PASS - BETWEEN WINDSHIELD & VENT GLASS
	C92693-02-000	EA CROSSMEMBER-CENTER, U-CHANNEL STEEL - 2" X 48"
	088694-01-000	EA TUBE-SUPPORT, FRONT END - 36" X 4" - STEEL

SQUEEGEE

KEY	PART NUMBER	U/M DESCRIPTION
	091952-02-000	EA CLIP-GRIPPER, 3/4"
	091955-02-000	EA SQUEEGEE-EXTENDED HANDLE
	093527-01-000	EA BRACKET-SQUEEGEE
	091955-01-700	EA SQUEEGEE-HEAD REPLACEMENT ONLY
	091955-01-701	EA SQUEEGEE-HANDLE, EXTENDS 24" TO 40"

ENTRY DOOR STRIKE COVER

KEY	PART NUMBER	U/M DESCRIPTION
	077461-01-000	EA COVER-STRIKE, ENTRY DOOR - 6.5" X 2.56" - PLASTIC - BEIGE FROM: 00-00-00 THRU: 07-09-90
	077461-03-000	EA COVER-STRIKE, ENTRY DOOR - 6.5" X 2.5" - PLASTIC - OFF WHITE FROM: 07-10-90 THRU: 99-99-99

**1992 ITASCA
TABLE OF CONTENTS**

INTRODUCTION	A-01 - A-02
ABBREVIATIONS	A-03
ALPHABETICAL INDEX	A-04 - A-06
ICN32RQ	A-07 - F-18
ICN34RQ	F-19 - L-06

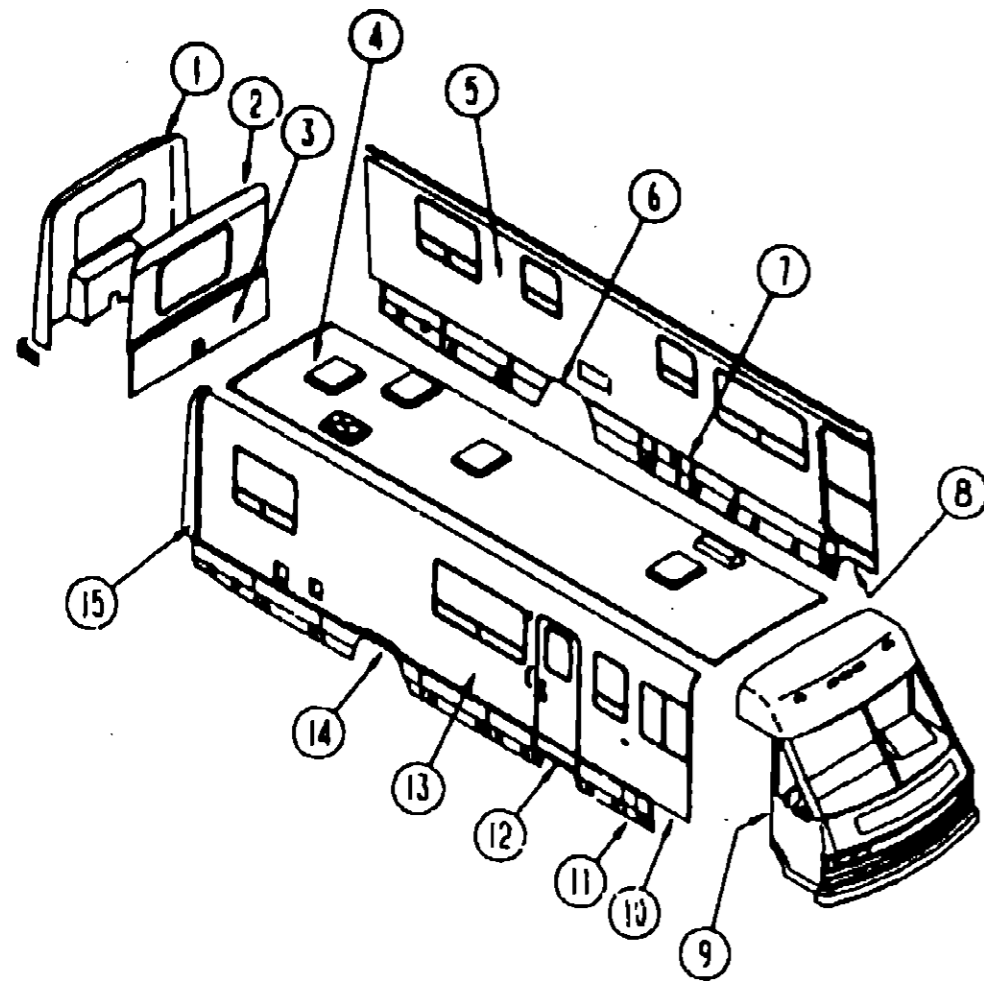
1992 ICN32RQ INDEX

FLOOR PLAN	A-07 - A-08
ACCESSORIES	A-09
AUDIOW/VIDEO	A-10 - A-12
BATH	A-13 - A-16
BEDROOM	A-17 - A-20
CHASSIS	A-21 - B-08
CURTAINS & CUSHIONS	B-09 - B-22
DINETTE	B-23 - B-24
DRIVERS	C-01 - C-08
ELECTRICAL	C-09 - C-14
EXTERIOR BODY	C-15 - C-24
GALLEY	D-01 - D-08
GENERATORS	D-09 - D-10
HEATING & A/C	D-11 - D-14
INTERIOR FINISH	D-15 - D-18
LABEL	D-19 - E-02
LP	E-03
LOUNGE	E-04 - E-05
SEALANTS & FASTENERS	E-06 - E-08
WATER & SEWAGE	E-09 - E-14
WINDOW, VENT AND EXTERIOR DOOR	E-15 - F-14
WINDSHIELD & BUMPER	F-15 - F-18

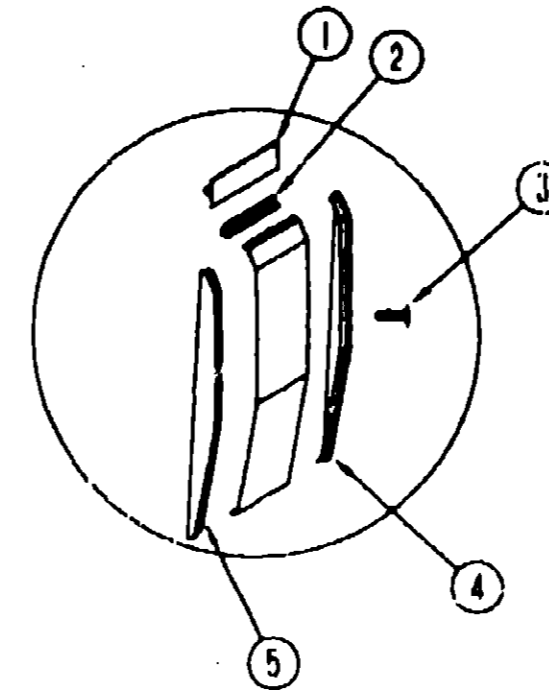
KEY	PART NUMBER	U/M DESCRIPTION
1	083805-14-000	EA TRIM-ROOF TO FRONT CAP
2	M02959-07-AE6	EA CAP-ROOF, FRONT - W/LIGHTS - OFF WHITE
3	091986-01-000	EA MOLDING-REVEAL, WINDSHIELD - SURROUNDS BOTH WINDSHIELDS
4	091901-02-000	EA TRIM-A'PILLAR, DR - BETWEEN WINDSHIELD & VENT GLASS - BLK
5	073342-01-000	EA BRACKET ASM-STRIKER,HOOD (MOUNTS TO CROSSMEMBER)
6	102087-01-000	EA CABLE ASM-HOOD RELEASE
	010497-08-000	EA CLAMP-CLOSED, .125"
7	096204-01-02A	EA TRIM-SEAM, FRONT END TO SIDEWALLS
8	102515 01 000	EA BRACKET-HOOD RELEASE CABLE
9	M01115-21-Y33	EA FRONT END-FIBERGLASS, OFF WHITE - W/O HOOD OR HINGES
10	M92678-01-Y33	EA PANEL-HOOD, W/BRACKETS ONLY - OFF WHITE
	092693-02-000	EA CROSSMEMBER-CENTER, U-CHANNEL STEEL - 2" X 44.6"
	058833-01-000	EA BRACKET-PROP ROD
	062628-01-000	EA CLIP-PROP ROD
	094060-02-000	EA ROD ASM-PROP,HOOD
	068927-01-000	EA GROMMET RUBBER - PROP ROD

EXTERIOR BODY GROUP (CONTINUED)

EXTERIOR BODY GROUP (CONTINUED)



EXTERIOR BODY PANELS AND TRIM



VALANCE PANELS & COMPONENTS

**1992 ITASCA
TABLE OF CONTENTS**

INTRODUCTION	A-01 -	A-02
ABBREVIATIONS		A-03
ALPHABETICAL INDEX	A-04 -	A-06
ICN32RQ	A-07 -	F-18
ICN34RQ	F-19 -	L-08

1992 ICN32RQ INDEX

FLOOR PLAN	A-07 -	A-08
ACCESSORIES		A-09
AUDIO/VIDEO	A-10 -	A-12
BATH	A-13 -	A-16
BEDROOM	A-17 -	A-20
CHASSIS	A-21 -	B-08
CURTAINS & CUSHIONS	B-09 -	B-22
DINETTE	B-23 -	B-24
DRIVERS	C-01 -	C-08
ELECTRICAL	C-09 -	C-14
EXTERIOR BODY	C-15 -	C-24
GALLEY	D-01 -	D-08
GENERATORS	D-09 -	D-10
HEATING & A/C	D-11 -	D-14
INTERIOR FINISH	D-15 -	D-18
LABEL	D-19 -	E-02
LP		E-03
LOUNGE	E-04 -	E-05
SEALANTS & FASTENERS	E-06 -	E-08
WATER & SEWAGE	E-09 -	E-14
WINDOW, VENT AND		
EXTERIOR DOOR	E-15 -	F-14
WINDSHIELD & WIPER	F-15 -	F-18

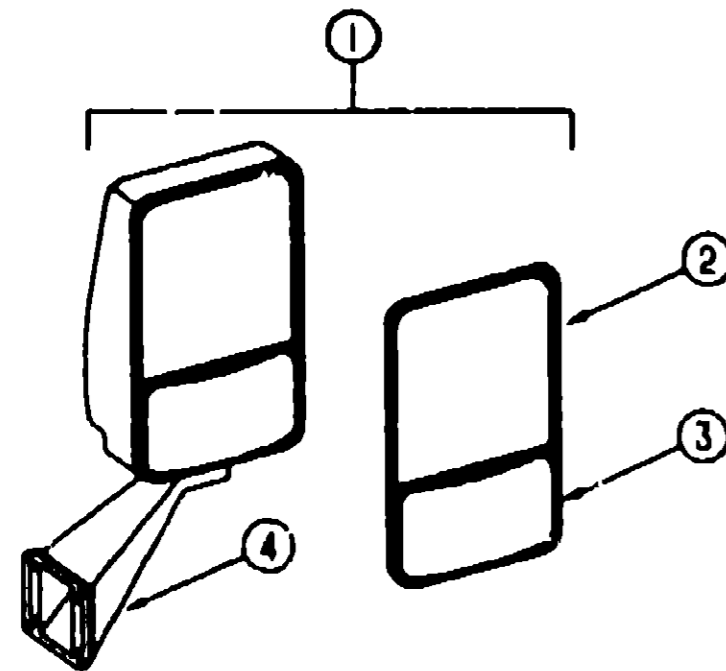
KEY	PART NUMBER	U/M DESCRIPTION
1	092301-01-01A	FT MOLDING-VALANCE TO SIDEWALL, 1.3' WIDE - PLASTIC - OFF WHITE
2	009066-01-000	EA HINGE-ALUMINUM, NO HOLES - 1 1/16" X 6' - UNPAINTED
3	094362-02-000	EA CLIP-CHRISTMAS TREE, FLAT HEAD
4	092690-01-01A	EA END CAP-VALANCE, REAR ON DRIVERS, FRONT ON PASSENGERS
5	092690-02-01A	EA END CAP-VALANCE, FRONT ON DRIVERS, REAR ON PASSENGERS
	094355-52-01A	EA RETAINER-VALANCE, 64" - OFF WHITE
	095023-04-000	EA SUPPORT-VALANCE, 8.3" X 8.3"
	009065-01-000	EA HINGE-ALUMINIUM, 1 1/2" X 96" - UNPAINTED
	034007-01-000	EA HINGE-PIANO, 1.5" X 96" - OFF WHITE - ALUMINUM
	100128-01-000	FT SEAL-PILE, ADHESIVE BACK - GRAY
	090340-01-000	FT SEAL-FOAM, CLOSED CELL - 1/4" X 1/2" X 50'
	076767-02-000	EA CABLE-1/16" X 16.5" - STAINLESS STEEL
	076767-06-000	EA CABLE-SUPPORT, 25.6" - STAINLESS STEEL
	092550-01-01A	EA PLUG-PLASTIC, W/FLUSH TYPE HEAD - 1/4" - WHITE

KEY	PART NUMBER	U/M DESCRIPTION
1	097197-02-01A	EA CAP-REAR, FIBERGLASS - W/LIGHTS - W/O DOORS
2	092732-01-C31	EA BACKWALL-UPPER, QUEEN OR TWIN BED
3	092526-05-B29	EA BACKWALL-LOWER, QUEEN OR TWIN BED
4	P04542-01-C11	EA ROOF-W/O VENTS OR CUTOUTS
5	P04086-01-C31	EA SIDEWALL-DRIVERS, W/O WINDOWS, LIGHTS OR DOORS
6	093244-15-AE6	EA PANEL-WHEEL LIP, REAR - DRIVER SIDE - OFF WHITE
	094345-04-01A	EA TRIM-WHEELWELL, MILL FINISH - 21.3' LONG
	095071-01-000	EA WHEELWELL-REAR, DRIVER OR PASSENGER - PLASTIC
7	093022-11-AE6	EA PANEL-VALANCE - OFF WHITE
8	099585-02-01A	EA PANEL-WHEEL LIP, DRIVER SIDE - FRONT - PLASTIC - OFF WHITE
9	096204-01-01A	EA TRIM-J, .5" WIDTH EXPOSED - 1" X 29" LONG - ALUMINUM - OFF WHITE
10	099585-01-01A	EA PANEL-WHEEL LIP, PASSENGER SIDE - FRONT - PLASTIC - OFF WHITE
11	093022-03-Y35	EA PANEL-VALANCE - 19.4 X 8" - OFF WHITE
12	092894-01-01A	EA VALANCE-STEP, ENTRY DOOR - OFF WHITE
	093673-02-01A	EA TRIM-ENTRY DOOR - 1.3' WIDE - OFF WHITE
13	M05649-07-C31	EA SIDEWALL-PASSENGER, W/O WINDOW, LIGHT, OR DOOR
	095023-01-000	EA SUPPORT-VALANCE, 10.6" X 10.6"
14	093224-11-Y35	EA PANEL-WHEEL LIP, REAR - PASSENGER SIDE - OFF WHITE
	094345-03-01A	EA TRIM-WHEELWELL, MILL FINISH - 21.3' LONG
	095071-01-000	EA WHEELWELL-REAR, DRIVER OR PASSENGER - PLASTIC
	096024-01-000	EA SHROUD-WHEELWELL
15	092041-01-32A	EA TRIM-REAR CAP TO SIDEWALL, 1.8" X 83" - ALUMINUM - OFF WHITE
	083805-14-000	EA TRIM-ROOF, FRONT & REAR CAP TO ROOF - 6.4' - MILL FINISHED
		FROM: 00-00-00 THRU: 02-13-92
	106253-06-01A	EA TRIM-REAR CAP TO SIDEWALL, 1.8" X 83" - ALUMINUM - OFF WHITE
		FROM: 02-14-92 THRU: 99-99-99
	091985-01-01A	FT INSERT-TRIM, .65" WIDE - VINYL - OFF WHITE
	106253-02-01A	EA TRIM-EDGE, ROOF - OFF WHITE
	001054-01-011	EA SKIN-ALUMINUM, 4' X 8' - FLAT - OFF WHITE

KEY	PART NUMBER	U/M DESCRIPTION
	076054-F5-000	EA FIBERGLASS-SHEET, 2115" X 9302" - OFF WHITE
	084882-15-000	EA FIBERGLASS-SHEET, 83.3" X 20.5" - OFF WHITE
	077517-52-000	EA FIBERGLASS-SHEET, 29.69" X 27.88" - OFF WHITE
	084482-15-000	EA PANEL-FIBERGLASS/PARTICLE BOARD, 83.3" X 20.5" - OFF WHITE
	001054-01-011	EA ALUMINUM-SHEET, 4' X 8' - FLAT - OFF WHITE
	044487-01-001	EA ALUMINUM-SHEET, .19" X 96" X 360" - MILL FINISH
	089297-01-000	SF PLYWOOD-LUAN, OVERLAY GRADE - 4' X 8' - INC OF 32 SF
	093743-01-02A	SF PLASTIC-ABS, 11.5" WIDE - OFF WHITE
	000870-05-000	SF STYROFOAM-.5" X 24" X 96", INCREMENTS OF 16 SF
	083574-01-000	SF STYROFOAM, DOW TYPE SM - 1.5" X 24" X 85.25"
		FROM: 00-00-00 THRU: 09-08-91
	083574-02-000	SF STYROFOAM, DOW TYPE SM - 1.5" X 24" X 90.5"
		FROM: 09-09-91 THRU: 11-17-91
	083574-03-000	SF STYROFOAM, DOW TYPE SM - 3/4" X 43" X 96"
		FROM: 11-18-91 THRU: 99-99-99
	083574-04-000	SF STYROFOAM, DOW TYPE SM - 1.5" X 24" X 59.3"
		FROM: 11-18-91 THRU: 99-99-99
	000870-03-000	SF STYROFOAM-1.34" X 48" X 96" - INCREMENTS OF 32 SF
	000870-05-000	SF STYROFOAM-.50" X 24" X 96" - INCREMENTS OF 16 SF

SKINS, PANELS AND STYROFOAM

EXTERIOR BODY GROUP (CONTINUED)



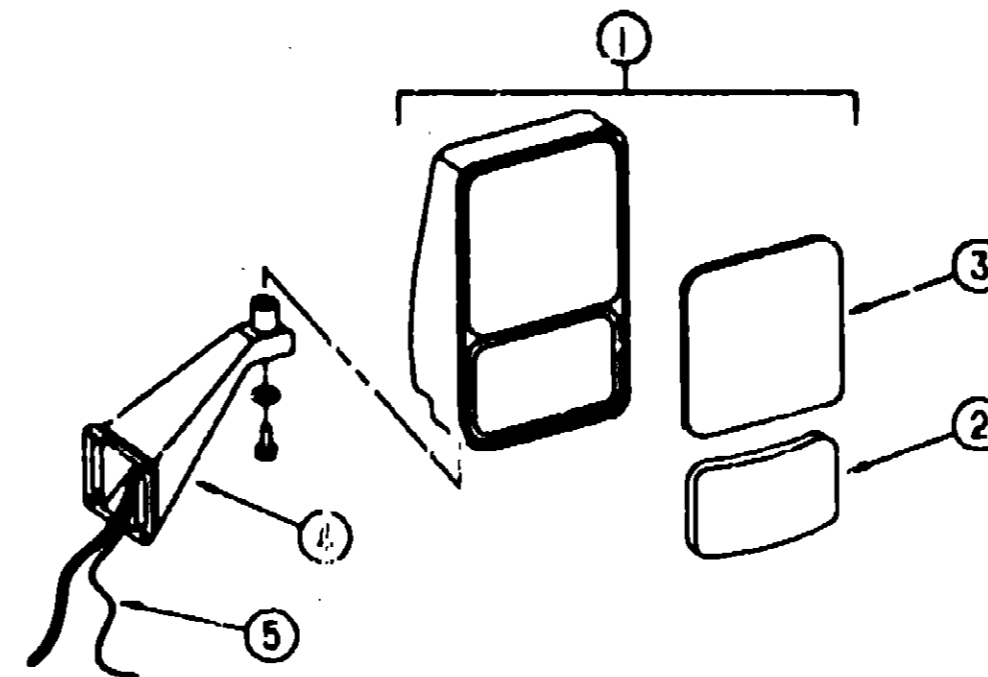
EXTERIOR MIRRORS
(FROM: 00-00-00 THRU: 10-06-01)

KEY	PART NUMBER	U/M DESCRIPTION
1	086260-01-000	EA MIRROR-W/CONVEX, PASSENGER
1	086260-02-000	EA MIRROR-W/CONVEX, DRIVER
2	086260-01-700	EA GLASS-CONVEX-PASSENGER
2	086260-02-700	EA GLASS-CONVEX-DRIVER
3	086260-01-701	EA GLASS-FLAT-PASSENGER
3	086260-02-701	EA GLASS-FLAT-DRIVER
4	086260-03-000	EA MIRROR MOUNTING ARM -EXTERIOR - DRIVER AND PASSENGER
	086260-03-700	EA BALL-CUP MOUNT (SET/2)
	086260-03-701	EA BRACKET-MOUNTING-BLACK

EXTERIOR MIRRORS
(FROM: 10-07-01 THRU: 00-00-00)

KEY	PART NUMBER	U/M DESCRIPTION
1	106015-01-01A	EA MIRROR-COMPLETE, PASSENGER
1	106015-02-01A	EA MIRROR-COMPLETE, DRIVER
2	106015-01-700	EA GLASS-FLAT, W/BEZEL
3	106015-02-701	EA GLASS-CONVEX, W/BEZEL - PASSENGER
3	106015-01-702	EA GLASS-CONVEX, W/BEZEL - DRIVER

EXTERIOR BODY GROUP (CONTINUED)



EXTERIOR MIRRORS WITH HEAT & REMOTE
(FROM: 00-00-00 THRU: 10-06-01)

KEY	PART NUMBER	U/M DESCRIPTION
1	086259-04-000	EA MIRROR-REMOTE HEAT, PRE-WIRED - PASSENGER
1	086259-05-000	EA MIRROR-REMOTE HEAT, PRE-WIRED - DRIVER
2	086259-01-700	EA GLASS-CONVEX-PASSENGER
2	086259-02-700	EA GLASS-CONVEX-DRIVER
3	086259-01-701	EA GLASS-FLAT-PASSENGER
3	086259-02-701	EA GLASS-FLAT-DRIVER
4	086260-03-000	EA MIRROR MOUNTING ARM -EXTERIOR - DRIVER AND PASSENGER
	086260-03-700	EA BALL-CUP MOUNT (SET/2)
	086260-03-701	EA BRACKET-MOUNTING-BLACK
5	092880-01-000	EA WIRE-INSTRUMENT PANEL, REMOTE MIRROR
	088246-01-000	EA SWITCH-REMOTE-EXTERIOR MIRROR-SQUARE PUSH
	087695-01-000	EA SWITCH-HEATER-EXTERIOR MIRROR

EXTERIOR MIRRORS WITH HEAT & REMOTE
(FROM: 10-07-01 THRU: 00-00-00)

KEY	PART NUMBER	U/M DESCRIPTION
1	106015-05-01A	EA MIRROR-REMOTE HEAT, PRE-WIRED - PASSENGER
1	106015-06-01A	EA MIRROR-REMOTE HEAT, PRE-WIRED - DRIVER
2	086261-01-702	EA GLASS-FLAT, W/BEZEL
3	086261-01-703	EA GLASS-CONVEX, PASSENGER
3	086261-02-700	EA GLASS-CONVEX - DRIVER
5	092880-01-000	EA WIRE-INSTRUMENT PANEL, REMOTE MIRROR
	088246-01-000	EA SWITCH-REMOTE-EXTERIOR MIRROR-SQUARE PUSH
	087695-01-000	EA SWITCH-HEATER-EXTERIOR MIRROR

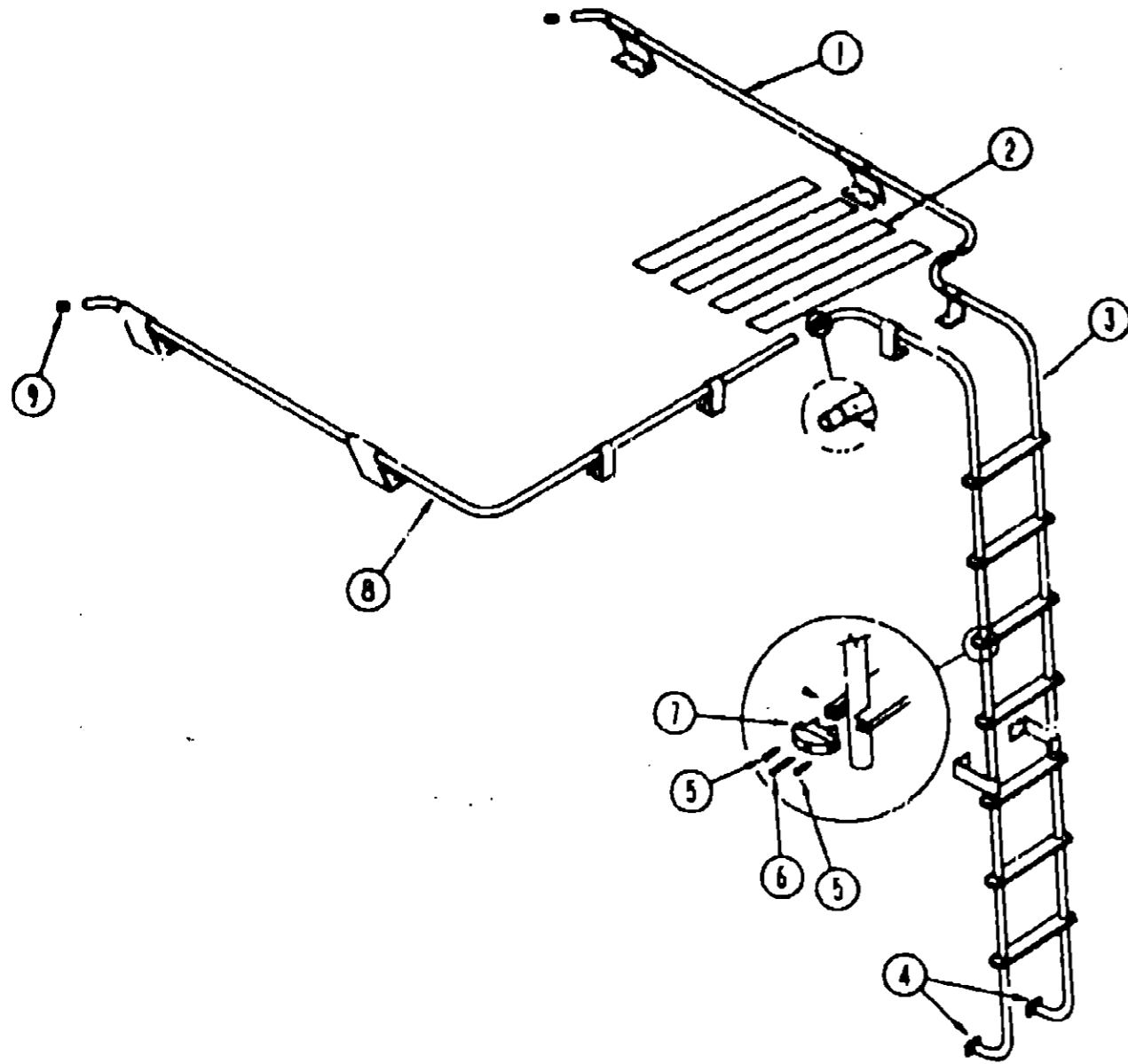
1992 ITASCA
TABLE OF CONTENTS

INTRODUCTION	A-01 -	A-02
ABBREVIATIONS		A-03
ALPHABETICAL INDEX	A-04 -	A-08
ICN32RQ	A-07 -	F-18
ICN34RQ	F-19 -	L-08

1992 ICN32RQ INDEX

FLOOR PLAN	A-07 -	A-08
ACCESSORIES		A-09
AUDIO/VIDEO	A-10 -	A-12
BATH	A-13 -	A-16
BEDROOM	A-17 -	A-20
CHASSIS	A-21 -	B-08
CURTAINS & CUSHIONS	B-09 -	B-22
DINETTE	B-23 -	B-24
DRIVERS	C-01 -	C-08
ELECTRICAL	C-09 -	C-14
EXTERIOR BODY	C-15 -	C-24
GALLEY	D-01 -	D-08
GENERATORS	D-09 -	D-10
HEATING & A/C	D-11 -	D-14
INTERIOR FINISH	D-15 -	D-18
LABEL	D-19 -	E-02
LP		E-03
LOUNGE	E-04 -	E-05
SEALANTS & FASTENERS	E-06 -	E-08
WATER & SEWAGE	E-09 -	E-14
WINDOW, VENT AND		
EXTERIOR DOOR	E-15 -	F-14
WINDSHIELD & WIPER	F-15 -	F-18

EXTERIOR BODY GROUP (CONTINUED)



LUGGAGE RACK & LADDER

KEY	PART NUMBER	U/M DESCRIPTION
1	081026-09-Y12	EA RACK-LUGGAGE, PASSENGER FROM: 00-00-00 THRU: 02-29-92
1	107438-12-C31	EA RACK-LUGGAGE, PASSENGER FROM: 03-01-92 THRU: 99-99-99
2	038327-01-000	EA TAPE-ANTI SLIP, 2" X 60"
3	097220-01-AE6	EA LADDER-ONE PIECE
4	087165-01-000	EA MOUNTING BRACKET-LADDER, LOWER
5	000G39-06-10T	EA SCREW-SF/DR, 6-20 X 5/8 PPH - BLACK
6	000G68-10-36T	EA SCREW-10-12 X 2.25 POH BLACK
7	07E980-02-000	EA END CAP-STEP, BLACK
8	081026-10-Y12	EA RACK-LUGGAGE, DRIVER FROM: 00-00-00 THRU: 02-29-92
8	107138-13-C31	EA RACK-LUGGAGE, PASSENGER FROM: 03-01-92 THRU: 99-99-99
9	081114-01-000	EA PLUG-ROUND, RACK & LADDER ENDS - PLASTIC - 1" DIA.

EXTERIOR BODY GROUP (CONTINUED)

CHROME ROOF AIR HORN

KEY	PART NUMBER	U/M DESCRIPTION
	077497-08-000	EA HORN KIT-AIR, TWIN - CHROME - HADLEY 977AW
	077497-01-700	EA SOLENOID-AIR TANK, 748N2
	077497-01-701	EA SWITCH-COMPRESSOR, 13840-B
	077497-01-702	EA SWITCH, TOGGLE W/WIRE, 12848-B
	077497-01-703	EA TANK-AIR, 751-N
	077497-01-704	EA COMPRESSOR W/SWITCH, 852EC
	077497-01-706	EA REPAIR KIT F/HADLEY 120 COMP, 862S8
	077497-01-708	EA VALVE & HEAD REPAIR F/COMP, H00852HV.
	077497-01-707	EA BELT & SCREW COVER F/COMP, H00852BR
	077497-01-708	EA FILTER & MTG HDWE F/COMP, H00852FM.
	077497-01-709	EA PLUNGER & SPRING F/SOLENOID, H138215
	077497-02-000	EA HOSE KIT-AUX AIR, MIDLAND 891D
	077497-03-000	EA PARTS KIT-HOSE, AUX AIR, MIDLAND
	071390-04-000	FT TUBING-AIR BRAKE 1/4 OD BLK
	077497-05-000	EA COMPRESSOR/TANK/SOLENOID KIT, 852EB
	081404-01-000	EA BRACKET-MOUNTING, COMPRESSOR
	093258-01-000	EA WIRE ASM-IP, HORN-FOG LMP
	093392-01-000	EA BRACKET-TANK, AIRHORN
	093854-02-000	EA CIRCUIT BREAKER-15 AMP
	097372-01-01A	EA SWITCH-SPST, ON-OFF
	097372-08-01A	EA SWITCH-BLANK
	077497-02-000	EA HOSE KIT-AUX AIR
	078239-01-000	EA PLATE-LABEL, HORN
	081407-01-000	EA PLATE-MOUNTING, AIR HORNS
	077497-01-710	EA GAUGE-AIR PRESSURE 14212S

SQUEEGEE

KEY	PART NUMBER	U/M DESCRIPTION
	091952-02-000	EA CLIP-GRIPPER, 3/4"
	091955-02-000	EA SQUEEGEE-EXTEND HANDLE
	091955-02-000	EA SQUEEGEE-EXTEND HANDLE
	093527-01-000	EA BRACKET-SQUEEGEE, L ANGLE - 2.5" X 1.5"

**1992 ITASCA
TABLE OF CONTENTS**

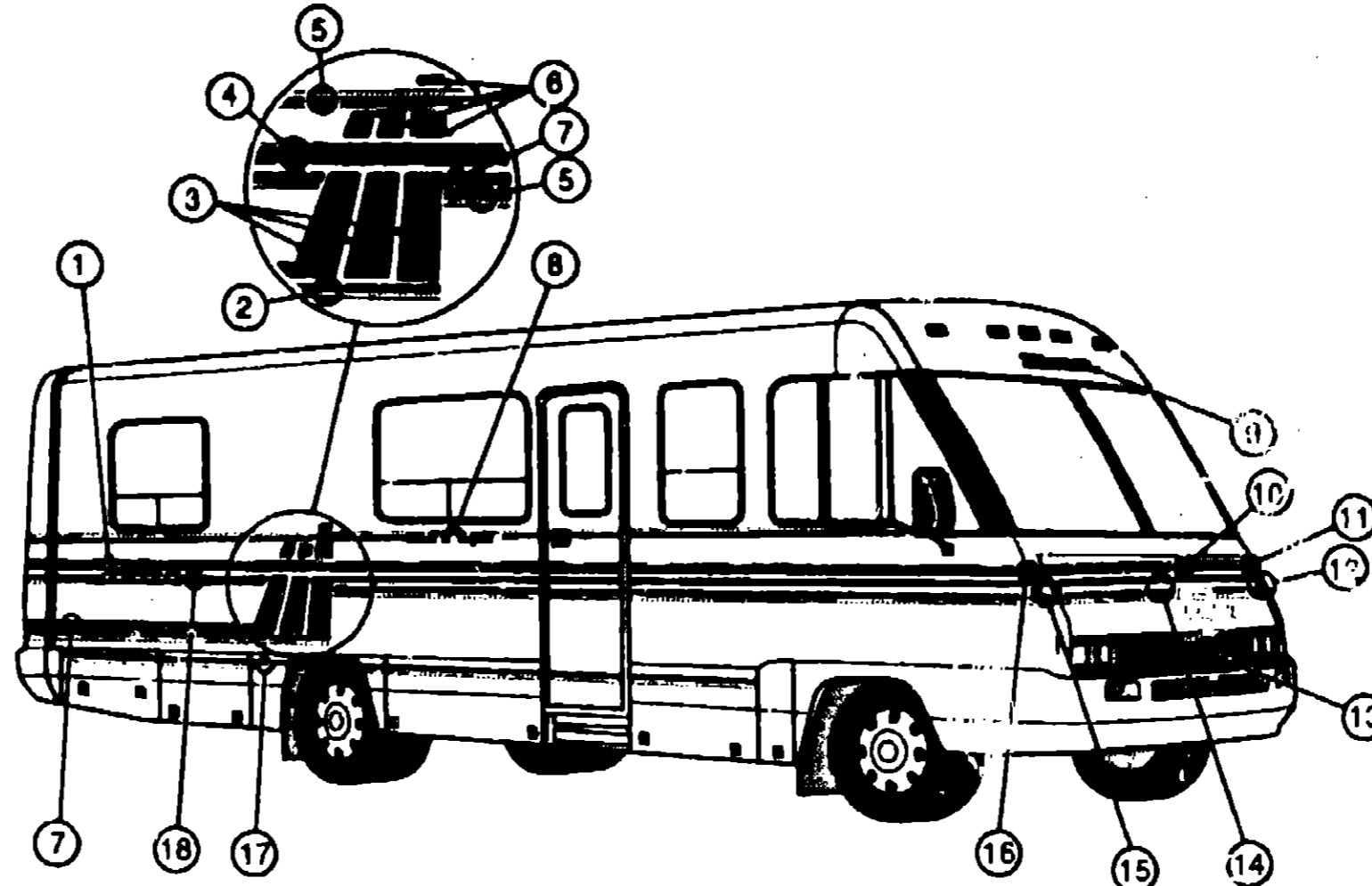
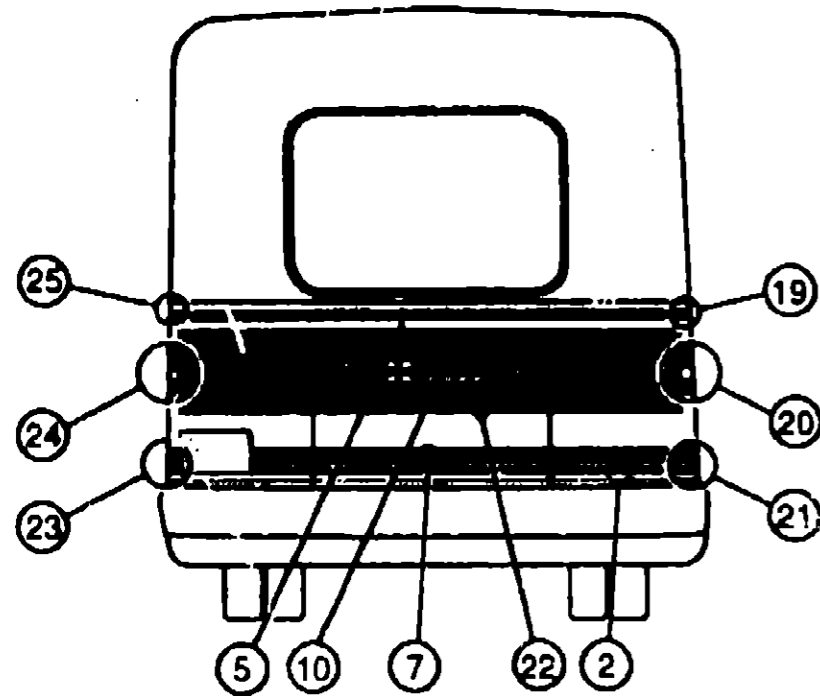
INTRODUCTION	A-01	A-02
ABBREVIATIONS		A-03
ALPHABETICAL INDEX	A-04	A-08
ICN32RQ	A-07	F-18
ICN34RQ	F-19	L-08

1992 ICN32RQ INDEX

FLOOR PLAN	A-07	A-08
ACCESSORIES		A-09
AUDIO/VIDEO	A-10	A-12
BATH	A-13	A-16
BEDROOM	A-17	A-20
CHASSIS	A-21	B-08
CURTAINS & CUSHIONS	B-09	B-22
DINETTE	B-23	B-24
DRIVERS	C-01	C-08
ELECTRICAL	C-09	C-14
EXTERIOR BODY	C-15	C-24
GALLEY	D-01	D-08
GENERATORS	D-09	D-10
HEATING & A/C	D-11	D-14
INTERIOR FINISH	D-15	D-18
LABEL	D-19	E-02
LP		E-03
LOUNGE	E-04	E-05
SEALANTS & FASTENERS	E-06	E-08
WATER & SEWAGE	E-09	E-14
WINDOW, VENT AND		
EXTERIOR DOOR	E-15	F-14
WINDSHIELD & WIPER	F-15	F-18

EXTERIOR BODY GROUP (CONTINUED)

DECALS & PAINT



**1992 ITASCA
TABLE OF CONTENTS**

INTRODUCTION	A-01 -	A-02
ABBREVIATIONS		A-03
ALPHABETICAL INDEX	A-04 -	A-06
ICN32RQ	A-07 -	F-18
ICN34RQ	F-19 -	L-06

1992 ICN32RQ INDEX

FLOOR PLAN	A-07 -	A-08
ACCESSORIES		A-09
AUDIO/VIDEO	A-10 -	A-12
BATH	A-13 -	A-16
BEDROOM	A-17 -	A-20
CHASSIS	A-21 -	B-06
CURTAINS & CUSHIONS	B-09 -	B-22
DINETTE	B-23 -	B-24
DRIVERS	C-01 -	C-06
ELECTRICAL	C-09 -	C-14
EXTERIOR BODY	C-15 -	C-24
GALLEY	D-01 -	D-08
GENERATORS	D-09 -	D-10
HEATING & A/C	D-11 -	D-14
INTERIOR FINISH	D-15 -	D-16
LABEL	D-19 -	E-02
LP		E-03
LOUNGE	E-04 -	E-05
SEALANTS & FASTENERS	E-06 -	E-08
WATER & SEWAGE	E-09 -	E-14
WINDOW, VENT AND		
EXTERIOR DOOR	E-15 -	F-14
WINDSHIELD & WIPER	F-15 -	F-18

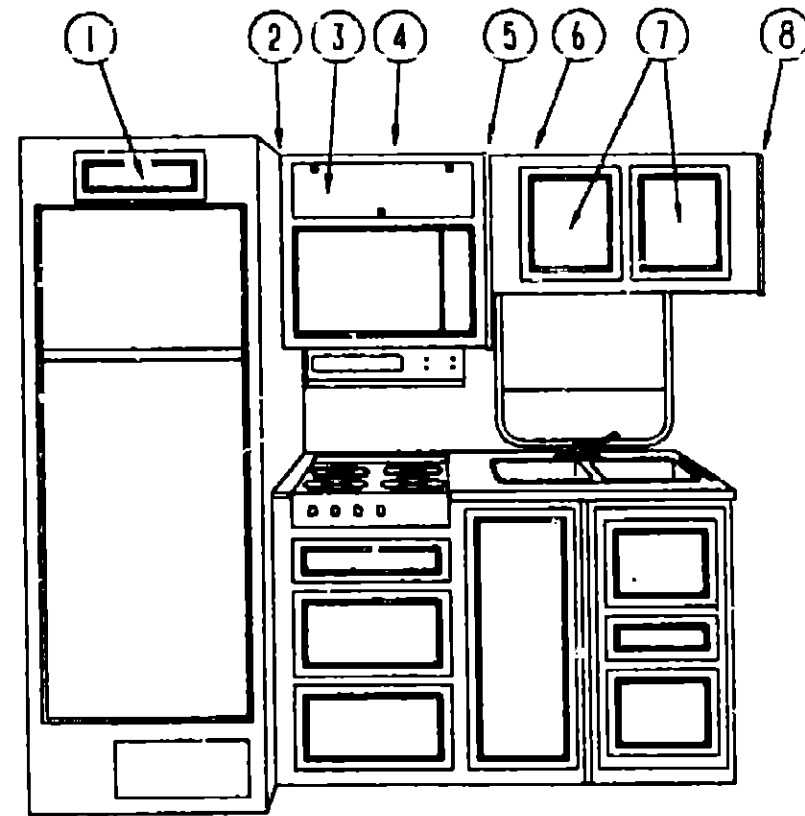
KEY	PART NUMBER	U/M DESCRIPTION
1	078852-22-000	EA DECAL-LOGO, "ITASCA", 6.5" - OFF WHITE/TROPICAL BLUE (C31/C33)
1	078852-23-000	EA DECAL-LOGO, "ITASCA", 6.5" - OFF WHITE/DARK PLUM (C32)
2	093680-33-03A	FT FILM-MULTISTRIPE, 38MM - BOTTOM STRIPE - BAY TURQUOISE (C31/C33)
2	093680-33-04A	FT FILM-MULTISTRIPE, 38MM - BOTTOM STRIPE - GRAYSTONE (C32)
3	104200-01-01A	EA DECAL-LOWER, PASSENGER SIDE - TROPICAL BLUE (C31/C33)
3	104200-01-02A	EA DECAL-LOWER, PASSENGER SIDE - DARK PLUM (C32)
3	104200-02-01A	EA DECAL-LOWER, DRIVER SIDE - TROPICAL BLUE (C31/C33)
3	104200-02-02A	EA DECAL-LOWER, DRIVER SIDE - DARK PLUM (C32)
4	094443-02-01A	FT FILM-SINGLE STRIPE, 95MM - OLY TEAL/TROPICAL BLUE (C31/C33)
4	094443-02-02A	FT FILM-SINGLE STRIPE, 95MM - QUARTZ/DARK PLUM (C32)
5	093680-34-01A	EA FILM-SINGLE STRIPE, 70MM - BAY TURQUOISE (C31/C33)
5	093680-34-02A	EA FILM-SINGLE STRIPE, 70MM - GRAYSTONE (C32)
6	104199-01-01A	EA DECAL-UPPER, PASSENGER SIDE - TROPICAL BLUE (C31/C33)
6	104199-01-02A	EA DECAL-UPPER, PASSENGER SIDE - DARK PLUM (C32)
6	104199-02-01A	EA DECAL-UPPER, DRIVER SIDE - TROPICAL BLUE (C31/C33)
6	104199-02-02A	EA DECAL-UPPER, DRIVER SIDE - DARK PLUM (C32)
7	093681-29-01A	FT FILM-MULTISTRIPE, 51MM - TOP STRIPE - TROPICAL BLUE (C31/C33)
7	093681-29-02A	FT FILM-MULTISTRIPE, 51MM - TOP STRIPE - DARK PLUM (C32)
8	093793-03-01A	EA DECAL-SUNFLYER, TROPICAL BLUE/OFF WHITE (C31/C33)
8	093793-03-02A	EA DECAL-SUNFLYER, DARK PLUM/OFF WHITE (C32)
9	093789-02-02A	EA DECAL-LOGO, "ITASCA", TROPICAL BLUE/OFF WHITE (C31/C33)
9	093789-02-03A	EA DECAL-LOGO, "ITASCA", DARK PLUM/OFF WHITE (C32)
10	104192-01-01A	EA DECAL-HOOD, UPPER - OLY TEAL/TROPICAL BLUE (C31/C33)
10	104192-01-02A	EA DECAL-HOOD, UPPER - QUARTZ/DARK PLUM (C32)
11	104194-02-01A	EA DECAL-FENDER, DRIVER SIDE - UPPER - OLY TEAL/TROPICAL BLUE (C31/C33)
11	104194-02-02A	EA DECAL-FENDER, DRIVER SIDE - UPPER - QUARTZ/DARK PLUM (C32)
12	104195-02-01A	EA DECAL-FENDER, DRIVER SIDE - LOWER - TROP BLUE/BAY TURQUOISE (C31/C33)
12	104195-02-02A	EA DECAL-FENDER, DRIVER SIDE - LOWER - DARK PLUM/GRAYSTONE (C32)
13	093790-01-01A	EA DECAL-LOGO, "I" - GRILLE - 3 DIMENSIONAL - ARGENT 3D

KEY	PART NUMBER	U/M DESCRIPTION
14	104193-01-01A	EA DECAL-HOOD, LOWER - TROP BLUE/BAY TURQUOISE (C31/C33)
14	104193-01-02A	EA DECAL-HOOD, LOWER - DARK PLUM/GRAYSTONE (C32)
15	104195-01-01A	EA DECAL-FENDER, PASSENGER SIDE - LOWER - TROP BLUE/BAY TURQ (C31/C33)
15	104195-01-02A	EA DECAL-FENDER, PASSENGER SIDE - LOWER - DARK PLUM/GRAYSTONE (C32)
16	104194-01-01A	EA DECAL-FENDER, PASSENGER SIDE - UPPER - OLY TEAL/TROPICAL BLUE (C31/C33)
16	104194-01-02A	EA DECAL-FENDER, PASSENGER SIDE - UPPER - QUARTZ/DARK PLUM (C32)
17	093680-33-01A	FT FILM-SINGLE STRIPE, 38MM - OLY TEAL (C31/C33)
17	093680-33-02A	FT FILM-SINGLE STRIPE, 38MM - QUARTZ (C32)
18	093680-31-02A	EA FILM-SINGLE STRIPE, 95MM - OLY TEAL (C31/C33)
18	093680-31-03A	EA FILM-SINGLE STRIPE, 95MM - QUARTZ (C32)
19	104196-01-01A	EA DECAL-CORNER, PASS SIDE - UPPER - REAR - TROP BLUE/BAY TURQ (C31/C33)
19	104196-01-02A	EA DECAL-CORNER, PASS SIDE - UPPER - REAR - GRAYSTONE (C32)
20	104197-01-01A	EA DECAL-CORNER, PASS SIDE - REAR - OLY TEAL/TROPICAL BLUE (C31/C33)
20	104197-01-02A	EA DECAL-CORNER, PASS SIDE - REAR - QUARTZ/DARK PLUM (C32)
21	104198-01-01A	EA DECAL-CORNER, PASSENGER SIDE - LOWER - TROP BLUE/BAY TURQ (C31/C33)
21	104198-01-02A	EA DECAL-CORNER, PASSENGER SIDE - LOWER - DARK PLUM/GRAYSTONE (C32)
22	084075-02-000	EA DECAL-"BY WINNEBAGO INDUSTRIES" - SILVER
23	104198-02-01A	EA DECAL-CORNER, DRIVER SIDE - LOWER - TROP BLUE/BAY TURQUOISE (C31/C33)
23	104198-02-02A	EA DECAL-CORNER, DRIVER SIDE - LOWER - DARK PLUM/GRAYSTONE (C32)
24	104197-02-01A	EA DECAL-CORNER, DRIVER SIDE - REAR - OLY TEAL/TROPICAL BLUE (C31/C33)
24	104197-02-02A	EA DECAL-CORNER, DRIVER SIDE - REAR - QUARTZ/DARK PLUM (C32)
25	104196-02-01A	EA DECAL-CORNER, DRIVER SIDE - UPPER - BAY TURQUOISE (C31/C33)
25	104196-02-02A	EA DECAL-CORNER, DRIVER SIDE - UPPER - GRAYSTONE (C32)

DUPONT COLOR CODES .

GRAYSTONE	K9458
OLY TEAL	G9838
TROPICAL BLUE	G9841
BAY TURQUOISE	G9837
QUARTZ DIAMOND	K9466
DARK PLUM	K9455

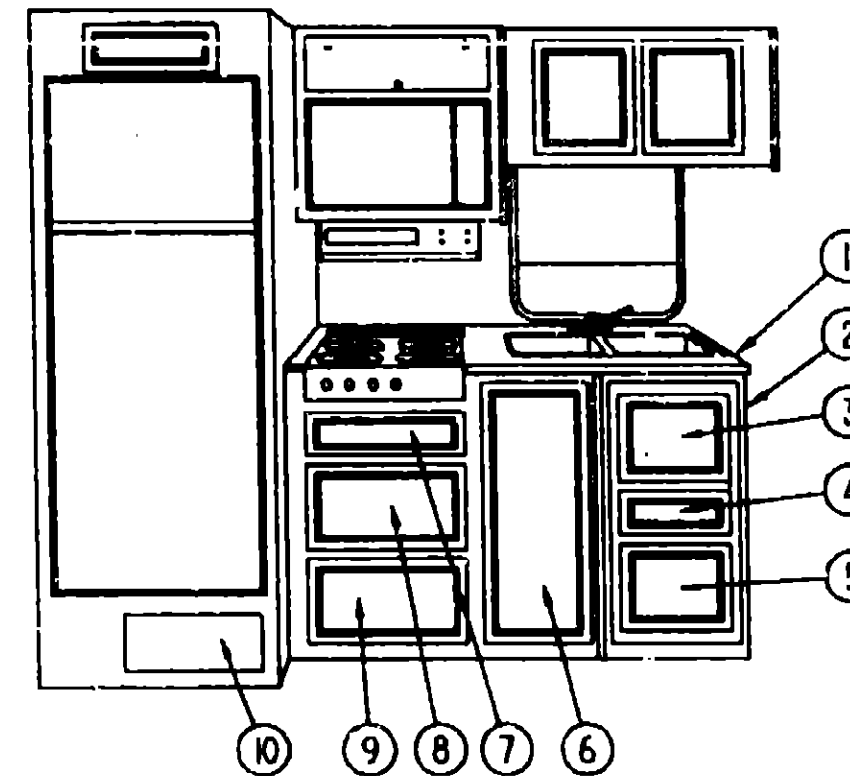
GALLEY GROUP



UPPER GALLEY CABINETS & COMPONENTS

KEY	PART NUMBER	U/M DESCRIPTION
1	P03702-D1-C31 090329-01-000	EA DOOR-CABINET, W/O HARDWARE - 162 X 406 MM FT SEAL-REFRIGERATOR CABINET
2	P04009-01-C31	EA END CAP-CABINET, OVERHEAD
3	100708-05-000	EA DOOR-CABINET, W/O HARDWARE - GLASS - 216 X 596 MM - MICROWAVE
4	P05432-03-C31	EA CABINET-OVERHEAD, W/O DOORS OR HARDWARE - MICROWAVE
5	P04009-03-C31	EA END CAP-CABINET, OVERHEAD
6	104469-01-C31	EA CABINET-OVERHEAD, W/O DOORS OR HARDWARE
7	P03702-C9-C31 105085-02-000	EA DOOR-CABINET, W/O HARDWARE - 365 X 410 MM EA MIRROR-GLASS, DECORATIVE - CABINET DOOR
8	099092-02-B29	EA END CAP-CABINET, OVERHEAD - FRONT

GALLEY GROUP (CONTINUED)



LOWER GALLEY CABINETS & COMPONENTS

KEY	PART NUMBER	U/M DESCRIPTION
1	104188-11-C12 098335-02-C25	EA COUNTERTOP-GALLEY EA RAIL-GALLEY
2	M05172-03-C31 M05172-04-C31	EA CABINET-GALLEY, W/O DOORS OR HARDWARE - BLACK OVEN EA CABINET-GALLEY, W/O DOORS OR HARDWARE - HOT PLATE
3	P03702-E7-C31	EA DOOR-CABINET, W/O HARDWARE - 365 X 275 MM
4	P02003-32-C31	EA DRAWER-CABINET, W/O HARDWARE FROM: 00-00-00 THRU: 01-04-92
4	P07104-46-C31	EA DRAWER-CABINET, W/O HARDWARE FROM: 01-05-92 THRU: 99-99-99
5	P02003-33-C31	EA DRAWER-CABINET, W/O HARDWARE FROM: 00-00-00 THRU: 01-04-92
5	P07104-45-C31	EA DRAWER-CABINET, W/O HARDWARE FROM: 01-05-92 THRU: 99-99-99
6	P03702-D5-C31	EA DOOR-CABINET, W/O HARDWARE - 365 X 680 MM
7	P02003-30-C31	EA DRAWER-CABINET, W/O HARDWARE FROM: 00-00-00 THRU: 01-04-92
7	P07104-42-C31	EA DRAWER-CABINET, W/O HARDWARE FROM: 01-05-92 THRU: 99-99-99
8	P02003-31-C31	EA DRAWER-CABINET, W/O HARDWARE FROM: 00-00-00 THRU: 01-04-92
8	P07104-44-C31	EA DRAWER-CABINET, W/O HARDWARE FROM: 01-05-92 THRU: 99-99-99
9	P03702-D4-C31	EA DOOR-CABINET, W/O HARDWARE - 145 X 555 MM
10	M02516-56-B29 064952-01-000 092153-01-000 103635-01-000 093526-02-000 093303-01-000	EA DOOR-FURNACE, W/MESH INSERT EA FAUCET-GALLEY, SINGLE CONTROL EA GASKET-FAUCET EA FAUCET-GALLEY, SINGLE CONTROL, EVERPURE 5435-00 EA SINK-DOUBLE, STAINLESS STEEL - 4 HOLE EA STRAINER-SINK

1992 ITASCA TABLE OF CONTENTS

INTRODUCTION	A-01 -	A-02
ABBREVIATIONS		A-03
ALPHABETICAL INDEX	A-04 -	A-06
ICN32RQ	A-07 -	F-18
ICN34RQ	F-19 -	L-06

1992 ICN32RQ INDEX

FLOOR PLAN	A-07 -	A-08
ACCESSORIES		A-09
AUDIO/VIDEO	A-10 -	A-12
BATH	A-13 -	A-16
BEDROOM	A-17 -	A-20
CHASSIS	A-21 -	B-08
CURTAINS & CUSHIONS	B-09 -	B-22
DINETTE	B-23 -	B-24
DRIVERS	C-01 -	C-08
ELECTRICAL	C-09 -	C-14
EXTERIOR BODY	C-15 -	C-24
GALLEY	D-01 -	D-08
GENERATORS	D-09 -	D-10
HEATING & A/C	D-11 -	D-14
INTERIOR FINISH	D-15 -	D-18
LABEL	D-19 -	E-02
LP		E-03
LOUNGE	E-04 -	E-05
SEALANTS & FASTENERS	E-06 -	E-08
WATER & SEWAGE	E-09 -	E-14
WINDOW, VENT AND EXTERIOR DOOR	E-15 -	F-14
WINDSHIELD & WIPER	F-15 -	F-18

GALLEY GROUP (CONTINUED)

RANGE

KEY	PART NUMBER	U/M	DESCRIPTION
	102021-02-02A	EA	COVER-RANGE, BIFOLD - 22" - BLACK - MAGIC CHEF KR22K-1
	102020-01-03A	EA	RANGE-22" 4 BURNER ALMOND - MAGIC CHEF BT22RA-4TZ
	102020-3A-700	EA	PANEL-DOOR, W/WINDOW - EBONY - MAGIC CHEF - 2401-F08
	102020-01-700	EA	SHELF-OVEN, MAGIC CHEF - 7801-P027-60
	102020-01-701	EA	HANDLE-DOOR, MAGIC CHEF - 7701P092-60
	102020-01-702	EA	PANEL-MANIFOLD, MAGIC CHEF 2616F080-70
	102020-01-705	EA	TRIM-LEFT, MAGIC CHEF 3608F018-70
	102020-01-706	EA	TRIM-RIGHT, MAGIC CHEF 3608F017-70
	102020-01-708	EA	BURNER ASSEMBLY-OVEN, MAGIC CHEF 3403W003-45
	102020-01-709	EA	BUMPER-GRATE, MAGIC CHEF 8007P018-60
	102020-01-710	EA	FILTER-PILOT, MAGIC CHEF 7507P046-60
	102020-01-711	EA	GRATE-TOP, MAGIC CHEF 7518P012-60
	102020-01-712	EA	KNOB-BURNER VALVE, MAGIC CHEF 7733P044-60
	102020-01-713	EA	KNOB-THERMOSTAT, MAGIC CHEF 7731P042-60
	102020-01-714	EA	PILOT-OVEN, MAGIC CHEF 968-143
	102020-01-715	EA	PIPE-MANIFOLD, MAGIC CHEF 7513P095-60
	102020-01-716	EA	REGULATOR-PRESSURE, MAGIC CHEF 7510P033-60
	102020-01-717	EA	THERMOSTAT, MAGIC CHEF 7515P024-60
	102020-01-718	EA	TOP-MAIN, ALMOND - MAGIC CHEF 2001F085-84
	102020-01-720	EA	VALVE-MERCURY CONTROL, MAGIC CHEF 7501P056-60
	102020-01-721	EA	VALVE-SHUT OFF, MAGIC CHEF 7506F096-60
	102020-01-722	EA	VALVE-TOP BURNER, MAGIC CHEF 7502P095-60
	102020-01-723	EA	PILOT-BURNER, MAGIC CHEF 7505P147-60
	102020-01-724	EA	BUMPER-MAIN TOP, MAGIC CHEF 8003P008-60
	102020-01-725	EA	GLASS-OUTER, MAGIC CHEF 7902P266-60
	102020-01-727	EA	TRIM-LEFT, FLAT - MAGIC CHEF 3608W028-70
	102020-01-728	EA	TRIM-RIGHT, FLAT - MAGIC CHEF 3608W027-70

RANGE

KEY	PART NUMBER	U/M	DESCRIPTION
	102021-02-01A	EA	COVER-RANGE, BIFOLD - 22" - ALMOND - MAGIC CHEF KR22A-1
	102019-01-01A	EA	RANGE TOP-4 BURNER, ALMOND - MAGIC CHEF BT85RA-4
	102020-01-701	EA	HANDLE-DOOR, MAGIC CHEF - 7701P092-60
	102020-01-702	EA	PANEL-MANIFOLD, MAGIC CHEF 2616F080-70
	102020-01-703	EA	PANEL-DOOR, ALMOND - MAGIC CHEF 2401F075-71
	102020-01-700	EA	SHELF-OVEN, MAGIC CHEF - 7801-P027-60
	102020-01-705	EA	TRIM-LEFT, MAGIC CHEF 3608F018-70
	102020-01-706	EA	TRIM-RIGHT, MAGIC CHEF 3608F017-70
	102020-01-708	EA	BURNER ASSEMBLY-OVEN, MAGIC CHEF 3403W003-45
	102020-01-709	EA	BUMPER-GRATE, MAGIC CHEF 8007P018-60
	102020-01-710	EA	FILTER-PILOT, MAGIC CHEF 7507P046-60
	102020-01-711	EA	GRATE-TOP, MAGIC CHEF 7518P012-60
	102020-01-712	EA	KNOB-BURNER VALVE, MAGIC CHEF 7733P044-60
	102020-01-713	EA	KNOB-THERMOSTAT, MAGIC CHEF 7731P042-60
	102020-01-714	EA	PILOT-OVEN, MAGIC CHEF 968-143
	102020-01-715	EA	PIPE-MANIFOLD, MAGIC CHEF 7513P095-60
	102020-01-716	EA	REGULATOR-PRESSURE, MAGIC CHEF 7510P033-60
	102020-01-717	EA	THERMOSTAT, MAGIC CHEF 7515P024-60
	102020-01-718	EA	TOP-MAIN, ALMOND - MAGIC CHEF 2001F085-84
	102020-01-719	EA	TOP-MAIN, BLACK - MAGIC CHEF 2001F085-80
	102020-01-720	EA	VALVE-MERCURY CONTROL, MAGIC CHEF 7501P056-60
	102020-01-721	EA	VALVE-SHUT OFF, MAGIC CHEF 7506F096-60
	102020-01-722	EA	VALVE-TOP BURNER, MAGIC CHEF 7502P095-60
	102020-01-723	EA	PILOT-BURNER, MAGIC CHEF 7505P147-60
	102020-01-724	EA	BUMPER-MAIN TOP, MAGIC CHEF 8003P008-60

GALLEY GROUP (CONTINUED)

RANGE HOOD

KEY	PART NUMBER	U/M	DESCRIPTION
	100258-12-01A	EA	HOOD-RANGE, W/MONITOR PANEL - VENTLINE TMS 4021 SAD
			FROM: 00-00-00 THRU: 09-09-91
	100258-22-01A	EA	HOOD-RANGE, W/MONITOR PANEL - VENTLINE TMS 5012 SAD
			FROM: 09-10-91 THRU: 99-99-99
	075470-01-703	EA	SWITCH-ON MOMENTARY - JENSEN RP 1016
	090973-01-700	EA	MOTOR - LVS CA508-1
	090973-01-702	EA	BLADE-FAN, LVS VA183-1
	092696-01-701	EA	KNOB-LEVER, CABLE - PLASTIC - BLACK - VENTLINE CC225
	092696-01-702	EA	RESISTOR-WIRE, VENTLINE L7314
	092696-01-709	EA	BULB-912, LVS VA415
	092696-01-710	EA	SOCKET-LIGHT, LVS CB267-2
	096983-01-700	EA	SWITCH - ON - OFF
	096983-01-702	EA	SWITCH-TWO WAY MOMENTARY, VENTLINE 112
	096983-01-707	EA	FILTER-GREASE, 8" X 8" - LVS CC246
	096983-01-703	EA	SWITCH-ON/OFF - JENSEN 115
	096983-01-708	EA	LENS-LAMP, VENTLINE CC179
	100258-10-700	EA	METER-HOUR, VENTLINE 150
	100258-04-702	EA	SWITCH-LEVER, W/CABLE - VENTLINE CB547-1
	100258-11-700	EA	CIRCUIT BOARD, VENTLINE 5079-01
	100258-12-700	EA	PANEL, VENTLINE 9078

**1992 ITASCA
TABLE OF CONTENTS**

INTRODUCTION	A-01	A-02
ABBREVIATIONS		A-03
ALPHABETICAL INDEX	A-04	A-06
ICN32RQ	A-07	F-18
ICN34RQ	F-19	L-06

1992 ICN32RQ INDEX

FLOOR PLAN	A-07	A-08
ACCESSORIES		A-09
AUDIO/VIDEO	A-10	A-12
BATH	A-13	A-16
BEDROOM	A-17	A-20
CHASSIS	A-21	B-08
CURTAINS & CUSHIONS	B-09	B-22
DINETTE	B-23	B-24
DRIVERS	C-01	C-08
ELECTRICAL	C-09	C-14
EXTERIOR BODY	C-15	C-24
GALLEY	D-01	D-08
GENERATORS	D-09	D-10
HEATING & A/C	D-11	D-14
INTERIOR FINISH	D-15	D-18
LABEL	D-19	E-02
LP		E-03
LOUNGE	E-04	E-05
SEALANTS & FASTENERS	E-06	E-08
WATER & SEWAGE	E-09	E-14
WINDOW, VENT AND		
EXTERIOR DOOR	E-15	F-14
WINDSHIELD & WIPER	F-15	F-18

GALLEY GROUP (CONTINUED)

CANADIAN RANGE HOOD

KEY	PART NUMBER	U/M DESCRIPTION
	100258-13-01A	EA HOOD-RANGE, W/MONITOR PANEL - VENTLINE TMS 4021 CSA FROM: 00-00-00 THRU: 09-09-91
	100258-23-01A	EA HOOD-RANGE, W/MONITOR PANEL - VENTLINE TMS 5012 CSA FROM: 09-10-91 THRU: 99-99-99
	075470-01-703	EA SWITCH-ON MOMENTARY, JENSEN RP 1016
	090973-01-700	EA MOTOR - LVS CA508-1
	090973-01-702	EA BLADE-FAN, LVS VA183-1
	092696-01-701	EA KNOB-LEVER, CABLE - PLASTIC - BLACK - VENTLINE CC225
	092696-01-702	EA RESISTER-WIRE, VENTLINE L7314
	092696-01-709	EA BULB-912, LVS VA415
	092696-01-710	EA SOCKET-LIGHT, LVS CB267-2
	096983-01-700	EA SWITCH-ON/OFF, VENTLINE 108
	096983-01-702	EA SWITCH-TWO WAY MOMENTARY, VENTLINE 112
	096983-01-703	EA SWITCH-ON/OFF - JENSEN 115
	096983-01-707	EA FILTER-GREASE, 8" X 8" - LVS CC246
	096983-01-708	EA LENS-LAMP, VENTLINE CC179
	100258-10-700	EA METER-HOUR, VENTLINE 150
	100258-04-702	EA SWITCH-LEVER, W/CABLE - VENTLINE CB547-1
	100258-11-700	EA CIRCUIT BOARD, VENTLINE 5079-01
	100258-12-700	EA PANEL, VENTLINE 5079-01
	097618-01-000	EA WIRE-MONITOR PANEL, W/4 WIRES & BLACK RESISTOR

MISCELLANEOUS GALLEY COMPONENTS

KEY	PART NUMBER	U/M DESCRIPTION
	104230-01-000	EA COFFEE-MAKER, THERMAL CARAFE - SPACEMAKER PLUS
	104230-01-700	EA THERMAL CARAFE-COFFEE-MAKER, SPACEMAKER PLUS
	058334-01-000	EA WASTEBASKET-9 3/4" X 7" X 10", WHITE - RUBBERMAID
	100081-01-01A	EA TRAY-SILVERWARE, ALMOND - RUBBERMAID
	103445-01-01A	EA HOLDER-PAPER TOWEL, PLASTIC - ALMOND
	093605-01-01A	EA RACK-TOWEL, WIRE - ALMOND
	093653-01-C12	EA COVER-SINK
	077953-01-000	EA GROMMET-EDGE LINER, FITS 1"
	093153-01-000	EA BOARD-CUTTING, MAPLE - 10.6" X 14.5"
	093238-01-829	EA HOLDER-KNIFE, COUNTERTOP - OAK
	093262-02-000	EA BONNET-KNIFE HOLDER, UNDER COUNTER - METAL
	077404-02-000	EA DRAWER-PLASTIC, 20" X 12.7" - BEIGE
	094067-01-01A	EA DIVIDER-DRAWER, PLASTIC - LIGHT OAK
	098785-01-000	EA RAIL-DRAWER

REFRIGERATOR WITH ICE MAKER

KEY	PART NUMBER	U/M DESCRIPTION
	104137-06-01A	EA REFRIGERATOR-2 WAY, W/ICE MAKER - NORCOLD 682-MI LH BLK
	064473-01-702	EA ORFICE BEG-2
	075217-01-733	EA SHUT-OFF COCK 838&8310 EG-3
	075217-01-734	EA FUSE, 3AMP 838&8310 EG-3
	075217-01-738	EA SWITCH ROCKER 3-POS BLK(HUM)
	084880-01-713	EA MALE CONNECTOR(INLET FITTING)
	084880-01-718	EA GAS VALVE (ASCO)
	084880-01-722	EA CRISPER COVER
	084880-01-731	EA HINGE PIN
	084880-01-732	EA LATCH
	084880-01-734	EA HINGE BRKT, TOP RH-BTM LH BRN
	084880-01-735	EA HINGE BRKT, TOP LH-BTM RH BRN
	084880-01-739	EA END CAP (SPRING CATCH) BRN
	084880-01-740	EA END CAP (STOP CATCH)
	084880-01-746	EA CABLE
	084880-01-747	EA HOLE PLUG
	084880-01-749	EA HINGE BUSHING
	084880-01-753	EA THERMISTER-78" W/O CLIP
	084880-01-781	EA END CAP (SPRING CATCH) BLACK
	084880-02-700	EA LOWER FLANGE 8963&8683
	084880-03-708	EA LAMP (BULB)

GALLEY GROUP (CONTINUED)

REFRIGERATOR WITH ICE MAKER (CONTINUED)

KEY	PART NUMBER	U/M DESCRIPTION
	084880-03-701	EA COOLING UNIT (HORIZ BURNER)
	084880-03-705	EA BRACKET F/INT. FERIG LIGHT
	084880-03-707	EA COVER FLAMP OR BULB
	088248-01-706	EA BURNER (HORIZONTAL)
	088248-01-707	EA SENSOR ELECTRODE (HORIZONTAL)
	088248-01-708	EA SPARK ELECTRODE (HORIZONTAL)
	088248-01-709	EA HEATER AC (HORIZONTAL)
	094039-01-700	EA PC BOARD (3 WAY) ASSY
	094039-01-701	EA EYEBROW (3 WAY) SHELL
	094039-01-703	EA HINGE PLATE (BRN) L.H.
	094039-01-704	EA HINGE PLATE (BLK) L.H.
	094039-01-709	EA HINGE PLATE(BRN) RHTOP LHBTM
	094039-01-710	EA HINGE PLATE(BLK) RHTOP LHBTM
	094039-01-712	EA DOOR BIN(GRAY)SILVER BORDER
	094039-01-713	EA DOOR GASKET(LOWER) GRAY
	094039-01-714	EA LOWER DOOR LINER (BRN/WHT)
	094039-01-715	EA LOWER DOOR LINER (BLK/WHT)
	094039-01-716	EA LOWER DOOR HANDLY ASSY (BRN)
	094039-01-717	EA LOWER DOOR HANDLE ASSY (BLK)
	094039-01-718	EA MILK BIN (GRAY)W/SILVER TRIM
	094039-01-719	EA DAIRY KEEPER (GRAY)SILVER TR
	094039-01-720	EA CAB ASSY(BRN FRAME/WHT LINER)
	094039-01-721	EA CAB ASSY(BLK FRAME WHT LINER)
	094039-01-722	EA HOLE PLUG (BLK) HINGE HOLES
	094039-01-723	EA HINGE BRKT TOP LH-BTM RH BLK
	094039-01-725	EA HINGE PIN (BLACK)(MALE)
	094039-01-728	EA EVAPORATOR SHELF
	094039-01-727	EA HINGE BRKT(BRN) CTR HINGE
	094039-01-728	EA HINGE BRKT(BLK) CTR HINGE
	094039-01-729	EA HINGE PIN SHAFT(BRN)CTR HINGE
	094039-01-730	EA HINGE PIN SHAFT(BLK) CTR HGE
	094039-01-731	EA CRISPER (GRAY) SILVER TRIM
	094039-01-732	EA FRONT COVER(BLK) BTM TRIM
	094039-01-733	EA WIRE SHELF (MIDDLE)
	094039-01-734	EA WIRE SHELF (TOP) W/RISER
	094039-01-735	EA INSIDE DRIP TRAY (WHITE)
	094039-01-738	EA LIGHT SWITCH (BLACK)
	094039-01-738	EA MANUAL SHUT-OFF HARPER WYMAN
	094039-01-739	EA SHELF (CUTOUT)
	094039-01-741	EA TRAY-SHELF, PLASTIC - GRAY
	094039-04-700	EA PC BOARD (2 WAY)
	094039-04-702	EA POWER SUPPLY (2 WAY)
	094039-07-700	EA ICE MAKER ASM
	094039-07-701	EA BIN-ICE CUBE
	094039-07-702	EA SHELF-WIRE, FREEZER-TALL
	094039-07-703	EA SHELF-WIRE, FREEZER-SHORT
	094039-07-704	EA VALVE-WATER FILL
	078618-01-000	EA PLATE-TIEDOWN, REFRIGERATOR - 27.6" X 9.4" - STEEL - BLACK
	054450-01-000	EA LEVEL-REFRIGERATOR

**1992 ITASCA
TABLE OF CONTENTS**

INTRODUCTION	A-01 - A-02
ABBREVIATIONS	A-03
ALPHABETICAL INDEX	A-04 - A-06
ICN32RQ	A-07 - F-18
ICN34RQ	F-19 - L-06

1992 ICN32RQ INDEX

FLOOR PLAN	A-07 - A-08
ACCESSORIES	A-09
AUDIO/VIDEO	A-10 - A-12
BATH	A-13 - A-16
BEDROOM	A-17 - A-20
CHASSIS	A-21 - B-08
CURTAINS & CUSHIONS	B-09 - B-22
DINETTE	B-23 - B-24
DRIVERS	C-01 - C-08
ELECTRICAL	C-09 - C-14
EXTERIOR BODY	C-15 - C-24
GALLEY	D-01 - D-08
GENERATORS	D-09 - D-10
HEATING & A/C	D-11 - D-14
INTERIOR FINISH	D-15 - D-18
LABEL	D-19 - E-02
LP	E-03
LOUNGE	E-04 - E-05
SEALANTS & FASTENERS	E-06 - E-08
WATER & SEWAGE	E-09 - E-14
WINDOW, VENT AND	
EXTERIOR DOOR	E-15 - F-14
WINDSHIELD & WIPER	F-15 - F-18

GALLEY GROUP (CONTINUED)
REFRIGERATOR - LARGE DOUBLE DOOR

KEY	PART NUMBER	U/M	DESCRIPTION
	104137-03-01A	EA	REFRIGERATOR-2 WAY, LARGE DOUBLE DOOR - NORCOLD 682 LH BLK
	064473-01-702	EA	ORFICE 3EG-2
	075217-01-733	EA	SHUT-OFF COCK 838&8310 EG-3
	075217-01-734	EA	FUSE, 3AMP 838&8310 EG-3
	075217-01-738	EA	SWITCH ROCKER 3-POS BLK(HUM)
	084880-01-713	EA	MALE CONNECTOR(INLET FITTING)
	084880-01-715	EA	VALVE-SHUT OFF, MANUAL
	084880-01-718	EA	GAS VALVE (ASCO)
	084880-01-722	EA	CRISPER COVER
	084880-01-726	EA	HINGE BRACKET (CTR HINGE)
	084530-01-731	EA	HINGE PIN
	084880-01-732	EA	LATCH
	084880-01-734	EA	HINGE BRKT, TOP RH-BTM LH BRN
	084880-01-735	EA	HINGE BRKT, TOP LH-BTM RH BRN
	084880-01-739	EA	END CAP (SPRING CATCH) BRN
	084880-01-740	EA	END CAP (STOP CATCH)
	084880-01-744	EA	HINGE PIN SHAFT (CTR HINGE)
	084880-01-746	EA	CABLE 084880 01 747EA HOLE PLUG
	084880-01-749	EA	HINGE BUSHING
	084880-01-753	EA	THERMISTER-78" W/O CLIP
	084880-01-761	EA	END CAP (SPRING CATCH) BLACK
	084880-02-700	EA	LOWER FLANGE 8663&8683
	084880-03-701	EA	COOLING UNIT (HORIZ BURNER)
	084880-03-705	EA	BRACKET F/INT. REFRIG LIGHT
	084880-03-706	EA	LAMP (BULB)
	084880-03-707	EA	COVER F/LAMP OR BULB
	088248-01-706	EA	BURNER (HORIZONTAL)
	088248-01-707	EA	SENSOR ELECTRODE (HORIZONTAL)
	088248-01-708	EA	SPARK ELECTRODE (HORIZONTAL)
	088248-01-709	EA	HEATER AC (HORIZONTAL)
	094039-01-700	EA	PC BOARD (3 WAY) ASSY
	094039-01-701	EA	EYEBROW (3 WAY) SHELL
	094039-01-703	EA	HINGE PLATE (BRN) L.H.
	094039-01-704	EA	HINGE PLATE (BLK) L.H.
	094039-01-709	EA	HINGE PLATE(BRN) RHTOP LHBTM
	094039-01-710	EA	HINGE PLATE(BLK) RHTOP LHBTM
	094039-01-712	EA	DOOR BIN(GRAY)SILVER BORDER
	094039-01-713	EA	DOOR GASKET(LOWER) GRAY
	094039-01-714	EA	LOWER DOOR LINER (BRN/WHT)
	094039-01-715	EA	LOWER DOOR LINER (BLK/WHT)
	094039-01-716	EA	LOWER DOOR HANDLY ASSY (BRN)
	094039-01-717	EA	LOWER DOOR HANDLE ASSY (BLK)
	094039-01-718	EA	MILK BIN (GRAY)W/SILVER TRIM
	094039-01-719	EA	DAIRY KEEPER (GRAY)SILVER TR
	094039-01-720	EA	CAB ASSY(DRN FRAME/WHT LINER
	094039-01-721	EA	CAB ASSY(BLK FRAME WHT LINER
	094039-01-722	EA	HOLE PLUG (BLK) HINGE HOLES
	094039-01-723	EA	HINGE BRKT, TOP RH-BTM LH BLK
	094039-01-724	EA	HINGE BRKT TOP LH-BTM RH BLK
	094039-01-725	EA	HINGE PIN (BLACK)(MALE)
	094039-01-726	EA	EVAPORATOR SHELF
	094039-01-728	EA	HINGE BRKT(BLK) CTR HINGE
	094039-01-730	EA	HINGE PIN SHAFT(BLK) CTR HGE
	094039-01-731	EA	CRISPER (GRAY) SILVER TRIM
	094039-01-732	EA	FRONT COVER(BLK) BTM TRIM
	094039-01-733	EA	WIRE SHELF (MIDDLE)
	094039-01-734	EA	WIRE SHELF (TOP) W/RISER
	094039-01-735	EA	INSIDE DRIP TRAY (WHITE)
	094039-01-738	EA	LIGHT SWITCH (BLACK)
	094039-01-739	EA	SHELF (CUTOUT)
	094039-01-741	EA	TRAY-SHELF, PLASTIC - GRAY
	094039-04-700	EA	PC BOARD (2 WAY)
	094039-04-702	EA	POWER SUPPLY (2 WAY)

GALLEY GROUP (CONTINUED)
MICROWAVE OVEN

KEY	PART NUMBER	U/M	DESCRIPTION
	102479-01-000	EA	OVEN-MICROWAVE, CONVECTION - PANASONIC NN8500
	102456-02-000	EA	BAFFLE-MICROWAVE, CONVECTION OVEN
	102453-02-000	EA	BRACKET-MICROWAVE, CONVECTION OVEN
	093744-04-000	EA	BRACKET-TIEDOWN, STOVE - LEFT SIDE
	093744-03-000	EA	BRACKET-TIEDOWN, STOVE - RIGHT SIDE
	102479-02-000	EA	OVEN-MICROWAVE, PANASONIC NN5500
	102479-01-700	EA	COOKBOOK-MICROWAVE OVEN
	102842-01-000	EA	BRACKET-BAFFLE, 20.2" X 2" - STEEL - BLACK
			FROM: 00-00-00 THRU: 07-15-91
	102842-02-000	EA	BRACKET-BAFFLE, 20.2" X 2" - STEEL - BLACK
			FROM: 07-16-91 THRU: 99-99-99
	102458-02-000	EA	SUPPORT-BOTTOM, MICROWAVE
	102452-01-000	EA	STRAP-MICROWAVE, 13.1" X 2" - STEEL
	091890-04-000	EA	BRACKET-TIEDOWN, STOVE - LEFT SIDE
	091890-03-000	EA	BRACKET-TIEDOWN, STOVE - RIGHT SIDE

1992 ITASCA
TABLE OF CONTENTS

INTRODUCTION	A-01	A-02
ABBREVIATIONS		A-03
ALPHABETICAL INDEX	A-04	A-06
ICN32RQ	A-07	F-18
ICN34RQ	F-19	L-06

1992 ICN32RQ INDEX

FLOOR PLAN	A-07	A-08
ACCESSORIES		A-09
AUDIO/VIDEO	A-10	A-12
BATH	A-13	A-16
BEDROOM	A-17	A-20
CHASSIS	A-21	B-08
CURTAINS & CUSHIONS	B-09	B-22
DINETTE	B-23	B-24
DRIVERS	C-01	C-08
ELECTRICAL	C-09	C-14
EXTERIOR BODY	C-15	C-24
GALLEY	D-01	D-08
GENERATORS	D-09	D-10
HEATING & A/C	D-11	D-14
INTERIOR FINISH	D-15	D-18
LABEL	D-19	E-02
LP		E-03
LOUNGE	E-04	E-05
SEALANTS & FASTENERS	E-06	E-08
WATER & SEWAGE	E-09	E-14
WINDOW, VENT AND		
EXTERIOR DOOR	E-15	F-14
WINDSHIELD & WIPER	F-15	F-18

GENERATOR GROUP
GENERATOR-ONAN, 4 KW

KEY	PART NUMBER	U/M DESCRIPTION
	100974-04-000	EA GENERATOR-4.0 KW EMERALD PLUS, ONAN FA/29236G
	007125-03-000	EA CLAMP-MUFFLER - 1.5" DIA
	007125-04-000	EA CLAMP-MUFFLER, 1.1" DIA
	079654-05-000	EA PIPE-EXHAUST, ANGLED - W/FLANGE - 2" ID - ONAN 154-2539
	105958-02-000	EA PIPE-EXHAUST, GENERATOR
	081364-03-000	EA MUFFLER-GENERATOR
	007131-01-000	EA HANGER-TAILPIPE
	024976-01-000	EA SWITCH-GENERATOR, W/O CIRCUIT BOARD
	008401-01-000	EA STRAP-CONDUIT, 3/4" - 1 HOLE - GALVANIZED STEEL

GENERATOR-KOHLER 4 KW - US - CHEVY & FORD

KEY	PART NUMBER	U/M DESCRIPTION
	105523-01-000	EA GENERATOR-4.0KW KOHLER 4CKM21
	105526-01-000	EA ARRESTER-SPARK, KOHLER 278621
	007125-03-000	EA CLAMP-MUFFLER - 1.5" DIA
	007125-04-000	EA CLAMP-MUFFLER, 1.1" DIA
	105527-01-000	EA PIPE-EXHAUST, ADAPTER, KOHLER 278524
	105958-02-000	EA PIPE-EXHAUST, GENERATOR
	105602-01-000	EA GASKET-EXHAUST, KOHLER - 278320
	105528-01-000	EA MUFFLER-GENERATOR, KOHLER
	008401-01-000	EA STRAP-CONDUIT, 3/4" - 1 HOLE - GALVANIZED STEEL
	024976-01-000	EA SWITCH-GENERATOR, W/O CIRCUIT BOARD
	007131-01-000	EA HANGER-TAILPIPE

GENERATOR-KOHLER 5 KW

KEY	PART NUMBER	U/M DESCRIPTION
	105524-01-000	EA GENERATOR-5.0KW KOHLER 5CKM21
	105526-01-000	EA ARRESTER-SPARK, KOHLER 278621
	007125-03-000	EA CLAMP-MUFFLER - 1.5" DIA
	007125-04-000	EA CLAMP-MUFFLER, 1.1" DIA
	105527-01-000	EA PIPE-EXHAUST, ADAPTER, KOHLER 278524
	105958-02-000	EA PIPE-EXHAUST, GENERATOR
	105602-01-000	EA GASKET-EXHAUST, KOHLER - 278320
	105528-01-000	EA MUFFLER-GENERATOR, KOHLER
	008401-01-000	EA STRAP-CONDUIT, 3/4" - 1 HOLE - GALVANIZED STEEL
	024976-01-000	EA SWITCH-GENERATOR, W/O CIRCUIT BOARD
	007131-01-000	EA HANGER-TAILPIPE

GENERATOR-ONAN, 4 KW - US - CHEVY & FORD

KEY	PART NUMBER	U/M DESCRIPTION
	100974-01-000	EA GENERATOR-4.0 KW EMERALD PLUS, ONAN FA/26100G
	007125-03-000	EA CLAMP-MUFFLER - 1.5" DIA
	007125-04-000	EA CLAMP-MUFFLER, 1.1" DIA
	105958-02-000	EA PIPE-EXHAUST, GENERATOR
	079654-05-000	EA PIPE-EXHAUST, ANGLED W/FLANGE - 2" ID ONAN 154-2539
	081364-03-000	EA MUFFLER-GENERATOR
	008401-01-000	EA STRAP-CONDUIT, 3/4" - 1 HOLE - GALVANIZED STEEL
	024976-01-000	EA SWITCH-GENERATOR, W/O CIRCUIT BOARD
	007131-01-000	EA HANGER-TAILPIPE
	094059-01-000	EA SPACER-GENERATOR, ONAN

GENERATOR GROUP (CONTINUED)
GENERATOR-ONAN, 5.0 KW - EXPORT

KEY	PART NUMBER	U/M DESCRIPTION
	100975-03-000	EA GENERATOR-6.5KW EMERALD PLUS, ONAN NHE-FN/29236G
	007125-03-000	EA CLAMP-MUFFLER - 1.5" DIA
	007125-04-000	EA CLAMP-MUFFLER, 1.1" DIA
	105958-01-000	EA PIPE-EXHAUST, GENERATOR - ONAN
	081364-03-000	EA MUFFLER-GENERATOR, ONAN
	094059-01-000	EA SPACER-GENERATOR, ONAN
	007131-01-000	EA HANGER-TAILPIPE
	024976-01-000	EA SWITCH-GENERATOR, W/O CIRCUIT BOARD
	008401-01-000	EA STRAP-CONDUIT, 3/4" - 1 HOLE - GALVANIZED STEEL

GENERATOR-ONAN, 6.5 KW - US - CHEVY & FORD

KEY	PART NUMBER	U/M DESCRIPTION
	100975-01-000	EA GENERATOR-6.5KW EMERALD PLUS, ONAN NHE-FN/26100G
	007125-03-000	EA CLAMP-MUFFLER - 1.5" DIA
	007125-04-000	EA CLAMP-MUFFLER, 1.1" DIA
	079654-05-000	EA PIPE-EXHAUST, ANGLED - W/FLANGE - 2" ID - ONAN 154-2539
	105958-02-000	EA PIPE-EXHAUST, GENERATOR - ONAN
	081364-03-000	EA MUFFLER-GENERATOR, ONAN
	094059-01-000	EA SPACER-GENERATOR, ONAN
	007131-01-000	EA HANGER-TAILPIPE
	024976-01-000	EA SWITCH-GENERATOR, W/O CIRCUIT BOARD
	008401-01-000	EA STRAP-CONDUIT, 3/4" - 1 HOLE - GALVANIZED STEEL

GENERATOR-KOHLER, 7 KW - US - CHEVY & FORD

KEY	PART NUMBER	U/M DESCRIPTION
	105525-01-000	EA GENERATOR-KOHLER, 7KW - 7CKM21
	105526-01-000	EA ARRESTER-SPARK, KOHLER 278621
	007125-03-000	EA CLAMP-MUFFLER - 1.5" DIA
	007125-04-000	EA CLAMP-MUFFLER, 1.1" DIA
	094059-01-000	FT SPACER-GENERATOR, ONAN
	105527-01-000	EA PIPE-EXHAUST ADAPTER, KOHLER 278524 FROM: 09-25-91 THRU: 99-99-99
	105527-02-000	EA PIPE-EXHAUST ADAPTER, KOHLER 278971 FROM: 00-00-00 THRU: 09-01-91
	105602-01-000	EA GASKET-EXHAUST, KOHLER - 278320 FROM: 09-02-91 THRU: 99-99-99
	105528-01-000	EA MUFFLER-GENERATOR, 7KW - KOHLER 278735
	105958-02-000	EA PIPE-EXHAUST, GENERATOR
	007131-01-000	EA HANGER-TAILPIPE
	024976-01-000	EA SWITCH-GENERATOR, W/O CIRCUIT BOARD
	008401-01-000	EA STRAP-CONDUIT, 3/4" - 1 HOLE - GALVANIZED STEEL

1992 ITASCA
TABLE OF CONTENTS

INTRODUCTION	A-01	A-02
ABBREVIATIONS		A-03
ALPHABETICAL INDEX	A-04	A-06
ICN32RQ	A-07	F-18
ICN34RQ	F-19	L-06

1992 ICN32RQ INDEX

FLOOR PLAN	A-07	A-08
ACCESSORIES		A-09
AUDIOW/VIDEO	A-10	A-12
BATH	A-13	A-16
BEDROOM	A-17	A-20
CHASSIS	A-21	B-08
CURTAINS & CUSHIONS	B-09	B-22
DINETTE	B-23	B-24
DRIVERS	C-01	C-08
ELECTRICAL	C-09	C-14
EXTERIOR BODY	C-15	C-24
GALLEY	D-01	D-08
GENERATORS	D-09	D-10
HEATING & A/C	D-11	D-14
INTERIOR FINISH	D-15	D-18
LABEL	D-19	E-02
LP		E-03
LOUNGE	E-04	E-05
SEALANTS & FASTENERS	E-06	E-08
WATER & SEWAGE	E-09	E-14
WINDOW, VENT AND		
EXTERIOR DOOR	E-15	F-14
WINDSHIELD & WIPER	F-15	F-18

HEATING & AIR CONDITIONING GROUP

REAR HEATER

KEY	PART NUMBER	U/M DESCRIPTION
	084405-01-000	EA HEATER ASM-REAR, DUCTED - W/MOTOR AID - EVANS
	084405-01-700	EA HEATER CORE-EVANS# FT200229
	084405-01-701	EA FAN BLADES-EVANS# HV029931
	084405-01-702	EA MOTOR ASM-12 V, EVANS# 200146
	087202-02-000	EA SWITCH-W/O KNOB, 4 POSITION
	090977-01-000	EA KNOB-SWITCH, ROTARY
	061673-01-000	EA BRACKET-MOTOR AID TUBES, 4" X 1.5" - STEEL

HEATING SYSTEM COMPONENTS

KEY	PART NUMBER	U/M DESCRIPTION
	007108-02-000	FT HOSE-HEATER, 3/4" ID
	007108-01-000	FT HOSE-HEATER, 5/8" ID
	079059-01-000	EA HOSE-90 DEGREE, .61" ID X 4" X 36"
	079059-02-000	EA HOSE-90 DEGREE, .61" ID X 4" X 6"
	083081-01-000	EA HOSE-FORMED, 90 DEGREES
	007076-01-000	EA HOSE-FLEXIBLE PVC - 2" ID
	007076-01-700	FT HOSE-FLEXIBLE PVC - 2" ID
	007281-01-000	EA HOSE-FLEXIBLE PVC - 2.5" ID
	007281-01-700	FT HOSE-FLEXIBLE PVC - 2.5" ID
	098342-01-000	EA WYE-CONNECTOR, 2.5" FLEXHOSE
	023146-01-000	EA CLAMP-SCREW TYPE - 4"
	073194-02-000	EA CLAMP-HOSE, WORMGEAR 1.26" - 1.97"
	062401-01-000	EA CLAMP-HOSE, WORMGEAR .25" - 1"
	062401-04-000	EA CLAMP-HOSE, WORMGEAR .69" - 1.25"
	008042-01-000	FT TUBING-VINYL, .65" ID
	088753-01-000	FT TUBE-ALUMINIZED STEEL, 5/8" - 18 GAUGE
	040731-01-000	EA NIPPLE-INLET MANIFOLD, GM-3838094
	071015-13-000	EA GROMMET-5/8" ID, FITS .09" MATERIAL, RUBBER
	080179-01-000	EA BRACKET-SUPPORT, HEATER HOSE - IN ENGINE COMPARTMENT
	009200-01-000	EA TAPE-FURNACE, 1 1/2"
	000687-10-12B	EA SCREW, 10-12 X 3/4 PPH, - ZN
	092321-01-000	FT INSULATION-FIBERGLASS, W/ALUMINUM FOIL
	024990-01-000	EA OUTLET-DEFROSTER, WITH SWIVEL - 2" - TAN
	024990-03-000	EA OUTLET-LOUVERED, W/SWIVEL - 2" - GRAY
	009198-01-000	FT DUCT-HEAT, FLEXIBLE - 4" ID
	092776-01-000	EA ADAPTER-DUCT, 2"
	089636-02-000	EA CONNECTOR-DUCT, 4" ID
	089326-01-000	EA GRILLE-FLOOR, HEATING - 9.3" X 5.4" - BROWN
	093614-01-01A	EA GRILLE-RETURN AIR, FURNACE - 15.6" X 7.6" - BROWN
	056464-05-000	EA REGISTER-PLASTIC W/O DAMPER - 4" DIAMETER - GOLDEN
	094600-01-02A	EA REGISTER-HEAT, FLOOR W/O DAMPER - 3.6" X 10.5" X 1.4" - BROWN
	094600-02-02A	EA REGISTER-HEAT, FLOOR - W/DAMPER - 3.6" X 10.5" X 1.4" BROWN
	056402-02-000	EA BRACKET-MOUNTING, ROUND HEAT VENT - W/BEND - METAL - TAN

FORD - US & CANADIAN A/C CONDENSER & COMPRESSOR

KEY	PART NUMBER	U/M DESCRIPTION
	098814-02-000	EA MOUNT & DRIVE PKG-A/C, ARA 8006375 (CHASSIS SUPPLIED AFTER 10-17-91)
	098815-01-000	EA CONDENSER-A/C, FORD - ARA 0519539 (CHASSIS SUPPLIED AFTER 10-17-91)
	098815-01-700	EA COIL-CONDENSER, ARA 0519545
	072343-08-000	EA COMPRESSOR-CLUTCH, ARA 0529039 (CHASSIS SUPPLIED AFTER 10-17-91)
	072342-03-701	EA RECEIVER-DRYER, ARA 1273235
	072342-03-707	EA O-RING, #6 - ARA 0059605
	075799-01-718	EA O-RING-AEROQUIP FITTING, ARA 0543513
	074013-02-716	EA VALVE-SERVICE, ARA 0058337
	098815-01-701	EA HOSE ASM #8, ARA 0987061
	098815-01-702	EA O-RING, #8 - ARA 0059608
	072342-03-709	EA O-RING, #10 - ARA 0059607
	072341-01-716	EA VALVE-DISCHARGE, 1/2" O-RING - ARA 0548325

HEATING & AIR CONDITIONING GROUP (CONTINUED)

AUTO A/C COMPONENTS ADDED TO BOTH FORD & CHEVY CHASSIS

KEY	PART NUMBER	U/M DESCRIPTION
	000G11-08-08B	EA SCREW, 8-18 X 1/2 PPH - ZN
	007076-01-000	EA HOSE-FLEXIBLE PVC - 2" ID
	007076-01-700	FT HOSE-FLEXIBLE PVC - 2" ID
	007108-01-000	FT HOSE-HEATER, 5/8" ID
	007281-01-000	EA HOSE-FLEXIBLE PVC, 2.5" ID X 50'
	007281-01-700	FT HOSE-FLEXIBLE PVC, 2.5" ID
	024990-01-000	EA OUTLET-DEFROSTER, WITH SWIVEL - 2" - TAN
	062401-04-000	EA CLAMP-HOSE, WORMGEAR .69" - 1.25"

A/C EVAPORATOR

KEY	PART NUMBER	U/M DESCRIPTION
	088227-02-000	EA EVAPORATOR-A/C, ARA 0508213
		FROM: 00-00-00 THRU: 07-21-91
	088227-02-701	EA BRACKET-BOWDEN CABLE MOUNTING, ARA 0409417
	088227-02-702	EA DOOR ASM., F.A./RECYCLING - ARA 0321330
	088227-01-700	EA DOOR ASSEMBLY, ARA 0320516
	088227-01-701	EA CRANK-MIX, ROUND DOOR - ARA 0318225
	088227-01-703	EA EVAPORATOR CORE, ARA 0560571
	088227-01-709	EA WHEEL REQUIRED BALANCING, ARA 0252084
	088227-01-711	EA CRANK MIXING DOOR, ARA 0320480
	077052-01-700	EA COIL-EVAPORATOR, ARA 0560458
	072341-01-708	EA SERVO-VACUUM CONTROL, ARA 1120040
	086782-02-705	EA PIN-RETAINER, ARA 1701787
	072341-01-707	EA THERMOSTAT, ARA 1247312
	091902-05-000	EA WIRE-COOLING FAN, ARA 0571123
	103930-01-000	EA AIR CONDITIONING-HEATING SYSTEM, COMPLETE - UNDER DASH
		FROM: 07-22-91 THRU: 99-99-99
	094831-01-724	EA #4 O-RING
	103930-01-700	EA ROD F/BLEND AIR DOOR
	103930-01-701	EA PANEL DOOR F/BLEND AIR
	103930-01-702	EA GASKET DOOR F/BLEND AIR
	103930-01-703	EA COIL HEATER
	103930-01-705	EA VALVE EXPANSION BLOCK
	103930-01-706	EA GASKET O-RING #8
	103930-01-707	EA GASKET O-RING #10
	103930-01-708	EA BRACKET-MOTOR VAC. RECIRC.
	103930-01-709	EA MOTOR VAC.
	103930-01-710	EA RESISTOR FUSED A/C
	103930-01-711	EA THERMOSTAT
	103930-01-712	EA GASKET O-RING
	103930-01-713	EA FTG QUICK CONNECT #4
	103930-01-714	EA FTG VALVE SERVICE #10
	103930-01-715	EA SWITCH BINARY
	103930-01-716	EA SWITCH-PRESSURE FAN
	103930-01-717	EA WHEEL (CW)
	103930-01-718	EA HOSE #6
	103930-01-719	EA HOSE #10
	103930-01-720	EA MOTOR BLOWER
	103930-01-721	EA GASKET O-RING #12

CONTROL & PLENUM

KEY	PART NUMBER	U/M DESCRIPTION
	091902-03-000	EA CONTROL/PLENUM ASM-ARA 0508350
		FROM: 00-00-00 THRU: 07-21-91
	103930-02-000	EA CONTROL/PLENUM ASM-SCS 093-0031
		FROM: 07-22-91 THRU: 99-99-99
	103930-02-700	EA PANEL-CONTROL, SCS 032-0018

1992 ITASCA TABLE OF CONTENTS

INTRODUCTION	A-01 -	A-02
ABBREVIATIONS		A-03
ALPHABETICAL INDEX	A-04 -	A-06
ICN32RQ	A-07 -	F-18
ICN34RQ	F-19 -	L-06

1992 ICN32RQ INDEX

FLOOR PLAN	A-07 -	A-08
ACCESSORIES		A-09
AUDIO/VIDEO	A-10 -	A-12
BATH	A-13 -	A-16
BEDROOM	A-17 -	A-20
CHASSIS	A-21 -	B-08
CURTAINS & CUSHIONS	B-09 -	B-22
DINETTE	B-23 -	B-24
DRIVERS	C-01 -	C-08
ELECTRICAL	C-09 -	C-14
EXTERIOR BODY	C-15 -	C-24
GALLEY	D-01 -	D-08
GENERATORS	D-09 -	D-10
HEATING & A/C	D-11 -	D-14
INTERIOR FINISH	D-15 -	D-18
LABEL	D-19 -	E-02
LP		E-03
LOUNGE	E-04 -	E-05
SEALANTS & FASTENERS	E-06 -	E-08
WATER & SEWAGE	E-09 -	E-14
WINDC/W, VENT AND		
EXTERIOR DOOR	E-15 -	F-14
WINDSHIELD & WIPER	F-15 -	F-18

HEATING & AIR CONDITIONING GROUP (CONTINUED)
SUBURBAN FURNACE & WALL THERMOSTAT

KEY	PART NUMBER	U/M DESCRIPTION
	092300-06-000	EA FURNACE-34,000 BTU, - SUBURBAN NT348W
	093365-01-000	EA THERMOSTAT-WALL, FURNACE - SUBURBAN 016091/2
	069634-01-706	EA MODULE BOARD, SUBURBAN# 231427
	069634-01-712	EA GASKET-MANIFOLD, SUBURBAN 070408
	069634-01-716	EA VALVE-MANUAL SHUTOFF, SUBURBAN 160740
	069634-01-720	EA ORIFICE-MAIN BURNER, SUBURBAN# 0180222
	069634-01-729	EA VALVE-GAS, JOHNSON - SUBURBAN 160832
	069634-01-732	EA GASKET-BURNER ACCESS DOOR, SUBURBAN 070398
	069634-01-733	EA RELAY, TIME DELAY 20&30 BTU, SUBURBAN 231202
	075695-01-709	EA MICROSWITCH (FOR MODELS 30 & 34S) SUBURBAN 230509
	075696-01-700	EA MOTOR ASM-SUBURBAN# 231208
	075696-02-709	EA DISC-GLASS, SUBURBAN 310026
	075696-02-727	EA BRACKET-MOTOR MOUNT, SUBURBAN 062138
	075696-02-728	EA GASKET-CROSSOVER TUBE, SUBURBAN 070385
	092300-01-700	EA CABINET-SUBURBAN X101176
	092300-01-701	EA CABINET FRONT, SUBURBAN 101172
	092300-01-704	EA GASKET-ELECTRODE, SUBURBAN 070163
	092300-01-705	EA ELECTRODE, SUBURBAN 230956
	092300-01-706	EA DOOR-BURNER ACCESS, SUBURBAN 030523
	092300-01-708	EA SWITCH LIMIT, SUBURBAN 231440
	092300-01-711	EA VENT CAP ASSEMBLY, SUBURBAN X260179
	092300-01-712	EA BURNER ASSEMBLY, SUBURBAN X010701
	092300-01-715	EA MANIFOLD ASSEMBLY, SUBURBAN 171034
	092300-01-717	EA WIRE ASSEMBLY (POWER SUPPLY) - SUBURBAN X231428
	092300-01-718	EA ELBOW 90°, SUBURBAN 170374
	092300-01-720	EA WHEEL-ROOM AIR, SUBURBAN 350113
	092300-01-721	EA BLOWER HOUSING ASSEMBLY, SUBURBAN 390283
	092300-01-726	EA WHEEL-COMB AIR, SUBURBAN 350110
	092300-01-724	EA GASKET-MOTOR MOUNT, SUBURBAN 070384
	092300-01-727	EA GASKET-COMBUSTION AIR HOUSING, SUBURBAN 070386
	092300-01-728	EA COMBUSTION-AIR HOUSING, (OUTSIDE) SUBURBAN 390424
	092300-02-700	EA COMBUSTION CHAMBER, 30 & 34BW SUBURBAN X021015
	092300-03-702	EA HOUSING-COMBUSTION CHAMBER, NT 34BW - SUBURBAN X390417
	092300-09-700	EA FACE-FRONT, FURNACE - SUBURBAN 520607
	092300-08-000	EA VENT KIT-FURNACE, STRAIGHT - SUBURBAN 520608

ROOF A/C-11000 BTU

KEY	PART NUMBER	U/M DESCRIPTION
	105850-01-01A	EA A/C-ROOF, 11000 BTU - IVORY - COLEMAN 6757A807
	037848-01-714	EA PACKAGE-GASKET - #6759-3281
	073742-01-706	EA EVAPORATOR CVR - #6759-3281
	076303-01-712	EA MOTOR - #6757B3119
	091225-01-709	EA START RELAY - #1497-4131
	093308-01-701	EA DECAL PKG. LEFT&RIGHT - #6798B3591
	093763-01-703	EA IMPELLOR(7" DIA X 2.80 WIDE) - #6759-3271
	093763-01-704	EA FAN CAPACITOR - #1499-3461
	093763-01-707	EA EVAPORATOR COIL - #1452-1351
	093763-01-708	EA CONDENSER COIL - #1452A1251
	093763-01-712	EA FAN BLADE-CONDENSER - #6733-3221
	093763-04-700	EA SHROUD(IVORY/IVORY)W/O LOGOS - #6759-4601
	105850-01-700	EA COMPRESSOR (TEC.#AK144AT-02L - #6757-3679
	105850-01-701	EA COMPRESSOR RUN CAPACITOR - #6719-4681
	105850-01-702	EA EVAPORATOR COIL - #1452-1362
	105850-01-703	EA OVERLOAD (CRA2718-250)
	108889-01-700	EA SHROUD (GREY/GREY)LESS LOGO - #6759-6421

HEATING & AIR CONDITIONING GROUP (CONTINUED)
ROOF A/C-13500 BTU

KEY	PART NUMBER	U/M DESCRIPTION
	093763-01-04A	EA A/C-ROOF, 13500 BTU - OFF WHITE - COLEMAN 6759D707
	098356-01-000	EA CONNECTOR-PLASTIC, 3/8" AVG
	074983-01-000	EA LABEL-A/C SELECTOR
	093763-04-700	EA SHROUD(OFF WHITE/CHARCOAL), COLEMAN# 6759-4601
	093306-01-701	EA DECAL PKG. LEFT&RIGHT, COLEMAN 6798B3591
	093763-01-702	EA OVERLOAD, COLEMAN# 6759-3931
	093763-01-712	EA FAN BLADE-CONDENSER, COLEMAN# 6733-3221
	076303-01-712	EA MOTOR, COLEMAN# 6707A3119
	093763-01-703	EA IMPELLOR-7" DIA X 2.8" WIDE, COLEMAN# 6759-3271
	091225-01-709	EA START RELAY, COLEMAN# 1497-4131
	091225-01-710	EA START CAPACITOR, COLEMAN# 1497-0881
	073742-02-704	EA RUN CAPACITOR (COMPRESSOR), COLEMAN 14994661
	093763-01-704	EA CAPACITOR-FAN, COLEMAN# 1499-3461
	042204-01-709	EA THERMOSTAT IN-64, OUT-58, COLEMAN# 6701-3401
	042205-01-702	EA THERMOSTAT IN-89, OUT-58, COLEMAN# 6703-3401
	093763-01-706	EA HEAT ELEMENT-COLEMAN# 6798-3321
	093763-01-708	EA CONDENSER COIL-COLEMAN# 1452-1251
	093763-01-714	EA COMPRESSOR-TECUMSEH, COLEMAN 6746-3599
	093763-01-707	EA EVAPORATOR COIL-COLEMAN# 1452-1351
	073742-01-701	EA SELECTOR SWITCH (5 TERMINAL), COLEMAN# 6759-3251
	073742-01-702	EA DECAL COOL ONLY, COLEMAN# 6759C3431
	073742-01-703	EA DECAL HEAT&COOL, COLEMAN# 6759-3491
	081606-01-708	EA LIMIT SWITCH (OPEN 160,CLOSE 110), COLEMAN# 6703-3041
	091225-01-713	EA KNOB (2 PER PACKAGE), COLEMAN# 6701-3351
	076303-01-707	EA FILTER-6" X 14 3/4" X 1/2", 12 PER PKG - COLEMAN 6703A3151
	093763-01-710	EA SINGLE PARTS PACKAGE, COLEMAN# 6759-5841
	091225-01-717	EA DECAL (THERMOSTAT) COOL ONLY, COLEMAN# 6799A3441
	093763-01-705	EA DECAL-HEAT/COOL THERMOSTAT, COLEMAN# 6799A3471
	081606-01-712	EA CEILING SHROUD (IVORY), COLEMAN# 6769-5061
	093763-01-711	EA GASKET PACKAGE, COLEMAN 67593281

ROOF A/C-13500 BTU - TWO UNITS - EUROPEAN

KEY	PART NUMBER	U/M DESCRIPTION
	092440-01-000	EA A/C-ROOF, 13500 BTU - 220V - 50HZ - COLEMAN# 6713C750
	008356-01-000	EA CONNECTOR-PLASTIC, 3/8" AVG
	074983-01-000	EA LABEL-A/C SELECTOR
	092441-01-000	EA CEILING ASM-A/C, 220V - 50HZ - COLEMAN# 6712ET16
	073937-03-000	EA SWITCH-ROTARY SELECTOR, 3 DECK - A/C - CA20-USA892
	073937-01-700	EA KNOB-ROTARY SWITCH-A/C SEL
	008311-01-000	EA CONNECTOR-WIRE NUT, INSULATED - RED
	008328-01-000	EA TERMINAL-RING, 12/10 WIRE - #10 STUD FIT
	000G67-10-12P	EA SCREW, 10-12 X .75 PPH - DARK BROWN
	009439-07-000	EA SCREW, 8-32 X 1 1/4 POH - BLACK
	000G67-10-12B	EA SCREW, 10-12 X 3/4 PPH - ZN
	102289-01-000	EA SPRING-SCREW, ROOF A/C GASKET - COLEMAN 6757-150

CEILING ASSEMBLY

KEY	PART NUMBER	U/M DESCRIPTION
	093764-01-000	EA CEILING ASM-A/C COOL ONLY, TSR - COLEMAN 6759D714
	073937-03-000	EA SWITCH-ROTARY SELECTOR, 3 DECK - A/C - CA20-USA892
	073937-01-700	EA KNOB-ROTARY SWITCH, A/C SELECTOR - 145749
	081606-01-712	EA CEILING SHROUD (IVORY), COLEMAN# 6769-5061
	102289-01-000	EA SPRING-SCREW, ROOF A/C GASKET - COLEMAN 6757-150

1992 ITASCA
TABLE OF CONTENTS

INTRODUCTION	A-01	A-02
ABBREVIATIONS		A-03
ALPHABETICAL INDEX	A-04	A-06
ICN32RQ	A-07	F-18
ICN34RQ	F-19	L-06

1992 ICN32RQ INDEX

FLOOR PLAN	A-07	A-08
ACCESSORIES		A-09
AUDIO/VIDEO	A-10	A-12
BATH	A-13	A-16
BEDROOM	A-17	A-20
CHASSIS	A-21	B-08
CURTAINS & CUSHIONS	B-09	B-22
DINETTE	B-23	B-24
DRIVERS	C-01	C-06
ELECTRICAL	C-09	C-14
EXTERIOR BODY	C-15	C-24
GALLEY	D-01	D-08
GENERATORS	D-09	D-10
HEATING & A/C	D-11	D-14
INTERIOR FINISH	D-15	D-18
LABEL	D-19	E-02
LP		E-03
LOUNGE	E-04	E-05
SEALANTS & FASTENERS	E-06	E-08
WATER & SEWAGE	E-09	E-14
WINDOW, VENT AND		
EXTERIOR DOOR	E-15	F-14
WINDSHIELD & WIPER	F-15	F-18

INTERIOR FINISH GROUP
PANELING & LAMINATES

KEY	PART NUMBER	U/M DESCRIPTION
	093743-01-02A	SF PLASTIC-ABS, 11.5' WIDE - OFF WHITE
	074498-34-000	SF LAMINATE-PLASTIC, 5' X 8' - INCREMENTS OF 40 SF
	074498-41-000	SF LAMINATE-PLASTIC, 5' X 8' - INCREMENTS OF 40 SF - ORCHID MIST
	074498-42-000	SF LAMINATE-PLASTIC, 5' X 8' - INCREMENTS OF 40 SF - GRAY KALEIDOSCOPE
	076773-07-000	SF PANELING-WOODGRAIN, 2 SIDED 4' X 8' - INCREMENTS OF 32 SF
		FROM: 00-00-00 THRU: 11-03-91
	076773-09-000	SF PANELING-WINNI OAK, 2 SIDED - 4' X 8' - INCREMENTS OF 32 SF
		FROM: 11-04-91 THRU: 99-99-99
	088272-72-000	SF PANELING-DECORATIVE, 4' X 7' - TRAVERTINE - WHITE - WET BATH
	088272-89-000	SF PANELING-MAIN, 4' X 7' - POMPEII PASTEL
	088272-88-000	SF PANELING-BATH & GALLEY, 4' X 7' - GLORIA PASTEL
	074497-17-000	SF PANELING-WOODGRAIN, 4' X 8' - INCREMENTS OF 32SF - RAMBLING OAK
		FROM: 00-00-00 THRU: 11-03-91
	074497-21-000	SF PANELING-WOODGRAIN, 4' X 8' - INCREMENTS OF 32SF - WINNI OAK
		FROM: 11-04-91 THRU: 99-99-99
	095688-01-000	SF VENEER-FLAT LUANA, 4' X 8' - INCREMENTS OF 32 SF
	057882-04-000	SF TAMBOUR-DOOR, 4' X 8' SHEET
	089297-01-000	SF PLYWOOD-LUAN, OVERLAY GRADE - 4' X 8' - INC OF 32 SF
	083618-02-000	SF PLYWOOD-OAK, FINISHED ON 1 SIDE - 3/16" - 4' X 8' - INC. 28S
	000885-46-000	SF PARTICLE BOARD-3/8 X 49" X 97", 1 SIDE VINYL - WOODGRAIN - RAMBLING OAK
		FROM: 00-00-00 THRU: 11-03-91
	000885-56-000	SF PARTICLE BOARD-3/8 X 49" X 97", 1 SIDE VINYL - WOODGRAIN - WINNI OAK
		FROM: 00-00-00 THRU: 11-03-91
	000885-47-000	SF PARTICLE BOARD-3/8 X 49" X 97", 1 SIDE VINYL - WOODGRAIN - RAMBLING OAK
	000885-48-000	SF PARTICLE BOARD-VINYL COVERED, 2 SIDED - .75" X 5' X 8' - WOODGRAIN
		FROM: 00-00-00 THRU: 11-03-91
	000885-61-000	SF PARTICLE BOARD-VINYL COVERED, 2 SIDED - .75" X 5' X 8' - WOODGRAIN
		FROM: 11-04-91 THRU: 99-99-99

BATT STRIPS

KEY	PART NUMBER	U/M DESCRIPTION
	086229-01-000	EA RETAINER-BATTEN, CEILING - .75" WIDE - 7.6' EA
	086229-08-000	EA BATTEN-CEILING, 1" WIDE - MODERN IVORY - 7.6' EA
	088263-67-000	EA BATT STRIP-BATH PANELING, 8' EA - TRAVERTINE - WHITE
	088263-50-000	EA BATT STRIP-BATH PANELING, 8' EA - TRAVERTINE - WHITE
		FROM: 00-00-00 THRU: 03-15-92
	088263-78-000	EA BATT STRIP-BATH PANELING, 8' EA - TRAVERTINE - WHITE
		FROM: 03-16-92 THRU: 99-99-99
	088263-68-000	EA BATT STRIP-BATH PANELING, 8' EA - DECORATIVE, 8' EA
	069733-68-000	EA BATT STRIP-DECORATIVE, 8' EA
	085284-32-000	FT BATT STRIP-WOODGRAIN, ADHESIVE BACK - RAMBLING OAK
		FROM: 00-00-00 THRU: 02-23-92
	085284-67-000	FT BATT STRIP-WOODGRAIN, ADHESIVE BACKED - WINNI OAK
		FROM: 02-24-92 THRU: 99-99-99
	085284-56-000	FT BATT STRIP-DECORATIVE, ADHESIVE BACK - POMPEII PASTEL
	085284-55-000	FT BATT STRIP-DECORATIVE, ADHESIVE BACK - GLORIA PASTEL

MISCELLANEOUS

KEY	PART NUMBER	U/M DESCRIPTION
	100793-01-01A	EA CLOCK-WALL, OVAL - GOLDENAIRE, 545121 A
	101333-01-000	EA BACKPLATE-CLOCK, IN WALL SHIELD FOR CLOCK
	072852-01-000	EA DETECTOR-SMOKE, W/9 VOLT
	072852-02-000	EA DETECTOR-SMOKE, W/9 VOLT - CANADIAN
	094499-02-000	EA FIRE EXTINGUISHER, DRY - CANADIAN
	094499-01-000	EA FIRE EXTINGUISHER, DRY
	094499-01-700	EA BRACKET-MOUNTING, W/PLASTIC STRAP - FIRE EXTINGUISHER
	094651-01-01A	EA HOLDER-RECESSED, FIRE EXTINGUISHER - PLASTIC - LIGHT OAK

FLOOR MATS

KEY	PART NUMBER	U/M DESCRIPTION
	081075-02-000	EA MAT-FLOOR, ENTRANCE - ITASCA LOGO - 10.2' X 26'
	081201-02-000	EA MAT-FLOOR, FRONT - ITASCA LOGO
	081202-02-000	EA MAT-FLOOR, FRONT - ITASCA LOGO

INTERIOR FINISH GROUP (CONTINUED)
MOLDINGS AND TRIMS

KEY	PART NUMBER	U/M DESCRIPTION
	M02516-81-C31	EA TRIM-CABINET, OAK
	M03450-03-000	EA TRIM-MIRROR, OAK
	100659-01-B25	EA TRIM-FLOOR, OAK
	099571-01-01A	EA TRIM-ROOF COVE, INTERIOR - OFF WHITE - 12'
	102239-01-01A	EA COVER-SPLICE, COVE TRIM - 1.5" X 3" - PLASTIC - OFF WHITE
	009767-12-000	FT MOLDING-SIDEWALL TO CEILING/CABINET - WELTING - OFF WHITE
	009809-21-000	EA MOLDING-PLASTIC CORNER, CUTSIDE - 1" - COUNTRY FOREST
	009809-22-000	EA MOLDING-PLASTIC CORNER, OUTSIDE - 1" - BIRCH
	009809-24-000	EA MOLDING-PLASTIC CORNER, OUTSIDE - 1" - MODERN IVORY
	009812-22-000	EA MOLDING-PLASTIC CORNER, OUTSIDE - .5" - COUNTRY FOREST
	005812-25-000	EA MOLDING-PLASTIC CORNER, OUTSIDE - .5" - THOR PECAN
	022992-11-000	FT MOLDING-REVERSE COVE, T-SHAPED - VINYL - IVORY
	042357-15-000	EA MOLDING-CORNER, RADIUS - 1.5" X 7" EA - PLASTIC - COUNTRY FOREST
	080176-04-000	EA CAP-TOP, CORNER, RADIUS - PLASTIC - COUNTRY FOREST
	104520-01-000	FT T-MOLDING-DRIVE, 1.35" - PLASTIC - GOLD
	081294-02-000	EA MOLDING-SHELF, KNOTCHED WOOD - 8" INC
	103186-02-02A	EA MOLDING-SHELF, PLASTIC - REGAL OAK
	076325-34-000	FT MOLDING-EDGE BAND, 1 5/16" WIDE - ORCHID
	076325-31-000	FT MOLDING-EDGE BAND, RAMBLING OAK
	076325-25-000	FT MOLDING-EDGE BAND, 1 5/16" WIDE - RAMBLING OAK
	105709-01-000	FT T-MOLDING, 1" - MODERN IVORY
	077840-01-B27	EA MOLDING-WALL CAP, 1.4" X 8" - L SHAPED WOOD
	078323-06-B25	EA MOLDING-WALL CAP, LIPS BOTH SIDES
	083620-06-000	EA MOLDING-T, END CAP EDGE - W/LIPS .75" - REBER BIRCH
	083620-07-000	EA MOLDING-T, END CAP EDGE - W/LIPS .75" - THOR PECAN
	081521-02-007	EA MOUNT-METAL MOLDING, FOR RADIUS CORNER MOLDING - 12.5'
	092707-05-01A	EA MOLDING-OAK, RAMBLING OAK
	092707-08-01A	EA MOLDING-OAK, RAMBLING OAK
	100040-01-000	EA LUMBER-VINYL WRAPPED, .7" X 1.5" X 8" - RAMBLING OAK
	100040-03-000	EA LUMBER-VINYL WRAPPED, .7" X 1.5" X 8" - RAMBLING OAK
	100041-A1-830	EA LUMBER-VINYL WRAPPED, .7" X 1.5" X 8" - RAMBLING OAK
	100041-A2-438	EA LUMBER-VINYL WRAPPED, .7" X 1.5" X 8" - RAMBLING OAK
	100041-02-000	EA LUMBER-VINYL WRAPPED, .7" X 2.5" X 84" - RAMBLING OAK
	100818-01-02A	EA MOLDING-VINYL WRAPPED, 1.85" X .4" X 7" - RAMBLING OAK
	100819-01-02A	EA MOLDING-VINYL WRAPPED, L SHAPED - 1.5" X .15" X 7" - RAMBLING OAK
	070504-18-000	FT U-CHANNEL, .065" X 8" - COUNTRY FOREST
	070504-19-000	FT U-CHANNEL, .065" X 8" - COUNTRY FOREST
	070504-01-000	FT U-CHANNEL, .065" X 8" - LIGHT BROWN
	070504-23-000	FT U-CHANNEL, .065" X 8" - COUNTRY FOREST
	009778-20-000	FT U-CHANNEL, .815" X 8" - THOR PECAN
	009778-11-000	FT U-CHANNEL, 1" X 8" - MODERN IVORY
	009778-12-000	FT U-CHANNEL, 1" X 8" - COUNTRY FOREST
	009778-13-000	FT U-CHANNEL, 1" X 8" - THOR PECAN
	103988-01-000	FT U-CHANNEL - .75" X 8" - BRASS

FLOOR COVERINGS & COMPONENTS

KEY	PART NUMBER	U/M DESCRIPTION
	092308-03-01A	SF TILE-FLOORING, WOOD PARQUET - 12" X 12"
	096060-27-000	SY CARPET, 12' WIDE ROLLS - INC. OF 4 SY (C31)
		FROM: 00-00-00 THRU: 09-01-91
	096060-35-000	SY CARPET, 12' WIDE ROLLS - INC. OF 4 SY (C31)
		FROM: 09-02-91 THRU: 99-99-99
	096060-31-000	SY CARPET, 12' WIDE ROLLS - INC. OF 4 SY (C32)
		FROM: 00-00-00 THRU: 09-01-91
	096060-36-000	SY CARPET, 12' WIDE ROLLS - INC. OF 4 SY (C32)
		FROM: 09-02-91 THRU: 99-99-99
	096060-29-000	SY CARPET, 12' WIDE ROLLS - INC. OF 4 SY (C33)
		FROM: 00-00-00 THRU: 09-01-91
	096060-42-000	SY CARPET, 12' WIDE ROLLS - INC. OF 4 SY (C33)
		FROM: 09-02-91 THRU: 99-99-99
	075233-01-000	SY PAD-CARPET, 3/8" X 6'
	093488-01-000	SY CARPET-COMPARTMENT, 54" WIDE - DARK GRAY
	078314-02-000	FT TAPE-CARPET SEAM, HEAT-BOND
	047034-02-000	SF PLASTIC-CARPET, 4" WIDE - CLEAR POLY

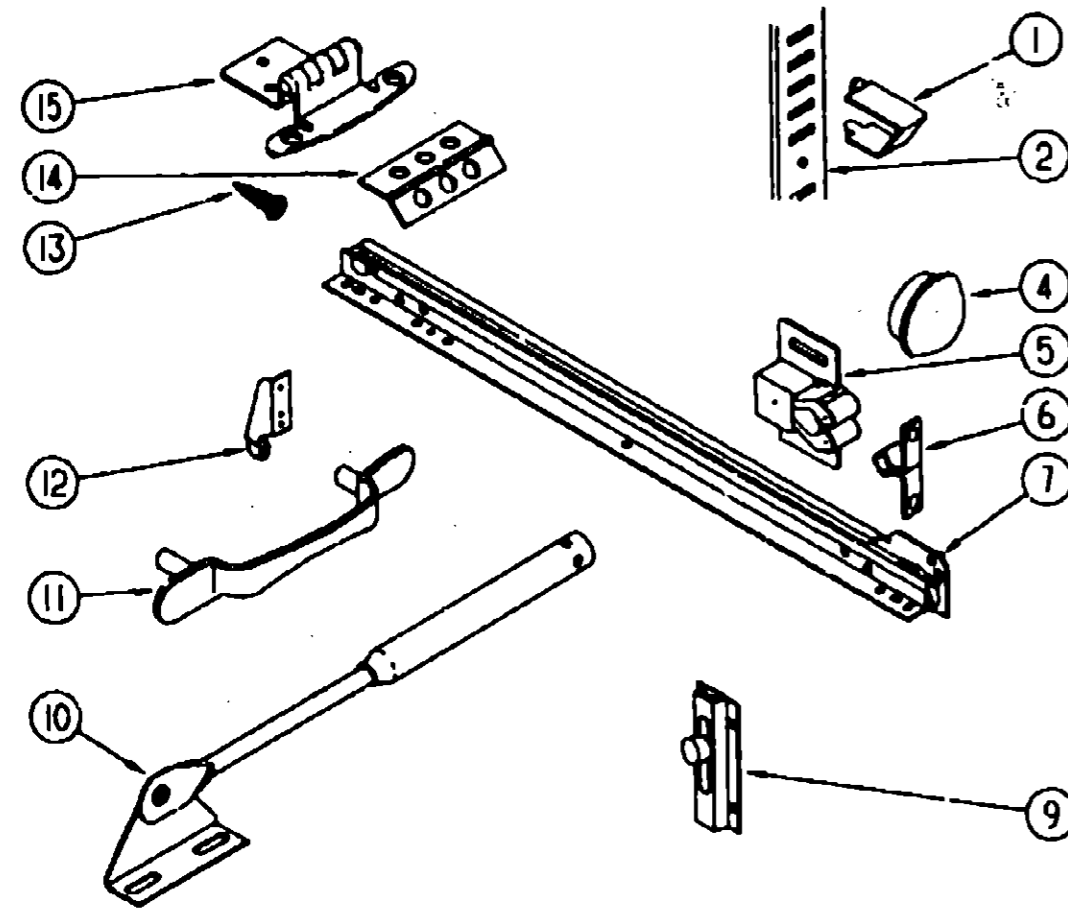
1992 ITASCA
TABLE OF CONTENTS

INTRODUCTION	A-01	A-02
ABBREVIATIONS		A-03
ALPHABETICAL INDEX	A-04	A-06
ICN32RQ	A-07	F-18
ICN34RQ	F-19	L-06

1992 ICN32RQ INDEX

FLOOR PLAN	A-07	A-08
ACCESSORIES		A-09
AUDIO/VIDEO	A-10	A-12
BATH	A-13	A-16
BEDROOM	A-17	A-20
CHASSIS	A-21	B-08
CURTAINS & CUSHIONS	B-09	B-22
DINETTE	B-23	B-24
DRIVERS	C-01	C-08
ELECTRICAL	C-09	C-14
EXTERIOR BODY	C-15	C-24
GALLEY	D-01	D-08
GENERATORS	D-09	D-10
HEATING & A/C	D-11	D-14
INTERIOR FINISH	D-15	D-18
LABEL	D-19	E-02
LP		E-03
LOUNGE	E-04	E-05
SEALANTS & FASTENERS	E-06	E-08
WATER & SEWAGE	E-09	E-14
WINDOW, VENT AND		
EXTERIOR DOOR	E-15	F-14
WINDSHIELD & WIPER	F-15	F-18

INTERIOR FINISH GROUP (CONTINUED)



CABINET HARDWARE

KEY	PART NUMBER	U/M DESCRIPTION
9	061604-01-000	EA SLIDE-BOLT, ANTIQUE BRASS
10	074493-02-000	EA SUPPORT-OVERHEAD DOOR, SPRUNG
11	104217-01-000	EA PULL-CABINET, ANTIQUE BRASS
12	102827-02-000	EA BRACKET-ROLLER, DRAWER - REAR
13	000G13-06-10G	EA SCREW-6-20 X 5/8 PFH, ANTIQUE BRASS
13	000G13-06-08G	EA SCREW-6-20 X 5/8 PFH, ANTIQUE BRASS
	000G11-08-12B	EA SCREW-8 - 18 X 3/4 PPH - ZINC
14	009059-01-000	EA HINGE-CABINET DOOR, 2" X 1.4" - BRASS
14	009059-02-000	EA HINGE-CABINET DOOR, 2" X 2.7" - BRASS
15	059777-02-000	EA HINGE-CABINET DOOR, BURNISHED BRASS
		FROM: 00-00-00 THRU: 04-16-92
15	108138-01-000	EA HINGE-CABINET DOOR, BURNISHED BRASS
		FROM: 04-17-92 THRU: 99-99-99
	054858-01-000	EA RAIL-CORNER, BED - METAL - BEIGE
	072368-19-000	EA MESH-EXPANDED, 15.5" X 6.5" - BRONZE
	023320-01-000	EA PAD-FELT, 3/8" DIAMETER - BROWN
	101447-01-000	EA CLIP-U TYPE, TINNEMAN
	084071-05-000	EA ROD-BRASS, 15" LONG
	016604-01-000	EA BRACE-CABINET, ANGLED METAL - 2.5" - UNPAINTED
	083204-02-000	EA BUTTON-MIRROR RETAINING - 3/16" TIP - WALNUT
		FROM: 00-00-00 THRU: 03-10-91
	083204-03-000	EA BUTTON-MIRROR RETAINING - 5/16" TIP - WALNUT
		FROM: 03-11-91 THRU: 99-99-99
	016604-03-000	EA BRACE-CABINET ANGLE, 2.5" - BEIGE
	101272-01-000	EA CATCH-OVERHEAD GLASS DOOR
	100711-01-01A	EA HINGE-DOOR, GLASS
	100710-01-01A	EA LOCK-GLASS DOOR, TWIST TYPE - BRASS
	101766-01-000	EA PIN-SUPPORT, GLASS DOOR
	100707-01-000	EA SPACER-DOOR, GLASS - 8" DIA - 3" HOLE - PLASTIC
	065740-01-000	EA BRACE-CABINET CORNER, PLASTIC
	083125-03-000	EA BRACE-COUCH, TAN
	100622-01-01A	EA BRACKET-CABINET, TV - 9" X 1.5" - METAL - OFF WHITE
	085774-01-000	FT FASTENER-DUAL HOOK, 1" WIDE - ADHESIVE BACK - BLACK
	085774-02-000	FT FASTENER-DUAL LOOP, 1" WIDE - ADHESIVE BACK - BLACK
	075943-02-000	EA BRACE-ANGLE, W/HOLES - 1" X 1.5" X 14" - ALUMINUM - BEIGE
	068718-01-001	EA BRACE-90 DEGREE ANGLE, 192" - EXTRUDED ALUMINUM
	028094-04-000	YD VELCRO TAPE-LOOP, 1" WIDE - BLACK
	029098-03-000	YD VELCRO TAPE-HOOK, 1" WIDE - BLACK
	009018-01-000	EA CATCH-SCREEN DOOR ROLLER
	088254-01-000	EA CATCH-MAGNETIC, 1.8" X 7"
	079921-01-000	EA ROLLER-NYLON, W/STEEL SHAFT - BARBED
	080736-01-000	EA PULL-RECESSED, 1.25" X 4" - OAK
	091261-01-000	FT BACKING-NON SKID, 1" WIDE (100' ROLL)
	084412-01-000	EA SUPPORT-HINGED
	084451-01-000	EA CATCH-TV SHELF, BRASS
	084625-02-000	EA HINGE-ALUMINUM, W/HOLES - 17.2" - TAN
	084413-01-000	EA HINGE-CONTINUOUS, ALUMINUM - 1" X 72" - W/HOLES
	093270-01-000	EA BRACE-PROP ROD, GAS
	089024-01-000	EA SUPPORT-SPRING, TO FLOOR
	083025-01-000	EA SUPPORT-SPRING, TO BED
	057205-10-000	EA SUPPORT-BUNK, REAR
	088199-02-Y12	EA HINGE-BED, TOP LIFT - METAL - BEIGE
	077252-01-000	EA PIN-HINGE
	088235-02-000	EA BEARING-SNAPIN, 3/16" ID X 3/16"
	057460-02-000	EA STUD-BALL, GAS SPRING - 10MM - 5/16" - 18
	057460-03-000	EA CLIP-SAFETY, WIREFORM TYPE - GAS SPRING
	057460-04-000	EA SPRING-GAS
	057460-03-000	EA CLIP-SAFETY, WIRE FORM TYPE - GAS SPRING

1992 ITASCA
TABLE OF CONTENTS

INTRODUCTION	A-01	A-02
ABBREVIATIONS		A-03
ALPHABETICAL INDEX	A-04	A-06
ICN32RQ	A-07	F-18
ICN34RQ	F-19	L-06

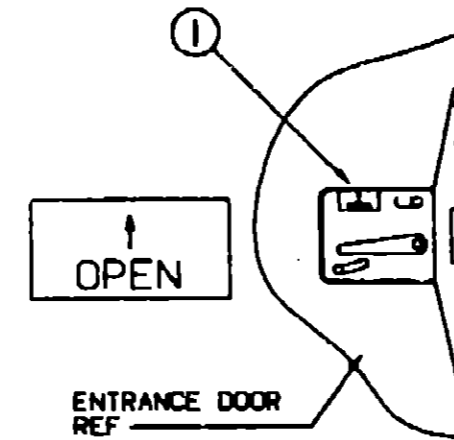
1992 ICN32RQ INDEX

FLOOR PLAN	A-07	A-08
ACCESSORIES		A-09
AUDIO/VIDEO	A-10	A-12
BATH	A-13	A-16
BEDROOM	A-17	A-20
CHASSIS	A-21	B-08
CURTAINS & CUSHIONS	B-09	B-22
DINETTE	B-23	B-24
DRIVERS	C-01	C-08
ELECTRICAL	C-09	C-14
EXTERIOR BODY	C-15	C-24
GALLEY	D-01	D-08
GENERATORS	D-09	D-10
HEATING & A/C	D-11	D-14
INTERIOR FINISH	D-15	D-18
LABEL	D-19	E-02
LP		E-03
LOUNGE	E-04	E-05
SEALANTS & FASTENERS	E-08	E-08
WATER & SEWAGE	E-09	E-14
WINDOW, VENT AND		
EXTERIOR DOOR	E-15	F-14
WINDSHIELD & WIPER	F-15	F-18

**LABEL GROUP
MISCELLANEOUS LABELS**

KEY	PART NUMBER	U/M DESCRIPTION
	093236-03-000	EA LABEL-CIRCUIT BREAKER, MAIN
	093236-04-000	EA LABEL-CIRCUIT BREAKER
	098379-01-000	EA LABEL-FRONT BOX, CIRCUIT BREAKER
	098379-02-000	EA LABEL-FRONT BOX, FUSE PANEL
	093237-02-000	EA LABEL-CIRCUIT BREAKER, FRONT, POWER SEAT
	093237-04-000	EA LABEL-CIRCUIT BREAKER, FRONT - AIR BAG COMP
	092547-04-000	EA LABEL-CIRCUIT BREAKER
	091243-01-000	EA LABEL-A/C COVER - CANADIAN EXPORT
	096506-01-000	EA LABEL-COMPARTMENT NOT SEALED
	068363-01-000	EA LABEL-DIESEL FUEL
	087236-01-000	EA LABEL-CABLE, INPUT
	087236-02-000	EA LABEL-TV, OUTLET
	006031-01-000	EA LABEL-POTABLE WATER ONLY
	079966-01-000	EA LABEL-WARNING, STOWED MOTION
	090342-01-000	EA LABEL-VAPOR RELIEF
	094675-01-000	EA LABEL-EXTERIOR LIGHT, SERVICE
	050225-01-000	EA LABEL-WARNING, STOVE VENT - US
	050225-02-000	EA LABEL-WARNING, STOVE VENT - CANADIAN
	006064-01-000	EA LABEL-SEAT W/O SEATBELT "NOT INTENDED FOR USE WHILE COACH IN MOTION"
	006064-02-000	EA LABEL-SEAT-W/O SEAT BELT - CANADIAN
	091224-01-000	EA LABEL-TRAILER LIGHTING
	091224-02-000	EA LABEL-TRAILER LIGHTING
	104678-01-000	EA LABEL-CB PREP

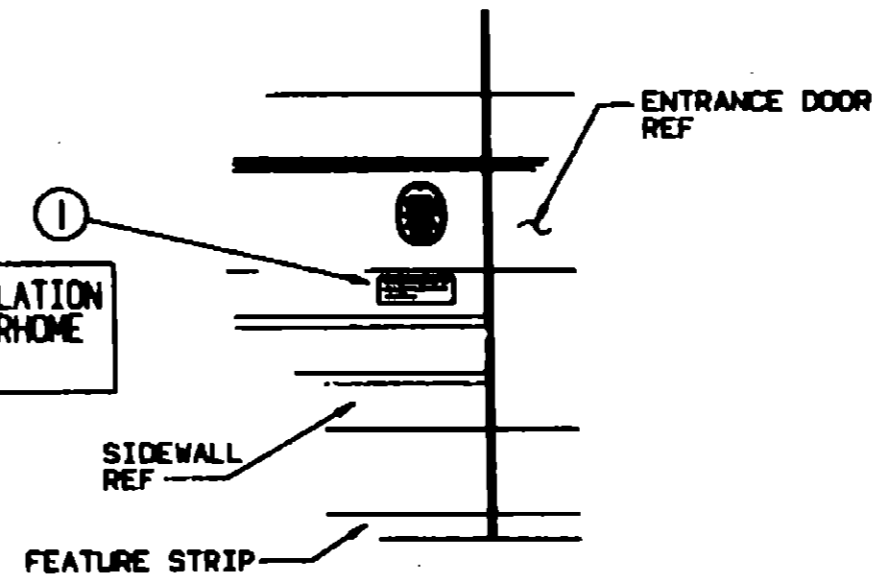
LABEL GROUP (CONTINUED)



KEY	PART NUMBER	U/M DESCRIPTION
1	040944-01-000	EA LABEL-ENTRANCE DOOR, "OPEN"



FOR AWNING INSTALLATION
CONTACT YOUR MOTORHOME
DEALERSHIP



KEY	PART NUMBER	U/M DESCRIPTION
1	099509-01-000	EA LABEL-AWNING INSTALLATION

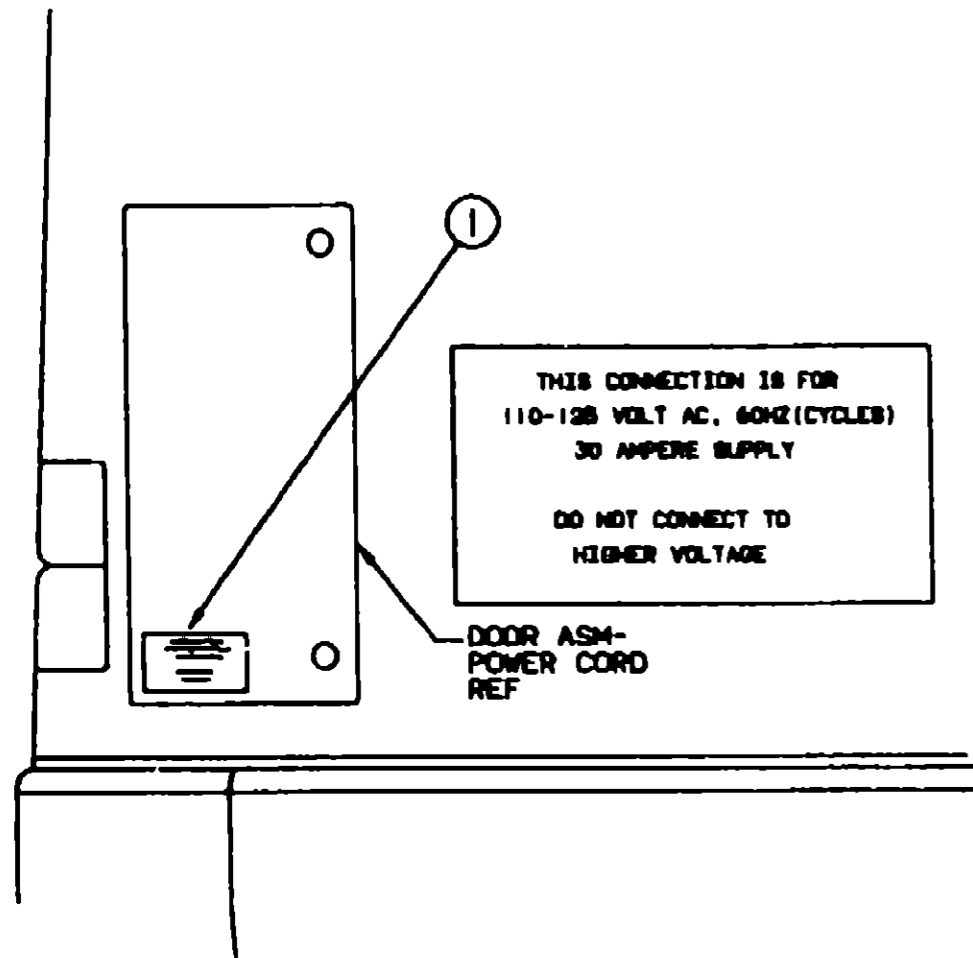
**1992 ITASCA
TABLE OF CONTENTS**

INTRODUCTION	A-01	A-02
ABBREVIATIONS		A-03
ALPHABETICAL INDEX	A-04	A-06
ICN32RQ	A-07	F-18
ICN34RQ	F-19	L-06

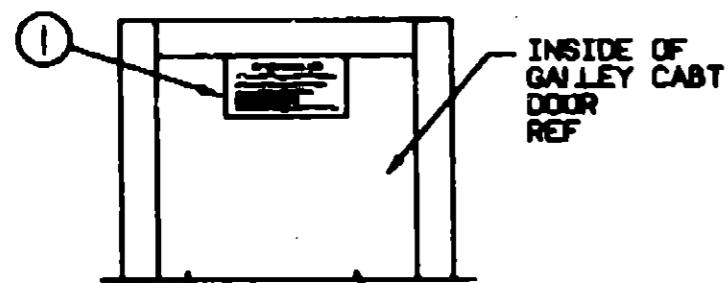
1992 ICN32RQ INDEX

FLOOR PLAN	A-07	A-08
ACCESSORIES		A-09
AUDIOWIDEO	A-10	A-12
BATH	A-13	A-16
BEDROOM	A-17	A-20
CHASSIS	A-21	B-08
CURTAINS & CUSHIONS	B-09	B-22
DINETTE	B-23	B-24
DRIVERS	C-01	C-08
ELECTRICAL	C-09	C-14
EXTERIOR BODY	C-15	C-24
GALLEY	D-01	D-08
GENERATORS	D-09	D-10
HEATING & A/C	D-11	D-14
INTERIOR FINISH	D-15	D-18
LABEL	D-19	E-02
LP		E-03
LOUNGE	E-04	E-05
SEALANTS & FASTENERS	E-06	E-08
WATER & SEWAGE	E-09	E-14
WINDOW, VENT AND		
EXTERIOR DOOR	E-15	F-14
WINDSHIELD & WIPER	F-15	F-18

KEY	PART NUMBER	U/M DESCRIPTION
1	006062-01-000	EA TAG-ELECTRIC, 110V CONNECTION



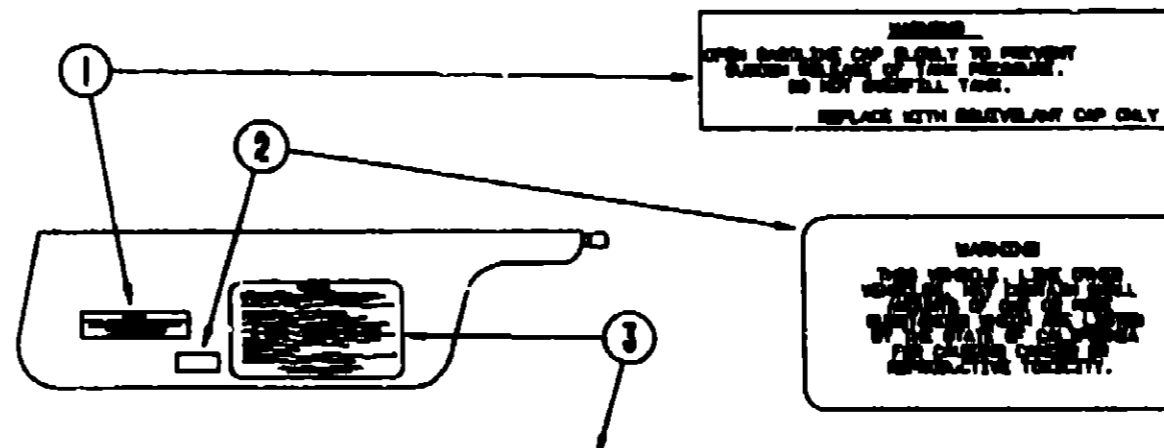
LABEL GROUP (CONTINUED)



IF YOU SMELL GAS

1. DETERMINE ANY GAS FLAME, FUEL LEAKS AND ALL OTHERS MATERIALS.
2. SHUT OFF THE GAS SUPPLY AT THE TANK VALVE OR GAS SUPPLY CONNECTION.
3. OPEN WINDOWS AND OTHER VENTILATION OPENINGS.
4. DO NOT TOUCH ELECTRICAL SWITCHES.
5. LEAVE THE AREA UNTIL GASES CLEAR.
6. HAVE THE GAS SYSTEM CHECKED AND LEAKAGE SOURCE CORRECTED BEFORE LEAVING AREA.

LABEL GROUP (CONTINUED)



**1992 ITASCA
TABLE OF CONTENTS**

INTRODUCTION	A-01 -	A-02
ABBREVIATIONS		A-03
ALPHABETICAL INDEX	A-04 -	A-06
ICN32RQ	A-07 -	F-18
ICN34RQ	F-19 -	L-06

OWNER

THIS MOTOR HOME HAS BEEN DESIGNED, MANUFACTURED AND TESTED WITH CARE FOR THE PROTECTION OF IT'S OCCUPANTS. WE REQUEST YOU PERFORM THE FOLLOWING INSPECTIONS FOR YOUR SAFETY AND THE SAFETY OF YOUR PASSENGERS BEFORE STARTING YOUR VEHICLE.

1. LP GAS SYSTEM- TURN OFF AT TANK FOR TRAVELING. TEST FOR LEAKS UPON ARRIVAL AT DESTINATION. BEFORE LIGHTING PILOTS.
2. WHEELS- INSPECT FOR DAMAGE AND CHECK TIRE WAYS FOR TREADWEAR.
3. TIRES- INSPECT FOR WEAR AND DAMAGE AND CHECK FOR RECOMMENDED AIR PRESSURE.
4. LIGHTS- TEST FOR PROPER OPERATION OF ALL INTERIOR AND EXTERIOR LIGHTS INCLUDING BRAKE LIGHTS, HEADLIGHTS, TAIL LIGHTS, BRAKE LIGHTS, CLEARANCE LIGHTS AND TURN SIGNALS.
5. EXITS- INSPECT RELEASE MECHANISM ON EMERGENCY EXIT SYSTEM. TEST BOTH LOCKS ON MAIN ENTRANCE DOOR FOR EASE OF OPERATION AND INSTRUCT PASSENGERS HOW TO USE BOTH REARS OF EXIT.
6. SEAT BELTS- INSTRUCT PASSENGERS TO OCCUPY SEATS AND RECLINE USE OF SEAT BELTS.
7. APPLIANCES- TURN OFF AND LATCH OR LOCK DOWN WHERE PROVIDED.
8. LOOSE PARTS- STOW SECURELY.
9. UTILITY SUPPLY LINES- DISCONNECT ALL ELECTRIC, SEWER AND WATER LINES AND SECURE PROPERLY.
10. ENTRANCE DOOR STEP- PLACE IN RETRACTED POSITION FOR TRAVELING.

READ YOUR OWNER'S MANUAL AND CROSS CHECK'S MANUAL FOR FURTHER PRECAUTIONS

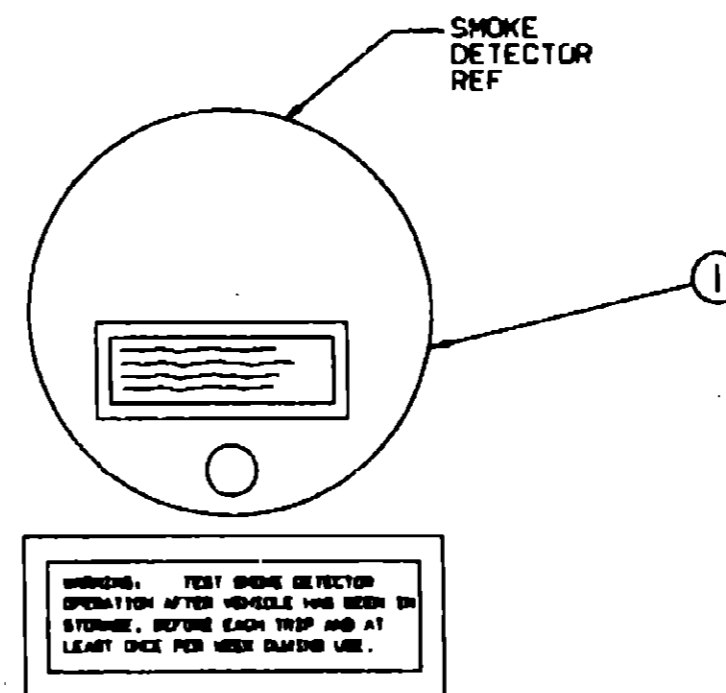
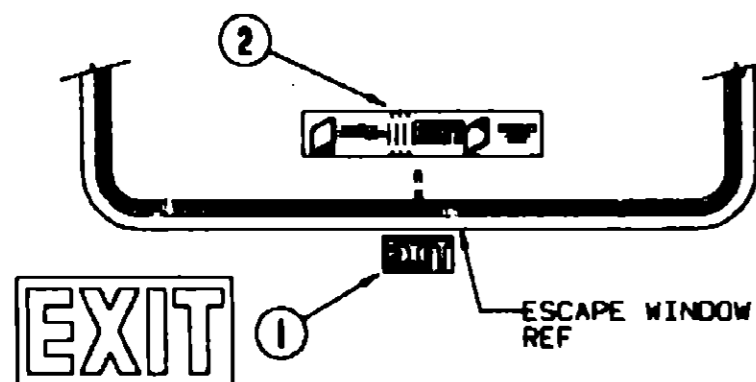
KEY	PART NUMBER	U/M DESCRIPTION
1	073998-01-000	EA LABEL-LPG ODOR WARNING



KEY	PART NUMBER	U/M DESCRIPTION
1	087207-05-000	EA LABEL-FUEL CAP REMOVAL
2	099689-01-000	EA LABEL-WARNING, CANCER/TOXICITY
3	056259-01-000	EA LABEL-SAFETY CHECK LIST

1992 ICN32RQ INDEX

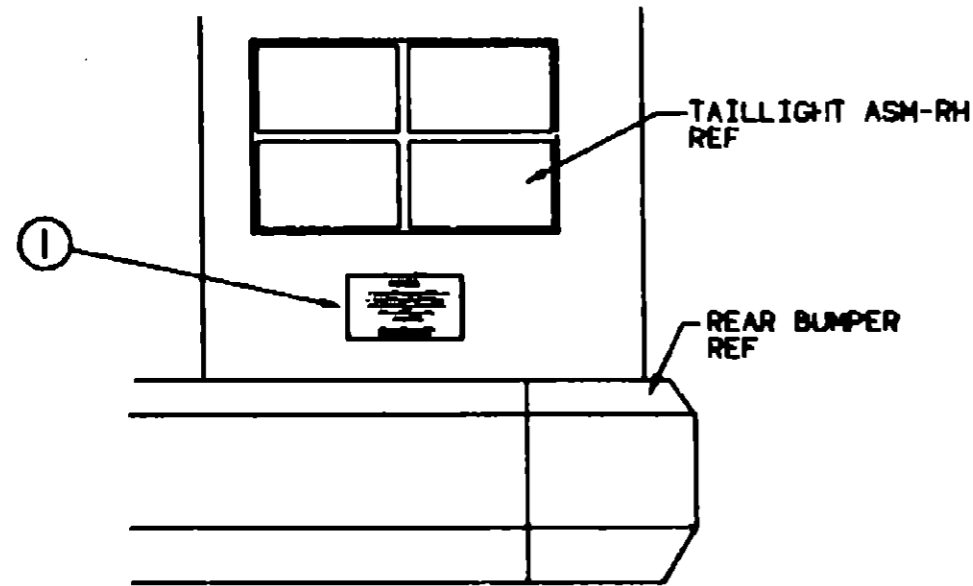
FLOOR PLAN	A-07 -	A-08
ACCESSORIES		A-09
AUDIO/VIDEO	A-10 -	A-12
BATH	A-13 -	A-16
BEDROOM	A-17 -	A-20
CHASSIS	A-21 -	B-08
CURTAINS & CUSHIONS	B-09 -	B-22
DINETTE	B-23 -	B-24
DRIVERS	C-01 -	C-08
ELECTRICAL	C-09 -	C-14
EXTERIOR BODY	C-15 -	C-24
GALLEY	D-01 -	D-08
GENERATORS	D-09 -	D-10
HEATING & A/C	D-11 -	D-14
INTERIOR FINISH	D-15 -	D-18
LABEL	D-19 -	E-02
LP		E-03
LOUNGE	E-04 -	E-05
SEALANTS & FASTENERS	E-08 -	E-08
WATER & SEWAGE	E-09 -	E-14
WINDOW, VENT AND EXTERIOR DOOR	E-15 -	F-14
WINDSHIELD & WIPER	F-15 -	F-18



KEY	PART NUMBER	U/M DESCRIPTION
1	006199-01-000	EA LABEL-EXIT-ESCAPE WINDOW
2	039290-01-000	EA LABEL-WARNING-EXIT

KEY	PART NUMBER	U/M DESCRIPTION
1	077956-01-000	EA LABEL-WARNING, SMOKE DETECTOR

LABEL GROUP (CONTINUED)

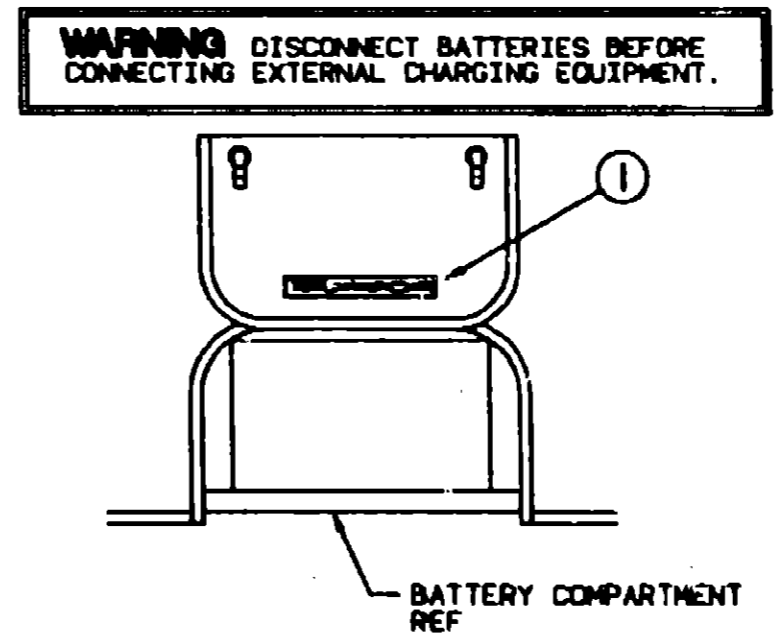


WARNING

DO NOT EXCEED THE VEHICLE WEIGHT RATINGS OR LOADING RECOMMENDATIONS (E.G., GROSS VEHICLE, GROSS AXLE, GROSS COMBINED) OF THE CHASSIS MANUFACTURER OR WINNEBAGO INC.

REFER TO YOUR OWNERS MANUAL, BEFORE LOADING OR TOWING.

LABEL GROUP (CONTINUED)



KEY PART NUMBER	U/M DESCRIPTION
1 065748-01-000	EA LABEL-CAUTION, BATTERY CHARGING

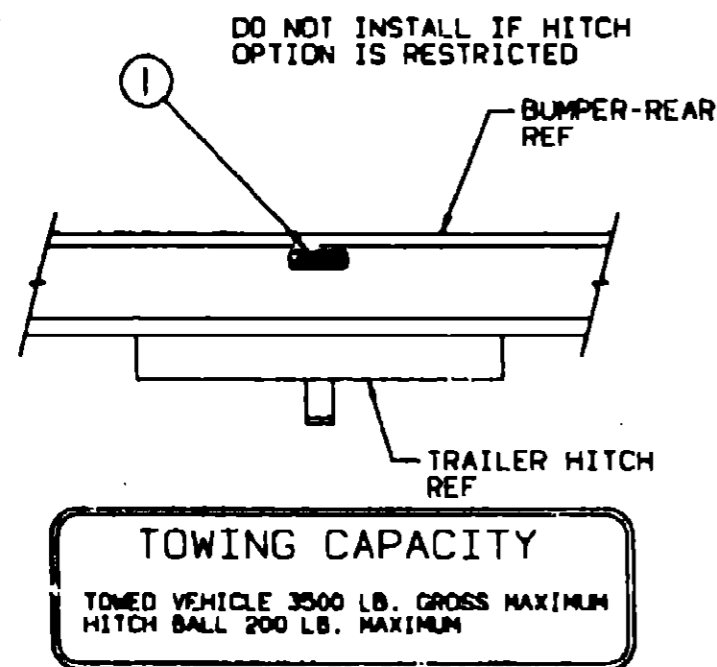
**1992 ITASCA
TABLE OF CONTENTS**

INTRODUCTION	A-01 -	A-02
ABBREVIATIONS		A-03
ALPHABETICAL INDEX	A-04 -	A-06
ICN32RQ	A-07 -	F-18
ICN34RQ	F-19 -	L-06

1992 ICN32RQ INDEX

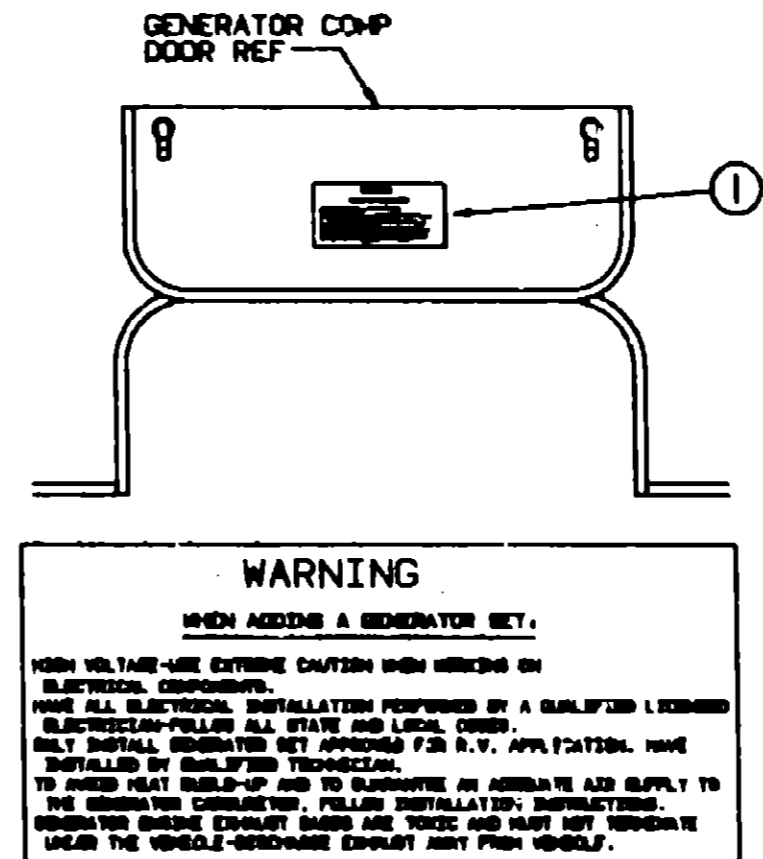
FLOOR PLAN	A-07 -	A-08
ACCESSORIES		A-09
AUDIO/VIDEO	A-10 -	A-12
BATH	A-13 -	A-16
BEDROOM	A-17 -	A-20
CHASSIS	A-21 -	B-08
CURTAINS & CUSHIONS	B-09 -	B-22
DINETTE	B-23 -	B-24
DRIVERS	C-01 -	C-08
ELECTRICAL	C-09 -	C-14
EXTERIOR BODY	C-15 -	C-24
GALLEY	D-01 -	D-08
GENERATORS	D-09 -	D-10
HEATING & A/C	D-11 -	D-14
INTERIOR FINISH	D-15 -	D-18
LABEL	D-19 -	E-02
LP		E-03
LOUNGE	E-04 -	E-05
SEALANTS & FASTENERS	E-06 -	E-08
WATER & SEWAGE	E-09 -	E-14
WINDOW, VENT AND EXTERIOR DOOR	E-15 -	F-14
WINDSHIELD & WIPER	F-15 -	F-18

KEY PART NUMBER	U/M DESCRIPTION
1 075220-01-000	EA LABEL-WARNING, EXTERIOR LOAD



TOWING CAPACITY

TOWED VEHICLE 3500 LB. GROSS MAXIMUM
HITCH BALL 200 LB. MAXIMUM



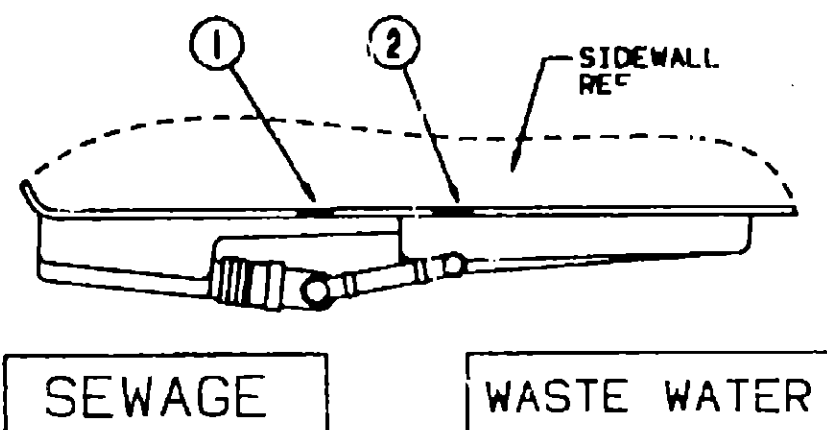
WARNING

WHEN ADDING A GENERATOR SET:

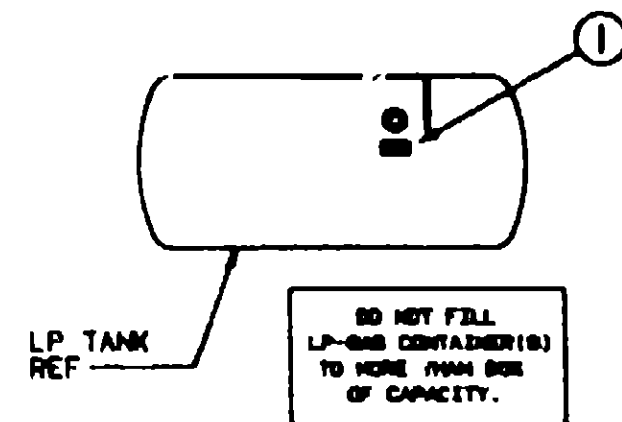
HIGH VOLTAGE-USE EXTREME CAUTION WHEN WORKING ON ELECTRICAL COMPONENTS.
HAVE ALL ELECTRICAL INSTALLATION PERFORMED BY A QUALIFIED LICENSED ELECTRICIAN-FOLLOW ALL STATE AND LOCAL CODES.
ONLY INSTALL GENERATOR SET APPROVED FOR R.V. APPLICATION. HAVE INSTALLED BY QUALIFIED TECHNICIAN.
TO AVOID HEAT BUILD-UP AND TO GUARANTEE AN ADEQUATE AIR SUPPLY TO THE GENERATOR COMPARTMENT, FOLLOW INSTALLATION INSTRUCTIONS.
GENERATOR EXHAUST GASES ARE TOXIC AND MUST NOT REMAIN NEAR THE VEHICLE-NEVERMANE EXPLOIT ANY FROM VEHICLE.

KEY PART NUMBER	U/M DESCRIPTION
1 077510-01-000	EA LABEL-GENERATOR PREP

LABEL GROUP (CONTINUED)



LABEL GROUP (CONTINUED)

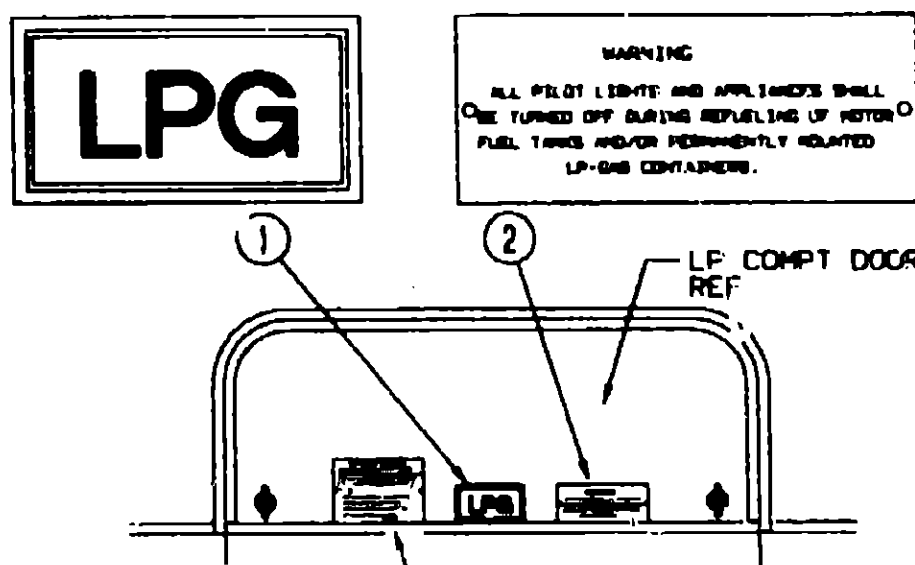


**1992 ITASCA
TABLE OF CONTENTS**

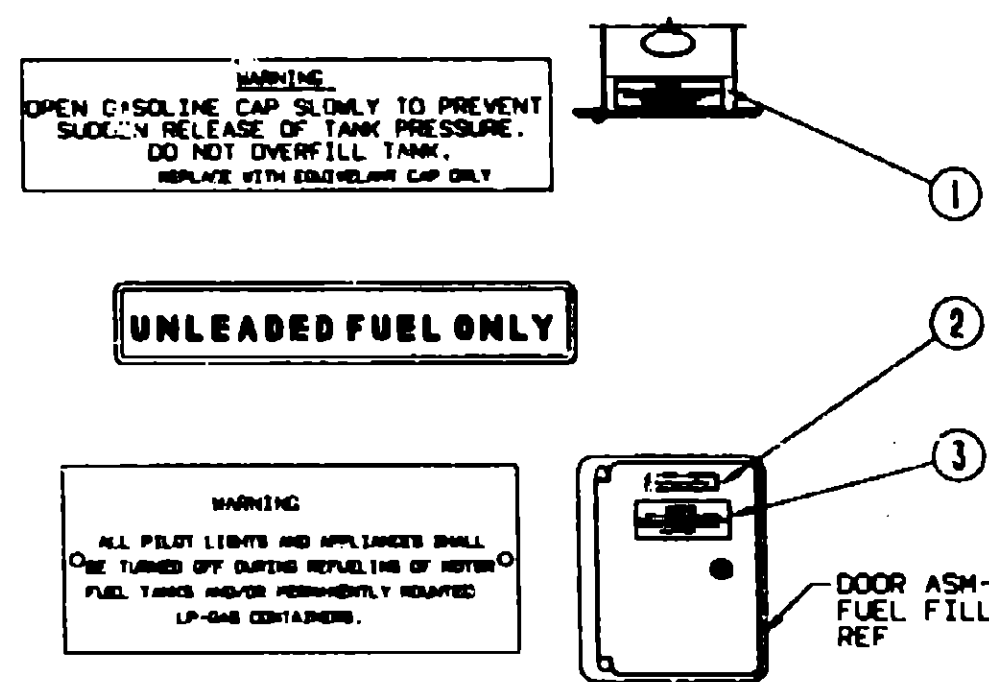
INTRODUCTION	A-01 -	A-02
ABBREVIATIONS		A-03
ALPHABETICAL INDEX	A-04 -	A-06
ICN32RQ	A-07 -	F-18
ICN34RQ	F-19 -	L-06

KEY PART NUMBER U/M DESCRIPTION
 1 079965-01-000 EA LABEL-LPG 80% CAPACITY

KEY PART NUMBER U/M DESCRIPTION
 1 006187-01-000 EA LABEL-SEWAGE
 2 006188-01-000 EA LABEL-WASTE WATER



LP-GAS SYSTEM
 THIS GAS PIPING SYSTEM IS DESIGNED FOR USE OF LIQUEFIED PETROLEUM GAS ONLY. DO NOT CONNECT NATURAL GAS TO THIS SYSTEM.
 SECURELY CAP INLET(S) WHEN NOT CONNECTED FOR USE. AFTER TURNING ON GAS, EXCEPT AFTER NORMAL CONTAINER REPLACEMENT, TEST GAS PIPING AND CONNECTIONS TO APPLIANCE FOR LEAKAGE WITH SOAPY WATER OR BUBBLE SOLUTION. DO NOT USE PRODUCTS THAT CONTAIN AMMONIA OR CHLORINE.
 P.N. 54531



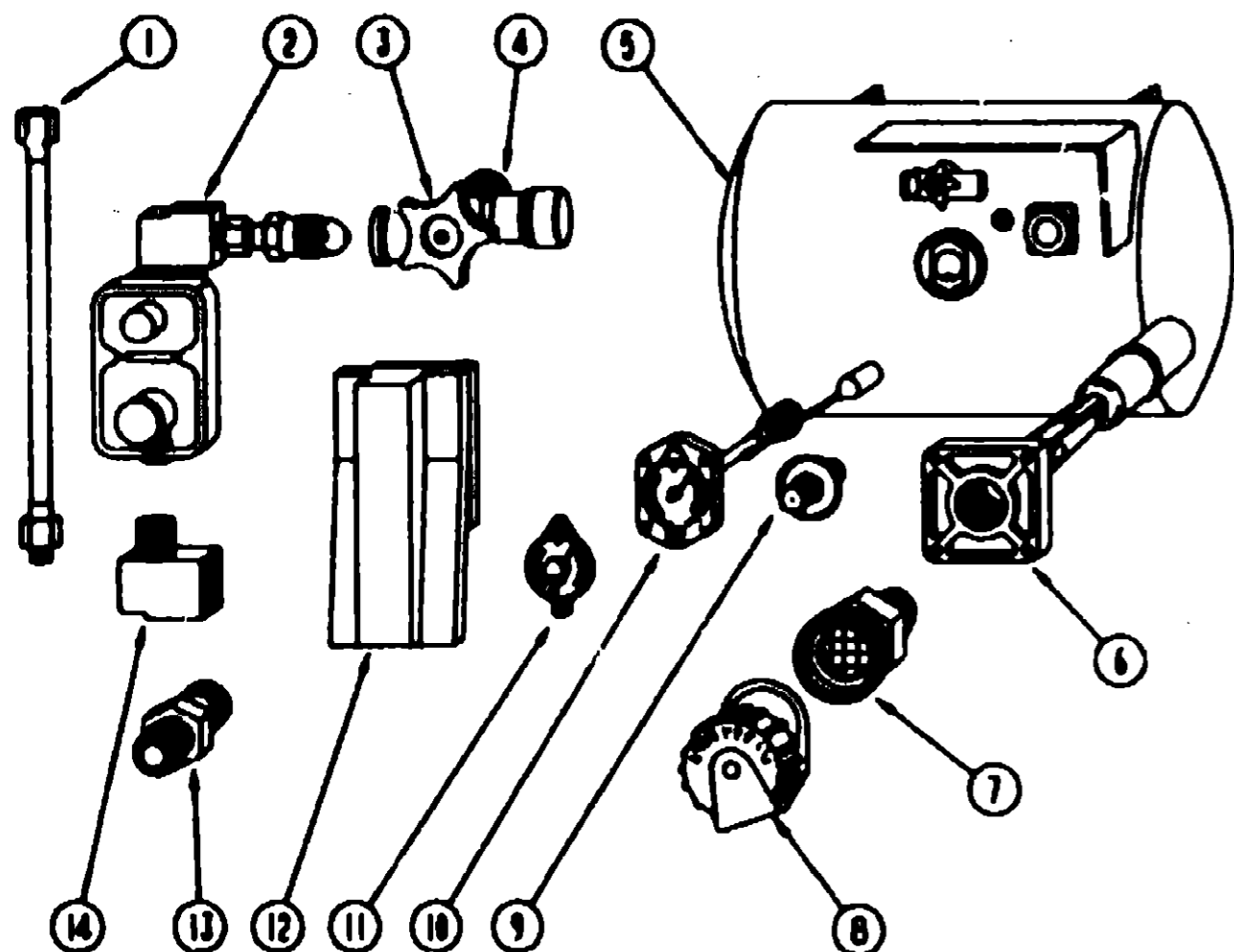
1992 ICN32RQ INDEX

FLOOR PLAN	A-07 -	A-08
ACCESSORIES		A-09
AUDIO/VIDEO	A-10 -	A-12
BATH	A-13 -	A-16
BEDROOM	A-17 -	A-20
CHASSIS	A-21 -	B-08
CURTAINS & CUSHIONS	B-09 -	B-22
DINETTE	B-23 -	B-24
DRIVERS	C-01 -	C-06
ELECTRICAL	C-09 -	C-14
EXTERIOR BODY	C-15 -	C-24
GALLEY	D-01 -	D-06
GENERATORS	D-09 -	D-10
HEATING & A/C	D-11 -	D-14
INTERIOR FINISH	D-15 -	D-18
LABEL	D-19 -	E-02
LP		E-03
LOUNGE	E-04 -	E-05
SEALANTS & FASTENERS	E-06 -	E-08
WATER & SEWAGE	E-09 -	E-14
WINDOW, VENT AND EXTERIOR DOOR	E-15 -	F-14
WINDSHIELD & WIPER	F-15 -	F-18

KEY PART NUMBER U/M DESCRIPTION
 1 067207-01-000 EA LABEL-FUEL CAP REMOVAL
 2 062043-01-000 EA LABEL-FUEL UNLEADED
 3 006040-01-000 EA TAG-GAS REFUELING WARNING
 3 006040-02-000 EA TAG-GAS REFUEL WARNING, CANADIAN

KEY PART NUMBER U/M DESCRIPTION
 1 074559-01-000 EA DECAL-LC-80, LPG - RED - (CALIF CODE)
 2 006040-01-000 EA TAG-GAS REFUELING WARNING
 2 006040-02-000 EA TAG-GAS REFUEL WARNING, CANADIAN
 3 054531-01-000 EA LABEL-LP G/ S ONLY
 3 023769-01-000 EA LABEL-WARNING, LPG - CANADIAN

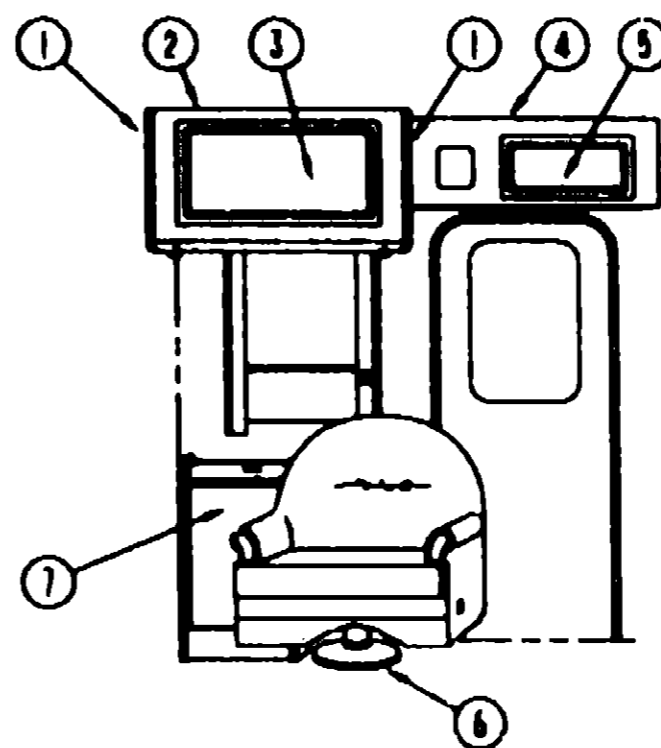
LP GROUP



LP TANK & COMPONENTS

KEY	PART NUMBER	U/M DESCRIPTION
1	045703-01-000	EA HOSE-LP, 3/8" ID X 24" US - 3/8 MPT X 1/2 F SWIVEL
1	045703-02-000	EA HOSE-LP, 3/8" ID X 24" - 3/8 MPT X 1/2 F SWIVEL - CANADA
2	106150-01-000	EA REGULATOR-LPG, TWO STAGE
3	040421-01-708	EA HANDWHEEL-VAPOR RELIEF VALVE, BRUNNER G-1015-A
4	040421-01-703	EA VALVE-SERVICE W/HANDWHEEL W/VAPOR RELIEF (REGO9106CO) BRUNNER
5	091970-01-000	EA TANK-LP, 80 LBS - 20" X 24"
6	040421-01-711	EA VALVE-80% W/LOCAT. PLATE, BOLTS & GASKET - BRUNNER
7	040421-01-701	EA VALVE-SHORT LP FILLER W/YELLOW CAP - BRUNNER 75478
8	040421-01-702	EA CAP-LP FILLER VALVE, PLASTIC - YELLOW - BRUNNER G-1014-A
9	040421-01-700	EA GAUGE-LIQUID LEVEL, 20% LP - BRUNNER G-1013
10	040421-01-707	EA GAUGE-FLOAT W/VISIBLE DIAL - BRUNNER MA-9 6244-4
11	040440-02-000	EA TRANSMITTER-DIAL, 90 OHM
12	081938-01-000	EA COVER-COMPARTMENT - LP REGULATOR - BLACK
13	010323-01-000	EA ADAPTER-BRASS, 3/8" F X 1/2" MPT
14	065318-02-000	EA ELBOW-90 DEGREE, 3/8" MPT T() 3/8" FPT
	010285-01-000	EA CROSS, 3/8" F X 3/8" F X 3/8" F X 1/2" FPT - BRASS
	010377-02-000	EA NUT-BRASS, 3/8 FEMALE - FORGED
	010380-02-000	EA NUT-BRASS, 1/2" FEMALE - FORGED
	016188-03-000	EA GROMMET-GAS LINE, FLOOR - 3/8" HOLE X 2 1/8" DIAMETER RUBBER
	081642-01-000	EA TEE, 1/2" MPT X 1/2" FL X 3/8" FL - BRASS
	010265-01-000	EA ELBOW-90 DEGREE, 3/8" FPT TO 1/2" FPT - BRASS
	075148-02-000	EA CLAMP-GROUNDING, BRONZE SCREWS
	010326-01-000	EA ADAPTER-FLARE, W/CONE GASKET 3/8" FEMALE FL X 1/2" MALE F
	065741-01-000	EA GAUGE-DIAPHRAGM PRESSURE - MARSHALLTOWN MFG
	065742-01-000	EA TEE, .38F X .38F X 25FPT - BRASS
	071391-02-000	EA NIPPLE-HEX, 25 PIPE
	008042-01-000	FT TUBING-VINYL, 65" ID
	095624-01-000	EA ELBOW-90 DEGREE, 1/4" FPT TO 3/4" FPT - BRASS
	103613-01-000	EA DETECTOR-LP GAS

LOUNGE GROUP



OVERHEAD CABINET & COMPONENTS

KEY	PART NUMBER	U/M DESCRIPTION
1	103918-01-C31	EA END CAP-CABINET, OVERHEAD
2	M04165-41-C31	EA CABINET-OVERHEAD, LOUNGE - W/O DOORS OR HARDWARE
3	P03701-22-C80	EA DOOR-CABINET, W/O HARDWARE - 385 X 555 MM
4	M04165-40-C31	EA CABINET-OVERHEAD, ENTRANCE DOOR - W/O DOORS OR HARDWARE
5	P03702-E4-C31	EA DOOR-CABINET, W/O HARDWARE - 275 X 710 MM
6	093482-01-000	EA SHROUD-PEDESTAL, 13" - BLACK PLASTIC
	093481-02-000	EA BASE-PEDESTAL, SWIVEL CHAIR - 10" EXTENSION
7	M96873-02-B29	EA TABLE-PULLOUT
	004354-01-000	EA BUMPER-CABINET DOOR, RUBBER - BROWN
	009059-01-000	EA HINGE-2" X 1.4", BRASS
	079789-01-000	EA SUPPORT-TABLE, PULLOUT - METAL - BEIGE
	096873-11-C31	EA TOP-TABLE, PULLOUT
	096873-12-B29	EA SUPPORT-TABLE, UNDER PULL OUT TABLE TOP
	096873-15-B29	EA SUPPORT-TABLE, OVER PULL OUT TABLE TOP
	096873-16-B29	EA PANEL-TABLE, FRONT BOTTOM - 18.1" X 6.7"
	080736-01-000	EA PULL-RECESSED, 1.25" X 4" - OAK

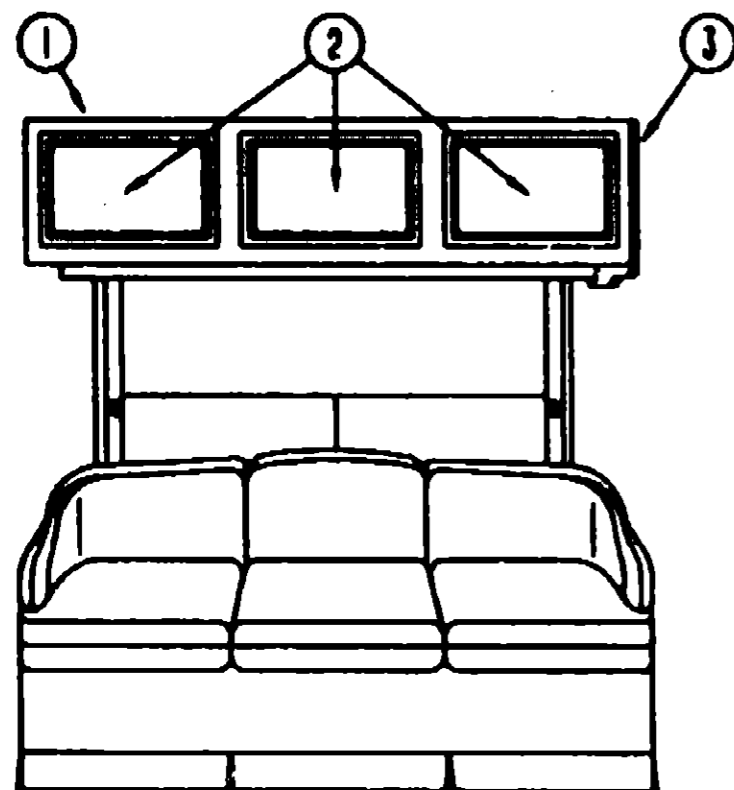
**1982 ITASCA
TABLE OF CONTENTS**

INTRODUCTION	A-01 -	A-02
ABBREVIATIONS		A-03
ALPHABETICAL INDEX	A-04 -	A-06
ICN32RQ	A-07 -	F-18
ICN34RQ	F-19 -	L-06

1982 ICN32RQ INDEX

FLOOR PLAN	A-07 -	A-08
ACCESSORIES		A-09
AUDIO/VIDEO	A-10 -	A-12
BATH	A-13 -	A-15
BEDROOM	A-17 -	A-20
CHASSIS	A-21 -	B-08
CURTAINS & CUSHIONS	B-09 -	B-22
DINETTE	B-23 -	B-24
DRIVERS	C-01 -	C-08
ELECTRICAL	C-09 -	C-14
EXTERIOR BODY	C-15 -	C-24
GALLEY	D-01 -	D-08
GENERATORS	D-09 -	D-10
HEATING & A/C	D-11 -	D-14
INTERIOR FINISH	D-15 -	D-18
LABEL	D-19 -	E-02
LP		E-03
LOUNGE	E-04 -	E-05
SEALANTS & FASTENERS	E-08 -	E-08
WATER & SEWAGE	E-09 -	E-14
WINDOW, VENT AND		
EXTERIOR DOOR	E-15 -	F-14
WINDSHIELD & WIPER	F-15 -	F-18

LOUNGE GROUP (CONTINUED)



DRIVER SIDE CABINETS

SEAT BELTS

KEY	PART NUMBER	U/M DESCRIPTION
1	M04165-42-C31	EA CABINET-OVERHEAD, FRONT - W/O DOORS OR HARDWARE
2	P03702-85-C31	EA DOOR-CABINET, W/O HARDWARE - 365 X 555 MM
3	103918-01-C31	EA END CAP-CABINET, OVERHEAD
	105443-01-000	EA FRAME-COUCH
	079386-02-000	EA HARDWARE-KIT, COUCH

KEY	PART NUMBER	U/M DESCRIPTION
	056271-02-000	EA BELT-SEAT, 2' X 72" - BLACK
	007021-01-000	EA BELT-SEAT, 2' X 90" - BLACK

SEALANTS & FASTENERS GROUP

ADHESIVES AND BOLTS

KEY	PART NUMBER	U/M DESCRIPTION
	004020-01-000	QT ADHESIVE-ABS CEMENT, QUART
	087211-01-000	QL ADHESIVE-PROMOTER
	004006-02-000	EA ADHESIVE-SWIFTS, 1 GAL - W1333
	099039-01-000	EA ADHESIVE-WEATHERSTRIP, 8 OZ
	006200-01-000	EA BOLT-BUMPER, ROUND HEAD-SQUARE NECK- WSSST CAP 7/16- 14 X 1 1/4
	102333-01-01A	EA BOLT-CARRIAGE, 7/16 - 14 - STAINLESS STEEL CAP- BEIGE
	051387-06-000	EA BOLT-CARRIAGE, W/O HOLE - 5/16-18 X 9.5 ZINC
	000C12-08-248	EA BCLT-HEX, 1/2-13 X 1 1/2 - ZINC - 5
	000C12-05-188	EA BOLT-HEX, 5/16-18 X 1 - ZINC - 5
	000C12-10-248	EA BOLT-HEX, 5/8-11 X 1 1/2 ZINC - 5
	000C12-07-208	EA BOLT-HEX, 7/16 - 14 X 1 1/4 - ZINC - 5
	000C13-07-488	EA BOLT-HEX, 7/16 - 20 X 3 - ZINC - 5
	000C26-04-108	EA BOLT-HEX, SER FLG - 1/4-20 X 5/8 ZINC
	000C26-05-208	EA BOLT-HEX, SER FLG 5/16-18 X 1 1/4 - ZINC
	000C26-08-288	EA BOLT-HEX, SER FLG 3/8-18 X 1 3/4 - ZINC
	000C12-05-248	EA BOLT-HEX-5/16-18X1 1/2 - ZINC - 5

CLAMPS, GROMMETS AND HOLDERS

KEY	PART NUMBER	U/M DESCRIPTION
	010495-01-000	EA CLAMP-CABLE, 9/16"
	010497-06-000	EA CLAMP-CLOSED, 11/16" ID
	010497-03-000	EA CLAMP-CLOSED, 1" ID - CUSHIONED
	010498-01-000	EA CLAMP-CLOSED, 3/8" ID
	010497-01-000	EA CLAMP-CLOSED, 5/8" ID
	010497-08-000	EA CLAMP-CLOSED, .125"
	010497-06-000	EA CLAMP-CLOSED, 11/16" ID
	075148-02-000	EA CLAMP-GROUNDING, BRONZE SCREWS
	062401-02-000	EA CLAMP-HOSE, WORMGEAR, 1.58" - 2.5"
	062401-09-000	EA CLAMP-HOSE, WORMGEAR, 2.8" - 3.75"
	062401-10-000	EA CLAMP-HOSE, WORMGEAR 1.08" - 2"
	073194-02-000	EA CLAMP-HOSE, WORMGEAR 32-50 MM
	062401-07-000	EA CLAMP-HOSE, WORMGEAR 5" - 7"
	062401-06-000	EA CLAMP-HOSE, WORMGEAR .22"-.82"
	062401-01-000	EA CLAMP-HOSE, WORMGEAR .25" - 1"
	062401-04-000	EA CLAMP-HOSE, WORMGEAR .68"-.1.25"
	062401-03-000	EA CLAMP-HOSE WORMGEAR, .22" - 1"
	083809-01-000	EA CLAMP-WIRE, DUAL - EQUAL 5/8" DIAMETER
	094362-02-000	EA CLIP-CHRISTMAS TREE, FLAT HEAD
	077953-01-000	EA GROMMET-EDGE LINER, FITS 1"
	023942-01-000	EA GROMMET-RUBBER, 2" OD
	071015-21-000	EA GROMMET-.50"ID, FITS .18" MATERIAL, RUBBER- SPLIT
	071015-29-000	EA GROMMET-.38"ID, FITS .06" MATERIAL, W/.12" GROOVE - BLACK
	056134-02-000	EA HOLDER-RING, 1.5" ID PIPE SIZE - STEEL

NUTS AND RIVETS

KEY	PART NUMBER	U/M DESCRIPTION
	072893-01-000	EA NUTSERT-M5 X 0, 8
	077049-01-000	EA NUT-ACORN, 10-32 ALUMINUM
	095094-01-000	EA NUT-ACORN, 1/4 - 20 ALUMINUM
	000D14-05-008	EA NUT-HEX, 5/16-18 - ZINC - 5
	000D34-04-008	EA NUT-HEX, LK 1/4 - 20 ZINC
	000D39-04-008	EA NUT-HEX, SER FLG LK 1/4 - 20 ZINC
	000D39-08-008	EA NUT-HEX, SER FLG LK - 1/2-13 ZINC
	000D39-06-008	EA NUT-HEX, SER FLG LK - 3/8-16 ZINC
	000D39-05-008	EA NUT-HEX, SER FLG LK - 5/16 - 18 ZINC
	000D44-07-008	EA NUT-HEX, SER FLG LK - 7/16-20 ZINC
	000D24-10-008	EA NUT-HEX, SF/LK - 10-32 ZINC
	000D34-06-008	EA NUT-HEX LK-3/8-16 GRADE C ZINC
	075467-01-000	EA NUT-INVERTED FLARE, 1/4"
	088497-02-000	EA NUT-INVERTED FLARE, 1/4"
	063253-07-000	EA NUT-J, #8A .120-.130 PNL THK.
	044364-02-000	EA NUT-SPEED, FLAT - ROUND
	040921-06-000	EA NUT-SPEED, U TYPE - NO. 8
	040921-04-000	EA NUT-SPEED, U TYPE - NO. 8
	040921-05-000	EA NUT-SPEED, U TYPE - NO. 8

**1992 ITASCA
TABLE OF CONTENTS**

INTRODUCTION	A-01 -	A-02
ABBREVIATIONS		A-03
ALPHABETICAL INDEX	A-04 -	A-08
ICN32RQ	A-07 -	F-18
ICN34RQ	F-19 -	L-08

1992 ICN32RQ INDEX

FLOOR PLAN	A-07 -	A-08
ACCESSORIES		A-09
AUDIO/VIDEO	A-10 -	A-12
BATH	A-13 -	A-16
BEDROOM	A-17 -	A-20
CHASSIS	A-21 -	B-08
CURTAINS & CUSHIONS	B-09 -	B-22
DINETTE	B-23 -	B-24
DRIVERS	C-01 -	C-08
ELECTRICAL	C-09 -	C-14
EXTERIOR BODY	C-15 -	C-24
GALLEY	D-01 -	D-08
GENERATORS	D-09 -	D-10
HEATING & A/C	D-11 -	D-14
INTERIOR FINISH	D-15 -	D-18
LABEL	D-19 -	E-02
LP		E-03
LOUNGE	E-04 -	E-05
SEALANTS & FASTENERS	E-06 -	E-08
WATER & SEWAGE	E-09 -	E-14
WINDOW, VENT AND		
EXTERIOR DOOR	E-15 -	F-14
WINDSHIELD & WIPER	F-15 -	F-18

SEALANTS & FASTENERS GROUP (CONTINUED)
NUTS AND RIVETS (CONTINUED)

KEY	PART NUMBER	U/M DESCRIPTION
	044384-01-000	EA NUT-SPEED,FLAT
	084081-01-000	EA NUT-WING, 3/8" X 18 THREAD
	084884-01-000	EA PLUG-BRASS, 3/8"
	081211-04-000	EA PLUG-PLASTIC, 48" - BLACK
	000116-04-08R	EA RIVET-POP, AL 1/8 X .313-.375
	089692-02-000	EA RIVET-T (POP) 1/4X.093-.158
	083729-04-000	EA RIVNUT, 10-32 UNF - .010-.080
	063729-01-000	EA RIVNUT, 1/4 X 20 UNC - .030-.125

SCREWS

KEY	PART NUMBER	U/M DESCRIPTION
	000G67-10-24B	EA SCREW, 10-12 X 1 1/2 PPH - ZINC
	000G67-10-16P	EA SCREW, 10-12 X 1 PPH - DARK BROWN
	000G67-10-16B	EA SCREW, 10-12 X 1 PPH - ZINC
	000G67-10-08B	EA SCREW, 10-12 X 1/2 PPH ZINC
	000G67-10-08R	EA SCREW, 10-12 X 1/2 PPH - BEIGE - TYPE A
	000G67-10-12B	EA SCREW, 10-12 X 3/4 - PPH ZINC
	000G67-10-10B	EA SCREW, 10-12 X 5/8 PPH ZINC - TYPE A
	000G67-10-10R	EA SCREW, 10-12 X 5/8 PPH - TYPE A - BEIGE
	000G67-10-12P	EA SCREW, 10-12 X .75 PPH - DARK BROWN
	049465-01-000	EA SCREW, 10-16 W/WASHER PTH - DARK BROWN
	049465-04-000	EA SCREW, 10-16 X 1 PTH W/WASHER - BEIGE
	000G11-10-16B	EA SCREW, 10-16 X 1 - PPH ZINC
	000G11-10-12R	EA SCREW, 10-16 X 3/4 PPH - BEIGE
	000G11-10-12D	EA SCREW, 10-16 X 3/4 PPH - BLACK
	000G11-10-08B	EA SCREW, 10-16 X 1/2 PPH - ZINC
	000G69-08-10G	EA SCREW, 6-18 X 5/8 POH - ANTIQUE BRASS
	079790-01-000	EA SCREW, 6-20 X 1 1/4 PPH - BLACK
	000G13-06-16R	EA SCREW, 6-20 X 1 PFH - BEIGE
	000G13-08-08B	EA SCREW, 6-20 X 1/2 PFH ZINC
	000G13-08-10G	EA SCREW, 6-20 X 5/8 PFH - ANTIQUE BRASS
	000G11-08-10B	EA SCREW, 6-20 X 5/8 PPH ZINC
	000G11-08-10J	EA SCREW, 6-20 X 5/8 PPH - BRASS
	000G11-07-08E	EA SCREW, 7-19 X 1/2 PPH - ZINC
	000G13-07-12B	EA SCREW, 7-19 X 3/4 PFH ZINC
	000G13-08-16B	EA SCREW, 8-18 X 1 PFH - ZINC
	000G11-08-08T	EA SCREW, 8-18 X 1/2 PPH
	000G11-08-08B	EA SCREW, 8-18 X 1/2 PPH ZINC
	000G11-08-12B	EA SCREW, 8-18 X 3/4 PPH ZINC
	000G11-08-12D	EA SCREW, 8-18 X 3/4 PPH - BLACK
	000G11-08-12E	EA SCREW, 8-18 X 3/4 PPH - CHROME
	000G67-10-32B	EA SCREW, NO. 10 - 12 X 2 PPH ZINC
	000G55-08-12W	EA SCREW, SF/DR-8-18X.75 PWH
	000G67-10-12R	EA SCREW-10-12X.75 PPH BEIGE
	000G67-10-120	EA SCREW-10-12X.75 PPH TAN
	049465-03-000	EA SCREW-10-16X1 POH W/WASHER
	000G11-10-12S	EA SCREW-10-16X.75 PPH OFF WHITE
	000G54-04-20B	EA SCREW-1/4-20X1 1/4 PTH TYP 23
	000G57-05-16J	EA SCREW-5-20X1 PFH BRASS
	000G12-06-08T	EA SCREW-6-20 X .50 POH - BLACK
	000G13-06-16J	EA SCREW-6-20X1.00 PFH BRASS
	000G11-08-12P	EA SCREW-8-18X.75.DARK BROWN
	085318-01-000	EA SCREW-8-08X1/2,CRIMPTITE HD
	000G67-08-32B	EA SCREW-8-15X2 PPH ZINC
	000G12-08-16S	EA SCREW-8-18 X 1" POH - OFF WHITE*
	000G11-08-16S	EA SCREW-8-18X1.00 PPH OFF WHITE
	009439-07-000	EA SCREW-8-32X1 1/4 POH, BLACK
	087721-01-000	EA SCREW-FLAT HEAD, TAPPING - 1/4 X 1 1/4 LG ZINC
	086763-01-000	EA SCREW-MACH, 10 - 32 X 1/4 PTH
	000G19-10-08B	EA SCREW-MACH, 10-32 X 1/2 PPH ZINC
	000G19-10-10B	EA SCREW-MACH, 10-32 X 5/8 - PPH - ZINC
	000G50-04-12B	EA SCREW-MACH, 1/4-20 X 3/4 PPH ZINC

SEALANTS & FASTENERS GROUP (CONTINUED)
SCREWS (CONTINUED)

KEY	PART NUMBER	U/M DESCRIPTION
	081908-01-000	EA SCREW-MACH 8-32X.62 W/NYLOCK
	089371-01-000	EA SCREW-MACH 8-32X3 5/16, ZINC
	000G19-10-20B	EA SCREW-MACHINE, 10-32 X 1 1/4 PPH ZINC
	000G18-08-16B	EA SCREW-MACHINE, 8 X 32 X 1, PPH ZINC
	075908-01-000	EA SCREW-MACH-10-32X.66PTH(SEMS)
	000G51-04-08B	EA SCREW-MACH-1/4-20X3/8 PPH 2N
	000G18-08-22B	EA SCREW-SF/DR, 10-16 X 3/4 PPH - BEIGE
	000G67-08-32B	EA SCREW-8-15 X 2 PPH - ZINC
	000G39-10-20B	EA SCREW-SF/DR, 10-16 X 1 1/4 PPH ZINC
	000G39-08-08S	EA SCREW-SF/DR, 8-8 X 1/2 PPH - OFF WHITE
	000G39-08-08E	EA SCREW-SF/DR, 8-8 X 1/2 PPH - CHROME
	000G39-10-12D	EA SCREW-SF/DR, 10-16 X 3/4 PPH - BLACK
	000G39-08-16T	EA SCREW-SF/DR, 8-20 X 1 PPH - BLACK
	000G39-08-10T	EA SCREW-SF/DR, 8-20 X 5/8 PPH - BLACK
	000G39-08-24B	EA SCREW-SF/DR, 8-18 X 1 1/2 PPH ZINC
	000G39-08-16B	EA SCREW-SF/DR, 8-18 X 1 PPH ZINC
	000G39-10-20B	EA SCREW-SF/DR, 10-16 X 1 1/4 PPH ZINC
	000G39-10-12R	EA SCREW-SF/DR, 10-16X 3/4 PPH - BEIGE
	000G39-08-08B	EA SCREW-SF/DR, 8-18 X 1/2 PPH ZINC
	000G39-08-32B	EA SCREW-SF/DR, 8-18 X 2 PPH - ZINC
	000G39-08-12B	EA SCREW-SF/DR, 8-18 X 3/4 PPH ZINC
	000G55-08-12M	EA SCREW-SF/DR, 8-18 X 3/4 PWH GRAY
	000G39-08-12T	EA SCREW-SF/DR, 8-18 X 3/4 PPH - BLACK
	000G39-08-06B	EA SCREW-SF/DR, 8-18 X 3/8 PPH ZINC
	000G60-10-28T	EA SCREW-SF/DR,10-16X1.75
	000G39-08-16R	EA SCREW-SF/DR 8-18X1.00 PPH BEIGE
	000G39-08-08R	EA SCREW-SF/DR-8-18X1/2 PPH
	079382-01-000	EA SCREW-SOCKET, 8-18 X 1" - BLACK

SEALERS

KEY	PART NUMBER	U/M DESCRIPTION
	102352-01-000	EA SEALER-PUMPABLE, BLACK
	089640-02-000	FT SEALER-RIBBON, 1/2" X 1/8" - INCREMENTS OF 30'
	069640-09-000	FT SEALER-RIBBON, 1/32" X 2 1/2"
	069640-01-000	FT SEALER-RIBBON, 1/4" DIAMETER - INCREMENTS OF 20'
	059640-03-000	FT SEALER-RIBBON, 3/4" X 1/8" - INCREMENTS OF 60'
	069640-06-000	FT SEALER-RIBBON, 5/16" DIAMETER - INCREMENTS OF 25'
	069640-11-000	FT SEALER-RIBBON, 3/16 X 3/8" DIAMETER - BLACK
	069640-09-000	FT SEALER-RIBBON, 1/32" X 2 1/2" - INCREMENTS OF 80'
	091255-02-000	FT SEAL-FOAM, .18" X 1.5" WIDE
	090340-01-000	FT SEAL-FOAM, CLOSED CELL - 1/4" X 1/2" X 50'
	072889-01-000	FT SEALANT-URETHANE, 1/10" - BLACK
	034552-06-000	EA SILICONE-TUBE, 300 ML - OFF WHITE
	108716-01-000	EA SILICONE-TUBE, OFF WHITE
	034552-02-000	EA SILICONE-TUBE, 300 ML - CLEAR
	053786-02-000	EA BEDDING COMPOUND-TUBE, WHITE

TAPES AND TIES

KEY	PART NUMBER	U/M DESCRIPTION
	004363-01-000	FT TAPE-ADHESIVE FOAM, 1 SIDE - 3/16" X 1/2" - GRAY
	076322-01-000	FT TAPE-FOAM, DOUBLE COATED - .75" X 216'
	076322-02-000	FT TAPE-FOAM, DOUBLE COATED - 1" X 108'
	076322-03-000	FT TAPE-FOAM, DOUBLE COATED - .045" X .5"
	088244-01-000	FT TAPE-FOAM, VINYL COATED - 2" WIDE - INCREMENTS OF 108 FT
	008343-02-000	EA TIE-WIRE, 14"
	008343-01-000	EA TIE-WIRE, 6"

WASHERS

KEY	PART NUMBER	U/M DESCRIPTION
	077071-01-000	EA WASHER-FENDER, 3/16" ID X 1" OD
	000E13-14-00B	EA W/WASHER-FL, 1/4" WIDE ZINC
	000E13-11-00B	EA WASHER-FL, 3/16" WIDE ZINC
	000E13-17-00B	EA WASHER-FL-3/8 AR ZINC
	000E14-10-00B	EA WASHER-LKL, NO 10 EXT TOOTH - ZINC
	000E13-21-00B	EA WASHER-FL, W/2 NAR ZINC

1992 ITASCA
TABLE OF CONTENTS

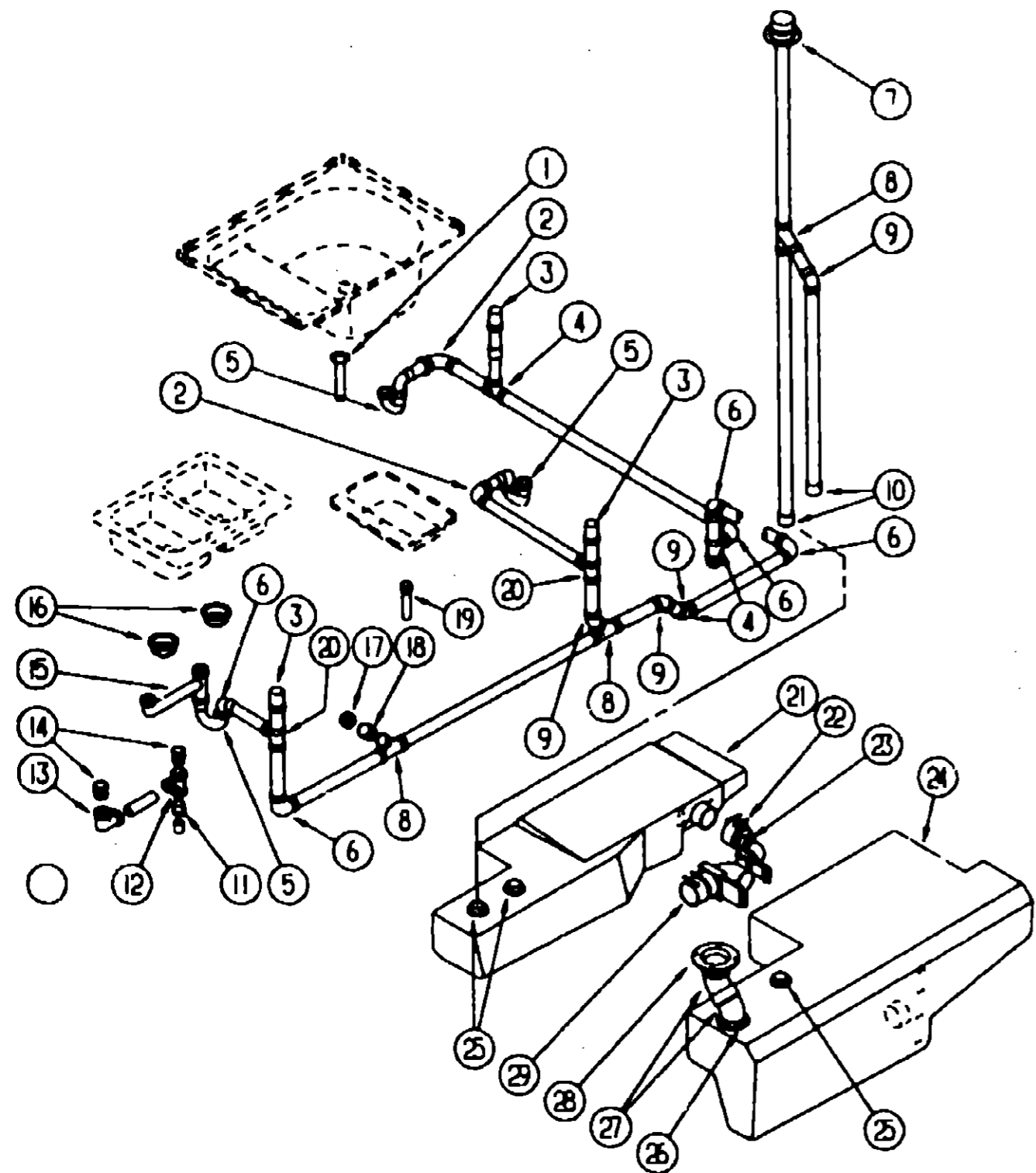
INTRODUCTION	A-01	A-02
ABBREVIATIONS		A-03
ALPHABETICAL INDEX	A-04	A-06
ICN32RQ	A-07	F-18
ICN34RQ	F-19	L-06

1992 ICN32RQ INDEX

FLOOR PLAN	A-07	A-08
ACCESSORIES		A-09
AUDIO/VIDEO	A-10	A-12
BATH	A-13	A-16
BEDROOM	A-17	A-20
CHASSIS	A-21	B-08
CURTAINS & CUSHIONS	B-09	B-22
DINETTE	B-23	B-24
DRIVERS	C-01	C-08
ELECTRICAL	C-09	C-14
EXTERIOR BODY	C-15	C-24
GALLEY	D-01	D-08
GENERATORS	D-09	D-10
HEATING & A/C	D-11	D-14
INTERIOR FINISH	D-15	D-18
LABEL	D-19	E-02
LP		E-03
LOUNGE	E-04	E-06
SEALANTS & FASTENERS	E-08	E-08
WATER & SEWAGE	E-09	E-14
WINDOW, VENT AND		
EXTERIOR DOOR	E-15	F-14
WINDSHIELD & WIPER	F-15	F-18

WATER & SEWAGE GROUP

DRAINAGE SYSTEM



KEY	PART NUMBER	U/M DESCRIPTION
1	011089-04-000	EA TAILPIECE, 1 1/2 X 1 1/4 X 8 - BRASS
2	031111-01-000	EA ELBOW-90 DEGREE, 1/4" BEND - 1 1/4" - PLASTIC
3	079968-01-000	EA VENT-MECH. TRAP ARM, ANTI-SIPHON - 2" DIA. X 7.3' - PLASTIC
4	010072-01-000	EA TEE-SANITARY, 1 1/2" H X 1 1/4" H X 1 1/2" H - PLASTIC
5	011086-03-700	EA P-TRAP KIT.
5	011071-01-000	EA P-TRAP ADAPTER, 1 1/4" SLIP
5	017538-01-000	EA P-TRAP PLASTIC, 1 1/4" W/EXT ARM
6	010008-01-000	EA ELBOW-90 DEG, 1/4" BEND - 1 1/2" HUB X HUB - BLACK PLASTIC
7	083558-03-000	EA VENT-PLUMBING PIPE, OFF WHITE
8	010073-01-000	EA WYE-45 DEGREE, 1 1/2" HUB X HUB X HUB - PLASTIC - BLACK
9	010008-01-000	EA ELBOW-45 DEG, 1/8" BEND - 1 1/2" HUB X HUB - BLACK PLASTIC
10	010115-01-000	EA COUPLING-1 1/2" HUB X HUB, PLASTIC
11	010121-01-000	EA BUSHING-ADAPTER, 1 1/2" X 1 1/4" - CANADIAN
12	010071-01-000	EA TEE-SANITARY, 1 1/2" HUB X HUB X HUB - PLASTIC - BLACK - CANADIAN
13	011071-01-000	EA P-TRAP, 1 1/2" TRAP - PLASTIC - CANADIAN
14	033302-02-000	EA ADAPTER-SEWER TO 3" PIPE - CANADIAN
15	011091-03-000	EA CONTINUOUS WASTE - CANADIAN
15	011091-03-000	ONE PIPE W/TEE TO DRAIN BOTH SIDES OF SINK
15	011091-02-000	EA PIPE-DRAIN, W/SEALS - DOUBLE SINK - EXTENDS 9" TO 16" - CANADIAN
16	092303-01-000	EA STRAINER-SINK
17	010168-01-000	EA PLUG-THREADED, 1 1/4" DIAMETER - PLASTIC - BLACK
18	010122-01-000	EA BUSHING-REDUCER, 1 1/2" SMOOTH X 1 1/4" THREAD - BLACK PLASTIC
19	096927-01-701	EA TAILPIECE-SINK
20	010079-01-000	EA TEE-SANITARY, 1 1/2" H X 1 1/2" H X 1 1/4" H - PLASTIC - BLACK
20	010121-01-000	EA BUSHING-REDUCER, 1 1/2" SMOOTH X 1 1/4" HUB - PLASTIC - BLACK
21	101786-01-000	EA TANK-HOLDING, W/O GROMMETS - 23 GL - 21.8" X 59.9" X 8.7"
21	039861-01-000	EA SENDING UNIT W/SCREW, WASHER, WELL NUT AND TERMINAL RING
22	078408-01-000	EA COUPLER-RUBBER, W/CLAMPS - 3" X 3"
23	062416-01-000	EA ADAPTER-SEWER TO 3" PIPE
24	101787-01-000	EA TANK-HOLDING, W/O GROMMETS - 42 GL - 24.6" X 59.9" X 8.8"
24	039861-01-000	EA SENDING UNIT W/SCREW, WASHER, WELL NUT AND TERMINAL RING
25	061607-01-000	EA GROMMET-HOLDING TANK, 1 1/2" NPS
26	061607-02-000	EA GROMMET-HOLDING TANK, 3" NPS
27	010061-01-000	EA ELBOW-STREET, 3" X 45 DEG.
28	063641-01-000	EA FLANGE-CLOSET, 4" X 3"
28	024676-02-000	EA FLANGE-CLOSET, 4" X 3" - ABS - CANADIAN
28	010147-02-000	EA FLANGE-CLOSET, 4" X 3" - CANADIAN
29	070916-01-000	EA VALVE-DUAL DUMP, W/CAP - 3" X 1 1/2" - PLASTIC - BLACK
29	053592-01-000	EA ADAPTER-PLASTIC, SEWER HOSE - 45 DEGREE
29	089330-01-000	EA ADAPTER-SEWER HOSE END
29	062415-01-000	EA CAP-SEWER, 3" DIAMETER
29	103354-01-000	EA CONNECTOR-HOSE-SEWER
29	062419-02-700	EA HANDLE ONLY - FOR EXTENSION ROD
29	010201-01-000	EA HOSE-SEWER, 3 ID X 8'
29	070916-01-701	EA VALVE ONLY, 1 1/2"
29	070916-01-700	EA VALVE ONLY, 3"
29	102024-01-000	EA NIPPLE-PLASTIC, 1.5" X 2.62" TOE

**1992 ITASCA
TABLE OF CONTENTS**

INTRODUCTION	A-01 -	A-02
ABBREVIATIONS		A-03
ALPHABETICAL INDEX	A-04 -	A-08
ICN32RQ	A-07 -	F-19
ICN34RQ	F-19 -	L-06

1992 ICN32RQ INDEX

FLOOR PLAN	A-07 -	A-08
ACCESSORIES		A-09
AUDIO/VIDEO	A-10 -	A-12
BATH	A-13 -	A-16
BEDROOM	A-17 -	A-20
CHASSIS	A-21 -	B-08
CURTAINS & CUSHIONS	B-09 -	B-22
DINETTE	B-23 -	B-24
DRIVERS	C-01 -	C-08
ELECTRICAL	C-09 -	C-14
EXTERIOR BODY	C-15 -	C-24
GALLEY	D-01 -	D-08
GENERATORS	D-09 -	D-10
HEATING & A/C	D-11 -	D-14
INTERIOR FINISH	D-15 -	D-18
LABEL	D-19 -	E-02
LP		E-03
LOUNGE	E-04 -	E-05
SEALANTS & FASTENERS	E-06 -	E-08
WATER & SEWAGE	E-09 -	E-14
WINDOW, VENT AND		
EXTERIOR DOOR	E-15 -	F-14
WINDSHIELD & WIPER	F-15 -	F-18

WATER & SEWAGE GROUP (CONTINUED)

FRESH WATER TANK - 18 GALLON

KEY	PART NUMBER	U/M DESCRIPTION
	063520-01-000	EA TANK-WATER, 18 GALLON - W/O FITTINGS - 17" X 27" X 10"
	063520-14-000	EA TANK-WATER, 18 GALLON - W/FITTINGS - 17" X 27" X 10"
	062967-04-000	EA ELBOW-5/8" F X 3/4" MPT
	062967-02-000	EA ELBOW-MALE, 1/2" F X 1/2" MPT - PLASTIC - GRAY
	077954-02-000	EA FILTER-WATER TANK, SCREEN IN TANK
	042989-05-000	EA FITTING-WATER TANK, SPINWELD - 1/2" FPT - PLASTIC - WHITE
	042989-06-000	EA FITTING-SPINWELD, PLASTIC - 3/4 FPT
	049032-01-000	EA PATCH-SPINWELD, 3/8" - PLASTIC
	039881-01-000	EA SENDING UNIT W/SCREW, WASHER, WELL NUT AND TERMINAL RING
	052956-01-000	EA TEE-WATER, 1/2" F X 1/2" F X 1/2" MPT - PLASTIC - GRAY

FRESH WATER TANK - 23 GALLON

KEY	PART NUMBER	U/M DESCRIPTION
	094118-02-000	EA TANK-WATER, 23 GALLON - W/O FITTINGS - 18.4" X 33.8" X 10"
	094118-08-000	EA TANK-WATER, 23 GALLON - W/FITTINGS - 18.4" X 33.8" X 10"
	055920-01-000	EA ELBOW-5/8" F X 1/2" MPT
	052957-02-000	EA ELBOW-MALE, 1/2" F X 1/2" MPT - PLASTIC - GRAY
	077954-03-000	EA FILTER-WATER TANK, SCREEN IN TANK
	042989-06-000	EA FITTING-SPINWELD, PLASTIC - 3/4 FPT
	049032-01-000	EA PATCH-SPINWELD, 3/8" - PLASTIC
	039881-01-000	EA SENDING UNIT W/SCREW, WASHER, WELL NUT AND TERMINAL RING
	052598-01-000	EA TEE-WATER, 1/2" F X 1/2" F X 1/2" MPT - PLASTIC - GRAY

WATER HEATER

KEY	PART NUMBER	U/M DESCRIPTION
	051391-03-000	EA HEATER-WATER, W/ELECTRIC IGNITION - ATWOOD G6A-3E
	051391-01-700	EA HINGE KIT-W/CLIP, ATWOOD # 92568 & 92559
	051393-01-700	EA TANK-INNER (G6A-3E), REAR MT - ATWOOD# 91409
	051391-01-704	EA VALVE-RELIEF, 1/2" FITTING - ATWOOD# 91604
	051391-01-705	EA FASTENER-CAMLOC, ATWOOD# 92609
	051391-01-706	EA GRILLE-EXHAUST, 3E ONLY - ATWOOD #92787
	051391-01-708	EA BURNER-MAIN, 3E ONLY - ATWOOD# 92615
	051391-01-710	EA ORIFICE-MAIN BURNER, ATWOOD# 92742
	051391-04-701	EA THERMOSTAT 12 VDC-120 PRESET, FRONT MOUNT ONLY - ATWOOD# 91470
	051391-01-715	EA DRAIN PLUG, ATWOOD# 91561
	051391-04-706	EA TANK-INNER, FRONT MOUNT - G6A-4E & 6E
	051391-04-700	EA TANK-INNER (G6A-3E), FRT MT - ATWOOD# 91608
	051393-01-704	EA CIRCUIT BOARD-W/BLACK BOX, ATWOOD# 91420
	051393-01-702	EA SWITCH-ENERGY CUT-OFF, ATWOOD# 91951
	097967-01-000	EA SWITCH PACKAGE-ATWOOD# 91959
	051393-01-703	EA THERMOSTAT-REAR MOUNT, ATWOOD# 91952
	051393-01-721	EA ECO&THERMOSTAT ASM-FRONT MOUNT, 140 DEGREE - ATWOOD# 91447
	051393-01-715	EA SPARK & PROBE ASM, ATWOOD# 91606
	051393-01-718	EA VALVE-DUAL SOLENOID, ATWOOD# 91605
	051393-01-705	EA ORIFICE HOLDER-ATWOOD# 91925
	052009-01-000	EA DOOR-WATER HEATER, ATWOOD 5576-27 - OFF WHITE

WATER PURIFICATION SYSTEM

KEY	PART NUMBER	U/M DESCRIPTION
	701069-01-700	EA CARTRIDGE-WATER FILTER, EVERPURE #9601-11
	099729-01-000	EA BYPASS KIT-WATER HEATER, COMPLETE W/VALVE & TUBING - US
	099729-01-700	EA CHECK VALVE ONLY - PLASTIC
	099729-02-000	EA BYPASS KIT-WATER HEATER, CANADIAN
	099729-02-700	EA CHECK VALVE ONLY - BRASS

WATER & SEWAGE GROUP (CONTINUED)

WATER HEATER W/MOTOR AID AND REAR HEATER

KEY	PART NUMBER	U/M DESCRIPTION
	051393-01-001	EA WATER HEATER-W/MOTOR AID, PILOTLESS IGNITION ATWOOD GH6-4E OR GH6-6E
	097967-01-000	EA SWITCH-WATER HEATER, REMOTE W/LIGHT - ATWOOD# 91959
	051393-01-702	EA SWITCH-ENERGY CUT-OFF, ATWOOD# 91951
	051393-01-703	EA THERMOSTAT-REAR MOUNT, ATWOOD# 91952
	051393-01-704	EA CIRCUIT BOARD-W/BLACK BOX, ATWOOD# 91420
	051393-01-705	EA ORIFICE HOLDER-ATWOOD# 91925
	051393-01-716	EA PROBE & SPARK ASM, ATWOOD# 91606
	051391-01-708	EA BURNER-MAIN, 3E ONLY - ATWOOD# 92615
	051393-01-718	EA VALVE-DUAL SOLENOID, ATWOOD# 91605
	051393-01-714	EA TANK-INNER (GH6-3E), REAR MOUNT - ATWOOD# 91408
	051393-01-718	EA VALVE-DUAL SOLENOID, ATWOOD# 91605
	051393-01-721	EA ECO&THERMOSTAT ASM-FRONT MOUNT, 140 DEGREE - ATWOOD# 91447
	051391-01-704	EA RELIEF VALVE 1/2" FITTING - ATWOOD# 91604
	051391-01-705	EA FASTENER-CAMLOCK, ATWOOD# 92609
	051391-01-708	EA GRILLE-EXHAUST, ATWOOD# 92787
	051391-01-710	EA ORIFICE-MAIN BURNER, ATWOOD# 92742
	051391-01-714	EA ELBOW-FITTING, 45 DEGREE - 3/8" F X 3/8" MPT - ATWOOD 91044
	051391-01-715	EA DRAIN PLUG - ATWOOD# 91561
	051391-04-701	EA THERMOSTAT 12VDC-120 PRESET - 91470 ATWOOD#
	051391-04-704	EA TANK-INNER (FRONT MOUNT) GH6-4E&6E - 91642 ATWOOD#
	051393-01-700	EA TANK-INNER, FRONT MOUNT, 3E - ATWOOD
	051391-04-707	EA KIT-GRILLE, FLUE, & GASKET - ATWOOD#90980
	051391-01-700	EA PIN & CLIP-HINGE, ATWOOD # 92568 & 92559
	082401-01-000	EA CLAMP-HOSE, WORMGEAR .25" - 1"
	079059-01-000	EA HOSE-90 DEGREE, .61" ID X 4" X 36"
	079059-02-000	EA HOSE-90 DEG. 61X4.00X8.00
	007108-01-000	EA HOSE-HEATER 5/8 HI-TEMP
	083081-01-000	EA HOSE-FORMED, 90 DEGREE - 5/8" ID
	088753-01-000	FT TUBE-ALUMINIZED STEEL, 5/8" - 18 GAUGE
	010227-01-000	EA TEE-PLASTIC, BARB 5/8" OR 3/4" HOSE
	062401-04-000	EA CLAMP-HOSE, WORMGEAR .69" - 1.25
	040731-01-000	EA NIPPLE-INLET MANIFOLD, GM 3838094

WATER PUMPS

KEY	PART NUMBER	U/M DESCRIPTION
	098607-01-000	EA PUMP-WATER, W/5 MPT FITTINGS - FLOW 2.8 GPM - UL
	098607-01-700	EA PUMPHEAD-REPLACEMENT, SHURFLOW# 94-236-08
	098607-02-000	EA PUMP-WATER, 2.8 GPM - W/1/2" MPT FITTINGS - CANADIAN
	098607-01-701	EA DRIVE ASM, SHURFLOW# 94-234-03
	098607-01-702	EA DIAPHRAGM-KIT, SHURFLOW# 94-233-10
	098607-01-703	EA VALVE ASM, SHURFLOW# 94-232-00
	098607-01-704	EA HOUSING-UPPER, SHURFLOW# 94-231-01
	098607-01-705	EA CHECK VALVE-KIT, SHURFLOW# 94-237-00
	098607-01-707	EA MOTOR/BASEPLATE REPLACEMENT, SHURFLOW# 94-234-03

**1992 ITASCA
TABLE OF CONTENTS**

INTRODUCTION	A-01	A-02
ABBREVIATIONS		A-03
ALPHABETICAL INDEX	A-04	A-06
ICN32RQ	A-07	F-18
ICN34RQ	F-19	L-08

1992 ICN32RQ INDEX

FLOOR PLAN	A-07	A-08
ACCESSORIES		A-09
AUDIO/VIDEO	A-10	A-12
BATH	A-13	A-16
BEDROOM	A-17	A-20
CHASSIS	A-21	B-08
CURTAINS & CUSHIONS	B-09	B-22
DINETTE	B-23	B-24
DRIVERS	C-01	C-08
ELECTRICAL	C-09	C-14
EXTERIOR BODY	C-15	C-24
GALLEY	D-01	D-08
GENERATORS	D-09	D-10
HEATING & A/C	D-11	D-14
INTERIOR FINISH	D-15	D-18
LABEL	D-19	E-02
LP		E-03
LOUNGE	E-04	E-05
SEALANTS & FASTENERS	E-06	E-08
WATER & SEWAGE	E-09	E-14
WINDOW, VENT AND		
EXTERIOR DOOR	E-15	F-14
WINDSHIELD & WIPER	F-15	F-18

WATER & SEWAGE GROUP (CONTINUED)

WATER SYSTEM

KEY	PART NUMBER	U/M DESCRIPTION
	036622-02-000	EA CAP-INSERTABLE, 1/2" FLARE - BRASS FROM: 00-00-00 THRU: 09-08-91
	108258-01-000	EA CAP-BRASS, 1/2" FLARE FROM: 09-09-91 THRU: 99-99-99
	052959-02-000	EA CONNECTOR, 1/2" F X 3/8" MPT - PLASTIC - GRAY
	052959-03-000	EA CONNECTOR, 1/2" F X 3/8" MPT - PLASTIC - GRAY
	098417-01-000	EA CONNECTOR, 5/8" F X 1/2" MPT - PLASTIC - KEVCO
	103798-01-000	EA CONNECTOR, 1/4" OD X 3/8" MPT
	093183-02-000	EA DRAIN VALVE-IN LINE, HEADER - 1/2" MPT X 1/2" F X 1/2" M
	103108-01-000	EA FAUCET-EXTERNAL WATER 90 DEG
	087859-04-000	EA FILL-WATER, CITY - OFF WHITE
	087859-01-700	EA CAP&STRAP-WATERFILL
	093207-02-01A	EA BRACKET-VACUUM BREAKER, WATER CENTER - OFF WHITE
	093207-03-01A	EA BRACKET-VACUUM BREAKER, WATER CENTER - OFF WHITE
	071015-08-000	EA GROMMET-1.75"ID, FITS .06" MATERIAL, RUBBER
	052958-01-000	EA TEE-1/2" F X 1/2" MPT X 1/2" F - PLASTIC
	039800-01-000	FT TUBING-POLYBUTYL, 1/2" OD - INCREMENTS OF 20' - BLACK
	039800-02-000	FT TUBING-POLYBUTYL, 5/8" OD - INCREMENTS OF 20' - BLACK
	074462-02-000	FT TUBING-VINYL, 3/8" ID - CLEAR
	079381-01-000	FT TUBING-SMOOTH, 1 1/4" ID
	096941-01-000	EA VACUUM BREAKER-3/4 FPT X 3/4 MPT
	046128-01-000	EA VALVE-DRAIN, PLASTIC - 1/2" FPT WATER SYSTEM
	077054-01-000	EA VALVE-PLASTIC - 1/2" M X 1/2" M X 1/4"
	052952-01-000	EA ADAPTER-NOSE CONE, 1/2" X 1/2" TUBING - PLASTIC - GRAY
	010244-01-000	EA ADAPTER-HOSE TO PIPE, 3/8" X 3/8" BARB - PLASTIC - BLACK
	044927-01-000	EA ADAPTER-HOSE TO PIPE, 1 1/4" X 1 1/4" BARB - PLASTIC - BLACK
	079317-01-000	EA ADAPTER-SWIVEL, 1/2" TUBE X 1/2" FPT - PLASTIC - GRAY
	033302-02-000	EA ADAPTER-ASM-STRAINER, 1 1/2" - ABS - CANADIAN
	082401-03-000	EA CLAMP-HOSE WORMGEAR, .22" - 1"
	052960-01-000	EA DRAIN VALVE-IN LINE, HEADER - 1/2" F X 1/2" F - GRAY PLASTIC
	010117-01-000	EA COUPLING-PLASTIC, 3" - HXH
	101814-01-000	EA COUPLING-FEMALE, PLASTIC, 1/2" F X 1/2" FPT
	105284-01-000	EA COUPLER-QUICK, HOSE END
	052957-04-000	EA ELBOW-5/8" F X 1/2" MPT
	055280-01-000	EA ELBOW-5/8" F X 1/2" MPT
	052957-01-000	EA ELBOW-PLASTIC, 1/2" F X 3/8" MPT
	037101-02-000	EA ELBOW-PLASTIC, 1/4" BEND VENT 1 1/2" HUB - CANADIAN
	065120-01-000	EA ELBOW-SWIVEL, 1/2" FPT X 1/2" FLARE - PLASTIC - GRAY
	057457-01-000	EA ELBOW-UNION, 1/2" X 1/2" FLARE
	057457-02-000	EA ELBOW-UNION, 5/8" X 5/8" FLARE
	064952-01-000	EA FAUCET-GALLEY
	075240-05-000	EA FAUCET-LAVATORY, BRASS
	075242-03-000	EA FAUCET-SHOWER, BRASS
	091253-01-000	EA GASKET-FAUCET, LAVATORY/GALLEY
	011048-02-000	EA HEAD-SHOWER, W/60" HOSE
	052952-01-000	EA NUT-PLASTIC, 1/2" F X 1/2" TUBE - PLASTIC - GRAY
	052952-02-000	EA NUT-PLASTIC, 5/8" FLARE
	052953-01-000	EA NUT-PLASTIC, 1/2" TUBE X 1/2" FPT - PLASTIC - GRAY
	052956-01-000	EA TEE-PLASTIC, 1/2" F X 1/2" MPT 1/2" F - PLASTIC
	052958-01-000	EA TEE, 1/2" F X 1/2" F X 1/2" F - PLASTIC - GRAY
	063217-01-000	EA TEE-SWIVEL, 1/2" - PLASTIC
	052955-01-000	EA TEE-WATER, 1/2" F X 1/2" F X 1/2" MPT - PLASTIC - GRAY
	057973-01-000	EA TEE-WATER, 1/2" F X 1/2" F X 5/8" F - PLASTIC

WATER & SEWAGE GROUP (CONTINUED)

WATER PURIFICATION SYSTEM

KEY	PART NUMBER	U/M DESCRIPTION
	701089-01-000	EA FILTER-WATER PURIFICATION, EVERPURE
	701089-01-700	EA CARTRIDGE, EVERPURE 9801-12
	701089-02-700	EA DIVERTER-ANTIFREEZE, EVERPURE 3008-17
	079317-01-000	EA ADAPTER-SWIVEL, 1/2" TUBE X 1/2" FPT - PLASTIC - GRAY
	052959-02-000	EA CONNECTOR, 1/2" F X 1/2" MPT - PLASTIC - GRAY
	052957-01-000	EA ELBOW-PLASTIC, 1/2" F X 3/8" MPT
	065120-01-000	EA ELBOW-SWIVEL, 1/2" FPT X 1/2" FLARE - PLASTIC - GRAY
	052952-01-000	EA NUT-PLASTIC, 1/2" F X 1/2" TUBE - PLASTIC - GRAY
	039800-01-000	FT TUBING-POLYBUTYL, 1/2" OD - INCREMENTS OF 20' - BLACK
	091208-01-000	EA WASHER-RUBBER, .06" X .75" X .5"

SHOWER PAN

KEY	PART NUMBER	U/M DESCRIPTION
	M02630-10-Y12	EA PAN-SHOWER, W/STRAINER
	066729-01-000	EA STRAINER-TUB/SHOWER DRAIN
	069640-01-000	FT SEALER-RIBBON, 1/4" DIAMETER - INCREMENTS OF 20'
	089735-01-000	EA WASHER-STRAINER TO TAILPIECE PLASTIC, 1.5"
	066436-01-000	EA NUT-SLIP, TAILPIECE - 1.5"

EXTERIOR SHOWER AND COMPONENTS

KEY	PART NUMBER	U/M DESCRIPTION
	103173-02-01A	EA KIT-SHOWER, EXTERIOR - W FAUCET, HEAD & HOSE
	103173-03-700	EA DISH ONLY, COLONIAL WHITE
	103173-03-701	EA DOOR ONLY, COLONIAL WHITE
	103173-03-702	EA PIN-HINGE
	103173-03-703	EA SPRING-HINGE PIN
	103173-03-704	EA LOCK ASSEMBLY W/CLIP
	103173-03-705	EA LABEL
	103092-01-000	EA SHOWER HEAD, HOSE & BRACKET
	109801-01-01A	EA FAUCET-SHOWER, PARCHMENT
	103173-03-708	EA STEM & BONNET (SETS)
	002726-01-001	EA GARNISH-U-CHANNEL, 1.38" X 19" - SERRATED - MILL ALUMIN
	103226-51-003	EA EXTR-ZEE, 3658
	082144-02-000	EA CAP-PIPE, 1/2" FPT BRASS - HEX
	104579-01-000	EA SEAL-FOAM, CLOSED CELL
	098351-01-01A	EA PLATE-SWITCH, 1 GANG - POLISHED BRASS
	079364-06-000	EA SWITCH-MOMENTARY, OFF/MOM ON

GARDEN HOSE

KEY	PART NUMBER	U/M DESCRIPTION
	091270-01-000	EA HOSE-5/8", ON REEL - WATER - NON TOXIC - 50' - TORO

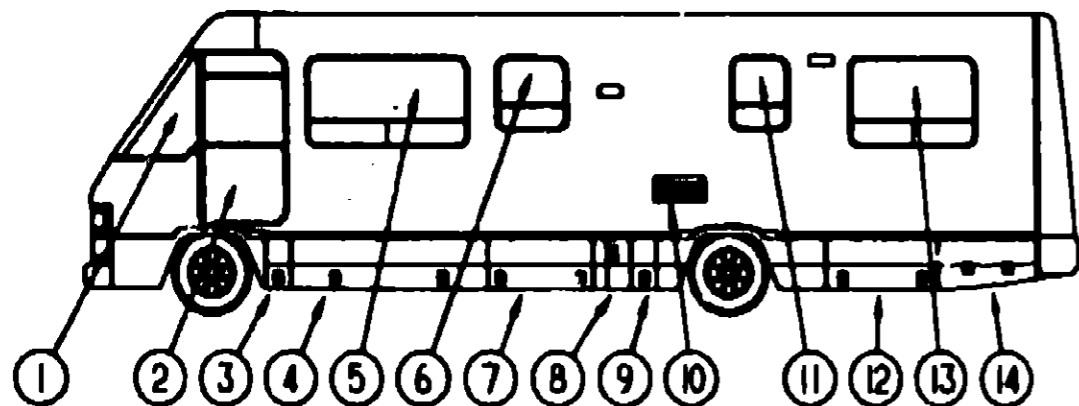
**1992 ITASCA
TABLE OF CONTENTS**

INTRODUCTION	A-01 - A-02
ABBREVIATIONS	A-03
ALPHABETICAL INDEX	A-04 - A-06
ICN32RQ	A-07 - F-18
ICN34RQ	F-19 - L-08

1992 ICN32RQ INDEX

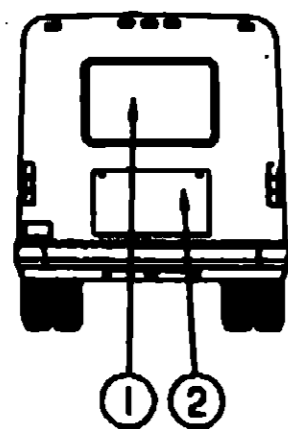
FLOOR PLAN	A-07 - A-08
ACCESSORIES	A-09
AUDIO/VIDEO	A-10 - A-12
BATH	A-13 - A-16
BEDROOM	A-17 - A-20
CHASSIS	A-21 - B-06
CURTAINS & CUSHIONS	B-09 - B-22
DINETTE	B-23 - B-24
DRIVERS	C-01 - C-06
ELECTRICAL	C-09 - C-14
EXTERIOR BODY	C-15 - C-24
GALLEY	D-01 - D-08
GENERATORS	D-09 - D-10
HEATING & A/C	D-11 - D-14
INTERIOR FINISH	D-15 - D-18
LABEL	D-19 - E-02
LP	E-03
LOUNGE	E-04 - E-05
SEALANTS & FASTENERS	E-06 - E-08
WATER & SEWAGE	E-09 - E-14
WINDOW, VENT AND	
EXTERIOR DOOR	E-15 - F-14
WINDSHIELD & WIPER	F-15 - F-18

WINDOW, VENT & EXTERIOR DOOR GROUP



DRIVER SIDE WINDOWS & DOORS

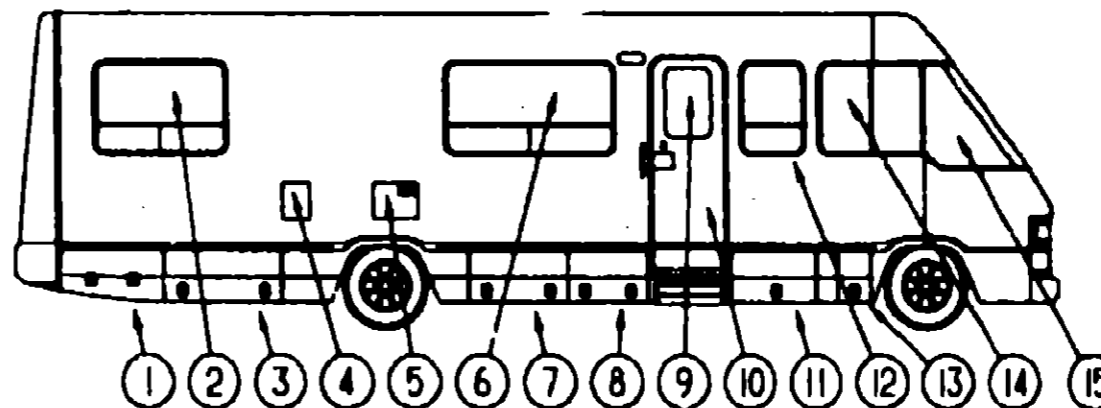
KEY	PART NUMBER	U/M DESCRIPTION
1	091953-04-000	EA GLASS-CORNER VENT, DRIVER FROM: 00-00-00 THRU: 01-05-92
1	091953-06-000	EA GLASS-CORNER VENT, DRIVER FROM: 01-06-92 THRU: 99-99-99
2	M97816-02-AE6	EA DOOR-DRIVER
3	M05032-02-AE6	EA DOOR-STORAGE/BATTERY, W/LATCHES - 19.4" X 9.8"
4	092482-01-Y35	EA DOOR-STORAGE, W/LATCHES - 19.4" X 76.3" - OFF WHITE
5	092234-03-Y12	EA WINDOW-TIPOUT, DOUBLE - W/O INSIDE FRAME - 31.5" X 60.9"
6	092235-09-Y12	EA WINDOW-TIPOUT, W/O INSIDE FRAME - 25.5" X 25.4"
7	092482-04-Y33	EA DOOR-STORAGE, W/LATCHES - 19.4" X 29.5"
8	093028-07-AE6	EA DOOR-FURNACE VENT, 19.4" X 15.8"
9	092482-03-Y33	EA DOOR-STORAGE/WATER CENTER, W/LATCHES - 19.4" X 9.5"
10	084103-03-000	EA DOOR-REFRIGERATOR, VENTED W/O JAMB - OFF WHITE
	084104-01-700	EA LOCK-MALE, FASTENER - REFRIGERATOR DOOR
	084104-01-701	EA LOCK-FEMALE, FASTENER - REFRIGERATOR DOOR
	084104-03-000	EA JAMB-DOOR, VENTED REFRIGERATOR - OFF WHITE
11	092235-10-Y12	EA WINDOW-TIPOUT, W/O INSIDE FRAME - 15.8" X 25.5"
12	092482-08-AE6	EA DOOR-STORAGE/SEWAGE TANK, W/LATCHES - 19.4" X 43.7" - OFF WHITE
13	092235-13-Y12	EA WINDOW-TIPOUT, SINGLE W/O INSIDE FRAME
14	092631-02-Y35	EA DOOR-STORAGE/GENERATOR, W/LATCHES - 40" TAPERED - OFF WHITE



BACKWALL ESCAPE WINDOW AND DOORS

KEY	PART NUMBER	U/M DESCRIPTION
1	087985-04-Y12	EA WINDOW-ESCAPE, W/O INSIDE FRAME - 30.2" X 46.8"
2	097198-01-AE6	EA DOOR-STORAGE, TRUNK, OFF WHITE
	093142-01-01A	EA HINGE-DOOR, STORAGE, TRUNK, OFF WHITE

WINDOW, VENT & EXTERIOR DOOR GROUP (CONTINUED)



PASSENGER SIDE WINDOWS & DOORS

KEY	PART NUMBER	U/M DESCRIPTION
1	092631-01-Y32	EA DOOR-STORAGE, W/LATCHES - 40" TAPERED - OFF WHITE
2	092235-13-Y12	EA WINDOW-TIPOUT, SINGLE W/O INSIDE FRAME
3	092482-02-Y33	EA DOOR-STORAGE/SEWAGE TANK, W/LATCHES - 19.4" X 43.7" - OFF WHITE
4	078010-03-000	EA DOOR-FUEL FILL W/JAMB - OFF WHITE
5	052009-01-000	EA DOOR-WATER HEATER, ATWOOD 5576-27 - OFF WHITE
6	092234-03-Y12	EA WINDOW-TIPOUT, DOUBLE - W/O INSIDE FRAME - 31.5" X 60.9"
7	092482-04-Y33	EA DOOR-STORAGE, W/LATCHES - 19.4" X 29.5" - OFF WHITE
8	092482-05-Y35	EA DOOR-LP, W/LATCHES - 19.4" X 29.5" - OFF WHITE
9	079733-04-T03	EA WINDOW-PICTURE, W/O INSIDE FRAME - 17" X 25"
10	M01870-50-C31	EA DOOR-ENTRY, W/JAMB AND SCREEN DOOR
11	092482-01-Y33	EA DOOR-STORAGE, W/LATCHES - 19.4" X 76.3" - OFF WHITE
12	092234-03-Y12	EA WINDOW-TIPOUT, DOUBLE - W/O INSIDE FRAME
13	M05032-01-AE6	EA DOOR-STORAGE/BATTERY, W/LATCHES - 19.4" X 9.8"
14	104686-01-01A	EA WINDOW-SLIDING, W/O INSIDE FRAME
15	091953-03-000	EA GLASS-CORNER VENT, PASSENGER FROM: 00-00-00 THRU: 01-05-92
15	091953-05-000	EA GLASS-CORNER VENT, PASSENGER FROM: 01-06-92 THRU: 99-99-99

**1992 ITASCA
TABLE OF CONTENTS**

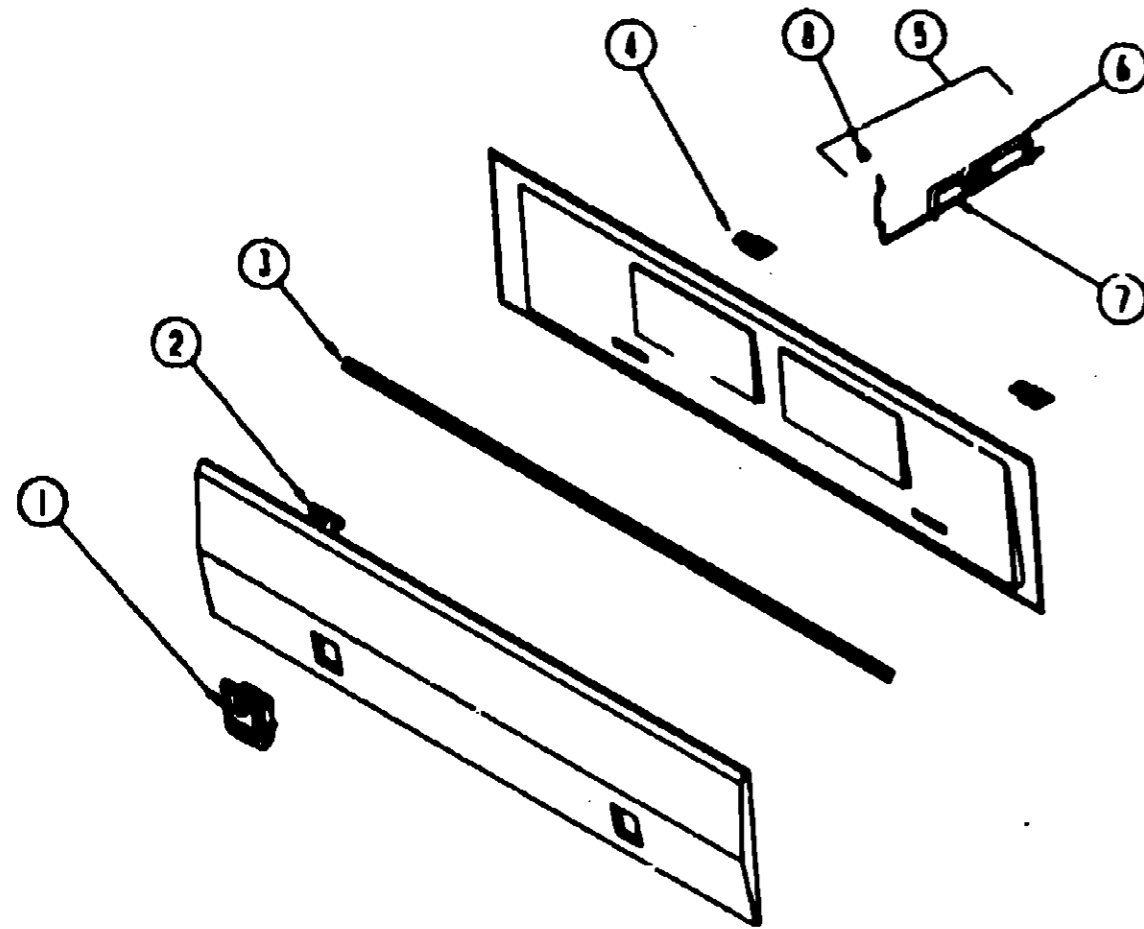
INTRODUCTION	A-01 -	A-02
ABBREVIATIONS		A-03
ALPHABETICAL INDEX	A-04 -	A-08
ICN32RQ	A-07 -	F-18
ICN34RQ	F-19 -	L-06

1992 ICN32RQ INDEX

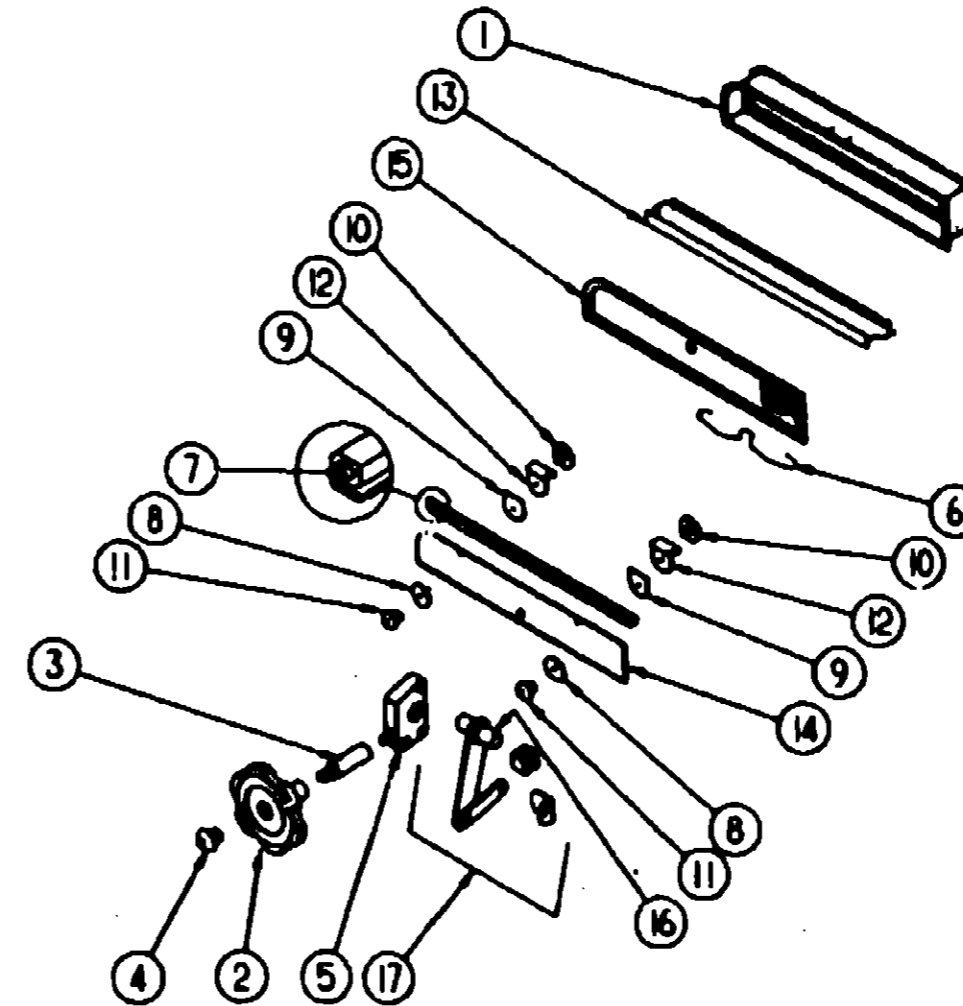
FLOOR PLAN	A-07 -	A-08
ACCESSORIES		A-09
AUDIO/VIDEO	A-10 -	A-12
BATH	A-13 -	A-16
BEDROOM	A-17 -	A-20
CHASSIS	A-21 -	B-08
CURTAINS & CUSHIONS	B-09 -	B-22
DINETTE	B-23 -	B-24
DRIVERS	C-01 -	C-08
ELECTRICAL	C-09 -	C-14
EXTERIOR BODY	C-15 -	C-24
GALLEY	D-01 -	D-08
GENERATORS	D-09 -	D-10
HEATING & A/C	D-11 -	D-14
INTERIOR FINISH	D-15 -	D-18
LABEL	D-19 -	E-02
LP		E-03
LOUNGE	E-04 -	E-05
SEALANTS & FASTENERS	E-06 -	E-08
WATER & SEWAGE	E-09 -	E-14
WINDOW, VENT AND EXTERIOR DOOR	E-15 -	F-14
WINDSHIELD & WIPER	F-15 -	F-18

WINDOW, VENT & EXTERIOR DOOR GROUP (CONTINUED)

WINDOW, VENT & EXTERIOR DOOR GROUP (CONTINUED)



COMPARTMENT DOOR HARDWARE & SEALS



DRIVER DOOR UPPER TIPOUT WINDOW

**1992 ITASCA
TABLE OF CONTENTS**

INTRODUCTION	A-01 -	A-02
ABBREVIATIONS		A-03
ALPHABETICAL INDEX	A-04 -	A-08
ICN32RQ	A-07 -	F-18
ICN34RQ	F-19 -	L-08

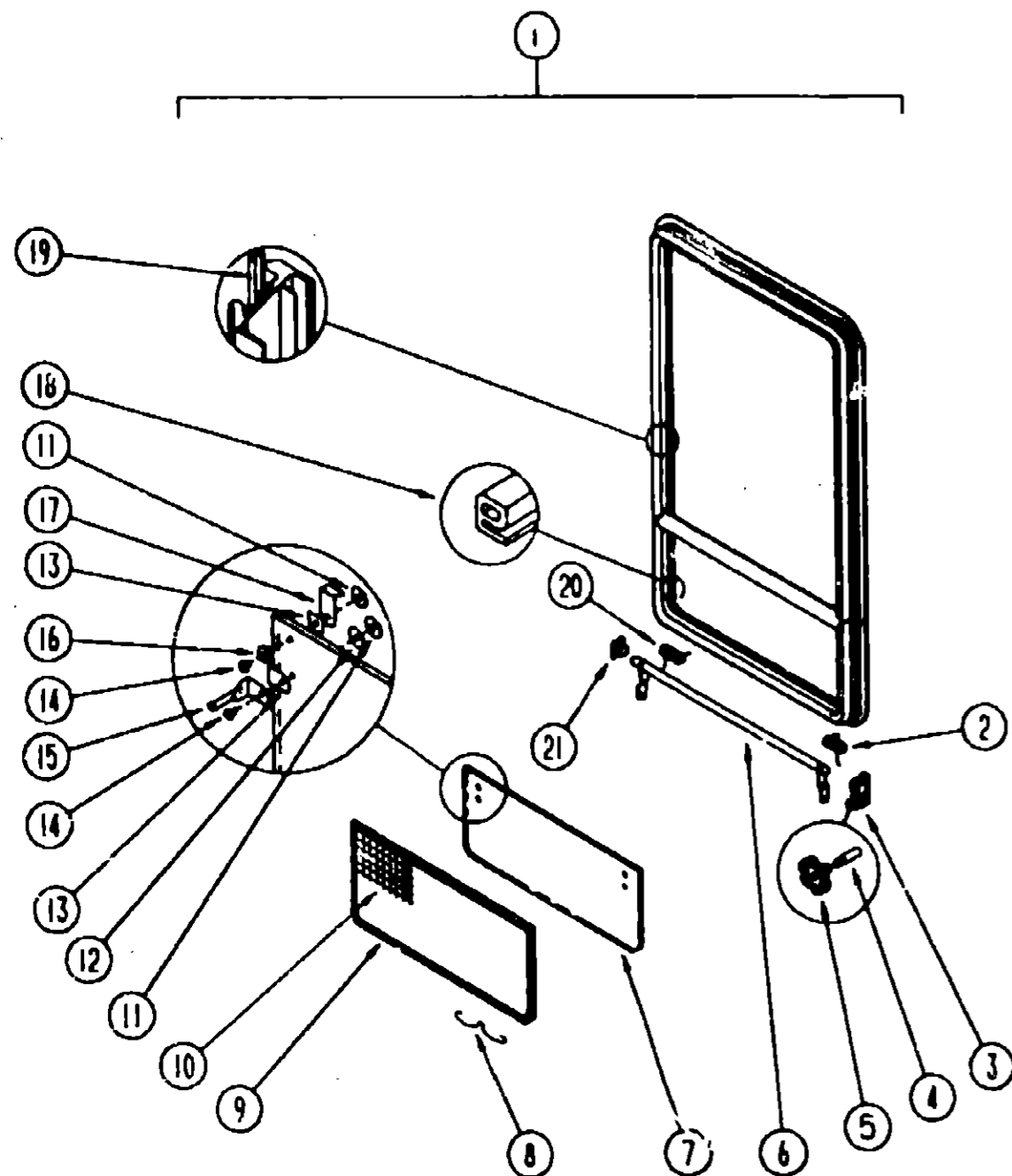
1992 ICN32RQ INDEX

FLOOR PLAN	A-07 -	A-08
ACCESSORIES		A-09
AUDIOMVIDEO	A-10 -	A-12
BATH	A-13 -	A-16
BEDROOM	A-17 -	A-20
CHASSIS	A-21 -	B-08
CURTAINS & CUSHIONS	B-09 -	B-22
DINETTE	B-23 -	B-24
DRIVERS	C-01 -	C-08
ELECTRICAL	C-09 -	C-14
EXTERIOR BODY	C-15 -	C-24
GALLEY	D-01 -	D-08
GENERATORS	D-09 -	D-10
HEATING & A/C	D-11 -	D-14
INTERIOR FINISH	D-15 -	D-18
LABEL	D-19 -	E-02
LP		E-03
LOUNGE	E-04 -	E-05
SEALANTS & FASTENERS	F-06 -	E-08
WATER & SEWAGE	E-09 -	E-14
WINDOW, VENT AND EXTERIOR DOOR	E-15 -	F-14
WINDSHIELD & WIPER	F-15 -	F-18

KEY	PART NUMBER	U/M DESCRIPTION
1	085730-11-000	EA LATCH-PADDLE, W/KEY LOCK - PLASTIC - OFF WHITE
	082684-01-700	EA KEY-COMPARTMENT DOOR LOCK, BH024
1	085730-14-000	EA LATCH-PADDLE, W/O KEY LOCK - PLASTIC - OFF WHITE
	077408-02-000	EA LOCK-KEY TYPE
	079927-03-000	EA LOCK-TWIST TYPE
2	079368-01-000	FT SEAL-BULB, W/WIRED U CHANNEL - .37" X .57" CHANNEL - BLKS
3	092357-01-02A	EA HINGE-COMPARTMENT DOOR, 76" - OFF WHITE
	092357-02-02A	EA HINGE-COMPARTMENT DOOR, 43.5" - OFF WHITE
	101929-01-01A	EA HINGE-COMPARTMENT DOOR, 1 1/16" WIDE (BACKWALL DOORS)
	009066-01-000	EA HINGE-COMPARTMENT DOOR, 1 1/16" WIDE X 6' - UNPAINTED
4	093061-01-02A	EA STRIKER-DOOR, LUGGAGE, BLACK
	094387-02-000	EA STRIKER-DOOR, GENERATOR
	093718-01-000	EA PLATE-STRIKE, COMPARTMENT - 3.4" X 2.5" FLAT - STEEL - BLK
5	092644-02-Y12	EA PROP ROD-COMPARTMENT DOOR, W/SPRING & BRACKET
6	092639-01-000	EA BRACKET-DOOR PROP
7	092469-01-000	EA SPRING-#020-050 COMP
8	039984-01-000	EA CAP-ROUND, VINYL - .28" ID X .62" LONG - BLACK
	094376-02-000	EA ROD-PROP (GENERATOR/VP)
	094376-01-000	EA ROD-PROP (HOLDING TANK)
	090340-01-000	FT SEAL-FOAM, CLOSED CELL - 1/4" X 1/2" X 50'
	004353-01-000	FT TAPE-ADHESIVE FOAM, ONE SIDE - 3/16" X 1/2" X 50' - GRAY
	100128-01-000	FT SEAL-P:LE, ADHESIVE BACK - GRAY
	081113-01-000	EA BUSHING-FLANGE, PLASTIC - WHITE
	093306-01-01A	FT TRIM-EDGE, C-TYPE - WIRE CARRIER - .35" X .24" - VINYL

KEY	PART NUMBER	U/M DESCRIPTION
1	092974-01-Y12	EA WINDOW ASM.-UPPER TIPOUT - 4.5" X 27.9" GLASS - OVHD BUNK ONLY
2	009439-05-000	EA KNOB-CRANK, TIPOUT WINDOW - METAL - BLACK
3	009439-06-000	EA EXTENSION-CRANK KNOB, .9" - METAL - BLACK
4	009439-07-000	EA SCREW-8 32 X 1 1/4 POH - BLACK
5	035302-01-000	EA OPERATOR-TORQUE, TIPOUT WINDOW
6	081243-02-000	EA CLIP-SCREEN, PLASTIC - BLACK
	081649-01-000	EA RING-SNAP, 7/32 SHAFT DIAMETER 7
7	084067-01-000	FT SEAL-E SHAPED, SPONGE - TIPOUT WINDOW - .42" X .44" - BLACK
		FROM: 00-00-00 THRU: 03-03-91
	084067-02-000	FT SEAL-E SHAPED, SPONGE - TIPOUT WINDOW - .42" X .38" - BLACK
		FROM: 03-04-91 THRU: 99-99-99
	084453-01-000	EA WASHER-.06" X .5" X .135" - PLASTIC
8	084453-02-000	EA WASHER-.06" X .5" X .25" - PLASTIC
9	084473-01-000	EA SEAL-FLAT, W/CENTER HOLE & ADHESIVE SIDE - .8" X .9" - BLK
	085315-01-000	EA RIVET-SHOULDER, TIPOUT WINDOW
10	086762-01-000	EA T NUT 10-32
11	086763-01-000	EA SCREW-MACH, 10 - 32 X 1/4 PTH
12	089913-01-000	EA HINGE-TIPOUT WINDOW, BLACK
13	092628-01-01A	EA MULLION-WINDOW, DOOR - BLACK
14	092970-01-000	EA GLASS-TIPOUT, 4.5" X 27.9"
15	095954-01-Y12	EA SCREEN-SINGLE TIPOUT, 1 RADIUS CORNER - 6" X 29.2"
	002291-02-000	FT SCREENING-ROOF VENT/WINDOW, 16" - BLACK
	100240-01-000	FT SPLINE-SCREEN, T-SHAPED
16	096294-01-000	EA TUBE ASM-TORQUE
17	097578-02-000	EA LINKAGE ASM-TIPOUT

WINDOW, VENT & EXTERIOR DOOR GROUP (CONTINUED)
DRIVER SIDE AND PASSENGER SIDE BEDROOM WINDOWS



KEY	PART NUMBER	U/M	DESCRIPTION
1	090893-20-02A	EA	FRAME-WINDOW, INSIDE - OFF WHITE
	082235-13-Y12	EA	WINDOW-TIPOUT, W/O INSIDE FRAME
	081239-43-000	EA	GLASS-TIPOUT, 40.3" X 21.3"
	000G39-08-18T	EA	SCREW-SF/DR, 6-20 X 1 PPH - BLACK
	099154-01-000	EA	CHANNEL-GLAZING, STATIONARY GLASS
2	080918-01-000	EA	SPRING-TORQUE TUBE, RIGHT
3	035302-02-000	EA	OPERATOR-TORQUE, TIPOUT WINDOW - PASS. SIDE RR - DRIVER SIDE FRT
4	090025-01-000	EA	EXTENSION-WINDOW CONTROL
5	101290-01-01A	EA	KNOB-OPERATOR, TIPOUT WINDOW - BRASS
6	083150-12-000	EA	TUBE-TORQUE, WINDOW - RIGHT
7	084068-17-000	EA	GLASS-TIPOUT, 9.2" X 40.1"
8	100168-01-000	EA	CLIP-SPRING, SCREEN
9	100235-04-B07	EA	SCREEN-TIPOUT WINDOW
10	080218-03-000	SF	SCREEN-FIBERGLASS, 12" WIDE
	100240-01-000	FT	SPLINE-SCREEN, T-SHAPED
	081377-01-700	EA	ADHESIVE-CYANOACRYLATE, 10 GRAM TUBE
11	086762-01-000	EA	T NUT 10-32
12	068927-03-000	EA	SEAL-WINDOW, RUBBER - ROUND - .80" DIA - BLACK
13	084473-01-000	EA	SEAL-RUBBER, TIPOUT WINDOW
14	086763-01-000	EA	SCREW-MACH, 10 - 32 X 1/4 PTH
15	097578-01-000	EA	LINKAGE-TIPOUT WINDOW
	084453-01-000	EA	WASHER-.060 X .50 X .135 - PLASTIC
	065315-01-000	EA	RIVET-SHOULDER, TIPOUT WINDOW
	081649-01-000	EA	RING-SNAP, 7/32 SHAFT DIAMETER
	101289-01-01A	EA	SCREW-MACHINE, 8-32 X 4 - POH - BRASS - FOR EXTENDED KNOB
16	084453-02-000	EA	WASHER-.060 X .50 X .135 - PLASTIC
17	089913-01-000	EA	HINGE-TIPOUT WINDOW, BLACK
18	084067-02-000	FT	SEAL-E SHAPED, SPONGE - TIPOUT WINDOW - .4" X .4" - BLACK
19	069640-11-000	FT	SEALER-TAPE, 3/16" X 3/8" BLACK
20	080918-02-000	EA	SPRING-TORQUE TUBE, LEFT
21	081354-01-000	EA	SLEEVE-TORQUE TUBE, WINDOW
	087566-04-01A	EA	MULLION-HORIZONTAL - BLACK

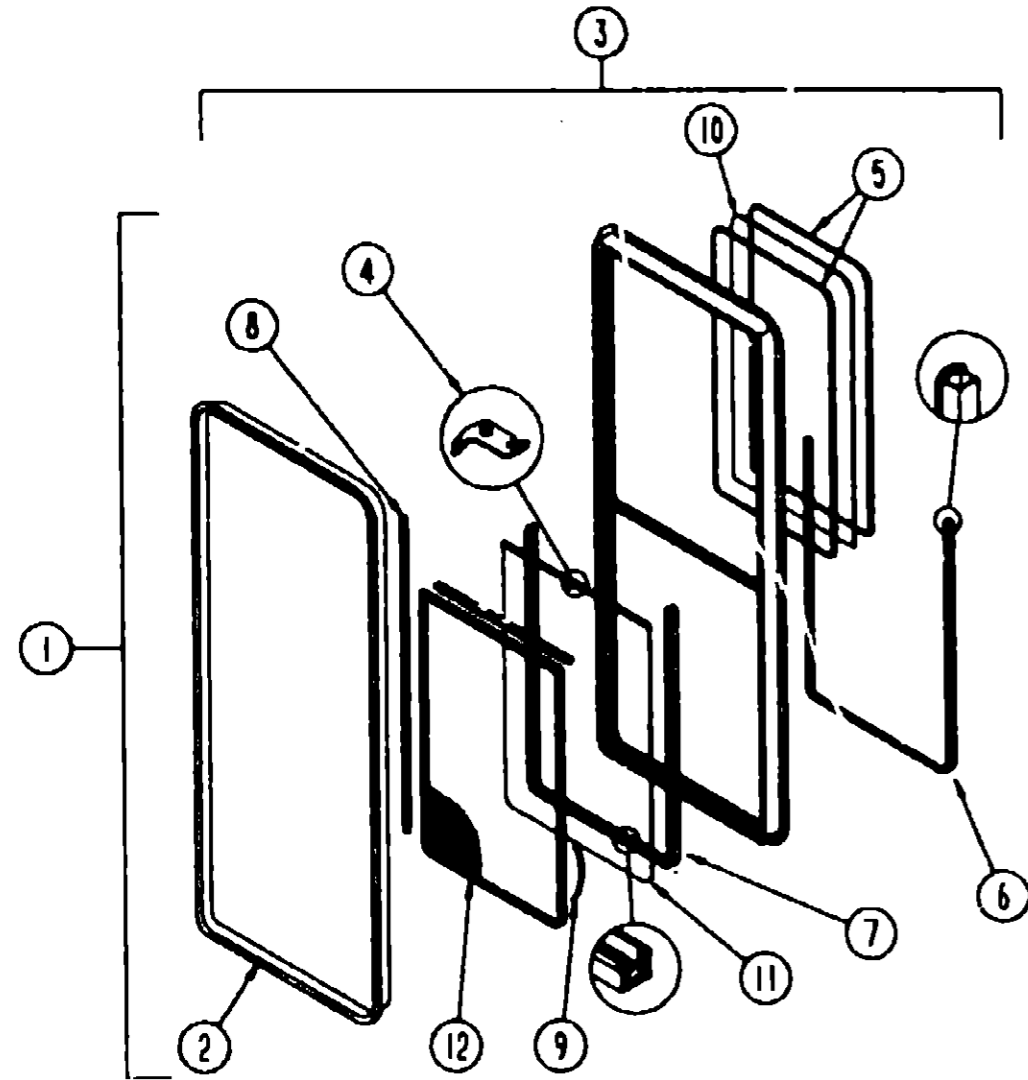
1992 ITASCA
TABLE OF CONTENTS

INTRODUCTION	A-01 -	A-02
ABBREVIATIONS		A-03
ALPHABETICAL INDEX	A-04 -	A-08
ICN32RQ	A-07 -	F-18
ICN34RQ	F-19 -	L-08

1992 ICN32RQ INDEX

FLOOR PLAN	A-07 -	A-08
ACCESSORIES		A-09
AUDIO/VIDEO	A-10 -	A-12
BATH	A-13 -	A-16
BEDROOM	A-17 -	A-20
CHASSIS	A-21 -	B-08
CURTAINS & CUSHIONS	B-09 -	B-22
DINETTE	B-23 -	B-24
DRIVERS	C-01 -	C-08
ELECTRICAL	C-09 -	C-14
EXTERIOR BODY	C-15 -	C-24
GALLEY	D-01 -	D-08
GENERATORS	D-09 -	D-10
HEATING & AC	D-11 -	D-14
INTERIOR FINISH	D-15 -	D-18
LABEL	D-19 -	E-02
LP		E-03
LOUNGE	E-04 -	E-05
SEALANTS & FASTENERS	E-06 -	E-08
WATER & SEWAGE	E-09 -	E-14
WINDOW, VENT AND		
EXTERIOR DOOR	E-15 -	F-14
WINDSHIELD & WIPER	F-15 -	F-18

WINDOW, VENT & EXTERIOR DOOR GROUP (CONTINUED)
PASSENGER SIDE LOUNGE WINDOW



KEY	PART NUMBER	U/M	DESCRIPTION
1	098644-04-02A	EA	WINDOW ASM-SINGLE BLACK/OFF-WHITE
2	098644-04-700	EA	TRIM-INSIDE, OFF-WHITE
3	098644-04-705	EA	WINDOW-SLIDER 31.75H X 21W
4	098644-01-700	EA	LATCH REPAIR KIT, BLACK
5	098644-01-705	FT	GLAZING STRIP
6	098644-01-706	FT	WEATHERSTRIP-GLASS
7	098644-01-708	FT	CHANNEL-RUN, PIERCED - GLASS
8	098644-01-710	FT	TRACK-SPACER, FOR SCREEN 12"
	098644-01-711	FT	WEATHERSTRIP-SCREEN, BLACK
9	098644-01-713	EA	SCREEN CLIPS, METAL - BLACK
	098644-01-716	FT	PLUG-FILLER
	098644-01-717	FT	SPLINE-SCREEN
10	098644-04-701	EA	GLASS-STATIONARY
11	098644-04-702	EA	GLASS-SLIDING, W/SASH & LATCH
12	098644-04-703	EA	SCREEN W/SPRING & WEATHERSTRIP

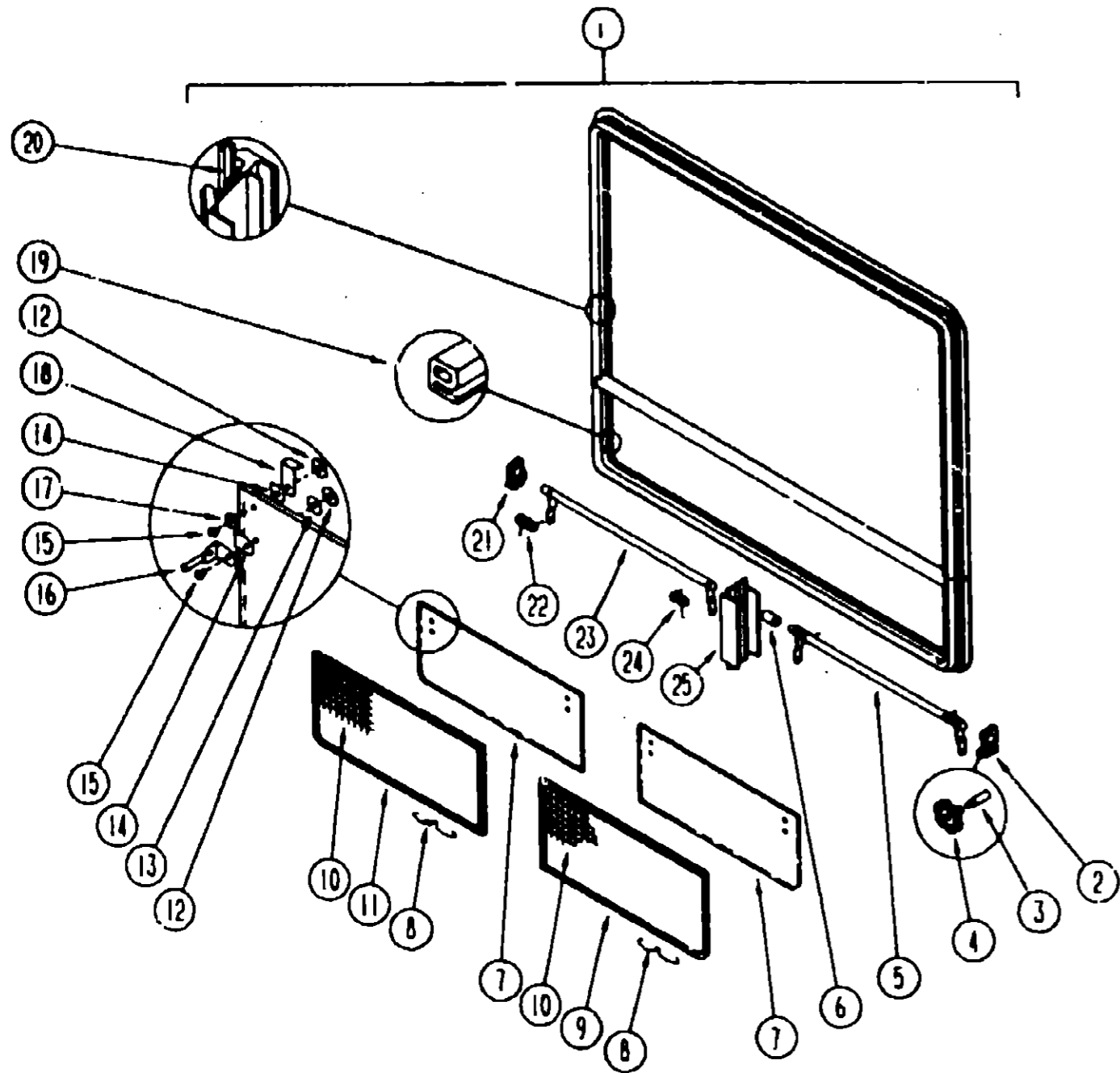
1992 ITASCA
TABLE OF CONTENTS

INTRODUCTION	A-01 - A-02
ABBREVIATIONS	A-03
ALPHABETICAL INDEX	A-04 - A-06
ICN32RQ	A-07 - F-18
ICN34RQ	F-19 - L-08

1992 ICN32RQ INDEX

FLOOR PLAN	A-07 - A-08
ACCESSORIES	A-09
AUDIO/VIDEO	A-10 - A-12
BATH	A-13 - A-16
BEDROOM	A-17 - A-20
CHASSIS	A-21 - B-08
CURTAINS & CUSHIONS	B-09 - B-22
DINETTE	B-23 - B-24
DRIVERS	C-01 - C-08
ELECTRICAL	C-09 - C-14
EXTERIOR BODY	C-15 - C-24
GALLEY	D-01 - D-08
GENERATORS	D-09 - D-10
HEATING & A/C	D-11 - D-14
INTERIOR FINISH	D-15 - D-18
LABEL	D-19 - E-02
LP	E-03
LOUNGE	E-04 - E-05
SEALANTS & FASTENERS	E-06 - E-08
WATER & SEWAGE	E-09 - E-14
WINDOW, VENT AND EXTERIOR DOOR	E-15 - F-14
WINDSHIELD & WIPER	F-15 - F-18

WINDOW, VENT & EXTERIOR DOOR GROUP (CONTINUED)
DINETTE & DRIVER SIDE LOUNGE WINDOWS



KEY	PART NUMBER	U/M DESCRIPTION
	090893-09-02A	EA FRAME-WINDOW, INSIDE - 31.4" X 80.9" - OFF WHITE
1	092234-03-Y12	EA WINDOW-TIPOUT, DOUBLE - W/O INSIDE FRAME - 31.5" X 80.9"
	000G39-08-18T	EA SCREW-SF/DR, 6-20 X 1 PPH - BLACK
2	035302-02-000	EA OPERATOR-TORQUE, TIPOUT WINDOW - PASS SIDE RR - DR SIDE FRT
3	09G025-01-000	EA EXTENSION-WINDOW CONTROL
4	101290-01-01A	EA KNOB-OPERATOR, TIPOUT WINDOW - BRASS
5	083227-08-000	EA TUBE-TORQUE, WINDOW - RIGHT
6	088818-51-001	EA TUBE-EXTRUDED, 02"ID X .035"OD X 2" LONG - ALUMINUM
7	084088-22-000	EA GLASS-TIPOUT, 9.2" X 29.9"
8	100168-01-000	EA CLIP-SPRING, SCREEN
9	100234-02-B07	EA SCREEN-DOUBLE TIPOUT WINDOW, FRONT DR SIDE/REAR PASS SIDE
10	080218-03-000	SF SCREEN-FIBERGLASS, 12" WIDE
	100240-01-000	FT SPLINE-SCREEN, T-SHAPED
	081377-01-700	EA ADHESIVE-CYANOACRYLATE, 1.0 GRAM TUBE
11	100234-01-B07	EA SCREEN-DOUBLE TIPOUT WINDOW, REAR DR SIDE/FRONT PASS SIDE
12	088782-01-000	EA T NUT 10-32
13	068927-03-000	EA SEAL-WINDOW, RUBBER - ROUND - .80" DIA. - BLACK
14	084473-01-000	EA SEAL-RUBBER, TIPOUT WINDOW
15	086763-01-000	EA SCREW-MACH, 10 - 32 X 1/4 PTH
16	097578-01-000	EA LINKAGE-TIPOUT WINDOW
	084453-01-000	EA WASHER-.060 X .50 X .135 - PLASTIC
	085315-01-000	EA RIVET-SHOULDER, TIPOUT WINDOW
	081649-01-000	EA RING-SNAP, 7/32 SHAFT DIAMETER
	101289-01-01A	EA SCREW-MACHINE, 8-32 X 4 - PPH - BRASS - FOR EXTENDED KNOB
17	084453-02-000	EA WASHER-.060 X .50 X .135 - PLASTIC
18	089913-01-000	EA HINGE-TIPOUT WINDOW, BLACK
19	084067-02-000	FT SEAL-E SHAPED, SPONGE - TIPOUT WINDOW .4" X .4" - BLACK
20	069640-11-000	EA SEALER-TAPE, 3/16" X 3/8" - BLACK
21	035302-01-000	EA OPERATOR-TORQUE, TIPOUT WINDOW - DR SIDE RR - PASS SIDE FRT
	038886-01-000	EA TAPE-BUTYL, .31" X .31" X 148" LONG
22	080918-02-000	EA SPRING-TORQUE TUBE, LEFT
23	083228-08-000	EA TUBE-TORQUE, WINDOW - LEFT
24	080918-01-000	EA SPRING-TORQUE TUBE, RIGHT
25	089803-01-01A	EA MULLION-VERTICAL, 9.5" LONG - ALUMINUM - BLACK

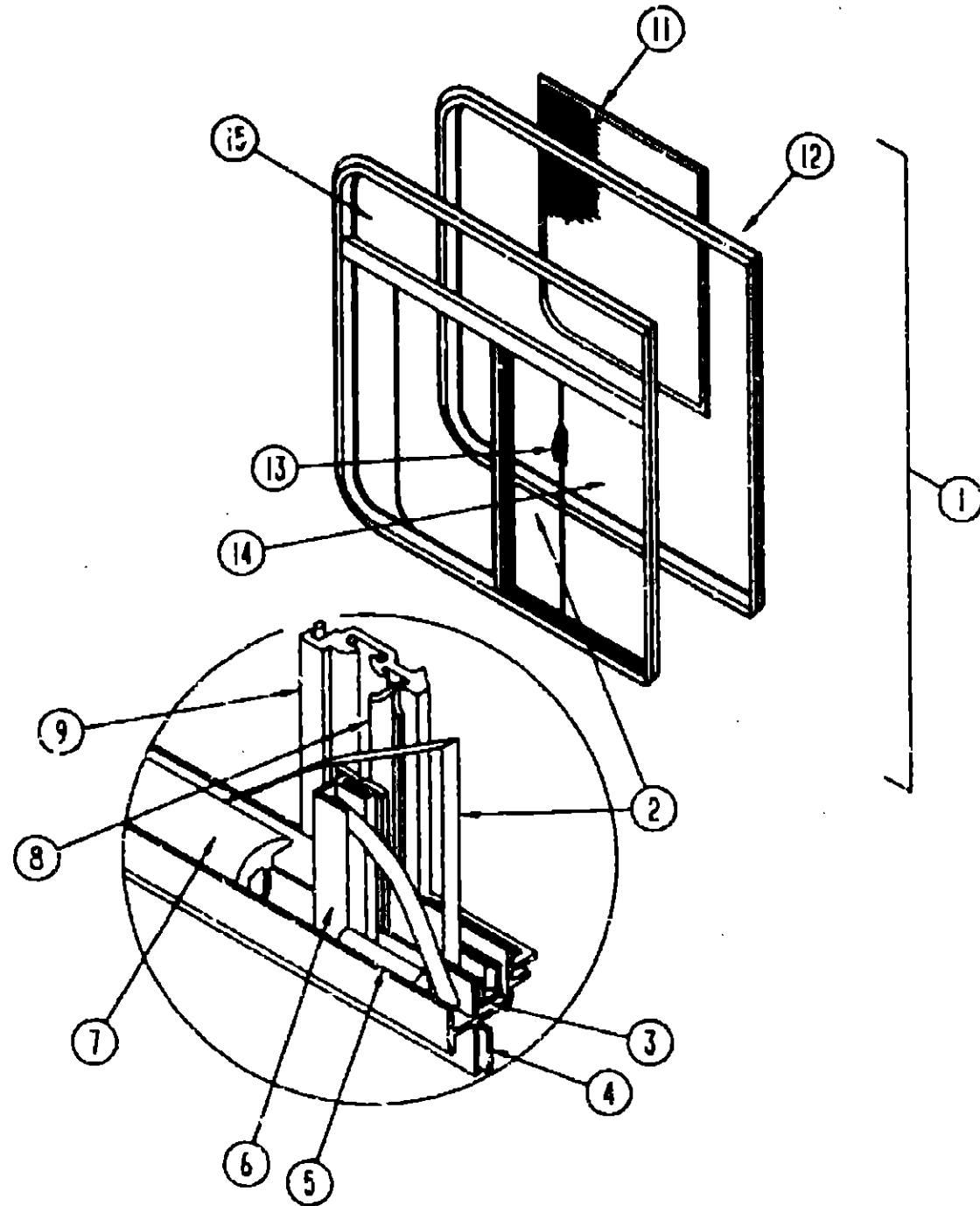
1992 ITASCA
TABLE OF CONTENTS

INTRODUCTION	A-01	A-02
ABBREVIATIONS		A-03
ALPHABETICAL INDEX	A-04	A-06
ICN32RQ	A-07	F-18
ICN34RQ	F-19	L-08

1992 ICN32RQ INDEX

FLOOR PLAN	A-07	A-08
ACCESSORIES		A-09
AUDIO/VIDEO	A-10	A-12
BATH	A-13	A-16
BEDROOM	A-17	A-20
CHASSIS	A-21	B-08
CURTAINS & CUSHIONS	B-09	B-22
DINETTE	B-23	B-24
DRIVERS	C-01	C-08
ELECTRICAL	C-09	C-14
EXTERIOR BODY	C-15	C-24
GALLEY	D-01	D-08
GENERATORS	D-09	D-10
HEATING & AC	D-11	D-14
INTERIOR FINISH	D-15	D-18
LABEL	D-19	E-02
LP		E-03
LOUNGE	E-04	E-05
SEALANTS & FASTENERS	E-06	E-08
WATER & SEWAGE	E-09	E-14
WINDOW, VENT AND		
EXTERIOR DOOR	E-15	F-14
WINDSHIELD & WIPER	F-15	F-18

WINDOW, VENT & EXTERIOR DOOR GROUP (CONTINUED)
PASSENGER SIDE SLIDING CAB WINDOW



KEY	PART NUMBER	U/M	DESCRIPTION
1	104686-01-705	EA	WINDOW-SINGLE SLIDER, W/O INSIDE FRAME
1	104686-01-01A	EA	WINDOW-SINGLE SLIDER - W/INSIDE FRAME
2	104686-01-703	EA	GLASS-SLIDING, W/SASH&LATCH
3	098644-01-708	FT	CHANNEL-RUN, PIERCED - GLASS
4	098644-01-705	FT	GLAZING STRIP
5	098644-01-706	FT	WEATHERSTRIP-GLASS
	050778-01-000	EA	SCREW-1/4-14X3/8 HWH BLK
6	002389-03-209	EA	EXTR-PDR BLK, GLASS HOLDER, 29.57
	023320-01-000	EA	PAD-FELT-3/8 DIAMETER
7	041928-02-000	FT	SEAL-WDO-CHANNEL USE 3/16 GL
8	073740-01-000	FT	SEAL-FIN, 460 PILE HEIGHT
	079824-01-000	FT	SEAL-WEATHER, C-FOLD, 500
9	084170-09-000	EA	MULLION-SLIDER, WINDOW BLACK
11	104686-01-704	EA	SCREEN ASSEMBLY-WINDOW
	098644-01-711	FT	WEATHERSTRIP-SCREEN, BLACK
	098644-01-713	EA	CLIPS-SCREEN, METAL - BLACK
	098644-01-716	FT	PLUG-FILLER
	098644-01-717	FT	SPLINE-SCREEN MFG
12	104686-01-700	EA	FRAME-INSIDE, BLACK
13	098644-01-700	EA	LATCH REPAIR KIT (BLACK)
14	104686-01-702	EA	GLASS-STATIONARY, FRONT
15	104686-01-701	EA	GLASS-STATIONARY, UPPER

1992 ITASCA
TABLE OF CONTENTS

INTRODUCTION	A-01 -	A-02
ABBREVIATIONS		A-03
ALPHABETICAL INDEX:	A-04 -	A-06
ICN32RO	A-07 -	F-18
ICN34RO	F-19 -	L-06

1992 ICN32RO INDEX

FLOOR PLAN	A-07 -	A-08
ACCESSORIES		A-09
AUDIO/VIDEO	A-10 -	A-12
BATH	A-13 -	A-16
BEDROOM	A-17 -	A-20
CHASSIS	A-21 -	B-08
CURTAINS & CUSHIONS	B-09 -	B-22
DINETTE	B-23 -	B-24
DRIVERS	C-01 -	C-08
ELECTRICAL	C-09 -	C-14
EXTERIOR BODY	C-15 -	C-24
GALLEY	D-01 -	D-08
GENERATORS	D-09 -	D-10
HEATING & A/C	D-11 -	D-14
INTERIOR FINISH	D-15 -	D-18
LABEL	D-19 -	E-02
LP		E-03
LOUNGE	E-04 -	E-05
SEALANTS & FASTENERS	E-06 -	E-08
WATER & SEWAGE	E-09 -	E-14
WINDOW, VENT AND		
EXTERIOR DOOR	E-15 -	F-14
WINDSHIELD & WIPER	F-15 -	F-18

WINDOW, VENT & EXTERIOR DOOR GROUP (CONTINUED)

GALLEY WINDOW

KEY	PART NUMBER	U/M DESCRIPTION
	090893-02-02A	EA FRAME-WINDOW, INSIDE - 25.3" X 25.5" - OFF WHITE
1	092235-09-Y12	EA WINDOW-TIPOUT, W/O INSIDE FRAME - 25.5" X 25.4"
	000G39-08-16T	EA SCREW-SF/DR, 6-20 X 1 PPH - BLACK
2	080918-01-000	EA SPRING-TORQUE TUBE, RIGHT
3	035302-02-000	EA OPERATOR-TORQUE, TIPOUT WINDOW - PASS SIDE RR - DR SIDE FRT
4	009439-06-000	EA EXTENSION-CRANK HANDLE, WINDOW/ROOF VENT - .9" - BLACK
5	009439-05-000	EA KNOB-OPERATOR, TIPOUT WINDOW - BLACK
	009439-07-000	EA SCREW, 9-32 X 1 1/4 POH - BLACK
6	083150-10-000	EA TUBE ASM. - TORQUE, WINDOW
7	084068-15-000	EA GLASS-TIPOUT, 9.2" X 24.5"
8	100168-01-000	EA CLIP-SPRING, SCREEN
9	100235-02-B07	EA SCREEN-SINGLE TIPOUT WINDOW
10	080218-03-000	SF SCREEN-FIBERGLASS, 12" WIDE
	100240-01-000	FT SPLINE-SCREEN, T-SHAPED
11	086762-01-000	EA T NUT 10-32
12	068927-03-000	EA SEAL-WINDOW, RUBBER - ROUND - .80" DIA. - BLACK
13	084473-01-000	EA SEAL-RUBBER, TIPOUT WINDOW
14	086763-01-000	EA SCREW-MACH, 10 - 32 X 1/4 PTH
15	097578-01-000	EA LINKAGE-TIPOUT WINDOW
	081649-01-000	EA RING - SNAP, 7/32 SHAFT DIA.
	084453-01-000	EA WASHER-.060 X .50 X .135 - PLASTIC
	055315-01-000	EA RIVET-SHOULDER, TIPOUT WINDOW
16	084453-02-000	EA WASHER-.060 X .50 X .250 - PLASTIC
17	089913-01-000	EA HINGE-TIPOUT WINDOW, BLACK
18	084067-02-000	FT SEAL-E SHAPED, SPONGE - TIPOUT WINDOW - .4" X .4" - BLACK
19	069640-11-000	FT SEALER-TAPE, 3/16" X 3/8" BLACK
20	080918-02-000	EA SPRING-TORQUE TUBE, LEFT
21	081354-01-000	EA SLEEVE-TORQUE TUBE, TIPOUT WINDOW - 1.3" X 1.2" X .7"

BATH WINDOW

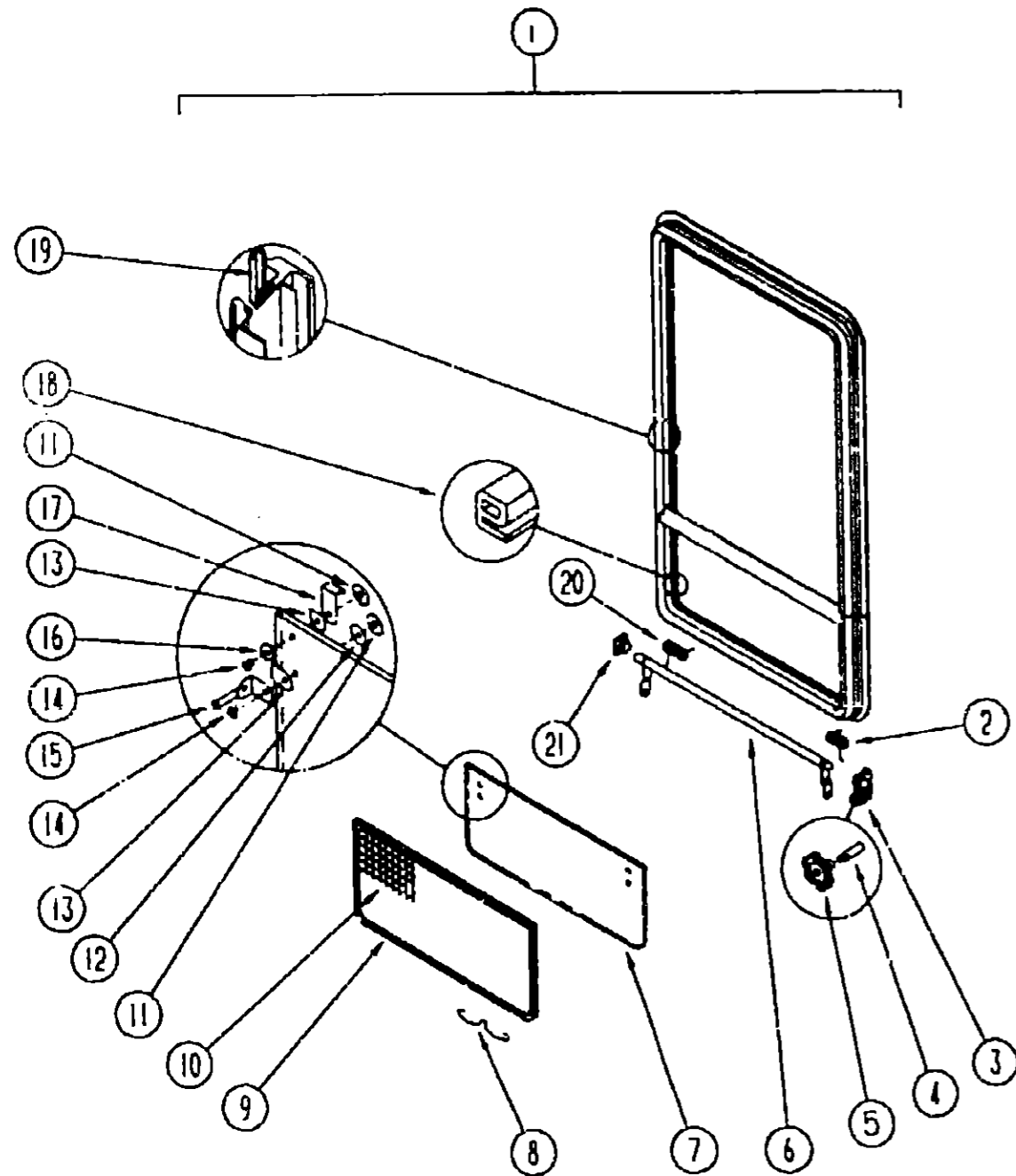
KEY	PART NUMBER	U/M DESCRIPTION
	090893-15-02A	EA FRAME-WINDOW, INSIDE - 25.5" X 15.9" - OFF WHITE
1	092235-10-Y12	EA WINDOW-TIPOUT, W/O INSIDE FRAME - 15.8" X 25.5"
	000G39-06-16T	EA SCREW-SF/DR, 6-20 X 1 PPH - BLACK
2	080918-01-000	EA SPRING-TORQUE TUBE, RIGHT
3	035302-02-000	EA OPERATOR-TORQUE, TIPOUT WINDOW - PASS SIDE RR - DR SIDE FRT
4	090025-01-000	EA EXTENSION-WINDOW CONTROL
5	01290-01-01A	EA KNOB-OPERATOR, TIPOUT WINDOW - BRASS
	101289-01-01A	EA SCREW-MACHINE, 8-32 X 4 - POH - BRASS - FOR EXTENDED KNOB
6	083150-09-000	EA TUBE ASM. - TORQUE, WINDOW
7	084068-14-000	EA GLASS-TIPOUT, 9" X 15"
8	100168-01-000	EA CLIP-SPRING, SCREEN
9	100235-02-B07	EA SCREEN-SINGLE TIPOUT WINDOW
10	080218-03-000	SF SCREEN-FIBERGLASS, 12" WIDE
	100240-01-000	FT SPLINE-SCREEN, T-SHAPED
11	086762-01-000	EA T NUT 10-32
12	068927-03-000	EA SEAL-WINDOW, RUBBER - ROUND - .80" DIA. - BLACK
13	084473-01-000	EA SEAL-RUBBER, TIPOUT WINDOW
14	086763-01-000	EA SCREW-MACH, 10 - 32 X 1/4 PTH
15	097578-01-000	EA LINKAGE-TIPOUT WINDOW
	081649-01-000	EA RING - SNAP, 7/32 SHAFT DIA.
	084453-01-000	EA WASHER-.060 X .50 X .135 - PLASTIC
	055315-01-000	EA RIVET-SHOULDER, TIPOUT WINDOW
16	084453-02-000	EA WASHER-.060 X .50 X .250 - PLASTIC
17	089913-01-000	EA HINGE-TIPOUT WINDOW, BLACK
18	084067-01-000	FT SEAL-E SHAPED, SPONGE - TIPOUT WINDOW - .4" X .4" - BLACK
19	069640-11-000	EA SEALER-TAPE, 3/16" X 3/8" BLACK
20	080918-02-000	EA SPRING-TORQUE TUBE, LEFT
21	081354-01-000	EA SLEEVE-TORQUE TUBE, TIPOUT WINDOW - 1.3" X 1.2" X .7"

**1992 ITASCA
TABLE OF CONTENTS**

INTRODUCTION	A-01 -	A-02
ABBREVIATIONS		A-03
ALPHABETICAL INDEX	A-04 -	A-06
ICN32RQ	A-07 -	F-18
ICN34RQ	F-19 -	L-06

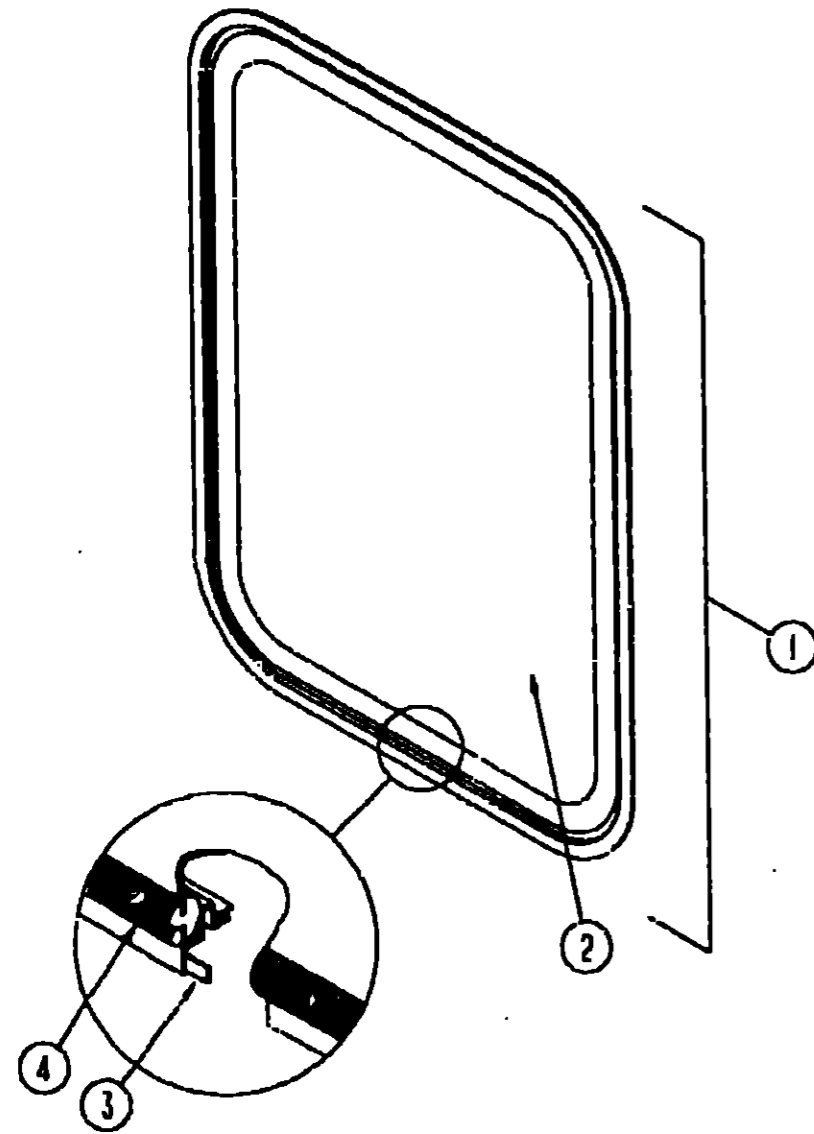
1992 ICN32RQ INDEX

FLOOR PLAN	A-07 -	A-08
ACCESSORIES		A-09
AUDIOM/VIDEO	A-10 -	A-12
BATH	A-13 -	A-15
BEDROOM	A-17 -	A-20
CHASSIS	A-21 -	B-08
CURTAINS & CUSHIONS	B-09 -	B-22
DINETTE	B-23 -	B-24
DRIVERS	C-01 -	C-08
ELECTRICAL	C-09 -	C-14
EXTERIOR BODY	C-15 -	C-24
GALLEY	D-01 -	D-08
GENERATORS	D-09 -	D-10
HEATING & A/C	D-11 -	D-14
INTERIOR FINISH	D-15 -	D-18
LABEL	D-19 -	E-02
LP		E-03
LOUNGE	E-04 -	E-05
SEALANTS & FASTENERS	E-06 -	E-08
WATER & SEWAGE	E-09 -	E-14
WINDOW, VENT AND		
EXTERIOR DOOR	E-15 -	F-14
WINDSHIELD & WIPER	F-15 -	F-18

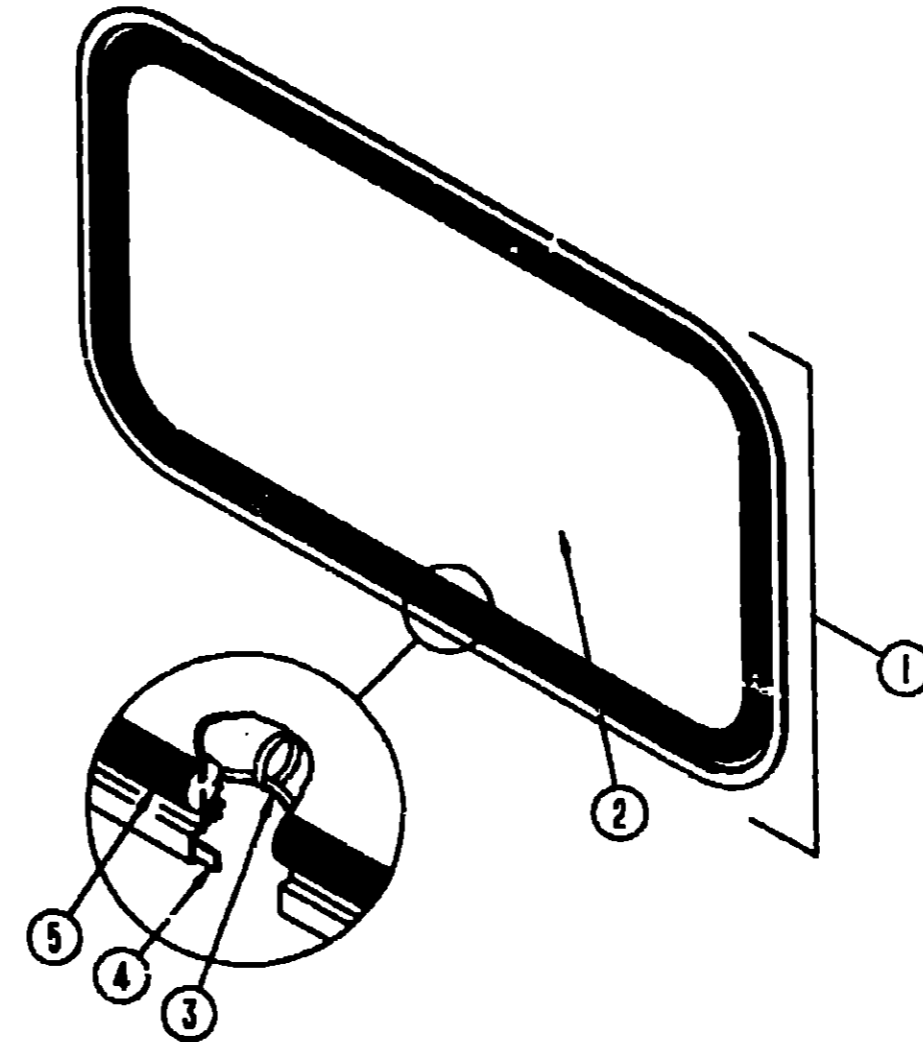


1992 ITASCA
TABLE OF CONTENTS

INTRODUCTION	A-01 -	A-02
ABBREVIATIONS		A-03
ALPHABETICAL INDEX	A-04 -	A-06
ICN32RQ	A-07 -	F-18
ICN34RQ	F-19 -	L-06



ENTRY DOOR WINDOW



BACKWALL ESCAPE WINDOW

1992 ICN32RQ INDEX

FLOOR PLAN	A-07 -	A-08
ACCESSORIES		A-09
AUDIO/VIDEO	A-10 -	A-12
BATH	A-13 -	A-16
BEDROOM	A-17 -	A-20
CHASSIS	A-21 -	B-08
CURTAINS & CUSHIONS	B-09 -	B-22
DINETTE	B-23 -	B-24
DRIVERS	C-01 -	C-08
ELECTRICAL	C-09 -	C-14
EXTERIOR BODY	C-15 -	C-24
GALLEY	D-01 -	D-08
GENERATORS	D-09 -	D-10
HEATING & A/C	D-11 -	D-14
INTERIOR FINISH	D-15 -	D-18
LABEL	D-19 -	E-02
LP		E-03
LOUNGE	E-04 -	E-05
SEALANTS & FASTENERS	E-06 -	E-08
WATER & SEWAGE	E-09 -	E-14
WINDOW, VENT AND		
EXTERIOR DOOR	E-15 -	F-14
WINDSHIELD & WIPER	F-15 -	F-18

KEY	PART NUMBER	U/M DESCRIPTION
	067609-32-000	EA FRAME-WINDOW, ENTRY DOOR - OFF WHITE
1	079733-04-T03	EA WINDOW-PICTURE, W/O INSIDE FRAME - 17" X 25"
2	002181-06-000	EA GLASS-PICTURE WINDOW, .115" X 16 25" X 24"
3	069640-11-000	FT SEALER-TAPE, 3/16" X 3/8" BLACK
4	087561-01-000	FT SEAL-GLASS, EXTERIOR - 5" WIDE - VINYL - BLACK

KEY	PART NUMBER	U/M DESCRIPTION
1	087985-04-Y12	EA WINDOW-ESCAPE, W/O INSIDE FRAME - 30.2" X 46.8"
	076650-06-000	EA FRAME-WINDOW, INSIDE - OFF WHITE
2	076337-06-000	EA GLASS-ESCAPE, - 44.8" X 23"
3	002285-01-000	FT FILLER-WEATHER STRIP, RUBBER - BLACK
4	069640-07-000	FT SEALER-RIBBON, 2" X 3/32" - INCREMENTS OF 30"
5	002282-01-000	FT WEATHER STRIP-WINDOW, RUBBER - .125" - BLACK
	006199-01-000	EA LABEL-EXIT, "ESCAPE WINDOW"
	047731-01-000	EA LABEL-EMERGENCY EXIT
	077066-01-702	FT TAPE ASM-ESCAPE WINDOW

WINDOW, VENT & EXTERIOR DOOR GROUP (CONTINUED)

POWERED ROOF VENT

KEY	PART NUMBER	U/M DESCRIPTION
	090393-01-Y12	EA VENT-ROOF, POWERED W/O SCREEN
	002825-01-000	EA WEATHER STRIP-ROOF VENT, GRAY
	008195-01-000	EA SWITCH-ROOF VENT, PUSH BUTTON, 12V
	008336-01-000	EA GROMMET-SNAP, 3/8"
	009440-01-000	EA GEAR/ARM-VENT COVER, LIFT
	015911-01-000	EA TRACK-LIFT ARM, SLIDE - ROOF VENT
	048648-01-000	EA MOTOR-ROOF VENT, 1/8 SHAFT - 12V
	048649-01-000	EA FAN-ROOF VENT, 6 BLADES - 6"
	055218-01-000	EA COVER-ROOF VENT
	061603-01-000	EA GROMMET-SNAP, 3/16 ID - 3/8 HOLE - PLASTIC - BLACK
	052639-01-200	EA HINGE-EXTRUSION, ROOF VENT 7"
	052639-01-001	EA HINGE-VENT COVER, 192"
	078785-01-Y12	EA SCREEN-ROOF VENT, POWERED
	002291-02-000	SF SCREENING-ROOF VENT/WINDOW, 16" - BLACK
	002298-02-000	FT SPLINE-VENT/WINDOW SCREEN, .128 DIAMETER - BLACK
	009439-01-000	EA CRANK HANDLE-ROOF VENT
	009439-03-000	EA EXTENSION-CRANK HANDLE, ROOF VENT - .9"
	009439-05-000	EA KNOB-CRANK, WINDOW AND ROOF VENT - BLACK
	009439-07-000	EA SCREW-B-32X1 1/4 POH.BLACK

NON POWERED ROOF VENT

KEY	PART NUMBER	U/M DESCRIPTION
	090392-01-Y12	EA VENT-ROOF, NON POWERED
	002825-01-000	EA WEATHER STRIP-ROOF VENT, GRAY
	009440-01-000	EA GEAR/ARM-VENT COVER, LIFT
	015911-01-000	EA TRACK-LIFT ARM, SLIDE - ROOF VENT
	055218-01-000	EA COVER-ROOF VENT
	052639-01-001	EA HINGE-VENT COVER, 192"
	009439-01-000	EA CRANK HANDLE-ROOF VENT
	009439-03-000	EA EXTENSION-CRANK HANDLE, ROOF VENT - .9"
	078786-01-Y12	EA SCREEN-ROOF VENT, NON POWERED
	002291-02-000	SF SCREENING-ROOF VENT/WINDOW, 16" - BLACK
	002298-02-000	FT SPLINE-VENT/WINDOW SCREEN, .128 DIAMETER - BLACK

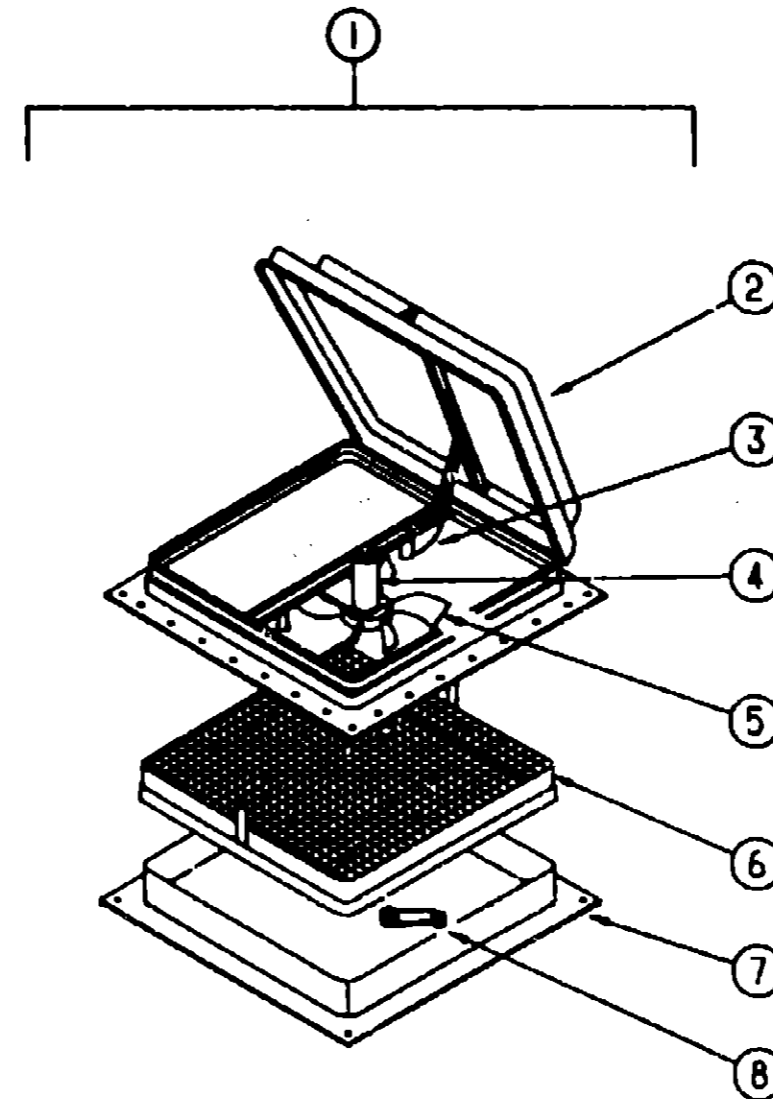
VENTILATOR FAN

KEY	PART NUMBER	U/M DESCRIPTION
	084079-06-000	EA VENT-EXHAUST, POWERED - OFF WHITE - FANTASTIC VENT
	084079-01-700	EA VENT COVER - FANTASTIC 1020-19
	084079-01-701	EA SCREEN ASM WHITE - FANTASTIC 1030-80
	084079-01-702	EA ARM LIFT ASM - FANTASTIC 1050-00
	084079-01-703	EA CRANK, EXTERIOR - FANTASTIC 1050-09
	084079-01-704	EA FAN BLADE - FANTASTIC 1070-00
	084079-01-705	EA MOTOR - FANTASTIC 1080-00
	084079-01-706	EA 12 VOLT PLUG - FANTASTIC 1090
	084079-01-707	EA SAFETY SWITCH - FANTASTIC 1120.00
	084079-01-708	EA REVERSE SWITCH - FANTASTIC 1130-09
	084079-01-709	EA SWITCH ON & OFF (MAIN POWER) - FANTASTIC - 1100.00
	084079-01-710	EA THERMOSTAT - FANTASTIC 1140.00
	084079-01-711	EA H-MOLDING (MOTOR MOUNT)

ROOF VENTS

KEY	PART NUMBER	U/M DESCRIPTION
	083558-03-000	EA VENT-PLUMBING PIPE ROOF, W/COVER - OFF WHITE
	084073-03-000	EA COVER-ROOF VENT, NORCOLD REFRIGERATOR - OFF WHITE
	084073-04-000	EA BASE-ROOF VENT, NORCOLD REFRIGERATOR - BLACK

WINDOW, VENT & EXTERIOR DOOR GROUP (CONTINUED)



JENSEN POWERED ROOF VENT

KEY	PART NUMBER	U/M DESCRIPTION
	064469-08-000	EA VENT-ROOF POWERED - 14" X 14" - 12V - JENSEN C-727 - CSA
	064469-03-702	EA LID-VENT, WHITE
	064469-03-706	EA LIFT MECHANISM
	048648-01-000	EA MOTOR-ROOF VENT, 1/8 SHAFT - 12V
	048649-01-000	EA FAN-ROOF VENT, 6 BLADES - 6"
	110051-01-700	EA SCREEN-ROOF VENT
	064469-03-705	EA GARNISH-INNER, 2 5" WIDE
	009439-01-000	EA CRANK HANDLE-ROOF VENT
	009439-04-000	EA SCREW-B-32 X 1 1/4" POH
	009439-03-000	EA EXTENSION-CRANK HANDLE, ROOF VENT - .9" - MILL

SIDEWALL VENT

KEY	PART NUMBER	U/M DESCRIPTION
	092698-02-01A	EA VENT-RANGE HOOD, W/DOOR - OFF WHITE

SKYLIGHT

KEY	PART NUMBER	U/M DESCRIPTION
	077902-01-000	EA COLLAR-SKYLITE, INNER - 15.6" X 22.5" - PLASTIC
	080910-01-000	EA COVER-SKYLITE, OUTER - 15.25" X 22.25" - PLASTIC
	081171-01-000	EA TRIM-SKYLITE, OUTER - MILL FINISHED - 15.5" X 22.25"

**1992 ITASCA
TABLE OF CONTENTS**

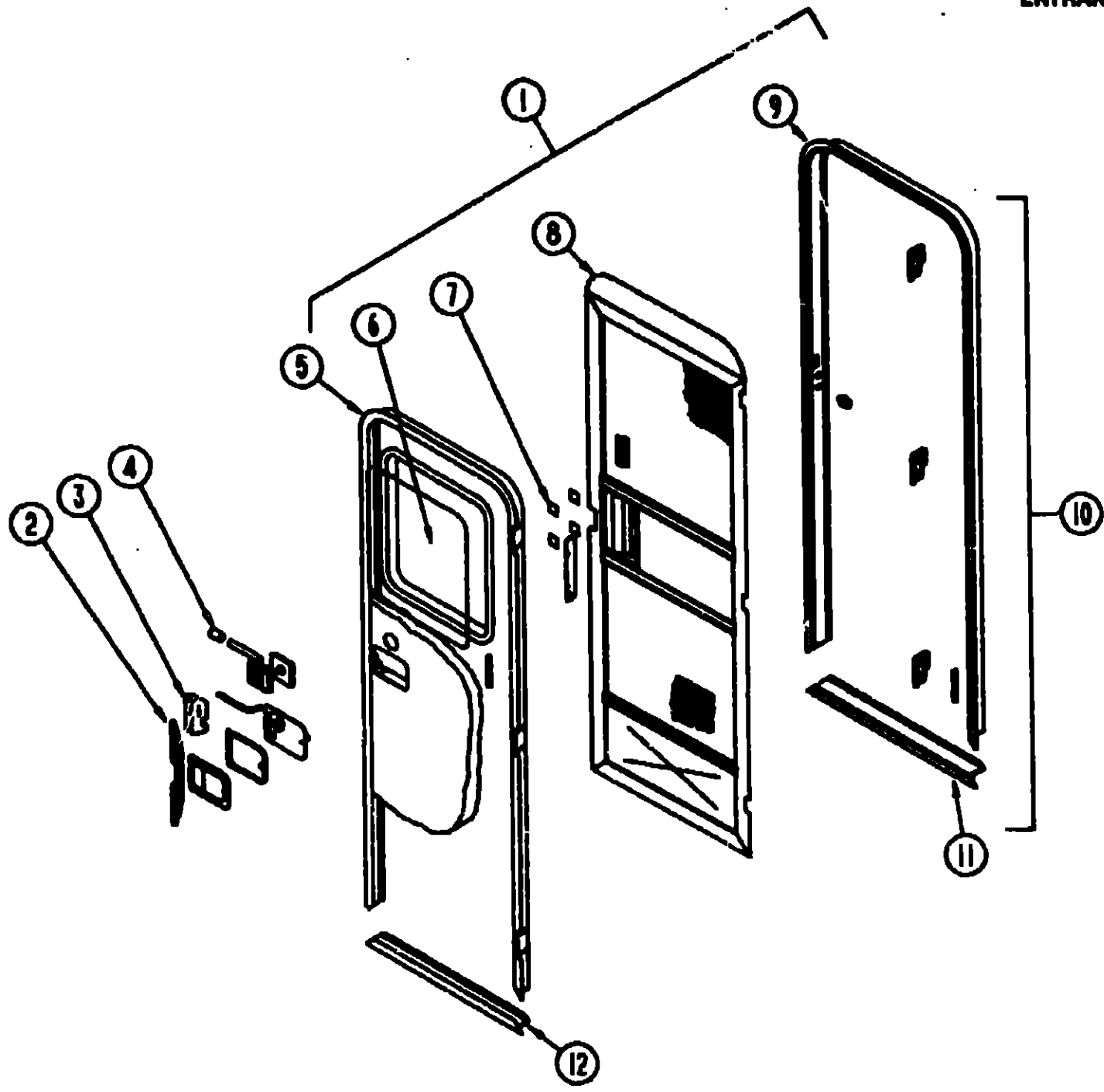
INTRODUCTION	A-01 -	A-02
ABBREVIATIONS		A-03
ALPHABETICAL INDEX	A-04 -	A-06
ICN32RQ	A-07 -	F-18
ICN34RQ	F-19 -	L-06

1992 ICN32RQ INDEX

FLOOR PLAN	A-07 -	A-08
ACCESSORIES		A-09
AUDIO/VIDEO	A-10 -	A-12
BATH	A-13 -	A-16
BEDROOM	A-17 -	A-20
CHASSIS	A-21 -	B-08
CURTAINS & CUSHIONS	B-09 -	B-22
DINETTE	B-23 -	B-24
DRIVERS	C-01 -	C-08
ELECTRICAL	C-09 -	C-14
EXTERIOR BODY	C-15 -	C-24
GALLEY	D-01 -	D-08
GENERATORS	D-09 -	D-10
HEATING & A/C	D-11 -	D-14
INTERIOR FINISH	D-15 -	D-18
LABEL	D-19 -	E-02
LP		E-03
LOUNGE	E-04 -	E-05
SEALANTS & FASTENERS	E-06 -	E-08
WATER & SEWAGE	E-09 -	E-14
WINDOW, VENT AND		
EXTERIOR DOOR	E-15 -	F-14
WINDSHIELD & WIPER	F-15 -	F-18

WINDOW, VENT & EXTERIOR DOOR GROUP (CONTINUED)

ENTRANCE DOOR



KEY	PART NUMBER	U/M DESCRIPTION
4	039984-01-000	EA CAP-ROUND DEADBOLT, VINYL - .28" ID X .62" LONG - BLACK
	058806-01-000	EA PLUG-TAPERED, FOR DEADBOLT - PLASTIC - .66" DIAMETER - RED
	039738-01-000	EA DEADBOLT-ROUND, J SHAPED - INTERIOR USE ONLY
	101145-01-01A	EA DEADBOLT-ENTRY DOOR, BLACK
	095229-01-700	EA KEY ONLY-BLANK
	101147-01-000	EA BOLT-SECURITY, 4.12" BACKSET
	039800-03-000	FT TUBING-POLYBUTYLENE, 3/8" OD
	039979-04-000	EA COVER-INTERIOR LATCH, W/TRIP ARM - RIGHT - BLACK
	081914-01-000	EA BUMPER-RUBBER, ROUND - BLACK
	102524-01-000	EA BUMPER-RUBBER, FLAT - BLACK
	095276-01-01A	EA FRAME-ENTRY DOOR, W/O BOTTOM - OFF WHITE
	5	079733-04-T03
057609-27-000		EA FRAME-WINDOW, INSIDE PICTURE - BLACK
002181-06-000		EA GLASS-PICTURE WINDOW, .115" X 16.25" X 24"
087581-01-000		FT SPLINE-GLASS, EXTERIOR - VINYL - BLACK
063729-04-000		EA RIVNUT, 10-32 UNF - .010-.080
072893-01-000		EA NUTSERT-M5 X 0, 8
075671-01-000		FT SEAL-SPONGE, LAZY T SHAPE - WEATHERSTRIP ON ENTRY DOOR FROM: 00-00-00 THRU: 08-18-91
075671-04-000		FT SEAL-SPONGE, LAZY T SHAPE - W/ADHESIVE STRIPE - .5" WIDE FROM: 08-19-91 THRU: 99-99-99
075673-01-000		FT SEAL-PILE, ADHESIVE BACK - GRAY
075908-01-000		EA SCREW-MACH-10-32X.56PTH(SEMS)
093145-01-000		EA SLEEVE-WIRE
093146-01-000		EA GROMMET-WIRE, DOOR
6	093673-02-01A	EA MOLDING-BODY, ENTRANCE DOOR
	109403-01-000	EA CATCH-SCREEN DOOR ROLLER
	058025-02-000	EA CLIP-ROLLER LATCH CATCH
	009016-01-000	EA CATCH-ELBOW, SPRING LOADED - SCREEN DOOR CATCH
	079087-02-000	EA STRIKE-SLIDER, W/LIP FOR ELBOW CATCH - 1.5" X 8.6" OFF WHITE
	100412-01-000	EA CATCH-SCREEN DOOR
	079012-01-U01	EA DOOR ASM-SCREEN
	002293-02-000	SF SCREENING-WINDOW/DOOR, 26" - CHARCOAL
	002294-01-000	FT SPLINE-SCREENING, .135" X .138" - BLACK
	002748-01-000	EA CORNER KEY-DOOR
	016454-01-000	EA INSERT-SCREEN DOOR, CENTER - LEATHER GRAIN ALUMINUM - BEIGE
	001014-01-013	EA INSERT-CENTER, .024" X 10.25" X 16.31" - UNPAINTED ALUMINUM
7	050712-05-000	EA HANDLE-SCREEN DOOR, UNPAINTED
	078552-03-000	EA KICK PANEL-SCREEN DOOR, LOWER INSERT - UNPAINTED
	001014-01-016	EA ALUMINUM-LEATHER GRAIN, 10.3" X 29.69" - UNFINISHED
	078595-01-000	EA TOP PLATE-SCREEN DOOR, CURVED TOP - 4.7" X 25.35"
	078777-01-000	EA CHANNEL-SLIDE, SCREEN DOOR CENTER SLIDER COVER
	079086-02-000	EA SLIDER-SCREEN DOOR, OFF WHITE
	100412-01-000	EA CATCH-SCREEN DOOR
	100128-02-000	FT SEAL-PILE, ADHESIVE BACK - SCREEN DOOR - GRAY
	095278-01-01A	EA JAMB-DOOR, ENTRANCE - UNPAINTED
	095277-02-01A	EA JAMB-DOOR, ENTRANCE - W/BOTTOM & ROLLER CATCH STRIKER
	051049-01-000	EA JAMB-DOOR, ENTRANCE BOTTOM - BEIGE
	079207-01-000	EA STRIKER-ROLLER CATCH, WELDED TO DOOR JAMB - 4" X 1.15"
8	097724-01-04A	EA HINGE-ENTRY DOOR, UNPAINTED
	089748-01-000	EA FRAME-BOTTOM ENTRY DOOR, OFF WHITE
	090340-01-000	FT SEAL-FOAM, CLOSED CELL - 1/4" X 1/2" X 50'
	091968-03-000	FT TAPE-ADHESIVE, .04" X 1" WIDE
	093966-02-02A	EA GARNISH-RADIUS, ENTRANCE DOOR - ALUMINUM - OFF WHITE
	044582-02-000	EA CAP-DRIP, ENTRY DOOR, ALUMINUM, OFF WHITE
	100312-01-000	EA SWITCH-DOOR JAMB, ELECTRIC ENTRY STEP
	041546-06-000	EA BRACKET - DOOR ANGLE - OFF WHITE
	085774-01-000	FT FASTENER - DUAL LOCK, 1" WIDE
	085774-02-000	FT FASTENER - DUAL LOCK, 1" WIDE
	104099-01-01A	EA CATCH-DOOR HOLDER, STRIKE
	104099-02-01A	EA CATCH-DOOR HOLDER, RETAINER

**1992 ITASCA
TABLE OF CONTENTS**

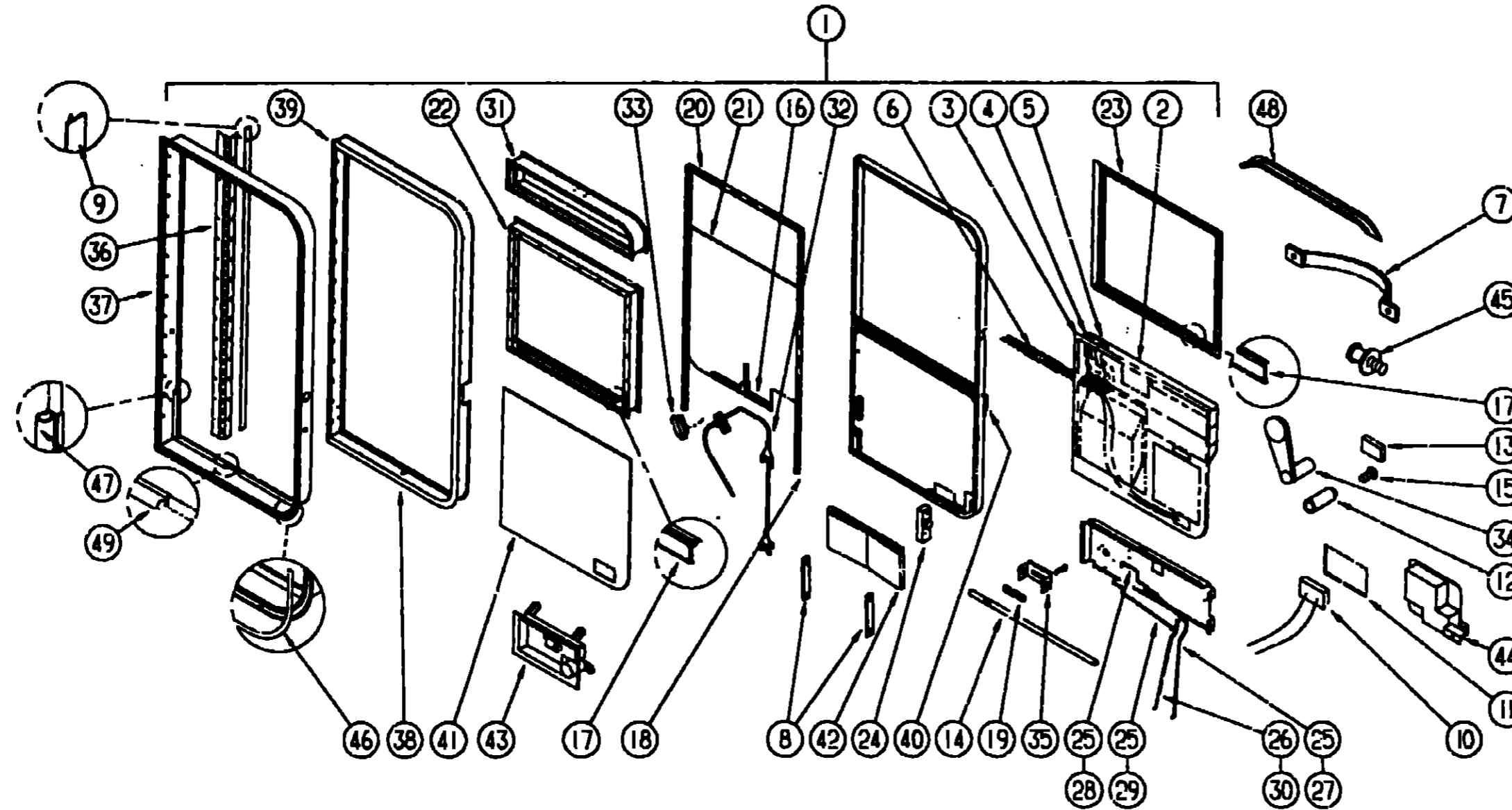
INTRODUCTION	A-01 -	A-02
ABBREVIATIONS		A-03
ALPHABETICAL INDEX	A-04 -	A-06
ICN32RQ	A-07 -	F-18
ICN34RQ	F-19 -	L-06

1992 ICN32RQ INDEX

FLOOR PLAN	A-07 -	A-08
ACCESSORIES		A-09
AUDIO/VIDEO	A-10 -	A-12
BATH	A-13 -	A-16
BEDROOM	A-17 -	A-20
CHASSIS	A-21 -	B-08
CURTAINS & CUSHIONS	B-09 -	B-22
DINETTE	B-23 -	B-24
DRIVERS	C-01 -	C-08
ELECTRICAL	C-09 -	C-14
EXTERIOR BODY	C-15 -	C-24
GALLEY	D-01 -	D-08
GENERATORS	D-09 -	D-10
HEATING & A/C	D-11 -	D-14
INTERIOR FINISH	D-15 -	D-18
LABEL	D-19 -	E-02
LP		E-03
LOUNGE	E-04 -	E-05
SEALANTS & FASTENERS	E-06 -	E-08
WATER & SEWAGE	E-09 -	E-14
WINDOW, VENT AND EXTERIOR DOOR	E-15 -	F-14
WINDSHIELD & WIPER	F-15 -	F-18

KEY	PART NUMBER	U/M DESCRIPTION
1	M01870-50-C31	EA DOOR-ENTRY, W/JAMB AND SCREEN DOOR
	076054-D3-001	EA SHEET-FIBERGLASS, 4' X 8' - OFF WHITE - FILON
	092981-01-C11	SF PANEL-DOOR
	000G11-06-12S	EA SCREW, 8-18 X 3/4 PPH - OFF WHITE
	000G39-08-08R	EA SCREW-SF/DR-8-18X1/2 PPH
	000G53-04-06B	EA SCREW-MACH-1/4-20X3/8 PPH 2N
	000G54-04-20B	EA SCREW-1/4-20X1 1/4 PTH TYP 23
	098173-01-04A	EA STIFFENER-ENTRY DOOR, SUPPORTS LATCH/STRIKE AREA - OFF WHITE
	045017-11-000	EA LATCH-PADDLE, MECHANISM W/LOCK CYLINDER & KEY - BLACK
	045017-11-701	EA KEY BLANK, F1 SERIES
	039539-01-000	EA STRIKE-ENTRANCE DOOR LOCK
	039540-01-000	EA LATCH MECHANISM-HOOK, ENTRY DOOR - INTERIOR
2	086810-01-01A	EA COVER-LATCH, ENTRANCE DOOR LOCK
	039715-01-000	EA NUT-SERT, 1/4" DIAMETER - 20 THREADS

WINDOW, VENT & EXTERIOR DOOR GROUP (CONTINUED)
DRIVERS DOOR & COMPONENTS



1992 ITASCA
TABLE OF CONTENTS

INTRODUCTION	A-01 - A-02
ABBREVIATIONS	A-03
ALPHABETICAL INDEX	A-04 - A-06
ICN32RQ	A-07 - F-19
ICN34RQ	F-19 - L-06

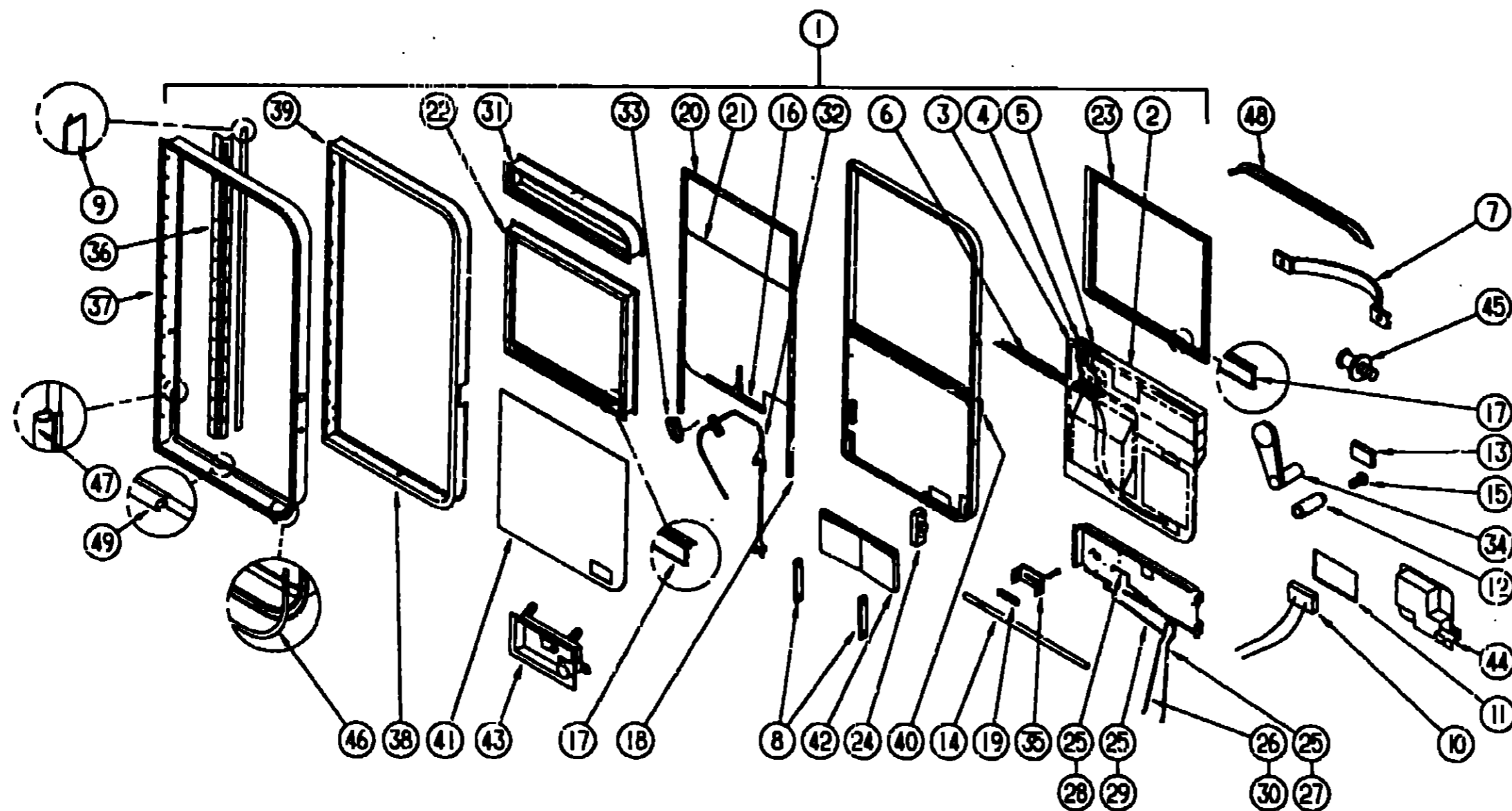
1992 ICN32RQ INDEX

FLOOR PLAN	A-07 - A-08
ACCESSORIES	A-09
AUDIO/VIDEO	A-10 - A-12
BATH	A-13 - A-16
BEDROOM	A-17 - A-20
CHASSIS	A-21 - B-08
CURTAINS & CUSHIONS	B-09 - B-22
DINETTE	B-23 - B-24
DRIVERS	C-01 - C-08
ELECTRICAL	C-09 - C-14
EXTERIOR BODY	C-15 - C-24
GALLEY	D-01 - D-08
GENERATORS	D-09 - D-10
HEATING & A/C	D-11 - D-14
INTERIOR FINISH	D-15 - D-18
LABEL	D-19 - E-02
LP	E-03
LOUNGE	E-04 - E-05
SEALANTS & FASTENERS	E-06 - E-08
WATER & SEWAGE	E-09 - E-14
WINDOW, VENT AND EXTERIOR DOOR	E-15 - F-14
WINDSHIELD & WIPER	F-15 - F-18

KEY	PART NUMBER	U/M DESCRIPTION
1	M97816-01-AE6	EA DOOR-DRIVER, W/TIPOUT - NON POWERED - USE WITH OVHD BUNK ONLY
1	M97816-02-AE6	EA DOOR-DRIVER, W/O TIPOUT - NON POWERED
1	M97816-03-AE6	EA DOOR-DRIVER, W/TIPOUT - POWERED - USE WITH OVHD BUNK ONLY
1	M97816-04-AE6	EA DOOR-DRIVER, W/O TIPOUT - POWERED
2	M97748-01-01A	EA PANEL-DOOR, INTERIOR - PLASTIC - BEIGE
	097308-01-01A	EA COVER-MAP POCKET, BEIGE
3	087895-01-000	EA SWITCH-HEATER, EXTERIOR MIRROR
4	088246-01-000	EA SWITCH-REMOTE, EXT. MIRROR - SQUARE PUSH - VELVAC 7471290
5	093132-01-000	EA SWITCH-ROCKER, 5 TERMINAL W/ARROW GRAPHICS - TORRIX 1737
	092845-01-000	EA WIRE ASSEMBLY-DRIVER DOOR CONTROL PANEL
	108386-02-000	EA WIRE ASSEMBLY-DRIVER DOOR CONTROL PANEL
		FROM: 04-06-92 THRU: 99-99-99
6	093144-01-000	EA CONDUIT-WIRE, GM# 15592046
7	061400-15-000	EA STRAP-ASSIST, 12" - BLACK W/SILVER SCREW COVERS
	063729-01-000	EA RIVNUT, 1/4 X 20 UNC - .030-.125
8	064219-01-000	EA RETAINER-CHECK STRAP, DRIVER DOOR
9	075671-01-000	FT SEAL-SPONGE, LAZY T SHAPE - WEATHERSTRIP
10	077000-01-000	EA SOCKET ASM-W/B* PIGTAIL LEADS
11	077026-01-000	EA LENS-COURTESY LIGHT, CLEAR
	080734-02-000	EA CLIP-WIRE, NYLON
12	081903-02-000	EA SHAFT-MOUNTING, KNOB
13	081905-02-000	EA KNOB-SLIDE BOLT, BLACK

KEY	PART NUMBER	U/M DESCRIPTION
14	081906-02-000	EA BOLT-SLIDE
15	081908-01-000	EA SCREW-MACHINE, 6-32 X .62 W/NYLOCK
16	081911-01-000	FT TAPE-GLASS SETTING, 1/16" X 1.5"
17	081912-02-000	EA WEATHERSTRIP-RIGID
18	082240-03-000	EA CHANNEL-GLASS RUN, BLACK
19	086284-01-000	EA SPRING-COMPRESSION, .44" LONG X .36" OD
20	089454-02-000	EA CHANNEL-GLASS RUN, TOP - BLACK
	090340-01-000	FT SEAL-FOAM, CLOSED CELL - 1/4" X 1/2" X .50"
21	092446-02-000	EA GLASS-DOOR, ROLL UP - 27.5" X 26.3"
22	092752-01-Y10	EA FRAME-WINDOW, INNER - 23.6" X 28"
23	092753-01-Y10	EA FRAME-WINDOW, OUTER
24	092927-04-000	EA LATCH-DRIVER DOOR, MECHANISM
25	092927-05-000	EA CLIP-ROD END - RIGHT
26	092927-06-000	EA CLIP-ROD END - LEFT
27	092928-01-000	EA ROD-LOCK, OUTSIDE
28	092928-03-000	EA ROD-RELEASE, INSIDE
29	092928-04-000	EA ROD-LOCK, INSIDE
30	092928-05-000	EA ROD-RELEASE, OUTSIDE - 19.9" LONG
31	093043-01-Y12	EA WINDOW ASM.-UPPER STATIONARY - 4.6" X 28" GLASS
31	092974-01-Y12	EA WINDOW ASM.-UPPER TIPOUT - 4.5" X 27.9" GLASS - OVHD BUNK ONLY
32	093534-01-000	EA REGULATOR-WINDOW, DRIVER - NON POWERED
32	103392-02-000	EA REGULATOR-POWER WINDOW
32	103392-03-000	EA REGULATOR-POWER WINDOW, W/O LEADS
		FROM: 03-24-92 THRU: 99-99-99

WINDOW, VENT & EXTERIOR DOOR GROUP (CONTINUED)
DRIVERS DOOR & COMPONENTS (CONTINUED)



1992 ITASCA
TABLE OF CONTENTS

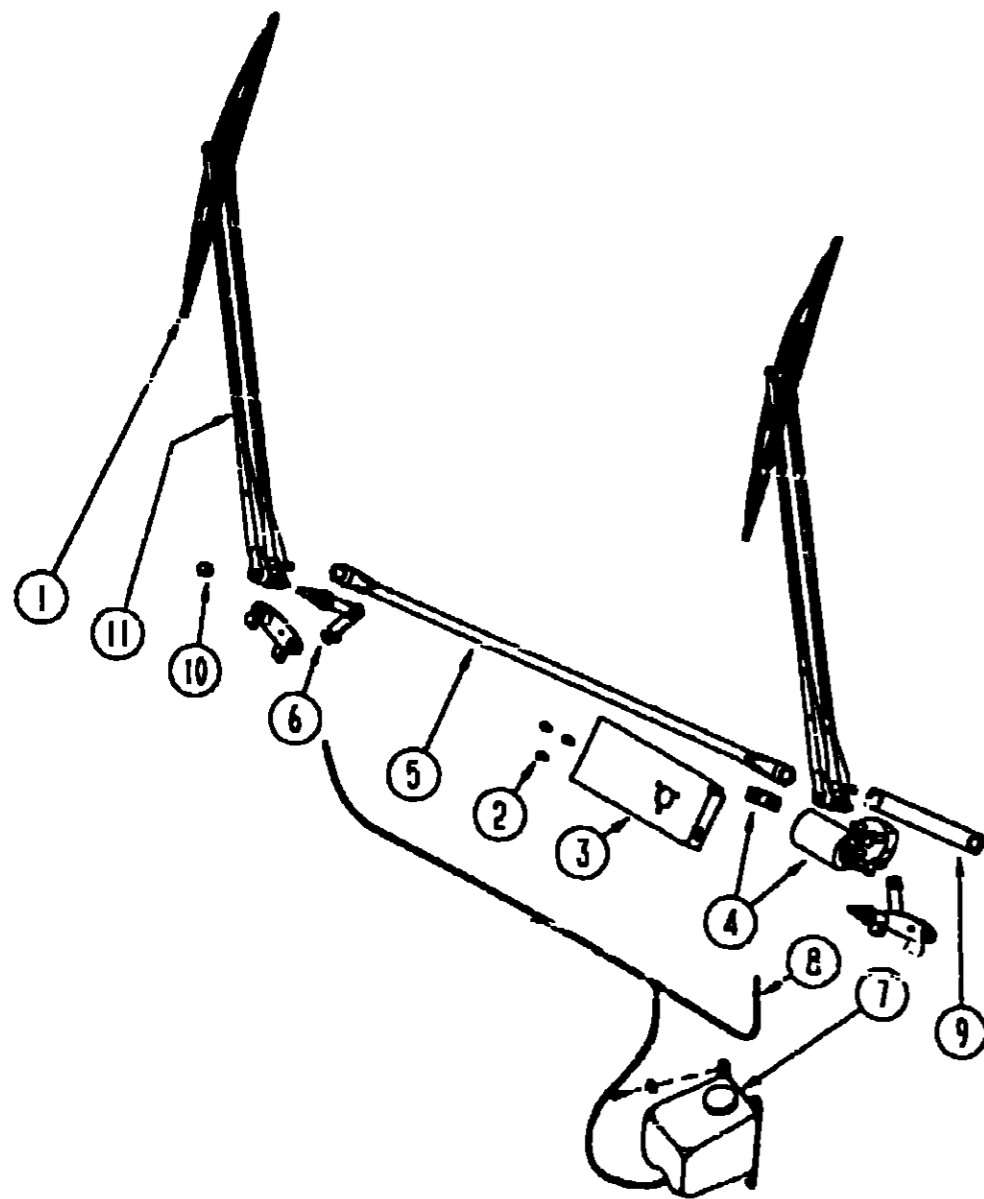
INTRODUCTION	A-01 - A-02
ABBREVIATIONS	A-03
ALPHABETICAL INDEX	A-04 - A-06
ICN32RQ	A-07 - F-18
ICN34RQ	F-19 - L-06

1992 ICN32RQ INDEX

FLOOR PLAN	A-07 - A-08
ACCESSORIES	A-09
AUDIO/VIDEO	A-10 - A-12
BATH	A-13 - A-16
BEDROOM	A-17 - A-20
CHASSIS	A-21 - B-08
CURTAINS & CUSHIONS	B-09 - B-22
DINETTE	B-23 - B-24
DRIVERS	C-01 - C-08
ELECTRICAL	C-09 - C-14
EXTERIOR BODY	C-15 - C-24
GALLEY	D-01 - D-08
GENERATORS	D-09 - D-10
HEATING & A/C	D-11 - D-14
INTERIOR FINISH	D-15 - D-18
LABEL	D-19 - E-02
LP	E-03
LOUNGE	E-04 - E-05
SEALANTS & FASTENERS	E-06 - E-08
WATER & SEWAGE	E-09 - E-14
WINDOW, VENT AND EXTERIOR DOOR	E-15 - F-14
WINDSHIELD & WIPER	F-15 - F-18

KEY	PART NUMBER	U/M	DESCRIPTION
33	092996-01-710	EA	MOTOR-POWER WINDOW, DRIVER DOOR
34	094575-01-000	EA	CRANK-HAND, GLASS LIFT
35	096809-01-000	EA	BRACKET-DEADBOLT
36	097207-01-03A	EA	HINGE-CONTINUOUS, OFF WHITE
37	097278-01-AE6	EA	JAMB-DOOR
38	097279-01-02A	EA	FRAME-DOOR, REAR OUTER - OFF WHITE
39	097280-01-02A	EA	FRAME-DOOR, FRONT OUTER - OFF WHITE
	055278-01-001	FT	TUBING-STEEL, .75" X 1.5" X 288"
40	097367-01-000	EA	BRACKET-SUPPORT, DOOR LOCK
41	077517-52-000	EA	FIBERGLASS-SHEET, 29.7" X 27.9" - OFF WHITE - FLAT
42	098030-01-000	EA	STRAP-CHECK, DRIVER DOOR - BLACK
43	102235-01-01A	EA	LATCH-OUTSIDE, DRIVER DOOR - BLACK BLANK KEY# 045017-11-701
44	102237-01-01A	EA	LATCH-INSIDE, DRIVER DOOR - BLACK
45	092927-03-000	EA	STRIKER-ROUND, JAMB MOUNTED - TRIMARK 10335-16
	093899-02-000	EA	PLATE-STRIKER BOLT
46	097315-01-01A	FT	TRIM-INSERT, DRIVER DOOR - .43" WIDE - VINYL - OFF WHITE
47	081632-01-000	FT	SEAL-BULB, W/WIRE CARRIER - DOOR - 8" WIDE - RUBBER
48	064184-05-000	EA	CAP-DRIP, DRIVER DOOR - OFF WHITE
49	064075-07-000	FT	SEAL-BULB, W/WIRED U CHANNEL - .3" X .5" CHANNEL - BLACK
	103413-01-01A	EA	GARNISH-DRIVERS DOOR, OFF WHITE
	091255-02-000	FT	SEAL-ADHESIVE BACKED FOAM, .18" THICK X 1.5" WIDE
	100028-01-000	FT	TAPE-ADHESIVE, .031" X .75" WIDE
	091968-03-000	FT	TAPE-ADHESIVE, .04" X 1" WIDE
	092893-02-01A	EA	LINER-STEP BOX, ENTRANCE DOOR - 5" - BLACK

**WINDSHIELD & WIPER GROUP
WIPER COMPONENTS**



KEY	PART NUMBER	U/M	DESCRIPTION
1	095964-01-000	EA	BLADE ASM.-WIPER, 24"
	095964-01-700	EA	BLADE-REFILL, WIPER - PAIR - 24"
2	096526-01-000	EA	SCREW-HEX, 1/4 - 28 UNF
3	092334 01 000	EA	BRACKET-WIPER,MOTOR
4	104355-02-000	EA	MOTOR ASM., W/DRIVE ARM
	067188-01-000	EA	STUD-CRANK,WIPER
5	067192-01-000	EA	LINK-CONNECTING, W/BLACK BUSHING - 37.85"
6	096505-01-000	EA	PIVOT SHAFT
7	056000-02-000	EA	WASHER-WINDSHIELD, BOTTLE & PUMP
	056000-01-700	FT	VACUUM HOSE 7/64 - 5/32
8	045794-01-000	FT	HOSE-WASHER, WINDSHIELD - 5/32" ID - BLACK
9	067193-02-000	EA	LINK-CONNECTING, W/BLACK BUSHING - 9.2"
10	077049-01-000	EA	NUT-ACORN, 10-32 ALUMINUM
11	095963-01-000	EA	ARM-WIPER, PANTOGRAPH - 28"
	096931-01-700	FT	HOSE F/WIPER BLADES
	096931-01-701	EA	NOZZLE HDWRE.KIT
	077048-01-000	EA	SHAFT-ADAPTER, WINDSHIELD PANTOGRAPH ARM

**1992 ITASCA
TABLE OF CONTENTS**

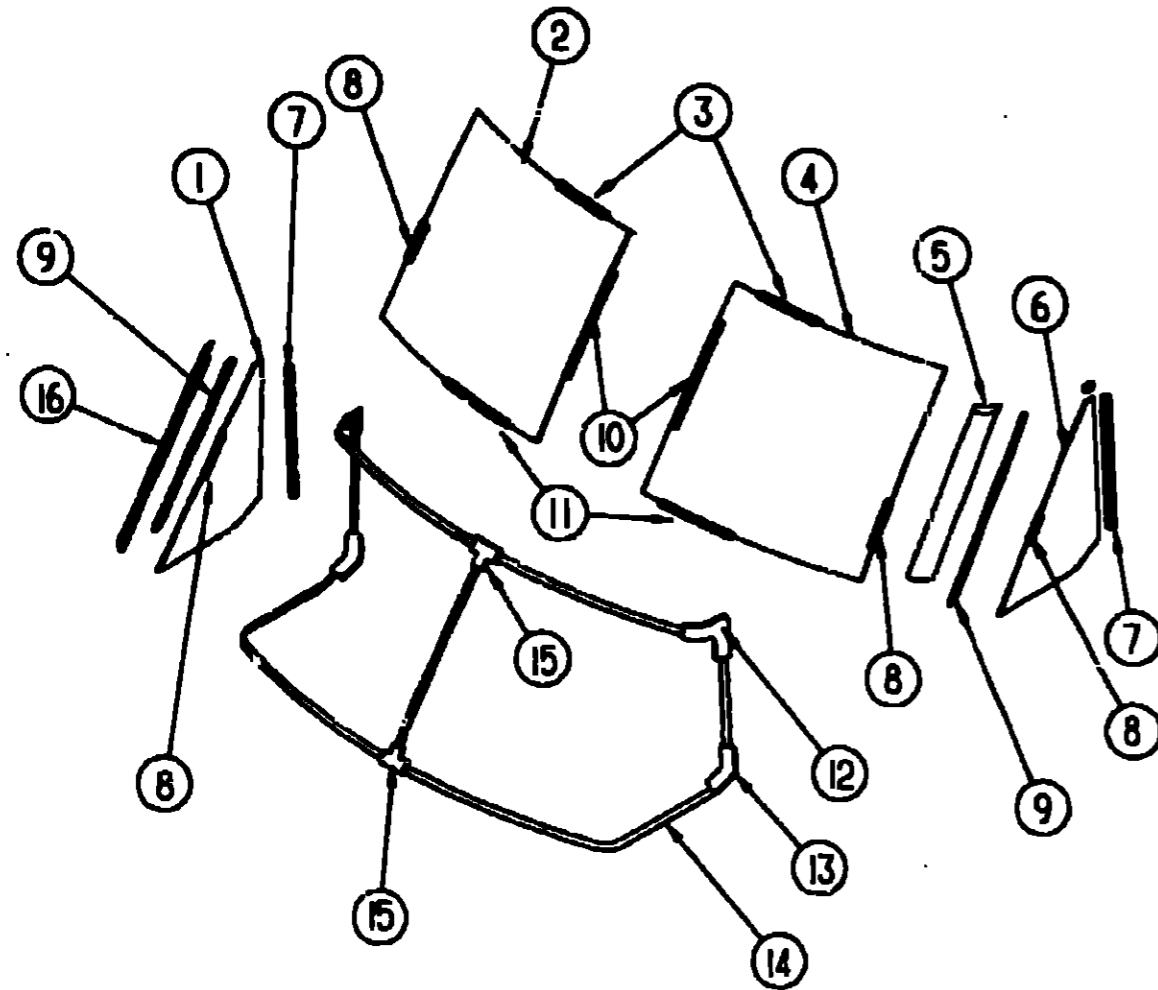
INTRODUCTION	A-01 - A-02
ABBREVIATIONS	A-03
ALPHABETICAL INDEX	A-04 - A-08
ICN32RQ	A-07 - F-18
ICN34RQ	F-19 - L-06

1992 ICN32RQ INDEX

FLOOR PLAN	A-07 - A-08
ACCESSORIES	A-09
AUDIO/VIDEO	A-10 - A-12
BATH	A-13 - A-16
BEDROOM	A-17 - A-20
CHASSIS	A-21 - B-08
CURTAINS & CUSHIONS	B-09 - B-22
DINETTE	B-23 - B-24
DRIVERS	C-01 - C-08
ELECTRICAL	C-09 - C-14
EXTERIOR BODY	C-15 - C-24
GALLEY	D-01 - D-08
GENERATORS	D-09 - D-10
HEATING & A/C	D-11 - D-14
INTERIOR FINISH	D-15 - D-18
LABEL	D-19 - E-02
LP	E-03
LOUNGE	E-04 - E-05
SEALANTS & FASTENERS	E-06 - E-08
WATER & SEWAGE	E-09 - E-14
WINDOW, VENT AND	
EXTERIOR DOOR	E-15 - F-14
WINDSHIELD & WIPER	F-15 - F-18

WINDSHIELD & WIPER GROUP (CONTINUED)

WINDSHIELDS, TRIMS & MOLDINGS



KEY	PART NUMBER	U/M DESCRIPTION	FROM: THRU:
1	091953-03-000	EA GLASS-CORNER VENT, PASSENGER	FROM: 00-00-00 THRU: 01-05-92
1	091953-05-000	EA GLASS-CORNER VENT, PASSENGER	FROM: 01-06-92 THRU: 99-99-95
2	091215-01-000	EA GLASS-WINDSHIELD, PASSENGER	FROM: 00-00-00 THRU: 01-05-92
2	091215-03-000	EA GLASS-WINDSHIELD, PASSENGER	FROM: 01-06-92 THRU: 99-99-99
3	110268-07-000	EA CARRIER-REVEAL, WINDSHIELD	FROM: 01-06-92 THRU: 99-99-99
4	091215-02-000	EA GLASS-WINDSHIELD, DRIVER	FROM: 00-00-00 THRU: 01-05-92
4	091215-04-000	EA GLASS-WINDSHIELD, DRIVER	FROM: 01-06-92 THRU: 99-99-99
5	091901-02-000	EA TRIM-A-PILLAR, DR - BETWEEN WINDSHIELD & VENT GLASS - BLK	
6	091953-04-000	EA GLASS-CORNER VENT, DRIVER	FROM: 00-00-00 THRU: 01-05-92
6	091953-06-000	EA GLASS-CORNER VENT, DRIVER	FROM: 01-06-92 THRU: 99-99-99
7	106113-01-000	EA CARRIER-REVEAL, WINDSHIELD	FROM: 01-06-92 THRU: 99-99-99
8	098788-05-000	EA CHANNEL-RIGID, WINDSHIELD	FROM: 01-24-92 THRU: 99-99-99
9	098788-01-000	EA CHANNEL-RIGID, WINDSHIELD - .35" - PVC	FROM: 00-00-00 THRU: 01-05-92
9	098788-04-000	EA CHANNEL-RIGID, WINDSHIELD - .38" - PVC	FROM: 01-06-92 THRU: 99-99-99
10	102935-04-000	EA CARRIER-REVEAL, WINDSHIELD - CENTER	FROM: 01-06-92 THRU: 99-99-99
11	102935-06-000	EA CARRIER-REVEAL, WINDSHIELD	FROM: 01-06-92 THRU: 99-99-99
12	106115-01-000	EA CAP-REVEAL MOLDING, WINDSHIELD - TOP	
13	106114-01-000	EA CAP-REVEAL MOLDING, WINDSHIELD - CORNER	
14	091986-01-000	EA MOLDING-REVEAL, WINDSHIELD - SURROUNDS BOTH WINDSHIELDS	FROM: 00-00-00 THRU: 01-12-92
14	102936-01-000	EA MOLDING-REVEAL, WINDSHIELD - SURROUNDS BOTH WINDSHIELDS	FROM: 01-13-92 THRU: 99-99-99
15	077952-02-000	EA CAP-REVEAL MOLDING, CENTER TOP & BOTTOM WINDSHIELD	
16	091901-01-000	EA TRIM-A-PILLAR, PASS - BETWEEN WINDSHIELD & VENT GLASS - BLK	
	002328-02-000	EA BLOCK-WINDSHIELD, .062" X .5" X .98"	
	075710-04-000	EA FRAME-WINDSHIELD, INNER - CENTER	
	091929-01-000	EA FRAME-WINDSHIELD, UPPER	
	091959-01-000	EA FRAME-WINDSHIELD, LOWER	FROM: 00-00-00 THRU: 01-05-92
	091959-02-000	EA FRAME-WINDSHIELD, LOWER	FROM: 01-06-92 THRU: 99-99-99
	091969-01-000	EA FRAME-WINDSHIELD, LOWER - INNER - PASSENGER	
	091969-02-000	EA FRAME-WINDSHIELD, LOWER - INNER - DRIVER	
	040921-04-000	EA NUT-SPEED, U TYPE - NO. 8 - .59" LENGTH X .44" WIDTH	
	040921-05-000	EA NUT-SPEED, U TYPE - NO. 8 - .67" LENGTH X .44" WIDTH	
	040921-06-000	EA NUT-SPEED, U TYPE - NO. 8 - .57" LENGTH X .63" WIDTH	

1992 ITASCA TABLE OF CONTENTS

INTRODUCTION	A-01 -	A-02
ABBREVIATIONS		A-03
ALPHABETICAL INDEX	A-04 -	A-06
ICN32RQ	A-07 -	F-18
ICN34RQ	F-19 -	L-06

1992 ICN32RQ INDEX

FLOOR PLAN	A-07 -	A-08
ACCESSORIES		A-09
AUDIO/VIDEO	A-10 -	A-12
BATH	A-13 -	A-16
BEDROOM	A-17 -	A-20
CHASSIS	A-21 -	B-08
CURTAINS & CUSHIONS	B-09 -	B-22
DINETTE	B-23 -	B-24
DRIVERS	C-01 -	C-08
ELECTRICAL	C-09 -	C-14
EXTERIOR BODY	C-15 -	C-24
GALLEY	D-01 -	D-08
GENERATORS	D-09 -	D-10
HEATING & A/C	D-11 -	D-14
INTERIOR FINISH	D-15 -	D-18
LABEL	D-19 -	E-02
LP		E-03
LOUNGE	E-04 -	E-05
SEALANTS & FASTENERS	E-06 -	E-08
WATER & SEWAGE	E-09 -	E-14
WINDOW, VENT AND EXTERIOR DOOR	E-15 -	F-14
WINDSHIELD & WIPER	F-15 -	F-18