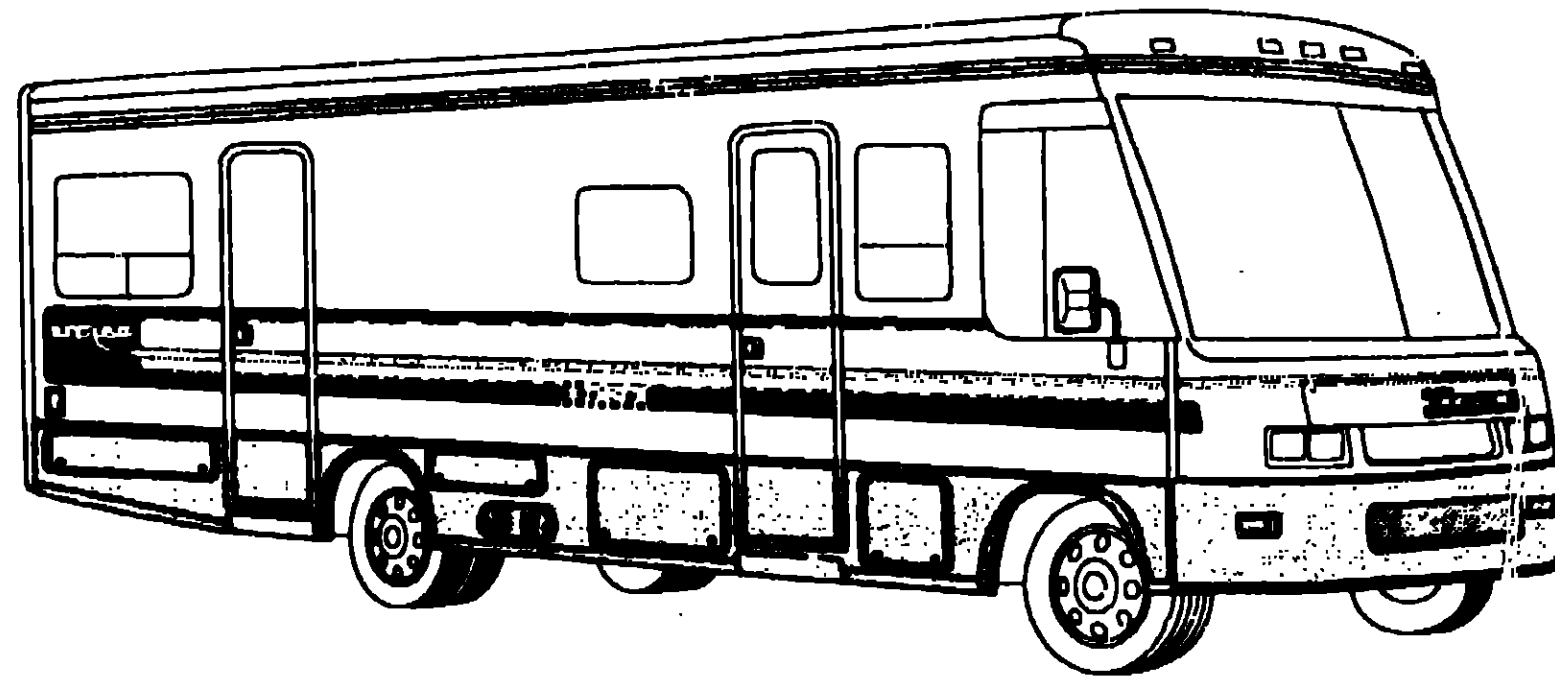


**1992 ITASCA
TABLE OF CONTENTS**

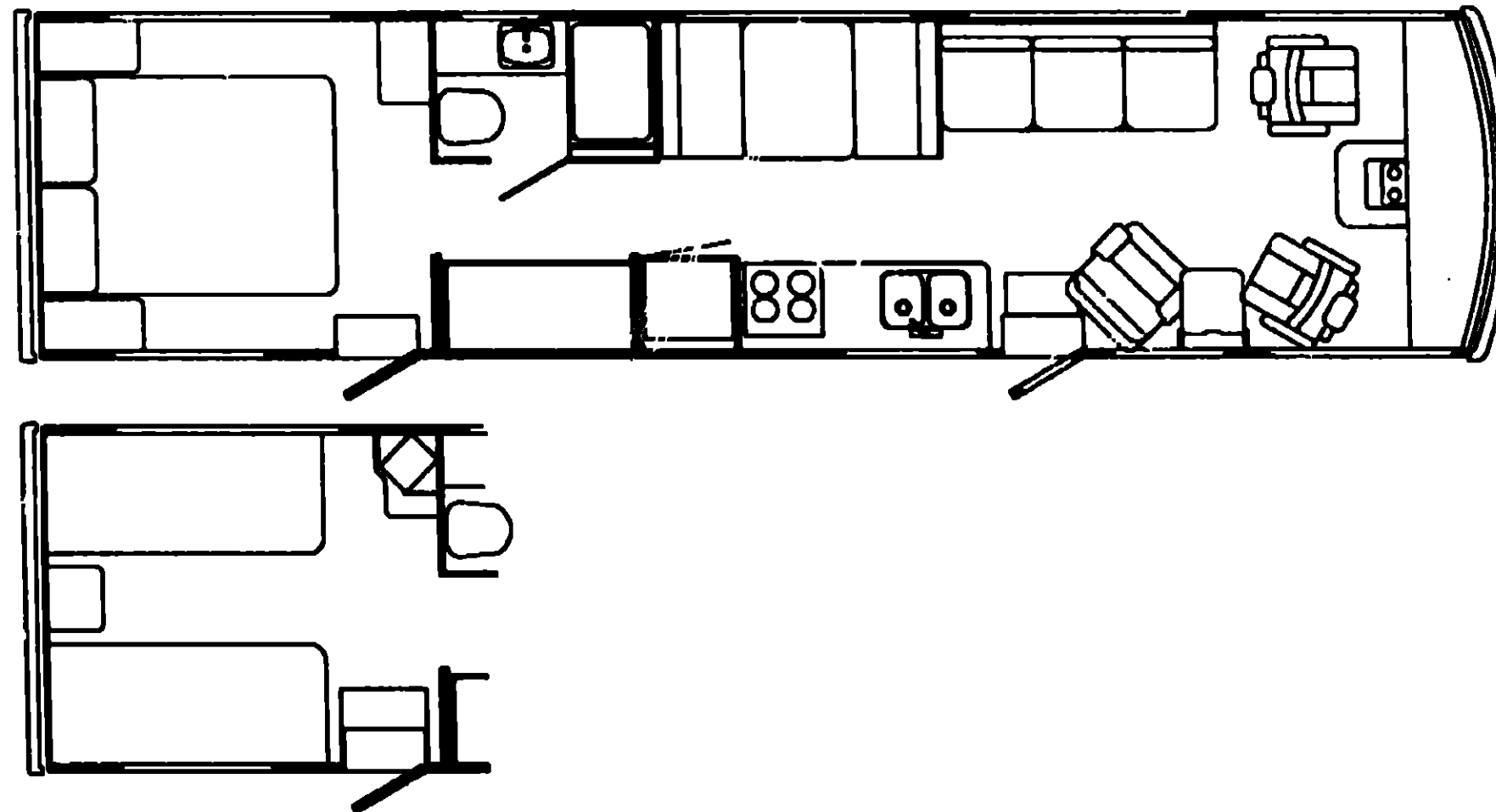
INTRODUCTION	A-01 - A-02
ABBREVIATIONS	A-03
ALPHABETICAL INDEX	A-04 - A-06
ICG34RQ	A-07 - E-18
IKG34RQ	E-19 - I-18



**1992
ICG34RQ
C27
C28**

1992 ICG34RQ INDEX

FLOOR PLAN	A-07 - A-08
ACCESSORIES	A-09 - A-10
BATH	A-11 - A-13
BEDROOM	A-14 - A-16
CHASSIS	A-17 - B-02
CURTAIN & CUSHION	B-03 - B-12
DINETTE	B-13 - B-14
DRIVERS COMPARTMENT	B-15 - B-18
ELECTRICAL	B-19 - B-24
EXTERIOR BODY	C-01 - C-10
GALLEY	C-11 - C-15
GENERATOR	C-16 - C-17
HEATING & AC	C-18 - C-20
INTERIOR FINISH	C-21 - D-02
LABELS	D-03 - D-10
LP	D-11
LOUNGE	D-12 - D-14
SEALANTS & FASTENERS	D-15 - D-17
WATER & SEWAGE	D-18 - D-21
WINDOW, VENT & EXTERIOR DOOR	D-22 - E-16
WINDSHIELD & WIPER	E-17 - E-18



**ACCESSORIES GROUP
OPERATOR MANUAL**

KEY	PART NUMBER	U/M DESCRIPTION
	054185-01-000	EA MANUAL - OPERATOR 92 SUNCRUISER - G-SERIES
	092318-01-000	EA BINDER-3 RING - MOTOR HOME MANUAL
	092319-01-000	EA POCKET PAGE-3 RING BINDER - PLASTIC
RADIO SYSTEMS & ANTENNA		
KEY	PART NUMBER	U/M DESCRIPTION
	089340-03-000	EA GRILLE - SPEAKER - SPACER TAN
	093214-01-02A	EA GRILLE - SPEAKER - 4" BROWN
	089340-02-000	EA GRILLE - SPEAKER - 6 5" SQUARE
	073741-04-000	EA GRILLE - SPEAKER - OVAL - 4" X 6" - BLACK
	094097-01-000	EA SPEAKER - RADIO - W/O GRILLE - 5 25" DIA - AUDIOVOX 110C3030
	073741-03-000	EA SPEAKER - RADIO - OVAL - AUDIOVOX 110-2074 - 4" X 6"
	077069-02-000	EA CABLE - ANTENNA - RADIO - EXTENSION 96" - ARA 6700667
	097621-02-000	EA MOUNTING KIT - RADIO - AUDIOVOX WMK - AB02 FROM 08-12-91 THRU 99-99-99
	081059-02-000	EA WIRE ASM - 9-PIN - RADIO - AUDIOVOX 112B-1761
	104089-01-000	EA RADIO - AM/FM STEREO - CASSETTE DIN AUDIOVOX IM-DXF
	087683-01-000	EA RADIO - AM/FM STEREO W/CASSETTE AUDIOVOX 144D1559
	090944-01-000	EA ANTENNA - RADIO - 16" RUBBER
	105248-01-000	EA ANTENNA - CB - ADVANCE 8604
	104899-01-C27	EA PLATE - RADIO MOUNTING
	105230-11-C25	EA SHELF ASM
	105230-12-C25	EA SUPPORT ASM
	105377-01-01A	EA BRACKET - TABLE HANGER OFF WHITE FROM 06-25-91 THRU 99-99-99
	105377-01-02A	EA BRACKET - TABLE HANGER GRAY FROM 00-00-00 THRU 06-24-91
	090862-01-000	EA BRACKET - HAT - ANTENNA - 3.1" X 3.9" - STEEL - BLACK

REAR MONITOR SYSTEM

KEY	PART NUMBER	U/M DESCRIPTION
	105249-01-000	EA TELEVISION SYSTEM - REAR VIEW - AUDIOVOX A05 10
	092881-01-000	EA WIRE - INSTRUMENT PANEL - REAR VIEW MONITOR
	105304-01-000	EA WIRE ASM - REAR MONITOR - UPPER

**ACCESSORIES GROUP (CONTINUED)
TV - VCR SYSTEMS & ANTENNA**

KEY	PART NUMBER	U/M DESCRIPTION
	076319-09-000	EA WALLPLATE - CABLE RECEPTACLE - TV - SINGLE - BROWN
	082134-01-000	EA ADAPTER-TV - CABLE TO CABLE - WINEGARD F-81M
	086756-01-000	EA SPLITTER - TV - 2 WAY
	078319-03-000	FT CABLE - COAXIAL - 75 OHM
	076319-12-000	EA CONNECTOR - COAXIAL - ONE PIECE
	086757-03-000	EA CONTROL CENTER - SWITCH - VCR/TV - MAGNADYNE VCS-6 FROM 04-11-91 THRU 99-99-99
	086777-03-000	EA PLATE - WALL - CABLE - W/TV ANTENNA SWITCH & BOOSTER - IVORY
	098446-03-000	EA VCR-VHS - CABLE READY - REMOTE - MAGNAVOX VR9010
	098446-03-700	EA REMOTE FOR VCR-VHS
	098446-02-700	EA REMOTE F/MODE F/9912
	098446-03-700	EA REMOTE F/MODEL 0974588
	092310-01-700	EA REMOTE F/RK3955 0822335
	092310-02-700	EA REMOTE F/TV 0822334
	098447-03-000	EA TV 13" - COLOR W/REMOTE - U.S. - MAGNAVOX RR1337
	098447-03-700	EA REMOTE FOR TV-13" FROM 00-00-00 THRU 06-23-91
	098447-04-000	EA TV-13" - COLOR W/REMOTE - CANADIAN - MAGNAVOX RR1330W
	098447-03-700	EA REMOTE FOR TV - 13" FROM 00-00-00 THRU 06-23-91
	098819-01-000	EA SPEAKER - 2 WATT - 8 OHM - 4"
	092310-02-000	EA TV-COLOR - 9" - AC/DC - W/REMOTE - MAGNAVOX RD0945 FROM 00-00-00 THRU 09-03-91
	076319-01-000	EA ANTENNA - TV - ROOF MOUNT - 44 5" MAST RVA W02
	076319-01-700	EA HEAD - ANTENNA - AMPLIFIED - WINEGARD RVSA U/V
	076319-01-701	EA GEAR - ELEVATING - PLASTIC - WINEGARD 2200046
	076319-01-702	EA SHAFT ASM - ELEVATING - WINEGARD RVP-400A
	076319-01-703	EA BEARING - NYLON - 5"OD - WINEGARD 3200656
	076319-01-705	EA GROMMET - NYLON - 7/8"ID - WINEGARD 3200658
	076319-01-706	EA CRANK - ELEVATING - W/SET SCREW 5755100
	076319-01-707	EA SPRING - HANDLE - WINEGARD 5160800
	076319-01-709	EA PLATE - DIRECTIONAL - FOR HEAD - WINEGARD 3200644
	076319-01-706	EA CRANK - ELEVATING - W/SET SCREW - WINEGARD 5755100
	076319-08-000	EA WALLPLATE - CABLE RECEPTACLE - TV - SINGLE - IVORY
	082136-01-000	EA NUT - HEX JAM 3/8-32 WINEGARD
	086777-01-000	EA WALLPLATE - TV CABLE - W/ANTENNA SWITCH - IVORY

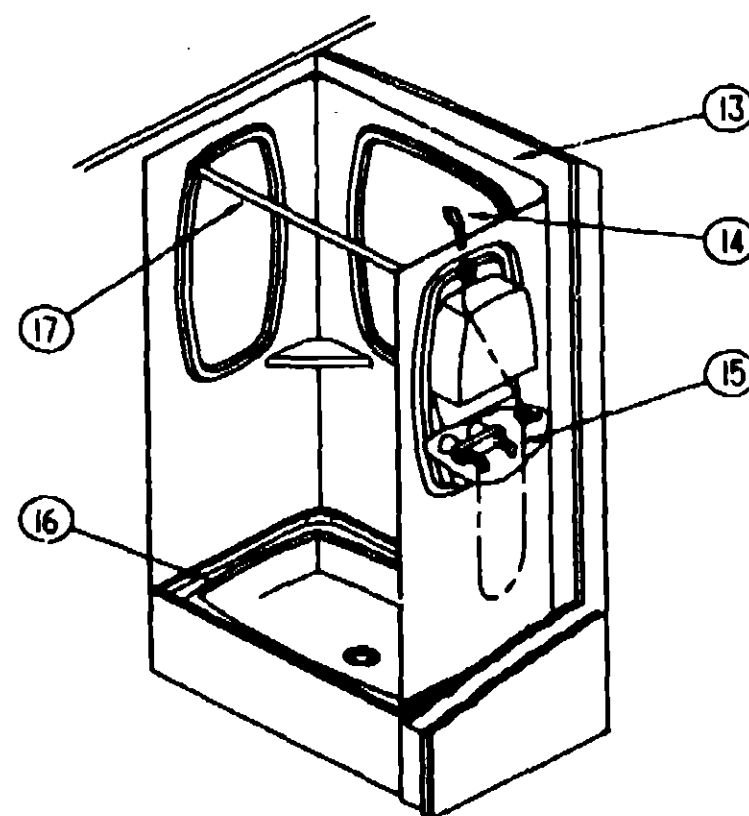
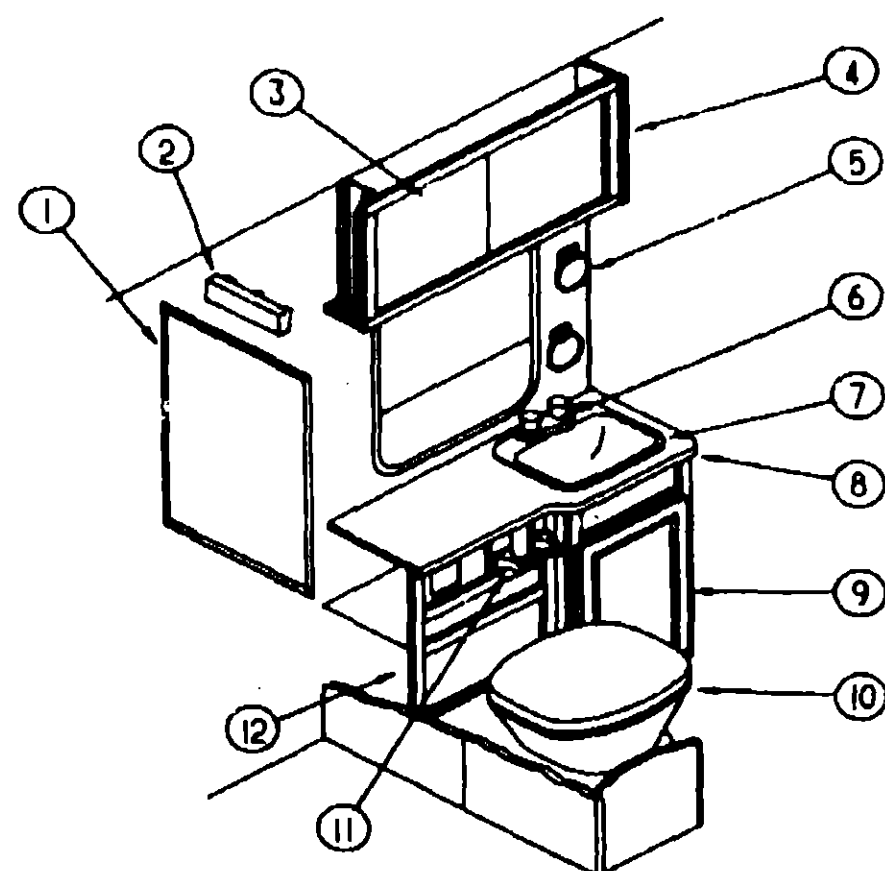
**1992 ITASCA
TABLE OF CONTENTS**

INTRODUCTION	A-01 - A-02
ABBREVIATIONS	A-03
ALPHABETICAL INDEX	A-04 - A-06
ICG34RQ	A-07 - E-18
IKG34RQ	E-19 - I-18

1992 ICG34RQ INDEX

FLOOR PLAN	A-07 - A-08
ACCESSORIES	A-09 - A-10
BATH	A-11 - A-13
BEDROOM	A-14 - A-16
CHASSIS	A-17 - B-02
CURTAIN & CUSHION	B-03 - B-12
DINETTE	B-13 - B-14
DRIVERS COMPARTMENT	B-15 - B-18
ELECTRICAL	B-19 - B-24
EXTERIOR BODY	C-01 - C-10
GALLEY	C-11 - C-15
GENERATOR	C-16 - C-17
HEATING & A/C	C-18 - C-20
INTERIOR FINISH	C-21 - D-02
LABELS	D-03 - D-10
LP	D-11
LOUNGE	D-12 - D-14
SEALANTS & FASTENERS	D-15 - D-17
WATER & SEWAGE	D-18 - D-21
WINDOW, VENT & EXTERIOR DOOR	D-22 - E-16
WINDSHIELD & WIPER	E-17 - E-18

BATH GROUP
BATH CABINETS, PRIVACY DOOR & SHOWER COMPONENTS



KEY	PART NUMBER	U/M DESCRIPTION
1	058331-08-000	EA MIRROR
2	110235-01-01A	EA LIGHT - 3 BULB
3	101040-03-000	EA MIRROR - GLASS - FINGER PULL (364 2 X 445 0 MM)
4	104460-01-C27 042077-01-000	EA CABINET ASM - MEDICINE FT CHANNEL - U - WINDOW GLASS OR CABINET DOOR RUN - 3/16" FROM 11-07-91 THRU: 99-99-99
	074031-01-000	FT CHANNEL - PILE - FLEX - SCHLEGEL 1328-2081 - FROM 00-00-00 THRU: 11-06-91
5	075454-02-000 100494-03-C27 009151-01-000 100357-01-000 102089-11-B25 102089-12-B25	EA RING-TOWEL - W/MOUNTING HARDWARE - BRASS EA DOOR ASM - BATH EA WARP GUARD - CABINET/PRIVACY DOOR - 48" EA ROD - TOWEL - BRASS W/ENDS BENT FOR BACK OF BATH DOOR EA MOUNT - ROD - RIGHT SIDE - FOR TOWEL RODS - 53.5" LONG - WOOD EA MOUNT - ROD - LEFT SIDE - FOR TOWEL RODS - 53.5" LONG - WOOD
6	075240-06-000 105218-01-01A	EA FAUCET - LAVATORY - BONE EA SPACER - FAUCET - LAVATORY SINK - 2" X 5.9" - ABS PLASTIC - OFF WHITE FROM: 00-00-00 THRU: 10-13-91
7	096927-01-01A 096927-01-700 096927-01-701 106017-01-C07 106017-01-C08	EA SINK - LAVATORY - RECTANGULAR - PLASTIC - BONE EA SINK STOPPER EA TAILPIECE - SINK EA SHELF ASM - BATH (C27) EA SHELF ASM - BATH (C28)
8	104459-11-C27 104459-11-C08	EA COUNTERTOP ASM EA COUNTERTOP ASM (C28)
9	P03702-F0-C27	EA DOOR ASM - W/O HARDWARE
10	064076-02-000 039341-02-700 039341-02-703 039341-02-704 039341-02-705 039341-02-707 064076-01-701 104013-03-C27 074383-07-000 103874-01-000 064467-01-000 011069-04-000 091208-01-000	EA TOILET - STARLITE - LOW - IVORY THETFORD - W/O WATERSAVER EA COVER - SEAT - TOILET - IVORY 037151 THETFORD NEW EA PLUG-HOLE - IVORY - THETFORD 03895-10 EA SEAT & COVER SET - THETFORD 08855 SL & SH NEWSTYLE EA MOUNTING PACKAGE - THETFORD 08975 A.M EA PIN - HINGE - TOILET - 12986 THETFORD EA MECHANISM - FLUSHING - THETFORD 14622 IVORY STARLIGHT EA DOOR ASM - SLIDING EA TRACK - SLIDING DOOR - GOLD EA HANGER - SLIDING DOOR EA GUIDE - POCKET - SLIDING DOOR - WALL MOUNTED EA TAILPIECE - 1 1/2 X 1 1/4 X 8 - BRASS (TUB) EA WASHER - RUBBER - .06" X .75" X .5"
11	075452-02-000	EA HOLDER - TOILET TISSUE - BRASS
12	P04459-01-C27 P04459-01-C28	EA CABINET ASM - LAVATORY EA CABINET ASM - LAVATORY
13	104464-01-01A	EA SURROUND - SHOWER - OFF WHITE
14	103092-01-000	EA SHOWER HEAD - W/60 IN HOSE
15	075241-05-000	EA FAUCET - SHOWER, BONE
16	M02630-22-C07	EA SHOWER PAN ASM
17	102075-06-01A 009112-01-000 057671-01-000 104462-01-01A 073260-54-C10 073260-54-C30 084481-22-C27 084481-22-C08	EA CURTAIN ROD - SHOWER EA FLANGE - CURTAIN ROD EA COVER - SCREW - #8 - PLASTIC - OFF WHITE EA CADDY - SHOWER - OFF WHITE EA TIEBACK ASM - 3"X16" (C27) EA TIEBACK ASM - 3"X16" (C28) EA CURTAIN ASM - SHOWER - 65X40 - GROMMET TOP EA CURTAIN ASM - SHOWER - 65X40 - GROMMET TOP (C28)

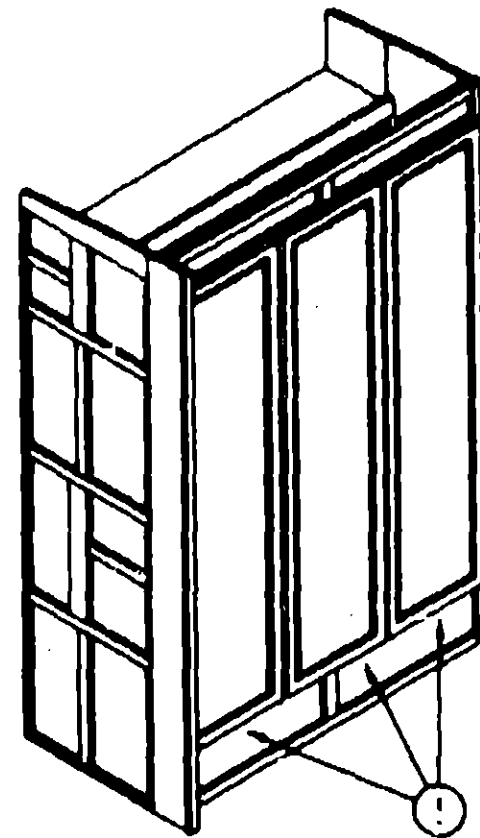
1992 ITASCA
TABLE OF CONTENTS

INTRODUCTION	A-01 - A-02
ABBREVIATIONS	A-03
ALPHABETICAL INDEX	A-04 - A-08
ICG34RQ	A-07 - E-18
IKG34RQ	E-19 - I-18

1992 ICG34RQ INDEX

FLOOR PLAN	A-07 - A-08
ACCESSORIES	A-09 - A-10
BATH	A-11 - A-13
BEDROOM	A-14 - A-16
CHASSIS	A-17 - B-02
CURTAIN & CUSHION	B-03 - B-12
DINETTE	B-13 - B-14
DRIVERS COMPARTMENT	B-15 - B-18
ELECTRICAL	B-19 - B-24
EXTERIOR BODY	C-01 - C-10
GALLEY	C-11 - C-15
GENERATOR	C-16 - C-17
HEATING & A/C	C-18 - C-20
INTERIOR FINISH	C-21 - D-02
LABELS	D-03 - D-10
LP	D-11
LOUNGE	D-12 - D-14
SEALANTS & FASTENERS	D-15 - D-17
WATER & SEWAGE	D-18 - D-21
WINDOW, VENT &	
EXTERIOR DOOR	D-22 - E-16
WINDSHIELD & WIPER	E-17 - E-18

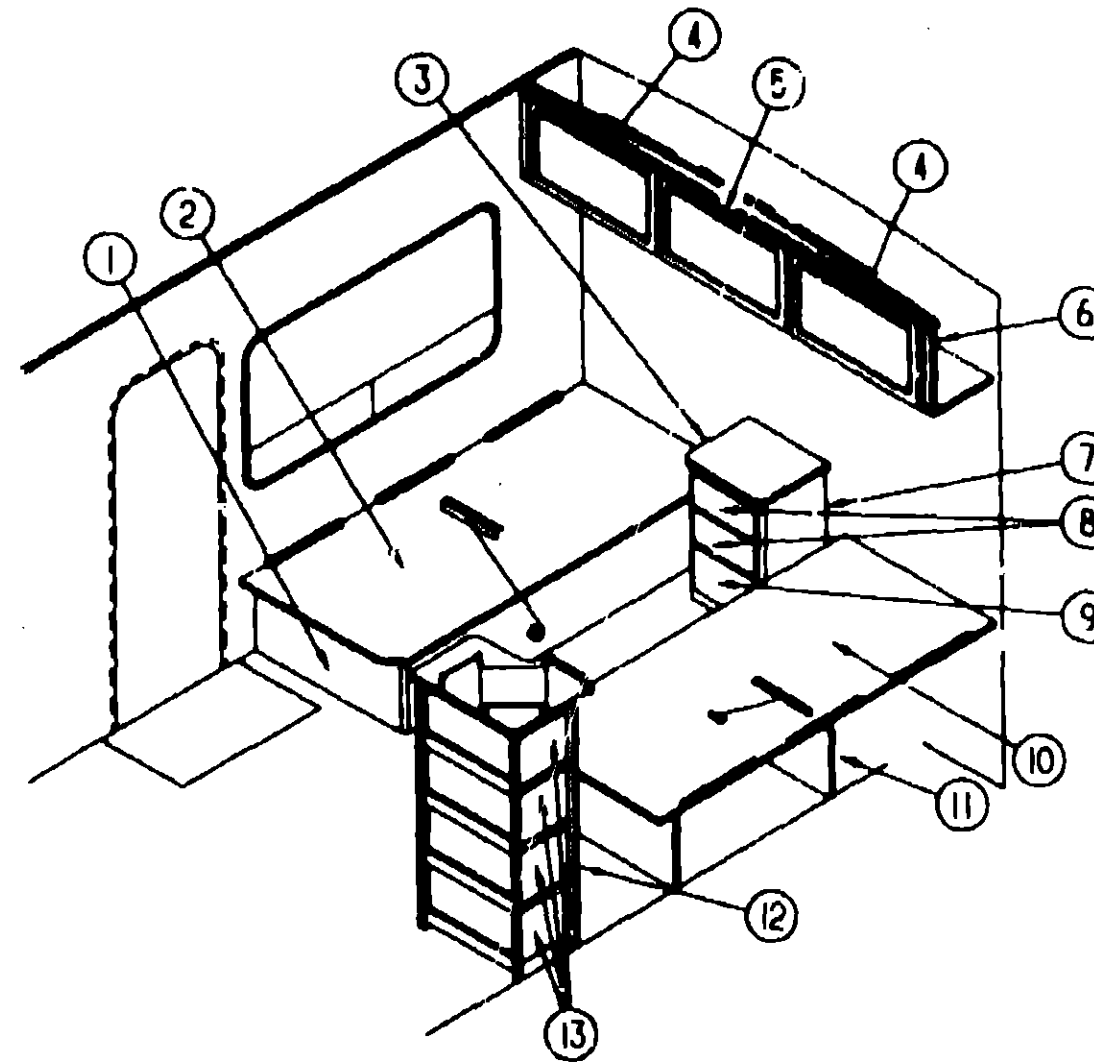
BATH GROUP (CONTINUED)



WARDROBE CABINET

KEY	PART NUMBER	U/M DESCRIPTION	
1	P03702-F1-C27	EA DOOR ASM - W/O HARDWARE	
			FROM 00-00-00 THRU 02-17-92
1	P04536-15-C27	EA DOOR ASM - W/O HARDWARE	
			FROM 02-18-92 THRU 99-99-99
	042433-01-000	EA DOWEL - CLOTHES ROD - 1" DIAMETER - WOOD	
	009112-01-000	EA FLANGE - 1" CLOTHES ROD - PLASTIC - OFF WHITE	

BEDROOM GROUP



TWIN BEDROOM

KEY	PART NUMBER	U/M DESCRIPTION	
1	M05197-01-C27	EA CABINET ASM. - TWIN BED - RH - BASE	
2	M05193-01-C07	EA CABINET ASM. - TWIN BED - RH - TOP	
3	104507-11-C27	EA COUNTERTOP ASM	
3	104507-11-C28	EA COUNTERTOP ASM	
4	P03702-01-C25	EA DOOR ASM - W/O HARDWARE	
			FROM 00-00-00 THRU: 08-04-91
4	P03702-12-C43	EA DOOR ASM - W/O HARDWARE	
			FROM 08-05-91 THRU: 99-99-99
5	P03702-65-C27	EA DOOR ASM - W/O HARDWARE	
6	M05160-16-C27	EA CABINET ASM. - OVERHEAD	
7	104507-01-C27	EA CABINET ASM - NIGHTSTAND	
7	104507-01-C28	EA CABINET ASM - NIGHTSTAND	
8	P03397-C3-C27	EA DRAWER ASM - CABINET - W/O HARDWARE	
			FROM: 00-00-00 THRU: 01-19-92
8	P07104-77-C27	EA DRAWER ASM. - W/O HARDWARE	
			FROM: 01-20-92 THRU: 99-99-99
9	P03397-C1-C27	EA DRAWER ASM - CABINET - W/O HARDWARE	
			FROM: 00-00-00 THRU: 01-19-92
9	P07104-79-C27	EA DRAWER ASM. - W/O HARDWARE	
			FROM: 01-20-92 THRU: 99-99-99
10	M05194-01-C07	EA CABINET ASM. - TWIN BED - LH - TOP	
11	M05197-02-C27	EA CABINET - TWIN BED - LH - BASE	
12	104404-01-C27	EA CABINET ASM. - WARDROBE - REAR - LH	
12	104404-01-C28	EA CABINET ASM. - WARDROBE - REAR - LH	
13	P03397-A3-C27	EA DRAWER ASM - CABINET - W/O HARDWARE	
			FROM: 00-00-00 THRU: 08-05-91
13	P07104-81-C27	EA DRAWER ASM. - W/O HARDWARE	
			FROM: 01-20-92 THRU: 99-99-99
	104404-11-C27	EA COUNTERTOP ASM.	
	104404-11-C28	EA COUNTERTOP ASM.	

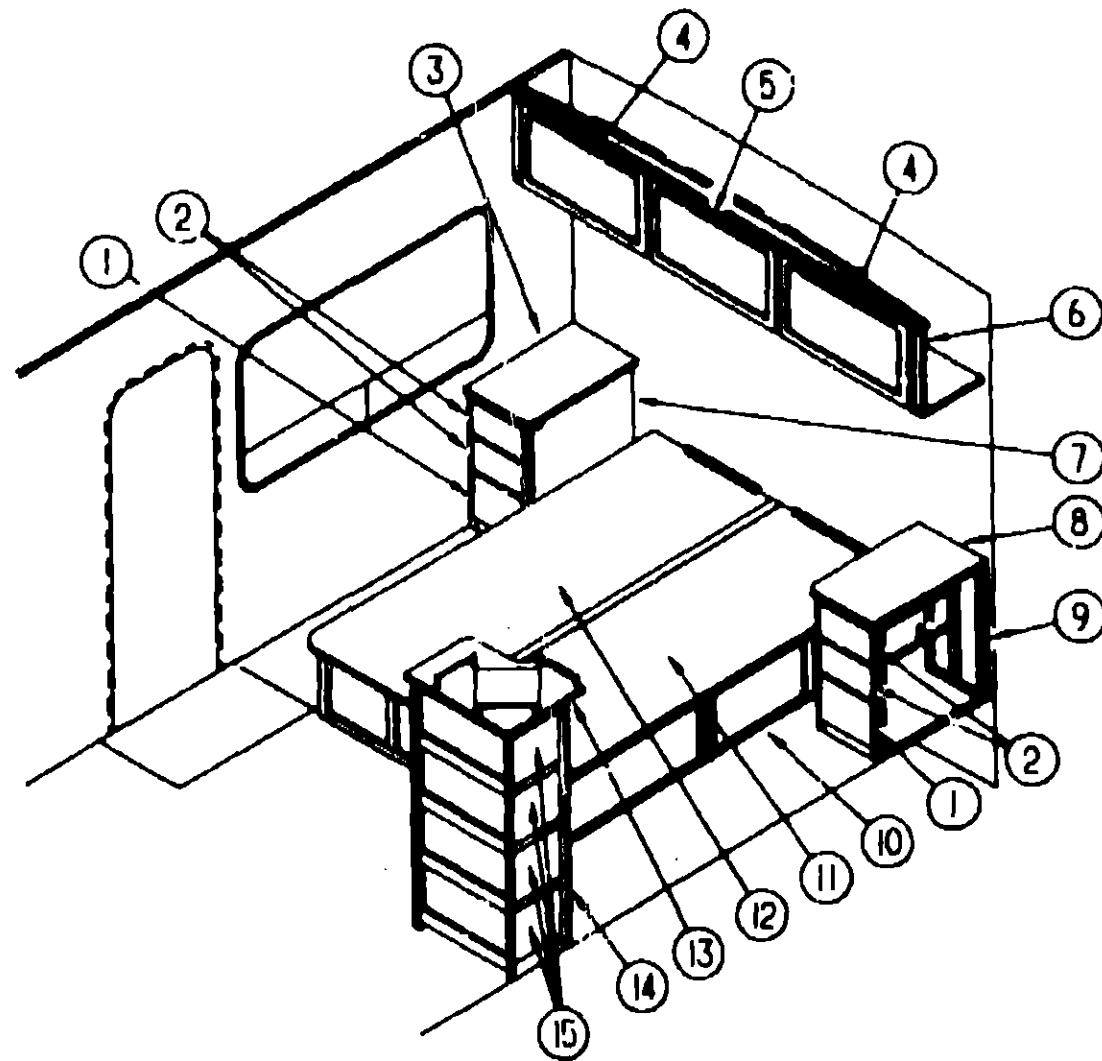
**1992 ITASCA
TABLE OF CONTENTS**

INTRODUCTION	A-01 - A-02
ABBREVIATIONS	A-03
ALPHABETICAL INDEX	A-04 - A-06
ICG34RQ	A-07 - E-18
IKG34RQ	E-19 - I-18

1992 ICG34RQ INDEX

FLOOR PLAN	A-07 - A-08
ACCESSORIES	A-09 - A-10
BATH	A-11 - A-13
BEDROOM	A-14 - A-16
CHASSIS	A-17 - B-02
CURTAIN & CUSHION	B-03 - B-12
DINETTE	B-13 - B-14
DRIVERS COMPARTMENT	B-15 - B-18
ELECTRICAL	B-19 - B-24
EXTERIOR BODY	C-01 - C-10
GALLEY	C-11 - C-15
GENERATOR	C-16 - C-17
HEATING & A/C	C-18 - C-20
INTERIOR FINISH	C-21 - D-02
LABELS	D-03 - D-10
LP	D-11
LOUNGE	D-12 - D-14
SEALANTS & FASTENERS	D-15 - D-17
WATER & SEWAGE	D-18 - D-21
WINDOW, VENT & EXTERIOR DOOR	D-22 - E-16
WINDSHIELD & WIPER	E-17 - E-18

BEDROOM GROUP (CONTINUED)
QUEEN BEDROOM



KEY	PART NUMBER	U/M DESCRIPTION	
1	P03397-A5-C27	EA DRAWER ASM - CABINET - W/O HARDWARE	FROM: 00-00-00 THRU 01-19-92
1	P07104-99-C27	EA DRAWER ASM - CABINET - W/O HARDWARE	FROM 01-20-92 THRU 99-99-99
2	P03397-A7-C27	EA DRAWER ASM - CABINET - W/O HARDWARE	FROM: 00-00-00 THRU 01-19-92
2	P07104-97-C27	EA DRAWER ASM - W/O HARDWARE	FROM 01-20-92 THRU 99-99-99
3	104361-11-C27	EA COUNTERTOP ASM	
3	104361-11-C28	EA COUNTERTOP ASM	
4	P03702-01-C25	EA DOOR ASM - W/O HARDWARE	FROM 00-00-00 THRU 08-04-91
4	P03702-12-C43	EA DOOR ASM - W/O HARDWARE	FROM 08-05-91 THRU 99-99-99
5	P03702-65-C27	EA DOOR ASM - W/O HARDWARE	
6	M05160-16-C27	EA CABINET ASM - OVHD (ITASCA)	
7	104361-01-C27	EA CABINET ASM - W/COUNTERTOP - NIGHTSTAND	
7	104361-01-C28	EA CABINET ASM - W/COUNTERTOP - NIGHTSTAND	
8	104362-11-C27	EA COUNTERTOP ASM	
8	104362-11-C08	EA COUNTERTOP ASM (C26)	
9	104362-01-C27	EA CABINET ASM - W/COUNTERTOP - NIGHTSTAND	
9	104362-01-C28	EA CABINET ASM - W/COUNTERTOP - NIGHTSTAND	
10	M05607-01-C27	EA CABINET ASM - QUEEN BED	
11	M05087-03-C27	EA CABINET ASM - QUEEN BED TOP - LH	
12	M05087-04-C27	EA CABINET ASM - QUEEN BED TOP - RH	
13	104404-11-C27	EA COUNTERTOP ASM	
13	104404-11-C28	EA COUNTERTOP ASM	
14	104404-01-C27	EA CABINET ASM - WARDROBE - REAR - LH	
14	104404-01-C28	EA CABINET ASM - WARDROBE - REAR - LH	
15	P03397-A3-C27	EA DRAWER ASM - CABINET - W/O HARDWARE	FROM 00-00-00 THRU 08-05-91
15	P07104-81-C27	EA DRAWER ASM - W/O HARDWARE	FROM 01-20-92 THRU 99-99-99
	104934-01-C27	EA MAGAZINE - RACK	FROM: 03-30-92 THRU 99-99-99
	107541-01-000	EA BRACKET - 90° GAS SPRING	FROM: 03-30-92 THRU 99-99-99
	107541-01-000	EA BRACKET - FLAT - GAS SPRING	FROM: 03-30-92 THRU 99-99-99

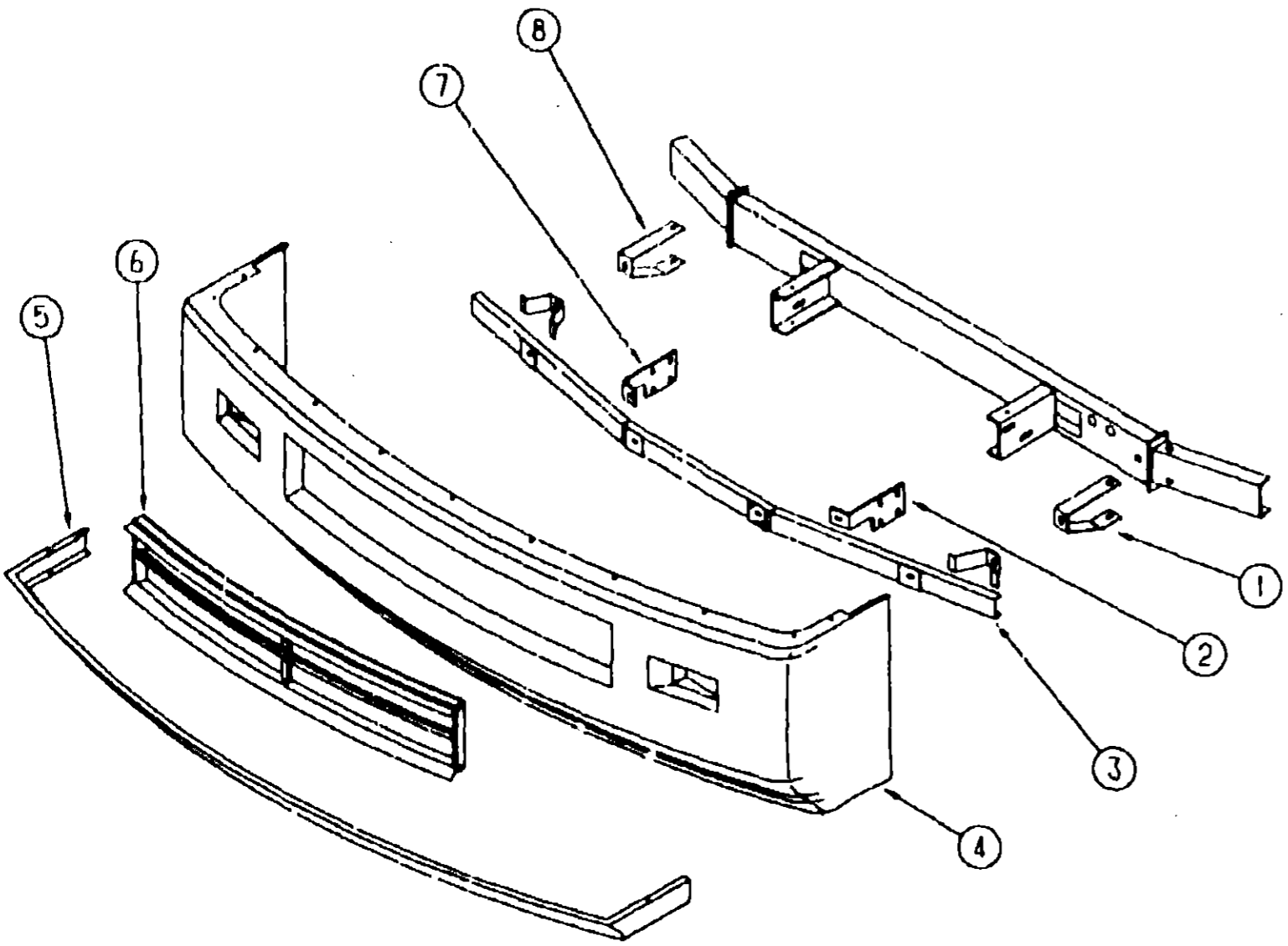
1992 ITASCA
TABLE OF CONTENTS

INTRODUCTION	A-01 - A-02
ABBREVIATIONS	A-03
ALPHABETICAL INDEX	A-04 - A-05
ICG34RQ	A-07 - E-18
IKG34RQ	E-19 - I-18

1992 ICG34RQ INDEX

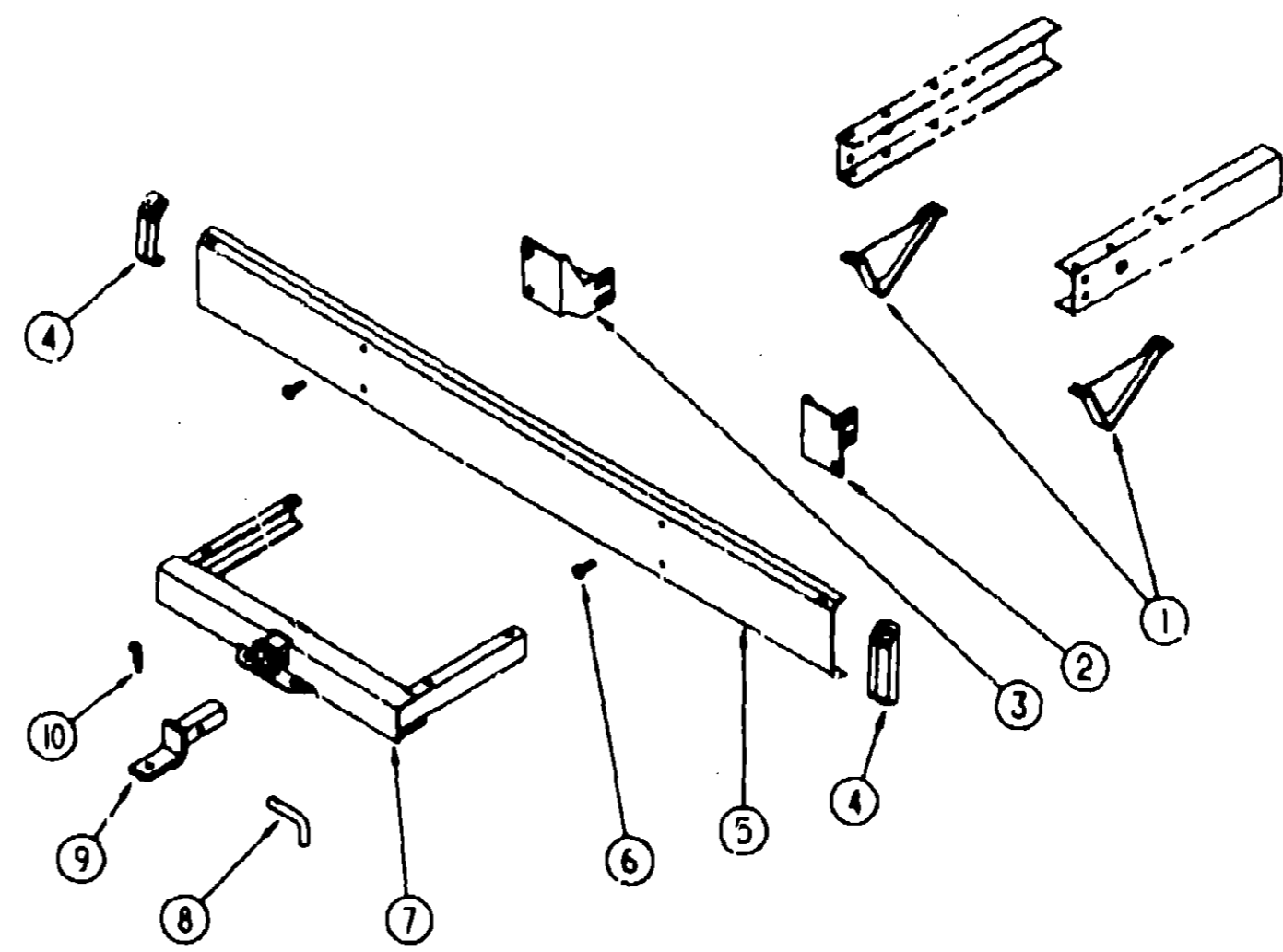
FLOOR PLAN	A-07 - A-08
ACCESSORIES	A-09 - A-10
BATH	A-11 - A-13
BEDROOM	A-14 - A-16
CHASSIS	A-17 - B-02
CURTAIN & CUSHION	B-03 - B-12
DINETTE	B-13 - B-14
DRIVERS COMPARTMENT	B-15 - B-18
ELECTRICAL	B-19 - B-24
EXTERIOR BODY	C-01 - C-10
GALLEY	C-11 - C-15
GENERATOR	C-16 - C-17
HEATING & A/C	C-18 - C-20
INTERIOR FINISH	C-21 - D-02
LABELS	D-03 - D-10
LP	D-11
LOUNGE	D-12 - D-14
SEALANTS & FASTENERS	D-15 - D-17
WATER & SEWAGE	D-18 - D-21
WINDOW, VENT & EXTERIOR DOOR	D-22 - E-16
WINDSHIELD & WIPER	E-17 - E-18

CHASSIS GROUP



FRONT BUMPER

CHASSIS GROUP (CONTINUED)



REAR BUMPER

**1992 ITASCA
TABLE OF CONTENTS**

INTRODUCTION	A-01 - A-02
ABBREVIATIONS	A-03
ALPHABETICAL INDEX	A-04 - A-06
ICG34RQ	E-07 - E-18
IKG34RQ	L-19 - L-18

1992 ICG34RQ INDEX

FLOOR PLAN	A-07 - A-08
ACCESSORIES	A-09 - A-10
BATH	A-11 - A-13
BEDROOM	A-14 - A-15
CHASSIS	A-17 - B-02
CURTAIN & CUSHION	B-03 - B-12
DINETTE	B-13 - B-14
DRIVER'S COMPARTMENT	B-15 - B-18
ELECTRICAL	B-19 - B-24
EXTERIOR BODY	C-01 - C-10
GALLEY	C-11 - C-15
GENERATOR	C-16 - C-17
HEATING & A/C	C-18 - C-20
INTERIOR FINISH	C-21 - D-02
LABELS	D-03 - D-10
LP	D-11
LOUNGE	D-12 - D-14
SEALANTS & FASTENERS	D-15 - D-17
WATER & SEWAGE	D-18 - D-21
WINDOW, VENT & EXTERIOR DOOR	D-22 - E-16
WINDSHIELD & WIPER	E-17 - E-18

KEY	PART NUMBER	U/M DESCRIPTION
1	103611-01-000	EA BRACE - BUMPER - FRONT
2	086140-04-000	EA SUPPORT - FRONT BUMPER - DRIVER SIDE - 9 1" X 4" - STEEL
3	103512-01-000	EA CHANNEL ASM - BUMPER
4	104661-01-C27	EA BUMPER PANEL ASM - FRONT
5	106291-C1-C07	EA SPOILER ASM
6	104318-02-C07	EA GRILL ASM
7	086140-03-000	EA SUPPORT - FRONT BUMPER - PASSENGER SIDE - 9 1" X 4" - STEEL
8	103497-01-000	EA BRACE - BUMPER - FRONT
	106065-01-02A	EA TRIM - BUMPER END CAP

KEY	PART NUMBER	U/M DESCRIPTION
1	083376-01-000	EA SKID PLATE
2	104418-01-000	EA ANGLE - SUPPORT - BUMPER REAR
3	104418-02-000	EA ANGLE - SUPPORT - BUMPER REAR
4	105228-01-02A	EA END CAP - BUMPER REAR - GRAY
5	103099-01-03A	EA REAR BUMPER - GRAY
6	102333-01-02A	EA BOLT - 7/16"
7	077617-01-000	EA HITCH ASM
8	034512-01-000	EA PIN
9	077613-01-000	EA DRAW BAR
10	034513-01-000	EA PIN - 3/16" WIRE

CHASSIS GROUP (CONTINUED)
COMPARTMENTS & TRAYS

KEY	PART NUMBER	U/M DESCRIPTION
	08142C-04-000	EA PLEU - PLAS - 1 25 DIA CAPLUG BP1 25 FROM 00-00-00 THRU 03-13-92
	092887-01-000	EA HATCH - COMPARTMENT - SEWER HOSE - 6"
	092887-03-000	EA CAP - TWIST HATCH - SEWER HOSE - 4" ID - BEIGE FROM 09-05-91 THRU 99-99-99
	092887-04-000	EA CHAIN - TWIST CAP - 9" FROM 09-05-91 THRU 99-99-99
	093287-03-01A	EA NET - CARGO
	094657-01-000	EA TRAY - GENERATOR - 22 5" X 30 4" X 6 9"
	094657-02-000	EA TRAY - GENERATOR - 22 5" X 30 4" X 6 9" W/ANGLE & NUTS
	104742-01-C07	EA STORAGE COMPARTMENT ASM
	104897-01-01A	EA BOX - ENTERTAINMENT CENTER - OFF WHITE (US)
	104897-03-01A	EA BOX - ENTERTAINMENT CENTER - OFF WHITE (CSA)
	104898-01-01A	EA PLATE - PLASTIC BOTTOM - OFF WHITE (CSA)
	104898-02-01A	EA PLATE - PLASTIC BOTTOM - OFF WHITE (US)
	055374-01-000	EA WHEELWELL - PLASTIC

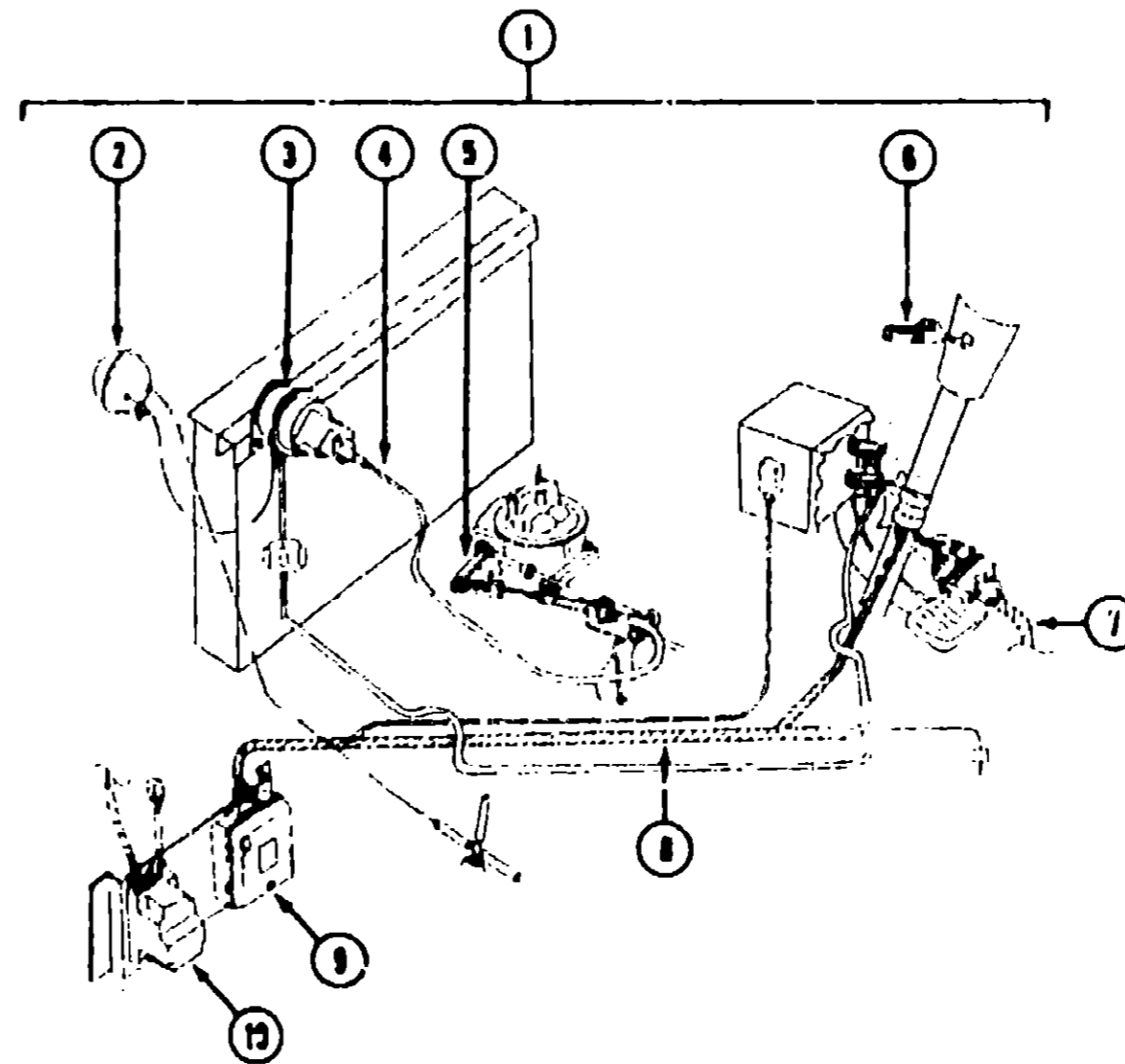
STEP ASSEMBLIES

KEY	PART NUMBER	U/M DESCRIPTION
	094707-01-01A	EA STEP - DOUBLE - ELECTRIC KWIKEE 3218
	041250-01-000	EA SWITCH - PUSH BUTTON - IN DOOR JAMB - METAL - CHROME
	094707-02-700	EA MOTOR REPLACEMENT KIT - MODELS 32 & 28 KWIKEE 9520
	094707-02-701	EA LINKAGE ASM - MODEL 32 KWIKEE 9523
	094707-02-702	EA GEAR KIT KWIKEE 9525
	094707-02-703	EA PARTS KIT - (BEARINGS & PINS) KWIKEE 9530
	094707-02-704	EA CONNECTOR KIT - MOTOR KWIKEE 9537
	094707-02-705	EA CONTROL UNIT - (ORANGE) KWIKEE 5513
	100312-01-000	EA SWITCH - DOOR JAMB - ELECTRIC ENTRY STEP - METAL
	104467-01-02A	EA STEP ASM - PULLOUT DOUBLE 20" - BLACK
	087618-04-000	EA TRIM - STEPWELL - OFF WHITE FROM 00-00-00 THRU 08-23-91
	106251-01-C07	EA TRIM - STEPWELL - OFF WHITE FROM 08-24-91 THRU 99-99-99

LEVELING & SUSPENSION SYSTEMS

KEY	PART NUMBER	U/M DESCRIPTION
	100332-01-000	EA PLATE - VALVE - AIR SPRING FROM 00-00-00 THRU 12-19-91
	091250-01-000	EA BUSHING - SWAY BAR - 1 25" CUT - HELLWIG# PB 731 FROM 00-00-00 THRU 06-26-91
	104993-01-000	EA SHOCK ABSORBER - GAS - P30 FRONT
	084086-01-000	EA AIRSPRING - BELLOWS - REAR AXLE
	100332-01-000	EA PLATE - VALVE - AIR SPRING

CHASSIS GROUP (CONTINUED)



SPEED CONTROL (CHE)

KEY	PART NUMBER	U/M DESCRIPTION
1	102362-01-000	EA SPEED CONTROL DANA 59L-11101GB
2	094369-01-705	EA VACUUM RESERVOIR DANA 59C-02249
3	094369-01-706	EA SERVO DANA 53D-11116-R
4	094369-01-700	EA CABLE & SERVO DANA 59C-2252
5	102362-01-706	EA THROTTLE STUD DANA 59A-02579
6	102362-01-707	EA SWITCH & LEVER - CONTROL DANA 53D-06X63-F
7	102362-01-703	EA HARNESS - PIVOT SW TO WIPER CONTROL DANA 59C-01973
8	102362-01-704	EA HARNESS - MAIN WIRING DANA 59D-02975
9	102362-01-701	EA REGULATOR - ELECTRONIC DANA 57C-08X13-R
10	102362-01-702	EA WIPER MODULE DANA 59C-02273
	094863-01-704	EA HOUSING - 1 PIN DANA 59C-022

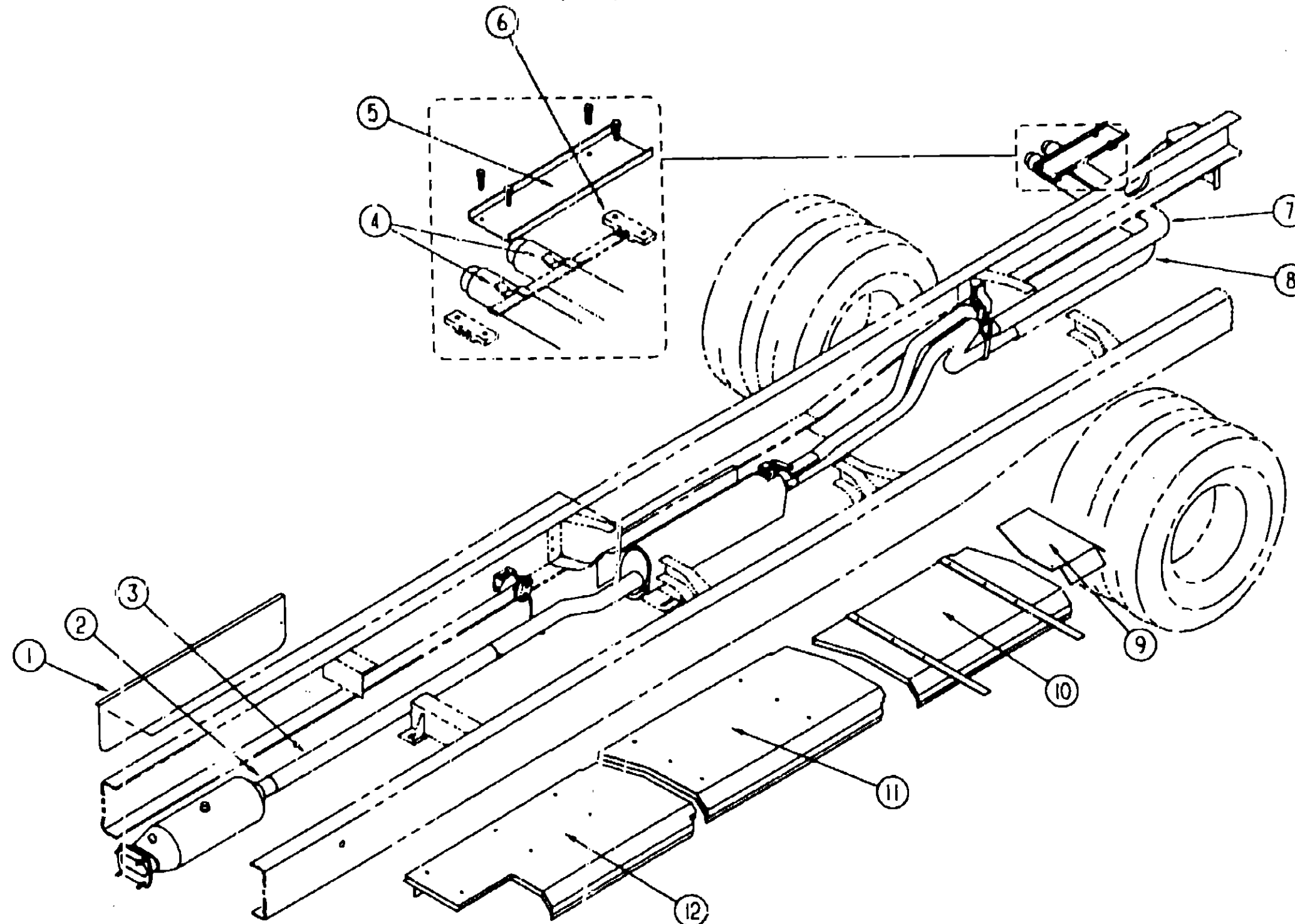
1992 ITASCA
TABLE OF CONTENTS

INTRODUCTION	A-01 - A-02
ABBREVIATIONS	A-03
ALPHABETICAL INDEX	A-04 - A-06
ICG34RQ	A-07 - E-16
IKG54RQ	E-19 - I-18

1992 ICG34RQ INDEX

FLOOR PLAN	A-07 - A-08
ACCESSORIES	A-09 - A-10
BATH	A-11 - A-13
BEDROOM	A-14 - A-16
CHASSIS	A-17 - B-02
CURTAIN & CUSHION	B-03 - B-12
DINETTE	B-13 - B-14
DRIVERS COMPARTMENT	B-15 - B-18
ELECTRICAL	B-19 - B-24
EXTERIOR BODY	C-01 - C-10
GALLEY	C-11 - C-15
GENERATOR	C-16 - C-17
HEATING & A/C	C-18 - C-20
INTERIOR FINISH	C-21 - D-02
LABELS	D-03 - D-10
LP	D-11
LOUNGE	D-12 - D-14
SEALANTS & FASTENERS	D-15 - D-17
WATER & SEWAGE	D-18 - D-21
WINDOW, VENT &	
EXTERIOR DOOR	D-22 - E-16
WINDSHIELD & WIPER	E-17 - E-18

CHASSIS GROUP (CONTINUED)
EXHAUST SYSTEM (FOPD)



1992 ITASCA
TABLE OF CONTENTS

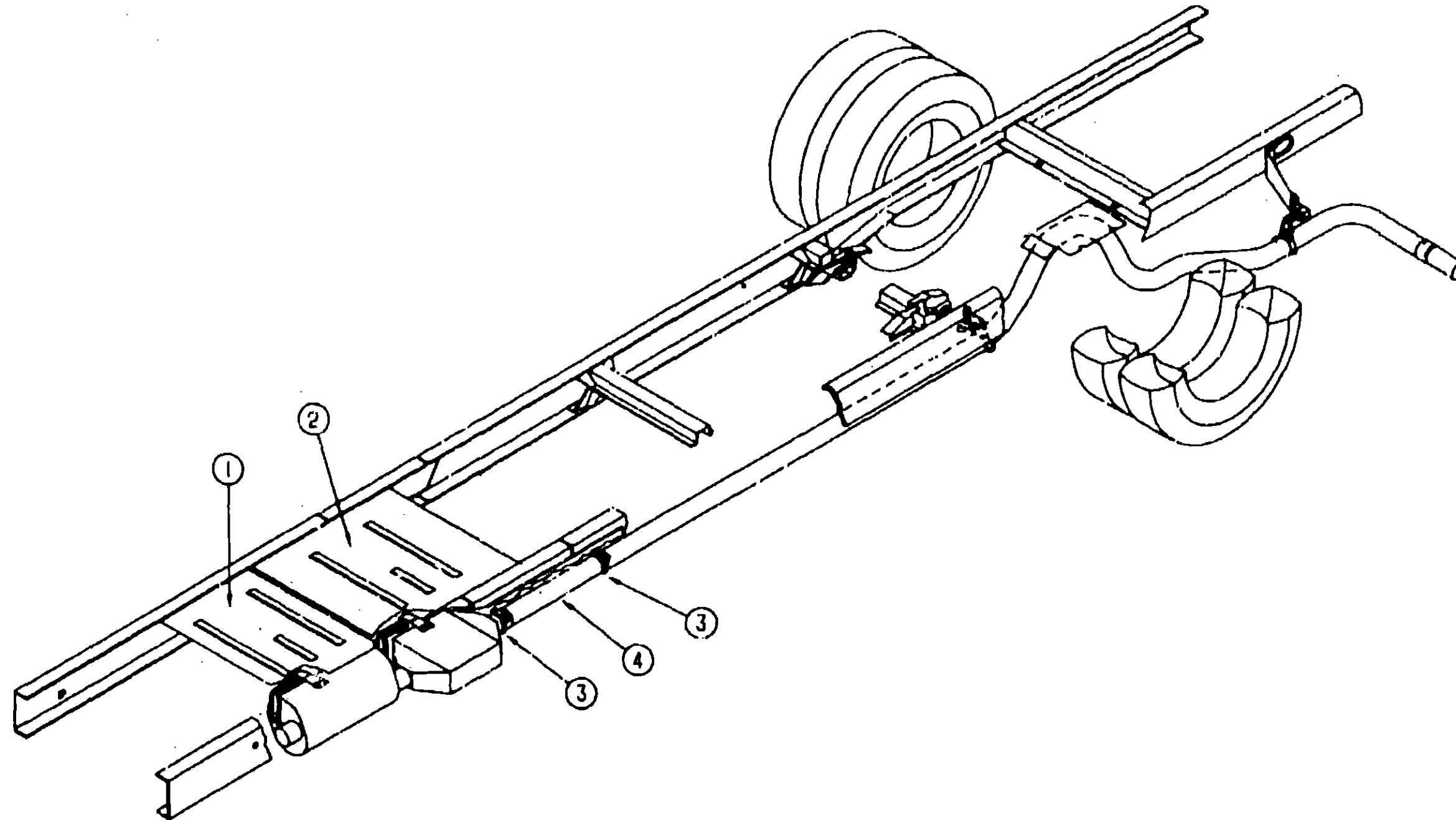
INTRODUCTION	A-01 - A-02
ABBREVIATIONS	A-03
ALPHABETICAL INDEX	A-04 - A-05
ICG34RQ	A-07 - E-18
IKG34RQ	E-19 - I-18

1992 ICG34RQ INDEX

FLOOR PLAN	A-07 - A-08
ACCESSORIES	A-09 - A-10
BATH	A-11 - A-13
BEDROOM	A-14 - A-16
CHASSIS	A-17 - B-02
CURTAIN & CUSHION	B-03 - B-12
DINETTE	B-13 - B-14
DRIVERS COMPARTMENT	B-15 - B-18
ELECTRICAL	E-19 - B-24
EXTERIOR BODY	C-01 - C-10
GALLEY	C-11 - C-15
GENERATOR	C-16 - C-17
HEATING & A/C	C-18 - C-20
INTERIOR FINISH	C-21 - D-02
LABELS	D-03 - D-10
LP	D-11
LOUNGE	D-12 - D-14
SEALANTS & FASTENERS	D-15 - D-17
WATER & SEWAGE	D-18 - D-21
WINDOW, VENT & EXTERIOR DOOR	D-22 - E-16
WINDSHIELD & WIPER	E-17 - E-18

KEY	PART NUMBER	U/M DESCRIPTION
1	053322-05-000	EA SHIELD - HEAT EXHAUST - 32" X 9" - STEEL
2	094918-03-000	EA CLAMP - EXHAUST PIPE - 2.5"
3	096753-03-000	EA PIPE - EXHAUST - OFFSET - 15.2" LONG - 2.5" ID
4	096055-02-000	EA SUPPORT - EXHAUST PIPE - 1" X 1.5"
5	096207-04-000	EA SUPPORT ASM. - EXHAUST
	007125-11-000	EA CLAMP - MUFFLER - 2.75" DIAMETER
6	095190-01-000	EA HANGER - EXHAUST - 4" X 1.4"
7	106577-02-000	EA PIPE - EXHAUST
8	106577-01-000	EA PIPE - EXHAUST
9	099430-01-000	EA SHIELD - EXHAUST - REAR - 14" X 19.1" - FROM EDGE TO BEND
10	098795-02-000	EA SHIELD - EXHAUST 15.67" X 35.33"
11	098795-03-000	EA SHIELD - EXHAUST - GALVANIZED STEEL
12	098796-02-000	EA SHIELD - EXHAUST - CONVERTER
	007125-05-000	EA CLAMP - MUFFLER - 2.00" DIAMETER - FORD
		FROM: 00-00-00 THRU: 01-13-92
	007125-08-000	EA CLAMP - MUFFLER - 2.00" DIAMETER - FORD
		FROM: C 4-92 THRU: 99-99-99
	075307-03-000	EA SHIELD - HEAT - LP

CHASSIS GROUP (CONTINUED)
EXHAUST SYSTEM (CHEVY)



1992 ITASCA
TABLE OF CONTENTS

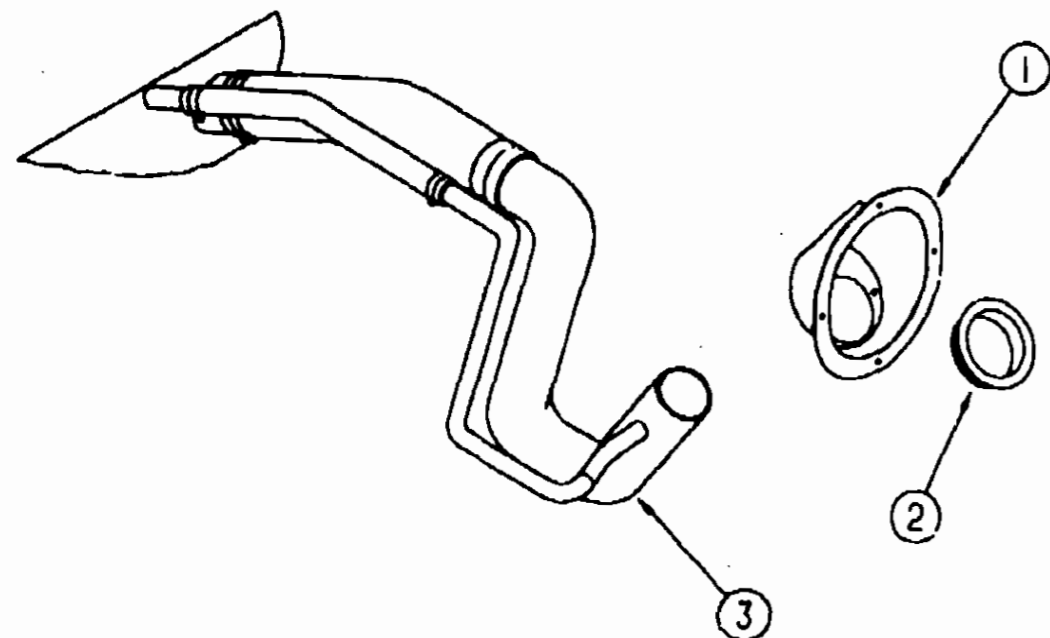
INTRODUCTION	A-01 - A-02
ABBREVIATIONS	A-03
ALPHABETICAL INDEX	A-04 - A-05
ICG34RQ	A-07 - E-15
IKG34RQ	E-13 - F-12

1992 ICG34RQ INDEX

FLOOR PLAN	A-07 - A-08
ACCESSORIES	A-09 - A-10
BATH	A-11 - A-13
BEDROOM	A-14 - A-16
CHASSIS	A-17 - B-02
CURTAIN & CUSHION	B-03 - B-12
DINETTE	B-13 - B-14
DRIVERS COMPARTMENT	B-15 - B-18
ELECTRICAL	B-19 - B-24
EXTERIOR BODY	C-01 - C-10
GALLEY	C-11 - C-15
GENERATOR	C-16 - C-17
HEATING & A/C	C-18 - C-20
INTERIOR FINISH	C-21 - D-02
LABELS	D-03 - D-10
LP	D-11
LOUNGE	D-12 - D-14
SEALANTS & FASTENERS	D-15 - D-17
WATER & SEWAGE	D-18 - D-21
WINDOW, VENT & EXTERIOR DOOR	D-22 - E-16
WINDSHIELD & WIPER	E-17 - E-18

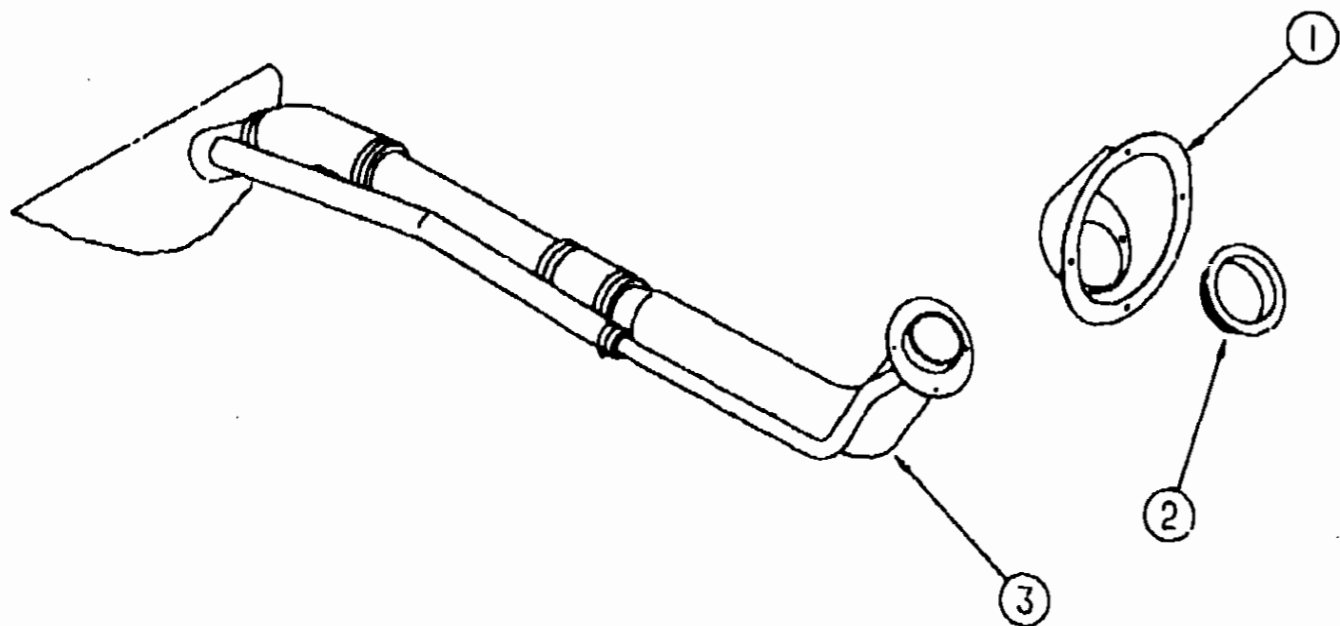
KEY	PART NUMBER	U/M DESCRIPTION
1	101544-02-000	EA SHIELD - HEAT - EXHAUST - 30" X 28.9" - STEEL
2	101544-01-000	EA SHIELD - HEAT - EXHAUST - 19.7" X 28.9" - STEEL
3	094918-01-000	EA CLAMP - EXHAUST - 3"
4	098762-06-000	EA PIPE - EXHAUST - STRAIGHT

CHASSIS GROUP (CONTINUED)



FUEL SYSTEM (FORD)

KEY	PART NUMBER	U/M DESCRIPTION
1	102951-01-03A	EA SHROUD - FUEL FILL - GRAY
2	078200-01-000	EA GASKET - FUEL FILL - 3.5"OD X 2"ID
3	095607-01-000	EA NECK ASM - FUEL FILL
	007063-01-000	FT HOSE - GAS 1/4"ID X 1/2"OD
	075466-01-000	EA UNION - INVERTED FL TUBE, 1/4"
	075467-01-000	EA NUT - INVERTED FLARE - 1/4"



FUEL SYSTEM (CHEVY)

KEY	PART NUMBER	U/M DESCRIPTION
1	102951-01-03A	EA SHROUD - FUEL FILL - GRAY
2	078200-01-000	EA GASKET - FUEL FILL - 3.5"OD X 2"ID
3	087258-02-000	EA NECK ASM - FUEL FILL
	007063-01-000	FT HOSE - GAS 1/4"ID X 1/2"OD
	075466-01-000	EA UNION - INVERTED FL TUBE, 1/4"
	075467-01-000	EA NUT - INVERTED FLARE - 1/4"

CHASSIS GROUP (CONTINUED)

TIRES & LUG WRENCH

KEY	PART NUMBER	U/M DESCRIPTION
	077030-02-000	EA EXTENSION - VALVE STEM - 1.25"
	095012-03-000	EA EXTENSION - VALVE STEM - DUAL WHEEL
	007324-04-000	EA TIRE - 8R19.5 LRD, MICHELIN XZA (CHEVY)
	083425-02-000	EA TIRE - MICHELIN - LT235/85R16 LRE (FORD)
	051377-01-000	EA STEM - VALVE - TR 500
	051377-03-000	EA STEM - VALVE - TRO 600HP
	080208-01-000	EA LUG WRENCH - 1.08 X 1.00 (CHEVY)
	060208-02-000	EA BAR - LEVERAGE - LUG WRENCH (CHEVY)

CHEVY DRIVESHAFT

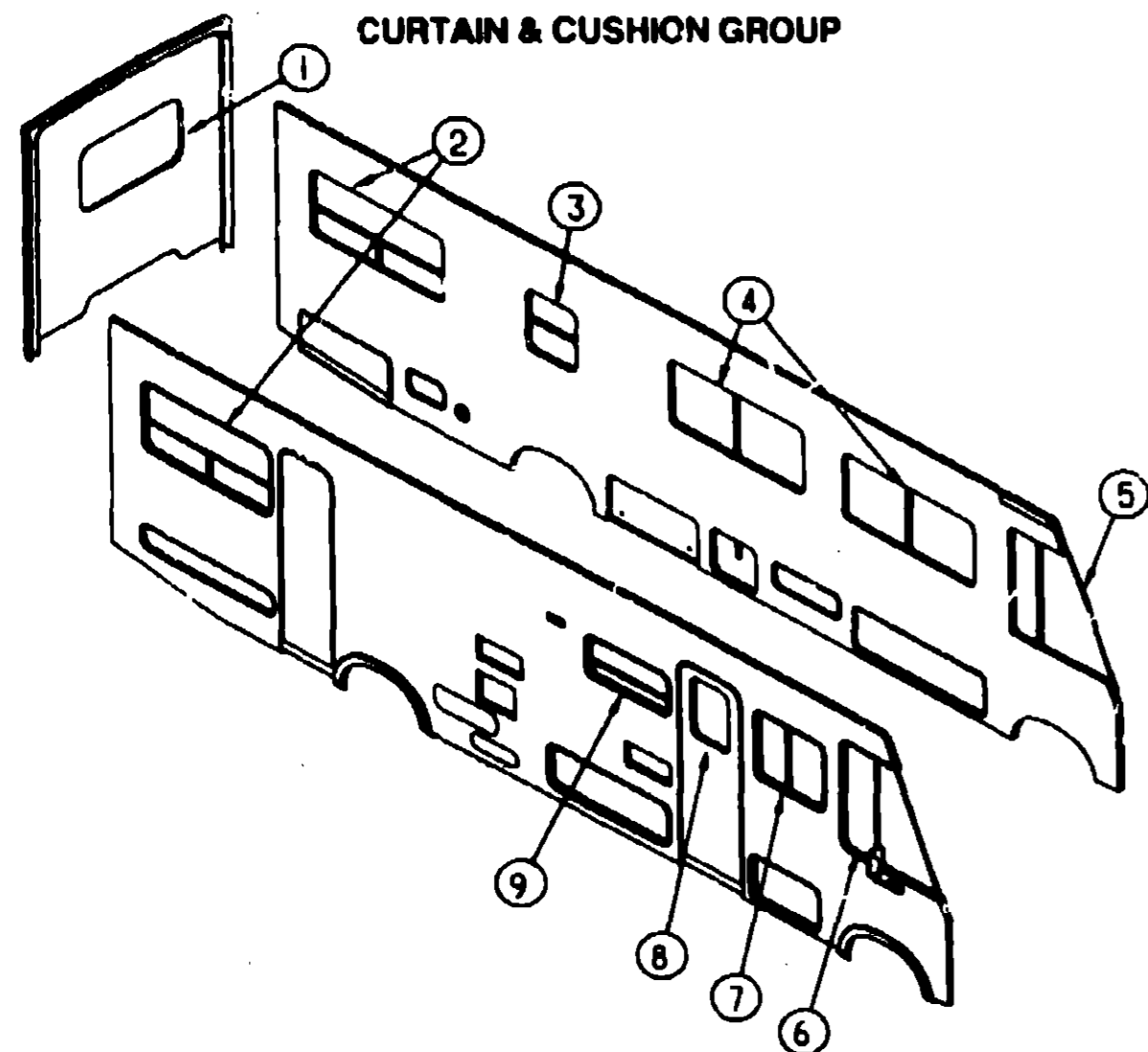
KEY	PART NUMBER	U/M DESCRIPTION
	075302-23-700	EA DRIVESHAFT ASM - BAL PR - 17/21 CHEV 228*4S RR 91 FROM: 00-00-00 THRU: 11-17-91
	075302-22-700	EA DRIVESHAFT ASM - BAL PR - 13/16 CHEV 228*4S FRT 91 FROM: 00-00-00 THRU: 11-17-91
	075302-24-000	EA DRIVESHAFT ASM - BAL PR - 09/20 CHEV 228*3S FRT 91 FROM: 11-18-91 THRU: 02-17-92
	075302-25-000	EA DRIVESHAFT ASM - BAL PR - 20/21 CHEV 228*3S RR 91 FROM: 02-18-92 THRU: 99-99-99
	075302-09-000	EA DRIVESHAFT ASM - YOKE/YOKE - 50" FROM: 02-18-92 THRU: 99-99-99
	075302-13-000	EA DRIVESHAFT ASM - YOKE/YOKE - 20"
	075302-17-000	EA DRIVESHAFT ASM - YOKE/BRG/SPLINE - 45 27"
	075302-21-000	EA DRIVESHAFT ASM - SLIP-YOKE/YOKE - DANA 916099-4220
	074833-01-000	EA SPACER - BEARING - DRIVESHAFT - 2" X 8" X .5" THICK

**1992 ITASCA
TABLE OF CONTENTS**

INTRODUCTION	A-01 - A-02
ABBREVIATIONS	A-03
ALPHABETICAL INDEX	A-04 - A-06
ICG34RQ	A-07 - E-18
IKG34RQ	E-19 - I-18

1992 ICG34RQ INDEX

FLOOR PLAN	A-07 - A-08
ACCESSORIES	A-09 - A-10
BATH	A-11 - A-13
BEDROOM	A-14 - A-16
CHASSIS	A-17 - B-02
CURTAIN & CUSHION	B-03 - B-12
DINETTE	B-13 - B-14
DRIVERS COMPARTMENT	B-15 - B-18
ELECTRICAL	B-19 - B-24
EXTERIOR BODY	C-01 - C-10
GALLEY	C-11 - C-15
GENERATOR	C-16 - C-17
HEATING & A/C	C-18 - C-20
INTERIOR FINISH	C-21 - D-02
LABELS	D-03 - D-10
LP	D-11
LOUNGE	D-12 - D-14
SEALANTS & FASTENERS	D-15 - D-17
WATER & SEWAGE	D-18 - D-21
WINDOW, VENT & EXTERIOR DOOR	D-22 - E-18
WINDSHIELD & WIPER	E-17 - E-18

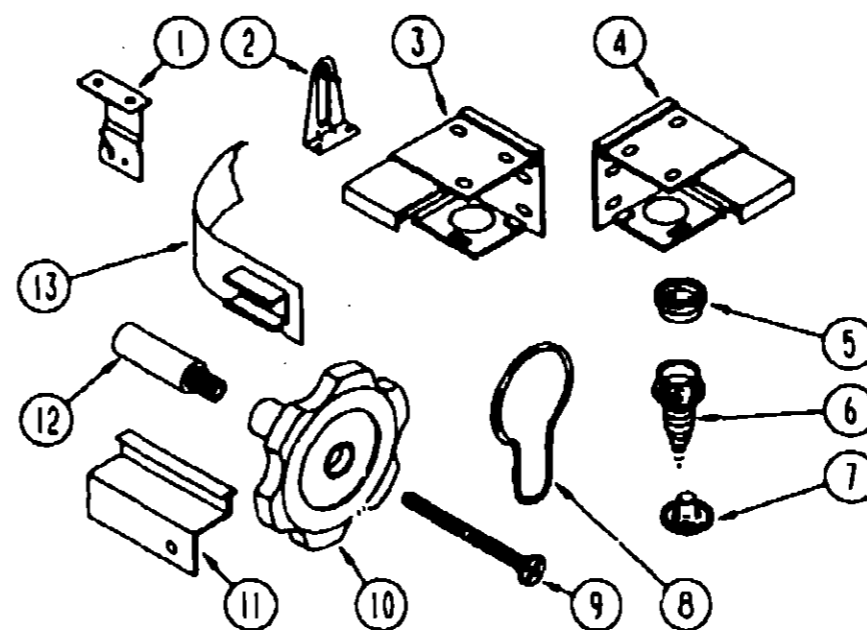


CURTAIN & CUSHION GROUP

CURTAINS & WINDOW TREATMENT

KEY	PART NUMBER	U/M DESCRIPTION
1	106348-01-C27	EA VALANCE ASM - 53" GOTHIC - W/O CROWN
1	106348-01-C28	EA VALANCE ASM - 53" GOTHIC - W/O CROWN
1	084755-80-C27	EA SHADE ASM - PULL - 52.25" - NO TRIM
1	073323-54-C27	EA CURTAIN ASM - SHEERS - 27"x80" - TOP&BOTTOM ROD (C27,C28) FROM: 00-00-00 THRU: 03-01-92
1	073323-57-C07	EA CURTAIN ASM - SHEERS - 30"x80" - TOP&BOTTOM ROD - NO HEADER (C27,C28) FROM: 03-02-92 THRU: 99-99-99
2	106348-02-C27	EA VALANCE ASM - 56" GOTHIC - W/CROWN
2	106348-02-C28	EA VALANCE ASM - 56" GOTHIC - W/CROWN
2	084755-75-C07	EA SHADE ASM - PULL - 56.25" - NO TRIM (C27,C28)
2	073323-55-C07	EA CURTAIN ASM - SHEERS - 29"x80" - TOP&BOTTOM ROD (C27,C28) FROM: 00-00-00 THRU: 03-01-92
2	073323-58-C07	EA CURTAIN ASM - SHEERS - 33"x80" - TOP&BOTTOM ROD (C27,C28) FROM: 03-02-92 THRU: 99-99-99
3	093475-R7-03A	EA MINI BLIND - 24"x29" DROP (C27,C28)
4	105906-01-03A	EA BLIND - WOVEN WOOD - 64"x31" (C27)
4	105906-01-01A	EA BLIND - WOVEN WOOD - 64"x31" (C28)
5	101668-28-C27	EA CURTAIN ASM - 48"x80" - LEFT SIDE - TAPE TOP
5	101668-28-C28	EA CURTAIN ASM - 48"x80" - LEFT SIDE - TAPE TOP
6	101668-27-C27	EA CURTAIN ASM - 48"x80" - RIGHT SIDE - TAPE TOP
6	101668-27-C28	EA CURTAIN ASM - 48"x80" - RIGHT SIDE - TAPE TOP
6	073260-50-C27	EA TIEBACK ASM - 6"x18" W/BRAID
6	073260-50-C28	EA TIEBACK ASM - 6"x18" W/BRAID
7	105906-02-03A	EA BLIND - WOVEN WOOD - 34"x31" (C27)
7	105906-02-01A	EA BLIND - WOVEN WOOD - 34"x31" (C28)
8	084755-57-C03	EA SHADE - PULL - 27.25"
9	093475-88-03A	EA MINI BLIND - 38"x18.5" DROP (C27,C28)

CURTAIN & CUSHION GROUP (CONTINUED)



CURTAIN & BLIND HARDWARE

KEY	PART NUMBER	U/M DESCRIPTION
1	084434-01-000	EA BRACKET - MOUNTING - ROLLER SHADE - 1 3/8"
	096843-01-000	EA SPRING - REWIND - ROLLER SHADE
	087253-01-000	EA ROLLER SHADE PULL - PLASTIC - CLEAR FROM: 00-00-00 THRU: 09-28-91
	106544-01-000	EA SHADE PULL - BRASS FROM: 09-30-91 THRU: 99-99-99
2	095591-02-000	EA BRACKET - HOLD DOWN - W/PIN - BLIND - METAL
3	083170-01-000	EA BRACKET - BLIND - RIGHT SIDE
4	083170-02-000	EA BRACKET - BLIND - LEFT SIDE
5	029156-01-000	EA SOCKET - SNAP - 9/16" O.D
6	029130-01-000	EA SCREW - SNAP SOCKET - 8 PH X 5/8"
7	029155-01-000	EA CAP-SNAP - 5/32" O.D. OF PIN
8	009136-02-000	EA HANGER - RING - PIN TYPE - CURTAIN - BRASS
	039175-01-000	EA ROD - CAFE - CURTAIN - EXTENDS 48" TO 84"
	039175-02-000	EA BRACKET - CURTAIN ROD - EXTENDING CAFE
	039175-05-000	EA BRACKET - CURTAIN ROD - CENTER CAFE
	046867-01-000	EA GROMMET - BRASS - 7/16" ID X 1" OD
9	009439-07-000	EA SCREW - 8-32 X 1 1/4 POH - BLACK
10	009439-05-000	EA WINDOW KNOB - BLACK
11	105324-02-01A	EA TRACK - WRAPAROUND CURTAIN - OFF WHITE (PASSENGER SIDE)
11	105324-03-01A	EA TRACK - WRAPAROUND CURTAIN - OFF WHITE (DRIVER SIDE)
12	009439-06-000	EA EXTENSION - WINDOW CONTROL
	048394-02-000	YD VELCRO TAPE - HOOK - ADHESIVE BACK - .75" WIDE - BEIGE
	088792-02-000	YD VELCRO TAPE - LOOP - ADHESIVE BACKED - .75" WIDE - BEIGE
	029096-03-000	YD VELCRO TAPE - HOOK - 1" WIDE - BLACK
	068716-01-001	EA BRACKET - 90 DEGREE L-ANGLE - 192" - EXTRUDED ALUMINUM
	075943-02-000	EA BRACKET - ANGLE - W/HOLES - 1" X 1 5/8" X 14" - ALUMINUM - BEIGE
	084432-06-000	FT SLAT - ROLLER SHADE - PLASTIC
13	101031-01-000	YD TAPE - GLIDE - CURTAIN - 4.25" SPACING

ASSIST HANDLE & BUTTONS

KEY	PART NUMBER	U/M DESCRIPTION
	069178-02-000	EA BRACKET - MOUNTING - ASSIST HANDLE - L ANGLE - W/HOLES - ST
	000C16-07-18B	EA BOLT - CARRIAGE - ASSIST HANDLE - 7/16" - 14 X 1" ZN
	000D20-07-00B	EA NUT - ACORN - ASSIST HANDLE - 7/16" X 14 ZN
	053552-02-AA8	EA HANDLE - ASSIST - INTERIOR - ENTRY DOOR - VINYL - OFF WHITE
	070578-11-Y70	EA BUTTON - SNAP TOP - #30 - VINYL - OFF WHITE

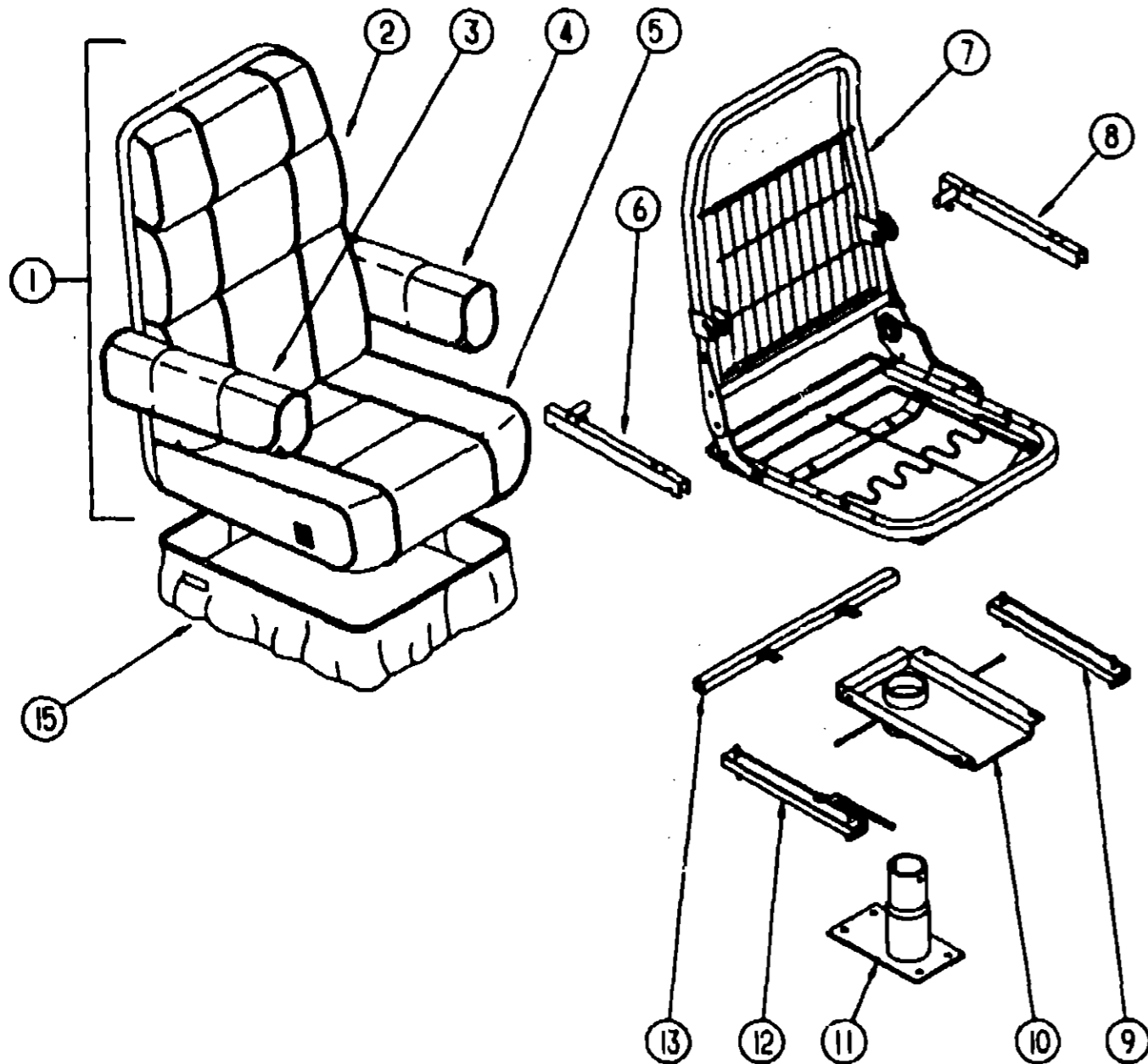
**1992 ITASCA
TABLE OF CONTENTS**

INTRODUCTION	A-01 - A-02
ABBREVIATIONS	A-03
ALPHABETICAL INDEX	A-04 - A-06
ICG34RQ	A-07 - E-18
IKG34RQ	E-19 - I-18

1992 ICG34RQ INDEX

FLOOR PLAN	A-07 - A-08
ACCESSORIES	A-09 - A-10
BATH	A-11 - A-13
BEDROOM	A-14 - A-16
CHASSIS	A-17 - B-02
CURTAIN & CUSHION	B-03 - B-12
DINETTE	B-13 - B-14
DRIVERS COMPARTMENT	B-15 - B-18
ELECTRICAL	B-19 - B-24
EXTERIOR BODY	C-01 - C-10
GALLEY	C-11 - C-15
GENERATOR	C-16 - C-17
HEATING & A/C	C-18 - C-20
INTERIOR FINISH	C-21 - D-02
LABELS	D-03 - D-10
LP	D-11
LOUNGE	D-12 - D-14
SEALANTS & FASTENERS	D-15 - D-17
WATER & SEWAGE	D-18 - D-21
WINDOW, VENT & EXTERIOR DOOR	D-22 - E-16
WINDSHIELD & WIPEH	E-17 - E-18

CURTAIN & CUSHION GROUP (CONTINUED)
BUCKET SEAT (FANFARE)



KEY	PART NUMBER	U/M DESCRIPTION
1	105390-03-C27	EA SEAT ASM.
1	105390-01-C28	EA SEAT ASM. - FANFARE
2	M03445-52-C27	EA COVER ASM. - BACK
2	M03445-41-C28	EA COVER ASM. - BACK
3	080243-49-C27	EA ARMREST ASM. - RIGHT HAND
3	080243-49-C28	EA ARMREST ASM. - RIGHT HAND
3	M80243-49-C27	EA COVER ASM. - ARM - RIGHT HAND
3	M80243-49-C28	EA COVER ASM. - ARM - RIGHT HAND
4	080243-50-C27	EA ARMREST ASM. - LEFT HAND
4	080243-50-C28	EA ARMREST ASM. - LEFT HAND
4	M80243-50-C27	EA COVER ASM. - ARM - LEFT HAND
4	M80243-50-C28	EA COVER ASM. - ARM - LEFT HAND
5	M03445-53-C27	EA COVER ASM. - SEAT
5	M03445-42-C28	EA COVER ASM. - SEAT
6	081268-01-000	EA ROD & CHANNEL - ARMREST - RIGHT HAND - METAL
7	M80906-05-000	EA FRAME - SEAT - BACK & SPRING
8	081268-02-000	EA ROD & CHANNEL - ARMREST - LEFT HAND - METAL
	089368-04-000	EA CABLE - SWIVEL - W/SWITCH - BUCKET SEAT
	089368-05-000	EA CABLE - RECLINER - W/SWITCH - BUCKET SEAT
9	069246-02-000	EA ADJUSTER - W/O LOCK - FORWARD & BACK
10	093481-04-000	EA TOP PLATE - PEDESTAL - BUCKET SEAT - W/O SEATBELT BAR
11	069585-40-000	EA SUB PLATE - VERTICAL 9 60"
11	107921-01-000	EA SUB PLATE - FLOOR MOUNTED PEDESTAL - W/9.75" EXTENSION
		FROM: 00-00-00 THRU: 03-31-92
		FROM: 04-01-92 THRU: 99-99-99
12	069246-05-000	EA ADJUSTER - W/LOCK - FORWARD & BACK
	069246-05-700	EA SPRING - ADJUSTER - FOR REMOTE
	069246-05-701	EA CLIP - CABLE - FOR REMOTE
13	069585-29-000	EA BAR - SEAT BELT - BUCKET SEATS - 20"
		FROM: 00-00-00 THRU: 04-05-92
15	071126-24-C27	EA SKIRT - BUCKET SEAT
15	071126-24-C28	EA SKIRT - BUCKET SEAT
	086120-04-C27	EA PAD ASM. - MAP POCKET - 12"X16"
		FROM: 00-00-00 THRU: 01-06-92
	086120-05-C27	EA PAD ASM. - MAP POCKET - 12"X16"
		FROM: 01-07-92 THRU: 99-99-99
	086120-04-C28	EA PAD ASM. - MAP POCKET - 12"X16"
	101125-01-000	EA RECLINER - SEAT BACK - LEFT HAND REMOTE
	097683-02-000	EA BRACKET - REMOTE - SIDE MOUNT (DUAL CONTROL)
	097683-01-000	EA BRACKET - REMOTE - SIDE MOUNT (SINGLE CONTROL)

1992 ITASCA
TABLE OF CONTENTS

INTRODUCTION	A-01 - A-02
ABBREVIATIONS	A-03
ALPHABETICAL INDEX	A-04 - A-06
ICG34RQ	A-07 - E-18
IKG34RQ	E-19 - I-18

1992 ICG34RQ INDEX

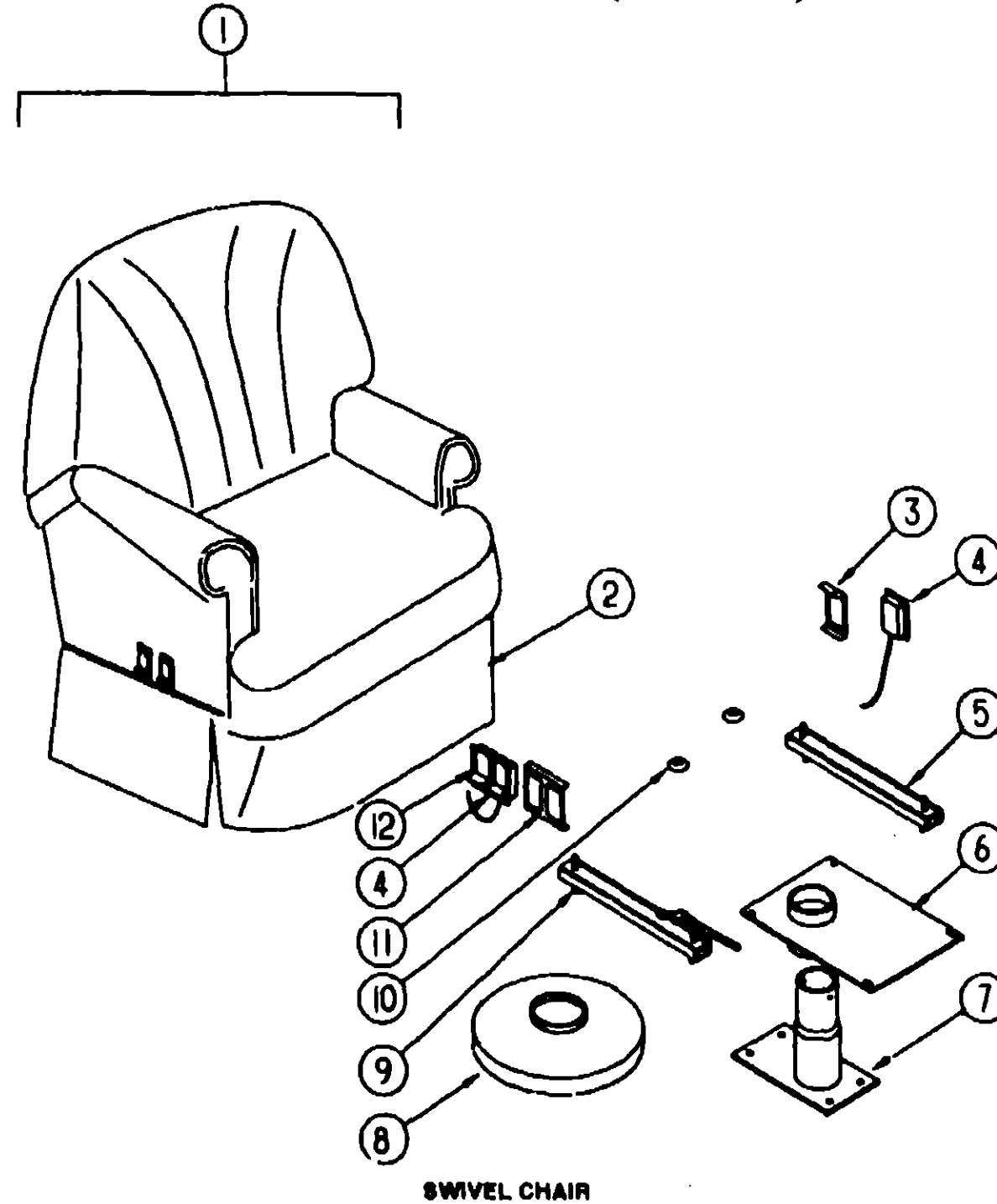
FLOOR PLAN	A-07 - A-08
ACCESSORIES	A-09 - A-10
BATH	A-11 - A-13
BEDROOM	A-14 - A-16
CHASSIS	A-17 - B-02
CURTAIN & CUSHION	B-03 - B-12
DINETTE	B-13 - B-14
DRIVERS COMPARTMENT	B-15 - B-18
ELECTRICAL	B-19 - B-24
EXTERIOR BODY	C-01 - C-10
GALLEY	C-11 - C-15
GENERATOR	C-16 - C-17
HEATING & A/C	C-18 - C-20
INTERIOR FINISH	C-21 - D-02
LABELS	D-03 - D-10
LP	D-11
LOUNGE	D-12 - D-14
SEALANTS & FASTENERS	D-15 - D-17
WATER & SEWAGE	D-18 - D-21
WINDOW, VENT &	
EXTERIOR DOOR	D-22 - E-16
WINDSHIELD & WIPER	E-17 - E-18

CURTAIN & CUSHION GROUP (CONTINUED)

FABRIC & TRIMS

KEY	PART NUMBER	U/M DESCRIPTION
	072333-82-000	YD FABRIC - DRAPERY - 54" WIDE - BEIGE
	072333-89-000	YD FABRIC - DRAPERY - INVERNESS - LACE SHEER - IVORY
	087272-01-000	YD FABRIC - DRAPERY - 48" WIDE - IVORY
	075244-06-000	YD FABRIC - VINYL - SHOWER CURTAIN - 72" WIDE - TEAL (C27)
	075244-05-000	YD FABRIC - VINYL - SHOWER CURTAIN - 72" WIDE - BLUE (C28)
	029219-01-000	YD FABRIC - VINYL - 54" WIDE - WHITE
	103907-01-02A	YD FABRIC - VINYL - 54" WIDE - GRAY
	103907-01-01A	YD FABRIC - VINYL - 54" WIDE - OFF WHITE
	088273-93-000	YD FABRIC - BEDSPREAD - MAIN (C27)
	088273-94-000	YD FABRIC - BEDSPREAD - MAIN (C28)
	088273-89-000	YD FABRIC - BEDSPREAD - ACCENT (C27)
	088273-71-000	YD FABRIC - BEDSPREAD - ACCENT (C28)
	096008-94-000	YD FABRIC - UPHOLSTERY - PATTERN ACCENT (C27)
	104233-18-000	YD FABRIC - UPHOLSTERY - PATTERN ACCENT (C28)
	096008-93-000	YD FABRIC - UPHOLSTERY - MAIN (C27)
	104233-19-000	YD FABRIC - UPHOLSTERY - MAIN (C28)
	104233-17-000	YD FABRIC - UPHOLSTERY - PLAIN ACCENT (C27)
	096008-85-000	YD FABRIC - UPHOLSTERY - PLAIN ACCENT (C28)
	057534-01-000	EA TIEBACK/TIEDOWN - BED/CURTAIN/DOOR - 6" - PLASTIC - CLEAR
	052059-01-AA8	FT TRIM - EDGE - VINYL - 1 5" WIDE - BEIGE
	095567-01-000	EA TACK-STRIP - 5"X625' ROLL

CURTAIN & CUSHION GROUP (CONTINUED)



SWIVEL CHAIR

KEY	PART NUMBER	U/M DESCRIPTION
1	106331-02-C27	EA SWIVEL CHAIR ASM.
1	106331-02-C28	EA SWIVEL CHAIR ASM.
1	P06331-02-C27	EA COVER - FANFARE - SWIVEL CHAIR
1	P06331-02-C28	EA COVER - FANFARE - SWIVEL CHAIR
2	085187-05-C27	EA SKIRT ASM.
2	085187-05-C28	EA SKIRT ASM.
3	097883-03-000	EA BRACKET - REMOTE - SIDE MOUNT (SINGLE CONTROL)
4	089368 04 000	EA FRAME - CABLE - REMOTE SWIVEL
	108049-02-000	EA CLIP - PEDESTAL CABLE
5	089246-08-000	EA ADJUSTER - SWIVEL CHAIR - MANUAL - FORWARD & BACK
6	093481-04-000	EA TOP PLATE - PEDESTAL - BUCKET SEAT - W/O SEATBELT BAR
7	093481-02-000	EA BASE - PEDESTAL - W/10" EXTENSION
8	093482-01-000	EA SHROUD - PEDESTAL - 13" - PLASTIC - BLACK
9	089248-07-000	EA ADJUSTER - SWIVEL CHAIR - W/LOCKING ARM - FORWARD & BACK
10	007221-01-000	EA SPACER - SEAT - ADJUSTER (4 USED)
11	097883-02-000	EA BRACKET - REMOTE - SIDE MOUNT (DUAL CONTROL)
12	089368 05 000	EA FRAME - CABLE - REMOTE RECLINE
	089248-05-700	EA SPRING - ADJUSTER - FOR REMOTE
	089248-05-701	EA CLIP - CABLE - FOR REMOTE
	057759-01-000	EA WASHER BRACKET - SEAT BELT - 4" DIAMETER
	007021-01-000	EA SEAT BELT - 2" X 90" - BLACK

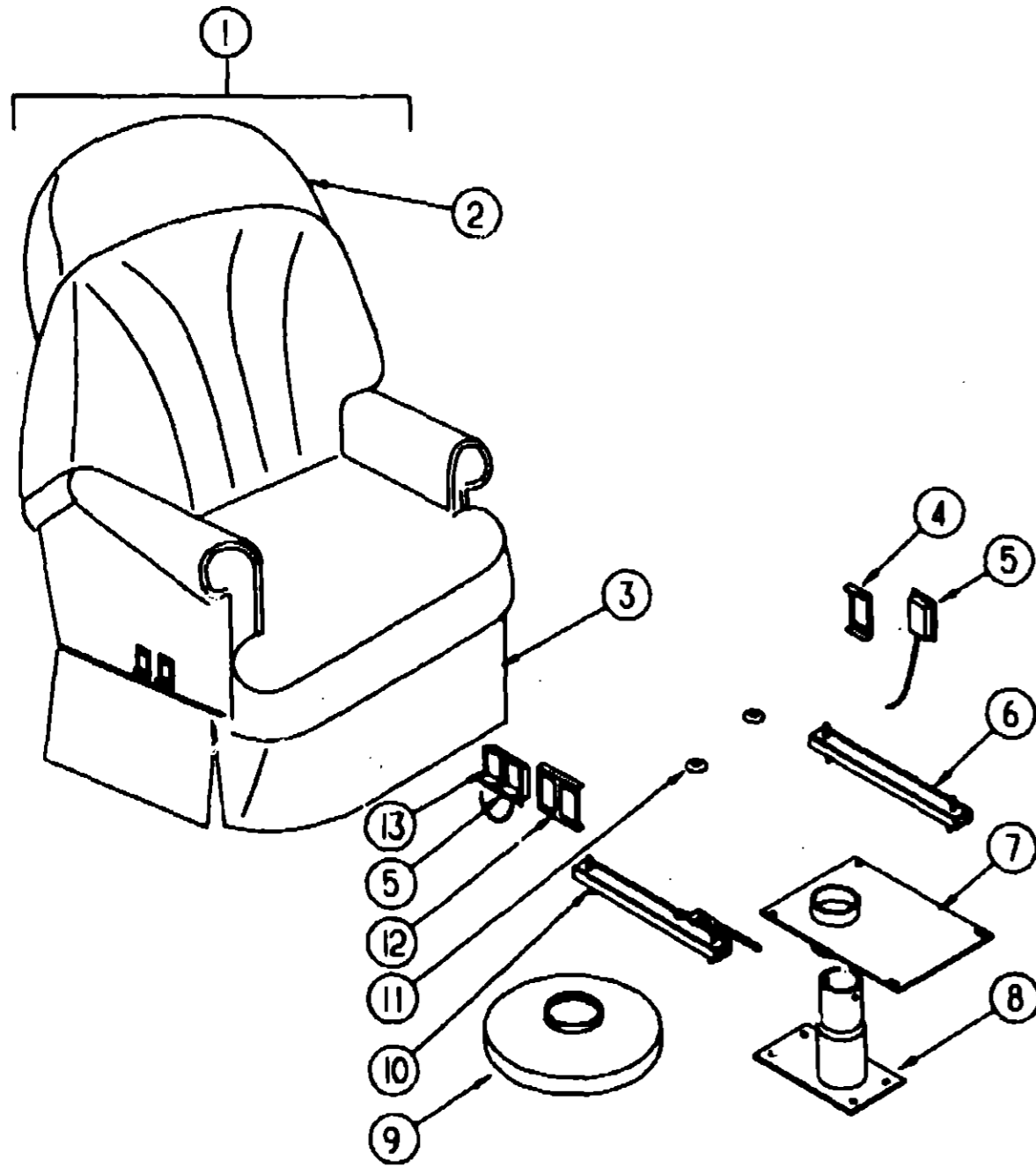
**1992 ITASCA
TABLE OF CONTENTS**

INTRODUCTION	A-01 - A-02
ABBREVIATIONS	A-03
ALPHABETICAL INDEX	A-04 - A-06
ICG34RQ	A-07 - E-18
IKG34RQ	E-19 - I-18

1992 ICG34RQ INDEX

FLOOR PLAN	A-07 - A-08
ACCESSORIES	A-09 - A-10
BATH	A-11 - A-13
BEDROOM	A-14 - A-16
CHASSIS	A-17 - B-02
CURTAIN & CUSHION	B-03 - B-12
DINETTE	B-13 - B-14
DRIVERS COMPARTMENT	B-15 - B-18
ELECTRICAL	B-19 - B-24
EXTERIOR BODY	C-01 - C-10
GALLEY	C-11 - C-15
GENERATOR	C-16 - C-17
HEATING & A/C	C-18 - C-20
INTERIOR FINISH	C-21 - D-02
LABELS	D-03 - D-10
LP	D-11
LOUNGE	D-12 - D-14
SEALANTS & FASTENERS	D-15 - D-17
WATER & SEWAGE	D-18 - D-21
WINDOW, VENT & EXTERIOR DOOR	D-22 - E-18
WINDSHIELD & WIPER	E-17 - E-18

CURTAIN & CUSHION GROUP (CONTINUED)
SWIVEL CHAIR (RECLINER W/HEADREST)



KEY	PART NUMBER	U/M	DESCRIPTION	FROM:	THRU:
1	106331-02-C27	EA	SWIVEL CHAIR ASM.	00-00-00	01-05-92
1	106331-03-C27	EA	SWIVEL CHAIR ASM.	01-06-92	99-99-99
1	106331-02-C28	EA	SWIVEL CHAIR ASM.	00-00-00	99-99-99
1	P06331-02-C27	EA	COVER - FANFARE - SWIVEL CHAIR	00-00-00	01-05-92
1	P06331-03-C27	EA	COVER - FANFARE - SWIVEL CHAIR	01-06-92	99-99-99
1	P06331-02-C28	EA	COVER - FANFARE - SWIVEL CHAIR	00-00-00	99-99-99
2	106514-01-C27	EA	HEADREST ASM - RECLINER	00-00-00	01-05-92
2	106514-02-C27	EA	HEADREST ASM - RECLINER	01-06-92	99-99-99
2	106514-01-C28	EA	HEADREST ASM - RECLINER	00-00-00	99-99-99
2	P06514-01-C27	EA	COVER - HEADREST - RECLINER	00-00-00	01-05-92
2	P06514-02-C27	EA	COVER - HEADREST - RECLINER	01-06-92	99-99-99
2	P06514-01-C28	EA	COVER - HEADREST - RECLINER	00-00-00	99-99-99
3	085187-05-C27	EA	SKIRT ASM.	01-06-92	99-99-99
3	085187-06-C27	EA	SKIRT ASM.	00-00-00	01-05-92
3	085187-05-C28	EA	SKIRT ASM.	00-00-00	99-99-99
4	097683-03-000	EA	BRACKET - REMOTE - SIDE MOUNT (SINGLE CONTROL)		
5	089368 04 000	EA	FRAME - CABLE - REMOTE SWIVEL		
	108049-02-000	EA	CLIP - PEDESTAL CABLE		
6	069246-06-000	EA	ADJUSTER - SWIVEL CHAIR - MANUAL - FORWARD & BACK		
7	093481-04-000	EA	TOP PLATE - PEDESTAL - BUCKET SEAT - W/O SEATBELT BAR		
8	093481-02-000	EA	BASE - PEDESTAL - W/10" EXTENSION		
9	093482-01-000	EA	SHROUD - PEDESTAL - 13" - PLASTIC - BLACK		
10	069246-07-000	EA	ADJUSTER - SWIVEL CHAIR - W/LOCKING ARM - FORWARD & BACK		
11	007221-01-000	EA	SPACER - SEAT - ADJUSTER (4 USED)		
12	097683-02-000	EA	BRACKET - REMOTE - SIDE MOUNT (DUAL CONTROL)		
13	089368 05 000	EA	FRAME - CABLE - REMOTE RECLINE		
	069246-05-700	EA	SPRING - ADJUSTER - FOR REMOTE		
	069246-05-701	EA	CLIP - CABLE - FOR REMOTE		
	057759-01-000	EA	WASHER BRACKET - SEAT BELT - 4" DIAMETER		
	007021-01-000	EA	SEAT BELT - 2" X 90" - BLACK		

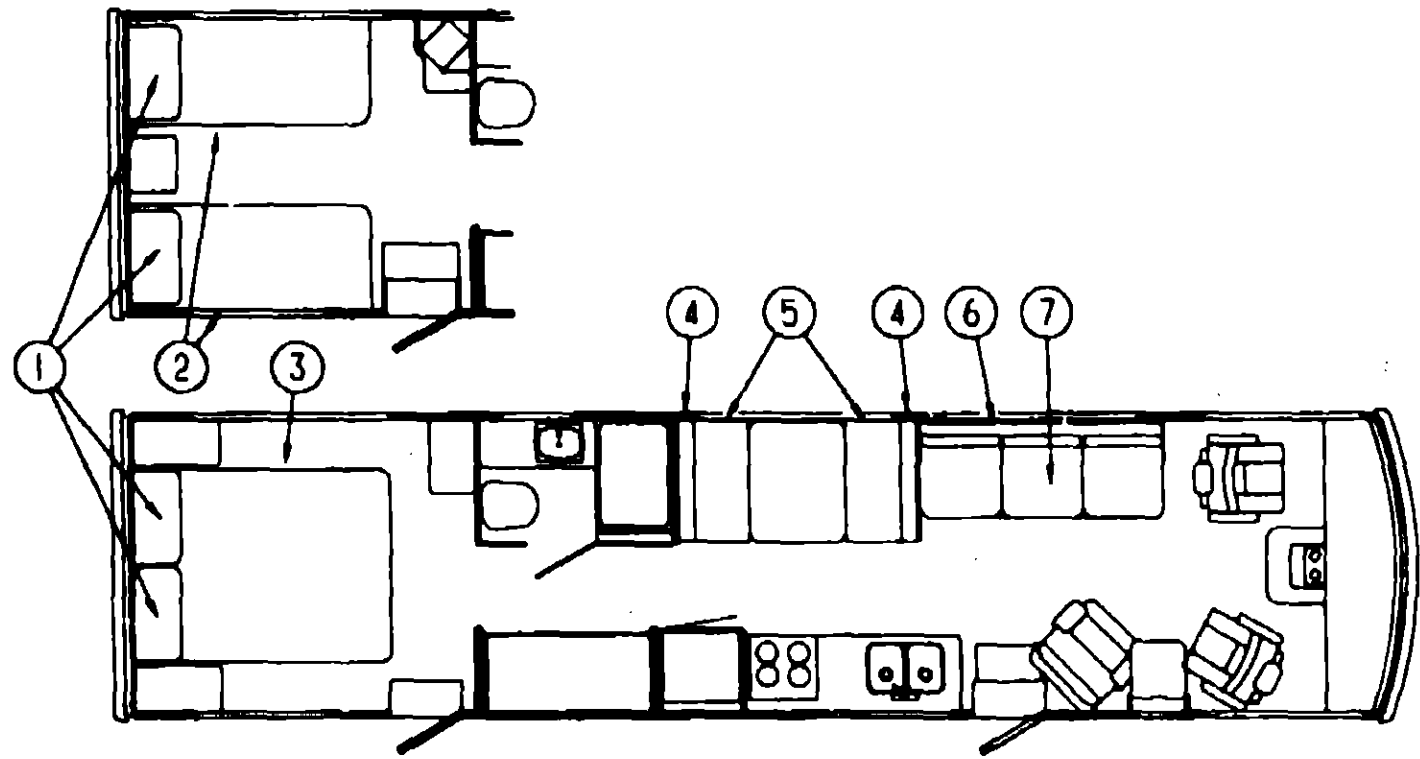
1992 ITASCA
TABLE OF CONTENTS

INTRODUCTION	A-01 - A-02
ABBREVIATIONS	A-03
ALPHABETICAL INDEX	A-04 - A-06
ICG34RQ	A-07 - E-18
IKG34RQ	E-19 - I-18

1992 ICG34RQ INDEX

FLOOR PLAN	A-07 - A-08
ACCESSORIES	A-09 - A-10
BATH	A-11 - A-13
BEDROOM	A-14 - A-16
CHASSIS	A-17 - B-02
CURTAIN & CUSHION	B-03 - B-12
DINETTE	B-13 - B-14
DRIVERS COMPARTMENT	B-15 - B-18
ELECTRICAL	B-19 - B-24
EXTERIOR BODY	C-01 - C-10
GALLEY	C-11 - C-15
GENERATOR	C-16 - C-17
HEATING & A/C	C-18 - C-20
INTERIOR FINISH	C-21 - D-02
LABELS	D-03 - D-10
LP	D-11
LOUNGE	D-12 - D-14
SEALANTS & FASTENERS	D-15 - D-17
WATER & SEWAGE	D-18 - D-21
WINDOW, VENT &	
EXTERIOR DOOR	D-22 - E-16
WINDSHIELD & WIPER	E-17 - E-18

CURTAIN & CUSHION GROUP (CONTINUED)



QUEEN & TWIN BEDS

KEY	PART NUMBER	U/M DESCRIPTION
1	102061-11-C43	EA PILLOW SHAM ASM. (C27)
1	102061-11-C43	EA PILLOW SHAM ASM. (C28)
2	098176-01-000	EA MATTRESS - TWIN - INNERSPRING - 32"X74" - SEALY
2	106347-02-C27	EA BEDSPREAD ASM - 33" THROW W/FLIP BEDSPREAD
2	106347-02-C28	EA BEDSPREAD ASM - 33" THROW W/FLIP BEDSPREAD
	104504-04-C27	EA PILLOW ASM - 15"ROUND (TWIN BED)
	104504-04-C28	EA PILLOW ASM - 15"ROUND (TWIN BED)
3	098176-05-000	EA MATTRESS - QUEEN - INNERSPRING - 59" X 79" - SEALY
3	106347-01-C27	EA BEDSP ASM - 60X80 THROW W/FLIP BEDSPREAD
3	106347-01-C28	EA BEDSP ASM - 60X80 THROW W/FLIP BEDSPREAD
	103669-07-C27	EA PILLOW ASM - 15X15 THROW (QUEEN BED)
	103669-07-C28	EA PILLOW ASM - 15X15 THROW (QUEEN BED)

DINETTE CUSHIONS

KEY	PART NUMBER	U/M DESCRIPTION
4	104146-01-C27	EA CUSHION - FAN VICTORIAN - W/STRAP-13.5"X38"X5"
4	104146-01-C28	EA CUSHION - FAN VICTORIAN - W/STRAP-13.5"X38"X5"
4	P04146-01-C27	EA COVER - VICTORIAN TUCK BACK - W/STRAP
4	P04146-01-C28	EA COVER - VICTORIAN TUCK BACK - W/STRAP
5	088927-87-C27	EA CUSHION - 23"X38"X5" - DINETTE SEAT
5	088927-87-C28	EA CUSHION - 23"X38"X5" - DINETTE SEAT
5	M88927-87-C27	EA COVER - 23"X38"X5" - DINETTE SEAT
5	M88927-87-C28	EA COVER - 23"X38"X5" - DINETTE SEAT
	078155-01-000	EA STRAP - SNAP - BACKREST CUSHION

SOFA BED

KEY	PART NUMBER	U/M DESCRIPTION
6	101175-04-C27	EA CUSHION - FAN - SOFA BACK - W/ARM - RIGHT HAND
6	101175-04-C28	EA CUSHION - FAN - SOFA BACK - W/ARM - RIGHT HAND
6	P01175-04-C27	EA COVER - FAN - SOFA BACK - W/ARM - RIGHT HAND
6	P01175-04-C28	EA COVER - FAN - SOFA BACK - W/ARM - RIGHT HAND
6	101175-05-C27	EA CUSHION - FAN - SOFA BACK - W/ARM - LEFT HAND
6	101175-05-C28	EA CUSHION - FAN - SOFA BACK - W/ARM - LEFT HAND
6	P01175-05-C27	EA COVER - FAN - SOFA BACK - W/ARM - LEFT HAND
6	P01175-05-C28	EA COVER - FAN - SOFA BACK - W/ARM - LEFT HAND
6	101175-06-C27	EA CUSHION - FAN - SOFA BACK - CENTER
6	101175-06-C28	EA CUSHION - FAN - SOFA BACK - CENTER
6	P01175-06-C27	EA COVER - FAN - SOFA BACK - CENTER
6	P01175-06-C28	EA COVER - FAN - SOFA BACK - CENTER
7	089007-05-C27	EA SOFA BED - SEAT - W/SKIRT
7	089007-05-C28	EA SOFA BED - SEAT - W/SKIRT
7	M89007-05-C27	EA COVER - SOFA BED - SEAT - W/SKIRT
7	M89007-05-C28	EA COVER - SOFA BED - SEAT - W/SKIRT
	103669-06-C27	EA PILLOW ASM - 15X15 THROW (SOFA BED)
	103669-06-C28	EA PILLOW ASM - 15X15 THROW (SOFA BED)
	079386-01-000	EA FRAME - COUCH

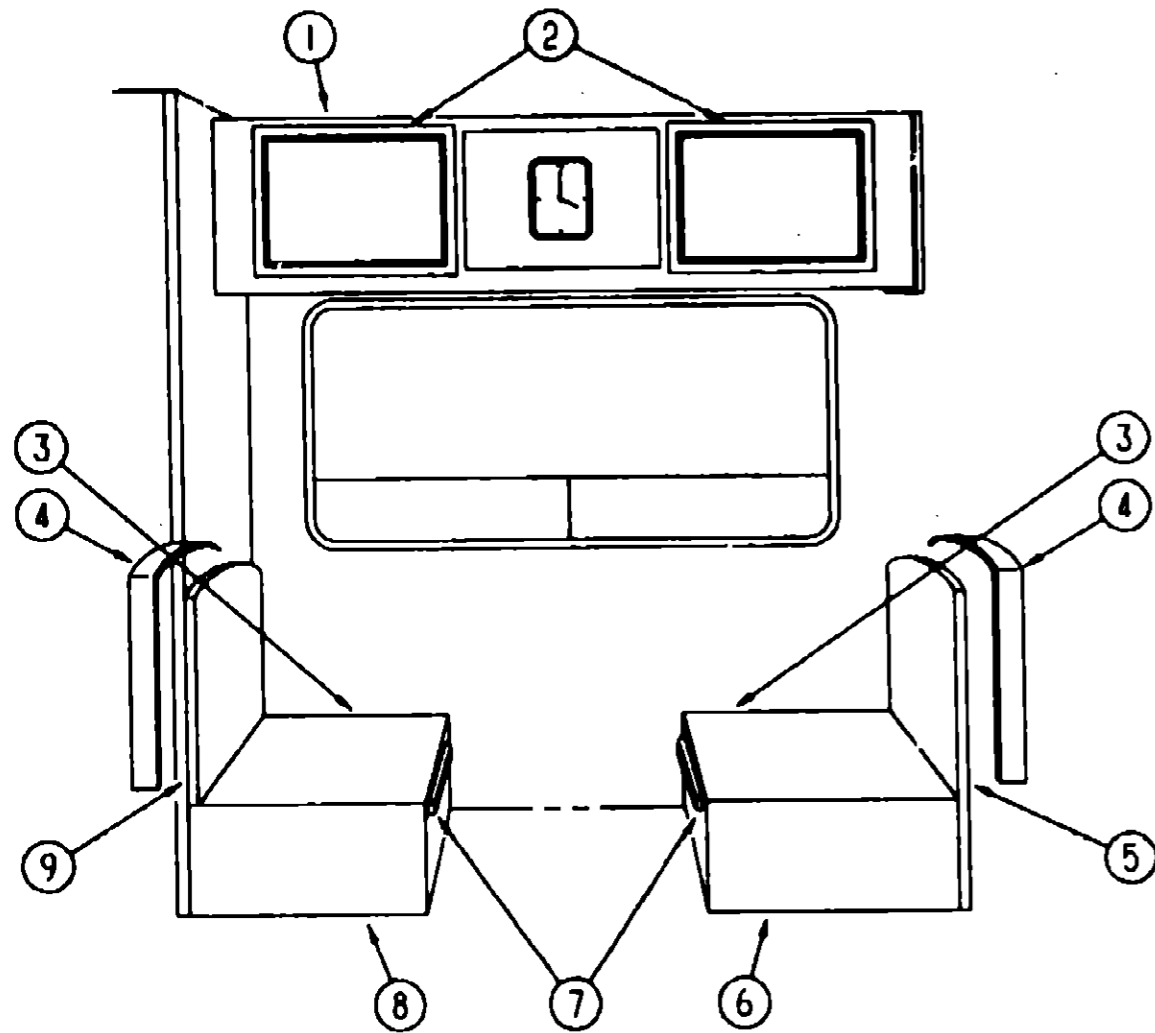
**1992 ITASCA
TABLE OF CONTENTS**

INTRODUCTION	A-01 - A-02
ABBREVIATIONS	A-03
ALPHABETICAL INDEX	A-04 - A-08
ICG34RQ	A-07 - E-18
IKG34RC	E-19 - I-18

1992 ICG34RQ INDEX

FLOOR PLAN	A-07 - A-08
ACCESSORIES	A-09 - A-10
BATH	A-11 - A-13
BEDROOM	A-14 - A-16
CHASSIS	A-17 - B-02
CURTAIN & CUSHION	B-03 - B-12
DINETTE	B-13 - B-17
DRIVERS COMPARTMENT	B-15 - B-18
ELECTRICAL	B-19 - B-24
EXTERIOR BODY	C-01 - C-10
GALLEY	C-11 - C-15
GENERATOR	C-16 - C-17
HEATING & A/C	C-18 - C-20
INTERIOR FINISH	C-21 - D-02
LABELS	D-03 - D-10
LP	D-11
LOUNGE	D-12 - D-14
SEALANTS & FASTENERS	D-15 - D-17
WATER & SEWAGE	D-18 - D-21
WINDOW, VENT &	
EXTERIOR DOOR	D-22 - E-18
WINDSHIELD & WPER	E-17 - E-18

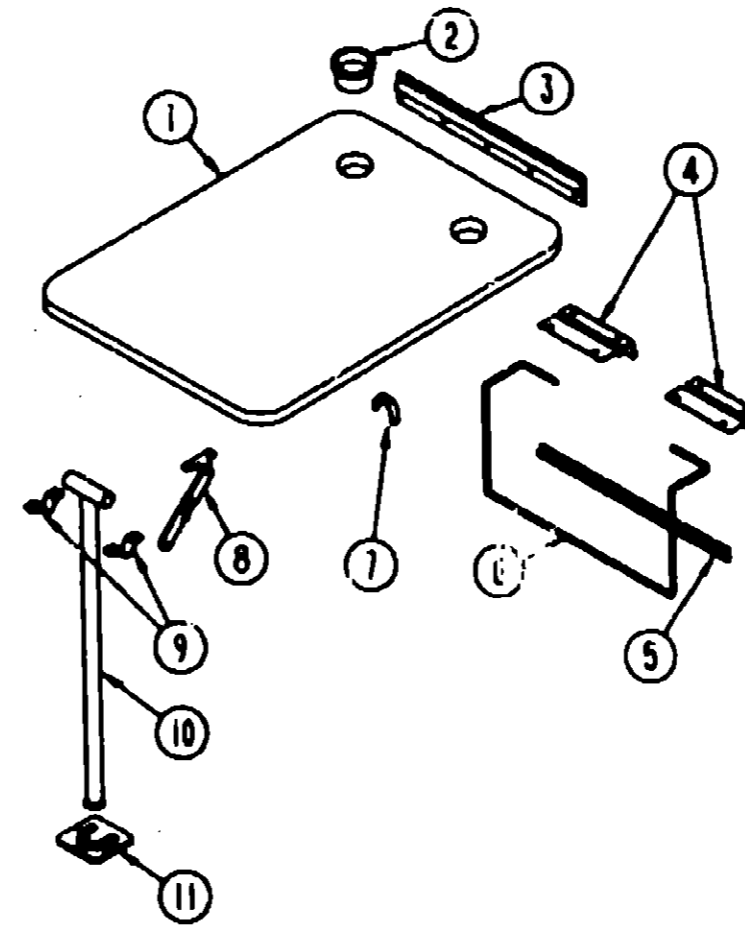
DINETTE GROUP



DINETTE & OVERHEAD CABINERY

KEY	PART NUMBER	U/M DESCRIPTION	
1	M05160-18-C27	EA CABINET - DINETTE OVERHEAD	
1	M05160-18-C28	EA CABINET - DINETTE OVERHEAD	
2	P03702-01-C43	EA DOOR ASM - W/O HARDWARE	FROM: 00-00-00 THRU: 11-17-91
2	P03702-A5-C27	EA DOOR ASM - W/O HARDWARE	FROM: 11-18-91 THRU: 99-99-99
	103128-01-C05	EA END CAP ASM. - RH	
3	081518-01-B27	EA SEAT - DINETTE	
4	104787-01-C27	EA PAD ASM. - DINETTE	
4	104787-01-C26	EA PAD ASM. - DINETTE (C28)	
5	M04174-12-C27	EA CABINET - SEATBACK - RH	
6	M04175-12-C27	EA CABINET - SEATBASE - RH	
7	081295-01-AA8	EA BED SUPPORT - DINETTE	
8	M04175-13-C27	EA CABINET - SEATBASE - LH	
9	M04174-13-C27	EA CABINET - SEATBACK - LH	FROM: 00-00-00 THRU: 01-12-92

DINETTE GROUP (CONTINUED)



DINETTE TABLE ASM.

KEY	PART NUMBER	U/M DESCRIPTION
1	M02115-09-C05	EA DINETTE TABLE (C27)
1	M02115-09-C12	EA DINETTE TABLE (C28)
2	064781-08-000	EA CUP HOLDER - 2 STEP
3	053200-05-000	EA BRACKET - TABLE SUPPORT - UPPER WALL MOUNTED - 23 5" - BEIGE
4	088410-01-000	EA BRACKET - LIFT - TABLE MOUNTED - BEIGE
5	024281-07-000	EA BRACKET - LIFT ROD - LOWER WALL MOUNTED - 22 12" - BEIGE
6	024275-05-000	EA ROD - TABLE LIFT - 8" X 23.5" - BEIGE
7	024283-01-000	EA CLIP - LEG - 1" - 1.125" OD - BLACK
8	024282-01-000	EA BRACE - TABLE LEG - HINGED
9	064050-03-000	EA CLAMP - SADDLE - LEG HINGE - BEIGE
10	024276-21-000	EA TABLE LEG - METAL - BEIGE
11	049493-11-700	EA LEG CATCH - FLOOR MOUNTED - 2.5" X 2.7" - METAL - E-COAT

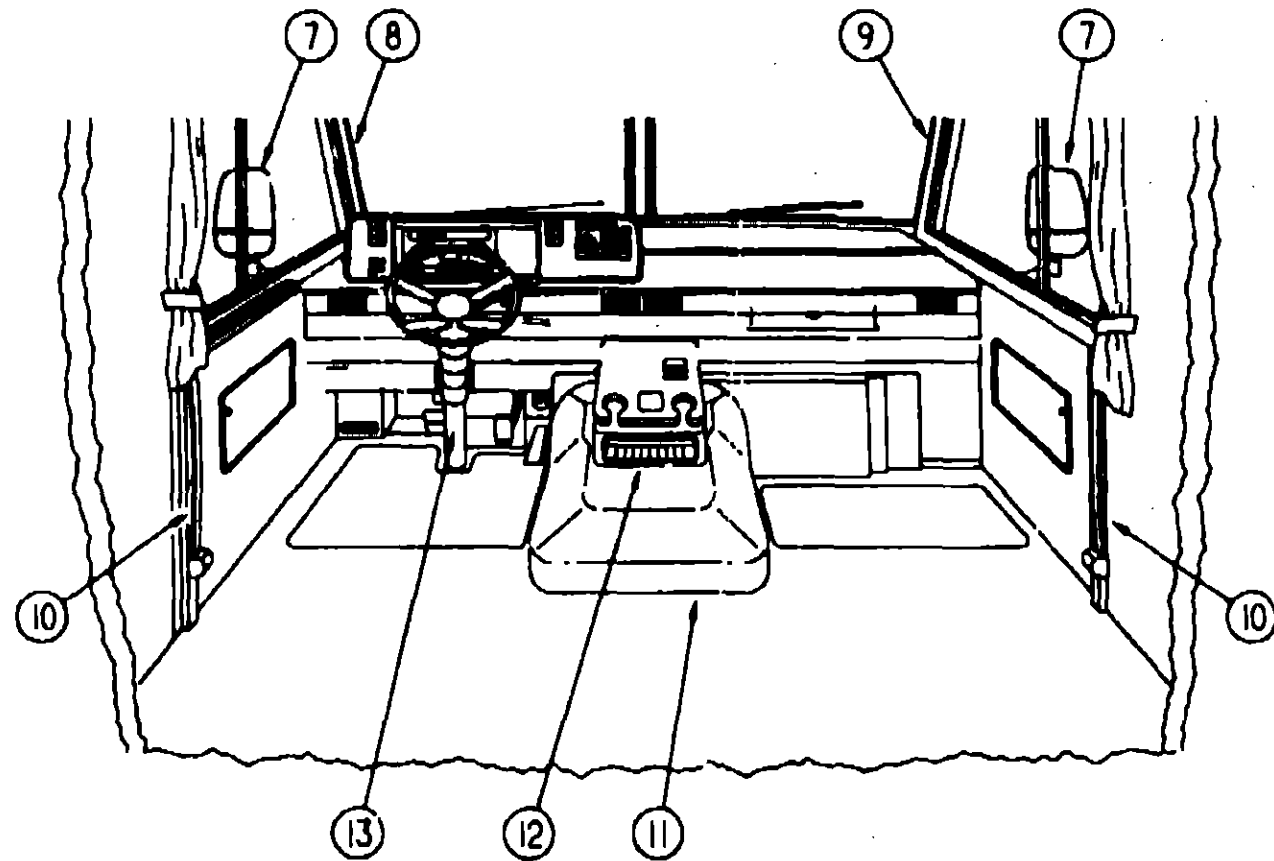
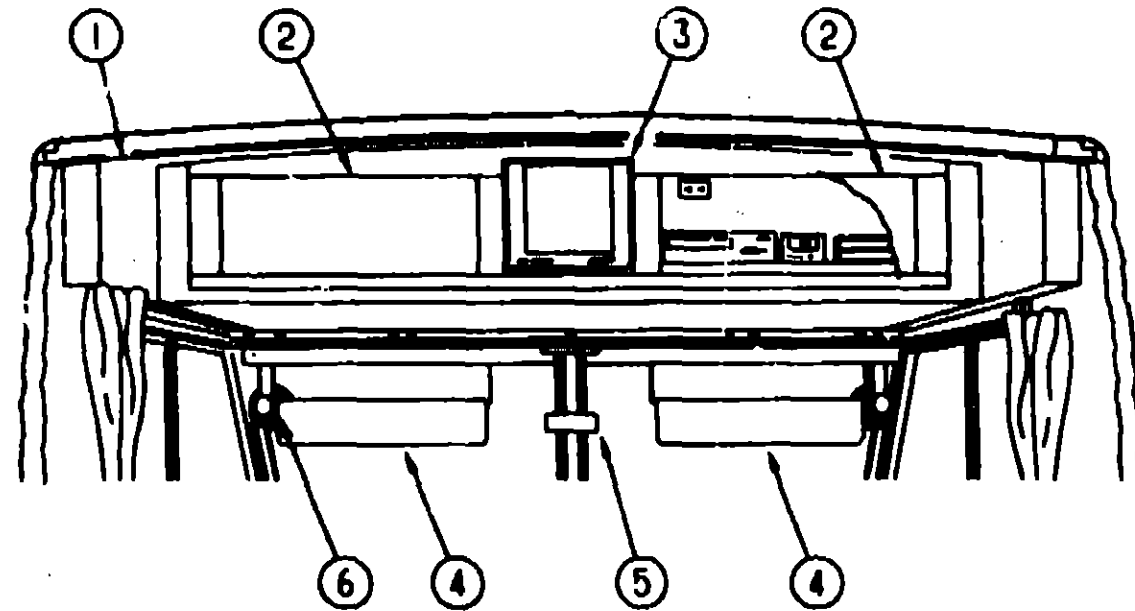
1992 ITASCA TABLE OF CONTENTS

INTRODUCTION	A-01 - A-02
ABBREVIATIONS	A-03
ALPHABETICAL INDEX	A-04 - A-08
ICG34RQ	A-07 - E-18
IKG34RQ	E-19 - I-18

1992 ICG34RQ INDEX

FLOOR PLAN	A-07 - A-08
ACCESSORIES	A-09 - A-10
BATH	A-11 - A-13
BEDROOM	A-14 - A-16
CHASSIS	A-17 - B-02
CURTAIN & CUSHION	B-03 - B-12
DINETTE	B-13 - B-14
DRIVERS COMPARTMENT	B-15 - B-18
ELECTRICAL	B-19 - B-24
EXTERIOR BODY	C-01 - C-10
GALLEY	C-11 - C-15
GENERATOR	C-16 - C-17
HEATING & A/C	C-18 - C-20
INTERIOR FINISH	C-21 - D-02
LABELS	D-03 - D-10
LP	D-11
LOUNGE	D-12 - D-14
SEALANTS & FASTENERS	D-15 - D-17
WATER & SEWAGE	D-18 - D-21
WINDOW, VENT &	
EXTERIOR DOOR	D-22 - E-18
WINDSHIELD & WIPER	E-17 - E-18

DRIVERS COMPARTMENT GROUP
UPPER & LOWER DRIVER COMPARTMENT



KEY	PART NUMBER	U/M DESCRIPTION
1	104238-01-C27	EA CABINET ASM - FACE - OVHD - TV
2	100708-06-000	EA DOOR - GLASS - TV CABT 246 X 722MM
3	108911-01-D35	EA CABINET ASM - FRAME - TV
4	082286-15-C07	EA SUNVISOR ASM
	007211-01-000	EA HINGE - SUNVISOR - 25.5" X 1.5" - METAL
	074012-01-000	EA CLIP - SUNVISOR - SQUARE - PINCH ON
	102377-01-000	EA BRACKET SUNVISOR - 1 PIECE - STEEL
	046886-03-000	EA ASHTRAY - CHROME - W/COVER
	024700-44-000	EA COVER - SIDEWALL ROLL BAR - OFF WHITE 53"
	024700-46-000	EA COVER - SIDEWALL ROLL BAR - OFF WHITE 21.2"
	103961-01-01A	EA COVER - BRACKET - SEATBELT OFF WHITE
	R77030-53-447	EA FLAT WASHER
5	040714-01-000	EA MIRROR - REAR VIEW - W/ARM MOUNT & SET SCREW
6	036420-02-000	EA FAN - DEFROSTER - 2 SPEED - 6" DIAMETER
7	105076-01-703	EA MIRROR HEAD ONLY - DRIVER & PASSENGER SIDE
8	103931-04-02A	EA INTERIOR COVER - A-PILLAR - LH - GRAY
9	103931-03-02A	EA INTERIOR COVER - A-PILLAR - RH - GRAY
10	091990-01-01A	EA SEAT BELT & SHOULDER HARNESS - DRIVER/PASSENGER SIDE
11	097552-01-000	EA MOTOR COVER - W/O CARPET
	092406-01-000	EA TRIM - MOTOR COVER - ALUMINUM
	075564-01-000	EA BRACKET - MOUNTING - MOTOR COVER
12	104696-01-C27	EA TRAY ASM - BEVERAGE
		FROM: 11-07-91 THRU: 99-99-99
	093028-01-000	EA HINGE - CONCEALED - BEVERAGE
		FROM: 00-00-00 THRU: 08-04-91
	101430-01-01A	EA HINGE - DOOR - 2" - BRASS
		FROM: 00-00-00 THRU: 10-21-91
	079800-01-000	EA EXTR - TRIM 192"
13	103498-04-000	EA BOOT - COLUMN
	M04032-01-A01	EA DOWEL - WOOD - STAINED - 1" X 1.75"
	039823-01-000	FT SEAL - MOTOR COVER - RUBBER BULB TYPE - BLACK
	100628-02-000	EA SHELF ASM - TV
	100676-02-000	EA STAND - VCR
	101150-01-000	EA SUPPORT - SHELF - TV - PASSENGER SIDE - STEEL
	101150-02-000	EA SUPPORT - SHELF - TV - DRIVER SIDE - STEEL
	099637-01-000	EA GROMMET - RUBBER - .37" X .94" DIAMETER - BLACK
	099717-01-000	EA TIEDOWN - TV - STRAP ON FEMALE END IS 22.8" LONG
	099717-02-000	EA TIEDOWN - TV - STRAP ON FEMALE END IS 28.7" LONG
	103040-02-C05	EA PANEL - LINER - OVHD TV
	P03077-01-C05	EA SHELF - BASE - CABINET - LH VINYL
	P03077-02-C05	EA SHELF - BASE - CABINET - RH - VINYL
	P04415-01-C05	EA SHELF ASM - TV CABINET - VINYL
	100707-01-000	EA SPACER - DOOR - GLASS - 8" DIA - 3" HOLE - PLASTIC
	101497-22-C07	EA PANEL ASM - END CAP - UP RH - TV
	101497-23-C07	EA PANEL ASM - END CAP - UP LH - TV
	101499-07-C07	EA PANEL ASM - END CAP - BOTTOM RH
	101499-08-C07	EA PANEL ASM - END CAP - BOTTOM LH
	103040-01-C05	EA PANEL - LINER - OVHD TV
	100822-01-01A	EA BRACKET - CABINET - TV - 9" X 1.5" - METAL - OFF WHITE
		FROM: 00-00-00 THRU: 10-05-91
	106699-01-01A	EA BRACKET - CABINET - OVHD TV OAV
		FROM: 10-06-91 THRU: 99-99-99
	104289-03-C07	EA PANEL - SIDE - OVHD TV (RH)
	104289-04-C07	EA PANEL - SIDE - OVHD TV (LH)
	104826-01-C27	EA SHELF ASM - TV
		FROM: 00-00-00 THRU: 08-21-91

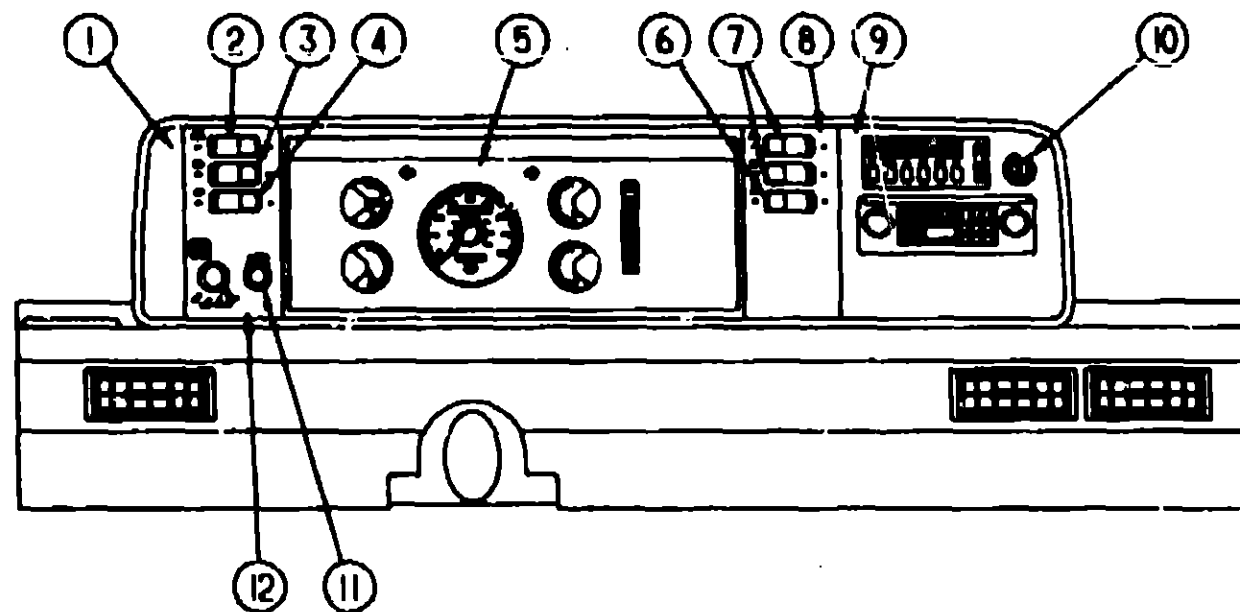
1992 ITASCA
TABLE OF CONTENTS

INTRODUCTION	A-01 - A-02
ABBREVIATIONS	A-03
ALPHABETICAL INDEX	A-04 - A-06
ICG34RQ	A-07 - E-18
IKG34RQ	E-19 - I-18

1992 ICG34RQ INDEX

FLOOR PLAN	A-07 - A-08
ACCESSORIES	A-09 - A-10
BATH	A-11 - A-13
BEDROOM	A-14 - A-16
CHASSIS	A-17 - B-02
CURTAIN & CUSHION	B-03 - B-12
DINETTE	B-13 - B-14
DRIVERS COMPARTMENT	B-15 - B-18
ELECTRICAL	B-19 - B-24
EXTERIOR BODY	C-01 - C-10
GALLEY	C-11 - C-15
GENERATOR	C-16 - C-17
HEATING & A/C	C-18 - C-20
INTERIOR FINISH	C-21 - D-02
LABELS	D-03 - D-10
LP	D-11
LOUNGE	D-12 - D-14
SEALANTS & FASTENERS	D-15 - D-17
WATER & SEWAGE	D-18 - D-21
WINDOW, VENT &	
EXTERIOR DOOR	D-22 - E-16
WINDSHIELD & WPER	E-17 - E-18

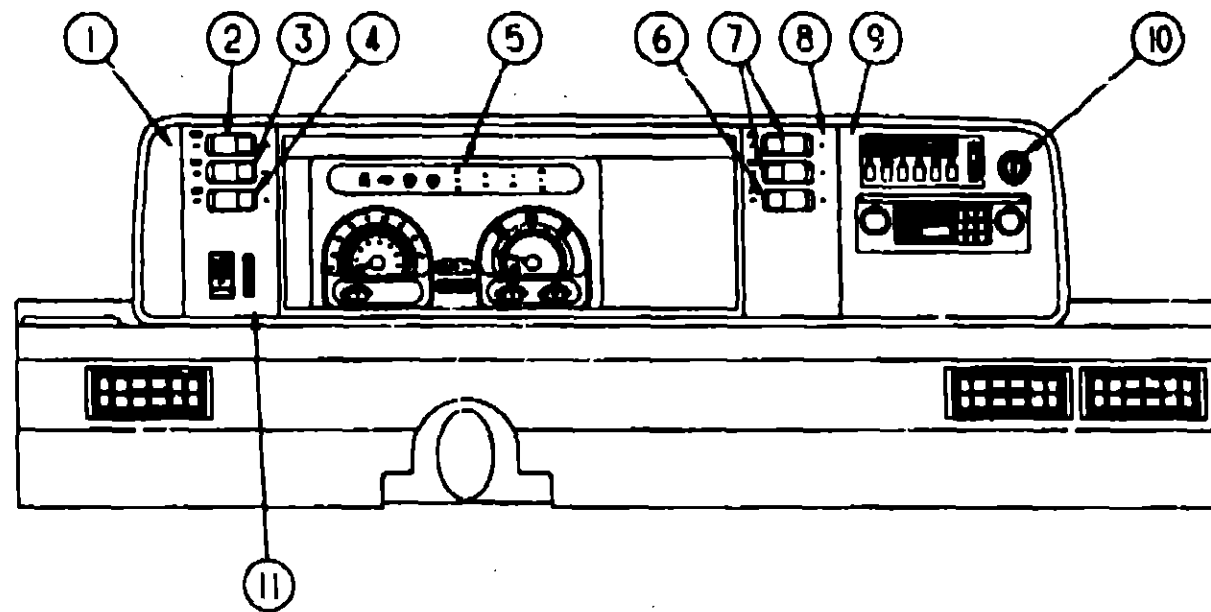
DRIVERS COMPARTMENT GROUP (CONTINUED)



DASH, GAUGES & SWITCHES (FORD)

KEY	PART NUMBER	U/M DESCRIPTION
1	104056-01-03A	EA APPLIQUE - BEZEL LT DRESS UP
2	103875-05-000	EA SWITCH - ROCKER - SPDTON/NONE/ON
3	103875-04-000	EA SWITCH - ROCKER - SPDTON/OFF/MOM
4	103875-06-000	EA SWITCH - ROCKER - DPDTMOM/OFFMOM
5	094794-02-000	EA CLUSTER - INSTRUMENT - KILOMETER - FORD FOUS-10849-BB
6	096241-03-000	EA BLANK
7	103875-03-000	EA SWITCH - ROCKER - SPST ON/OFF/ON
8	104056-04-01A	EA APPLIQUE - BEZEL - SW RT - BLANK
8	104056-05-01A	EA APPLIQUE - BEZEL SW RT 3 SW - W/AUX. FANS
9	104056-06-03A	EA APPLIQUE - BEZEL RT DRESS UP
10	069294-01-000	EA LIGHTER ASM. - CIGARETTE
11	096675-01-000	EA KNOB - HEADLAMP - W/SHAFT
12	104056-03-01A	EA APPLIQUE - BEZEL SW LT
	103662-02-01A	EA BEZEL - INSTRUMENT PANEL
	100138-01-000	EA MODULE - DAYTIME RUNNING LIGHT
	077031-03-000	EA FILM - WHITE .75X1.00
	103812-02-02A	EA TRIM - DASH - LOWER - FORD GRAY
	104354-02-02A	EA APPLIQUE - LOWER DASH - FORD

DRIVERS COMPARTMENT GROUP (CONTINUED)



DASH, GAUGES & SWITCHES (CHEVY)

KEY	PART NUMBER	U/M DESCRIPTION
1	104056-01-03A	EA APPLIQUE - BEZEL LT DRESS UP
2	103875-05-000	EA SWITCH - ROCKER - SPDTON/NONE/ON
3	103875-04-000	EA SWITCH - ROCKER - SPDTON/OFF/MOM
4	103875-06-000	EA SWITCH - ROCKER - DPDTMOM/OFFMOM
5	094796-05-000	EA CLUSTER - INSTRUMENT PANEL - KILOMETERS - GAS - GM #16156355 FROM: 00-00-00 THRU: 09-25-91
6	096241-03-000	EA BLANK
7	103875-03-000	EA SWITCH - ROCKER - SPST ON/OFF/ON
8	104056-04-01A	EA APPLIQUE - BEZEL SW RT BLANK
8	104056-05-01A	EA APPLIQUE - BEZEL SW RT 3 SW - W/AUX FANS
9	104056-06-03A	EA APPLIQUE - BEZEL RT DRESS UP
10	069294-01-000	EA LIGHTER ASM. - CIGARETTE
11	104056-02-01A	EA APPLIQUE - BEZEL SW LT
	P03817-01-000	EA DASH ASM - GM W/O VINYL
	077031-01-000	EA FILM - BLACK - 1" X 1.75"
	103862-01-01A	EA BEZEL - INSTRUMENT PNL 91 GM
	103812-01-02A	EA TRIM - DASH-LOWER - GM - GRAY
	100138-01-000	EA MODULE - DAYTIME RUNNING LIGHT
	104354-01-02A	EA APPLIQUE - LOWER DASH - GM

**1992 ITASCA
TABLE OF CONTENTS**

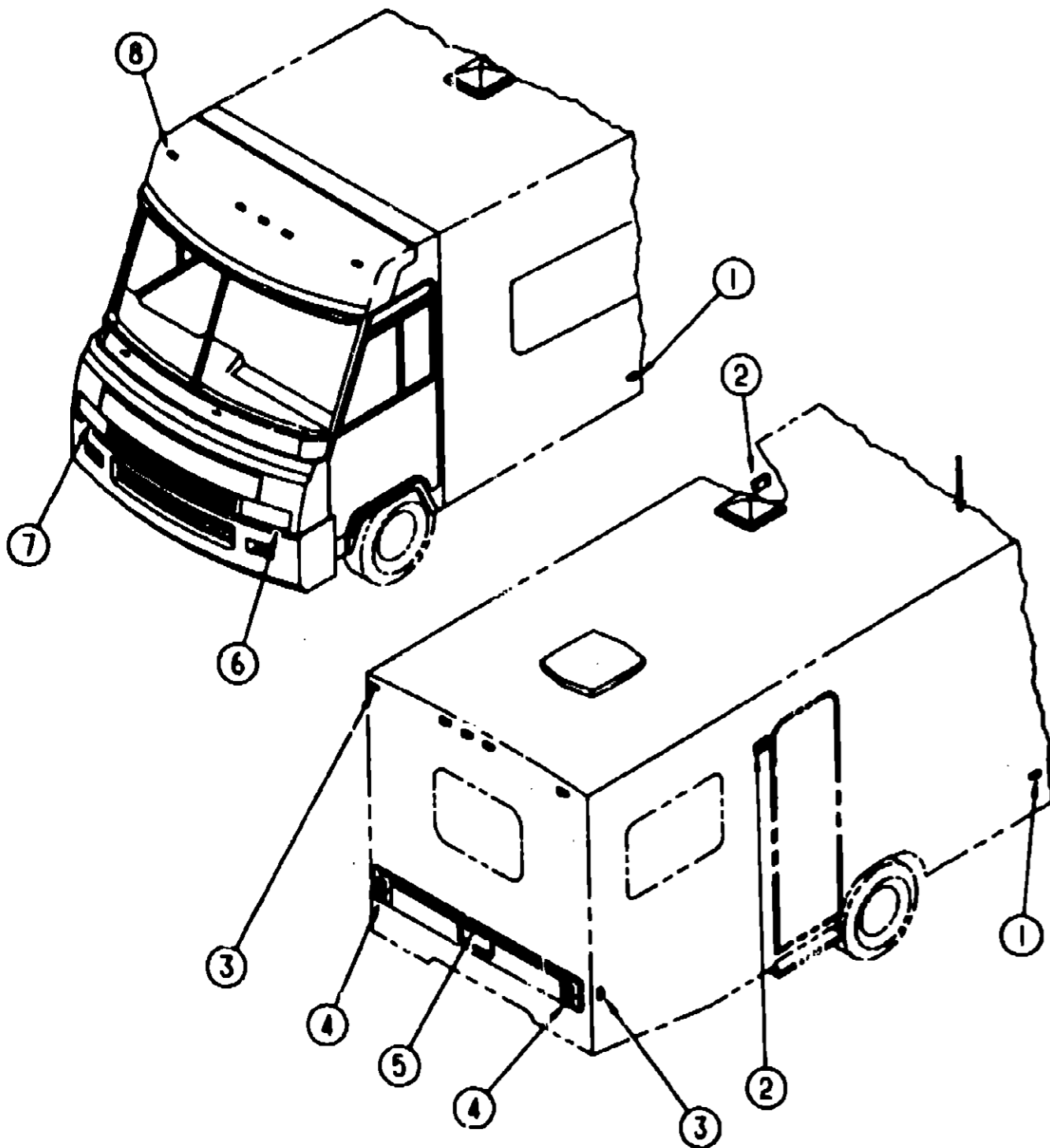
INTRODUCTION	A-01 - A-02
ABBREVIATIONS	A-03
ALPHABETICAL INDEX	A-04 - A-06
ICG34RQ	A-07 - E-18
IKG34RQ	E-19 - I-18

1992 ICG34RQ INDEX

FLOOR PLAN	A-07 - A-08
ACCESSORIES	A-09 - A-10
BATH	A-11 - A-13
BEDROOM	A-14 - A-18
CHASSIS	A-17 - B-02
CURTAIN & CUSHION	B-03 - B-12
DINETTE	B-13 - B-14
DRIVERS COMPARTMENT	B-15 - B-18
ELECTRICAL	B-19 - B-24
EXTERIOR BODY	C-01 - C-10
GALLEY	C-11 - C-15
GENERATOR	C-16 - C-17
HEATING & A/C	C-18 - C-20
INTERIOR FINISH	C-21 - D-02
LABELS	D-03 - D-10
LP	D-11
LOUNGE	D-12 - D-14
SEALANTS & FASTENERS	D-15 - D-17
WATER & SEWAGE	D-18 - D-21
WINDOW, VENT &	
EXTERIOR DOOR	D-22 - E-16
WINDSHIELD & WIPER	E-17 - E-18

ELECTRICAL GROUP (CONTINUED)

EXTERIOR LIGHTS



KEY	PART NUMBER	U/M DESCRIPTION
1	082648-02-000	EA LIGHT-CLEARANCE - AMBER BULB N/A FROM WINNEBAGO #1895 SK9 - LENS N/A SEPARATELY
2	097917-01-03A 008215-01-000	EA LIGHT - PORCH - ENTRY DOOR - GRAY
2	097917-01-700 063749-01-000	EA BULB EA LENS - LIGHT - PORCH EA HOUSING - HEADLAMP WIRING - LOW BEAM FROM: 06-25-91 THRU: 99-99-99
3	062648-01-000	EA LIGHT - CLEARANCE - RED
4	081638-01-700	EA LENS - TAILLIGHT - RED
4	081638-01-701	EA LENS - TAILLIGHT - W/BACKUP
4	081638-01-000	EA TAIL LIGHT - DOUBLE - W/BLACK TRIM - DRIVER & PASSENGER SIDE
	037934-01-000	EA BULB #1156 (BACK UP & TURN SIGNAL)
	037935-01-000	EA BULB #2057 OR #1157 (BRAKE LIGHT)
5	066432-02-000	EA LIGHT - LICENSE PLATE
5	066432-03-000	EA BRACKET - LICENSE PLATE
6	049186-02-000	EA HEADLAMP CAPSULE - DRIVER SIDE - HIGH/LOW BEAM - W/BLACK RETAINER
6	049188-02-000	EA HEADLAMP CAPSULE - DRIVER SIDE - HIGH BEAM - W/BLACK RETAINER
7	049187-02-000	EA HEADLAMP CAPSULE - PASSENGER SIDE - HIGH BEAM - W/BLACK RETAINER
7	049185-02-000	EA HEADLAMP CAPSULE - PASSENGER SIDE - HIGH/LOW BEAM - W/BLACK RETAINER
	049359-01-000	EA SPRING - RETAINER - HEADLAMP
	073308-01-000	EA SCREW - ADJUSTING - HEADLAMP
	096674-01-000	EA NUT - HEADLAMP - BLACK
8	102520-01-000	EA LIGHT - CLEARANCE - W/O SOCKET CONNECTIONS - AMBER NEEDS #067789-02-000 - 088474-09-000 & 088476-01-000 LENS IS NOT AVAILABLE SEPARATELY
	036196-01-000	EA BULB
	102540-01-000	EA SEAL - SCREW - ROUND - RUBBER
	102541-01-000	EA GASKET - CLEARANCE LIGHT

INTERIOR LIGHTS

KEY	PART NUMBER	U/M DESCRIPTION
	083978-01-000	EA WASHER - MOUNTING - LAMP FROM: 00-00-00 THRU: 02-05-92
	065202-14-000	EA LAMP - WALL - BRASS
	085202-18-000	EA LAMP - WALL - BRASS - CANADIAN
	065202-15-000	EA LAMP - WALL - BRASS - CANADIAN
	098024-01-01A	EA DOME LIGHT - 1 BULB - US - IVORY
	098024-03-01A	EA DOME LIGHT - 2 BULB - IVORY
	008218-01-000	EA BULB - DOME LIGHT
	098024-01-700	EA LENS - DOME LIGHT
	061424-01-000	EA LIGHT - AISLE - 12V - RECTANGULAR
	008103-01-000	EA BULB - AISLE
	065201-09-000	EA SHADE - LAMP - FABRIC - PARCHMENT
	082169-01-000	EA LIGHT - MAKE-UP - 3 BULB FROM: 00-00-00 THRU: 12-13-92
	110235-01-01A	EA LIGHT - MAKE UP - 3 BULB PANLESS - BRASS FROM: 12-14-92 THRU: 99-99-99
	081833-01-700	EA BULB - MAKE-UP
	086280-01-000	EA LIGHT - SURFACE MOUNT - 12V - JENSEN 1236
	086280-01-700	EA BULB - SURFACE MOUNT - 12 VOLT - 8 WATT
	087894-01-000	EA LIGHT - WARDROBE/CLOSET - W/SWITCH
	087894-01-700	EA BULB - GE561 - WARDROBE/CLOSET

**1992 ITASCA
TABLE OF CONTENTS**

INTRODUCTION	A-01 - A-02
ABBREVIATIONS	A-03
ALPHABETICAL INDEX	A-04 - A-06
ICG34RQ	A-07 - E-18
IKG34RQ	E-19 - I-18

1992 ICG34RQ INDEX

FLOOR PLAN	A-07 - A-08
ACCESSORIES	A-09 - A-10
BATH	A-11 - A-13
BEDROOM	A-14 - A-16
CHASSIS	A-17 - B-02
CURTAIN & CUSHION	B-03 - B-12
DINETTE	B-13 - B-14
DRIVERS COMPARTMENT	B-15 - B-18
ELECTRICAL	B-19 - B-24
EXTERIOR BODY	C-01 - C-10
GALLEY	C-11 - C-15
GENERATOR	C-16 - C-17
HEATING & A/C	C-18 - C-20
INTERIOR FINISH	C-21 - D-02
LABELS	D-03 - D-10
LP	D-11
LOUNGE	D-12 - D-14
SEALANTS & FASTENERS	D-15 - D-17
WATER & SEWAGE	D-18 - D-21
WINDOW, VENT &	
EXTERIOR DOOR	D-22 - E-16
WINDSHIELD & WIPER	E-17 - E-18

ELECTRICAL GROUP (CONTINUED)
ELECTRIC COMPONENTS

KEY	PART NUMBER	U/M DESCRIPTION
	007093-01-000	EA FLASHER - SIGNAL - STAT
	007142-01-000	EA TAB - WIRE - 18 TO 14 AWG
	008188-01-000	EA SOLENOID - 3 POST - BATTERY CHANGE OVER
	095188-01-01A	EA SPACER - SWITCH - 2.3" X 3.1" - PLASTIC - DARK BROWN
	008376-01-000	EA TERMINAL - RING - 12/14 WIRE - 3/8" STUD
	008328-01-000	EA TERMINAL - RING - 12/10 WIRE - #10 STUD FIT
	008331-01-000	EA TERMINAL - RING - TONGUE - #4 WIRE - 3/8" STUD - COPPER
	008340-01-000	EA TERMINAL - RING - 3/16" STUD - #2 WIRE
	035416-04-000	EA TERMINAL - RING #10 STUD FITTING - INSULATED BARREL #16/14
	047443-01-000	EA TERMINAL - .250 RECP. FITTING - INSULATED - 16/14 AWG
	047443-02-000	EA TERMINAL - .250 RECP. FITTING - INSULATED - 12/10 AWG
	062036-02-000	EA TERMINAL - PACK - CONNECTOR - 16/14 AWG
	104100-03-000	EA TERMINAL - 75 AMP AMP 53880-4 LOOSE
	103603-01-000	EA BULB - 12V NO.74 0.12A WEDGE GE 22-25 OR EQUIV.
	008215-01-000	EA BULB - 12V - #1003 - .94AMP
	008218-01-000	EA BULB - DOME LIGHT - 12V - NUMBER 1141
	036196-01-000	EA BULB - 12V - #194 - .27AMP - BAYONETTE
	067479-01-000	EA BULB - 12V - NUMBER 1076
	067789-02-000	EA SOCKET - LAMP
	103608-01-000	EA SOCKET - WEDGE BASE W LEADS - JKL 2944-6 OR EQUIV
	075723-01-000	EA BLOCK - SWITCH - SPACER W/O HOLE
	095188-01-01A	EA SPACER - SWITCH - 2.3" X 3.1" - PLASTIC - DARK BROWN
	075723-02-000	EA SPACER - SWITCH - W/HOLE - 2" X 9" X 2" - METAL - OFF WHITE FOR ELECTRIC STEP DOOR JAMB SWITCH
	077479-01-000	EA BOOT - BATTERY TERMINAL - DOUBLE CABLE
	077479-02-000	EA BOOT - BATTERY TERMINAL - SINGLE CABLE
	086233-01-000	EA STUD - ISOLATED - 3/8" X 7/8" LONG FROM: 05-23-91 THRU: 99-99-99
	086273-01-000	EA RELAY - BATTERY DISCONNECT
	087949-01-000	EA BUSS BAR - 2 POSITION - 6" X 1.5" - ALUMINUM
	087949-02-000	EA BUSS BAR - 3 POS. 90 WIV
	090971-01-000	EA SPLICE - CABLE - 110V FROM: 00-00-00 THRU: 09-24-92
	100341-01-000	EA FUSE HOLDER - IN LINE TYPE WESCO 8931-92020
	102568-01-B10	EA SPACER - RECEPTACLE - BETWEEN SIDEWALL & PLATE - WOOD
	092492-06-000	EA SEAL - ELECTRICAL BOX
	103873-01-000	EA SEAL - ELECTRICAL BOX/BULKHEAD ALFA III(215X215)
	103987-01-000	EA SEAL - SOLENOID ACCESS

CONVERTER & LOAD CENTER

KEY	PART NUMBER	U/M DESCRIPTION
	094809-01-000	EA LOAD CENTER - 240V - 125A - TPL412CT
	083208-02-000	EA CONVERTER - POWER - 45A - 120V/12V - BW 6345
	090048-01-000	EA INVERTER - 100 WATT

ELECTRICAL GROUP (CONTINUED)
ELECTRICAL HOUSINGS

KEY	PART NUMBER	U/M DESCRIPTION
	088473-01-000	EA PIN HOUSING - 4 ROWS OF 3
	088473-02-000	EA PIN HOUSING - 15 POSITION
	088473-03-000	EA PIN HOUSING - 9 POSITION
	088473-04-000	EA PIN HOUSING - 6 POSITION (SINGLE ROW)
	088473-05-000	EA PIN HOUSING - 8 POSITION (TWO ROWS OF THREE)
	088473-06-000	EA PIN HOUSING - 4 POSITION
	088473-07-000	EA PIN HOUSING - 3 POSITION (SINGLE ROW)
	088473-08-000	EA PIN HOUSING - 2 POSITION
	088473-09-000	EA HOUSING - SOCKET - 12 POSITIONS
	088474-01-000	EA HOUSING - SOCKET - 15 POSITION (3 ROWS OF 5)
	088474-02-000	EA HOUSING - SOCKET - 9 POSITION
	088474-03-000	EA HOUSING - SOCKET - 6 POSITION (2 ROWS OF THREE)
	088474-04-000	EA HOUSING - SOCKET - 5 CAVITY AMP 1-480764-D
	088474-05-000	EA HOUSING - SOCKET - 4 POSITION (SINGLE ROW)
	088474-06-000	EA HOUSING - SOCKET - 3 POSITION
	088474-07-000	EA HOUSING - SOCKET - 2 POSITION
	063910-01-000	EA HOUSING - RELAY - BOSCH 3 334 485 008 FROM: 04-08-91 THRU: 99-99-99
	050030-02-000	EA HOUSING - HEADLAMP WIRING - HIGH BEAM FROM: 06-25-91 THRU: 99-99-99
	100690-01-000	EA HOUSING - 5 PIN - WEATHER PACK
	100691-01-000	EA HOUSING - 3 PIN - FEMALE
	101571-01-000	EA HOUSING - 2 POSITION - MALE
	104100-01-000	EA HOUSING - 1 POSITION - 75 AMP AMP 53884-1
	106006-01-000	EA HOUSING - 1 POSITION - FEMALE - PACKARD 12015952 FROM: 08-18-91 THRU: 99-99-99
	108355-01-000	EA HOUSING - SWITCH CARLING VCH
	088473-02-000	EA PIN HOUSING - 15 POSITION
	007949-01-000	EA TAB - HOUSING - 1 POSITION

**1992 ITASCA
TABLE OF CONTENTS:**

INTRODUCTION	A-01 - A-02
ABBREVIATIONS	A-03
ALPHABETICAL INDEX	A-04 - A-06
ICG34RQ	A-07 - E-18
IKG34RQ	E-19 - F-18

1992 ICG34RQ INDEX

FLOOR PLAN	A-07 - A-08
ACCESSORIES	A-09 - A-10
BATH	A-11 - A-13
BEDROOM	A-14 - A-16
CHASSIS	A-17 - B-02
CURTAIN & CUSHION	B-03 - B-12
DINETTE	B-13 - B-14
DRIVERS COMPARTMENT	B-15 - B-18
ELECTRICAL	B-19 - B-24
EXTERIOR BODY	C-01 - C-10
GALLEY	C-11 - C-15
GENERATOR	C-16 - C-17
HEATING & A/C	C-18 - C-20
INTERIOR FINISH	C-21 - D-02
LABELS	D-03 - D-10
LP	D-11
LOUNGE	D-12 - D-14
SEALANTS & FASTENERS	D-15 - D-17
WATER & SEWAGE	D-18 - D-21
WINDOW, VENT &	
EXTERIOR DOOR	D-22 - E-16
WINDSHIELD & WIPER	E-17 - E-18

ELECTRICAL GROUP (CONTINUED)
SWITCHES, RECEPTACLES & COVERS

Y PART NUMBER	U/M DESCRIPTION
096241-03-000	EA SWITCH - BLANK
079364-01-000	EA SWITCH - ON/OFF ROCKER - 2 PRONGS - BROWN
079364-02-000	EA SWITCH - ON/OFF - ROCKER - BROWN
096241-07-000	EA SWITCH - ROCKER - DPDT - ON/OFF - BLACK
097734-01-02A	EA EXTENSION-RECEPTACLE - 3 2" X 5" X 7" - PLASTIC - BROWN
098351-01-01A	EA PLATE - SWITCH - 1 GANG - POLISHED BRASS
098351-02-01A	EA PLATE - SWITCH - 2 GANG - POLISHED BRASS
098351-04-01A	EA PLATE - SWITCH - GENERATOR/DOOR LOCK - POLISH BRASS - JENSEN
098351-05-01A	EA PLATE - SWITCH - 3 GANG - POLISH BRASS - JENSEN
080015-02-000	EA RECEPTACLE - FLAG - .185 - 16/14 GA - AMP 3
084076-02-000	EA RECEPTACLE - GFI - 15A - 125V - BROWN
058707-01-000	EA RECEPTACLE - ELECTRIC - SINGLE - BROWN
058708-01-000	EA RECEPTACLE - ELECTRIC - DOUBLE - BROWN
058708-02-000	EA RECEPTACLE - ELECTRIC - DOUBLE - IVORY
007940-01-000	EA RECEPTACLE - SLIDE - 16 TO 12 AWG - FEMALE END
024924-02-000	EA RECEPTACLE - POWER CORD - W/PARTIAL PLATE
075736-02-000	EA COVER - EXTERIOR RECEPTACLE - OFF WHITE
088238-01-000	EA COVER - SWITCH - A/C SELECTOR - FRONT TO REAR A/C
088238-02-000	EA COVER - SWITCH - A/C SELECTOR FOR FRONT OR REAR

ELECTRICAL WIRING & BOXES

Y PART NUMBER	U/M DESCRIPTION
008052-01-000	EA CORD - POWER - 10/3 - 30 AMP - 25' - CANADIAN
008054-01-000	EA CORD - POWER - 10/3 - 30 AMP - 25'
008288-01-000	EA BOX - PLASTIC ELECTRIC - 3" X 3 1/2"
008288-02-000	EA BOX - ELECTRIC - PLASTIC - 3.94" X 3.13" X 1.81"
008289-01-000	EA BOX - ELECTRIC - STEEL - 1/2" AND 3/4" KNOCKOUTS - 4" X 4"
008289-02-000	EA BOX - ELECTRICAL - 4" X 4" - 1/2" & 3/4" KNOCKOUTS - CANADIAN
074890-01-000	EA BOX - EXTENSION - STEEL - OPEN SIDES - 4" X 4" X 1 1/2"
058049-01-000	EA BOX - ELECTRIC SWITCH - 2" X 3" X 2.25"
091910-01-000	EA BOX - ELECTRIC - 3.75" X 3.5" X 1.75" - PLASTIC
104677-01-000	EA BOX - ELECTRICAL - CIRCUIT BREAKER
091927-01-000	EA COVER - RECEPTACLE - DOUBLE - IVORY
000294-01-000	EA COVER - ELECTRICAL BOX - BLANK/STEEL - 4" X 4" - GRAY
008294-02-000	EA COVER - ELECTRICAL BOX - BLANK STEEL - 4" X 4" - CANADIAN
074897-01-000	EA COVER - ELECTRIC BOX - 1 LARGE & 2 SMALL HOLES - 4" X 4"
069238-01-000	EA COVER - ELECTRICAL BOX - W/HOLE - 4" X 4" - GRAY USED WITH 30 AMP RECEPTACLE
084077-02-000	EA PLATE - COVER - RECEPTACLE - GFI - BROWN
104016-01-000	EA WIRE ASM. - AUX FANS
102838-01-000	EA WIRE ASM. - CLEARANCE LAMPS
094831-08-000	EA WIRE ASM. - AC COMPRESSOR ADAPTER - SCS 036-0054
103347-01-000	EA WIRE ASM. - COOLING FAN ADAPTER
FROM: 00-00-00 THRU: 02-21-92	
103992-01-000	EA WIRE ASM. - IP - MAIN (FORD)
P03784-02-000	EA WIRE ASM. - HEADLAMP(FORD)
P03784-01-000	EA WIRE ASM. - HEADLAMP(GM)
088751-01-000	FT CABLE - BATTERY - 1/0 AWG - STRANDED - RED
073328-04-000	EA CABLE ASSEMBLY - BATTERY - W/TERMINALS
075736-01-000	EA COVER - RECEPTACLE - EXTERIOR - GRAY

ELECTRICAL GROUP (CONTINUED)
ELECTRICAL CONNECTORS & CONDUIT

KEY PART NUMBER	U/M DESCRIPTION
041953-01-000	FT CONDUIT - CONVOLUTE - SLIT - .5" ID
041953-03-000	FT CONDUIT - CONVOLUTE - SLIT - 1" ID (CLOTHES ROD COVER)
041953-05-000	FT CONDUIT - CONVOLUTE - SOLID - .62" ID
041953-06-000	FT CONDUIT - CONVOLUTE - SLIT - .375" ID
041953-07-000	FT CONDUIT - CONVOLUTE - SLIT - .25" ID
041953-09-000	FT CONDUIT - CONVOLUTE - SLIT - 1.50" ID
041953-09-000	FT CONDUIT - CONVOLUTE - SLIT .50" ID
041953-10-000	FT CONDUIT - CONVOLUTE - SLIT - .75" ID
041953-11-000	FT CONDUIT - CONVOLUTE - SLIT - 1.06" ID
041953-12-000	FT CONDUIT - CONVOLUTE - NON SLIT 1.1" ID
008311-01-000	EA CONNECTOR - WIRE NUT - INSULATED - RED
008312-01-000	EA CONNECTOR - WIRE NUT - INSULATED - BLUE
008314-01-000	EA CONNECTOR - WIRE NUT - INSULATED - GRAY
008355-01-000	EA CONNECTOR - CABLE CLAMPING - 3/4"
008356-01-000	EA CONNECTOR - PLASTIC - 3/8" AVG
058028-01-000	EA CONNECTOR - ELECTRICAL PIGTAIL - NYLON - CLEAR
041480-01-000	EA CONNECTOR - STRAIGHT - 1/2" FLEX CONDUIT
082740-01-000	EA CONNECTOR - PLASTIC BODY - FOR 2 MALE SPADES
082740-01-000	EA CONNECTOR - PLASTIC BODY - FOR 2 MALE SPADES
088475-01-000	EA PIN-CONNECTOR - 14 TO 20 AWG KEY
088475-01-000	EA PIN-CONNECTOR - 14 TO 20 AWG
088476-01-000	EA SOCKET - CONNECTOR - BRASS - PRE - TIN
FROM: 04-08-91 THRU: 99-99-99	
088476-02-000	EA SOCKET - CONNECTOR - 12-10 GA - PHOS BRZ - PRE - TIN
088476-01-000	EA SOCKET - CONNECTOR - BRASS - PRE - TIN
FROM: 04-08-91 THRU: 99-99-99	
088476-02-000	EA SOCKET - CONNECTOR - 12-10 GA - PHOS BRZ - PRE - TIN

CIRCUIT BREAKERS & FUSES

KEY PART NUMBER	U/M DESCRIPTION
097611-01-000	EA CIRCUIT BREAKER - 6AMP - ATC - BLACK
093654-01-000	EA CIRCUIT BREAKER - 6 AMP - HOUSE CONTROL PANEL
093654-02-000	EA CIRCUIT BREAKER - 15 AMP
093655-01-000	EA CIRCUIT BREAKER - 25 AMP
093655-02-000	EA CIRCUIT BREAKER - 30 AMP - HOUSE CONTROL PANEL
093655-03-000	EA CIRCUIT BREAKER - 40 AMP USD 174-0-4E03A2A
094810-01-000	EA CIRCUIT BREAKER - DOUBLE 30 AMP - GE THQL2130
094811-01-000	EA CIRCUIT BREAKER - DOUBLE 20 AMP - GE THQL2120
083209-02-000	EA CIRCUIT BREAKER - 15/15AMP - 120V - BW H - 15/15
083209-03-000	EA CIRCUIT BREAKER - 15/20AMP - 120V - BW - 0-15/20
083209-04-000	EA CIRCUIT BREAKER - 30A - 120V - BW L - 30
083209-06-000	EA CIRCUIT BREAKER - 30/15 AMP - 120V - BW D - 30/15
083209-07-000	EA CIRCUIT BREAKER - 20/20A - 120V - BW K - 20/20
083209-08-000	EA CIRCUIT BREAKER - BLANK - BW
062901-02-000	EA FUSE - 5 AMP - AUTOMOTIVE
062901-05-000	EA FUSE - 15 AMPS - AUTOMOTIVE
062901-07-000	EA FUSE - AUTOMOTIVE - 25 AMPS
008235-01-000	EA FUSE - AUTOMOTIVE - 12V - 15AMP
062037-01-000	EA HOUSING - AUTO FUSE - NATURAL
062037-02-000	EA HOUSING - AUTO FUSE - GREEN
062037-03-000	EA HOUSING - AUTO FUSE - BLACK
062037-04-000	EA HOUSING - AUTO FUSE - BLUE
062037-05-000	EA HOUSING - AUTO FUSE - GRAY
062037-06-000	EA HOUSING - AUTO FUSE - BROWN

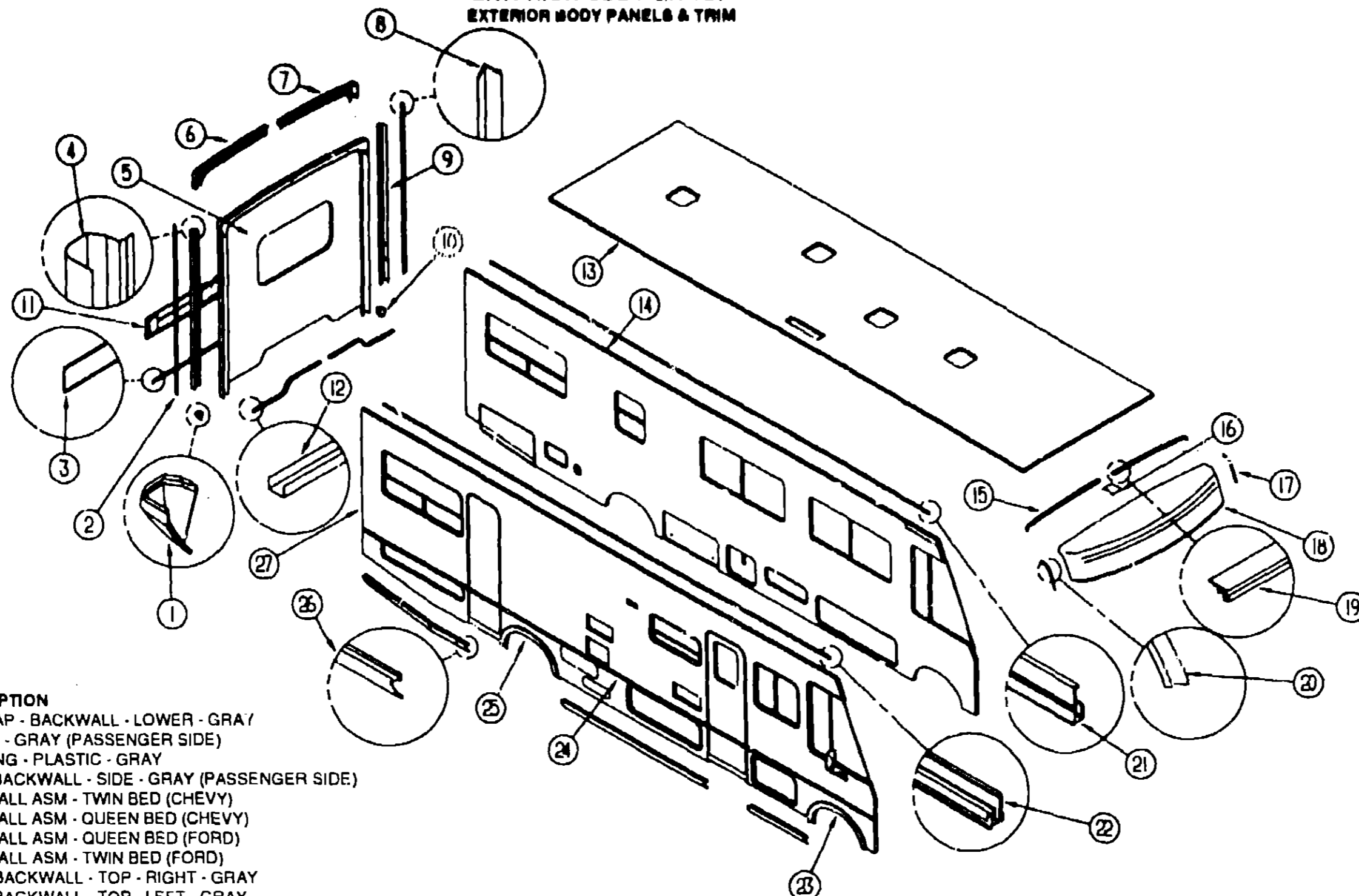
**1992 ITASCA
TABLE OF CONTENTS**

INTRODUCTION	A-01 - A-02
ABBREVIATIONS	A-03
ALPHABETICAL INDEX	A-04 - A-08
ICG34RQ	A-07 - E-18
IKG34RQ	E-19 - I-18

1992 ICG34RQ INDEX

FLOOR PLAN	A-07 - A-08
ACCESSORIES	A-09 - A-10
BATH	A-11 - A-13
BEDROOM	A-14 - A-16
CHASSIS	A-17 - B-02
CURTAIN & CUSHION	B-03 - B-12
DINETTE	B-13 - B-14
DRIVERS COMPARTMENT	B-15 - B-18
ELECTRICAL	B-19 - B-24
EXTERIOR BODY	C-01 - C-10
GALLEY	C-11 - C-15
GENERATOR	C-16 - C-17
HEATING & A/C	C-18 - C-20
INTERIOR FINISH	C-21 - D-02
LABELS	D-03 - D-10
LP	D-11
LOUNGE	D-12 - D-14
SEALANTS & FASTENERS	D-15 - D-17
WATER & SEWAGE	D-18 - D-21
WINDOW, VENT & EXTERIOR DOOR	D-22 - E-18
WINDSHIELD & WIPER	E-17 - E-18

EXTERIOR BODY GROUP
EXTERIOR BODY PANELS & TRIM



1992 ITASCA
TABLE OF CONTENTS

INTRODUCTION	A-01 - A-02
ABBREVIATIONS	A-03
ALPHABETICAL INDEX	A-04 - A-08
ICG34RQ	A-07 - E-18
IKG34RQ	E-19 - I-18

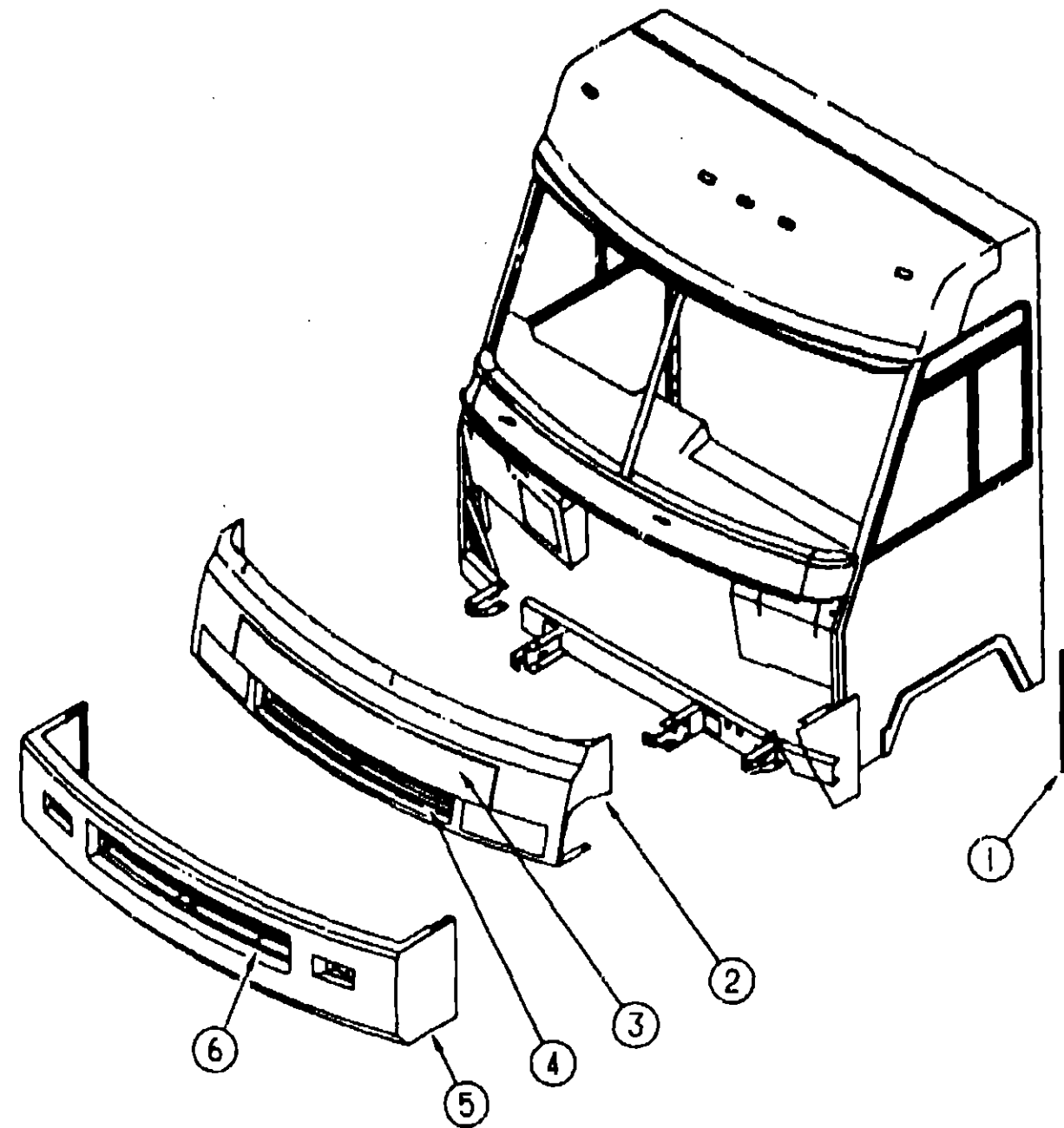
1992 ICG34RQ INDEX

FLOOR PLAN	A-07 - A-08
ACCESSORIES	A-09 - A-10
BATH	A-11 - A-13
BEDROOM	A-14 - A-16
CHASSIS	A-17 - B-02
CURTAIN & CUSHION	B-03 - B-12
DINETTE	B-13 - B-14
DRIVERS COMPARTMENT	B-15 - B-18
ELECTRICAL	B-19 - B-24
EXTERIOR BODY	C-01 - C-10
GALLEY	C-11 - C-15
GENERATOR	C-16 - C-17
HEATING & A/C	C-18 - C-20
INTERIOR FINISH	C-21 - D-02
LABELS	D-03 - D-10
LP	D-11
LOUNGE	D-12 - D-14
SEALANTS & FASTENERS	D-15 - D-17
WATER & SEWAGE	D-18 - D-21
WINDOW, VENT &	
EXTERIOR DOOR	D-22 - E-16
WINDSHIELD & WIPER	E-17 - E-18

KEY	PART NUMBER	U/M DESCRIPTION
1	105167-01-02A	EA TRIM CAP - BACKWALL - LOWER - GRAY
2	104033-03-02A	EA TRIM - J - GRAY (PASSENGER SIDE)
3	093673-01-03A	EA MOLDING - PLASTIC - GRAY
4	103598-03-02A	EA TRIM - BACKWALL - SIDE - GRAY (PASSENGER SIDE)
5	M05191-10-C27	EA BACKWALL ASM - TWIN BED (CHEVY)
5	M05191-08-C27	EA BACKWALL ASM - QUEEN BED (CHEVY)
5	M05192-05-C27	EA BACKWALL ASM - QUEEN BED (FORD)
5	M05192-08-C27	EA BACKWALL ASM - TWIN BED (FORD)
6	103599-01-02A	EA TRIM - BACKWALL - TOP - RIGHT - GRAY
7	103600-01-02A	EA TRIM - BACKWALL - TOP - LEFT - GRAY
8	104033-04-02A	EA TRIM - J - GRAY (DRIVER SIDE)
9	103598-04-02A	EA TRIM - BACKWALL - SIDE - GRAY (DRIVER SIDE)
10	105167-02-02A	EA TRIM CAP - BACKWALL - LOWER - GRAY
11	106125-01-C27	EA TRIM ASM - BACKWALL
12	050406-16-000	EA TRIM - BACKWALL - LOWER LEFT OR RIGHT SIDE - GRAY
13	P04539-01-C27	EA ROOF ASM
14	M05666-03-C27	EA SIDEWALL ASM - TWIN BED (DRIVER SIDE)
14	M05666-01-C27	EA SIDEWALL ASM - QUEEN BED (DRIVER SIDE)
15	103815-02-03A	EA TRIM - FRONT CAP/ROOF - RIGHT HAND - GRAY
16	086754-04-000	EA CAP - JOINT - GRAY
17	103816-02-02A	EA TRIM - FRONT CAP/SDW - LEFT HAND - GRAY
		FROM: 04-20-92 THRU: 05-17-92
17	103816-04-02A	EA TRIM - FRONT CAP/SDW - LEFT HAND - GRAY
		FROM: 05-18-92 THRU: 99-99-99
18	M05145-02-C27	EA CAP ASM - FRONT - GRAY
19	103815-03-03A	EA TRIM - FRONT CAP/ROOF - LEFT HAND - GRAY
20	103816-03-02A	EA TRIM - FRONT CAP/SDW - RIGHT HAND - GRAY

KEY	PART NUMBER	U/M DESCRIPTION
21	103801-01-02A	EA TRIM - ROOF - GRAY
22	103802-01-02A	EA RAIL - AWNING - GRAY
23	104068-01-02A	EA TRIM - WHEELWELL - FRONT - RH - GRAY
	104068-02-02A	EA TRIM - WHEELWELL - FRONT - LH - GRAY
24	002444-01-020	EA FEATURE STRIP - WHOLES
	001030-02-003	EA INSERT - FEATURE STRIP - 17' LONG
	009731-01-000	EA END CAP - FEATURE STRIP
25	104070-01-02A	EA TRIM - WHEELWELL - REAR - GRAY (DRIVER OR PASSENGER SIDE)
26	079407-05-002	EA ROCKER PANEL 192.00" - GRAY
27	M05665-03-C27	EA SIDEWALL ASM - TWIN BED (PASSENGER SIDE)
27	M05665-01-C27	EA SIDEWALL ASM - QUEEN BED (PASSENGER SIDE)
	087972-08-000	EA TRIM - SIDEWALL - GRAY
		FROM: 00-00-00 THRU: 08-23-91
	086180-55-003	EA U-CHANNEL - EXTRUDED - 1.6" X 16" - GRAY - SERRATED
	058267-01-000	FT CHANNEL - STEEL - WHOLES - SIDEWALL STIFFENER - 2" X 20"

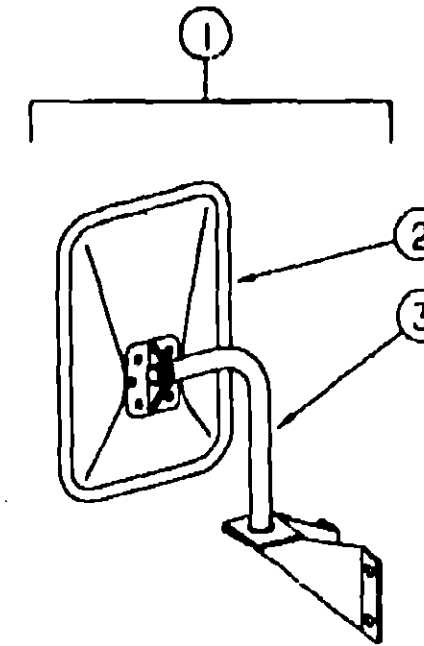
EXTERIOR BODY GROUP (CONTINUED)



FRONT END ASM

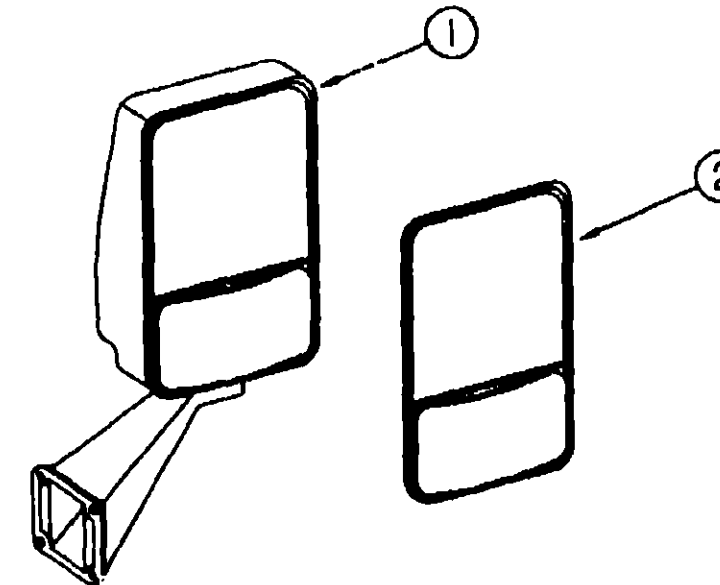
KEY	PART NUMBER	U/M DESCRIPTION
1	089922-13-000	EA TRIM - FIBERGLSSS - GRAY
2	104062-01-02A	EA PANEL - FRONT - LOWER - GRAY
3	104645-01-C27	EA PANEL ASM. - HOOD - GRAY
4	104318-01-C07	EA GRILLE ASM. - MESH - FACIA
5	104661-01-C27	EA BUMPER PANEL ASM - FRONT
	105065-01-03A	EA TRIM - BUMPER END CAP - GRAY
	106291-01-C27	EA SPOILER ASM.
6	104318-02-C07	EA GRILLE ASM. - MESH - BUMPER
	058786-01-000	EA BOLT - ADJUSTING - HOOD - W/BLACK PAD - .31" #18 X 2" FROM: 00-00-00 THRU: 02-11-92
	052786-02-000	EA BOLT - ADJUSTING - HOOD - W/BLACK PAD - 5/16" #18 X 1.25" FROM: 02-12-92 THRU: 99-99-99
	104582-02-000	EA LINK ASM. - HINGE - HOOD - OUTER
	104594-03-000	EA BRACKET ASM. - HOOD HINGE BODY - RH
	104564-04-000	EA BRACKET ASM. - HOOD HINGE BODY - LH
	102330-02-000	EA LATCH - SINGLE HOLE - VISE ACTION
	105095-01-000	EA LINK ASM. - HINGE - HOOD - INNER RT
	105095-02-000	EA LINK ASM. - HINGE - HOOD - INNER LT
	105096-02-000	EA TUBE - TIMING - HOOD HINGE

EXTERIOR BODY GROUP (CONTINUED)



EXTERIOR MIRRORS

KEY	PART NUMBER	U/M DESCRIPTION
1	105076-01-702	EA MIRROR ASM. - DRIVER & PASSENGER SIDE
2	105076-01-703	EA MIRROR HEAD ONLY - DRIVER & PASSENGER SIDE
3	105076-01-704	EA ARM - DRIVER & PASSENGER SIDE
	105439-01-000	EA MIRROR - AUX - CONVEX STICK-ON
	049347-01-700	EA MIRROR - FLAT GLASS



EXTERIOR MIRROR OPTION

KEY	PART NUMBER	U/M DESCRIPTION
1	106015-09-01A	EA MIRROR ASM - PASSENGER SIDE
1	106015-10-01A	EA MIRROR ASM - DRIVER SIDE
2	106015-01-703	EA MIRROR KIT (BEZEL W/MIRRORS) PASSENGER SIDE
2	106015-02-702	EA MIRROR KIT (BEZEL W/MIRRORS) DRIVER SIDE

**1992 ITASCA
TABLE OF CONTENTS**

INTRODUCTION	A-01 - A-02
ABBREVIATIONS	A-03
ALPHABETICAL INDEX	A-04 - A-06
ICG34RQ	A-07 - E-18
IKG34RQ	E-19 - I-18

1992 ICG34RQ INDEX

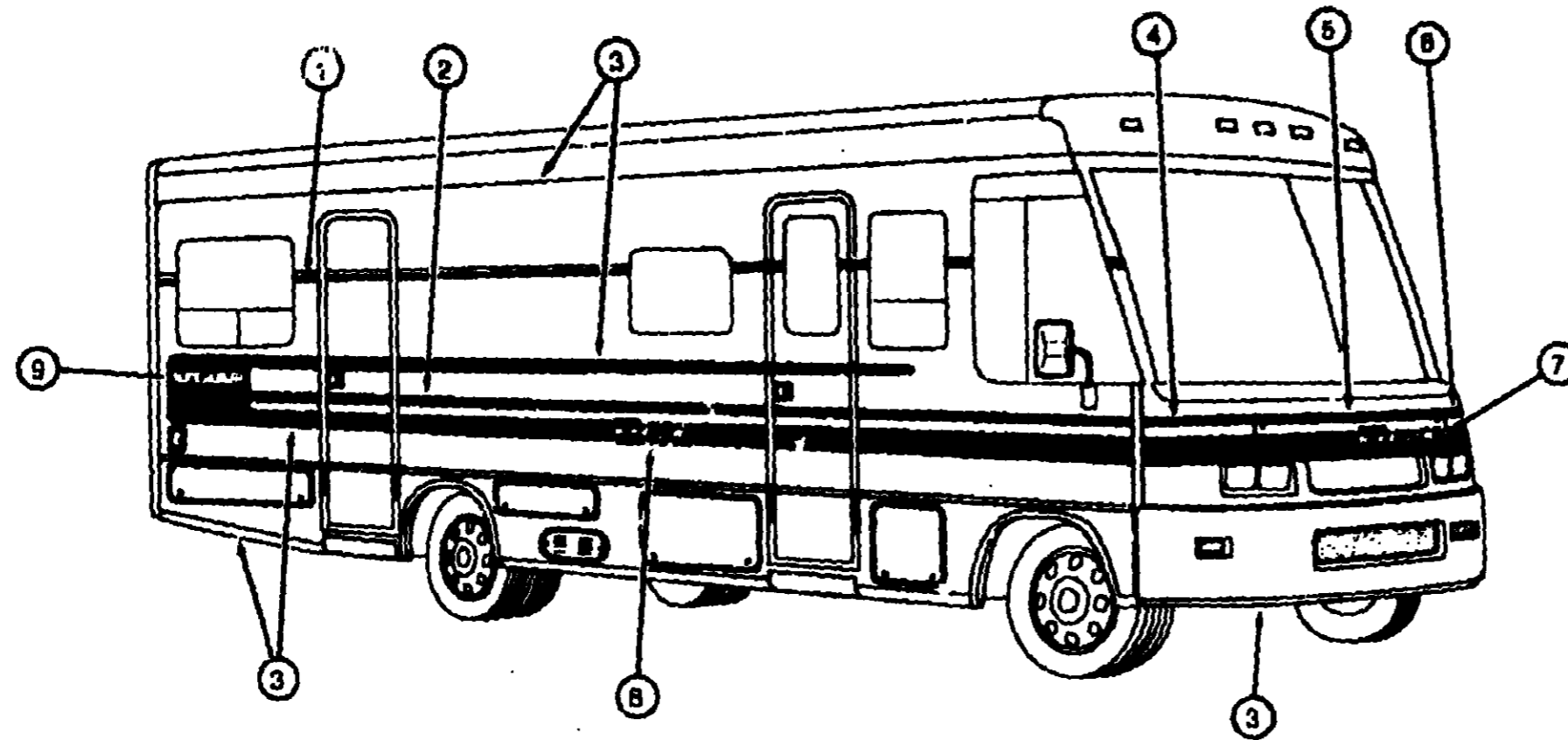
FLOOR PLAN	A-07 - A-08
ACCESSORIES	A-09 - A-10
BATH	A-11 - A-13
BEDROOM	A-14 - A-16
CHASSIS	A-17 - B-02
CURTAIN & CUSHION	B-03 - B-12
DINETTE	B-13 - B-14
DRIVERS COMPARTMENT	B-15 - B-18
ELECTRICAL	B-19 - B-24
EXTERIOR BODY	C-01 - C-10
GALLEY	C-11 - C-15
GENERATOR	C-16 - C-17
HEATING & A/C	C-18 - C-20
INTERIOR FINISH	C-21 - D-02
LABELS	D-03 - D-10
LP	D-11
LOUNGE	D-12 - D-14
SEALANTS & FASTENERS	D-15 - D-17
WATER & SEWAGE	D-18 - D-21
WINDOW, VENT & EXTERIOR DOOR	D-22 - E-16
WINDSHIELD & WIPER	E-17 - E-18

EXTERIOR BODY GROUP (CONTINUED)

DECALS, FILM STRIPE & PAINT
FROM 00-00-00 THRU: 10-25-91

**1992 ITASCA
TABLE OF CONTENTS**

INTRODUCTION	A-01 - A-02
ABBREVIATIONS	A-03
ALPHABETICAL INDEX	A-04 - A-06
ICG34RQ	A-07 - E-18
IKG34RQ	E-19 - I-18



1992 ICG34RQ INDEX

FLOOR PLAN	A-07 - A-08
ACCESSORIES	A-09 - A-10
BATH	A-11 - A-13
BEDROOM	A-14 - A-16
CHASSIS	A-17 - B-02
CURTAIN & CUSHION	B-03 - B-12
DINETTE	B-13 - B-14
DRIVERS COMPARTMENT	B-15 - B-18
ELECTRICAL	B-19 - B-24
EXTERIOR BODY	C-01 - C-10
GALLEY	C-11 - C-15
GENERATOR	C-16 - C-17
HEATING & A/C	C-18 - C-20
INTERIOR FINISH	C-21 - D-02
LABELS	D-03 - D-10
LP	D-11
LOUNGE	D-12 - D-14
SEALANTS & FASTENERS	D-15 - D-17
WATER & SEWAGE	D-18 - D-21
WINDOW, VENT & EXTERIOR DOOR	D-22 - E-16
WINDSHIELD & WIPER	E-17 - E-18

DUPONT PAINT COLOR CODES

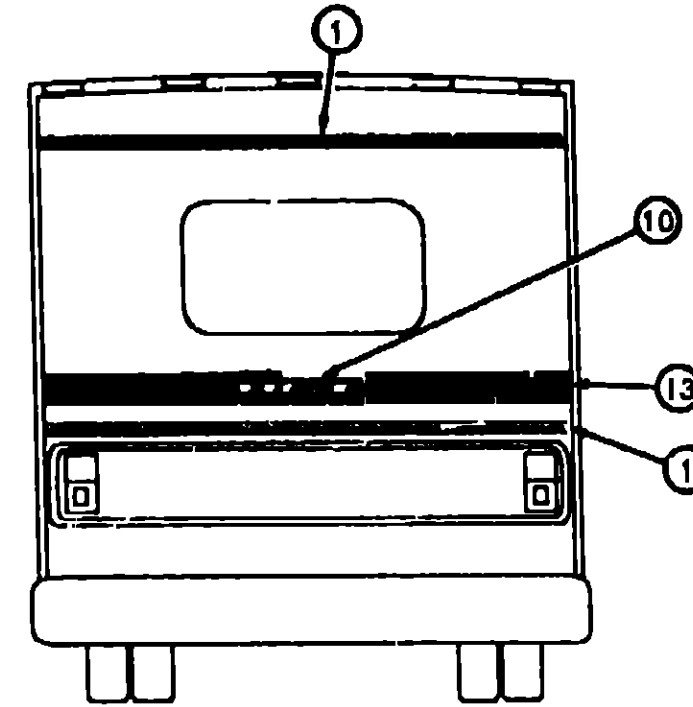
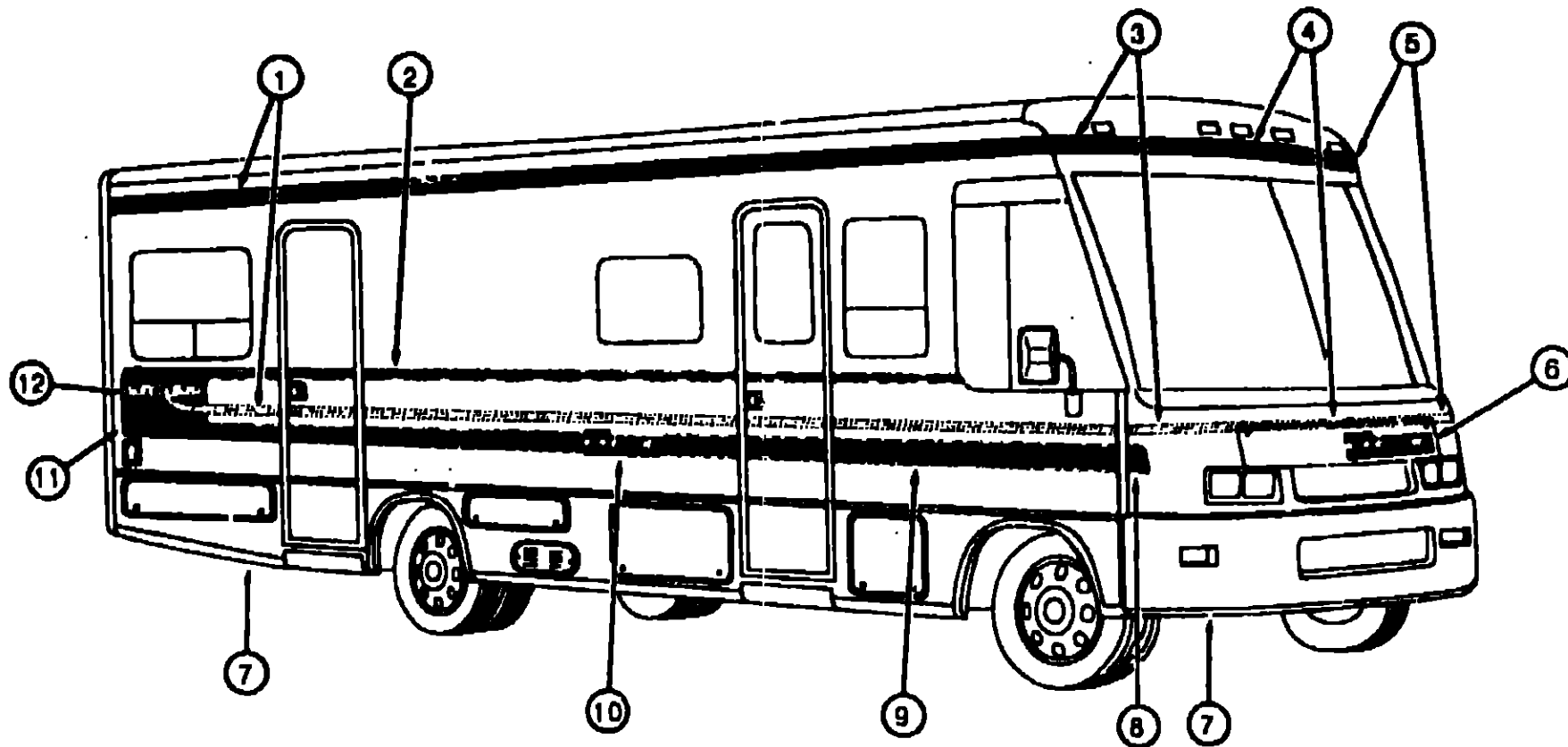
FIESTA (RED)	G9839
SEAMIST BLUE METALLIC	G9845
GRAY METALLIC	H9283U
ASH GRAY	L8730

KEY	PART NUMBER	U/M DESCRIPTION
1	093681-32-01A	FT FILM - 35MM X 150FT - FIESTA (C27,C28) FROM: 00-00-00 THRU: 10-25-91
2	093681-11-10A	FT FILM - 44MM X 150FT - FIESTA (C27,C28) FROM: 00-00-00 THRU: 10-25-91
3	NPN	PAINT - GRAY METALLIC (DUPONT H9283U)
4	093681-34-01A	FT FILM - 46MM X 150FT - FIESTA (C27,C28) FROM: 00-00-00 THRU: 10-25-91
5	104753-02-01A	EA DECAL - FRONT - DRIVER SIDE (C27,C28) FIESTA FROM: 00-00-00 THRU: 10-25-91
6	078852-25-000	EA DECAL - LOGO - ITASCA 5'
7	104753-01-01A	EA DECAL - FRONT - PASSENGER SIDE (C27,C28) FIESTA FROM: 00-00-00 THRU: 10-25-91
8	078852-24-000	EA DECAL - LOGO - ITASCA 6.5 (SIDE & BACKWALL)
9	104752-01-01A	EA DECAL - SUNCRUISER W/ZIG ZAG - RIGHT - FIESTA/LIGHT GRAY (C27,C28) FROM: 00-00-00 THRU: 10-25-91
9	104752-02-01A	EA DECAL - SUNCRUISER W/ZIG ZAG - LEFT - FIESTA/LIGHT GRAY (C27,C28) FROM: 00-00-00 THRU: 10-25-91

EXTERIOR BODY GROUP (CONTINUED)
DECALS, FILM STRIPE & PAINT

1992 ITASCA
TABLE OF CONTENTS

INTRODUCTION	A-01 - A-02
ABBREVIATIONS	A-03
ALPHABETICAL INDEX	A-04 - A-06
ICG34RQ	A-07 - E-18
IKG34RQ	E-19 - I-18



ITASCA (C27) (FROM: 10-26-91 THRU: 99-99-99)

ITASCA (C28) (FROM: 10-26-91 THRU: 99-99-99)

KEY	PART NUMBER	U/M DESCRIPTION	KEY	PART NUMBER	U/M DESCRIPTION
1	094443-08-02A	FT FILM - MULTISTRIPE 44MM X150FT - SEA MIST BLUE (OPTION C28)	1	094443-08-01A	FT FILM - MULTISTRIPE 44MM X150FT
2	094443-10-01A	FT FILM - MULTISTRIPE 63.5MMX150' - GRAY/GRAY/GRAY	2	094443-10-01A	FT FILM - MULTISTRIPE 63.5MMX150' GRAY/GRAY/GRAY
3	106570-01-02A	EA DECAL - CORNER - FRONT - PASSENGER SIDE - SEA MIST BLUE (OPTION C28)	3	106570-01-01A	EA DECAL - CORNER - FRONT - PASSENGER SIDE
4	094443-09-02A	FT FILM - MULTISTRIPE 46MM X150FT SEA MISTBLUE/SMB/S (OPTION C28)	4	094443-09-01A	FT FILM - MULTISTRIPE 46MM X150FT
5	106570-02-02A	EA DECAL - CORNER - FRONT - DRIVER SIDE - SEA MIST BLUE (OPTION C28)	5	106570-02-01A	EA DECAL - CORNER - FRONT - DRIVER SIDE
6	078852-28-000	EA DECAL - LOGO - ITASCA 5" - SEA MIST BLUE/LT GRAY (OPTION C28)	6	078852-25-000	EA DECAL - LOGO - ITASCA 5"
7	NPN	PAINT - GRAY METALLIC (DUPONT H9283U)	7	NPN	PAINT - GRAY METALLIC (DUPONT H9283U)
8	106571-01-01A	EA DECAL - FRONT - END CAP - PASSENGER SIDE - GRAY	8	106571-01-01A	EA DECAL - FRONT - END CAP - PASSENGER SIDE - GRAY
	106571-02-01A	EA DECAL - FRONT - END CAP - DRIVER SIDE - GRAY		106571-02-01A	EA DECAL - FRONT - END CAP - DRIVER SIDE - GRAY
9	094443-11-01A	FT FILM - MULTISTRIPE 139.7MMX150 - GRAY/GRAY/GRAY	9	094443-11-01A	FT FILM - MULTISTRIPE 139.7MMX150 GRAY/GRAY/GRAY
10	078852-29-000	EA DECAL - LOGO - ITASCA 6.5" - SEA MIST BLUE/LT GRAY (OPTION C28)	10	078852-24-000	EA DECAL - LOGO - ITASCA 6.5
11	106572-01-01A	EA DECAL - RADIUS - REAR - PASSENGER SIDE - GRAY	11	106572-01-01A	EA DECAL - RADIUS - REAR - PASSENGER SIDE - GRAY
	106572-02-01A	EA DECAL - RADIUS - REAR - DRIVER SIDE - GRAY		106572-02-01A	EA DECAL - RADIUS - REAR - DRIVER SIDE - GRAY
12	104752-03-02A	EA DECAL - SUNCRUISER W/ZIG ZAG - PASSENGER SIDE (OPTION C28)	12	104752-03-01A	EA DECAL - SUNCRUISER W/ZIG ZAG - PASSENGER SIDE
	104752-04-02A	EA DECAL - SUNCRUISER W/ZIG ZAG - DRIVER SIDE (OPTION C28)		104752-04-01A	EA DECAL - SUNCRUISER W/ZIG ZAG - DRIVER SIDE
13	093680-36-01A	FT FILM - MULTISTRIPE - 209.6MM X150FT - GRAY/GRAY	13	093680-36-01A	FT FILM - MULTISTRIPE - 209.6MM X150FT - GRAY/GRAY

KEY	PART NUMBER	U/M DESCRIPTION
1	094443-08-01A	FT FILM - MULTISTRIPE 44MM X150FT
2	094443-10-01A	FT FILM - MULTISTRIPE 63.5MMX150' GRAY/GRAY/GRAY
3	106570-01-01A	EA DECAL - CORNER - FRONT - PASSENGER SIDE
4	094443-09-01A	FT FILM - MULTISTRIPE 46MM X150FT
5	106570-02-01A	EA DECAL - CORNER - FRONT - DRIVER SIDE
6	078852-25-000	EA DECAL - LOGO - ITASCA 5"
7	NPN	PAINT - GRAY METALLIC (DUPONT H9283U)
8	106571-01-01A	EA DECAL - FRONT - END CAP - PASSENGER SIDE - GRAY
	106571-02-01A	EA DECAL - FRONT - END CAP - DRIVER SIDE - GRAY
9	094443-11-01A	FT FILM - MULTISTRIPE 139.7MMX150 GRAY/GRAY/GRAY
10	078852-24-000	EA DECAL - LOGO - ITASCA 6.5
11	106572-01-01A	EA DECAL - RADIUS - REAR - PASSENGER SIDE - GRAY
	106572-02-01A	EA DECAL - RADIUS - REAR - DRIVER SIDE - GRAY
12	104752-03-01A	EA DECAL - SUNCRUISER W/ZIG ZAG - PASSENGER SIDE
	104752-04-01A	EA DECAL - SUNCRUISER W/ZIG ZAG - DRIVER SIDE
13	093680-36-01A	FT FILM - MULTISTRIPE - 209.6MM X150FT - GRAY/GRAY

DUPONT PAINT COLOR CODES

FIESTA (RED)	G9839
SEAMIST BLUE METALLIC	G9845
GRAY METALLIC	H9283U
ASH GRAY	L8730

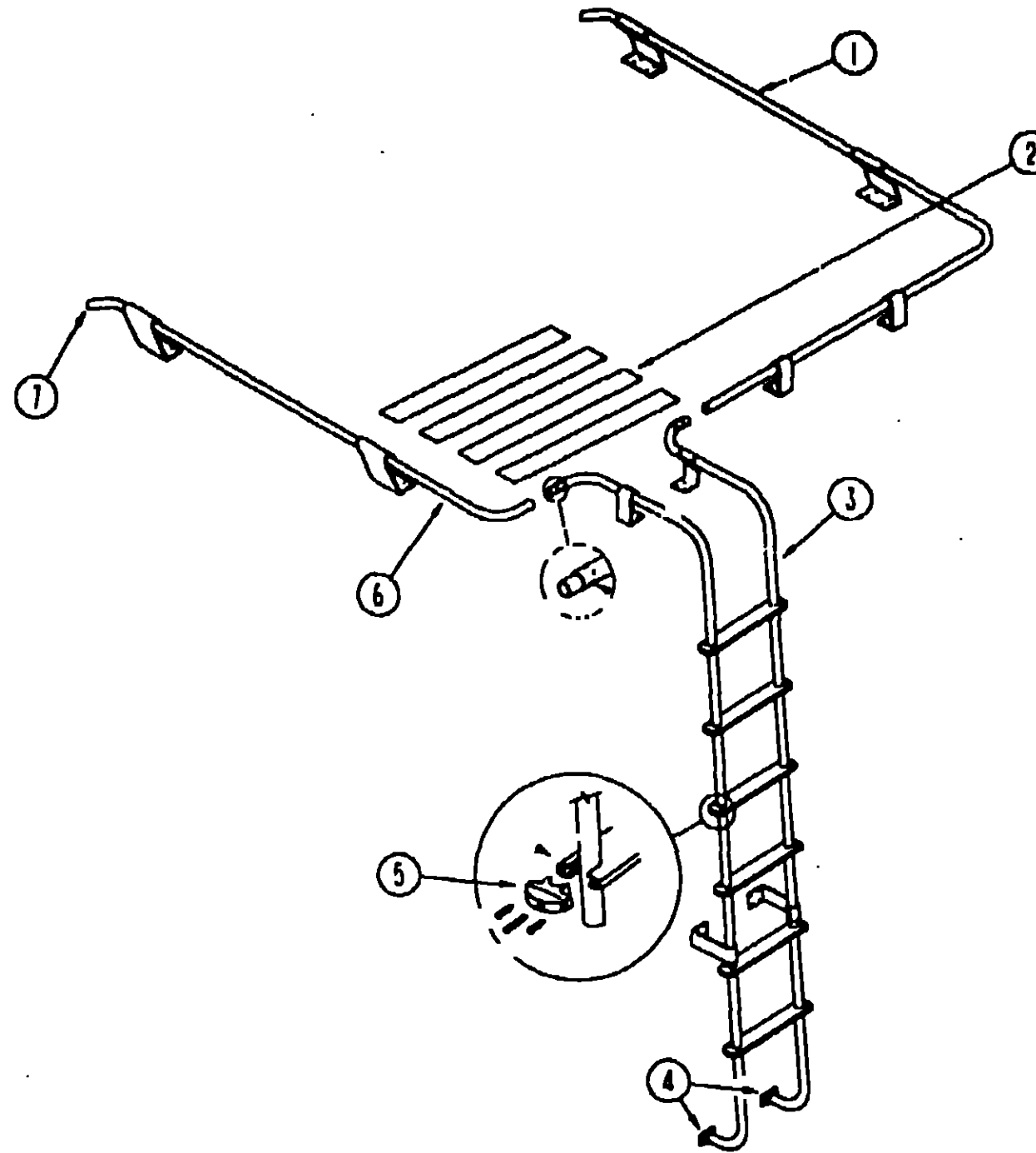
1992 ICG34RQ INDEX

FLOOR PLAN	A-07 - A-08
ACCESSORIES	A-09 - A-10
BATH	A-11 - A-13
BEDROOM	A-14 - A-16
CHASSIS	A-17 - B-02
CURTAIN & CUSHION	B-03 - B-12
DINETTE	B-13 - B-14
DRIVERS COMPARTMENT	B-15 - B-18
ELECTRICAL	B-19 - B-24
EXTERIOR BODY	C-01 - C-10
GALLEY	C-11 - C-15
GENERATOR	C-16 - C-17
HEATING & AC	C-18 - C-20
INTERIOR FINISH	C-21 - D-02
LABELS	D-03 - D-10
LP	D-11
LOUNGE	D-12 - D-14
SEALANTS & FASTENERS	D-15 - D-17
WATER & SEWAGE	D-18 - D-21
WINDOW, VENT & EXTERIOR DOOR	D-22 - E-16
WINDSHIELD & WIPER	E-17 - E-18

EXTERIOR BODY GROUP (CONTINUED)
STYROFOAM & FIBERGLASS SHEETING

KEY	PART NUMBER	U/M DESCRIPTION
	083574-03-000	SF STYROFOAM - 3/4" X 48" X 96"
	000670-06-000	SF STYROFOAM - 8" X 24" X 96" (16 SF)
	000670-03-000	SF STYROFOAM - 1.34" X 48" X 96" (32 SF)
	083574-02-000	SF STYROFOAM - DOW TYPE 8M - 1.5" X 24" X 90.5" (15 SF)
	076054-F4-000	EA FIBERGLASS SHEET 2438 X 2438 - GRAY
	077517-24-000	EA SHEET - FIBERGLASS - FLAT - 48" X 96" - GRAY
	076054-F8-000	EA FIBERGLASS SHEET 2590 X 9785 - GRAY
	077517-23-000	EA SHEET - FIBERGLASS - FLAT - 48" X 96" - GRAY
	065747-01-000	SF INSULATION - MICROFOAM - 5"

EXTERIOR BODY GROUP (CONTINUED)



RACK & LADDER

KEY	PART NUMBER	U/M DESCRIPTION	
1	081026-15-C05	EA RACK ASM. (PASSENGER SIDE)	
1	107438-05-C07	EA RACK ASM. (PASSENGER SIDE)	FROM: 00-00-00 THRU. 03-01-92
2	038327-02-000	FT TAPE - ANTI SLIP - 2" X 60FT	FROM: 03-02-92 THRU. 99-99-99
3	102953-03-C07	EA LADDER ASM.	
4	067165-01-000	EA MOUNTING BRACKET - LADDER - LOWER	
5	076980-02-000	EA END CAP - STEP - BLACK	
6	081026-16-C05	EA RACK ASM. (DRIVER SIDE)	
6	107438-06-C07	EA RACK ASM. (DRIVER SIDE)	FROM: 00-00-00 THRU: 03-01-92
7	081114-01-000	EA PLUG - ROUND - RACK & LADDER ENDS - PLASTIC - 1" DIA.	FROM: 03-02-92 THRU: 99-99-99

1992 ITASCA
TABLE OF CONTENTS

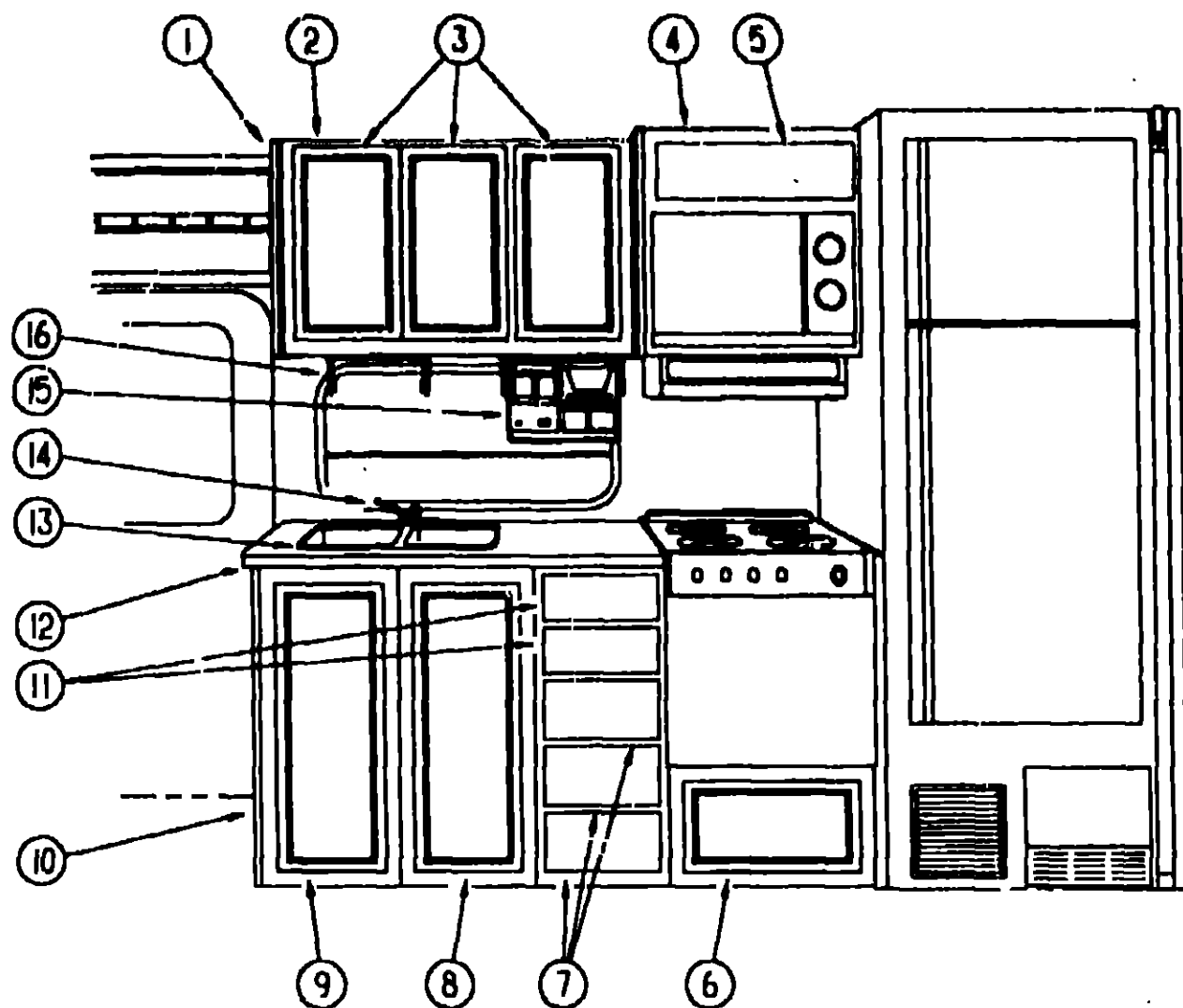
INTRODUCTION	A-01 - A-02
ABBREVIATIONS	A-03
ALPHABETICAL INDEX	A-04 - A-06
ICG34RQ	A-07 - E-18
IKG34RQ	E-19 - I-18

1992 ICG34RQ INDEX

FLOOR PLAN	A-07 - A-08
ACCESSORIES	A-09 - A-10
BATH	A-11 - A-13
BEDROOM	A-14 - A-16
CHASSIS	A-17 - B-02
CURTAIN & CUSHION	B-03 - B-12
DINETTE	B-13 - B-14
DRIVERS COMPARTMENT	B-15 - B-18
ELECTRICAL	B-19 - B-24
EXTERIOR BODY	C-01 - C-10
GALLEY	C-11 - C-15
GENERATOR	C-16 - C-17
HEATING & A/C	C-18 - C-20
INTERIOR FINISH	C-21 - D-02
LABELS	D-03 - D-10
LP	D-11
LOUNGE	D-12 - D-14
SEALANTS & FASTENERS	D-15 - D-17
WATER & SEWAGE	D-18 - D-21
WINDOW, VENT & EXTERIOR DOOR	D-22 - E-16
WINDSHIELD & WIPER	E-17 - E-18

GALLEY GROUP
GALLEY CABINETRY & FIXTURES

KEY	PART NUMBER	U/M	DESCRIPTION
1	081319-20-C27	EA	END CAP ASM. - OVERHEAD
2	P04372-01-C27	EA	CABINET ASM. - OVHD-GALLEY
3	P03702-82-C27	EA	DOOR ASM. - RAIL - W/O HARDWARE
4	M05019-89-C25	EA	CABINET ASM. - MICROWAVE OVHD
4	M05019-72-C27	EA	CABINET ASM. - MICROWAVE OVHD
			FROM: 00-00-00 THRU: 09-27-01
			FROM: 09-28-91 THRU: 99-99-99
	104432-01-C27	EA	CABINET ASM. - AC SWITCH
5	P00523-82-887	EA	DOOR ASM. - RAIL - W/O HARDWARE
6	P03397-98-C27	EA	DRAWER ASM. - CABINET - W/O HARDWARE
			FROM: 00-00-00 THRU: 01-19-92
6	P07104-87-C27	EA	DRAWER ASM. - W/O HARDWARE
			FROM: 01-20-92 THRU: 99-99-99
7	P03397-98-C27	EA	DRAWER ASM. - W/O HARDWARE
			FROM: 00-00-00 THRU: 01-19-92
7	P07104-93-C27	EA	DRAWER ASM. - W/O HARDWARE
			FROM: 01-20-92 THRU: 99-99-99
8	P03702-A8-C27	EA	DOOR ASM. - W/O HARDWARE
9	P03702-A7-C27	EA	DOOR ASM. - W/O HARDWARE
10	M05620-03-C27	EA	GALLEY CABINET ASM.
10	M05620-03-C08	EA	GALLEY CABINET ASM.
11	P03397-94-C27	EA	DRAWER ASM. - W/O HARDWARE
			FROM: 00-00-00 THRU: 01-19-92
11	P07104-91-C27	EA	DRAWER ASM. - W/O HARDWARE
			FROM: 01-20-92 THRU: 99-99-99
12	104371-12-C07	EA	COUNTERTOP ASM.
12	104371-12-C08	EA	COUNTERTOP ASM.
	103614-01-000	EA	BOARD - CUTTING - MAPLE
13	104113-01-000	EA	SINK - STAINLES STEEL - DOUBLE
14	104114-01-01A	EA	FAUCET - GALLEY - SINGLE CONTROL
	103635-01-000	EA	FAUCET - SINGLE CONTROL - EVERPURE 5435-00
15	103799-01-02A	EA	COFFEE MAKER ALMOND
	104610-01-000	EA	STRAP ASM. - COFFEE MAKER
16	103445-01-01A	EA	HOLDER-PAPER TOWEL - PLASTIC - ALMOND
	090329-01-000	FT	SEAL-T- REFRIGERATOR CABINET - 6' WIDE TOP X 2' TAIL



1992 ITASCA
TABLE OF CONTENTS

INTRODUCTION	A-01 - A-02
ABBREVIATIONS	A-03
ALPHABETICAL INDEX	A-04 - A-06
ICG34RQ	A-07 - E-18
IKG34FQ	E-19 - I-18

1992 ICG34RQ INDEX

FLOOR PLAN	A-07 - A-08
ACCESSORIES	A-09 - A-10
BATH	A-11 - A-13
BEDROOM	A-14 - A-16
CHASSIS	A-17 - B-02
CURTAIN & CUSHION	B-03 - B-12
DINETTE	B-13 - B-14
DRIVERS COMPARTMENT	B-15 - B-18
ELECTRICAL	B-19 - B-24
EXTERIOR BODY	C-01 - C-10
GALLEY	C-11 - C-15
GENERATOR	C-16 - C-17
HEATING & A/C	C-18 - C-20
INTERIOR FINISH	C-21 - D-02
LABELS	D-03 - D-10
LP	D-11
LOUNGE	D-12 - D-14
SEALANTS & FASTENERS	D-15 - D-17
WATER & SEWAGE	D-18 - D-21
WINDOW, VENT &	
EXTERIOR DOOR	D-22 - E-16
WINDSHIELD & WIPER	E-17 - E-18

GALLEY GROUP (CONTINUED)

RANGE, 4 BURNER (ALMOND) 22"

KEY	PART NUMBER	U/M DESCRIPTION	U/M DESCRIPTION
	102020-01-03A	EA RANGE - 4 BURNER ALMOND - 22" - MAGIC CHEF BT22RA-4TZ	FROM: 00-00-00 THRU: 01-18-92
	102020-01-700	EA SHELF - OVEN	7801P027-60
	102020-01-701	EA HANDLE - DOOR	7701P082-60
	102020-01-702	EA PANEL - MANIFOLD	2816F080-70
	102020-01-708	EA BURNER ASSEMBLY - OVEN	3403W003-45
	102020-01-709	EA BUMPER - GRATE	8007P018-60
	102020-01-710	EA FILTER - PILOT	7507P046-60
	102020-01-711	EA GRATE - TOP	7518P012-60
	102020-01-712	EA KNOB - BURNER VALVE	7733P044-60
	102020-01-713	EA KNOB - THERMOSTAT	7731P042-60
	102020-01-714	EA PILOT - OVEN	268-143
	102020-01-715	EA PIPE - MANIFOLD	7513P095-60
	102020-01-716	EA REGULATOR - PRESSURE	7510P033-60
	102020-01-717	EA THERMOSTAT	7515P024-60
	102020-01-718	EA TOP - MAIN - ALMOND	2001F085-84
	102020-01-720	EA VALVE - MERCURY CONTROL	7501P056-60
	102020-01-721	EA VALVE - SHUT OFF	7508F096-60
	102020-01-722	EA VALVE - TOP BURNER	7502P095-60
	102020-01-723	EA PILOT - BURNER	7505P147-60
	102020-01-724	EA BUMPER - MAIN TOP	8003P008-60
	102020-01-725	EA GLASS - OUTER	7102P268-60
	102020-01-727	EA TRIM - (LEFT) FLAT	3608W026-70
	102020-01-728	EA TRIM - (RIGHT) FLAT	3608W027-70
	102021-02-01A	EA COVER - BIFOLD - RANGE - ALMOND - MAGIC CHEF KR22A-1	FROM: 00-00-00 THRU: 01-19-92

RANGE, 4 BURNER (BLACK) 21"

KEY	PART NUMBER	U/M DESCRIPTION	U/M DESCRIPTION
	107323-01-01A	EA RANGE - 21" 4 - BURNER BLACK	FROM: 01-20-92 THRU: 99-99-99
	107314-01-01A	EA RANGE COVER - BIFOLD 21" BLK	FROM: 01-20-92 THRU: 99-99-99
	107246-01-700	EA RANGE TOP (BLACK)	53083
	107246-01-701	EA GRATE	53050
	107323-01-700	EA RANGE TOP	53513
	107323-01-702	EA TRIM LEFT	53023
	107323-01-703	EA TRIM RIGHT	53024
	107323-01-704	EA MANIFOLD COVER	53556
	107323-01-705	EA TRIM VENT	53525
	107323-01-706	EA TRIM BOTTOM	53526
	107323-01-707	EA INSERT BLACKGLASS-N/HOLE	53426
	107323-01-708	EA HANDLE ROD-N/HOLE	53085
	107323-01-709	EA HANDLE END CAP-N/HOLE	53424
	107323-01-710	EA GRATE CLIP	53301
	107323-01-711	EA RUBBER GRATE CUSHION	53008

GALLEY GROUP (CONTINUED)

RANGE HOOD, W/O MONITOR PANEL - VENTLINE (CANADIAN)

KEY	PART NUMBER	U/M DESCRIPTION	U/M DESCRIPTION
	100258-02-01A	EA HOOD - RANGE - W/O MONITOR PANEL - VENTLINE - CANADIAN	FROM: 00-00-00 THRU: 09-01-91
	100258-17-01A	EA HOOD - RANGE 22W W/O MONT PNL	FROM 09-02-91 THRU: 99-99-99
	090973-01-700	EA MOTOR - LVS CA508-1	
	090973-01-702	EA BLADE - FAN - LVS VA183-1	
	092696-01-709	EA BULB - 912 - VENTLINE VA415	
	092696-01-710	EA SOCKET - LIGHT - VENTLINE CB267-2	
	096983-01-700	EA SWITCH - ON/OFF - VENTLINE 108	
	096983-01-702	EA SWITCH - TWO WAY MOMENTARY - VENTLINE 112	
	096983-01-707	EA FILTER - GREASE - 8" X 8" - LVS CC246	
	096983-01-708	EA LENS - LAMP - VENTLINE CC179	
	100258-01-700	EA HOOD NOSE LABEL	CC428
	100258-10-01A	EA METER - HOUR - VENTLINE 150	

RANGE HOOD, W/HOUR METER - VENTLINE (USA)

KEY	PART NUMBER	U/M DESCRIPTION	U/M DESCRIPTION
	100258-18-01A	EA HOOD - RANGE 22W W/O MONITOR PANEL	
	090973-01-700	EA MOTOR - LVS CA508-1	
	090973-01-702	EA BLADE - FAN - LVS VA183-1	
	092696-01-709	EA BULB - 912 - VENTLINE VA415	
	092696-01-710	EA SOCKET - LIGHT - VENTLINE CB267-2	
	096983-01-700	EA SWITCH - ON/OFF - VENTLINE 108	
	096983-01-702	EA SWITCH - TWO WAY MOMENTARY - VENTLINE 112	
	096983-01-707	EA FILTER - GREASE - 8" X 8" - LVS CC246	
	096983-01-708	EA LENS - LAMP - VENTLINE CC179	
	100258-01-700	EA HOOD NOSE LABEL	CC428
	100258-10-01A	EA METER - HOUR - VENTLINE 150	
	097618-01-000	EA WIRE ASM - MONITOR PANEL - W/4 WIRES & BLACK RESISTOR - LVS	

RANGE HOOD, W/O HOUR METER - VENTLINE (USA)

KEY	PART NUMBER	U/M DESCRIPTION	U/M DESCRIPTION
	100258-16-01A	EA HOOD - RANGE W/O MONITOR PANEL	
	090973-01-700	EA MOTOR - LVS CA508-1	
	090973-01-702	EA BLADE - FAN - LVS VA183-1	
	092696-01-709	EA BULB - 912 - VENTLINE VA415	
	092696-01-710	EA SOCKET - LIGHT - VENTLINE CB267-2	
	096983-01-700	EA SWITCH - ON/OFF - VENTLINE 108	
	096983-01-702	EA SWITCH - TWO WAY MOMENTARY - VENTLINE 112	
	096983-01-707	EA FILTER - GREASE - 8" X 8" - LVS CC246	

MONITOR PANEL (2 WATER TANKS & WATER HEATER)

KEY	PART NUMBER	U/M DESCRIPTION	U/M DESCRIPTION
	102765-04-01A	EA PANEL - MONITOR - W/PLUG - FOR 2 TANKS & WATER HEATER - LVS	

**1992 ITASCA
TABLE OF CONTENTS**

INTRODUCTION	A-01 - A-02
ABBREVIATIONS	A-03
ALPHABETICAL INDEX	A-04 - A-08
ICG34RQ	A-07 - E-18
IKG34RQ	E-19 - I-18

1992 ICG34RQ INDEX

FLOOR PLAN	A-07 - A-08
ACCESSORIES	A-09 - A-10
BATH	A-11 - A-13
BEDROOM	A-14 - A-16
CHASSIS	A-17 - B-02
CURTAIN & CUSHION	B-03 - B-12
DINETTE	B-13 - B-14
DRIVERS COMPARTMENT	B-15 - B-18
ELECTRICAL	B-19 - B-24
EXTERIOR BODY	C-01 - C-10
GALLEY	C-11 - C-15
GENERATOR	C-16 - C-17
HEATING & A/C	C-18 - C-20
INTERIOR FINISH	C-21 - D-02
LABELS	D-03 - D-10
LP	D-11
LOUNGE	D-12 - D-14
SEALANTS & FASTENERS	D-15 - D-17
WATER & SEWAGE	D-18 - D-21
WINDOW, VENT & EXTERIOR DOOR	D-22 - E-16
WINDSHIELD & WIPER	E-17 - E-18

GALLEY GROUP (CONTINUED)
MICROWAVE OVEN

KEY	PART NUMBER	U/M DESCRIPTION
	091289-04-000	EA OVEN - MICROWAVE
	098818-03-01A	EA BRACE - MICROWAVE CABINET - LEFT - 9.4" X 7.5" - STEEL
	098818-04-01A	EA BRACE - MICROWAVE CABINET - RIGHT - 9.4" X 7.5" - STEEL
	094745-01-01A	EA TRIM - MICROWAVE - LOWER - BLACK
	094774-03-01A	EA TRIM - MICROWAVE - EITHER SIDE - 1.5" X 14.8" - METAL - BLACK
	094750-01-000	EA BRACKET - MICROWAVE - 90 DEGREE - STEEL
	094756-02-01A	EA BRACKET - MICROWAVE - 8.1" LONG X 3.9" WIDE - STEEL - TAN

REFRIGERATOR

KEY	PART NUMBER	U/M DESCRIPTION
	103938-01-01A	EA REFRIGERATOR - 2 WAY - LARGE RIGHT HAND - DOUBLE DOOR - BLACK
	093648-01-000	EA BRACKET ASM - TIEDOWN - REFRIGERATOR
	093648-02-000	EA BRACKET ASM - TIEDOWN - REFRIGERATOR
	054450-01-000	EA LEVEL - REFRIGERATOR

GENERATOR GROUP

KOHLER GENERATOR, 4.0KW LOW PROFILE (4CKM21)

KEY	PART NUMBER	U/M DESCRIPTION
	105623-01-000	EA GENERATOR - 4KW LOW PROFILE
	105628-01-000	EA ARRESTER - SPARK
	105627-01-000	EA PIPE - EXHAUST ADAPTER
	105630-01-000	EA MUFFLER - SIDE EXHAUST W/O SPARK ARRESTER
	105602-01-000	EA GASKET-EXHAUST
	105958-03-000	EA PIPE - EXHAUST - GENERATOR
	024976-01-000	EA SWITCH - GENERATOR - W/O CIRCUIT BOARD
	007125-03-000	EA CLAMP - MUFFLER - 1.5" DIA
	007125-04-000	EA CLAMP - MUFFLER - 1.1" DIA

ONAN GENERATOR, 4.0KW EMERALD PLUS (BEIGE-FN28238Q)

KEY	PART NUMBER	U/M DESCRIPTION
	100974-04-000	EA GENERATOR - 4.0KW EMERALD PLUS
	105958-03-000	EA PIPE - EXHAUST - GENERATOR
	024976-01-000	EA SWITCH - GENERATOR - W/O CIRCUIT BOARD
	079654-05-000	EA PIPE - EXHAUST - ANGLED - W/FLANGE - 2" ID - ONAN# 154-2539
	007125-03-000	EA CLAMP - MUFFLER - 1.5" DIA
	007125-04-000	EA CLAMP - MUFFLER - 1.1" DIA
	082272-01-000	EA MUFFLER
	094059-01-000	EA SPACER

ONAN GENERATOR, 4.0KW EMERALD PLUS (ONAN BEIGE-FA26100Q)

KEY	PART NUMBER	U/M DESCRIPTION
	100974-01-000	EA GENERATOR - 4.0KW EMERALD PLUS
	105958-03-000	EA PIPE - EXHAUST - GENERATOR
	024976-01-000	EA SWITCH - GENERATOR - W/O CIRCUIT BOARD
	007125-03-000	EA CLAMP - MUFFLER - 1.5" DIA
	007125-04-000	EA CLAMP - MUFFLER - 1.1" DIA
	079654-05-000	EA PIPE - EXHAUST - ANGLED - W/FLANGE - 2" ID - ONAN# 154-2539
	082272-01-000	EA MUFFLER
	094059-01-000	EA SPACER

ONAN GENERATOR, 5.0KW EMERALD PLUS (NHE-FN28238Q)(EXPORT)

KEY	PART NUMBER	U/M DESCRIPTION
	100975-03-000	EA GENERATOR - 5.0 KW EMERALD PLUS
	024976-01-000	EA SWITCH - GENERATOR - W/O CIRCUIT BOARD
	007125-03-000	EA CLAMP - MUFFLER - 1.5" DIA
	083151-01-000	EA MUFFLER 1.6" OD
	083152-01-000	EA PIPE - EXHAUST - 1.3"OD X 33.3" TO BEND X 28.7" TO END
	094059-01-000	EA SPACER

GENERATOR - 5.0KW LOW PROFILE KOHLER 5CKM21

KEY	PART NUMBER	U/M DESCRIPTION
	105524-01-000	EA GENERATOR - 5.0 KW LOW PROFILE
	105526-01-000	EA ARRESTER - SPARK
	105527-01-000	EA PIPE - EXHAUST ADAPTER
	105530-01-000	EA MUFFLER - SIDE EXH W/O SPARK
	105602-01-000	EA GASKET-EXHAUST
	105958-03-000	EA PIPE - EXHAUST - GENERATOR
	024976-01-000	EA SWITCH-GENERATOR - W/O CIRCUIT BOARD
	007125-03-000	EA CLAMP - MUFFLER - 1.5" DIA
	007125-04-000	EA CLAMP - MUFFLER - 1.1" DIA

**1992 ITASCA
TABLE OF CONTENTS**

INTRODUCTION	A-01 - A-02
ABBREVIATIONS	A-03
ALPHABETICAL INDEX	A-04 - A-06
ICG34RQ	A-07 - E-18
IKG34RQ	E-19 - I-18

1992 ICG34RQ INDEX

FLOOR PLAN	A-07 - A-08
ACCESSORIES	A-09 - A-10
BATH	A-11 - A-13
BEDROOM	A-14 - A-16
CHASSIS	A-17 - B-02
CURTAIN & CUSHION	B-03 - B-12
DINETTE	B-13 - B-14
DRIVERS COMPARTMENT	B-15 - B-18
ELECTRICAL	B-19 - B-24
EXTERIOR BODY	C-01 - C-10
GALLEY	C-11 - C-15
GENERATOR	C-16 - C-17
HEATING & A/C	C-18 - C-20
INTERIOR FINISH	C-21 - D-02
LABELS	D-03 - D-10
LP	D-11
LOUNGE	D-12 - D-14
SEALANTS & FASTENERS	D-15 - D-17
WATER & SEWAGE	D-18 - D-21
WINDOW, VENT &	
INTERIOR DOOR	D-22 - E-16
WINDSHIELD & WIPER	E-17 - E-18

GENERATOR GROUP (CONTINUED)

ONAN GENERATOR, 6.5KW EMERALD PLUS (NHE-FA281000)

KEY	PART NUMBER	U/M DESCRIPTION
	1/0875-01-000	EA GENERATOR - 6.5KW EMERALD PLUS
	108988-03-000	EA PIPE - EXHAUST - GENERATOR
	024975-01-000	EA SWITCH - GENERATOR - W/O CIRCUIT BOARD
	007125-03-000	EA CLAMP - MUFFLER - 1.5" DIA
	007125-04-000	EA CLAMP - MUFFLER - 1.1" DIA
	079854-05-000	EA PIPE - EXHAUST - ANGLED - W/FLANGE - 2" ID - ONAN# 154-2539
	082272-01-000	EA MUFFLER
	094059-01-000	EA SPACER

KOHLER GENERATOR, 7.0KW LOW PROFILE (7CKM21)

KEY	PART NUMBER	U/M DESCRIPTION
	106525-01-000	EA GENERATOR - 7.0KW - LOW PROFILE - KOHLER 7CKM21
	105526-01-000	EA ARRESTER - SPARK - KOHLER 278821
	105527-02-000	EA PIPE - EXHAUST ADAPTER - KOHLER - 278979
	105530-01-000	EA MUFFLER - SIDE EXH W/O SPARK - KOHLER 278733
	105602-01-000	EA GASKET-EXHAUST - KOHLER - 278320
	105958-03-000	EA PIPE - EXHAUST - GENERATOR 92 F-SERIES
	024976-01-000	EA SWITCH-GENERATOR - W/O CIRCUIT BOARD
	007125-03-000	EA CLAMP - MUFFLER - 1.5" DIA
	007125-04-000	EA CLAMP - MUFFLER - 1.1" DIA

ONAN GENERATOR, 7.0KW MARQUIS

KEY	PART NUMBER	U/M DESCRIPTION
	105559-01-000	EA GENERATOR - 7KW MARQUIS
	106234-01-000	EA PIPE - EXHAUST - GENERATOR
	106235-01-000	EA ADAPTOR - EXHAUST - GENERATOR
	024978-01-000	EA SWITCH-GENERATOR - W/O CIRCUIT BOARD
	007125-03-000	EA CLAMP - MUFFLER - 1.5" DIA
	008401-01-000	EA STRAP - CONDUIT - 3/4" - 1 HOLE - GALVANIZED STEEL

HEATING & AIR CONDITIONING GROUP

AUTOMOTIVE AIR CONDITIONING

KEY	PART NUMBER	U/M DESCRIPTION
	072343-02-000	EA COMPRESSOR - CLUTCH - 460 EFI - TOP DISCHARGE (FORD) FROM 00-00-00 THRU: 10-17-91
	085000-01-000	EA SHIELD - A/C - 60" X 31" - STEEL FROM 07-09-91 THRU: 09-09-99
	096814-02-000	EA MOUNT & DRIVE PKG - A/C COMPRESSOR - 460EFI (FORD) FROM 03-00-00 THRU: 10-17-91
	096815-01-000	EA CONDENSER - A/C (FORD) FROM 00-00-00 THRU: 10-17-91
	007076-01-000	EA HOSE - FLEXIBLE PVC - 2" ID X 10'
	007281-01-000	EA HOSE - FLEXIBLE PVC - 2.5" ID X 50' - ATCOFLEX A-182-355
	024990-05-000	EA OUTLET - DEFROSTER - W/SWIVEL 2IN BLACK
	056402-05-000	EA BRACKET - HEATER VENT - ROUND - W/BEND - BLACK
	091930-03-000	EA DUCT - DEFROSTER - W/O SIDE OUTLET - ARA 0571109 FROM 00-00-00 THRU 08-03-91
	103016-01-000	EA PLENUM - TRANSITION
	103017-01-000	EA PLENUM - DEFROSTER
	103558-01-01A	EA VENT - DEFROSTER - ABS O/W
	103796-01-01A	EA LOUVER ASM - A/C CARY PROD BLACK
	103930-01-000	EA EVAPORATOR/HEATER ASSEMBLY
	103930-04-000	EA CONTROL/PLENUM SET
	085000-01-000	EA SHIELD - A/C - 60" X 31" - STEEL
	007076-01-000	EA HOSE - FLEXIBLE PVC - 2" ID - 10'
	007281-01-000	EA HOSE - FLEXIBLE PVC - 2.5" ID X 50'
	024990-05-000	EA OUTLET - DEFROSTER - W/SWIVEL 2IN BLACK
	056402-05-000	EA BRACKET - HEATER VENT - ROUND - W/BEND - BLACK
	091930-03-000	EA DUCT - DEFROSTER - W/O SIDE OUTLET FROM 00-00-00 THRU 06-03-91
	103016-01-000	EA PLENUM - TRANSITION
	103017-01-000	EA PLENUM - DEFROSTER
	103558-01-01A	EA VENT - DEFROSTER - ABS O/WHITE
	103796-01-01A	EA LOUVER ASM - A/C CARY PROD BLACK
	103930-01-000	EA EVAPORATOR/HEATER ASSEMBLY
	103930-04-000	EA CONTROL/PLENUM SET
	024990-05-000	EA OUTLET - DEFROSTER - W/SWIVEL 2IN BLACK
	103930-05-000	EA MANUAL - OWNERS - HEATER-A/C

**1992 ITASCA
TABLE OF CONTENTS**

INTRODUCTION	A-01 - A-02
ABBREVIATIONS	A-03
ALPHABETICAL INDEX	A-04 - A-08
ICG34RQ	A-07 - E-18
IKG34RQ	E-19 - I-18

1992 ICG34RQ INDEX

FLOOR PLAN	A-07 - A-08
ACCESSORIES	A-09 - A-10
BATH	A-11 - A-13
BEDROOM	A-14 - A-16
CHASSIS	A-17 - B-02
CURTAIN & CUSHION	B-03 - B-12
DINETTE	B-13 - B-14
DRIVERS COMPARTMENT	B-15 - B-18
ELECTRICAL	B-19 - B-24
EXTERIOR BODY	C-01 - C-10
GALLEY	C-11 - C-15
GENERATOR	C-16 - C-17
HEATING & A/C	C-18 - C-20
INTERIOR FINISH	C-21 - D-02
LABELS	D-03 - D-10
LP	D-11
LOUNGE	D-12 - D-14
SEALANTS & FASTENERS	D-15 - D-17
WATER & SEWAGE	D-18 - D-21
WINDOW, VENT &	
EXTERIOR DOOR	D-22 - E-16
WINDSHIELD & WIPER	E-17 - E-18

HEATING & AIR CONDITIONING GROUP (CONTINUED)
FURNACE & REAR HEATER SYSTEMS

HEATING & AIR CONDITIONING GROUP (CONTINUED)
COLEMAN ROOF AIR 13000 BTU (US, CSA)

1992 ITASCA
TABLE OF CONTENTS

INTRODUCTION	A-01 - A-02
ABBREVIATIONS	A-03
ALPHABETICAL INDEX	A-04 - A-06
ICG34RQ	A-07 - E-18
IKG34RQ	E-19 - I-18

KEY	PART NUMBER	U/M DESCRIPTION	
	007108-01-000	FT HOSE - HEATER - 5/8" ID - HI-TEMP (FORD)	
	081873-01-000	EA BRACKET - MOTOR AID TUBES - 4" X 1.5" - STEEL	
	088783-01-000	FT TUBE - ALUMINIZED STEEL - 5/8" - 18 GAUGE	
	009188-01-000	FT DUCT - HEAT - FLEXIBLE - 4" ID X 25 FT	
	009200-01-000	EA TAPE - FURNACE - 1 1/2"	
	089838-02-000	EA CONNECTOR - DUCT - 4" ID	SUBURBAN 050715
	079059-01-000	EA HOSE - 90 DEGREE - 5/8" ID X 4" X 36"	
	079059-02-000	EA HOSE - 90 DEGREE - 81" ID X 4" X 8"	
	083081-01-000	EA HOSE - FORMED - 90 DEGREES - 5/8" ID	
	084405-01-000	EA HEATER ASM - REAR - DUCTED - W/MOTOR AID	EVANS
	084405-01-700	EA HEATER CORE	EVANS# FT200229
	084405-01-701	EA FAN BLADES	EVANS# HV029931
	084405-01-702	EA MOTOR ASM - 12 V	EVANS# 200148
	094800-01-02A	EA REGISTER - HEAT - W/O DAMPER - 3 6" X 11 2" - BROWN	
	007108-02-000	FT HOSE - HEATER - 3/4" ID - HI-TEMP (FORD)	
	008042-01-000	FT TUBING - VINYL - 65" ID	
	092777-01-000	EA ADAPTER - DUCT - 4"	
	092300-04-000	EA GASKET - FIBERGLASS	
	092300-08-000	EA FURNACE - 34,000 BTU	SUBURBAN NT34BW
	089634-01-708	EA CONTROL BOARD	SUBURBAN 231427
	089634-01-712	EA MANIFOLD - MANIFOLD	SUBURBAN 070408
	089634-01-718	EA VALVE - MANUAL SHUTOFF	SUBURBAN 180740
	089634-01-720	EA ORIFICE - MAIN BURNER	SUBURBAN 0180222
	089634-01-729	EA VALVE - GAS - JOHNSON	SUBURBAN 160832
	089634-01-732	EA GASKET - BURNER ACCESS DOOR	SUBURBAN 070398
	089634-01-733	EA RELAY - TIME DELAY 20&30 BTU	SUBURBAN 231202
	075895-01-709	EA MICRO SWITCH (FOR MODELS 30 & 34S)	SUBURBAN 230509
	075696-01-700	EA MOTOR ASM	SUBURBAN 231208
	075696-02-709	EA DISC-GLASS	SUBURBAN 310026
	075696-02-727	EA BRACKET - MOTOR MOUNT	SUBURBAN 062138
	075696-02-728	EA GASKET - CROSSOVER TUBE	SUBURBAN 070385
	092300-01-700	EA CABINET	SUBURBAN X101176
	092300-01-701	EA CABINET FRONT	SUBURBAN 101172
	092300-01-704	EA GASKET - ELECTRODE	SUBURBAN 070163
	092300-01-705	EA ELECTRODE	SUBURBAN 230956
	092300-01-706	EA DOOR - BURNER ACCESS	SUBURBAN 030523
	092300-01-708	EA SWITCH LIMIT	SUBURBAN 231440
	092300-01-711	EA VENT CAP ASSEMBLY	SUBURBAN X260179
	092300-01-712	EA BURNER ASM	SUBURBAN X010701
	092300-01-715	EA MANIFOLD ASSEMBLY	SUBURBAN 171034
	092300-01-717	EA WIRE ASSEMBLY (POWER SUPPLY)	SUBURBAN X231428
	092300-01-718	EA ELBOW 90°	SUBURBAN 170374
	092300-01-720	EA WHEEL - ROOM AIR	SUBURBAN 350113
	092300-01-721	EA BLOWER HOUSING ASSEMBLY	SUBURBAN 390283
	092300-01-724	EA GASKET - MOTOR MOUNT	SUBURBAN 070384
	092300-01-726	EA WHEEL - COMBUSTION AIR	SUBURBAN 350110
	092300-01-727	EA GASKET - COMBUSTION AIR HOUSING	SUBURBAN 070386
	092300-01-728	EA HOUSING - COMBUSTION AIR (OUTSIDE)	SUBURBAN 390424
	092300-02-700	EA COMBUSTION CHAMBER ASM. 30&34 BW	SUBURBAN X021015
	092300-03-702	EA HOUSING - COMBUSTION AIR ASM NT - 34BW	SUBURBAN X390417
	093365-01-000	EA THERMOSTAT - WALL - FURNACE	SUBURBAN 0160902
	092300-09-000	EA FACE - FRONT - FURNACE	SUBURBAN 520607
	092300-08-000	EA VENT KIT - FURNACE - STRAIGHT	SUBURBAN 520608
	093365-01-000	EA THERMOSTAT - WALL - FURNACE	SUBURBAN 0160902
	093614-02-01A	EA GRILLE - RETURN AIR - BROWN	
	093614-01-01A	EA GRILLE - RETURN AIR - FURNACE - 15.6" X 7.6" - BROWN	
	056464-05-000	EA REGISTER - PLASTIC W/O DAMPER - 4" DIAMETER - GOLDEN	
	094600-01-02A	EA HEAT REGISTER - W/O DAMPER - 3 6" X 11 2" - BROWN	

KEY	PART NUMBER	U/M DESCRIPTION	
	093783-01-02A	EA A/C-ROOF - 13500 BTU - GRAY	
	073742-02-704	EA RUN CAPACITOR (COMPRESSOR)	14994861
	078303-01-712	EA MOTOR	8707A3119
	081808-01-708	EA LIMIT SWITCH (OPEN 180 - CLOSE 110)	8703-3641
	091225-01-709	EA START RELAY	1497-4131
	091225-01-710	EA START CAPACITOR	1497-0881
	093783-01-701	EA OVERLOAD	8757-3981
	093783-01-702	EA OVERLOAD	8759-3931
	093783-01-703	EA IMPELLOR - 7" DIA X 2 1/8" WIDE	8759-3271
	093783-01-704	EA CAPACITOR - FAN	1499-3481
	093783-01-705	EA HEAT ELEMENT	8708-3321
	093783-01-707	EA EVAPORATOR COIL	1452-1351
	093783-01-708	EA CONDENSER COIL	1452-1251
	093783-01-709	EA COMPRESSOR	8749A3602
	093783-01-712	EA FAN BLADE - CONDENSER	8733-3221
	093783-02-700	EA SHROUD - ROOF A/C - IVO LOGOS	8759-4601
	093784-01-000	EA CEILING ASM - A/C COIL ONLY - TGR	8759D714
	102289-01-000	EA SPRING - SCREW - ROOF A/C GASKET	8757-150

COLEMAN ROOF AIR 11,000 BTU (US, CSA)

KEY	PART NUMBER	U/M DESCRIPTION	
	105850-01-02A	EA A/C-ROOF - 11,000 BTU - GRAY	
	073937-03-000	EA SWITCH - ROTARY SELECTOR - 3 DECK - A/C - CA20-USA892	
	022758-03-000	EA COVER - A/C PLASTIC - OFF WHITE	
	022758-02-000	EA PROTECTIVE COVER - 5 5" ENDS X 8 2" - PLASTIC - OFF WHITE	FROM: 00-00-00 THRU: 11-10-91
	084077-03-000	EA COVER - BLANK - ROOF A/C - 5.2" X 3.5" - IVORY	FROM: 11-11-91 THRU: 12-01-91
	092633-01-02A	EA FRAME - PLATE - ROOF A/C - 5 7" X 3 9" - PLASTIC - OFF WHITE	

COLEMAN ROOF AIR 13500 BTU (EUROPEAN)

KEY	PART NUMBER	U/M DESCRIPTION	
	092440-01-000	EA A/C-ROOF - 13500 BTU - 220V - 50HZ	6713C750
	092441-01-000	EA CEILING ASM - A/C - 220V - 50HZ	6712ET16
	102289-01-000	EA SPRING - SCREW - ROOF A/C GASKET	6757-150
	073937-03-000	EA SWITCH - ROTARY SELECTOR - 3 DECK - A/C	CA20-USA892
	092633-02-02A	EA BLANK ROOF COVER - A/C - 5.1" X 5.1" - PLASTIC - OFF WHITE	

1992 ICG34RQ INDEX

FLOOR PLAN	A-07 - A-08
ACCESSORIES	A-09 - A-10
BATH	A-11 - A-13
BEDROOM	A-14 - A-16
CHASSIS	A-17 - B-02
CURTAIN & CUSHION	B-03 - B-12
DINETTE	B-13 - B-14
DRIVERS COMPARTMENT	B-15 - B-18
ELECTRICAL	B-19 - B-24
EXTERIOR BODY	C-01 - C-10
GALLEY	C-11 - C-15
GENERATOR	C-16 - C-17
HEATING & A/C	C-18 - C-20
INTERIOR FINISH	C-21 - D-02
LABELS	D-03 - D-10
LP	D-11
LOUNGE	D-12 - D-14
SEALANTS & FASTENERS	D-15 - D-17
WATER & SEWAGE	D-18 - D-21
WINDOW, VENT &	
EXTERIOR DOOR	D-22 - E-16
WINDSHIELD & WIPER	E-17 - E-18

INTERIOR FINISH GROUP
INTERIOR TRIM, BATT STRIPS & MOLDINGS

INTERIOR FINISH GROUP (CONTINUED)
INTERIOR TRIM, BATT STRIPS & MOLDINGS (CONT)

1992 ITASCA
TABLE OF CONTENTS

INTRODUCTION	A-01 - A-02
ABBREVIATIONS	A-03
ALPHABETICAL INDEX	A-04 - A-05
ICG34RQ	A-07 - E-18
IKG34RQ	E-19 - I-18

1992 ICG34RQ INDEX

FLOOR PLAN	A-07 - A-08
ACCESSORIES	A-09 - A-10
BATH	A-11 - A-13
BEDROOM	A-14 - A-16
CHASSIS	A-17 - B-02
CURTAIN & CUSHION	B-03 - B-12
DINETTE	B-13 - B-14
DRIVERS COMPARTMENT	B-15 - B-18
ELECTRICAL	B-19 - B-24
EXTERIOR BODY	C-01 - C-10
GALLEY	C-11 - C-15
GENERATOR	C-16 - C-17
HEATING & A/C	C-18 - C-20
INTERIOR FINISH	C-21 - D-02
LABELS	D-03 - D-10
LP	D-11
LOUNGE	D-12 - D-14
SEALANTS & FASTENERS	D-15 - D-17
WATER & SEWAGE	D-18 - D-21
WINDOW, VENT & EXTERIOR DOOR	D-22 - E-16
WINDSHIELD & WIPER	E-17 - E-18

KEY	PART NUMBER	U/M DESCRIPTION
	008787-10-000	FT WELTING - CABINET TO WALL - MAHOGANY
	008787-12-000	FT MOLDING - SIDEWALL TO CEILING/CABINET - WELTING - OFF WHITE
	009778-11-000	FT U CHANNEL - PLASTIC - 1" WIDE X 8" INCREMENTS - IVORY
	009778-12-000	FT U CHANNEL - PLASTIC - 1" WIDE X 8" INCREMENTS - WOODGRAIN
	009809-21-000	EA MOLDING - CORNER - OUTSIDE - 1" - PLASTIC - WOODGRAIN
	009809-25-000	EA MOLDING - CORNER - OUTSIDE - 1" - PLASTIC - OFF WHITE
	009812-22-000	EA MOLDING - CORNER - OUTSIDE - 5" X 7" - PLASTIC - BROWN
	022992-11-000	FT MOLDING - REVERSE COVE - T - SHAPED - VINYL - IVORY
	052372-02-000	BF LUMBER - CLASS II - 1X4XRL - CONSTRUCTION GRADE
	069733-78-000	EA BATT STRIP - WOODGRAIN - RAMBLING OAK - 8' EA FROM: 00-00-00 THRU 02-23-92
	069733-79-000	EA BATT STRIP - WOODGRAIN - 8' EA - FOREST OAK FROM: 02-24-92 THRU 99-99-99
	070504-01-000	FT U-CHANNEL - PLASTIC - 085" WIDE - LIGHT BROWN - 8'
	070504-19-000	FT U-CHANNEL - PLASTIC - 815" WIDE - BROWN - 8'
	070504-21-000	FT U-CHANNEL - PLASTIC - .735" WIDE - COUNTRY FOREST - 8'
	070504-23-000	FT EXTRUSION - U CHANNEL - .875 - COUNTRY FOREST
	072368-02-000	EA TRIM - VINYL - EDGE - BLACK - GM 14004305
	072852-01-000	EA DETECTOR - SMOKE - W/9 VOLT BATTERY
	072852-02-000	EA DETECTOR - SMOKE - W/9 VOLT BATTERY - CANADIAN
	075249-01-000	EA RAILING - OAK - 72" EA - UNFINISHED
	076325-23-000	FT MOLDING - EDGE BAND - D315 PLATM 875X 030X600' (C27)
	076325-27-000	FT MOLDING - EDGE BAND - 1 5/16" WIDE - REGAL OAK
	076325-31-000	FT MOLDING - EDGE BAND - RAMBL. OAK 93 X 024 X 600'
	076325-32-000	FT MOLDING - EDGE BAND - 1 5/16" (C27)
	076325-33-000	FT MOLDING - EDGE BAND TAUPÉ #1036 - 875X 024X600 (C27)
	076325-35-000	FT MOLDING - EDGE BAND TAUPÉ #1233 - 875X 024X600 (C28)
	076325-34-000	FT MOLDING - EDGE BAND - 1 5/16" WIDE
	078323-06-825	EA MOLDING - WALL CAP - LIPS BOTH SIDES - WOOD - 6 6' LONG
	078811-05-811	EA BOTTOM - HEADLINEF, W/SPEAKER CUTOUTS - VINYL - OFF WHITE
	083620-06-000	FT MOLDING - T - END CAP EDGE - W/WEDGE LIPS - .75" - REBER BIRCH FROM: 00-00-00 THRU 01-06-91
	083620-07-000	FT MOLDING - T - END CAP EDGE - W/WEDGE LIPS - .75" - THOR PECAN FROM: 00-00-00 THRU 08-11-91
	083620-07-000	FT MOLDING - T - END CAP EDGE - W/WEDGE LIPS - .75" - THOR PECAN FROM: 08-12-91 THRU 99-99-99
	085284-32-000	FT BATT STRIP - WOODGRAIN - ADHESIVE BACK - RAMBLING OAK FROM: 00-00-00 THRU 02-23-92
	085284-49-000	FT BATT STRIP - TAPE - MARBLE - DEWBERRY DECOR
	085284-50-000	FT BATT STRIP - TAPE - FRONDS - DEWBERRY DECOR
	085284-59-000	FT BATT STRIP - DECORATIVE - ADHESIVE BACKED - FAWN
	085284-67-000	FT STRIP - TAPE - 541 WINNI OAK - PLUSWOOD FROM: 02-24-92 THRU 99-99-99
	086229-01-000	EA RETAINER - BATTEN - CEILING - .75" WIDE - 7 6' EA
	086229-04-000	EA BATTEN - CEILING - 1" WIDE - IVORY - 7 6' EA
	088263-61-000	EA BATT - STRIP - MARBLE - DEWBERRY DECOR
	088263-62-000	EA BATT - STRIP - FRONDS - DEWBERRY DECOR
	091261-01-000	FT SLIPNOT - ANTISLIP - 1" WIDE (100' ROLL)
	092330-D2-438	EA LUMBER - VINYL WRAPPED - .7" X 1.5" X 9" - WOODGRAIN
	093873-01-01A	EA TRIM - CARPET - L - ANGLE - 1 1" X 1.3" X 12" - VINYL - GRAY
	094499-01-000	EA EXTINGUISHER - FIRE - DRY W/MOUNTING BRACKET - 10 BC
	094499-01-700	EA BRACKET - MOUNTING - W/PLASTIC STRAP - FIRE EXTINGUISHER
	094499-02-000	EA EXTINGUISHER - FIRE - DRY - 1A10BC - CANADIAN
	100040-01-000	EA LUMBER - VINYL WRAPPED - .7" X 1 5" X 8" - RAMBLING OAK
	100040-01-000	EA LUMBER - VINYL WRAPPED - .7" X 1 5" X 8" - RAMBLING OAK
	100040-03-000	EA LUMBER - VINYL WRAPPED - .71" X 2" X 8" - RAMBLING OAK
	100040-06-000	EA LUMBER - VINYL WRAPPED - 766 RAMBLN OAK
	100041-01-000	EA MOLDING - VINYL WRAPPED - 1 57" X 84 02" - RAMBLING OAK
	100041-02-000	EA MOLDING - VINYL WRAPPED - 7" X 2.5" X 84" - RAMBLING OAK

KEY	PART NUMBER	U/M DESCRIPTION
	100041-02-000	EA MOLDING - VINYL WRAPPED - .7" X 2.5" X 84" - RAMBLING OAK
	101220-02-01A	EA TRIM - LID - ENTRY STEP - 14 5" - ALUMINUM - BEIGE FROM: 00-00-00 THRU: 03-14-92
	101221-02-01A	EA TRIM - LID - ENTRY STEP - 26.6" - ALUMINUM - BEIGE FROM: 00-00-00 THRU: 03-14-92
	101333-01-000	EA BACKPLATE-CLOCK - 8" X 8" - PLASTIC - BLACK
	103186-01-02A	FT MOLDING - EDGE - SHELF - .78" WIDE - PLASTIC - REGAL OAK
	103186-02-02A	FT MOLDING - EDGE - SHELF - 1.3" WIDE - PLASTIC - REGAL OAK
	104764-01-01A	EA CLOCK - WALL - SPARTUS 5816-42
	105004-01-02A	EA MOLDING - VINYL WRAP - RAMBLING OAK
	105709-01-000	FT T - MOLDING - 1" - MODERN IVORY FROM 08-16-91 THRU: 99-99-99

INTERIOR FINISH GROUP (CONTINUED)
PANELING, PLASTIC LAMINATE & CARPET

INTERIOR FINISH GROUP (CONTINUED)
DRAWER SLIDES

1992 ITASCA
TABLE OF CONTENTS

INTRODUCTION	A-01 - A-02
ABBREVIATIONS	A-03
ALPHABETICAL INDEX	A-04 - A-06
ICG34RQ	A-07 - E-18
IKG34RQ	E-19 - I-18

1992 ICG34RQ INDEX

FLOOR PLAN	A-07 - A-08
ACCESSORIES	A-09 - A-10
BATH	A-11 - A-13
BEDROOM	A-14 - A-16
CHASSIS	A-17 - B-02
CURTAIN & CUSHION	B-03 - B-12
DINETTE	B-13 - B-14
DRIVERS COMPARTMENT	B-15 - B-18
ELECTRICAL	B-19 - B-24
EXTERIOR BODY	C-01 - C-10
GALLEY	C-11 - C-15
GENERATOR	C-16 - C-17
HEATING & A/C	C-18 - C-20
INTERIOR FINISH	C-21 - D-02
LABELS	D-03 - D-10
LP	D-11
LOUNGE	D-12 - D-14
SEALANTS & FASTENERS	D-15 - D-17
WATER & SEWAGE	D-18 - D-21
WINDOW, VENT & EXTERIOR DOOR	D-22 - E-16
WINDSHIELD & WIPER	E-17 - E-18

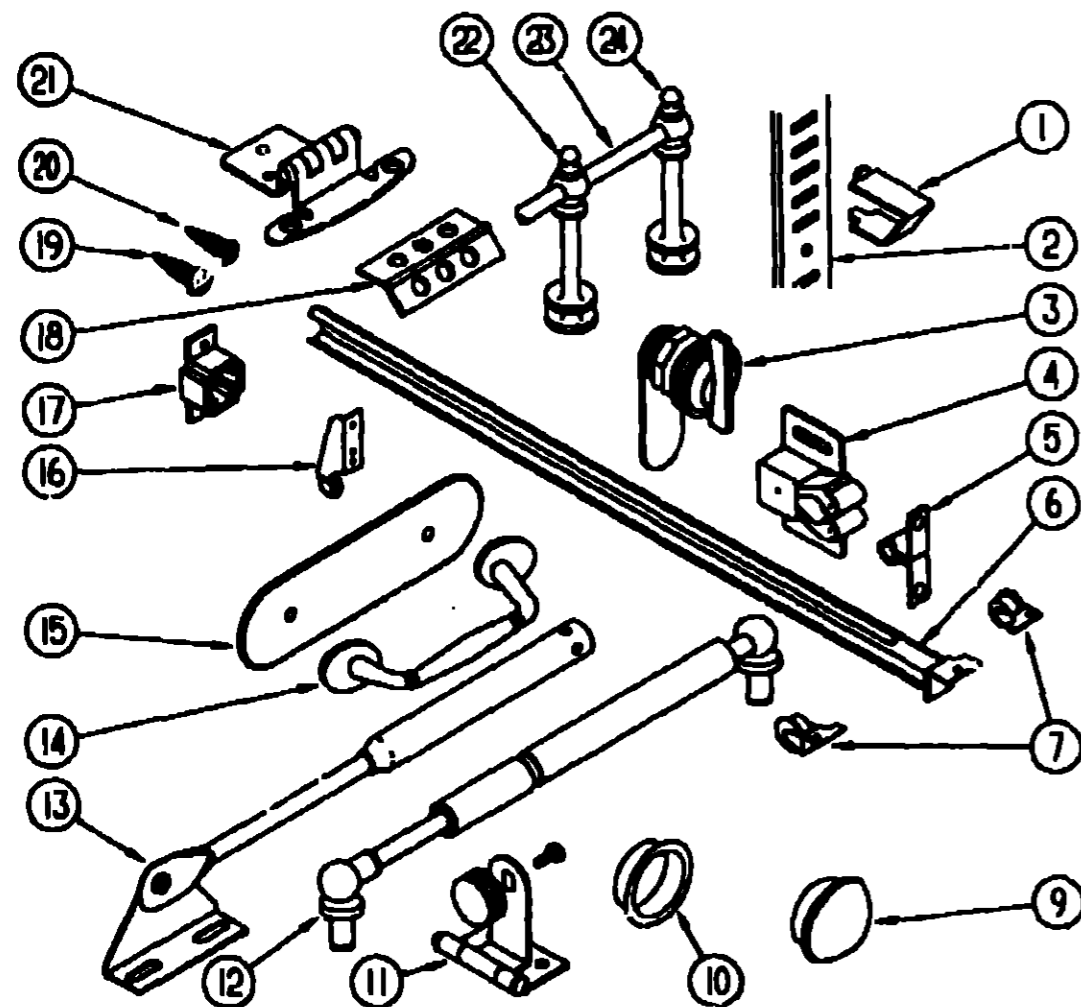
PART NUMBER	U/M DESCRIPTION
000885-48-000	SF PARTICLE BOARD - 3/8" X 48" X 96" - 1 SIDE VINYL WOODGRAIN (32 SF) FROM: 00-00-00 THRU: 11-03-91
000885-48-000	SF PARTICLE BOARD - 1/4" X 60" X 96" - 2 SIDES VINYL WOODGRAIN (40 SF) FROM: 07-00-00 THRU: 11-03-91
000885-58-000	SF PART BO - 3/8X48X96 WINNI OAK VINYL 1 SIDE FROM: 11-04-91 THRU: 99-99-99
047034-02-000	SF PLASTIC-CARPET - 4' WIDE - CLEAR POLY
084970-58-012	EA PLAS-ABS - 04' X 52' X 52' - BEIGE FROM: 00-00-00 THRU: 03-14-92
065747-01-000	SF INSULATION - MICROFOAM - 5"
074497-17-000	SF PANELING - WOODGRAIN - 4' X 8' (32 SF) FROM: 00-00-00 THRU: 11-03-91
074497-21-000	SF PANELING - WOODGRAIN - 4' X 8' (.2 SF) FROM: 11-04-91 THRU: 99-99-99
074498-34-000	SF LAMINATE - PLASTIC - 5' X 8' (40 SF)
074498-39-000	SF LAMINATE - PLASTIC - 5' X 8' - GREY/BEIGE (40 SF)
074498-41-000	SF LAMINATE - PLASTIC ORCHID MIST
075233-01-000	SY PAD - CARPET - 3/8" X 6' ROLL
083618-02-000	SF PLYWOOD - OAK - 1 SIDE FINISHED - 3/16" X 4' X 8' (32 SF)
088272-72-000	SF PANELING - SHOWER - OFF WHITE - 4' X 7' (28 SF) FROM: 08-05-91 THRU: 03-15-92
088272-82-000	SF PANELING - MARBLE DEWBERRY - 31MMX43X8 DECOR
088272-83-000	SF PANELING - FRONDS DEWBERRY - 3MMX48X84 DECOR
088272-83-094	EA PANELING - 0292X0524 MM - CAB MAIN
088272-83-095	EA PANELING - 2028X0098 MM - CAB MAIN
088272-83-097	EA PANELING - 0492X0102 MM - CAB MAIN
088272-98-000	SF PANELING - SHOWER - OFF WHITE - 4' X 7' (28 SF) FROM: 03-16-92 THRU: 99-99-99
089297-01-000	SF PLYWOOD - LUAN - OVERLAY GRADE - 4' X 8' (32 SF)
089351-03-000	YD VINYL - CEILING - DIAMOND DESIGN - 54" WIDE
093486-01-000	SY CARPET-COMPARTMENT - 54" WIDE - DARK GRAY
095688-01-000	SF VENEER - FLAT LUANA 48X96
096060-23-000	SY CARPET - 12' ROLL (C28)
096060-42-000	SY CARPET - 12' ROLL (C27)
102695-04-000	YD TAPE - CARPET BIND - BLUE #529 (C27)
102695-05-000	YD TAPE - CARPET BIND - TEAL #456 (C26)
105924-01-C27	EA MAT - FLOOR 18X27 - G -SERIES
105924-01-C28	EA MAT - FLOOR 18X27 - G -SERIES

KEY	PART NUMBER	U/M DESCRIPTION
	106913-01-000	EA SLIDE - DRAWER - CABINET - LEFT SIDE - 12" FROM: 01-20-92 THRU: 99-99-99
	106913-02-000	EA SLIDE - DRAWER - CABINET - RIGHT SIDE - 12" FROM: 01-20-92 THRU: 99-99-99
	106913-03-000	EA SLIDE - DRAWER - 12" LEFT SIDE
	106913-04-000	EA SLIDE - DRAWER - 12" RIGHT SIDE
	106913-05-000	EA SLIDE - DRAWER - CABINET - LEFT SIDE - 18" FROM: 01-20-92 THRU: 99-99-99
	106913-06-000	EA SLIDE - DRAWER - CABINET - RIGHT SIDE - 18" FROM: 01-20-92 THRU: 99-99-99
	106913-07-000	EA SLIDE - DRAWER - DRAWER MOUNT - LEFT SIDE - 18"
	106913-08-000	EA SLIDE - DRAWER - DRAWER MOUNT - RIGHT SIDE - 18"
	106913-17-000	EA SLIDE - DRAWER - 22" LEFT CABT FROM: 01-20-92 THRU: 99-99-99
	106913-18-000	EA SLIDE - DRAWER - 22" RIGHT CABT FROM: 01-20-92 THRU: 99-99-99
	106913-19-000	EA SLIDE - DRAWER - 22" LEFT SIDE
	106913-20-000	EA SLIDE - DRAWER - 22" RIGHT SIDE

MIRRORS

KEY	PART NUMBER	U/M DESCRIPTION
	058331-51-000	EA MIRROR - SAFETY GLASS - 660X1016MM
	058331-08-000	EA MIRROR - SAFETY GLASS - 24" X 30"
	058331-50-000	EA MIRROR - SAFETY GLASS - 546 X 1590 FROM: 00-00-00 THRU: 07-16-91
	058331-55-000	EA MIRROR - SAFETY GLASS - 338MM X 1590MM FROM: 07-17-91 THRU: 99-99-99
	103847-03-000	EA MIRROR - DECORATIVE GLASS - 330MMX450MM FROM: 00-00-00 THRU: 07-23-91
	104755-01-000	EA MIRROR - DECORATIVE GLASS - 330MMX450MM FROM: 07-24-91 THRU: 99-99-99
	104755-05-000	EA MIRROR - DECORATIVE GLASS - 317MM X 627MM

INTERIOR FINISH GROUP (CONTINUED)
CABINET HARDWARE



KEY	PART NUMBER	U/M DESCRIPTION
1	098979-01-000	EA CLIP - ADJUSTABLE SHELF
2	098980-01-000	EA PILASTER - ADJUSTABLE SHELF - 18" LONG
2	098980-02-000	EA PILASTER - ADJUSTABLE SHELF - 12" LONG
3	100710-01-01A	EA LOCK - GLASS DOOR - TWIST TYPE - BRASS
	101272-01-000	EA CATCH - DOOR - GLASS
4	093586-03-000	EA CATCH - SPRING - ROLLER
5	093586-04-000	EA STRIKE - SPRING STEEL
	101766-01-000	EA PIN - SUPPORT - GLASS DOOR
6	102827-05-000	EA TRACK - DRAWER - 22.6" LONG
		FROM: 00-00-00 THRU: 01-19-92
7	102827-03-000	EA ROLLER - DRAWER - NYLON - PAIR
		FROM: 00-00-00 THRU: 01-19-92
8	057871-01-000	EA COVER - SCREW - PLASTIC - OFF WHITE
9	042356-01-000	EA PLUG - MAHOAGANY - 3/8" DIAMETER - WOOD
9	074045-01-000	EA PLUG - OAK - 1/2" DIAMETER
10	098410-01-01A	EA PULL - FINGER - OVAL - BRASS
11	100711-01-01A	EA HINGE - DOOR - GLASS
	104886-02-000	EA CATCH - WOOD - LAMINATED FACE

	105037-02-000	EA FASTENER - WOOD - CORNER - METAL - .5" X .6"
12	057460-04-000	EA SPRING - GAS
		FROM: 00-00-00 THRU: 08-05-91
12	107539-01-000	EA SPRING - GAS - 20" BLADE END - SPRING LIFT
		FROM: 03-30-92 THRU: 99-99-99
	057460-02-000	EA STUD - BALL - GAS SPRING - 10MM - 5/16" - 18
	089024-01-000	EA SUPPORT - SPRING - TO FLOOR - 5.9" WIDE BASE X 7" HIGH - ST
		FROM: 00-00-00 THRU: 08-05-91
	089025-01-000	EA SUPPORT - SPRING - TO BED - ANGLE 1.5" X 11.8" LONG - STEEL
		FROM: 00-00-00 THRU: 09-20-91
	093278-01-000	EA BRACE - GAS PROP ROD - FLOOR MOUNT
		FROM: 00-00-00 THRU: 08-05-91
	057460-03-000	EA CLIP - SAFETY - WIREFORM TYPE - GAS SPRING
		FROM: 00-00-00 THRU: 06-14-92
	103725-02-000	EA PROP - BED - AUTO CAM - 115#
		FROM: 08-06-91 THRU: 02-24-92
	107030-02-000	EA BACKSOCKET - ADJUSTABLE - RIGHT
		FROM: 01-20-92 THRU: 99-99-99
	107030-01-000	EA BACKSOCKET - ADJUSTABLE - LEFT
		FROM: 01-20-92 THRU: 99-99-99
13	074493-02-000	EA SUPPORT - PISTON SPRING - CABINET DOOR
14	103856-01-000	EA PULL - CABINET - BRASS - 3" ON CENTER
15	100995-01-000	EA BACKPLATE - PULL - CABINET DOOR - 5.7" - BRASS
16	102827-02-000	EA BRACKET - ROLLER - DRAWER - REAR
17	102827-04-000	EA BRACKET - MOUNTING - DRAWER - REAR
		FROM: 00-00-00 THRU: 01-19-92
	104886-01-000	EA CATCH - WOOD - VINYL FACE CAB
		FROM: 00-00-00 THRU: 08-04-91
18	083204-03-000	EA BUTTON - RETAINING - MIRROR - 5/16" TIP - WALNUT
	009059-02-000	EA HINGE - DOOR - 2" X 2.7" - BRASS
		FROM: 10-22-91 THRU: 99-99-99
	009063-01-000	EA HINGE - CONTINUOUS - 1 1/2" X 72" - UNPAINTED
	009066-01-000	EA HINGE - ALUMINUM - NO HOLES - 1 1/16" X 6" - UNPAINTED
	103130-01-000	EA HOOK - CUP - BRASS - 1 25"
	103868-03-01A	EA TRACK - DOOR - 1250 - OFF WHITE
	105847-05-C05	EA KEY RING HOLDER
19	000G13-06-10G	EA SCREW - 6-20 X 5/8 PFH - ANTIQUE BRASS
	004354-01-000	EA BUMPER - RUBBER - .5" DIA - BROWN
	016604-03-000	EA BRACE - CABINET - ANGLE - 2.5" - METAL - BEIGE
	023320-01-000	EA PAD - FELT - 3/8" DIAMETER - BROWN
	058335-02-000	EA LATCH - SHOWER/BATH DOOR - W/O LOCK - PLASTIC - BROWN
	065740-01-000	EA BRACE - CABINET CORNER - PLASTIC
	076790-01-000	EA SCREW - 6-20 X 1 1/4 PPH - BLACK
	079921-01-000	EA ROLLER - NYLON - W/STEEL SHAFT - BARBED
20	000G13-06-08G	EA SCREW #000G13-06-08G
		FROM: 04-17-92 THRU: 99-99-99
21	059777-02-000	EA HINGE - DOOR - CABINET - BURNISHED BRASS
	M05156-02-C07	EA RACK ASM-W/6 HOOKS
		FROM: 00-00-00 THRU: 08-04-91
	R77006-13-498	EA GUIDE - BOLT
	009112-01-000	EA FLANGE - 1" ROD - CLOTHES - PLASTIC - OFF WHITE
	042438-01-000	EA DOWEL - WOOD - CLOTHES ROD - 1" DIAMETER X 4'
	042438-06-000	EA DOWEL - WOOD - 1.5" X 26" - OAK
22	084070-01-000	EA POST - CENTER - 2.4" - BRASS
23	084071-15-000	EA ROD - BRASS 210MM
24	084070-02-000	EA POST - END - 2.4" - BRASS

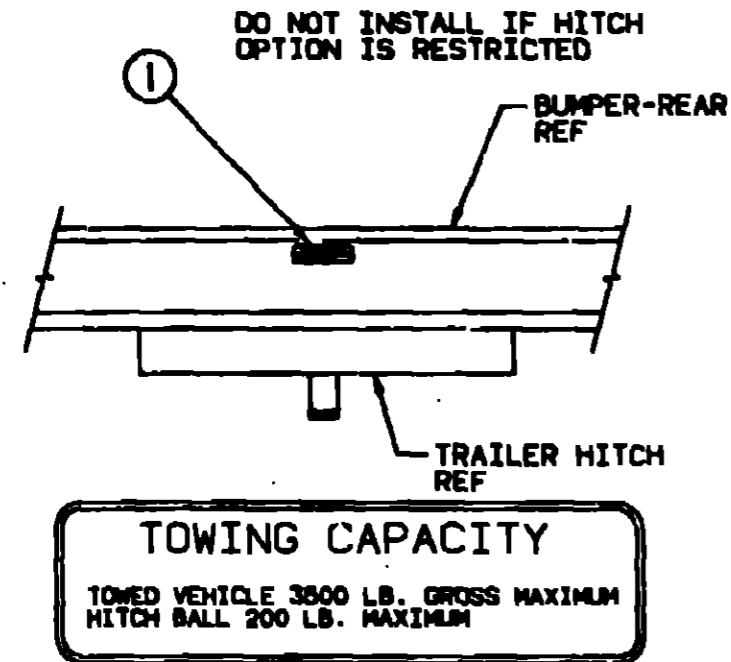
1992 ITASCA
TABLE OF CONTENTS

INTRODUCTION	A-01 - A-02
ABBREVIATIONS	A-03
ALPHABETICAL INDEX	A-04 - A-06
ICG34RQ	A-07 - E-18
IKG34RQ	E-19 - I-18

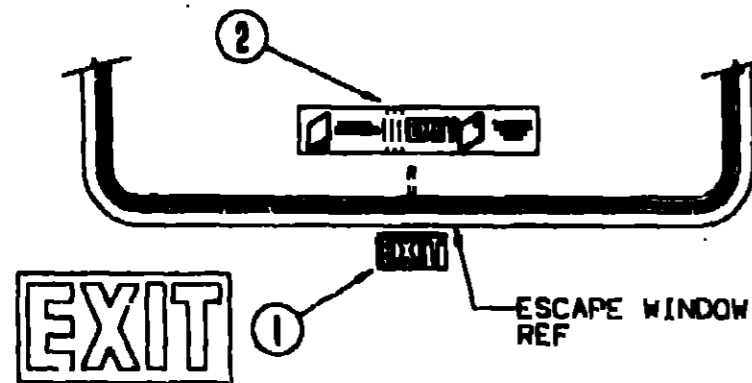
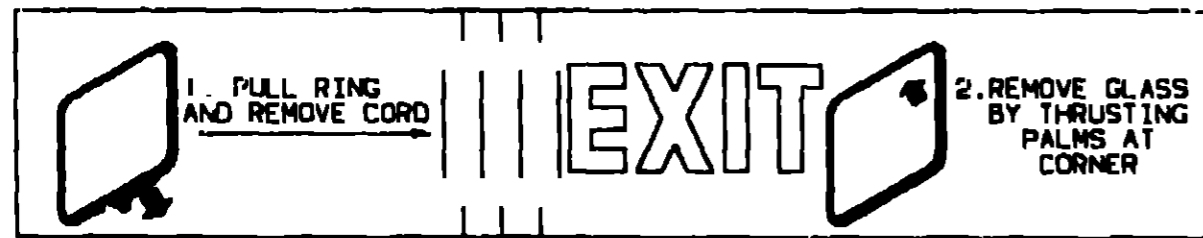
1992 ICG34RQ INDEX

FLOOR PLAN	A-07 - A-08
ACCESSORIES	A-09 - A-10
BATH	A-11 - A-13
BEDROOM	A-14 - A-16
CHASSIS	A-17 - B-02
CURTAIN & CUSHION	B-03 - B-12
DINETTE	B-13 - B-14
DRIVERS COMPARTMENT	B-15 - B-18
ELECTRICAL	B-19 - B-24
EXTERIOR BODY	C-01 - C-10
GALLEY	C-11 - C-15
GENERATOR	C-16 - C-17
HEATING & A/C	C-18 - C-20
INTERIOR FINISH	C-21 - D-02
LABELS	D-03 - D-10
LP	D-11
LOUNGE	D-12 - D-14
SEALANTS & FASTENERS	D-15 - D-17
WATER & SEWAGE	D-18 - D-21
WINDOW, VENT &	
EXTERIOR DOOR	D-22 - E-16
WINDSHIELD & WIPER	E-17 - E-18

LABELS GROUP



KEY	PART NUMBER	U/M DESCRIPTION
1	075221-03-000	EA LABEL - TRAILER HITCH



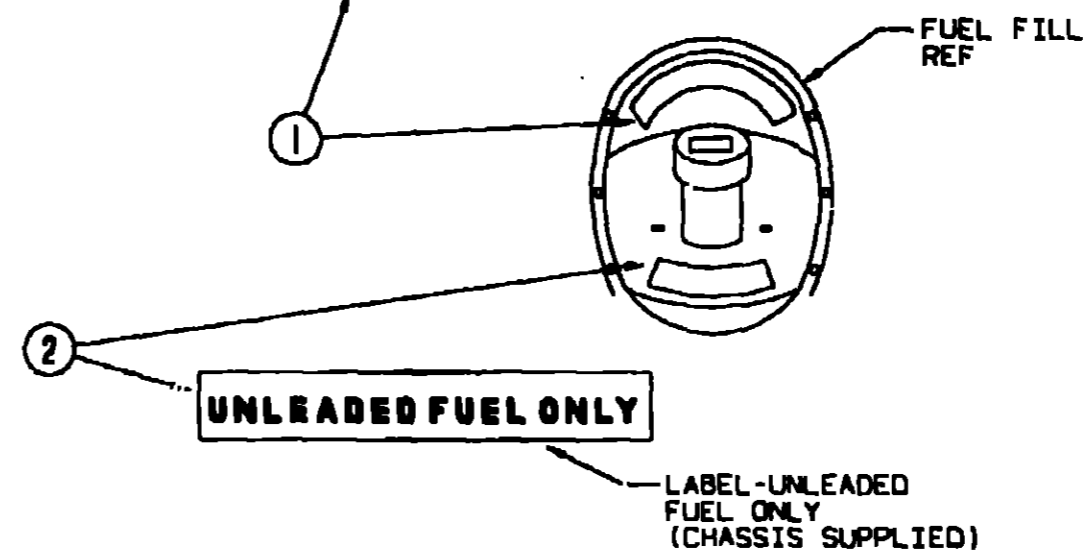
KEY	PART NUMBER	U/M DESCRIPTION
1	107571-01-000	EA LABEL - EXIT/ESCAPE WINDOW
2	03950-01-000	EA LABEL - EXIT WARNING

FROM: 03-02-92 THRU: 99-99-99

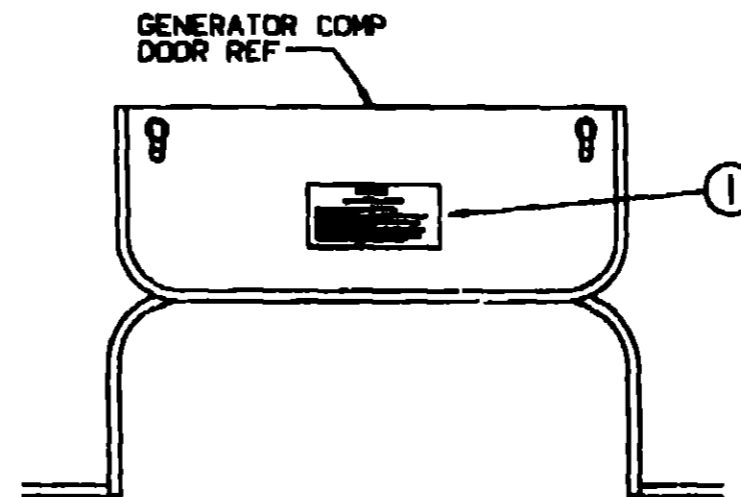
LABELS GROUP (CONTINUED)

WARNING:
ALL PILOT LIGHTS AND APPLIANCES SHALL BE TURNED OFF DURING REFUELLING OF MOTOR FUEL TANKS AND/OR PROPANE CONTAINERS.

AVERTISSEMENT:
FERMER TOUTES LES VEILLEUSES AINSI QUE TOUS LES APPAREILS LORSQU'ON FAIT LE PLEIN DES RESERVOIRS A CARBURANT OU A PROPANE.



KEY	PART NUMBER	U/M DESCRIPTION
1	006040-01-000	EA TAG - GAS REFUELING WARNING
1	006040-02-000	EA TAG - GAS REFUELING WARNING (CANADIAN)
2	062043-01-000	EA LABEL - FUEL - UNLEADED



WARNING
WHEN ADDING A GENERATOR SET.

HIGH VOLTAGE-USE EXTREME CAUTION WHEN WORKING ON ELECTRICAL COMPONENTS.
HAVE ALL ELECTRICAL INSTALLATION PERFORMED BY A QUALIFIED LICENSED ELECTRICIAN-FOLLOW ALL STATE AND LOCAL CODES.
ONLY INSTALL GENERATOR SET SPECIFIC FOR R.V. APPLICATION. HAVE INSTALLER BY QUALIFIED TECHNICIAN.
TO AVOID HEAT BUILD-UP AND TO DISPERSE AN APPROPRIATE AIR SUPPLY TO THE GENERATOR COMPARTMENT, FOLLOW INSTALLATION INSTRUCTIONS.
GENERATOR EXHAUST EXHAUST SHOULD BE TRACED AND MUST NOT TERMINATE UNDER THE VEHICLE-BELOW EXHAUST MUST BE TRACED AND MUST NOT TERMINATE UNDER THE VEHICLE-BELOW EXHAUST MUST BE TRACED AND MUST NOT TERMINATE UNDER THE VEHICLE-BELOW EXHAUST MUST BE TRACED AND MUST NOT TERMINATE UNDER THE VEHICLE.

KEY	PART NUMBER	U/M DESCRIPTION
1	077510-01-000	EA LABEL - GENERATOR PREP

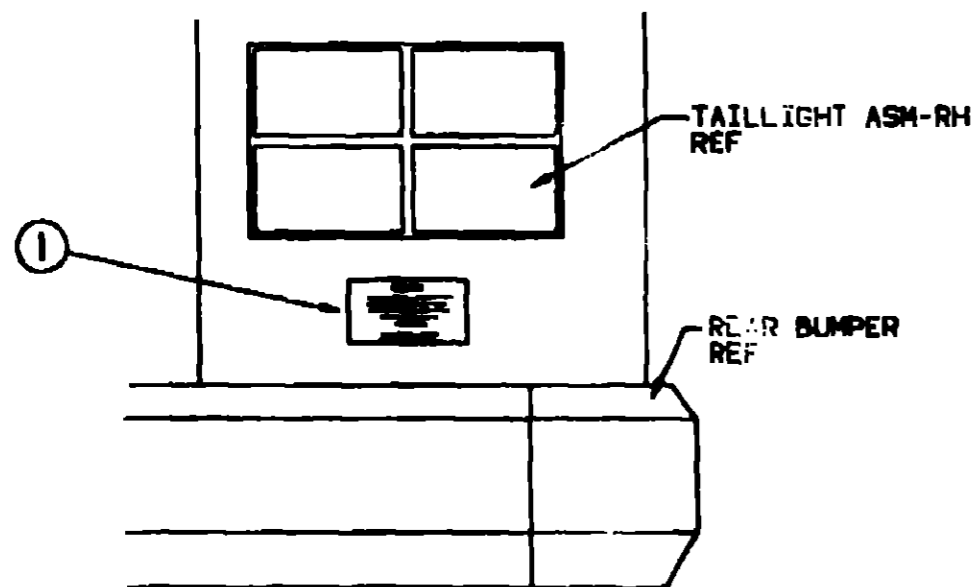
**1992 ITASCA
TABLE OF CONTENTS**

INTRODUCTION	A-01 - A-02
ABBREVIATIONS	A-03
ALPHABETICAL INDEX	A-04 - A-06
ICG34RQ	A-07 - E-18
IKG34RQ	E-19 - I-18

1992 ICG34RQ INDEX

FLOOR PLAN	A-07 - A-08
ACCESSORIES	A-09 - A-10
BATH	A-11 - A-13
BEDROOM	A-14 - A-16
CHASSIS	A-17 - B-02
CURTAIN & CUSHION	B-03 - B-12
DINETTE	B-13 - B-14
DRIVERS COMPARTMENT	B-15 - B-18
ELECTRICAL	B-19 - B-24
EXTERIOR BODY	C-01 - C-10
GALLEY	C-11 - C-15
GENERATOR	C-16 - C-17
HEATING & AC	C-18 - C-20
INTERIOR FINISH	C-21 - D-02
LABELS	D-03 - D-10
LP	D-11
LOUNGE	D-12 - D-14
SEALANTS & FASTENERS	D-15 - D-17
WATER & SEWAGE	D-18 - D-21
WINDOW, VENT & EXTERIOR DOOR	D-22 - E-16
WINDSHIELD & WIPER	E-17 - E-18

LABELS GROUP (CONTINUED)

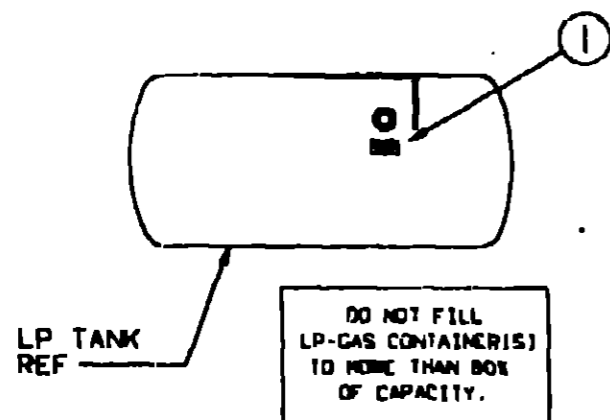


WARNING

DO NOT EXCEED THE VEHICLE WEIGHT RATINGS OR LOADING RECOMMENDATIONS (E.G., GROSS VEHICLE, GROSS AXLE, GROSS COMBINED) OF THE CHASSIS MANUFACTURER OR WINNEBAGO IND.

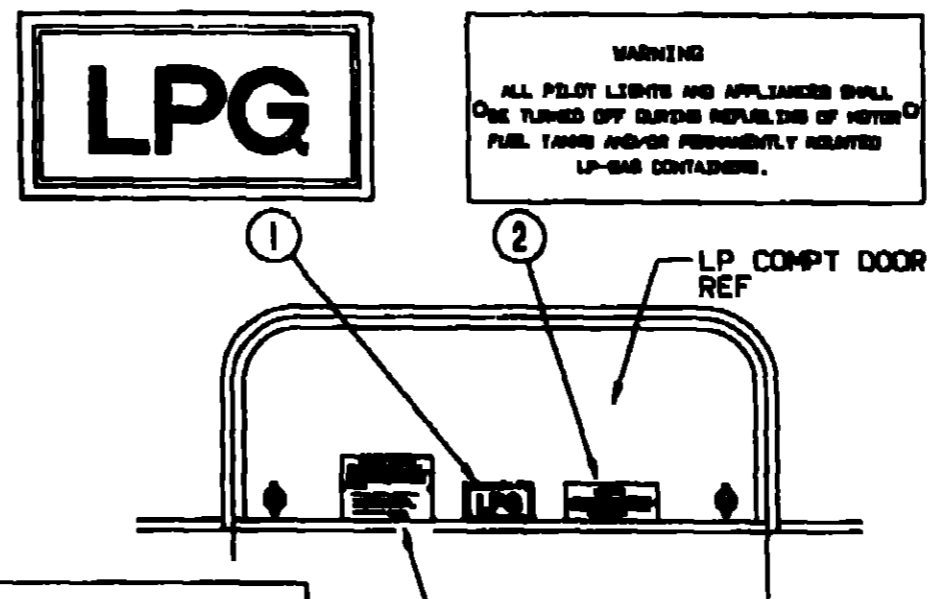
REFER TO YOUR OWNERS MANUAL, BEFORE LOADING OR TOWING.

KEY	PART NUMBER	U/M DESCRIPTION
1	075220-01-000	EA LABEL - WARNING - EXTERIOR LOAD



KEY	PART NUMBER	U/M DESCRIPTION
1	079965-01-000	EA LABEL - LPG - 80% CAPACITY

LABELS GROUP (CONTINUED)

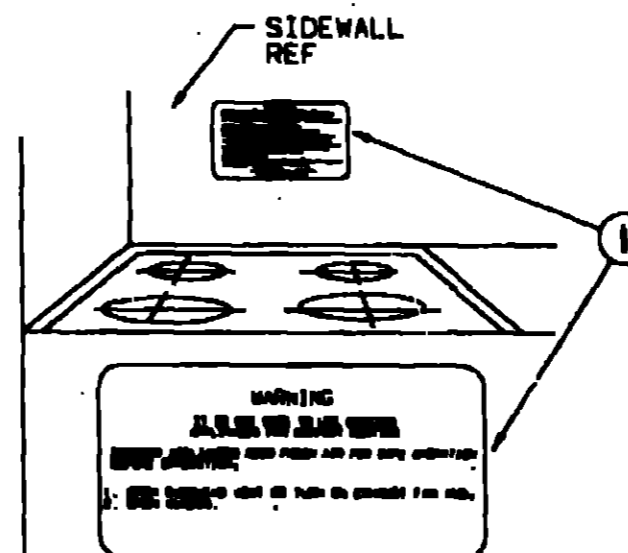


LP-GAS SYSTEM

THIS GAS PIPING SYSTEM IS DESIGNED FOR USE OF LIQUEFIED PETROLEUM GAS ONLY. DO NOT SUBJECT SYSTEM, GAS TO THIS SYSTEM.

SECURELY CAP INLET(S) WHEN NOT CONNECTED FOR USE. AFTER TURNING ON GAS, CHECK AFTER NORMAL CONTAINER REPLACEMENT, TEST GAS PIPING AND CONNECTIONS TO APPLY LABELS FOR LEAKAGE WITH SOAPY WATER OR BLEACH SOLUTION. DO NOT USE PRODUCTS THAT CONTAIN AMMONIA OR CHLORINE.
P.N. 94831

KEY	PART NUMBER	U/M DESCRIPTION
1	074559-01-000	EA DECAL - LOGO - LPG - RED - (CALIF CODE)
2	006040-01-000	EA TAG - GAS REFUELING WARNING
2	006040-02-000	EA TAG - GAS REFUELING WARNING (CANADIAN)
3	054531-01-000	EA LABEL - LP GAS ONLY
3	023769-01-000	EA LABEL - WARNING-LPG (CANADIAN)



KEY	PART NUMBER	U/M DESCRIPTION
1	050225-01-000	EA LABEL - WARNING - STOVE VENT - US
1	050222-01-000	EA LABEL - WARNING - STOVE VENT - CSA

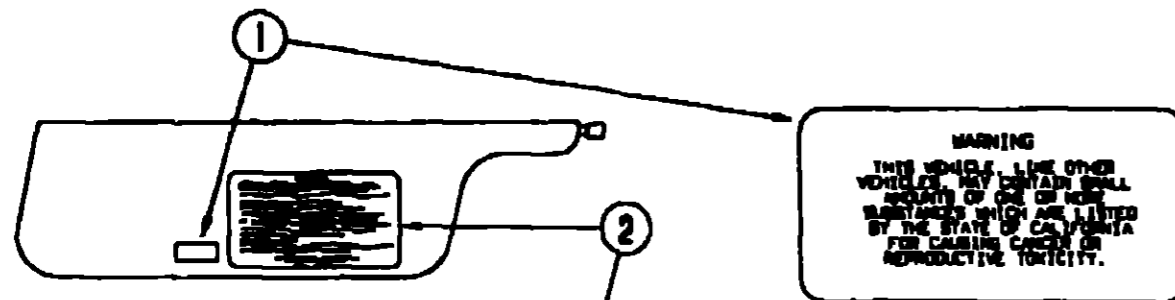
**1992 ITASCA
TABLE OF CONTENTS**

INTRODUCTION	A-01 - A-02
ABBREVIATIONS	A-03
ALPHABETICAL INDEX	A-04 - A-06
ICG34RQ	A-07 - E-18
IKG34RQ	E-19 - I-18

1992 ICG34RQ INDEX

FLOOR PLAN	A-07 - A-08
ACCESSORIES	A-09 - A-10
BATH	A-11 - A-13
BEDROOM	A-14 - A-16
CHASSIS	A-17 - B-02
CURTAIN & CUSHION	B-03 - B-12
DINETTE	B-13 - B-14
DRIVERS COMPARTMENT	B-15 - B-18
ELECTRICAL	B-19 - B-24
EXTERIOR BODY	C-01 - C-10
GALLEY	C-11 - C-15
GENERATOR	C-16 - C-17
HEATING & AC	C-18 - C-20
INTERIOR FINISH	C-21 - D-02
LABELS	D-03 - D-10
LP	D-11
LOUNGE	D-12 - D-14
SEALANTS & FASTENERS	D-15 - D-17
WATER & SEWAGE	D-18 - D-21
WINDOW, VENT & EXTERIOR DOOR	D-22 - E-16
WINDSHIELD & WIPER	E-17 - E-18

LABELS GROUP (CONTINUED)



WARNING
 THIS VEHICLE, LIKE OTHER VEHICLES, MAY CONTAIN SMALL QUANTITIES OF ONE OR MORE SUBSTANCES WHICH ARE LISTED BY THE STATE OF CALIFORNIA FOR CAUSING CANCER OR REPRODUCTIVE TOXICITY.

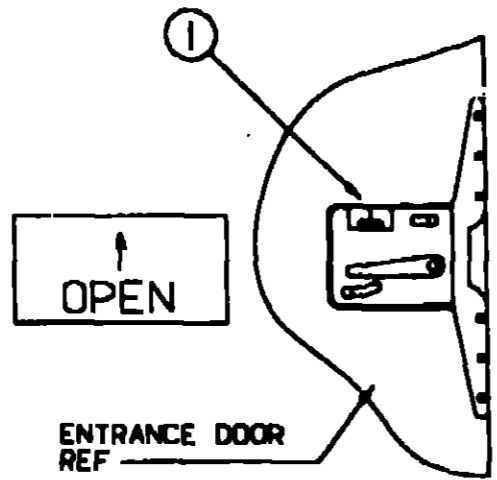
CAUTION

THIS MOTOR HOME HAS BEEN DESIGNED, MANUFACTURED AND TESTED WITH CONSIDERATION FOR THE PROTECTION OF IT'S OCCUPANTS. WE RECOMMEND YOU PERFORM THE FOLLOWING INSPECTIONS FOR YOUR SAFETY AND THE SAFETY OF YOUR PASSENGERS BEFORE STARTING YOUR VEHICLE.

1. LP GAS SYSTEM- TURN OFF AT TANK FOR TRAVELING. TEST FOR LEAKS UPON ARRIVAL AT DESTINATION. BEFORE LIGHTING PILOTS.
2. WHEELS- INSPECT FOR DAMAGE AND CHECK LUG NUTS FOR TIGHTNESS.
3. TIRES- INSPECT FOR WEAR AND DAMAGE AND CHECK FOR RECOMMENDED AIR PRESSURE.
4. LIGHTING- TEST FOR PROPER OPERATION OF ALL INTERIOR AND EXTERIOR LIGHTS INCLUDING DASH LIGHTS, HEADLIGHTS, TAIL LIGHTS, BRAKE LIGHTS, CLEARANCE LIGHTS AND TURN SIGNALS.
5. EXITS- INSPECT RELEASE MECHANISM ON EMERGENCY EXIT WINDOW. TEST BOTH LOCKS ON MAIN ENTRANCE DOOR FOR EASE OF OPERATION AND INSTRUCT PASSENGERS HOW TO USE BOTH MEANS OF EXIT.
6. SEAT BELTS- DIRECT PASSENGERS TO DESIGNATED SEATS AND REQUIRE USE OF SEAT BELTS.
7. APPLIANCES- TURN OFF AND LATCH OR LOCK DOORS WHERE PROVIDED.
8. LOOSE PARCELS- STORE SECURELY.
9. UTILITY SUPPLY LINES- DISCONNECT ALL ELECTRIC, SEWER AND WATER LINES AND SECURE PROPERLY.
10. ENTRANCE DOOR STEP- PLACE IN RETRACTED POSITION FOR TRAVELING.

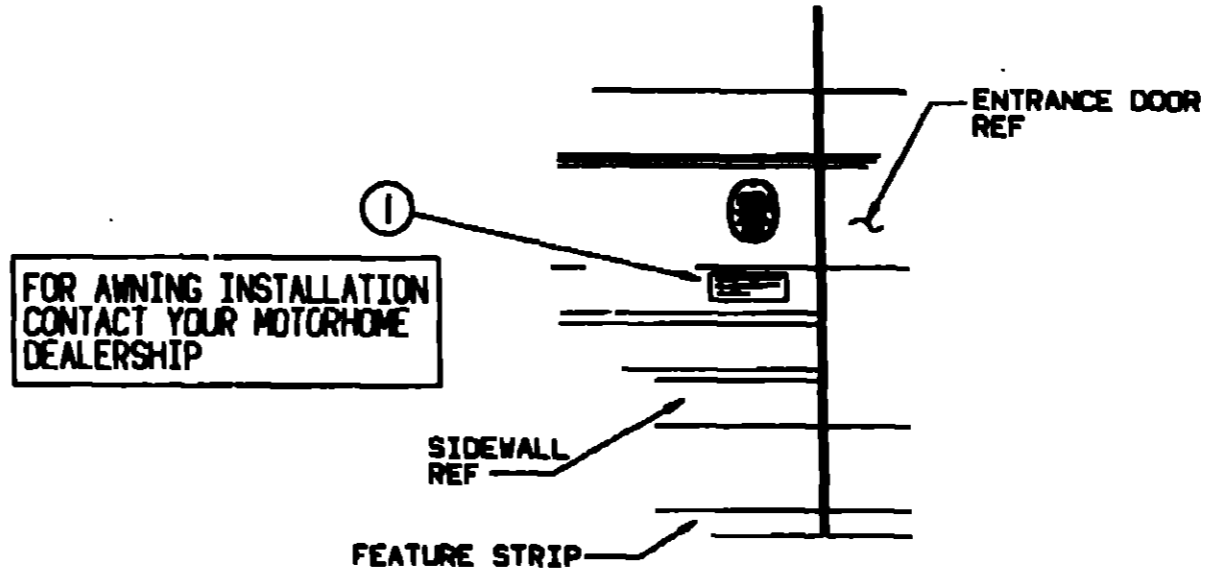
READ YOUR MOTOR HOME AND CHASSIS OWNER'S MANUAL FOR FURTHER PRECAUTIONS

KEY	PART NUMBER	U/M DESCRIPTION
1	099689-01-000	EA LABEL - WARNING - CANCER/TOXICITY
2	056259-01-000	EA LABEL - SAFETY CHECK LIST



KEY	PART NUMBER	U/M DESCRIPTION
1	040944-01-000	EA LABEL - ENTRANCE DOOR - "OPEN"

LABELS GROUP (CONTINUED)



FOR AWNING INSTALLATION CONTACT YOUR MOTORHOME DEALERSHIP

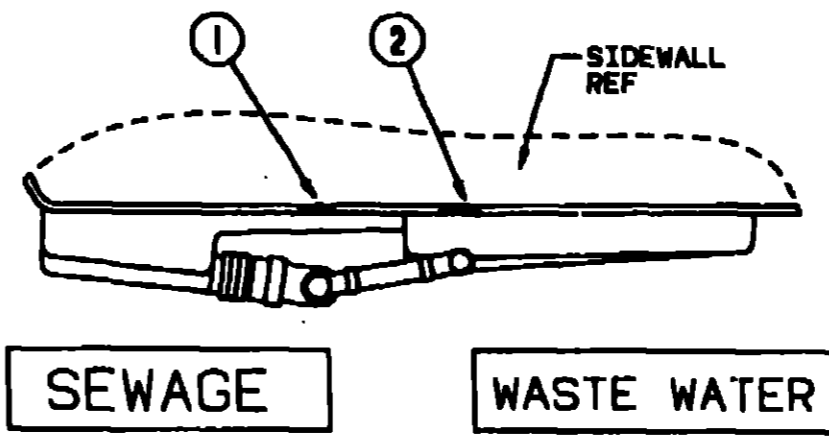
KEY	PART NUMBER	U/M DESCRIPTION
1	099509-01-000	EA LABEL - AWNING INSTALLATION

1992 ITASCA TABLE OF CONTENTS

INTRODUCTION	A-01 - A-02
ABBREVIATIONS	A-03
ALPHABETICAL INDEX	A-04 - A-06
ICG34RQ	A-07 - E-18
IKG34RQ	E-19 - I-18

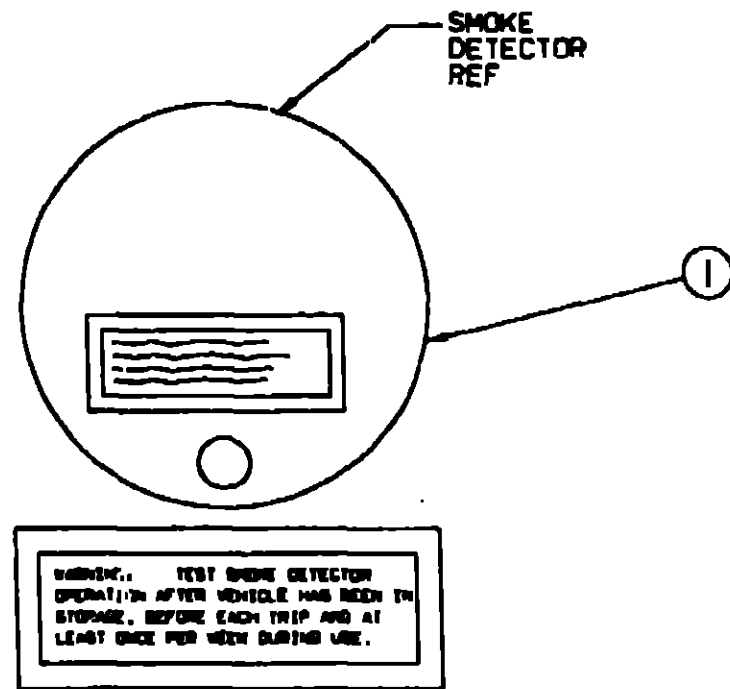
1992 ICG34RQ INDEX

FLOOR PLAN	A-07 - A-08
ACCESSORIES	A-09 - A-10
BATH	A-11 - A-13
BEDROOM	A-14 - A-16
CHASSIS	A-17 - B-02
CURTAIN & CUSHION	B-03 - B-12
DINETTE	B-13 - B-14
DRIVERS COMPARTMENT	B-15 - B-18
ELECTRICAL	B-19 - B-24
EXTERIOR BODY	C-01 - C-10
GALLEY	C-11 - C-15
GENERATOR	C-16 - C-17
HEATING & A/C	C-18 - C-20
INTERIOR FINISH	C-21 - D-02
LABELS	D-03 - D-10
LP	D-11
LOUNGE	D-12 - D-14
SEALANTS & FASTENERS	D-15 - D-17
WATER & SEWAGE	D-18 - D-21
WINDOW, VENT & EXTERIOR DOOR	D-22 - E-16
WINDSHIELD & WIPER	E-17 - E-18

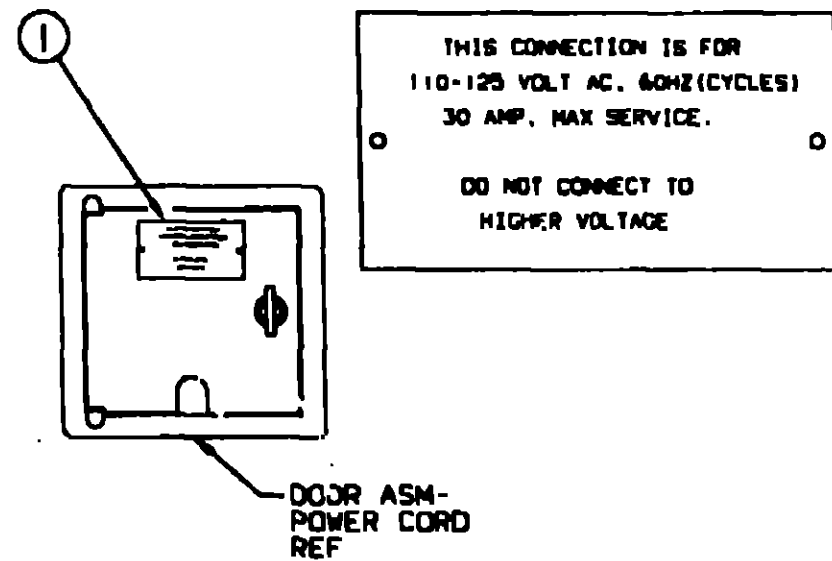


KEY	PART NUMBER	U/M DESCRIPTION
1	006187-01-000	EA LABEL - SEWAGE
2	006188-01-000	EA LABEL - WASTE WATER

LABELS GROUP (CONTINUED)



KEY	PART NUMBER	U/M DESCRIPTION
1	077956-01-000	EA LABEL - WARNING - SMOKE DETECTOR



KEY	PART NUMBER	U/M DESCRIPTION
1	006062-01-000	EA TAG - ELECTRIC - 110V CONNECTION

**LABELS GROUP (CONTINUED)
MISCELLANEOUS LABELS**

KEY	PART NUMBER	U/M DESCRIPTION
	061606-01-000	EA LABEL - OVERLAY - VEHICLE CERTIFICATION - ADHESIVE BACKED
	073998-01-000	EA LABEL - LPG ODOR WARNING
	074983-01-000	EA LABEL - SWITCH - A/C SELECTOR FOR FRONT OR REAR
	079966-01-000	EA LABEL - WARNING - STOWED - MOTION
	091224-02-000	EA LABEL - TRAILER LIGHTING
	091243-01-000	EA LABEL - A/C COVER - "AIR CONDITIONING CIRCUIT ETC."
	093236-07-000	EA LABEL - CIRCUIT BREAKERS - FRONT
	098379-03-000	EA LABEL - ELECTRICAL BOX - FRONT
	098379-04-000	EA LABEL - ELECTRICAL BOX - SIDE
	098641-01-000	EA LABEL - FUEL - UNLEADED - DASH
	104678-01-000	EA LABEL - CB PREP

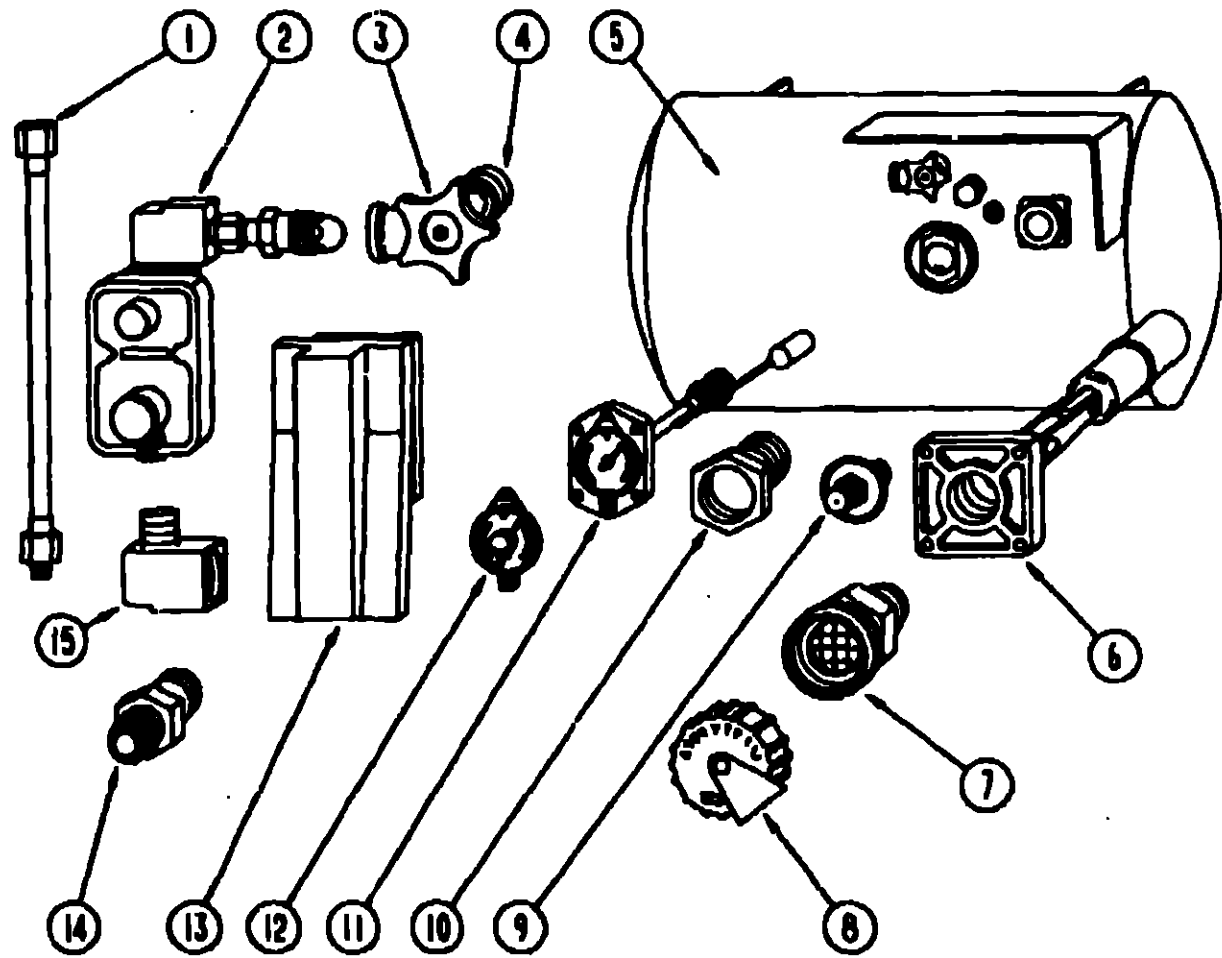
**1992 ITASCA
TABLE OF CONTENTS**

INTRODUCTION	A-01 - A-02
ABBREVIATIONS	A-03
ALPHABETICAL INDEX	A-04 - A-06
ICG34RQ	A-07 E-18
IKG34RQ	E-19 - I-18

1992 ICG34RQ INDEX

FLOOR PLAN	A-07 - A-08
ACCESSORIES	A-09 - A-10
BATH	A-11 - A-13
BEDROOM	A-14 - A-16
CHASSIS	A-17 - B-02
CURTAIN & CUSHION	B-03 - B-12
DINETTE	B-13 - B-14
DRIVERS COMPARTMENT	B-15 - B-18
ELECTRICAL	B-19 - B-24
EXTERIOR BODY	C-01 - C-10
GALLEY	C-11 - C-15
GENERATOR	C-16 - C-17
HEATING & A/C	C-18 - C-20
INTERIOR FINISH	C-21 - D-02
LABELS	D-03 - D-10
LP	D-11
LOUNGE	D-12 - D-14
SEALANTS & FASTENERS	D-15 - D-17
WATER & SEWAGE	D-18 - D-21
WINDOW, VENT &	
EXTERIOR DOOR	D-22 - E-16
WINDSHIELD & WIPER	E-17 - E-18

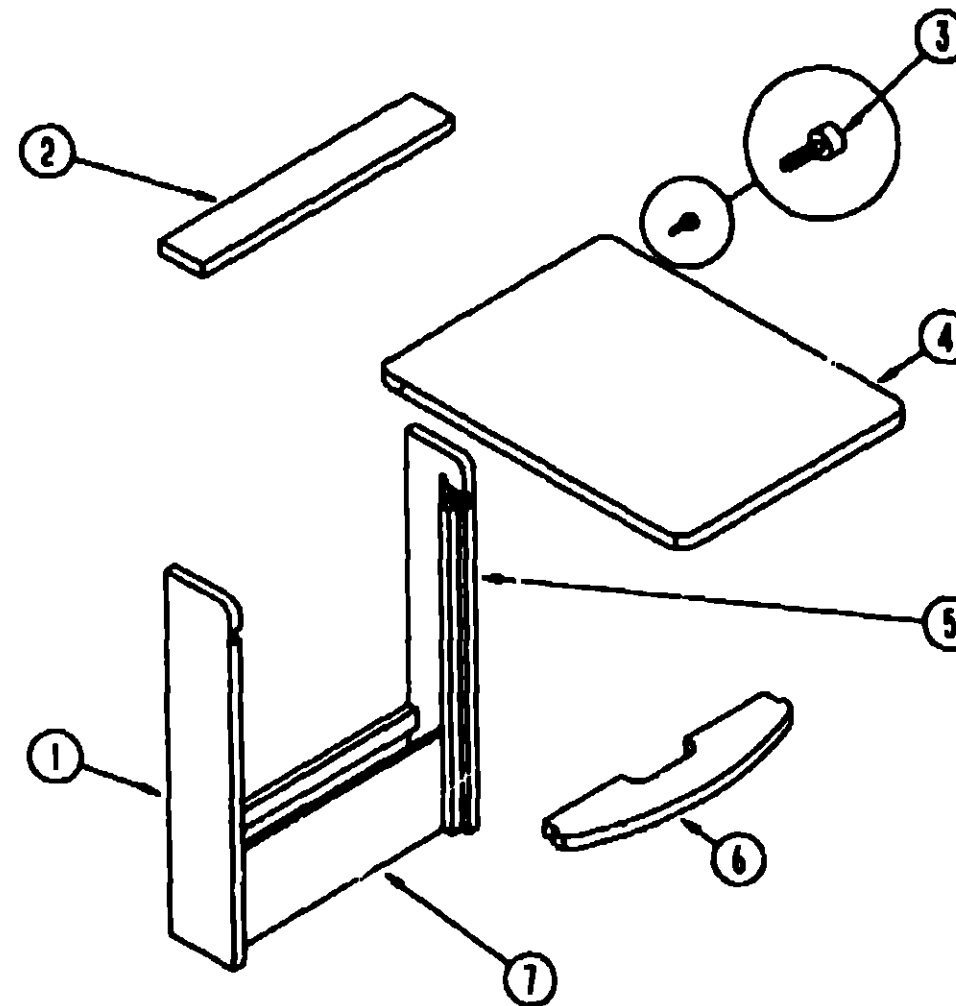
LP GROUP



LP TANK & COMPONENTS

KEY	PART NUMBER	U/M DESCRIPTION
1	045703-01-000	EA HOSE - LP - 3/8" ID X 24' US - 3/8 MPT X 1/2 F SWIVEL
1	045703-02-000	EA HOSE - LP - 3/8" ID X 24' - 3/8" MPT X 1/2" F SWIVEL - CANADA
2	108150-01-000	EA REGULATOR - TWO STAGE
3	040421-01-708	EA HANDWHEEL - VAPOR RELIEF VALVE - BRUNNER G-1015-A
4	040421-01-712	EA VALVE - SERVICE W/HANDWHEEL
5	097821-01-000	EA TANK - LP - 60 LB 14" X 30"
6	040421-01-711	EA VALVE - 80% W/FLOAT - PLATE - BOLTS & GASKET - BRUNNER
7	040421-01-701	EA VALVE - SHORT LP FILLER W/YELLOW CAP - BRUNNER 75478
8	040421-01-702	EA CAP - LP FILLER VALVE - PLASTIC - YELLOW - BRUNNER G-1014-A
9	040421-01-700	EA GAUGE - LIQUID LEVEL - 20% LP - BRUNNER G-1013
10	040421-01-713	EA PRESSURE RELIEF VALVE
11	040421-01-707	EA GAUGE - FLOAT W/VISIBLE DIAL - BRUNNER MA 16244-4
12	040440-01-000	EA TRANSMITTER - DIAL - 90 OHM
13	105658-01-000	EA COMPARTMENT - LP REGULATOR
14	010323-01-000	EA ADAPTER - BRASS - 3/8" F X 1/2" MPT
15	085318-02-000	EA ELBOW - 90 DEGREE - 3/8" MPT TO 3/8" FPT
	010285-01-000	EA CROSS - 3/8" F X 3/8" F X 3/8" F X 1/2" FPT - BRASS
	010377-02-000	EA NUT - BRASS - 3/8 FEMALE - FORGED
	010380-02-000	EA NUT - BRASS - 1/2" FEMALE - FORGED
	018188-03-000	EA GROMMET - GAS LINE - FLOOR - 3/8" HOLE X 2 1/8" DIAMETER RUBBER
	081842-01-000	EA TEE - 1/2" MPT X 1/2" FL X 3/8" FL - BRASS
	010497-05-000	EA CLAMP - CLOSED - .50" ID
	075148-02-000	EA CLAMP - GROUNDING - BRONZE SCREWS
	008380-01-000	EA GROMMET - RUBBER - 5/8" HOLE X 1 1/2" DIAMETER - BLACK
	010328-01-000	EA ADAPTER - FLARE - W/CONE GASKET 3/8" FEMALE FL X 1/2" MALE F
	085741-01-000	EA GAUGE - DIAPHRAGM PRESSURE - MARSHALLTOWN MFG
	071381-02-000	EA NIPPLE - HEX - .25 PIPE
	008042-01-000	FT TUBING - VINYL - .65" ID
	085824-01-000	EA ELBOW - BRASS - 90 1/4 FPT X 1/4 FPT

LOUNGE GROUP



PULLOUT TABLE

KEY	PART NUMBER	U/M DESCRIPTION
	M96873-01-B87	EA CABINET ASM. - TABLE - W/O PULLOUT TOP
1	096873-14-B87	EA SIDE END - TABLE - 28 7" X 5 7" - LEFT SIDE
2	096873-15-B87	EA SHELF - SUPPORT
3	079921-01-000	EA NYLON ROLLER W/SHAFT
4	096873-11-B27	EA PULLOUT TOP - W/HANDLE
5	096873-13-B87	EA SIDE END - TABLE - 28 7" X 5 7" - RIGHT SIDE
6	096873-12-B87	EA SHELF - SUPPORT - UNDER PULL OUT TABLE TOP
7	096873-16-B87	EA PANEL - TABLE - FRONT BOTTOM - 18 1" X 6 7"
	080736-01-000	EA PULL - RECESSED - 1 25" X 4" - OAK

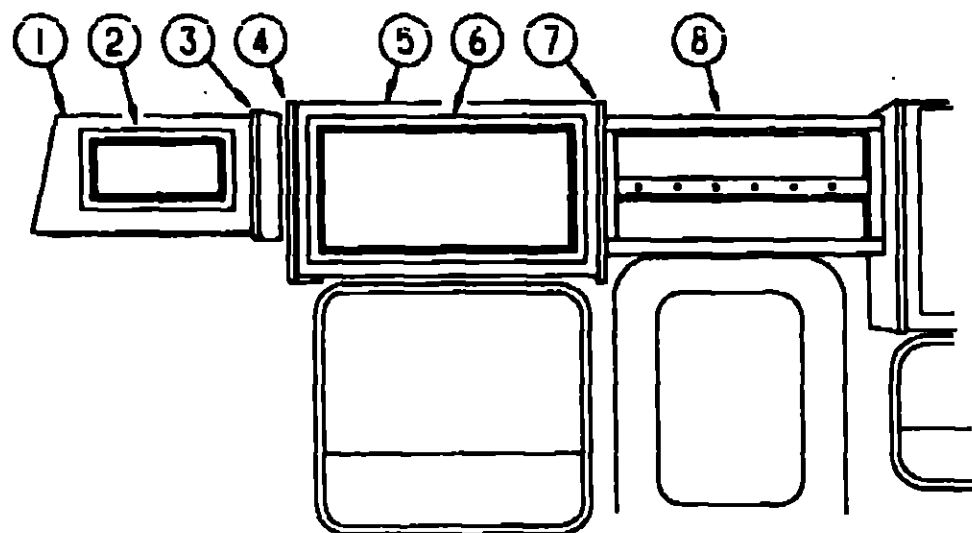
**1992 ITASCA
TABLE OF CONTENTS**

INTRODUCTION	A-01 - A-02
ABBREVIATIONS	A-03
ALPHABETICAL INDEX	A-04 - A-06
ICG34RQ	A-07 - E-18
IKG34RQ	E-19 - I-18

1992 ICG34RQ INDEX

FLOOR PLAN	A-07 - A-08
ACCESSORIES	A-09 - A-10
BATH	A-11 - A-13
BEDROOM	A-14 - A-16
CHASSIS	A-17 - B-02
CURTAIN & CUSHION	B-03 - B-12
DINETTE	B-13 - B-14
DRIVERS COMPARTMENT	B-15 - B-18
ELECTRICAL	B-19 - B-24
EXTERIOR BODY	C-01 - C-10
GALLEY	C-11 - C-15
GENERATOR	C-16 - C-17
HEATING & A/C	C-18 - C-20
INTERIOR FINISH	C-21 - D-02
LABELS	D-03 - D-10
LP	D-11
LOUNGE	D-12 - D-14
SEALANTS & FASTENERS	D-15 - D-17
WATER & SEWAGE	D-18 - D-21
WINDOW, VENT & EXTERIOR DOOR	D-22 - E-16
WINDSHIELD & WIPER	E-17 - E-18

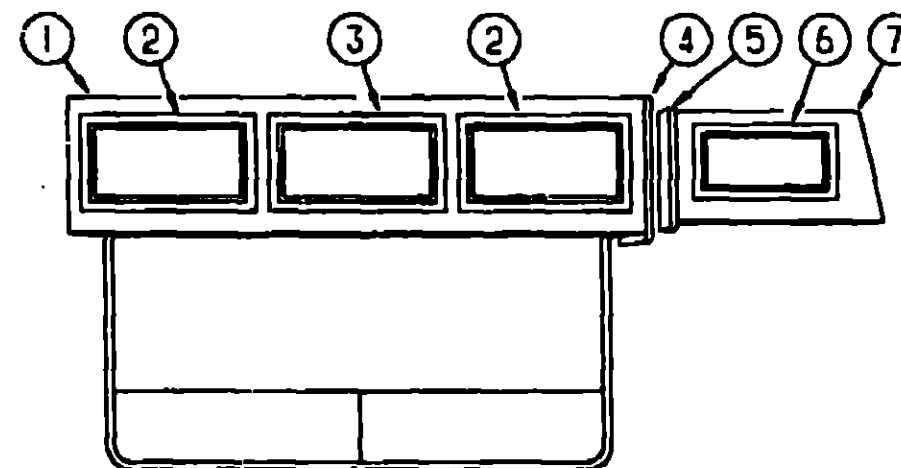
LOUNGE GROUP (CONTINUED)



FRONT OVERHEAD CABINET (PASSENGER SIDE)

KEY	PART NUMBER	U/M DESCRIPTION	
1	M05160-24-C27	EA CABINET ASM. - FRONT OVERHEAD - RIGHT HAND	
1	M05160-24-C28	EA CABINET ASM. - FRONT OVERHEAD - RIGHT HAND	
2	P03702-33-B87	EA DOOR ASM - RAIL - W/O HARDWARE	
3	104353-01-C05	EA END CAP ASM (FRONT OVERHEAD)	
4	103128-02-C05	EA END CAP ASM. - LH	
5	M05160-17-C27	EA CABINET ASM. - OVERHEAD (C28)	
6	P03702-A5-C27	EA DOOR ASM - RAIL - W/O HARDWARE	
7	103128-01-C05	EA END CAP ASM. - RH	
	104414-12-C27	EA SHELF ASM.	
8	M05156-02-C27	EA RACK ASM - W/6 HOOKS (C28)	
			FROM: 00-00-00 THRU: 08-04-91
8	105916-01-C27	EA CABINET ASM - OVHD - KEY RACK	
			FROM: 08-05-91 THRU: 99-99-99
8	105916-01-C28	EA CABINET ASM - OVHD - KEY RACK	
			FROM: 08-05-91 THRU: 99-99-99

LOUNGE GROUP (CONTINUED)



FRONT OVERHEAD CABINET (DRIVER SIDE)

KEY	PART NUMBER	U/M DESCRIPTION	
1	M05160-15-C27	EA CABINET ASM.	
	104312-11-C27	EA SHELF ASM.	
2	P03702-85-C27	EA DOOR ASM - RAIL - W/O HARDWARE	
3	P03702-01-C25	EA DOOR ASM - RAIL - W/O HARDWARE	
			FROM: 00-00-00 THRU: 08-04-91
3	P03702-12-C43	EA DOOR ASM - RAIL - W/O HARDWARE	
			FROM: 08-05-91 THRU: 99-99-99
4	103128-01-C05	EA END CAP ASM. - RH	
5	104353-02-C05	EA END CAP ASM. (FRONT OVERHEAD)	
6	P03702-33-B87	EA DOOR ASM - W/O HARDWARE	
7	M05160-25-C27	EA CABINET ASM - FRONT OVERHEAD - LEFT HAND	
7	M05159-25-C28	EA CABINET ASM. - FRONT OVERHEAD - LEFT HAND	

**1992 ITASCA
TABLE OF CONTENTS**

INTRODUCTION	A-01 - A-02
ABBREVIATIONS	A-03
ALPHABETICAL INDEX	A-04 - A-06
ICG34RQ	A-07 - E-18
IKG34RQ	E-19 - I-18

1992 ICG34RQ INDEX

FLOOR PLAN	A-07 - A-08
ACCESSORIES	A-09 - A-10
BATH	A-11 - A-13
BEDROOM	A-14 - A-16
CHASSIS	A-17 - B-02
CURTAIN & CUSHION	B-03 - B-12
DINETTE	B-13 - B-14
DRIVERS COMPARTMENT	B-15 - B-18
ELECTRICAL	B-19 - B-24
EXTERIOR BODY	C-01 - C-10
GALLEY	C-11 - C-15
GENERATOR	C-16 - C-17
HEATING & A/C	C-18 - C-20
INTERIOR FINISH	C-21 - D-02
LABELS	D-03 - D-10
LP	D-11
LOUNGE	D-12 - D-14
SEALANTS & FASTENERS	D-15 - D-17
WATER & SEWAGE	D-18 - D-21
WINDOW, VENT &	
EXTERIOR DOOR	D-22 - E-16
WINDSHIELD & WIPER	E-17 - E-18

SEALANTS & FASTENERS GROUP
ADHESIVE AND BOLTS

KEY	PART NUMBER	U/M DESCRIPTION
	004020-01-000	QT ADHESIVE - ABS CEMENT - QUART
	081377-01-700	EA ADHESIVE - CYANOACRYLATE - 10 GRAM TUBE
	004006-04-700	EA ADHESIVE - PIERCE - 1 GAL - J9270-X-1
	037211-01-000	GL ADHESIVE - PROMOTER
	004005-02-000	EA ADHESIVE - SWIFTS - 1 GAL - W1333
	009039-01-000	EA ADHESIVE - WEATHERSTRIP - 8 OZ.
	053766-02-000	EA BEDDING COMPOUND - TUBE - WHITE
	005200-01-000	EA BOLT - BUMPER - ROUND HEAD - SQUARE NECK - W/SST CAP 7/16 - 14 X 1 1/4
	102333-01-01A	EA BOLT - CARRIAGE - 7/16 - 14 - STAINLESS STEEL CAP - BEIGE
	051387-06-000	EA BOLT - CARRIAGE - W/O HOLE - 5/16-18 X 9.5 ZN
	000C12-08-24B	EA BOLT - HEX - 1/2-13 X 1 1/2 - ZN 5
	000C12-05-16B	EA BOLT - HEX - 5/16-18 X 1 - ZINC 5
	000C12-10-24B	EA BOLT - HEX - 5/8-11 X 1 1/2 ZN - 5
	000C12-07-20B	EA BOLT - HEX - 7/16 - 14 X 1 1/4 - ZN5
	000C13-07-48B	EA BOLT - HEX - 7/16 - 20 X 3 - ZN 5
	000C26-04-10B	EA BOLT - HEX - SER FLG - 1/4-20 X 5/8 ZINC
	000C26-05-20B	EA BOLT - HEX - SER FLG 5/16-18 X 1 1/4 - ZINC
	000C12-05-24B	EA BOLT - HEX - 5/16-18X1 1/2 ZN 5

CLAMPS - GROMMETS AND FASTENERS

KEY	PART NUMBER	U/M DESCRIPTION
	010495-01-000	EA CLAMP - CABLE - 9/16"
	010497-06-000	EA CLAMP - CLOSED - 1 1/16" ID
	010497-03-000	EA CLAMP - CLOSED - 1" ID - CUSHIONED
	010499-01-000	EA CLAMP - CLOSED - 3/8" ID
	010497-01-000	EA CLAMP - CLOSED - 5/8" ID
	010497-08-000	EA CLAMP - CLOSED - .125"
	075148-02-000	EA CLAMP - GROUNDING - BRONZE SCREWS
	062401-02-000	EA CLAMP - HOSE - WORMGEAR - 1.56" - 2.5"
	062401-10-000	EA CLAMP - HOSE - WORMGEAR 1.06" - 2"
	073164-02-000	EA CLAMP - HOSE - WORMGEAR 32-50 MM
	082401-07-000	EA CLAMP - HOSE - WORMGEAR 5" - 7"
	082401-06-000	EA CLAMP - HOSE - WORMGEAR .22" - .62"
	082401-01-000	EA CLAMP - HOSE - WORMGEAR .25" - 1"
	062401-04-000	EA CLAMP - HOSE - WORMGEAR .69" - 1.25"
	062401-03-000	EA CLAMP - HOSE WORMGEAR - .22" - 1"
	083609-01-000	EA CLAMP - WIRE - DUAL - EQUAL 5/8" DIAMETER
	094362-02-000	EA CLIP - CHRISTMAS TREE - FLAT HEAD
	077953-01-000	EA GROMMET - EDGE LINER - FITS 1"
	023942-01-000	EA GROMMET - RUBBER - 2" OD
	071015-21-000	EA GROMMET - 50" ID - FITS .19" MATERIAL - RUBBER - SPLIT
	009066-01-000	EA HINGE - ALUMINUM - NO HOLES - 1 1/16" X 72" - UNPAINTED
	056134-12-000	EA HOLDER - RING - 1.5" ID PIPE SIZE - STEEL
	092321-01-000	FT INSULATION - FIBERGLASS - W/ALUMINUM FOIL
	077955-01-000	EA J CLIP - VINYL COATED - 3/8" USED IN WIRING TO CLEARANCE LIGHTS
	008401-01-000	EA STRAP - CONDUIT - 3/4" - 1 HOLE - GALVANIZED STEEL
	016604-01-000	EA BRACE - CABINET - ANGLED METAL - 2.5"

NUTS

KEY	PART NUMBER	U/M DESCRIPTION
	072893-01-000	EA NUTSERT - M5 X 0 - 8
	077049-01-000	EA NUT - ACORN - 10-32 ALUMINUM
	095094-01-000	EA NUT - ACORN - 1/4 - 20 ALUMINUM
	000D14-05-00B	EA NUT - HEX - 5/16-18 - ZN 5
	000D34-04-00B	EA NUT - HEX - LK 1/4 - 20 ZN
	000D39-04-00B	EA NUT - HEX - SER FLG LK 1/4 - 20 ZN
	000D39-08-00B	EA NUT - HEX - SER FLG LK - 1/2-13 ZN
	000D39-06-00B	EA NUT - HEX - SER FLG LK - 3/8-16 ZN
	000D39-05-00B	EA NUT - HEX - SER FLG LK - 5/16 - 18 ZN
	000D44-07-00B	EA NUT - HEX - SER FLG LK - 7/16-20 ZN
	000D24-10-00B	EA NUT - HEX - SF/LK - 10-32 ZN
	000D34-08-10B	EA NUT - HEX LK-3/8-16 GRADE C ZN
	075487-01-000	EA NUT - INVERTED FLARE - 1/4"
	086497-02-000	EA NUT - INVERTED FLARE - 1/4"
	083263-07-000	EA NUT - J - #8A - .120 - .130 PNL THK
	044384-02-000	EA NUT - SPEED - FLAT - ROUND
	040921-06-000	EA NUT - SPEED - U TYPE - NO. 8

SEALANTS & FASTENERS GROUP (CONTINUED)
NUTS (CONT)

KEY	PART NUMBER	U/M DESCRIPTION
	040921-04-000	EA NUT - SPEED - U TYPE - NO. 8
	040921-05-000	EA NUT - SPEED - U TYPE - NO 8
	044364-01-000	EA NUT - SPEED - FLAT
	064081-01-000	EA NUT - WING - 3/8" X 16 THREAD
	084884-01-000	EA PLUG - BRASS - 3/8"
	000H16-04-06R	EA RIVET - POP - AL 1/8 X .313 - 375
	069592-02-000	EA RIVET - T (POP) 1/4 X .093 - 156
	063729-04-000	EA RIVNUT - 10-32 UNF - 010 - 080
	063729-01-000	EA RIVNUT - 1/4 X 20 UNC - 030 - 125

SCREWS

KEY	PART NUMBER	U/M DESCRIPTION
	000G67-10-24B	EA SCREW - 10-12 X 1 1/2 PPH - ZN
	000G67-10-16P	EA SCREW - 10-12 X 1 PPH - DARK BROWN
	000G67-10-16B	EA SCREW - 10-12 X 1 PPH - ZN
	000G67-10-08B	EA SCREW - 10-12 X 1/2 PPH ZN
	000G67-10-08R	EA SCREW - 10-12 X 1/2 PPH - BEIGE - TYPE A
	000G67-10-12B	EA SCREW - 10-12 X 3/4 - PPH ZN
	000G67-10-10B	EA SCREW - 10-12 X 5/8 PPH ZN - TYPE A
	000G67-10-10R	EA SCREW - 10-12 X 5/8 PPH - TYPE A - BEIGE
	000G67-10-12P	EA SCREW - 10-12 X .75 PPH - DARK BROWN
	049465-01-000	EA SCREW - 10-16 W/WASHER PTH - DARK BROWN
	049465-04-000	EA SCREW - 10-16 X 1 PTH W/WASHER - BEIGE
	000G11-10-16B	EA SCREW - 10-16 X 1 - PPH ZN
	000G11-10-12R	EA SCREW - 10-16 X 3/4 PPH - BEIGE
	000G11-10-12D	EA SCREW - 10-16 X 3/4 PPH - BLACK
	000G68-06-10G	EA SCREW - 6-18 X 5/8 POH - ANTIQUE BRASS
	076790-01-000	EA SCREW - 6-20 X 1 1/4 PPH - BLACK
	000G13-06-16R	EA SCREW - 6-20 X 1 PFH - BEIGE
	000G13-06-08B	EA SCREW - 6-20 X 1/2 PFH ZN
	000G13-06-10G	EA SCREW - 6-20 X 5/8 PFH - ANTIQUE BRASS
	000G11-06-10B	EA SCREW - 6-20 X 5/8 PPH ZN
	000G11-06-10J	EA SCREW - 6-20 X 5/8 PPH - BRASS
	000G11-07-08B	EA SCREW - 7-19 X 1/2 PPH - ZN
	000G13-07-12B	EA SCREW - 7-19 X 3/4 PFH ZN
	000G13-08-16B	EA SCREW - 8-18 X 1 PFH - ZN
	000G11-08-08T	EA SCREW - 8-18 X 1/2 PPH
	000G11-08-08B	EA SCREW - 8-18 X 1/2 PPH ZN
	000G11-08-12B	EA SCREW - 8-18 X 3/4 PPH ZN
	000G11-08-12R	EA SCREW - 8-18 X 3/4 PPH - BEIGE
	000G11-08-12D	EA SCREW - 8-18 X 3/4 PPH - BLACK
	000G11-08-16R	EA SCREW - 8-18X1.00 PPH - BEIGE
	000G67-10-32B	EA SCREW - NO. 10 - 12 X 2 PPH ZN
	000G55-08-12W	EA SCREW - SF/DT - 8-18X.75 PWH
	000G67-10-12R	EA SCREW - 10-12X 75 PPH BEIGE
	000G67-10-120	EA SCREW - 10-12X 75 PPH TAN
	049465-03-000	EA SCREW - 10-16X1 POH W/WASHER
	000G11-10-12S	EA SCREW - 10-16X.75 PPH OFF WHITE
	000G54-04-20B	EA SCREW - 1/4-20X1 1/4 PTH TYP 23
	000G57-05-16J	EA SCREW - 5-20X1 PFH BRASS
	000G12-06-08T	EA SCREW - 6-20 X .50 POH - BLACK
	000G13-06-16J	EA SCREW - 6-20X1.00 PFH BRASS
	000G11-08-12P	EA SCREW - 8 - 18X.75 DARK BROWN
	085318-01-000	EA SCREW - 8-08BX1/2 - CRIMPTITE HD
	000G67-08-32B	EA SCREW - 8-15X2 PPH ZN
	000G12-08-16S	EA SCREW - 8-18 X 1" POH - OFF WHITE
	000G11-08-16S	EA SCREW - 8-18X1.00 PPH OFF WHITE
	009439-07-000	EA SCREW - 8-32X1 1/4 POH - BLACK
	087721-01-000	EA SCREW - FLAT HEAD - TAPPING - 1/4 X 1 1/4 LG ZN
	086783-01-000	EA SCREW - MACH - 10 - 32 X 1/4 PTH
	000G19-10-08B	EA SCREW - MACH - 10-32 X 1/2 PPH ZN
	000G19-10-10B	EA SCREW - MACH - 10-32 X 5/8 - PPH - ZINC
	000G50-04-12B	EA SCREW - MACH - 1/4-20 X 3/4 PPH ZN
	081908-01-000	EA SCREW - MACH 8-32X.62 W/NYLOCK
	089371-01-000	EA SCREW - MACH 8-32X3 5/16 ZN
	000G19-10-20B	EA SCREW - MACHINE - 10-32 X 1 1/4 PPH ZINK
	000G18-08-18B	EA SCREW - MACHINE - 8 X 32 X 1 - PPH ZN
	075908-01-000	EA SCREW - MACH - 10-32X 56PTH (SEMS)

1992 ITASCA
TABLE OF CONTENTS

INTRODUCTION	A-01 - A-02
ABBREVIATIONS	A-03
ALPHABETICAL INDEX	A-04 - A-06
ICG34RQ	A-07 - E-18
IKG34RQ	E-19 - I-18

1992 ICG34RQ INDEX

FLOOR PLAN	A-07 - A-08
ACCESSORIES	A-09 - A-10
BATH	A-11 - A-13
BEDROOM	A-14 - A-16
CHASSIS	A-17 - B-02
CURTAIN & CUSHION	B-03 - B-12
DINETTE	B-13 - B-14
DRIVERS COMPARTMENT	B-15 - B-18
ELECTRICAL	B-19 - B-24
EXTERIOR BODY	C-01 - C-10
GALLEY	C-11 - C-15
GENERATOR	C-16 - C-17
HEATING & A/C	C-18 - C-20
INTERIOR FINISH	C-21 - D-02
LABELS	D-03 - D-10
LP	D-11
LOUNGE	D-12 - D-14
SEALANTS & FASTENERS	D-15 - D-17
WATER & SEWAGE	D-18 - D-21
WINDOW, VENT & EXTERIOR DOOR	D-22 - E-16
WINDSHIELD & WIPER	E-17 - E-18

SEALANTS & FASTENERS GROUP (CONTINUED)
SCREWS (CONT)

KEY	PART NUMBER	U/M DESCRIPTION
	000G53-04-059	EA SCREW-MACH-1/4-20X3/8PPHZN
	000G18-08-22B	EA SCREW-MACH-8-32X13/8PPHZN
	000G39-10-20B	EA SCREW-SF/DR-10-16X1 1/4PPHZN
	000G39-10-12R	EA SCREW-SF/DR-10-16X3/4PPH-BEIGE
	000G39-10-12D	EA SCREW-SF/DR-10-16X3/4PPH-BLACK
	000G39-06-16T	EA SCREW-SF/DR-6-20X1 PPH-BLACK
	000G39-06-10T	EA SCREW-SF/DR-6-20X5/8PPH-BLACK
	000G39-08-24B	EA SCREW-SF/DR-8-18X1 1/2PPHZN
	000G39-08-16E	EA SCREW-SF/DR-8-18X1 PPHCHROME
	000G39-08-16B	EA SCREW-SF/DR-8-18X1 PPHZN
	000G39-08-16T	EA SCREW-SF/DR-8-18X1 PPH-BLACK
	000G55-08-16Z	EA SCREW-SF/DR-8-18X1.00-BEIGE
	000G39-08-08B	EA SCREW-SF/DR-8-18X1/2PPHZN
	000G39-08-32B	EA SCREW-SF/DR-8-18X2PPH-ZINC
	000G39-08-12B	EA SCREW-SF/DR-8-18X3/4PPHZN
	000G39-08-12T	EA SCREW-SF/DR-8-18X3/4PPH-BLACK
	000G39-08-063	EA SCREW-SF/DR-8-18X3/8PPHZN
	000G60-10-28T	EA SCREW-SF/DR-10-16X1.75
	000G39-08-16R	EA SCREW-SF/DR-8-18X1.00PPH BEIGE
	000G39-08-08R	EA SCREW-SF/OT-8-18X1/2PPH
	079382-01-000	EA SCREW-SOCKET-8-18X1"-BLACK

SEALERS

KEY	PART NUMBER	U/M DESCRIPTION
	106205-01-000	EA SEALER - PUMPABLE
	069640-02-000	FT SEALER - RIBBON - 1/2" X 1/8" - INCREMENTS OF 30'
	069640-09-000	FT SEALER - RIBBON - 1/32" X 2 1/2"
	069640-01-000	FT SEALER - RIBBON - 1/4" DIAMETER - INCREMENTS OF 20'
	069640-03-000	FT SEALER - RIBBON - 3/4" X 1/8" - INCREMENTS OF 60'
	069640-06-000	FT SEALER - RIBBON - 5/16" DIAMETER - INCREMENTS OF 25'
	091255-03-000	FT SEAL - FOAM - 1/4 X 3/16 ROLL
	091255-01-000	FT SEAL - FOAM - 3.2MM X 4.8MM
	090340-01-000	FT SEAL - FOAM - CLOSED CELL - 1/4" X 1/2" X 50'
	053752-01-000	GL SEAM SEALER - 5 GAL - ALUMINUM
	034552-04-000	EA SILICONE - TUBE - 300 ML - BEIGE
	034552-02-000	EA SILICONE - TUBE - 300 ML - CLEAR

TAPES AND TIES

KEY	PART NUMBER	U/M DESCRIPTION
	100028-01-000	FT TAPE - ADHESIVE - .031" X .75" WIDE
	004363-01-000	FT TAPE - ADHESIVE FOAM - 1 SIDE - 3/16" X 1/2" - GRAY
	093071-01-000	FT TAPE - BONDING - DOUBLE SIDED - 1/64" X 2"
	093071-01-000	FT TAPE - BONDING - DOUBLE SIDED - 1/64" X 2"
	076322-03-000	FT TAPE - FOAM - DOUBLE COATED - .045" X .5"
	088244-01-000	FT TAPE - FOAM - VINYL COATED - 2" WIDE - INCREMENTS OF 108 FT
	009200-01-000	EA TAPE - FURNACE - 1 1/2"
	087691-01-000	EA TAPE - MASKING - WEATHER RESISTANT
	008343-02-000	EA TIE - WIRE - 14"
	008343-01-000	EA TIE - WIRE - 6"

WASHERS

KEY	PART NUMBER	U/M DESCRIPTION
	077071-01-000	EA WASHER - FENDER - 3/16" ID X 1" OD
	000E13-14-00B	EA WASHER - FLAT - 1/4" WIDE ZN
	000E13-11-00B	EA WASHER - FLAT - 3/16" WIDE ZN
	000E13-17-00B	EA WASHER - FLAT - 3/8 AR ZN

WATER & SEWAGE GROUP
WATER PUMP (SHURFLOW)

KEY	PART NUMBER	U/M DESCRIPTION
	098607-01-000	EA PUMP - WATER - W/ 5"MPT FITTING - FLOW 2.8 GPM - UL
	098607-01-700	EA PUMPHEAD - REPLACEMENT 94-235-09
	098607-01-701	EA DRIVE ASM 94-234-03
	098607-01-702	EA DIAPHRAGM - KIT 94-233-10
	098607-01-703	EA VALVE ASM 94-232-00
	098607-01-704	EA HOUSING - UPPER 94-231-01
	098607-01-705	EA CHECK VALVE - KIT 94-237-00
	098607-01-707	EA MOTOR/BASEPLATE REPLACEMENT 94-234-03
	098607-01-706	EA UPPER HOUSING/SWITCH KIT 94-230-00

WATER HEATER W/MOTOR AID ATWOOD (GH6-3E,4E,6E)

KEY	PART NUMBER	U/M DESCRIPTION
	051393-01-000	EA WATER HEATER - W/MOTOR AID - PILOTLESS IGNITION
	051391-01-700	EA HINGE KIT - W/CLIP 92568 & 92559
	051391-01-704	EA VALVE - RELIEF - 1/2" FITTING 91604
	051391-01-705	EA FASTENER - CAMLOC 92609
	051391-01-706	EA GRILLE - EXHAUST 92787
	051391-01-708	EA BURNER - MAIN - 3E ONLY 92615
	051391-01-710	EA ORIFICE - MAIN BURNER 92742
	051391-01-714	EA ELBOW - 45 DEGREE - 3/8" F X 3/8" MPT 91044
	051391-01-715	EA DRAIN PLUG 91561
	051391-04-701	EA THERMOSTAT 12 VDC-120 PRESET 91470
	051391-04-704	EA TANK - INNER - FRONT MOUNT - GH6-4E & 6E 91642
	051393-01-700	EA TANK - INNER - 3E FRONT MOUNT 91023
	097967-01-000	EA SWITCH - WATER HEATER - REMOTE W/LIGHT 91959
	051393-01-702	EA SWITCH - ENERGY CUT-OFF 91951
	051393-01-703	EA THERMOSTAT - REAR MOUNT 91952
	051393-01-704	EA CIRCUIT BOARD - W/BLACK BOX 91420
	051393-01-705	EA ORIFICE HOLDER 91925
	051393-01-714	EA TANK - INNER (GH6-3E) - REAR MOUNT 91408
	051393-01-716	EA SPARK & PROBE ASM 91606
	051393-01-718	EA VALVE - DUAL SOLENOID 91605
	051393-01-721	EA ECO&THERMOSTAT ASM - FRONT MOUNT - 140° 91447
	099729-01-000	EA BYPASS KIT - WATER HEATER - COMPLETE W/VALVE & TUBING

WATER HEATER W/O MOTOR AID ATWOOD (G6A-3E)

KEY	PART NUMBER	U/M DESCRIPTION
	051391-03-000	EA HEATER - WATER - W/ELECTRIC IGNITION
	051391-01-700	EA HINGE KIT - W/CLIP 92568 & 92559
	051391-01-704	EA VALVE - RELIEF - 1/2" FITTING 91604
	051391-01-705	EA FASTENER - CAMLOC 92609
	051391-01-706	EA GRILLE - EXHAUST 92787
	051391-01-708	EA BURNER - MAIN - 3E ONLY 92615
	051391-01-710	EA ORIFICE - MAIN BURNER 92742
	051391-01-715	EA DRAIN PLUG 91561
	051391-04-700	EA TANK - INNER (G6A-3E) - FRT MT 91608
	051391-04-701	EA THERMOSTAT 12 VDC-120 PRESET 91470
	051391-04-706	EA TANK - INNER - FRONT MOUNT 91641
	097967-01-000	EA SWITCH - WATER HEATER - REMOTE W/LIGHT 91959
	051393-01-702	EA SWITCH - ENERGY CUT-OFF 91951
	051393-01-703	EA THERMOSTAT - REAR MOUNT 91952
	051393-01-704	EA CIRCUIT BOARD - W/BLACK BOX 91420
	051393-01-705	EA ORIFICE HOLDER 91925
	051393-01-716	EA SPARK & PROBE ASM 91606
	051393-01-718	EA VALVE - DUAL SOLENOID 91605
	051393-01-721	EA ECO&THERMOSTAT ASM - FRONT MOUNT - 140° 91447
	051393-03-700	EA TANK - INNER (G6A-3E) - REAR MOUNT 91409

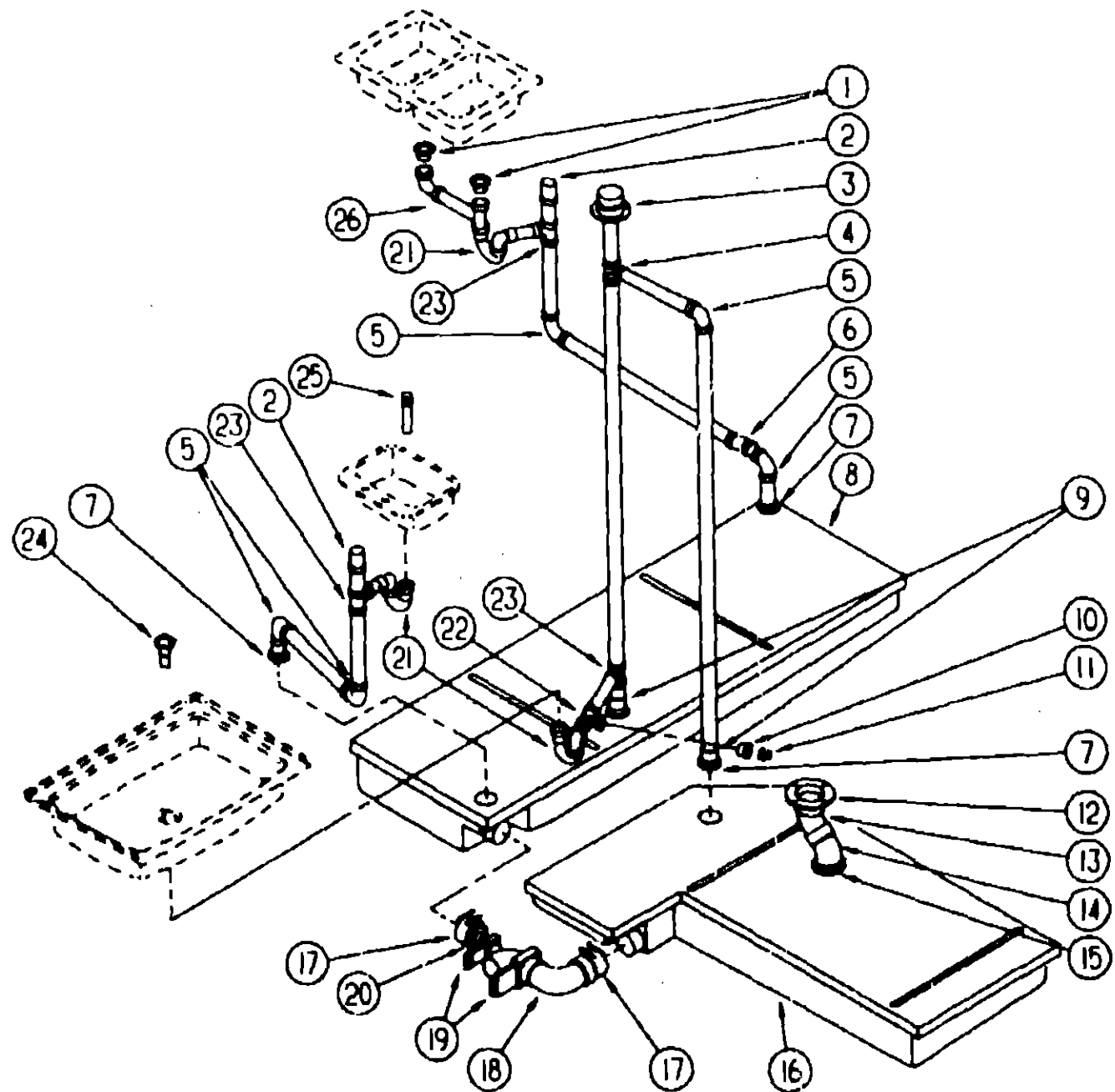
1992 ITASCA
TABLE OF CONTENTS

INTRODUCTION	A-01 - A-02
ABBREVIATIONS	A-03
ALPHABETICAL INDEX	A-04 - A-06
ICG34RQ	A-07 - E-10
IKG34RQ	E-19 - I-18

1992 ICG34RQ INDEX

FLOOR PLAN	A-07 - A-08
ACCESSORIES	A-09 - A-10
BATH	A-11 - A-13
BEDROOM	A-14 - A-16
CHASSIS	A-17 - B-02
CURTAIN & CUSHION	B-03 - B-12
DINETTE	B-13 - B-14
DRIVERS COMPARTMENT	B-15 - B-18
ELECTRICAL	B-19 - B-24
EXTERIOR BODY	C-01 - C-10
GALLEY	C-11 - C-15
GENERATOR	C-16 - C-17
HEATING & A/C	C-18 - C-20
INTERIOR FINISH	C-21 - D-02
LABELS	D-03 - D-10
LP	D-11
LOUNGE	D-12 - D-14
SEALANTS & FASTENERS	D-15 - D-17
WATER & SEWAGE	D-18 - D-21
WINDOW VENT &	
EXTERIOR DOOR	D-22 - E-16
WINDSHIELD & WIPER	E-17 - E-18

WATER & SEWAGE GROUP (CONTINUED)
DRAINAGE SYSTEM



KEY PART NUMBER	UM DESCRIPTION
1	092303-01-000 EA STRAINER - SINK
2	079968-01-000 EA VENT - MECH. TRAP ARM - ANTI-SIPHON - 2" DIA X 7.3"
3	083558-02-000 EA VENT - PLUMBING PIPE ROOF - W/COVER
4	010071-01-000 EA TEE - SANITARY - 1 1/2" HUB X HUB X HUB
5	010008-01-000 EA ELBOW - 90 DEGREE - 1/4 BEND - 1 1/2" HUB X HUB
6	010005-01-000 EA ELBOW - 22 1/2 DEGREE - 1/16 BEND - 1 1/2" HUB X HUB
7	061607-01-000 EA GROMMET - HOLDING TANK - 1 1/2" NPS
8	104352-01-000 EA TANK - HOLDING - 50 GAL
9	010115-01-000 EA COUPLING - 1 1/2" HUB X HUB - PLASTIC
10	050787-01-000 EA ADAPTER - CLEANOUT
11	010166-01-000 EA PLUG - THREADED - 1 1/4" DIAMETER - PLASTIC - BLACK
12	063641-01-000 EA FLANGE - CLOSET - 4" X 3"
13	010024-01-000 EA ELBOW - PLASTIC - 1/8 BD - 3 X 45 - H X H
14	010061-01-000 EA ELBOW - 45 DEGREE - STREET - 1/8 BEND - 3" S X H - PLASTIC
15	061607-02-000 EA GROMMET - HOLDING TANK - 3" NPS
16	104351-01-000 EA TANK - HOLDING - 55 GAL
17	078406-01-000 EA COUPLER - RUBBER - W/CLAMPS - 3" X 3"
18	041056-01-000 EA ELBOW - STREET - 1/4" BEND - 3" X 90° XLT
19	070915-01-000 EA VALVE ASM - DUAL DUMP - W/CAP - 3" X 1 1/2"
	070916-01-700 EA VALVE ONLY - 3"
	070916-01-701 EA VALVE ONLY - 1 1/2"
20	062422-01-000 EA ADAPTER - OFFSET REDUCER - 3" X 1 1/2"
21	011071-01-000 EA TRAP - P - 1 1/2" - PLASTIC
22	049910-01-000 EA TEE - SANITARY - 1 1/4" X 1 1/4" X 1 1/4" H
23	010079-01-000 EA TEE - SANITARY - 1 1/2" X 1 1/2" X 1 1/4" H
24	011069-03-000 EA TAILPIECE - SHOWER/TUB - 1 1/2" X 1 3/4" - PLASTIC (US)
24	011069-02-000 EA TAILPIECE - TUB/SHOWER - 1 1/2" X 1 1/4" X 4" - BRASS (CSA)
	066440-01-000 EA STRAINER - SHOWER - W/RUBBER WASHER
	066436-01-000 EA NUT - SLIP - TAILPIECE - 1.5"
25	096927-01-701 EA TAILPIECE - SINK
26	011091-02-000 EA PIPE - DRAIN - DOUBLE SINK - BAFFLE TEE - 1 1/2" (US)
26	011091-03-000 EA PIPE - DRAIN - W/SEALS - DOUBLE SINK (CSA)
	010201-02-000 EA HOSE - SEWER - 3" ID X 20 FEET
	010201-01-000 EA HOSE - SEWER - 3" ID X 8'
	062416-01-000 EA ADAPTER - SEWER HOSE TO 3" PIPE
	103354-01-000 EA CONNECTOR - HOSE - SEWER

1992 ITASCA
TABLE OF CONTENTS

INTRODUCTION	A-01 - A-02
ABBREVIATIONS	A-03
ALPHABETICAL INDEX	A-04 - A-06
ICG34RQ	A-07 - E-18
IKG34RQ	E-19 - I-18

1992 ICG34RQ INDEX

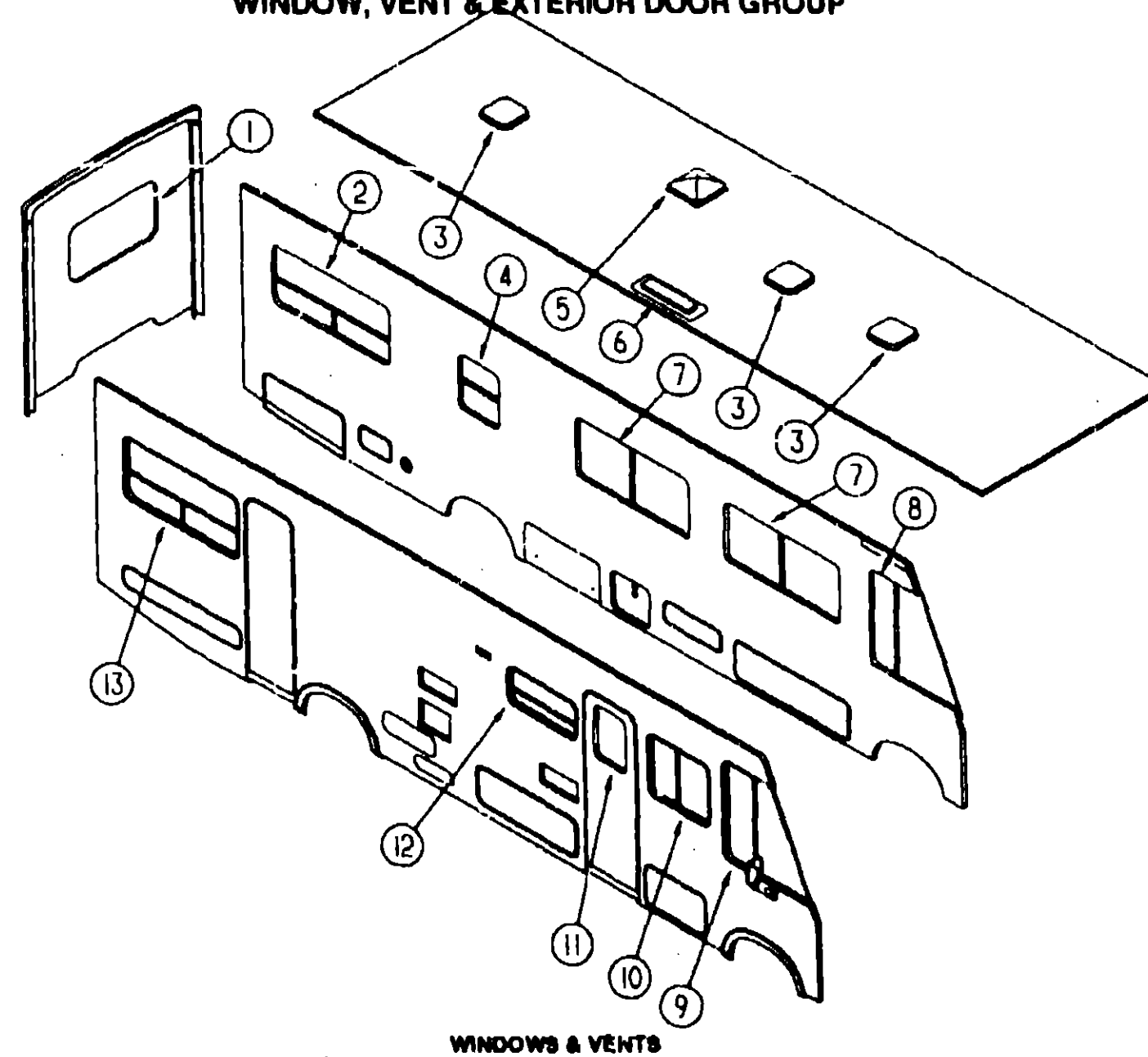
FLOOR PLAN	A-07 - A-08
ACCESSORIES	A-09 - A-10
BATH	A-11 - A-13
BEDROOM	A-14 - A-16
CHASSIS	A-17 - B-02
CURTAIN & CUSHION	B-03 - B-12
DINETTE	B-13 - B-14
DRIVERS COMPARTMENT	B-15 - B-18
ELECTRICAL	B-19 - B-24
EXTERIOR BODY	C-01 - C-10
GALLEY	C-11 - C-15
GENERATOR	C-16 - C-17
HEATING & A/C	C-18 - C-20
INTERIOR FINISH	C-21 - D-02
LABELS	D-03 - D-10
LP	D-11
LOUNGE	D-12 - D-14
SEALANTS & FASTENERS	D-15 - D-17
WATER & SEWAGE	D-18 - D-21
WINDOW, VENT &	
EXTERIOR DOOR	D-22 - E-16
WINDSHIELD & WIPER	E-17 - E-18

WATER & SEWAGE GROUP (CONTINUED)
WATER SYSTEM COMPONENTS

WINDOW, VENT & EXTERIOR DOOR GROUP

1992 ITASCA
TABLE OF CONTENTS

INTRODUCTION	A-01 - A-02
ABBREVIATIONS	A-03
ALPHABETICAL INDEX	A-04 - A-06
ICG34RQ	A-07 - E-18
IKG34RQ	E-19 - I-18



1992 ICG34RQ INDEX

FLOOR PLAN	A-07 - A-08
ACCESSORIES	A-09 - A-10
BATH	A-11 - A-13
BEDROOM	A-14 - A-16
CHASSIS	A-17 - B-02
CURTAIN & CUSHION	B-03 - B-12
DINETTE	B-13 - B-14
DRIVERS COMPARTMENT	B-15 - B-18
ELECTRICAL	B-19 - B-24
EXTERIOR BODY	C-01 - C-10
GALLEY	C-11 - C-15
GENERATOR	C-16 - C-17
HEATING & A/C	C-18 - C-20
INTERIOR FINISH	C-21 - D-02
LABELS	D-03 - D-10
LP	D-11
LOUNGE	D-12 - D-14
SEALANTS & FASTENERS	D-15 - D-17
WATER & SEWAGE	D-18 - D-21
WINDOW, VENT & EXTERIOR DOOR	D-22 - E-16
WINDSHIELD & WIPER	E-17 - E-18

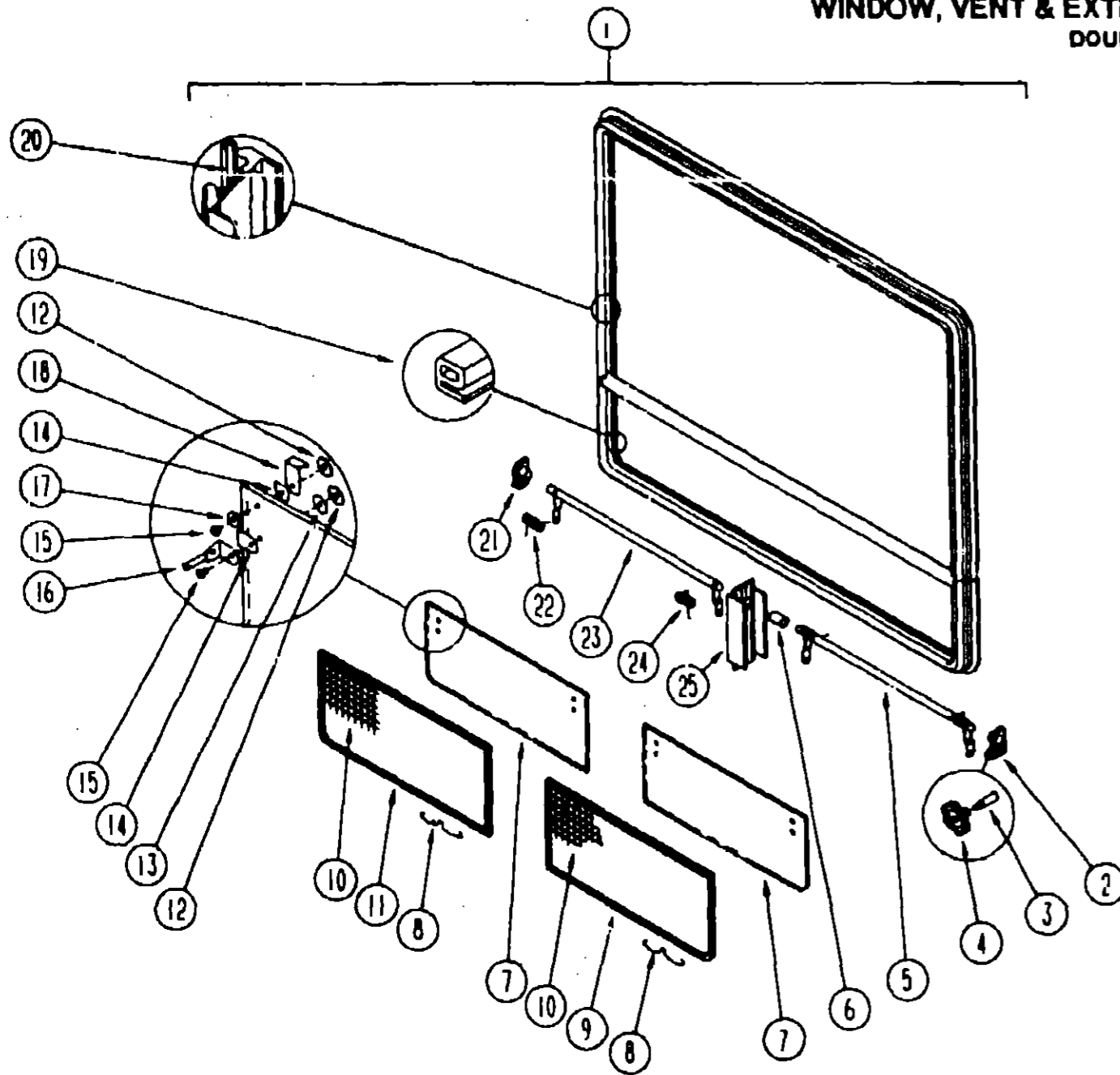
KEY	PART NUMBER	U/M DESCRIPTION
1	078528-03-Y12	EA WINDOW - ESCAPE - 27" X 48" - W/O INSIDE FRAME
2	092234-08-Y12	EA WINDOW - DOUBLE TIPOUT - W/O INSIDE FRAME
3	090392-01-Y12	EA VENT - ROOF - NONPOWERED (1" ROOF)
4	092235-15-Y12	EA WINDOW - SINGLE TIPOUT - W/O INSIDE FRAME
5	090393-01-Y12	EA VENT - ROOF - POWERED
6	084073-02-000	EA REFRIGERATOR ROOF VENT - GRAY
7	098647-10-02A	EA WINDOW ASM - SLIDER - W/INSIDE TRIM (OFF-WHITE)
8	103658-03-01A	EA WINDOW ASM - CAB - DRIVER SIDE
9	103658-04-01A	EA WINDOW ASM - CAB - PASSENGER SIDE
10	098647-08-02A	EA WINDOW ASM - SLIDER - W/INSIDE TRIM (OFF-WHITE)
11	079733-04-T03	EA WINDOW ASM - ENTRANCE DOOR - W/O INSIDE FRAME
12	092235-14-Y12	EA WINDOW - SINGLE TIPOUT - W/O INSIDE FRAME
13	092235-12-Y12	EA WINDOW - SINGLE TIPOUT - W/O INSIDE FRAME
	084616-03-000	EA SHROUD - RANGE HOOD VENT - GRAY

FRESH WATER TANK - 100 GALLON

KEY	PART NUMBER	U/M DESCRIPTION
	039800-01-000	FT TUBING - POLYBUTYL - 1/2" OD - 20' - BLACK
	079291-01-000	FT TUBING - SMOOTH FLEXIBLE - 1 1/4" ID
	074462-02-000	FT TUBING - VINYL - 3/8" ID - CLEAR
	039800-02-000	FT TUBING - POLYBUTYL - 5/8" OD - 20' - BLACK
	052952-01-000	EA NUT-PLASTIC - 1/2" F X 1/2" TUBE - GRAY
	052952-02-000	EA NUT-PLASTIC - 5/8" FLARE
	052957-01-000	EA ELBOW - PLASTIC - 1/2" F X 3/8" MPT
	052957-02-000	EA ELBOW - MALE - 1/2" F X 1/2" MPT - PLASTIC - GRAY
	052957-04-000	EA ELBOW - 5/8" F X 3/4" MPT
	035539-01-000	EA ELBOW - PLASTIC - 3/8" MPT X 3/8" BARB
	055290-01-000	EA ELBOW - 5/8" F X 1/2" MPT
		FROM: 08-12-91 THRU 99-99-99
	057457-01-000	EA ELBOW - UNION - 1/2" X 1/2" FLARE
	057457-02-000	EA ELBOW - UNION - 5/8" X 5/8" FLARE
		FROM: 08-12-91 THRU 99-99-99
	065120-01-000	EA ELBOW - SWIVEL - 1/2" FPT X 1/2" FLARE - PLASTIC - GRAY
	103259-01-000	EA BRACKET - BYPASS - WATER HEATER
	052959-02-000	EA CONNECTOR - 1/2" F X 1/2" MPT - PLASTIC - GRAY
		FROM: 00-00-00 THRU 03-02-92
	052960-01-000	EA DRAIN VALVE - IN LINE - HEADER - 1/2" F X 1/2" F - GRAY PLAS
	049032-01-000	EA PATCH-SPINWELD - 3/8" - PLASTIC
	036522-02-000	EA CAP - BRASS - 1/2" FLARE
		FROM: 03-00-00 THRU 01-21-92
	106258-01-000	EA CAP - INSERTABLE 1/2 FLARE
		FROM: 01-22-92 THRU 99-99-99
	039798-01-000	EA TEE - 1/2" MPT X 1/2" MPT X 1/2" MPT - PLASTIC
		FROM: 03-02-92 THRU 99-99-99
	052955-01-000	EA TEE - WATER - 1/2" F X 1/2" F X 1/2" MPT - PLASTIC - GRAY
	052956-01-000	EA TEE - 1/2" F X 1/2" MPT X 1/2" F - PLASTIC
		FROM: 03-03-92 THRU 99-99-99
	052958-01-000	EA TEE - 1/2" F X 1/2" F X 1/2" F - PLASTIC - GRAY
	055295-01-000	EA TEE - 5/8" F X 1/2" MPT X 1/2" F - PLASTIC
		FROM: 03-03-92 THRU 99-99-99
	057973-01-000	EA TEE - PLASTIC - 1/2" F X 1/2" F X 5/8" F - WATER
	057974-01-000	EA TEE - 5/8" F X 1/2" F X 1/2" F - PLASTIC
	010227-01-000	EA TEE - PLAS - BARB 5/8" OR 3/4" HOSE
	079317-01-000	EA ADAPTER - SWIVEL - 1/2" TUBE X 1/2" FPT - PLASTIC - GRAY
	044927-01-000	EA ADAPTER - HOSE TO PIPE - 1 1/4" MPT X 1 1/4" BARB - BLACK PLASTIC
		FROM: 00-00-00 THRU 01-15-92
	087659-05-000	EA FILL - WATER - CITY
	101814-01-000	EA COUPLING - FEMALE - 1/2" X 1/2" FPT
		FROM: 08-19-91 THRU 99-99-99
	701069-03-700	EA CARTRIDGE - WATER FILTER - AC - EVERPURE 9601-11

KEY	PART NUMBER	U/M DESCRIPTION
	104363-02-000	EA TANK ASM - WATER - 100 GAL
	042989-05-000	EA FITTING - SPINWELD - PLAS 1/2 FPT
	042989-04-000	EA FITTING - WATER TANK - SPINWELD - 3/8" FPT - PLASTIC - WHITE
	042989-03-000	EA FITTING - SPINWELD - PLASTIC - 1 1/4" FPT
	049032-01-000	EA PATCH - SPINWELD - 3/8" - PLASTIC
	039881-01-000	EA SENDING UNIT W/SCREW - WASHER
	098449-01-000	EA WIRE ASM - TANK - WATER
	077954-02-000	EA FILTER - WATER TANK - SCREEN IN TANK

WINDOW, VENT & EXTERIOR DOOR GROUP (CONTINUED)
DOUBLE TIPOUT WINDOW



BEDROOM WINDOW (DRIVER SIDE)

KEY	PART NUMBER	U/M DESCRIPTION
1	092234-08-Y12	EA WINDOW ASM. - TIPOUT - DOUBLE (W/O INSIDE FRAME) FROM: 00-00-00 THRU: 07-07-91
	090893-22-02A	EA INSIDE FRAME - WINDOW - OFF WHITE (NOT INCLUDED IN WINDOW ASM.) FROM: 00-00-00 THRU: 07-07-91
2	035302-02-000	EA OPERATOR - TORQUE - TIPOUT WINDOW - LEFT
3	009439-06-000	EA EXTENSION - WINDOW CONTROL (NOT INCLUDED IN WINDOW ASM.)
4	009439-05-000	EA WINDOW KNOB - BLACK (NOT INCLUDED IN WINDOW ASM.)
	009439-07-000	EA SCREW - WINDOW KNOB - BLACK (NOT INCLUDED IN WINDOW ASM.)
5	083227-08-000	EA TUBE - TORQUE - RIGHT
6	088816-51-001	EA TUBE - SLEEVE .02" ID X .035" OD X 1 2" LONG - ALUMINUM
7	084068-22-000	EA GLASS - TIPOUT - 9.2" X 29.9"
8	100168-01-000	EA CLIP - SPRING - SCREEN
9	100234-06-B07	EA SCREEN - DOUBLE TIPOUT WINDOW
10	080218-03-000	SF SCREEN - FIBERGLASS - 12" WIDE
	100240-01-000	FT SPLINE - SCREEN - T-SHAPED
	081377-01-700	EA ADHESIVE - CYANOACRYLATE - 10 GRAM TUBE
11	100234-05-B07	EA SCREEN - DOUBLE TIPOUT WINDOW
12	086762-01-000	EA T NUT 10-32
13	068927-03-000	EA SEAL - WINDOW - RUBBER - ROUND - .80" DIA. - BLACK
14	084473-01-000	EA SEAL - RUBBER - TIPOUT WINDOW
15	086763-01-000	EA SCREW - MACH - 10 - 32 X 1/4 PTH

BEDROOM WINDOW (DRIVER SIDE) (CONT)

KEY	PART NUMBER	U/M DESCRIPTION
16	097578-01-000	EA LINKAGE - TIPOUT WINDOW
	081649-01-000	EA RING-SNAP - 7/32 SHAFT DIAMETER
17	084453-02-000	EA WASHER - .060 X .50 X .135 - PLASTIC
18	089913-01-000	EA HINGE - TIPOUT WINDOW - BLACK
19	084057-02-000	FT SEAL - E SHAPED - SPONGE - TIPOUT WINDOW - .4" X .4" - BLACK
20	069640-11-000	EA SEALER - TAPE - 3/16" X 3/8" BLACK
21	035302-01-000	EA OPERATOR - TORQUE - TIPOUT WINDOW - RIGHT
	038886-01-000	EA TAPE - BUTYL - .31" X .31" X 148" LONG
22	080918-01-000	EA SPRING - TORQUE TUBE - LEFT
23	083228-08-000	EA TUBE - TORQUE - LEFT
24	080918-02-000	EA SPRING - TORQUE TUBE - RIGHT
25	088803-01-01A	EA MULLION - VERTICAL - 9.5" LONG - ALUMINUM - BLACK
	000G39-06-16T	EA SCREW-SF/DR - 6-20 X 1 PPH - BLACK

BEDROOM WINDOW (DRIVER & PASSENGER SIDE)

KEY	PART NUMBER	U/M DESCRIPTION
1	092234-11-Y12	EA WINDOW ASM. - TIPOUT - DOUBLE (W/O INSIDE FRAME) FROM 07-08-91 THRU: 99-99-99
	090893-23-01A	EA INSIDE FRAME - WINDOW - OFF WHITE (NOT INCLUDED IN WINDOW ASM.) FROM 07-08-91 THRU: 99-99-99
2	035302-02-000	EA OPERATOR - TORQUE - TIPOUT WINDOW - LEFT
3	009439-06-000	EA EXTENSION - WINDOW CONTROL (NOT INCLUDED IN WINDOW ASM.)
4	009439-05-000	EA WINDOW KNOB - BLACK (NOT INCLUDED IN WINDOW ASM.)
	009439-07-000	EA SCREW - WINDOW KNOB - BLACK (NOT INCLUDED IN WINDOW ASM.)
5	083227-07-000	EA TUBE - TORQUE - WINDOW - RIGHT
6	088816-51-001	EA TUBE - SLEEVE .02" ID X .035" OD X 1 2" LONG - ALUMINUM
7	084068-21-000	EA GLASS - TIPOUT - .11" X 9.25" X 26.4"
8	100168-01-000	EA CLIP - SPRING - SCREEN
9	100234-04-B07	EA SCREEN - DOUBLE TIPOUT WINDOW -
10	080218-03-000	SF SCREEN - FIBERGLASS - 12" WIDE
	100240-01-000	FT SPLINE - SCREEN - T-SHAPED
	081377-01-700	EA ADHESIVE - CYANOACRYLATE - 10 GRAM TUBE
11	100234-03-B07	EA SCREEN - DOUBLE TIPOUT WINDOW -
12	086762-01-000	EA T NUT 10-32
13	068927-03-000	EA SEAL - WINDOW - RUBBER - ROUND - .80" DIA. - BLACK
14	084473-01-000	EA SEAL - RUBBER - TIPOUT WINDOW
15	086763-01-000	EA SCREW - MACH - 10 - 32 X 1/4 PTH
16	097578-01-000	EA LINKAGE - TIPOUT WINDOW
	081649-01-000	EA RING-SNAP - 7/32 SHAFT DIAMETER
17	084453-02-000	EA WASHER - .060 X .50 X .135 - PLASTIC
18	089913-01-000	EA HINGE - TIPOUT WINDOW - BLACK
19	084057-02-000	FT SEAL - E SHAPED - SPONGE - TIPOUT WINDOW - .4" X .4" - BLACK
20	069640-11-000	EA SEALER - TAPE - 3/16" X 3/8" BLACK
21	035302-01-000	EA OPERATOR - TORQUE - TIPOUT WINDOW - RIGHT
	038886-01-000	EA TAPE - BUTYL - .31" X .31" X 148" LONG
22	080918-01-000	EA SPRING - TORQUE TUBE - LEFT
23	083228-07-000	EA TUBE - TORQUE - WINDOW - LEFT
24	080918-02-000	EA SPRING - TORQUE TUBE - RIGHT
25	088803-01-01A	EA MULLION - VERTICAL - 9.5" LONG - ALUMINUM - BLACK
	000G39-06-16T	EA SCREW-SF/DR - 6-20 X 1 PPH - BLACK

**1992 ITASCA
TABLE OF CONTENTS**

INTRODUCTION	A-01 - A-02
ABBREVIATIONS	A-03
ALPHABETICAL INDEX	A-04 - A-06
ICG34RQ	A-07 - E-18
IKG34RQ	E-19 - I-18

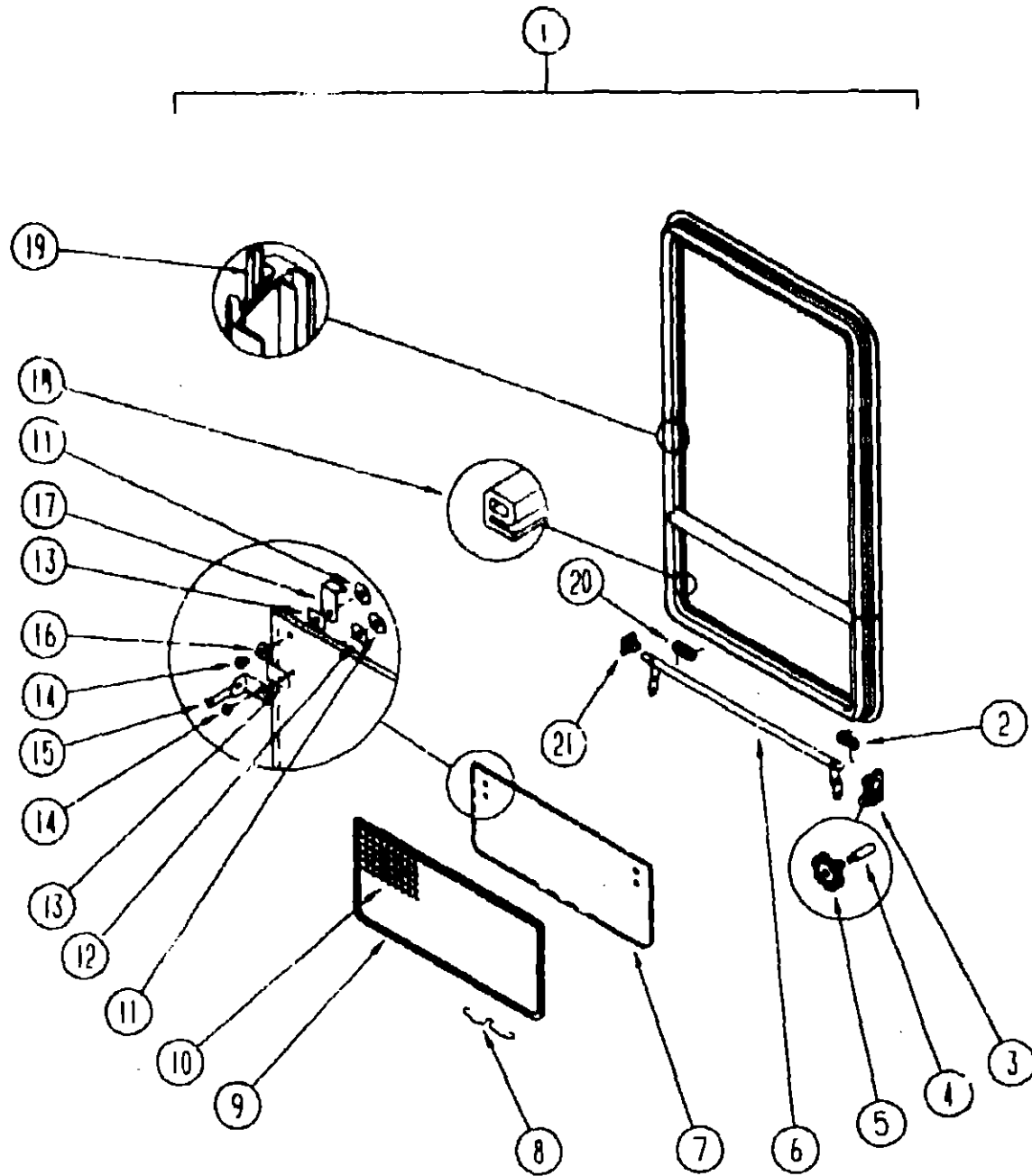
1992 ICG34RQ INDEX

FLOOR PLAN	A-07 - A-08
ACCESSORIES	A-09 - A-10
BATH	A-11 - A-13
BEDROOM	A-14 - A-16
CHASSIS	A-17 - B-02
CURTAIN & CUSHION	B-03 - B-12
DINETTE	B-13 - B-14
DRIVERS COMPARTMENT	B-15 - B-18
ELECTRICAL	B-19 - B-24
EXTERIOR BODY	C-01 - C-10
GALLEY	C-11 - C-15
GENERATOR	C-16 - C-17
HEATING & A/C	C-18 - C-20
INTERIOR FINISH	C-21 - D-02
LABELS	D-03 - D-10
LP	D-11
LOUNGE	D-12 - D-14
SEALANTS & FASTENERS	D-15 - D-17
WATER & SEWAGE	D-18 - D-21
WINDOW, VENT & EXTERIOR DOOR	D-22 - E-18
WINDSHIELD & WIPER	E-17 - E-18

WINDOW, VENT & EXTERIOR DOOR GROUP (CONTINUED)

SINGLE TIPOUT WINDOW

BEDROOM WINDOW (PASSENGER SIDE)



KEY	PART NUMBER	U/M	DESCRIPTION
1	092235-12-Y12	EA	WINDOW - SINGLE TIPOUT - W/O INSIDE FRAME FROM: 00-00-00 THRU 07-07-91
	090893-18-02A	EA	INSIDE FRAME - WINDOW (NOT INCLUDED IN WINDOW ASM.) OFF WHITE
2	080918-02-000	EA	SPRING - TORQUE TUBE - RIGHT
3	035302-02-000	EA	OPERATOR - TORQUE - TIPOUT WINDOW - LEFT
4	009439-06-000	EA	EXTENSION - WINDOW CONTROL (NOT INCLUDED IN WINDOW ASM.)
5	009439-05-000	EA	WINDOW KNOB - BLACK (NOT INCLUDED IN WINDOW ASM.)
	009439-07-000	EA	SCREW - 8-32 X 1 1/4 POH - BLACK (NOT INCLUDED IN WINDOW ASM.)
6	083150-12-000	EA	TUBE ASM. - TORQUE - WINDOW
7	084068-17-000	EA	GLASS - TIPOUT - 9.2" X 40.1"
8	100168-01-000	EA	CLIP - SPRING - SCREEN
9	100235-04-E07	EA	SCREEN - SINGLE TIPOUT WINDOW
10	080218-03-000	SF	SCREEN - FIBERGLASS - 12" WIDE
	100240-01-000	FT	SPLINE - SCREEN - T-SHAPED
11	086762-01-000	EA	T NUT 10-32
12	068927-03-000	EA	SEAL - WINDOW - RUBBER - ROUND - .80" DIA. - BLACK
13	084473-01-000	EA	SEAL - RUBBER - TIPOUT WINDOW
14	086763-01-000	EA	SCREW - MACH - 10 - 32 X 1/4 PTH
15	097578-01-000	EA	LINKAGE - TIPOUT WINDOW
	081649-01-000	EA	RING - SNAP - 7/32 SHAFT DIA
16	084453-02-000	EA	WASHER - 060 X .50 X 250 - PLASTIC
17	079913-01-000	EA	HINGE - TIPOUT WINDOW - BLACK
18	084067-02-000	FT	SEAL - E SHAPED - SPONGE - TIPOUT WINDOW - 4" X 4" - BLACK
19	069640-11-000	EA	SCALER - TAPE - 3/16" X 3/8" BLACK
20	080918-01-000	EA	SPRING - TORQUE TUBE - LEFT
21	081354-01-000	EA	SLEEVE - TORQUE TUBE - TIPOUT WINDOW - 1.3" X 1.2" X .7"

1992 ITASCA TABLE OF CONTENTS

INTRODUCTION	A-01 - A-02
ABBREVIATIONS	A-03
ALPHABETICAL INDEX	A-04 - A-06
ICG34RQ	A-07 - E-18
IKG34RQ	E-19 - I-18

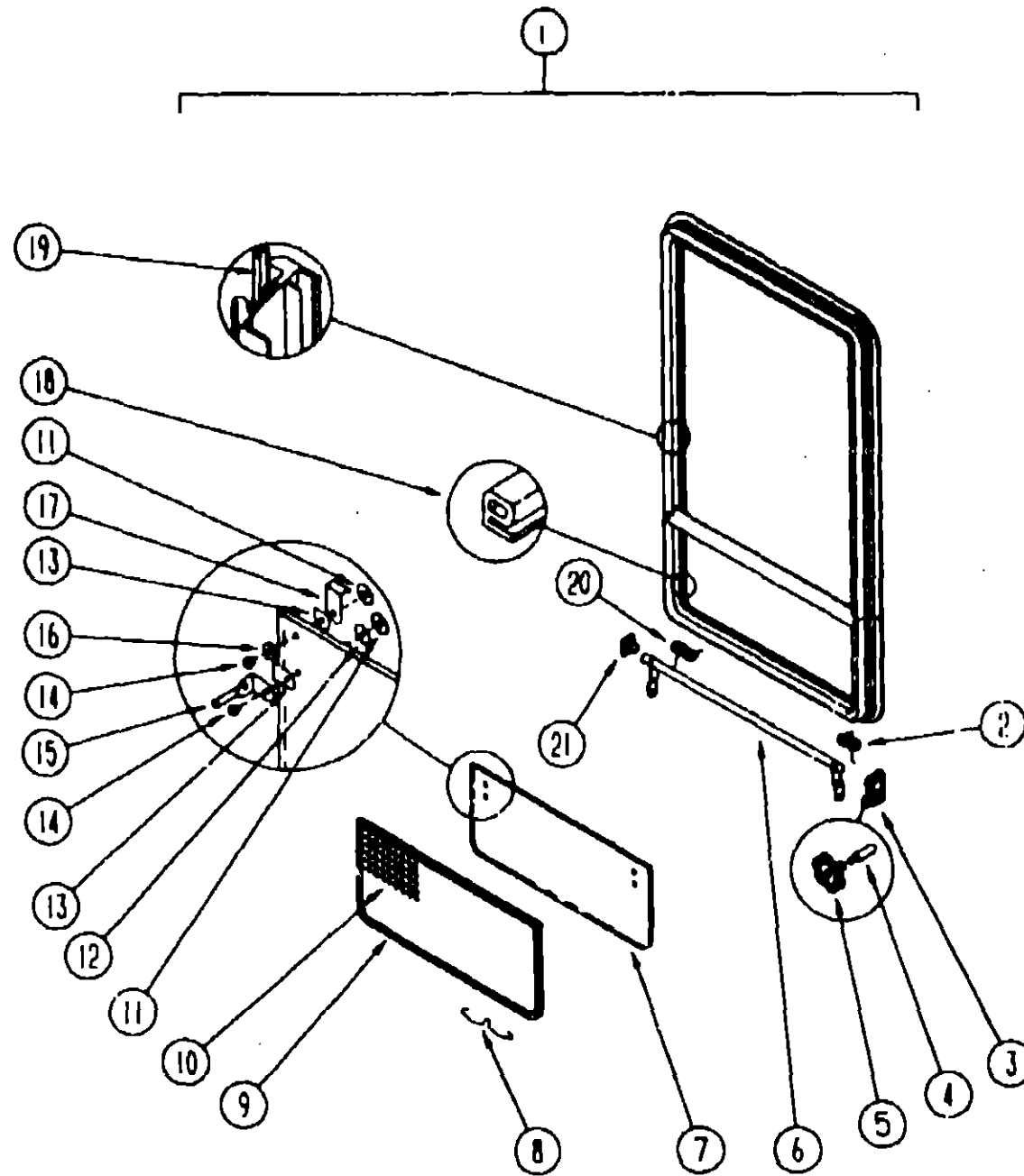
1992 ICG34RQ INDEX

FLOOR PLAN	A-07 - A-08
ACCESSORIES	A-09 - A-10
BATH	A-11 - A-13
BEDROOM	A-14 - A-16
CHASSIS	A-17 - B-02
CURTAIN & CUSHION	B-03 - B-12
DINETTE	B-13 - B-14
DRIVERS COMPARTMENT	B-15 - B-18
ELECTRICAL	B-19 - B-24
EXTERIOR BODY	C-01 - C-10
GALLEY	C-11 - C-15
GENERATOR	C-16 - C-17
HEATING & A/C	C-18 - C-20
INTERIOR FINISH	C-21 - D-02
LABELS	D-03 - D-10
LP	D-11
LGUNGE	D-12 - D-14
SEALANTS & FASTENERS	D-15 - D-17
WATER & SEWAGE	D-18 - D-21
WINDOW, VENT & EXTERIOR DOOR	D-22 - E-16
WINDSHIELD & WIPER	E-17 - E-18

WINDOW, VENT & EXTERIOR DOOR GROUP (CONTINUED)
SINGLE TIPOUT WINDOW

GALLEY WINDOW

1992 ITASCA
TABLE OF CONTENTS



KEY	PART NUMBER	U/M DESCRIPTION
1	092235-14-Y12	EA WINDOW - TIPOUT (W/O INSIDE FRAME)
	090893-19-02A	EA INSIDE FRAME - WINDOW (NOT INCLUDED IN WINDOW ASM.) OFF WHITE
2	080918-02-000	EA SPRING - TORQUE TUBE - RIGHT
3	035302-02-000	EA OPERATOR - TORQUE - TIPOUT WINDOW - LEFT
4	009439-06-000	EA EXTENSION - WINDOW CONTROL (NOT INCLUDED IN WINDOW ASM.)
5	009439-05-000	EA WINDOW KNOB - BLACK (NOT INCLUDED IN WINDOW ASM.)
	009439-07-000	EA SCREW - 8-32 X 1 1/4 POH - BLACK (NOT INCLUDED IN WINDOW ASM.)
6	083150-15-000	EA TUBE ASM. - TORQUE - WINDOW
7	084068-24-000	EA GLASS-TIPOUT - 9.2" X 35.3"
8	100168-01-000	EA CLIP - SPRING - SCREEN
9	100235-07-807	EA SCREEN - SINGLE TIPOUT WINDOW
10	080218-03-000	SF SCREEN - FIBERGLASS - 12" WIDE
	100240-01-000	FT SPLINE - SCREEN - T-SHAPED
11	086762-01-000	EA T NUT 10-32
12	068927-03-000	EA SEAL - WINDOW - RUBBER - ROUND - 80" DIA - BLACK
13	084473-01-000	EA SEAL - RUBBER - TIPOUT WINDOW
14	086763-01-000	EA SCREW - MACH - 10 - 32 X 1/4 PTH
15	097578-01-000	EA LINKAGE - TIPOUT WINDOW
	081649-01-000	EA RING - SNAP - 7/32 SHAFT DIA
16	084453-02-000	EA WASHER - .060 X .50 X .250 - PLASTIC
17	089913-01-000	EA HINGE - TIPOUT WINDOW - BLACK
18	084067-02-000	FT SEAL - E SHAPED - SPONGE - TIPOUT WINDOW - 4" X 4" - BLACK
19	069640-11-000	EA SEALER - TAPE - 3/16"X3/8" BLACK
20	080918-01-000	EA SPRING-TORQUE TUBE - LEFT
21	081354-01-000	EA SLEEVE - TORQUE TUBE - TIPOUT WINDOW - 1.3" X 1.2" X .7"

BATH WINDOW

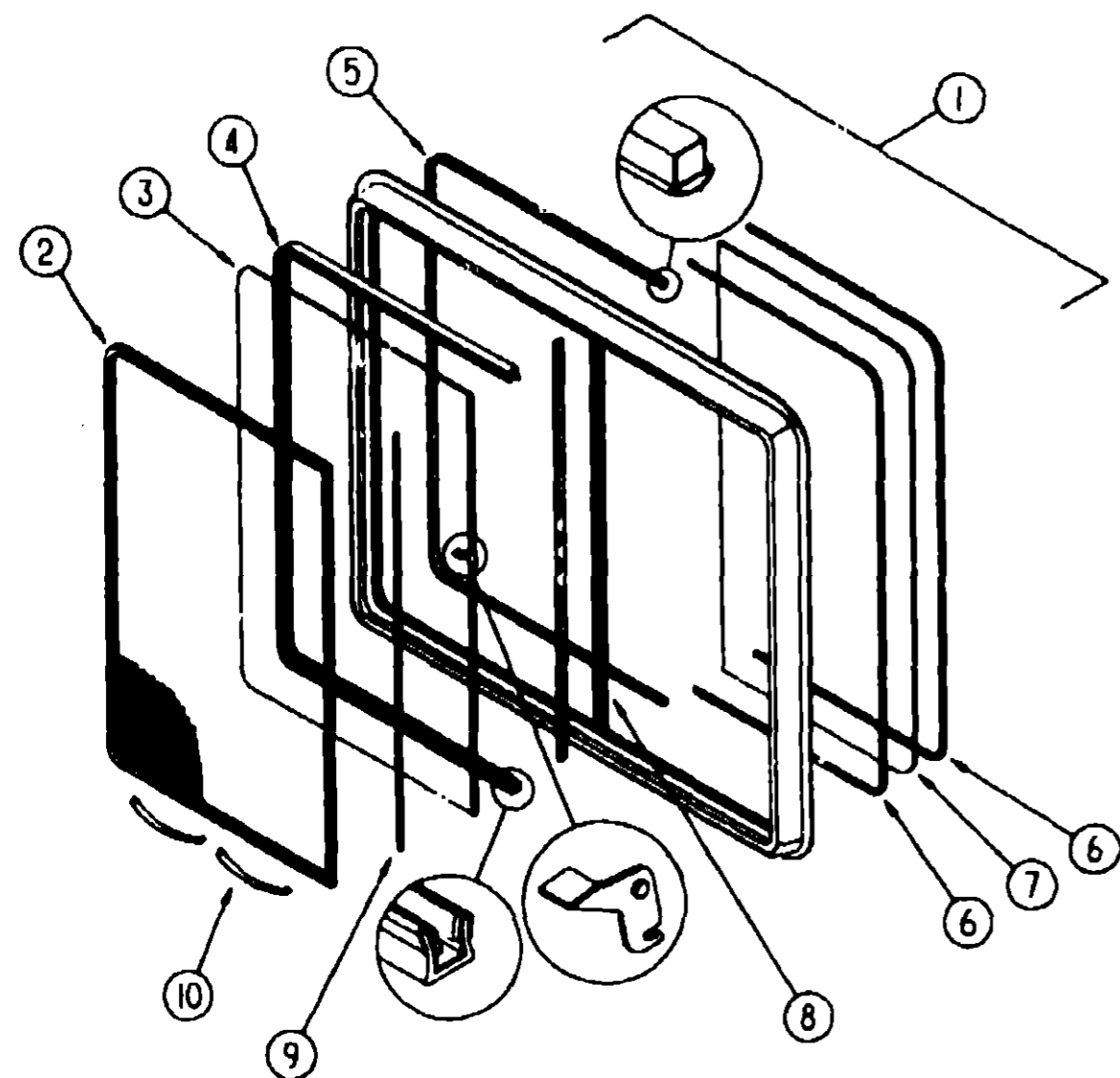
KEY	PART NUMBER	U/M DESCRIPTION
1	092235-15-Y12	EA WINDOW - TIPOUT - (W/O INSIDE FRAME)
	090893-21-02A	EA INSIDE FRAME - WINDOW (NOT INCLUDED IN WINDOW ASM.) OFF WHITE
2	080918-02-000	EA SPRING-TORQUE TUBE - RIGHT
3	035302-02-000	EA OPERATOR - TORQUE - TIPOUT WINDOW - LEFT
4	009439-06-000	EA EXTENSION - WINDOW CONTROL (NOT INCLUDED IN WINDOW ASM.)
5	009439-05-000	EA WINDOW KNOB - BLACK (NOT INCLUDED IN WINDOW ASM.)
	009439-07-000	EA SCREW - 8-32 X 1 1/4 POH - BLACK (NOT INCLUDED IN WINDOW ASM.)
6	083150-16-000	EA TUBE ASM. - TORQUE - WINDOW
7	084068-14-000	EA GLASS-TIPOUT - 9.2" X 21.3"
8	100168-01-000	EA CLIP - SPRING - SCREEN
9	100235-08-807	EA SCREEN - SINGLE TIPOUT WINDOW
10	080218-03-000	SF SCREEN - FIBERGLASS - 12" WIDE
	100240-01-000	FT SPLINE - SCREEN - T-SHAPED
11	086762-01-000	EA T NUT 10-32
12	068927-03-000	EA SEAL - WINDOW - RUBBER - ROUND - 80" DIA. - BLACK
13	084473-01-000	EA SEAL - RUBBER - TIPOUT WINDOW
14	086763-01-000	EA SCREW - MACH - 10 - 32 X 1/4 PTH
15	097578-01-000	EA LINKAGE - TIPOUT WINDOW
	081649-01-000	EA RING - SNAP - 7/32 SHAFT DIA.
16	084453-02-000	EA WASHER - .060 X .50 X .250 - PLASTIC
17	089913-01-000	EA HINGE - TIPOUT WINDOW - BLACK
18	084067-01-000	FT SEAL - E SHAPED - SPONGE - TIPOUT WINDOW - 4" X 4" - BLACK
19	069640-11-000	EA SEALER - TAPE - 3/16"X3/8" BLACK
20	080918-01-000	EA SPRING-TORQUE TUBE - LEFT
21	081354-01-000	EA SLEEVE - TORQUE TUBE - TIPOUT WINDOW - 1.3" X 1.2" X .7"

INTRODUCTION	A-01 - A-02
ABBREVIATIONS	A-03
ALPHABETICAL INDEX	A-04 - A-08
ICG34RQ	A-07 - E-18
IKG34RQ	E-19 - I-18

1992 ICG34RQ INDEX

FLOOR PLAN	A-07 - A-08
ACCESSORIES	A-09 - A-10
BATH	A-11 - A-13
BEDROOM	A-14 - A-16
CHASSIS	A-17 - B-02
CURTAIN & CUSHION	B-03 - B-12
DINETTE	B-13 - B-14
DRIVERS COMPARTMENT	B-15 - B-18
ELECTRICAL	B-19 - B-24
EXTERIOR BODY	C-01 - C-10
GALLEY	C-11 - C-15
GENERATOR	C-16 - C-17
HEATING & A/C	C-18 - C-20
INTERIOR FINISH	C-21 - D-02
LABELS	D-03 - D-10
LP	D-11
LOUNGE	D-12 - D-14
SEALANTS & FASTENERS	D-15 - D-17
WATER & SEWAGE	D-18 - D-21
WINDOW, VENT &	
EXTERIOR DOOR	D-22 - E-16
WINDSHIELD & WIPER	E-17 - E-18

WINDOW, VENT & EXTERIOR DOOR GROUP (CONTINUED)
SINGLE SLIDER WINDOW (EXCEL)



SLIDER WINDOW (EXCEL) (PASSENGER SIDE, LOUNGE)

KEY	PART NUMBER	U/M	DESCRIPTION
1	098647-08-02A	EA	WINDOW ASM - SLIDER - W/INSIDE TRIM (OFF-WHITE)
1	098647-08-701	EA	WINDOW ASM - SLIDER - W/O INSIDE TRIM
	098647-08-704	EA	TRIM - INSIDE (OFF-WHITE)
2	098647-08-706	EA	SCREEN W/WEATHERSTRIP & SPRING
3	098647-08-703	EA	GLASS - SLIDING - W/SASH & LATCH
	098644-01-700	EA	LATCH - REPAIR KIT
4	098644-01-708	FT	CHANNEL - PIERCED RUN
5	098644-01-706	FT	WEATHERSTRIP
6	098644-01-705	FT	GLAZING STRIP
7	098647-08-700	EA	GLASS - STATIONARY - RIGHT OR LEFT
8	098647-08-705	EA	RAIL - LOCKING W/WEATHERSTRIP
9	098644-01-711	FT	WEATHERSTRIP - SCREEN - BLACK
10	098644-01-713	EA	SPRING - SCREEN FRAME (CLIP) - PLASTIC - BLACK
	098644-01-710	FT	TRACK - SCREEN SPACER - 12' LENGTH
	098644-01-716	FT	PLUG - FILLER
	098644-01-717	FT	SPLINE - SCREEN

SLIDER WINDOW (EXCEL) (DRIVER SIDE, DINETTE & LOUNGE)

KEY	PART NUMBER	U/M	DESCRIPTION
1	098647-10-02A	EA	WINDOW ASM - SLIDER - W/INSIDE TRIM (OFF-WHITE)
1	098647-10-700	EA	WINDOW ASM - SLIDER - W/O INSIDE TRIM
	098647-09-704	EA	TRIM - INSIDE (OFF-WHITE)
2	098647-09-705	EA	SCREEN W/SPRING & WEATHERSTRIP
3	098647-09-701	EA	GLASS - SLIDING - W/SASH & LATCH
	098644-01-700	EA	LATCH - REPAIR KIT
4	098644-01-708	FT	CHANNEL - PIERCED RUN
5	098644-01-706	FT	WEATHERSTRIP
6	098644-01-705	FT	GLAZING STRIP
7	098647-09-700	EA	GLASS - STATIONARY
9	098644-01-711	FT	WEATHERSTRIP - SCREEN - BLACK
10	098644-01-713	EA	SPRING - SCREEN FRAME (CLIP) - PLASTIC - BLACK
	098644-01-710	FT	TRACK - SCREEN SPACER - 12' LENGTH
	098644-01-716	FT	PLUG - FILLER
	098644-01-717	FT	SPLINE - SCREEN

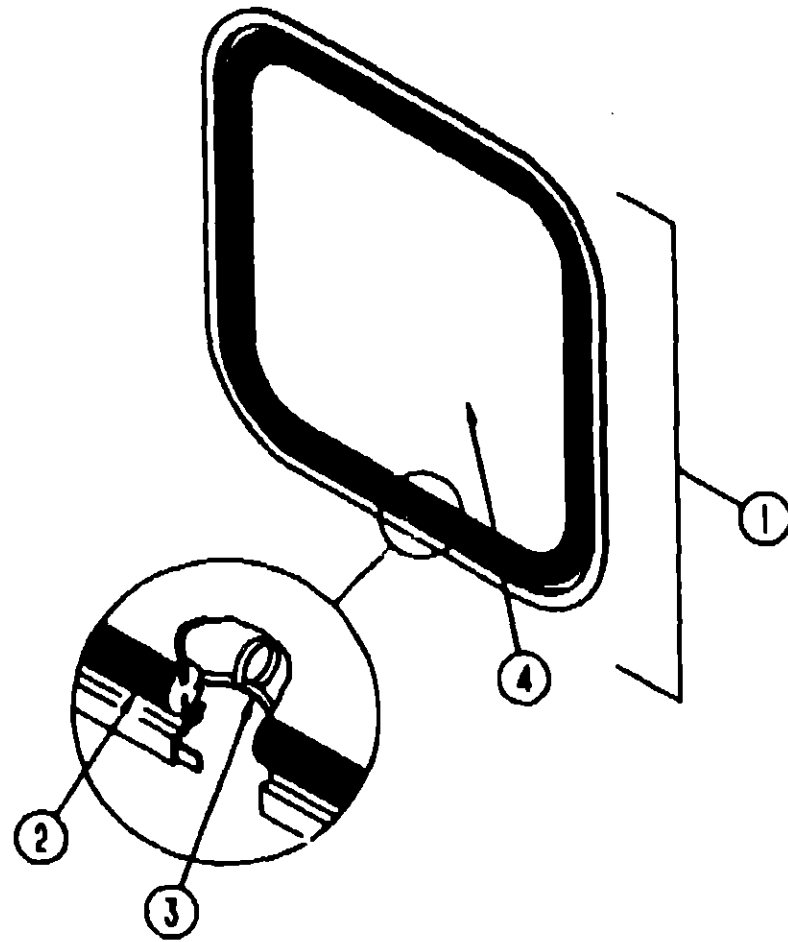
1992 ITASCA
TABLE OF CONTENTS

INTRODUCTION	A-01 - A-02
ABBREVIATIONS	A-03
ALPHABETICAL INDEX	A-04 - A-06
ICG34RQ	A-07 - E-18
IKG34RQ	E-19 - I-18

1992 ICG34RQ INDEX

FLOOR PLAN	A-07 - A-08
ACCESSORIES	A-09 - A-10
BATH	A-11 - A-13
BEDROOM	A-14 - A-16
CHASSIS	A-17 - B-02
CURTAIN & CUSHION	B-03 - B-12
DINETTE	B-13 - B-14
DRIVERS COMPARTMENT	B-15 - B-18
ELECTRICAL	B-19 - B-24
EXTERIOR BODY	C-01 - C-10
GALLEY	C-11 - C-15
GENERATOR	C-16 - C-17
HEATING & A/C	C-18 - C-20
INTERIOR FINISH	C-21 - D-02
LABELS	D-03 - D-10
LP	D-11
LOUNGE	D-12 - D-14
SEALANTS & FASTENERS	D-15 - D-17
WATER & SEWAGE	D-18 - D-21
WINDOW, VENT & EXTERIOR DOOR	D-22 - E-16
WINDSHIELD & WIPER	E-17 - E-18

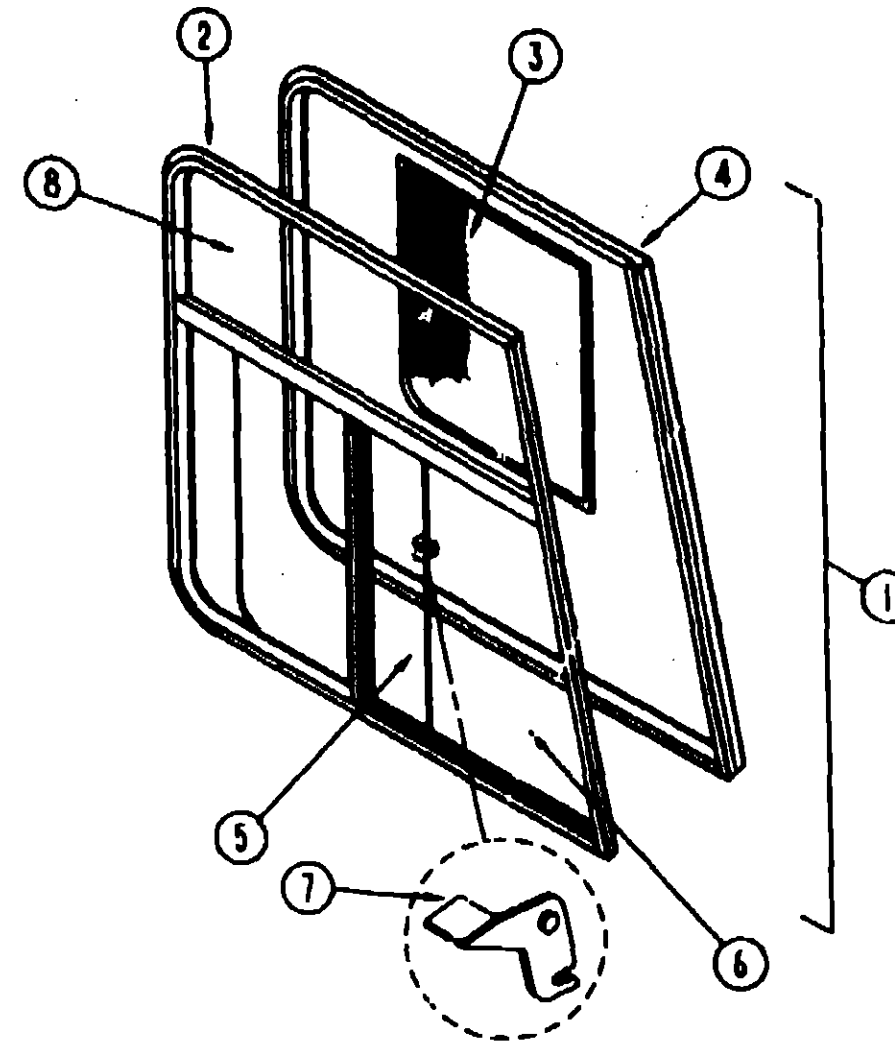
WINDOW, VENT & EXTERIOR DOOR GROUP (CONTINUED)



BACKWALL ESCAPE WINDOW

KEY	PART NUMBER	U/M DESCRIPTION
1	078528-03-Y12	EA WINDOW - REAR ESCAPE
	074816-08-000	EA FRAME - WINDOW INSIDE - OFF WHITE
2	002282-06-000	EA WEATHERSTRIP - WINDOW 125' VULCANIZED - 79 1" LONG - BLACK
3	077066-01-702	EA TAPE ASM - ESCAPE WINDOW
	002285-01-000	FT FILLER - WEATHER STRIP RUBBER - BLACK
4	076337-08-000	EA GLASS - WINDOW

WINDOW, VENT & EXTERIOR DOOR GROUP (CONTINUED)



FRONT CAB WINDOW (EXCEL)

KEY	PART NUMBER	U/M DESCRIPTION
1	103658-04-01A	EA WINDOW ASM - PASSENGER SIDE
1	103658-03-01A	EA WINDOW ASM - DRIVER SIDE
2	103658-04-701	EA WINDOW - SLIDER - W/O INSIDE FRAME - PASSENGER SIDE
2	103658-03-703	EA WINDOW - SLIDER - W/O INSIDE FRAME - DRIVER SIDE
3	103658-02-700	EA SCREEN ASM. - WINDOW - PASSENGER SIDE
3	103658-01-700	EA SCREEN ASM. - WINDOW - DRIVER SIDE
4	103658-04-700	EA INSIDE FRAME - PASSENGER SIDE
4	103658-03-702	EA INSIDE FRAME - DRIVER SIDE
5	103658-02-701	EA GLASS - SLIDING - W/SASH & LATCH - PASSENGER SIDE
5	103658-01-703	EA GLASS - SLIDING - W/SASH & LATCH - DRIVER SIDE
6	103658-03-701	EA GLASS - STATIONARY - BOTTOM - DRIVER OR PASSENGER SIDE
7	098644-01-700	EA LATCH - REPAIR KIT
8	103658-03-700	EA GLASS - STATIONARY - TOP - DRIVER OR PASSENGER SIDE

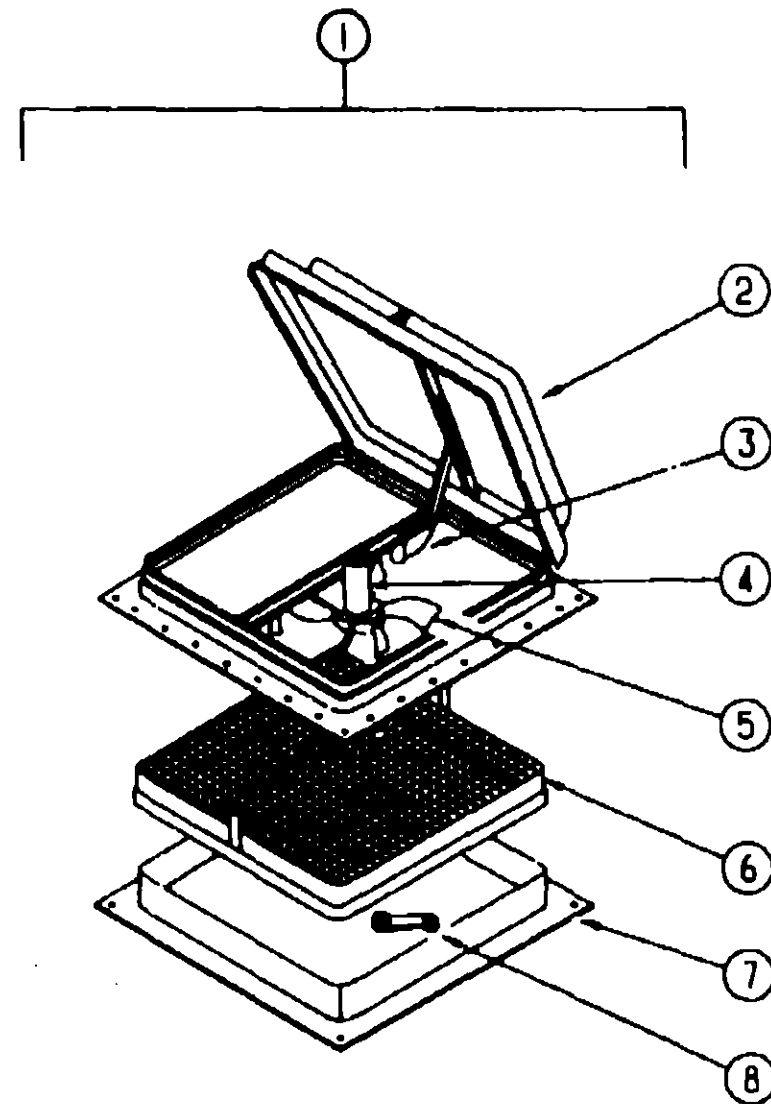
1992 ITASCA
TABLE OF CONTENTS

INTRODUCTION	A-01 - A-02
ABBREVIATIONS	A-03
ALPHABETICAL INDEX	A-04 - A-06
ICG34RQ	A-07 - E-18
IKG34RQ	E-19 - I-18

1992 ICG34RQ INDEX

FLOOR PLAN	A-07 - A-08
ACCESSORIES	A-09 - A-10
BATH	A-11 - A-13
BEDROOM	A-14 - A-16
CHASSIS	A-17 - B-02
CURTAIN & CUSHION	B-03 - B-12
DINETTE	B-13 - B-14
DRIVERS COMPARTMENT	B-15 - B-18
ELECTRICAL	B-19 - B-24
EXTERIOR BODY	C-01 - C-10
GALLEY	C-11 - C-15
GENERATOR	C-16 - C-17
HEATING & A/C	C-18 - C-20
INTERIOR FINISH	C-21 - D-02
LABELS	D-03 - D-10
LP	D-11
LOUNGE	D-12 - D-14
SEALANTS & FASTENERS	D-15 - D-17
WATER & SEWAGE	D-18 - D-21
WINDOW, VENT & EXTERIOR DOOR	D-22 - E-18
WINDSHIELD & WIPER	E-17 - E-18

WINDOW, VENT & EXTERIOR DOOR GROUP (CONTINUED)



POWERED ROOF VENT (CANADIAN)

KEY	PART NUMBER	U/M DESCRIPTION
1	064469-08-000	EA VENT - ROOF - POWERED
2	064469-03-702	EA LID - VENT - WHITE
3	064469-03-706	EA LIFT MECHANISM
4	048648-01-000	EA MOTOR - ROOF VENT, 1/8 SHAFT - 12V
5	048649-01-000	EA FAN - ROOF VENT - 6 BLADES - 6"
6	110051-01-700	EA SCREEN - ROOF VENT
7	064469-03-705	EA GARNISH - VENT 2.5 IN. WIDE
8	009439-01-000	EA CRANK HANDLE - ROOF VENT
	009439-04-000	EA SCREW 8-32 X 1 1/4" POH
	009439-03-000	EA EXTENSION-CRANK HANDLE, ROOF VENT - 9" - MILL

WINDOW, VENT & EXTERIOR DOOR GROUP (CONTINUED)
POWERED ROOF VENT

KEY	PART NUMBER	U/M DESCRIPTION
	090393-01-Y12	EA ROOF VENT - W/SCREEN
	078785-01-Y12	EA SCREEN - ROOF VENT
	002825-01-000	EA WEATHER STRIP - ROOF VENT - GRAY
	008195-01-000	EA SWITCH-ROOF VENT - PUSH BUTTON - 12V
	008388-01-000	EA GHOMMET - SNAP - 3/8"
	009440-01-000	EA GEAR/ARM - VENT COVER - LIFT
	015911-01-000	EA TRACK - LIFT ARM - SLIDE - ROOF VENT
	048648-01-000	EA MOTOR - ROOF VENT - 1/8 SHAFT - 12V
	048649-01-000	EA FAN - ROOF VENT - 6 BLADES - 6"
	051384-01-000	EA COVER - ROOF VENT
	081603-01-000	EA GROMMET - SNAP - 3/16 ID - 3/8 HOLE - PLASTIC - BLACK
	052639-01-200	EA HINGE - EXTRUSION - ROOF VENT 7"
	052639-01-001	EA HINGE - VENT COVER - 192"
	002291-02-000	SF SCREENING - ROOF VENT/WINDOW - 16" - BLACK
	002298-02-000	FT SPLINE - VENT/WINDOW SCREEN - .128 DIAMETER - BLACK
	009439-01-000	EA CRANK HANDLE - ROOF VENT
	009439-03-000	EA EXTENSION - CRANK HANDLE - ROOF VENT - 9"
	009439-04-000	EA SCREW - 8-32 X 1 1/4" POH

NON POWERED ROOF VENT

KEY	PART NUMBER	U/M DESCRIPTION
	090392-01-Y12	EA ROOF VENT - W/SCREEN
	078786-01-Y12	EA SCREEN - ROOF VENT
	002825-01-000	EA WEATHER STRIP - ROOF VENT - GRAY
	009440-01-000	EA GEAR/ARM - VENT COVER - LIFT
	015911-01-000	EA TRACK - LIFT ARM - SLIDE - ROOF VENT
	051384-01-000	EA COVER - ROOF VENT
	052639-01-001	EA HINGE - VENT COVER - 192"
	009439-01-000	EA CRANK HANDLE - ROOF VENT
	009439-03-000	EA EXTENSION - CRANK HANDLE - ROOF VENT - 9"
	009439-04-000	EA SCREW - 8-32 X 1 1/4" POH
	002291-02-000	SF SCREENING - ROOF VENT/WINDOW - 16" - BLACK
	002298-02-000	FT SPLINE - VENT/WINDOW SCREEN - .128 DIAMETER - BLACK

SIDEWALL VENT

KEY	PART NUMBER	U/M DESCRIPTION
	084616-03-000	EA SHROUD - RANGE HOOD VENT - GRAY
	084878-09-000	EA VENT - RANGE HOOD - SHORT - LVS

ROOF VENTS

KEY	PART NUMBER	U/M DESCRIPTION
	083558-03-000	EA VENT - PLUMBING PIPE ROOF - W/COVER - OFF WHITE
	084073-03-000	EA COVER - ROOF VENT - NORCOLD REFRIGERATOR - OFF WHITE
	084073-04-000	EA BASE - ROOF VENT - NORCOLD REFRIGERATOR - BLACK

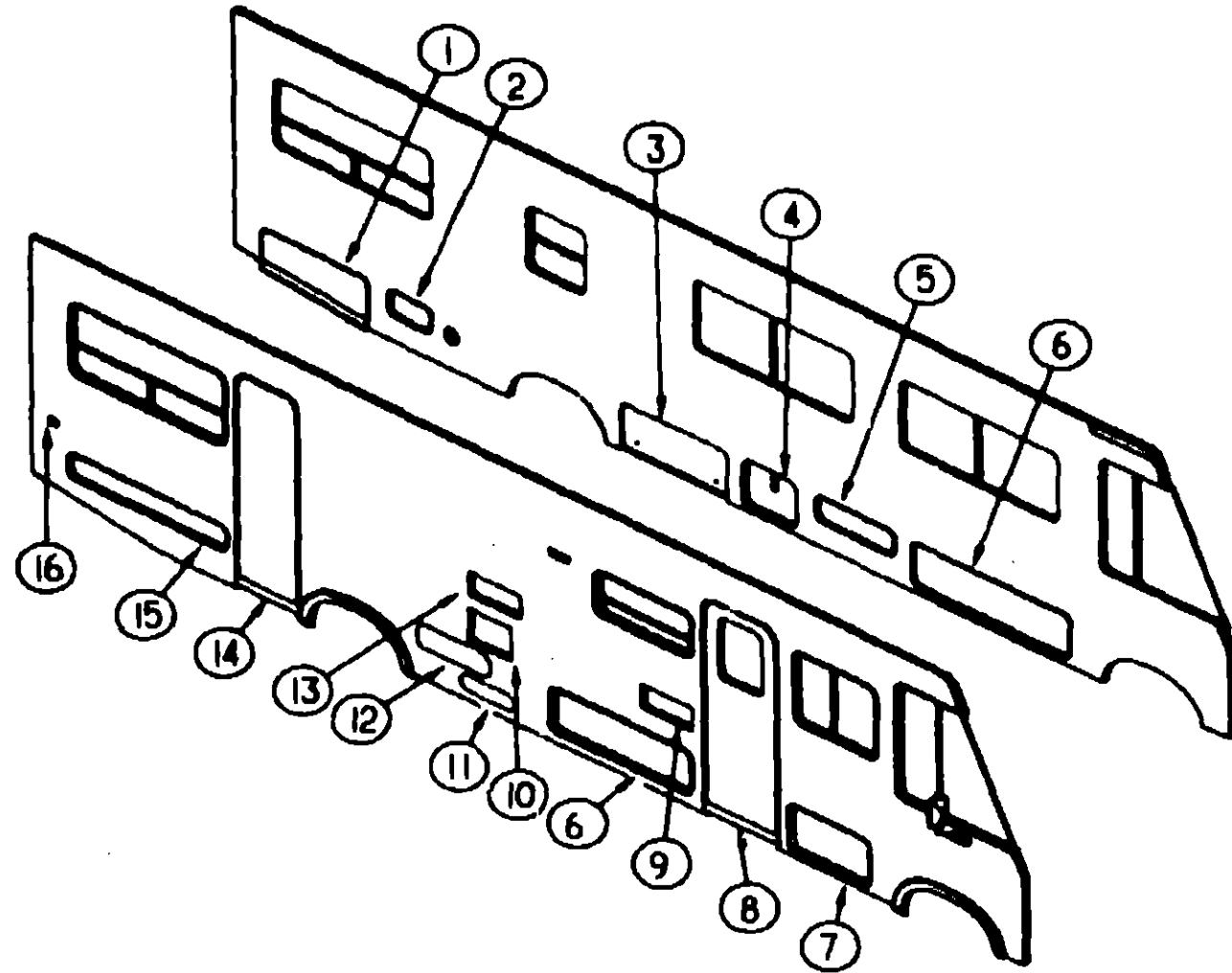
1992 ITASCA
TABLE OF CONTENTS

INTRODUCTION	A-01 - A-02
ABBREVIATIONS	A-03
ALPHABETICAL INDEX	A-04 - A-06
ICG34RQ	A-07 - E-18
IKG34RQ	E-19 - I-18

1992 ICG34RQ INDEX

FLOOR PLAN	A-07 - A-08
ACCESSORIES	A-09 - A-10
BATH	A-11 - A-13
BEDROOM	A-14 - A-16
CHASSIS	A-17 - B-02
CURTAIN & CUSHION	B-03 - B-12
DINETTE	B-13 - B-14
DRIVERS COMPARTMENT	B-15 - B-18
ELECTRICAL	B-19 - B-24
EXTERIOR BODY	C-01 - C-10
GALLEY	C-11 - C-15
GENERATOR	C-16 - C-17
HEATING & A/C	C-18 - C-20
INTERIOR FINISH	C-21 - D-02
LABELS	D-03 - D-10
LP	D-11
LOUNGE	D-12 - D-14
SEALANTS & FASTENERS	D-15 - D-17
WATER & SEWAGE	D-18 - D-21
WINDOW, VENT &	
EXTERIOR DOOR	D-22 - E-16
WINDSHIELD & WIPER	E-17 - E-18

WINDOW, VENT & EXTERIOR DOOR GROUP (CONTINUED)
EXTERIOR DOORS & HARDWARE



**1992 ITASCA
 TABLE OF CONTENTS**

INTRODUCTION	A-01 - A-02
ABBREVIATIONS	A-03
ALPHABETICAL INDEX	A-04 - A-08
ICG34RQ	A-07 - E-18
ICG4RQ	E-19 - I-18

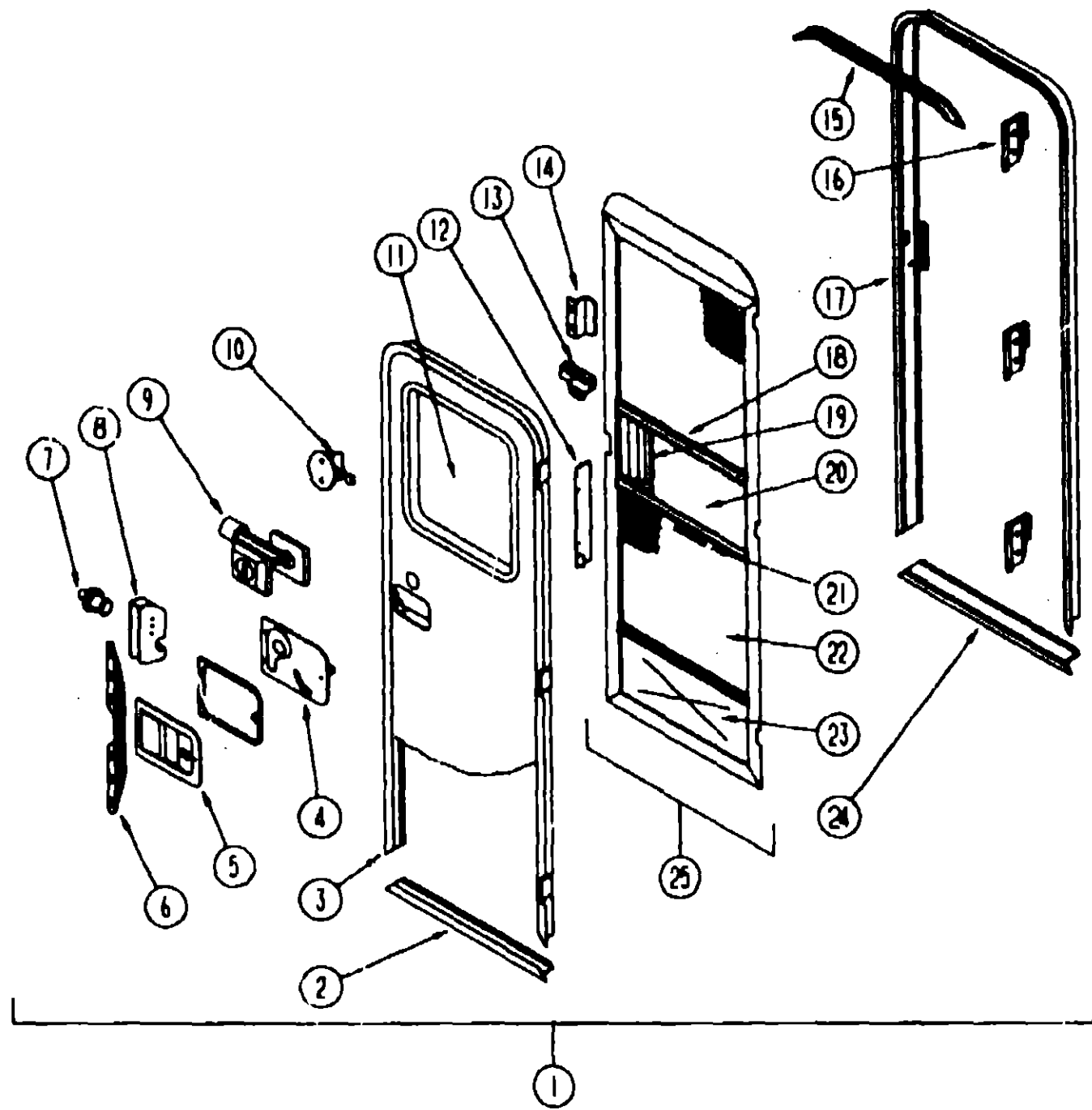
1992 ICG34RQ INDEX

FLOOR PLAN	A-07 - A-08
ACCESSORIES	A-09 - A-10
BATH	A-11 - A-13
BEDROOM	A-14 - A-16
CHASSIS	A-17 - B-02
CURTAIN & CUSHION	B-03 - B-12
DINETTE	B-13 - B-14
DRIVERS COMPARTMENT	B-15 - B-18
ELECTRICAL	B-19 - B-24
EXTERIOR BODY	C-01 - C-10
GALLEY	C-11 - C-15
GENERATOR	C-16 - C-17
HEATING & A/C	C-18 - C-20
INTERIOR FINISH	C-21 - D-02
LABELS	D-03 - D-10
LP	D-11
LOUNGE	D-12 - D-14
SEALANTS & FASTENERS	D-15 - D-17
WATER & SEWAGE	D-18 - D-21
WINDOW, VENT & EXTERIOR DOOR	D-22 - E-16
WINDSHIELD & WIPER	E-17 - E-18

KEY	PART NUMBER	U/M DESCRIPTION	
6	079578-21-C27	EA DOOR ASM - STORAGE	FROM: 09-26-91 THRU: 01-12-92
6	106987-14-C27	EA DOOR ASM - STORAGE	FROM: 01-13-92 THRU: 99-99-99
7	104558-01-C27	EA DOOR ASM - STORAGE	FROM: 00-00-00 THRU: 09-25-91
7	079578-20-C27	EA DOOR ASM - STORAGE	FROM: 09-26-91 THRU: 01-12-92
7	106987-13-C27	EA DOOR ASM - STORAGE	FROM: 01-13-92 THRU: 99-99-99
8	M01870-60-C27	EA DOOR - ENTRY - W/SCREEN DOOR	
9	105118-01-C25	EA DOOR ASM - ACCESS	
10	052009-03-000	EA DOOR - WATER HEATER - GRAY - ATWOOD 5578-27	
11	078720-02-T18	EA DOOR - COMPARTMENT - LP - 18 9" X 5 4" - ALUMINUM - GRAY	
12	104558-06-C27	EA DOOR ASM - STORAGE	FROM: 00-00-00 THRU: 09-25-91
12	079578-25-C27	EA DOOR ASM - STORAGE	FROM: 09-26-91 THRU: 01-12-92
12	106987-17-C27	EA DOOR ASM - STORAGE	FROM: 01-13-92 THRU: 99-99-99
13	084103-02-000	EA DOOR - REFRIGERATOR - VENTED - W/O JAMB - GRAY	
13	084104-02-000	EA JAMB - REFRIGERATOR - GRAY	
14	M01870-61-C27	EA DOOR - ENTRY - W/SCREEN DOOR - W/O WINDOW	
15	104558-05-C27	EA DOOR ASM - STORAGE	FROM: 00-00-00 THRU: 09-25-91
15	079578-24-C27	EA DOOR ASM - STORAGE	FROM: 09-26-91 THRU: 01-12-92
15	106987-18-C27	EA DOOR ASM - STORAGE	FROM: 01-13-92 THRU: 99-99-99
16	081240-02-000	EA DOOR - WATER FILL - LOCKABLE - 4" X 4 5/8" - GRAY	
	079366-04-000	EA LOCK - DOOR - KEY TYPE W/O KEYS - 1.9 OFF SET	
	079366-05-000	EA LOCK ASM - KEY TYPE W/O KEYS - 1.6 OFF SET	
	082684-01-700	EA KEY - COMPARTMENT DOOR LOCK	
	079927-03-000	EA LOCK - TWIST TYPE - DOUBLE CAM - 2.10 OFF SET	
	084104-01-700	EA LOCK - MALE - FASTENER - REFRIGERATOR DOOR	
	084104-01-701	EA LOCK - FEMALE - FASTENER - REFRIGERATOR DOOR	
	009126-02-000	EA HANDLE - ASSIST - ENTRY DOOR - BLACK	
	102328-01-000	EA KEY - BARREL - NICKEL PLATED	
	102768-01-000	EA HOLDER - COMPARTMENT/ENTRY DOOR - METAL - MILL FINISH	
	064075-07-000	FT SEAL - BULB - W/WIRED U CHANNEL - .3" X .5" CHANNEL - BLACK	
	034007-48-000	EA HINGE - CONTINUOUS - 1.5 X96" - ALUMINUM - GRAY	
	104099-01-02A	EA CATCH - DOOR HOLDER - STRIKE	
	104099-02-02A	EA CATCH - DOOR HOLDER - RETAINER	

KEY	PART NUMBER	U/M DESCRIPTION	
1	083284-06-C27	EA DOOR ASM - STORAGE COMPARTMENT	
2	104558-03-C27	EA DOOR ASM - STORAGE	FROM: 00-00-00 THRU: 09-25-91
2	079578-22-C27	EA DOOR ASM - STORAGE	FROM: 09-26-91 THRU: 99-99-99
3	079436-04-C27	EA DOOR ASM - LOWER	FROM: 00-00-00 THRU: 01-12-92
3	106987-10-C27	EA DOOR ASM - STORAGE	FROM: 01-13-92 THRU: 99-99-99
4	105064-01-C27	EA DOOR ASM - FURNACE - EXTERIOR	
5	104558-04-C27	EA DOOR ASM - STORAGE	FROM: 00-00-00 THRU: 09-25-91
5	079578-23-C27	EA DOOR ASM - STORAGE	FROM: 09-26-91 THRU: 01-12-92
5	106987-15-C27	EA DOOR ASM - STORAGE	FROM: 01-13-92 THRU: 99-99-99
6	104558-02-C27	EA DOOR ASM - STORAGE	FROM: 00-00-00 THRU: 09-25-91

WINDOW, VENT & EXTERIOR DOOR GROUP (CONTINUED)
ENTRANCE DOOR (FRONT)



KEY	PART NUMBER	U/M DESCRIPTION
1	M01870-60-C27	EA DOOR - ENTRY - W/SCREEN DOOR
	041546-03-000	EA BRACKET - DOOR ANGLE - 5" X 1.9" - BEIGE - METAL
	093966-02-02A	EA GARNISH - RADIUS - ENTRY DOOR - 1.3" WIDE CHANNEL - OFF WHITE
	093873-01-03A	EA TRIM - ENTRANCE DOOR - 1.3" WIDE - GRAY
2	089748-03-000	EA FRAME - BOTTOM ENTRY DOOR - GRAY
3	085276-01-03A	EA FRAME - ENTRY DOOR - W/O BOTTOM - GRAY
4	039979-04-000	EA COVER - INTERIOR LATCH - W/TRIP ARM - RIGHT - BLACK
5	045017-11-000	EA LATCH - PADDLE - MECHANISM W/LOCK CYLINDER & KEY - BLACK
	045017-11-701	EA KEY BLANK
6	098173-01-04A	EA STIFFENER - ENTRY DOOR - SUPPORTS LATCH/STRIKE AREA - MILL
7	039539-01-000	EA STRIKE - ENTRANCE DOOR LOCK
	077461-01-000	EA COVER - STRIKE - ENTRY DOOR - 6.5" X 2.56" - PLASTIC - BEIGE

KEY	PART NUMBER	U/M DESCRIPTION
8	039540-01-000	EA LATCH MECHANISM - HOOK - ENTRY DOOR - INTERIOR
	039715-01-000	EA NUT - SERT - 1/4" DIAMETER - 20 THREADS
	039984-01-000	EA CAP - ROUND - VINYL - .28" ID X .82" LONG - BLACK
	040944-01-000	EA LABEL - ENTRANCE DOOR - "OPEN"
	058806-01-000	EA PLUG - TAPERED - FOR DEADBOLT - PLASTIC - .66" DIAMETER - RED
9	101145-01-01A	EA DEADBOLT - ENTRY DOOR - BLACK
	095229-01-700	EA KEY ONLY - BLANK
	081067-01-000	EA SEAL - LOCK - FLAT W/SLIT
	101147-01-000	EA BOLT - SECURITY - 4.12" BACKSET
	039800-03-000	FT TUBING - POLYBUTYLENE - 3/8" OD
	081914-01-000	EA BUMPER - RUBBER - ROUND - BLACK
10	100412-01-000	EA CATCH - SCREEN DOOR
11	079733-04-T03	EA WINDOW - PICTURE - W/O INSIDE FRAME - 17" X 25"
	087809-32-000	EA FRAME - WINDOW - INSIDE PICTURE - 16 8" X 24 5" - OFF WHITE
	002181-08-000	EA GLASS - PICTURE WINDOW - .115" X 16.25" X 24"
	087561-01-000	FT SPLINE - GLASS - EXTERIOR - VINYL - BLACK
12	079087-02-000	EA STRIKE - SLIDER - W/LIP FOR ELBOW CATCH - 1.5" X 8 6" BEIGE
13	10940301-000	EA CATCH - SCREEN DOOR ROLLER
	058025-02-000	EA CLIP - ROLLER LATCH CATCH
	083729-04-000	EA RIVNUT - 10-32 UNF - .010-.080
	072893-01-000	EA NUTSERT - M5 X 0 - 8
	075671-01-000	FT SEAL - SPONGE - LAZY T SHAPE - 1.3" WIDE - BLACK
		FROM: 00-00-00 THRU: 08-18-91
	075671-04-000	FT SEAL - SPONGE - LAZY T SHAPE - W/ADHESIVE STRIPE - 5" WIDE
		FROM: 08-19-91 THRU: 99-99-99
	100128-01-000	FT SEAL - PILE - ADHESIVE BACK - GRAY
	075903-01-000	EA SCREW - MACH - 10-32X.56PTH
14	050712-04-000	EA HANDLE - SCREEN DOOR - OFF WHITE
15	044582-06-000	EA CAP - DRIP - ENTRY DOOR - ALUMINUM - GRAY
16	097724-01-03A	EA HINGE - ENTRY DOOR - GRAY
17	095277-04-03A	EA JAMB ASM - ENTRANCE DOOR - GRAY
	079207-01-000	EA STRIKER - ROLLER CATCH - WELDED TO DOOR JAMB - 4" X 1.15"
18	078777-01-000	EA CHANNEL - SLIDE - SCREEN DOOR CENTER SLIDER COVER
19	079086-02-000	EA SLIDER - SCREEN DOOR - OFF WHITE
	078595-01-000	EA TOP PLATE - SCREEN DOOR - CURVED TOP - 4.7" X 25.35"
20	016454-01-000	EA INSERT - SCREEN DOOR - CENTER - LEATHER GRAIN ALUMINUM
21	002294-01-000	FT SPLINE - SCREENING - .135" X .138" - BLACK
22	002293-02-000	SF SCREENING - 26" - CHARCOAL
23	078552-01-000	EA KICK PANEL - SCREEN DOOR - LOWER INSERT - UNPAINTED
24	051049-01-000	EA JAMB BOTTOM - ENTRY DOOR - 25.9" - UNPAINTED
25	079012-01-B10	EA DOOR - SCREEN
	100128-01-000	FT SEAL - SCREEN DOOR
	085774-01-000	FT FASTENER - DUAL LOCK - 1" WIDE
	085774-02-000	FT FASTENER - DUAL LOCK - 1" WIDE
	090340-01-000	FT SEAL - FOAM - CLOSED CELL - 1/4" X 1/2" X 50"
	091968-03-000	FT TAPE - ADHESIVE - .04" X 1" WIDE
	093145-01-000	EA SLEEVE - WIRE - 10" LONG - PLASTIC - BLACK
	093146-01-000	EA GROMMET - WIRE - 1.7" X 3.1" - OVAL SHAPED - PLASTIC - BLK

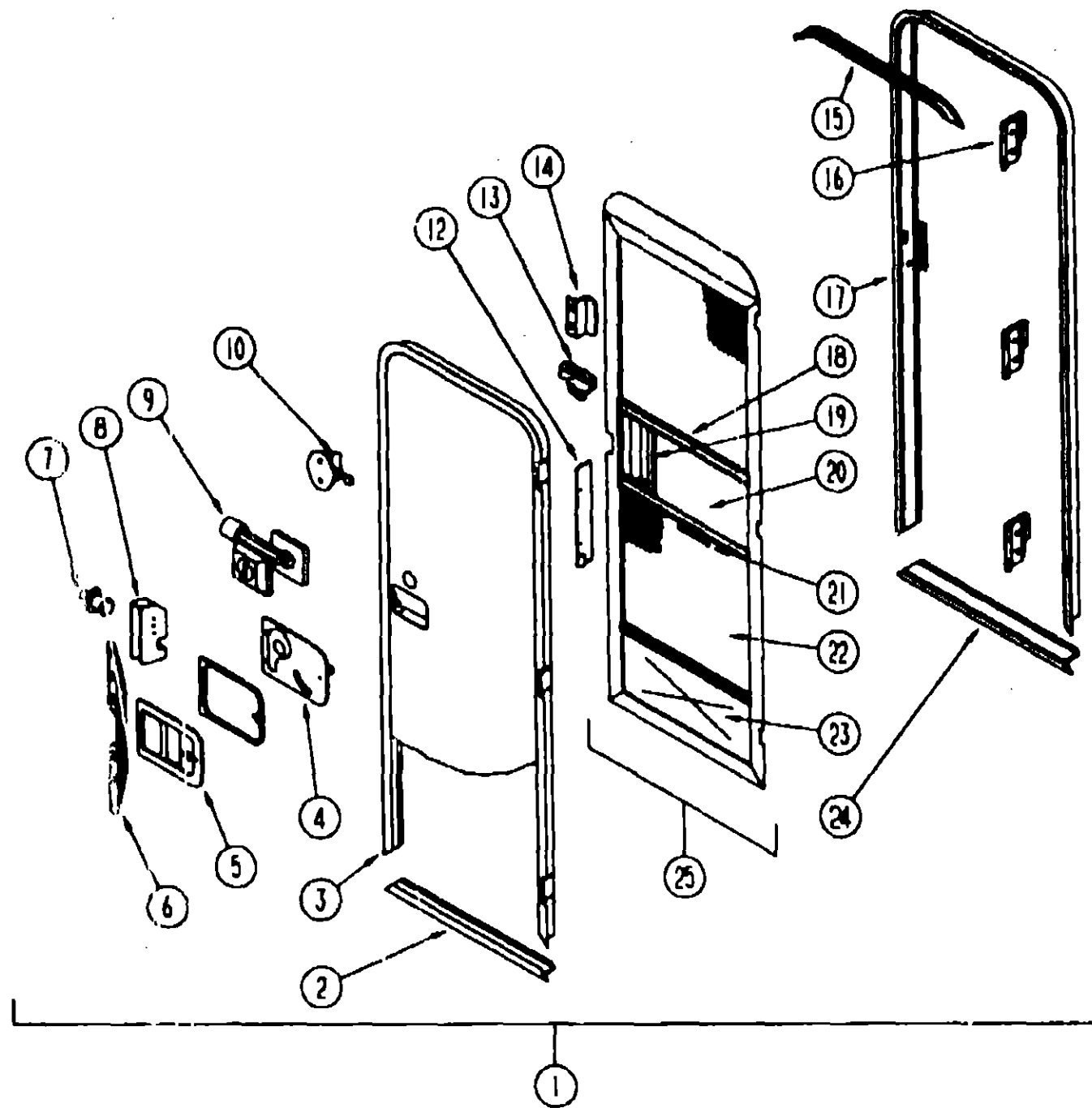
1992 ITASCA
TABLE OF CONTENTS

INTRODUCTION	A-01 - A-02
ABBREVIATIONS	A-03
ALPHABETICAL INDEX	A-04 - A-08
ICG34RQ	A-07 - E-18
IKG34RQ	E-19 - I-18

1992 ICG34RQ INDEX

FLOOR PLAN	A-07 - A-08
ACCESSORIES	A-09 - A-10
BATH	A-11 - A-13
BEDROOM	A-14 - A-16
CHASSIS	A-17 - B-02
CURTAIN & CUSHION	B-03 - B-12
DINETTE	B-13 - B-14
DRIVERS COMPARTMENT	B-15 - B-18
ELECTRICAL	B-19 - B-24
EXTERIOR BODY	C-01 - C-10
GALLEY	C-11 - C-15
GENERATOR	C-16 - C-17
HEATING & A/C	C-18 - C-20
INTERIOR FINISH	C-21 - D-02
LABELS	D-03 - D-10
LP	D-11
LOUNGE	D-12 - D-14
SEALANTS & FASTENERS	D-15 - D-17
WATER & SEWAGE	D-18 - D-21
WINDOW, VENT & EXTERIOR DOOR	D-22 - E-16
WINDSHIELD & WIPER	E-17 - E-18

WINDOW, VENT & EXTERIOR DOOR GROUP (CONTINUED)
ENTRANCE DOOR (REAR)



KEY	PART NUMBER	U/M DESCRIPTION
8	039540-01-000	EA LATCH MECHANISM - HOOK - ENTRY DOOR - INTERIOR
	039715-01-000	EA NUT - SERT - 1/4" DIAMETER - 20 THREADS
	039984-01-000	EA CAP - ROUND - VINYL - .28" ID X .82" LONG - BLACK
	040944-01-000	EA LABEL - ENTRANCE DOOR - "OPEN"
	056806-01-000	EA PLUG - TAPERED - FOR DEADBOLT - PLASTIC - .66" DIAMETER - RED
9	101145-01-01A	EA DEADBOLT - ENTRY DOOR - BLACK
	095229-01-700	EA KEY ONLY - BLANK
	081067-01-000	EA SEAL - LOCK - FLAT W/SLIT
	101147-01-000	EA BOLT - SECURITY - 4.12" EACKSET
	039800-03-000	FT TUBING - POLYBUTYLENE - 3/8" OD
	081914-01-000	EA BUMPER - RUBBER - ROUND - BLACK
10	100412-01-000	EA CATCH - SCREEN DOOR
12	079087-02-000	EA STRIKE - SLIDER - W/LIF FOR ELBOW CATCH - 1.5" X 8.8" BEIGE
13	10940301-000	EA CATCH - SCREEN DOOR ROLLER
	058025-02-000	EA CLIP - ROLLER LATCH CATCH
	083729-04-000	EA RIVNUT - 10-32 UNF - .010-080
	072893-01-000	EA NUTSERT - M5 X 0 - 8
	075671-01-000	FT SEAL - SPONGE - LAZY T SHAPE - 1.3" WIDE - BLACK
		FROM: 00-00-00 THRU: 08-18-91
	075671-04-000	FT SEAL - SPONGE - LAZY T SHAPE - W/ADHESIVE STRIPE - .5" WIDE
		FROM: 08-19-91 THRU: 99-99-99
	100128-01-000	FT SEAL - PILE - ADHESIVE BACK - GRAY
	075908-01-000	EA SCREW - MACH - 10-32X.56PTH(SEMS
14	050712-04-000	EA HANDLE - SCREEN DOOR - OFF WHITE
15	044582-30-000	EA CAP - DRIP - ENTRY DOOR - ALUMINUM - GRAY
16	097724-01-03A	EA HINGE - ENTRY DOOR - GRAY
17	095277-07-02A	EA JAMB ASM - ENTRANCE DOOR - GRAY
	079207-01-000	EA STRIKER - ROLLER CATCH - WELDED TO DOOR JAMB - 4" X 1.15"
18	078777-03-000	EA CHANNEL - SLIDE - SCREEN DOOR CENTER SLIDER COVER
19	079086-02-000	EA SLIDER - SCREEN DOOR - OFF WHITE
	078595-02-000	EA TOP PLATE - SCREEN DOOR - CURVED TOP - 4.7" X 25.35"
20	016454-01-000	EA INSERT - SCREEN DOOR - CENTER - LEATHER GRAIN ALUMINUM
21	002294-01-000	FT SPLINE - SCREENING - .135" X .138" - BLACK
22	002293-02-000	SF SCREFFING - 26" - CHARCOAL
23	078552-03-000	EA KICK PANEL - SCREEN DOOR - LOWER INSERT - UNPAINTED
24	051049-04-000	EA JAMB BOTTOM - ENTRY DOOR - 25.9" - UNPAINTED
25	079012-08-C07	EA SCREEN DOOR ASM.
	100128-01-000	FT SEAL - SCREEN DOOR
	085774-01-000	FT FASTENER - DUAL LOCK - 1" WIDE
	085774-02-000	FT FASTENER - DUAL LOCK - 1" WIDE
	090340-01-000	FT SEAL - FOAM - CLOSED CELL - 1/4" X 1/2" X 50'
	091968-03-000	FT TAPE - ADHESIVE - .04" X 1" WIDE
	093145-01-000	EA SLEEVE - WIRE - 10" LONG - PLASTIC - BLACK
	093146-01-000	EA GROMMET - WIRE - 1.7" X 3.1" - OVAL SHAPED - PLASTIC - BLACK

**1992 ITASCA
TABLE OF CONTENTS**

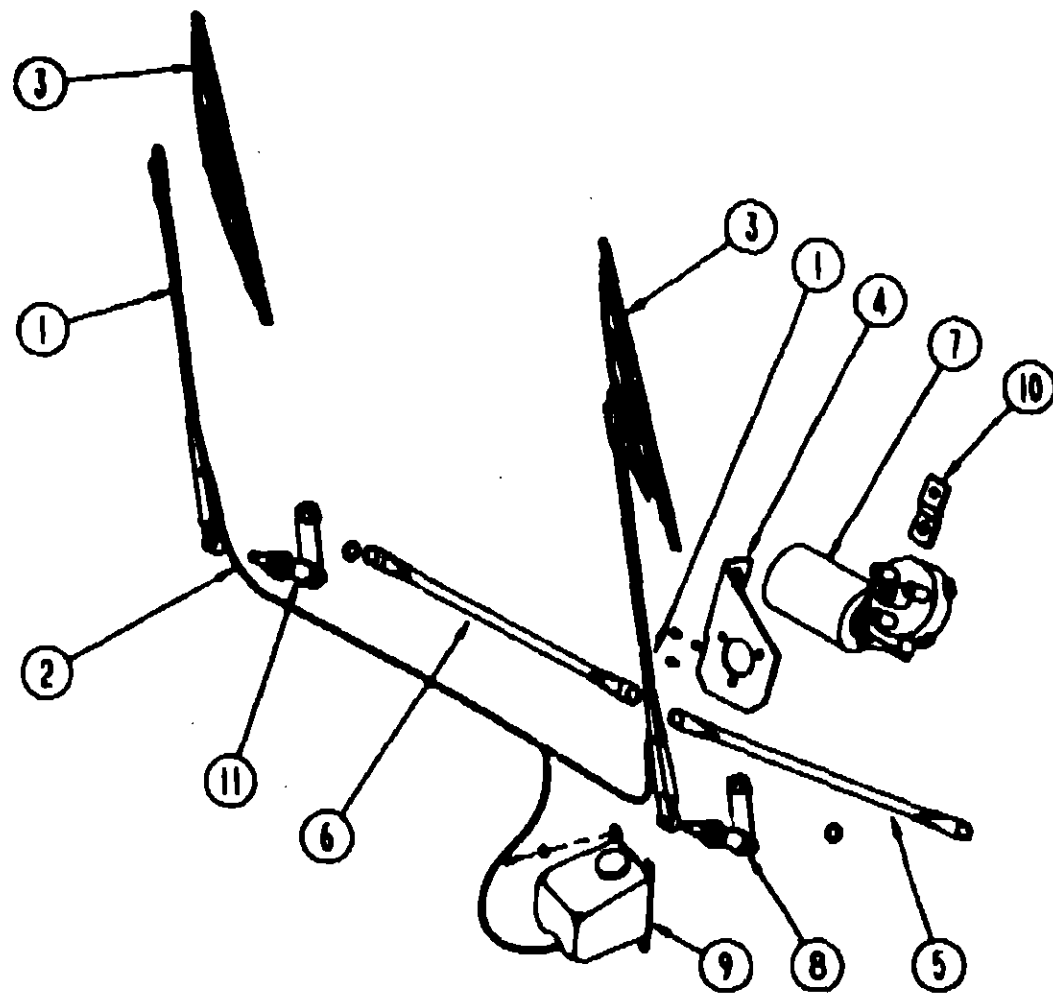
INTRODUCTION	A-01 - A-02
ABBREVIATIONS	A-03
ALPHABETICAL INDEX	A-04 - A-08
ICG34RQ	A-07 - E-18
IKG34RQ	E-19 - I-18

1992 ICG34RQ INDEX

FLOOR PLAN	A-07 - A-08
ACCESSORIES	A-09 - A-10
BATH	A-11 - A-13
BEDROOM	A-14 - A-16
CHASSIS	A-17 - B-02
CURTAIN & CUSHION	B-03 - B-12
DINETTE	B-13 - B-14
DRIVERS COMPARTMENT	B-15 - B-18
ELECTRICAL	B-19 - B-24
EXTERIOR BODY	C-01 - C-10
GALLEY	C-11 - C-15
GENERATOR	C-16 - C-17
HEATING & A/C	C-18 - C-20
INTERIOR FINISH	C-21 - D-02
LABELS	D-03 - D-10
LP	D-11
LOUNGE	D-12 - D-14
SEALANTS & FASTENERS	D-15 - D-17
WATER & SEWAGE	D-18 - D-21
WINDOW, VENT & EXTERIOR DOOR	D-22 - E-16
WINDSHIELD & WIPER	E-17 - E-18

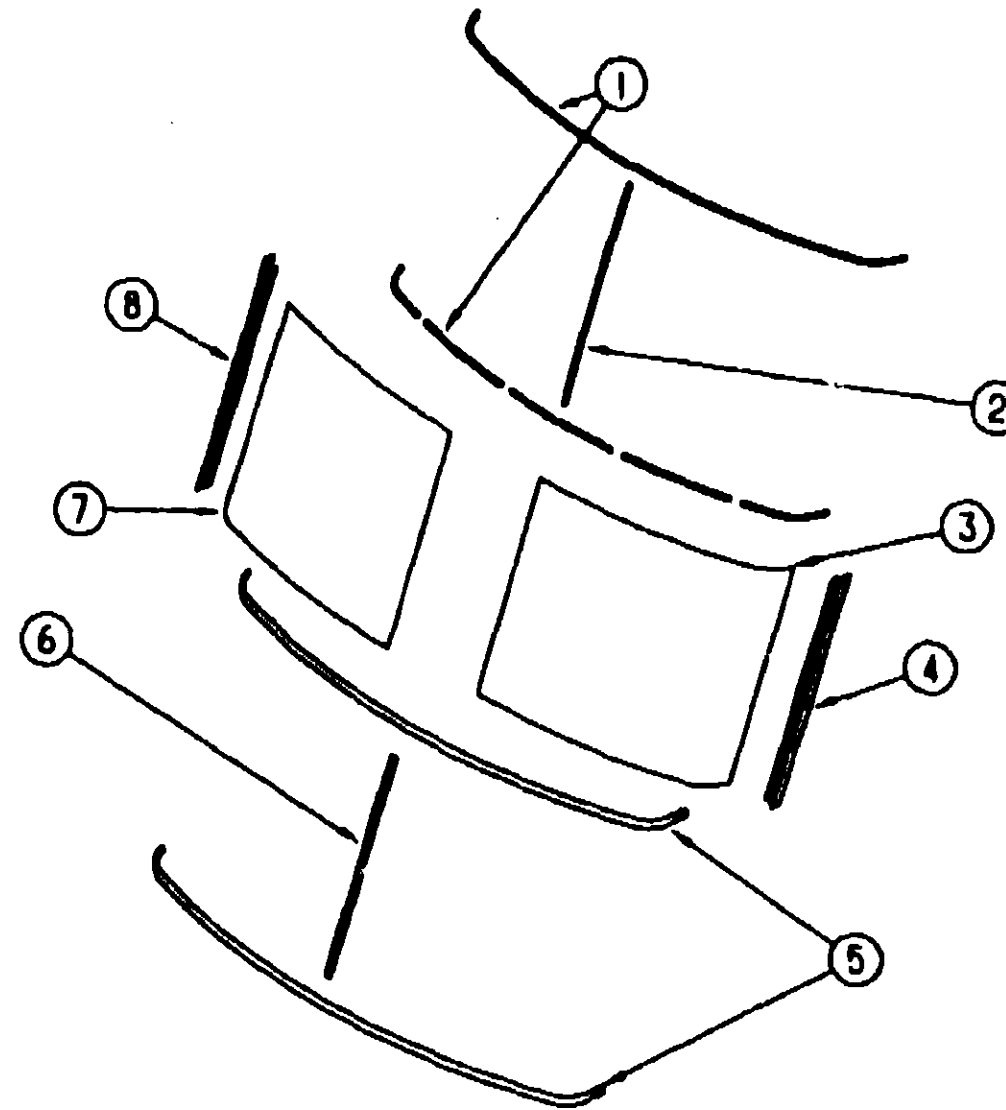
KEY	PART NUMBER	U/M DESCRIPTION
1	M01870-61-C27	EA DOOR - ENTRY - W/SCREEN DOOR - W/O WINDOW
	041546-03-000	EA BRACKET - DOOR ANGLE - 5" X 1.9" - BEIGE - METAL
	093966-02-02A	EA GARNISH - RADIUS - ENTRY DOOR - 1.3" WIDE CHANNEL - OFF WHITE
	093673-01-03A	EA TRIM - ENTRANCE DOOR - 1.3" WIDE - GRAY
2	089748-06-000	EA FRAME - BOTTOM ENTRY DOOR - GRAY
3	095276-06-02A	EA FRAME - ENTRY DOOR - W/O BOTTOM - GRAY
4	039979-04-000	EA COVER - INTERIOR LATCH - W/TRIP ARM - RIGHT - BLACK
5	045017-11-000	EA LATCH - PADDLE - MECHANISM W/LOCK CYLINDER & KEY - BLACK
	045017-11-701	EA KEY BLANK
6	098173-01-04A	EA STIFFENER - ENTRY DOOR - SUPPORTS LATCH/STRIKE AREA - MILL
7	039539-01-000	EA STRIKE - ENTRANCE DOOR LOCK
	077481-01-000	EA COVER - STRIKE - ENTRY DOOR - 6.5" X 2.56" - PLASTIC - BEIGE

WINDSHIELD & WIPER GROUP



WINDSHIELD WIPER ASM

WINDSHIELD & WIPER GROUP (CONTINUED) WINDSHIELD MOLDINGS & GLASS



1992 ITASCA TABLE OF CONTENTS

INTRODUCTION	A-01 - A-02
ABBREVIATIONS	A-03
ALPHABETICAL INDEX	A-04 - A-08
ICG34RQ	A-07 - E-18
IKG34RQ	E-19 - I-18

1992 ICG34RQ INDEX

FLOOR PLAN	A-07 - A-08
ACCESSORIES	A-09 - A-10
BATH	A-11 - A-13
BEDROOM	A-14 - A-16
CHASSIS	A-17 - B-02
CURTAIN & CUSHION	B-03 - B-12
DINETTE	B-13 - B-14
DRIVERS COMPARTMENT	B-15 - B-18
ELECTRICAL	B-19 - B-24
EXTERIOR BODY	C-01 - C-10
GALLEY	C-11 - C-15
GENERATOR	C-16 - C-17
HEATING & A/C	C-18 - C-20
INTERIOR FINISH	C-21 - D-02
LABELS	D-03 - D-10
LP	D-11
LOUNGE	D-12 - D-14
SEALANTS & FASTENERS	D-15 - D-17
WATER & SEWAGE	D-18 - D-21
WINDOW, VENT & EXTERIOR DOOR	D-22 - E-18
WINDSHIELD & WIPER	E-17 - E-18

KEY	PART NUMBER	U/M DESCRIPTION
1	103671-01-000	EA ARM - WIPER - 24"
2	096931-01-700	EA HOSE
3	095964-01-000	EA BLADE - WIPER - WINDSHIELD - 24"
4	104549-01-000	EA BRACKET ASM - WIPER MOTOR
5	103672-01-000	EA LINK ASM - CONNECTING - 21.85" - DRIVER SIDE
6	103672-02-000	EA LINK ASM - CONNECTING - 21.85" - PASSENGER SIDE
7	104355-01-000	EA WIPER MOTOR - W/1.5" DRIVE ARM
7	104355-01-000	EA MOTOR - WIPER - W/1.5" DRIVE ARM
7	104355-04-000	EA MOTOR - WIPER - W/DRIVE ASM
		FROM: 00-00-00 THRU: 09-08-91
		FROM: 09-09-91 THRU: 99-99-99
8	096505-03-000	EA PIVOT & SHAFT ASM - WIPER - DRIVER SIDE
9	056000-02-000	EA WASHER - WINDSHIELD - BOTTLE & PUMP
10	104347-01-000	EA ARM - DRIVE - WIPER MOTOR - 1.54"
11	096505-02-000	EA PIVOT & SHAFT ASM - WIPER - PASSENGER SIDE
	067188-01-000	EA STUD - WIPER CRANK
	091206-02-000	EA CONTROL - WIPER - DASH - DANA

KEY	PART NUMBER	U/M DESCRIPTION
1	102935-01-000	EA CARRIER - REVEAL - WINDSHIELD
2	102935-03-000	EA CARRIER - REVEAL - WINDSHIELD
3	103788-02-000	EA GLASS - WINDSHIELD - DRIVER SIDE
4	103107-04-01A	EA TRIM - WINDSHIELD - SIDE - BLACK
5	102936-01-000	FT MOLDING - REVEAL - WINDSHIELD
6	103523-01-000	FT MOLDING - REVEAL - WINDSHIELD - CENTER
6	102936-01-000	FT MOLDING - REVEAL - WINDSHIELD - CENTER
		FROM: 00-00-00 THRU: 11-10-91
		FROM: 11-11-91 THRU: 99-99-99
7	103788-01-000	EA GLASS - WINDSHIELD - PASSENGER SIDE
8	103107-03-01A	EA TRIM - WINDSHIELD - SIDE - BLACK
	098788-03-000	EA CHANNEL - RIGID
	075710-01-000	EA FRAME - WINDSHIELD - CENTER DIVIDER - INNER
	077922-02-000	EA HEADER - WINDSHIELD
		FROM: 00-00-00 THRU: 01-19-92
	077922-03-000	EA HEADER WINDSHIELD END - PASSENGER
		FROM: 01-20-92 THRU: 99-99-99
	077922-04-000	EA HEADER WINDSHIELD END - DRIVER SIDE
		FROM: 01-20-92 THRU: 99-99-99
	077922-05-000	EA HEADER WINDSHIELD - CENTER
	078579-09-000	EA TRIM - WINDSHIELD - UPPER INNER - PASSENGER SIDE - LIGHT GRAY
	078579-10-000	EA TRIM - WINDSHIELD - UPPER INNER - DRIVER SIDE - LIGHT GRAY
	079765-10-000	EA TRIM - WINDSHIELD - CENTER - LIGHT GRAY
	077952-02-000	EA CAP - REVEAL MOLDING - CENTER TOP AND BOTTOM WINDSHIELD
		FROM: 00-00-00 THRU: 11-10-91
	077847-02-000	EA SUPPORT - WINDSHIELD - LOWER - W/O BRACKETS