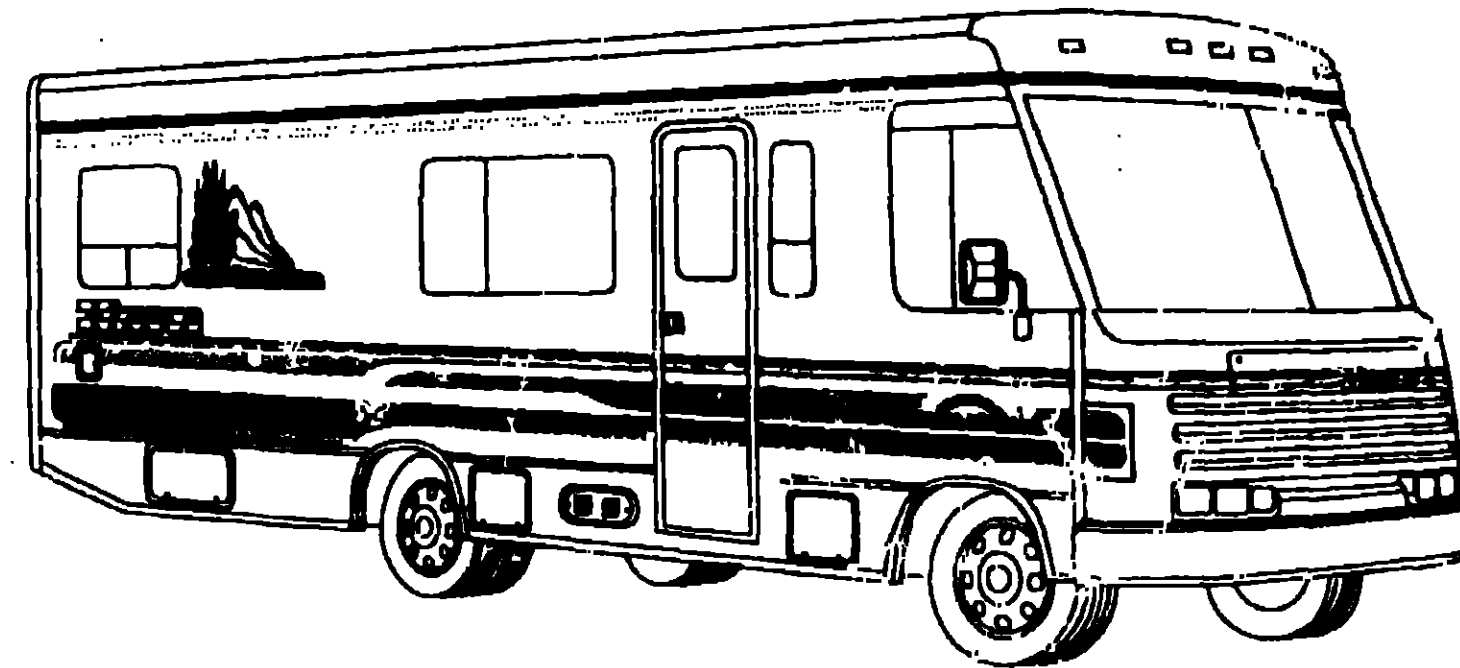
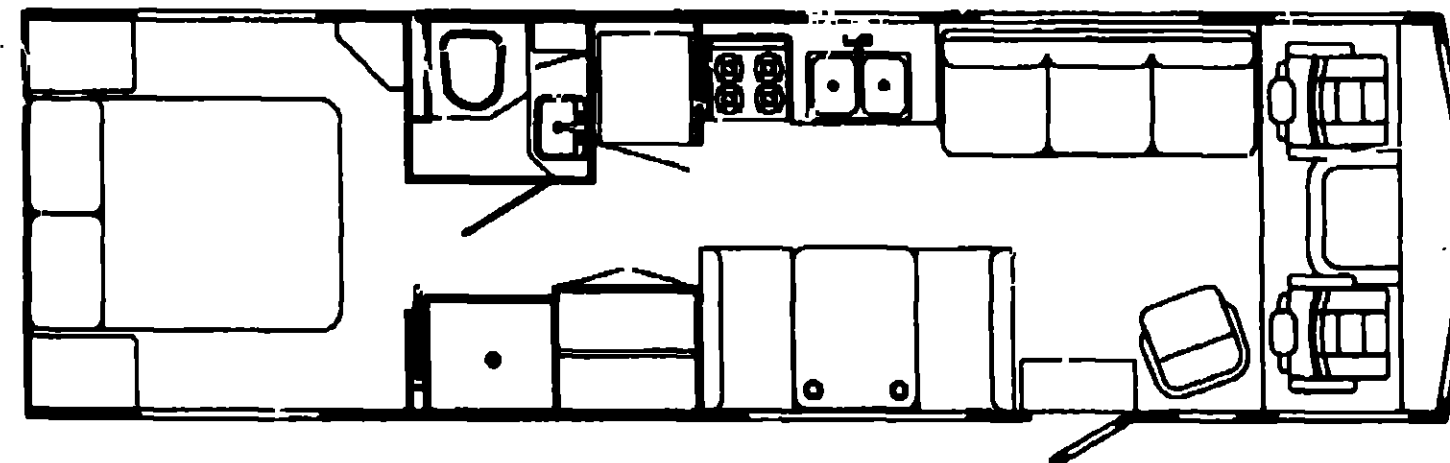
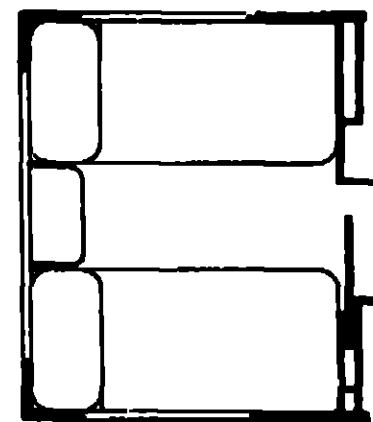


1992 ICF31RQ C25 C26



1992 ITASCA TABLE OF CONTENTS

| | | |
|--------------------|------|------|
| INTRODUCTION | A-01 | A-02 |
| ABBREVIATIONS | | A-03 |
| ALPHABETICAL INDEX | A-04 | A-06 |
| ICF23RC | A-07 | E-14 |
| ICF31RQ | E-15 | J-08 |



1992 ICF31RQ INDEX

| | | |
|-----------------------------------|------|------|
| FLOOR PLAN | E-15 | E-16 |
| ACCESSORIES | | E-17 |
| AUDIO/VIDEO | E-18 | E-20 |
| BATH | E-21 | E-23 |
| BEDROOM | E-24 | F-02 |
| CHASSIS | F-03 | F-13 |
| CURTAIN & CUSHION | F-14 | F-24 |
| DINETTE | G-01 | G-02 |
| DRIVERS COMPARTMENT | G-03 | G-08 |
| ELECTRICAL | G-09 | G-16 |
| EXTERIOR BODY | G-17 | G-24 |
| GALLEY | H-01 | H-05 |
| GENERATOR | H-06 | H-07 |
| HEATING & A/C | H-08 | H-12 |
| INTERIOR FINISH | H-13 | H-15 |
| LABEL | H-17 | I-01 |
| LP | | I-02 |
| LOUNGE | I-03 | I-04 |
| SEALANTS & FASTENERS | I-05 | I-08 |
| WATER & SEWAGE | I-09 | I-14 |
| WINDOW, VENT AND EXTERIOR DOOR | I-15 | J-06 |
| WINDSHIELDWIPER | J-07 | J-08 |

**ACCESSORIES GROUP
OPERATOR MANUAL**

| KEY | PART NUMBER | U/M DESCRIPTION |
|-----|---------------|---|
| | 054186-E8-000 | EA MANUAL, OPERATOR 92 SUNRISE - F-SERIES |
| | 092318-01-000 | EA BINDER, 3 RING, MOTOR HOME MANUAL |
| | 092319-01-000 | EA POCKET PAGE, 3 RING BINDER, PLASTIC |
| | 106960-01-000 | DW TOP LEVEL DRAWING, F. 1992 |

**AUDIO/VIDEO GROUP
PATIO ENTERTAINMENT CENTER**

| KEY | PART NUMBER | U/M DESCRIPTION |
|-----|---------------|---|
| | 090862-01-000 | EA BRACKET-HAT, ANTENNA - 3.1" X 3.9" - STEEL - BLACK |
| | 073741-03-000 | EA SPEAKER-RADIO, OVAL - AUDIOVOX 110-2074 - 4" X 6" |
| | 073741-04-000 | EA GRILLE-SPEAKER, OVAL - 4" X 6" - BLACK |
| | 077069-02-000 | EA CABLE-ANTENNA, RADIO - EXTENSION 96" - ARA 6700667 |
| | 097621-02-000 | EA MOUNTING KIT-RADIO, AUDIOVOX WMK-AB02 |
| | 081059-02-000 | EA WIRE ASM-9-PIN, RADIO - AUDIOVOX 112B-1761 |
| | 104089-01-000 | EA RADIO-AM/FM STEREO, CASSETTE - AUDIOVOX IM-DXF |
| | 104899-01-C05 | EA PLATE-RADIO MOUNTING |
| | 105230-11-C05 | EA SHELF ASM |
| | 105230-12-C52 | EA SUPPORT ASM |
| | 105376-01-02A | EA HINGE-CONTIN, 2"X140MM - OFF WHITE |
| | 105377-01-01A | EA BRACKET-TABLE HANGER - OFF WHITE |

RADIO SYSTEM & ANTENNA

| KEY | PART NUMBER | U/M DESCRIPTION |
|-----|---------------|--|
| | 087683-01-000 | EA RADIO-AM/FM STEREO W/CASSETTE - AUDIOVOX 144D1559 |
| | 093214-01-02A | EA GRILLE-SPEAKER, 4" BROWN |
| | 077069-02-000 | EA CABLE-ANTENNA, RADIO - EXTENSION 96" - ARA 6700667 |
| | 090944-01-000 | EA ANTENNA-RADIO, 16" RUBBER |
| | 089340-02-000 | EA GRILLE-SPEAKER, 6.5" SQUARE |
| | 089340-03-000 | EA GRILLE-SPEAKER, SPACER TAN - MAGNADYNE G514 |
| | 094097-01-000 | EA SPEAKER-RADIO, W/O GRILLE - 5.25" DIA - AUDIOVOX 110C3030 |

**1992 ITASCA
TABLE OF CONTENTS**

| | | |
|--------------------|------|------|
| INTRODUCTION | A-01 | A-02 |
| ABBREVIATIONS | | A-03 |
| ALPHABETICAL INDEX | A-04 | A-06 |
| ICF23RC | A-07 | E-14 |
| ICF31RQ | E-15 | J-08 |

1992 ICF31RQ INDEX

| | | |
|----------------------|------|------|
| FLOOR PLAN | E-15 | E-16 |
| ACCESSORIES | | E-17 |
| AUDIO/VIDEO | E-18 | E-20 |
| BATH | E-21 | E-23 |
| BEDROOM | E-24 | F-02 |
| CHASSIS | F-03 | F-13 |
| CURTAIN & CUSHION | F-14 | F-24 |
| DINETTE | G-01 | G-02 |
| DRIVERS COMPARTMENT | G-03 | G-08 |
| ELECTRICAL | G-09 | G-16 |
| EXTERIOR BODY | G-17 | G-24 |
| GALLEY | H-01 | H-05 |
| GENERATOR | H-06 | H-07 |
| HEATING & AC | H-08 | H-12 |
| INTERIOR FINISH | H-13 | H-15 |
| LABEL | H-17 | I-01 |
| LP | | I-02 |
| LOUNGE | I-03 | I-04 |
| SEALANTS & FASTENERS | I-05 | I-08 |
| WATER & SEWAGE | I-09 | I-14 |
| WINDOW, VENT AND | | |
| EXTERIOR DOOR | I-15 | J-06 |
| WINDSHIELD/WIPER | J-07 | J-08 |

AUDIOVIDEO GROUP (CONTINUED)
TV ANTENNA

| KEY | PART NUMBER | U/M DESCRIPTION |
|-----|---------------|---|
| | 076319-12-000 | EA CONNECTOR-COAXIAL, ONE PIECE |
| | 082134-01-000 | EA ADAPTER-TV, CABLE TO CABLE - W/WINEGARD F-81M |
| | 086756-01-000 | EA SPLITTER-TV, 2 WAY |
| | 076319-03-000 | FT CABLE-COAXIAL, 75 OHM |
| | 076319-01-000 | EA ANTENNA-TV, ROOF MOUNT - 44 5" MAST - RVA W02 |
| | 076319-01-700 | EA HEAD-ANTENNA, AMPLIFIED - WINEGARD# RVSA U/V |
| | 076319-01-701 | EA GEAR-ELEVATING, PLASTIC - WINEGARD# 2200046 |
| | 076319-01-702 | EA SHAFT ASM-ELEVATING, WINEGARD# RVP-400A |
| | 076319-01-703 | EA BEARING-NYLON, 5"OD - WINEGARD# J2U0656 |
| | 076319-01-705 | EA GROMMET-NYLON, 7/8"ID - WINEGARD# 3200658 |
| | 076319-01-706 | EA CRANK-ELEVATING, W/SET SCREW - WINEGARD# 5755100 |
| | 076319-01-707 | EA SPRING-HANDLE, WINEGARD# 5160800 |
| | 076319-01-709 | EA PLATE-DIRECTIONAL, FOR HEAD - WINEGARD #3200644 |
| | 076319-06-000 | EA ADAPTOR-CABLE ROOF PLATE, WINEGARD RPJ-1 |
| | 076319-09-000 | EA WALLPLATE-CABLE RECEPTACLE, TV - SINGLE - BROWN |
| | 076319-08-000 | EA WALLPLATE-CABLE RECEPTACLE, TV - SINGLE - IVORY |
| | 086777-01-000 | EA WALLPLATE-TV CABLE, W/ANTENNA SWITCH - IVORY |
| | 086777-03-000 | EA PLATE-WALL CABLE - W/TV ANTENNA SWITCH & BOOSTER - IVORY |

TV & VCR

| KEY | PART NUMBER | U/M DESCRIPTION |
|-----|---------------|---|
| | 098447-03-000 | EA TV-13", COLOR W/REMOTE - U S - MAGNAVOX RR1337 |
| | 098447-03-700 | EA REMOTE |
| | 098447-04-000 | EA TV-13", COLOR W/REMOTE - CANADIAN - MAGNAVOX RR1330W |
| | 098447-03-700 | EA REMOTE |
| | 098819-01-000 | EA SPEAKER-2 WATT, 8 OHM - 4" |
| | 098446-03-000 | EA VCR-VHS CABLE READY-REMOTE - MAGNAVOX VR9010 |
| | 098446-03-700 | EA REMOTE F/MODEL #9010 |
| | 098819-01-000 | EA SPEAKER-2 WATT, 8 OHM - 4" |
| | 093214-01-02A | EA GRILLE-SPEAKER, 4" BROWN |

AUDIOVIDEO GROUP (CONTINUED)
REAR TV, CON. ROL CENTER & CB ANTENNA

| KEY | PART NUMBER | U/M DESCRIPTION |
|-----|---------------|--|
| | 092310-02-000 | EA TV-COLOR, 9" - AC/DC - W/REMOTE - MAGNAVOX RD0945 |
| | 092310-02-700 | EA REMOTE FOR TV, RD0945 |
| | 088757-03-000 | EA CONTRCL CENTER-SWITCH, VCR/TV - MAGNADYNE VCS-6 |
| | 105248-01-000 | EA ANTENNA-CB, ADVANCE B604 |

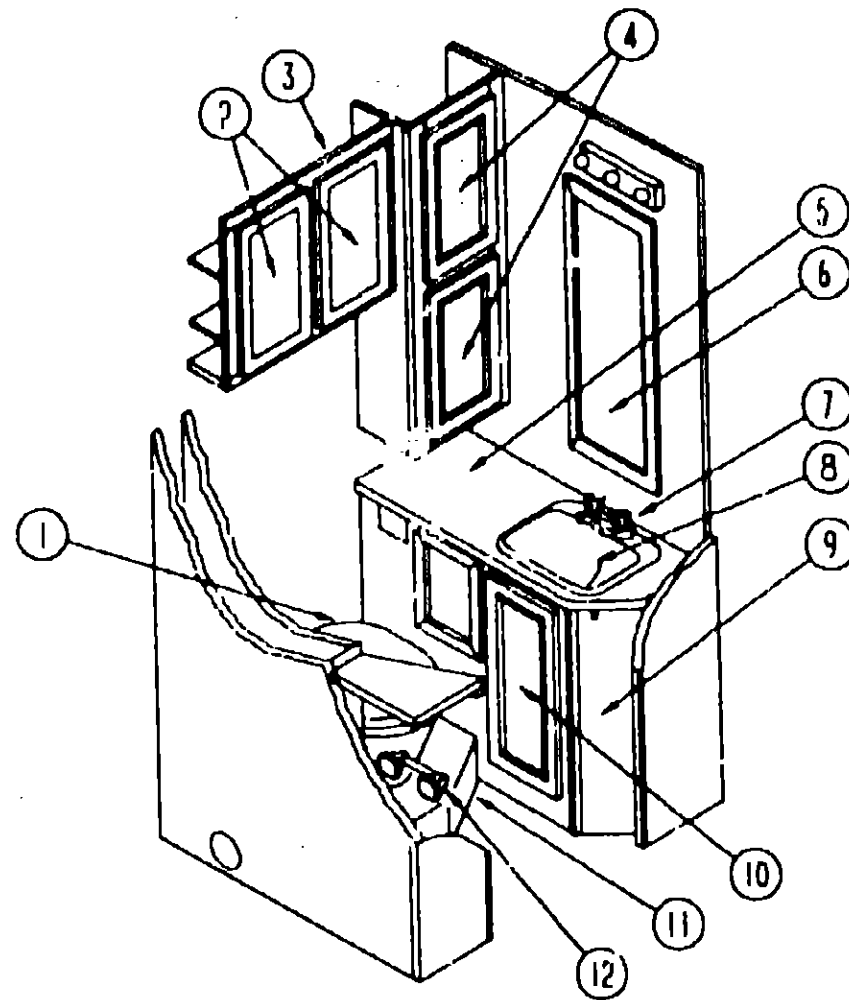
1992 ITASCA
TABLE OF CONTENTS

| | | |
|--------------------|------|------|
| INTRODUCTION | A-01 | A-02 |
| ABBREVIATIONS | | A-03 |
| ALPHABETICAL INDEX | A-04 | A-06 |
| ICF23RC | A-07 | E-14 |
| ICF31RQ | E-15 | J-08 |

1992 ICF31RQ INDEX

| | | |
|----------------------|------|------|
| FLOOR PLAN | E-15 | E-16 |
| ACCESSORIES | | E-17 |
| AUDIO/VIDEO | E-18 | E-20 |
| BATH | E-21 | E-23 |
| BEDROOM | E-24 | F-02 |
| CHASSIS | F-03 | F-13 |
| CURTAIN & CUSHION | F-14 | F-24 |
| DINETTE | G-01 | G-02 |
| DRIVERS COMPARTMENT | G-03 | G-08 |
| ELECTRICAL | G-09 | G-16 |
| EXTERIOR BODY | G-17 | G-24 |
| GALLEY | H-01 | H-05 |
| GENERATOR | H-06 | H-07 |
| HEATING & A/C | H-08 | H-12 |
| INTERIOR FINISH | H-13 | H-16 |
| LABEL | H-17 | I-01 |
| LP | | I-02 |
| LOUNGE | I-03 | I-04 |
| SEALANTS & FASTENERS | I-05 | I-08 |
| WATER & SEWAGE | I-09 | I-14 |
| WINDOW, TENT AND | | |
| EXTERIOR DOOR | I-15 | J-06 |
| WINDSHIELD/WIPER | J-07 | J-08 |

BATH GROUP
BATHROOM CABINET & COMPONENTS



| KEY | PART NUMBER | U/M DESCRIPTION |
|-----|---------------|---|
| 1 | 087487-02-030 | EA TOILET-12 3/4" IVORY - FOOT FLUSH - THETFORD |
| | 063740-01-700 | EA LEVER-WATER, THETFORD 12514 |
| | 063740-01-706 | EA BOLT PACKAGE-CLOSET, THETFORD 12524 |
| | 063740-01-710 | EA LINK, THETFORD 12513 |
| | 063740-01-713 | EA SEAL-BALL VALVE TO BOWL, THETFORD 12502 |
| | 063740-01-714 | EA VALVE ASM-WATER, THETFORD 12492 |
| | 063740-01-717 | EA TUBE-FLUSH, TOILET - THETFORD 12509 |
| | 024676-02-000 | EA FLANGE-CLOSET, TOILET - 4" X 3" - ABS - CANADIAN |
| | 024576-01-000 | EA FLANGE-CLOSET, TOILET - 4" X 3" - RED |
| | | FROM 00-00-00 THRU 01-13-92 |
| | 063641-01-000 | EA FLANGE-CLOSET, TOILET - 4" X 3" - RED |
| | | FROM 01-14-92 THRU 99-99-99 |
| 2 | P04746-14-C25 | EA DOOR W/O HARDWARE - 285X500 |
| 3 | P03771-01-C05 | EA CABINET ASM-LINEN |
| 4 | P04746-08-C25 | EA DOOR W/O HARDWARE - 285X500 |
| 5 | 106300-11-C25 | EA COUNTERTOP ASM |
| 6 | 058331-51-000 | EA MIRROR-GLASS, SAFETY - 660X1016MM |
| 7 | 075240-06-000 | EA FAUCET-LAVATORY, BONE |
| | 091253-01-000 | EA GASKET-FAUCET, LAVATORY/GALLEY |
| 8 | 096927-01-01A | EA SINK-LAVATORY, RECTANGULAR - PLASTIC - BONE |
| | 096927-01-000 | EA SINK-STOPPER |
| | 096927-01-701 | EA TAILPIECE-SINK |
| 9 | P06300-01-C25 | EA CABINET ASM-LAVATORY |
| 10 | P04746-54-C25 | EA DOOR W/O HARDWARE - 285X500 |
| 11 | 106301-01-C25 | EA CABINET ASM-STOOL PLATFORM |
| 11 | 106301-01-C26 | EA CABINET ASM-STOOL PLATFORM |
| 12 | 075452-02-000 | EA HOLDER-TOILET TISSUE, BRASS |
| | 075453-02-000 | EA BAR-TOWEL, 18" BRASS |
| | 100357-01-000 | EA ROD-TOWEL, BRASS W/ENDS BENT FOR BACK OF BATH DOOR |
| | 102089-13-B07 | EA WOOD RAIL - TOWEL RACK - RIGHT SIDE - 26" LONG |
| | 102089-14-B07 | EA WOOD RAIL - TOWEL RACK - LEFT SIDE - 26" LONG |
| | M87068-10-C05 | EA DOOR-CABINET BATH |
| | 094485-01-01A | EA KNOB-DOOR, POLISHED BRASS |
| | 102920-01-01A | EA HINGE-DOOR, SPRING LOADED - BRASS |
| | 064467-01-000 | EA GUIDE-POCKET, SLIDING DOOR - WALL MOUNTED |
| | 104013-02-C05 | EA DOOR ASM-SLIDING |
| | 103874-01-000 | EA HANGER-SLIDING DOOR |

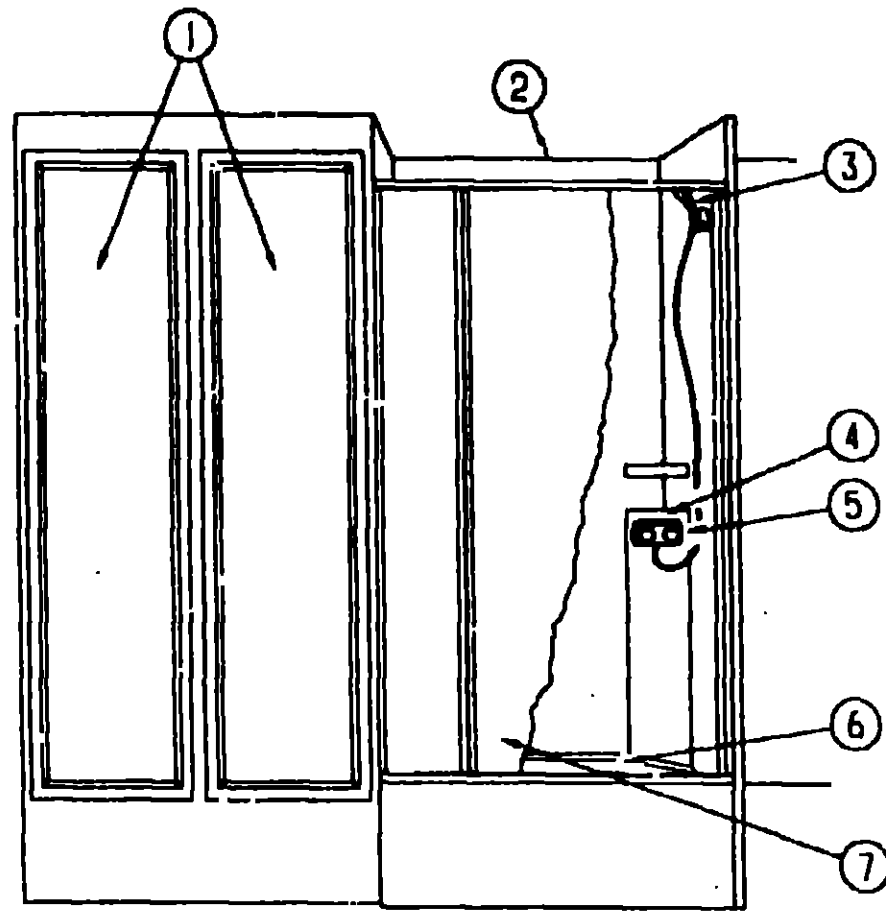
1992 ITASCA
TABLE OF CONTENT'S

| | | |
|--------------------|------|------|
| INTRODUCTION | A-01 | A-02 |
| ABBREVIATIONS | | A-03 |
| ALPHABETICAL INDEX | A-04 | A-06 |
| ICF23RC | A-07 | E-14 |
| ICF31RQ | E-15 | J-08 |

1992 ICF31RQ INDEX

| | | |
|----------------------|------|------|
| FLOOR PLAN | E-15 | E-16 |
| ACCESSORIES | | E-17 |
| AUDIO/VIDEO | E-18 | E-20 |
| BATH | E-21 | E-23 |
| BEDROOM | E-24 | F-02 |
| CHASSIS | F-03 | F-13 |
| CURTAIN & CUSHION | F-14 | F-24 |
| DINETTE | G-01 | G-02 |
| DRIVERS COMPARTMENT | G-03 | G-03 |
| ELECTRICAL | G-09 | G-16 |
| EXTERIOR BODY | G-17 | G-24 |
| GALLEY | H-01 | H-05 |
| GENERATOR | H-06 | H-07 |
| HEATING & A/C | H-08 | H-12 |
| INTERIOR FINISH | H-13 | H-16 |
| LABEL | H-17 | I-01 |
| LP | | I-02 |
| LOUNGE | I-03 | I-04 |
| SEALANTS & FASTENERS | I-05 | I-08 |
| WATER & SEWAGE | I-09 | I-14 |
| WINDOW, VENT AND | | |
| EXTERIOR DOOR | I-15 | J-06 |
| WINDSHIELD/WIPER | J-07 | J-08 |

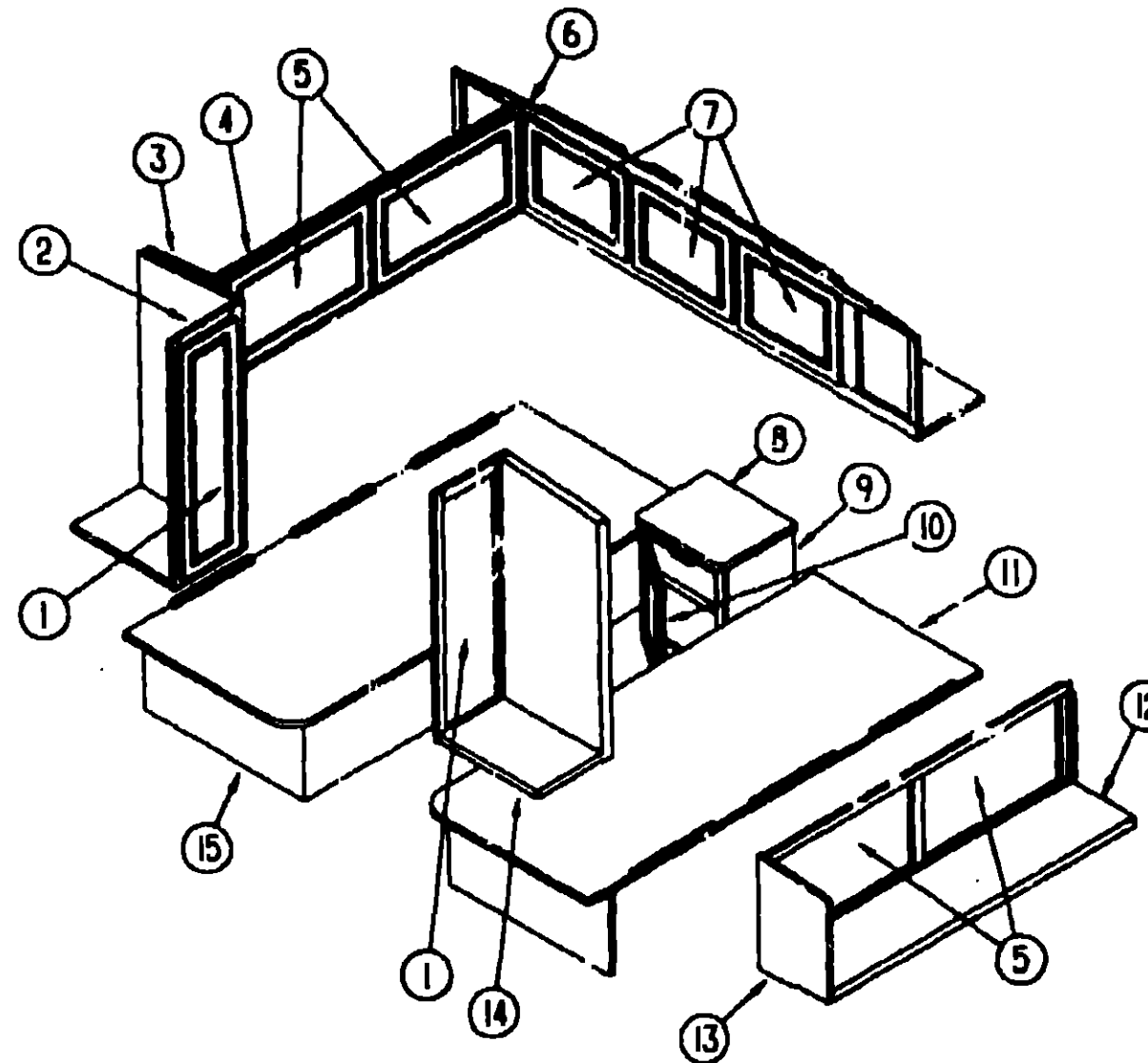
BATH GROUP (CONTINUED)



WARDROBE CABINET, SHOWER & COMPONENTS

| KEY | PART NUMBER | U/M DESCRIPTION |
|-----|---------------|--|
| 1 | P04746-49-C25 | EA DOOR ASM-W/O HARDWARE - 410X1660 |
| 2 | 101805-01-01A | EA SURROUND-SHOWER, OFF WHITE |
| 3 | 103092-02-000 | EA SHOWER HEAD-W/HOSE, CANADIAN |
| 3 | 103092-01-000 | EA SHOWER HEAD-W/60" HOSE, US |
| 3 | 103092-01-700 | EA BRACKET ONLY-CLEAR FOR SHOWER |
| 4 | 075606-01-000 | EA PANEL-FAUCET BACK, SHOWER - 5" X 9" - PLASTIC |
| 5 | 075241-05-000 | EA FAUCET-SHOWER, BONE |
| 6 | M02429-07-000 | EA PAN-SHOWER |
| 6 | 066436-01-000 | EA NUT-SLIP, TAILPIECE - 1 5" |
| 6 | 066440-01-000 | EA STRAINER-SHOWER, W/RUBBER WASHER |
| 7 | 089318-01-000 | EA DOOR-SHOWER, HINGED - W/GOLD FRAME - PLASTIC - 29 8" WIDE |
| 7 | 089318-02-000 | EA JAMB-EXPANDER |
| 7 | 057671-01-000 | EA COVER-SCREW, #8 - PLASTIC - OFF WHITE |
| 7 | 089318-01-700 | EA STRAP F/SHOWER DOOR |
| 7 | 089318-01-701 | EA VINYL SWEEP |
| 7 | 089318-01-702 | EA BUSHING W/ARM |
| 7 | 092574-01-703 | EA GOLD DOOR PULL |

BEDROOM GROUP



TWIN BEDROOM CABINETHY

| KEY | PART NUMBER | U/M DESCRIPTION |
|-----|---------------|---|
| 1 | P04746-27-C25 | EA DOOR ASM-W/O HARDWARE - 305X1015 |
| 2 | 106307-01-C05 | EA CABINET ASM-SHIRT CLOSET, W/O DOORS & HARDWARE |
| 3 | 103128-02-C05 | EA CAP ASM-END,OVERHEAD |
| 4 | M05019-52-C25 | EA CABINET ASM-OVERHEAD,REAR, W/O DOORS & HARDWARE |
| 5 | P04746-03-C25 | EA DOOR ASM-W/O HARDWARE - 400X710 |
| 6 | M05019-54-C25 | EA CABINET ASM-OVERHEAD REAR, W/O DOORS & HARDWARE |
| 6 | P08814-01-C25 | EA CABINET ASM-OVERHEAD REAR, W/O DOORS & HARDWARE FROM: 00-00-00 THRU: 05-16-92 |
| 7 | P04746-05-C25 | EA DOOR ASM, W/DECORATIVE MIRROR INSERT - 15.74" X 20.47" |
| 8 | 103778-11-C25 | EA COUNTERTOP ASM |
| 9 | 103778-01-C25 | EA CABINET ASM-NIGHTSTAND, W/O DOORS & HARDWARE |
| 10 | P04746-16-C25 | EA DOOR ASM-W/O HARDWARE - 365X455 |
| 11 | P06305-01-C05 | EA CABINET ASM-BED,TWIN LEFT |
| 12 | M05019-60-C25 | EA CABINET ASM-OVERHEAD, W/O DOORS & HARDWARE FROM: 05-17-92 THRU: 99-99-99 |
| 13 | 103128-01-C05 | EA CAP ASM-END,OVERHEAD |
| 14 | 106316-01-C05 | EA CABINET ASM-SHIRT CLOSET, W/O DOORS & HARDWARE |
| 15 | P06304-01-C05 | EA CABINET ASM-BED,TWIN RIGHT |

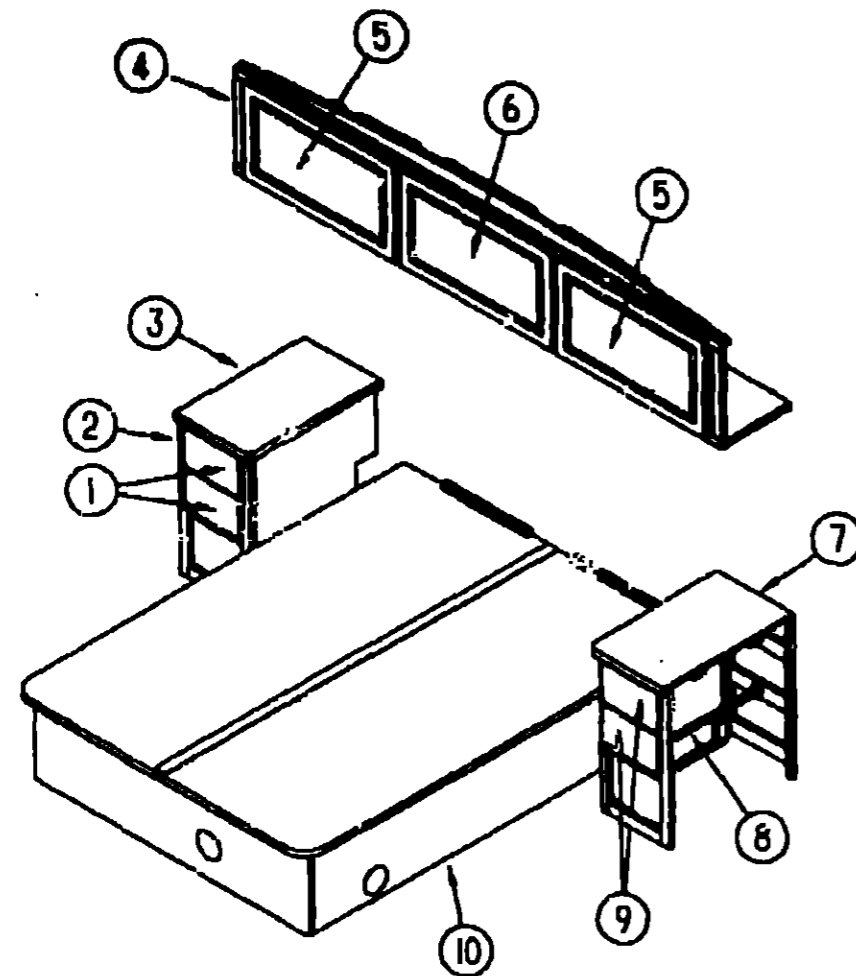
**1992 ITASCA
TABLE OF CONTENTS**

| | |
|--------------------|-------------|
| INTRODUCTION | A-01 - A-02 |
| ABBREVIATIONS | A-03 |
| ALPHABETICAL INDEX | A-04 - A-06 |
| ICF23RC | A-07 - E-14 |
| ICF31RQ | E-15 - J-08 |

1992 ICF31RQ INDEX

| | |
|--------------------------------|-------------|
| FLOOR PLAN | E-15 - E-16 |
| ACCESSORIES | E-17 |
| AUDIO/VIDEO | E-18 - E-20 |
| BATH | E-21 - E-23 |
| BEDROOM | E-24 - F-02 |
| CHASSIS | F-03 - F-13 |
| CURTAIN & CUSHION | F-14 - F-24 |
| DINETTE | G-01 - G-02 |
| DRIVERS COMPARTMENT | G-03 - G-08 |
| ELECTRICAL | G-09 - G-16 |
| EXTERIOR BODY | G-17 - G-24 |
| GALLEY | H-01 - H-05 |
| GENERATOR | H-06 - H-07 |
| HEATING & A/C | H-08 - H-12 |
| INTERIOR FINISH | H-13 - H-16 |
| LABEL | H-17 - I-01 |
| LP | I-02 |
| LOUNGE | I-03 - I-04 |
| SEALANTS & FASTENERS | I-05 - I-08 |
| WATER & SEWAGE | I-09 - I-14 |
| WINDOW, VENT AND EXTERIOR DOOR | I-15 - J-08 |
| WINDSHIELD/WAPER | J-07 - J-08 |

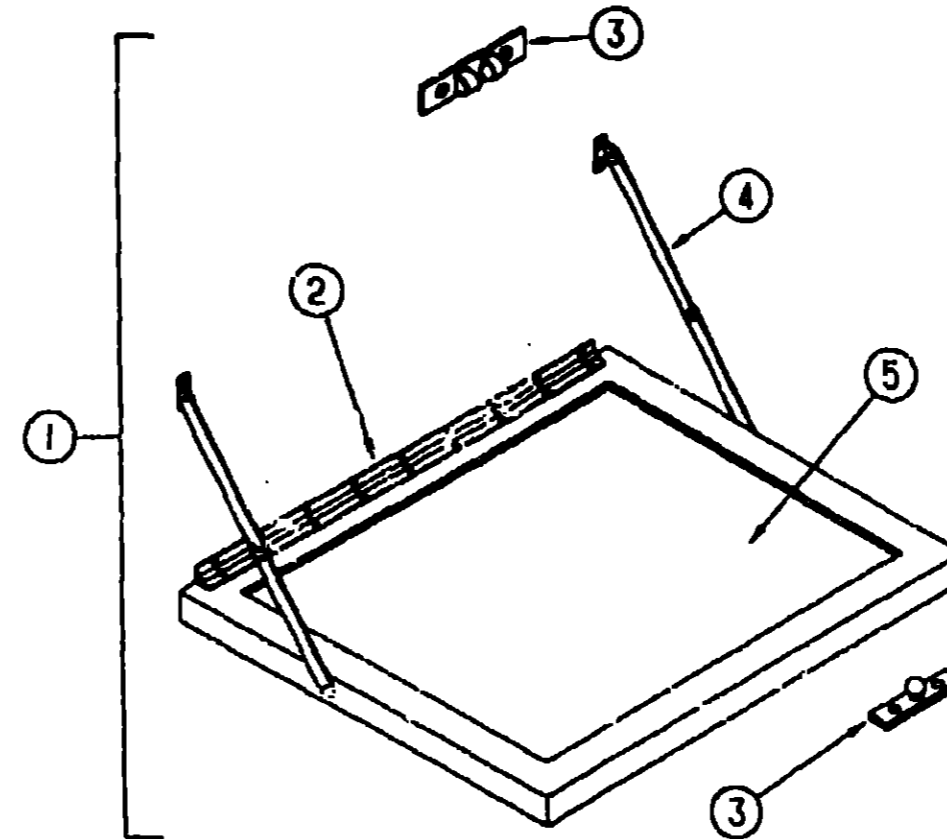
BEDROOM GROUP (CONTINUED)



QUEEN BEDROOM CABINERY

| KEY | PART NUMBER | U/M DESCRIPTION |
|-----|---------------|--|
| 1 | PC3397-93-C25 | EA DRAWER ASM-CABINET OGEE - 252 X 420 FROM 00-00-00 THRU 01-19-92 |
| 1 | P07104-A3-C25 | EA DRAWER COMPL-SLIDE,OGEE - 155 X 288 FROM 01-20-92 THRU 99-99-99 |
| 2 | 106306-01-C25 | EA CABINET ASM-NIGHTSTAND, W/O DOORS & HARDWARE FROM 00-00-00 THRU 01-19-92 |
| 2 | M05770-01-C25 | EA CABINET ASM-NIGHTSTAND, W/O DOORS & HARDWARE FROM 01-20-92 THRU 99-99-99 |
| 2 | M05770-02-C25 | EA CABINET ASM-NIGHTSTAND W/ EXTERIOR SHOWER - W/O DOORS & HARDWARE |
| 3 | 106305-11-C25 | EA COUNTERTOP ASM |
| 4 | M05159-16-C25 | EA CABINET ASM-OVERHEAD, W/O DOORS & HARDWARE |
| 5 | P04746-04-C25 | EA DOOR ASM-W/O HARDWARE - 400X710 |
| 6 | P04746-05-C25 | EA DOOR ASM -W/DECORATIVE MIRROR INSERT - 15.74" X 20.67" |
| 7 | 105306-11-C08 | EA COUNTERTOP ASM |
| 8 | 104352-01-C08 | EA CABINET ASM-NIGHTSTAND, W/O DOORS & HARDWARE |
| 9 | P03397-A6-C25 | EA DRAWER ASM-CABINET,OGEE - 235 X 290 FROM 00-00-00 THRU 01-19-92 |
| 9 | P07104-98-C25 | EA DRAWER COMPL-SLIDE OGEE - 155 X 288 FROM 01-20-92 THRU 99-99-99 |
| 10 | P06303-01-C05 | EA CABINET ASM-BED,QUEEN |
| | 107540-01-000 | EA BRACKET-90 DEG GAS SPRING - SPRING L SL58RP1 FROM 03-30-92 THRU 99-99-99 |
| | 107541-01-000 | EA BRACKET-FLAT GAS SPRING - SPRING L SL40P1 FROM 03-30-92 THRU 99-99-99 |

BEDROOM GROUP (CONTINUED)



TV STAND

| KEY | PART NUMBER | U/M DESCRIPTION |
|-----|---------------|---|
| 1 | 084357-02-W24 | EA STAND-FOLD DOWN, TV - W/MIRROR |
| 2 | 084413-01-000 | EA HINGE-CONTINUOUS, W/HOLES |
| 3 | 084451-01-000 | EA CATCH-TV SHELF, BRASS |
| 4 | 084412-01-000 | EA SUPPORT-HINGED (PAIR) |
| 5 | 084356-04-000 | EA INSERT-TV STAND, W/SUPPORT HINGE - METAL - TAN |
| 5 | 058331-14-000 | EA MIRROR-GLASS, SAFETY - 14" X 12 7" |

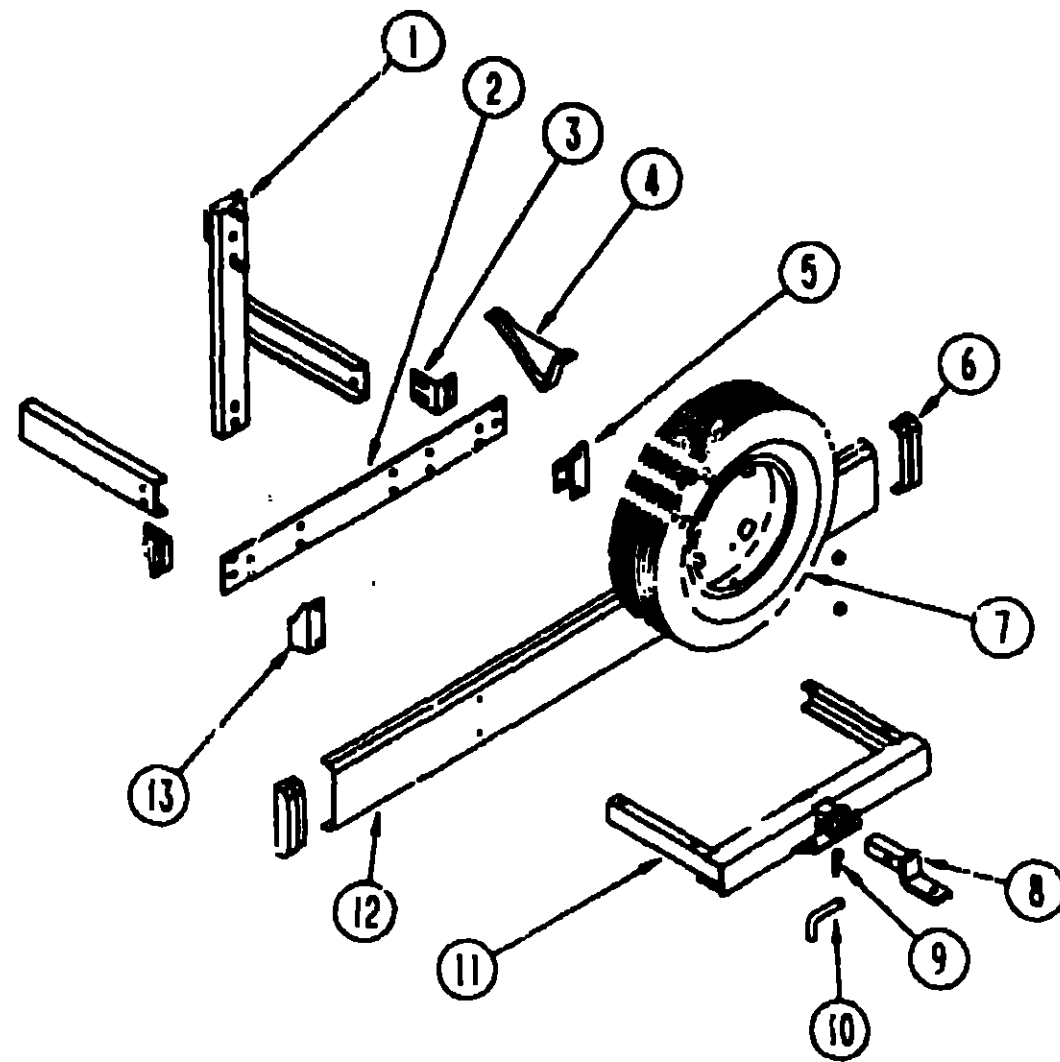
**1992 ITASCA
TABLE OF CONTENTS**

| | | |
|--------------------|--------|------|
| INTRODUCTION | A-01 - | A-02 |
| ABBREVIATIONS | | A-03 |
| ALPHABETICAL INDEX | A-04 - | A-06 |
| ICF23FC | A-07 - | E-14 |
| ICF31RQ | E-15 - | J-08 |

1992 ICF31RQ INDEX

| | | |
|----------------------|--------|------|
| FLOOR PLAN | E-15 - | E-16 |
| ACCESSORIES | | E-17 |
| AUDIO/VIDEO | E-18 - | E-20 |
| BATH | E-21 - | E-23 |
| BEDROOM | E-24 - | F-02 |
| CHASSIS | F-03 - | F-13 |
| CURTAIN & CUSHION | F-14 - | F-24 |
| DINETTE | G-01 - | G-02 |
| DRIVERS COMPARTMENT | G-03 - | G-08 |
| ELECTRICAL | G-09 - | G-16 |
| EXTERIOR BODY | G-17 - | G-26 |
| GALLEY | H-01 - | H-05 |
| GENERATOR | H-06 - | H-07 |
| HEATING & A/C | H-08 - | H-12 |
| INTERIOR FINISH | H-13 - | H-16 |
| LABEL | H-17 - | I-01 |
| LP | | I-02 |
| LOUNGE | I-03 - | I-04 |
| SEALANTS & FASTENERS | I-05 - | I-08 |
| WATER & SEWAGE | I-09 - | I-14 |
| WINDOW, VENT AND | | |
| EXTERIOR DOOR | I-15 - | J-06 |
| WINDSHIELD/WIPER | J-07 - | J-08 |

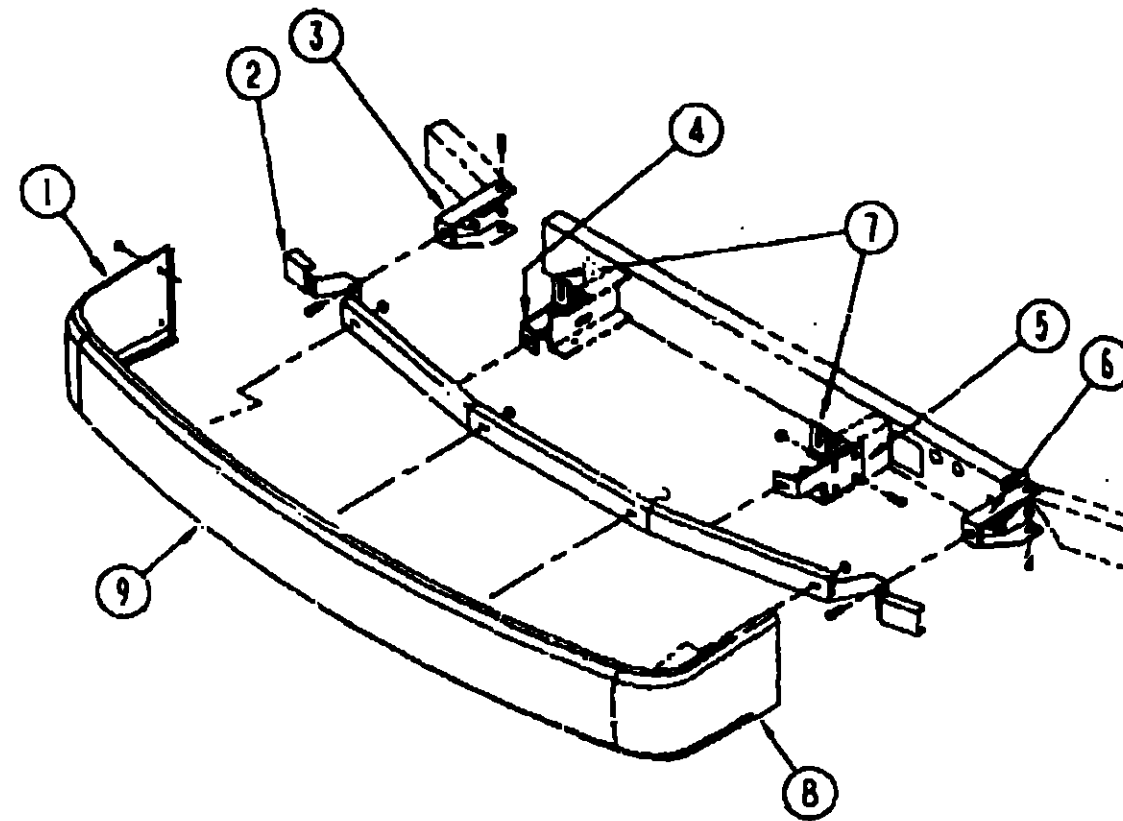
CHASSIS GROUP



REAR BUMPER, TRAILER HITCH & COMPONENTS

| KEY | PART NUMBER | U/M DESCRIPTION |
|-----|---------------|--|
| 1 | 102944-01-000 | EA BRACKET ASM-TIRE CARRIER |
| | 000C27-10-32T | EA BOLT-5/8-11X2 00 EXT |
| 2 | 078678-02-000 | EA PLATE-MTG.BUMPER,REAR |
| 3 | 078668-01-000 | EA SUPPORT ANGLE BUMPER REAR |
| 4 | 083376-01-000 | EA SKID PLATE ASM |
| 5 | 102945-03-000 | EA BRACKET ASM-BUMPER,REAR |
| 6 | 103228-01-02A | EA CAP-END.BUMPER REAR - GRAY |
| | 094362-02-000 | EA CLIP-XMAS TREE,FLAT HEAD |
| 7 | 083425-07-000 | EA TIRE-7 50 X R16 LRD, MICHELIN XPS RIB |
| | 077030-02-000 | EA EXTENSION-VALVE STEM 1 25" |
| | 051377-01-000 | EA STEM-VALVE, TR 500 |
| | 051377-03-000 | EA STEM-VALVE, TRO 600HP |
| | 104408-01-C05 | EA COVER-TIRE 32"SUNRISE |
| | P04408-01-000 | EA SILKSCREEN-32"SUNRISE |
| 8 | 077613-01-000 | EA DRAWBAR ASM ONLY |
| 9 | 034513-C1-000 | EA PIN-HITCH-3/16 WIRE |
| | 070579-C2-000 | EA PLATE ASM-ANCHOR |
| 10 | 034512-C1-000 | EA PIN-LOCKING-DRAWBAR |
| 11 | 077617-01-000 | EA HITCH ASM W/O DRAWBAR |
| | 000C12-08-24B | EA BOLT-HEX-1/2-13X1 1/2 ZN |
| | 000E11-08-00B | EA WASHER-LK-1/2 MED SPLIT ZN |
| 12 | 103099-01-03A | EA BUMPER-REAR, GRAY |
| 13 | 102945-04-000 | EA BRACKET ASM-BUMPER REAR |
| | 102333-01-02A | EA BOLT-7/16-14 SST CAP |
| | 097744-02-000 | EA HOUSING-TRAILER PIN 48 IN |
| | 097746-01-000 | EA HOUSING-CAP |

CHASSIS GROUP (CONTINUED)



FRONT BUMPER

| KEY | PART NUMBER | U/M DESCRIPTION |
|-----|---------------|---|
| 1 | 103625-01-02A | EA PANEL-FACIA,BUMPER FRONT RIGHT - GRAY |
| 2 | 103512-01-000 | EA CHANNEL ASM-BUMPER |
| 3 | 103497-01-000 | EA BRACE-BUMPER,FRONT |
| 4 | 086140-03-000 | EA SUPPORT-FRONT BUMPER, PASSENGER SIDE - 9 1" X 4" - STEEL |
| 5 | 086140-04-000 | EA SUPPORT-FRONT BUMPER, DRIVER SIDE - 9 1" X 4" - STEEL |
| 6 | 103611-01-000 | EA BRACE-BUMPER,FRONT |
| 7 | 103628-01-000 | EA BRACKET-FRONT,LOWER,MTG |
| 8 | 103625-02-02A | EA PANEL-FACIA,BUMPER FRONT LEFT - GRAY |
| 9 | 103634-01-C25 | EA BUMPER ASM-FRONT - WRIGHT & LEFT FACIAS |

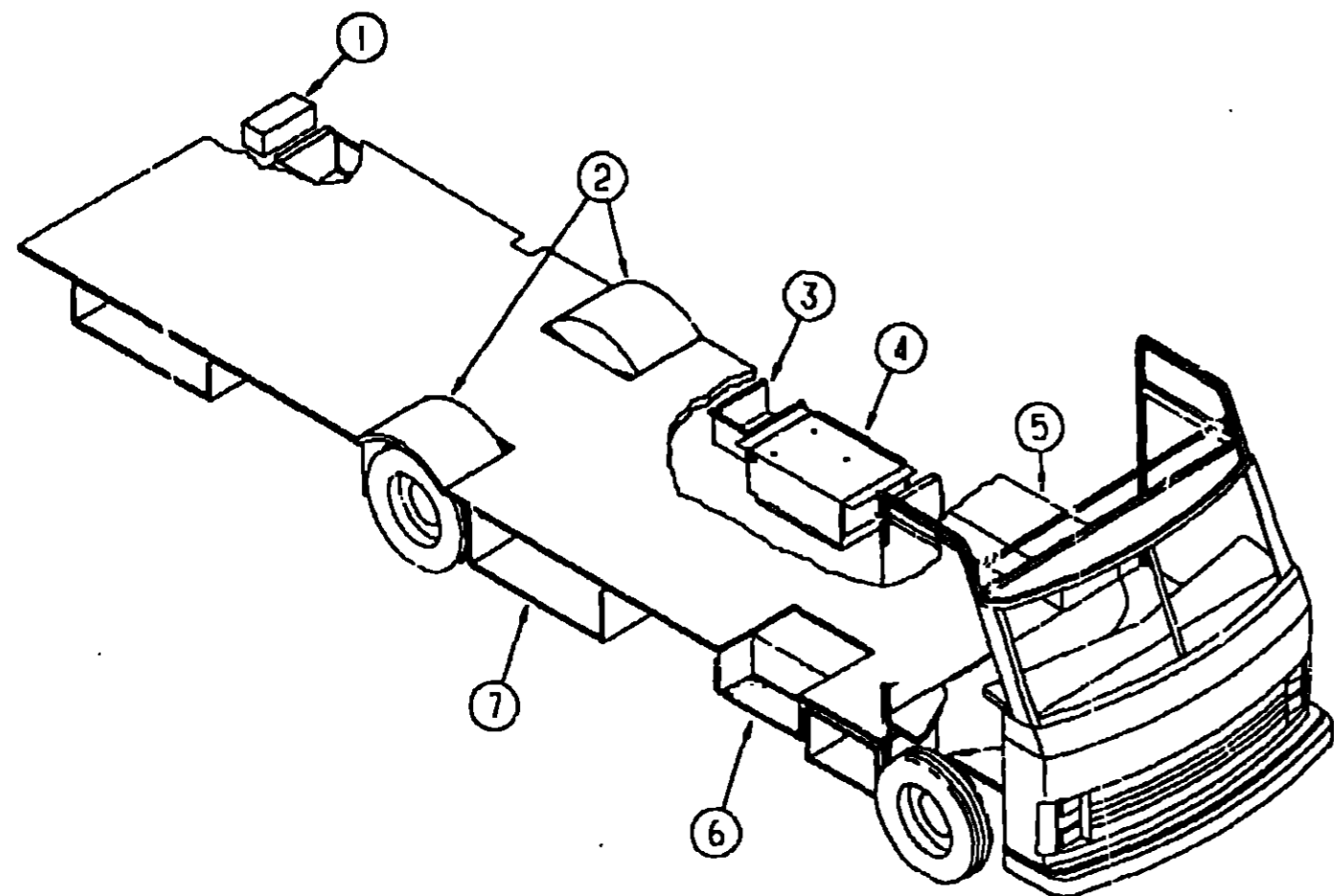
1992 ITASCA TABLE OF CONTENTS

| | | |
|--------------------|--------|------|
| INTRODUCTION | A-01 - | A-02 |
| ABBREVIATIONS | | A-03 |
| ALPHABETICAL INDEX | A-04 - | A-06 |
| ICF23RC | A-07 - | E-14 |
| ICF31RQ | E-15 - | J-08 |

1992 ICF31RQ INDEX

| | | |
|--------------------------------|--------|------|
| FLOOR PLAN | E-15 - | E-16 |
| ACCESSORIES | | E-17 |
| AUDIO/VIDEO | E-18 - | E-20 |
| BATH | E-21 - | E-23 |
| BEDROOM | E-24 - | F-02 |
| CHASSIS | F-03 - | F-13 |
| CURTAIN & CUSHION | F-14 - | F-24 |
| DINETTE | G-01 - | G-02 |
| DRIVERS COMPARTMENT | G-03 - | G-08 |
| ELECTRICAL | G-09 - | G-16 |
| EXTERIOR BODY | G-17 - | G-24 |
| GALLEY | H-01 - | H-05 |
| GENERATOR | H-06 - | H-07 |
| HEATING & A/C | H-08 - | H-12 |
| INTERIOR FINISH | H-13 - | H-16 |
| LABEL | H-17 - | I-01 |
| LP | | I-02 |
| LOUNGE | I-03 - | I-04 |
| SEALANTS & FASTENERS | I-05 - | I-08 |
| WATER & SEWAGE | I-09 - | I-14 |
| WINDOW, VENT AND EXTERIOR DOOR | I-15 - | J-06 |
| WINDSHIELD/WIPER | J-07 - | J-08 |

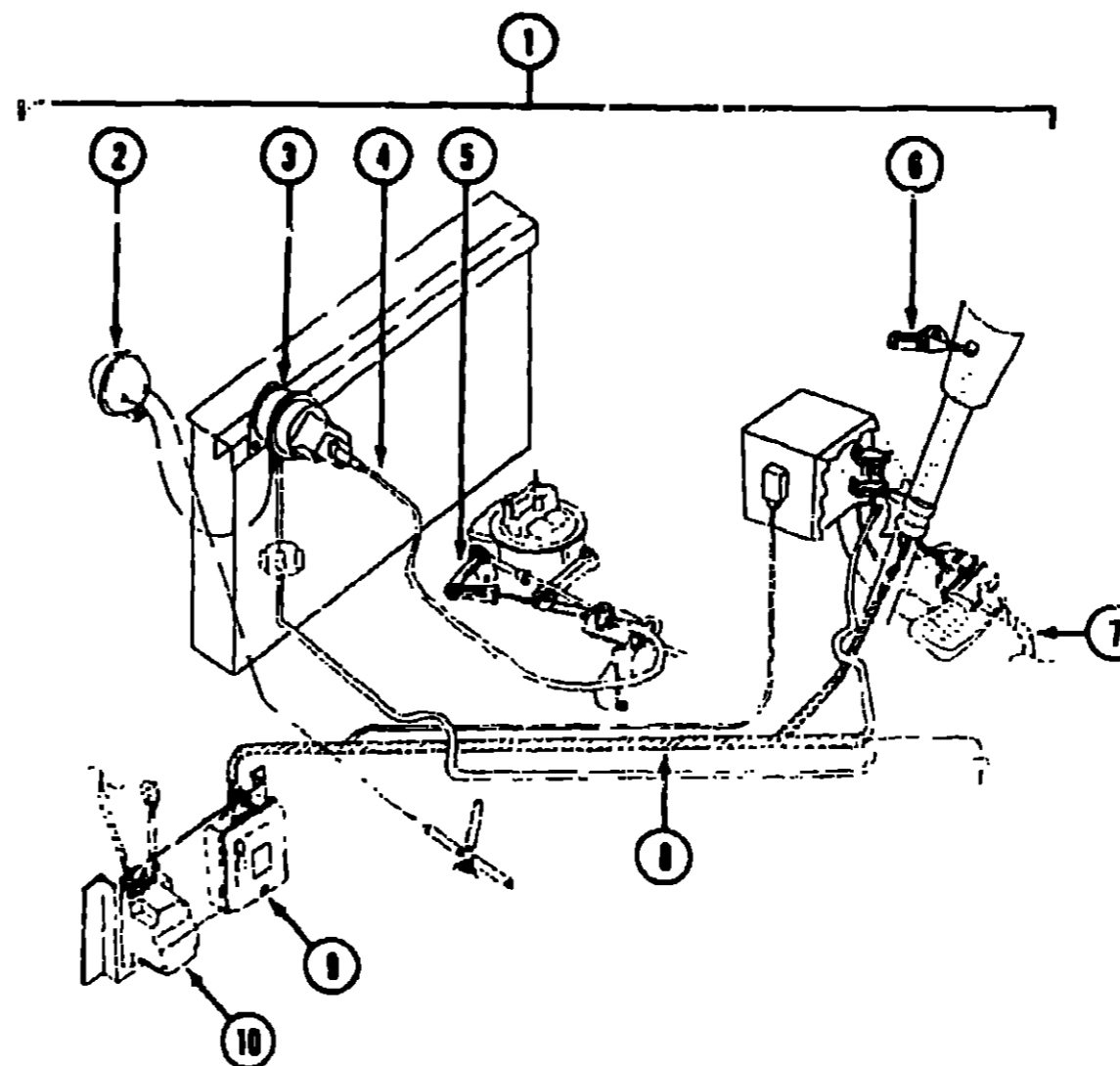
CHASSIS GROUP (CONTINUED)



STORAGE COMPARTMENTS & WHEELWELLS

| KEY | PART NUMBER | U/M | DESCRIPTION |
|-----|---------------|-----|---|
| 1 | 085967-01-000 | EA | COMPARTMENT-SEWER HOSE, 6" X 6 5" X 17 8" - PLASTIC |
| 2 | 102921-01-000 | EA | WHEELWELL - PLASTIC |
| 3 | 102979-C1-000 | EA | BOX-POWER CORD |
| 4 | 078137-04-000 | EA | TRAY-COMPARTMENT, GENERATOR - 29 1" WIDE X 22 4" DEEP |
| 5 | 103036-02-000 | EA | COMPARTMENT ASM-STORAGE |
| 6 | 077848-02-000 | EA | STEP-PULLOUT |
| | 091176-01-000 | EA | SUPPORT-BASE-ENTRANCE STEP |
| 7 | 103032-06-000 | EA | COMPARTMENT ASM-STORAGE |
| | 194897-01-01A | EA | BOX-ENTERTAINMENT CENTER - OFF WHITE |
| | 104898-01-01A | EA | PLATE-PLASTIC BOTTOM - OFF WHITE |
| | 106208-01-01A | EA | COMPARTMENT-EXTERIOR SHOWER, OFF WHITE - PLASTIC |

CHASSIS GROUP (CONTINUED)



SPEED CONTROL (CHEVY)

| KEY | PART NUMBER | U/M | DESCRIPTION |
|-----|---------------|-----|--|
| 1 | 102362-01-000 | EA | SPEED CONTROL, DANA 59L-111010B |
| 2 | 094369-01-705 | EA | VACUUM RESERVOIR, DANA 59C-02249 |
| 3 | 094369-01-706 | EA | SERVO, DANA 53D-11116-R |
| 4 | 102362-01-700 | EA | CABLE ONLY-REPLACEMENT, DANA 59C-03001 |
| 5 | 102362-01-706 | EA | THROTTLE STUD, DANA 59A-02979 |
| 6 | 102352-01-707 | EA | CONTROL SWITCH & LEVER ASM, DANA 53D-08X63-F |
| 7 | 102362-01-703 | EA | HARNESS ASM-PIVOT SW. TO WPR, DANA 59C-02973 |
| 8 | 102362-01-704 | EA | HARNESS ASM-MAIN WIRING, DANA 59D-02975 |
| 9 | 102362-01-701 | EA | REGULATOR ASM-ELECTRONIC, DANA 57C-08X13-R |
| 10 | 102362-01-702 | EA | WIPER CONTROL MODULE, DANA 66D-00061 |
| | 102362-01-705 | EA | THROTTLE RETAINER CLIP, DANA 59A-02821 |
| | 034863-01-704 | EA | HOUSING-4 PIN, DANA 59C-02291 |

**1992 ITASCA
TABLE OF CONTENTS**

| | | |
|--------------------|--------|------|
| INTRODUCTION | A-01 - | A-02 |
| ABBREVIATIONS | | A-03 |
| ALPHABETICAL INDEX | A-04 - | A-06 |
| ICF23RC | A-07 - | E-14 |
| ICF31RQ | E-15 - | J-08 |

1992 ICF31RQ INDEX

| | | |
|----------------------|--------|------|
| FLOOR PLAN | E-15 - | E-16 |
| ACCESSORIES | | E-17 |
| AUDIO/VIDEO | E-18 - | E-20 |
| BATH | E-21 - | E-23 |
| BEDROOM | E-24 - | F-02 |
| CHASSIS | F-03 - | F-13 |
| CURTAIN & CUSHION | F-14 - | F-24 |
| DINETTE | G-01 - | G-02 |
| DRIVERS COMPARTMENT | G-03 - | G-08 |
| ELECTRICAL | G-09 - | G-16 |
| EXTERIOR BODY | G-17 - | G-24 |
| GALLEY | H-01 - | H-05 |
| GENERATOR | H-06 - | H-07 |
| HEATING & A/C | H-08 - | H-12 |
| INTERIOR FINISH | H-13 - | H-16 |
| LABEL | H-17 - | I-01 |
| LP | | I-02 |
| LOUNGE | I-03 - | I-04 |
| SEALANTS & FASTENERS | I-05 - | I-08 |
| WATER & SEWAGE | I-09 - | I-14 |
| WINDOW, VENT AND | | |
| EXTERIOR DOOR | I-15 - | J-06 |
| WINDSHIELD/WIPER | J-07 - | J-08 |

CHASSIS GROUP (CONTINUED)

CHASSIS MISCELLANEOUS

| KEY | PART NUMBER | U/M DESCRIPTION |
|-----|---------------|---|
| | 055278-51-259 | FT TUBING-STEEL, .75" X 1.5" X 150" |
| | 065450-05-000 | EA TIEDOWN-BATTERY, 8.4" TUBE - STEEL |
| | 075307-03-000 | EA SHIELD-HEAT, LP |
| | 093719-01-000 | EA HOSE-OIL FILL, PREFORMED 90 DEGREE BEND |
| | 070579-06-000 | EA PLATE-ANCHOR, W/7/16 WELD NUT - 1.5" X 3 3" |
| | 077001-01-000 | EA ANGLE-MOUNTING, ROOF PANEL - V ANGLE - 3" X 2 4" X 1 5" |
| | 103136-01-000 | EA BRACKET-SUPPORT, UPPER, HINGE, RIGHT |
| | 103136-02-000 | EA BRACKET-SUPPORT, UPPER, HINGE, LEFT |
| | 008042-01-000 | FT TUBING-VINYL, .65" ID |
| | 020167-03-000 | EA DIRT GUARD-STEEL, FOR MUDFLAP |
| | 078038-01-000 | EA EXTENSION-FRAME, FRONT |
| | 103125-01-000 | EA BRACKET-BRAKE, PARK - L-ANGLE - STEEL - BLACK MOUNTS BRAKE CABLE & SUPPORTS HOOD RELEASE CABLE FROM 00-00-00 THRU 10-11-91 |
| | 103125-02-000 | EA BRACKET-BRAKE, PARK - L-ANGLE - STEEL - BLACK MOUNTS BRAKE CABLE & SUPPORTS HOOD RELEASE CABLE FROM 10-12-91 THRU 05-17-92 |
| | 076310-01-000 | EA BAFFLE-RADIATOR, .12" X 15" X 62" - RUBBER |
| | 080208-01-000 | EA LUG WRENCH, 1 06 X 1 00 |
| | 080208-02-000 | EA BAR-LEVERAGE, LUG WRENCH |
| | 088498-01-000 | EA UNION-INVERTED FLARE, BRASS - 3/16 - 3/8 - 24 THD BRAKE LINE |
| | 096351-C1-000 | EA CABLE-BRAKE, PARK - FORD CHASSIS |
| | 105519-01-000 | EA BRACKET-OVERFLOW BOTTLE - FORD |
| | 095501-01-000 | EA BRACKET-BRAKE, L-ANGLE W/GUSSET - STEEL - FORD MOUNTS BRAKE CABLE & SUPPORTS HOOD RELEASE CABLE |
| | 095853-C1-000 | EA WHEEL-STEEL, 16" X 6K - E8TZ - 1015 - A - ACCURIDE 283/5-12 FORD |
| | 088497-02-000 | EA NUT-INVERTED FLARE, 1/4" |
| | 085771-03-000 | EA NUT-HEX, FL. PREV. TORQUE - GRADE G DRIVER SHAFT |
| | 088498-01-000 | EA UNION-INVERTED FLARE, BRASS - 3/16 - 3/8 - 24 THREAD BRAKE LINE |

FRONT SHOCKS

| KEY | PART NUMBER | U/M DESCRIPTION |
|-----|---------------|--|
| | 079942-01-000 | EA ABSORBER-SHOCK, STABILIZER - FRONT - 4 WAY SC3001 |

DRIVESHAFT

| KEY | PART NUMBER | U/M DESCRIPTION |
|-----|---------------|--|
| | 075302-16-000 | EA DRIVESHAFT ASM-YOKE/YOKE/BRG, 46.72" |
| | 075302-18-000 | EA DRIVESHAFT ASM-YOKE/BRG/SPLINE, 33.79" |
| | 075302-19-000 | EA DRIVESHAFT ASM-SPLINE/YOKE/YOKE, 50.99" |

TIRE COVER

| KEY | PART NUMBER | U/M DESCRIPTION |
|-----|---------------|----------------------------|
| | 104408-03-C25 | EA COVER-TIRE, 32" SUNRISE |
| | P04408-03-000 | EA SILKSCREEN-32" SUNRISE |
| | 104408-04-C25 | EA COVER-TIRE, 34" SUNRISE |
| | P04408-04-000 | EA SILKSCREEN-34" SUNRISE |

CHASSIS GROUP (CONTINUED)

WHEEL LINERS-CHROME 16 FORL

| KEY | PART NUMBER | U/M DESCRIPTION |
|-----|---------------|--|
| | 077030-02-000 | EA EXTENSION-VALVE STEM, 1.25" |
| | 091209-08-000 | EA WHEEL LINER SET W/FRONT HUB COVER 16" SET OF 4 |
| | 091209-08-700 | EA LINER-WHEEL, 16" FRONT W/AXLE COVER - 10 LUG - FORD |
| | 091209-08-701 | EA LINER-WHEEL, 16" REAR - 10 LUG - FORD |
| | 091209-08-702 | EA COVER-AXLE, 16" REAR - FORD |
| | 091209-01-704 | EA COVER-LUG NUT |
| | 095012-03-000 | EA EXTENSION-VALVE STEM, DUAL WHEEL |

WHEEL COVER FORD - 16"

| KEY | PART NUMBER | U/M DESCRIPTION |
|-----|---------------|--|
| | 098532-01-000 | EA COVER-WHEEL, FORD - 16" - SET OF 4 - DICOR SH-SD-16 |
| | 098532-01-700 | EA COVER-LUG NUT, FORD - CHROME - DICOR SP-FM-CLN |
| | 098532-01-701 | EA COVER-WHEEL, FORD - 16" - (EACH=1 ONLY) |

WHEEL LINERS-CHROME 19.5" CHEVY

| KEY | PART NUMBER | U/M DESCRIPTION |
|-----|---------------|---|
| | 077030-02-000 | EA EXTENSION-VALVE STEM, 1.25" |
| | 091209-01-000 | EA LINER-WHEEL, 19.5" - SST - SET OF 4 - KAPER 1954-ION |
| | 091209-01-700 | EA LINER-WHEEL, 19.5" FRONT - 10 LUG - CHEVY P-30 |
| | 091209-01-701 | EA LINER-WHEEL, 19.5" REAR - 10 LUG - CHEVY P-30 |
| | 091209-01-702 | EA COVER-AXLE, 19.5" FRONT - 10 LUG - CHEVY P-30 |
| | 091209-01-703 | EA COVER-AXLE, 19.5" REAR - 10 LUG - CHEVY P-30 |
| | 091209-01-704 | EA COVER-LUG NUT |
| | 095012-03-000 | EA EXTENSION-VALVE STEM, DUAL WHEEL |

FORD TIRE & STEM

| KEY | PART NUMBER | U/M DESCRIPTION |
|-----|---------------|---|
| | 051377-03-000 | EA STEM-VALVE, TR0 600HP |
| | 083425-05-000 | EA TIRE-MICHELIN, LT235/85R16 LRE - XPS R19 |

WHEEL COVER 19.5" CHEVY

| KEY | PART NUMBER | U/M DESCRIPTION |
|-----|---------------|--|
| | 083181-03-700 | EA COVER-WHEEL, 19.5 - 10 LUG - CHEVY - 1 ONLY |
| | 083181-12-000 | EA RETAINER-WHEEL COVER, 19.5" CHEVY - SET OF 4 - DELMET |
| | 083181-12-700 | EA RETAINER-WHEEL COVER, FRONT - 19.5 CHEVY - DELMET |
| | 083181-12-701 | EA RETAINER-WHEEL COVER, REAR - 19.5 CHEVY - DELMET |
| | 109443-01-701 | EA SET-BRACKET, 1 FRONT WHEEL - SHAG95-FBS DICOR |
| | 109443-01-702 | EA SET-BRACKET, 1 REAR WHEEL - SHAG95-FBS DICOR |

CHEVY TIRE & STEM

| KEY | PART NUMBER | U/M DESCRIPTION |
|-----|---------------|----------------------------------|
| | 007324-04-000 | EA TIRE-8R19 5 LRD, MICHELIN XZA |
| | 051377-01-000 | EA STEM-VALVE, TR 500 |

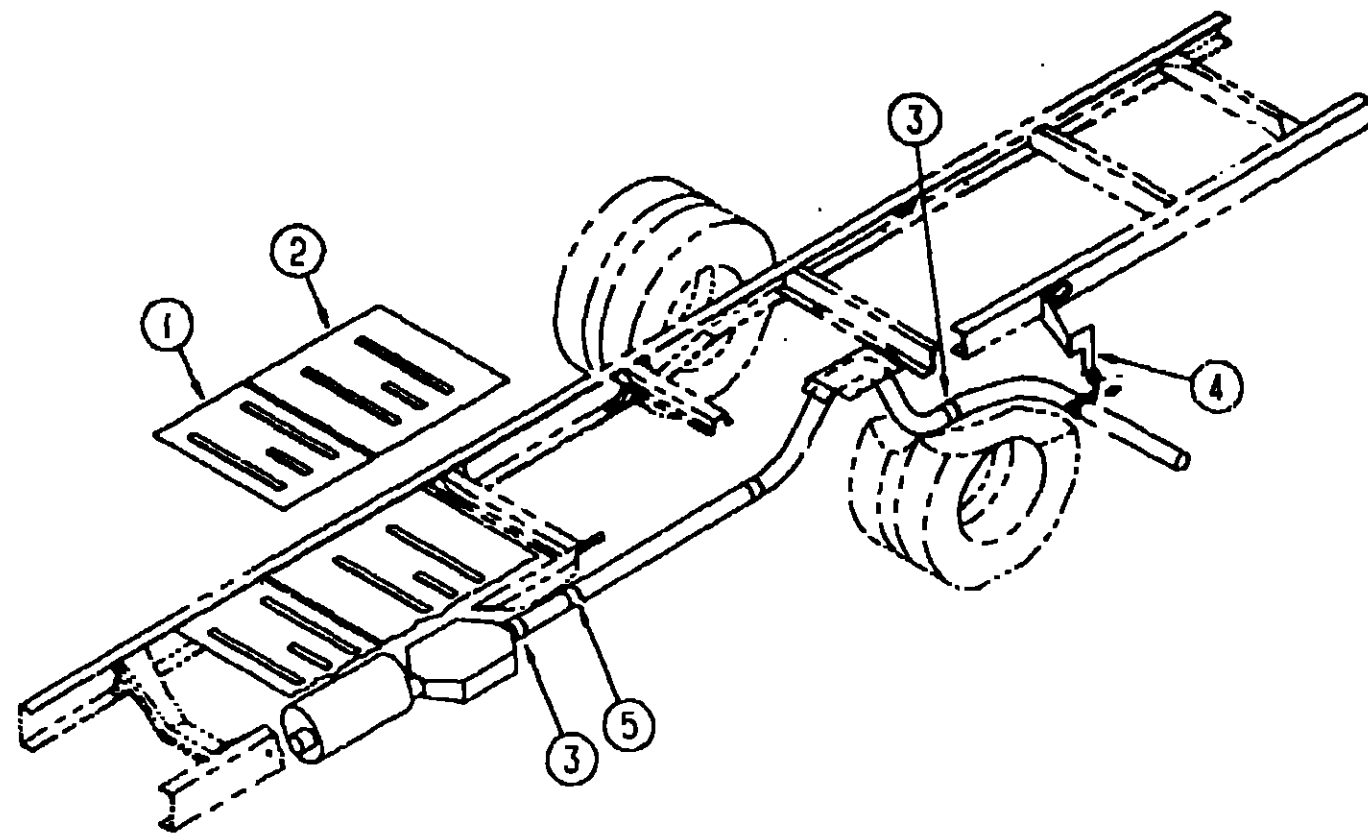
**1992 ITASCA
TABLE OF CONTENTS**

| | | |
|--------------------|------|------|
| INTRODUCTION | A-01 | A-02 |
| ABBREVIATIONS | | A-03 |
| ALPHABETICAL INDEX | A-04 | A-06 |
| ICF23RC | A-07 | E-14 |
| ICF31RO | E-15 | J-08 |

1992 ICF31RQ INDEX

| | | |
|----------------------|------|------|
| FLOOR PLAN | E-15 | E-16 |
| ACCESSORIES | | E-17 |
| AUDIO/VIDEO | E-18 | E-20 |
| BATH | E-21 | E-23 |
| BEDROOM | E-24 | F-02 |
| CHASSIS | F-03 | F-13 |
| CURTAIN & CUSHION | F-14 | F-24 |
| DINETTE | G-01 | G-02 |
| DRIVERS COMPARTMENT | G-03 | G-08 |
| ELECTRICAL | G-09 | G-16 |
| EXTERIOR BODY | G-17 | G-24 |
| GALLEY | H-01 | H-05 |
| GENERATOR | H-06 | H-07 |
| HEATING & A/C | H-08 | H-12 |
| INTERIOR FINISH | H-13 | H-16 |
| LABEL | H-17 | I-01 |
| LP | | I-02 |
| LOUNGE | I-03 | I-04 |
| SEALANTS & FASTENERS | I-05 | I-08 |
| WATER & SEWAGE | I-09 | I-14 |
| WINDOW, VENT AND | | |
| EXTERIOR DOOR | I-15 | J-08 |
| WINDSHIELD/WIPER | J-07 | J-08 |

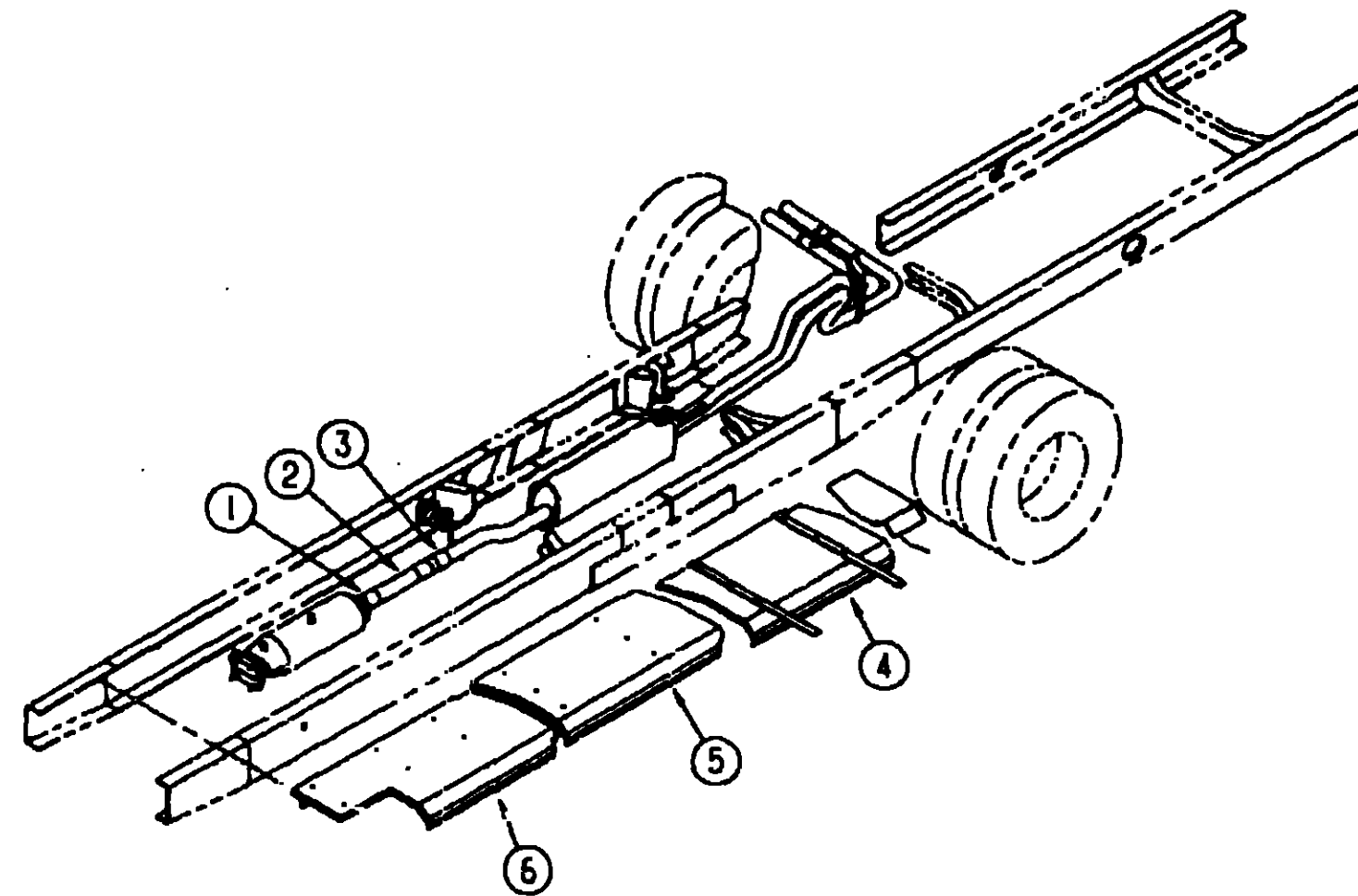
CHASSIS GROUP (CONTINUED)



EXHAUST SYSTEM (CHEVY)

| KEY | PART NUMBER | U/M DESCRIPTION |
|-----|---------------|---|
| 1 | 101544-01-000 | EA SHIELD-HEAT, EXHAUST - 19 7" X 28 9" - STEEL |
| 2 | 101544-03-000 | EA SHIELD-HEAT, EXHAUST - 33 9" X 28 9" - STEEL |
| | | FROM 00-00-00 THRU 03-09-92 |
| 2 | 101544-02-000 | EA SHIELD-HEAT, EXHAUST - 30" X 28 9" - STEEL |
| | | FROM 03-10-92 THRU 99-99-99 |
| 3 | 094918-01-000 | EA CLAMP-EXHAUST, 3" - GUILLOTINE STYLE |
| 4 | 095190-01-000 | EA HANGER-EXHAUST 4" X 1 4" |
| | 095222-02-000 | EA BRACKET-EXHAUST, UPPER - W/BEND & NUTS |
| 5 | 098608-02-000 | EA PIPE-EXHAUST, SINGLE |

CHASSIS GROUP (CONTINUED)



EXHAUST SYSTEM (FORD)

| KEY | PART NUMBER | U/M DESCRIPTION |
|-----|---------------|--|
| 1 | 094918-03-000 | EA CLAMP-EXHAUST, 2 5" |
| 2 | 096753-02-000 | EA PIPE-EXHAUST, FORD - 2.5" X 14 8" |
| 3 | 108084-01-000 | EA PIPE-EXHAUST, STRAIGHT, FORD 2.5 ID X 5" |
| 4 | 098795-07-000 | EA SHIELD-EXHAUST, 35.4" X 19.8" - GALVANIZED STEEL |
| 5 | 098795-03-000 | EA SHIELD-EXHAUST, CENTER - 49.5" X 19 8" - GALVANIZED STEEL |
| 6 | 098795-01-000 | EA SHIELD-EXHAUST, 41" X 19 8" - GALVANIZED STEEL |
| | 098443-03-000 | EA SUPPORT-SHIELD, EXHAUST - 1 5" X 29 2" - STEEL - PRIMED |

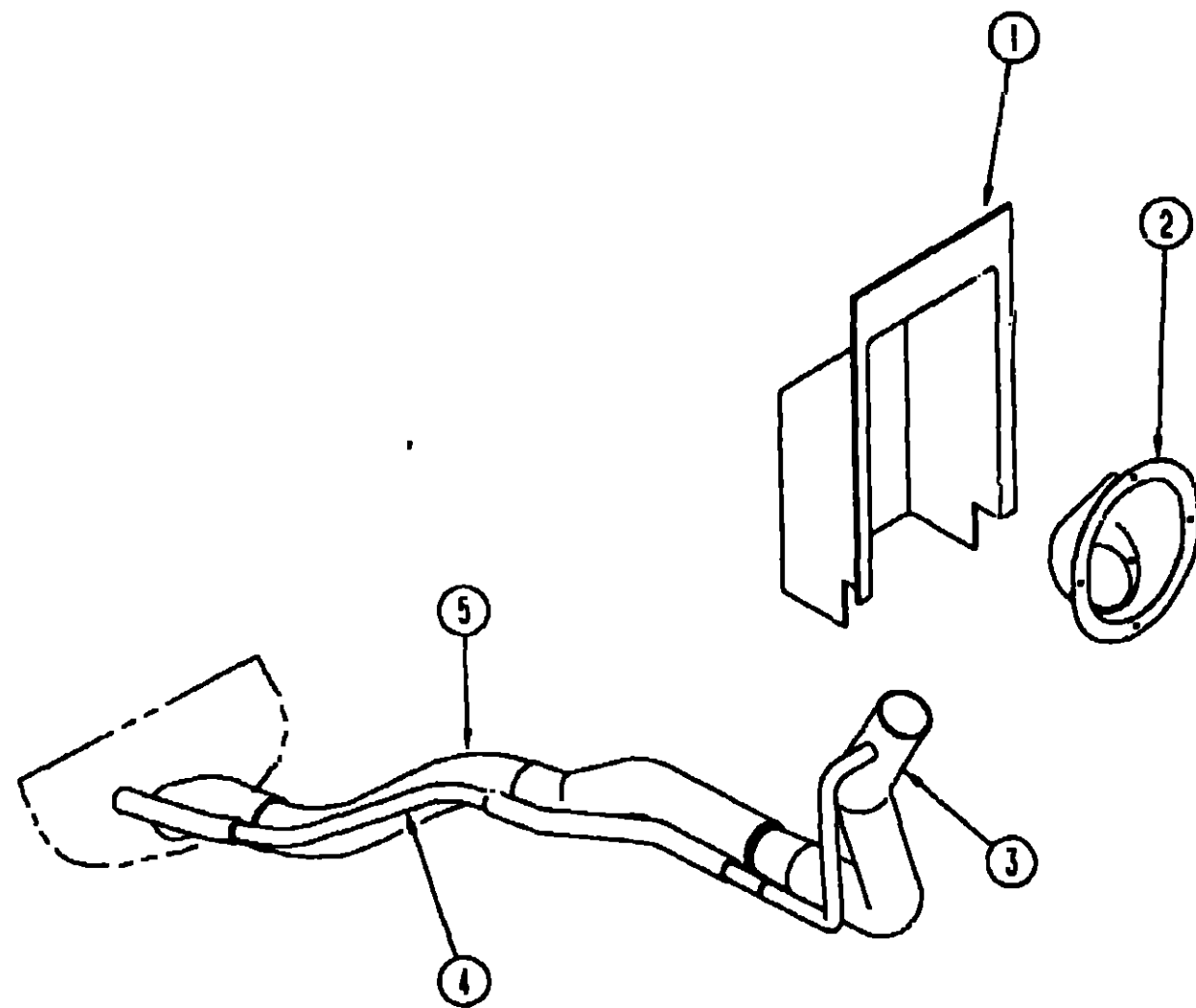
**1992 ITASCA
TABLE OF CONTENTS**

| | | |
|--------------------|------|------|
| INTRODUCTION | A-01 | A-02 |
| ABBREVIATIONS | | A-03 |
| ALPHABETICAL INDEX | A-04 | A-06 |
| ICF23RC | A-07 | E-14 |
| ICF31RQ | E-15 | J-08 |

1992 ICF31RQ INDEX

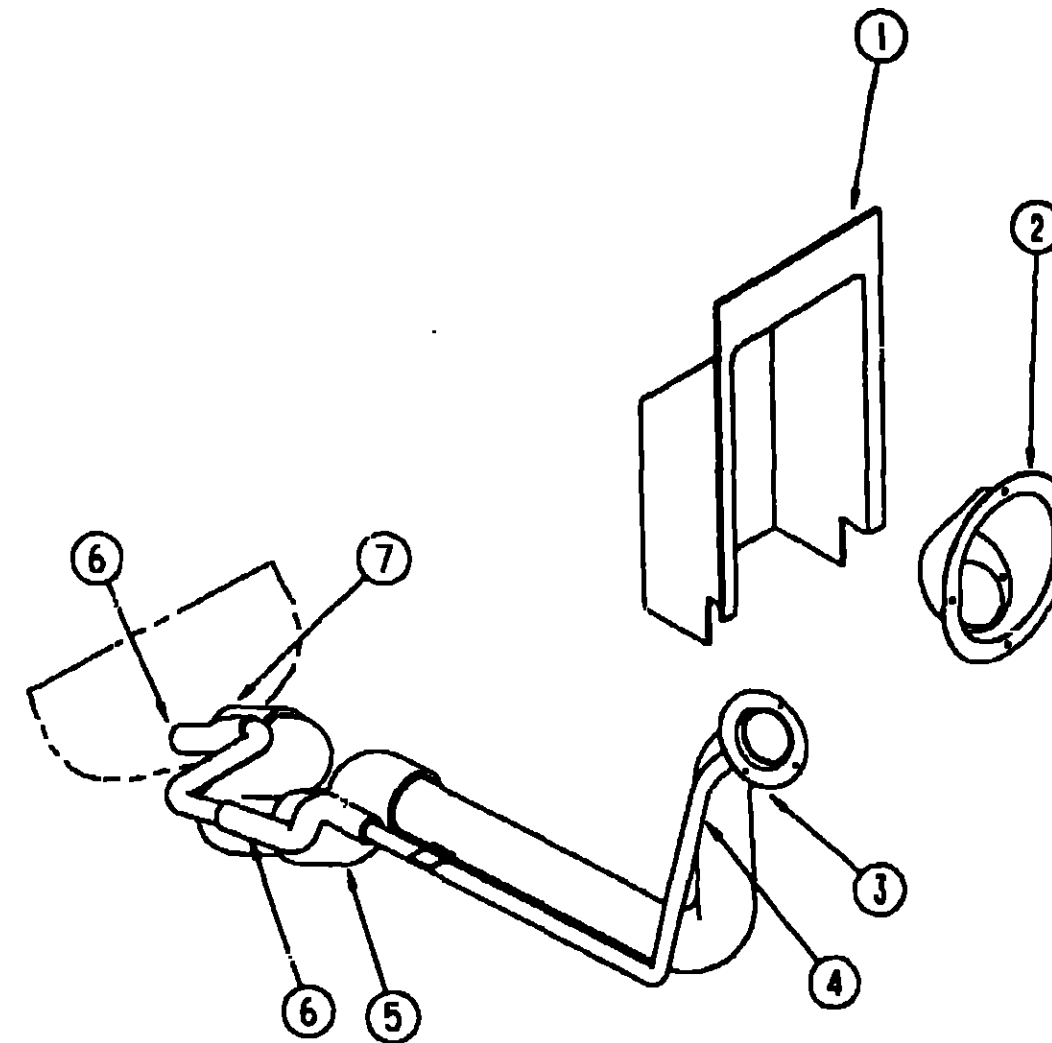
| | | |
|----------------------|------|------|
| FLOOR PLAN | E-15 | E-16 |
| ACCESSORIES | | E-17 |
| AUDIO/VIDEO | E-18 | E-20 |
| BATH | E-21 | E-23 |
| BEDROOM | E-24 | F-02 |
| CHASSIS | F-03 | F-13 |
| CURTAIN & CUSHION | F-14 | F-24 |
| DINETTE | G-01 | G-02 |
| DRIVERS COMPARTMENT | G-03 | G-08 |
| ELECTRICAL | G-09 | G-16 |
| EXTERIOR BODY | G-17 | G-24 |
| GALLEY | H-01 | H-05 |
| GENERATOR | H-06 | H-07 |
| HEATING & A/C | H-08 | H-12 |
| INTERIOR FINISH | H-13 | H-16 |
| LABEL | H-17 | I-01 |
| LP | | I-02 |
| LOUNGE | I-03 | I-04 |
| SEALANTS & FASTENERS | I-05 | I-08 |
| WATER & SEWAGE | I-09 | I-14 |
| WINDOW, VENT AND | | |
| EXTERIOR DOOR | I-15 | J-05 |
| WINDSHIELD/WIPER | J-07 | J-08 |

CHASSIS GROUP (CONTINUED)



FUEL SYSTEM (CHEVY)

CHASSIS GROUP (CONTINUED)



FUEL SYSTEM (FORD)

**1992 ITASCA
TABLE OF CONTENTS**

| | | |
|--------------------|------|------|
| INTRODUCTION | A-01 | A-02 |
| ABBREVIATIONS | | A-03 |
| ALPHABETICAL INDEX | A-04 | A-06 |
| ICF23RC | A-07 | E-14 |
| ICF31RQ | E-15 | J-08 |

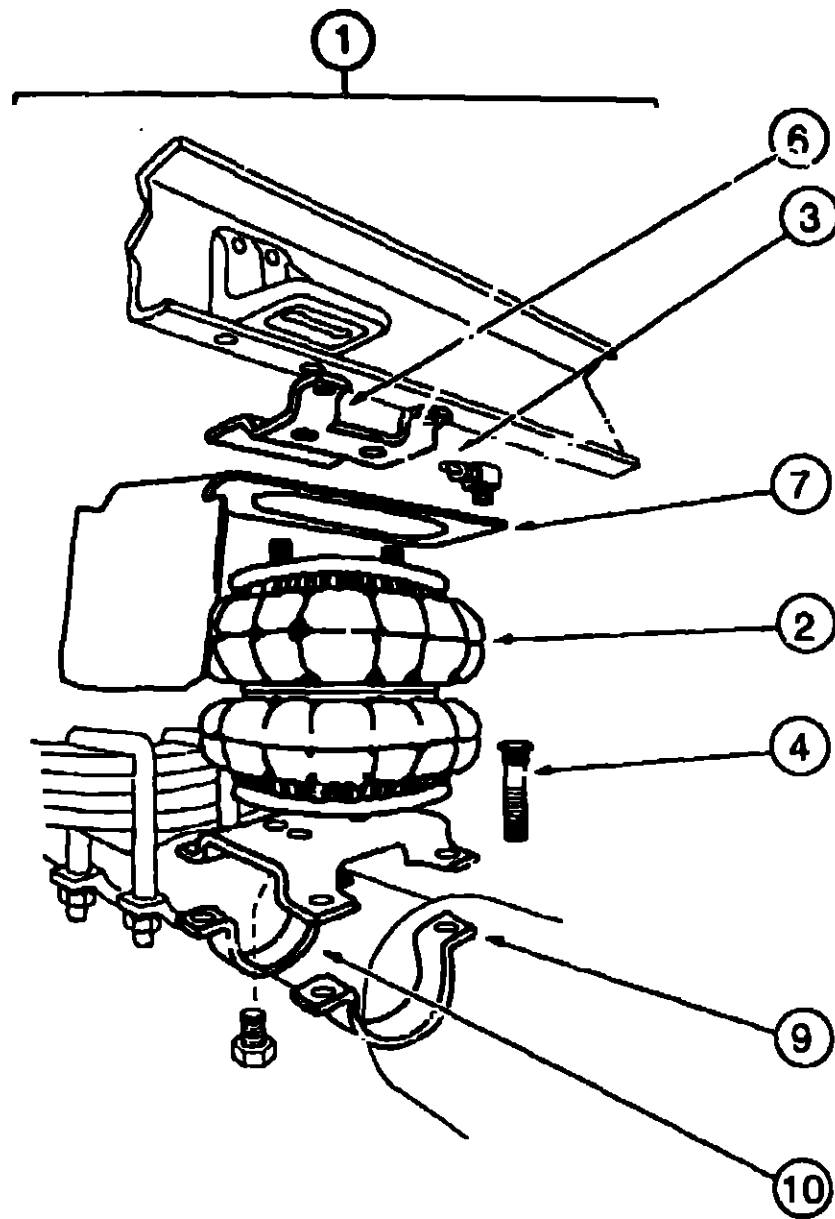
1992 ICF31RQ INDEX

| | | |
|-----------------------------------|------|------|
| FLOOR PLAN | E-15 | E-16 |
| ACCESSORIES | | E-17 |
| AUDIO/VIDEO | E-18 | E-20 |
| BATH | E-21 | E-23 |
| BEDROOM | E-24 | F-02 |
| CHASSIS | F-03 | F-13 |
| CURTAIN & CUSHION | F-14 | F-24 |
| DINETTE | G-01 | G-02 |
| DRIVERS COMPARTMENT | G-03 | G-08 |
| ELECTRICAL | G-09 | G-16 |
| EXTERIOR BODY | G-17 | G-24 |
| GALLEY | H-01 | H-05 |
| GENERATOR | H-06 | H-07 |
| HEATING & A/C | H-08 | H-12 |
| INTERIOR FINISH | H-13 | H-16 |
| LABEL | H-17 | I-01 |
| LP | | I-02 |
| LOUNGE | I-03 | I-04 |
| SEALANTS & FASTENERS | I-05 | I-08 |
| WATER & SEWAGE | I-09 | I-14 |
| WINDOW, VENT AND EXTERIOR DOOR | I-15 | J-06 |
| WINDSHIELD/WIPER | J-07 | J-08 |

| KEY | PART NUMBER | U/M DESCRIPTION |
|-----|---------------|---|
| 1 | 072447-04-000 | EA SHROUD-FUEL FILL, UPPER - PLASTIC |
| 2 | 102951-01-03A | EA SHROUD-FUEL FILL - GRAY |
| 3 | 078200-01-000 | EA GASKET-FUEL FILL, 3.5"OD X 2"ID |
| 4 | 098804-01-000 | EA PIPE-VENT, FUEL FILL - 12" LONG |
| 5 | 098805-01-000 | EA PIPE-FUEL, FUEL FILL - 11.4" LONG |
| | 084884-01-000 | EA PLUG-BRASS, 3/8" |
| | 007063-01-000 | FT HOSE-GAS 1/4"ID X 1/2"OD |
| | 098779-01-000 | EA COUPLER-FUEL LINE M14X1 5-6H - GM 15550219 |
| | 098779-02-000 | EA COUPLER-FUEL LINE M16X1 5-6H |
| | 080081-01-000 | EA STRAP-MOUNTING, FUEL LINE - 2" X 32" |

| KEY | PART NUMBER | U/M DESCRIPTION |
|-----|---------------|--|
| 1 | 072447-04-000 | EA SHROUD-FUEL FILL, UPPER PLASTIC |
| 2 | 102951-01-03A | EA SHROUD-FUEL FILL, GRAY |
| 3 | 078200-01-000 | EA GASKET-FUEL FILL, 3.5"OD X 2"ID |
| 4 | 095606-01-000 | EA NECK-FUEL FILL, W/CHECK VALVE - L-SHAPED - 18.2" LONG |
| 5 | 100156-01-000 | EA HOSE-FUEL FILL, 8.3" LONG W/2" ID |
| 6 | 066732-03-000 | FT HOSE-FUEL FILL, 75" ID |
| 7 | 007111-02-000 | EA HOSE-FUEL FILL, 2.00 ID - IN 3FT LENGTH'S |
| | 007063-01-000 | FT HOSE-GAS 1/4"ID X 1/2"OD |
| | 084884-01-000 | EA PLUG-BRASS, 3/8" |

CHASSIS GROUP (CONTINUED)



REAR AXLE AIRSPRINGS

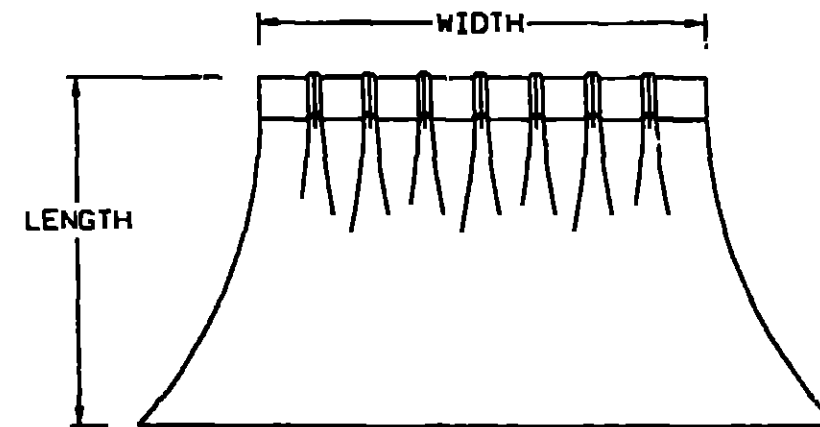
| KEY | PART NUMBER | U/M DESCRIPTION |
|-----|---------------|--|
| 1 | 084086-04-000 | EA AIRSPRING-BELLOWS, REAR AXLE - FIRESTONE# MHA224 |
| 2 | 084086-01-700 | EA AIR BAG-ONLY, FIRESTONE# W21-760-0335 |
| 3 | 084086-01-701 | EA TUBING-DOT 1/4" X 18" - FIRESTONE# 21-0938 |
| 4 | 084086-01-702 | EA BOLT-RIBBED NECK, 3/8"-24 X 2 5" FIRESTONE# 21-0829 |
| | 084086-01-705 | EA TUBING PROTECTORS, FIRESTONE# 21-0899 |
| 6 | 084086-01-706 | EA BRACKET-UPPER TO FRAME, FIRESTONE# 21-0150 |
| 7 | 084086-01-711 | EA HEAT SHIELD-224 DOS SYSTEM, FIRESTONE 21-5042 |
| 9 | 084086-01-713 | EA AXLE STRAP BRACKET, AXLE TUBE - 3 USED - FIRESTONE 21-1163 |
| 10 | 084086-01-714 | EA AXLE STRAP BRACKET, DIFFERENTIAL - 1 USED - FIRESTONE 21-5038 |
| | 084086-03-000 | EA BRACKET-AXLE, FIRESTONE #W21-760-2044 |
| | 084086-04-700 | EA BRACKET LOWER DRIVERS SIDE |
| | 084086-04-701 | EA BRACKET LOWER PASSENGER SIDE |

**CURTAIN & CUSHION GROUP
NOTICE**

IN ORDER TO ASSIST OUR PARTS SALES DEPT. IN PROVIDING INTERIOR SOFTWARE ITEMS, PLEASE INCLUDE THE SERIAL NUMBER AND THE COLOR CODE NUMBER FROM THE VEHICLE CERTIFICATION LABEL WHEN ORDERING. THIS LABEL IS LOCATED ON THE LEFT SIDEWALL AT THE END OF THE DASH (A-BODY), OR ON THE DRIVER'S DOOR LATCH PLATE (C-BODY).

AN EXAMPLE OF A COLOR CODE NUMBER IS B07, WHICH DESIGNATES AN OVERALL COLOR SCHEME OF A PARTICULAR UNIT. THE COLOR LISTED AFTER THE ITEM DESCRIPTION ON THE MICROFICHE, INDICATES THE OVERALL UNIT COLOR. ORDER THE ITEM YOU DESIRE ACCORDING TO UNIT COLOR CODE.

NOTE: USE THIS ILLUSTRATION WHEN DETERMINING LENGTH AND WIDTH MEASUREMENTS FOR CURTAINS. YOU WILL NOTE THE WIDTH MEASUREMENT IS TAKEN ON THE TOP OF THE CURTAIN WITH THE CURTAIN FULLY EXTENDED. THE LENGTH MEASUREMENT IS TAKEN FROM TOP TO BOTTOM.



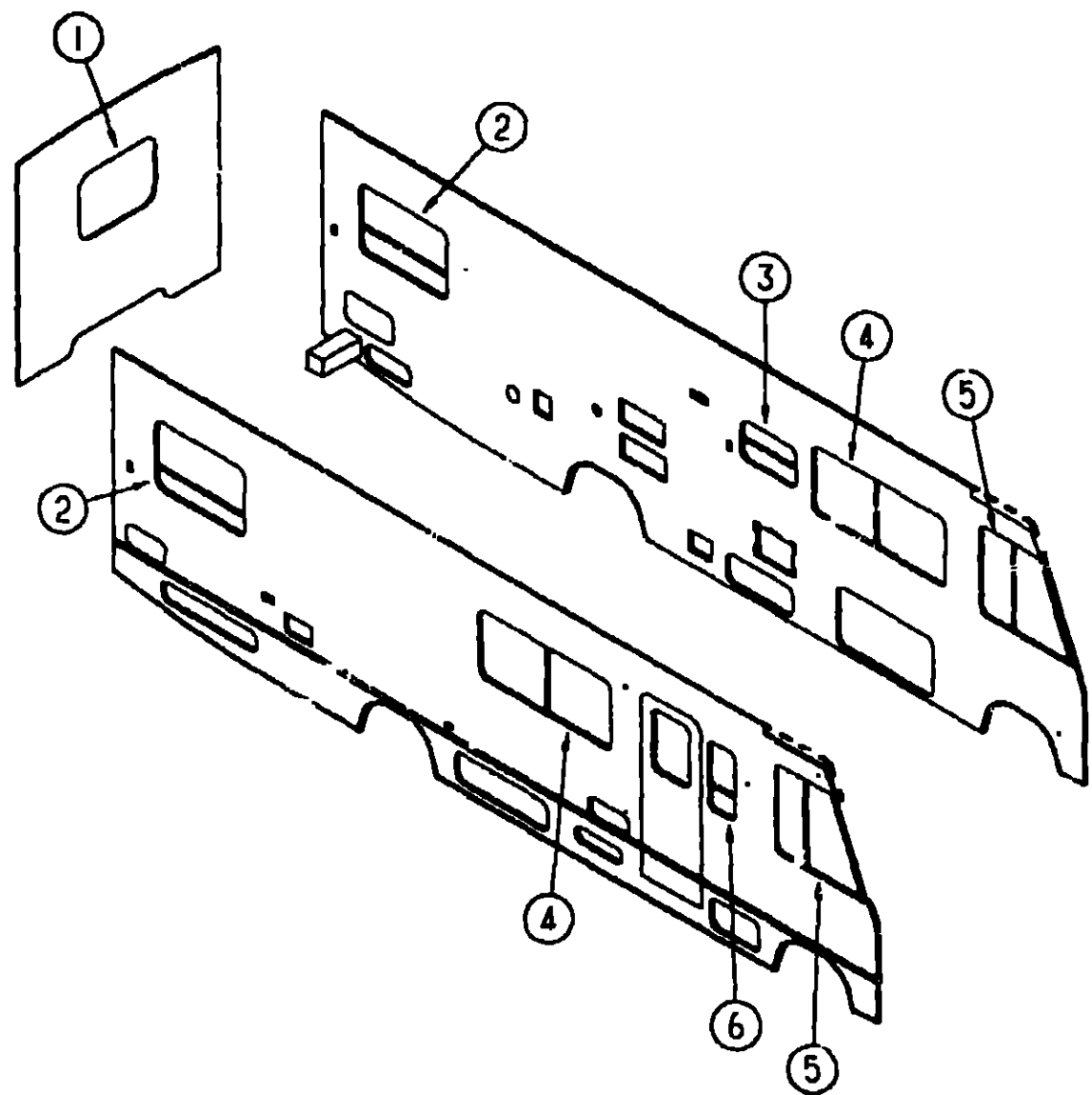
**1992 ITASCA
TABLE OF CONTENTS**

| | | |
|--------------------|--------|------|
| INTRODUCTION | A-01 - | A-02 |
| ABBREVIATIONS | | A-03 |
| ALPHABETICAL INDEX | A-04 - | A-06 |
| ICF23RC | A-07 - | E-14 |
| ICF31RQ | E-15 - | J-08 |

1992 ICF31RQ INDEX

| | | |
|----------------------|--------|------|
| FLOOR PLAN | E-15 - | E-16 |
| ACCESSORIES | | E-17 |
| AUDIO/VIDEO | E-18 - | E-20 |
| BATH | E-21 - | E-23 |
| BEDROOM | E-24 - | F-02 |
| CHASSIS | F-03 - | F-13 |
| CURTAIN & CUSHION | F-14 - | F-24 |
| DINETTE | G-01 - | G-02 |
| DRIVERS COMPARTMENT | G-03 - | G-08 |
| ELECTRICAL | G-09 - | G-16 |
| EXTERIOR BODY | G-17 - | G-24 |
| GALLEY | H-01 - | H-05 |
| GENERATOR | H-06 - | H-07 |
| HEATING & A/C | H-08 - | H-12 |
| INTERIOR FINISH | H-13 - | H-16 |
| LABEL | H-17 - | I-01 |
| LP | | I-02 |
| LOUNGE | I-03 - | I-04 |
| SEALANTS & FASTENERS | I-05 - | I-08 |
| WATER & SEWAGE | I-09 - | I-14 |
| WINDOW, VENT AND | | |
| EXTERIOR DOOR | I-15 - | J-06 |
| WINDSHIELDWIPER | J-07 - | J-08 |

CURTAIN & CUSHION GROUP (CONTINUED)
WINDOW TREATMENT



| KEY | PART NUMBER | U/M | DESCRIPTION |
|-----|---------------|-----|--|
| 1 | 104165-03-C25 | EA | VALANCE-52"PYRAMID W/CTR SHIRPIN |
| 1 | 104165-03-C26 | EA | VALANCE-52"PYRAMID W/CTR SHIRPIN |
| 1 | 104157-01-C05 | EA | CURTAIN/LEG ASM-27", RIGHT (C25) |
| 1 | 104157-01-C26 | EA | CURTAIN/LEG ASM-27", RIGHT |
| 1 | 104157-02-C05 | EA | CURTAIN/LEG ASM-27", LEFT (C25) |
| 1 | 104157-02-C26 | EA | CURTAIN/LEG ASM-27", LEFT |
| 1 | 073260-52-C23 | EA | TIEBACK ASM-3X15, GATHERED (C25) |
| 1 | 073260-52-C24 | EA | TIEBACK ASM-3X15, GATHERED (C26) |
| 1 | 093475-68-02A | EA | BLIND-MINI, 48X27 DROP |
| 2 | 104165-02-C25 | EA | VALANCE-46"PYRAMID W/CTR SHIRPIN |
| 2 | 104165-02-C26 | EA | VALANCE-46"PYRAMID W/CTR SHIRPIN |
| 2 | 104157-01-C05 | EA | CURTAIN/LEG ASM-27", RIGHT (C25) |
| 2 | 104157-01-C26 | EA | CURTAIN/LEG ASM-27", RIGHT |
| 2 | 104157-02-C05 | EA | CURTAIN/LEG ASM-27", LEFT (C25) |
| 2 | 104157-02-C26 | EA | CURTAIN/LEG ASM-27", LEFT |
| 2 | 073260-52-C23 | EA | TIEBACK ASM-3X15, GATHERED (C25) |
| 2 | 073260-52-C24 | EA | TIEBACK ASM-3X15, GATHERED (C26) |
| 2 | 093475-79-02A | EA | BLIND-MINI, 42X28 DROP |
| 2 | 104348-01-B87 | EA | VALANCE ASM-UPPER, GATHERED |
| 2 | 104348-01-C26 | EA | VALANCE ASM-UPPER, GATHERED |
| 3 | 104021-06-C25 | EA | VALANCE ASM-28 5" SPIRIT |
| 3 | 104021-06-C26 | EA | VALANCE ASM-28 5" SPIRIT |
| 3 | 093475-32-08A | EA | BLIND-MINI, 27" X 18 5" DROP (C25) |
| 3 | 093475-32-09A | EA | BLIND-MINI, 27" X 18 5" DROP (C26) |
| 4 | 104021-12-C25 | EA | VALANCE ASM-65"SPIRIT W/U-BRASS |
| 4 | 104021-12-C26 | EA | VALANCE ASM-65"SPIRIT W/U-BRASS |
| 4 | 100281-09-C25 | EA | LEG-RIGHT PLAIN NO HOLE |
| 4 | 100281-09-C26 | EA | LEG-RIGHT PLAIN NO HOLE |
| 4 | 100281-10-C25 | EA | LEG-LEFT PLAIN NO HOLE |
| 4 | 100281-10-C26 | EA | LEG-LEFT PLAIN NO HOLE |
| 4 | 093475-76-01A | EA | BLIND-MINI, 60X28 5 DROP |
| 5 | 101668-29-C25 | EA | CURTAIN-36X78 TAPE TOP, W/BRAID |
| 5 | 101668-29-C26 | EA | CURTAIN-36X78 TAPE TOP, W/BRAID |
| 5 | 073260-50-C05 | EA | TIEBACK ASM-6X18 W/BRAID (C25) |
| 5 | 073260-50-C26 | EA | TIEBACK ASM-6X18 W/BRAID |
| 6 | 104021-13-C25 | EA | VALANCE ASM-16"SPIRIT W/U-BRASS |
| 6 | 104021-13-C26 | EA | VALANCE ASM-16"SPIRIT W/U-BRASS |
| 6 | 093475-82-01A | EA | BLIND-MINI, 14.5X33 DROP |
| | 057534-01-000 | EA | TIEBACK-CURTAIN, 6" - PLASTIC - CLEAR |
| | 101668-25-C05 | EA | CURTAIN ASM-40X40, TAPE TOP (BUNK OPTION) |
| | 101668-26-C05 | EA | CURTAIN ASM-38X125, TAPE TOP (BUNK OPTION) |

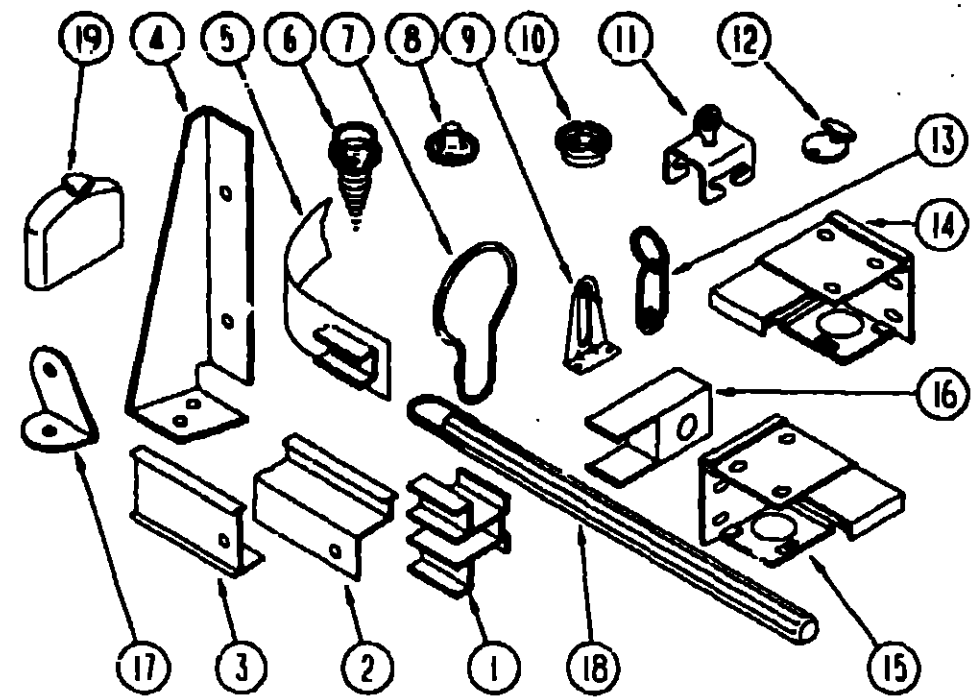
1992 ITASCA
TABLE OF CONTENTS

| | | |
|--------------------|------|------|
| INTRODUCTION | A-01 | A-02 |
| ABBREVIATIONS | | A-03 |
| ALPHABETICAL INDEX | A-04 | A-06 |
| ICF23RC | A-07 | E-14 |
| ICF31RQ | E-15 | J-08 |

1992 ICF31RQ INDEX

| | | |
|--------------------------------|------|------|
| FLOOR PLAN | E-15 | E-16 |
| ACCESSORIES | | E-17 |
| AUDIO/VIDEO | E-18 | E-20 |
| BATH | E-21 | E-23 |
| BEDROOM | E-24 | F-02 |
| CHASSIS | F-03 | F-13 |
| CURTAIN & CUSHION | F-14 | F-24 |
| DINETTE | G-01 | G-02 |
| DRIVERS COMPARTMENT | G-03 | G-08 |
| ELECTRICAL | G-09 | G-16 |
| EXTERIOR BODY | G-17 | G-24 |
| GALLEY | H-01 | H-05 |
| GENERATOR | H-06 | H-07 |
| HEATING & A/C | H-08 | H-12 |
| INTERIOR FINISH | H-13 | H-16 |
| LABEL | H-17 | I-01 |
| LP | | I-02 |
| LOUNGE | I-03 | I-04 |
| SEALANTS & FASTENERS | I-05 | I-08 |
| WATER & SEWAGE | I-09 | I-14 |
| WINDOW, VENT AND EXTERIOR DOOR | I-15 | J-06 |
| WINDSHIELD/WIPER | J-07 | J-08 |

CURTAIN & CUSHION GROUP (CONTINUED)



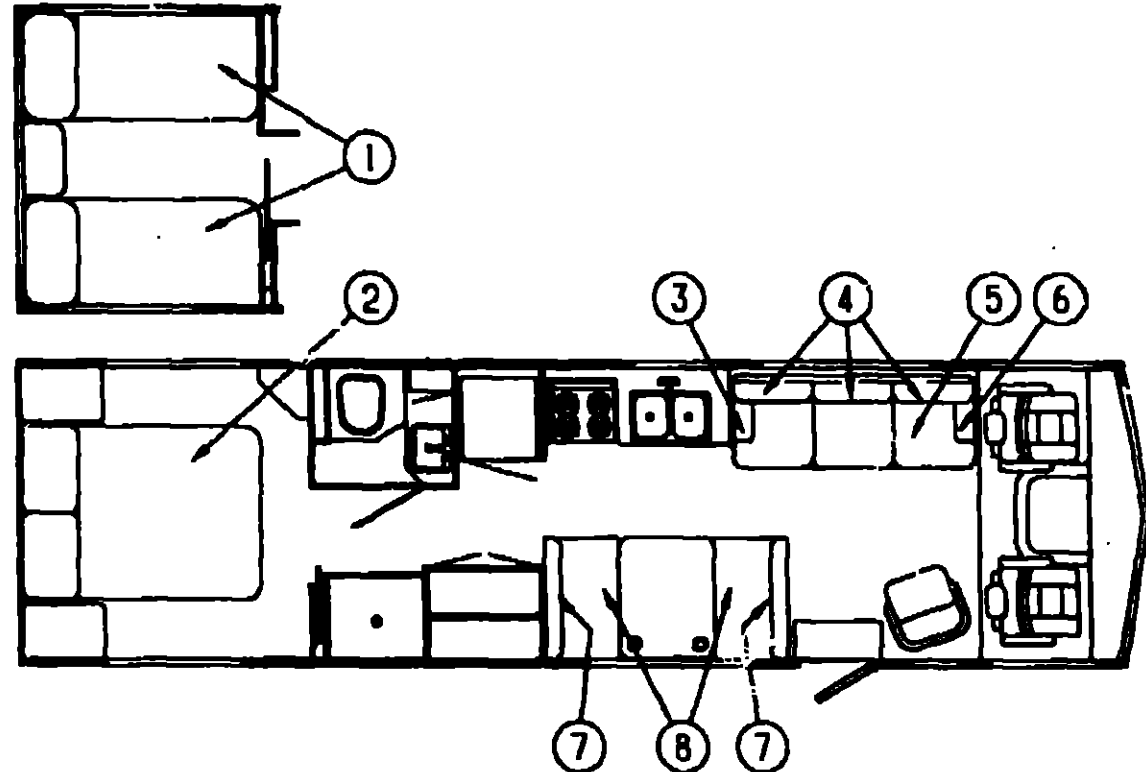
CURTAIN, BLIND HARDWARE & TRACKS

| KEY | PART NUMBER | U/M DESCRIPTION |
|-----|---------------|--|
| 1 | 101033-03-000 | EA TRACK-CURTAIN, WALL - WHITE - SHAPCO CT225 |
| 2 | 105450-01-01A | EA TRACK-CURTAIN, 30 8" LONG - ALUMINUM - OFF WHITE |
| 2 | 105450-04-01A | EA TRACK-CURTAIN, 58" LONG - ALUMINUM - OFF WHITE |
| 2 | 105324-01-01A | EA TRACK-CURTAIN, WRAP AROUND - OFF WHITE - 10" |
| 2 | 105324-02-01A | EA TRACK-CURTAIN, WRAP AROUND - OFF WHITE - 6'5" |
| 2 | 105324-03-01A | EA TRACK-CURTAIN, WRAP AROUND - OFF WHITE - 6'5" |
| 3 | 092464-04-01A | EA TRACK-SHOWER - OFF WHITE |
| 3 | 009700-04-002 | EA TRACK, L-SHAPED - 19 5/2" - OFF WHITE |
| 3 | 101589-02-C05 | EA TRACK ASM-CURTAIN, WRAP AROUND |
| | 046667-01-000 | EA GROMMET-BRASS, 7/16" ID X 1" OD |
| | 048394-02-000 | YD VELCRO TAPE-HOOK, ADHESIVE BACK - 75" WIDE - BEIGE |
| | 068716-01-001 | EA BRACE-90 DEGREE L-ANGLE, 192" - EXTRUDED ALUMINUM |
| | 075943-02-000 | EA BRACE-ANGLE, W/HOLES - 1" X 1.5" X 14" - ALUMINUM - BEIGE |
| | 075943-09-000 | EA BRACE-VALANCE, OFF WHITE 8 00/ IN |
| 4 | 076827-02-000 | EA BRACKET-LEG, 2.9" X 1 8" TRIANGLE - LEFT SIDE |
| | 089522-03-000 | EA PANEL-LEG, TWO SIDE 27" LONG - PLASTIC - BLACK |
| | 089522-04-000 | EA PANEL-LEG, TWO SIDED 31 5" LONG - PLASTIC - BLACK |
| 5 | 101031-01-000 | YD TAPE-GLIDE, CURTAIN - 4 25" SPACING |
| 6 | 029130-01-000 | EA SOCKET-SNAP FASTENER |
| 7 | 009136-02-000 | EA HANGER-RING, PIN TYPE - CURTAIN - BRASS |
| 8 | 029155-01-000 | EA CAP-SNAP, 5/32" O.D. OF PIN |
| 9 | 095591-02-000 | EA BRACKET-HOLD DOWN, W/PIN - BLIND - METAL |
| 10 | 029156-01-000 | EA SOCKET SNAP, 9/16" O.D. |
| 11 | 009702-01-000 | EA END STOP-CURTAIN CARRIER, L ROD |
| 12 | 102555-01-000 | EA CLEAT-CORD, BLIND - OFF WHITE |
| 13 | 009701-01-000 | EA CARRIER-CURTAIN, L ROD |
| 14 | 083170-01-000 | EA BRACKET-BLIND, RIGHT SIDE |
| 15 | 083170-02-000 | EA BRACKET-BLIND, LEFT SIDE |
| 16 | 101033-02-000 | EA END CAP-TRACK, CLEAR |
| 17 | 099205-02-02A | EA BRACKET-WRAP AROUND - OFF WHITE |

CURTAIN & CUSHION GROUP (CONTINUED)

CURTAIN, BLIND HARDWARE & TRACKS (CONTINUED)

| KEY | PART NUMBER | U/M DESCRIPTION |
|-----|---------------|--|
| 18 | 093475-01-700 | EA WAND-BLIND, W/METAL CLIP - 8" LONG |
| 19 | 093475-01-701 | EA END CAP-BLIND, W/STUD |
| | 103986-01-000 | FT TRIM-VALANCE, U-CHANNEL - .75" WIDE - BRASS |
| | 088792-01-000 | YD VELCRO-HOOK, .75" WIDE - BEIGE |
| | 088792-02-000 | YD VELCRO TAPE-LOOP, ADHESIVE BACKED - .75" WIDE - BEIGE |
| | 089916-01-000 | EA MOUNT-WINDOW LEG, 23.75" - ALUMINUM - BLACK 23 75" LONG - 6 3" BETWEEN SCREW HOLES |
| | 097625-01-000 | EA HOOK-DRAPERY, #1012K - KIRSH |
| | 109441-01-000 | EA HOLD DOWN-BLIND, HOOK |



TWIN MATTRESS & BEDSPREAD

| KEY | PART NUMBER | U/M DESCRIPTION |
|-----|---------------|------------------------------------|
| 1 | 101123-07-000 | EA MATTRESS COMPLETE-FOAM 32X79 |
| 1 | P01123-07-000 | EA COVER-MATTRESS, 32X79, FOAM |
| 1 | 104358-04-C25 | EA BEDSPREAD-33X80, THROW W/1"WELT |
| 1 | 104358-04-C26 | EA BEDSPREAD-33X80, THROW W/1"WELT |
| 1 | 104166-01-C25 | EA PILLOW ASM-14X14 W/2"FLANGE |
| 1 | 104166-01-C26 | EA PILLOW ASM-14X14 W/2"FLANGE |

QUEEN MATTRESS & BEDSPREAD

| KEY | PART NUMBER | U/M DESCRIPTION |
|-----|---------------|-----------------------------------|
| 2 | 101123-08-000 | EA MATTRESS COMPLETE-FOAM 59X74 |
| 2 | P01123-08-000 | EA COVER-MATTRESS, 59X74, FOAM |
| 2 | 104170-02-C25 | EA BEDSPREAD ASM-59"FITTED W/WELT |
| 2 | 104170-02-C26 | EA BEDSPREAD ASM-59"FITTED W/WELT |
| 2 | 104166-01-C25 | EA PILLOW ASM-14X14 W/2"FLANGE |
| 2 | 104166-01-C26 | EA PILLOW ASM-14X14 W/2"FLANGE |
| 2 | 104565-02-C25 | EA PILLOW SHAM-1"FLANGE&1"WELT |
| 2 | 104565-02-C26 | EA PILLOW SHAM-1"FLANGE&1"WELT |

**1992 ITASCA
TABLE OF CONTENTS**

| | | |
|--------------------|------|------|
| INTRODUCTION | A-01 | A-02 |
| ABBREVIATIONS | | A-03 |
| ALPHABETICAL INDEX | A-04 | A-06 |
| ICF23RC | A-07 | E-14 |
| ICF31RQ | E-15 | J-08 |

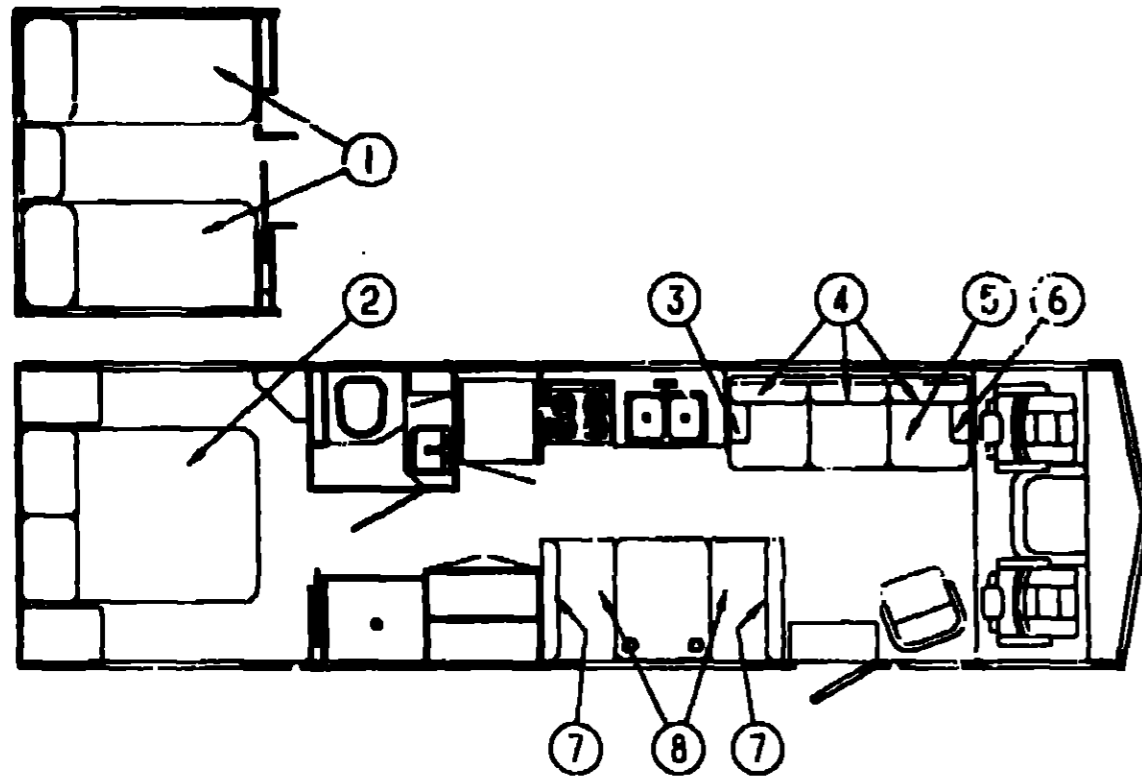
1992 ICF31RQ INDEX

| | | |
|--------------------------------------|------|--------------|
| FLOOR PLAN | E-15 | E-16 |
| ACCESSORIES | | E-17 |
| AUDIO/VIDEO | E-18 | E-20 |
| BATH | E-21 | E-23 |
| BEDROOM | E-24 | F-02 |
| CHASSIS | F-03 | F-13 |
| CURTAIN & CUSHION | F-14 | F-24 |
| DINETTE | G-01 | G-02 |
| DRIVERS COMPARTMENT | G-03 | G-08 |
| ELECTRICAL | G-09 | G-16 |
| EXTERIOR BODY | G-17 | G-24 |
| GALLEY | H-01 | H-05 |
| GENERATOR | H-06 | H-07 |
| HEATING & A/C | H-08 | H-12 |
| INTERIOR FINISH | H-13 | H-16 |
| LABEL | H-17 | I-01 |
| LP | | I-02 |
| LOUNGE | I-03 | I-04 |
| SEALANTS & FASTENERS | I-05 | I-08 |
| WATER & SEWAGE | I-09 | I-14 |
| WINDOW, VENT AND WINDSHIELD/WIPER | I-15 | J-06 J-07 |

CURTAIN & CUSHION GROUP (CONTINUED)

CURTAIN & CUSHION GROUP (CONTINUED)
DINETTE CUSHIONS

1992 ITASCA
TABLE OF CONTENTS



COUCH

| KEY | PART NUMBER | U/M DESCRIPTION |
|-----|---------------|--|
| 7 | 104164-01-C25 | EA CUSHION-VICTORIAN TUCK BACK, W/STRAP FROM: 00-00-00 THRU: 12-01-91 |
| 7 | 104164-01-C25 | EA CUSHION-VICTORIAN TUCK BACK, W/STRAP FROM: 00-00-00 THRU: 12-01-91 |
| 7 | P04164-01-C25 | EA COVER-VICTORIAN TUCK BACK, W/STRAP FROM: 00-00-00 THRU: 12-01-91 |
| 7 | P04164-01-C26 | EA COVER-VICTORIAN TUCK BACK, W/STRAP FROM: 00-00-00 THRU: 12-01-91 |
| 7 | 104164-08-C25 | EA CUSHION-VICTORIAN TUCK BACK, 13.5X38X5 FROM: 12-02-91 THRU: 99-99-99 |
| 7 | 104164-08-C26 | EA CUSHION-VICTORIAN TUCK BACK, 13.5X38X5 FROM: 12-02-91 THRU: 99-99-99 |
| 7 | P04164-08-C25 | EA COVER-VICTORIAN TUCK BACK, 13.5X38X5 FROM: 12-02-91 THRU: 99-99-99 |
| 7 | P04164-08-C26 | EA COVER-VICTORIAN TUCK BACK, 13.5X38X5 FROM: 12-02-91 THRU: 99-99-99 |
| 8 | 104164-04-C25 | EA CUSHION-VICTORIAN TUCK SEAT, W/STRAP |
| 8 | 104164-04-C26 | EA CUSHION-VICTORIAN TUCK SEAT, W/STRAP |
| 8 | P04164-04-C25 | EA COVER-VICTORIAN TUCK SEAT, W/STRAP |
| 8 | P04164-04-C26 | EA COVER-VICTORIAN TUCK SEAT, W/STRAP |
| | 078155-01-000 | EA STRAP-SNAP, BACKREST CUSHION |

| | | |
|--------------------|--------|------|
| INTRODUCTION | A-01 - | A-02 |
| ABBREVIATIONS | | A-03 |
| ALPHABETICAL INDEX | A-04 - | A-06 |
| ICF23RC | A-07 - | E-14 |
| ICF31RQ | E-15 - | J-08 |

BUNK CUSHION

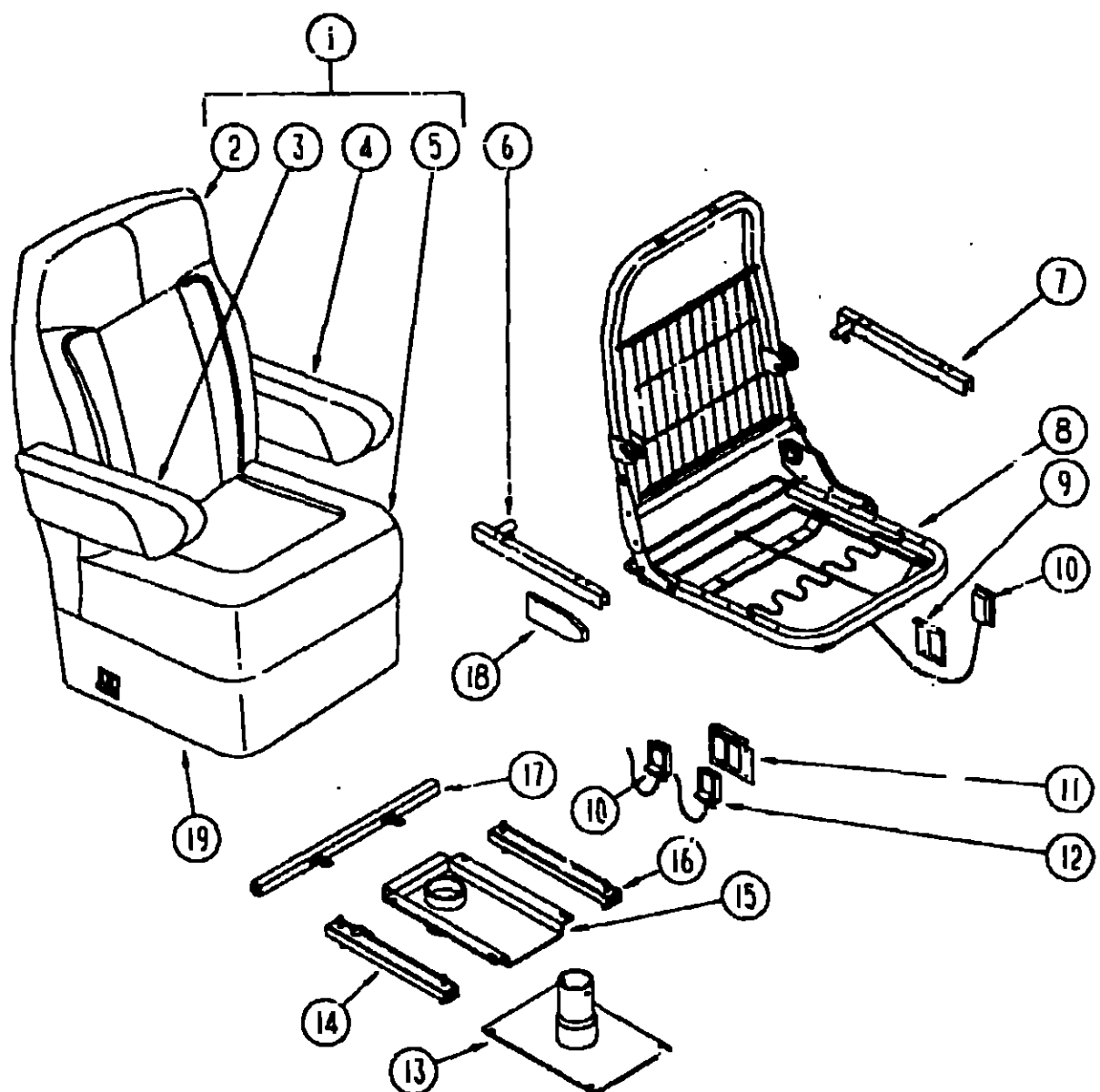
| KEY | PART NUMBER | U/M DESCRIPTION |
|-----|---------------|---|
| | 081717-03-C25 | EA BED ASM-BUNK, FRONT |
| | 079145-06-000 | EA CUSHION-BUNK, 30" X 77" X 4" |
| | M79145-06-000 | EA COVER-CUSHION, BUNK |
| | 102695-08-000 | YD TAPE-CARPET BIND, #481 BROWN |
| | 102695-11-000 | YD TAPE-CARPET BIND, MATTRESS - 3/4" WIDE - LIGHT TAN |
| | 102695-12-000 | YD TAPE-CARPET BIND, #474 LIGHT TAN - ESHCO 1 1/4" |

1992 ICF31RQ INDEX

| | | |
|----------------------|--------|------|
| FLOOR PLAN | E-15 - | E-16 |
| ACCESSORIES | | E-17 |
| AUDIO/VIDEO | E-18 - | E-20 |
| BATH | E-21 - | E-23 |
| BEDROOM | E-24 - | F-02 |
| CASSIS | F-03 - | F-13 |
| CURTAIN & CUSHION | F-14 - | F-24 |
| DINETTE | G-01 - | G-02 |
| DRIVERS COMPARTMENT | G-03 - | G-08 |
| ELECTRICAL | G-09 - | G-16 |
| EXTERIOR BODY | G-17 - | G-24 |
| GALLEY | H-01 - | H-05 |
| GENERATOR | H-06 - | H-07 |
| HEATING & A/C | H-08 - | H-12 |
| INTERIOR FINISH | H-13 - | H-16 |
| LABEL | H-17 - | I-01 |
| LP | | I-02 |
| LOUNGE | I-03 - | I-04 |
| SEALANTS & FASTENERS | I-05 - | I-08 |
| WATER & SEWAGE | I-09 - | I-14 |
| WINDOW, VENT AND | | |
| EXTERIOR DOOR | I-15 - | J-06 |
| WINDSHIELD/WIPER | J-07 - | J-08 |

| KEY | PART NUMBER | U/M DESCRIPTION |
|-----|---------------|---------------------------------------|
| 3 | 101236-03-B87 | EA ARM ASM-JACKKNIFE RIGHT (C25) |
| 3 | 101236-03-B88 | EA ARM ASM-JACKKNIFE RIGHT (C26) |
| 3 | P01236-03-B87 | EA COVER-ARM, JACKKNIFE, RIGHT (C25) |
| 3 | P01236-03-B88 | EA COVER-ARM, JACKKNIFE, RIGHT (C26) |
| 3 | 101085-07-000 | EA FRAME-ARM BRACKET, RIGHT |
| 3 | 101568-03-000 | EA BRACKET-ASM, COUCH - RIGHT SIDE |
| 3 | 101568-01-000 | EA BRACKET-ARM, COUCH - RIGHT SIDE |
| 4 | 100032-07-B87 | EA BED ASM-PRESTO, BACK (C25) |
| 4 | 100032-07-B88 | EA BED ASM-PRESTO, BACK (C26) |
| 4 | P00032-07-B87 | EA COVER ASM-PRESTO, BACK (C25) |
| 4 | P00032-07-B88 | EA COVER ASM-PRESTO, BACK (C26) |
| 4 | 101085-05-000 | EA FRAME-BACK, 74.75" |
| 5 | 100032-08-B87 | EA BED ASM-PRESTO, SEAT (C25) |
| 5 | 100032-08-B88 | EA BED ASM-PRESTO, SEAT (C26) |
| 5 | P00032-08-B87 | EA COVER ASM-PRESTO, SEAT (C25) |
| 5 | P00032-08-B88 | EA COVER ASM-PRESTO, SEAT (C26) |
| 5 | 101085-04-000 | EA FRAME-SEAT, 74.75" |
| 5 | 101085-06-000 | EA FRAME-BASE, 74.75" |
| 6 | 101236-04-B87 | EA ARM ASM-JACKKNIFE LEFT (C25) |
| 6 | 101236-04-B88 | EA ARM ASM-JACKKNIFE LEFT (C26) |
| 6 | P01236-04-B87 | EA COVER-ARMREST-JACKKNIFE LEFT (C25) |
| 6 | P01236-04-B88 | EA COVER-ARMREST-JACKKNIFE LEFT (C26) |
| 6 | 101085-08-000 | EA FRAME-ARM BRACKET, LEFT SIDE |
| 6 | 101568-04-000 | EA BRACKET-ARM, COUCH - LEFT SIDE |
| 6 | 101568-02-000 | EA BRACKET-ARM, COUCH - LEFT SIDE |
| | 103669-01-C25 | EA PILLOW ASM-16X16 THROW |
| | 103669-01-C26 | EA PILLOW ASM-16X16 THROW |

CURTAIN & CUSHION GROUP (CONTINUED)
DRIVER & PASSENGER BUCKET SEATS



| KEY | PART NUMBER | U/M | DESCRIPTION |
|-----|---------------|-----|---|
| 1 | 093450-22-C25 | EA | SEAT-ROYALE, W/O HEADREST |
| 1 | 093450-22-C26 | EA | SEAT-ROYALE, W/O HEADREST |
| 2 | M03445-22-C25 | EA | COVER-ROYALE - BACK |
| 2 | M03445-22-C26 | EA | COVER-ROYALE - BACK |
| 3 | 050243-49-C25 | EA | ARMREST ASM-RIGHT |
| 3 | 080243-49-C26 | EA | ARMREST ASM-RIGHT |
| | M80243-49-C25 | EA | COVER ASM-ARMREST, RIGHT |
| | M80243-49-C26 | EA | COVER ASM-ARMREST, RIGHT |
| 4 | 080243-50-C25 | EA | ARMREST ASM-LEFT |
| 4 | 080243-50-C26 | EA | ARMREST ASM-LEFT |
| | M80243-50-C25 | EA | COVER ASM-ARMREST, LEFT |
| | M80243-50-C26 | EA | COVER ASM-ARMREST, LEFT |
| 5 | M03445-23-C25 | EA | COVER-ROYALE - SEAT |
| 5 | M03445-23-C26 | EA | COVER-ROYALE - SEAT |
| 6 | 081268-01-000 | EA | ROD & CHANNEL-ARMREST, RIGHT - METAL |
| 7 | 081268-02-000 | EA | ROD & CHANNEL-ARMREST, LEFT - METAL |
| | 081361-01-000 | EA | ROD-ARMREST, METAL - RIGHT OR LEFT HAND |
| 8 | M80906-05-000 | EA | FRAME-SEAT, BACK & SPRING |
| 9 | 097683-03-000 | EA | BRACKET-CABLE |
| 10 | 089368-04-000 | EA | CABLE-SWIVEL, W/SWITCH - BUCKET SEAT |
| 11 | 097683-02-000 | EA | BRACKET-CABLE |
| 12 | 089368-05-000 | EA | CABLE-RECLINER, W/SWITCH - BUCKET SEAT |
| 13 | 069585-40-000 | EA | PLATE-SUB, VERTICAL 9 60" |
| | | | FROM: 00-00-00 THRU: 03-31-92 |
| 13 | 107921-01-000 | EA | PLATE-SUB, FLOOR MOUNTED PEDESTAL - W/9 75" EXTENSION |
| | | | FROM: 04-01-92 THRU: 99-99-99 |
| 14 | 069246-05-000 | EA | ADJUSTER-SLIDE, W/LOCK - FORWARD & BACK |
| | 069246-05-700 | EA | SPRING-ADJUSTER, FOR REMOTE |
| | 069246-05-701 | EA | CLIP-CABLE, FOR REMOTE |
| 15 | 093481-04-000 | EA | TOP PLATE-PEDESTAL, BUCKET SEAT - W/O SEATBELT BAR |
| 16 | 069246-02-000 | EA | ADJUSTER-BUCKET SEAT W/O LOCK, FORWARD AND BACK |
| 17 | 069585-29-000 | EA | BAR-SEAT BELT, BUCKET SEATS - 20" |
| 18 | 089369-08-000 | EA | SHIELD-CABLE, REMOTE RECLINER - BUCKET SEAT |
| 19 | 071126-24-C25 | EA | SKIRT - ROYALE SEAT (C25) |
| 19 | 071126-24-C28 | EA | SKIRT - ROYALE SEAT (C26) |
| | 080731-02-000 | EA | HINGE-SLAVE, RECLINER - LEFT HAND |
| | 080731-01-000 | EA | HINGE-SLAVE, RECLINER - RIGHT HAND |
| | 081362-01-000 | EA | BRACKET-ARMREST, RIGHT HAND |
| | 081362-02-000 | EA | BRACKET-ARMREST, LEFT HAND |
| | 101125-01-000 | EA | RECLINER-SEATBACK, LEFT HAND REMOTE |
| | 093482-01-000 | EA | SHROUD-PEDESTAL, 13" - PLASTIC - BLACK |
| | | | FROM: 00-00-00 THRU: 04-05-92 |
| | 108049-01-000 | EA | CABLE-28", FLEXSTEEL PED |
| | 108049-02-000 | EA | CABLE-PEDESTAL CLIP |

JAPAN OPTION

| KEY | PART NUMBER | U/M | DESCRIPTION |
|-----|---------------|-----|--------------------------------|
| | 085268-01-C25 | EA | HEADREST ASM-STRATON |
| | 085268-01-C26 | EA | HEADREST ASM-STRATON |
| | M85268-01-C25 | EA | COVER ASM-HEADREST, STRATON |
| | M85268-01-C26 | EA | COVER ASM-HEADREST, STRATON |
| | 081172-01-000 | EA | TRIM-HEADREST, PLASTIC - BLACK |
| | 091313-01-000 | EA | GROMMET-HEADREST |

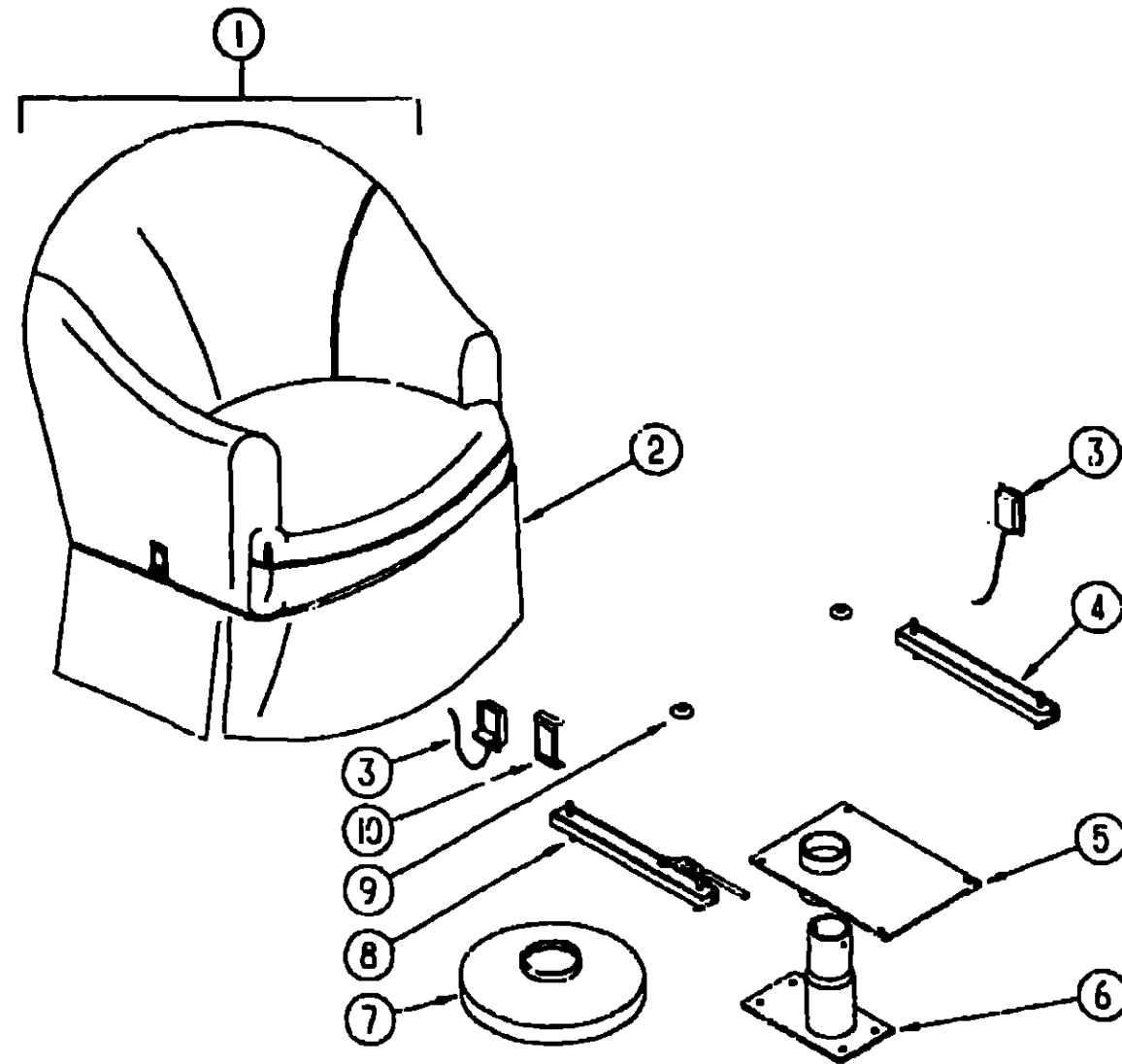
1992 ITASCA
TABLE OF CONTENTS

| | | |
|--------------------|--------|------|
| INTRODUCTION | A-01 - | A-02 |
| ABBREVIATIONS | | A-03 |
| ALPHABETICAL INDEX | A-04 - | A-06 |
| ICF23RC | A-07 - | E-14 |
| ICF31RQ | E-15 - | J-08 |

1992 ICF31RQ INDEX

| | | |
|----------------------|--------|------|
| FLOOR PLAN | E-15 - | E-16 |
| ACCESSORIES | | E-17 |
| AUDIO/VIDEO | E-18 - | E-20 |
| BATH | E-21 - | E-23 |
| BEDROOM | E-24 - | F-02 |
| CHASSIS | F-03 - | F-13 |
| CURTAIN & CUSHION | F-14 - | F-24 |
| DINETTE | G-01 - | G-02 |
| DRIVERS COMPARTMENT | G-03 - | G-08 |
| ELECTRICAL | G-09 - | G-16 |
| EXTERIOR BODY | G-17 - | G-24 |
| GALLEY | H-01 - | H-05 |
| GENERATOR | H-06 - | H-07 |
| HEATING & A/C | H-08 - | H-12 |
| INTERIOR FINISH | H-13 - | H-16 |
| LABEL | H-17 - | I-01 |
| L.P. | | I-02 |
| LOUNGE | I-03 - | I-04 |
| SEALANTS & FASTENERS | I-05 - | I-08 |
| WATER & SEWAGE | I-09 - | I-14 |
| WINDOW, VENT AND | | |
| EXTERIOR DOOR | I-15 - | J-06 |
| WINDSHIELD/WIPER | J-07 - | J-08 |

CURTAIN & CUSHION GROUP (CONTINUED)



SWIVEL CHAIR

| KEY | PART NUMBER | U/M DESCRIPTION |
|-----|---------------|---|
| 1 | 096429-09-C25 | EA CHAIR-ARIA W/SEW LINES T-SEAT |
| 1 | 096429-09-C26 | EA CHAIR-ARIA W/SEW LINES T-SEAT |
| | M96429-09-C25 | EA COVER-ARIA W/SEW LINES T-SEAT |
| | M96429-09-C26 | EA COVER-ARIA W/SEW LINES T-SEAT |
| 2 | 099202-04-B87 | EA SKIRT ASM - ARIA (C25) |
| 2 | 099202-04-B88 | EA SKIRT ASM - ARIA (C26) |
| 3 | 108049-01-000 | EA CABLE - 28" - FLEXSTEEL PED |
| 4 | 069246-06-000 | EA ADJUSTER - SWIVEL CHAIR - MANUAL - FORWARD & BACK |
| 5 | 093481-04-000 | EA TOP PLATE-PEDESTAL - BUCKET SEAT - W/O SEATBELT BAR |
| 6 | 093481-02-000 | EA BASE - PEDESTAL - W/10" EXTENSION |
| 7 | 093482-01-000 | EA SHROUD - PEDESTAL - 13" - PLASTIC - BLACK |
| 8 | 069246-07-000 | EA ADJUSTER - SWIVEL CHAIR - W/LOCKING ARM - FORWARD & BACK |
| 9 | 007221-01-000 | EA SPACER - SEAT - ADJUSTER (4 USED) |
| 10 | 108049-02-000 | EA CABLE - PEDESTAL CLIP |
| | 069246-05-700 | EA SPRING - ADJUSTER - FOR REMOTE |
| | 069246-05-701 | EA CLIP - CABLE - FOR REMOTE |
| | 057759-01-000 | EA WASHER BRACKET-SEAT BELT - 4" DIAMETER |
| | 007021-01-000 | EA BELT-SEAT - 2" X 90" - BLACK |

CURTAIN & CUSHION GROUP (CONTINUED)

BUTTON, TRIM, ASSIST HANDLE & SEAT BELT

| KEY | PART NUMBER | U/M DESCRIPTION |
|-----|---------------|---|
| | 070578-02-B29 | EA BUTTON-SCREW, STUD - #30 - VINYL |
| | 070578-04-Y05 | EA BUTTON-SNAP TOP, #30 - VINYL - BEIGE |
| | 079349-01-C25 | YD WELT ASM-ACCENT FABRIC |
| | 079349-01-C28 | YD WELT ASM-ACCENT FABRIC |
| | 084415-31-000 | YD TRIM-BRAID, CURTAIN - PLUM |
| | 079349-04-C25 | YD WELT ASM-NARROW,ACCENT |
| | 079349-04-C26 | YD WELT ASM-NARROW,ACCENT |
| | 084415-31-000 | YD TRIM-BRAID, CURTAIN - PLUM |
| | 084415-30-000 | YD TRIM-BRAID, CURTAIN - BLUE |
| | 057759-01-000 | EA WASHER BRACKET-SEAT BELT, 4" DIAMETER |
| | 007021-01-000 | EA BELT-SEAT, 2" X 90" - BLACK |
| | 056271-02-000 | EA BELT-SEAT, 2" X 72" - BLACK |
| | 069178-02-000 | EA BRACKET-MOUNTING, ASSIST HANDLE - L ANGLE - W/HOLES - ST |
| | 070578-04-Y05 | EA BUTTON-SNAP TOP, #30 - VINYL - BEIGE |
| | 053552-02-AAB | EA HANDLE-ASSIST, INTERIOR - ENTRY DOOR - VINYL - OFF WHITE |

FABRICS

| KEY | PART NUMBER | U/M DESCRIPTION |
|-----|---------------|--|
| | 029219-01-000 | YD FABRIC-VINYL, 54" WIDE - WHITE |
| | 052859-01-W30 | FT TRIM-EDGE, VINYL - 1.5" WIDE - BEIGE |
| | 072333-82-000 | YD FABRIC-CURTAIN, 54" WIDE - BEIGE |
| | 079680-01-000 | YD FABRIC-VINYL, 54" WIDE - BEIGE |
| | 079680-07-000 | YD FABRIC-VINYL, 54" WIDE - BEIGE |
| | 079680-12-000 | YD VINYL-EXPANDED, 54" WIDE - OFF WHITE |
| | 087272-01-000 | YD FABRIC-LINING, CURTAIN - 48" WIDE - IVORY |
| | 088273-67-000 | YD FABRIC-BEDSPREAD/CURTAIN, PLAIN - 54" |
| | 088273-70-000 | YD FABRIC-CURTAIN/BEDSPREAD, PATTERNED - 54" - PASTEL MIRAGE |
| | 088273-71-000 | YD FABRIC-CURTAIN/BEDSPREAD, PLAIN - 54" WIDE |
| | 088273-72-000 | YD FABRIC-CURTAIN/BEDSPREAD, PLAIN - 54" WIDE |
| | 088273-73-000 | YD FABRIC-CURTAIN/BEDSPREAD, PATTERNED - 54" WIDE |
| | 096008-83-000 | YD FABRIC-UPHOLSTERY/CURTAIN, PATTERNED VELOUR - 54" WIDE |
| | 096008-84-000 | YD FABRIC-UPHOLSTERY, DOTTED VELOUR - 54" WIDE |
| | 096008-85-000 | YD FABRIC-UPHOLSTERY/CURTAIN, PLAIN VELOUR - 54" WIDE |
| | 096008-90-000 | YD FABRIC-UPHOLSTERY/CURTAIN, PATTERNED WOVEN - 54" WIDE |
| | 096008-91-000 | YD FABRIC-UPHOLSTERY, STRIPED WOVEN - 54" WIDE |
| | 104233-28-000 | YD FABRIC-UPHOLSTERY/CURTAIN, PLAIN VELOUR - 54" WIDE |
| | 103907-01-01A | YD FABRIC-VINYL, 54" WIDE - OFF WHITE |
| | 104233-27-000 | YD FABRIC-UPHOLSTERY/CURTAIN, PLAIN VELOUR - 54" WIDE |

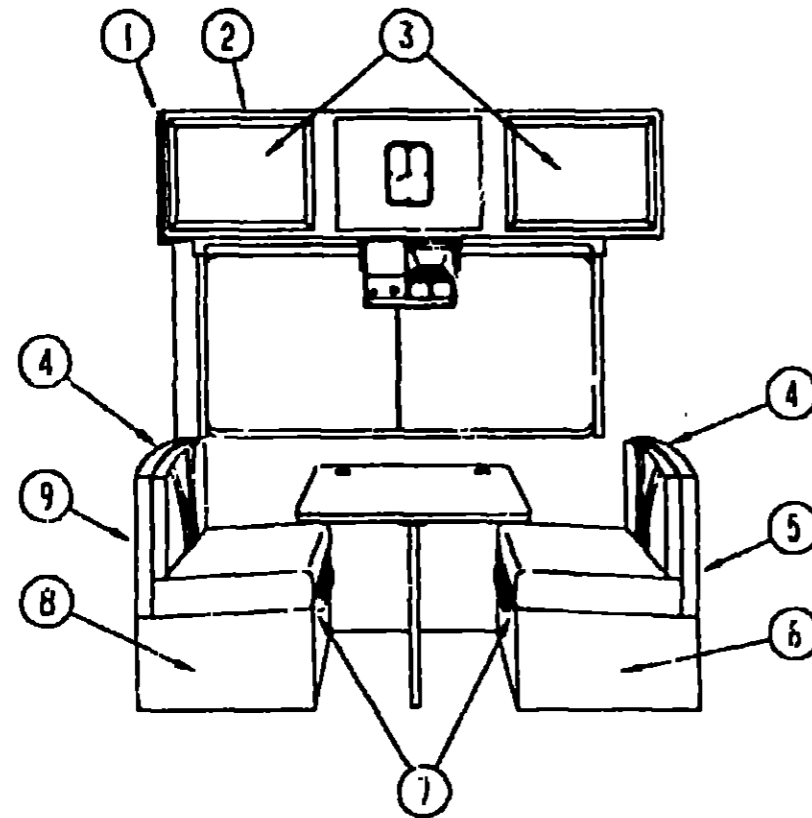
**1992 ITASCA
TABLE OF CONTENTS**

| | | |
|--------------------|------|------|
| INTRODUCTION | A-01 | A-02 |
| ABBREVIATIONS | | A-03 |
| ALPHABETICAL INDEX | A-04 | A-06 |
| ICF23RC | A-07 | E-14 |
| ICF31RQ | E-15 | J-08 |

1992 ICF31RQ INDEX

| | | |
|----------------------|------|------|
| FLOOR PLAN | E-15 | E-16 |
| ACCESSORIES | | E-17 |
| AUDIO/VIDEO | E-18 | E-20 |
| BATH | E-21 | E-23 |
| BEDROOM | E-24 | F-02 |
| CHASSIS | F-03 | F-13 |
| CURTAIN & CUSHION | F-14 | F-24 |
| DINETTE | G-01 | G-02 |
| DRIVERS COMPARTMENT | G-03 | G-08 |
| ELECTRICAL | G-09 | G-16 |
| EXTERIOR BODY | G-17 | G-24 |
| GALLEY | H-01 | H-05 |
| GENERATOR | H-06 | H-07 |
| HEATING & A/C | H-08 | H-12 |
| INTERIOR FINISH | H-13 | H-16 |
| LABEL | H-17 | I-01 |
| LP | | I-02 |
| LOUNGE | I-03 | I-04 |
| SEALANTS & FASTENERS | I-05 | I-08 |
| WATER & SEWAGE | I-09 | I-14 |
| WINDOW, VENT AND | | |
| EXTERIOR DOOR | I-15 | J-06 |
| WINDSHIELD/WIPER | J-07 | J-08 |

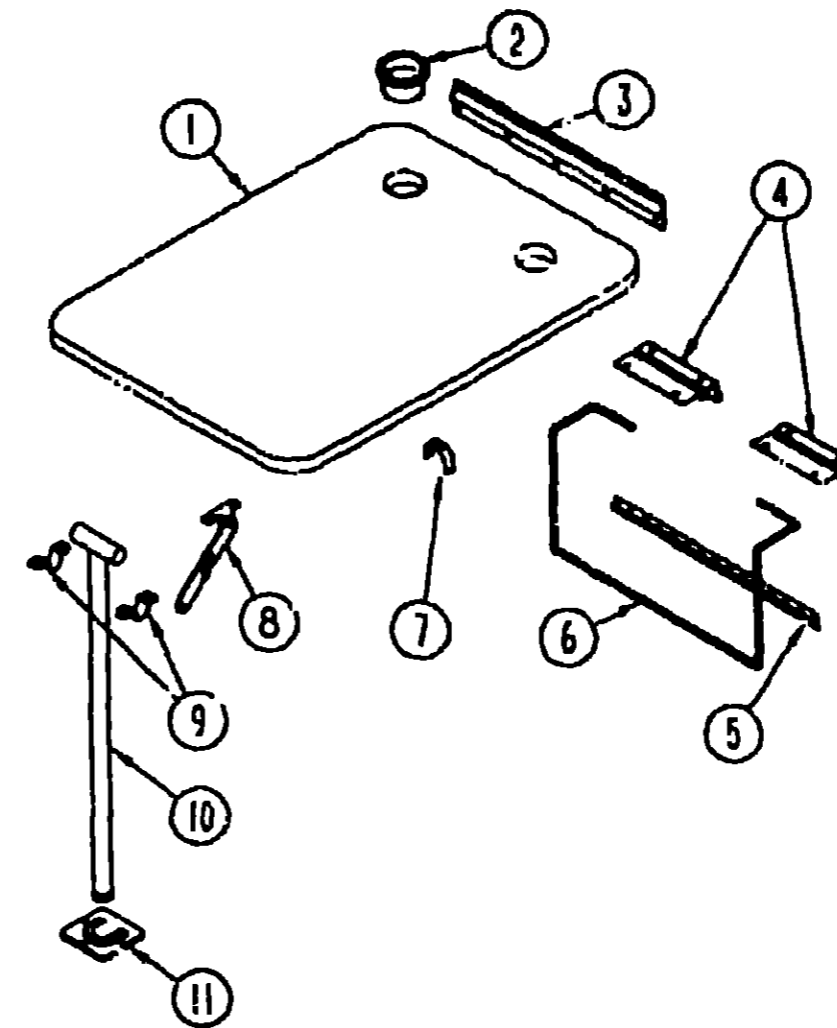
DINETTE GROUP



DINETTE CABINETRY

| KEY | PART NUMBER | U/M DESCRIPTION |
|-----|---------------|------------------------------------|
| 1 | 103128-02-C05 | EA END CAP ASM. OVERHEAD |
| 2 | M05019-50-C25 | EA CABINET ASM-OVERHEAD, DINETTE |
| 2 | M05019-50-C25 | EA CABINET ASM-OVERHEAD DINETTE |
| 3 | P04746-02-C25 | EA DOOR ASM-W/O HARDWARE - 400X520 |
| 4 | 104787-01-C25 | EA PAD ASM-DINETTE |
| 4 | 104787-01-C25 | EA PAD ASM-DINETTE |
| 5 | M04174-04-C05 | EA CABINET ASM-SEAT BACK RIGHT |
| 6 | M04175-04-C05 | EA CABINET ASM-SEAT BASE RIGHT |
| 7 | 081295-01-AA8 | EA SUPPORT-BED, DINETTE, 712 LG |
| 8 | M04175-05-C05 | EA CABINET ASM-SEAT BASE LEFT |
| 9 | M04174-05-C05 | EA CABINET ASM-SEAT BACK LEFT |
| | 103596-11-C05 | EA SEAT ASM |
| | 103596-12-C05 | EA SEAT ASM |
| | 081518-01-B03 | EA SEAT-TOP DINETTE - BIRCHWOOD |

DINETTE GROUP (CONTINUED)



DINETTE TABLE

| KEY | PART NUMBER | U/M DESCRIPTION |
|-----|---------------|--|
| 1 | M02115-09-C12 | EA TABLE-DINETTE, W/O EDGE BAND OR HARDWARE |
| 2 | 064781-06-000 | EA HOLDER-CUP, TWO STEP - OFF WHITE |
| 3 | 053200-05-000 | EA SUPPORT-TABLE, 8" X 23 5" - BEIGE |
| | 004354-01-000 | EA BUMPER-RUBBER - BROWN |
| 4 | 088410-01-000 | EA BRACKET-LIFT, TABLE MOUNTED - BEIGE |
| 5 | 024281-07-000 | EA BRACKET-LIFT ROD, LOWER WALL MOUNTED - 22 12" - BEIGE |
| 6 | 024275-12-000 | EA ROD-TABLE LIFT, 8" X 23 5" - BEIGE |
| 7 | 024283-01-000 | EA CLIP-LEG, 1" X 1 125" OD - BLACK |
| 8 | 024282-01-000 | EA BRACE-TABLE LEG, HINGED |
| 9 | 054050-03-000 | EA CLAMP-SADDLE, LEG HINGE - BEIGE |
| 10 | 024276-21-000 | EA LEG-TABLE, METAL - BEIGE |
| 11 | 049493-11-700 | EA CATCH-TABLE LEG, FLOOR MOUNTED - BEIGE |

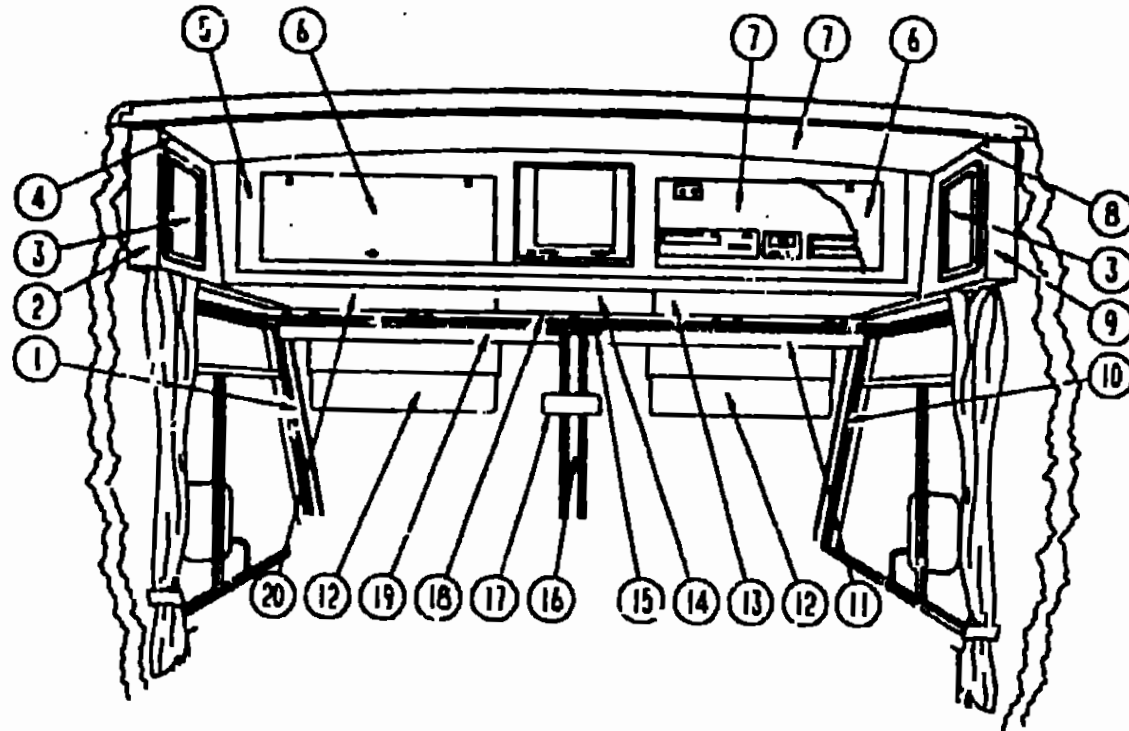
1992 ITASCA TABLE OF CONTENTS

| | |
|--------------------|-------------|
| INTRODUCTION | A-01 - A-02 |
| ABBREVIATIONS | A-03 |
| ALPHABETICAL INDEX | A-04 - A-06 |
| ICF23RC | A-07 - E-14 |
| ICF31RQ | E-15 - J-08 |

1992 ICF31RQ INDEX

| | |
|--------------------------------|-------------|
| FLOOR PLAN | E-15 - E-16 |
| ACCESSORIES | E-17 |
| AUDIO/VIDEO | E-18 - E-20 |
| BATH | E-21 - E-23 |
| BEDROOM | E-24 - F-02 |
| CHASSIS | F-03 - F-13 |
| CURTAIN & CUSHION | F-14 - F-24 |
| DINETTE | G-01 - G-02 |
| DRIVERS COMPARTMENT | G-03 - G-08 |
| ELECTRICAL | G-09 - G-16 |
| EXTERIOR BODY | G-17 - G-24 |
| GALLEY | H-01 - H-05 |
| GENERATOR | H-06 - H-07 |
| HEATING & A/C | H-08 - H-12 |
| INTERIOR FINISH | H-13 - H-16 |
| LABEL | H-17 - I-01 |
| LP | I-02 |
| LOUNGE | I-03 - I-04 |
| SEALANTS & FASTENERS | I-05 - I-08 |
| WATER & SEWAGE | I-09 - I-14 |
| WINDOW, VENT AND EXTERIOR DOOR | I-15 - J-06 |
| WINDSHIELD/WIPER | J-07 - J-08 |

**DRIVERS COMPARTMENT GROUP
DRIVERS COMPARTMENT - UPPER**



| KEY | PART NUMBER | U/M | DESCRIPTION |
|-----|---------------|-----|--|
| 1 | 103931-02-02A | EA | COVER-INNER,A-PILLAR,DRIVERS |
| 2 | 104353-02-C05 | EA | END CAP-FRONT OVERHEAD,DRIVERS |
| 3 | P04746-06-C25 | EA | DOOR-W/O HARDWARE |
| 4 | M05159-22-C25 | EA | CABINET-FRONT OVERHEAD,DRIVERS |
| 4 | M05159-22-C25 | EA | CABINET-FRONT OVERHEAD,DRIVERS |
| | 104289-02-C05 | EA | PANEL-SIDE PAD-VINYL-DRIVERS |
| | P04307-02-C05 | EA | CABINET-BOTTOM W/VINYL,LEFT |
| 5 | 104238-01-C05 | EA | CABINET-FACE,FRONT OVERHEAD (TV) |
| 6 | 100708-06-000 | EA | DOOR-GLASS, TV CABINET - W/O HARDWARE - 9 68" X 28 42" |
| | 100710-01-01A | EA | LOCK-TWIST TYPE |
| | 100711-01-01A | EA | HINGE-DOOR, GLASS |
| | 100707-01-000 | EA | SPACER |
| | 101272-01-000 | EA | CATCH-GLASS DOOR |
| | 101765-01-000 | EA | PIN-SUPPORT, GLASS DOOR |
| 7 | 103310-01-C05 | EA | PANEL-HEADLINER FRONT OVERHEAD - PADDED |
| 7 | 103040-02-C05 | EA | PANEL-HEADLINER FRONT OVERHEAD - PADDED USED W/TV |
| 7 | 103040-03-C05 | EA | PANEL-HEADLINER FRONT OVERHEAD - PADDED USED W/VCR |
| 7 | 103040-04-C05 | EA | PANEL-HEADLINER FRONT OVERHEAD - PADDED USED W/CR/INVERTER |
| 7 | 103040-05-C05 | EA | PANEL-HEADLINER FRONT OVERHEAD - PADDED USED W/TV/INVERTER |
| 8 | M05159-21-C25 | EA | CABINET-FRONT OVERHEAD,PASSENGERS |
| 8 | M05159-21-C25 | EA | CABINET-FRONT OVERHEAD,PASSENGERS |
| 9 | 104353-01-C05 | EA | END CAP-FRONT OVERHEAD,PASSENGERS |
| | 104289-01-C05 | EA | PANEL-SIDE PAD-VINYL-PASSENGERS |
| 10 | 103931-01-02A | EA | COVER-INNER,A-PILLAR,PASSENGERS |
| 11 | 078579-09-000 | EA | TRIM-WINDSHIELD,UPPER-INNER, PASSENGERS |
| 12 | 082206-14-C05 | EA | SUNVISOR-DRIVER OR PASSENGER - W/POCKET |
| | 000G39-10-12D | EA | SCREW-SF/DR, 10-16 X 3/4 PPH - BLACK |
| | 102377-01-000 | EA | BRACKET-SUNVISOR, 1 PIECE - STEEL |
| | 007211-01-000 | EA | HINGE-SUNVISOR |
| | 074012-01-000 | EA | CLIP-SUNVISOR,SO PINCH-ON |
| | 070811-05-B11 | EA | PANEL-TRIM,HEADER - LOWER - W/SPEAKER CUTOUTS - VINYL |
| 13 | P03077-02-C05 | EA | SHELF-BASE,CABINET,PASSENGERS SIDE |
| 14 | P04415-01-C05 | EA | SHELF ASM-TV CABINET,CENTER |
| | 104417-01-C05 | EA | CABINET ASM-BLANKET (STANDARD CABINET) |
| 15 | 086280-01-000 | EA | LIGHT-SURFACE MOUNT, 12V - JENSEN 1236 |
| | 086280-01-700 | EA | BULB,12V6W |
| 16 | 075765-08-000 | EA | TRIM-WINDSHIELD,CENTER |
| 17 | 040714-01-000 | EA | MIRROR INSIDE REAR VIEW |
| | 040714-01-700 | EA | MIRROR INSIDE REAR VIEW KIT |
| 18 | 103040-01-C05 | EA | PANEL-LINER,OVERHEAD TV |
| 18 | 103040-06-C05 | EA | PANEL-LINER,FRONT OVERHEAD W/BUNK |
| | 101497-09-C05 | EA | PANEL ASM-END CAP,UPPER RIGHT,TV |
| 19 | 078579-10-000 | EA | TRIM-WINDSHIELD,UPPER-INNER, DRIVERS |
| 20 | P03077-01-C05 | EA | SHELF-BASE,CABINET,DRIVERS SIDE |
| | 099537-01-000 | EA | GROMMET-RUBBER, 37" X .94" DIAMETER - BLACK |
| | 099717-02-000 | EA | TIEDOWN-TV, STRAP ON FEMALE END IS 28 7" LONG |
| | 106699-01-01A | EA | BRACKET-CABINET,OVERHEAD TV - OFF WHITE |
| | 108911-01-D12 | EA | CABINET ASM-FRAME,TV |
| | 099717-01-000 | EA | TIEDOWN-TV, STRAP ON FEMALE END IS 22 8" LONG |
| | 100628-02-000 | EA | SHELF ASM-TV |
| | 100676-02-000 | EA | STAND-VCR |
| | 101150-01-000 | EA | SUPPORT-SHELF, TV - PASSENGER SIDE - STEEL |
| | 101150-02-000 | EA | SUPPORT-SHELF, TV - DRIVER SIDE - STEEL |
| | 065747-01-000 | SF | INSULATION-MICROFOAM, .5" |
| | 101497-10-C05 | EA | PANEL ASM-END CAP,UPPER LEFT,TV |
| | 101499-05-C05 | EA | PANEL ASM-END CAP,BOTTOM RIGHT |
| | 101499-05-C05 | EA | PANEL ASM-END CAP,BOTTOM LEFT |
| | 104289-01-C05 | EA | PANEL-SIDE,OVERHEAD TV (RIGHT) |
| | 104289-02-C05 | EA | PANEL-SIDE,OVERHEAD TV (LEFT) |

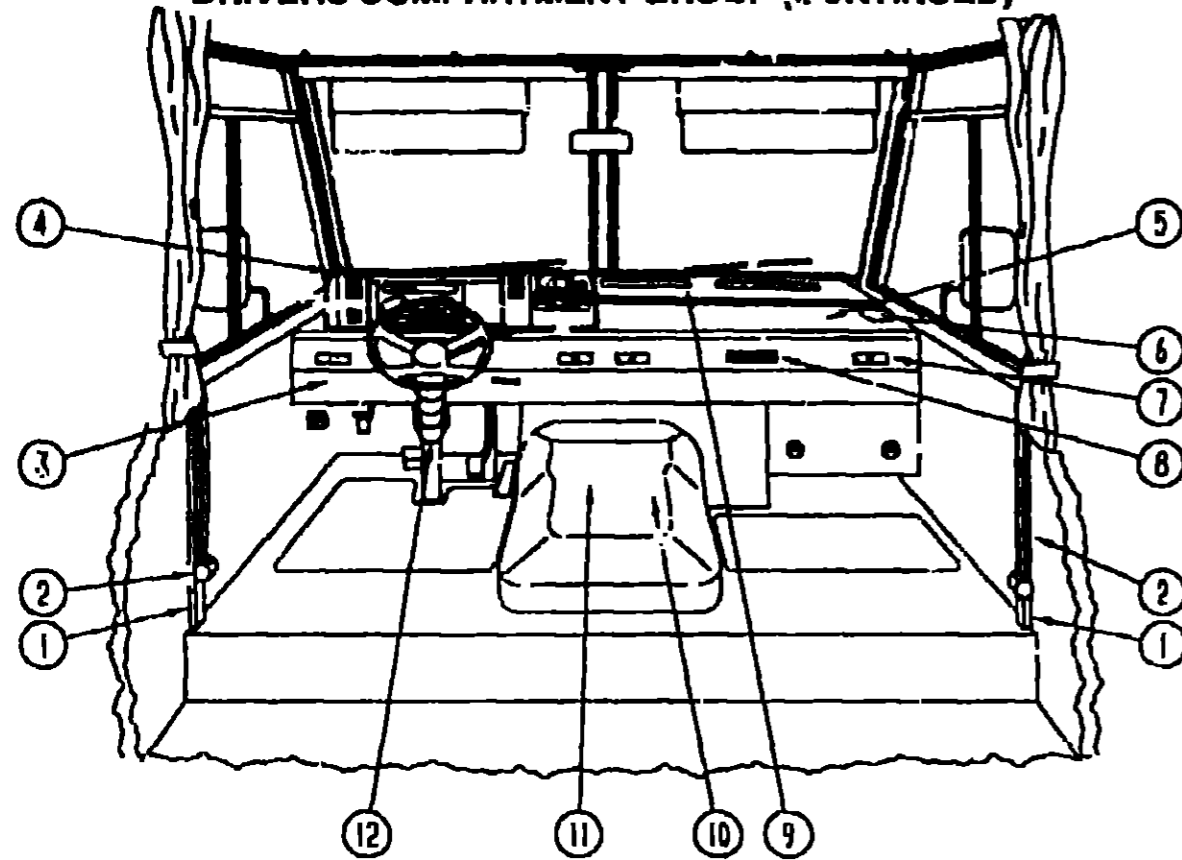
**1992 ITASCA
TABLE OF CONTENTS**

| | | |
|--------------------|------|------|
| INTRODUCTION | A-01 | A-02 |
| ABBREVIATIONS | | A-03 |
| ALPHABETICAL INDEX | A-04 | A-05 |
| ICF23RC | A-07 | E-14 |
| ICF31RQ | E-15 | J-08 |

1992 ICF31RQ INDEX

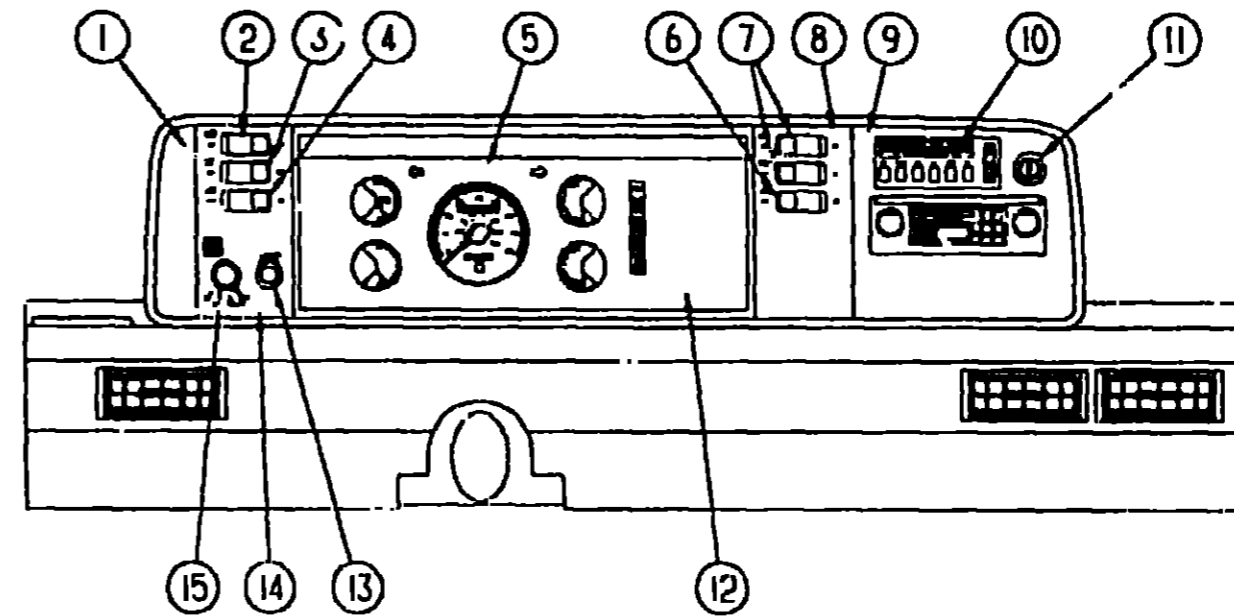
| | | |
|----------------------|------|------|
| FLOOR PLAN | E-15 | E-16 |
| ACCESSORIES | | E-17 |
| AUDIO/VIDEO | E-18 | E-20 |
| BATH | E-21 | E-23 |
| BEDROOM | E-24 | F-02 |
| CHASSIS | F-03 | F-13 |
| CURTAIN & CUSHION | F-14 | F-24 |
| DINETTE | G-01 | G-02 |
| DRIVERS COMPARTMENT | G-03 | G-08 |
| ELECTRICAL | G-09 | G-16 |
| EXTERIOR BODY | G-17 | G-24 |
| GALLEY | H-01 | H-05 |
| GENERATOR | H-06 | H-07 |
| HEATING & A/C | H-08 | H-12 |
| INTERIOR FINISH | H-13 | H-16 |
| LABEL | H-17 | I-01 |
| LP | | I-02 |
| LOUNGE | I-03 | I-04 |
| SEALANTS & FASTENERS | I-05 | I-08 |
| WATER & SEWAGE | I-09 | I-14 |
| WINDOW, VENT AND | | |
| EXTERIOR DOOR | I-15 | J-06 |
| WINDSHIELD/WMPER | J-07 | J-08 |

DRIVERS COMPARTMENT GROUP (CONTINUED)



DRIVERS COMPARTMENT - LOWER

DRIVERS COMPARTMENT GROUP (CONTINUED)



INSTRUMENT CLUSTER (FORD)

**1992 ITASCA
TABLE OF CONTENTS**

| | | |
|--------------------|--------|------|
| INTRODUCTION | A-01 - | A-02 |
| ABBREVIATIONS | | A-02 |
| ALPHABETICAL INDEX | A-04 - | A-06 |
| ICF23RC | A-07 - | E-14 |
| ICF31RQ | E-15 - | J-08 |

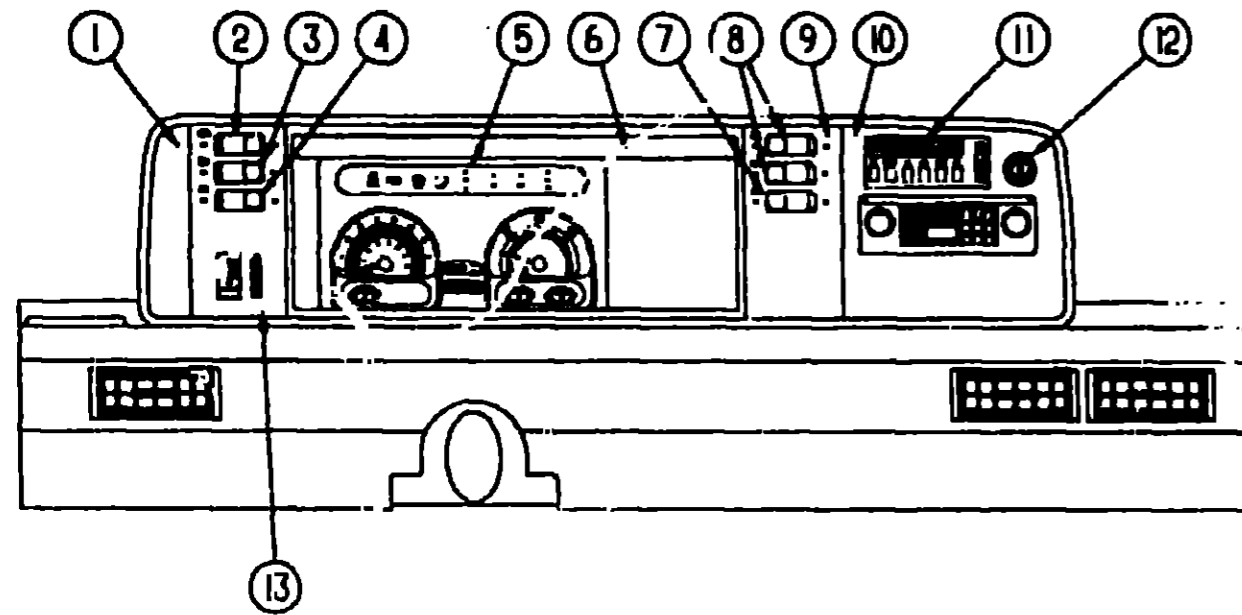
1992 ICF31RQ INDEX

| | | |
|----------------------|--------|------|
| FLOOR PLAN | E-15 - | E-16 |
| ACCESSORIES | | E-17 |
| AUDIO/VIDEO | E-18 - | E-20 |
| BATH | E-21 - | E-23 |
| BEDROOM | E-24 - | F-02 |
| CHASSIS | F-03 - | F-13 |
| CURTAIN & CUSHION | F-14 - | F-24 |
| DINETTE | G-01 - | G-02 |
| DRIVERS COMPARTMENT | G-03 - | G-08 |
| ELECTRICAL | G-09 - | G-16 |
| EXTERIOR BODY | G-17 - | G-24 |
| GALLEY | H-01 - | H-05 |
| GENERATOR | H-06 - | H-07 |
| HEATING & A/C | H-08 - | H-12 |
| INTERIOR FINISH | H-13 - | H-16 |
| LABEL | H-17 - | I-01 |
| LP | | I-02 |
| LOUNGE | I-03 - | I-04 |
| SEALANTS & FASTENERS | I-05 - | I-08 |
| WATER & SEWAGE | I-09 - | I-14 |
| WINDOW, VENT AND | | |
| EXTERIOR DOOR | I-15 - | J-06 |
| WINDSHIELD/WIPER | J-07 - | J-08 |

| KEY | PART NUMBER | U/M DESCRIPTION |
|-----|---------------|--|
| 1 | 024700-14-000 | EA SIDEWALL ROLL BAR COVER, OFF WHITE - 53" |
| | 024700-45-000 | EA SIDEWALL ROLL BAR COVER, OFF WHITE - 12 B" |
| 2 | 091990-01-01A | EA SEAT BELT-SHOULDER HARNESS - DRIVERS/PASSENGERS - BLACK |
| | 091990-01-700 | EA BOLT COVER |
| | 103961-01-01A | EA COVER-BRACKET, SEATBELT - OFF WHITE |
| | R77030-53-447 | EA WASHER-FLAT 11.3IDX21.00D |
| 3 | 103012-01-02A | EA TRIM-DASH, LOWER, GM - GRAY |
| | 103812-01-03A | EA TRIM-DASH, LOWER, GM - MILL |
| 4 | 103666-01-02A | EA POD-INSTRUMENT - GRAY |
| 5 | 103817-01-C25 | EA DASH ASM. W/VINYL |
| | P03817-01-000 | EA DASH ASM. W/O VINYL |
| 6 | 073741-03-000 | EA SPEAKER-4X6 OVAL AUDIOVCX 110-2074 |
| | 073741-04-000 | EA GRILLE-SPEAKER, OVAL 4X6 AUDIOVOX 136-1157 |
| 7 | 103796-01-01A | EA LOUVER ASM-A/C CARY |
| 8 | 104279-01-01A | EA DECAL-LOGO "SUNRISE" PASSENGERS SIDE DASH |
| 9 | 103558-01-01A | EA VENT-DEFROSTER, OFF WHITE |
| 10 | 097552-01-000 | EA COVER MOTOR |
| | 075564-01-000 | EA BRACKET-MOUNTING, MOTOR COVER |
| | 092406-01-000 | EA TRIM-MOTOR COVER |
| | 039623-01-000 | FT SEAL-COVER-ENGINE |
| 11 | 104656-01-C07 | EA TRAY ASM-BEVERAGE |
| | M04032-01-AB1 | EA DOWEL-WOOD, STAINED - 1" X 1 75" |
| | 099028-01-300 | EA HINGE-CONCEALED, BEVERAGE |
| | 046886-03-000 | EA ASHTRAY-CHROME, W/COVER |
| 12 | 103498-04-000 | EA BOOT-COLUMN, UNIVERSAL |
| | 086120-04-C25 | EA PAD ASM -MAP POCKET, 12X16 |
| | 086120-04-C26 | EA PAD ASM -MAP POCKET, 12X16 |

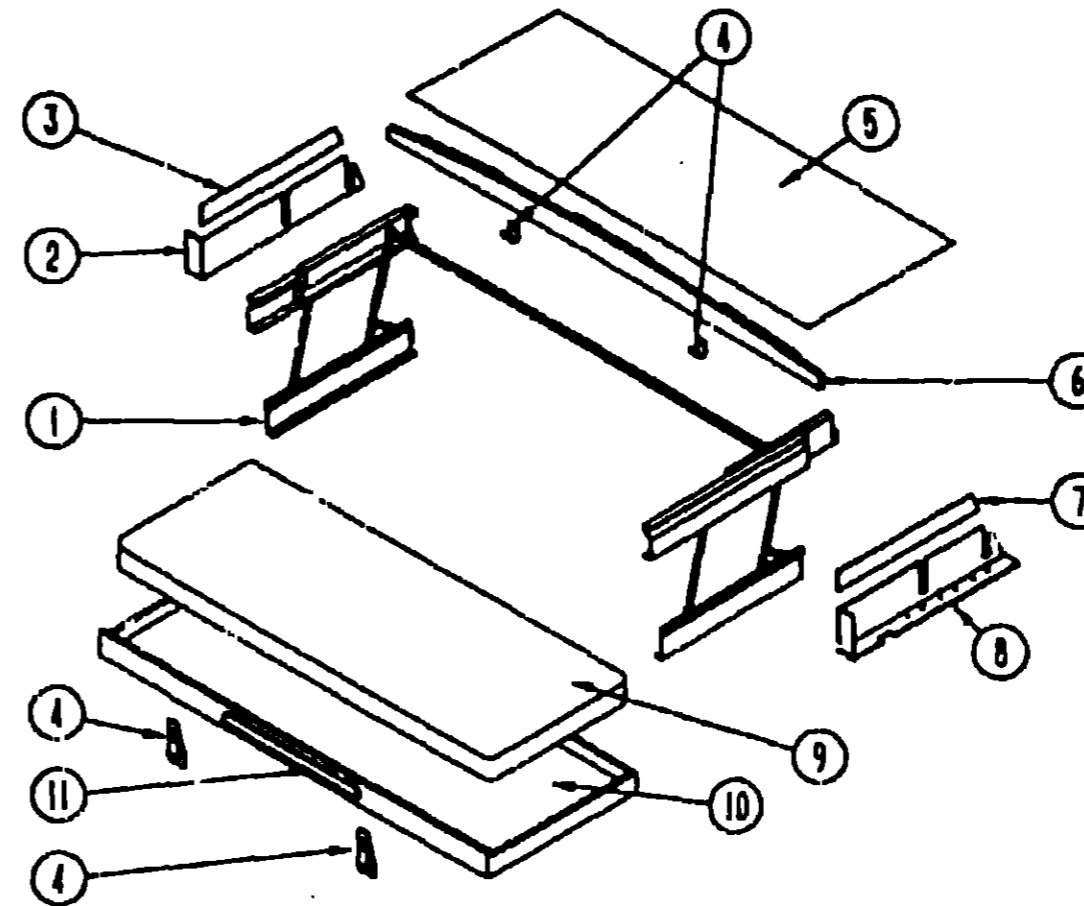
| KEY | PART NUMBER | U/M DESCRIPTION |
|-----|---------------|--|
| 1 | 104056-01-01A | EA APPLIQUE-BEZEL, LEFT DRESS UP |
| 2 | 103875-05-000 | EA SWITCH-ROCKER, SPDT/ON/NONE/ON |
| 3 | 103875-04-000 | EA SWITCH-ROCKER, SPDT/ON/OFF/MOM |
| 4 | 103875-06-000 | EA SWITCH-ROCKER, DPDT/MOM/OFF/MOM |
| 5 | 094794-02-000 | EA CLUSTER-INSTRUMENT, KILOMETER - FORD F0US-100-49-BE |
| 6 | 095241-03-000 | EA SWITCH-BLANK |
| 7 | 103875-03-000 | EA SWITCH-ROCKER, SPST/ON/OFF/ON |
| 8 | 104056-04-01A | EA APPLIQUE-BEZEL SW RIGHT BLANK - W/O AUX FAN AND REAR AUTO HEATER |
| 9 | 104056-05-01A | EA APPLIQUE-BEZEL SW RIGHT 3 SW - W/AUX FAN OR REAR AUTO HEATER |
| 10 | 104056-06-01A | EA APPLIQUE-BEZEL RIGHT DRESS UP |
| 11 | 103930-02-700 | EA PANEL-CONTROL |
| 12 | 099294-01-000 | EA LIGHTER ASM-CIGARETTE |
| 13 | 103662-02-01A | EA BEZEL-INSTRUMENT PANEL |
| | 095675-01-000 | EA KNOB-HEADLAMP, W/SHAFT |
| | 095674-01-000 | EA NUT-HEADLAMP |
| 14 | 104056-03-01A | EA APPLIQUE-BEZEL SW LEFT |
| 15 | 091206-02-000 | EA CONTROL-WIPER, DASH - DANA 66L-111018-B CONTAINS WIPER SWITCH AND WIPER MODULE |
| | 091900-01-702 | EA WIPER MODULE |
| | 100138-01-000 | EA MODULE-DAYTIME RUNNING LIGHT |
| | 077031-02-000 | EA FILM-AMBER, 1" X 1 75" |
| | 077031-03-000 | EA FILM-WHITE .75X1 00 |
| | 103603-01-000 | EA BU' B-12V NO 74 0.12A WEDGE GE 22-25 OH EQLIV |
| | P03817-01-000 | EA DASH ASM, W/O VINYL |
| | 077031-01-000 | EA FILM-BLACK, 1" X 1 75" |
| | 077075-01-000 | EA GASKET-INSTRUMENT PANEL TO DEFROSTER PLENUM - .6" X 11 3" |
| | 077075-03-000 | EA GASKET-IP TO DEF. PLENUM, SPL |
| | 105615-01-000 | FT FILM-PROTECTIVE CLEAR - 313-34" X 1500" ROLL |
| | 077539-01-000 | EA BRACKET-MOUNTING, DASH PANEL - L/SHPED - 2.5" X 1" X 1 5" |

DRIVERS COMPARTMENT GROUP (CONTINUED)



INSTRUMENT CLUSTER (CHEVY)

DRIVERS COMPARTMENT GROUP (CONTINUED)



FRONT BUNK-SINGLE

**1992 ITASCA
TABLE OF CONTENTS**

| | | |
|--------------------|------|------|
| INTRODUCTION | A-01 | A-02 |
| ABBREVIATIONS | | A-03 |
| ALPHABETICAL INDEX | A-04 | A-06 |
| ICF23RC | A-07 | E-14 |
| ICF31RQ | E-15 | J-03 |

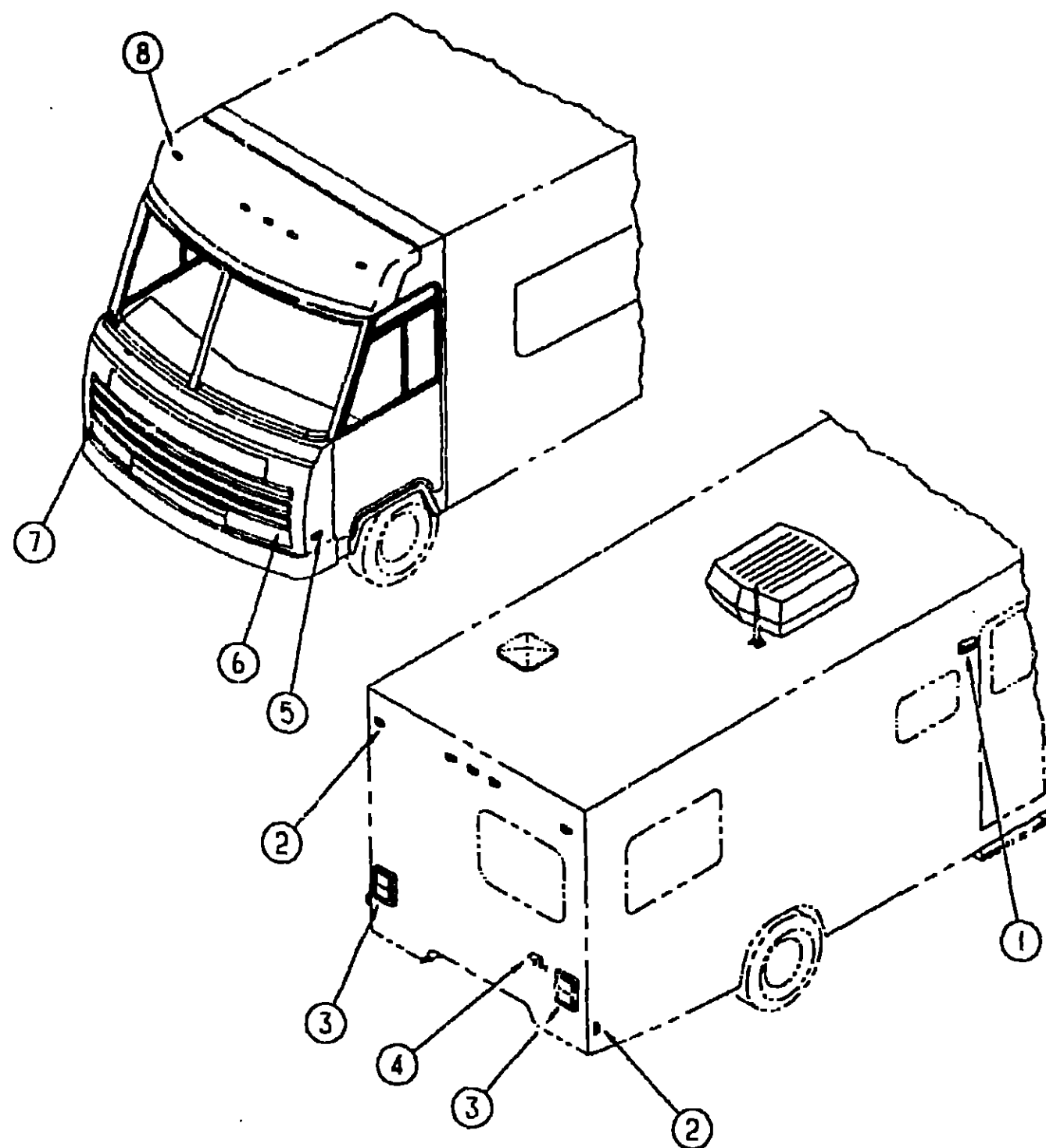
1992 ICF31RQ INDEX

| | | |
|-----------------------------------|------|------|
| FLOOR PLAN | E-15 | E-16 |
| ACCESSORIES | | E-17 |
| AUDIO/VIDEO | E-18 | E-20 |
| BATH | E-21 | E-23 |
| BEDROOM | E-24 | F-02 |
| CHASSIS | F-03 | F-13 |
| CURTAIN & CUSHION | F-14 | F-24 |
| DINETTE | G-01 | G-02 |
| DRIVERS COMPARTMENT | G-03 | G-08 |
| ELECTRICAL | G-09 | G-16 |
| EXTERIOR BODY | G-17 | G-24 |
| GALLEY | H-01 | H-05 |
| GENERATOR | H-06 | H-07 |
| HEATING & A/C | H-08 | H-12 |
| INTERIOR FINISH | H-13 | H-16 |
| LABEL | H-17 | I-01 |
| LP | | I-02 |
| LOUNGE | I-03 | I-04 |
| SEALANTS & FASTENERS | I-05 | I-08 |
| WATER & SEWAGE | I-09 | I-14 |
| WINDOW, VENT AND EXTERIOR DOOR | I-15 | J-06 |
| WINDSHIELDWIPER | J-07 | J-08 |

| KEY | PART NUMBER | U/M DESCRIPTION |
|-----|---------------|---|
| 1 | 104056-01-01A | EA APPLIQUE-BEZEL LEFT DRESS UP |
| 2 | 103875-06-000 | EA SWITCH-ROCKER,DPDT/MOM/OFF/MOM |
| 3 | 103875-05-000 | EA SWITCH-ROCKER,SPDT/ON/NONE/ON |
| 4 | 103875-04-000 | EA SWITCH-ROCKER SPDT/ON/OFF/MOM |
| 5 | 094796-05-000 | EA CLUSTER-INSTRUMENT PANEL, KILOMETERS - GAS - GM #16156355 |
| 5 | 094796-04-000 | EA CLUSTER-INSTRUMENT PANEL, KILOMETERS - DIESEL - GM#16138165 FROM 00-00-00 THRU 11-24-91 |
| 5 | 094796-06-000 | EA CLUSTER-INSTRUMENT PANEL, KILOMETERS - DIESEL - GM#16161325 FROM 11-25-91 THRU 99-09-99 |
| 6 | 103662-01-01A | EA BEZEL-INSTRUMENT |
| 7 | 096241-03-000 | EA SWITCH-BLANK |
| 8 | 103875-03-000 | EA SWITCH-ROCKER,SPST/ON/OFF/ON |
| 9 | 104056-04-01A | EA APPLIQUE-BEZEL BLANK - W/O AUX FAN AND REAR AUTO HEATER |
| 9 | 104056-05-01A | EA APPLIQUE-BEZEL 3 SW - W/AUX FAN OR REAR AUTO HEATER |
| 10 | 104056-05-01A | EA APPLIQUE-BEZEL RIGHT DRESS UP |
| 11 | 103930-02-700 | EA PANEL-CONTROL |
| 12 | C89294-01-000 | EA LIGHTER ASM-CIGARETTE |
| 13 | 104056-02-01A | EA APPLIQUE-BEZEL |
| | 100178-01-000 | EA MODULE-DAYTIME RUNNING LIGHT |
| | 077031-02-000 | EA FILM-AMBER, 1" X 1 75" |
| | 077031-03-000 | EA FILM-WHITE 75X1 00 |
| | 103103-01 000 | EA BULB-12V NO 74 0 12A WEDGE - GE 22-25 |
| | P03817-01-000 | EA DASH ASM,GM W/O VINYL |
| | 077031-01-000 | EA FILM-BLACK, 1" X 1 75" |
| | 077075-01-000 | EA GASKET-INSTRUMENT PANEL TO DEFROSTER PLENUM - 6" X 11 3" |
| | 077075-03-000 | EA GASKET-IP TO DEFROSTER PLENUM,SFL |
| | 105615-01-000 | FT FILM-PROTECTIVE CLEAR - 313-34" X 1500" ROLL |
| | 077539-01-000 | EA BRACKET-MOUNTING, DASH PANEL - L/SHPED - 2 5" X 1" X 1 5" |

| KEY | PART NUMBER | U/M DESCRIPTION |
|-----|---------------|--|
| 1 | 076760-02-000 | EA BUNK HARDWARE (COMPLETE) |
| | 076760-02-700 | EA SPRING-GAS-BUNK HARDWARE |
| 2 | 101499-06-C05 | EA PANEL- BOTTOM DRIVERS - PADDED - USED W/BUNK |
| 3 | 101497-08-C05 | EA PANEL- UPPER DRIVERS - PADDED - USED W/BUNK |
| 4 | 042541-04-700 | EA LATCH ASM-W/STRIKE, (2 SETS) - BRASS |
| 4 | 042541-04-000 | EA LATCH ASM-W/O STRIKE, BRASS |
| | 042541-05-000 | EA STRIKE-BRASS |
| | 075943-09-000 | EA BRACE- 8"-ANGLE, W/HOLES - ALUMINUM - OFF WHITE |
| 5 | 103040-05-C05 | EA PANEL-HEADLINER FRONT OVERHEAD - PADDED USED W/BUNK |
| 6 | P03199-01-C05 | EA BOARD ASM-TRIM,BUNK - CEILING MOUNTED |
| | 016604-05-000 | EA BRACE-L/ANGLED, 2 5" - OFF WHITE |
| 7 | 101497-07-C05 | EA PANEL- UPPER PASSENGERS - PADDED - USED W/BUNK |
| 9 | 101499-05-C05 | EA PANEL- BOTTOM PASSENGERS - PADDED - USED W/BUNK |
| J | 079145-06-000 | EA CUSHION-BUNK |
| | M79145-06-000 | EA COVER-BUNK 30" X 78" |
| 10 | 081717-03-C25 | EA BED ASM-BUNK,FRONT |
| 11 | 094658-01-Y12 | EA HANDLE-BUNK, OAK |

**ELECTRICAL GROUP
EXTERIOR LIGHTS**



| KEY | PART NUMBER | U/M | DESCRIPTION |
|-----|---|-----|---|
| 1 | 097917-01-03A 008215-01-000 097917-01-700 | EA | LIGHT-PORCH, ENTRY DOOR - GRAY EULB-12V, #1003 - 94AMP LENS-LIGHT, PORCH |
| 2 | 062648-01-000 | EA | LIGHT-CLEARANCE, RED - BARGMAN 30-99-001 |
| 3 | 081638-01-000 037934-01-000 081638-01-700 081638-01-701 103355-01-02A | EA | TAILLIGHT-DOUBLE, W/BLACK TRIM - DRIVER & PASSENGER SIDE BULB #1155 LENS-TAILLIGHT, RED - BARGMAN 30-84-010 LENS-TAILLIGHT, W/BACKUP - BARGMAN 30-84-700 POD-TAILLIGHT GRAY |
| 4 | 066432-02-000 066472-03-000 | EA | LIGHT-LICENSE BLACK BRACKET-LICENSE PLATE - BARGMAN 30-60 030 |
| 5 | 062648-02-000 | EA | LIGHT-CLEARANCE, AMBER - BARGMAN 30-99-002 |
| 6 | 047186-02-000 047188-02-000 | EA | HEADLAMP CAPSULE-DRIVER, HIGH/LOW BEAM - RECTANGULAR - BLACK TRIM HEADLAMP CAPSULE-DRIVER, HIGH BEAM - RECTANGULAR - BLACK TRIM |
| 7 | 047185-02-000 047187-02-000 P04787-01-000 047189-01-000 073308-01-000 089292-01-000 037935-01-000 | EA | HEADLAMP CAPSULE-PASSENGER, HIGH/LOW BEAM - RECTANGULAR - BLK TRIM HEADLAMP CAPSULE-PASSENGER, HIGH BEAM - RECTANGULAR - BLACK TRIM WIRE ASM-HEADLAMP(GM) SPRING-RETAINER HEADLAMP - GM 496095 SCREW-ADJUSTING, HEADLAMP LIGHT-TURN, DRIVER & PASSENGER - W/AMBER LENS BULB |
| 8 | 102520-01-000 036195-01-000 102540-01-000 102541-01-000 102582-01-000 | EA | LIGHT-CLEARANCE, W/O SOCKET CONNECTIONS - AMBER BULB SEAL-SCREW ROUND - FLUOR GASKET-CLEARANCE LIGHT BRACKET-LIGHT, CLEARANCE - L-SHAPED METAL - 2'2" X 4'7" |

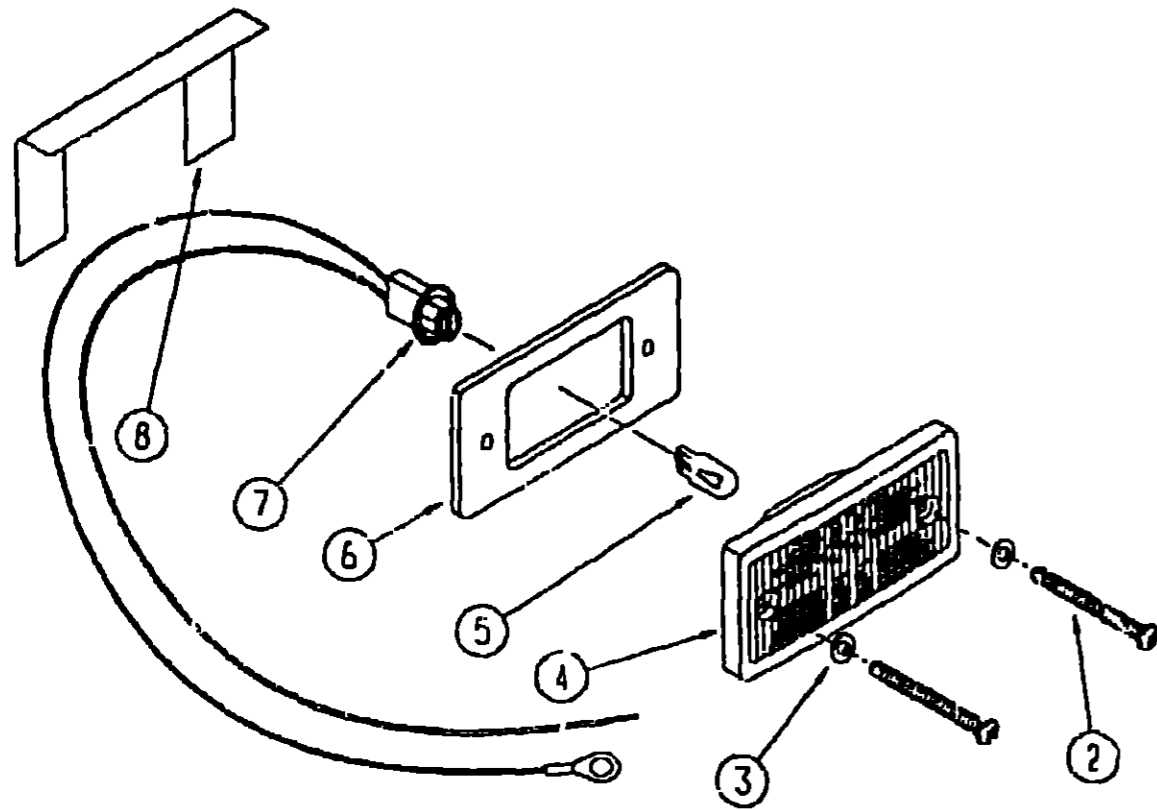
**1992 ITASCA
TABLE OF CONTENTS**

| | | |
|--------------------|------|------|
| INTRODUCTION | A-01 | A-02 |
| ABBREVIATIONS | | A-03 |
| ALPHABETICAL INDEX | A-04 | A-06 |
| ICF23RC | A-07 | E-14 |
| ICF31RQ | E-15 | J-08 |

1992 ICF31RQ INDEX

| | | |
|-----------------------------------|------|------|
| FLOOR PLAN | E-15 | E-16 |
| ACCESSORIES | | E-17 |
| AUDIO/VIDEO | E-18 | E-20 |
| BATH | E-21 | E-23 |
| BEDROOM | E-24 | F-02 |
| CHASSIS | F-03 | F-13 |
| CURTAIN & CUSHION | F-14 | F-24 |
| DINETTE | G-01 | G-02 |
| DRIVERS COMPARTMENT | G-03 | G-08 |
| ELECTRICAL | G-09 | G-16 |
| EXTERIOR BODY | G-17 | G-24 |
| GALLEY | H-01 | H-05 |
| GENERATOR | H-06 | H-07 |
| HEATING & A/C | H-08 | H-12 |
| INTERIOR FINISH | H-13 | H-16 |
| LABEL | H-17 | I-01 |
| LP | | I-02 |
| LOUNGE | I-03 | I-04 |
| SEALANTS & FASTENERS | I-05 | I-08 |
| WATER & SEWAGE | I-09 | I-14 |
| WINDOW, VENT AND EXTERIOR DOOR | I-15 | J-06 |
| WINDSHIELD/WIPER | J-07 | J-08 |

ELECTRICAL GROUP (CONTINUED)



EXTERIOR CLEARANCE LIGHTS

| KEY | PART NUMBER | U/M DESCRIPTION |
|-----|---------------|--|
| 2 | 000G39-08-24B | EA SCREW, SELF DRIVING |
| 3 | 102540-01-000 | EA SEAL-SCREW, ROUND - RUBBER |
| 4 | 102520-01-000 | EA LIGHT-CLEARANCE, W/O SOCKET CONNECTIONS - AMBER |
| 5 | 036195-01-000 | EA BULB - #1194 - CLEARANCE LIGHT |
| 6 | 102541-01-000 | EA GASKET-CLEARANCE LIGHT |
| 7 | 067789-02-000 | EA SOCKET ASM -CAB MARKER |
| 8 | 102582-01-000 | EA BRACKET-LIGHT, CLEARANCE - L-SHAPED METAL - 2" X 4 7" |

**ELECTRICAL GROUP (CONTINUED)
INTERIOR LIGHTS**

| KEY | PART NUMBER | U/M DESCRIPTION |
|-----|---------------|--|
| | 061424-01-000 | EA LIGHT-AISLE, 12V - RECTANGULAR |
| | 008103-01-000 | EA BULB-DASH/AISLE LIGHT, #53 - 12 V - .12 AMP |
| | 065201-09-000 | EA SHADE-LAMP, FABRIC - PARCHMENT |
| | 065202-15-000 | EA LAMP-WALL, BRASS, CANADIAN |
| | 065202-14-000 | EA LAMP-WALL, BRASS |
| | 082169-01-000 | EA LIGHT-MAKE-UP, 3 BULB - JENSEN X148-16BR |
| | 081633-01-700 | EA BULB-MAKE UP LIGHT, JENSEN |
| | 081633-01-700 | EA BULB-MAKE UP LIGHT, JENSEN |
| | 086280-01-000 | EA LIGHT-SURFACE MOUNT, 12V - JENSEN 1236 |
| | 086280-01-700 | EA BULB-12 VOLT, 6 WATT |
| | 098024-01-01A | EA LIGHT-DOME, 1 BULB - US - IVORY |
| | 008218-01-000 | EA BULB-DOME LIGHT, 12V - NUMBER 1141 |
| | 098024-01-700 | EA LENS-DOME LIGHT |
| | 098024-03-01A | EA LIGHT-DOME, 2 BULB - IVORY |
| | 008218-01-000 | EA BULB-DOME LIGHT, 12V - NUMBER 1141 |
| | 098024-01-700 | EA LENS-DOME LIGHT |

CIRCUIT BREAKERS

| KEY | PART NUMBER | U/M DESCRIPTION |
|-----|---------------|--|
| | 083209-01-000 | EA CIRCUIT BREAKER-15 AMP, 120V - BW G-15 - CANADIAN |
| | 083209-02-000 | EA CIRCUIT BREAKER-15/15AMP, 120V - BW H-15/15 |
| | 083209-03-000 | EA CIRCUIT BREAKER-15/20AMP, 120V - BW G-15/20 |
| | 083209-04-000 | EA CIRCUIT BREAKER-30A, 120V - BW L-30 |
| | 083209-05-000 | EA CIRCUIT BREAKER-20A, 120V - BW J-20 |
| | 083209-06-000 | EA CIRCUIT BREAKER-30/15 AMP, 120V - BW D-30/15 |
| | 083209-07-000 | EA CIRCUIT BREAKER-20/20A, 120V - BW K-20/20 |
| | 093654-01-000 | EA CIRCUIT BREAKER-6 AMP, HOUSE CONTROL PANEL |
| | 093654-02-000 | EA CIRCUIT BREAKER-15 AMP |
| | 093655-02-000 | EA CIRCUIT BREAKER-30 AMP, HOUSE CONTROL PANEL |
| | 093655-03-000 | EA CIRCUIT BREAKER-40 AMP, USD 17440-4E03A2A |
| | 097611-01-000 | EA CIRCUIT BREAKER-6AMP, ATC - BLACK |
| | 094810-01-000 | EA BREAKER-CIRCUIT, DOUBLE 30 AMP - GE THQ12130 |
| | 094811-01-000 | EA BREAKER-CIRCUIT, DOUBLE 20 AMP - GE THQ12120 |

CONDUIT

| KEY | PART NUMBER | U/M DESCRIPTION |
|-----|---------------|--|
| | 041953-01-000 | FT CONDUIT-CONVOLUTE SLIT, .5" ID |
| | 041953-03-000 | FT CONDUIT-CONVOLUTE SLIT, 1" ID |
| | 041953-05-000 | FT CONDUIT-CONVOLUTE SOLID, .62" ID |
| | 041953-06-000 | FT CONDUIT-CONVOLUTE, SLIT 3/8" ID |
| | 041953-07-000 | FT CONDUIT-CONVOLUTE, SLIT - 25" ID |
| | 041953-08-000 | FT CONDUIT-CONVOLUTE, SLIT 1.50" ID |
| | 041953-09-000 | FT CONDUIT-CONVOLUTE, SLIT .50" ID |
| | 041953-10-000 | FT CONDUIT-CONVOLUTE, SLIT - 75" ID |
| | 041953-11-000 | FT CONDUIT-CONVOLUTE, SLIT- 1.06" ID |
| | 041953-12-000 | FT CONDUIT-CONVOLUTE, NON SLIT 1.1" ID |

KEY PART NUMBER

**1992 ITASCA
TABLE OF CONTENTS**

| | | |
|--------------------|------|------|
| INTRODUCTION | A-01 | A-02 |
| ABBREVIATIONS | | A-03 |
| ALPHABETICAL INDEX | A-04 | A-06 |
| ICF23RC | A-07 | E-14 |
| ICF31RQ | E-15 | J-08 |

1992 ICF31RQ INDEX

| | | |
|----------------------|------|------|
| FLOOR PLAN | E-15 | E-16 |
| ACCESSORIES | | E-17 |
| AUDIO/VIDEO | E-18 | E-20 |
| BATH | E-21 | E-23 |
| BEDROOM | E-24 | F-02 |
| CHASSIS | F-03 | F-13 |
| CURTAIN & CUSHION | F-14 | F-24 |
| DINETTE | G-01 | G-02 |
| DRIVERS COMPARTMENT | G-03 | G-08 |
| ELECTRICAL | G-09 | G-16 |
| EXTERIOR BODY | G-17 | G-24 |
| GALLEY | H-01 | H-05 |
| GENERATOR | H-06 | H-07 |
| HEATING & A/C | H-08 | H-12 |
| INTERIOR FINISH | H-13 | H-16 |
| LABEL | H-17 | I-01 |
| LP | | I-02 |
| LOUNGE | I-03 | I-04 |
| SEALANTS & FASTENERS | I-05 | I-08 |
| WATER & SEWAGE | I-09 | I-14 |
| WINDOW, VENT AND | | |
| EXTERIOR DOOR | I-15 | J-06 |
| WINDSHIELD/WIPER | J-07 | J-08 |

ELECTRICAL GROUP (CONTINUED)
CONNECTORS

| KEY | PART NUMBER | U/M DESCRIPTION |
|-----|---------------|--|
| | 008311-01-000 | EA CONNECTOR-WIRE NUT, INSULATED - RED |
| | 008312-01-000 | EA CONNECTOR-WIRE NUT, INSULATED - BLUE |
| | 008314-01-000 | EA CONNECTOR-WIRE NUT, INSULATED - GRAY |
| | 008353-01-000 | EA CONNECTOR-CABLE CLAMPING, 3/8" |
| | 008355-01-000 | EA CONNECTOR-CABLE CLAMPING, 3/4" |
| | 008356-01-000 | EA CONNECTOR-PLASTIC, 3/8" AVG |
| | 008398-01-000 | EA CONNECTOR-1/2" X 90 DEGREE, FLEX CONDUIT - UL AND CSA |
| | 041480-01-000 | EA CONNECTOR-STRAIGHT, 1/2" FLEX CONDUIT |
| | 082740-01-000 | EA CONNECTOR-PLASTIC BODY, FOR 2 MALE SPADES |
| | 058028-01-000 | EA CONNECTOR-ELECTRICAL PIGTAIL, NYLON - CLEAR |

RECEPTACLES

| KEY | PART NUMBER | U/M DESCRIPTION |
|-----|---------------|---|
| | 024924-02-000 | EA RECEPTACLE-POWER CORD, W/PARTIAL PLATE |
| | 080015-02-000 | EA RECEPTACLE-FLAG, 185 - 16/14 GA - AMP 3 |
| | 058707-01-000 | EA RECEPTACLE-ELECTRIC, SINGLE - BROWN |
| | 058708-01-000 | EA RECEPTACLE-ELECTRIC, DOUBLE - BROWN |
| | 058708-02-000 | EA RECEPTACLE-ELECTRIC, DOUBLE - IVORY |
| | 084076-02-000 | EA RECEPTACLE-GFI, 15A - 125V - BROWN |
| | 007940-01-000 | EA RECEPTACLE-SLIDE 16 TO 12 AWG - FEMALE END |

TERMINALS

| KEY | PART NUMBER | U/M DESCRIPTION |
|-----|---------------|---|
| | 008326-01-000 | EA TERMINAL-RING, 16/14 WIRE - 3/8" STUD |
| | 008328-01-000 | EA TERMINAL-RING, 12/10 WIRE - #10 STUD FIT |
| | 008331-01-000 | EA TERMINAL-RING, TONGUE - #4 WIRE - 3/8" STUD - COPPER |
| | 008348-01-000 | EA TERMINAL-RING, 3/8" STUD - #2 WIRE CONNECTS CABLE TO DISCONNECT RELAY AND BATTERY |
| | 035416-04-000 | EA TERMINAL-RING #10 STUD FIT, INSULATED BARREL #16/14 |
| | 047443-01-000 | EA TERMINAL-250 RECEPT. FIT, INSULATED - 16/14 AWG |
| | 047443-02-000 | EA TERMINAL-250 RECEPT. FIT, INSULATED - 12/10 AWG |
| | 062036-02-000 | EA TERMINAL-PACK-CON, 16/14 AWG |
| | 104100-03-000 | EA TERMINAL-75 AMP AMP 53880-4 LOOSE |
| | 033787-01-000 | EA TERMINAL-RING, INSULATED |

FUSE & FUSE HOUSING

| KEY | PART NUMBER | U/M DESCRIPTION |
|-----|---------------|---|
| | 008234-01-000 | EA FUSE-12V, 10 AMP |
| | 008235-01-000 | EA FUSE-AUTOMOTIVE, 12V - 15AMP |
| | 062037-01-000 | EA HOUSING-AUTO FUSE, NATURAL |
| | 062037-02-000 | EA HOUSING-AUTO FUSE, GREEN |
| | 062037-03-000 | EA HOUSING-AUTO FUSE, BLACK |
| | 062037-04-000 | EA HOUSING-AUTO FUSE, BLUE |
| | 062037-05-000 | EA HOUSING-AUTO FUSE, GRAY |
| | 062037-06-000 | EA HOUSING-AUTO FUSE, BROWN |
| | 062901-04-000 | EA FUSE-10 AMPS, AUTOMOTIVE |
| | 062901-05-000 | EA FUSE-15 AMPS, AUTOMOTIVE |
| | 063910-01-000 | EA HOUSING-RELAY, BOSCH 3 334 485 008 |
| | 100341-01-000 | EA FUSE HOLDER-IN LINE TYPE, WESCO 8931-92020 |
| | 062901-07-000 | EA FUSE-25 AMPS, AUTOMOTIVE |

ELECTRICAL GROUP (CONTINUED)
HOUSINGS, PINS & SOCKETS

| KEY | PART NUMBER | U/M DESCRIPTION |
|-----|---------------|--|
| | 088473-01-000 | EA PIN-HOUSING, 4 ROWS OF 3 |
| | 088473-02-000 | EA HOUSING-PIN, 15 POSITION |
| | 088473-03-000 | EA HOUSING-PIN, 9-POSITION |
| | 088473-05-000 | EA PIN-HOUSING, 6 POSITION (SINGLE ROW) |
| | 088473-06-000 | EA PIN-HOUSING, 6 POSITION (TWO ROWS OF THREE) |
| | 088473-08-000 | EA HOUSING-PIN, 4 POSITION |
| | 038473-09-000 | EA PIN-HOUSING, 3 POSITION (SINGLE ROW) |
| | 088473-10-000 | EA PIN-HOUSING, 2 POSITION |
| | 088474-01-000 | EA HOUSING-SOCKET, 12 POSITIONS |
| | 088474-02-000 | EA HOUSING-SOCKET, 15 POSITION (3 ROWS OF 5) |
| | 088474-03-000 | EA SOCKET-SOCKET, 9-POSITION |
| | 088474-06-000 | EA SOCKET-HOUSING, 6 POSITION (2 ROWS OF THREE) |
| | 088474-07-000 | EA HOUSING-SOCKET, 5 CAVITY - AMP 1-480764-0 |
| | 088474-08-000 | EA SOCKET-HOUSING, 4 POSITION (SINGLE ROW) |
| | 088474-09-000 | EA HOUSING-SOCKET, 3 POSITION |
| | 088474-10-000 | EA HOUSING-SOCKET, 2 POSITION |
| | 088475-01-000 | EA PIN-CONNECTOR, 14 TO 20 AWG |
| | 088475-02-000 | EA PIN-CONNECTOR, 10 TO 12 AWG |
| | 104100-01-000 | EA HOUSING-1 POSITION, 75 AMP AMP 53884-1 |
| | 101571-01-000 | EA HOUSING-2 POSITION, MALE |
| | 106006-01-000 | EA HOUSING-1 POSITION, FEMALE - PACKARD 12015952 |
| | 100690-01-000 | EA HOUSING-5 PIN, WEATHER PACK |
| | 100691-01-000 | EA HOUSING-3 PIN, FEMALE |

POWER CORDS

| KEY | PART NUMBER | U/M DESCRIPTION |
|-----|---------------|---|
| | 008052-01-000 | EA CORD-POWER, 10/3 - 30 AMP - 25' - CANADIAN |
| | 008054-01-000 | EA CORD-POWER, 10/3 - 30 AMP - 25' |

CONVERTER, LOAD CENTER & INVERTER

| KEY | PART NUMBER | U/M DESCRIPTION |
|-----|---------------|--|
| | 083208-02-000 | EA CONVERTER-POWER, 45A - 120V/12V - BW 5345 |
| | 094809-01-000 | EA CENTER-LOAD, 240V - 125A - TPL412CT |
| | 099048-01-000 | EA INVERTER-100 WATT |

1992 ITASCA
TABLE OF CONTENTS

| | | |
|--------------------|--------|------|
| INTRODUCTION | A-01 - | A-02 |
| ABBREVIATIONS | | A-03 |
| ALPHABETICAL INDEX | A-04 - | A-06 |
| ICF2JRC | A-07 - | E-14 |
| ICF31RQ | E-15 - | J-08 |

1992 ICF31RQ INDEX

| | | |
|----------------------|--------|------|
| FLOOR PLAN | E-15 - | E-16 |
| ACCESSORIES | | E-17 |
| AUDIO/VIDEO | E-18 - | E-20 |
| BATH | E-21 - | E-23 |
| BEDROOM | E-24 - | F-02 |
| CHASSIS | F-03 - | F-13 |
| CURTAIN & CUSHION | F-14 - | F-24 |
| DINETTE | G-01 - | G-02 |
| DRIVERS COMPARTMENT | G-03 - | G-08 |
| ELECTRICAL | G-09 - | G-16 |
| EXTERIOR BODY | G-17 - | G-24 |
| GALLEY | H-01 - | H-05 |
| GENERATOR | H-06 - | H-07 |
| HEATING & A/C | H-08 - | H-12 |
| INTERIOR FINISH | H-13 - | H-16 |
| LABEL | H-17 - | I-01 |
| LP | | I-02 |
| LOUNGE | I-03 - | I-04 |
| SEALANTS & FASTENERS | I-05 - | I-08 |
| WATER & SEWAGE | I-09 - | I-14 |
| WINDOW, VENT AND | | |
| EXTERIOR DOOR | I-15 - | J-06 |
| WINDSHIELD/WIPER | J-07 - | J-08 |

ELECTRICAL GROUP (CONTINUED)
ELECTRICAL COMPONENTS

| KEY | PART NUMBER | U/M DESCRIPTION |
|-----|---------------|---|
| | 007093-01-000 | EA FLASHER-SIGNAL STAT |
| | 008025-01-000 | FT WIRE-BONDED 18-5 O,W,Y,BL,G |
| | 007949-01-000 | EA TAB-HOUSING, 1 POSITION |
| | 008188-01-000 | EA SOLENOID-3 POST, BATTERY CHANGE OVER |
| | 008288-01-000 | EA BOX-PL/STIC ELECTRIC, 3" X 3 1/2" |
| | 008289-01-000 | EA BOX-ELECTRIC PLASTIC - 3 9/16" X 3 13/16" X 1 81" |
| | 008289-02-000 | EA BOX-ELECTRIC, STEEL - 1/2" AND 3/4" KNOCKOUTS - 4" X 4" |
| | 008289-02-000 | EA BOX-ELECTRICAL, 4" X 4" - 1/2" & 3/4" KNOCKOUTS - CANADIAN |
| | 008294-01-000 | EA COVER-ELECTRICAL BOX, BLANK/STEEL - 4" X 4" - GRAY |
| | 008294-02-000 | EA COVER-ELECTRICAL BOX, BLANK STEEL - 4" X 4" - CANADIAN |
| | 054250-01-000 | EA COVER-ANGLED, W/O HOLE - 3 5/8" X 4 5/8" - PLASTIC - BEIGE ELECTRICAL PLATE SUPPORT |
| | 054250-04-000 | EA COVER-ANGLED, W/O HOLE - 3 5/8" X 4 5/8" - PLASTIC - OFF WHITE ELECTRICAL PLATE SUPPORT |
| | 058049-01-000 | EA BOX-ELECTRIC SWITCH, 2" X 3" X 2 25" |
| | 057789-02-000 | EA SOCKET-LAMP |
| | 059238-01-000 | EA COVER-ELECTRICAL BOX W/HOLE - 4" X 4" - GRAY USED WITH 30 AMP RECEPTACLE |
| | 073328-04-000 | EA CABLE ASSEMBLY-BATTERY, W/TERMINALS |
| | 073626-04-000 | EA COVER-ELECTRIC 10 4" X 7 0" - BEIGE PLASTIC |
| | 074890-01-000 | EA BOX-EXTENSION STEEL - OPEN SIDES - 4" X 4" X 1 1/2" |
| | 074997-01-000 | EA COVER-ELECTRIC BOX, 1 LARGE & 2 SMALL HOLES - 4" X 4" |
| | 075723-01-000 | EA SPACER-SWITCH, W/O HOLE - 2" X 9" X 2" - METAL - OFF WHITE |
| | 075736-02-000 | EA COVER-EXTENSION RECEPTACLE, OFF WHITE |
| | 077479-01-000 | EA BOOT-BATTERY TERMINAL DOUBLE CABLE |
| | 077479-02-000 | EA BOOT-BATTERY TERMINAL SINGLE CABLE |
| | 079364-01-000 | EA SWITCH-ON/OFF ROCKER, 2 PRONGS - BROWN |
| | 079364-02-000 | EA SWITCH-ON/OFF ROCKER, 3 PRONGS - BROWN |
| | 084077-02-000 | EA PLATE COVER, RECEPTACLE - GFI - BROWN |

ELECTRICAL GROUP (CONTINUED)
ELECTRICAL COMPONENTS (CONTINUED)

| KEY | PART NUMBER | U/M DESCRIPTION |
|-----|---------------|---|
| | 086233-01-000 | EA STUD-ISOLATED, 3/32" X 7/8" LONG |
| | 086273-01-000 | EA RELAY-BATTERY DISCONNECT |
| | 087949-01-000 | EA BUSS BAR-2 POSITION, 6" X 1 5/8" - ALUMINUM |
| | 088476-01-000 | EA SOCKET-CONNECTOR, BRASS - PRE-TIN |
| | 088476-02-000 | EA SOCKET-CONNECTOR, 12-10 GA - PHOS BRZ - PRE-TIN |
| | 088751-01-000 | FT CABLE BATTERY, 1/0 AWG, STRANDED, RED |
| | 091910-01-000 | EA BOX-ELECTRIC, 3 75" X 3 5" X 1 75" - PLASTIC |
| | 091927-01-000 | EA COVER-RECEPTACLE, DOUBLE - IVORY |
| | 092492-06-000 | EA SEAL ELECTRICAL BOX - ALFA III (195X267) |
| | 094334-01-000 | EA PLUG-ELECTRICAL, 3 POSITION - FURNACE - SUBURBAN 520322 FROM 00-00-00 THRU 02-02-92 |
| | 094831-01-724 | EA O-RING-#4, MOTIVA/R/SCS ZGG14561 |
| | 094831-08-000 | EA WIRE ASSEMBLY-AC COMPRESSOR ADAPTER - SCS 036-0054 |
| | 095188-01-01A | EA PACER-SWITCH, 2 3/4" X 3 4" - PLASTIC - DARK BROWN |
| | 095241-03-000 | EA SWITCH-BLANK |
| | 095241-07-000 | EA SWITCH-ROCKER DPDT - ON/ON - BLACK |
| | 097618-01-000 | EA WIRE ASM-MONITOR PANEL W/4 WIRES & BLACK RESISTOR - LVS |
| | 097734-01-01A | EA EXTENSION-RECEPTACLE 3 2" X 5" X 7" - PLASTIC - IVORY |
| | 098351-01-01A | EA PLATE-SWITCH, 1 GANG - POLISHED BRASS |
| | 098351-02-01A | EA PLATE-SWITCH, 2 GANG - POLISHED BRASS |
| | 098351-06-01A | EA PLATE-SWITCH 2 GANG W/LABEL - JENSEN - POLISHED BRASS |
| | 102568-01-B10 | EA SPACER-RECEPTACLE BETWEEN SIDEWALL & PLATE - WOOD |
| | 102635-01-000 | EA WIRE ASM-CLEARANCE LAMPS |
| | 103328-06-000 | EA WIRE ASM-PUMP EXT SHOWER |
| | 103347-01-000 | EA WIRE ASSEMBLY-COOLING FAN ADAPTER FROM 00-00-00 THRU 02-21-92 |
| | 103608-01-000 | EA SOCKET-WEDGE BASE W/LEADS JKL 2944-6 OR EQUIV |
| | 103873-01-000 | EA SEAL-ELECTRICAL BOX/BULKHEAD ALFA III(215X215) |
| | 103907-01-000 | EA SEAL-SOLENOID ACCESS |
| | 103991-01-000 | EA WIRE ASM-CRT BKR,POWER |
| | 103992-01-000 | EA WIRE ASM-IP, MAIN (FORD) |
| | 108355-01-000 | EA HOUSING-SWITCH - CARLING VC#1 |
| | 108356-01-01A | EA ACTUATOR-SWITCH GROOVES III *CARLING VVCZC00 BLA |
| | 108356-02-01A | EA ACTUATOR-SWITCH DIMPLE II *CARLING VVAZC00 BLA |

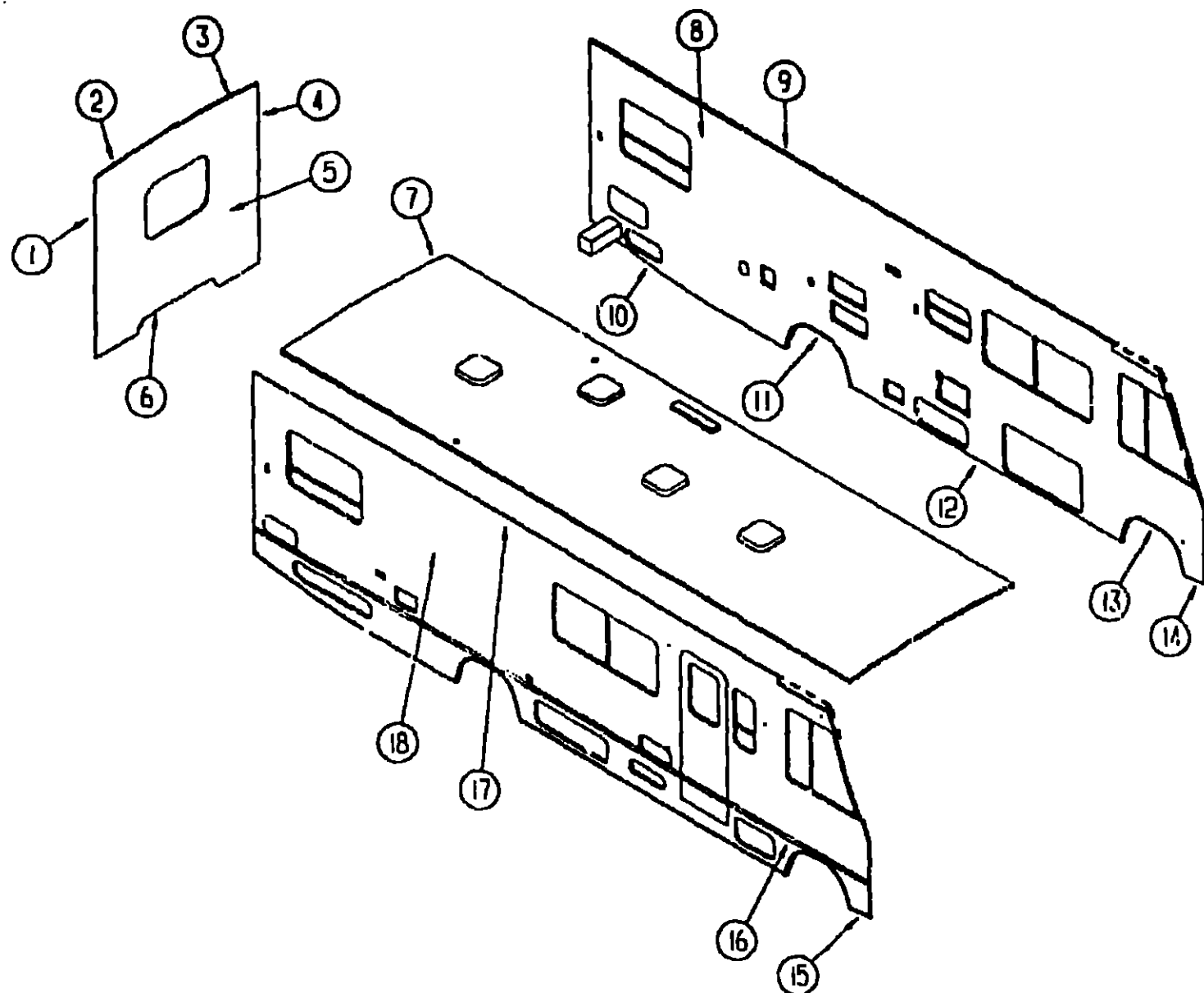
1992 ITASCA
TABLE OF CONTENTS

| | | |
|--------------------|------|------|
| INTRODUCTION | A-01 | A-02 |
| ABBREVIATIONS | | A-03 |
| ALPHABETICAL INDEX | A-04 | A-05 |
| ICF23RC | A-07 | E-14 |
| ICF31RQ | E-15 | J-08 |

1992 ICF31RQ INDEX

| | | |
|----------------------|------|------|
| FLOOR PLAN | E-15 | E-16 |
| ACCESSORIES | | E-17 |
| AUDIO/VIDEO | E-18 | E-20 |
| BATH | E-21 | E-23 |
| BEDROOM | E-24 | F-02 |
| CHASSIS | F-03 | F-13 |
| CURTAIN & CUSHION | F-14 | F-24 |
| DINETTE | G-01 | G-02 |
| DRIVERS COMPARTMENT | G-03 | G-08 |
| ELECTRICAL | G-09 | G-16 |
| EXTERIOR BODY | G-17 | G-24 |
| GALLEY | H-01 | H-05 |
| GENERATOR | H-06 | H-07 |
| HEATING & A/C | H-08 | H-12 |
| INTERIOR FINISH | H-13 | H-16 |
| LABEL | H-17 | I-01 |
| LP | | I-02 |
| LOUNGE | I-03 | I-04 |
| SEALANTS & FASTENERS | I-05 | I-08 |
| WATER & SEWAGE | I-09 | I-14 |
| WINDOW, VENT AND | | |
| EXTERIOR DOOR | I-15 | J-06 |
| WINDSHIELD/WIPER | J-07 | J-08 |

EXTERIOR BODY GROUP



EXTERIOR BODY PANELS AND TRIM

| KEY | PART NUMBER | U/M DESCRIPTION |
|-----|---------------|--|
| 1 | 103598-01-700 | EA TRIM-BACKWALL, SIDE, RIGHT - GRAY |
| | 103598-01-03A | EA TRIM-BACKWALL, SIDE, RIGHT, MILL |
| 1 | 104033-01-02A | EA TRIM-J, BACKWALL, RIGHT - GRAY |
| 2 | 103599-01-02A | EA TRIM-BACKWALL, TOP, RIGHT - GRAY |
| 3 | 103600-01-02A | EA TRIM-BACKWALL, TOP, LEFT - GRAY |
| 4 | 103598-02-700 | EA TRIM-BACKWALL, SIDE, LEFT - GRAY |
| | 103598-02-03A | EA TRIM-BACKWALL, SIDE, LEFT, MILL |
| 4 | 104033-02-02A | EA TRIM-J, BACKWALL, LEFT - GRAY |
| 5 | M05703-03-C25 | EA BACKWALL ASM W/QUEEN BED FORD |
| 5 | M05703-04-C25 | EA BACKWALL ASM W/TWIN BED FORD |
| 5 | M05703-01-C25 | EA BACKWALL ASM W/QUEEN BED GM |
| 5 | M05703-02-C25 | EA BACKWALL ASM W/TWIN BED GM |
| 6 | 050406-16-000 | EA TRIM-BACKWALL, LOWER - GRAY |
| 7 | M05702-02-C25 | EA ROOF ASM W/TWIN |
| 7 | M05702-01-C25 | EA ROOF ASM W/QUEEN |
| 8 | M05705-02-C25 | EA SIDEWALL ASM-LEFT W/TWIN |
| 8 | M05705-01-C25 | EA SIDEWALL ASM-LEFT W/QUEEN |
| 9 | 103801-01-02A | EA TRIM-ROOF, W/DRILLED HOLES - GRAY |
| 9 | 103801-02-02A | EA TRIM-ROOF, W/O DRILLED HOLES - GRAY |
| 10 | 103143-03-02A | EA TRIM-SIDEWALL, BOTTOM, REAR - GRAY |
| | | FROM 00-00-00 THRU 05-02-92 |
| 10 | 108038-02-03A | EA TRIM-SIDEWALL, BOTTOM, REAR - GRAY |
| | | FROM 05-03-92 THRU 99-99-99 |

EXTERIOR BODY GROUP (CONTINUED)
EXTERIOR BODY PANELS AND TRIM (CONTINUED)

| KEY | PART NUMBER | U/M DESCRIPTION |
|-----|---------------|---|
| 11 | 103145-01-02A | EA TRIM-WHEELWELL, REAR - GRAY |
| | | FROM: 00-00-00 THRU: 05-02-92 |
| 11 | 108070-01-03A | EA TRIM-WHEELWELL, REAR - GRAY |
| | | FROM 05-03-92 THRU 99-99-99 |
| 12 | 103144-04-02A | EA TRIM-SIDEWALL, BOTTOM, CENTER - GRAY |
| | | FROM 00-00-00 THRU 05-02-92 |
| 12 | 108039-03-03A | EA TRIM-SIDEWALL, BOTTOM, CENTER - GRAY |
| | | FROM 05-03-92 THRU 99-99-99 |
| 13 | 103146-01-02A | EA TRIM-WHEELWELL, FRONT - GRAY |
| | | FROM 00-00-00 THRU 05-02-92 |
| 13 | 108069-01-03A | EA TRIM-WHEELWELL, FRONT - GRAY |
| | | FROM: 05-03-92 THRU 99-99-99 |
| 14 | 103142-02-02A | EA TRIM-LOWER SIDEWALL, FRONT LEFT - GRAY |
| | | FROM 00-00-00 THRU 05-02-92 |
| 14 | 108109-01-03A | EA TRIM-SIDEWALL, LOW, FRONT - DRIVER OR PASSENGER - GRAY |
| | | FROM 05-03-92 THRU 99-99-99 |
| 15 | 103142-01-02A | EA TRIM-LOWER SIDEWALL, FRONT, RIGHT - GRAY |
| | | FROM 00-00-00 THRU 05-02-92 |
| 15 | 108109-01-03A | EA TRIM-SIDEWALL, LOW, FRONT - DRIVER OR PASSENGER - GRAY |
| | | FROM 05-03-92 THRU 99-99-99 |
| 16 | 002444-05-001 | EA EXTR-FEATURE STRIP 182.00" |
| | 001030-11-001 | EA INSERT FEATURE STRIP |
| | 009731-01-000 | EA END CAP-FEATURE STRIP |
| 17 | 103802-01-02A | EA RAIL-AWNING, W/DRILLED HOLES - GRAY |
| 17 | 103802-02-02A | EA RAIL-AWNING, W/O DRILLED HOLES - GRAY |
| 18 | M05704-01-C25 | EA SIDEWALL ASM-RIGHT W/QUEEN |
| 18 | M05704-02-C25 | EA SIDEWALL ASM-RIGHT W/TWIN |
| | 058267-01-000 | CT CHANNEL-STEEL W/HOLES - SIDEWALL STIFFENER - 2" X 20" |
| | 002754-01-001 | EA ANGLE-EXTRUDED, 75" X 75" X 18" - MILL ALUMINUM |
| | 085180-55-003 | EA U-CHANNEL-EXTRUDED, 1 7/8" X 16" - GRAY - SERRATED |
| | 086754-04-000 | EA CAP-JOINT, ROOF TO SIDEWALL TRIM - 2" X 1 25" - GRAY |
| | 002726-01-001 | EA GARNISH-U-CHANNEL, 1 3/8" X 19" - SERRATED - MILL ALUMINUM |
| | 089922-08-000 | EA TRIM-FIBERGLASS, PANEL - GRAY |
| | 093573-01-C3A | FT TRIM-ENTRANCE DOOR, 1 3" WIDE - GRAY |
| | 103814-01-000 | EA BRACKET-TRIM ATTACHMENT |

FIBERGLASS, STYROFOAM & ALUMINUM

| KEY | PART NUMBER | U/M DESCRIPTION |
|-----|---------------|---|
| | 076054-F4-000 | EA FIBERGLASS SHEET 2438 X 2438 - GRAY |
| | 076054-H3-000 | EA FIBERGLASS SHEET 2438 X 9030 - GRAY |
| | 077517-23-000 | EA SHEET-FIBERGLASS, FLAT - 48" X 96" - GRAY |
| | 083574-03-000 | SF STYROFOAM-3/4" X 48" X 96" |
| | 000870-05-000 | SF STYROFOAM- 5" X 24" X 96", INCREMENTS OF 16 SF |
| | 083574-02-000 | SF STYROFOAM, DOW TYPE SM - 1 5" X 24" X 90 5" - INC OF 15 SF |
| | 000870-03-000 | SF STYROFOAM-1 3/4" X 48" X 96" - INCREMENTS OF 32 SF |
| | 000868-01-000 | SF STYROFOAM-.75" X 24" X 96" - INCREMENTS OF 16 SF |
| | 083574-01-000 | SF STYROFOAM, DOW TYPE 5M - 1 5" X 24" X 85 25" - INCREMENTS OF 14 SF |
| | 044487-01-002 | LB AL-.019"X96"X432"COIL MILL FINISH WT 353LB/SF |
| | 044487-01-001 | EA ALUMINUM SHEET - 019" X 96" X 360" - MILL FINISH |
| | 108535-01-702 | EA FRP PEBBLE 6" X 34" - GRAY |
| | 108535-01-705 | EA FRP PEBBLE 104"X348" - GRAY |

ASSIST HANDLE

| KEY | PART NUMBER | U/M DESCRIPTION |
|-----|---------------|--------------------------------------|
| | 009126-02-000 | EA HANDLE-ASSIST, ENTRY DOOR - BLACK |
| | 059726-02-000 | EA BUMPER- 88"DIA X 40", BLACK |

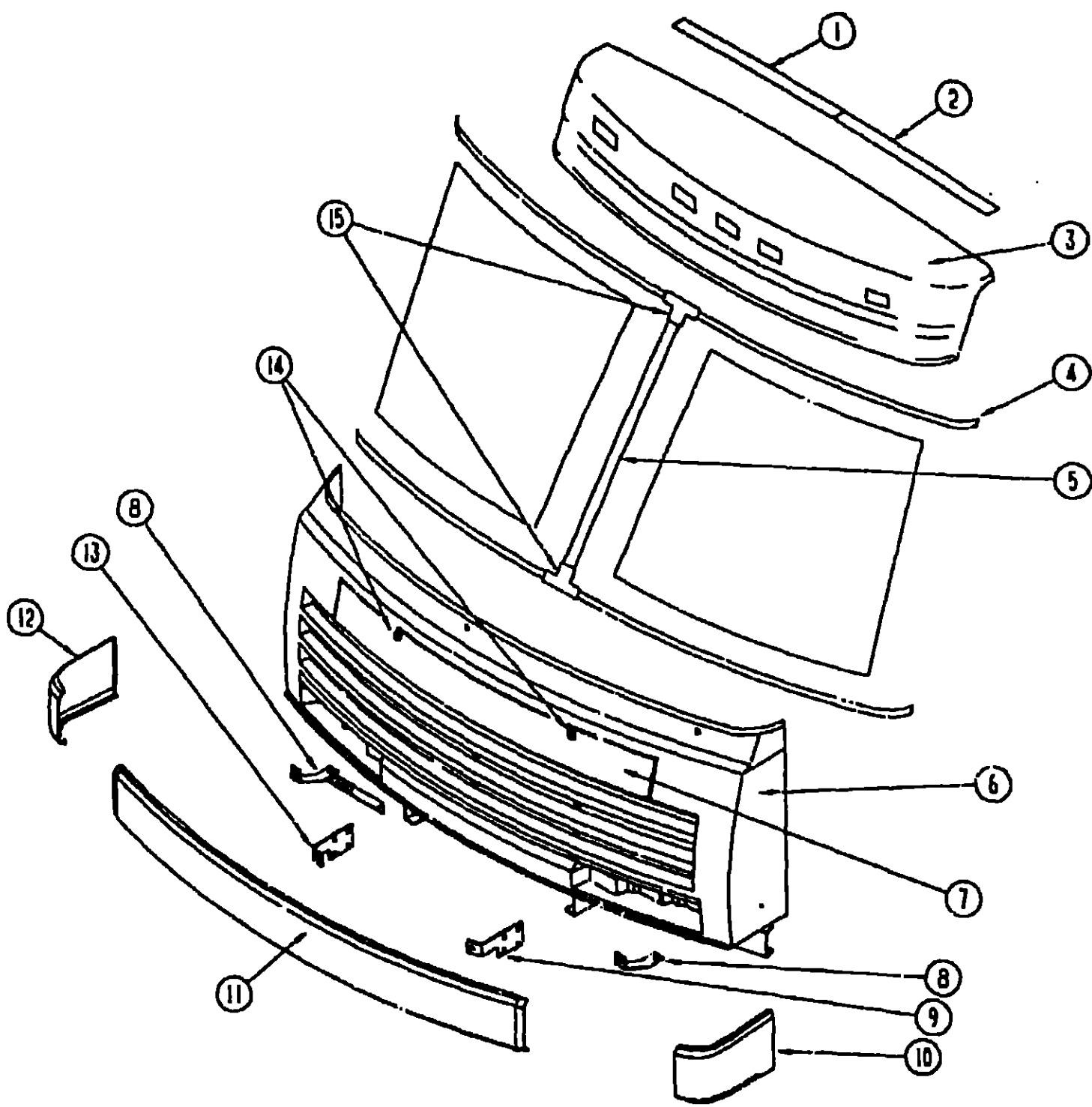
1992 ITASCA
TABLE OF CONTENTS

| | |
|--------------------|-------------|
| INTRODUCTION | A-01 - A-02 |
| ABBREVIATIONS | A-03 |
| ALPHABETICAL INDEX | A-04 - A-06 |
| ICF23RC | F-07 - E-14 |
| ICF31RQ | F-15 - J-08 |

1992 ICF31RQ INDEX

| | |
|--------------------------------|-------------|
| FLOOR PLAN | E-15 - E-16 |
| ACCESSORIES | E-17 |
| AUDIO/VIDEO | E-18 - E-20 |
| BATH | E-21 - E-23 |
| BEDROOM | E-24 - F-02 |
| CHASSIS | F-03 - F-13 |
| CURTAIN & CUSHION | F-14 - F-24 |
| DINETTE | G-01 - G-02 |
| DRIVERS COMPARTMENT | G-03 - G-08 |
| ELECTRICAL | G-09 - G-16 |
| EXTERIOR BODY | G-17 - G-24 |
| GALLEY | H-01 - H-05 |
| GENERATOR | H-06 - H-07 |
| HEATING & A/C | H-08 - H-12 |
| INTERIOR FINISH | H-13 - H-16 |
| LABEL | H-17 - I-01 |
| LP | I-02 |
| LOUNGE | I-03 - I-04 |
| SEALANTS & FASTENERS | I-05 - I-08 |
| WATER & SEWAGE | I-09 - I-14 |
| WINDOW, VENT AND EXTERIOR DOOR | I-15 - J-06 |
| WINDSHIELD/WIPER | J-07 - J-08 |

EXTERIOR BODY GROUP (CONTINUED)
FRONT END COMPONENTS & BUMPER



| KEY | PART NUMBER | U/M | DESCRIPTION |
|-----|---------------|-----|---|
| 1 | 103815-02-03A | EA | TRIM-FRONT CAP/ROOF, RIGHT - GRAY |
| 2 | 103815-03-03A | EA | TRIM-FRONT CAP/ROOF, LEFT - GRAY |
| 3 | M05145-01-C25 | EA | CAP ASM-FRONT - GRAY |
| 4 | 102936-01-000 | FT | MOLDING-REVEAL, WINDSHIELD |
| 5 | 103523-01-000 | FT | MOLDING-REVEAL, WINDSHIELD - CENTER |
| | 103107-01-01A | EA | TRIM-WINDSHIELD, SIDE - BLACK |
| | 103107-02-01A | EA | TRIM-WINDSHIELD, SIDE - BLACK |
| 6 | M05128-01-C05 | EA | FRONT END ASM-FIBERGLASS |
| 7 | 103478-01-C25 | EA | PANEL ASM-HOOD |
| | 103497-01-000 | EA | BRACE-BUMPER, FRONT - UPPER |
| 8 | 103611 01 000 | EA | BRACE-BUMPER, FRONT - LOWER |
| 9 | 08514C 04 000 | EA | SUPPORT-BUMPER - DRIVERS |
| 10 | 103625-02-02A | EA | PANEL-FACIA, FRONT BUMPER LEFT - GRAY |
| 11 | 103634-01-C25 | EA | BUMPER ASM-FRONT - W/RIGHT & LEFT FACIA |
| 12 | 103625-01-02A | EA | PANEL-FACIA, FRONT BUMPER RIGHT - GRAY |
| 13 | 085140 03 000 | EA | SUPPORT-BUMPER - PASSENGERS |
| 14 | 102330-02-000 | EA | LATCH-HOOD |
| 15 | 077952-02-000 | EA | CAP - REVEAL MOLDING, CENTER TOP & CENTER BOTTOM |
| | 049185-02-000 | EA | HEADLAMP CAPSULE ASM-RECT LEFT HIGH-LOW BEAM |
| | 049186-02-000 | EA | HEADLAMP CAPSULE ASM-RECT RIGHT HIGH-LOW BEAM |
| | 049187-02-000 | EA | HEADLAMP CAPSULE ASM-RECT LEFT HIGH BEAM |
| | 049188-02-000 | EA | HEADLAMP CAPSULE ASM-RECT RIGHT HIGH BEAM |
| | 049359-01-000 | EA | SPRING-HEADLIGHT RETAINER |
| | 073308-01-000 | EA | SCREW ASM-HEADLAMP ADJUSTING - T/MAN |
| | 051603 01 000 | EA | GROMMET-SNAP, 3/16ID, 3/8 HOLE |
| | 058786-01-000 | EA | BOLT-ADJUSTING, HOOD - W/BLACK PAD - 31" #18 X 2" FROM 00-00-00 THRU 12-11-91 |
| | 058786-02-000 | EA | BOLT-ADJUSTING, HOOD - W/BLACK PAD - 5/16" #18 X 1 25" FROM 12-12-91 THRU 99-09-99 |
| | 103816-01-02A | EA | TRIM-FRONT CAP/SIDEWALL - GRAY |
| | 103816-02-02A | EA | TRIM-FRONT CAP/SIDEWALL - GRAY |
| | 086754-04-000 | EA | CAP-TRIM, GRAY |
| | 103779-01-02A | EA | PANEL-ROOF CAP - GRAY |
| | 105096-02-000 | EA | TUBE-TIMING, HOOD HINGE |
| | 104584-03-000 | EA | BRACKET ASM-HOOD HINGE BODY, RIGHT |
| | 104584-04-000 | EA | BRACKET ASM-HOOD HINGE BODY, LEFT |
| | 105095-01-000 | EA | LINK ASM-HINGE, HOOD - INNER - RIGHT |
| | 105095-02-000 | EA | LINK ASM-HINGE, HOOD - INNER - LEFT |
| | 104582-02-000 | EA | LINK ASM-HINGE, HOOD - OUTER |
| | 103626-01-000 | EA | BRACKET-FRONT, LOWER, MTG |

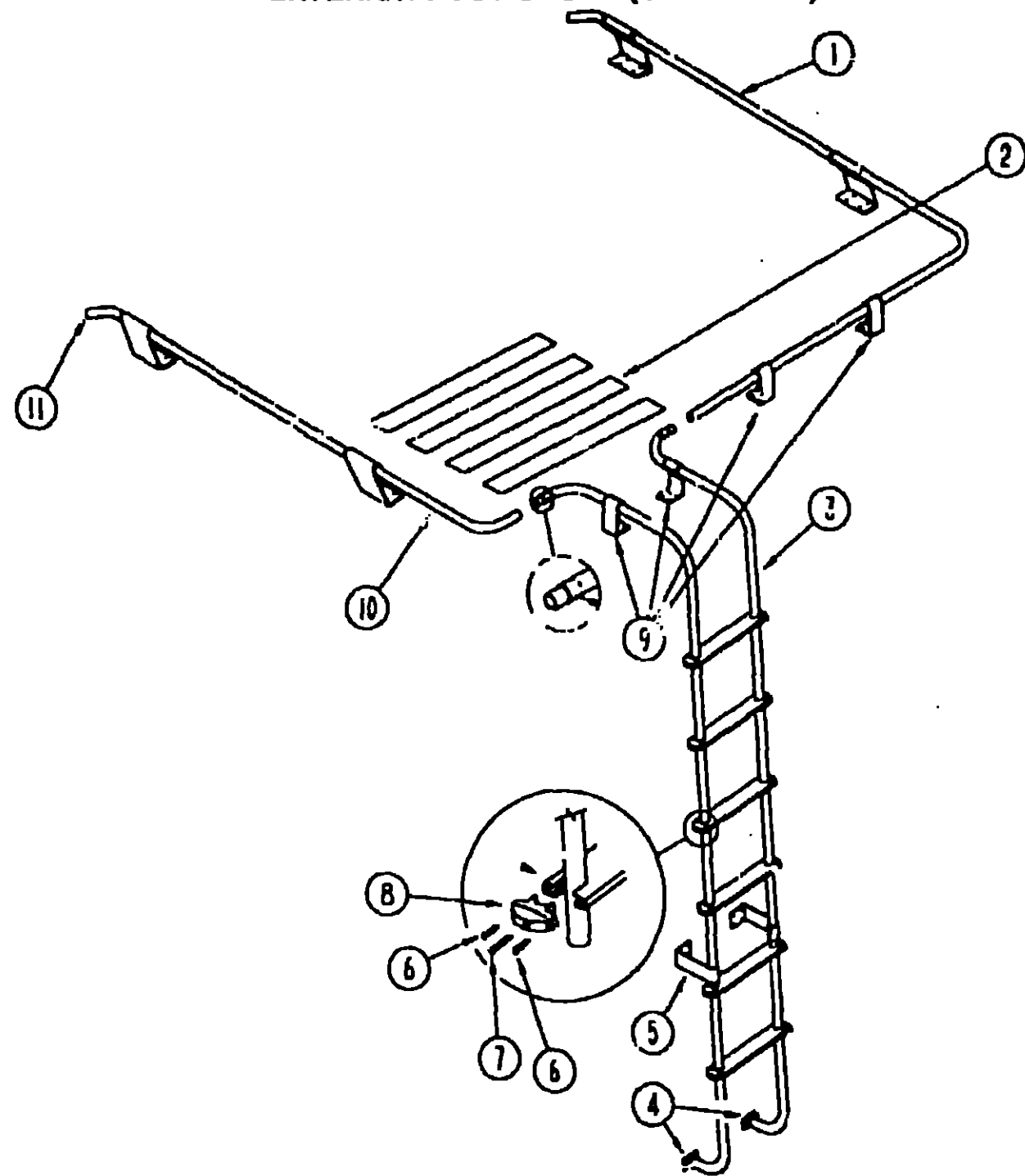
1992 ITASCA
TABLE OF CONTENTS

| | | |
|--------------------|------|------|
| INTRODUCTION | A-01 | A-02 |
| ABBREVIATIONS | | A-03 |
| ALPHABETICAL INDEX | A-04 | A-06 |
| ICF23RC | A-07 | E-14 |
| ICF31RQ | E-15 | J-08 |

1992 ICF31RQ INDEX

| | | |
|----------------------|------|------|
| FLOOR PLAN | E-15 | E-16 |
| ACCESSORIES | | E-17 |
| AUDIO/VIDEO | E-18 | E-20 |
| BATH | E-21 | E-23 |
| BEDROOM | E-24 | F-02 |
| CHASSIS | F-03 | F-13 |
| CURTAIN & CUSHION | F-14 | F-24 |
| DINETTE | G-01 | G-02 |
| DRIVERS COMPARTMENT | G-03 | G-08 |
| ELECTRICAL | G-09 | G-16 |
| EXTERIOR BODY | G-17 | G-24 |
| GALLEY | H-01 | H-05 |
| GENERATOR | H-06 | H-07 |
| HEATING & A/C | H-08 | H-12 |
| INTERIOR FINISH | H-13 | H-16 |
| LABEL | H-17 | I-01 |
| LP | | I-02 |
| LOUNGE | I-03 | I-04 |
| SEALANTS & FASTENERS | I-05 | I-08 |
| WATER & SEWAGE | I-09 | I-14 |
| WINDOW, VENT AND | | |
| EXTERIOR DOOR | I-15 | J-06 |
| WINDSHIELD/WIPER | J-07 | J-08 |

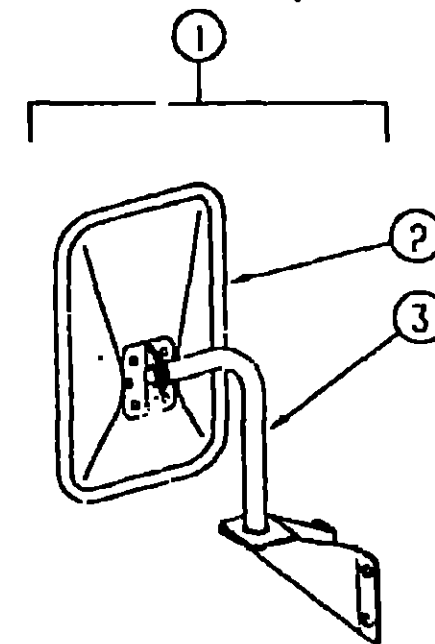
EXTERIOR BODY GROUP (CONTINUED)



LADDER & LUGGAGE RACK

| KEY | PART NUMBER | U/M DESCRIPTION |
|-----|---------------|---|
| 1 | 081025-15-C05 | EA RACK ASM. PASSENGER SIDE |
| | | FROM 00-00-00 THRU 03-01-92 |
| 1 | 107438-05-C07 | EA RACK ASM-RIGHT |
| | | FROM 03-02-92 THRU 99-99-99 |
| 2 | 038327-02-000 | EA TAPE-ANTI SLIP, 2" X 60" |
| 3 | 102953-01-C05 | EA LADDER ASM. STRAIGHT |
| 4 | 057165-01-000 | EA MOUNTING BRACKET-LADDER, LOWER |
| 5 | NOT AVAILABLE | EA STANDOFF-LADDER, BRIGHT DIPPED - LOWER |
| 6 | 000G39-06-10T | EA SCREW-SF/DR. 6-20 X 5/8 PPH - BLACK |
| 7 | 000G68-10-36T | EA SCREW-10-12 X 2 25 POH BLACK |
| 8 | 076980-02-000 | EA END CAP-STEP, BLACK |
| 9 | NOT AVAILABLE | EA STANDOFF-RACK & LADDER, BRIGHT DIPPED |
| 10 | 081026-16-C05 | EA RACK ASM-LEFT |
| | | FROM 00-00-00 THRU 03-01-92 |
| 10 | 107438-06-C07 | EA RACK ASM-LEFT |
| | | FROM 03-02-92 THRU 99-99-99 |
| 11 | 081114-01-000 | EA PLUG-ROUND RACK & LADDER ENDS - PLASTIC - 1" DIA |

EXTERIOR BODY GROUP (CONTINUED)



EXTERIOR MIRROR

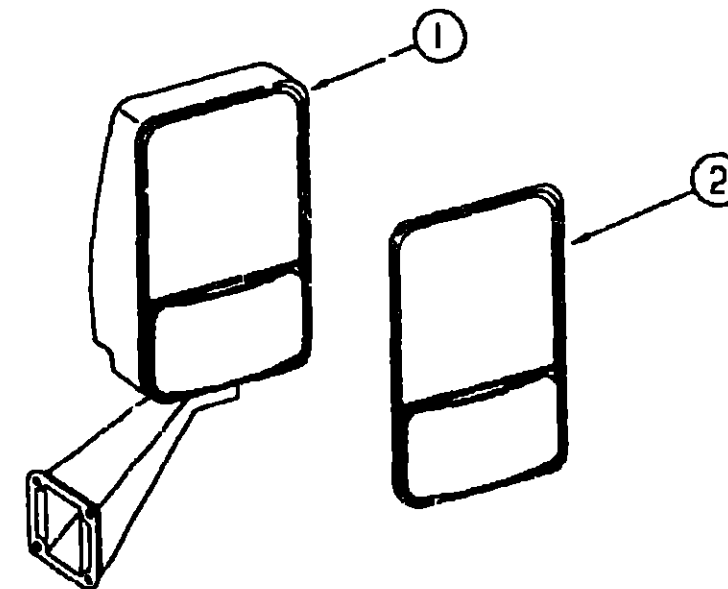
| KEY | PART NUMBER | U/M DESCRIPTION |
|-----|---------------|---|
| 1 | 105076-01-01A | EA MIRROR-EXTERIOR, LOW MOUNT - SET W/DR & PASS - GLOSSY BLK (PAIR) |
| 1 | 105076-01-702 | EA MIRROR ASM-LOW MT RIGHT/LEFT-FLAT 713195 1 ONLY W/BRK |
| 2 | 105076-01-703 | EA MIRROR HEAD ONLY(FLAT BLK) 709275-8 |
| 3 | 105076-01-704 | EA ARM Q780521-9 |
| | 105439-01-000 | EA MIRROR-AUX CONVEX STICK-ON VELVAC 723068-6 |

**1992 ITASCA
TABLE OF CONTENTS**

| | | |
|--------------------|------|------|
| INTRODUCTION | A-01 | A-02 |
| ABBREVIATIONS | | A-03 |
| ALPHABETICAL INDEX | A-04 | A-05 |
| ICF23RC | A-07 | E-14 |
| ICF31RQ | E-15 | J-08 |

1992 ICF31RQ INDEX

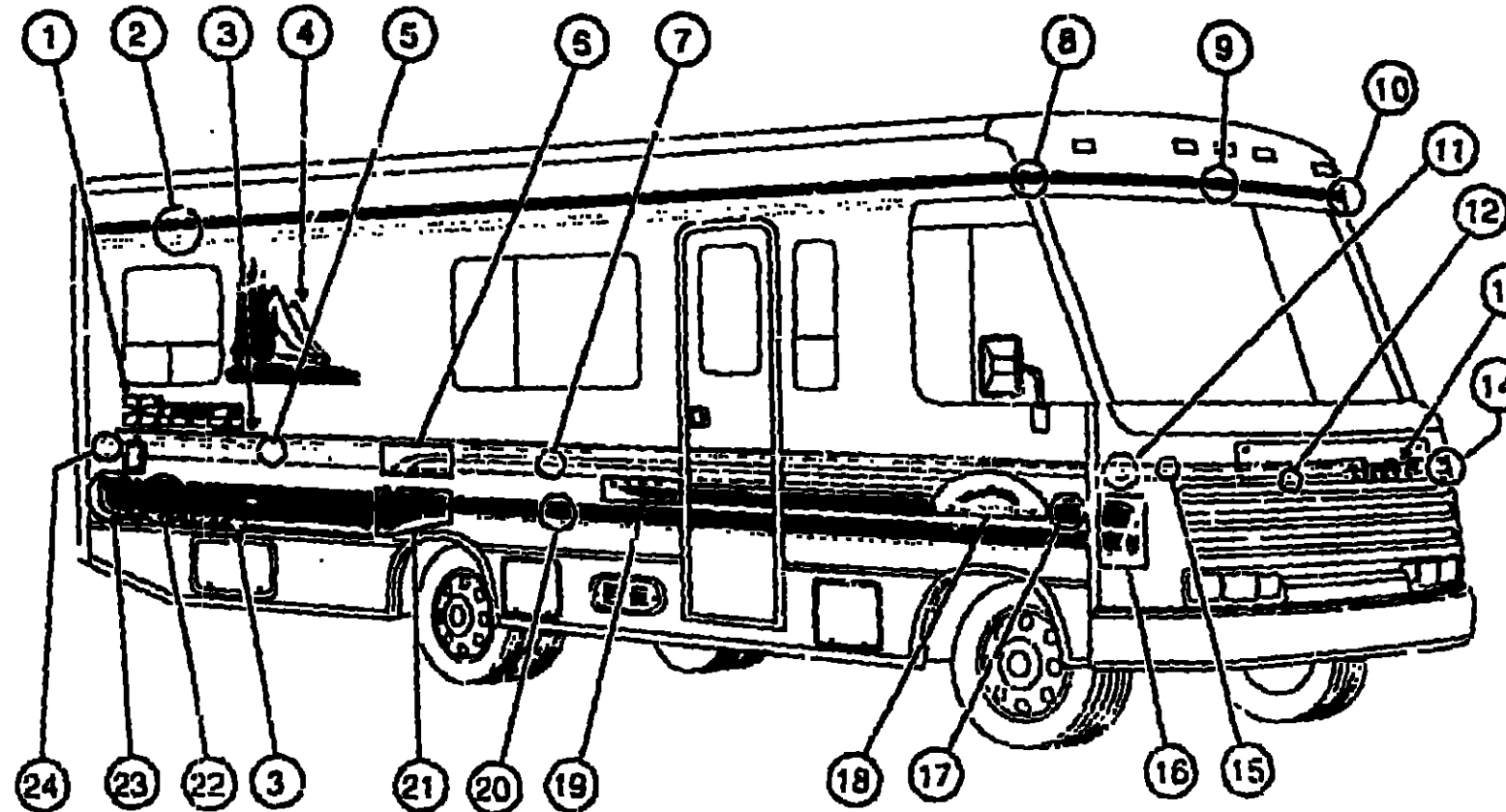
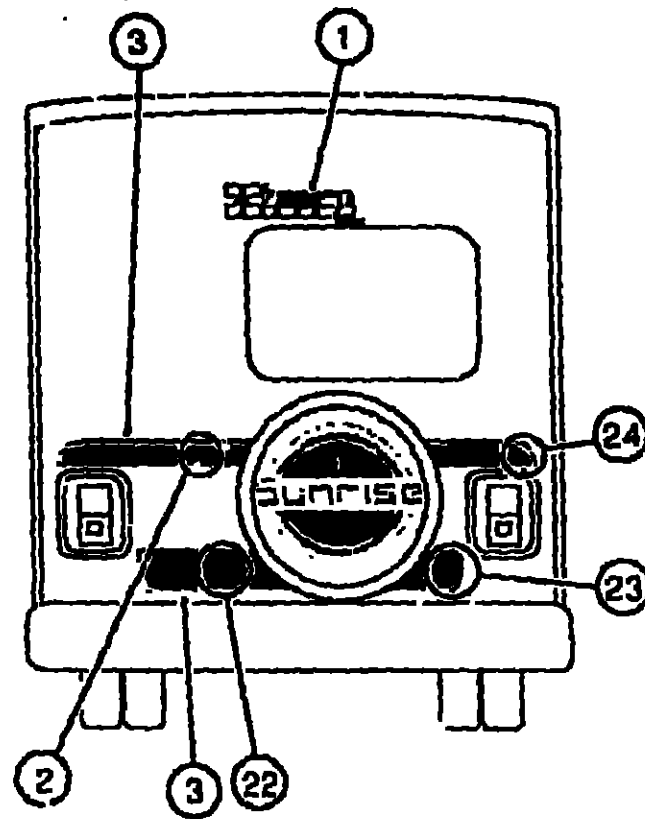
| | | |
|----------------------|------|------|
| FLOOR PLAN | E-15 | E-16 |
| ACCESSORIES | | E-17 |
| AUDIO/VIDEO | E-18 | E-20 |
| BATH | E-21 | E-23 |
| BEDROOM | E-24 | F-02 |
| CHASSIS | F-03 | F-13 |
| CURTAIN & CUSHION | F-14 | F-24 |
| DINETTE | G-01 | G-02 |
| DRIVERS COMPARTMENT | G-03 | G-08 |
| ELECTRICAL | G-09 | G-16 |
| EXTERIOR BODY | G-17 | G-24 |
| GALLEY | H-01 | H-05 |
| GENERATOR | H-06 | H-07 |
| HEATING & A/C | H-08 | H-12 |
| INTERIOR FINISH | H-13 | H-16 |
| LABEL | H-17 | I-01 |
| LP | | I-02 |
| LOUNGE | I-03 | I-04 |
| SEALANTS & FASTENERS | I-05 | I-08 |
| WATER & SEWAGE | I-09 | I-14 |
| WINDOW, VENT AND | | |
| EXTERIOR DOOR | I-15 | J-06 |
| WINDSHIELD/WIPER | J-07 | J-08 |



OPTIONAL EXTERIOR MIRROR

| KEY | PART NUMBER | U/M DESCRIPTION |
|-----|---------------|---|
| 1 | 106015-09-01A | EA MIRROR ASM-EXTERIOR GLASS RIGHT - VELVAC 713126 BLACK |
| 1 | 106015-10-01A | EA MIRROR ASM-EXTERIOR ADJUST GLASS LEFT - VELVAC713125 BLACK |
| 2 | 106015-01-703 | EA MIRROR KIT (BEZEL W/MIRRORS) PASSENGER SIDE |
| 2 | 106015-02-702 | EA MIRROR KIT (BEZEL W/MIRRORS) DRIVER SIDE |

EXTERIOR BODY GROUP (CONTINUED)
DECALS & FILM STRIPES



1992 ITASCA
TABLE OF CONTENTS

| | | |
|--------------------|--------|------|
| INTRODUCTION | A-01 - | A-02 |
| ABBREVIATIONS | | A-03 |
| ALPHABETICAL INDEX | A-04 - | A-05 |
| ICF23RC | A-07 - | E-14 |
| ICF31RQ | E-15 - | J-08 |

| KEY | PART NUMBER | U/M DESCRIPTION |
|-----|---------------|---|
| 1 | 078852-20-000 | EA DECAL-LOGO, ITASCA 6 50 - LIGHT GRAY/TURQUOISE |
| | 084075-01-000 | EA DECAL-"BY WINNEBAGO INDUSTRIES", BLACK |
| 2 | 093689-10-01A | FT FILM-MULTISTRIPE, 134MMX150FT BAY TURQUOISE/BAY TURQUOISE/TURQUOISE/TURQUOISE |
| 3 | 093681-24-02A | FT FILM-13MM X 150FT - OCEAN SPRAY |
| 4 | 106854-01-01A | EA DECAL-SCENE, MOUNTAIN RIGHT - TURQUOISE/BAY TURQUOISE/OCEAN SPRAY |
| 4 | 106854-02-01A | EA DECAL-SCENE, MOUNTAIN LEFT - TURQUOISE/BAY TURQUOISE/OCEAN SPRAY |
| 5 | 094433-03-01A | FT FILM-MULTISTRIPE 114MM X 150FT - BAY TURQUOISE/TURQUOISE/TURQUOISE |
| 6 | 104052-01-01A | EA DECAL-RADIUS, UPPER, RIGHT - BAY TURQUOISE/TURQUOISE |
| 6 | 104052-02-01A | EA DECAL-RADIUS, UPPER, LEFT - BAY TURQUOISE/TURQUOISE |
| 7 | 094434-02-01A | FT FILM-MULTISTRIPE 114MM X 150FT BAY TURQUOISE/TURQUOISE/TURQUOISE/BTU |
| 8 | 104094-01-02A | EA DECAL-FRONT, UPPER, RIGHT - BAY TURQUOISE |
| 9 | 104096-01-02A | EA DECAL-FRONT, UPPER CAP - BAY TURQUOISE |
| 10 | 104094-02-02A | EA DECAL-FRONT, UPPER, LEFT - BAY TURQUOISE |
| 11 | 104773-01-01A | EA DECAL-FRONT, UPPER, RIGHT - OCEAN SPRAY/BAY TURQUOISE/TURQUOISE |
| 12 | 093681-33-01A | FT FILM-15MM X 150FT - OCEAN SPRAY |
| 13 | 093769-02-04A | EA DECAL-LOGO ITASCA - TUQUOISE/LIGHT GRAY |
| 14 | 104773-02-01A | EA DECAL-FRNT, UPPER, LEFT - OCEAN SPRAY/BAY TURQUOISE/TURQUOISE |
| 15 | 094433-07-01A | FT FILM-MULTISTRIPE 46MM X 150FT - BAY TURQUOISE/TURQUOISE/TURQUOISE |
| 16 | 104772-01-01A | EA DECAL-FRONT, LOWER, RIGHT - TURQUOISE/BAY TURQUOISE |
| 16 | 104772-02-01A | EA DECAL-FRONT, LOWER, LEFT - TURQUOISE/BAY TURQUOISE |
| 17 | 094422-02-01A | FT FILM-OVERLAY, MULTISTRIPE 98MM - TURQUOISE/TURQUOISE |
| 18 | 104049-01-01A | EA DECAL-SUNRISE, OCEAN SPRAY/BAY TURQUOISE/LIGHT GRAY |
| 19 | 104051-01-01A | EA DECAL-TRANSITION, LOWER, RIGHT - TURQUOISE/TURQUOISE |
| 19 | 104051-02-01A | EA DECAL-TRANSITION, LOWER, LEFT - TURQUOISE/TURQUOISE |
| 20 | 094433-04-01A | FT FILM-MULTISTRIPE 121MM X 150FT TURQUOISE/BAY TURQUOISE/BAY TURQUOISE |
| 21 | 104053-01-01A | EA DECAL-RADIUS, LOWER, RIGHT - TURQUOISE/BAY TURQUOISE |
| 21 | 104053-02-01A | EA DECAL-RADIUS, LOWER, LEFT - TURQUOISE/BAY TURQUOISE |
| 22 | 094433-05-01A | FT FILM-MULTISTRIPE 216MM X 150FT TURQUOISE/BAY TURQUOISE/BAY TURQUOISE |
| 23 | 104055-01-01A | EA DECAL-END CAP, LARGE - TURQUOISE/BAY TURQUOISE |
| 24 | 104054-01-01A | EA DECAL-END CAP, SMALL - BAY TURQUOISE/TURQUOISE |

| KEY | PART NUMBER | U/M DESCRIPTION |
|-----|---------------|---|
| | 041561-03-000 | EA PAINT-LOW BAKE, OFF WHITE |
| | 044486-03-000 | EA PAINT-LOW BAKE, BEIGE |
| | 083581-03-000 | GL PAINT-OFF WHITE USE DUPONT L8723 TO OBTAIN LOCALLY |

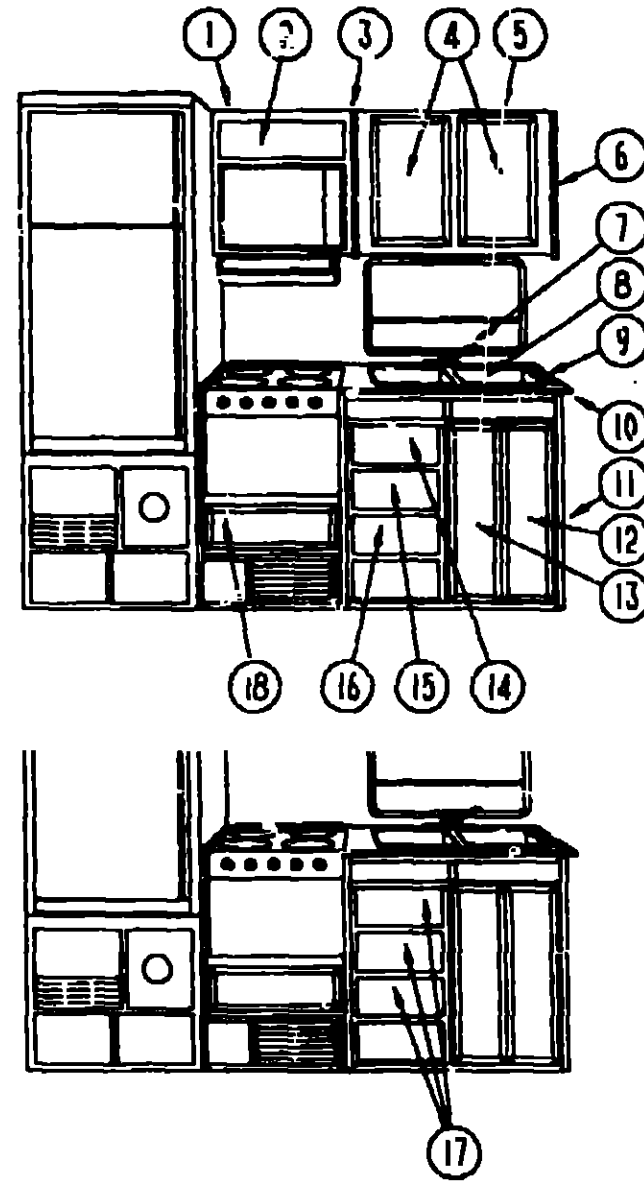
DUPONT COLOR CODES

BAY TURQUOISE #G9837
OCEAN SPRAY #G9836
TURQUOISE #G5835

1992 ICF31RQ INDEX

| | | |
|----------------------|--------|------|
| FLOOR PLAN | E-15 - | E-16 |
| ACCESSORIES | | E-17 |
| AUDIO/VIDEO | E-18 - | E-20 |
| BATH | E-21 - | E-23 |
| BEDROOM | E-24 - | F-02 |
| CHASSIS | F-03 - | F-13 |
| CURTAIN & CUSHION | F-14 - | F-24 |
| DINETTE | G-01 - | G-02 |
| DRIVERS COMPARTMENT | G-03 - | G-08 |
| ELECTRICAL | G-09 - | G-16 |
| EXTERIOR BODY | G-17 - | G-24 |
| GALLEY | H-01 - | H-05 |
| GENERATOR | H-06 - | H-07 |
| HEATING & A/C | H-08 - | H-12 |
| INTERIOR FINISH | H-13 - | H-16 |
| LABEL | H-17 - | I-01 |
| LP | | I-02 |
| LOUNGE | I-03 - | I-04 |
| SEALANTS & FASTENERS | I-05 - | I-08 |
| WATER & SEWAGE | I-09 - | I-14 |
| WINDOW, VENT AND | | |
| EXTERIOR DOOR | I-15 - | J-06 |
| WINDSHIELDWIPER | J-07 - | J-08 |

**GALLEY GROUP
GALLEY CABINETS**



| KEY | PART NUMBER | U/M | DESCRIPTION |
|-----|---------------|-----|---|
| 1 | M05019-42-C25 | EA | CABINET ASM-MICROWAVE OVERHEAD |
| 2 | P00520-B2-C25 | EA | DOOR-CABINET, W/O HARDWARE - 7.1" X 21.9" |
| 3 | 081320-16-B03 | EA | CAP-END, OVERHEAD - FRONT |
| 4 | P04746-07-C25 | EA | DOOR-CABINET, W/O HARDWARE - 365X555 |
| 5 | 103276-01-C05 | EA | CABINET ASM-OVERHEAD, GALLEY |
| 6 | 081320-17-B03 | EA | CAP ASM-END, OVERHEAD |
| 7 | 103243-01-000 | EA | FAUCET-GALLEY, DUAL CONTROL 8 IN CENTERSET |
| 8 | 104113-01-000 | EA | SINK-SST, DOUBLE |
| | 092303-01-000 | EA | STRAINER-SINK |
| | 103610-01-C08 | EA | COVER ASM-SINK |
| 9 | 098335-02-C25 | EA | RAIL-GALLEY, 22.2' LONG |
| 10 | 102824-13-C25 | EA | COUNTERTOP ASM |
| 11 | M03967-05-C25 | EA | CABINET ASM-GALLEY |
| 12 | P04746-11-C25 | EA | DOOR-CABINET, W/O HARDWARE - 230X675 |
| 13 | P04746-12-C25 | EA | DOOR-CABINET, W/O HARDWARE - 230X675 |
| 14 | P03397-22-C25 | EA | DRAWER ASM-CABINET BEVELLED - 274 X 496 |
| 15 | P03397-23-C25 | EA | DRAWER ASM-CABINET BEVELLED - 274 X 496 FROM 00-00-00 THRU 01-19-92 |
| 16 | P03397-D5-C25 | EA | DRAWER ASM-CABINET - 274 X 340 BKP FROM 00-00-00 THRU 01-19-92 |
| 17 | P07104-94-C25 | EA | DRAWER COMPL-SLIDE OGEE - 155 X 395 FROM 00-00-00 THRU 01-19-92 |
| 18 | P03397-21-C25 | EA | DRAWER ASM-CABINET, BEVELLED - 526 X 405 FROM 01-20-92 THRU 99-99-99 |
| 18 | P07104-A2-C25 | EA | DRAWER COMPL-SLIDE OGEE - 150 X 558 FROM 00-00-00 THRU 01-19-92 |
| | 103445-01-01A | EA | HOLDER-PAPER TOWEL - PLASTIC - ALUMINUM FROM 01-20-92 THRU 99-99-99 |
| | 008380-01-000 | EA | GROMMET-RUBBER, 5/8" HOLE X 1 1/2" DIAMETER - BLACK |
| | 090329-01-000 | FT | SEAL-T, REFRIGERATOR CABINET - 6" WIDE TOP X 2" TAIL |

**1992 ITASCA
TABLE OF CONTENTS**

| | | |
|--------------------|--------|------|
| INTRODUCTION | A-01 - | A-02 |
| ABBREVIATIONS | | A-03 |
| ALPHABETICAL INDEX | A-04 - | A-06 |
| ICF23RC | A-07 - | E-14 |
| ICF31RQ | E-15 - | J-08 |

1992 ICF31RQ INDEX

| | | |
|-----------------------------------|--------|------|
| FLOOR PLAN | E-15 - | E-16 |
| ACCESSORIES | | E-17 |
| AUDIO/VIDEO | E-18 - | E-20 |
| BATH | E-21 - | E-23 |
| BEDROOM | E-24 - | F-02 |
| CHASSIS | F-03 - | F-13 |
| CURTAIN & CUSHION | F-14 - | F-24 |
| DINETTE | G-01 - | G-02 |
| DRIVERS COMPARTMENT | G-03 - | G-08 |
| ELECTRICAL | G-09 - | G-16 |
| EXTERIOR BODY | G-17 - | G-24 |
| GALLEY | H-01 - | H-05 |
| GENERATOR | H-06 - | H-07 |
| HEATING & A/C | H-08 - | H-12 |
| INTERIOR FINISH | H-13 - | H-16 |
| LABEL | H-17 - | I-01 |
| LP | | I-02 |
| LOUNGE | I-03 - | I-04 |
| SEALANTS & FASTENERS | I-05 - | I-08 |
| WATER & SEWAGE | I-09 - | I-14 |
| WINDOW, VENT AND EXTERIOR DOOR | I-15 - | J-06 |
| WINDSHIELD/WIPER | J-07 - | J-08 |

GALLEY GROUP (CONTINUED)
RANGE HOOD (CANADIAN)

GALLEY GROUP (CONTINUED)
REFRIGERATOR, LEVEL & VENT

1992 ITASCA
TABLE OF CONTENTS

| | | |
|--------------------|------|------|
| INTRODUCTION | A-01 | A-02 |
| ABBREVIATIONS | | A-03 |
| ALPHABETICAL INDEX | A-04 | A-05 |
| ICF23RC | A-07 | E-14 |
| ICF31RQ | E-15 | J-08 |

1992 ICF31RQ INDEX

| | | |
|----------------------|------|------|
| FLOOR PLAN | E-15 | E-16 |
| ACCESSORIES | | E-17 |
| AUDIO/VIDEO | E-18 | E-20 |
| BATH | E-21 | E-23 |
| BEDROOM | E-24 | F-02 |
| CHASSIS | F-03 | F-13 |
| CURTAIN & CUSHION | F-14 | F-24 |
| DINETTE | G-01 | G-02 |
| DRIVERS COMPARTMENT | G-03 | G-08 |
| ELECTRICAL | G-09 | G-16 |
| EXTERIOR BODY | G-17 | G-24 |
| GALLEY | H-01 | H-05 |
| GENERATOR | H-06 | H-07 |
| HEATING & A/C | H-08 | H-12 |
| INTERIOR FINISH | H-13 | H-16 |
| LABEL | H-17 | I-01 |
| LP | | I-02 |
| LOUNGE | I-03 | I-04 |
| SEALANTS & FASTENERS | I-05 | I-08 |
| WATER & SEWAGE | I-09 | I-14 |
| WINDOW, VENT AND | | |
| EXTERIOR DOOR | I-15 | J-06 |
| WINDSHIELD/WIPER | J-07 | J-08 |

KEY PART NUMBER

| |
|---------------|
| 103622-02-01A |
| 094039-01-702 |
| 094039-01-704 |
| 103622-01-700 |
| 094039-01-710 |
| 084880-01-754 |
| 094039-01-712 |
| 094039-01-700 |
| 094039-01-702 |
| 103622-01-705 |
| 094039-01-718 |
| 103622-01-707 |
| 094879-03-700 |
| 088248-01-709 |
| 088248-01-710 |
| 094039-01-722 |
| 094039-01-723 |
| 094039-01-725 |
| 094039-01-726 |
| 094039-01-728 |
| 094039-01-730 |
| 084880-03-705 |
| 084880-03-706 |
| 084880-03-707 |
| 084880-01-722 |
| 103622-01-708 |
| 094039-01-724 |
| 103622-01-709 |
| 103622-01-710 |
| 094039-01-732 |
| 103622-01-711 |
| 094039-01-733 |
| 094039-01-734 |
| 094039-01-735 |
| 094039-01-736 |
| 075217-01-738 |
| 084880-01-732 |
| 086248-01-706 |
| 084880-01-705 |
| 064472-01-700 |
| 064473-03-720 |
| 084880-01-715 |
| 064473-03-721 |
| 064473-03-716 |
| 103622-01-712 |
| 103622-01-713 |
| 054450-01-000 |

U/M DESCRIPTION

| |
|--|
| EA REFRIGERATOR-2 WAY, LEFT HINGED DOOR - NORCOLD 462 BLACK |
| EA GASKET (GRAY) UPPER - NORCOLD 61567830 |
| EA HINGE PLATE (BLK) LEFT - NORCOLD 61631430 |
| EA HANDLE ASM-DOOR, UPPER - NORCOLD 6164903B |
| EA HINGE PLATE(BLK) RIGHT TOP LEFT BOTTOM - NORCOLD 61631330 |
| EA RACK-JUICE, NORCOLD 61580540 |
| EA BIN-SHELF, DOOR - NORCOLD 61564060 |
| EA GASKET (GRAY) LOWER |
| EA LOWER DOOR LINER (BLK/WHITE) |
| EA HANDLE ASM-DOOR, LOWER - NORCOLD 61648938 |
| EA BIN-MILK, NORCOLD 61579460 |
| EA KEEPER-DAIRY, NORCOLD 61580440 |
| EA COOLING UNIT - HORIZONTAL BURNER, NORCOLD# 61687237 |
| EA HEATER-AC. (HORIZONTAL) - NORCOLD# 615627 |
| EA HEATER-DC. (HORIZONTAL) - 3 WAY - NORCOLD# 615628 |
| EA HOLE PLUG (BLK) HINGE HOLES - NORCOLD 61582030 |
| EA HINGE BRKT, TOP RIGHT-BOTTOM LEFT BLK - NORCOLD 61580838 |
| EA HINGE PIN (BLACK)(MALE) - NORCOLD 61578130 |
| EA SHELF-FREEZER EVAPORATOR, NORCOLD 615236 |
| EA HINGE BRKT(BLK) CENTER HINGE - NORCOLD 61566530 |
| EA HINGE PIN SHAFT(BLK) CENTER HINGE - NORCOLD 61566730 |
| EA BRACKET FOR INTERIOR REFRIGERATOR LIGHT - NORCOLD 616297 |
| EA LAMP (BULB) - NORCOLD 616289 |
| EA COVER FOR LAMP OR BULB - NORCOLD 616279 |
| EA CRISPER COVER - NORCOLD 615641 |
| EA CRISPER-NORCOLD 61571340 |
| EA HINGE BRKT TOP LEFT-BOTTOM RIGHT BLK |
| EA KNOB-SELECTOR, NORCOLD 61641822 |
| EA KNOB-THERMOSTAT, NORCOLD 61642322 |
| EA FRONT COVER (BLK) BOTTOM TRIM - NORCOLD 61622130 |
| EA PANEL-CONTROL, 2-WAY - NORCOLD 61644022 |
| EA WIRE SHELF (MIDDLE) - NORCOLD 61563822 |
| EA WIRE SHELF (TOP) W/RISER - NORCOLD 61563722 |
| EA INSIDE DRIP TRAY (WHITE) |
| EA SWITCH-LIGHT, BLACK - NORCOLD 615810 |
| EA SWITCH-HUMIDITY, NORCOLD 615259 |
| EA LATCH, NORCOLD 615785 |
| EA BURNER-HORIZONTAL, NORCOLD 615381 |
| EA ORIFICE - NORCOLD# 614522 |
| EA THERMOCOUPLE-NORCOLD 614363 |
| EA RELIGHTER, NORCOLD 616088 |
| EA VALVE-SHUT OFF, MANUAL - NORCOLD# 61697922 |
| EA COMBINATION CONTROL - NORCOLD 616084 |
| EA SWITCH-3-WAY, FOR EG-2 & EG-3 MODELS - NORCOLD 61611 |
| EA INDICATOR-FLAME, NORCOLD 61609022 |
| EA SWITCH-IGNITION, NORCOLD 61649722 |
| EA LEVEL-REFRIGERATOR |

KEY PART NUMBER

| |
|---------------|
| 100258-17-01A |
| 090973-01-700 |
| 090973-01-702 |
| 092696-01-709 |
| 092696-01-710 |
| 096983-01-700 |
| 096983-01-702 |
| 096983-01-707 |
| 092696-02-701 |
| 100258-01-700 |
| 100258-10-01A |

U/M DESCRIPTION

| |
|--|
| EA HOOD-RANGE, W/O MONITOR PANEL - VENTLINE - CANADIAN |
| EA MOTOR - LVS CA508-1 |
| EA BLADE-FAN, LVS VA183-1 |
| EA BULB-912, VENTLINE VA415 |
| EA SOCKET-LIGHT, VENTLINE CB267-2 |
| EA SWITCH-ON/OFF, VENTLINE 108 |
| EA SWITCH-TWO WAY MOMENTARY, VENTLINE 112 |
| EA FILTER-GREASE, 8" X 8" - LVS CC246 |
| EA LENS-LAMP, VENTLINE CC179 |
| EA HOOD-NOSE LABEL, CC428 |
| EA METER-HOUR, VENTLINE 150 |

RANGE HOOD

KEY PART NUMBER

| |
|---------------|
| 100258-18-01A |
| 090973-01-700 |
| 090973-01-702 |
| 092696-01-709 |
| 092696-01-710 |
| 096983-01-700 |
| 096983-01-702 |
| 096983-01-707 |
| 092696-02-701 |
| 100258-01-700 |
| 100258-10-01A |
| 100258-16-01A |
| 090973-01-700 |
| 090973-01-702 |
| 092696-01-709 |
| 092696-01-710 |
| 096983-01-700 |
| 096983-01-702 |
| 096983-01-707 |
| 092696-02-701 |
| 100258-01-700 |
| 100258-10-01A |
| 102765-03-01A |

U/M DESCRIPTION

| |
|---|
| EA HOOD-RANGE 22W W/O MONITOR PANEL - VENT US TPS5007NAD |
| EA MOTOR - LVS CA508-1 |
| EA BLADE-FAN, LVS VA183-1 |
| EA BULB-912, VENTLINE VA415 |
| EA SOCKET-LIGHT, VENTLINE CB267-2 |
| EA SWITCH-ON/OFF, VENTLINE 108 |
| EA SWITCH-TWO WAY MOMENTARY, VENTLINE 112 |
| EA FILTER-GREASE, 8" X 8" - LVS CC246 |
| EA LENS-LAMP, VENTLINE CC179 |
| EA HOOD-NOSE LABEL, CC428 |
| EA METER-HOUR, VENTLINE 150 |
| EA HOOD-RANGE, W/O MONITOR PANEL - VENTLINE - US TC55008NAD |
| EA MOTOR - LVS CA508-1 |
| EA BLADE-FAN, LVS VA183-1 |
| EA BULB-912, VENTLINE VA415 |
| EA SOCKET-LIGHT, VENTLINE CB267-2 |
| EA SWITCH-ON/OFF, VENTLINE 108 |
| EA SWITCH-TWO WAY MOMENTARY, VENTLINE 112 |
| EA FILTER-GREASE, 8" X 8" - LVS CC246 |
| EA LENS-LAMP, VENTLINE CC179 |
| EA HOOD-NOSE LABEL, CC428 |
| EA METER-HOUR, VENTLINE 150 |
| EA PANEL-MONITOR, W/PLUG - FOR 2 TANKS & WATER HEATER - LVS |

MICROWAVE OVEN

KEY PART NUMBER

| |
|---------------|
| 091269-04-000 |
| 094745-01-01A |
| 094774-03-01A |
| 094750-01-000 |
| 093916-03-01A |
| 093916-04-01A |

U/M DESCRIPTION

| |
|---|
| EA OVEN-MICROWAVE - M'CHEF M15E-3B |
| EA TRIM-MICROWAVE, LOWER - BLACK |
| EA TRIM-MICROWAVE, EITHER SIDE - 1 5" X 14 8" - METAL - BLACK |
| EA BRACKET-MICROWAVE, 90 DEGREE - STEEL |
| EA BRACE-MICROWAVE CABINET, LEFT - 9 4" X 7 5" - STEEL |
| EA BRACE-MICROWAVE CABINET, RIGHT - 9 4" X 7 5" - STEEL |

GALLEY GROUP (CONTINUED)
RANGE

GENERATOR GROUP
5.0 KW EMERALD PLUS EXPORT

1992 ITASCA
TABLE OF CONTENTS

| | | |
|--------------------|------|------|
| INTRODUCTION | A-01 | A-02 |
| ABBREVIATIONS | | A-03 |
| ALPHABETICAL INDEX | A-04 | A-06 |
| ICF23RC | A-07 | E-14 |
| ICF31RQ | E-15 | J-08 |

| KEY | PART NUMBER | U/M DESCRIPTION |
|-----|---------------|---|
| | 102022-01-02A | EA RANGE-16', 4 BURNER - MAGIC CHEF BT16RA-4Z |
| | 055282-03-705 | EA TRIM-CABINET, LEFT - BLACK - MAGIC CHEF 3608F011-70 |
| | 055282-03-707 | EA TRIM-CABINET, RIGHT - BLACK - MAGIC CHEF 3608F012-70 |
| | 098507-02-701 | EA INSERT-BURNER (SLOTTED VENT), MAGIC CHEF 7214P015-60 |
| | 102020-01-700 | EA SHELF-OVEN, MAGIC CHEF - 7801-P027-60 |
| | 102020-01-701 | EA HANDLE-DOOR, MAGIC CHEF - 7701P092-60 |
| | 102020-01-702 | EA PANEL-MANIFOLD, MAGIC CHEF 2616F080-70 |
| | 102020-01-704 | EA PANEL-DOOR, BLACK - MAGIC CHEF - 2401F075-70 |
| | 102020-01-708 | EA BURNER ASSEMBLY-OVEN, MAGIC CHEF 3403W003-45 |
| | 102020-01-711 | EA CRATE-TOP, MAGIC CHEF 7518P012-60 |
| | 102020-01-712 | EA KNOB-BURNER VALVE, MAGIC CHEF 7733P044-60 |
| | 102020-01-713 | EA KNOB-THERMOSTAT, MAGIC CHEF 7731P042-60 |
| | 102020-01-714 | EA PILOT-OVEN, MAGIC CHEF 968-143 |
| | 102020-01-715 | EA PIPE-MANIFOLD, MAGIC CHEF 7513P095-60 |
| | 102020-01-717 | EA THERMOSTAT, MAGIC CHEF 7515P024-60 |
| | 102020-01-718 | EA TOP-MAIN, AL MOND - MAGIC CHEF 2001F085-84 |
| | 102020-01-720 | EA VALVE-MERCURY CONTROL, MAGIC CHEF 7501P058-60 |
| | 102020-01-722 | EA VALVE-TOP BURNER, MAGIC CHEF 7502P095-60 |
| | 102020-01-723 | EA PILOT-BURNER, MAGIC CHEF 7505P147-60 |
| | 102020-01-724 | EA BUMPER-MAIN TOP, MAGIC CHEF 8003P008-60 |
| | 102022-01-702 | EA PIPE-MANIFOLD, MAGIC CHEF 7513P095-60 |
| | 102022-01-703 | EA REGULATOR-PRESSURE, MAGIC CHEF 7510P031-60 |
| | 102022-01-706 | EA TRIM-LEFT FLAT - MAGIC CHEF 3508W022-70 |
| | 102022-01-707 | EA TRIM-RIGHT, FLAT - MAGIC CHEF 3508W023-70 |

COFFEE MAKER

| KEY | PART NUMBER | U/M DESCRIPTION |
|-----|---------------|---|
| | 103799-01-02A | EA COFFEE MAKER - GRAY - BLACK&DECKER MADE BY G E W/GLASS POT |
| | 104510-01-000 | EA STRAP ASM-COFFEE MAKER |

| KEY | PART NUMBER | U/M DESCRIPTION |
|-----|---------------|--|
| | 100975-03-000 | EA GENERATOR-5.0 KW EMERALD PLUS - ONAN NHE-FN/29236G WITH ONAN TRAY #403-2218 |
| | 007131-01-000 | EA HANGER-TAILPIPE, 6 SLOTS |
| | 079654-05-000 | EA PIPE-EXHAUST, ANGLED - W/FLANGE - 2" ID - ONAN# 154-2539 |
| | 082272-01-000 | EA MUFFLER-GENERATOR |
| | 094059-01-000 | EA SPACER-GENERATOR, ONAN |
| | 105732-02-000 | EA TRAY ASM-GENERATOR |
| | 105958-03-000 | EA PIPE-EXHAUST, GENERATOR |
| | 008401-01-000 | EA STRAP-CONDUIT, 3/4" - 1 HOLE - GALVANIZED STEEL |

4000W KOHLER LOW PROFILE

| KEY | PART NUMBER | U/M DESCRIPTION |
|-----|---------------|--|
| | 105523-01-000 | EA GENERATOR-4KW LOW PROFILE KOHLER 4CKM21 |
| | 007067-01-000 | SF INSULATION-FIBERGLASS, 1" THICK X 4' - INCREMENTS OF 4 SF |
| | 105526-01-000 | EA ARRESTER-SPARK KOHLER 278621 |
| | 105527-01-000 | EA PIPE-EXHAUST ADAPTER, KOHLER 278524 |
| | 105530-01-000 | EA MUFFLER-SIDE EXH W/O SPARK KOHLER 278733 |
| | 105602-01-000 | EA GASKET-EXHAUST, KOHLER-278320 |
| | 105732-02-000 | EA TRAY ASM-GENERATOR |
| | 105958-03-000 | EA PIPE-EXHAUST, GENERATOR |
| | 008401-01-000 | EA STRAP-CONDUIT, 3/4" - 1 HOLE - GALVANIZED STEEL |

4.0 KW EMERALD PLUS EXPORT

| KEY | PART NUMBER | U/M DESCRIPTION |
|-----|---------------|---|
| | 100974-04-000 | EA GENERATOR-4.0KW EMERALD PLUS ONAN BGE-FN/29236G WITH ONAN TRAY #403-2218 |
| | 007131-01-000 | EA HANGER-TAILPIPE, 6 SLOTS |
| | 079654-05-000 | EA PIPE-EXHAUST, ANGLED - W/FLANGE - 2" ID - ONAN# 154-2539 |
| | 082272-01-000 | EA MUFFLER-GENERATOR |
| | 094059-01-000 | EA SPACER-GENERATOR, ONAN |
| | 105732-02-000 | EA TRAY ASM-GENERATOR |
| | 105958-03-000 | EA PIPE-EXHAUST, GENERATOR |
| | 008401-01-000 | EA STRAP-CONDUIT, 3/4" - 1 HOLE - GALVANIZED STEEL |

4.0 KW EMERALD PLUS

| KEY | PART NUMBER | U/M DESCRIPTION |
|-----|---------------|--|
| | 100974-01-000 | EA GENERATOR-4.0KW EMERALD PLUS, ONAN BGE-FA/26100G |
| | 007067-01-000 | SF INSULATION-FIBERGLASS, 1" THICK X 4' - INCREMENTS OF 4 SF |
| | 079654-05-000 | EA PIPE-EXHAUST, ANGLED - W/FLANGE - 2" ID - ONAN# 154-2539 |
| | 082272-01-000 | EA MUFFLER-GENERATOR |
| | 094059-01-000 | EA SPACER-GENERATOR, ONAN |
| | 105732-02-000 | EA TRAY ASM-GENERATOR |
| | 105958-03-000 | EA PIPE-EXHAUST, GENERATOR |

5.5 KW EMERALD PLUS

| KEY | PART NUMBER | U/M DESCRIPTION |
|-----|---------------|--|
| | 100975-01-000 | EA GENERATOR-5.5KW EMERALD PLUS, ONAN NHE-FA/26100G WITH ONAN TRAY #403-2218 |
| | 007067-01-000 | SF INSULATION-FIBERGLASS, 1" THICK X 4' - INCREMENTS OF 4 SF |
| | 079654-05-000 | EA PIPE-EXHAUST, ANGLED - W/FLANGE - 2" ID - ONAN# 154-2539 |
| | 082272-01-000 | EA MUFFLER-GENERATOR |
| | 094059-01-000 | EA SPACER-GENERATOR, ONAN |
| | 105732-02-000 | EA TRAY ASM-GENERATOR |
| | 105958-03-000 | EA PIPE-EXHAUST, GENERATOR |

1992 ICF31RQ INDEX

| | | |
|----------------------|------|------|
| FLOOR PLAN | E-15 | E-16 |
| ACCESSORIES | | E-17 |
| AUDIO/VIDEO | E-18 | E-20 |
| BATH | E-21 | E-23 |
| BEDROOM | E-24 | F-02 |
| CHASSIS | F-03 | F-13 |
| CURTAIN & CUSHION | F-14 | F-24 |
| DINETTE | G-01 | G-02 |
| DRIVERS COMPARTMENT | G-03 | G-08 |
| ELECTRICAL | G-09 | G-16 |
| EXTERIOR BODY | G-17 | G-24 |
| GALLEY | H-01 | H-05 |
| GENERATOR | H-06 | H-07 |
| HEATING & A/C | H-08 | H-12 |
| INTERIOR FINISH | H-13 | H-16 |
| LABEL | H-17 | I-01 |
| LP | | I-02 |
| LOUNGE | I-03 | I-04 |
| SEALANTS & FASTENERS | I-05 | I-08 |
| WATER & SEWAGE | I-09 | I-14 |
| WINDOW, VENT AND | | |
| EXTERIOR DOOR | I-15 | J-06 |
| WINDSHIELD/WIPER | J-07 | J-08 |

GENERATOR GROUP (CONTINUED)
5000W KOHLER LOW PROFILE

| KEY | PART NUMBER | U/M DESCRIPTION |
|-----|---------------|--|
| | 105524-01-000 | EA GENERATOR 5KW LOW PROFILE KOHLER 5CKM21 |
| | 007067-01-000 | SF INSULATION-FIBERGLASS, 1" THICK X 4' - INCREMENTS OF 4 SF |
| | 105526-01-000 | EA ARRESTER-SPARK, KOHLER 278621 |
| | 105527-01-000 | EA PIPE-EXHAUST ADAPTER, KOHLER 278524 |
| | 105530-01-000 | EA MUFFLER-SIDE EXH W/O SPARK KOHLER 278733 |
| | 105602-01-000 | EA GASKET-EXHAUST, KOHLER-278320 |
| | 105732-02-000 | EA TRAY ASM-GENERATOR |
| | 105958-03-000 | EA PIPE-EXHAUST GENERATOR |
| | 008401-01-000 | EA STRAP-CONDUIT, 3/4" - 1 HOLE - GALVANIZED STEEL |

7.0KW KOHLER LOW PROFILE

| KEY | PART NUMBER | U/M DESCRIPTION |
|-----|---------------|--|
| | 105525-01-000 | EA GENERATOR-7.0KW - LOW PROFILE - KOHLER 7CKM21 |
| | 007067-01-000 | SF INSULATION-FIBERGLASS, 1" THICK X 4' - INCREMENTS OF 4 SF |
| | 094059-01-000 | EA SPACER-GENERATOR, ONAN |
| | 105526-01-000 | EA ARRESTER-SPARK, KOHLER 278621 |
| | 105527-02-000 | EA PIPE-EXHAUST ADAPTER, KOHLER-278979 |
| | 105530-01-000 | EA MUFFLER-SIDE EXH W/O SPARK KOHLER 278733 |
| | 105602-01-000 | EA GASKET-EXHAUST, KOHLER-278320 |
| | 105732-02-000 | EA TRAY ASM-GENERATOR |
| | 105958-03-000 | EA PIPE-EXHAUST GENERATOR |
| | 008401-01-000 | EA STRAP-CONDUIT, 3/4" - 1 HOLE - GALVANIZED STEEL |

HEATING & AIR CONDITIONING GROUP
30000 BTU SUBURBAN FURNACE & WALL THERMOSTAT

| KEY | PART NUMBER | U/M DESCRIPTION |
|-----|---------------|--|
| | 098668-05-000 | EA FURNACE-30000 BTU SF-30 |
| | 093255-01-000 | EA THERMOSTAT - WALL, FURNACE - SUBURBAN 160902 |
| | 098668-01-700 | EA CABINET FRONT |
| | 098668-01-701 | EA CABINET ASSEMBLY |
| | 098668-01-702 | EA ELECTRODE |
| | 098668-02-700 | EA BURNER ASM COMP |
| | 098668-01-704 | EA VALVE |
| | 098668-01-705 | EA SWITCH LIMIT |
| | 098668-01-706 | EA WHEEL COMB AIR |
| | 098668-01-707 | EA VENT ASM-CAP AND TUBE |
| | 098668-01-708 | EA BLOWER ASM (COMBUSTION AIR) |
| | 098668-01-709 | EA MOTOR ASM F/SF-25,SF-30 |
| | 098668-01-710 | EA BLOWER ASM (ROOM AIR) |
| | 098668-01-711 | EA WHEEL ROOM AIR |
| | 098668-01-712 | EA BOARD MODULE |
| | 098668-01-713 | EA INTAKE VENT TUBE ASM |
| | 098668-05-000 | EA DOOR-ACCESS FURNACE OFF W/HT SUBURBAN 520574 |
| | 093614-01-01A | EA GRILLE-RETURN AIR, FURNACE - 15 6" X 7 6" - BROWN |
| | 059634-01-733 | EA RELAY TIME DELAY 20&30 BTU |
| | 075696-02-703 | EA DUCT COLLAR |
| | 075695-01-709 | EA MICROSWITCH ASM F/30&34S |
| | 092300-02-701 | EA ORFICE (MAIN BURNER) |
| | 098668-01-703 | EA BURNER ASM COMP (SF-25) |
| | 090039-01-709 | EA GASKET OBSERVATION HOLE CUR |
| | 092300-01-704 | EA GASKET ELECTRODE |
| | 101990-01-714 | EA MICROSWITCH GASKET |

35000 BTU SUBURBAN FURNACE & WALL THERMOSTAT

| KEY | PART NUMBER | U/M DESCRIPTION |
|-----|---------------|--------------------------------------|
| | 098668-06-000 | EA FURNACE-35000 BTU, SUBURBAN SF-35 |
| | 059634 01 720 | EA ORFICE-MAIN BURNER |
| | 069634 01 733 | EA RELAY TIME DELAY 20&30 BTU |
| | 075695 01 709 | EA MICROSWITCH ASM F/30&34S |
| | 090039 01 709 | EA GASKET OBSERVATION HOLE CUR |
| | 092300 01 704 | EA GASKET ELECTRODE |
| | 093365 01 000 | EA THERMOSTAT-FURNACE, SUBURBAN |
| | 098668 01 700 | EA CABINET FRONT |
| | 098668 01 701 | EA CABINET ASSEMBLY |
| | 098668 01 702 | EA ELECTRODE |
| | 098668 01 704 | EA VALVE |
| | 098668 01 705 | EA SWITCH LIMIT |
| | 098668 01 706 | EA WHEEL COMB AIR |
| | 098668 01 707 | EA VENT CAP & EXHAUST TUBE ASSM |
| | 098668 01 708 | EA BLOWER ASSM (COMBUSTION AIR) |
| | 098668 01 709 | EA MOTOR ASSM, F/SF-25, SF-30 |
| | 098668 01 710 | EA BLOWER ASSM (ROOM AIR) |
| | 098668 01 711 | EA WHEEL ROOM AIR |
| | 098668 01 712 | EA BOARD MODULE |
| | 098668 01 713 | EA INTAKE VENT TUBE ASM |
| | 098668 02 700 | EA BURNER ASM COMP (SF-30/SF35) |
| | 098668 03 700 | EA MOTOR ASSM, F/SF-35 |

1992 ITASCA
TABLE OF CONTENTS

| | | |
|--------------------|--------|------|
| INTRODUCTION | A-01 - | A-02 |
| ABBREVIATIONS | | A-03 |
| ALPHABETICAL INDEX | A-04 - | A-06 |
| ICF23RC | A-07 - | E-14 |
| ICF31RQ | E-15 - | J-08 |

1992 ICF31RQ INDEX

| | | |
|----------------------|--------|------|
| FLOOR PLAN | E-15 - | E-16 |
| ACCESSORIES | | E-17 |
| AUDIO/VIDEO | E-18 - | E-20 |
| BATH | E-21 - | E-23 |
| BEDROOM | E-24 - | F-02 |
| CHASSIS | F-03 - | F-13 |
| CURTAIN & CUSHION | F-14 - | F-21 |
| DINETTE | G-01 - | G-02 |
| DRIVERS COMPARTMENT | G-03 - | G-04 |
| ELECTRICAL | G-09 - | G-15 |
| EXTERIOR BODY | G-17 - | G-24 |
| GALLEY | H-01 - | H-02 |
| GENERATOR | H-06 - | H-07 |
| HEATING & A/C | H-08 - | H-12 |
| INTERIOR FINISH | H-13 - | H-18 |
| LABEL | H-17 - | I-01 |
| LP | | I-02 |
| LOUNGE | I-03 - | I-04 |
| SEALANTS & FASTENERS | I-05 - | I-08 |
| WATER & SEWAGE | I-09 - | I-14 |
| WINDOW, VENT AND | | |
| EXTERIOR DECOR | I-15 - | J-06 |
| WINDSHIELD WIPER | J-07 - | J-08 |

HEATING & AIR CONDITIONING GROUP (CONTINUED)

REAR HEATER & WATER HEATER W/MOTOR AID L611

| KEY | PART NUMBER | U/M DESCRIPTION |
|-----|----------------|---|
| | 009198-01-000 | FT DUCT-HEAT, FLEXIBLE - 4" ID - INC OF 25' |
| | 009200-01-000 | EA TAPE-FURNACE, 1 1/2" |
| | 023146-01-000 | EA CLAMP-SCREW TYPE - 4" |
| | 069636-02-000 | EA CONNECTOR-DUCT, 4" ID |
| | 000667-10-12/3 | EA SCREW, 10-12 X 3/4 PPH - ZN |
| | 007108-01-000 | FT HOSE-HEATER, 5/8" ID |
| | 008042-01-000 | FT TUBING-VINYL, 65" ID |
| | 056464-05-000 | EA REGISTER-PLASTIC W/O DAMPER - 4" DIAMETER - GOLDEN |
| | 062401-01-000 | EA CLAMP-HOSE, WORMGEAR 25"- 1" |
| | 061673-01-000 | EA BRACKET-MOTOR AID TUBES, 4" X 1 1/2" - STEEL |
| | 062401-04-000 | EA CLAMP-HOSE, WORMGEAR .69"- 1 25" |
| | 088753-01-000 | FT TUBE-ALUMINIZED STEEL, 5/8" - 18 GAUGE |
| | 079059-01-000 | EA HOSE-90 DEGREE, .61"ID X 4" X 36" |
| | 079059-02-000 | EA HOSE-90 DEGREE, .61"ID X 4" X 6" |
| | 104056-05-01A | EA APPLIQUE-BEZEL SW RT 3 SW |
| | 103875-03-000 | EA SWITCH-ROCKER, SPST ON/OFF/ON |
| | 010227-01-000 | EA TEE-PLAS-BARB 5/8 OR 3/4 HOSE |

EVANS REAR HEATER

| KEY | PART NUMBER | U/M DESCRIPTION |
|-----|---------------|--|
| | 084405-01-000 | EA HEATER ASM-REAR, DUCTED - W/MOTOR AID - EVANS |
| | 084405-01-700 | EA HEATER CORE-EVANS# FT200229 |
| | 084405-01-701 | EA FAN BLADES-EVANS# HV029931 |
| | 084405-01-702 | EA MOTOR ASM-12 V, EVANS# 200146 |

HEATING & AIR CONDITIONING GROUP (CONTINUED)

AUTO A/C COMPONENTS

| KEY | PART NUMBER | U/M DESCRIPTION |
|-----|---------------|---|
| | 000G11-08-08B | EA SCREW, 8-18 X 1/2 PPH - ZN |
| | 007076-01-700 | FT HOSE-FLEXIBLE PVC - 2" ID |
| | 007108-01-000 | FT HOSE-HEATER, 5/8" ID |
| | 007281-01-000 | EA HOSE-FLEXIBLE PVC, 2.5"ID X 50' |
| | 007281-01-700 | FT HOSE-FLEXIBLE PVC, 2 5" ID |
| | 024990-05-000 | EA OUTLET-DEF-W/SWIV 2IN BLACK |
| | 062401-04-000 | EA CLAMP-HOSE, WORMGEAR .69"- 1 25" A/C EVAPORATOR |
| | 103930-01-000 | EA EVAPORATOR/HEATER ASSEMBLY - SCS 090-0041 |
| | 103930-01-700 | EA ROD-AIR BLEND DOOR, SCS 073-0017 |
| | 103930-01-701 | EA PANEL-DOOR, FOR AIR BLEND - SCS 071-0123 |
| | 103930-01-702 | EA GASKET-DOOR, FOR AIR BLEND - SCS 045-0080 |
| | 103930-01-703 | EA COIL-HEATER, SCS 042-0010 |
| | 103930-01-705 | EA VALVE EXP. BLOCK |
| | 103930-01-706 | EA GASKET-O-RING, #8 - SCS 045-0011 |
| | 103930-01-707 | EA GASKET-O-RING, #10 - SCS 045-0012 |
| | 103930-01-708 | EA BRACKET-VACUUM MOTOR, SCS 070-0113 |
| | 103930-01-709 | EA MOTOR-VACUUM, SCS 030-0002 |
| | 103930-01-710 | EA RESISTOR-FUSED, SCS 035-0006 |
| | 103930-01-711 | EA THERMOSTAT, SCS 032-0003 |
| | 103930-01-712 | EA GASKET-O-RING, SCS 045-0010 |
| | 103930-01-713 | EA FITTING-QUICK CONNECT, #4 - SCS 060-0003 |
| | 103930-01-714 | EA FITTING-SERVICE VALVE, #10 - SCS 060-0003 |
| | 103930-01-715 | EA SWITCH-BINARY, SCS 032-0030 |
| | 103930-01-716 | EA SWITCH-PRESSURE, FAN - SCS 032-0029 |
| | 103930-01-717 | EA WHEEL-CLOCK-WISE, SCS 062-0010 |
| | 103930-01-718 | EA HOSE #6, SCS 051-0036 |
| | 103930-01-719 | EA HOSE #10, SCS 051-0017 |
| | 103930-01-720 | EA MOTOR, SCS 030-0004 |
| | 103930-01-721 | EA GASKET O-RING #12, SCS 045-0062 |
| | 103930-04-000 | EA CONTROL/PLENUM SET 92 F&G |
| | 072342-04-000 | EA CONDENSER ASM-W/O FANS, ARA 0519377 |
| | 072342-04-700 | EA HOSE-DISCHARGE, ARA 0986306 |
| | 072342-04-701 | EA COIL-CONDENSER, ARA 0519384 |
| | 072343-06-000 | EA COMPRESSOR-CLUTCH, REAR DISCHARGE - SANKYO - ARA 0529174 |
| | 096814-02-000 | EA MOUNT & DRIVE PACKAGE, A/C COMPRESSOR - 460 EFI |
| | 072878-01-000 | EA INSULATION-SOUND BARRIER PAD, 29 25" X 40 19" |
| | 074026-01-000 | EA MOUNT PACKAGE - A/C COMPRESSOR, 6 2DIESEL |
| | 077075-01-000 | EA GASKET-INSTRUMENT PANEL TO DEFROSTER PLENUM - 6" X 11.3" |
| | 077075-03-000 | EA GASKET-IP TO DEF PLENUM, SPL |
| | 085000-01-000 | EA SHIELD-A/C, 6 8" X 3 1" - STEEL |
| | 088753-01-000 | FT TUBE-ALUMINIZED STEEL, 5/8" - 18 GAUGE |
| | 103016-01-000 | EA PLENUM-TRANSITION |
| | 103017-01-000 | EA PLENUM-DEFROSTER |
| | 103558-01-01A | EA VENT-DEFROSTER, ABS - OFF WHITE |
| | 103796-01-01A | EA LOUVER ASM-A/C CARY PROD BLACK |
| | 072343-08-000 | EA COMPRESSOR-CLUTCH, 460 EFI - TOP DISCHARGE - ARA 0529039 ALSO ORDER RECEIVER DRIER AND EXPANSION VALVE FROM: 00-00-00 THRU: 11-24-91 |
| | 096815-01-000 | EA CONDENSER ASM-A/C, FORD - ARA 095-0014 FROM: 00-00-00 THRU: 11-24-91 |
| | 094831-08-000 | EA WIRE ASSEMBLY-AC COMPRESSOR ADAPTER - SCS 036-0054 |
| | 094831-01-724 | EA O-RING-#4, MOTIVAIR/SCS ZGG14561 |
| | 103930-02-708 | EA MOTOR-VACUUM SERVO, A/C - SCS 030-0002 |
| | 103930-05-000 | EA MANUAL-OWNERS, HEATER-A/C - SCS 057-0049 |

**1992 ITASCA
TABLE OF CONTENTS**

| | | |
|--------------------|--------|------|
| INTRODUCTION | A-01 - | A-02 |
| ABBREVIATIONS | | A-03 |
| ALPHABETICAL INDEX | A-04 - | A-06 |
| ICF23RC | A-07 - | E-14 |
| ICF31RQ | E-15 - | J-08 |

1992 ICF31RQ INDEX

| | | |
|----------------------|--------|------|
| FLOOR PLAN | E-15 - | E-16 |
| ACCESSORIES | | E-17 |
| AUDIO/VIDEO | E-18 - | E-20 |
| BATH | E-21 - | E-23 |
| BEDROOM | E-24 - | F-02 |
| CHASSIS | F-03 - | F-13 |
| CURTAIN & CUSHION | F-14 - | F-24 |
| DINETTE | G-01 - | G-02 |
| DRIVERS COMPARTMENT | G-03 - | G-08 |
| ELECTRICAL | G-09 - | G-16 |
| EXTERIOR BODY | G-17 - | G-24 |
| GALLEY | H-01 - | H-05 |
| GENERATOR | H-06 - | H-07 |
| HEATING & A/C | H-08 - | H-12 |
| INTERIOR FINISH | H-13 - | H-16 |
| LABEL | H-17 - | I-01 |
| LP | | I-02 |
| LOUNGE | I-03 - | I-04 |
| SEALANTS & FASTENERS | I-05 - | I-08 |
| WATER & SEWAGE | I-09 - | I-14 |
| WINDOW, VENT AND | | |
| EXTERIOR DOOR | I-15 - | J-06 |
| WINDSHIELD/WIPER | J-07 - | J-08 |

HEATING & AIR CONDITIONING GROUP (CONTINUED)
ROOF A/C-13500 BTU, US & CANADIAN L29D

HEATING & AIR CONDITIONING GROUP (CONTINUED)
ROOF A/C-13500 BTU - EUROPEAN

**1992 ITASCA
 TABLE OF CONTENTS**

| | | |
|--------------------|--------|------|
| INTRODUCTION | A-01 - | A-02 |
| ABBREVIATIONS | | A-03 |
| ALPHABETICAL INDEX | A-04 - | A-06 |
| ICF23RC | A-07 - | E-14 |
| ICF31RQ | E-15 - | J-08 |

1992 ICF31RQ INDEX

| | | |
|----------------------|--------|------|
| FLOOR PLAN | E-15 - | E-16 |
| ACCESSORIES | | E-17 |
| AUDIO/VIDEO | E-18 - | E-20 |
| BATH | E-21 - | E-23 |
| BEDROOM | E-24 - | F-02 |
| CHASSIS | F-03 - | F-13 |
| CURTAIN & CUSHION | F-14 - | F-24 |
| DINETTE | G-01 - | G-02 |
| DRIVERS COMPARTMENT | G-03 - | G-08 |
| ELECTRICAL | G-09 - | G-16 |
| EXTERIOR BODY | G-17 - | G-24 |
| GALLEY | H-01 - | H-05 |
| GENERATOR | H-06 - | H-07 |
| HEATING & A/C | H-08 - | H-12 |
| INTERIOR FINISH | H-13 - | H-16 |
| LABEL | I-17 - | I-01 |
| LP | | I-02 |
| LOUNGE | I-03 - | I-04 |
| SEALANTS & FASTENERS | I-05 - | I-08 |
| WATER & SEWAGE | I-09 - | I-14 |
| WINDOW, VENT AND | | |
| EXTERIOR DOOR | I-15 - | J-06 |
| WINDSHIELDWIPER | J-07 - | J-08 |

| KEY | PART NUMBER | U/M DESCRIPTION |
|-----|---------------|--|
| | 008356-01-000 | EA CONNECTOR-PLASTIC, 3/8" AVG |
| | 081606-01-708 | EA LIMIT SWITCH (OPEN 160,CLOSE 110), COLEMAN# 6703 3041 |

13500 BTU COLEMAN ROOF A/C

| KEY | PART NUMBER | U/M DESCRIPTION |
|-----|---------------|--|
| | 108889-01-02A | EA A/C-ROOF, 13500 BTU - GRAY - COLEMAN 6759D702 |
| | 037648-01-714 | EA PACKAGE-GASKET, COLEMAN #6759-3281 |
| | 073742-02-704 | EA RUN CAPACITOR (COMPRESSOR), COLEMAN 14994661 |
| | 076303-01-712 | EA MOTOR, COLEMAN# 6707A3119 |
| | 091225-01-709 | EA START RELAY, COLEMAN# 1497-4131 |
| | 091225-01-710 | EA START CAPACITOR, COLEMAN# 1497-0881 |
| | 093306-01-701 | EA DECAL PKG LEFT&RIGHT, COLEMAN 6798B3591 |
| | 093763-01-702 | EA OVERLOAD, COLEMAN #6759-3931 |
| | 093763-01-703 | EA IMPELLOR-7" DIA X 2 8" WIDE, COLEMAN# 6759-3271 |
| | 093763-01-704 | EA CAPACITOR-FAN, COLEMAN# 1499 3461 |
| | 093763-01-707 | EA EVAPORATOR COIL-COLEMAN# 1452-1351 |
| | 093763-01-708 | EA CONDENSER COIL-COLEMAN# 1452-1251 |
| | 093763-01-709 | EA COMPRESSOR-COLEMAN# 6749A3609 |
| | 093763-01-712 | EA FAN BLADE-CONDENSER, COLEMAN# 6733-3221 |
| | 093763-02-700 | EA SHROUD-ROOF A/C W/O LOGOS - COLEMAN 6759-4521 |

CEILING ASSEMBLY 13500 BTU A/C

| KEY | PART NUMBER | U/M DESCRIPTION |
|-----|---------------|---|
| | 093764-01-000 | EA CEILING ASM-A/C COOL ONLY, 1SR - COLEMAN 6759D714 |
| | 042204-01-709 | EA THERMOSTAT-IN 64 OUT 58, COLEMAN# 6701-3401 |
| | 073742-01-701 | EA SELECTOR SWITCH (5 TERMINAL), COLEMAN# 6759-3251 |
| | 073742-01-702 | EA DECAL COOL ONLY, COLEMAN# 6759C3431 |
| | 076303-01-707 | EA FILTER-8" X 14 3/4" X 1/2", 12 PER PKG - COLEMAN 6703A3151 |
| | 081606-01-708 | EA LIMIT SWITCH (OPEN 160,CLOSE 110), COLEMAN# 6703-3041 |
| | 081606-01-712 | EA CEILING SHROUD (IVORY), COLEMAN# 6769-5061 |
| | 091225-01-713 | EA KNOB (2 PER PACKAGE), COLEMAN# 6701-3351 |
| | 091225-01-717 | EA DECAL (THERMOSTAT) COOL ONLY, COLEMAN# 6799A3441 |
| | 093763-01-710 | EA SINGLE PARTS PACKAGE, COLEMAN# 6759-5841 |
| | 102289-01-000 | EA SPRING-SCREW, ROOF A/C GASKET - COLEMAN 6757-150 |

| KEY | PART NUMBER | U/M DESCRIPTION |
|-----|---------------|--|
| | 008356-01-000 | EA CONNECTOR-PLASTIC, 3/8" AVG |
| | 074983-01-000 | EA LABEL-A/C SELECTOR |
| | 092440-01-000 | EA A/C-ROOF, 13500 BTU - 220V - 50HZ - COLEMAN# 6713C750 |
| | 092441-01-000 | EA CEILING ASM-A/C, 220V - 50HZ - COLEMAN# 6712ET16 |
| | 102289-01-000 | EA SPRING-SCREW, ROOF A/C GASKET - COLEMAN 6757-150 |
| | 073937-03-000 | EA SWITCH-ROTARY SELECTOR, 3 DECK - A/C - CA20-USA892 |
| | 073937-01-700 | EA KNOB-ROTARY SWITCH-A/C SEL |
| | 008311-01-000 | EA CONNECTOR-WIRE NUT, INSULATED - RED |
| | 008328-01-000 | EA TERMINAL-RING, 12/10 WIRE - #10 STUD FIT |
| | 000G67-10-12P | EA SCREW, 10-12 X .75 PPH - DARK BROWN |
| | 009439-07-000 | EA SCREW, 8-32 X 1 1/4 POH - BLACK |
| | 000G67-10-12B | EA SCREW, 10-12 X 3/4 PPH.- ZN |

ROOF A/C-11000 BTU

| KEY | PART NUMBER | U/M DESCRIPTION |
|-----|---------------|---|
| | 105850-01-02A | EA A/C-ROOF, 11,000BTU GRAY - COLEMAN 6757A802 |
| | 037648-01-714 | EA PACKAGE-GASKET, COLEMAN #6759-3281 |
| | 076303-01-712 | EA MOTOR, COLEMAN# 6707A3119 |
| | 091225-01-709 | EA START RELAY, COLEMAN# 1497-4131 |
| | 093306-01-701 | EA DECAL PKG, LEFT & RIGHT - COLEMAN 6798B3591 |
| | 093763-01-703 | EA IMPELLOR-7" DIA X 2 8" WIDE, COLEMAN# 6759-3271 |
| | 093763-01-704 | EA CAPACITOR-FAN, COLEMAN# 1499-3461 |
| | 093763-01-707 | EA EVAPORATOR COIL-COLEMAN# 1452-1351 |
| | 093763-01-708 | EA CONDENSER COIL-COLEMAN# 1452-1251 |
| | 093763-01-712 | EA FAN BLADE-CONDENSER, COLEMAN# 6733-3221 |
| | 093763-04-700 | EA SHROUD-ROOF A/C, W/O LOGOS - COLEMAN 6759-4601 |
| | 105850-01-700 | EA COMPRESSOR (TEC #AK144AT-02L 6757-3679 |
| | 105850-01-701 | EA COMPRESSOR RUN CAPACITOR 6749-4661 |
| | 105850-01-702 | EA EVAPORATOR COIL 1452-1362 |
| | 105850-01-703 | EA OVERLOAD (CRA2718-250) |
| | 108889-01-700 | EA SHROUD (GREY/GREY)LESS LOGO 6759-6421 |
| | 073937-03-000 | EA SWITCH-ROTARY SELECTOR, 3 DECK - A/C - CA20-USA892 |

ROOF A/C COVER FRAME

| KEY | PART NUMBER | U/M DESCRIPTION |
|-----|---------------|--|
| | 092633-02-02A | EA COVER-BLANK, ROOF A/C - 5.1" X 5 1" - PLASTIC - OFF WHITE |
| | 084077-03-000 | EA COVER-BLANK, ROOF A/C - 5.2" X 3 5" - IVORY |
| | 088238-02-000 | EA COVER-SWITCH, A/C SELECTOR FOR FRONT OR REAR |
| | 092633-01-02A | EA FRAME-PLATE, ROOF A/C - 5 7" X 3.9" - PLASTIC - OFF WHITE |

**INTERIOR FINISH GROUP
MOLDINGS**

| KEY | PART NUMBER | U/M DESCRIPTION |
|-----|---------------|--|
| | 009767-12-000 | FT MOLDING-SIDEWALL TO CEILING/CABINET - WELTING - OFF WHITE |
| | 009809-23-000 | EA MOLDING-CORNER, OUTSIDE - 1" - PLASTIC - IVORY |
| | 009809-24-000 | EA MOLDING-CORNER, OUTSIDE - 1" - PLASTIC - THOR PECAN |
| | 009812-24-000 | EA MOLDING-PLASTIC, OUTSIDE CORNER - 50" - IVORY |
| | 009812-25-000 | EA MOLDING-CORNER, OUTSIDE - 5" - PLASTIC - PECAN |
| | 022992-11-000 | FT MOLDING-REVERSE COVE, T-SHAPED - VINYL - IVORY |
| | 076325-32-000 | FT MOLDING-EDGE BAND, 1 5/16" |
| | 076325-33-000 | FT MOLDING-EDGE BAND TAUPE #1036 875X 024X600 |
| | 076325-34-000 | FT MOLDING-EDGE BAND, 1 5/16" WIDE |
| | 083620-01-000 | FT MOLDING-T, END CAP EDGE - WEDGE LIPS - .75" - BROWN |
| | 083620-07-000 | FT MOLDING-T, END CAP EDGE - WEDGE LIPS - .75" - THOR PECAN |
| | 092331-D2-134 | EA MOLDING-VINYL WRAPPED, 7" X 1.57" X 84" - WOODGRAIN |
| | 092331-F2-134 | EA MOLDING-VINYL WRAPPED, 7" X 2.5" X 7" - WOODGRAIN |
| | 092331-F2-438 | EA MOLDING-VINYL WRAPPED, 7" X 3.5" X 96" - WOODGRAIN |
| | 100818-01-01A | EA MOLDING-VINYL WRAPPED, 1.65" X 4" X 7" - REGAL OAK |
| | 100819-01-01A | EA MOLDING-VINYL WRAPPED, L-SHAPED - 1.5" X 1.5" X 7" - OAK |
| | 103186-01-02A | FT MOLDING-EDGE, SHELF - 78" WIDE - PLASTIC - REGAL OAK |
| | 104676-01-01A | FT T-MOLDING, 5/16 RIGID |
| | 105004-01-01A | EA MOLDING-VINYL WRAP |
| | 105709-01-000 | FT T-MOLDING-1", MODERN IVORY |
| | 077840-01-W30 | EA MOLDING-WALL CAP, 1.4" X 8" LONG - L-SHAPED WOOD |
| | 077840-14-W24 | EA MOLDING-WALL CAP, 1.4" X 80" - L-SHAPED WOOD |
| | 078323-06-X14 | EA MOLDING-WALL CAP, LIPS BOTH SIDE - 6.5' LONG |
| | 078323-08-X14 | EA MOLDING-WALL CAP, LIPS BOTH SIDES - WOOD - 6.5' LONG |
| | 092331-F2-438 | EA MOLDING-VINYL WRAPPED, 7" X 2.5" X 96" - WOODGRAIN |
| | 103186-02-02A | FT MOLDING-EDGE, SHELF - 1.3" WIDE - PLASTIC - REGAL OAK |

U-CHANNEL, TRIM & LUMBER

| KEY | PART NUMBER | U/M DESCRIPTION |
|-----|---------------|---|
| | 070504-01-000 | FT U-CHANNEL-PLASTIC, .065" WIDE - LIGHT BROWN - INC OF 8' |
| | 070504-18-000 | FT U-CHANNEL-PLASTIC, .065" WIDE - IVORY - INC OF 8' |
| | 070504-20-000 | FT U-CHANNEL-PLASTIC, .815" WIDE - THOR PECAN - INC OF 8' |
| | 070504-22-000 | FT U-CHANNEL-PLASTIC, .735" WIDE - THOR PECAN - INC OF 8' |
| | 009778-13-000 | FT U-CHANNEL-PLASTIC, 1" WIDE X 8' INCREMENTS - THOR PECAN |
| | 072368-02-000 | EA TRIM-VINYL, EDGE - BLACK - GM 14004305 |
| | 100659-01-AB1 | EA TRIM-FLOOR, 72" X 1" X 1/2" - WOOD |
| | 101220-02-01A | EA TRIM-LID, ENTRY STEP - 14.5" - ALUMINUM - BEIGE FROM: 00-00-00 THRU: 03-14-92 |
| | 101221-02-01A | EA TRIM-LID, ENTRY STEP - 26.6" - ALUMINUM - BEIGE FROM: 00-00-00 THRU: 03-14-92 |
| | 085746-01-000 | FT TRIM-J, CARPET - 1.2" X 5" ANGLE - 10' LONG - PVC - BEIGE |
| | 093673-01-01A | EA TRIM-CARPET, L-ANGLE - 1.1" X 1.3" X 12" - VINYL - GRAY |
| | 078811-05-C07 | EA PANEL-TRIM, HEADER, LOWER |
| | 092330-D2-438 | EA LUMBER-VINYL WRAPPED, 7" X 1.5" X 9" - WOODGRAIN |
| | 092330-03-000 | EA LUMBER-VINYL WRAPPED, 2" X 96" - WOODGRAIN |
| | 092330-05-000 | EA LUMBER-VINYL WRAPPED |

ANTISLIP & FLOOR MATS

| KEY | PART NUMBER | U/M DESCRIPTION |
|-----|---------------|--|
| | 091261-01-000 | FT SLIPNOT-ANTISLIP, 1" WIDE (100' ROLL) |
| | 105924-01-C25 | EA MAT-FLOOR 18X27 |
| | 105924-01-C26 | EA MAT-FLOOR 18X27 |

**INTERIOR FINISH GROUP (CONTINUED)
BATT STRIP**

| KEY | PART NUMBER | U/M DESCRIPTION |
|-----|---------------|--|
| | 069733-70-000 | EA BATT STRIP-WOODGRAIN, 8' EA - REGAL OAK FROM: 00-00-00 THRU: 02-23-92 |
| | 069733-80-000 | EA BATT STRIP-WOODGRAIN, 8' EA - WINNI OAK FROM: 02-24-92 THRU: 99-99-99 |
| | 085284-03-000 | FT BATT STRIP-WOODGRAIN, ADHESIVE BACKED - REGAL OAK FROM: 00-00-00 THRU: 02-23-92 |
| | 085284-65-000 | FT BATT STRIP-WOODGRAIN, ADHESIVE BACKED - FOREST OAK FROM: 02-24-92 THRU: 99-99-99 |
| | 088263-50-000 | EA BATT STRIP-SHOWER, 8' EACH - OFF WHITE FROM: 00-00-00 THRU: 03-15-92 |
| | 088263-78-000 | EA BATT STRIP-SHOWER, 8' EA - OFF WHITE FROM: 03-16-92 THRU: 99-99-99 |
| | 085284-51-000 | FT BATT STRIP-DECORATIVE, PLAIN - ADHESIVE BACKED |
| | 088263-64-000 | EA BATT STRIP-DECORATIVE, W/FLOWERS - 8' LONG |
| | 069733-79-000 | EA BATT STRIP-WOODGRAIN, 8' EA - FOREST OAK |
| | 079653-04-000 | EA BATT STRIP-KERFED, WOODGRAIN |
| | 086229-01-000 | EA RETAINER-BATTEN, CEILING - 75" WIDE - 7.6' EA |
| | 086229-04-000 | EA BATTEN-CEILING, 1" WIDE - IVORY - 7.6' EA |

PARTICLE BOARD

| KEY | PART NUMBER | U/M DESCRIPTION |
|-----|---------------|---|
| | 000885-54-000 | SF PARTICLE BOARD-3/8X48X96 FOREST OAK VINYL 2 SIDES |
| | 000885-55-000 | SF PARTICLE BOARD-3/8" X 49" X 97", 1 SIDE VINYL - WOODGRAIN INC. OF 33 SF |
| | 000885-59-000 | SF PARTICLE BOARD-3/4X60X96 FOREST OAK VINYL 2 SIDES |
| | 083618-02-000 | SF PLYWOOD-OAK, 1 SIDE FINISHED - 3/16" X 4' X 8' INCREMENTS OF 32 SF |
| | 089297-01-000 | SF PLYWOOD-LUAN, OVERLAY GRADE - 4' X 8' - INC OF 32 SF |

PANELING

| KEY | PART NUMBER | U/M DESCRIPTION |
|-----|---------------|--|
| | 074497-20-000 | SF PANELING-WOODGRAIN, 4' X 8' - INCREMENTS OF 32 SF |
| | 088272-72-000 | SF PANELING-SHOWER, OFF WHITE - 4' X 7' - INC OF 28 SF FROM: 00-00-00 THRU: 03-15-92 |
| | 088272-98-000 | SF PANELING-SHOWER, OFF WHITE - 4' X 7' - INC OF 28 SQ FT FROM: 03-16-92 THRU: 99-99-99 |
| | 088272-85-000 | SF PANELING-DECORATIVE, PLAIN - 4' X 7' - INCREMENTS OF 28 SF |
| | 098272-87-000 | SF PANELING-DECORATIVE, W/FLOWERS - 4' X 7' - INC OF 28 SF |
| | 089351-03-000 | YD VINYL-CEILING, DIAMOND DESIGN - 54" WIDE |
| | 095688-01-000 | SF VENEER-FLAT LUANA 48X96 |

LAMINATE PLASTIC

| KEY | PART NUMBER | U/M DESCRIPTION |
|-----|---------------|--|
| | 064970-56-012 | EA PLAS-ABS, .04" X 52" X 52" - BEIGE FROM: 00-00-00 THRU: 03-14-92 |
| | 074498-39-000 | SF LAMINATE-PLASTIC, 5' X 8' - GREY/BEIGE - INC. OF 40 SF |
| | 074498-41-000 | SF LAMINATE-PLASTIC ORCHID MIST NEVAMAR MR-1-5SK |

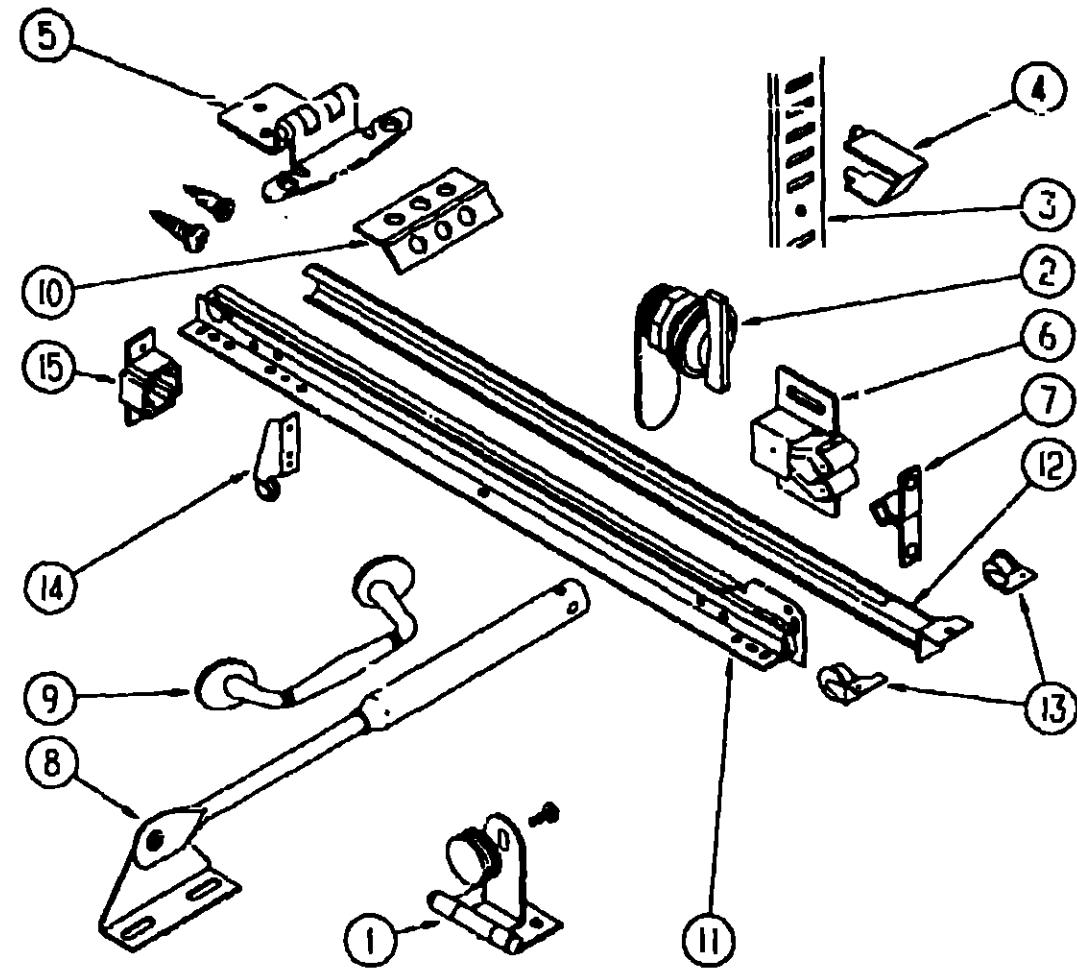
**1992 ITASCA
TABLE OF CONTENTS**

| | | |
|--------------------|------|------|
| INTRODUCTION | A-01 | A-02 |
| ABBREVIATIONS | | A-03 |
| ALPHABETICAL INDEX | A-04 | A-06 |
| ICF23RC | A-07 | E-14 |
| ICF31RQ | E-15 | J-08 |

1992 ICF31RQ INDEX

| | | |
|----------------------|------|------|
| FLOOR PLAN | E-15 | E-16 |
| ACCESSORIES | | E-17 |
| AUDIO/VIDEO | E-18 | E-20 |
| BATH | E-21 | E-23 |
| BEDROOM | E-24 | F-02 |
| CHASSIS | F-03 | F-13 |
| CURTAIN & CUSHION | F-14 | F-24 |
| DINETTE | G-01 | G-02 |
| DRIVERS COMPARTMENT | G-03 | G-08 |
| ELECTRICAL | G-09 | G-16 |
| EXTERIOR BODY | G-17 | G-24 |
| GALLEY | H-01 | H-05 |
| GENERATOR | H-06 | H-07 |
| HEATING & A/C | H-08 | H-12 |
| INTERIOR FINISH | H-13 | H-16 |
| LABEL | H-17 | I-01 |
| LP | | I-02 |
| LOUNGE | I-03 | I-04 |
| SEALANTS & FASTENERS | I-05 | I-08 |
| WATER & SEWAGE | I-09 | I-14 |
| WINDOW, VENT AND | | |
| EXTERIOR DOOR | I-15 | J-06 |
| WINDSHIELD/WMPER | J-07 | J-08 |

INTERIOR FINISH GROUP (CONTINUED)



CABINET HARDWARE

| KEY | PART NUMBER | U/M DESCRIPTION |
|-----|---------------|--|
| 1 | 100711-01-01A | EA HINGE-DOOR, GLASS |
| | 100707-01-000 | EA SPACER-DOOR, GLASS - 8" DIA - 3" HOLE - PLASTIC |
| | 101272-01-000 | EA CATCH-DOOR, GLASS |
| 2 | 100710-01-01A | EA LOCK-GLASS DOOR, TWIST TYPE - BRASS |
| 3 | 098960-01-000 | EA PILASTER-ADJUSTABLE SHELF, 18" LONG |
| 3 | 098960-02-000 | EA PILASTER-ADJUSTABLE SHELF, 12" LONG |
| 4 | 098973-01-000 | EA CLIP-ADJUSTABLE SHELF |
| 5 | 059777-02-000 | EA HINGE-CABINET DOOR, BURNISHED BRASS |
| | | FROM 00-00-00 THRU: 04-16-92 |
| | 000G13-06-10G | EA SCREW |
| 5 | 108138-01-000 | EA HINGE-CABINET DOOR, BURNISHED BRASS |
| | | FROM: 04-17-92 THRU: 99-99-99 |
| | 000G13-06-08G | EA SCREW |
| 6 | 093586-03-000 | EA CATCH-SPRING, ROLLER |
| 7 | 093586-04-000 | EA STRIKE-SPRING STEEL |
| 8 | 074493-02-000 | EA SUPPORT-PISTON SPRING, CABINET DOOR |
| 9 | 103856-01-000 | EA PULL-CABINET, BRASS - 3" ON CENTER |
| 10 | 009059-01-000 | EA HINGE-DOOR, 2" X 1.4" - BRASS |
| 10 | 009059-02-000 | EA HINGE-DOOR, 2" X 2.7" - BRASS |
| 11 | 106913-05-000 | EA SLIDE-DRAWER, CABINET - LEFT SIDE - 18" |
| 11 | 106913-06-000 | EA SLIDE-DRAWER, CABINET - RIGHT SIDE - 18" |
| 11 | 106913-07-000 | EA SLIDE-DRAWER, DRAWER MOUNT - LEFT SIDE - 18" |
| 11 | 106913-08-000 | EA SLIDE-DRAWER, DRAWER MOUNT - RIGHT SIDE - 18" |
| 11 | 106913-17-000 | EA SLIDE-DRAWER, 22" LEFT CABINET |
| | | FROM 01-20-92 THRU 99-99-99 |
| 11 | 106913-18-000 | EA SLIDE-DRAWER, 22" RIGHT CABINET |
| | | FROM 01-20-92 THRU 99-99-99 |
| 11 | 106913-19-000 | EA SLIDE-DRAWER, 22" LEFT DRAWER TRANSFER FLOW |
| 11 | 106913-20-000 | EA SLIDE-DRAWER, 22" RIGHT DRAWER TRANSFER FLOW |
| | 107030-01-000 | EA BACKSOCKET-ADJUSTABLE, LEFT TRANSFER FLOW |
| | | FROM: 01-20-92 THRU: 99-99-99 |

**INTERIOR FINISH GROUP (CONTINUED)
CABINET HARDWARE (CONTINUED)**

| KEY | PART NUMBER | U/M DESCRIPTION |
|-----|---------------|--|
| | 107030-02-000 | EA BACKSOCKET-ADJUSTABLE, RIGHT TRANSFER FLOW |
| | | FROM 01-20-92 THRU: 99-99-99 |
| 12 | 102827-05-000 | EA TRACK-DRAWER, 22 6" LONG |
| 13 | 102827-03-000 | EA ROLLER-DRAWER, NYLON - PAIR |
| | | FROM 00-00-00 THRU 01-19-92 |
| 14 | 102827-02-000 | EA BRACKET-ROLLER, DRAWER - REAR |
| 15 | 102827-04-000 | EA BRACKET-MOUNTING, DRAWER - REAR |
| | | FROM 00-00-00 THRU 01-19-92 |
| | 004354-01-000 | EA BUMPER-RUBBER, 5" DIA - BROWN |
| | 009063-01-000 | EA HINGE-CONTINUOUS, 1 1/2" X 72" - UNPAINTED |
| | 016604-01-000 | EA BRACE-CABINET, ANGLE - 2 5" - METAL - UNPAINTED |
| | 016604-03-000 | EA BRACE-CABINET, ANGLE - 2 5" - METAL - BEIGE |
| | 016604-05-000 | EA BRACE-CABINET, L ANGLE - 2 5" - METAL - OFF WHITE |
| | 023320-01-000 | EA PAD-FELT, 3/8" DIAMETER - BROWN |
| | 042541-04-000 | EA LATCH-BRASS, W/O STRIKE - HASP TYPE - BRASS |
| | 065740-01-000 | EA BRACE-CABINET CORNER, PLASTIC |
| | 088254-01-000 | EA CATCH-MAGNETIC, 1 8" X 7" |
| | 094658-01-B25 | EA HANDLE-BUNK, 2" X 27" - WOOD - OAK |
| | 101430-01-01A | EA HINGE-DOOR, 2" - BRASS |
| | | FROM 00-00-00 THRU 10-21-91 |
| | 101766-01-000 | EA PIN-SUPPORT, GLASS DOOR |
| | 102327-01-01A | EA PULL-MIRROR, SQUARE |
| | 102827-01-000 | EA SLIDE-DRAWER, TRI-ROLLER |
| | 104886-01-000 | EA CATCH-WOOD, VINYL FACE CABINET |
| | 104886-02-000 | EA CATCH-WOOD, LAMINATED FACE CABINET |
| | 105037-02-000 | EA FASTENER-WOOD, CORNER - METAL - 5" X 6" |

CARPET

| KEY | PART NUMBER | U/M DESCRIPTION |
|-----|---------------|--|
| | 047034-02-000 | SF PLASTIC-CARPET, 4' WIDE - CLEAR POLY |
| | 075233-01-000 | SY PAD-CARPET, 3/8" X 6' ROLL |
| | 093486-01-000 | SY CARPET-COMPARTMENT, 54" WIDE - DARK GRAY |
| | 096060-21-000 | SY CARPET-12' ROLL, INCREMENTS OF 4 SY |
| | 096060-23-000 | SY CARPET-12' ROLL, INCREMENTS OF 4 SY |
| | 102695-06-000 | YD TAPE-CARPET BIND, #480 MAUVE |
| | 102695-04-000 | YD TAPE-CARPET BIND, #529 BLUE |
| | 102695-11-000 | YD TAPE-BIND, MATTRESS - 3/4" WIDE - LIGHT TAN |
| | 102695-12-000 | YD TAPE-CART BIND, #474 LIGHT TAN ESHCO 1 1/4" |

SMOKE DETECTOR, FIRE EXTINGUISHER & CLOCK

| KEY | PART NUMBER | U/M DESCRIPTION |
|-----|---------------|--|
| | 072852-01-000 | EA DETECTOR-SMOKE, W/9 VOLT BATTERY |
| | 072852-02-000 | EA DETECTOR-SMOKE, W/9 VOLT BATTERY - CANADIAN |
| | 094499-01-000 | EA EXTINGUISHER-FIRE, DRY W/MOUNTING BRACKET - 10 BC |
| | 094499-01-700 | EA BRACKET-MOUNTING, W/PLASTIC STRAP - FIRE EXTINGUISHER |
| | 094499-02-000 | EA EXTINGUISHER-FIRE, DRY - 1A10BC - CANADIAN |
| | 101333-01-000 | EA BACKPLATE-CLOCK, 6" X 6" - PLASTIC - BLACK |
| | 104764-01-01A | EA CLOCK-WALL, SPARTUS 5616-42 |

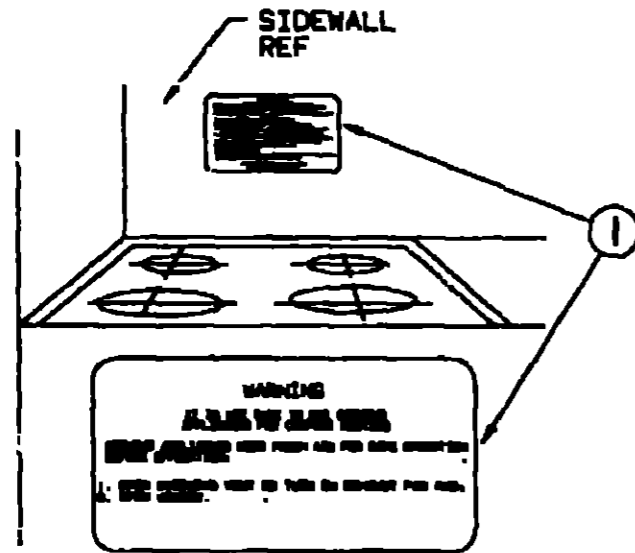
**1992 ITASCA
TABLE OF CONTENTS**

| | | |
|--------------------|------|------|
| INTRODUCTION | A-01 | A-02 |
| ABBREVIATIONS | | A-03 |
| ALPHABETICAL INDEX | A-04 | A-06 |
| ICF23RC | A-07 | E-14 |
| ICF31RQ | E-15 | J-08 |

1992 ICF31RQ INDEX

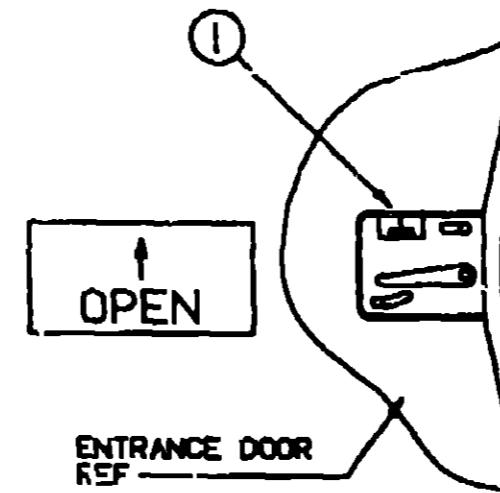
| | | |
|----------------------|------|------|
| FLOOR PLAN | E-15 | E-16 |
| ACCESSORIES | | E-17 |
| AUDIO/VIDEO | E-18 | E-20 |
| BATH | E-21 | E-23 |
| BEDROOM | E-24 | F-02 |
| CHASSIS | F-03 | F-13 |
| CURTAIN & CUSHION | F-14 | F-24 |
| DINETTE | G-01 | G-02 |
| DRIVERS COMPARTMENT | G-03 | G-08 |
| ELECTRICAL | G-09 | G-16 |
| EXTERIOR BODY | G-17 | G-24 |
| GALLEY | H-01 | H-05 |
| GENERATOR | H-06 | H-07 |
| HEATING & A/C | H-08 | H-12 |
| INTERIOR FINISH | H-13 | H-16 |
| LABEL | H-17 | I-01 |
| LP | | I-02 |
| LOUNGE | I-03 | I-04 |
| SEALANTS & FASTENERS | I-05 | I-08 |
| WATER & SEWAGE | I-09 | I-14 |
| WINDOW, VENT AND | | |
| EXTERIOR DOOR | I-15 | J-06 |
| WINDSHIELD/WMPER | J-07 | J-08 |

LABEL GROUP



| KEY | PART NUMBER | U/M DESCRIPTION |
|-----|---------------|---|
| 1 | 050225-01-000 | EA LABEL-WARNING, STOVE VENT - US |
| 1 | 050222-01-000 | EA LABEL-WARNING, STOVE VENT - CANADIAN |

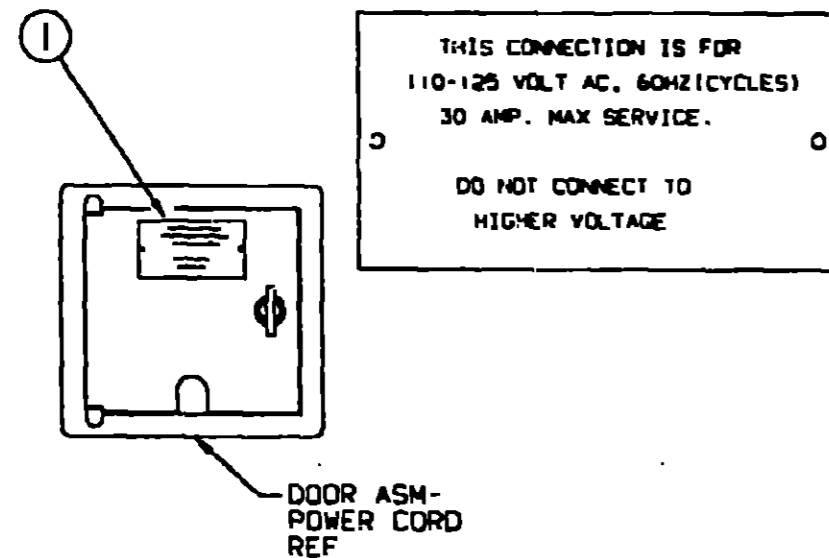
LABEL GROUP (CONTINUED)



| KEY | PART NUMBER | U/M DESCRIPTION |
|-----|---------------|--------------------------------|
| 1 | 040944-01-000 | EA LABEL-ENTHANCE DOOR, "OPEN" |

**1992 ITASCA
TABLE OF CONTENTS**

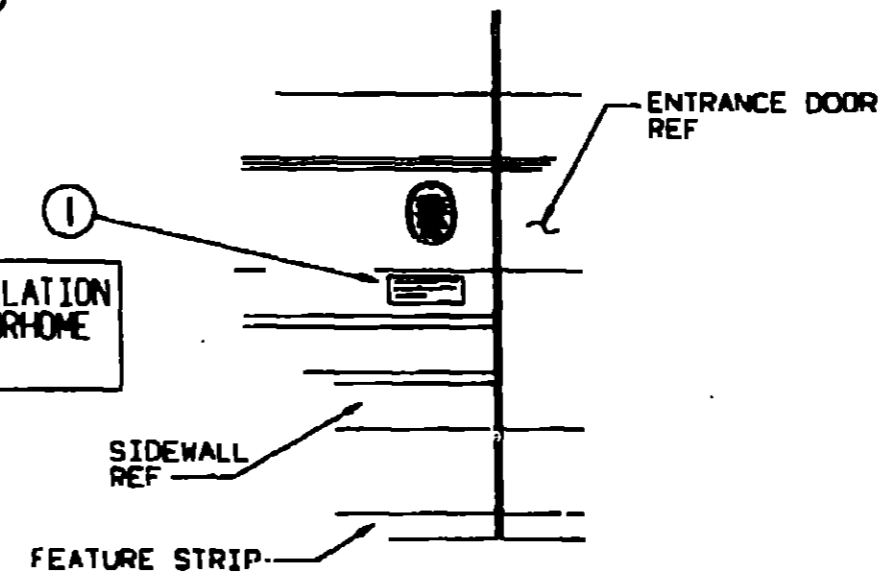
| | | |
|--------------------|--------|------|
| INTRODUCTION | A-01 - | A-02 |
| ABBREVIATIONS | | A-03 |
| ALPHABETICAL INDEX | A-04 - | A-06 |
| ICF23RC | A-07 - | E-14 |
| ICF31RQ | E-15 - | J-08 |



| KEY | PART NUMBER | U/M DESCRIPTION |
|-----|---------------|----------------------------------|
| 1 | 006062 01-000 | EA TAG-ELECTRIC, 110V CONNECTION |



FOR AWNING INSTALLATION
CONTACT YOUR MOTORHOME
DEALERSHIP

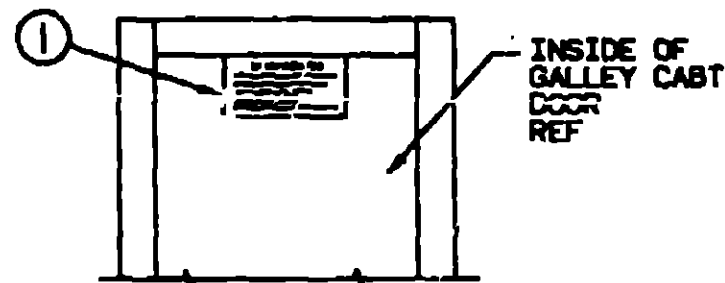


| KEY | PART NUMBER | U/M DESCRIPTION |
|-----|---------------|------------------------------|
| 1 | 099509-01-000 | EA LABEL-AWNING INSTALLATION |

1992 ICF31RQ INDEX

| | | |
|----------------------|--------|------|
| FLOOR PLAN | E-15 - | E-16 |
| ACCESSORIES | | E-17 |
| AUDIO/VIDEO | E-18 - | E-20 |
| BATH | E-21 - | E-23 |
| BEDROOM | E-24 - | F-02 |
| CHASSIS | F-03 - | F-13 |
| CURTAIN & CUSHION | F-14 - | F-24 |
| DINETTE | G-01 - | G-02 |
| DRIVERS COMPARTMENT | G-03 - | G-08 |
| ELECTRICAL | G-09 - | G-16 |
| EXTERIOR BODY | G-17 - | G-24 |
| GALLEY | H-01 - | H-05 |
| GENERATOR | H-06 - | H-07 |
| HEATING & AC | H-08 - | H-12 |
| INTERIOR FINISH | H-13 - | H-16 |
| LABEL | H-17 - | I-01 |
| LP | | I-02 |
| LOUNGE | I-03 - | I-04 |
| SEALANTS & FASTENERS | I-05 - | I-08 |
| WATER & SEWAGE | I-09 - | I-14 |
| WINDOW, VENT AND | | |
| EXTERIOR DOOR | I-15 - | J-08 |
| WINDSHIELD/WIPER | J-07 - | J-08 |

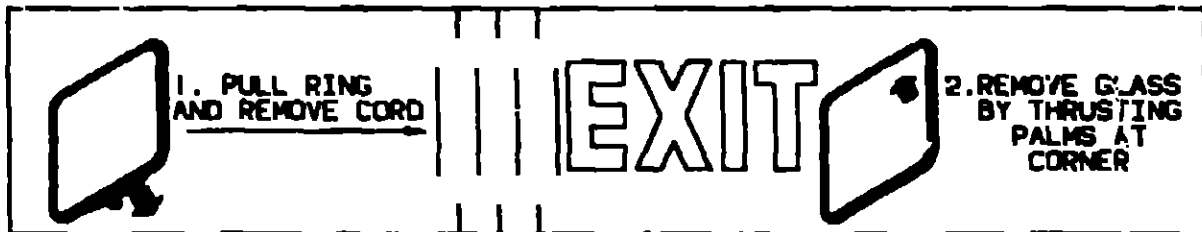
LABEL GROUP (CONTINUED)



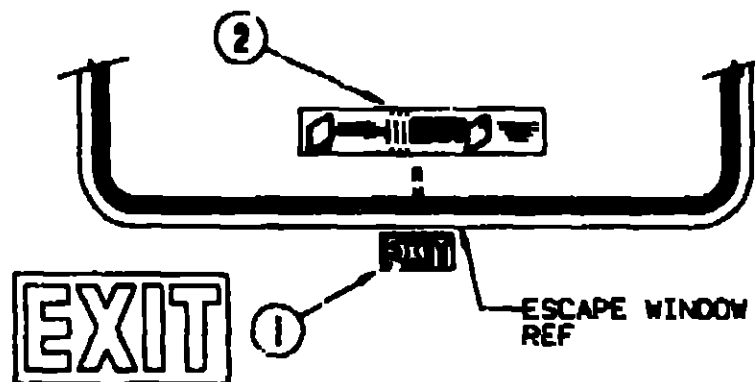
IF YOU SMELL GAS

1. EXTINGUISH ANY OPEN FLAME, PILOT LIGHTS AND ALL OTHER MATERIALS.
2. SHUT OFF THE GAS SUPPLY AT THE TANK VALVE OR GAS SUPPLY CONNECTION.
3. OPEN DOORS AND OTHER VENTILATING OPENINGS.
4. DO NOT TOUCH ELECTRONIC SWITCHES.
5. LEAVE THE AREA UNTIL FRESH AIR IS AVAILABLE.
6. HAVE THE GAS SYSTEM CHECKED AND LEAKAGE SOURCE CORRECTED BEFORE LEAVING AGAIN.

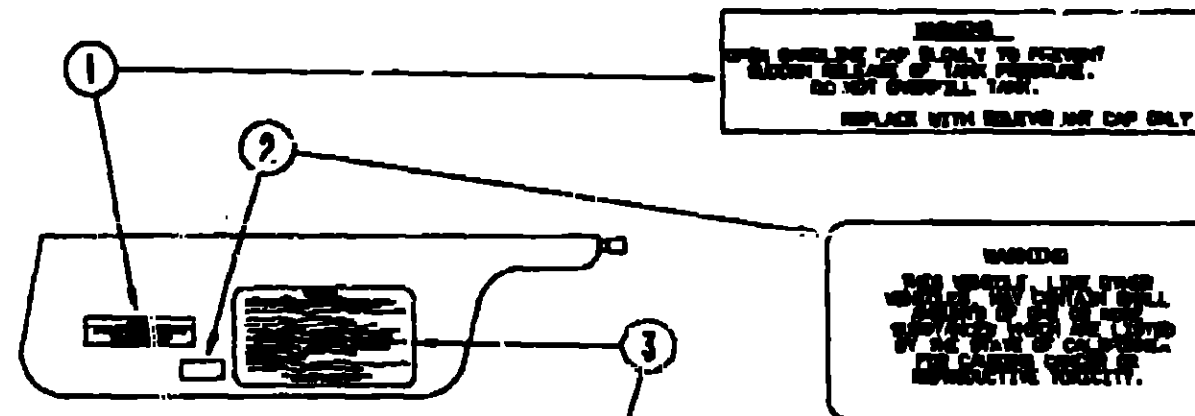
| KEY | PART NUMBER | U/M DESCRIPTION |
|-----|---------------|---------------------------|
| 1 | 073998-01-000 | EA LABEL-LPG ODOR WARNING |



| KEY | PART NUMBER | U/M DESCRIPTION |
|-----|---------------|------------------------------|
| 1 | 039290-01-000 | EA LABEL-WARNING, EXIT |
| 2 | 107571-01-000 | EA LABEL-ESCAPE EXIT, WINDOW |



LABEL GROUP (CONTINUED)



WARNING: THE VEHICLE LIFE LINE SYSTEM IS A CRITICAL SYSTEM. FAILURE OF THIS SYSTEM MAY RESULT IN LOSS OF LIFE OR LIMB. ALWAYS USE CAREFUL OPERATIVE TECHNIQUE.

CAUTION:

THIS PETER HINE VAN BORN DESIGN, MANUFACTURED AND TESTED WITH CARE FOR THE PROTECTION OF IT'S OCCUPANTS. WE REQUESTING YOU PERFORM THE FOLLOWING INSPECTIONS FOR YOUR SAFETY AND THE SAFETY OF YOUR PASSENGERS BEFORE STARTING YOUR VEHICLE.

1. LP GAS SYSTEM- TURN OFF AT TANK FOR TRAVELING. TEST FOR LEAKS UPON ARRIVAL AT DESTINATION. BEFORE LIGHTING PILOTS.
2. WHEELS- INSPECT FOR DAMAGE AND CHECK TIRE PRESSURE.
3. TIRES- INSPECT FOR WEAR AND DAMAGE AND CHECK FOR RECOMMENDED AIR PRESSURE.
4. LIGHTING- TEST FOR PROPER OPERATION OF ALL INTERIOR AND EXTERIOR LIGHTS INCLUDING BRAKE LIGHTS, HEADLIGHTS, TAIL LIGHTS, BRAKE LIGHTS, CLEARANCE LIGHTS AND TURN SIGNALS.
5. EXITS- INSPECT RELEASE MECHANISM ON EMERGENCY EXIT WINDOW. TEST BOTH LOCKS ON EACH ENTRANCE DOOR FOR EASE OF OPERATION AND INSTRUCT PASSENGERS HOW TO USE BOTH WAYS OF EXIT.
6. SEAT BELTS- INSTRUCT PASSENGERS TO OPERATE SEATS AND REMEMBER USE OF SEAT BELTS.
7. APPLIANCES- TURN OFF AND LATCH OR LOCK DOORS WHERE PROVIDED.
8. LINEN PACKS- STORE PROPERLY.
9. UTILITY SUPPLY LINES- DISCONNECT ALL ELECTRIC, WATER AND WATER LINES AND SECURE PROPERLY.
10. ENTRANCE DOOR STEP- PLACE IN RETRACTED POSITION FOR TRAVELING.

READ YOUR OWNER HINE AND COMPANY OWNER'S MANUAL FOR FURTHER PRECAUTIONS

| KEY | PART NUMBER | U/M DESCRIPTION |
|-----|---------------|-----------------------------------|
| 1 | 087207-05-000 | EA LABEL-FUEL CAP REMOVAL |
| 2 | 099589-01-000 | EA LABEL-WARNING, CANCER/TOXICITY |
| 3 | 056259-01-000 | EA LABEL-SAFETY CHECK LIST |

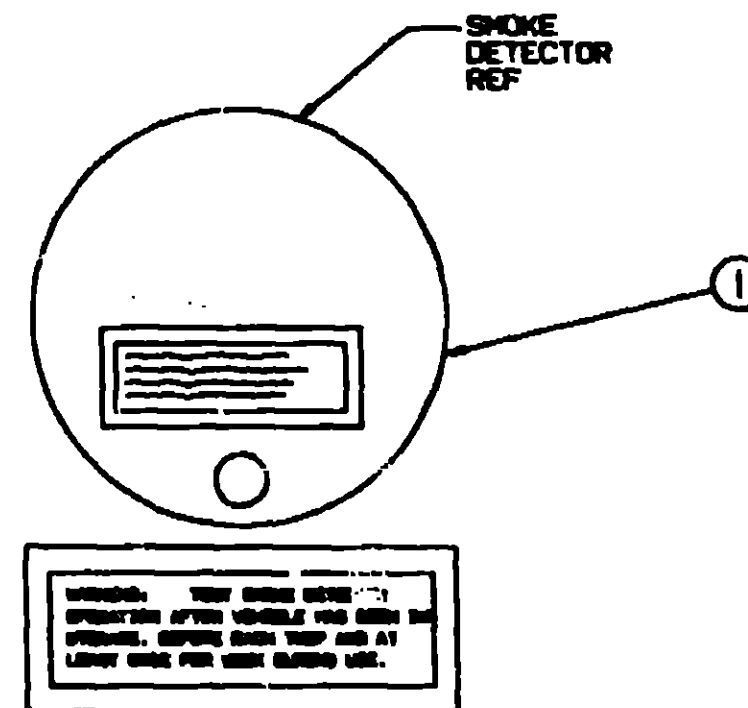
| KEY | PART NUMBER | U/M DESCRIPTION |
|-----|---------------|----------------------------------|
| 1 | 077956-01-000 | EA LABEL-WARNING, SMOKE DETECTOR |

1992 ITASCA TABLE OF CONTENTS

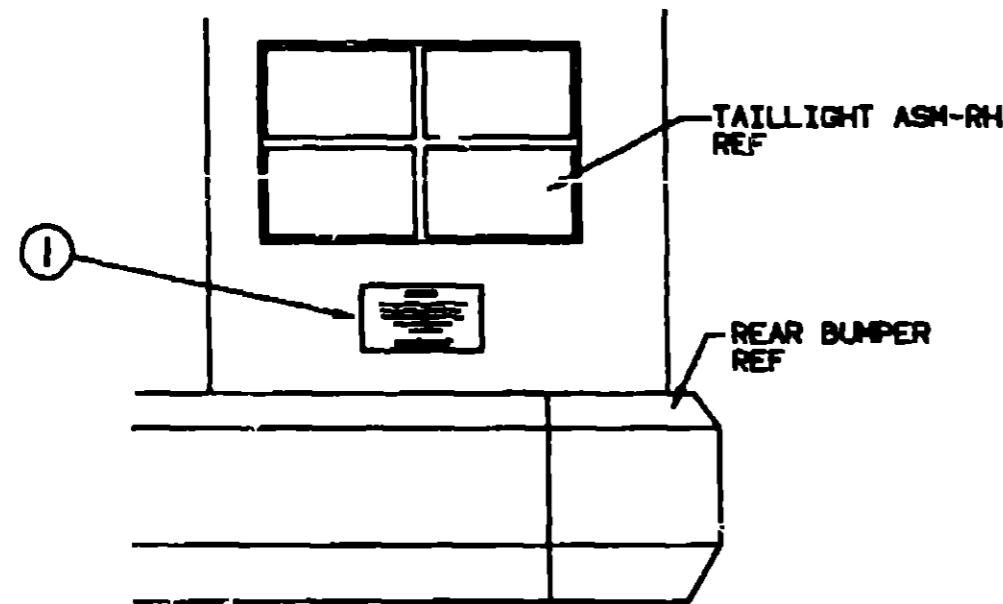
| | |
|--------------------|-------------|
| INTRODUCTION | A-01 - A-02 |
| ABBREVIATIONS | A-03 |
| ALPHABETICAL INDEX | A-04 - A-06 |
| ICF23RC | A-07 - E-14 |
| ICF31RQ | E-15 - J-08 |

1992 ICF31RQ INDEX

| | |
|--------------------------------|-------------|
| FLOOR PLAN | E-15 - E-16 |
| ACCESSORIES | E-17 |
| AUDIO/VIDEO | E-18 - E-20 |
| BATH | E-21 - E-23 |
| BEDROOM | F-02 - F-02 |
| CHASSIS | F-03 - F-13 |
| CURTAIN & CUSHION | F-14 - F-24 |
| DINETTE | G-01 - G-02 |
| DRIVERS COMPARTMENT | G-03 - G-08 |
| ELECTRICAL | G-09 - G-16 |
| EXTERIOR BODY | G-17 - G-24 |
| GALLEY | H-01 - H-05 |
| GENERATOR | H-06 - H-07 |
| HEATING & A/C | H-08 - H-12 |
| INTERIOR FINISH | H-13 - H-16 |
| LABEL | H-17 - I-01 |
| LP | I-02 |
| LOUNGE | I-03 - I-04 |
| SEALANTS & FASTENERS | I-05 - I-08 |
| WATER & SEWAGE | I-09 - I-14 |
| WINDOW, VENT AND EXTERIOR DOOR | I-15 - J-06 |
| WINDSHIELDWIPER | J-07 - J-08 |



LABEL GROUP (CONTINUED)

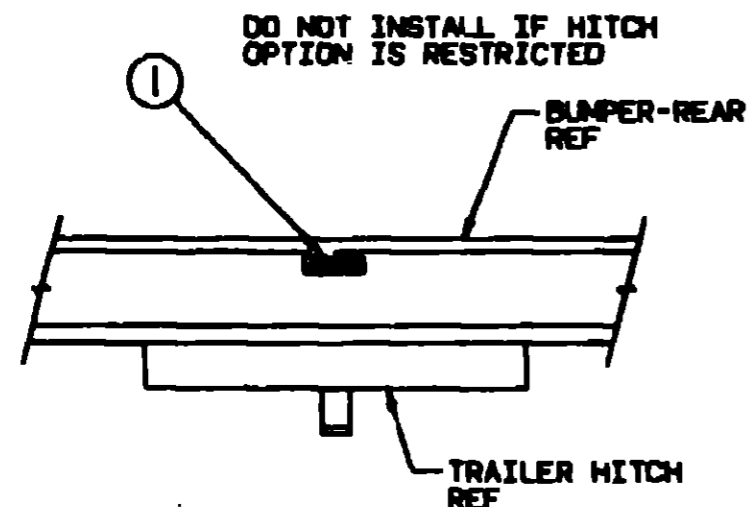


WARNING

DO NOT EXCEED THE VEHICLE WEIGHT RATINGS OR LOADING RECOMMENDATIONS (E.G., GROSS VEHICLE, GROSS AXLE, GROSS COMBINED) OF THE CHASSIS MANUFACTURER OR WINNEBAGO IND.

REFER TO YOUR OWNERS MANUAL, BEFORE LOADING OR TOWING.

KEY PART NUMBER U/M DESCRIPTION
1 075220-01-000 EA LABEL-WARNING, EXTERIOR LOAD



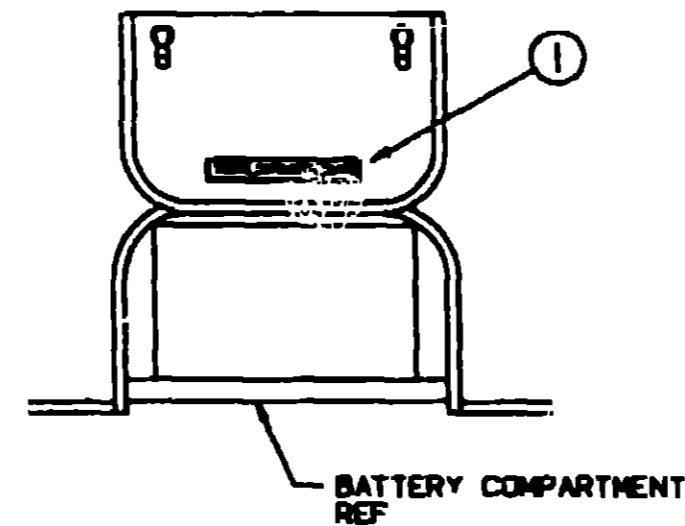
TOWING CAPACITY

TOWED VEHICLE 3000 LB. GROSS MAXIMUM
HITCH BALL 200 LB. MAXIMUM

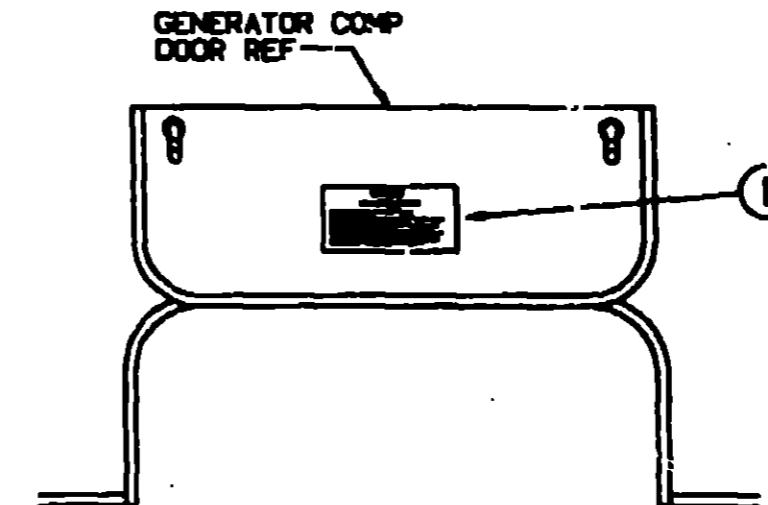
KEY PART NUMBER U/M DESCRIPTION
1 075221-03-000 EA LABEL-TRAILER HITCH

LABEL GROUP (CONTINUED)

WARNING DISCONNECT BATTERIES BEFORE CONNECTING EXTERNAL CHARGING EQUIPMENT.



KEY PART NUMBER U/M DESCRIPTION
1 065748-01-000 EA LABEL-CAUTION, BATTERY CHARGING



WARNING

WHEN ADDING A GENERATOR SET.

HIGH VOLTAGE-USE EXTREME CAUTION WHEN WORKING ON ELECTRICAL COMPONENTS.
HAVE ALL ELECTRICAL INSTALLATION PERFORMED BY A QUALIFIED LICENSED ELECTRICIAN-FOLLOW ALL STATE AND LOCAL CODES.
ONLY INSTALL GENERATOR SET APPROVED FOR R.V. APPLICATION. HAVE DETAILS BY QUALIFIED TECHNICIAN.
TO AVOID HEAT BUILD-UP AND TO ENSURE AN ADEQUATE AIR SUPPLY TO THE GENERATOR COMPARTMENT, FOLLOW INSTALLATION INSTRUCTIONS.
FURNISHERS SHOULD ENSURE BATTERIES ARE TIGHT AND MUST NOT VIBRATE UNDER THE VEHICLE-SHOULDER CONTACT AWAY FROM VEHICLE.

KEY PART NUMBER U/M DESCRIPTION
1 077510-01-000 EA LABEL-GENERATOR PREP

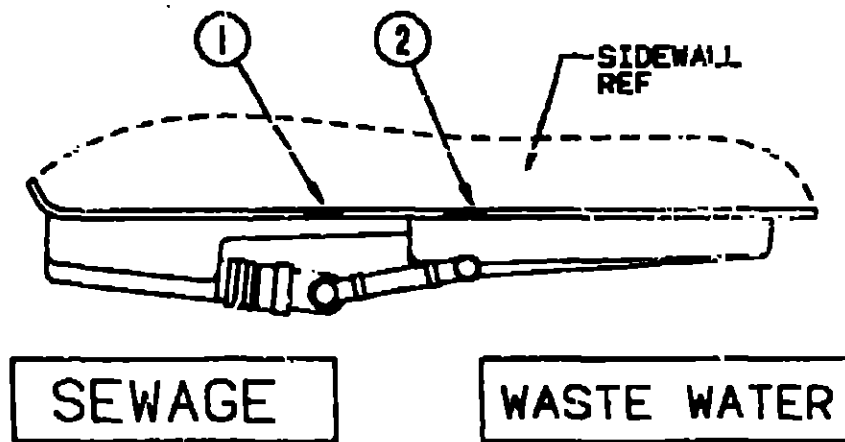
**1992 ITASCA
TABLE OF CONTENTS**

| | | |
|--------------------|--------|------|
| INTRODUCTION | A-01 - | A-02 |
| ABBREVIATIONS | | A-03 |
| ALPHABETICAL INDEX | A-04 - | A-06 |
| ICF23RC | A-07 - | E-14 |
| ICF31RQ | E-15 - | J-08 |

1992 ICF31RQ INDEX

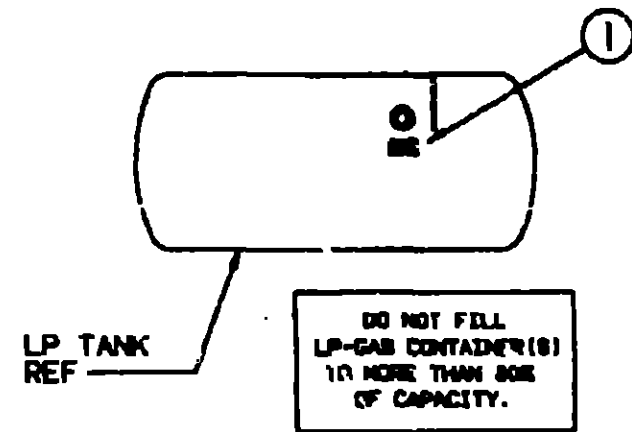
| | | |
|----------------------|--------|------|
| FLOOR PLAN | E-15 - | E-16 |
| ACCESSORIES | | E-17 |
| AUDIOVIDEO | E-18 - | E-20 |
| BATH | E-21 - | E-23 |
| BEDROOM | E-24 - | F-02 |
| CHASSIS | F-03 - | F-13 |
| CURTAIN & CUSHION | F-14 - | F-24 |
| DINETTE | G-01 - | G-02 |
| DRIVERS COMPARTMENT | G-03 - | G-08 |
| ELECTRICAL | G-09 - | G-16 |
| EXTERIOR BODY | G-17 - | G-21 |
| GALLEY | H-01 - | H-05 |
| GENERATOR | H-06 - | H-07 |
| HEATING & A/C | H-08 - | H-12 |
| INTERIOR FINISH | H-13 - | H-16 |
| LABEL | H-17 - | I-01 |
| LP | | I-02 |
| LOUNGE | I-03 - | I-04 |
| SEALANTS & FASTENERS | I-05 - | I-08 |
| WATER & SEWAGE | I-09 - | I-14 |
| WINDOW, VENT AND | | |
| EXTERIOR DOOR | I-15 - | J-06 |
| WINDSHIELDWIPER | J-07 - | J-08 |

LABEL GROUP (CONTINUED)



| KEY | PART NUMBER | U/M DESCRIPTION |
|-----|---------------|----------------------|
| 1 | 006187-01-000 | EA LABEL-SEWAGE |
| 2 | 006188-01-000 | EA LABEL-WASTE WATER |

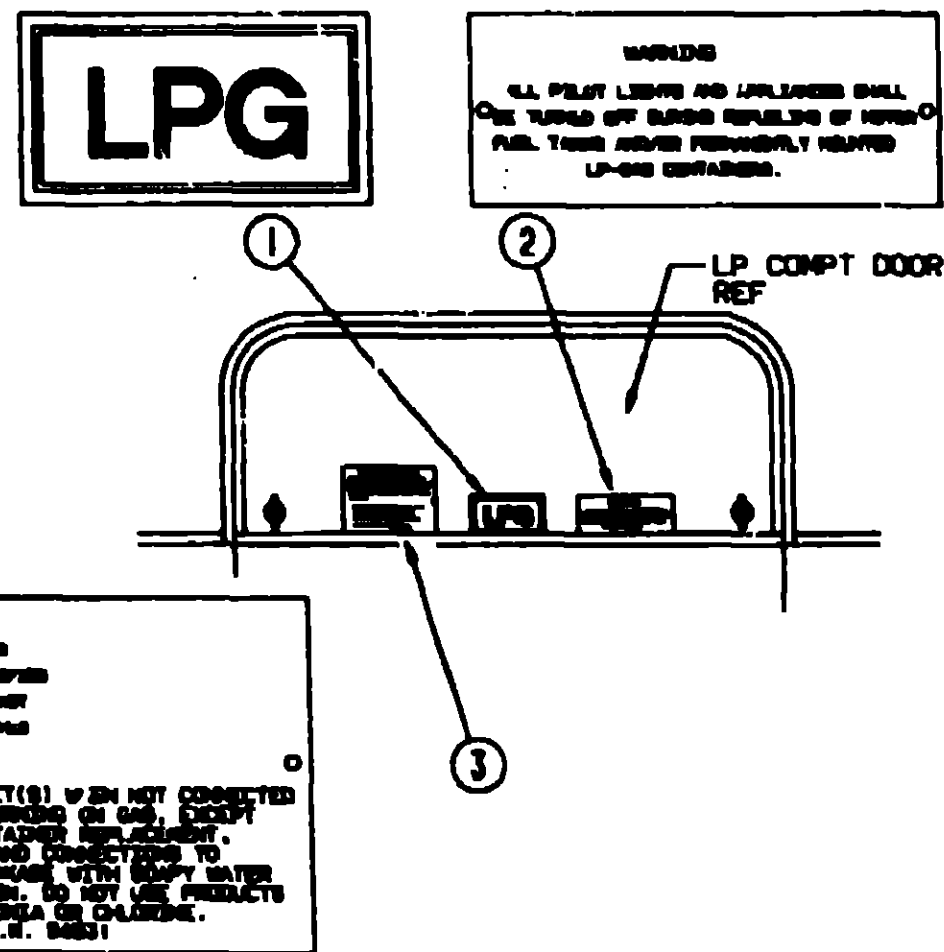
LABEL GROUP (CONTINUED)



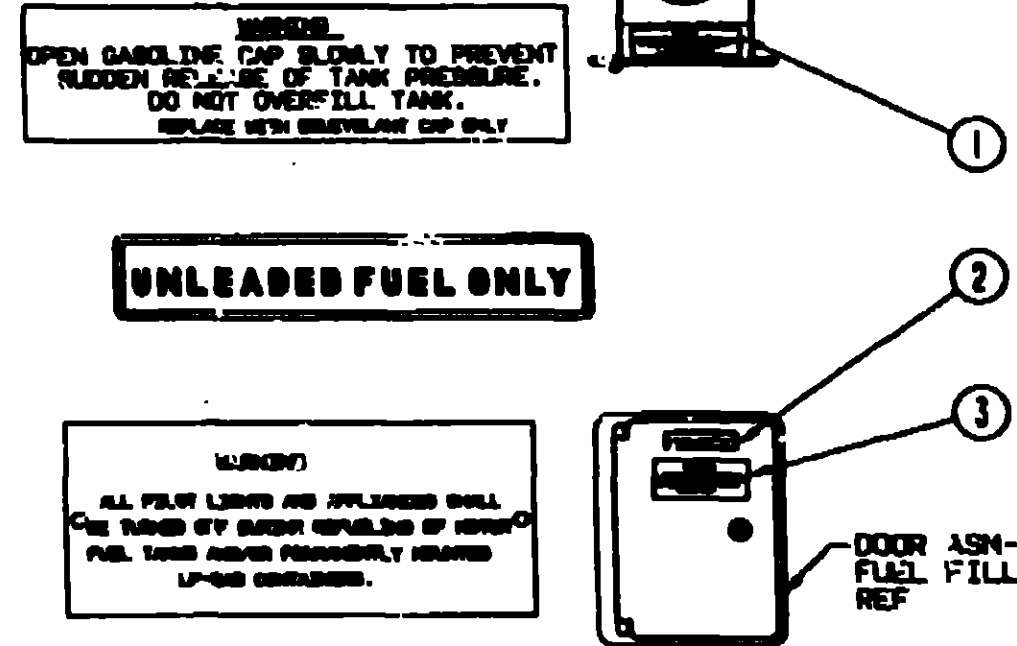
| KEY | PART NUMBER | U/M DESCRIPTION |
|-----|---------------|--------------------------|
| 1 | 079955-01-000 | EA LABEL-LPG 80 CAPACITY |

**1992 ITASCA
TABLE OF CONTENTS**

| | |
|--------------------|-------------|
| INTRODUCTION | A-01 - A-02 |
| ABBREVIATIONS | A-03 |
| ALPHABETICAL INDEX | A-04 - A-06 |
| ICF23RC | A-07 - E-14 |
| ICF31RQ | E-15 - J-08 |



| KEY | PART NUMBER | U/M DESCRIPTION |
|-----|---------------|---|
| 1 | 074559-01-000 | EA DECAL-LOGO, LPG - RED - (CALIF CODE) |
| 2 | 006040-01-000 | EA TAG-GAS REFUELING WARNING |
| 2 | 006040-02-000 | EA TAG-GAS REFUEL WARNING, CANADIAN |
| 3 | 054531-01-000 | EA LABEL-LP GAS ONLY |
| 3 | 023769-01-000 | EA LABEL-WARNING, LPG - CANADIAN |



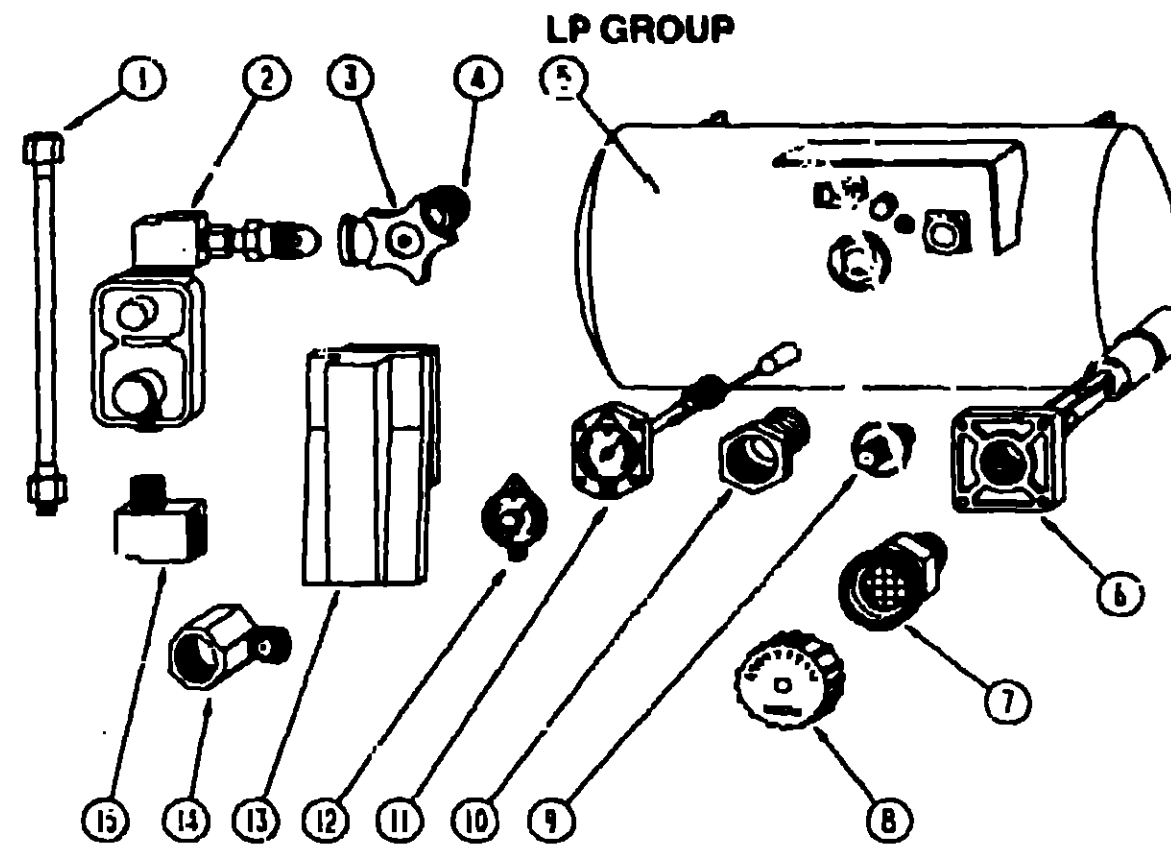
| KEY | PART NUMBER | U/M DESCRIPTION |
|-----|---------------|-------------------------------------|
| 1 | 067207-05-000 | EA LABEL-FUEL CAP REMOVAL |
| 2 | 062043-01-000 | EA LABEL-FUEL UNLEADED |
| 3 | 006040-01-000 | EA TAG-GAS REFUELING WARNING |
| 3 | 006040-02-000 | EA TAG-GAS REFUEL WARNING, CANADIAN |

1992 ICF31RQ INDEX

| | |
|----------------------|-------------|
| FLOOR PLAN | E-15 - E-16 |
| ACCESSORIES | E-17 |
| AUDIO/VIDEO | E-18 - E-20 |
| BATH | E-21 - E-23 |
| BEDROOM | E-24 - F-02 |
| CHASSIS | F-03 - F-13 |
| CURTAIN & CUSHION | F-14 - F-24 |
| DINETTE | G-01 - G-02 |
| DRIVERS COMPARTMENT | G-03 - G-06 |
| ELECTRICAL | G-09 - G-16 |
| EXTERIOR BODY | G-17 - G-24 |
| GALLEY | H-01 - H-05 |
| GENERATOR | H-06 - H-07 |
| HEATING & A/C | H-08 - H-12 |
| INTERIOR FINISH | H-13 - H-16 |
| LABEL | H-17 - I-01 |
| LP | I-02 |
| LOUNGE | I-03 - I-04 |
| SEALANTS & FASTENERS | I-05 - I-08 |
| WATER & SEWAGE | I-09 - I-14 |
| WINDOW, VENT AND | |
| EXTERIOR DOOR | I-15 - J-06 |
| WINDSHIELD/WIPER | J-07 - J-08 |

LABEL GROUP (CONTINUED)
MISCELLANEOUS LABELS

| KEY | PART NUMBER | U/M DESCRIPTION |
|-----|---------------|--|
| | 093236-01-000 | EA LABEL-CIRCUIT BREAKER, MAIN |
| | 093237-01-000 | EA LABEL-CIRCUIT BREAKER, FRONT - BATTERY CONDITION/RADIO |
| | 093237-03-000 | EA LABEL-CIRCUIT BREAKER, FRONT - POWER SEAT (LIFT) |
| | 093237-06-000 | EA LABEL-CIRCUIT BREAKER, FRONT - REAR PANEL |
| | 093237-07-000 | EA LABEL-CIRCUIT BREAKER, FRONT - REAR PANEL/CONV |
| | 093237-09-000 | EA LABEL-CIRCUIT BREAKER, FRONT - INVERTER |
| | 055506-01-000 | EA LABEL-COMPARTMENT NOT SEALED |
| | 050225-01-000 | EA LABEL-WARNING STOVE VENT - US |
| | 050222-01-000 | EA LABEL-STOVE VENT - CANADIAN |
| | 067236-01-000 | EA LABEL-CABLE, INPUT |
| | 067236-02-000 | EA LABEL-TV, OUTLET |
| | 005031-01-000 | EA LABEL-POTABLE WATER ONLY |
| | 061606-01-000 | EA LABEL-OVERLAY, VEHICLE CERTIFICATION - ADHESIVE BACKED |
| | 079555-01-000 | EA LABEL-WARNING, STOWED MOTION |
| | 088757-01-000 | EA LABEL-RETAIL, 8 5/8" X 12 7/8" |
| | 052342-01-000 | EA LABEL-VAPOR RELIEF |
| | 099509-01-000 | EA LABEL-AWNING INSTALLATION |
| | 051417-01-000 | EA LABEL-FUEL ON FUEL FILL DOOR |
| | 073998-01-000 | EA LABEL-LPG ODOR WARNING |
| | 094675-01-000 | EA LABEL-EXTERIOR LIGHT, SERVICE |
| | 050225-01-000 | EA LABEL-WARNING, STOVE VENT - US |
| | 005195-01-000 | EA LABEL-ELECTRICAL TEST |
| | 005195-01-000 | EA LABEL-GAS TEST |
| | 005197-01-000 | EA LABEL-WATER TEST |
| | 005054-01-000 | EA LABEL-SEAT W/O SEATBELT NOT INTENDED FOR USE WHILE COACH IN MOTION* |
| | 058393-01-000 | EA LABEL-DIESEL FUEL |
| | 074923-01-000 | EA LABEL-SWITCH, A/C SELECTOR FOR FRONT OR REAR |
| | 091224 J2-000 | EA LABEL-TRAILER LIGHTING |
| | 091243-01-000 | EA LABEL-A/C COVER *AIR CONDITIONING CIRCUIT ETC * |
| | 099379-03-000 | EA LABEL-ELECTRICAL BOX FRONT |
| | 099379-04-000 | EA LABEL-ELECTRICAL BOX, SIDE |
| | 095641-01-000 | EA LABEL-FUEL, UNLEADED - DASH |
| | 104678-01-000 | EA LABEL CB PREP |



LP TANK & COMPONENTS

| KEY | PART NUMBER | U/M DESCRIPTION |
|-----|---------------|---|
| 1 | 045703-01-000 | EA HOSE-L/P, 3/8" ID X 24" US - 3/8" MPT X 1/2" F SWIVEL |
| 1 | 045703-02-000 | EA HOSE-L/P, 3/8" ID X 24" - 3/8" MPT X 1/2" F SWIVEL - CANADA |
| 2 | 105150-01-000 | EA REGULATOR-TWO STAGE |
| 3 | 040421-01-708 | EA HANDWHEEL-VAPOR RELIEF VALVE, BRUNNER G-1015-A |
| 4 | 040421-01-703 | EA VALVE-SERVICE W/HANDWHEEL |
| 5 | 098253-03-000 | EA TANK-LP, 100 LB 16" X 36" |
| 6 | 040421-01-711 | EA VALVE-80% V-FLOAT, PLATE, BOLTS & GASKET - BRUNNER |
| 7 | 040421-01-701 | EA VALVE-SHOULDER LP FILLER W/YELLOW CAP - BRUNNER 75478 |
| 8 | 040421-01-702 | EA CAP-LP FILLER VALVE, PLASTIC - YELLOW - BRUNNER G-1014-A |
| 9 | 040421-01-700 | EA GAUGE-LIQUID LEVEL, 20% LP - BRUNNER G-1013 |
| 10 | 040421-01-713 | EA PRESSURE RELIEF VALVE |
| 11 | 040421-01-707 | EA GAUGE-FLOAT W/VISIBLE DIAL - BRUNNER MA-9 6244-4 |
| 12 | 040440-02-000 | EA TRANSMITTER-DIAL, 90 OHM |
| 13 | 105658-01-000 | EA COMPARTMENT-LP REGULATOR |
| 13 | 081938-01-000 | EA COVER-COMPARTMENT - LP REGULATOR - BLACK |
| 14 | 065318-02-000 | EA ELBOW-90 DEGREE, 3/8" MPT TO 3/8" FPT |
| 15 | 065742-01-000 | EA TEE, 3/8" X 3/8" X 25FPT - BRASS |
| | 010323-01-000 | EA ADAPTER-BRASS-3/8" F X 1/2" MPT |
| | 010285-01-000 | EA CROSS, 3/8" F X 3/8" F X 3/8" F X 1/2" FPT - BRASS |
| | 010377-02-000 | EA NUT-BRASS, 3/8" FEMALE - FORGED |
| | 010380-02-000 | EA NUT-BRASS, 1/2" FEMALE - FORGED |
| | 016188-03-000 | EA GROMMET-GAS LINE, FLOOR - 3/8" HOLE X 2 1/8" DIAMETER RUBBER |
| | 081642-01-000 | EA TEE, 1/2" MPT X 1/2" FL X 3/8" FL - BRASS |
| | 010497-05-000 | EA CLAMP-CLOSED, 50" ID |
| | 075148-02-000 | EA CLAMP-GROUNDING, BRONZE SCREWS |
| | 008380-01-000 | EA GROMMET-RUBBER, 5/8" HOLE X 1 1/2" DIAMETER - BLACK |
| | 010326-01-000 | EA ADAPTER-FLANGE, W/CONE GASKET 3/8" FEMALE FL X 1/2" MALE F |
| | 065741-01-000 | EA GAUGE-DIAPHRAGM PRESSURE - MARSHALLTOWN MFG |
| | 065742-01-000 | EA TEE, 3/8" X 3/8" X 25FPT - BRASS |
| | 071391-02-000 | EA NIPPLE-HEX, 25 PIPE |
| | 008542-01-000 | FT TUBING-M/NYL, 65" ID |
| | 095524-01-000 | EA ELBOW-BRASS, 90 1/4FPT X 1/4FPT |
| | 103513-01-000 | EA DETECTOR-LP GAS |
| | | FROM J2-03-92 THRU 99-99-99 |
| | M01526-06-000 | EA LP REGULATOR/SAFETY VALVE-24" HOSE |
| | | FROM 00-00-00 THRU 03-24-92 |
| | M01526-38-000 | EA LP REGULATOR ASIA-24" US |
| | | FROM 03-25-92 THRU 99-99-99 |

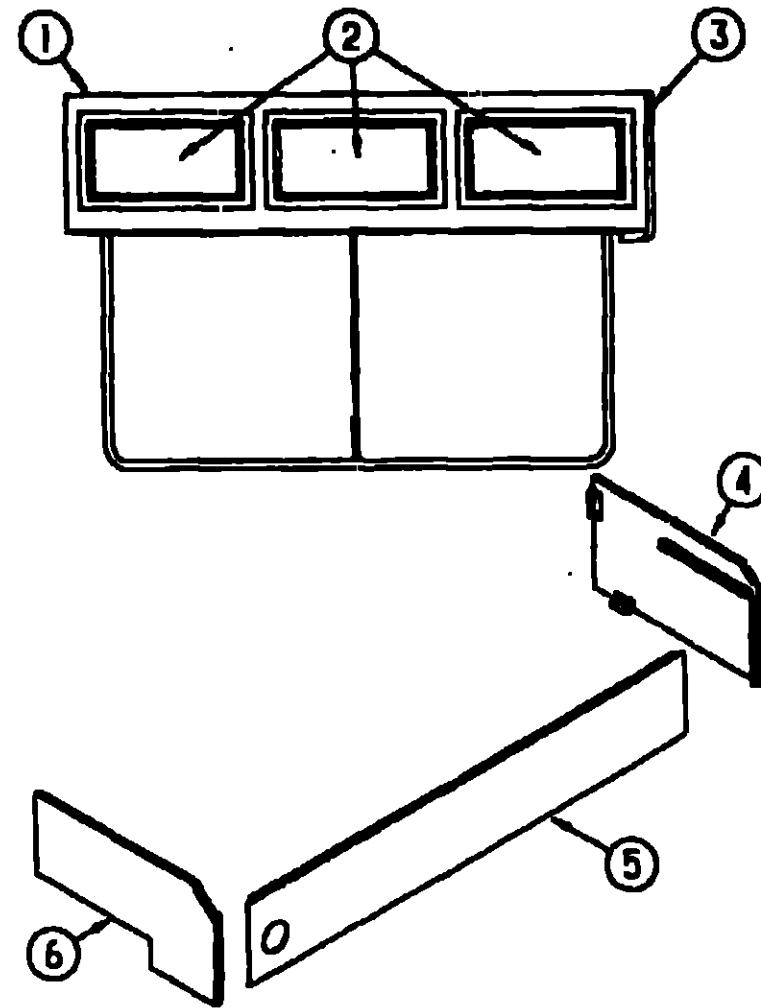
1992 ITASCA
TABLE OF CONTENTS

| | | |
|--------------------|--------|------|
| INTRODUCTION | A-01 - | A-02 |
| ABBREVIATIONS | | A-03 |
| ALPHABETICAL INDEX | A-04 - | A-06 |
| ICF23RC | A-07 - | E-14 |
| ICF31RC | E-15 - | J-08 |

1992 ICF31RC INDEX

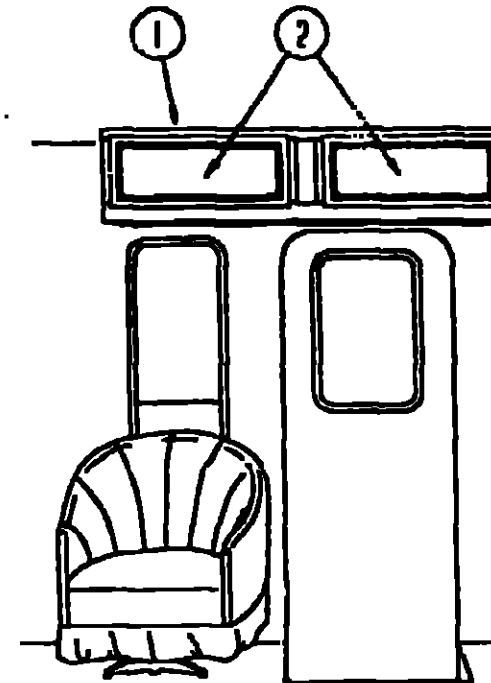
| | | |
|----------------------|--------|------|
| FLOOR PLAN | E-15 - | E-16 |
| ACCESSORIES | | E-17 |
| AUDIO/VIDEO | E-18 - | E-20 |
| BATH | E-21 - | E-23 |
| BEDROOM | E-24 - | F-02 |
| CHAIR/SIS | F-03 - | F-13 |
| CURTAIN & CUSHION | F-14 - | F-24 |
| DINETTE | G-01 - | G-02 |
| DRIVE/IS COMPARTMENT | G-03 - | G-08 |
| FLEXIBICAL | G-09 - | G-16 |
| EXTERIOR BODY | G-17 - | G-24 |
| GALLEY | H-01 - | H-05 |
| GENERATOR | H-06 - | H-07 |
| HEATING & A/C | H-08 - | H-12 |
| INTERIOR FINISH | H-13 - | H-16 |
| LABEL | H-17 - | I-01 |
| LP | | I-02 |
| LOUNGE | I-03 - | I-04 |
| SEALANTS & FASTENERS | I-05 - | I-08 |
| WATER & SEWAGE | I-09 - | I-14 |
| WINDOW, VENT AND | | |
| EXTERIOR DOOR | I-15 - | J-06 |
| WINDSHIELD/WIPER | J-07 - | J-08 |

LOUNGE GROUP



DRIVERS SIDE LOUNGE

LOUNGE GROUP (CONTINUED)



PASSENGER SIDE LOUNGE

**1992 ITASCA
TABLE OF CONTENTS**

| | | |
|--------------------|------|------|
| INTRODUCTION | A-01 | A-02 |
| ABBREVIATIONS | | A-03 |
| ALPHABETICAL INDEX | A-04 | A-06 |
| ICF23RC | A-07 | E-14 |
| ICF31RQ | E-15 | J-08 |

1992 ICF31RQ INDEX

| | | |
|----------------------|------|------|
| FLOOR PLAN | E-15 | E-16 |
| ACCESSORIES | | E-17 |
| AUDIO/VIDEO | E-18 | E-20 |
| BATH | E-21 | E-23 |
| BEDROOM | E-24 | F-02 |
| CHASSIS | F-03 | F-13 |
| CURTAIN & CUSHION | F-14 | F-24 |
| DINETTE | G-01 | G-02 |
| DRIVERS COMPARTMENT | G-03 | G-08 |
| ELECTRICAL | G-09 | G-16 |
| EXTERIOR BODY | G-17 | G-24 |
| GALLEY | H-01 | H-05 |
| GENERATOR | H-06 | H-07 |
| HEATING & A/C | H-08 | H-12 |
| INTERIOR FINISH | H-13 | H-16 |
| LABEL | H-17 | I-01 |
| LP | | I-02 |
| LOUNGE | I-03 | I-04 |
| SEALANTS & FASTENERS | I-05 | I-08 |
| WATER & SEWAGE | I-09 | I-14 |
| WINDOW, VENT AND | | |
| EXTERIOR DOOR | I-15 | J-06 |
| WINDSHIELD/WIPER | J-07 | J-08 |

| KEY | PART NUMBER | U/M DESCRIPTION |
|-----|---------------|------------------------------------|
| 1 | M05019-38-C25 | EA CABINET ASM-OVERHEAD.ENTRANCE |
| 2 | P04746-01-C25 | EA DOOR ASM-W/O HARDWARE - 255X640 |

| KEY | PART NUMBER | U/M DESCRIPTION |
|-----|---------------|--|
| 1 | M05019-44-C25 | EA CABINET ASM-OVERHEAD.FRONT.LEFT |
| 2 | P04746-05-C25 | EA DOOR ASM W/DECORATIVE MIRROR INSERT - 15 74" X 20 47" |
| 3 | I03128-01-C05 | EA CAP ASM-END. OVERHEAD |
| 4 | M04187-01-C25 | EA PANEL-COUCH CABINET - LEFT SIDE - W/FABRIC |
| 4 | M04187-01-C26 | EA PANEL-COUCH CABINET - LEFT SIDE - W/FABRIC |
| 5 | M04187-03-C25 | EA PANEL-COUCH CABINET - FRONT - W/FABRIC |
| 5 | M04187-03-C26 | EA PANEL-COUCH CABINET - FRONT - W/FABRIC |
| 6 | M04187-02-C25 | EA PANEL-COUCH CABINET - RIGHT SIDE - W/FABRIC |
| 6 | M04187-02-C26 | EA PANEL-COUCH CABINET - RIGHT SIDE - W/FABRIC |
| | I05947-01-000 | EA BRACKET-HOLD DOWN.COUCH - CSA UNITS |
| | I03125-03-000 | EA BRACE-COUCH. TAN |
| | P01989-01-887 | EA COVER-PANEL SOFA END CAP (C25) |
| | P01989-01-888 | EA COVER-PANEL SOFA END CAP (C26) |

SEALANTS & FASTENERS GROUP
ADHESIVE

| KEY | PART NUMBER | U/M DESCRIPTION |
|-----|---------------|---|
| | 004020-01-000 | QT ADHESIVE-ABS CEMENT, QUART |
| | 081377-01-700 | EA ADHESIVE-CYANOACRYLATE, 10 GRAM TUBE |
| | 004006-04-700 | EA ADHESIVE-PIERCE, 1 GAL - J9270-X-1 |
| | 087211-01-000 | GL ADHESIVE-PROMOTER |
| | 004005-02-000 | EA ADHESIVE-SWIFTS, 1 GAL - W1333 |
| | 099039-01-000 | EA ADHESIVE-WEATHERSTRIP 8 OZ |
| | 062917-03-000 | EA ADHESIVE-LOCTITE 242 LOGTITE 242 SIDE 41 |
| | 053766-02-000 | EA BEDDING COMPOUND-TUBE, WHITE |

CLAMPS, GROMMETS AND FASTENERS

| KEY | PART NUMBER | U/M DESCRIPTION |
|-----|---------------|---|
| | 007125-01-000 | EA CLAMP-MUFFLER, 1 62 DIAMETER |
| | 007125-03-000 | EA CLAMP-MUFFLER - 1 5" DIA |
| | 007125-04-000 | EA CLAMP-MUFFLER, 1 1" DIA |
| | 007151-01-000 | EA CLAMP-HOSE, SPRING TYPE - 1/2" |
| | 010495-01-000 | EA CLAMP-CABLE, 9/16" |
| | 010497-01-000 | EA CLAMP-CLOSED, 5/8" ID |
| | 010497-03-000 | EA CLAMP-CLOSED, 1" ID - CUSHIONED |
| | 010497-05-000 | EA CLAMP-CLOSED, 1/2" ID |
| | 010499-01-000 | EA CLAMP-CLOSED, 3/8" ID |
| | 062401-01-000 | EA CLAMP-HOSE, WORMGEAR 25" - 1" |
| | 052401-02-000 | EA CLAMP-HOSE, WORMGEAR 1 56" - 2 5" FROM 00-00-00 THRU 01-05-92 |
| | 062401-04-000 | EA CLAMP-HOSE, WORMGEAR 69" - 1 25" FROM 12-09-91 THRU 99-99-99 |
| | 062401-05-000 | EA CLAMP-HOSE, WORMGEAR - 2" X 3" FROM 00-00-00 THRU 01-05-92 |
| | 062401-05-000 | EA CLAMP-HOSE, WORMGEAR 22" - 62" |
| | 075148-02-000 | EA CLAMP-GROUNDING, BRONZE SCREWS |
| | 080734-02-000 | EA CLIP-WIRE, NYLON |
| | 083609-01-000 | EA CLAMP-WIRE, DUAL EQUAL - 5/8" DIAMETER |
| | 083610-01-000 | EA CLAMP-WIRE, DUAL - UNEQUAL DIAMETERS - 75" & 1 25" |
| | 016188-03-000 | EA GROMMET-L/P LINE, 3/8" HOLE X 2 1/2" LONG - RUBBER |
| | 023942-01-000 | EA GROMMET-RUBBER, 2" OD |
| | 094352-02-000 | EA CLIP-CHRISTMAS TREE, FLAT HEAD |
| | 077353-01-000 | EA GROMMET-EDGE LINER, FITS 1" |
| | 023942-01-000 | EA GROMMET-RUBBER, 2" OD |
| | 071015-21-000 | EA GROMMET - 50" ID, FITS 19" MATERIAL, RUBBER- SPLIT |
| | 009056-01-000 | EA HINGE-ALUMINUM, NO HOLES - 1 1/16" X 72" - UNPAINTED |
| | 056134-02-000 | EA HOLDER-RING, 1 5" ID PIPE SIZE - STEEL |
| | 092321-01-000 | FT INSULATION-FIBERGLASS, W/ALUMINUM FOIL |
| | 077955-01-000 | EA J CLIP-VINYL COATED, 3/8" USED IN WIRING TO CLEARANCE LIGHTS |

NUTS

| KEY | PART NUMBER | U/M DESCRIPTION |
|-----|---------------|--|
| | 000D14-05-00B | EA NUT-HEX, 5/16-18 - ZN 5 |
| | 000D24-10-00B | EA NUT-HEX, SF/LK - 10-32 ZN |
| | 000D34-05-00B | EA NUT-HEX, LK - 3/8 - 16 GRADE C ZN - PREVAILING TORQUE |
| | 000D39-04-00B | EA NUT-HEX, SER FLG LK 1/4 - 20 ZN |
| | 000D39-05-00B | EA NUT-HEX, SER FLG LK - 5/16 - 18 ZN |
| | 000D39-06-00B | EA NUT-HEX, SER FLG LK - 3/8-16 ZN |
| | 000D39-08-00B | EA NUT-HEX, SER FLG LK - 1/2-13 ZN |
| | 000D44-07-00B | EA NUT-HEX, SER FLG LK - 7/16-20 ZN |
| | 040921-03-000 | EA NUT-SPEED, U TYPE - NO 10 |
| | 040921-04-000 | EA NUT-SPEED, U TYPE - NO 9 - 59" LENGTH X 44" WIDTH |
| | 044364-02-000 | EA NUT-SPEED, FLAT - ROUND |
| | 063253-07-000 | EA NUT-J #2A 120- 130 PNL THK |
| | 104369-01-000 | EA NUT-HEX, HEAVY, 5/8-11 UNC SPARE TIRE INSTL |
| | 105247-01-000 | EA INSERT NUT 8-32 THD X 3/4 LG STAFAST PRODUCTS |

SEALANTS & FASTENERS GROUP (CONTINUED)
NUTS AND FASTENERS CONT

| KEY | PART NUMBER | U/M DESCRIPTION |
|-----|---------------|------------------------------------|
| | 075467-01-000 | EA NUT-INVERTED FLARE, 1/4" |
| | 088497-02-000 | EA NUT-INVERTED FLARE, 1/4" |
| | 040921-06-000 | EA NUT-SPEED, U TYPE - NO 8 |
| | 040921-05-000 | EA NUT-SPEED, U TYPE - NO 8 |
| | 044364-01-000 | EA NUT-SPEED FLAT |
| | 064091-01-000 | EA NUT-WING, 3/8" X 16 THREAD |
| | 084884-01-000 | EA PLUG-BRASS 3/8" |
| | 000H16-04-06R | EA RIVET-POP, AL 1/8 X 313- 375 |
| | 059592-02-000 | EA RIVET-T (POP) 1/4X 093- 156 |
| | 063729-04-000 | EA RIVNUT, 10-32 UNF - 010- 080 |
| | 063729-01-000 | EA RIVNUT, 1/4 X 20 UNC - 030- 125 |

SCREWS AND FASTENERS

| KEY | PART NUMBER | U/M DESCRIPTION |
|-----|---------------|---|
| | 000G11-06-10B | EA SCREW, 6-20 X 5/8 PPH ZN |
| | 000G11-05-10J | EA SCREW, 6-20 X 5/8 PPH - BRASS |
| | 000G11-07-08B | EA SCREW, 8-18 X 1/2 PPH ZN |
| | 000G11-08-06B | EA SCREW, 8-18 X 3/8 PPH ZN |
| | 000G11-09-12B | EA SCREW, 8-18 X 3/4 PPH ZN |
| | 000G11-08-12D | EA SCREW, 8-18 X 3/4 PPH - BLACK |
| | 000G11-08-12P | EA SCREW, 8-18 X 75 PPH - DARK BROWN |
| | 000G11-08-12R | EA SCREW, 8-18 X 3/4 PPH - BEIGE |
| | 000G11-08-12S | EA SCREW, 8-18 X 3/4 PPH - OFF WHITE |
| | 000G11-08-12T | EA SCREW, 8-18 X 3/4 PPH - BLACK |
| | 000G11-10-08B | EA SCREW-10-16 X 1/2 PPH - ZN |
| | 000G11-10-12D | EA SCREW, 10-16 X 3/4 PPH - BLACK |
| | 000G11-10-12S | EA SCREW-10-16X 75 PPH OFF WHT |
| | 000G11-10-16B | EA SCREW, 10-16 X 1 - PPH ZN |
| | 000G11-10-40B | EA SCREW-10 - 15 X 2 1/2 PPH CAD - 34927-01-000 |
| | 000G12-06-08T | EA SCREW, 6-20 X 50 POH - BLACK |
| | 000G12-08-16S | EA SCREW, 8-18 X 1 00 POH - OFF WHITE |
| | 000G13-06-06B | EA SCREW-6-20X3/8 PFH ZN |
| | 000G13-06-08B | EA SCREW, 6-20 X 1/2 PFH ZN |
| | 000G13-06-06G | EA SCREW, 6-20 X 1/2 PFH - ANTIQUE BRASS |
| | 000G13-06-16J | EA SCREW, 6-20 X 1 00 PFH - BRASS |
| | 000G13-10-12B | EA SCREW, 10-16 X 3/4 PFH ZN |
| | 000G18-08-16B | EA SCREW-MACHINE, 8 X 32 X 1 PPH ZN |
| | 000G18-08-22B | EA SCREW-MACH, 8-32 X 1 3/8 F-PH ZN |
| | 000G19-10-08B | EA SCREW-MACHINE, 10-32 X 1/2 PPH ZN |
| | 000G19-10-12B | EA SCREW-MACH, 10-32 TPI X 75 |
| | 000G19-10-20B | EA SCREW-MACHINE, 10-32 X 1 1/4 PPH ZINK |
| | 000G32-10-06B | EA SCREW-10-32 X 3/8" - PPH - ZINC |
| | 000G39-05-10T | EA SCREW-SF/DR, 6-20 X 5/8 F-PH - BLACK |
| | 000G39-06-16T | EA SCREW-SF/DR, 6-20 X 1 PFH - BLACK |
| | 000G39-08-06B | EA SCREW-SF/DR, 8-18 X 3/8 PPH ZN |
| | 000G39-08-08B | EA SCREW-SF/DR, 8-18 X 1/2 PPH ZN |
| | 000G39-08-08R | EA SCREW-SF/DR, 8-18 X 1/2 PPH - BEIGE |
| | 000G39-08-08C | EA SCREW-SF/DR, 8-18 X 1/2 PPH OFF WHITE |
| | 000G39-08-08Y | EA SCREW-SF/DR, 8-18 X 1/2 PPH - GRAY |
| | 000G39-08-12B | EA SCREW-SF/DR, 8-18 X 3/4 PPH ZN |
| | 000G39-08-12T | EA SCREW-SF/DR, 8-18 X 3/4 PPH - BLACK |
| | 000G39-08-16B | EA SCREW-SF/DR, 8-18 X 1 PPH ZN |
| | 000G39-08-16T | EA SCREW-SF/DR, 8-18 X 1 PPH - BLACK |
| | 000G39-08-32B | EA SCREW-SF/DR, 8-18 X 2 PPH - ZINC |
| | 000G39-10-12D | EA SCREW-SF/DR, 10-16 X 3/4 PPH - BLACK |
| | 000G39-10-129 | EA SCREW-SF/DR, 10-16 X 3/4 PPH - FLUOROCARBON SILVER |
| | 000G39-10-20B | EA SCREW-SF/DR, 10-16 X 1 1/4 PPH ZN |

1992 ITASCA
TABLE OF CONTENTS

| | | |
|--------------------|--------|------|
| INTRODUCTION | A-01 - | A-02 |
| ABBREVIATIONS | | A-03 |
| ALPHABETICAL INDEX | A-04 - | A-06 |
| ICF23RC | A-07 - | E-14 |
| ICF31RQ | E-15 - | J-08 |

1992 ICF31RQ INDEX

| | | |
|----------------------|--------|------|
| FLOOR PLAN | E-15 - | E-16 |
| ACCESSORIES | | E-17 |
| AUDIO/VIDEO | E-18 - | E-20 |
| BATH | E-21 - | E-23 |
| BEDROOM | E-24 - | F-02 |
| CHASSIS | F-03 - | F-13 |
| CURTAIN & CUSHION | F-14 - | F-24 |
| DINETTE | G-01 - | G-02 |
| DRIVERS COMPARTMENT | G-03 - | G-08 |
| ELECTRICAL | G-09 - | G-16 |
| EXTERIOR BODY | G-17 - | G-24 |
| GALLEY | H-01 - | H-05 |
| GENERATOR | H-06 - | H-07 |
| HEATING & A/C | H-08 - | H-12 |
| INTERIOR FINISH | H-13 - | H-16 |
| LABEL | H-17 - | I-01 |
| LP | | I-02 |
| LOUNGE | I-03 - | I-04 |
| SEALANTS & FASTENERS | I-05 - | I-08 |
| WATER & SEWAGE | I-09 - | I-14 |
| WINDOW, VENT AND | | |
| EXTERIOR DOOR | I-15 - | J-06 |
| WINDSHIELD/WIPER | J-07 - | J-08 |

SEALANTS & FASTENERS GROUP (CONTINUED)
SCREWS AND FASTENERS CONT

| KEY | PART NUMBER | U/M DESCRIPTION |
|-----|---------------|--|
| | 000G42-04-12B | EA SCREW-SF/DR 1/4-14X3/4HWH ZN |
| | 000G43-06-24B | EA SCREW-MACHINE, 6-32' X 1 1/2' ZN |
| | 000G46-08-24T | EA SCREW-MACHINE, 8-32-1 50 IN PFH - BLACK |
| | 000G50-04-12B | EA SCREW-MACH. 1/4-20 X 3/4 PPH ZN |
| | 000G53-04-06B | EA SCREW-MACHINE, 1/4-20 X 3/8 PPH ZN - UNDERCUT HEAD |
| | 000G54-04-20B | EA SCREW, 1/4-20 X 1 1/4 PTH - TYPE 23 - ZINC PLATED |
| | 000G56-12-18B | EA SCREW-WOOD, 12 - 11 X 3 POH - SPECIAL HARDENED |
| | 000G60-10-28T | EA SCREW-SF/DR, 10-16 X 1 75 - BLACK |
| | 000G67-10-06B | EA SCREW, 10-12 X 1/2 PPH ZN |
| | 000G67-10-08R | EA SCREW, 10-12 X 1/2 PPH - BEIGE - TYPE A |
| | 000G67-10-10S | EA SCREW, 10-12 X 5/8 PPH ZN - TYPE A |
| | 000G67-10-10D | EA SCREW, 10-12 X 5/8 PPH - BLACK - TYPE A |
| | 000G67-10-10R | EA SCREW, 10-12 X 5/8 PPH - TYPE A - BEIGE |
| | 000G67-10-12B | EA SCREW, 10-12 X 3/4' PPH - ZN |
| | 000G67-10-120 | EA SCREW, 10-12 X 75' PPH - TAN |
| | 000G67-10-16B | EA SCREW, 10-12 X 1 PPH - ZN |
| | 000G67-10-20D | EA SCREW, 10-12 X 1 1/4 PPH - BLACK |
| | 000G67-10-24B | EA SCREW, 10-12 X 1 1/2 PPH - ZN |
| | 000G67-10-48B | EA SCREW-10-12X3 PPH ZN |
| | 000G68-06-10G | EA SCREW, 6-18 X 5/8 POH - ANTIQUE BRASS |
| | 000G68-10-36T | EA SCREW-10-12 X 2 25 POH BLACK |
| | 049465-01-000 | EA SCREW, 10-16 W/WASHER PTH - DARK BROWN |
| | 049465-03-000 | EA SCREW, 10-16 X 1 POH W/WASHER - OFF WHITE |
| | 049465-04-000 | EA SCREW, 10-16 X 1 PTH W/WASHER - BEIGE |
| | 049465-05-000 | EA SCREW-10-16X1 PTH W/WASHER - GRAY |
| | 075908-01-000 | EA SCREW-MACHINE, 10-32 X 56 PTH - ZINC EXTERNAL TOOTH |
| | 105126-01-000 | EA SCREW-CACH-8-32X1 PPH TAPTIT N W/LITE WAX |
| | 096526-01-000 | EA SCREW-HEX, 1/4 - 28 UNF |
| | 085318-01-000 | EA SCREW, 8-18B X 1/2 - CRIMPTITE HD |

FROM 00-00-00 THRU 02-23-92

BOLTS

| KEY | PART NUMBER | U/M DESCRIPTION |
|-----|---------------|---|
| | 000C12-05-12B | EA BOLT-HEX-5/16-18X3/4 ZN 5 |
| | 000C12-05-16B | EA BOLT-HEX, 5/16-18 X 1 - ZINC 5 |
| | 000C12-07-20B | EA BOLT-HEX, 7/16 - 14 X 1 1/4' - ZN5 |
| | 000C12-08-24B | EA BOLT-HEX, 1/2-13 X 1 1/2 - ZN 5 |
| | 000C12-09-20B | EA BOLT-HEX, 9/16-12X1 1/4, ZN 5 |
| | 000C13-07-48B | EA BOLT-HEX, 7/16 - 20 X 3 - ZN 5 |
| | 000C18-05-40A | EA BOLT-ELEV, 5/16-18 X 2 1/2' PL |
| | 000C18-06-48B | EA BOLT-ELEV, 3/8-15 X 3 ZN - GDE 5 |
| | 000C26-04-10B | EA BOLT-HEX, SER FLG - 1/4-20 X 5/8 ZINC |
| | 000C26-05-12B | EA BOLT-HEX-SER FLG 5/16-18X3/4 ZN |
| | 000C26-06-28B | EA BOLT-HEX-SER FLG 3/8-16X13/4 ZN |
| | 000C27-10-32B | EA BOLT-CARR 5/8-11X2 00 |
| | 000C27-10-32T | EA BOLT-CARR 5/8-11X2 00 EXT |
| | 000G45-05-16B | EA BOLT-LAG 5/16 - 9 X 1 ZN |
| | 005200-01-000 | EA BOLT-BUMPER, RD HD SQ NECK - W/SST CAP - 7/16 - 14 X 1 1/4 |
| | 051387-06-000 | EA BOLT-CARRIAGE, W/O HOLE - 5/16-18 X 9 5 ZN |

FROM 01-20-92 THRU 99-99-99

FROM 00-00-00 THRU 01-19-92

SEALANTS & FASTENERS GROUP (CONTINUED)
WASHERS

| KEY | PART NUMBER | U/M DESCRIPTION |
|-----|---------------|---|
| | 000E11-08-00B | EA WASHER-LK - 1/2 MED SPLIT ZN |
| | 000E13-11-00B | EA WASHER-FL, 3/16" WIDE - ZN |
| | 000E13-14-00B | EA WASHER-FL, 1/4" WIDE ZN |
| | 000E13-20-00B | EA WASHER-FL, 7/16" WIDE - ZN |
| | 000E13-21-00B | EA WASHER-FL - W/2 NAR ZN |
| | 000E14-10-00B | EA WASHER-LK - NO 10 EXT TOOTH - ZN |
| | 044533-01-000 | EA WASHER-PLASTIC, 1 3/8"OD - FOR BUTTONS |
| | 105549-01-000 | EA WASHER-SEALING GALVANIZED 52 F-SERIES 5/8 ID |
| | 086285-01-000 | EA SPACER-NYLON, 5" OD X 257" ID |

TAPES AND FASTENERS

| KEY | PART NUMBER | U/M DESCRIPTION |
|-----|---------------|---|
| | 100028-01-000 | FT TAPE-ADHESIVE, 031" X .75" WIDE |
| | 004363-01-000 | FT TAPE-ADHESIVE FOAM, 1 SIDE - 3/16" X 1/2" - GRAY |
| | 793071-01-000 | FT TAPE-BONDING, DOUBLE SIDED - 1/64" X 2" |
| | 076322-03-000 | FT TAPE-FOAM, DOUBLE COATED - 045" X 5" |
| | 088244-01-000 | FT TAPE-FOAM, VINYL COATED - 2' WIDE - INCREMENTS OF 108 FT |
| | 009200-01-000 | EA TAPE-FURNACE, 1 1/2" |
| | 087691-01-000 | EA TAPE-MASKING, WEATHER RESISTANT |
| | 076314-02-000 | FT TAPE-CARPET SEAM, HEAT-BOND - 4" WIDE |
| | 076322-02-000 | FT TAPE-FOAM, DOUBLE COATED ADHESIVE BACKED - 1" X 108" |
| | 076322-05-000 | FT TAPE-FOAM DOUBLE COATED - 025" X 15" |
| | 008343-02-000 | EA TIE-WIRE 14" |
| | 008343-01-000 | EA TIE-WIRE, 6" |

SEALERS AND FASTENERS

| KEY | PART NUMBER | U/M DESCRIPTION |
|-----|---------------|--|
| | 069640-02-000 | FT SEALER-RIBBON, 1/2" X 1/8" - INCREMENTS OF 30' |
| | 069640-09-000 | FT SEALER-RIBBON, 1/32" X 2 1/2" |
| | 059640-01-000 | FT SEALER-RIBBON, 1/4" DIAMETER - INCREMENTS OF 20' |
| | 069640-03-000 | FT SEALER-RIBBON, 3/4" X 1/8" - INCREMENTS OF 50' |
| | 069640-06-000 | FT SEALER-RIBBON 5/16" DIAMETER - INCREMENTS OF 25' FROM 00-00-00 THRU 03-01-92 |
| | 091255-03-000 | FT SEAL-FOAM, 1/4 X 3/16 ROLL |
| | 091255-01-000 | FT SEAL-FOAM, 3 2MM X 4 8MM |
| | 090340-01-000 | FT SEAL-FOAM, CLOSED CELL - 1/4" X 1/2" X 50' |
| | 053752-01-000 | GL SEAM SEALER-5 GAL ALUMINUM |
| | 034552-C4-000 | EA SILICONE-TUBE, 300 ML - BEIGE |
| | 034552-02-000 | EA SILICONE-TUBE, 300 ML - CLEAR |
| | 008401-01-000 | EA STRAP-CONDUIT, 3/4" - 1 HOLE - GALVANIZED STEEL |
| | 002707-02-000 | FT TAPE-SEALER, 5/16" X 1/2" - INCREMENTS OF 50 FT |
| | 034552-06-000 | EA SILICONE-TUBE, 300 ML - OFF WHITE |
| | 053766-02-000 | EA BEDDING COMPOUND-TUBE, WHITE SCHNEE# 5522 |
| | 053766-03-000 | EA BEDDING COMPOUND-TUBE, CLEAR |
| | 053766-08-000 | EA BEDDING COMPOUND-TUBE, GRAY - SCHNEE# 5522 FROM 03-01-92 THRU: 09-99-99 |
| | 069640-07-000 | FT SEALER-RIBBON, 2" X 3/32" - INCREMENTS OF 30' OR 45' FROM: 03-16-92 THRU: 99-99-99 |
| | 069640-11-000 | FT SEALER-TAPE, 3/16" X 3/8", BLACK - MANU'S FROM: 03-02-92 THRU 99-99-99 |
| | 372889-01-000 | EA SEALANT-URETHANE, BLACK - 1/10 - ESSEX 552 2 FROM 00-00-00 THRU: 01-17-92 |
| | 087211-01-000 | GL PROMOTER-ADHESIVE FROM 00-00-00 THRU: 02-02-92 |
| | 102352-01-000 | EA SEALER-PUMPABLE, BLACK - COLORIMETRIC MS101 |

**1992 ITASCA
TABLE OF CONTENTS**

| | | |
|--------------------|------|------|
| INTRODUCTION | A-01 | A-02 |
| ABBREVIATIONS | | A-03 |
| ALPHABETICAL INDEX | A-04 | A-05 |
| ICF23RD | A-07 | E-14 |
| ICF31RD | E-15 | J-08 |

1992 ICF31RQ INDEX

| | | |
|-----------------------|------|------|
| FLOOR PLAN | E-15 | E-16 |
| ACCESSORIES | | E-17 |
| ALDIOM/VIDEO | E-18 | E-20 |
| BATH | E-21 | E-23 |
| BEDROOM | E-24 | F-02 |
| CHASSIS | F-03 | F-13 |
| CURTAIN & CUSHION | F-14 | F-24 |
| CHIFFONETTE | G-01 | G-02 |
| DRIVERS COMPARTMENT | G-03 | G-08 |
| ELECTRICAL | G-09 | G-16 |
| EXTERIOR BODY | G-17 | G-24 |
| GALLEY | H-01 | H-05 |
| GENERATOR | H-06 | H-07 |
| HEATING & A/C | H-08 | H-12 |
| INTERIOR FINISH | H-13 | H-16 |
| LABEL | H-17 | I-01 |
| LP | | I-02 |
| LOUNGE | I-03 | I-04 |
| SEA JANTS & FASTENERS | I-05 | I-08 |
| WATER & SEWAGE | I-09 | I-14 |
| WINDOW, VENT AND | | |
| EXTERIOR DOOR | I-15 | J-06 |
| WINDOWSHIELD/WIPER | J-07 | J-08 |

WATER & SEWAGE GROUP
WATER HEATER W/ELECTRIC IGNITION

| KEY | PART NUMBER | U/M DESCRIPTION |
|-----|---------------|--|
| | 051391-03-000 | EA HEATER-WATER, W/ELECTRIC IGNITION - ATWOOD G6A-3E |
| | 051391-01-700 | EA HINGE KIT-W/CLIP, ATWOOD # 92568 & 92559 |
| | 051391-01-704 | EA VALVE-RELIEF, 1/2" FITTING - ATWOOD# 91604 |
| | 051391-01-705 | EA FASTENER-CAMLOC, ATWOOD# 92609 |
| | 051391-01-706 | EA GRILLE-EXHAUST, ATWOOD# 92787 |
| | 051391-01-708 | EA BURNER-MAIN, 3E ONLY - ATWOOD# 92615 |
| | 051391-01-710 | EA ORIFICE-MAIN BURNER, ATWOOD# 92742 |
| | 051391-01-715 | EA DRAIN PLUG, ATWOOD# 91561 |
| | 051391-04-700 | EA TANK-INNER (G6A-3E) FRT MT - ATWOOD# 91608 |
| | 051391-04-701 | EA THERMOSTAT 12 VDC-120 PRESET, ATWOOD# 91470 FRONT MOUNT ONLY |
| | 051391-04-706 | EA TANK-INNER, G6A-4E & 6E - FRONT MOUNT - ATWOOD# 91641 |
| | 097967-01-000 | EA SWITCH-WATER HEATER, REMOTE W/LIGHT - ATWOOD 91959 |
| | 051392-01-702 | EA SWITCH-ENERGY CUT-OFF, ATWOOD# 91951 |
| | 051393-01-703 | EA THERMOSTAT-REAR MOUNT, ATWOOD# 91952 |
| | 051393-01-704 | EA CIRCUIT BOARD-W/BLACK BOX, ATWOOD# 91420 |
| | 051393-01-705 | EA ORIFICE HOLDER-ATWOOD# 91925 |
| | 051393-01-716 | EA SPARK & PROBE ASM, ATWOOD# 91606 |
| | 051393-01-718 | EA VALVE-DUAL SOLENOID, ATWOOD# 91605 |
| | 051393-01-721 | EA ECO&THERMOSTAT ASM-FRONT MOUNT, 140 DEGREE - ATWOOD# 91447 |
| | 051393 03-700 | EA TANK-INNER (G6A-3E) REAR MT - ATWOOD# 91409 |

WATER & SEWAGE GROUP (CONTINUED)
WATER HEATER W/MOTOR AID

| KEY | PART NUMBER | U/M DESCRIPTION |
|-----|---------------|--|
| | 051393-01-000 | EA WATER HEATER-W/MOTOR AID, PILOTLESS IGNITION ATWOOD GH6-3E, GH6-4E OR GH6-6E |
| | 051391-01-700 | EA HINGE KIT-W/CLIP, ATWOOD # 92568 & 92559 |
| | 051391-01-704 | EA VALVE-RELIEF, 1/2" FITTING - ATWOOD# 91604 |
| | 051391-01-705 | EA FASTENER-CAMLOC, ATWOOD# 92609 |
| | 051391-01-706 | EA GRILLE-EXHAUST, ATWOOD# 92787 |
| | 051391-01-708 | EA BURNER-MAIN, 3E ONLY - ATWOOD# 92615 |
| | 051391-01-710 | EA ORIFICE-MAIN BURNER, ATWOOD# 92742 |
| | 051391-01-714 | EA ELBOW-45 DEGREE, 3/8" F X 3/8" MPT - ATWOOD 91044 |
| | 051391-01-715 | EA DRAIN PLUG, ATWOOD# 91561 |
| | 051391-04-701 | EA THERMOSTAT 12 VDC-120 PRESET, ATWOOD# 91470 FRONT MOUNT ONLY |
| | 051391-04-704 | EA TANK-INNER, FRONT MOUNT - GH6-4E & 6E - ATWOOD 91642 |
| | 051393-01-700 | EA TANK-INNER, 3E FRONT MOUNT - ATWOOD# 91023 |
| | 097967-01-000 | EA SWITCH-WATER HEATER, REMOTE W/LIGHT - ATWOOD 91959 |
| | 051393-01-702 | EA SWITCH-ENERGY CUT-OFF, ATWOOD# 91951 |
| | 051393-01-703 | EA THERMOSTAT-REAR MOUNT, ATWOOD# 91952 |
| | 051393-01-704 | EA CIRCUIT BOARD-W/BLACK BOX, ATWOOD# 91420 |
| | 051393-01-705 | EA ORIFICE HOLDER-ATWOOD# 91925 |
| | 051393-01-714 | EA TANK-INNER (GH6-3E) REAR MOUNT - ATWOOD# 91408 |
| | 051393-01-716 | EA SPARK & PROBE ASM, ATWOOD# 91606 |
| | 051393-01-718 | EA VALVE-DUAL SOLENOID, ATWOOD# 91605 |
| | 051393-01-721 | EA ECO&THERMOSTAT ASM-FRONT MOUNT, 140 DEGREE - ATWOOD# 91447 |
| | 010227-01-000 | EA TEE-PLAS BARB 5/8" OR 3/4" HOSE |

1992 ITASC#
TABLE OF CONTENTS

| | | |
|--------------------|--------|------|
| INTRODUCTION | A-01 - | A-02 |
| ABBREVIATIONS | | A-03 |
| ALPHABETICAL INDEX | A-04 - | A-06 |
| ICF23RC | A-07 - | E-14 |
| ICF31RQ | E-15 - | J-08 |

1992 ICF31RQ INDEX

| | | |
|----------------------|--------|------|
| FLOOR PLAN | E-15 - | E-16 |
| ACCESSORIES | | E-17 |
| AUDIO/VIDEO | E-18 - | E-20 |
| BATH | E-21 - | E-23 |
| BEDROOM | E-24 - | F-02 |
| CHASSIS | F-03 - | F-13 |
| CURTAIN & CUSHION | F-14 - | F-24 |
| DINETTE | G-01 - | G-02 |
| DRIVERS COMPARTMENT | G-03 - | G-03 |
| ELECTRICAL | G-09 - | G-16 |
| EXTERIOR BODY | G-17 - | G-24 |
| GALLEY | H-01 - | H-05 |
| GENERATOR | H-06 - | H-07 |
| HEATING & A/C | H-08 - | H-12 |
| INTERIOR FINISH | H-13 - | H-16 |
| LABEL | H-17 - | I-01 |
| LP | | I-02 |
| LOUNGE | I-03 - | I-04 |
| SEALANTS & FASTENERS | I-05 - | I-08 |
| WATER & SEWAGE | I-09 - | I-14 |
| WINDOW, VENT AND | | |
| EXTERIOR DOOR | I-15 - | J-06 |
| WINDSHIELD/WMPER | J-07 - | J-08 |

WATER & SEWAGE GROUP (CONTINUED)

WATER PUMP

| KEY | PART NUMBER | U/M DESCRIPTION |
|-----|---------------|---|
| | 098607-01-000 | EA PUMP-WATER, W/5" MPT FITTING - FLOW 2.8 GPM - UL |
| | 098607-01-701 | EA PUMPHEAD-REPLACEMENT, SHURFLO# 94-236-08 |
| | 098607-01-702 | EA DRIVE ASM, SHURFLO# 94-234-03 |
| | 098607-01-702 | EA DIAPHRAGM-KIT, SHURFLO# 94-233-10 |
| | 098607-01-703 | EA VALVE ASM, SHURFLO# 94-232-00 |
| | 098607-01-705 | EA SWITCH ASM-COMplete, SHURFLO# 94-230-00 |
| | 098607-01-705 | EA CHECK VALVE-KIT, SHURFLO# 94-237-00 |
| | 098607-01-707 | EA MOTOR/BASEPLATE REPLACEMENT, SHURFLO# 94-234-03 |

WATER HEATER BYPASS

| KEY | PART NUMBER | U/M DESCRIPTION |
|-----|---------------|---|
| | 099729-01-000 | EA BYPASS KIT-WATER HEATER, COMPLETE W/VALVE & TUBING |
| | 099729-01-700 | EA VALVE ONLY CHECK PLASTIC |
| | 099729-02-000 | EA BYPASS KIT-WATER HEATER (CANADIAN) |
| | 099729-02-700 | EA VALVE ONLY CHECK BRASS (CANADIAN) |

WATER TANK

| KEY | PART NUMBER | U/M DESCRIPTION |
|-----|---------------|---|
| | 077589-06-000 | EA TANK ASM-WATER 46 GAL - W/FITTINGS |
| | 077589-01-000 | EA TANK-WATER BASE, 46 GAL - W/O FITTINGS |
| | 076525-10-000 | EA TANK ASM-WATER 54 GAL - W/FITTINGS |
| | 076525-01-000 | EA TANK-WATER BASE, 54 GAL - W/O FITTINGS |
| | 039861-01-000 | EA SENDING UNIT-W/SCREW, WASHER, WELL NUT & TERMINAL RING |
| | 010224-01-000 | EA ADAPTER-HOSE TO PIPE, 3/8" MPT X 3/8" BARB - PLASTIC BLACK |
| | 042589-03-000 | EA FITTING-WATER TANK, SPINWELD - 1 1/4" NPT - PLASTIC - WHITE |
| | 042989-04-000 | EA FITTING-WATER TANK, SPINWELD - 3/8" FPT - PLASTIC - WHITE |
| | 042989-05-000 | EA FITTING-WATER TANK, SPINWELD - 1/2" FPT - PLASTIC - WHITE |
| | 044927-01-000 | EA ADAPTER-HOSE TO PIPE, 1 1/4" MPT X 1 1/4" BARB-BLACK PLASTIC |
| | 049032-01-000 | EA PATCH-SPINWELD, 3/8" - PLASTIC |
| | 052955-03-000 | EA TEE-5/8" F X 5/8" F X 1/2" MPT - PLASTIC |
| | 074462-02-000 | FT TUBING-VINYL, 3/8" ID - CLEAR |
| | 077954-02-000 | EA FILTER-WATER TANK SCREEN IN TANK |
| | 079381-01-000 | FT TUBING-SMOOTH FLEXIBLE, 1 1/4" ID |
| | 095449-01-000 | EA WIRE ASSEMBLY-WATER TANK TO MONITOR PANEL |

EXTERIOR SHOWER KIT

| KEY | PART NUMBER | U/M DESCRIPTION |
|-----|---------------|---|
| | 045128-01-000 | EA VALVE-DRAIN, PLASTIC - 1/2" FPT |
| | 052959-02-000 | EA CONNECTOR, 1/2" F X 1/2" MPT - PLASTIC - GRAY |
| | 057457-01-000 | EA ELBOW-UNION, 1/2" X 1/2" FLARE |
| | 065120-01-000 | EA ELBOW-SWIVEL, 1/2" FPT X 1/2" FLARE - PLASTIC - GRAY |
| | 052957-02-000 | EA ELBOW-MALE, 1/2" F X 1/2" MPT - PLASTIC - GRAY |
| | 103173-02-01A | EA KIT-SHOWER, EXTERIOR - OFF WHITE WITH EXTERIOR DOOR, FAUCET, HEAD & HOSE |

WATER & SEWAGE GROUP (CONTINUED)

WATER SYSTEM

| KEY | PART NUMBER | U/M DESCRIPTION |
|-----|---------------|--|
| | 103259-01-000 | EA BRACKET-BYPASS, WATER HEATER |
| | 036522-02-000 | EA CAP-BRASS, 1/2" FLARE |
| | 039800-01-000 | FT TUBING-POLYBUTYL, 1/2" OD - INCREMENTS OF 20' - BLACK |
| | 039800-02-000 | FT TUBING-POLYBUTYL, 5/8" OD - INCREMENTS OF 20' - BLACK |
| | 052952-01-000 | EA NUT-PLASTIC, 1/2" F X 1/2" TUBE - GRAY |
| | 052952-02-000 | EA NUT-PLASTIC, 5/8" FLARE |
| | 052955-01-000 | EA TEE-WATER, 1/2" F X 1/2" F X 1/2" MPT - PLASTIC - GRAY |
| | 052955-03-000 | EA TEE-5/8" F X 5/8" F X 1/2" MPT - PLASTIC |
| | 052957-02-000 | EA ELBOW-MALE, 1/2" F X 1/2" MPT - PLASTIC - GRAY |
| | 052958-01-000 | EA TEE, 1/2" F X 1/2" F X 1/2" F - PLASTIC - GRAY |
| | 052959-02-000 | EA CONNECTOR, 1/2" F X 1/2" MPT - PLASTIC - GRAY |
| | 052960-01-000 | EA DRAIN VALVE-IN LINE, HEADER - 1/2" F X 1/2" F - GRAY PLAS |
| | 052960-03-000 | EA DRAIN VALVE-IN LINE, HEADER - 5/8" F X 5/8" F - PLASTIC |
| | 055290-01-000 | EA ELBOW-5/8" F X 1/2" MPT |
| | 057457-01-000 | EA ELBOW-UNION, 1/2" X 1/2" FLARE |
| | 057974-01-000 | EA TEE-5/8" F X 1/2" F X 1/2" F, PLASTIC |
| | 065120-01-000 | EA ELBOW SWIVEL, 1/2" FPT X 1/2" FLARE - PLASTIC - GRAY |
| | 074463-01-000 | EA TEE-4 WAY, 1/2" FLARE - PLASTIC - GRAY |
| | 079317-01-000 | EA ADAPTER-SWIVEL, 1/2" TUBE X 1/2" FPT - PLASTIC - GRAY |
| | 087659-03-000 | EA FILL-WATER, CITY - GRAY |
| | 098417-01-000 | EA CONNECTOR-5/8" F X 1/2" MPT, PLASTIC - KEVCO |
| | 098420-01-000 | EA CONNECTOR-SWIVEL, 1/2" FPT X 5/8" TUBE - PLASTIC |
| | 101814-01-000 | EA COUPLING-FEMALE, 1/2" X 1/2" FPT |
| | 106258-01-000 | EA CAP-INSERTABLE, 1/2" FLARE |
| | 106258-02-000 | EA CAP-INSERTABLE 5/8" FLARE KEVCO 64399 BONNET |
| | 039861-01-000 | EA SENDING UNIT-W/SCREW, WASHER, WELL NUT & TERMINAL RING |
| | 052959-03-000 | EA CONNECTOR, 1/2" F X 3/8" MPT - PLASTIC - GRAY |
| | 091208-01-000 | EA WASHER-RUBBER, 06" X 75" X 5" |
| | 057457-02-000 | EA ELBOW-UNION, 5/8" X 5/8" FL - WATER |
| | 057973-01-000 | EA TEE-PLASTIC, 1/2" F X 1/2" F X 5/8" F - WATER |
| | 010219-01-000 | EA ELBOW-1 1/4" MPT X 1 1/4" BARB, WATER FILL - PLASTIC |
| | 035539-01-000 | EA ELBOW-PLASTIC, 3/8" MPT X 3/8" BARB |

**1992 ITASCA
TABLE OF CONTENTS**

| | | |
|--------------------|------|------|
| INTRODUCTION | A-01 | A-02 |
| ABBREVIATIONS | | A-03 |
| ALPHABETICAL INDEX | A-04 | A-06 |
| ICF23RC | A-07 | E-14 |
| ICF31RQ | E-15 | J-08 |

1992 ICF31RQ INDEX

| | | |
|----------------------|------|------|
| FLOOR PLAN | E-15 | E-16 |
| ACCESSORIES | | E-17 |
| AUDIO/VIDEO | E-18 | E-20 |
| BATH | E-21 | E-23 |
| BEDROOM | E-24 | F-02 |
| CHASSIS | F-03 | F-13 |
| CURTAIN & CUSHION | F-14 | F-24 |
| DINETTE | G-01 | G-02 |
| DRIVERS COMPARTMENT | G-03 | G-08 |
| ELECTRICAL | G-09 | G-16 |
| EXTERIOR BODY | G-17 | G-24 |
| GALLEY | H-01 | H-05 |
| GENERATOR | H-06 | H-07 |
| HEATING & A/C | H-08 | H-12 |
| INTERIOR FINISH | H-13 | H-16 |
| LABEL | H-17 | I-01 |
| LP | | I-02 |
| LOUNGE | I-03 | I-04 |
| SEALANTS & FASTENERS | I-05 | I-08 |
| WATER & SEWAGE | I-09 | I-14 |
| WINDOW, VENT AND | | |
| EXTERIOR DOOR | I-15 | J-06 |
| WINDSHIELD/WIPER | J-07 | J-08 |

WATER & SEWAGE GROUP (CONTINUED)
DRAINAGE SYSTEM

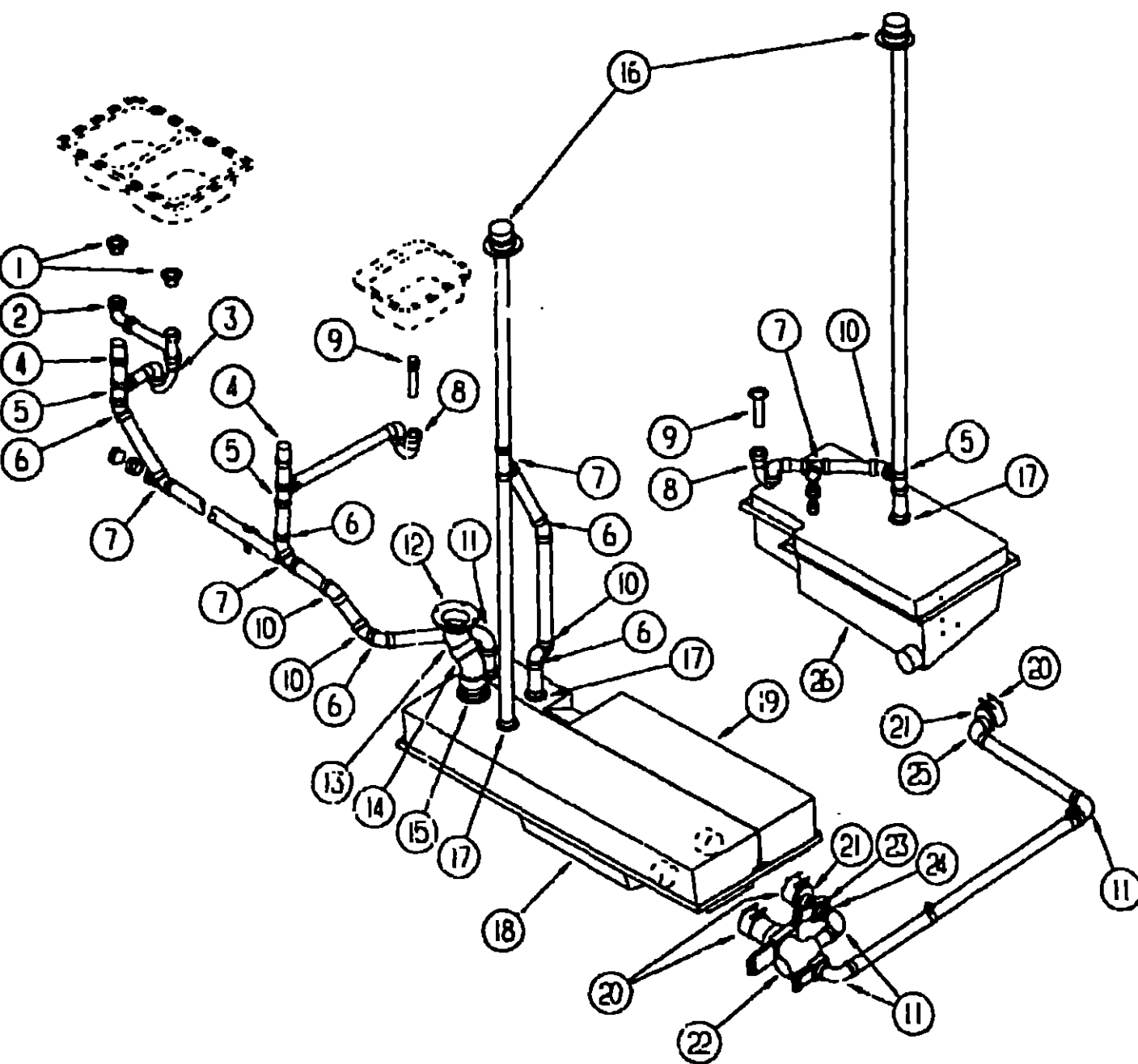
1992 ITASCA
TABLE OF CONTENTS

| | | |
|--------------------|--------|------|
| INTRODUCTION | A-01 - | A-02 |
| ABBREVIATIONS | | A-03 |
| ALPHABETICAL INDEX | A-04 - | A-06 |
| ICF23RC | A-07 - | E-14 |
| ICF31RQ | E-15 - | J-08 |

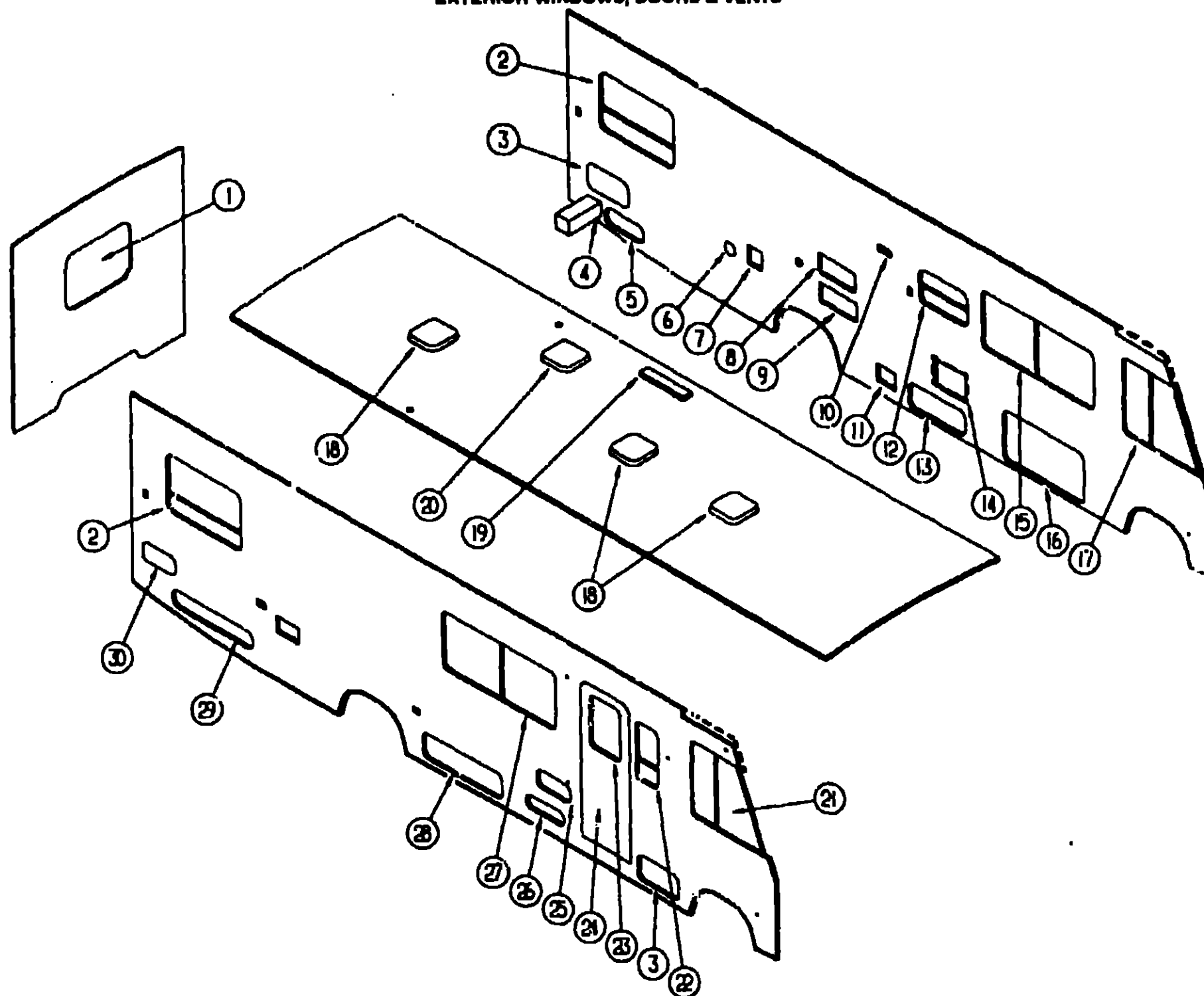
1992 ICF31RQ INDEX

| | | |
|----------------------|--------|------|
| FLOOR PLAN | E-15 - | E-16 |
| ACCESSORIES | | E-17 |
| AUDIO/VIDEO | E-18 - | E-20 |
| BATH | E-21 - | E-23 |
| BEDROOM | E-24 - | F-02 |
| CHASSIS | F-03 - | F-13 |
| CURTAIN & CUSHION | F-14 - | F-24 |
| DINETTE | G-01 - | G-02 |
| DRIVERS COMPARTMENT | G-03 - | G-08 |
| ELECTRICAL | G-09 - | G-16 |
| EXTERIOR BODY | G-17 - | G-24 |
| GALLEY | H-01 - | H-05 |
| GENERATOR | H-06 - | H-07 |
| HEATING & A/C | H-08 - | H-12 |
| INTERIOR FINISH | H-13 - | H-16 |
| LABEL | H-17 - | I-01 |
| LP | | I-02 |
| LOUNGE | I-03 - | I-04 |
| SEALANTS & FASTENERS | I-05 - | I-08 |
| WATER & SEWAGE | I-09 - | I-14 |
| WINDOW, VENT AND | | |
| EXTERIOR DOOR | I-15 - | J-06 |
| WINDSHIELD/WIPER | J-07 - | J-08 |

| KEY | PART NUMBER | U/M DESCRIPTION |
|-----|---------------|---|
| 1 | 092303-01-000 | EA STRAINER-SINK |
| 2 | 011091-02-000 | EA PIPE-DRAIN, DOUBLE SINK - BAFFLE TEE - 1 1/2" - US |
| | | ONE PIPE W/TEE TO DRAIN BOTH SIDES OF SINK |
| 2 | 011091-03-000 | EA PIPE-DRAIN, W/SEALS - DOUBLE SINK - EXTENDS 9" TO 16" - CANADIAN |
| 3 | 011066-03-000 | EA P-TRAP, 1 1/2" TRAP X 1 1/4" SOCKET - PLASTIC - US |
| | | FROM 00-00-00 THRU 02-16-92 |
| 3 | 107538-01-000 | EA P-TRAP-PLASTIC, 1 1/4" W/EXT ARM - US |
| | | FROM 02-17-92 THRU 99-99-99 |
| 3 | 053335-01-000 | EA P-TRAP-1 1/4" HUB X HUB, W/UNION - CANADIAN |
| | | FROM 00-00-00 THRU 02-16-92 |
| 3 | 107537-01-000 | EA P-TRAP ADAPTER-1 1/4" SLIP - CANADIAN |
| | | FROM 02-17-92 THRU 99-99-99 |
| 4 | 079968-01-000 | EA VENT-MECH. TRAP ARM, ANTI-SIPHON - 2" DIA X 7'3" - PLASTIC |
| 5 | 010071-01-000 | EA TEE-SANITARY, 1 1/2" HUB X HUB X HUB - PLASTIC - BLACK |
| 6 | 010051-01-000 | EA ELBOW-45 DEG DEND, 1 1/2" SPIGOT AND HUB - PLASTIC - BLACK |
| 7 | 010073-01-000 | EA WYE-45 DEGREE, 1 1/2" HUB X HUB X HUB - PLASTIC - BLACK |
| | 010122-01-000 | EA BUSHING-REDUCER, 1 1/2" SMTH X 1 1/4" THD - PLASTIC - BLACK |
| | 010166-01-000 | EA PLUG-THREADED, 1 1/4" DIAMETER - PLASTIC - BLACK |
| 8 | 107538-01-000 | EA P-TRAP-PLASTIC, 1 1/4" W/EXT ARM - US |
| 8 | 011066-02-000 | EA P-TRAP-1 1/4" HUB X SLIP JOINT, W/UNION - ABS - CANADIAN |
| 9 | 011059-02-000 | EA TAILPIECE-TUB/SHOWER, 1 1/2" X 1 1/4" X 4" - BRASS |
| 10 | 010006-01-000 | EA ELBOW-45 DEG, 1/8 BEND - 1 1/2" HUB X HUB - BLACK PLASTIC |
| 11 | 010008-01-000 | EA ELBOW-90 DEG, 1/4 BEND - 1 1/2" HUB X HUB - BLACK PLASTIC |
| | 061607-01-000 | EA GROMMET-HOLDING TANK, 1 1/2" NPS |
| 12 | 024676-02-000 | EA FLANGE-CLOSET, 4" X 3" - ABS - CANADIAN |
| 12 | 063641-01-000 | EA FLANGE-CLOSET, 4" X 3" - US |
| 13 | 010061-01-000 | EA ELBOW-45 DEGREE, STREET - 1/8 BEND - 3" S X H - PLASTIC |
| 14 | 010024-01-000 | EA ELBOW-PLASTIC, 1/8 BD - 3 X 45 - H X H |
| 15 | 061607-02-000 | EA GROMMET-HOLDING TANK, 3" NPS |
| 16 | 083558-02-000 | EA VENT-PLUMBING PIPE ROOF W/COVER - GRAY |
| 17 | 061607-01-000 | EA GROMMET-HOLDING TANK, 1 1/2" NPS |
| 18 | 081149-01-000 | EA TANK-HOLDING, 29 GALLON - 59 25" X 13 4" X 15 5" |
| 19 | 081185-01-000 | EA TANK-HOLDING, 20 GALLON - 59 25" X 11 4" X 13 8" |
| 20 | 078406-01-000 | EA COUPLER-RUBBER, W/CLAMPS - 3" X 3" |
| 21 | 062422-01-000 | EA ADAPTER-OFFSET REDUCER, 3" X 1 1/2" - PLASTIC - BLACK |
| 22 | 082696-01-000 | EA VALVE-WASTE, DRAINAGE - 3" |
| 23 | 062421-01-000 | EA VALVE-DUMP, W/HANDLE - 1 1/2" - PLASTIC - BLACK |
| | 088770-01-000 | EA STANDOFF-THREADED, 3/8" X 1 1/4" |
| | 088771-01-000 | EA ROD-THREADED, 25" DIAMETER X 7 25" LONG |
| 24 | 010115-01-000 | EA COUPLING-1 1/2" HUB X HUB, PLASTIC |
| 25 | 033761-01-000 | EA ELBOW-TURN, 1/4 BEND X 1 5" HUB X 1 5" SPIGOT - BLK PLASTIC |
| 26 | 076574-01-000 | EA TANK-HOLDING, 25 GALLON - 37 2" X 20" X 12 6" |
| | 010201-01-000 | EA HOSE-SEWER, 3" ID X 6' |
| | 062416-01-000 | EA ADAPTER-SEWER HOSE TO 3" PIPE |



WINDOW, VENT & EXTERIOR DOOR GROUP
EXTERIOR WINDOWS, DOORS & VENTS



1992 ITASCA
TABLE OF CONTENTS

| | |
|--------------------|-------------|
| INTRODUCTION | A-01 - A-02 |
| ABBREVIATIONS | A-03 |
| ALPHABETICAL INDEX | A-04 - A-06 |
| ICF23RC | A-07 - E-14 |
| ICF31RQ | E-15 - J-08 |

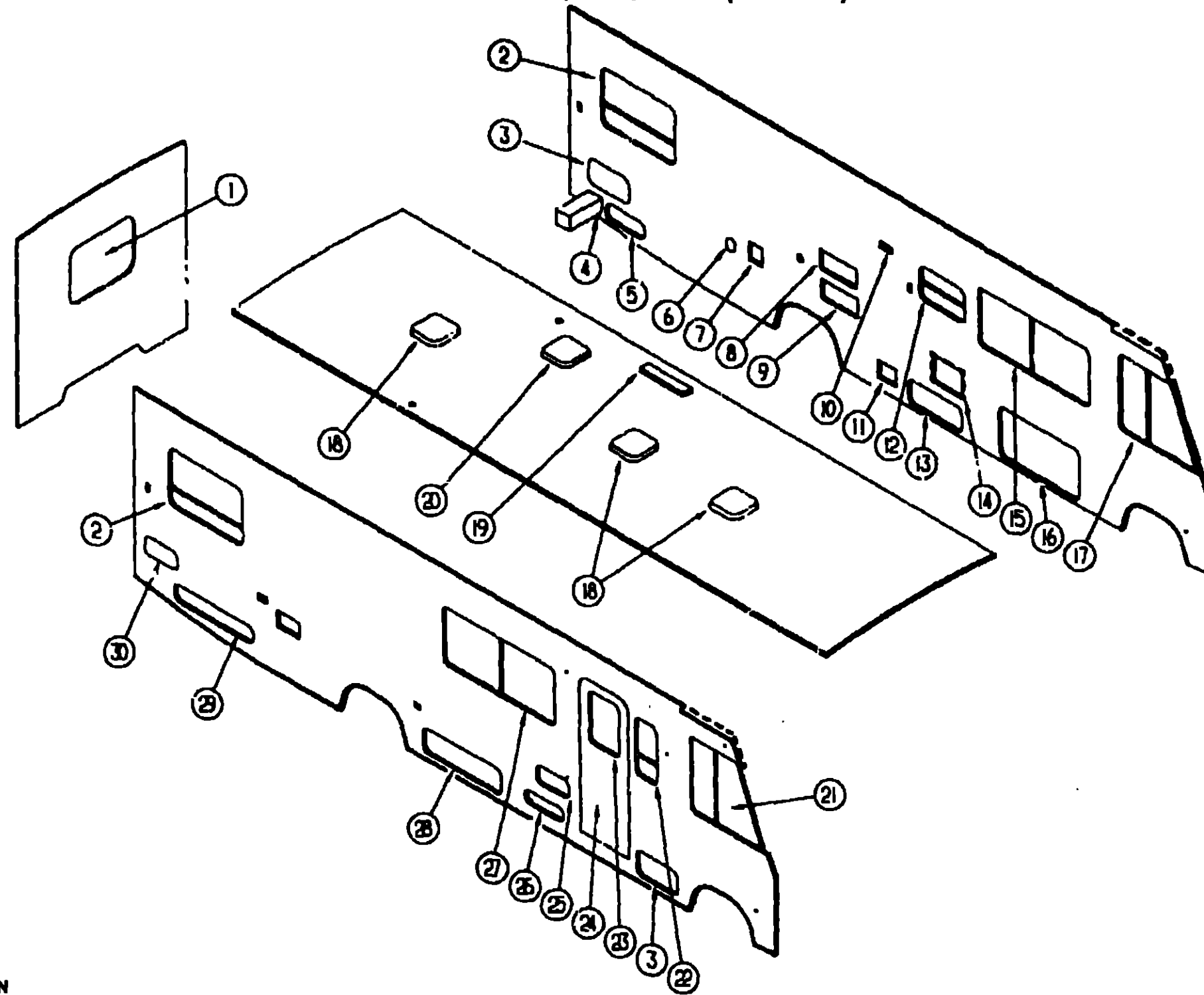
1992 ICF31RQ INDEX

| | |
|--------------------------------|-------------|
| FLOOR PLAN | E-15 - E-16 |
| ACCESSORIES | E-17 |
| AUDIO/VIDEO | E-18 - E-20 |
| BATH | E-21 - E-23 |
| BEDROOM | E-24 - F-02 |
| CHASSIS | F-03 - F-13 |
| CURTAIN & CUSHION | F-14 - F-24 |
| DINETTE | G-01 - G-02 |
| DRIVERS COMPARTMENT | G-03 - G-08 |
| ELECTRICAL | G-09 - G-16 |
| EXTERIOR BODY | G-17 - G-24 |
| GALLEY | H-01 - H-05 |
| GENERATOR | H-06 - H-07 |
| HEATING & A/C | H-08 - H-12 |
| INTERIOR FINISH | H-13 - H-16 |
| LABEL | H-17 - I-01 |
| LP | I-02 |
| LOUNGE | I-03 - I-04 |
| SEALANTS & FASTENERS | I-05 - I-08 |
| WATER & SEWAGE | I-09 - I-14 |
| WINDOW, VENT AND EXTERIOR DOOR | I-15 - J-06 |
| WINDSHIELD/WIPER | J-07 - J-08 |

| KEY | PART NUMBER | U/M DESCRIPTION |
|-----|---------------|--|
| 1 | 078528-03-Y12 | EA WINDOW ASM-ESCAPE, 27" X 48" - W/O INSIDE FRAME |
| 2 | 092235-12-Y12 | EA WINDOW-TIPOUT, SINGLE - W/O INSIDE FRAME |
| 3 | 079578-10-C25 | EA DOOR ASM-STORAGE |
| | | FROM 00-00-00 THRU: 01-12-92 |
| 3 | 106987-01-C25 | EA DOOR ASM-STORAGE |
| | | FROM 01-13-92 THRU: 99-99-99 |
| 4 | 052422-03-000 | EA DOOR-ACCESS, 6 6" X 6 3" - PLASTIC - GRAY |
| | 052424-03-000 | EA JAMB-DOOR, 8" X 7 7" - PLASTIC - GRAY |
| 5 | 079578-14-C25 | EA DOOR ASM-STORAGE |
| | | FROM: 00-00-00 THRU: 01-12-92 |
| 5 | 106987-03-C25 | EA DOOR ASM-STORAGE |
| | | FROM 01-13-92 THRU: 99-99-99 |
| 6 | 087659-03-000 | EA FILL-WATER, CITY - GRAY |
| 7 | 081240-02-000 | EA DOOR-WATER FILL, LOCKABLE, 4" X 4 5/8" - GRAY |
| | 082684-01-700 | EA KEY |
| 8 | 084103-02-000 | EA DOOR-REFRIGERATOR, VENTED - W/O JAMB - GRAY |
| | 084104-02-000 | EA JAMB-DOOR, REFRIGERATOR - GRAY |
| | 084104-01-700 | EA LOCK-MALE, FASTENER - REFRIGERATOR DOOR |
| | 084104-01-701 | EA LOCK-FEMALE, FASTENER - REFRIGERATOR DOOR |

| KEY | PART NUMBER | U/M DESCRIPTION |
|-----|---------------|--|
| 9 | 098668-05-000 | EA DOOR-ACCESS, FURNACE, GRAY - SUBURBAN 520574 |
| 10 | 084616-03-000 | EA SHROUD-RANGE HOOD VENT, GRAY |
| | 084878-09-000 | EA VENT-RANGE HOOD, SHORT - LVS |
| 11 | 088794-03-000 | EA DOOR-POWER CORD, W/HATCH - GRAY |
| 12 | 092235-11-Y12 | EA WINDOW-TIPOUT, SINGLE - W/O INSIDE FRAME |
| 13 | 103533-01-C25 | EA DOOR ASM-GENERATOR |
| 14 | 052009-03-000 | EA DOOR-WATER HEATER, GRAY - ATWOOD 5576-27 |
| 15 | 098647-10-02A | EA WINDOW ASM-SLIDER, HORIZ B/W "H024-FRL |
| 16 | 079578-13-C25 | EA DOOR ASM-STORAGE |
| | | FROM 00-00-00 THRU 01-12-92 |
| 16 | 106987-06-C25 | EA DOOR ASM-STORAGE |
| | | FROM 01-13-92 THRU: 99-99-99 |
| 17 | 103658-01-01A | EA WINDOW ASM-CAB, DRIVER H 332-ARL |
| 18 | 090392-01-Y12 | EA VENT-ROOF NONPOWERED |
| 19 | 064073-02-000 | EA COVER-ROOF VENT, REFRIGERATOR - GRAY - NORCOLD |
| | 084073-04-000 | EA BASE-ROOF VENT, REFRIGERATOR - BLACK - NORCOLD |
| 20 | 090393-01-Y12 | EA VENT-ROOF, POWERED W/O SCREEN - US |
| 20 | 064469-08-000 | EA VENT-ROOF, POWERED - 14" X 14" - 12V - JENSEN C-727 - CSA |
| 21 | 103658-02-01A | EA WINDOW ASM-CAB, PASSENGER H322-ARR |

WINDOW, VENT & EXTERIOR DOOR GROUP (CONTINUED)
EXTERIOR WINDOWS, DOORS & VENTS (CONTINUED)



**1992 ITASCA
 TABLE OF CONTENTS**

| | | |
|--------------------|------|------|
| INTRODUCTION | A-01 | A-02 |
| ABBREVIATIONS | | A-03 |
| ALPHABETICAL INDEX | A-04 | A-06 |
| ICF23RC | A-07 | E-14 |
| ICF31RQ | E-15 | J-08 |

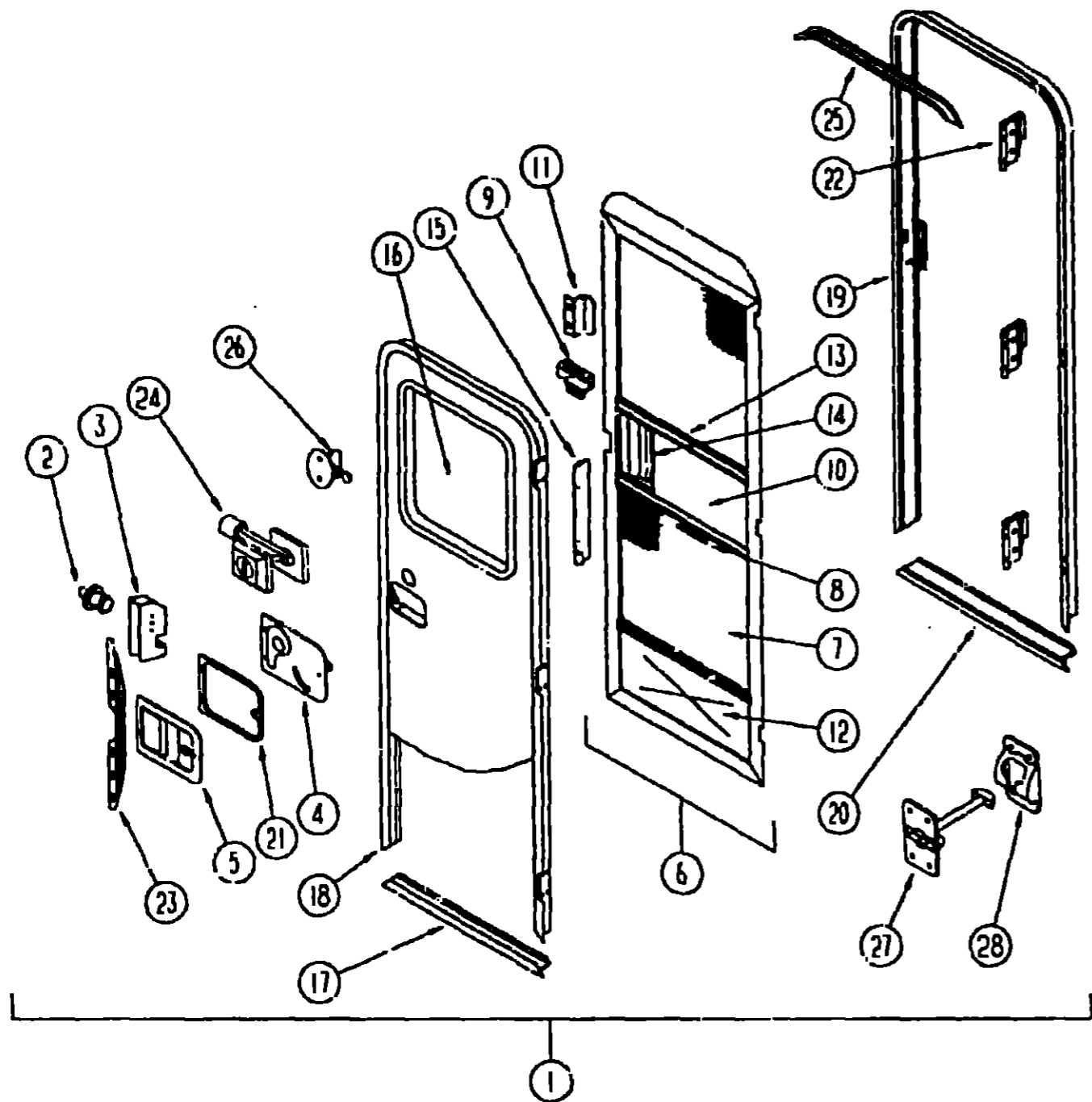
1992 ICF31RQ INDEX

| | | |
|--------------------------------|------|------|
| FLOOR PLAN | E-15 | E-16 |
| ACCESSORIES | | E-17 |
| AUDIO/VIDEO | E-18 | E-20 |
| BATH | E-21 | E-23 |
| BEDROOM | E-24 | F-02 |
| CHASSIS | F-03 | F-13 |
| CURTAIN & CUSHION | F-14 | F-24 |
| DINETTE | G-01 | G-02 |
| DRIVERS COMPARTMENT | G-03 | G-08 |
| ELECTRICAL | G-09 | G-16 |
| EXTERIOR BODY | G-17 | G-24 |
| GALLEY | H-01 | H-05 |
| GENERATOR | H-06 | H-07 |
| HEATING & A/C | H-08 | H-12 |
| INTERIOR FINISH | H-13 | H-16 |
| LABEL | H-17 | I-01 |
| LP | | I-02 |
| LOUNGE | I-03 | I-04 |
| SEALANTS & FASTENERS | I-05 | I-08 |
| WATER & SEWAGE | I-09 | I-14 |
| WINDOW, VENT AND EXTERIOR DOOR | I-15 | J-06 |
| WINDSHIELD/WIPER | J-07 | J-08 |

| KEY | PART NUMBER | U/M | DESCRIPTION |
|-----|---------------|-----|---|
| 22 | 098644-03-703 | EA | WINDOW-SLIDER, 28 25" H X 12 25" W H298-G2R EXCEL |
| 23 | 079733-07-AA8 | EA | WINDOW-ENTRY DOGR, 17" X 25" - FROSTED GLASS |
| 24 | MQ187D-49-C25 | EA | DOOR-ENTRY W/SCREEN, BLACK FRAME |
| 25 | 105118-01-C25 | EA | DOOR-STORAGE |
| 26 | 078720-02-T18 | EA | DOOR-COMPARTMENT, LP - 16 9" X 5 4" - ALUMINUM - GRAY |
| 27 | 098647-09-02A | EA | WINDOW ASM-SLIDER,HORIZ B/OW *H024-PRR |
| 28 | 079578-19-C25 | EA | DOOR ASM-STORAGE |
| 28 | 106987-10-C25 | EA | DOOR ASM-STORAGE |
| | | | FROM: 00-00-00 THRU. 01-12-92 |
| 29 | 079578-18-C25 | EA | DOOR ASM-STORAGE |
| | | | FROM: 01-13-92 THRU 99-99-99 |
| 29 | 106987-09-C25 | EA | DOOR ASM-STORAGE |
| | | | FROM: 00-00-00 THRU 01-12-92 |
| 30 | 105118-02-C25 | EA | DOOR-STORAGE, 17 5" X 7 6" |
| | | | FROM 01-13-92 THRU 99 99-99 |

WINDOW, VENT & EXTERIOR DOOR GROUP (CONTINUED)

ENTRY DOOR



| KEY | PART NUMBER | U/M | DESCRIPTION |
|-----|---------------|-----|--|
| 1 | M01870-49-C25 | EA | DOOR-ENTRY W/SCREEN DOOR & JAMB |
| 2 | 039539-01-000 | EA | STRIKE-LOCK, ENTRY DOOR - ROUND W/THREADED WASHER |
| 3 | 039540-01-000 | EA | LATCH MECHANISM-HOOK, ENTRY DOOR - INTERIOR |
| | 039715-01-000 | EA | NUT-SERT, 1/4" DIAMETER - 20 THREADS |
| 4 | 039979-04-000 | EA | COVER-INTERIOR LATCH W/TRIP ARM - RIGHT - BLACK |
| | 039984-01-000 | EA | CAP-ROUND, VINYL - 28" ID X 62" LONG - BLACK |
| | 041546-03-000 | EA | BRACKET-DOOR ANGLE, 5" X 1 9" - BEIGE - METAL |
| 5 | 045017-11-000 | EA | LATCH-ENTRY DOOR MECHANISM W/LOCK & KEY - BLACK |
| | 045017-11-701 | EA | KEY BLANK |
| | 058025-02-000 | EA | CLIP-ROLLER LATCH CATCH, SCREEN DOOR |
| | 063729-04-000 | EA | RIVNUT, 10-32 UN" - 010-000 |
| | 072893-01-000 | EA | NUTSERT-M5 X 0.8 |
| | 075671-04-000 | FT | SEAL-SPONGE, LAZY T SHAPE - W/ADHESIVE STRIPE - 5" WIDE |
| 6 | 079012-01-U01 | EA | DOOR-SCREEN |
| 7 | 002293-02-000 | SF | SCREENING-WINDOW/DOOR 26" - CHARCOAL |
| 8 | 002294-01-000 | FT | SPLINE-SCREENING, 135" X 138" - BLACK |
| | 002748-01-000 | EA | CORNER KEY-DOOR |
| 9 | 109403-01-000 | EA | CATCH-ASM-SINGLE ROLLER |
| 10 | 016454-01-000 | EA | INSERT-CENTER, LEATHER GRAIN ALL VINUM - UNPAINTED |
| 10 | 001014-01-013 | EA | INSERT-CENTER, 10 25" X 16 31" - UNPAINTED |
| 11 | 050712-04-000 | EA | HANDLE-SCREEN DOOR, ALUMINUM - OFF WHITE |
| 11 | 050712-05-000 | EA | HANDLE-SCREEN DOOR, UNPAINTED |
| 12 | 076552-03-000 | EA | KICK PANEL-SCREEN DOOR, LOWER INSERT - UNPAINTED |
| | 078595-01-000 | EA | TOP PLATE-SCREEN DOOR CURVED TOP - 4 7" X 25 35" |
| 13 | 078777-01-000 | EA | CHANNEL-SLIDE, SCREEN DOOR CENTER SLIDER COVER |
| 14 | 079086-02-000 | EA | SLIDER-SCREEN DOOR, OFF WHITE |
| 15 | 079007-02-000 | EA | STRIKE-SLIDER, W/LIP FOR ELBOW CATCH - 1 3" X 8 6" - OFF WHITE |
| | 009016-01-000 | EA | CATCH-ELBOW, SPRING LOADED - SCREEN DOOR CATCH |
| 16 | 079733-07-AAB | EA | WINDOW-PICTURE, W/O INSIDE FRAME - 17" X 25" |
| | 057609-32-000 | EA | FRAME-WINDOW, ENTRY DOOR - OFF WHITE |
| | 002181-07-000 | EA | GLASS-WINDOW, 182" X 16 25" X 24" - FROSTED |
| | 081914-01-000 | EA | BUMPER-RUBBER, ROUND - 43" DIAMETER - BLACK |
| 17 | 089748-03-000 | EA | FRAME-BOTTOM, ENTRY DOOR - 24 8" LONG - GRAY |
| | 090340-01-000 | FT | SEAL-FOAM, CLOSED CELL - 1/4" X 1/2" X 50" |
| 19 | 095276-01-03A | EA | FRAME-ENTRY DOOR, W/O BOTTOM - GRAY |
| 19 | 095277-02-03A | EA | JAMB-ENTRY DOOR, W/BOTTOM - 25 9" X 74 5" - GRAY |
| 20 | 051049-01-000 | EA | JAMB-BOTTOM, ENTRY DOOR - 25 9" - UNPAINTED |
| | 079207-01-000 | EA | STRIKER-ROLLER CATCH, WELDED TO DOOR JAMB - 4" X 1 15" |
| | 095278-01-01A | EA | JAMB-DOOR, ENTRANCE - 25 9" X 74 6" - UNPAINTED |
| 21 | 096810-01-01A | EA | PLATE-LATCH, ENTRY DOOR - PLASTIC - BLACK |
| 22 | 097724-01-04A | EA | HINGE-ENTRY DOOR, UNPAINTED |
| 23 | 098173-01-04A | EA | STIFFENER-ENTRY DOOR, SUPPORTS LATCH/STRIKE AREA - UNPAINTED |
| | 100128-02-000 | FT | SEAL-PILE, ADHESIVE BACK - SCREEN DOOR - GRAY |
| 24 | 101145-01-01A | EA | DEADBOLT-ENTRY DOOR, W/2 KEYS W/O BACK SET BOLT OR SCREWS |
| | 095229-01-700 | EA | KEY BLANK FOR DEADBOLT |
| | 101147-01-000 | EA | BOLT-SECURITY, 4 12" BACKSET |
| | 102524-01-000 | EA | BUMPER-RUBBER, FLAT - BLACK |
| 25 | 044582-06-000 | EA | CAP-DRIP, ENTRY DOOR - JAMB MOUNTED - ALUMINUM - GRAY |
| | 064075-07-000 | FT | SEAL-BULB, W/WIRED U CHANNEL - 3" X 5" CHANNEL - BLACK |
| | 075639-04-000 | EA | GARNISH-RADIUS, ENT DOOR - OFF WHITE |
| | 077461-03-000 | EA | COVER-STRIKE, ENTRY DOOR - 6 5" X 2 5" - PLASTIC - WHITE |
| | 090340-01-000 | FT | SEAL-FOAM, CLOSED CELL - 1/4" X 1/2" X 50" |
| | 091876-01-000 | EA | RETAINER-DOOR, 1 9" X .8" - METAL |
| 26 | 100412-01-000 | EA | CATCH-SCREEN DOOR, THUMB CLIP W/BLACK PLASTIC CAP |
| | 104692-01-000 | FT | SEAL-ADHESIVE BACK, 3/4" X 34" |
| 27 | 104099-C1-01A | EA | CATCH-DOOR HOLDER, STRIKE |
| 28 | 104099-02-01A | EA | CATCH-DOOR HOLDER, RETAINER |

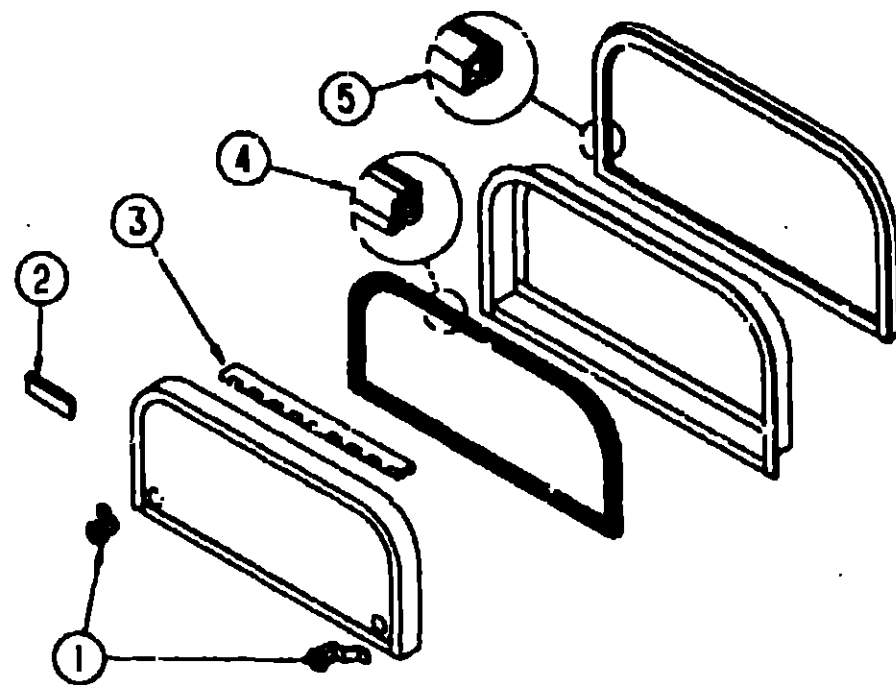
**1992 ITASCA
TABLE OF CONTENTS**

| | |
|--------------------|-------------|
| INTRODUCTION | A-01 - A-02 |
| ABBREVIATIONS | A-03 |
| ALPHABETICAL INDEX | A-04 - A-06 |
| ICF23RC | A-07 - E-14 |
| ICF31RQ | E-15 - J-08 |

1992 ICF31RQ INDEX

| | |
|--------------------------------|-------------|
| FLOOR PLAN | E-15 - E-16 |
| ACCESSORIES | E-17 |
| AUDIO/VIDEO | E-18 - E-20 |
| BATH | E-21 - E-23 |
| BEDROOM | E-24 - F-02 |
| CHASSIS | F-03 - F-13 |
| CURTAIN & CUSHION | F-14 - F-24 |
| DINETTE | G-01 - G-02 |
| DRIVERS COMPARTMENT | G-03 - G-08 |
| ELECTRICAL | G-09 - G-16 |
| EXTERIOR BODY | G-17 - G-24 |
| GALLEY | H-01 - H-05 |
| GENERATOR | H-06 - H-07 |
| HEATING & A/C | H-08 - H-12 |
| INTERIOR FINISH | H-13 - H-16 |
| LABEL | H-17 - I-01 |
| LP | I-02 |
| LOUNGE | I-03 - I-04 |
| SEALANTS & FASTENERS | I-05 - I-08 |
| WATER & SEWAGE | I-09 - I-14 |
| WINDOW, VENT AND EXTERIOR DOOR | I-15 - J-06 |
| WINDSHIELD/WIPER | J-07 - J-08 |

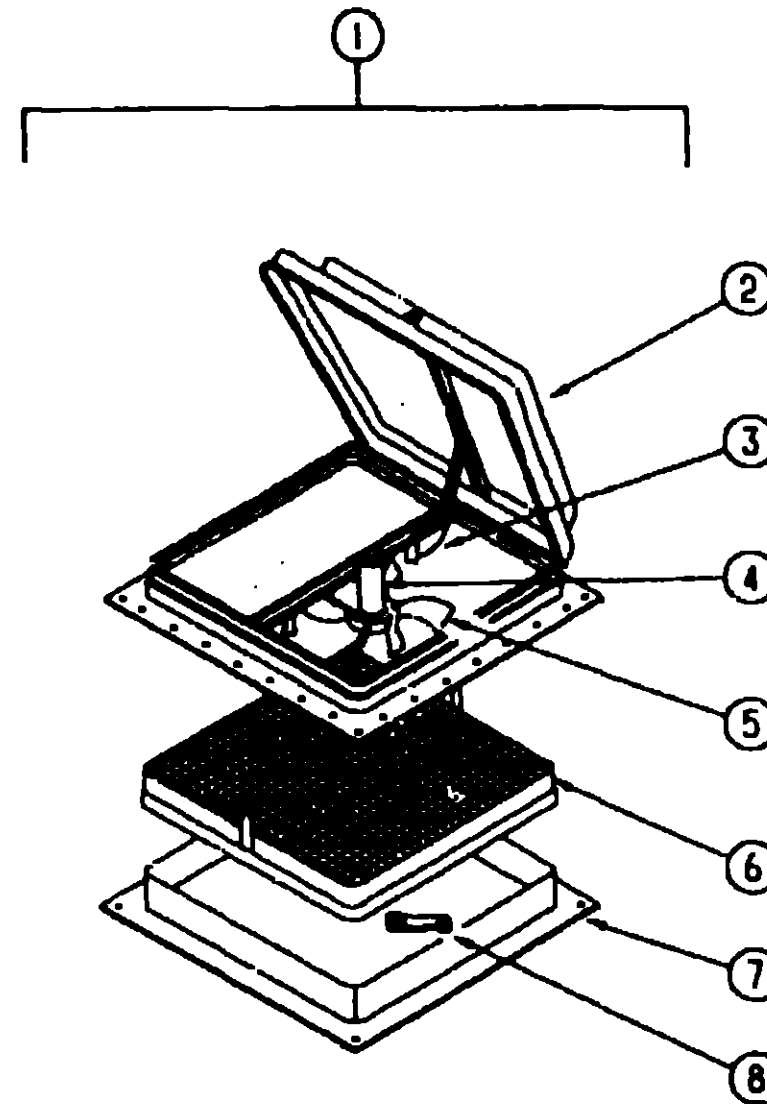
WINDOW, VENT & EXTERIOR DOOR GROUP (CONTINUED)



EXTERIOR DOOR COMPONENTS & HOLDERS

| KEY | PART NUMBER | U/M DESCRIPTION |
|-----|---------------|--|
| 1 | 079366-04-000 | EA LOCK DOOR KEY TYPE W/O KEYS - 1 9 OFF SET |
| | 082684-01-700 | EA KEY BLANK |
| 1 | 079927-03-000 | EA LOCK-TWIST TYPE, DOUBLE CAM - 2 10 OFF SET |
| 2 | 102768-01-000 | EA HOLDER-COMPARTMENT:ENTRY DOOR METAL - MILL FINISH |
| 3 | 034007-48-000 | EA HINGE-CONTINUOUS, 1 5" X 96" - GRAY |
| | 081801-03-000 | EA HINGE-2" X 96", GRAY |
| | 084413-01-000 | EA HINGE-CONTINUOUS, ALUMINUM - 1" X 72" - W/HOLES |
| 4 | 064075-07-000 | FT SEAL-BULB, W/WIRED U CHANNEL - 3" X 5" CHANNEL - BLACK |
| 5 | 081632-02-000 | FT SEAL-BULB, DOOR - W/WIRE CARRIER - 8" WIDE - RUBBER - BLACK |
| | 107997-51-001 | EA SPACER- 86" X 6", ALUMINUM |
| | 109833-01-000 | EA BEAUTY RING- 67" X 78" ID, STAINLESS STEEL |
| | 109834-01-000 | EA WASHER- 64" X 752" ID, STAINLESS STEEL |
| | 081914-01-000 | EA BUMPER-RUBBER, ROUND - 43" DIAMETER - BLACK |
| | 102330-02-000 | EA LATCH-SGL HOLE VISE ACTION SOUTHCOE 3-55-715-5 |

WINDOW, VENT & EXTERIOR DOOR GROUP (CONTINUED)



JENSEN POWERED ROOF VENT

| KEY | PART NUMBER | U/M DESCRIPTION |
|-----|---------------|--|
| 1 | 064459-08-000 | EA VENT-ROOF, POWERED - 14" X 14" - 12V - CANADIAN |
| 2 | 064459-03-702 | EA LID-VENT WHITE |
| 3 | 064469-03-705 | EA LIFT MECHANISM |
| 4 | 048648-01-000 | EA MOTOR-ROOF VENT, 1/6 SHAFT - 12V |
| 5 | 048549-01-000 | EA FAN-ROOF VENT, 6 BLADES - 6" |
| 6 | 110051-01-700 | EA SCREEN-ROOF VENT |
| 7 | 064469-03-705 | EA GARNISH VENT 2 5 IN WIDE |
| 8 | 009439-01-000 | EA CRANK HANDLE-ROOF VENT |

**1992 ITASCA
TABLE OF CONTENTS**

| | | |
|--------------------|--------|------|
| INTRODUCTION | A-01 - | A-02 |
| ABBREVIATIONS | | A-03 |
| ALPHABETICAL INDEX | A-04 - | A-06 |
| ICF23RC | A-07 - | E-14 |
| ICF31RQ | E-15 - | J-06 |

1992 ICF31RQ INDEX

| | | |
|--------------------------------|--------|------|
| FLOOR PLAN | E-15 - | E-16 |
| ACCESSORIES | | E-17 |
| AUDIO/VIDEO | E-18 - | E-20 |
| BATH | E-21 - | E-23 |
| BEDROOM | E-24 - | F-02 |
| CHASSIS | F-03 - | F-13 |
| CURTAIN & CUSHION | F-14 - | F-24 |
| DINETTE | G-01 - | G-02 |
| DRIVERS COMPARTMENT | G-03 - | G-08 |
| ELECTRICAL | G-09 - | G-16 |
| EXTERIOR BODY | G-17 - | G-24 |
| GALLEY | H-01 - | H-05 |
| GENERATOR | H-06 - | H-07 |
| HEATING & A/C | H-08 - | H-12 |
| INTERIOR FINISH | H-13 - | H-16 |
| LABEL | H-17 - | I-01 |
| LP | | I-02 |
| LOUNGE | I-03 - | I-04 |
| SEALANTS & FASTENERS | I-05 - | I-08 |
| WATER & SEWAGE | I-09 - | I-14 |
| WINDOW, VENT AND EXTERIOR DOOR | I-15 - | J-06 |
| WINDSHIELD/WIPER | J-07 - | J-08 |

WINDOW, VENT & EXTERIOR DOOR GROUP (CONTINUED)

POWERED ROOF VENT

| KEY | PART NUMBER | U/M DESCRIPTION |
|-----|---------------|--|
| | 090393-01-Y12 | EA VENT-ROOF POWERED |
| | 009439-01-000 | EA CRANK HANDLE-ROOF VENT |
| | 009439-04-000 | EA SCREW 8-32 X 1 1/4" POH |
| | 009439-02-000 | EA KNOB-ROOF VENT MILL |
| | 009439-03-000 | EA EXTENSION-CRANK HANDLE ROOF VENT - 9" - MILL |
| | 009439-04-000 | EA SCREW 8-32 X 1 1/4" POH |
| | 055218-01-000 | EA COVER-ROOF VENT, PLASTIC |
| | 002825-01-000 | EA WEATHER STRIP-ROOF VENT - GRAY |
| | 008195-01-000 | EA SWITCH-ROOF VENT PUSH BUTTON 12V |
| | 008343-01-000 | EA TIE-WIRE 6" |
| | 008386-01-000 | EA GROMMET SNAP 3/8" |
| | 009440-01-000 | EA GEAR/ARM-VENT COVER LIFT |
| | 015910-03-000 | EA BRACKET-HANDLE, VENT ROOF - OFF WHITE |
| | 015911-01-000 | EA TRACK-LIFT ARM SLIDE - ROOF VENT |
| | 048648-01-000 | EA MOTOR-ROOF VENT 1/8 SHAFT - 12V - JENSEN |
| | 048649-01-000 | EA FAN-ROOF VENT 6 BLADES - 6" - JENSEN |
| | 052639-01-001 | EA HINGE-VENT COVER 16" |
| | 052639-01-200 | EA HINGE-EXTRUSION ROOF VENT 7" |
| | 061603-01-000 | EA GROMMET-SNAP 3/16" ID - 3/8" HOLE - PLASTIC - BLACK |
| | 078785-01-Y12 | EA SCREEN ROOF VENT POWERED |
| | 002291-02-000 | SF SCREENING-ROOF VENT/WINDOW 16" - BLACK |
| | 002298-02-000 | FT SPLINE-VENT/WINDOW SCREEN 128 DIAMETER - BLACK |

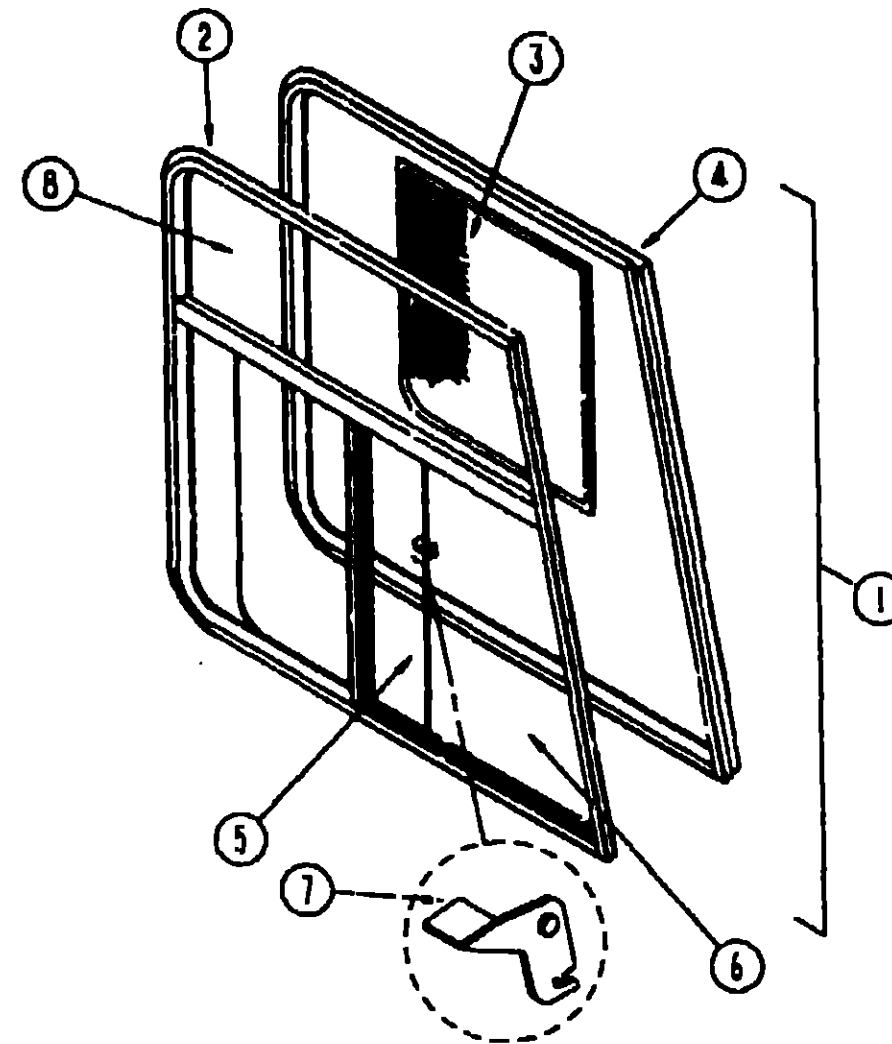
NONPOWERED ROOF VENT

| KEY | PART NUMBER | U/M DESCRIPTION |
|-----|---------------|---|
| | 090392-01-Y12 | EA VENT-ROOF NONPOWERED |
| | 051384-01-000 | EA COVER-ROOF VENT, PLASTIC |
| | 002825-01-000 | EA WEATHER STRIP-ROOF VENT GRAY |
| | 009440-01-000 | EA GEAR/ARM-VENT COVER LIFT |
| | 015911-01-000 | EA TRACK-LIFT ARM SLIDE - ROOF VENT |
| | 052639-01-001 | EA HINGE-VENT COVER 16" |
| | 052639-01-200 | EA HINGE-EXTRUSION ROOF VENT 7" |
| | 078785-01-Y12 | EA SCREEN-ROOF VENT NON POWERED - WHITE |
| | 002291-02-000 | SF SCREENING-ROOF VENT/WINDOW 16" - BLACK |
| | 002298-02-000 | FT SPLINE-VENT/WINDOW SCREEN 128 DIAMETER - BLACK |
| | 015910-03-000 | EA BRACKET-HANDLE, ROOF VENT - OFF WHITE |

VENTS, SHROUDS & ROOF COVERS

| KEY | PART NUMBER | U/M DESCRIPTION |
|-----|---------------|---|
| | 083558-02-000 | EA VENT-PLUMBING PIPE ROOF W/COVER - GRAY |
| | 084616-03-000 | EA SHROUD-RANGE HOOD VENT, PLASTIC - GRAY |
| | 084878-09-000 | EA VENT-RANGE HOOD, SHORT - LVS |
| | 084073-02-000 | EA COVER-ROOF VENT, REFRIGERATOR - GRAY - NORCOLD |
| | 084073-04-000 | EA BASE-ROOF VENT, REFRIGERATOR - BLACK - NORCOLD |

WINDOW, VENT & EXTERIOR DOOR GROUP (CONTINUED)



DRIVER & PASSENGER CAB SIDE WINDOWS

| KEY | PART NUMBER | U/M DESCRIPTION |
|-----|-------------|---|
| | 1 | 103658-02-01A EA WINDOW ASM-CAB,PASSENGER - H322-ARR |
| | 1 | 103658-01-01A EA WINDOW ASM-CAB,DRIVER - H 332-ARL |
| | 2 | 103658-02-702 EA WINDOW-SLIDER, CAB - W/O INSIDE FRAME - PASSENGER - H322-A2R EXCEL |
| | 2 | 103658-01-704 EA WINDOW-SLIDER, CAB - W/O INSIDE FRAME - DRIVER - H322-A2L EXCEL |
| | 3 | 103658-02-700 EA SCREEN ASM - WINDOW, PASSENGER - H322-03R EXCEL |
| | 3 | 103658-01-700 EA SCREEN ASM - WINDOW, DRIVER - H322-03L EXCEL |
| | 4 | 103658-02-703 EA FRAME-INSIDE, PASSENGER - H322-67R EXCEL |
| | 4 | 103658-01-705 EA FRAME-INSIDE, DRIVER - H322-67L EXCEL |
| | 5 | 103658-02-701 EA GLASS-SLIDING, W/SASH&LATCH - PASSENGER - H322-A2R EXCEL |
| | 5 | 103658-01-703 EA GLASS-SLIDING, W/SASH&LATCH - DRIVER - H322-A2L EXCEL |
| | 6 | 103655-01-702 EA GLASS-STATIONARY, BOTTOM - 106-017700 EXCEL |
| | 7 | 098544-01-700 EA LATCH-REPAIR KIT |
| | 8 | 103658-01-701 EA GLASS-STATIONARY, TOP - 106-017899 EXCEL |

**1992 ITASCA
TABLE OF CONTENTS**

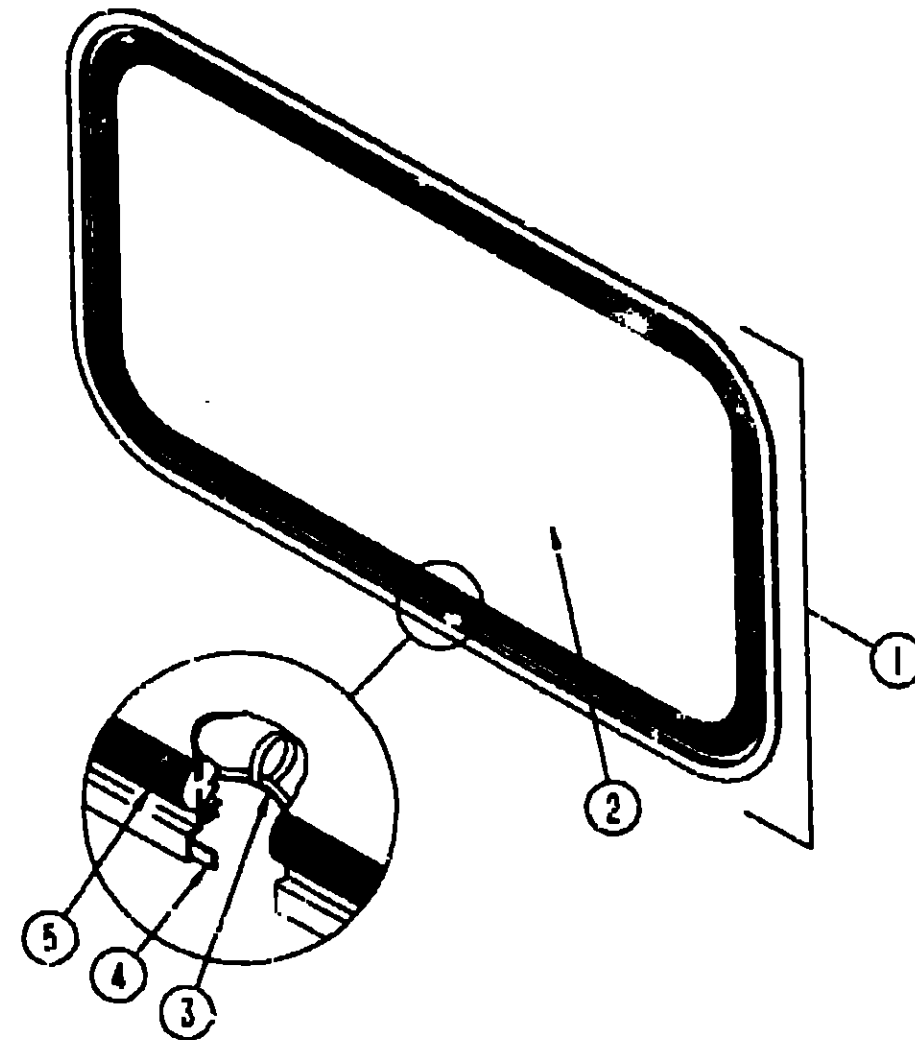
| | | |
|--------------------|------|------|
| INTRODUCTION | A-01 | A-02 |
| ABBREVIATIONS | | A-03 |
| ALPHABETICAL INDEX | A-04 | A-06 |
| ICF23HC | A-07 | E-14 |
| ICF31RC | E-15 | J-08 |

1992 ICF23/RQ INDEX

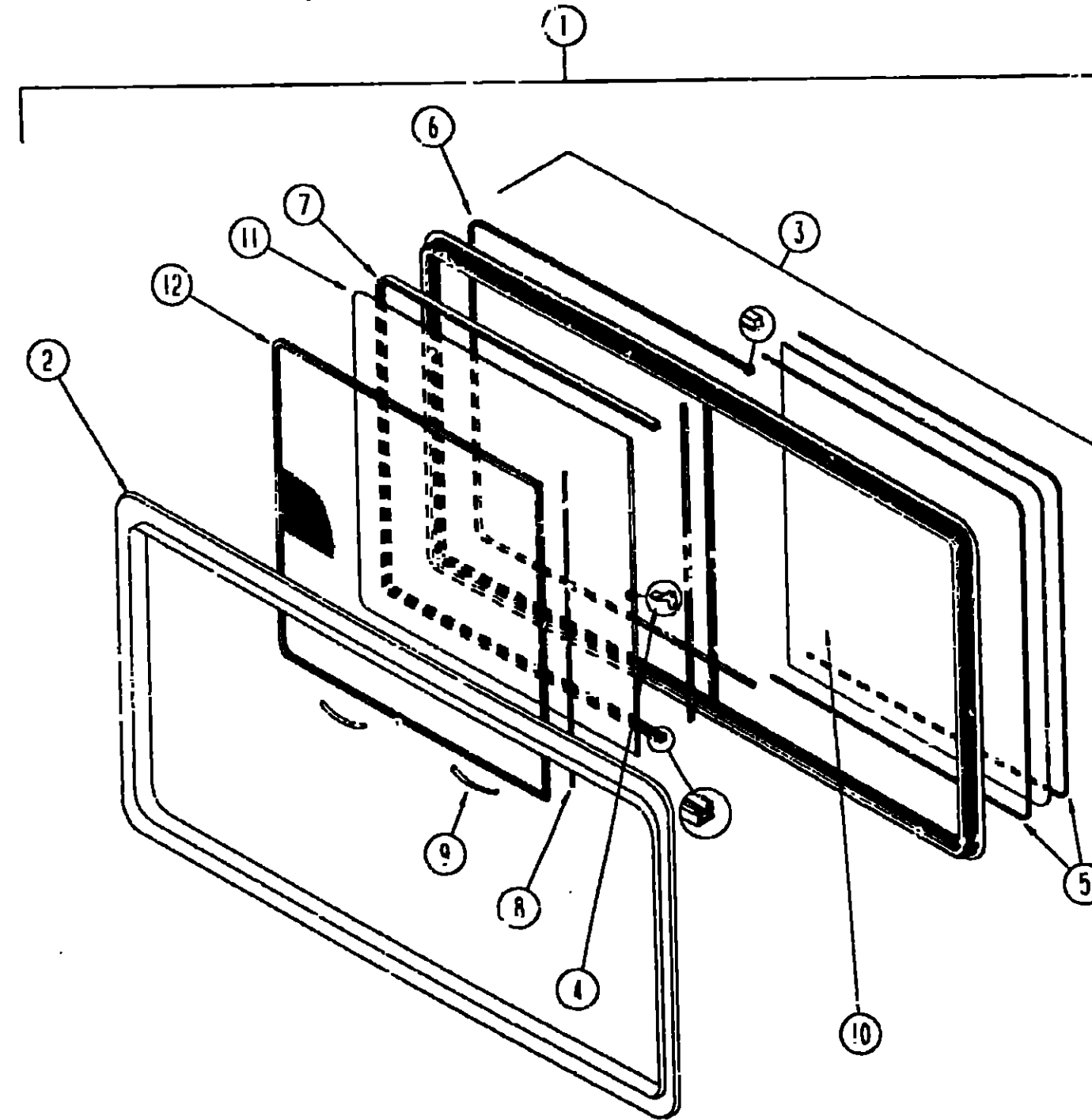
| | | |
|----------------------|------|------|
| FLOOR PLAN | E-15 | E-16 |
| ACCESSORIES | | E-17 |
| AUDIO/VIDEO | E-18 | E-20 |
| BATH | E-21 | E-23 |
| BEDROOM | E-24 | F-02 |
| CHASSIS | F-03 | F-13 |
| CURTAIN & CUSHION | F-14 | F-24 |
| DINETTE | G-01 | G-02 |
| DRIVERS COMPARTMENT | G-03 | G-08 |
| ELECTRICAL | G-09 | G-16 |
| EXTERIOR BODY | G-17 | G-24 |
| GALLEY | H-01 | H-05 |
| GENERATOR | H-05 | H-07 |
| HEATING & A/C | H-08 | H-12 |
| INTERIOR FINISH | H-13 | H-16 |
| LABEL | H-17 | I-01 |
| LP | | I-02 |
| LOUNGE | I-03 | I-04 |
| SEALANTS & FASTENERS | I-05 | I-08 |
| WATER & SEWAGE | I-09 | I-14 |
| WINDOW, VENT AND | | |
| EXTERIOR DOOR | I-15 | J-06 |
| WINDSHIELD/WIPER | J-07 | J-08 |

WINDOW, VENT & EXTERIOR DOOR GROUP (CONTINUED)

WINDOW, VENT & EXTERIOR DOOR GROUP (CONTINUED)



BACKWALL ESCAPE WINDOW



LOUNGE SINGLE SLIDING WINDOW

1992 ITASCA
TABLE OF CONTENTS

| | |
|--------------------|-------------|
| INTRODUCTION | A-01 - A-02 |
| ABBREVIATIONS | A-03 |
| ALPHABETICAL INDEX | A-04 - A-06 |
| ICF23RC | A-07 - E-14 |
| ICF31RQ | E-15 - J-08 |

1992 ICF31RQ INDEX

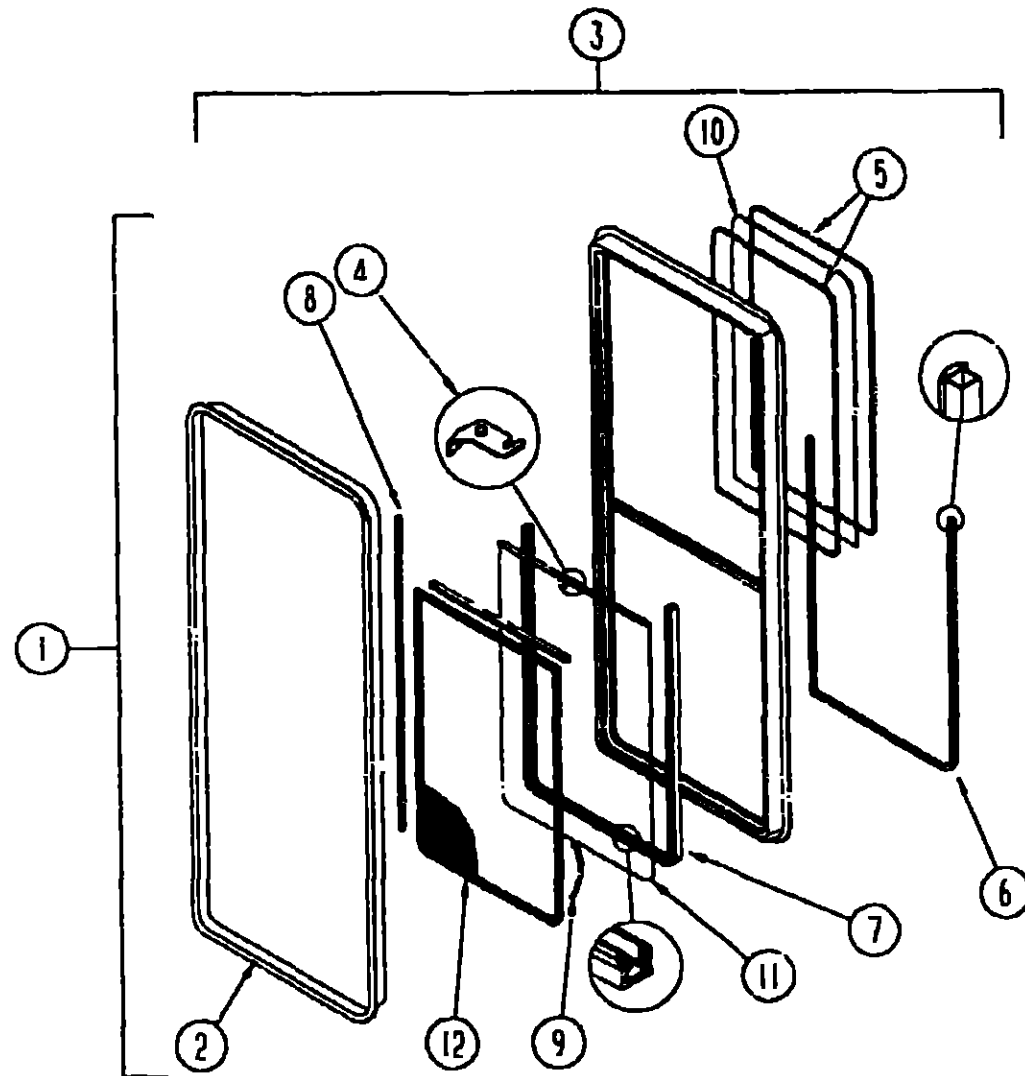
| | |
|--------------------------------|-------------|
| FLOOR PLAN | E-15 - E-16 |
| ACCESSORIES | E-17 |
| AUDIO/VIDEO | E-18 - E-20 |
| BATH | E-21 - E-23 |
| BEDROOM | E-24 - F-02 |
| CHASSIS | F-03 - F-13 |
| CURTAIN & CUSHION | F-14 - F-24 |
| DINETTE | G-01 - G-02 |
| DRIVERS COMPARTMENT | G-03 - G-08 |
| ELECTRICAL | G-09 - G-16 |
| EXTERIOR BODY | G-17 - G-24 |
| GALLEY | H-01 - H-05 |
| GENERATOR | H-06 - H-07 |
| HEATING & A/C | H-08 - H-12 |
| INTERIOR FINISH | H-13 - H-16 |
| LABEL | H-17 - I-01 |
| LP | I-02 |
| LOUNGE | I-03 - I-04 |
| SEALANTS & FASTENERS | I-05 - I-08 |
| WATER & SEWAGE | I-09 - I-14 |
| WINDOW, VENT AND EXTERIOR DOOR | I-15 - J-06 |
| WINDSHIELD/WIPER | J-07 - J-08 |

| KEY | PART NUMBER | U/M DESCRIPTION |
|-----|---------------|---|
| | 074816-08-000 | EA FRAME-WINDOW, INSIDE - ESCAPE - OFF WHITE |
| 1 | 078528-03-Y12 | EA WINDOW-ESCAPE, BACKWALL - 27" X 48" - W/O INSIDE FRAME |
| 2 | 076337-08-000 | EA GLASS-WINDOW, 44 8" X 23 5" |
| 3 | 002285-01-000 | FT FILLER-WEATHER STRIP, RUBBER - BLACK |
| | 077056-01-702 | EA RED POLY 005X 500INX150"ROLL |
| 4 | 065640-10-000 | FT SEALER-RIBBON, 1/32" X 1 1/2" INCREMENTS OF 90° |
| 5 | 002282-06-000 | EA WEATHERSTRIP-WINDOW, 125" X 133 25" - VULCANIZED - BLACK |
| | 002282-01-000 | EA WEATHERSTRIP-WINDOW, RUBBER - 125" - BLACK |

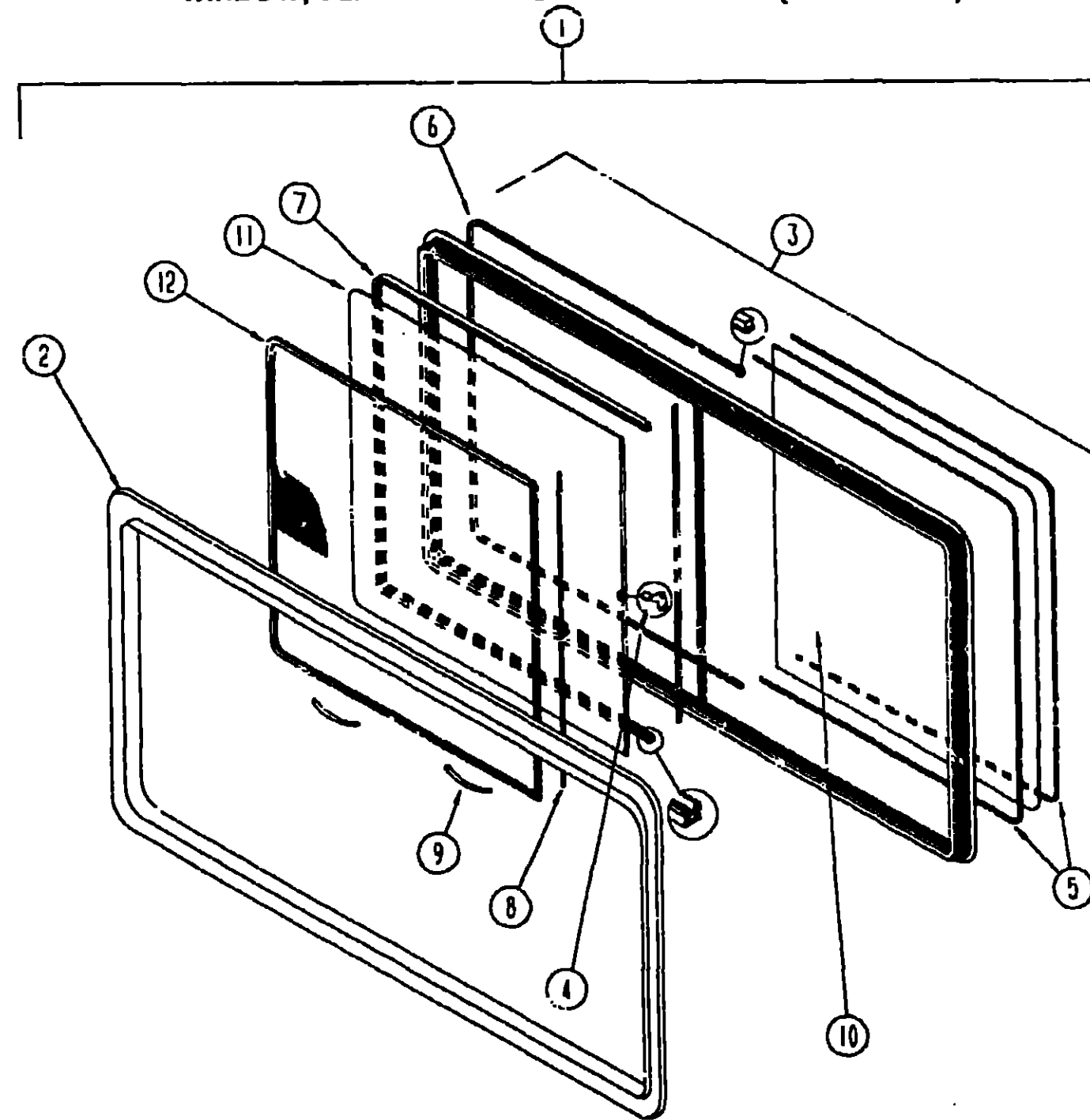
| KEY | PART NUMBER | U/M DESCRIPTION |
|-----|---------------|--|
| 1 | 098647-10-02A | EA WINDOW-SLIDER, HORIZONTAL - W/INSIDE FRAME - BLACK |
| 2 | 098647-09-704 | EA TRIM-INSIDE (OFF-WHITE) - W024-67 EXCEL-WHITE |
| 3 | 098647-10-700 | EA WINDOW-SINGLE SLIDER - LEFT (W/O INSIDE FRAME) |
| 4 | 098647-01-700 | EA LATCH REPAIR KIT |
| 5 | 098644-01-705 | FT GLAZING STRIP, EXCEL M926-12 |
| 6 | 098644-01-706 | FT WEATHERSTRIP EXCEL 171-010668 |
| 7 | 098644-01-708 | FT CHANNEL-PIERCED RUN EXCEL 122-016543 |
| 8 | 098644-01-710 | FT TRACK-SCREEN SPACER 12" LENGTH - EXCEL M401-31 |
| | 098644-01-711 | FT WEATHERSTRIP-SCREEN BLACK - EXCEL 171-016955 |
| 9 | 098644-01-713 | EA SPRING-SCREEN FRAME (CLIP) PLASTIC - BLACK - EXCEL 226-016966 |
| | 098644-01-716 | FT PLUG-FILLER, EXCEL 132-014470 |
| | 098644-01-717 | FT SPLINE-SCREEN MFG. EXCEL 32-004716 |
| 10 | 098647-05-703 | EA GLASS-STATIONARY - 106-017193 EXCEL |
| 11 | 098647-09-701 | EA GLASS-SLIDING, W/SASH&LATCH - H024-G9 EXCEL |
| 12 | 098647-09-705 | EA SCREEN W/SPRING&WEATHERSTRIP - 410-016454 EXCEL |

WINDOW, VENT & EXTERIOR DOOR GROUP (CONTINUED)

WINDOW, VENT & EXTERIOR DOOR GROUP (CONTINUED)



PASSENGER SIDE SWIVEL CHAIR WINDOW



DINETTE SINGLE SLIDING WINDOW

1992 ITASCA
TABLE OF CONTENTS

| | | |
|--------------------|------|------|
| INTRODUCTION | A-01 | A-02 |
| ABBREVIATIONS | | A-03 |
| ALPHABETICAL INDEX | A-04 | A-05 |
| ICF23RC | A-07 | E-14 |
| ICF31RQ | E-15 | J-08 |

1992 ICF31RQ INDEX

| | | |
|--------------------------------|------|------|
| FLOOR PLAN | E-15 | E-16 |
| ACCESSORIES | | E-17 |
| AUDIO/VIDEO | E-18 | E-20 |
| BATH | E-21 | E-23 |
| BEDROOM | E-24 | F-02 |
| CHASSIS | F-03 | F-13 |
| CURTAIN & CUSHION | F-14 | F-24 |
| DINETTE | G-01 | G-02 |
| DRIVERS COMPARTMENT | G-03 | G-08 |
| ELECTRICAL | G-09 | G-16 |
| EXTERIOR BODY | G-17 | G-24 |
| GALLEY | H-01 | H-05 |
| GENERATOR | H-06 | H-07 |
| HEATING & A/C | H-08 | H-12 |
| INTERIOR FINISH | H-13 | H-16 |
| LABEL | H-17 | I-01 |
| LP | | I-02 |
| LOUNGE | I-03 | I-04 |
| SEALANTS & FASTENERS | I-05 | I-08 |
| WATER & SEWAGE | I-09 | I-14 |
| WINDOW, VENT AND EXTERIOR DOOR | I-15 | J-06 |
| WINDSHIELD/WIPER | J-07 | J-08 |

| KEY | PART NUMBER | U/M DESCRIPTION |
|-----|---------------|--|
| 1 | 098644-03-02A | EA WINDOW-SLIDER, VERTICAL W/INSIDE TRIM - EXCEL |
| 2 | 098644-03-705 | EA TRIM-INSIDE - EXCEL |
| 3 | 098644-03-703 | EA WINDOW ASM. W/O INSIDE TRIM - EXCEL H250-G2R |
| 4 | 098644-01-700 | EA LATCH-REPAIR KIT, EXCEL B801-CK |
| 5 | 098644-01-705 | FT GLAZING STRIP, EXCEL M926-12 |
| 6 | 098644-01-706 | FT WEATHERSTRIP, EXCEL 171-010668 |
| 7 | 098644-01-708 | FT CHANNEL-PIERCED RUN, EXCEL 122-016543 |
| 8 | 098644-01-710 | FT TRACK-SCREEN SPACER, 12' LENGTH - EXCEL M401-31 |
| | 098644-01-711 | FT WEATHERSTRIP-SCREEN, BLACK - EXCEL 171-013965 |
| 9 | 098644-01-713 | EA SPRING-SCREEN FRAME (CLIP), PLASTIC - BLACK |
| 10 | 098644-03-700 | EA GLASS-STATIONARY |
| 11 | 098644-03-701 | EA GLASS-SLIDING, W/SASH&LATCH |
| 12 | 098644-03-702 | EA SCREEN W/SPRING&WEATHERSTRIP |
| | 098644-01-716 | FT PLUG-FILLER, EXCEL 132-014470 |
| | 098644-01-717 | FT SPLINE-SCREEN MFG, EXCEL 132-004716 |

| KEY | PART NUMBER | U/M DESCRIPTION |
|-----|---------------|--|
| 1 | 098647-09-02A | EA WINDOW-SLIDER, HORIZONTAL - W/INSIDE FRAME - BLACK |
| 2 | 098647-09-704 | EA TRIM-INSIDE (OFF-WHITE) - W024-67 EXCEL-WHITE |
| 3 | 098647-09-703 | EA WINDOW-SINGLE SLIDER - LEFT (W/O INSIDE FRAME) |
| 4 | 098644-01-700 | EA LATCH REPAIR KIT |
| 5 | 098644-01-705 | FT GLAZING STRIP, EXCEL M926-12 |
| 6 | 098644-01-706 | FT WEATHERSTRIP EXCEL 171-010668 |
| 7 | 098644-01-708 | FT CHANNEL-PIERCED RUN EXCEL 122-016543 |
| 8 | 098644-01-710 | FT TRACK-SCREEN SPACER 12' LENGTH - EXCEL M401-31 |
| | 098644-01-711 | FT WEATHERSTRIP-SCREEN BLACK - EXCEL 171-016965 |
| 9 | 098644-01-713 | EA SPRING-SCREEN FRAME (CLIP) PLASTIC - BLACK - EXCEL 226-016968 |
| | 098644-01-716 | FT PLUG-FILLER, EXCEL 132-014470 |
| | 098644-01-717 | FT SPLINE-SCREEN MFG, EXCEL 32-004716 |
| 10 | 098647-09-700 | EA GLASS-STATIONARY - 106-017193 EXCEL |
| 11 | 098647-09-701 | EA GLASS-SLIDING, W/SASH&LATCH - H024-G9 EXCEL |
| 12 | 098647-09-705 | EA SCREEN W/SPRING&WEATHERSTRIP - 410-016464 EXCEL |

WINDOW, VENT & EXTERIOR DOOR GROUP (CONTINUED)

DRIVER & PASSENGER SIDE BEDROOM WINDOWS

| KEY | PART NUMBER | U/M DESCRIPTION |
|-----|---------------|---|
| | C90893-18-02A | EA FRAME-WINDOW, INSIDE - OFF WHITE |
| 1 | 092235-12-Y12 | EA WINDOW-TIPOUT, W/O INSIDE FRAME - 40 3" X 26.8" |
| | 000G39-06-16T | EA SCREW-SF/DR, 6-20 X 1 PPH - BLACK |
| 2 | 080918-01-000 | EA SPRING-TORQUE TUBE, RIGHT |
| 3 | 035302-02-000 | EA OPERATOR-TORQUE, TIPOUT WINDOW - LEFT |
| 4 | 009439-06-000 | EA EXTENSION-CRANK HANDLE, WINDOW/ROOF VENT - 9" - BLACK |
| 5 | 009439-05-000 | EA KNOB-OPERATOR, TIPOUT WINDOW - BLACK |
| | 009439-07-000 | EA SCREW, 8-32 X 1 1/4 POH - BLACK |
| 6 | 083150-12-000 | EA TUBE ASM. - TORQUE, WINDOW |
| 7 | 084068-17-000 | EA GLASS-TIPOUT, 9 2" X 40" |
| 8 | 100168-01-000 | EA CLIP-SPRING, SCREEN |
| 9 | 100235-04-B07 | EA SCREEN-SINGLE TIPOUT WINDOW |
| 10 | 080218-03-000 | SF SCREEN-FIBER GLASS, 12" WIDE |
| | 100240-01-000 | FT SPLINE-SCREEN, T-SHAPED |
| 11 | 086762-01-000 | EA T NUT 10-32 |
| 12 | 068927-03-000 | EA SEAL-WINDOW, RUBBER - ROUND - 80" DIA - BLACK |
| 13 | 084473-01-000 | EA SEAL-RUBBER, TIPOUT WINDOW |
| 14 | 086763-01-000 | EA SCREW-MACH, 10 - 32 X 1/4 PTH |
| 15 | 097578-01-000 | EA LINKAGE-TIPOUT WINDOW |
| | 081649-01-000 | EA RING - SNAP, 7/32 SHAFT DIA |
| | 084453-01-000 | EA WASHER-.060 X .50 X .135 - PLASTIC |
| | 085315-01-000 | EA RIVET-SHOULDER, TIPOUT WINDOW |
| 16 | 084453-02-000 | EA WASHER-.060 X .50 X .250 - PLASTIC |
| 17 | 089913-01-000 | EA HINGE-TIPOUT WINDOW, BLACK |
| 18 | 084067-02-000 | FT SEAL-E SHAPED, SPONGE - TIPOUT WINDOW - .4" X 4" - BLACK |
| 19 | 069640-11-000 | EA SEALER-TAPE, 3/16" X 3/8" BLACK |
| 20 | 080918-02-000 | EA SPRING-TORQUE TUBE, LEFT |
| 21 | 081354-01-000 | EA SLEEVE-TORQUE TUBE, TIPOUT WINDOW - 1 3" X 1 2" X 7" |

GALLEY WINDOW

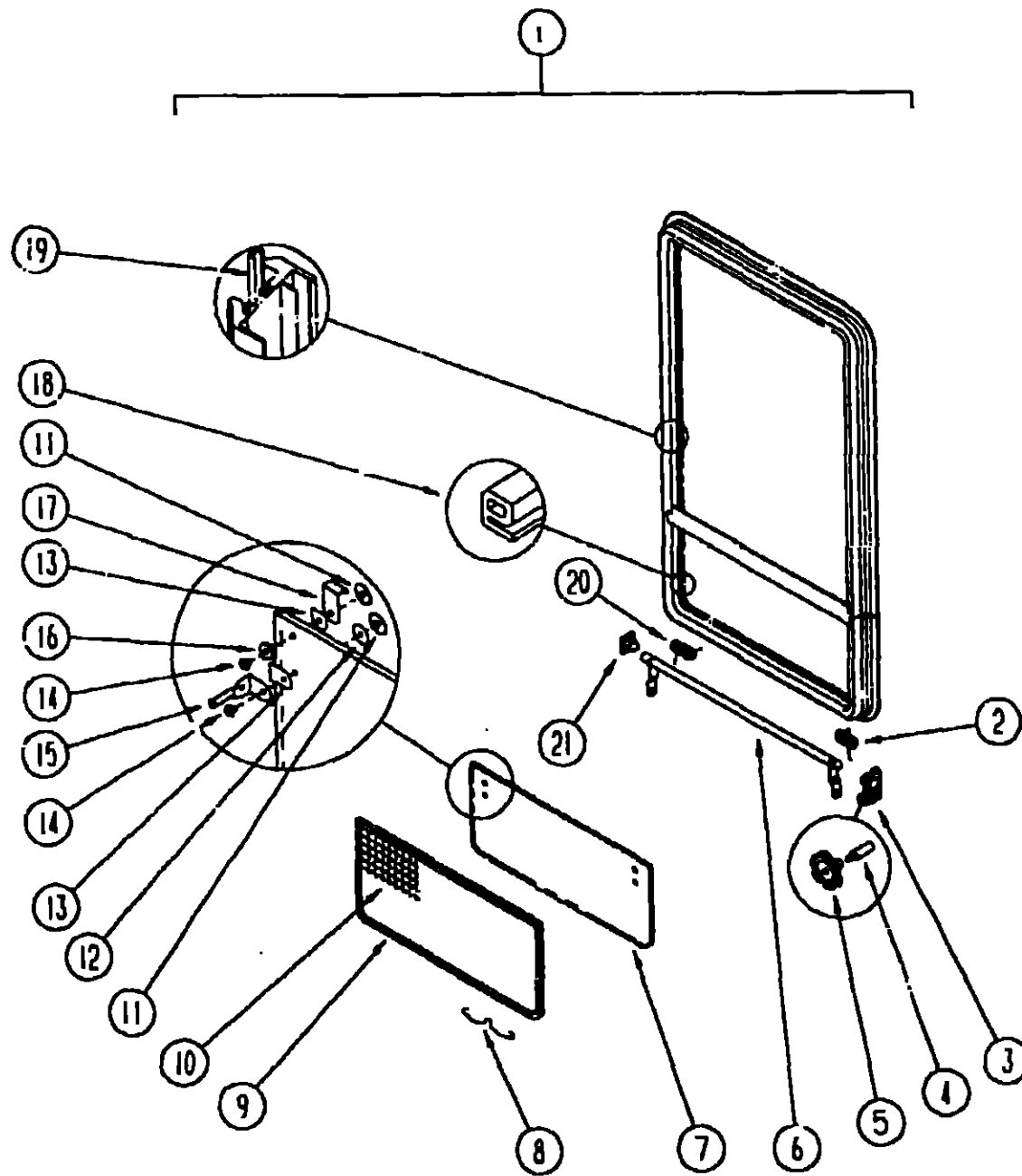
| KEY | PART NUMBER | U/M DESCRIPTION |
|-----|---------------|--|
| | 090893-17-02A | EA FRAME-WINDOW, INSIDE - OFF WHITE |
| 1 | 092235-11-Y12 | EA WINDOW-TIPOUT, W/O INSIDE FRAME - 24 8" X 15 5" |
| | 000G39-06-16T | EA SCREW-SF/DR, 6-20 X 1 PPH - BLACK |
| 2 | 080918-01-000 | EA SPRING-TORQUE TUBE, RIGHT |
| 3 | 035302-02-000 | EA OPERATOR-TORQUE, TIPOUT WINDOW - LEFT |
| 4 | 009439-06-000 | EA EXTENSION-WINDOW CONTROL |
| 5 | 009439-05-000 | EA KNOB-OPERATOR, TIPOUT WINDOW - BLACK |
| 6 | 083150-10-000 | EA TUBE ASM. - TORQUE, WINDOW |
| 7 | 084068-15-000 | EA GLASS-TIPOUT, 9 2" X 24.5" |
| 8 | 100168-01-000 | EA CLIP-SPRING, SCREEN |
| 9 | 100235-02-B07 | EA SCREEN-SINGLE TIPOUT WINDOW |
| 10 | 080218-03-000 | SF SCREEN-FIBERGLASS, 12" WIDE |
| | 100240-01-000 | FT SPLINE-SCREEN, T-SHAPED |
| 11 | 086762-01-000 | EA T NUT 10-32 |
| 12 | 068927-03-000 | EA SEAL-WINDOW, RUBBER - ROUND - 80" DIA - BLACK |
| 13 | 084473-01-000 | EA SEAL-RUBBER, TIPOUT WINDOW |
| 14 | 086763-01-000 | EA SCREW-MACH, 10 - 32 X 1/4 PTH |
| 15 | 097578-01-000 | EA LINKAGE-TIPOUT WINDOW |
| | 081649-01-000 | EA RING - SNAP, 7/32 SHAFT DIA |
| | 084453-01-000 | EA WASHER-.060 X .50 X .135 - PLASTIC |
| | 085315-01-000 | EA RIVET-SHOULDER, TIPOUT WINDOW |
| 16 | 084453-02-000 | EA WASHER-.060 X .50 X .250 - PLASTIC |
| 17 | 089913-01-000 | EA HINGE-TIPOUT WINDOW, BLACK |
| 18 | 084067-01-000 | FT SEAL-E SHAPED, SPONGE - TIPOUT WINDOW - .4" X .4" - BLACK |
| 19 | 069640-11-000 | EA SEALER-TAPE, 3/16" X 3/8" BLACK |
| 20 | 080918-02-000 | EA SPRING-TORQUE TUBE, LEFT |
| 21 | 081354-01-000 | EA SLEEVE-TORQUE TUBE, TIPOUT WINDOW - 1 3" X 1 2" X 7" |

1992 ITASCA TABLE OF CONTENTS

| | |
|--------------------|-------------|
| INTRODUCTION | A-01 - A-02 |
| ABBREVIATIONS | A-03 |
| ALPHABETICAL INDEX | A-04 - A-06 |
| ICF23RC | A-07 - E-14 |
| ICF31RQ | E-15 - J-08 |

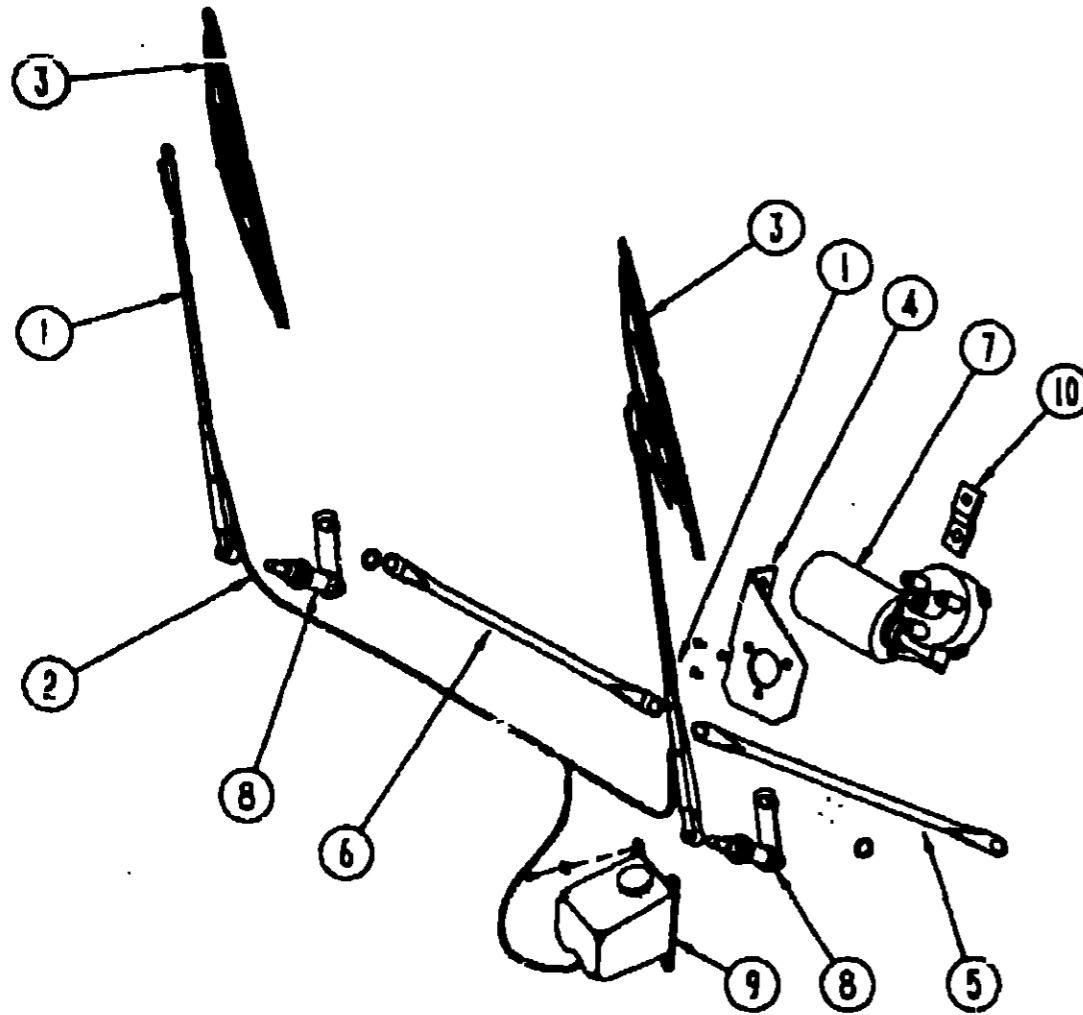
1992 ICF31RQ INDEX

| | |
|--------------------------------|-------------|
| FLOOR PLAN | E-15 - E-16 |
| ACCESSORIES | E-17 |
| AUDIO/VIDEO | E-18 - E-20 |
| BATH | E-21 - E-23 |
| BEDROOM | E-24 - F-02 |
| CHASSIS | F-03 - F-13 |
| CURTAIN & CUSHION | F-14 - F-24 |
| DINETTE | G-01 - G-02 |
| DRIVERS COMPARTMENT | G-03 - G-08 |
| ELECTRICAL | G-09 - G-16 |
| EXTERIOR BODY | G-17 - G-24 |
| GALLEY | H-01 - H-05 |
| GENERATOR | H-06 - H-07 |
| HEATING & A/C | H-08 - H-12 |
| INTERIOR FINISH | H-13 - H-16 |
| LABEL | I-01 - I-01 |
| LP | I-02 |
| LOUNGE | I-03 - I-04 |
| SEALANTS & FASTENERS | I-05 - I-08 |
| WATER & SEWAGE | I-09 - I-14 |
| WINDOW, VENT AND EXTERIOR DOOR | I-15 - J-06 |
| WINDSHIELD/WIPER | J-07 - J-08 |

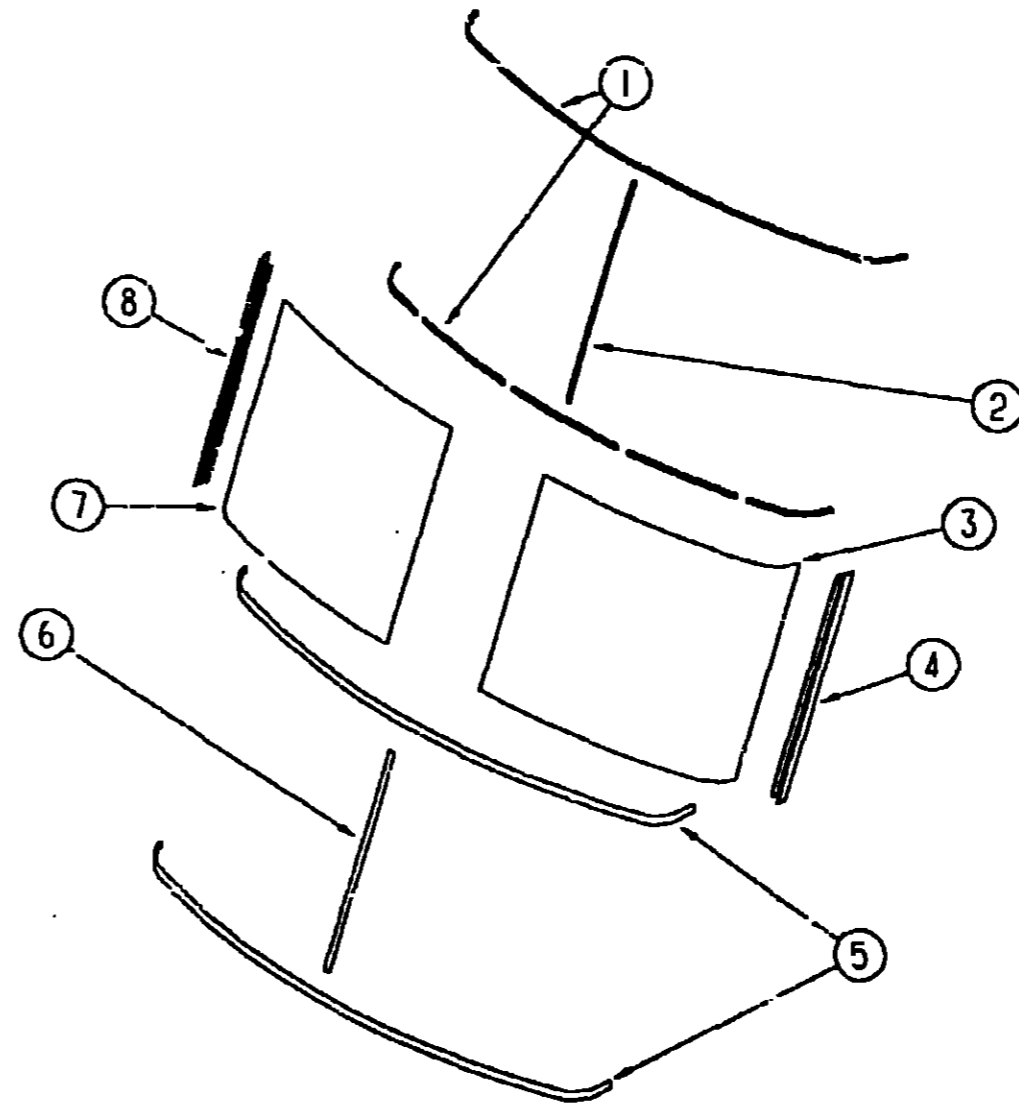


WINDSHIELD & WIPER GROUP

WINDSHIELD & WIPER GROUP (CONTINUED)



WIPER COMPONENTS



WINDSHIELD MOLDINGS & GLASS

**1992 ITASCA
TABLE OF CONTENTS**

| | |
|--------------------|-------------|
| INTRODUCTION | A-01 - A-02 |
| ABBREVIATIONS | A-03 |
| ALPHABETICAL INDEX | A-04 - A-06 |
| ICF23RC | A-07 - E-14 |
| ICF31RQ | E-15 - J-06 |

1992 ICF31RQ INDEX

| | |
|--------------------------------|-------------|
| FLOOR PLAN | E-15 - E-16 |
| ACCESSORIES | E-17 |
| AUDIO/VIDEO | E-18 - E-20 |
| BATH | E-21 - E-23 |
| BEDROOM | E-24 - F-02 |
| CHASSIS | F-03 - F-13 |
| CURTAIN & CUSHION | F-14 - F-24 |
| DINETTE | G-01 - G-02 |
| DRIVERS COMPARTMENT | G-03 - G-08 |
| ELECTRICAL | G-09 - G-16 |
| EXTERIOR BODY | G-17 - G-24 |
| GALLEY | H-01 - H-05 |
| GENERATOR | H-06 - H-07 |
| HEATING & A/C | H-08 - H-12 |
| INTERIOR FINISH | H-13 - H-16 |
| LABEL | H-17 - I-01 |
| LP | I-02 |
| LOUNGE | I-03 - I-04 |
| SEALANTS & FASTENERS | I-05 - I-08 |
| WATER & SEWAGE | I-09 - I-14 |
| WINDOW, VENT AND EXTERIOR DOOR | I-15 - J-05 |
| WINDSHIELD/WIPER | J-07 - J-08 |

| KEY | PART NUMBER | U/M DESCRIPTION |
|-----|---------------|---|
| 1 | 103671-01-000 | EA ARM-WIPER PANTOGRAPH - 24" |
| 2 | 045794-01-000 | FT HOSE-WASHER WINDSHIELD - 5/32" ID - BLACK |
| 3 | 095964-01-000 | EA BLADE-WIPER, 24" |
| 4 | 103726-01-000 | EA BRACKET-WIPER MOTOR |
| 4 | 104549-01-000 | EA BRACKET ASM-WIPER |
| 5 | 103672-01-000 | EA LINK ASM - CONNECTING - DRIVERS |
| 6 | 103672-02-000 | EA LINK ASM - CONNECTING - PASSENGERS |
| 7 | 104355-01-000 | EA MOTOR-WIPER |
| 8 | 096505-02-000 | EA PIVOT & SHAFT ASM-WIPER, PASSENGER WINDSHIELD |
| 8 | 096505-03-000 | EA PIVOT & SHAFT ASM-WIPER, DRIVER WINDSHIELD |
| | 096526-01-000 | EA SCREW-HEX, 1/4 - 28 UNF |
| 9 | 056000-02-000 | EA WASHER-WINDSHIELD, BOTTLE & PUMP |
| 10 | 104347-01-000 | EA ARM-DRIVE WIPER MOTOR 1 54" |
| | 056000-01-700 | FT VACUUM HOSE 7/64 - 5/32 |
| | 061603-01-000 | EA GROMMET-SNAP, 3/16 ID - 3/8 HOLE - PLASTIC - BLACK |
| | 071015-21-000 | EA GROMMET- 50"ID, FITS 19" MATERIAL RUBBER, SPLIT |
| | 091206-02-000 | EA CONTROL-WIPER |
| | 067188-01-000 | EA STUD-CRANK WIPER |
| | 040921-04-000 | EA NUT-SPEED, U TYPE - NO 8 - 59" LENGTH X 44" WIDTH |
| | 040921-05-000 | EA NUT-SPEED, U TYPE - NO 8 - 67" LENGTH X 44" WIDTH |
| | 040921-06-000 | EA NUT-SPEED, U TYPE - NO 8 - 57" LENGTH X 63" WIDTH |

| KEY | PART NUMBER | U/M DESCRIPTION |
|-----|---------------|--|
| 1 | 102935-01-000 | EA CARRIER - REVEAL - WINDSHIELD |
| 2 | 102935-02-000 | EA CARRIER - REVEAL - WINDSHIELD |
| 3 | 088793-04-000 | EA GLASS-WINDSHIELD, DRIVER |
| 4 | 103107-02-01A | EA TRIM - WINDSHIELD - SIDE - BLACK |
| 5 | 102936-01-000 | FT MOLDING - REVEAL - WINDSHIELD |
| 6 | 102936-01-000 | FT MOLDING - REVEAL - WINDSHIELD - CENTER |
| 7 | 088793-03-000 | EA GLASS-WINDSHIELD, PASSENGER |
| 7 | 103107-03-01A | EA TRIM - WINDSHIELD - SIDE - BLACK |
| | 098788-02-000 | EA CHANNEL - RIGID |
| | 075710-01-000 | EA FRAME - WINDSHIELD - CENTER DIVIDER - INNER |
| | 077922-02-000 | EA HEADER - WINDSHIELD |
| | | FROM 00-00-00 THRU 01-19-92 |
| | 077922-03-000 | EA HEADER WINDSHIELD END - RIGHT |
| | | FROM 01-20-92 THRU 99-99-99 |
| | 077922-04-000 | EA HEADER WINDSHIELD END - LEFT |
| | | FROM 01-20-92 THRU 99-99-99 |
| | 077922-05-000 | EA HEADER WINDSHIELD - CENTER |
| | | FROM 01-20-92 THRU 99-99-99 |
| | 076579-09-000 | EA TRIM - WINDSHIELD - UPPER INNER - RIGHT - GRAY |
| | 078579-10-000 | EA TRIM - WINDSHIELD - UPPER INNER - LEFT - GRAY |
| | 079765-08-000 | EA TRIM-WINDSHIELD - CENTER - GRAY |
| | 077952-02-000 | EA CAP - REVEAL MOLDING - CENTER TOP AND BOTTOM WINDSHIELD |
| | | FROM 00-00-00 THRU 11-10-91 |
| | 077847-02-000 | EA SUPPORT - WINDSHIELD - LOWER - W/O BRACKETS |