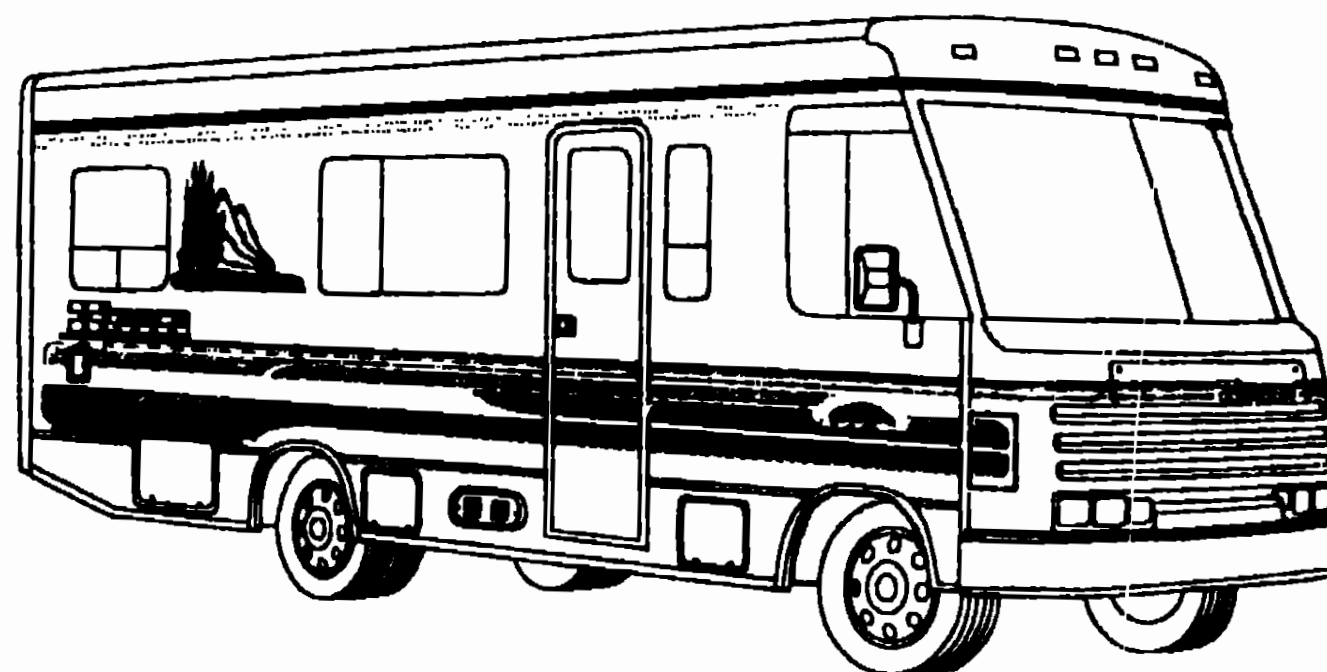
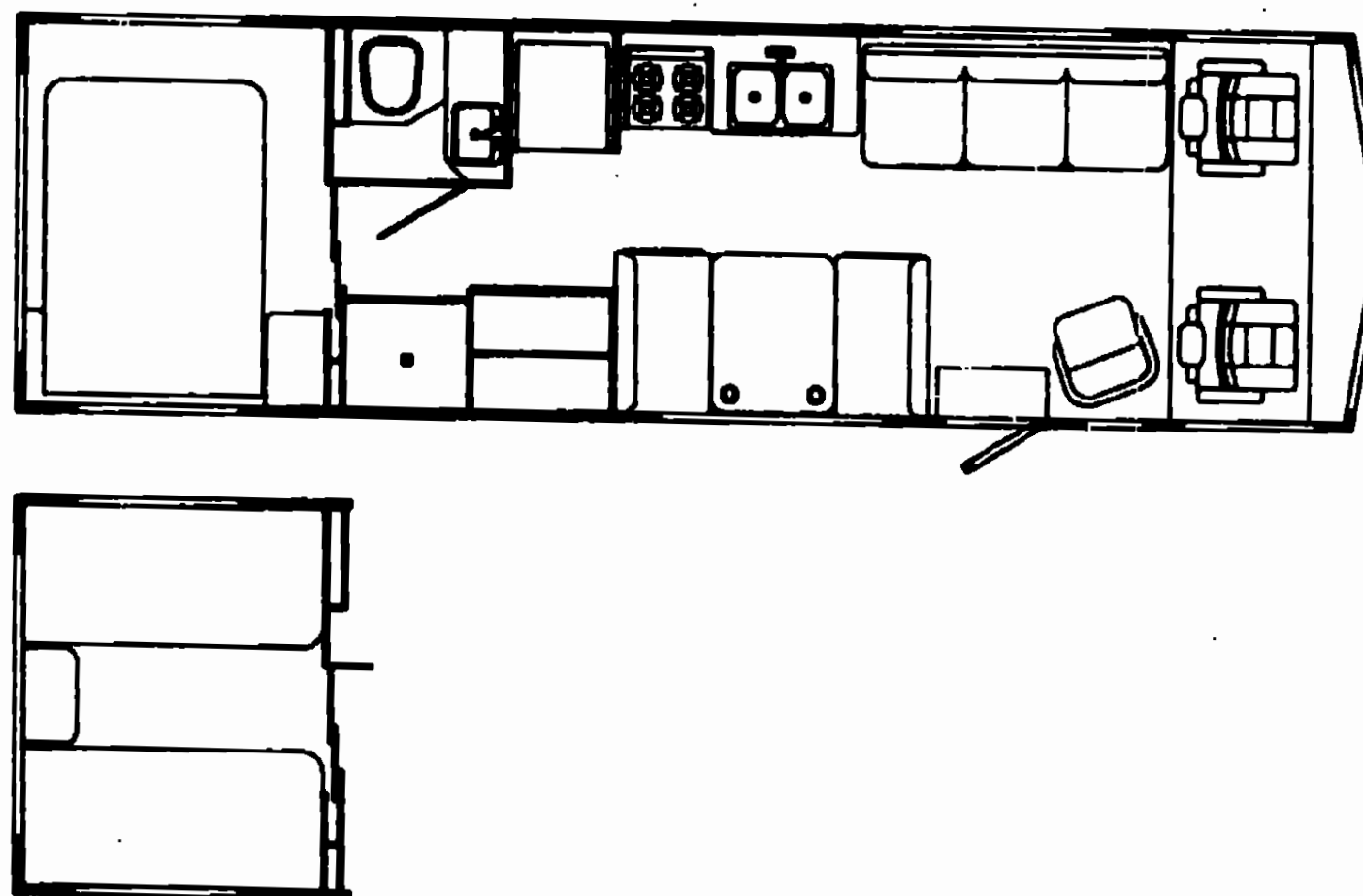


**1992ITASCA
TABLE OF CONTENTS**

INTRODUCTION	A-01	A-02
ABBREVIATIONS		A-03
ALPHABETICAL INDEX	A-04	A-06
ICF27RC	A-07	E-12
ICF30RU	E-13	I-20



**1992
ICF30RU
C25
C26**



1992 ICF30RU INDEX

FLOOR PLAN	E-13	E-14
ACCESSORIES		E-15
AUDIO VIDEO	E-15	E-16
BATH	E-17	E-18
BEDROOM	E-19	E-20
CHASSIS	E-21	F-04
CURTAIN & CUSHION	F-05	F-13
DINETTE	F-14	F-15
DRIVERS COMPARTMENT	F-16	F-20
ELECTRICAL	F-21	G-02
EXTERIOR BODY	G-03	G-10
GALLEY	G-11	G-14
GENERATORS	G-15	G-16
HEATING & AC	G-17	G-22
INTERIOR FINISH	G-23	H-05
LABELS	H-06	H-14
LP		H-15
LOUNGE	H-16	H-17
SEALANTS & FASTENERS	H-18	H-20
WATER & SEWAGE	H-21	I-01
WINDOW, VENT		
EXTERIOR DOOR	I-02	I-17
WINDSHIELD & WIPER	I-18	I-19

**ACCESSORIES GROUP
MISCELLANEOUS COMPONENTS**

KEY	PART NUMBER	U/M DESCRIPTION
	064185-88-000	EA MANUAL OPERATOR 82 SUNRISE F-SERIES
	082318-01-000	EA BINDER-3 RING, MOTOR HOME MANUAL
	082319-01-000	EA POCKET PAGE-3 RING BINDER, PLASTIC
	108980-01-000	N/A TOP LEVEL-F, 1992

**AUDIO VIDEO GROUP
RADIO AND COMPONENTS**

KEY	PART NUMBER	U/M DESCRIPTION
	073741-03-000	EA SPEAKER-RADIO, OVAL - AUDIOVOX 110-2074 - 4" X 6"
	073741-04-000	EA GRILLE-SPEAKER, OVAL - 4" X 6" - BLACK
	094097-01-000	EA SPEAKER-RADIO, W/O GRILLE - 5.25" DIA - AUDIOVOX 110C3030
	077069-02-000	EA CABLE-ANTENNA, RADIO - EXTENSION 96" - ARA 6700667
	087683-01-000	EA RADIO-AM/FM STEREO W/CASSETTE
	089340-02-000	EA GRILLE-SPEAKER, 6.5" SQUARE
	090944-01-000	EA ANTENNA-RADIO, 16" RUBBER
	104089-01-000	EA RADIO-AM/FM STEREO CASSETTE DIN AUDIOVOX IM-DXF
	089340-03-000	EA GRILLE-SPEAKER, SPACER TAN-MAGNADYNE G514
	097621-01-000	EA MOUNTING KIT-RADIO DIN AUDIV-AUDIOVOX WMK-AB01
	097621-02-000	EA MOUNTING KIT-RADIO DIN W/O B-AUDIOVOX WMK-AB02

PATIO ENTERTAINMENT CENTER

KEY	PART NUMBER	U/M DESCRIPTION
	087683-01-000	EA RADIO-AM/FM STEREO W/CASSETTE
	073741-03-000	EA SPEAKER-4X6 OVAL
	073741-04-000	EA GRILLE-SPEAKER, OVAL 4X6
	076319-09-000	EA WALL PLATE/RECEPTACLE BROWN
	058708-01-000	EA RECEPTACLE-DUPLEX, BRN T&B
	077069-02-000	EA CABLE-ANTENNA, EXTENSION 96"
	086756-01-000	EA SPLITTER-TV, 2 WAY
	090944-01-000	EA ANTENNA-RADIO, 16" RUBBER
	109889-02-000	EA ANTENNA-SHAFT EXTENDER 2"
	104897-01-01A	EA BOX-ENTERTAINMENT CENTER O/W
	104898-01-01A	EA PLATE-PLASTIC BOTTOM O/W
	104899-01-C05	EA PLATE-RADIO MOUNTING
	104900-01-000	EA WIRE ASM-ENTERTAINMENT CENTER
	105118-01-C05	EA DOOR ASM-STORAGE
	105230-01-C25	EA SHELF ASM-EXTERIOR TV
	105230-11-C25	EA SHELF ASM-EXTERIOR
	105230-12-C25	EA SUPPORT ASM
	108356-01-01A	EA ACTUATOR-SWITCH - GROOVES III
	105377-01-02A	EA BRACKET-SHELF HANGER GRAY
	105377-01-01A	EA BRACKET-SHELF HANGER O/W
	093214-01-02A	EA GRILLE-SPEAKER, 4" BROWN
	090862-01-000	EA BRACKET-MAT, ANTENNA - 3 1" X 3.9" - STEEL - BLACK
	081059-02-000	EA WIRE ASM-9-PIN, RADIO - AUDIOVOX 112B-1751
	082134-01-000	EA ADAPTER-CABLE TO CABLE

FROM: 00-00-00 THRU. 06-24-91
FROM: 06-25-91 THRU. 99-99-99

**AUDIO VIDEO GROUP (CONTINUED)
TV & VCR RELATED ITEMS**

KEY	PART NUMBER	U/M DESCRIPTION
	088446-04-000	EA VCR-VHS CABLE READY-REMOTE MAGNAVOX VR9912
	088446-02-700	EA REMOTE F/MODEL#9912
	088447-03-000	EA TV-13", COLOR W/REMOTE - U.S. - MAGNAVOX RR1337
	088447-03-700	EA REMOTE F/RR1337W & 1330W
	088447-04-000	EA TV-13" COLOR REMOTE C S A
	086757-03-000	EA CONTROL CENTER-SWITCHING-MAGNADYNE VCS-6
	000G39-08-32B	EA SCREW-SF/DR. 8-18 X 2 PPH - ZINC
	000067-10-08B	EA SCREW, 10-12 X 1/2 PPH ZN
	085740-01-000	FT FASTENER-DUAL HOOK, 1" WIDE - ADHESIVE BACK - BLACK
	065774-02-000	FT FASTENER-DUAL LOOP, 1" WIDE - ADHESIVE BACK - BLACK
	099717-01-000	EA TIEDOWN ASM-TV - 22 8"
	099717-02-000	EA TIEDOWN ASM-TV - 28 7"
	098819-01-000	EA SPEAKER-2 WATT, 8 OHM - 4"
	093214-01-02A	EA GRILLE-SPEAKER, 4" BROWN
	099030-01-000	EA WIRE-SPEAKER, TV
	099837-01-000	EA GROMMET
	093252-01-01A	EA PLATE-WALL, CABLE - BEIGE
	076319-09-000	EA WALLPLATE-CABLE RECEPTACLE, TV - SINGLE - BROWN
	086777-03-000	EA WALLPLATE-CABLE - W/TV ANTENNA SWITCH & BOOSTER - IVORY
	076319-12-000	EA CONNECTOR-COAXIAL, ONE PIECE
	082134-01-000	EA ADAPTER-TV, CABLE TO CABLE - WINEGARD F-81M
	086756-01-070	EA SPLITTER-TV, 2 WAY
	076319-06-000	EA ADAPTOR-CABLE ROOF PLATE, WINEGARD RPJ-1
	086777-01-000	EA WALLPLATE-TV CABLE, W/ANTENNA SWITCH - IVORY
	076319-03-000	FT CABLE-COAXIAL, 75 OHM

TV ANTENNA AND COMPONENTS

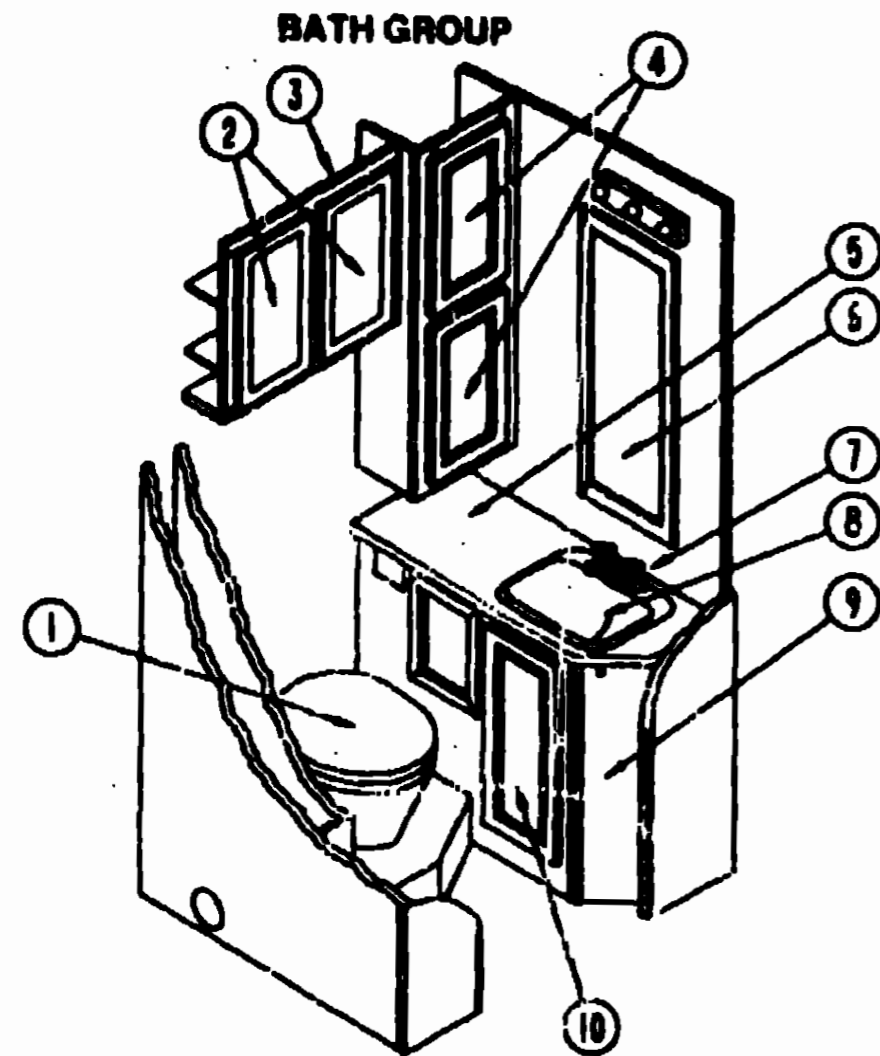
KEY	PART NUMBER	U/M DESCRIPTION
	076319-01-000	EA ANTENNA-TV, ROOF MOUNT - 44.5" MAST - RVA W02
	076319-01-700	EA HEAD-ANTENNA, AMPLIFIED - WINEGARD# RVSA U/V
	076319-01-701	EA GEAR-ELEVATING, PLASTIC - WINEGARD# 2200046
	076319-01-702	EA SHAFT ASM-ELEVATING, WINEGARD# RVP-400A
	076319-01-703	EA BEARING-NYLON, 5"OD - WINEGARD# 3200656
	076319-01-705	EA GROMMET-NYLON, 7/8"ID - WINEGARD# 3200658
	076319-01-706	EA CRANK-ELEVATING, W/SET SCREW - WINEGARD# 5755100
	076319-01-707	EA SPRING-HANDLE, WINEGARD# 5160800
	076319-01-709	EA PLATE-DIRECTIONAL, FOR HEAD - WINEGARD #3200644

**1992ITASCA
TABLE OF CONTENTS**

INTRODUCTION	A-01	A-C2
ABBREVIATIONS		A-03
ALPHABETICAL INDEX	A-04	A-08
ICF27RC	A-07	E-12
ICF30RU	E-13	I-20

1992 ICF30RU INDEX

FLOOR PLAN	E-13	E-14
ACCESSORIES		E-15
AUDIO VIDEO	E-15	E-16
BATH	E-17	E-18
BEDROOM	E-19	E-20
CHASSIS	E-21	F-04
CURTAIN & CUSHION	F-05	F-13
DINETTE	F-14	F-15
DRIVE/IS COMPARTMENT	F-16	F-20
ELECTRICAL	F-21	G-02
EXTERIOR BODY	G-03	G-10
GALLEY	G-11	G-14
GENERATORS	G-15	G-16
HEATING & A/C	G-17	G-22
INTERIOR FINISH	G-23	H-05
LABELS	H-06	H-14
LP		H-15
LOUNGE	H-16	H-17
SEALANTS & FASTENERS	H-18	H-20
WATER & SEWAGE	H-21	I-01
WINDOW, VENT		
EXTERIOR DOOR	I-02	I-17
WINDSHIELD & WIPER	I-18	I-19



BATHROOM CABINET & COMPONENTS

KEY	PART NUMBER	U/M DESCRIPTION
1	067487-02-000	EA TOILET-AQUA MACH IV,LOW
	063740-01-700	EA LEVER-WATER, THETFORD 12514
	063740-01-706	EA BOLT PACKAGE-CLOSET, THETFORD 12524
	063740-01-710	EA LINK, THETFORD 12513
	063740-01-713	EA SEAL-BALL VALVE TO BOWL, THETFORD 12502
	063740-01-714	EA VALVE ASM-WATER, THETFORD 12192
	063740-01-717	EA TUBE-FLUSH, TOILET - THETFORD 12509
	024676-01-000	EA FLANGE-CLOSET, TOILET - 4" X 3" - RED
	024676-02-000	EA FLANGE-CLOSET, 4" X 3" - ABS - CANADIAN
2	P04746-08-C25	EA DOOR ASM-W/MIRROR W/O HARDWARE-MITERED OGEE 285X500
	058331-71-000	EA MIRROR-GLASS,SAFETY - 202MM X 417MM
3	P03771-01-C05	EA CABINET ASM-LINEN
4	P04746-14-C25	EA DOOR ASM- W/O HARDWARE-MITERED OGEE 225 X500
5	100013-11-C25	EA COUNTERTOP ASM
6	058331-51-000	EA MIRROR-GLASS,SAFETY 660X1016MM
6	105004-01-01A	EA MOLDING-VINYL WRAP
7	075240-06-000	EA FAUCET-LAVATORY, BONE
	091253-01-000	EA GASKET-FAUCET,LAVATORY
8	096927-01-01A	EA SINK-LAVATORY,RECTANGULAR, BG
	096927-01-700	EA SINK-STOPPER
	096927-01-701	EA TAILPIECE-SINK
	105218-01-01A	EA SPACER-FAUCET, LAVATORY SINK - 2" X 5 9" - ABS PLASTIC O/W FROM 00-00-00 THRU 10-13-91
9	P00013-01-C25	EA CABINET ASM-LAVATORY
10	P04746-15-C25	EA DOOR ASM. - LAVATORY -W/O HDW-MITERED OGEE 275X605
	098979-01-000	EA CLIP-ADJUSTABLE SHELF
	098980-02-000	EA PILASTER-ADJUSTABLE SHELF - 12"
	101859-01-C25	EA SHELF ASM-BATH
	M05660-02-C25	EA CABINET ASM-SHOWER W/TWIN BED
	M05660-01-C25	EA CABINET ASM-SHOWER W/DEIL BED

BATH GROUP (CONTINUED)

SHOWER COMPONENTS

KEY	PART NUMBER	U/M DESCRIPTION
	011805-01-01A	EA SUPPFOUND-SHOWER OFF WHITE
	075278-01-000	EA PANEL-SHOWER FAUCET - 5" X 9"
	075241-05-000	EA FAUCET - SHOWER, BONE
	M02429-07-000	EA PAN-SHOWER
	066436-01-000	EA NUT-SLIP, 1/5 TAILPIECE
	066440-01-000	EA STRAINER W/RUBBER WASHER
	069640-06-000	EA SEALER-RIBBON,5/16"XDIAX25'
	011069-02-000	EA TAILPIECE-11/2X11/4X4 BRASS
	102089-11-803	EA MOUNT-ROD, RIGHT SIDE - FOR TOWEL RODS - 53 5" LONG - WOOD
	102089-12-803	EA MOUNT-ROD, LEFT SIDE - FOR TOWEL RODS - 53 5" LONG - WOOD

BATH DOOR

KEY	PART NUMBER	U/M DESCRIPTION
	M05673-01-C05	EA DOOR ASM-BATH W/PIN
	009151-01-000	EA WARP-GUARD-48 IN
	023320-01-000	EA PAD-FELT-3/8 DIA
	058335-02-000	EA LATCH-BATHROOM DOOR
	059777-02-000	EA HINGE-BURNISHED BRASS
	074045-01-000	EA PLUG-OAK, 1/2" DIA
	100357-01-000	EA ROD-TOWEL, BRASS
	100434-01-01A	EA PIN-CATCH DOOR O/W
	009112-01-000	EA FLANGE-1" ROD,ABS,OFF WHITE
	042438-51-028	EA DOWEL-WOOD 1.0DIA X0870 MM
	058331-17-000	EA MIRROR-GLASS,SAFETY 8 75" X 12 5"
	075452-02-000	EA HOLDER-TOILET TISSUE BRASS
	075453-02-000	EA BAR-TOWEL 10IN BRASS
	058331-52-000	EA MIRROR-GLASS,SAFETY 275MM X 965MM
	057534-01-000	EA TIEBACK-CLEAR PLASTIC 6 0 IN
	024676-01-000	EA FLANGE-CLOSET RED 4X3
	103092-01-000	EA SHOWER HEAD-1 1/2 IN HOSE
	103092-01-700	EA BRACKET ONLY CLEAR F/SHOWER HEAD
	103092-02-000	EA SHOWER HEAD-W/HOSE - ONDINE 23213NYLON B CSA
	104013-02-C05	EA DOOR ASM-SLIDING
	103974-01-000	EA HANGER-SLIDING DOOR
	064467-01-000	EA GUIDE-POCKET, SLIDING DOOR - WALL MOUNTED

SHOWER DOOR

KEY	PART NUMBER	U/M DESCRIPTION
	089318-01-000	EA SHOWER-SHOWER,SOLID.GOLD 29 B
	089318-01-700	EA SHAP F/SHOWER DOOR
	089318-01-701	EA VINYL SWEEP
	089318-01-702	EA BUSHING W/ARM
	089318-02-000	EA JAMB-EXPANDER
	092574-01-703	EA GOLD DOOR PULL

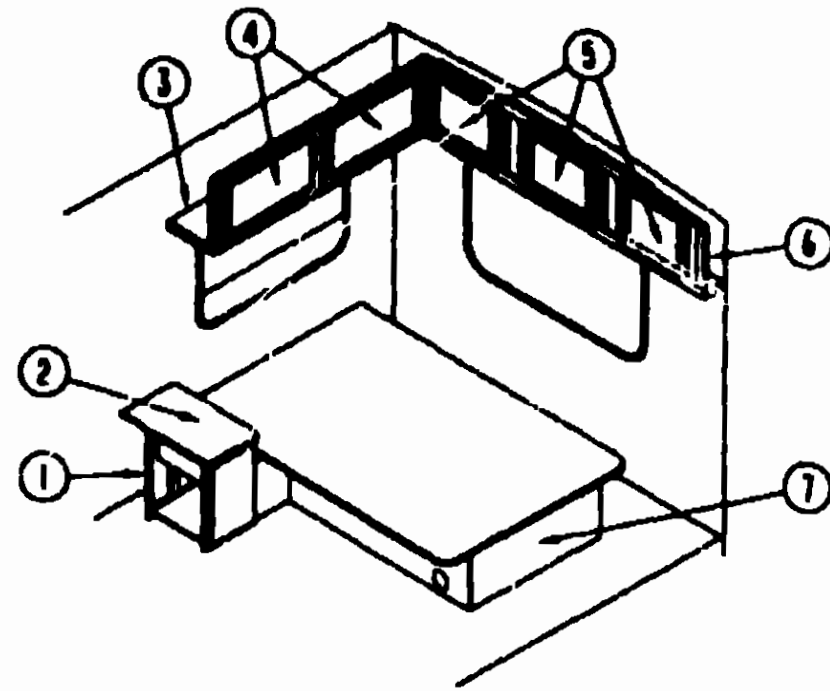
1992ITASCA
TABLE OF CONTENTS

INTRODUCTION	A-01	A-02
ABBREVIATIONS		A-03
ALPHABETICAL INDEX	A-04	A-08
ICF27RC	A-07	E-12
ICF30RU	E-13	I-20

1992 ICF30RU INDEX

FLOOR PLAN	E-13	E-14
ACCESSORIES		E-15
AUDIO VIDEO	E-15	E-16
BATH	E-17	E-18
BEDROOM	E-19	F-20
CHASSIS	E-21	F-04
CURTAIN & CUSHION	F-05	F-13
DINETTE	F-14	F-15
DRIVERS COMPARTMENT	F-16	F-20
ELECTRICAL	F-21	G-02
EXTERIOR BODY	G-03	G-10
GALLEY	G-11	G-14
GENERATORS	G-15	G-16
HEATING & A/C	G-17	G-22
INTERIOR FINISH	G-23	H-05
LABELS	H-06	H-14
LP		H-15
LOUNGE	H-16	H-17
SEALANTS & FASTENERS	H-18	H-20
WATER & SEWAGE	I-21	I-01
WINDOW VENT		
EXTERIOR DOOR	I-02	I-17
WINDSHIELD & WIPER	I-18	I-19

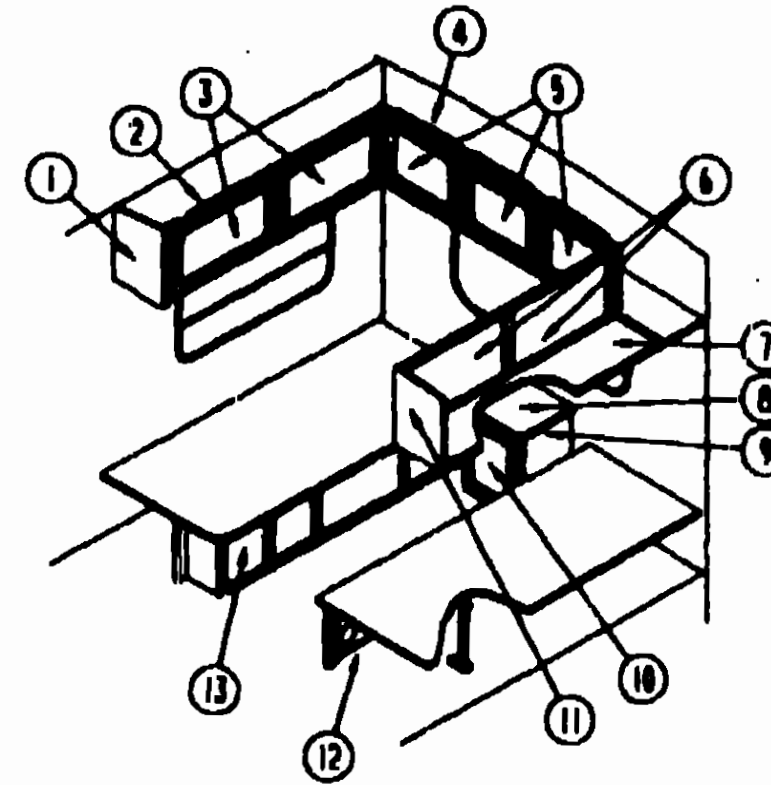
BEDROOM GROUP



BEDROOM DOUBLE BED CABINETRY

KEY	PART NUMBER	U/M DESCRIPTION
1	M05604-03-C25	EA CABINET ASM - NIGHTSTAND
2	099997-11-C25	EA COUNTERTOP ASM
3	P05347-01-C25	EA CABINET ASM-OVHD, REAR RH
4	P04746-03-C05	EA DOOR ASM-HDW-MITERED OGEE
5	P04746-05-C05	EA DOOR ASM-HDW-MITERED OGEE
6	M05019-56-C05	EA CABINET ASM-OVHD REAR DBL
	083204-03-000	EA BUTTON-MIRROR RETAINING
	104755-04-000	EA MIRROR-GLASS, DECORATIVE
7	P03773-01-C05	EA CABINET ASM-DOUBLE BED
	103725-02-000	EA PROP-BED.AUTO CAM. 115/8

BEDROOM GROUP (CONTINUED)



BEDROOM TWIN BED CABINETRY

KEY	PART NUMBER	U/M DESCRIPTION
1	103128-02-C05	EA CAP ASM-END.OVHD.LH
2	M05019-52-C25	EA CABINET ASM-OVHD, REAR, RH
3	P04746-03-C25	EA DOOR ASM-HDW-MITERED OGEE
4	M05019-54-C25	EA CABINET ASM-OVHD REAR
5	P04746-05-C25	EA DOOR ASM-HDW-MITERED OGEE
	104755-04-000	EA MIRROR-GLASS, DECORATIVE
6	P04746-03-C25	EA DOOR ASM-HDW-MITERED OGEE
7	M05019-60-C25	EA CABINET ASM-OVHD REAR, LH
8	103778-11-C25	EA COUNTERTOP ASM - NIGHTSTAND
9	103778-01-C25	EA CABINET ASM-NIGHTSTAND, RR
	102827-04-000	EA BRACKET-MOUNTING, REAR
	102827-05-000	EA TRACK-DRAWER, 573MM
10	P04746-16-C25	EA DOOR ASM. - W/O HARDWARE - MITERED OGEE
	102820-05-C05	EA DRAWER ASM-CABINET
	P07330-04-C05	EA DRAWER COMPL-SLIDE
		FROM 00-00-00 THRU 01-19-92
		FROM 01-20-92 THRU 99-99-99
11	103128-01-C05	EA CAP ASM - END, OVHD, RH
12	P03777-01-C05	EA CABINET ASM-TWIN BED LH
13	P03776-01-C05	EA CABINET ASM-TWIN BED RH

TV STAND

KEY	PART NUMBER	U/M DESCRIPTION
	084357-02-W24	EA TV STAND
	084356-04-000	EA INSERT-TV STAND TAN
	084356-08-000	EA INSERT-TV STAND OFF WHITE
	084412-01-000	EA SUPPORT-HINGED
	084451-01-000	EA CATCH-TV SHELF, BRASS
	084625-02-000	EA HINGE-ALUMINUM, WHOLES - 17.2" - TAN
	084413-01-000	EA HINGE-CONTINUOUS, ALUMINUM - 1" X 72" - WHOLES

**1992 ITASCA
TABLE OF CONTENTS**

INTRODUCTION	A-01 -	A-02
ABBREVIATIONS		A-03
ALPHABETICAL INDEX	A-04 -	A-06
ICF27RC	A-07 -	E-12
ICF30RU	E-13 -	I-20

1992 ICF30RU INDEX

FLOOR PLAN	E-13 -	E-14
ACCESSORIES		E-15
AUDIO VIDEO	E-15 -	E-16
BATH	E-17 -	E-18
BEDROOM	E-19 -	E-20
CHASSIS	E-21 -	F-04
CURTAIN & CUSHION	F-05 -	F-13
DINETTE	F-14 -	F-15
DRIVERS COMPARTMENT	F-16 -	F-20
ELECTRICAL	F-21 -	G-02
EXTERIOR BODY	G-03 -	G-10
GALLEY	G-11 -	G-14
GENERATORS	G-15 -	G-16
HEATING & A/C	G-17 -	G-22
INTERIOR FINISH	G-23 -	H-05
LABELS	H06 -	H-14
LP		H-15
LOUNGE	H-16 -	H-17
SEALANTS & FASTENERS	H-18 -	H-20
WATER & SEWAGE	H-21 -	I-01
WINDOW, VENT		
EXTERIOR DOOR	I-02 -	I-17
WINDSHIELD & WIPER	I-18 -	I-19

CHASSIS GROUP
CHASSIS MISCELLANEOUS

KEY	PART NUMBER	U/M DESCRIPTION
	055278-01-001	FT TUBING-STEEL, 75" X 1 5" X 288" REPLACE WITH 065278-51-259 WHICH IS 12 5' LONG
	065450-05-000	EA TIEDOWN-BATTERY, 8 4" TUBE - STEEL
	075307-03-000	EA SHIELD-HEAT, LP
	093719-01-000	EA HOSE-OIL FILL, PREFORMED 90 DEGREE BEND
	070579-06-000	EA PLATE-ANCHOR, W/7/16 WELD NUT - 1 5" X 3 3"
	077001-01-000	EA ANGLE-MOUNTING, ROOF PANEL - V ANGLE - 3" X 2 4" X 1 5"
	103136-01-000	EA BRACKET-SUPPORT, UPPER HINGE, RIGHT
	103136-02-000	EA BRACKET-SUPPORT, UPPER HINGE LEFT
	008042-01-000	FT TUBING-VINYL, 65" ID
	020167-03-000	EA DIRT GUARD-STEEL, FOR MUDFLAP
	078038-01-000	EA EXTENSION-FRAME, FRONT
	103125-01-000	EA BRACKET-BRAKE, PARK - L-ANGLE - STEEL - BLACK MOUNTS BRAKE CABLE & SUPPORTS HOOD RELEASE CABLE FROM 00-00-00 THRU 10-11-91
	103125-02-000	EA BRACKET-BRAKE, PARK - L-ANGLE - STEEL - BLACK MOUNTS BRAKE CABLE & SUPPORTS HOOD RELEASE CABLE FROM 10-12-91 THRU 05-17-92
	076310-01-000	EA BAFFLE-RADIATOR, 12" X 15" X 62" - RUBBER
	080208-01-000	EA LUG WRENCH, 1 06 X 1 00
	080206-02-000	EA BAR-LEVERAGE, LUG WRENCH
	088498-01-000	EA UNION-INVERTED FLARE, BRASS - 3/16 - 3/8 - 24 THREAD BRAKE LINE
	096351-01-000	EA CABLE-BRAKE, PARK - FORD CHASSIS
	105619-01-000	EA BRACKET-OVERFLOW BOTTLE - FORD
	095501-01-000	EA BRACKET-BRAKE, L-ANGLE W/GUSSET - STEEL - FORD MOUNTS BRAKE CABLE & SUPPORTS HOOD RELEASE CABLE
	095853-01-000	EA WHEEL-STEEL, 15" X 6K - EBTZ - 1015 - A - ACCURIDE 28375-12 (FORD)
	088497-02-000	EA NUT-INVERTED FLARE, 1/4"
	085771-03-000	EA NUT-HEX, FL. PREV TORQUE - GRADE G DRIVER SHAFT
	088498-01-000	EA UNION-INVERTED FLARE, BRASS - 3/16 - 3/8 - 24 THREAD BRAKE LINE

COMPARTMENTS & TRAYS

KEY	PART NUMBER	U/M DESCRIPTION
	020167-03-000	EA DIRT GUARD-STEEL, FOR MUDFLAP
	078137-04-000	EA TRAY-COMPARTMENT, GENERATOR - 29.1" WIDE X 22.4" DEEP
	086182-01-W30	EA COMPARTMENT ASM-HOSE SEWER W/DOOR AND JAMB
	085967-01-000	EA COMPARTMENT-SEWER HOSE, 6" X 6 6" X 17 8" - PLASTIC
	102979-01-000	EA BOX-POWER CORD
	103036-02-000	EA COMPARTMENT ASM-STORAGE - FRONT DRIVER SIDE
	103061-06-000	EA COMPARTMENT ASM-STORAGE - REAR PASSENGERS SIDE
	077848-02-000	EA STEP ASM-PULLOUT
	104897-01-01A	EA BOX-ENTERTAINMENT CENTER O/W
	104898-01-01A	EA PLATE-PLASTIC BOTTOM O/W
	105210-11-C25	EA SHELF ASM
	105230-12-C25	EA SUPPORT ASM
	105376-01-02A	EA HINGE-CONTIN, 2" X 140MM O/W
	105377-01-02A	EA BRACKET-TABLE HANGER GRAY
	106208-01-01A	EA COMPARTMENT-EXTERIOR SHOWER, OFF WHITE PLASTIC

CHASSIS GROUP (CONTINUED)
WHEEL LINERS-CHROME 16 FORD

KEY	PART NUMBER	U/M DESCRIPTION
	077030-02-000	EA EXTENSION-VALVE STEM, 1.25"
	091209-08-000	EA WHEEL LINER SET W/FRONT HUB COVER 16" SET OF 4 SET OF 4 = (2)FRONTS - (2)REARS
	091209-08-700	EA LINER-WHEEL, 16" FRONT WAXLE COVER - 10 LUG - FORD
	091209-08-701	EA LINER-WHEEL, 16" REAR - 10 LUG - FORD
	091209-08-702	EA COVER-AXLE, 16" REAR - FORD
	091209-01-704	EA COVER-LUG NUT LUG NUT COVER - NO SHOULDER OR FLANGE AT BASE
	095012-03-000	EA EXTENSION-VALVE STEM, DUAL WHEEL

WHEEL COVER FORD - 16"

KEY	PART NUMBER	U/M DESCRIPTION
	098532-01-000	EA COVER-WHEEL, FORD - 16" - SET OF 4 - DICOR SH-SD-16
	098532-01-700	EA COVER-LUG NUT, FORD - CHROME - DICOR SP-FM-CLN
	098532-01-701	EA COVER-WHEEL, FORD - 16" - (EACH=1 ONLY)

WHEEL LINERS-CHROME 19.5" CHEVY

KEY	PART NUMBER	U/M DESCRIPTION
	077030-02-000	EA EXTENSION-VALVE STEM, 1.25"
	091209-01-000	EA LINER-WHEEL, 19.5" - SST - SET OF 4 - KAPER 1954-10N
	091209-01-700	EA LINER-WHEEL, 19.5" FRONT - 10 LUG - CHEVY P-30
	091209-01-701	EA LINER-WHEEL, 19.5" REAR - 10 LUG - CHEVY P-30
	091209-01-702	EA COVER-AXLE, 19.5" FRONT - 10 LUG - CHEVY P-30
	091209-01-703	EA COVER-AXLE, 19.5" REAR - 10 LUG - CHEVY P-30
	091209-01-704	EA COVER-LUG NUT - LUG NUT COVER - NO SHOULDER OR FLANGE AT BASE
	095012-03-000	EA EXTENSION-VALVE STEM, DUAL WHEEL

FORD TIRE & STEM

KEY	PART NUMBER	U/M DESCRIPTION
	051377-03-000	EA STEM-VALVE, TRO 600HP
	083425-02-000	EA TIRE-MICHELIN, LT235/85R16 LRE FROM: 00-00-00 THRU 08-27-91
	083425-05-000	EA TIRE-MICHELIN, LT235/85R16 LRE - XPS RIB FROM: 08-28-91 THRU 99-99-99

WHEEL COVER 19.5" CHEVY

KEY	PART NUMBER	U/M DESCRIPTION
	083181-03-000	EA WHEEL COVER-4/SET 19.5" - DELMET-DMAS195
	083181-03-700	EA COVER-WHEEL, 19.5 - 10 LUG - CHEVY - 1 ONLY
	083181-12-000	EA RETAINER-WHEEL COVER, 19.5" CHEVY - SET OF 4 - DELMET
	083181-12-700	EA RETAINER-WHEEL COVER, FRONT - 19.5 CHEVY - DELMET
	083181-12-701	EA RETAINER-WHEEL COVER, REAR - 19.5 CHEVY - DELMET

1992 ITASCA

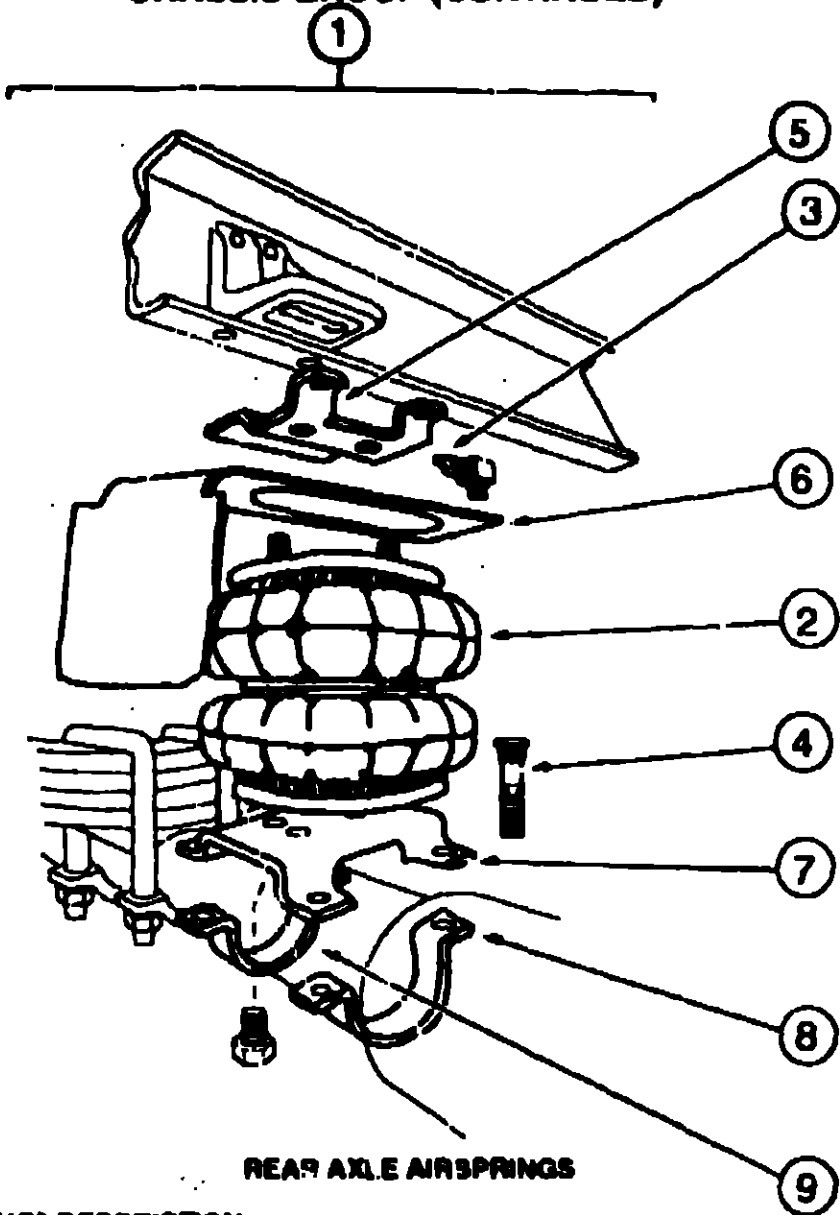
TABLE OF CONTENTS

INTRODUCTION	I-01	A-02
ABBREVIATIONS		A-03
ALPHABETICAL INDEX	A-04	A-06
ICF27RC	A-07	E-12
ICF30RU	E-13	I-20

1992 ICF30RU INDEX

FLOOR PLAN	E-13	E-14
ACCESSORIES		E-15
AUDIO VIDEO	E-15	E-16
BATH	E-17	E-18
BEDROOM	E-19	E-20
CHASSIS	E-21	F-04
CURTAIN & CUSHION	F-05	F-13
DINETTE	F-14	F-15
DRIVERS COMPARTMENT	F-16	F-20
ELECTRICAL	F-21	G-02
EXTERIOR BODY	G-03	G-10
GALLEY	G-11	G-14
GENERATORS	G-15	G-16
HEATING & A/C	G-17	G-22
INTERIOR FINISH	G-23	H-05
LABELS	H-06	H-14
LP		H-15
LOUNGE	H-16	H-17
SEALANTS & FASTENERS	H-18	H-20
WATER & SEWAGE	H-21	I-01
WINDOW, VENT		
EXTERIOR DOOR	I-02	I-17
WINDSHIELD & WIPER	I-18	I-19

CHASSIS GROUP (CONTINUED)



REAR AXLE AIRSPRINGS

KEY	PART NUMBER	U/M DESCRIPTION
1	084086-04-000	EA AIRSPRING-BELLOWS, REAR AXLE - FIRESTONE
2	084086-01-700	EA AIR BAG-ONLY, FIRESTONE# W21-760-0335
3	084086-01-701	EA TUBING-DOT 1/4" X 18" - FIRESTONE# 21-0938
4	084086-01-702	EA BOLT-RIBBED NECK, 3/8" X 2 5" FIRESTONE# 21-0829
	084086-01-705	EA TUBING PROTECTORS, FIRESTONE# 21-0899
5	084086-01-706	EA BRACKET-UPPER TO FRAME, FIRESTONE# 21-015C
6	084086-01-711	EA HEAT SHIELD-224 DOS SYSTEM, FIRESTONE 21-5042
7	084086-04-701	EA BRACKET-LOWER, TOP - PASSENGER SIDE - FIRESTONE# 21-1162
7	084086-04-700	EA BRACKET-LOWER, TOP - DRIVER SIDE - FIRESTONE 21-5037
8	084086-01-713	EA AXLE STRAP BRACKET, AXLE TUBE - 3 USED - FIRESTONE 21-1163
9	084086-01-714	EA AXLE STRAP BRACKET, DIFFERENTIAL - 1 USED - FIRESTONE 21-5038
	084086-03-000	EA BRACKET-AXLE, FIRESTONE #W21-760-2044

FRONT SHOCKS

KEY	PART NUMBER	U/M DESCRIPTION
	079942-01-000	EA ABSORBER-SHOCK, STABILIZER - FRONT - 4 WAY SC3001

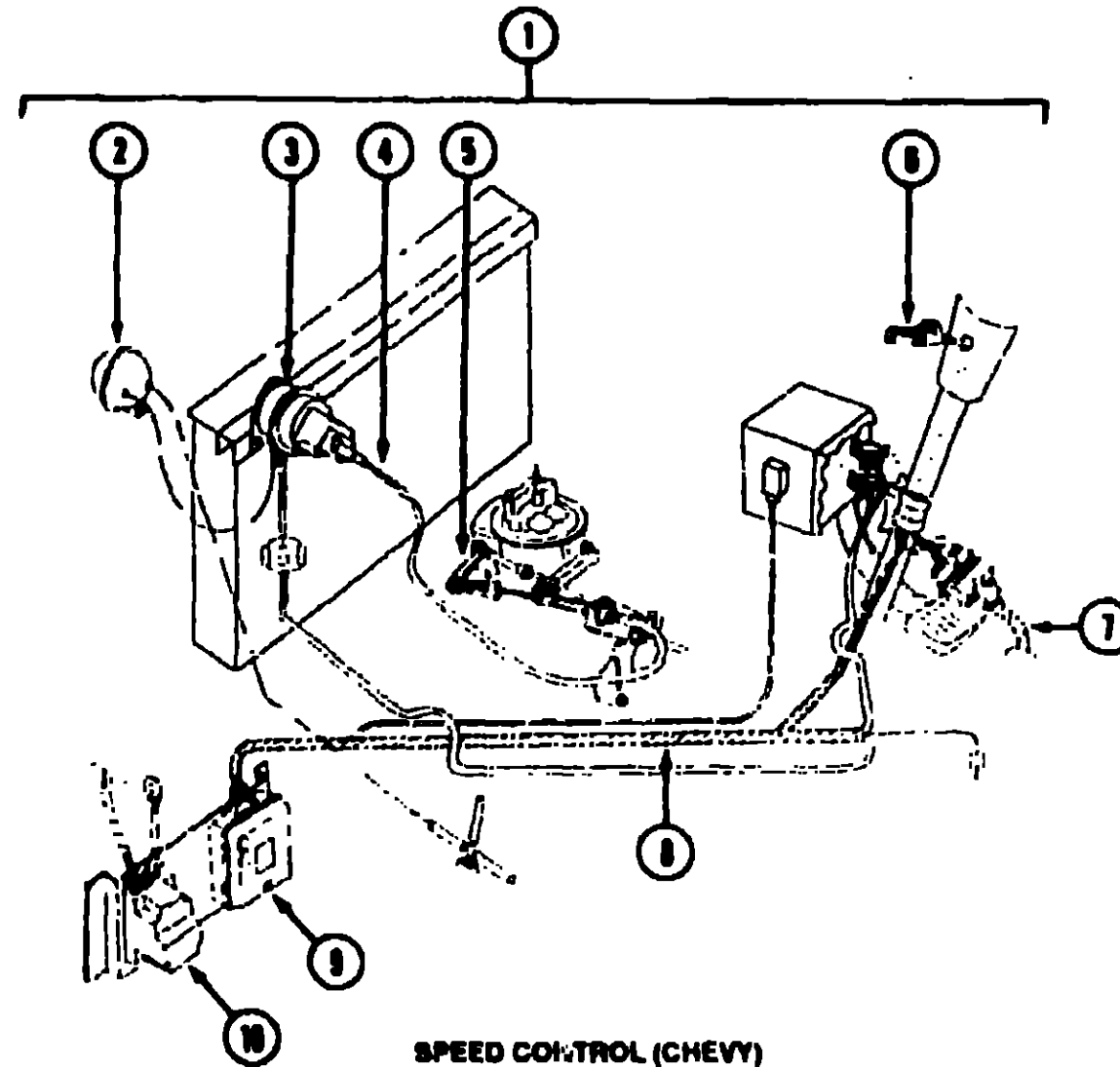
DRIVESHAFT

KEY	PART NUMBER	U/M DESCRIPTION
	075302-20-000	EA DRIVESHAFT ASM-YOKE/BRG/SPL DANA 916098-5014
	075302-26-700	EA DRIVESHAFT ASM-SLP,YOKE/YOKE DANA 916099-4530

TIRE COVER

KEY	PART NUMBER	U/M DESCRIPTION
	104408-03-C25	EA COVER-TIRE,32"SUNRISE
	104408-04-C25	EA COVER-TIRE,34"SUNRISE
	P04408-03-000	EA SILKSCREEN-32"SUNRISE
	P04...8-04-000	EA SILKSCREEN-34"SUNRISE

CHASSIS GROUP (CONTINUED)



SPEED CONTROL (CHEVY)

KEY	PART NUMBER	U/M DESCRIPTION	DANA
1	102362-01-000	EA SPEED CONTROL	DANA 59L-111010B
2	094369-01-705	EA VACUUM RESERVOIR	DANA 59C-02249
3	094369-01-706	EA SERVO	DANA 53D-11116-R
4	094369-01-700	EA CABLE & SERVO	DANA 59C-2262
5	102362-01-706	EA THROTTLE STUD	DANA 59A-02979
6	102362-01-707	EA SWITCH & LEVER - CONTROL	DANA 53D-08X63-F
7	102362-01-703	EA HARNESS - PIVOT SW TO WIPER CONTROL	DANA 59C-02973
8	102362-01-704	EA HARNESS - MAIN WIRING	DANA 59D-02975
9	102362-01-701	EA REGULATOR - ELECTRONIC	DANA 57C-08X13-R
10	102362-01-702	EA WIPER MODULE	DANA 59C-02279
	094863-01-704	EA HOUSING - 4 PIN	DANA 59C-022

DIESEL CRUISE CONTROL

KEY	PART NUMBER	U/M DESCRIPTION
	102362-02-000	EA SPEED CONTROL-1991 CHEVY DIESEL, DANA 59L111020P
	102362-01-701	EA REGULATOR-ELECTRONIC, DANA 57C-08X13-R
	102362-01-702	EA MODULE-WIPER CONTROL, DANA 66D-00061
	102362-01-703	EA HARNESS-PIVOT SW TO WIPER CONTROL, DANA 59C-02973
	102362-01-704	EA HARNESS-MAIN WIRING, DANA 59D-02975
	102362-01-707	EA SWITCH & LEVER-CONTROL, DANA 53D-08X63-F
	083212-01-705	EA RELEASE VALVE ONLY, DANA# 59C-02297
	094369-01-701	EA SWITCH & LEVER ASM, DANA# 58D-11118-F
	094369-01-706	EA SERVO-DANA# 53D-11116-R
	094369-02-700	EA CABLE-SERVO, DIESEL - DANA# 59C-2262
	094369-02-702	EA EXTENSION-WIRE HARNESS, DANA# 59C-02279
	094863-01-704	EA HOUSING-4 PIN, SPEED CONTROL - TOYOTA - DANA 59C-02291

1992ITASCA

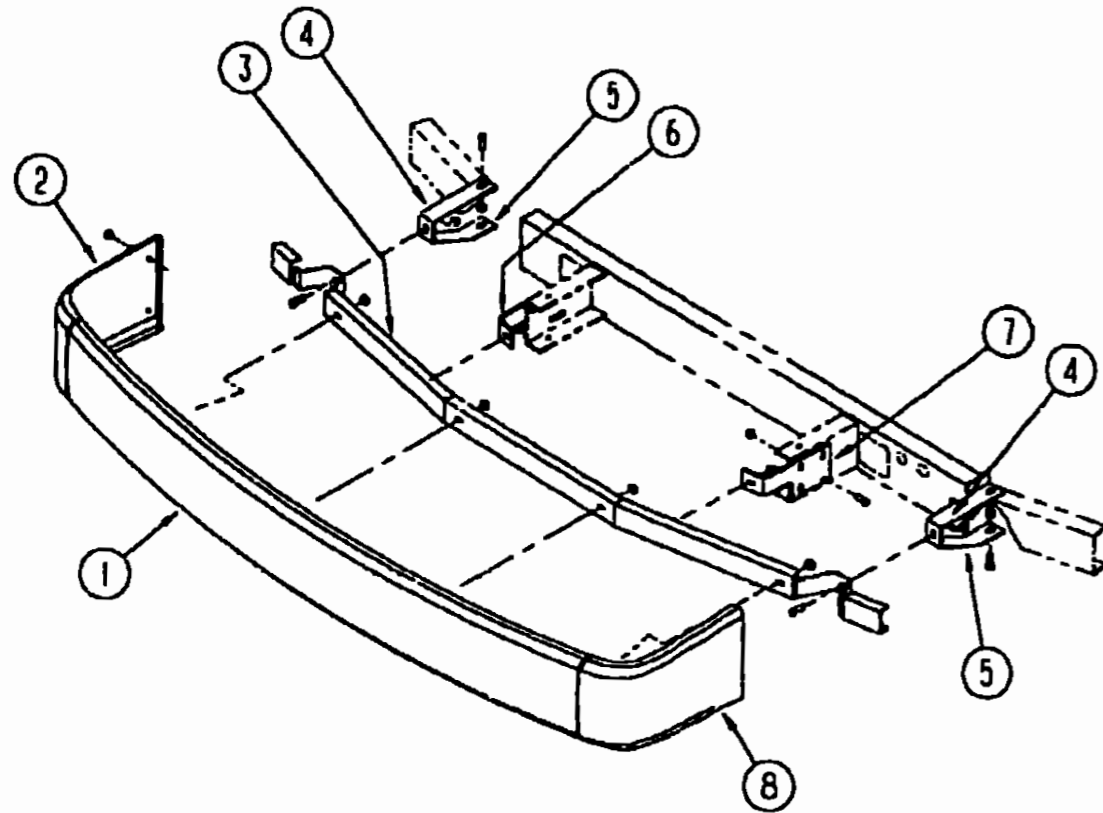
TABLE OF CONTENTS

INTRODUCTION	A-01 -	A-02
ABBREVIATIONS		A-03
ALPHABETICAL INDEX	A-04 -	A-06
ICF27RC	A-07 -	E-12
ICF30RU	E-13 -	I-20

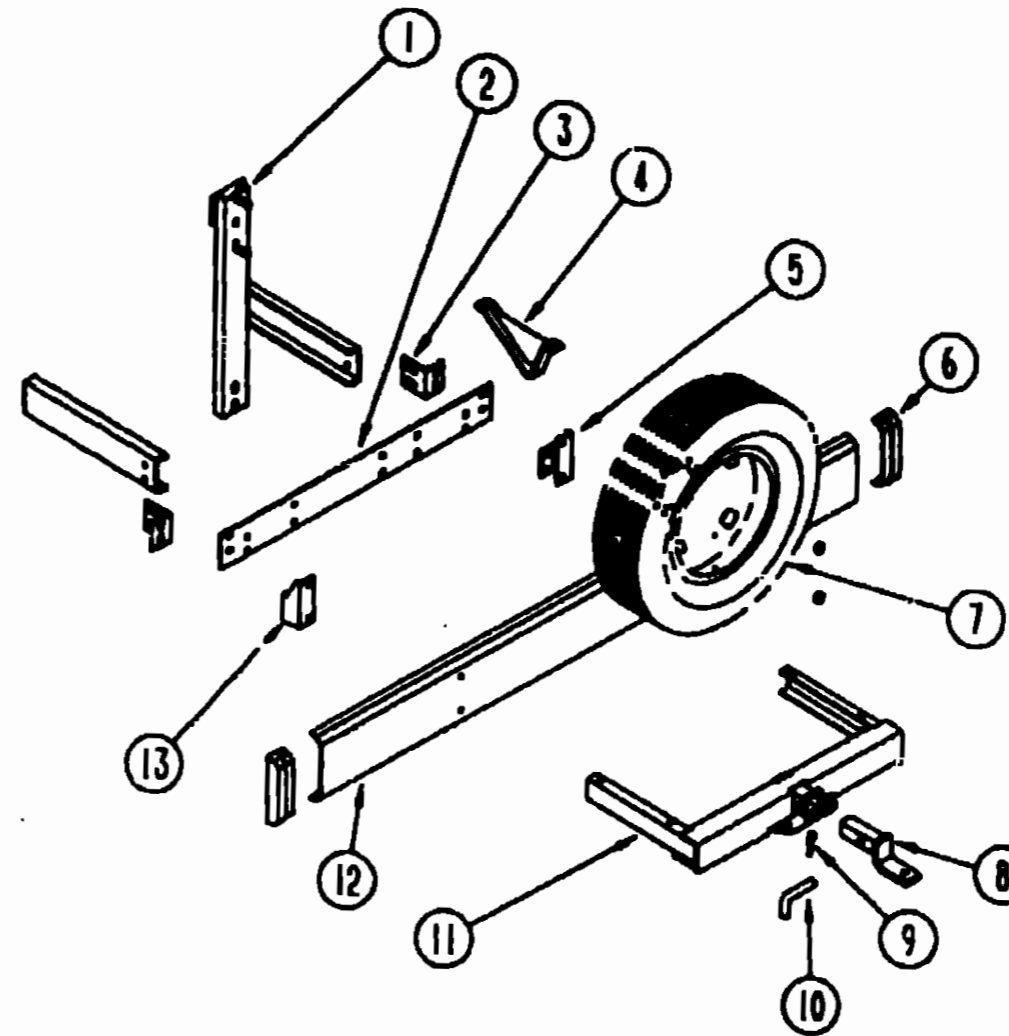
1992 ICF30RU INDEX

FLOOR PLAN	E-13 -	E-14
ACCESSORIES		E-15
AUDIO VIDEO	E-15 -	E-16
BATH	E-17 -	E-18
BEDROOM	E-19 -	E-20
CHASSIS	E-21 -	F-04
CURTAIN & CUSHION	F-05 -	F-13
DINETTE	F-14 -	F-15
DRIVERS COMPARTMENT	F-16 -	F-20
ELECTRICAL	F-21 -	G-02
EXTERIOR BODY	G-03 -	G-10
GALLEY	G-11 -	G-14
GENERATORS	G-15 -	G-16
HEATING & AC	G-17 -	G-22
INTERIOR FINISH	G-23 -	H-05
LABELS	H06 -	H-14
LP		H-15
LOUNGE	H-16 -	H-17
SEALANTS & FASTENERS	H-18 -	H-20
WATER & SEWAGE	H-21 -	I-01
WINDOW, VENT		
EXTERIOR DOOR	I-02 -	I-17
WINDSHIELD & WIPER	I-18 -	I-19

CHASSIS GROUP (CONTINUED)
FRONT BUMPER



CHASSIS GROUP (CONTINUED)
REAR BUMPER & TRAILER HITCH, AND TIRE CARRIER



1992 ITASCA
TABLE OF CONTENTS

INTRODUCTION	A-01 -	A-02
ABBREVIATIONS		A-03
ALPHABETICAL INDEX	A-04 -	A-06
ICF27RC	A-07 -	E-12
ICF30RU	E-13 -	I-20

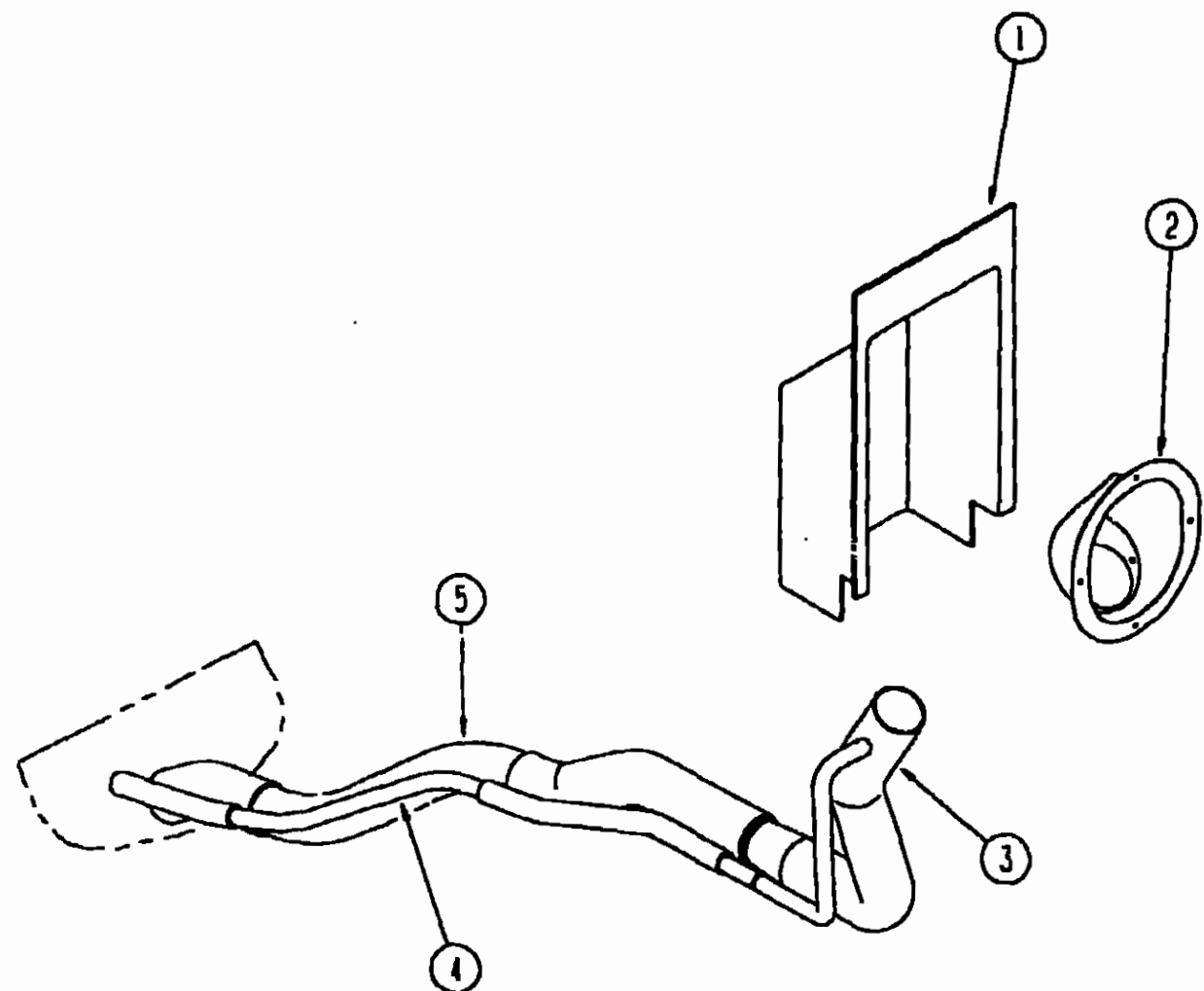
1992 ICF30RU INDEX

FLOOR PLAN	E-13 -	E-14
ACCESSORIES		E-15
AUDIO VIDEO	E-15 -	E-16
BATH	E-17 -	E-18
BEDROOM	E-19 -	E-20
CHASSIS	E-21 -	F-04
CURTAIN & CUSHION	F-05 -	F-13
DINETTE	F-14 -	F-15
DRIVERS COMPARTMENT	F-16 -	F-20
ELECTRICAL	F-21 -	G-02
EXTERIOR BODY	G-03 -	G-10
GALLEY	G-11 -	G-14
GENERATORS	G-15 -	G-16
HEATING & A/C	G-17 -	G-22
INTERIOR FINISH	G-23 -	H-05
LABELS	H-06 -	H-14
LP		H-15
LOUNGE	H-16 -	H-17
SEALANTS & FASTENERS	H-18 -	H-20
WATER & SEWAGE	H-21 -	I-01
WINDOW, VENT		
EXTERIOR DOOR	I-02 -	I-17
WINDSHIELD & WIPER	I-18 -	I-19

KEY	PART NUMBER	U/M DESCRIPTION
1	103634-01-C25	EA BUMPER ASM-FRONT
2	103625-01-02A	EA PANEL-FACIA,FRONT BUMPER RIGHT - GRAY
3	103512-01-000	EA CHANNEL ASM-BUMPER
4	103497-01-000	EA BRACE-BUMPER,FRONT
5	103611-01-000	EA BRACE-BUMPER,FRONT
6	086140-03-000	EA SUPPORT-FRONT BUMPER, PASSENGER SIDE - 9 1" X 4" - STEEL
7	086140-04-000	EA SUPPORT-FRONT BUMPER, DRIVERS SIDE - 9 1" X 4" - STEEL
8	103625-02-02A	EA PANEL-FACIA,FRONT BUMPER LEFT - GRAY

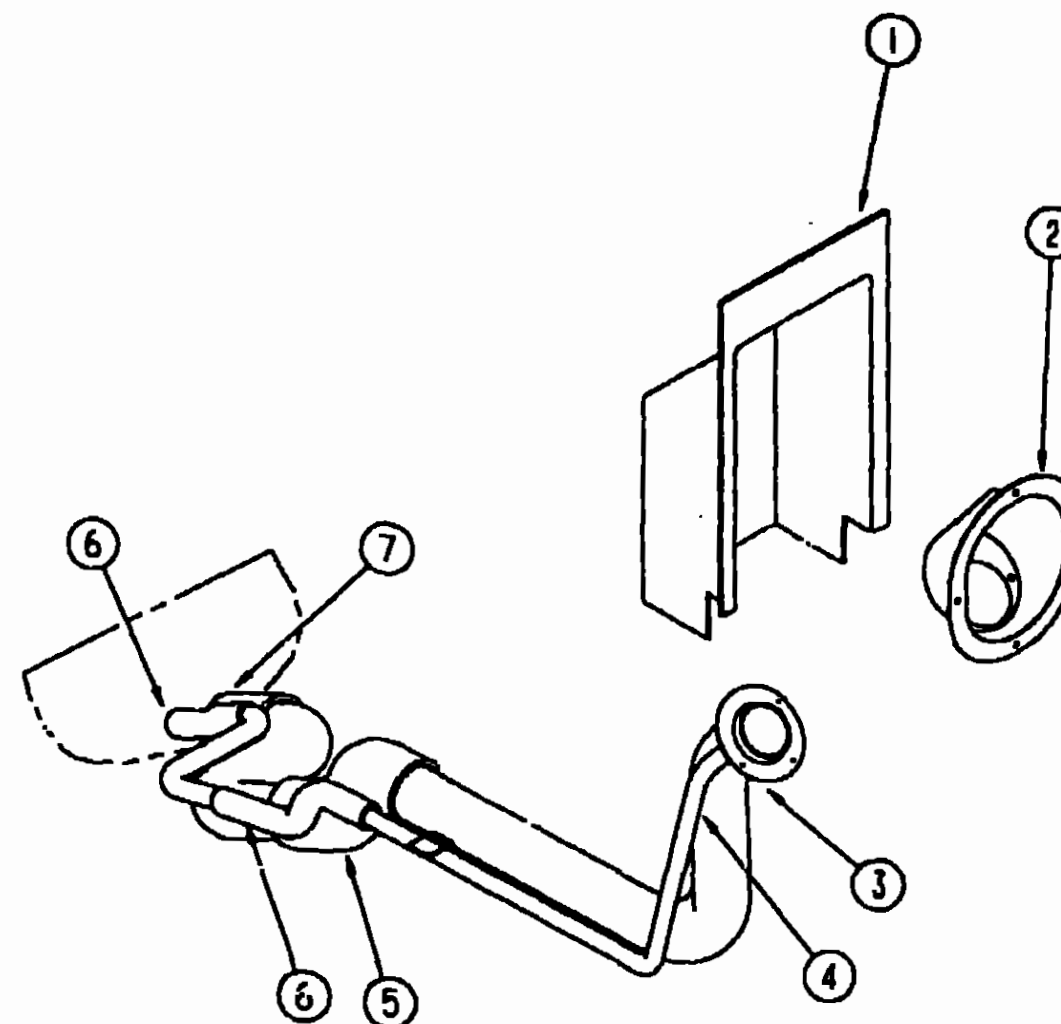
KEY	PART NUMBER	U/M DESCRIPTION
1	102944-01-000	EA BRACKET ASM-TIRE CARRIER
	000C27-10-32T	EA BOLT-CARR 5/8-11X2.00 EXT
2	078678-02-000	EA PLATE-MTG,BUMPER,REAR
3	078668-01-000	EA SUPPORT ANGLE,BUMPER REAR
4	083376-01-000	EA SKID PLATE ASM
5	102945-03-000	EA BRACKET ASM-BUMPER,REAR
6	103228-01-02A	EA CAP-END,BUMPER REAR GRAY
	094362-02-000	EA CLIP-XMAS TREE,FLAT HEAD
7	083425-07-000	EA TIRE-7 50 X R16 LRD, MICHELIN XPS RIB
	104408-03-C25	EA COVER-TIRE,32"SUNRISE
	PD4408-03-000	EA SILKSCREEN-32"SUNRISE
8	077613-01-000	EA DRAWBAR ASM ONLY
9	034513-01-000	EA PIN-HITCH-3/16 WIRE
	070579-08-000	EA PLATE ASM-ANCHOR
10	034512-01-000	EA PIN-LOCKING-DRAWBAR
11	077617-01-000	EA HITCH ASM W/O DRAWBAR
	000C12-08-24B	EA BOLT-HEX-1/2-13X1 1/2 ZN
	000E11-08-00B	EA WASHER-LK-1/2 MED SPLIT ZN
12	103099-01-03A	EA BUMPER-REAR, GRAY
13	102945-04-000	EA BRACKET ASM-BUMPER,REAR
	102333-01-02A	EA BOLT-CARR,7/16-14 SST CAP
	097744-02-000	EA HCUSING-TRAILER PIN 4B IN
	097746-01-000	EA HOUSING-CAP

CHASSIS GROUP (CONTINUED)



FUEL SYSTEM (CHEVY)

CHASSIS GROUP (CONTINUED)



FUEL SYSTEM (FORD)

**1992ITASCA
TABLE OF CONTENTS**

INTRODUCTION	A-01 -	A-02
ABBREVIATIONS		A-03
ALPHABETICAL INDEX	A-04 -	A-06
ICF27RC	A-07 -	E-12
ICF30RU	E-13 -	I-20

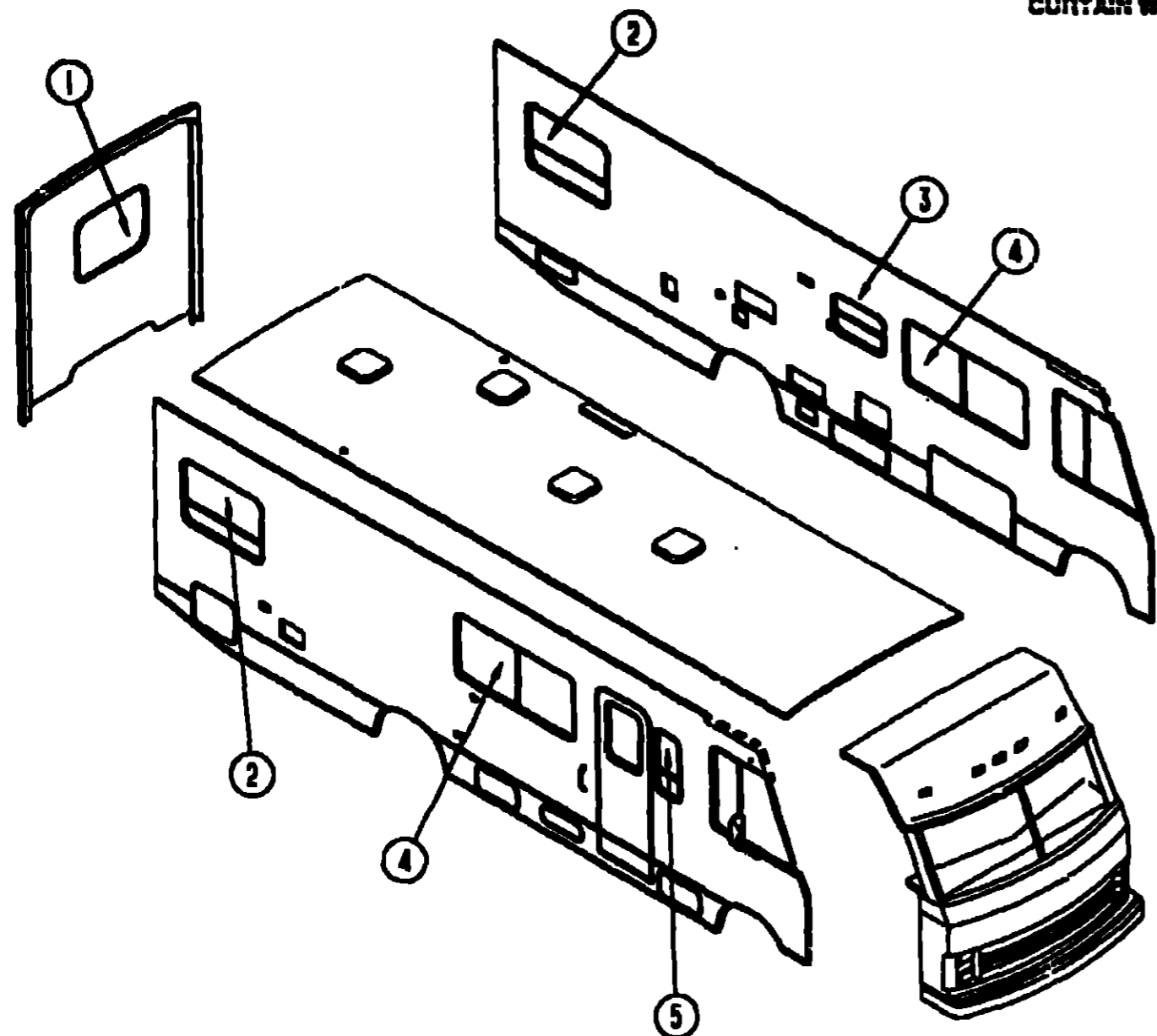
1992 ICF30RU INDEX

FLOOR PLAN	E-13 -	E-14
ACCESSORIES		E-15
AUDIO VIDIO	E-15 -	E-16
BATH	E-17 -	E-18
BEDROOM	E-19 -	E-20
CHASSIS	E-21 -	F-04
CURTAIN & CUSHION	F-05 -	F-13
DINETTE	F-14 -	F-15
DRIVERS COMPARTMENT	F-16 -	F-20
ELECTRICAL	F-21 -	G-02
EXTERIOR BODY	G-03 -	G-10
GALLEY	G-11 -	G-14
GENERATORS	G-15 -	G-16
HEATING & A/C	G-17 -	G-22
INTERIOR FINISH	G-23 -	H-05
LABELS	H-06 -	H-14
LP		H-15
LOUNGE	H-16 -	H-17
SEALANTS & FASTENERS	H-18 -	H-20
WATER & SEWAGE	H-21 -	I-01
WINDOW, VENT		
EXTERIOR DOOR	I-02 -	I-17
WINDSHIELD & WIPER	I-18 -	I-19

KEY	PART NUMBER	U/M DESCRIPTION
1	072447-04-000	EA SHROUD-FUEL FILL UPPER - PLASTIC
2	102951-01-03A	EA SHROUD-FUEL FILL - GRAY
3	078200-01-000	EA GASKET-FUEL FILL, 3.5"OD X 2"ID
4	098804-01-000	EA PIPE-VENT, FUEL FILL - 12" LONG
5	098805-01-000	EA PIPE-FUEL, FUEL FILL - 11 4" LONG
	084884-01-000	EA PLUG-BRASS, 3/8"
	007063-01-000	FT HOSE-GAS 1/4"ID X 1/2"OD
	098779-01-000	EA COUPLER-FUEL LINE M14X1 5-6H - GM 15550219
	098779-02-000	EA COUPLER-FUEL LINE M16X1 5-6H
	080081-01-000	EA STRAP-MOUNTING, FUEL LINE - 2" X 32"

KEY	PART NUMBER	U/M DESCRIPTION
1	072447-04-000	EA SHROUD-FUEL FILL UPPER - PLASTIC
2	102951-01-03A	EA SHROUD-FUEL FILL, GRAY
3	078200-01-000	EA GASKET-FUEL FILL, 3.5"OD X 2"ID
4	095606-01-000	EA NECK FUEL FILL, W/CHECK VALVE - L-SHAPED - 18 2" LONG
5	100156-01-000	EA HOSE-FUEL FILL, 8 3" LONG W/2" ID
6	066732-03-000	FT HOSE-FUEL FILL, 75" ID
7	007111-02-000	EA HOSE-FUEL FILL, 2.00 ID - IN 3FT LENGTHS
	007063-01-000	FT HOSE-GAS 1/4"ID X 1/2"OD
	084884-01-000	EA PLUG-BRASS, 3/8"

CURTAIN & CUSHION PAD GROUP
CURTAIN WINDOW TREATMENT



KEY	PART NUMBER	U/M DESCRIPTION
5	104021-13-C25	EA VALANCE ASM-16"SPIRIT W/BRASS (C25)
5	104021-13-C26	EA VALANCE ASM-16"SPIRIT W/BRASS (C26)
5	093475-82-01A	EA BLIND-MINI,14 5"X33"DROP (C25,C26)
	097994-08-C05	EA CURTAIN ASM-WRAPAROUND 36X78 HOOK/BRAID (C25)
		FROM: 00-00-00 THRU: 07-14-91
	097994-0C-C26	EA CURTAIN ASM-WRAPAROUND 36X78 HOOK/BRAID (C26)
		FROM: 00-00-00 THRU: 07-14-91
	101668-29-C25	EA CURTAIN ASM-WRAPAROUND 36X78 TAPE TOP,W/BRAID (C25)
		FROM: 07-15-91 THRU: 99-99-99
	101668-29-C26	EA CURTAIN ASM-WRAPAROUND 36X78 TAPE TOP,W/BRAID (C26)
		FROM: 07-15-91 THRU: 99-99-99
	101668-25-C05	EA CURTAIN ASM-40X40,TAPE TOP BRAID BOTTOM.
		FROM: 07-15-91 THRU: 99-99-99
	101668-25-C05	EA CURTAIN ASM-38X125,TAPE TOP BRAID BOTTOM.
		FROM: 07-15-91 THRU 99-99-99
	073260-50-C05	EA TIEBACK ASM-6X18 W/BRAID - WRAPAROUND - (C25)
	073260-50-C26	EA TIEBACK ASM-6X18 W/BRAID - WRAPAROUND - (C26)
	101668-20-C25	EA CURTAIN ASM - ROOM DIVIDER 70X60 TAPE TOP
	101668-20-C26	EA CURTAIN ASM - ROOM DIVIDER 70X60 TAPE TOP
	073260-55-C05	EA TIEBACK ASM-4X15 W/BRAID - ROOM DIVIDER-(C25)
	073260-55-C26	EA TIEBACK ASM-4X15 W/BRAID - ROOM DIVIDER-(C26)
	057534-01-000	EA TIEBACK/TIEDOWN - BED / CURTAIN / DOOR, 6' - PLASTIC - CLEAR
	084481-20-C25	EA CURTAIN ASM-SHOWER 67X35
	073260-54-C09	EA TIEBACK-CURTAIN, 3" X 16" SHOWER (C25)
	073260-54-C30	EA TIEBACK-CURTAIN, 3" X 16" SHOWER (C26)

1992ITASCA
TABLE OF CONTENTS

INTRODUCTION	A-01 -	A-02
ABBREVIATIONS		A-03
ALPHABETICAL INDEX	A-04 -	A-06
ICF27FC	A-07 -	E-12
ICF30RU	E-13 -	I-20

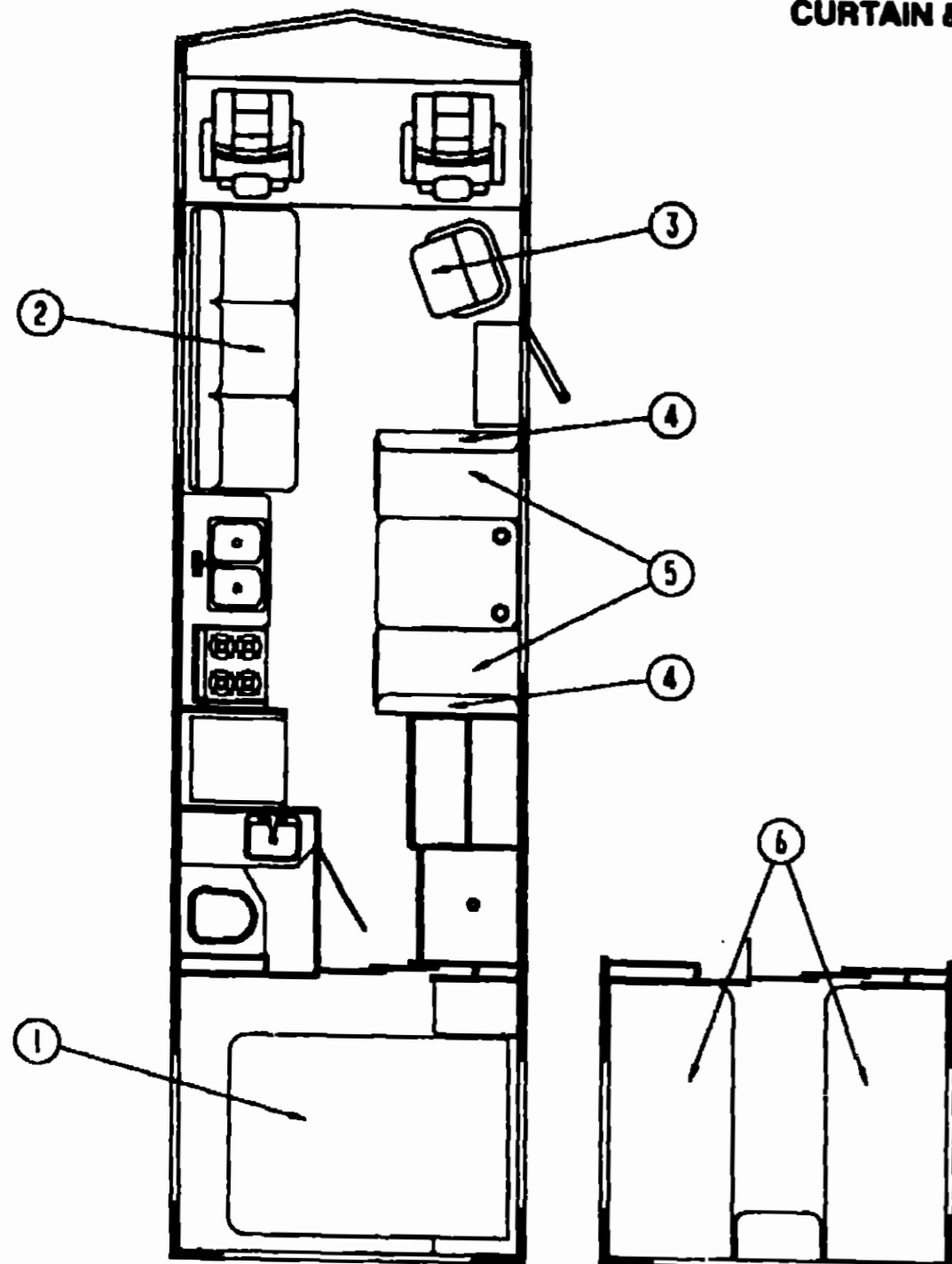
1992 ICF30RU INDEX

FLOOR PLAN	E-13 -	E-14
ACCESSORIES		E-15
AUDIO VIDEO	E-15 -	E-16
BATH	E-17 -	E-18
BEDROOM	E-19 -	E-20
CHASSIS	E-21 -	F-04
CURTAIN & CUSHION	F-05 -	F-13
DINETTE	F-14 -	F-15
DRIVERS COMPARTMENT	F-16 -	F-20
ELECTRICAL	F-21 -	G-02
EXTERIOR BODY	G-03 -	G-10
GALLEY	G-11 -	G-14
GENERATORS	G-15 -	G-16
HEATING & A/C	G-17 -	G-22
INTERIOR FINISH	G-23 -	H-05
LABELS	H05 -	H-14
LP		H-15
LOUNGE	H-16 -	H-17
SEALANTS & FASTENERS	H-18 -	H-20
WATER & SEWAGE	H-21 -	I-01
WINDOW, VENT		
EXTERIOR DOOR	I-02 -	I-17
WINDSHIELD & WIPER	I-18 -	I-19

KEY	PART NUMBER	U/M DESCRIPTION
1	104165-03-C25	EA VALANCE ASM - 52" W/CTR SHIRRIN (C25)
1	104165-03-C26	EA VALANCE ASM - 52" W/CTR SHIRRIN (C26)
1	104157-01-C05	EA CURTAIN/LEG ASM-27",RT (C25)
1	104157-01-C26	EA CURTAIN/LEG ASM-27",RT (C26)
1	104157-02-C05	EA CURTAIN/LEG ASM-27",LT (C25)
1	104157-02-C26	EA CURTAIN/LEG ASM-27",LT (C26)
1	093475-82-02A	EA BLIND-MINI,48X27-DROP (C25,C26)
1	073260-51-C25	EA TIEBACK ASM-3"X15" - GATHERED
1	073260-52-C26	EA TIEBACK ASM-3"X15" - GATHERED
2	104165-02-C25	EA VALANCE ASM - 46" W/CTR SHIRRIN (C25)
2	104165-02-C26	EA VALANCE ASM - 46" W/CTR SHIRRIN (C26)
2	104157-01-C05	EA CURTAIN/LEG ASM-27",RT (C25)
2	104157-01-C26	EA CURTAIN/LEG ASM-27",RT (C26)
2	104157-02-C05	EA CURTAIN/LEG ASM-27",LT (C25)
2	104157-02-C26	EA CURTAIN/LEG ASM-27",LT (C26)
2	093475-79-01A	EA BLIND-MINI,42X28 DROP (C25,C26)
3	104021-06-B87	EA VALANCE ASM - 28 5" SPIRIT (C25)
3	104021-06-B88	EA VALANCE ASM - 28 5" SPIRIT (C26)
3	093475-32-08A	EA BLIND-MINI 27"X18 5" DROP (C25)
3	093475-32-09A	EA BLIND-MINI,27"X18 5" DROP (C26)
4	104021-12-C25	EA VALANCE ASM-65"SPIRIT W/BRASS (C25)
4	104021-12-C26	EA VALANCE ASM-65"SPIRIT W/BRASS (C26)
4	100281-09-B87	EA LEG ASM -RT PLAIN,NO HOLE (C25)
4	100281-10-B87	EA LEG ASM -LT PLAIN,NO HOLE (C25)
4	100281-01-B88	EA LEG ASM -RT PLAIN,NO HOLE (C26)
4	100281-02-B88	EA LEG ASM -LT PLAIN,NO HOLE (C26)
4	093475-76-01A	EA BLIND-MINI,60"X28 5" DROP (C25,C26)

CURTAIN & CUSHION PAD GROUP (CONTINUED)

CUSHION TREATMENT



KEY	PART NUMBER	U/M DESCRIPTION
	101236-04-B87	EA ARMREST-COUCH LEFT SIDE (C25)
	101236-04-B88	EA ARMREST-COUCH LEFT SIDE (C26)
	P01236-04-B87	EA COVER-ARMREST, COUCH LEFT SIDE (C25)
	P01236-04-B88	EA COVER-ARMREST, COUCH LEFT SIDE (C26)
	101085-05-000	EA FRAME-BACK, 74.75"
	101095-07-000	EA FRAME-ARM BRACKET RIGHT SIDE
	101568-03-000	EA BRACKET-ARM, COUCH RIGHT SIDE
	101085-08-000	EA FRAME-ARM BRACKET LEFT SIDE
	101568-04-000	EA BRACKET-ARM, COUCH LEFT SIDE
	101085-04-000	EA FRAME-SEAT, 74.75"
	101085-06-000	EA FRAME-BASE, 74.75"
3	096429-09-C29	EA CHAIR-ARIA W/SEW LINES-T-SEAT (C25)
3	096429-09-C26	EA CHAIR-ARIA W/SEW LINES-T-SEAT (C26)
	M96429-09-C29	EA COVER-ARIA W/SEW LINES T-SEAT (C25)
	M96429-09-C26	EA COVER-ARIA W/SEW LINES T-SEAT (C26)
	089368-04-000	EA CABLE-SWIVEL, W/SWITCH - BUCKET SEAT
	099202-04-B87	EA SKIRT-SWIVEL CHAIR (C25)
	099202-04-B88	EA SKIRT-SWIVEL CHAIR (C26)
	M99202-04-B87	EA COVER - SKIRT-SWIVEL CHAIR (C25)
	M99202-04-B88	EA COVER - SKIRT-SWIVEL CHAIR (C26)
	069585-40-000	EA PLATE-SUB.VERTICAL 9.60"
	107921-01-000	EA PLATE-SUB. FLOOR MOUNTED PEDESTAL - W/9 75" EXTENSION FROM 00-00-00 THRU 03-31-92 FROM 04-01-92 THRU 99-99-99
	093482-01-000	EA SHROUD-PEDESTAL, 13" - PLASTIC - BLACK
	086120-04-C25	EA PAD ASM.-MAP POCKET.12X16
	M93481-04-000	EA PED-TOP PLATE, REMOTE SWIVEL W/O BELT BAR
	007221-01-000	EA SPACER-SEAT, ADJUSTER
	069246-06-000	EA ADJUSTER-SWIVEL CHAIR, MANUAL - FORWARD & BACK
	069246-07-000	EA ADJUSTER-SWIVEL CHAIR, W/LOCKING ARM - FORWARD & BACK
	093481-04-000	EA TOP PLATE-PEDESTAL, BUCKET SEAT - W/O SEATBELT BAR
	108049-01-000	EA CABLE-28", FLEXSTEEL PED 23602
	108049-02-000	EA CABLE-PEDESTAL CLIP 2592-CA
	093481-02-000	EA BASE-PEDESTAL, W/10" EXTENSION
4	104164-08-C25	EA CUSHION-13.5 X 38X5 FAN VICTORIAN
4	P04164-08-C25	EA COVER-13.5 X 38X5 FAN VICTORIA
4	104164-08-C26	EA CUSHION-13.5 X 38X5 FAN VICTORIAN
4	P04164-08-C26	EA COVER-13.5 X 38X5 FAN VICTORIA
5	104164-04-C25	EA CUSHION-21 X 38 X 5, DINETTE SEAT
5	P04164-04-C25	EA COVER-21 X 38 X 5, DINETTE SEAT
5	104164-04-C26	EA CUSHION-21 X 38 X 5, DINETTE SEAT
5	P04164-04-C26	EA COVER-21 X 38 X 5, DINETTE SEAT
6	104358-04-C25	EA BEDSPREAD-33"FITTED, THROW W/1"WELT
6	104358-04-C26	EA BEDSPREAD-33"FITTED, THROW W/1"WELT
6	101123-09-000	EA MATTRESS COMPLETE-FOAM 32X77
6	P01123-09-000	EA COVER-MATTRESS, 32X77
6	104165-01-C25	EA PILLOW ASM-14X14 W/2"FLANGE
6	104166-01-C26	EA PILLOW ASM-14X14 W/2"FLANGE

1992ITASCA TABLE OF CONTENTS

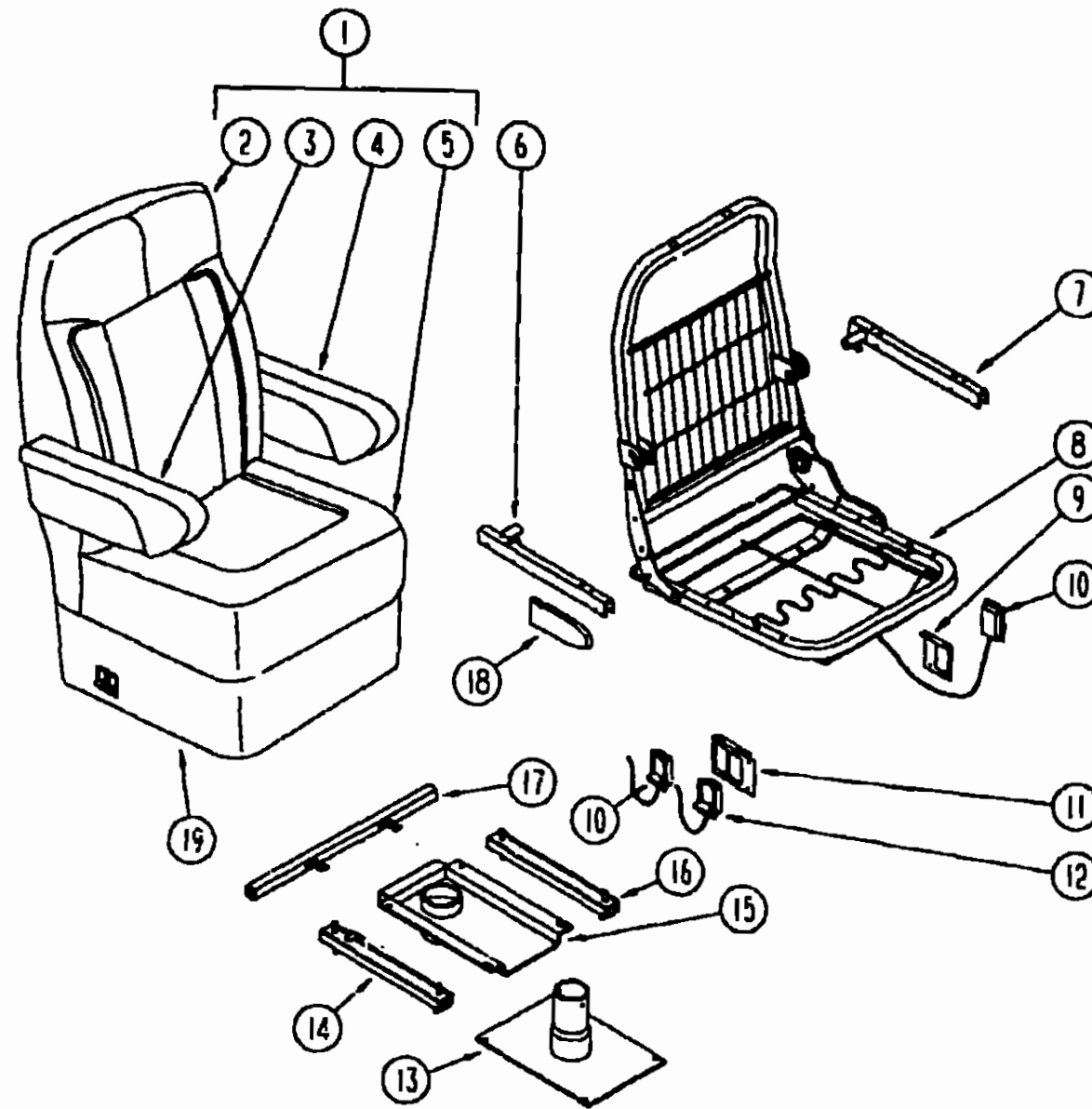
INTRODUCTION	A-01 -	A-02
ABBREVIATIONS		A-03
ALPHABETICAL INDEX	A-04 -	A-06
ICF27RC	A-07 -	E-12
ICF30RU	E-13 -	I-20

1992 ICF30RU INDEX

FLOOR PLAN	E-13 -	E-14
ACCESSORIES		E-15
AUDIO VIDEO	E-15 -	E-16
BATH	E-17 -	E-18
BEDROOM	E-19 -	E-20
CHASSIS	E-21 -	F-04
CURTAIN & CUSHION	F-05 -	F-13
DINETTE	F-14 -	F-15
DRIVERS COMPARTMENT	F-16 -	F-20
ELECTRICAL	F-21 -	G-02
EXTERIOR BODY	G-03 -	G-10
GALLEY	G-11 -	G-14
GENERATORS	G-15 -	G-16
HEATING & A/C	G-17 -	G-22
INTERIOR FINISH	G-23 -	H-05
LABELS	H-06 -	H-14
LP		H-15
LOUNGE	H-16 -	H-17
SEALANTS & FASTENERS	H-18 -	H-20
WATER & SEWAGE	H-21 -	I-01
WINDOW, VENT		
EXTERIOR DOOR	I-02 -	I-17
WINDSHIELD & WIPER	I-18 -	I-19

KEY	PART NUMBER	U/M DESCRIPTION
1	101123-01-000	EA MATTRESS-DOUBLE - 53" X 74"
	P01123-01-000	EA COVER-MATTRESS, 53" X 74"
	104166-01-C25	EA PILLOW ASM-14X14 W/2"FLANGE (C25)
	104166-01-C26	EA PILLOW ASM 14X14 W/2"FLANGE (C26)
	104358-02-C25	EA BEDSP-54"THROW, 1"WELT ON BCTTOM (C25)
	104358-02-C26	EA BEDSP-54"THROW, 1"WELT ON BOTTOM (C26)
2	100032-08-B87	EA SEAT-COUCH (C25)
2	100032-08-B88	EA SEAT-COUCH (C26)
	P00032-08-B87	EA COVER-SEAT CUSHION, COUCH (C25)
	P00032-08-B88	EA COVER-SEAT CUSHION, COUCH (C26)
	100032-07-B87	EA BACK-COUCH (C25)
	100032-07-B88	EA BACK-COUCH (C26)
	P00032-07-B87	EA COVER-BACK CUSHION, COUCH (C25)
	P00032-07-B88	EA COVER-BACK CUSHION, COUCH (C26)
	P01989-01-B87	EA COVER-PANEL SOFA END CAP (C25)
	P01989-01-B88	EA COVER-PANEL SOFA END CAP (C26)
	101236-03-B87	EA ARMREST-COUCH RIGHT SIDE(C25)
	101236-03-B88	EA ARMREST-COUCH RIGHT SIDE (C26)
	P01236-03-B87	EA COVER-ARMREST, COUCH RIGHT SIDE (C25)
	P01236-03-B88	EA COVER-ARMREST, COUCH RIGHT SIDE(C26)

CURTAIN & CUSHION GROUP (CONTINUED)
DRIVER & PASSENGER BUCKET SEATS



1992 ITASCA
TABLE OF CONTENTS

INTRODUCTION	A-01 -	A-02
ABBREVIATIONS		A-03
ALPHABETICAL INDEX	A-04 -	A-06
ICF27RC	A-07 -	E-12
ICF30RU	E-13 -	I-20

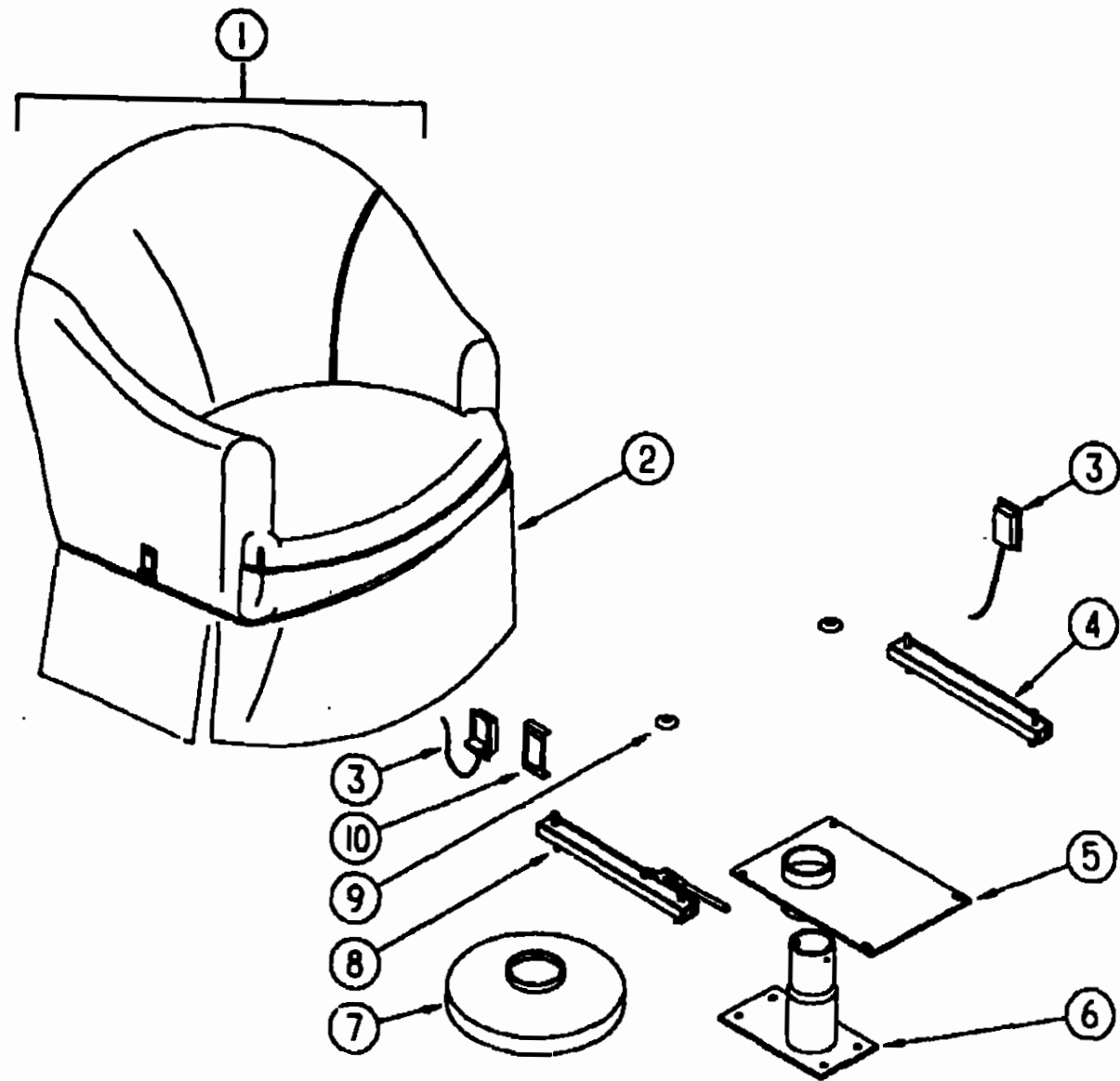
1992 ICF30RU INDEX

FLOOR PLAN	E-13 -	E-14
ACCESSORIES		E-15
AUDIO VIDEO	E-15 -	E-16
BATH	E-17 -	E-18
BEDROOM	E-19 -	E-20
CHASSIS	E-21 -	F-04
CURTAIN & CUSHION	F-05 -	F-13
DINETTE	F-14 -	F-15
DRIVERS COMPARTMENT	F-16 -	F-20
ELECTRICAL	F-21 -	G-02
EXTERIOR BODY	G-03 -	G-10
GALLEY	G-11 -	G-14
GENERATORS	G-15 -	G-16
HEATING & A/C	G-17 -	G-22
INTERIOR FINISH	G-23 -	H-05
LABELS	H-06 -	H-14
LP		H-15
LOUNGE	H-16 -	H-17
SEALANTS & FASTENERS	H-18 -	H-20
WATER & SEWAGE	H-21 -	I-01
WINDOW, VENT		
EXTERIOR DOOR	I-02 -	I-17
WINDSHIELD & WIPER	I-18 -	I-19

KEY	PART NUMBER	U/M DESCRIPTION
1	093450-22-C25	EA SEAT-ROYALE,N/HD,FAN ARMS (C25)
1	093450-22-C26	EA SEAT-ROYALE,N/HD,FAN ARMS (C26)
2	M03445-22-C25	EA COVER-ROYALE - BACK - SHORT INS (C25)
2	M03445-22-C26	EA COVER-ROYALE - BACK - SHORT INS (C26)
3	080243-49-C25	EA ARMREST ASM-RT ,FAN
3	080243-49-C26	EA ARMREST ASM-RT ,FAN
	M80243-49-C25	EA COVER ASM-ARMREST ,FAN RT
	M80243-49-C26	EA COVER ASM-ARMREST ,FAN RT
4	080243-50-C25	EA ARMREST ASM-LT ,FAN
4	080243-50-C26	EA ARMREST ASM-LT ,FAN
	M80243-50-C25	EA COVER ASM-ARMREST ,FAN,LT
	M80243-50-C26	EA COVER ASM-ARMREST ,FAN,LT
5	M03445-23-C25	EA COVER-ROYALE - SEAT - SHORT INS (C25)
5	M03445-23-C26	EA COVER-ROYALE - SEAT - SHORT INS (C26)
6	081268-01-000	EA ROD & CHANNEL-ARMREST, RIGHT - METAL
7	081268-02-000	EA ROD & CHANNEL-ARMREST, LEFT - METAL
	081361-01-000	EA ROD-ARMREST, METAL - RIGHT OR LEFT HAND

KEY	PART NUMBER	U/M DESCRIPTION
8	M80906-04-000	EA FRAME-SEAT, BACK & SPRING
8	M80906-05-000	EA FRAME-SEAT, BACK & SPRING
		FROM 00-00-00 THRU 06-02-91
9	097683-03-000	EA BRACKET-CABLE
10	089368-04-000	EA CABLE-SWIVEL, W/SWITCH - BUCKET SEAT
11	097683-02-000	EA BRACKET-CABLE
12	089368-05-000	EA CABLE-RECLINER, W/SWITCH - BUCKET SEAT
13	069585-08-000	EA BASE-BUCKET SEAT, BOLTS TO FLOOR - VERTICAL 8"
14	069246-05-000	EA ADJUSTER-SLIDE, W/LOCK - FORWARD & BACK
	069246-05-700	EA SPRING-ADJUSTER, FOR REMOTE
	069246-01-701	EA CLIP-CABLE, FOR REMOTE
15	033481-04-000	EA TOP PLATE-PEDESTAL, BUCKET SEAT - W/O SEATBELT BAR
16	069246-02-000	EA ADJUSTER-BUCKET SEAT W/O LOCK, FORWARD AND BACK
17	069585-29-000	EA BAR-SEAT BELT, BUCKET SEATS - 20"
18	089369-08-000	EA SHIELD-CABLE, REMOTE RECLINER - BUCKET SEAT
19	071126-24-B87	EA SKIRT - ROYALE SEAT (C25)
19	071126-24-B88	EA SKIRT - ROYALE SEAT (C26)
	080731-02-000	EA HINGE-SLAVE, RECLINER - LEFT HAND
	081362-01-000	EA BRACKET-ARMREST, RIGHT HAND
	081362-02-000	EA BRACKET-ARMREST, LEFT HAND
	101125-01-000	EA RECLINER-SEATBACK,LEFT HAND REMOTE

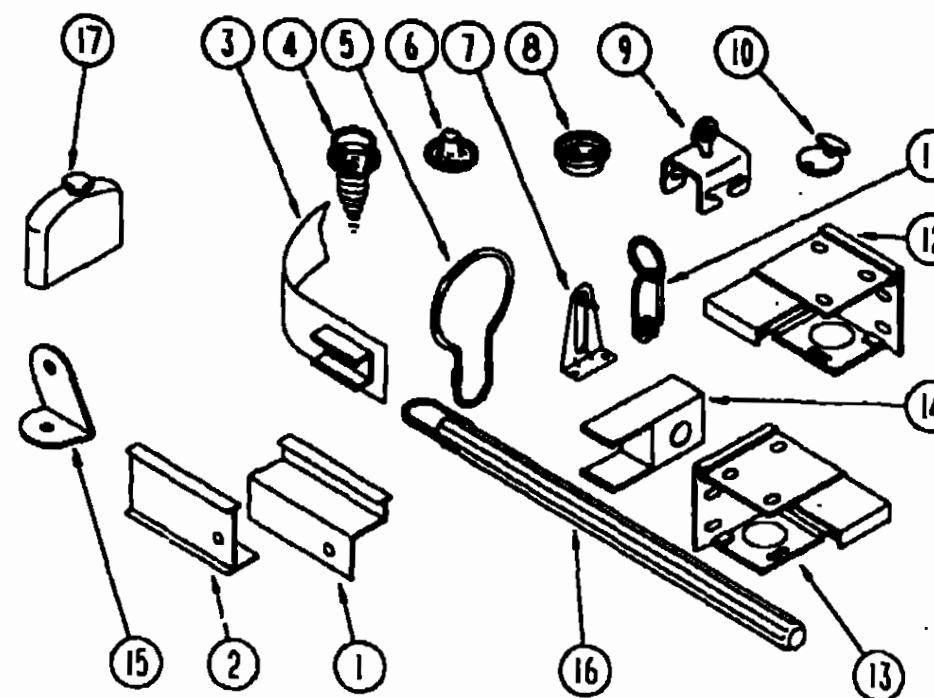
CURTAIN & CUSHION GROUP (CONTINUED)



SWIVEL CHAIR

KEY	PART NUMBER	U/M DESCRIPTION
1	096429-09-C29	EA CHAIR-ARIA W/SEW LINES-T SEAT (C25)
1	096429-09-C26	EA CHAIR-ARIA W/SEW LINES-T SEAT (C26)
1	M96429-09-C29	EA COVER-ARIA W/SEW LINES T-SEAT (C25)
1	M96429-09-C26	EA COVER-ARIA W/SEW LINES T-SEAT (C26)
2	099202-04-B87	EA SKIRT-SWIVEL CHAIR (C25)
2	099202-04-B88	EA SKIRT-SWIVEL CHAIR (C26)
3	108049-01-000	EA CABLE - 28" - FLEXSTEEL PED
4	069246-06-000	EA ADJUSTER - SWIVEL CHAIR - MANUAL - FORWARD & BACK
5	093481-04-000	EA TOP PLATE-PEDESTAL - BUCKET SEAT - W/O SEATBELT BAR
6	093481-02-000	EA BASE - PEDESTAL - W/10" EXTENSION
7	093482-01-000	EA SHROUD - PEDESTAL - 13" - PLASTIC - BLACK
8	069246-07-000	EA ADJUSTER - SWIVEL CHAIR - W/LOCKING ARM - FORWARD & BACK
9	007221-01-000	EA SPACER - SEAT - ADJUSTER (4 USED)
10	108049-02-000	EA CABLE - PEDESTAL CLIP
	069246-05-700	EA SPRING - ADJUSTER - FOR REMOTE
	069246-05-701	EA CLIP - CABLE - FOR REMOTE
	057759-01-000	EA WASHER BRACKET-SEAT BELT - 4" DIAMETER
	007021-01-000	EA BELT-SEAT - 2" X 90" - BLACK

CURTAIN & CUSHION GROUP (CONTINUED)



CURTAIN, BLIND HARDWARE & TRACKS

KEY	PART NUMBER	U/M DESCRIPTION
1	105450-01-01A	EA TRACK-CURTAIN, 30 8" LONG - ALUMINUM - OFF WHITE
1	105450-04-01A	EA TRACK-CURTAIN, 50" LONG - ALUMINUM - OFF WHITE
2	101588 02 01A	EA TRACK - CURTAIN.WRAPAROUND - O/W PASSENGERS USED W/TV O/H
2	101589 01 B04	EA TRACK - CURTAIN.WRAPAROUND - O/W PASSENGERS
2	094856 01 01A	EA TRACK - CURTAIN.WRAPAROUND - O/W DRIVERS
	046867-01-000	EA GROMMET-BRASS, 7/16" ID X 1" OD
	048394-02-000	YD VELCRO TAPE-HOOK, ADHESIVE BACK - 75" WIDE - BEIGE
	068716-01-001	EA BRACE-90 DEGREE L-ANGLE, 192" - EXTRUDED ALUMINUM
	075943-02-000	EA BRACE-ANGLE, WHOLES - 1" X 1 5" X 14" - ALUMINUM - BEIGE
	075943-09-000	EA BRACE-VALANCE, O/WHT 8 00 IN
	089522-03-000	EA PANEL-LEG, TWO SIDE 27" LONG - PLASTIC - BLACK
3	101031-01-000	YD TAPE-GLIDE, CURTAIN - 4.25" SPACING
4	029130-01-000	EA SOCKET-SNAP FASTENER
5	009136-02-000	EA HANGER-RING, PIN TYPE - CURTAIN - BRASS
6	029155-01-000	EA CAP-SNAP, 5/32" O.D. OF PIN
7	095591-02-000	EA BRACKET-HOLD DOWN, W/PIN - BLIND - METAL
8	029156-01-000	EA SOCKET-SNAP, 9/16" O.D.
9	009702-01-000	EA END STOP-CURTAIN CARRIER, L ROD
10	102555-01-000	EA CLEAT-CORD, BLIND - OFF WHITE
11	009701-01-000	EA CARRIER-CURTAIN, L ROD
12	083170-01-000	EA BRACKET-BLIND, RIGHT SIDE
13	083170-02-000	EA BRACKET-BLIND, LEFT SIDE
14	101033-02-000	EA END CAP-TRACK, CLEAR
15	099205-02-02A	EA BRACKET-WRAPAROUND O/W
16	093475-01-700	EA WAND-BLIND, W/METAL CLIP - 8" LONG
17	093475-01-701	EA END CAP-BLIND, W/STUD
	103986-01-000	FT TRIM-VALANCE, U-CHANNEL - 75" WIDE - BRASS
	088792-01-000	YD VELCRO-HOOK, 75" WIDE - BEIGE
	088792-02-000	YD VELCRO TAPE-LOOP, ADHESIVE BACKED - .75" WIDE - BEIGE
	089916-01-000	EA MOUNT-WINDOW LEG, 23 75" - ALUMINUM - BLACK 23 75" LONG
	097625-01-000	EA HOOK-DRAPERY, #1012K - KIRSH
	109441-01-000	EA HOLD DOWN-BLIND, HOOK

**1992ITASCA
TABLE OF CONTENTS**

INTRODUCTION	A-01	A-02
ABBREVIATIONS		A-03
ALPHABETICAL INDEX	A-04	A-06
ICF27RC	A-07	E-12
ICF30RU	E-13	I-20

1992 ICF30RU INDEX

FLOOR PLAN	E-13	E-14
ACCESSORIES		E-15
AUDIO VIDEO	E-15	E-16
BATH	E-17	E-18
BEDROOM	E-19	E-20
CHASSIS	E-21	F-04
CURTAIN & CUSHION	F-05	F-13
DINETTE	F-14	F-15
DRIVERS COMPARTMENT	F-16	F-20
ELECTRICAL	F-21	G-02
EXTERIOR BODY	G-03	G-10
GALLEY	G-11	G-14
GENERATORS	G-15	G-16
HEATING & A/C	G-17	G-22
INTERIOR FINISH	G-23	H-05
LABELS	H06	H-14
LP		H-15
LOUNGE	H-16	H-17
SEALANTS & FASTENERS	H-18	H-20
WATER & SEWAGE	H-21	I-01
WINDOW, VENT		
EXTERIOR DOOR	I-02	I-17
WINDSHIELD & WIPER	I-18	I-19

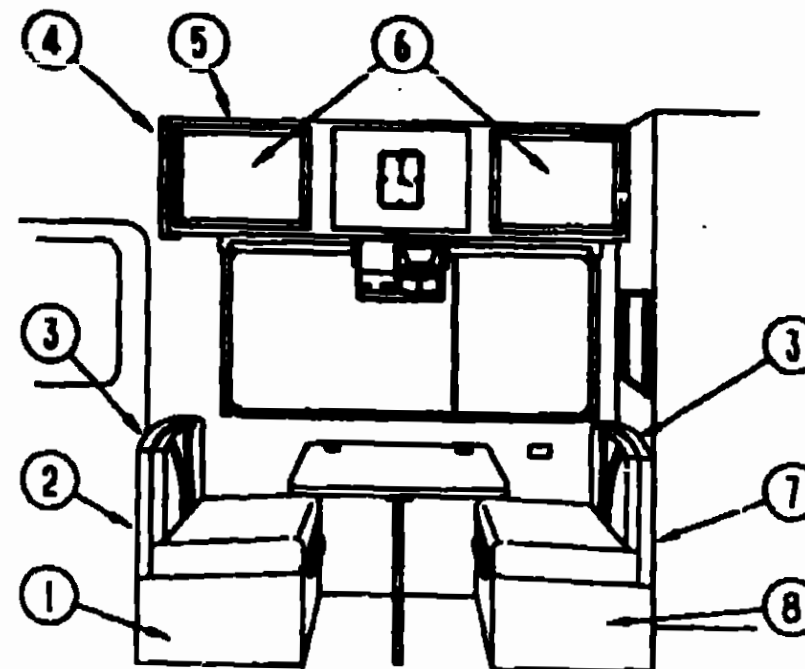
CURTAIN & CUSHION GROUP (CONTINUED)
FABRIC & TRIMS

KEY	PART NUMBER	U/M DESCRIPTION
	052859-01-W30	FT TRIM-EDGE, VINYL - 1.5" WIDE - BEIGE
	072333-82-000	YD FABRIC-CURTAIN, 54" WIDE - BEIGE
	075244-04-000	YD FABRIC-VINYL, SHOWER CURTAIN - 72" WIDE - SALMON
	075244-05-000	YD FABRIC-VINYL, SHOWER CURTAIN - 72" WIDE - BLUE
	079680-01-000	YD FABRIC-VINYL, 54" WIDE - BEIGE
	079680-07-000	YD FABRIC-VINYL, 54" WIDE - BEIGE
	079680-09-000	YD FABRIC-VINYL, 54" WIDE - OFF WHITE
	079680-12-000	YD VINYL-EXPANDED, 54" WIDE - OFF WHITE
	087272-01-000	YD FABRIC-LINING, CURTAIN - 48" WIDE - IVORY
	088273-72-000	YD FABRIC-CURTAIN/BEDSPREAD, PLAIN - 54" WIDE (C25)
	088273-71-000	YD FABRIC-CURTAIN/BEDSPREAD, PLAIN - 54" WIDE (C26)
	088273-67-000	YD FABRIC-CURTAIN/BEDSPREAD, PLAIN - 54" WIDE (C26)
	088273-73-000	YD FABRIC-CURTAIN/BEDSPREAD, PATTERNED - 54" WIDE (C25)
	088273-70-000	YD FABRIC-CURTAIN/BEDSPREAD, PATTERNED - 54" WIDE (C26)
	096008-90-000	YD FABRIC-UPHOLSTERY/CURTAIN, PATTERNED WOVEN - 54" WIDE (C25)
	096008-83-000	YD FABRIC-UPHOLSTERY/CURTAIN, PATTERNED WOVEN - 54" WIDE (C26)
	096008-84-000	YD FABRIC-UPHOLSTERY, DOTTED VELOUR - 54" WIDE (C25)
	096008-91-000	YD FABRIC-UPHOLSTERY, STRIPED WOVEN - 54" WIDE (C25)
	096008-92-000	YD FABRIC-UPHOLSTERY/CURTAIN, PLAIN - 54" WIDE (C25)
	096008-85-000	YD FABRIC-UPHOLSTERY/CURTAIN, PLAIN - 54" WIDE (C26)
	103907-01-01A	YD FABRIC-VINYL, 54" WIDE - OFF WHITE
	103907-01-02A	YD VINYL-EXPANDED MADRID GRAY *26 OZ 54"X ROLL
	104233-28-000	YD FABRIC-UPH. ROSE 477 (C25)
	104233-27-000	YD FABRIC-UPH. LT NAVY 689 (C26)

FRONT OVERHEAD BUNK

KEY	PART NUMBER	U/M DESCRIPTION
	079145-06-000	EA CUSHION ASM-BUNK
	M79145-06-000	EA COVER - ASM-BUNK 30 00 X 78 00

DINETTE GROUP



DINETTE CABINETRY

KEY	PART NUMBER	U/M DESCRIPTION
1	M04175-05-C05	EA CABINET-SEATBASE FRONT
	103596-12-C05	EA SEAT ASM - REAR
	081518-01-B03	EA SEAT-TOP, DINETTE - PLYWOOD
2	M04174-05-C05	EA CABINET-SEATBACK FRONT
3	104787-01-C25	EA PAD ASM, DINETTE (C25)
3	104787-01-C26	EA PAD ASM-DINETTE (C26)
4	103128-02-C05	EA END CAP-CABINET, OVERHEAD - FRONT
5	M05019-50-C25	EA CABINET ASM-OVHD, DINETTE
6	P04746-02-C25	EA DOOR ASM-HDW-MITERED OGEE - W/O HARDWARE
	004354-01-000	EA BUMPER-CABINET DOOR, RUBBER - BROWN
7	M04174-04-C05	EA CABINET-SEATBACK REAR
8	M04175-04-C05	EA CABINET-SEATBASE REAR
	103596-11-C05	EA SEAT ASM - REAR
	081295-01-AAB	EA SUPPORT-BED, DINETTE, 712 LG

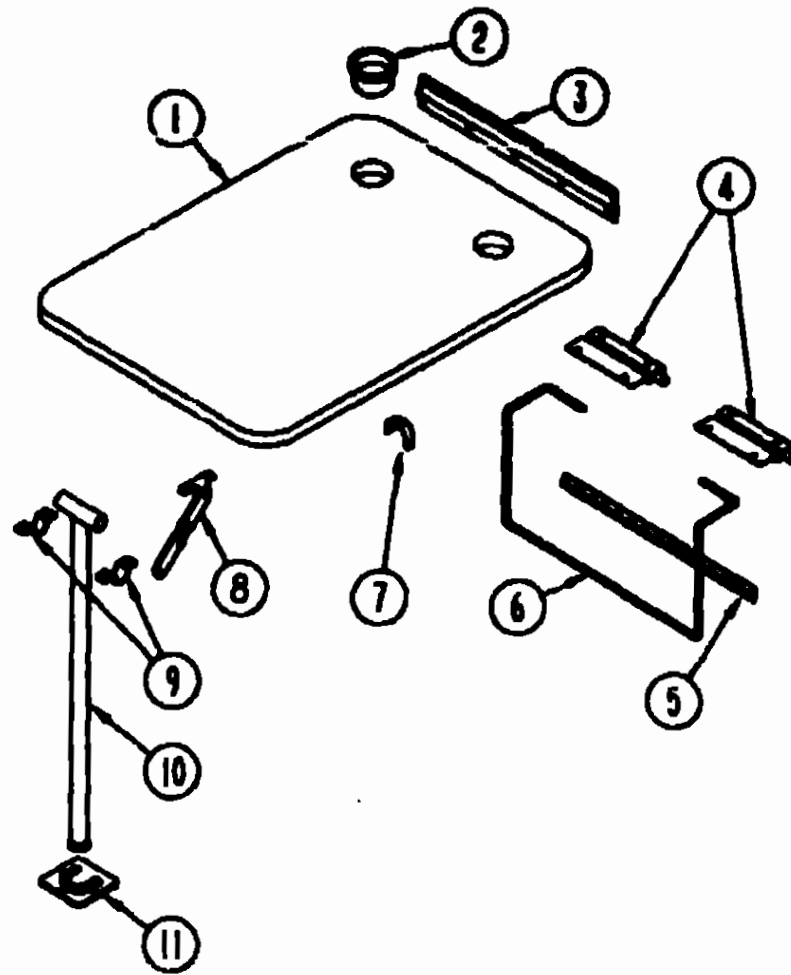
1982 ITASCA
TABLE OF CONTENTS

INTRODUCTION	A-01 -	A-02
ABBREVIATIONS		A-03
ALPHABETICAL INDEX	A-04 -	A-06
ICF27RC	A-07 -	E-12
ICF30RU	E-13 -	I-20

1992 ICF30RU INDEX

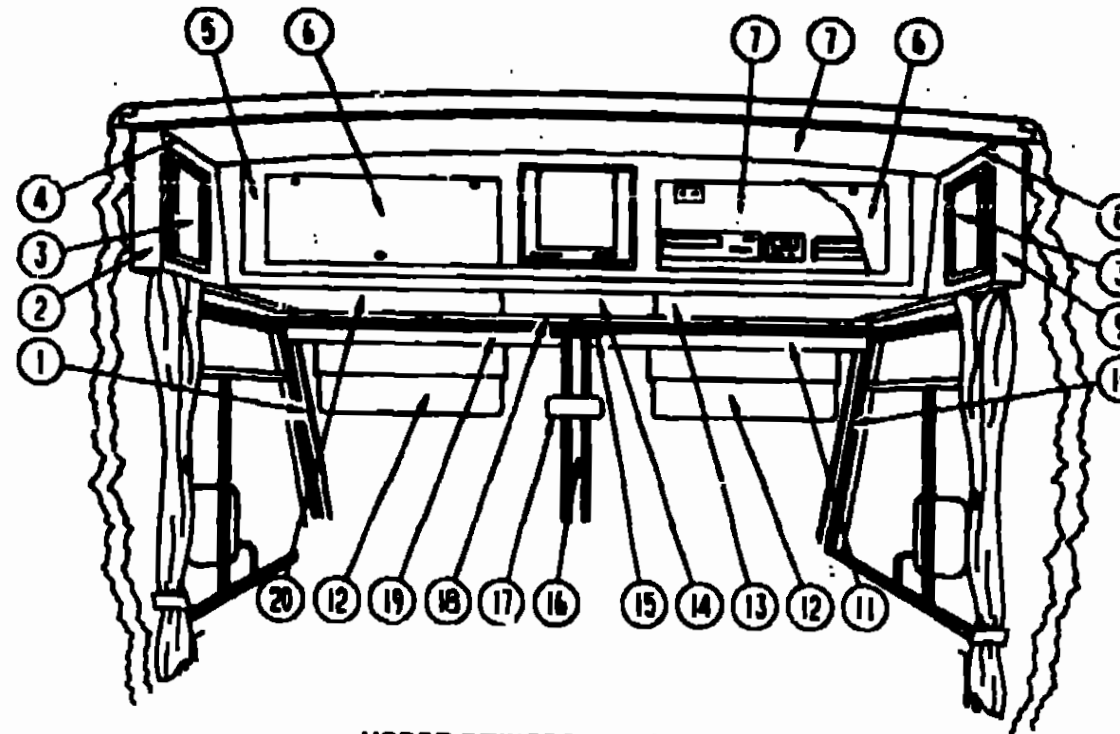
FLOOR PLAN	E-13 -	E-14
ACCESSORIES		E-15
AUDIO VIDEO	E-15 -	E-16
BATH	E-17 -	E-18
BEDROOM	E-19 -	E-20
CHASSIS	E-21 -	F-04
CURTAIN & CUSHION	F-05 -	F-13
DINETTE	F-14 -	F-15
DRIVERS COMPARTMENT	F-16 -	F-20
ELECTRICAL	F-21 -	G-02
EXTERIOR BODY	G-03 -	G-10
GALLEY	G-11 -	G-14
GENERATORS	G-15 -	G-16
HEATING & A/C	G-17 -	G-22
INTERIOR FINISH	G-23 -	H-05
LABELS	H-06 -	H-14
LP		H-15
LOUNGE	H-16 -	H-17
SEALANTS & FASTENERS	H-18 -	H-20
WATER & SEWAGE	H-21 -	I-01
WINDOW, VENT		
EXTERIOR DOOR	I-02 -	I-17
WINDSHIELD & WIPER	I-18 -	I-19

DINETTE GROUP (CONTINUED)



DINETTE TABLE

DRIVERS COMPARTMENT GROUP



UPPER DRIVERS COMPARTMENT

**1992ITASCA
TABLE OF CONTENTS**

INTRODUCTION	A-01 -	A-02
ABBREVIATIONS		A-03
ALPHABETICAL INDEX	A-04 -	A-06
ICF27RC	A-07 -	E-12
ICF30RU	E-13 -	I-20

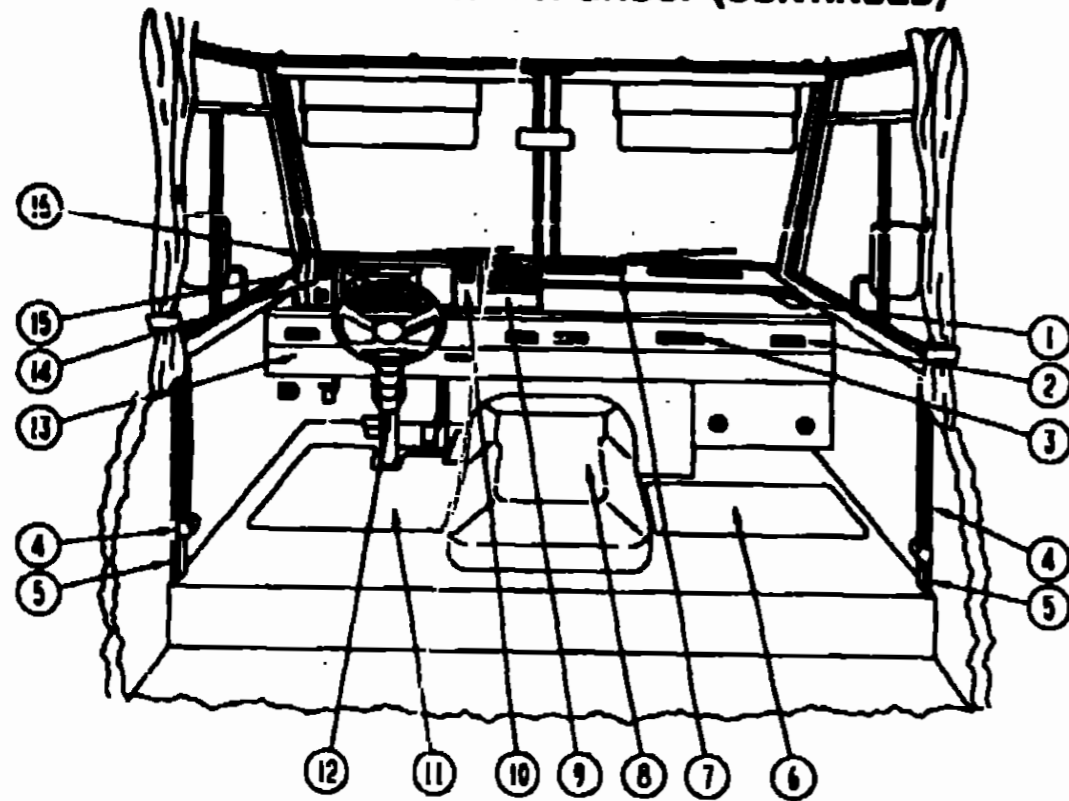
1992 ICF30RU INDEX

FLOOR PLAN	E-13 -	E-14
ACCESSORIES		E-15
AUDIO VIDEO	E-15 -	E-16
BATH	E-17 -	E-18
BEDROOM	E-19 -	E-20
CHASSIS	E-21 -	F-04
CURTAIN & CUSHION	F-05 -	F-13
DINETTE	F-14 -	F-15
DRIVERS COMPARTMENT	F-16 -	F-20
ELECTRICAL	F-21 -	G-02
EXTERIOR BODY	G-03 -	G-10
GALLEY	G-11 -	G-14
GENERATORS	G-15 -	G-16
HEATING & A/C	G-17 -	G-22
INTERIOR FINISH	G-23 -	H-05
LABELS	H-06 -	H-14
LP		H-15
LOUNGE	H-16 -	H-17
SEALANTS & FASTENERS	H-18 -	H-20
WATER & SEWAGE	H-21 -	I-01
WINDOW, VENT		
EXTERIOR DOOR	I-02 -	I-17
WINDSHIELD & WIPER	I-18 -	I-19

KEY	PART NUMBER	U/M DESCRIPTION
1	M02115-09-B87	EA PANEL KIT-DINETTE TABLE
2	064781-06-000	EA HOLDER-CUP, TWO STEP - OFF WHITE
3	053200-05-000	EA BRACKET-TABLE SUPPORT, UPPER WALL MOUNTED - 23 5" - BEIGE
4	004354-01-000	EA BUMPER-RUBBER - BROWN
5	088410-01-000	EA BRACKET-LIFT, TABLE MOUNTED - BEIGE
6	024281-07-000	EA BRACKET-LIFT ROD, LOWER WALL MOUNTED - 22.12" - BEIGE
7	024275-12-000	EA ROD-TABLE LIFT, BEIGE
8	024283-01-000	EA CLIP-LEG, 1" X 1 125" OD - BLACK
9	024282-01-000	EA BRACE-TABLE LEG, HINGED
10	064050 03 C00	EA CLAMP-SADDLE, LEG HINGE - BEIGE
11	024276-21-000	EA LEG-TABLE, METAL - BEIGE
	049493-11-700	EA CATCH-TABLE LEG, FLOOR MOUNTED

KEY	PART NUMBER	U/M DESCRIPTION
1	103931-02-02A	EA COVER-INNER, A-PILLAR, DRIVERS
2	104353-02-C05	EA END CAP ASM-FRONT OVERHEAD, DRIVERS
3	P04746-06-C25	EA DOOR ASM. - W/O HARDWARE - OGEE
4	M05159-22-C25	EA CABINET ASM.-FRONT OVERHEAD, DRIVERS
	104289-02-C05	EA PANEL-SIDE PAD-VINYL-DRIVERS
	P04307-02-C05	EA CABINET ASM -BOTTOM W/VINYL, LH
5	104238-01-C05	EA CABINET ASM -FACE, FRONT OVERHEAD (TV)
6	100708-06-000	EA DOOR-GLASS, TV CABINET - W/O HARDWARE - 9 68" X 28 42"
	100710-01-01A	EA LOCK-TWIST TYPE
	100711-01-01A	EA HINGE-DOOR, GLASS
	100707-01-000	EA SFACER
	101272-01-000	EA CATCH-GLASS DOOR
	101766-01-000	EA PIN-SUPPORT, GLASS DOOR
7	103040-01-C05	EA PANEL-HEADLINER FRONT OVERHEAD - PADDED
7	103040-02-C05	EA PANEL-HEADLINER FRONT OVERHEAD - PADDED USED W/TV
7	103040-03-C05	EA PANEL-HEADLINER FRONT OVERHEAD - PADDED USED W/VCR
7	103040-04-C05	EA PANEL-HEADLINER FRONT OVERHEAD - PADDED USED W/VCR/INVERTER
7	103040-05-C05	EA PANEL-HEADLINER FRONT OVERHEAD - PADDED USED W/TV/INVERTER
8	M05159-21-C25	EA CABINET ASM -FRONT OVERHEAD, PASSENGERS
9	104353-01-C05	EA END CAP ASM-FRONT OVERHEAD, PASSENGERS
	104289-01-C05	EA PANEL-SIDE PAD-VINYL-PASSENGERS
10	103931-01-02A	EA COVER-INNER, A-PILLAR, PASSENGERS
11	078579-09-000	EA TRIM-WINDSHIELD, UPPER-INNER, PASSENGERS
12	082286-14-C05	EA SUNVISOR-DRIVER OR PASSENGER - W/POCKET
	000G39-10-12D	EA SCREW-SF/DR, 10-16 X 3/4 PPH - BLACK
	102377-01-000	EA BRACKET-SUNVISOR, 1 PIECE - STEEL
	007211-01-000	EA HINGE-SUNVISOR
	074012-01-000	EA CLIP-SUNVISOR, SQ. PINCH-ON
	078811-05-B11	EA PANEL-TRIM, HEADER, LOWER
13	P03077-02-C05	EA SHELF-BASE, CABINET, PASSENGERS SIDE
14	P04415-01-C05	EA SHELF ASM-TV CABINET, CENTER
	104417-01-C05	EA CABINET ASM-BLANKET (STANDARD CABINET)
15	086280-01-000	EA LIGHT-SURFACE MOUNT, 12V - JENSEN 1236
	086280-01-70C	EA BULB, 12V6W
16	079765-08-000	EA TRIM-WINDSHIELD, CENTER
17	040714-01-700	EA MIRROR INSIDE REAR VIEW KIT
18	103040 01 C05	EA PANEL-LINER, OVHD TV
18	103040 06 C05	EA PANEL-LINER, FRONT OVERHEAD W/BUNK
	101497-09-C05	EA PANEL ASM-END CAP, UP RH, TV **92 F-SERIES
19	078579-10-000	EA TRIM-WINDSHIELD, UPPER-INNER, DRIVERS
F-15 20	P03077-01-C05	EA SHELF-BASE, CABINET, DRIVERS SIDE

DRIVERS COMPARTMENT GROUP (CONTINUED)

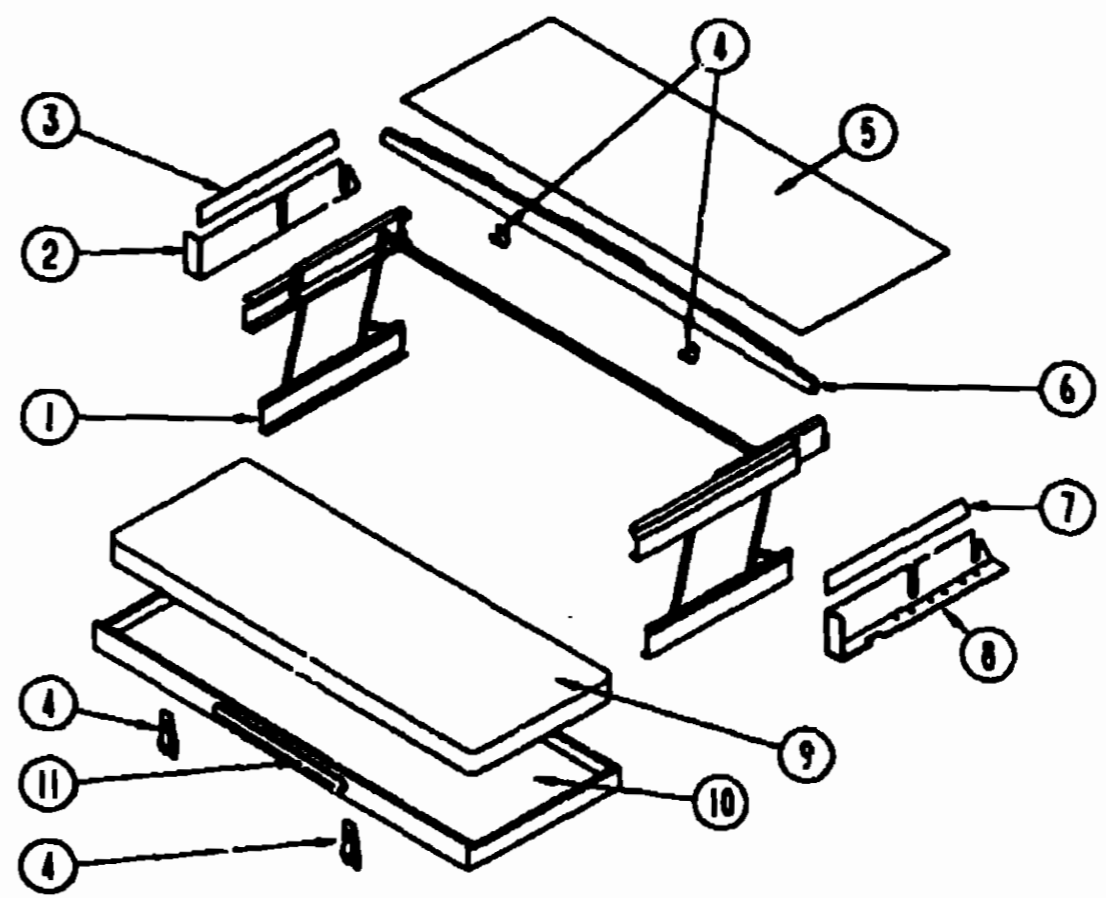


KEY	PART NUMBER	U/M DESCRIPTION
	103817-01-C25	EA DASH ASM.GM
1	073741-03-000	EA SPEAKER-4X6 OVAL AUDIOVOX 110-2074
1	073741-04-000	EA GRILLE-SPEAKER, OVAL 4X6 AUDIOVOX 136-1157
2	103796-01-01A	EA LOUVER ASM-A/C CARY PROD BLK A
3	104280-01-01A	EA DECAL-LOGO "BRAVE" PASSENGERS SIDE DASH
4	091990-01-01A	EA SEAT BELT-SHOULDER HARNESS - DRIVERS/PASSENGERS - BLACK
	091990-01-700	EA BOLT COVER
5	024700-44-000	EA SIDEWALL ROLL BAR COVER, OFF WHITE - 53"
	024700-45-000	EA SIDEWALL ROLL BAR COVER, OFF WHITE - 12 8"
6	081202-02-000	EA MAT-FLOOR, FRONT PASSENGERS, ITASCA - BROWN
7	103558-01-02A	EA VENT-DEFROSTER, ABS OFF WHITE
8	097552-01-000	EA COVER MOTOR
	075564-01-000	EA BRACKET-MOUNTING, MOTOR COVER
	092406-01-000	EA TRIM-MOTOR COVER
	039623-01-000	FT SEAL-COVER-ENGINE
9	104056-06-01A	EA APPLIQUE-BEZEL RIGHT MOST PANEL-RADIO/HEATER
	103875-04-000	EA SWITCH-ROCKER, SPDT ON/OFF/MOM A
	103875-05-000	EA SWITCH-ROCKER, SPDT ON/NONE/ON A
10	104056-04-01A	EA APPLIQUE-BEZEL SWITCH PANEL RIGHT OF CLUSTER
11	081201-02-000	EA MAT-FLOOR, FRONT DRIVERS, ITASCA - BROWN
12	103498-01-000	EA BOOT-COLUMN, 91 CHEVY, LOWER
		FROM 00-00-00 THRU 06-15-91
12	103498-02-000	EA BOOT-COLUMN, 91 CHEVY, UPPER
		FROM 00-00-00 THRU 06-15-91
12	103498-04-000	EA BOOT-COLUMN, 91 CHEVY, UNIVERSAL
		FROM 06-16-91 THRU 99-99-93
13	103812-01-02A	EA TRIM-DASH, LOWER, GM
14	104056-02-01A	EA APPLIQUE-BEZEL SWITCH PANEL LEFT OF CLUSTER
15	104056-01-01A	EA APPLIQUE-BEZEL LEFT MOST PANEL
16	103666-01-02A	EA FOD-INSTRUMENT PANEL
16	103662-01-01A	EA BEZEL-INSTRUMENT PANEL
	105868-01-02A	EA INSERT-DASH, TRIM
	105870-01-02A	EA INSERT-DASH, TRIM

LOWER DRIVERS COMPARTMENT

DRIVERS COMPARTMENT GROUP (CONTINUED)
LOWER DRIVERS COMPARTMENT CONT

KEY	PART NUMBER	U/M DESCRIPTION
	024990-05-000	EA OUTLET-DEF-W/SWIV 2IN BLACK
	056402-05-000	EA BRACKET-HEATER W/BEND BLACK
	077031-01-000	EA FILM-BLACK, 1"X1.75", IP BEZEL
	077031-03-000	EA FILM-WHITE .75X1.00
	077075-01-000	EA GASKET-IP TO DEF PLENUM 286



KEY	PART NUMBER	U/M DESCRIPTION
1	076760-02-000	EA BUNK HARDWARE
	076760-02-700	EA SPRING-GAS-BUNK HARDWARE
2	101499-06-C05	EA PANEL ASM - BOTTOM DRIVERS - PADDED - USED W/BUNK
3	101497-02-C05	EA PANEL ASM - UPPER DRIVERS - PADDED - USED W/BUNK
4	042541-04-700	EA LATCH ASM-W/STRIKE, (2 SETS) - BRASS
4	042541-04-000	EA LATCH ASM-W/O STRIKE, BRASS
	042541-05-000	EA STRIKE-BRASS
	075943-09-000	EA BRACE-8"-ANGLE, W/HOLES - ALUMINUM - O/WHT
5	103040-06-C05	EA PANEL-HEADLINER FRONT OVERHEAD - PADDED USED W/BUNK
6	P03199-01-C25	EA BOARD ASM-TRIM, BUNK - CEILING MOUNTED
	016604-05-000	EA BRACE-L/ANGLED, 2 5" - OFF WHITE
7	101497-07-C05	EA PANEL ASM - UPPER PASSENGERS - PADDED - USED W/BUNK
8	101499-05-C05	EA PANEL ASM - BOTTOM PASSENGERS - PADDED - USED W/BUNK
9	079145-06-000	EA CUSHION ASM-BUNK (C05, C06)
	M79145-06-000	EA COVER ASM -BUNK 30" X 78" (C05, C06)
10	081717-03-C25	EA BED ASM-BUNK, FRONT
11	094658-01-B25	EA HANDLE-BUNK, OAK

FRONT BUNK-SINGLE

	077075-03-000	EA GASKET-IP TO DEF PLENUM, SPL
	089294-01-000	EA LIGHTER ASM-CIGARETTE
	103603-01-000	EA BULB-12V NO 740 12A WEDGE

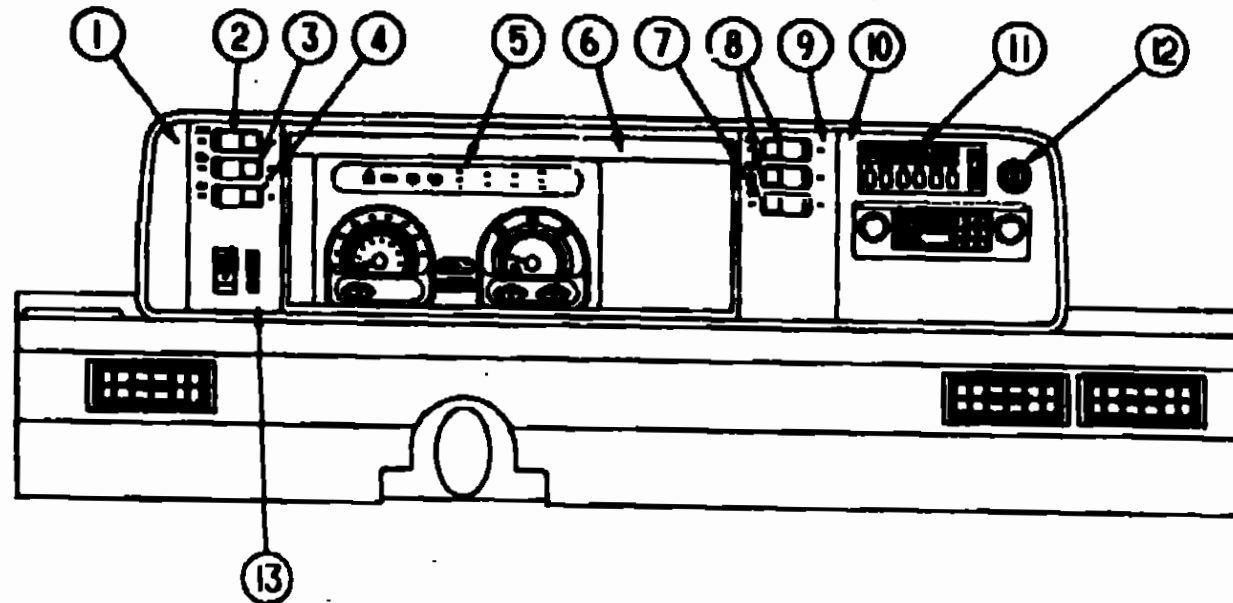
1992 ITASCA
TABLE OF CONTENTS

INTRODUCTION	A-01 -	A-02
ABBREVIATIONS		A-03
ALPHABETICAL INDEX	A-04 -	A-06
ICF27RC	A-07 -	E-12
ICF30RU	E-13 -	I-20

1992 ICF30RU INDEX

FLOOR PLAN	E-13 -	E-14
ACCESSORIES		E-15
AUDIO VIDEO	E-15 -	E-16
BATH	E-17 -	E-18
BEDROOM	E-19 -	E-20
CHASSIS	E-21 -	F-04
CURTAIN & CUSHION	F-05 -	F-13
DINETTE	F-14 -	F-15
DRIVERS COMPARTMENT	F-16 -	F-20
ELECTRICAL	F-21 -	G-02
EXTERIOR BODY	G-03 -	G-10
GALLEY	G-11 -	G-14
GENERATORS	G-15 -	G-16
HEATING & A/C	G-17 -	G-22
INTERIOR FINISH	G-23 -	H-05
LABELS	H-06 -	H-14
LP		H-15
LOUNGE	H-16 -	H-17
SEALANTS & FASTENERS	H-18 -	H-20
WATER & SEWAGE	H-21 -	I-01
WINDOW, VENT		
EXTERIOR DOOR	I-02 -	I-17
WINDSHIELD & WIPER	I-18 -	I-19

DRIVERS COMPARTMENT GROUP (CONTINUED)
INSTRUMENT CLUSTER



KEY	PART NUMBER	U/M DESCRIPTION
1	104056-01-01A	EA APPLIQUE-BEZEL LT DRESS UP
2	103875-06-000	EA SWITCH-ROCKER,DPDTMOM/OFFMOM
3	103875-05-000	EA SWITCH-ROCKER,SPDTON/NONE/ON
4	103875-04-000	EA SWITCH-ROCKER,SPDTON/OFF/MOM
5	094796-03-000	EA CLUSTER-INSTRUMENT PANEL, KILOMETERS - GAS - GM #16156355
		FROM: 00-00-00 THRU 11-03-91
5	094796-05-000	EA CLUSTER-INSTRUMENT PANEL, KILOMETERS - GAS - GM #16156355
		FROM 11-04-91 THRU 99-99-99
5	094796-04-000	EA CLUSTER-INSTRUMENT PANEL, KILOMETERS - DIESEL - GM#16138165
		FROM 00-00-00 THRU 11-24-91
5	094796-06-000	EA CLUSTER-INSTRUMENT PANEL, KILOMETERS - DIESEL - GM#16161325
		FROM: 11-25-91 THRU 99-99-99
6	103662-01-01A	EA BEZEL-INSTRUMENT PNL 91 GM *92 F&G
7	096241-03-000	EA SWITCH-BLANK
8	103875-03-000	EA SWITCH-ROCKER,SPST ON/OFF/ON
9	104056-04-01A	EA APPLIQUE-BEZEL SW RT BLANK W/O AUX FAN AND REAR AUTO HEATER
9	104056-05-01A	EA APPLIQUE-BEZEL SW RT 3 SW - W/AUX FAN OR REAR AUTO HEATER
10	104056-06-01A	EA APPLIQUE-BEZEL RT DRESS UP
11	103930-04-000	EA PANEL-CONTROL
12	089294-01-000	EA LIGHTER ASM-CIGARETTE
13	104056-02-01A	EA APPLIQUE-BEZEL SW LT 92 GM
	100138-01-000	EA MODULE-DAYTIME RUNNING LIGHT
	077031-02-000	EA FILM-AMBER, 1" X 1.75"
	077031-03-000	EA FILM-WHITE 75X1 00
	103603-01-000	EA BULB-12V NO.74 0 12A WEDGE GE 22-25 OR EQUIV.
	P03817-01-000	EA DASH ASM,GM W/O VINYL
	077031-01-000	EA FILM-BLACK, 1" X 1.75"
	077075-01-000	EA GASKET-INSTRUMENT PANEL TO DEFROSTER PLENUM - 6" X 11 3"
	077075-03-000	EA GASKET-IP TO DEF PLENUM,SPL
	102515-01-000	FT FILM-PROTECTIVE CLEAR 313-34" X 1500"
		FROM 07-29-91 THRU 99-99-99
	105868-01-01A	EA INSERT-DASH,TRIM O/W
	105870-01-01A	EA INSERT-DASH,TRIM O/W
	077539-01-000	EA BRACKET-MOUNTING, DASH PANEL - L/SAPED - 2 5" X 1" X 1 5"

DRIVERS COMPARTMENT GROUP (CONTINUED)

CANADIAN CHEVY - GAS & DIESEL

KEY	PART NUMBER	U/M DESCRIPTION
	094796-03-000	EA CLUSTER-INSTRUMENT PANEL, KM(CAN)GAS
		FROM: 00-00-00 THRU: 09-12-91
	094796-05-000	EA CLUSTER-INSTRUMENT PANEL, KM(CAN)GAS
		FROM: 09-13-91 THRU: 99-99-99
	094796-04-000	EA CLUSTER-INSTRUMENT PANEL, KM(CAN) DIESEL
		FROM: 00-00-00 THRU: 11-08-91
	094796-06-000	EA CLUSTER-INSTRUMENT PANEL, KM(CAN) DIESEL
		FROM 11-09-91 THRU 99-99-99
	098641-01-000	EA LABEL-FUEL,UNLEADED,I.P.
	100138-01-000	EA DAYTIME RUNNING LIGHT MODULE
	100158-01-000	EA WIRE ASM-DAY RUN LAMPS
	106859-01-000	EA WIRE ASM-DAY RUN LAMPS,FUSE

1992ITASCA
TABLEOFCONTENTS

INTRODUCTION	A-01 -	A-02
ABBREVIATIONS		A-03
ALPHABETICAL INDEX	A-04 -	A-06
ICF27RC	A-07 -	E-12
ICF30RU	E-13 -	I-20

1992 ICF30RU INDEX

FLOOR PLAN	E-13 -	E-14
ACCESSORIES		E-15
AUDIO VIDIO	E-15 -	E-16
BATH	E-17 -	E-18
BEDROOM	E-19 -	E-20
CHASSIS	E-21 -	F-04
CURTAIN & CUSHION	F-05 -	F-13
DINETTE	F-14 -	F-15
DRIVERS COMPARTMENT	F-16 -	F-20
ELECTRICAL	F-21 -	G-02
EXTERIOR BODY	G-03 -	G-10
GALLEY	G-11 -	G-14
GENERATORS	G-15 -	G-16
HEATING & A/C	G-17 -	G-22
INTERIOR FINISH	G-23 -	H-05
LABELS	H-06 -	H-14
LP		H-15
LOUNGE	H-16 -	H-17
SEALANTS & FASTENERS	H-18 -	H-20
WATER & SEWAGE	H-21 -	I-01
WINDOW, VENT		
EXTERIOR DOOR	I-02 -	I-17
WINDSHIELD & WIPER	I-18 -	I-19

ELECTRICAL GROUP
ELECTRIC BOXES, CORDS, CONNECTORS & CONDUIT

KEY	PART NUMBER	U/M DESCRIPTION
	008052-01-000	EA CORD-POWER, 10/3 - 30 AMP - 25' - CANADIAN
	008054-01-000	EA CORD-POWER, 10/3 - 30 AMP - 25'
	008751-01-000	FT CABLE-BATTERY, 1/0 AWG, STRANDED, RED
	073328-04-000	EA CABLE ASSEMBLY-BATTERY, W/TERMINALS
	077479-01-000	EA BOOT-BATTERY TERMINAL, DOUBLE CABLE
	077479-02-000	EA BOOT-BATTERY TERMINAL, SINGLE CABLE
	008288-01-000	EA BOX-PLASTIC ELECTRIC, 3" X 3 1/2"
	008288-02-000	EA BOX-ELECTRIC, PLASTIC - 3 9/4" X 3 13" X 1 81"
	008289-01-000	EA BOX-ELECTRIC, STEEL - 1/2" AND 3/4" KNOCKOUTS - 4" X 4"
	008289-02-000	EA BOX-ELECTRICAL, 4" X 4" - 1/2" & 3/4" KNOCKOUTS - CANADIAN
	058049-01-000	EA BOX-ELECTRIC SWITCH, 2" X 3" X 2 25"
	091910-01-000	EA BOX-ELECTRIC, 3 75" X 3 5" X 1.75" - PLASTIC
	092492-06-000	EA SEAL-ELECTRICAL BOX ALFA III (195X267)
	074890-01-000	EA BOX-EXTENSION, STEEL - OPEN SIDES - 4" X 4" X 1 1/2"
	074897-01-000	EA COVER-ELECTRIC BOX, 1 LARGE & 2 SMALL HOLES - 4" X 4"
	075723-01-000	EA SPACER-SWITCH, W/O HOLE - 2" X 9" X 2" - METAL - OFF WHITE
	075736-01-000	EA COVER-RECEPTACLE, EXTERIOR - GRAY
	054250-04-000	EA COVER-ANGLED, W/O HOLE - 3 6" X 4 5" - PLASTIC - OFF WHITE
	008294-01-000	EA COVER-ELECTRICAL BOX BLANK/STEEL - 4" X 4" - GRAY
	008294-02-000	EA COVER-ELECTRICAL BOX, BLANK STEEL - 4" X 4" - CANADIAN
	059238-01-000	EA COVER-ELECTRICAL BOX W/HOLE - 4" X 4" - GRAY
	073626-04-000	EA COVER-ELECTRIC, 10 4" X 7 8" - BEIGE PLASTIC
	008311-01-000	EA CONNECTOR-WIRE NUT, INSULATED - RED
	008312-01-000	EA CONNECTOR-WIRE NUT, INSULATED - BLUE
	008314-01-000	EA CONNECTOR-WIRE NUT, INSULATED - GRAY
	008326-01-000	EA TERMINAL-RING, 16/14 WIRE - 3/8" STUD
	008328-01-000	EA TERMINAL-RING, 12/10 WIRE - #10 STUD FIT
	008331-01-000	EA TERMINAL-RING, TONGUE - #4 WIRE - 3/8" STUD - COPPER
	008348-01-000	EA TERMINAL-RING, 3/8" STUD - #2 WIRE
	008353-01-000	EA CONNECTOR-CABLE CLAMPING, 3/8"
	008355-01-000	EA CONNECTOR-CABLE CLAMPING, 3/4"
	008356-01-000	EA CONNECTOR-PLASTIC, 3/8" AVG
	008398-01-000	EA CONNECTOR-1/2" X 90 DEGREE, FLEX CONDUIT - UL AND CSA
	035416-04-000	EA TERMINAL-RING #10 STUD FIT INSULATED BARREL #16/14
	041480-01-000	EA CONNECTOR-STRAIGHT, 1/2" FLEX CONDUIT
	041953-01-000	FT CONDUIT-CONVOLUTE SLIT, 5/16" ID
	041953-03-000	FT CONDUIT-CONVOLUTE SLIT, 1" ID (CLOTHES ROD COVER)
	041953-05-000	FT CONDUIT-CONVOLUTE SOLID, 62" ID
	041953-06-000	FT CONDUIT-CONVOLUTE SLIT 375" ID
	041953-07-000	FT CONDUIT-CONVOLUTE SLIT - 25" ID
	041953-09-000	FT CONDUIT-CONVOLUTE SLIT 50" ID
	041953-10-000	FT CONDUIT-CONVOLUTE SLIT - 75" ID
	041953-12-000	FT CONDUIT-CONVOLUTE, NON SLIT 1 1" ID
	047443-01-000	EA TERMINAL- 250 RECEPT FIT, INSULATED - 16/14 AWG
	047443-02-000	EA TERMINAL- 250 RECEPT FIT INSULATED - 12/10 AWG
		FROM 04-01-91 THRU 99-99-99
	058028-01-000	EA CONNECTOR-ELECTRICAL PIGTAIL, NYLON - CLEAR
	067479-01-000	EA BULB-12V NUMBER 10/6
	036196-01-000	EA BULB-12V, #194 - 27AMP - BAYONETTE
	057789-02-000	EA SOCKET-LAMP
	066233-01-000	EA STUD-ISOLATED, 3/8" X 7/8" LONG
	086273-01-000	EA RELAY-BATTERY DISCONNECT
	087949-01-000	EA BUSS BAR-2 POSITION, 6" X 1 5" - ALUMINUM
	088473-01-000	EA PIN-HOUSING, 4 ROWS OF 3
	088473-03-000	EA HOUSING-PIN 9-POSITION
	088473-05-000	EA PIN-HOUSING, 6 POSITION (SINGLE ROW)
	088473-06-000	EA PIN-HOUSING 6 POSITION (TWO ROWS OF THREE)
	038473-08-000	EA HOUSING-PIN 4 POSITION
	038473-09-000	EA PIN-HOUSING 3 POSITION (SINGLE ROW)
	088473-10-000	EA PIN-HOUSING, 2 POSITION
	088474-01-000	EA HOUSING-SOCKET, 12 POSITIONS
	088474-03-000	EA HOUSING-SOCKET, 9-POSITION
	088474-06-000	EA SOCKET-HOUSING, 6 POSITION (2 ROWS OF THREE)

ELECTRICAL GROUP (CONTINUED)
ELECTRIC BOXES, CORDS, CONNECTORS & CONDUIT (CONT)

KEY	PART NUMBER	U/M DESCRIPTION
	088474-07-000	EA HOUSING-SOCKET, 5 CAVITY AMP 1-480764-0
	088474-08-000	EA SOCKET-HOUSING, 4 POSITION (SINGLE ROW)
	088474-09-000	EA HOUSING-SOCKET, 3 POSITION
	088474-10-000	EA HOUSING-SOCKET, 2 POSITION
	088475-01-000	EA PIN-CONNECTOR, 14 TO 20 AWG
	088475-02-000	EA PIN-CONNECTOR, 10 TO 12 AWG
	088476-01-000	EA SOCKET-CONNECTOR, BRASS - PRE-TIN
	088476-02-000	EA SOCKET-CONNECTOR, 12-10 GA - PHOS. BRZ - PRE-TIN

FUSES & FUSE PANELS

KEY	PART NUMBER	U/M DESCRIPTION
	007093-01-000	EA FLASHER-SIGNAL STAT
	007949-01-000	EA TAB-HOUSING, 1 POSITION
	008103-01-000	EA BULB-DASH/AISLE LIGHT, #53 - 12 V - 12 AMP
	008188-01-000	EA SOLENOID-3 POST, BATTERY CHANGE OVER
	008234-01-000	EA FUSE-12V, 10 AMP
	008235-01-000	EA FUSE-AUTOMOTIVE, 12V - 15AMP
	062036-02-000	EA TERMINAL-PACK-CON, 16/14 AWG
	062037-01-000	EA HOUSING-AUTO FUSE, NATURAL
	062037-02-000	EA HOUSING-AUTO FUSE, GREEN
	062037-03-000	EA HOUSING-AUTO FUSE, BLACK
	062037-04-000	EA HOUSING-AUTO FUSE, BLUE
	062037-05-000	EA HOUSING-AUTO FUSE, GRAY
	062037-06-000	EA HOUSING-AUTO FUSE, BROWN
	062901-02-000	EA FUSE-5 AMP, AUTOMOTIVE
	062901-05-000	EA FUSE-15 AMPS, AUTOMOTIVE
	063910-01-000	EA HOUSING-RELAY, BOSCH 3 334 485 008

SWITCHES & SWITCH PLATES & SPACERS

KEY	PART NUMBER	U/M DESCRIPTION
	079364-01-000	EA SWITCH-ON/OFF ROCKER, 2 PRONGS - BROWN
	079364-03-000	EA SWITCH-ON/OFF ROCKER, 3 PRONGS - BROWN
	095188-01-01A	EA SPACER-SWITCH, 2 3" X 3.4" - PLASTIC - DARK BROWN
	096241-03-000	EA SWITCH-BLANK
	096241-07-000	EA SWITCH-ROCKER, DPDT - ON/ON - BLACK

RECEPTACLES, RECEPTACLE PLATES & SPACERS

KEY	PART NUMBER	U/M DESCRIPTION
	058708-01-000	EA RECEPTACLE-ELECTRIC, DOUBLE - BROWN
	058708-02-000	EA RECEPTACLE-ELECTRIC, DOUBLE - IVORY
	007940-01-000	EA RECEPTACLE-SLIDE, 16 TO 12 AWG - FEMALE END
	024924-02-000	EA RECEPTACLE-POWER CORD, W/PARTIAL PLATE
	080015-02-000	EA RECEPTACLE-FLAG, .185 - 16/14 GA - AMP 3
		FROM 04-08-91 THRU 99-99-99
	084076-02-000	EA RECEPTACLE-GFI, 15A - 125V - BROWN
	084077-02-000	EA PLATE-COVER, RECEPTACLE - GFI - BROWN
	081994-02-000	EA PLATE-SWITCH, EXTERIOR SHWR 92 ALL MH
		FROM 00-00-00 THRU 09-29-91
	082740-01-000	EA CONNECTOR-PLASTIC BODY, FOR 2 MALE SPADES

1992ITASCA
TABLE OF CONTENTS

INTRODUCTION	A-01 -	A-02
ABBREVIATIONS		A-03
ALPHABETICAL INDEX	A-04 -	A-06
ICF27RC	A-07 -	E-12
ICF30RU	E-13 -	I-20

1992 ICF30RU INDEX

FLOOR PLAN	E-13 -	E-14
ACCESSORIES		E-15
AUDIO VIDEO	E-15 -	E-16
BATH	E-17 -	E-18
BEDROOM	E-19 -	E-20
CHASSIS	E-21 -	F-04
CURTAIN & CUSHION	F-05 -	F-13
DINETTE	F-14 -	F-15
DRIVERS COMPARTMENT	F-16 -	F-20
ELECTRICAL	F-21 -	G-02
EXTERIOR BODY	G-03 -	G-10
GALLEY	G-11 -	G-14
GENERATORS	G-15 -	G-16
HEATING & A/C	G-17 -	G-22
INTERIOR FINISH	G-23 -	H-05
LABELS	H-06 -	H-14
LP		H-15
LOUNGE	H-16 -	H-17
SEALANTS & FASTENERS	H-18 -	H-20
WATER & SEWAGE	H-21 -	I-01
WINDOW, VENT		
EXTERIOR DOOR	I-02 -	I-17
WINDSHIELD & WIPER	I-18 -	I-19

ELECTRICAL GROUP (CONTINUED)
CONTROL CENTER / POWER CONVERTOR / INVERTOR

KEY	PART NUMBER	U/M DESCRIPTION
	083208-02-000	EA CONVERTER-POWER, 45A - 120V/12V - BW 6345
	083209-01-000	EA CIRCUIT BREAKER-15 AMP, 120V - BW G-15 - CANADIAN
	083209-02-000	EA CIRCUIT BREAKER-15/15AMP, 120V - BW H-15/15
	083209-03-000	EA CIRCUIT BREAKER-15/20AMP, 120V - BW O-15/20
	083209-04-000	EA CIRCUIT BREAKER-30A, 120V - BW L-30
	083209-05-000	EA CIRCUIT BREAKER-20A, 120V - BW J-20
	083209-06-000	EA CIRCUIT BREAKER-30/15 AMP, 120V - BW D-30/15
	094809-01-000	EA CENTER-LOAD, 240V - 125A - TPL412CT
	093654-01-000	EA CIRCUIT BREAKER-6 AMP, HOUSE CONTROL PANEL
	093654-02-000	EA CIRCUIT BREAKER-15 AMP
	093655-02-000	EA CIRCUIT BREAKER-30 AMP, HOUSE CONTROL PANEL
	093655-03-000	EA CIRCUIT BREAKER-40 AMP USD 17440-4E03A2A
	094810-01-000	EA BREAKER-CIRCUIT, DOUBLE 30 AMP - GE THQL2130
	094811-01-000	EA BREAKER-CIRCUIT, DOUBLE 20 AMP - GE THQL2120
	097611-01-000	EA CIRCUIT BREAKER-6AMP, ATC - BLACK

WIRE ASSEMBLIES

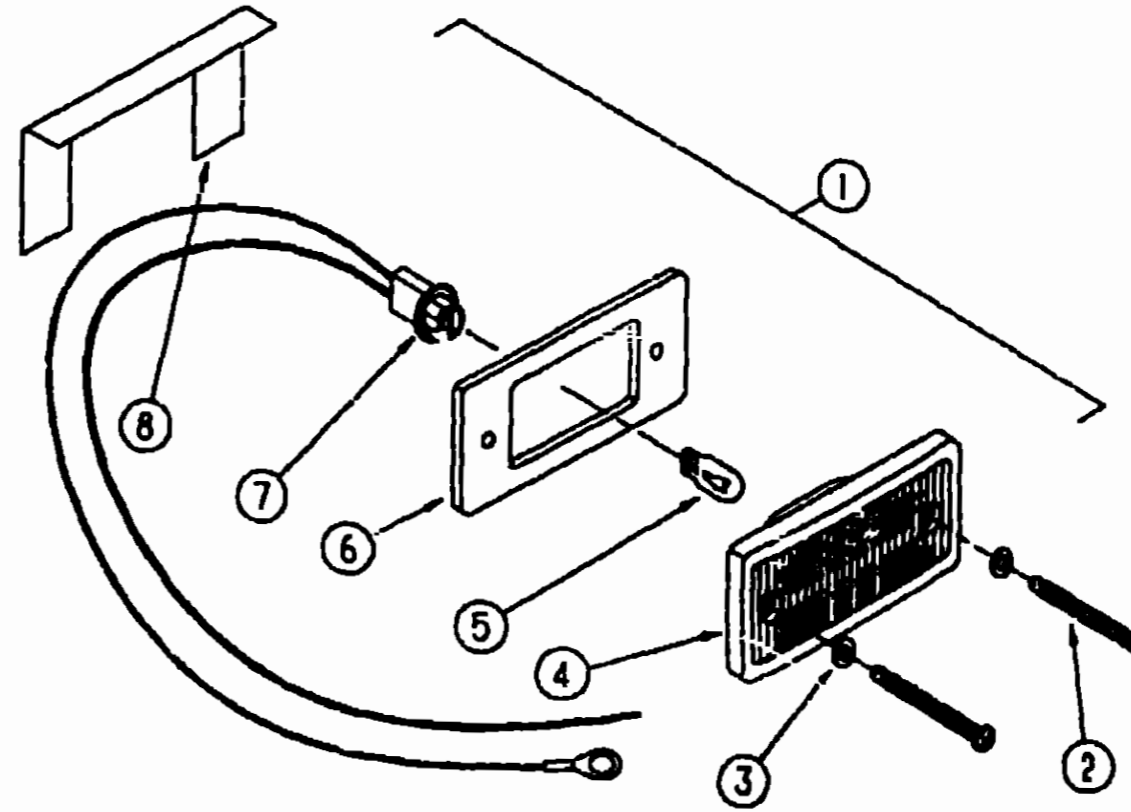
KEY	PART NUMBER	U/M DESCRIPTION
	094831-08-000	EA WIRE ASSEMBLY-AC COMPRESSOR ADAPTER - SCS 036-0054
	097618-01-000	EA WIRE ASM-MONITOR PANEL, W/4 WIRES & BLACK RESISTOR - LVS
	097734-01-01A	EA EXTENSION-RECEPTACLE, 3 2" X 5" X 7" - PLASTIC - IVORY
	097734-01-02A	EA EXTENSION-RECEPTACLE, 3 2" X 5" X 7" - PLASTIC - BROWN
	098351-01-01A	EA PLATE-SWITCH 1 GANG - POLISHED BRASS
	098351-06-01A	EA PLATE-SWITCH, 2 GANG W/LABEL - JENSEN - POLISHED BRASS
	091927-01-000	EA COVER-RECEPTACLE, DOUBLE - IVORY
	099048-01-000	EA INVERTER-100 WATT
	100341-01-000	EA FUSE HOLDER-IN LINE TYPE
	100690-01-000	EA HOUSING-5 PIN, WEATHER PACK
	101571-01-000	EA HOUSING-2 POSITION, MALE
	102568-01-B10	EA SPACER-RECEPTACLE, BETWEEN SIDEWALL & PLATE - WOOD
	102636-01-000	EA WIRE ASM-CLEARANCE LAMPS
	103347-01-000	EA WIRE ASSEMBLY-COOLING FAN ADAPTER
	103603-01-000	EA BULB-12V NO.74 0.12A WEDGE FROM: 00-00-00 THRU 02-21-92
	103608-01-000	EA SOCKET-WEDGE BASE W/LEADS GE 22-25 OR EQUIV
	103873-01-000	EA SEAL-ELECTRICAL BOX/BULKHEAD
	103987-01-000	EA SEAL-SOLENOID ACCESS
	103991-01-000	EA WIRE ASM-CRT BKR.POWER
	104100-01-000	EA HOUSING-1 POSITION, 75 AMP
	104100-03-000	EA TERMINAL-75 AMP
	106006-01-000	EA HOUSING-1 POSITION, FEMALE - PACKARD 12015952
	108356-01-01A	EA ACTUATOR-SWITCH GROOVES III *CARLING VVCZC00 BLA

ELECTRICAL GROUP (CONTINUED)
INTERIOR LIGHTS

KEY	PART NUMBER	U/M DESCRIPTION
	065202-15-000	EA LAMP-WALL, W/O SHADE - BRASS - CANADIAN
	061424-01-000	EA LIGHT-AISLE, 12V - RECTANGULAR BULB #06103-01-000
	065201-08-000	EA SHADE-LAMP, W/GOLD TRIM - PARCHMENT FROM: 00-00-00 THRU 07-07-91
	065201-09-000	EA SHADE-LAMP, FABRIC - PARCHMENT FROM: 07-08-91 THRU 99-99-99
	065202-14-000	EA LAMP-WALL, W/O SHADE - BRASS
	067479-01-000	EA BULB-12V NO1076 1.80AMP
	065202-14-700	EA BRASS FINIAL(NEW STYLE) - WHICH HOLDS LAMP SHADE ON LAMP
	082169-01-000	EA LIGHT-MAKE-UP, 3 BULB - JENSEN X148-168R
	081633-01-700	EA BULB-MAKE UP LIGHT, JENSEN
	086280-01-000	EA LIGHT-SURFACE MOUNT, 12V - JENSEN 1236
	086280-01-700	EA BULB-12 VOLT, 6 WATT
	098024-01-01A	EA LIGHT-DOME, 1 BULB - US - IVORY
	098024-03-01A	EA LIGHT-DOME, 2 BULB - IVORY
	008218-01-000	EA BULB-12V NO1141 1.44AMP
	098024-01-700	EA LENS - LIGHT-DOME
	008218-01-000	EA BULB-DOME LIGHT, 12V - NUMBER 1141

1992ITASCA
TABLE OF CONTENTS

INTRODUCTION	A-01	A-02
ABBREVIATIONS		A-03
ALPHABETICAL INDEX	A-04	A-06
ICF27RC	A-07	E-12
ICF30RU	E-13	I-20



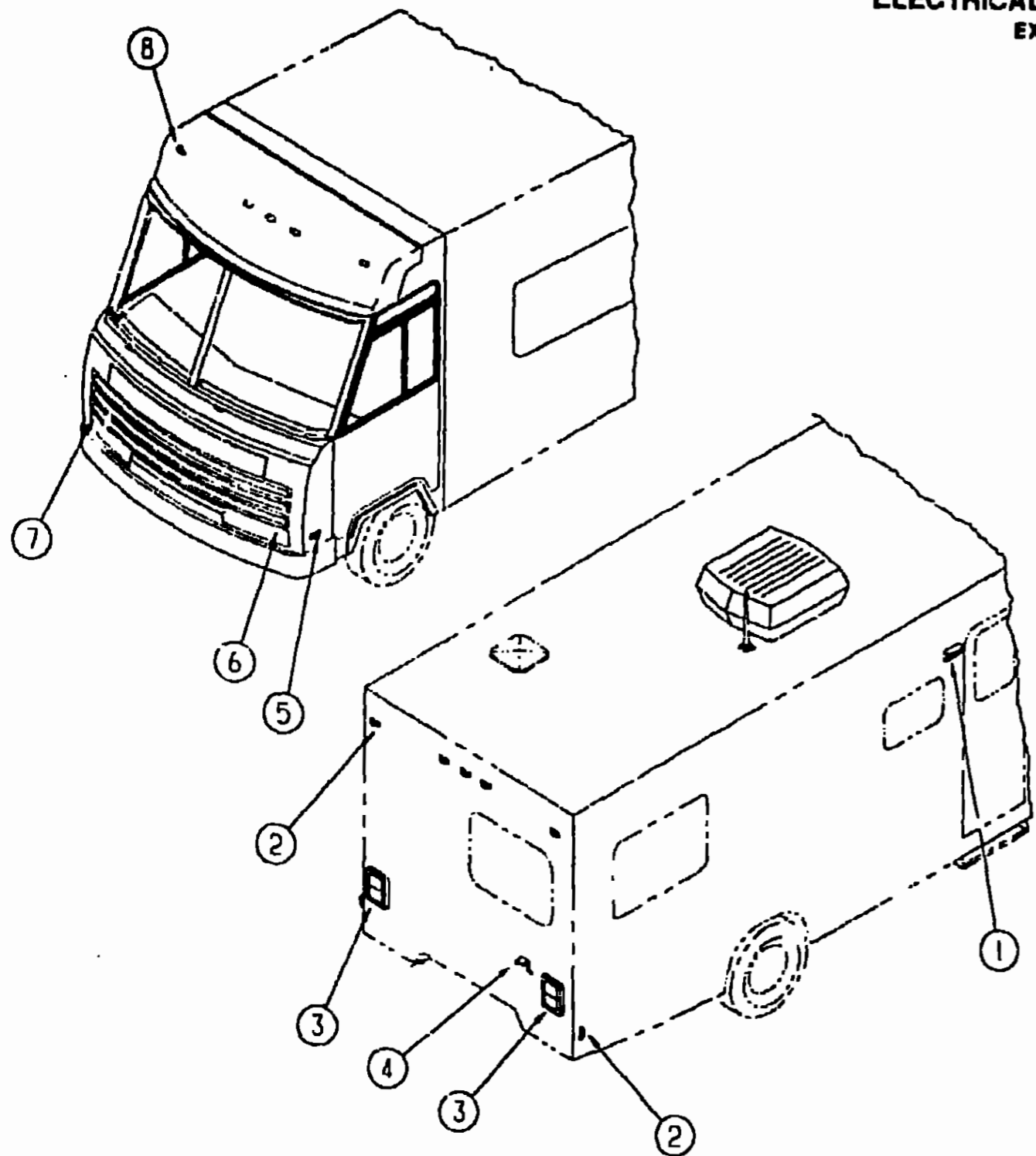
EXTERIOR CLEARANCE LIGHTS

KEY	PART NUMBER	U/M DESCRIPTION
1	102520-01-000	EA LIGHT-CLEARANCE, W/O SOCKET CONNECTIONS - AMBER
2	000G39-08-24B	EA SCREW, SELF DRIVING
3	102540-01-000	EA SEAL-SCREW, ROUND - RUBBER
4	102520-01-000	EA LIGHT-CLEARANCE, W/O SOCKET CONNECTIONS - AMBER
5	036196-01-000	EA BULB - #1194 - CLEARANCE LIGHT
6	102541-01-000	EA GASKET-CLEARANCE LIGHT
7	057789-02-000	EA SOCKET ASM -CAB MARKER
8	102562-01-000	EA BRACKET-LIGHT, CLEARANCE - L-SHAPED METAL - 2 2" X 4 7"

1992 ICF30RU INDEX

FLOOR PLAN	E-13	E-14
ACCESSORIES		E-15
AUDIO VIDEO	E-15	E-16
BATH	E-17	E-18
BEDROOM	E-19	E-20
CHASSIS	E-21	F-04
CURTAIN & CUSHION	F-05	F-13
DINETTE	F-14	F-15
DRIVERS COMPARTMENT	F-16	F-20
ELECTRICAL	F-21	G-02
EXTERIOR BODY	G-03	G-10
GALLEY	G-11	G-14
GENERATORS	G-15	G-16
HEATING & A/C	G-17	G-22
INTERIOR FINISH	G-23	H-05
LABELS	H-06	H-14
LP		H-15
LOUNGE	H-16	H-17
SEALANTS & FASTENERS	H-18	H-20
WATER & SEWAGE	H-21	I-01
WINDOW, VENT		
EXTERIOR DOOR	I-02	I-17
WINDSHIELD & WIPER	I-18	I-19

**ELECTRICAL GROUP (CONTINUED)
EXTERIOR LIGHTS**



KEY	PART NUMBER	U/M DESCRIPTION	
1	097917-01-01A	EA LIGHT-PORCH, ENTRY DOOR - OFF WHITE	
	008215-01-000	EA BULB-12V, #1003 - 94AMP	
	097917-01-700	EA LENS-LIGHT, PORCH	
2	062648-01-000	EA LIGHT-CLEARANCE, RED - BARGMAN 30-99-001 BULB/LENS N/A SEPARATELY	
	081638-01-000	EA TAILLIGHT-DOUBLE, W/BLACK TRIM - DRIVER & PASSENGER SIDE	
3	037934-01-000	EA BULB# 1156 - (BACK UP & TURN SIGNAL)	
	037935-01-000	EA BULB# 2057 OR #1157 - (BRAKE LIGHT)	
	081638-01-700	EA LENS-TAILLIGHT, RED - BARGMAN 30-84-010	
	081638-01-701	EA LENS-TAILLIGHT W/BACKUP - BARGMAN 30-84-700	
	103355-01-01A	EA POD-TAILLIGHT O/W WINN	
	4	066432-02-000	EA LIGHT-LICENSE BLACK
		066432-03-000	EA BRACKET-LICENSE PLATE BARGMAN 30-60-030
	5	062648-02-000	EA LIGHT-CLEARANCE, AMBER-BARGMAN 30-99-002 BULB #1895 SK9
	6	0-19186-02-000	EA HEADLAMP CAPSULE-DRIVER, HIGH/LOW BEAM - RECTANGULAR - BLACK TRIM
		0-49188-02-000	EA HEADLAMP CAPSULE-DRIVER, HIGH BEAM - RECTANGULAR - BLACK TRIM
7	0-49185-02-000	EA HEADLAMP CAPSULE-PASSENGER, HIGH/LOW BEAM - RECTANGULAR - BLK TRIM	
	0-19187-02-000	EA HEADLAMP CAPSULE-PASSENGER HIGH BEAM - RECTANGULAR - BLACK TRIM	
8	P03783-01-000	EA WIRE ASM-HEADLAMP(GM)	
	0-49359-01-000	EA SPRING-RETAINER, HEADLAMP - GM 496096	
	073308-01-000	EA SCREW-ADJUSTING, HEADLAMP	
	089292-01-000	EA LIGHT-TURN DRIVER & PASSENGER - W/AMBER LENS	
	037935-01-000	EA BULB - LENS NOT AVAILABLE SEPARATELY	
	102520-01-000	EA LIGHT-CLEARANCE, W/O SOCKET CONNECTIONS - AMBER	
	036195-01-000	EA BULB	
	102540-01-0	EA SEAL-SCREW, ROUND - RUBBER	
	102541-01-000	EA GASKET-CLEARANCE LIGHT	
	102582-01-000	EA BRACKET-LIGHT CLEARANCE - L-SHAPED METAL - 2 2" X 4 7"	

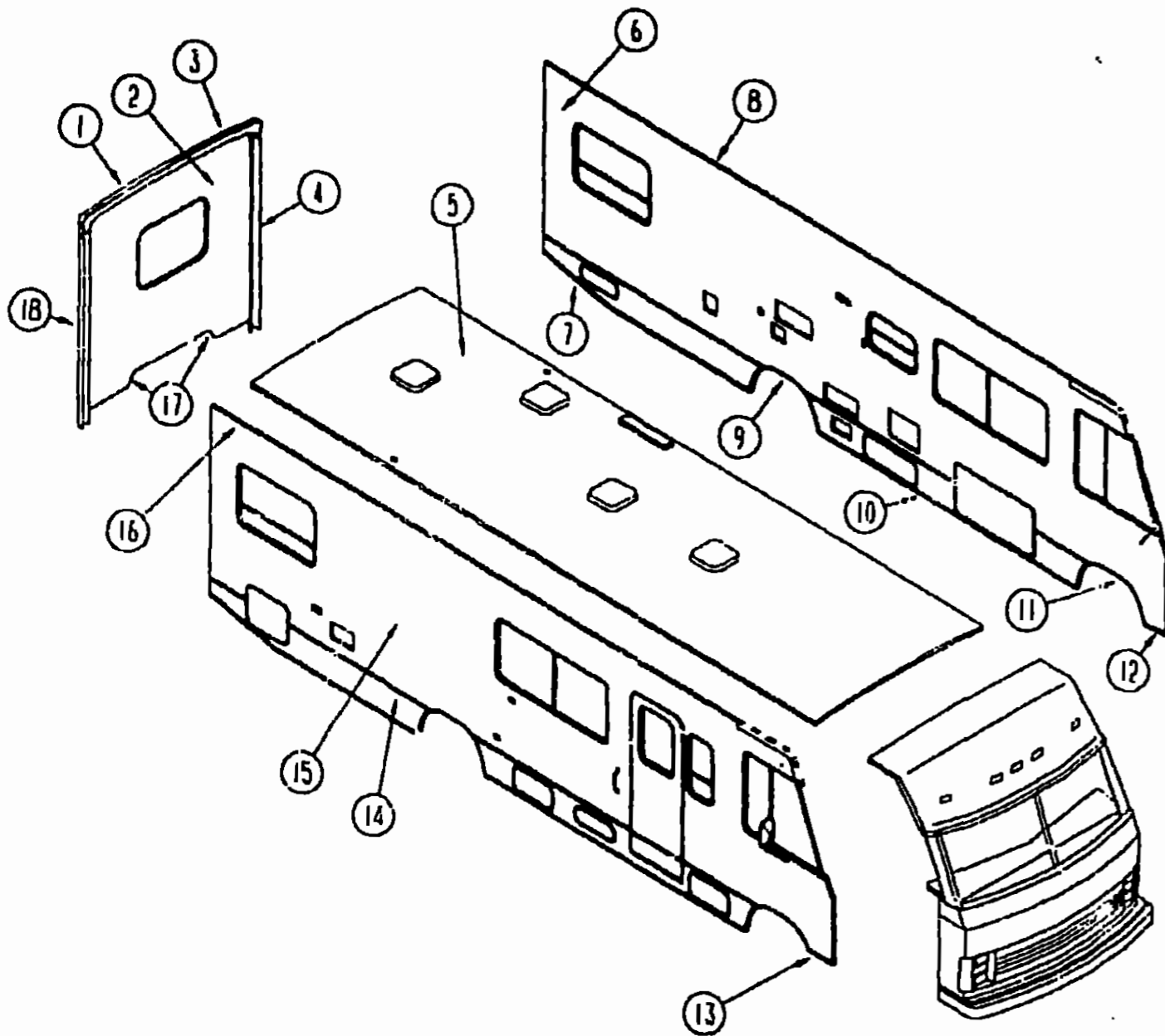
**1992ITASCA
TABLE OF CONTENTS**

INTRODUCTION	A 01 -	A-02
ABBREVIATIONS		A-03
ALPHABETICAL INDEX	A-04 -	A-06
ICF27RC	A-07 -	E-12
ICF30RU	E-13 -	I-20

1992 ICF30RU INDEX

FLOOR PLAN	E-13 -	E-14
ACCESSORIES		E-15
AUDIO VIDEO	E-15 -	E-16
BATH	E-17 -	E-18
BEDROOM	E-19 -	E-20
CHASSIS	E-21 -	F-04
CURTAIN & CUSHION	F-05 -	F-13
DINETTE	F-14 -	F-15
DRIVERS COMPARTMENT	F-16 -	F-20
ELECTRICAL	F-21 -	G-02
EXTERIOR BODY	G-03 -	G-10
GALLEY	G-11 -	G-14
GENERATORS	G-15 -	G-16
HEATING & A/C	G-17 -	G-22
INTERIOR FINISH	G-23 -	H-05
LABELS	H-06 -	H-14
LP		H-15
LOUNGE	H-16 -	H-17
SEALANTS & FASTENERS	H-18 -	H-20
WATER & SEWAGE	H-21 -	I-01
WINDOW, VENT		
EXTERIOR DOOR	I-02 -	I-17
WINDSHIELD & WIPER	I-18 -	I-19

EXTERIOR BODY GROUP



EXTERIOR BODY PANELS AND TRIM

KEY	PART NUMBER	U/M DESCRIPTION
1	103599-01-02A	EA TRIM-BACKWALL TOP RIGHT
2	M05173-01-C25	EA BACKWALL ASM W/DBL BED
3	103600-01-02A	EA TRIM-BACKWALL TOP LEFT
4	104033-01-02A	EA TRIM-J BACKWALL LT
4	103598-02-03A	EA TRIM-BACKWALL SIDE LT
	103599-02-700	EA TRIM-BACKWALL SIDE LT, GRAY '92 F-SERIES
5	P03307-01-C25	EA ROOF ASM
6	M05662-01-C25	EA SIDEWALL ASM-LEFT
7	103143-03-02A	EA TRIM-LOWER SIDEWALL REAR
8	103801-01-02A	EA TRIM-ROOF
9	103145-01-02A	EA TRIM-WHEEL WELL REAR
10	103144-01-02A	EA TRIM-LOWER SIDEWALL CENTER
11	103146-01-02A	EA TRIM-WHEELWELL FRONT
12	103148-01-02A	EA TRIM-LOWER SIDEWALL FRONT LH
	089922-08-000	EA TRIM-FIBERGLASS PANEL
13	103142-01-02A	EA TRIM-LOWER SIDEWALL FRONT RH
14	059576-11-000	EA FEATURE STRIP-ALUMINUM, 182" - GRAY
	001030-11-100	EA INSERT, FEATURE STRIP
	009731-01-000	EA CAP-FEATURE STRIP
15	M05661-01-C25	EA SIDEWALL ASM-RIGHT
16	103602-01-02A	EA RAIL AWNING
17	050406-16-000	EA TRIM-BACKWALL LOWER
18	104033-01-02A	EA TRIM-J BACKWALL TO SIDEWALL, RT
18	103598-01-03A	EA TRIM-BACKWALL SIDE RT
	103599-01-700	EA TRIM-BACKWALL SIDE RT, GRAY '92 F-SERIES
	103814-01-000	EA BRACKET-TRIM ATTACHMENT

**EXTERIOR BODY GROUP (CONTINUED)
FIBERGLASS, STYROFOAM & ALUMINUM**

KEY	PART NUMBER	U/M DESCRIPTION
	000868-01-000	SF STYROFOAM-3/4 X 24" X 96" - INCREMENTS OF 16 SF
	083574-03-000	SF STYROFOAM-3/4 X 48 X 96" - INCREMENTS OF 32 SF
	000870-05-000	SF STYROFOAM- 5" X 24" X 96". INCREMENTS OF 16 SF
	083574-01-000	SF STYROFOAM- 5" X 24" X 96". INCREMENTS OF 16 SF
	000870-03-000	SF STYROFOAM- 1 3/4" X 48" X 96" - INCREMENTS OF 32 SF
	044487-01-001	EA ALUMINUM SHEET - 019" X 96" X 360" - MILL FINISH
	072895-05-000	EA AL-032X48, COIL 5052 MILLFIN
	076054-F9-000	EA FIBERGLASS SHEET 2438 X 7660 'GRAY
	077517-23-000	EA FIBERGLASS SHEET, FLAT - 48" X 96" - GRAY
	076054-F4-000	EA FIBERGLASS SHEET 2438 X 2438 'GRAY
	089922-08-000	EA TRIM-FIBERGLASS PANEL GRAY
	083574-02-000	SF STYROFOAM-1 5" X 24" X 90 5" ROOF
	055747-01-000	SF INSULATION-MICROFOAM, 5"

PLUMBING VENT

KEY	PART NUMBER	U/M DESCRIPTION
	083558-02-000	EA VENT-PLUMBING PIPE ROOF, W/COVER - GRAY

ASSIST HANDLE

KEY	PART NUMBER	U/M DESCRIPTION
	009126-02-000	EA HANDLE-ASSIST ENTRY DOOR - BLACK
	069726-02-000	EA BUMPER- 88"DIA X 40", BLACK
	103501-02-02A	EA TRIM-ROOF

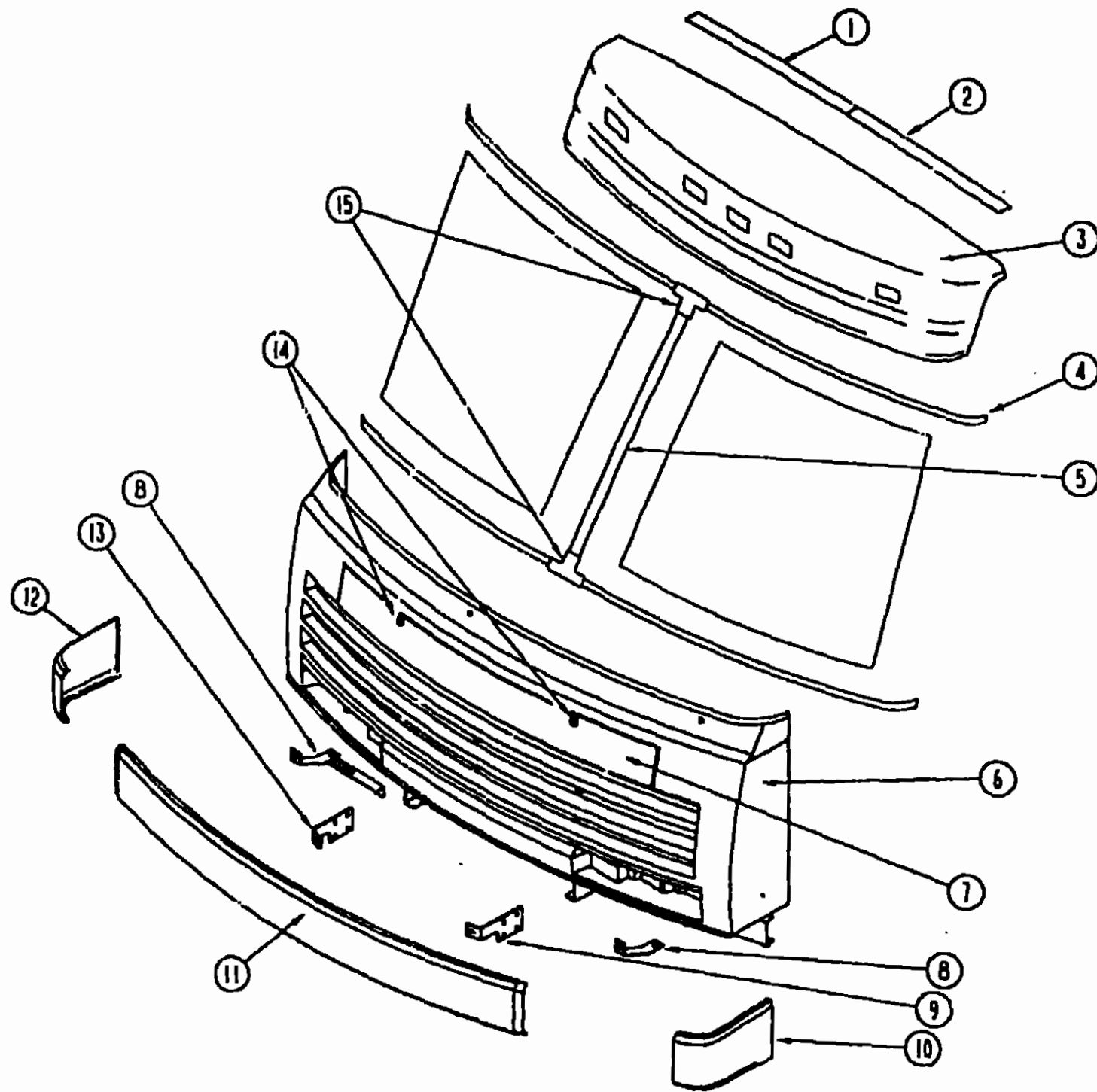
**1992 ITASCA
TABLE OF CONTENTS**

INTRODUCTION	A-01	A-02
ABBREVIATIONS		A-03
ALPHABETICAL INDEX	A-04	A-06
ICF27RC	A-07	E-12
ICF30RU	E-13	I-20

1992 ICF30RU INDEX

FLOOR PLAN	E-13	E-14
ACCESSORIES		E-15
AUDIO VIDEO	E-15	E-16
BATH	E-17	E-18
BEDROOM	E-19	E-20
CHASSIS	E-21	F-04
CURTAIN & CUSHION	F-05	F-13
DINETTE	F-14	F-15
DRIVERS COMPARTMENT	F-16	F-20
ELECTRICAL	F-21	G-02
EXTERIOR BODY	G-03	G-10
GALLEY	G-11	G-14
GENERATORS	G-15	G-16
HEATING & A/C	G-17	G-22
INTERIOR FINISH	G-23	H-05
LABELS	H-06	H-14
LP		H-15
LOUNGE	H-16	H-17
SEALANTS & FASTENERS	H-18	H-20
WATER & SEWAGE	H-21	I-01
WINDOW, VENT		
EXTERIOR DOOR	I-02	I-17
WINDSHIELD & WIPER	I-18	I-19

EXTERIOR BODY GROUP (CONTINUED)
FRONT END COMPONENTS & BUMPER



KEY	PART NUMBER	U/M DESCRIPTION
1	103815-02-03A	EA TRIM-FRONT CAP/ROOF,RH
2	103815-03-03A	EA TRIM-FRONT CAP/ROOF,LH
3	M05145-01-C25	EA CAP ASM-FRONT OFF WHITE
4	102936-01-000	EA MOLDING-REVEAL,WINDSHIELD
5	103523-01-000	FT MOLDING - REVEAL, WINDSHIELD - CENTER
	103107-01-01A	EA TRIM-WINDSHIELD,SIDE BLK
	103107-02-01A	EA TRIM-WINDSHIELD,SIDE BLK
6	M05128-01-C25	EA FRONT END ASM-FIBERGLASS
7	103478-01-C25	EA PANEL ASM-HOOD
	103497-01-000	EA BRACE-BUMPER,FRONT - UPPER
8	103611-01-000	EA BRACE-BUMPER,FRONT
9	086140-03-000	EA SUPPORT-BUMPER - DRIVERS
10	103625-02-02A	EA PANEL-FACIA,FRONT BUMPER DRIVERS GRAY
11	103634-01-C25	EA BUMPER ASM-FRONT GRAY
12	103625-01-02A	EA PANEL-FACIA,FRONT BUMPER PASSENGERS GRAY
13	086140-03-000	EA SUPPORT-BUMPER - PASSENGERS
14	102330-02-000	EA LATCH-HOOD
15	077952-02-000	EA CAP - REVEAL MOLDING, CENTER TOP & CENTER BOTTOM
	058786-01-000	EA BOLT-ADJUSTING, HOOD - W/BLACK PAD - 5/16" #18 X 2"
	058786-02-000	EA BOLT-ADJUSTING, HOOD - W/BLACK PAD - 5/16" #18 X 1 25"
	103816-01-02A	EA TRIM-FRONT CAP TO SIDEWALL
	103816-02-02A	EA TRIM-FRONT CAP TO SIDEWALL
	086754-04-000	EA CAP-TRIM - GRAY
	103749-01-02A	EA PANEL-ROOF CAP
	103628-01-000	EA BRACKET-FRONT,LWR,MTG
	094362-03-000	EA CLIP-XMAS TREE,FLAT HEAD
	105096-02-000	EA TUBE-TIMING,HOOD HINGE
	104584-03-000	EA BRACKET ASM-HOOD HINGE BODY,PASSENGERS
	104584-04-000	EA BRACKET ASM-HOOD HINGE BODY,DRIVERS
	105095-01-000	EA LINK ASM-HINGE,HOOD,INNER PASSENGERS
	105095-02-000	EA LINK ASM-HINGE,HOOD,INNER DRIVERS
	104582-02-000	EA LINK ASM-HINGE,HOOD,OUTER

1992ITASCA
TABLE OF CONTENTS

INTRODUCTION	A-01	A-02
ABBREVIATIONS		A-03
ALPHABETICAL INDEX	A-04	A-06
ICF27RC	A-07	E-12
ICF39RU	E-13	I-20

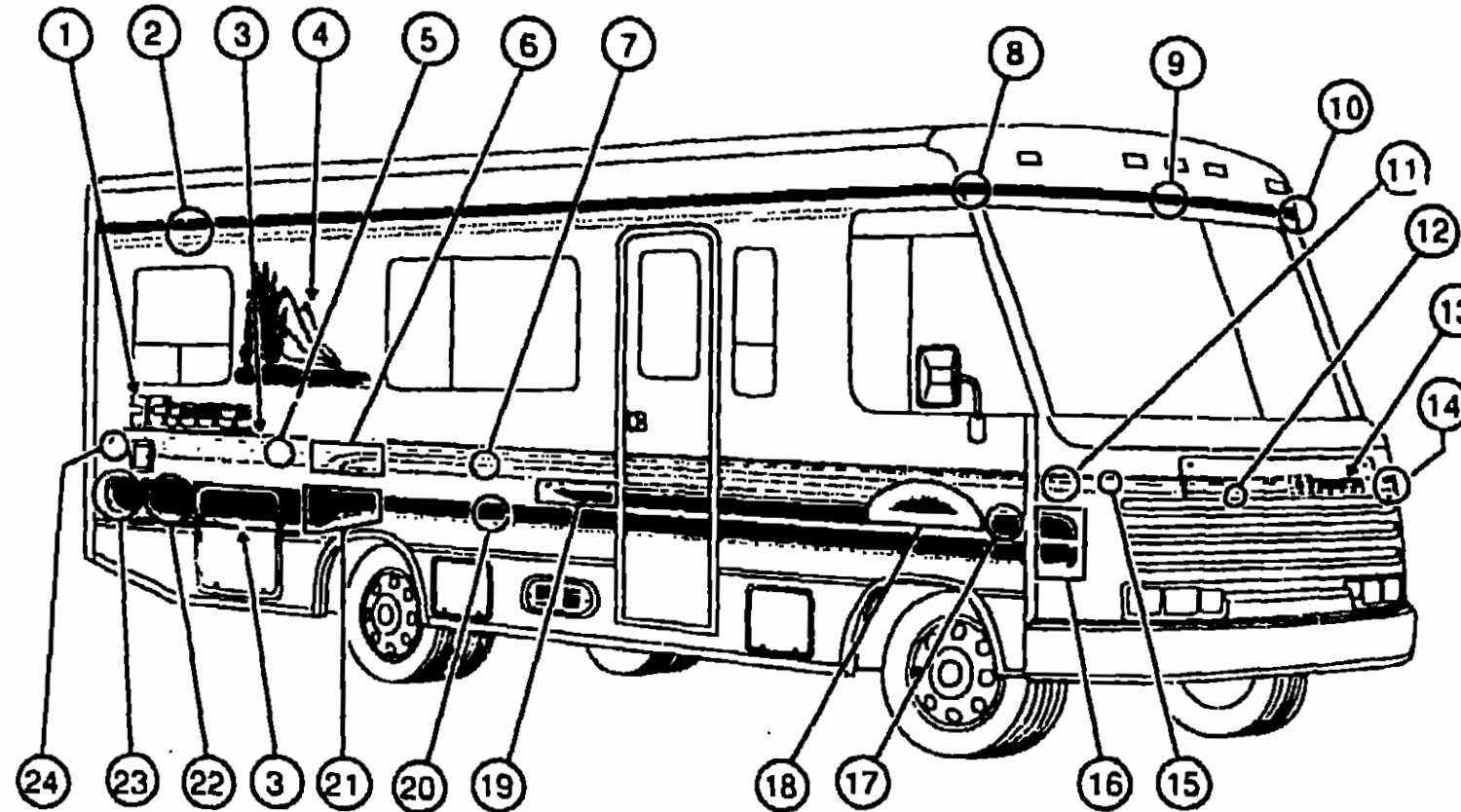
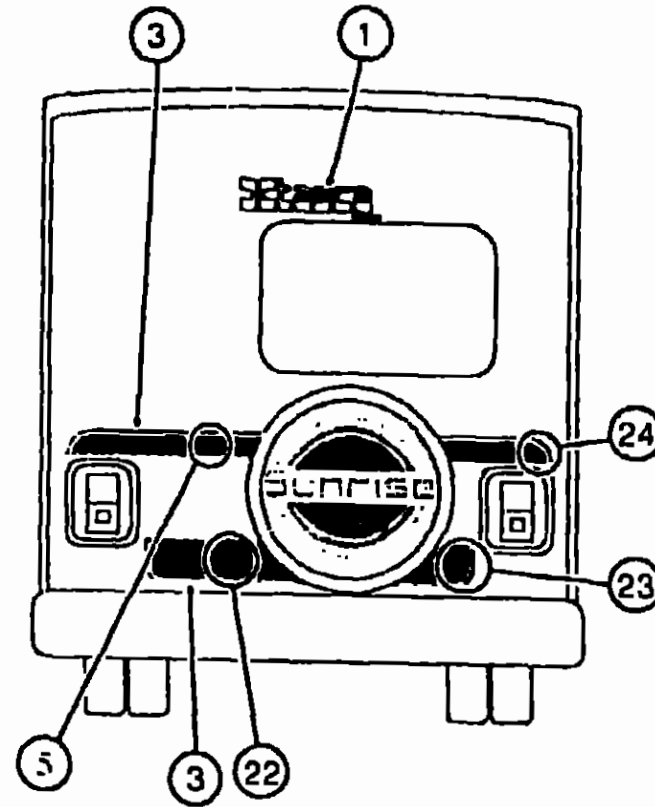
1992 ICF30RU INDEX

FLOOR PLAN	E-13	E-14
ACCESSORIES		E-15
AUDIO VIDEO	E-15	F-16
BATH	E-17	E-18
BEDROOM	E-19	E-20
CHASSIS	E-21	F-04
CURTAIN & CUSHION	F-05	F-13
DINETTE	F-14	F-15
DRIVERS COMPARTMENT	F-16	F-20
ELECTRICAL	F-21	G-02
EXTERIOR BODY	G-03	G-10
GALLEY	G-11	G-14
GENERATORS	G-15	G-16
HEATING & A/C	G-17	G-22
INTERIOR FINISH	G-23	H-05
LABELS	H-06	H-14
LP		H-15
LOUNGE	H-16	H-17
SEALANTS & FASTENERS	H-18	H-20
WATER & SEWAGE	H-21	I-01
WINDOW, VENT		
EXTERIOR DOOR	I-02	I-17
WINDSHIELD & WIPER	I-18	I-19

EXTERIOR BODY GROUP (CONTINUED)

1992 ITASCA
TABLE OF CONTENTS

INTRODUCTION	A-01 -	A-02
ABBREVIATIONS		A-03
ALPHABETICAL INDEX	A-04 -	A-06
ICF27RC	A-07 -	E-12
ICF30RU	E-13 -	I-20



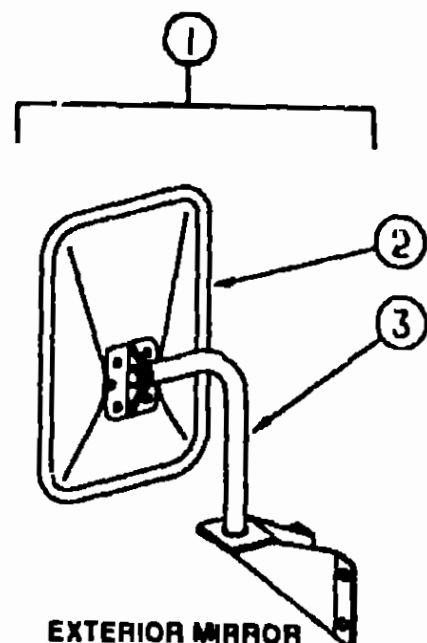
1992 ICF30RU INDEX

FLOOR PLAN	E-13 -	E-14
ACCESSORIES		E-15
AUDIO VIDEO	E-15 -	E-16
BATH	E-17 -	E-18
BEDROOM	E-19 -	E-20
CHASSIS	E-21 -	F-04
CURTAIN & CUSHION	F-05 -	F-13
DINETTE	F-14 -	F-15
DRIVERS COMPARTMENT	F-16 -	F-20
ELECTRICAL	F-21 -	G-02
EXTERIOR BODY	G-03 -	G-10
GALLEY	G-11 -	G-14
GENERATORS	G-15 -	G-16
HEATING & A/C	G-17 -	G-22
INTERIOR FINISH	G-23 -	H-05
LABELS	H-06 -	H-14
LP		H-15
LOUNGE	H-16 -	H-17
SEALANTS & FASTENERS	H-18 -	H-20
WATER & SEWAGE	H-21 -	I-01
WINDOW, VENT		
EXTERIOR DOOR	I-02 -	I-17
WINDSHIELD & WIPER	I-13 -	I-19

KEY	PART NUMBER	U/M	DESCRIPTION
1	078852-20-000	EA	DECAL-LOGO, ITASCA 6 50 - LT GRAY/TURQUOISE
2	093689-09-01A	FT	FILM-MULTISTRIPE, 121MM X 150FT
2	093689-10-01A	FT	FILM-MULTISTRIPE, 134MM X 150FT
			FROM 00-00-00 THRU 07-28-91
			FROM 07-29-91 THRU 99-99-99
3	083581-03-000	GL	PAINT-OFF WHITE. USE PPG #UC62149 TO OBTAIN LOCALLY
3	093681-24-02A	FT	FILM-13MM X 150FT - OCEAN SPRAY
4	106854-01-01A	EA	DECAL-SCENE, MOUNTAIN, RH
4	106854-02-01A	EA	DECAL-SCENE, MOUNTAIN, LH
5	094433-03-01A	FT	FILM-OVERLAY 114MM X 150FT
6	104052-01-01A	EA	DECAL-RADIUS, UPPER, RH
6	104052-02-01A	EA	DECAL-RADIUS, UPPER, LH
7	094434-02-01A	FT	FILM-OVERLAY 114MM X 150FT
8	104094-01-02A	EA	DECAL-FRONT UPPER RH
9	104096-01-02A	EA	DECAL-FRONT UPPER CAP
			FROM 07-29-91 THRU 99-99-99
10	104094-02-02A	EA	DECAL-FRONT UPPER LH - BAY TURQUOISE
			FROM 07-29-91 THRU 99-99-99
11	104773-01-01A	EA	DECAL-FRONT, LOWER/MIDDLE RH
			FROM 07-29-91 THRU 99-99-99

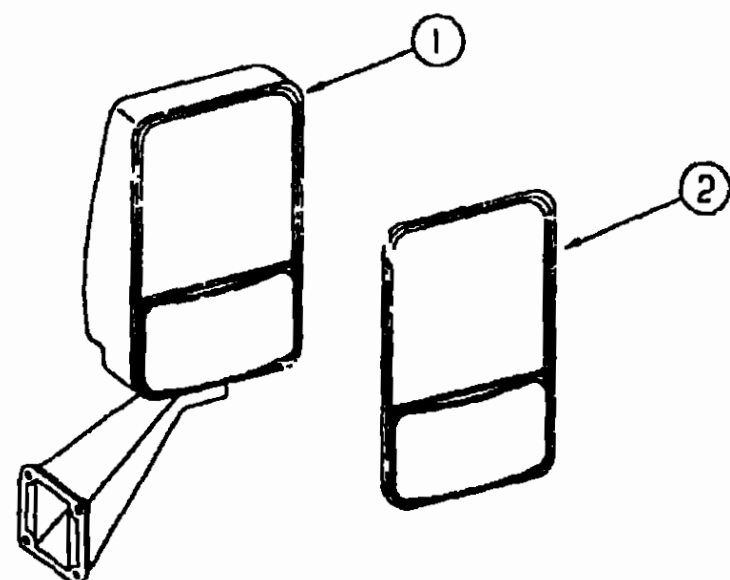
KEY	PART NUMBER	U/M	DESCRIPTION
12	093681-33-01A	FT	FILM-15MM X 150FT - OCEAN SPRAY
13	093789-02-04A	EA	DECAL-LOGO ITASCA
14	104773-02-01A	EA	DECAL-FRONT, LOWER/MIDDLE, LH
15	094433-07-01A	FT	FILM-OVERLAY 46MM X 150FT
16	104772-01-01A	EA	DECAL-FRONT, LOWER, RH
	104772-02-01A	EA	DECAL-FRONT, LOWER, LH
17	094422-02-01A	FT	FILM-OVERLAY, MULTISTRIPE 98MM
18	104051-01-01A	EA	DECAL-SUNRISE
19	104051-01-01A	EA	DECAL-TRANSITION, LOWER, RH
	104051-02-01A	EA	DECAL-TRANSITION, LOWER, LH
20	094433-04-01A	FT	FILM-OVERLAY 121MM X 150FT
21	104053-01-01A	EA	DECAL-RADIUS, LOWER, RH
	104053-02-01A	EA	DECAL-RADIUS, LOWER, LH
22	094433-05-01A	FT	FILM-OVERLAY 216MM X 150FT
23	104055-01-01A	EA	DECAL-END CAP, LARGE
24	104054-01-01A	EA	DECAL-END CAP, SMALL
	104279-01-01A	EA	DECAL-LOGO, SUNRISE SEL PROF (ON DASH) *BLACK BORDER/LTGRAY
	106149-01-01A	FT	DECAL-VINYL STRIPING 2" *01325-061 UNIVERSAL
	041561-03-000	EA	PAINT-LOW BAKE, OFF WHITE
	044436-03-000	EA	PAINT-LOW BAKE, BEIGE
	074559-01-000	EA	DECAL-LOGO, LPG - RED - (CALIF CODE)
			FROM 00-00-00 THRU 08-31-92
25	104408-03-C25	EA	COVER-TIRE, 32" SUNRISE
25	P04408-03-000	EA	SILKSCREEN-32" SUNRISE

EXTERIOR BODY GROUP (CONTINUED)



EXTERIOR MIRROR

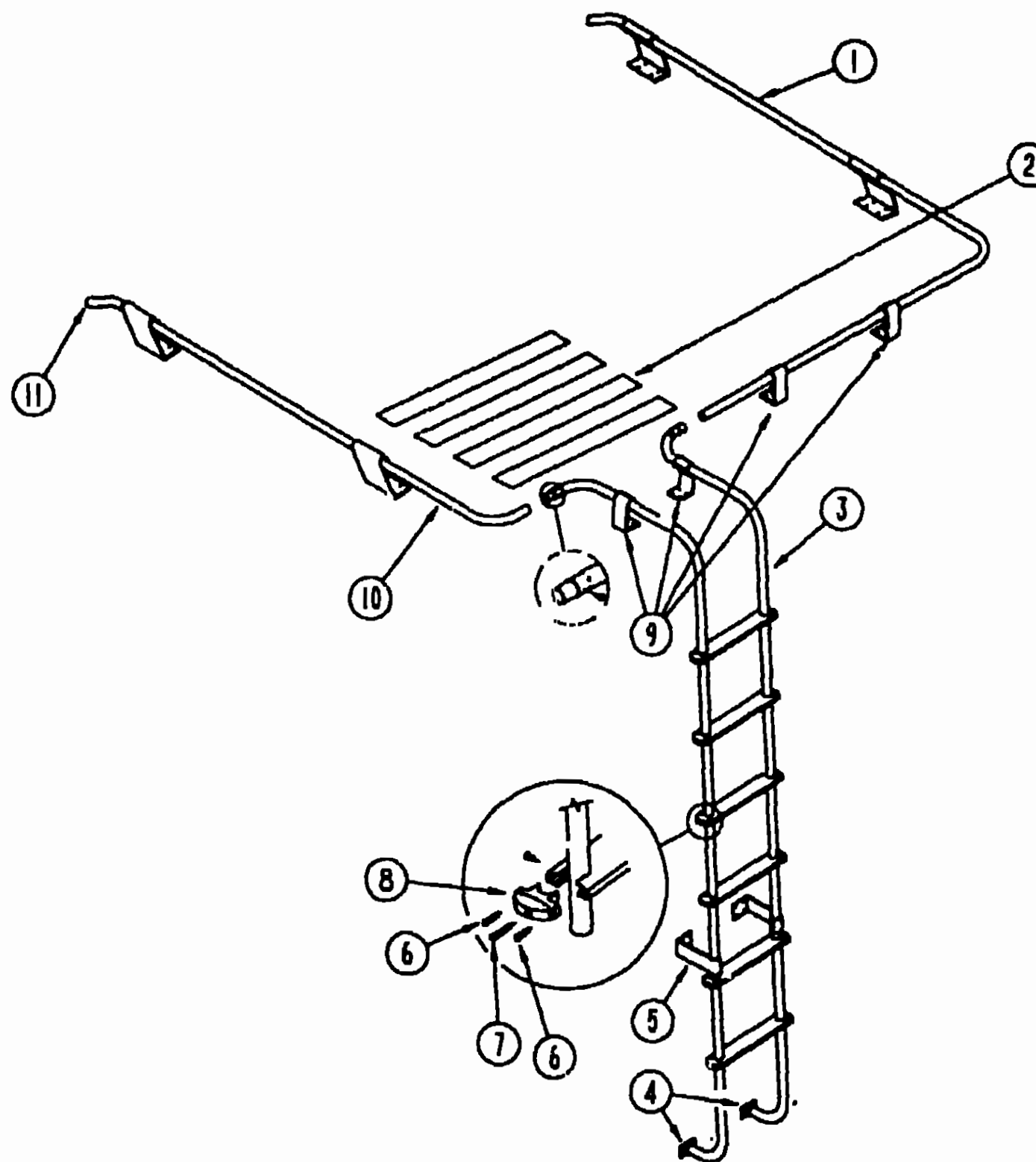
KEY	PART NUMBER	U/M DESCRIPTION
1	105076-01-01A	EA MIRROR-EXTERIOR LOW MOUNT - SET (PAIR)
1	105076-01-702	EA MIRROR ASM-LOW MT (RIGHT OR LEFT) 713195 1 ONLY W/BRK
2	105076-01-703	EA MIRROR HEAD ONLY 705275-8
3	105076-01-704	EA ARM 0780521-9
	105439 01-000	EA MIRROR-AUX CONVEX STICK-ON VELVAC 723068-6
	049347-01-700	EA GLASS ONLY F/7 1/2 X 10 1/2 702081 VELVAC



OPTIONAL EXTERIOR MIRROR

KEY	PART NUMBER	U/M DESCRIPTION
1	106015-09-01A	EA MIRROR ASM-EXT GLS RH VELVAC 713126 BLACK
1	106015-10-01A	EA MIRROR ASM-EXT ADJ GLS LH VELVAC 713125 BLACK
2	106015-01-703	EA MIRROR KIT (BEZEL W/MIRRORS) PASSENGER SIDE
2	106015-02-702	EA MIRROR KIT (BEZEL W/MIRRORS) DRIVER SIDE

EXTERIOR BODY GROUP (CONTINUED)



LUGGAGE RACK & LADDER

KEY	PART NUMBER	U/M DESCRIPTION
1	081026-15-C05	EA RACK ASM-LUGGAGE, PASSENGER
2	038327-01-000	EA TAPE-ANTI SLIP, 2" X 60"
2	038327-02-000	FT TAPE-ANTI SLIP, 2" X 60FT
3	102953-01-C05	EA LADDER ASM, STRAIGHT
4	067165-01-000	EA MOUNTING BRACKET-LADDER, LOWER
5	N/A	EA STANDOFF-LADDER, BRIGHT DIPPED - LOWER
6	000G39-06-10T	EA SCREW-SF/DR. 6-20 X 5/8 PPH - BLACK
7	000G68-10-36T	EA SCREW-10-12 X 2 25 POH BLACK
8	076980-02-000	EA END CAP-STEP, BLACK
9	N/A	EA STANDOFF-RACK & LADDER, BRIGHT DIPPED
10	081026-16-C05	EA RACK ASM-LUGGAGE, DRIVER
11	081114-01-000	EA PLUG-ROUND, RACK & LADDER ENDS - PLASTIC - 1" DIA

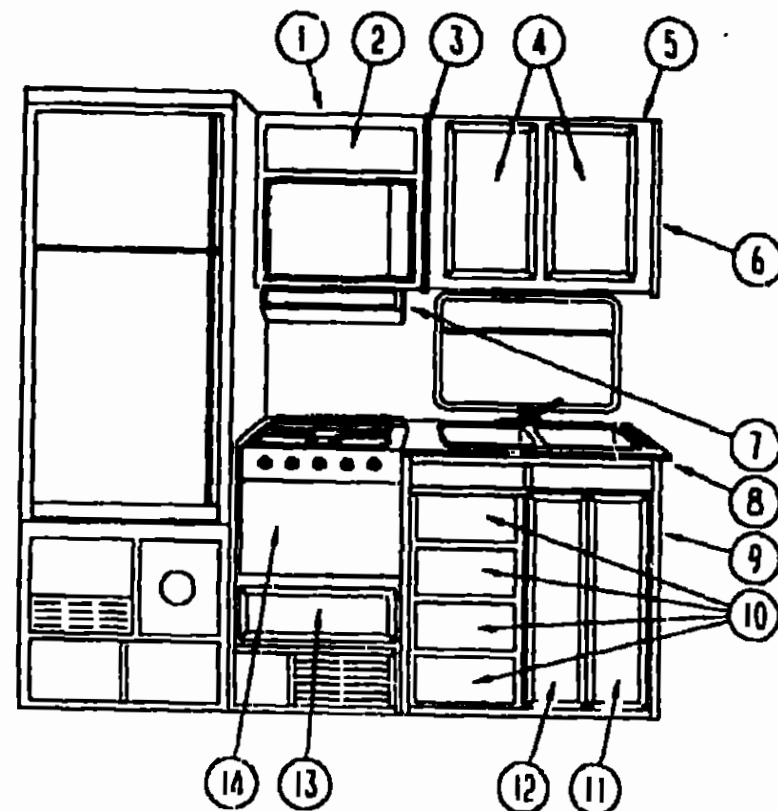
**1992 ITASCA
TABLE OF CONTENTS**

INTRODUCTION	A-01 -	A-02
ABBREVIATIONS		A-03
ALPHABETICAL INDEX	A-04 -	A-06
ICF27RC	A-07 -	E-12
ICF30RU	E-13 -	I-20

1992 ICF30RU INDEX

FLOOR PLAN	E-13 -	E-14
ACCESSORIES		E-15
AUDIO VIDEO	E-15 -	E-16
BATH	E-17 -	E-18
BEDROOM	E-19 -	E-20
CHASSIS	E-21 -	F-04
CURTAIN & CUSHION	F-05 -	F-13
DINETTE	F-14 -	F-15
DRIVERS COMPARTMENT	F-16 -	F-20
ELECTRICAL	F-21 -	G-02
EXTERIOR BODY	G-03 -	G-10
GALLEY	G-11 -	G-14
GENERATORS	G-15 -	G-16
HEATING & A/C	G-17 -	G-22
INTERIOR FINISH	G-23 -	H-05
LABELS	H-06 -	H-14
LP		H-15
LOUNGE	H-16 -	H-17
SEALANTS & FASTENERS	H-18 -	H-20
WATER & SEWAGE	H-21 -	I-01
WINDOW, VENT		
EXTERIOR DOOR	I-02 -	I-17
WINDSHIELD & WIPER	I-18 -	I-19

GALLEY GROUP



GALLEY CABINETRY

KEY	PART NUMBER	U/M DESCRIPTION
1	M05019-42-C25	EA CABINET-OVERHEAD, RANGE - W/O DOORS OR HARDWARE
2	P00520-B2-B25	EA DOOR-CABINET, W/O HARDWARE - 7 1" X 21 9"
3	081320-16-B03	EA END CAP-CABINET, OVERHEAD
4	P04746-07-C25	EA DOOR-CABINET, W/O HARDWARE
5	103276-01-C05	EA CABINET-OVERHEAD, W/O DOORS OR HARDWARE
6	081320-17-B03	EA END CAP-CABINET, OVERHEAD - FRONT
7	100258-01-01A	EA HOOD-RANGE 21" WIDE W/O MONITOR PANEL FROM 00-00-00 THRU 09-01-91
7	100258-16-01A	EA HOOD-RANGE 22" WIDE W/O MONITOR PANEL FROM 09-02-91 THRU 99-99-99
8	102824-13-C25	EA COUNTERTOP-GALLEY
9	M03967-06-C25	EA CABINET-GALLEY, W/O DOORS OR HARDWARE
10	P03397-94-C25	EA DRAWER ASM-CABINET, W/O HARDWARE
11	P04746-11-C25	EA DOOR-CABINET, W/O HARDWARE RIGHT GALLEY CABINET DOOR
12	P04746-12-C25	EA DOOR-CABINET, W/O HARDWARE LEFT GALLEY CABINET DOOR
13	P03397-23-C25	EA DRAWER-CABINET, W/O HARDWARE - (UNDER RANGE)
14	102022-01-02A	EA RANGE-4 BURNER, ALMOND - MAGIC CHEF
	090329-01-000	FT SEAL-REFRIGERATOR CABINET
	103243-01-000	EA FAUCET-GALLEY, DUAL CONTROL
	104113-01-000	EA SINK-DOUBLE, STAINLESS STEEL
	092303-01-000	EA STRAINER-SINK
	091208-01-000	EA WASH-RUBBER, 36" X 75" X 5"
	103610-01-C08	EA COVER SINK

GALLEY GROUP (CONTINUED)

MONITOR PANEL

KEY	PART NUMBER	U/M DESCRIPTION
	102765-03-01A	EA PANEL-MONITOR 3 TANK WTR HTR 'LVS W/PLUG ALMOND
	102765-03-700	EA CIRCUIT BOARD H-T(3)
	102765-01-700	EA SWITCH ON-ON ALMOND
	097617-01-700	EA TRIM PLATE
	097617-01-701	EA SWITCH (CN-OFF) (ALMOND)

RANGE HOOD

KEY	PART NUMBER	U/M DESCRIPTION
	100258-01-01A	EA HOOD-RANGE, W/O MONITOR PANEL - VENTLINE - US TCS4001NAD FROM 00-00-00 THRU: 09-01-91
	090973-01-700	EA MOTOR - LVS CA508-1
	090973-01-702	EA BLADE-FAN, LVS VA183-1
	092696-01-709	EA BULB-912, VENTLINE VA415
	092696-01-710	EA SOCKET-LIGHT, VENTLINE CB267-2
	096983-01-700	EA SWITCH-ON/OFF, VENTLINE 108
	096983-01-702	EA SWITCH-TWO WAY MOMENTARY, VENTLINE 112
	096983-01-707	EA FILTER-GREASE, 8" X 8" - LVS CC246
	096983-01-708	EA LENS-LAMP, VENTLINE CC179
	100258-01-700	EA HOOD-NOSE LABEL, CC428
	100258-10-01A	EA METER-HOUR, VENTLINE 150
	100258-16-01A	EA HOOD-RANGE W/O MONITOR PANEL FROM 09-02-91 THRU 99-99-99
	100258-10-01A	EA METER-HOUR, VENTLINE 150
	100258-10-01A	EA METER-HOUR, VENTLINE 150
	096983-01-702	EA SWITCH-TWO WAY MOMENTARY, VENTLINE 112
	096983-01-700	EA SWITCH-ON/OFF, VENTLINE 108
	092696-01-709	EA BULB-912, LVS VA415
	092696-01-710	EA SOCKET-LIGHT, LVS CB267-2
	096983-01-708	EA LAMP LENS
	090973-01-700	EA MOTOR - LVS CA508-1
	090973-01-702	EA BLADE-FAN, LVS VA183-1
	096983-01-707	EA FILTER-GREASE, 8" X 8" - LVS CC246
	092696-01-707	EA VENT GASKET
	050225-01-000	EA LABEL-WARNING, STOVE VENT - US
	084878-09-000	EA VENT-RANGE HOOD, SHORT - LVS

RANGE HOOD CANADIAN OPTION L265

KEY	PART NUMBER	U/M DESCRIPTION
	100258-02-01A	EA HOOD-RANGE W/O MONITOR PANEL A 514 X 90717 CANADIAN FROM 00-00-00 THRU 09-01-91
	090973-01-700	EA MOTOR 12 VOLT CSA-UL APRVD
	090973-01-702	EA BLADE-FAN
	092696-01-709	EA LAMP #912
	092696-01-710	EA LAMP HOLDER
	096983-01-700	EA SWITCH-ON-OFF
	096983-01-702	EA SWITCH-TWO WAY MOM
	096983-01-707	EA MESH FILTER
	096983-01-708	EA LAMP LENS
	100258-01-700	EA HOOD NOSE LABEL
	100258-10-01A	EA HOUR METER
	100258-17-01A	EA HOOD-RANGE 22W W/O MONT PANEL 514 X 90717 CANADIAN FROM 09-02-91 THRU: 99-99-99
	090973-01-700	EA MOTOR 12 VOLT CSA-UL APRVD
	090973-01-702	EA BLADE-FAN
	092696-01-709	EA LAMP #912
	092696-01-710	EA LAMP HOLDER
	096983-01-700	EA SWITCH-ON-OFF
	096983-01-702	EA SWITCH-TWO WAY MOM
	096983-01-707	EA MESH FILTER
	096983-01-708	EA LAMP LENS
	100258-01-700	EA HOOD NOSE LABEL
	100258-10-01A	EA HOUR METER

**1992ITASCA
TABLE OF CONTENTS**

INTRODUCTION	A-01 -	A-02
ABBREVIATIONS		A-03
ALPHABETICAL INDEX	A-04 -	A-06
ICF27RC	A-07 -	E-12
ICF30RU	E-13 -	I-20

1992 ICF30RU INDEX

FLOOR PLAN	E-13 -	E-14
ACCESSORIES		E-15
AUDIO VIDEO	E-15 -	E-16
BATH	E-17 -	E-18
BEDROOM	E-19 -	E-20
CHASSIS	E-21 -	F-04
CURTAIN & CUSHION	F-05 -	F-13
DINETTE	F-14 -	F-15
DRIVERS COMPARTMENT	F-16 -	F-20
ELECTRICAL	F-21 -	G-02
EXTERIOR BODY	G-03 -	G-10
GALLEY	G-11 -	G-14
GENERATORS	G-15 -	G-16
HEATING & A/C	G-17 -	G-22
INTERIOR FINISH	G-23 -	H-05
LABELS	H-06 -	H-14
LF		H-15
LOUNGE	H-16 -	H-17
SEALANTS & FASTENERS	H-18 -	H-20
WATER & SEWAGE	H-21 -	I-01
WINDOW, VENT		
EXTERIOR DOOR	I-02 -	I-17
WINDSHIELD & WIPER	I-18 -	I-19

GALLEY GROUP (CONTINUED)
RANGE

KEY	PART NUMBER	U/M DESCRIPTION
	102022-01-02A	EA RANGE-16", 4 BURNER - MAGIC CHEF BT16RA-4Z
	055282-03-705	EA TRIM-CABINET, LEFT - BLACK - MAGIC CHEF 3608F011-70
	055282-03-707	EA TRIM-CABINET, RIGHT - BLACK - MAGIC CHEF 3608F012-70
	058507-02-701	EA INSERT-BURNER (SLOTTED VENT), MAGIC CHEF 7214P015-60
	102020-01-700	EA SHELF-OVEN, MAGIC CHEF - 7801-P027-60
	102020-01-701	EA HANDLE-DOOR, MAGIC CHEF - 7701P092-60
	102020-01-702	EA PANEL-MANIFOLD, MAGIC CHEF 2616F080-70
	102020-01-704	EA PANEL-DOOR BLACK - MAGIC CHEF - 2401F075-70
	102020-01-708	EA BURNER ASSEMBLY-OVEN, MAGIC CHEF 3403W003-45
	102020-01-711	EA GRATE-TOP, MAGIC CHEF 7518P012-60
	102020-01-712	EA KNOB-BURNER VALVE, MAGIC CHEF 7733P044-60
	102020-01-713	EA KNOB-THERMOSTAT, MAGIC CHEF 7731P042-60
	102020-01-714	EA PILOT-OVEN, MAGIC CHEF 968-143
	102020-01-715	EA PIPE-MANIFOLD, MAGIC CHEF 7513P095-60
	102020-01-717	EA THERMOSTAT, MAGIC CHEF 7515P024-60
	102020-01-718	EA TOP-MAIN, ALMOND - MAGIC CHEF 2001F005-84
	102020-01-720	EA VALVE-MERCURY CONTROL, MAGIC CHEF 7501P056-60
	102020-01-722	EA VALVE-TOP BURNER, MAGIC CHEF 7502F095-60
	102020-01-723	EA PILOT-BURNER, MAGIC CHEF 7505P147-60
	102020-01-724	EA BUMPER-MAIN TOP, MAGIC CHEF 8003P008-60
	102022-01-702	EA PIPE-MANIFOLD, MAGIC CHEF 7513P095-60
	102022-01-703	EA REGULATOR-PRESSURE, MAGIC CHEF 7510F031-60
	102022-01-706	EA TRIM-LEFT FLAT - MAGIC CHEF 3608V022-70
	102022-01-707	EA TRIM-RIGHT, FLAT - MAGIC CHEF 3609V023-70

MICROWAVE OVEN & TRIMS

KEY	PART NUMBER	U/M DESCRIPTION
	091269-04-000	EA OVEN-MICROWAVE - M-CHEF M15-B
	091269-03-701	EA PLATE-CERAMIC, 9 5" - ROUND - MAGIC CHEF 246-0005
	091269-03-702	EA CLIP-OVEN SHELF, WHITE - MAGIC CHEF 201-0044
	091269-03-703	EA CLIP-OVEN SHELF, BLACK - MAGIC CHEF 201-0031
	094745-01-01A	EA TRIM-MICROWAVE, LOWER - BLACK
	094774-03-01A	EA TRIM-MICROWAVE, EITHER SIDE - BLACK
	094750-01-000	EA BRACKET-MICROWAVE, 90 DEGREE

COFFEEMAKER

KEY	PART NUMBER	U/M DESCRIPTION
	103799-01-01A	EA COFFEEMAKER ALMOND
	103799-01-02A	EA COFFEEMAKER GRAY
	048394-02-000	YD TAPE-HOOK, 75X50YDS, BEIGE A/B
	088792-02-000	YD VELCRO-3/4" LOOP, ADHESIVE
	104610-01-000	EA STRAP ASM-COFFEE MAKER

GALLEY GROUP (CONTINUED)
REFRIGERATOR, LEVEL & VENT

KEY	PART NUMBER	U/M DESCRIPTION
	103622-02-01A	EA REFRIG-2 WAY, SMALL LH DBL DR "NORCOLD 462, BLACK
	064472-01-700	EA THERMOCOUPLE-NORCOLD 614363
	064473-03-716	EA SWITCH-3-WAY, FOR EG-2 & EG-3 MODELS - NORCOLD 616113
	064473-03-720	EA RELIGHTER, NORCOLD 616088
	064473-03-721	EA COMBINATION CONTROL - NORCOLD 616084
	075217-01-738	EA SWITCH-HUMIDITY, NORCOLD 61525922
	054879-03-700	EA COOLING UNIT - HORIZONTAL BURNER, NORCOLD# 61687237
	084860-01-705	EA ORIFICE - NORCOLD# 614522
	084890-01-715	EA VALVE-SHUT OFF, MANUAL - NORCOLD# 61697922
	084880-01-722	EA CRISPER COVER - NORCOLD 615641
	084880-01-732	EA LATCH, NORCOLD 61578522
	084880-03-705	EA BRACKET F/INT. REFRIG LIGHT - NORCOLD 61629722
	084880-03-705	EA LAMP (BULB) - NORCOLD 61628922
	084880-03-707	EA COVER F/LAMP OR BULB - NORCOLD 61327922
	088248-01-706	EA BURNER-HORIZONTAL, NORCOLD 61588122
	088248-01-709	EA HEATER-AC, (HORIZONTAL) - NORCOLD# 615627
	088248-01-710	EA HEATER-DC, (HORIZONTAL) - 3 WAY - NORCOLD# 615528
	094038-01-700	EA GASKET LOWER GRAY - NORCOLD 61567930
	094038-01-702	EA LINER-DOOR, LOWER - BLACK/W/WHITE - NORCOLD 61591938-B
	094039-01-702	EA GASKET (GRAY) UPPER - NORCOLD 61567630
	094039-01-704	EA PLATE-HINGE, BLACK - NORCOLD 61531430
	094039-01-710	EA PLATE-HINGE, BLACK - NORCOLD 61631330
	094039-01-722	EA HOLE PLUG (BLK) HINGE HOLES - NORCOLD 61582030
	094039-01-723	EA HINGE BRKT, TOP RH-BTM LH BLK - NORCOLD 61560838
	094039-01-724	EA BRACKET-HINGE, TOP LH - BOTTOM RH - BLK - NORCOLD 61580938
	094039-01-725	EA HINGE PIN (BLACK)(MALE) - NORCOLD 61578130
	094039-01-726	EA SHELF-FREEZER EVAPORATOR, NORCOLD 615236
	094039-01-730	EA HINGE PIN SHAFT(BLK) CTR HGE - NORCOLD 61566730
	094039-01-732	EA FRONT COVER(BLK) BTM TRIM - NORCOLD 61E22130
	094039-01-733	EA WIRE SHELF (MIDDLE) - NORCOLD 61563822
	094039-01-734	EA WIRE SHELF (TOP) W/RISER - NORCOLD 61563722
	094039-01-735	EA INSIDE DRIP TRAY (WHITE) 61572830
	094039-01-736	EA SWITCH-LIGHT, BLACK - NORCOLD 615810
	103622-01-700	EA HANDLE ASM-DOOR, UPPER - NORCOLD 61649038
	084880-01-754	EA JUICE-RACK (SMOKE GRAY) - NORCOLD 61580540
	094039-01-712	EA DOOR BIN(GRAY)SILVER BORDER - NORCOLD 61554050
	103622-01-705	EA HANDLE ASM-DOOR, LOWER - NORCOLD 61648938
	094039-01-718	EA MILK BIN (GRAY)W/SILVER TRIM - NORCOLD 61579460
	103622-01-707	EA KEEPER-DAIRY, NORCOLD 61580440
	103622-01-709	EA KNOB-SELECTOR, NORCOLD 61641822
	103522-01-710	EA KNOB-THERMOSTAT, NORCOLD 61642322
	103622-01-711	EA PANEL-CONTROL, 2-WAY - NORCOLD 61644022
	103622-01-712	EA INDICATOR-FLAME, NORCOLD 61609022
	103622-01-713	EA SWITCH-IGNITION, NORCOLD 61649722

1992 ITASCA
TABLE OF CONTENTS

INTRODUCTION	A-01	A-02
ABBREVIATIONS		A-03
ALPHABETICAL INDEX	A-04	A-06
ICF27RC	A-07	E-12
ICF30RU	E-13	I-20

1992 ICF30RU INDEX

FLOOR PLAN	E-13	E-14
ACCESSORIES		E-15
AUDIO VIDEO	E-15	E-16
BATH	E-17	E-18
BEDROOM	E-19	E-20
CHASSIS	E-21	F-04
CURTAIN & CUSHION	F-05	F-13
DINETTE	F-14	F-15
DRIVERS COMPARTMENT	F-16	F-20
ELECTRICAL	F-21	G-02
EXTERIOR BODY	G-03	G-10
GALLEY	G-11	G-14
GENERATORS	G-15	G-16
HEATING & A/C	G-17	G-22
INTERIOR FINISH	G-23	H-05
LABELS	H-06	H-14
LP		H-15
LOUNGE	H-16	H-17
SEALANTS & FASTENERS	H-18	H-20
WATER & SEWAGE	H-21	I-01
WINDOW, VENT		
EXTERIOR DOOR	I-02	I-17
WINDSHIELD & WIPER	I-18	I-19

**GENERATOR GROUP
EXPORT GENERATOR**

KEY	PART NUMBER	U/M DESCRIPTION
	100974-04-000	EA GENERATOR-4 KW EMERALD PLUS ONAN BGE-FN29236G
	007067-01-000	SF INSULATION-FIBERGLASS, 1" THICK X 4' - INCREMENTS OF 4 SF
	007125-04-000	EA CLAMP-MUFFLER, 1 1/2" DIA
	079654-05-000	EA PIPE-EXHAUST, ANGLED - W/FLANGE - 2" ID - ONAN# 154-2539
	082272-01-000	EA MUFFLER-GENERATOR
	093511-01-000	EA VAPOR KIT-LP. GENERATOR
	094059-01-000	EA SPACER-GENERATOR, ONAN
	105732-02-000	EA TRAY ASM-GENERATOR 92 MOTORHOMES
	105958-03-000	EA PIPE-EXHAUST, GENERATOR
	007125-03-000	EA CLAMP-MUFFLER - 1 5" DIA
	007131-01-000	EA HANGER-TAILPIPE, 6 SLOTS
	008401-01-000	EA STRAP-CONDUIT, 3/4" - 1 HOLE - GALVANIZED STEEL

GENERATOR-3500W EXPORT

KEY	PART NUMBER	U/M DESCRIPTION
	007125-03-000	EA CLAMP-MUFFLER - 1 5" DIA
	007125-04-000	EA CLAMP-MUFFLER 1 1" DIA
	007131-01-000	EA HANGER-TAILPIPE, 6 SLOTS
	081364-01-000	EA MUFFLER-GENERATOR W/3 5" LONG TAILPIPE
	081634-02-000	EA GENERATOR-3 5KW EMERALD - ONAN #53CR/29237C FROM 00-00-00 THRU 11-21-91
	083152-05-000	EA PIPE-EXHAUST 1 3"OD X 4 9" TO BEND X 5 5 1" TO END
	093590-02-000	EA MUFFLER-GENERATOR
	100974-04-000	EA GENERATOR-4 0KW EMERALD PLUS ONAN BGE-FN29236G FROM 11-22-91 THRU 99-99-99
	100974-05-000	EA GENERATOR-4 0KW EMERALD PLUS - ONAN #BGE-FN29237G FROM 00-00-00 THRU 11-21-91
	007125-03-000	EA CLAMP-MUFFLER - 1 5" DIA
	007125-04-000	EA CLAMP-MUFFLER, 1 1" DIA
	007131-01-000	EA HANGER-TAILPIPE, 6 SLOTS
	079654-05-000	EA PIPE-EXHAUST, ANGLED - W/FLANGE - 2" ID - ONAN# 154-2539
	082272-01-000	EA MUFFLER-GENERATOR
	094059-01-000	EA SPACER-GENERATOR, ONAN
	105732-02-000	EA TRAY ASM-GENERATOR
	105958-03-000	EA PIPE-EXHAUST, GENERATOR
	008401-01-000	EA STRAP-CONDUIT 3/4" - 1 HOLE - GALVANIZED STEEL

GENERATOR-4000 KW KOHLER - US

KEY	PART NUMBER	U/M DESCRIPTION
	105523-01-000	EA GENERATOR-4KW LOW PROFILE KOHLER 4CKM21
	007067-01-000	SF INSULATION-FIBERGLASS, 1" THICK X 4' - INCREMENTS OF 4 SF
	007125-03-000	EA CLAMP-MUFFLER - 1 5" DIA
	007125-04-000	EA CLAMP-MUFFLER, 1 1" DIA
	105526-01-000	EA ARRESTER-SPARK, KOHLER 278621
	105527-01-000	EA PIPE-EXHAUST ADAPTER, KOHLER 278524
	105530-01-000	EA MUFFLER-SIDE EXH W/O SPARK KOHLER 278733
	105602-01-000	EA GASKET-EXHAUST, KOHLER-278320
	105732-02-000	EA TRAY ASM-GENERATOR 92 MOTORHOMES
	105958-03-000	EA PIPE-EXHAUST, GENERATOR
	008401-01-000	EA STRAP-CONDUIT, 3/4" - 1 HOLE - GALVANIZED STEEL

**GENERATOR GROUP (CONTINUED)
GENERATOR-4000W KOHLER - CAN**

KEY	PART NUMBER	U/M DESCRIPTION
	105523-01-000	EA GENERATOR-4KW LOW PROFILE KOHLER 4CKM21
	007067-01-000	SF INSULATION-FIBERGLASS, 1" THICK X 4' - INCREMENTS OF 4 SF
	007125-03-000	EA CLAMP-MUFFLER - 1 5" DIA
	007125-04-000	EA CLAMP-MUFFLER, 1 1" DIA
	105526-01-000	EA ARRESTER-SPARK, KOHLER 278621
	105527-01-000	EA PIPE-EXHAUST ADAPTER, KOHLER 278524
	105530-01-000	EA MUFFLER-SIDE EXH W/O SPARK KOHLER 278733
	105602-01-000	EA GASKET-EXHAUST, KOHLER-278320
	105732-02-000	EA TRAY ASM-GENERATOR
	105958-03-000	EA PIPE-EXHAUST, GENERATOR
	008401-01-000	EA STRAP-CONDUIT, 3/4" - 1 HOLE - GALVANIZED STEEL

GENERATOR-4000W, LOW-PRO - US

KEY	PART NUMBER	U/M DESCRIPTION
	007067-01-000	SF INSULATION-FIBERGLASS, 1" THICK X 4' - INCREMENTS OF 4 SF
	007125-04-000	EA CLAMP-MUFFLER, 1 1" DIA
	007131-01-000	EA HANGER-TAILPIPE, 6 SLOTS
	078045-01-000	EA STRAP-SUPPORT GENERATOR - 4 HOLE
	079654-05-000	EA PIPE-EXHAUST, ANGLED - W/FLANGE - 2" ID - ONAN# 154-2539
	079654-01-700	EA HINGE KIT-ONAN EMERALD ONAN 406-0559
	083151-01-000	EA MUFFLER-GENERATOR, ONAN - 1 6" OD
	083152-01-000	EA PIPE-EXHAUST 1 3"OD X 33 3" TO BEND X 28 7" TO END FROM 08-05-91 THRU 99-99-99
	084365-01-000	EA STRAP-SUPPORT, GENERATOR - 2 HOLE
	100974-01-000	EA GENERATOR-4 0KW EMERALD PLUS, ONAN BGE-FA/26100G
	007067-01-000	SF INSULATION-FIBERGLASS, 1" THICK X 4' - INCREMENTS OF 4 SF
	007125-04-000	EA CLAMP-MUFFLER, 1 1" DIA
	079654-05-000	EA PIPE-EXHAUST, ANGLED - W/FLANGE - 2" ID - ONAN# 154-2539
	082272-01-000	EA MUFFLER-GENERATOR
	094059-01-000	EA SPACER-GENERATOR, ONAN
	105732-02-000	EA TRAY ASM-GENERATOR
	105958-03-000	EA PIPE-EXHAUST, GENERATOR

GENERATOR-4.0KW EMERALD PLUS

KEY	PART NUMBER	U/M DESCRIPTION
	100974-01-000	EA GENERATOR-4 0KW EMERALD PLUS, ONAN BGE-FA/26100G
	007067-01-000	SF INSULATION-FIBERGLASS, 1" THICK X 4' - INCREMENTS OF 4 SF
	007125-04-000	EA CLAMP-MUFFLER, 1 1" DIA
	007131-01-000	EA HANGER-TAILPIPE, 6 SLOTS
	078045-01-000	EA STRAP-SUPPORT, GENERATOR - 4 HOLE
	079654-05-000	EA PIPE-EXHAUST, ANGLED - W/FLANGE - 2" ID - ONAN# 154-2539
	079654-01-700	EA HINGE KIT-ONAN EMERALD ONAN 406-0559
	083151-01-000	EA MUFFLER-GENERATOR, ONAN - 1 6" OD
	083152-01-000	EA PIPE-EXHAUST, 1 3"OD X 33 3" TO BEND X 28 7" TO END FROM 08-05-91 THRU 99-99-99
	084365-01-000	EA STRAP-SUPPORT, GENERATOR - 2 HOLE
	082272-01-000	EA MUFFLER-GENERATOR
	094059-01-000	EA SPACER-GENERATOR, ONAN
	105732-02-000	EA TRAY ASM-GENERATOR
	105958-03-000	EA PIPE-EXHAUST, GENERATOR
	008401-01-000	EA STRAP-CONDUIT, 3/4" - 1 HOLE - GALVANIZED STEEL

**1992 ITASCA
TABLE OF CONTENTS**

INTRODUCTION	A-01	A-02
ABBREVIATIONS		A-03
ALPHABETICAL INDEX	A-04	A-05
ICF27RC	A-07	E-12
ICF30RU	E-13	I-20

1992 ICF30RU INDEX

FLOOR PLAN	E-13	E-14
ACCESSORIES		E-15
AUDIO VIDEO	E-15	E-16
BATH	E-17	E-18
BEDROOM	E-19	E-20
CHASSIS	E-21	F-04
CURTAIN & CUSHION	F-05	F-13
DINETTE	F-14	F-15
DRIVERS COMPARTMENT	F-16	F-20
ELECTRICAL	F-21	G-02
EXTERIOR BODY	G-03	G-10
GALLEY	G-11	G-14
GENERATORS	G-15	G-16
HEATING & A/C	G-17	G-22
INTERIOR FINISH	G-23	H-05
LABELS	H-06	H-14
LP		H-15
LOUNGE	H-16	H-17
SEALANTS & FASTENERS	H-18	H-20
WATER & SEWAGE	H-21	I-01
WINDOW, VENT		
EXTERIOR DOOR	I-02	I-17
WINDSHIELD & WIPER	I-18	I-19

HEATING & AIR CONDITIONING GROUP
EVANS REAR HEATER

KEY	PART NUMBER	U/M DESCRIPTION
	084405-01-000	EA HEATER ASM-REAR, DUCTED - W/MOTOR AID - EVANS
	084405-01-000	EA HEATER CORE-EVANS# FT200229
	084405-01-701	EA FAN BLADES-EVANS# HV029931
	084405-01-702	EA MOTOR ASM-12 V. EVANS# 200146
	009198-01-000	FT DUCT-HEAT. FLEXIBLE - 4" ID
	009200-01-000	EA TAPE-FURNACE, 1 1/2"
	023146-01-000	EA CLAMP-SCREW TYPE - 4"
	069536-02-000	EA CONNECTOR-DUCT, 4" ID
	000657 10-12B	EA SCREW, 10-12 X 3/4 PPH.- ZN
	007108-01-000	FT HOSE-HEATER, 5/8" ID
	008043-01-000	FT TUBING-VINYL, 65" ID
	0564E -05-000	EA REGISTER-PLASTIC W/O DAMPER - 4" DIAMETER - GOLDEN
	062401-01-000	EA CLAMP-HOSE, WORMGEAR 25"- 1"
	061673-01-000	EA BRACKET-MOTOR AID TUBES, 4" X 1 5" - STEEL
	062401-04-000	EA CLAMP-HOSE WORMGEAR 69"- 1 25"
	088753-01-000	FT TUBE-ALUMINIZED STEEL, 5/8" - 18 GAUGE
	079759-01-000	EA HOSE-90 DEGREE, 61"ID X 4" X 36"
	079759-02-000	EA HOSE-90 DEGREE, 61"ID X 4" X 6"
	10-1056-05-01A	EA APPLIQUE-BETEL SW RT 3 SW
	10-1875-03-000	EA SWITCH-ROCKER SPST ON/OFF/ON
	013227-01-000	EA TEE-PLAS-BARB 5/8 OR 3/4HOSE

HEATING & AIR CONDITIONING GROUP (CONTINUED)
AUTO A/C COMPONENTS

KEY	PART NUMBER	U/M DESCRIPTION
	000G11-08-08B	EA SCREW, 8-18 X 1/2 PPH - ZN
	007076-01-700	FT HOSE-FLEXIBLE PVC - 2" ID
	007108-01-000	FT HOSE-HEATER, 5/8" ID
	007281-01-000	EA HOSE-FLEXIBLE PVC, 2 5"ID X 50"
	007281-01-700	FT HOSE-FLEXIBLE PVC, 2 5" ID
	024990-05-000	EA OUTLET-DEF-W/SW/V 2IN BLACK
	062401-04-000	EA CLAMP-HOSE, WORMGEAR 69"- 1 25" A/C EVAPORATOR
	103930-01-000	EA EVAPORATOR/HEATER ASSEMBLY - SCS 090-0041
	103930-01-700	EA ROD-AIR BLEND DOOR, SCS 073 0017
	103930-C: -701	EA PANEL-DOOR, FOR AIR BLEND - SCS 071-0123
	103930-01-702	EA GASKET-DOOR, FOR AIR BLEND - SCS 045-0080
	103930-01-703	EA COIL-HEATER, SCS 042-0010
	103930-01-705	EA VALVE EXP. BLOCK
	103930-01-706	EA GASKET-O'RING, #8 - SCS 045-0011
	103930-01-707	EA GASKET-O'RING, #10 - SCS 045-0012
	103930-01-708	EA BRACKET-VACUUM MOTOR, SCS 070-0113
	103930-01-709	EA MOTOR-VACUUM SCS 030-0002
	103930-01-710	EA RESISTOR-FUSED, SCS 035-0006
	103930-01-711	EA THERMOSTAT, SCS 033-0003
	103930-01-712	EA GASKET-O'RING, SCS 045-0010
	103930-01-713	EA FITTING-QUICK CONNECT, #4 - SCS 050-003
	103930-01-714	EA FITTING-SERVICE VALVE, #10 - SCS 050-0031
	103930-01-715	EA SWITCH-BINARY, SCS 032-0030
	103930-01-716	EA SWITCH-PRESSURE, FAN - SCS 032-0029
	103930-01-717	EA WHEEL-CLOCK-WISE, SCS 062-0010
	103930-01-718	EA HOSE #6 SCS 051-0036
	103930-01-719	EA HOSE-#10, SCS 051-0017
	103930-01-720	EA MOTOR SCS 030-0004
	103930-04-000	EA CONTROL/PLENUM SET 92 F&G
	072342-04-000	EA CONDENSER ASM-W/O FANS, ARA 0519377
	072342-04-700	EA HOSE-DISCHARGE, ARA 0985306
	072342-04-701	EA COIL-CONDENSER, ARA 0519384
	072343-06-000	EA COMPRESSOR-CLUTCH, REAR DISCHARGE - SANKYO - ARA 0529174
	072343-08-000	EA COMPRESSOR/CLUTCH-460 EFI, TOP DISCHARGE - ARA# 0529039
	096814-02-000	EA MOUNT & DRIVE PACKAGE, A/C COMPRESSOR - 460 EFI
	072878-01-000	EA INSULATION-SOUND BARRIER PAD, 29 25" X 40 19"
	074026-01-000	EA MOUNT PACKAGE - A/C COMPRESSOR, 6 2DIESEL
	077075-01-000	EA GASKET-INSTRUMENT PANEL TO DEFROSTER PLENUM - 6" X 11 3"
	077075-03-000	EA GASKET-IP TO DEF PLENUM,SPL
	085000-01-000	EA SHIELD-A/C, 6 8" X 3 1" - STEEL
	088753-01-000	FT TUBE-ALUMINIZED STEEL, 5/8" - 18 GAUGE
	103016-01-000	EA PLENUM-TRANSITION
	103017-01-000	EA PLENUM-DEFROSTER
	103558-01-01A	EA VENT-DEFROSTER ABS O/W
	103796-01-01A	EA LOUVER ASM-A/C CARY PROD BLACK

1992 ITASCA
TABLE OF CONTENTS

INTRODUCTION	A-01	A-02
ABBREVIATIONS		A-03
ALPHABETICAL INDEX	A-04	A-06
ICF27RC	A-07	E-12
ICF30RU	E-13	I-20

1992 ICF30RU INDEX

FLOOR PLAN	E-13	E-14
ACCESSORIES		E-15
AUDIO VIDIO	E-15	E-16
BATH	E-17	E-18
BEDROOM	E-19	E-20
CHASSIS	E-21	F-04
CURTAIN & CUSHION	F-05	F-13
DINETTE	F-14	F-15
DRIVERS COMPARTMENT	F-16	F-20
ELECTRICAL	F-21	G-02
EXTERIOR BODY	G-03	G-10
GALLEY	G-11	G-14
GENERATORS	G-15	G-16
HEATING & A/C	G-17	G-22
INTERIOR FINISH	G-23	H-05
LABELS	H-06	H-14
LP		H-15
LOUNGE	H-16	H-17
SEALANTS & FASTENERS	H-18	H-20
WATER & SEWAGE	H-21	I-01
WINDOW, VENT		
EXTERIOR DOOR	I-02	I-17
WINDSHIELD & WIPER	I-18	I-19

HEATING & AIR CONDITIONING GROUP (CONTINUED)
SUBURBAN FURNACE & WALL THERMOSTAT

KEY	PART NUMBER	U/M DESCRIPTION
	098668-05-000	EA FURNACE-30000 BTU SUBURBAN SF-30
	069634-01-733	EA RELAY, TIME DELAY 20&30 BTU, SUBURBAN 231202
	075695-01-709	EA MICRO SWITCH (FOR MODELS 30 & 34S) - SUBURBAN#230509
	090039-01-709	EA GASKET-COVER, OBSERVATION HOLE
	092300-01-704	EA GASKET-ELECTRODE, SUBURBAN 070163
	092300-02-701	EA ORFICE, MAIN BURNER - SUBURBAN 180214
	093365-01-000	EA THERMOSTAT-WALL, FURNACE - SUBURBAN 0160902
	098668-01-700	EA CABINET FRONT, SUBURBAN 101242
	098668-01-701	EA CABINET ASM, SUBURBAN 101299
	098668-01-702	EA ELECTRODE, SUBURBAN 231740
	098668-01-704	EA VALVE, SUBURBAN 160938
	098668-01-705	EA SWITCH-LIMIT, SUBURBAN 231630
	098668-01-706	EA WHEEL-COMBUSTION AIR, SUBURBAN 350122
	098668-01-707	EA VENT CAP & EXHAUST TUBE ASM SUBURBAN 260193
	098668-01-709	EA BLOWER ASM (COMBUSTION AIR), SUBURBAN 390441
	098658-01-709	EA MOTOR ASM -FOR SF-25, SF-30 - SUBURBAN 231706
	098658-01-710	EA BLOWER ASM (ROOM AIR), SUBURBAN 390440
	098658-01-711	EA WHEEL, ROOM AIR - SUBURBAN 350123
	098668-01-712	EA BOARD-MODULE, SUBURBAN 231741
	098668-01-713	EA INTAKE VENT TUBE ASM 051044
	098668-02-700	EA BURNER ASM COMPLETE (SF-30/SF35) SUBURBAN 010745
	098668-07-000	EA DOOR-ACCESS, FURNACE - GRAY - SUBURBAN 520582
	056464-04-000	EA REGISTER-HEAT, 4" DIAMETER - W/DAMPER - PLASTIC - SAND
	056464-05-000	EA REGISTER-PLASTIC W/O DAMPER - 4" DIAMETER - GOLDEN
	093614-01-01A	EA GRILLE-RETURN AIR FURNACE - 15 6" X 7 6" - BROWN

HEATING COMPONENTS

KEY	PART NUMBER	U/M DESCRIPTION
	009198-01-000	FT DUCT-HEAT, FLEXIBLE - 4" ID X 25 FT
	009200-01-000	EA TAPE-FURNACE, 1 1/2"
	023146-01-000	EA CLAMP-SCREW TYPE - 4"
	059536-02-000	EA CONNECTOR-DUCT, 4" ID - SUBURBAN 050715
	007108-01-000	FT HOSE-HEATER, 5/8" ID - HI-TEMP - FORD ESE-M2D192-A
	056464-05-000	EA REGISTER-PLASTIC W/O DAMPER - 4" DIAMETER - GOLDEN
	079059-01-000	EA HOSE-90 DEGREE, 5/8" ID X 4" X 36"
	061673-01-000	EA BRACKET-MOTOR AID TUBES, 4" X 1 5" - STEEL
	088753-01-000	FT TUBE-ALUMINIZED STEEL, 5/8" - 18 GAUGE
	098668-07-000	EA DOOR-ACCESS, FURNACE - GRAY - SUBURBAN 520582
	056464-04-000	EA REGISTER-HEAT, 4" DIAMETER - W/DAMPER - PLASTIC - SAND
	093614-01-01A	EA GRILLE-RETURN AIR, FURNACE - 15 6" X 7 6" - BROWN

HEATING & AIR CONDITIONING GROUP (CONTINUED)
SUBURBAN FURNACE & WALL THERMOSTAT

KEY	PART NUMBER	U/M DESCRIPTION
	098668-05-000	EA FURNACE-30000 BTU
	093365-01-000	EA THERMOSTAT - WALL FURNACE - SUBURBAN 160902
	098668-01-700	EA CABINET FRONT
	098668-01-701	EA CABINET ASSEMBLY
	098668-01-702	EA ELECTRODE
	098668-01-703	EA BURNER ASM COMP (SF-25)
	098668-01-704	EA VALVE
	098668-01-705	EA SWITCH LIMIT
	098668-01-706	EA WHEEL COMB AIR
	098668-10-000	EA VENT ASM-CAP AND TUBE, 6 5 D
	098668-01-708	EA BLOWER ASM (COMBUSTION AIR)
	098668-01-709	EA MOTOR ASM F/SF-25, SF-30
	098668-01-710	EA BLOWER ASM (ROOM AIR)
	098668-01-711	EA WHEEL, ROOM AIR
	098668-01-712	EA BOARD, MODULE
	098668-01-713	EA INTAKE VENT TUBE ASM
	098668-05-000	EA DOOR-ACCESS FURNACE OFF WHT SUBURBAN 520574
	093614-01-01A	EA GRILLE-RETURN AIR FURNACE - 15 6" X 7 6" - BROWN
	059534-01-733	EA RELAY, TIME DELAY 20&30 BTU
	075596-02-703	EA DUCT COLLAR
	075695-01-709	EA MICROSWITCH ASM F/30&34S
	092300-02-701	EA ORIFICE MAIN BURNER (INT-30BW)
	098668-02-700	EA BURNER ASM COMP (SF-30/SF35)
	090039-01-709	EA GASKET, OBSERVATION HOLE CUR
	092300-01-704	EA GASKET ELECTRODE
	101990-01-714	EA MICROSWITCH GASKET
	098668-01-706	EA WHEEL COMB AIR
	098668-01-707	EA VENT CAP & EXHAUST TUBE ASSM
	059635-02-000	EA CONNECTOR-DUCT 4" ID - SUBURBAN 050715

1992ITASCA
TABLE OF CONTENTS

INTRODUCTION	A-01	A-02
ABBREVIATIONS		A-03
ALPHABETICAL INDEX	A-04	A-06
ICF27RC	A-07	E-12
ICF30RU	E-13	I-20

1992 ICF30RU INDEX

FLOOR PLAN	E-13	E-14
ACCESSORIES		E-15
AUDIO VIDEO	E-15	E-16
BATH	E-17	E-18
BEDROOM	E-19	E-20
CHASSIS	E-21	F-04
CURTAIN & CUSHION	F-05	F-13
DINETTE	F-14	F-15
DRIVERS COMPARTMENT	F-16	F-20
ELECTRICAL	F-21	G-02
EXTERIOR BODY	G-03	G-10
GALLEY	G-11	G-14
GENERATORS	G-15	G-16
HEATING & AC	G-17	G-22
INTERIOR FINISH	G-23	H-05
LABELS	H-05	H-14
LP		H-15
LOUNGE	H-16	H-17
SEALANTS & FASTENERS	H-18	H-20
WATER & SEWAGE	H-21	I-01
WINDOW, VENT		
EXTERIOR DOOR	I-02	I-17
WINDSHIELD & WIPER	I-18	I-19

HEATING & AIR CONDITIONING GROUP (CONTINUED)
ROOF A/C-13500 BTU, US & CANADIAN L290

KEY	PART NUMBER	U/M DESCRIPTION
	008356-01-000	EA CONNECTOR-PLASTIC, 3/8" AVG
	081606-01-706	EA LIMIT SWITCH (OPEN 160,CLOSE 110) COLEMAN# 6703-3041

ROOF A/C		
KEY	PART NUMBER	U/M DESCRIPTION
	093763-01-02A	EA A/C-ROOF 135000 BTU GRAY - COLEMAN 6759D707
	093763-04-700	EA SHROUD-ROOF A/C W/O LOGOS - COLEMAN 6759-4601
	093306-01-701	EA DECAL PKG LEFT & RIGHT, COLEMAN 6759B3591
	091225-01-709	EA START RELAY, COLEMAN# 1497-4131
	091225-01-710	EA START CAPACITOR COLEMAN# 1497-0881
	073742-02-704	EA RUN CAPACITOR (COMPRESSOR), COLEMAN 14994661
	091606-01-708	EA LIMIT SWITCH (OPEN 160,CLOSE 110), COLEMAN# 6703
	093763-01-712	EA FAN BLADE-CONDENSER, COLEMAN# 6733-3221
	076303-01-712	EA MOTOR COLEMAN# 6707A3119
	093763-01-702	EA OVERLOAD, COLEMAN# 6759-3931
	093763-01-703	EA IMPELLOR-7" DIA X 2 8" WIDE COLEMAN# 6759-3271
	093763-01-704	EA CAPACITOR-FAN COLEMAN# 1499-3451
	093763-01-707	EA EVAPORATOR COIL-COLEMAN# 1452-1351
	093763-01-709	EA CONDENSER COIL-COLEMAN# 1452-1251
	093763-01-709	EA COMPRESSOR-COLEMAN# 6749A3509

CEILING ASSEMBLY		
KEY	PART NUMBER	U/M DESCRIPTION
	093764-01-000	EA CEILING ASM-A/C COOL ONLY TSR - COLEMAN 6759D714
	042204-01-709	EA THERMOSTAT IN-64 OUT-58 COLEMAN# 6701-3401
	042205-01-702	EA THERMOSTAT IN-89 OUT-58 COLEMAN# 6703-3401
	073742-01-701	EA SELECTOR SWITCH (5 TERMINAL), COLEMAN# 6759-3251
	073742-01-703	EA DECAL HEAT&COOL, COLEMAN# 6759-3451
	093763-01-705	EA DECAL-HEAT/COOL THERMOSTAT, COLEMAN# 6759A3471
	091225-01-713	EA KNOB (2 PER PACKAGE) COLEMAN# 6701-3351
	081606-01-712	EA CEILING SHROUD (IVORY) COLEMAN# 6769-5051
	073742-01-702	EA DECAL COOL ONLY COLEMAN# 6759C3431
	076303-01-707	EA FILTER-6" X 14 3/4" X 1/2", 12 PER PKG - COLEMAN 670
	093763-01-710	EA SINGLE PARTS PACKAGE, COLEMAN# 6759-5941
	093763-01-711	EA GASKET PACKAGE, COLEMAN 67593281
	091225-01-717	EA DECAL (THERMOSTAT) COOL ONLY, COLEMAN# 6799A3441
	073937-03-000	EA SWITCH-ROTARY SELECTOR, 3 DECK - A/C - CA20-USA892

HEATING & AIR CONDITIONING GROUP (CONTINUED)
ROOF A/C-13500 BTU - EUROPEAN
COLEMAN# 6713C750

KEY	PART NUMBER	U/M DESCRIPTION
	073737-03-000	EA SWITCH-ROTARY SELECTOR, 3 DECK - A/C - CA20-USA892
	092440-01-000	EA A/C-ROOF, 13500 BTU - 220V - 50HZ - COLEMAN# 6713C750
	091441-01-000	EA CEILING ASM-A/C 220V - 50HZ - COLEMAN# 6712ET16
	101269-01-000	EA SPRING-SCREW, ROOF A/C GASKET - COLEMAN 6757-150
	092633-02-02A	EA COVER-BLANK ROOF A/C - 5 1" X 5 1" - PLASTIC - OFF WHITE

ROOF A/C-13500 BTU - EUROPEAN		
KEY	PART NUMBER	U/M DESCRIPTION
	108889-01-02A	EA A/C-ROOF, 13500 BTU, TSR GRAY - COLEMAN 6759D702
	037648-01-714	EA PACKAGE-GASKET, COLEMAN #6759-3281
	073742-02-704	EA RUN CAPACITOR (COMPRESSOR), COLEMAN 14994661
	076303-01-712	EA MOTOR, COLEMAN# 6707A3119
	091225-01-710	EA START CAPACITOR COLEMAN# 1497-0881
	093306-01-701	EA DECAL PKG LEFT & RIGHT - COLEMAN# 6759B3591
	093763-01-702	EA OVERLOAD, COLEMAN #6759-3931
	093763-01-703	EA IMPELLOR-7" DIA X 2 8" WIDE COLEMAN# 6759-3271
	093763-01-704	EA CAPACITOR-FAN, COLEMAN# 1499-3451
	093763-01-707	EA EVAPORATOR COIL-COLEMAN# 1452-1351
	093763-01-708	EA CONDENSER COIL-COLEMAN# 1452-1251
	093763-01-709	EA COMPRESSOR-COLEMAN# 6749A3509
	093763-01-712	EA FAN BLADE-CONDENSER COLEMAN# 6733-3221
	093763-02-700	EA SHROUD-OUTSIDE GRAY/CHARCOAL - COLEMAN# 6759-4521
	093764-01-000	EA CEILING ASM-A/C COOL ONLY TSR - COLEMAN 6759D714
	042204-01-709	EA THERMOSTAT-IN 64 OUT 58 COLEMAN# 6701-3401
	073742-01-701	EA SELECTOR SWITCH (5 TERMINAL), COLEMAN# 6759-3251
	073742-01-702	EA DECAL COOL ONLY COLEMAN# 6759C3431
	076303-01-707	EA FILTER-5" X 14 3/4" X 1/2", 12 PER PKG - COLEMAN 6703A3151
	081606-01-708	EA LIMIT SWITCH (OPEN 160,CLOSE 110), COLEMAN# 6703-3041
	081606-01-712	EA CEILING SHROUD (IVORY) COLEMAN# 6769-5051
	091225-01-713	EA KNOB (2 PER PACKAGE), COLEMAN# 6701-3351
	091225-01-717	EA DECAL (THERMOSTAT) COOL ONLY, COLEMAN# 6799A3441
	093763-01-710	EA SINGLE PARTS PACKAGE, COLEMAN# 6759-5941
	102289-01-000	EA SPRING-SCREW, ROOF A/C GASKET - COLEMAN 6757-150

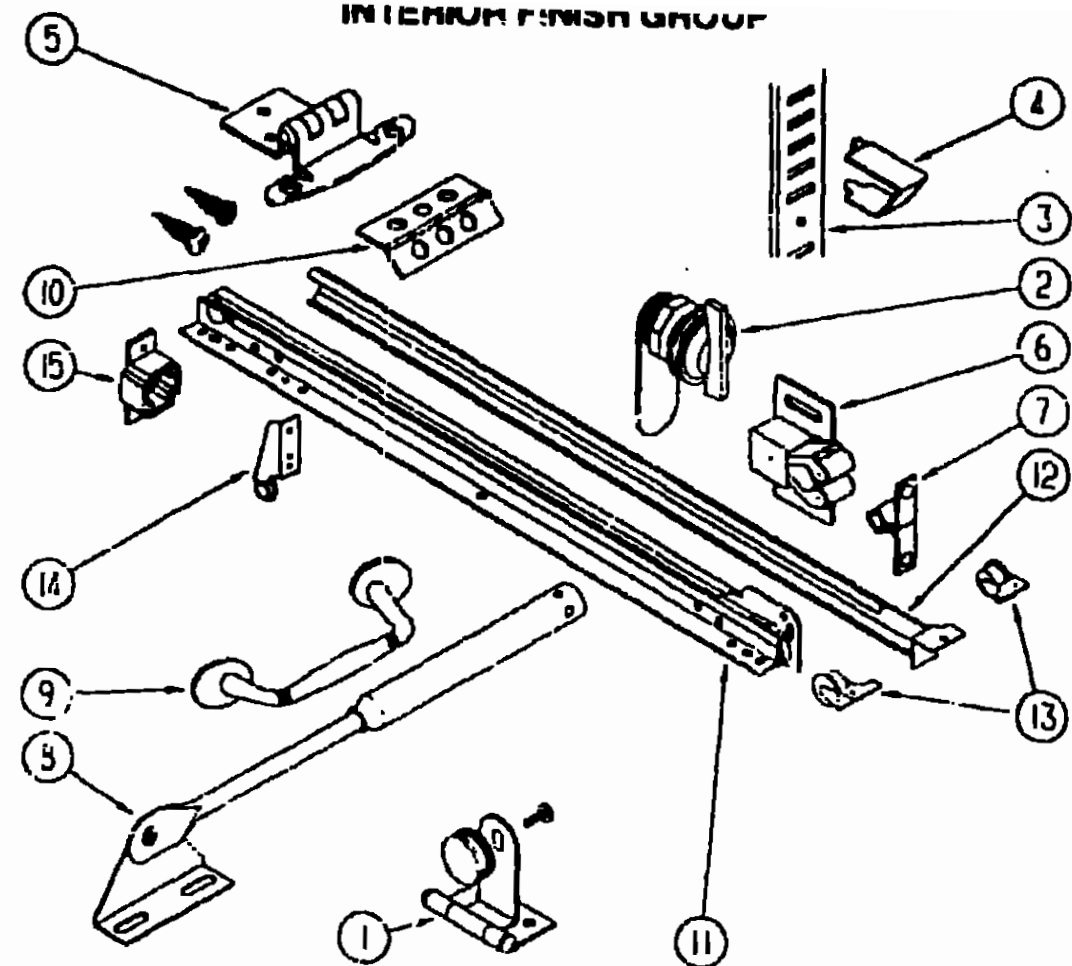
1992 ITASCA
TABLE OF CONTENTS

INTRODUCTION	A-01	A-02
ABBREVIATIONS		A-03
ALPHABETICAL INDEX	A-04	A-06
ICF27RC	A-07	E-12
ICF30RU	E-13	I-20

1992 ICF30RU INDEX

FLOOR PLAN	E-13	E-14
ACCESSORIES		E-15
AUDIO VIDEO	E-15	E-16
BATH	E-17	E-18
BEDROOM	E-19	E-20
CHASSIS	E-21	F-04
CURTAIN & CUSHION	F-05	F-13
DINETTE	F-14	F-15
DRIVERS COMPARTMENT	F-16	F-20
ELECTRICAL	F-21	G-02
EXTERIOR BODY	G-03	G-10
GALLEY	G-11	G-14
GENERATORS	G-15	G-16
HEATING & A/C	G-17	G-22
INTERIOR FINISH	G-23	H-05
LABELS	H-06	H-14
LP		H-15
LOUNGE	H-16	H-17
SEALANTS & FASTENERS	H-18	H-20
WATER & SEWAGE	H-21	I-01
WINDOW VENT		
EXTERIOR DOOR	I-02	I-17
WINDSHIELD & WIPER	I-18	I-19

INTERIOR FINISH GROUP



CABINET HARDWARE

CABINET HARDWARE (CONTINUED)

KEY	PART NUMBER	U/M DESCRIPTION
12	102827-05-000	EA TRACK-DRAWER, 22 6" LONG
13	102827-03-000	EA ROLLER-DRAWER NYLON - PAIR
14	102827-02-000	EA BRACKET-ROLLER DRAWER - REAR
15	102827-04-000	EA BRACKET-MOUNTING DRAWER - REAR
	004354-01-000	EA BUMPER-RUBBER, 5" DIA - BROWN
	009053-01-000	EA HINGE-CONTINUOUS, 1 1/2" X 72" - UNPAINTED
	016504-01-000	EA BRACE-CABINET, ANGLE - 2 5" - METAL - UNPAINTED
	016504-03-000	EA BRACE-CABINET, ANGLE - 2 5" - METAL - BEIGE
	0166...75-000	EA BRACE-CABINET, L ANGLE - 2 5" - METAL - OFF WHITE
	023320-01-000	EA PAD-FELT, 3/8" DIAMETER - BROWN
	055740-01-000	EA BRACE-CABINET CORNER PLASTIC
	038254-01-000	EA CATCH-MAGNETIC 1 8" X 7"
	094658-01-Y12	EA HANDLE-BUNK 2" X 27" - WOOD - OAK
	101450-01-01A	EA HINGE-DOOR, 2" - BRASS
	101755-01-000	EA PIN-SUPPORT GLASS DOOR
	102327-01-01A	EA PULL-MIRROR SQUARE
	104886-01-000	EA CATCH-WOOD VINYL FACE CABINET
	104886-02-000	EA CATCH-WOOD LAMINATED FACE CABINET
	105037-02-000	EA FASTENER-WOOD CORNER - METAL - 5" X 1"
	102827-03-000	EA ROLLERS-NYLON
	102827-04-000	EA BRACKET-MOUNTING REAR
	102827-05-000	EA TRACK-DRAWER, 573MM

1992ITASCA
TABLE OF CONTENTS

INTRODUCTION	A 01 - A 02
ABBREVIATIONS	A 03 - A 03
ALPHABETICAL INDEX	A 04 - A 05
ICF27RC	A 07 - E-12
ICF30RU	E-13 - I-20

FROM 00-00-00 THRU 10-21-91

CARPET

KEY	PART NUMBER	U/M DESCRIPTION
	047034-02-000	SF PLASTIC-CARPET, 4 WIDE - CLEAR POLY
	075233-01-000	SY PAD-CARPET 3/8" X 6' ROLL
	093486-01-000	SY CARPET-COMPARTMENT, 54" WIDE - DARK GRAY
	095050-21-000	SY CARPET-12' ROLL, INCREMENTS OF 4 SY (C25)
	095050-23-000	SY CARPET-12' ROLL, INCREMENTS OF 4 SY (C26)
	105924-01-C25	EA MAT-FLOOR 18X27,G-SERIES (C25)
	105924-01-C26	EA MAT-FLOOR 18X27,G-SERIES (C26)

1992 ICF30RU INDEX

FLOOR PLAN	E-13 - E-14
ACCESSORIES	E-15
AUDIO VIDEO	E-15 - E-16
BATH	E-17 - E-18
BEDROOM	E-19 - E-20
CHASSIS	E-21 - F-04
CURTAIN & CUSHION	F-05 - F-13
DINETTE	F-14 - F-15
DRIVERS COMPARTMENT	F-16 - F-20
ELECTRICAL	F-21 - G-02
EXTERIOR BODY	G-03 - G-10
GALLEY	G-11 - G-14
GENERATORS	G-15 - G-16
HEATING & A/C	G-17 - G-22
INTERIOR FINISH	G-23 - H-05
LABELS	H05 - H-14
LP	H-15
LOUNGE	H-16 - H-17
SEALANTS & FASTENERS	H-18 - H-20
WATER & SEWAGE	H-21 - I-01
WINDOW, VENT	
EXTERIOR DOOR	I-02 - I-17
WINDSHIELD & WIPER	I-18 - I-19

KEY	PART NUMBER	U/M DESCRIPTION
1	100711-01-01A	EA HINGE-DOOR GLASS
	100707-01-000	EA SPACER-DOOR, GLASS - 8" DIA - 3" HOLE - PLASTIC
	101272-01-000	EA CATCH-DOOR GLASS
2	100710-01-01A	EA LOCK-GLASS DOOR, TWIST TYPE - BRASS
3	098980-01-000	EA FILASTER-ADJUSTABLE SHELF, 16" LONG
3	098980-02-000	EA FILASTER-ADJUSTABLE SHELF, 12" LONG
4	058979-01-000	EA CLIP-ADJUSTABLE SHELF
5	059777-02-000	EA HINGE-CABINET DOOR, BURNISHED BRASS
	000G13-C6-10G	EA SCREW FOR HINGE 059777-02-000
	108138 01-000	EA HINGE-CABINET DOOR, BURNISHED BRASS
	000G13-C6-08G	EA SCREW FOR HINGE 108138-01-000
6	093585-03-000	EA CATCH-SPRING ROLLER
7	093585-04-000	EA STRIKE-SPRING STEEL
8	074493-02-000	EA SUPPORT-PISTON SPRING CABINET DOOR
9	103557-01-000	EA PULL-CABINET BRASS - 3" CN CENTER
10	009059 01-000	EA HINGE-DOOR 2" X 1 4" - BRASS
10	009059-02-000	EA HINGE-DOOR 2" X 2 7" - BRASS
11	105913-05-000	EA SLIDE-DRAWER, CABINET - LEFT SIDE - 18"
11	105913-06-000	EA SLIDE-DRAWER CABINET - RIGHT SIDE - 18"
11	105913-07-000	EA SLIDE-DRAWER, DRAWER MOUNT - LEFT SIDE - 18"
11	105913-08-000	EA SLIDE-DRAWER, DRAWER MOUNT - RIGHT SIDE - 18"
11	105913-17-000	EA SLIDE-DRAWER 22" LEFT CABT TRANSFER FLOW
		FROM 01-20-92 THRU 99-99-99
11	105913-18-000	EA SLIDE-DRAWER 22" RIGHT CABT TRANSFER FLOW
		FROM 01-20-92 THRU 99-99-99
11	105913-19-000	EA SLIDE-DRAWER 22" LEFT DRAWER TRANSFER FLOW
11	105913-20-000	EA SLIDE-DRAWER 22" RIGHT DRAWER TRANSFER FLOW
	107030-01-000	EA BACKSOCKET-ADJUSTABLE, LEFT TRANSFER FLOW
		FROM 01-20-92 THRU 99-99-99
	107030-02-000	EA BACKSOCKET-ADJUSTABLE, RIGHT TRANSFER FLOW
		FROM 01-20-92 THRU 99-99-99

INTERIOR FINISH GROUP (CONTINUED)
ASSIST HANDLE & STRIKE COVER

KEY	PART NUMBER	U/M DESCRIPTION
	069178-02-000	EA BRACKET-MOUNTING, ASSIST HANDLE
	053552-02-AA8	EA HANDLE, ASSIST, INTERIOR - ENTRY DOOR - VINYL - OFF WHITE
	046167-01-000	EA GROMMET-BRASS - 7/16" ID X 1" OD
	000016-07-16B	EA BOLT-CARRIAGE, ASSIST HANDLE - 7/16" - 14 X 1" ZN
	000D20-07-00B	EA NUT-ACORN, ASSIST HANDLE - 7/16" X 14 ZN
	077461-03-000	EA COVER-STRIKE, ENTRY DOOR - PLASTIC - OFF WHITE

BATH DOOR HARDWARE

KEY	PART NUMBER	U/M DESCRIPTION
	009059-02-000	EA HINGE - 2 IN - BRASS
	053331-01-000	EA HINGE-OVERLAY, BURNISHED BRASS
	058335-02-000	EA LATCH-BATHROOM DOOR

BATT STRIPS

KEY	PART NUMBER	U/M DESCRIPTION
	085284-53-000	FT BATT STRIP-DECORATIVE, PLAIN - ADHESIVE BACKED
	085284-54-000	FT BATT STRIP-DECORATIVE, W/FLOWERS - ADHESIVE BACKED
	086229-01-000	EA RETAINER-BATTEN, CEILING - 75" WIDE - 7 6' EA
	086229-04-000	EA BATTEN-CEILING 1" WIDE - IVORY - 7 6' EA

MIRRORS

KEY	PART NUMBER	U/M DESCRIPTION
	058331-14-000	EA MIRROR-SAFETY, 14" X 12 7"
	058331-41-000	EA MIRROR-SAFETY GLASS, 14" X 62 5"
	058331-47-000	EA MIRROR-GLASS, SAFETY 562X384
	058331-71-000	EA MIRROR-GLASS, SAFETY - 8" X 16 4"
	104755-05-000	EA MIRROR-GLASS, DECORATIVE

FIRE EXTINGUISHER / DETECTOR-SMOKE

KEY	PART NUMBER	U/M DESCRIPTION
	094499-01-000	EA EXTINGUISHER-FIRE, DRY W/MOUNTING BRACKET - 10 BC
	094499-01-700	EA BRACKET FOR FIRE EXTINGUISHER - 094499-01-000
	094499-01-700	EA BRACKET-MOUNTING, W/PLASTIC STRAP - FIRE EXTINGUISHER
	094499-02-000	EA EXTINGUISHER-FIRE, DRY - 1A10BC - CANADIAN
	072852-01-000	EA DETECTOR-SMOKE, W/9 VOLT BATTERY
	072852-02-000	EA DETECTOR-SMOKE, W/9 VOLT BATTERY - CANADIAN

FROM 05-01-91 THRU 99-99-99

INTERIOR FINISH GROUP (CONTINUED)
CABINET TRIMS, MOLDINGS & CHANNEL

KEY	PART NUMBER	U/M DESCRIPTION
	009767-12-000	FT MOLDING-SIDEWALL TO CEILING/CABINET - WELTING - OFF WHITE
	009809-23-000	EA MOLDING-CORNER, OUTSIDE - 1" - PLASTIC - IVORY
	009809-24-000	EA MOLDING-CORNER, OUTSIDE - 1" - PLASTIC - THOR PECAN
	009812-25-000	EA MOLDING-CORNER, OUTSIDE - 5" - PLASTIC - PECAN
	022992-11-000	FT MOLDING-REVERSE COVE, T-SHAPED - VINYL - IVORY
	081294-02-000	EA MOLDING-SHELF, NOTCHED WOOD - 6' LONG
	083620-01-000	FT MOLDING-T, END CAP EDGE - W/EDGE LIPS - 75" - BROWN
	083620-07-000	FT MOLDING-T, END CAP EDGE - W/EDGE LIPS - 75" - THOR PECAN
	076325-28-000	FT MOLDING-EDGE BAND, 1 5/16" WIDE

076325-34-000 FT MOLDING-EDGE BAND, 1 5/16" WIDE

092331-D2-134 EA MOLDING-VINYL WRAPPED, 7" X 1.57" X 84" - WOODGRAIN

092331-F2-134 EA MOLDING-VINYL WRAPPED, 7" X 2 5" X 7" - WOODGRAIN

092331-H2-438 EA MOLDING-VINYL WRAPPED, 7" X 3 5" X 96" - WOODGRAIN

103186-01-02A FT MOLDING-EDGE, SHELF - 78" WIDE - PLASTIC - REGAL OAK

105004-01-01A EA MOLDING-VINYL WRAP "REGAL OAK

092330-D2-438 EA LUMBER-VINYL WRAPPED, 7" X 1 5" X 9" - WOODGRAIN

092330 03 000 EA LUMBER-VINYL WRAPPED, 2" X 96" - WOODGRAIN

009778-13-000 FT U-CHANNEL-PLASTIC, 1" WIDE X 8" INCREMENTS - THOR PECAN

070504-01-000 FT U-CHANNEL-PLASTIC, 065" WIDE - LIGHT BROWN - INC OF 8"

070504-18-000 FT U-CHANNEL-PLASTIC, 065" WIDE - IVORY - INC OF 8"

070504-20-000 FT U-CHANNEL-PLASTIC, 815" WIDE - THOR PECAN - INC OF 8"

070504-22-000 FT U-CHANNEL-PLASTIC, 735" WIDE - THOR PECAN - INC OF 8"

072368-02-000 EA TRIM-VINYL, EDGE - BLACK - GM 1400/305

078811-05-B11 EA BOTTOM-HEADLINER, W/SPEAKER CUTOUTS - VINYL - OFF WHITE

100040-01-000 EA LUMBER-VINYL WRAPPED, 7" X 1 5" X 8" - RAMBLING OAK

093873-01-01A EA TRIM-CARPET, L-ANGLE - 1 1" X 1 3" X 12" - VINYL - GRAY

100559-01-B25 EA TRIM-FLOOR, 72" X 1" X 1/2" - WOOD

101220-02-01A EA TRIM-LID, ENTRY STEP - 14 5" - ALUMINUM - BEIGE

101221-02-01A EA TRIM-LID, ENTRY STEP - 26 6" - ALUMINUM - BEIGE

104676-01-01A FT T-MOLDING, 5/16 RIGID "GOLD

105709-01-000 FT T-MOLDING-1", MODERN IVORY

091261-01-000 FT SLIPNOT-ANTISLIP, 1" WIDE (1'00' ROLL)

WALL CLOCK

KEY	PART NUMBER	U/M DESCRIPTION
	104764-01-01A	EA CLOCK-WALL, SPARTUS 5616-42
	101333-01-000	EA BACKPLATE-CLOCK, 6" X 6" - PLASTIC - BLACK

1992ITASCA
TABLE OF CONTENTS

INTRODUCTION	A-01	A-02
ABBREVIATIONS		A-03
ALPHABETICAL INDEX	A-04	A-06
ICF27RC	A-07	E-12
ICF30RU	E-13	I-20

1992 ICF30RU INDEX

FLOOR PLAN	E-13	E-14
ACCESSORIES		E-15
AUDIO VIDEO	E-15	E-16
BATH	E-17	E-18
BEDROOM	E-19	E-20
CHASSIS	E-21	F-04
CURTAIN & CUSHION	F-05	F-13
DINETTE	F-14	F-15
DRIVERS COMPARTMENT	F-16	F-20
ELECTRICAL	F-21	G-02
EXTERIOR BODY	G-03	G-10
GALLEY	G-11	G-14
GENERATORS	G-15	G-16
HEATING & A/C	G-17	G-22
INTERIOR FINISH	G-23	H-05
LABELS	H-06	H-14
LP		H-15
LOUNGE	H-16	H-17
SEALANTS & FASTENERS	H-18	H-20
WATER & SEWAGE	H-21	I-01
WINDOW, VENT		
EXTERIOR DOOR	I-02	I-17
WINDSHIELD & WIPER	I-18	I-19

INTERIOR FINISH GROUP (CONTINUED)
PANELING & PLASTIC LAMINATE

KEY	PART NUMBER	U/M DESCRIPTION
	074498-41-000	SF LAMINATE-PLASTIC ORCHID MIST NEVAMAR MR-1-5SK
	064970-56-012	EA PLAS-ABS. .04" X 52" X 52" - BEIGE
	000885-34-000	SF PARTICLE BOARD-3/8" X 49" X 97", 1 SIDE VINYL - WOODGRAIN FROM 00-00-00 THRU 03-14-92
	000885-52-000	SF PARTICLE BOARD-2 SIDED VINYL, 3/8" X 4" X 8" - WOODGRAIN FROM 00-00-00 THRU 11-03-91
	000885-54-000	SF PARTICLE BOARD-3/8" X 48" X 95 FOREST OAK VINYL 2 SIDES FROM 00-00-00 THRU 11-03-91
	000885-55-000	SF PARTICLE BOARD-3/8" X 49" X 97", 1 SIDE VINYL - WOODGRAIN FROM 11-04-91 THRU 99-99-99
	000885-59-000	SF PARTICLE BOARD-3/4" X 60" X 96 FOREST OAK VINYL 2 SIDES FROM 11-04-91 THRU 99-99-99
	047034-02-000	SF PLASTIC-CARPET, 4" WIDE - CLEAR POLY
	089297-01-000	SF PLYWOOD-LUAN, OVERLAY GRADE - 4' X 8' - INC OF 32 SF
	083518-02-000	SF PLYWOOD-OAK 1 SIDE FINISHED - 3/15" X 4' X 8'
	095660-01-000	SF VENEER-FLAT LUANA 48X96
	089351-03-000	YD VINYL CEILING DIAMOND DESIGN - 54" WIDE
	074497-17-000	SF PANELING-WOODGRAIN 4' X 8' - INCREMENTS OF 32 SF FROM 00-00-00 THRU 11-03-91
	074497-20-000	SF PANELING-WOODGRAIN, 4' X 8' - INCREMENTS OF 32 SF
	074497-21-000	SF PANELING-541 WINNI OAK 3MMX48X96 59-215-H FROM 11-04-91 THRU 99-99-99
	088272-85-000	SF PANELING-DECORATIVE, W/FLOWERS - 4' X 7' - INC OF 28 SF
	088272-86-000	SF PANELING-DECORATIVE, PLAIN - 4' X 7' - INCREMENTS OF 28 SF
	088272-87-000	SF PANELING-DECORATIVE, W/FLOWERS - 4' X 7' - INC. OF 28 SF
	088272-98-000	SF PANELING-SHOWER OFF WHITE - 4' X 7' - INC OF 28 SQ FT FROM 03-16-92 THRU 99-99-99
	088272-72-000	SF PANELING-SHOWER, OFF WHITE - 4' X 7' - INC OF 28 SF FROM 00-00-00 THRU 03-15-92

INTERIOR FINISH GROUP (CONTINUED)
FABRIC

KEY	PART NUMBER	U/M DESCRIPTION
	029219-01-000	YD FABRIC-VINYL, 54" WIDE - WHITE
	052859-01-W30	FT TRIM-EDGE, VINYL - 1 5" WIDE - BEIGE
	072333-82-000	YD FABRIC-CURTAIN, 54" WIDE - BEIGE
	075244-04-000	YD FABRIC-VINYL SHOWER CURTAIN - 72" WIDE - SALMON
	075244-05-000	YD FABRIC-VINYL SHOWER CURTAIN - 72" WIDE - BLUE
	079600-01-000	YD FABRIC-VINYL, 54" WIDE - BEIGE
	079600-07-000	YD FABRIC-VINYL, 54" WIDE - BEIGE
	079600-09-000	YD FABRIC-VINYL, 54" WIDE - OFF WHITE
	079600-12-000	YD VINYL-EXPANDED, 54" WIDE - OFF WHITE
	087272-01-000	YD FABRIC-LINING, CURTAIN - 48" WIDE - IVORY
	088273-72-000	YD FABRIC-CURTAIN/BEDSPREAD, PLAIN - 54" WIDE (C25)
	088273-71-000	YD FABRIC-CURTAIN/BEDSPREAD, PLAIN - 54" WIDE NORWEGIAN (C26)
	088273-67-000	YD FABRIC-CURTAIN/BEDSPREAD, PLAIN - 54" WIDE SLATE (C26)
	088273-73-000	YD FABRIC-CURTAIN/BEDSPREAD, PATTERNED - 54" WIDE (C25)
	088273-70-000	YD FABRIC-CURTAIN/BEDSPREAD, PATTERNED - 54" WIDE (C26)
	096008-90-000	YD FABRIC-UPHOLSTERY/CURTAIN, PATTERNED WOVEN - 54" WIDE (C25)
	096008-83-000	YD FABRIC-UPHOLSTERY/CURTAIN, PATTERNED WOVEN - 54" WIDE (C26)
	096008-84-000	YD FABRIC-UPHOLSTERY, DOTTED VELOUR - 54" WIDE (C26)
	096008-91-000	YD FABRIC-UPHOLSTERY, STRIPED WOVEN - 54" WIDE
	096008-92-000	YD FABRIC-UPHOLSTERY/CURTAIN PLAIN - 54" WIDE (C25) FROM 00-00-00 THRU 09-08-91
	096008-85-000	YD FABRIC-UPHOLSTERY/CURTAIN PLAIN - 54" WIDE (C26) FROM 00-00-00 THRU 09-08-91
	103907-01-01A	YD FABRIC-VINYL, 54" WIDE - OFF WHITE
	103907-01-02A	YD VINYL-EXPANDED MADRID GRAY *25 OZ 54" X ROLL FROM 00-00-00 THRU 05-24-91
	104233-28-000	YD FABRIC-UPH. ROSE 477 (C25) FROM 09-09-91 THRU 99-99-99
	104233-27-000	YD FABRIC-UPH. LT NAVY 589 (C26) FROM 09-09-91 THRU 99-99-99

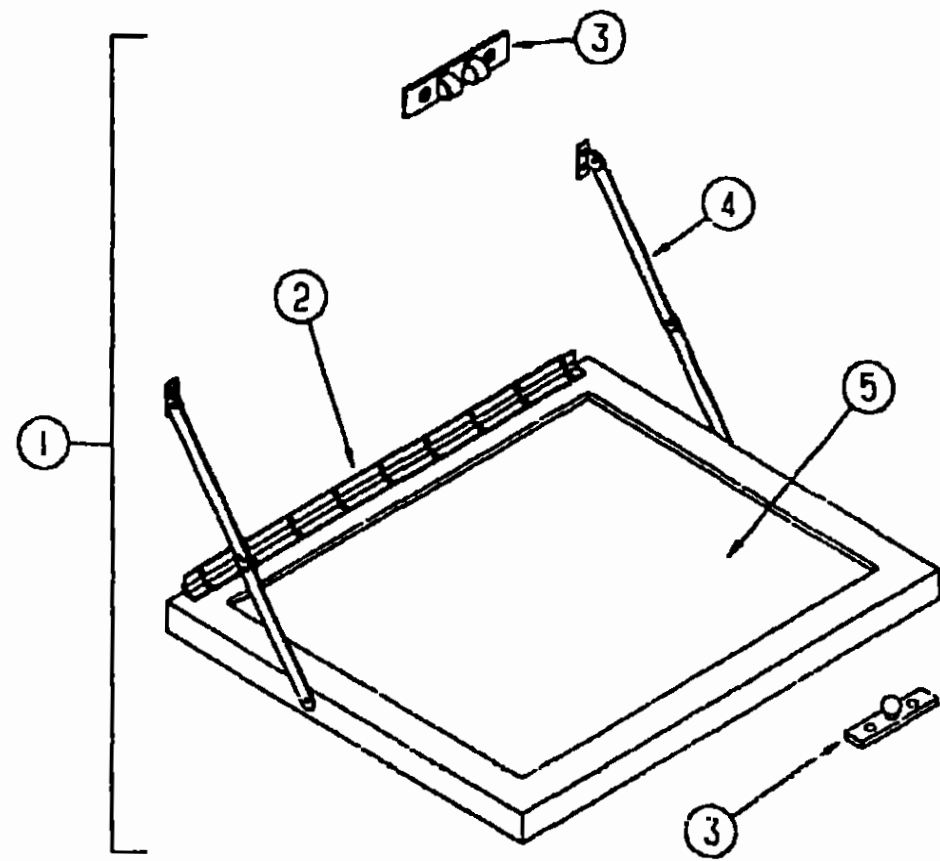
1992ITASCA
TABLE OF CONTENTS

INTRODUCTION	A-01 -	A-02
ABBREVIATIONS		A-03
ALPHABETICAL INDEX	A-04 -	A-06
ICF27RC	A-07 -	E-12
ICF30RU	E-13 -	I-20

1992 ICF30RU INDEX

FLOOR PLAN	E-13 -	E-14
ACCESSORIES		E-15
AUDIO VIDEO	E-15 -	E-16
BATH	E-17 -	E-18
BEDROOM	E-19 -	E-20
CHASSIS	E-21 -	F-04
CURTAIN & CUSHION	F-05 -	F-13
DINETTE	F-14 -	F-15
DRIVERS COMPARTMENT	F-16 -	F-20
ELECTRICAL	F-21 -	G-02
EXTERIOR BODY	G-03 -	G-10
GALLEY	G-11 -	G-14
GENERATORS	G-15 -	G-16
HEATING & A/C	G-17 -	G-22
INTERIOR FINISH	G-23 -	H-05
LABELS	H-06 -	H-14
LP		H-15
LOUNGE	H-16 -	H-17
SEALANTS & FASTENERS	H-19 -	H-20
WATER & SEWAGE	H-21 -	I-01
WINDOW, VENT		
EXTERIOR DOOR	I-02 -	I-17
WINDSHIELD & WIPER	I-18 -	I-19

INTERIOR FINISH GROUP (CONTINUED)



TV STAND

KEY	PART NUMBER	U/M DESCRIPTION
1	084357-02-W24	EA TV STAND ASSEMBLY
2	084625-04-000	EA HINGE-AL.W/HOLES.330MM.TAN
3	084451-01-000	EA CATCH-TV SHELF BRASS
4	084412-01-000	EA SUPPORT-HINGED
5	084356-04-000	EA INSERT-TV STAND. W/SUPPORT HINGE - METAL - TAN
5	058331-14-000	EA MIRROR-GLASS. SAFETY - 14" X 12 7"

**LABEL GROUP
MISCELLANEOUS LABELS**

KEY	PART NUMBER	U/M DESCRIPTION
	093236-01-000	EA LABEL-CIRCUIT BREAKER, MAIN
	093237-01-000	EA LABEL-CIRCUIT BREAKER, FRONT - BATTERY CONDITION/RADIO
	093237-03-000	EA LABEL-CIRCUIT BREAKER, FRONT - POWER SEAT (LIFT)
	093237-06-000	EA LABEL-CIRCUIT BREAKER, FRONT - REAR PANEL
	093237-07-000	EA LABEL-CIRCUIT BREAKER, FRONT - REAR PNL/CONV
	093237-09-000	EA LABEL-CIRCUIT BREAKER, FRONT - INVERTER
	050225-01-000	EA LABEL-WARNING, STOVE VENT - US
	087235-01-000	EA LABEL-CABLE INPUT
	087235-02-000	EA LABEL-TV OUTLET
	006031-01-000	EA LABEL-POTABLE WATER ONLY
	061606-01-000	EA LABEL-OVERLAY, VEHICLE CERTIFICATION - ADHESIVE BACKED
	079966-01-000	EA LABEL-WARNING, STOWED MOTION
	088757-01-000	EA LABEL-RETAIL, 8 5/8" X 12 7/8"
	090342-01-000	EA LABEL-VAPOR RELIEF
	099509-01-000	EA LABEL-AWNING INSTALLATION
	061417-01-000	EA LABEL-FUEL ON FUEL FILL DOOR
	073998-01-000	EA LABEL-LPG ODOR WARNING
	094675-01-000	EA LABEL-EXTERIOR LIGHT, SERVICE
	006195-01-000	EA LABEL-ELECTRICAL TEST
	006196-01-000	EA LABEL-GAS TEST
	006197-01-000	EA LABEL-WATER TEST
	095506-01-000	EA LABEL-COMPARTMENT NOT SEALED
	006064-01-000	EA LABEL-SEAT W/O SEATBELT "NOT INTENDED FOR USE WHILE COACH IN MOTION"
	006064-01-000	EA LABEL-SEAT W/O SEATBELT
	068383-01-000	EA LABEL-DIESEL FUEL
	074983-01-000	EA LABEL-SWITCH, A/C SELECTOR FOR FRONT OR REAR
	031224-02-000	EA LABEL-TRAILER LIGHTING
	091243-01-000	EA LABEL-A/C COVER, "AIR CONDITIONING CIRCUIT ETC"
	098379-03-000	EA LABEL-ELECTRICAL BOX, FRONT
	098379-04-000	EA LABEL-ELECTRICAL BOX, SIDE
	098541-01-000	EA LABEL-FUEL, UNLEADED - DASH
	104678-01-000	EA LABEL-CB PREP

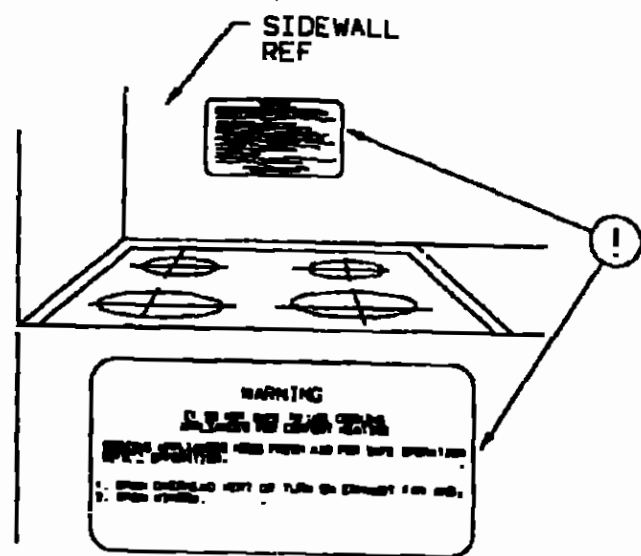
**1992ITASCA
TABLE OF CONTENTS**

INTRODUCTION	A-01 -	A-02
ABBREVIATIONS		A-03
ALPHABETICAL INDEX	A-04 -	A-06
ICF27RC	A-07 -	E-12
ICF30RU	E-13 -	I-20

1992 ICF30RU INDEX

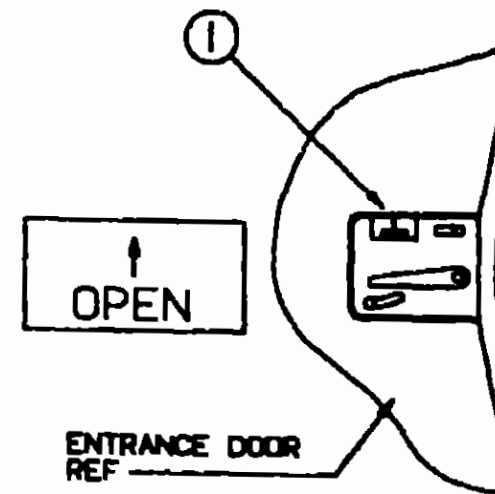
FLOOR PLAN	E-13 -	E-14
ACCESSORIES		E-15
AUDIO VIDEO	E-15 -	E-16
BATH	E-17 -	E-18
BEDROOM	E-19 -	E-20
CHASSIS	E-21 -	F-04
CURTAIN & CUSHION	F-05 -	F-13
DINETTE	F-14 -	F-15
DRIVERS COMPARTMENT	F-16 -	F-20
ELECTRICAL	F-21 -	G-02
EXTERIOR BODY	G-03 -	G-10
GALLEY	G-11 -	G-14
GENERATORS	G-15 -	G-16
HEATING & A/C	G-17 -	G-22
INTERIOR FINISH	G-23 -	H-05
LABELS	H-06 -	H-14
LP		H-15
LOUNGE	H-16 -	H-17
SEALANTS & FASTENERS	H-18 -	H-20
WATER & SEWAGE	H-21 -	I-01
WINDOW, VENT		
EXTERIOR DOOR	I-02 -	I-17
WINDSHIELD & WIPER	I-18 -	I-19

LABEL GROUP (CONTINUED)



KEY	PART NUMBER	U/M DESCRIPTION
1	050225-01-000	EA LABEL-WARNING STOVE VENT - US
1	050222-01-000	EA LABEL-WARNING STOVE VENT - CANADIAN

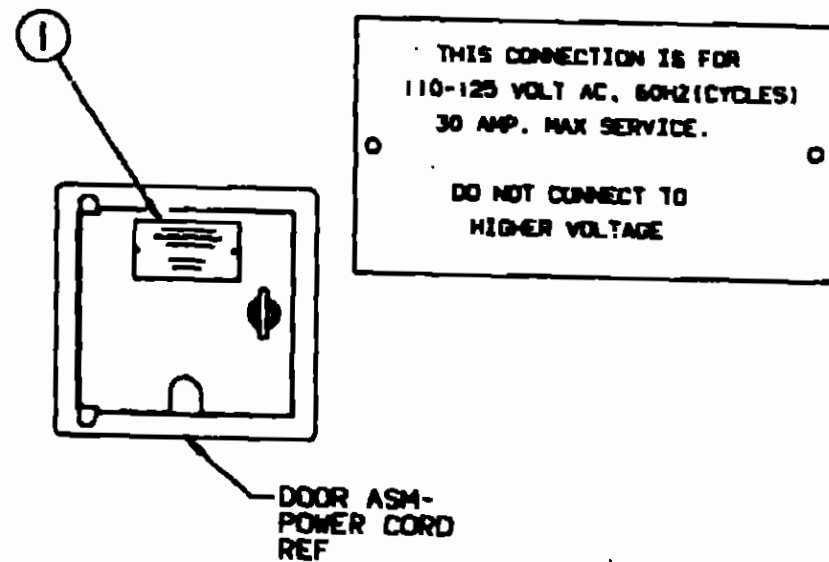
LABEL GROUP (CONTINUED)



KEY	PART NUMBER	U/M DESCRIPTION
1	040944-01-000	EA LABEL-ENTRANCE DOOR, "OPEN"

**1992 ITASCA
TABLE OF CONTENTS**

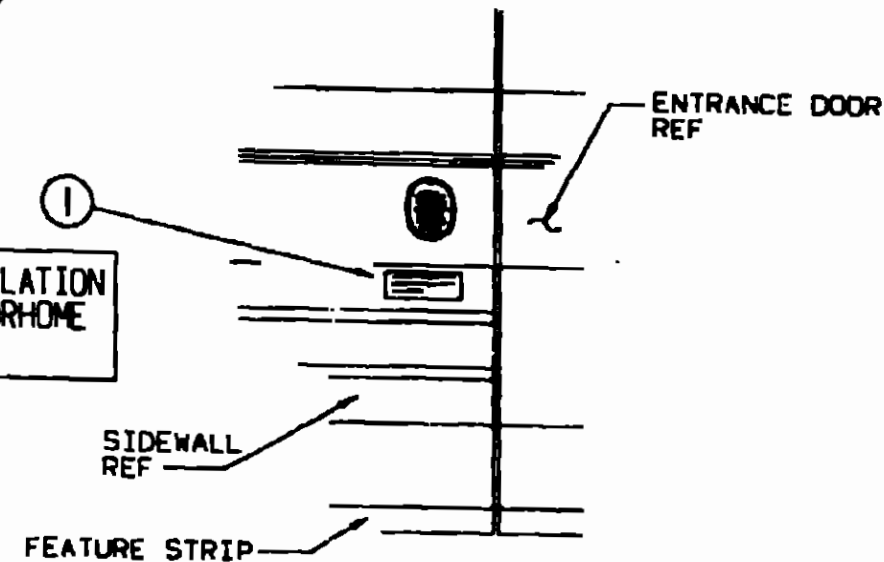
INTRODUCTION	A-01 -	A-02
ABBREVIATIONS		A-03
ALPHABETICAL INDEX	A-04 -	A-06
ICF27RC	A-07 -	E-12
ICF30RU	E-13 -	I-20



KEY	PART NUMBER	U/M DESCRIPTION
1	006062-01-000	EA TAG-ELECTRIC, 110V CONNECTION



**FOR AWNING INSTALLATION
CONTACT YOUR MOTORHOME
DEALERSHIP**



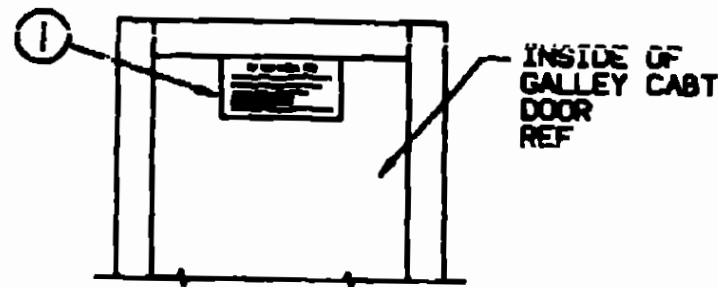
KEY	PART NUMBER	U/M DESCRIPTION
1	099509-01-000	EA LABEL-AWNING INSTALLATION

1992 ICF30RU INDEX

FLOOR PLAN	E-13 -	E-14
ACCESSORIES		E-15
AUDIO VIDEO	E-15 -	E-16
BATH	E-17 -	E-18
BEDROOM	E-19 -	E-20
CHASSIS	E-21 -	F-04
CURTAIN & CUSHION	F-05 -	F-13
DINETTE	F-14 -	F-15
DRIVERS COMPARTMENT	F-16 -	F-20
ELECTRICAL	F-21 -	G-02
EXTERIOR BODY	G-03 -	G-10
GALLEY	G-11 -	G-14
GENERATORS	G-15 -	G-16
HEATING & A/C	G-17 -	G-22
INTERIOR FINISH	G-23 -	H-05
LABELS	H-06 -	H-14
LP		H-15
LOUNGE	H-16 -	H-17
SEALANTS & FASTENERS	H-18 -	H-20
WATER & SEWAGE	H-21 -	I-01
WINDOW, VENT		
EXTERIOR DOOR	I-02 -	I-17
WINDSHIELD & WIPER	I-18 -	I-19

LABEL GROUP (CONTINUED)

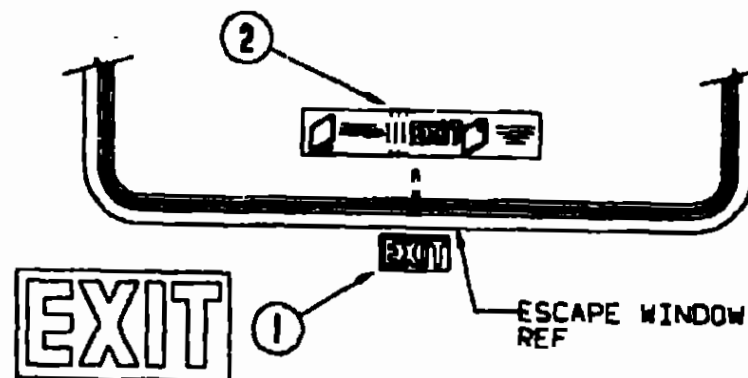
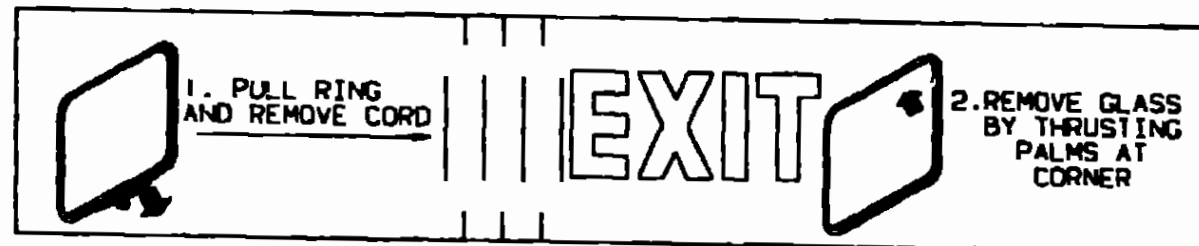
LABELS



IF YOU SMELL GAS

1. EXTINGUISH ANY OPEN FLAME, PILOT LIGHTS AND ALL BODIED APPLIANCES.
2. SHUT OFF THE GAS SUPPLY AT THE TANK VALVE OR GAS SUPPLY CONNECTION.
3. OPEN DOORS AND OTHER VENTILATED OPENINGS.
4. DO NOT TOUCH ELECTRICAL SWITCHES.
5. LEAVE THE AREA UNTIL GOOD CLEAR.
6. HAVE THE GAS SYSTEM CHECKED AND LEAKAGE SOURCE CORRECTED BEFORE LEAVING AREA.

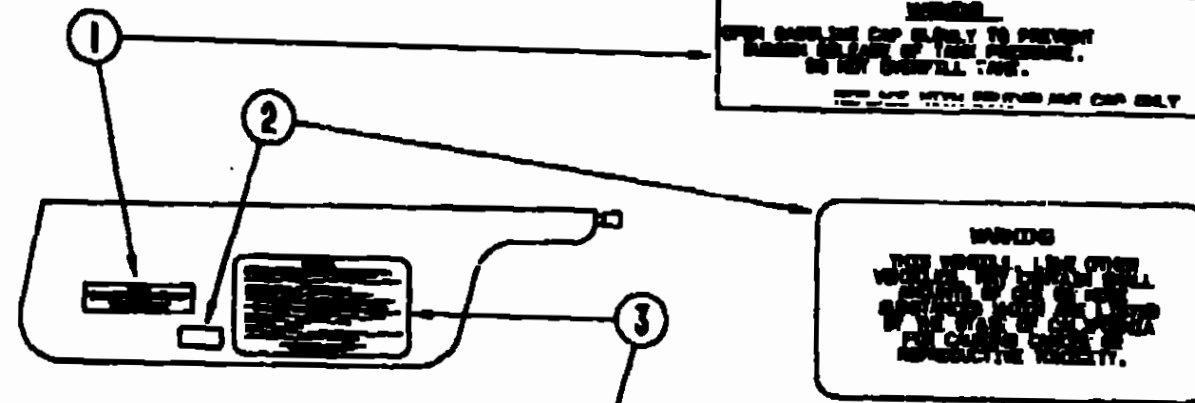
KEY	PART NUMBER	U/M DESCRIPTION
1	073998-01-000	EA LABEL-LPG ODOR WARNING



KEY	PART NUMBER	U/M DESCRIPTION
1	039290-01-000	EA LABEL-WARNING, EXIT
2	107571-01-000	EA LABEL-ESCAPE EXIT WINDOW

LABEL GROUP (CONTINUED)

LABELS & TAGS



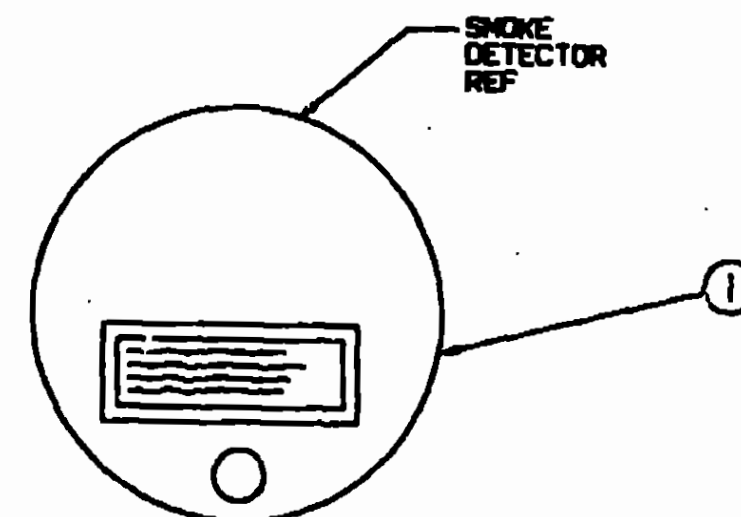
CAUTION

THIS MOTOR HOME HAS BEEN DESIGNED, MANUFACTURED AND TESTED WITH CONSIDERATION FOR THE PROTECTION OF IT'S OCCUPANTS. WE REQUEST YOU PERFORM THE FOLLOWING INSPECTIONS FOR YOUR SAFETY AND THE SAFETY OF YOUR PASSENGERS BEFORE STARTING YOUR VEHICLE.

1. LP GAS SYSTEM- TURN OFF AT TANK FOR TRAVELING. TEST FOR LEAKS UPON ARRIVAL AT DESTINATION. BEFORE LIGHTING PILOTS.
2. WHEELS- INSPECT FOR DAMAGE AND CHECK LUB RATS FOR TIGHTNESS.
3. TIRES- INSPECT FOR WEAR AND DAMAGE AND CHECK FOR RECOMMENDED AIR PRESSURE.
4. LIGHTING- TEST FOR PROPER OPERATION OF ALL INTERIOR AND EXTERIOR LIGHTS INCLUDING DASH LIGHTS, HEADLIGHTS, TAIL LIGHTS, BRAKE LIGHTS, CLEARANCE LIGHTS AND TURN SIGNALS.
5. EXITS- INSPECT RELEASE MECHANISM ON EMERGENCY EXIT HOOKS. TEST BOTH LOCKS ON MAIN ENTRANCE DOOR FOR EASE OF OPERATION AND INSTRUCT PASSENGERS HOW TO USE BOTH REARS OF EXIT.
6. SEAT BELTS- INSTRUCT PASSENGERS TO OCCUPY SEATS AND REQUIRE USE OF SEAT BELTS.
7. APPLIANCES- TURN OFF AND LATCH OR LOCK DOORS WHERE PROVIDED.
8. L'YRE PARCELS- STORE SECURELY.
9. UTILITY SUPPLY LINES- DISCONNECT ALL ELECTRIC, GASE AND WATER LINES AND SECURE PROPERLY.
10. CHECK DOOR STEP- PLACE IN RETRACTED POSITION FOR TRAVELING.

READ YOUR MOTOR HOME AND OWNERS BOOK'S MANUAL FOR FURTHER PRECAUTIONS

KEY	PART NUMBER	U/M DESCRIPTION
1	087207-05-000	EA LABEL-FUEL CAP REMOVAL
2	099689-01-000	EA LABEL-WARNING, CANCER/TOXICITY
3	056259-01-000	EA LABEL- SAFETY CHECK LIST



WARNING: TEST SMOKE DETECTOR OPERATION AFTER VEHICLE HAS BEEN IN OPERATION. REPLACE BATTERIES AND AT LEAST ONCE FOR YOUR OWNERS USE.

KEY	PART NUMBER	U/M DESCRIPTION
H-09 1	077955-01-000	EA LABEL-WARNING, SMOKE DETECTOR

1992ITASCA

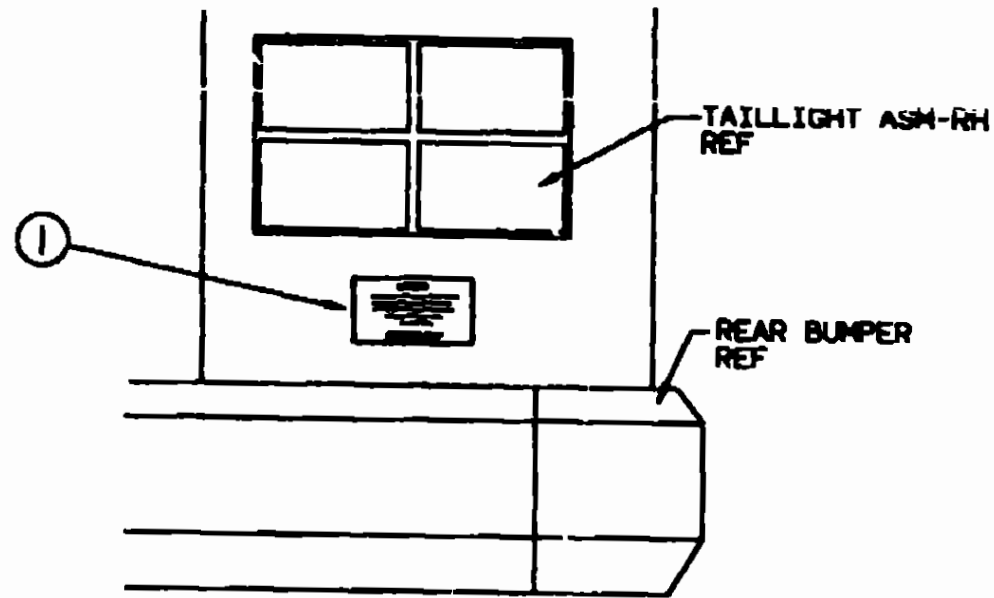
TABLE OF CONTENTS

INTRODUCTION	A-01	A-02
ABBREVIATIONS		A-03
ALPHABETICAL INDEX	A-04	A-06
ICF27RC	A-07	E-12
ICF30RU	E-13	I-20

1992 ICF30RU INDEX

FLOOR PLAN	E-13	E-14
ACCESSORIES		E-15
AUDIO VIDEO	E-15	E-16
BATH	E-17	E-18
BEDROOM	E-19	E-20
CHASSIS	E-21	F-04
CURTAIN & CUSHION	F-05	F-13
DINETTE	F-14	F-15
DRIVERS COMPARTMENT	F-16	F-20
ELECTRICAL	F-21	G-02
EXTERIOR BODY	G-03	G-10
GALLEY	G-11	G-14
GENERATORS	G-15	G-16
HEATING & A/C	G-17	G-22
INTERIOR FINISH	G-23	H-05
LABELS	H-06	H-14
LP		H-15
LOUNGE	H-16	H-17
SEALANTS & FASTENERS	H-18	H-20
WATER & SEWAGE	H-21	I-01
WINDOW, VENT		
EXTERIOR DOOR	I-02	I-17
WINDSHIELD & WIPER	I-18	I-19

LABEL GROUP (CONTINUED)

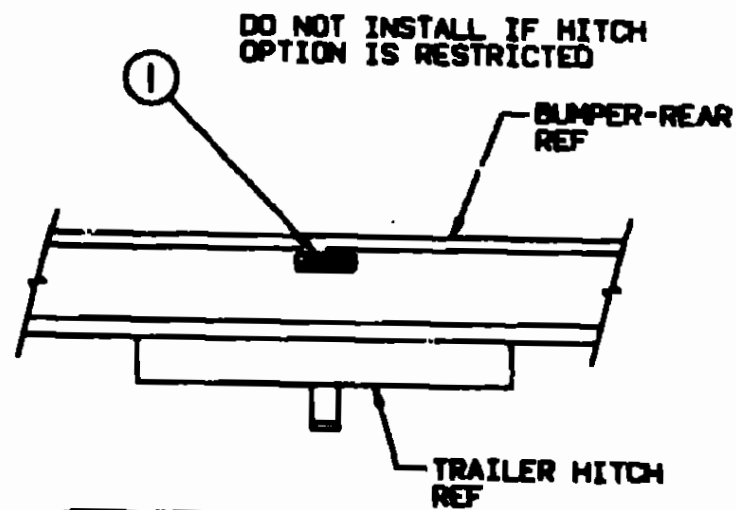


WARNING

DO NOT EXCEED THE VEHICLE WEIGHT RATINGS
OR LOADING RECOMMENDATIONS (E.G., GROSS
VEHICLE, GROSS AXLE, GROSS COMBINED) OF
THE CHASSIS MANUFACTURER OR
WINNEBAGO INC.

REFER TO YOUR OWNERS MANUAL,
BEFORE LOADING OR TOWING.

KEY PART NUMBER U/M DESCRIPTION
1 075220-01-000 EA LABEL-WARNING, EXTNR OR LOAD



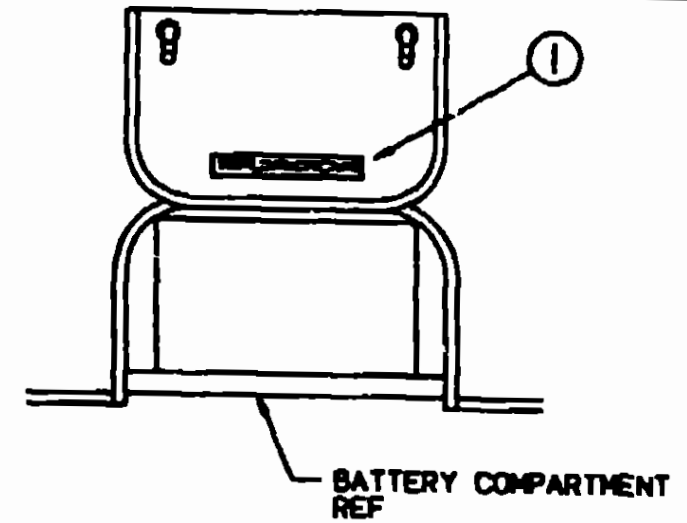
TOWING CAPACITY

TOWED VEHICLE 3500 LB. GROSS MAXIMUM
HITCH BALL 200 LB. MAXIMUM

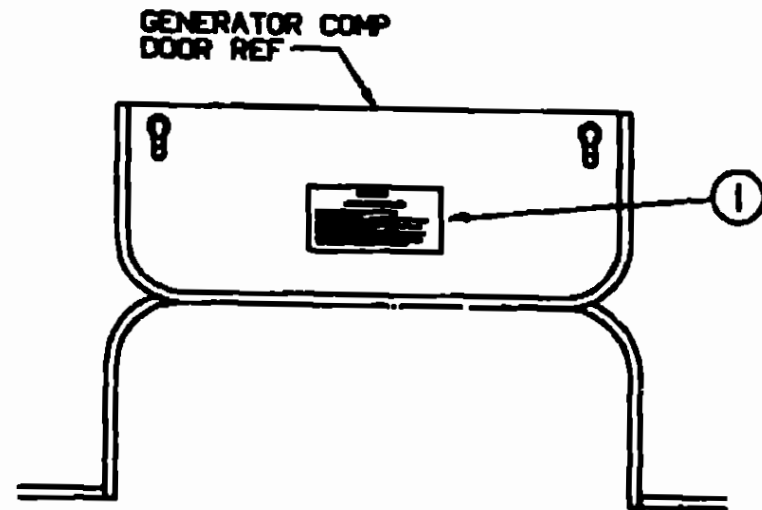
KEY PART NUMBER U/M DESCRIPTION
1 075221-03-000 EA LABEL-TRAILER HITCH

LABEL GROUP (CONTINUED)

WARNING DISCONNECT BATTERIES BEFORE
CONNECTING EXTERNAL CHARGING EQUIPMENT.



KEY PART NUMBER U/M DESCRIPTION
1 065748-01-000 EA LABEL-CAUTION, BATTERY CHARGING



WARNING

WHEN ADDING A GENERATOR SET,

HIGH VOLTAGE-LINE EXTENSION CABLES WHEN WORKING ON
ELECTRICAL COMPONENTS.
HAVE ALL ELECTRICAL INSTALLATION PERFORMED BY A QUALIFIED LICENSED
ELECTRICIAN-FOLLOW ALL STATE AND LOCAL CODES.
ONLY INSTALL GENERATOR SET APPROVED FOR R.V. APPLICATION. HAVE
INSTALLED BY QUALIFIED TECHNICIAN.
TO AVOID HEAT BUILD-UP AND TO GUARANTEE AN ADEQUATE AIR SUPPLY TO
THE GENERATOR COMPARTMENT, FOLLOW INSTALLATION INSTRUCTIONS.
GENERATOR EXHAUST GASES ARE TOXIC AND MUST NOT VENTILATE
UNDER THE VEHICLE-GENERATOR EXHAUST MUST FURNISH VEHICLE.

KEY PART NUMBER U/M DESCRIPTION
1 077510-01-000 EA LABEL-GENERATOR PREP

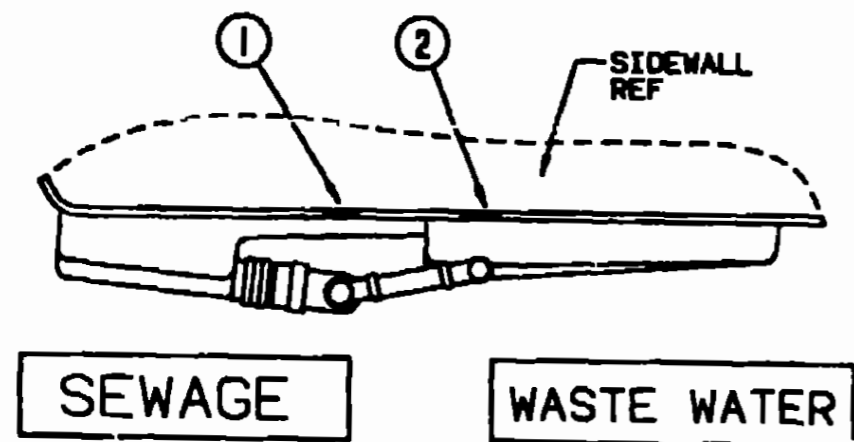
**1992 ITASCA
TABLE OF CONTENTS**

INTRODUCTION	A-01 -	A-02
ABBREVIATIONS		A-03
ALPHABETICAL INDEX	A-04 -	A-06
ICF27RC	A-07 -	E-12
ICF30RU	E-13 -	I-20

1992 ICF30RU INDEX

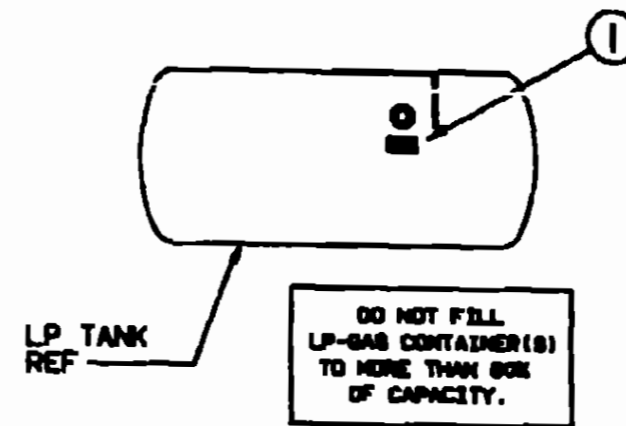
FLOOR PLAN	E-13 -	E-14
ACCESSORIES		E-15
AUDIO VIDEO	E-15 -	E-16
BATH	E-17 -	E-18
BEDROOM	E-19 -	E-20
CHASSIS	E-21 -	F-04
CURTAIN & CUSHION	F-05 -	F-13
DINETTE	F-14 -	F-15
DRIVERS COMPARTMENT	F-16 -	F-20
ELECTRICAL	F-21 -	G-02
EXTERIOR BODY	G-03 -	G-10
GALLEY	G-11 -	G-14
GENERATORS	G-15 -	G-16
HEATING & A/C	G-17 -	G-22
INTERIOR FINISH	G-23 -	H-05
LABELS	H-06 -	H-14
LP		H-15
LOUNGE	H-16 -	H-17
SEALANTS & FASTENERS	H-18 -	H-20
WATER & SEWAGE	H-21 -	I-01
WINDOW, VENT		
EXTERIOR DOOR	I-02 -	I-17
WINDSHIELD & WIPER	I-18 -	I-19

LABEL GROUP (CONTINUED)



KEY	PART NUMBER	U/M DESCRIPTION
1	006187-01-000	EA LABEL-SEWAGE
2	006188-01-000	EA LABEL-WASTE WATER

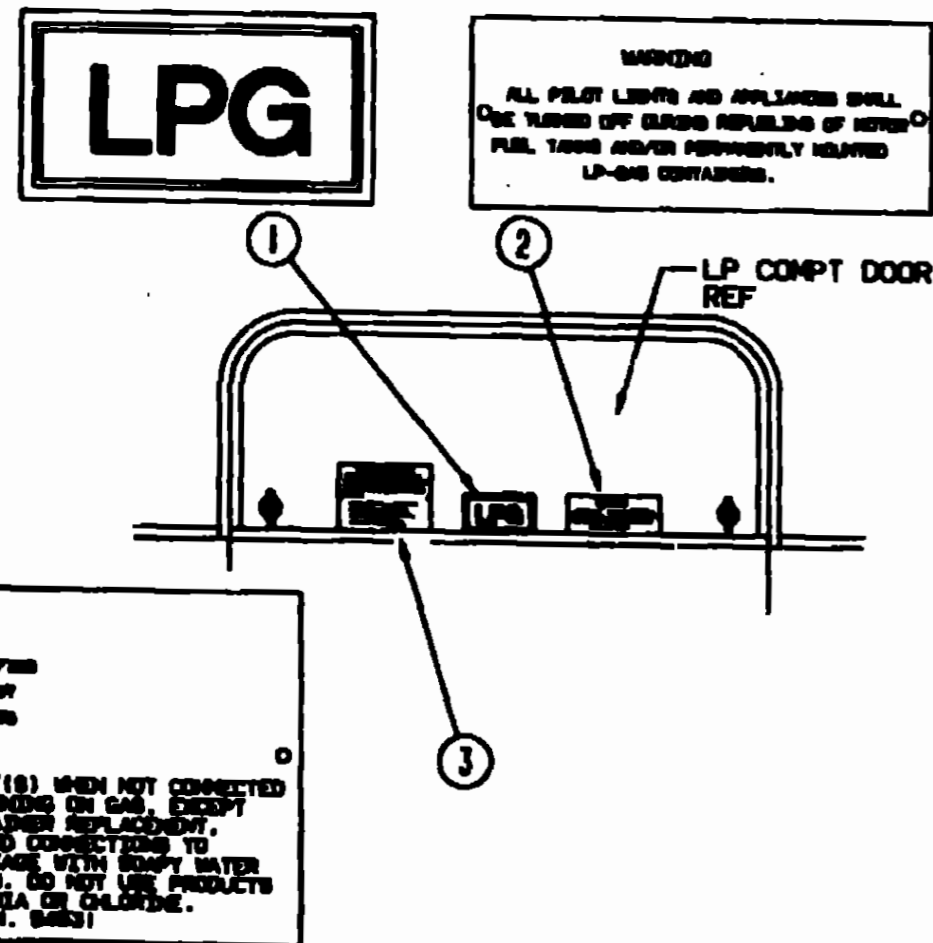
LABEL GROUP (CONTINUED)



KEY	PART NUMBER	U/M DESCRIPTION
1	079955-01-000	EA LABEL-LPG 80 CAPACITY

1992ITASCA
TABLE OF CONTENTS

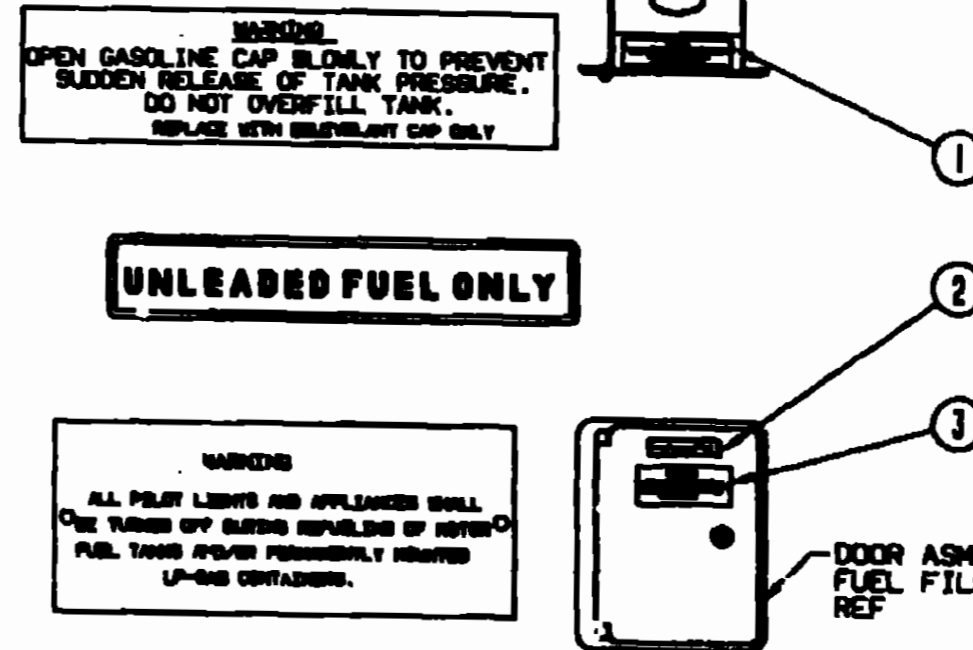
INTRODUCTION	A-01 -	A-02
ABBREVIATIONS		A-03
ALPHABETICAL INDEX	A-04 -	A-06
ICF27RC	A-07 -	E-12
ICF30RU	E-13 -	I-20



KEY	PART NUMBER	U/M DESCRIPTION
1	074559-01-000	EA DECAL-LOGO, LPG - RED - (CALIF CODE)
2	006040-01-000	EA TAG-GAS REFUELING WARNING
2	006040-02-000	EA TAG-GAS REFUEL WARNING, CANADIAN
3	054531-01-000	EA LABEL-LP GAS ONLY
3	023769-01-000	EA LABEL-WARNING, LPG - CANADIAN

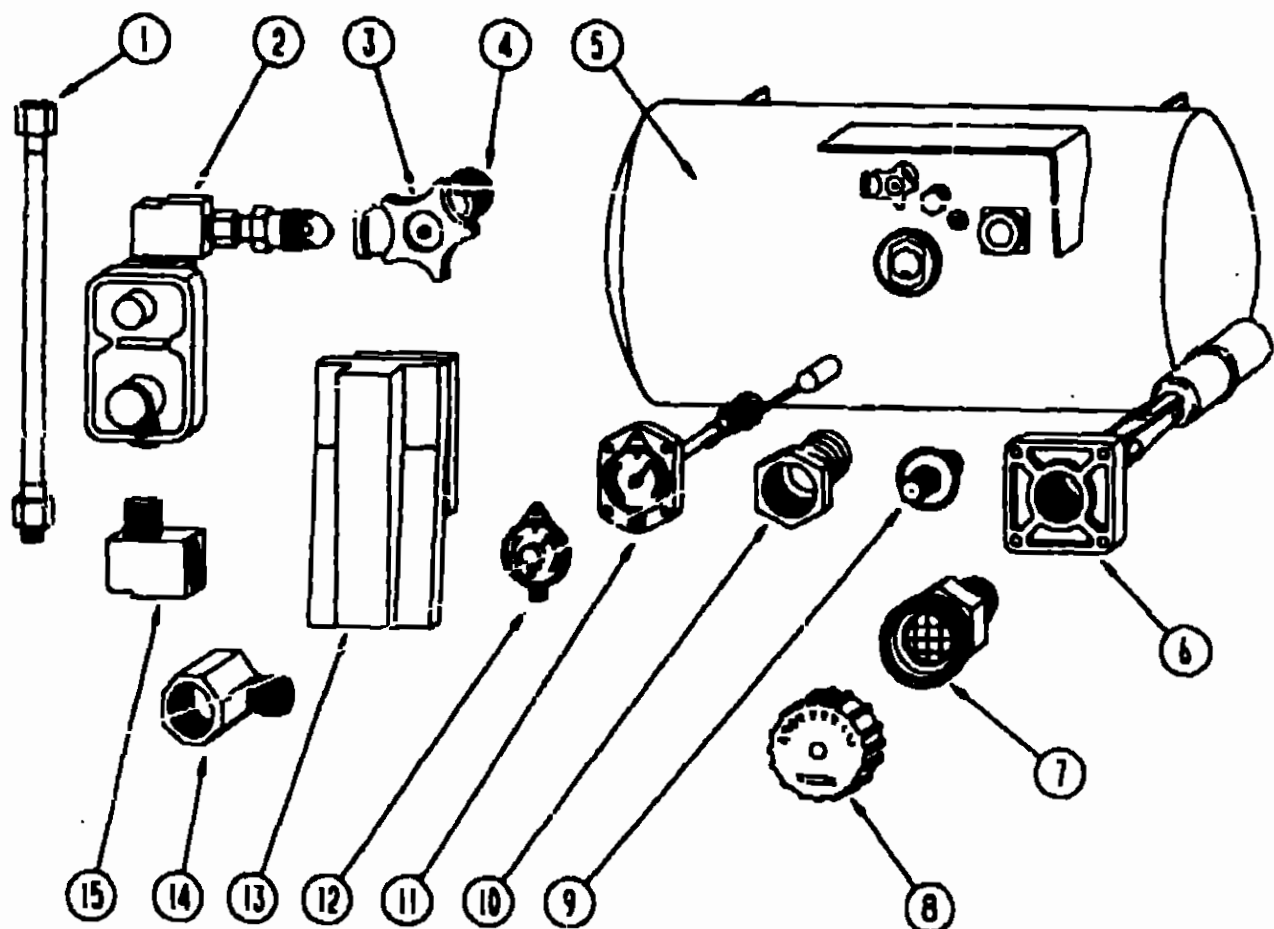
1992 ICF30RU INDEX

FLOOR PLAN	E-13 -	E-14
ACCESSORIES		E-15
AUDIO VIDEO	E-15 -	E-16
BATH	E-17 -	E-18
BEDROOM	E-19 -	E-20
CHASSIS	E-21 -	F-04
CURTAIN & CUSHION	F-05 -	F-13
DINETTE	F-14 -	F-15
DRIVERS COMPARTMENT	F-16 -	F-20
ELECTRICAL	F-21 -	G-02
EXTERIOR BODY	G-03 -	G-10
GALLEY	G-11 -	G-14
GENERATORS	G-15 -	G-16
HEATING & A/C	G-17 -	G-22
INTERIOR FINISH	G-23 -	H-05
LABELS	H-06 -	H-14
LP		H-15
LOUNGE	H-16 -	H-17
SEALANTS & FASTENERS	H-18 -	H-20
WATER & SEWAGE	H-21 -	I-01
WINDOW, VENT		
EXTERIOR DOOR	I-02 -	I-17
WINDSHIELD & WIPER	I-18 -	I-19



KEY	PART NUMBER	U/M DESCRIPTION
1	087207-05-000	EA LABEL-FUEL CAP REMOVAL
2	062043-01-000	EA LABEL-FUEL, UNLEADED
3	006040-01-000	EA TAG-GAS REFUELING WARNING
3	006040-02-000	EA TAG-GAS REFUEL WARNING, CANADIAN

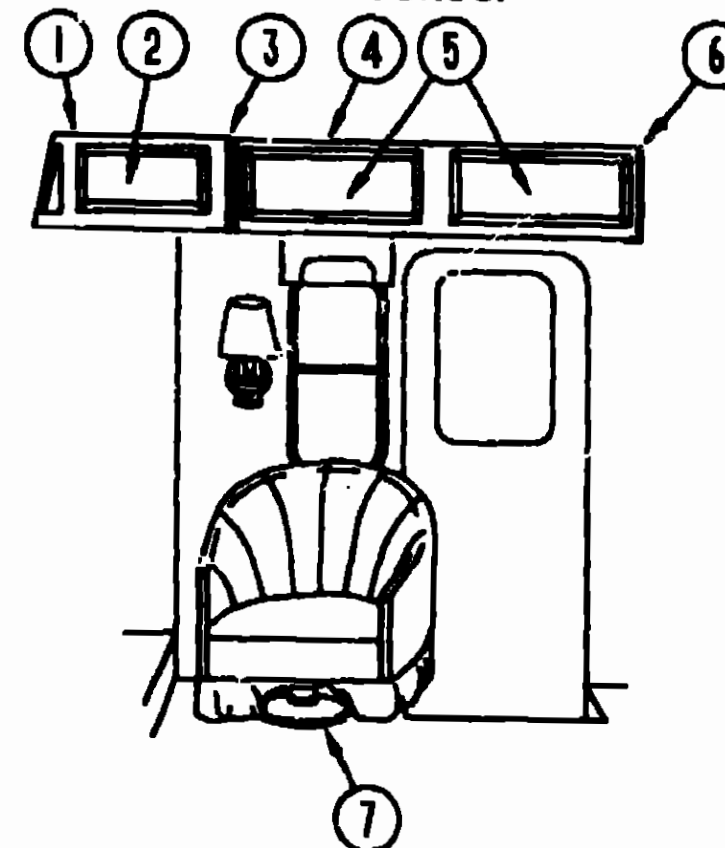
LP GROUP



LP TANK & COMPONENTS

KEY	PART NUMBER	U/M DESCRIPTION
1	045703-01-000	EA HOSE-LP, 3/8" ID X 24" US - 3/8 MPT X 1/2 F SWIVEL
1	045703-02-000	EA HOSE-LP, 3/8" ID X 24" - 3/8 MPT X 1/2" F SWIVEL - CANADA
2	106150-01-000	EA REGULATOR-TWO STAGE
3	040421-01-708	EA HANDWHEEL-VAPOR RELIEF VALVE, BRUNNER G-1015-A
4	040421-01-703	EA VALVE-SERVICE W/HANDWHEEL
5	088253-03-000	EA TANK-LP, 100 LB - 16"D X 36" - SPL
6	040421-01-711	EA VALVE-80% W/FLOAT, PLATE, BOLTS & GASKET - BRUNNER
7	040421-01-701	EA VALVE-SHORT LP FILLER W/YELLOW CAP - BRUNNER 75478
8	040421-01-702	EA CAP-LP FILLER VALVE, PLASTIC - YELLOW - BRUNNER G-1014-A
9	040421-01-700	EA GAUGE-LIQUID LEVEL, 20% LP - BRUNNER G-1013
10	040421-01-713	EA PRESSURE RELIEF VALVE
11	040421-01-707	EA GAUGE-FLOAT W/VISIBLE DIAL - BRUNNER MA-9 6244-4
12	040440-02-000	EA TRANSMITTER-DIAL, 90 OHM
13	105658-01-000	EA COMPARTMENT-LP REGULATOR
13	081938-01-000	EA COVER-COMPARTMENT - LP REGULATOR - BLACK
14	065318-02-000	EA ELBOW-90 DEGREE, 3/8" MPT TO 3/8" FPT
14	065742-01-000	EA TEE, 3/8" X 3/8" X 25FPT - BRASS
15	010329-01-000	EA ADAPTER-BRASS-1/2" F X 1/2" MPT
	010285-01-000	EA CROSS, 3/8" F X 3/8" F X 3/8" F X 1/2" FPT - BRASS
	010377-02-000	EA NUT-BRASS, 3/8 FEMALE - FORGED
	010380-02-000	EA NUT-BRASS, 1/2" FEMALE - FORGED
	016188-03-000	EA GROMMET-GAS LINE, FLOOR - 3/8" HOLE X 2 1/8" DIAMETER RUBBER
	081642-01-000	EA TEE, 1/2" MPT X 1/2" FL X 3/8" FL - BRASS
	010197-05-000	EA CLAMP-CLOSED, .50" ID
	075148-02-000	EA CLAMP-GROUNDING, BRONZE SCREWS
	008380-01-000	EA GROMMET-RUBBER, 5/8" HOLE X 1 1/2" DIAMETER - BLACK
	010326-01-000	EA ADAPTER-FLARE, W/CONE GASKET 3/8" FEMALE FL X 1/2" MALE F
	065741-01-000	EA GAUGE-DIAPHRAGM PRESSURE - MARSHALLTOWN MFG
	065742-01-000	EA TEE, 3/8" X 3/8" X 25FPT - BRASS
	071391-02-000	EA NIPPLE-HEX, 25 PIPE
	008042-01-000	FT TUBING-VINYL, 65" ID
	054531-01-000	EA LABEL-LP GAS ONLY
	095624-01-000	EA ELBOW-BRASS, 90 1/4FPTX1/4FPT
	103613-01-000	EA DETECTOR-LP GAS

LOUNGE GROUP



PASSENGER SIDE OVERHEAD CABINET

KEY	PART NUMBER	U/M DESCRIPTION
1	M05159-21-C25	EA CABINET ASM-OVERHEAD,FRONT PASSENGERS - W/O DOORS & HARDWARE
2	P04746-06-C25	EA DOOR ASM - MITERED OGEE, W/O HARDWARE
3	104353-01-C05	EA CAP-END, OVERHEAD - FRONT
4	M05019-38-C25	EA CABINET ASM - ENTRANCE OVERHEAD, W/O DOORS & HARDWARE
5	P04746-01-C25	EA DOOR ASM -CABINET, W/O HARDWARE - 14 4" X 21 8"
6	103128-02-C05	EA CAP ASM -END,OVERHEAD,LH
7	093482-01-000	EA SHROUD-PEDESTAL, 13" - PLASTIC - BLACK
	056271-02-000	EA BELT - SEAT, 2" X 72" - BLACK

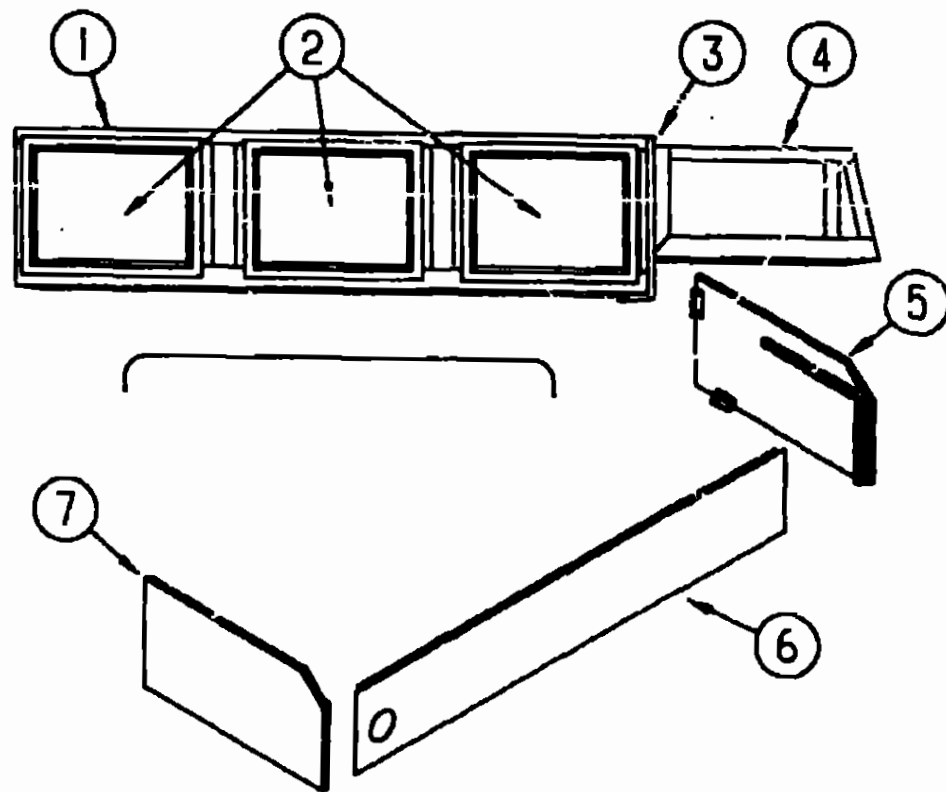
**1992 ITASCA
TABLE OF CONTENTS**

INTRODUCTION	A-01 -	A-02
ABBREVIATIONS		A-03
ALPHABETICAL INDEX	A-04 -	A-06
ICF27RC	A-07 -	E-12
ICF30RU	E-13 -	I-20

1992 ICF30RU INDEX

FLOOR PLAN	E-13 -	E-14
ACCESSORIES		E-15
AUDIO VIDEO	E-15 -	E-16
BATH	E-17 -	E-18
BEDROOM	E-17 -	E-20
CHASSIS	E-21 -	F-04
CURTAIN & CUSHION	F-05 -	F-13
DINETTE	F-14 -	F-15
DRIVERS COMPARTMENT	F-16 -	F-20
ELECTRICAL	F-21 -	G-02
EXTERIOR BODY	G-03 -	G-10
GALLEY	G-11 -	G-14
GENERATORS	G-15 -	G-16
HEATING & A/C	G-17 -	G-22
INTERIOR FINISH	G-23 -	H-05
LABELS	H-06 -	H-14
LP		H-15
LOUNGE	H-16 -	H-17
SEALANTS & FASTENERS	H-18 -	H-20
WATER & SEWAGE	H-21 -	I-01
WINDOW, VENT		
EXTERIOR DOOR	I-02 -	I-17
WINDSHIELD & WIPER	I-18 -	I-19

LOUNGE GROUP (CONTINUED)



DRIVERS SIDE CABINETS

KEY	PART NUMBER	U/M DESCRIPTION
1	M05019-44-C25	EA CABINET ASM.-OVERHEAD,DRIVERS LOUNGE - W/O DOORS OR HARDWARE
2	P04746-05-C25	EA DOOR ASM-MITERED OGEE - W/O HARDWARE
3	103128-01-C05	EA END CAP - CABINET, OVERHEAD - FRONT
4	M05159-02-C25	EA CABINET ASM.-OVERHEAD,FRT,LH - W/O DOORS OR HARDWARE
	P04746-05-C25	EA DOOR ASM-HDW-MITERED OGEE - W/O HARDWARE
	104353-01-C05	EA END CAP - CABINET, OVERHEAD - FRONT
5	P01989-01-B87	EA COVER-PANEL SOFA END CAP (C25)
5	P01989-01-B88	EA COVER-PANEL SOFA END CAP (C26)
5	M04187-01-C25	EA PANEL-COUCH CABINET - LEFT SIDE - W/FABRIC (C25)
5	M04187-01-C26	EA PANEL-COUCH CABINET - LEFT SIDE - W/FABRIC (C26)
6	M04187-03-C25	EA PANEL-COUCH CABINET - FRONT - W/FABRIC (C25)
6	M04187-03-C26	EA PANEL-COUCH CABINET - FRONT - W/FABRIC (C26)
7	M04187-02-C25	EA PANEL-CABINET-COUCH RIGHT SIDE - W/FABRIC (C25)
7	M04187-02-C26	EA PANEL-CABINET-COUCH RIGHT SIDE - W/FABRIC (C26)
	083125-03-01	EA BRACE-COUCH, TAN
	105947-01-000	EA BRACKET-HOLD DOWN,COUCH - CSA UNITS
	050101-01-002	EA EXTR-CORNER KEY, L-SHAPED - 192° - ALUMINUM

**SEALANTS & FASTENERS GROUP
CLAMPS, GROMMETS AND FASTENERS**

KEY	PART NUMBER	U/M DESCRIPTION
	010495-01-000	EA CLAMP-CABLE, 9/16"
	010497-06-000	EA CLAMP-CLOSED, 1 1/16" ID
	010497-03-000	EA CLAMP-CLOSED, 1" ID - CUSHIONED
	010499-01-000	EA CLAMP-CLOSED, 3/8" ID
	010497-01-000	EA CLAMP-CLOSED, 5/8" ID
	010497-06-000	EA CLAMP-CLOSED, 125°
	075148-02-000	EA CLAMP-GROUNDING, BRONZE SCREWS
	062401-02-000	EA CLAMP-HOSE, WORMGEAR, 1.56" - 2.5"
	062401-10-000	EA CLAMP-HOSE, WORMGEAR 1.06" - 2"
	073194-02-000	EA CLAMP-HOSE, WORMGEAR 32-50 MM
	062401-07-000	EA CLAMP-HOSE, WORMGEAR 5" - 7"
	062401-06-000	EA CLAMP-HOSE, WORMGEAR .22" - .62"
	062401-01-000	EA CLAMP-HOSE, WORMGEAR .25" - 1"
	062401-04-000	EA CLAMP-HOSE, WORMGEAR 69" - 1.25"
	062401-03-000	EA CLAMP-HOSE WORMGEAR, 22" - 1"
	083609-01-000	EA CLAMP-WIRE,DUAL - EQUAL 5/8" DIAMETER
	094362-02-000	EA CLIP-CHRISTMAS TREE, FLAT HEAD
	077953-01-000	EA GROMMET-EDGE LINER, FITS 1"
	023942-01-000	EA GROMMET-RUBBER, 2" OD
	071015-21-000	EA GROMMET- 50"ID, FITS 19" MATERIAL, RUBBER- SPLIT
	009056-01-000	EA HINGE-ALUMINUM, NO HOLES - 11/16" X 72" - UNPAINTED
	056134-02-000	EA HOLDER-RING, 1.5" ID PIPE SIZE - STEEL
	092321-01-000	FT INSULATION-FIBERGLASS, W/ALUMINUM FOIL
	077955-01-000	EA J CLIP-VINYL COATED, 3/8" USED IN WIRING TO CLEARANCE LIGHTS

NUTS AND FASTENERS

KEY	PART NUMBER	U/M DESCRIPTION
	072893-01-000	EA NUTSERT-M5 X 0.8
	077049-01-000	EA NUT-ACORN, 10-32 ALUMINUM
	095094-01-000	EA NUT-ACORN, 1/4 - 20 ALUMINUM
	000D14-05-00B	EA NUT-HEX, 5/16-18 - ZN 5
	000D34-04-00B	EA NUT-HEX, LK 1/4 - 20 ZN
	000D39-04-00B	EA NUT-HEX, SER FLG LK 1/4 - 20 ZN
	000D39-08-00B	EA NUT-HEX, SER FLG LK - 1/2-13 ZN
	000D39-06-00B	EA NUT-HEX, SER FLG LK - 3/8-16 ZN
	000D39-05-00B	EA NUT-HEX, SER FLG LK - 5/16 - 18 ZN
	000D44-07-00B	EA NUT-HEX, SER FLG LK - 7/16-20 ZN
	000D24-10-00B	EA NUT-HEX, SF/LK - 10-32 ZN
	000D34-06-00B	EA NUT-HEX LK-3/8-16 GRADE C ZN
	075467-01-000	EA NUT-INVERTED FLARE, 1/4"
	088497-02-000	EA NUT-INVERTED FLARE, 1/4"
	063253-07-000	EA NUT-J, #8A, 120- .130 PNL THK
	044364-02-000	EA NUT-SPEED, FLAT - ROUND
	040921-06-000	EA NUT-SPEED, U TYPE - NO. 8
	040921-04-000	EA NUT-SPEED, U TYPE - NO. 6
	040921-05-000	EA NUT-SPEED, U TYPE - NO 8
	044364-01-000	EA NUT-SPEED,FLAT
	064081-01-000	EA NUT-WING, 3/8" X 16 THREAD
	084884-01-000	EA PLUG-BRASS, 3/8"
	000H16-04-06R	EA RIVET-POP, AL 1/8 X 313- 375
	069592-02-000	EA RIVET-T (POP) 1/4X 093- 156
	063729-04-000	EA RIVNUT, 10-32 UNF - .010- .080
	063729-01-000	EA RIVNUT, 1/4 X 20 UNC - .030-.125

TAPES AND FASTENERS

KEY	PART NUMBER	U/M DESCRIPTION
	100028-01-000	FT TAPE-ADHESIVE, .031" X 75" WIDE
	004363-01-000	FT TAPE-ADHESIVE FOAM, 1 SIDE - 3/16" X 1/2" - GRAY
	093071-01-000	FT TAPE-BONDING, DOUBLE SIDED - 1/64" X 2"
	076322-03-000	FT TAPE-FOAM, DOUBLE COATED - .045" X .5" X 108'
	088244-01-000	FT TAPE-FOAM, VINYL COATED - 2" WIDE - INCREMENTS OF 108 FT

**1992ITASCA
TABLE OF CONTENTS**

INTRODUCTION	A-01 -	A-02
ABBREVIATIONS		A-03
ALPHABETICAL INDEX	A-04 -	A-06
ICF27RC	A-07 -	E-12
ICF30RU	E-13 -	I-20

1992 ICF30RU INDEX

FLOOR PLAN	E-13 -	E-14
ACCESSORIES		E-15
AUDIO VIDEO	E-15 -	E-16
BATH	E-17 -	E-18
BEDROOM	E-19 -	E-20
CHASSIS	E-21 -	F-04
CURTAIN & CUSHION	F-05 -	F-13
DINETTE	F-14 -	F-15
DRIVERS COMPARTMENT	F-16 -	F-20
ELECTRICAL	F-21 -	G-02
EXTERIOR BODY	G-03 -	G-10
GALLEY	G-11 -	G-14
GENERATORS	G-15 -	G-16
HEATING & A/C	G-17 -	G-22
INTERIOR FINISH	G-23 -	H-05
LABELS	H06 -	H-14
LP		H-15
LOUNGE	H-16 -	H-17
SEALANTS & FASTENERS	H-18 -	H-20
WATER & SEWAGE	H-21 -	I-01
WINDOW, VENT		
EXTERIOR DOOR	I-02 -	I-17
WINDSHIELD & WIPER	I-18 -	I-19

SEALANTS & FASTENERS GROUP (CONTINUED)
TAPES AND FASTENERS (CONT)

KEY PART NUMBER U/M DESCRIPTION
009200-01-000 EA TAPE-FURNACE, 1 1/2"
087691-01-000 EA TAPE-MASKING, WEATHER RESISTANT
008343-02-000 EA TIE-WIRE, 14"
008343-01-000 EA TIE-WIRE, 6"

SCREWS AND FASTENERS

KEY PART NUMBER U/M DESCRIPTION
000G67-10-24B EA SCREW, 10-12 X 1 1/2 PPH - ZN
000G67-10-16P EA SCREW, 10-12 X 1 PPH - DARK BROWN
000G67-10-16B EA SCREW, 10-12 X 1 PPH - ZN
000G67-10-08B EA SCREW, 10-12 X 1/2 PPH ZN
000G67-10-08R EA SCREW, 10-12 X 1/2 PPH - BEIGE - TYPE A
000G67-10-12B EA SCREW, 10-12 X 3/4 - PPH ZN
000G67-10-10B EA SCREW, 10-12 X 5/8 PPH ZN - TYPE A
000G67-10-10R EA SCREW, 10-12 X 5/8 PPH - TYPE A - BEIGE
000G67-10-12P EA SCREW, 10-12 X 7/5 PPH - DARK BROWN
049465-01-000 EA SCREW, 10-16 W/WASHER PTH - DARK BROWN
049465-04-000 EA SCREW, 10-16 X 1 PTH W/WASHER - BEIGE
000G11-10-16B EA SCREW, 10-16 X 1 - PPH ZN
000G11-10-12R EA SCREW 10-16 X 3/4 PPH - BEIGE
000G11-10-12D EA SCREW, 10-16 X 3/4 PPH - BLACK
000G68-06-10G EA SCREW, 6-18 X 5/8 POH - ANTIQUE BRASS
076790-01-000 EA SCREW, 6-20 X 1 1/4 PPH - BLACK
000G13-06-16R EA SCREW, 6-20 X 1 PPH - BEIGE
000G13-06-08B EA SCREW, 6-20 X 1/2 PPH ZN
000G13-06-10G EA SCREW, 6-20 X 5/8 PPH - ANTIQUE BRASS
000G11-06-10B EA SCREW, 6-20 X 5/8 PPH ZN
000G11-06-10J EA SCREW, 6-20 X 5/8 PPH - BRASS
000G11-07-08B EA SCREW, 7-19 X 1/2 PPH - ZN
000G13-07-12B EA SCREW, 7-19 X 3/4 PPH ZN
000G13-08-16B EA SCREW, 8-18 X 1 PPH - ZN
000G11-08-08T EA SCREW, 8-18 X 1/2 PPH
000G11-08-08B EA SCREW, 8-18 X 1/2 PPH ZN
000G11-08-12B EA SCREW, 8-18 X 3/4 PPH ZN
000G11-08-12R EA SCREW, 8-18 X 3/4 PPH - BEIGE
000G11-08-12D EA SCREW, 8-18 X 3/4 PPH - BLACK
000G11-08-16R EA SCREW, 8-18 X 1.00 PPH - BEIGE
000G67-10-32B EA SCREW, NO 10 - 12 X 2 PPH ZN
000G55-08-12W EA SCREW, SF/DR-8-18X 75 PWH
000G67-10-12R EA SCREW-10-12X 75 PPH BEIGE
000G67-10-12D EA SCREW-10-12X 75 PPH TAN
049465-03-000 EA SCREW-10-16X1 POH W/WASHER
000G11-10-12S EA SCREW-10-16X 75 PPH OFF WHITE
000G54-04-20B EA SCREW-1/4-20X11/4 PTH TYP 23
000G57-05-16J EA SCREW-5-20X1 PPH BRASS
000G12-06-08T EA SCREW-6-20 X 50 POH - BLACK
000G13-06-16J EA SCREW-6-20X1.00 PPH BRASS
000G11-08-12P EA SCREW-8-18X 75 DARK BROWN
085318-01-000 EA SCREW-8-08X1/2 CRIMP TITE HD
000G67-08-32B EA SCREW-8-15X2 PPH ZN
000G12-06-16S EA SCREW-8-18 X 1" POH - OFF WHITE
000G11-08-16S EA SCREW-8-18X1 00 PPH OFF WHITE
009439-07-000 EA SCREW-8-32X1 1/4 POH BLACK
087721-01-000 EA SCREW-FLAT HEAD, TAPPING - 1/4 X 1 1/4 LG ZN
086763-01-000 EA SCREW-MACH. 10 - 32 X 1/4 PTH
000G19-10-09B EA SCREW-MACH. 10-32 X 1/2 PPH ZN
000G19-10-10B EA SCREW-MACH. 10-32 X 5/8 - PPH - ZINC
000G50-04-12B EA SCREW-MACH. 1/4-20 X 3/4 PPH ZN
081908-01-000 EA SCREW-MACH 6-32X 62 W/NYLOCK
089371-01-000 EA SCREW-MACH 8-32X 5/16 ZN
000G19-10-20B EA SCREW-MACHINE, 10-32 X 1 1/4 PPH ZINK
000G18-08-16B EA SCREW-MACHINE, 8 X 32 X 1, PPH ZN
075908-01-000 EA SCREW-MACH-10-32X 56PTH(SEMS)

SEALANTS & FASTENERS GROUP (CONTINUED)
SCREWS AND FASTENERS CONT

KEY PART NUMBER U/M DESCRIPTION
000G39-10-12R EA SCREW-SF/DR, 10-16 X 3/4 PPH - BEIGE
000G39-10-12D EA SCREW-SF/DR, 10-16 X 3/4 PPH - BLACK
000G39-06-16T EA SCREW-SF/DR, 6-20 X 1 PPH - BLACK
000G39-06-10T EA SCREW-SF/DR, 6-20 X 5/8 PPH - BLACK
000G39-08-24B EA SCREW-SF/DR, 8-18 X 1 1/2 PPH ZN
000G39-08-16E EA SCREW-SF/DR, 8-18 X 1 PPH CHROME
000G39-08-16B EA SCREW-SF/DR, 8-18 X 1 PPH ZN
000G39-08-16T EA SCREW-SF/DR, 8-18 X 1 PPH - BLACK
000G55-08-162 EA SCREW-SF/DR, 8-18 X 1 00 - BEIGE
000G39-08-08B EA SCREW-SF/DR, 8-18 X 1/2 PPH ZN
000G39-08-32B EA SCREW-SF/DR, 8-18 X 2 PPH - ZINC
000G39-08-12E EA SCREW-SF/DR, 8-18 X 3/4 PPH ZN
000G39-08-12T EA SCREW-SF/DR, 8-18 X 3/4 PPH - BLACK
000G39-08-06B EA SCREW-SF/DR, 8-18 X 3/8 PPH ZN
000G60-10-28T EA SCREW-SF/DR, 10-16X1 75
000G39-03-16R EA SCREW-SF/DR 8-18X1 0 PPH BEIGE
000G39-08-08R EA SCREW-SF/DR-8-18X1/2 PPH
079382-01-000 EA SCREW-SOCKET, 8-18 X 1" - BLACK

SEALERS AND FASTENERS

KEY PART NUMBER U/M DESCRIPTION
069543-01-000 EA SEALER-PUMPABLE
069543-02-000 FT SEALER-RIBBON, 1/2" X 1/8" - INCREMENTS OF 30'
069540-09-000 FT SEALER-RIBBON, 1/32" X 2 1/2" X 80'
069540-01-000 FT SEALER-RIBBON, 1/4" DIAMETER - INCREMENTS OF 20'
069540-03-000 FT SEALER-RIBBON, 3/4" X 1/8" - INCREMENTS OF 60'
069540-06-000 FT SEALER-RIBBON, 5/16" DIAMETER - INCREMENTS OF 25'
091255-03-000 FT SEAL-FOAM, 1/4 X 3/16 ROLL
091255-01-000 FT SEAL-FOAM, 3.2MM X 4.8MM
090340-01-000 FT SEAL-FOAM, CLOSED CELL - 1/4" X 1/2" X 50'
053752-01-000 GL SEAM SEALER-5 GAL ALUMINUM
034552-04-000 EA SILICONE-TUBE, 300 ML - BEIGE
034552-02-000 EA SILICONE-TUBE, 300 ML - CLEAR
008401-01-000 EA STRAP-CONDUIT, 3/4" - 1 HOLE - GALVANIZED STEEL

ADHESIVE AND FASTENERS

KEY PART NUMBER U/M DESCRIPTION
004020-01-000 QT ADHESIVE-ABS CEMENT, QUART
081377-01-700 EA ADHESIVE-CYANOACRYLATE, 10 GRAM TUBE
004006-04-700 EA ADHESIVE-PIERCE, 1 GAL - J9270-X-1
087211-01-000 GL ADHESIVE-PROMOTER
004005-02-000 EA ADHESIVE-SWIFTS, 1 GAL - W1333
099039-01-100 EA ADHESIVE-WEATHERSTRIP, 8 OZ.
053766-02-000 EA BEDDING COMPOUND-TUBE, WHITE
005200-01-000 EA BOLT-BUMPER, ROUND HEAD-SQUARE NECK- W/SST CAP 7/16- 14 X 1 1/4
102333-01-01A EA BOLT-CARRIAGE, 7/16 - 14 - STAINLESS STEEL CAP- BEIGE
051387-06-000 EA BOLT-CARRIAGE, W/O HOLE - 5/16-18 X 9 5 ZN
000C12-08-24B EA BOLT-HEX, 1/2-13 X 1 1/2 - ZN 5
000C12-05-16B EA BOLT-HEX, 5/16-18 X 1 - ZINC 5
000C12-10-24B EA BOLT-HEX, 5/8-11 X 1 1/2 ZN - 5
000C12-07-20B EA BOLT-HEX, 7/16 - 14 X 1 1/4" - ZIN5
000C13-07-48B EA BOLT-HEX, 7/16 - 20 X 3 - ZN 5
000C26-04-10B EA BOLT-HEX, SER FLG - 1/4-20 X 5/8 ZINC
000C26-05-20B EA BOLT-HEX, SER FLG 5/16-18 X 1 1/4" - ZINC
000C12-05-24B EA BOLT-HEX-5/16-18X11/2 ZN 5
016604-01-000 EA BRACE-CABINET, ANGLED METAL - 2 5"

WASHERS AND FASTENERS

KEY PART NUMBER U/M DESCRIPTION
077071-01-000 EA WASHER-FENDER, 3/16" ID X 1" OD
000E13-14-00B EA WASHER-FL, 1/4' WIDE ZN
000E13-11-00B EA WASHER-FL, 3/16" WIDE ZN
000E13-17-00B EA WASHER-FL-3/8 AR ZN

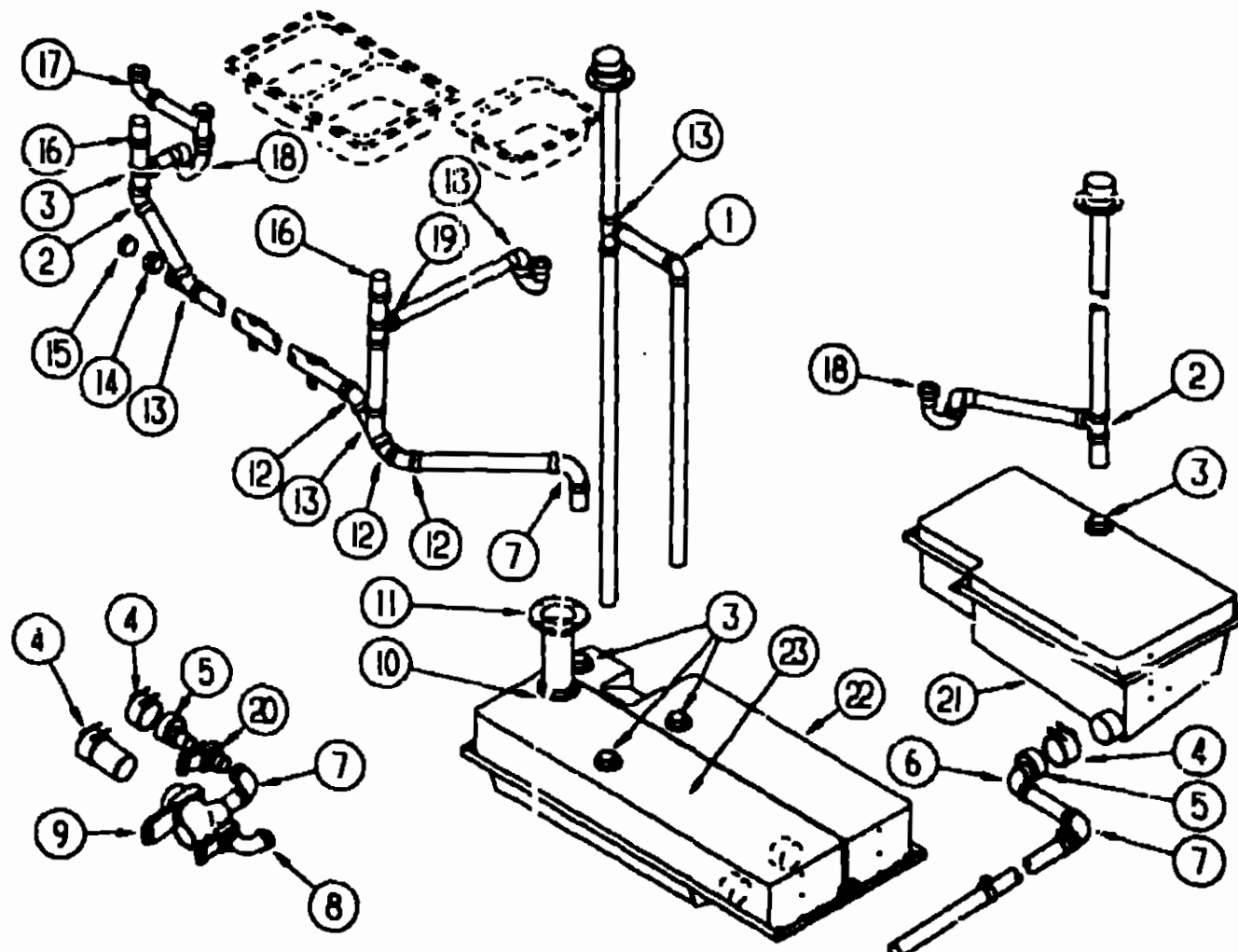
1992 ITASCA
TABLE OF CONTENTS

INTRODUCTION	A-01	A-02
ABBREVIATIONS		A-03
ALPHABETICAL INDEX	A-04	A-05
ICF27HC	A-07	E-12
ICF30RU	E-13	I-20

1992 ICF30RU INDEX

FLOOR PLAN	E-13	E-14
ACCESSORIES		E-15
AUDIO VIDEO	E-15	E-16
BATH	E-17	E-18
BEDROOM	E-19	E-20
CHASSIS	E-21	F-04
CURTAIN & CUSHION	F-05	F-13
DINETTE	F-14	F-15
DRIVERS COMPARTMENT	F-16	F-20
ELECTRICAL	F-21	G-02
EXTERIOR BODY	G-03	G-10
GALLEY	G-11	G-14
GENERATORS	G-15	G-16
HEATING & A/C	G-17	G-22
INTERIOR FINISH	G-23	H-05
LABELS	H-06	H-14
LP		H-15
LOUNGE	H-16	H-17
SEALANTS & FASTENERS	H-18	H-20
WATER & SEWAGE	H-21	I-01
WINDOW VENT		
EXTERIOR DOOR	I-02	I-17
WINDSHIELD & WIPER	I-18	I-19

**WATER & SEWAGE GROUP
DRAINAGE SYSTEM**



KEY	PART NUMBER	U/M DESCRIPTION
1	010006-01-000	EA ELBOW-45 DEG. 1/8 BEND - 1 1/2" HUB X HUB - BLACK PLASTIC
2	010073-01-000	EA WYE-45 DEGREE. 1 1/2" HUB X HUB X HUB - PLASTIC - BLACK
3	061607-01-000	EA GROMMET-HOLDING TANK. 1 1/2" NPS
4	078406-01-000	EA COUPLER-RUBBER. W/CLAMPS - 3" X 3"
5	062422-01-000	EA ADAPTER-OFFSET REDUCER. 3" X 1 1/2" - PLASTIC - BLACK
6	033761-01-000	EA ELBOW-TURN. 1/4 BEND X 1 5" HUB X 1 5" SPIGOT - BLACK PLASTIC
7	010008-01-000	EA ELBOW-90 DEG. 1/4" BEND - 1 1/2" HUB X HUB - BLACK PLASTIC
8	010008-01-000	EA ELBOW-90 DEG. 1/4 BEND - 1 1/2" HUB X HUB - BLACK PLASTIC
9	082696-01-000	EA VALVE-WASTE. DRAINAGE - 3"
10	061607-02-000	EA GROMMET-HOLDING TANK. 3" NPS
11	024676-01-000	EA FLANGE-CLOSET RED 4X3
11	024676-02-000	EA FLANGE-CLOSET. 4" X 3" - ABS - CANADIAN
12	010051-01-000	EA ELBOW-45 DEG BEND. 1 1/2" SPIGOT AND HUB - PLASTIC - BLACK
13	010073-01-000	EA WYE-45 DEGREE. 1 1/2" HUB X HUB X HUB - PLASTIC - BLACK
14	050787-01-000	EA ADAPTER-CLEANOUT
15	010166-01-000	EA PLUG-THREADED. 1 1/4" DIAMETER - PLASTIC - BLACK
16	079968-01-000	EA VENT-MECH TRAP ARM. ANTI-SIPHON - 2" DIA X 7 3" - PLASTIC
17	011091-03-000	EA CONTINUOUS WASTE. W/SEALS - DOUBLE SINK - EXTENDS 9" TO 16"
17	010071-01-000	EA TEE - CANADIAN CONTINUOUS WASTE PART
17	010121-01-000	EA BUSHING - CANADIAN CONTINUOUS WASTE PART
17	037101-02-000	EA ELBOW - CANADIAN CONTINUOUS WASTE PART
17	033302-02-000	EA ADAPTER - CANADIAN CONTINUOUS WASTE PART
18	107538-01-000	EA P TRAP-PLASTIC. 1 1/4 - W/EXT ARM (GALLEY LAVATORY & SHOWER)
18	011071-01-000	EA P TRAP-PLASTIC. 1 1/2 - CANADIAN (GALLEY)
18	011066-03-700	EA P TRAP-PLASTIC. 1 1/4 - CANADIAN (LAVATORY & SHOWER)
19	107537-01-000	EA P TRAP ADAPTER-1 1/4" SLIP
20	062421-01-000	EA VALVE-DUMP. W/HANDLE - 1 1/2" - PLASTIC - BLACK
20	088770-01-000	EA STANDOFF-THREADED. 3/8" X 1 1/4"

**WATER & SEWAGE GROUP (CONTINUED)
DRAINAGE SYSTEM CONTINUED**

KEY	PART NUMBER	U/M DESCRIPTION
20	088771-01-000	EA ROD-THREADED. .25" DIAMETER X 7 25" LONG
21	076574-01-000	EA TANK-HOLDING. 25 GAL AUX HOLDING 37 2" X 20" X 12 6"
22	103308-01-000	EA TANK-HOLDING. 21 GAL AUX HOLDING
23	103309-01-000	EA TANK-HOLDING. 28 GAL MAIN
	004020-01-000	QT ADHESIVE-ABS CEMENT
	062415-01-000	EA CAP-SEWER. 3" DIAMETER
	103354-01-000	EA CONNECTOR-HOSE. SEWER
	093592-01-000	EA ADAPTER-PLASTIC. SEWER HOSE - 45 DEGREE
	089330-01-000	EA ADAPTER-SEWER HOSE END
	010201-02-000	EA HOSE-SEWER. 3 ID X 20 FEET

WATER HEATER BYPASS VALVE

KEY	PART NUMBER	U/M DESCRIPTION
	039798-01-000	EA TEE-PLS. 1/2MPTX1/2MPTX1/2MPT
	039800-01-000	FT TUBING-POLYBUTY-1/2ODX20FT
	052957-02-000	EA ELBOW-PLAS. 1/2F X 1/2MPT
	052959-02-000	EA CONNECTOR-PLAS. 1/2F X 1/2MPT
	079317-01-000	EA ADAPTER-SWIVEL 5TUBEX 5FPT
	103259-01-000	EA BRACKET-BYPASS. WATER HEATER
	099729-01-000	EA BYPASS KIT-WATER HEATER
	099729-01-700	EA VALVE ONLY CHECK PLASTIC
	099729-02-700	EA VALVE ONLY CHECK BRASS
	101814-01-000	EA COUPLING-FEMALE
	000G67-10-16B	EA SCREW-10-12X1 FPH ZN
	052958-01-000	EA TEE-PLAS. 1/2FX1/2FX1/2F

WATER SYSTEM COMPONENTS & FAUCETS

KEY	PART NUMBER	U/M DESCRIPTION
	079381-01-000	FT TUBING-SMOOTH FLEXIBLE. 1 1/4" ID
	087559-04-000	EA FILL-WATER. CITY - OFF WHITE
	039800-01-000	FT TUBING-POLYBUTYL. 1/2" OD - INCREMENTS OF 20" - BLACK
	039800-02-000	FT TUBING-POLYBUTYL. 5/8" OD - INCREMENTS OF 20" - BLACK
	052952-01-000	EA NUT-PLASTIC. 1/2" F X 1/2" TUBE - PLASTIC - GRAY
	052952-02-000	EA NUT-PLASTIC. 5/8" FLARE
	052957-02-000	EA ELBOW-MALE. 1/2" F X 1/2" MPT - PLASTIC - GRAY
	052958-01-000	EA TEE. 1/2" F X 1/2" F X 1/2" F - PLASTIC - GRAY
	052960-01-000	EA DRAIN VALVE-IN LINE. HEADER - 1/2" F X 1/2" F - GRAY PLASTIC
	057457-01-000	EA ELBOW-UNION. 1/2" X 1/2" FLARE
	065120-01-000	EA ELBOW-SWIVEL. 1/2" FPT X 1/2" FLARE - PLASTIC - GRAY
	079317-01-000	EA ADAPTER-SWIVEL. 1/2" TUBE X 1/2" FPT - PLASTIC - GRAY
	091208-01-000	EA WASHER-RUBBER. .06" X .75" X 5"
	052953-01-000	EA NUT-FAUCET. 1/2" TUBE X 1/2" FPT - PLASTIC - GRAY
	071240-06-000	EA FAUCET-LAVATORY. BONE
	091253-01-000	EA GASKET-FAUCET. LAVATORY/GALLEY
	064952-01-000	EA FAUCET-GALLEY
	075241-05-000	EA FAUCET-SHOWER. BONE
	103092-01-000	EA HEAD-SHOWER. W/60" HOSE
	103092-01-700	EA BRACKET ONLY CLEAR F/SHOW HD
	052959-02-000	EA CONNECTOR - PLASTIC 1/2 F X 1/2 MPT
	075606-01-000	EA PANEL-SHOWER FAUCET
	039798-01-000	EA TEE-PLS: 1/2MPTX1/2MPTX1/2MPT
	055293-01-000	EA TEE-5/8F X1/2FX5/8F
	057973-01-000	EA TEE-PLAS. 1/2FX1/2FX5/8F
	074463-01-000	EA TEE-4 WAY. 1/2" FLARE
	082144-02-000	EA CAP-PIPE. 1/2 FPT BRASS HEX
	098417-01-000	EA CONNECTOR-PLAS. 5/8F X 1/2MPT
	106258-01-000	EA CAP-INSERTABLE 1/2 FLARE
	106258-02-000	EA CAP-INSERTABLE 5/8 FLARE
	010224-01-000	EA ADAPTER-PLAS. 3/8MPTX3/8BARB
	052955-03-000	EA TEE-PLAS. 5/8FX5/8FX1/2MPT
	074462-02-000	EA TUBING-VINYL. 3/8 ID.
	079381-01-000	EA TUBING-FLEX/SMOOTH 1 25 ID

**1992ITASCA
TABLE OF CONTENTS**

INTRODUCTION	A-01	A-02
ABBREVIATIONS		A-03
ALPHABETICAL INDEX	A-04	A-06
ICF27RC	A-07	E-12
ICF30RU	E-13	I-20

1992 ICF30RU INDEX

FLOOR PLAN	E-13	E-14
ACCESSORIES		E-15
AUDIO VIDEO	E-15	E-16
BATH	E-17	E-18
BEDROOM	E-19	E-20
CHASSIS	E-21	F-04
CURTAIN & CUSHION	F-05	F-13
DINETTE	F-14	F-15
DRIVERS COMPARTMENT	F-16	F-20
ELECTRICAL	F-21	G-02
EXTERIOR BODY	G-03	G-10
GALLEY	G-11	G-14
GENERATORS	G-15	G-16
HEATING & A/C	G-17	G-22
INTERIOR FINISH	G-23	H-05
LABELS	H-06	H-14
LP		H-15
LOUNGE	H-15	H-17
SEALANTS & FASTENERS	H-18	H-20
WATER & SEWAGE	H-21	I-01
WINDOW VENT		
EXTERIOR DOOR	I-02	I-17
WINDSHIELD & WIPER	I-18	I-19

WATER & SEWAGE GROUP (CONTINUED)
FRESH WATER TANK - 54 GALLON

KEY	PART NUMBER	U/M DESCRIPTION
	076625-08-000	EA TANK-WATER, - 54 GAL - 40" X 25" X 13"USED W/DOUBLE BED W/FITTINGS
	076625-01-000	EA TANK-WATER,54 GALLON
	077589-05-000	EA TANK ASM-WATER,46 GAL USED W/TWIN BED
	042989-05-000	EA FITTING-SPINWELD,PLAS 1/2FPT
	042989-04-000	EA FITTING-WATER TANK, SPINWELD - 3/8" FPT - PLASTIC - WHITE
	042989-06-000	EA FITTING-SPINWELD PLASTIC - 3/4 FPT
	042989-03-000	EA FITTING-SPINWELD, PLASTIC - 1 1/4" FPT
	042989-01-000	EA PATCH-SPINWELD 3/8" - PLASTIC
	039861-01-000	EA SENDING UNIT W/SCREW, WASHER WELL NUT AND TERMINAL RING
	096449-01-000	EA WIRE ASM-TANK,WATER
	077954-02-000	EA FILTER-WATER TANK, SCREEN IN TANK

WATER PUMPS

KEY	PART NUMBER	U/M DESCRIPTION
	098607-01-000	EA PUMP-WATER W/ 5" MPT FITTING - FLOW 2.8 GPM - UL
	098607-01-700	EA PUMPHEAD-REPLACEMENT, SHURFLOW# 94-235-08
	098607-01-701	EA DRIVE ASM, SHURFLOW# 94-234-03
	098607-01-702	EA DIAPHRAGM-KIT SHURFLOW# 94-233-10
	098607-01-703	EA VALVE ASM, SHURFLOW# 94-232-00
	098607-01-704	EA HOUSING-UPPER SHURFLOW# 94-231-01
	098607-01-705	EA CHECK VALVE-KIT SHURFLOW# 94-237-00
	098607-01-707	EA MOTOR/BASEPLATE REPLACEMENT SHURFLOW# 94-234-03
	098607-01-706	EA UPPER HOUSING/SWITCH KIT - SHURFLOW #94-230-00

WATER PUMP - CANADIAN

KEY	PART NUMBER	U/M DESCRIPTION
	098607-02-000	EA PUMP-WATER, 2.8 GPM - W/1/2" MPT FITTINGS - CANADIAN
	098607-01-700	EA PUMPHEAD-REPLACEMENT, SHURFLOW# 94-235-08
	098607-01-701	EA DRIVE ASM, SHURFLOW# 94-234-03
	098607-01-702	EA DIAPHRAGM-KIT, SHURFLOW# 94-233-10
	098607-01-703	EA VALVE ASM, SHURFLOW# 94-232-00
	098607-01-704	EA HOUSING-UPPER SHURFLOW# 94-231-01
	098607-01-705	EA CHECK VALVE-KIT, SHURFLOW# 94-237-00
	098607-01-706	EA SWITCH ASM-COMPLETE, SHURFLOW# 94-230-00
	098607-01-707	EA MOTOR/BASEPLATE REPLACEMENT, SHURFLOW# 94-234-03

WATER & SEWAGE GROUP (CONTINUED)
FAUCETS & SHOWER HEAD - CANADIAN

KEY	PART NUMBER	U/M DESCRIPTION
	103092-02-000	EA SHOWER HEAD-W/60" HOSE - CANADIAN
	075240-06-000	EA FAUCET-LAVATORY, BONE
	075241-05-000	EA FAUCET-SHOWER, BONE

EXTERIOR SHOWER

KEY	PART NUMBER	U/M DESCRIPTION
	103092-01-000	EA SHOWER HEAD-W/60 IN HOSE
	075241-05-000	EA FAUCET-SHOWER, BONE
	093527-02-000	EA BRACKET-SQUEEGEE/SHOWER HEAD
	091952-02-000	EA CLIP-3/4" GRIPPER
	046128-01-000	EA VALVE-DRAIN-PLAS 1/2FPT
	052959-02-000	EA CONNECTOR-PLAS,1/2F X 1/2MPT
	054250-04-000	EA SUPPORT-DIMMER SWITCH O/W
	057457-01-000	EA ELBOW-UNION, 1/2X1/2IN FLARE
	065120-01-000	EA ELBOW-PLAS,SWIVEL, 50 IN
	087211-01-000	GL ADHESIVE-PROMOTER
	105118-02-C25	EA DOOR ASM-STORAGE
	105208-01-01A	EA COMPARTMENT-SHOWER,EXT O/W
	065120-01-000	EA ELBOW-PLAS,SWIVEL, 50 IN
	076522-05-000	FT TAPE-FOAM DBL COATED 045X 75
	096241-07-000	EA SWITCH-ROCKER DPDT ON/ON

WASTE WATER HOLDING TANK

KEY	PART NUMBER	U/M DESCRIPTION
	103308-01-000	EA TANK-HOLDING, 21 GAL AUX HOLDING
	096451-02-000	EA WIRE ASM-TANK,AUX HOLDING
	076574-01-000	EA TANK-HOLDING,25 GAL AUX HOLDING 37 2" X 20" X 12 5"
	100345-01-000	EA WIRE ASM-TANK,AUX HOLDING
	061607-01-000	EA GROMMET-HOLDING TANK, 1 1/2" NPS
	039861-01-000	EA SENDING UNIT W/SCREW, WASHER, WELL NUT AND TERMINAL RING

SEWAGE HOLDING TANK

KEY	PART NUMBER	U/M DESCRIPTION
	103309-01-000	EA TANK-HOLDING, 28 GAL MAIN
	096450-01-000	EA WIRE ASM-TANK,MAIN HOLDING
	061607-01-000	EA GROMMET-HOLDING TANK, 1 1/2" NPS
	061607-02-000	EA GROMMET-HOLDING TANK, 3" NPS
	039861-01-000	EA SENDING UNIT W/SCREW, WASHER, WELL NUT AND TERMINAL RING

SINKS

KEY	PART NUMBER	U/M DESCRIPTION
	096927-01-01A	EA SINK-LAVATORY, RECTANGULAR - PLASTIC - BONE
	096927-01-700	EA SINK-STOPPER
	096927-01-701	EA TAILPIECE-SINK
	104113-01-000	EA SINK-DOUBLE, STAINLESS STEEL
	092303-01-000	EA STRAINER-SINK

SHOWER PAN

KEY	PART NUMBER	U/M DESCRIPTION
	062429-07-000	EA PAN-SHOWER, W/STRAINER & TAILPIECE
	066440-01-000	EA STRAINER W/RUBBER WASHER
	069640-01-000	FT SEALER-RIBBON, 1/2" X 30'
	069735-01-000	EA WASHER-STRAINER TO TAILPIECE PLASTIC 1 5"
	057671-01-000	EA COVER-SCREW, #8 - PLASTIC - OFF WHITE
	011069-02-000	EA TAILPIECE-TUB/SHOWER, 1 1/2" X 1 1/4" X 4" - BRASS
	056436-01-000	EA NUT-SLIP, TAILPIECE - 1 5"

1992 ITASCA
TABLE OF CONTENTS

INTRODUCTION	A-01	A-02
ABBREVIATIONS		A-03
ALPHABETICAL INDEX	A-04	A-06
ICF27RC	A-07	E-12
ICF30RU	E-13	I-20

1992 ICF30RU INDEX

FLOOR PLAN	E-13	E-14
ACCESSORIES		E-15
AUDIO VIDEO	E-15	E-16
BATH	E-17	E-18
BEDROOM	E-19	E-20
CHASSIS	E-21	F-04
CURTAIN & CUSHION	F-05	F-13
DINETTE	F-14	F-15
DRIVERS COMPARTMENT	F-16	F-20
ELECTRICAL	F-21	G-02
EXTERIOR BODY	G-03	G-10
GALLEY	G-11	G-14
GENERATORS	G-15	G-16
HEATING & A/C	G-17	G-22
INTERIOR FINISH	G-23	H-05
LABELS	H-06	H-14
LP		H-15
LOUNGE	H-16	H-17
SEALANTS & FASTENERS	H-18	H-20
WATER & SEWAGE	H-21	I-01
WINDOW VENT		
EXTERIOR DOOR	I-02	I-17
WINDSHIELD & WIPER	I-18	I-19

WATER & SEWAGE GROUP (CONTINUED)

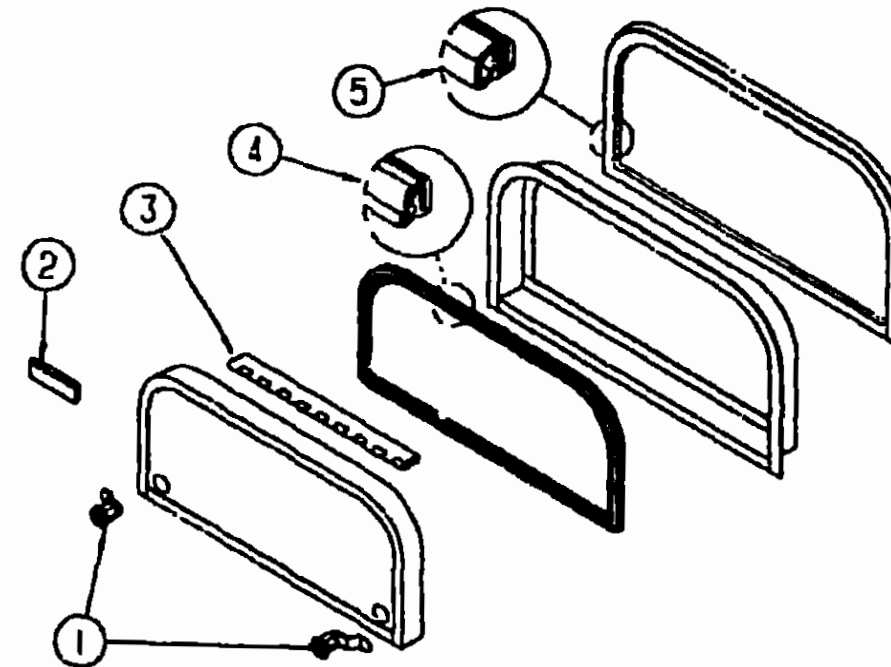
WATER HEATER

KEY	PART NUMBER	U/M DESCRIPTION
	051391-01-000	EA WATER HEATER-W/MOTOR AID. PILOTLESS IGNITION ATWOOD GH6-3E, GH5-4E OR CH6-6E
	051391-01-700	EA HINGE KIT-W/CLIP, ATWOOD # 92568 & 92559
	051391-01-704	EA VALVE-RELIEF, 1/2" FITTING - ATWOOD# 91504
	051391-01-705	EA FASTENER-CAMLOC, ATWOOD# 92509
	051391-01-706	EA GRILLE-EXHAUST, ATWOOD# 92787
	051391-01-708	EA BURNER-MAIN, 3E ONLY - ATWOOD# 92615
	051391-01-710	EA ORIFICE-MAIN BURNER, ATWOOD# 92742
	051391-01-714	EA ELBOW-45 DEGREE, 3/8" F X 3/8" MPT - ATWOOD 91044
	051391-01-715	EA DRAIN PLUG, ATWOOD# 91561
	051391-04-701	EA THERMOSTAT 12 VDC-120 PRESET, ATWOOD# 91470 FRONT MOUNT ONLY
	051391-04-704	EA TANK-INNER, FRONT MOUNT - GH6-4E & 6E - ATWOOD 91642
	051393-01-700	EA TANK-INNER, 3E FRONT MOUNT - ATWOOD# 91023
	097967-01-000	EA SWITCH-WATER HEATER, REMOTE W/LIGHT - ATWOOD 91959
	051393-01-702	EA SWITCH-ENERGY CUT-OFF, ATWOOD# 91951
	051393-01-703	EA THERMOSTAT-REAR MOUNT, ATWOOD# 91952
	051393-01-704	EA CIRCUIT BOARD-W/BLACK BOX, ATWOOD# 91420
	051393-01-705	EA ORIFICE HOLDER-ATWOOD# 91925
	051393-01-714	EA TANK-INNER (GH6-3E), REAR MOUNT - ATWOOD# 91408
	051393-01-716	EA SPARK & PROBE ASM, ATWOOD# 91606
	051393-01-718	EA VALVE-DUAL SOLENOID, ATWOOD# 91605
	051393-01-721	EA ECO&THERMOSTAT ASM-FRONT MOUNT, 140 DEGREE - ATWOOD# 91447
	010227-01-000	EA TEE-PLAS BARS 5/8" OR 3/4" HOSE

WATER HEATER W/MOTOR AID & REAR HEATER

KEY	PART NUMBER	U/M DESCRIPTION
	051393-01-000	EA WATER HEATER-W/MOTOR AID PILOTLESS IGNITION-ATWOOD GH6-3E, GH5-4E OR GH6-6E
	051393-01-700	EA TANK-INNER, 3E FRONT MOUNT - ATWOOD# 91023
	051393-01-714	EA TANK-INNER (GH6-3E), REAR MOUNT - ATWOOD# 91408
	051391-04-704	EA TANK-INNER, FRONT MOUNT - GH6-4E & 6E - ATWOOD 91642
	051393-01-701	EA SWITCH PACKAGE-ATWOOD# 91959
	051393-01-702	EA SWITCH-ENERGY CUT-OFF, ATWOOD# 91951
	051393-01-703	EA THERMOSTAT-REAR MOUNT, ATWOOD# 91952
	051393-01-704	EA CIRCUIT BOARD-W/BLACK BOX, ATWOOD# 91420
	051393-01-705	EA ORIFICE HOLDER-ATWOOD# 91925
	051393-01-716	EA PROBE & SPARK ASM, ATWOOD# 91606
	051393-01-713	EA BRACKET-CORNER, PACKAGE OF 4 - ATWOOD# 91838
	051393-01-718	EA VALVE-DUAL SOLENOID, ATWOOD# 91605
	051393-01-720	EA KNOB-TEMPERATURE, ATWOOD# 92310
	051393-01-721	EA ECO&THERMOSTAT ASM-FRONT MOUNT, 140 DEGREE - ATWOOD#
	051393-01-722	EA GAS IGNITION FIELD TESTER-MODEL 05-080224-001
	051391-01-700	EA HINGE KIT-W/CLIP, ATWOOD # 92568 & 92559
	051391-01-704	EA VALVE-RELIEF, 1/2" FITTING - ATWOOD# 91504
	051391-01-705	EA FASTENER-CAMLOC, ATWOOD# 92509
	051391-01-710	EA ORIFICE-MAIN BURNER, ATWOOD# 92742
	051391-04-701	EA THERMOSTAT 12 VDC-120 PRESET, ATWOOD# 91470 FRONT MOUNT ONLY
	051391-01-715	EA DRAIN PLUG, ATWOOD# 91561
	051391-04-707	EA KIT-GRILLE, FLUE, & GASKET - ATWOOD# 90950
	051391-04-703	EA BURNER-MAIN, ATWOOD# 91638 4E AND 6E
	052009-03-000	EA DOOR-WATER HEATER, ATWOOD 5576-27 - GRAY
	062401-01-000	EA CLAMP-HOSE, WORMGEAR 25" - 1"
	079059-01-000	EA HOSE-90 DEGREE, 61" ID X 4" X 36"
	007108-01-000	FT HOSE-HEATER, 5-8" ID
	086753-01-000	FT TUBE-ALUMINIZED STEEL 5/8" - 1B GAUGE
	010227-01-000	EA TEE-PLASTIC BARB 5/8" OR 3/4" HOSE

WINDOW, VENT & EXTERIOR DOOR GROUP



EXTERIOR DOOR COMPONENTS & HOLDERS

KEY	PART NUMBER	U/M DESCRIPTION
	1 079355-04-000	EA LOCK-DOOR, KEY TYPE W/O KEYS - 1.9 OFF SET FROM 00-00-00 THRU 02-19-92
	1 079355-05-000	EA LOCK ASM-KEY TYPE W/O KEYS 1.60 OFF SET FROM 02-20-92 THRU 99-99-99
	082684-01-700	EA KEY BLANK
	1 079927-03-000	EA LOCK-TWIST TYPE, DOUBLE CAM - 2.10 OFF SET FROM 00-00-00 THRU 02-19-92
	1 079927-04-000	EA LOCK ASM-TWIST TYPE 1.60 O/S ILLINOIS LOCK FROM 02-20-92 THRU 99-99-99
	2 102768-01-000	EA HOLDER-COMPARTMENT/ENTRY DOOR, METAL - MILL FINISH
	3 081801-03-000	EA HINGE-CONTINUOUS ALUMINUM, 2 X 2438 4 MM GRAY
	084413-01-000	EA HINGE-CONTINUOUS, ALUMINUM - 1" X 72" - W/HOLES
	034007-48-000	EA HINGE-CONT AL 1 1/2 X 96" LT GRAY
	009065-01-000	EA HINGE-CONT-AL 1 1/2 X 96" PLAIN
	4 054075-07-000	FT SEAL-BULB, W/WIRED U CHANNEL - 3" X 5" CHANNEL - BLACK
	5 081632-02-000	FT SEAL-BULB, DOOR - W/WIRE CARRIER - 8" WIDE - RUBBER - BLACK
	077517-23-000	EA FIBERGLASS-SHEET, 48X96
	053765-06-000	EA BEDDING COMPOUND-TUBE, CLEAR

SEWER DOOR & COMPONENTS

KEY	PART NUMBER	U/M DESCRIPTION
	086182-01-W30	EA COMPARTMENT ASM-HOSE SEWER
	042442-01-000	EA LOCK-ASM-TWIST TYPE
	052423-03-000	EA DOOR-SEWER, GRAY
	052424-03-000	EA JAMB-DOOR, SEWER, GRAY
	085967-01-000	EA EXTENSION-OUTLET, LONG

1992 ITASCA

TABLE OF CONTENTS

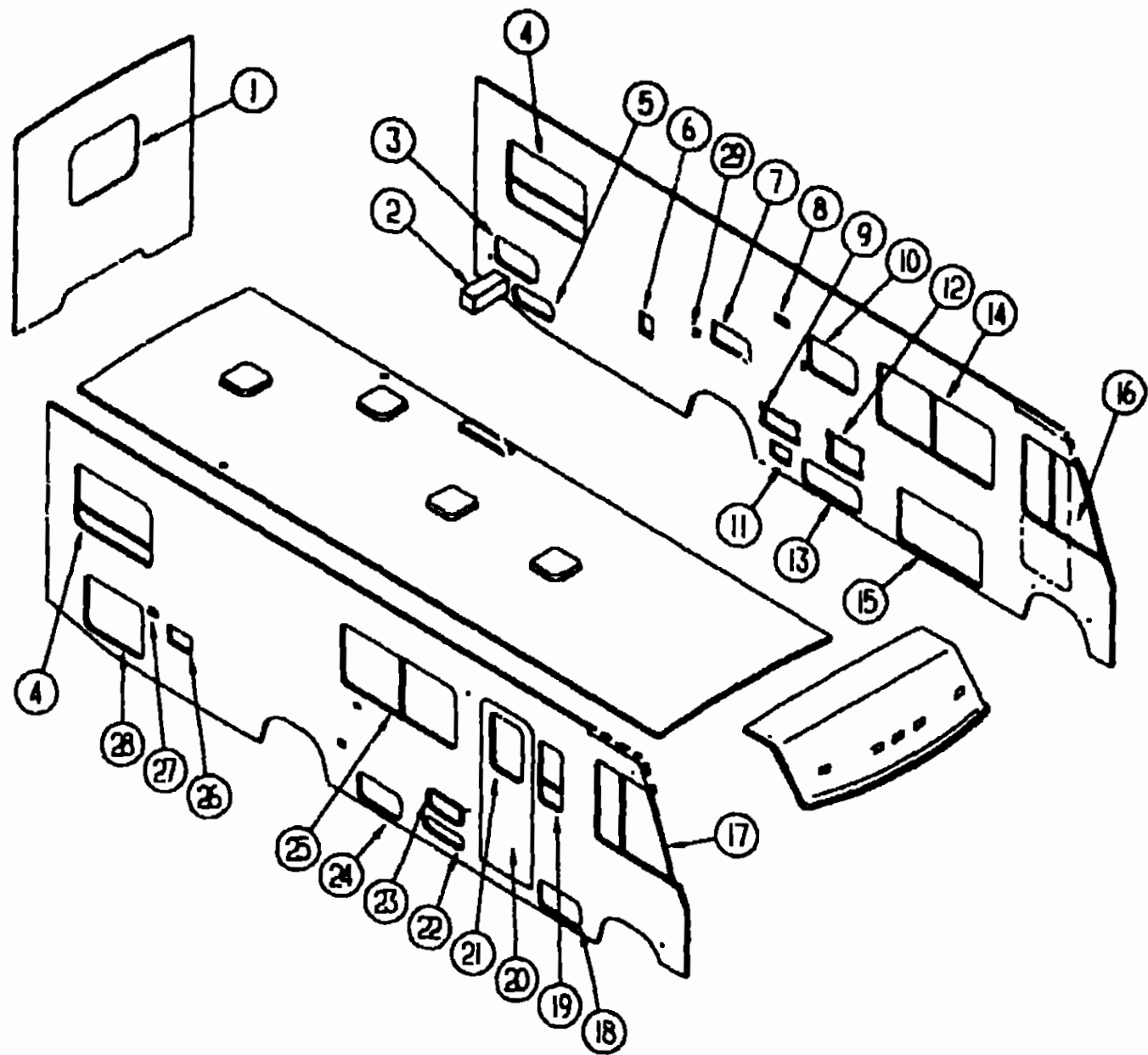
INTRODUCTION	A-01	A-02
ABBREVIATIONS		A-03
ALPHABETICAL INDEX	A-04	A-06
ICF27RC	A-07	E-12
ICF30RU	E-13	I-20

1992 ICF30RU INDEX

FLOOR PLAN	E-13	E-14
ACCESSORIES		E-15
AUDIO VIDEO	E-15	E-16
BATH	E-17	E-18
BEDROOM	E-19	E-20
CHASSIS	E-21	F-04
CURTAIN & CUSHION	F-05	F-13
DINETTE	F-14	F-15
DRIVERS COMPARTMENT	F-16	F-20
ELECTRICAL	F-21	G-02
EXTERIOR BODY	G-03	G-10
GALLEY	G-11	G-14
GENERATORS	G-15	G-16
HEATING & A/C	G-17	G-22
INTERIOR FINISH	G-23	H-05
LABELS	H-05	H-14
LP		H-15
LOUNGE	H-16	H-17
SEALANTS & FASTENERS	H-18	H-20
WATER & SEWAGE	H-21	I-01
WINDOW, VENT		
EXTERIOR DOOR	I-02	I-17
WINDSHIELD & WIPER	I-18	I-19

WINDOW, VENT & EXTERIOR DOOR GROUP (CONTINUED)

WINDOWS & DOORS



KEY	PART NUMBER	U/M	DESCRIPTION
1	078528-03-Y12	EA	WINDOW ASM-ESCAPE
	074816-08-000	EA	FRAME-WINDOW INSIDE ESCAPE,OW/
2	086182-01-W30	EA	COMPARTMENT ASM-HOSE SEWER
2	052423-03-000	EA	DOOR - GRAY
2	052424-03-000	EA	JAMB-DOOR,FUEL FILL GRAY
2	042442-01-000	EA	LOCK-ASM-TW,ST TYPE
2	085957-01-000	EA	EXTENSION-OUTLET, LONG
3	106987-01-C25	EA	DOOR ASM-STORAGE
4	092235-12-Y12	EA	WINDOW ASM-SINGLE
5	106987-03-C25	EA	DOOR ASM. - STORAGE
6	102951-01-03A	EA	SHROUD-FUEL FILL GRAY
7	084104-02-000	EA	JAMB-VENT DOOR, REFRIGERATOR
7	084103-02-000	EA	DOOR-VENT, REFRIGERATOR
8	084616-03-000	EA	SHROUD-VENT, RANGE HOOD, GRAY
	084878-09-000	EA	VENT-HOOD RANGE, SHORT
9	098668-07-000	EA	DOOR-ACCESS, FURNACE, GRAY
10	092235-11-Y12	EA	WINDOW ASM-SINGLE
11	088794-03-000	EA	DOOR ASM-POWER CORD W/HATCH
12	052009-03-000	EA	DOOR-WATER HEATER GRAY
13	103533-01-C25	EA	DOOR ASM-GENERATOR
14	098647-10-02A	EA	WINDOW ASM-SLIDER, HORIZONTAL B/W O/W A
15	106987-06-C25	EA	DOOR ASM-STORAGE
16	103358-01-01A	EA	WINDOW ASM-CAB DRIVER
17	103658-02-01A	EA	WINDOW ASM-CAB, PASSENGER
18	106987-01-C25	EA	DOOR ASM-STORAGE
19	098544-03-02A	EA	WINDOW ASM-SLIDER RAISE B/W
20	M01870-49-C25	EA	DOOR-ENTRANCE W/SCREEN, W/BLACK FRAME
	075639-04-000	EA	GARNISH-RADIUS, ENT DOOR U/W
	077461-03-000	EA	COVER-BRACKET, STRIKE OFF/WHT
21	079733-07-AA8	EA	WINDOW ASM-PICTURE 17X25
21	057609-32-000	EA	FRAME-INSIDE WINDOW O/W
22	078720-02-T18	EA	DOOR ASM-LP
23	105118-01-C25	EA	DOOR ASM-STORAGE, ENTERTAINMENT CENTER
24	106987-01-C25	EA	DOOR ASM-STORAGE
25	098647-09-02A	EA	WINDOW ASM-SLIDER, HORIZONTAL B/W
26	105118-02-C25	EA	DOOR ASM-SHOWER STORAGE
26	106208-01-01A	EA	COMPARTMENT-SHOWER, EXT OFF WHITE
27	081240-02-000	EA	FILL-WATER, LOCKABLE GRAY
28	106987-05-C25	EA	DOOR ASM-STORAGE
29	087659-03-000	EA	FILL-WATER, CITY, GRAY
	089793-04-000	EA	GLASS-WINDSHIELD, DRIVER
	088793-03-000	EA	GLASS-WINDSHIELD, PASSENGER

1992 ITASCA

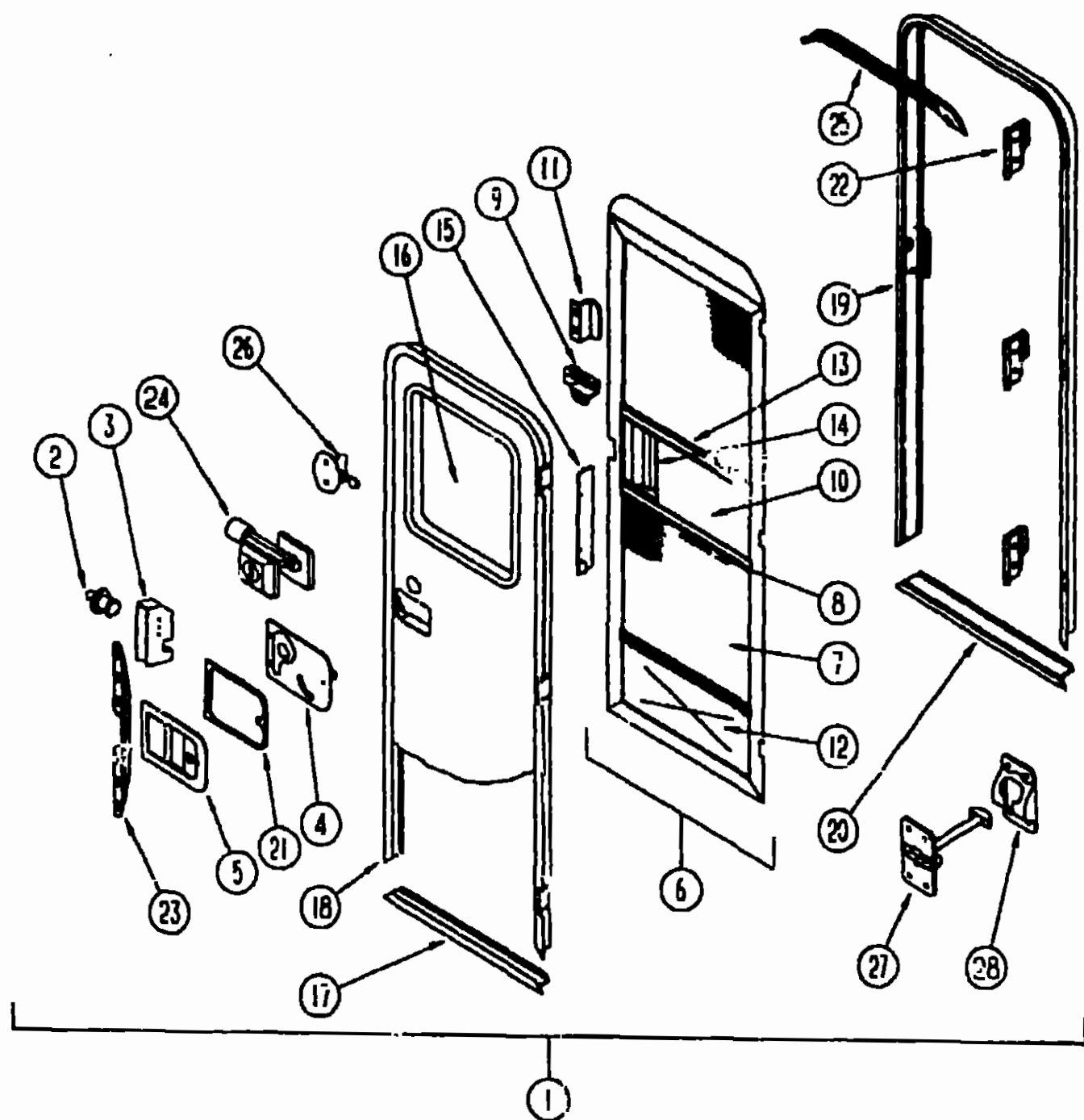
TABLE OF CONTENTS

INTRODUCTION	A-01 -	A-02
ABBREVIATIONS		A-03
ALPHABETICAL INDEX	A-04 -	A-06
ICF27RC	A-07 -	E-12
ICF30RU	E-13 -	I-20

1992 ICF30RU INDEX

FLOOR PLAN	E-13 -	E-14
ACCESSORIES		E-15
AUDIO VIDEO	E-15 -	E-16
BATH	E-17 -	E-18
BEDROOM	E-19 -	E-20
CHASSIS	E-21 -	F-04
CURTAIN & CUSHION	F-05 -	F-13
DINETTE	F-14 -	F-15
DRIVERS COMPARTMENT	F-16 -	F-20
ELECTRICAL	F-21 -	G-02
EXTERIOR BODY	G-03 -	G-10
GALLEY	G-11 -	G-14
GENERATORS	G-15 -	G-16
HEATING & A/C	G-17 -	G-22
INTERIOR FINISH	G-23 -	H-05
LABELS	H-05 -	H-14
LP		H-15
LOUNGE	H-16 -	H-17
SEALANTS & FASTENERS	H-18 -	H-20
WATER & SEWAGE	H-21 -	I-01
WINDOW, VENT		
EXTERIOR DOOR	I-02 -	I-17
WINDSHIELD & WIPER	I-18 -	I-19

WINDOW, VENT & EXTERIOR DOOR GROUP (CONTINUED)
ENTRY DOOR



KEY	PART NUMBER	U/M	DESCRIPTION
1	M01870-49-C25	EA	DOOR-ENTRY W/SCREEN DOOR & JAMB
2	039539-01-000	EA	STRIKE-LOCK, ENTRY DOOR - ROUND W/THREADED WASHER
3	039540-01-000	EA	LATCH MECHANISM-HOOK, ENTRY DOOR - INTERIOR
4	039715-01-000	EA	NUT-SERT, 1/4" DIAMETER - 20 THREADS
4	039979-04-000	EA	COVER-INTERIOR LATCH, W/TRIP ARM - RIGHT - BLACK
	039984-01-000	EA	CAP-ROUND, VINYL - 28" ID X 62" LONG - BLACK
	041546-03-000	EA	BRACKET-DOOR ANGLE, 5" X 1 9" - BEIGE - METAL
5	045017-11-000	EA	LATCH-ENTRY DOOR, MECHANISM W/LOCK & KEY - BLACK
	045017-11-701	EA	KEY BLANK
	058025-02-000	EA	CLIP-ROLLER LATCH CATCH, SCREEN DOOR
	063729-04-000	EA	RIVNUT, 10-32 UNF - 010-080
	072893-01-000	EA	NUTSERT-M5 X 0.8
	075671-01-000	FT	SEAL-SPONGE, LAZY T SHAPE - W/ADHESIVE STRIPE - 1 3" WIDE FROM 00-00-00 THRU 08-18-91
	075671-04-000	FT	SEAL-SPONGE, LAZY T SHAPE - W/ADHESIVE STRIPE - 5" WIDE FROM 08-19-91 THRU 99-99-99
6	079012-01-U01	EA	DOOR-SCREEN
7	002293-02-000	SF	SCREENING-WINDOW/DOOR, 26" - CHARCOAL
8	002294-01-000	FT	SPLINE-SCREENING, 135" X 138" - BLACK
	002748-01-000	EA	CORNER KEY-DOOR
9	109403-01-000	EA	CATCH-ASM-SINGLE ROLLER
10	016454-01-000	EA	INSERT-CENTER, LEATHER GRAIN ALUMINUM - UNPAINTED
10	001014-01-013	EA	INSERT-CENTER, 10 25" X 16 31" - UNPAINTED
11	050712-02-000	EA	HANDLE-SCREEN DOOR, ALUMINUM - OFF WHITE
11	050712-05-000	EA	HANDLE-SCREEN DOOR, UNPAINTED
12	078552-03-000	EA	KICK PANEL-SCREEN DOOR, LOWER INSERT - UNPAINTED
	078595-01-000	EA	TOP PLATE-SCREEN DOOR, CURVED TOP - 4 7" X 25 35"
13	078777-01-000	EA	CHANNEL-SLIDE, SCREEN DOOR CENTER SLIDER COVER
14	079086-02-000	EA	SLIDER-SCREEN DOOR, OFF WHITE
15	079087-02-000	EA	STRIKE-SLIDER, W/LIP FOR ELBOW CATCH - 1 5" X 8 6" - OFF WHITE
	009016-01-000	EA	CATCH-ELBOW, SPRING LOADED - SCREEN DOOR CATCH
16	079733-07-AA8	EA	WINDOW-PICTURE, W/O INSIDE FRAME - 17" X 25"
	067609-32-000	EA	FRAME-WINDOW, ENTRY DOOR - OFF WHITE
	002181-07-000	EA	GLASS-WINDOW, .182" X 16 25" X 24" - FROSTED
	081914-01-000	EA	BUMPER-RUBBER, ROUND - .43" DIAMETER - BLACK
17	089748-03-000	EA	FRAME-BOTTOM, ENTRY DOOR - 24 8" LONG - GRAY
	090340-01-000	FT	SEAL-FOAM, CLOSED CELL - 1/4" X 1/2" X 50'
18	095276-01-03A	EA	FRAME-ENTRY DOOR, W/O BOTTOM - GRAY
19	095277-02-03A	EA	JAMB-ENTRY DOOR, W/BOTTOM - 25 9" X 74 5" - GRAY
20	051049-01-000	EA	JAMB-BOTTOM, ENTRY DOOR - 25 9" - UNPAINTED
	079207-01-000	EA	STRIKER-ROLLER CATCH, WELDED TO DOOR JAMB - 4" X 1 15"
	095278-01-01A	EA	JAMB-DOOR, ENTRANCE - 25 9" X 74 6" - UNPAINTED
21	096810-01-01A	EA	PLATE-LATCH, ENTRY DOOR - PLASTIC - BLACK
22	097724-01-04A	EA	HINGE-ENTRY DOOR, UNPAINTED
23	098173-01-04A	EA	STIFFENER-ENTRY DOOR, SUPPORTS LATCH/STRIKE AREA - UNPAINTED
	100128-02-000	FT	SEAL-PILE, ADHESIVE BACK - SCREEN DOOR - GRAY
24	101145-01-01A	EA	DEADBOLT-ENTRY DOOR, W/2 KEYS W/O BACK SET BOLT OR SCREWS
	095229-01-700	EA	KEY BLANK FOR DEADBOLT
	101147-01-000	EA	BOLT-SECURITY, 4.12" BACKSET
	102524-01-000	EA	BUMPER-RUBBER, FLAT - BLACK
25	044582-06-000	EA	CAP-DRIP, ENTRY DOOR - JAMB MOUNTED - ALUMINUM - GRAY
	054075-07-000	FT	SEAL-BULB, W/WIRED U CHANNEL - 3" X 5" CHANNEL - BLACK
	075639-04-000	EA	GARNISH-RADIUS, ENT DOOR O/W
	077461-03-000	EA	COVER-STRIKE, ENTRY DOOR - 6 5" X 2 5" - PLASTIC - WHITE
	090340-01-000	FT	SEAL-FOAM, CLOSED CELL - 1/4" X 1/2" X 50'
	091876-01-000	EA	RETAINER-DOOR, 1 9" X 8" - METAL
26	100412-01-000	EA	CATCH-SCREEN DOOR, THUMB CLIP W/BLACK PLASTIC CAP
	104692-01-000	FT	SEAL-ADHESIVE BACK, 3/4" X 34"
27	104099-01-01A	EA	CATCH-DOOR HOLDER, STRIKE
28	104099-02-01A	EA	CATCH-DOOR HOLDER, RETAINER

1992ITASCA
TABLE OF CONTENTS

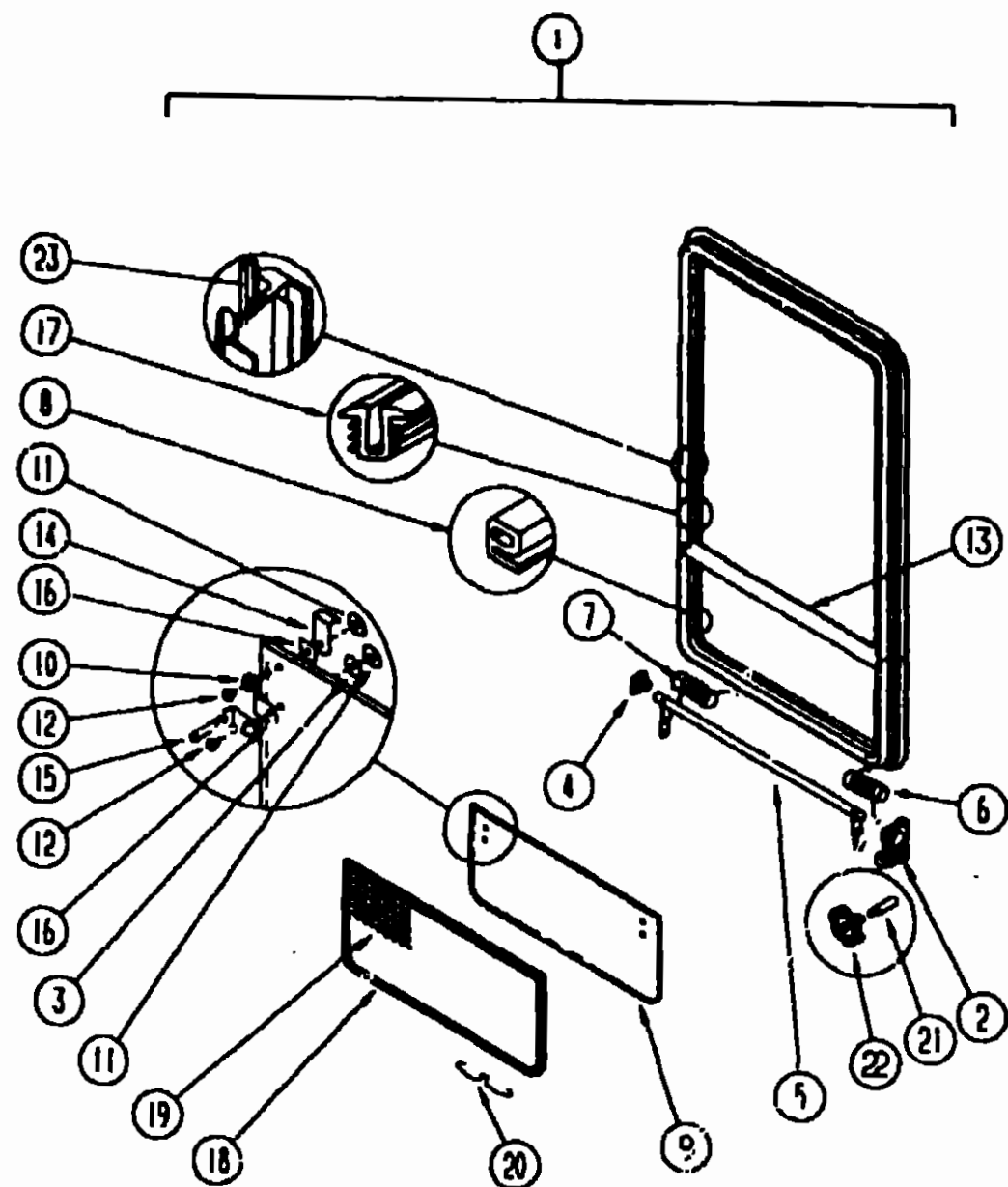
INTRODUCTION	A-01	A-02
ABBREVIATIONS		A-03
ALPHABETICAL INDEX	A-04	A-06
ICF27RC	A-07	E-12
ICF30RU	E-13	I-20

1992 ICF30RU INDEX

FLOOR PLAN	E-13	E-14
ACCESSORIES		E-15
AUDIO VIDEO	E-15	E-16
BATH	E-17	E-18
BEDROOM	E-19	E-20
CHASSIS	E-21	F-04
CURTAIN & CUSHION	F-05	F-13
DINETTE	F-14	F-15
DRIVERS COMPARTMENT	F-16	F-20
ELECTRICAL	F-21	G-02
EXTERIOR BODY	G-03	G-10
GALLEY	G-11	G-14
GENERATORS	G-15	G-16
HEATING & A/C	G-17	G-22
INTERIOR FINISH	G-23	H-05
LABELS	H-06	H-14
LP		H-15
LOUNGE	H-16	H-17
SEALANTS & FASTENERS	H-18	H-20
WATER & SEWAGE	H-21	I-01
WINDOW, VENT		
EXTERIOR DOOR	I-02	I-17
WINDSHIELD & WIPER	I-18	I-19

WINDOW, VENT & EXTERIOR DOOR GROUP (CONTINUED)

GALLEY WINDOW



KEY	PART NUMBER	U/M	DESCRIPTION
	090893-17-02A	EA	FRAME-INSIDE, WINDOW RETAINER - OFF WHITE
1	092235-11-Y12	EA	WINDOW-TIPOUT, SINGLE - W/O INSIDE FRAME
	000H14-06-14R	EA	RIVET-MANDREL BLIND, 3/16"
2	035302-02-000	EA	OPERATOR-TORQUE, TIPOUT WINDOW -
3	068927-03-000	EA	SEAL-WINDOW, RUBBER - ROUND - 30" DIA - BLACK
4	081354-01-000	EA	SLEEVE-TORQUE TUBE, TIPOUT WINDOW - 1 3/4" X 1 2" X 7"
	081649-01-000	EA	RING-SNAP, 7/32 SHAFT DIAMETER
5	083150-10-000	EA	TUBE-TORQUE, TIPOUT WINDOW - W/SPRING & ARM - 22 5" LONG
6	080918-01-000	EA	SPRING-TORQUE TUBE, LEFT
7	080918-02-000	EA	SPRING-TORQUE TUBE, RIGHT
8	084067-02-000	FT	SEAL-E SHAPED, SPONGE - TIPOUT WINDOW - 42" X 38"-BLACK
9	084068-15-000	EA	GLASS-TIPOUT, 9 2" X 24.5"
10	084453-02-000	EA	WASHER- 06" X 5" X .25" - PLASTIC
11	086762-01-000	EA	T NUT 10-32
12	086763-01-000	EA	SCREW-MACH. 10 - 32 X 1/4 PTH
13	087566-02-01A	EA	MULLION-HORIZONTAL TIPOUT - BLACK
14	089913-01-000	EA	HINGE-TIPOUT WINDOW, BLACK
15	097578-01-000	EA	LINKAGE-TIPOUT WINDOW
	084453-01-000	EA	WASHER- 06" X 5" X .135" - PLASTIC
16	084473-01-000	EA	SEAL-FLAT, W/CENTER HOLE & ADHESIVE SIDE - 8" X .9" - BLK
	065315-01-000	EA	RIVET-SHOULDER, TIPOUT WINDOW
17	099154-01-000	FT	CHANNEL-GLAZING, STATIONARY GLASS - 62" X 45" - BLACK
18	100235-02-B07	EA	SCREEN-SINGLE TIPOUT WINDOW
19	080218-03-000	SF	SCREENING-FIBERGLASS, 12" WIDE
20	100168-01-000	EA	CLIP-SPRING, SCREEN
	100240-01-000	FT	SPLINE-SCREEN, T-SHAPED
21	009439-06-000	EA	EXTENSION-CRANK HANDLE, WINDOW /ROOF VENT - BLACK
22	009439-05-000	EA	KNOB-OPERATOR, TIPOUT WINDOW - W/SPRING & ARM
	009439-07-000	EA	SCREW, 8-32 X 1 1/4 POH - BLACK
23	069640-11-000	FT	TAPE-SEALER, 3/16" X 3/8" - BLACK

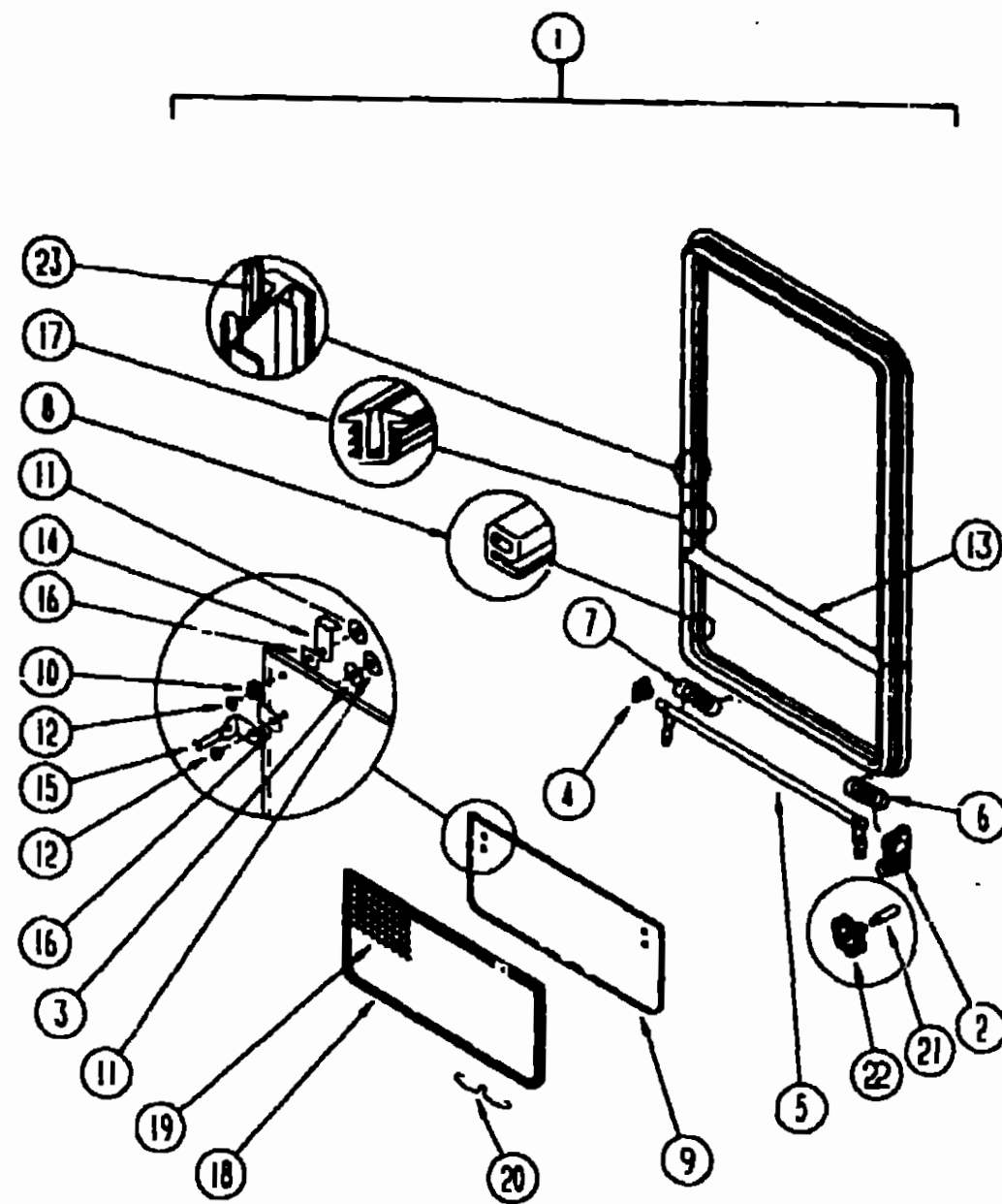
1992 ITA/SCA TABLE OF CONTENTS

INTRODUCTION	A-01 -	A-02
ABBREVIATIONS		A-03
ALPHABETICAL INDEX	A-04 -	A-06
ICF27RC	A-07 -	E-12
ICF30RU	E-13 -	I-20

1992 ICF30RU INDEX

FLOOR PLAN	E-13 -	E-14
ACCESSORIES		E-15
AUDIO VIDEO	E-15 -	E-16
BATH	E-17 -	E-18
BEDROOM	E-19 -	E-20
CHASSIS	E-21 -	F-04
CURTAIN & CUSHION	F-05 -	F-13
DINETTE	F-14 -	F-15
DRIVERS COMPARTMENT	F-16 -	F-20
ELECTRICAL	F-21 -	G-02
EXTERIOR BODY	G-03 -	G-10
GALLEY	G-11 -	G-14
GENERATORS	G-15 -	G-16
HEATING & A/C	G-17 -	G-22
INTERIOR FINISH	G-23 -	H-05
LABELS	H-06 -	H-14
LP		H-15
LOUNGE	H-16 -	H-17
SEALANTS & FASTENERS	H-18 -	H-20
WATER & SEWAGE	H-21 -	I-01
WINDOW, VENT		
EXTERIOR DOOR	I-02 -	I-17
WINDSHIELD & WIPER	I-18 -	I-19

WINDOW, VENT & EXTERIOR DOOR GROUP (CONTINUED)
SIDE BEDROOM WINDOW



KEY	PART NUMBER	U/M DESCRIPTION
	090893-18-02A	EA FRAME-INSIDE, WINDOW RETAINER - OFF WHITE
1	092235-12-Y12	EA WINDOW-TIPOUT, SINGLE - W/O INSIDE FRAME
	000H14-06-14R	EA RIVET-MANDREL BLIND, 3/16"
2	035302-02-000	EA OPERATOR-TORQUE, TIPOUT WINDOW
3	068927-03-000	EA SEAL-WINDOW, RUBBER - ROUND - 8 1/2" DIA - BLACK
4	081354-01-000	EA SLEEVE-TORQUE TUBE, TIPOUT WINDOW - 1 3/4" X 1 2" X 7"
	081649-01-000	EA RING-SNAP, 7/32 SHAFT DIAMETER
5	083150-12-000	EA TUBE-TORQUE, TIPOUT WINDOW - W/SPRING & ARM - 22 5" LONG
6	080918-01-000	EA SPRING-TORQUE TUBE, LEFT
7	080918-02-000	EA SPRING-TORQUE TUBE, RIGHT
8	084067-02-000	FT SEAL-E SHAPED, SPONGE - TIPOUT WINDOW - 42" X 38" - BLACK
9	084068-17-000	EA GLASS-TIPOUT, 9 2" X 24 5"
10	084453-02-000	EA WASHER-06" X 5" X 25" - PLASTIC
11	086762-01-000	EA T NUT 10-32
12	086763-01-000	EA SCREW-MACH. 10 - 32 X 1/4 PTH
13	087566-04-01A	EA MULLION-HORIZONTAL, TIPOUT - BLACK
14	089913-01-000	EA HINGE-TIPOUT WINDOW, BLACK
15	097578-01-000	EA LINKAGE-TIPOUT WINDOW
	084453-01-000	EA WASHER-06" X 5" X 135" - PLASTIC
16	084473-01-000	EA SEAL-FLAT, W/CENTER HOLE & ADHESIVE SIDE - 8" X 9" - BLK
	085315-01-000	EA RIVET-SHOULDER, TIPOUT WINDOW
17	099154-01-000	FT CHANNEL-GLAZING, STATIONARY GLASS - 62" X 45" - BLACK
18	100235-04-607	EA SCREEN-SINGLE TIPOUT WINDOW
19	060218-03-000	SF SCREENING-FIBERGLASS, 12" WIDE
20	100168-01-000	EA CLIP-SPRING, SCREEN
	100240-01-000	FT SPLINE-SCREEN, T-SHAPED
21	009439-06-000	EA EXTENSION-CRANK HANDLE, WINDOW / ROOF VENT - BLACK
22	009439-05-000	EA KNOB-OPERATOR, TIPOUT WINDOW - W/SPRING & ARM
	009439-07-000	EA SCREW, 8-32 X 1 1/4 POH - BLACK
23	069540-11-000	FT TAPE-SEALER, 3/16" X 3/8" - BLACK

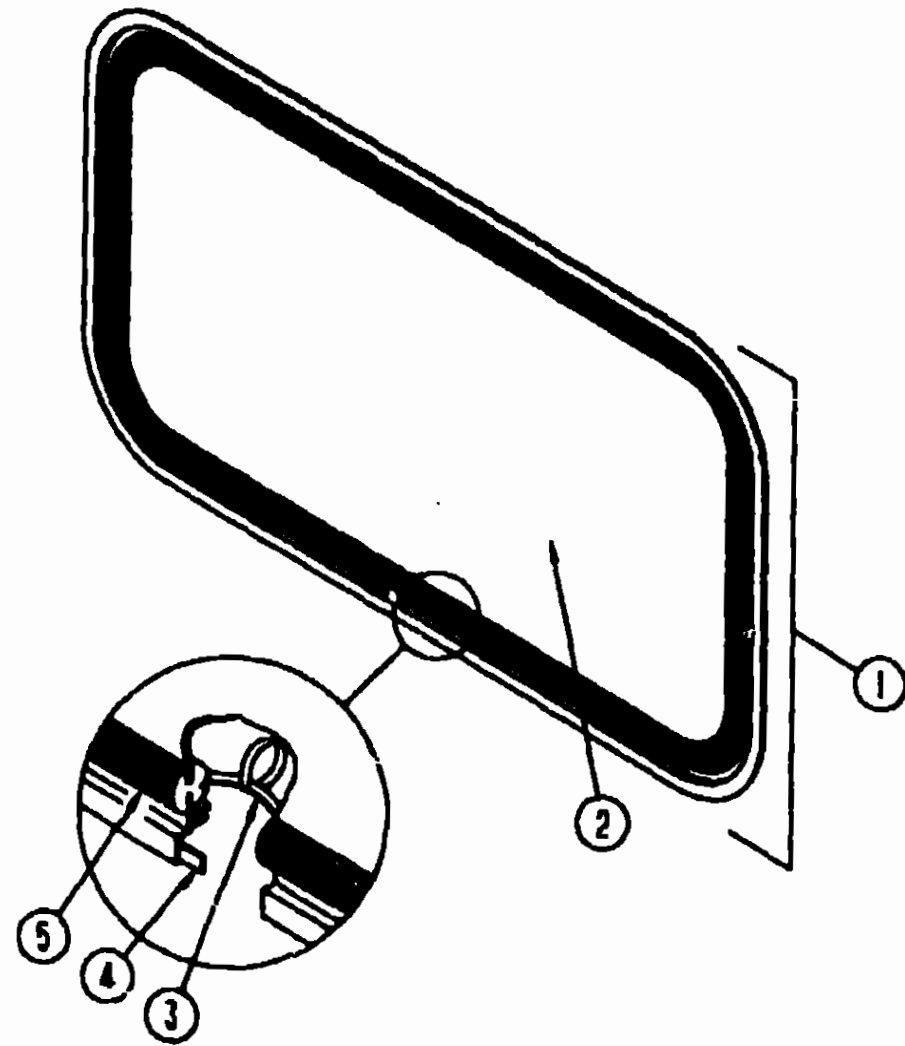
1992ITASCA
TABLE OF CONTENTS

INTRODUCTION	A-01 -	A-02
ABBREVIATIONS		A-03
ALPHABETICAL INDEX	A-04 -	A-06
ICF27RC	A-07 -	E-12
ICF30RU	E-13 -	I-20

1992 ICF30RU INDEX

FLOOR PLAN	E-13 -	E-14
ACCESSORIES		E-15
AUDIO VIDEO	E-15 -	E-16
BATH	E-17 -	E-18
BEDROOM	E-19 -	E-20
CHASSIS	E-21 -	F-04
CURTAIN & CUSHION	F-05 -	F-13
DINETTE	F-14 -	F-15
DRIVERS COMPARTMENT	F-16 -	F-20
ELECTRICAL	F-21 -	G-02
EXTERIOR BODY	G-03 -	G-10
GALLEY	G-11 -	G-14
GENERATORS	G-15 -	G-16
HEATING & A/C	G-17 -	G-22
INTERIOR FINISH	G-23 -	H-05
LABELS	H-06 -	H-14
LP		H-15
LOUNGE	H-16 -	H-17
SEALANTS & FASTENERS	H-18 -	H-20
WATER & SEWAGE	H-21 -	I-01
WINDOW, VENT		
EXTERIOR DOOR	I-02 -	I-17
WINDSHIELD & WIPER	I-18 -	I-19

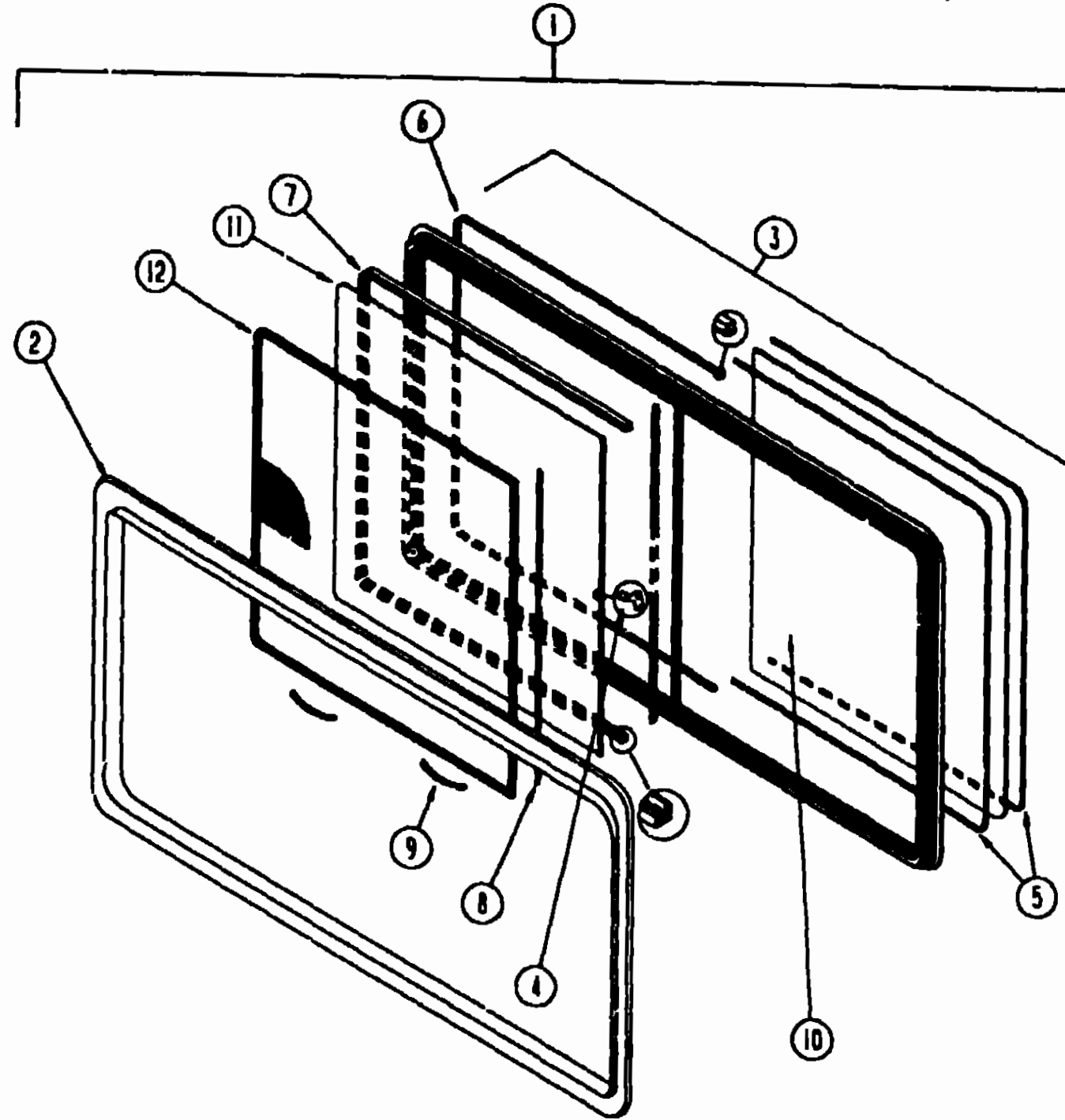
WINDOW, VENT & EXTERIOR DOOR GROUP (CONTINUED)



BEDROOM ESCAPE WINDOW

KEY	PART NUMBER	U/M DESCRIPTION
	074816-08-000	EA FRAME-WINDOW, INSIDE - ESCAPE - OFF WHITE
1	078526-03-Y12	EA WINDOW-ESCAPE, BACKWALL
2	076337-08-000	EA GLASS-EGRESS 1138 4 X 598 1
3	002285-01-000	FT FILLER-WEATHER STRIP, RUBBER - BLACK
	077065-01-702	EA RED POLY 005X 500INX150'ROLL
4	069540-10-000	FT SEALER-RIBBON, 1/32" X 1 1/2" INCREMENTS OF 90'
5	002282-06-000	EA WEATHERSTRIP-WINDCW, 125 BLK.133 25

WINDOW, VENT & EXTERIOR DOOR GROUP (CONTINUED)



DRIVER SIDE LOUNGE WINDOW

KEY	PART NUMBER	U/M DESCRIPTION
1	098647-10-02A	EA WINDOW ASM-SLIDER, HORIZONTAL W/INSIDE TRIM - EXCEL H024-PRL
2	099547-09-704	EA TRIM-INSIDE (OFF-WHITE) - W024-67 EXCEL WHITE
3	098647-10-700	EA WINDOW-SINGLE SLIDER, LEFT W/O INSIDE TRIM - H024-G2L EXCEL
4	098644-01-700	EA LATCH-REPAIR KIT, EXCEL B901-CK
5	098644-01-705	FT GLAZING STRIP, EXCEL M926-12
6	098644-01-706	FT WEATHERSTRIP, EXCEL 171-010563
7	098644-01-708	FT CHANNEL-PIERCED RUN, EXCEL 122-016543
8	098644-01-710	FT TRACK-SCREEN SPACER, 12' LENGTH - EXCEL M401-31
	098644-01-711	FT WEATHERSTRIP-SCREEN, BLACK - EXCEL 171-016965
9	098644-01-713	EA SPRING-SCREEN FRAME (CLIP), PLASTIC - BLACK
	098644-01-716	FT PLUG-FILLER, EXCEL 132-014470
	098644-01-717	FT SPLINE-SCREEN MFG - EXCEL 32-C04716
10	098647-09-700	EA GLASS-STATIONARY - 106-017193 EXCEL
11	098647-09-701	EA GLASS-SLIDING, W/SASH & LATCH - H024-G9 EXCEL
12	098647-09-705	EA SCREEN W/SPRING & WEATHERSTRIP - 410-016464 EXCEL

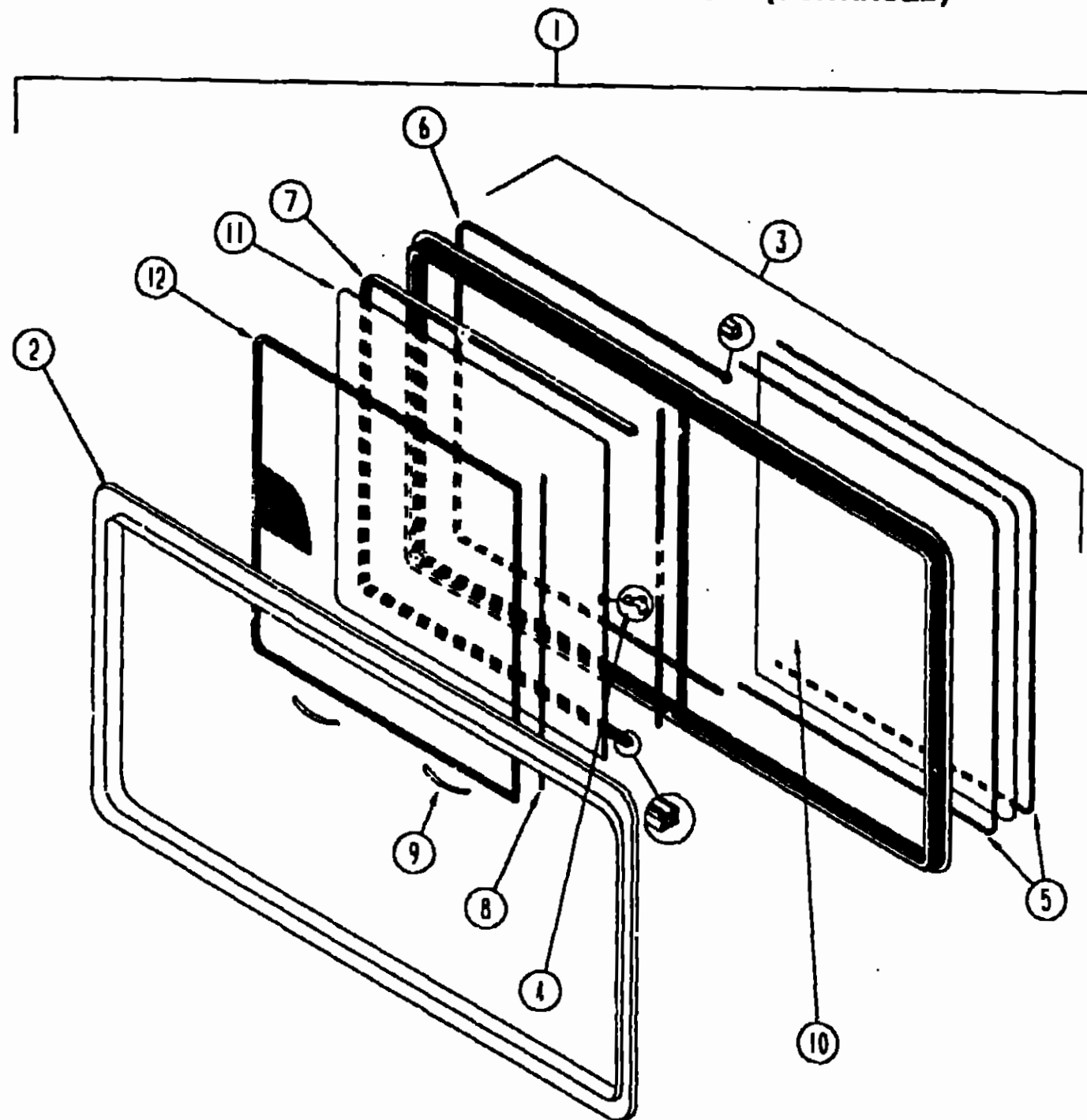
1992ITASCA
TABLE OF CONTENTS

INTRODUCTION	A-01 -	A-02
ABBREVIATIONS		A-03
ALPHABETICAL INDEX	A-04 -	A-06
ICF27RC	A-07 -	E-12
ICF30RU	E-13 -	I-20

1992 ICF30RU INDEX

FLOOR PLAN	E-13 -	E-14
ACCESSORIES		E-15
AUDIO VIDEO	E-15 -	E-16
BATH	E-17 -	E-18
BEDROOM	E-19 -	F-20
CHASSIS	E-21 -	F-04
CURTAIN & CUSHION	F-05 -	F-13
DINETTE	F-14 -	F-15
DRIVERS COMPARTMENT	F-16 -	F-20
ELECTRICAL	F-21 -	G-02
EXTERIOR BODY	G-03 -	G-10
GALLEY	G-11 -	G-14
GENERATORS	G-15 -	G-16
HEATING & A/C	G-17 -	G-22
INTERIOR FINISH	G-23 -	H-05
LABELS	H06 -	H-14
LP		H-15
LOUNGE	H-16 -	H-17
SEALANTS & FASTENERS	H-18 -	H-20
WATER & SEWAGE	H-21 -	I-01
WINDOW, VENT		
EXTERIOR DOOR	I-02 -	I-17
WINDSHIELD & WIPER	I-18 -	I-19

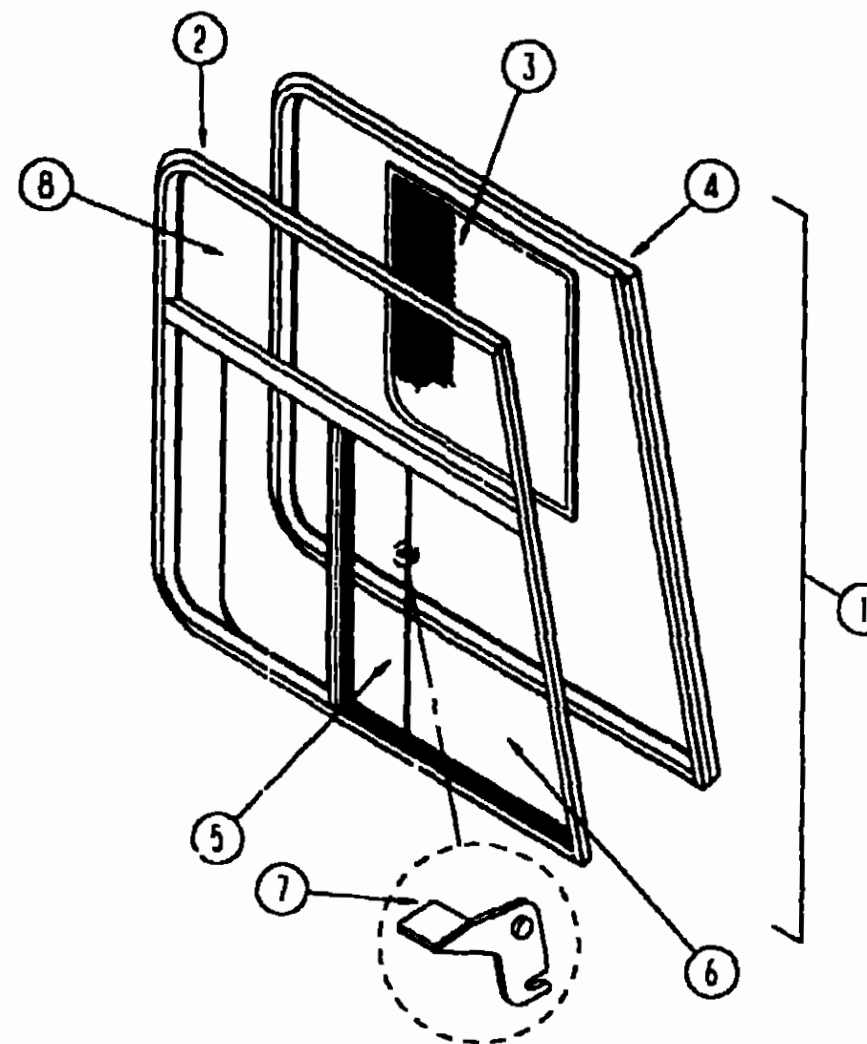
WINDOW, VENT & EXTERIOR DOOR GROUP (CONTINUED)



PASSENGER SIDE DINETTE WINDOW

KEY	PART NUMBER	U/M	DESCRIPTION
1	098647-09-02A	EA	WINDOW-SLIDER, HORIZONTAL - W/INSIDE FRAME - BLACK
2	098647-09-704	EA	TRIM-INSIDE (OFF-WHITE) - W024-67 EXCEL-WHITE
3	098647-09-703	EA	WINDOW-SINGLE SLIDER - LEFT (W/O INSIDE FRAME)
4	098644-01-700	EA	LATCH REPAIR KIT
5	098644-01-705	FT	GLAZING STRIP, EXCEL M926-12
6	098644-01-706	FT	WEATHERSTRIP EXCEL 171-010668
7	098644-01-708	FT	CHANNEL-PIERCED RUN EXCEL 122-016543
8	098644-01-710	FT	TRACK-SCREEN SPACER 12' LENGTH - EXCEL M401-31
	098644-01-711	FT	WEATHERSTRIP-SCREEN BLACK - EXCEL 171-016965
9	098644-01-713	EA	SPRING-SCREEN FRAME (CLIP) PLASTIC - BLACK - EXCEL 226-016966
	098644-01-716	FT	PLUG-FILLER, EXCEL 132-014470
	098644-01-717	FT	SPLINE-SCREEN MFG. EXCEL 32-004716
10	098647-09-700	EA	GLASS-STATIONARY - 106-017193 EXCEL
11	098647-09-701	EA	GLASS-SLIDING, W/SASH&LATCH - H024-G9 EXCEL
12	098647-09-705	EA	SCREEN W/SPRING&WEATHERSTRIP - 410-016464 EXCEL

WINDOW, VENT & EXTERIOR DOOR GROUP (CONTINUED)



DRIVER & PASSENGER CAB SIDE WINDOWS

KEY	PART NUMBER	U/M	DESCRIPTION
1	103658-02-01A	EA	WINDOW ASM-CAB,PASSENGER - H322-ARR
1	103658-01-01A	EA	WINDOW ASM-CAB,DRIVER - H 332-ARL
2	103658-02-702	EA	WINDOW-SLIDER, CAB - W/O INSIDE FRAME - PASSENGER - H322-A2R EXCEL
2	103658-01-704	EA	WINDOW-SLIDER, CAB - W/O INSIDE FRAME - DRIVER - H322-A2L EXCEL
3	103658-02-700	EA	SCREEN ASM -WINDOW, PASSENGER - H322-03R EXCEL
3	103658-01-700	EA	SCREEN ASM -WINDOW, DRIVER - H322-03L EXCEL
4	103658-02-703	EA	FRAME-INSIDE, PASSENGER - H322-67R EXCEL
4	103658-01-705	EA	FRAME-INSIDE, DRIVER - H322-67L EXCEL
5	103658-02-701	EA	GLASS-SLIDING, W/SASH&LATCH - PASSENGER - H322-A9R EXCEL
5	103658-01-703	EA	GLASS-SLIDING, W/SASH&LATCH - DRIVER - H322-A9L EXCEL
6	103658-01-702	EA	GLASS-STATIONARY, BOTTOM - 106-017700 EXCEL
7	098644-01-700	EA	LATCH-REPAIR KIT
8	103658-01-701	EA	GLASS-STATIONARY, TOP - 106-017699 EXCEL

**1992ITASCA
TABLE OF CONTENTS**

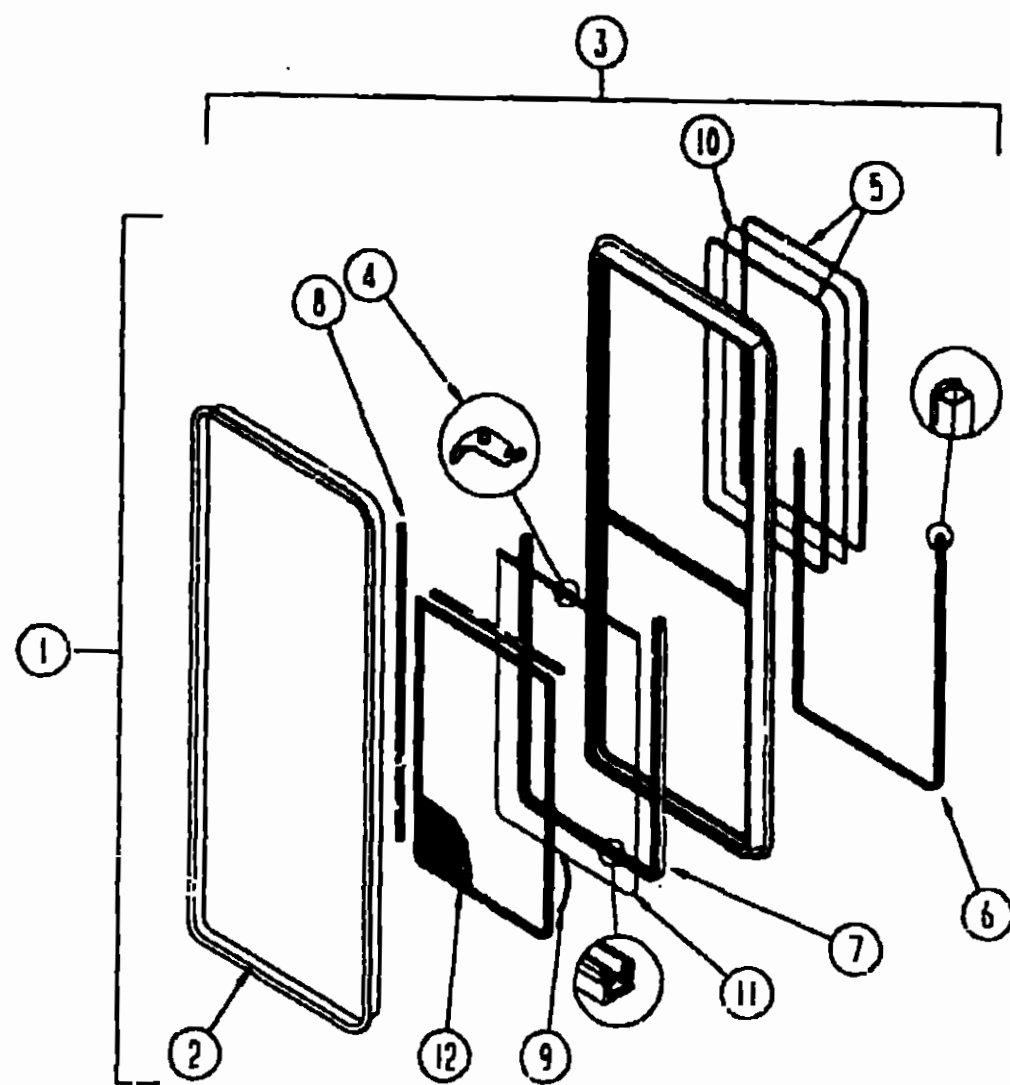
INTRODUCTION	A-01 -	A-02
ABBREVIATIONS		A-03
ALPHABETICAL INDEX	A-04 -	A-06
ICF27RC	A-07 -	E-12
ICF30RU	E-13 -	I-20

1992 ICF30RU INDEX

FLOOR PLAN	E-13 -	E-14
ACCESSORIES		E-15
AUDIO VIDEO	E-15 -	E-16
BATH	E-17 -	E-18
BEDROOM	E-19 -	E-20
CHASSIS	E-21 -	F-04
CURTAIN & CUSHION	F-05 -	F-13
DINETTE	F-14 -	F-15
DRIVERS COMPARTMENT	F-16 -	F-20
ELECTRICAL	F-21 -	G-02
EXTERIOR BODY	G-03 -	G-10
GALLEY	G-11 -	G-14
GENERATORS	G-15 -	G-16
HEATING & A/C	G-17 -	G-22
INTERIOR FINISH	G-23 -	H-05
LABELS	H-05 -	H-14
LP		H-15
LOUNGE	H-16 -	H-17
SEALANTS & FASTENERS	H-18 -	H-20
WATER & SEWAGE	H-21 -	I-01
WINDOW, VENT		
EXTERIOR DOOR	I-02 -	I-17
WINDSHIELD & WIPER	I-18 -	I-19

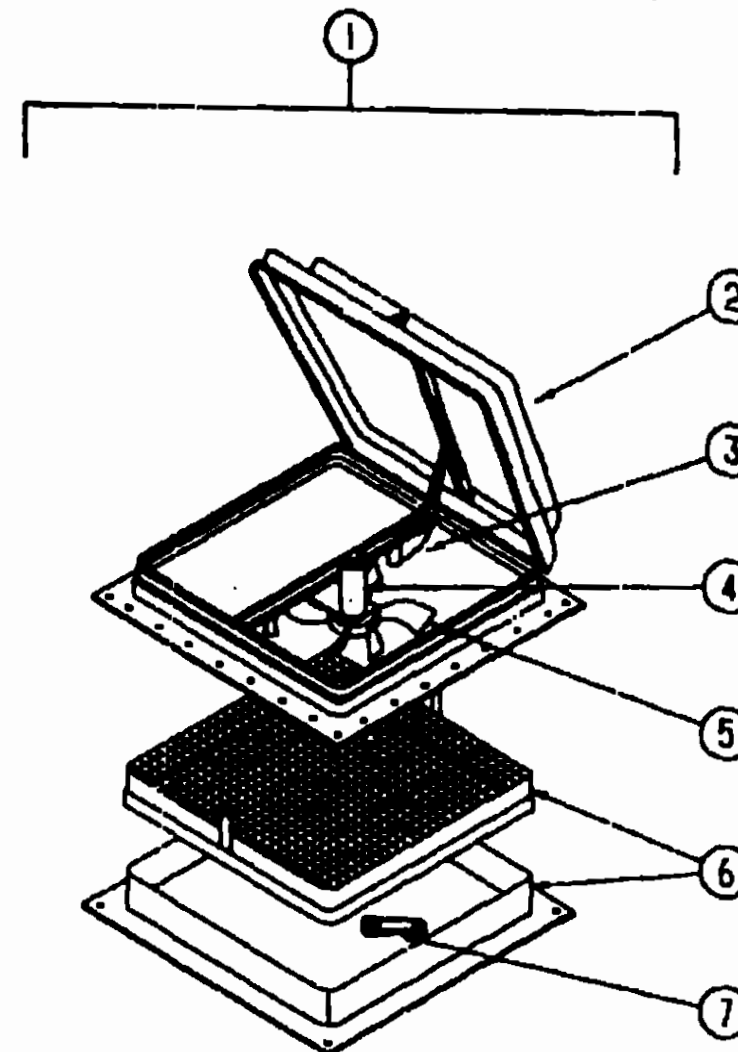
WINDOW, VENT & EXTERIOR DOOR GROUP (CONTINUED)

WINDOW, VENT & EXTERIOR DOOR GROUP (CONTINUED)



PASSENGER SIDE SWIVEL CHAIR WINDOW

KEY	PART NUMBER	U/M DESCRIPTION
1	098644-03-02A	EA WINDOW-SLIDER, VERTICAL W/INSIDE TRIM - EXCEL
2	098644-03-705	EA TRIM-INSIDE - EXCEL
3	098644-03-703	EA WINDOW ASM W/O INSIDE TRIM - EXCEL H250-G2R
4	098644-01-700	EA LATCH-REPAIR KIT, EXCEL B801-CK
5	098644-01-705	FT GLAZING STRIP, EXCEL M926-12
6	098644-01-706	FT WEATHERSTRIP, EXCEL 171-010568
7	098644-01-708	FT CHANNEL-PIERCED RUN, EXCEL 122-016543
8	098644-01-710	FT TRACK-SCREEN SPACER, 12' LENGTH - EXCEL M401-31
	098644-01-711	FT WEATHERSTRIP-SCREEN, BLACK - EXCEL 171-016955
9	098644-01-713	EA SPRING-SCREEN FRAME (CLIP), PLASTIC - BLACK
10	098644-03-700	EA GLASS-STATIONARY
11	098644-03-701	EA GLASS-SLIDING, W/SASH&LATCH
12	098644-03-702	EA SCREEN W/SPRING&WEATHERSTRIP
	098644-01-716	FT PLUG-FILLER, EXCEL 132-014470
	098644-01-717	FT SPLINE-SCREEN MFG, EXCEL 132-004716



JENSEN POWERED ROOF VENT

KEY	PART NUMBER	U/M DESCRIPTION
1	064469-08-000	EA VENT-ROOF POWERED - 14" X 14" - 12V - JENSEN C-727 - CSA
2	064469-03-702	EA LID-VENT, WHITE
3	064469-03-706	EA LIFT MECHANISM
4	048648-01-000	EA MOTOR-ROOF VENT, 1/8 SHAFT - 12V
5	048649-01-000	EA FAN-ROOF VENT, 6 BLADES - 6"
6	110051-01-701	EA GARNISH W/SCREEN & FRAME-2', JENSEN 29-800-01
	009439-01-000	EA CRANK HANDLE-ROOF VENT
	009439-04-000	EA SCREW 8-32 X 1 1/4" POH
	009439-03-000	EA EXTENSION-CRANK HANDLE, ROOF VENT - 9" - MILL

ROOF VENT

KEY	PART NUMBER	U/M DESCRIPTION
	090393-01-Y12	EA VENT ASM-ROOF POWERED
	090392-01-Y12	EA VENT ASM-ROOF NON POWERED
	051384-01-000	EA COVER-ROOF VENT
	002825-01-000	EA W/STR-ROOF VENT
	008195-01-000	EA SWITCH-PUSH BUTTON-12V
	008343-01-000	EA TIE-WIRE-6IN
	009440-01-000	EA GEAR-ARM-ROOF VENT
	048648-01-000	EA MOTOR-12V NONVENTED 1/8 SFT
	048649-01-000	EA FAN-PLAS-6 IN 6 BLADED
	052639-01-000	EA EXTR-HINGE 192.00 IN ROOF
	058028-01-000	EA CONNECTOR-PIGTAIL, CLEAR NYLON B A P
	061603-01-000	EA GROMMET-SNAP, 3/16 ID, 3/8 HOLE A A P
	076322-02-000	FT TAPE-FOAM, DBL COATED 045X1 0 C A P

**1992 ITASCA
TABLE OF CONTENTS**

INTRODUCTION	A-01	A-02
ABBREVIATIONS		A-03
ALPHABETICAL INDEX	A-04	A-06
ICF27RC	A-07	E-12
ICF30RU	E-13	I-20

1992 ICF30RU INDEX

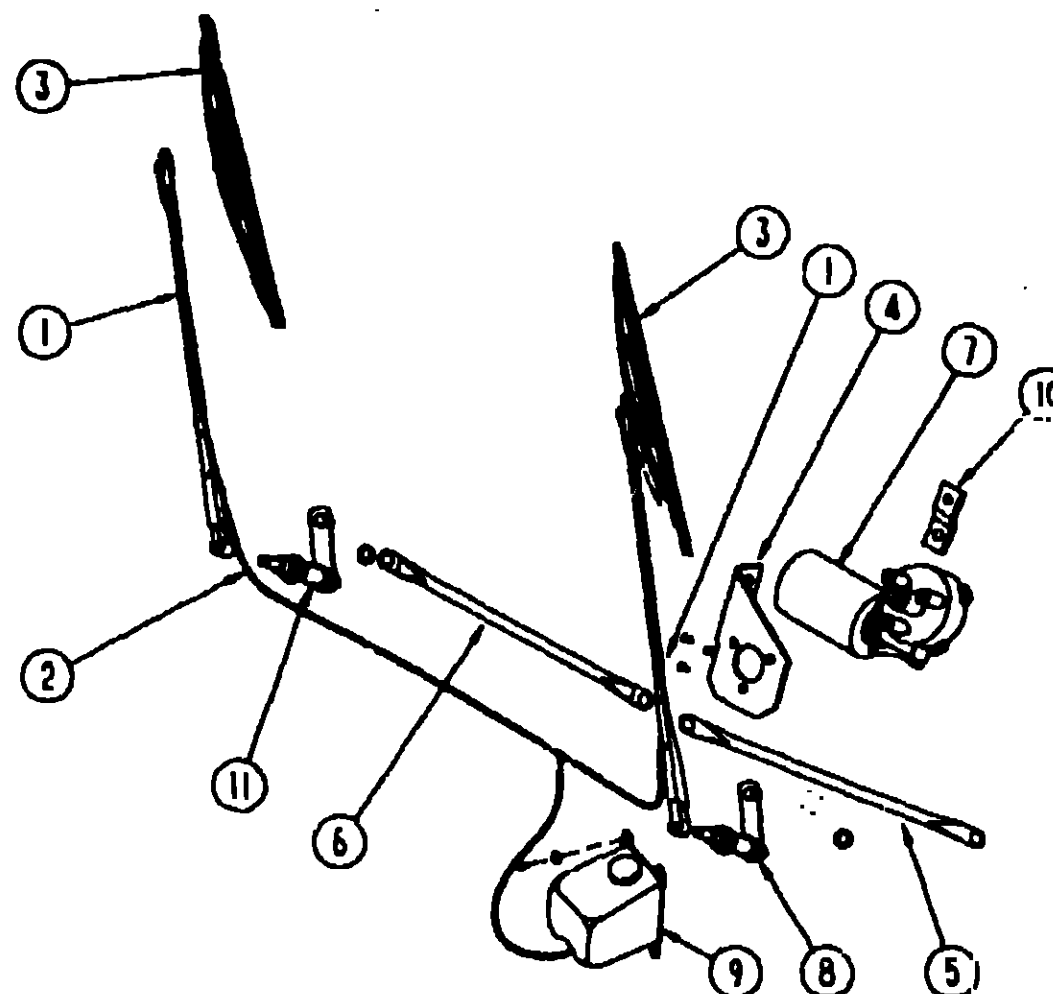
FLOOR PLAN	E-13	E-14
ACCESSORIES		E-15
AUDIO VIDEO	E-15	E-16
BATH	E-17	E-18
BEDROOM	E-19	E-20
CHASSIS	E-21	F-04
CURTAIN & CUSHION	F-05	F-13
DINETTE	F-14	F-15
DRIVERS COMPARTMENT	F-16	F-20
ELECTRICAL	F-21	G-02
EXTERIOR BODY	G-03	G-10
GALLEY	G-11	G-14
GENERATORS	G-15	G-16
HEATING & AC	G-17	G-22
INTERIOR FINISH	G-23	H-05
LABELS	H-06	H-14
LP		H-15
LOUNGE	H-16	H-17
SEALANTS & FASTENERS	H-15	H-20
WATER & SEWAGE	H-21	I-01
WINDOW, VENT		
EXTERIOR DOOR	I-02	I-17
WINDSHIELD & WIPER	I-18	I-19

WINDOW, VENT & EXTERIOR DOOR GROUP(CONTINUED)

ROOF VENT

KEY	PART NUMBER	U/M DESCRIPTION
	008343-01-000	EA TIE-WIRE, 6"
	008343-02-000	EA TIE-WIRE, 14"
	061603-01-000	EA GROMMET-SNAP, 3-16"D - 3/8" HOLE - PLASTIC - BLACK
	048648-01-000	EA MOTOR-ROOF VENT 1/8 SHAFT - 12V - JENSEN
	048649-01-000	EA FAN-ROOF VENT, 6 ELADES - 6" - JENSEN
	064470-01-700	EA COVER ROOF VENT 7291
	110051-01-700	EA SCREEN-ROOF VENT
	009439-05-000	EA KNOB-CRANK, WINDOW AND ROOF VENT - BLACK - DECO 718128
	009439-06-000	EA EXTENSION-CRANK HANDLE, WINDOW/ROOF VENT - 9" - BLACK
	009439-07-000	EA SCREW, 8-32 X 1 1/4 PCH - BLACK
	050216-02-000	FT SPLINE-GLASS, EXTERIOR - VINYL - 19" - BLACK
	087551-01-000	FT SEAL-GLASS, EXTERIOR - 5" WIDE - VINYL - BLACK
	084616-03-000	EA SHROUD-HOOD RANGE VENT, GRAY
	064878-09-000	EA VENT-RANGE HOOD, SHORT - LVS
	110051-01-01A	EA VENT-ROOF, NONPOWERED - 2" ROOF - JENSEN 7724 WHE
	002825-01-000	EA WEATHER STRIP-ROOF VENT, GRAY
	009440-01-000	EA GEAR/ARM-VENT COVER, LIFT
	015910-03-000	EA BRACKET-HANDLE-VENT ROOF O/W 7310-01
	015911-01-000	EA TRACK-LIFT ARM, SLIDE - ROOF VENT
	055218-01-000	EA COVER-ROOF VENT
	052639-01-001	EA HINGE-VENT COVER 16"
	052639-01-200	EA HINGE-EXTRUSION ROOF VENT 7"
	052639-01-001	EA HINGE-VENT COVER, 16"

WINDSHIELD & WIPER GROUP



WINDSHIELD WIPER ASM

KEY	PART NUMBER	U/M DESCRIPTION
1	103671-01-000	EA ARM - WIPER - 24"
2	096931-01-700	FT HOSE
3	095964-01-000	EA BLADE - WIPER - WINDSHIELD - 24"
4	104549-01-000	EA BRACKET ASM - WIPER MOTOR
5	103672-01-000	EA LINK ASM - CONNECTING - 21 85" - DRIVER SIDE
6	103672-02-000	EA LINK ASM - CONNECTING - 21 85" - PASSENGER SIDE
7	097983-01-000	EA WIPER MOTOR - W/76 DEGREE WIPER ANGLE
7	104355-01-000	EA WIPER MOTOR - W/1 5" DRIVE ARM
		FROM 03-00-00 THRU 07-21-91
		FROM 07-22-91 THRU 99-99-99
8	096505-03-000	EA PIVOT & SHAFT ASM - WIPER - DRIVER SIDE
9	056000-02-000	EA WASHER - WINDSHIELD - BOTTLE & PUMP
10	104347-01-000	EA ARM - DRIVE - WIPER MOTOR - 1.54"
11	096505-02-000	EA PIVOT & SHAFT ASM - WIPER - PASSENGER SIDE
	057188-01-000	EA STUD - WIPER CRANK
	091206-02-000	EA CONTROL - WIPER - DASH - DANA

1992 ITASCA

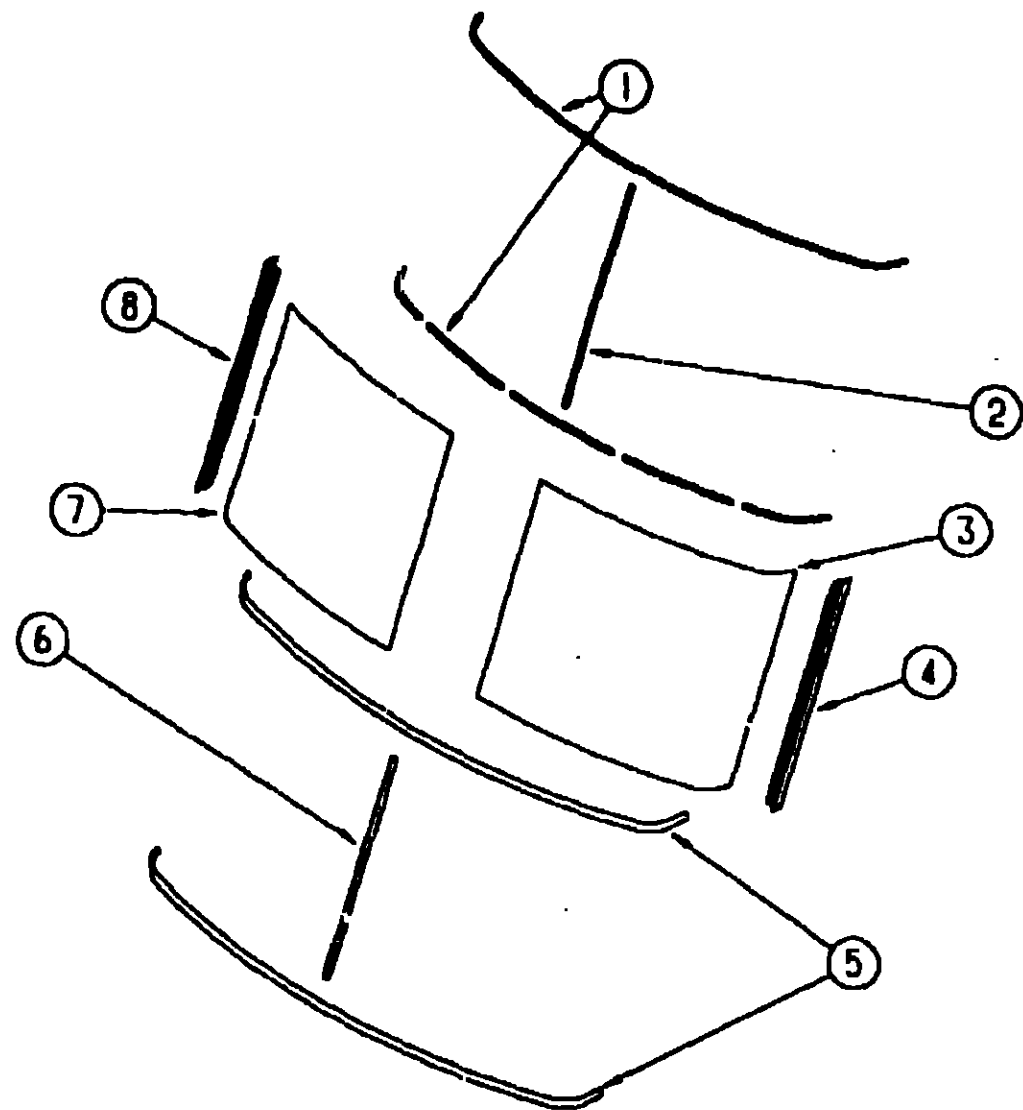
TABLE OF CONTENTS

INTRODUCTION	A-01	A-02
ABBREVIATIONS		A-03
ALPHABETICAL INDEX	A-04	A-06
ICF27RC	A-07	E-12
ICF30RU	E-13	I-20

1992 ICF30RU INDEX

FLOOR PLAN	E-13	E-14
ACCESSORIES		E-15
AUDIO VIDEO	E-15	E-16
BATH	E-17	E-18
BEDROOM	E-19	E-20
CHASSIS	E-21	F-04
CURTAIN & CUSHION	F-05	F-13
DINETTE	F-14	F-15
DRIVERS COMPARTMENT	F-16	F-20
ELECTRICAL	F-21	G-02
EXTERIOR BODY	G-03	G-10
GALLEY	G-11	G-14
GENERATORS	G-15	G-16
HEATING & A/C	G-17	G-22
INTERIOR FINISH	G-23	H-05
LABELS	H-06	H-14
LP		H-15
LOUNGE	H-16	H-17
SEALANTS & FASTENERS	H-18	H-20
WATER & SEWAGE	H-21	I-01
WINDOW, VENT		
EXTERIOR DOOR	I-02	I-17
WINDSHIELD & WIPER	I-18	I-19

WINDSHIELD & WIPER GROUP (CONTINUED)



WINDSHIELD MOLDINGS & GLASS

**1992 ITASCA
TABLE OF CONTENTS**

INTRODUCTION	A-01	A-02
ABBREVIATIONS		A-03
ALPHABETICAL INDEX	A-04	A-06
ICF27RC	A-07	E-12
ICF30RU	E-13	I-20

1992 ICF30RU INDEX

FLOOR PLAN	E-13	E-14
ACCESSORIES		E-15
AUDIO VIDEO	E-15	E-16
BATH	E-17	E-18
BEDROOM	E-19	E-20
CHASSIS	E-21	F-04
CURTAIN & CUSHION	F-05	F-13
DINETTE	F-14	F-15
DRIVERS COMPARTMENT	F-16	F-20
ELECTRICAL	F-21	G-02
EXTERIOR BODY	G-03	G-10
GALLEY	G-11	G-14
GENERATORS	G-15	G-16
HEATING & A/C	G-17	G-22
INTERIOR FINISH	G-23	H-05
LABELS	H-06	H-14
LP		H-15
LOUNGE	H-16	H-17
SEALANTS & FASTENERS	H-18	H-20
WATER & SEWAGE	H-21	I-01
WINDOW VENT		
EXTERIOR DOOR	I-02	I-17
WINDSHIELD & WIPER	I-18	I-19

KEY	PART NUMBER	U/M DESCRIPTION
1	102935-01-000	EA CARRIER - REVEAL - WINDSHIELD
2	102935-03-000	EA CARRIER - REVEAL - WINDSHIELD
3	088793-04-000	EA GLASS-WINDSHIELD, DRIVER
4	103107-04-01A	EA TRIM - WINDSHIELD - SIDE - BLACK
5	102936-01-000	FT MOLDING - REVEAL - WINDSHIELD
6	103523-01-000	FT MOLDING - REVEAL - WINDSHIELD - CENTER
7	088793-03-000	EA GLASS-WINDSHIELD, PASSENGER
8	103107-03-01A	EA TRIM - WINDSHIELD - SIDE - BLACK
	098788-03-000	EA CHANNEL - RIGID
	075710-01-000	EA FRAME - WINDSHIELD - CENTER DIVIDER - INNER
	077922-02-000	EA HEADER - WINDSHIELD
		FROM 00-00-00 THRU 01-19-92
	077922-03-000	EA HEADER WINDSHIELD END - RH
		FROM 01-20-92 THRU 99-99-99
	077922-04-000	EA HEADER WINDSHIELD END - LH
		FROM 01-20-92 THRU 99-99-99
	077922-05-000	EA HEADER WINDSHIELD - CENTER
	078579-10-000	EA TRIM - WINDSHIELD - UPR INNER - RH OFF WHITE
	078579-09-000	EA TRIM - WINDSHIELD - UPR INNER - LH OFF WHITE
	079765-08-000	EA TRIM - WINDSHIELD - CENTER - OFF WHITE
	077952-02-000	EA CAP - REVEAL MOLDING - CENTER TOP AND BOTTOM WINDSHIELD
		FROM 00-00-00 THRU 11-10-91
	077847-02-000	EA SUPPORT - WINDSHIELD - LOWER - W/O BRACKETS