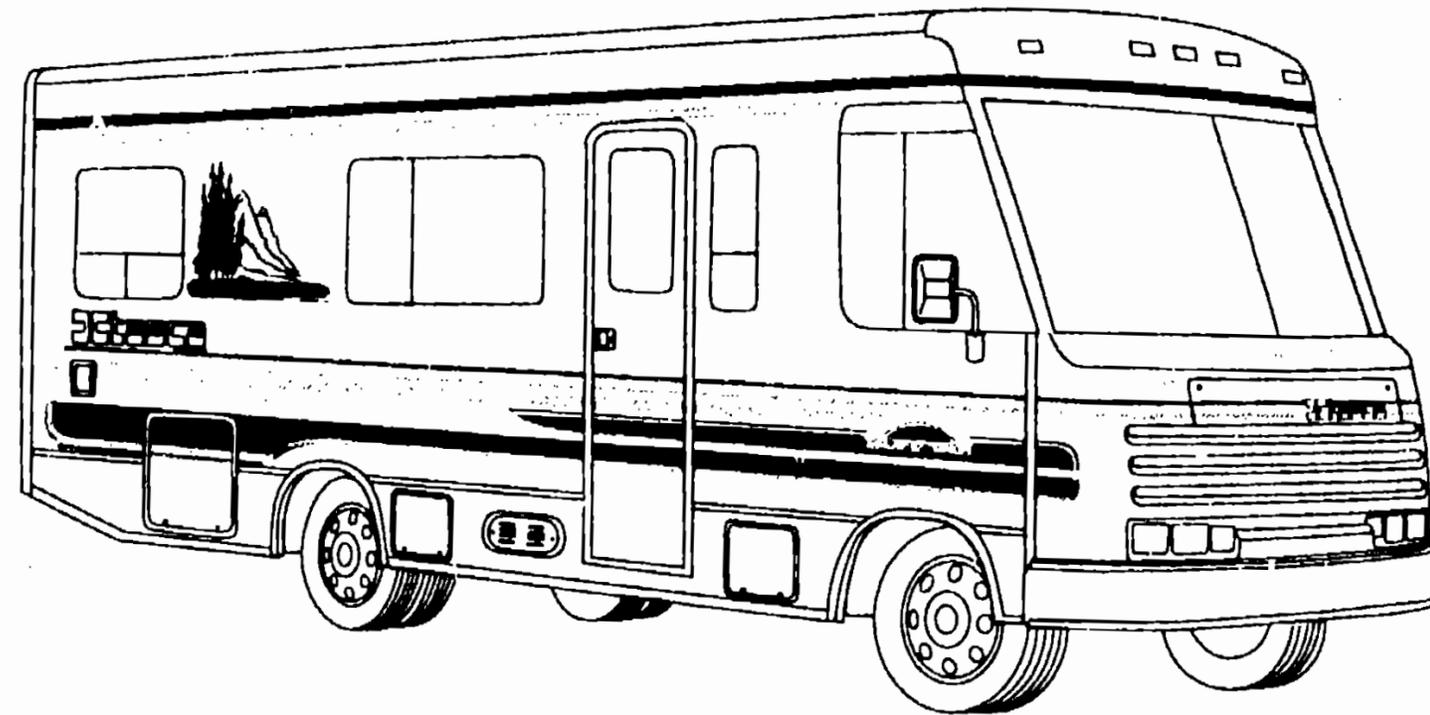
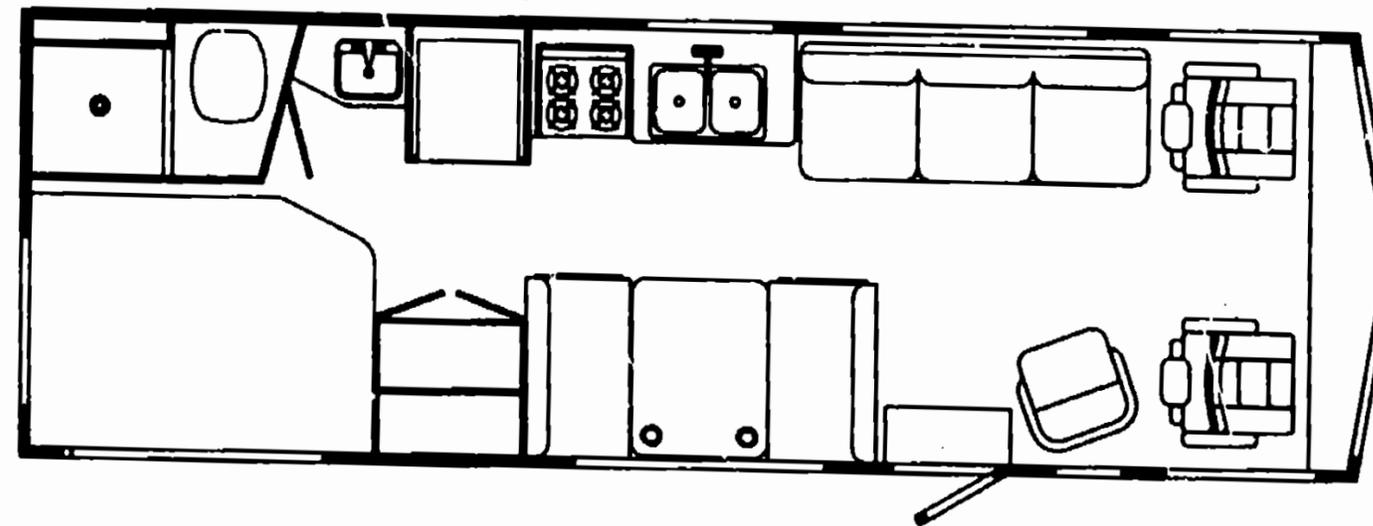


**1991 WINNEBAGO  
TABLE OF CONTENTS**

INTRODUCTION	A 01	A 02
ABBREVIATIONS		A-03
ALPHABETICAL INDEX	A-04	A-06
ICF27RC	A-07	E-12
ICF30RU	E-15	K-12



**1992  
ICF27RC  
C25  
C26**



**1992 ICF27RC INDEX**

FLOOR PLAN	A-07	A-08
ACCESSORIES		A-09
AUDIO VIDEO	A-09	A-10
BATH	A-11	A-12
BEDROOM	A-13	A-14
CHASSIS	A-15	A-22
CURTAIN & CUSHION	A-23	B-08
DINETTE	B-09	B-10
DRIVERS COMPARTMENT	B-11	B-14
ELECTRICAL	B-15	B-20
EXTERIOR BODY	B-21	C-04
GALLEY	C-05	C-08
GENERATORS	C-09	C-10
HEATING & AC	C-11	C-16
INTERIOR FINISH	C-17	C-23
LABELS	C-24	D-08
LP		D-09
LOUNGE		D-10
SEALANTS & FASTENERS	D-11	D-13
WATER & SEWAGE	D-14	D-19
WINDOW, VENT		
EXTERIOR DOOR	D-20	E-10
WINDSHIELD & WIPER	E-11	E-12

**ACCESSORIES GROUP**  
**MISCELLANEOUS COMPONENTS**

KEY	PART NUMBER	U/M DESCRIPTION
	054185-88-000	EA MANUAL OPERATOR 92 SUNRISE F-SERIES
	092318-01-000	EA BINDER-3 RING, MOTOR HOME MANUAL
	092319-01-000	EA POCKET PAGE-3 RING BINDER, PLASTIC
	106950-01-000	N/A TOP LEVEL-F, 1992

**AUDIO VIDIO GROUP**  
**RADIO AND COMPONENTS**

KEY	PART NUMBER	U/M DESCRIPTION
	073741-03-000	EA SPEAKER-RADIO, OVAL - AUDIOVOX 110-2074 - 4" X 6"
	073741-04-000	EA GRILLE-SPEAKER OVAL - 4" X 6" - BLACK
	094097-01-000	EA SPEAKER-RADIO W/O GRILLE - 5 2/4" DIA - AUDIOVOX 110C3030
	077069-02-000	EA CABLE-ANTENNA, RADIO - EXTENSION 96" - ARA 6700667
	087683-01-000	EA RADIO-AM/FM STEREO W/CASSETTE
	089340-02-000	EA GRILLE-SPEAKER, 6 5" SQUARE
	090944-01-000	EA ANTENNA-RADIO, 16" RUBBER
	104089-01-000	EA RADIO-AM/FM STEREO CASSETTE DIN AUDIOVOX IM-DXF
	089340-03-000	EA GRILLE-SPEAKER, SPACER TAN-MAGNADYNE G514
	097621-01-000	EA MOUNTING KIT-RADIO DIN AUDIV-AUDIOVOX WMK-AB01
	097621-02-000	EA MOUNTING KIT-RADIO DIN W/O B-AUDIOVOX WMK-AB02

**PATIO ENTERTAINMENT CENTER**

KEY	PART NUMBER	U/M DESCRIPTION
	087683-01-000	EA RADIO-AM/FM STEREO W/CASSETTE
	073741-03-000	EA SPEAKER-4X6 OVAL
	073741-04-000	EA GRILLE-SPEAKER, OVAL 4X6
	076319-09-000	EA WALL PLATE/RECEPTACLE BROWN
	058708-01-000	EA RECEPTACLE-DUPLEX, BRN T&B
	077069-02-000	EA CABLE-ANTENNA, EXTENSION 96"
	086756-01-000	EA SPLITTER-TV, 2 WAY
	090944-01-000	EA ANTENNA-RADIO, 16" RUBBER
	109889-02-000	EA ANTENNA-SHAFT EXTEN. ER 2"
	104897-01-01A	EA BOX-ENTERTAINMENT CENTER O/W
	104898-01-01A	EA PLATE-PLASTIC BOTTOM O/W
	104899-01-C05	EA PLATE-RADIO MOUNTING
	104900-01-000	EA WIRE ASM-ENTERTAINMENT CENTER
	105118-01-C05	EA DOOR ASM-STORAGE
	105230-01-C25	EA SHELF ASM-EXTERIOR TV
	105230-11-C25	EA SHELF ASM-EXTERIOR
	105230-12-C25	EA SUPPORT ASM
	108356-01-01A	EA ACTUATOR-SWITCH - GROOVES III
	105377-01-02A	EA BRACKET-SHELF HANGER GRAY
	105377-01-01A	EA BRACKET-SHELF HANGER O/W
	093214-01-02A	EA GRILL-SPEAKER, 4" BROWN
	090862-01-000	EA BRACKET-HAT, ANTENNA - 3 1" X 3 9" - STEEL - BLACK
	081059-02-000	EA WIRE ASM-9-PIN, RADIO - AUDIOVOX 112B-1761
	082134-01-000	EA ADAPTER-CABLE TO CABLE

FROM 00-00-00 THRU 06-24-91

FROM 06-25-91 THRU 99-99-99

**AUDIO VIDIO GROUP (CONTINUED)**  
**TV & VCR RELATED ITEMS**

KEY	PART NUMBER	U/M DESCRIPTION
	098446-04-000	EA VCR-VHS CABLE READY-REMOTE MAGNAVOX VR9912
	098446-02-700	EA REMOTE F/MODEL#9912
	098447-03-000	EA TV-13" COLOR W/REMOTE - U.S. - MAGNAVOX RR1337
	098447-03-700	EA REMOTE F/RR1337W & 1330W
	098447-04-000	EA TV-13" COLOR REMOTE C 5 A
	086757-03-000	EA CONTROL CENTER-SWITCHING-MAGNADYNE VCS G
	000030-08-32B	EA SCREW-SF/DR, 8-18 X 2 PPH - ZINC
	000067-10-08B	EA SCREW, 10-12 X 1/2 PPH ZN
	085774-01-000	FT FASTENER-DUAL HOOK 1" WIDE - ADHESIVE BACK - BLACK
	085774-02-000	FT FASTENER-DUAL LOOP 1" WIDE - ADHESIVE BACK - BLACK
	099717-01-000	EA TIEDOWN ASM-TV
	099717-02-000	EA TIEDOWN ASM TV
	098819-01-000	EA SPEAKER-2 WATT, 8 OHM - 4"
	093214-01-02A	EA GRILL-SPEAKER, 4" BROWN
	099030-01-000	EA WIRE-SPEAKER TV
	099537-01-000	EA GROMMET
	093252-01-01A	EA PLATE-WALL, CABLE BEIGE
	075319-09-000	EA WALLPLATE-CABLE RECEPTACLE, TV - SINGLE - BROWN
	086777-03-000	EA WALLPLATE-CABLE - W/TV ANTENNA SWITCH & BOOSTER - IVORY
	076319-12-000	EA CONNECTOR-COAXIAL, ONE PIECE
	082134-01-000	EA ADAPTER-TV CABLE TO CABLE - WINEGARD F-81M
	086756-01-000	EA SPLITTER-TV 2 WAY
	076319-06-000	EA ADAPTOR-CABLE ROOF PLATE WINEGARD RPJ-1
	086777-01-000	EA WALLPLATE-TV CABLE W/ANTENNA SWITCH - IVORY
	076319-03-000	FT CABLE-COAXIAL, 75 OHM

**TV ANTENNA AND COMPONENTS**

KEY	PART NUMBER	U/M DESCRIPTION
	076319-01-000	EA ANTENNA-TV, ROOF MOUNT - 44 5' MAST - RVA W02
	076319-01-700	EA HEAD-ANTENNA, AMPLIFIED - WINEGARD# RVSA U/V
	076319-01-701	EA GEAR-ELEVATING, PLASTIC - WINEGARD# 2200046
	076319-01-702	EA SHAFT ASM-ELEVATING, WINEGARD# RVP-400A
	076319-01-703	EA BEARING-NYLON, 5"OD - WINEGARD# 3200656
	076319-01-705	EA GROMMET-NYLON, 7/8"ID - WINEGARD# 3200658
	076319-01-706	EA CRANK-ELEVATING, W/SET SCREW - WINEGARD# 5755100
	076319-01-707	EA SPRING-HANDLE, WINEGARD# 5160800
	076319-01-709	EA PLATE-DIRECTIONAL, FOR HEAD - WINEGARD #3200644
	076319-01-706	EA CRANK-ELEVATING, W/SET SCREW - WINEGARD# 5755100

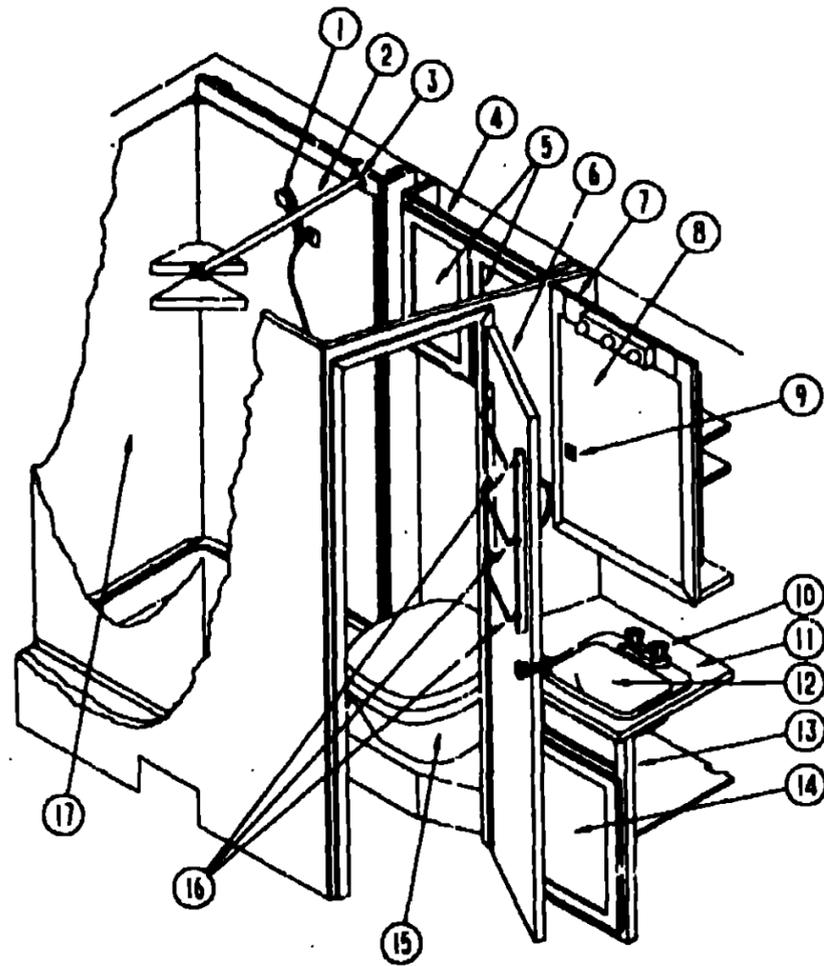
**1991 WINNEBAGO**  
**TABLE OF CONTENTS**

INTRODUCTION	A-01	A-02
ABBREVIATIONS		A-03
ALPHABETICAL INDEX	A-04	A-06
ICF27RC	A-07	E-12
ICF30RU	E-15	K-12

**1992 ICF27RC INDEX**

FLOOR PLAN	A-07	A-08
ACCESSORIES		A-09
AUDIO VIDIO	A-09	A-10
BATH	A-11	A-12
BEDROOM	A-13	A-14
CHASSIS	A-15	A-22
CURTAIN & CUSHION	A-23	B-08
DINETTE	B-09	B-10
DRIVERS COMPARTMENT	B-11	B-14
ELECTRICAL	B-15	B-20
EXTERIOR BODY	B-21	C-04
GALLEY	C-05	C-08
GENERATORS	C-09	C-10
HEATING & A/C	C-11	C-16
INTERIOR FINISH	C-17	C-23
LABELS	C-24	C-08
LP		D-09
LOUNGE		D-10
SEALANTS & FASTENERS	D-11	D-13
WATER & SEWAGE	D-14	D-19
WINDOW, VENT		
EXTERIOR DOOR	D-20	E-10
WINDSHIELD & WIPER	E-11	E-12

**BATH GROUP**  
BATHROOM CABINET & COMPONENTS



KEY	PART NUMBER
16	100357-01-000
16	102089-13-807
16	102089-14-807
17	102046-01-01A
	075241-05-000
	075605-01-000
	M02429-06-000
	011069-02-000
	066436-01-000
	066440-01-000
	069735-01-000
	066440-01-000
	075452-02-000
	075454-02-000
	084481-20-C25
	057671-01-000

U/M	DESCRIPTION
EA	ROD-TOWEL, BRASS W/ENDS BENT FOR BACK OF BATH DOOR
EA	WOOD RAIL - TOWEL RACK - RIGHT SIDE - 26" LONG
EA	WOOD RAIL - TOWEL RACK - LEFT SIDE - 26" LONG
EA	SURROUND-SHOWER O/W
EA	FAUCET SHOWER BONE
EA	PANEL-FAUCET BACK SHOWER - 5" X 9" - PLASTIC
EA	PAN-SHOWER
EA	TAILPIECE-TUB/SHOWER 1 1/2" X 1 1/4" X 4" - BRASS
EA	NUT-SLIP TAILPIECE - 1 5"
EA	STRAINER W/RUBBER WASHER
EA	WASHER-STRAINER TO TAILPIECE PLASTIC 1 5"
EA	STRAINER-TUB/SHOWER, W/PLUG
EA	HOLDER-TOILET TISSUE, BRASS
EA	RING-TOWEL W/MOUNTING HARDWARE - BRASS
EA	CURT ASM-SHOWER W/FAB&VINYL
EA	COVER-SCREW, #8 - PLASTIC - OFF WHITE

**1991 WINNEBAGO**  
**TABLE OF CONTENTS**

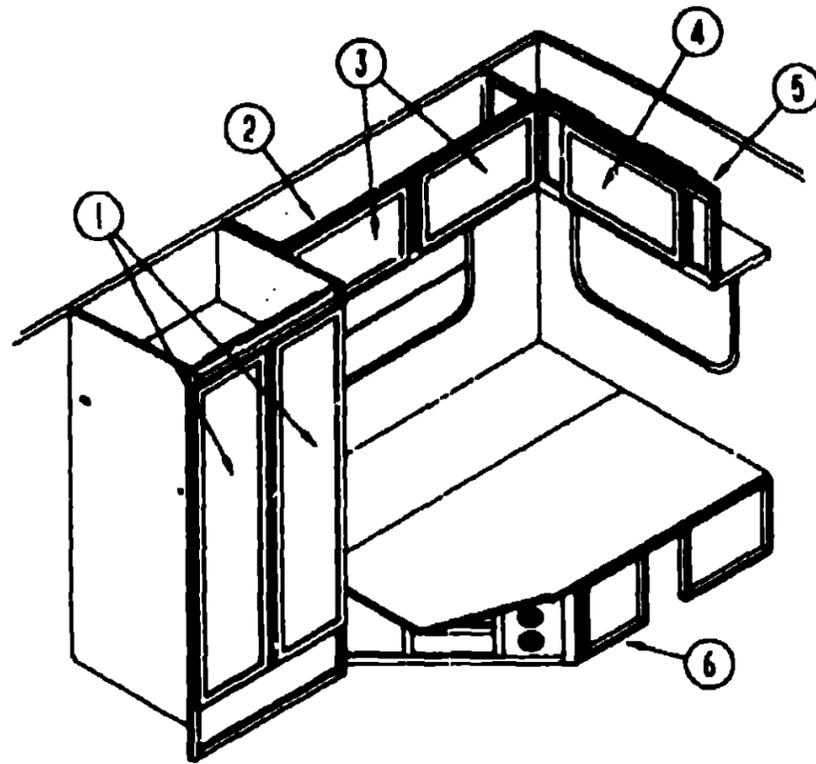
INTRODUCTION	A 01 - A 02
ABBREVIATIONS	A 03
ALPHABETICAL INDEX	A 04 - A 06
ICF27RC	A 07 - E 12
ICF30RU	E-15 - K-12

**1992 ICF27RC INDEX**

FLOOR PLAN	A-07 - A-08
ACCESSORIES	A-09
AUDIO VIDEO	A-09 - A-10
BATH	A-11 - A-12
BEDROOM	A-13 - A-14
CHASSIS	A-15 - A-22
CURTAIN & CUSHION	A-23 - B-08
DINETTE	B-09 - B-10
DRIVERS COMPARTMENT	B-11 - B-14
ELECTRICAL	B-15 - B-20
EXTERIOR BODY	B-21 - C-04
GALLEY	C-05 - C-08
GENERATORS	C-09 - C-10
HEATING & A/C	C-11 - C-16
INTERIOR FINISH	C-17 - C-23
LABELS	C-24 - D-08
LP	D-09
LOUNGE	D-10
SEALANTS & FASTENERS	D-11 - D-13
WATER & SEWAGE	D-14 - D-19
WINDOW, VENT	
EXTERIOR DOOR	D-20 - E-10
WINDSHIELD & WIPER	E-11 - E-12

KEY	PART NUMBER	U/M	DESCRIPTION
1	103092-01-000	EA	SHOWER HEAD-W/60 IN HOSE
2	102075-03-01A	EA	ROD-CURTAIN,SHOWER
3	009112-01-000	EA	FLANGE-1" ROD, CLOTHES - PLASTIC - OFF WHITE
4	102851-01-C05	EA	CABINET ASM-STORAGE BATH
5	P04746-08-C25	EA	DOOR ASM - W/MIRROR - W/O HARDWARE
6	M04145-06-C05	EA	BATH DOOR W/JAMB
6	M87868-05-C05	EA	DOOR ASM-CABINET BATH
	094485-01-01A	EA	KNOB-DOOR, POLISHED BRASS
7	102821-01-C05	EA	CABINET ASM-MEDICINE
8	102326-02-000	EA	DOOR ASM MIRROR 500MMX750H
9	102327-01-01A	EA	PULL - CLEAR, MEDICINE CABINET
	088254-01-000	EA	CATCH-MAGNETIC
10	075240-06-000	EA	FAUCET-LAVATORY, BONE
	105218-01-01A	EA	SPACER-FAUCET, LAVATORY SINK - 2" X 5 9" - ABS PLASTIC O/W
			FROM 00-00-00 THRU 10-13-91
11	102822-11-C25	EA	COUNTERTOP ASM
12	096927-01-01A	EA	SINK-LAVATORY, RECTANGULAR - PLASTIC - BONE
	096927-01-700	EA	SINK-STOPPER
	096927-01-701	EA	TAILPIECE-SINK
13	102822-01-C25	EA	CABINET ASM-LAVATORY
14	P04746-21-C25	EA	DOOR ASM - W/O HARDWARE
15	067487-02-000	EA	TOILET-AQUA MAGIC IV,LOW
	067487-02-700	EA	SEAT & COVER ASM(FOOT-FLUSH)
	067487-02-701	EA	PEDAL PKG (FOOT-FLUSH)
	067487-02-702	EA	RESERVOIR TANK ASSEMBLY
	063740-01-710	EA	LINK THETFORD
	063740-01-713	EA	SEAL (BALL VALVE TO BOWL)
	063740-01-714	EA	WATER VALVE ASM
	063740-01-706	EA	BOLT PACKAGE-CLOSET, THETFORD 12524
	063740-01-717	EA	TUBE FLUSH, TOILET - THETFORD 12509
	024676-01-C30	EA	FLANGE-CLOSET, TOILET - 4" X 3" - RED
	024676-02-000	EA	FLANGE-CLOSET, 4" X 3" - ABS - CANADIAN

**BEDROOM GROUP  
BEDROOM CABINETS**



KEY	PART NUMBER	U/M	DESCRIPTION
1	P04746-49-C25	EA	DOOR ASM-WARDROBE, W/O HARDWARE
2	M05019-40-C25	EA	CABINET ASM-OVHD, REAR
3	P04746-03-C25	EA	DOOR ASM-HDW-MITERED OGEE
4	P04746-04-C25	EA	DOOR ASM-HDW-MITERED OGEE
5	M05019-46-C25	EA	CABINET ASM-OVHD REAR
6	P02963-01-C05	EA	CABINET ASM DOUBLE BED
	064467-01-000	EA	GUIDE-POCKET DOOR WALL MOUNT
	089076-03-000	EA	SUPPORT BED CHANNEL - 1 1/2" X 72 7" - ALUMINUM - BEIGE
	091261-01-000	EA	BACKING NON SKID 12" X 100"
	102820-01-C25	EA	DRAWER ASM CABINET
	009112-01-000	EA	FLANGE-1" ROD CLOTHES PLASTIC - OFF WHITE
	042438-01-000	EA	DOWEL WOOD CLOTHES ROD - 1" DIAMETER X 4'
	064357-02-W24	EA	STAND-FOLD DOWN TV - W/MIRROR
	084412-01-000	EA	SUPPORT-HINGED
	084356-08-000	EA	INSERT-TV STAND W/SUPPORT HINGE - METAL - OFF WHITE
	084412-01-000	EA	SUPPORT-HINGED
	084451-01-000	EA	CATCH-TV SHELF BRASS
	084413-01-000	EA	HINGE-CONTINUOUS ALUMINUM - 1" X 72" - WHITES
	084356-04-000	EA	INSERT-TV STAND W/SUPPORT HINGE METAL - TAN

**1991 WINNEBAGO  
TABLE OF CONTENTS**

INTRODUCTION	A 01	A 02
ABBREVIATIONS		A 03
ALPHABETICAL INDEX	A 04	A 06
ICF27RC	A 07	E-12
ICF30RU	L 15	K 12

**1992 ICF27RC INDEX**

FLOOR PLAN	A-07	A-08
ACCESSORIES		A-09
AUDIO VIDEO	A-09	A-10
BATH	A-11	A-12
BEDROOM	A-13	A-14
CHASSIS	A-15	A-22
CURTAIN & CUSHION	A-23	B-08
DINETTE	B-09	B-10
DRIVERS COMPARTMENT	B-11	B-14
ELECTRICAL	B-15	B-20
EXTERIOR BODY	B-21	C-04
GALLEY	C-05	C-08
GENERATORS	C-09	C-10
HEATING & A/C	C-11	C-16
INTERIOR FINISH	C-17	C-23
LABELS	C-24	D-08
LP		D-09
LOUNGE		D-10
SEALANTS & FASTENERS	D-11	D-13
WATER & SEWAGE	D-14	D-19
WINDOW, VENT		
EXTERIOR DOOR	D-20	E-10
WINDSHIELD & WIPER	E-11	E-12

**CHASSIS GROUP  
EXHAUST SYSTEM**

KEY	PART NUMBER	U/M DESCRIPTION
	007125-01-000	EA CLAMP-MUFFLER 1 62 DIAMETER
	094918 01-000	EA CLAMP EXHAUST, 3" - GUILLOTINE STYLE

**DIESEL EXHAUST SYSTEM**

KEY	PART NUMBER	U/M DESCRIPTION
	061918 01 000	EA EXTENSION-EXHAUST 2 25"OD X 9 44" - STAINLESS STEEL
	094918-03 000	EA CLAMP EXHAUST 2 5"
	090803 01 000	EA BRACKET-EXHAUST HANGER - L ANGLE - 1 7" X 13 3" - STEEL
	081918 01 000	EA EXTENSION EXHAUST 2 25"OD X 9 44" - STAINLESS STEEL

**EXHAUST HEAT SHIELD**

KEY	PART NUMBER	U/M DESCRIPTION
	101544 01 000	EA SHIELD-HEAT EXHAUST - 19 7" X 28 9" - STEEL (FRONT)
	101544 02 000	EA SHIELD-HEAT EXHAUST - 30" X 28 9" - STEEL (REAR)

**MISCELLANEOUS COMPONENTS**

KEY	PART NUMBER	U/M DESCRIPTION
	089359 03 000	EA WHEEL-STEEL 16" X 6"K - 8 HOLE - PRIMED
	089359-04-000	EA WHEEL-STEEL 16" X 6"K - 8 HOLE - OFF WHITE
	093719 01-000	EA HOSE-OIL FILL PREFORMED 90 DEGREE BEND
	098806-01-000	EA PIPE-FILL VENT, 90 DEGREE BEND - 4 87" - 1 3/4" OD - STEEL
	104408-03-C25	EA COVER-TIRE, 32" SUNRISE
	080208-01-000	EA LUG WRENCH, 1 06X1 00
	080208-02-000	EA LEVERAGE BAR-LUG WRENCH
	017516-01 000	EA FLAP-MUD BLACK
	020167-03-000	EA DIRT GUARD - STEEL - FOR MUDFLAP
	072447-04-000	EA SHROUD-FUEL FILL

**CANADIAN CHEVY - GAS & DIESEL**

KEY	PART NUMBER	U/M DESCRIPTION
	094796-03-000	EA CLUSTER-INSTRUMENT PANEL, KM(CAN)GAS FROM 00-00-00 THRU 09-12-91
	094796-05-000	EA CLUSTER-INSTRUMENT PANEL KM(CAN)GAS FROM 09-13-91 THRU 99-99-99
	094796-04-000	EA CLUSTER-INSTRUMENT PANEL, KM(CAN) DIESEL FROM 00-00-00 THRU 11-08-91
	094796-06-000	EA CLUSTER-INSTRUMENT PANEL, KM(CAN) DIESEL FROM 11-09-91 THRU 99-99-99
	C 71-000	EA LABEL-FUEL, UNLEADED, I.P.
	100138-01-000	EA DAYTIME RUNNING LIGHT MODULE
	100158-01-000	EA WIRE ASM-DAY RUN LAMPS
	106859-01-000	EA WIRE ASM-DAY RUN LAMPS, FUSE

**CHASSIS GROUP (CONTINUED)  
MISCELLANEOUS COMPONENTS**

KEY	PART NUMBER	U/M DESCRIPTION
	089359-03-000	EA WHEEL-STEEL, 16" X 6"K - 8 HOLE - PRIMED
	089359-04-000	EA WHEEL-STEEL, 16" X 6"K - 8 HOLE - OFF WHITE
	093719-01-000	EA HOSE-OIL FILL, PREFORMED 90 DEGREE BEND
	098806-01-000	EA PIPE FILL VENT 90 DEGREE BEND - 4 87" - 1 3/4" OD - STEEL
	104408-03-C25	EA COVER-TIRE 32" SUNRISE
	080208-01-000	EA LUG WRENCH 1 06X1 00
	080208-02 000	EA LEVERAGE BAR LUG WRENCH
	017516 01 000	EA FLAP-MUD BLACK
	020167-03-000	EA DIRT GUARD - STEEL - FOR MUDFLAP

**WHEEL COVERS**

KEY	PART NUMBER	U/M DESCRIPTION
	083181-01-000	EA WHEEL COVER 4/SET 16 IN
	083181 01-700	EA WHEEL COVER 1 - 16"

**ENTRY STEP AREA**

KEY	PART NUMBER	U/M DESCRIPTION
	104005-01-C05	EA CABINET ASM-LID ENTRANCE STEP
	101220-02 01A	EA TRIM-LID ENT STEP 35B
	101222-01 01A	EA BRACKET CATCH LID

**STEP WELL ACCESS PANEL**

KEY	PART NUMBER	U/M DESCRIPTION
	M92055-01-000	EA PANEL-ACCESS, STEP WELL - WHINGE
	009063-01-000	EA HINGE-CONTINUOUS, 1 1/2" X 72"
	088254-01-000	EA CATCH-MAGNETIC, 1 8" X 7"
	096645-01-000	EA FULL-CABINET, BRASS

**COMPARTMENTS & TRAYS**

KEY	PART NUMBER	U/M DESCRIPTION
	056748-01-000	EA FLUG-CAP, 1 5" DIAMETER - BLACK
	061420-04-000	EA PLUG-PLAS, 1 25 DIA
	078137-04-000	EA TRAY-COMPARTMENT, GENERATOR - 29 1" WIDE X 22 4" DEEP
	085967-01-000	EA COMPARTMENT-SEWER HOSE, 6" X 6 6" X 17 8" - PLASTIC
	006182-01-W30	EA COMPARTMENT ASM-HOSE SEWER
	102979-01-000	EA BOX-POWER CORD
	104897-01-01A	EA BOX-ENTERTAINMENT CENTER
	104898-01-01A	EA PLATE-PLASTIC BOTTOM
	106208-01-01A	EA COMPARTMENT-EXTERIOR SHOWER, OFF WHITE PLASTIC

**FUEL SYSTEM**

KEY	PART NUMBER	U/M DESCRIPTION
	007063-01-000	FT HOSE-GAS 1/4"ID X 1/2"OD
	044317-01-000	FT HOSE-FUEL, 3/8" ID
	024142-01-000	EA TEE-BARB, 3/16" - PLASTIC
	066732-01-000	FT HOSE-FUEL FILL, 62" ID
	007063-01-000	FT HOSE-GAS 1/4"ID X 1/2"OD
	098806-01-000	EA PIPE-FILL VENT, 90 DEGREE BEND - 4 87" - 1 3/4" OD - STEEL
	972447-04-000	EA SHROUD-FUEL FILL, UPPER - PLASTIC - INNER
	102951-01-03A	EA SHROUD-FUEL FILL GRAY - OUTER

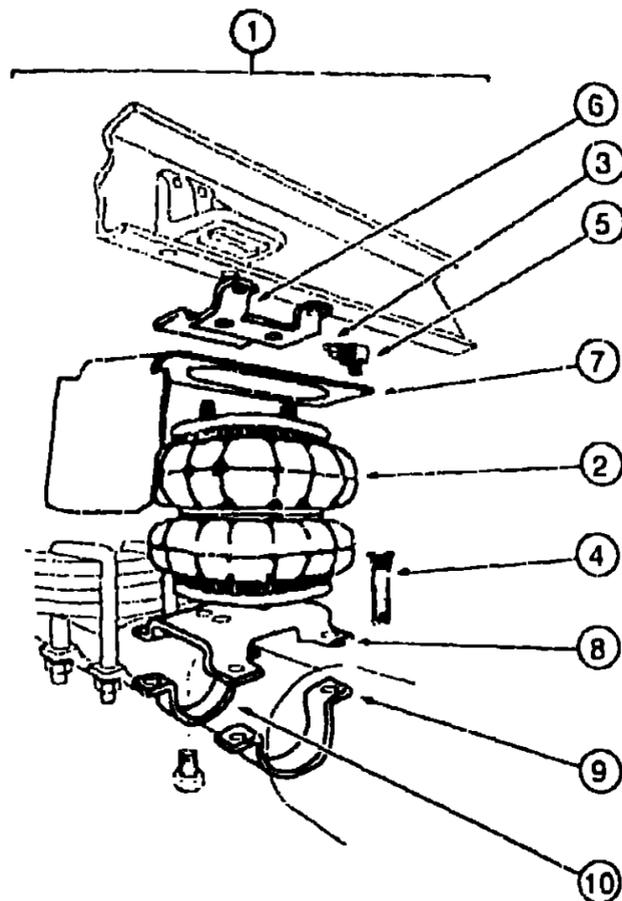
**1991 WINNEBAGO  
TABLE OF CONTENTS**

INTRODUCTION	A 01	A-02
ABBREVIATIONS		A 03
ALPHABETICAL INDEX	A 04	A-06
ICF27RC	A 07	E-12
ICF30RU	E-15	K 12

**1992 ICF27RC INDEX**

FLOOR PLAN	A-07	A-08
ACCESSORIES		A-09
AUDIO VIDEO	A-09	A-10
BATH	A-11	A-12
BEDROOM	A-13	A-14
CHASSIS	A-15	A-22
CURTAIN & CUSHION	A-23	B-08
DINETTE	B-09	B-10
DRIVERS COMPARTMENT	B-11	B-14
ELECTRICAL	B-15	B-20
EXTERIOR BODY	B-21	C-04
GALLEY	C-05	C-08
GENERATORS	C-09	C-10
HEATING & A/C	C-11	C-16
INTERIOR FINISH	C-17	C-23
LABELS	C-24	D-08
LP		D-09
LOUNGE		D-10
SEALANTS & FASTENERS	D-11	D-13
WATER & SEWAGE	D-14	D-19
WINDOW, VENT		
EXTERIOR DOOR	D-20	E-10
WINDSHIELD & WIPER	E-11	E-12

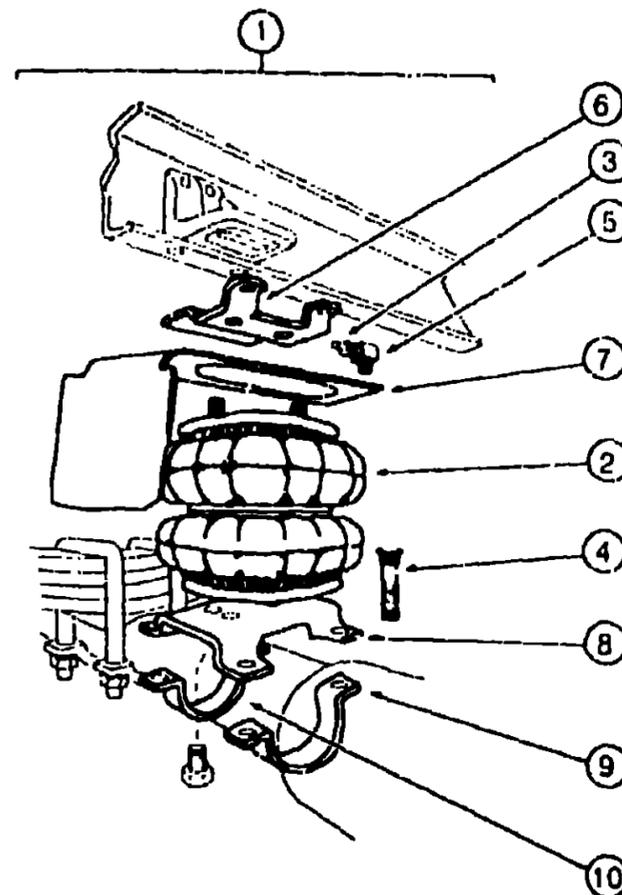
CHASSIS GROUP (CONTINUED)



REAR AXLE AIRSPRINGS  
FROM 00-00-00 THRU 08-25-91

KEY	PART NUMBER	U/M DESCRIPTION
1	084086-01-000	EA AIRSPRING-BELLOWS, REAR AXLE - FIRESTONE# MHA224
2	084086-01-700	EA AIR BAG-ONLY, FIRESTONE# W21-760-0335
3	084086-01-701	EA TUBING-DOT 1/4" X 18' - FIRESTONE# 21-0938
4	084086-01-702	EA BOLT-RIBBED NECK, 3/8"-24 X 2 5" FIRESTONE# 21-0829
5	084086-01-703	EA INFLATING VALVE-DOT 1/4" TUBING, FIRESTONE# 21-0931
	084086-01-704	EA ELBOW CONNECTOR, FIRESTONE# 21-0935
	084086-01-705	EA TUBING PROTECTORS, FIRESTONE# 21-0899
6	084086-01-706	EA BRACKET-UPPER TO FRAME FIRESTONE# 21-0150
	084086-01-708	EA AIRLINE SERVICE KIT, FIRESTONE# W21-760-2012
	084086-01-709	EA HEAT SHIELD, FIRESTONE# 21-1004
	084086-01-710	EA BOLT PACKAGE, FIRESTONE 2135823002
7	084086-01-711	EA HEAT SHIELD-224 DOS SYSTEM, FIRESTONE 21-5042
8	084086-01-707	EA BRACKET-LOWER, TOP - PASSENGER SIDE - FIRESTONE# 21-1162
8	084086-01-712	EA BRACKET-LOWER, TOP - DRIVER SIDE - FIRESTONE 21-5037
9	084086-01-713	EA AXLE STRAP BRACKET, AXLE TUBE - 3 USED - FIRESTONE 21-1163
10	084086-01-714	EA AXLE STRAP BRACKET, DIFFERENTIAL - 1 USED - FIRESTONE 21-5038
	084086-03-000	EA BRACKET-AXLE, FIRESTONE #W21-760-2044

CHASSIS GROUP (CONTINUED)



REAR AXLE AIRSPRINGS  
FROM 08-26-91 THRU 99-99-99

KEY	PART NUMBER	U/M DESCRIPTION	
1	084086-04-000	EA AIRSPRING-BELLOWS, REAR AXLE - FIRESTONE	# MHA224
2	084086-01-700	EA AIR BAG-ONLY, FIRESTONE	# W21-760-0335
3	084086-01-701	EA TUBING-DOT 1/4" X 18' - FIRESTONE# 21-0938	
4	084086-01-702	EA BOLT-RIBBED NECK, 3/8"-24 X 2 5" FIRESTONE,	# 21-0829
5	084086-01-703	EA INFLATING VALVE DOT 1/4 TUB	# 21-0931
	084086-01-705	EA TUBING PROTECTORS, FIRESTONE	# 21-0899
6	084086-01-706	EA BRACKET-UPPER TO FRAME, FIRESTONE	# 21-0150
7	084086-01-711	EA HEAT SHIELD-224 DOS SYSTEM, FIRESTONE	# 21-5042
8	084086-01-707	EA BRACKET-LOWER-TOP	# 21-1162
9	084086-01-713	EA AXLE STRAP BRACKET, AXLE TUBE - 3 USED - FIRESTONE	21-1163
10	084086-01-714	EA AXLE STRAP BRACKET, DIFFERENTIAL - 1 USED - FIRESTONE	21-5038
	084086-03-000	EA BRACKET-AXLE, FIRESTONE	#W21-760-2044

1991 WINNEBAGO  
TABLE OF CONTENTS

INTRODUCTION	A 01	A 02
ABBREVIATIONS		A-03
ALPHABETICAL INDEX	A 04	A-06
ICF27RC	A-07	E-12
ICF30RU	E-15	K 12

1992 ICF27RC INDEX

FLOOR PLAN	A-07	A-08
ACCESSORIES		A-09
AUDIO VIDEO	A-09	A-10
BATH	A-11	A-12
BEDROOM	A-13	A-14
CHASSIS	A-15	A-22
CURTAIN & CUSHION	A-23	B-08
DINETTE	B-09	B-10
DRIVERS COMPARTMENT	B-11	B-14
ELECTRICAL	B-15	B-20
EXTERIOR BODY	B-21	C-04
GALLEY	C-05	C-08
GENERATORS	C-09	C-10
HEATING & A/C	C-11	C-16
INTERIOR FINISH	C-17	C-23
LABELS	C-24	D-08
LP		D-09
LOUNGE		D-10
SEALANTS & FASTENERS	D-11	D-13
WATER & SEWAGE	D-14	D-19
WINDOW, VENT		
EXTERIOR DECOR	D-20	E-10
WINDSHIELD & WIPER	E-11	E-12

**CHASSIS GROUP (CONTINUED)**  
COMPARTMENTS & TRAYS

KEY	PART NUMBER	U/M DESCRIPTION
	06142L-04-000	EA PLUG - PLAS - 1.25 DIA CAPLUG RP1.25 FROM 00-00-00 THRU 03-13-92
	092087-01-000	EA HATCH - COMPARTMENT - SEWER HOSE - 6"
	092087-03-000	EA CAP - TWIST HATCH - SEWER HOSE - 4" ID - BEIGE FROM 09-05-91 THRU 99-99-99
	092087-04-000	EA CHAIN - TWIST CAP - 9" FROM 09-05-91 THRU 99-99-99
	093207-03-01A	EA NET - CARGO
	094657-01-000	EA TRAY - GENERATOR - 22.5" X 30.4" X 6.9"
	094657-02-000	EA TRAY - GENERATOR - 22.5" X 30.4" X 6.9" W-ANGLE & NUTS
	104742-01-007	EA STORAGE COMPARTMENT ASM
	104897-01-01A	EA BOX - ENTERTAINMENT CENTER - OFF WHITE (US)
	104897-03-01A	EA BOX - ENTERTAINMENT CENTER - OFF WHITE (CSA)
	104898-01-01A	EA PLATE - PLASTIC BOTTOM - OFF WHITE (CSA)
	104898-02-01A	EA PLATE - PLASTIC BOTTOM - OFF WHITE (US)
	055374-01-000	EA WHEELWELL - PLASTIC

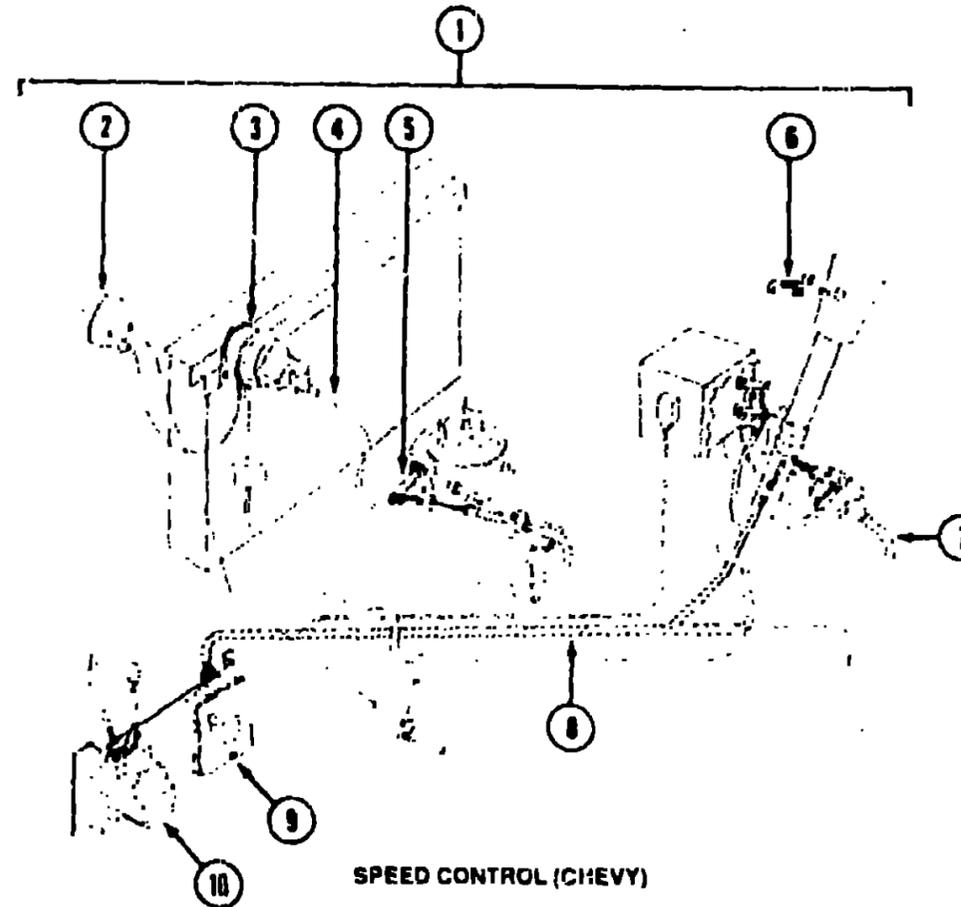
**STEP ASSEMBLIES**

KEY	PART NUMBER	U/M DESCRIPTION
	094707-01-01A	EA STEP - DOUBLE - ELECTRIC KWIKEE 3210
	041250-01-000	EA SWITCH - PUSH BUTTON - IN DOOR JAMB - METAL - CHROME
	094707-02-700	EA MOTOR REPLACEMENT KIT - MODELS 32 & 28 KWIKEE 9520
	094707-02-701	EA LINKAGE ASM - MODEL 32 KWIKEE 9523
	094707-02-702	EA GEAR KIT KWIKEE 9525
	094707-02-703	EA PARTS KIT - (BEARINGS & PINS) KWIKEE 9530
	094707-02-704	EA CONNECTOR KIT - MOTOR KWIKEE 9537
	094707-02-705	EA CONTROL UNIT - (ORANGE) KWIKEE 9513
	100312-01-000	EA SWITCH - DOOR JAMB - ELECTRIC ENTRY STEP - METAL
	104467-01-02A	EA STEP ASM - PULLOUT DOUBLE 20" - BLACK
	067618-04-000	EA TRIM - STEPWELL - OFF WHITE
	106251-01-C07	EA TRIM - STEPWELL - OFF WHITE FROM 00-00-00 THRU 08-23-91 FROM 08-24-91 THRU 99-99-99

**LEVELING & SUSPENSION SYSTEMS**

KEY	PART NUMBER	U/M DESCRIPTION
	100332-01-000	EA PLATE - VALVE - AIR SPRING
	091250-01-000	EA BUSHING - SWAY BAR - 1.25" CUT - HELI WIG# PB 731 FROM 00-00-00 THRU 12-19-91 FROM 00-00-00 THRU 06-26-91
	104993-01-000	EA SHOCK ABSORBER - GAS - P30 FRONT
	084066-01-000	EA AIRSPRING - BELLOWS - REAR AXLE
	100332-01-000	EA PLATE - VALVE - AIR SPRING CHASSIS GROUP (CONTINUED)

**CHASSIS GROUP (CONTINUED)**



**SPEED CONTROL (CHEVY)**

KEY	PART NUMBER	U/M DESCRIPTION
	102362-01-000	EA SPEED CONTROL DANA 59L-111010B
	094369-01-705	EA VACUUM RESERVOIR DANA 59C-02249
	094369-01-706	EA SERVO DANA 53D-11116-F
	094369-01-700	EA CABLE & SERVO DANA 59C-2262
	102362-01-705	EA THROTTLE STUD DANA 59A-02979
	102362-01-707	EA SWITCH & LEVER - CONTROL DANA 53D-08X63-F
	102362-01-703	EA HARNESS - PIVOT SW TO WIPER CONTROL DANA 59C-02973
	102362-01-704	EA HARNESS - MAIN WIRING DANA 59D-02975
	102362-01-701	EA REGULATOR - ELECTRONIC DANA 57C-08X13-R
	102362-01-702	EA WIPER MODULE DANA 59C-02279
	094863-01-704	EA HOUSING - 4 PIN DANA 59C-022

**DIESEL CRUISE CONTROL**

KEY	PART NUMBER	U/M DESCRIPTION
	102362-02-000	EA SPEED CONTROL-1991 CHEVY DIESEL, DANA 59L111020P
	102362-01-701	EA REGULATOR-ELECTRONIC, DANA 57C-08X13-R
	102362-01-702	EA MODULE-WIPER CONTROL, DANA 66D-00C61
	102362-01-703	EA HARNESS-PIVOT SW TO WIPER CONTROL, DANA 59C-02973
	102362-01-704	EA HARNESS-MAIN WIRING, DANA 59D-02975
	102362-01-707	EA SWITCH & LEVER-CONTROL, DANA 53D-08X63-F
	083212-01-705	EA RELEASE VALVE ONLY, DANA# 59C-02297
	094369-01-701	EA SWITCH & LEVER ASM, DANA# 58D-11118-F
	094369-01-706	EA SERVO-DANA# 53D-11116-F
	094369-02-700	EA CABLE-SERVO, DIESEL - DANA# 59C-2262
	094369-02-702	EA EXTENSION-WIRE HARNESS, DANA# 59C-02279
	094863-01-704	EA HOUSING-4 PIN, SPEED CONTROL - TOYOTA - DANA 59C-02291

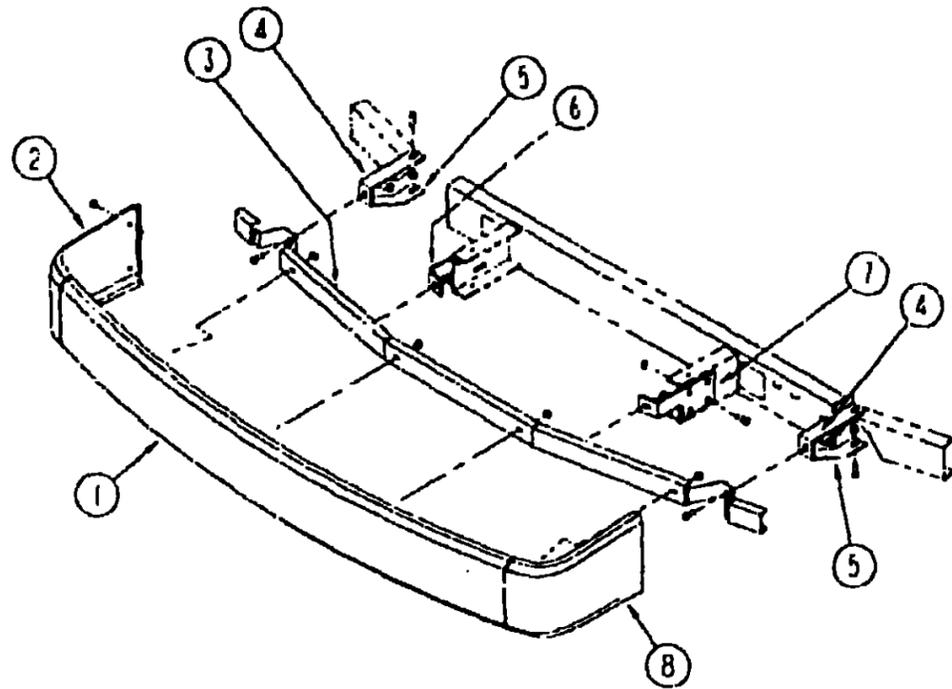
**1991 WINNEBAGO**  
**TABLE OF CONTENTS**

INTRODUCTION	A-01	A-02
ABBREVIATIONS		A-03
ALPHABETICAL INDEX	A-04	A-06
ICF27RC	A-07	E-12
ICF30RU	E-15	K-12

**1992 ICF27RC INDEX**

FLOOR PLAN	A-07	A-08
ACCESSORIES		A-09
AUDIO VIDEO	A-09	A-10
BATH	A-11	A-12
BEDROOM	A-13	A-14
CHASSIS	A-15	A-22
CURTAIN & CUSHION	A-23	B-08
DINETTE	B-09	B-10
DRIVER'S COMPARTMENT	B-11	B-14
ELECTRICAL	B-15	B-20
EXTERIOR BODY	B-21	C-04
GALLEY	C-05	C-08
GENERATORS	C-09	C-10
HEATING & A/C	C-11	C-16
INTERIOR FINISH	C-17	C-23
LABELS	C-24	D-08
LP		D-09
LOUNGE		D-10
SEALANTS & FASTENERS	D-11	D-13
WATER & SEWAGE	D-14	D-19
WINDOW, VENT		
EXTERIOR DOOR	D-20	E-10
WINDSHIELD & WIPER	E-11	E-12

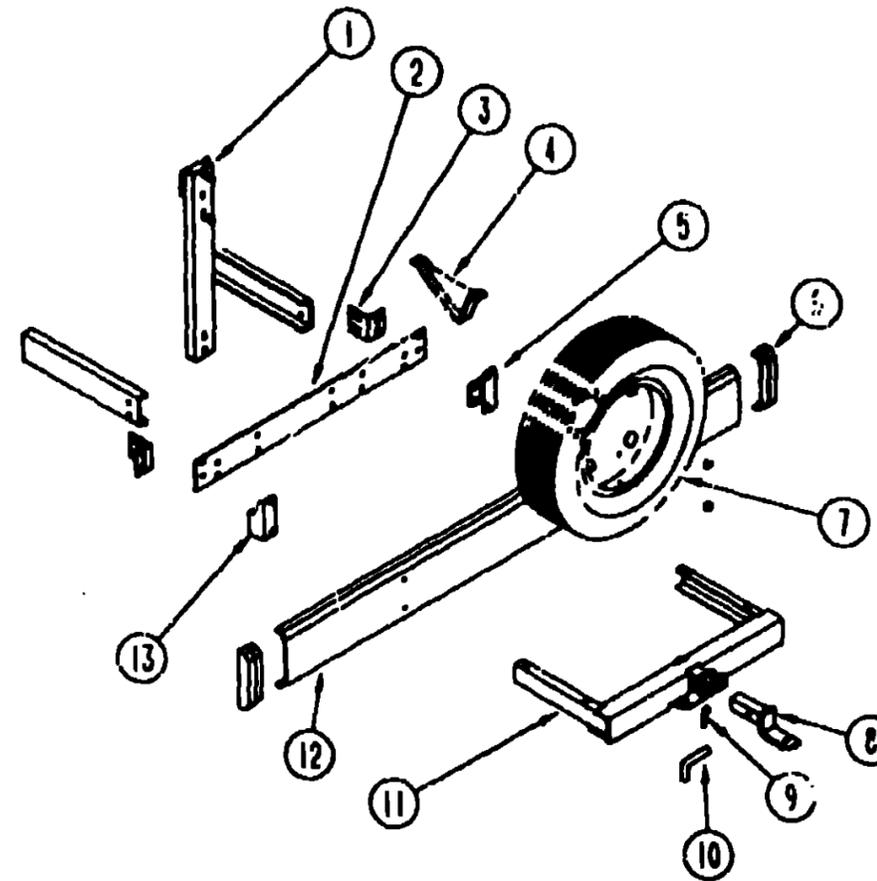
**CHASSIS GROUP (CONTINUED)**



**FRONT BUMPER**

KEY	PART NUMBER	U/M DESCRIPTION
1	103534-01-C25	EA BUMPER ASM-FRONT
2	103625-01-02A	EA PANEL-FACIA.FRONT BUMPER RIGHT - GRAY
3	103512-01-000	EA CHANNEL ASM-BUMPER
4	103497-01-000	EA BRACE-BUMPER.FRONT
5	103611-01-000	EA BRACE-BUMPER.FRONT
6	086140-03-0C0	EA SUPPORT-FRONT BUMPER, PASSENGER SIDE - 9 1" X 4" - STEEL
7	086140-04-0C0	EA SUPPORT-FRONT BUMPER, DRIVERS SIDE - 9 1" X 4" - STEEL
8	103625-02-02A	EA PANEL-FACIA.FRONT BUMPER LEFT - GRAY

**CHASSIS GROUP (CONTINUED)**



**REAR BUMPER & TRAILER HITCH, AND TIRE CARRIER**

KEY	PART NUMBER	U/M DESCRIPTION
1	102944-01-000	EA BRACKET ASM-TIRE CARRIER
	000C27-10-32T	EA BOLT-CARR 5/8-11X2.00 EXT
2	078678-02-000	EA PLATE-MTG.BUMPER.REAR
3	078658-01-000	EA SUPPORT ANGLE.BUMPER.REAR
4	083376-01-000	EA SKID PLATE ASM
5	102945-03-000	EA BRACKET ASM-BUMPER.REAR
6	103228-01-02A	EA CAP-END.BUMPER.REAR GRAY
	094352-02-000	EA CLIP-XMAS TREE.FLAT HEAD
7	083425-07-000	EA TIRE-7.50 X R16 LRD. MICHELIN XPS RIB
	104408-03-C25	EA COVER-TIRE.32" SUNRISE
	P04408-03-000	EA SILKSCREEN-32" SUNRISE
8	077613-01-000	EA DRAWBAR ASM ONLY
9	034513-01-000	EA PIN-HITCH-3/16 WIRE
	070579-06-000	EA PLATE ASM-ANCHOR
10	034512-01-000	EA PIN-LOCKING-DRAWBAR
11	077617-01-000	EA HITCH ASM W/O DRAWBAR
	000C12-08-24B	EA BOLT-HEX-1/2-13X1 1/2 ZN
	000E11-08-008	EA WASHER-LK-1/2 MED SPLIT ZN
12	103099-01-03A	EA BUMPER-REAR, GRAY
13	102945-04-000	EA BRACKET ASM-BUMPER.REAR
	102333-01-02A	EA BOLT-CARR.7/16-14 SST CAP
	097744-02-000	EA HOUSING-TRAILER PIN 48 IN
	097746-01-000	EA HOUSING-CAP

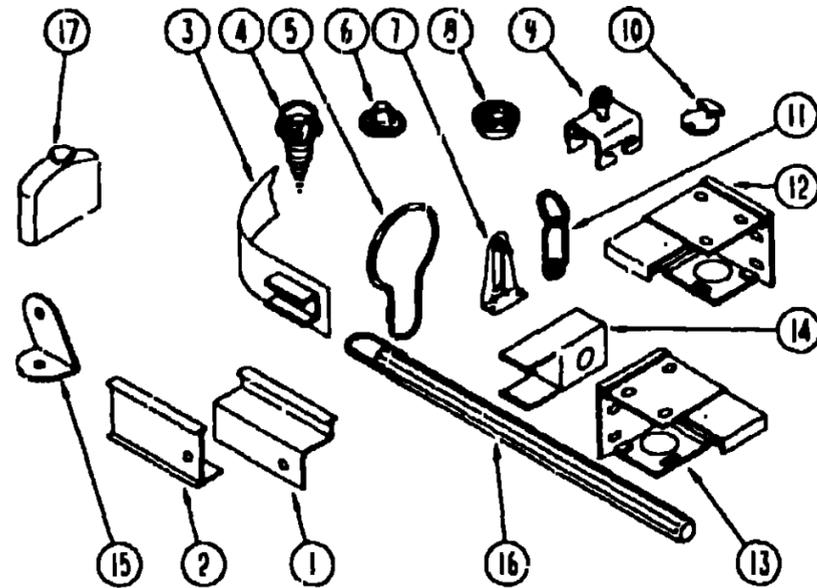
**1991 WINNEBAGO  
TABLE OF CONTENTS**

INTRODUCTION	A-01	A-02
ABBREVIATIONS		A-03
ALPHABETICAL INDEX	A-04	A-06
ICF27RC	A-07	E-12
ICF30RU	E-15	K-12

**1992 ICF27RC INDEX**

FLOOR PLAN	A-07	A-08
ACCESSORIES		A-09
AUDIO VIDEO	A-09	A-10
BATH	A-11	A-12
BEDROOM	A-13	A-14
CHASSIS	A-15	A-22
CURTAIN & CUSHION	A-23	B-08
DINETTE	B-09	B-10
DRIVERS COMPARTMENT	B-11	B-14
ELECTRICAL	B-15	B-20
EXTERIOR BODY	B-21	C-04
GALLEY	C-05	C-08
GENERATORS	C-09	C-10
HEATING & A/C	C-11	C-16
INTERIOR FINISH	C-17	C-23
LABELS	C-24	D-08
LP		D-09
LOUNGE		D-10
SEALANTS & FASTENERS	D-11	D-13
WATER & SEWAGE	D-14	D-19
WINDOW, VENT		
EXTERIOR DOOR	D-20	E-10
WINDSHIELD & WIPER	E-11	E-12

**CURTAIN & CUSHION GROUP (CONTINUED)**



**CURTAIN, BLIND HARDWARE & TRACKS**

KEY	PART NUMBER	U/M DESCRIPTION
1	105450-01-01A	EA TRACK-CURTAIN, 30 8" LONG - ALUMINUM - OFF WHITE
1	105450-04-01A	EA TRACK-CURTAIN, 50" LONG - ALUMINUM - OFF WHITE
2	101588-02-01A	EA TRACK - CURTAIN, WRAP AROUND - OFF WHITE PASSENGERS USED W/TV
2	101599-01-B04	EA TRACK - CURTAIN WRAP AROUND - OFF WHITE PASSENGERS
2	094856-01-01A	EA TRACK - CURTAIN, WRAP AROUND - OFF WHITE DRIVERS
	046867-01-000	EA GROMMET-BRASS, 7/16" ID X 1" OD
	048394-02-000	YD VELCRO TAPE-HOOK, ADHESIVE BACK - 75" WIDE - BEIGE
	068716-01-001	EA BRACE-90 DEGREE L-ANGLE, 1 1/2" - EXTRUDED ALUMINUM
	075943-02-000	EA BRACE-ANGLE, W/HOLES - 1" X 1 5/8" X 1 1/4" - ALUMINUM - BEIGE
	075943-09-000	EA BRACE-VALANCE, OFF WHITE 8 00 IN
	089522-03-000	EA PANEL-LEG, TWO SIDE 27" LONG - PLASTIC - BLACK
3	101031-01-000	YD TAPE-GLIDE, CURTAIN - 4 25" SPACING
4	029130-01-000	EA SOCKET-SNAP FASTENER
5	009136-02-000	EA HANGER-RING, PIN TYPE - CURTAIN - BRASS
6	029155-01-000	EA CAP-SNAP, 5/32" O.D OF PIN
7	095591-02-000	EA BRACKET-HOLD DOWN, W/PIN - BLIND - METAL
8	029156-01-000	EA SOCKET-SNAP, 9/16" O.D.
9	009702-01-000	EA END STOP-CURTAIN CARRIER, L ROD
10	102555-01-010	EA CLEAT-CORD, BLIND - OFF WHITE
11	009701-01-000	EA CARRIER-CURTAIN, L ROD
12	083170-01-000	EA BRACKET BLIND, RIGHT SIDE
13	083170-02-000	EA BRACKET-BLIND, LEFT SIDE
14	101033-02-000	EA END CAP-TRACK CLEAR
15	099205-02-02A	EA BRACKET-WRAP AROUND OFF WHITE
16	093475-01-700	EA WAND-BLIND, W/METAL CLIP - 8" LONG
17	093475-01-701	EA END CAP-BLIND, W/STUD
	103986-01-000	FT TRIM-VALANCE, U-CHANNELANNEL - 75" WIDE - BRASS
	088792-01-000	YD VELCRO-HOOK, .75" WIDE - BEIGE
	088792-02-000	YD VELCRO TAPE-LOOP, ADHESIVE BACKED - .75" WIDE - BEIGE
	089916-01-000	EA MOUNT-WINDOW LEG, 23.75" - ALUMINUM - BLACK 23 7/8" LONG - 6 3/8" BETWEEN SCREW HOLES
	097625-01-000	EA HOOK-DRAPERY, #1012K - KIRSH
	109441-01-000	EA HOLD DOWN-BLIND, HOOK

**CURTAIN & CUSHION GROUP (CONTINUED)  
FABRIC & TRIMS**

KEY	PART NUMBER	U/M DESCRIPTION
	029219-01-000	YD FABRIC-VINYL, 54" WIDE - WHITE
	052859-01-W30	FT TRIM-EDGE, VINYL - 1 5/8" WIDE - BEIGE
	072333-82-000	YD FABRIC-CURTAIN, 54" WIDE - BEIGE
	075244-04-000	YD FABRIC-VINYL, SHOWER CURTAIN - 72" WIDE - SALMON
	075244-05-000	YD FABRIC-VINYL, SHOWER CURTAIN - 72" WIDE - BLUE
	075680-31-000	YD FABRIC-VINYL, 54" WIDE - BEIGE
	075680-07-000	YD FABRIC-VINYL, 54" WIDE - BEIGE
	075680-07-000	YD FABRIC-VINYL, 54" WIDE - OFF WHITE
	075680-12-000	YD VINYL-EXPANDED, 54" WIDE - OFF WHITE
	087272-01-000	YD FABRIC-LINING, CURTAIN - 48" WIDE - IVORY
	088273-72-000	YD FABRIC-CURTAIN/BEDSPREAD, PLAIN - 54" WIDE (C25)
	088273-71-000	YD FABRIC-CURTAIN/BEDSPREAD, PLAIN - 54" WIDE (C26)
	088273-67-000	YD FABRIC-CURTAIN/BEDSPREAD, PLAIN - 54" WIDE (C26)
	088273-73-000	YD FABRIC-CURTAIN/BEDSPREAD, PATTERNED - 54" WIDE (C25)
	088273-70-000	YD FABRIC-CURTAIN/BEDSPREAD, PATTERNED - 54" WIDE (C26)
	096008-90-000	YD FABRIC-UPHOLSTERY/CURTAIN PATTERNED WOVEN - 54" WIDE (C25)
	096008-83-000	YD FABRIC-UPHOLSTERY/CURTAIN PATTERNED WOVEN - 54" WIDE (C26)
	096008-84-000	YD FABRIC-UPHOLSTERY DOTTED VELOUR - 54" WIDE (C26)
	096008-91-000	YD FABRIC-UPHOLSTERY STRIPED WOVEN - 54" WIDE
	096008-92-000	YD FABRIC-UPHOLSTERY/CURTAIN, PLAIN - 54" WIDE (C25)
	096008-85-000	YD FABRIC-UPHOLSTERY/CURTAIN PLAIN - 54" WIDE (C26)
	103907-01-01A	YD FABRIC-VINYL 54" WIDE - OFF WHITE
	103907-01-02A	YD VINYL-EXPANDED MADRID GRAY 25 OZ 54" X ROLL
	104233-28-000	YD FABRIC-UPHOLSTERY ROSE 477 (C25)
	104233-27-000	YD FABRIC-UPHOLSTERY, NAVY 689 (C26)

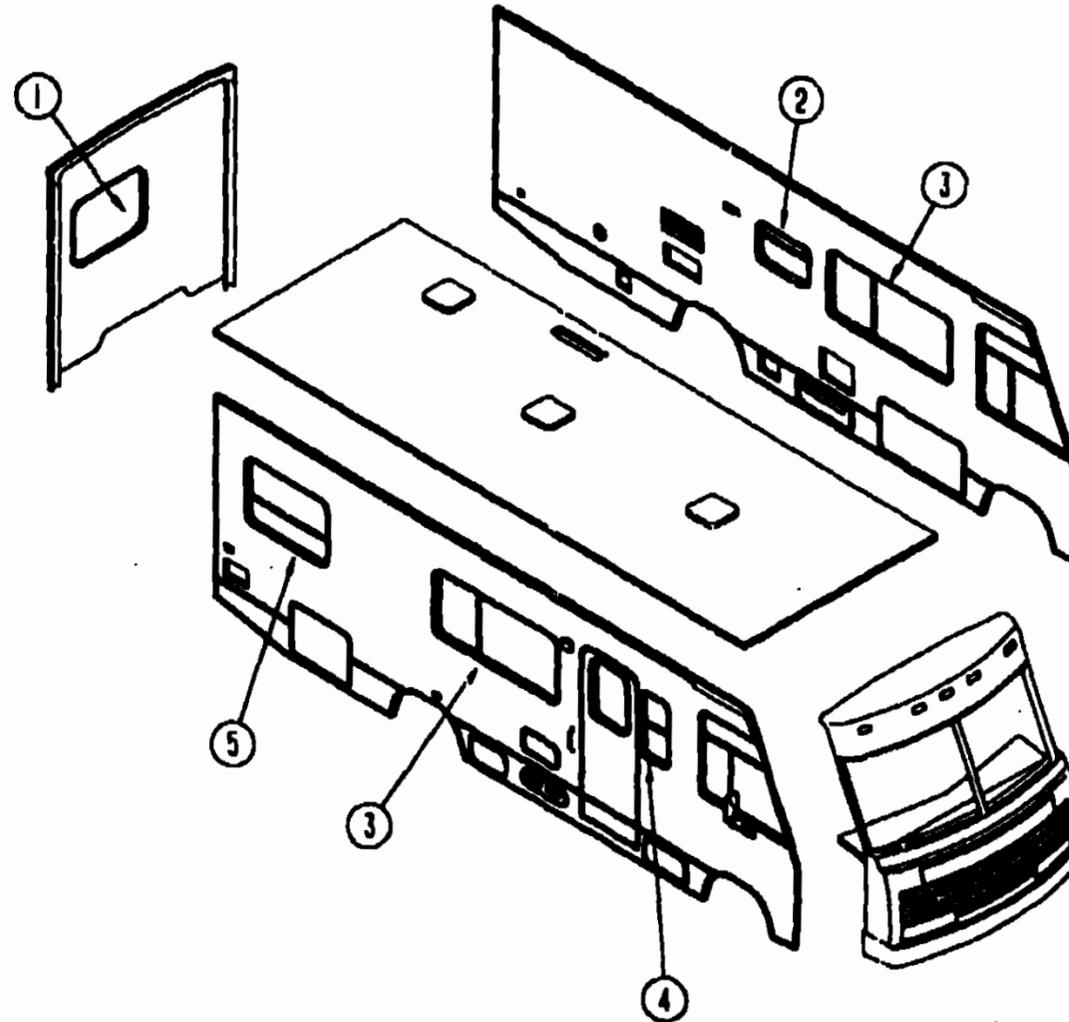
**1991 WINNEBAGO  
TABLE OF CONTENTS**

INTRODUCTION	A-01	A-02
ABBREVIATIONS		A-03
ALPHABETICAL INDEX	A-04	A-06
ICF27RC	A-07	E-12
ICF30RU	E-15	K-12

**1992 ICF27RC INDEX**

FLOOR PLAN	A-07	A-08
ACCESSORIES		A-09
AUDIO VIDEO	A-09	A-10
BATH	A-11	A-12
BEDROOM	A-13	A-14
CHASSIS	A-15	A-22
CURTAIN & CUSHION	A-23	B-08
DINETTE	B-09	B-10
DRIVERS COMPARTMENT	B-11	B-14
ELECTRICAL	B-15	B-20
EXTERIOR BODY	B-21	C-04
GALLEY	C-05	C-08
GENERATORS	C-09	C-10
HEATING & A/C	C-11	C-16
INTERIOR FINISH	C-17	C-23
LABELS	C-24	D-08
LP		D-09
LOUNGE		D-10
SEALANTS & FASTENERS	D-11	D-12
WATER & SEWAGE	D-14	D-19
WINDOW, VENT		
EXTERIOR DOOR	D-20	E-10
WINDSHIELD & WIPER	E-11	E-12

**CURTAIN & CUSHION GROUP (CONTINUED)**  
CURTAINS & WINDOW TREATMENT



**1991 WINNEBAGO  
TABLE OF CONTENTS**

INTRODUCTION	A-01	A-02
ABBREVIATIONS		A-03
ALPHABETICAL INDEX	A-04	A-06
ICF27RC	A-07	E-12
ICF30RU	E-15	K-12

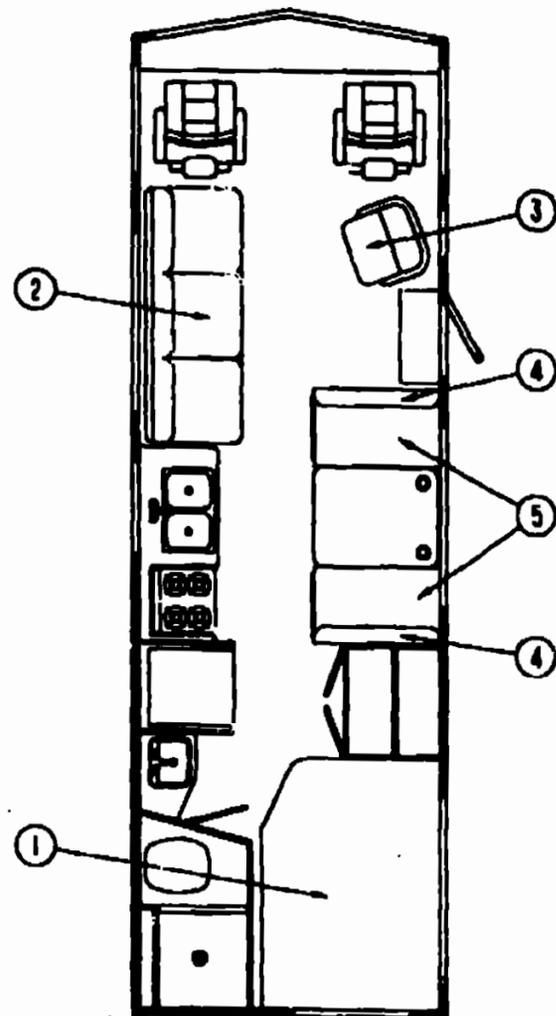
**1992 ICF27RC INDEX**

FLOOR PLAN	A-07	A-08
ACCESSORIES		A-09
AUDIO VIDEO	A-09	A-10
BATH	A-11	A-12
BEDROOM	A-13	A-14
CHASSIS	A-15	A-22
CURTAIN & CUSHION	A-23	B-08
DINETTE	B-09	B-10
DRIVERS COMPARTMENT	B-11	B-14
ELECTRICAL	B-15	B-20
EXTERIOR BODY	B-21	C-04
GALLEY	C-05	C-08
GENERATORS	C-09	C-10
HEATING & A/C	C-11	C-16
INTERIOR FINISH	C-17	C-23
LABELS	C-24	D-08
LP		D-09
LOUNGE		D-10
SEALANTS & FASTENERS	D-11	D-13
WATER & SEWAGE	D-14	D-19
WINDOW, VENT		
EXTERIOR DOOR	D-20	E-10
WINDSHIELD & WIPER	E-11	E-12

KEY	PART NUMBER	U/M DESCRIPTION
1	104165-01-C25	EA VALANCE ASM-41"PYRAMID W/CTR SHIRPIN
1	104165-01-C26	EA VALANCE ASM-41"PYRAMID W/CTR SHIRPIN (C26)
1	093475-78-01A	EA BLIND-MINI,36X28 DROP GREIGE
1	104157-01-C05	EA CURTAIN/LEG ASM-27",RIGHT (C25)
1	104157-01-C26	EA CURTAIN/LEG ASM-27",RIGHT (C26)
1	104157-02-C05	EA CURTAIN/LEG ASM-27",LEFT (C25)
1	104157-02-C26	EA CURTAIN/LEG ASM-27",LEFT (C26)
1	073260-52-C25	EA TIEBACK ASM-3X15,GATHERED
1	073260-52-C26	EA TIEBACK ASM-3X15,GATHERED
2	093475-32-08A	EA BLIND-MINI,27X18.5 DROP GREIGE W/ROSEWOOD (C25)
2	093475-32-09A	EA BLIND-MINI,27X18.5 DROP GREIGE W/ROSEWOOD (C26)
3	093475-76-01A	EA BLIND-MINI,60X28 5DROP GREIGE
3	104021-12-C25	EA VALANCE ASM-65"SPIRIT W/U-BRASS (C25)
3	104021-12-C26	EA VALANCE ASM-65"SPIRIT W/U-BRASS (C26)
3	100281-09-B87	EA LEG-RT.PLAİN NO HOLE (C25)
3	100281-09-B88	EA LEG-RT.PLAİN NO HOLE (C26)
3	100281-10-B87	EA LEG-LT.PLAİN NO HOLE (C25)
3	100281-10-B88	EA LEG-LT.PLAİN NO HOLE (C26)
4	093475-82-01A	EA BLIND-MINI,14 5X33 DROP GREIGE
4	104021-13-C25	EA VALANCE ASM-16"SPIRIT W/U-BRASS (C25)
4	104021-13-C26	EA VALANCE ASM-16"SPIRIT W/U-BRASS (C26)
5	093475-79-01A	EA BLIND-MINI,42X28 DROP GREIGE
5	104165-02-C25	EA VALANCE ASM-46"PYRAMID W/CTR SHIRPIN (C25)
5	104165-02-C26	EA VALANCE ASM-46"PYRAMID W/CTR SHIRPIN (C26)
5	104157-01-C05	EA CURTAIN/LEG ASM-27",RIGHT (C25)
5	104157-01-C26	EA CURTAIN/LEG ASM-27",RIGHT (C26)

KEY	PART NUMBER	U/M DESCRIPTION
5	104157-02-C05	EA CURTAIN/LEG ASM-27",LT (C25)
5	104157-02-C26	EA CURTAIN/LEG ASM-27",LT (C26)
5	073260-52-C25	EA TIEBACK ASM-3X15,GATHERED - BEDROOM
5	073260-52-C26	EA TIEBACK ASM-3X15,GATHERED - BEDROOM
	097994-08-C05	EA CURTAIN ASM-WRAPAROUND 36X78 HOOK/BRAID (C25)
	097994-08-C26	EA CURTAIN ASM-WRAPAROUND 36X78 HOOK/BRAID (C26)
		FROM: 00-00-00 THRU: 07-14-91
	101668-29-C25	EA CURTAIN ASM-WRAPAROUND 36X78 TAPE TOP,W/BRAID (C25)
	101668-29-C26	EA CURTAIN ASM-WRAPAROUND 36X78 TAPE TOP,W/BRAID (C26)
		FROM: 00-00-00 THRU: 07-14-91
		FROM: 07-15-91 THRU: 99-99-99
	101668-25-C05	EA CURTAIN ASM-40X40,TAPE TOP BRAID BOTTOM.
	101668-26-C05	EA CURTAIN ASM-38X125,TAPE TOP BRAID BOTTOM.
		FROM: 07-15-91 THRU: 99-99-99
		FROM: 07-15-91 THRU: 99-99-99
	073260-50-C05	EA TIEBACK ASM-6X18 W/BRAID - WRAPAROUND - (C25)
	073260-50-C26	EA TIEBACK ASM-6X18 W/BRAID - WRAPAROUND - (C26)
	101668-20-C25	EA CURTAIN ASM - ROOM DIVIDER 70X60 TAPE TOP
	101668-20-C26	EA CURTAIN ASM - ROOM DIVIDER 70X60 TAPE TOP
	073260-55-C05	EA TIEBACK ASM-4X15 W/BRAID - ROOM DIVIDER-(C25)
	073260-55-C26	EA TIEBACK ASM-4X15 W/BRAID - ROOM DIVIDER-(C26)
	057534-01-000	EA TIEBACK/TIEDOWN - BED / CURTAIN / DOOR, 6' - PLASTIC - CLEAR
	084481-20-C25	EA CURTAIN ASM-SHOWER 67X35
	073260-54-C09	EA TIEBACK-CURTAIN, 3' X 16" SHOWER (C25)
	073260-54-C30	EA TIEBACK-CURTAIN, 3' X 16" SHOWER (C26)

**CURTAIN & CUSHION GROUP (CONTINUED)**  
BED, COUCH, CHAIR & DINETTE



**1991 WINNEBAGO**  
**TABLE OF CONTENTS**

INTRODUCTION	A-01	A-02
ABBREVIATIONS		A-03
ALPHABETICAL INDEX	A-04	A-06
ICF27RC	A-07	E-12
ICF30RU	E-15	K-12

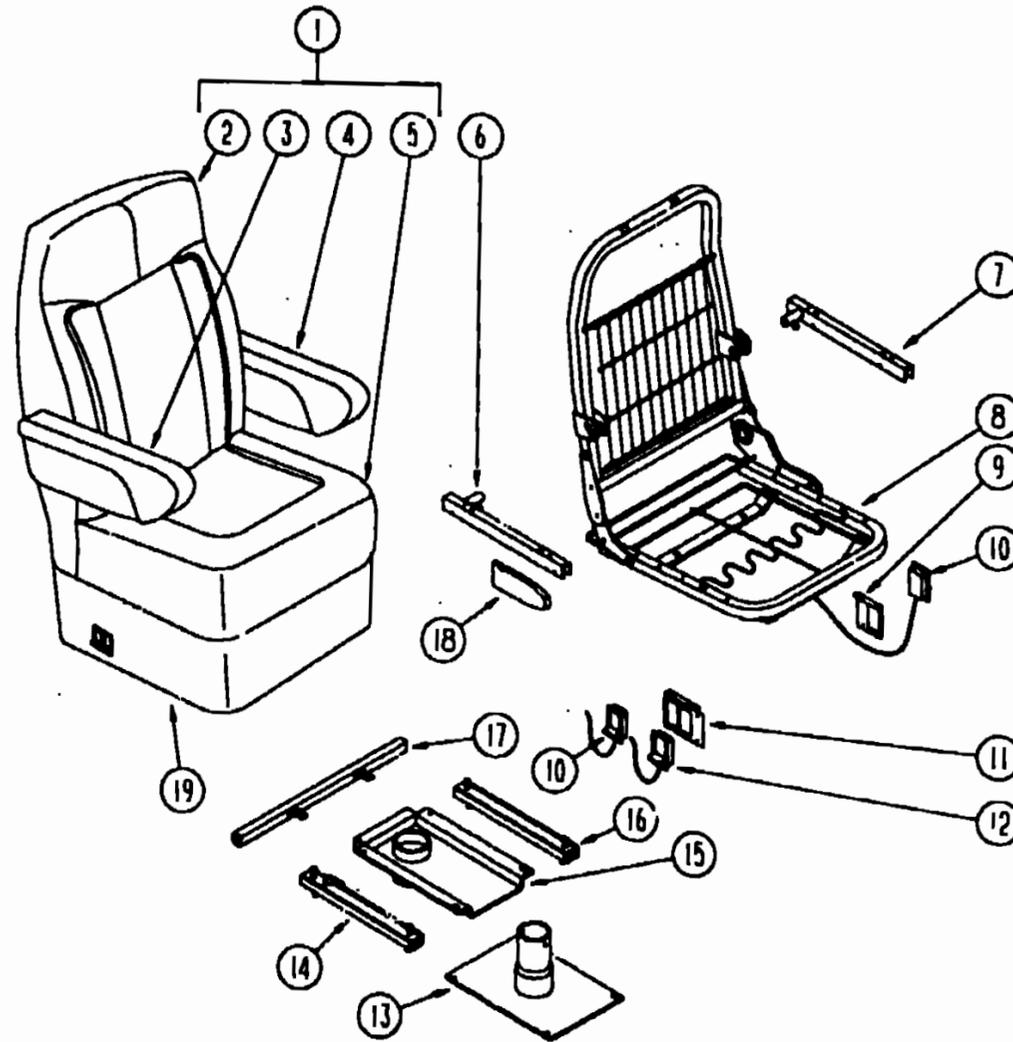
**1992 ICF27RC INDEX**

FLOOR PLAN	A-07	A-08
ACCESSORIES		A-09
AUDIO VIDEO	A-09	A-10
BATH	A-11	A-12
BEDROOM	A-13	A-14
CHASSIS	A-15	A-22
CURTAIN & CUSHION	A-23	B-08
DINETTE	B-09	B-10
DRIVERS COMPARTMENT	B-11	B-14
ELECTRICAL	B-15	B-20
EXTERIOR BODY	B-21	C-04
GALLEY	C-05	C-08
GENERATORS	C-09	C-10
HEATING & AC	C-11	C-16
INTERIOR FINISH	C-17	C-23
LABELS	C-24	D-08
LP		D-09
LOUNGE		D-10
SEALANTS & FASTENERS	D-11	D-13
WATER & SEWAGE	D-14	D-19
WINDC.W. VENT		
EXTERIOR DOOR	D-20	E-10
WINDSHIELD & WIPER	E-11	E-12

KEY	PART NUMBER	U/M DESCRIPTION
1	101123-03-000	EA MATTRESS-DOUBLE, W/CUT CORNER - 53" X 74"
	P01123-03-000	EA COVER-MATTRESS, 53" X 74"
	104565-02-C25	EA PILLOW SHAM-1"FLANGE&1"WELT
	104565-02-C26	EA PILLOW SHAM-1"FLANGE&1"WELT
	103669-01-B87	EA PILLOW ASM-16X16 THROW (C25)
	103669-01-B88	EA PILLOW ASM-16X16 THROW (C26)
	104166-01-C25	EA PILLOW ASM-14X14 W/2"FLANGE (C25)
	104166-01-C26	EA PILLOW ASM-14X14 W/2"FLANGE (C26)
	104358-02-C25	EA BEDSP-54"THROW, 1"WELT ON BOTTOM (C25)
	104358-02-C26	EA BEDSP-54"THROW, 1"WELT ON BOTTOM (C26)
	029096-03-000	YD VELCRO TAPE-HOOK, 1" WIDE - BLACK
2	100032-08-B87	EA SEAT-COUCH (C25)
2	100032-08-B88	EA SEAT-COUCH (C26)
	P00032-06-B87	EA COVER-SEAT CUSHION, COUCH (C25)
	P00032-06-B88	EA COVER-SEAT CUSHION, COUCH (C26)
	100032-07-B87	EA BACK-COUCH (C25)
	100032-07-B88	EA BACK-COUCH (C26)
	P00032-07-B87	EA COVER-BACK CUSHION, COUCH (C25)
	P00032-07-B88	EA COVER-BACK CUSHION, COUCH (C26)
	P01989-01-B87	EA COVER-PANEL SOFA END CAP (C25)
	P01989-01-B88	EA COVER-PANEL SOFA END CAP (C26)
	101236-03-B87	EA ARMREST-COUCH RIGHT SIDE (C25)
	101236-03-B88	EA ARMREST-COUCH RIGHT SIDE (C26)
	P01236-03-B87	EA COVER-ARMREST, COUCH RIGHT SIDE (C25)
	P01236-03-B88	EA COVER-ARMREST, COUCH RIGHT SIDE (C26)
	101236-04-B87	EA ARMREST-COUCH LEFT SIDE (C25)
	101236-04-B88	EA ARMREST-COUCH LEFT SIDE (C26)
	P01236-04-B87	EA COVER-ARMREST, COUCH LEFT SIDE (C25)
	P01236-04-B88	EA COVER-ARMREST, COUCH LEFT SIDE (C26)
	101085-05-000	EA FRAME-BACK, 74 75"
	101085-07-000	EA FRAME-ARM BRACKET RIGHT SIDE

KEY	PART NUMBER	U/M DESCRIPTION
	101568-03-000	EA BRACKET-ARM, COUCH RIGHT SIDE
	101568-01-000	EA BRACKET-ARM, COUCH RIGHT SIDE
	101085-08-000	EA FRAME-ARM BRACKET LEFT SIDE
	101568-04-000	EA BRACKET-ARM, LEFT SIDE COUCH
	101568-02-000	EA BRACKET-ARM, COUCH LEFT SIDE
	101085-04-000	EA FRAME-SEAT, 74.75"
	101085-06-000	EA FRAME-BASE, 74.75"
3	096429-09-C29	EA CHAIR-ARIA W/SEW LINES-SEAT (C25)
3	096429-09-C26	EA CHAIR-ARIA W/SEW LINES-SEAT (C26)
	M96429-09-C29	EA COVER-ARIA W/SEWLINES T-SEAT (C25)
	M96429-09-C26	EA COVER-ARIA W/SEWLINES T-SEAT (C26)
	089368-04-000	EA CABLE-SWIVEL, W/SWITCH - BUCKET SEAT
	099202-04-B87	EA SKIRT-SWIVEL CHAIR (C25)
	099202-04-B88	EA SKIRT-SWIVEL CHAIR (C26)
	M99202-04-B87	EA COVER - SKIRT-SWIVEL CHAIR (C25)
	M99202-04-B88	EA COVER - SKIRT-SWIVEL CHAIR (C26)
	069585-40-000	EA PLATE-SUB,VERTICAL 9 60"
	107921-01-000	EA PLATE-SUB, FLOOR MOUNTED PEDESTAL - W/9 75" EXTENSION
	069585-40-000	EA PLATE-SUB,VERTICAL 9 60"
	107921-01-000	EA PLATE-SUB, FLOOR MOUNTED PEDESTAL - W/9 75" EXTENSION
	M93482-01-000	EA PEDESTAL-13" SHROUD BLACK PLASTIC
	093482-01-000	EA SHROUD-PEDESTAL, 13" - PLASTIC - BLACK
	086120-04-C25	EA PAD ASM.-MAP POCKET, 12X16
	M93481-04-000	EA PED-TOP PLATE, REMOTE SWIVEL W/O BELT BAR
	007221-01-000	EA SPACER-SEAT, ADJUSTER
	069246-06-000	EA ADJUSTER-SWIVEL CHAIR, MANUAL - FORWARD & BACK
	069246-07-000	EA ADJUSTER-SWIVEL CHAIR, W/LOCKING ARM - FORWARD & BACK
	093481-04-000	EA TOP PLATE-PEDESTAL, BUCKET SEAT - W/O SEATBELT BAR
	108049-01-000	EA CABLE-28", FLEXSTEEL 23602
	108049-02-000	EA CABLE-PEDESTAL CLIP 2592-CA
	093481-02-000	EA BASE-PEDESTAL, W/10" EXTENSION
	093482-01-000	EA SHROUD-PEDESTAL, 13" - PLASTIC - BLACK
4	104164-01-C25	EA CUSHION-VICTORIAN TUCK BACK, W/STRAP 13.5 X 38 X 5
		FROM: 00-00-00 THRU: 12-01-91
4	104164-01-C26	EA CUSHION-VICTORIAN TUCK BACK, W/STRAP 13.5 X 38 X 5
		FROM: 00-00-00 THRU: 12-01-91
	P04164-01-C25	EA COVER-VICTORIAN TUCK BACK, W/STRAP 13.5 X 38 X 5
		FROM: 00-00-00 THRU: 12-01-91
	P04164-01-C26	EA COVER-VICTORIAN TUCK BACK, W/STRAP 13.5 X 38 X 5
		FROM: 00-00-00 THRU: 12-01-91
	078155-01-000	EA STRAP-SNAP, BACKREST CUSHION
4	104164-08-C25	EA CUSHION-VICTORIAN TUCK BACK, 13.5 X 38 X 5
		FROM: 12-02-91 THRU: 99-99-99
4	104164-08-C26	EA CUSHION-VICTORIAN TUCK BACK, 13.5 X 38 X 5
		FROM: 12-02-91 THRU: 99-99-99
	P04164-08-C25	EA COVER-VICTORIAN VICTORIAN TUCK BACK, 13.5 X 38 X 5
		FROM: 12-02-91 THRU: 99-99-99
	P04164-08-C26	EA COVER-VICTORIAN TUCK BACK, 13.5 X 38 X 5
		FROM: 12-02-91 THRU: 99-99-99
	101118-F0-000	EA FOAM-VICTORIAN TUCK BOTTOM 7.5 X 38 X 4.5 W/CROWN
	101118-F1-000	EA FOAM-VICTORIAN TUCK TOP 2.75 X 39 X 4.5 W/CROWN
5	104164-02-C25	EA CUSHION-VICTORIAN TUCK SEAT, W/STRAP 21 X 38 X 5
5	104164-02-C26	EA CUSHION-VICTORIAN TUCK SEAT, W/STRAP 21 X 38 X 5
	P04164-02-C25	EA COVER-VICTORIAN TUCK SEAT, W/STRAP 21 X 38 X 5
	P04164-02-C26	EA COVER-VICTORIAN TUCK SEAT, W/STRAP 21 X 38 X 5
	078155-01-000	EA STRAP-SNAP, BACKREST CUSHION

**CURTAIN & CUSHION GROUP (CONTINUED)**  
**DRIVER & PASSENGER BUCKET SEATS**



**1991 WINNEBAGO**  
**TABLE OF CONTENTS**

INTRODUCTION	A-01	A-02
ABBREVIATIONS		A-03
ALPHABETICAL INDEX	A-04	A-06
ICF27RC	A-07	E-12
ICF30RU	E-15	K-12

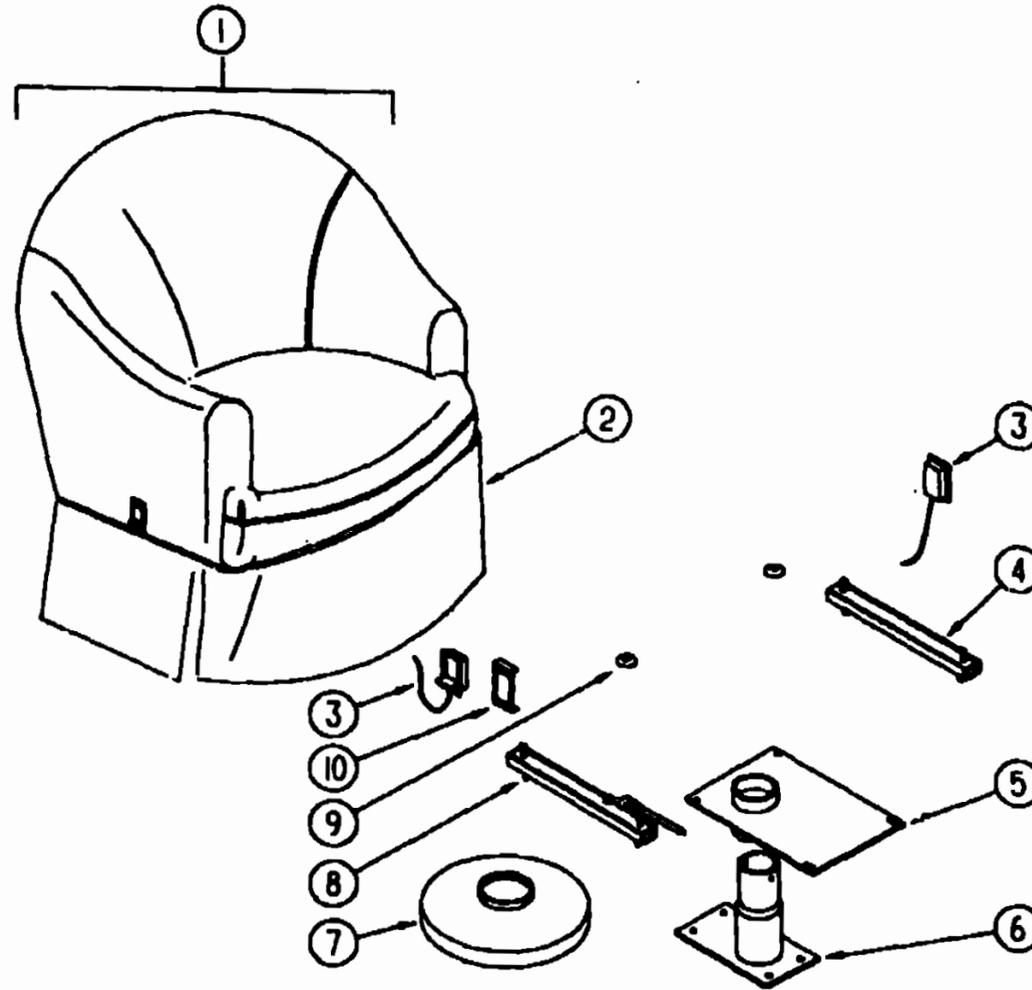
**1992 ICF27RC INDEX**

FLOOR PLAN	A-07	A-08
ACCESSORIES		A-09
AUDIO VIDEO	A-09	A-10
BATH	A-11	A-12
BEDROOM	A-13	A-14
CHASSIS	A-15	A-22
CURTAIN & CUSHION	A-23	B-08
DINETTE	B-09	B-10
DRIVERS COMPARTMENT	B-11	B-14
ELECTRICAL	B-15	B-20
EXTERIOR BODY	B-21	C-04
GALLEY	C-05	C-08
GENERATORS	C-09	C-10
HEATING & A/C	C-11	C-16
INTERIOR FINISH	C-17	C-23
LABELS	C-24	D-08
LP		D-09
LOUNGE		D-10
SEALANTS & FASTENERS	D-11	D-13
WATER & SEWAGE	D-14	D-19
WINDOW, VENT		
EXTERIOR DOOR	D-20	E-10
WINDSHIELD & WIPER	E-11	E-12

KEY	PART NUMBER	U/M DESCRIPTION
1	093450-22-C25	EA SEAT-ROYALE, FAN ARMS (C25)
1	093450-22-C26	EA SEAT-ROYALE, FAN ARMS (C26)
2	M03445-22-C25	EA COVER-ROYALE - BACK - (C25)
2	M03445-22-C26	EA COVER-ROYALE - BACK - (C26)
3	080243-49-C25	EA ARMREST ASM-RT.,FAN
3	080243-49-C26	EA ARMREST ASM-RT.,FAN
	M80243-49-C25	EA COVER ASM-ARMREST,FAN RT
	M80243-49-C26	EA COVER ASM-ARMREST,FAN RT
4	080243-50-C25	EA ARMREST ASM-LT.,FAN
4	080243-50-C26	EA ARMREST ASM-LT.,FAN
	M80243-50-C25	EA COVER ASM-ARMREST,FAN,LT
	M80243-50-C26	EA COVER ASM-ARMREST,FAN,LT
5	M03445-23-C25	EA COVER-ROYALE - SEAT - (C25)
5	M03445-23-C26	EA COVER-ROYALE - SEAT - (C26)
6	081268-01-000	EA ROD & CHANNEL-ARMREST, RIGHT - METAL
7	081268-02-000	EA ROD & CHANNEL-ARMREST, LEFT - METAL
	081361-01-000	EA ROD-ARMREST, METAL - RIGHT OR LEFT HAND

KEY	PART NUMBER	U/M DESCRIPTION
8	M80906-04-000	EA FRAME-SEAT, BACK & SPRING
8	M80906-05-000	EA FRAME-SEAT, BACK & SPRING
		FROM 00-00-00 THRU. 06-02-91
9	097683-03-000	EA BRACKET-CABLE
10	089368-04-000	EA CABLE-SWIVEL, W/SWITCH - BUCKET SEAT
11	097683-02-000	EA BRACKET-CABLE
12	089368-05-000	EA CABLE-RECLINER, W/SWITCH - BUCKET SEAT
13	069585-08-000	EA BASE-BUCKET SEAT, BOLTS TO FLOOR - VERTICAL 8"
14	069246-05-000	EA ADJUSTER-SLIDE, W/LOCK - FORWARD & BACK
	069246-05-700	EA SPRING-ADJUSTER, FOR REMOTE
	069246-01-701	EA CLIP-CABLE, FOR REMOTE
15	093481-04-000	EA TOP PLATE-PEDESTAL, BUCKET SEAT - W/O SEATBELT BAR
16	069246-02-000	EA ADJUSTER-BUCKET SEAT W/O LOCK, FORWARD AND BACK
17	069585-29-000	EA BAR-SEAT BELT, BUCKET SEATS - 20"
18	069369-08-000	EA SHIELD-CABLE, REMOTE RECLINER - BUCKET SEAT
19	071126-24-B87	EA SKIRT - ROYALE SEAT (C25)
19	071126-24-B88	EA SKIRT - ROYALE SEAT (C26)
	M71126-24-B87	EA COVER ASM - SKIRT - ROYALE SEAT (C25)
	M71126-24-B88	EA COVER ASM - SKIRT - ROYALE SEAT (C26)
	080731-02-000	EA HINGE-SLAVE, RECLINER - LEFT HAND
	081362-01-000	EA BRACKET-ARMREST, RIGHT HAND
	081362-02-000	EA BRACKET-ARMREST, LEFT HAND
	101125-01-000	EA RECLINER-SEATBACK, LEFT HAND REMOTE

**CURTAIN & CUSHION GROUP (CONTINUED)**  
**SWIVEL CHAIR**



**1991 WINNEBAGO**  
**TABLE OF CONTENTS**

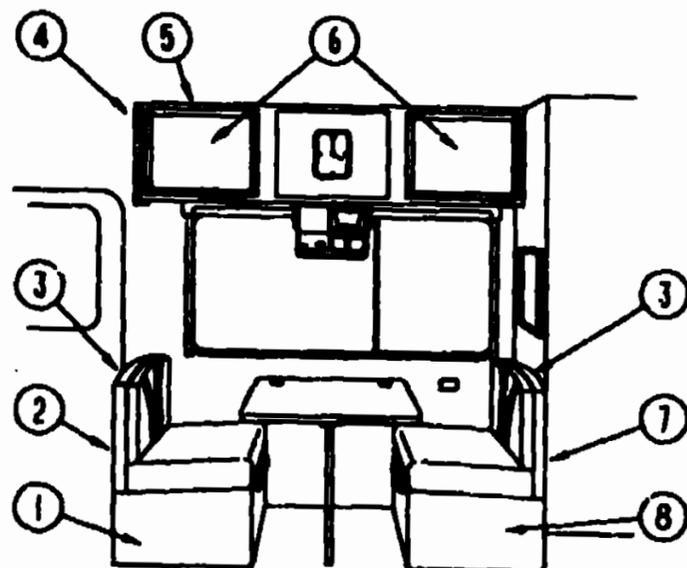
INTRODUCTION	A-01 -	A-02
ABBREVIATIONS		A-03
ALPHABETICAL INDEX	A-04 -	A-06
ICF27RC	A-07 -	E-12
ICF30RU	E-15 -	K-12

**1992 ICF27RC INDEX**

FLOOR PLAN	A-07 -	A-08
ACCESSORIES		A-09
AUDIO VIDIO	A-09 -	A-10
BATH	A-11 -	A-12
BEDROOM	A-13 -	A-14
CHASSIS	A-15 -	A-22
CURTAIN & CUSHION	A-23 -	B-08
DINETTE	B-09 -	B-10
DRIVERS COMPARTMENT	B-11 -	B-14
ELECTRICAL	B-15 -	B-20
EXTERIOR BODY	B-21 -	C-04
GALLEY	C-05 -	C-08
GENERATORS	C-09 -	C-10
HEATING & A/C	C-11 -	C-16
INTERIOR FINISH	C-17 -	C-23
LABELS	C-24	D-08
LP		D-09
LOUNGE		D-10
SEALANTS & FASTENERS	D-11 -	D-13
WATER & SEWAGE	D-14 -	D-19
WINDOW, VENT		
EXTERIOR DOOR	D-20 -	E-10
WINDSHIELD & WIPER	E-11 -	E-12

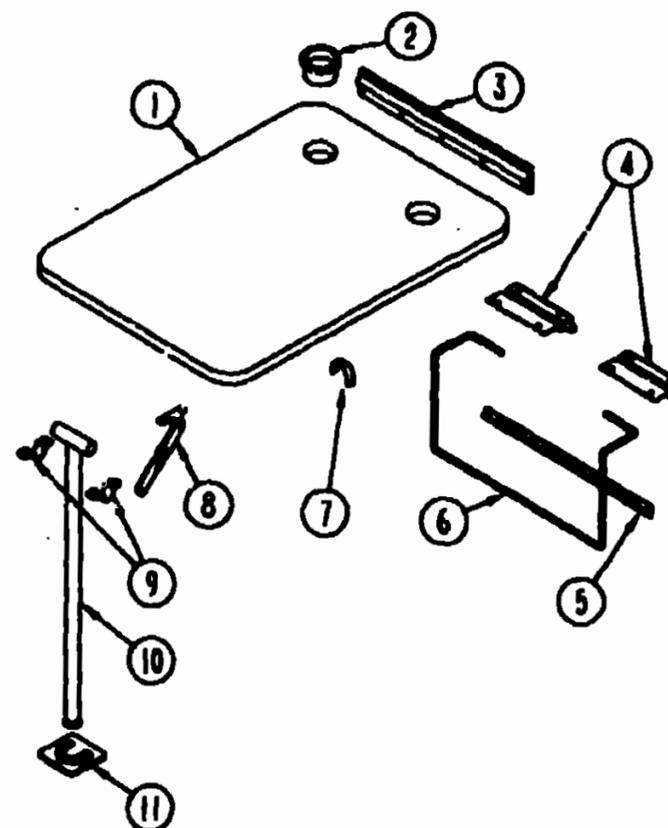
KEY	PART NUMBER	U/M	DESCRIPTION
1	096429-09-C29	EA	CHAIR-ARIA W/SEW LINES T-SEAT (C25)
1	096429-09-C26	EA	CHAIR-ARIA W/SEW LINES T-SEAT (C26)
1	M96429-09-C29	EA	COVER-ARIA W/SEW LINES T-SEAT (C25)
1	M96429-09-C26	EA	COVER-ARIA W/SEW LINES T-SEAT (C26)
2	099202-04-B87	EA	SKIRT-SWIVEL CHAIR (C25)
2	099202-04-B88	EA	SKIRT-SWIVEL CHAIR (C26)
3	108049-01-000	EA	CABLE - 28" - FLEXSTEEL PED
4	069246-06-000	EA	ADJUSTER - SWIVEL CHAIR - MANUAL - FORWARD & BACK
5	093481-04-000	EA	TOP PLATE-PEDESTAL - BUCKET SEAT - W/O SEATBELT BAR
6	093481-02-000	EA	BASE - PEDESTAL - W/10" EXTENSION
7	093482-01-000	EA	SHROUD - PEDESTAL - 13" - PLASTIC - BLACK
8	069246-07-000	EA	ADJUSTER - SWIVEL CHAIR - W/LOCKING ARM - FORWARD & BACK
9	007221-01-000	EA	SPACER - SEAT - ADJUSTER (4 USED)
10	108049-02-000	EA	CABLE - PEDESTAL CLIP
	069246-05-700	EA	SPRING - ADJUSTER - FOR REMOTE
	069246-05-701	EA	CLIP - CABLE - FOR REMOTE
	057759-01-000	EA	WASHER BRACKET-SEAT BELT - 4" DIAMETER
	007021-01-000	EA	BELT-SEAT - 2" X 90" - BLACK

**DINETTE GROUP**



**DINETTE CABINETRY**

**DINETTE GROUP (CONTINUED)**



**DINETTE TABLE**

**1991 WINNEBAGO  
TABLE OF CONTENTS**

INTRODUCTION	A-01	A-02
ABBREVIATIONS		A-03
ALPHABETICAL INDEX	A-04	A-06
ICF27RC	A-07	E-12
ICF30RU	E-15	K-12

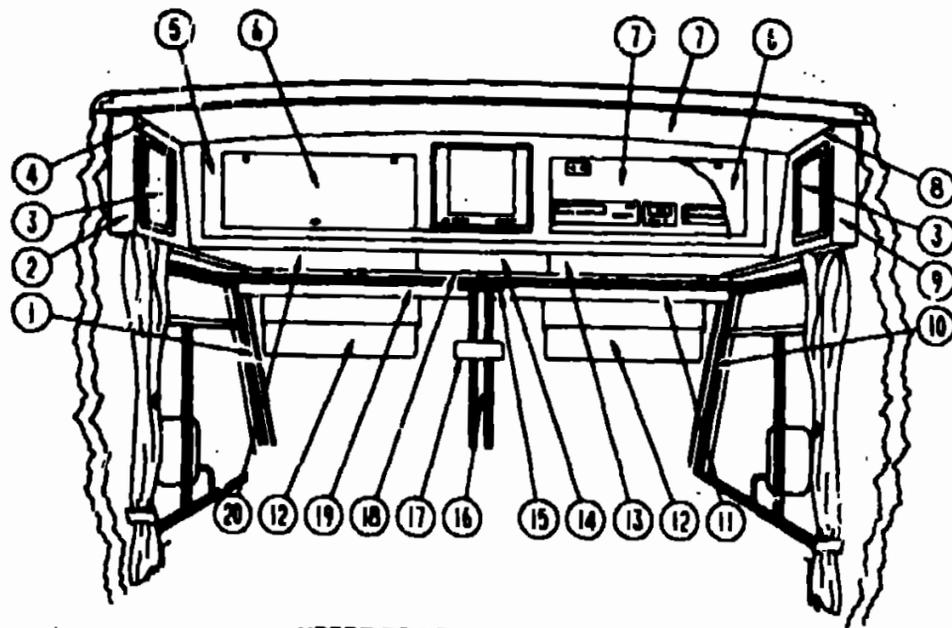
**1992 ICF27RC INDEX**

FLOOR PLAN	A-07	A-08
ACCESSORIES		A-09
AUDIO VIDEO	A-09	A-10
BATH	A-11	A-12
BEDROOM	A-13	A-14
CHASSIS	A-15	A-22
CURTAIN & CUSHION	A-23	B-08
DINETTE	B-09	B-10
DRIVERS COMPARTMENT	B-11	B-14
ELECTRICAL	B-15	B-20
EXTERIOR BODY	B-21	C-04
GALLEY	C-05	C-08
GENERATORS	C-09	C-10
HEATING & AC	C-11	C-16
INTERIOR FINISH	C-17	C-23
LABELS	C-24	D-08
LP		D-09
LOUNGE		D-10
SEALANTS & FASTENERS	D-11	D-13
WATER & SEWAGE	D-14	D-19
WINDOW, VENT		
EXTERIOR DOOR	D-20	E-10
WINDSHIELD & WIPER	E-11	E-12

KEY	PART NUMBER	U/M DESCRIPTION
1	M04175-05-C05	EA CABINET-SEATBASE FRONT
	103596-12-C05	EA SEAT ASM - REAR
	081518-01-B03	EA SEAT-TOP, DINETTE - PLYWOOD
2	M04174-05-C05	EA CABINET-SEATBACK FRONT
3	104787-01-C25	EA PAD ASM-DINETTE (C25)
3	104787-01-C26	EA PAD ASM-DINETTE (C26)
4	103128-02-C05	EA END CAP-CABINET, OVERHEAD - FRONT
	103128-06-C05	EA END CAP-CABINET, OVERHEAD - REAR
5	M05019-48-C25	EA CABINET ASM-OVHD, DINETTE
6	P04746-02-C25	EA DOOR ASM-HDW-MITERED OGEE - W/O HARDWARE
	004354-01-000	EA BUMPER-CABINET DOOR, RUBBER - BROWN
7	M04174-04-C05	EA CABINET-SEATBACK REAR
8	M04175-04-C05	EA CABINET-SEATBASE REAR
	103596-11-C05	EA SEAT ASM - REAR

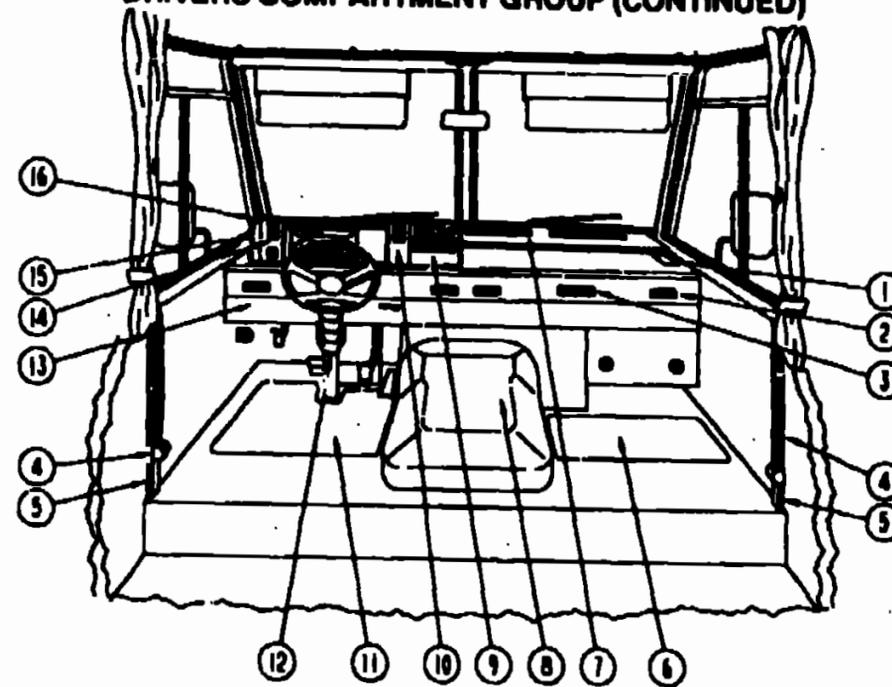
KEY	PART NUMBER	U/M DESCRIPTION
1	M81299-07-C25	EA TABLE-DINETTE, W/O EDGE BAND OR HARDWARE
2	064781-06-000	EA HOLDER-CUP, TWO STEP - OFF WHITE
3	053200-09-000	EA SUPPORT-TABLE, 18 5", BEIGE
	004354-01-000	EA BUMPER-RUBBER - BROWN
4	088410-01-000	EA BRACKET-LIFT, TABLE MOUNTED - BEIGE
5	024281-11-000	EA BRACKET-LIFT ROD, LOWER WALL MOUNTED - 17 12" - BEIGE
6	024275-11-000	EA ROD-TABLE LIFT, 8" X 18 5" - BEIGEE
7	024283-01-000	EA CLIP-LEG, 1" X 1 125" OD - BLACK
8	024282-01-000	EA BRACE-TABLE LEG, HINGED
9	064050 03 000	EA CLAMP-SADDLE, LEG HINGE - BEIGE
10	024276-21-000	EA LEG-TABLE, METAL - BEIGE
11	049493-11-700	EA CATCH-TABLE LEG, FLOOR MOUNTED - BEIGE

### DRIVERS COMPARTMENT GROUP



UPPER DRIVERS COMPARTMENT

### DRIVERS COMPARTMENT GROUP (CONTINUED)



LOWER DRIVERS COMPARTMENT

### 1991 WINNEBAGO TABLE OF CONTENTS

INTRODUCTION	A-01	A-02
ABBREVIATIONS		A-03
ALPHABETICAL INDEX	A-04	A-06
ICF27RC	A-07	E-12
ICF30RU	E-15	K-12

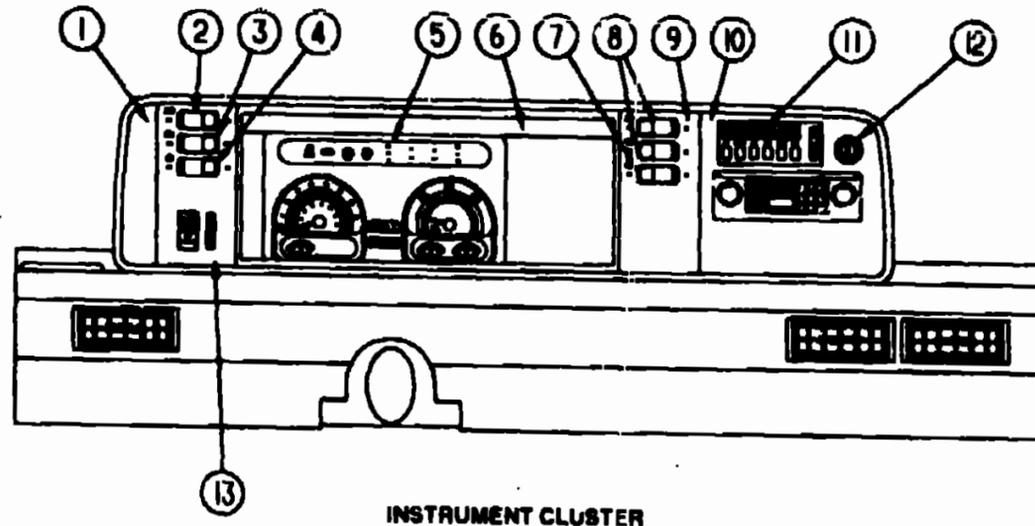
### 1992 ICF27RC INDEX

FLOOR PLAN	A-07	A-08
ACCESSORIES		A-09
AUDIO VIDEO	A-09	A-10
BATH	A-11	A-12
BEDROOM	A-13	A-14
CHASSIS	A-15	A-22
CURTAIN & CUSHION	A-23	B-08
DINETTE	B-09	B-10
DRIVERS COMPARTMENT	B-11	B-14
ELECTRICAL	B-15	B-20
EXTERIOR BODY	B-21	C-04
GALLEY	C-05	C-08
GENERATORS	C-09	C-10
HEATING & A/C	C-11	C-16
INTERIOR FINISH	C-17	C-23
LABELS	C-24	D-08
LP		D-09
LOUNGE		D-10
SEALANTS & FASTENERS	D-11	D-13
WATER & SEWAGE	D-14	D-19
WINDOW, VENT		
EXTERIOR DOOR	D-20	E-10
WINDSHIELD & WIPER	E-11	E-12

KEY	PART NUMBER	U/M DESCRIPTION
1	103931-02-02A	EA COVER-INNER,A-PILLAR,DRIVERS
2	104353-02-C05	EA END CAP ASM-FRONT OVERHEAD,DRIVERS
3	P04746-06-C25	EA DOOR ASM - W/O HARDWARE - OGEE
4	M05159-22-C25	EA CABINET ASM -FRONT OVERHEAD,DRIVERS
	104289-02-C05	EA PANEL-SIDE PAD-VINYL-DRIVERS
	P04307-02-C05	EA CABINET ASM -BOTTOM W/VINYL,LEFT HAND
5	104238-01-C05	EA CABINET ASM -FACE,FRONT OVERHEAD (TV)
6	100708-06-000	EA DOOR-GLASS, TV CABINET - W/O HARDWARE -9 68" X 28 42"
	100710-01-01A	EA LOCK-TWIST TYPE
	100711-01-01A	EA HINGE-DOOR, GLASS
	100707-01-000	EA SPACER
	101272-01-000	EA CATCH-GLASS DOOR
	101766-01-000	EA PIN-SUPPORT, GLASS DOOR
7	103040-01-C05	EA PANEL-HEADLINER FRONT OVERHEAD - PADDED
7	103040-0J-C05	EA PANEL-HEADLINER FRONT OVERHEAD - PADDED USED W/TV
7	103040-CJ-C05	EA PANEL-HEADLINER FRONT OVERHEAD - PADDED USED W/VCR
7	103040-J4-C05	EA PANEL-HEADLINER FRONT OVERHEAD - PADDED USED W/VCR/INVERTER
7	103040-05-C05	EA PANEL-HEADLINER FRONT OVERHEAD - PADDED USED W/TV/INVERTER
8	M05159-21-C25	EA CABINET ASM -FRONT OVERHEAD,PASSENGERS
9	104353-01-C05	EA END CAP ASM-FRONT OVERHEAD,PASSENGERS
	104289-01-C05	EA PANEL-SIDE PAD-VINYL-PASSENGERS
10	103931-01-02A	EA COVER-INNER,A-PILLAR,PASSENGERS
11	078579-09-000	EA TRIM-WINDSHIELD,UPPER-INNER, PASSENGERS
12	082286-14-C05	EA SUNVISOR-DRIVER OR PASSENGER - W/POCKET
	000G39-10-12D	EA SCREW-SF/DR, 10-16 X 3/4 PPH - BLACK
	102377-01-000	EA BRACKET-SUNVISOR, 1 PIECE - STEEL
	007211-01-000	EA HINGE-SUNVISOR
	074012-01-000	EA CLIP-SUNVISOR,SQ. PINCH-ON
	078811-05-B11	EA PANEL-TRIM,HEADER,LOWER
13	P03077-02-C05	EA SHELF-BASE CABINET,PASSENGERS SIDE
14	P04415-01-C05	EA SHELF ASM-TV CABINET,CENTER
	104417-01-C05	EA CABINET ASM-BLANKET ( STANDARD CABINET )
15	086280-01-000	EA LIGHT-SURFACE MOUNT, 12V - JENSEN 1236
	086280-01-700	EA BULB 12V6W
16	079765-08-000	EA TRIM-WINDSHIELD,CENTER
17	040714-01-700	EA MIRROR INSIDE REAR VIEW KIT
18	103040-01-C05	EA PANEL-LINER,OVHD TV
18	103040-06-C05	EA PANEL-LINER,FRONT OVERHEAD W/BUNK
	101497-09-C05	EA PANEL ASM-END CAP UP RIGHT HAND,TV
19	078579-10-000	EA TRIM-WINDSHIELD,UPPER-INNER, DRIVERS
20	P03077-01-C05	EA SHELF-BASE,CABINET,DRIVERS SIDE

KEY	PART NUMBER	U/M DESCRIPTION
	103817-01-C25	EA DASH ASM,GM
1	073741-03-000	EA SPEAKER-4X6 OVAL AUDIOVOX 110-2074
1	073741-04-000	EA GRILLE-SPEAKER,OVAL 4X6 AUDIOVOX 136-1157
2	103796-01-01A	EA LOUVER ASM-A/C CARY PROD BLK A
3	104280-01-01A	EA DECAL-LOGO "BRAVE" PASSENGERS SIDE DASH
4	091990-01-01A	EA SEAT BELT-SHOULDER HARNESS - DRIVERS/PASSENGERS - BLACK
	091990-01-700	EA BOLT COVER
5	024700-44-000	EA SIDEWALL ROLL BAR COVER,OFF WHITE - 53"
	024700-45-000	EA SIDEWALL ROLL BAR COVER,OFF WHITE - 12 8"
6	081202-02-000	EA MAT-FLOOR,FRONT PASSENGERS,ITASCA - BROWN
7	103558-01-02A	EA VENT-DEFROSTER,ABS OFF WHITE
8	097552-01-000	EA COVER MOTOR
	075564-01-000	EA BRACKET-MOUNTING,MOTOR COVER
	092406-01-000	EA TRIM-MOTOR COVER
	039623-01-000	FT SEAL-COVER-ENGINE
9	104056-06-01A	EA APPLIQUE-BEZEL RIGHT MOST PANEL-RADIO/HEATER
	103875-04-000	EA SWITCH-ROCKER,SPDTON/OFF/MOM A
	103875-05-000	EA SWITCH-ROCKER,SPDTON/NONE/ON A
10	104056-04-01A	EA APPLIQUE-BEZEL SWITCH PANEL RIGHT OF CLUSTER
11	081201-02-000	EA MAT-FLOOR,FRONT DRIVERS,ITASCA - BROWN
12	103498-01-000	EA BOOT-COLUMN, 91 CHEVY, LOWER
		FROM 00-00-00 THRU 06-15-91
12	103498-02-000	EA BOOT-COLUMN, 91 CHEVY, UPPER
		FROM 00-00-00 THRU 06-15-91
12	103498-04-000	EA BOOT-COLUMN,91 CHEV UNIVERSAL
		FROM 06-16-91 THRU 99-99-99
13	103812-01-02A	EA TRIM-DASH,LOWER,GM
14	104056-02-01A	EA APPLIQUE-BEZEL SWITCH PANEL, LEFT OF CLUSTER
15	104056-01-01A	EA APPLIQUE-BEZEL LEFT MOST PANEL
16	103666-01-02A	EA POD-INSTRUMENT PANEL
16	103662-01-01A	EA BEZEL-INSTRUMENT PANEL
	105863-01-02A	EA INSERT-DASH,TRIM
	105870-01-02A	EA INSERT-DASH,TRIM
	024990-05-000	EA OUTLET-DEF-W/SWIV 2IN BLACK
	056402-05-000	EA BRACKET-HEATER W/BEND BLACK
	077031-01-000	EA FILM-BLACK,1"X1 75".IP BEZEL
	077031-03-000	EA FILM-WHITE 75X1 00
	077075-01-000	EA GASKET-IP TO DEF PLENUM 286
	077075-03-000	EA GASKET-IP TO DEF PLENUM,SPL
	089294-01-000	EA LIGHTER ASM-CIGARETTE
	103603-01-000	EA BULB-12V NO 74 0 12A WEDGE

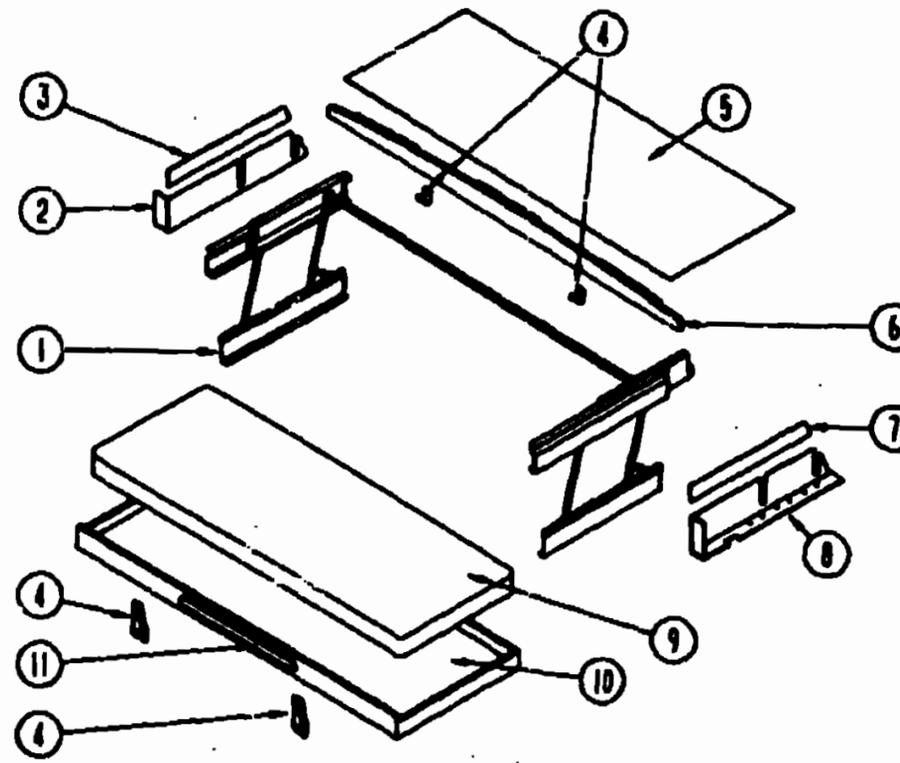
**DRIVERS COMPARTMENT GROUP (CONTINUED)**



**INSTRUMENT CLUSTER**

KEY	PART NUMBER	U/M DESCRIPTION
1	104056-01-01A	EA APPLIQUE-BEZEL DRESS UP
2	103875-06-000	EA SWITCH-ROCKER,DPDTMOM/OFF/MOM.
3	103875-05-000	EA SWITCH-ROCKER SPDTON/NONE/CIN
4	103875-04-000	EA SWITCH-ROCKER SPDTON/OFF/MOM
5	094796-03-000	EA CLUSTER-INSTRUMENT PANEL, KILOMETERS - GAS - GM #16156355 FROM 00-00-00 THRU 11-03-91
5	094796-05-000	EA CLUSTER-INSTRUMENT PANEL, KILOMETERS - GAS - GM #16156355 FROM 11-04-91 THRU 99-99-99
5	094796-04-000	EA CLUSTER-INSTRUMENT PANEL, KILOMETERS - DIESEL - GM#16138165 FROM 00-00-00 THRU 11-24-91
5	094796-06-000	EA CLUSTER-INSTRUMENT PANEL, KILOMETERS - DIESEL - GM#16161325 FROM 11-25-91 THRU 99-99-99
6	103662-01-01A	EA BEZEL-INSTRUMENT
7	096241-03-000	EA SWITCH-BLANK
8	103875-03-000	EA SWITCH-ROCKER,SPST ON/OFF,ON
9	104056-04-01A	EA APPLIQUE-BEZEL BLANK - W/O AUX FAN AND REAR AUTO HEATER
9	104056-05-01A	EA APPLIQUE-BEZEL 3 SW - W/AUX FAN OR REAR AUTO HEATER
10	104056-06-01A	EA APPLIQUE-BEZEL DRESS UP
11	103930-04-000	EA PANEL-CONTROL
12	089294-01-000	EA LIGHTER ASM-CIGARETTE
13	104056-02-01A	EA APPLIQUE-BEZEL
	100138-01-000	EA MODULE-DAYTIME RUNNING LIGHT
	077031-02-000	EA FILM-AMBER, 1" X 1 75"
	077031-03-000	EA FILM-WHITE 75X1 00
	103603-01-000	EA BULB-12V NO 74 0 12A WEDGE GE 22-25 DR EQUIV
	P03817-01-000	EA DASH ASM GM W/O VINYL
	077031-01-000	EA FILM-BLACK, 1" X 1 75"
	077075-01-000	EA GASKET-INSTRUMENT PANEL TO DEFROSTER PLENUM - 6" X 11 3"
	077075-03-000	EA GASKET-IP TO DEF PLENUM SPL
	105615-01-000	FT FILM-PROTECTIVE CLEAR 313-34" X 1500' ROL FROM 07-29-91 THRU 99-99-99
	105868-01-01A	EA INSERT-DASH.TRIM O/W
	105870-01-01A	EA INSERT-DASH.TRIM O/W
	077539-01-000	EA BRACKET-MOUNTING, DASH PANEL - L/SHAPED - 2 5" X 1" X 1 5"

**DRIVERS COMPARTMENT GROUP (CONTINUED)**



**FRONT BUNK-SINGLE**

KEY	PART NUMBER	U/M DESCRIPTION
1	076760-02-000	EA BUNK HARDWARE
	076760-02-700	EA SPRING-GAS-BUNK HARDWARE
2	101499-06-C05	EA PANEL ASM - BOTTOM DRIVERS - PADDED - USED W/BUNK
3	101497-08-C05	EA PANEL ASM - UPPER DRIVERS - PADDED - USED W/BUNK
4	042541-04-700	EA LATCH ASM-W/STRIKE, (2 SETS) - BRASS
4	042541-04-000	EA LATCH ASM-W/O STRIKE, BRASS
	042541-05-000	EA STRIKE-BRASS
	075943-09-000	EA BRACE - 8" - ANGLE, WHOLES - ALUMINUM - O/WHT
5	103040-06-C05	EA PANEL-HEADLINER FRONT OVERHEAD - PADDED USED W/BUNK
6	P03199-01-C25	EA BOARD ASM-TRIM,BUNK - CEILING MOUNTED
	016604-05-000	EA BRACE-L/ANGLED, 2 5" - OFF WHITE
7	101497-07-C05	EA PANEL ASM - UPPER PASSENGERS - PADDED - USED W/BUNK
8	101499-05-C05	EA PANEL ASM - BOTTOM PASSENGERS - PADDED - USED W/BUNK
9	079145-06-000	EA CUSHION ASM-BUNK (C05,C06)
	M79145-06-000	EA COVER ASM -BUNK 30" X 78" (C05,C06)
10	081717-03-C25	EA BED ASM-BUNK,FRONT
11	094658-01-B25	EA HANDLE-BUNK, OAK

**CANADIAN CHEVY - GAS & DIESEL**

KEY	PART NUMBER	U/M DESCRIPTION
	094796-03-000	EA CLUSTER-INSTRUMENT PANEL, KM(CAN)GAS FROM 00-00-00 THRU 09-12-91
	094796-05-000	EA CLUSTER-INSTRUMENT PANEL, KM(CAN)GAS FROM 09-13-91 THRU 99-99-99
	094796-04-000	EA CLUSTER-INSTRUMENT PANEL, KM(CAN) DIESEL FROM 00-00-00 THRU 11-08-91
	094796-06-000	EA CLUSTER-INSTRUMENT PANEL, KM(CAN) DIESEL FROM 11-09-91 THRU 99-99-99
	098641-01-000	EA LABEL-FUEL UNLEADED, I P
	100138-01-000	EA DAYTIME RUNNING LIGHT MODULE
	100158-01-000	EA WIRE ASM-DAY RUN LAMPS
	106859-01-000	EA WIRE ASM-DAY RUN LAMPS,FUSE

**1991 WINNEBAGO  
TABLE OF CONTENTS**

INTRODUCTION	A-01	A-02
ABBREVIATIONS		A-03
ALPHABETICAL INDEX	A-04	A-06
ICF27RC	A-07	E-12
ICF30RU	E-15	K-12

**1992 ICF27RC INDEX**

FLOOR PLAN	A-07	A-08
ACCESSORIES		A-09
AUDIO VIDEO	A-09	A-10
BATH	A-11	A-12
BEDROOM	A-13	A-14
CHASSIS	A-15	A-22
CURTAIN & CUSHION	A-23	B-08
DINETTE	B-09	B-10
DRIVERS COMPARTMENT	B-11	B-14
ELECTRICAL	B-15	B-20
EXTERIOR BODY	B-21	C-04
GALLEY	C-05	C-08
GENERATORS	C-09	C-10
HEATING & A/C	C-11	C-16
INTERIOR FINISH	C-17	C-23
LABELS	C-24	D-08
LP		D-09
LOUNGE		D-10
SEALANTS & FASTENERS	D-11	D-13
WATER & SEWAGE	D-14	D-19
WINDOW, VENT		
EXTERIOR DOOR	D-20	E-10
WINDSHIELD & WIPER	E-11	E-12

**ELECTRICAL GROUP**  
ELECTRIC BOXES, CORDS, CONNECTORS & CONDUIT

**ELECTRICAL GROUP (CONTINUED)**  
ELECTRIC BOXES, CORDS, CONNECTORS & CONDUIT (CONT)

**1991 WINNEBAGO**  
**TABLE OF CONTENTS**

INTRODUCTION	A-01	A-02
ABBREVIATIONS		A-03
ALPHABETICAL INDEX	A-04	A-06
ICF27RC	A-07	E-12
ICF30RU	E-15	K-12

KEY	PART NUMBER	U/M DESCRIPTION
	008052-01-000	EA CORD-POWER, 10/3 - 30 AMP - 25' - CANADIAN
	008054-01-000	EA CORD-POWER, 10/3 - 30 AMP - 25'
	088751-01-000	FT CABLE-BATTERY, 1/0 AWG, STRANDED, RED
	073328-E4-000	EA CABLE ASSEMBLY-BATTERY, W/TERMINALS
	077479-01-000	EA BOOT-BATTERY TERMINAL, DOUBLE CABLE
	077479-02-000	EA BOOT-BATTERY TERMINAL, SINGLE CABLE
	008288-01-000	EA BOX-PLASTIC ELECTRIC, 3' X 3 1/2"
	008288-02-000	EA BOX-ELECTRIC, PLASTIC - 3 9/4" X 3 13" X 1 81"
		FROM: 00-00-00 THRU 10-25-92
	008289-01-000	EA BOX-ELECTRIC, STEEL - 1/2" AND 3/4" KNOCKOUTS - 4" X 4"
	008289-02-000	EA BOX-ELECTRICAL, 4" X 4" - 1/2" & 3/4" KNOCKOUTS - CANADIAN
	058049-01-000	EA BOX-ELECTRIC SWITCH, 2" X 3" X 2 25"
	091910-01-000	EA BOX-ELECTRIC, 3 75" X 3 5" X 1.75" - PLASTIC
	092492-06-000	EA SEAL-ELECTRICAL BOX ALFA III (195X267)
	074890-01-000	EA BOX-EXTENSION, STEEL - OPEN SIDES - 4" X 4" X 1 1/2"
	074897-01-000	EA COVER-ELECTRIC BOX, 1 LARGE & 2 SMALL HOLES - 4" X 4"
	075723-01-000	EA SPACER-SWITCH, W/O HOLE - 2" X 9" X 2" - METAL - OFF WHITE
	075736-01-000	EA COVER-RECEPTACLE, EXTERIOR - GRAY
	054250-04-000	EA COVER-ANGLED, W/O HOLE - 3 6" X 4 5" - PLASTIC - OFF WHITE
	008294-01-000	EA COVER-ELECTRICAL BOX, BLANK/STEEL - 4" X 4" - GRAY
	008294-02-000	EA COVER-ELECTRICAL BOX, BLANK STEEL - 4" X 4" - CANADIAN
	069238-01-000	EA COVER-ELECTRICAL BOX, W/HOLE - 4" X 4" - GRAY
	073626-04-000	EA COVER-ELECTRIC, 10 4" X 7 8" - BEIGE PLASTIC
	008311-01-000	EA CONNECTOR-WIRE NUT, INSULATED - RED
	008312-01-000	EA CONNECTOR-WIRE NUT, INSULATED - BLUE
	008314-01-000	EA CONNECTOR-WIRE NUT, INSULATED - GRAY
	008326-01-000	EA TERMINAL-RING, 16/14 WIRE - 3/8" STUD
	008328-01-000	EA TERMINAL-RING, 12/10 WIRE - #10 STUD FIT
	008331-01-000	EA TERMINAL-RING, TONGUE - #4 WIRE - 3/8" STUD - COPPER
	068348-01-000	EA TERMINAL-RING, 3/8" STUD - #2 WIRE
	000353-01-000	EA CONNECTOR-CABLE CLAMPING, 3/8"
	008355-01-000	EA CONNECTOR-CABLE CLAMPING, 3/4"
	008356-01-000	EA CONNECTOR-PLASTIC, 3/8" AVG
	008398-01-000	EA CONNECTOR-1/2" X 90 DEGREE, FLEX CONDUIT - UL AND CSA
	035416-04-000	EA TERMINAL-RING #10 STUD FIT, INSULATED BARREL #16/14
	041480-01-000	EA CONNECTOR-STRAIGHT, 1/2" FLEX CONDUIT
	041953-01-000	FT CONDUIT-CONVOLUTE SLIT, .5" ID
	041953-01-000	FT CONDUIT-CONVOLUTE SLIT, .5" ID
	041953-03-000	FT CONDUIT-CONVOLUTE SLIT, 1" ID (CLOTHES ROD COVER)
	041953-05-000	FT CONDUIT-CONVOLUTE SOLID, .62" ID
	041953-06-000	FT CONDUIT-CONVOLUTE SLIT 3/75" ID
	041953-07-000	FT CONDUIT-CONVOLUTE, SLIT - 25" ID
	041953-09-000	FT CONDUIT-CONVOLUTE, SLIT 50" ID
	041953-10-000	FT CONDUIT-CONVOLUTE, SLIT - .75" ID
	041953-12-000	FT CONDUIT-CONVOLUTE, NON SLIT 1.1" ID
	047443-01-000	EA TERMINAL-.250 RECEP FIT, INSULATED - 16/14 AWC
	047443-02-000	EA TERMINAL-.250 RECEP FIT, INSULATED - 12/10 AWC
	058028-01-000	EA CONNECTOR-ELECTRICAL PIGTAIL, NYLON - CLEAR
	067479-01-000	EA BULB-12V, NUMBER 1075
	036196-01-000	EA BULB-12V, #194 - 27AMP - BAYONETTE
	067789-02-000	EA SOCKET-LAMP
	086233-01-000	EA STUD-ISOLATED, 3/8" X 7/8" LONG
	086273-01-000	EA RELAY-BATTERY DISCONNECT
	087949-01-000	EA BUSS BAR-2 POSITION, .8" X 1.5" - ALUMINUM
	088473-01-000	EA PIN-HOUSING, 4 ROWS OF 3
	088473-03-000	EA HOUSING-PIN, 9-POSITION
	020473-05-000	EA PIN-HOUSING, 6 POSITION (SINGLE ROW)
	088473-06-000	EA PIN-HOUSING, 6 POSITION (TWO ROWS OF THREE)
	088473-08-000	EA HOUSING-PIN, 4 POSITION
	088473-09-000	EA PIN-HOUSING, 3 POSITION (SINGLE ROW)
	088473-10-000	EA PIN-HOUSING, 2 POSITION
	088474-01-000	EA HOUSING-SOCKET, 12 POSITIONS
	088474-03-000	EA HOUSING-SOCKET, 9-POSITION
	088474-06-000	EA SOCKET-HOUSING, 6 POSITION (2 ROWS OF THREE)

KEY	PART NUMBER	U/M DESCRIPTION
	088474-07-000	EA HOUSING-SOCKET, 5 CAVITY AMP 1-480764-0
	088474-08-000	EA SOCKET-HOUSING, 4 POSITION (SINGLE ROW)
	088474-09-000	EA HOUSING-SOCKET, 3 POSITION
	088474-10-000	EA HOUSING-SOCKET, 2 POSITION
	088475-01-000	EA PIN-CONNECTOR, 14 TO 20 AWG
	088475-02-000	EA PIN-CONNECTOR, 10 TO 12 AWG
	088476-01-000	EA SOCKET-CONNECTOR, BRASS - PRE-TIN
	088476-02-000	EA SOCKET-CONNECTOR 12-10 GA - PHOS BRZ - PRE-TIN

**FUSES & FUSE PANELS**

KEY	PART NUMBER	U/M DESCRIPTION
	007093-01-000	EA FLASHER-SIGNAL, STAT
	007949-01-000	EA TAB-HOUSING, 1 POSITION
	008103-01-000	EA BULB-DASH/AISLE LIGHT, #53 - 12 V - 12 AMP
	008188-01-000	EA SOLENOID-3 POST, BATTERY CHANGE OVER
	008234-01-000	EA FUSE-12V, 10 AMP
	008235-01-000	EA FUSE-AUTOMOTIVE, 12V - 15AMP
	062036-02-000	EA TERMINAL-PACK-CON, 16/14 AWG
	062037-01-000	EA HOUSING-AUTO FUSE, NATURAL
	062037-02-000	EA HOUSING-AUTO FUSE, GREEN
	062037-03-000	EA HOUSING-AUTO FUSE, BLACK
	062037-04-000	EA HOUSING-AUTO FUSE, BLUE
	062037-05-000	EA HOUSING-AUTO FUSE, GRAY
	062037-06-000	EA HOUSING-AUTO FUSE, BROWN
	062901-02-000	EA FUSE-5 AMP, AUTOMOTIVE
	062901-05-000	EA FUSE-15 AMPS, AUTOMOTIVE
	063910-01-000	EA HOUSING-RELAY, BOSCH 3 334 485 008

**SWITCHES & SWITCH PLATES & SPACERS**

KEY	PART NUMBER	U/M DESCRIPTION
	079364-01-000	EA SWITCH-ON/OFF ROCKER, 2 PRONGS - BROWN
	079364-03-000	EA SWITCH-ON/OFF ROCKER, 3 PRONGS - BROWN
	095188-01-01A	EA SPACER-SWITCH, 2 3" X 3.4" - PLASTIC - DARK BROWN
	096241-03-000	EA SWITCH-BLANK
	096241-07-000	EA SWITCH-ROCKER, DPDT - ON/ON - BLACK
		FROM: 00-00-00 THRU: 06-14-92

**RECEPTACLES, RECEPTACLE PLATES & SPACERS**

KEY	PART NUMBER	U/M DESCRIPTION
	058708-01-000	EA RECEPTACLE-ELECTRIC, DOUBLE - BROWN
	058708-02-000	EA RECEPTACLE-ELECTRIC, DOUBLE - IVORY
	007940-01-000	EA RECEPTACLE-SLIDE, 16 TO 12 AWG - FEMALE END
	024924-02-000	EA RECEPTACLE-POWER CORD, W/PARTIAL PLATE
	080015-02-000	EA RECEPTACLE-FLAG, 185 - 16/14 GA - AMP 3
		FROM: 04-08-91 THRU: 99-99-99
	084076-02-000	EA RECEPTACLE-GFI, 15A - 125V - BROWN
	084077-02-000	EA PLATE-COVER, RECEPTACLE - GFI - BROWN
	081994-02-000	EA PLATE-SWITCH, EXTERIOR SHWR 92 ALL MH
		FROM: 00-00-00 THRU: 09-29-91
	082740-01-000	EA CONNECTOR-PLASTIC BODY, FOR 2 MALE SPADES

**1992 ICF27RC INDEX**

FLOOR PLAN	A-07	A-08
ACCESSORIES		A-09
AUDIO VIDEO	A-09	A-10
BATH	A-11	A-12
BEDROOM	A-13	A-14
CHASSIS	A-15	A-22
CURTAIN & CUSHION	A-23	B-08
MINETTE	B-09	B-10
DRIVE IN COMPARTMENT	B-11	B-14
ELECTRICAL	B-15	B-20
EXTERIOR BODY	B-21	C-04
GALLEY	C-05	C-08
GENERATORS	C-09	C-10
HEATING & A/C	C-11	C-16
INTERIOR FINISH	C-17	C-23
LABELS	C-24	D-08
LP		D-09
LOUNGE		D-10
SEALANTS & FASTENERS	D-11	D-13
WATER & SEWAGE	D-14	D-19
WINDOW, VENT		
EXTERIOR DOOR	D-20	E-10
WINDSHIELD & WIPER	E-11	E-12

**ELECTRICAL GROUP (CONTINUED)**  
CONTROL CENTER / POWER CONVERTOR / INVERTOR

KEY	PART NUMBER	U/M DESCRIPTION
	083208-02-000	EA CONVERTER-POWER, 45A - 120V/12V - BW 6345
	093209-01-000	EA CIRCUIT BREAKER-15 AMP, 120V - BW G-15 - CANADIAN
	083209-02-000	EA CIRCUIT BREAKER-15/15AMP, 120V - BW H-15/15
	083209-03-000	EA CIRCUIT BREAKER-15/20AMP, 120V - BW O-15/20
	083209-04-000	EA CIRCUIT BREAKER 30A, 120V - BW L-30
	083209-05-000	EA CIRCUIT BREAKER-20A, 120V - BW J-20
	083209-06-000	EA CIRCUIT BREAKER-30/15 AMP, 120V - BW D-30/15
	094809-01-000	EA CENTER-LOAD, 240V - 125A - TPL412CT
	093654-01-000	EA CIRCUIT BREAKER-6 AMP, HOUSE CONTROL PANEL
	093654-02-000	EA CIRCUIT BREAKER-15 AMP
	093655-02-000	EA CIRCUIT BREAKER-30 AMP, HOUSE CONTROL PANEL
	093655-03-000	EA CIRCUIT BREAKER-40 AMP USD 17440-4E03A2A
	094810-01-000	EA BREAKER-CIRCUIT, DOUBLE 30 AMP - GE THQL2130
	094811-01-000	EA BREAKER-CIRCUIT, DOUBLE 20 AMP - GE THQL2120
	097611-01-000	EA CIRCUIT BREAKER-6AMP, ATC - BLACK

**WIRE ASSEMBLIES**

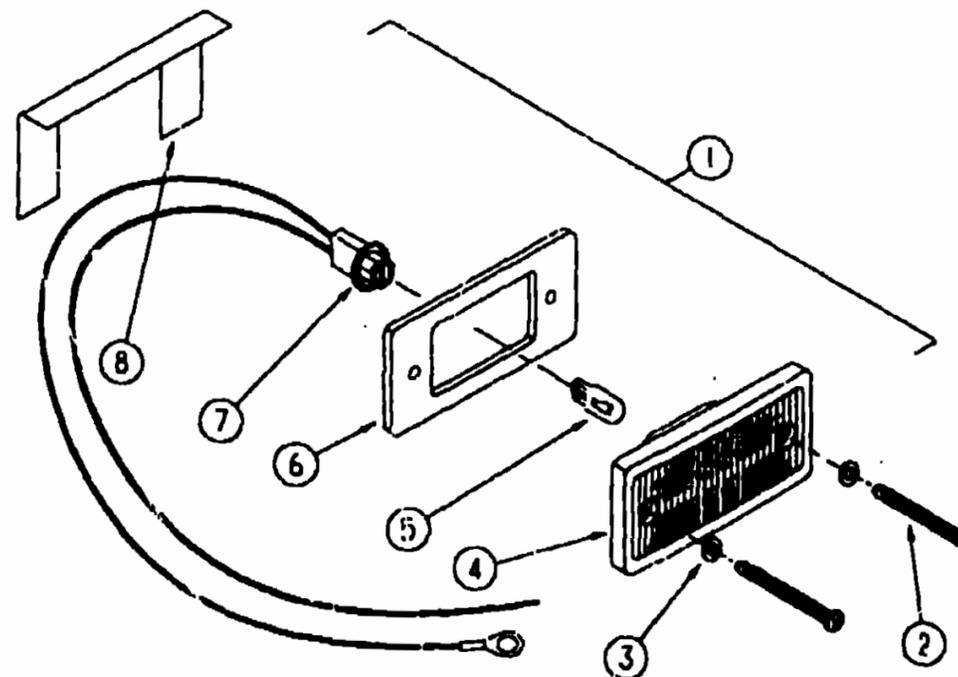
KEY	PART NUMBER	U/M DESCRIPTION
	094831-08-000	EA WIRE ASSEMBLY-AC COMPRESSOR ADAPTER - SCS 036-0054
	097618-01-000	EA WIRE ASM-MONITOR PANEL, W/4 WIRES & BLACK RESISTOR - LVS
	097734-01-01A	EA EXTENSION-RECEPTACLE, 3 2" X 5" X 7" - PLASTIC - IVORY
	097734-01-02A	EA EXTENSION-RECEPTACLE, 3 2" X 5" X 7" - PLASTIC - BROWN
	098351-01-01A	EA PLATE-SWITCH, 1 GANG - POLISHED BRASS
	098351-06-01A	EA PLATE-SWITCH, 2 GANG W/LABEL - JENSEN - POLISHED BRASS
	091927-01-000	EA COVER-RECEPTACLE, DOUBLE - IVORY
	099048-01-000	EA INVERTER-100 WATT
	100341-01-000	EA FUSE HOLDER-IN LINE TYPE
	100690-01-000	EA HOUSING-5 PIN, WEATHER PACK
	101571-01-000	EA HOUSING-2 POSITION, MALE
	102568-01-810	EA SPACER-RECEPTACLE, BETWEEN SIDEWALL & PLATE - WOOD
	102636-01-000	EA WIRE ASM-CLEARANCE LAMPS
	103347-01-000	EA WIRE ASSEMBLY-COOLING FAN ADAPTER
	103603-01-000	EA BULB-12V NO.74 0.12A WEDGE GE 22-25 OR EQUIV FROM 00-00-00 THRU 02-21-92
	103608-01-000	EA SOCKET-WEDGE BASE W/LEADS
	103873-01-000	EA SEAL-ELECTRICAL BOX/BULKHEAD
	103987-01-000	EA SEAL-SOLENOID ACCESS
	103991-01-000	EA WIRE ASM-CRT BKR,POWER
	104100-01-000	EA HOUSING-1 POSITION, 75 AMP
	104100-03-000	EA TERMINAL-75 AMP
	106006-01-000	EA HOUSING-1 POSITION, FEMALE - PACKARD 12015952 FROM 08-18-91 THRU 99-99-99
	108355-01-000	EA HOUSING-SWITCH CARLING VCH FROM 07-02-92 THRU 99-99-99
	108356-01-01A	EA ACTUATOR-SWITCH GROOVES III CARLING VVCZC00 BLA
	108357-08-000	EA SWITCH-ROCKER,DPDT/ON/NONE/ON CARLING VDD1SG0C-0 FROM 06-15-92 THRU 99-99-99
	099048-01-000	EA INVERTER-100 WATT

**ELECTRICAL GROUP (CONTINUED)**  
INTERIOR LIGHTS

KEY	PART NUMBER	U/M DESCRIPTION
	065202-15-000	EA LAMP-WALL, W/O SHADE - BRASS - CANADIAN
	061427-01-000	EA LIGHT-AISLE, 12V - RECTANGULAR BULB #009103-01-000
	065201-08-000	EA SHADE-LAMP, W/GOLD TRIM - PARCHMENT FROM 00-00-00 THRU 07-07-91
	065201-09-000	EA SHADE-LAMP, FABRIC - PARCHMENT FROM 07-08-91 THRU 99-99-99
	065202-14-000	EA LAMP-WALL, W/O SHADE - BRASS
	067479-01-000	EA BULB-12V NO1076 1 80AMP
	065202-14-700	EA BRASS FINIAL(NEW STYLE) - WHICH HOLDS LAMP SHADE ON LAMP
	082169-01-000	EA LIGHT-MAKE-UP, 3 BULB - JENSEN X148-16BR
	081633-01-700	EA BULB-MAKE UP LIGHT, JENSEN
	086280-01-000	EA LIGHT-SURFACE MOUNT, 12V - JENSEN 1236
	086280-01-700	EA BULB-12 VOLT, 6 WATT
	098024-01-01A	EA LIGHT-DOME, 1 BULB - US - IVORY
	098024-03-01A	EA LIGHT-DOME, 2 BULB - IVORY
	008218-01-000	EA BULB-12V NO1141 1 44AMP
	098024-01-700	EA LENS - LIGHT-DOME
	008218-01-000	EA BULB-DOME LIGHT 12V - NUMBER 1141

**1991 WINNEBAGO**  
**TABLE OF CONTENTS**

INTRODUCTION	A-01	A-02
ABBREVIATIONS		A-03
ALPHABETICAL INDEX	A-04	A-06
ICF27RC	A-07	E-12
ICF30RU	E-15	K-12



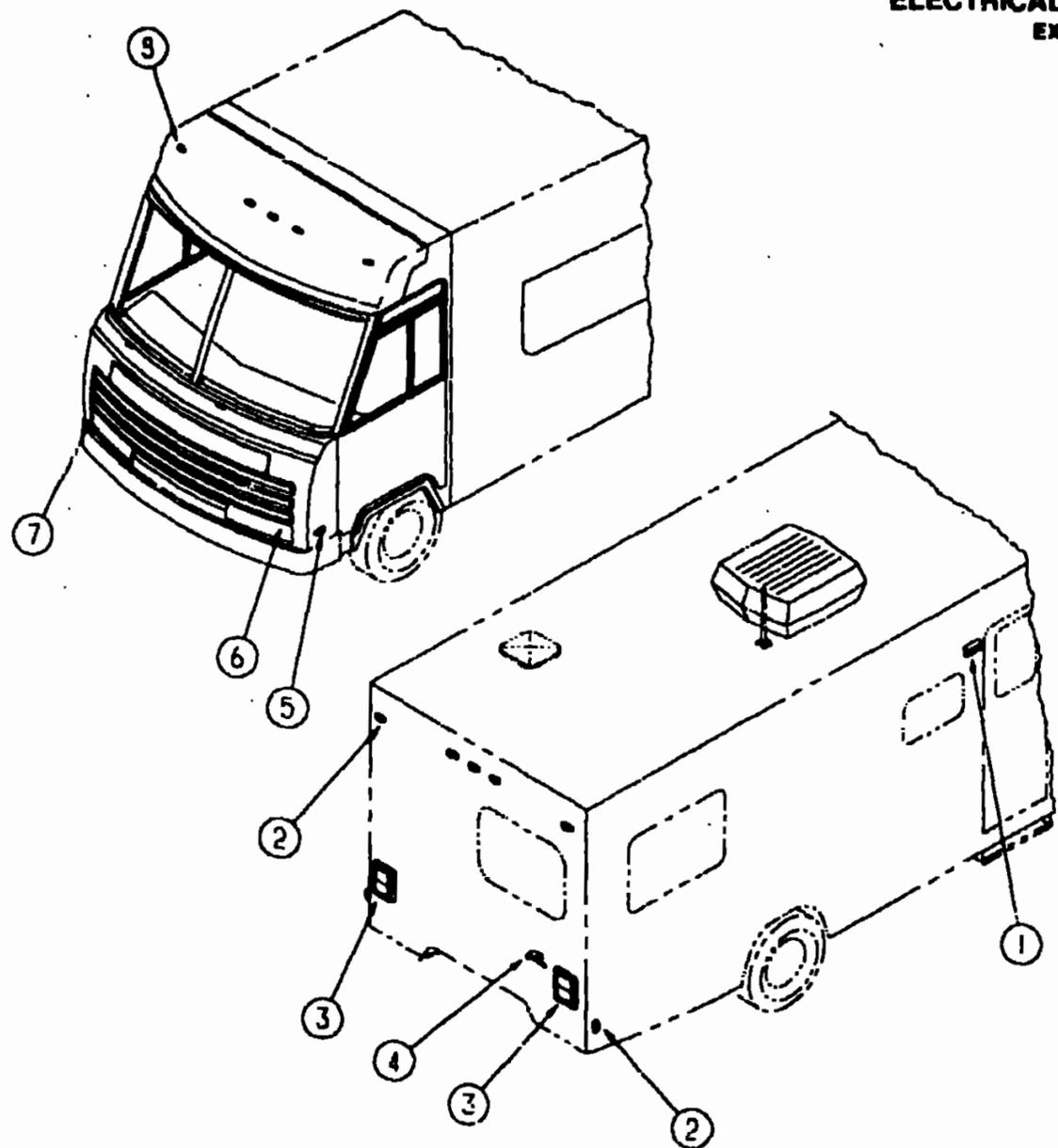
**EXTERIOR CLEARANCE LIGHTS**

KEY	PART NUMBER	U/M DESCRIPTION
1	102520-01-000	EA LIGHT-CLEARANCE, W/O SOCKET CONNECTIONS - AMBER
2	000G39-08-24B	EA SCREW, SELF DRIVING
3	102540-01-000	EA SEAL-SCREW, ROUND - RUBBER
4	102520-01-000	EA LIGHT-CLEARANCE, W/O SOCKET CONNECTIONS - AMBER
5	036196-01-000	EA BULB - #1194 - CLEARANCE LIGHT
6	102541-01-000	EA GASKET-CLEARANCE LIGHT
7	067789-02-000	EA SOCKET ASM - CAB MARKER
8	102582-01-000	EA BRACKET-LIGHT, CLEARANCE - L-SHAPED METAL - 2 2" X 4 7"

**1992 ICF27RC INDEX**

FLOOR PLAN	A-07	A-08
ACCESSORIES		A-09
AUDIO VIDEO	A-09	A-10
BATH	A-11	A-12
BEDROOM	A-13	A-14
CHASSIS	A-15	A-22
CURTAIN & CUSHION	A-23	B-08
DINETTE	B-09	B-10
DRIVERS COMPARTMENT	B-11	B-14
ELECTRICAL	B-15	B-20
EXTERIOR BODY	B-21	C-04
GALLEY	C-05	C-08
GENERATORS	C-09	C-10
HEATING & A/C	C-11	C-16
INTERIOR FINISH	C-17	C-23
LABELS	C-24	D-08
LP		D-09
LOUNGE		D-10
SEALANTS & FASTENERS	D-11	D-13
WATER & SEWAGE	D-14	D-19
WINDOW, VENT		
EXTERIOR DOOR	D-20	E-10
WINDSHIELD & WIPER	E-11	E-12

**ELECTRICAL GROUP (CONTINUED )  
EXTERIOR LIGHTS**



KEY	PART NUMBER	U/M DESCRIPTION
1	097917-01-01A	EA LIGHT-PORCH, ENTRY DOOR - OFF WHITE
	008215-01-000	EA BULB-12V, #1003 - .94AMP
	097917-01-700	EA LENS-LIGHT, PORCH
2	062648-01-000	EA LIGHT-CLEARANCE, RED - BARGMAN 30-99-001 BULB N/A SEPARATELY
3	081638-01-000	EA TAILLIGHT-DOUBLE, W/BLACK TRIM - DRIVER & PASSENGER SIDE
	037934-01-000	EA BULB# 1156 - (BACK UP & TURN SIGNAL)
	037935-01-000	EA BULB# 2057 OR #1157 - (BRAKE LIGHT)
	081638-01-700	EA LENS-TAILLIGHT, RED - BARGMAN 30-84-010
	081638-01-701	EA LENS-TAILLIGHT, W/BACKUP - BARGMAN 30-84-700
	103355-01-01A	EA POD-TAILLIGHT O/W WINN
4	066432-02-000	EA LIGHT-LICENSE BLACK
	066432-03-000	EA BRACKET-LICENSE PLATE BARGMAN 30-60-030
5	062648-02-000	EA LIGHT-CLEARANCE, AMBER - BARGMAN 30-99-002 BULB #1895 SK9
6	049186-02-000	EA HEADLAMP CAPSULE-DRIVER, HIGH/LOW BEAM - RECTANGULAR - BLACK TRIM
	049188-02-000	EA HEADLAMP CAPSULE-DRIVER, HIGH BEAM - RECTANGULAR - BLACK TRIM
7	049185-02-000	EA HEADLAMP CAPSULE-PASSENGER, HIGH/LOW BEAM - RECTANGULAR - BLK TRIM
	049187-02-000	EA HEADLAMP CAPSULE-PASSENGER, HIGH BEAM - RECTANGULAR - BLACK TRIM
	F03783-01-000	EA WIRE ASM-HEADLAMP(GM)
	049359-01-000	EA SPRING-RETAINER, HEADLAMP - GM 496096
	073308-01-000	EA SCREW-ADJUSTING, HEADLAMP
	089292-01-000	EA LIGHT-TURN, DRIVER & PASSENGER - W/AMBER LENS
	037935-01-000	EA BULB - LENS NOT AVAILABLE SEPARATELY
8	102520-01-000	EA LIGHT-CLEARANCE, W/O SOCKET CONNECTIONS - AMBER
	036196-01-000	EA BULB
	102540-01-000	EA SEAL-SCREW, ROUND - RUBBER
	102541-01-000	EA GASKET-CLEARANCE LIGHT
	102582-01-000	EA BRACKET-LIGHT, CLEARANCE - L-SHAPED METAL - 2 2" X 4 7"

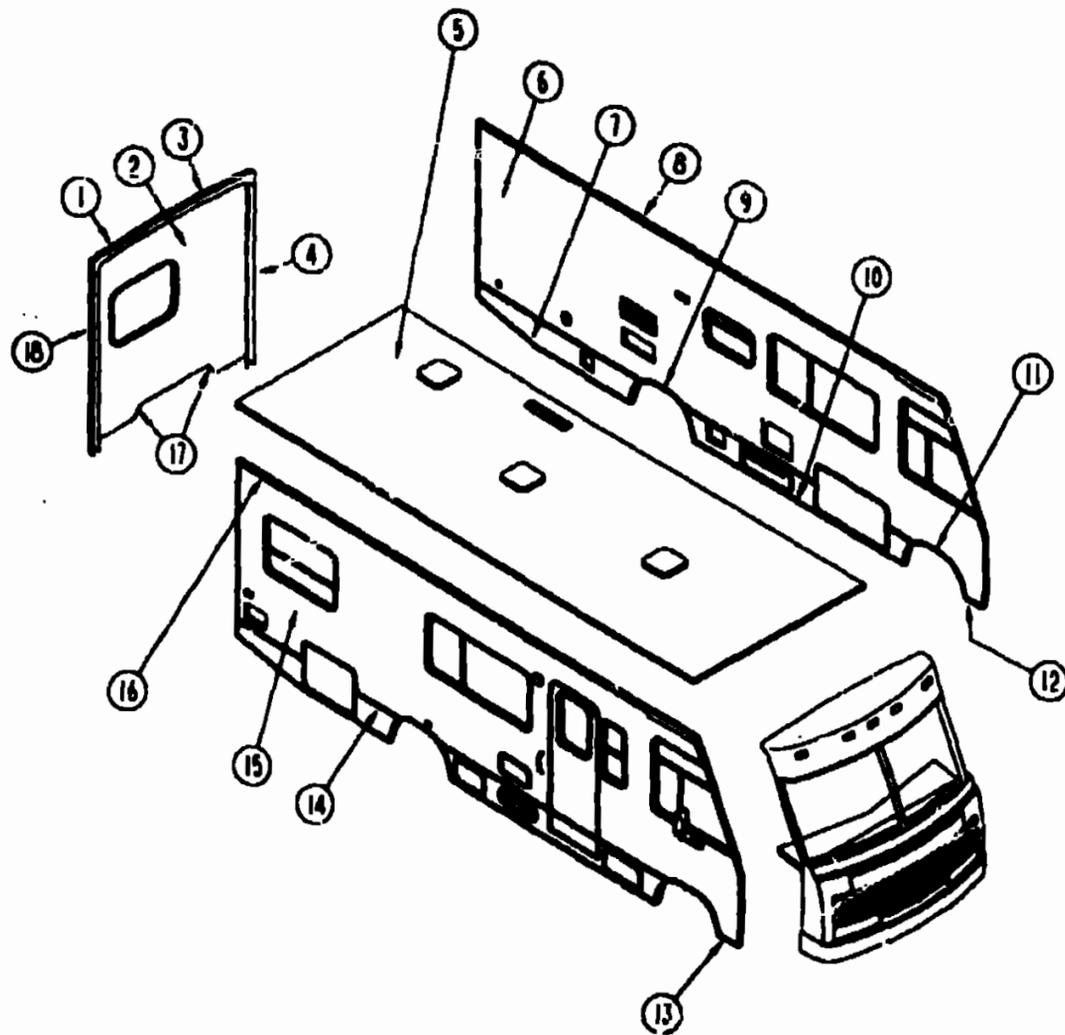
**1991 WINNEBAGO  
TABLE OF CONTENTS**

INTRODUCTION	A-01 -	A-02
ABBREVIATIONS		A-03
ALPHABETICAL INDEX	A-04 -	A-06
ICF27RC	A-07 -	E-12
ICF30RU	E-15 -	K-12

**1992 ICF27RC INDEX**

FLOOR PLAN	A-07 -	A-08
ACCESSORIES		A-09
AUDIO VIDEO	A-09 -	A-10
BATH	A-11 -	A-12
BEDROOM	A-13 -	A-14
CHASSIS	A-15 -	A-22
CURTAIN & CUSHION	A-23 -	B-08
DINETTE	B-09 -	B-10
DRIVERS COMPARTMENT	B-11 -	B-14
ELECTRICAL	B-15 -	B-20
EXTERIOR BODY	B-21 -	C-04
GALLEY	C-05 -	C-08
GENERATORS	C-09 -	C-10
HEATING & A/C	C-11 -	C-15
INTERIOR FINISH	C-17 -	C-23
LABELS	C-24	D-08
LP		D-09
LOUNGE		D-10
SEALANTS & FASTENERS	D-11 -	D-13
WATER & SEWAGE	D-14 -	D-19
WINDOW, VENT		
EXTERIOR DOOR	D-20 -	E-10
WINDSHIELD & WIPER	E-11 -	E-12

**EXTERIOR BODY GROUP**



**EXTERIOR BODY PANELS AND TRIM**

KEY	PART NUMBER	U/M DESCRIPTION
1	103559-01-02A	EA TRIM-BACKWALL.TOP.RIGHT
2	P03133-01-C25	EA BACKWALL ASM
3	103600-01-02A	EA TRIM-BACKWALL.TOP.LEFT
4	104033-01-02A	EA TRIM-J.BACKWALL.LEFT
4	103598-02-03A	EA TRIM-BACKWALL.SIDE LEFT
5	P03245-01-C25	EA ROOF ASM
6	P03072-01-C25	EA SIDEWALL ASM-LEFT
7	103143-01-02A	EA TRIM-LOWER SIDEWALL.REAR RIGHT
8	103801-01-02A	EA TRIM-ROOF
9	103145-01-02A	EA TRIM-WHEEL WELL.REAR
10	103144-01-02A	EA TRIM-LOWER SIDEWALL.CENTER
11	103146-01-02A	EA TRIM-WHEELWELL.FRONT
12	103146-01-02A	EA TRIM-LOWER SIDEWALL.FRONT LEFT
13	089922-08-CJ0	EA TRIM-FIBERGLASS.PANEL.
13	103142-01-02A	EA TRIM-LOWER SIDEWALL.FRONT.RIGHT
14	059576-11-000	EA FEATURE STRIP-ALUMINUM.182" GRAY
	001030-11-100	EA INSERT.FEATURE STRIP
	009731-01-000	EA CAP-FEATURE STRIP
15	P03073-01-C25	EA SIDEWALL ASM-RIGHT
16	103802-01-02A	EA RAIL-AWNING
17	050406-16-000	EA TRIM-BACKWALL.LOWER
18	104033-01-02A	EA TRIM-J.BACKWALL TO SIDEWALL. RIGHT
18	103598-01-03A	EA TRIM-BACKWALL.SIDE.RIGHT
	103814-01-000	EA BRACKET-TRIM ATTACHMENT

**EXTERIOR BODY GROUP (CONTINUED)  
FIBERGLASS/STYROFOAM & ALUMINUM**

KEY	PART NUMBER	U/M DESCRIPTION
	000668-01-000	SF STYROFOAM-3/4 X 24" X 96" - INCREMENTS OF 16 SF
	083574-03-000	SF STYROFOAM-3/4 X 48 X 96" - INCREMENTS OF 32 SF
	000870-05-000	SF STYROFOAM-5" X 24" X 96". INCREMENTS OF 16 SF
	083574-01-000	SF STYROFOAM.DOW TYPE SIM - 1 5" X 24" X 85.25"
	000870-03-000	SF STYROFOAM-1.31" X 48" X 96" - INCREMENTS OF 32 SF
	044487-01-001	EA ALUMINUM SHEET - 019" X 96" X 360" - MILL FINISH
	001012-01-000	EA AL-.0165X48.00XCOIL MILL FIN
	001013-01-000	EA AL-.019X12.00XCOIL MILL FIN
	072896-05-000	EA AL-.032X48.COIL 5052 MILLFIN
	076054-F9-000	EA FIBERGLASS SHEET 2438 X 7660 "GRAY
	077517-23-000	EA FIBERGLASS SHEET, FLAT - 48" X 96" - GRAY
	076054-F4-000	EA FIBERGLASS SHEET 2438 X 2438 "GRAY
	089922-08-000	EA TRIM-FIBERGLASS.PANEL.GRAY
	083574-02-000	SF STYROFOAM-1 5" X 24" X 90 5" ROOF
	065747-01-000	SF INSULATION-MICROFOAM, 5"

**PLUMBING VENT**

KEY	PART NUMBER	U/M DESCRIPTION
	083558-02-000	EA VENT-PLUMBING PIPE ROOF, W/COVER - GRAY

**ASSIST HANDLE**

KEY	PART NUMBER	U/M DESCRIPTION
	009126-01-000	EA HANDLE-ASSIST. ENTRY DOOR - OFF WHITE
	069726-02-000	EA BUMPER-88"DIA X 40". BLACK
	103801-02-02A	EA TRIM-ROOF

**1991 WINNEBAGO  
TABLE OF CONTENTS**

INTRODUCTION	A-01	A-02
ABBREVIATIONS		A-03
ALPHABETICAL INDEX	A-04	A-06
ICF27RC	A-07	E-12
ICF30RU	E-15	K-12

**1992 ICF27RC INDEX**

FLOOR PLAN	A-07	A-08
ACCESSORIES		A-09
AUDIO VIDEO	A-09	A-10
BATH	A-11	A-12
BEDROOM	A-13	A-14
CHASSIS	A-15	A-22
CURTAIN & CUSHION	A-23	B-08
DINETTE	B-09	B-10
DRIVERS COMPARTMENT	B-11	B-14
ELECTRICAL	B-15	B-20
EXTERIOR BODY	B-21	C-04
GALLEY	C-05	C-08
GENERATORS	C-09	C-10
HEATING & A/C	C-11	C-16
INTERIOR FINISH	C-17	C-23
LABELS	C-24	D-06
LP		D-09
LOUNGE		D-10
SEALANTS & FASTENERS	D-11	D-13
WATER & SEWAGE	D-14	D-19
WINDOW. VENT		
EXTERIOR DOOR	D-20	E-10
WINDSHIELD & WIPER	E-11	E-12

## EXTERIOR BODY GROUP (CONTINUED)

### FRONTEND COMPONENTS & BUMPER

KEY	PART NUMBER	U/M	DESCRIPTION
1	103815-02-03A	EA	TRIM-FRONT CAP/ROOF
2	103815-03-03A	EA	TRIM-FRONT CAP/ROOF
3	M05145-01-C25	EA	CAP ASM-FRONT
4	102935-01-000	EA	MOLDING-REVEAL,WINDSHIELD
5	103523-01-000	FT	MOLDING - REVEAL WINDSHIELD - CENTER
	103107-01-01A	EA	TRIM-WINDSHIELD,SIDE BLK
	103107-02-01A	EA	TRIM-WINDSHIELD,SIDE BLK
6	M05128-01-C25	EA	FRONT END ASM-FIBERGLASS
7	103478-01-C25	EA	PANEL ASM-HOOD
	103497-01-000	EA	BRACE-BUMPER,FRONT - UPPER
8	103611-01-000	EA	BRACE-BUMPER,FRONT
9	086140-03-000	EA	SUPPORT-BUMPER - DRIVERS
10	103625-02-02A	EA	PANEL-FACIA,FRONT BUMPER LH GRAY
11	103634-01-C25	EA	BUMPER ASM-FRONT GRAY
12	103625-01-02A	EA	PANEL-FACIA,FRONT BUMPER RH GRAY
13	086140-03-000	EA	SUPPORT-BUMPER - PASSENGERS
14	102330-02-000	EA	LATCH-HOOD
15	077952-02-000	EA	CAP - REVEAL MOLDING, CENTER TOP & CENTER BOTTOM
	058786-02-000	EA	BOLT-ADJUSTING, HOOD - W/BLACK PAD - 5/16" #18 X 1 25"
	103816-01-02A	EA	TRIM-FRONT CAP/SIDE
	103816-02-02A	EA	TRIM-FRONT CAP/SIDE
	086754-04-000	EA	CAP-TRIM - GRAY
	103749-01-02A	EA	PANEL-ROOF CAP
	103628-01-000	EA	BRACKET-FRONT
	094362-03-000	EA	CLIP-XMAS TREE,FLAT HEAD
	103628-01-000	EA	BRACKET-FRONT,LOWER MOUNT
	105096-02-000	EA	TUBE-TIMING,HOOD HINGE
	104584-03-000	EA	BRACKET ASM-HOOD HINGE BODY,RIGHT
	104584-04-000	EA	BRACKET ASM HOOD HINGE BODY,LEFT
	105095-01-000	EA	LINK ASM-HINGE,HOOD,INNER RIGHT
	105095-02-000	EA	LINK ASM-HINGE,HOOD,INNER LEFT
	104582-02-000	EA	LINK ASM-HINGE HOOD,OUTER

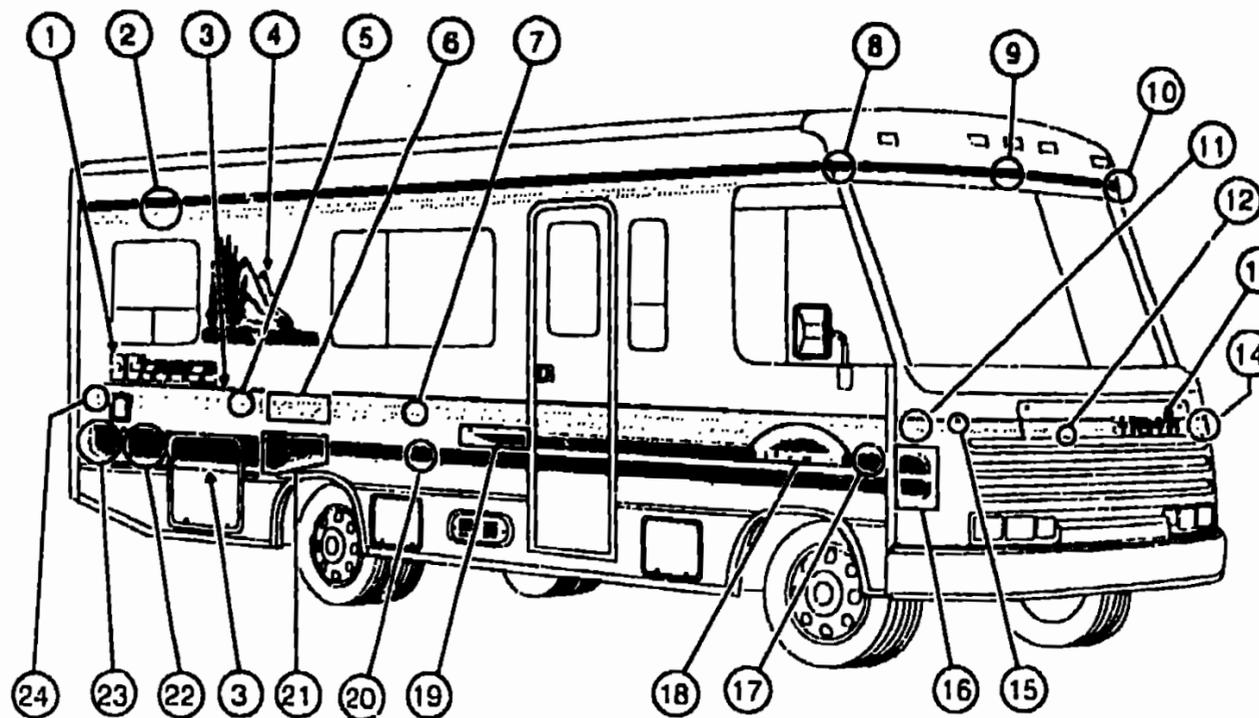
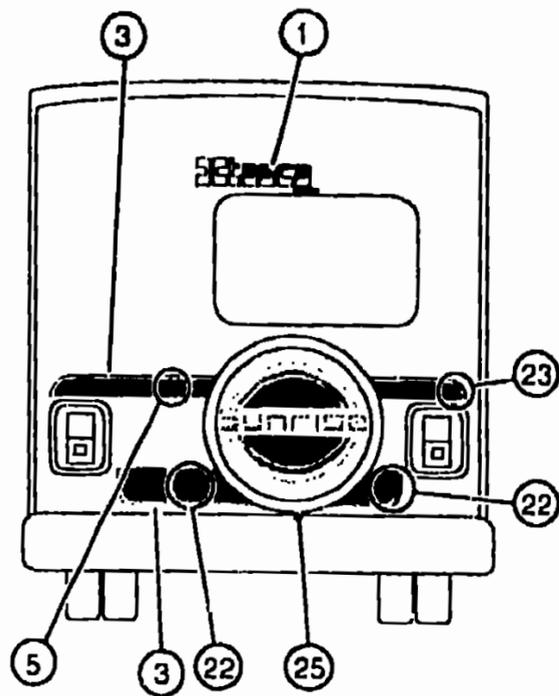
## 1991 WINNEBAGO TABLE OF CONTENTS

INTRODUCTION	A-01	A-02
ABBREVIATIONS		A-03
ALPHABETICAL INDEX	A-04	A-06
ICF27RC	A-07	L-12
ICF30RU	E-15	K-12

## 1992 ICF27RC INDEX

FLOOR PLAN	A-07	A-08
ACCESSORIES		A-09
AUDIO VIDEO	A-09	A-10
BATH	A-11	A-12
BEDROOM	A-13	A-14
CHASSIS	A-15	A-22
CURTAIN & CUSHION	A-23	B-08
DINETTE	B-09	B-10
DRIVERS COMPARTMENT	B-11	B-14
ELECTRICAL	B-15	B-20
EXTERIOR BODY	B-21	C-04
GALLEY	C-05	C-08
GENERATORS	C-09	C-10
HEATING & A/C	C-11	C-16
INTERIOR FINISH	C-17	C-23
LABELS	C-24	D-08
LP		D-09
LOUNGE		D-10
SEALANTS & FASTENERS	D-11	D-13
WATER & SEWAGE	D-14	D-19
WINDOW, VENT		
EXTERIOR DOOR	D-20	E-10
WINDSHIELD & WIPER	E-11	E-12

EXTERIOR BODY GROUP (CONTINUED)



1991 WINNEBAGO  
TABLE OF CONTENTS

INTRODUCTION	A-01	A-02
ABBREVIATIONS		A-03
ALPHABETICAL INDEX	A-04	A-06
ICF27RC	A-07	E-12
ICF30RU	E-15	K-12

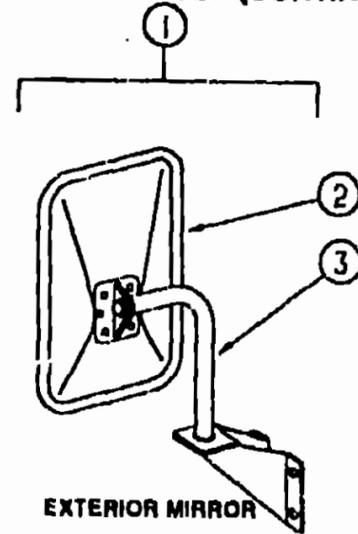
1992 ICF27RC INDEX

FLOOR PLAN	A-07	A-08
ACCESSORIES		A-09
AUDIO VIDEO	A-09	A-10
BATH	A-11	A-12
BEDROOM	A-13	A-14
CHASSIS	A-15	A-22
CURTAIN & CUSHION	A-23	B-08
DINETTE	B-09	B-10
DRIVERS COMPARTMENT	B-11	B-14
ELECTRICAL	B-15	B-20
EXTERIOR BODY	B-21	C-04
GALLEY	C-05	C-08
GENERATORS	C-09	C-10
HEATING & A/C	C-11	C-16
INTERIOR FINISH	C-17	C-23
LABELS	C-24	D-08
LP		D-09
LOUNGE		D-10
SEALANTS & FASTENERS	D-11	D-13
WATER & SEWAGE	D-14	D-19
WINDOW VENT		
EXTERIOR DECOR	D-20	E-10
WINDSHIELD & WIPER	E-11	E-12

KEY	PART NUMBER	U/M DESCRIPTION
1	078852-20-000	EA DECAL-LOGO,ITASCA 6 50 - LT GRAY/TURQUOISE
2	093689-09-01A	FT FILM-MULTISTRIPE,121MMX150FT
		FROM 00-00-00 THRU 07-28-91
2	093689-10-01A	FT FILM-MULTISTRIPE,134MMX150FT
		FROM 07-29-91 THRU 99-99-99
	08358-3-000	GL PAINT-OFF WHITE.
3	093681-24-02A	FT FILM-13MM X 150FT - OCEAN SPRAY
4	10665-4-01-01A	EA DECAL-SCENE,MOUNTAIN, RIGHT
	10665-4-02-01A	EA DECAL-SCENE,MOUNTAIN, LEFT
5	09443-03-01A	FT FILM-OVERLAY 114MM X 150FT
6	104051-01-01A	EA DECAL-RADIUS,UPPER,RIGHT
	104051-02-01A	EA DECAL-RADIUS,UPPER,LEFT
7	09443-02-01A	FT FILM-OVERLAY 114MM X 150FT
8	104094-01-02A	EA DECAL-FRONT UPPER RIGHT
9	104094-01-02A	EA DECAL-FRONT UPPER CAP
		FROM 07-29-91 THRU 99-99-99
10	104094-02-02A	EA DECAL-FRONT UPPER LEFT
		FROM 07-29-91 THRU 99-99-99
11	104773-01-01A	EA DECAL-FRONT,UPPER RIGHT
		FROM 07-29-91 THRU 99-99-99

KEY	PART NUMBER	U/M DESCRIPTION
12	093681-33-01A	FT FILM-15MM X 150FT
13	093789-02-04A	EA DECAL-LOGO ITASCA
14	104773-02-C1A	EA DECAL-FRNT,UPPER, LEFT
15	094433-07-01A	FT FILM-OVERLAY 46MM X 150FT
16	104772-01-01A	EA DECAL-FRONT,LOWER, RIGHT
	104772-02-01A	EA DECAL-FRONT,LOWER, LEFT
17	094422-02-01A	FT FILM-OVERLAY, MULTISTRIPE 98MM
18	104049-01-01A	EA DECAL-SUNRISE
19	104051-01-01A	EA DECAL-TRANSITION, LOWER, RIGHT
	104051-02-01A	EA DECAL-TRANSITION, LOWER, LEFT
20	094433-04-01A	FT FILM-OVERLAY 121MM X 150FT
21	104053-01-01A	EA DECAL-RADIUS,LOWER, RIGHT
	104053-02-01A	EA DECAL-RADIUS,LOWER, LEFT
22	094433-05-01A	FT FILM-OVERLAY 216MM X 150FT
23	104055-01-01A	EA DECAL-END CAP,LARGE
24	104054-01-01A	EA DECAL-END CAP,SMALL
	104279-01-01A	EA DECAL-LOGO,SUNRISE SEL PROF (ON DASH)
	106149-01-01A	FT DECAL-VINYL STRIPING 2"
	041561-03-000	EA PAINT-LOW BAKE, OFF WHITE
	044486-03-000	EA PAINT-LOW BAKE, BEIGE
	074559-01-000	EA DECAL-LOGO, LPG - RED - (CALIF CODE)
		FROM 00-00-00 THRU 08-31-92
25	104408-03-C25	EA COVER-TIRE,32"SUNRISE
25	P04408-03-000	EA SILKSCREEN-32"SUNRISE

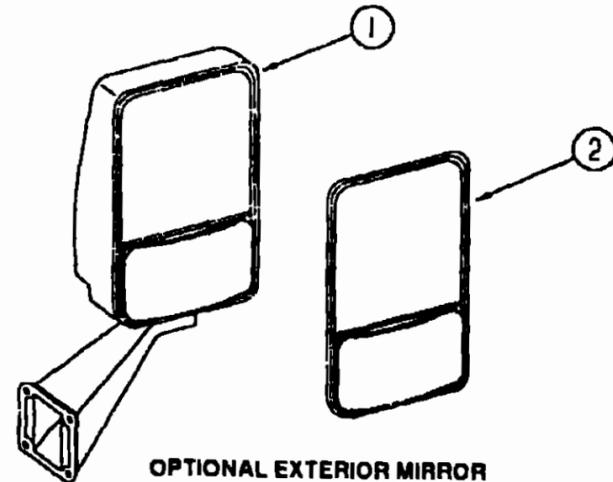
**EXTERIOR BODY GROUP (CONTINUED)**



**EXTERIOR MIRROR**

KEY	PART NUMBER	U/M DESCRIPTION
1	105076-01-01A	EA MIRROR-EXTERIOR, LOW MOUNT - SET (PAIR)
1	105076-01-702	EA MIRROR ASM-LOW MT (RIGHT OR LEFT)
2	105076-01-703	EA MIRROR HEAD ONLY
3	105076-01-704	EA APM
	105439-01-CXX	EA MIRROR AUX CONVEX STICK-ON
	049347-01-700	EA GLASS ONLY F7 1/2 X 10 1/2

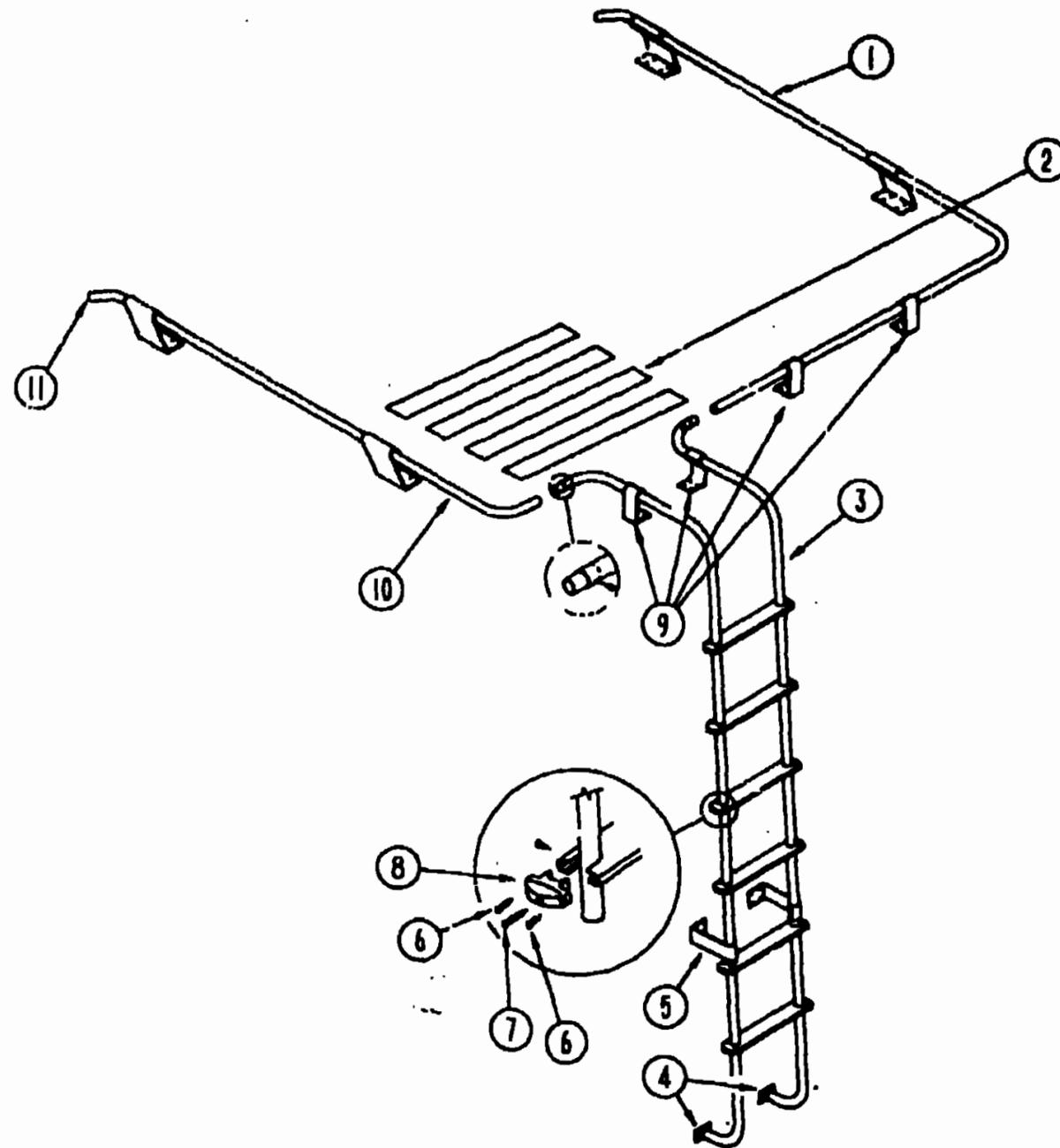
713196 1 ONLY W/BRK  
709275-B  
Q780521-9  
VELVAC 723068-G  
702081 VELVAC



**OPTIONAL EXTERIOR MIRROR**

KEY	PART NUMBER	U/M DESCRIPTION
1	106015-09-01A	EA MIRROR ASM - RIGHT VELVAC 713126 BLACK
1	106015-10-01A	EA MIRROR ASM - LEFT VELVAC 713125 BLACK
2	106015-01-703	EA MIRROR KIT (BEZEL W/MIRRORS) PASSENGER SIDE
2	106015-02-702	EA MIRROR KIT (BEZEL W/MIRRORS) DRIVER SIDE

**EXTERIOR BODY GROUP (CONTINUED)**



**LUGGAGE RACK & LADDER**

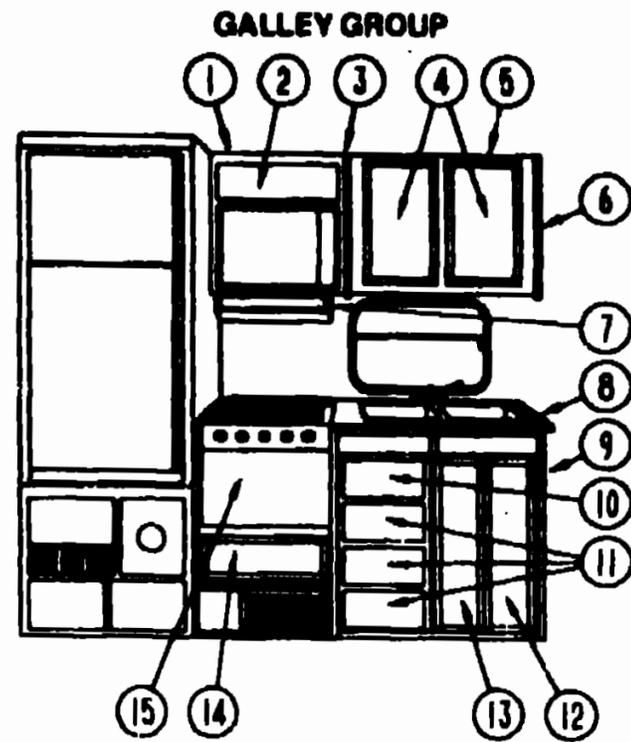
KEY	PART NUMBER	U/M DESCRIPTION
1	081026-15-C05	EA RACK ASM-LUGGAGE, PASSENGER
2	038327-01-000	EA TAPE-ANTI SLIP, 2" X 60"
2	038327-02-000	FT TAPE-ANTI SLIP, 2" X 60FT
3	102953-01-C05	EA LADDER ASM, STRAIGHT
4	067165-01-000	EA MOUNTING BRACKET-LADDER, LOWER
5	N/A	EA STANDOFF-LADDER, BRIGHT DIPPED - LOWER
6	000G39-06-10T	EA SCREW-SF/DR, 6-20 X 5/8 PPH - BLACK
7	000G68-10-36T	EA SCREW-10-12 X 2 25 POH BLACK
8	076980-02-000	EA END CAP-STEP, BLACK
9	N/A	EA STANDOFF-RACK & LADDER, BRIGHT DIPPED
10	081026-16-C05	EA RACK ASM-LUGGAGE, DRIVER
11	081114-01-000	EA PLUG-RCUND, RACK & LADDER ENDS - PLASTIC - 1" DIA

**1991 WINNEBAGO  
TABLE OF CONTENTS**

INTRODUCTION	A-01	A-02
ABBREVIATIONS		A-03
ALPHABETICAL INDEX	A-04	A-06
ICF27RC	A-07	E-12
ICF30RU	E-15	K-12

**1992 ICF27RC INDEX**

FLOOR PLAN	A-07	A-08
ACCESSORIES		A-09
AUDIO VIDEO	A-09	A-10
BATH	A-11	A-12
BEDROOM	A-13	A-14
CHASSIS	A-15	A-22
CURTAIN & CUSHION	A-23	B-08
DINETTE	B-09	B-10
DRIVERS COMPARTMENT	B-11	B-14
ELECTRICAL	B-15	B-20
EXTERIOR BODY	B-21	C-04
GALLEY	C-05	C-08
GENERATORS	C-09	C-10
HEATING & A/C	C-11	C-16
INTERIOR FINISH	C-17	C-23
LABELS	C-24	D-08
LP		D-09
LOUNGE		D-10
SEALANTS & FASTENERS	D-11	D-13
WATER & SEWAGE	D-14	D-19
WINDOW, VENT		
EXTERIOR DOOR	D-20	E-10
WINDSHIELD & WIPER	E-11	E-12



**GALLEY CABINETRY**

KEY	PART NUMBER	U/M DESCRIPTION
1	M05019-42-C25	EA CABINET-OVERHEAD RANGE - W/O DOORS OR HARDWARE
2	P00520-B2-C25	EA DOOR-CABINET, W/O HARDWARE - 7 1" X 21 9"
3	081320-16-B03	EA END CAP-CABINET, OVERHEAD
4	P04746-07-C25	EA DOOR-CABINET, W/O HARDWARE
5	103276-01-C05	EA CABINET-OVERHEAD, W/O DOORS OR HARDWARE
6	081320-17-B03	EA END CAP-CABINET, OVERHEAD - FRONT
7	100258-18-01A	EA HOOD-RANGE, W/MONITOR PANEL - VENTLINE TPS 5007 NAD
8	102824-13-C25	EA COUNTERTOP-GALLEY
9	M03967-05-C25	EA CABINET-GALLEY, W/O DOORS OR HARDWARE
10	P03397-23-C25	EA DRAWER-CABINET, W/O HARDWARE - (TOP DRAWER) FROM 00-00-00 THRU 01-19-92
10	P07104-A2-C25	EA DRAWER COMPL-SLIDE, OGEE FROM 01-20-92 THRU 99-99-99
11	P03397-22-C25	EA DRAWER-CABINET, W/O HARDWARE - (LOWER 3 DRAWERS) FROM 00-00-00 THRU 01-19-92
11	P07104-A2-C25	EA DRAWER COMPL-SLIDE, OGEE FROM 01-20-92 THRU 99-99-99
12	P04746-11-C25	EA DOOR-CABINET, W/O HARDWARE RIGHT GALLEY CABINET DOOR
13	P04746-12-C25	EA DOOR-CABINET, W/O HARDWARE LEFT GALLEY CABINET DOOR
14	P03397-21-C25	EA DRAWER-CABINET, W/O HARDWARE - (UNDER RANGE) FROM 00-00-00 THRU 01-19-92
14	P07104-94-C25	EA DRAWER COMPL-SLIDE, OGEE FROM 01-20-92 THRU 99-99-99
15	102022-01-02A	EA RANGE-4 BURNER, ALMOND - MAGIC CHEF
	090329-01-000	FT SEAL-REFRIGERATOR CABINET
	103243-01-000	EA FAUCET-GALLEY, DUAL CONTROL
	104113-01-000	EA SINK-DOUBLE, STAINLESS STEEL
	092303-01-000	EA STRAINER-SINK
	091208-01-000	EA WASHER-RUBBER, 06" X 75" X 5"
	103610-01-C08	EA COVER-SINK

**GALLEY GROUP ( CONTINUED )  
MONITOR PANEL**

KEY	PART NUMBER	U/M DESCRIPTION
	102785-04-01A	EA PANEL-MONITOR 2 TANK WTR HTR 'LVS W/PLUG ALMOND
	102785-04-700	EA CIRCUIT BOARD H-T(2)
	102785-01-700	EA SWITCH ON-ON ALMOND
	097617-01-700	EA TRIM PLATE
	097617-01-701	EA SWITCH (ON-OFF) (ALMOND)

**RANGE HOOD**

KEY	PART NUMBER	U/M DESCRIPTION
	100258-01-01A	EA HOOD-RANGE W/O MONITOR PANEL - VENTLINE - US TCS4001NAD FROM 00-00-00 THRU 09-01-91
	090973-01-700	EA MOTOR - LVS CA508-1
	090973-01-702	EA BLADE-FAN, LVS VA183-1
	092696-01-709	EA BULB-912, VENTLINE VA415
	092696-01-710	EA SOCKET-LIGHT, VENTLINE CB267-2
	096983-01-700	EA SWITCH-ON/OFF, VENTLINE 108
	096983-01-702	EA SWITCH-TWO WAY MOMENTARY, VENTLINE 112
	096983-01-707	EA FILTER-GREASE, 8" X 8" - LVS CC246
	096983-01-708	EA LENS-LAMP, VENTLINE CC179
	100258-01-700	EA HOOD-NOSE LABEL, CC428
	100258-10-01A	EA METER-HOUR VENTLINE 150
	100258-16-01A	EA HOOD-RANGE W/O MONITORPANEL FROM 09-02-91 THRU 99-99-99
	100258-10-01A	EA METER-HOUR VENTLINE 150
	100258-01-01A	EA HOOD-RANGE, W/O MONITOR PANEL US
	100258-10-01A	EA METER-HOUR, VENTLINE 150
	096983-01-702	EA SWITCH-TWO WAY MOMENTARY, VENTLINE 112
	096983-01-700	EA SWITCH-ON/OFF, VENTLINE 108
	092696-01-709	EA BULB-912, LVS VA415
	092696-01-710	EA SOCKET-LIGHT, LVS CB267-2
	096983-01-708	EA LAMP LENS
	090973-01-700	EA MOTOR - LVS CA508-1
	090973-01-702	EA BLADE-FAN, LVS VA183-1
	096983-01-707	EA FILTER-GREASE, 8" X 8" - LVS CC246
	092696-01-707	EA VENT GASKET
	050225-01-000	EA LABEL-WARNING, STOVE VENT - US
	084878-09-000	EA VENT-RANGE HOOD, SHORT - LVS

**RANGE HOOD CANADIAN OPTION L265**

KEY	PART NUMBER	U/M DESCRIPTION
	100258-02-01A	EA HOOD-RANGE W/O MONITOR PANEL A 514 X 90717 CANADIAN FROM 00-00-00 THRU 09-01-91
	090973-01-700	EA MOTOR 12 VOLT CSA-UL APRVD
	090973-01-702	EA BLADE-FAN
	092696-01-709	EA LAMP #912
	092696-01-710	EA LAMP HOLDER
	096983-01-700	EA SWITCH-ON-OFF
	096983-01-702	EA SWITCH-TWO WAY MOM
	096983-01-707	EA MESH FILTER
	096983-01-708	EA LAMP LENS
	100258-01-700	EA HOOD NOSE LABEL
	100258-10-01A	EA HOUR METER
	100258-17-01A	EA HOOD-RANGE 22W W/O MONT PANEL 514 X 90717 CANADIAN FROM 09-02-91 THRU 99-99-99
	090973-01-700	EA MOTOR 12 VOLT CSA-UL APRVD
	090973-01-702	EA BLADE-FAN
	092696-01-709	EA LAMP #912
	092696-01-710	EA LAMP HOLDER
	096983-01-700	EA SWITCH-ON-OFF
	096983-01-702	EA SWITCH-TWO WAY MOM
	096983-01-707	EA MESH FILTER
	096983-01-708	EA LAMP LENS
	100258-01-700	EA HOOD NOSE LABEL
	100258-10-01A	EA HOUR METER

**1991 WINNEBAGO  
TABLE OF CONTENTS**

INTRODUCTION	A-01 - A-02
ABBREVIATIONS	A-03
ALPHABETICAL INDEX	A-04 - A-06
ICF27RC	A-07 - E-12
ICF30RU	E-15 - K-12

**1992 ICF27RC INDEX**

FLOOR PLAN	A-07 - A-08
ACCESSORIES	A-09
AUDIO VIDEO	A-09 - A-10
BATH	A-11 - A-12
BEDROOM	A-13 - A-14
CHASSIS	A-15 - A-22
CURTAIN & CUSHION	A-23 - B-08
DINETTE	B-09 - B-10
DRIVERS COMPARTMENT	B-11 - B-14
ELECTRICAL	B-15 - B-20
EXTERIOR BODY	B-21 - C-04
GALLEY	C-05 - C-08
GENERATORS	C-09 - C-10
HEATING & A/C	C-11 - C-16
INTERIOR FINISH	C-17 - C-23
LABELS	C-24 - D-08
LP	D-09
LOUNGE	D-10
SEALANTS & FASTENERS	D-11 - D-13
WATER & SEWAGE	D-14 - D-19
WINDOW, VENT	
EXTERIOR DOOR	D-20 - E-10
WINDSHIELD & WIPER	E-11 - E-12

**GALLEY GROUP ( CONTINUED )**  
RANGE

KEY	PART NUMBER	U/M	DESCRIPTION
	102022-01-02A	EA	RANGE-18", 4 BURNER - MAGIC CHEF BT16RA-4Z
	055282-03-705	EA	TRIM-CABINET, LEFT - BLACK - MAGIC CHEF 3608F011-70
	055282-03-707	EA	TRIM-CABINET, RIGHT - BLACK - MAGIC CHEF 3608F012-70
	098507-02-701	EA	INSERT-BURNER (SLOTTED VENT) MAGIC CHEF 7214P015-60
	102020-01-700	EA	SHELF-OVEN, MAGIC CHEF - 7501-P027-60
	102020-01-701	EA	HANDLE-DOOR, MAGIC CHEF - 7701P092-60
	102020-01-702	EA	PANEL-MANIFOLD, MAGIC CHEF 2616F080-70
	102020-01-704	EA	PANEL-DOOR, BLACK - MAGIC CHEF - 2401F075-70
	102020-01-708	EA	BURNER ASSEMBLY-OVEN, MAGIC CHEF 3403W003-45
	102020-01-711	EA	GRATE-TOP, MAGIC CHEF 7518P012-60
	102020-01-712	EA	KNOB-BURNER VALVE, MAGIC CHEF 7733P044-60
	102020-01-713	EA	KNOB-THERMOSTAT, MAGIC CHEF 7731P042-60
	102020-01-714	EA	PILOT-OVEN, MAGIC CHEF 968-143
	102020-01-715	EA	PIPE-MANIFOLD, MAGIC CHEF 7513P095-60
	102020-01-717	EA	THERMOSTAT, MAGIC CHEF 7515: C24-60
	102020-01-718	EA	TOP-MAIN, ALMOND - MAGIC CHEF 2001F085-84
	102020-01-720	EA	VALVE-MERCURY CONTROL, MAGIC CHEF 7501P056-60
	102020-01-722	EA	VALVE-TOP BURNER, MAGIC CHEF 7502P095-60
	102020-01-723	EA	PILOT-BURNER, MAGIC CHEF 7505P147-60
	102020-01-724	EA	BUMPER-MAIN TOP, MAGIC CHEF 8003P008-60
	102022-01-702	EA	PIPE-MANIFOLD MAGIC CHEF 7513P096-60
	102022-01-703	EA	REGULATOR-PRESSURE, MAGIC CHEF 7510P031-60
	102022-01-706	EA	TRIM-LEFT, FLAT - MAGIC CHEF 3608W022-70
	102022-01-707	EA	TRIM-RIGHT, FLAT - MAGIC CHEF 3608W023-70

**MICROWAVE OVEN & TRIMS**

KEY	PART NUMBER	U/M	DESCRIPTION
	091269-04-000	EA	OVEN-MICROWAVE - M'CHEF M15-B
	091269-03-701	EA	PLATE-CERAMIC, 9 5" - ROUND - MAGIC CHEF 246-0005
	091269-03-702	EA	CLIP-OVEN SHELF, WHITE - MAGIC CHEF 201-0044
	091269-03-703	EA	CLIP-OVEN SHELF, BLACK - MAGIC CHEF 201-0031
	094745-01-01A	EA	TRIM-MICROWAVE, LOWER - BLACK
	094774-03-01A	EA	TRIM-MICROWAVE, EITHER SIDE - BLACK
	094750-01-000	EA	BRACKET-MICROWAVE, 90 DEGREE

**COFFEEMAKER**

KEY	PART NUMBER	U/M	DESCRIPTION
	103799-01-01A	EA	COFFEEMAKER ALMOND
	048394-02-000	YD	TAPE-HOOK, .75X50YDS, BEIGE/A/B
	088792-02-000	YD	VELCRO-3/4" LOOP, ADHESIVE

**GALLEY GROUP ( CONTINUED )**  
REFRIGERATOR

KEY	PART NUMBER	U/M	DESCRIPTION
	103622-02-01A	EA	REFRIG-2 WAY, SMALL LEFT DBL DOOR *NORCOLD 462, BLACK
	084472-01-700	EA	THERMOCOUPLE-NORCOLD 614363
	084473-03-716	EA	SWITCH-3-WAY, FOR EG-2 & EG-3 MODELS - NORCOLD 616113
	064473-03-720	EA	RELIGHTER, NORCOLD 616088
	064473-03-721	EA	COMBINATION CONTROL - NORCOLD 616084
	075217-01-738	EA	SWITCH-HUMIDITY, NORCOLD 61525922
	084879-03-700	EA	COOLING UNIT - HORIZONTAL BURNER, NORCOLD# 61667237
	084880-01-705	EA	ORIFICE - NORCOLD# 614522
	084880-01-715	EA	VALVE-SHU' OFF, MANUAL - NORCOLD# 61697922
	084880-01-722	FA	CRISPER COVER - NORCOLD 615641
	084880-01-732	EA	LATCH, NORCOLD 61578522
	084880-03-705	EA	BRACKET INNER REFRIG LIGHT - NORCOLD 61629722
	084880-03-706	EA	LAMP (BULB) - NORCOLD 61628922
	084880-03-707	EA	COVER - LAMP OR BULB - NORCOLD 61627922
	088248-01-706	EA	BURNER-HORIZONTAL, NORCOLD 61588122
	088248-01-709	EA	HEATER-AC, (HORIZONTAL) - NORCOLD# 615627
	088248-01-710	EA	HEATER-DC, (HORIZONTAL) - 3 WAY - NORCOLD# 615628
	094038-01-700	EA	GASKET-LOWER GRAY - NORCOLD 61567930
	094038-01-702	EA	LINER-DOOR, LOWER - BLACK/WHITE - NORCOLD 61581938-B
	094039-01-702	EA	GASKET (GRAY) UPPER - NORCOLD 61567830
	094039-01-704	EA	PLATE-HINGE, BLACK - NORCOLD 61631430
	094039-01-710	EA	PLATE-HINGE, BLACK - NORCOLD 61631330
	094039-01-722	EA	HOLE PLUG (BLK) HINGE HOLES - NORCOLD 61582030
	094039-01-723	EA	HINGE BRKT, TOP RH-BTM LH BLK - NORCOLD 61580838
	094039-01-724	EA	BRACKET-HINGE, TOP LEFT - BOTTOM RIGHT - BLK - NORCOLD 61580938
	094039-01-725	EA	HINGE PIN (BLACK)(MALE) - NORCOLD 61578130
	094039-01-726	EA	SHELF-FREEZER EVAPORATOR, NORCOLD 615236
	094039-01-730	EA	HINGE PIN SHAFT(BLK) CENTER HINGE - NORCOLD 61566730
	094039-01-732	EA	FRONT COVER(BLK) BOTTOM TRIM - NORCOLD 61622130
	094039-01-733	EA	WIRE SHELF (MIDDLE) - NORCOLD 61563822
	094039-01-734	EA	WIRE SHELF (TOP) W/RISER - NORCOLD 61553722
	094039-01-735	EA	INSIDE DRIP TRAY (WHITE) 31572830
	094039-01-736	EA	SWITCH-LIGHT, BLACK - NORCOLD 615810
	103622-01-700	EA	HANDLE ASM-DOOR, UPPER - NORCOLD 61649038
	084880-01-754	EA	JUICE-RACK (SMOKE GRAY) - NORCOLD 61580540
	094039-01-712	EA	DOOR BIN(GRAY)SILVER BORDER - NORCOLD 61564060
	103622-01-705	EA	HANDLE ASM-DOOR, LOWER - NORCOLD 61648938
	094039-01-718	EA	MILK BIN (GRAY)W/SILVER TRIM - NORCOLD 61579460
	103622-01-707	EA	KEEPER-DAIRY, NORCOLD 61580440
	103622-01-709	EA	KNOB-SELECTOR, NORCOLD 61641822
	103622-01-710	EA	KNOB-THERMOSTAT, NORCOLD 61642322
	103622-01-711	EA	PANEL-CONTROL, 2-WAY - NORCOLD 61644022
	103622-01-712	EA	INDICATOR-FLAME, NORCOLD 61609022
	103622-01-713	EA	SWITCH-IGNITION, NORCOLD 61649722

**1991 WINNEBAGO**  
**TABLE OF CONTENTS**

INTRODUCTION	A-01	A-02
ABBREVIATIONS		A-03
ALPHABETICAL INDEX	A-04	A-06
ICF27RC	A-07	E-12
ICF30RU	E-15	K-12

**1992 ICF27RC INDEX**

FLOOR PLAN	A-07	A-08
ACCESSORIES		A-09
AUDIO VIDIO	A-09	A-10
BATH	A-11	A-12
BEDROOM	A-13	A-14
CHASSIS	A-15	A-22
CURTAIN & CUSHION	A-23	B-08
DINETTE	B-09	B-10
DRIVERS COMPARTMENT	B-11	B-14
ELECTRICAL	B-15	B-20
EXTERIOR BODY	B-21	C-04
GALLEY	C-05	C-08
GENERATORS	C-09	C-10
HEATING & A/C	C-11	C-16
INTERIOR FINISH	C-17	C-23
LABELS	C-24	D-08
LP		D-09
LOUNGE		D-10
SEALANTS & FASTENERS	D-11	D-13
WATER & SEWAGE	D-14	D-19
WINDOW, VENT		
EXTERIOR DOOR	D-20	E-10
WINDSHIELD & WIPER	E-11	E-12

**GENERATOR GROUP  
EXPORT GENERATOR**

KEY	PART NUMBER	U/M DESCRIPTION
	100974-04-000	EA GENERATOR-4 KW EMERALD PLUS ONAN BGE-FN/29236G
	007067-01-000	SF INSULATION-FIBERGLASS, 1" THICK X 4' - INCREMENTS OF 4 SF
	007125-04-000	EA CLAMP-MUFFLER, 1 1/2" DIA
	079654-05-000	EA PIPE-EXHAUST, ANGLED - W/FLANGE - 2" ID - ONAN# 154-2539
	082272-01-000	EA MUFFLER-GENERATOR
	093511-01-000	EA VAPOR KIT-LP, GENERATOR
	094059-01-000	EA SPACER-GENERATOR, ONAN
	105732-02-000	EA TRAY ASM-GENERATOR
	105958-03-000	EA PIPE-EXHAUST, GENERATOR
	007125-03-000	EA CLAMP-MUFFLER - 1 5" DIA
	007131-01-000	EA HANGER-TAILPIPE, 6 SLOTS
	008401-01-000	EA STRAP-CONDUIT, 3/4" - 1 HOLE - GALVANIZED STEEL

**GENERATOR-3500W EXPORT**

KEY	PART NUMBER	U/M DESCRIPTION
	007125-03-000	EA CLAMP-MUFFLER - 1 5" DIA
	007125-04-000	EA CLAMP-MUFFLER, 1 1" DIA
	007131-01-000	EA HANGER-TAILPIPE 6 SLOTS
	081364-01-000	EA MUFFLER-GENERATOR W/8 5" LONG TAILPIPE
	081634-02-000	EA GENERATOR-3 5KW EMERALD - ONAN #53CR/29237C FROM 00-00-00 THRU 11-21-91
	083152-06-000	EA PIPE-EXHAUST 1 3"OD X 4 9" TO BEND X 35 1" TO END
	093590-02-000	EA MUFFLER-GENERATOR
	100974-04-000	EA GENERATOR-4 KW EMERALD PLUS ONAN BGE-FN/29236G FROM 11-22-91 THRU 99-99-99
	100974-05-000	EA GENERATOR-4 KW, EMERALD PLUS - ONAN #BGE-FN/29237G FROM 00-00-00 THRU 11-21-91
	007125-03-000	EA CLAMP-MUFFLER - 1 5" DIA
	007125-04-000	EA CLAMP-MUFFLER, 1 1" DIA
	007131-01-000	EA HANGER-TAILPIPE, 6 SLOTS
	079654-05-000	EA PIPE-EXHAUST, ANGLED - W/FLANGE - 2" ID - ONAN# 154-2539
	082272-01-000	EA MUFFLER-GENERATOR
	094059-01-000	EA SPACER-GENERATOR ONAN
	105732-02-000	EA TRAY ASM-GENERATOR
	105958-03-000	EA PIPE-EXHAUST, GENERATOR
	008401-01-000	EA STRAP-CONDUIT, 3/4" - 1 HOLE - GALVANIZED STEEL

**GENERATOR-4000 KW KOHLER - US**

KEY	PART NUMBER	U/M DESCRIPTION
	105523-01-000	EA GENERATOR-4KW LOW PROFILE KOHLER 4CKM21
	007067-01-000	SF INSULATION-FIBERGLASS, 1" THICK X 4' - INCREMENTS OF 4 SF
	007125-03-000	EA CLAMP-MUFFLER - 1 5" DIA
	007125-04-000	EA CLAMP-MUFFLER, 1 1" DIA
	105526-01-000	EA ARRESTER-SPARK, KOHLER 278621
	105527-01-000	EA PIPE-EXHAUST ADAPTER, KOHLER 278524
	105530-01-000	EA MUFFLER-SIDE EXH W/O SPARK KOHLER 278733
	105602-01-000	EA GASKET-EXHAUST, KOHLER-278320
	105732-02-000	EA TRAY ASM-GENERATOR 92 MOTORHOMES
	105958-03-000	EA PIPE-EXHAUST, GENERATOR
	008401-01-000	EA STRAP-CONDUIT, 3/4" - 1 HOLE - GALVANIZED STEEL

**GENERATOR GROUP (CONTINUED)  
GENERATOR-4000W KOHLER - CAN**

KEY	PART NUMBER	U/M DESCRIPTION
	105523-01-000	EA GENERATOR-4KW LOW PROFILE KOHLER 4CKM21
	007067-01-000	SF INSULATION-FIBERGLASS, 1" THICK X 4' - INCREMENTS OF 4 SF
	007125-03-000	EA CLAMP-MUFFLER - 1 5" DIA
	007125-04-000	EA CLAMP-MUFFLER, 1 1" DIA
	105526-01-000	EA ARRESTER-SPARK, KOHLER 278621
	105527-01-000	EA PIPE-EXHAUST ADAPTER, KOHLER 278524
	105530-01-000	EA MUFFLER-SIDE EXH W/O SPARK KOHLER 278733
	105602-01-000	EA GASKET-EXHAUST, KOHLER-278320
	105732-02-000	EA TRAY ASM-GENERATOR
	105958-03-000	EA PIPE-EXHAUST, GENERATOR
	008401-01-000	EA STRAP-CONDUIT, 3/4" - 1 HOLE - GALVANIZED STEEL

**GENERATOR-4000W, LOW-P, 90 - US**

KEY	PART NUMBER	U/M DESCRIPTION
	007067-01-000	SF INSULATION-FIBERGLASS, 1" THICK X 4' - INCREMENTS OF 4 SF
	007125-04-000	EA CLAMP-MUFFLER 1 1" DIA
	007131-01-000	EA HANGER-TAILPIPE, 6 SLOTS
	078045-01-000	EA STRAP-SUPPORT, GENERATOR - 4 HOLE
	079654-05-000	EA PIPE-EXHAUST, ANGLED - W/FLANGE - 2" ID - ONAN# 154-2539
	079654-01-700	EA HINGE KIT-ONAN EMERALD ONAN 406-0569
	083151-01-000	EA MUFFLER-GENERATOR, ONAN - 1 6" OD
	083152-01-000	EA PIPE-EXHAUST, 1 3"OD X 33 3" TO BEND X 28 7" TO END FROM 08-05-91 THRU 99-99-99
	084365-01-000	EA STRAP-SUPPORT, GENERATOR - 2 HOLE
	100974-01-000	EA GENERATOR-4 KW EMERALD PLUS, ONAN BGE-FA/26100G
	007067-01-000	SF INSULATION-FIBERGLASS, 1" THICK X 4' - INCREMENTS OF 4 SF
	007125-04-000	EA CLAMP-MUFFLER, 1 1" DIA
	079654-05-000	EA PIPE-EXHAUST, ANGLED - W/FLANGE - 2" ID - ONAN# 154-2539
	082272-01-000	EA MUFFLER-GENERATOR
	094059-01-000	EA SPACER-GENERATOR, ONAN
	100974-01-000	EA GENERATOR-4 KW EMERALD PLUS, ONAN BGE-FA/26100G
	105732-02-000	EA TRAY ASM-GENERATOR
	105958-03-000	EA PIPE-EXHAUST, GENERATOR

**GENERATOR-4.0KW EMERALD PLUS**

KEY	PART NUMBER	U/M DESCRIPTION
	100974-01-000	EA GENERATOR-4 KW EMERALD PLUS, ONAN BGE-FA/26100G
	007067-01-000	SF INSULATION-FIBERGLASS, 1" THICK X 4' - INCREMENTS OF 4 SF
	007125-04-000	EA CLAMP-MUFFLER, 1 1" DIA
	007131-01-000	EA HANGER-TAILPIPE, 6 SLOTS
	078045-01-000	EA STRAP-SUPPORT, GENERATOR - 4 HOLE
	079654-05-000	EA PIPE-EXHAUST, ANGLED - W/FLANGE - 2" ID - ONAN# 154-2539
	079654-01-700	EA HINGE KIT-ONAN, EMERALD ONAN 406-0569
	083151-01-000	EA MUFFLER-GENERATOR, ONAN - 1 6" OD
	083152-01-000	EA PIPE-EXHAUST, 1 3"OD X 33.3" TO BEND X 28 7" TO END FROM 08-05-91 THRU 99-99-99
	084365-01-000	EA STRAP-SUPPORT, GENERATOR - 2 HOLE
	082272-01-000	EA MUFFLER-GENERATOR
	094059-01-000	EA SPACER-GENERATOR, ONAN
	105732-02-000	EA TRAY ASM-GENERATOR
	105958-03-000	EA PIPE-EXHAUST, GENERATOR
	008401-01-000	EA STRAP-CONDUIT, 3/4" - 1 HOLE - GALVANIZED STEEL

**1991 WINNEBAGO  
TABLE OF CONTENTS**

INTRODUCTION	A-01	A-02
ABBREVIATIONS		A-03
ALPHABETICAL INDEX	A-04	A-06
ICF27RC	A-07	E-12
ICF30RU	E-15	K-12

**1992 ICF27RC INDEX**

FLOOR PLAN	A-07	A-08
ACCESSORIES		A-09
AUDIO VIDEO	A-09	A-10
BATH	A-11	A-12
BEDROOM	A-13	A-14
CHASSIS	A-15	A-22
CURTAIN & CUSHION	A-23	B-08
DINETTE	B-09	B-10
DRIVERS COMPARTMENT	B-11	B-14
ELECTRICAL	B-15	B-20
EXTERIOR BODY	B-21	C-04
GALLEY	C-05	C-08
GENERATORS	C-09	C-10
HEATING & A/C	C-11	C-16
INTERIOR FINISH	C-17	C-23
LABELS	C-24	D-08
LP		D-09
LOUNGE		D-10
SEALANTS & FASTENERS	D-11	D-13
WATER & SEWAGE	D-14	D-19
WINDOW VENT		
EXTERIOR DOOR	D-20	E-10
WINDSHIELD & WIPER	E-11	E-12

**HEATING & AIR CONDITIONING GROUP  
EVANS REAR HEATER**

KEY	PART NUMBER	U/M DESCRIPTION
	084405-01-000	EA HEATER ASM-REAR, DUCTED - W/MOTOR AID - EVANS
	084405-01-700	EA HEATER CORE-EVANS# FT200229
	084405-01-701	EA FAN BLADES-EVANS# HVD29931
	084405-01-702	EA MOTOR ASM-12 V. EVANS# 200146
	009198-01-000	FT DUCT-HEAT, FLEXIBLE - 4" ID
	009200-01-000	EA TAPE-FURNACE, 1 1/2"
	023146-01-000	EA CLAMP-SCREW TYPE - 4"
	065636-02-000	EA CONNECTOR-DUCT, 4" ID
	000667-10-12B	EA SCREW, 10-12 X 3/4 PPH. - ZN
	007108-01-000	FT HOSE-HEATER, 5/8" ID
	008042-01-000	FT TUBING-VINYL, .65" ID
	056464-05-000	EA REGISTER-PLASTIC W/O DAMPER - 4" DIAMETER - GOLDEN
	062401-01-000	EA CLAMP-HOSE, WORMGEAR 25" - 1"
	061873-01-000	EA BRACKET-MOTOR AID TUBES, 4" X 1 5" - STEEL
	062401-04-000	EA CLAMP-HOSE, WORMGEAR 69" - 1 25"
	088753-01-000	FT TUBE-ALUMINIZED STEEL, 5/8" - 18 GAUGE
	075059-01-000	EA HOSE-90 DEGREE 6 1/2" ID X 4" X 36"
	075059-02-000	EA HOSE-90 DEGREE 6 1/2" ID X 4" X 6"
	104056-05-01A	EA APPLIQUE-BEZEL SW RT 3 SW
	103875-03-000	EA SWITCH-ROCKER, SPST ON/OFF/ON
	010227-01-000	EA TEE-PLAS-BARB 5/8 OR 3/4 HOSE

**HEATING & AIR CONDITIONING GROUP (CONTINUED)  
AUTO A/C COMPONENTS**

KEY	PART NUMBER	U/M DESCRIPTION
	000011-08-08B	EA SCREW, 8-18 X 1/2 PPH - ZN
	007078-C1-700	FT HOSE-FLEXIBLE PVC - 2" ID
	007108-01-700	FT HOSE-HEATER, 5/8" ID
	007281-01-000	EA HOSE-FLEXIBLE PVC, 2 5/8" ID X 50"
	007281-01-700	FT HOSE-FLEXIBLE PVC, 2 5/8" ID
	024550-05-000	EA OUTLET-DEF-W/SWIV 2IN BLACK
	062401-04-000	EA CLAMP-HOSE, WORMGEAR 69" - 1 25" A/C EVAPORATOR
	103930-01-000	EA EVAPORATOR/HEATER ASSEMBLY - SCS 090-0041
	103930-01-700	EA RC3-AIR BLEND DOOR, SCS 073-0017
	103930-01-701	EA PANEL-DOOR, FOR AIR BLEND - SCS 071-0123
	103930-01-702	EA GASKET-DOOR, FOR AIR BLEND - SCS 045-0080
	103930-01-703	EA COIL-HEATER, SCS 042-0010
	103930-01-705	EA VALVE EXP. BLOCK
	103930-01-706	EA GASKET-O-RING, #8 - SCS 045-0011
	103930-01-707	EA GASKET-O-RING, #10 - SCS 045-0012
	103930-01-708	EA BRACKET-VACUUM MOTOR SCS 070-0113
	103930-01-709	EA MOTOR-VACUUM, SCS 030-0002
	103930-01-710	EA RESISTOR-FUSED, SCS 035-0006
	103930-01-711	EA THERMOSTAT, SCS 033-0003
	103930-01-712	EA GASKET-O-RING SCS 045-0010
	103930-01-713	EA FITTING-QUICK CONNECT, #4 - SCS 050-003
	103930-01-714	EA FITTING-SERVICE VALVE #10 - SCS 050-0031
	103930-01-715	EA SWITCH-DINARY, SCS 032-0030
	103930-01-716	EA SWITCH-PRESSURE, FAN - SCS 032-0029
	103930-01-717	EA WHEEL-CLOCK-WISE, SCS 062-0010
	103930-01-718	EA HOSE #6, SCS 051-0036
	103930-01-719	EA HOSE #10, SCS 051-0017
	103930-01-720	EA MOTOR, SCS 030-0004
	103930-04-000	EA CONTROL/PLENUM SET 92 F&G
	072342-04-000	EA CONDENSER ASM-W/O FANS, ARA 0519377
	072342-04-700	EA HOSE-DISCHARGE, ARA 0986306
	072342-04-701	EA COIL-CONDENSER, ARA 0519384
	072343-06-000	EA COMPRESSOR-CLUTCH, REAR DISCHARGE - SANKYO - ARA 0529174
	072343-08-000	EA COMPRESSOR/CLUTCH-460 EFI, TOP DISCHARGE - ARA# 0529039
	096814-02-000	EA MOUNT & DRIVE PACKAGE, A/C COMPRESSOR - 460 EFI
	072878-01-000	EA INSULATION-SOUND BARRIER PAD 29 25" X 40 19"
	074026-01-000	EA MOUNT PACKAGE - A/C COMPRESSOR, 6 2 DIESEL
	077075-01-000	EA GASKET-INSTRUMENT PANEL TO DEFROSTER PLENUM - 6" X 11 3/4"
	077075-03-000	EA GASKET-IP TO DEF.PLENUM SPL
	085000-01-000	EA SHIELD-A/C, 6 8" X 3 1" - STEEL
	088753-01-000	FT TUBE-ALUMINIZED STEEL, 5/8" - 18 GAUGE
	103016-01-000	EA PLENUM-TRANSITION
	103017-01-000	EA PLENUM-DEFROSTER
	103558-01-01A	EA VENT-DEFROSTER ABS O/W
	103796-01-01A	EA LOUVER ASM-A/C CARY PROD BLACK

**1991 WINNEBAGO  
TABLE OF CONTENTS**

INTRODUCTION	A-01	A-02
ABBREVIATIONS		A-03
ALPHABETICAL INDEX	A-04	A-06
ICF27RC	A-07	E-12
ICF30RU	E-15	K-12

**1992 ICF27RC INDEX**

FLOOR PLAN	A-07	A-08
ACCESSORIES		A-09
AUDIO VIDEO	A-09	A-10
BATH	A-11	A-12
BEDROOM	A-13	A-14
CHASSIS	A-15	A-22
CURTAIN & CUSHION	A-23	B-08
DINETTE	B-09	B-10
DRIVERS COMPARTMENT	B-11	B-14
ELECTRICAL	B-15	B-20
EXTERIOR BODY	B-21	C-04
GALLEY	C-05	C-08
GENERATORS	C-09	C-10
HEATING & A/C	C-11	C-16
INTERIOR FINISH	C-17	C-23
LABELS	C-24	D-08
LP		D-09
LOUNGE		D-10
SEALANTS & FASTENERS	D-11	D-13
WATER & SEWAGE	D-14	D-19
WINDOW VENT		
EXTERIOR DOOR	D-20	E-10
WINDSHIELD & WIPER	E-11	E-12

**HEATING & AIR CONDITIONING GROUP (CONTINUED)**  
**SUBURBAN FURNACE & WALL THERMOSTAT**

KEY	PART NUMBER	U/M DESCRIPTION
	098668-04-000	EA FURNACE-25000 BTU
	093365-01-000	EA THERMOSTAT - WALL, FURNACE - SUBURBAN 160902
	098668-01-700	EA CABINET FRONT
	098668-01-701	EA CABINET ASSEMBLY
	098668-01-702	EA ELECTRODE
	098668-01-703	EA BURNER ASM COMP (SF-25)
	098668-01-704	EA VALVE
	098668-01-705	EA SWITCH LIMIT
	098668-01-706	EA WHEEL COMB AIR
	098668-10-000	EA VENT ASM-CAP AND TUBE 6 5 D
	098668-01-708	EA BLOWER ASM (COMBUSTION AIR)
	098668-01-709	EA MOTOR ASM F/SF-25 SF-30
	098668-01-710	EA BLOWER ASM (ROOM AIR)
	098668-01-711	EA WHEEL ROOM AIR
	098668-01-712	EA BOARD MODULE
	098668-01-713	EA INTAKE VENT TUBE ASM
	098668-06-000	EA DOOR-ACCESS FURNACE OFF WHT SUBURBAN 520574
	093514-01-01A	EA GRILLE-RETURN AIR FURNACE - 15 6" X 7 6" - BROWN
	069634-01-733	EA RELAY TIME DELAY 20&30 BTU
	075656-02-703	EA DUCT COLLAR
	075695-01-709	EA MICROSWITCH ASM F/30&34S
	090035-01-703	EA ORFICE (MAIN BURNER)
	098668-01-703	EA BURNER ASM COMP (SF 25)
	090039-01-709	EA GASKET OBSERVATION HOLE CUR
	092300-01-704	EA GASKET ELECTRODE
	101990-01-714	EA MICROSWITCH GASKET
	098668-01-706	EA WHEEL COMB AIR
	098668-01-707	EA VENT CAP & EXHAUST TUBE ASSM
	098668-01-709	EA MOTOR ASSM F/SF-25 SF-30

**HEATING COMPONENTS**

KEY	PART NUMBER	U/M DESCRIPTION
	009198-01-000	FT DUCT-HEAT FLEXIBLE - 4" ID X 25 FT
	009200-01-000	EA TAPE-FURNACE 1 1/2"
	023146-01-000	EA CLAMP-SCREW TYPE - 4"
	069636-02-000	EA CONNECTOR-DUCT, 4" ID - SUBURBAN 050715
	007108-01-000	FT HOSE-HEATER, 5/8" ID - HI-TEMP - FORD ESE-M2D192-A
	056464-05-000	EA REGISTER-PLASTIC W/O DAMPER - 4" DIAMETER - GOLDEN
	079059-01-000	EA HOSE-90 DEGREE, 5/8" ID X 4" X 36"
	061673-01-000	EA BRACKET-MOTOR AID TUBES, 4" X 1 5" - STEEL
	088753-01-000	FT TUBE-ALUMINIZED STEEL, 5/8" - 18 GAUGE
	098668-07-000	EA DOOR-ACCESS, FURNACE - GRAY - SUBURBAN 520582
	056464-04-000	EA REGISTER-HEAT, 4" DIAMETER - W/DAMPER - PLASTIC - SAND
	056464-05-000	EA REGISTER-PLASTIC W/O DAMPER - 4" DIAMETER - GOLDEN
	093514-01-01A	EA GRILLE-RETURN AIR FURNACE - 15 6" X 7 6" - BROWN

**HEATING & AIR CONDITIONING GROUP (CONTINUED)**  
**SUBURBAN FURNACE & WALL THERMOSTAT**

KEY	PART NUMBER	U/M DESCRIPTION
	098668-05-000	EA FURNACE-30000 BTU
	093365-01-000	EA THERMOSTAT - WALL, FURNACE - SUBURBAN 160902
	098668-01-700	EA CABINET FRONT
	098668-01-701	EA CABINET ASSEMBLY
	098668-01-702	EA ELECTRODE
	098668-01-703	EA BURNER ASM COMP (SF-25)
	098668-01-704	EA VALVE
	098668-01-705	EA SWITCH LIMIT
	098668-01-706	EA WHEEL COMB AIR
	098668-10-000	EA VENT ASM-CAP AND TUBE 6 5 D
	098668-01-708	EA BLOWER ASM (COMBUSTION AIR)
	098668-01-709	EA MOTOR ASM F/SF-25 SF-30
	098668-01-710	EA BLOWER ASM (ROOM AIR)
	098668-01-711	EA WHEEL ROOM AIR
	098668-01-712	EA BOARD MODULE
	098668-01-713	EA INTAKE VENT TUBE ASM
	098668-06-000	EA DOOR-ACCESS FURNACE OFF WHT SUBURBAN 520574
	093514-01-01A	EA GRILLE-RETURN AIR FURNACE - 15 6" X 7 6" - BROWN
	069634-01-733	EA RELAY TIME DELAY 20&30 BTU
	075656-02-703	EA DUCT COLLAR
	075695-01-709	EA MICROSWITCH ASM F/30&34S
	092300-02-701	EA ORIFICE MAIN BURNER (NT-30BW)
	098668-02-700	EA BURNER ASM COMP (SF-30/SF35)
	090039-01-709	EA GASKET OBSERVATION HOLE CUR
	092300-01-704	EA GASKET ELECTRODE
	101990-01-714	EA MICROSWITCH GASKET
	098668-01-706	EA WHEEL COMB AIR
	098668-01-707	EA VENT CAP & EXHAUST TUBE ASSM
	098668-01-709	EA MOTOR ASSM F/SF-25 SF-30
	069636-02-000	EA CONNECTOR-DUCT, 4" ID - SUBURBAN 050715

**1991 WINNEBAGO**  
**TABLE OF CONTENTS**

INTRODUCTION	A-01	A-02
ABBREVIATIONS		A-03
ALPHABETICAL INDEX	A-04	A-06
ICF27RC	A-07	E-12
ICF30RU	E-15	K-12

**1992 ICF27RC INDEX**

FLOOR PLAN	A-07	A-08
ACCESSORIES		A-09
AUDIO VIDEO	A-09	A-10
BATH	A-11	A-12
BEDROOM	A-13	A-14
CHASSIS	A-15	A-22
CURTAIN & CUSHION	A-23	B-08
DINETTE	B-09	B-10
DRIVERS COMPARTMENT	B-11	B-14
ELECTRICAL	B-15	B-20
EXTERIOR BODY	B-21	C-01
GALLEY	C-05	C-08
GENERATORS	C-09	C-10
HEATING & A/C	C-11	C-16
INTERIOR FINISH	C-17	C-23
LABELS	C-24	D-08
LP		D-09
LOUNGE		D-10
SEALANTS & FASTENERS	D-11	D-13
WATER & SEWAGE	D-14	D-19
WINDOW VENT		
EXTERIOR DOOR	D-20	E-10
WINDSHIELD & WIPER	E-11	E-12

**HEATING & AIR CONDITIONING GROUP (CONTINUED)**  
**ROOF A/C-13500 BTU, US & CANADIAN L290**

KEY	PART NUMBER	U/M DESCRIPTION
	008358-01-000	EA CONNECTOR-PLASTIC, 3/8" AVG
	081606-01-700	EA LIMIT SWITCH (OPEN 160,CLOSE 110), COLEMAN# 6703-3041

**ROOF A/C**

KEY	PART NUMBER	U/M DESCRIPTION
	093763-01-02A	EA A/C-ROOF, 135000 BTU - GRAY - COLEMAN 6759D707
	093763-04-700	EA SHROUD-ROOF A/C, W/O LOGOS - COLEMAN 6769 4601
	093306-01-701	EA DECAL PKG LEFT&RIGHT, COLEMAN 6798B3591
	091225-01-709	EA START RELAY, COLEMAN# 1497-4131
	091225-01-710	EA START CAPACITOR, COLEMAN# 1497-0881
	073742-02-704	EA RUN CAPACITOR (COMPRESSOR), COLEMAN 14994661
	081606-01-708	EA LIMIT SWITCH (OPEN 160,CLOSE 110), COLEMAN# 6703
	093763-01-712	EA FAN BLADE-CONDENSER, COLEMAN# 6733-3221
	076303-01-712	EA MOTOR, COLEMAN# 6707A3119
	093763-01-702	EA OVERLOAD COLEMAN# 6759-3931
	093763-01-703	EA IMPELLOR-7" DIA X 2 8" WIDE COLEMAN# 6759-3271
	093763-01-704	EA CAPACITOR-FAN, COLEMAN# 1499-3461
	093763-01-707	EA EVAPORATOR COIL-COLEMAN# 1452-1351
	093763-01-708	EA CONDENSER COIL-COLEMAN# 1452-1251
	093763-01-709	EA COMPRESSOR-COLEMAN# 6749A3609

**CEILING ASSEMBLY**

KEY	PART NUMBER	U/M DESCRIPTION
	093764-01-000	EA CEILING ASM-A/C COOL ONLY, TSR - COLEMAN 6759D714
	042204-01-709	EA THERMOSTAT IN-64,OUT-58, COLEMAN# 6701-3401
	042205-01-702	EA THERMOSTAT IN-89,OUT-58, COLEMAN# 6703-3401
	073742-01-701	EA SELECTOR SWITCH (5 TERMINAL), COLEMAN# 6759-3251
	073742-01-703	EA DECAL HEAT&COOL, COLEMAN# 6759-3491
	093763-01-705	EA DECAL-HEAT/COOL THERMOSTAT, COLEMAN# 6799A3471
	091225-01-713	EA KNOB (2 PER PACKAGE), COLEMAN# 6701-3351
	081606-01-712	EA CEILING SHROUD (IVORY), COLEMAN# 6769-5061
	073742-01-702	EA DECAL COOL ONLY, COLEMAN# 6759C3431
	076303-01-707	EA FILTER-6" X 14 3/4" X 1/2", 12 PER PKG - COLEMAN 670
	093763-01-710	EA SINGLE PARTS PACKAGE, COLEMAN# 6759-5841
	093763-01-711	EA GASKET PACKAGE, COLEMAN 67593281
	091225-01-717	EA DECAL (THERMOSTAT) COOL ONLY, COLEMAN# 6799A3441
	073937-03-000	EA SWITCH-ROTARY SELECTOR, 3 DECK - A/C - CA20-USA892

**HEATING & AIR CONDITIONING GROUP (CONTINUED)**  
**ROOF A/C-13500 BTU - EUROPEAN**  
**COLEMAN# 6713C750**

KEY	PART NUMBER	U/M DESCRIPTION
	008358-01-000	EA CONNECTOR-PLASTIC, 3/8" AVG
	074983-01-000	EA LABEL-A/C SELECTOR
	092440-01-000	EA A/C-ROOF, 13500 BTU - 220V - 50HZ - COLEMAN# 6713C750
	092441-01-000	EA CEILING ASM-A/C, 220V - 50HZ - COLEMAN# 6712ET16
	073937-03-000	EA SWITCH-ROTARY SELECTOR, 3 DECK - A/C - CA20-USA892
	092633-02-02A	EA COVER-BLANK, ROOF A/C - 5 1" X 5 1" - PLASTIC - OFF WHITE
	108889-01-02A	EA A/C-ROOF, 13500BTU, TSR GRAY - COLEMAN 6759D702
	037648-01-714	EA PACKAGE-GASKET, COLEMAN #6759-3281
	073742-02-704	EA RUN CAPACITOR (COMPRESSOR) COLEMAN 14994661
	076303-01-712	EA MOTOR, COLEMAN# 6707A3119
	091225-01-710	EA START CAPACITOR, COLEMAN# 1497-0881
	093306-01-701	EA DECAL PKG LEFT&RIGHT, COLEMAN 6798B3591
	093763-01-702	EA OVERLOAD, COLEMAN #6759-3931
	093763-01-703	EA IMPELLOR-7" DIA X 2 8" WIDE, COLEMAN# 6759-3271
	093763-01-704	EA CAPACITOR-FAN, COLEMAN# 1499-3461
	093763-01-707	EA EVAPORATOR COIL-COLEMAN# 1452-1351
	093763-01-708	EA CONDENSER COIL-COLEMAN# 1452-1251
	093763-01-709	EA COMPRESSOR-COLEMAN# 6749A3609
	093763-01-712	EA FAN BLADE-CONDENSER, COLEMAN# 6733-3221
	093763-02-700	EA SHROUD-OUTSIDE, GRAY/CHARCOAL - COLEMAN 6759 4521
	093764-01-000	EA CEILING ASM-A/C COOL ONLY, TSR - COLEMAN 6759D714
	042204-01-709	EA THERMOSTAT-IN 64 OUT 58, COLEMAN# 6701-3401
	073742-01-701	EA SELECTOR SWITCH (5 TERMINAL) COLEMAN# 6759-3251
	076303-01-707	EA FILTER-6" X 14 3/4" X 1/2", 12 PER PKG - COLEMAN 6703A3151
	081606-01-712	EA CEILING SHROUD (IVORY), COLEMAN# 6769-5061
	091225-01-713	EA KNOB (2 PER PACKAGE) COLEMAN# 6701-3351
	091225-01-717	EA DECAL (THERMOSTAT) COOL ONLY COLEMAN# 6799A3441
	093763-01-710	EA SINGLE PARTS PACKAGE, COLEMAN# 6759-5841
	102289-01-000	EA SPRING-SCREW, ROOF A/C GASKET - COLEMAN 6757-150
	084077-03-000	EA COVER-BLANK, ROOF A/C - 5 2" X 3 5" - IVORY
	092633-01-02A	EA FRAME-PLATE, ROOF A/C - 5 7" X 3 9" - PLASTIC - OFF WHITE

**ROOF A/C-13500 BTU - EUROPEAN**  
**COLEMAN 6759D702**

KEY	PART NUMBER	U/M DESCRIPTION
	108889-01-02A	EA A/C-ROOF, 13500BTU, TSR GRAY - COLEMAN 6759D702
	037648-01-714	EA PACKAGE-GASKET, COLEMAN #6759-3281
	073742-02-704	EA RUN CAPACITOR (COMPRESSOR), COLEMAN 14994661
	076303-01-712	EA MOTOR, COLEMAN# 6707A3119
	091225-01-710	EA START CAPACITOR, COLEMAN# 1497-0881
	093306-01-701	EA DECAL PKG. LEFT&RIGHT, COLEMAN 6798B3591
	093763-01-702	EA OVERLOAD, COLEMAN #6759-3931
	093763-01-703	EA IMPELLOR-7" DIA X 2 8" WIDE, COLEMAN# 6759-3271
	093763-01-704	EA CAPACITOR-FAN, COLEMAN# 1499-3461
	093763-01-707	EA EVAPORATOR COIL-COLEMAN# 1452-1351
	093763-01-708	EA CONDENSER COIL-COLEMAN# 1452-1251
	093763-01-709	EA COMPRESSOR-COLEMAN# 6749A3609
	093763-01-712	EA FAN BLADE-CONDENSER, COLEMAN# 6733-3221
	093763-02-700	EA SHROUD-OUTSIDE, GRAY/CHARCOAL - COLEMAN 6759-4521
	093764-01-000	EA CEILING ASM-A/C COOL ONLY, TSR - COLEMAN 6759D714
	042204-01-709	EA THERMOSTAT-IN 64 OUT 58, COLEMAN# 6701-3401
	073742-01-701	EA SELECTOR SWITCH (5 TERMINAL), COLEMAN# 6759-3251
	076303-01-707	EA FILTER-6" X 14 3/4" X 1/2", 12 PER PKG - COLEMAN 6703A3151
	081606-01-712	EA CEILING SHROUD (IVORY), COLEMAN# 6769-5061
	091225-01-713	EA KNOB (2 PER PACKAGE), COLEMAN# 6701-3351
	091225-01-717	EA DECAL (THERMOSTAT) COOL ONLY, COLEMAN# 6799A3441
	093763-01-710	EA SINGLE PARTS PACKAGE, COLEMAN# 6759-5841

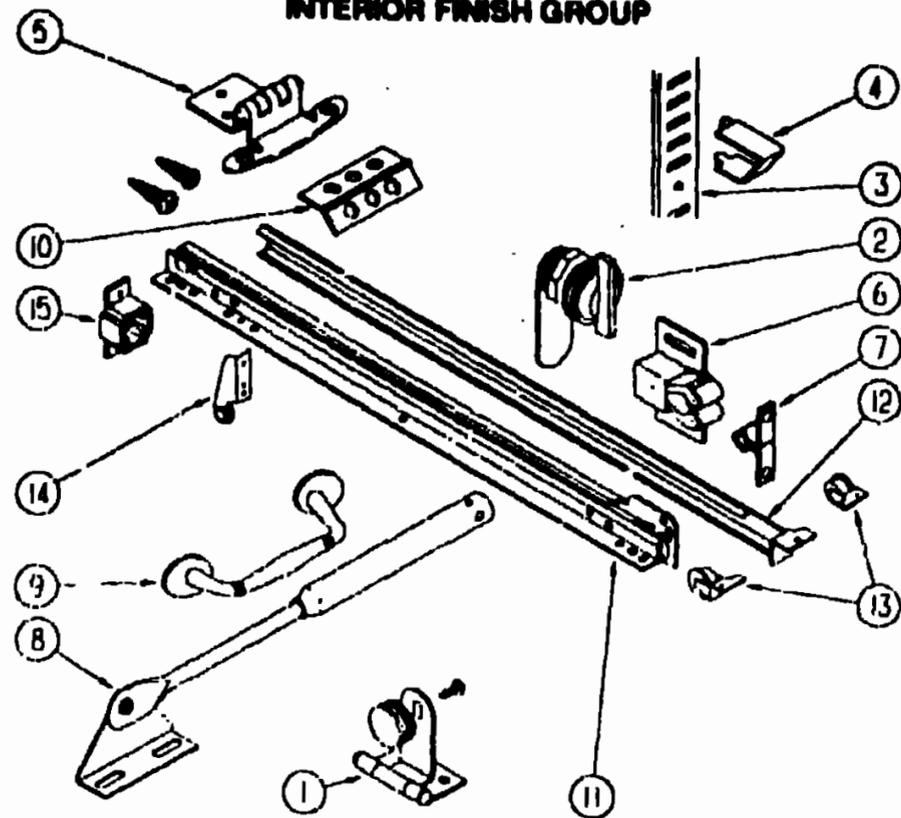
**1991 WINNEBAGO**  
**TABLE OF CONTENTS**

INTRODUCTION	A-01	A-02
ABBREVIATIONS		A-03
ALPHABETICAL INDEX	A-04	A-05
ICF27RC	A-07	E-12
ICF30RU	E-15	K-12

**1992 ICF27RC INDEX**

FLOOR PLAN	A-07	A-08
ACCESSORIES		A-09
AUDIO VIDEO	A-09	A-10
BATH	A-11	A-12
BEDROOM	A-13	A-14
CHASSIS	A-15	A-22
CURTAIN & CUSHION	A-23	B-08
DINETTE	B-09	B-10
DRIVERS COMPARTMENT	B-11	B-14
ELECTRICAL	B-15	B-20
EXTERIOR BODY	B-21	C-04
GALLEY	C-05	C-08
GENERATORS	C-09	C-10
HEATING & A/C	C-11	C-16
INTERIOR FINISH	C-17	C-23
LABELS	C-24	D-08
LP		D-09
LOUNGE		D-10
SEALANTS & FASTENERS	D-11	D-13
WATER & SEWAGE	D-14	D-19
WINDOW VENT		
EXTERIOR DOOR	D-20	E-10
WINDSHIELD & WIPER	E-11	E-12

**INTERIOR FINISH GROUP**



**CABINET HARDWARE**

KEY	PART NUMBER	U/M DESCRIPTION
1	100711-01-01A	EA HINGE-DOOR GLASS
	100707-01-000	EA SPACER-DOOR GLASS - 8" DIA - 3" HOLE - PLASTIC
	101272-01-000	EA CATCH-DOOR GLASS
2	100710-01-01A	EA LOCK-GLASS DOOR, TWIST TYPE - BRASS
3	098980-01-000	EA PILASTER-ADJUSTABLE SHELF - 18" LONG
3	098980-02-000	EA PILASTER-ADJUSTABLE SHELF - 12" LONG
4	098979-01-000	EA CLIP-ADJUSTABLE SHELF
5	108138-01-000	EA HINGE-CABINET DOOR, BURNISHED BRASS
	000G13-06-08G	EA SCREW FOR HINGE 108138-01-000
6	093586-03-000	EA CATCH-SPRING, ROLLER
7	093586-04-000	EA STRIKE-SPRING STEEL
8	074493-02-000	EA SUPPORT-PISTON SPRING, CABINET DOOR
9	103857-01-000	EA PULL-CABINET, BRASS - 3" ON CENTER
10	009059-01-000	EA HINGE-DOOR 2" X 1 4" - BRASS
10	009059-02-000	EA HINGE-DOOR 2" X 2 7" - BRASS
11	106913-05-000	EA SLIDE-DRAWER, CABINET - LEFT SIDE - 18"
11	106913-06-000	EA SLIDE-DRAWER, CABINET - RIGHT SIDE - 18"
11	106913-07-000	EA SLIDE-DRAWER, DRAWER MOUNT - LEFT SIDE - 18"
11	106913-08-000	EA SLIDE-DRAWER, DRAWER MOUNT - RIGHT SIDE - 18"
11	106913-17-000	EA SLIDE-DRAWER, 22" LEFT CABT TRANSFER FLOW
		FROM 01-20-92 THRU 99-99-99
11	106913-18-000	EA SLIDE-DRAWER 22" RIGHT CABT TRANSFER FLOW
		FROM 01-20-92 THRU 99-99-99
11	106913-19-000	EA SLIDE-DRAWER, 22" LEFT DRAWER TRANSFER FLOW
11	105913-20-000	EA SLIDE-DRAWER, 22" RIGHT DRAWER TRANSFER FLOW
	107030-01-000	EA BACKSOCKET-ADJUSTABLE, LEFT TRANSFER FLOW
		FROM 01-20-92 THRU 99-99-99
	107030-02-000	EA BACKSOCKET-ADJUSTABLE, RIGHT TRANSFER FLOW
		FROM 01-20-92 THRU 99-99-99

**INTERIOR FINISH GROUP (CONTINUED)  
CABINET HARDWARE (CONTINUED)**

KEY	PART NUMBER	U/M DESCRIPTION
12	102827-05-000	EA TRACK-DRAWER, 22 6" LONG
13	102827-03-000	EA ROLLER-DRAWER, NYLON - PAIF
		FROM 00-00-00 THRU 01-19-92
14	102827-02-000	EA BRACKET-ROLLER DRAWER - REAR
15	102827-04-000	EA BRACKET-MOUNTING DRAWER - REAR
		FROM 00-00-00 THRU 01-19-92
	004354-01-000	EA BUMPER-RUBBER, 5" DIA - BROWN
	009063-01-000	EA HINGE-CONTINUOUS, 1 1/2" X 72" - UNPAINTED
	016604-01-000	EA BRACE-CABINET, ANGLE - 2 5" - METAL - UNPAINTED
	016604-03-000	EA BRACE-CABINET, ANGLE - 2 5" - METAL - BEIGE
	016604-05-000	EA BRACE-CABINET, L ANGLE - 2 5" - METAL - OFF WHITE
	023320-01-000	EA PAD-FELT, 3/8" DIAMETER - BROWN
	065740-01-000	EA BRACE-CABINET CORNER PLASTIC
	088254-01-000	EA CATCH-MAGNETIC, 1 8" X 7"
	094658-01-Y12	EA HANDLE BUNK 2" X 27" - WOOD - OAK
	101430-01-01A	EA HINGE-DOOR 2" - BRASS
		FROM 00-00-00 THRU 10-21-91
	101766-01-000	EA PIN-SUPPORT GLASS DOOR
	102327-01-01A	EA PULL-MIRROR SQUARE
	104886-01-000	EA CATCH-WOOD, VINYL FACE CABINET
	104886-02-000	EA CATCH-WOOD LAMINATED FACE CABINET
	105037-02-000	EA FASTENER-WOOD CORNER - METAL - 5" X 6"

**CARPET**

KEY	PART NUMBER	U/M DESCRIPTION
	047034-02-000	SF PLASTIC CARPET, 4 WIDE - CLEAR POLY
	075233-01-000	SY PAD-CARPET, 3/8" X 6' ROLL
	093486-01-000	SY CARPET-COMPARTMENT, 54" WIDE - DARK GRAY
	096060-21-000	SY CARPET-12' ROLL, INCREMENTS OF 4 SY (C25)
	096060-23-000	SY CARPET-12' ROLL, INCREMENTS OF 4 SY (C26)
	105924-01-C25	EA MAT-FLOOR 18X27 G-SERIES (C25)
	105924-01-C26	EA MAT-FLOOR 18X27 G-SERIES (C26)

**1991 WINNEBAGO  
TABLE OF CONTENTS**

INTRODUCTION	A-01 - A-02
ABBREVIATIONS	A-03
ALPHABETICAL INDEX	A-04 - A-06
ICF27RC	A-07 - E-12
ICF30RU	E-15 - K-12

**1992 ICF27RC INDEX**

FLOOR PLAN	A-07 - A-08
ACCESSORIES	A-09
AUDIO VIDEO	A-09 - A-10
BATH	A-11 - A-12
BEDROOM	A-13 - A-14
CHASSIS	A-15 - A-22
CURTAIN & CUSHION	A-23 - B-08
DINETTE	B-09 - B-10
DRIVERS COMPARTMENT	B-11 - B-14
ELECTRICAL	B-15 - B-20
EXTERIOR BODY	B-21 - C-04
GALLEY	C-05 - C-08
GENERATORS	C-09 - C-10
HEATING & A/C	C-11 - C-16
INTERIOR FINISH	C-17 - C-23
LABELS	C-24 - D-08
LP	D-09
LOUNGE	D-10
SEALANTS & FASTENERS	D-11 - D-13
WATER & SEWAGE	D-14 - D-19
WINDOW, VENT	
EXTERIOR DOOR	D-20 - E-10
WINDSHIELD & WIPER	E-11 - E-12

**INTERIOR FINISH GROUP (CONTINUED)**

**ASSIST HANDLE & STRIKE COVER**

KEY	PART NUMBER	U/M DESCRIPTION
	039178-02-000	EA BRACKET-MOUNTING, ASSIST HANDLE
	053552-02-AAB	EA HANDLE-ASSIST, INTERIOR - ENTRY DOOR - VINYL - OFF WHITE
	016867-01-000	EA DROMMET-BRASS - 7/16" ID X 1" OD
	000C18-07-16B	EA BOLT-CARRIAGE, ASSIST HANDLE - 7/16" - 14 X 1" ZN
	000D20-07-00B	EA NUT-ACORN ASSIST HANDLE - 7/16" X 14 ZN
	017461-03-000	EA COVER-STRIKE ENTRY DOOR - PLASTIC - OFF WHITE

**BATH DOOR HARDWARE**

KEY	PART NUMBER	U/M DESCRIPTION
	0C9059-02-000	EA HINGE - 2 IN - BRASS
	053331-01-000	EA HINGE-OVERLAY, BURNISHED BRASS
	053335-02-000	EA LATCH-BATHROOM DOOR

**BATT STRIPS**

KEY	PART NUMBER	U/M DESCRIPTION
	085284-53-000	FT BATT STRIP-DECORATIVE, PLAIN - ADHESIVE BACKED
	085284-54-000	FT BATT STRIP-DECORATIVE W/FLOWERS - ADHESIVE BACKED
	086229-01-000	EA RETAINER-BATTEN CEILING - 75" WIDE - 7 6" EA
	086229-04-000	EA BATTEN-CEILING 1" WIDE - IVORY - 7 6" EA

**MIRRORS**

KEY	PART NUMBER	U/M DESCRIPTION
	058331-14-000	EA MIRROR-SAFETY, 14" X 12 7"
	058331-41-000	EA MIRROR-SAFETY GLASS, 14" X 62 5"
	058331-47-000	EA MIRROR-GLASS, SAFETY 562X384
	058331-71-000	EA MIRROR-GLASS, SAFETY - 8" X 16 4"
	104755-05-000	EA MIRROR-GLASS, DECORATIVE

**FIRE EXTINGUISHER / DETECTOR-SMOKE**

KEY	PART NUMBER	U/M DESCRIPTION
	094499-01-000	EA EXTINGUISHER-FIRE, DRY W/MOUNTING BRACKET - 10 BC
	094499-01-700	EA BRACKET FOR FIRE EXTINGUISHER - 094499-01-000
	094499-01-700	EA BRACKET-MOUNTING, W/PLASTIC STRAP - FIRE EXTINGUISHER
	094499-02-000	EA EXTINGUISHER-FIRE, DRY - 1A10BC - CANADIAN
	072852-01-000	EA DETECTOR-SMOKE, W/9 VOLT BATTERY
	072852-02-000	EA DETECTOR-SMOKE, W/9 VOLT BATTERY - CANADIAN

FROM 05-01-91 THRU 99-99-93

**INTERIOR FINISH GROUP (CONTINUED)**

**CABINET TRIMS, MOLDINGS & CHANNEL**

KEY	PART NUMBER	U/M DESCRIPTION
	009767-12-000	FT MOLDING-SIDEWALL TO CEILING - CABINET - WELTING - OFF WHITE
	009809-23-000	EA MOLDING-CORNER OUTSIDE - 1" PLASTIC - IVORY
	009909-24-000	EA MOLDING-CORNER OUTSIDE - 1" PLASTIC - THOR PECAN
	009812-25-000	EA MOLDING-CORNER, OUTSIDE - 5" PLASTIC - PECAN
	022992-11-000	FT MOLDING-REVERSE COVE T-SHAPED - VINYL - IVORY
	081294-02-000	EA MOLDING-SHELF, NOTCHED WOOD - 6" LONG
	083620-01-000	FT MOLDING-T END CAP EDGE - W/EDGE LIPS - 75" - BROWN
	083620-07-000	FT MOLDING-T END CAP EDGE - W/EDGE LIPS - 75" - THOR PECAN
	076325-28-000	FT MOLDING-EDGE BAND 1 5/16" WIDE

FROM 00-00-00 THRU 05-12-91

FROM 05-13-91 THRU 99-99-99

	092331-D2-134	EA MOLDING-VINYL WRAPPED 7" X 1 57" X 84" - WOODGRAIN
	092331-F2-134	EA MOLDING-VINYL WRAPPED 7" X 2 5" X 7" - WOODGRAIN
	092331-H2-438	EA MOLDING-VINYL WRAPPED, 7" X 2 5" X 96" - WOODGRAIN
	103186-01-02A	FT MOLDING-EDGE, SHELF - 78" WIDE - PLASTIC - REGAL OAK
	105004-01-01A	EA MOLDING-VINYL WRAP "REGAL OAK
	092330-D2-438	EA LUMBER-VINYL WRAPPED, 7" X 1 5" X 9" - WOODGRAIN
	092330-03-000	EA LUMBER-VINYL WRAPPED 2" X 96" - WOODGRAIN
	009778-13-000	FT U CHANNEL-PLASTIC 1" WIDE X 8" INCREMENTS - THOR PECAN
	070504-01-000	FT U-CHANNEL-PLASTIC, 065" WIDE LIGHT BROWN - INC OF 8"
	070504-18-000	FT U-CHANNEL-PLASTIC, 065" WIDE - IVORY - INC OF 8"
	070504-20-000	FT U-CHANNEL-PLASTIC, 815" WIDE - THOR PECAN - INC OF 8"
	070504-22-000	FT U-CHANNEL-PLASTIC, 735" WIDE - THOR PECAN - INC OF 8"

FROM 00-00-00 THRU 06-26-92

	072368-02-000	EA TRIM-VINYL, EDGE - BLACK - GM 14004305
	078811-05-B11	EA BOTTOM-HEADLINER, W/SPEAKER CUTOUTS - VINYL - OFF WHITE
	100040-01-000	EA LUMBER-VINYL WRAPPED, 7" X 1 5" X 8" - RAMBLING OAK
	100040-01-000	EA LUMBER-VINYL WRAPPED, 7" X 1 5" X 8" - RAMBLING OAK
	093873-01-01A	EA TRIM-CARPET, L-ANGLE - 1 1" X 1 3" X 12" - VINYL - GRAY
	100659-01-B25	EA TRIM-FLOOR, 72" X 1" X 1/2" - WOOD
	101220-02-01A	EA TRIM-LID, ENTRY STEP - 14 5" - ALUMINUM - BEIGE

FROM 00-00-00 THRU 03-14-92

FROM 00-00-00 THRU 03-14-92

	104676-01-01A	FT T-MOLDING, 5/16 RIGID "GOLD
	105709-01-000	FT T-MOLDING-1", MODERN IVORY
	091261-01-000	FT SLIPNOT-ANTISLIP, 1" WIDE (100' ROLL)

**WALL CLOCK**

KEY	PART NUMBER	U/M DESCRIPTION
	104764-01-01A	EA CLOCK-WALL, SPARTUS 5616-42
	101333-01-000	EA BACKPLATE-CLOCK, 6" X 6" - PLASTIC - BLACK

**1991 WINNEBAGO  
TABLE OF CONTENTS**

INTRODUCTION	A-01 -	A-02
ABBREVIATIONS		A-03
ALPHABETICAL INDEX	A-04 -	A-06
ICF27HC	A-07 -	E-12
ICF30RU	E-15 -	K-12

**1992 ICF27RC INDEX**

FLOOR PLAN	A-07 -	A-08
ACCESSORIES		A-09
AUDIO VIDEO	A-09 -	A-10
BATH	A-11 -	A-12
BEDROOM	A-13 -	A-14
CHASSIS	A-15 -	A-22
CURTAIN & CUSHION	A-23 -	B-08
DINETTE	B-09 -	B-10
DRIVERS COMPARTMENT	B-11 -	B-14
ELECTRICAL	B-15 -	B-20
EXTERIOR BODY	B-21 -	C-04
GALLEY	C-05 -	C-08
GENERATORS	C-09 -	C-10
HEATING & A/C	C-11 -	C-16
INTERIOR FINISH	C-17 -	C-23
LABELS	C-24	D-08
LP		D-09
LOUNGE		D-10
SEALANTS & FASTENERS	D-11 -	D-13
WATER & SEWAGE	D-14 -	D-19
WINDOW, VENT		
EXTERIOR DOOR	D-20 -	E-10
WINDSHIELD & WIPER	E-11 -	E-12

**INTERIOR FINISH GROUP ( CONTINUED )**  
**PANELING & PLASTIC LAMINATE**

KEY	PART NUMBER	U/M DESCRIPTION
	074498-41-000	SF LAMINATE-PLASTIC ORCHID MIST NEVAMAR MR-1-5SK
	064870-58-012	EA PLAS-ABS. 04' X 52' X 52' - BEIGE
	000885-34-000	SF PARTICLE BOARD-3/8" X 49" X 97" 1 SIDE VINYL - WOODGRAIN FROM 00-00-00 THRU 03-14-92
	000885-52-000	SF PARTICLE BOARD-2 SIDED VINYL 3/8" X 4' X 8' - WOODGRAIN FROM 00-00-00 THRU 11-03-91
	000885-54-000	SF PARTICLE BOARD-3/8X48X96 FOREST OAK VINYL 2 SIDES FROM 00-00-00 THRU 11-03-91
	000885-55-000	SF PARTICLE BOARD-3/8" X 49" X 97" 1 SIDE VINYL - WOODGRAIN FROM 11-04-91 THRU 99-99-99
	000885-59-000	SF PARTICLE BOARD-3/4X60X96 FOREST OAK VINYL 2 SIDES FROM 11-04-91 THRU 99-99-99
	000885-59-000	SF PARTICLE BOARD 3/4X60X96 LT OAK VINYL 2 SIDE FROM 00-00-00 THRU 11-03-91
	047034-02-000	SF PLASTIC-CARPET 4"WIDE - CLEAR POLY
	089297-01-000	SF PLYWOOD-LUAN OVERLAY GRADE - 4' X 8' - INC OF 32 SF
	083618-02-000	SF PLYWOOD-OAK 1 SIDE FINISHED - 3/16" X 4' X 8'
	095688-01-000	SF VENEER-FLAT LUANA 48X96
	089351-03-000	YD VINYL-CEILING. DIAMOND DESIGN - 54" WIDE
	074497-17-000	SF PANELING-WOODGRAIN. 4' X 8' - INCREMENTS OF 32 SF FROM 00-00-00 THRU 11-03-91
	074497-20-000	SF PANELING-WOODGRAIN 4' X 8' - INCREMENTS OF 32 SF FROM 00-00-00 THRU 11-03-91
	074497-20-000	SF PANELING-WOODGRAIN. 4' X 8' - INCREMENTS OF 32 SF
	074497-21-000	SF PANELING-541 WINNI OAK 3MMX48X96 99-215-H FROM 11-04-91 THRU 99-99-99
	088272-85-000	SF PANELING-DECORATIVE W/FLOWERS - 4' X 7' - INC OF 28 SF
	088272-86-000	SF PANELING-DECORATIVE PLAIN - 4' X 7' - INCREMENTS OF 28 SF
	088272-87-000	SF PANELING-DECORATIVE. W/FLOWERS - 4' X 7' - INC OF 28 SF
	088272-98-000	SF PANELING-SHOWER. OFF WHITE - 4' X 7' - INC OF 28 SQ FT FROM 03-16-92 THRU 99-99-99
	088272-72-000	SF PANELING-SHOWER. OFF WHITE - 4' X 7' - INC OF 28 SF FROM 00-00-00 THRU 03-15-92

**INTERIOR FINISH GROUP ( CONTINUED )**  
**FABRIC & TRIMS FABRIC**

KEY	PART NUMBER	U/M DESCRIPTION
	029219-01-000	YD FABRIC-VINYL. 54" WIDE - WHITE
	052859-01-W30	FT TRIM-EDGE. VINYL - 1 5" WIDE - BEIGE
	072333-82-000	YD FABRIC-CURTAIN. 54" WIDE - BEIGE
	075244-04-000	YD FABRIC-VINYL. SHOWER CURTAIN - 72" WIDE - SALMON
	075244-05-000	YD FABRIC-VINYL. SHOWER CURTAIN - 72" WIDE - BLUE
	079680-01-000	YD FABRIC-VINYL. 54" WIDE - BEIGE
	079680-07-000	YD FABRIC-VINYL. 54" WIDE - BEIGE
	079680-09-000	YD FABRIC-VINYL. 54" WIDE - OFF WHITE
	079680-12-000	YD VINYL-EXPANDED. 54" WIDE - OFF WHITE
	087272-01-000	YD FABRIC-LINING. CURTAIN - 48" WIDE - IVORY
	088273-72-000	YD FABRIC-CURTAIN/BEDSPREAD. PLAIN - 54" WIDE (C25)
	088273-71-000	YD FABRIC-CURTAIN/BEDSPREAD. PLAIN - 54" WIDE NORWEGIAN (C26)
	088275-67-000	YD FABRIC-CURTAIN/BEDSPREAD. PLAIN - 54" WIDE SLATE (C26)
	088273-73-000	YD FABRIC-CURTAIN/BEDSPREAD. PATTERNED - 54" WIDE (C25)
	088273-70-000	YD FABRIC-CURTAIN/BEDSPREAD. PATTERNED - 54" WIDE (C26)
	095008-90-000	YD FABRIC-UPHOLSTERY/CURTAIN. PATTERNED WOVEN - 54" WIDE (C25)
	095008-83-000	YD FABRIC-UPHOLSTERY/CURTAIN PATTERNED WOVEN - 54" WIDE (C26)
	095008-24-000	YD FABRIC-UPHOLSTERY. DOTTED VELOUR - 54" WIDE (C26)
	095008-91-000	YD FABRIC-UPHOLSTERY. STRIPED WOVEN - 54" WIDE
	095008-92-000	YD FABRIC-UPHOLSTERY/CURTAIN. PLAIN - 54" WIDE (C25) FROM 00-00-00 THRU 09-08-91
	095008-85-000	YD FABRIC-UPHOLSTERY/CURTAIN PLAIN - 54" WIDE (C25) FROM 00-00-00 THRU 09-09-91
	103907-01-01A	YD FABRIC-VINYL. 54" WIDE - OFF WHITE
	103907-01-02A	YD VINYL-EXPANDED MADRID GRAY 26 OZ 54"X ROLL FROM 00-00-00 THRU 05-24-91
	104233-28-000	YD FABRIC-UPHOLSTERY. ROSE 477 (C25) FROM 09-09-91 THRU 99-99-99
	104233-27-000	YD FABRIC-UPHOLSTERY. LT NAVY 689 (C26) FROM 09-09-91 THRU 99-99-99

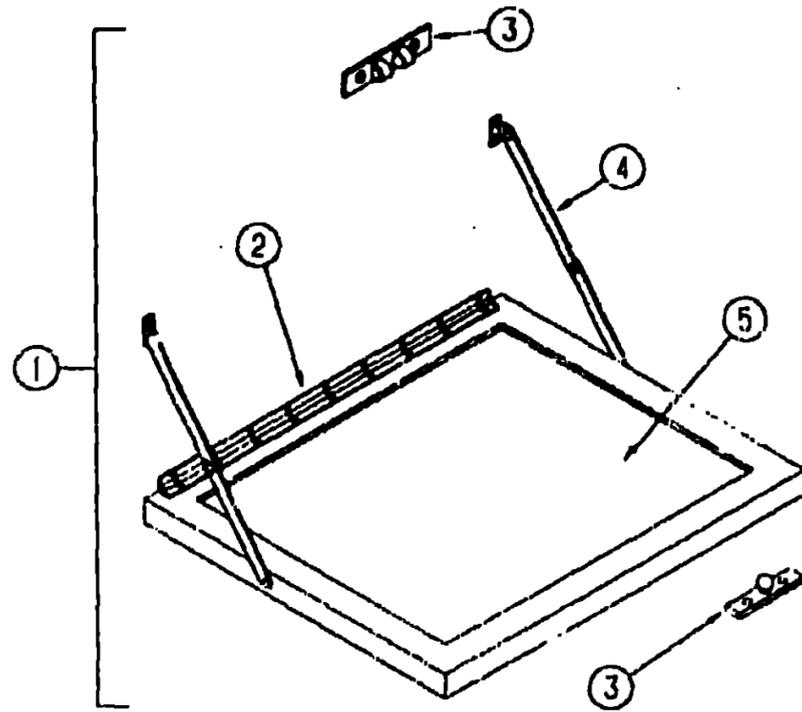
**1991 WINNEBAGO**  
**TABLE OF CONTENTS**

INTRODUCTION	A-01 -	A-02
ABBREVIATIONS		A-03
ALPHABETICAL INDEX	A-04 -	A-06
ICF27RC	A-07 -	E-12
ICF30RU	E-15 -	K-12

**1992 ICF27RC INDEX**

FLOOR PLAN	A-07 -	A-08
ACCESSORIES		A-09
AUDIO VIDEO	A-09 -	A-10
BATH	A-11 -	A-12
BEDROOM	A-13 -	A-14
CHASSIS	A-15 -	A-22
CURTAIN & CUSHION	A-23 -	B-08
DINETTE	B-09 -	B-10
DRIVERS COMPARTMENT	B-11 -	B-14
ELECTRICAL	B-15 -	B-20
EXTERIOR BODY	B-21 -	C-04
GALLEY	C-05 -	C-06
GENERATORS	C-09 -	C-10
HEATING & A/C	C-11 -	C-16
INTERIOR FINISH	C-17 -	C-23
LABELS	C-24	D-08
LP		D-09
LOUNGE		D-10
SEALANTS & FASTENERS	D-11 -	D-13
WATER & SEWAGE	D-14 -	D-19
WINDOW. VENT		
EXTERIOR DOOR	D-20 -	E-10
WINDSHIELD & WIPER	E-11 -	E-12

**INTERIOR FINISH GROUP ( CONTINUED )**



**TV STAND**

KEY	PART NUMBER	U/M DESCRIPTION
1	084357-02-W24	EA TV STAND ASSEMBLY
2	084625-04-000	EA HINGE-AL, W/HOLES, 330MM, TAN
3	084451-01-000	EA CATCH-TV SHELF, BRASS
4	084412-01-000	EA SUPPORT-HINGED
5	084356-04-000	EA INSERT-TV STAND, W/SUPPORT HINGE - METAL - TAN
5	058331-14-000	EA MIRROR-GLASS, SAFETY - 14" X 12 7"

**LABELS GROUP  
MISCELLANEOUS LABELS**

KEY	PART NUMBER	U/M DESCRIPTION
	093236-01-000	EA LABEL-CIRCUIT BREAKER, MAIN
	093237-01-000	EA LABEL-CIRCUIT BREAKER, FRONT - BATTERY CONDITION/RADIO
	093237-03-000	EA LABEL-CIRCUIT BREAKER, FRONT - POWER SEAT (LIFT)
	093237-06-000	EA LABEL-CIRCUIT BREAKER, FRONT - REAR PANEL
	093237-07-000	EA LABEL-CIRCUIT BREAKER, FRONT - REAR PNL/CONV
	093237-09-000	EA LABEL-CIRCUIT BREAKER, FRONT - INVERTER
	098506-01-000	EA LABEL-'COMPARTMENT NOT SEALED'
	050225-01-000	EA LABEL-WARNING, STOVE VENT - US
	087236-01-000	EA LABEL-CABLE, INPUT
	087238-02-000	EA LABEL-TV, OUTLET
	006031-01-000	EA LABEL-POTABLE WATER ONLY
	081608-01-000	EA LABEL-OVERLAY, VEHICLE CERTIFICATION - ADHESIVE BACKED
	075968-01-000	EA LABEL-WARNING, STOWED MOTION
	081757-01-000	EA LABEL-RETAIL, 8 5/8" X 12 7/8"
	073342-01-000	EA LABEL-VAPOR RELIEF
	099509-01-000	EA LABEL-AWNING INSTALLATION
	061417-01-000	EA LABEL-FUEL ON FUEL FILL DOOR
	073998-01-000	EA LABEL-LPG ODOR WARNING
	094675-01-000	EA LABEL-EXTERIOR LIGHT, SERVICE
	096506-01-000	EA LABEL-'COMPARTMENT NOT SEALED'
	050225-01-000	EA LABEL-WARNING, STOVE VENT - US
	006195-01-000	EA LABEL-ELECTRICAL TEST
	006196-01-000	EA LABEL-GAS TEST
	006197-01-000	EA LABEL-WATER TEST
	061606-01-000	EA LABEL-OVERLAY, VEHICLE CERTIFICATION - ADHESIVE BACKED
	096506-01-000	EA LABEL-'COMPARTMENT NOT SEALED'
	006064-01-000	EA LABEL-SEAT W/O SEATBELT 'NOT INTENDED FOR USE WHILE COACH IN MOTION'
	006064-01-000	EA LABEL-SEAT W/O SEATBELT
	068383-01-000	EA LABEL-DIESEL FUEL
	074983-01-000	EA LABEL-SWITCH, A/C SELECTOR FOR FRONT OR REAR
	091224-02-000	EA LABEL-TRAILER LIGHTING
	091243-01-000	EA LABEL-A/C COVER, 'AIR CONDITIONING CIRCUIT ETC'
	098379-03-000	EA LABEL-ELECTRICAL BOX, FRONT
	098379-04-000	EA LABEL-ELECTRICAL BOX, SIDE
	098641-01-000	EA LABEL-FUEL, UNLEADED - DASH
	104678-01-000	EA LABEL-CB PREP

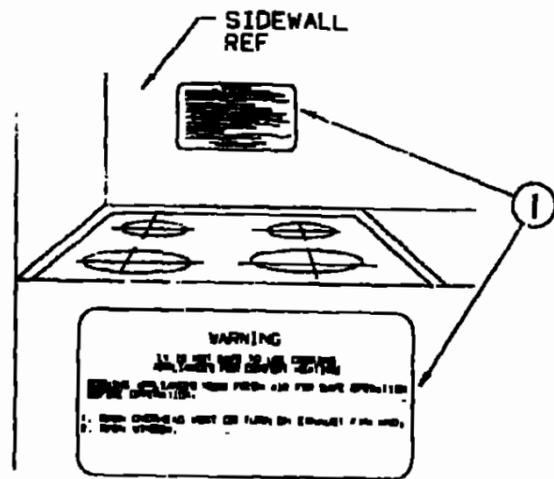
**1991 WINNEBAGO  
TABLE OF CONTENTS**

INTRODUCTION	A-01	A-02
ABBREVIATIONS		A-03
ALPHABETICAL INDEX	A-04	A-08
ICF27RC	A-07	E-12
ICF30RIJ	E-15	K-12

**1992 ICF27RC INDEX**

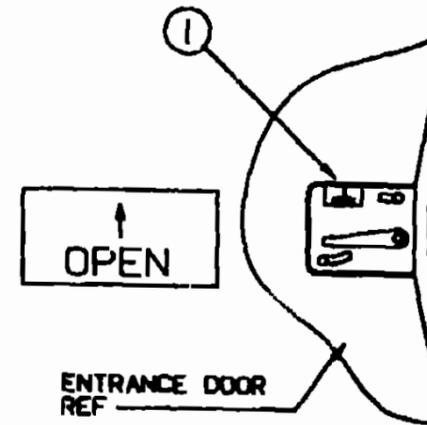
FLOOR PLAN	A-07	A-08
ACCESSORIES		A-09
AUDIO VIDEO	A-09	A-10
BATH	A-11	A-12
BEDROOM	A-13	A-14
CHASSIS	A-15	A-22
CURTAIN & CUSHION	A-23	B-08
DINETTE	B-09	B-10
DRIVERS COMPARTMENT	B-11	B-14
ELECTRICAL	B-15	B-20
EXTERIOR BODY	B-21	C-04
GALLEY	C-05	C-08
GENERATORS	C-09	C-10
HEATING & A/C	C-11	C-12
INTERIOR FINISH	C-17	C-23
LABELS	C-24	D-06
LP		D-09
LOUNGE		D-10
SEALANTS & FASTENERS	D-11	D-13
WATER & SEWAGE	D-14	D-19
WINDOW, VENT		
EXTERIOR DOOR	D-20	E-10
WINDSHIELD & WIPER	E-11	E-12

**LABEL GROUP (CONTINUED)**



KEY	PART NUMBER	U/M DESCRIPTION
1	050225-01-000	EA LABEL-WARNING, STOVE VENT - US
1	050222-01-000	EA LABEL-WARNING, STOVE VENT - CANADIAN

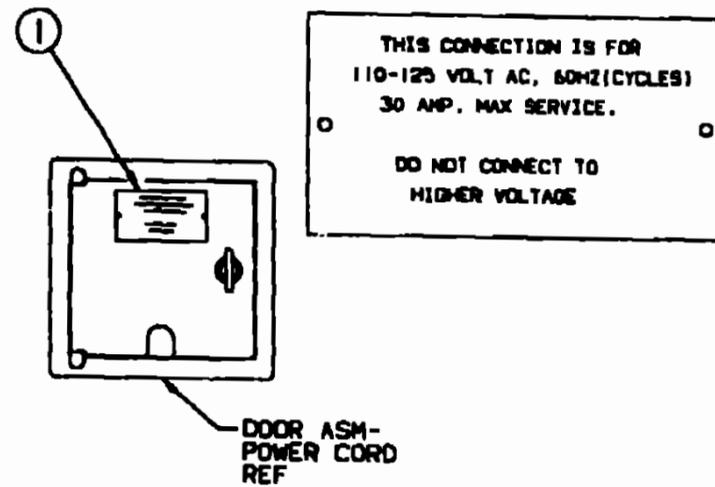
**LABEL GROUP (CONTINUED)**



KEY	PART NUMBER	U/M DESCRIPTION
1	040944-01-000	EA LABEL-ENTRANCE DOOR, "OPEN"

**1991 WINNEBAGO  
TABLE OF CONTENTS**

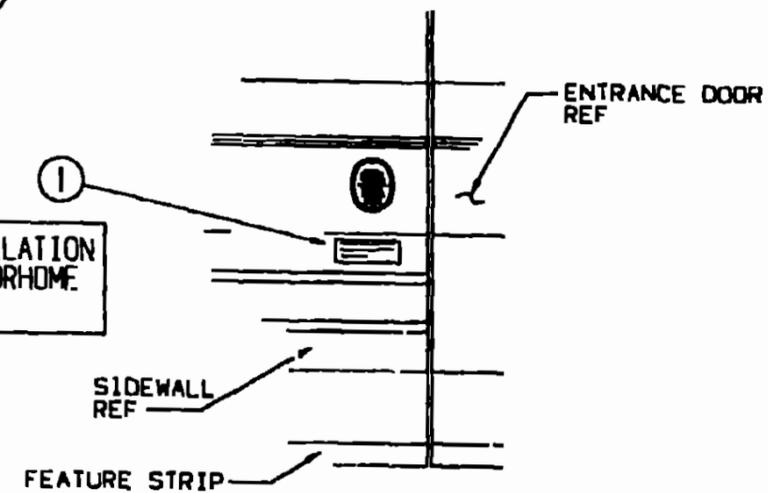
INTRODUCTION	A-01 -	A-02
ABBREVIATIONS		A-03
ALPHABETICAL INDEX	A-04 -	A-06
ICF27RC	A-07 -	E-12
ICF30RU	E-15 -	K-12



KEY	PART NUMBER	U/M DESCRIPTION
1	006062-01-000	EA TAG-ELECTRIC, 110V CONNECTION



FOR AWNING INSTALLATION  
CONTACT YOUR MOTORHOME  
DEALERSHIP



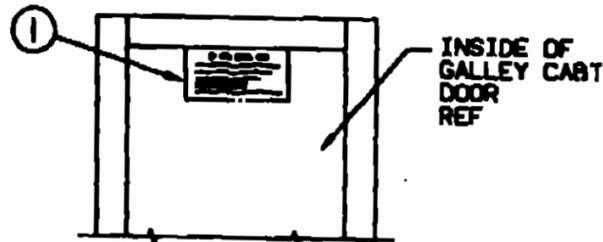
KEY	PART NUMBER	U/M DESCRIPTION
1	099509-01-000	EA LABEL-AWNING INSTALLATION

**1992 ICF27RC INDEX**

FLOOR PLAN	A-07 -	A-08
ACCESSORIES		A-09
AUDIO VIDEO	A-09 -	A-10
BATH	A-11 -	A-12
BEDROOM	A-13 -	A-14
CHASSIS	A-15 -	A-22
CURTAIN & CUSHION	A-23 -	B-08
DINETTE	B-09 -	B-10
DRIVERS COMPARTMENT	B-11 -	B-14
ELECTRICAL	B-15 -	B-20
EXTERIOR BODY	B-21 -	C-04
GALLEY	C-05 -	C-08
GENERATORS	C-09 -	C-10
HEATING & A/C	C-11 -	C-16
INTERIOR FINISH	C-17 -	C-23
LABELS	C-24 -	D-08
LP		D-09
LOUNGE		D-10
SEALANTS & FASTENERS	D-11 -	D-13
WATER & SEWAGE	D-14 -	D-19
WINDOW, VENT		
EXTERIOR DOOR	D-20 -	E-10
WINDSHIELD & WIPER	E-11 -	E-12

### LABEL GROUP (CONTINUED)

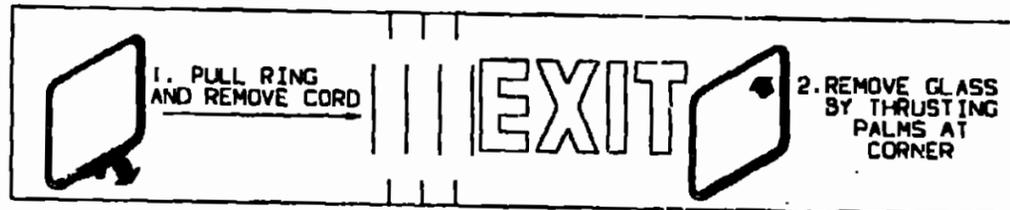
#### LABELS



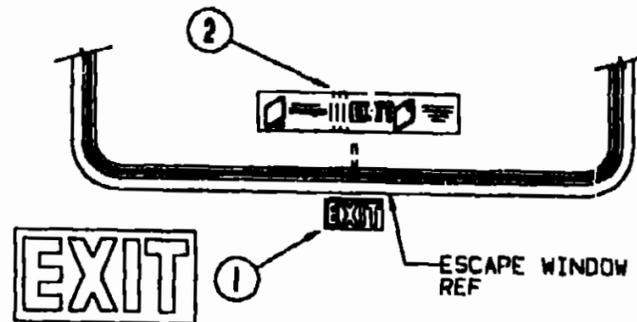
#### IF YOU SMELL GAS

1. EXTINGUISH ANY OPEN FLAME, PILOT LIGHTS AND ALL OTHERS AVAILABLE.
2. SHUT OFF THE GAS SUPPLY AT THE TANK VALVE OR GAS SUPPLY CONNECTION.
3. OPEN DOORS AND OTHER VENTILATION OPENINGS.
4. DO NOT TOUCH ELECTRICAL SWITCHES.
5. LEAVE THE AREA UNTIL DOOR CLEARS.
6. HAVE THE GAS SYSTEM CHECKED AND LEAKAGE SOURCE CORRECTED BEFORE USING AGAIN.

KEY	PART NUMBER	U/M DESCRIPTION
1	073998-01-000	EA LABEL-LPG ODOR WARNING

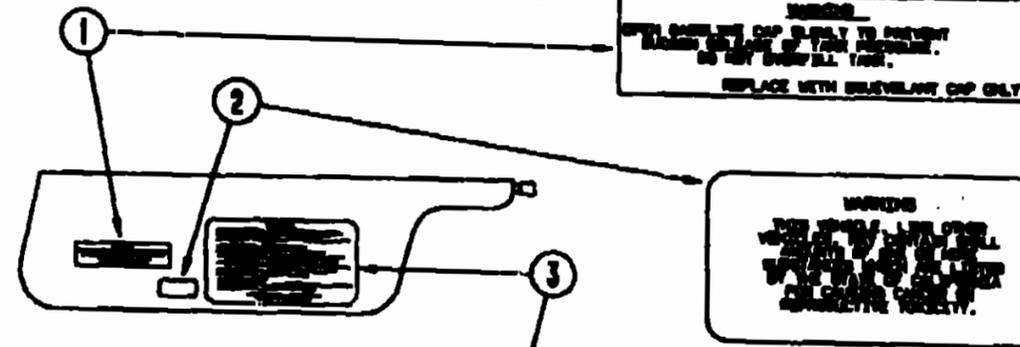


KEY	PART NUMBER	U/M DESCRIPTION
1	039290-01-000	EA LABEL-WARNING, EXIT
2	107571-01-000	EA LABEL-ESCAPE EXIT, WINDOW



### LABEL & TAG GROUP (CONTINUED)

#### LABELS



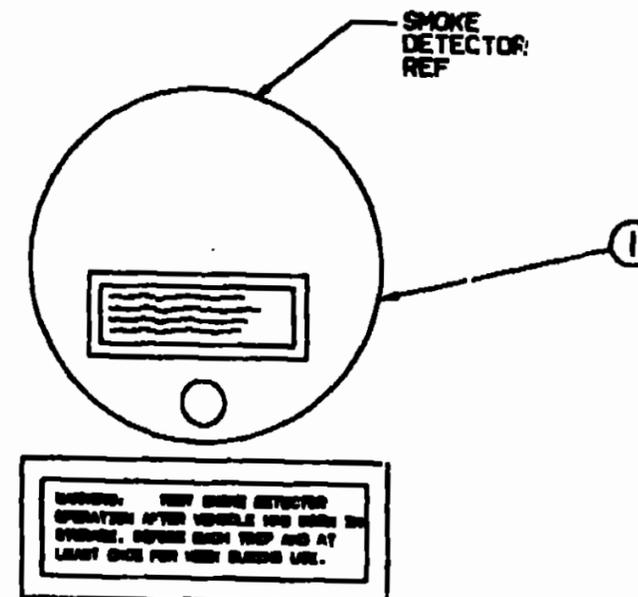
**CAUTION**

THIS MOTOR HOME HAS BEEN DESIGNED, MANUFACTURED AND TESTED WITH CONCERN FOR THE PROTECTION OF IT'S OCCUPANTS. BE FOREWARNED YOU PERFORM THE FOLLOWING INSPECTIONS FOR YOUR SAFETY AND THE SAFETY OF YOUR PASSENGERS BEFORE STARTING YOUR VEHICLE.

1. LP GAS SYSTEM- TURN OFF AT TANK FOR TRAVELING. TEST FOR LEAKS UPON ARRIVAL AT DESTINATION. BEFORE LIGHTING PILOTS.
2. WHEELS- INSPECT FOR DAMAGE AND CHECK LUB RATS FOR TIGHTNESS.
3. TIRES- INSPECT FOR WEAR AND DAMAGE AND CHECK FOR RECOMMENDED AIR PRESSURE.
4. LIGHTS- TEST FOR PROPER OPERATION OF ALL INTERIOR AND EXTERIOR LIGHTS INCLUDING BATH LIGHTS, HEADLIGHTS, TAIL LIGHTS, BRAKE LIGHTS, CLEARANCE LIGHTS AND TURN SIGNALS.
5. EXITS- INSPECT RELEASE MECHANISM ON EMERGENCY EXIT DEVICES. TEST BOTH LOCKS ON BOTH ENTRANCE DOOR FOR EASE OF OPERATION AND SHOW/TEACH PASSENGERS HOW TO USE BOTH SIDES OF EXIT.
6. SEAT BELTS- INSPECT PROBLEMS TO RESEATED SEATS AND ENSURE USE OF SEAT BELTS.
7. APPLIANCES- TURN OFF AND LATCH OR LOCK DEVICES WHERE PROVIDED.
8. LOOSE PACKS- STORE SECURELY.
9. UTILITY SUPPLY LINES- DISCONNECT ALL ELECTRIC, SEWER AND WATER LINES AND SECURE PROPERLY.
10. ENTRANCE DOOR STOP- PLACE IN RETRACTED POSITION FOR TRAVELING.

READ YOUR MOTOR HOME AND CHECKS OWNER'S MANUAL FOR FURTHER PRECAUTIONS

KEY	PART NUMBER	U/M DESCRIPTION
1	087207-05-000	EA LABEL-FUEL CAP REMOVAL
2	099689-01-000	EA LABEL-WARNING, CANCER/TOXICITY
3	056259-01-000	EA LABEL-SAFETY CHECK LIST



KEY	PART NUMBER	U/M DESCRIPTION
D-03	1 077956-01-000	EA LABEL-WARNING, SMOKE DETECTOR

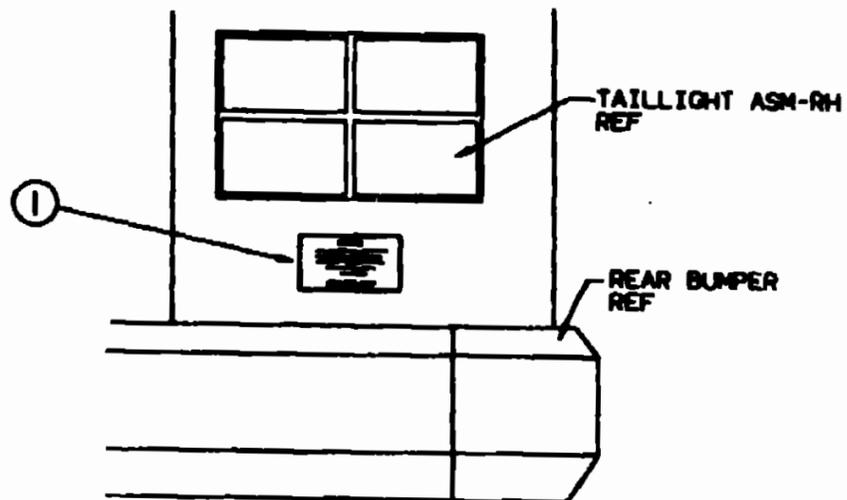
### 1991 WINNEBAGO TABLE OF CONTENTS

INTRODUCTION	A-01	A-02
ABBREVIATIONS		A-03
ALPHABETICAL INDEX	A-04	A-06
ICF27RC	A-07	E-12
ICF30RU	E-15	K-12

### 1992 ICF27RC INDEX

FLOOR PLAN	A-07	A-08
ACCESSORIES		A-09
AUDIO VIDEO	A-09	A-10
BATH	A-11	A-12
BEDROOM	A-13	A-14
CHASSIS	A-15	A-22
CURTAIN & CUSHION	A-23	B-08
DINETTE	B-09	B-10
DRIVERS COMPARTMENT	B-11	B-14
ELECTRICAL	B-15	B-20
EXTERIOR BODY	B-21	C-04
GALLEY	C-05	C-08
GENERATORS	C-09	C-10
HEATING & A/C	C-11	C-16
INTERIOR FINISH	C-17	C-23
LABELS	C-24	D-08
LP		D-09
LOUNGE		D-10
SEALANTS & FASTENERS	D-11	D-13
WATER & SEWAGE	D-14	D-19
WINDOW, VENT		
EXTERIOR DOOR	D-20	E-10
WINDSHIELD & WIPER	E-11	E-12

**LABEL GROUP (CONTINUED)**



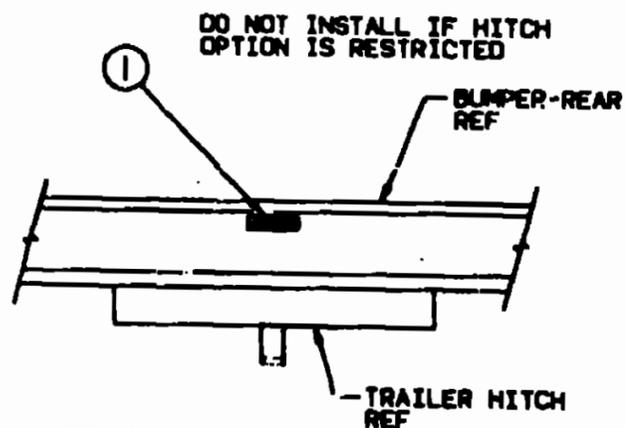
**WARNING**

DO NOT EXCEED THE VEHICLE WEIGHT RATINGS OR LOADING RECOMMENDATIONS (E.G., GROSS VEHICLE, GROSS AXLE, GROSS COMBINED) OF THE CHASSIS MANUFACTURER OR WINNEBAGO INC.

REFER TO YOUR OWNERS MANUAL, BEFORE LOADING OR TOWING.

**KEY PART NUMBER**  
1 075220-01-000

**U/M DESCRIPTION**  
EA LABEL-WARNING, EXTERIOR LOAD



**TOWING CAPACITY**

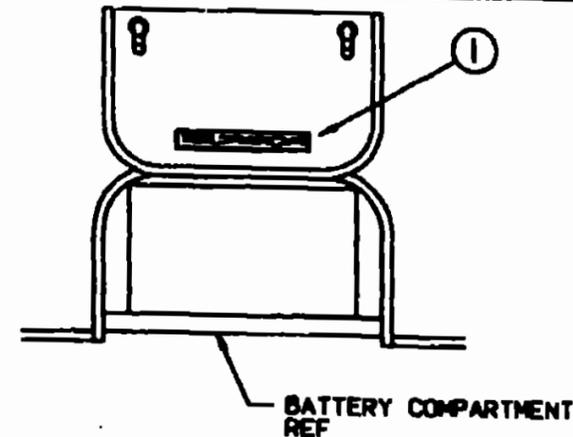
TOWED VEHICLE 3000 LB. GROSS MAXIMUM  
HITCH BALL 200 LB. MAXIMUM

**KEY PART NUMBER**  
1 075221-03-000

**U/M DESCRIPTION**  
EA LABEL-TRAILER HITCH

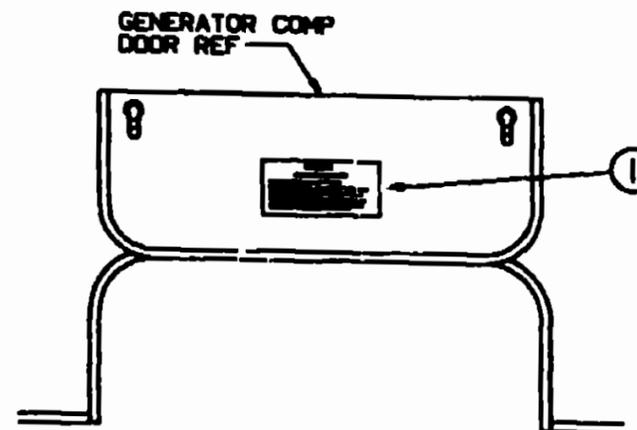
**LABEL GROUP (CONTINUED)**

**WARNING** DISCONNECT BATTERIES BEFORE CONNECTING EXTERNAL CHARGING EQUIPMENT.



**KEY PART NUMBER**  
1 065748-01-000

**U/M DESCRIPTION**  
EA LABEL-CAUTION, BATTERY CHARGING



**WARNING**

**BEFORE ADDING A GENERATOR SET:**

HIGH VOLTAGE-USE EXTREME CAUTION WHEN WORKING ON ELECTRICAL EQUIPMENT.

HAVE ALL ELECTRICAL INSTALLATION PERFORMED BY A QUALIFIED LICENSED ELECTRICIAN-FOLLOW ALL STATE AND LOCAL CODES.

ONLY INSTALL GENERATOR SET APPROVED FOR R.V. APPLICATIONS. HAVE INSTALLED BY QUALIFIED TECHNICIAN.

TO AVOID HEAT BUILD-UP AND TO GUARANTEE AN ADEQUATE AIR SUPPLY TO THE GENERATOR OVERHEATER, FOLLOW INSTALLATION INSTRUCTIONS.

OPERATOR SHOULD CHECK AIR FLOW AND NOTIFY WINNEBAGO UNDER THE VEHICLE-GENERATOR SERVICE AREA FROM VEHICLE.

**KEY PART NUMBER**  
1 077510-01-000

**U/M DESCRIPTION**  
EA LABEL-GENERATOR PREP

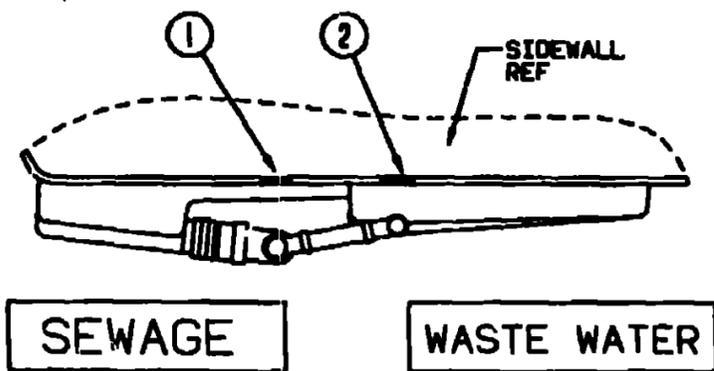
**1991 WINNEBAGO  
TABLE OF CONTENTS**

INTRODUCTION	A-01	A-02
ABBREVIATIONS		A-03
ALPHABETICAL INDEX	A-04	A-06
ICF27RC	A-07	E-12
ICF30RU	E-15	K-12

**1992 ICF27RC INDEX**

FLOOR PLAN	A-07	A-08
ACCESSORIES		A-09
AUDIO VIDEO	A-09	A-10
BATH	A-11	A-12
BEDROOM	A-13	A-14
CHASSIS	A-15	A-22
CURTAIN & CUSHION	A-23	B-08
DINETTE	B-09	B-10
DRIVERS COMPARTMENT	B-11	B-14
ELECTRICAL	B-15	B-20
EXTERIOR BODY	B-21	C-04
GALLEY	C-05	C-08
GENERATORS	C-09	C-10
HEATING & A/C	C-11	C-16
INTERIOR FINISH	C-17	C-23
LABELS	C-24	D-08
LP		D-09
LOUNGE		D-10
SEALANTS & FASTENERS	D-11	D-13
WATER & SEWAGE	D-14	D-19
WINDOW, VENT		
EXTERIOR DOOR	D-20	E-10
WINDSHIELD & WIPER	E-11	E-12

**LABEL GROUP (CONTINUED)**

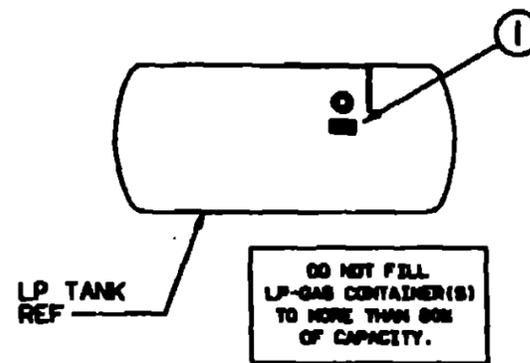


**SEWAGE**

**WASTE WATER**

KEY	PART NUMBER	U/M DESCRIPTION
1	006187-01-000	EA LABEL-SEWAGE
2	006188-01-000	EA LABEL-WASTE WATER

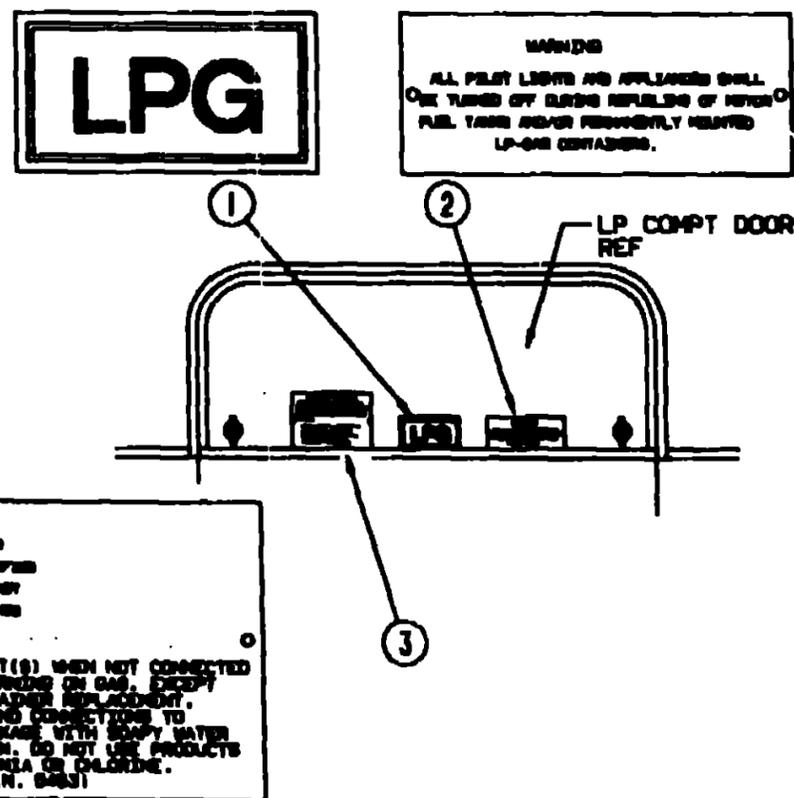
**LABEL GROUP (CONTINUED)**



KEY	PART NUMBER	U/M DESCRIPTION
1	079965-01-000	EA LABEL-LPG 80 CAPACITY

**1991 WINNEBAGO  
TABLE OF CONTENTS**

INTRODUCTION	A-01	A-02
ABBREVIATIONS		A-03
ALPHABETICAL INDEX	A-04	A-06
ICF27RC	A-07	E-12
ICF30RU	E-15	K-12

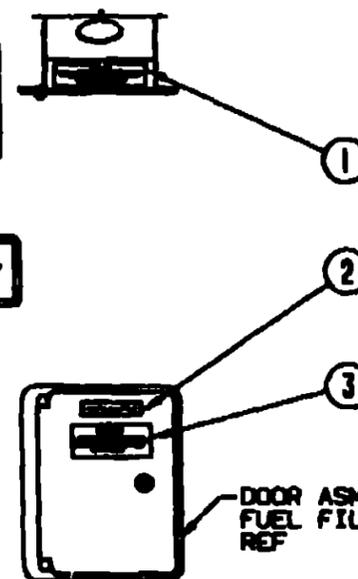


KEY	PART NUMBER	U/M DESCRIPTION
1	074559-01-000	EA DECAL-LOGO, LPG - RED - (CALIF CODE)
2	006040-01-000	EA TAG-GAS REFUELING WARNING
2	006040-02-000	EA TAG-GAS REFUEL WARNING, CANADIAN
3	054531-01-000	EA LABEL-LP GAS ONLY
3	023769-01-000	EA LABEL-WARNING, LPG - CANADIAN

**WARNING:**  
OPEN GASOLINE CAP SLOWLY TO PREVENT  
SUDDEN RELEASE OF TANK PRESSURE.  
DO NOT OVERFILL TANK.  
REPLACE WITH OBEYVARIANT CAP ONLY

**UNLEADED FUEL ONLY**

**WARNING:**  
ALL PILOT LIGHTS AND APPLIANCES SHALL  
BE TURNED OFF DURING REFUELING OF MOTOR  
FUEL TANKS NEVER PERMANENTLY HEATED  
LP-GAS CONTAINERS.

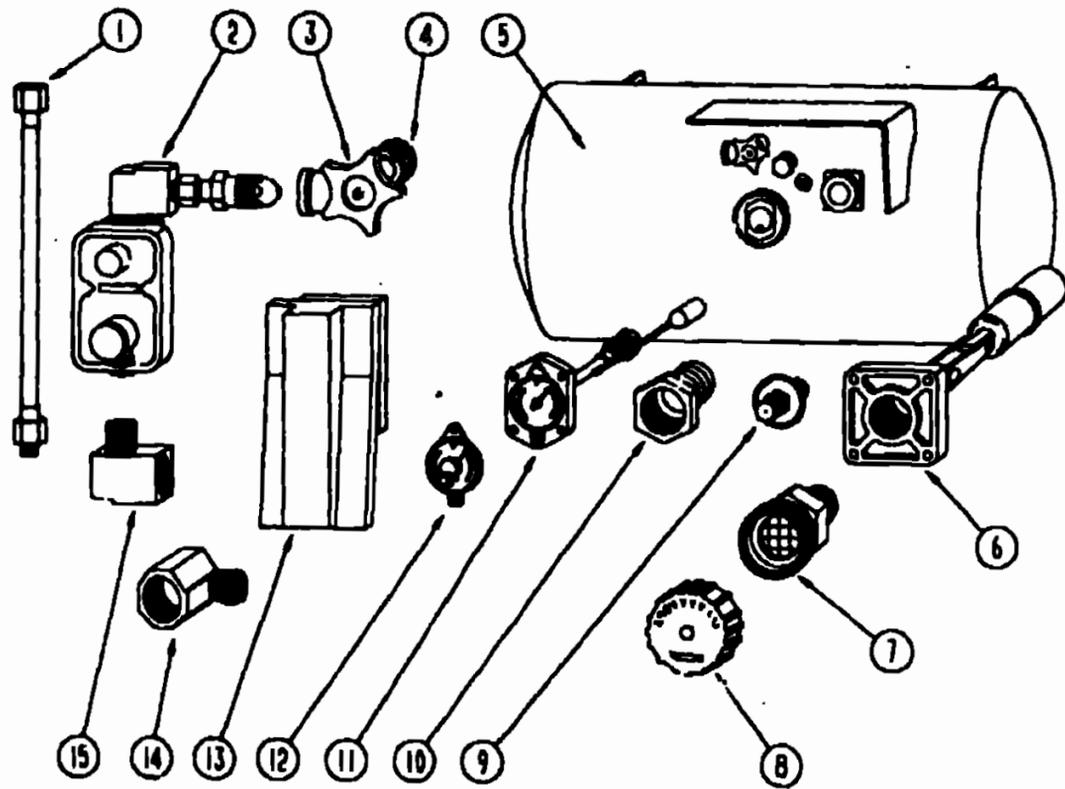


KEY	PART NUMBER	U/M DESCRIPTION
1	087207-05-000	EA LABEL-FUEL CAP REMOVAL
2	062043-01-000	EA LABEL-FUEL, UNLEADED
3	006040-01-000	EA TAG-GAS REFUELING WARNING
3	006040-02-000	EA TAG-GAS REFUEL WARNING, CANADIAN

**1992 ICF27RC INDEX**

FLOOR PLAN	A-07	A-08
ACCESSORIES		A-09
AUDIO VIDEO	A-09	A-10
BATH	A-11	A-12
BEDROOM	A-13	A-14
CHASSIS	A-15	A-22
CURTAIN & CUSHION	A-23	B-08
DINETTE	B-09	B-10
DRIVERS COMPARTMENT	B-11	B-14
ELECTRICAL	B-15	B-20
EXTERIOR BODY	B-21	C-04
GALLEY	C-05	C-08
GENERATORS	C-09	C-10
HEATING & A/C	C-11	C-16
INTERIOR FINISH	C-17	C-23
LABELS	C-24	D-08
LP		D-09
LOUNGE		D-10
SEALANTS & FASTENERS	D-11	D-13
WATER & SEWAGE	D-14	D-19
WINDOW, VENT		
EXTERIOR DOOR	D-20	E-10
WINDSHIELD & WIPER	E-11	E-12

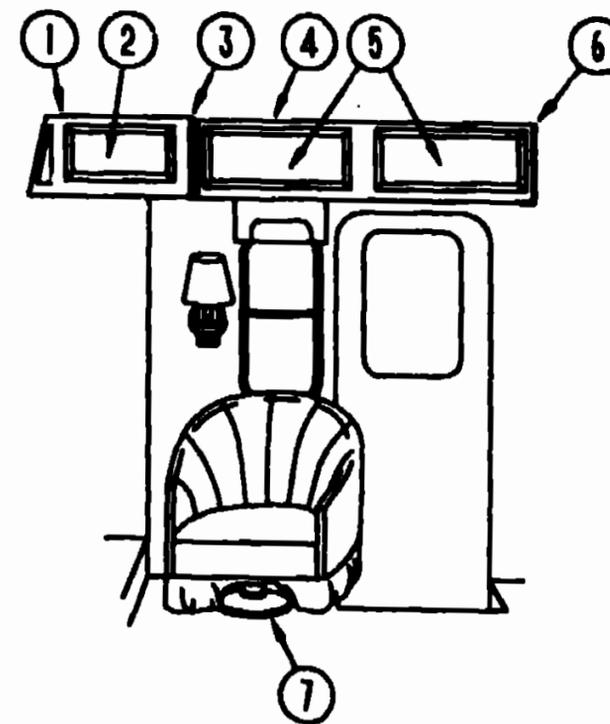
**LP GROUP**



**LP TANK & COMPONENTS**

KEY	PART NUMBER	U/M DESCRIPTION
1	045703-01-000	EA HOSE-LP, 3/8" ID X 24' US - 3/8" MPT X 1/2" F SWIVEL
1	045703-02-000	EA HOSE-LP, 3/8" ID X 24' - 3/8" MPT X 1/2" F SWIVEL - CANADA
2	106150-01-000	EA REGULATOR-TWO STAGE
3	040421-01-708	EA HANDWHEEL-VAPOR RELIEF VALVE, BRUNNER G-1015-A
4	040421-01-703	EA VALVE-SERVICE W/HANDWHEEL
5	097321-01-000	EA TANK-LP, 60 LB 14" X 30"
6	040421-01-711	EA VALVE-80% W/FLOAT, PLATE, BOLTS & GASKET - BRUNNER
7	040421-01-701	EA VALVE-SHORT LP FILLER W/YELLOW CAP - BRUNNER 75478
8	040421-01-702	EA CAP-LP FILLER VALVE, PLASTIC - YELLOW - BRUNNER G-1014-A
9	040421-01-700	EA GAUGE-LIQUID LEVEL, 20% LP - BRUNNER G-1013
10	040421-01-713	EA PRESSURE RELIEF VALVE
11	040421-01-707	EA GAUGE-FLOAT W/VISIBLE DIAL - BRUNNER MA-9 6244-4
12	040440-02-000	EA TRANSMITTER-DIAL, 90 OHM
13	105658-01-000	EA COMPARTMENT-LP REGULATOR
13	081938-01-000	EA COVER-COMPARTMENT - LP REGULATOR - BLACK
14	065318-02-000	EA ELBOW-90 DEGREE, 3/8" MPT TO 3/8" FPT
15	065742-01-000	EA TEE, 3/8" F X 3/8" F X 25FPT - BRASS
	010329-01-000	EA ADAPTER-BRASS-1/2" F X 1/2" MPT
	010285-01-000	EA CROSS, 3/8" F X 3/8" F X 3/8" F X 1/2" FPT - BRASS
	010377-02-000	EA NUT-BRASS, 3/8" FEMALE - FORGED
	010380-02-000	EA NUT-BRASS, 1/2" FEMALE - FORGED
	016188-03-000	EA GROMMET-GAS LINE, FLOOR - 3/8" HOLE X 2 1/8" DIAMETER RUBBER
	081642-01-000	EA TEE, 1/2" MPT X 1/2" FL X 3/8" FL - BRASS
	010497-05-000	EA CLAMP-CLOSED, 50" ID
	075148-02-000	EA CLAMP-GROUNDING, BRONZE SCREWS
	008380-01-000	EA GROMMET-RUBBER, 5/8" HOLE X 1 1/2" DIAMETER - BLACK
	010326-01-000	EA ADAPTER-FLARE, W/CONE GASKET 3/8" FEMALE FL X 1/2" MALE F
	065741-01-000	EA GAUGE-DIAPHRAGM PRESSURE - MARSHALLTOWN MFG
	065742-01-000	EA TEE, 3/8" F X 3/8" F X 25FPT - BRASS
	071391-02-000	EA NIPPLE-HEX, 25 PIPE
	008042-01-000	FT TUBING-VINYL, 65" ID
	054531-01-000	EA LABEL-LP GAS ONLY
	095624-01-000	EA ELBOW-BRASS, 90 1/4FPT X 1/4FPT
	103613-01-000	EA DETECTOR-LP GAS

**LOUNGE GROUP**



**PASSENGER SIDE OVERHEAD CABINET**

KEY	PART NUMBER	U/M DESCRIPTION
1	M05159-21-C05	EA CABINET ASM-OVERHEAD, FRONT PASSENGERS - W/O DOORS & HARDWARE
2	P04746-06-C05	EA DOOR ASM - MITERED OGEE, W/O HARDWARE
3	104353-01-C05	EA CAP-END, OVERHEAD - FRONT
4	M05019-38-C05	EA CABINET ASM - ENTRANCE OVERHEAD, W/O DOORS & HARDWARE
5	P04746-01-C05	EA DOOR ASM - CABINET, W/O HARDWARE - 14 1/4" X 21 1/8"
6	103128-02-C05	EA CAP ASM - END, OVERHEAD, LEFT
7	093482-01-000	EA SHROUD-PEDESTAL, 13" - PLASTIC - BLACK

**DRIVERS SIDE CABINETS OVER COUCH**

KEY	PART NUMBER	U/M DESCRIPTION
	103128-01-C05	EA END CAP - CABINET, OVERHEAD - ABOVE COUCH
	M05019-44-C25	EA CABINET ASM - OVERHEAD, ABOVE COUCH - W/O DOORS OR HARDWARE
	P04746-05-C25	EA DOOR ASM-MITERED OGEE, ABOVE COUCH - W/O HARDWARE - 400 X 520
	M05159-22-C25	EA CABINET ASM - OVERHEAD, ABOVE DRIVER - W/O DOORS OR HARDWARE
	P04746-06-C25	EA DOOR ASM - OVERHEAD, ABOVE DRIVER - W/O HARDWARE - 255 X 485
	104353-02-C05	EA END CAP - CABINET - ABOVE DRIVER

**SEAT BELT**

KEY	PART NUMBER	U/M DESCRIPTION
	056271-02-000	EA BELT - SEAT, 2" X 72" - BLACK

**1991 WINNEBAGO  
TABLE OF CONTENT'S**

INTRODUCTION	A-01 - A-02
ABBREVIATIONS	A-03
ALPHABETICAL INDEX	A-04 - A-06
ICF27RC	A-07 - E-12
ICF30RU	E-15 - K-12

**1992 ICF27RC INDEX**

FLOOR PLAN	A-07 - A-08
ACCESSORIES	A-09
AUDIO VIDEO	A-09 - A-10
BATH	A-11 - A-12
BEDROOM	A-13 - A-14
CHASSIS	A-15 - A-22
CURTAIN & CUSHION	A-23 - B-08
DINETTE	B-09 - B-10
DRIVERS COMPARTMENT	B-11 - B-14
ELECTRICAL	B-15 - B-20
EXTERIOR BODY	B-21 - C-04
GALLEY	C-05 - C-08
GENERATORS	C-09 - C-10
HEATING & A/C	C-11 - C-16
INTERIOR FINISH	C-17 - C-23
LABELS	C-24 - D-08
LP	D-09
LOUNGE	D-10
SEALANTS & FASTENERS	D-11 - D-13
WATER & SEWAGE	D-14 - D-19
WINDOW, VENT	
EXTERIOR DOOR	D-20 - E-10
WINDSHIELD & WIPER	E-11 - E-12

**SEALANTS & FASTENERS GROUP**  
CLAMPS, GROMMETS AND FASTENERS

**SEALANTS & FASTENERS GROUP (CONTINUED)**  
TAPES AND FASTENERS (CONT')

**1991 WINNEBAGO**  
**TABLE OF CONTENTS**

INTRODUCTION	A-01	A-02
ABBREVIATIONS		A-03
ALPHABETICAL INDEX	A-04	A-06
ICF27RC	A-07	E-12
ICF30RU	E-15	K-12

**1992 ICF27RC INDEX**

FLOOR PLAN	A-07	A-08
ACCESSORIES		A-09
AUDIO VIDEO	A-09	A-10
BATH	A-11	A-12
BEDROOM	A-13	A-14
CHASSIS	A-15	A-22
CURTAIN & CUSHION	A-23	B-08
DINETTE	B-09	B-10
DRIVERS COMPARTMENT	B-11	B-14
ELECTRICAL	B-15	B-20
EXTERIOR BODY	B-21	C-04
GALLEY	C-05	C-08
GENERATORS	C-09	C-10
HEATING & A/C	C-11	C-16
INTERIOR FINISH	C-17	C-23
LABELS	C-24	D-08
LP		D-09
LOUNGE		D-10
SEALANTS & FASTENERS	D-11	D-13
WATER & SEWAGE	D-14	D-19
WINDOW, VENT		
EXTERIOR DOOR	D-20	E-10
WINDSHIELD & WIPER	E-11	E-12

KEY	PART NUMBER	U/M DESCRIPTION
	009200-01-000	EA TAPE-FURNACE, 1 1/2"
	087691-01-000	EA TAPE-MASKING, WEATHER RESISTANT
	008343-02-000	EA TIE-WIRE, 14"
	008343-01-000	EA TIE-WIRE, 6"

**SCREWS AND FASTENERS**

KEY	PART NUMBER	U/M DESCRIPTION
	000G67-10-24B	EA SCREW, 10-12 X 1 1/2 PPH - ZN
	000G67-10-16P	EA SCREW, 10-12 X 1 PPH - DARK BROWN
	000G67-10-16B	EA SCREW, 10-12 X 1 PPH - ZN
	000G67-10-08B	EA SCREW, 10-12 X 1/2 PPH ZN
	000G67-10-08R	EA SCREW, 10-12 X 1/2 PPH - BEIGE - TYPE A
	000G67-10-12B	EA SCREW, 10-12 X 3/4 - PPH ZN
	000G67-10-10B	EA SCREW, 10-12 X 5/8 PPH ZN - TYPE A
	000G67-10-10R	EA SCREW, 10-12 X 5/8 PPH - TYPE A - BEIGE
	000G67-10-12P	EA SCREW, 10-12 X 7/8 PPH - DARK BROWN
	049465-01-000	EA SCREW, 10-16 W/WASHER PTH - DARK BROWN
	049465-04-000	EA SCREW, 10-16 X 1 PTH W/WASHER - BEIGE
	000G11-10-16B	EA SCREW, 10-16 X 1 - PPH ZN
	000G11-10-12R	EA SCREW, 10-16 X 3/4 PPH - BEIGE
	000G11-10-12D	EA SCREW, 10-16 X 3/4 PPH - BLACK
	000G68-06-10G	EA SCREW, 6-18 X 5/8 POH - ANTIQUE BRASS
	076790-01-000	EA SCREW, 6-20 X 1 1/4 PPH - BLACK
	000G13-06-16R	EA SCREW, 6-20 X 1 PFH - BEIGE
	000G13-06-08B	EA SCREW, 6-20 X 1/2 PFH ZN
	000G13-06-10G	EA SCREW, 6-20 X 5/8 PFH - ANTIQUE BRASS
	000G11-06-10B	EA SCREW, 6-20 X 5/8 PPH ZN
	000G11-06-10J	EA SCREW, 6-20 X 5/8 PPH - BRASS
	000G11-07-08B	EA SCREW, 7-19 X 1/2 PPH - ZN
	000G13-07-12B	EA SCREW, 7-19 X 3/4 PFH ZN
	000G13-08-16B	EA SCREW, 8-18 X 1 PFH - ZN
	000G11-08-08T	EA SCREW, 8-18 X 1/2 PPH
	000G11-08-08B	EA SCREW, 8-18 X 1/2 PPH ZN
	000G11-08-12B	EA SCREW, 8-18 X 3/4 PPH ZN
	000G11-08-12R	EA SCREW, 8-18 X 3/4 PPH - BEIGE
	000G11-08-12D	EA SCREW, 8-18 X 3/4 PPH - BLACK
	000G11-08-16R	EA SCREW, 8-18X1 00 PPH - BEIGE
	000G67-10-32B	EA SCREW, NO 10 - 12 X 2 PPH ZN
	000G55-08-12W	EA SCREW, SF/DR-8-18X.75 PWH
	000G67-10-12R	EA SCREW-10-12X 75 PPH BEIGE
	000G67-10-120	EA SCREW-10-12X 75 PPH TAN
	049465-03-000	EA SCREW-10-16X1 POH W/WASHER
	000G11-10-12S	EA SCREW-10-16X 75 PPH OFF WHITE
	000G54-04-20B	EA SCREW-1/4-20X11/4 PTH TYP 23
	000G57-05-16J	EA SCREW-5-20X1 PFH BRASS
	000G12-06-08T	EA SCREW-6-20 X .50 POH - BLACK
	000G13-06-16J	EA SCREW-6-20X1 00 PFH BRASS
	000G11-08-12P	EA SCREW-8-18X 75 DARK BROWN
	085318-01-000	EA SCREW-8-08BX1/2, CRIMPTITE HD
	000G67-08-32B	EA SCREW-8-15X2 PPH ZN
	000G12-08-16S	EA SCREW-8-18 X 1" POH - OFF WHITE
	000G11-08-16S	EA SCREW-8-18X1.00 PPH OFF WHITE
	009439-07-000	EA SCREW-8-32X1 1/4 POH, BLACK
	087721-01-000	EA SCREW-FLAT HEAD, TAPPING - 1/4 X 1 1/4 LG ZN
	086763-01-000	EA SCREW-MACH, 10 - 32 X 1/4 PTH
	000G19-10-08B	EA SCREW-MACH, 10-32 X 1/2 PPH ZN
	000G19-10-10B	EA SCREW-MACH, 10-32 X 5/8 - PPH - ZINC
	000G50-04-12B	EA SCREW-MACH, 1/4-20 X 3/4 PPH ZN
	081908-01-000	EA SCREW-MACH 6-32X 62 W/NYLOCK
	089371-01-000	EA SCREW-MACH 8-32X3 5/16 ZN
	000G19-10-20B	EA SCREW-MACHINE, 10-32 X 1 1/4 PPH ZINK
	000G18-08-16B	EA SCREW-MACHINE, 8 X 32 X 1, PPH ZN
	075908-01-000	EA SCREW-MACH-10-32X 56PTH(SEMS)

KEY	PART NUMBER	U/M DESCRIPTION
	010495-01-000	EA CLAMP-CABLE, 9/16"
	010497-06-000	EA CLAMP-CLOSED, 11/16" ID
	010497-03-000	EA CLAMP-CLOSED, 1" ID - CUSHIONED
	010499-01-000	EA CLAMP-CLOSED, 3/8" ID
	010497-01-000	EA CLAMP-CLOSED, 5/8" ID
	010497-08-000	EA CLAMP-CLOSED, 125"
	075148-02-000	EA CLAMP-GROUNDING, BHRNZE SCREWS
	062401-02-000	EA CLAMP-HOSE, WORMGEAR, 1 56" - 2 5"
	062401-10-000	EA CLAMP-HOSE, WORMGEAR 1 06" - 2"
	073194-02-000	EA CLAMP-HOSE, WORMGEAR 32-50 MM
	062401-07-000	EA CLAMP-HOSE, WORMGEAR 5" - 7"
	062401-06-000	EA CLAMP-HOSE, WORMGEAR 22" - 62"
	062401-01-000	EA CLAMP-HOSE, WORMGEAR 25" - 1"
	062401-04-000	EA CLAMP-HOSE, WORMGEAR 69" - 1 25"
	062401-03-000	EA CLAMP-HOSE WORMGEAR, 22" - 1"
	083609-01-000	EA CLAMP-WIRE, DUAL - EQUAL 5/8" DIAMETER
	094362-02-000	EA CLIP-CHRISTMAS TREE, FLAT HEAD
	077953-01-000	EA GROMMET-EDGE LINER, FITS 1"
	023942-01-000	EA GROMMET-RUBBER, 2" OD
	071015-21-000	EA GROMMET- 50"ID, FITS .19" MATERIAL, RUBBER- SPLIT
	009066-01-000	EA HINGE-ALUMINUM, NO HOLES - 11/16" X 72" - UNPAINTED
	056134-02-000	EA HOLDER-RING, 1 5" ID PIPE SIZE - STEEL
	092321-01-000	FT INSULATION-FIBERGLASS, W/ALUMINUM FOIL
	077955-01-000	EA J CLIP-VINYL COATED 3/8" USED IN WIRING TO CLEARANCE LIGHTS

**NUTS AND FASTENERS**

KEY	PART NUMBER	U/M DESCRIPTION
	072893-01-000	EA NUTSERT-M5 X 0, 8
	077049-01-000	EA NUT-ACORN, 10-32 ALUMINUM
	095094-01-000	EA NUT-ACORN, 1/4 - 20 ALUMINUM
	000D14-05-00B	EA NUT-HEX, 5/16-18 - ZN 5
	000D34-04-00B	EA NUT-HEX, LK 1/4 - 20 ZN
	000D39-04-00B	EA NUT-HEX, SER FLG LK 1/4 - 20 ZN
	000D39-08-00B	EA NUT-HEX, SER FLG LK - 1/2-13 ZN
	000L39-06-00B	EA NUT-HEX, SER FLG LK - 3/8-16 ZN
	000D39-05-00B	EA NUT-HEX, SER FLG LK - 5/16 - 18 ZN
	000D44-07-00B	EA NUT-HEX, SER FLG LK - 7/16-20 ZN
	000D24-10-00B	EA NUT-HEX, SF/LK - 10-32 ZN
	000D34-06-00B	EA NUT-HEX LK-3/8-15 GRADE C ZN
	075467-01-000	EA NUT-INVERTED FLARE, 1/4"
	088497-02-000	EA NUT-INVERTED FLARE, 1/4"
	063253-07-000	EA NUT-J, #8A 120- 130 PNL THK
	044364-02-000	EA NUT-SPEED, FLAT - ROUND
	040921-06-000	EA NUT-SPEED, U TYPE - NO 8
	040921-04-000	EA NUT-SPEED, U TYPE - NO 8
	040921-05-000	EA NUT-SPEED, U TYPE - NO 8
	044364-01-000	EA NUT-SPEED, FLAT
	064081-01-000	EA NUT-WING, 3/8" X 16 THREAD
	064884-01-000	EA PLUG-BRASS, 3/8"
	000H16-04-06R	EA RIVET-POP, AL 1/8 X 313- 375
	069592-02-000	EA RIVET-T (POP) 1/4X 093- 156
	063729-04-000	EA RIVNUT, 10-32 UNF - 010- 080
	063729-01-000	EA RIVNUT, 1/4 X 20 UNC - 030- 125

**TAPES AND FASTENERS**

KEY	PART NUMBER	U/M DESCRIPTION
	100028-01-000	FT TAPE-ADHESIVE, .031" X 75" WIDE
	004363-01-000	FT TAPE-ADHESIVE FOAM, 1 SIDE - 3/16" X 1/2" - GRAY
	093071-01-000	FT TAPE-BONDING, DOUBLE SIDED - 1/64" X 2"
	093071-01-000	FT TAPE-BONDING, DOUBLE SIDED - 1/64" X 2"
	076322-03-000	FT TAPE-FOAM, DOUBLE COATED - 045" X 5"
	088244-01-000	FT TAPE-FOAM, VINYL COATED - 2" WIDE - INCREMENTS OF 108 FT

**SEALANTS & FASTENERS GROUP (CONTINUED)**  
**SCREWS AND FASTENERS CONT**

KEY	PART NUMBER	U/M DESCRIPTION
	000G39-10-12R	EA SCREW-SF/DR. 10-16 X 3/4 PPH - BEIGE
	000G39-10-12D	EA SCREW-SF/DR. 10-16 X 3/4 PPH - BLACK
	000G39-06-16T	EA SCREW-SF/DR. 6-20 X 1 PPH - BLACK
	000G39-06-10T	EA SCREW-SF/DR. 6-20 X 5/8 PPH - BLACK
	000G39-08-24B	EA SCREW-SF/DR. 8-18 X 1 1/2 PPH ZN
	000G39-08-16E	EA SCREW-SF/DR. 8-18 X 1 PPH CHROME
	000G39-08-16E	EA SCREW-SF/DR. 8-18 X 1 PPH ZN
	000G39-08-16T	EA SCREW-SF/DR. 8-18 X 1 PPH - BLACK
	000G55-08-16Z	EA SCREW-SF/DR. 8-18 X 1 00 - BEIGE
	000G39-08-08B	EA SCREW-SF/DR. 8-18 X 1/2 PPH ZN
	000G39-08-32B	EA SCREW-SF/DR. 8-18 X 2 PPH - ZINC
	000G39-08-12B	EA SCREW-SF/DR. 8-18 X 3/4 PPH ZN
	000G39-08-12T	EA SCREW-SF/DR. 8-18 X 3/4 PPH - BLACK
	000G39-08-06B	EA SCREW-SF/DR. 8-18 X 3/8 PPH ZN
	000G60-10-28T	EA SCREW-SF/DR. 10-16X1 75
	000G39-08-16R	EA SCREW-SF/DR 8-18X1 00 PPH BEIGE
	000G39-08-18R	EA SCREW-SF/DR 8-18X1/2 PPH
	079382-01-000	EA SCREW-SOCKET. 8-18 X 1" - BLACK

**SEALERS AND FASTENERS**

KEY	PART NUMBER	U/M DESCRIPTION
	106205 01 000	EA SEALER-PUMPABLE
	069640-02-000	FT SEALER-RIBBON. 1/2" X 1/8" - INCREMENTS OF 30'
	069640-03-000	FT SEALER-RIBBON. 1/32" X 2 1/2"
	069640-01-000	FT SEALER-RIBBON. 1/4" DIAMETER - INCREMENTS OF 20'
	069640-03-000	FT SEALER-RIBBON. 3/4" X 1/8" - INCREMENTS OF 60'
	069640-06-000	FT SEALER-RIBBON. 5/16" DIAMETER - INCREMENTS OF 25'
	091255-03-000	FT SEAL-FOAM. 1/4 X 3/16 ROLL
	091255-01-000	FT SEAL-FOAM. 3 2MM X 4 8MM
	090340 01-000	FT SEAL-FOAM. CLOSED CELL - 1/4" X 1/2" X 50'
	053752-01-000	GL SEAM SEALER-5 GAL. ALUMINUM
	034552-04-000	EA SILICONE-TUBE. 300 ML - BEIGE
	034552-02-000	EA SILICONE-TUBE. 300 ML - CLEAR
	008401-01-000	EA STRAP-CONDUIT. 3/4" - 1 HOLE - GALVANIZED STEEL

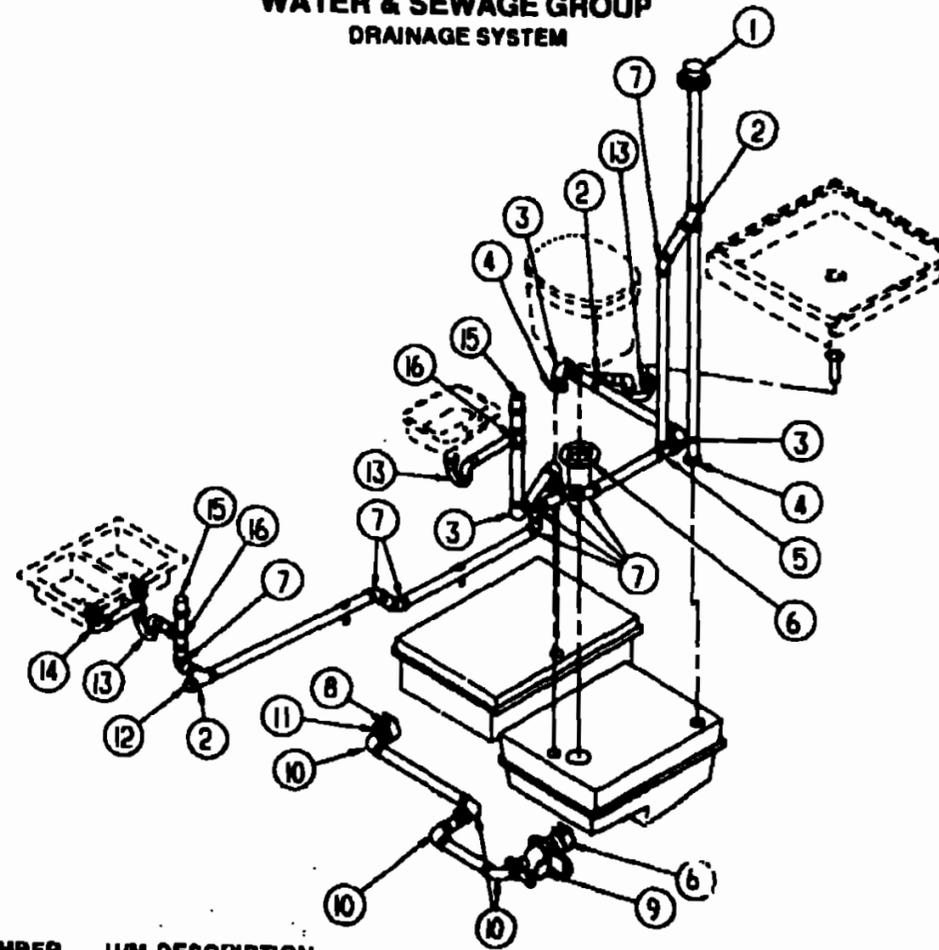
**ADHESIVE AND FASTENERS**

KEY	PART NUMBER	U/M DESCRIPTION
	004020-01-000	QT ADHESIVE-ABS CEMENT. QUART
	081377-01-700	EA ADHESIVE-CYANOACRYLATE. 10 GRAM TUBE
	004005-04-700	EA ADHESIVE-PIERCE. 1 GAL - J9270-X-1
	087211-01-000	GL ADHESIVE-PROMOTER
	004005-02-000	EA ADHESIVE-SWIFTS. 1 GAL - W1333
	019039-01-000	EA ADHESIVE-WEATHERSTRIP. 8 OZ
	053766-02-000	EA BEDDING COMPOUND-TUBE. WHITE
	005200-01-000	EA BOLT-BUMPER ROUND HEAD-SQUARE NECK- W/SST CAP 7/16- 14 X 1 1/4
	023333-01-01A	EA BOLT-CARRIAGE. 7/16 - 14 - STAINLESS STEEL CAP- BEIGE
	051387-06-000	EA BOLT-CARRIAGE. W/O HOLE - 5/16-18 X 9 5 ZN
	000C12-08-24B	EA BOLT-HEX. 1/2-13 X 1 1/2 - ZN 5
	000C12-05-16B	EA BOLT-HEX. 5/16-18 X 1 - ZINC 5
	000C12-10-24B	EA BOLT-HEX. 5/8-11 X 1 1/2 ZN - 5
	000C12-07-20B	EA BOLT-HEX. 7/16 - 14 X 1 1/4" - ZNS
	000C13-07-48B	EA BOLT-HEX. 7/16 - 20 X 3 - ZN 5
	000C26-04-10B	EA BOLT-HEX. SER FLG - 1/4-20 X 5/8 ZINC
	000C26-05-20B	EA BOLT-HEX. SER FLG 5/16-18 X 1 1/4" - ZINC
	000C12-05-24B	EA BOLT-HEX. 5/16-18X1 1/2 ZN 5
	016604-01-000	EA GRACE-CABINET. ANGLED METAL - 2 5'

**WASHERS AND FASTENERS**

KEY	PART NUMBER	U/M DESCRIPTION
	077071-01-000	EA WASHER-FENDER. 3/16" ID X 1" OD
	000E13-14-00B	EA WASHER-FL. 1/4" WIDE ZN
	000E13-11-00B	EA WASHER-FL. 3/16" WIDE ZN
	000E13-17-00B	EA WASHER-FL. 3/8" AR ZN

**WATER & SEWAGE GROUP**  
**DRAINAGE SYSTEM**



KEY	PART NUMBER	U/M DESCRIPTION
	083558-03-000	EA VENT-PLUMBING PIPE ROOF. W/COVER - OFF WHITE
	010073-01-000	EA WYE-45 DEGREE. 1 1/2" HUB X HUB X HUB - PLASTIC - BLACK
	010008-01-000	EA ELBOW-90 DEG. 1/4" BEND - 1 1/2" HUB X HUB - BLACK PLASTIC
	061607-01-000	EA GROMMET-HOLDING TANK. 1 1/2" NPS
	010115-01-000	EA COUPLING-1 1/2" HUB X HUB. PLASTIC
	010071-01-000	EA TEE-SANITARY. 1 1/2" HUB X HUB X HUB - PLASTIC - BLACK
	010121-01-000	EA BUSHING-REDUCER. 1 1/2"SMOOTH 1 1/4"HUB - PLASTIC - BLACK
	010122-01-000	EA BUSHING-REDUCER. 1 1/2"SMOOTH X 1 1/4"THREAD - BLACK PLASTIC
	010166-01-000	EA PLUG-THREADED. 1 1/4" DIAMETER - PLASTIC - BLACK
	024376-02-000	EA FLANGE-CLOSET. 4" X 3" - ABS - CANADIAN
	010006-01-000	EA ELBOW-45 DEG. 1/8" BEND - 1 1/2" HUB X HUB - BLACK PLASTIC
	078406-01-000	EA COUPLER-RUBBER. W/CLAMPS - 3" X 3"
	070916-01-000	EA VALVE-DUAL DUMP. W/CAP - 3" X 1 1/2" - PLASTIC - BLACK
	070916-01-700	EA VALVE ONLY. 3"
	070916-01-701	EA VALVE ONLY. 1 1/2"
	033761-01-000	EA ELBOW-TURN. 1/4 BEND X 1 5"HUB X 1 5"SPIGOT - BLACK PLASTIC
	062422-01-000	EA ADAPTER-OFFSET REDUCER. 3" X 1 1/2" - PLASTIC - BLACK
	050787-01-000	EA ADAPTER-CLEANOUT
	010166-01-000	EA PLUG-PLAS-1 1/4"
	011066-03-000	EA P-TRAP. 1 1/2" TRAP X 1 1/4" SOCKET - PLASTIC
	011066-02-000	EA P TRAP-1 1/4" HUB X SLIP JOINT. W/UNION - ABS - LAVATORY CANADIAN
	053335-01-000	EA P TRAP-1 1/4" HUB X HUB. W/UNION - GALLEY - CANADIAN
	011091-02-000	EA WASTE-CONT. DBL SINK
	079968-01-000	EA VENT-MECH. TRAP ARM. ANTI-SIPHON - 2" DIA X 7 3" - PLASTIC
	010079-01-000	EA TEE-SANITARY. 1 1/2"H X 1 1/2"H X 1 1/4"H - PLASTIC - BLACK
	010115-01-000	EA COUPLING-1 1/2" HUB X HUB. PLASTIC
	004020-01-000	QT ADHESIVE-ABS CEMENT
	044927-01-000	EA ADAPTER-HOSE TO PIPE. 1 1/4"MPT X 1 1/4"BARB-BLACK PLASTIC
	062419-02-700	EA HANDLE ONLY - FOR EXTENSION ROD
	062415-01-000	EA CAP-SEWER. 3" DIAMETER
	103354-01-000	EA CONNECTOR-HOSE. SEWER
	093592-01-000	EA ADAPTER-PLASTIC. SEWER HOSE - 45 DEGREE
	089330-01-000	EA ADAPTER-SEWER HOSE END
	010201-02-000	EA HOSE-SEWER. 3 ID X 20 FEET

**1991 WINNEBAGO**  
**TABLE OF CONTENTS**

INTRODUCTION	A-01 -	A-02
ABBREVIATIONS		A-03
ALPHABETICAL INDEX	A-04 -	A-06
ICF27RC	A-07 -	E-12
ICF30RU	E-15 -	K-12

**1992 ICF27RC INDEX**

FLOOR PLAN	A-07 -	A-08
ACCESSORIES		A-09
AUDIO VIDEO	A-09 -	A-10
BATH	A-11 -	A-12
BEDROOM	A-13 -	A-14
CHASSIS	A-15 -	A-22
CURTAIN & CUSHION	A-23 -	B-08
DINETTE	B-09 -	B-10
DRIVERS COMPARTMENT	B-11 -	B-14
ELECTRICAL	B-15 -	B-20
EXTERIOR BODY	B-21 -	C-04
GALLEY	C-05 -	C-08
GENERATORS	C-09 -	C-10
HEATING & A/C	C-11 -	C-15
INTERIOR FINISH	C-17 -	C-23
LABELS	C-24 -	D-08
LP		D-09
LOUNGE		D-10
SEALANTS & FASTENERS	D-11 -	D-13
WATER & SEWAGE	D-14 -	D-19
WINDOW. VENT		
EXTERIOR DOOR	D-20 -	E-10
WINDSHIELD & WIPER	E-11 -	E-12

**WATER & SEWAGE GROUP (CONTINUED )**  
**WATER PUMP - CANADIAN**

KEY	PART NUMBER	U/M DESCRIPTION
	098607-02-000	EA PUMP-WATER, 2.8 GPM - W/1/2" MPT FITTINGS - CANADIAN
	098607-01-700	EA PUMPHEAD-REPLACEMENT, SHURFLOW# 94-236-08
	098607-01-701	EA DRIVE ASM, SHURFLOW# 94-234-03
	098607-01-702	EA DIAPHRAGM-KIT, SHURFLOW# 94-233-10
	098607-01-703	EA VALVE ASM, SHURFLOW# 94-232-00
	098607-01-704	EA HOUSING-UPPER, SHURFLOW# 94-231-01
	098607-01-705	EA CHECK VALVE-KIT, SHURFLOW# 94-237-00
	098607-01-706	EA SWITCH ASM-COMLETE, SHURFLOW# 94-230-00
	098607-01-707	EA MOTOR/BASEPLATE REPLACEMENT, SHURFLOW# 94-234-03

**FAUCETS & SHOWER HEAD - CANADIAN**

KEY	PART NUMBER	U/M DESCRIPTION
	103092-01-000	EA SHOWER HEAD-W/60" HOSE, W/O VACUUM BREAKER - CANADIAN
	075240-06-000	EA FAUCET-LAVATORY, BONE
	075241-05-000	EA FAUCET-SHOWER BONE

**WATER HEATER W/MOTOR AID & REAR HEATER OPTION L611**

KEY	PART NUMBER	U/M DESCRIPTION
	051393-01-000	EA WATER HEATER-W/MOTOR AID, PILOTLESS IGNITION-ATWOOD GH6-3E,GH6-4E OR GH6-6E
	051393-01-700	EA TANK-INNER, 3E FRONT MOUNT - ATWOOD# 91023
	051393-01-714	EA TANK-INNER (GH6-3E),REAR MOUNT - ATWOOD# 91408
	051391-04-704	EA TANK-INNER, FRONT MOUNT - GH6-4E & 6E - ATWOOD 91642
	051393-01-701	EA SWITCH PACKAGE-ATWOOD# 91959
	051393-01-702	EA SWITCH-ENERGY CUT-OFF, ATWOOD# 91951
	051393-01-703	EA THERMOSTAT-REAR MOUNT, ATWOOD# 91952
	051393-01-704	EA CIRCUIT BOARD-W/BLACK BOX, ATWOOD# 91420
	051393-01-705	EA ORIFICE HOLDER-ATWOOD# 91925
	051393-01-716	EA PROBE & SPARK ASM, ATWOOD# 91606
	051393-01-713	EA BRACKET-CORNER, PACKAGE OF 4 - ATWOOD# 91838
	051393-01-718	EA VALVE-DUAL SOLENOID, ATWOOD# 91605
	051393-01-720	EA KNOB-TEMPERATURE, ATWOOD# 92310
	051393-01-721	EA ECO&THERMOSTAT ASM-FRONT MOUNT, 140 DEGREE - ATWOOD#
	051393-01-722	EA GAS IGNITION FIELD TESTER-MODEL 05-080224-001
	051391-01-700	EA HINGE KIT-W/CLIP, ATWOOD # 92568 & 92559
	051391-01-704	EA VALVE-RELIEF, 1/2" FITTING - ATWOOD# 91604
	051391-01-705	EA FASTENER-CAMLOC, ATWOOD# 92609
	051391-01-710	EA ORIFICE-MAIN BURNER, ATWOOD# 92742
	051391-04-701	EA THERMOSTAT 12 VDC-120 PRESET, ATWOOD# 91470 FRONT MOUNT ONLY
	051391-01-715	EA DRAIN PLUG, ATWOOD# 91561
	051391-04-707	EA KIT-GRILLE, FLUE, & GASKET - ATWOOD# 90960
	051391-04-703	EA BURNER-MAIN, ATWOOD# 91638 4E AND 6E
	052009-02-000	EA DOOR-WATER HEATER, ATWOOD 5576-27 - BEIGE
	062401-01-000	EA CLAMP-HOSE, WORMGEAR 25" - 1"
	079059-01-000	EA HOSE-90 DEGREE, .61"ID X 4" X 36"
	007108-01-000	FT HOSE-HEATER, 5/8" ID
	088753-01-000	FT TUBE-ALUMINIZED STEEL, 5/8" - 18 GAUGE
	010227-01-000	EA TEE-PLASTIC, BARB 5/8" OR 3/4" HOSE

**WATER & SEWAGE GROUP (CONTINUED )**  
**EXTERIOR SHOWER**

KEY	PART NUMBER	U/M DESCRIPTION
	103092-01-000	EA SHOWER HEAD-W/60 IN HOSE
	075241-05-000	EA FAUCET-SHOWER, BONE
	093527-02-000	EA BRACKET-SQUEEGEE/SHOWER HEAD
	091952-02-000	EA CLIP-3/4" GRIPPER
	046128-01-000	EA VALVE-DRAIN-PLAS 1/2FPT
	052959-02-000	EA CONNECTOR-PLAS 1/2F X 1/2MPT
	054250-04-000	EA SUPPORT-DIMMER SWITCH O/W
	057457-01-000	EA ELBOW-UNION 1/2X1/2IN FLARE
	065120-01-000	EA ELBOW-PLAS.SWIVEL 50 IN
	087211-01-000	GL ADHESIVE-PROMOTER
	105118-02-C25	EA DOOR ASM-STORAGE
	106208-01-01A	EA COMPARTMENT-SHOWER,EXT O/W
	065120-01-000	EA ELBOW-PLAS.SWIVEL, 50 IN
	076322-05-000	FT TAPE-FOAM,DBL COATED 045X 75
	096241-07-000	EA SWITCH-ROCKER,DPDT.ON/O

**WATER HEATER BYPASS VALVE**

KEY	PART NUMBER	U/M DESCRIPTION
	039798-01-000	EA TEE-PLS,1/2MPTX1/2MPTX1/2MPT
	039800-01-000	FT TUBING-POLYBUTY-1/2ODX20FT
	052957-02-000	EA ELBOW-PLAS, 1/2F X 1/2MPT
	052959-02-000	EA CONNECTOR-PLAS, 1/2F X 1/2MPT
	079317-01-000	EA ADAPTER-SWIVEL 5TUBEX 5FPT
	099729-01-000	EA BYPASS KIT-WATER HEATER
	101814-01-000	EA COUPLING-FEMALE
	000667-10-16B	EA SCREW-10-12X1 PPH ZN
	052958-01-000	EA TEE-PLAS, 1/2FX1/2FX1/2F

**1991 WINNEBAGO**  
**TABLE OF CONTENTS**

INTRODUCTION	A-01 -	A-02
ABBREVIATIONS		A-03
ALPHABETICAL INDEX	A-04 -	A-06
ICF27RC	A-07 -	E-12
ICF30RU	E-15 -	K-12

**1992 ICF27RC INDEX**

FLOOR PLAN	A-07 -	A-08
ACCESSORIES		A-09
AUDIO VIDIO	A-09 -	A-10
BATH	A-11 -	A-12
BEDROOM	A-13 -	A-14
CHASSIS	A-15 -	A-22
CURTAIN & CUSHION	A-23 -	B-08
DINETTE	B-09 -	B-10
DRIVERS COMPARTMENT	B-11 -	B-14
ELECTRICAL	B-15 -	B-20
EXTERIOR BODY	B-21 -	C-04
GALLEY	C-05 -	C-08
GENERATORS	C-09 -	C-10
HEATING & A/C	C-11 -	C-16
INTERIOR FINISH	C-17 -	C-23
LABELS	C-24	D-08
LP		D-09
LOUNGE		D-10
SEALANTS & FASTENERS	D-11 -	D-13
WATER & SEWAGE	D-14 -	D-19
WINDOW, VENT		
EXTERIOR DOOR	D-20 -	E-10
WINDSHIELD & WIPER	E-11 -	E-12

**WATER & SEWAGE GROUP (CONTINUED )**  
**WATER SYSTEM COMPONENTS & FAUCETS**

KEY	PART NUMBER	U/M DESCRIPTION
	079381-01-000	FT TUBING-SMOOTH FLEXIBLE, 1 1/4" ID
	097659-04-000	EA FILL-WATER, CITY - OFF WHITE
	039800-01-000	FT TUBING-POLYBUTYL, 1/2" OD - INCREMENTS OF 20' - BLACK
	039600-02-000	FT TUBING-POLYBUTYL, 5/8" OD - INCREMENTS OF 20' - BLACK
	052952-01-000	EA NUT-PLASTIC, 1/2" F X 1/2" TUBE - PLASTIC - GRAY
	052952-02-000	EA NUT-PLASTIC, 5/8" FLARE
	052957-02-000	EA ELBOW-MALE, 1/2" F X 1/2" MPT - PLASTIC - GRAY
	052958-01-000	EA TEE, 1/2" F X 1/2" F X 1/2" F - PLASTIC - GRAY
	052960-01-000	EA DRAIN VALVE-IN LINE, HEADER - 1/2" F X 1/2" F - GRAY PLASTIC
	057457-01-000	EA ELBOW-UNION, 1/2" X 1/2" FLARE
	065120-01-000	EA ELBOW-SWIVEL, 1/2" FPT X 1/2" FLARE - PLASTIC - GRAY
	079317-01-000	EA ADAPTER-SWIVEL, 1/2" TUBE X 1/2" FPT - PLASTIC - GRAY
	091208-01-000	EA WASHER-RUBBER, .06" X 75" X 5"
	052953-01-000	EA NUT-FAUCET, 1/2" TUBE X 1/2" FPT - PLASTIC - GRAY
	075240-06-000	EA FAUCET-LAVATORY, BONE
	091253-01-000	EA GASKET-FAUCET, LAVATORY/GALLEY
	064952-01-000	EA FAUCET-GALLEY
	075241-05-000	EA FAUCET-SHOWER, BONE
	103092-01-000	EA HEAD-SHOWER, W/60" HOSE
	052959-02-000	EA CONNECTOR - PLASTIC 1/2" F X 1/2" MPT
	075606-01-000	EA PANEL-SHOWER FAUCET
	039798-01-000	EA TEE-PLS, 1/2MPTX1/2MPTX1/2MPT
	055293-01-000	EA TEE-5/8F X 1/2FX5/8F
	057973-01-000	EA TEE-PLAS, 1/2FX1/2FX5/8F
	074463-01-000	EA TEE-4 WAY, 1/2"FLARE
	082144-02-000	EA CAP-PIPE, 1/2 FPT BRASS HEX
	098417-01-000	EA CONNECTOR-PLAS, 5/8F X 1/2MPT
	106258-01-000	EA CAP-INSERTABLE 1/2 FLARE
	106258-02-000	EA CAP-INSERTABLE 5/8 FLARE
	010224-01-000	EA ADAPTER-PLAS, 3/8MPTX3/8BARB
	052955-03-000	EA TEE-PLAS, 5/8FX5/8FX1/2MPT
	074462-02-000	EA TUBING-VINYL, 3/8 ID
	079381-01-000	EA TUBING-FLEX/SMOOTH 1 25 ID

**FRESH WATER TANK - 54 GALLON**

KEY	PART NUMBER	U/M DESCRIPTION
	076625-07-000	EA TANK-WATER, W/O FITTINGS - 54 GAL - 40" X 25" X 13"
	076625-01-000	EA TANK-WATER, 54 GALLON
	042989-05-000	EA FITTING-SPINWELD, PLAS 1/2FPT
	042989-04-000	EA FITTING-WATER TANK, SPINWELD - 3/8" FPT - PLASTIC - WHITE
	042989-06-000	EA FITTING-SPINWELD, PLASTIC - 3/4 FPT
	042989-03-000	EA FITTING-SPINWELD, PLASTIC - 1 1/4" FPT
	049032-01-000	EA PATCH-SPINWELD, 3/8" - PLASTIC
	039861-01-000	EA SENDING UNIT W/SCREW, WASHER, WELL NUT AND TERMINAL RING
	096449-01-000	EA WIRE ASM-TANK WATER
	077954-02-000	EA FILTER-WATER TANK, SCREEN IN TANK

**WATER PUMPS**

KEY	PART NUMBER	U/M DESCRIPTION
	098607-01-000	EA PUMP-WATER, W/ 5" MPT FITTING - FLOW 2 8 GPM - UL
	098607-01-700	EA PUMPHEAD-REPLACEMENT, SHURFLOW# 94-236-08
	098607-01-701	EA DRIVE ASM, SHURFLOW# 94-234-03
	098607-01-702	EA DIAPHRAGM-KIT, SHURFLOW# 94-233-10
	098607-01-703	EA VALVE ASM, SHURFLOW# 94-232-00
	098607-01-704	EA HOUSING-UPPER, SHURFLOW# 94-231-01
	098607-01-705	EA CHECK VALVE-KIT, SHURFLOW# 94-237-00
	098607-01-707	EA MOTOR/BASEPLATE REPLACEMENT, SHURFLOW# 94-234-03
	098607-01-706	EA UPPER HOUSING/SWITCH KIT - SHURFLOW #94-230-00

**WATER & SEWAGE GROUP (CONTINUED )**  
**WATER HEATER**

KEY	PART NUMBER	U/M DESCRIPTION
	051391-03-000	EA HEATER-WATER, W/ELECTRIC IGNITION - ATWOOD G6A-3E
	051391-01-700	EA HINGE KIT-W/CLIP, ATWOOD # 92568 & 92559
	051393-03-700	EA TANK-INNER (G6A-3E), REAR MT - ATWOOD# 91409
	051391-01-704	EA VALVE-RELIEF, 1/2" FITTING - ATWOOD# 91604
	051391-01-705	EA FASTENER-CAMLOC, ATWOOD# 92609
	051391-01-706	EA GRILLE-EXHAUST, 3E ONLY - ATWOOD #32787
	051391-01-708	EA BURNER-MAIN, 3E ONLY - ATWOOD# 92615
	051391-01-710	EA ORIFICE-MAIN BURNER, ATWOOD# 92742
	051391-04-701	EA THERMOSTAT 12 VDC-120 PRESET, FRONT MOUNT ONLY - ATWOOD# 91470
	051391-01-715	EA DRAIN PLUG, ATWOOD# 91581
	051391-04-700	EA TANK-INNER (G6A-3E), FRT MT - ATWOOD# 91608
	051393-01-704	EA CIRCUIT BOARD-W/BLACK BOX, ATWOOD# 91470
	051393-01-702	EA SWITCH-ENERGY CUT-OFF, ATWOOD# 91951
	051393-01-701	EA SWITCH PACKAGE-ATWOOD# 91959
	051393-01-703	EA THERMOSTAT-REAR MOUNT, ATWOOD# 91952
	051393-01-721	EA ECO&THERMOSTAT ASM-FRONT MOUNT, 140 DEGREE - ATWOOD# 91447
	051393-01-716	EA SPARK & PROBE ASM, ATWOOD# 91606
	051393-01-718	EA VALVE-DUAL SOLENOID ATWOOD# 91605
	051393-01-705	EA ORIFICE HOLDER-ATWOOD# 91925

**1991 WINNEBAGO**  
**TABLE OF CONTENTS**

INTRODUCTION	A-01	A-02
ABBREVIATIONS		A-03
ALPHABETICAL INDEX	A-04	A-06
ICF27RC	A-07	E-12
ICF30RU	E-15	K-12

**1992 ICF27RC INDEX**

FLOOR PLAN	A-07	A-08
ACCESSORIES		A-09
AUDIO VIDIO	A-09	A-10
BATH	A-11	A-12
BEDROOM	A-13	A-14
CHASSIS	A-15	A-22
CURTAIN & CUSHION	A-23	B-08
DINETTE	B-09	B-10
DRIVERS COMPARTMENT	B-11	B-14
ELECTRICAL	B-15	B-20
EXTERIOR BODY	B-21	C-04
GALLEY	C-05	C-08
GENERATORS	C-09	C-10
HEATING & A/C	C-11	C-16
INTERIOR FINISH	C-17	C-23
LABELS	C-24	D-08
LP		D-09
LOUNGE		D-10
SEALANTS & FASTENERS	D-11	D-13
WATER & SEWAGE	D-14	D-19
WINDOW, VENT		
EXTERIOR DOOR	D-20	E-10
WINDSHIELD & W/PER	E-11	E-12

**WATER & SEWAGE GROUP (CONTINUED )  
WASTE WATER HOLDING TANK**

KEY	PART NUMBER	U/M DESCRIPTION
	102050-01-000	EA TANK-HOLDING, W/O GROMMETS - 35 GALLON 31.5" X 24" X 16"
	061607-01-000	EA GROMMET-HOLDING TANK, 1 1/2" NPS
	039861-01-000	EA SENDING UNIT W/SCREW, WASHER, WELL NUT AND TERMINAL RING

**SEWAGE HOLDING TANK**

KEY	PART NUMBER	U/M DESCRIPTION
	074175-01-000	EA TANK-HOLDING, W/O GROMMETS - 44 GL - 35" X 25" X 15"
	061607-01-000	EA GROMMET-HOLDING TANK, 1 1/2" NPS
	061607-02-000	EA GROMMET-HOLDING TANK, 3" NPS
	039861-01-000	EA SENDING UNIT W/SCREW, WASHER, WELL NUT AND TERMINAL RING

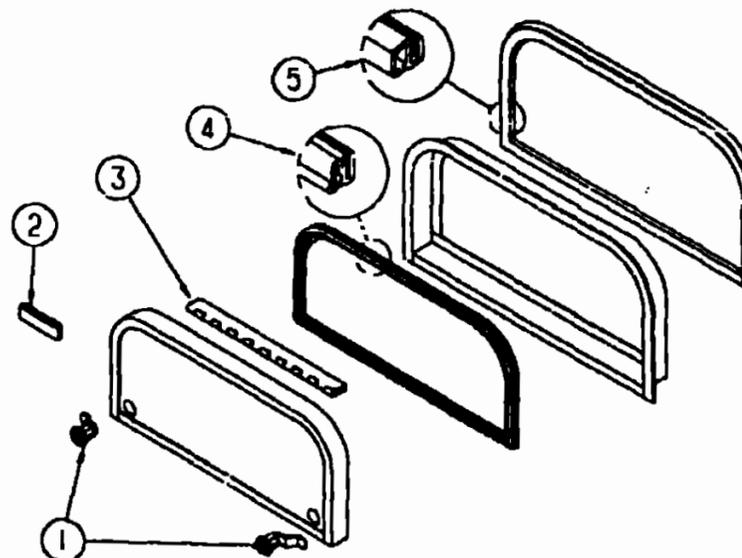
**DRAINAGE SYSTEM  
SINKS**

KEY	PART NUMBER	U/M DESCRIPTION
	096927-01-01A	EA SINK-LAVATORY RECTANGULAR - PLASTIC - BONE
	096927-01-700	EA SINK-STOPPER
	096927-01-701	EA TAILPIECE-SINK
	104113-01-000	EA SINK-DOUBLE, STAINLESS STEEL
	092303-01-000	EA STRAINER-SINK

**SHOWER PAN**

KEY	PART NUMBER	U/M DESCRIPTION
	M02429-06-000	EA PAN-SHOWER, W/STRAINER & TAILPIECE
	066440-01-000	EA STRAINER W/RUBBER WASHER
	069640-01-000	FT SEALER-RIBBON 1/2" X 30'
	069735-01-000	EA WASHER-STRAINER TO TAILPIECE PLASTIC 1 5"
	057671-01-000	EA COVER-SCREW, #3 - PLASTIC - OFF WHITE
	011069-02-000	EA TAILPIECE-TUB/SHOWER, 1 1/2" X 1 1/4" X 4" - BRASS
	066436-01-000	EA NUT-SLIP TAILPIECE - 1 5"

**WINDOW, VENT & EXTERIOR DOOR GROUP**



**EXTERIOR DOOR COMPONENTS & HOLDERS**

KEY	PART NUMBER	U/M DESCRIPTION
	079366-04-000	EA LOCK-DOOR, KEY TYPE W/O KEYS - 1 9 OFF SET FROM 00-00-00 THRU 02-19-92
	079366-05-000	EA LOCK ASM-KEY TYPE W/O KEYS 1 60OFF SET FROM 02-20-92 THRU 99-99-99
	002684-01-700	EA KEY BLANK
	079927-03-000	EA LOCK-TWIST TYPE, DOUBLE CAM - 2 10 OFF SET FROM 00-00-00 THRU 02-19-92
	079927-04-000	EA LOCK ASM-TWIST TYPE 1 60 O/S ILLINOIS LOCK FROM 02-20-92 THRU 99-99-99
	102768-01-000	EA HOLDER-COMPARTMENT/ENTRY DOOR, METAL - MILL FINISH
	081801-03-000	EA HINGE-CONTINUOUS ALUMINUM, 2 X 2438 4 MM GRAY
	084413-01-000	EA HINGE-CONTINUOUS, ALUMINUM - 1" X 72" - W/HOLES
	034007-48-000	EA HINGE-CONT AL 1 1/2 X 96" LT GRAY
	009065-01-000	EA HINGE-CONT-AL 1 1/2 X 96 PLAIN
	064075-07-000	FT SEAL-BULB, W/WIRED U CHANNEL - 3" X 5" CHANNEL - BLACK
	081632-02-000	FT SEAL-BULB, DOOR - W/WIRE CARRIER - 8" WIDE - RUBBER - BLACK
	077517-23-000	EA FIBERGLASS-SHEET 48X96
	053766-06-000	EA BEDDING COMPOUND-TUBE,CLEAR

**SEWER DOOR & COMPONENTS**

KEY	PART NUMBER	U/M DESCRIPTION
	086182-01-W30	EA COMPARTMENT ASM-HOSE SEWER
	042442-01-000	EA LOCK-ASM-TWIST TYPE
	052423-03-000	EA DOOR-SEWER,GRAY
	052424-03-000	EA JAMB-DOOR,SEWER,GRAY
	085967-01-000	EA EXTENTION-OUTLET, LONG

**1991 WINNEBAGO  
TABLE OF CONTENTS**

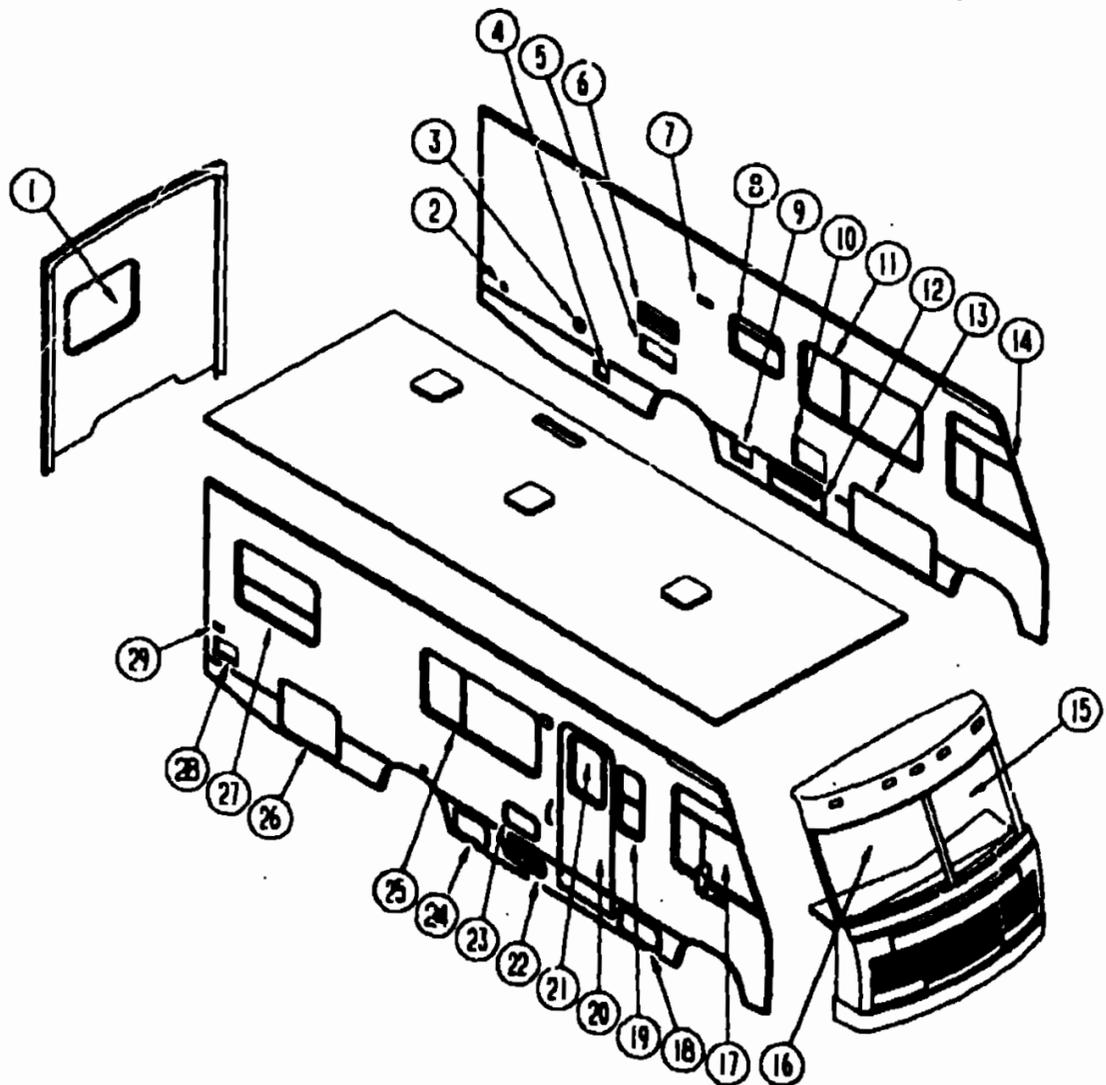
INTRODUCTION	A-01 -	A-02
ABBREVIATIONS		A-03
ALPHABETICAL INDEX	A-04 -	A-06
ICF27RC	A-07 -	E-12
ICF30RU	E-15 -	K-12

**1992 ICF27RC INDEX**

FLOOR PLAN	A-07 -	A-09
ACCESSORIES		A-09
AUDIO VIDIO	A-09 -	A-10
BATH	A-11 -	A-12
BEDROOM	A-13 -	A-14
CHASSIS	A-15 -	A-22
CURTAIN & CUSHION	A-23 -	B-08
DINETTE	B-09 -	B-10
DRIVERS COMPARTMENT	B-11 -	B-14
ELECTRICAL	B-15 -	B-20
EXTERIOR BODY	B-21 -	C-04
GALLEY	C-05 -	C-08
GENERATORS	C-09 -	C-10
HEATING & A/C	C-11 -	C-16
INTERIOR FINISH	C-17 -	C-23
LABELS	C-24	D-08
LP		D-09
LOUNGE		D-10
SEALANTS & FASTENERS	D-11 -	D-13
WATER & SEWAGE	D-14 -	D-19
WINDOW, VENT		
EXTERIOR DOOR	D-20 -	E-10
WINDSHIELD & WIPER	E-11 -	E-12

# WINDOW, VENT & EXTERIOR DOOR GROUP (CONTINUED)

## WINDOWS & DOORS



KEY	PART NUMBER	U/M	DESCRIPTION	
1	078528-04-C05	EA	WINDOW ASM-ESCAPE	
2	087659-03-000	EA	FILL-WATER,CITY,GRAY	
3	102951-01-03A	EA	SHROUD-FUEL FILL GRAY	
4	086182-01-W30	EA	COMPARTMENT ASM-HOSE SEWER	
5	052423-03-000	EA	DOOR-FUEL FILL,GRAY	
	052424-03-000	EA	JAMB-DOOR,FUEL FILL,GRAY	
	042442-01-000	EA	LOCK-ASM-TWIST TYPE	
	085967-01-000	EA	COMPARTMENT - PLASTIC W/O DOOR	
5	098668-07-000	EA	DOOR-ACCESS,FUR,NACE,GRAY	
6	084104-02-000	EA	JAMB-VENT DOOR,REFRIGERATOR	
6	084103-02-000	EA	DOOR-VENT REFRIGERATOR	
7	084616-03-000	EA	SHROUD-VENT RANGE HOOD,GRAY	
	084878-09-000	EA	VENT-HOOD RANGE,SHORT	
8	092235-11-Y12	EA	WINDOW ASM-SINGLE	
9	088794-03-000	EA	DOOR ASM-POWER CORD,W/HATCH	
10	052009-03-000	EA	DOOR-WATER HEATER,OFF WHITE	
11	098647-10-02A	EA	WINDOW ASM-SLIDER HORIZ B'OW W/O INSIDE TRIM	
12	103533-01-C25	EA	DOOR ASM-GENERATOR	
13	079578-13-C25	EA	DOOR ASM-STORAGE	
13	106987-06-C25	EA	DOOR ASM-STORAGE	FROM 00-00-00 THRU 01-12-92
14	103658-01-01A	EA	WINDOW ASM-CAB DRIVER	FROM 01-13-92 THRU 99-99-99
15	088793-04-000	EA	GLASS-WINDSHIELD,LH	
16	088793-03-000	EA	GLASS-WINDSHIELD,RH	
17	103658-02-01A	EA	WINDOW ASM-CAB,PASSENGER	
18	079578-10-C25	EA	DOOR ASM-STORAGE	
13	106987-01-C25	EA	DOOR ASM-STORAGE	FROM 00-00-00 THRU 01-12-92
13	098644-03-02A	EA	WINDOW ASM-SLIDER RAISE B'OW	FROM 01-13-92 THRU 99-99-99
20	M01870-49-C25	EA	DOOR-ENTR W/SCN,W/BLK FRAME	
	075639-04-000	EA	GARNISH-RADIUS,ENT DOOR O/W	
	C77461-03-000	EA	COVER-BRACKET,STRIKE OFF/WHT	
21	079733-07-AA8	EA	WINDOW ASM-PICTURE 17X25	
21	067609-32-000	EA	FRAME-INSIDE WINDOW O/W	
22	078720-02-T18	EA	DOOR ASM-LP	
23	105118-01-C25	EA	DOOR ASM-STORAGE, ENTERTAINMENT CENTER	
24	079578-11-C25	EA	DOOR ASM-STORAGE	
24	105987-02-C25	EA	DOOR ASM-STORAGE	FROM 00-00-00 THRU 01-12-92
25	098647-09-02A	EA	WINDOW ASM-SLIDER,HORIZ B'OW	FROM 01-13-92 THRU 99-99-99
26	079578-12-C25	EA	DOOR ASM-STORAGE	
26	106987-05-C25	EA	DOOR ASM-STORAGE	FROM 00-00-00 THRU 01-12-92
27	092235-12-Y12	EA	WINDOW ASM-SINGLE	FROM 01-13-92 THRU 99-99-99
28	105118-02-C25	EA	DOOR ASM-SHOWER STORAGE	
28	106208-01-01A	EA	COMPARTMENT-SHOWER,EXT O/W	
29	081240-02-000	EA	FILL-WATER,LOCKABLE GRAY	
	104099-01-02A	EA	CATCH-DOOR HOLDER,STRIKE-GRAY	
	104099-02-02A	EA	CATCH-DOOR HOLDER,RETAINER	

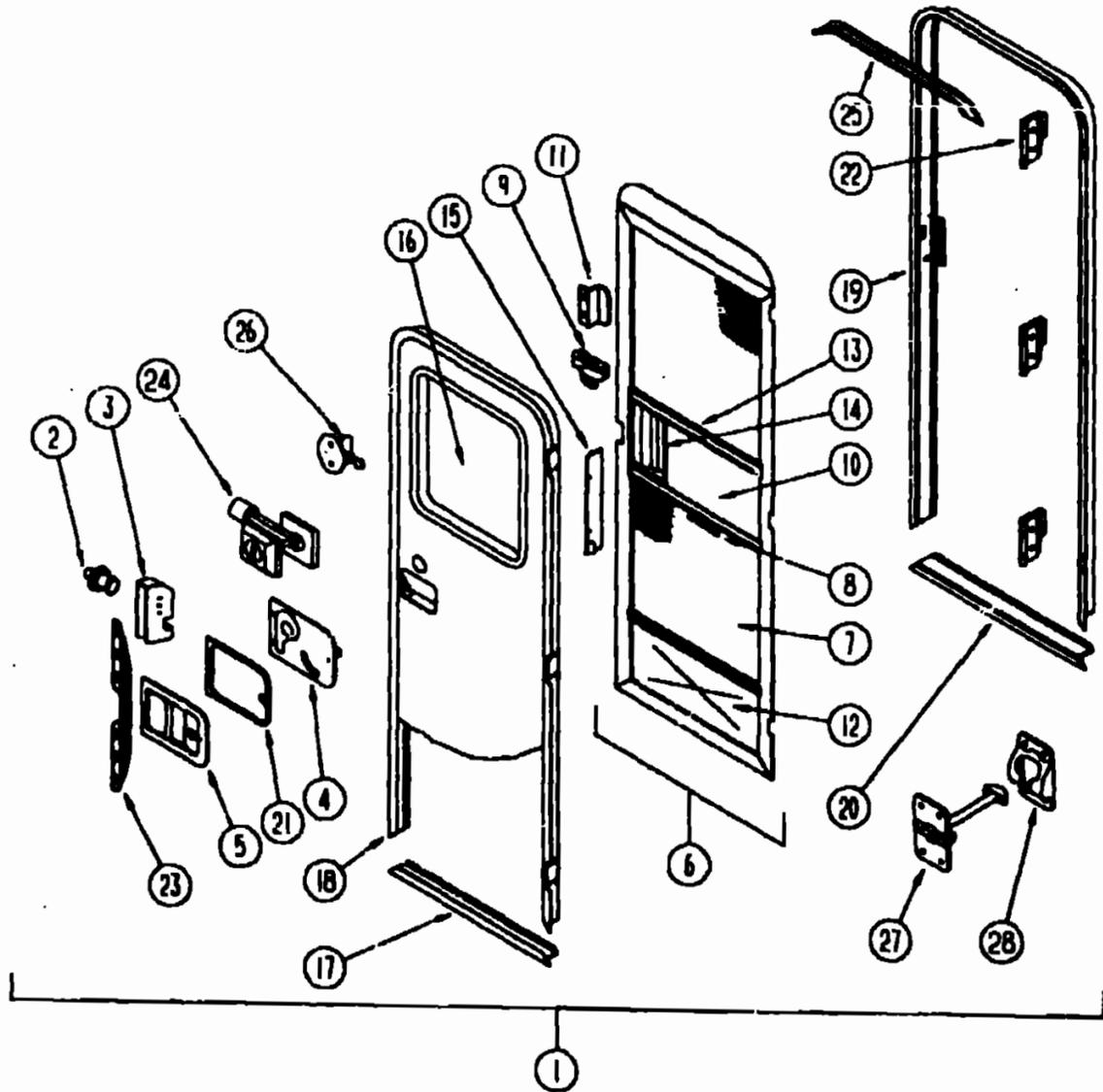
## 1991 WINNEBAGO TABLE OF CONTENTS

INTRODUCTION	A-01	A-02
ABBREVIATIONS		A-03
ALPHABETICAL INDEX	A-04	A-06
ICF27RC	A-07	E-12
ICF30RU	E-15	K-12

## 1992 ICF27RC INDEX

FLOOR PLAN	A-07	A-08
ACCESSORIES		A-09
AUDIO VIDEO	A-09	A-10
BATH	A-11	A-12
BEDROOM	A-13	A-14
CHASSIS	A-15	A-22
CURTAIN & CUSHION	A-23	B-08
DINETTE	B-09	B-10
DRIVERS COMPARTMENT	B-11	B-14
ELECTRICAL	B-15	B-20
EXTERIOR BODY	B-21	C-04
GALLEY	C-05	C-08
GENERATORS	C-09	C-10
HEATING & A/C	C-11	C-16
INTERIOR FINISH	C-17	C-23
LABELS	C-24	D-08
LP		D-09
LOUNGE		D-10
SEALANTS & FASTENERS	D-11	D-13
WATER & SEWAGE	D-14	D-19
WINDOW, VENT		
EXTERIOR DOOR	D-20	E-10
WINDSHIELD & WIPER	E-11	E-12

**WINDOW, VENT & EXTERIOR DOOR GROUP (CONTINUED)**  
**ENTRY DOOR**



KEY	PART NUMBER	U/M DESCRIPTION
1	M01870-49-C25	EA DOOR-ENTRY W/SCREEN DOOR & JAMB
2	039539-01-000	EA STRIKE-LOCK, ENTRY DOOR - ROUND W/THREADED WASHER
3	039540-01-000	EA LATCH MECHANISM-HOOK, ENTRY DOOR - INTERIOR
	039715-01-000	EA NUT-SERT, 1/4" DIAMETER - 20 THREADS
4	039979-04-000	EA COVER-INTERIOR LATCH, W/TRIP ARM - RIGHT - BLACK
	039984-01-000	EA CAP-ROUND, VINYL - 28" ID X 62" LONG - BLACK
	041546-03-000	EA BRACKET-DOOR ANGLE, 5" X 1 9" - BEIGE - METAL
5	045017-11-000	EA LATCH-ENTRY DOOR, MECHANISM W/LOCK & KEY - BLACK
	045017-11-701	EA KEY BLANK
	058025-02-000	EA CLIP-ROLLER LATCH CATCH, SCREEN DOOR
	063729-04-000	EA RIVNUT, 10-32 UNF - 010-080
	072893-01-000	EA NUTSERT-M5 X 0.8
	075671-01-000	FT SEAL-SPONGE, LAZY T SHAPE - W/ADHESIVE STRIPE - 1 3" WIDE
		FROM 00-00-00 THRU 08-18-91
	075671-04-000	FT SEAL-SPONGE, LAZY T SHAPE - W/ADHESIVE STRIPE - 5" WIDE
		FROM 08-19-91 THRU 99-99-99
6	079012-01-U01	EA DOOR-SCREEN
7	002293-02-000	SF SCREENING-WINDOW/DOOR, 26" - CHARCOAL
8	002294-01-000	FT SPLINE-SCREENING, 135" X 138" - BLACK
	002748-01-000	EA CORNER KEY-DOOR
9	109403-01-000	EA CATCH-ASM-SINGLE ROLLER
10	016454-01-000	EA INSERT-CENTER, LEATHER GRAIN ALUMINUM - UNPAINTED
10	001014-01-013	EA INSERT-CENTER, 10 25" X 16 31" - UNPAINTED
11	050712-04-000	EA HANDLE-SCREEN DOOR, ALUMINUM - OFF WHITE
11	050712-05-000	EA HANDLE-SCREEN DOOR, UNPAINTED
12	078552-03-000	EA KICK PANEL-SCREEN DOOR, LOWER INSERT - UNPAINTED
	078595-01-000	EA TOP PLATE-SCREEN DOOR, CURVED TOP - 4.7" X 25 35"
13	078777-01-000	EA CHANNEL-SLIDE, SCREEN DOOR CENTER SLIDER COVER
14	079086-02-000	EA SLIDER-SCREEN DOOR, OFF WHITE
15	079087-02-000	EA STRIKE-SLIDER, W/LIP FOR ELBOW CATCH - 1.5" X 8 6" - OFF WHITE
	009016-01-000	EA CATCH-ELBOW, SPRING LOADED - SCREEN DOOR CATCH
16	079733-07-AA8	EA WINDOW-PICTURE, W/O INSIDE FRAME - 17" X 25"
	067609-32-000	EA FRAME-WINDOW, ENTRY DOOR - OFF WHITE
	002181-07-000	EA GLASS-WINDOW, 182" X 16 25" X 24" - FROSTED
	081914-01-000	EA BUMPER-RUBBER, ROUND - .43" DIAMETER - BLACK
17	089748-03-000	EA FRAME-BOTTOM, ENTRY DOOR - 24 8" LONG - GRAY
	090340-01-000	FT SEAL-FOAM, CLOSED CELL - 1/4" X 1/2" X 50"
18	095276-01-03A	EA FRAME-ENTRY DOOR, W/O BOTTOM - GRAY
19	095277-02-03A	EA JAMB-ENTRY DOOR, W/BOTTOM - 25 9" X 74 5" - GRAY
20	051049-01-000	EA JAMB-BOTTOM, ENTRY DOOR - 25 9" - UNPAINTED
	079207-01-000	EA STRIKER-ROLLER CATCH, WELDED TO DOOR JAMB - 4" X 1 15"
	095278-01-C1A	EA JAMB-DOOR, ENTRANCE - 25.9" X 74 6" - UNPAINTED
21	096810-01-01A	EA PLATE-LATCH, ENTRY DOOR - PLASTIC - BLACK
22	097724-01-04A	EA HINGE-ENTRY DOOR UNPAINTED
23	098173-01-04A	EA STIFFENER-ENTRY DOOR, SUPPORTS LATCH/STRIKE AREA - UNPAINTED
	100128-02-000	FT SEAL-PILE, ADHESIVE BACK - SCREEN DOOR - GRAY
24	101145-01-01A	EA DEADBOLT-ENTRY DOOR, W/2 KEYS W/O BACK SET BOLT OR SCREWS
	095229-01-700	EA KEY BLANK FOR DEADBOLT
	101147-01-000	EA BOLT-SECURITY, 4.12" BACKSET
	102524-01-000	EA BUMPER-RUBBER, FLAT - BLACK
25	044582-06-000	EA CAP-DRIP, ENTRY DOOR - JAMB MOUNTED - ALUMINUM - GRAY
	064075-07-000	FT SEAL-BULB, WWIRED U CHANNEL - 3" X 5" CHANNEL - BLACK
	075639-04-000	EA GARNISH-RADIUS, ENT DOOR O/W
	077461-03-000	EA COVER-STRIKE, ENTRY DOOR - 6.5" X 2.5" - PLASTIC - WHITE
	090340-01-000	FT SEAL-FOAM, CLOSED CELL - 1/4" X 1/2" X 50"
	091876-01-000	EA RETAINER-DOOR, 1 9" X 8" - METAL
26	100412-01-000	EA CATCH-SCREEN DOOR, THUMB CLIP W/BLACK PLASTIC CAP
	104692-01-000	FT SEAL-ADHESIVE BACK, 3/4" X 34"
27	104099-01-01A	EA CATCH-DOOR HOLDER, STRIKE
28	104099-02-01A	EA CATCH-DOOR HOLDER, RETAINER

**1991 WINNEBAGO**  
**TABLE OF CONTENTS**

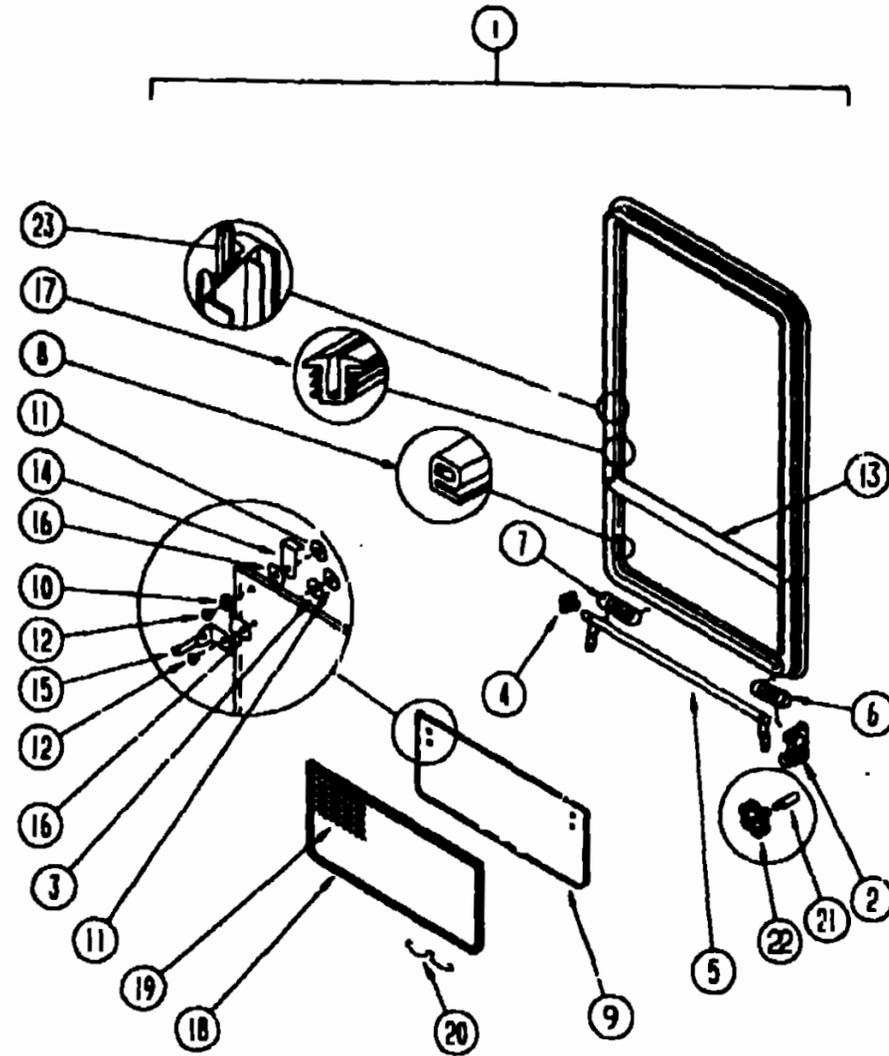
INTRODUCTION	A-01	A-02
ABBREVIATIONS		A-03
ALPHABETICAL INDEX	A-04	A-06
ICF27RC	A-07	E-12
ICF30RU	E-15	K-12

**1992 ICF27RC INDEX**

FLOOR PLAN	A-07	A-08
ACCESSORIES		A-09
AUDIO VIDEO	A-09	A-10
BATH	A-11	A-12
BEDROOM	A-13	A-14
CHASSIS	A-15	A-22
CURTAIN & CUSHION	A-23	B-08
DINETTE	B-09	B-10
DRIVERS COMPARTMENT	B-11	B-14
ELECTRICAL	B-15	B-20
EXTERIOR BODY	B-21	C-04
GALLEY	C-05	C-08
GENERATOR'S	C-09	C-10
HEATING & A/C	C-11	C-16
INTERIOR FINISH	C-17	C-23
LABELS	C-24	D-08
LP		D-09
LOUNGE		D-10
SEALANTS & FASTENERS	D-11	D-13
WATER & SEWAGE	D-14	D-19
WINDOW, VENT		
EXTERIOR DOOR	D-20	E-10
WINDSHIELD & WIPER	E-11	E-12

# WINDOW, VENT & EXTERIOR DOOR GROUP (CONTINUED)

## GALLEY WINDOW



KEY	PART NUMBER	U/M	DESCRIPTION
	090893-17-02A	EA	FRAME-INSIDE, WINDOW RETAINER - OFF WHITE
1	092235-11-Y12	EA	WINDOW-TIPOUT, SINGLE - W/O INSIDE FRAME
	000H14-06-14R	EA	RIVET-MANDREL BLIND, 3/16"
2	035302-02-000	EA	OPERATOR-TORQUE, TIPOUT WINDOW -
3	068927-03-000	EA	SEAL-WINDOW, RUBBER - ROUND - 80° DIA - BLACK
4	081354-01-000	EA	SLEEVE-TORQUE TUBE, TIPOUT WINDOW - 1 3/4" X 1 1/2" X 7"
	081649-01-000	EA	RING-SNAP, 7/32 SHAFT DIAMETER
5	093150-10-000	EA	TUBE-TORQUE, TIPOUT WINDOW - W/SPRING & ARM - 22 5/8" LONG
6	080918-01-000	EA	SPRING-TORQUE TUBE, LEFT
7	080918-02-000	EA	SPRING-TORQUE TUBE, RIGHT
8	084067-02-000	FT	SEAL-E SHAPED, SPONGE - TIPOUT WINDOW - 42" X 38" - BLACK
9	084068-15-000	EA	GLASS-TIPOUT, 9 2/3" X 24.5"
10	084453-02-000	EA	WASHER-.06" X 5" X 25" - PLASTIC
11	086762-01-000	EA	T NUT 10-32
12	086763-01-000	EA	SCREW-MACH. 10 - 32 X 1/4 PTH
13	087566-02-01A	EA	MULLION-HORIZONTAL, TIPOUT - BLACK
14	089913-01-000	EA	HINGE-TIPOUT WINDOW, BLACK
15	097578-01-000	EA	LINKAGE-TIPOUT WINDOW
	084453-01-000	EA	WASHER-.06" X 5" X .135" - PLASTIC
16	084473-01-000	EA	SEAL-FLAT, W/CENTER HOLE & ADHESIVE SIDE - 8" X 9" - BLK
	085315-01-000	EA	RIVET-SHOULDER, TIPOUT WINDOW
17	099154-01-000	FT	CHANNEL-GLAZING, STATIONARY GLASS - 62" X 45" - BLACK
18	100235-02-B07	EA	SCREEN-SINGLE TIPOUT WINDOW
19	080218-03-000	SF	SCREENING-FIBERGLASS, 12" WIDE
20	100168-01-000	EA	CLIP-SPRING, SCREEN
	100240-01-000	FT	SPLINE-SCREEN, T-SHAPED
21	009439-06-000	EA	EXTENSION-CRANK HANDLE, WINDOW/ROOF VENT - BLACK
22	009439-05-000	EA	KNOB-OPERATOR, TIPOUT WINDOW - W/SPRING & ARM
	009439-07-000	EA	SCREW, 8-32 X 1 1/4 POH - BLACK
23	069640-11-000	FT	TAPE-SEALER, 3/16" X 3/8" - BLACK

## 1991 WINNEBAGO TABLE OF CONTENTS

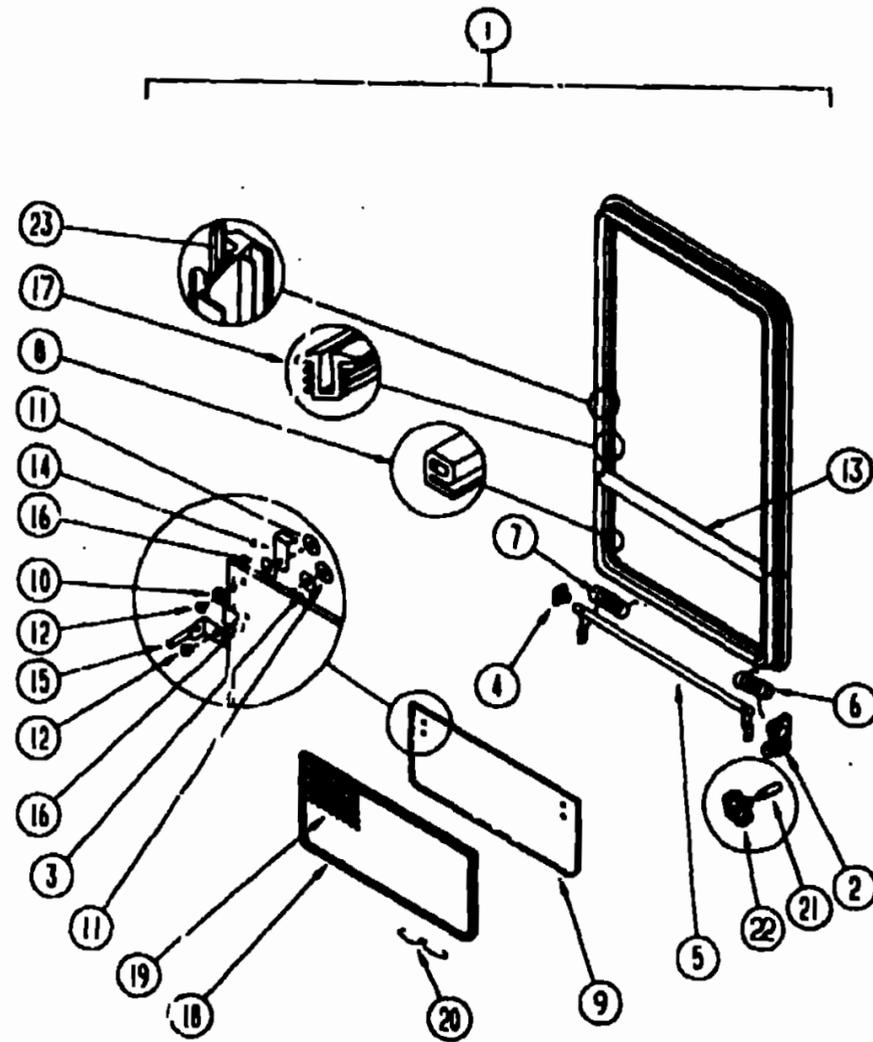
INTRODUCTION	A-01	A-02
ABBREVIATIONS		A-03
ALPHABETICAL INDEX	A-04	A-06
ICF27RC	A-07	E-12
ICF30RU	E-15	K-12

## 1992 ICF27RC INDEX

FLOOR PLAN	A-07	A-08
ACCESSORIES		A-09
AUDIO VIDEO	A-09	A-10
BATH	A-11	A-12
BEDROOM	A-13	A-14
CHASSIS	A-15	A-22
CURTAIN & CUSHION	A-23	B-08
DINETTE	B-09	B-10
DRIVERS COMPARTMENT	B-11	B-14
ELECTRICAL	B-15	B-20
EXTERIOR BODY	B-21	C-04
GALLEY	C-05	C-08
GENERATORS	C-09	C-10
HEATING & A/C	C-11	C-16
INTERIOR FINISH	C-17	C-23
LABELS	C-24	D-08
LP		D-09
LOUNGE		D-10
SEALANTS & FASTENERS	D-11	D-13
WATER & SEWAGE	D-14	D-19
WINDOW, VENT		
EXTERIOR DOOR	D-20	E-10
WINDSHIELD & WIPER	E-11	E-12

# WINDOW, VENT & EXTERIOR DOOR GROUP (CONTINUED)

## PASSENGER SIDE BEDROOM WINDOW



KEY	PART NUMBER	U/M	DESCRIPTION
	090893-18-02A	EA	FRAME-INSIDE, WINDOW RETAINER - OFF WHITE
1	092235-12-Y12	EA	WINDOW-TIPOUT, SINGLE - W/O INSIDE FRAME
	000H14-08-14R	EA	RIVET-MANDREL BLIND, 3/16"
2	035302-02-000	EA	OPERATOR-TORQUE, TIPOUT WINDOW -
3	068927-03-000	EA	SEAL-WINDOW, RUBBER - ROUND - FD" DIA - BLACK
4	081354-01-000	EA	SLEEVE-TORQUE TUBE, TIPOUT WINDOW - 1 3/4" X 1 2" X 7"
	081649-01-000	EA	RING-SNA" 7/32 SHAFT DIAMETER
5	083150-12-000	EA	TUBE-TORQUE, TIPOUT WINDOW - W/SPRING & ARM - 22 5" LONG
6	080918-01-000	EA	SPRING-TORQUE TUBE, LEFT
7	080918-02-000	EA	SPRING-TORQUE TUBE, RIGHT
8	084067-02-000	FT	SEAL-E SHAPED, SPONGE - TIPOUT WINDOW - 42" X 38"-BLACK
9	084068-17-000	EA	GLASS-TIPOUT, 9 2" X 24 5"
10	084453-02-000	EA	WASHER-.06" X 5" X 25" - PLASTIC
11	086762-01-000	EA	T NUT 10-32
12	086763-01-000	EA	SCREW-MACH, 10 - 32 X 1/4 PTH
13	087566-04-01A	EA	MULLION-HORIZONTAL, TIPOUT - BLACK
14	089913-01-000	EA	HINGE-TIPOUT WINDOW, BLACK
15	097578-01-000	EA	LINKAGE-TIPOUT WINDOW
	084453-01-000	EA	WASHER-.06" X 5" X 135" - PLASTIC
16	084473-01-000	EA	SEAL-FLAT, W/CENTER HOLE & ADHESIVE SIDE - 8" X 9" - BLK
	095315-01-000	EA	RIVET-SHOULDER, TIPOUT WINDOW
17	099154-01-000	FT	CHANNEL-GLAZING, STATIONARY GLASS - 62" X 45" - BLACK
18	100235-04-B07	EA	SCREEN-SINGLE TIPOUT WINDOW
19	080218-03-000	SF	SCREENING-FIBERGLASS, 12" WIDE
20	100168-01-000	EA	CLIP-SPRING, SCREEN
	100240-01-000	FT	SPLINE-SCREEN, T-SHAPED
21	009439-06-000	EA	EXTENSION-CRANK HANDLE, WINDOW /ROOF VENT - BLACK
22	009439-05-000	EA	KNOB-OPERATOR, TIPOUT WINDOW - W/SPRING & ARM
	009439-07-000	EA	SCREW, 8-32 X 1 1/4 POH - BLACK
23	069640-11-000	FT	TAPE-SEALER, 3/16" X 3/8" - BLACK

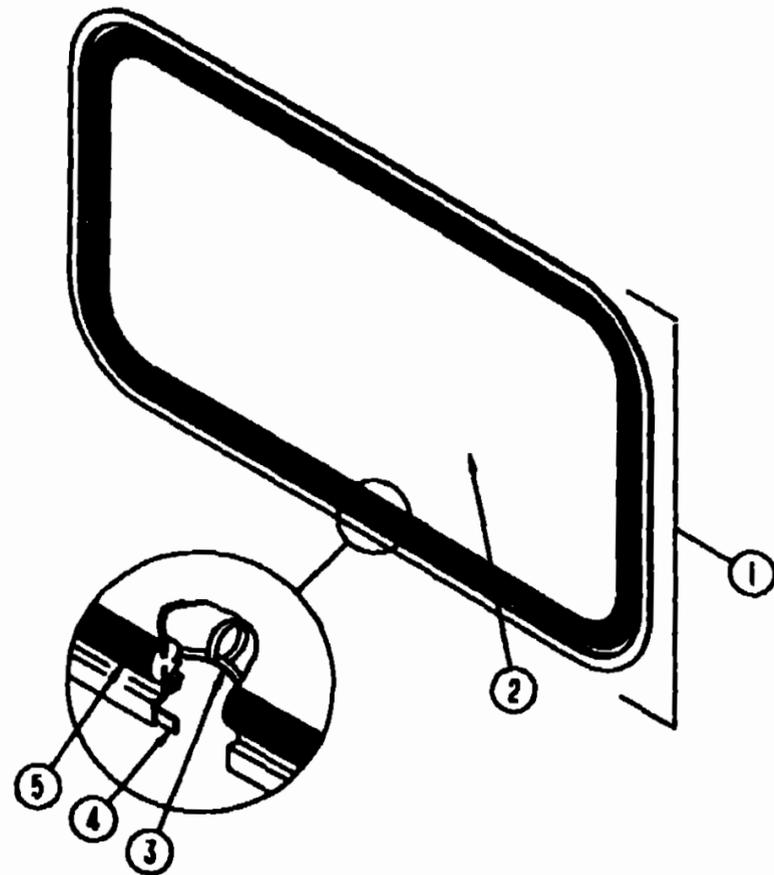
## 1991 WINNEBAGO TABLE OF CONTENTS

INTRODUCTION	A-01 -	A-02
ABBREVIATIONS		A-03
ALPHABETICAL INDEX	A-04 -	A-06
ICF27RC	A-07 -	E-12
ICF30RU	E-15 -	K-12

## 1992 ICF27RC INDEX

FLOOR PLAN	A-07 -	A-08
ACCESSORIES		A-09
AUDIO VIDEO	A-09 -	A-10
BATH	A-11 -	A-12
BEDROOM	A-13 -	A-14
CHASSIS	A-15 -	A-22
CURTAIN & CUSHION	A-23 -	B-08
DINETTE	B-09 -	B-10
DRIVERS COMPARTMENT	B-11 -	B-14
ELECTRICAL	B-15 -	B-20
EXTERIOR BODY	B-21 -	C-04
GALLEY	C-05 -	C-08
GENERATORS	C-09 -	C-10
HEATING & A/C	C-11 -	C-16
INTERIOR FINISH	C-17 -	C-23
LABELS	C-24	D-06
LP		D-09
LOUNGE		D-10
SEALANTS & FASTENERS	D-11 -	D-13
WATER & SEWAGE	D-14 -	D-19
WINDOW, VENT		
EXTERIOR DOOR	D-20 -	E-10
WINDSHIELD & WIPER	E-11 -	E-12

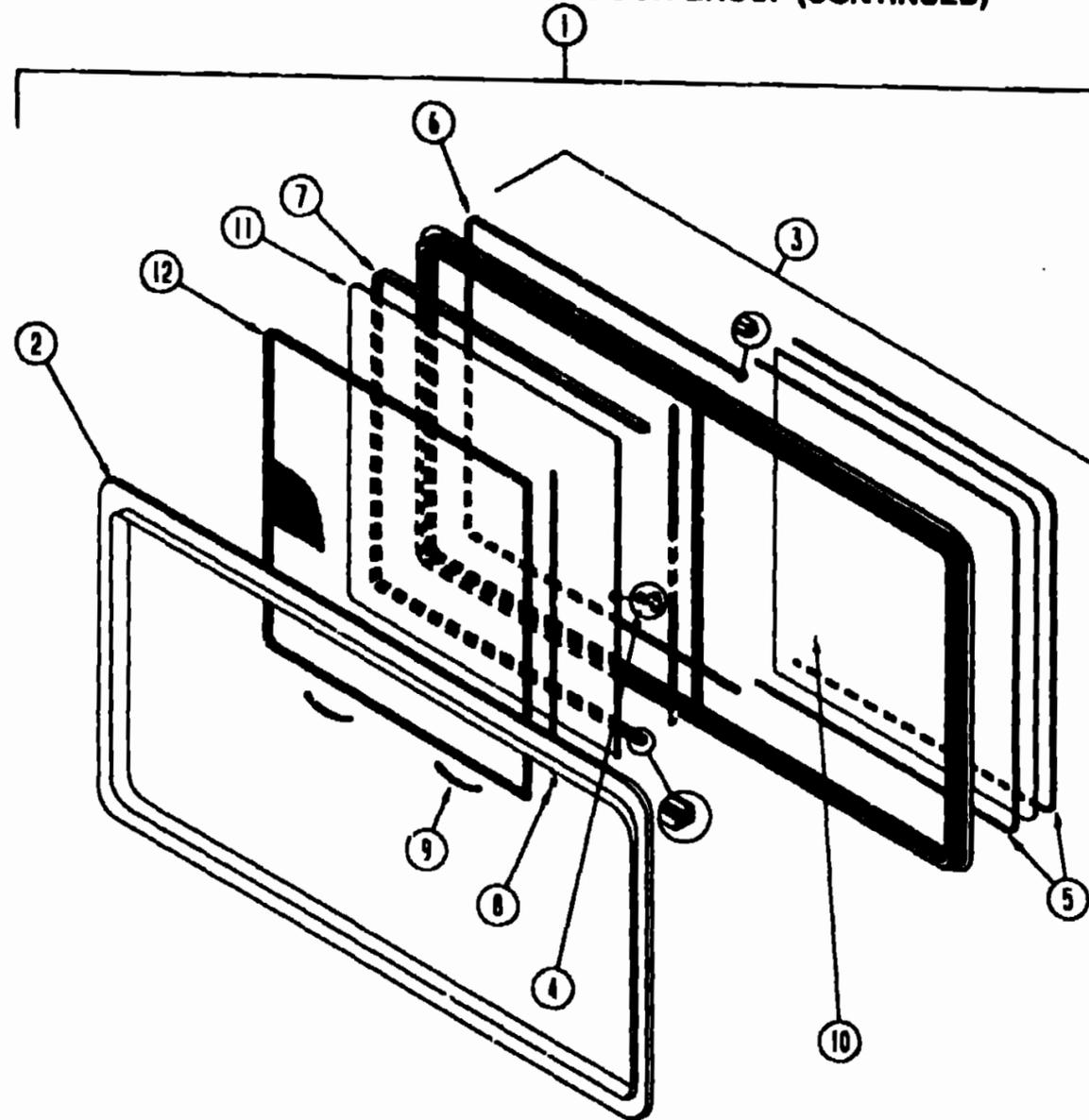
**WINDOW, VENT & EXTERIOR DOOR GROUP (CONTINUED)**



**BEDROOM ESCAPE WINDOW**

KEY	PART NUMBER	U/M DESCRIPTION
	074816-09-000	EA FRAME-WINDOW, INSIDE - ESCAPE - OFF WHITE
1	078528-04-C05	EA WINDOW-ESCAPE, BACKWALL
2	076337-09-000	EA GLASS-WINDOW, 832.5 X 597.8MM
3	002285-01-000	FT FILLER-WEATHER STRIP, RUBBER - BLACK
	077066-01-702	EA RED POLY 005X 500INX150 ROLL
4	U69640-10-000	FT SEALER-RIBBON, 1/32" X 1 1/2" INCREMENTS OF 90°
5	002282-04-000	EA WEATHERSTRIP-WINDOW, 125" X 109.25" - VULCANIZED - BLACK

**WINDOW, VENT & EXTERIOR DOOR GROUP (CONTINUED)**



**DRIVER SIDE DINETTE WINDOW**

KEY	PART NUMBER	U/M DESCRIPTION
1	098647-10-02A	EA WINDOW ASM-SLIDER, HORIZONTAL W/INSIDE TRIM - EXCEL H024-PRL
2	098647-09-704	EA TRIM-INSIDE (OFF-WHITE) - W024-67 EXCEL WHITE
3	098647-10-700	EA WINDOW-SINGLE SLIDER, LEFT W/O INSIDE TRIM - H024-G2L EXCEL
4	098644-01-700	EA LATCH-REPAIR KIT, EXCEL B801-CK
5	098644-01-705	FT GLAZING STRIP, EXCEL M926-12
6	098644-01-706	FT WEATHERSTRIP, EXCEL 171-010668
7	098644-01-708	FT CHANNEL-PIERCED RUN, EXCEL 122-016543
8	098644-01-710	FT TRACK-SCREEN SPACER, 12" LENGTH - EXCEL M401-31
	098644-01-711	F1 WEATHERSTRIP-SCREEN, BLACK - EXCEL 171-016965
9	098644-01-713	EA SPRING-SCREEN FRAME (CLIP), PLASTIC - BLACK
	098644-01-716	FT PLUG-FILLER, EXCEL 132-014470
	098644-01-717	FT SPLINE-SCREEN MFG - EXCEL 32-004716
10	098647-09-700	EA GLASS-STATIONARY - 106-017193 EXCEL
11	098647-09-701	EA GLASS-SLIDING, W/SASH & LATCH - H024-G9 EXCEL
12	098647-09-705	EA SCREEN W/SPRING & WEATHERSTRIP - 410-016464 EXCEL

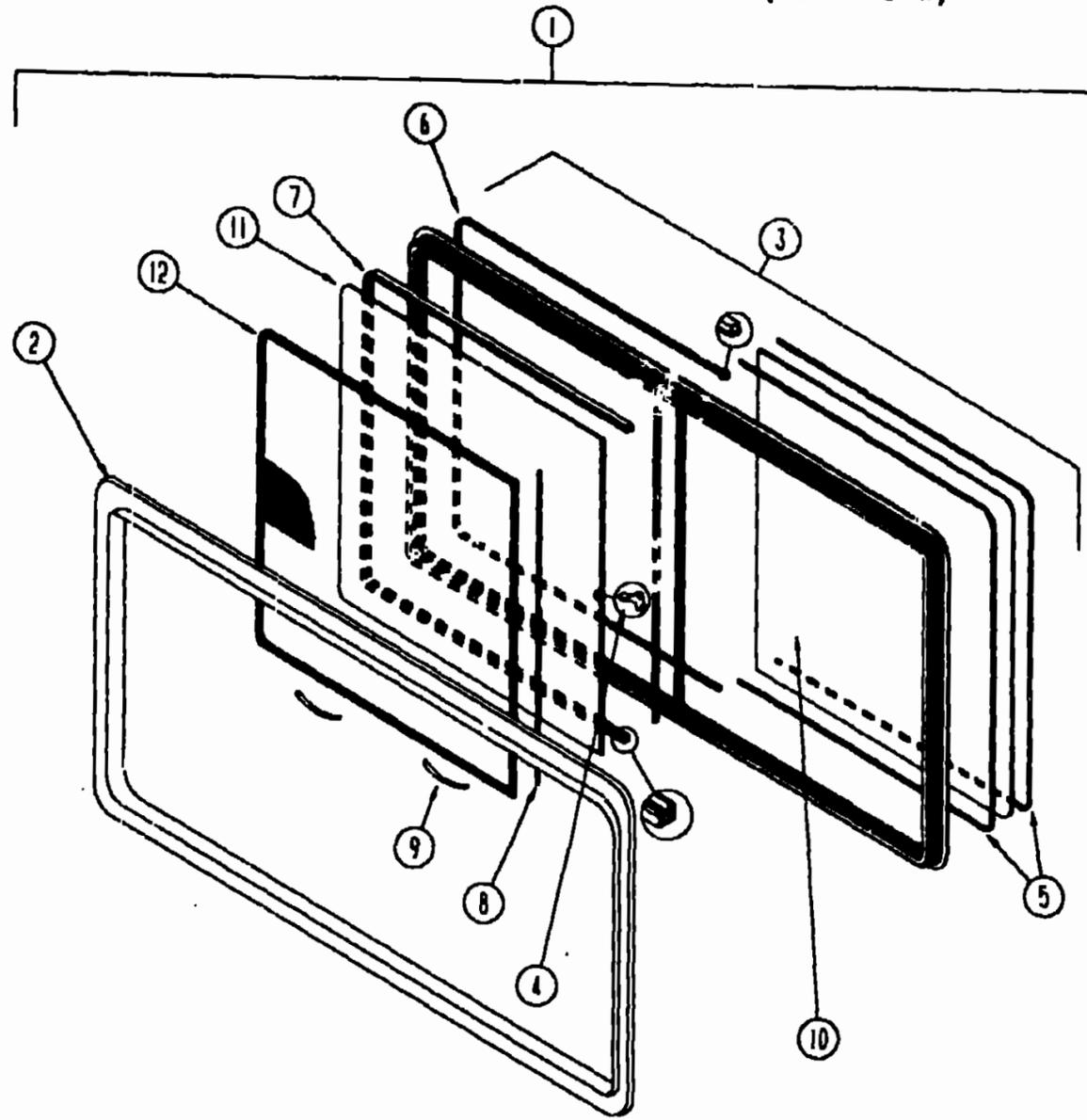
**1991 WINNEBAGO  
TABLE OF CONTENTS**

INTRODUCTION	A-01 -	A-02
ABBREVIATIONS		A-03
ALPHABETICAL INDEX	A-04 -	A-06
ICF27RC	A-07 -	E-12
ICF30RU	E-15 -	K-12

**1992 ICF27RC INDEX**

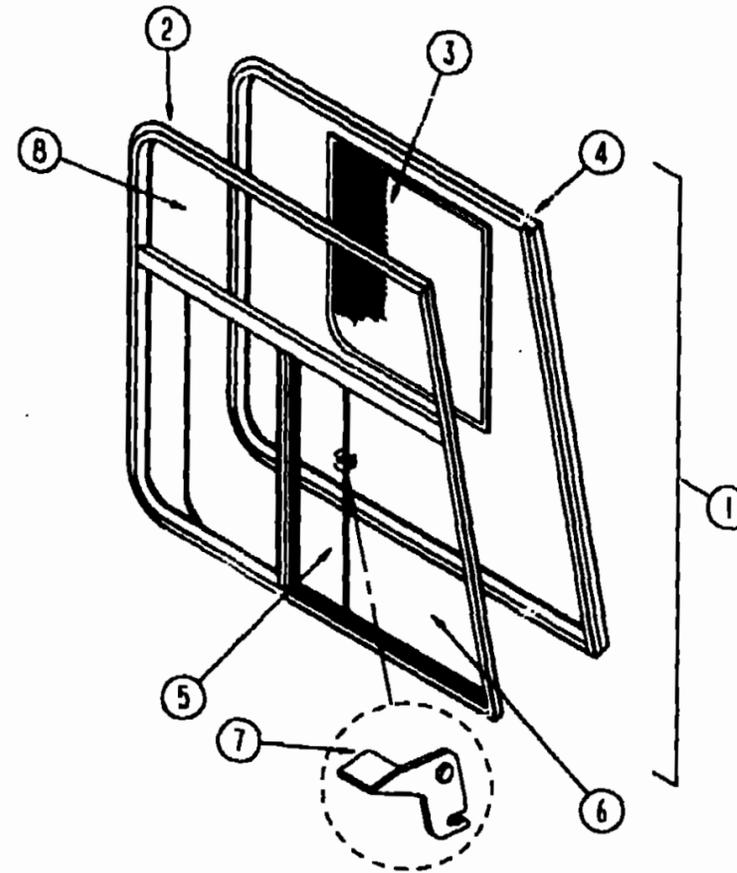
FLOOR PLAN	A-07 -	A-08
ACCESSORIES		A-09
AUDIO VIDEO	A-09 -	A-10
BATH	A-11 -	A-12
BEDROOM	A-13 -	A-14
CHASSIS	A-15 -	A-22
CURTAIN & CUSHION	A-23 -	B-08
DINETTE	B-09 -	B-10
DRIVERS COMPARTMENT	B-11 -	B-14
ELECTRICAL	B-15 -	B-20
EXTERIOR BODY	B-21 -	C-04
GALLEY	C-05 -	C-08
GENERATORS	C-09 -	C-10
HEATING & AC	C-11 -	C-16
INTERIOR FINISH	C-17 -	C-23
LABELS	C-24	D-08
LP		D-09
LOUNGE		D-10
SEALANTS & FASTENERS	D-11 -	D-13
WATER & SEWAGE	D-14 -	D-19
WINDOW, VENT		
EXTERIOR DOOR	D-20 -	E-10
WINDSHIELD & WIPER	E-11 -	E-12

**WINDOW, VENT & EXTERIOR DOOR GROUP (CONTINUED)**



**PASSENGER SIDE DINETTE WINDOW**

**WINDOW, VENT & EXTERIOR DOOR GROUP (CONTINUED)**



**DRIVER & PASSENGER CAB SIDE WINDOWS**

**1991 WINNEBAGO  
TABLE OF CONTENTS**

INTRODUCTION	A-01	A-02
ABBREVIATIONS		A-03
ALPHABETICAL INDEX	A-04	A-06
ICF27RC	A-07	E-12
ICF30RU	E-15	K-12

**1992 ICF27RC INDEX**

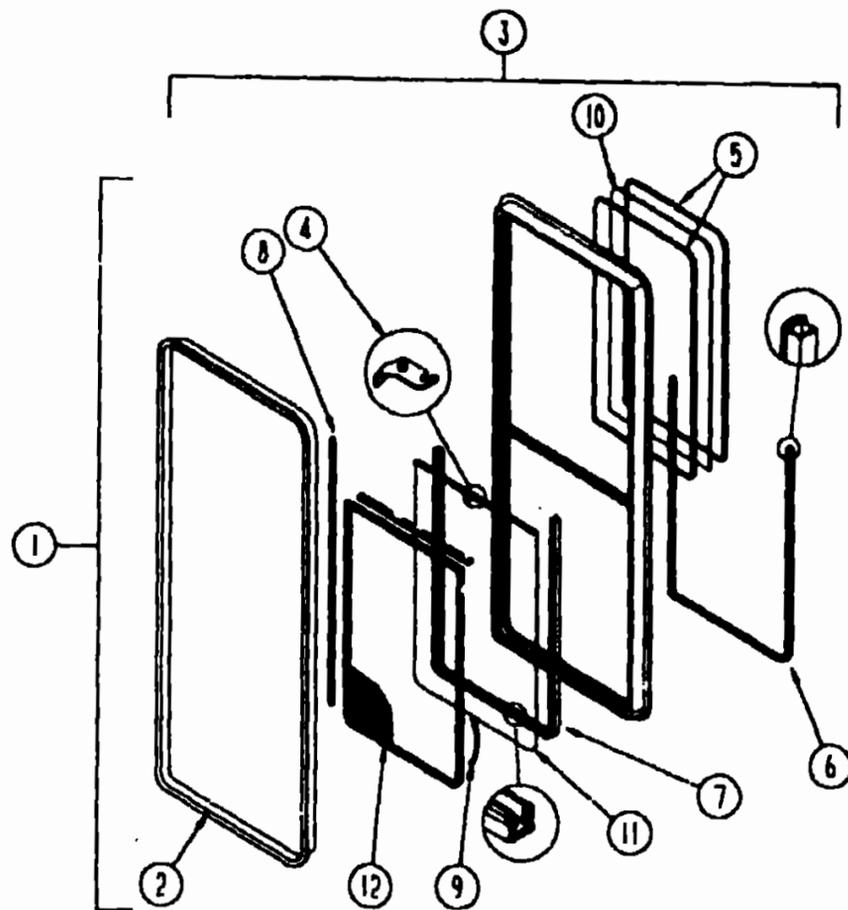
FLOOR PLAN	A-07	A-08
ACCESSORIES		A-09
AUDIO VIDEO	A-09	A-10
BATH	A-11	A-12
BEDROOM	A-13	A-14
CHASSIS	A-15	A-22
CURTAIN & CUSHION	A-23	B-08
DINETTE	B-09	B-10
DRIVERS COMPARTMENT	B-11	B-14
ELECTRICAL	B-15	B-20
EXTERIOR BODY	B-21	C-04
GALLEY	C-05	C-08
GENERATORS	C-09	C-10
HEATING & A/C	C-11	C-16
INTERIOR FINISH	C-17	C-23
LABELS	C-24	D-08
LP		D-09
LOUNGE		D-10
SEALANTS & FASTENERS	D-11	D-13
WATER & SEWAGE	D-14	D-19
WINDOW, VENT		
EXTERIOR DOOR	D-20	E-10
WINDSHIELD & WIPER	E-11	E-12

KEY	PART NUMBER	U/M DESCRIPTION
1	098647-09-02A	EA WINDOW-SLIDER, HORIZONTAL - W/INSIDE FRAME - BLACK
2	098647-09-704	EA TRIM-INSIDE (OFF-WHITE) - W024-67 EXCEL-WHITE
3	098647-09-703	EA WINDOW-SINGLE SLIDER - LEFT (W/O INSIDE FRAME)
4	098644-01-700	EA LATCH REPAIR KIT
5	098644-01-705	FT GLAZING STRIP, EXCEL M926-12
6	098644-01-706	FT WEATHERSTRIP EXCEL 171-010658
7	098644-01-708	FT CHANNEL-PIERCED RUN EXCEL 122-016543
8	098644-01-710	FT TRACK-SCREEN SPACER 12" LENGTH - EXCEL M401-31
	098644-01-711	FT WEATHERSTRIP-SCREEN BLACK - EXCEL 171-016965
9	098644-01-713	EA SPRING-SCREEN FRAME (CLIP) PLASTIC - BLACK - EXCEL 226-016966
	098644-01-716	FT PLUG-FILLER, EXCEL 132-014470
	098644-01-717	FT SPLINE-SCREEN MFG, EXCEL 32-004716
10	098647-09-700	EA GLASS-STATIONARY - 106-017193 EXCEL
11	098647-09-701	EA GLASS-SLIDING, W/SASH&LATCH - H024-G9 EXCEL
12	098647-09-705	EA SCREEN W/SPRING&WEATHERSTRIP - 410-016464 EXCEL

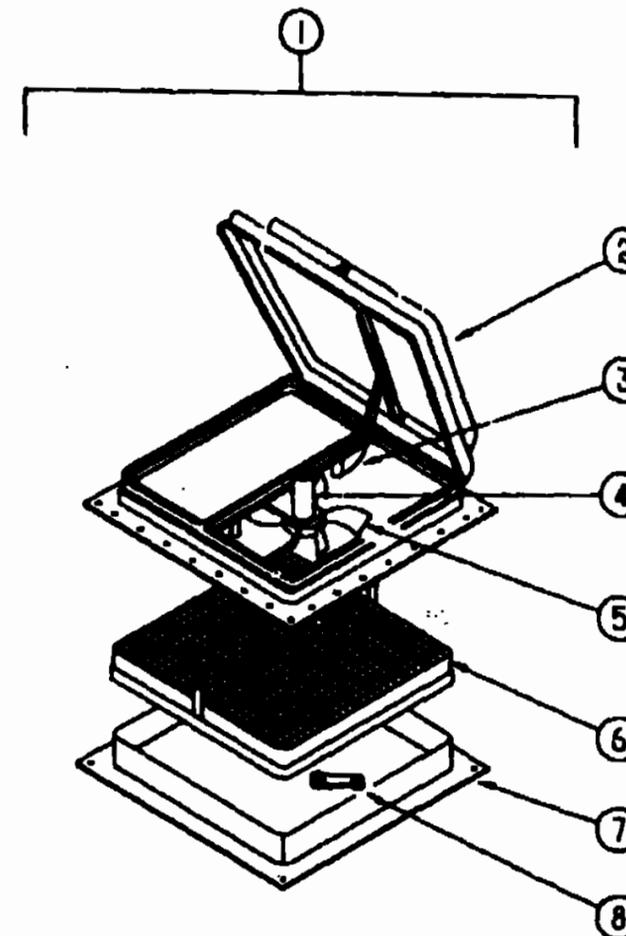
KEY	PART NUMBER	U/M DESCRIPTION
1	103658-02-01A	EA WINDOW ASM-CAB,PASSENGER - H322-ARR
1	103658-01-01A	EA WINDOW ASM-CAB,DRIVER - H 332-ARL
2	103658-02-702	EA WINDOW-SLIDER, CAB - W/O INSIDE FRAME - PASSENGER - H322-A2R EXCEL
2	103658-01-704	EA WINDOW-SLIDER, CAB - W/O INSIDE FRAME - DRIVER - H322-A2L EXCEL
3	103658-02-700	EA SCREEN ASM-WINDOW, PASSENGER - H322-03R EXCEL
3	103658-01-700	EA SCREEN ASM-WINDOW, DRIVER - H322-03L EXCEL
4	103658-02-703	EA FRAME-INSIDE, PASSENGER - H322-67R EXCEL
4	103658-01-705	EA FRAME-INSIDE, DRIVER - H322-67L EXCEL
5	103658-02-701	EA GLASS-SLIDING, W/SASH&LATCH - PASSENGER - H322-A9R EXCEL
5	103658-01-703	EA GLASS-SLIDING, W/SASH&LATCH - DRIVER - H322-A9L EXCEL
6	103658-01-702	EA GLASS-STATIONARY, BOTTOM - 106-017700 EXCEL
7	098644-01-700	EA LATCH-REPAIR KIT
8	103658-01-701	EA GLASS-STATIONARY, TOP - 106-017699 EXCEL

WINDOW, VENT & EXTERIOR DOOR GROUP (CONTINUED)

WINDOW, VENT & EXTERIOR DOOR GROUP (CONTINUED)



PASSENGER SIDE SWIVEL CHAIR WINDOW



JENSEN POWERED ROOF VENT (CSA)

1991 WINNEBAGO  
TABLE OF CONTENTS

INTRODUCTION	A-01 -	A-02
ABBREVIATIONS		A-03
ALPHABETICAL INDEX	A-04 -	A-06
ICF27RC	A-07 -	E-12
ICF30RU	E-15 -	K-12

1992 ICF27RC INDEX

FLOOR PLAN	A-07 -	A-08
ACCESSORIES		A-09
AUDIO VIDEO	A-09 -	A-10
BATH	A-11 -	A-12
BEDROOM	A-13 -	A-14
CHASSIS	A-15 -	A-22
CURTAIN & CUSHION	A-23 -	B-08
DINETTE	B-09 -	B-10
DRIVERS COMPARTMENT	B-11 -	B-14
ELECTRICAL	B-15 -	B-20
EXTERIOR BODY	B-21 -	C-04
GALLEY	C-05 -	C-08
GENERATORS	C-09 -	C-10
HEATING & AC	C-11 -	C-16
INTERIOR FINISH	C-17 -	C-23
LABELS	C-24 -	D-08
LP		D-09
LOUNGE		D-10
SEALANTS & FASTENERS	D-11 -	D-13
WATER & SEWAGE	D-14 -	D-19
WINDOW, VENT		
EXTERIOR DOOR	D-20 -	E-10
WINDSHIELD & WIPER	E-11 -	E-12

KEY	PART NUMBER	U/M DESCRIPTION
1	098644-03-02A	EA WINDOW-SLIDER, VERTICAL W/INSIDE TRIM - EXCEL
2	098644-03-705	EA TRIM-INSIDE - EXCEL
3	098644-03-703	EA WINDOW ASM W/O INSIDE TRIM - EXCEL H250-G2R
4	098644-01-700	EA LATCH-REPAIR KIT, EXCEL B801-CK
5	098644-01-705	FT GLAZING STRIP, EXCEL M926-12
6	098644-01-706	FT WEATHERSTRIP, EXCEL 171-010668
7	098644-01-708	FT CHANNEL-PIERCED RUN EXCEL 122-016543
8	098644-01-710	FT TRACK-SCREEN SPACER, 12" LENGTH - EXCEL M401-31
	098644-01-711	FT WEATHERSTRIP-SCREEN, BLACK - EXCEL 171-016965
9	098644-01-713	EA SPRING-SCREEN FRAME (CLIP), PLASTIC - BLACK
10	098644-03-700	EA GLASS-STATIONARY
11	098644-03-701	EA GLASS-SLIDING W/SASH&LATCH
12	098644-03-702	EA SCREEN W/SPRING&WEATHERSTRIP
	098644-01-716	FT PLUG-FILLER, EXCEL 132-014470
	098644-01-717	FT SPLINE-SCREEN MFG, EXCEL 132-004716

KEY	PART NUMBER	U/M DESCRIPTION
1	064469-08-000	EA VENT-ROOF POWERED - 14" X 14" - 12V - JENSEN C-727 - CSA
2	064469-03-702	EA LID-VENT, WHITE
3	064469-03-706	EA LIFT MECHANISM
4	048648-01-000	EA MOTOR-ROOF VENT, 1/8 SHAFT - 12V
5	048649-01-000	EA FAN-ROOF VENT, 6 BLADES - 6"
6	110051-01-700	EA SCREEN-ROOF VENT
7	064469-03-705	EA GARNISH-INNER, 2.5" WIDE
8	009439-01-000	EA CRANK HANDLE-ROOF VENT
	009439-04-000	EA SCREW 8-32 X 1 1/4" POH
	009439-03-000	EA EXTENSION-CRANK HANDLE ROOF VENT - 9" - MILL

POWERED ROOF VENT

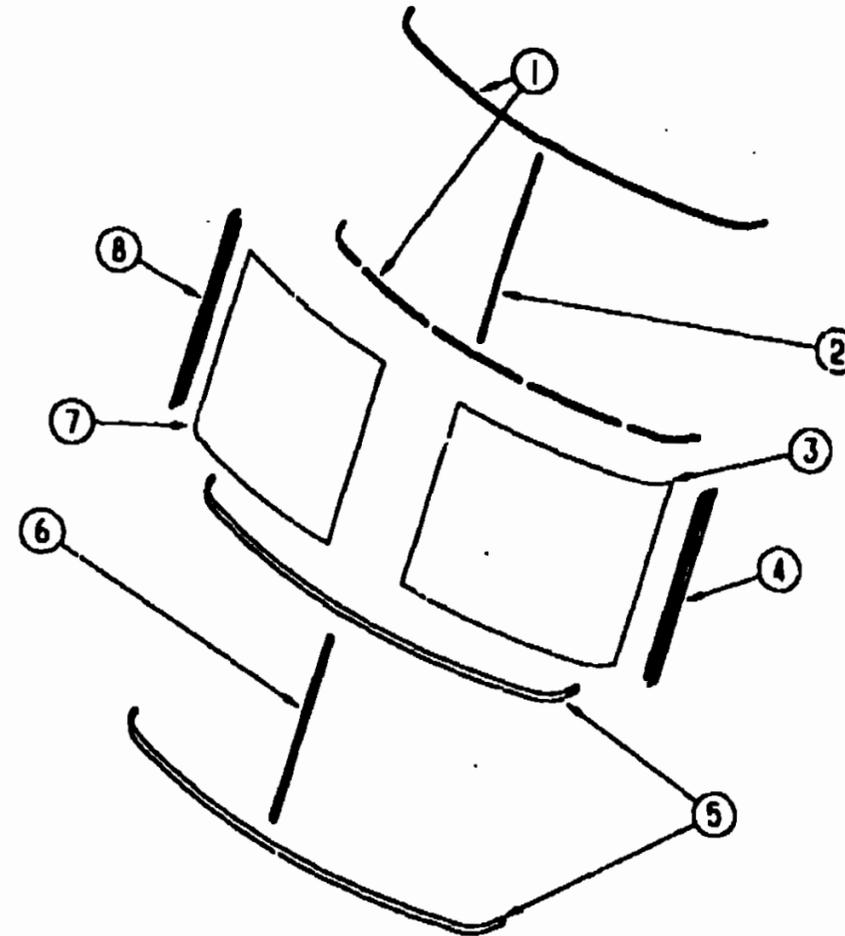
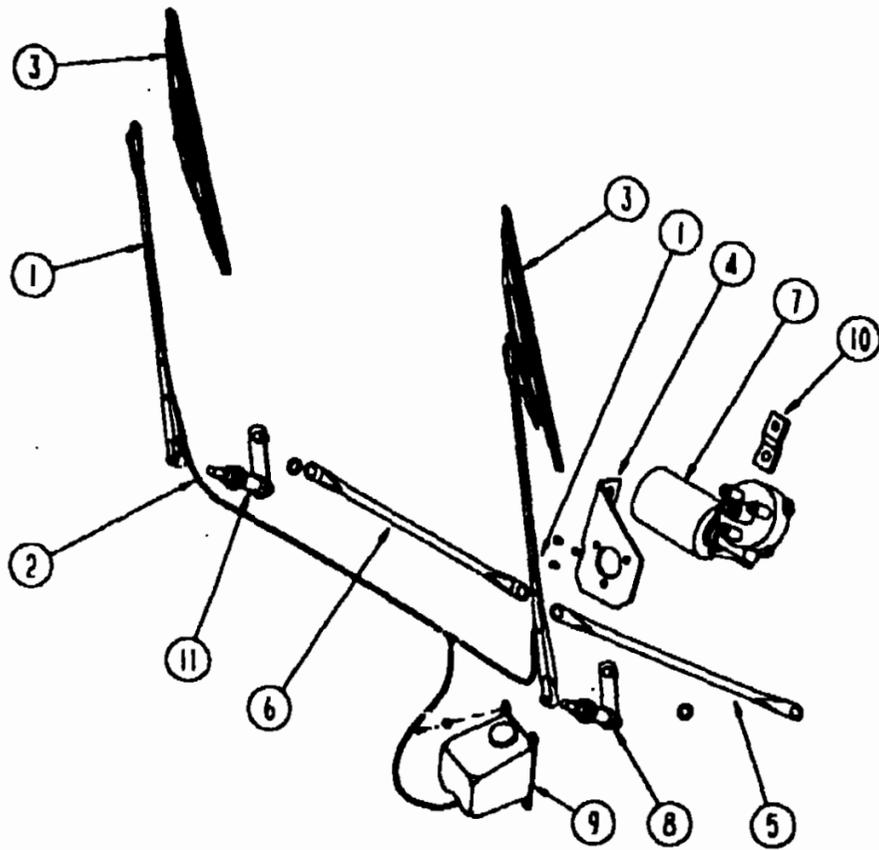
KEY	PART NUMBER	U/M DESCRIPTION
	090393-01-Y12	EA VENT ASM-ROOF, POWERED
	090392-01-Y12	EA VENT ASM-ROOF, NON POWERED
	051384-01-000	EA COVER-ROOF VENT
	002825-01-000	EA W/STR-ROOF VENT
	008195-01-000	EA SWITCH-PUSH BUTTON-12V
	003343-01-000	EA TIE-WIRE-6IN
	009440-01-000	EA GEAR-ARM-ROOF VENT
	048648-01-000	EA MOTOR-12V NONVENTED 1/8 SFT
	048649-01-000	EA FAN-PLAS-6 IN 6 BLADED
	052659-01-001	EA EXTR-HINGE 192 00 IN ROOF
	058028-01-000	EA CONNECTOR-PIGTAIL, CLEAR NYLON B A P
	061603-01-000	EA GROMMET-SNAP, 3/16ID, 3/8 HOLE A A P
	076322-02-000	FT TAPE-FOAM, DBL COATED 045X1.0 C A P

**WINDSHIELD & WIPER GROUP**

**WINDSHIELD & WIPER GROUP (CONTINUED)**

**1991 WINNEBAGO  
TABLE OF CONTENTS**

INTRODUCTION	A-01 -	A-02
ABBREVIATIONS		A-03
ALPHABETICAL INDEX	A-04 -	A-06
ICF27RC	A-07 -	E-12
ICF30RU	E-15 -	K-12



**WINDSHIELD WIPER ASM**

**WINDSHIELD MOLDINGS & GLASS**

**1992 ICF27RC INDEX**

FLOOR PLAN	A-07 -	A-08
ACCESSORIES		A-09
AUDIO VIDEO	A-09 -	A-10
BATH	A-11 -	A-12
BEDROOM	A-13 -	A-14
CHASSIS	A-15 -	A-22
CURTAIN & CUSHION	A-25 -	B-08
DINETTE	B-09 -	B-10
DRIVERS COMPARTMENT	B-11 -	B-14
ELECTRICAL	B-15 -	B-20
EXTERIOR BODY	B-21 -	C-04
GALLEY	C-05 -	C-08
GENERATORS	C-09 -	C-10
HEATING & A/C	C-11 -	C-16
INTERIOR FINISH	C-17 -	C-23
LABELS	C-24	D-08
LP		D-09
LOUNGE		D-10
SEALANTS & FASTENERS	D-11 -	D-13
WATER & SEWAGE	D-14 -	D-19
WINDOW, VENT		
EXTERIOR DOOR	D-20 -	E-10
WINDSHIELD & WIPER	E-11 -	E-12

KEY	PART NUMBER	U/M DESCRIPTION
1	103671-01-000	EA ARM - WIPER - 24"
2	096931-01-700	EA HOSE
3	095964-01-000	EA BLADE - WIPER - WINDSHIELD - 24"
4	104549-01-000	EA BRACKET ASM - WIPER MOTOR
5	103672-01-000	EA LINK ASM - CONNECTING - 21 85° - DRIVER SIDE
6	103672-02-000	EA LINK ASM - CONNECTING - 21 85° - PASSENGER SIDE
7	097983-01-000	EA WIPER MOTOR - W/76 DEGREE WIPER ANGLE
7	104355-01-000	EA WIPER MOTOR - W/1.5" DRIVE ARM
8	096505-03-000	EA PIVOT & SHAFT ASM - WIPER - DRIVER SIDE
9	056000-02-000	EA WASHER - WINDSHIELD - BOTTLE & PUMP
10	104347-01-000	EA ARM - DRIVE - WIPER MOTOR - 1 54"
11	056505-02-000	EA PIVOT & SHAFT ASM - WIPER - PASSENGER SIDE
	067188-01-000	EA STUD - WIPER CRANK
	091206-02-000	EA CONTROL - WIPER - DASH - DANA

KEY	PART NUMBER	U/M DESCRIPTION
1	102935-01-000	EA CARRIER - REVEAL - WINDSHIELD
2	102935-03-000	EA CARRIER - REVEAL - WINDSHIELD
3	088793-03-000	EA GLASS-WINDSHIELD, PASSENGER
4	103107-04-01A	EA TRIM - WINDSHIELD - SIDE - BLACK
5	102936-01-000	FT MOLDING - REVEAL - WINDSHIELD
6	103523-01-000	FT MOLDING - REVEAL - WINDSHIELD - CENTER
7	088793-04-000	EA GLASS-WINDSHIELD, DRIVER
8	103107-03-01A	EA TRIM - WINDSHIELD - SIDE - BLACK
	098788-03-000	EA CHANNEL - RIGID
	075710-01-000	EA FRAME - WINDSHIELD - CENTER DIVIDER - INNER
	077922-02-000	EA HEADER - WINDSHIELD
	077922-03-000	EA HEADER WINDSHIELD END - RIGHT
	077922-04-000	EA HEADER WINDSHIELD END - LEFT
	077922-05-000	EA HEADER WINDSHIELD - CENTER
	078579-10-000	EA TRIM - WINDSHIELD - UPR INNER - RIGHT OFF WHITE
	078579-09-000	EA TRIM - WINDSHIELD - UPR INNER - LEFT OFF WHITE
	079765-08-000	EA TRIM - WINDSHIELD - CENTER - OFF WHITE
	077952-02-000	EA CAP - REVEAL MOLDING - CENTER TOP AND BOTTOM WINDSHIELD
	077847-02-000	EA SUPPORT - WINDSHIELD - LOWER - W/O BRACKETS