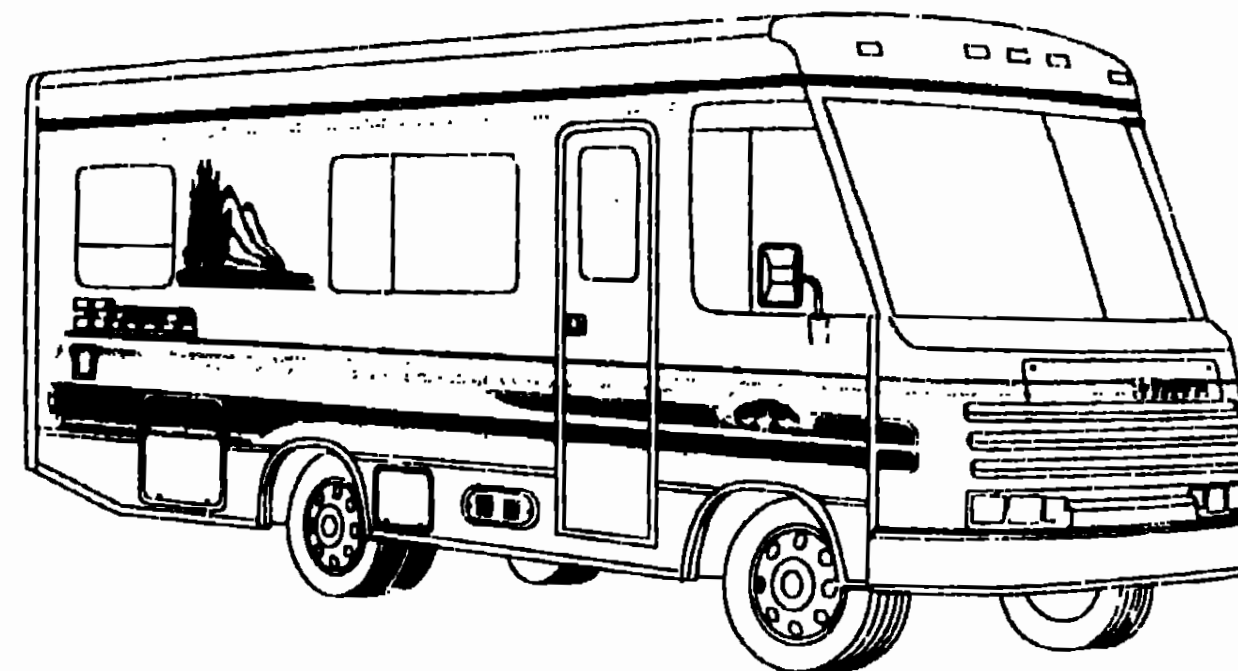
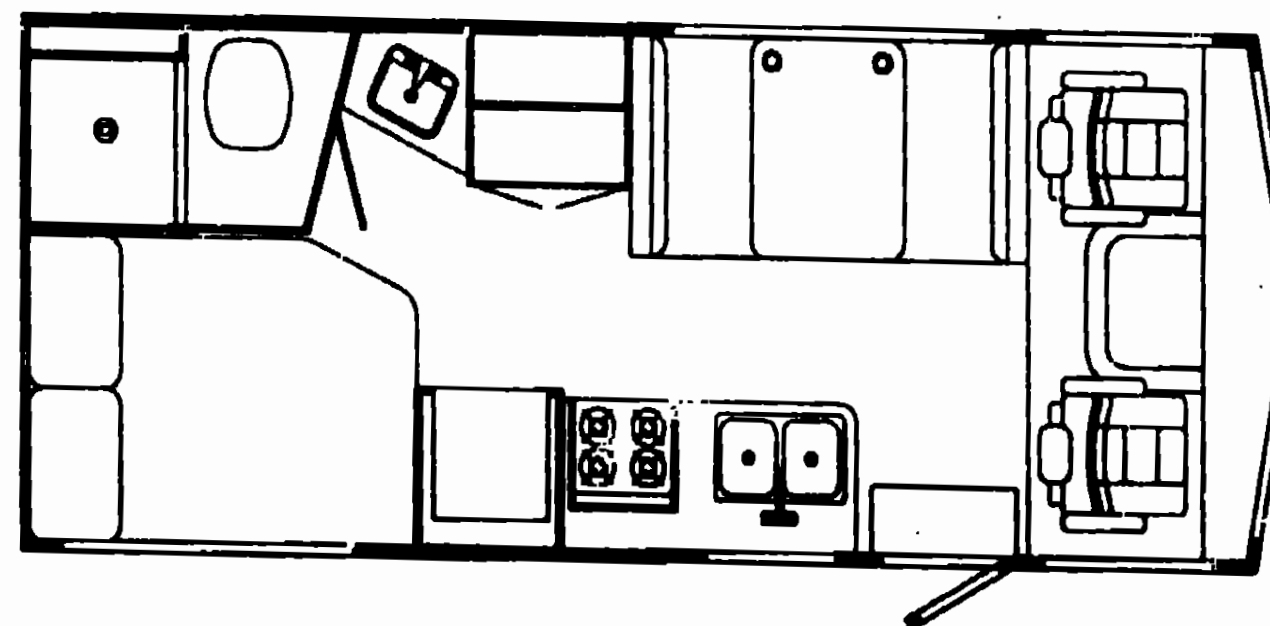


**1992 ITASCA
TABLE OF CONTENTS**

INTRODUCTION	A-01	A-02
ABBREVIATIONS		A-03
ALPHABETICAL INDEX	A-04	A-06
ICF23RC	A-07	E-14
ICF31RQ	E-15	J-08



**1992
ICF23RC
C25
C26**



1992 ICF23RC INDEX

FLOOR PLAN	A-07	E-08
ACCESSORIES		A-09
AUDIO/VIDEO	A-10	A-12
BATH	A-13	A-14
BEDROOM	A-15	A-16
CHASSIS	A-17	B-03
CURTAIN & CUSHION	B-04	B-12
DINETTE	B-13	B-14
DRIVERS COMPARTMENT	B-15	B-20
ELECTRICAL	B-21	C-04
EXTERIOR BODY	C-05	C-12
GALLEY	C-13	C-17
GENERATOR	C-18	C-19
HEATING & A/C	C-20	C-24
INTERIOR FINISH	D-01	D-04
LABEL	D-05	D-13
LF		D-14
SEALANTS & FASTENERS	D-15	D-13
WATER & SEWAGE	D-19	D-24
WINDOW, VENT AND EXTERIOR DOOR	E-01	E-12
WINDSHIELDWIPER	E-13	E-14

**ACCESSORIES GROUP
OPERATOR MANUAL**

KEY	PART NUMBER	U/M DESCRIPTION
	054185-03-000	EA MANUAL OPERATOR 92 SUNRISE - F-SERIES
	092318-01-000	EA BINDER-3 RING, MOTOR HOME MANUAL
	092319-01-000	EA PCKET PAGE-3 RING BINDER, PLASTIC
	106960-01-000	DW TOP LEVEL DRAWING-F 1992

**AUDIO/VIDEO GROUP
PATIO ENTERTAINMENT CENTER**

KEY	PART NUMBER	U/M DESCRIPTION
	090862-01-000	EA BRACKET-HAT, ANTENNA - 3.1" X 3.9" - STEEL - BLACK
	073741-03-000	EA SPEAKER-RADIO, OVAL - AUDIOVOX 110-2074 - 4" X 6"
	073741-04-000	EA GRILLE-SPEAKER, OVAL - 4" X 6" - BLACK
	077069-02-000	EA CABLE-ANTENNA, RADIO - EXTENSION 96" - ARA 6700667
	097621-02-000	EA MOUNTING KIT-RADIO AUDIOVOX WMK-AB02
	081059-02-000	EA WIRE ASM-9-PIN, RADIO - AUDIOVOX 112B-17G1
	104089-01-000	EA RADIO-AM/FM STEREO CASSETTE - AUDIOVOX IM-DXF
	104899-01-C05	EA PLATE-RADIO MOUNTING
	105230-11-C05	EA SHELF ASM
	105230-12-C52	EA SUPPORT ASM
	105376-01-02A	EA HINGE-CONTINUOUS, 2"X140MM - OFF WHITE
	105377-01-01A	EA BRACKET-TABLE HANGER - OFF WHITE
	105230-11-C25	EA SHELF ASM
	105230-12-C25	EA SUPPORT ASM
	105376-01-02A	EA HINGE-CONTINUOUS 2"X140MM - OFF WHITE
	105377-01-01A	EA BRACKET-TABLE HANGER - OFF WHITE
	105377-01-02A	EA BRACKET-TABLE HANGER GRAY

RADIO SYSTEM & ANTENNA

KEY	PART NUMBER	U/M DESCRIPTION
	087683-01-000	EA RADIO-AM/FM STEREO W/CASSETTE - AUDIOVOX 144D1559
	093214-01-02A	EA GRILLE-SPEAKER, 4" BROWN
	077069-02-000	EA CABLE-ANTENNA, RADIO - EXTENSION 96" - ARA 6700667
	090944-01-000	EA ANTENNA-RADIO, 16" RUBBER
	089340-02-000	EA GRILLE-SPEAKER, 6.5" SQUARE
	089340-03-000	EA GRILLE-SPEAKER, SPACER TAN - MAGNADYNE G514
	094097-01-000	EA SPEAKER-RADIO, W/O GRILLE - 5.25" DIA. - AUDIOVOX 110C3030

**1992 ITASCA
TABLE OF CONTENTS**

INTRODUCTION	A-01	A-02
ABBREVIATIONS		A-03
ALPHABETICAL INDEX	A-04	A-06
ICF23RC	A-07	E-14
ICF31RO	E-15	J-08

1992 ICF23RC INDEX

FLOOR PLAN	A-07	A-08
ACCESSORIES		A-09
AUDIO/VIDEO	A-10	A-12
BATH	A-13	A-14
BEDROOM	A-15	A-16
CHASSIS	A-17	B-03
CURTAIN & CUSHION	B-04	B-12
DINETTE	B-13	B-14
DRIVERS COMPARTMENT	B-15	B-20
ELECTRICAL	B-21	C-04
EXTERIOR BODY	C-05	C-12
GALLEY	C-13	C-17
GENERATOR	C-18	C-19
HEATING & A/C	C-20	C-24
INTERIOR FINISH	D-01	D-04
LABEL	D-05	D-13
LP		D-14
SEALANTS & FASTENERS	D-15	D-18
WATER & SEWAGE	D-19	D-24
WINDOW, VENT AND		
EXTERIOR DOOR	E-01	E-12
WINDSHIELDWIPER	E-13	E-14

AUDIO/VIDEO GROUP (CONTINUED)
TV ANTENNA & WALL PLATES

KEY	PART NUMBER	U/M DESCRIPTION
	076319-12-000	EA CONNECTOR-COAXIAL, ONE PIECE
	082134-01-000	EA ADAPTER-TV, CABLE TO CABLE - WINEGARD F 81M
	088758-01-000	EA SPLITTER-TV, 2 WAY
	076319-03-000	FT CABLE-COAXIAL, 75 OHM
	076319-01-000	EA ANTENNA-TV, ROOF MOUNT - 44 5" MAST - RVA W02
	076319-01-700	EA HEAD-ANTENNA, AMPLIFIED - WINEGARD# RVSA U/V
	076319-01-701	EA GEAR-ELEVATING, PLASTIC - WINEGARD# 2200046
	076319-01-702	EA SHAFT ASM-ELEVATING, WINEGARD# RVP-400A
	076319-01-703	EA BEARING-NYLON, 5"OD - WINEGARD# 3200656
	076319-01-705	EA GROMMET-NYLON, 7/8"D - WINEGARD# 3200658
	076319-01-706	EA CRANK-ELEVATING, W/SET SCREW - WINEGARD# 5755100
	076319-01-707	EA SPRING-HANDLE, WINEGARD# 5160800
	076319-01-709	EA PLATE-DIRECTIONAL, FOR HEAD - WINEGARD #3200644
	076319-01-706	EA CRANK-ELEVATING, W/SET SCREW - WINEGARD# 5755100
	076319-06-000	EA ADAPTOR-CABLE ROOF PLATE, WINEGARD RPJ-1
	076319-09-000	EA WALLPLATE-CABLE RECEPTACLE, TV - SINGLE - BROWN
	086777-01-000	EA WALLPLATE-TV CABLE, W/ANTENNA SWITCH - IVORY
	086777-03-000	EA PLATE-WALL, CABLE - W/TV ANTENNA SWITCH & BOOSTER - IVORY

TV & VCR

KEY	PART NUMBER	U/M DESCRIPTION
	098447-01-000	EA TV-13", COLOR W/REMOTE - U.S. - MAGNAVOX RR1337 FROM 00-00-00 THRU 06-23-91
	098447-03-700	EA REMOTE
	098447-03-000	EA TV-13", COLOR W/REMOTE - U.S. - MAGNAVOX RR1337 FROM 06-24-91 THRU 99-99-99
	098447-03-700	EA REMOTE
	098447-02-000	EA TV-13", COLOR W/REMOTE - CANADIAN - MAGNAVOX RR1330W FROM 00-00-00 THRU 06-23-91
	098447-03-700	EA REMOTE
	098447-04-000	EA TV-13", COLOR W/REMOTE - CANADIAN - MAGNAVOX RR1330W FROM 06-24-91 THRU 99-99-99
	098447-03-700	EA REMOTE
	098819-01-000	EA SPEAKER-2 WATT, 8 OHM - 4"
	098446-02-000	EA VCR-VHS CABLE READY-REMOTE - MAGNAVOX VK9912 FROM: 00-00-00 THRU: 07-21-91
	098446-02-700	EA REMOTE F/MODEL #9010
	098446-03-000	EA VCR-VHS CABLE READY-REMOTE - MAGNAVOX VR9010 FROM 07-22-91 THRU 99-99-99
	098446-03-700	EA REMOTE F/MODEL #9010

AUDIO/VIDEO GROUP (CONTINUED)
CONTROL CENTER & CB ANTENNA

KEY	PART NUMBER	U/M DESCRIPTION
	086757-03-000	EA CONTROL CENTER-VCR/TV - MAGNADYNE VCS-6
	105248-01-000	EA ANTENNA-CB, ADVANCE R604

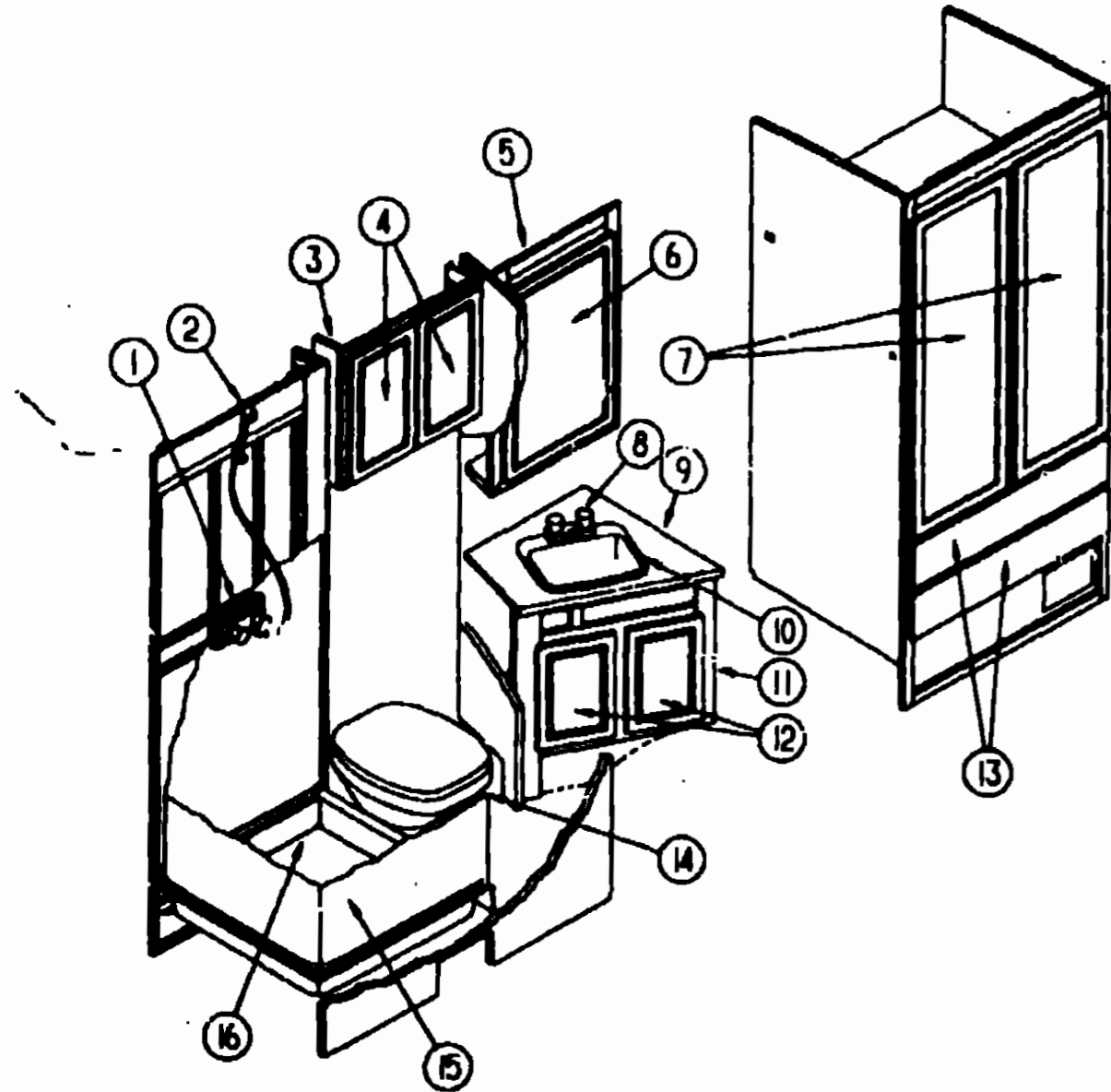
1992 ITASCA
TABLE OF CONTENTS

INTRODUCTION	A 01	A 02
ABBREVIATIONS		A-03
ALPHABETICAL INDEX	A 04	A 05
ICF23RC	A 07	E 14
ICF31RO	E-15	J-08

1992 ICF23RC INDEX

FLOOR PLAN	A-07	A-08
ACCESSORIES		A-09
AUDIO/VIDEO	A-10	A-12
BATH	A-13	A-14
BEDROOM	A-15	A-16
CHASSIS	A-17	B-03
CURTAIN & CUSHION	B-04	B-12
DINETTE	B-13	B-14
DRIVERS COMPARTMENT	B-15	B-20
ELECTRICAL	B-21	C-04
EXTERIOR BODY	C-05	C-12
GALLEY	C-13	C-17
GENERATOR	C-18	C-19
HEATING & A/C	C-20	C-24
INTERIOR FINISH	D-01	D-04
LABEL	D-05	D-13
LP		D-14
SEALANTS & FASTENERS	D-15	D-18
WATER & SEWAGE	D-19	D-24
WINDOW, VENT AND		
EXTERIOR DOOR	E-01	E-12
WINDSHIELD/WIPER	E-13	E-14

BATH GROUP
BATHROOM CABINET & COMPONENTS



KEY	PART NUMBER	U/M DESCRIPTION
1	075241-05-000	EA FAUCET-SHOWER, BONE
	075608-01-000	EA PANEL-FAUCET BACK, SHOWER - 5' X 9' - PLASTIC
2	103092-01-000	EA SHOWER HEAD-W/60 IN HOSE - U S
	103092-02-000	EA SHOWER HEAD-W/HOSE - CANADIAN
	102075-03-01A	EA ROD-CURTAIN, SHOWER - OFF WHITE
	009112-01-000	EA FLANGE-1" ROD, CLOTHES - PLASTIC - OFF WHITE
3	102851-01-C05	EA CABINET-STORAGE BATH
4	P04746-08-C25	EA DOOR W/MIRROR - W/O HARDWARE
5	102821-01-C05	EA CABINET-MEDICINE
6	102323-02-000	EA DOOR-MIRROR, 500MMX750H
	102327-01-01A	EA PULL - CLEAR, MEDICINE CABINET
	088254-01-000	EA CATCH-MAGNETIC
7	P04746-20-C25	EA DOOR ASM-WARDROBE, W/O HARDWARE
8	075240-06-000	EA FAUCET-LAVATORY BONE
	105218-01-01A	EA SPACER-FAUCET, LAVATORY SINK - 2" X 5 1/2" - ABS PLASTIC - OFF WHITE FROM 00-00-00 THRU 10-13-91
9	104222-11-C25	EA COUNTERTOP ASM
10	096927-01-01A	EA SINK-LAVATORY, RECTANGULAR - PLASTIC - BONE
	096927-01-700	EA SINK-STOPPER
	096927-01-701	EA TAILPIECE-SINK
11	P04222-01-C25	EA CABINET ASM-LAVATORY
12	P04746-19-C25	EA DOOR - W/O HARDWARE
13	P03397-75-C25	EA DRAWER-CABINET W/O HARDWARE - 155MM X 748MM FROM 00-00-00 THRU 01-10-92
12	P07104-A1-C25	EA DRAWER-CABINET, W/O HARDWARE - 155MM X 748MM FROM 01-20-92 THRU 99-99-99
14	067487-02-000	EA TOILET-AQUA MAGIC IV, LOW
	053740-01-700	EA LEVER-WATER, THETFORD 12514
	063740-01-706	EA BOLT PACKAGE-CLOSET, THETFORD 12524
	063740-01-710	EA LINK, THETFORD 12513
	063740-01-713	EA SEAL-BALL VALVE TO BOWL, THETFORD 12502
	063740-01-714	EA VALVE ASM-WATER, THETFORD 12492
	063740-01-717	EA TUBE-FLUSH, TOILET - THETFORD 12509
	024676-01-000	EA FLANGE-CLOSET, TOILET - 4" X 3" - RED
	024676-02-000	EA FLANGE-CLOSET, 4" X 3" - ABS - CANADIAN
15	102046-01-01A	EA SURROUND-SHOWER - OFF WHITE
16	M02429-06-000	EA PAN-SHOWER
	011069-02-000	EA TAILPIECE-TUB/SHOWER, 1 1/2" X 1 1/4" X 4" - BRASS
	066436-01-000	EA NUT-SLIP, TAILPIECE - 1.5"
	066440-01-000	EA STRAINER W/RUBBER WASHER
	069735-01-000	EA WASHER-STRAINER TO TAILPIECE PLASTIC, 1.5"
	075452-02-000	EA HOLDER-TOILET TISSUE, BRASS
	100357-01-000	EA ROD-TOWEL, BRASS W/ENDS BENT FOR BACK OF BATH DOOR
	075454-02-000	EA RING-TOWEL, W/MOUNTING HARDWARE - BRASS
	M87868-05-C05	EA DOOR-BATH
	094485-01-01A	EA KNOB-DOOR, POLISHED BRASS

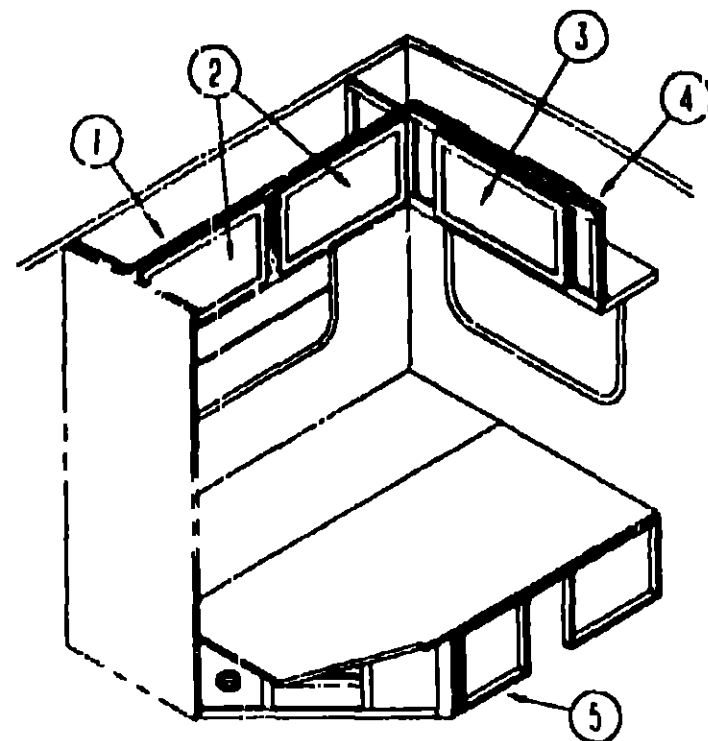
1992 ITASCA
TABLE OF CONTENTS

INTRODUCTION	A-01	A-02
ABBREVIATIONS		A-03
ALPHABETICAL INDEX	A-04	A-06
ICF23RC	A-07	E-14
ICF31RC	E-15	J-08

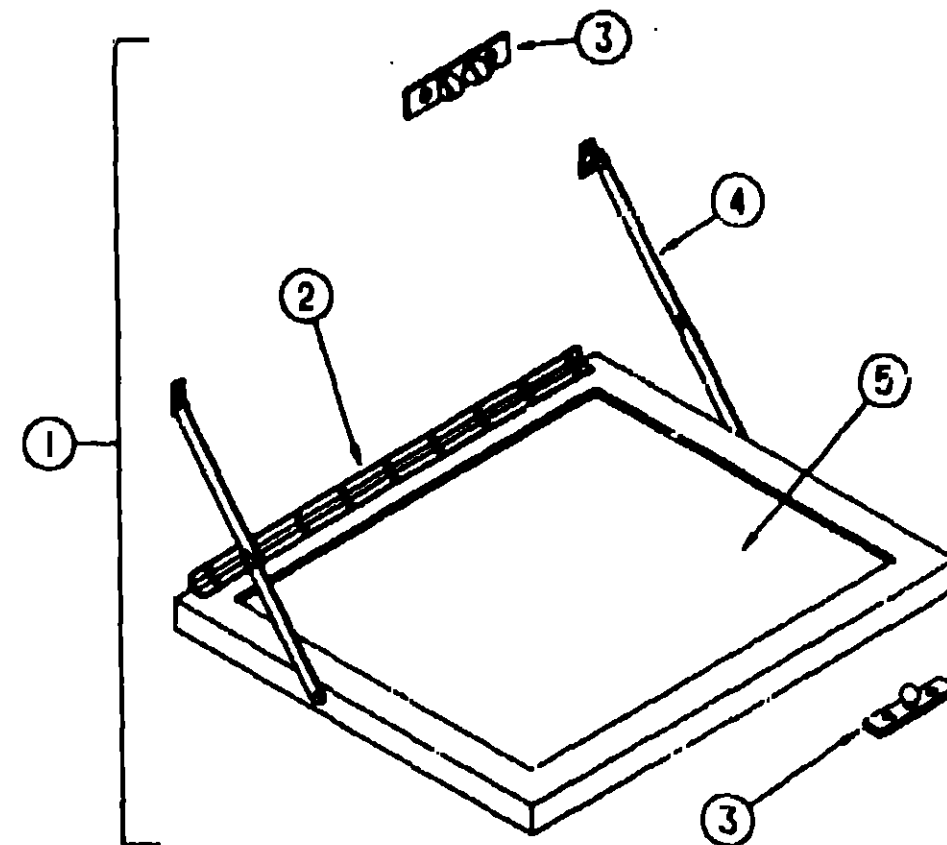
1992 ICF23RC INDEX

FLOOR PLAN	A-07	A-08
ACCESSORIES		A-09
AUDIO/VIDEO	A-10	A-12
BATH	A-13	A-14
BEDROOM	A-15	A-16
CHASSIS	A-17	B-03
CURTAIN & CUSHION	B-04	B-12
DINETTE	B-13	B-14
DRIVERS COMPARTMENT	B-15	B-20
ELECTRICAL	B-21	C-04
EXTERIOR BODY	C-05	C-12
GALLEY	C-13	C-17
GENERATOR	C-18	C-19
HEATING & A/C	C-20	C-24
INTERIOR FINISH	D-01	D-04
LABEL	D-05	D-13
LP		D-14
SEALANTS & FASTENERS	D-15	D-18
WATER & SEWAGE	D-19	D-24
WINDOW, VENT AND		
EXTERIOR DOOR	E-01	E-12
WINDSHIELD/WIPER	E-13	E-14

BEDROOM GROUP



BEDROOM GROUP (CONTINUED)



**1992 ITASCA
TABLE OF CONTENTS**

INTRODUCTION	A-01 -	A-02
ABBREVIATIONS		A-03
ALPHABETICAL INDEX	A-04 -	A-06
ICF23RC	A-07 -	E-14
ICF31RO	E-15 -	J-08

BEDROOM CABINETRY

KEY	PART NUMBER	U/M DESCRIPTION
1	M05019-40-C25	EA CABINET ASM-OVERHEAD, PASSENGER SIDE - W/O DOORS OR HARDWARE
1	M05019-40-C26	EA CABINET ASM-OVERHEAD, PASSENGER SIDE - W/O DOORS OR HARDWARE
2	P04746-03-C25	EA DOOR-CABINET, W/O HARDWARE - 400MM X 710MM
3	P04746-04-C25	EA DOOR-CABINET, W/O HARDWARE - 400MM X 710MM
4	M05019-46-C25	EA CABINET ASM-OVERHEAD, REAR - W/O DOORS OR HARDWARE
4	M05019-46-C26	EA CABINET ASM-OVERHEAD, REAR - W/O DOORS OR HARDWARE
5	P02963-01-C05	EA CABINET ASM-DOUBLE BED
	089076-03-000	EA SUPPORT-BED, H-CHANNEL - 1 96" X 72.7" - ALUMINUM - BEIGE
	091261-01-000	EA BACKING-NON-SKID, 12"X100"

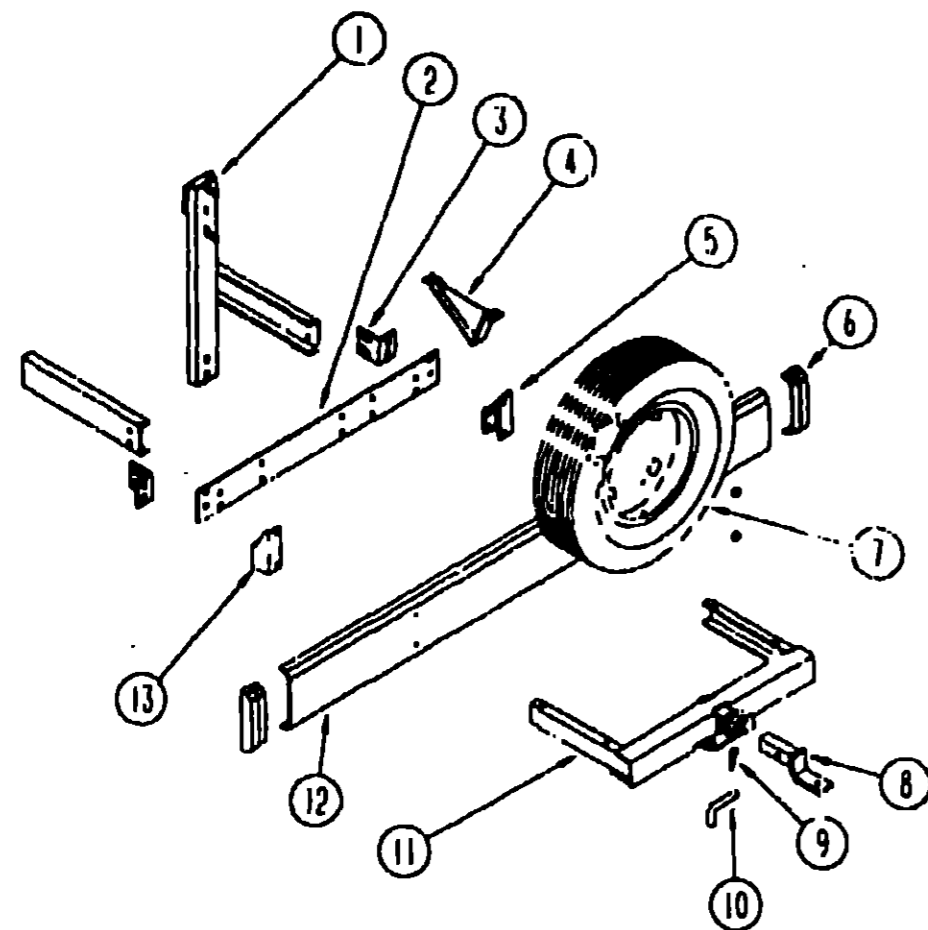
TV STAND

KEY	PART NUMBER	U/M DESCRIPTION
1	084357-02-W24	EA STAND-FOLD DOWN, TV - W/MIRROR
2	084413-01-000	EA HINGE-CONTINUOUS, W/WHOLE
3	084451-01-000	EA CATCH-TV SHELF, BRASS
4	084412-01-000	EA SUPPORT-HINGED
5	084356-04-000	EA INSERT-TV STAND, W/SUPPORT HINGE - METAL - TAN
		FROM: 00-00-00 THRU 05-24-92
5	084356-08-000	EA INSERT-TV STAND, W/SUPPORT HINGE - METAL - OFF WHITE
		FROM 05-25-92 THRU 99-99-99
5	058331-14-000	EA MIRROR-GLASS, SAFETY - 14" X 12 7"

1992 ICF23RC INDEX

FLOOR PLAN	A-07 -	A-08
ACCESSORIES		A-09
AUDIO/VIDEO	A-10 -	A-12
BATH	A-13 -	A-14
BEDROOM	A-15 -	A-16
CHASSIS	A-17 -	B-03
CURTAIN & CUSHION	B-04 -	B-12
DINETTE	B-13 -	B-14
DRIVERS COMPARTMENT	B-15 -	B-20
ELECTRICAL	B-21 -	C-04
EXTERIOR BODY	C-05 -	C-12
GALLEY	C-13 -	C-17
GENERATOR	C-18 -	C-19
HEATING & A/C	C-20 -	C-24
INTERIOR FINISH	D-01 -	D-04
LABEL	D-05 -	D-13
LP		D-14
SEALANTS & FASTENERS	D-15 -	D-18
WATER & SEWAGE	D-19 -	D-24
WINDOW, VENT AND		
EXTERIOR DOOR	E-01 -	E-12
WINDSHIELDWIPER	E-13 -	E-14

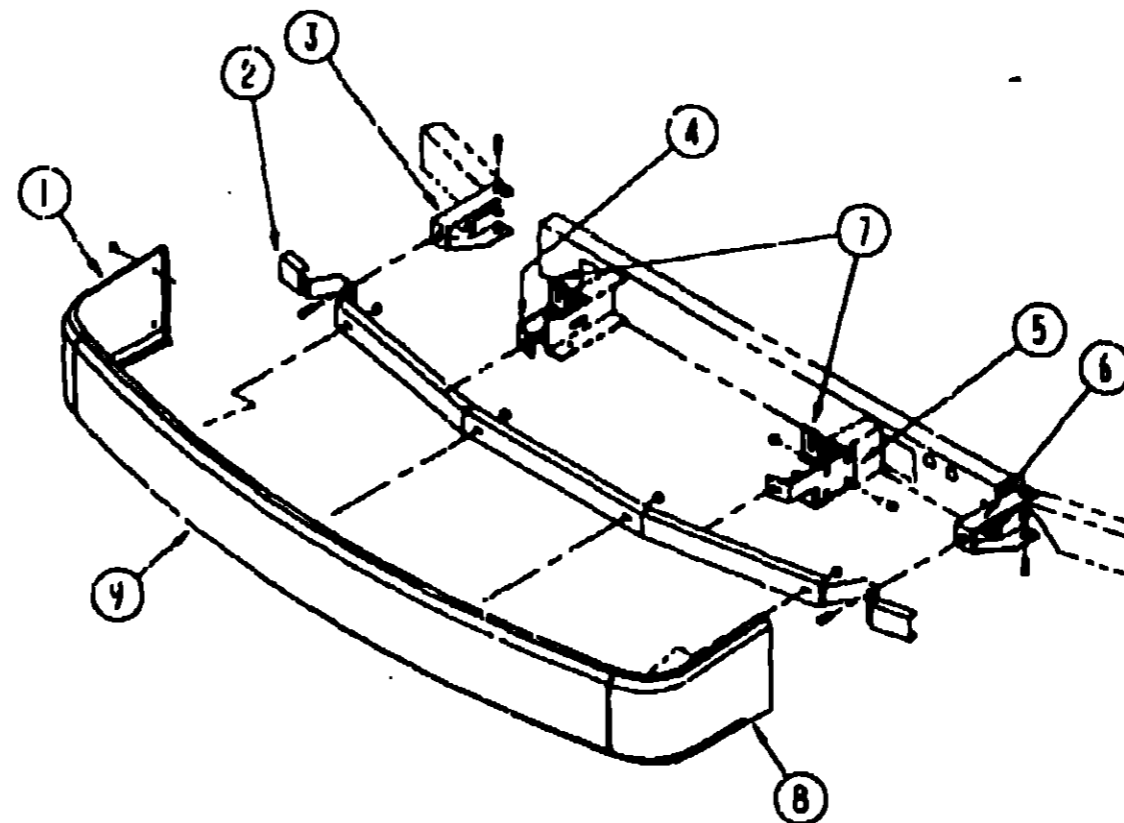
CHASSIS GROUP



REAR BUMPER, TRAILER HITCH & COMPONENTS

KEY	PART NUMBER	U/M	DESCRIPTION
1	102944-01-000	EA	BRACKET ASM-TIRE CARRIER
	000C27-10-32T	EA	BOLT-5/8-11X2.00
2	078678-02-000	EA	PLATE-MTG,BUMPER,REAR
3	073669-01-000	EA	SUPPORT ANGLE,BUMPER REAR
4	083376-01-000	EA	SKID PLATE ASM
5	102945-03-000	EA	BRACKET ASM-BUMPER,REAR
6	103228-01-02A	EA	CAP-END,BUMPER REAR GRAY
	094362-02-000	EA	CLIP-XMAS TREE,FLAT HEAD
7	083425-07-000	EA	TIRE-7.50 X R16 LRD, MICHELIN XPS RIB
	077030-02-000	EA	EXTENSION-VALVE STEM, 1 25"
	051377-01-000	EA	STEM-VALVE, TR 500
	051377-03-000	EA	STEM-VALVE, TRO 600HP
	104408-03-C25	EA	COVER-TIRE,32°SUNRISE
	P04408-03-000	EA	SILKSCREEN-32°SUNRISE
8	077613-01-000	EA	DRAWBAR ASM ONLY
9	034513-01-000	EA	PIN-HITCH-3/16 WIRE
	070579-08-000	EA	PLATE ASM-ANCHOR
10	034512-01-000	EA	PIN-LOCKING-DRAWBAR
11	077617-01-000	EA	HITCH ASM W/O DRAWBAR
	000C12-08-24B	EA	BOLT-HEX-1/2-13X1 1/2 ZN
	000E11-08-00B	EA	WASHER-LK-1/2 MED SPLIT ZN
12	103095-01-03A	EA	BUMPER-REAR, GRAY
13	102945-04-000	EA	BRACKET ASM-BUMPER,REAR
	102333-01-02A	EA	BOLT-7/16-14 SST CAP
	097744-02-000	EA	HOUSING-TRAILER PIN 48 IN
	097746-01-000	EA	HOUSING-CAP
	097745-02-000	EA	HOUSING-RECEPTACLE, 48"

CHASSIS GROUP (CONTINUED)



FRONT BUMPER

KEY	PART NUMBER	U/M	DESCRIPTION
1	103625-01-02A	EA	PANEL-FACIA BUMPER FRONT RIGHT - GRAY
2	103512-01-000	EA	CHANNEL ASM-BUMPER
3	103497-01-000	EA	BRACE-BUMPER,FRONT
4	086140-03-000	EA	SUPPORT-FRONT BUMPER, PASSENGER SIDE - 9 1" X 4" - STEEL
5	086140-04-000	EA	SUPPORT-FRONT BUMPER, DRIVER SIDE - 9 1" X 4" - STEEL
6	103611-01-000	EA	BRACE-BUMPER,FRONT
7	103628-01-000	EA	BRACKET-FRONT,LOWER,MTG
8	103625-02-02A	EA	PANEL-FACIA,BUMPER FRONT LEFT - GRAY
9	103634-01-C25	EA	BUMPER ASM-FRONT - W/RIGHT & LEFT FACIAS

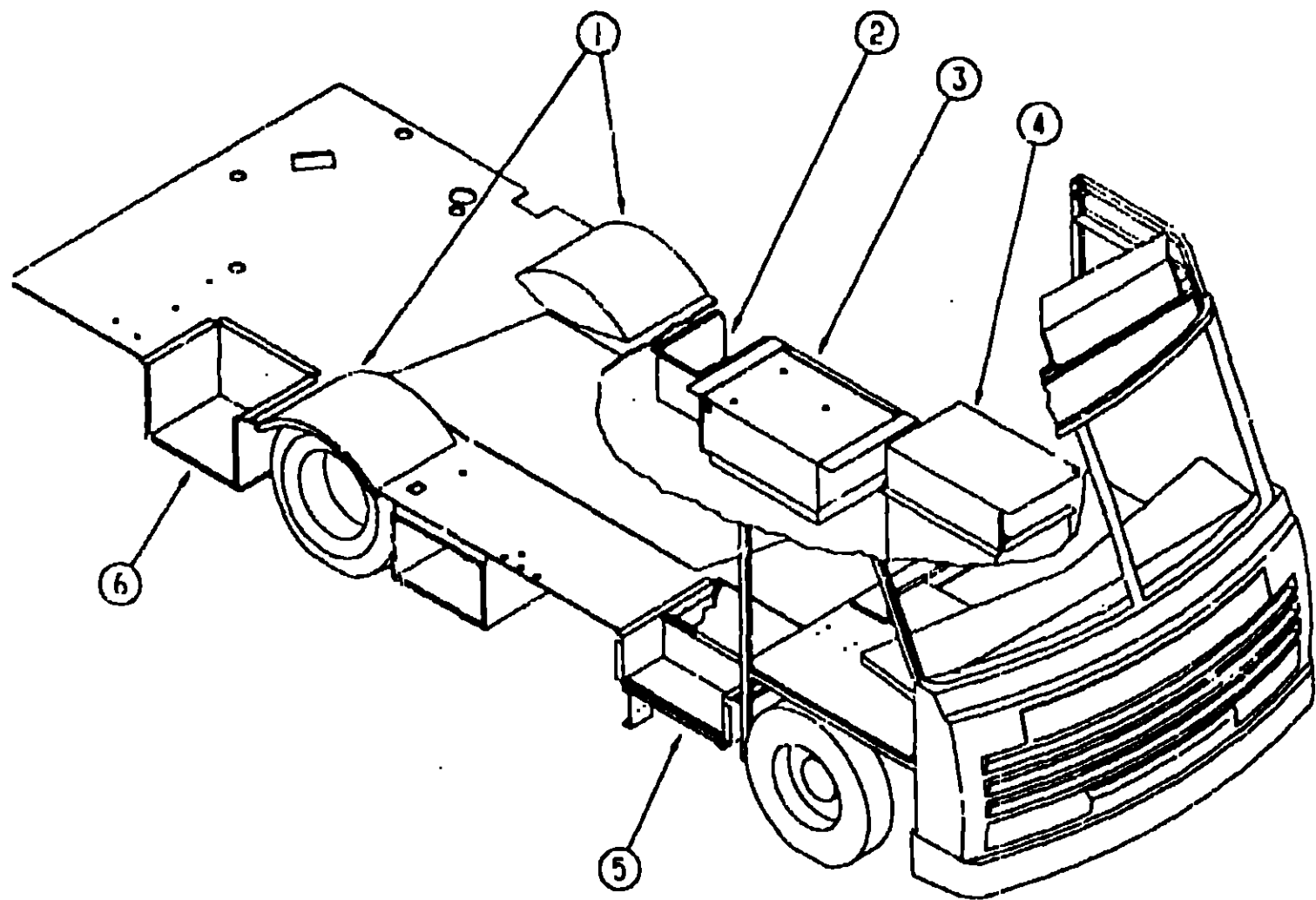
1992 ITASCA TABLE OF CONTENTS

INTRODUCTION	A-01 -	A-02
ABBREVIATIONS		A-03
ALPHABETICAL INDEX	A-04 -	A-06
ICF23RC	A-07 -	E-14
ICF31RQ	E-15 -	J-08

1992 ICF23RC INDEX

FLOOR PLAN	A-07 -	A-08
ACCESSORIES		A-09
AUDIO/VIDEO	A-10 -	A-12
BATH	A-13 -	A-14
BEDROOM	A-15 -	A-16
CHASSIS	A-17 -	B-03
CURTAIN & CUSHION	B-04 -	B-12
DINETTE	B-13 -	B-14
DRIVERS COMPARTMENT	B-15 -	B-20
ELECTRICAL	B-21 -	C-04
EXTERIOR BODY	C-05 -	C-12
GALLEY	C-13 -	C-17
GENERATOR	C-18 -	C-19
HEATING & A/C	C-20 -	C-24
INTERIOR FINISH	D-01 -	D-04
LABEL	D-05 -	D-13
LP		D-14
SEALANTS & FASTENERS	D-15 -	D-18
WATER & SEWAGE	D-19 -	D-24
WINDOW, VENT AND		
EXTERIOR DOOR	E-01 -	E-12
WINDSHIELDWIPER	E-13 -	E-14

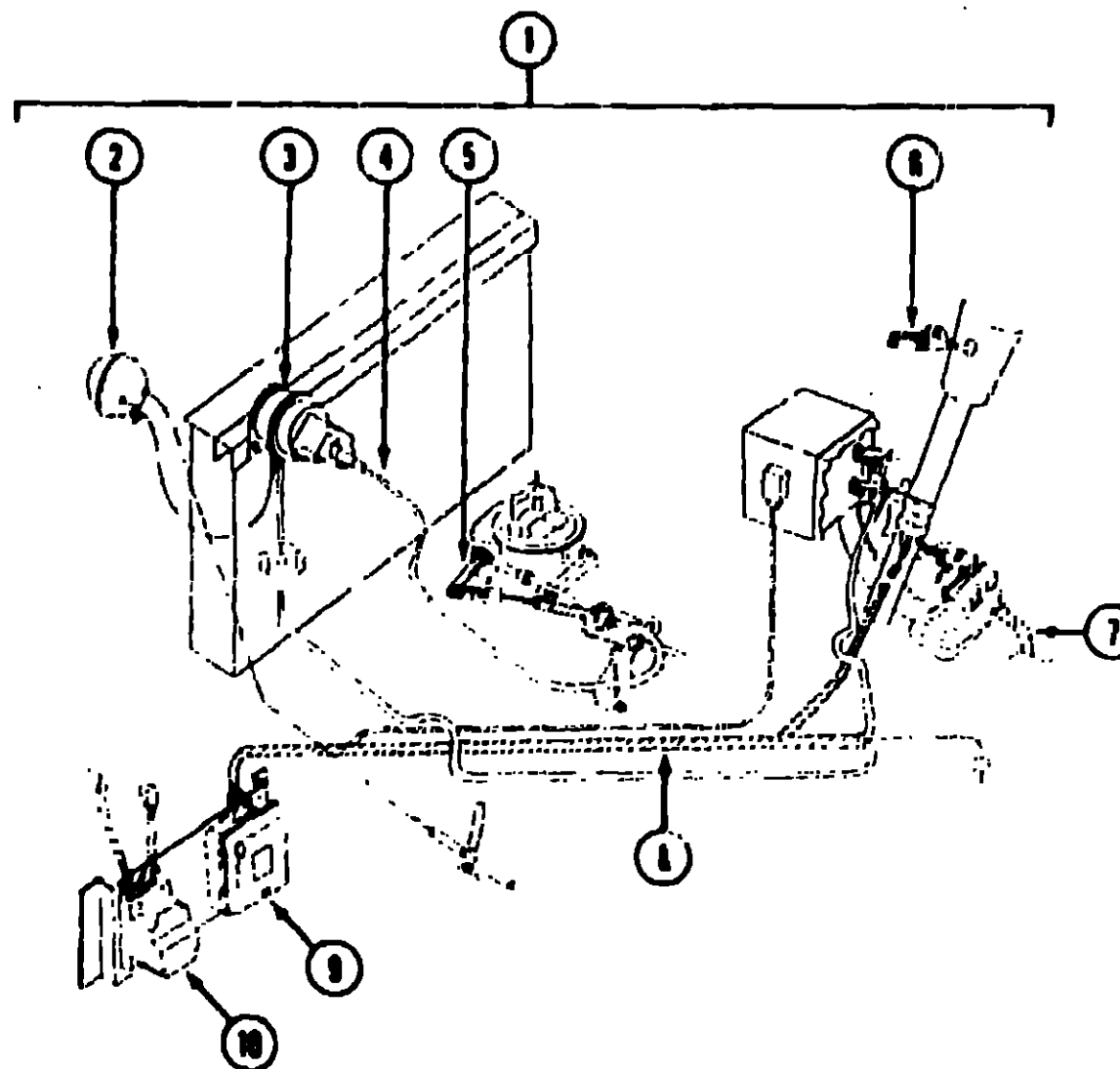
CHASSIS GROUP (CONTINUED)



STORAGE COMPARTMENTS & WHEELWELLS

KEY	PART NUMBER	U/M	DESCRIPTION
1	102921-01-000	EA	WHEELWELL - PLASTIC
2	102979-01-000	EA	BOX-POWER CORD
3	078137-04-000	EA	TRAY-COMPARTMENT, GENERATOR - 29 1" WIDE X 22 4" DEEP
4	103081-05-000	EA	COMPARTMENT ASM-STORAGE
5	077848-02-000	EA	STEP-PULLOUT
	091176-01-000	EA	SUPPORT-BASE-ENTRANCE STEP
6	103081-04-000	EA	COMPARTMENT ASM-STORAGE
	085967-01-000	EA	COMPARTMENT-SEWER HOSE, 6" X 6 6" X 17 8" - PLASTIC
	104897-01-01A	EA	BOX-ENTERTAINMENT CENTER - OFF WHITE
	104898-01-01A	EA	PLATE-PLASTIC BOTTOM - OFF WHITE
	106208-01-01A	EA	COMPARTMENT-EXTERIOR SHOWER, OFF WHITE - PLASTIC
	020167-03-000	EA	DIRT GUARD-STEEL, FOR MUDFLAP
	086182-01-W30	EA	COMPARTMENT ASM-HOSE SEWER

CHASSIS GROUP (CONTINUED)



SPEED CONTROL (GAS)

KEY	PART NUMBER	U/M	DESCRIPTION
1	102362-01-000	EA	SPEED CONTROL, DANA 59L-11101CB
2	094369-01-705	EA	VACUUM RESERVOIR, DANA 59C-02249
3	094369-01-706	EA	SERVO, DANA 53D-11116-R
4	102362-01-700	EA	CABLE ONLY-REPLACEMENT, DANA 55C-03001
5	102362-01-708	EA	THROTTLE STUD, DANA 59A-02979
6	102362-01-707	EA	CONTROL SWITCH & LEVER ASM, DANA 53D-08X63-F
7	102362-01-703	EA	HARNES ASM-PIVOT SW. TO WPR, DANA 59C-02973
8	102362-01-704	EA	HARNES ASM-MAIN WIRING, DANA 59D-02975
9	102362-01-701	EA	REGULATOR ASM-ELECTRONIC, DANA 57C-08X13-R
10	102362-01-702	EA	WIPER CONTROL MODULE, DANA 66D-00061
	102362-01-705	EA	THROTTLE RETAINER CLIP, DANA 59A-02821
	094863-01-704	EA	HOUSING-4 PIN, DANA 59C-02291

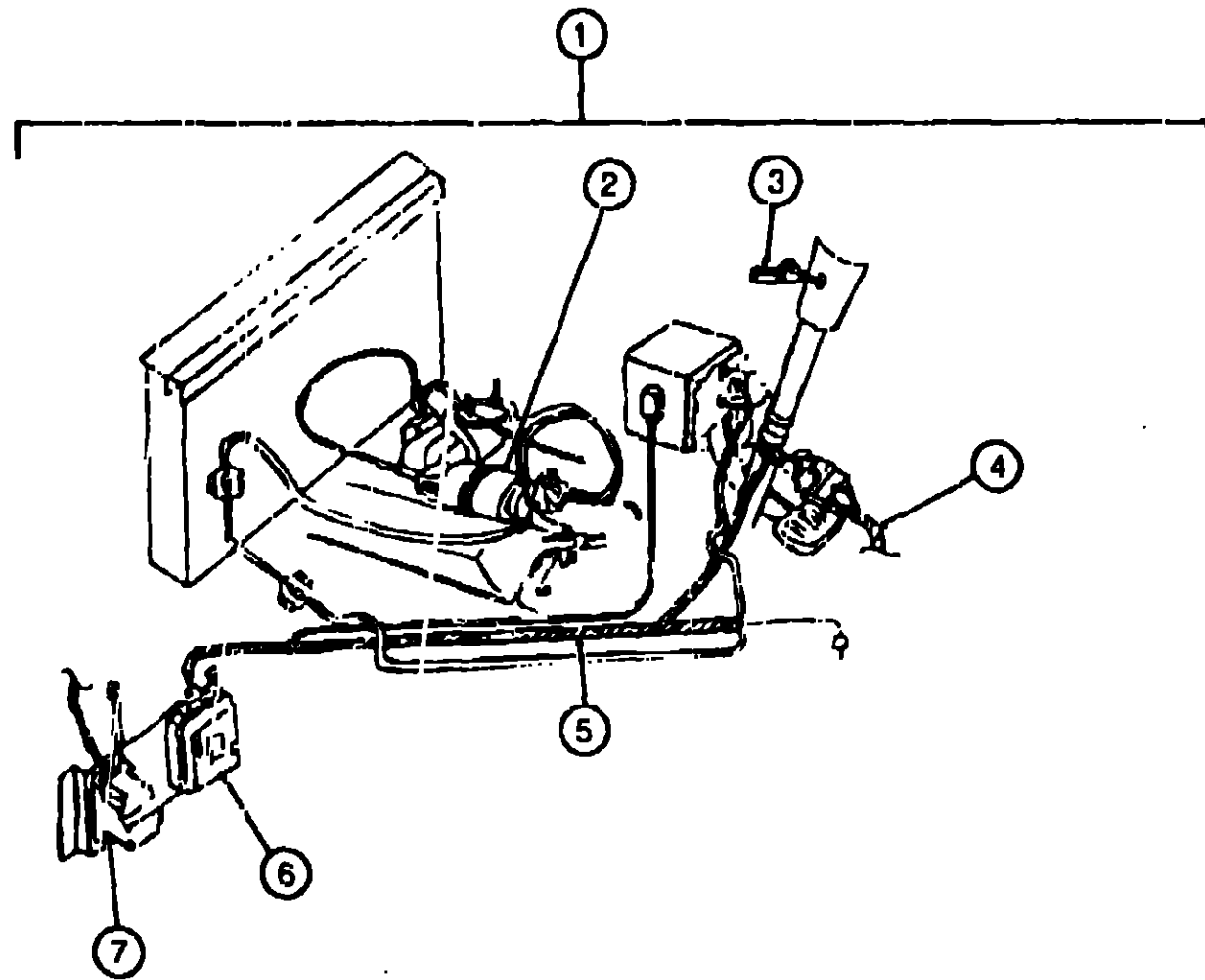
**1992 ITASCA
TABLE OF CONTENTS**

INTRODUCTION	A-01	A-02
ABBREVIATIONS		A-03
ALPHABETICAL INDEX	A-04	A-06
ICF23RC	A-07	E-14
ICF31RO	E-15	J-08

1992 ICF23RC INDEX

FLOOR PLAN	A-07	A-08
ACCESSORIES		A-09
AUDIO/VIDEO	A-10	A-12
BATH	A-13	A-14
BEDROOM	A-15	A-16
CHASSIS	A-17	B-03
CURTAIN & CUSHION	B-04	B-12
DINETTE	B-13	B-14
DRIVERS COMPARTMENT	B-15	B-20
ELECTRICAL	B-21	C-04
EXTERIOR BODY	C-05	C-12
GALLEY	C-13	C-17
GENERATOR	C-18	C-19
HEATING & A/C	C-20	C-24
INTERIOR FINISH	D-01	D-04
LABEL	D-05	D-13
LP		D-14
SEALANTS & FASTENERS	D-15	D-18
WATER & SEWAGE	D-19	D-24
WINDOW, VENT AND		
EXTERIOR DOOR	E-01	E-12
WINDSHIELDWIPER	E-13	E-14

CHASSIS GROUP (CONTINUED)



SPEED CONTROL (DIESEL)

KEY	PART NUMBER	U/M DESCRIPTION
1	102362-02-000	EA SPEED CONTROL, DANA 59L111020P
2	094369-01-706	EA SERVO-DANA# 53D-11116-R
3	102362-02-700	EA CONTROL SWITCH & LEVER - 8D-08X63-F
4	102362-01-703	EA HARNESS-PIVOT SW TO WIPER CONTROL, DANA 59C-02973
5	102362-01-704	EA HARNESS-MAIN WIRING, DANA 59D-02975
6	102362-01-701	EA REGULATOR-ELECTRONIC, DANA 57C-08X13-R
7	102362-01-702	EA WIPER CONTROL MODULE-DANA# 66L-00061
	094863-01-704	EA HOUSING-4 PIN, SPEED CONTROL - DANA 59C-02291
	102362-02-701	EA JUMPER WIRE ASSEMBLY - 59C-3003
	102362-02-702	EA STOP LAMP-CRUISE RELEASE SW. - 59C-3008 GM15644318
	094369-02-701	EA VACUUM REGULATOR-DIESEL, DANA# 59B-02117
	094369-02-702	EA EXTENSION-WIRE HARNESS, DANA# 59C-02279
	094369-02-700	EA CABLE-SERVO - DANA 59C-02262

CHASSIS GROUP (CONTINUED)
16" STAINLESS STEEL WHEEL LINER

KEY	PART NUMBER	U/M DESCRIPTION
	091209-05-000	EA LINER-WHEEL, SET OF 4 - 16" - STAINLESS STEEL
	091209-05-700	EA LINER-WHEEL, 16" FRONT - W/AXLE COVER & 8 LUG - CHEVY
	091209-05-701	EA LINER-WHEEL, 16" REAR - W/AXLE COVER & 8 LUG - CHEVY
	091209-03-702	EA COVER-AXLE, FRONT - 8 LUG - CHEVY
	091209-03-703	EA COVER-AXLE, REAR - 8 LUG - CHEVY
	091209-03-704	EA RING-SNAP, FRONT OR REAR - 8 LUG - CHEVY

WHEEL & WHEEL COVER

KEY	PART NUMBER	U/M DESCRIPTION
	089359-03-000	EA WHEEL-STEEL, 16" X 6"K - 8 HOLE - PRIMED
	083181-01-000	EA COVER-WHEEL, 16" - SET OF FOUR
	083181-01-700	EA COVER-WHEEL, 16" - 8 LUG - 1 ONLY
	095012-03-000	EA EXTENSION-VALVE STEM, DUAL WHEEL

CHASSIS MISCELLANEOUS

KEY	PART NUMBER	U/M DESCRIPTION
	055278-51-259	FT TUBING-STEEL, .75" X 1.5" X 12.5'
	055450-01-000	EA TIEDOWN-BATTERY 11 1" TUBE - STEEL
	075307-03-000	EA SHIELD-HEAT.I.P
	093719-01-000	EA HOSE-OIL, FILL, PREFORMED 90 DEGREE BEND
	070579-06-000	EA PLATE-ANCHOR, W/7/16 WELD NUT - 1.5" X 3.3" 4 USED
	077001-01-000	EA ANGLE-MOUNTING, ROOF PANEL - V ANGLE - 3" X 2.4" X 1.5"
	103136-01-000	EA BRACKET-SUPPORT, UPPER, HINGE, RIGHT
	103136-02-000	EA BRACKET-SUPPORT, UPPER, HINGE, LEFT
	008042-01-000	FT TUBING-VINYL, 65" ID
	020167-03-000	EA DIRT GUARD-STEEL, FOR MUDFLAP
	078038-01-000	EA EXTENSION-FRAME, FRONT
	103125-01-000	EA BRACKET-BRAKE, PARK - L-ANGLE - STEEL - BLACK MOUNTS BRAKE CABLE & SUPPORTS HOOD RELEASE CABLE FROM: 00-00-00 THRU 10-11-91
	103125-02-000	EA BRACKET-BRAKE, PARK - L-ANGLE - STEEL - BLACK MOUNTS BRAKE CABLE & SUPPORTS HOOD RELEASE CABLE FROM: 10-12-91 THRU 05-17-92
	076310-01-000	EA BAFFLE-RADIATOR, .12" X 15" X 62" - RUBBER
	065450-05-000	EA TIEDOWN-BATTERY, 8.4" TUBE
	080208-01-000	EA LUG WRENCH, 1.06 X 1.00
	080208-02-000	EA BAR-LEVERAGE, LUG WRENCH

FRONT SHOCKS

KEY	PART NUMBER	U/M DESCRIPTION
	079942-01-000	EA ABSORBER-SHOCK, STABILIZER - FRONT - 4 WAY SC3001

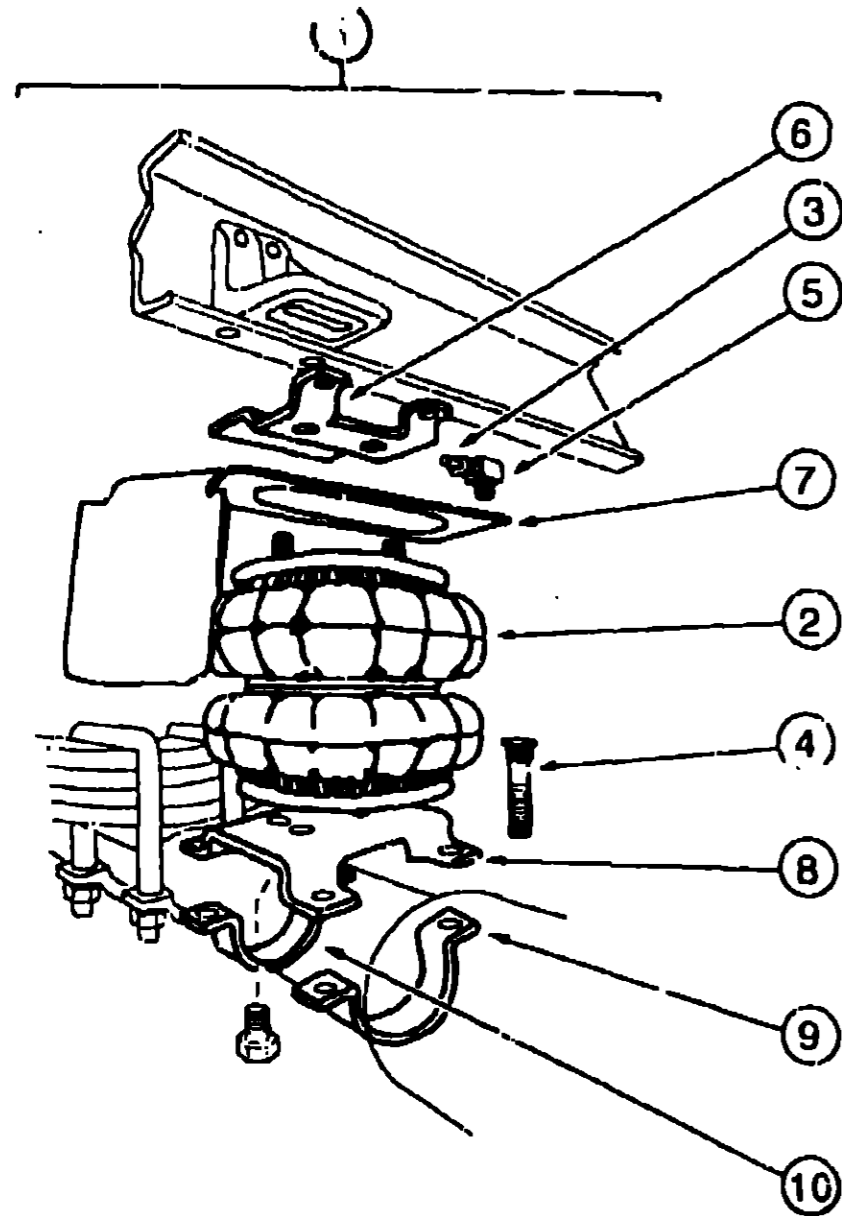
1992 ITASCA
TABLE OF CONTENTS

INTRODUCTION	A-01	A-02
ABBREVIATIONS		A-03
ALPHABETICAL INDEX	A-04	A-05
ICF23RC	A-07	E-14
ICF31RO	E-15	J-08

1992 ICF23RC INDEX

FLOOR PLAN	A-07	A-08
ACCESSORIES		A-09
AUDIO/VIDEO	A-10	A-12
BATH	A-13	A-14
BEDROOM	A-15	A-16
CHASSIS	A-17	B-03
CURTAIN & CUSHION	B-04	B-12
CINETTE	B-13	B-14
DRIVERS COMPARTMENT	B-15	B-20
ELECTRICAL	B-21	C-04
EXTERIOR BODY	C-05	C-12
GALLEY	C-13	C-17
GENERATOR	C-18	C-19
HEATING & A/C	C-20	C-24
INTERIOR FINISH	D-01	D-04
LABEL	D-05	D-13
LP		D-14
SEALANTS & FASTENERS	D-15	D-18
WATER & SEWAGE	D-19	D-24
WINDOW, VENT AND		
EXTERIOR DOOR	E-01	E-12
WINDSHIELDWIPER	E-13	E-14

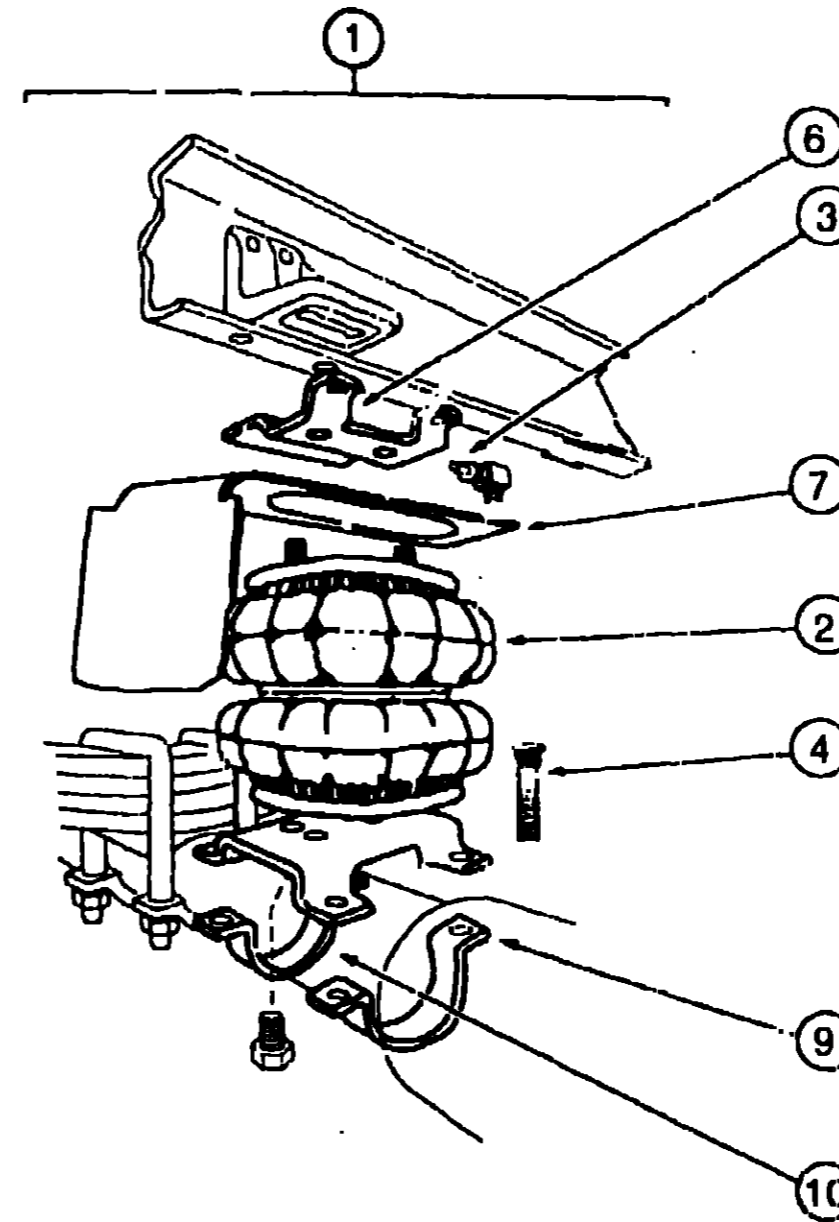
CHASSIS GROUP (CONTINUED)



REAR AXLE AIRSPRINGS

KEY	PART NUMBER	U/M DESCRIPTION
1	084086-01-000	EA AIRSPRING-BELLOWS, REAR AXLE - FIRESTONE# MHA224 FROM: 00-00-00 THRU: 08-25-91
2	084086-01-700	EA AIR BAG-ONLY, FIRESTONE# W21-760-0335
3	084086-01-701	EA TUBING-DOT 1/4" X 18" - FIRESTONE# 21-0938
4	084086-01-702	EA BOLT-RIBBED NECK, 3/8"-24 X 2.5" FIRESTONE# 21-0829
	084086-01-703	EA INFLATING VALVE-DOT 1/4" TUBING, FIRESTONE# 21-0931
5	084086-01-704	EA ELBOW CONNECTOR, FIRESTONE# 21-0935
	084086-01-705	EA TUBING PROTECTORS, FIRESTONE# 21-0899
6	084086-01-706	EA BRACKET-UPPER TO FRAME, FIRESTONE# 21-0150
	084086-01-708	EA AIRLINE SERVICE KIT, FIRESTONE# W21-760-2012
	084086-01-709	EA HEAT SHIELD, FIRESTONE# 21-1004
	084086-01-710	EA BOLT PACKAGE, FIRESTONE 2135823002
7	084086-01-711	EA HEAT SHIELD-224 DOS SYSTEM, FIRESTONE 21-5042
8	084086-01-707	EA BRACKET-LOWER, TOP - PASSENGER SIDE - FIRESTONE# 21-1162
8	084086-01-712	EA BRACKET-LOWER, TOP - DRIVER SIDE - FIRESTONE 21-5037
9	084086-01-713	EA AXLE STRAP BRACKET, AXLE TUBE - 3 USED - FIRESTONE 21-1163
10	084086-01-714	EA AXLE STRAP BRACKET, DIFFERENTIAL - 1 USED - FIRESTONE 21-5038
	084086-03-000	EA BRACKET-AXLE, FIRESTONE #W21-760-2044

CHASSIS GROUP (CONTINUED)



REAR AXLE AIRSPRINGS

KEY	PART NUMBER	U/M DESCRIPTION
1	084086-04-000	EA AIRSPRING-BELLOWS, REAR AXLE - FIRESTONE# MHA224 FROM: 08-25-91 THRU: 99-99-99
2	084086-01-700	EA AIR BAG-ONLY, FIRESTONE# W21-760-0335
3	084086-01-701	EA TUBING-DOT 1/4" X 18" - FIRESTONE# 21-0938
4	084086-01-702	EA BOLT-RIBBED NECK, 3/8"-24 X 2.5" FIRESTONE# 21-0829
	084086-01-705	EA TUBING PROTECTORS, FIRESTONE# 21-0899
6	084086-01-706	EA BRACKET-UPPER TO FRAME, FIRESTONE# 21-0150
7	084086-01-711	EA HEAT SHIELD-224 DOS SYSTEM, FIRESTONE 21-5042
9	084086-01-713	EA AXLE STRAP BRACKET, AXLE TUBE - 3 USED - FIRESTONE 21-1163
10	084086-01-714	EA AXLE STRAP BRACKET, DIFFERENTIAL - 1 USED - FIRESTONE 21-5038
	084086-03-000	EA BRACKET-AXLE, FIRESTONE #W21-760-2044
	084086-04-700	EA BRACKET, LOWER DRIVERS SIDE
	084086-04-701	EA BRACKET, LOWER PASSENGER SIDE

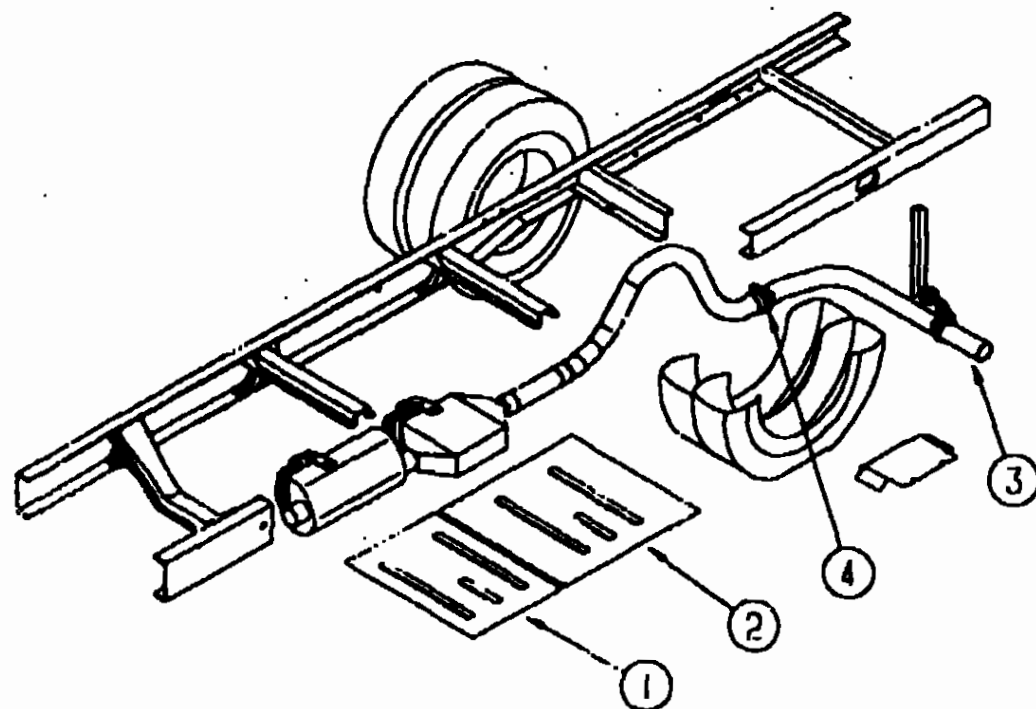
1992 ITASCA
TABLE OF CONTENTS

INTRODUCTION	A-01	A-02
ABBREVIATIONS		A-03
ALPHABETICAL INDEX	A-04	A-06
ICF23RC	A-07	E-14
ICF31RC	E-15	J-08

1992 ICF23RC INDEX

FLOOR PLAN	A-07	A-08
ACCESSORIES		A-09
AUDIO/VIDEO	A-10	A-12
BATH	A-13	A-14
BEDROOM	A-15	A-16
CHASSIS	A-17	B-03
CURTAIN & CUSHION	B-04	B-12
DINETTE	B-13	B-14
DRIVERS COMPARTMENT	B-15	B-20
ELECTRICAL	B-21	C-04
EXTERIOR BODY	C-05	C-12
GALLEY	C-13	C-17
GENERATOR	C-18	C-19
HEATING & A/C	C-20	C-24
INTERIOR FINISH	D-01	D-04
LABEL	D-05	D-13
LP		D-14
SEALANTS & FASTENERS	D-15	D-18
WATER & SEWAGE	D-19	D-24
WINDOW, VENT AND EXTERIOR DOOR	E-01	E-12
WINDSHIELD/WIPER	E-13	E-14

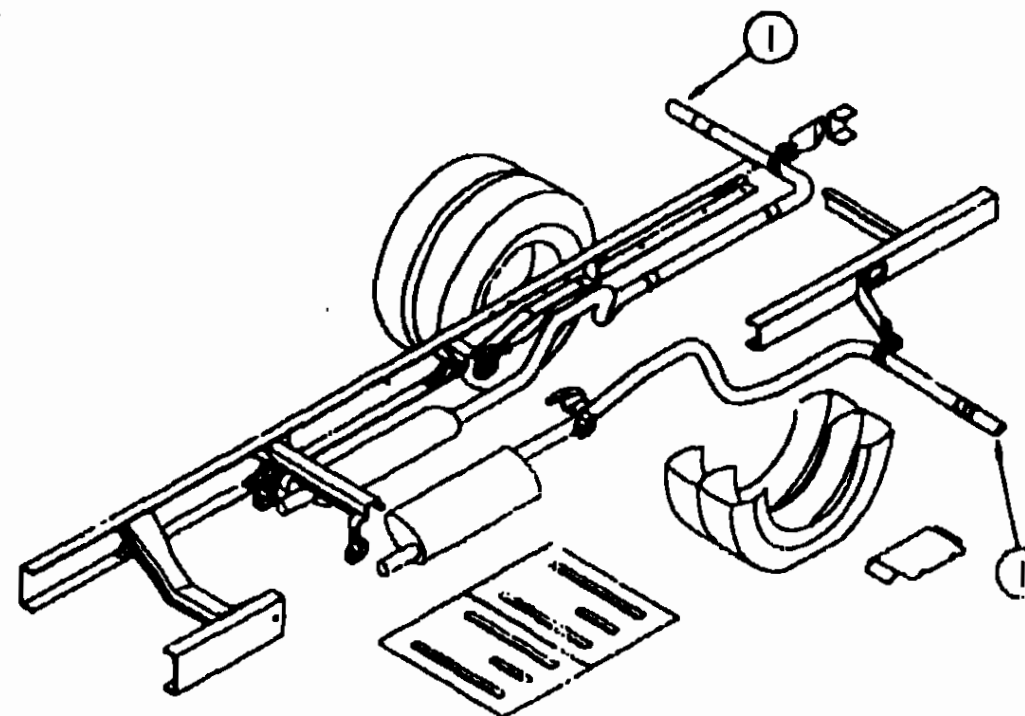
CHASSIS GROUP (CONTINUED)



EXHAUST SYSTEM (GAS)

KEY	PART NUMBER	U/M DESCRIPTION
1	101544-01-000	EA SHIELD-HEAT, EXHAUST - 19 7" X 28 9" - STEEL
2	101544-02-000	EA SHIELD-HEAT, EXHAUST - 30" X 28.9" - STEEL
3	098608-02-000	EA PIPE-EXHAUST, SINGLE
4	094918-01-000	EA CLAMP-EXHAUST, 3" - MILLICLINE STYLE

CHASSIS GROUP (CONTINUED)



EXHAUST SYSTEM (DIESEL)

KEY	PART NUMBER	U/M DESCRIPTION
1	081918-01-000	EA EXTENSION-EXHAUST, 2 25"OD X 3 44" - STAINLESS STEEL
	094918-03-000	EA CLAMP-EXHAUST, 2 5"

**1992 ITASCA
TABLE OF CONTENTS**

INTRODUCTION	A-01 -	A-02
ABBREVIATIONS		A-03
ALPHABETICAL INDEX	A-04 -	A-06
ICF23RC	A-07 -	E-14
ICF31RQ	E-15 -	J-08

1992 ICF23RC INDEX

FLOOR PLAN	A-07 -	A-08
ACCESSORIES		A-09
AUDIO/VIDEO	A-10 -	A-12
BATH	A-13 -	A-14
BEDROOM	A-15 -	A-16
CHASSIS	A-17 -	B-03
CURTAIN & CUSHION	B-04 -	B-12
DINETTE	B-13 -	B-14
DRIVERS COMPARTMENT	B-15 -	B-20
ELECTRICAL	B-21 -	C-04
EXTERIOR BODY	C-05 -	C-12
GALLEY	C-13 -	C-17
GENERATOR	C-18 -	C-19
HEATING & AC	C-20 -	C-24
INTERIOR FINISH	D-01 -	D-04
LABEL	D-05 -	D-13
LP		D-14
SEALANTS & FASTENERS	D-15 -	D-18
WATER & SEWAGE	D-19 -	D-21
WINDOW, VENT AND		
EXTERIOR DOOR	E-01 -	E-12
WINDSHIELD/MPER	E-13 -	E-14

CHASSIS GROUP (CONTINUED)

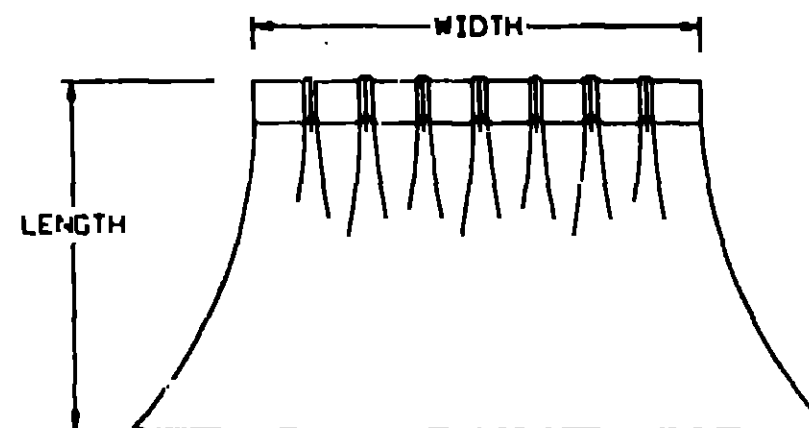
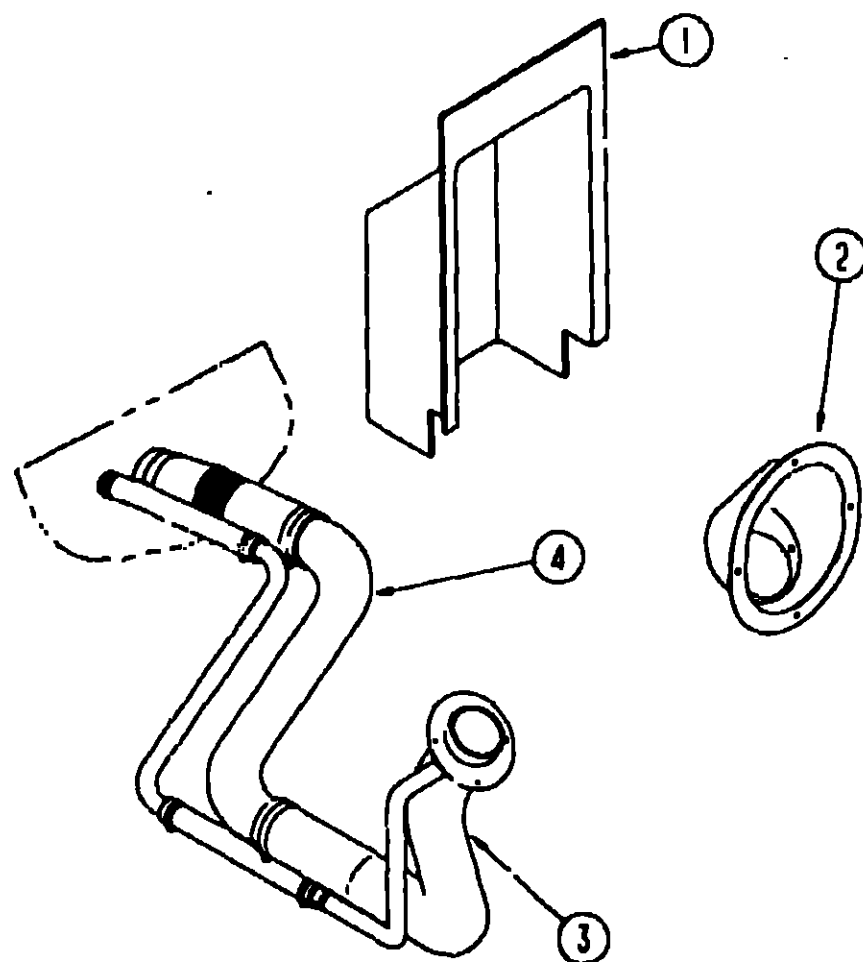
**CURTAIN & CUSHION GROUP
NOTICE**

IN ORDER TO ASSIST OUR PARTS SALES DEPT. IN PROVIDING INTERIOR SOFTWARE ITEMS, PLEASE INCLUDE THE SERIAL NUMBER AND THE COLOR CODE NUMBER FROM THE VEHICLE CERTIFICATION LABEL WHEN ORDERING. THIS LABEL IS LOCATED ON THE LEFT SIDEWALL AT THE END OF THE DASH (A-BODY), OR ON THE DRIVER'S DOOR LATCH PLATE (C-BODY)

AN EXAMPLE OF A COLOR CODE NUMBER IS B07 WHICH DESIGNATES AN OVERALL COLOR SCHEME OF A PARTICULAR UNIT. THE COLOR LISTED AFTER THE ITEM DESCRIPTION ON THE MICROFICHE, INDICATES THE OVERALL UNIT COLOR. ORDER THE ITEM YOU DESIRE ACCORDING TO UNIT COLOR CODE

**1992 ITASCA
TABLE OF CONTENTS**

INTRODUCTION	A-01	A-02
ABBREVIATIONS		A-03
ALPHABETICAL INDEX	A-04	A-06
ICF23RC	A-07	E-14
ICF31RQ	E-15	J-08



NOTE: USE THIS ILLUSTRATION WHEN DETERMINING LENGTH AND WIDTH MEASUREMENTS FOR CURTAINS. YOU WILL NOTE THE WIDTH MEASUREMENT IS TAKEN ON THE TOP OF THE CURTAIN WITH THE CURTAIN FULLY EXTENDED. THE LENGTH MEASUREMENT IS TAKEN FROM TOP TO BOTTOM.

1992 ICF23RC INDEX

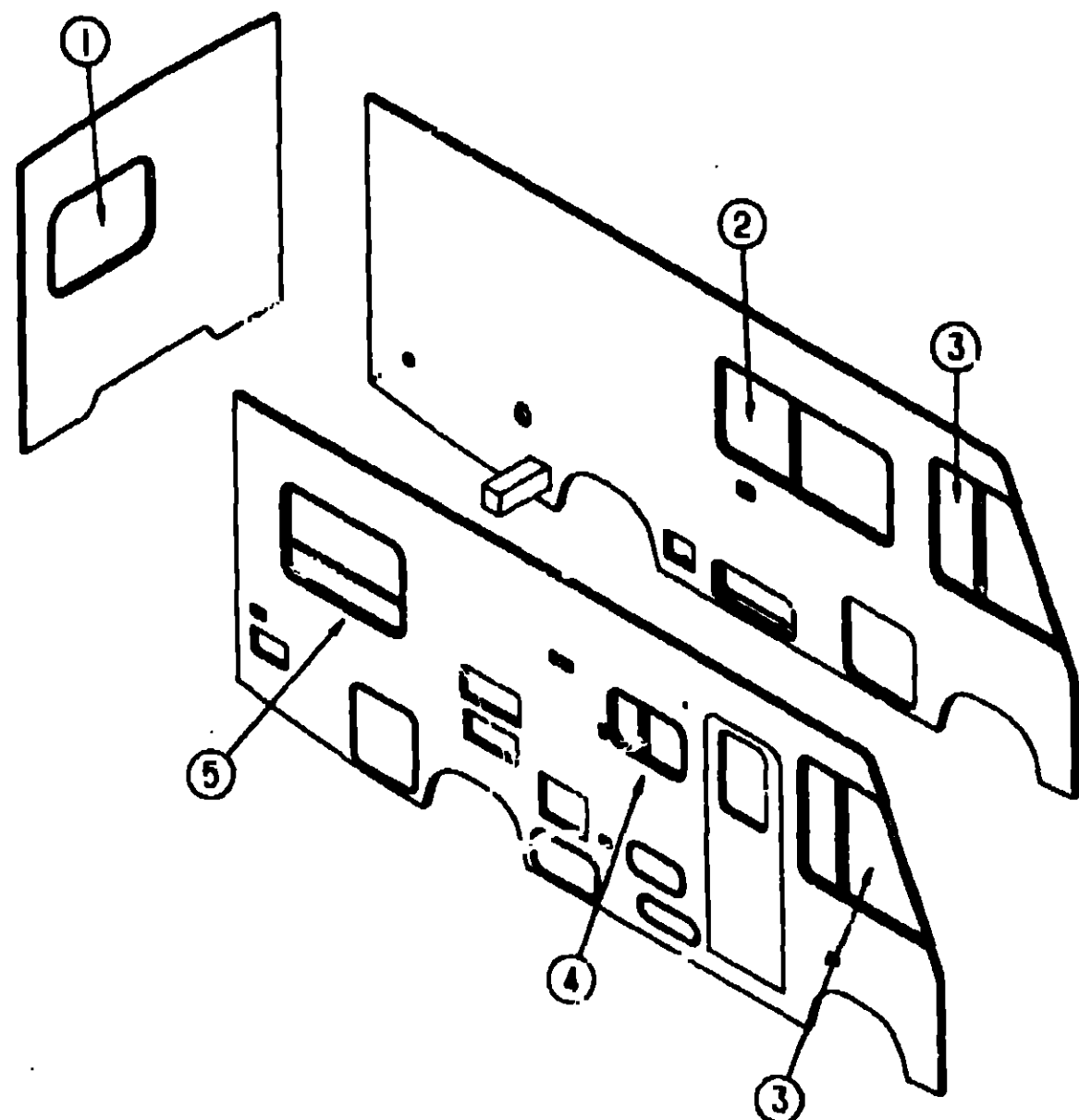
FLOOR PLAN	A-07	A-08
ACCESSORIES		A-09
AUDIO/VIDEO	A-10	A-12
BATH	A-13	A-14
BEDROOM	A-15	A-16
CHASSIS	A-17	B-03
CURTAIN & CUSHION	B-04	B-12
DINETTE	B-13	B-14
DRIVERS COMPARTMENT	B-15	B-20
ELECTRICAL	B-21	C-04
EXTERIOR BODY	C-05	C-12
GALLEY	C-13	C-17
GENERATOR	C-18	C-19
HEATING & AC	C-20	C-24
INTERIOR FINISH	D-01	D-04
LABEL	D-05	D-13
LP		D-14
SEALANTS & FASTENERS	D-15	D-18
WATER & SEWAGE	D-19	D-24
WINDOW, VENT AND EXTERIOR DOOR	E-01	E-12
WINDSHIELDWIPER	E-13	E-14

FUEL SYSTEM

KEY	PART NUMBER	U/M DESCRIPTION
1	072447-04-000	EA SHROUD-FUEL FILL UPPER - PLASTIC
2	102951-01-03A	EA SHROUD-FUEL FILL - GRAY
3	098804-01-000	EA PIPE-VENT, FUEL FILL - 12" LONG
4	098805-01-000	EA PIPE-FUEL, FUEL FILL - 11 1/4" LONG
	007063-01-000	FT HOSE-GAS 1/4" ID X 1/2" O.D.
	C44317-01-000	FT HOSE-FUEL, 3/8" ID
	080081-01-000	EA STRAP-MOUNTING, FUEL LINE - 2" X 32"
		FROM 02-21-92 THRU 99-99-99
	024142-01-000	EA TEE-BARB, 3/16" - PLASTIC
	066732-01-000	FT HOSE-FUEL FILL, 62" ID
	084884-01-000	EA PLUG-BRASS, 3/16"

CURTAIN & CUSHION GROUP (CONTINUED)

WINDOW TREATMENT



KEY	PART NUMBER	U/M DESCRIPTION
1	104165-01-C25	EA VALANCE-41" PYRAMID - WCENTER SHIRRIN
1	104165-01-C26	EA VALANCE-41" PYRAMID - WCENTER SHIRRIN
1	104157-01-C26	EA CURTAIN/LEG ASM-27",RIGHT
1	104157-01-C05	EA CURTAIN/LEG ASM-27",RIGHT (C25)
1	104157-02-C26	EA CURTAIN/LEG ASM-27",LEFT
1	104157-02-C05	EA CURTAIN/LEG ASM-27",LEFT (C25)
1	093475-78-01A	EA BLIND-MINI, 36 X 28 DROP
1	073260-52-C25	EA TIEBACK-CURTAIN, 3" X 15" GATHERED
1	073260-52-C26	EA TIEBACK-CURTAIN, 3" X 15" GATHERED
2	104021-12-C25	EA VALANCE ASM-65" SPIRIT - W/U-BRASS
2	104021-12-C26	EA VALANCE ASM-65" SPIRIT - W/U-BRASS
2	10C281-09-B87	EA LEG-RIGHT, PLAIN - 27" NO HOLE (C25)
2	100281-09-B88	EA LEG-RIGHT, PLAIN - 27" NO HOLE (C26)
2	100281-10-B87	EA LEG-LEFT, PLAIN - 27" NO HOLE (C25)
2	100281-10-B88	EA LEG-LEFT, PLAIN - 27" NO HOLE (C26)
2	093475-76-01A	EA BLIND-MINI, 60 X 28 5 DROP
3	097994-08-C05	EA CURTAIN ASM-36X78 HOOK/BRAID (C25)
3	097994-08-C26	EA CURTAIN ASM-36X78 HOOK/BRAID
3	101668-29-C25	EA CURTAIN ASM-36X78 TAPE TOP, W/BRAID
3	101668-29-C26	EA CURTAIN ASM-36X78 TAPE TOP, W/BRAID
3	073260-50-C05	EA TIEBACK ASM-6X18 W/BRAID (C25)
3	073260-50-C26	EA TIEBACK ASM-6X18 W/BRAID
4	104021-14-C25	EA VALANCE ASM-29" SPIRIT
4	104021-14-C26	EA VALANCE ASM-29" SPIRIT
4	093475-61-04A	EA BLIND-MINI,26X17 DROP (C25)
4	093475-61-06A	EA BLIND-MINI,26X17 DROP (C26)
5	104165-02-C25	EA VALANCE-46" PYRAMID - WCENTER SHIRRIN
5	104165-02-C26	EA VALANCE-46" PYRAMID - WCENTER SHIRRIN
5	104157-01-C26	EA CURTAIN/LEG ASM-27",RIGHT
5	104157-01-C05	EA CURTAIN/LEG ASM-27",RIGHT (C25)
5	104157-02-C26	EA CURTAIN/LEG ASM-27",LEFT
5	104157-02-C05	EA CURTAIN/LEG ASM-27",LEFT (C25)
5	073260-52-C25	EA TIEBACK-CURTAIN, 3" X 15" GATHERED
5	073260-52-C26	EA TIEBACK-CURTAIN, 3" X 15" GATHERED
5	093475-79-01A	EA BLIND-MINI,42X28 DROP

BUNK OPTION

KEY	PART NUMBER	U/M DESCRIPTION
	101668-25-C05	EA CURTAIN ASM-40X40, TAPE TOP, BRAID BOTTOM
	101668-26-C05	EA CURTAIN ASM-38X125 TAPE TOP, BRAID BOTTOM

SHOWER CURTAIN

KEY	PART NUMBER	U/M DESCRIPTION
	084481-08-B85	EA CURTAIN ASM-SHOWER,VINYL (C25)
	084481-08-B88	EA CURTAIN ASM-SHOWER,VINYL (C26)

ROOM DIVIDER CURTAIN

KEY	PART NUMBER	U/M DESCRIPTION
	101668-20-C25	EA CURTAIN ASM-70X60 TAPE TOP
	101668-20-C26	EA CURTAIN ASM-70X60 TAPE TOP
	073260-55-C25	EA TIEBACK ASM-4X15
	073260-55-C26	EA TIEBACK ASM-4X15

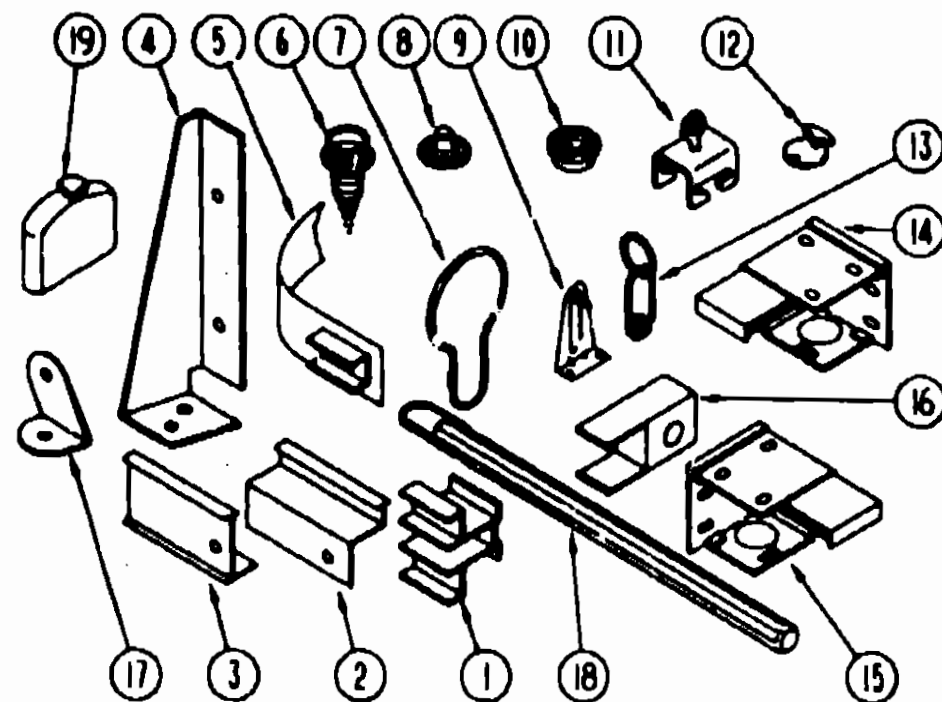
**1992 ITASCA
TABLE OF CONTENTS**

INTRODUCTION	A-01 - A-02
ABBREVIATIONS	A-03
ALPHABETICAL INDEX	A-04 - A-06
ICF23RC	A-07 - E-14
ICF31RQ	E-15 - J-08

1992 ICF23RC INDEX

FLOOR PLAN	A-07 - A-08
ACCESSORIES	A-09
AUDIO/VIDEO	A-10 - A-12
BATH	A-13 - A-14
BEDROOM	A-15 - A-16
CHASSIS	A-17 - B-03
CURTAIN & CUSHION	B-04 - 9-12
DINETTE	B-13 - B-14
DRIVERS COMPARTMENT	B-15 - B-20
ELECTRICAL	B-21 - C-04
EXTERIOR BODY	C-05 - C-12
GALLEY	C-13 - C-17
GENERATOR	C-18 - C-19
HEATING & A/C	C-20 - C-24
INTERIOR FINISH	D-01 - D-04
LABEL	D-05 - D-13
LP	D-14
SEALANT & FASTENERS	D-15 - D-18
WATER/WASTE	D-19 - D-24
WINDOW VENT AND	
EXTERIOR DOOR	E-01 - E-12
WINDSHIELD/WIPER	E-13 - E-14

CURTAIN & CUSHION GROUP (CONTINUED)



CURTAIN, BLIND HARDWARE & TRACKS

KEY	PART NUMBER	U/M DESCRIPTION
1	101033-03-000	EA TRACK-CURTAIN, WALL - WHITE - SHAPCO CT225
2	105450-01-01A	EA TRACK-CURTAIN, 30 8" LONG - ALUMINUM - OFF WHITE
2	105450-04-01A	EA TRACK-CURTAIN, 58" LONG - ALUMINUM - OFF WHITE
2	105324-01-01A	EA TRACK-CURTAIN, WRAPAROUND - OFF WHITE
2	105324-02-01A	EA TRACK CURTAIN, WRAPAROUND - OFF WHITE
2	105324-03-01A	EA TRACK-CURTAIN, WRAPAROUND - OFF WHITE
3	092464-04-01A	EA TRACK-SHOWER - OFF WHITE
3	009700-04-002	EA TRACK, L-SHAPED - 195 2" - OFF WHITE
3	101588-02-01A	EA TRACK-CURTAIN, WRAPAROUND(RIGHT) - OFF WHITE
		FROM 00-00-00 THRU 07-14-91
3	101588-03-01A	EA TRACK-CURTAIN, WRAPAROUND(LEFT) - OFF WHITE
		FROM 00-00-00 THRU 07-14-91
3	101599-01-B04	EA TRACK-CURTAIN, HOOK - 89" FRONT SECTION CURVED 34" ALONG PASSENGER SIDE - OFF WHITE
		FROM 00-00-00 THRU 07-14-91
3	101589-02-C05	EA TRACK ASM-CURTAIN, WRAPAROUND
		FROM 07-15-91 THRU 99-99-99
	046867-01-000	EA GROMMET-BRASS, 7/16" ID X 1" OD
	048394-02-000	YD VELCRO TAPE-HOOK, ADHESIVE BACK - 75" WIDE - BEIGE
	068716-01-001	EA BRACE-90 DEGREE L-ANGLE, 192" - EXTRUDED ALUMINUM
	075943-02-000	EA BRACE-ANGLE, W/HOLES - 1" X 1.5" X 1.4" - ALUMINUM - BEIGE
	075943-09-000	EA BRACE-VALANCE, OFF WHITE - 8 00 IN
4	076827-02-000	EA BRACKET-LEG, 2.9" X 1 8" TRIANGLE - LEFT SIDE
	089522-03-000	EA PANEL-LEG, TWO SIDED 27" LONG - PLASTIC - BLACK
	089522-04-000	EA PANEL-LEG, TWO SIDED 31.5" LONG - PLASTIC - BLACK
5	101031-01-000	YD TAPE-GLIDE, CURTAIN - 4 25" SPACING
6	029130-01-000	EA SOCKET-SNAP FASTENER
7	009136-02-000	EA HANGER-RING, PIN TYPE - CURTAIN - BRASS
8	029155-01-000	EA CAP-SNAP, 5/32" O.D. OF PIN
9	095591-02-000	EA BRACKET-HOLD DOWN, W/PIN - BLIND - METAL
10	029156-01-000	EA SOCKET-SNAP, 9/16" O.D.
11	009702-01-000	EA END STOP-CURTAIN CARRIER, L ROD
12	102555-01-000	EA CLEAT-CORD, BLIND - OFF WHITE
13	009701-01-000	EA CARRIER-CURTAIN, L ROD
14	083170-01-000	EA BRACKET-BLIND, RIGHT SIDE
15	083170-02-000	EA BRACKET-BLIND, LEFT SIDE
16	101033-02-000	EA END CAP-TRACK, CLEAR
17	099205-02-02A	EA BRACKET-WRAPAROUND - OFF WHITE
18	093475-01-700	EA WAND-BLIND, W/METAL CLIP - 8" LONG
19	093475-01-701	EA END CAP-BLIND, W/STUD
	103986-01-000	FT TRIM-VALANCE, U-CHANNEL - 75" WIDE - BRASS
	088792-01-000	YD VELCRO-HOOK, 75" WIDE - BEIGE
	088792-02-000	YD VELCRO-LOOP, ADHESIVE BACKED - 75" WIDE - BEIGE

CURTAIN & CUSHION GROUP (CONTINUED)
CURTAIN, BLIND HARDWARE & TRACKS (CONTINUED)

KEY	PART NUMBER	U/M DESCRIPTION
	089916-01-000	EA MOUNT-WINDOW LEG, 23.75" - ALUMINUM - BLACK
	097825-01-000	EA HOOK-DRAPERY, #1012K - KIRSH
BUTTON, TRIM, ASSIST HANDLE & SEAT BELT		
KEY	PART NUMBER	U/M DESCRIPTION
	070578-04-Y05	EA BUTTON-SNAP TOP, #30 - VINYL - BEIGE
	070578-02-B29	EA BUTTON-SCREW, STUD - #30 - VINYL
	070578-01-B87	EA BUTTON-SCREW STUD, #30
	070578-01-B88	EA BUTTON-SCREW STUD, #30
	079349-04-C29	YD WELT ASM-NARROW, ACCENT
	079349-04-C26	YD WELT ASM-NARROW, ACCENT
	079349-01-B87	YD WELT-FABRIC
	079349-01-B88	YD WELT-FABRIC
	084415-31-000	YD TRIM-BRAID, CURTAIN - PLUM
	084415-30-000	YD TRIM-BRAID, CURTAIN - BLUE
	057759-01-000	EA WASHER BRACKET-SEAT BELT, 4" DIAMETER
	007021-01-000	EA BELT-SEAT, 2" X 90" - BLACK
	056271-02-000	EA BELT-SEAT, 2" X 72" - BLACK
	069178-02-000	EA BRACKET-MOUNTING, ASSIST HANDLE - L ANGLE - W/HOLES - STEEL
	070578-11-Y70	EA BUTTON-SNAP TOP, #30 - VINYL - OFF WHITE
	000C16-07-16B	EA BOLT-CARRIAGE, ASSIST HANDLE - 7/16" - 14 X 1" ZN
	000D20-07-00B	EA NUT-ACORN, ASSIST HANDLE - 7/16" X 14 ZN
	053552-02-AA8	EA HANDLE-ASSIST, INTERIOR - ENTRY DOOR - VINYL - OFF WHITE
	057534-01-000	EA TIEBACK/TIEDOWN-BED/CURTAIN/DOOR, 6" - PLASTIC - CLEAR
	057534-04-000	EA TIEBACK-PLASTIC, 20" - CLEAR
	073260-54-C09	EA TIEBACK-CURTAIN, 3" X 16"
	073260-54-C30	EA TIEBACK-CURTAIN, 3" X 16"

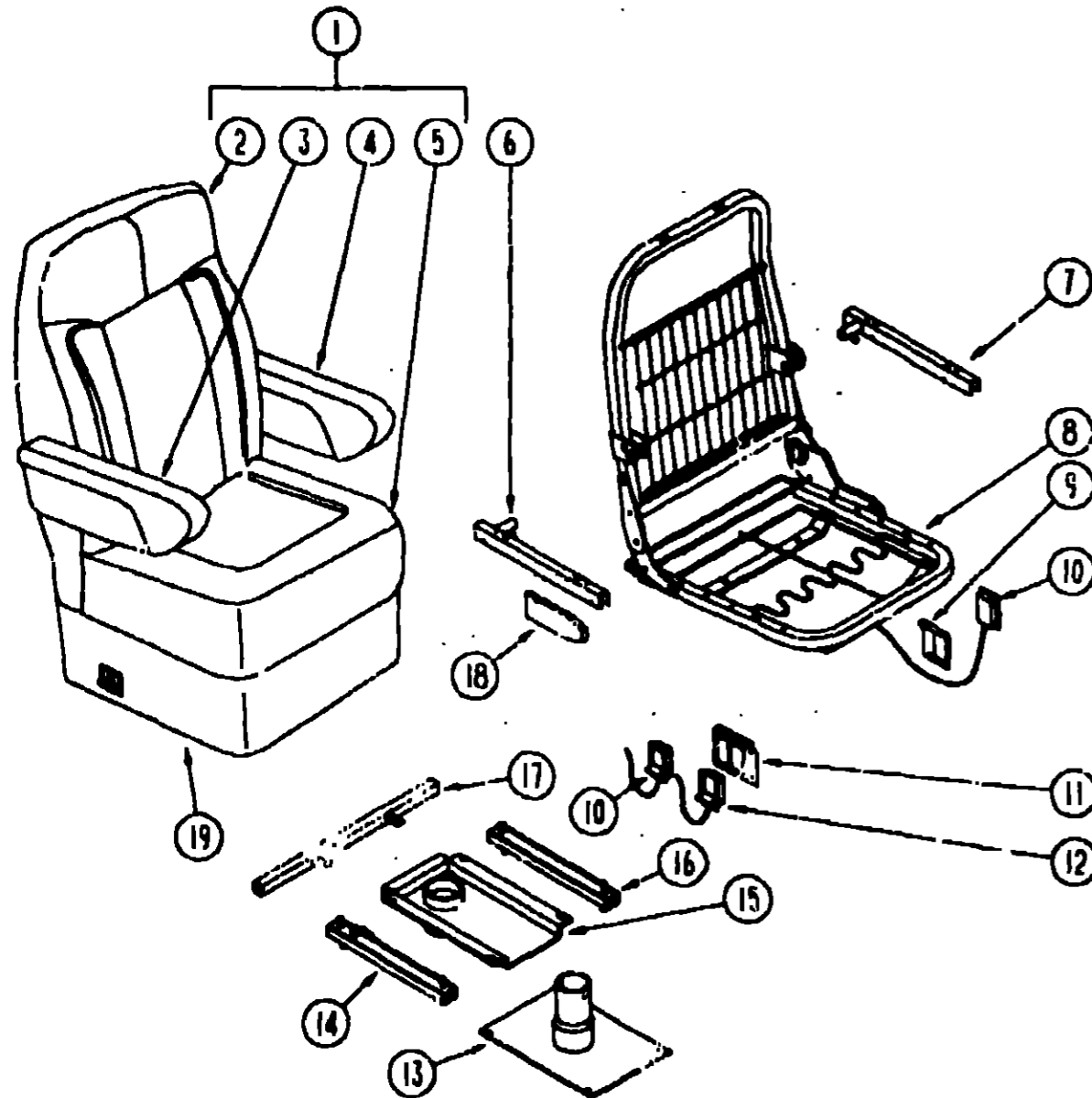
1992 ITASCA
TABLE OF CONTENTS

INTRODUCTION	A-01	A-02
ABBREVIATIONS		A-03
ALPHABETICAL INDEX	A-04	A-06
ICF23RC	A-07	E-14
ICF31RO	E-15	J-08

1992 ICF23RC INDEX

FLOOR PLAN	A-07	A-08
ACCESSORIES		A-09
AUDIO/VIDEO	A-10	A-12
BATH	A-13	A-14
BEDROOM	A-15	A-16
CHASSIS	A-17	B-03
CURTAIN & CUSHION	B-04	B-12
DINETTE	B-13	B-14
DRIVERS COMPARTMENT	B-15	B-20
ELECTRICAL	B-21	C-09
EXTERIOR BODY	C-05	C-12
GALLEY	C-13	C-17
GENERATOR	C-18	C-19
HEATING & A/C	C-20	C-24
INTERIOR FINISH	C-01	D-04
LABEL	D-05	D-13
LP		D-14
SEALANTS & FASTENERS	D-15	D-18
WATER & SEWAGE	D-19	D-24
WINDOW, VENT AND		
EXTERIOR DOOR	E-01	E-12
WINDSHIELDWIPER	E-13	E-14

CURTAIN & CUSHION GROUP (CONTINUED)
DRIVER & PASSENGER BUCKET SEATS



KEY	PART NUMBER	U/M	DESCRIPTION
1	093450-22-C25	EA	SEAT-ROYALE,NHD,FAN ARMS
1	093450-22-C26	EA	SEAT-ROYALE,NHD,FAN ARMS
2	M03445-22-C25	EA	COVER-ROYALE - BACK - SHORT INS.
2	M03445-22-C26	EA	COVER-ROYALE - BACK - SHORT INS
3	080243-49-C25	EA	ARMREST ASM-RIGHT FAN
3	080243-49-C26	EA	ARMREST ASM-RIGHT FAN
4	M80243-49-C25	EA	COVER ASM-ARMREST,FAN RIGHT
4	M80243-49-C26	EA	COVER ASM-ARMREST,FAN RIGHT
4	080243-50-C25	EA	ARMREST ASM-LEFT FAN
4	080243-50-C26	EA	ARMREST ASM-LEFT FAN
4	M80243-50-C25	EA	COVER ASM-ARMREST,FAN,LEFT
4	M80243-50-C26	EA	COVER ASM-ARMREST,FAN,LEFT
5	M03445-23-C25	EA	COVER-ROYALE - SEAT - SHORT INS
5	M03445-23-C26	EA	COVER-ROYALE - SEAT - SHORT INS
6	081268-01-000	EA	ROD & CHANNEL-ARMREST, RIGHT - METAL
7	081268-02-000	EA	ROD & CHANNEL-ARMREST, LEFT - METAL
	081361-01-000	EA	ROD-ARMREST, METAL - RIGHT OR LEFT HAND
8	M80906-05-000	EA	FRAME-SEAT, BACK & SPRING
9	097683-03-000	EA	BRACKET-CABLE
10	089368-04-000	EA	CABLE-SWIVEL, W/SWITCH BUCKET SEAT
11	097683-02-000	EA	BRACKET-CABLE
12	089368-05-000	EA	CABLE-RECLINER, W/SWITCH - BUCKET SEAT
13	069585-40-000	EA	PLATE-SUB.VERTICAL 9.60"
13	107921-01-000	EA	PLATE-SUB. FLOOR MOUNTED PEDESTAL - W/9.75" EXTENSION
			FROM: 00-00-00 THRU: 03-31-92
14	069246-05-000	EA	ADJUSTER-SLIDE, W/LOCK - FORWARD & BACK
	069246-05-700	EA	SPRING-ADJUSTER, FOR REMOTE
	069246-05-701	EA	CLIP-CABLE, FOR REMOTE
15	093481-04-000	EA	TOP PLATE-PEDESTAL, BUCKET SEAT - W/O SEATBELT BAR
16	069246-02-000	EA	ADJUSTER-BUCKET SEAT W/O LOCK, FORWARD AND BACK
17	069585-29-000	EA	BAR-SEAT BELT, BUCKET SEATS - 20"
18	089369-08-000	EA	SHIELD-CABLE, REMOTE RECLINER - BUCKET SEAT
19	071126-24-B87	EA	SKIRT - ROYALE SEAT (C25)
19	071126-24-B88	EA	SKIRT - ROYALE SEAT (C26)
	080731-02-000	EA	HINGE-SLAVE, RECLINER - LEFT HAND
	081382-01-000	EA	BRACKET-ARMREST, RIGHT HAND
	081382-02-000	EA	BRACKET-ARMREST, LEFT HAND
	101125-01-000	EA	RECLINER-SEATBACK, LEFT HAND REMOTE
	093482-01-000	EA	SHROUD-PEDESTAL, 13" - PLASTIC - BLACK
			FROM: 00-00-00 THRU: 04-05-92
	108049-01-000	EA	CABLE-26", FLEXSTEEL PED
	108049-02-000	EA	CABLE-PEDESTAL CLIP

JAPAN OPTION

KEY	PART NUMBER	U/M	DESCRIPTION
	085268-01-C25	EA	HEADREST ASM-STRATON
	085268-01-C26	EA	HEADREST ASM-STRATON
	M85268-01-C25	EA	COVER ASM-HEADREST,STRATON
	M85268-01-C26	EA	COVER ASM-HEADREST,STRATON
	081172-01-000	EA	TRIM-HEADREST, PLASTIC - BLACK
	091313-01-000	EA	GROMMET-HEADREST

1992 ITASCA
TABLE OF CONTENTS

INTRODUCTION	A-01	A-02
ABBREVIATIONS		A-03
ALPHABETIC INDEX	A-04	A-06
ICF23RC	A-07	E-14
ICF31RQ	E-15	J-08

1992 ICF23RC INDEX

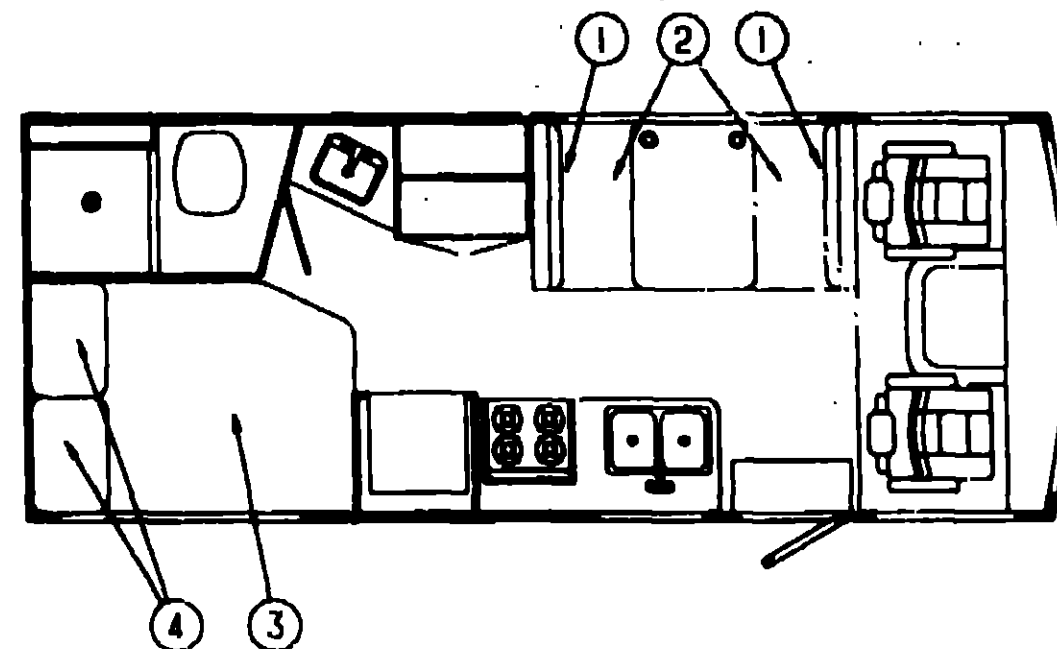
FLOOR PLAN	A-07	A-08
ACCESSORIES		A-09
AUDIO/VIDEO	A-10	A-12
BATH	A-13	A-14
BEDROOM	A-15	A-16
CHASSIS	A-17	B-03
CURTAIN & CUSHION	B-04	B-12
DINETTE	B-13	E-14
DRIVERS COMPARTMENT	B-15	B-20
ELECTRICAL	B-21	C-13
EXTERIOR BODY	C-15	C-12
GALLEY	C-11	C-17
GENERATOR	C-18	C-19
HEATING & A/C	C-20	C-24
INTERIOR FINISH	D-01	D-04
LABEL	D-05	D-13
LP		D-14
SEALANTS & FASTENERS	D-15	D-18
WATER & SEWAGE	D-19	D-24
WINDOW, VENT AND		
EXTERIOR DOOR	E-01	E-12
WINDSHIELDWIPER	E-13	E-14

CURTAIN & CUSHION GROUP (CONTINUED)

FABRICS

KEY	PART NUMBER	U/M DESCRIPTION
	029094-04-000	YD VELCRO TAPE-LOOP, 1" WIDE - BLACK
	029098-03-000	YD VELCRO TAPE-HOOK, 1" WIDE - BLACK
	029219-01-000	YD FABRIC-VINYL, 54" WIDE - WHITE
	052959-01-W30	FT TRIM-EDGE, VINYL - 1.5" WIDE - BEIGE
	072333-82-000	YD FABRIC-CURTAIN, 54" WIDE - BEIGE
	075244-04-000	YD FABRIC-VINYL, SHOWER CURTAIN - 72" WIDE - SALMON
	075244-06-000	YD FABRIC-VINYL, SHOWER CURTAIN - 72" WIDE - TEAL
	079680-01-000	YD FABRIC-VINYL, 54" WIDE - BEIGE
	079680-07-000	YD FABRIC-VINYL, 54" WIDE - BEIGE
	079680-12-000	YD VINYL-EXPANDED, 54" WIDE - OFF WHITE
	079680-09-000	YD FABRIC-VINYL, 54" WIDE - OFF WHITE
		FROM: 00-00-00 THRU: 04-16-91
	087272-01-000	YD FABRIC-LINING, CURTAIN - 48" WIDE - IVORY
	088273-67-000	YD FABRIC-BEDSPREAD/CURTAIN, PLAIN - 54"
	088273-70-000	YD FABRIC-CURTAIN/BEDSPREAD, PATTERNED - 54" - PASTEL MIRAGE
	088273-71-000	YD FABRIC-CURTAIN/BEDSPREAD, PLAIN - 54" WIDE -
	088273-73-000	YD FABRIC-CURTAIN/BEDSPREAD, PATTERNED - 54" WIDE -
	088273-72-000	YD FABRIC-CURTAIN/BEDSPREAD, PLAIN - 54" WIDE
	096008-84-000	YD FABRIC-UPHOLSTERY, DOTTED VELOUR - 54" WIDE
	096008-85-000	YD FABRIC-UPHOLSTERY/CURTAIN, PLAIN VELOUR - 54" WIDE
	096008-90-000	YD FABRIC-UPHOLSTERY/CURTAIN, PATTERNED WOVEN - 54" WIDE
	096008-91-000	YD FABRIC-UPHOLSTERY, STRIPED WOVEN - 54" WIDE
	096008-92-000	YD FABRIC-UPHOLSTERY/CURTAIN, PLAIN VELOUR - 54" WIDE
		FROM: 00-00-00 THRU: 09-08-91
	103907-01-01A	YD FABRIC-VINYL, 54" WIDE - OFF WHITE
	103907-01-02A	YD VINYL-EXPANDED MADRID GRAY - 26 OZ 54"X ROLL
	104233-28-000	YD FABRIC-UPHOLSTERY/CURTAIN, PLAIN VELOUR - 54" WIDE
		FROM: 09-09-91 THRU: 99-99-99
	104233-27-000	YD FABRIC-UPHOLSTERY/CURTAIN, PLAIN VELOUR - 54" WIDE

CURTAIN & CUSHION GROUP (CONTINUED)



BACKREST & SEAT CUSHIONS

KEY	PART NUMBER	U/M DESCRIPTION
1	104164-01-C25	EA CUSHION-13 5X38X5-VICTORIAN TUCK BACK, W/STRAP
		FROM: 00-00-00 THRU: 12-01-91
1	104164-01-C26	EA CUSHION-13 5X38X5-VICTORIAN TUCK BACK, W/STRAP
		FROM: 00-00-00 THRU: 12-01-91
1	P04164-01-C25	EA COVER -VICTORIAN TUCK BACK, W/STRAP
		FROM: 00-00-00 THRU: 12-01-91
1	P04164-01-C26	EA COVER -VICTORIAN TUCK BACK, W/STRAP
		FROM: 00-00-00 THRU: 12-01-91
1	104164-08-C25	EA CUSHION-13 5X38X5-VICTORIAN TUCK BACK
		FROM: 12-02-91 THRU: 99-99-99
1	104164-08-C26	EA CUSHION-13 5X38X5-VICTORIAN TUCK BACK
		FROM: 12-02-91 THRU: 99-99-99
1	P04164-08-C25	EA COVER -VICTORIAN TUCK BACK
		FROM: 12-02-91 THRU: 99-99-99
1	P04164-08-C26	EA COVER -VICTORIAN TUCK BACK
		FROM: 12-02-91 THRU: 99-99-99
1	078155-01-000	EA STRAP-SNAP, BACKREST CUSHION
2	104164-04-C25	EA CUSHION-VICTORIAN TUCK SEAT, W/STRAP - 23" X 38" X 5"
2	104164-04-C26	EA CUSHION-VICTORIAN TUCK SEAT, W/STRAP - 23" X 38" X 5"
2	P04164-04-C25	EA COVER-VICTORIAN TUCK SEAT, W/STRAP
2	P04164-04-C26	EA COVER-VICTORIAN TUCK SEAT, W/STRAP

MATTRESS & BEDSPREAD

KEY	PART NUMBER	U/M DESCRIPTION
3	101123-03-000	EA MATTRESS-DOUBLE, W/CUT CORNER - 53" X 74"
3	P01123-03-000	EA COVER-MATTRESS, 53" X 74"
3	104358-02-C25	EA BEDSPREAD-54"THROW, 1"WELT ON BOTTOM
3	104358-02-C26	EA BEDSPREAD-54"THROW, 1"WELT ON BOTTOM
4	104565-02-C25	EA PILLOW SHAM-1"FLANGE&1"WELT
4	104565-02-C26	EA PILLOW SHAM-1"FLANGE&1"WELT
4	104166-01-C25	EA PILLOW ASM-14X14 W/2"FLANGE
4	104166-01-C26	EA PILLOW ASM-14X14 W/2"FLANGE

BUNK CUSHION

KEY	PART NUMBER	U/M DESCRIPTION
	102695-08-000	YD TAPE-CARPET BIND, #481 BROWN
	079145-06-000	EA CUSHION-BUNK, 30" X 77" X 4"
	M79145-06-000	EA COVER-CUSHION, BUNK
	102695-11-000	YD TAPE-CARPET BIND, MATTRESS - 3/4" WIDE - LIGHT TAN
		FROM: 09-01-91 THRU: 99-99-99
	102695-12-000	YD TAPE-CARPET BIND, #474 LIGHT TAN - ESHCO 1 1/4"
		FROM: 09-01-91 THRU: 99-99-99

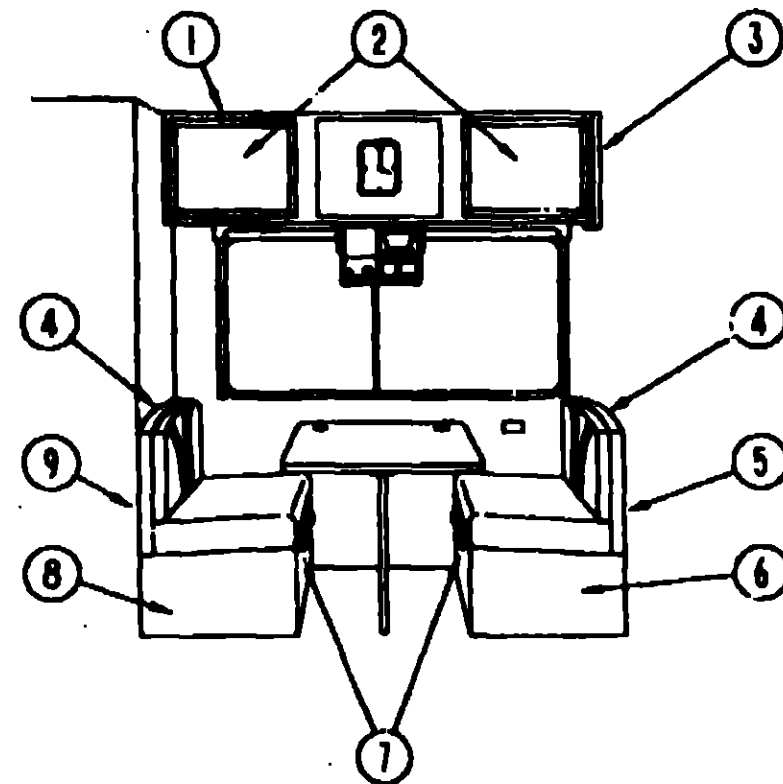
**1992 ITASCA
TABLE OF CONTENTS**

INTRODUCTION	A-01 -	A-02
ABBREVIATIONS		A-03
ALPHABETICAL INDEX	A-04 -	A-06
ICF23RC	A-07 -	E-14
ICF31RC	E-15 -	J-08

1992 ICF23RC INDEX

FLOOR PLAN	A-07 -	A-08
ACCESSORIES		A-09
AUDIO/VIDEO	A-10 -	A-12
BATH	A-13 -	A-14
BEDROOM	A-15 -	A-16
CHASSIS	A-17 -	B-03
CURTAIN & CUSHION	B-04 -	B-12
DINETTE	B-13 -	B-14
DRIVERS COMPARTMENT	B-15 -	B-20
ELECTRICAL	B-21 -	C-04
EXTERIOR BODY	C-05 -	C-12
GALLEY	C-13 -	C-17
GENERATOR	C-18 -	C-19
HEATING & AC	C-20 -	C-24
INTERIOR FINISH	D-01 -	D-04
LABEL	D-05 -	D-13
LP		D-14
SEALANTS & FASTENERS	D-15 -	D-18
WATER & SEWAGE	D-19 -	D-24
WINDOW, VENT AND		
EXTERIOR DOOR	E-01 -	E-12
WINDSHIELDWIPER	E-13 -	E-14

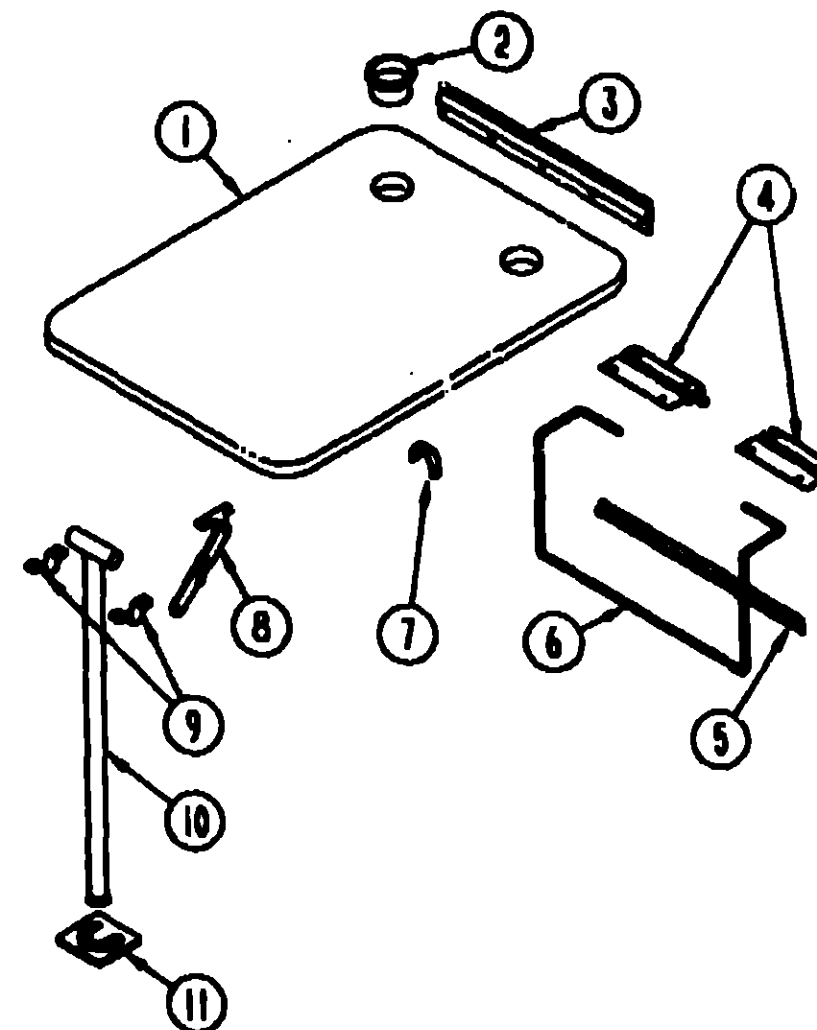
DINETTE GROUP



DINETTE CABINETRY

KEY	PART NUMBER	U/M	DESCRIPTION
1	M05019-66-C25	EA	CABINET ASM-OVERHEAD, DINETTE
1	M05019-66-C26	EA	CABINET ASM-OVERHEAD, DINETTE
2	P04746-02-C25	EA	DOOR-W/O HARDWARE - 400MM X 520MM
3	103128-01-C05	EA	END CAP-OVERHEAD
4	104787-01-C25	EA	PAD ASM-DINETTE
4	104787-01-C26	EA	PAD ASM-DINETTE
5	M05162-03-C05	EA	CABINET ASM-SEAT BACK RIGHT
6	M05161-03-C05	EA	CABINET ASM-SEAT BASE RIGHT
7	081295-01-AA8	EA	SUPPORT-BED
8	M05161-04-C05	EA	CABINET ASM-SEAT BASE LEFT
9	M05162-04-C05	EA	CABINET ASM-SEAT BACK LEFT
	103595-11-C05	EA	SEAT ASM
	081518-01-B03	EA	SEAT-TOP, DINETTE - PLYWOOD

DINETTE GROUP (CONTINUED)



DINETTE TABLE

KEY	PART NUMBER	U/M	DESCRIPTION
1	M02115-09-887	EA	TABLE-DINETTE, W/O EDGE BAND OR HARDWARE
2	084781-06-000	EA	HOLDER-CUP, TWO STEP - OFF WHITE
3	053200-05-000	EA	SUPPORT-TABLE, 8" X 23.5" - BEIGE
4	004354-01-000	EA	BUMPER-RUBBER - BROWN
4	088410-01-000	EA	BRACKET-LIFT, TABLE MOUNTED - BEIGE
5	024281-07-000	EA	BRACKET-LIFT ROD, LOWER WALL MOUNTED - 22.12" - BEIGE
6	024275-12-000	EA	ROD-TABLE LIFT, 8" X 23.5" - BEIGE
7	024283-01-000	EA	CLIP-LEG, 1" X 1.125" OD - BLACK
8	024282-01-000	EA	BRACE-TABLE LEG, HINGED
9	064050-03-000	EA	CLAMP-SADDLE, LEG HINGE - BEIGE
10	024276-21-000	EA	LEG-TABLE, METAL - BEIGE
11	049493-11-700	EA	CATCH-TABLE LEG, FLOOR MOUNTED - BEIGE
	002929-01-001	EA	BRACKET-TABLE

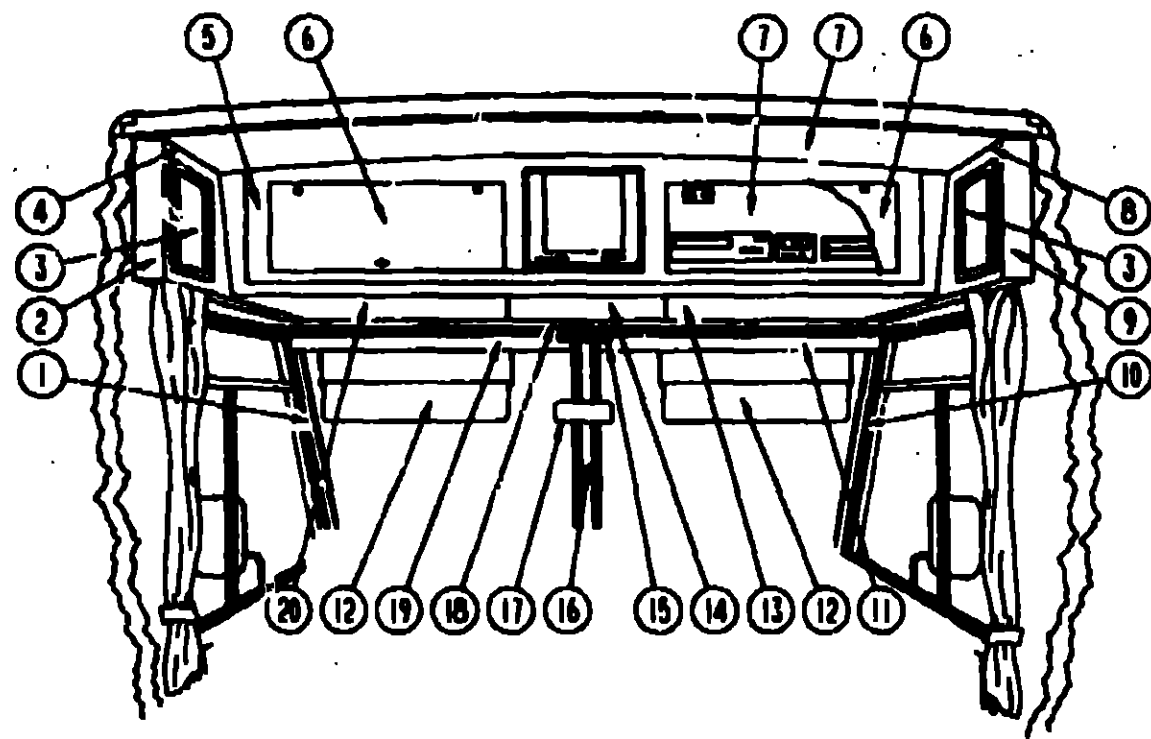
1992 ITASCA TABLE OF CONTENTS

INTRODUCTION	A-01	A-02
ABBREVIATIONS		A-03
ALPHABETICAL INDEX	A-04	A-06
ICF23RC	A-07	E-14
ICF31RQ	E-15	J-08

1992 ICF23RC INDEX

FLOOR PLAN	A-07	A-08
ACCESSORIES		A-09
AUDIO/VIDEO	A-10	A-12
BATH	A-13	A-14
BEDROOM	A-15	A-16
CHASSIS	A-17	B-03
CURTAIN & CUSHION	D-04	B-12
DINETTE	B-13	B-14
DRIVERS COMPARTMENT	B-15	B-20
ELECTRICAL	B-21	C-04
EXTERIOR BODY	C-05	C-12
GALLEY	C-13	C-17
GENERATOR	C-18	C-19
HEATING & A/C	C-20	C-24
INTERIOR FINISH	D-01	D-04
LABEL	D-05	D-13
LP		D-14
SEALANTS & FASTENERS	D-15	D-18
WATER & SEWAGE	D-19	D-24
WINDOW, VENT AND EXTERIOR DOOR	E-01	E-12
WINDSHIELDWIPER	E-13	E-14

DRIVERS COMPARTMENT GROUP
DRIVERS COMPARTMENT - UPPER



KEY	PART NUMBER	UM	DESCRIPTION
1	103931-02-02A	EA	COVER-INNER, A-PILLAR, DRIVERS
2	104353-02-C05	EA	END CAP-FRONT OVERHEAD, DRIVERS
3	P04746-06-C25	EA	DOOR-W/O HARDWARE
4	M05159-22-C25	EA	CABINET-FRONT OVERHEAD, DRIVERS
4	M05159-22-C26	EA	CABINET-FRONT OVERHEAD, DRIVERS
	104299-02-C05	EA	PANEL-SIDE PAD-VINYL-DRIVERS
	P04307-02-C05	EA	CABINET-BOTTOM W/VINYL, LEFT
5	104238-01-C05	EA	CABINET-FACE, FRONT OVERHEAD (TV)
6	100708-06-000	EA	DOOR-GLASS, TV CABINET - W/O HARDWARE - 9 68" X 28 42"
	100710-01-01A	EA	LOCK-TWIST TYPE
	100711-01-01A	EA	HINGE-DOOR, GLASS
	100707-01-000	EA	SPACER
	101272-01-000	EA	CATCH-GLASS DOOR
	101766-01-000	EA	PIN-SUPPORT, GLASS DOOR
7	103040-01-C05	EA	PANEL-HEADLINER FRONT OVERHEAD - PADDED
7	103040-02-C05	EA	PANEL-HEADLINER FRONT OVERHEAD - PADDED USED W/TV
7	103040-03-C05	EA	PANEL-HEADLINER FRONT OVERHEAD - PADDED USED W/VCR
7	103040-04-C05	EA	PANEL-HEADLINER FRONT OVERHEAD - PADDED USED W/VCR/INVERTER
7	103040-05-C05	EA	PANEL-HEADLINER FRONT OVERHEAD - PADDED USED W/TV/INVERTER
8	M05159-21-C25	EA	CABINET-FRONT OVERHEAD, PASSENGERS
8	M05159-21-C26	EA	CABINET-FRONT OVERHEAD, PASSENGERS
9	104353-01-C05	EA	END CAP-FRONT OVERHEAD, PASSENGERS
	104289-01-C05	EA	PANEL-SIDE PAD-VINYL-PASSENGERS
10	103931-01-02A	EA	COVER-INNER, A-PILLAR, PASSENGERS
11	078579-09-000	EA	TRIM-WINDSHIELD, UPPER-INNER, PASSENGERS
12	082286-14-C05	EA	SUNVISOR-DRIVER OR PASSENGER - W/POCKET
	000G39-10-12D	EA	SCREW-SF/DR, 10-16 X 3/4 PPH - BLACK
	102377-01-000	EA	BRACKET-SUNVISOR, 1 PIECE - STEEL
	007211-01-000	EA	HINGE-SUNVISOR
	074012-01-000	EA	CLIP-SUNVISOR, SQ. PINCH-ON
	078811-05-B11	EA	PANEL-TRIM, HEADER, LOWER
13	P03077-02-C05	EA	SHELF-BASE, CABINET, PASSENGERS SIDE
14	P04415-01-C05	EA	SHELF ASM-TV CABINET, CENTER
	104417-01-C05	EA	CABINET ASM-BLANKET (STANDARD CABINET)
15	086280-01-000	EA	LIGHT-SURFACE MOUNT, 12V - JENSEN 1236
	086280-01-700	EA	BULB, 12V6W
16	079785-08-000	EA	TRIM-WINDSHIELD, CENTER
17	040714-01-000	EA	MIRROR INSIDE REAR VIEW KIT
18	103040-01-C05	EA	PANEL-LINER, OVERHEAD TV
18	103040-06-C05	EA	PANEL-LINER, FRONT OVERHEAD W/BUNK
	101497-09-C05	EA	PANEL ASM-END CAP, UPPER RIGHT, TV
19	078579-10-000	EA	TRIM-WINDSHIELD, UPPER-INNER, DRIVERS
20	P03077-01-C05	EA	SHELF-BASE, CABINET, DRIVERS SIDE
	099637-01-000	EA	GROMMET-RUBBER, .37" X .94" DIAMETER - BLACK
	099717-02-000	EA	TIEDOWN-TV, STRAP ON FEMALE END IS 28.7" LONG
	100622-01-01A	EA	BRACKET-CABINET, TV - 9" X 1.5" - METAL - OFF WHITE
	106699-01-01A	EA	BRACKET-CABINET, OVERHEAD TV - OFF WHITE
	108911-01-D12	EA	CABINET ASM-FRAME, TV
	099717-01-000	EA	TIEDOWN-TV, STRAP ON FEMALE END IS 22.8" LONG
	100622-02-000	EA	SHELF ASM-TV
	100676-02-000	EA	STAND-VCR
	101150-01-000	EA	SUPPORT-SHELF, TV - PASSENGER SIDE - STEEL
	101150-02-000	EA	SUPPORT-SHELF, TV - DRIVER SIDE - STEEL
	065747-01-000	SF	INSULATION-MICROFOAM, .5"
	101497-10-C05	EA	PANEL ASM-END CAP, UPPER LEFT, TV
	101499-05-C05	EA	PANEL ASM-END CAP, BOTTOM RIGHT
	101499-06-C05	EA	PANEL ASM-END CAP, BOTTOM LEFT
	104289-01-C05	EA	PANEL-SIDE, OVERHEAD TV (RIGHT)
	104289-02-C05	EA	PANEL-SIDE, OVERHEAD TV (LEFT)

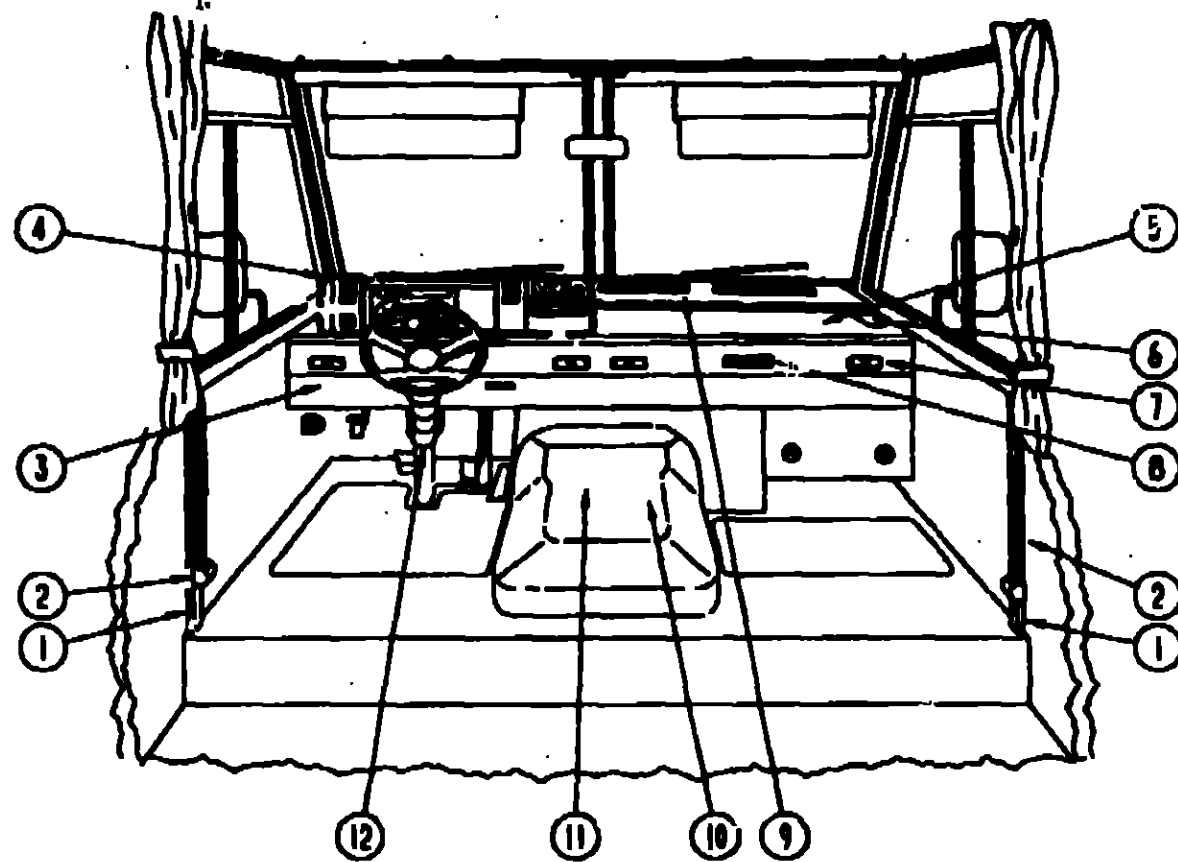
1992 ITASCA
TABLE OF CONTENTS

INTRODUCTION	A-01	A-02
ABBREVIATIONS		A-03
ALPHABETICAL INDEX	A-04	A-06
ICF23RC	A-07	E-14
ICF31RC	E-15	J-08

1992 ICF23RC INDEX

FLOOR PLAN	A-07	A-08
ACCESSORIES		A-09
AUDIO/VIDEO	A-10	A-12
BATH	A-13	A-14
BEDROOM	A-15	A-16
CHASSIS	A-17	B-03
CURTAIN & CUSHION	B-04	B-12
DINETTE	B-13	B-14
DRIVERS COMPARTMENT	B-15	B-20
ELECTRICAL	B-21	C-04
EXTERIOR BODY	C-05	C-12
GALLEY	C-13	C-17
GENERATOR	C-18	C-19
HEATING & A/C	C-20	C-21
INTERIOR FINISH	D-01	D-04
LABEL	D-05	D-13
LP		D-14
SEALANTS & FASTENERS	D-15	D-18
WATER & SEWAGE	D-19	D-24
WINDOW, VENT AND EXTERIOR DOOR	E-01	E-12
WINDSHIELD/WAMPER	E-12	E-14

DRIVERS COMPARTMENT GR/UP (CONTINUED)
DRIVERS COMPARTMENT - LOWER



KEY	PART NUMBER	U/M	DESCRIPTION
1	024700-44-000	EA	SIDEWALL ROLL BAR COVER, OFF WHITE - 53"
	024700-45-000	EA	SIDEWALL ROLL BAR COVER, OFF WHITE - 12 8"
2	091990-01-01A	EA	SEAT BELT-SHOULDER HARNESS - DRIVERS/PASSENGERS - BLACK
	091990-01-700	EA	BOLT COVER
	103961-01-01A	EA	COVER-BRACKET, SEATBELT - OFF WHITE
	R77030-53-447	EA	WASHER-FLAT 11,3IDX21,00D
3	103812-01-02A	EA	TRIM-DASH, LOWER, GM - GRAY
4	103666-01-02A	EA	POD-INSTRUMENT - GRAY
5	103C17-01-C25	EA	DASH ASM, W/VINYL
	P03817-01-000	EA	DASH ASM, W/O VINYL
6	073741-03-000	EA	SPEAKER-4X6 OVAL AUDIOVOX 110-2074
	073741-04-000	EA	GRILLE-SPEAKER, CVAL 4X6 AUDIOVOX 136-1157
7	103798-01-01A	EA	LOUVER ASM-A/C
8	104279-01-01A	EA	DECAL-LOGO "SUNRISE" PASSENGERS SIDE DASH
9	103558-01-01A	EA	VENT-DEFROSTER, OFF WHITE
10	097552-01-000	EA	COVER MOTOR
	075564-01-000	EA	BRACKET-MOUNTING, MOTOR COVER
	092406-01-000	EA	TRIM-MOTOR COVER
	039623-01-000	FT	SEAL-COVER-ENGINE
11	104696-01-C07	EA	TRAY ASM-BEVERAGE
	M04032-01-AB1	EA	DOWEL-WOOD, STAINED - 1" X 1.75"
	099028-01-000	EA	HINGE-CONCEALED, BEVERAGE
	046886-03-000	EA	ASHTRAY-CHROME, W/COVER
12	103498-01-000	EA	BOOT-COLUMN, 91 CHEVY, LOWER
			FROM: 00-00-00 THRU: 06-15-91
12	103498-02-000	EA	BOOT-COLUMN, 91 CHEVY, UPPER
			FROM: 00-00-00 THRU: 06-15-91
12	103498-04-000	EA	BOOT-COLUMN, 91 CHEV, UNIVERSAL
			FROM: 06-18-91 THRU: 99-99-99
	006120-04-C25	EA	PAD ASM.-MAP POCKET, 12X16
	086120-04-C26	EA	PAD ASM.-MAP POCKET, 12X16

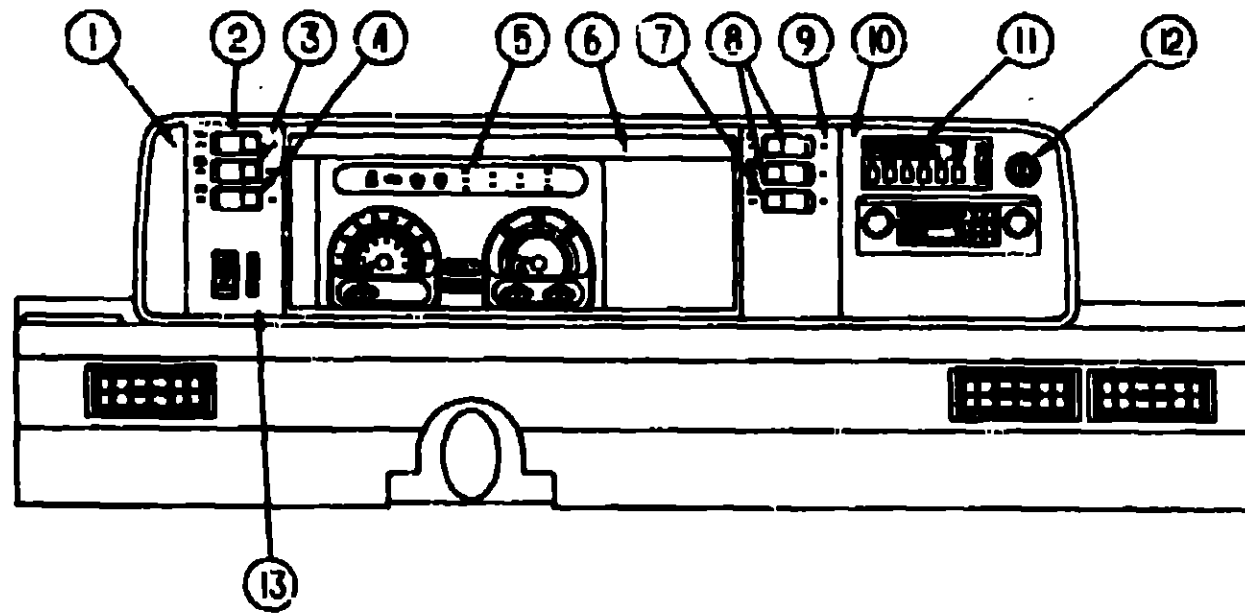
1992 ITASCA
TABLE OF CONTENTS

INTRODUCTION	A-01	A-02
ABBREVIATIONS		A-03
ALPHABETICAL INDEX	A-04	A-06
ICF23RC	A-07	E-14
ICF31RQ	E-15	J-08

1992 ICF23RC INDEX

FLOOR PLAN	A-07	A-08
ACCESSORIES		A-09
AUDIO/VIDEO	A-10	A-12
BATH	A-13	A-14
BEDROOM	A-15	A-16
CHASSIS	A-17	B-03
CURTAIN & CUSHION	B-04	B-12
DINETTE	B-13	B-14
DRIVERS COMPARTMENT	B-15	B-20
ELECTRICAL	B-21	C-04
EXTERIOR BODY	C-05	C-12
GALLEY	C-13	C-17
GENERATOR	C-18	C-19
HEATING & A/C	C-20	C-24
INTERIOR FINISH	D-01	D-04
LABEL	D-05	D-13
LP		D-14
SEALANTS & FASTENERS	D-15	D-18
WATER & SEWAGE	D-19	D-24
WINDOW, VENT AND		
EXTERIOR DOOR	E-01	E-12
WINDSHIELD/WIPER	E-13	E-14

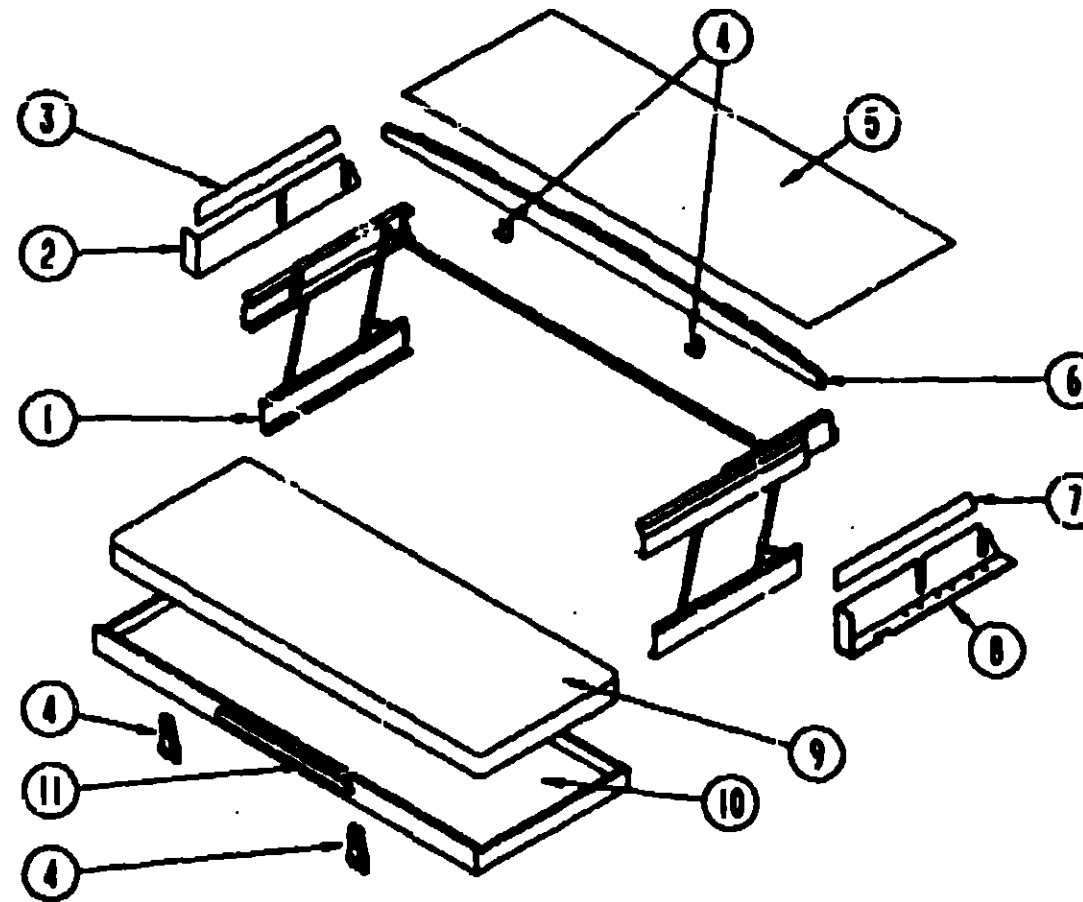
DRIVERS COMPARTMENT GROUP (CONTINUED)



INSTRUMENT CLUSTER

KEY	PART NUMBER	U/M DESCRIPTION
1	104056-01-01A	EA APPLIQUE-BEZEL LT DRESS UP
2	103875-06-000	EA SWITCH-ROCKER,DPDT/MOM/OFFMOM
3	103875-05-000	EA SWITCH-ROCKER,SPDT/ON/NONE/ON
4	103875-04-000	EA SWITCH-ROCKER,SPDT/ON/OFF/MOM
5	094796-03-000	EA CLUSTER-INSTRUMENT PANEL, KILOMETERS - GAS - GM #16156355
		FROM: 00-00-00 THRU: 11-03-91
5	094796-05-000	EA CLUSTER-INSTRUMENT PANEL, KILOMETERS - GAS - GM #16156355
		FROM: 11-04-91 THRU: 99-99-99
5	094796-04-000	EA CLUSTER-INSTRUMENT PANEL, KILOMETERS - DIESEL - GM#16138165
		FROM: 00-00-00 THRU: 11-24-91
5	094796-06-000	EA CLUSTER-INSTRUMENT PANEL, KILOMETERS - DIESEL - GM#16161325
		FROM: 11-25-91 THRU: 99-99-99
6	103662-01-01A	EA BEZEL-INSTRUMENT
7	096241-03-000	EA SWITCH-BLANK
8	103875-03-000	EA SWITCH-ROCKER,SPST/ON/OFF/ON
9	104056-04-01A	EA APPLIQUE-BEZEL BLANK - W/O AUX FAN AND REAR AUTO HEATER
9	104056-05-01A	EA APPLIQUE-BEZEL 3 SW - W/AUX FAN OR REAR AUTO HEATER
10	104056-06-01A	EA APPLIQUE-BEZEL RIGHT DRESS UP
11	103930-04-000	EA PANEL-CONTROL
12	069294-01-000	EA LIGHTER ASM-CIGARETTE
13	104056-02-01A	EA APPLIQUE-BEZEL
	100138-01-000	EA MODULE-DAYTIME RUNNING LIGHT
	077031-02-000	EA FILM-AMBER, 1" X 1.75"
	077031-03-000	EA FILM-WHITE .75X1.00
	103603-01-000	EA BULB-12V NO.74 D 12A WEDGE - GE 22-25
	P03817-01-000	EA DASH ASM,GM W/O VINYL
	077031-01-000	EA FILM-BLACK, 1" X 1.75"
	077075-01-000	EA GASKET-INSTRUMENT PANEL TO DEFROSTER PLENUM - 6" X 11.3"
	077075-03-000	EA GASKET-IP TO DEFROSTER PLENUM,SPL
	105615-01-000	FT FILM-PROTECTIVE CLEAR - 313-34" X 1500' ROL
		FROM: 07-29-91 THRU: 99-99-99
	105668-01-02A	EA INSERT-DASH,TRIM - GRAY
		FROM: 00-00-00 THRU: 08-09-91
	105870-01-02A	EA INSERT-DASH,TRIM - GRAY
		FROM: 00-00-00 THRU: 08-09-91
	077539-01-000	EA BRACKET-MOUNTING, DASH PANEL - L/SHPED - 2.5" X 1" X 1.5"

DRIVERS COMPARTMENT GROUP (CONTINUED)



FRONT BUNK-SINGLE (OPT 623)

KEY	PART NUMBER	U/M DESCRIPTION
1	076760-02-000	EA BUNK HARDWARE
	076760-02-700	EA SPRING-GAS-BUNK HARDWARE
2	101499-06-C05	EA PANEL-BOTTOM DRIVERS - PADDED - USED W/BUNK
3	101497-08-C05	EA PANEL-UPPER DRIVERS - PADDED - USED W/BUNK
4	042541-04-700	EA LATCH ASM-W/STRIKE, (2 SETS) - BRASS
4	042541-04-000	EA LATCH ASM-W/O STRIKE, BRASS
	042541-05-000	EA STRIKE-BRASS
	075943-09-000	EA BRACE-8" ANGLE, W/HOLES - ALUMINUM - O/WHT
5	103040-06-C05	EA PANEL-HEADLINER FRONT OVERHEAD - PADDED USED W/BUNK
6	P03199-01-C05	EA BOARD ASM-TRIM,BUNK - CEILING MOUNTED
	016604-05-000	EA BRACE-L/ANGLED, 2.5" - OFF WHITE
7	101497-07-C05	EA PANEL-UPPER PASSENGERS - PADDED - USED W/BUNK
8	101499-05-C05	EA PANEL-BOTTOM PASSENGERS - PADDED - USED W/BUNK
9	079145-06-000	EA CUSHION-BUNK
	M79145-06-000	EA COVER-BUNK 30" X 78"
10	081717-03-C25	EA BED ASM-BUNK,FRONT
11	094650-01-Y1?	EA HANDLE-BUNK, OAK

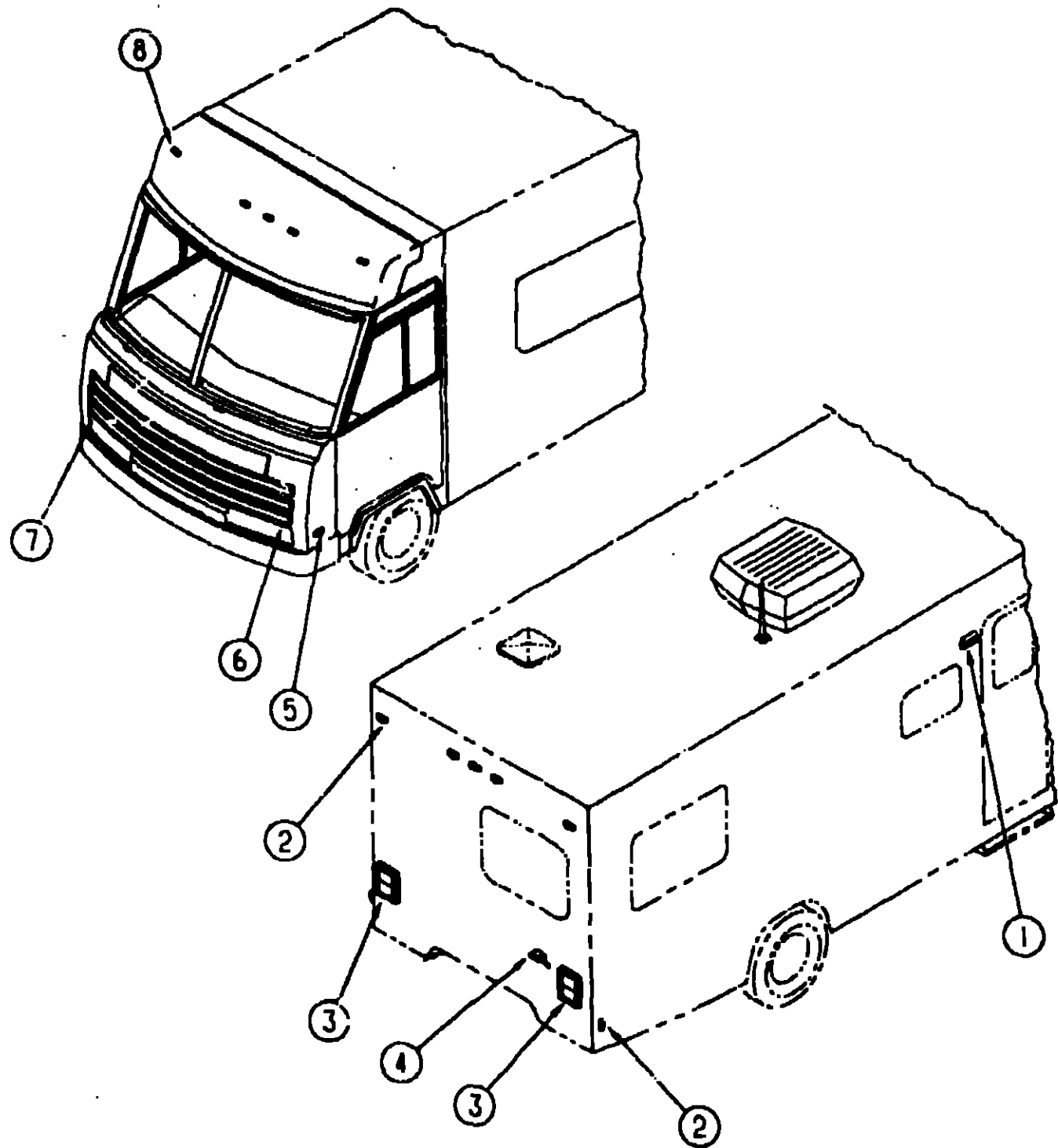
**1992 ITASCA
TABLE OF CONTENTS**

INTRODUCTION	A-01 - A-02
ABBREVIATIONS	A-03
ALPHABETICAL INDEX	A-04 - A-06
ICF23RC	A-07 - E-14
ICF31RQ	E-15 - J-08

1992 ICF23RC INDEX

FLOOR PLAN	A-07 - A-08
ACCESSORIES	A-09
AUDIO/VIDEO	A-10 - A-12
BATH	A-13 - A-14
BEDROOM	A-15 - A-16
CHASSIS	A-17 - B-03
CURTAIN & CUSHION	B-04 - B-11
DINETTE	B-13 - B-14
DRIVERS COMPARTMENT	B-15 - B-20
ELECTRICAL	B-21 - C-04
EXTERIOR BODY	C-05 - C-12
GALLEY	C-13 - C-17
GENERATOR	C-18 - C-19
HEATING & A/C	C-20 - C-24
INTERIOR FINISH	D-01 - D-04
LABEL	D-05 - D-13
LP	D-14
SEALANTS & FASTENERS	D-15 - D-18
WATER & SEWAGE	D-19 - D-24
WINDOW, VENT AND	
EXTERIOR DOOR	E-01 - E-12
WINDSHIELD/WIPER	E-13 - E-14

**ELECTRICAL GROUP
EXTERIOR LIGHTS**



KEY	PART NUMBER	U/M DESCRIPTION
1	097917-01-03A	EA LIGHT-PORCH, ENTRY DOOR - GRAY
	008215-01-000	EA BULB-12V, #1003 - 94AMP
	097917-01-700	EA LENS-LIGHT, PORCH
2	062648-01-000	EA LIGHT-CLEARANCE, RED - BARGMAN 30-99-001
3	081638-01-000	EA TAILLIGHT-DOUBLE, W/BLACK TRIM - DRIVER & PASSENGER SIDE
	037934-01-000	EA BULB #1156
	037935-01-000	EA BULB #2057 OR #1157
	081638-01-700	EA LENS-TAILLIGHT, RED - BARGMAN 30-84-010
	081638-01-701	EA LENS-TAILLIGHT, W/BACKUP - BARGMAN 30-84-700
	103355-01-02A	EA POD-TAILLIGHT GRAY
4	066432-02-000	EA LIGHT-LICENSE BLACK
	066432-03-000	EA BRACKET-LICENSE PLATE - BARGMAN 30-60-030
5	062648-02-000	EA LIGHT-CLEARANCE, AMBER - BARGMAN 30-99-002
6	049186-02-000	EA HEADLAMP CAPSULE-DRIVER, HIGH/LOW BEAM - RECTANGULAR - BLACK TRIM
	049188-02-000	EA HEADLAMP CAPSULE-DRIVER, HIGH BEAM - RECTANGULAR - BLACK TRIM
7	049185-02-000	EA HEADLAMP CAPSULE-PASSENGER, HIGH/LOW BEAM - RECTANGULAR - BLK TRIM
	049187-02-000	EA HEADLAMP CAPSULE-PASSENGER, HIGH BEAM - RECTANGULAR - BLACK TRIM
	P03783-01-000	EA WIRE ASM-HEADLAMP(GM)
	049350-01-000	EA SPRING-RETAINER, HEADLAMP - GM 496095
	073308-01-000	EA SCREW-ADJUSTING, HEADLAMP
	089292-01-000	EA LIGHT-TURN, DRIVER & PASSENGER - W/AMBER LENS
	037935-01-000	EA BULB
8	102520-01-000	EA LIGHT-CLEARANCE, W/O SOCKET CONNECTIONS - AMBER
	036196-01-000	EA BULB
	102540-01-000	EA SEAL-SCREW, ROUND - RUBBER
	102541-01-000	EA GASKET-CLEARANCE LIGHT
	102562-01-000	EA BRACKET-LIGHT, CLEARANCE - L-SHAPED METAL - 2 2" X 4 7"

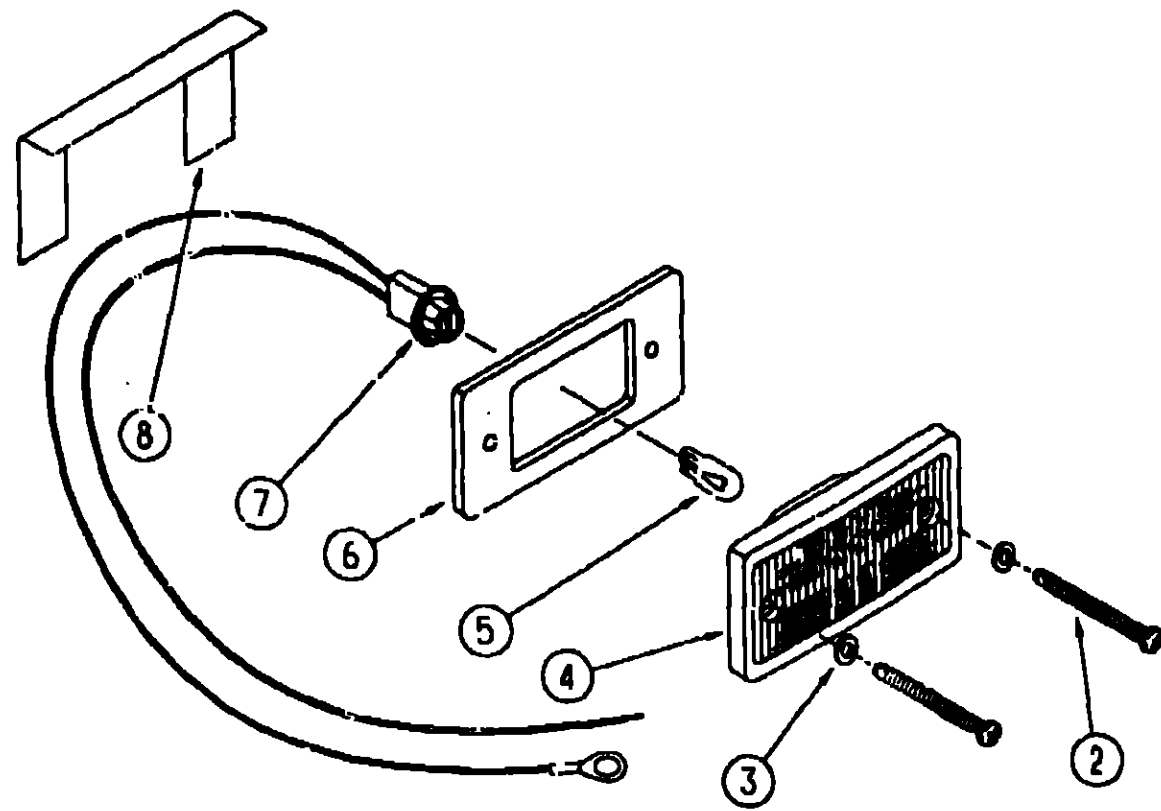
**1992 ITASCA
TABLE OF CONTENTS**

INTRODUCTION	A-01 - A-02
ABBREVIATIONS	A-03
ALPHABETICAL INDEX	A-04 - A-06
ICF23RC	A-07 - E-14
ICF31RO	E-15 - J-08

1992 ICF23RC INDEX

FLOOR PLAN	A-07 - A-08
ACCESSORIES	A-09
AUDIO/VIDEO	A-10 - A-12
BATH	A-13 - A-14
BEDROOM	A-15 - A-16
CHASSIS	A-17 - B-03
CURTAIN & CUSHION	B-04 - B-12
DINETTE	B-13 - B-14
DRIVERS COMPARTMENT	B-15 - B-20
ELECTRICAL	B-21 - C-04
EXTERIOR BODY	C-05 - C-12
GALLEY	C-13 - C-17
GENERATOR	C-18 - C-19
HEATING & A/C	C-20 - C-24
INTERIOR FINISH	D-01 - D-04
LABEL	D-05 - D-13
LP	D-14
SEALANTS & FASTENERS	D-15 - D-18
WATER & SEWAGE	D-19 - D-24
WINDOW, VENT AND EXTERIOR DOOR	E-01 - E-12
WINDSHIELDWIPER	E-13 - E-14

ELECTRICAL GROUP (CONTINUED)



EXTERIOR CLEARANCE LIGHTS

KEY	PART NUMBER	U/M DESCRIPTION
2	000G39-08-24B	EA SCREW, SELF DRIVING
3	102540-01-000	EA SEAL-SCREW, ROUND - RUBBER
4	102520-01-000	EA LIGHT-CLEARANCE, W/O SOCKET CONNECTIONS - AMBER
5	036196-01-000	EA BULB - #1194 - CLEARANCE LIGHT
6	102541-01-000	EA GASKET-CLEARANCE LIGHT
7	067789-02-000	EA SOCKET ASM.-CAB MARKER
8	102582-01-000	EA BRACKET-LIGHT, CLEARANCE - L-SHAPED METAL - 2 2" X 4 7"

ELECTRICAL GROUP (CONTINUED)

INTERIOR LIGHTS

KEY	PART NUMBER	U/M DESCRIPTION
	061424-01-000	EA LIGHT-AISLE, 12V - RECTANGULAR
	008103-01-C70	EA BULB-DASH/AISLE LIGHT, #53 - 12 V - .12 AMP
	065201-08-000	EA SHADE-LAMP, W/GOLD TRIM - PARCHMENT
		FROM: 00-00-00 THRU. 07-07-91
	065201-09-000	EA SHADE-LAMP, FABRIC - PARCHMENT
		FROM: 07-08-91 THRU. 99-99-99
	065202-14-000	EA LAMP-WALL, W/O SHADE - US
	065202-15-000	EA LAMP-WALL, W/O SHADE - CANADIAN
	082169-01-000	EA LIGHT-MAKE-UP, 3 BULB - JENSEN X148-16BR
	081633-01-700	EA BULB-MAKE UP LIGHT, JENSEN
	086280-01-000	EA LIGHT-SURFACE MOUNT, 12V - JENSEN 1236
	086280-01-700	EA BULB-12 VOLT, 6 WATT
	098024-01-01A	EA LIGHT-DOME, 1 BULB - US - IVORY
	008218-01-000	EA BULB-DOME LIGHT, 12V - NUMBER 1141
	098024-01-700	EA LENS-DOME LIGHT
	098024-03-01A	EA LIGHT-DOME, 2 BULB - IVORY
	008218-01-000	EA BULB-DOME LIGHT, 12V - NUMBER 1141
	098024-01-700	EA LENS-DOME LIGHT

CIRCUIT BREAKERS

KEY	PART NUMBER	U/M DESCRIPTION
	083209-01-000	EA CIRCUIT BREAKER-15 AMP, 120V - BW G-15 - CANADIAN
	083209-02-000	EA CIRCUIT BREAKER-15/15AMP, 120V - BW H-15/15
	083209-03-000	EA CIRCUIT BREAKER-15/20AMP, 120V - BW D-15/20
	083209-04-000	EA CIRCUIT BREAKER-30A, 120V - BW L-30
	083209-05-000	EA CIRCUIT BREAKER-20A, 120V - BW J-20
	083209-06-000	EA CIRCUIT BREAKER-30/15 AMP, 120V - BW D-30/15
	083209-07-000	EA CIRCUIT BREAKER-20/20A, 120V - BW K-20/20
	093654-01-000	EA CIRCUIT BREAKER-6 AMP, HOUSE CONTROL PANEL
	093654-02-000	EA CIRCUIT BREAKER-15 AMP
	093654-02-000	EA CIRCUIT BREAKER-30 AMP, HOUSE CONTROL PANEL
	093655-03-000	EA CIRCUIT BREAKER-40 AMP - 17440-4E03A2A
	097611-01-000	EA CIRCUIT BREAKER-6AMP, ATC - BLACK
	094810-01-000	EA BREAKER-CIRCUIT, DOUBLE 30 AMP - GE THQ12130
	094811-01-000	EA BREAKER-CIRCUIT, DOUBLE 20 AMP - GE THQ12120

CONDUIT

KEY	PART NUMBER	U/M DESCRIPTION
	041953-01-000	FT CONDUIT-CONVOLUTE SLIT, .5" ID
	041953-05-000	FT CONDUIT-CONVOLUTE SOLID, .62" ID
	041953-06-000	FT CONDUIT-CONVOLUTE, SLIT, .375" ID
	041953-07-000	FT CONDUIT-CONVOLUTE, SLIT - .25" ID
	041953-09-000	FT CONDUIT-CONVOLUTE, SLIT .50" ID
	041953-10-000	FT CONDUIT-CONVOLUTE, SLIT - .75" ID
	041953-11-000	FT CONDUIT-CONVOLUTE, SLIT- 1.06" ID
	041953-12-000	FT CONDUIT-CONVOLUTE NON SLIT 1.1" ID

**1992 ITASCA
TABLE OF CONTENTS**

INTRODUCTION	A-01 - A-02
ABBREVIATIONS	A-03
ALPHABETICAL INDEX	A-04 - A-06
ICF23RC	A-07 - E-14
ICF31RO	E-15 - J-08

1992 ICF23RC INDEX

FLOOR PLAN	A-07 - A-08
ACCESSORIES	A-09
AUDIO/VIDEO	A-10 - A-12
BATH	A-13 - A-14
BEDROOM	A-15 - A-16
CHASSIS	A-17 - B-03
CURTAIN & CUSHION	B-04 - B-12
DINETTE	B-13 - B-14
DRIVERS COMPARTMENT	B-15 - B-20
ELECTRICAL	B-21 - C-04
EXTERIOR BODY	C-05 - C-12
GALLEY	C-13 - C-17
GENERATOR	C-18 - C-19
HEATING & A/C	C-20 - C-24
INTERIOR FINISH	D-01 - D-04
LABEL	D-05 - D-13
LP	D-14
SEALANTS & FASTENERS	D-15 - D-18
WATER & SEWAGE	D-19 - D-24
WINDOW, VENT AND	
EXTERIOR DOOR	E-01 - E-12
WINDSHIELD/WIPER	E-13 - E-14

**ELECTRICAL GROUP (CONTINUED)
CONNECTORS**

KEY	PART NUMBER	U/M DESCRIPTION
	008311-01-000	EA CONNECTOR-WIRE NUT, INSULATED - RED
	008312-01-000	EA CONNECTOR-WIRE NUT, INSULATED - BLUE
	008314-01-000	EA CONNECTOR-WIRE NUT, INSULATED - GRAY
	008353-01-000	EA CONNECTOR-CABLE CLAMPING, 3/8"
	008355-01-000	EA CONNECTOR-CABLE CLAMPING, 3/4"
	008356-01-000	EA CONNECTOR-PLASTIC, 3/8" AVG
	008396-01-000	EA CONNECTOR-1/2" X 90 DEGREE, FLEX CONDUIT - UL AND CSA
	041480-01-000	EA CONNECTOR-STRAIGHT, 1/2" FLEX CONDUIT
	082740-01-000	EA CONNECTOR-PLASTIC BODY, FOR 2 MALE SPADES
	058028-01-000	EA CONNECTOR-ELECTRICAL PIGTAIL, NYLON - CLEAR

FROM: 05-17-91 THRU: 99-99-99

RECEPTACLES

KEY	PART NUMBER	U/M DESCRIPTION
	024924-02-000	EA RECEPTACLE-POWER CORD, W/PARTIAL PLATE
	080015-02-000	EA RECEPTACLE-FLAG, 185 - 16/14 GA - AMP 3
	058707-01-000	EA RECEPTACLE-ELECTRIC, SINGLE - BROWN
	058708-01-000	EA RECEPTACLE-ELECTRIC, DOUBLE - BROWN
	058708-02-000	EA RECEPTACLE-ELECTRIC, DOUBLE - IVORY
	084076-02-000	EA RECEPTACLE-GFI, 15A - 125V - BROWN
	007940-01-000	EA RECEPTACLE-SLIDE, 16 TO 12 AWG - FEMALE END

TERMINALS

KEY	PART NUMBER	U/M DESCRIPTION
	008326-01-000	EA TERMINAL-RING, 16/14 WIRE - 3/8" STUD
	008328-01-000	EA TERMINAL-RING, 12/10 WIRE - #10 STUD FIT
	008331-01-000	EA TERMINAL-RING, TONGUE - #4 WIRE - 3/8" STUD - COPPER
	008348-01-000	EA TERMINAL-RING, 3/8" STUD - #2 WIRE
	035416-04-000	EA TERMINAL-RING #10 STUD FIT, INSULATED BARREL, #16/14
	047443-01-000	EA TERMINAL-250 RECEP. FIT, INSULATED - 16/14 AWG
	047443-02-000	EA TERMINAL-250 RECEP FIT, INSULATED - 12/10 AWG
	062036-02-000	EA TERMINAL-PACK-CON, 16/14 AWG
	104100-03-000	EA TERMINAL-75 AMP 53880-4 LOOSE

FUSE & FUSE HOUSING

KEY	PART NUMBER	U/M DESCRIPTION
	008234-01-000	EA FUSE-12V, 10 AMP
	008235-01-000	EA FUSE-AUTOMOTIVE, 12V - 15AMP
	062037-01-000	EA HOUSING-AUTO FUSE, NATURAL
	062037-02-000	EA HOUSING-AUTO FUSE, GREEN
	062037-03-000	EA HOUSING-AUTO FUSE, BLACK
	062037-04-000	EA HOUSING-AUTO FUSE, BLUE
	062037-05-000	EA HOUSING-AUTO FUSE, GRAY
	062037-06-000	EA HOUSING-AUTO FUSE, BROWN
	032901-02-000	EA FUSE-5 AMPS, AUTOMOTIVE

FROM: 02-03-92 THRU: 99-99-99

FROM: 02-03-92 THRU: 99-99-99

	062301-05-000	EA FUSE-15 AMPS, AUTOMOTIVE
	063910-01-000	EA HOUSING-RELAY, BOSCH 3 334 485 008
	100341-01-000	EA FUSE HOLDER-IN LINE TYPE, WESCO 8931-92020

**ELECTRICAL GROUP (CONTINUED)
HOUSINGS, PINS & SOCKETS**

KEY	PART NUMBER	U/M DESCRIPTION
	088473-01-000	EA PIN-HOUSING, 4 ROWS OF 3
	088473-02-000	EA HOUSING-PIN, 15 POSITION
	088473-03-000	EA HOUSING-PIN, 9-POSITION
	088473-05-000	EA PIN-HOUSING, 6 POSITION (SINGLE ROW)
	088473-06-000	EA PIN-HOUSING, 6 POSITION (TWO ROWS OF THREE)
	088473-09-000	EA PIN-HOUSING, 3 POSITION (SINGLE ROW)
	088473-10-000	EA PIN-HOUSING, 2 POSITION
	088474-01-000	EA HOUSING-SOCKET, 12 POSITIONS
	088474-02-000	EA HOUSING-SOCKET, 15 POSITION (3 ROWS OF 5)
	088474-03-000	EA HOUSING-SOCKET, 9-POSITION
	088474-06-000	EA SOCKET-HOUSING, 6 POSITION (2 ROWS OF THREE)
	088474-07-000	EA HOUSING-SOCKET, 5 CAVITY - AMP 1-480764-0
	088474-08-000	EA SOCKET-HOUSING, 4 POSITION (SINGLE ROW)
	088474-09-000	EA HOUSING-SOCKET, 3 POSITION
	088474-10-000	EA HOUSING-SOCKET, 2 POSITION
	088475-01-000	EA PIN-CONNECTOR, 14 TO 20 AWG
	088475-02-000	EA PIN-CONNECTOR, 10 TO 12 AWG
	104100-01-000	EA HOUSING-1 POSITION, 75 AMP AMP 53884-1
	101571-01-000	EA HOUSING-2 POSITION, MALE
	106006-01-000	EA HOUSING-1 POSITION, FEMALE - PACKARD 12015552

FROM: 02-03-92 THRU: 99-99-99

FROM: 08-18-91 THRU: 99-99-99

POWER CORDS

KEY	PART NUMBER	U/M DESCRIPTION
	008052-01-000	EA CORD-POWER, 10/3 - 30 AMP - 25' - CANADIAN
	008054-01-000	EA CORD-POWER, 10/3 - 30 AMP - 25'

CONVERTERS, LOAD CENTER & INVERTER

KEY	PART NUMBER	U/M DESCRIPTION
	067762-02-000	EA CONVERTER-40 AMP, W/CHARGER - TRIAD TU-840-2
	083208-01-000	EA CONVERTER-POWER, 32A - 120V/12V - BW 6332
	083208-02-000	EA CONVERTER-POWER, 45A - 120V/12V - BW 6345
	094809-01-000	EA CENTER-LOAD, 240V - 125A - TPL412CT
	099048-01-000	EA INVERTER-100 WATT

**1992 ITASCA
TABLE OF CONTENTS**

INTRODUCTION	A-01	A-02
ABBREVIATIONS		A-03
ALPHABETICAL INDEX	A-04	A-06
ICF-23RC	A-07	E-14
ICF-3110	E-15	J-08

1992 ICF-23RC INDEX

FLOOR PLAN	A-07	A-08
ACCESSORIES		A-09
AUDIO/VIDEO	A-10	A-12
BATH	A-13	A-14
BEDROOM	A-15	A-16
CHASSIS	A-17	B-03
CURTAIN & CUSHION	B-04	B-12
DINETTE	B-13	B-14
DRIVERS COMPARTMENT	B-15	B-20
ELECTRICAL	B-21	C-04
EXTERIOR BODY	C-05	C-12
GALLEY	C-13	C-17
GENERATOR	C-18	C-19
HEATING & A/C	C-20	C-24
INTERIOR FINISH	D-01	D-04
LABEL	D-05	D-13
LP		D-14
SEALANTS & FASTENERS	D-15	D-18
WATER & SEWAGE	D-19	D-24
WINDOW, VENT AND		
EXTERIOR DOOR	E-01	E-12
WINDSHIELD/WIPER	E-13	E-14

ELECTRICAL GROUP (CONTINUED)
ELECTRICAL COMPONENTS

ELECTRICAL GROUP (CONTINUED)
ELECTRICAL COMPONENTS (CONTINUED)

**1992 ITASCA
TABLE OF CONTENTS**

INTRODUCTION	A-01	A-02
ABBREVIATIONS		A-03
ALPHABETICAL INDEX	A-04	A-06
ICF23RC	A-07	E-14
ICF31RC	E-15	J-08

1992 ICF23RC INDEX

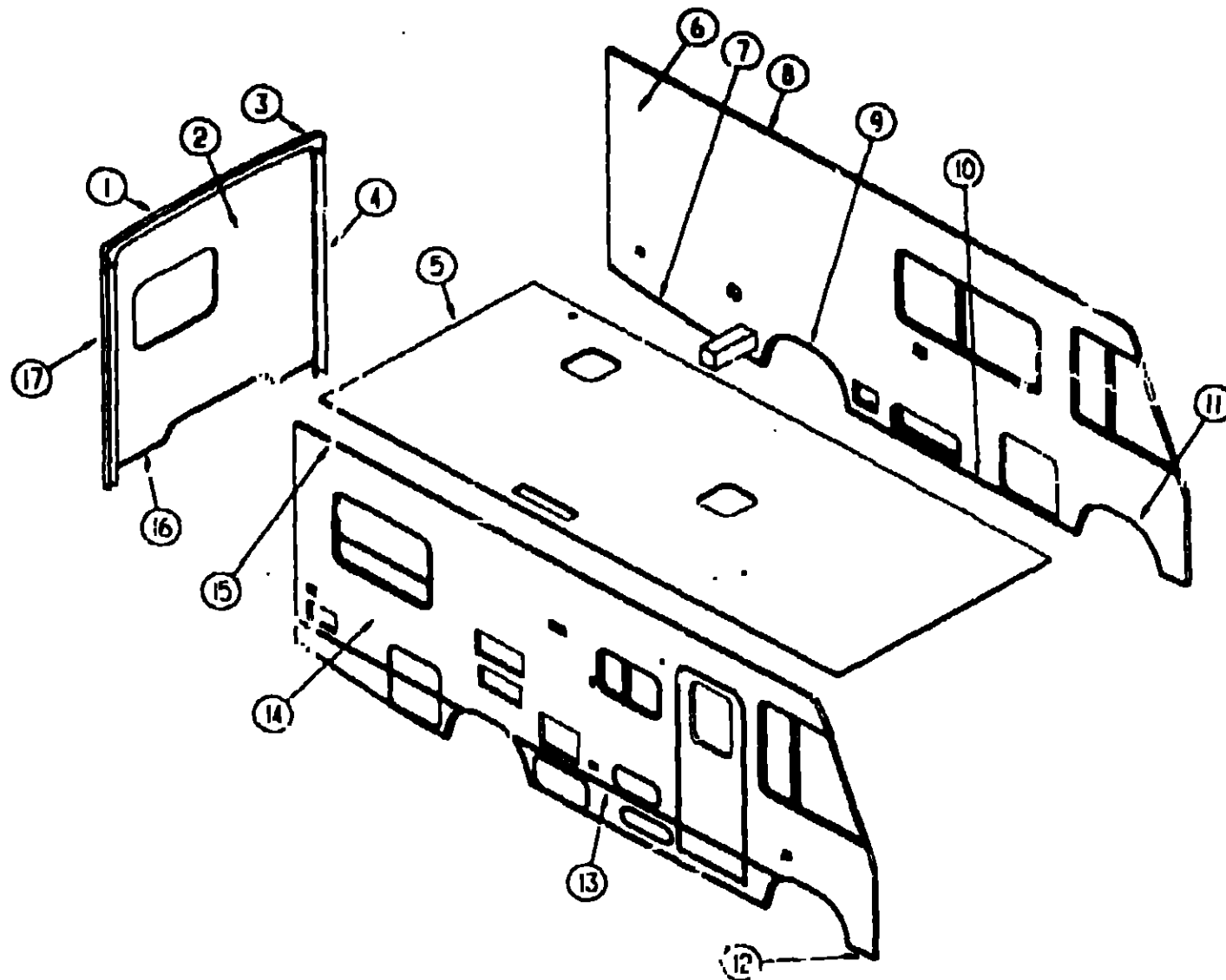
FLOOR PLAN	A-07	A-08
ACCESSORIES		A-09
AUDIO/VIDEO	A-10	A-12
BATH	A-13	A-14
BEDROOM	A-15	A-16
CHASSIS	A-17	B-03
CURTAIN & CUSHION	B-04	B-12
DINETTE	B-13	B-14
DRIVERS COMPARTMENT	B-15	B-20
ELECTRICAL	B-21	C-04
EXTERIOR BODY	C-05	C-12
GALLEY	C-13	C-17
GENERATOR	C-18	C-19
HEATING & AC	C-20	C-24
INTERIOR FINISH	D-01	D-04
LABEL	D-05	D-13
LP		D-14
SEALANTS & FASTENERS	D-15	D-18
WATER & SEWAGE	C-19	D-24
WINDOW, VENT AND		
EXTERIOR DOOR	E-01	E-12
WINDSHIELDWIPER	E-13	E-14

KEY	PART NUMBER	U/M	DESCRIPTION
	MD4148-22-000	EA	CONTROL CENTER - US
	007093-01-000	EA	FLASHER-SIGNAL, STAT
	007949-01-000	EA	TAU-HOUSING, 1 POSITION
	008188-01-000	EA	SOLENOID-3 POST, BATTERY CHANGE OVER
	008288-01-000	EA	BOX-PLASTIC ELECTRIC, 3" X 3 1/2"
	008288-02-000	EA	BOX-ELECTRIC PLASTIC - 3 9/16" X 3 13/16" X 1 81/16"
	008289-01-000	EA	BOX-ELECTRIC STEEL - 1/2" AND 3/4" KNOCKOUTS - 4" X 4"
	008289-02-000	EA	BOX-ELECTRICAL, 3" X 4" - 1/2" & 3/4" KNOCKOUTS - CANADIAN
	008294-01-000	EA	COVER-ELECTRICAL BOX, BLANK/STEEL - 4" X 4" - GRAY
	008294-02-000	EA	COVER-ELECTRICAL BOX, BLANK STEEL - 4" X 4" - CANADIAN
	054250-01-000	EA	COVER-ANGLED, W/O HOLE - 3 6" X 4 5" - PLASTIC - BEIGE ELECTRICAL PLATE SUPPORT
	054250-04-000	EA	COVER-ANGLED, W/O HOLE - 3 6" X 4 5" - PLASTIC - OFF WHITE ELECTRICAL PLATE SUPPORT
	058149-01-000	EA	BOX-ELECTRIC SWITCH, 2" X 3" X 2 25"
	067189-02-000	EA	SOCKET-LAMP
	069138-01-000	EA	COVER-ELECTRICAL BOX, W/HOLE - 4" X 4" - GRAY USED WITH 30 AMP RECEPTACLE
	073323-04-000	EA	CABLE ASSEMBLY-BATTERY W/TERMINALS
	073616-04-000	EA	COVER-ELECTRIC, 10 1/2" X 7 8" - BEIGE PLASTIC
	075723-01-000	EA	SPACER-SWITCH, W/O HOLE - 2" X 9" X 2" - METAL - OFF WHITE
	075736-02-000	EA	COVER-EXTERIOR RECEPTACLE, OFF WHITE
	077479-02-000	EA	BOOT-BATTERY TERMINAL, SINGLE CABLE
	079364-01-000	EA	SWITCH-ON/OFF, ROCKER, 2 PRONGS - BROWN
	079364-03-000	EA	SWITCH-ON/OFF, ROCKER, 3 PRONGS - BROWN
	081994-02-000	EA	PLATE-SWITCH, EXTERIOR SHOWER
	094077-02-000	EA	PLATE-COVER, RECEPTACLE, GFI - BROWN

FROM 00-00-00 THRU 02-29-91

KEY	PART NUMBER	U/M	DESCRIPTION
	086233-01-000	EA	STUD-ISOLATED, 3/8" X 7/8" LONG
	086273-01-000	EA	RELAY-BATTERY DISCONNECT
	087949-01-000	EA	BUSS BAR-2 POSITION, 8" X 1 1/2" - ALUMINUM
	088473-01-000	EA	SOCKET-CONNECTOR, BRASS - PRE-TIN
	088478-02-000	EA	SOCKET-CONNECTOR, 12-15 AMP - PHOS BRZ - PRE-TIN
	088751-01-000	FT	CABLE-BATTERY, 1/0 AWG, STRANDED, RED
	091910-01-000	EA	BOX-ELECTRIC, 3 7/8" X 3 5/8" X 1 7/8" - PLASTIC
	091927-01-000	EA	COVER-RECEPTACLE, DOUBLE - IVORY
	092492-08-000	EA	SEAL-ELECTRICAL BOX ALFA III (195X267)
	094334-01-000	EA	PLUG-ELECTRICAL, 3 POSITION - FURNACE - SUBURBAN 520322 FROM 00-00-00 THRU 02-02-92
	094831-01-724	EA	O-RING-#4, MOTIVAIR/SCS ZGG14581
	094831-08-000	EA	WIRE ASSEMBLY-AC COMPRESSOR ADAPTER - SCS 038-0054
	095188-01-01A	EA	SPACER-SWITCH, 2 3/4" X 3 4" - PLASTIC - DARK BROWN
	096241-03-000	EA	SWITCH-BLANK
	096241-07-000	EA	SWITCH-ROCKER, DPDT - ON/ON - BLACK
	097618-01-000	EA	WIRE ASM-MONITOR PANEL, W/4 WIRES & BLACK RESISTOR - LVS
	097734-01-02A	EA	EXTENSION-RECEPTACLE, 3 2" X 5" X 7" - PLASTIC - BROWN
	098351-01-01A	EA	PLATE-SWITCH, 1 GANG - POLISHED BRASS
	098351-02-01A	EA	PLATE-SWITCH, 2 GANG - POLISHED BRASS
	098351-06-01A	EA	PLATE-SWITCH, 2 GANG W/LABEL - JENSEN - POLISHED BRASS
	102568-01-810	EA	SPACER-RECEPTACLE, BETWEEN SIDEWALL & PLATE - WOOD
	102636-01-000	EA	WIRE ASM-CLEARANCE LAMPS
	103347-01-000	EA	WIRE ASSEMBLY-COOLING FAN ADAPTER FROM 00-00-00 THRU 02-21-92
	103608-01-000	EA	SOCKET-WEDGE BASE W/LEADS - JKL 2944-6 OR EQUIV
	103873-01-000	EA	SEAL-ELECTRICAL BOX/BULKHEAD - ALFA III(215X215)
	103987-01-000	EA	SEAL-SOLENOID ACCESS
	103991-01-000	EA	WIRE ASM-CRT BKR, POWER
	108356-01-01A	EA	ACTUATOR-SWITCH GROOVES III - CARLING VVCZC00 BLA

EXTERIOR BODY GROUP



EXTERIOR BODY PANELS AND TRIM

KEY	PART NUMBER	U/M DESCRIPTION
1	M05605-03-C25	EA BACKWALL TRIM-ASM.TOP RIGHT
1	103599-01-02A	EA TRIM-BACKWALL.TOP.RIGHT
2	P03133-01-C25	EA BACKWALL ASM
3	M05605-01-C25	EA BACKWALL TRIM-ASM.TOP LEFT
3	103600-01-02A	EA TRIM-BACKWALL.TOP.LEFT
4	104033-02-02A	EA TRIM-J.BACKWALL.LEFT
4	103598-02-700	EA TRIM-BACKWALL.SIDE.LEFT
	103598-02-03A	EA TRIM-BACKWALL.SIDE.LEFT .MILL
5	P04042-01-C25	EA ROOF ASM
6	P03998-01-C25	EA SIDEWALL ASM-LEFT
6	M05739-01-C25	EA SIDEWALL ASM-LEFT. EUROPE
7	103143-06-02A	EA TRIM-LOWER SDW.REAR LEFT - GRAY
		FROM 00-00-00 THRU 07-07-91
7	103143-05-02A	EA TRIM-LOWER SDW.REAR RIGHT OR LEFT - GRAY
		FROM 07-08-91 THRU 05-02-92
7	108038-03-03A	EA TRIM-LOWER SDW.REAR RIGHT OR LEFT - GRAY
		FROM 05-03-92 THRU 99-99-99
8	103801-01-02A	EA TRIM-ROOF
	086754-04-000	EA CAP-JOINT, ROOF TO SIDEWALL TRIM - 2' X 1 25' - GRAY
9	103145-01-02A	EA TRIM-WHEELWELL,REAR - GRAY
		FROM 00-00-00 THRU 05-02-92
9	108070-01-03A	EA TRIM-WHEELWELL,REAR - GRAY
		FROM 05-03-92 THRU 99-99-99
10	103144-03-02A	EA TRIM-LOWER SDW.CENTER - GRAY
		FROM 00-00-00 THRU 05-02-92
10	108039-02-03A	EA TRIM-LOWER SDW.CENTER - GRAY
		FROM 05-03-92 THRU 99-99-99
11	103146-01-02A	EA TRIM-WHEELWELL,FRONT - GRAY
		FROM 00-00-00 THRU 05-02-92

EXTERIOR BODY GROUP (CONTINUED)
EXTERIOR BODY PANELS AND TRIM (CONTINUED)

KEY	PART NUMBER	U/M DESCRIPTION
11	108089-01-03A	EA TRIM-WHEELWELL,FRONT - GRAY
		FROM 05-03-92 THRU 99-99-99
12	103142-01-02A	EA TRIM-LOWER SIDEWALL,FRONT,RIGHT - GRAY
		FROM 00-00-00 THRU 05-02-92
12	108109-01-03A	EA TRIM-SIDEWALL LOW,FRONT - GRAY
		FROM 05-03-92 THRU 99-99-99
	086180-55-003	EA U-CHANNEL-EXTRUDED, 7' X 16' - GRAY - SERRATED
	089922-08-000	EA TRIM-FIBERGLASS,PANFL.
13	002444-05-001	EA EXTR-FEATURE STRIP 182 00'
	001030-11-001	EA INSERT, FEATURE STRIP
	009731-01-000	EA CAP-FEATURE STRIP
14	P03999-01-C25	EA SIDEWALL ASM-RIGHT
14	M05739-02-C25	EA SIDEWALL ASM-RIGHT EUROPE
15	103802-01-02A	EA RAIL-AWNING
16	050406-16-000	EA TRIM-BACKWALL,LOWER
17	104033-01-02A	EA TRIM-J.BACKWALL TO SIDEWALL, RIGHT
17	103598-01-700	EA TRIM-BACKWALL,SIDE,RIGHT - GRAY
17	103598-01-03A	EA TRIM-BACKWALL,SIDE,RIGHT - MILL
	103814-01-000	EA BRACKET-TRIM ATTACHMENT
	055278-01-001	FT TUBING-STEEL, 75" X 1 5" X 288"
		REPLACE WITH 055278-51-259 WHICH IS 12 5' LONG
	103800-01-02A	EA TRIM-FRONT SDW GRY 0184
	086180-55-003	EA U-CHANNEL-TRIM, 1 6" X 16" - GRAY
	002754-01-001	EA ANGLE-EXTRUDED, 75" X 75" X 18" - MILL ALUMINUM
	002726-01-001	EA GARNISH-U-CHANNEL, 1 38" X 19" - SERRATED - MILL ALUMINUM
	103477-01-02A	EA PANEL-FRONT,LOWER GRAY
	044770-07-000	EA EXTR-RAIL-DRIP 96 IN
	044380-01-001	EA RAIL-DRIP, J SHAPED - 1 2" X 16" - EXTRUDED ALUMINUM
	059584-01-001	EA EXTRUSION-TRIM, 216" - ALUMINUM
	093673-01-03A	FT MOLDING-BODY,ENTRANCE DOOR - GRAY
	103801-02-02A	EA TRIM-ROOF GRAY
	103802-02-02A	EA RAIL-AWNING GRAY

FIBERGLASS, STYROFOAM & ALUMINUM

KEY	PART NUMBER	U/M DESCRIPTION
	076054-F9-000	EA SHEET-FIBERGLASS, 2438 X 7660 - GRAY
	076054-F4-000	EA SHEET-FIBERGLASS, 2438 X 2438 - GRAY
	000868-J1-000	SF STYROFOAM-.75" X 24" X 96" - INCREMENTS OF 16 SF
	000870-05-000	SF STYROFOAM- 5" X 24" X 96", INCREMENTS OF 16 SF
	083574-01-000	SF STYROFOAM DOW TYPE SM - 1 5" X 24" X 85 25" - INCREMENTS OF 14 SF
	000870-03-000	SF STYROFOAM-1.34" X 48" X 96" - INCREMENTS OF 32 SF
	044487-51-001	EA ALUMINUM SHEET - .019" X 96" X 360" - MILL FINISH
	001054-01-011	EA ALUMINUM-SHEET, .021" X 48" X 96" - FLAT - OFF WHITE
	001018-01-024	EA SKIN-ALUMINUM, .024" X 48" X 96" - FLAT - BEIGE
	001012-01-000	EA ALUMINUM- 0165X48.00XCOIL MILL FINISH
	001013-01-000	EA ALUMINUM- 019X12.00XCOIL MILL FINISH
	072896-05-000	EA ALUMINUM- 032X48.COIL.5052 MILL FINISH
	076054-E9-000	EA FIBERGLASS SHEET 2438 X 7660 - OFF WHITE
	083574-03-000	SF STYROFOAM-3/4X48X96
	076054-F3-000	EA FIBERGLASS SHEET 96" X 25 FT - OFF WHITE BACKWALL
	083574-02-000	SF STYROFOAM-1.5" X 24" X 90 5" ROOF
	102580-01-G1A	SF FIBERGLASS - FLAT 104"W X 500" LG ROOF
	077517-23-000	EA SHEET-FIBERGLASS, FLAT - 48" X 96" - GRAY

ASSIST HANDLE & SOUND INSULATION

KEY	PART NUMBER	U/M DESCRIPTION
	009126-02-000	EA HANDLE-ASSIST, ENTRY DOOR - BLACK
	069726-02-000	EA BUMPER-88"DIA X .40". BLACK
	072877-01-000	EA INSULATION-SOUND BARRIER LB-1 COMPOSITE
	072878-01-000	EA INSULATION-SOUND BARRIER PAD, 29.25" X 40 19"

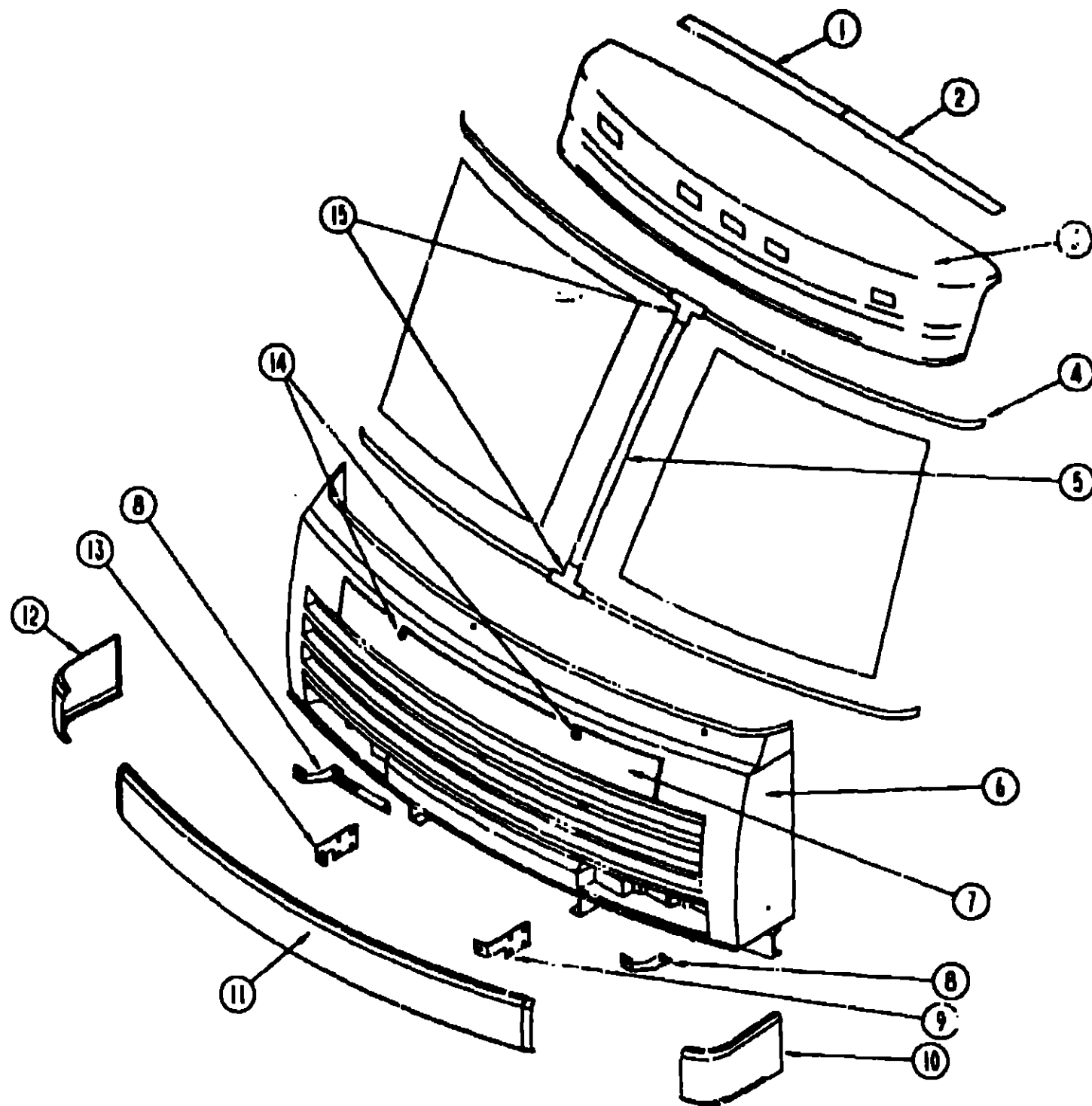
1992 ITASCA
TABLE OF CONTENTS

INTRODUCTION	A-01	A-02
ABBREVIATIONS		A-03
ALPHABETICAL INDEX	A-04	A-06
ICF23RC	A-07	E-14
ICF31RQ	E-15	J-08

1992 ICF23RC INDEX

FLOOR PLAN	A-07	A-08
ACCESSORIES		A-09
AUDIO/VIDEO	A-10	A-12
BATH	A-13	A-14
BEDROOM	A-15	A-16
CHASSIS	A-17	B-03
CURTAIN & CUSHION	B-04	B-12
DINETTE	B-13	B-14
DRIVERS COMPARTMENT	B-15	B-20
ELECTRICAL	B-21	C-04
EXTERIOR BODY	C-05	C-12
GALLEY	C-13	C-17
GENERATOR	C-18	C-19
HEATING & A/C	C-20	C-24
INTERIOR FINISH	D-01	D-04
LABEL	D-05	D-13
LP		D-14
SEALANTS & FASTENERS	D-15	D-18
WATER & SEWAGE	D-19	D-24
WINDOW, VENT AND		
EXTERIOR DOOR	E-01	E-12
WINDSHIELD/WIPER	E-13	E-14

EXTERIOR BODY GROUP (CONTINUED)
FRONT END COMPONENTS & BUMPER



KEY	PART NUMBER	U/M	DESCRIPTION
1	103816-02-03A	EA	TRIM-FRONT CAP/ROOF, RIGHT - GRAY
2	103816-01-03A	EA	TRIM-FRONT CAP/ROOF, LEFT - GRAY
3	103145-01-C25	EA	CAP ASM-FRONT - GRAY
4	102936-01-000	EA	MOLDING-REVEAL, WINDSHIELD
5	103523-01-000	FT	MOLDING-REVEAL, WINDSHIELD - CENTER
	103107-01-01A	EA	TRIM-WINDSHIELD, SIDE - BLACK
	103107-02-01A	EA	TRIM-WINDSHIELD, SIDE - BLACK
6	M05128-01-C05	EA	FRONT END ASM-FINITE/AGLASS
7	103478-01-C25	EA	PANEL ASM-HOOD
	103497-01-000	EA	BRACE-BUMPER FRONT UPPER
8	103611-01-000	EA	BRACE-BUMPER, FRONT - LOWER
9	098140-04-000	EA	SUPPORT-BUMPER - DRIVERS
10	103625-02-02A	EA	PANEL-FACIA, FRONT BUMPER LEFT - GRAY
11	103634-01-C25	EA	BUMPER ASM-FRONT - W/RIGHT & LEFT FACIA
12	103625-01-02A	EA	PANEL-FACIA, FRONT BUMPER RIGHT - GRAY
13	086140-03-000	EA	SUPPORT-BUMPER - PASSENGERS
14	102330-02-000	EA	LATCH-HOOD
15	077952-02-000	EA	CAP - REVEAL MOLDING, CENTER TOP & CENTER BOTTOM
	049185-01-000	EA	HEADLAMP CAPSULE ASM-RECT LEFT HIGH-LOW BEAM
	049186-01-000	EA	HEADLAMP CAPSULE ASM-RECT RIGHT HIGH-LOW BEAM
	049187-01-000	EA	HEADLAMP CAPSULE ASM-RECT LEFT HIGH BEAM
	049188-01-000	EA	HEADLAMP CAPSULE ASM-RECT RIGHT HIGH BEAM
	049359-01-000	EA	SPRING-HEADLIGHT RETAINER
	073308-01-000	EA	SCREW ASM-HEADLAMP ADJUSTING - T/MAN
	061603-01-000	EA	GROMMET-SNAP, 3/16 ID, 3/8 HOLE
	058786-01-000	EA	BOLT-ADJUSTING, HOOD - W/BLACK PAD - 31" #18 X 2"
			FROM: 00-00-00 THRU: 12-11-91
	058786-02-000	EA	BOLT-ADJUSTING, HOOD - W/BLACK PAD - 5/16" #18 X 1 25"
			FROM 12-12-91 THRU 99-99-99
	103816-01-02A	EA	TRIM-FRONT CAP/SIDEWALL - GRAY
	103816-02-02A	EA	TRIM-FRONT CAP/SIDEWALL - GRAY
	086754-04-000	EA	CAP-TRIM, GRAY
	103749-01-02A	EA	PANEL-ROOF CAP - GRAY
	105096-02-000	EA	TUBE-TIMING, HOOD HINGE
	104584-03-000	EA	BRACKET ASM-HOOD HINGE BODY, RIGHT
	104584-04-000	EA	BRACKET ASM-HOOD HINGE BODY, LEFT
	105095-01-000	EA	LINK ASM-HINGE, HOOD - INNER - RIGHT
	105095-02-000	EA	LINK ASM-HINGE, HOOD - INNER - LEFT
	104572-02-000	EA	LINK ASM-HINGE, HOOD - OUTER
	103629-01-000	EA	BRACKET-FRONT, LWR, MTG

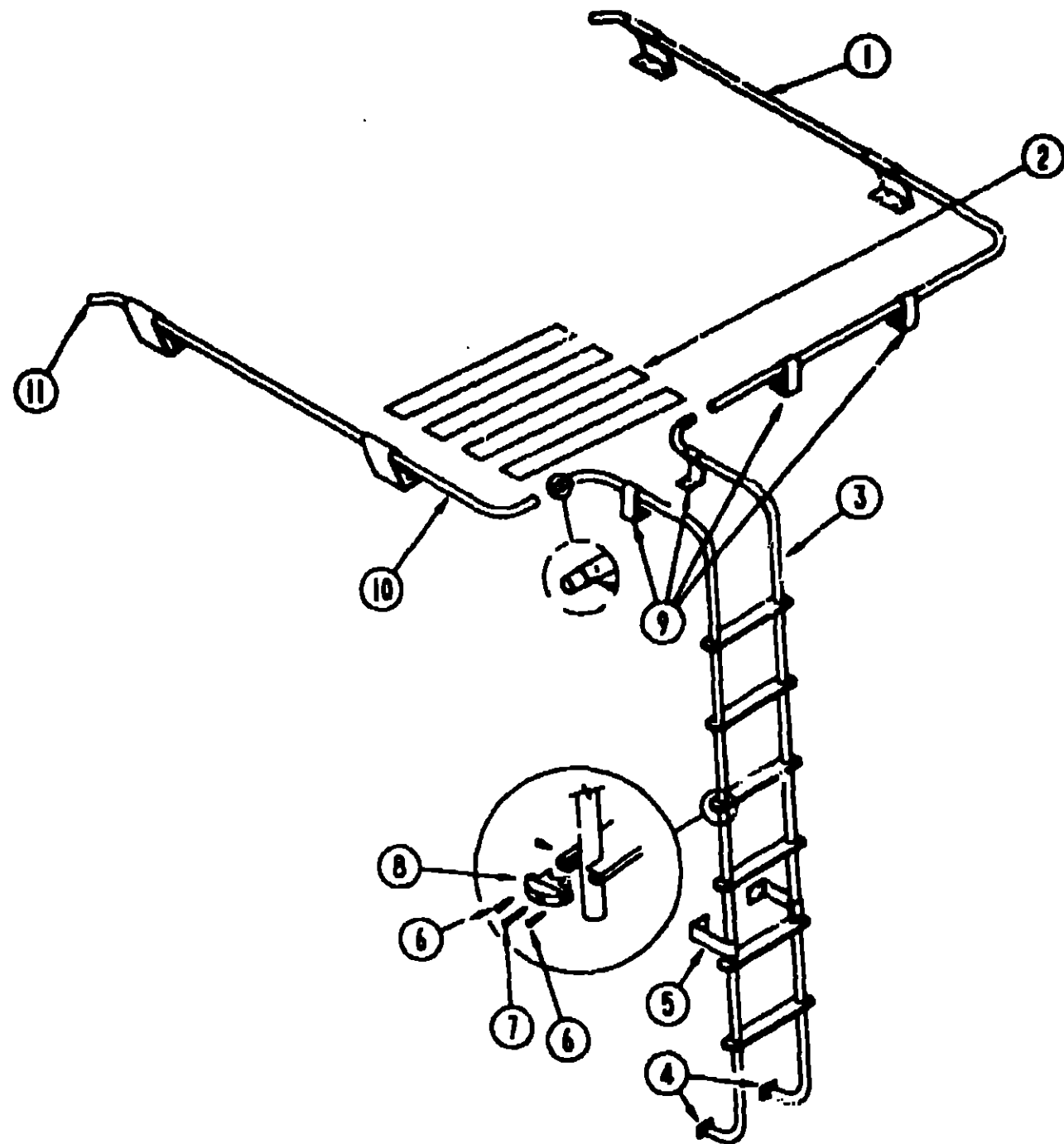
1992 ITASCA
TABLE OF CONTENTS

INTRODUCTION	A-01	A-02
ABBREVIATIONS		A-03
ALPHABETICAL INDEX	A-04	A-06
ICF23RC	A-07	E-14
ICF31RC	E-15	J-08

1992 ICF23RC INDEX

FLOOR PLAN	A-07	A-08
ACCESSORIES		A-09
AUDIO/VIDEO	A-10	A-12
BATH	A-13	A-14
BEDROOM	A-15	A-16
CHASSIS	A-17	B-03
CURTAIN & CUSHION	B-04	B-12
DINETTE	B-13	B-14
DRIVERS COMPARTMENT	B-15	B-20
ELECTRICAL	B-21	C-04
EXTERIOR BODY	C-05	C-12
GALLEY	C-13	C-17
GENERATOR	C-18	C-19
HEATING & A/C	C-20	C-24
INTERIOR FINISH	D-01	D-04
LABEL	D-05	D-13
LP		D-14
SEALANTS & FASTENERS	D-15	D-18
WATER & SEWAGE	D-19	D-24
WINDOW, VENT AND		
EXTERIOR DOOR	E-01	E-12
WINDSHIELD/WIPER	E-13	E-14

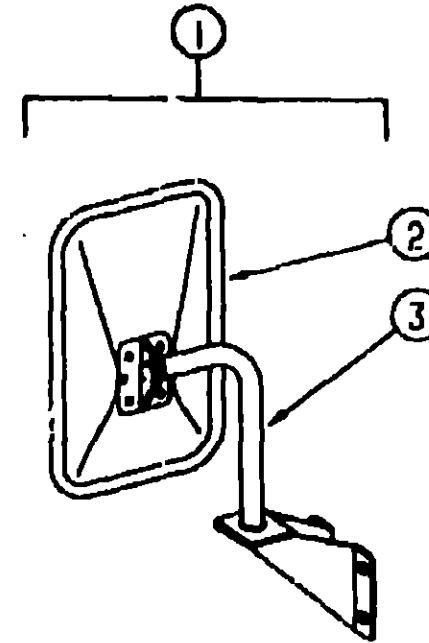
EXTERIOR BODY GROUP (CONTINUED)



LADDER & LUGGAGE RACK

KEY	PART NUMBER	U/M DESCRIPTION
1	081026-15-C05	EA RACK ASM. PASSENGER SIDE
1	107438-05-C07	EA RACK ASM-RIGHT
2	038127-02-000	EA TAPE-ANTI SLIP, 2" X 60'
3	107953-01-C05	EA LADDER ASM. STRAIGHT
4	067165-01-000	EA MOUNTING BRACKET-LADDER, LOWER
5	NOT AVAILABLE	EA STANDOFF-LADDER, BRIGHT DIPPED - LOWER
6	000G39-06-10T	EA SCREW-SF/DR. 6-20 X 5/8 PPH - BLACK
7	000G68-10-36T	EA SCREW-10-12 X 2.25 POH BLACK
8	076590-02-000	EA END CAP-STEP, BLACK
9	NOT AVAILABLE	EA STANDOFF-RACK & LADDER, BRIGHT DIPPED
10	081026-16-C05	EA RACK ASM
10	107438-06-C07	EA RACK ASM-LEFT
11	031114-01-000	EA PLUG-ROUND, RACK & LADDER ENDS - PLASTIC - 1" DIA.

EXTERIOR BODY GROUP (CONTINUED)



EXTERIOR MIRROR

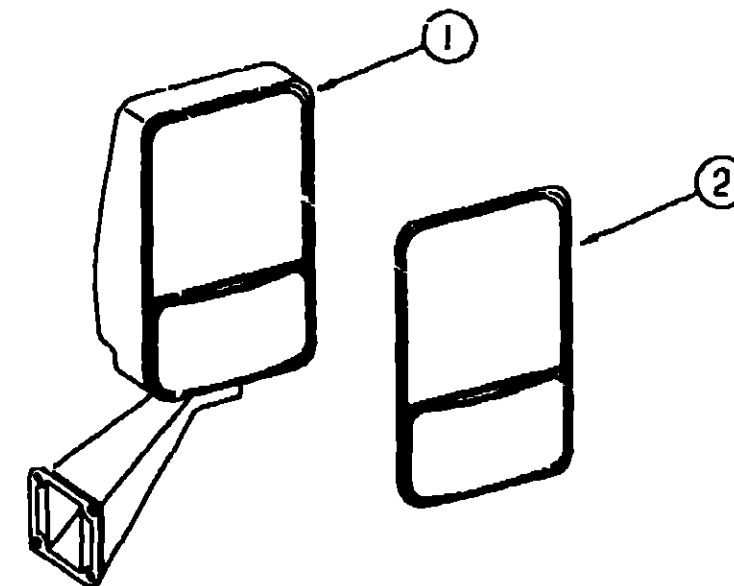
KEY	PART NUMBER	U/M DESCRIPTION
1	105076-01-01A	EA MIRROR-EXTERIOR, LOW MOUNT - SET W/DR & PASS - GLOSSY BLK
1	105076-01-702	EA MIRROR ASM-LOW MT RT/LT(FLAT) 713196 1 ONLY W/BRK
2	105076-01-703	EA MIRROR HEAD ONLY(FLAT BLK) 709275-8
3	105076-01-704	EA ARM Q780521-9
	105439-01-000	EA MIRROR-AUX, CONVEX STICK-ON VELVAC 722068-6

**1992 ITASCA
TABLE OF CONTENTS**

INTRODUCTION	A-01	A-02
ABBREVIATIONS		A-03
ALPHABETICAL INDEX	A-04	A-08
ICF23RC	A-07	E-14
ICF31RC	E-15	J-08

1992 ICF23RC INDEX

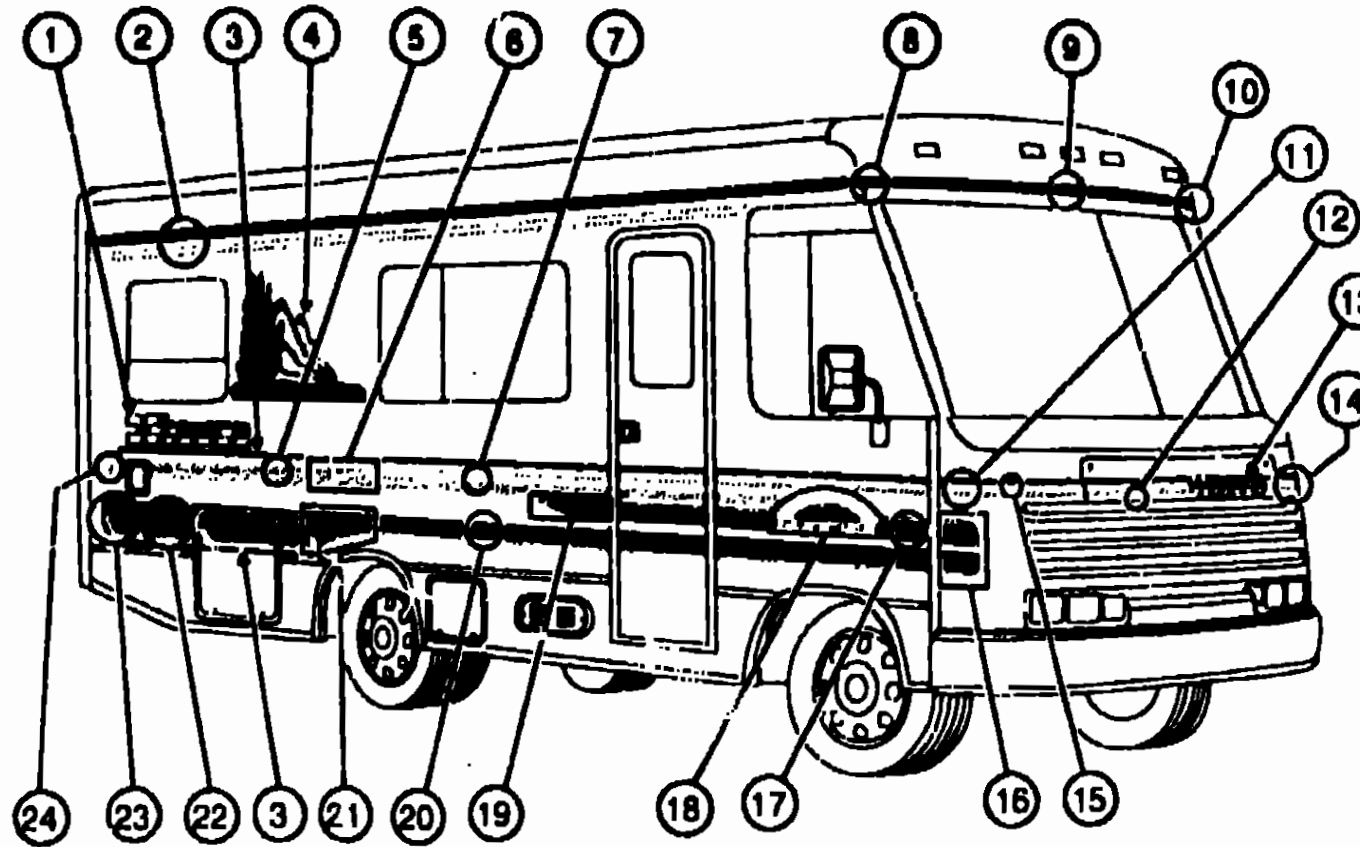
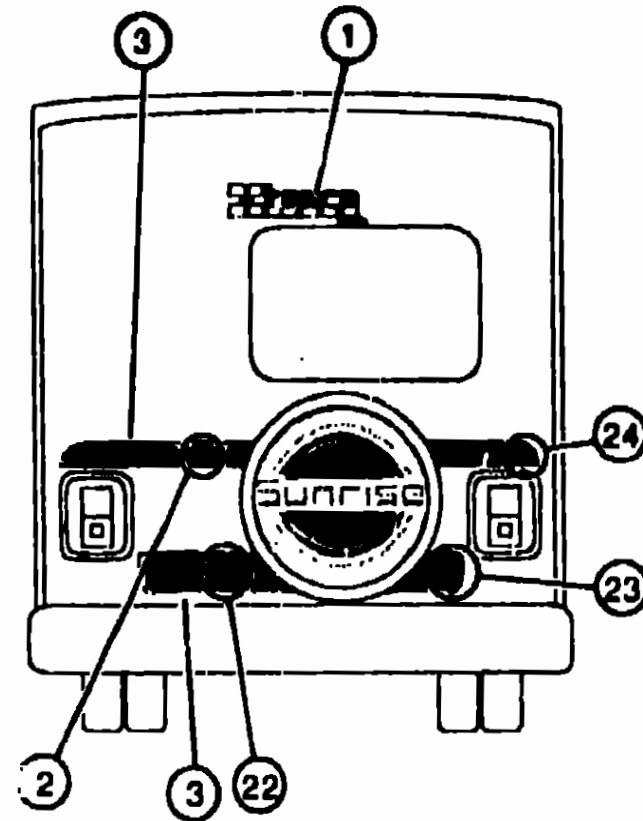
FLOOR PLAN	A-07	A-08
ACCESSORIES		A-09
AUDIO/VIDEO	A-10	A-12
BATH	A-13	A-14
BEDROOM	A-15	A-16
CHASSIS	A-17	B-03
CURTAIN & CUSHION	B-04	B-12
DINETTE	B-13	B-14
DRIVERS COMPARTMENT	B-15	B-20
ELECTRICAL	B-21	C-04
EXTERIOR BODY	C-05	C-12
GALLEY	C-13	C-17
GENERATOR	C-18	C-19
HEATING & A/C	C-20	C-24
INTERIOR FINISH	D-01	D-04
LABEL	D-05	D-13
LP		D-14
SEALANTS & FASTENERS	D-15	D-18
WATER & SEWAGE	D-19	D-24
WINDOW, VENT AND EXTERIOR DOOR	E-01	E-12
WINDSHIELD/WIPER	E-13	E-14



EXTERIOR MIRROR

KEY	PART NUMBER	U/M DESCRIPTION
1	106015-09-01A	EA MIRROR ASM-EXT GLASS RIGHT - VELVAC 713126 BLACK
1	106015-10-01A	EA MIRROR ASM-EXT ADJ GLASS LEFT - VELVAC 713125 BLACK
2	106015-01-703	EA MIRROR KIT (BEZEL W/MIRRORS) PASSENGER SIDE
2	106015-02-702	EA MIRROR KIT (BEZEL W/MIRRORS) DRIVER SIDE

EXTERIOR BODY GROUP (CONTINUED)
DECALS & FILM STRIPES



1992 ITASCA
TABLE OF CONTENTS

INTRODUCTION	A-01 -	A-02
ABBREVIATIONS		A-03
ALPHABETICAL INDEX	A-04 -	A-06
ICF23RC	A-07 -	E-14
ICF31RQ	E-15 -	J-08

1992 ICF23RC INDEX

FLOOR PLAN	A-07 -	A-08
ACCESSORIES		A-09
AUDIC/VIDEO	A-10 -	A-12
BATH	A-13 -	A-14
BEDROOM	A-15 -	A-16
CHASSIS	A-17 -	B-03
CURTAIN & CUSHION	B-04 -	B-12
DINETTE	B-13 -	B-14
DRIVERS COMPARTMENT	B-15 -	B-20
ELECTRICAL	B-21 -	C-04
EXTERIOR BODY	C-05 -	C-12
GALLEY	C-13 -	C-17
GENERATOR	C-18 -	C-19
HEATING & A/C	C-20 -	C-24
INTERIOR FINISH	D-01 -	D-04
LABEL	D-05 -	D-13
LP		D-14
SEALANTS & FASTENERS	D-15 -	D-18
WATER & SEWAGE	D-19 -	D-24
WINDOW, VENT AND		
EXTERIOR DOOR	E-01 -	E-12
WINDSHIELD/WIPER	E-13 -	E-14

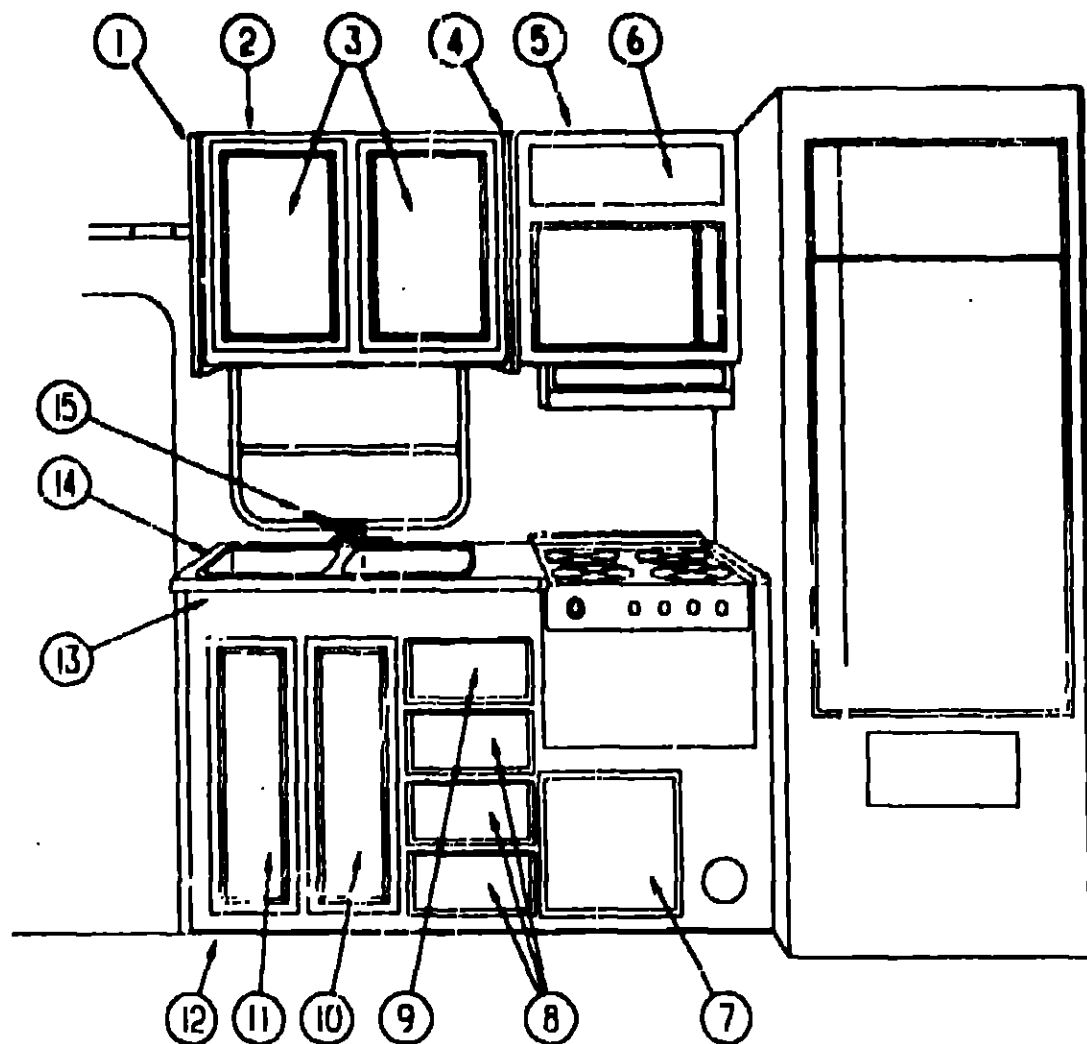
KEY	PART NUMBER	U/M DESCRIPTION
1	078852-20-000	EA DECAL-LOGO, ITASCA 6 50 - LIGHT GRAY/TURQUOISE
	084075-01-000	EA DECAL-"BY WINNEBAGO INDUSTRIALS", BLACK
2	093689-09-01A	FT FILM-MULTISTRIPE 121MMX150FT - BAY TURQUOISE/BAY TURQUOISE/TUR/TUR FROM 00-00-00 THRU: 07-28-91
2	093689-10-01A	FT FILM-MULTISTRIPE,134MMX150FT - BAY TURQUOISE/BAY TURQUOISE/TUR/TUR FROM: 07-29-91 THRU: 99-99-99
3	093681-24-02A	FT FILM-13MM X 150FT - OCEAN SPRAY
4	106854-01-01A	EA DECAL-SCENE, MOUNTAIN, RIGHT - TURQ/BTURQ/OC SPRAY
4	106854-02-01A	EA DECAL-SCENE, MOUNTAIN, LEFT - TURQ/BTURQ/OC SPRAY
5	094433-03-01A	FT FILM-MULTISTRIPE 114MM X 150FT - BAY TURQUOISE/TURQ/TURQ
6	104052-01-01A	EA DECAL-RADIUS, UPPER, RIGHT - BAY TURQUOISE/TURQ
6	104052-02-01A	EA DECAL-RADIUS, UPPER, LEFT - BAY/TURQUOISE/TURQ
7	094434-02-01A	FT FILM-MULTISTRIPE 114MM X 150FT - BTURQ/TURQ/TURQ/BTU
8	104094-01-02A	EA DECAL-FRONT, UPPER, RIGHT - BAY TURQUOISE
9	104096-01-02A	EA DECAL-FRONT, UPPER, CAP - BAY TURQUOISE
10	104094-02-02A	EA DECAL-FRONT, UPPER, LEFT - BAY TURQUOISE
11	104773-01-01A	EA DECAL-FRONT, UPPER, RIGHT - OCEAN SPRAY/BTUR/TU
12	093681-33-01A	FT FILM-15MM X 150FT - OCEAN SPRAY
13	093789-02-04A	EA DECAL-LOGO ITASCA - TUQUOISE/LT GRAY
14	104773-02-01A	EA DECAL-FRNT, UPPER, LEFT - OCEAN SPRAY/BTUR/TU
15	094433-07-01A	FT FILM-MULTISTRIPE 46MM X 150FT - BAY TURQ/TURQ/TURQ
16	104772-01-01A	EA DECAL-FRONT, LOWER, RIGHT - TURQUOISE/BAY TURQ
16	104772-02-01A	EA DECAL-FRONT, LOWER, LEFT - TURQUOISE/BAY TURQ
17	094422-02-01A	FT FILM-OVERLAY, MULTISTRIPE 98MM - TURQUOISE/TURQUOISE
18	104049-01-01A	EA DECAL-SUNRISE, OCEAN SPRAY/BT/LGRY
19	104051-01-01A	EA DECAL-TRANSITION, LOWER, RIGHT - TURQUOISE/TURQUOISE
19	104051-02-01A	EA DECAL-TRANSITION, LOWER, LEFT - TURQUOISE/TURQUOISE
20	094433-04-01A	FT FILM-MULTISTRIPE 121MM X 150FT - TURQ/BAYTURQ/BTURQ
21	104053-01-01A	EA DECAL-RADIUS, LOWER, RIGHT - TURQUOISE/BAY TURQ
21	104053-02-01A	EA DECAL-RADIUS, LOWER, LEFT - TURQUOISE/BAY TURQ
22	094433-05-01A	FT FILM-MULTISTRIPE 216MM X 150FT - TURQ/BAYTURQ/BTURQ
23	104055-01-01A	EA DECAL-END CAP, LARGE - TURQUOISE/BAY TURQ
24	104054-01-01A	EA DECAL-END CAP, SMALL - BAYTURQUOISE/TURQ

KEY	PART NUMBER	U/M DESCRIPTION
	041561-03-000	EA PAINT-LOW BAKE, OFF WHITE
	044486-03-000	EA PAINT-LOW BAKE, BEIGE
	083581-03-000	GL PAINT-OFF WHITE, USE DUPONT L8723 TO OBTAIN LOCALLY

DUPONT COLOR CODES

BAY TURQUOISE #G9837
OCEAN SPRAY #G9836
TURQUOISE #G9835

**GALLEY GROUP
GALLEY CABINETS**



KEY	PART NUMBER	U/M DESCRIPTION
1	081320-20-B03	EA END CAP-CABINET, OVERHEAD
2	103278-02-C05	EA CABINET ASM-OVERHEAD, GALLEY - W/O DOORS OR HARDWARE
3	P04746-07-C25	EA DOOR-CABINET, W/O HARDWARE - 385MM X 555MM
4	081320-14-B03	EA END CAP-CABINET, OVERHEAD
5	M05019-68-C25	EA CABINET ASM-MICROWAVE OVERHEAD - W/O DOORS OR HARDWARE
6	P00520-A8-C25	EA DOOR-CABINET, W/O HARDWARE - 180MM X 155MM
7	P04746-18-C25	EA DOOR-CABINET, W/O HARDWARE - 355MM X 355MM
8	P03397-22-C25	EA DRAWER-CABINET, W/O HARDWARE - (LOWER 3 DRAWERS) FROM 00-00-00 THRU: 01-19-92
8	P07104-94-C25	EA DRAWER-CABINET, W/O HARDWARE FROM 01-20-92 THRU: 99-99-99
9	P03397-23-C25	EA DRAWER-CABINET, W/O HARDWARE - (TOP DRAWER) FROM 00-00-00 THRU: 01-19-92
9	P07104-94-C25	EA DRAWER-CABINET, W/O HARDWARE FROM 01-20-92 THRU: 99-99-99
10	P04746-11-C25	EA DOOR-CABINET, W/O HARDWARE RIGHT GALLEY CABINET DOOR
11	P04746-12-C25	EA DOOR-CABINET, W/O HARDWARE LEFT GALLEY CABINET DOOR
12	M05175-01-C25	EA CABINET ASM-GALLEY - W/O DOORS OR HARDWARE
13	104260-11-C25	EA COUNTERTOP ASM
14	104113-01-000	EA SINK-SST, DOUBLE
15	103243-01-000	EA FAUCET-GALLY, DUAL CONTROL - 8 IN CENTERSET
	080812-04-B87	EA EXTENSION ASM-GALLEY
	090329-01-000	FT SEAL-T, REFRIGERATOR CABINET - 6" WIDE TOP X 2" TAIL
	103445-01-01A	EA HOLDER-PAPER TOWEL - PLASTIC - ALMOND
	103610-01-C05	EA COVER ASM-SINK
	105847-02-C05	EA KEY RING HOLDER

FROM 09-23-91 THRU: 99-99-99

**1992 ITASCA
TABLE OF CONTENTS**

INTRODUCTION	A-01	A-02
ABBREVIATIONS		A-03
ALPHABETICAL INDEX	A-04	A-06
ICF23RC	A-07	E-14
ICF31RC	E-15	J-08

1992 ICF23RC INDEX

FLOOR PLAN	A-07	A-08
ACCESSORIES		A-09
AUDIOVIDEO	A-10	A-12
BATH	A-13	A-14
BEDROOM	A-15	A-16
CHASSIS	A-17	B-03
CURTAIN & CUSHION	B-04	B-12
DINETTE	B-13	B-14
DRIVERS COMPARTMENT	B-15	B-20
ELECTRICAL	B-21	C-04
EXTERIOR BODY	C-05	C-12
GALLEY	C-13	C-17
GENERATOR	C-18	C-19
HEATING & A/C	C-20	C-21
INTERIOR FINISH	D-01	D-04
LABEL	D-05	D-13
LP		D-14
SEALANTS & FASTENERS	D-15	D-18
WATER & SEWAGE	D-19	D-24
WINDOW, VENT AND		
EXTERIOR DOOR	E-01	E-12
WINDSHIELDWIPER	E-13	E-14

GALLEY GROUP (CONTINUED)
RANGE, HOOD (CANADIAN)

KEY	PART NUMBER	U/M DESCRIPTION
	100258-02-01A	EA HOOD-RANGE, W/O MONITOR PANEL - VENTLINE - CANADIAN FROM: 00-00-03 THRU: 09-01-91
	100258-17-01A	EA HOOD-RANGE, W/O MONITOR PANEL - VENTLINE - CANADIAN FROM: 09-02-91 THRU: 99-99-99
	090973-01-700	EA MOTOR - LVS CA508-1
	090973-01-702	EA BLADE-FAN, LVS VA183-1
	092696-01-709	EA BULB-912, VENTLINE VA415
	092696-01-710	EA SOCKET-LIGHT, VENTLINE CB267-2
	096983-01-700	EA SWITCH-ON/OFF, VENTLINE 108
	096983-01-702	EA SWITCH-TWO WAY MOMENTARY, VENTLINE 112
	096983-01-707	EA FILTER-GREASE, 8" X 8" - LVS CC246
	096983-01-708	EA LENS-LAMP, VENTLINE CC179
	100258-01-700	EA HOOD-NOSE LABEL, CC428
	100258-10-01A	EA METER-HOUR, VENTLINE 150

RANGE HOOD

KEY	PART NUMBER	U/M DESCRIPTION
	100258-03-01A	EA HOOD-RANGE W/O MONITOR PANEL VENT US TCS4002NAD FROM: 00-00-00 THRU: 09-01-91
	100258-18-01A	EA HOOD-RANGE 22W W/O VENT US TPS5007NAD FROM: 09-02-91 THRU: 99-99-95
	090973-01-700	EA MOTOR - LVS CA508-1
	090973-01-702	EA BLADE-FAN, LVS VA183-1
	092696-01-709	EA BULB-912, VENTLINE VA415
	092696-01-710	EA SOCKET-LIGHT, VENTLINE CB267-2
	096983-01-700	EA SWITCH-ON/OFF, VENTLINE 108
	096983-01-702	EA SWITCH-TWO WAY MOMENTARY, VENTLINE 112
	096983-01-707	EA FILTER-GREASE, 8" X 8" - LVS CC246
	096983-01-708	EA LENS-LAMP, VENTLINE CC179
	100258-01-700	EA HOOD-NOSE LABEL, CC428
	100258-10-01A	EA METER-HOUR, VENTLINE 150
	100258-01-01A	EA HOOD-RANGE, W/O MONITOR PANEL - VENTLINE - US TCS4001NAD FROM: 00-00-00 THRU: 09-01-91
	100258-16-01A	EA HOOD-RANGE, W/O MONITOR PANEL - VENTLINE - US TCS5008NAD FROM: 09-02-91 THRU: 99-99-99
	090973-01-700	EA MOTOR - LVS CA508-1
	090973-01-702	EA BLADE-FAN, LVS VA183-1
	092696-01-709	EA BULB-912, VENTLINE VA415
	092696-01-710	EA SOCKET-LIGHT, VENTLINE CB267-2
	096983-01-700	EA SWITCH-ON/OFF, VENTLINE 108
	096983-01-702	EA SWITCH-TWO WAY MOMENTARY, VENTLINE 112
	096983-01-707	EA FILTER-GREASE, 8" X 8" - LVS CC246
	096983-01-708	EA LENS-LAMP, VENTLINE CC179
	100258-01-700	EA HOOD-NOSE LABEL, CC428
	102765-04-01A	EA PANEL-MONITOR, W/PLUG - FOR 2 TANKS & WATER HEATER - LVS

MICROWAVE OVEN

KEY	PART NUMBER	U/M DESCRIPTION
	091269-04-000	EA OVEN-MICROWAVE - M15-B
	094745-01-01A	EA TRIM-MICROWAVE, LOWER - BLACK
	094774-03-01A	EA TRIM-MICROWAVE, EITHER SIDE - 1.5" X 14.8" - METAL - BLACK
	094750-01-000	EA BRACKET-MICROWAVE, 90 DEGREE - STEEL
	098916-02-01A	EA BRACE-MICROWAVE CABINET, LEFT - 9.4" X 7.5" - STEEL
	098916-04-01A	EA BRACE-MICROWAVE CABINET, RIGHT - 9.4" X 7.5" - STEEL

GALLEY GROUP (CONTINUED)
REFRIGERATOR, LEVEL & VENT

KEY	PART NUMBER	U/M DESCRIPTION
	103622-02-01A	EA REFRIGERATOR-2 WAY, LEFT HINGED DOOR - NORCOLD 482 BLACK
	094039-01-702	EA GASKET (GRAY) UPPER - NORCOLD 61567830
	094039-01-704	EA HINGE PLATE (BLK) LEFT - NORCOLD 61631430
	103622-01-700	EA HANDLE ASM-DOOR, UPPER - NORCOLD 51649038
	094039-01-710	EA HINGE PLATE (BLK) RIGHT TOP LEFT BOTTOM - NORCOLD 61631330
	084880-01-754	EA RACK-JUICE, NORCOLD 61580540
	094039-01-712	EA BIN-SHELF, DOOR - NORCOLD 61564060
	094038-01-700	EA GASKET (GRAY) LOWER
	094038-01-702	EA LOWER DOOR LINER (BLK/WHITE)
	103622-01-705	EA HANDLE ASM-DOOR, LOWER - NORCOLD 61648938
	094039-01-718	EA BIN-MILK, NORCOLD 61579460
	103622-01-707	EA KEEPER-DAIRY, NORCOLD 61580440
	084879-03-700	EA COOLING UNIT - HORIZONTAL BURNER, NORCOLD# 61687237
	088248-01-709	EA HEATER-AC, (HORIZONTAL) - NORCOLD# 615827
	088248-01-710	EA HEATER-DC, (HORIZONTAL) - 3 WAY - NORCOLD# 615828
	094039-01-722	EA HOLE PLUG (BLK) HINGE HOLES - NORCOLD 61582030
	094039-01-723	EA HINGE BRKT, TOP RIGHT-BOTTOM LEFT BLK - NORCOLD 61580838
	094039-01-725	EA HINGE PIN (BLACK)(MALLE) - NORCOLD 61578130
	094039-01-726	EA SHELF-FREEZER EVAPORATOR NORCOLD 615236
	094039-01-728	EA HINGE BRKT (BLK) CENTER HINGE - NORCOLD 61566530
	094039-01-730	EA HINGE PIN SHAFT (BLK) CENTER HINGE - NORCOLD 61566730
	084880-03-705	EA BRACKET FOR INTERIOR REFRIGERATOR LIGHT - NORCOLD 616297
	084880-03-706	EA LAMP (BULB) - NORCOLD 616289
	084880-03-707	EA COVER FOR LAMP OR BULB - NORCOLD 616279
	084880-01-722	EA CRISPER COVER - NORCOLD 615641
	103622-01-708	EA CRISPER-NORCOLD 61571340
	094039-01-724	EA HINGE BRKT TOP LEFT-BOTTOM RIGHT BLK
	103622-01-709	EA KNOB-SELECTOR, NORCOLD 61641822
	103622-01-710	EA KNOB-THERMOSTAT, NORCOLD 61642322
	094039-01-732	EA FRONT COVER (BLK) BOTTOM TRIM - NORCOLD 61622130
	103622-01-711	EA PANEL-CONTROL, 2-WAY - NORCOLD 61644022
	094039-01-733	EA WIRE SHELF (MIDDLE) - NORCOLD 61563822
	094039-01-734	EA WIRE SHELF (TOP) WRISER - NORCOLD 61563722
	094039-01-735	EA INSIDE DRIP TRAY (WHITE)
	094039-01-736	EA SWITCH-LIGHT, BLACK - NORCOLD 615810
	075217-01-738	EA SWITCH-HUMIDITY, NORCOLD 615259
	084880-01-732	EA LATCH, NORCOLD 615785
	088248-01-706	EA BURNER-HORIZONTAL, NORCOLD 615381
	084880-01-705	EA ORIFICE - NORCOLD# 614522
	064472-01-700	EA THERMOCOUPLE-NORCOLD 614363
	064473-03-720	EA RELIGHTER, NORCOLD 615083
	084880-01-715	EA VALVE-SHUT OFF, MANUAL - NORCOLD# 61697922
	064473-03-721	EA COMBINATION CONTROL - NORCOLD 616084
	064473-03-716	EA SWITCH-3-WAY, FOR EG-2 & EG-3 MODELS - NORCOLD 61611
	103622-01-709	EA KNOB-SELECTOR, NORCOLD 61641822
	103622-01-711	EA PANEL-CONTROL, 2-WAY - NORCOLD 61644022
	103622-01-712	EA INDICATOR-FLAME, NORCOLD 6160022
	103622-01-713	EA SWITCH-IGNITION, NORCOLD 61649722
	054450-01-000	EA LEVEL-REFRIGERATOR

1992 ITASCA
TABLE OF CONTENTS

INTRODUCTION	A-01	A-02
ABBREVIATIONS		A-03
ALPHABETICAL INDEX	A-04	A-06
ICF23RC	A-07	E-14
ICF31RO	E-15	J-08

1992 ICF23RC INDEX

FLOOR PLAN	A-07	A-08
ACCESSORIES		A-09
AUDIO/VIDEO	A-10	A-12
BATH	A-13	A-14
BEDROOM	A-15	A-16
CHASSIS	A-17	B-03
CURTAIN & CUSHION	B-04	B-12
DINETTE	B-13	B-14
DRIVERS COMPARTMENT	B-15	B-20
ELECTRICAL	B-21	C-04
EXTERIOR BODY	C-05	C-12
GALLEY	C-13	C-17
GENERATOR	C-18	C-19
HEATING & A/C	C-20	C-24
INTERIOR FINISH	D-01	D-04
LABEL	D-05	D-13
LP		D-14
SEALANTS & FASTENERS	D-15	D-18
WATER & SEWAGE	D-19	D-24
WINDOW, VENT AND		
EXTERIOR DOOR	E-01	E-12
WINDSHIELDWIPER	E-13	E-14

GALLEY GROUP (CONTINUED)
RANGE

GENERATOR GROUP
EXPORT DIESEL GENERATOR OPTION

1992 IT/SCA
TABLE OF CONTENTS

INTRODUCTION	A-01 -	A-02
ABBREVIATIONS		A-03
ALPHABETICAL INDEX	A-04 -	A-06
ICF23RC	A-07 -	E-14
ICF31RC	E-15 -	J-08

KEY	PART NUMBER	U/M DESCRIPTION
	102022-01-02A	EA RANGE-18", 4 BURNER - MAGIC CHEF BT18RA-4Z
	066282-03-706	EA TRIM-CABINET, LEFT - BLACK - MAGIC CHEF 3618F011-70
	055182-03-707	EA TRIM-CABINET, RIGHT - BLACK - MAGIC CHEF 3608F012-70
	060507-02-701	EA INSERT-BURNER (SLOTTED VENT), MAGIC CHEF 7214P015-60
	102020-01-700	EA SHELF-OVEN, MAGIC CHEF - 7801-P027-60
	102020-01-701	EA HANDLE-DOOR, MAGIC CHEF - 7701P092-60
	102020-01-702	EA PANEL-MANIFOLD, MAGIC CHEF 2816F080-70
	102020-01-704	EA PANEL-DOOR, BLACK - MAGIC CHEF - 2401F076-70
	102020-01-708	EA BURNER ASSEMBLY-OVEN, MAGIC CHEF 3403W003-45
	102020-01-711	EA GRATE-TOP, MAGIC CHEF 7518P012-60
	102020-01-712	EA KNOB-BURNER VALVE, MAGIC CHEF 7733F044-60
	102020-01-713	EA KNOB-THERMOSTAT, MAGIC CHEF 7731P042-60
	102020-01-714	EA PILOT-OVEN, MAGIC CHEF 988-143
	102020-01-715	EA PIPE-MANIFOLD, MAGIC CHEF 7513P095-30
	102020-01-717	EA THERMOSTAT, MAGIC CHEF 7516P024-60
	102020-01-718	EA TOP-MAIN, ALMOND - MAGIC CHEF 2001F085-84
	102020-01-720	EA VALVE-MERCURY CONTROL, MAGIC CHEF 7501P056-60
	102020-01-722	EA VALVE-TOP BURNER, MAGIC CHEF 7502P095-60
	102020-01-723	EA PILOT-BURNER, MAGIC CHEF 7505P147-60
	102020-01-724	EA BUMPER-MAIN TOP, MAGIC CHEF 8003P008-60
	102022-01-702	EA PIPE-MANIFOLD, MAGIC CHEF 7513F090-60
	102022-01-703	EA REGULATOR-PRESSURE, MAGIC CHEF 7510P031-60
	102022-01-706	EA TRIM-LEFT, FLAT - MAGIC CHEF 3603W022-70
	102022-01-707	EA TRIM-RIGHT, FLAT - MAGIC CHEF 3608W023-70
	055516-01-000	EA BRACKET-FRONT TIEDOWN, RANGE W/OVEN FROM 00-00-00 THRU 06-18-91
	055516-02-000	EA BRACKET-REAR TIEDOWN, RANGE W/OVEN FROM 00-00-00 THRU 06-18-91

COFFEE MAKER

KEY	PART NUMBER	U/M DESCRIPTION
	103799-01-02A	EA COFFEE MAKER - GRAY - BLACK&DECKER MADE BY G E W/GLASS POT
	104610-01-000	EA STRAP ASM-COFFEE MAKER

KEY	PART NUMBER	U/M DESCRIPTION
	100974-04-000	EA GENERATOR-4.0KW EMERALD PLUS ONAN BGE-FN/29236G WITH ONAN TRAY #403-2218
	007087-01-000	SF INSULATION-FIBERGLASS, 1" THICK X 4' - INCREMENTS OF 4 SF
	007125-01-000	EA CLAMP-MUFFLER, 1.82 DIAMETER
	007125-04-000	EA CLAMP-MUFFLER, 1.1" DIA
	079654-05-000	EA PIPE-EXHAUST, ANGLED - W/FLANGE - 2" ID - ONAN# 154-2539
	082272-01-000	EA MUFFLER-GENERATOR
	093511-01-000	EA VAPOR KIT-LP, GENERATOR
	094059-01-000	EA SPACER-GENERATOR, ONAN
	105732-02-000	EA TRAY ASM-GENERATOR
	105958-03-000	EA PIPE-EXHAUST, GENERATOR
	007125-03-000	EA CLAMP-MUFFLER - 1.5" DIA
	007131-01-000	EA HANGER-TAILPIPE, 6 SLOTS
	008401-01-000	EA STRAP-CONDUIT, 3/4" - 1 HOLE - GALVANIZED STEEL

4.0 LOW PROFILE KOHLER

KEY	PART NUMBER	U/M DESCRIPTION
	105523-01-000	EA GENERATOR-4KW LOW PROFILE - KOHLER 4CKM21
	007067-01-000	SF INSULATION-FIBERGLASS, 1" THICK X 4' - INCREMENTS OF 4 SF
	007125-03-000	EA CLAMP-MUFFLER - 1.5" DIA
	007125-04-000	EA CLAMP-MUFFLER, 1.1" DIA
	105526-01-000	EA ARRESTER-SPARK, KOHLER 278521
	105527-01-000	EA PIPE-EXHAUST ADAPTER, KOHLER 278524
	105530-01-000	EA MUFFLER-SIDE EXH W/O SPARK - KOHLER 278733
	105602-01-000	EA GASKET-EXHAUST, KOHLER-278320
	105732-02-000	EA TRAY ASM-GENERATOR
	105958-03-000	EA PIPE-EXHAUST, GENERATOR
	008401-01-000	EA STRAP-CONDUIT 3/4" - 1 HOLE - GALVANIZED STEEL
	007131-01-000	EA HANGER-TAIL PIPE, 6 SLOTS (CANADIAN ONLY)
	008401-01-000	EA STRAP-CONDUIT, 3/4" - 1 HOLE - GALVANIZED STEEL

4.0 ONAN EXPORT OPTION

KEY	PART NUMBER	U/M DESCRIPTION
	007125-03-000	EA CLAMP-MUFFLER - 1.5" DIA
	007125-04-000	EA CLAMP-MUFFLER, 1.1" DIA
	007131-01-000	EA HANGER-TAILPIPE, 6 SLOTS
	031364-01-000	EA MUFFLER-GENERATOR, W/8 5" LONG TAILPIPE
	083152-06-000	EA PIPE-EXHAUST, 1.3"OD X 4 9" TO BEND X 55 1" TO END
	033590-02-000	EA MUFFLER-GENERATOR
	100974-05-000	EA GENERATOR-4.0KW, EMERALD PLUS - ONAN #BGE-FN/29237G WITH ONAN TRAY #403-2727
	100974-04-000	EA GENERATOR-4.0KW EMERALD PLUS ONAN BGE-FN/29236G WITH ONAN TRAY #403-2218
		FROM 00-00-00 THRU 11-21-91
		FROM: 11-22-91 THRU: 99-99-99
	007125-03-000	EA CLAMP-MUFFLER - 1.5" DIA
	007125-04-000	EA CLAMP-MUFFLER, 1.1" DIA
	007131-01-000	EA HANGER-TAILPIPE, 6 SLOTS
	079654-05-000	EA PIPE-EXHAUST, ANGLED - W/FLANGE - 2" ID - ONAN# 154-2539
	082272-01-000	EA MUFFLER-GENERATOR
	094059-01-000	EA SPACER-GENERATOR, ONAN
	105732-02-000	EA TRAY ASM-GENERATOR
	105958-03-000	EA PIPE-EXHAUST, GENERATOR
	008401-01-000	EA STRAP-CONDUIT, 3/4" - 1 HOLE - GALVANIZED STEEL

1992 ICF23RC INDEX

FLOOR PLAN	A-07 -	A-08
ACCESSORIES		A-09
AUDIO/VIDEO	A-10 -	A-12
BATH	A-13 -	A-14
BEDROOM	A-15 -	A-16
CHASSIS	A-17 -	B-03
CURTAIN & CUSHION	B-04 -	B-12
DINETTE	B-13 -	B-14
DRIVERS COMPARTMENT	B-15 -	B-20
ELECTRICAL	B-21 -	C-04
EXTERIOR BODY	C-05 -	C-12
GALLEY	C-13 -	C-17
GENERATOR	C-18 -	C-19
HEATING & A/C	C-20 -	C-24
INTERIOR FINISH	D-01 -	D-04
LABEL	D-05 -	D-13
LP		D-14
SEALANTS & FASTENERS	D-15 -	D-18
WATER & SEWAGE	D-19 -	D-24
WINDOW, VENT AND		
EXTERIOR DOOR	E-01 -	E-12
WINDSHIELDWIPER	E-13 -	E-14

GENERATOR GROUP (CONTINUED)
4.6 ONAN GENERATOR

KEY	PART NUMBER	U/M	DESCRIPTION
	007087-01-000	SF	INSULATION-FIBERGLASS, 1" THICK X 4' - INCREMENTS OF 4 SF
	007126-04-000	EA	CLAMP-MUFFLER, 1.1" DIA
	007131-01-000	EA	HANGER-TAILPIPE, 6 SLOTS
	078045-01-000	EA	STRAP-SUPPORT, GENERATOR - 4 HOLE
	079654-05-000	EA	PIPE-EXHAUST, ANGLED - W/FLANGE - 2" ID - ONAN# 154-2539
	079654-01-700	EA	HINGE KIT-ONAN, EMERALD - ONAN 406-0569
	083152-01-000	EA	PIPE-EXHAUST, 1 3/4" OD X 33 3/4" TO BEND X 28 7/8" TO END
	084365-01-000	EA	STRAP-SUPPORT, GENERATOR - 2 HOLE
	100974-01-000	EA	GENERATOR-4 KW EMERALD PLUS, ONAN BGE-FA26100G
	007067-01-000	SF	INSULATION-FIBERGLASS, 1" THICK X 4' - INCREMENTS OF 4 SF
	007125-04-000	EA	CLAMP-MUFFLER, 1.1" DIA
	079654-05-070	EA	PIPE-EXHAUST, ANGLED - W/FLANGE - 2" ID - ONAN# 154-2539
	082272-01-000	EA	MUFFLER-GENERATOR
	094059-01-000	EA	SPACER-GENERATOR, ONAN
	105732-02-000	EA	TRAY ASM-GENERATOR
	105958-03-000	EA	PIPE-EXHAUST, GENERATOR
	008401-01-000	EA	STRAP-CONDUIT 3/4" - 1 HOLE - GALVANIZED STEEL

HEATING & AIR CONDITIONING GROUP
SUBURBAN FURNACE & WALL THERMOSTAT

KEY	PART NUMBER	U/M	DESCRIPTION
	098668-04-000	EA	FURNACE-25000 BTU
	083365-01-000	EA	THERMOSTAT - WALL, FURNACE - SUBURBAN 160802
	098668-01-700	EA	CABINET FRONT - SUBURBAN 101242
	098668-01-701	EA	CABINET ASSEMBLY - SUBURBAN 101299
	098668-01-702	EA	ELECTRODE - SUBURBAN 231740
	098668-01-703	EA	BURNER ASM COMP (SF-25) - SUBURBAN 010762
	098668-01-704	EA	VALVE - SUBURBAN 160938
	098668-01-705	EA	SWITCH LIMIT - SUBURBAN 231630
	098668-01-706	EA	WHEEL COMB AIR - SUBURBAN 350122
	098668-10-000	EA	VENT ASM-CAP AND TUBE, 8 5/8" D - SUBURBAN 520740
	098668-01-708	EA	BLOWER ASM (COMBUSTION AIR) - SUBURBAN 390441
	098668-01-709	EA	MOTOR ASM F/SF-25, SF-30 - SUBURBAN 231708
	098668-01-710	EA	BLOWER ASM (ROOM AIR) - SUBURBAN 390440
	098668-01-711	EA	WHEEL, ROOM AIR - SUBURBAN 350129
	098668-01-712	EA	BOARD, MODULE - SUBURBAN 231741
	098668-01-713	EA	INTAKE VENT TUBE ASM - SUBURBAN 051044
	098668-06-000	EA	DOOR-ACCESS, FURNACE, OFF WHITE - SUBURBAN 520574
	092614-01-01A	EA	GRILLE RETURN AIR, FURNACE - 15 5/8" X 7 5/8" - BROWN
	069634-01-733	EA	RELAY, TIME DELAY 700 BTU - SUBURBAN 231202
	075696-02-703	EA	DUCT COLLAR - SUBURBAN 050715
	075695-01-709	EA	MICROSWITCH ASM F/30&34S - SUBURBAN 230509
	090039-01-703	EA	ORFICE (MAIN BURNER) - SUBURBAN 180193
	098668-01-703	EA	BURNER ASM COMP (SF-25) - SUBURBAN 010762
	090039-01-709	EA	GASKET, OBSERVATION HOLE - SUBURBAN 070367
	092300-01-704	EA	GASKET ELECTRODE - SUBURBAN 070163
	101900-01-714	EA	MICROSWITCH GASKET - SUBURBAN 230877
	098668-01-706	EA	WHEEL COMB AIR - SUBURBAN 350122
	098668-01-707	EA	VENT CAP & EXHAUST TUBE ASSM - SUBURBAN 160153
	098668-01-709	EA	MOTOR ASSM F/SF-25, SF-30 - SUBURBAN 231708

1992 ITASCA
TABLE OF CONTENTS

INTRODUCTION	A-01	A-02
ABBREVIATIONS		A-03
ALPHABETICAL INDEX	A-04	A-06
ICF23RC	A-07	E-14
ICF31RC	E-15	J-08

1992 ICF23RC INDEX

FLOOR PLAN	A-07	A-08
ACCESSORIES		A-09
AUDIO/VIDEO	A-10	A-12
BATH	A-13	A-14
BEDROOM	A-15	A-16
CHASSIS	A-17	B-03
CURTAIN & CUSHION	B-04	B-12
DINETTE	B-13	B-14
DRIVERS COMPARTMENT	B-15	B-20
ELECTRICAL	B-21	C-04
EXTERIOR BODY	C-05	C-12
GALLEY	C-13	C-17
GENERATOR	C-18	C-19
HEATING & A/C	C-20	C-24
INTERIOR FINISH	D-01	D-04
LABEL	D-05	D-13
LP		D-14
SEALANTS & FASTENERS	D-15	D-18
WATER & SEWAGE	D-19	D-24
WINDOW, VENT AND		
EXTERIOR DOOR	E-01	E-12
WINDSHIELDWIPER	E-13	E-14

HEATING & AIR CONDITIONING GROUP (CONTINUED)
REAR HEATER & WATER HEATER W/MOTOR AND L811

HEATING & AIR CONDITIONING GROUP (CONTINUED)
AUTO A/C COMPONENTS

1992 ITASCA
TABLE OF CONTENTS

INTRODUCTION	A-01	A-02
ABBREVIATIONS		A-03
ALPHABETICAL INDEX	A-04	A-06
ICF23RC	A-07	E-14
ICF31RC	E-15	J-08

KEY	PART NUMBER	U/M DESCRIPTION
	009198-01-000	FT DUCT-HEAT, FLEXIBLE - 4" ID
	009200-01-000	EA TAPE-FURNACE, 1 1/2"
	023148-01-000	EA CLAMP-SCREW TYPE - 4"
	069636-02-000	EA CONNECTOR-DUCT, 4" ID
	000367-10-12B	EA SCREW, 10-12 X 3/4 PPH, ZN
	007108-01-000	FT HOSE-HEATER, 5/8" ID
	008042-01-000	FT TUBING-VINYL, 65" ID
	058464-05-000	EA REGISTER-PLASTIC W/O DAMPER - 4" DIAMETER - GOLDEN
	062401-01-000	EA CLAMP-HOSE, WORMGEAR 25" 1"
	061673-01-000	EA BRACKET-MOTOR AID TUBES, 4" X 1.5" - STEEL
	062401-04-000	EA CLAMP-HOSE, WORMGEAR .69" - 1.25"
	088753-01-000	FT TUBE-ALUMINIZED STEEL, 5/8" - 18 GAUGE
	074059-01-000	EA HOSE-90 DEGREE, .61" ID X 4" X 36"
	079059-02-000	EA HOSE-90 DEGREE, .61" ID X 4" X 6"
	104056-05-01A	EA APPLIQUE-BEZEL
	103875-03-000	EA SWITCH-ROCKER, SPST ON/OFF/ON
	010227-01-000	EA TEE-BARB 5/8 OR 3/4 HOSE

EVANS REAR HEATER

KEY	PART NUMBER	U/M DESCRIPTION
	084405-01-000	EA HEATER ASM-REAR, DUCTED - W/MOTOR AID - EVANS
	084405-01-700	EA HEATER CORE-EVANS# FT200229
	084405-01-701	EA FAN BLADES-EVANS# HV029931
	084405-01-702	EA MOTOR ASM-12 V, EVANS# 200146

KEY	PART NUMBER	U/M DESCRIPTION
	000G11-00-08B	EA SCREW, 8-18 X 1/2 PPH - ZN
	007078-01-700	FT HOSE-FLEXIBLE PVC - 2" ID
	007108-01-000	FT HOSE-HEATER, 5/8" ID
	007281-01-000	EA HOSE-FLEXIBLE PVC, 2 5/8" ID X 50'
	007281-01-700	FT HOSE-FLEXIBLE PVC, 2 5/8" ID
	024990-05-000	EA OUTLET-DEF-W/SWIVEL 2IN BLACK
	062401-04-000	EA CLAMP-HOSE, WORMGEAR .69" - 1 2/3" A/C EVAPORATOR
	103930-01-000	EA EVAPORATOR/HEATER ASSEMBLY - SCS 090-0041
	103930-01-700	EA FOD-AIR BLEND DOOR, SCS 073-0017
	103930-01-701	EA PANEL-DOOR, FOR AIR BLEND - SCS 071-0123
	103930-01-702	EA GASKET-DOOR, FOR AIR BLEND - SCS 045-0080
	103930-01-703	EA COIL-HEATER, SCS 042-0010
	103930-01-705	EA VALVE EXP. BLOCK
	103930-01-706	EA GASKET-O-RING, #8 - SCS 045-0011
	103930-01-707	EA GASKET-O-RING, #10 - SCS 045-0012
	103930-01-708	EA BRACKET-VACUUM MOTOR, SCS 070-0113
	103930-01-709	EA MOTOR-VACUUM SCS 030-0002
	103930-01-710	EA RESISTOR-FUSED, SCS 035-0006
	103930-01-711	EA THERMOSTAT, SCS 033-0003
	103930-01-712	EA GASKET-O-RING, SCS 045-0010
	103930-01-713	EA FITTING-QUICK CONNECT, #4 - SCS 050-003
	103930-01-714	EA FITTING-SERVICE VALVE, #10 - SCS 050-0031
	103930-01-715	EA SWITCH-BINARY, SCS 032-0030
	103930-01-716	EA SWITCH-PRESSURE, FAN - SCS 032-0029
	103930-01-717	EA WHEEL-CLOCK-WISE, SCS 062-0010
	103930-01-718	EA HOSE #6, SCS 051-0036
	103930-01-719	EA HOSE #10, SCS 051-0017
	103930-01-720	EA MOTOR, SCS 030-0004
	103930-01-721	EA GASKET O-RING #12, SCS 045-0062
	103930-04-000	EA CONTROL/PLENUM SET 92 F&G
	072342-04-000	EA CONDENSER ASM-W/O FANS, ARA 0519377
	072342-04-700	EA HOSE-DISCHARGE, ARA 0986306
	072342-04-701	EA COIL-CONDENSER, ARA 0519384
	072343-06-000	EA COMPRESSOR-CLUTCH, REAR DISCHARGE - SANKYO - ARA 0529174
	072343-08-000	EA COMPRESSOR/CLUTCH-460 EFI, TOP DISCHARGE - ARA# 0529039
	096814-02-000	EA MOUNT & DRIVE PACKAGE, A/C COMPRESSOR - 460 EFI
	072878-01-000	EA INSULATION-SOUND BARRIER PAD, 29 25" X 40.19"
	074026-01-000	EA MOUNT PACKAGE - A/C COMPRESSOR, 6.2 DIESEL
	077075-01-000	EA GASKET-INSTRUMENT PANEL TO DEFROSTER PLENUM - 6" X 11 3/4"
	077075-03-000	EA GASKET-IP TO DEF.PLENUM SPL
	085000-01-000	EA SHIELD-A/C, 6 8" X 3 1" - STEEL
	088753-01-000	FT TUBE-ALUMINIZED STEEL, 5/8" - 18 GAUGE
	103016-C1-000	EA PLENUM-TRANSITION
	103017-01-000	EA PLENUM-DEFROSTER
	103558-01-01A	EA VENT-DEFROSTER, OFF WHITE
	103796-01-01A	EA LOUVER ASM-A/C CARY PROD BLACK

1992 ICF23RC INDEX

FLOOR PLAN	A-07	A-08
ACCESSORIES		A-09
AUDIO/VIDEO	A-10	A-12
BATH	A-13	A-14
BEDROOM	A-15	A-16
CHASSIS	A-17	B-03
CURTAIN & CUSHION	B-04	B-12
DINETTE	B-13	B-14
DRIVERS COMPARTMENT	B-15	B-20
ELECTRICAL	B-21	C-04
EXTERIOR BODY	C-05	C-12
GALLEY	C-13	C-17
GENERATOR	C-18	C-19
HEATING & A/C	C-20	C-24
INTERIOR FINISH	D-01	D-04
LABEL	D-05	D-13
LP		D-14
SEALANTS & FASTENERS	D-15	D-18
WATER & SEWAGE	D-19	D-24
WINDOW, VENT AND		
EXTERIOR DOOR	E-01	E-12
WINDSHIELD/WMPER	E-13	E-14

HEATING & AIR CONDITIONING GROUP (CONTINUED)
ROOF A/C-13500 BTU, US & CANADIAN L290

HEATING & AIR CONDITIONING GROUP (CONTINUED)
ROOF A/C-13500 BTU - EUROPEAN

**1992 ITASCA
 TABLE OF CONTENTS**

INTRODUCTION	A-01 -	A-02
ABBREVIATIONS		A-03
ALPHABETICAL INDEX	A-04 -	A-06
ICF23RC	A-07 -	E-14
ICF31RC	E-15 -	J-03

1992 ICF23RC INDEX

FLOOR PLAN	A-07 -	A-08
ACCESSORIES		A-09
AUDIO/VIDEO	A-10 -	A-12
BATH	A-13 -	A-14
BEDROOM	A-15 -	A-16
CHASSIS	A-17 -	B-03
CURTAIN & CUSHION	B-04 -	B-12
DINETTE	B-13 -	B-14
DRIVERS COMPARTMENT	B-15 -	B-20
ELECTRICAL	B-21 -	C-04
EXTERIOR BODY	C-05 -	C-12
GALLEY	C-13 -	C-17
GENERATOR	C-18 -	C-19
HEATING & A/C	C-20 -	C-24
INTERIOR FINISH	D-01 -	D-04
LABEL	D-05 -	D-13
LP		D-14
SEALANTS & FASTENERS	D-15 -	D-18
WATER & SEWAGE	D-19 -	D-24
WINDOW, VENT AND		
EXTERIOR DOOR	E-01 -	E-12
WINDSHIELD/WIPER	E-13 -	E-14

KEY	PART NUMBER	U/M DESCRIPTION
	008328-01-000	EA CONNECTOR-PLASTIC, 3/8" AVG
	081606-01-708	EA LIMIT SWITCH (OPEN 160,CLOSE 110), COLEMAN# 6703-3041

13500 BTU COLEMAN ROOF A/C

KEY	PART NUMBER	U/M DESCRIPTION
	008328-01-000	EA CONNECTOR-PLASTIC, 3/8" AVG
	074963-01-000	EA LABEL-A/C SELECTOR
	002440-01-000	EA A/C-ROOF, 13500 BTU - 220V - 50HZ - COLEMAN# 6713C750
	092441-01-000	EA CEILING ASM-A/C, 220V - 50HZ - COLEMAN# 6712ET18
	102289-01-000	EA SPRING-SCREW, ROOF A/C GASKET - COLEMAN 6757-150
	073937-03-000	EA SWITCH-ROTARY SELECTION, 3 DECK - A/C - CA20-USA872
	073937-01-700	EA KNOB-ROTARY SWITCH-A/C SEL
	008311-01-000	EA CONNECTOR-WIRE NUT, INSULATED - RED
	009328-01-000	EA TERMINAL-RING, 12/10 WIRE - #10 STUD FIT
	000667-10-12P	EA SCREW, 10-12 X 75 PPH - DARK BROWN
	009439-07-000	EA SCREW, 8-32 X 1 1/4 POH - BLACK
	000667-10-12B	EA SCREW, 10-12 X 3/4 PPH, ZN
	102289-01-000	EA SPRING-SCREW, ROOF A/C GASKET - COLEMAN 6757-150

KEY	PART NUMBER	U/M DESCRIPTION
	108889-01-02A	EA A/C-ROOF, 135000 BTU - GRAY - COLEMAN 6759D702
	037840-01-714	EA PACKAGE-GASKET, COLEMAN #6759-3281
	073742-02-704	EA RUN CAPACITOR (COMPRESSOR), COLEMAN# 1499-1661
	076303-01-712	EA MOTOR, COLEMAN# 6707A3119
	091225-01-709	EA START RELAY, COLEMAN# 1497-4131
	091225-01-710	EA START CAPACITOR, COLEMAN# 1497-0881
	093308-01-701	EA DECAL PKG. LEFT & RIGHT, COLEMAN# 6798B3591
	093763-01-702	EA OVERLOAD, COLEMAN #6759-3931
	093763-01-703	EA IMPELLOR-7" DIA X 2 8" WIDE, COLEMAN# 6759-3271
	093763-01-704	EA CAPACITOR-FAN, COLEMAN# 1499-3461
	093763-01-707	EA EVAPORATOR COIL-COLEMAN# 1452-1351
	093763-01-708	EA CONDENSER COIL-COLEMAN# 1452-1251
	093763-01-709	EA COMPRESSOR-COLEMAN# 6749A3609
	093763-01-712	EA FAN BLADE-CONDENSER, COLEMAN# 6733-3221
	093763-02-700	EA SHROUD-ROOF A/C, W/O LOGOS - COLEMAN 6759-4601

CEILING ASSEMBLY 13500 BTU A/C

KEY	PART NUMBER	U/M DESCRIPTION
	093764-01-000	EA CEILING ASM-A/C COOL ONLY, TSR - COLEMAN 6759D714
	042204-01-709	EA THERMOSTAT-IN 64 OUT 58, COLEMAN# 6701-3401
	073742-01-701	EA SELECTOR SWITCH (5 TERMINAL), COLEMAN# 6759-3251
	073742-01-702	EA DECAL COOL ONLY, COLEMAN# 6759C3431
	076303-01-707	EA FILTER-6" X 14 3/4" X 1/2", 12 PER PKG - COLEMAN 6705A3151
	081606-01-708	EA LIMIT SWITCH (OPEN 160,CLOSE 110), COLEMAN# 6703-3041
	081606-01-712	EA CEILING SHROUD (IVORY), COLEMAN# 6769-5061
	091225-01-713	EA KNOB (2 PER PACKAGE), COLEMAN# 6701-3351
	091225-01-717	EA DECAL (THERMOSTAT) COOL ONLY, COLEMAN# 6799A3441
	093763-01-710	EA SINGLE PARTS PACKAGE, COLEMAN# 6759-5841
	102289-01-000	EA SPRING-SCREW, ROOF A/C GASKET - COLEMAN 6757-150

**INTERIOR FINISH GROUP
MOLDINGS**

KEY	PART NUMBER	U/M DESCRIPTION
	009767-12-000	FT MOLDING-SIDEWALL TO CEILING/CABINET - WELTING - OFF WHITE
	009809-23-000	EA MOLDING-CORNER, OUTSIDE - 1" - PLASTIC - IVORY
	009809-24-000	EA MOLDING-CORNER, OUTSIDE - 1" - PLASTIC - THOR PECAN
	009812-24-000	EA MOLDING-PLASTIC, OUTSIDE CORNER - 50" - IVORY
	009812-25-000	EA MOLDING-CORNER, OUTSIDE - 5" - PLASTIC - PECAN
	022992-11-000	FT MOLDING-REVERSE COVE, T-SHAPED - VINYL - IVORY
	076325-34-000	FT MOLDING-EDGEBAND, 1 5/16"
	083620-01-000	FT MOLDING-T, END CAP EDGE - WEDGE LIPS - 75" - BROWN
	083620-07-000	FT MOLDING-T, END CAP EDGE - WEDGE LIPS - 75" - THOR PECAN
	092331-D2-134	EA MOLDING-VINYL WRAPPED, 7" X 1.57" X 84" - WOODGRAIN
	092331-F2-134	EA MOLDING-VINYL WRAPPED, 7" X 2.5" X 7" - WOODGRAIN
	092331-H2-438	EA MOLDING-VINYL WRAPPED, 7" X 3.5" X 96" - WOODGRAIN
	100818-01-01A	EA MOLDING-VINYL WRAPPED, 1.65" X .4" X 7" - REGAL OAK
	100819-01-01A	EA MOLDING-VINYL WRAPPED, L-SHAPED - 1.5" X 1.5" X 7" - OAK
	103186-01-02A	FT MOLDING-EDGE, SHELF - 78" WIDE - PLASTIC - REGAL OAK
	103186-02-02A	FT MOLDING-EDGE, SHELF - 1.3" WIDE - PLASTIC - REGAL OAK
	104676-01-01A	FT T-MOLDING, 5/16 RIGID
	105004-01-01A	EA MOLDING-VINYL WRAP
	105709-01-000	FT T-MOLDING-1", MODERN IVORY

U-CHANNEL, TRIM & LUMBER

KEY	PART NUMBER	U/M DESCRIPTION
	070504-01-000	FT U-CHANNEL-PLASTIC, 065" WIDE - LIGHT BROWN - INC OF 8"
	070504-18-000	FT U-CHANNEL-PLASTIC, 065" WIDE - IVORY - INC OF 8"
	070504-20-000	FT U-CHANNEL-PLASTIC, 815" WIDE - THOR PECAN - INC OF 8"
	070504-22-000	FT U-CHANNEL-PLASTIC, 735" WIDE - THOR PECAN - INC OF 8"
	072368-02-000	EA TRIM-VINYL, EDGE - BLACK - GM 14004305
	100659-01-B25	EA TRIM-FLOOR, 72" X 1" X 1/2" - WOOD
	101220-02-C1A	EA TRIM-LID, ENTRY STEP - 14.5" - ALUMINUM - BEIGE FROM 00-00-00 THRU 03-14-92
	101221-02-01A	EA TRIM-LID, ENTRY STEP - 26.6" - ALUMINUM - BEIGE FROM 00-00-00 THRU 03-14-92
	095746-01-000	FT TRIM-J CARPET - 1.2" X 5" ANGLE - 10' LONG - PVC - BEIGE
	093873-01-01A	EA TRIM-CARPET, L-ANGLE - 1.1" X 1.3" X 12" - VINYL - GRAY
	092330-D2-438	EA LUMBER-VINYL WRAPPED, 7" X 1.5" X 9" - WOODGRAIN
	092330-03-000	EA LUMBER-VINYL WRAPPED, 2" X 96" - WOODGRAIN
	092330-05-000	EA LUMBER-VINYL WRAPPED
	100040-01-000	EA LUMBER-VINYL WRAPPED, 7" X 1.5" X 8" - RAMBLING OAK

SMOKE DETECTOR, FIRE EXTINGUISHER & CLOCK

KEY	PART NUMBER	U/M DESCRIPTION
	072852-01-000	EA DETECTOR-SMOKE, W/9 VOLT BATTERY
	072852-02-000	EA DETECTOR-SMOKE, W/9 VOLT BATTERY - CANADIAN
	094499-01-000	EA EXTINGUISHER-FIRE, DRY W/MOUNTING BRACKET - 10 BC
	094499-01-700	EA BRACKET-MOUNTING, W/PLASTIC STRAP - FIRE EXTINGUISHER
	094499-02-000	EA EXTINGUISHER-FIRE, DRY - 1A10BC - CANADIAN
	101333-01-000	EA BACKPLATE-CLOCK, 6" X 6" - PLASTIC - BLACK
	104764-01-01A	EA CLOCK-WALL, SPARTUS 5616-42

ANTISLIP & FLOOR MATS

KEY	PART NUMBER	U/M DESCRIPTION
	091261-01-000	FT SLIPNOT-ANTISLIP, 1' WIDE (100' ROLL)
	105924-01-C25	EA MAT-FLOOR 18X27
	105924-01-C26	EA MAT-FLOOR 18X27

**INTERIOR FINISH GROUP (CONTINUED)
BATT STRIP**

KEY	PART NUMBER	U/M DESCRIPTION
	069733-79-000	EA BATT STRIP-WOODGRAIN, 8' EA - FOREST OAK FROM 00-00-00 THRU 02-23-92
	069733-80-000	EA BATT STRIP-WOODGRAIN, 8' EA - WINNI OAK FROM 02-24-92 THRU 99-99-99
	085284-03-000	FT BATT STRIP-WOODGRAIN, ADHESIVE BACKED - REGAL OAK FROM 00-00-00 THRU 02-23-92
	085284-66-000	FT BATT STRIP-WOODGRAIN, ADHESIVE BACKED - FOREST OAK FROM 02-24-92 THRU 99-99-99
	088263-50-000	EA BATT STRIP-SHOWER, 8' EACH - OFF WHITE FROM 00-00-00 THRU 03-15-92
	088263-78-000	EA BATT STRIP-SHOWER, 8' EA - OFF WHITE FROM 03-16-92 THRU 99-99-99
	085284-53-000	FT BATT STRIP-DECORATIVE, PLAIN - ADHESIVE BACKED
	088263-66-000	EA BATT STRIP-DECORATIVE, W/FLOWERS - 8' LONG
	086229-01-000	EA RETAINER-BATTEN, CEILING - 75" WIDE - 7.6' EA
	086229-04-000	EA BATTEN-CEILING, 1" WIDE - IVORY - 7.6' EA

PARTICLE BOARD

KEY	PART NUMBER	U/M DESCRIPTION
	000885-34-000	SF PARTICLE BOARD-3/8" X 49" X 97", 1 SIDE VINYL - WOODGRAIN INCREMENTS OF 33 SF FROM 00-00-00 THRU 11-03-91
	000885-52-000	SF PARTICLE BOARD-2 SIDED VINYL 3/8" X 4" X 8" - WOODGRAIN USED FOR CABINET SHELVES FROM 00-00-00 THRU 11-03-91
	000885-54-000	SF PARTICLE BOARD-3/8" X 48" X 96, FOREST OAK VINYL 2 SIDES FROM 11-04-91 THRU 99-99-99
	000885-55-000	SF PARTICLE BOARD-3/8" X 49" X 97", 1 SIDE VINYL - WOODGRAIN INC OF 33 SF FROM 11-04-91 THRU 99-99-99
	000885-59-000	SF PARTICLE BOARD-3/4" X 60" X 96, FOREST OAK VINYL 2 SIDES FROM 11-04-91 THRU 99-99-99
	000885-36-000	SF PARTICLE BOARD-3/4" X 60" X 96, LIGHT OAK VINYL 2 SIDE FROM 00-00-00 THRU 11-03-91
	083618-02-000	SF PLYWOOD-OAK, 1 SIDE FINISHED - 3/16" X 4" X 8" INCREMENTS OF 32 SF
	089297-01-000	SF PLYWOOD-LUAN, OVERLAY GRADE - 4" X 8" - INC OF 32 SF

PANELING

KEY	PART NUMBER	U/M DESCRIPTION
	074497-10-C30	SF PANELING-WOODGRAIN, 4' X 8" - INCREMENTS OF 32 SF FROM: 00-00-00 THRU 11-03-91
	074497-20-000	SF PANELING-WOODGRAIN, 4' X 8" - INCREMENTS OF 32 SF FROM 11-04-91 THRU 99-99-99
	088272-72-000	SF PANELING-SHOWER, OFF WHITE - 4' X 7" - INC OF 28 SF FROM 00-00-00 THRU 03-15-92
	088272-98-000	SF PANELING-SHOWER, OFF WHITE - 4' X 7" - INC OF 28 SQ FT FROM 03-16-92 THRU 99-99-99
	088272-84-000	SF PANELING-DECORATIVE, PLAIN - 4' X 7" - INCREMENTS OF 28 SF
	088272-85-000	SF PANELING-DECORATIVE, W/FLOWERS - 4' X 7" - INC. OF 28 SF
	088272-86-000	SF PANELING-DECORATIVE, PLAIN - 4' X 7" - INCREMENTS OF 28 SF
	088272-87-000	SF PANELING-DECORATIVE, W/FLOWERS - 4' X 7" - INC. OF 28 SF
	089351-03-000	YD VINYL CEILING, DIAMOND DESIGN - 54" WIDE
	095688-01-000	SF VENEER-FLAT LUANA 48X96

LAMINATE PLASTIC

KEY	PART NUMBER	U/M DESCRIPTION
	064970-56-012	EA PLASTIC-ABS, 04" X 52" X 52" - BEIGE FROM 00-00-00 THRU 03-14-92
	074498-39-000	SF LAMINATE-PLASTIC, 5' X 8" - GREY/BEIGE - INC OF 40 SF
	074498-41-000	SF LAMINATE-PLASTIC ORCHID MIST NEVAMAR MR-1-5SK

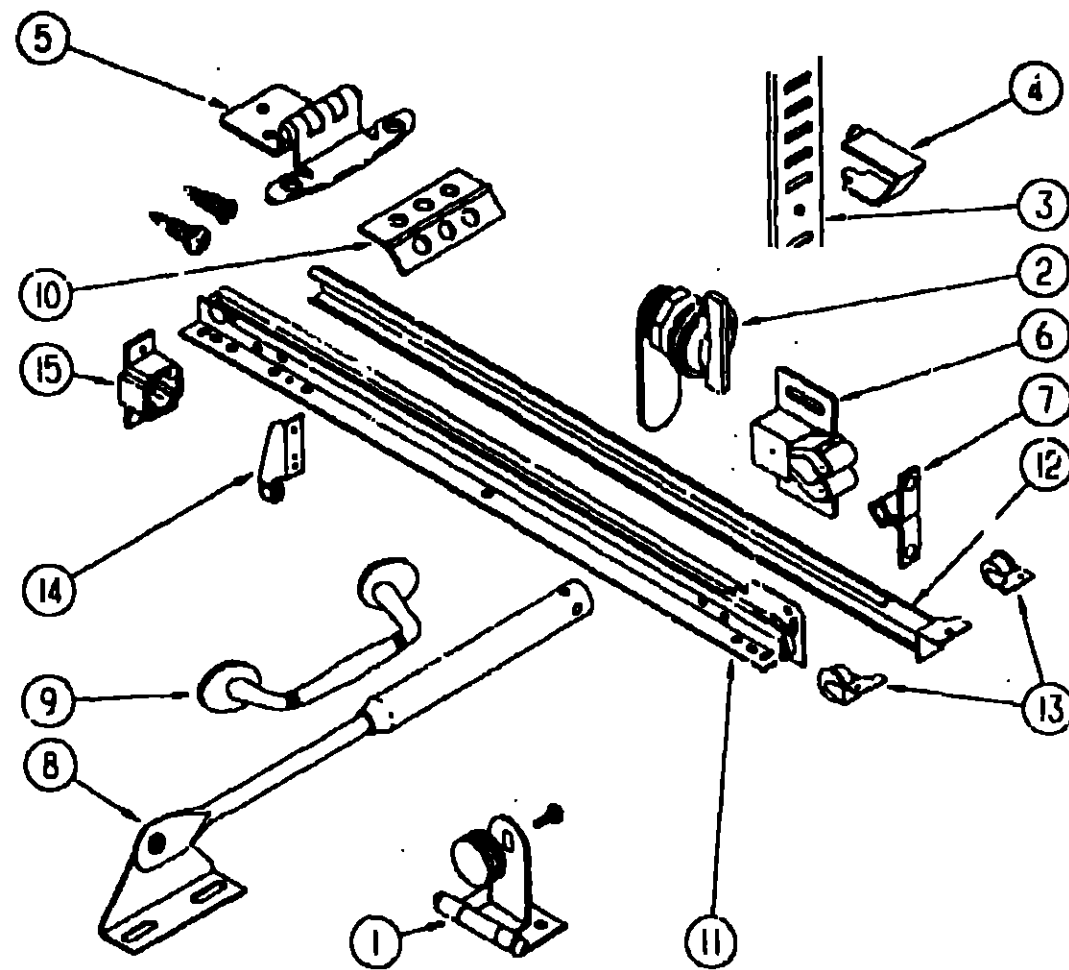
**1992 ITASCA
TABLE OF CONTENTS**

INTRODUCTION	A-01	A-02
ABBREVIATIONS		A-03
ALPHABETICAL INDEX	A-04	A-06
ICF23RC	A-07	E-14
ICF31RO	E-15	J-08

1992 ICF23RC INDEX

FLOOR PLAN	A-07	A-08
ACCESSORIES		A-09
AUDIO/VIDEO	A-10	A-12
BATH	A-13	A-14
BEDROOM	A-15	A-16
CHASSIS	A-17	B-03
CURTAIN & CUSHION	B-04	B-12
DINETTE	B-13	B-14
DRIVERS COMPARTMENT	B-15	B-20
ELECTRICAL	B-21	C-04
EXTERIOR BODY	C-05	C-12
GALLEY	C-13	C-17
GENERATOR	C-18	C-19
HEATING & A/C	C-20	C-24
INTERIOR FINISH	D-01	D-04
LABEL	D-05	D-13
LP		D-14
SEALANTS & FASTENERS	D-15	D-18
WATER & SEWAGE	D-19	D-24
WINDOW, VENT AND		
EXTERIOR DOOR	E-01	E-12
WINDSHIELD/WIPER	E-13	E-14

INTERIOR FINISH GROUP (CONTINUED)



CABINET HARDWARE

**INTERIOR FINISH GROUP (CONTINUED)
CABINET HARDWARE (CONTINUED)**

KEY	PART NUMBER	U/M DESCRIPTION
	107030-02-000	EA BACKSOCKET-ADJUSTABLE, RIGHT
12	102827-05-000	EA TRACK-DRAWER, 22.6" LONG
13	102827-03-000	EA ROLLER-DRAWER, NYLON - PAIR
14	102827-02-000	EA BRACKET-ROLLER, DRAWER - REAR
15	102827-04-000	EA BRACKET-MOUNTING, DRAWER - REAR
	004354-01-000	EA BUMPER-RUBBER, 5" DIA - BROWN
	009063-01-000	EA HINGE-CONTINUOUS, 1 1/2" X 72" - UNPAINTED
	016604-01-000	EA BRACE-CABINET, ANGLE - 2.5" - METAL - UNPAINTED
	016604-03-000	EA BRACE-CABINET, ANGLE - 2.5" - METAL - BEIGE
	016604-05-000	EA BRACE-CABINET, L ANGLE - 2.5" - METAL - OFF WHITE
	023320-01-000	EA PAD-FELT, 3/8" DIAMETER - BROWN
	042541-04-000	EA LATCH-BRASS, W/O STRIKE - HASP TYPE - BRASS
	065740-01-000	EA BRACE-CABINET CORNER, PLASTIC
	088254-01-000	EA CATCH-MAGNETIC, 1 8" X 7"
	094658-C1-B25	EA HANDLE-BUNK, 2" X 27" - WOOD - OAK
	101430-01-01A	EA HINGE-DOOR, 2" - BRASS
		FROM 00-00-00 THRU 01-19-92
	101766-01-000	EA PIN-SUPPORT, GLASS DOOR
	102327-01-01A	EA PULL-MIRROR, SQUARE
	102827-01-000	EA SLIDE-DRAWER, TRI-ROLLER
	104886-01-000	EA CATCH-WOOD, VINYL FACE CABINET
	104886-02-000	EA CATCH-WOOD, LAMINATED FACE CABINET
	105037-02-000	EA FASTENER-WOOD, CORNER - METAL - 5" X 6"
	108138-01-000	EA HINGE-DOOR, CABINET - BURNISHED BRASS
	000G13-06-00G	EA SCREW
		FROM 04-17-92 THRU 99-99-99

**1992 ITASCA
TABLE OF CONTENTS**

INTRODUCTION	A-01 -	A-02
ABBREVIATIONS		A-03
ALPHABETICAL INDEX	A-04 -	A-06
ICF23RC	A-07 -	E-14
ICF31RO	E-15 -	J-08

1992 ICF23RC INDEX

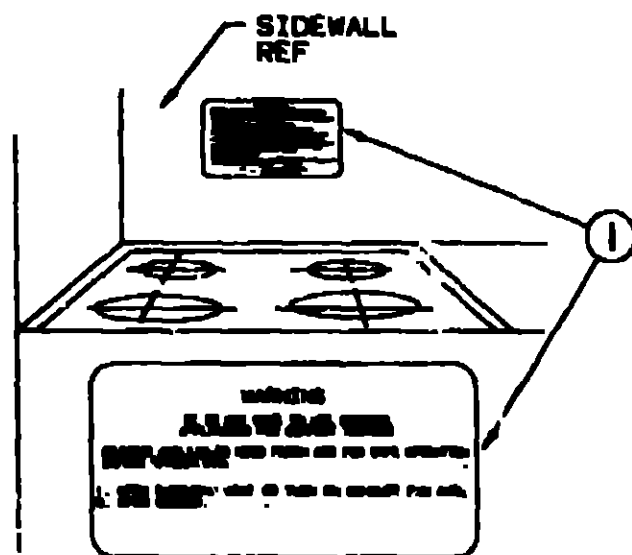
FLOOR PLAN	A-07 -	A-08
ACCESSORIES		A-09
AUDIO/VIDEO	A-10 -	A-12
BATH	A-13 -	A-14
BEDROOM	A-15 -	A-16
CHASSIS	A-17 -	B-01
CURTAIN & CUSHION	B-04 -	B-12
DINETTE	B-13 -	B-14
DRIVERS COMPARTMENT	B-15 -	B-20
ELECTRICAL	B-21 -	C-04
EXTERIOR BODY	C-05 -	C-12
GALLEY	C-13 -	C-17
GENERATOR	C-18 -	C-19
HEATING & A/C	C-20 -	C-24
INTERIOR FINISH	D-01 -	D-04
LABEL	D-05 -	D-13
LP		D-14
SEALANTS & FASTENERS	D-15 -	D-18
WATER & SEWAGE	D-19 -	D-24
WINDOW, VENT AND		
EXTERIOR DOOR	E-01 -	E-12
WINDSHIELD/WMPER	E-13 -	E-14

CARPET

KEY	PART NUMBER	U/M DESCRIPTION
	047034-02-000	SF PLASTIC-CARPET, 4' WIDE - CLEAR POLY
		MINIMUM ORDER 1,600 SF
	075233-01-000	SY PAD-CARPET, 3/8" X 6" ROLL
	093486-01-000	SY CARPET-COMPARTMENT, 54" WIDE - DARK GRAY
	096060-21-000	SY CARPET-12' ROLL, INCREMENTS OF 4 SY
	096060-23-000	SY CARPET-12' ROLL, INCREMENTS OF 4 SY
	102695-04-000	YD TAPE-CARPET BIND, BLUE #529
	102695-06-000	YD TAPE-CARPET BIND, MAUVE #480
	102695-11-000	YD TAPE-CARPET BIND, LIGHT TAN #474
		FROM 09-01-91 THRU 99-99-99
	102695-12-000	YD TAPE-CARPET BIND, #474 LIGHT TAN ES100 1 1/4"
		FROM 09-01-91 THRU 99-99-99

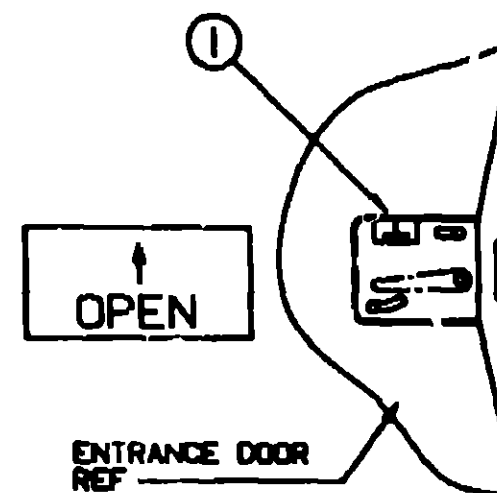
KEY	PART NUMBER	U/M DESCRIPTION
1	100711-01-01A	EA HINGE-DOOR, GLASS
	100707-01-000	EA SPACER-DOOR, GLASS - 8" DIA - 3" HOLE - PLASTIC
	101272-01-000	EA CATCH-DOOR, GLASS
2	100710-01-01A	EA LOCK-GLASS DOOR, TWIST TYPE - BRASS
3	098980-01-000	EA PILASTER-ADJUSTABLE SHELF, 18" LONG
3	098980-02-000	EA PILASTER-ADJUSTABLE SHELF, 12" LONG
4	099979-01-000	EA CLIP-ADJUSTABLE SHELF
5	059777-02-000	EA HINGE-CABINET DOOR, BURNISHED BRASS
		FROM 00-00-00 THRU 04-16-92
	000G13-06-10G	EA SCREW
5	108138-01-000	EA HINGE-CABINET DOOR, BURNISHED BRASS
		FROM 04-17-92 THRU 99-99-99
	000G13-06-10G	EA SCREW
6	093586-03-000	EA CATCH-SPRING, ROLLER
7	093586-04-000	EA STRIKE SPRING STEEL
8	074493-02-000	EA SUPPORT-FISTON SPRING, CABINET DOOR
9	103957-01-000	EA HULL-CABINET, BRASS - 3" ON CENTER
10	009059-01-000	EA HINGE-DOOR, 2" X 1 4" - BRASS
10	009059-02-000	EA HINGE-DOOR, 2" X 2 7" - BRASS
11	106913-05-000	EA SLIDE-DRAWER, CABINET - LEFT SIDE - 18"
11	106913-06-000	EA SLIDE-DRAWER, CABINET - RIGHT SIDE - 18"
11	106913-07-000	EA SLIDE-DRAWER, DRAWER MOUNT - LEFT SIDE - 18"
11	106913-08-000	EA SLIDE-DRAWER, DRAWER MOUNT - RIGHT SIDE - 18"
11	106913-17-000	EA SLIDE-DRAWER, 22" - LEFT
		FROM 01-20-92 THRU 99-99-99
11	106913-18-000	EA SLIDE-DRAWER, 22" - RIGHT
		FROM 01-20-92 THRU 99-99-99
11	106913-19-000	EA SLIDE-DRAWER, 22" - LEFT DRAWER
11	106913-20-000	EA SLIDE-DRAWER, 22" - RIGHT DRAWER
	107030-01-000	EA BACKSOCKET-ADJUSTABLE LEFT
		FROM 01-20-92 THRU 99-99-99

LABEL GROUP



KEY	PART NUMBER	U/M DESCRIPTION
1	050225-01-000	EA LABEL-WARNING, STOVE VENT - US
1	050222-01-000	EA LABEL-WARNING, STOVE VENT - CANADIAN

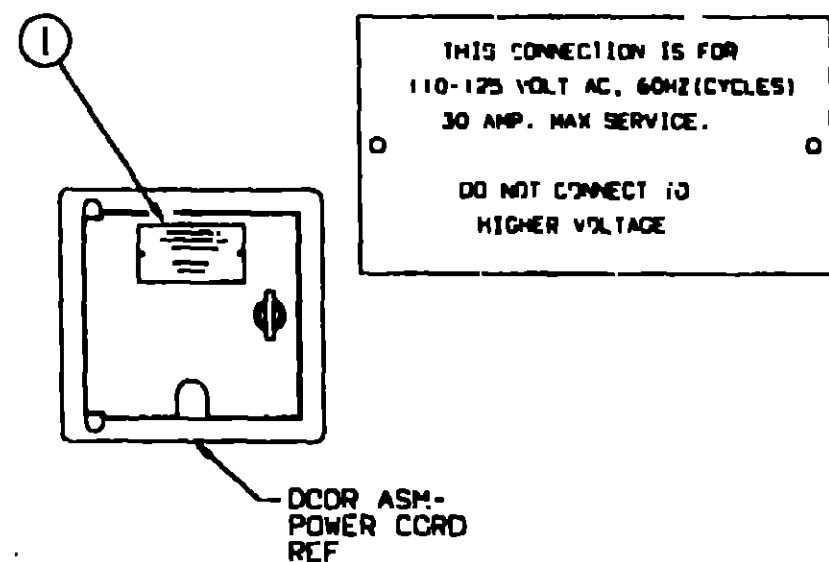
LABEL GROUP (CONTINUED)



KEY	PART NUMBER	U/M DESCRIPTION
1	046944-01-000	EA LABEL-ENTRANCE DOOR, "OPEN"

**1992 ITASCA
TABLE OF CONTENTS**

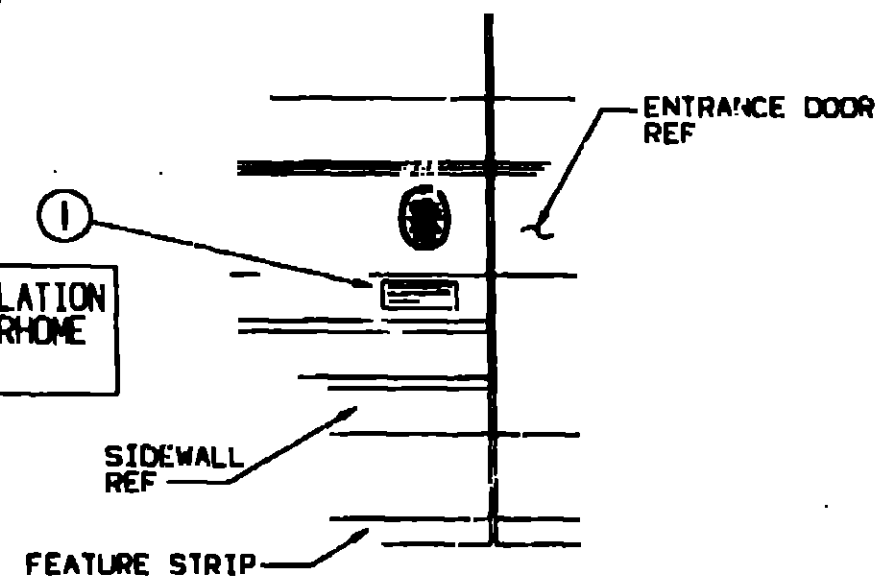
INTRODUCTION	A-01 -	A-02
ABBREVIATIONS		A-03
ALPHABETICAL INDEX	A-04 -	A-06
ICF23RC	A-07 -	E-14
ICF31RU	E-15 -	J-08



KEY	PART NUMBER	U/M DESCRIPTION
1	006052-01-000	EA TAG-ELECTRIC, 110V CONNECTION



FOR AWNING INSTALLATION
CONTACT YOUR MOTORHOME
DEALERSHIP

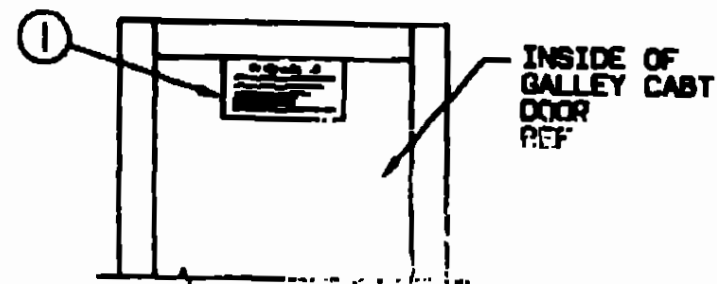


KEY	PART NUMBER	U/M DESCRIPTION
1	099509-01-000	EA LABEL-AWNING INSTALLATION

1992 ICF23RC INDEX

FLOOR PLAN	A-07 -	A-08
ACCESSORIES		A-09
AUDIO/VIDEO	A-10 -	A-12
BATH	A-13 -	A-14
BEDROOM	A-15 -	A-16
CHASSIS	A-17 -	B-03
CURTAIN & CUSHION	B-04 -	B-12
DINETTE	B-13 -	B-14
DRIVERS COMPARTMENT	B-15 -	B-20
ELECTRICAL	B-21 -	C-04
EXTERIOR BODY	C-05 -	C-12
GALLEY	C-13 -	C-17
GENERATOR	C-18 -	C-19
HEATING & A/C	C-20 -	C-24
INTERIOR FINISH	D-01 -	D-04
LABEL	D-05 -	D-13
LP		D-14
SEALANTS & FASTENERS	D-15 -	D-18
WATER & SEWAGE	D-19 -	D-24
WINDOW, VENT AND EXTERIOR DOOR	E-01 -	E-12
WINDSHIELD/WIPER	E-13 -	E-14

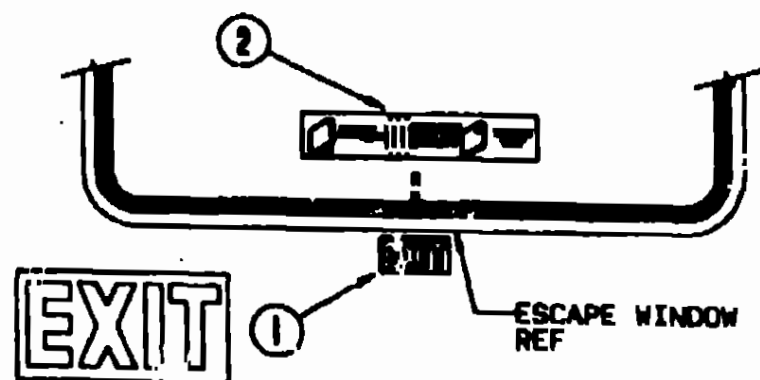
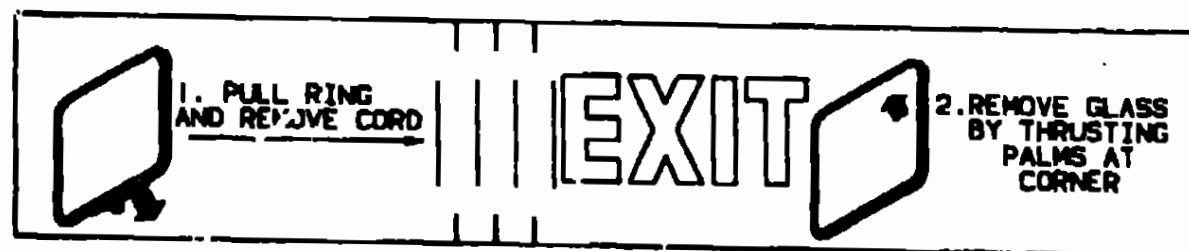
LABEL GROUP (CONTINUED)



IF YOU SHIELD CAP

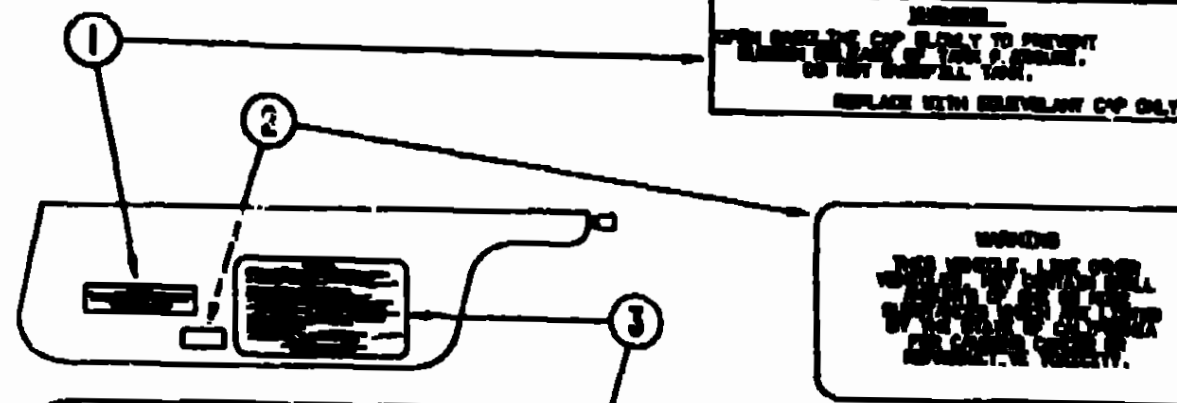
1. EXTEND ANY OPEN FLAME PROTECTIVE AND ALL OTHER MATERIALS.
2. SHUT OFF THE GAS SUPPLY AT THE TANK VALVE OR GAS SUPPLY CONNECTION.
3. OPEN DOORS AND OTHER VENTILATION DEVICES.
4. DO NOT TOUCH ELECTRICAL SWITCHES.
5. LEAVE THE AREA UNTIL GAS CLEAR.
6. HAVE THE GAS SYSTEM (TANKS) AND LEAKAGE SOURCE CORRECTED BEFORE USING AGAIN.

KEY	PART NUMBER	U/M DESCRIPTION
1	07399R-01-000	EA LABEL-LPG ODOR WARNING



KEY	PART NUMBER	U/M DESCRIPTION
1	039290-01-000	EA LABEL-WARNING, EXIT
2	107571-01-000	EA LABEL-ESCAPE EXIT, WINDOW

LABEL GROUP (CONTINUED)



WARNING
 OPEN FUEL CAP SLOWLY TO PREVENT
 FLAME OR FUEL FROM ESCAPING.
 DO NOT SMOKING.
 REPLACE WITH RELEVANT CAP ONLY.

WARNING
 DO NOT USE ANY OPEN
 FLAME OR HEAT SOURCE
 WHILE FUEL SYSTEM IS
 BEING SERVICED.

CAUTION

THIS MOTOR HOME HAS BEEN DESIGNED, MANUFACTURED AND TESTED WITH CARE FOR THE PROTECTION OF IT'S OCCUPANTS. WE REQUEST YOU PERFORM THE FOLLOWING INSPECTIONS FOR YOUR SAFETY AND THE SAFETY OF YOUR PASSENGERS BEFORE STARTING YOUR VEHICLE.

1. LP GAS SYSTEM- TURN OFF AT TANK FOR TRAVELING. TEST FOR LEAKS UPON ARRIVAL AT DESTINATION. CALL THE LIGHTING PILOTS.
2. WHEELS- INSPECT FOR DAMAGE AND CHECK LUG NUTS FOR TIGHTNESS.
3. TIRES- INSPECT FOR WEAR AND DAMAGE AND CHECK FOR RECOMMENDED AIR PRESSURE.
4. LIGHTS- TEST FOR PROPER OPERATION OF ALL INTERIOR AND EXTERIOR LIGHTS INCLUDING BATH LIGHTS, HEADLIGHTS, TAIL LIGHTS, BRAKE LIGHTS, CLEARANCE LIGHTS AND TURN SIGNALS.
5. EXITS- INSPECT RELEASE MECHANISM ON EMERGENCY EXIT DEVICES. TEST BOTH LOCKS ON MAIN ENTRANCE DOOR FOR EASE OF OPERATION AND INSTRUCT PASSENGERS HOW TO USE BOTH HANDS OF EXIT.
6. SEAT BELTS- INSTRUCT PASSENGERS TO RECLINE SEATS AND REMEMBER USE OF SEAT BELTS.
7. APPLIANCES- TURN OFF AND LATCH OR LOCK BURNERS WHERE PROVIDED.
8. LOOSE PARTS- STOW SECURELY.
9. UTILITY SUPPLY LINES- DISCONNECT ALL ELECTRICAL, GASES AND WATER LINES AND SECURE PROPERLY.
10. ENTRANCE DOOR STOP- PLACE IN RETRACTIVE POSITION FOR TRAVELING.

READ YOUR MOTOR HOME AND CHASSIS OWNER'S MANUAL FOR FURTHER PRECAUTIONS

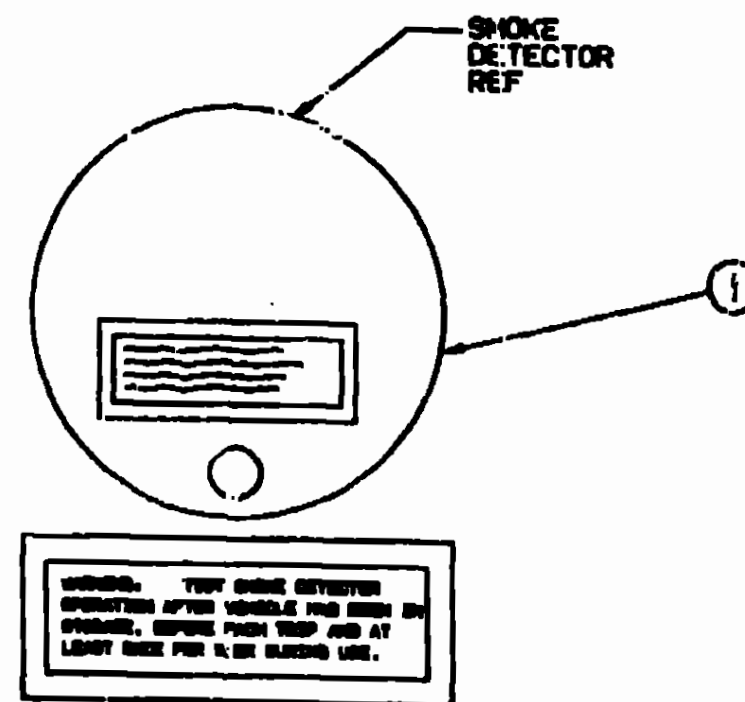
KEY	PART NUMBER	U/M DESCRIPTION
1	087207-05-000	EA LABEL-FUEL CAP REMOVAL
2	099689-01-000	EA LABEL-WARNING, CANCER/TOXICITY
3	050259-01-000	EA LABEL-SAFETY CHECK LIST

**1992 ITASCA
 TABLE OF CONTENTS**

INTRODUCTION	A-01 -	A-02
ABBREVIATIONS		A-03
ALPHABETICAL INDEX	A-04 -	A-06
ICF23RC	A-07 -	E-14
ICF31RQ	E-15 -	J-08

1992 ICF23RC INDEX

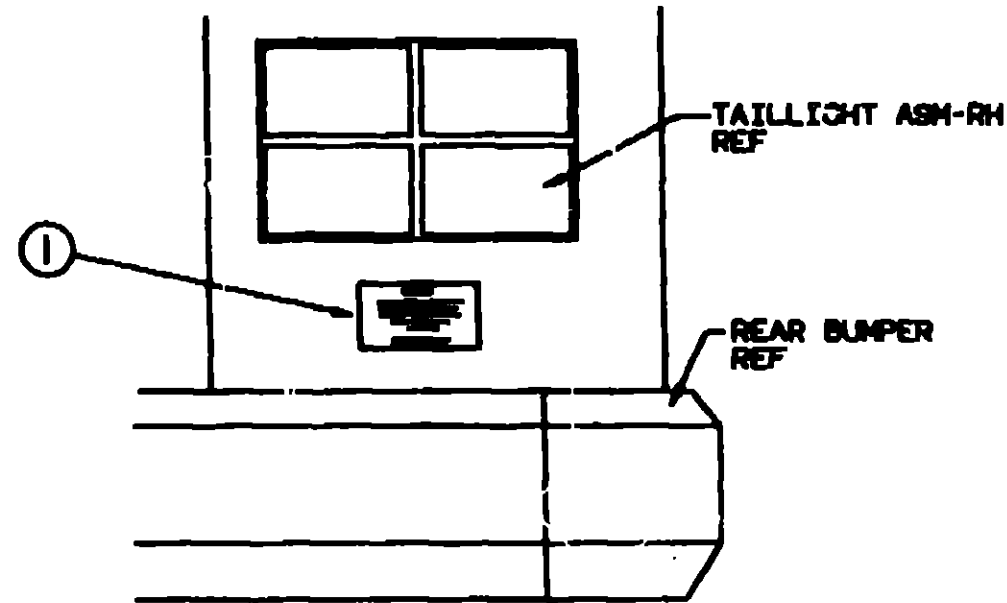
FLOOR PLAN	A-07 -	A-08
ACCESSORIES		A-09
AUDIO/VIDEO	A-10 -	A-12
BATH	A-13 -	A-14
BEDROOM	A-15 -	A-16
CHASSIS	A-17 -	B-03
CURTAIN & CUSHION	B-04 -	B-12
DINETTE	B-13 -	B-14
DRIVERS COMPARTMENT	B-15 -	B-20
ELECTRICAL	B-21 -	C-04
EXTERIOR BODY	C-05 -	C-12
GALLEY	C-13 -	C-17
GENERATOR	C-18 -	C-19
HEATING & A/C	C-20 -	C-24
INTERIOR FINISH	D-01 -	D-04
LABEL	D-05 -	D-13
LP		D-14
SEALANTS & FASTENERS	D-15 -	D-18
WATER & SEWAGE	D-19 -	D-24
WINDOW, VENT AND EXTERIOR DOOR	E-01 -	E-12
WINDSHIELDWIPER	E-13 -	E-14



WARNING
 THIS SMOKE DETECTOR
 OPERATES AFTER VEHICLE HAS BEEN IN
 OPERATION. BEFORE FRESH TRIP AND AT
 LEAST ONCE PER YEAR, IN BLENDING USE.

KEY	PART NUMBER	U/M DESCRIPTION
1	077956-01-000	EA LABEL-WARNING, SMOKE DETECTOR

LABEL GROUP (CONTINUED)



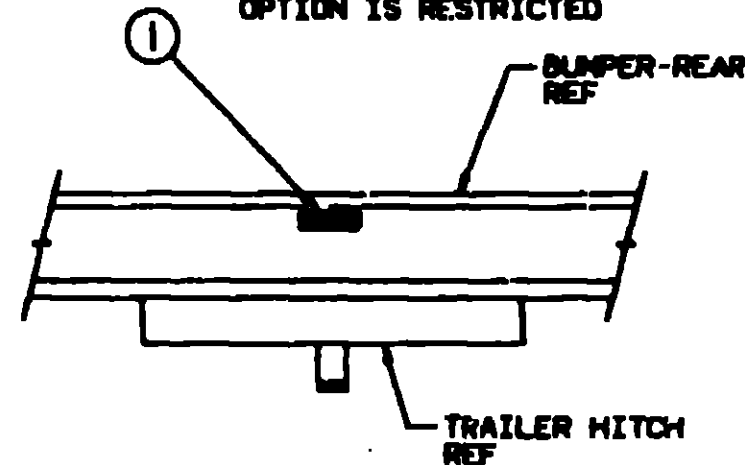
WARNING

DO NOT EXCEED THE VEHICLE WEIGHT RATINGS OR LOADING RECOMMENDATIONS (E.G., GROSS VEHICLE, GROSS AXLE, GROSS COMBINED) OF THE CHASSIS MANUFACTURER OR WINNEBAGO INC.

REFER TO YOUR OWNERS MANUAL, BEFORE LOADING OR TOWING.

KEY PART NUMBER 1 075220-01-000 U/M DESCRIPTION EA LABEL-WARNING, EXTERIOR LOAD

DO NOT INSTALL IF HITCH OPTION IS RESTRICTED



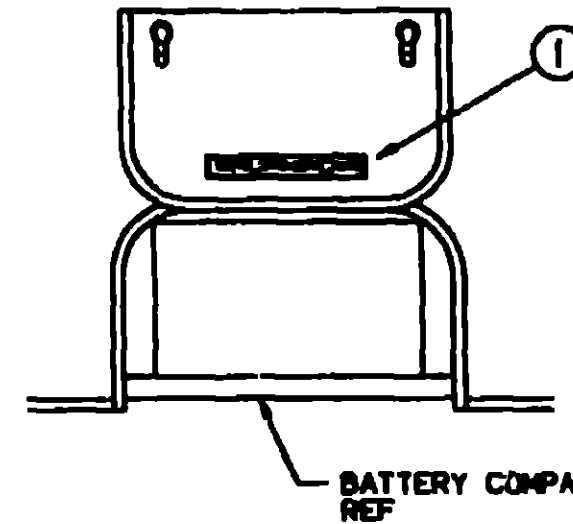
TOWING CAPACITY

TOWED VEHICLE 3500 LB. GROSS MAXIMUM
HITCH BALL 200 LB. MAXIMUM

KEY PART NUMBER 1 075221-03-000 U/M DESCRIPTION EA LABEL-TRAILER HITCH

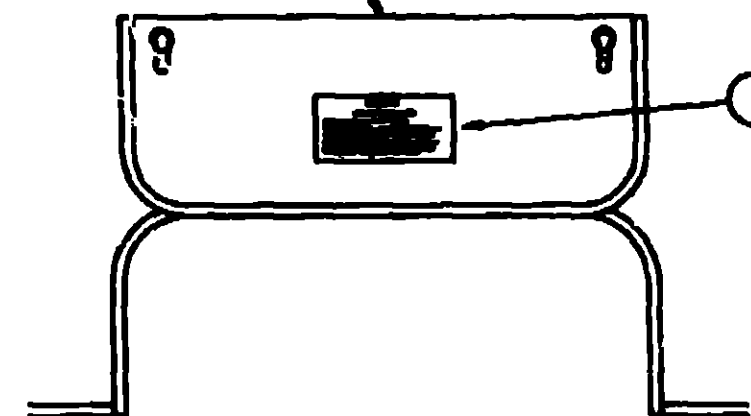
LABEL GROUP (CONTINUED)

WARNING DISCONNECT BATTERIES BEFORE CONNECTING EXTERNAL CHARGING EQUIPMENT.



KEY PART NUMBER 1 065748-01-000 U/M DESCRIPTION EA LABEL-CAUTION, BATTERY CHARGING

GENERATOR COMP DOOR REF



WARNING

WHEN ADDING A GENERATOR SET:

HIGH VOLTAGE-USE EXTREME CAUTION WHEN WORKING ON ELECTRICAL EQUIPMENT.
HAVE ALL ELECTRICAL INSTALLATION PERFORMED BY A QUALIFIED LICENSED ELECTRICIAN-FOLLOW ALL STATE AND LOCAL CODES.
ONLY INSTALL GENERATOR SET APPROVED FOR R.V. APPLICATION. HAVE INSTALLED BY QUALIFIED TECHNICIAN.
TO AVOID FIRE HAZARD-DO NOT COVER OR RESTRICT AIR SUPPLY TO THE GENERATOR COMPARTMENT. FOLLOW INSTALLATION INSTRUCTIONS.
GENERATOR SHOULD BE PROTECTED FROM FIRE AND MUST NOT OPERATE WITHIN THE VEHICLE-GENERATOR SHOULD ALWAYS BE USED FROM VEHICLE.

KEY PART NUMBER 1 077510-01-000 U/M DESCRIPTION EA LABEL-GENERATOR PREF

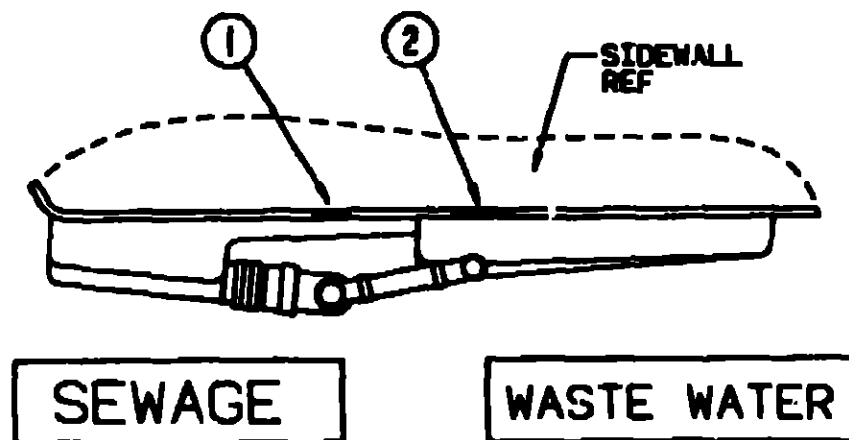
1992 ITASCA TABLE OF CONTENTS

INTRODUCTION	A-01 - A-02
ABBREVIATIONS	A-03
ALPHABETICAL INDEX	A-04 - A-06
ICF23RC	A-07 - E-14
ICF31RQ	E-15 - J-08

1992 ICF23RC INDEX

FLOOR PLAN	A-07 - A-08
ACCESSORIES	A-09
AUDIO/VIDEO	A-10 - A-12
BATH	A-13 - A-14
BEDROOM	A-15 - A-16
CHASSIS	A-17 - B-03
CURTAIN & CUSHION	B-04 - B-12
DINETTE	B-13 - B-14
DRIVERS COMPARTMENT	B-15 - B-20
ELECTRICAL	B-21 - C-04
EXTERIOR BODY	C-05 - C-12
GALLEY	C-13 - C-17
GENERATOR	C-18 - C-19
HEATING & A/C	C-20 - C-24
INTERIOR FINISH	D-01 - D-04
LABEL	D-05 - D-13
LP	D-14
SEALANTS & FASTENERS	D-15 - D-18
WATER & SEWAGE	D-19 - D-21
WINDOW, VENT AND EXTERIOR DOOR	E-01 - E-12
WINDSHIELDWIPER	E-13 - E-14

LABEL GROUP (CONTINUED)

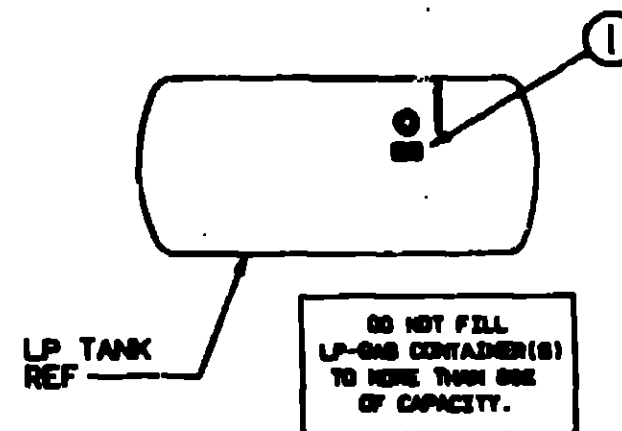


SEWAGE

WASTE WATER

KEY	PART NUMBER	U/M DESCRIPTION
1	006187-01-000	EA LABEL-SEWAGE
2	006188-01-000	EA LABEL-WASTE WATER

LABEL GROUP (CONTINUED)



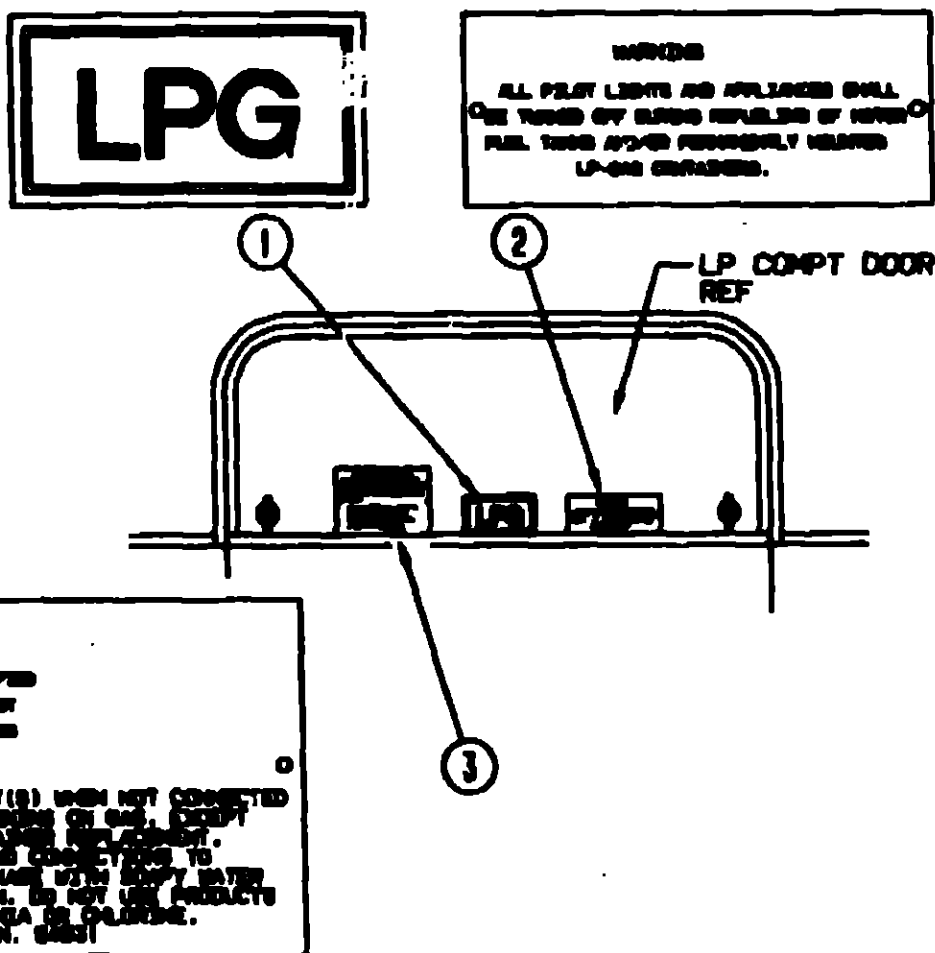
LP TANK REF

DO NOT FILL LP-GAS CONTAINER(S) TO MORE THAN ONE OF CAPACITY.

KEY	PART NUMBER	U/M DESCRIPTION
1	079965-01-000	EA LABEL-LPG 80 CAPACITY

1992 ITASCA TABLE OF CONTENTS

INTRODUCTION	A-01	A-02
ABBREVIATIONS	A-03	
ALPHABETICAL INDEX	A-04	A-06
ICF23RC	A-07	E-14
ICF31RQ	E-15	J-08



LPG

WARNING:
ALL FLAT LIGHTS AND APPLIANCES SHALL BE TESTED BY A QUALIFIED PERSON BEFORE FUEL TANKS ARE OR PERMANENTLY MOUNTED LP-GAS CONTAINERS.

LP COMP. DOOR REF

LP-GAS SYSTEM
THIS GAS SYSTEM SHOULD BE INSTALLED PER USE OF LISTED FITTINGS AND ONLY. DO NOT REMOVE FITTINGS AND TO THIS POINT.

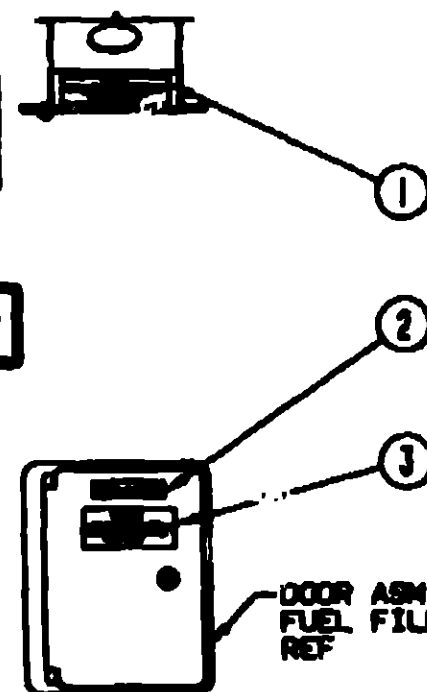
SECURELY CAP INLET(S) WHEN NOT CONNECTED FOR USE. AFTER TURNING ON GAS, CHECK AT THE BURNER. CONTAINERS SHOULD BE TESTED AND PROVED AND CONNECTIONS TO ANY LEAKS FOR LEAKAGE WITH SOAP WATER OR BLEND SOLUTION. DO NOT USE PRODUCTS THAT CONTAIN ACETONE OR GASOLINE.
P.N. 8881

KEY	PART NUMBER	U/M DESCRIPTION
1	074559-01-000	EA DECAL-LOGO, LPG - RED - (CALIF CODE)
2	006040-01-000	EA TAG-GAS REFUELING WARNING
2	006040-02-000	EA TAG-GAS REFUELING WARNING, CANADIAN
3	054531-01-000	EA LABEL-LP GAS ONLY
2	023789-01-000	EA LABEL-WARNING, LPG - CANADIAN

WARNING:
OPEN GASOLINE CAP SLOWLY TO PREVENT SUDDEN RELEASE OF TANK PRESSURE. DO NOT OVERFILL TANK. REPLACE WITH ORIGINAL CAP ONLY

UNLEADED FUEL ONLY

WARNING:
ALL FLAT LIGHTS AND APPLIANCES SHALL BE TESTED BY A QUALIFIED PERSON BEFORE FUEL TANKS ARE OR PERMANENTLY MOUNTED LP-GAS CONTAINERS.



DOOR ASSEMBLY FUEL FILL REF

KEY	PART NUMBER	U/M DESCRIPTION
1	087207-05-000	EA LABEL-FUEL CAP REMOVAL
2	062043-01-000	EA LABEL-FUEL, UNLEADED
3	006040-01-000	EA TAG-GAS REFUELING WARNING
3	006040-02-000	EA TAG-GAS REFUELING WARNING, CANADIAN

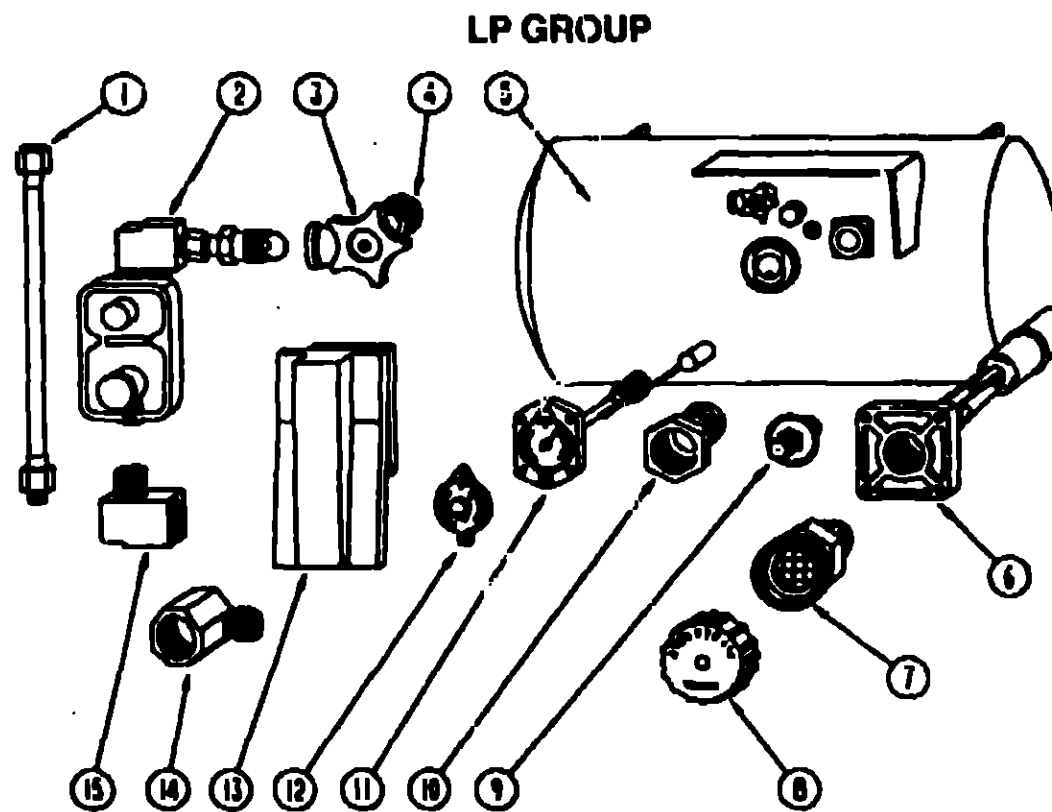
1992 ICF23RC INDEX

FLOOR PLAN	A-07	A-08
ACCESSORIES	A-10	A-09
AUDIO/VIDEO	A-13	A-14
BATH	A-15	A-16
BEDROOM	A-17	B-03
CHASSIS	B-04	B-12
CURTAIN & CUSHION	B-13	B-14
DINETTE	B-15	B-20
DRIVERS COMPARTMENT	B-21	C-04
ELECTRICAL	C-05	C-12
EXTERIOR BODY	C-13	C-17
GALLEY	C-18	C-19
GENERATOR	C-20	C-24
HEATING & AC	D-01	D-04
INTERIOR FINISH	D-05	D-13
LABEL		D-14
LP		D-14
SEALANTS & FASTENERS	D-15	D-18
WATER & SEWAGE	D-19	D-24
WINDOW, VENT AND EXTERIOR DOOR	E-01	E-12
WINDSHIELDWIPER	E-13	E-14

LABEL GROUP (CONTINUED)

MISCELLANEOUS LABELS

KEY	PART NUMBER	U/M DESCRIPTION
	093238-01-000	EA LABEL-CIRCUIT BREAKER, MAIN
	093237-01-000	EA LABEL-CIRCUIT BREAKER, FRONT - BATTERY CONDITION/RADIO
	093237-03-000	EA LABEL-CIRCUIT BREAKER, FRONT - POWER SEAT (LIFT)
	093237-06-000	EA LABEL-CIRCUIT BREAKER, FRONT - REAR PANEL
	093237-07-000	EA LABEL-CIRCUIT BREAKER, FRONT - REAR PNL/CONV
	093237-09-000	EA LABEL-CIRCUIT BREAKER, FRONT - INVERTER
	096506-01-000	EA LABEL-"COMPARTMENT NOT SEALED"
	050225-01-000	EA LABEL-WARNING, STOVE VENT - US
	087236-01-000	EA LABEL-CABLE, INPUT
	087236-02-000	EA LABEL-TV, OUTLET
	006031-01-000	EA LABEL-POTABLE WATER ONLY
	061606-01-000	EA LABEL-OVERLAY, VEHICLE CERTIFICATION - ADHESIVE BACKED
	079966-01-000	EA LABEL-WARNING, STOWED, MOTION
	088757-01-000	EA LABEL-RETAIL, 8 5/8" X 12 7/8"
	090342-01-000	EA LABEL-VAPOR RELIEF
	099509-01-000	EA LABEL-AWNING INSTALLATION
	061417-01-000	EA LABEL-FUEL ON FUEL FILL DOOR
	073998-01-000	EA LABEL-LPG C/DOR WARNING
	094675-01-000	EA LABEL-EXTERIOR LIGHT, SERVICE
	050225-01-000	EA LABEL-WARNING, STOVE VENT - US
	006195-01-000	EA LABEL-ELECTRICAL TEST
	006196-01-000	EA LABEL-GAS TEST
	006197-01-000	EA LABEL-WATER TEST
	061606-01-000	EA LABEL-OVERLAY, VEHICLE CERTIFICATION - ADHESIVE BACKED
	006064-01-000	EA LABEL-SEAT W/O SEATBELT "NOT INTENDED FOR USE WHILE COACH IN MOTION"
	006064-01-000	EA LABEL-SEAT W/O SEATBELT
	068383-01-000	EA LABEL-DIESEL FUEL
	074983-01-000	EA LABEL-SWITCH, A/C SELECTOR FOR FRONT OR REAR
	091224-02-000	EA LABEL-TRAILER LIGHTING
	091243-01-000	EA LABEL-A/C COVER, "AIR CONDITIONING CIRCUIT, ETC."
	098379-03-000	EA LABEL-ELECTRICAL BOX, FRONT
	098379-04-000	EA LABEL-ELECTRICAL BOX, SIDE
	098641-01-000	EA LABEL-FUEL, UNLEADED - DASH
	104678-01-000	EA LABEL-CB PREP



LP TANK & COMPONENTS

KEY	PART NUMBER	U/M DESCRIPTION
1	045703-01-000	EA HOSE-LP, 3/8" ID X 24" US - 3/8 MPT X 1/2 F SWIVEL
1	045703-02-000	EA HOSE-LP, 3/8" ID X 24" - 3/8" MPT X 1/2" F SWIVEL - CANADA
2	106150-01-000	EA REGULATOR-TWO STAGE
3	040421-01-708	EA HANDWHEEL-VAPOR RELIEF VALVE, BRUNNER G-1015-A
4	040421-01-703	EA VALVE-SERVICE W/HANDWHEEL
		FROM: 00-00-00 THRU: 08-31-91
4	040421-01-712	EA VALVE-SERVICE W/O VAPOR RELIEF
		FROM: 09-01-91 THRU: 99-99-99
4	040421-01-713	EA VALVE-VAPOR ONLY
		FROM: 09-01-91 THRU: 99-99-99
5	097821-01-000	EA TANK-LP 60 LB 14" X 30"
6	040421-01-711	EA VALVE-80% W/FLOAT, PLATE, BOLTS & GASKET - BRUNNER
7	040421-01-701	EA VALVE-SHORT LP FILLER W/YELLOW CAP - BRUNNER 7547B
8	040421-01-702	EA CAP-LP FILLER VALVE, PLASTIC - YELLOW - BRUNNER G-1014-A
9	040421-01-700	EA GAUGE-LIQUID LEVEL, 20% LP - BRUNNER G-1013
10	040421-01-713	EA PRESSURE RELIEF VALVE
11	040421-01-707	EA GAUGE-FLOAT W/VISIBLE DIAL - BRUNNER MA-9 6244-4
12	040440-02-000	EA TRANSMITTER-DIAL, 90 OHM
13	105658-01-000	EA COMPARTMENT-LP REGULATOR
13	081938-01-000	EA COVER-COMPARTMENT - LP REGULATOR - BLACK
14	065318-02-000	EA ELBOW-90 DEGREE, 3/8" MPT TO 3/8" FPT
15	065742-01-000	EA TEE, .38F X .38F X .25FPT - BRASS
	010323-01-000	EA ADAPTER-BRASS-3/8" F X 1/2" MPT
	010285-01-000	EA CROSS, 3/8" F X 3/8" F X 3/8" F X 1/2" FPT - BRASS
	010377-02-000	EA NUT-BRASS, 3/8 FEMALE - FORGED
	010380-02-000	EA NUT-BRASS, 1/2" FEMALE - FORGED
	016188-03-000	EA GROMMET-GAS LINE, FLOOR - 3/8" HOLE X 2 1/8" DIAMETER RUBBER
	081642-01-000	EA TEE, 1/2" MPT X 1/2" FL X 3/8" FL - BRASS
	010497-05-000	EA CLAMP-CLOSED, .50" ID
	075148-02-000	EA CLAMP-GROUNDING, BRONZE SCREWS
	008380-01-000	EA GROMMET-RUBBER, 5/8" HOLE X 1 1/2" DIAMETER - BLACK
	010328-01-000	EA ADAPTER-FLARE, W/CONE GASKET 3/8" FEMALE FL X 1/2" MALE F
	085741-01-000	EA GAUGE-DIAPHRAGM PRESSURE - MARSHALLTOWN MFG
	065742-01-000	EA TEE, .38F X .38F X .25FPT - BRASS
	071391-02-000	EA NIPPLE-HEX, .25 PIPE
	008042-01-000	FT TUBING-VINYL, 65" ID
	095624-01-000	EA ELBOW-BRASS, 90 1/4FPT X 1/4FPT
	103613-01-000	EA DETECTOR-LP GAS
		FROM: 02-03-92 THRU: 1/9-99-99
	M01526-06-000	EA LP REGULATOR/SAFETY VALVE-24" HOSE
		FROM: 00-00-00 THRU: 03-24-92
	M01526-38-000	EA LP REGULATOR/SAFETY VALVE-24" US
		FROM: 03-25-92 THRU: 99-99-99

LP GROUP

**1992 ITASCA
TABLE OF CONTENTS**

INTRODUCTION	A-01	A-02
ABBREVIATIONS		A-03
ALPHABETICAL INDEX	A-04	A-06
ICF23RC	A-07	E-14
ICF31RQ	E-15	J-08

1992 ICF23RC INDEX

FLOOR PLAN	A-07	A-08
ACCESSORIES		A-09
AUDIO/VIDEO	A-10	A-12
BATH	A-13	A-14
BEDROOM	A-15	A-16
CHASSIS	A-17	B-03
CURTAIN & CUSHION	B-04	B-12
DINETTE	B-13	B-14
DRIVERS COMPARTMENT	B-15	B-20
ELECTRICAL	B-21	C-04
EXTERIOR BODY	C-05	C-12
GALLEY	C-13	C-17
GENERATOR	C-18	C-19
HEATING & A/C	C-20	C-24
INTERIOR FINISH	D-01	D-04
LABEL	D-05	D-13
LP		D-14
SEALANTS & FASTENERS	D-15	D-18
WATER & SEWAGE	D-19	D-24
WINDOW, VENT AND		
EXTERIOR DOOR	E-01	E-12
WINDSHIELD/WIPER	E-13	E-14

SEALANTS & FASTENERS GROUP
ADHESIVE AND FASTENERS

KEY	PART NUMBER	U/M DESCRIPTION
	004020-01-000	QT ADHESIVE-ABS CEMENT, QUART
	081377-01-700	EA ADHESIVE-CYANOACRYLATE, 10 GRAM TUBE
	004006-04-700	EA ADHESIVE-PIERCE, 1 GAL - J9270-X-1
	087211-01-000	GL ADHESIVE-PROMOTER
	004005-02-000	EA ADHESIVE-SWIFTS, 1 GAL - W1333
	099039-01-000	EA ADHESIVE-WEATHERSTRIP, 8 OZ
	053766-02-000	EA BEDDING COMPOUND-TUBE, WHITE
	005200-01-000	EA BOLT-BUMPER,ROUND HEAD-SQUARE NECK- W/SST CAP 7/16- 14 X 1 1/4
	102333-01-01A	EA BOLT-CARRIAGE, 7/16 - 14 - STAINLESS STEEL CAP- BEIGE
	051297-06-000	EA BOLT-CARRIAGE, W/O HOLE - 5/16-18 X 9.5 ZN
	000C12-08-24B	EA BOLT-HEX, 1/2-13 X 1 1/2 - ZN 5
	000C12-05-16B	EA BOLT-HEX, 5/16-18 X 1 - ZINC 5
	000C12-10-24B	EA BOLT-HEX, 5/8-11 X 1 1/2 ZN - 5
	000C12-07-20B	EA BOLT-HEX, 7/16 - 14 X 1 1/4 - ZN5
	000C13-07-48B	EA BOLT-HEX, 7/16 - 20 X 3 - ZN 5
	000C26-04-10B	EA BOLT-HEX, SER FLG - 1/4-20 X 5/8 ZINC
	000C26-05-20B	EA BOLT-HEX,SER FLG 5/16-18 X 1 1/4 - ZINC
	000C12-05-24B	EA BOLT-HEX-5/16-18X1 1/2 ZN 5
	016704-01-000	EA BRACE-CABINET, ANGLED METAL - 2.5"

CLAMPS, GROMMETS AND FASTENERS

KEY	PART NUMBER	U/M DESCRIPTION
	010495-01-000	EA CLAMP-CABLE, 9/16"
	010497-06-000	EA CLAMP-CLOSED, 1 1/16" ID
	010497-03-000	EA CLAMP-CLOSED, 1" ID - CUSHIONED
	010499-01-000	EA CLAMP-CLOSED, 3/8" ID
	010497-01-000	EA CLAMP-CLOSED, 5/8" ID
	010497-08-000	EA CLAMP-CLOSED, .125"
	075148-02-000	EA CLAMP-GROUNDING, BRONZE SCREWS
	062401-02-000	EA CLAMP-HOSE, WORMGEAR, 1 5/8" - 2 5/8"
	062401-10-000	EA CLAMP-HOSE, WORMGEAR 1.06" - 2"
	073194-02-000	EA CLAMP-HOSE, WORMGEAR 32-50 MM
	062401-07-000	EA CLAMP-HOSE, WORMGEAR 5" - 7"
	062401-06-000	EA CLAMP-HOSE, WORMGEAR 22" - 62"
	062401-01-000	EA CLAMP-HOSE, WORMGEAR 25" - 1"
	062401-04-000	EA CLAMP-HOSE, WORMGEAR .69" - 1 25"
	062401-03-000	EA CLAMP-HOSE WORMGEAR, 22" - 1"
	083609-01-000	EA CLAMP-WIRE,DUAL - EQUAL 5/8" DIAMETER
	094362-02-000	EA CLIP-CHRISTMAS TREE, FLAT HEAD
	077953-01-000	EA GROMMET-EDGE LINER, FITS 1"
	023942-01-000	EA GROMMET-RUBBER, 2" OD
	071015-21-000	EA GROMMET- 50"ID, FITS .19" MATERIAL, RUBBER- SPLIT
	009066-01-000	EA HINGE-ALUMINUM, NO HOLES - 1 1/16" X 72" - UNPAINTED
	056134-02-000	EA HOLDER-RING, 1 5" ID PIPE SIZE - STEEL
	092321-01-000	FT INSULATION-FIBERGLASS, W/ALUMINUM FOIL
	077955-01-000	EA J CLIP-VINYL COATED, 3/8" USED IN WIRING TO CLEARANCE LIGHTS

NUTS AND FASTENERS

KEY	PART NUMBER	U/M DESCRIPTION
	072893-01-000	EA NUTSERT-M5 X 0.8
	077049-01-000	EA NUT-ACORN, 10-32 ALUMINUM
	095094-01-000	EA NUT-ACORN, 1/4 - 20 ALUMINUM
	000D14-05-00B	EA NUT-HEX, 5/16-18 - ZN 5
	000D34-04-00B	EA NUT-HEX, LK 1/4 - 20 ZN
	000D39-04-00B	EA NUT-HEX, SER FLG LK 1/4 - 20 ZN
	000D39-08-00B	EA NUT-HEX, SER FLG LK - 1/2-13 ZN
	000D39-06-00B	EA NUT-HEX, SER FLG LK - 3/8-16 ZN
	000D39-05-00B	EA NUT-HEX, SER FLG LK - 5/16 - 18 ZN
	000D44-07-00B	EA NUT-HEX, SER FLG LK - 7/16-20 ZN
	000D24-10-00B	EA NUT-HEX, SF/LK - 10-32 ZN
	000D34-06-00B	EA NUT-HEX LK-3/8-16 GRADE C ZN

SEALANTS & FASTENERS GROUP (CONTINUED)
NUTS AND FASTENERS CONT

KEY	PART NUMBER	U/M DESCRIPTION
	075487-01-000	EA NUT-INVERTED FLARE, 1/4"
	088497-02-000	EA NUT-INVERTED FLARE, 1/4"
	063253-07-000	EA NUT-J, #8A .120- .130 PNL THK
	044364-02-000	EA NUT-SPEED, FLAT - ROUND
	040921-06-000	EA NUT-SPEED, U TYPE - NO. 8
	040921-04-000	EA NUT-SPEED, U TYPE - NO. 8
	040921-05-000	EA NUT-SPEED, U TYPE - NO. 8
	044364-01-000	EA NUT-SPEED,FLAT
	054081-01-000	EA NUT-WING, 3/8" X 16 THREAD
	084884-01-000	EA PLUG-BRASS, 3/8"
	000H16-04-06R	EA RIVET-POP, AL 1/8 X .313-.375
	069592-02-000	EA RIVET-T (POP) 1/4X .093-.156
	063729-04-000	EA RIVNUT, 10-32 UNF - .010-.080
	083729-01-000	EA RIVNUT, 1/4 X 20 UNC - .030-.125

SCREWS

KEY	PART NUMBER	U/M DESCRIPTION
	000G67-10-24B	EA SCREW, 10-12 X 1 1/2 PPH - ZN
	000G67-10-16P	EA SCREW, 10-12 X 1 PPH DK BROWN
	000G67-10-16B	EA SCREW, 10-12 X 1 PPH - ZN
	000G67-10-08B	EA SCREW, 10-12 X 1/2 PPH ZN
	000G67-10-08R	EA SCREW, 10-12 X 1/2 PPH - BEIGE - TYPE A
	000G67-10-12B	EA SCREW, 10-12 X 3/4 - PPH ZN
	000G67-10-10B	EA SCREW, 10-12 X 5/8 PPH ZN - TYPE A
	000G67-10-10R	EA SCREW, 10-12 X 5/8 PPH - TYPE A - BEIGE
	000G67-10-12P	EA SCREW, 10-12 X 7/8 PPH - DARK BROWN
	049465-01-000	EA SCREW, 10-16 W/WASHER PTH - DARK BROWN
	049465-04-000	EA SCREW, 10-16 X 1 PTH W/WASHER - BEIGE
	000G11-10-16B	EA SCREW, 10-16 X 1 - PPH ZN
	000G11-10-12R	EA SCREW, 10-16 X 3/4 PPH - BEIGE
	000G11-10-12D	EA SCREW, 10-16 X 3/4 PPH - BLACK
	000G68-06-10G	EA SCREW, 6-18 X 5/8 POH - ANTIQUE BRASS
	076790-01-000	EA SCREW, 6-20 X 1 1/4 PPH - BLACK
	000G13-06-16R	EA SCREW, 6-20 X 1 PFH - BEIGE
	000G13-06-08B	EA SCREW, 6-20 X 1/2 PFH ZN
	000G13-06-10G	EA SCREW, 6-20 X 5/8 PFH - ANTIQUE BRASS
	000G11-06-10B	EA SCREW, 6-20 X 5/8 PPH ZN
	000G11-06-10J	EA SCREW, 6-20 X 5/8 PPH - BRASS
	000G11-07-08B	EA SCREW, 7-19 X 1/2 PPH - ZN
	000G13-07-12B	EA SCREW, 7-19 X 3/4 PFH ZN
	000G13-08-16B	EA SCREW, 8-18 X 1 PFH - ZN
	000G11-08-08T	EA SCREW, 8-18 X 1/2 PPH
	000G11-08-08B	EA SCREW, 8-18 X 1/2 PPH ZN
	000G11-08-12B	EA SCREW, 8-18 X 3/4 PPH ZN
	000G11-08-12R	EA SCREW, 8-18 X 3/4 PPH - BEIGE
	000G11-08-12D	EA SCREW, 8-18 X 3/4 PPH - BLACK
	000G11-08-16R	EA SCREW, 8-18X1.00 PPH - BEIGE
	000G67-10-32B	EA SCREW, NO. 10 - 12 X 2 PPH ZN
	000G55-08-12W	EA SCREW, SF/DR-8-18X.75 PWH
	000G87-10-12R	EA SCREW-10-12X.75 PPH BEIGE
	000G87-10-120	EA SCREW-10-12X.75 PPH TAN
	049465-03-000	EA SCREW-10-16X1 POH W/WASHER
	000G11-10-12S	EA SCREW-10-16X.75 PPH OFF WHITE
	000G54-04-203	EA SCREW-1/4-20X1 1/4 PTH TYP 23
	000G37-05-16.1	EA SCREW-5-20X1 PFH BRASS
	000G12-08-08T	EA SCREW-6-20 X .50 POH - BLACK
	000G13-08-16J	EA SCREW-6-20X1.00 PFH BRASS
	000G11-08-12P	EA SCREW-8-18X.75 DARK BROWN
	085318-01-000	EA SCREW-8-08X1/2,CRIMPTITE HD
	000G87-08-32B	EA SCREW-8-15X2 PPH ZN
	000G12-08-16S	EA SCREW-8-18 X 1" POH - OFF WHITE
	000G11-08-16S	EA SCREW-8-18X1 00 PPH OFF WHITE
	009439-07-000	EA SCREW-8-32X1 1/4 POH,BLACK

1992 ITASCA
TABLE OF CONTENTS

INTRODUCTION	A-01 -	A-02
ABBREVIATIONS		A-03
ALPHABETICAL INDEX	A-04 -	A-06
ICF23RC	A-07 -	E-14
ICF31RQ	E-15 -	J-08

1992 ICF23RC INDEX

FLOOR PLAN	A-07 -	A-08
ACCESSORIES		A-09
AUDIO/VIDEO	A-10 -	A-12
BATH	A-13 -	A-14
BEDROOM	A-15 -	A-16
CHASSIS	A-17 -	B-03
CURTAIN & CUSHION	B-04 -	B-12
DINETTE	B-13 -	B-14
DRIVERS COMPARTMENT	B-15 -	B-20
ELECTRICAL	B-21 -	C-04
EXTERIOR BODY	C-05 -	C-12
GALLEY	C-13 -	C-17
GENERATOR	C-18 -	C-19
HEATING & A/C	C-20 -	C-24
INTERIOR FINISH	D-01 -	D-04
LABEL	D-05 -	D-10
LP		D-14
SEALANTS & FASTENERS	D-15 -	D-18
WATER & SEWAGE	D-19 -	D-24
WINDOW, VENT AND		
EXTERIOR DOOR	E-01 -	E-12
WINDSHIELDWIPER	E-13 -	F-14

SEALANTS & FASTENERS GROUP (CONTINUED)

SCREWS CONT

KEY	PART NUMBER	U/M DESCRIPTION
	087721-01-000	EA SCREW-FLAT HEAD, TAPPING - 1/4 X 1 1/4 LG ZN
	088783-01-000	EA SCREW-MACH, 10 - 32 X 1/4 PTH
	000G19-10-08B	EA SCREW-MACH, 10-32 X 1/2 PPH ZN
	000G19-10-10B	EA SCREW-MACH, 10-32 X 5/8 - PPH - ZINC
	000G50-04-12B	EA SCREW-MACH, 1/4-20 X 3/4 PPH ZN
	081908-01-000	EA SCREW-MACH 6-32X.62 W/NYLOCK
	089371-01-000	EA SCREW-MACH 8-32X3 5/16 ZN
	000G19-10-20B	EA SCREW-MACHINE, 10-32 X 1 1/14 PPH ZINK
	000G18-08-16B	EA SCREW-MACHINE, 8 X 32 X 1, PPH ZN
	075908-01-000	EA SCREW-MACH-10-32X.56PTH(SEMS)
	000G53-04-06B	EA SCREW-MACH-1/4-20X3/8 PPH ZN
	000G18-08-22B	EA SCREW-MACH-8-32X1 3/8 PPH ZN
	000G39-10-20B	EA SCREW-SF/DR, 10-16 X 1 1/4 PPH ZN
	000G39-10-12R	EA SCREW-SF/DR, 10-16 X 3/4 PPH - BEIGE
	000G39-10-12D	EA SCREW-SF/DR, 10-16 X 3/4 PPH - BLACK
	000G39-06-16T	EA SCREW-SF/DR, 6-20 X 1 PPH - BLACK
	000G39-06-10T	EA SCREW-SF/DR, 6-20 X 5/8 PPH - BLACK
	000G39-08-24B	EA SCREW-SF/DR, 8-18 X 1 1/2 PPH ZN
	000G39-08-16E	EA SCREW-SF/DR, 8-18 X 1 PPH CHROME
	000G39-08-16B	EA SCREW-SF/DR, 8-18 X 1 PPH ZN
	000G39-08-16T	EA SCREW-SF/DR, 8-18 X 1 PPH - BLACK
	000G55-08-16Z	EA SCREW-SF/DR, 8-18 X 1.00 - BEIGE
	000G39-08-08B	EA SCREW-SF/DR, 8-18 X 1/2 PPH ZN
	000G39-08-32B	EA SCREW-SF/DR, 8-18 X 2 PPH - ZINC
	000G39-08-12B	EA SCREW-SF/DR, 8-18 X 3/4 PPH ZN
	000G39-08-12T	EA SCREW-SF/DR, 8-18 X 3/4 PPH - BLACK
	000G39-08-06B	EA SCREW-SF/DR, 8-18 X 3/8 PPH ZN
	000G60-10-28T	EA SCREW-SF/DR, 10-16X1 7/8
	000G39-08-16R	EA SCREW-SF/DR 8-18X1.00 PPH BEIGE
	000G39-08-08R	EA SCREW-SF/DR-8-18X1/2 PPH
	079382-01-000	EA SCREW-SOCKET, 8-18 X 1" - BLACK

SEALERS AND FASTENERS

KEY	PART NUMBER	U/M DESCRIPTION
	106205 01 000	EA SEALER-PUMPABLE
	069640-02-000	FT SEALER-RIBBON, 1/2" X 1/8" - INCREMENTS OF 30'
	069640-09-000	FT SEALER-RIBBON, 1/32" X 2 1/2"
	069640-01-000	FT SEALER-RIBBON, 1/4" DIAMETER - INCREMENTS OF 20'
	069640-03-000	FT SEALER-RIBBON, 3/4" X 1/8" - INCREMENTS OF 60'
	069640-06-000	FT SEALER-RIBBON, 5/16" DIAMETER - INCREMENTS OF 25'
	091255-03-000	FT SEAL-FOAM, 1/4 X 3/16 ROLL
	091255-01-000	FT SEAL-FOAM, 3 2MM X 4.8MM
	090340-01-000	FT SEAL-FOAM, CLOSED CELL - 1/4" X 1/2" X 50'
	053752-01-000	GL SEAM SEALER-5 GAL, ALUMINUM
	034552-04-000	EA SILICONE-TUBE, 300 ML - BEIGE
	034552-02-000	EA SILICONE-TUBE, 300 ML - CLEAR
	034552-07-000	EA SILICONE-TUBE, 300 ML - DARK GRAY
	008401-01-000	EA STRAP-CONDUIT, 3/4" - 1 HOLE - GALVANIZED STEEL

SEALANTS & FASTENERS GROUP (CONTINUED)

WASHERS AND FASTENERS

KEY	PART NUMBER	U/M DESCRIPTION
	077071-01-000	EA WASHER-FENDER, 3/16" ID X 1" OD
	000E13-14-00B	EA WASHER-FL, 1/4" WIDE ZN
	000E13-11-00B	EA WASHER-FL, 3/16" WIDE ZN
	000E13-17-00B	EA WASHER-FL-3/8 AR ZN

TAPES AND FASTENERS

KEY	PART NUMBER	U/M DESCRIPTION
	100028-01-000	FT TAPE-ADHESIVE, .031" X .75" WIDE
	004363-01-000	FT TAPE-ADHESIVE FOAM, 1 SIDE - 3/16" X 1/2" - GRAY
	093071-01-000	FT TAPE-BONDING, DOUBLE SIDED - 1/64" X 2"
	093071-01-000	FT TAPE-BONDING, DOUBLE SIDED - 1/64" X 2"
	076322-03-000	FT TAPE-FOAM, DOUBLE COATED - .045" X 5"
	088244-01-000	FT TAPE-FOAM, VINYL COATED - 2" WIDE - INCREMENTS OF 108 FT
	009200-01-000	EA TAPE-FURNACE, 1 1/2"
	087691-01-000	EA TAPE-MASKING, WEATHER RESISTANT
	008345-02-000	EA TIE-WIRE, 14"
	008343-01-000	EA TIE-WIRE, 5"

**1992 ITASCA
TABLE OF CONTENTS**

INTRODUCTION	A-01	A-02
ABBREVIATIONS		A-03
ALPHABETICAL INDEX	A-04	A-06
ICF23RC	A-07	E-14
ICF31RO	E-15	J-08

1992 ICF23RC INDEX

FLOOR PLAN	A-07	A-08
ACCESSORIES		A-09
AUDIO/VIDEO	A-10	A-12
BATH	A-13	A-14
BEDROOM	A-15	A-16
CHASSIS	A-17	B-03
CURTAIN & CUSHION	B-04	B-12
DINETTE	B-13	B-14
DRIVERS COMPARTMENT	B-15	B-20
ELECTRICAL	B-21	C-04
EXTERIOR BODY	C-05	C-12
GALLEY	C-13	C-17
GENERATOR	C-18	C-10
HEATING & A/C	C-20	C-24
INTERIOR FINISH	D-01	D-04
LABEL	D-05	D-13
LP		D-14
SEALANTS & FASTENERS	D-15	D-18
WATER & SEWAGE	D-19	D-24
WINDOW, VENT AND		
EXTERIOR DOOR	E-01	E-12
WINDSHIELD/WIPER	E-13	E-14

WATER & SEWAGE GROUP
WATER HEATER W/ELECTRIC IGNITION

WATER & SEWAGE GROUP (CONTINUED)
WATER HEATER W/MOTOR AID

1992 ITASCA
TABLE OF CONTENTS

INTRODUCTION	A-01 -	A-02
ABBREVIATIONS		A-03
ALPHABETICAL INDEX	A-04 -	A-06
ICF23RC	A-07 -	E-14
ICF31RQ	E-15 -	J-08

KEY	PART NUMBER	U/M DESCRIPTION
	051391-03-000	EA HEATER-WATER, W/ELECTRIC IGNITION - ATWOOD G6A-3E
	051391-01-700	EA HINGE KIT-W/CLIP, ATWOOD # 92568 & 92559
	051391-01-704	EA VALVE-RELIEF, 1/2" FITTING - ATWOOD# 91604
	051391-01-705	EA FASTENER-CAMLOC, ATWOOD# 92609
	051391-01-706	EA GRILLE-EXHAUST, ATWOOD# 92787
	051391-01-708	EA BURNER-MAIN, 3E ONLY - ATWOOD# 92615
	051391-01-710	EA ORIFICE-MAIN BURNER, ATWOOD# 92742
	051391-01-715	EA DRAIN PLUG, ATWOOD# 91561
	051391-04-700	EA TANK-INNER (G6A-3E), FRONT MOUNT - ATWOOD# 91608
	051391-04-701	EA THERMOSTAT 12 VDC-120 PRESET, ATWOOD# 91470 FRONT MOUNT ONLY
	051391-04-706	EA TANK-INNER, G6A-4E & 6E - FRONT MOUNT - ATWOOD# 91641
	097967-01-000	EA SWITCH-WATER HEATER, REMOTE W/LIGHT - ATWOOD 91959
	051393-01-702	EA SWITCH-ENERGY CUT-OFF, ATWOOD# 91951
	051393-01-703	EA THERMOSTAT-REAR MOUNT, ATWOOD# 91952
	051393-01-704	EA CIRCUIT BOARD-W/BLACK BOX, ATWOOD# 91420
	051393-01-705	EA ORIFICE HOLDER-ATWOOD# 91925
	051393-01-716	EA SPARK & PROBE ASM, ATWOOD# 91606
	051393-01-716	EA VALVE-DUAL SOLENOID, ATWOOD# 91605
	051393-01-721	EA ECO&THERMOSTAT ASM-FRONT MOUNT, 140 DEGREE - ATWOOD# 91447
	051393-03-700	EA TANK-INNER (G6A-3E), REAR MT - ATWOOD# 91409

KEY	PART NUMBER	U/M DESCRIPTION
	051393-01-000	EA WATER HEATER-W/MOTOR AID, PILOTLESS IGNITION ATWOOD GH6-3E, GH6-4E OR GH6-6E
	051391-01-700	EA HINGE KIT-W/CLIP, ATWOOD # 92568 & 92559
	051391-01-704	EA VALVE-RELIEF, 1/2" FITTING - ATWOOD# 91604
	051391-01-705	EA FASTENER-CAMLOC, ATWOOD# 92609
	051391-01-706	EA GRILLE-EXHAUST, ATWOOD# 92787
	051391-01-708	EA BURNER-MAIN, 3E ONLY - ATWOOD# 92615
	051391-01-710	EA ORIFICE-MAIN BURNER, ATWOOD# 92742
	051391-01-714	EA ELBOW-45 DEGREE, 3/8" F X 3/8" MPT - ATWOOD 91044
	051391-01-715	EA DRAIN PLUG, ATWOOD# 91561
	051391-04-701	EA THERMOSTAT 12 VDC-120 PRESET, ATWOOD# 91470 FRONT MOUNT ONLY
	051391-04-704	EA TANK-INNER, FRONT MOUNT - GH6-4E & 6E - ATWOOD 91642
	051393-01-700	EA TANK-INNER, 3E FRONT MOUNT - ATWOOD# 91023
	097967-01-000	EA SWITCH-WATER HEATER, REMOTE W/LIGHT - ATWOOD 91959
	051393-01-702	EA SWITCH-ENERGY CUT-OFF, ATWOOD# 91951
	051393-01-703	EA THERMOSTAT-REAR MOUNT, ATWOOD# 91952
	051393-01-704	EA CIRCUIT BOARD-W/BLACK BOX, ATWOOD# 91420
	051393-01-705	EA ORIFICE HOLDER-ATWOOD# 91925
	051393-01-705	EA TANK-INNER (GH6-3E), REAR MOUNT - ATWOOD# 91408
	051393-01-714	EA SPARK & PROBE ASM, ATWOOD# 91606
	051393-01-716	EA VALVE-DUAL SOLENOID, ATWOOD# 91605
	051393-01-718	EA ECO&THERMOSTAT ASM-FRONT MOUNT, 140 DEGREE - ATWOOD# 91447
	051393-01-721	EA TEE-PLAS. BARB 5/8" OR 3/4" HOSE
	010227-01-000	

1992 ICF23RC INDEX

FLOOR PLAN	A-07 -	A-08
ACCESSORIES		A-09
AUDIO/VIDEO	A-10 -	A-12
BATH	A-13 -	A-14
BEDROOM	A-15 -	A-18
CHASSIS	A-17 -	B-03
CURTAIN & CUSHION	B-04 -	B-12
DINETTE	B-13 -	B-14
DRIVERS COMPARTMENT	B-15 -	B-20
ELECTRICAL	B-21 -	C-04
EXTERIOR BODY	C-05 -	C-12
GALLEY	C-13 -	C-17
GENERATOR	C-18 -	C-19
HEATING & A/C	C-20 -	C-24
INTERIOR FINISH	D-01 -	D-04
LABEL	D-05 -	D-13
LIGHT		D-14
SEALANTS & FASTENERS	D-15 -	D-18
WATER & SEWAGE	D-19 -	D-24
WINDOW, VENT AND		
EXTERIOR DOOR	E-01 -	E-12
WINDSHIELDWIPER	E-13 -	E-14

WATER & SEWAGE GROUP (CONTINUED)

WATER PUMP

KEY	PART NUMBER	U/M DESCRIPTION
	098607-01-000	EA PUMP-WATER, W/5" MPT FITTING - FLOW 2.8 GPM - UL
	098607-01-700	EA PUMPHEAD-REPLACEMENT, SHURFLO# 94-236-08
	098607-01-701	EA DRIVE ASM, SHURFLO# 94-234-03
	098607-01-702	EA DIAPHRAGM-KIT, SHURFLO# 94-233-10
	098607-01-703	EA VALVE ASM, SHURFLO# 94-232-00
	098607-01-706	EA SWITCH ASM-COMplete, SHURFLO# 94-230-00
	098607-01-705	EA CHECK VALVE-KIT, SHURFLO# 94-237-00
	098607-01-706	EA SWITCH ASM-COMplete, SHURFLO# 94-230-00
	098607-01-707	EA MOTOR/BASEPLATE REPLACEMENT, SHURFLO# 94-234-03

WATER HEATER BYPASS

KEY	PART NUMBER	U/M DESCRIPTION
	099729-01-000	EA BYPASS KIT-WATER HEATER, COMPLETE W/VALVE & TUBING
	099729-01-700	EA VALVE ONLY CHECK PLASTIC
	099729-02-000	EA BYPASS KIT-WATER HEATER (CANADIAN)
	099729-02-700	EA VALVE ONLY CHECK BRASS (CANADIAN)

WATER TANK

KEY	PART NUMBER	U/M DESCRIPTION
	052555-04-000	EA TANK ASM-WATER 43 GALLON - W/FITTINGS
	052555-01-000	EA TANK-WATER BASE, 43 GALLON - W/O FITTINGS
	039861-01-000	EA SENDING UNIT-W/SCREW, WASHER, WELL NUT & TERMINAL RING
	010224-01-000	EA ADAPTER-HOSE TO PIPE, 3/8" MPT X 3/8" BARB - PLASTIC BLACK
	042989-03-000	EA FITTING-WATER TANK, SPINWELD - 1 1/4" NPT - PLASTIC - WHITE
	042989-04-000	EA FITTING-WATER TANK, SPINWELD - 3/8" FPT - PLASTIC - WHITE
	042989-05-000	EA FITTING-WATER TANK, SPINWELD - 1/2" FPT - PLASTIC - WHITE
	044927-01-000	EA ADAPTER-HOSE TO PIPE, 1 1/4" MPT X 1 1/4" BARB-BLACK PLASTIC
	049032-01-000	EA PATCH-SPINWELD, 3/8" - PLASTIC
	052955-03-000	EA TEE-5/8" F X 5/8" F X 1/2" MPT - PLASTIC
	074452-02-000	FT TUBING-VINYL, 3/8" ID - CLEAR
	077954-02-000	EA FILTER-WATER TANK, SCREEN IN TANK
	079381-01-000	FT TUBING-SMOOTH FLEXIBLE, 1 1/4" ID
	096449-01-000	EA WIRE ASSEMBLY-WATER TANK TO MONITOR PANEL

EXTERIOR SHOWER KIT

KEY	PART NUMBER	U/M DESCRIPTION
	046128-01-000	EA VALVE-DRAIN PLASTIC - 1/2" FPT
	052959-02-000	EA CONNECTOR, 1/2" F X 1/2" MPT - PLASTIC - GRAY
	057457-01-000	EA ELBOW-UNION, 1/2" X 1/2" FLARE
	065120-01-000	EA ELBOW-SWIVEL, 1/2" FPT X 1/2" FLARE - PLASTIC - GRAY
	046128-01-000	EA VALVE-DRAIN, PLASTIC - 1/2" FPT
	052957-02-000	EA ELBOW-MALE, 1/2" F X 1/2" MPT - PLASTIC - GRAY
	103173-02-01A	EA KIT-SHOWER, EXTERIOR - OFF WHITE WITH EXTERIOR DOOR, FAUCET, HEAD & HOSE

WATER & SEWAGE GROUP (CONTINUED)

WATER SYSTEM

KEY	PART NUMBER	U/M DESCRIPTION
	103259-01-000	EA BRACKET-BYPASS, WATER HEATER
	036522-02-000	EA CAP-BYPASS, 1/2" FLARE
	039800-01-000	FT TUBING-POLYBUTYL, 1/2" OD - INCREMENTS OF 20' - BLACK
	039800-02-000	FT TUBING-POLYBUTYL, 5/8" OD - INCREMENTS OF 20' - BLACK
	052952-01-000	EA NUT-PLASTIC, 1/2" F X 1/2" TUBE - GRAY
	052952-02-000	EA NUT-PLASTIC, 5/8" FLARE
	052955-01-000	EA TEE-WATER, 1/2" F X 1/2" F X 1/2" MPT - PLASTIC - GRAY
	052955-03-000	EA TEE-5/8" F X 5/8" F X 1/2" MPT - PLASTIC
	052957-02-000	EA ELBOW-MALE, 1/2" F X 1/2" MPT - PLASTIC - GRAY
	052958-01-000	EA TEE, 1/2" F X 1/2" F X 1/2" F - PLASTIC - GRAY
	052959-02-000	EA CONNECTOR, 1/2" F X 1/2" MPT - PLASTIC - GRAY
	052960-01-000	EA DRAIN VALVE-IN LINE, HEADER - 1/2" F X 1/2" F - GRAY PLAS
	052960-03-000	EA DRAIN VALVE-IN LINE, HEADER - 5/8" F X 5/8" F - PLASTIC
	055290-01-000	EA ELBOW-5/8" F X 1/2" MPT
	057457-01-000	EA ELBOW-UNION, 1/2" X 1/2" FLARE
	057974-01-000	EA TEE-5/8" F X 1/2" F X 1/2" F, PLASTIC
	065120-01-000	EA ELBOW-SWIVEL, 1/2" FPT X 1/2" FLARE - PLASTIC - GRAY
	074463-01-000	EA TEE-4 WAY, 1/2" FLARE - PLASTIC - GRAY
	079317-01-000	EA ADAPTER-SWIVEL, 1/2" TUBE X 1/2" FPT - PLASTIC - GRAY
	087659-03-000	EA FILL-WATER, CITY - GRAY
	098417-01-000	EA CONNECTOR-5/8" F X 1/2" MPT, PLASTIC - KEVCO
	098420-01-000	EA CONNECTOR-SWIVEL, 1/2" FPT X 5/8" TUBE - PLASTIC
	101814-01-000	EA COUPLING-FEMALE, 1/2" X 1/2" FPT
	106252-01-000	EA CAP-INSERTABLE, 1/2" FLARE
	106256-02-000	EA CAP-INSERTABLE 5/8" FLARE - KEVCO 64399 BONNET
	039861-01-000	EA SENDING UNIT-W/SCREW, WASHER, WELL NUT & TERMINAL RING
	052959-03-000	EA CONNECTOR, 1/2" F X 3/8" MPT - PLASTIC - GRAY
	091206-01-000	EA WASHER-RUBBER, 06" X 75" X 5"
	052957-02-000	EA ELBOW-MALE, 1/2" F X 1/2" MPT - PLASTIC - GRAY

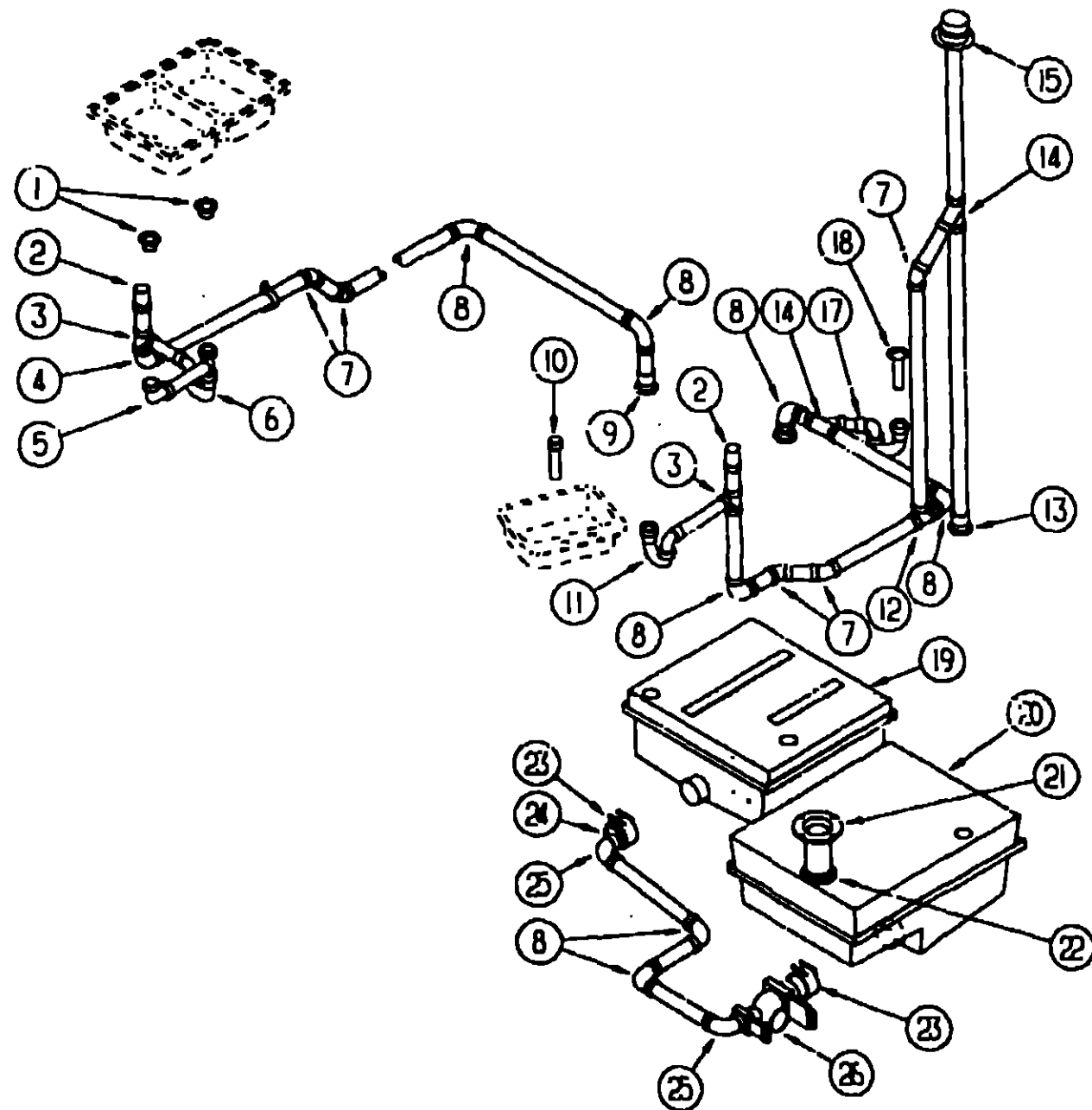
**1992 ITASCA
TABLE OF CONTENTS**

INTRODUCTION	A-01 - A-02
ABBREVIATIONS	A-03
ALPHABETICAL INDEX	A-04 - A-06
ICF23RC	A-07 - E-14
ICF31RQ	E-15 - J-08

1992 ICF23RC INDEX

FLOOR PLAN	A-07 - A-08
ACCESSORIES	A-09
AUDIO/VIDEO	A-10 - A-12
BATH	A-13 - A-14
BEDROOM	A-15 - A-16
CHASSIS	A-17 - B-03
CURTAIN & CUSHION	B-04 - B-12
DINETTE	B-13 - B-14
DRIVERS COMPARTMENT	B-15 - B-20
ELECTRICAL	B-21 - C-04
EXTERIOR BODY	C-05 - C-12
GALLEY	C-13 - C-17
GENERATOR	C-18 - C-19
HEATING & A/C	C-20 - C-24
INTERIOR FINISH	D-01 - D-04
LABEL	D-05 - D-13
LP	D-14
SEALANTS & FASTENERS	D-15 - D-18
WATER & SEWAGE	D-19 - D-24
WINDOW, VENT AND	
EXTERIOR DOOR	E-01 - E-12
WINDSHIELD/WIPER	E-13 - E-14

WATER & SEWAGE GROUP (CONTINUED)
DRAINAGE SYSTEM



KEY	PART NUMBER	U/M DESCRIPTION
1	092303-01-000	EA STRAINER-SINK
2	079968-01-000	EA VENT-MECH. TRAP ARM, ANTI-SIPHON - 2" DIA X 7 3/4" - PLASTIC
3	010079-01-000	EA TEE-SANITARY, 1 1/2" X 1 1/2" X 1 1/4" H - PLASTIC - BLACK
4	033761-01-000	EA ELBOW-TURN, 1/4 BEND X 1.5"HUB X 1.5"SPIGOT - BLK PLASTIC
5	053874-01-000	EA CONTINUOUS WASTE ASSEMBLY - CANADIAN - N/A AS ASSEMBLY FROM: 00-00-00 THRU: 02-16-92
	010071-01-000	EA TEE-SANITARY, 1 1/2" HUB X HUB X HUB - PLASTIC - BLACK
	010121-01-000	EA BUSHING-REDUCER, 1 1/2"SMOOTH X 1/4"HUB - PLASTIC - BLACK
	033302-02-000	EA ADAPTER ASM-STRAINER, 1 1/2" - ABS - CANADIAN
	037101-02-000	EA ELBOW-PLASTIC, 1/4 BEND VENT 1 1/2"HUB - CSA
5	011091-03-000	EA CONTINUOUS WASTE ASSEMBLY - CANADIAN FROM: 02-17-92 THRU: 99-99-99
5	011091-02-000	EA PIPE-DRAIN, DOUBLE SINK - BAFFLE TEE - 1 1/2" ONE PIPE W/TEE TO DRAIN BOTH SIDES OF SINK
6	053335-01-000	EA P TRAP-1 1/4" HUB X HUB, W/UNION - CANADIAN FROM: 00-00-00 THRU: 02-16-92
6	107537-01-000	EA P TRAP ADAPTER-1 1/4" SLIP - CANADIAN FROM: 02-17-92 THRU: 08-02-92
6	011066-03-000	EA P-TRAP, 1 1/2" TRAP X 1 1/4" SOCKET - PLASTIC FROM: 00-00-00 THRU: 02-16-92
6	011066-03-700	EA P-TRAP KIT FROM: 02-17-92 THRU: 08-02-92
7	010006-01-000	EA ELBOW-45 DEG, 1/8 BEND - 1 1/2" HUB X HUB - BLACK PLASTIC
8	010008-01-000	EA ELBOW-90 DEG, 1/4 BEND - 1 1/2" HUB X HUB - BLACK PLASTIC
9	010115-01-000	EA COUPLING-1 1/2" HUB X HUB, PLASTIC
	061607-01-000	EA GROMMET-HOLDING TANK, 1 1/2" NPS
10	096927-01-701	EA TAILPIECE-SINK
11	011066-03-000	EA P-TRAP, 1 1/2" TRAP X 1 1/4" SOCKET - PLASTIC FROM: 00-00-00 THRU: 02-16-92
11	011066-03-700	EA P-TRAP KIT FROM: 02-17-92 THRU: 08-02-92
11	011066-02-000	EA P TRAP-1 1/4" HUB X SLIP JOINT, W/UNION - ABS - CANADIAN
12	010071-01-000	EA TEE-SANITARY, 1 1/2" HUB X HUB X HUB - PLASTIC - BLACK
12	061607-01-000	EA GROMMET-HOLDING TANK, 1 1/2" NPS
14	010073-01-000	EA WYE-45 DEGREE 1 1/2" HUB X HUB X HUB - PLASTIC - BLACK
15	083558-02-000	EA VENT-PLUMBING PIPE ROOF W/COVER - GRAY
	107537-01-000	EA ADAPTER-1 1/4" SLIP
17	107538-01-000	EA P TRAP-PLASTIC, 1 1/4" W/EXT ARM - US
17	011066-02-700	EA P-TRAP, 1 1/2" TRAP X 1 1/4" SOCKET - PLASTIC - CANADIAN
18	011069-03-000	EA TAILPIECE-SHOWER/TUB, 1 1/2" X 1 3/4" - PLASTIC - US
18	011069-02-000	EA TAILPIECE-TUB/SHOWER, 1 1/2" X 1 1/4" X 4" - BRASS - CANADIAN
19	064592-01-000	EA TANK-HOLDING, W/O GROMMETS & PROBES - 25 GALLON 11" X 27" X 24"
20	102150-01-000	EA TANK-HOLDING, 35 5 GALLON
21	024676-01-000	EA FLANGE-CLOSET, TOILET - 4" X 3" - RED - US
21	024676-02-000	EA FLANGE-CLOSET, 4" X 3" - ABS - CANADIAN
22	061607-02-000	EA GROMMET-HOLDING TANK, 3" NPS
23	078406-01-000	EA COUPLER-RUBBER, W/CLAMPS - 3" X 3"
24	062422-01-000	EA ADAPTER-OFFSET REDUCER, 3" X 1 1/2" - PLASTIC - BLACK
25	033761-01-000	EA ELBOW-TURN, 1/4 BEND X 1.5"HUB X 1.5"SPIGOT - BLK PLASTIC
25	070916-01-000	EA VALVE-DUAL DUMP, W/CAP - 3" X 1 1/2" - PLASTIC - BLACK
25	070916-01-701	EA VALVE ONLY, 3"
	070916-01-701	EA VALVE ONLY, 1 1/2"
	010201-01-000	EA HOSE-SEWER, 3" ID X 8'
	062416-01-000	EA ADAPTER-SEWER HOSE TO 3" PIPE

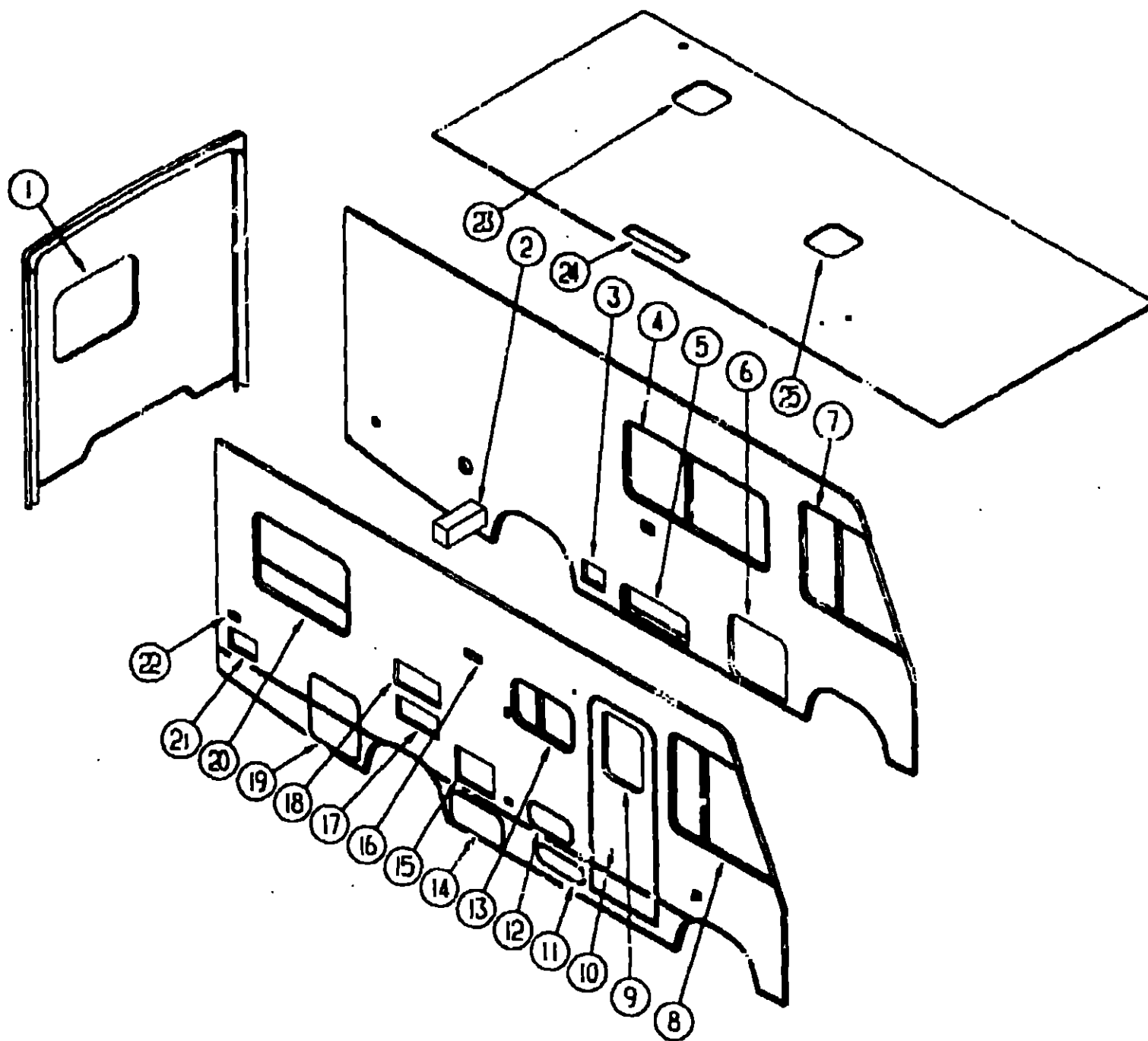
1992 ITASCA
TABLE OF CONTENTS

INTRODUCTION	A-01	A-02
ABBREVIATIONS		A-03
ALPHABETICAL INDEX	A-01	A-06
ICF23RC	A-07	E-14
ICF31RQ	E-15	J-08

1992 ICF23RC INDEX

FLOOR PLAN	A-07	A-08
ACCESSORIES		A-09
AUDIO/VIDEO	A-10	A-12
BATH	A-13	A-14
BEDROOM	A-15	A-16
CHASSIS	A-17	B-03
CURTAIN & CUSHION	B-04	B-12
DINETTE	B-13	B-14
DRIVERS COMPARTMENT	B-15	B-20
ELECTRICAL	B-21	C-04
EXTERIOR BODY	C-05	C-12
GALLEY	C-13	C-17
GENERATOR	C-18	C-19
HEATING & A/C	C-20	C-24
INTERIOR FINISH	D-01	D-04
LABEL	D-05	D-13
LP		D-14
SEALANTS & FASTENERS	D-15	D-18
WATER & SEWAGE	D-19	D-24
WINDOW, VENT AND		
EXTERIOR DOOR	E-01	E-12
WINDSHIELD/AMPER	E-13	E-14

WINDOW, VENT & EXTERIOR DOOR GROUP
EXTERIOR WINDOWS, DOORS & VENTS



KEY	PART NUMBER	U/M	DESCRIPTION
1	078528-04-C05	EA	WINDOW ASM-ESCAPE
2	052423-03-000	EA	DOOR-ACCESS, 8 6" X 6 3" - PLASTIC - GRAY
	052424-03-000	EA	JAMB-DOOR, 8" X 7 7" - PLASTIC - GRAY
3	088794-03-000	EA	DOOR-POWER CORD, WHATCH - GRAY
4	098647-10-02A	EA	WINDOW ASM-SLIDER, HORIZ B/OW *H024-PRL
5	103533-01-C25	EA	DOOR ASM-GENERATOR
6	079578-16-C25	EA	DOOR ASM-STORAGE
			FROM 00-00-00 THRU 01-12-92
6	106987-07-C25	EA	DOOR ASM-STORAGE
			FROM 01-13-92 THRU 99-99-99
7	103658-01-01A	EA	WINDOW ASM-CAB, DRIVER - H 332-ARL
8	103658-02-01A	EA	WINDOW ASM-CAB, PASSENGER - H322-ARR
9	079733-07-AAB	EA	WINDOW-ENTRY DOOR, 17" X 25" - FROSTED GLASS
10	M01870-49-C25	EA	DOOR-ENTR W/SCN, W/BLK FRAME
11	078720-02-T18	EA	DOOR-COMPARTMENT, LP - 16 9" X 5 4" - ALLUMINUM - GRAY
12	105118-01-C25	EA	DOOR ASM-STORAGE
13	092235-11-Y12	EA	WINDOW-TIPOUT, SINGLE - W/O INSIDE FRAME
14	079578-10-C25	EA	DOOR ASM-STORAGE
			FROM 00-00-00 THRU 01-12-92
14	106987-01-C25	EA	DOOR ASM-STORAGE
			FROM 01-13-92 THRU 99-99-99
15	052009-03-000	EA	DOOR-WATER HEATER, GRAY - ATWOOD 5576-27
16	084616-03-000	EA	SHROUD-RANGE HOOD VENT, GRAY
	084878-09-000	EA	VENT-RANGE HOOD, SHORT - LVS
17	098668-04-000	EA	DOOR-ACCESS, FURNACE, GRAY - SUBURBAN 520574
18	084103-02-000	EA	DOOR-REFRIGERATOR, VENTED - W/O JAMB - GRAY
	084104-02-000	EA	JAMB-DOOR, REFRIGERATOR - GRAY
	084104-01-700	EA	LOCK-MALE, FASTENER - REFRIGERATOR DOOR
	084104-01-701	EA	LOCK-FEMALE, FASTENER - REFRIGERATOR DOOR
19	079578-15-C25	EA	DOOR ASM-STORAGE
			FROM 00-00-00 THRU 01-12-92
19	106987-04-C25	EA	DOOR ASM-STORAGE
			FROM 01-13-92 THRU 99-99-99
20	092235-12-Y12	EA	WINDOW-TIPOUT, SINGLE - W/O INSIDE FRAME
21	105118-02-C25	EA	DOOR-STORAGE, 17.5" X 7 6"
22	081240-02-000	EA	DOOR-WATER FILL, LOCKABLE, 4" X 4 5/8" - GRAY
	082684-01-700	EA	KEY
23	090392-01-Y12	EA	VENT-ROOF, POWERED W/O SCREEN - US
23	064469-08-000	EA	VENT-ROOF, POWERED - 14" X 14" - 12V - JENSEN C-727 - CSA
24	084073-03-000	EA	COVER-ROOF VENT, REFRIGERATOR - OFF WHITE - NORCOLD
	084073-04-000	EA	BASE-ROOF VENT, REFRIGERATOR - BLACK - NORCOLD
25	090392-01-Y12	EA	VENT-ROOF NONPOWERED

1992 ITASCA
TABLE OF CONTENTS

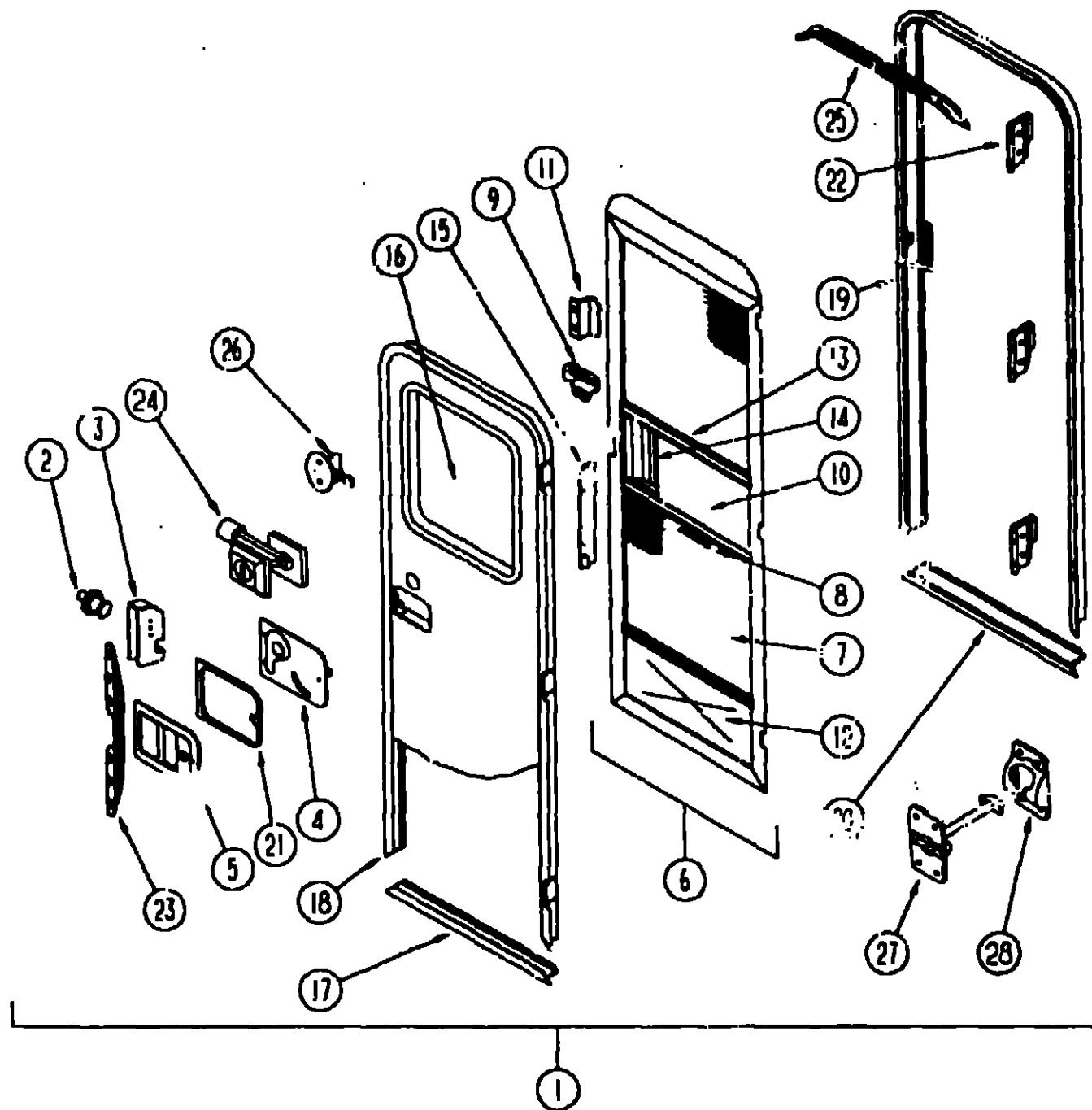
INTRODUCTION	A-01	A-02
ABBREVIATIONS		A-03
ALPHABETICAL INDEX	A-04	A-06
ICF23RC	A-07	E-14
ICF31RD	E-15	J-08

1992 ICF23RC INDEX

FLOOR PLAN	A-07	A-08
ACCESSORIES		A-09
AUDIO/VIDEO	A-10	A-12
BATH	A-13	A-14
BEDROOM	A-15	A-16
CHASSIS	A-17	B-03
CURTAIN & CUSHION	B-04	B-12
DINETTE	B-13	B-14
DRIVERS COMPARTMENT	B-15	B-20
ELECTRICAL	B-21	C-04
EXTERIOR BODY	C-05	C-12
GALLEY	C-13	C-17
GENERATOR	C-18	C-19
HEATING & A/C	C-20	C-24
INTERIOR FINISH	D-01	D-04
LABEL	D-05	D-13
LP		D-14
SEALANTS & FASTENERS	D-15	D-18
WATER & SEWAGE	D-19	D-24
WINDOW, VENT AND EXTERIOR DOOR	E-01	E-12
WINDSHIELD/WIPER	E-13	E-14

WINDOW, VENT & EXTERIOR DOOR GROUP (CONTINUED)

ENTRY DOOR



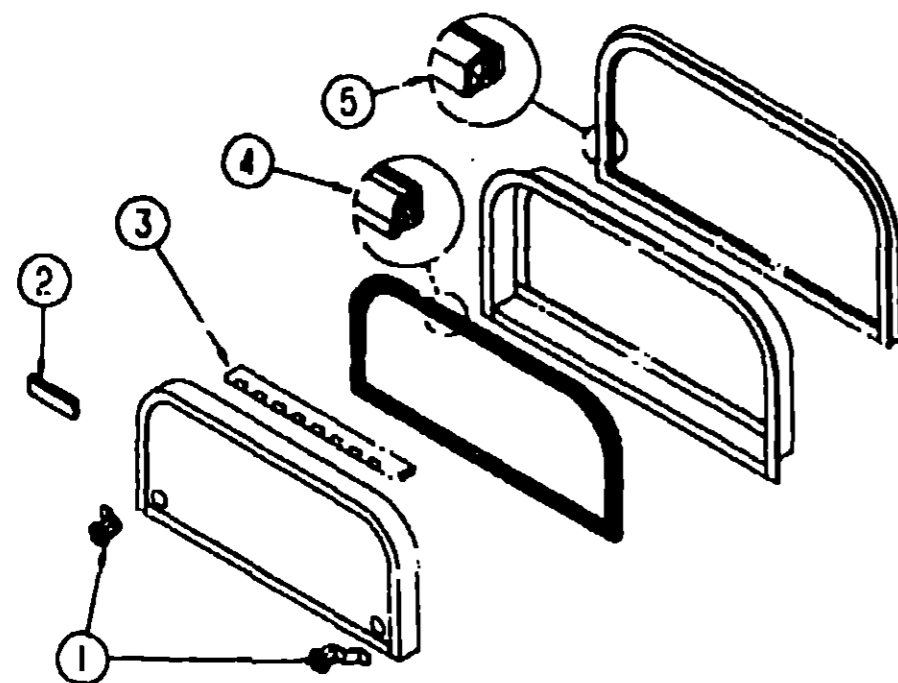
KEY	PART NUMBER	U/M	DESCRIPTION
1	M01870-49-C25	EA	DOOR-ENTRY W/SCREEN DOOR & JAMB
2	039539-01-000	EA	STRIKE-LOCK, ENTRY DOOR - ROUND W/THREADED WASHER
3	039540-01-000	EA	LATCH MECHANISM-HOOK, ENTRY DOOR - INTERIOR
4	039715-01-000	EA	NUT-SERT, 1/4" DIAMETER - 20 THREADS
	039979-04-000	EA	COVER-INTERIOR LATCH, W/TRIP ARM - RIGHT - BLACK
	039984-01-000	EA	CAP-ROUND, VINYL - 28" ID X 62" LONG - BLACK
	041546-03-000	EA	BRACKET-DOOR ANGLE, 5" X 1 9/16" - BEIGE - METAL
5	045017-11-000	EA	LATCH-ENTRY DOOR, MECHANISM W/LOCK & KEY - BLACK
	045017-11-701	EA	KEY BLANK
	058025-02-000	EA	CLIP-ROLLER LATCH CATCH, SCREEN DOOR
	063729-04-000	EA	RIVNUT, 10-32 UNF - .010-.030
	072893-01-000	EA	NUTSERT-M5 X D, 8
	075671-01-000	FT	SEAL-SPONGE LAZY T SHAPE - W/ADHESIVE STRIPE - 1.3" WIDE FROM 00-00-00 THRU 08-18-91
	075671-04-000	FT	SEAL-SPONGE LAZY T SHAPE - W/ADHESIVE STRIPE - 5" WIDE FROM 08-19-91 THRU 99-99-99
6	079012-01-U01	EA	DOOR-SCREEN
7	002293-02-000	SF	SCREENING WINDOW/DOOR, 26" - CHARCOAL
8	002294-01-000	FT	SPLINE-SCREENING, .135" X .138" - BLACK
	002748-01-000	EA	CORNER KEY-DOOR
9	109403-01-000	EA	CATCH-ASM-SINGLE ROLLER
10	016454-01-000	EA	INSERT-CENTER, LEATHER GRAIN ALUMINUM - UNPAINTED
10	001014-01-013	EA	INSERT-CENTER, 10 25/32" X 16 31/32" - UNPAINTED
11	050712-04-000	EA	HANDLE-SCREEN DOOR, ALUMINUM - OFF WHITE
11	050712-05-000	EA	HANDLE-SCREEN DOOR, UNPAINTED
12	078552-03-000	EA	KICK PANEL-SCREEN DOOR, LOWER INSERT - UNPAINTED
	078595-01-000	EA	TOP PLATE-SCREEN DOOR, CURVED TOP - 4.7" X 25 35/32"
13	078777-01-000	EA	CHANNEL-SLIDE, SCREEN DOOR CENTER SLIDER COVER
14	079086-02-000	EA	SLIDER-SCREEN DOOR, OFF WHITE
15	079087-02-000	EA	STRIKE-SLIDER, W/LIP FOR ELBOW CATCH - 1 5/8" X 5 1/2" - OFF WHITE
	009016-01-000	EA	CATCH-ELBOW, SPRING LOADED - SCREEN DOOR CATCH
16	079733-07-AA8	EA	WINDOW-PICTURE, W/O INSIDE FRAME - 17" X 25"
	067609-32-000	EA	FRAME-WINDOW, ENTRY DOOR - OFF WHITE
	002181-07-000	EA	GLASS-WINDOW, 18 1/2" X 16 1/4" X 24" - FROSTED
	081914-01-000	EA	BUMPER-RUBBER, ROUND - .43" DIAMETER - BLACK
17	089748-03-000	EA	FRAME-BOTTOM, ENTRY DOOR - 24.8" LONG - GRAY
	090340-01-000	FT	SEAL-FOAM, CLOSED CELL - 1/4" X 1/2" X 50'
18	095276-01-03A	EA	FRAME-ENTRY DOOR, W/O BOTTOM - GRAY
19	095277-02-03A	EA	JAMB-ENTRY DOOR, W/BOTTOM - 25.9" X 74.5" - GRAY
20	051049-01-000	EA	JAMB-BOTTOM, ENTRY DOOR - 25.9" - UNPAINTED
	079207-01-000	EA	STRIKER-ROLLER CATCH, WELDED TO DOOR JAMB - 4" X 1 1/2"
	095278-01-01A	EA	JAMB-DOOR, ENTRANCE - 25.9" X 74.6" - UNPAINTED
21	096810-01-01A	EA	PLATE-LATCH, ENTRY DOOR - PLASTIC - BLACK
22	097724-01-04A	EA	PLATE-ENTRY DOOR, UNPAINTED
23	098173-01-04A	EA	STIFFENER-ENTRY DOOR, SUPPORTS LATCH/STRIKE AREA - UNPAINTED
	100128-C2-000	FT	SEAL-PILE, ADHESIVE BACK - SCREEN DOOR - GRAY
24	101145-01-01A	EA	DEADBOLT-ENTRY DOOR, W/2 KEYS W/O BACK SET BOLT OR SCREWS
	095229-01-700	EA	KEY BLANK FOR DEADBOLT
	101147-01-000	EA	BOLT-SECURITY, 4 1/2" BACKSET
	102524-01-000	EA	BUMPER-RUBBER, FLAT - BLACK
25	044582-06-000	EA	CAP-DRIP, ENTRY DOOR - JAMB MOUNTED - ALUMINUM - GRAY
	064075-07-000	FT	SE/L-BULB, W/WIRED U CHANNEL - .3" X .5" CHANNEL - BLACK
	075639-04-000	EA	GARNISH-RADIUS, ENTRY DOOR - OFF WHITE
	077461-03-000	EA	COVER-STRIKE, ENTRY DOOR - 6.5" X 2.5" - PLASTIC - WHITE
	090340-01-000	FT	SEAL-FOAM, CLOSED CELL - 1/4" X 1/2" X 50'
	091876-01-000	EA	RETAINER-DOOR, 1.9" X 8" - METAL
26	100412-01-000	EA	CATCH-SCREEN DOOR, THUMB CLIP W/BLACK PLASTIC CAP
	104692-01-000	FT	SEAL-ADHESIVE BACK, 3/4" X 34"
27	104099-01-01A	EA	CATCH-DOOR HOLDER, STRIKE
28	104099-02-01A	EA	CATCH-DOOR HOLDER, RETAINER

1992 ITASCA TABLE OF CONTENTS

INTRODUCTION	A-01	A-02
ABBREVIATIONS		A-03
ALPHABETICAL INDEX	A-04	A-08
ICF23RC	A-07	E-14
ICF31RO	E-15	J-08

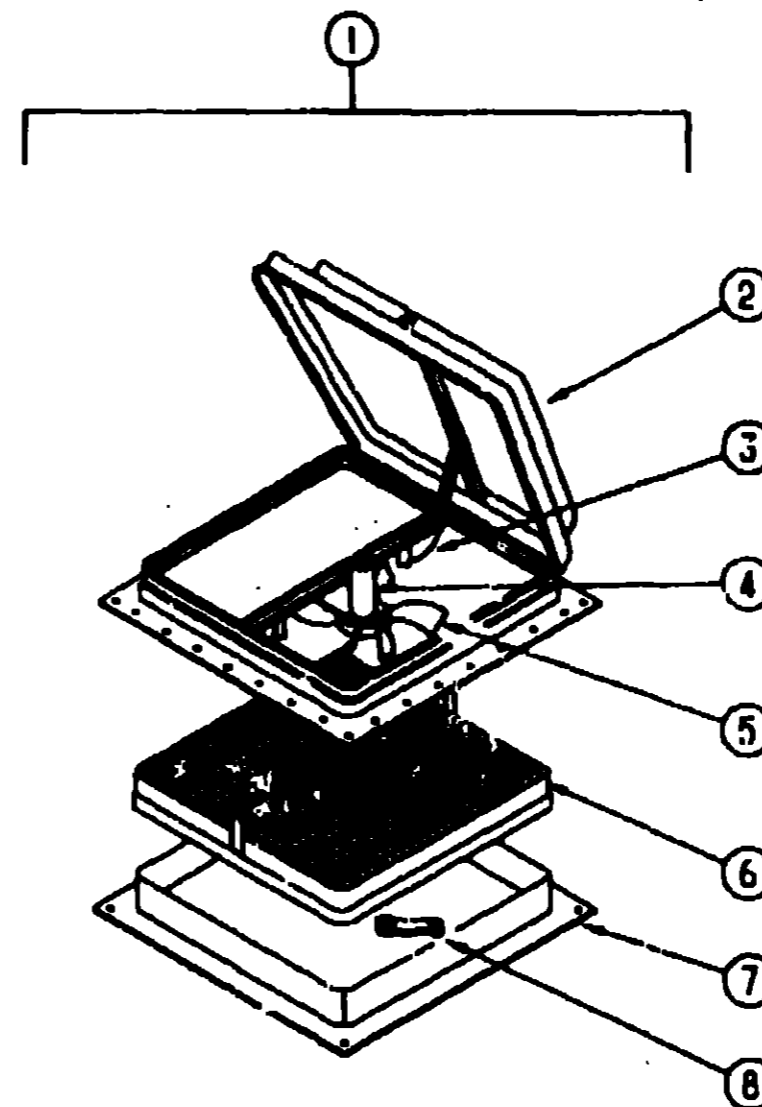
1992 ICF23RC INDEX

FLOOR PLAN	A-07	A-08
ACCESSORIES		A-09
AUDIO/VIDEO	A-10	A-12
BATH	A-13	A-14
BEDROOM	A-15	A-16
CHASSIS	A-17	B-03
CURTAIN & CUSHION	B-04	B-12
DINETTE	B-13	B-14
DRIVERS COMPARTMENT	B-15	D-20
ELECTRICAL	B-21	C-04
EXTERIOR BODY	C-05	C-12
GALLEY	C-13	C-17
GENERATOR	C-18	C-19
HEATING & A/C	C-20	C-24
INTERIOR FINISH	D-01	D-04
LAFEL	D-05	D-13
LP		D-14
SF. PLANTS & FASTENERS	D-15	D-18
WATER & SEWAGE	D-19	D-24
WINDOW, VENT AND EXTERIOR DOOR	E-01	E-12
WINDSHIELD/WIPER	E-13	E-14



EXTERIOR DOOR COMPONENTS & HOLDERS

KEY	PART NUMBER	U/M DESCRIPTION
1	079366-04-000	EA LOCK-DOOR, KEY TYPE W/O KEYS - 1.9 OFF SET
	082684-01-700	EA KEY BLANK
1	079927-03-000	EA LOCK-TWIST TYPE, DOUBLE CAM - 2.10 OFF SET
2	102768-01-000	EA HOLDER-COMPARTMENT/ENTRY DOOR, METAL - MILL FINISH
3	031007-48-000	EA HINGE-CONTINUOUS, 1.5" X 96" - GRAY
	081801-03-000	EA HINGE-2" X 96", GRAY
	084413-01-000	EA HINGE-CONTINUOUS, ALUMINUM - 1" X 72" - W/HOLES
4	064075-07-000	FT SEAL-BULB, W/WIRE CARRIER - 3" X 5" CHANNEL - BLACK
5	081632-02-000	FT SEAL-BULB, DOOR W/WIRE CARRIER - 8" WIDE - RUBBER - BLACK
	107997-51-001	EA SPACER-86" X 6", ALUMINUM
	109833-01-000	EA BEAUTY RING-67" X .78" ID, STAINLESS STEEL
	109834-01-000	EA WASHER-64" X .752" ID, STAINLESS STEEL
	081914-01-000	EA BUMPER-RUBBER, ROUND - .43" DIAMETER - BLACK
	102330-02-C00	EA LATCH-SGL HOLE, VISE ACTION SOUTHCOE 3-56-715-5



JENSEN POWERED ROOF VENT

KEY	PART NUMBER	U/M DESCRIPTION
1	064469-08-000	EA VENT-ROOF, POWERED - 14" X 14" - 12V - CANADIAN
2	064469-03-702	EA LID-VENT WHITE
3	064469-03-706	EA LIFT MECHANISM
4	048648-01-000	EA MOTOR-ROOF VENT, 1/8 SHAFT - 12V
5	048649-01-000	EA FAN-ROOF VENT, 6 BLADES - 6"
6	110051-01-700	EA SCREEN-ROOF VENT
7	064469-03-705	EA GARNISH, VENT 2.5" WIDE
8	009439-01-000	EA CRANK HANDLE-ROOF VENT

1992 ITASCA
TABLE OF CONTENTS

INTRODUCTION	A-01 - A-02
ABBREVIATIONS	A-03
ALPHABETICAL INDEX	A-04 - A-06
ICF23RC	A-07 - E-14
ICF31RQ	E-15 - J-08

1992 ICF23RC INDEX

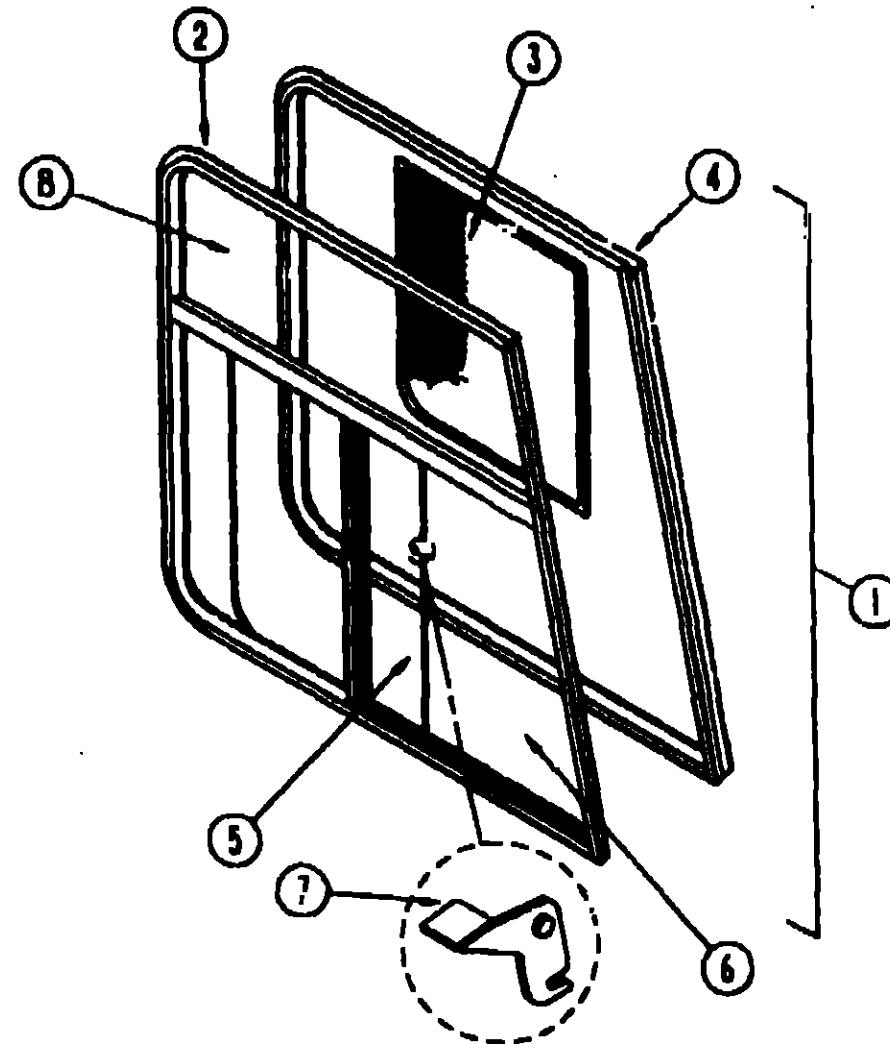
FLOOR PLAN	A-07 - A-08
ACCESSORIES	A-09
AUDIO/VIDEO	A-10 - A-12
BATH	A-13 - A-14
BEDROOM	A-15 - A-16
CHASSIS	A-17 - B-03
CURTAIN & CUSHION	B-04 - B-12
DINETTE	B-13 - B-14
DRIVERS COMPARTMENT	B-15 - B-20
ELECTRICAL	B-21 - C-04
EXTERIOR BODY	C-05 - C-12
GALLEY	C-13 - C-17
GENERATOR	C-18 - C-19
HEATING & A/C	C-20 - C-24
INTERIOR FINISH	D-01 - D-04
LABEL	D-05 - D-13
LP	D-14
SEALANTS & FASTENERS	D-15 - D-18
WATER & SEWAGE	D-19 - D-24
WINDOW, VENT AND EXTERIOR DOOR	E-01 - E-12
WINDSHIELD/WIPER	E-13 - E-14

WINDOW, VENT & EXTERIOR DOOR GROUP (CONTINUED)
POWERED ROOF VENT

WINDOW, VENT & EXTERIOR DOOR GROUP (CONTINUED)

**1992 ITASCA
 TABLE OF CONTENTS**

INTRODUCTION	A-01	A-02
ABBREVIATIONS		A-03
ALPHABETICAL INDEX	A-04	A-06
ICF23RC	A-J7	E-14
ICF31RQ	E-15	J-08



DRIVER & PASSENGER CAB SIDE WINDOWS

1992 ICF23RC INDEX

FLOOR PLAN	A-07	A-08
ACCESSORIES		A-09
AUDIO-VIDEO	A-10	A-12
BATH	A-13	A-14
BEDROOM	A-15	A-16
CHASSIS	A-17	B-03
CURTAIN & CUSHION	B-04	B-12
DINETTE	B-13	B-14
DRIVERS COMPARTMENT	B-15	B-20
ELECTRICAL	B-21	C-04
EXTERIOR BODY	C-05	C-12
GALLEY	C-13	C-17
GENERATOR	C-18	C-19
HEATING & A/C	C-20	C-24
INTERIOR FINISH	D-01	D-04
LABEL	D-05	D-13
LP		D-14
SEALANTS & FASTENERS	D-15	D-18
WATER & SEWAGE	D-19	D-24
WINDOW, VENT AND		
EXTERIOR DOOR	E-01	E-12
WINDSHIELD WIPER	E-13	E-14

KEY	PART NUMBER	U/M DESCRIPTION
1	103658-02-01A	EA WINDOW ASM-CAB,PASSENGER - H322-ARR
1	103658-01-01A	EA WINDOW ASM-CAB,DRIVER - H 332-ARL
2	103658-02-702	EA WINDOW-SLIDER, CAB - W/O INSIDE FRAME - PASSENGER - H322-A2R EXCEL
2	103658-01-704	EA WINDOW-SLIDER, CAB - W/O INSIDE FRAME - DRIVER - H322-A2L EXCEL
3	103658-02-700	EA SCREEN ASM.-WINDOW, PASSENGER - H322-03R EXCEL
3	103658-01-700	EA SCREEN ASM.-WINDOW, DRIVER - H322-03L EXCEL
4	103658-02-703	EA FRAME-INSIDE, PASSENGER - H322-67R EXCEL
4	103658-01-705	EA FRAME-INSIDE, DRIVER - H322-67L EXCEL
5	103658-02-701	EA GLASS-SLIDING, WSASH&LATCH - PASSENGER - H322-A9R EXCEL
5	103658-01-703	EA GLASS-SLIDING, WSASH&LATCH - DRIVER - H322-A9L EXCEL
6	103658-01-702	EA GLASS-STATIONARY, BOTTOM - 106-017700 EXCEK
7	098644-01-700	EA LATCH-REPAIR KIT
8	103658-01-701	EA GLASS-STATIONARY, TOP - 106-017699 EXCEL

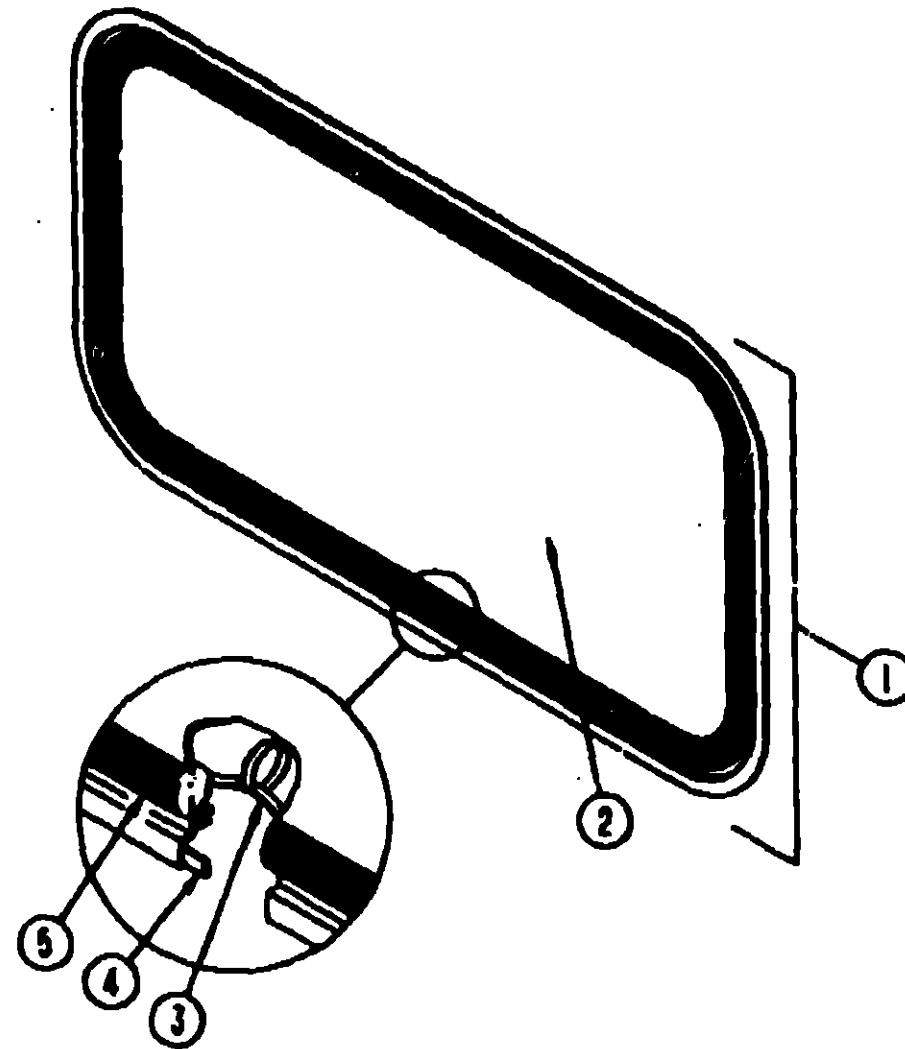
KEY	PART NUMBER	U/M DESCRIPTION
	009439-01-000	EA CRANK HANDLE-ROOF VENT
	009439-04-000	EA SCREW 8-32 X 1 1/4" POH
	009439-02-000	EA KNOB-ROOF VENT MILL
	009439-03-000	EA EXTENSION-CRANK HANDLE ROOF VENT - 9" - MILL
	009439-04-000	EA SCREW 8-32 X 1 1/4" POH
	090393-01-Y12	EA VENT-ROOF POWERED
	051384-01-000	EA COVER-ROOF VENT, PLASTIC
	002825-01-000	EA WEATHER STRIP-ROOF VENT GRAY
	008195-01-000	EA SWITCH-ROOF VENT PUSH BUTTON 12V
	008343-01-000	EA TIE-WIRE 8"
	008388-01-000	EA GROMMET-SNAP 3/8"
	009440-01-000	EA GEAR/ARM-VENT COVER LIFT
	015911-01-000	EA TRACK-LIFT ARM SLIDE - ROOF VENT
	048648-01-000	EA MOTOR-ROOF VENT 1/8 SHAFT - 12V - JENSEN
	048649-01-000	EA FAN-ROOF VENT 6 BLADES - 6" - JENSEN
	052639-01-001	EA HINGE-VENT COVER 16"
	052639-01-200	EA HINGE-EXTRUSION ROOF VENT 7"
	061603-01-000	EA GROMMET-SNAP 3/16"ID - 3/8" HOLE - PLASTIC - BLACK
	078785-01-Y12	EA SCREEN-ROOF VENT POWERED
	002291-02-000	SF SCREENING-ROOF VENT/WINDOW 16" - BLACK
	002298-02-000	FT SPLINE-VENT/WINDOW SCREEN 128 DIAMETER - BLACK

NONPOWERED ROOF VENT

KEY	PART NUMBER	U/M DESCRIPTION
	090392-01-Y12	EA VENT-ROOF NONPOWERED
	051384-01-000	EA COVER-ROOF VENT, PLASTIC
	002825-01-000	EA WEATHER STRIP-ROOF VENT GRAY
	009440-01-000	EA GEAR/ARM-VENT COVER LIFT
	015911-01-000	EA TRACK-LIFT ARM SLIDE - ROOF VENT
	052639-01-001	EA HINGE-VENT COVER 16"
	052639-01-200	EA HINGE-EXTRUSION ROOF VENT 7"
	078786-01-Y12	EA SCREEN-ROOF VENT NON POWERED - WHITE
	002291-02-000	SF SCREENING-ROOF VENT/WINDOW 16" - BLACK
	002298-02-000	FT SPLINE-VENT/WINDOW SCREEN 128 DIAMETER - BLACK
	015910-03-000	EA BRACKET-HANDLE, ROOF VENT - O/W

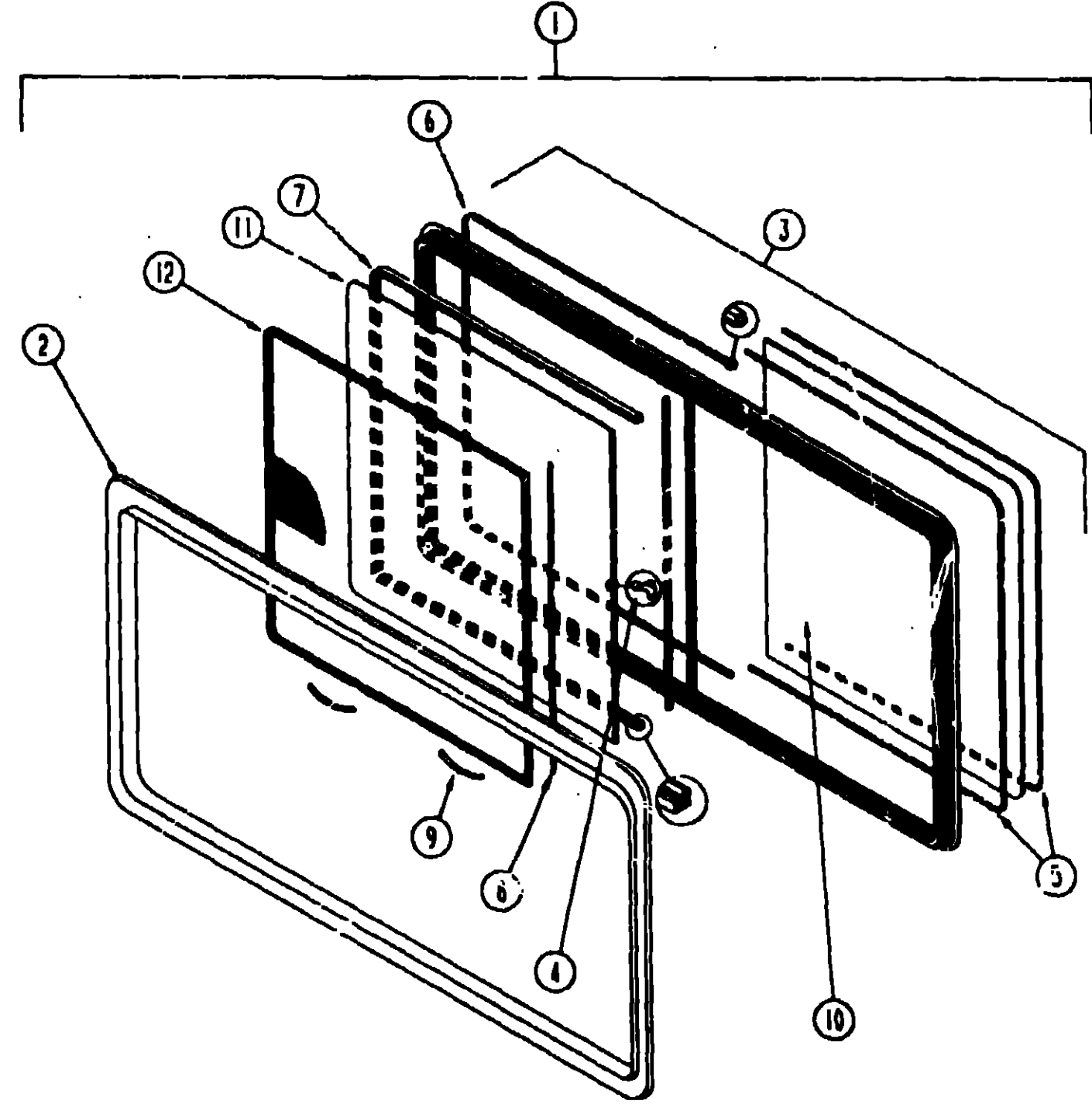
VENTS, SHROUDS & ROOF COVERS

KEY	PART NUMBER	U/M DESCRIPTION
	083558-02-000	EA VENT-PLUMBING PIPE ROOF W/COVER - GRAY
	084616-03-000	EA SHROUD-RANGE HOOD VENT, PLASTIC - GRAY
	084878-09-000	EA VENT-RANGE HOOD, SHORT - LVS
	084073-02-000	EA COVER-ROOF VENT, REFRIGERATOR - GRAY - NORCOLD
	084073-04-000	EA BASE-ROOF VENT, REFRIGERATOR - BLACK - NORCOLD



BACKWALL ESCAPE WINDOW

KEY	PART NUMBER	U/M DESCRIPTION
	074816-09-000	EA FRAME-WINDOW, INSIDE - ESCAPE - OFF WHITE
1	078528-04-C05	EA WINDOW-ESCAPE, BACKWALL - W/O INSIDE FRAME
2	076337-09-000	EA GLASS-WINDOW, 32 B" X 23.5"
3	002285-01-000	FT FILLER-WEATHER STRIP, RUBBER - BLACK
	077066-01-702	EA RED POLY 005X 500"X150"ROLL
4	069640-10-000	FT SEALER-RIBBON, 1/32" X 1 1/2" INCREMENTS OF 90°
5	002282-04-000	EA WEATHERSTRIP-WINDOW, .125" X 109.25" - VULCANIZED - BLACK



DINETTE SINGLE SLIDING WINDOW

KEY	PART NUMBER	U/M DESCRIPTION
1	098647-10-02A	EA WINDOW-SLIDER, HORIZONTAL - W/INSIDE FRAME - BLACK
2	098647-09-704	EA TRIM-INSIDE (OFF-WHITE) - W/24-67 EXCEL-WHITE
3	098647-10-700	EA WINDOW-SINGLE SLIDER - LEFT (W/O INSIDE FRAME)
4	098644-01-700	EA LATCH REPAIR KIT
5	098644-01-705	FT GLAZING STRIP, EXCEL M228-12
6	098644-01-706	FT WEATHERSTRIP EXCEL 171-010668
7	098644-01-708	FT CHANNEL-PIERCED RUN EXCEL 122-016543
8	098644-01-710	FT TRACK-SCREEN SPACER 12" LENGTH - EXCEL M401-31
	098644-01-711	FT WEATHERSTRIP-SCREEN BLACK - EXCEL 171-016965
9	098644-01-713	EA SPRING-SCREEN FRAME (CLIP) PLASTIC - BLACK - EXCEL 226-016966
	098644-01-716	FT PLUG-FILLER, EXCEL 132-014470
	098644-01-717	FT SPLINE-SCREEN MFG. EXCEL 32-004716
10	098647-09-700	EA GLASS-STATIONARY - 106-017193 EXCEL
11	098647-09-701	EA GLASS-SLIDING, W/SASH&LATCH - H024-G9 EXCEL
12	098647-09-705	EA SCREEN W/SPRING&WEATHERSTRIP - 410-016464 EXCEL

1992 ITASCA
TABLE OF CONTENTS

INTRODUCTION	A-01 - A-02
ABBREVIATIONS	A-03
ALPHABETICAL INDEX	A-04 - A-06
ICF23RC	A-07 - E-14
ICF31RQ	E-15 - J-08

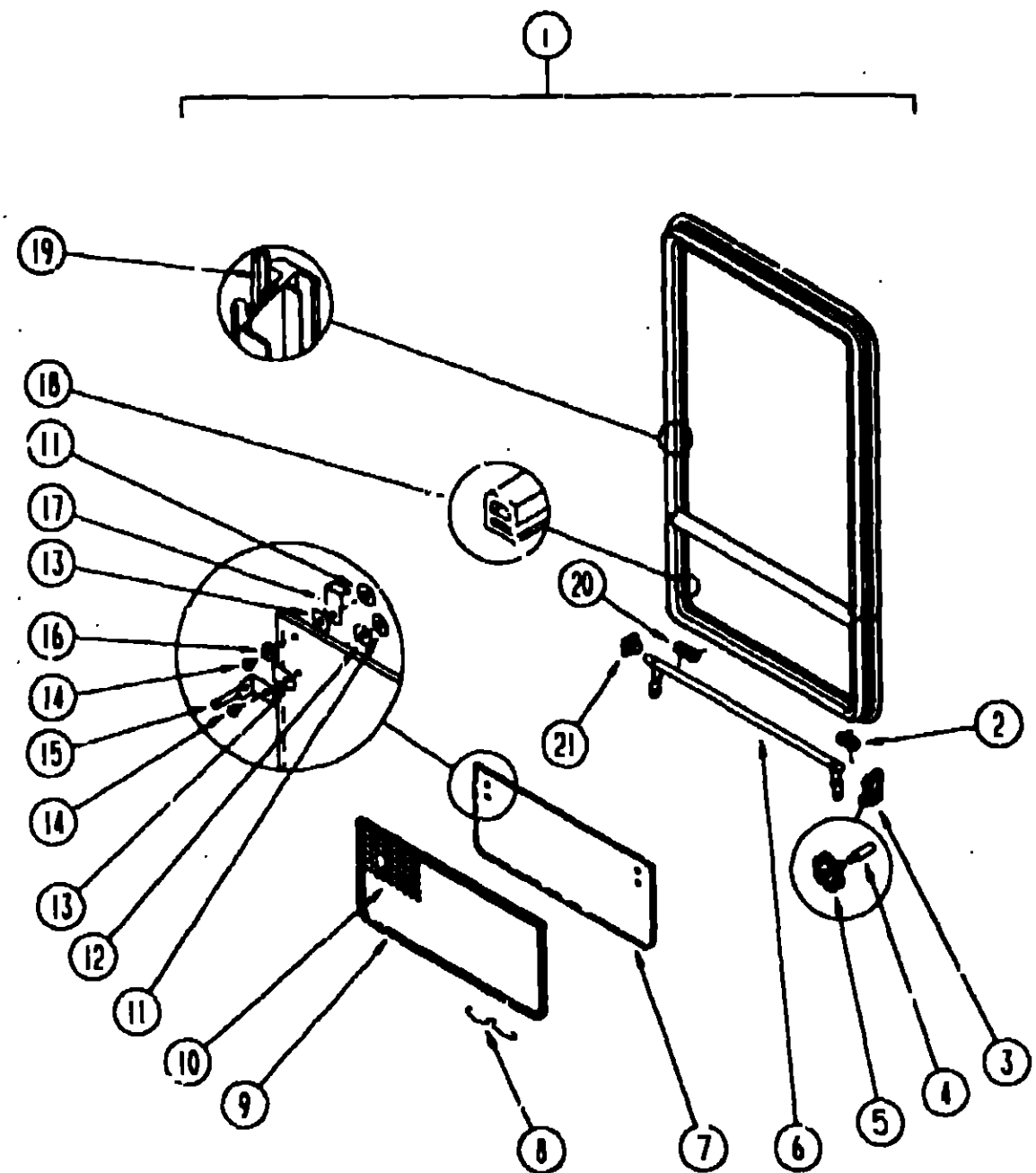
1992 ICF23RC INDEX

FLOOR PLAN	A-07 - A-08
ACCESSORIES	A-09
AUDIO/VIDEO	A-10 - A-12
BATH	A-13 - A-14
BEDROOM	A-15 - A-16
CHASSIS	A-17 - B-03
CURTAIN & CUSHION	B-04 - B-12
DINETTE	B-13 - B-14
DRIVE'S COMPARTMENT	B-15 - B-20
ELECTRICAL	B-21 - C-04
EXTERIOR BODY	C-05 - C-12
GALLEY	C-13 - C-17
GENERATOR	C-18 - C-19
HEATING & A/C	C-20 - C-24
INTERIOR FINISH	D-01 - D-04
LABEL	D-05 - D-13
LP	D-14
SEALANTS & FASTENERS	D-15 - D-18
WATER & SEWAGE	D-19 - D-24
WINDOW, VENT AND EXTERIOR DOOR	E-01 - E-12
WINDSHIELD/WIPER	E-13 - E-14

WINDOW, VENT & EXTERIOR DOOR GROUP (CONTINUED)

PASSENGER SIDE BEDROOM WINDOW

KEY	PART NUMBER	U/M DESCRIPTION
	090893-18-02A	EA FRAME-WINDOW, INSIDE - OFF WHITE
1	092235-12-Y12	EA WINDOW-TIPOUT, W/O INSIDE FRAME - 40.3" X 26.8"
	000G39-06-16T	EA SCREW-SF/DR, 6-20 X 1 PPH - BLACK
2	080918-01-000	EA SPRING-TORQUE TUBE, RIGHT
3	035302-02-000	EA OPERATOR-TORQUE, TIPOUT WINDOW - LEFT
4	009439-06-000	EA EXTENSION-CRANK HANDLE, WINDOW/ROOF VENT - 9" - BLACK
5	009439-05-000	EA KNOB-OPERATOR, TIPOUT WINDOW - BLACK
	009439-07-000	EA SCREW, 8-32 X 1 1/4 POH - BLACK
6	083150-12-000	EA TUBE ASM. - TORQUE, WINDOW
7	084068-17-000	EA GLASS-TIPOUT, 9.2" X 40"
8	100168-01-000	EA CLIP-SPRING, SCREEN
9	100235-04-B07	EA SCREEN-SINGLE TIPOUT WINDOW
10	080218-03-000	SF SCREEN-FIBERGLASS, 12" WIDE
	100240-01-000	FT SPLINE-SCREEN, T-SHAPED
11	086762-01-000	EA T NUT 10-32
12	068927-03-000	EA SEAL-WINDOW, RUBBER - ROUND - .80" DIA - BLACK
13	084473-01-000	EA SEAL-RUBBER, TIPOUT WINDOW
14	086763-01-000	EA SCREW-MACH, 10 - 32 X 1/4 PTH
15	097578-01-000	EA LINKAGE-TIPOUT WINDOW
	081649-01-000	EA RING - SNAP, 7/32 SHAFT DIA.
	084453-01-000	EA WASHER-.060 X .50 X .135 - PLASTIC
	085315-01-000	EA RIVET-SHOULDER, TIPOUT WINDOW
16	084453-02-000	EA WASHER-.060 X .50 X .250 - PLASTIC
17	089913-01-000	EA HINGE-TIPOUT WINDOW, BLACK
18	084067-02-000	FT SEAL-E SHAPED, SPONGE - TIPOUT WINDOW - .4" X .4" - BLACK
19	069640-11-000	EA SEALER-TAPE, 3/16" X 3/8" BLACK
20	080918-02-000	EA SPRING-TORQUE TUBE LEFT
21	081354-01-000	EA SLEEVE-TORQUE TUBE, TIPOUT WINDOW - 1.3" X 1.2" X .7"



GALLEY WINDOW

KEY	PART NUMBER	U/M DESCRIPTION
	090893-17-02A	EA FRAME-WINDOW, INSIDE - OFF WHITE
1	092235-11-Y12	EA WINDOW-TIPOUT, W/O INSIDE FRAME - 24.8" X 15.5"
	000G39-06-16T	EA SCREW-SF/DR, 6-20 X 1 PPH - BLACK
2	080918-01-000	EA SPRING-TORQUE TUBE, RIGHT
3	035302-02-000	EA OPERATOR-TORQUE, TIPOUT WINDOW - LEFT
4	009439-06-000	EA EXTENSION-WINDOW CONTROL
5	009439-05-000	EA KNOB-OPERATOR, TIPOUT WINDOW - BLACK
6	083150-10-000	EA TUBE ASM. - TORQUE, WINDOW
7	084068-15-000	EA GLASS-TIPOUT, 9.2" X 24.5"
8	100168-01-000	EA CLIP-SPRING, SCREEN
9	100235-02-B07	EA SCREEN-SINGLE TIPOUT WINDOW
10	080218-03-000	SF SCREEN-FIBERGLASS, 12" WIDE
	100240-01-000	FT SPLINE-SCREEN, T-SHAPED
11	086762-01-000	EA T NUT 10-32
12	068927-03-000	EA SEAL-WINDOW, RUBBER - ROUND - .80" DIA - BLACK
13	084473-01-000	EA SEAL-RUBBER, TIPOUT WINDOW
14	086763-01-000	EA SCREW-MACH, 10 - 32 X 1/4 PTH
15	097578-01-000	EA LINKAGE-TIPOUT WINDOW
	081649-01-000	EA RING - SNAP, 7/32 SHAFT DIA.
	084453-01-000	EA WASHER-.060 X .50 X .135 - PLASTIC
	085315-01-000	EA RIVET-SHOULDER, TIPOUT WINDOW
16	084453-02-000	EA WASHER-.060 X .50 X .250 - PLASTIC
17	089913-01-000	EA HINGE-TIPOUT WINDOW, BLACK
18	084067-01-000	FT SEAL-E SHAPED, SPONGE - TIPOUT WINDOW - .4" X .4" - BLACK
19	069640-11-000	EA SEALER-TAPE, 3/16" X 3/8" BLACK
20	080918-02-000	EA SPRING-TORQUE TUBE, LEFT
21	081354-01-000	EA SLEEVE-TORQUE TUBE, TIPOUT WINDOW - 1.3" X 1.2" X .7"

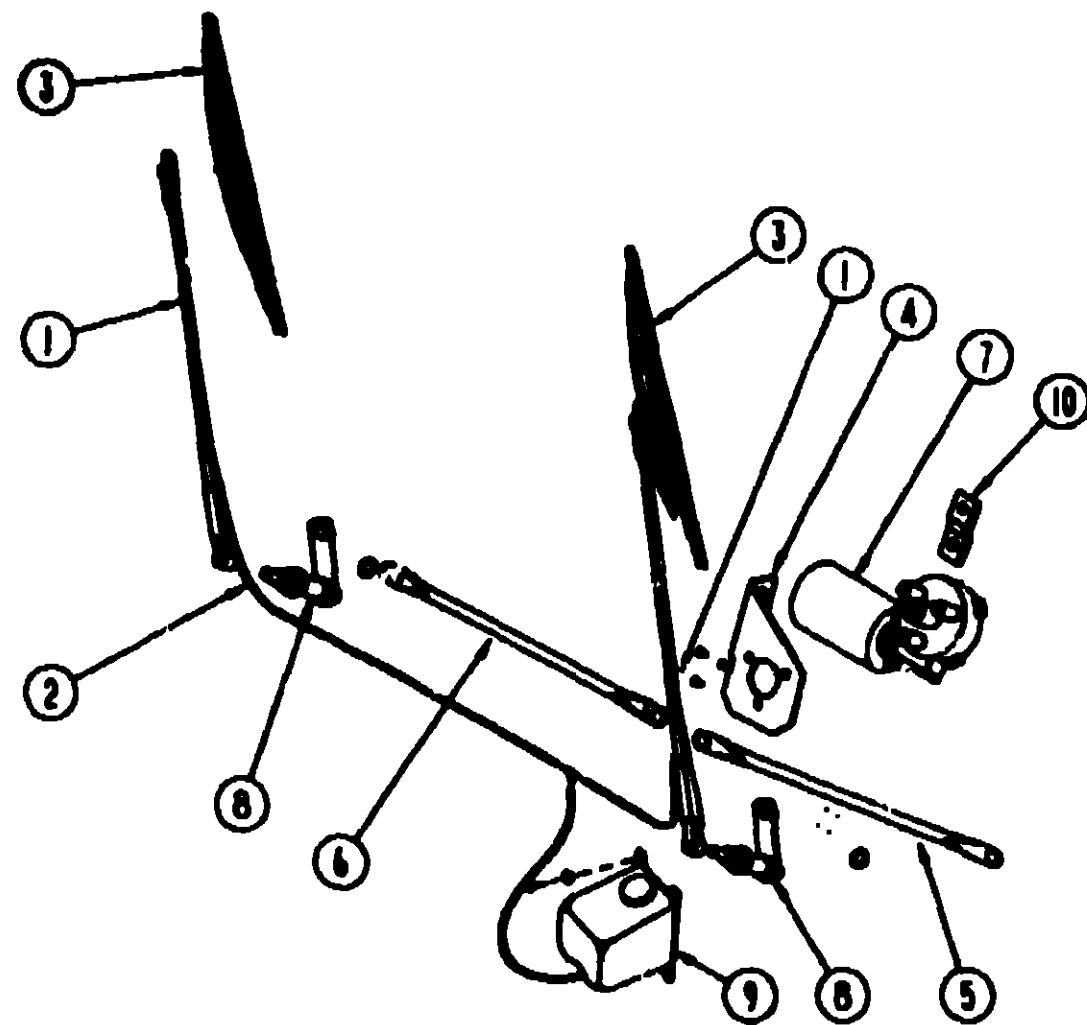
**1992 ITASCA
TABLE OF CONTENTS**

INTRODUCTION	A-01	A-02
ABBREVIATIONS		A-03
ALPHABETICAL INDEX	A-04	A-06
ICF23RC	A-07	E-14
ICF31RQ	E-15	J-08

1992 ICF23RC INDEX

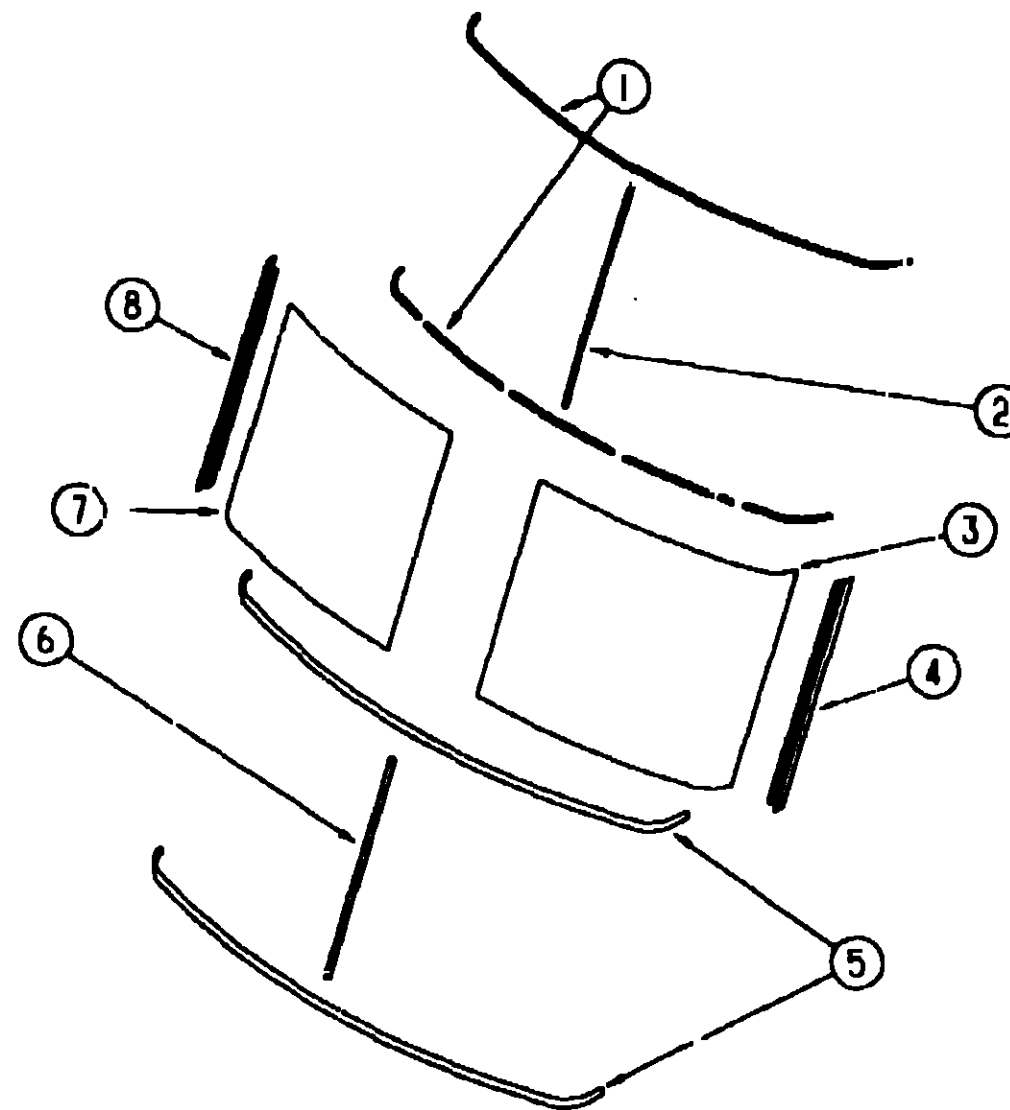
FLOOR PLAN	A-07	A-08
ACCESSORIES		A-09
AUDIO/VIDEO	A-10	A-12
BATH	A-13	A-14
BEDROOM	A-15	A-16
CHASSIS	A-17	B-03
CURTAIN & CUSHION	B-04	B-12
DINETTE	B-13	B-14
DRIVERS COMPARTMENT	B-15	B-20
ELECTRICAL	B-21	C-04
EXTERIOR BODY	C-05	C-12
GALLEY	C-13	C-17
GENERATOR	C-18	C-19
HEATING & AC	C-20	C-24
INTERIOR FINISH	D-01	D-04
LABEL	D-05	D-13
LP		D-14
SEALANTS & FASTENERS	D-15	D-18
WATER & SEWAGE	D-19	D-24
WINDOW, VENT AND EXTERIOR DOOR	E-01	E-12
WINDSHIELD/WIPER	E-13	E-14

WINDSHIELD & WIPER GROUP



WIPER COMPONENTS

WINDSHIELD & WIPER GROUP (CONTINUED)



WINDSHIELD MOLDINGS & GLASS

1992 ITASCA TABLE OF CONTENTS

INTRODUCTION	A-01	A-02
ABBREVIATIONS		A-03
ALPHABETICAL INDEX	A-04	A-06
ICF23RC	A-07	E-14
ICF31RQ	E-15	J-08

1992 ICF23RC INDEX

FLOOR PLAN	A-07	A-08
ACCESSORIES		A-09
AUDIO/VIDEO	A-10	A-12
BATH	A-13	A-14
BEDROOM	A-15	A-16
CHASSIS	A-17	D-03
CURTAIN & CUSHION	B-04	B-12
DINETTE	B-13	B-14
DRIVERS COMPARTMENT	B-15	B-20
ELECTRICAL	B-21	C-04
EXTERIOR BODY	C-05	C-12
GALLEY	C-13	C-17
GENERATOR	C-18	C-19
HEATING & A/C	C-20	C-24
INTERIOR FINISH	D-01	D-01
LABEL	D-05	D-13
LP		D-14
SEALANTS & FASTENERS	D-15	D-18
WATER & SEWAGE	D-19	D-24
WINDOW, VENT AND EXTERIOR DOOR	E-01	E-12
WINDSHIELD/WIPER	E-13	E-14

KEY	PART NUMBER	U/M DESCRIPTION
1	103671-01-000	EA ARM-WIPER, PANTOGRAPH - 24"
2	045794-01-000	FT HOSE-WASHER, WINDSHIELD - 5/32" ID - BLACK
3	095964-01-000	EA BLADE-WIPER, 24"
4	104549-01-000	EA BRACKET ASM-WIPER
4	103726-01-000	EA BRACKET-WIPER, MOTOR
5	103672-01-000	EA LINK ASM. - CONNECTING - DRIVERS
6	103672-02-000	EA LINK ASM - CONNECTING - PASSENGERS
7	097983-01-000	EA MOTOR-WIPER, FRONT
7	104355-01-000	EA MOTOR-WIPER FROM: 00-00-00 THRU: 07-21-91
8	096505-02-000	EA PIVOT & SHAFT ASM-WIPER, PASSENGER WINDSHIELD FROM: 07-22-91 THRU: 99-99-99
8	096505-03-000	EA PIVOT & SHAFT ASM-WIPER, DRIVER WINDSHIELD
	096526-01-000	EA SCREW-HEX, 1/4 - 28
9	056000-02-000	EA WASHER-WINDSHIELD, BOTTLE & PUMP
10	104347-01-000	EA ARM-DRIVE, WIPER MOTOR 1 5/4"
	056000-01-700	FT VACUUM HOSE 7/64 - 5/32
	061603-01-000	EA GROMMET-SNAP, 3/16 ID - 3/8 HOLE - PLASTIC - BLACK
	071015-21-000	EA GROMMET-50"ID, FITS .19" MATERIAL, RUBBER- SPLIT
	091206-02-000	EA CONTROL-WIPER
	067188-01-000	EA STUD-CRANK, WIPER
	040921-04-000	EA NUT-SPEED, U TYPE - NO. 8 - .59" LENGTH X .44" WIDTH
	040921-05-000	EA NUT-SPEED, U TYPE - NO. 8 - .67" LENGTH X .44" WIDTH
	040921-06-000	EA NUT-SPEED, U TYPE - NO. 8 - .57" LENGTH X .63" WIDTH

KEY	PART NUMBER	U/M DESCRIPTION
1	102935-01-000	EA CARRIER - REVEAL - WINDSHIELD
2	102935-02-000	EA CARRIER - REVEAL - WINDSHIELD
3	088793-04-000	EA GLASS-WINDSHIELD, DRIVER
4	103107-02-01A	EA TRIM - WINDSHIELD - SIDE - BLACK
5	102936-01-000	FT MOLDING - REVEAL - WINDSHIELD
6	103523-01-000	FT MOLDING - REVEAL - WINDSHIELD - CENTER FROM: 00-00-00 THRU: 11-10-91
6	102936-01-000	FT MOLDING - REVEAL - WINDSHIELD - CENTER FROM: 11-11-91 THRU: 99-99-99
7	088793-03-000	EA GLASS-WINDSHIELD, PASSENGER
8	103107-03-01A	EA TRIM - WINDSHIELD - SIDE - BLACK
	098788-02-000	EA CHANNEL - RIGID
	075710-01-000	EA FRAME - WINDSHIELD - CENTER DIVIDER - INNER
	077922-02-000	EA HEADER - WINDSHIELD FROM: 00-00-00 THRU: 01-19-92
	077922-03-000	EA HEADER WINDSHIELD END - RIGHT FROM: 01-20-92 THRU: 99-99-99
	077922-04-000	EA HEADER WINDSHIELD END - LEFT FROM: 01-20-92 THRU: 99-99-99
	077922-05-000	EA HEADER WINDSHIELD - CENTER FROM: 01-20-92 THRU: 99-99-99
	078579-09-000	EA TRIM - WINDSHIELD - UPPER INNER - RIGHT - GRAY
	078579-10-000	EA TRIM - WINDSHIELD - UPPER INNER - LEFT - GRAY
	079765-08-000	EA TRIM-WINDSHIELD - CENTER - GRAY
	077952-02-000	EA CAP - REVEAL MOLDING - CENTER TOP AND BOTTOM WINDSHIELD FROM: 00-00-00 THRU: 11-10-91
	077847-02-000	EA SUPPORT - WINDSHIELD - LOWER - W/O BRACKETS