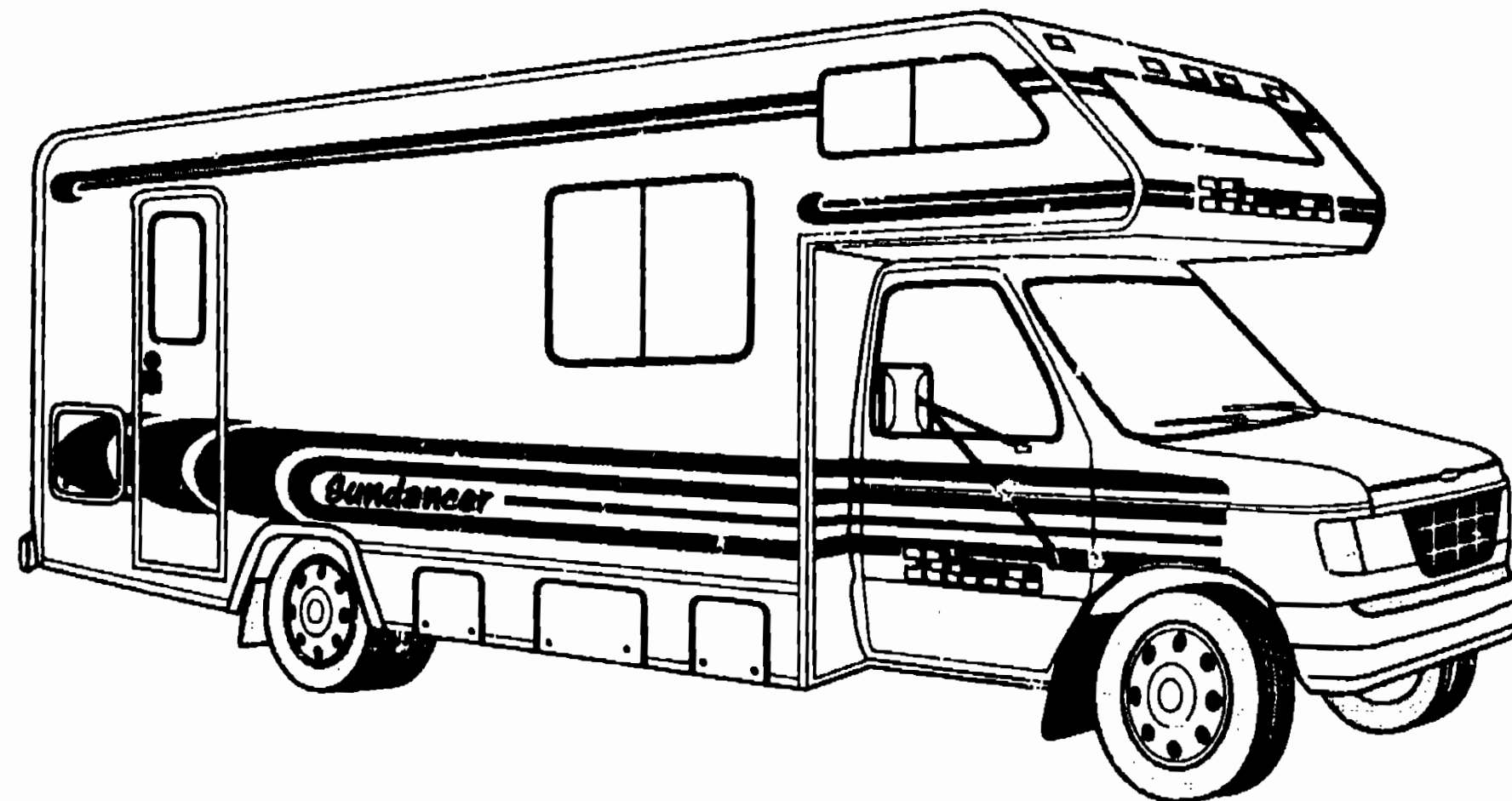


# 1992 IC522RG C43 C44

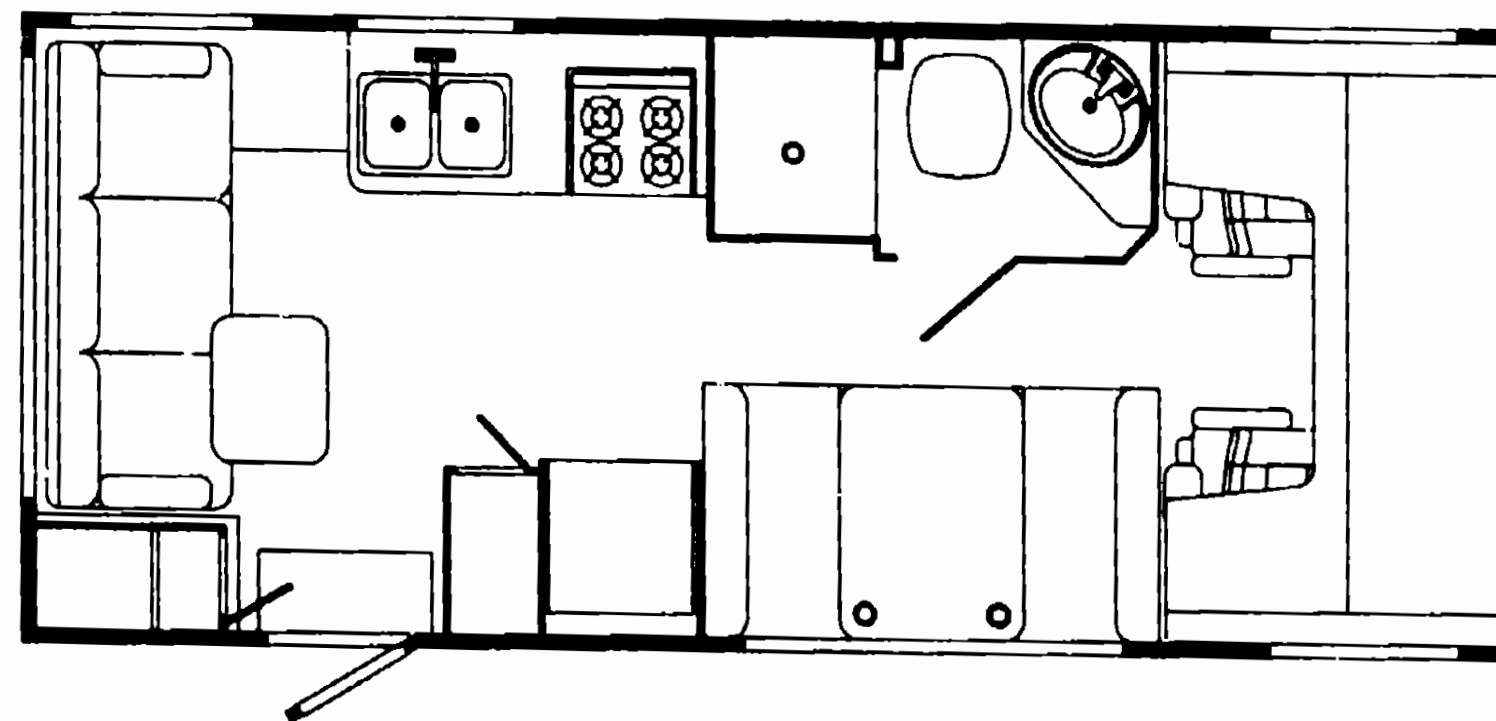


## 1992 ITASCA TABLE OF CONTENTS

INTRODUCTION	A-01	A-02
ABBREVIATIONS		A-03
ALPHABETICAL INDEX	A-04	A-06
IC522RG	A-07	D-16
IF524RC	D-17	H-04

## 1992 IC522RG INDEX

FLOOR PLAN	A-07	A-08
ACCESSORIES		A-09
AUDIO VIDEO		A-10
BATH	A-11	A-12
CHASSIS	A-13	A-16
CURTAIN & CUSHION	A-17	A-24
DINETTE	B-01	B-02
DRIVERS	B-03	B-05
ELECTRICAL	B-06	B-09
EXTERIOR BODY	B-10	B-18
GALLEY	B-19	B-22
GENERATOR		B-23
HEATING & A/C	B-24	C-01
INTERIOR FINISH	C-02	C-05
LABEL	C-06	C-14
LP		C-15
LOUNGE		C-16
SEALANTS & FASTENERS	C-17	C-19
WATER & SEWAGE	C-20	C-22
WINDOW, VENT AND EXTERIOR DOOR	C-23	D-15



## ACCESSORIES GROUP

### OPERATORS MANUAL

KEY	PART NUMBER	U/M DESCRIPTION
	054185-87-000	EA MANUAL-OPERATOR, 1992 SUNDANCER, 500 SERIES
	092318-01-000	EA BINDER-3 RING, MOTOR HOME MANUAL
	092319-01-000	EA POCKET PAGE-3 RING BINDER, PLASTIC
	106351-01-000	DW TOP LEVEL DRAWING FOR 1992 C-BODIES

## AUDIO VIDEO GROUP

### RADIO & ANTENNA COMPONENTS

KEY	PART NUMBER	U/M DESCRIPTION
	007004-01-000	EA ANTENNA-AUTO (CHEVY)
	090982-01-000	EA RADIO-AM/FM CASSETTE, ELECTRIC TUNE - AUDIOVOX HCC-1035 (CHEVY)
	091211-01-000	EA MOUNT KIT-RADIO, AUDIOVOX (CHEVY)
	106450-02-000	EA RADIO-AM/FM CASS.FLECT AUDIOVOX FD-CXD (FORD)
	106451-01-000	EA MOUNTING KIT-RADIO FORD AUDI AUDIOVOX FD ECO-92 (FORD)
	081059-02-000	EA WIRE ASM-9-PIN, RADIO - AUDIOVOX 112B-1761 (FORD)
	108137-01-000	EA PLUG-ANTENNA HOLE, 92 E350 (FORD)
	089340-02-000	EA GRILLE-SPEAKER, 6.5" SQUARE (OVHD CABINETS)
	089340-03-000	EA SPACER-SPEAKER GRILLE, TAN MAGNADYNE G514 (OVHD CABINETS)
	094097-01-000	EA SPEAKER-RADIO, W/O GRILLE - 5.25" DIA - AUDIOVOX 110C3030 (OVHD CABINETS)
	073741-04-000	EA GRILLE-SPEAKER, OVAL - 4" X 6" - BLACK (PATIO ENTERTAINMENT)
	077069-02-000	EA CABLE-ANTENNA, RADIO - EXTENSION 96" - ARA 6700667 (PATIO ENTERTAINMENT)
	087663-01-000	EA RADIO-AM/FM STEREO W/CASSETTE AUDIOVOX 144D1559 (PATIO ENTERTAINMENT)
	090944-01-000	EA ANTENNA-RADIO, 16" RUBBER (PATIO ENTERTAINMENT)
	090862-01-000	EA BRACKET-HAT, ANTENNA - 3.1" X 3.9" - STEEL - BLACK (PATIO ENTERTAINMENT)
	104899-01-C05	EA PLATE-RADIO MOUNTING (PATIO ENTERTAINMENT)
	105230-11-C05	EA SHELF ASM (PATIO ENTERTAINMENT)
	105230-12-C52	EA SUPPORT ASM (PATIO ENTERTAINMENT)
	105377-01-01A	EA BRACKET-TABLE HANGER - OFF WHITE (PATIO ENTERTAINMENT)
	105377-01-03A	EA BRACKET-TABLE HANGER - MILL (PATIO ENTERTAINMENT)

### TV & ANTENNA

KEY	PART NUMBER	U/M DESCRIPTION
	076319-01-000	EA ANTENNA-TV, ROOF MOUNT - 44.5" MAST - RVA W02
	076319-01-700	EA HEAD-ANTENNA, AMPLIFIED - WINEGARD# RVSA UV
	076319-01-701	EA GEAR-ELEVATING, PLASTIC - WINEGARD# 2200046
	076319-01-702	EA SHAFT ASM-ELEVATING, WINEGARD# RVP-400A
	076319-01-703	EA BEARING-NYLON, 5"OD - WINEGARD# 3200656
	076319-01-704	EA BEARING-NYLON, 1.25"OD - WINEGARD# 3200657
	076319-01-705	EA GROMMET-NYLON, 7/8"ID - WINEGARD# 3200658
	076319-01-706	EA CRANK-ELEVATING, W/SET SCREW - WINEGARD# 5755100
	076319-01-707	EA SPRING-HANDLE, WINEGARD# 5160800
	076319-01-709	EA PLATE-DIRECTIONAL, FOR HEAD - WINEGARD# 3200644
	076319-01-706	EA CRANK-ELEVATING, W/SET SCREW - WINEGARD# 5755100
	076319-06-000	EA ADAPTOR-CABLE ROOF PLATE, WINEGARD RPJ-1
	076319-03-000	FT CABLE-COAXIAL, 75 OHM
	076319-12-000	EA CONNECTOR-COAXIAL, ONE PIECE
	086756-01-000	EA SPLITTER-TV, 2 WAY
	093252-01-01A	EA PLATE-WALL, CABLE - BEIGE
	076319-09-000	EA WALLPLATE-CABLE RECEPTACLE, TV - SINGLE - BROWN
	086777-02-000	EA WALLPLATE-TV CABLE, W/ANTENNA SWITCH - BROWN

## 1992 ITASCA

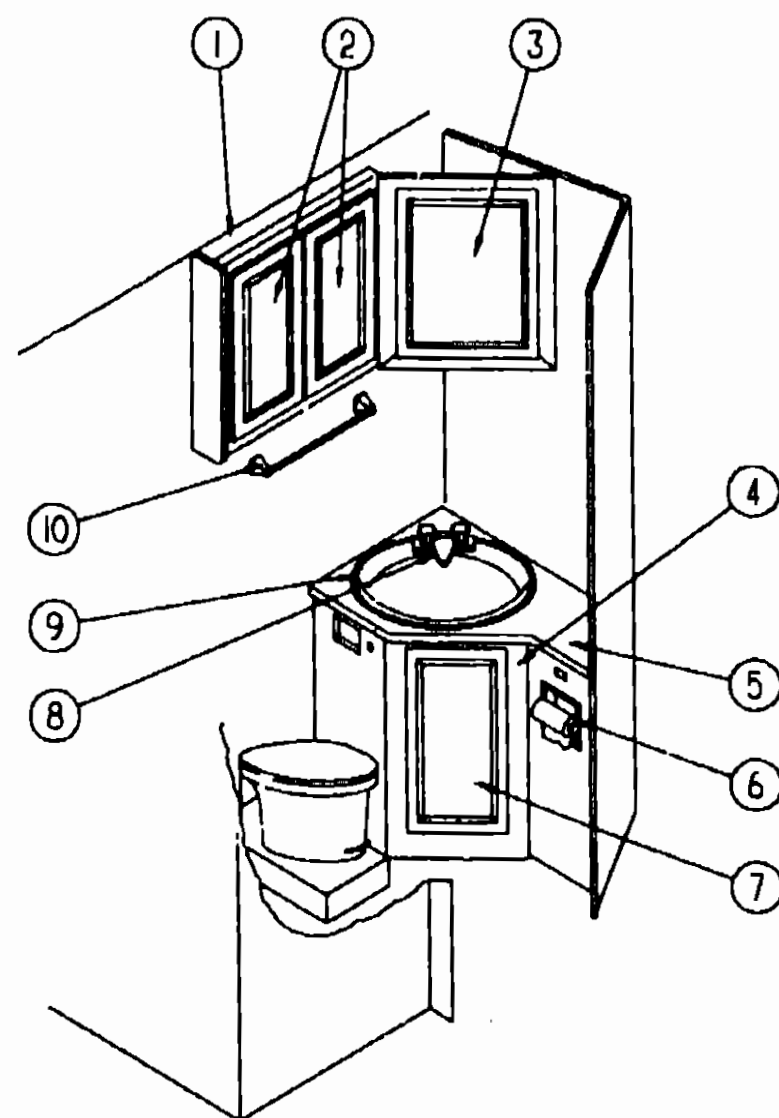
### TABLE OF CONTENTS

INTRODUCTION	A-01	A-02
ABBREVIATIONS		A-03
ALPHABETICAL INDEX	A-04	A-06
IC522RG	A-07	D-18
IF524RC	D-17	H-04

## 1992 IC522RG INDEX

FLOOR PLAN	A-07	A-08
ACCESSORIES		A-09
AUDIO VIDEO		A-10
BATH	A-11	A-12
CHASSIS	A-13	A-16
CURTAIN & CUSHION	A-17	A-24
DINETTE	B-01	B-02
DRIVERS	B-03	B-05
ELECTRICAL	B-06	B-09
EXTERIOR BODY	B-10	B-18
GALLEY	B-19	B-22
GENERATOR		B-23
HEATING & A/C	B-24	C-01
INTERIOR FINISH	C-02	C-05
LABEL	C-06	C-14
LP		C-15
LOUNGE		C-18
SEALANTS & FASTENERS	C-17	C-19
WATER & SEWAGE	C-20	C-22
WINDOW, VENT AND EXTERIOR DOOR	C-23	D-15

### BATH GROUP



### BATH CABINETS

KEY	PART NUMBER	U/M DESCRIPTION
1	105541-01-C43	EA CABINET ASM-MEDICINE - 2 SIDED
	104335-14-C43	EA END CAP-SIDE, CABINET
2	P04536-05-C43	EA DOOR-CABINET, W/O HARDWARE (2 USED)
3	P04536-06-C43	EA DOOR-CABINET, W/O HARDWARE - W/MIRROR
4	P05540-01-C43	EA CABINET ASM-LAVATORY - W/O DOORS
4	P05540-01-C44	EA CABINET ASM-LAVATORY - W/O DOORS
5	105540-12-C43	EA COUNTERTOP-CABINET, LAVATORY
5	105540-12-C44	EA COUNTERTOP-CABINET, LAVATORY
	105540-11-C43	EA SHELF ASM-LAVATORY CABINET (INSIDE CABINET)
6	085278-01-000	EA HOLDER-TOILET PAPER, RECESSED - BRASS
7	P04746-23-C43	EA DOOR-CABINET, W/O HARDWARE
8	075240-06-000	EA FAUCET-LAVATORY, BONE
	091253-01-000	EA GASKET-FAUCET, LAVATORY/GALLEY
9	105921-01-01A	EA SINK-LAVATORY, LGE OVAL - 17" X 20" - PLASTIC - OFF WHITE
	106116-01-01A	EA STRAINER-SINK, W/STOPPER TAILPIECE GASKET & NUT - PLASTIC
	081208-01-000	EA WASHER-RUBBER, .08" X .75" X .5"
10	075453-02-000	EA BAR-TOWEL, 18" BRASS
	091255-02-000	FT SEAL-ADHESIVE BACKED FOAM, .18" X 1.5" WIDE

### BATH GROUP (CONTINUED)

#### PRIVACY DOOR & WALL MIRRORS

KEY	PART NUMBER	U/M DESCRIPTION
	P05398-01-C43	EA DOOR ASM-BATH W/O LOCK
	058331-27-000	EA MIRROR-GLASS, SAFETY - 11.8" X 45.7"
	100357-01-000	EA ROD-TOWEL, BRASS W/ENDS BENT FOR BACK OF BATH DOOR
	102089-13-B29	EA MOUNT-ROD, RIGHT SIDE - FOR TOWEL RODS - 26" LONG - WOOD
	102089-14-B29	EA MOUNT-ROD, LEFT SIDE - FOR TOWEL RODS - 26" LONG - WOOD
	093446-05-B27	EA MIRROR-WOOD FRAMED, 15.2" X 29.3"
	M03450-05-000	EA TRIM-WOOD, FRAMED MIRROR - 15.2" X 29.3" - OAK
	042358-01-000	EA PLUG-BUTTON, MAHOGANY - 3/8" DIAMETER - WOOD
	058331-32-000	EA MIRROR-GLASS, SAFETY - 13.6" X 27.6"
	058331-60-000	EA MIRROR-GLASS, SAFETY - 660X987MM (WALL MOUNTED)
	058331-61-000	EA MIRROR-GLASS, SAFETY - 660X460MM (WALL MOUNTED)

#### TOILET & CLOSET FLANGE

KEY	PART NUMBER	U/M DESCRIPTION
	063740-01-000	EA TOILET-HIGH, HAND FLUSH - THETFORD, 150120
	063740-01-700	EA LEVER-WATER, THETFORD 12514
	063740-01-701	EA LEVER-FLUSH, THETFORD 12515
	063740-01-706	EA BOLT PACKAGE-CLOSET, THETFORD 12524
	063740-01-710	EA LINK, THETFORD 12513
	063740-01-711	EA SPRING-RETURN LEVER, THETFORD 12523
	063740-01-713	EA SEAL-BALL VALVE TO BOWL, THETFORD 12502
	063740-01-714	EA VALVE ASM-WATER, THETFORD 12492
	063740-01-716	EA SEAT & COVER, THETFORD 15017
	063740-01-717	EA TUBE-FLUSH, TOILET, 12509 THETFORD
	063740-02-700	EA RING & COVER-SEAT, PARCHMENT, 20829 THETFORD
	024676-01-000	EA FLANGE-CLOSET, TOILET - 4" X 3" - RED
	063641-01-000	EA FLANGE-CLOSET, 4" X 3"
	024676-02-000	EA FLANGE-CLOSET, 4" X 3" - ABS - CANADIAN

#### SKYLIGHT & SHOWER COMPONENTS

KEY	PART NUMBER	U/M DESCRIPTION
	080508-01-000	EA PANEL-SKYLIGHT, INNER - PLEXIGLASS - 23.25" X 20.3"
	080507-01-000	EA PANEL-SKYLIGHT, OUTER - PLEXIGLASS - 23.25" X 20.3"
	105629-01-01A	EA SHROUD-SHOWER, COMPLETE W/THREE SIDES
	103092-01-000	EA SHOWER HEAD-W/60 IN HOSE
	075241-05-000	EA FAUCET-SHOWER, BONE
	075606-01-000	EA PANEL-FAUCET BACK, SHOWER - 5" X 9" - PLASTIC
	M02673-05-B13	EA PAN-SHOWER, 29.8" X 22.7" X 5.7" - OFF WHITE - PLASTIC
	066436-01-000	EA NUT-SLIP, TAILPIECE - 1.5"
	066440-01-000	EA STRAINER-SHOWER, W/RUBBER WASHER
	069735-01-000	EA WASHER-STRAINER TO TAILPIECE PLASTIC, 1.5"
	011069-02-000	EA TAILPIECE-TUB/SHOWER, 1 1/2" X 1 1/4" X .7" - BRASS
	066436-01-000	EA NUT-SLIP, TAILPIECE - 1.5"
	057671-01-000	EA COVER-SCREW, #8 - PLASTIC - OFF WHITE

### 1992 ITASCA

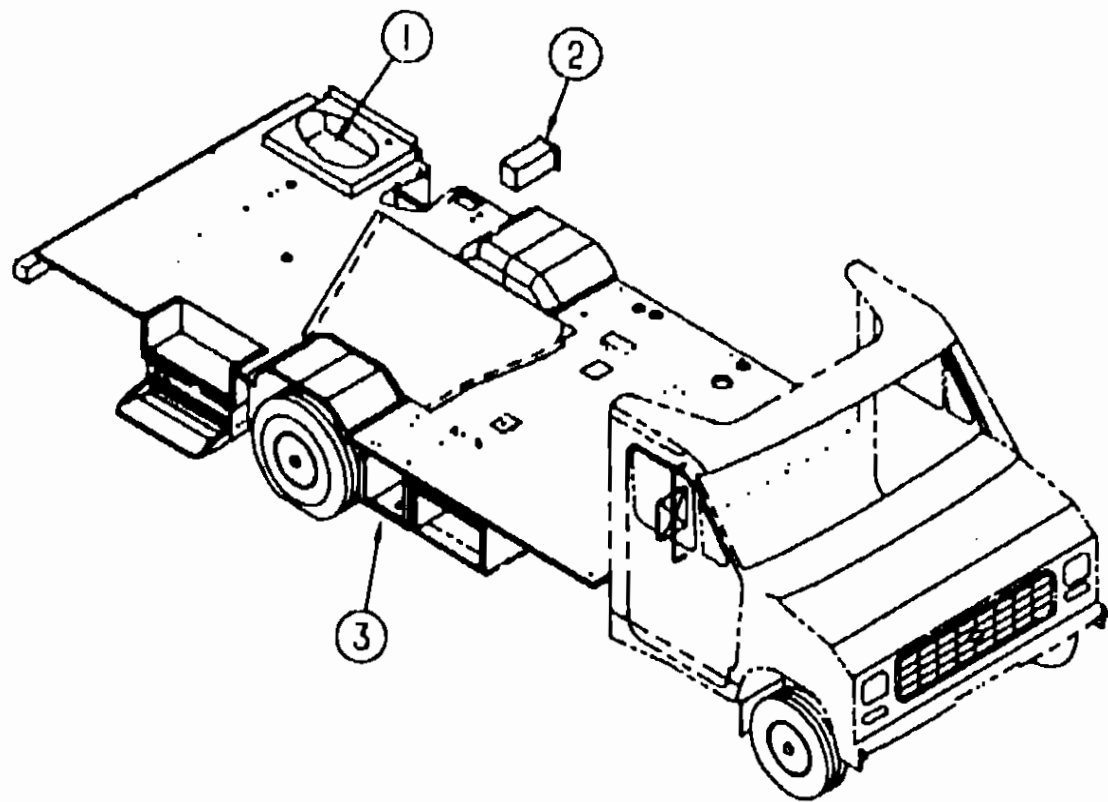
#### TABLE OF CONTENTS

INTRODUCTION	A-01	A-02
ABBREVIATIONS		A-03
ALPHABETICAL INDEX	A-04	A-06
IC522RG	A-07	D-16
IF524RC	D-17	H-04

### 1992 IC522RG INDEX

FLOOR PLAN	A-07	A-08
ACCESSORIES		A-09
AUDIO VIDEO		A-10
BATH	A-11	A-12
CHASSIS	A-13	A-16
CURTAIN & CUSHION	A-17	A-24
DINETTE	B-01	B-02
DRIVERS	B-03	B-05
ELECTRICAL	B-06	B-09
EXTERIOR BODY	B-10	B-18
GALLEY	B-19	B-22
GENERATOR		B-23
HEATING & A/C	B-24	C-01
INTERIOR FINISH	C-02	C-05
LABEL	C-06	C-14
LP		C-15
LOUNGE		C-16
SEALANTS & FASTENERS	C-17	C-19
WATER & SEWAGE	C-20	C-22
WINDOW, VENT AND EXTERIOR DOOR	C-23	D-15

**CHASSIS GROUP**



**COMPARTMENTS**

KEY	PART NUMBER	U/M DESCRIPTION
1	078137-02-000	EA TRAY-STORAGE COMPARTMENT, 27.18" WIDE X 21" DEEP
2	0A5967-01-000	EA COMPARTMENT-SEWER HOSE, 6" X 6.6" X 17.8" - PLASTIC
3	105203-02-000	EA COMPARTMENT-BATTERY, PLASTIC
	084993-01-000	EA STRAP-BATTERY
	104897-01-01A	EA BOX-ENTERTAINMENT CENTER - OFF WHITE
	104898-01-01A	EA PLATE-PLASTIC BOTTOM, ENTERTAINMENT CENTER - OFF WHITE
	106208-01-01A	EA COMPARTMENT-SHOWER, EXTERIOR - OFF WHITE
	058027-01-000	FT SEAL, D SHAPED - HOLLOW - SPONGE RUBBER - BLACK
	061420-01-000	EA PLUG-PLASTIC, 1.75" - BROWN
	077931-01-000	EA CAP-PLASTIC, .56" ID - BLACK
	077953-01-000	EA GROMMET-EDGE LINER, FITS 1"

**MUD FLAPS, ROCK GUARDS & WHEELWELLS**

KEY	PART NUMBER	U/M DESCRIPTION
	017516-01-000	EA FLAP-MUD, 14" X 18" - BLACK
	045731-04-000	EA GUARD-ROCK, REAR
	096322-01-000	EA WHEELWELL-REAR, DRIVER OR PASSENGER - PLASTIC

**CHASSIS GROUP (CONTINUED)**

**EXHAUST SYSTEM**

KEY	PART NUMBER	U/M DESCRIPTION
	007125-01-000	EA CLAMP-MUFFLER, 1.62 DIAMETER
	007125-04-000	EA CLAMP-MUFFLER, 1.1" DIA
	007125-08-000	EA CLAMP-MUFFLER, 3" DIA
	007125-11-000	EA CLAMP-MUFFLER, 2.75" DIAMETER
	007131-01-000	EA HANGER-EXHAUST, 6 SLOTS
	101884-01-000	EA PIPE-EXHAUST, TAIL - REAR (FORD)

FROM: 02-12-92 THRU: 99-99-99

**FUEL SYSTEM**

KEY	PART NUMBER	U/M DESCRIPTION
	007063-01-000	FT HOSE-GAS 1/4"ID X 1/2"OD
	078200-01-000	EA GASKET-FUEL FILL - 3.5"OD X 2"ID

FROM: 02-11-92 THRU: 99-99-99

**SUSPENSION SYSTEMS**

KEY	PART NUMBER	U/M DESCRIPTION
	100332-01-000	EA PLATE-VALVE, AIR SPRING (CHEVY)
	106067-02-000	EA AIR SPRING-4IN.DIA TWIN (CHEVY)
	106067-03-700	EA REPAIR KIT F/TAPPED PISTON
	100332-01-000	EA PLATE-VALVE, AIR SPRING (FORD)
	106067-01-000	EA AIR SPRING-4IN.DIA TWIN (FORD)
	106067-03-700	EA REPAIR KIT F/TAPPED PISTON

**ENTRY STEPS**

KEY	PART NUMBER	U/M DESCRIPTION
	077848-01-000	EA STEP-PULLOUT, W/BRACKETS - BLACK
	077848-02-000	EA STEP-PULLOUT
	091176-01-000	EA SUPPORT-BASE-ENTRANCE STEP
	094708-01-01A	EA STEP-ENTRY DOOR, ELECTRIC - SINGLE - KWIKEE 2813
	094707-02-700	EA MOTOR REPLACEMENT KIT
	094707-02-702	EA GEAR KIT
	094707-02-703	EA PARTS KIT (BEARINGS & PINS)
	094707-02-704	EA MOTOR CONNECTOR KIT
	094707-02-705	EA CONTROL UNIT (ORANGE)
	094707-03-700	EA LINKAGE ASM F/28 SERIES
	100312-01-000	EA SWITCH-DOOR JAMB, ELECTRIC ENTRY STEP - METAL

**1992 ITASCA**

**TABLE OF CONTENTS**

INTRODUCTION	A-01 -	A-02
ABBREVIATIONS		A-03
ALPHABETICAL INDEX	A-04 -	A-06
IC522RG	A-07 -	D-16
IF524HC	D-17 -	H-04

**1992 IC522RG INDEX**

FLOOR PLAN	A-07 -	A-08
ACCESSORIES		A-09
AUDIO VIDEO		A-10
BATH	A-11 -	A-12
CHASSIS	A-13 -	A-16
CURTAIN & CUSHION	A-17 -	A-24
DINETTE	B-01 -	B-02
DRIVERS	B-03 -	B-05
ELECTRICAL	B-06 -	B-09
EXTERIOR BODY	B-10 -	B-18
GALLEY	B-19 -	B-22
GENERATOR		B-23
HEATING & A/C	B-24 -	C-01
INTERIOR FINISH	C-02 -	C-05
LABEL	C-06 -	C-14
LP		C-15
LOUNGE		C-16
SEALANTS & FASTENERS	C-17 -	C-19
WATER & SEWAGE	C-20 -	C-22
WINDOW, VENT AND EXTERIOR DOOR	C-23 -	D-15

**CHASSIS GROUP (CONTINUED)**

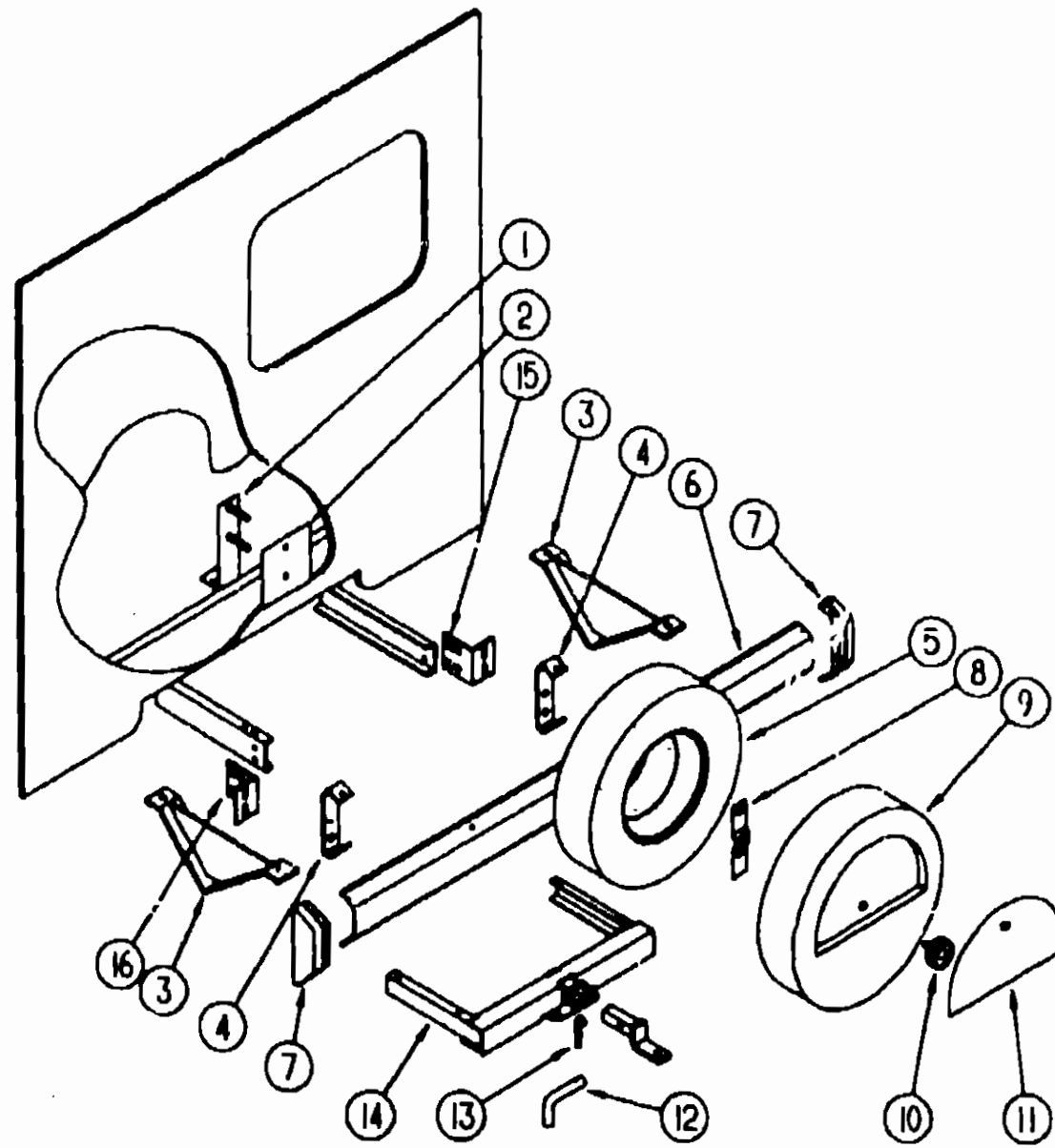
**CHASSIS GROUP (CONTINUED)**

**SPARE TIRE & TRAILER HITCH (CONTINUED)**

**1992 ITASCA**

**TABLE OF CONTENTS**

INTRODUCTION	A-01	A-02
ABBREVIATIONS		A-03
ALPHABETICAL INDEX	A-04	A-06
IC522RG	A-07	D-16
IF524RC	D-17	I-04



**SPARE TIRE & TRAILER HITCH**

KEY	PART NUMBER	U/M DESCRIPTION
10	064082-02-000	EA NUT-RETAINING, WHEEL COVER
11	M02047-01-T95	EA PANEL-DOOR, TIRE COVER
	077408-02-000	EA LOCK-KEY TYPE
	082684-01-700	EA KEY-COMPARTMENT DOOR LOCK, BH024
12	034512-01-000	EA PIN-LOCKING, DRAWBAR
13	034513-01-000	EA PIN-HITCH, 3/16" WIRE
14	077617-02-000	EA HITCH-TRAILER, W/O DRAWBAR - 41.1" WIDE - STEEL - BLACK
15	105933-01-000	EA BRACKET-BUMPER, REAR
16	105933-02-000	EA BRACKET-BUMPER, REAR
	097744-01-000	EA HOUSING-TRAILER PIN, 12"
	097744-02-000	EA HOUSING-TRAILER PIN, 48"
	097745-01-000	EA HOUSING-TRAILER RECP, 12"
	097746-01-000	EA HOUSING CAP-TRAILER PIN
	097745-02-000	EA HOUSING-RECEPTACLE, TRAILER - 48" WIRE LENGTH

**LUG WRENCH & LEVERAGE BAR**

KEY	PART NUMBER	U/M DESCRIPTION
	080208-01-000	EA LUG WRENCH, 1.06 X 1.00
	080208-02-000	EA BAR-LEVERAGE, LUG WRENCH

**WHEEL LINERS**

KEY	PART NUMBER	U/M DESCRIPTION
	091209-05-000	EA LINER-WHEEL, SET OF 4 - 16" - STAINLESS STEEL (CHEVY)
	091209-03-702	EA COVER-AXLE, FRONT - 8 LUG
	091209-03-703	EA COVER-AXLE, REAR - 8 LUG
	091209-03-704	EA RING-SNAP, FRONT OR REAR - 8 LUG
	091209-05-700	EA LINER-WHEEL, 16" FRONT - W/AXLE COVER & 8 LUG
	091209-05-701	EA LINER-WHEEL, 16" REAR - W/AXLE COVER & 8 LUG
	091209-11-000	EA LINER-WHEEL, SET 4 E350, KAPER II #1604-FDL8 (FORD)
	091209-10-700	EA COVER-AXLE, FRONT - 8 LUG - FORD
	091209-10-701	EA COVER-AXLE, REAR - 8 LUG - FORD
	091209-10-705	EA COVER-LUG NUT
	091209-11-700	EA LINER-WHEEL, FRONT - 8 LUG - FORD
	091209-11-701	EA LINER-WHEEL, REAR - 8 LUG - FORD

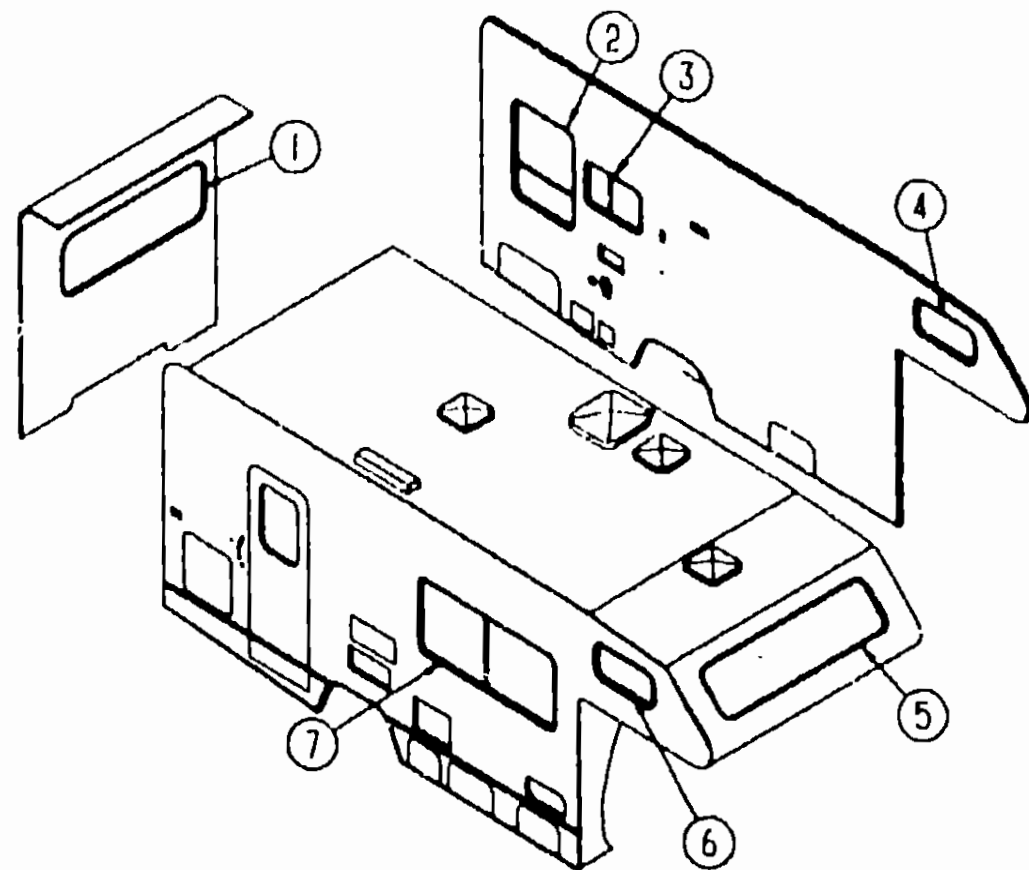
**1992 IC522RG INDEX**

FLOOR PLAN	A-07	A-08
ACCESSORIES		A-09
AUDIO VIDEO		A-10
BATH	A-11	A-12
CHASSIS	A-13	A-16
CURTAIN & CUSHION	A-17	A-24
DINETTE	B-01	B-02
DRIVERS	B-03	B-05
ELECTRICAL	B-06	B-09
EXTERIOR BODY	B-10	B-18
GALLEY	B-19	B-22
GENERATOR		B-23
HEATING & A/C	B-24	C-01
INTERIOR FINISH	C-02	C-05
LABEL	C-06	C-14
LP		C-15
LOUNGE		C-16
SEALANTS & FASTENERS	C-17	C-19
WATER & SEWAGE	C-20	C-22
WINDOW, VENT AND EXTERIOR DOOR	C-23	D-15

KEY	PART NUMBER	U/M DESCRIPTION
1	105209-04-000	EA BRACKET ASM-SPARE TIRE (CHEVY)
1	105209-06-000	EA BRACKET ASM-SPARE TIRE (FORD)
1	105209-02-000	EA BRACKET-SUPPORT, SPARE TIRE - W/O BOLTS
	077399-01-000	EA RETAINER-SPARE TIRE, 2" X 7.9" - HOLE IN MIDDLE
2	105208-01-000	EA PLATE-SPARE TIRE
3	083376-01-000	EA PLATE-SKID, 13.2" X 6" X 2" - STEEL
4	078670-02-000	EA BRACKET-BUMPER, REAR - 2" X 6" - BENT ENDS - STEEL - BLK (2 USED)
5	106715-01-000	EA TIRE-LT 225/75R16 LRD 550 AS, GENERAL 0104924 (CHEVY)
5	083425-08-000	EA TIRE-LT225/75R16 LRD, MICHELIN XCH4 (FORD)
5	083617-03-000	EA WHEEL-STL 16.0X6.92 E350, ACCURIDE 28618 (FORD)
	061377-03-000	EA STEM-VALVE, TRO 600HP
	077030-02-000	EA EXTENSION-VALVE STEM, 1.25"
	095012-03-000	EA EXTENSION-VALVE STEM, DUAL WHEEL
6	103099-02-02A	EA BUMPER-REAR, OFF WHITE
7	106147-01-01A	EA CAP-END, BUMPER - OFF WHITE
8	105531-02-000	EA RETAINER ASM-SPARE TIRE
9	079799-01-000	EA COVER-TIRE, OFF WHITE

# CURTAIN, CUSHION GROUP

## WINDOW TREATMENT



KEY	PART NUMBER	U/M DESCRIPTION
4	097878-42-C43	EA VALANCE-WINDOW, LEFT - 5.5' X 43' - W/BRASS TRIMED BOTTOM
4	097878-39-C44	EA VALANCE-WINDOW, LEFT - 5.5' X 43' - W/BRASS TRIMED BOTTOM
4	101034-13-C43	EA CURTAIN-WINDOW, 16' X 25' SMALL DARTED TAPE TOP & BOTTOM
4	101034-13-C44	EA CURTAIN-WINDOW, 16' X 25' SMALL DARTED TAPE TOP & BOTTOM
5	097878-40-C43	EA VALANCE-WINDOW, FLAT - 7' X 85.5' - W/BRASS TRIMED BOTTOM
5	097878-37-C44	EA VALANCE-WINDOW, FLAT - 7' X 85.5' - W/BRASS TRIMED BOTTOM
5	101034-12-C43	EA CURTAIN-WINDOW, 22' X 45' - SMALL DARTED TAPE TOP & BOTTOM
5	101034-12-C44	EA CURTAIN-WINDOW, 22' X 45' - SMALL DARTED TAPE TOP & BOTTOM
6	097078-41-C43	EA VALANCE-WINDOW, RIGHT - 5.5' X 43' - W/BRASS TRIMED BOTTOM
6	097878-38-C44	EA VALANCE-WINDOW, RIGHT - 5.5' X 43' - W/BRASS TRIMED BOTTOM
6	101034-13-C43	EA CURTAIN-WINDOW, 16' X 25' - SMALL DARTED TAPE TOP & BOTTOM
6	101034-13-C44	EA CURTAIN-WINDOW, 16' X 25' - SMALL DARTED TAPE TOP & BOTTOM
7	104021-17-C43	EA VALANCE-WINDOW, 65"
7	104021-12-C44	EA VALANCE-WINDOW, 65"
7	093475-78-01A	EA BLIND-MINI, 60" X 28.5" DROP
7	100281-78-C43	EA LEG-WINDOW, RIGHT - 27"
7	100281-09-C44	EA LEG-WINDOW, RIGHT - 27"
7	100281-79-C43	EA LEG-WINDOW, LEFT - 27"
7	100281-10-C44	EA LEG-WINDOW, LEFT - 27"
	084481-24-C04	EA CURT ASM-SHOWER, 72" X 42" (C43)
	084481-24-C24	EA CURT ASM-SHOWER, 72" X 42" (C44)
	076892-06-B85	EA CURTAIN-SNAP TOP, WINGWALL PRIVACY - 40" X 72" - BEIGE
	073260-54-C10	EA TIEBACK-3' X 16" (C43)
	073260-54-C30	EA TIEBACK-3' X 16" (C44)
	101668-05-B85	EA CURTAIN-WINDSHIELD, 30" X 50", PASSENGER SIDE - TAPE TOP
	101668-06-B85	EA CURTAIN-WINDSHIELD, 30" X 50", DRIVER SIDE TAPE TOP
	073260-49-C43	EA TIEBACK-CURTAIN, 3' X 18"
	073260-49-C44	EA TIEBACK-CURTAIN, 3' X 18"

## 1992 ITASCA

### TABLE OF CONTENTS

INTRODUCTION	A-01 - A-02
ABBREVIATIONS	A-03
ALPHABETICAL INDEX	A-04 - A-06
IC522RG	A-07 - D-16
IF524RC	D-17 - H-04

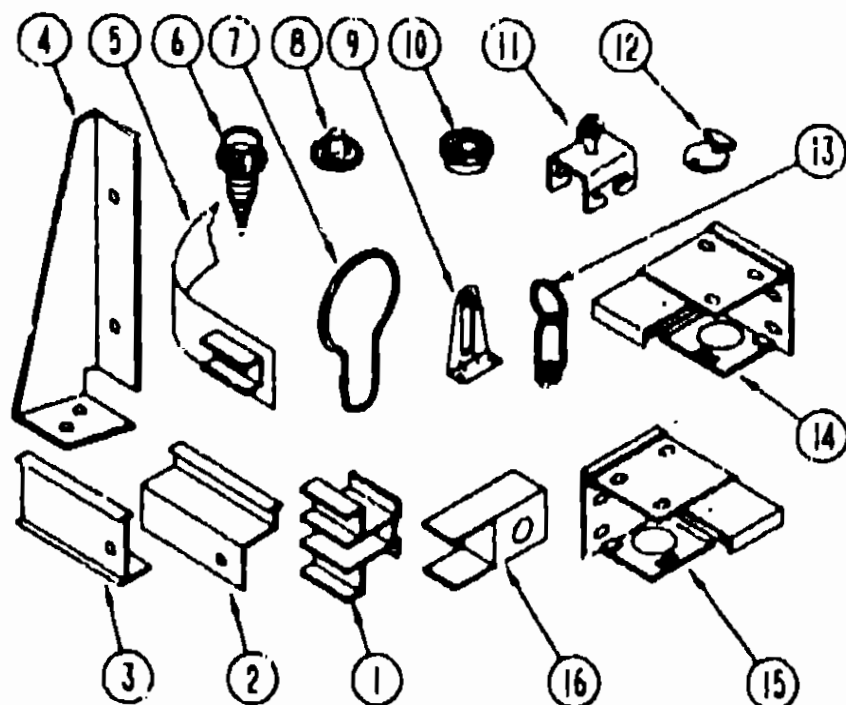
KEY	PART NUMBER	U/M DESCRIPTION
1	104021-22-C82	EA VALANCE-WINDOW, 72.5" (C43)
1	104021-05-C44	EA VALANCE-WINDOW, 72.5" (C44)
1	093475-93-01A	EA BLIND-MINI, 68.5" X 24.5" DROP (C43)
1	093475-93-01A	EA BLIND-MINI, 68.5" X 24.5" DROP (C44)
1	100281-78-C43	EA LEG-WINDOW, RIGHT - 27"
1	100281-09-C44	EA LEG-WINDOW, RIGHT - 27"
1	100281-79-C43	EA LEG-WINDOW, LEFT - 27"
1	100281-10-C44	EA LEG-WINDOW, LEFT - 27"
2	104021-23-C82	EA VALANCE-WINDOW, 31.7" (C43)
2	104021-07-C44	EA VALANCE-WINDOW, 31.7" (C44)
2	093475-54-02A	EA BLIND-MINI, 29.5" X 38" DROP
3	104021-24-C43	EA VALANCE-WINDOW, 28.5"
3	104021-06-C44	EA VALANCE-WINDOW, 28.5"
3	093475-61-09A	EA BLIND-MINI, 26" X 17" DROP

## 1992 IC522RG INDEX

FLOOR PLAN	A-07 - A-08
ACCESSORIES	- A-09
AUDIO VIDEO	- A-10
BATH	A-11 - A-12
CHASSIS	A-13 - A-16
CURTAIN & CUSHION	A-17 - A-24
DINETTE	B-01 - B-02
DRIVERS	B-03 - B-05
ELECTRICAL	B-06 - B-09
EXTERIOR BODY	B-10 - B-18
GALLEY	B-19 - B-22
GENERATOR	- B-23
HEATING & A/C	B-24 - C-01
INTERIOR FINISH	C-02 - C-05
LABEL	C-06 - C-14
LP	- C-15
LOUNGE	- C-16
SEALANTS & FASTENERS	C-17 - C-19
WATER & SEWAGE	C-20 - C-22
WINDOW, VENT AND	
EXTERIOR DOOR	C-23 - D-15



**CURTAIN, CUSHION GROUP (CONTINUED)**



**CURTAIN, BLIND HARDWARE & TRACKS**

KEY	PART NUMBER	U/M DESCRIPTION
1	101033-03-000	EA TRACK-CURTAIN, WALL - WHITE - SHAPCO CT225
2	105450-05-01A	EA TRACK-CURTAIN, 79" LONG - ALUMINUM - OFF WHITE
2	105450-06-01A	EA TRACK-CURTAIN, 88" LONG - ALUMINUM - OFF WHITE
2	105450-08-01A	EA TRACK-CURTAIN, 38" LONG - ALUMINUM - OFF WHITE
3	092464-05-01A	EA TRACK-SHOWER - OFF WHITE
3	009700-04-001	EA EXTR-O/W, ROD-L 192 INCHS
	046867-01-000	EA GROMMET-BRASS - 7/16" ID X 1" OD
	048394-02-000	YD VELCRO TAPE-HOOK, ADHESIVE BACK - .75" WIDE - BEIGE
	068716-01-001	EA BRACE-90 DEGREE L-ANGLE, 192" - EXTRUDED ALUMINUM
4	076827-02-000	EA BRACKET-LEG, 2.9" X 1.8" TRIANGLE (USED ON OVERHEAD CABINETS ALSO)
	089522-03-000	EA PANEL-LEG, TWO SIDE 27" LONG - PLASTIC - BLACK
5	101031-01-000	YD TAPE-GLIDE, CURTAIN - 4.25" SPACING
6	029130-01-000	EA SCREW-SNAP SOCKET, 8 PH X 5/8"
7	009136-02-000	EA HANGER-RING, PIN TYPE - CURTAIN - BRASS
8	029155-01-000	EA CAP-SNAP, NICKEL
9	095591-02-000	EA BRACKET-HOLD DOWN, W/PIN - BLIND - METAL
10	029156-01-000	EA SOCKET-SNAP FASTENER, NICKEL
11	009702-01-000	EA END STOP-CURTAIN CARRIER, L ROD
12	102555-01-000	EA CLEAT-CORD, BLIND - OFF WHITE
13	009701-01-000	EA CARRIER-CURTAIN, L ROD
14	083170-01-000	EA BRACKET-BLIND, RIGHT SIDE
15	083170-02-000	EA BRACKET-BLIND, LEFT SIDE
16	101033-02-000	EA END CAP-TRACK, CLEAR
	103986-01-000	FT TRIM-VALANCE, U-CHANNEL - .75" WIDE - BRASS
	088792-01-000	YD VELCRO-HOOK, .75" WIDE - BEIGE
	088792-02-000	YD VELCRO TAPE-LOOP, ADHESIVE BACKED - .75" WIDE - BEIGE

**CURTAIN, CUSHION GROUP (CONTINUED)**

**THROW PILLOWS**

KEY	PART NUMBER	U/M DESCRIPTION
	103669-01-C43	EA PILLOW ASM-16" X 16" - THROW
	103669-01-C44	EA PILLOW ASM-16" X 16" - THROW

**ASSIST HANDLE, BUTTONS & SEATBELTS**

KEY	PART NUMBER	U/M DESCRIPTION
	070578-06-AA3	EA BUTTON ASM-#30, VINYL
	070578-10-C43	EA BUTTON-SCREW STUD, #30
	070578-10-C44	EA BUTTON-SCREW STUD, #30
	079349-01-C27	YD WELTING-FABRIC (C43)
	079349-01-C28	YD WELTING-FABRIC (C44)
	084415-33-000	YD TRIM-BRAID, CURTAIN - BROWN (C43)
	084415-30-000	YD TRIM-BRAID, CURTAIN - BLUE (C44)
	057534-01-000	EA TIEBACK/TIEDOWN-BED/CURTAIN/DOOR, 6" - CLEAR PLASTIC
	053552-02-AA8	EA HANDLE-ASSIST, INTERIOR - ENTRY DOOR - VINYL - OFF WHITE
	069178-02-000	EA BRACKET-MOUNTING, ASSIST HANDLE - L ANGLE - W/HOLES - ST
	000C16-07-165	EA BOLT-CARRIAGE, ASSIST HANDLE - 7/16" - 14 X 1" ZN
	000D20-07-00B	EA NUT-ACORN, ASSIST HANDLE - 7/16" X 14 ZN
	007021-01-000	EA BELT-SEAT, 2" X 30" - BLACK
	057759-01-000	EA WASHER BRACKET-SEAT BELT, 4" DIAMETER

**FABRICS**

KEY	PART NUMBER	U/M DESCRIPTION
	029219-01-000	YD FABRIC-VINYL, 54" WIDE - WHITE
	072333-82-000	YD FABRIC-CURTAIN, 54" WIDE - BEIGE
	075244-06-000	YD FABRIC-VINYL, SHOWER CURTAIN - 72" WIDE - TEAL (C43)
	075244-05-000	YD FABRIC-VINYL, SHOWER CURTAIN - 72" WIDE - BLUE (C44)
	079680-07-000	YD FABRIC-VINYL, 54" WIDE - BEIGE
	096008-33-000	YD FABRIC-UPHOLSTERY, PATTERNED WOVEN - TEAL (C43) (MAIN)
	104233-19-000	YD FABRIC-UPHOLSTERY, PATTERNED VELOUR (C44) (MAIN)
	096008-94-000	YD FABRIC-UPHOLSTERY, LINES WOVEN - BEIGES & GREEN (C43) (ACCENT)
	104233-18-000	YD FABRIC-UPHOLSTERY, SQUARED VELOUR (C44) (ACCENT)
	103907-01-01A	YD FABRIC-VINYL, 54" WIDE - OFF WHITE (C43)
	104233-17-000	YD FABRIC-UPHOLSTERY, STRIPED VELOUR (C43) (PLAIN ACCENT)
	096008-85-000	YD FABRIC-UPHOLSTERY, PLAIN - 54" WIDE (C44) (PLAIN ACCENT)
	104233-25-000	YD FABRIC-UPHOLSTERY, WOVEN LINES - BEIGES & GREENS (C43)
	104233-23-000	YD FABRIC-UPHOLSTERY, WOVEN LINES - BEIGES & BLUES (C44)
	104233-27-000	YD FABRIC-UPHOLSTERY, PLAIN VELOUR - LIGHT NAVY (C44)
	088273-93-333	YD FABRIC-BEDSPREAD, SHERBET (C43)
	088273-94-000	YD FABRIC-BEDSPREAD, FUGUE BLUE (C44)
	088273-71-000	YD FABRIC-BEDSPREAD, PLAIN (C44) (ACCENT)

**1992 ITASCA  
TABLE OF CONTENTS**

INTRODUCTION	A-01	A-02
ABBREVIATIONS		A-03
ALPHABETICAL INDEX	A-04	A-06
IC522RG	A-07	D-16
IF-524RC	D-17	F-04

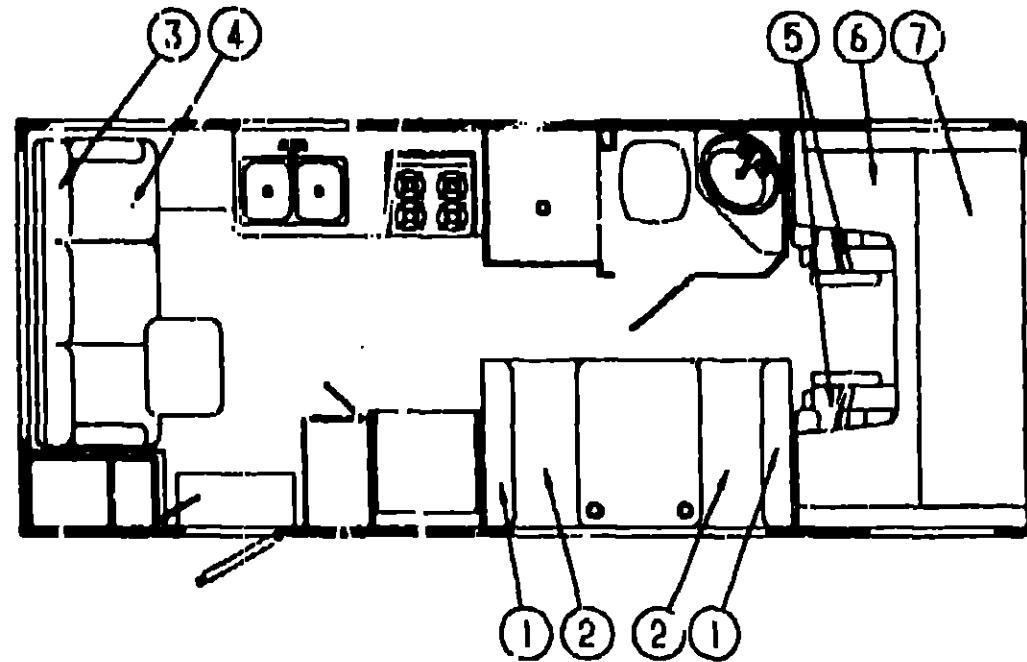
**1992 IC522RG INDEX**

FLOOR PLAN	A-07	A-08
ACCESSORIES		A-09
AUDIO VIDEO		A-10
BATH	A-11	A-12
CHASSIS	A-13	A-15
CURTAIN & CUSHION	A-17	A-24
DINETTE	B-01	B-02
DRIVERS	B-03	B-05
ELECTRICAL	B-06	B-09
EXTERIOR BODY	B-10	B-18
GALLEY	B-19	B-22
GENERATOR		B-23
HEATING & A/C	B-24	C-01
INTERIOR FINISH	C-02	C-05
LABEL	C-06	C-14
LP		C-15
LOUNGE		C-16
SEALANTS & FASTENERS	C-17	C-19
WATER & SEWAGE	C-20	C-22
WINDOW, VENT AND EXTERIOR DOOR	C-23	D-15

**CURTAIN, CUSHION GROUP (CONTINUED)**

**COUCH (CONTINUED)**

**1992 ITASCA  
TABLE OF CONTENTS**



**DINETTE CUSHIONS**

KEY	PART NUMBER	U/M DESCRIPTION
	101236-04-C43	EA ARMREST-COUCH, LEFT
	101236-04-C44	EA ARMREST-COUCH, LEFT
	P01236-04-C43	EA COVER-ARMREST, LEFT
	P01236-04-C44	EA COVER-ARMREST, LEFT
	101085-08-000	EA FRAME-ARM BRACKET,
	101568-04-000	EA BRACKET-ARM, COUCH - LEFT SIDE
	101568-07-000	EA BRACKET-ARM, COUCH - LEFT SIDE
4	100032-06-C43	EA SEAT-COUCH, W/O BACK
4	100032-06-C44	EA SEAT-COUCH, W/O BACK
	P00032-24-C43	EA COVER-SEAT, COUCH - 74"
	P00032-26-C44	EA COVER-SEAT, COUCH - 74"
	101035-04-000	EA FRAME-SEAT, 74.75"

INTRODUCTION	A-01 - A-02
ABBREVIATIONS	A-03
ALPHABETICAL INDEX	A-04 - A-05
IC522RG	A-07 - D-10
IF524RC	D-17 - I-04

**BUCKET SEATS**

KEY	PART NUMBER	U/M DESCRIPTION
5	093450-27-C43	EA SEAT-BUCKET, W/RIGHT ARMREST
5	093450-23-C44	EA SEAT-BUCKET, W/RIGHT ARMREST
5	093450-28-C43	EA SEAT-BUCKET, W/LEFT ARMREST
5	093450-24-C44	EA SEAT-BUCKET, W/LEFT ARMREST
5	093450-29-C43	EA SEAT-BUCKET, W/RIGHT ARMREST (RECLINING & SWIVEL)
5	093450-25-C44	EA SEAT-BUCKET, W/RIGHT ARMREST (RECLINING & SWIVEL)
5	093450-30-C43	EA SEAT-BUCKET, W/LEFT ARMREST (RECLINING & SWIVEL)
5	093450-26-C44	EA SEAT-BUCKET, W/LEFT ARMREST (RECLINING & SWIVEL)

**BUNK CUSHIONS**

KEY	PART NUMBER	U/M DESCRIPTION
6	105573-02-C43	EA CUSHION-BUNK, REAR - 28" X 79" X 5" FROM: 00-00-00 THRU: 01-12-92
6	105573-02-C44	EA CUSHION-BUNK, REAR - 28" X 79" X 5" FROM: 00-00-00 THRU: 01-12-92
	P05573-02-C43	EA COVER-CUSHION, BUNK - REAR - 28" X 79" X 5" FROM: 00-00-00 THRU: 01-12-92
	P05573-02-C44	EA COVER-CUSHION, BUNK - REAR - 28" X 79" X 5" FROM: 00-00-00 THRU: 01-12-92
6	105573-08-C43	EA CUSHION-BUNK, REAR - 27" X 23" X 60" X 5" FROM: 01-13-92 THRU: 99-99-99
6	105573-08-C44	EA CUSHION-BUNK, REAR - 27" X 23" X 80" X 5" FROM: 01-13-92 THRU: 99-99-99
	P05573-08-C43	EA COVER-CUSHION, BUNK - REAR - 27" X 23" X 80" X 5" FROM: 01-13-92 THRU: 99-99-99
	P05573-08-C44	EA COVER-CUSHION, BUNK - REAR - 27" X 23" X 80" X 5" FROM: 01-13-92 THRU: 99-99-99
7	105573-01-C43	EA CUSHION-BUNK, FRONT - 32" X 79" X 5" FROM: 00-00-00 THRU: 01-12-92
7	105573-01-C44	EA CUSHION-BUNK, FRONT - 32" X 79" X 5" FROM: 00-00-00 THRU: 01-12-92
	P05573-01-C43	EA COVER-CUSHION, BUNK - FRONT - 32" X 79" X 5" FROM: 00-00-00 THRU: 01-12-92
	P05573-01-C44	EA COVER-CUSHION, BUNK - FRONT - 32" X 79" X 5" FROM: 00-00-00 THRU: 01-12-92
7	105573-07-C43	EA CUSHION-BUNK, FRONT - 32.5" X 80" X 5" FROM: 01-13-92 THRU: 99-99-99
7	105573-07-C44	EA CUSHION-BUNK, FRONT - 32.5" X 80" X 5" FROM: 01-13-92 THRU: 99-99-99
	P05573-07-C43	EA COVER-CUSHION, BUNK - FRONT - 32.5" X 80" X 5" FROM: 01-13-92 THRU: 99-99-99
	P05573-07-C44	EA COVER-CUSHION, BUNK - FRONT - 32.5" X 80" X 5" FROM: 01-13-92 THRU: 99-99-99

**1992 IC522RG INDEX**

FLOOR PLAN	A-07 - A-08
ACCESSORIES	- A-09
AUDIO VIDEO	- A-10
BATH	A-11 - A-12
CHASSIS	A-13 - A-16
CURTAIN & CUSHION	A-17 - A-24
DINETTE	B-01 - B-02
DRIVERS	B-03 - B-05
ELECTRICAL	B-06 - B-09
EXTERIOR BODY	B-10 - B-18
GALLEY	B-19 - B-22
GENERATOR	- B-23
HEATING & A/C	B-24 - C-01
INTERIOR FINISH	C-02 - C-05
LABEL	C-06 - C-14
LP	- C-15
LOUNGE	- C-16
SEALANTS & FASTENERS	C-17 - C-19
WATER & SEWAGE	C-20 - C-22
WINDOW, VENT AND EXTERIOR DOOR	C-23 - D-15

KEY	PART NUMBER	U/M DESCRIPTION
1	104146-03-C43	EA CUSHION-BACKREST, 13.5" X 36" X 5"
1	104146-03-C44	EA CUSHION-BACKREST, 13.5" X 36" X 5"
	P04146-03-C43	EA COVER-CUSHION, BACKREST - 13.5" X 36" X 5"
	P04146-03-C44	EA COVER-CUSHION, BACKREST - 13.5" X 36" X 5"
	078155-01-000	EA STRAP-SNAP, BACKREST CUSHION
2	105603-01-C43	EA CUSHION-SEATBASE, 23" X 36" X 5"
2	105603-01-C44	EA CUSHION-SEATBASE, 23" X 36" X 5"
	P05603-01-C43	EA COVER-CUSHION, SEATBASE - 23" X 36" X 5"
	P05603-01-C44	EA COVER-CUSHION, SEATBASE - 23" X 36" X 5"

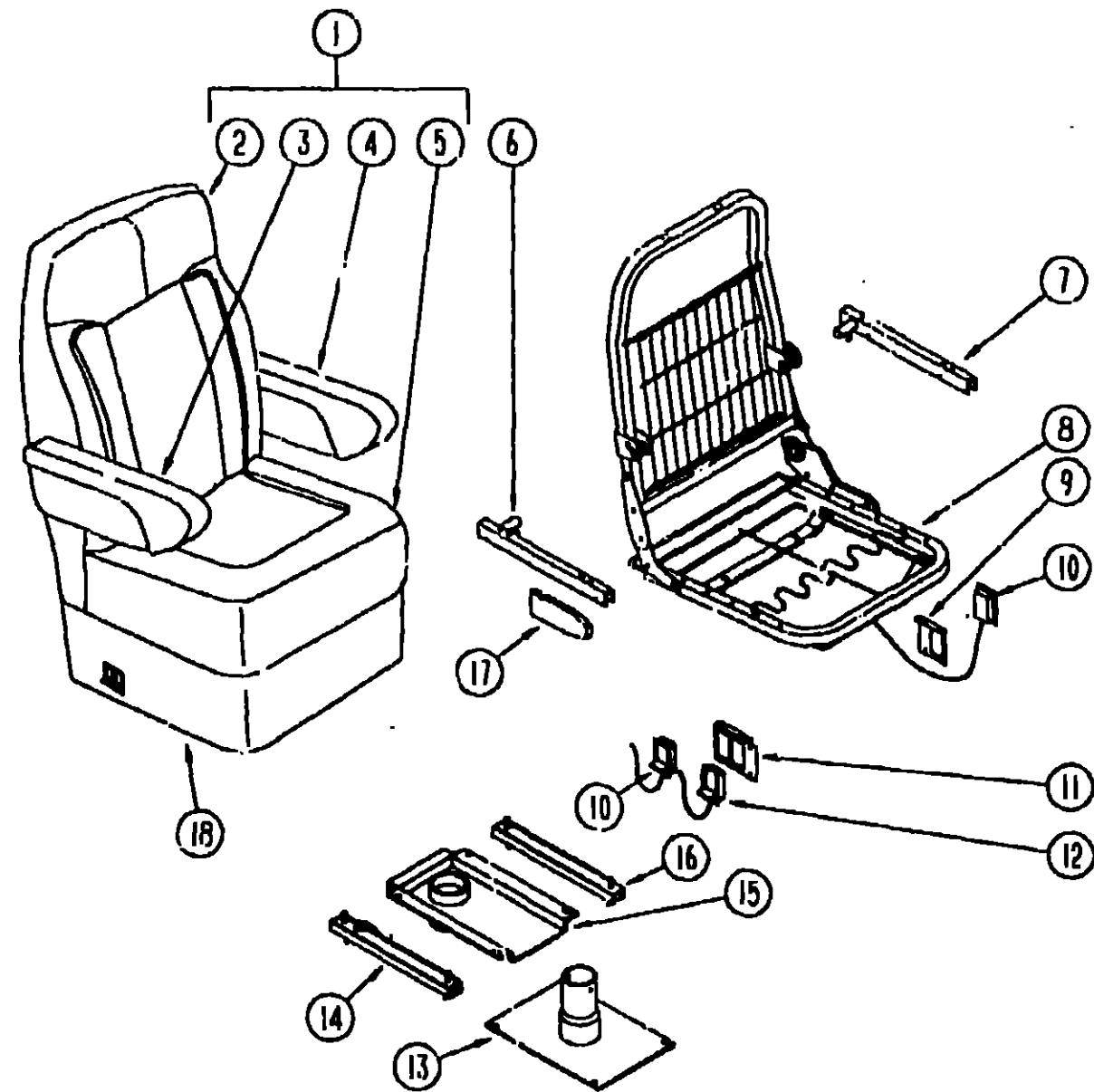
**COUCH**

KEY	PART NUMBER	U/M DESCRIPTION
3	100032-05-C43	EA BACKREST-COUCH, W/O SEAT
3	100032-05-C44	EA BACKREST-COUCH, W/O SEAT
	P00032-05-C43	EA COVER-BACKREST, COUCH - 74"
	P00032-05-C44	EA COVER-BACKREST, COUCH - 74"
	101085-05-000	EA FRAME-BACK, 74.75"
	101236-03-C43	EA ARMREST-COUCH, RIGHT
	101236-03-C44	EA ARMREST-COUCH, RIGHT
	P01236-03-C43	EA COVER-ARMREST, RIGHT
	P01236-03-C44	EA COVER-ARMREST, RIGHT
	101085-07-000	EA FRAME-ARM BRACKET,
	101568-03-000	EA BRACKET-ARM, COUCH - RIGHT SIDE
	101568-01-000	EA BRACKET-ARM, COUCH - RIGHT SIDE



CURTAIN, CUSHION GROUP (CONTINUED)

BUCKET SEAT



KEY	PART NUMBER	U/M DESCRIPTION
3	080243-49-C27	EA ARMREST-RIGHT(C43)
3	080243-49-C26	EA ARMREST-RIGHT(C44)
3	080243-49-C28	EA ARMREST-RIGHT(C44) (RECLINING & SWIVEL)
	M80243-49-C27	EA COVER-ARMREST-RIGHT(C43)
	M80243-49-C26	EA COVER-ARMREST-RIGHT(C44)
	M80243-49-C28	EA COVER-ARMREST-RIGHT(C44) (RECLINING & SWIVEL)
4	080243-50-C27	EA ARMREST-LEFT(C43)
4	080243-50-C26	EA ARMREST-LEFT(C44)
4	080243-50-C28	EA ARMREST-LEFT(C44) (RECLINING & SWIVEL)
	M80243-50-C27	EA COVER-ARMREST-LEFT(C43)
	M80243-50-C26	EA COVER-ARMREST-LEFT(C44)
	M80243-50-C28	EA COVER-ARMREST-LEFT(C44) (RECLINING & SWIVEL)
5	M03445-63-C43	EA COVER-SEAT-BUCKET(C43)
5	M03445-23-C44	EA COVER-SEAT-BUCKET(C44)
6	081268-01-000	EA ROD & CHANNEL-ARMREST-RIGHT-METAL
7	081268-02-000	EA ROD & CHANNEL-ARMREST-LEFT-METAL
	081361-01-000	EA ROD-ARMREST-METAL-RIGHT OR LEFT HAND
8	MR0906-06-000	EA FRAME-SEAT&BACK&SPRING
8	ML0906-05-000	EA FRAME-SEAT&BACK&SPRING (RECLINING & SWIVEL)
	101125-01-000	EA RECLINER-SEAT BACK-LEFT HAND REMOTE
9	097683-03-000	EA BRACKET-REMOTE-SIDE MOUNT-SINGLE
10	089368-04-000	EA CABLE-SWIVEL-W/SWITCH-BUCKET SEAT
11	097683-02-000	EA BRACKET-MOUNT-REMOTE
12	089368-05-000	EA CABLE-RECLINER-W/SWITCH-BUCKET SEAT
13	069585-02-000	EA PLATE-SUB-BASE-BUCKET SEAT - 12" X 13" - STEEL FROM: 00-00-00 THRU: 10-06-91
13	069585-41-000	EA PLATE-SUB-BASE-BUCKET SEAT - 12" X 13" - STEEL FROM: 10-07-91 THRU: 99-99-99
14	069246-05-000	EA ADJUSTER-SEAT/CHAIR-W/REMOTE-FORWARD & BACK
	069246-05-700	EA SPRING-ADJUSTER-FOR REMOTE
	069246-05-701	EA CLIP-CABLE-FOR REMOTE
15	C32481-04-000	EA TOP PLATE-PEDESTAL-BUCKET SEAT - W/O SEATBELT BAR
16	069246-02-000	EA ADJUSTER-SEAT/CHAIR-W/O LOCK-FORWARD & BACK
	069585-03-000	EA PEDESTAL-LOWER-W/EXTENSION-9" X 5" - STEEL
17	089369-08-000	EA SHIELD-CABLE-REMOTE RECLINER-BUCKET SEAT
18	071126-24-C27	EA SKIRT-BUCKET SEAT (C43)
18	071126-24-C28	EA SKIRT-BUCKET SEAT (C44)

1992 ITASCA  
TABLE OF CONTENTS

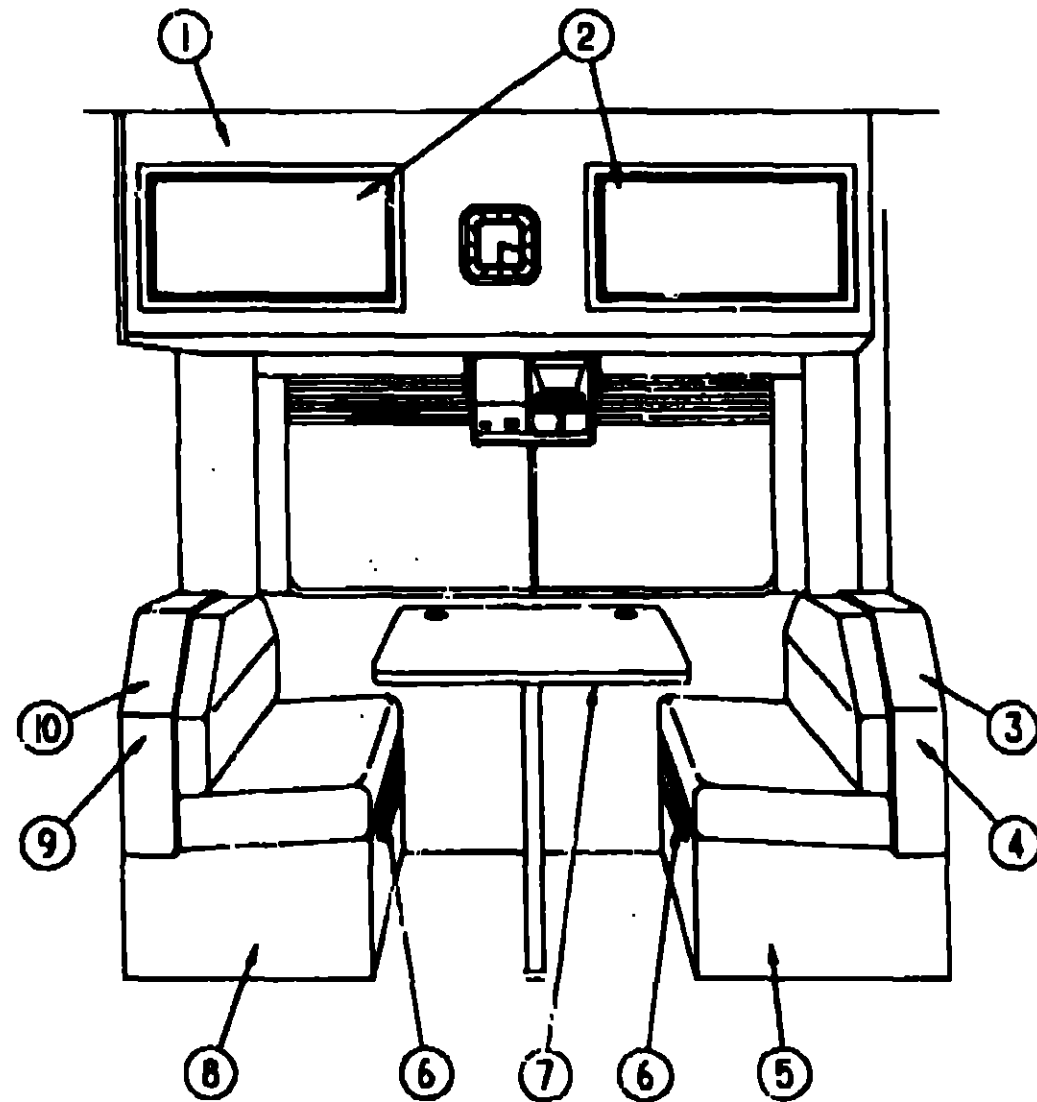
INTRODUCTION	A-01	A-02
ABBREVIATIONS		A-03
ALPHABETICAL INDEX	A-04	A-08
IC522RG	A-07	D-16
IF524RC	D-17	H-04

1992 IC522RG INDEX

FLOOR PLAN	A-07	A-08
ACCESSORIES		A-09
AUDIO VIDEO		A-10
BATH	A-11	A-12
CHASSIS	A-13	A-16
CURTAIN & CUSHION	A-17	A-24
DINETTE	B-01	B-02
DRIVERS	B-03	B-05
ELECTRICAL	B-06	B-09
EXTERIOR BODY	B-10	B-18
GALLEY	B-19	B-22
GENERATOR		B-23
HEATING & A/C	B-24	C-01
INTERIOR FINISH	C-02	C-05
LABEL	C-06	C-14
LP		C-15
LOUNGE		C-16
SEALANTS & FASTENERS	C-17	C-19
WATER & SEWAGE	C-20	C-22
WINDOW, VENT AND EXTERIOR DOOR	C-23	D-15

KEY	PART NUMBER	U/M DESCRIPTION
1	093450-27-C43	EA SEAT-BUCKET, W/RIGHT ARMREST
1	093450-23-C44	EA SEAT-BUCKET, W/RIGHT ARMREST
1	093450-28-C43	EA SEAT-BUCKET, W/LEFT ARMREST
1	093450-24-C44	EA SEAT-BUCKET, W/LEFT ARMREST
1	093450-29-C43	EA SEAT-BUCKET, W/RIGHT ARMREST (RECLINING & SWIVEL)
1	093450-25-C44	EA SEAT-BUCKET, W/RIGHT ARMREST (RECLINING & SWIVEL)
1	093450-30-C43	EA SEAT-BUCKET, W/LEFT ARMREST (RECLINING & SWIVEL)
1	093450-26-C44	EA SEAT-BUCKET, W/LEFT ARMREST (RECLINING & SWIVEL)
2	M03445-62-C43	EA COVER-BACK-BUCKET
2	M03445-22-C44	EA COVER-BACK-BUCKET

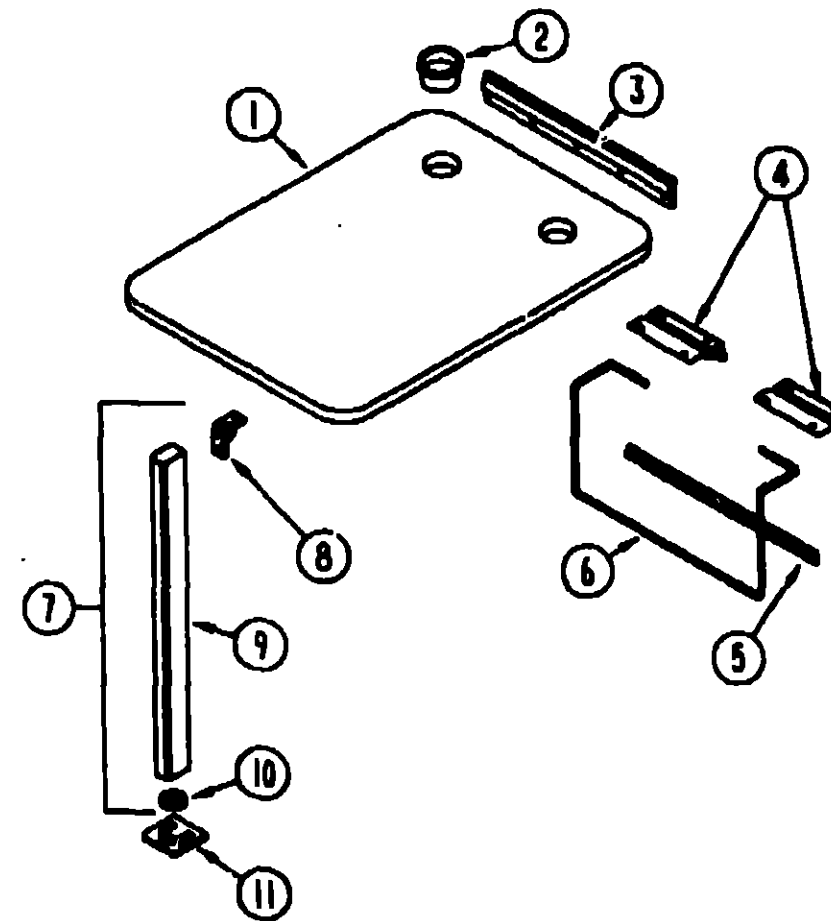
**DINETTE GROUP**



**CABINETS, TABLE & PADS**

KEY	PART NUMBER	U/M DESCRIPTION
1	M05678-10-C43	EA CABINET-OVERHEAD, W/O DOORS
1	M05678-10-C44	EA CABINET-OVERHEAD, W/O DOORS
	104335-09-C43	EA END CAP-CABINET - OVERHEAD
2	P03702-12-C43	EA DOOR ASM-HDW-MITERED - 400 X 710MM
3	104787-01-C43	EA PAD-BACKREST, DINETTE - RIGHT (C43)
3	104787-01-C26	EA PAD-BACKREST, DINETTE - RIGHT (C44)
4	M04174-17-C43	EA CABINET-BACKREST, RIGHT
5	M04175-17-C43	EA CABINET-SEATBASE, RIGHT
6	081295-01-AA8	EA SUPPORT-BED, DINETTE
7	M92743-15-C43	EA TABLE-DINETTE, W/O HARDWARE
7	M92743-15-C44	EA TABLE-DINETTE, W/O HARDWARE
8	M04175-18-C43	EA CABINET-SEATBASE, LEFT
9	M04174-18-C43	EA CABINET-BACKREST, LEFT
10	104787-02-C43	EA PAD-BACKREST, DINETTE - LEFT
10	104787-02-C44	EA PAD-BACKREST, DINETTE - LEFT

**DINETTE GROUP (CONTINUED)**



**TABLE**

KEY	PART NUMBER	U/M DESCRIPTION
1	M92743-15-C43	EA TABLE-DINETTE, W/O HARDWARE
1	M92743-15-C44	EA TABLE-DINETTE, W/O HARDWARE
2	084781-08-000	EA HOLDER-CUP, TWO STEP - OFF WHITE
3	053200-05-000	EA BRACKET-TABLE SUPPORT, UPPER WALL MOUNTED - 23.5" - BEIGE
4	088410-01-000	EA BRACKET-LIFT, TABLE MOUNTED - BEIGE
5	024281-07-000	EA BRACKET-LIFT ROD, LOWER WALL MOUNTED - 22.12" - BEIGE
6	024275-05-000	EA ROD-TABLE LIFT, 8" X 23.5" - BEIGE
7	092708-08-C52	EA LEG ASM-TABLE
8	053550-01-000	EA BRACKET-HINGE, MOUNTS TO LEG & TABLE TOP - 1.7" X 2.6"
9	092707-01-01A	EA MOLDING-OAK, REGAL
10	092593-01-04A	EA CATCH-LEG, LEG MOUNTED - ROUND - 1.4" DIA - METAL - BEIGE
11	049493-11-700	EA CATCH-LEG, FLOOR MOUNTED - 2.5" X 2.7" - METAL - E-COAT

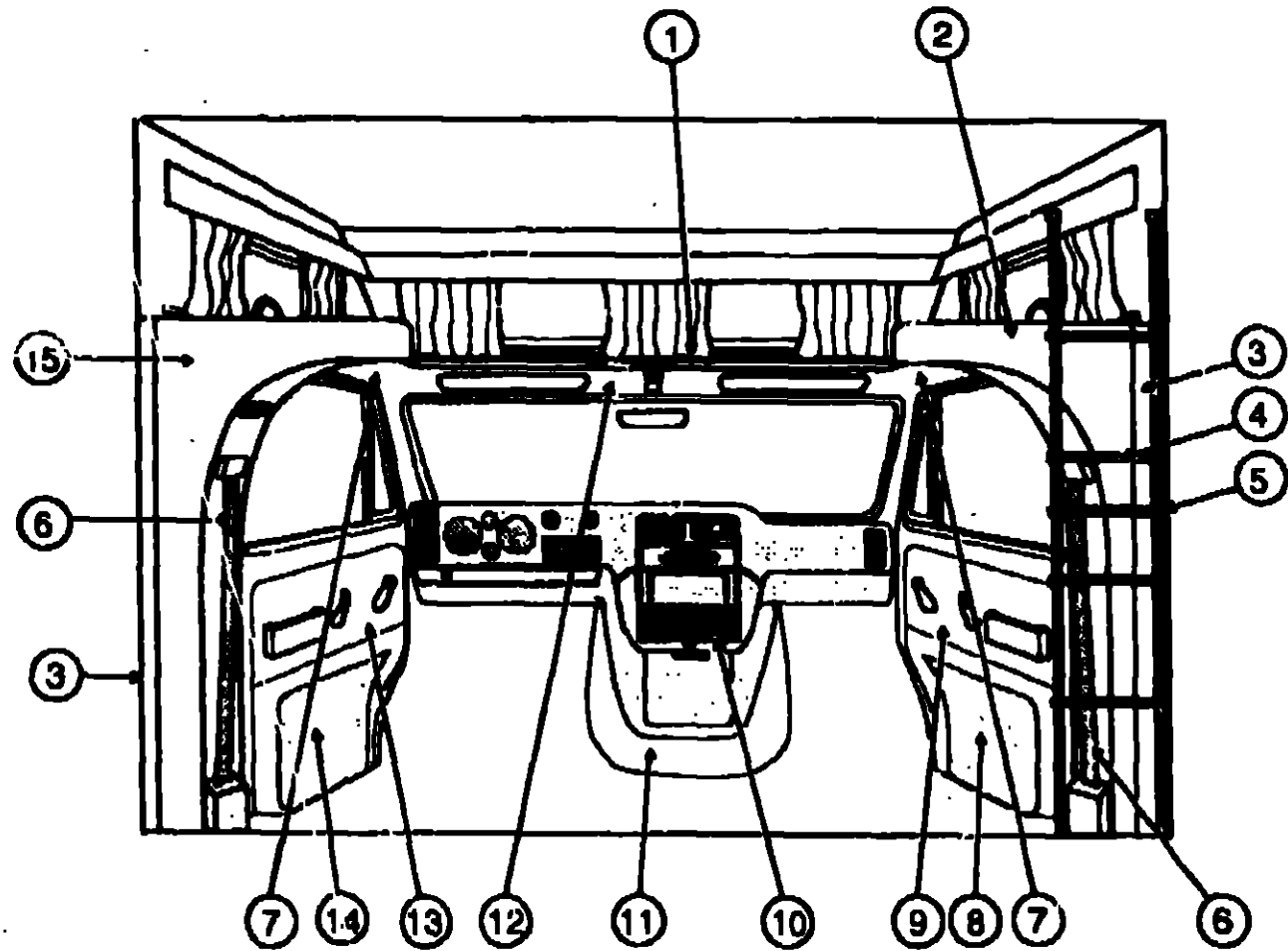
**1992 ITASCA  
TABLE OF CONTENTS**

INTRODUCTION	A-01 - A-02
ABBREVIATIONS	A-03
ALPHABETICAL INDEX	A-04 - A-06
IC522RG	A-07 - D-18
IF524RC	D-17 - H-04

**1992 IC522RG INDEX**

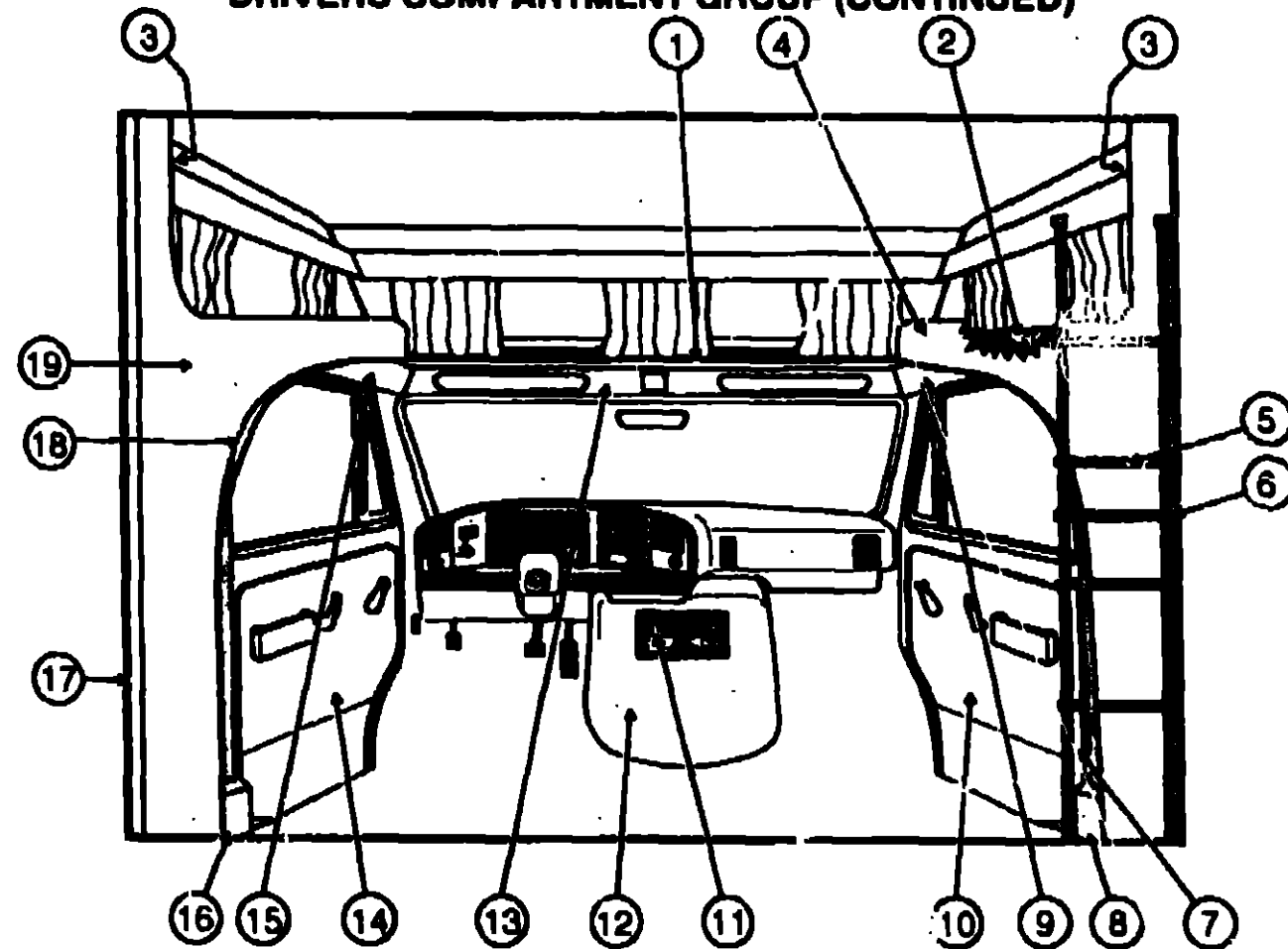
FLOOR PLAN	A-07 - A-08
ACCESSORIES	- A-09
AUDIO VIDEO	- A-10
BATH	A-11 - A-12
CHASSIS	A-13 - A-16
CURTAIN & CUSHION	A-17 - A-24
DINETTE	B-01 - B-02
DRIVERS	B-03 - B-05
ELECTRICAL	B-06 - B-09
EXTERIOR BODY	B-10 - B-18
GALLEY	B-19 - B-22
GENERATOR	- B-23
HEATING & A/C	B-24 - C-01
INTERIOR FINISH	C-02 - C-05
LABEL	C-06 - C-14
LP	- C-15
LOUNGE	- C-16
SEALANTS & FASTENERS	C-17 - C-19
WATER & SEWAGE	C-20 - C-22
WINDOW, VENT AND EXTERIOR DOOR	C-23 - D-15

**DRIVERS COMPARTMENT GROUP**



**CHEVY DRIVERS COMPARTMENT**

**DRIVERS COMPARTMENT GROUP (CONTINUED)**



**FORD DRIVERS COMPARTMENT**

**1992 ITASCA  
TABLE OF CONTENTS**

INTRODUCTORY	A-01 -	A-02
ABBREVIATIONS		A-03
ALPHABETICAL INDEX	A-04 -	A-06
IC522RG	A-07 -	D-16
IF524RC	D-17 -	H-04

**1992 IC522RG INDEX**

FLOOR PLAN	A-07 -	A-08
ACCESSORIES		A-09
AUDIO VIDEO		A-10
BATH	A-11 -	A-12
CHASSIS	A-13 -	A-16
CURTAIN & CUSHION	A-17 -	A-24
DINETTE	B-01 -	B-02
DRIVERS	B-03 -	B-05
ELECTRICAL	B-06 -	B-09
EXTERIOR BODY	B-10 -	B-18
GALLEY	B-19 -	B-22
GENERATOR		B-23
HEATING & A/C	B-24 -	C-01
INTERIOR FINISH	C-02 -	C-05
LABEL	C-06 -	C-14
L.P.		C-15
LOUNGE		C-16
SEALANTS & FASTENERS	C-17 -	C-19
WATER & SEWAGE	C-20 -	C-22
WINDOW, VENT AND EXTERIOR DOOR	C-23 -	D-15

KEY	PART NUMBER	U/M DESCRIPTION
1	106444-01-01A	EA TRIM-SLEEPERBOARD, INNER OFF WHITE
1	080742-03-000	FT TRIM-VINYL, SLEEPER BOARD - OFF WHITE
2	105684-01-C52	EA WINGWALL ASM-INNER, RIGHT (CHEVY)
3	082071-28-C43	EA COVER-WINGWALL, VINYL TRIM - OFF WHITE
4	106025-01-01A	EA LADDER-BUNK, BLACK - 1434 MM
	106025-01-700	EA BRACKET SET F/BUNK LADDER
5	099856-03-000	EA STRAP ASM-TIEDOWN, BUNK LADDER
6	078302-03-000	EA SEAT BELT, DRIVER AND PASSENGER
	087932-03-000	EA BRACKET ASM-SHOULDER HARNESS, ANGLE W/WELD NUT & GUSSET - LEFT
	087932-04-000	EA BRACKET ASM-SHOULDER HARNESS, ANGLE W/WELD NUT & GUSSET - RIGHT
7	091625-02-AA3	EA HEADLINER-VINYL COVERED, SIDE - 2 USED - OFF WHITE (CHEVY)
8	082552-02-C43	EA PANEL-DOOR, CAB (CHEVY) (C43)
8	082552-02-B88	EA PANEL-DOOR, CAB (CHEVY) (C44)
9	059491-01-C43	EA SIDEPANEL-DOOR, RIGHT (CHEVY) (C43)
9	059491-01-C44	EA SIDEPANEL-DOOR, RIGHT (CHEVY) (C44)
10	100516-01-B27	EA TRAY-BEVERAGE (CHEVY)
10	M04194-01-B27	EA TRAY-BEVERAGE - UNSTAINED (CHEVY)
	046886-03-000	EA ASHTRAY-CHROME, W/COVER
11	074891-08-C43	EA COVER-MOTOR (CHEVY) (C43)
11	074891-08-C44	EA COVER-MOTOR (CHEVY) (C44)
12	061831-01-AA3	EA HEADLINER-VINYL COVERED, FRONT - OFF WHITE (CHEVY)
13	057492-01-C43	EA SIDEPANEL-DOOR, CAB LEFT (CHEVY) (C43)
13	057492-01-C44	EA SIDEPANEL-DOOR, CAB LEFT (CHEVY) (C44)
14	082552-03-C43	EA PANEL-DOOR, CAB (CHEVY) (C43)
14	082552-03-B88	EA PANEL-DOOR, CAB (CHEVY) (C44)
15	105684-02-C52	EA WINGWALL ASM-INNER, LEFT (CHEVY)

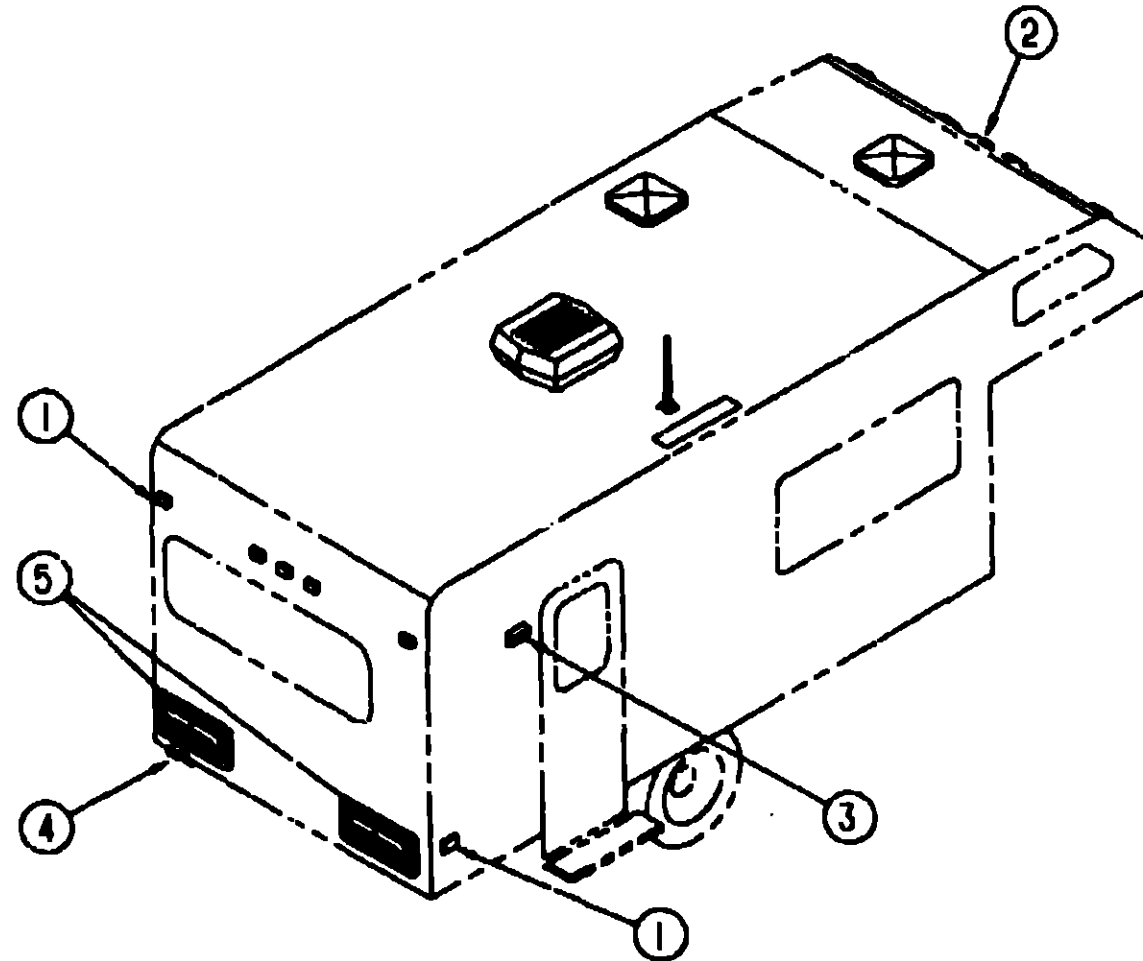
KEY	PART NUMBER	U/M DESCRIPTION
1	106444-01-01A	EA TRIM-SLEEPERBOARD, INNER - OFF WHITE
1	080742-03-000	FT TRIM-VINYL, SLEEPER BOARD - OFF WHITE
2	105777-01-C43	EA PAD ASM-BUNK, OVERHEAD (FORD) (C43)
2	105777-01-C24	EA PAD ASM-BUNK, OVERHEAD (FORD) (C44)
3	082071-12-C52	EA COVER-WINGWALL
4	106440-01-C52	EA WINGWALL ASM-INNER, RIGHT (FORD)
	106445-01-C52	EA TRIM ASM-WINGWALL WRAP, RIGHT (FORD) BETWEEN CAB STEEL & B PILLAR TRIM
5	108025-01-01A	EA LADDER-BUNK, BLACK - 1434MM
	106025-01-700	EA BRACKET SET F/BUNK LADDER
6	099856-03-000	EA STRAP ASM-TIEDOWN, BUNK LADDER
7	106448-01-C52	EA TRIM ASM-CAB, B-PILLAR - RIGHT (FORD)
8	106431-01-01A	EA COVER-SEATBELT, RIGHT - OFF WHITE (FORD)
9	106447-01-C52	EA TRIM ASM-CAB DOOR, UPPER - RIGHT (FORD)
10	106432-01-C43	EA PANEL ASM-DOOR, INNER, RIGHT (FORD)
10	106432-01-C44	EA PANEL ASM-DOOR, INNER, RIGHT (FORD)
11	106634-01-C43	EA TRAY ASM-BEVERAGE (FORD)
		FROM: 00-00-00 THRU: 01-26-92
11	107134-02-C43	EA TRAY-BEVERAGE, OAK - W/CASSETTE HOLDER (FORD)
		FROM: 01-27-92 THRU: 99-99-99
	046886-03-000	EA ASHTRAY-CHROME, W/COVER
12	069885-23-C43	EA COVER-MOTOR, W/POCKET (FORD)
12	069885-23-C44	EA COVER-MOTOR, W/POCKET (FORD)
13	108448-01-C52	EA HEADLINER-VINYL COVERED, FRONT - OFF WHITE (FORD)
14	106432-02-C43	EA PANEL ASM-DOOR, INNER, LEFT (FORD)
14	106432-02-C44	EA PANEL ASM-DOOR, INNER, LEFT (FORD)
15	106447-02-C52	EA TRIM ASM-CAB DOOR, UPPER - LEFT (FORD)
16	106431-02-01A	EA COVER-SEATBELT, LEFT - OFF WHITE (FORD)
17	082081-29-C43	EA COVER-WINGWALL, 8' LONG - VINYL - OFF WHITE (1 USED ON EACH SIDE)
18	106448-02-C52	EA TRIM ASM-CAB, B-PILLAR, RIGHT (FORD)
19	106440-02-C52	EA WINGWALL ASM-INNER, LEFT (FORD)
		FROM: 00-00-00 THRU: 04-13-92
19	106440-02-C52	EA WINGWALL ASM-INNER, LEFT (FORD)
		FROM: 04-14-92 THRU: 99-99-99
	106445-07-C52	EA TRIM ASM-WINGWALL WRAP, LEFT (FORD)

**DRIVERS COMPARTMENT GROUP (CONTINUED)**

**INSTRUMENT CLUSTERS**

KEY	PART NUMBER	U/M DESCRIPTION
	094797-03-000	EA CLUSTER-INSTRUMENT PANEL, KILOMETER, GM-25088314 (CHEVY)
	046885-01-000	EA PLAQUE-SWITCH-MOUNTING, BAT & FUEL SWITCHES (CHEVY)
	94795-02-000	EA CLUSTER-INSTRUMENT PANEL, KILOMETER - FOUZ-17255-B (FORD) FROM: 09-00-00 THRU: 10-06-91
	094795-03-000	EA CLUSTER-INSTRUMENT PANEL, KILOMETER - FORD F2UF10849BF (FORD) FROM: 10-07-91 THRU: 99-99-99
	094795-01-000	EA SPEEDOMETER-KILOMETER (FORD)
	081082-01-000	EA PLAQUE-MOUNTING, BATTERY/FUEL SWITCH - 2.4" X 1.4" - BLK (FORD)
	100138-01-000	EA MODULE-DAYTIME RUNNING LIGHT
	024461-01-000	EA SWITCH-BATT, BATT/DUAL/MOM

**ELECTRICAL GROUP**



**1992 ITASCA  
TABLE OF CONTENTS**

INTRODUCTION	A-01	A-02
ABBREVIATIONS		A-03
ALPHABETICAL INDEX	A-04	A-06
IC522RG	A-07	D-16
IF524RC	D-17	H-04

**EXTERIOR LIGHTS & BULBS**

KEY	PART NUMBER	U/M DESCRIPTION
1	042405-01-000	EA LENS-CLEARANCE/SIDEMARKER LIGHT, W/REFLEX - RED
1	042405-03-000	EA BASE-CLEARANCE/SIDEMARKER LIGHT W/BULB - PLASTIC - WHITE
1	008213-01-000	EA BULB
2	042405-02-000	EA LENS-CLEARANCE/SIDEMARKER LIGHT - W/REFLEX - AMBER
2	042405-03-000	EA BASE-CLEARANCE/SIDEMARKER LIGHT W/BULB - PLASTIC - WHITE
2	008213-01-000	EA BULB
	091983-01-000	EA GASKET-CLEARANCE/SIDEMARKER LIGHT
3	087917-01-01A	EA LIGHT-PORCH, ENTRY DOOR - OFF WHITE
	008215-01-000	EA BULB
	087917-01-700	EA LENS
4	066432-01-000	EA LIGHT-LICENSE PLATE, W/BRACKET
5	103545-01-01A	EA TAIL LIGHT ASM-TRIPLE, HORIZONTAL - BARGMAN 30-84-103
	037934-01-000	EA BULB-12V NO1156 2.17AMP
	037935-01-000	EA BULB-12V NO1157 2.10AMP
	081638-01-700	EA LENS TAILLIGHT (RED)
	103545-01-70U	EA LENS-BACKUP
5	105846-01-01A	EA TRIM-TAIL LIGHT, REAR - LIGHT GRAY

**1992 IC522RG INDEX**

FLOOR PLAN	A-07	A-08
ACCESSORIES		A-09
AUDIO VIDEO		A-10
BATH	A-11	A-12
CHASSIS	A-13	A-16
CURTAIN & CUSHION	A-17	A-24
DINETTE	B-01	B-02
DRIVERS	B-03	B-05
ELECTRICAL	B-06	B-09
EXTERIOR BODY	B-10	B-18
GALLEY	B-19	B-22
GENERATOR		B-23
HEATING & A/C	B-24	C-01
INTERIOR FINISH	C-02	C-05
LABEL	C-06	C-14
LP		C-15
LOUNGE		C-18
SEALANTS & FASTENERS	C-17	C-19
WATER & SEWAGE	C-20	C-22
WINDOW, VENT AND EXTERIOR DOOR	C-23	D-15

**ELECTRICAL GROUP (CONTINUED)**

**INTERIOR LIGHTS & BULBS**

KEY	PART NUMBER	U/M DESCRIPTION
	082189-01-000	EA LIGHT-MAKE-UP, 3 BULB - JENSEN X148-168R
	081633-01-700	EA BULB
	086280-01-000	EA LIGHT-SURFACE MOUNT, 12V - JENSEN 1238
	086280-01-700	EA BULB
	098024-01-01A	EA LIGHT-DOME, 1 BULB - US - IVORY
	098024-03-01A	EA LIGHT-DOME, 2 BULB - IVORY
	008218-01-000	EA BULB
	098024-01-700	EA LENS
	104173-01-01A	EA LIGHT-DESIGNER, BRASS - #81-905 - A.W. ASPLUND BULB #93 12V
	104172-01-01A	EA LIGHT-BULLET, BEIGE - #787 SERIES BULB #93 12V
	008215-01-000	EA BULB-12V, #1003 - .94AMP

**SWITCHES & RECEPTACLES**

KEY	PART NUMBER	U/M DESCRIPTION
	100312-01-000	EA SWITCH-DOOR JAMB, ELECTRIC ENTRY STEP - METAL
	075723-01-000	EA SPACER-SWITCH, W/O HOLE - .2" X .9" X 2" - METAL - OFF WHITE
	075723-02-000	EA SPACER-SWITCH, W/HOLE - .2" X .9" X 2" - METAL - OFF WHITE FOR ELECTRIC STEP DOOR JAMB SWITCH
	095188-01-01A	EA SPACER-SWITCH, 2.3" X 3.4" - PLASTIC - DARK BROWN
	079364-01-000	EA SWITCH-ON/OFF ROCKER, 2 PRONGS - BROWN
	079364-03-000	EA SWITCH-ON/OFF ROCKER, 3 PRONGS - BROWN
	098351-01-01A	EA PLATE-SWITCH, 1 GANG - POLISHED BRASS
	098351-02-01A	EA PLATE-SWITCH, 2 GANG - POLISHED BRASS
	098351-05-01A	EA PLATE-SWITCH, 3 GANG - POLISH BRASS - JENSEN
	098351-08-01A	EA PLATE-SWITCH, 2 GANG W/LABEL - JENSEN - POLISHED BRASS
	108357-08-000	EA SWITCH-ROCKER, DPDT ON/NONE/ON
	108356-02-01A	EA ACTUATOR-SWITCH DIMPLE II "CARLING WVAZC00 BLA
	084078-01-000	EA RECEPTACLE-GFI, 15A - 125V - IVORY
	084077-01-000	EA PLATE-COVER, RECEPTACLE - GFI - IVORY
	097734-01-02A	EA EXTENSION-RECEPTACLE, 3.2" X 5" X .7" - PLASTIC - BROWN
	102568-01-B32	EA SPACER-RECEPTACLE, BETWEEN SIDEWALL & PLATE - WOOD
	058707-01-000	EA RECEPTACLE-ELECTRIC, SINGLE - BROWN
	058708-01-000	EA RECEPTACLE-ELECTRIC, DOUBLE - BROWN
	058708-02-000	EA RECEPTACLE-ELECTRIC, DOUBLE - IVORY
	075736-02-000	EA COVER-EXTERIOR RECEPTACLE, OFF WHITE
	054250-01-000	EA COVER-ANGLED, W/O HOLE - 3.6" X 4.5" - PLASTIC - BEIGE ELECTRICAL PLATE SUPPORT
	054250-04-000	EA COVER-ANGLED, W/O HOLE - 3.6" X 4.5" - PLASTIC - OFF WHITE ELECTRICAL PLATE SUPPORT

**CONTROL CENTER & POWER CONVERTER**

KEY	PART NUMBER	U/M DESCRIPTION
	083208-01-000	EA CONVERTOR-POWER 32A - 120V/12V - BW 6332
	083208-01-000	EA CONVERTOR-POWER, 32A - 120V/12V - BW 6332
	094809-01-000	EA CENTER-LOAD, 240V - 125A - TPL412CT

**ELECTRICAL GROUP (CONTINUED)**

**CIRCUIT BREAKERS & FUSES**

KEY	PART NUMBER	U/M DESCRIPTION
	008211-01-000	EA BREAKER-CIRCUIT, 12V - 6AMP
	008268-01-000	EA BREAKER-CIRCUIT, W/MOUNT - 30A - 12V
	008235-01-000	EA FUSE-AUTOMOTIVE, 12V - 15AMP
	008277-01-000	EA FUSE-HOLDER, PANEL MOUNT - BLACK
	062901-02-000	EA FUSE-5 AMP, AUTOMOTIVE
	082901-05-000	EA FUSE-15 AMPS, AUTOMOTIVE
	083209-01-000	EA CIRCUIT BREAKER-15 AMP, 120V - BW G-15 - CANDIAN
	083209-02-000	EA CIRCUIT BREAKER-15/15AMP, 120V - BW H-15/15
	083209-03-000	EA CIRCUIT BREAKER-15/20AMP, 120V - BW - 0-15/20
	083209-04-000	EA CIRCUIT BREAKER-30A, 120V - BW L-30
	083209-06-000	EA CIRCUIT BREAKER-30/15 AMP, 120V - BW D-30/15
	083209-08-000	EA BREAKER-CIRCUIT, BLANK - BW
	093654-01-000	EA CIRCUIT BREAKER-8 AMP, HOUSE CONTROL PANEL
	093655-01-000	EA CIRCUIT BREAKER-25 AMP
	093655-02-000	EA CIRCUIT BREAKER-30 AMP, HOUSE CONTROL PANEL
	094810-01-000	EA BREAKER-CIRCUIT, DOUBLE 30 AMP - GE THQL2130
	094811-01-000	EA BREAKER-CIRCUIT, DOUBLE 20 AMP - GE THQL2120
	107165-01-01A	EA BOX-CIRCUIT BREAKER MNT BLK

**ELECTRIC CORDS & BOXES**

KEY	PART NUMBER	U/M DESCRIPTION
	008052-01-000	EA CORD-POWER 10/3 - 30 AMP - 25' (CSA)
	008052-01-000	EA CORD-POWER, 10/3 - 30 AMP - 25' - CANADIAN
	008054-01-000	EA CORD-POWER, 10/3 - 30 AMP - 25'
	008288-01-000	EA BOX-PLASTIC ELECTRIC, 3' X 3 1/2"
	008289-01-000	EA BOX-ELECTRIC, STEEL - 1/2" AND 3/4" KNOCKOUTS - 4" X 4"
	008289-02-000	EA BOX-ELECTRICAL, 4" X 4" - 1/2" & 3/4" KNOCKOUTS - CANDIAN
	008294-01-000	EA COVER-ELECTRICAL BOX, BLANK/STEEL - 4" X 4" - GRAY
	008294-02-000	EA COVER-ELECTRICAL BOX, BLANK STEEL - 4" X 4" - CANADIAN
	058049-01-000	EA BOX-ELECTRIC SWITCH, 2" X 3" X 2.25"
	089238-01-000	EA COVER-ELECTRICAL BOX, W/HOLE - 4" X 4" - GRAY USED WITH 30 AMP RECEPTACLE
	091910-01-000	EA BOX-ELECTRIC, 3.75" X 3.5" X 1.75" - PLASTIC
	093503-01-000	EA BOX-ELEC-STL 4X2 1/8X2 1/8 STL CTY 58371 1/2

**WIRE ASSEMBLIES**

KEY	PART NUMBER	U/M DESCRIPTION
	100159-02-000	EA WIRE ASM-DAYTIME RUNNING LIGHTS, W/FUSE
	105308-01-000	EA WIRE ASM-MONITOR PANEL ADAPT 92 500-SERIES
	105321-01-000	EA WIRE ASM-ELECTRIC STEP

**1992 ITASCA  
TABLE OF CONTENTS**

INTRODUCTION	A-01 -	A-02
ABBREVIATIONS		A-03
ALPHABETICAL INDEX	A-04 -	A-06
IC522RG	A-07 -	D-15
IF524RC	D-17 -	H-04

**1992 IC522RG INDEX**

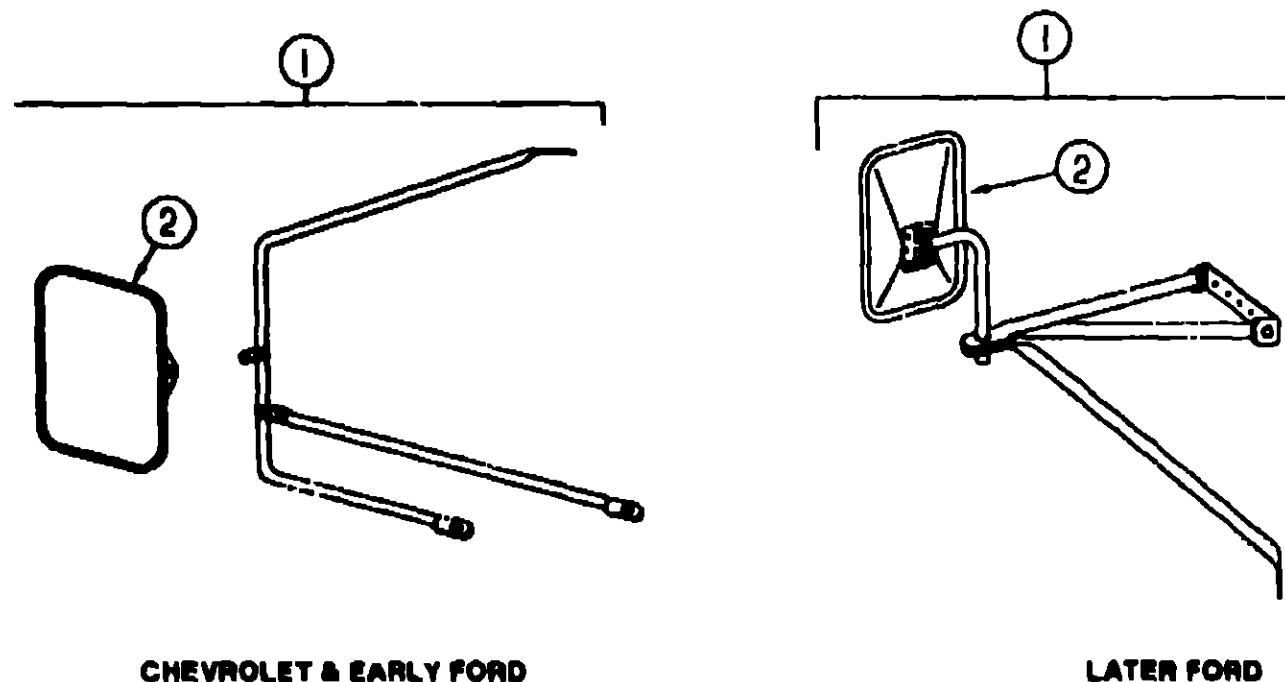
FLOOR PLAN	A-07 -	A-08
ACCESSORIES		A-09
AUDIO VIDEO		A-10
BATH	A-11 -	A-12
CHASSIS	A-13 -	A-16
CURTAIN & CUSHION	A-17 -	A-24
DINETTE	B-01 -	B-02
DRIVERS	B-03 -	B-05
ELECTRICAL	B-06 -	B-09
EXTERIOR BODY	B-10 -	B-18
GALLEY	B-19 -	B-22
GENERATOR		B-23
HEATING & A/C	B-24 -	C-01
INTERIOR FINISH	C-02 -	C-05
LABEL	C-06 -	C-14
LP		C-15
LOUNGE		C-16
SEALANTS & FASTENERS	C-17 -	C-19
WATER & SEWAGE	C-20 -	C-22
WINDOW, VENT AND EXTERIOR DOOR	C-23 -	D-15

## ELECTRICAL GROUP (CONTINUED)

### ELECTRIC CONNECTORS & CONDUIT

KEY	PART NUMBER	U/M DESCRIPTION
	007940-01-000	EA RECEPTACLE-SLIDE 16 TO 12 AWG - FEMALE END
	008474-10-000	EA HOUSING-SOCKET 2 POSITION
	007940-01-000	EA RECEPTACLE-SLIDE, 16 TO 12 AWG - FEMALE END
	008188-01-000	EA SOLENOID-3 POST, BATTERY CHANGE OVER
	008311-01-000	EA CONNECTOR-WIRE NUT, INSULATED - RED
	008314-01-000	EA CONNECTOR-WIRE NUT, INSULATED - GRAY
	008326-01-000	EA TERMINAL-RING, 16/14 WIRE - 3/8" STUD
	008328-01-000	EA TERMINAL-RING, 12/10 WIRE - #10 STUD FIT
	008331-01-000	EA TERMINAL-RING, TONGUE - #4 WIRE - 3/8" STUD - COPPER
	008348-01-000	EA TERMINAL-RING, 3/8" STUD - #2 WIRE
		CONNECTS CABLE TO DISCONNECT RELAY AND BATTERY
	035416-04-000	EA TERMINAL-RING #10 STUD FIT, INSULATED BARREL #16/1
	008355-01-000	EA CONNECTOR-CABLE CLAMPING, 3/4"
	008358-01-000	EA CONNECTOR-PLASTIC, 3/8" AVG
	024924-02-000	EA RECEPTACLE-POWER CORD, W/PARTIAL PLATE
	041953-01-000	FT CONDUIT-CONVOLUTE SLIT, .5" ID
	041953-01-000	FT CONDUIT-CONVOLUTE SLIT, .5" ID
	041953-03-000	FT CONDUIT-CONVOLUTE SLIT, 1" ID (CLOTHES ROD COVR)
	041953-06-000	FT CONDUIT-CONVOLUTE, SLIT .375" ID
	041953-07-000	FT CONDUIT-CONVOLUTE, SLIT .25" ID
	041953-09-000	FT CONDUIT-CONVOLUTE, SLIT .50" ID
	041953-10-000	FT CONDUIT-CONVOLUTE, SLIT .75" ID
	041953-11-000	FT CONDUIT-CONVOLUTE, SLIT 1.06" ID
	041953-12-000	FT CONDUIT-CONVOLUTE, NON SLIT 1.1" ID
	047443-01-000	EA TERMINAL-.250 RECEPT. FIT, INSULATED - 16/14 AWG
	050283-02-000	EA BAR-BUSS, CIRCUIT BREAKER
	058028-01-000	EA CONNECTOR-ELECTRICAL PIGTAIL, NYLON - CLEAR
	062036-02-000	EA TERMINAL-PACK-CON, 16/14 AWG
	062037-01-000	EA HOUSING-AUTO FUSE, NATURAL
	063910-01-000	EA HOUSING-RELAY, BOSCH 3 334 485 008
	077479-01-000	EA BOOT-BATTERY TERMINAL, DOUBLE CABLE
	080015-02-000	EA RECEPTACLE-FLAG, .185 - 18/14 GA - AMP 3
	080015-03-000	EA RECEPTACLE-FLAG, .250 - 14/16 GA
	087949-01-000	EA BUSS BAR-2 POSITION, .6" X 1.5" - ALUMINUM
	088473-01-000	EA PIN-HOUSING, 4 ROWS OF 3
	088473-05-000	EA PIN-HOUSING, 6 POSITION (SINGLE ROW)
	088473-06-000	EA PIN-HOUSING, 8 POSITION (TWO ROWS OF THREE)
	088473-07-000	EA HOUSING-PIN, 5 CAVITY, AMP 1-480763-0
	088473-08-000	EA HOUSING-PIN, 4 POSITION
	088473-09-000	EA PIN-HOUSING, 3 POSITION (SINGLE ROW)
	088473-10-000	EA PIN-HOUSING, 2 POSITION
	088474-02-000	EA HOUSING-SOCKET, 15 POSITION (3 ROWS OF 5)
	088474-06-000	EA SOCKET-HOUSING, 6 POSITION (2 ROWS OF THREE)
	088474-07-000	EA HOUSING-SOCKET, 5 CAVITY, AMP 1-480764-0
	088474-08-000	EA SOCKET-HOUSING, 4 POSITION (SINGLE ROW)
	088474-09-000	EA HOUSING-SOCKET, 3 POSITION
	088474-10-000	EA HOUSING-SOCKET, 2 POSITION
	088475-01-000	EA PIN-CONNECTOR, 14 TO 20 AWG
	088475-02-000	EA PIN-CONNECTOR, 10 TO 12 AWG
	088476-01-000	EA SOCKET-CONNECTOR, BRASS - PRE-TIN
	088476-02-000	EA SOCKET-CONNECTOR, 12-10 GA - PHOS. BRZ - PRE-TIN
	090971-01-000	EA SPlicing-CABLE, 110V
	100341-01-000	EA FUSE HOLDER-IN LINE TYPE WESCO 8931-92020

## EXTERIOR BODY GROUP



### EXTERIOR MIRRORS

KEY	PART NUMBER	U/M DESCRIPTION
1	049347-01-000	EA MIRROR HEAD-EXTERIOR, 10 1/2" X 7 1/2" - STAINLESS STEEL
2	049347-01-700	EA GLASS-MIRROR HEAD
	062047-01-000	EA ARM-WEST COAST MIRROR
	105439-01-000	EA MIRROR-AUX, CONVEX STICK-ON - VELVAC 723068-6
1	106860-02-01A	EA MIRROR ASM-STAR HEAD, LOW MOUNT - VELVAC #713157 (FORD) FROM: 01-02-92 THRU: 99-99-99
2	106860-02-700	EA MIRROR HEAD ONLY, DRIVER SIDE - STAR - VELVAC D747283-9
2	106860-02-701	EA MIRROR HEAD ONLY, PASS SIDE - STAR - VELVAC D747284-9
	106860-02-702	EA GLASS-FLAT, VELVAC 702086-6

### RUNNING BOARDS

KEY	PART NUMBER	U/M DESCRIPTION
	072884-19-000	EA RUNNING BOARD SET-CHEVY, 27" - KEMBERLY RB2027B
	072884-19-700	EA BOARD 27" W/TAPE K-2 - MISC08
	072884-19-701	EA MUDFLAP LEFT HAND FRONT - MF4BOX
	072884-19-702	EA MUDFLAP RIGHT HAND FRONT - MF4BOX
	072884-19-703	EA END CAP LEFT HAND - RBEC401B
	072884-19-704	EA END CAP RIGHT HAND - RBEC401B
	072884-19-705	EA BAG HARDWARE - RBDS BG
	072884-20-000	EA RUNNING BOARD SET-FORD, 39" - KEMBERLY K-7

### ASSIST HANDLE & BUMPER

KEY	PART NUMBER	U/M DESCRIPTION
	009126-02-000	EA HANDLE-ASSIST, ENTRY DOOR - BLACK
	069726-02-000	EA BUMPER-.88"DIA X 40", BLACK

## 1992 ITASCA

### TABLE OF CONTENTS

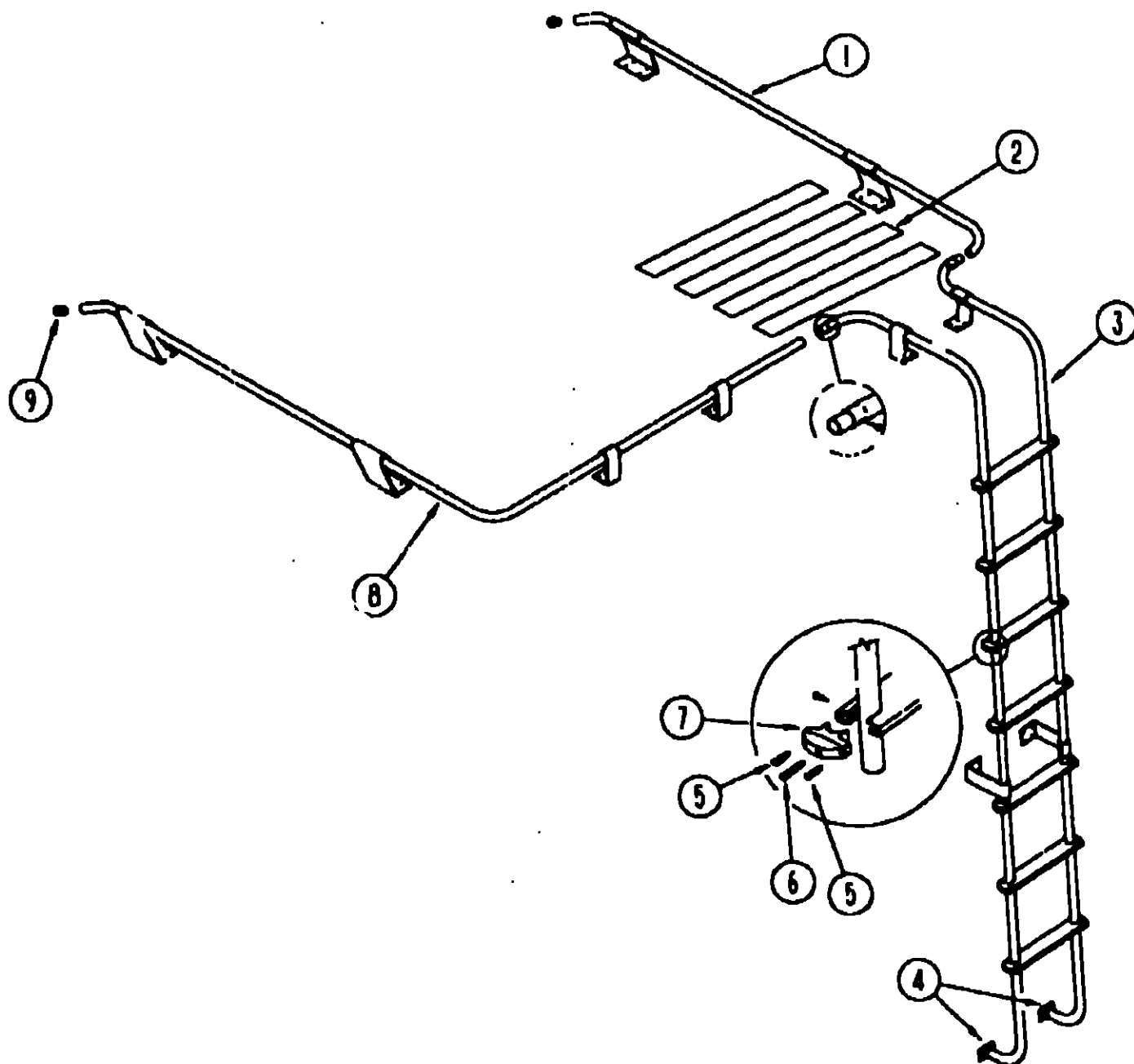
INTRODUCTION	A-01	A-02
ABBREVIATIONS		A-03
ALPHABETICAL INDEX	A-04	A-08
IC522RG	A-07	D-16
IF524RC	D-17	H-04

### 1992 IC522RG INDEX

FLOOR PLAN	A-07	A-08
ACCESSORIES		A-09
AUDIO VIDEO		A-10
BATH	A-11	A-12
CHASSIS	A-13	A-16
CURTAIN & CUSHION	A-17	A-24
DINETTE	B-01	B-02
DRIVERS	B-03	B-05
ELECTRICAL	B-06	B-09
EXTERIOR BODY	B-10	B-18
GALLEY	B-19	B-22
GENERATOR		B-23
HEATING & A/C	B-24	C-01
INTERIOR FINISH	C-02	C-05
LABEL	C-06	C-14
LP		C-15
LOUNGE		C-16
SEALANTS & FASTENERS	C-17	C-19
WATER & SEWAGE	C-20	C-22
WINDOW, VENT AND EXTERIOR DOOR	C-23	D-15



**EXTERIOR BODY GROUP (CONTINUED)**



**LUGGAGE RACK & LADDER**

KEY	PART NUMBER	U/M DESCRIPTION	
1	081026-15-C05	EA RACK ASM-PASSENGER SIDE	FROM: 00-00-00 THRU: 03-01-92
1	107438-05-C07	EA RACK ASM-PASSENGER SIDE	FROM: 03-02-92 THRU: 99-99-99
2	038327-01-000	EA TAPE-ANTI SLIP, 2" X 60"	
3	102953-02-C03	EA LADDER ASM.	
4	067165-01-000	EA MOUNTING BRACKET-LADDER, LOWER	
5	000G39-06-10T	EA SCREW-SF/DR-6-20X5/PPH/BLACK	
6	000G68-10-38T	EA SCREW-10-12X2.25 POH/BLACK	
7	078980-02-000	EA END CAP-STEP, BLACK	
8	081026-19-C03	EA RACK ASM-DRIVER SIDE	FROM: 00-00-00 THRU: 03-01-92
8	107438-09-C03	EA RACK ASM-DRIVER SIDE	FROM: 03-02-92 THRU: 99-99-99
9	081114-01-000	EA PLUG-ROUND, RACK & LADDER ENDS - PLASTIC - 1" DIA.	

**EXTERIOR BODY GROUP (CONTINUED)**

**FIBERGLASS, STYROFOAM & U CHANNEL**

KEY	PART NUMBER	U/M DESCRIPTION
	076054-G7-000	SF FIBERGLASS COIL 41" X 500FT - OFF WHITE
	076054-H1-000	EA FIBERGLASS SHEET 2438 X 2591 - OFF WHITE
	076054-G7-000	SF FIBERGLASS COIL 41" X 500FT - OFF WHITE
	076054-D6-001	EA SHEET-FIBERGLASS, 5' X 24' - OFF WHITE
	076054-F3-000	EA FIBERGLASS SHEET - 2438 X 2438 - OFF WHITE
	076054-D3-002	EA FIBERGLASS 24" X 65.83" - OFF WHITE FLEXIBLE
	107337-01-01A	SF FIBERGLASS FLEX PANEL 104" X 500" - KEMUTE OFF WHITE
	076054-D3-001	EA SHEET-FIBERGLASS, 48" X 96" - OFF WHITE
	077517-24-000	EA SHEET-FIBERGLASS, FLAT - 45' X 96" - OFF WHITE
	083574-03-000	SF STYROFOAM-3/4" X 48" X 96"
	000870-03-000	SF STYROFOAM-1.34" X 48" X 96" - INCREMENTS OF 32 SF
	000870-05-000	SF STYROFOAM-5" X 24" X 96" - INCREMENTS OF 16 SF
	002365-01-001	EA U-CHANNEL, 1" X 18" - SERRATED - MILL FINISHED ALUMINUM
	002754-01-001	EA ANGLE-EXTRUDED, .75" X .75" X 18" - MILL ALUMINUM
	002726-01-001	EA GARNISH-U-CHANNEL, 1.38" X 18" - SERRATED - MILL ALUMINUM
	002779-01-001	EA EXTR-U CHANNEL
	055278-51-259	FT TUBING-STEEL, .75" X 1.5" X 12.5'

**1992 ITASCA**

**TABLE OF CONTENTS**

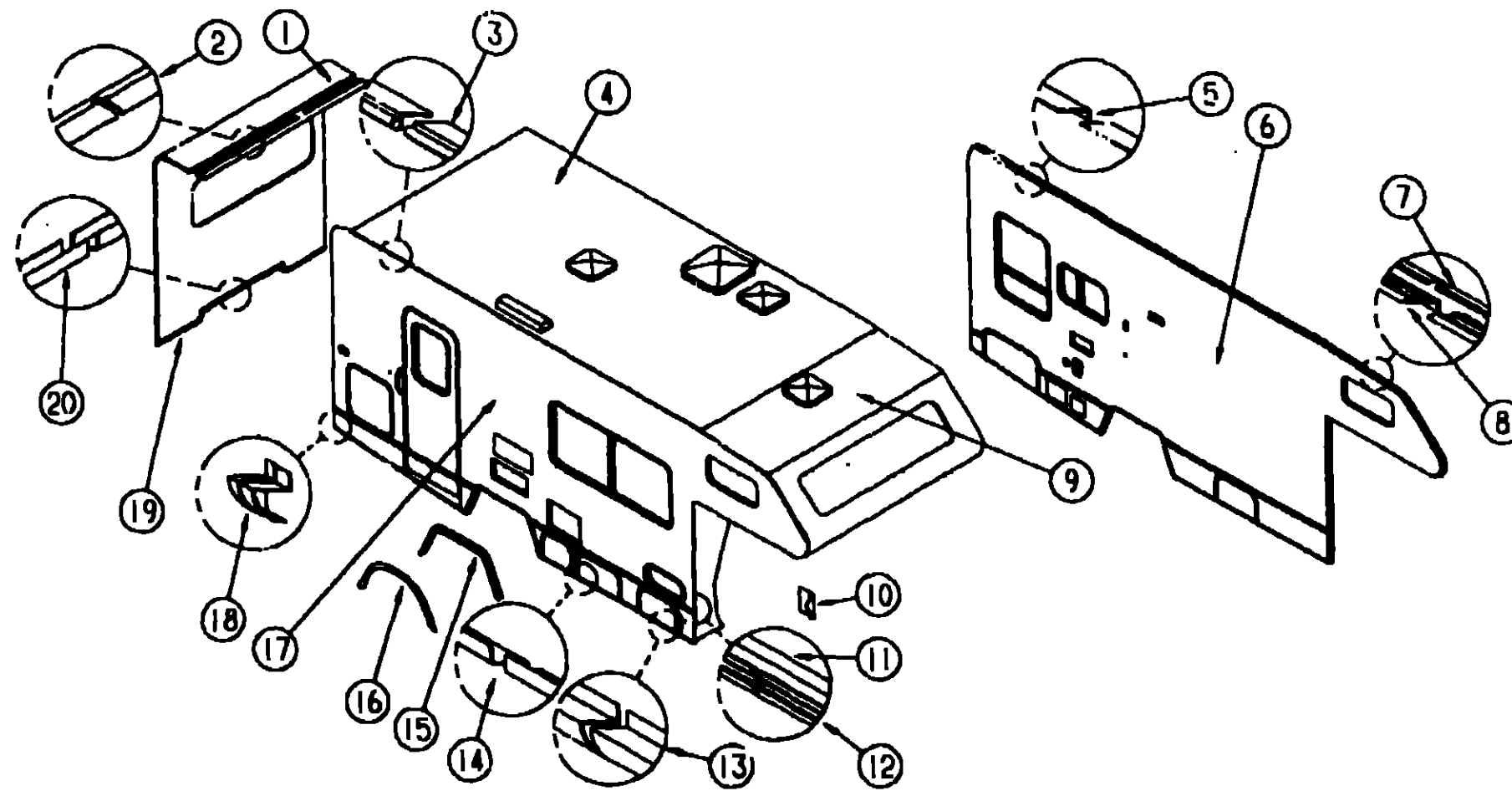
INTRODUCTION	A-01	A-02
ABBREVIATIONS		A-03
ALPHABETICAL INDEX	A-04	A-06
IC522RG	A-07	D-18
IF524RC	D-17	H-04

**1992 IC522RG INDEX**

FLOOR PLAN	A-07	A-08
ACCESSORIES		A-09
AUDIO VIDEO		A-10
BATH	A-11	A-12
CHASSIS	A-13	A-16
CURTAIN & CUSHION	A-17	A-24
U-NETTE	B-01	B-02
DRIVERS	B-03	B-05
ELECTRICAL	B-06	B-09
EXTERIOR BODY	B-10	B-18
GALLEY	B-19	B-22
GENERATOR		B-23
HEATING & A/C	B-24	C-01
INTERIOR FINISH	C-02	C-06
LABEL	C-08	C-14
LP		C-15
LOUNGE		C-16
SEALANTS & FASTENERS	C-17	C-19
WATER & SEWAGE	C-20	C-22
WINDOW, VENT AND EXTERIOR DOOR	C-23	D-15

## EXTERIOR BODY GROUP (CONTINUED)

### EXTERIOR BODY PANELS & TRIM



## 1992 ITASCA TABLE OF CONTENTS

INTRODUCTION	A-01 - A-02
ABBREVIATIONS	A-03
ALPHABETICAL INDEX	A-04 - A-06
IC522RG	A-07 - D-16
IF524RC	D-17 - H-04

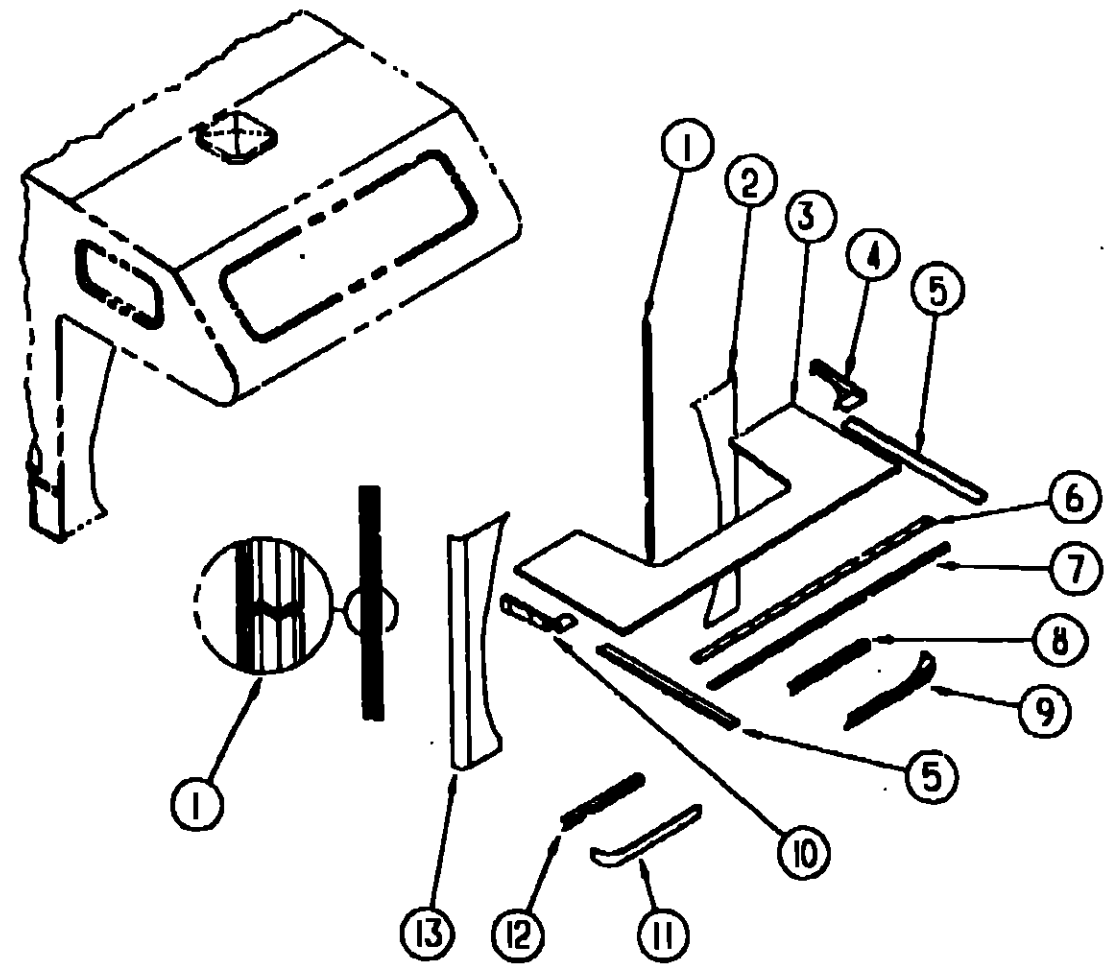
## 1992 IC522RG INDEX

FLOOR PLAN	A-07 - A-08
ACCESSORIES	- A-09
AUDIO VIDEO	- A-10
BATH	A-11 - A-12
CHASSIS	A-13 - A-16
CURTAIN & CUSHION	A-17 - A-24
DINETTE	B-01 - B-02
DRIVERS	B-03 - B-05
ELECTRICAL	B-06 - B-09
EXTERIOR BODY	U-10 - B-18
GALLEY	B-19 - B-22
GENERATOR	- B-23
HEATING & A/C	B-24 - C-01
INTERIOR FINISH	C-02 - C-05
LABEL	C-06 - C-14
LP	- C-15
LOUNGE	- C-16
SEALANTS & FASTENERS	C-17 - C-19
WATER & SEWAGE	C-20 - C-22
WINDOW, VENT AND EXTERIOR DOOR	C-23 - D-15

KEY	PART NUMBER	U/M DESCRIPTION
1	P04780-01-C43	EA BACKWALL ASM W/BASES
2	078580-01-000	EA TRIM-ROOF TO BACKWALL
3	100483-01-01A	EA TRIM-CONTOUR, ROOF (AWNING) - OFF WHITE
3	099583-55-001	EA RAIL-AWNING, 10' EA - OFF WHITE
4	P04779-01-01A	EA ROOF ASM W/BASES
5	096864-01-01A	EA TRIM-CONTOUR, ROOF TO SIDEWALL - DR OR PASS - 120°
6	P05538-01-C52	EA SIDEWALL ASM-DRIVER SIDE
7	105312-01-01A	FT INSERT-TRIM, VINYL - OFF WHITE
8	096854-01-01A	EA TRIM-CONTOUR, W/O VINYL INSERT - 108° - OFF WHITE DR OR PASS - FRONT OVERHEAD CAB SECTION FROM ROOF TO WINGWALL - REAR - BACKWALL TO SIDEWALL VERTICAL SECTION
9	M78177-01-700	EA SECTION-ROOF, OVER CAB TO FIRST ROOF SEAM
10	009731-01-000	EA END CAP-FEATURE STRIP
11	001030-02-003	EA INSERT-FEATURE STRIP, 17' LONG - OFF WHITE
12	002444-04-002	EA STRIP-FEATURE, W/O INSERT - 15' LONG - OFF WHITE
	002444-01-020	EA FEATURE STRIP-WHOLES, OFF WHITE

KEY	PART NUMBER	U/M DESCRIPTION
13	104749-55-001	EA EXTR-ROCKER PANEL, OFF WHITE - 4877MM
14	105099-10-01A	EA TRIM-SIDEWALL, BEVELED - 073MM - OFF WHITE
14	105099-11-01A	EA TRIM-SIDEWALL, BEVELED - 1743MM - OFF WHITE
	091162-01-003	EA ANGLE, 4877 - OFF WHITE
15	105100-01-01A	EA TRIM-WHEELWELL, OFF WHITE
		FROM: 00-00-00 THRU: 04-15-92
15	105100-02-01A	EA TRIM-WHEELWELL, OFF WHITE
		FROM: 04-16-92 THRU: 99-99-99
18	105220-01-01A	EA TRIM-WHEELWELL, REAR - OFF WHITE
17	P05537-01-C52	EA SIDEWALL ASM-PASSENGER SIDE
18	107108-01-01A	EA CAP-END, ROCKER PANEL - OFF WHITE
18	105108-02-01A	EA CAP-END, ROCKER PANEL - OFF WHITE
19	103334-02-01A	EA TRIM-BACKWALL, LOW'R - OFF WHITE (2 USED)
20	103335-02-01A	EA TRIM-BACKWALL, LOWER - OFF WHITE
	002365-01-001	EA U-CHANNEL, 1" X 18' - SERRATED - MILL FINISHED ALUMINUM
	002754-01-001	EA ANGLE-EXTRUDED, .75" X .75" X 18' - MILL ALUMINUM
	002726-01-001	EA GARNISH-U-CHANNEL, 1.38" X 18' - SERRATED - MILL ALUMINUM
	002779-01-001	EA EXTR-U CHANNEL, 1.75X192.00 - RIBBED

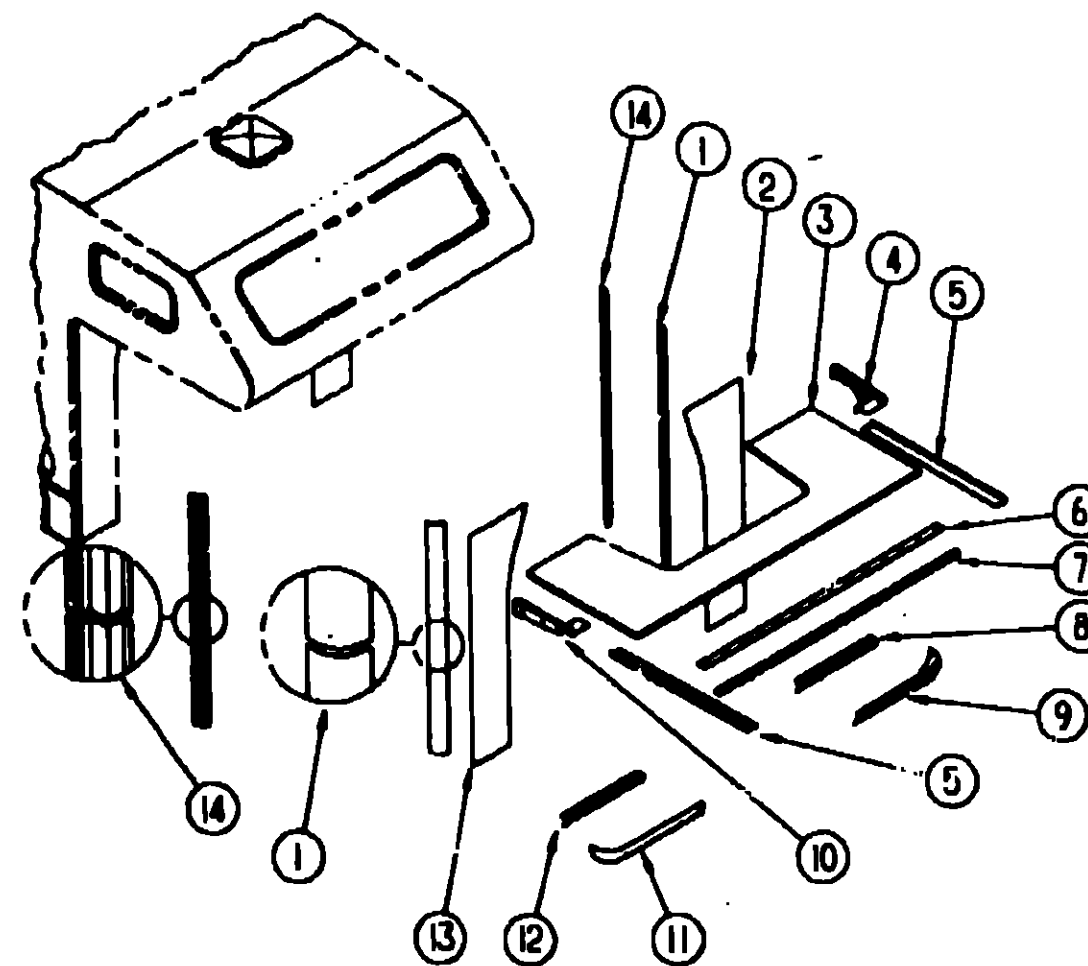
**EXTERIOR BODY GROUP (CONTINUED)**



**CHEVY WINGWALLS, SLEEPERBOARD & TRIM**

KEY	PART NUMBER	U/M DESCRIPTION
1	105015-01-01A	EA TRIM-WINGWALL, CURVED - OFF WHITE
2	P05019-02-C52	EA WINGWALL ASM, DRIVER SIDE - W/GUSSET
	096945-03-01A	EA TRIM-L ANGLE, PASSENGER WINGWALL - OFF WHITE
3	P06443-01-C03	EA SLEEPERBOARD ASM
4	104444-02-01A	EA COVER-TRIM, WINGWALL - LEFT - OFF WHITE
5	096854-01-01A	EA TRIM-CONTOUR, W/O VINYL INSERT - 108" - OFF WHITE
6	100085-03-01A	EA TRIM-SLEEPERBOARD, FLAT - 2.5' X 87.5" - OFF WHITE
7	100086-02-01A	EA TRIM-SLEEPERBOARD, 2' X 90.7" - OFF WHITE
8	106146-02-01A	EA SUPPORT-COVER, WINGWALL - OFF WHITE (CHEVY)
9	106144-04-C52	EA COVER ASM-WINGWALL, W/SUPPORT - LEFT - OFF WHITE (CHEVY)
9	106145-04-01A	EA COVER ASM-WINGWALL, W/O SUPPORT - LEFT - OFF WHITE (CHEVY)
10	104444-01-01A	EA COVER-TRIM, WINGWALL - RIGHT - OFF WHITE
11	106144-03-C52	EA COVER ASM-WINGWALL, W/SUPPORT - RIGHT - OFF WHITE (CHEVY)
11	106145-03-01A	EA COVER ASM-WINGWALL, W/O SUPPORT - RIGHT - OFF WHITE (CHEVY)
12	106146-02-01A	EA SUPPORT-COVER, WINGWALL - OFF WHITE (CHEVY)
13	P05019-01-C52	EA WINGWALL ASM, PASSENGER SIDE - W/GUSSET
	099334-01-000	FT VINYL-EXTERIOR, BETWEEN WINGWALL & CAB SEAL - WHITE

**EXTERIOR BODY GROUP (CONTINUED)**



**FORD WINGWALLS, SLEEPERBOARD & TRIM**

KEY	PART NUMBER	U/M DESCRIPTION
1	106037-01-01A	EA COVER-WINGWALL, CURVED - OFF WHITE
2	106439-02-C52	EA WINGWALL ASM, DRIVER SIDE - W/GUSSET
		FROM: 00-00-00 THRU: 03-15-92
2	106040-02-C52	EA WINGWALL ASM, DRIVER SIDE - W/GUSSET
		FROM: 03-16-92 THRU: 99-99-99
3	P06443-01-C03	EA SLEEPERBOARD ASM
4	104444-02-01A	EA COVER-TRIM, WINGWALL - LEFT - OFF WHITE
5	096854-01-01A	EA TRIM-CONTOUR, W/O VINYL INSERT - 108" - OFF WHITE
5	105312-01-01A	FT INSERT-TRIM, VINYL - OFF WHITE
6	100085-03-01A	EA TRIM-SLEEPERBOARD, FLAT - 2.5' X 87.5" - OFF WHITE
7	100086-02-01A	EA TRIM-SLEEPERBOARD, 2' X 90.7" - OFF WHITE
8	106146-01-01A	EA SUPPORT-COVER, WINGWALL - OFF WHITE (FORD)
9	106144-02-C52	EA COVER ASM-WINGWALL, W/SUPPORT - LEFT - OFF WHITE (FORD)
9	106145-02-01A	EA COVER ASM-WINGWALL, W/O SUPPORT - LEFT - OFF WHITE (FORD)
10	104444-01-01A	EA COVER-TRIM, WINGWALL - RIGHT - OFF WHITE
11	106144-01-C52	EA COVER ASM-WINGWALL, W/SUPPORT - RIGHT - OFF WHITE (FORD)
11	106145-01-01A	EA COVER ASM-WINGWALL, W/O SUPPORT - RIGHT - OFF WHITE (FORD)
12	106146-01-01A	EA SUPPORT-COVER, WINGWALL - OFF WHITE (FORD)
13	106439-01-C52	EA WINGWALL ASM, PASSENGER SIDE - W/GUSSET
		FROM: 00-00-00 THRU: 03-15-92
13	106040-01-C52	EA WINGWALL ASM, PASSENGER SIDE - W/GUSSET
		FROM: 03-16-92 THRU: 99-99-99
14	105015-01-01A	EA TRIM-WINGWALL, CURVED - OFF WHITE
	099334-01-000	FT VINYL-EXTERIOR, BETWEEN WINGWALL & CAB SEAL - WHITE

**1992 ITASCA  
TABLE OF CONTENTS**

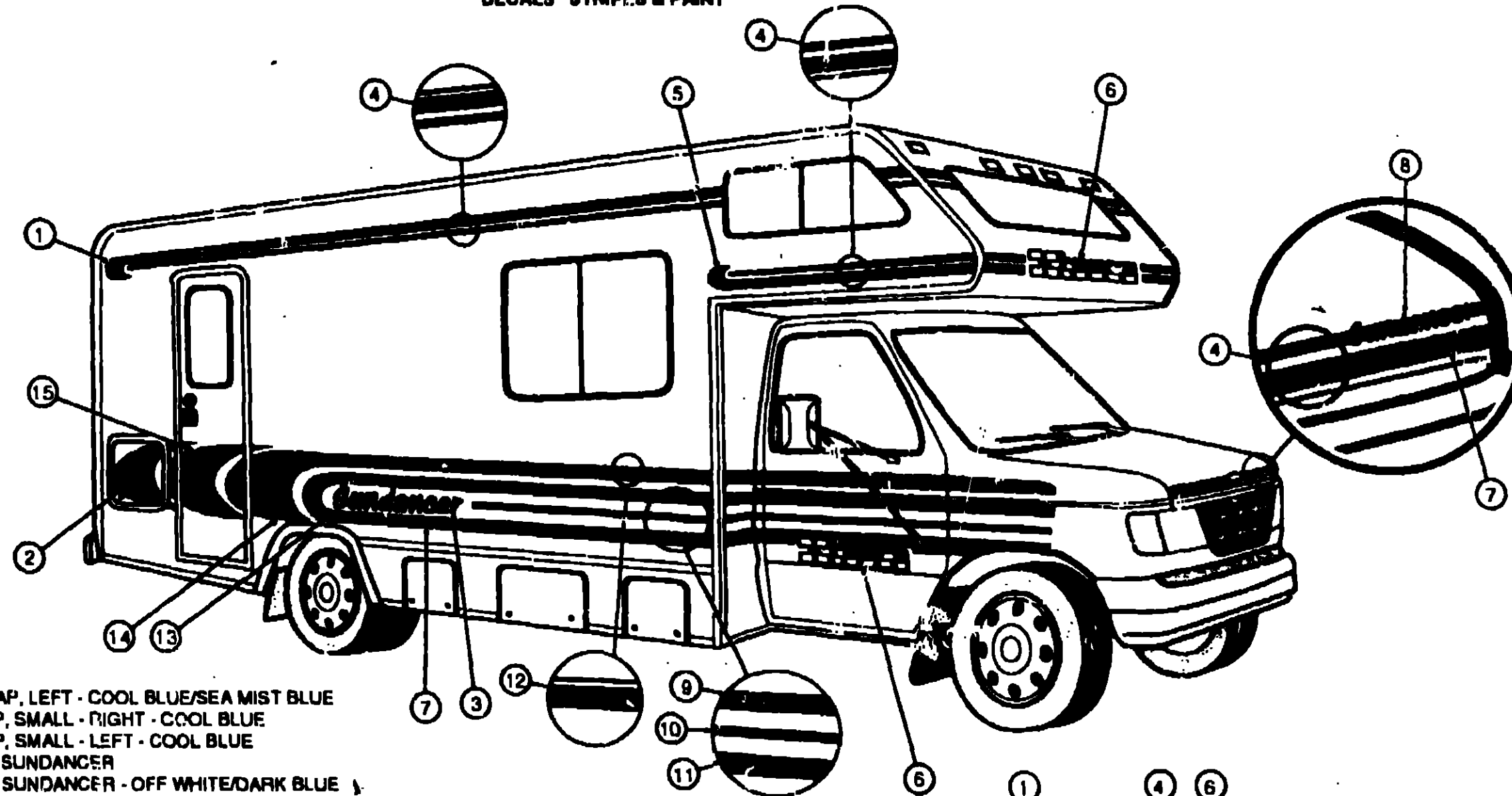
INTRODUCTION	A-01 -	A-02
ABBREVIATIONS		A-03
ALPHABETICAL INDEX	A-04 -	A-06
IC522RG	A-07 -	D-16
IF524RC	D-17 -	H-04

**1992 IC522RG INDEX**

FLOOR PLAN	A-07 -	A-08
ACCESSORIES		A-09
AUDIO VIDEO		A-10
BATH	A-11 -	A-12
CHASSIS	A-13 -	A-15
CURTAIN & CUSHION	A-17 -	A-24
DINETTE	B-01 -	B-02
DRIVERS	B-03 -	B-05
ELECTRICAL	B-06 -	B-09
EXTERIOR BODY	B-10 -	B-18
GALLEY	B-19 -	B-23
GENERATOR		B-23
HEATING & A/C	B-24 -	C-01
INTERIOR FINISH	C-02 -	C-05
LABEL	C-06 -	C-14
LP		C-15
LOUNGE		C-16
SEALANTS & FASTENERS	C-17 -	C-19
WATER & SEWAGE	C-20 -	C-22
WINDOW, VENT AND EXTERIOR DOOR	C-23 -	C-25

## EXTERIOR BODY GROUP (CONTINUED)

### DECALS STRIPES & PAINT

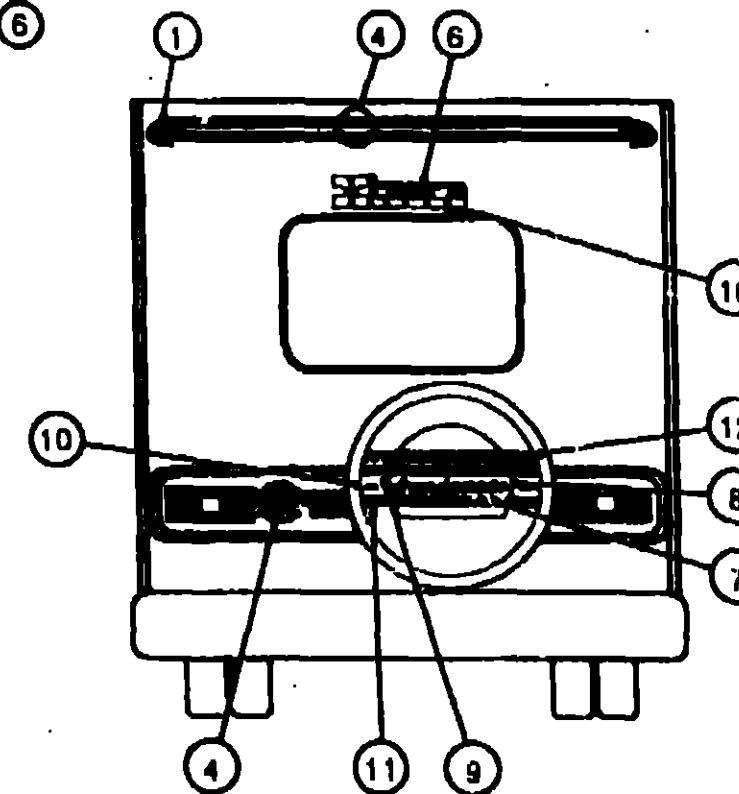


## 1992 ITASCA TABLE OF CONTENTS

INTRODUCTION	A-01	A-02
ABBREVIATIONS		A-03
ALPHABETICAL INDEX	A-04	A-06
IC522RG	A-07	D-16
IF524RC	D-17	H-04

## 1992 IC522RG INDEX

FLOOR PLAN	A-07	A-08
ACCESSORIES		A-09
AUDIO VIDEO		A-10
BATH	A-11	A-12
CHASSIS	A-13	A-16
CURTAIN & CUSHION	A-17	A-24
DINETTE	B-01	B-02
DRIVERS	B-03	B-05
ELECTRICAL	B-05	B-09
EXTERIOR BODY	B-10	B-18
GALLEY	B-19	B-22
GENERATOR		B-23
HEATING & AC	B-24	C-01
INTERIOR FINISH	C-02	C-05
LABEL	C-06	C-14
LP		C-15
LOUNGE		C-16
SEALANTS & FASTENERS	C-17	C-19
WATER & SEWAGE	C-20	C-22
WINDOW, VENT AND EXTERIOR DOOR	C-23	D-15

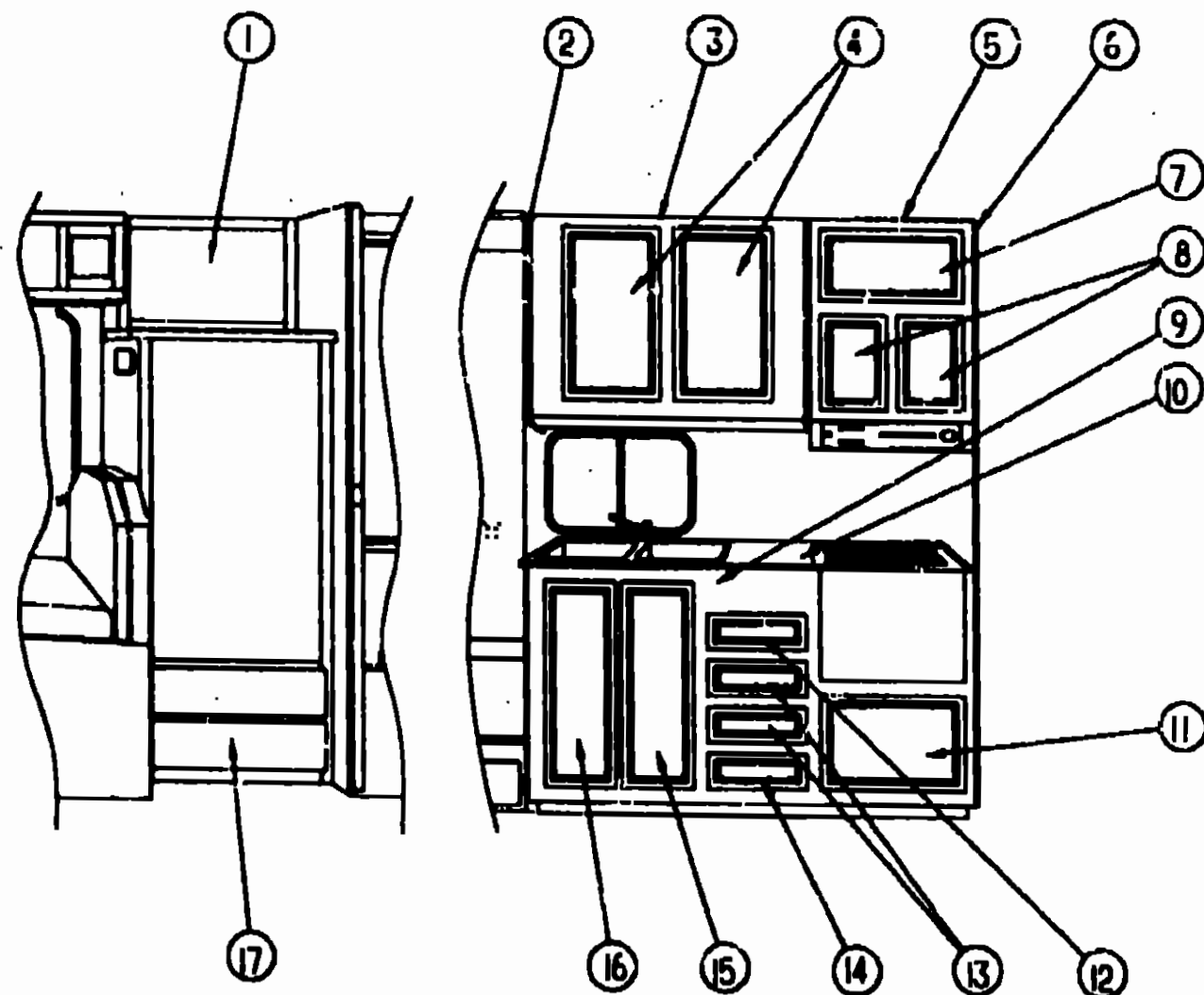


KEY	PART NUMBER	U/M	DESCRIPTION
1	105514-02-01A	EA	DECAL-END CAP, LEFT - COOL BLUE/SEA MIST BLUE
2	105516-01-01A	EA	DECAL-SWEEP, SMALL - RIGHT - COOL BLUE
	105516-02-01A	EA	DECAL-SWEEP, SMALL - LEFT - COOL BLUE
3	105519-01-01A	EA	DECAL-LOGO, SUNDANCER
	105519-02-02A	EA	DECAL-LOGO, SUNDANCER - OFF WHITE/DARK BLUE
4	094443-07-01A	FT	FILM-MULTISTRIFE 88MM - COOL BLUE/COOL BLUE/SEA MIST BLUE
5	105514-01-01A	EA	DECAL-END CAP, RIGHT - COOL BLUE/SEA MIST BLUE
6	078852-26-000	EA	DECAL-LOGO, ITASCA 5' - OFF WHITE/SEA MIST BLUE
7	106001-02-01A	EA	DECAL-LOGO, 500 - SMALL - OFF WHITE/COOL BLUE
	106001-01-01A	EA	DECAL-LOGO, 500 - LARGE - OFF WHITE/COOL BLUE
			AFTER THIS DATE USE ONLY SMALL 500 LOGO
			FROM: 00-00-00 THRU: 11-22-91
8	105519-02-01A	EA	DECAL-LOGO, SUNDANCER - COOL BLUE
	093681-35-03A	FT	FILM- 57MM - SEA MIST BLUE
	133681-32-02A	FT	FILM- 25MM - COOL BLUE
	133681-25-02A	FT	FILM- 83MM - SEA MIST BLUE
12	094423-04-01A	FT	FILM-OVERLAY, MULTISTRIFE - GRAY/GRAY/COOL BLUE
13	105515-01-01A	EA	DECAL-RADIUS, RIGHT - SEA MIST BLUE
	105515-02-01A	EA	DECAL-RADIUS, LEFT - SEA MIST BLUE
14	105518-01-01A	EA	DECAL-SWEEP, LARGE - RIGHT - GRAY/COOL BLUE
	105518-02-01A	EA	DECAL-SWEEP, LARGE - LEFT - GRAY/COOL BLUE
15	105517-01-01A	EA	DECAL-SWEEP, MID - RIGHT - SEA MIST BLUE
	105517-02-01A	EA	DECAL-SWEEP, MID - LEFT - SEA MIST BLUE
16	084075-01-000	EA	DECAL-"BY WINNEBAGO INDUSTRIES", BLACK
	074559-01-000	EA	DECAL-LOGO, LPG - RED - (CALIF CODE)
	041561-03-000	EA	PAINT-LOW BAKE, OFF WHITE

### DUPONT COLOR CODES

COOL BLUE	G9851
SEA MIST BLUE	G9845
OFF WHITE	L8723
GREY	H9283U

## GALLEY GROUP



GALLEY CABINETS & FIXTURES

KEY	PART NUMBER	U/M DESCRIPTION
1	103251-02-01A	EA INSERT-ACRYLIC BLACK, 19.53" X 16.06"
2	104335-16-C43	EA END CAP-CABINET
3	105054-01-C43	EA CABINET-OVERHEAD, GALLEY
3	105054-01-C44	EA CABINET-OVERHEAD, GALLEY
4	P03702-F9-C43	EA DOOR-CABINET, W/O HARDWARE - 390X650MM
5	M05678-13-C43	EA CABINET-OVERHEAD, W/O DOORS
5	M05678-14-C43	EA CABINET-OVERHEAD, MICROWAVE
8	104335-13-C43	EA END CAP-CABINET
7	P03702-32-B87	EA DOOR-CABINET, W/O HARDWARE - 280X555MM
8	P03702-63-B87	EA DOOR-CABINET, W/O HARDWARE - 275X365MM
9	M05644-02-C43	EA CABINET-GALLEY, W/O DOORS
9	M05644-02-C44	EA CABINET-GALLEY, W/O DOORS
	030549-16-C43	EA PANEL-DOOR, WHOLE (INSIDE CABINET)
10	105053-11-C32	EA COUNTERTOP ASM (C43)
10	105053-11-C23	EA COUNTERTOP ASM (C14)
	080812-04-C05	EA EXTENSION-COUNTERTOP, GALLEY (C43)
	080812-04-B87	EA EXTENSION-COUNTERTOP, GALLEY (C44)
11	P03702-80-B87	EA DOOR-CABINET, W/O HARDWARE - 555X380MM
12	P03397-H9-C43	EA DRAWER-CABINET, W/O HARDWARE
13	P03397-J1-C43	EA DRAWER-CABINET, W/O HARDWARE
14	P03397-J2-C43	EA DRAWER-CABINET, W/O HARDWARE
15	P03702-F8-C43	EA DOOR-CABINET, W/O HARDWARE - 305X660MM
16	P03702-15-B87	EA DOOR-CABINET, W/O HARDWARE - 305X660MM
17	103251-03-01A	EA INSERT-ACRYLIC BLACK, 19.53" X 32.20"
	103614-01-000	EA BOARD-CUTTING, MAPLE
	104114-01-01A	EA FAUCET-GALLEY, SINGLE CONTROL
	104113-01-000	EA SINK-DOUBLE, STAINLESS STEEL
	082303-01-000	EA STRAINER-SINK
	100281-01-01A	EA TRAY-SILVERWARE, 9" X 13.3" - PLAS - ALMOND - RUBBERMAID
	090329-01-000	FT SEAL-T, REFRIGERATOR CABINET - .6" WIDE TOP X 2" TAIL

## GALLEY GROUP (CONTINUED)

### NORCOLD REFRIGERATOR

KEY	PART NUMBER	U/M DESCRIPTION
	104138-02-01A	EA REFRIG-SMALL DOUBLE DOOR 2-WAY, NORCOLD 662 RIGHT - BLACK
	064472-01-702	EA COMB THERMOSTAT 4&6&8EG-2 - NORCOLD 614376
	075217-01-734	EA FUSE,3AMP 83&8&8310 EG-3 - NORCOLD 81538822
	075217-01-739	EA SWITCH ROCKER 3-POS BLK(HUM) - NORCOLD 61525922
	084875-03-700	EA COOLING UNIT (HORIZ&BURNER - NORCOLD 61687237
	084880-01-713	EA MALE CONNECTOR(INLET FITTING - NORCOLD 615256222
	084880-01-715	EA VALVE-SHUT OFF, MANUAL. - NORCOLD 61697922
	084880-01-718	EA GAS VALVE (ASCO) - NORCOLD 61551822
	084880-01-722	EA CRISPER COVER - NORCOLD 61564122
	084880-01-726	EA HINGE BRACKET (CTR HINGE) - NORCOLD 61566523
	084880-01-731	EA HINGE PIN - NORCOLD 61578123
	084880-01-732	EA LATCH - NORCOLD 61578522
	084090-01-734	EA BRKT, TOP RH-BTM LH BRN - NORCOLD 61580837
	084880-01-735	EA HINGE BRKT, TOP LH-BTM RH BRN - NORCOLD 61580937
	084880-01-739	EA END CAP (SPRING CATCH) BRN - NORCOLD 61593722
	084880-01-740	EA END CAP (STOP CATCH) - NORCOLD 61593830
	084880-01-746	EA CABLE - NORCOLD 61571522
	084880-01-747	EA HOLE PLUG - NORCOLD 61582022
	084880-01-749	EA HINGE BUSHING - NORCOLD 61580722
	084080-01-753	EA THERMISTER-78" W/O CLIP - NORCOLD 61697822
	084880-01-761	EA END CAP (SPRING CATCH) BLACK - NORCOLD 61593730
	084880-02-700	EA LOWER FLANGE 9663&8683 - NORCOLD 61622123
	084880-03-705	EA BRACKET F/INT. REFRIG LIGHT - NORCOLD 61629722
	084880-03-706	EA LAMP (BULB) - NORCOLD 61628922
	084880-03-707	EA COVER F/LAMP OR BULB - NORCOLD 61627922
	088248-01-706	EA BURNER (HORIZONTAL) - NORCOLD 61588122
	088248-01-707	EA SENSOR ELECTRODE (HORIZONTAL) - NORCOLD 61573322
	088248-01-708	EA SPARK ELECTRODE (HORIZONTAL) - NORCOLD 61573222
	078248-01-709	EA HEATER AC (HORIZONTAL) - NORCOLD 61562722
	088248-01-710	EA HEATER DC (HORIZONTAL) 3 WAY - NORCOLD 61562822
	094038-01-700	EA GASKET (GRAY) LOWER - NORCOLD 61567930
	094038-01-701	EA LOWER DOOR LINER (BRN/WHT) - NORCOLD 61581930
	094038-01-702	EA LOWER DOOR LINER (BLK/WHT) - NORCOLD 61581935-B
	094038-01-703	EA LOWER DOOR HANDLE ASSY (BRN) - NORCOLD 61650137
	094038-01-704	EA LOWER DOOR HANDLE ASSY (BLK) - NORCOLD 61650138
	094038-01-705	EA CAB ASSY(BRN)FRAME(WHT)LINER - NORCOLD 61663137
	094038-01-706	EA CAB ASSY(BLK)FRAME(WHT)LINER - NORCOLD 61663138
	094039-01-703	EA HINGE PLATE (BRN) L.H. - NORCOLD 61631422
	094039-01-704	EA HINGE PLATE (BLK) L.H. - NORCOLD 61631430
	094039-01-709	EA HINGE PLATE(BRN) RHTOP LHBTM - NORCOLD 61631322
	094039-01-710	EA HINGE PLATE(BLK) RHTOP LHBTM - NORCOLD 61631330
	094039-01-712	EA DOOR BIN(GRAY)SILVER BORDER - NORCOLD 61564060
	094039-01-718	EA MILK BIN (GRAY)W/SILVER TRIM - NORCOLD 61579460
	094039-01-719	EA DAIRY KEEPER (GRAY)SILVER TR - NORCOLD 61580460
	094039-01-722	EA PLUG (BLK) HINGE HOLES - NORCOLD 61582030
	094039-01-723	EA HINGE BRKT, TOP RH-BTM LH BLK - NORCOLD 61580838
	094039-01-724	EA HINGE BRKT, TOP LH-BTM RH BLK - NORCOLD 61580938
	094039-01-725	EA HINGE PIN (BLACK)(MALLE) - NORCOLD 61578130
	094039-01-726	EA SHELF - NORCOLD 61523822
	094039-01-728	EA HINGE BRKT(BLK) CTR HINGE - NORCOLD 61588530
	094039-01-730	EA HINGE PIN SHAFT(BLK) CTR HGE - NORCOLD 61566720
	094039-01-732	EA FRONT COVER(BLK) BTM TRIM - NORCOLD 61622130

## 1992 ITASCA TABLE OF CONTENTS

INTRODUCTION	A-01	A-02
ABBREVIATIONS		A-03
ALPHABETICAL INDEX	A-04	A-06
IC522RG	A-07	D-16
IF524RC	D-17	H-04

## 1992 IC522RG INDEX

FLOOR PLAN	A-07	A-08
ACCESSORIES		A-09
AUDIO VIDEO		A-10
BATH	A-11	A-12
CHASSIS	A-13	A-16
CURTAIN & CUSHION	A-17	A-24
DINETTE	B-01	B-02
DRIVERS	B-03	B-05
ELECTRICAL	B-06	B-08
EXTERIOR BODY	B-10	B-11
GALLEY	B-19	B-22
GENERATOR		B-23
HEATING & A/C	B-24	C-01
INTERIOR FINISH	C-02	C-05
LABEL	C-03	C-14
LP		C-15
LOUNGE		C-16
SEALANTS & FASTENERS	C-17	C-19
WATER & SEWAGE	C-20	C-22
WINDOW, VENT AND EXTERIOR DOOR	C-23	D-15

**GALLEY GROUP (CONTINUED)**

**NORCOLD REFRIGERATOR (CONTINUED)**

KEY	PART NUMBER	U/M DESCRIPTION
	094039-01-733	EA WIRE SHELF (MIDDLE) - NORCOLD 61563822
	094039-01-734	EA WIRE SHELF (TOP) W/RISER - NORCOLD 61563722
	094039-01-735	EA INSIDE DRIP TRAY (WHITE) - NORCOLD 61572830
	094039-01-736	EA LIGHT SWITCH (BLACK) - NORCOLD 61581022
	094039-01-739	EA SHELF (CUTOUT) - NORCOLD 61646722
	094039-04-700	EA PC BOARD (2 WAY) - NORCOLD 61647322
	094039-04-701	EA EYEBROW (SHELL) 2 WAY - NORCOLD 61669822
	094039-04-702	EA POWER SUPPLY (2 WAY) - NORCOLD 61647422
	093646-01-000	EA BRACKET ASM-TIEDOWN, REFRIGERATOR - RIGHT
	093646-02-000	EA BRACKET ASM-TIEDOWN, REFRIGERATOR - LEFT
	054450-01-000	EA LEVEL-REFRIGERATOR
		FROM: 00-00-00 THRU: 05-05-92
	093646-05-000	EA BRACKET ASM-TIEDOWN - REFRIGERATOR
		FROM: 05-06-92 THRU: 99-99-99

**RANGE HOODS**

KEY	PART NUMBER	U/M DESCRIPTION
	100258-12-01A	EA HOOD-RANGE W/MONITOR PANEL, VENTLINE TMS4021SAD (US) FROM: 00-00-00 THRU: 09-01-91
	100258-22-02A	EA HOOD-RANGE 22W W/MONITOR PANEL, VENTLINE (US) FROM: 09-02-91 THRU: 99-99-99
	100258-13-01A	EA HOOD-RANGE W/MONITOR PANEL, VENTLINE TMS4021SAC (CSA) FROM: 00-00-00 THRU: 09-01-91
	100258-23-02A	EA HOOD-RANGE 22W W/MONITOR PANEL, VENTLINE (CSA) FROM: 09-02-91 THRU: 99-99-99
	075470-01-703	EA SWITCH-ON-MOMENTARY - VENTLINE MP1016
	090973-01-700	EA MOTOR 12 VOLT CSA-UL APRVD - VENTLINE CA508-1
	090973-01-702	EA BLADE-FAN - VENTLINE VA183-1
	092696-01-701	EA PLASTIC KNOB F/CABLE - VENTLINE CC 225
	092696-01-702	EA RESISTER/WIRE ASSY - VENTLINE L7314
	092696-01-703	EA LAMP #912 - VENTLINE VA415
	092696-01-710	EA LAMP HOLDER - VENTLINE CB267-2
	096983-01-700	EA SWITCH-ON-OFF - VENTLINE 108
	096983-01-702	EA SWITCH-TWO WAY MOM. - VENTLINE 112
	096983-01-703	EA SWITCH ON-ON - VENTLINE 115
	096983-01-707	EA MESH FILTER - VENTLINE CC246
	096983-01-708	EA LAMP LENS - VENTLINE CC179
	100258-04-702	EA SWITCH & LEVER W/CABLE ASSY - VENTLINE CB547
	100258-10-700	EA HOUR METER ONLY(PARTS SALES) - VENTLINE 150
	100258-11-700	EA CIRCUIT BOARD - VENTLINE 5079-01
	100258-12-700	EA PANEL ASM - VENTLINE 9076
	097618-01-000	EA WIRE ASM-MONITOR PANEL, W/4 WIRES & BLACK REFRIGERATOR LVS

**GALLEY GROUP (CONTINUED)**

**MAGIC CHEF RANGE**

KEY	PART NUMBER	U/M DESCRIPTION
	102022-01-03A	EA RANGE-18" 4 BURNER BLACK - MAGIC CHEF
	055282-03-705	EA TRIM CAB LT. BLK. BT16 - MAGIC CHEF 3608F011-70
	055282-03-707	EA TRIM CAB RT. BLK. BT16 - MAGIC CHEF 3608F012-70
	096507-02-701	EA INSERT,BURNER (SLOTTED VENT) - MAGIC CHEF 7214P015-60
	102020-01-700	EA SHELF-OVEN - MAGIC CHEF 7801-P027-60
	102020-01-701	EA HANDLE,DOOR - MAGIC CHEF 7701P092-60
	102020-01-702	EA PANEL,MANIFOLD - MAGIC CHEF 2616F080-70
	102020-01-704	EA PANEL,DOOR (BLACK) SPEC 49 - MAGIC CHEF 2401F075-70
	102020-01-708	EA BURNER ASSEMBLY (OVEN) - MAGIC CHEF 3403W003-45
	102020-01-711	EA GRATE, TOP - MAGIC CHEF 7518P012-60
	102020-01-712	EA KNOB,BURNER VALVE - MAGIC CHEF 7733P044-60
	102020-01-713	EA KNOB,THERMOSTAT - MAGIC CHEF 7731P042-60
	102020-01-714	EA PILOT,OVEN - MAGIC CHEF 968-143
	102020-01-715	EA PIPE,MANIFOLD - MAGIC CHEF 7513P095-60
	102020-01-717	EA THERMOSTAT - MAGIC CHEF 7515P024-60K
	102020-01-718	EA TOP,MAIN (ALMOND) - MAGIC CHEF 2001F085-84
	102020-01-719	EA TOP,MAIN (BLACK) - MAGIC CHEF 2001F085-90
	102020-01-720	EA VALVE,MERCURY CONTROL - MAGIC CHEF 7501P056-60
	102020-01-722	EA VALVE, TOP BURNER - MAGIC CHEF 7502P095-60
	102020-01-723	EA PILOT,BURNER - MAGIC CHEF 7505P179-60
	102020-01-724	EA BUMPER,MAIN TOP - MAGIC CHEF 8003P008-60
	102022-01-702	EA PIPE,MANIFOLD - MAGIC CHEF 7513P096-60
	102022-01-703	EA REGULATOR,PRESSURE - MAGIC CHEF 7510P031-60
	102022-01-708	EA TRIM (LEFT) FLAT - MAGIC CHEF 3608W022-70
	102022-01-707	EA TRIM (RIGHT) FLAT - MAGIC CHEF 3608W023-70
	055516-03-000	EA BRACKET-REAR TIEDOWN, RANGE W/OVEN - RIGHT
	055516-04-000	EA BRACKET-FRONT TIEDOWN, RANGE W/OVEN - LEFT

**MICROWAVE OVEN**

KEY	PART NUMBER	U/M DESCRIPTION
	091269-05-000	EA OVEN-MICROWAVE, MAGIC CHEF M15E-9PB
	094745-01-01A	EA TRIM-MICROWAVE, LOWER - BLACK
	094774-03-01A	EA TRIM-MICROWAVE, EITHER SIDE - 1.5" X 14.8" - METAL - BLACK
	094750-01-000	EA BRACKET-MICROWAVE, 90 DEGREE - STEEL
	098916-06-01A	EA BRACE-MICROWAVE CABINET, LEFT
	098916-07-01A	EA BRACE-MICROWAVE CABINET, RIGHT

**COFFEE MAKER & PLASTIC DRAWER**

KEY	PART NUMBER	U/M DESCRIPTION
	103799-01-02A	EA COFFEEMAKER-ALMOND
		FROM: 00-00-00 THRU: 07-05-92
	103799-01-02A	EA COFFEE MAKER-GRAY
		FROM: 07-06-92 THRU: 99-99-99
	104610-01-000	EA STRAIGHT COFFEE MAKER
	077404-02-000	EA DRAWER-PLASTIC, 20" X 12.7" - BEIGE
	094067-01-01A	EA DIVIDER-DRAWER, PLASTIC

**1992 ITASCA**

**TABLE OF CONTENTS**

INTRODUCTION	A-01	A-02
ABBREVIATIONS		A-03
ALPHABETICAL INDEX	A-04	A-06
IC522RG	A-07	D-16
IF524RC	D-17	H-04

**1992 IC522RG INDEX**

FLOOR PLAN	A-07	A-08
ACCESSORIES		A-09
AUDIO VIDEO		A-10
BATH	A-11	A-12
CHASSIS	A-13	A-16
CURTAIN & CUSHION	A-17	A-24
DINETTE	B-01	B-02
DRIVERS	B-03	B-05
ELECTRICAL	B-06	B-09
EXTERIOR BODY	B-10	B-18
GALLEY	B-19	B-22
GENERATOR		B-23
HEATING & A/C	B-24	C-01
INTERIOR FINISH	C-02	C-05
LABEL	C-08	C-14
LP		C-15
LOUNGE		C-16
SEALANTS & FASTENERS	C-17	C-19
WATER & SEWAGE	C-20	C-22
WINDOW, VENT AND EXTERIOR DOOR	C-23	D-15



## GENERATOR GROUP

### 4.0 KW KOHLER GENERATOR

KEY	PART NUMBER	U/M DESCRIPTION
	105523-01-000	EA GENERATOR-4KW LOW PROFILE, KOHLER 4CKM21
	105732-01-000	EA TRAY ASM-GENERATOR
	105527-01-000	EA PIPE-EXHAUST ADAPTER, KOHLER 278524
	086494-01-000	EA BRACKET-EXHAUST, W/DOUBLE BEND
	105526-01-000	EA ARRESTER-SPARK, KOHLER 278621
	105529-01-000	EA MUFFLER-FRONT EXHAUST, W/O SPARK - KOHLER 278734
	106172-01-000	EA PIPE-EXHAUST ADAPTER
	008401-01-000	EA STRAP-CONDUIT, 3/4" - 1 HOLE - GALVANIZED STEEL
	007067-01-000	SF INSULATION-FIBERGLASS, 1" THICK X 4' - INCREMENTS OF 4 SF

### 4.0 KW ONAN GENERATOR

KEY	PART NUMBER	U/M DESCRIPTION
	100974-01-000	EA GENERATOR-4.0KW EMERALD PLUS, ONAN BGE-FA/26100G
	105732-01-000	EA TRAY ASM-GENERATOR
	079654-05-000	EA PIPE-EXHAUST, ANGLED - W/FLANGE - 2" ID - ONAN# 154-2539
	081361-01-000	EA MUFFLER-GENERATOR, W/8.5" LONG TAILPIPE
	086252-01-000	EA PIPE-EXHAUST, W/2 BOLT HOLE FLANGE
	086494-01-000	EA BRACKET-EXHAUST, W/DOUBLE BEND
	094059-01-000	EA SPACER-GENERATOR, ONAN
	008401-01-000	EA STRAP-CONDUIT, 3/4" - 1 HOLE - GALVANIZED STEEL
	007067-01-000	SF INSULATION-FIBERGLASS, 1" THICK X 4' - INCREMENTS OF 4 SF

## HEATING & AIR CONDITIONING GROUP

### SUBURBAN 23000 BTU FURNACE

KEY	PART NUMBER	U/M DESCRIPTION
	090000-04-000	EA FURNACE-25000 BTU, SUBURBAN SF-25
	069634-01-730	EA RELAY, TIME DELAY 20&30 BTU, SUBURBAN 231202
	075695-01-709	EA MICRO SWITCH (FOR MODELS 30 & 34S) - SUBURBAN#230509
	090039-01-703	EA ORFICE-MAIN BURNER, SUBURBAN# 180193
	090039-01-709	EA GASKET-OBSERVATION HOLE CUR. 070367
	092300-01-704	EA GASKET-ELECTRODE, SUBURBAN 070163
	098668-01-700	EA CABINET FRONT, SUBURBAN 101242
	098668-01-701	EA CABINET ASM, SUBURBAN 101299
	098668-01-702	EA ELECTRODE, SUBURBAN 231740
	098668-01-703	EA BURNER ASM, COMP.(SF-25) 010762
	098668-01-704	EA VALVE, SUBURBAN 180938
	098668-01-705	EA SWITCH-LIMIT, SUBURBAN 231630
	098668-01-706	EA WHEEL-COMBUSTION AIR, SUBURBAN 350122
	098668-01-707	EA VENT CAP & EXHAUST TUBE ASM, SUBURBAN 260193
	098668-01-708	EA BLOWER ASM (COMBUSTION AIR), SUBURBAN 390441
	098668-01-709	EA MOTOR ASM. FOR SF-25, SF-30 - SUBURBAN 231706
	098668-01-710	EA BLOWER ASM (ROOM AIR), SUBURBAN 390440
	098668-01-711	EA WHEEL, ROOM AIR - SUBURBAN 350123
	098668-01-712	EA BOARD-MODULE, SUBURBAN 231741
	098668-01-713	EA INTAKE VENT TUBE ASM 051044
	098668-06-000	EA DOOR-ACCESS, FURNACE - OFF WHITE - SUBURBAN 520574
	093365-01-000	EA THERMOSTAT-WALL, FURNACE - SUBURBAN 0160902

### REAR HEATER

KEY	PART NUMBER	U/M DESCRIPTION
	084405-01-000	EA HEATER ASM-REAR, DUCTED - W/MOTOR AID - EVANS
	084405-01-700	EA HEATER CORE
	084405-01-701	EA FAN
	084405-01-702	EA MOTOR, 12 VOLT ASSY

### HEATING SYSTEM COMPONENTS

KEY	PART NUMBER	U/M DESCRIPTION
	084405-01-000	EA HEATER ASM-REAR, DUCTED - W/MOTOR AID - EVANS
	093614-01-01A	EA GRILLE-RETURN AIR FURNACE - 15.6" X 7.6" - BROWN
	056464-05-000	EA REGISTER-PLASTIC W/ DAMPER - 4" DIAMETER - GOLDEN
	056484-05-000	EA REGISTER-PLASTIC W/ DAMPER - 4" DIAMETER - GOLDEN
	009198-01-000	FT DUCT-HEAT, FLEXIBLE - 4" ID X 25 FT
	009200-01-000	EA TAPE-FURNACE, 1 1/2"
	023146-01-000	EA CLAMP-SCREW TYPE - 4"
	069636-02-000	EA CONNECTION-DUCT, 4" ID - SUBURBAN 050715
	079059-01-000	EA HOSE-90 DEGREE, 5/8" ID X 4" X 36"
	007108-01-000	FT INSULATION, 1" THICK - H. TEMP - FORD ESE-M2D192-A
	000750-01-000	FT TUBING GALVANIZED STEEL, 5/8" - 18 GAUGE
	000000-01-000	FT TUBING NYL, 65" ID

## 1992 ITASCA

### TABLE OF CONTENTS

INTRODUCTION	A-01	A-02
ABBREVIATIONS		A-03
ALPHABETICAL INDEX	A-04	A-06
IC522RG	A-07	D-16
IF524RC	D-17	H-04

### 1992 IC522RG INDEX

FLOOR PLAN	A-07	A-08
ACCESSORIES		A-09
AUDIO VIDEO		A-10
BATH	A-11	A-12
CHASSIS	A-13	A-18
CURTAIN & CUSHION	A-17	A-24
DINETTE	B-01	B-02
DRIVERS	B-03	B-05
ELECTRICAL	B-06	B-09
EXTERIOR BODY	B-10	B-18
GALLEY	B-19	B-22
GENERATOR		B-23
HEATING & A/C	B-24	C-01
INTERIOR FINISH	C-02	C-05
LABEL	C-06	C-14
LP		C-15
LOUNGE		C-16
SEALANTS & FASTENERS	C-17	C-19
WATER & SEWAGE	C-20	C-27
WINDOW, VENT AND		
EXTERIOR DOOR	C-23	D-15

**HEATING & AIR CONDITIONING GROUP (CONTINUED)**

**ROOF A/C**

KEY	PART NUMBER	U/M DESCRIPTION
	093763-01-04A	CA A/C-ROOF, 135000 BTU - OFF WHITE - COLEMAN# 6759D707/6759E7
	093763-04-709	EA SHROUD-ROOF A/C, W/O LOGOS - COLEMAN# 6759-4601
	093306-01-701	EA DECAL PKG LEFT&RIGHT, COLEMAN# 6790B3591
	076303-01-712	EA MOTOR, COLEMAN# 6707A3119
	091225-01-709	EA START RELAY, COLEMAN# 1497-4131
	091225-01-710	EA START CAPACITOR, COLEMAN# 1497-0681
	073742-02-704	EA RUN CAPACITOR (COMPRESSOR), COLEMAN# 1499-4661
	093763-01-702	EA OVERLOAD, COLEMAN# 6759-3931
	093763-01-703	EA IMPELLOR-7" DIA X 2 8" WIDE, COLEMAN# 6759-3271
	093763-01-704	EA CAPACITOR-FAN, COLEMAN# 1499-3461
	093763-01-707	EA EVAPORATOR COIL-COLEMAN# 1452-1351
	093763-01-708	EA CONDENSER COIL-COLEMAN# 1452-1251
	093763-01-711	EA GASKET PACKAGE, COLEMAN# 6759-32B1
	093763-01-712	EA FAN BLADE-CONDENSER, COLEMAN# 6733-3221
	093763-01-713	EA COMPRESSOR-E SERIES, COLEMAN# 6759-3999
	093764-01-000	EA CEILING ASM-A/C COOL ONLY, TSR - COLEMAN# 6759D714
	042204-01-709	EA THERMOSTAT IN-64,OUT-58, COLEMAN# 6701-3401
	042205-01-702	EA THERMOSTAT IN-89,OUT-58, COLEMAN# 6703-3401
	073742-01-701	EA SELECTOR SWITCH (5 TERMINAL), COLEMAN# 6759-3251
	073742-01-702	EA DECAL COOL ONLY, COLEMAN# 6759C3431
	093763-01-703	EA DECAL HEAT&COOL, COLEMAN# 6759-3491
	081606-01-708	EA LIMIT SWITCH (OPEN 160,CLOSE 110), COLEMAN# 6703-304
	091225-01-713	EA KNOB (2 PER PACKAGE), COLEMAN# 6701-3351
	076303-01-707	EA FILTER-6" X 14 3/4" X 1/2", 12 PER PKG COLEMAN# 6703A3151
	091225-01-717	EA DECAL (THERMOSTAT) COOL ONLY, COLEMAN# 6799A3441
	081606-01-712	EA CEILING SHROUD (IVORY), COLEMAN# 6769-5061
	093763-01-705	EA DECAL-HEAT/COOL THERMOSTAT, COLEMAN# 6799A3471
	093763-01-706	EA HEAT ELEMENT-COLEMAN# 6798-3321
	093763-01-710	EA SINGLE PARTS PACKAGE, COLEMAN# 6759-5041
	102289-01-000	EA SPRING-SCREW ROOF A/C GASKET - COLEMAN# 6757-150

**EUROPEAN ROOF A/C**

KEY	PART NUMBER	U/M DESCRIPTION
	092440-01-000	EA A/C-ROOF, 13500 BTU - 220V - 50HZ - COLEMAN# 6713C750
	092441-01-000	EA CEILING ASM-A/C, 220V - 50HZ - COLEMAN# 6712ET16
	102289-01-000	EA SPRING-SCREW ROOF A/C GASKET - COLEMAN# 6757-150

**INTERIOR FINISH GROUP**

**MOLDINGS & TRIMS**

KEY	PART NUMBER	U/M DESCRIPTION
	009767-12-000	FT MOLDING-SIDEWALL TO CEILING/CABINET - WELTING - OFF WHITE
	009009-21-000	EA MOLDING-CORNER, OUTSIDE - 1" - PLASTIC - WOODGRAIN
	009812-22-000	EA MOLDING-CORNER, OUTSIDE - 5" X 7" - PLASTIC - BROWN
	009812-24-000	EA MOLDING-PLASTIC, OUTSIDE CORNER - 50" - IVORY
	009812-25-000	EA MOLDING-CORNER, OUTSIDE - 5" - PLASTIC - PECAN
	009815-09-000	FT MOLDING-T, 75" - IVORY
	022992-01-000	FT MOLDING-REVERSE COVE, T-SHAPED - VINYL - WHITE
	022992-11-000	FT MOLDING-REVERSE COVE, T-SHAPED - VINYL - IVORY
	069733-78-000	EA BATT STRIP-WOODGRAIN - 8' EA - RAMBLING OAK FROM 00-00-00 THRU 02-23-92
	069733-79-000	EA BATT STRIP-WOODGRAIN, 8' EA - FOREST OAK FROM 02-24-92 THRU 99-99-99
	070504-01-000	FT U-CHANNEL-PLASTIC, 065" WIDE - LIGHT BROWN - INC OF 8'
	070504-20-000	FT U-CHANNEL-PLASTIC, 815" WIDE - THOR PECAN - INC OF 8'
	070504-23-000	FT EXTRUSION-U CHANNEL, - COUNTRY FOREST
	075249-01-000	EA RAILING-OAK, 72" EA - UNFINISHED
	076325-32-000	FT MOLDING-EDGE BAND, 1 5/16" - WOODGRAIN
	076325-34-000	FT MOLDING-EDGE BAND, 1 5/16" WIDE (C44)
	079653-09-000	EA BATT STRIP-KERFED, WOODGRAIN
	081294-02-000	EA MOLDING-SHELF, NOTCHED WOOD - 8' LONG
	083620-07-000	FT MOLDING-T, END CAP EDGE - WEDGE LIPS - .75" - THOR PECAN
	083620-09-000	FT T-MOLDING, 3/4 WEDGE LIPS - MODERN IVORY
	085284-32-000	FT BATT STRIP-WOODGRAIN, ADHESIVE BACK - RAMBLING OAK FROM: 00-00-00 THRU: 02-23-92
	085284-67-000	FT BATT STRIP-WOODGRAIN, ADHESIVE BACK - WINNIE OAK FROM: 02-24-92 THRU: 99-99-99
	085284-49-000	FT BATT STRIP-DECORATIVE, ADHESIVE BACK - MARBLE
	085746-01-000	FT TRIM-J, CARPET - 1.2" X .5" ANGLE - 10' LONG - PVC - BEIGE
	086229-01-000	EA RETAINER-BATTEN, CEILING - .75" WIDE - 7.6' EA
	086229-04-000	EA BATTEN-CEILING, 1" WIDE - IVORY - 7.5' EA
	088263-61-000	EA BATT STRIP-DECORATIVE - 8' EA - MARBLE (MAIN)
	088263-62-000	EA BATT STRIP-DECORATIVE - 8' EA - FRONDS (BATH & GALLEY)
	088263-71-000	EA BATT STRIP-DECORATIVE, 8' EA - FAWN
	092707-06-01A	EA MOLDING-OAK, REGAL
	093873-01-02A	EA TRIM-CARPET, L-ANGLE - 1.1" X 1.3" X 12" - VINYL - TAN
	096204-02-01A	EA TRIM-J, .5" EXPOSED - 1" X 52.1" LONG - METAL - OFF WHITE
	100340-01-000	EA LUMBER-VINYL WRAPPED, .7" X 1.5" X 8' - RAMBLING OAK
	100040-01-000	EA LUMBER-VINYL WRAPPED, .7" X 1.5" X 8' - RAMBLING OAK
	100040-03-000	EA LUMBER-VINYL WRAPPED, .71" X 2" X 8' - RAMBLING OAK
	100041-01-000	EA MOLDING-VINYL WRAPPED, 1.57" X 84.0% - RAMBLING OAK
	100041-02-000	EA MOLDING-VINYL WRAPPED, .7" X 2.5" X 84" - RAMBLING OAK
	100659-01-B25	EA TRIM-FLOOR, 72" X 1" X 1/2" - WOOD
	100818-01-02A	EA MOLDING-VINYL WRAPPED, 1.65" X .4" X 7" - RAMBLING OAK
	100819-01-02A	EA MOLDING-VINYL WRAPPED, L-SHAPED, 1.5" X 1.5" X 7" - OAK
	105004-01-01A	EA MOLDING-VINYL WRAP - REGAL OAK
	105618-01-01A	FT MOLDING-EDGE, 5/16" - GOLD W/ADHESIVE

**1992 ITASCA**

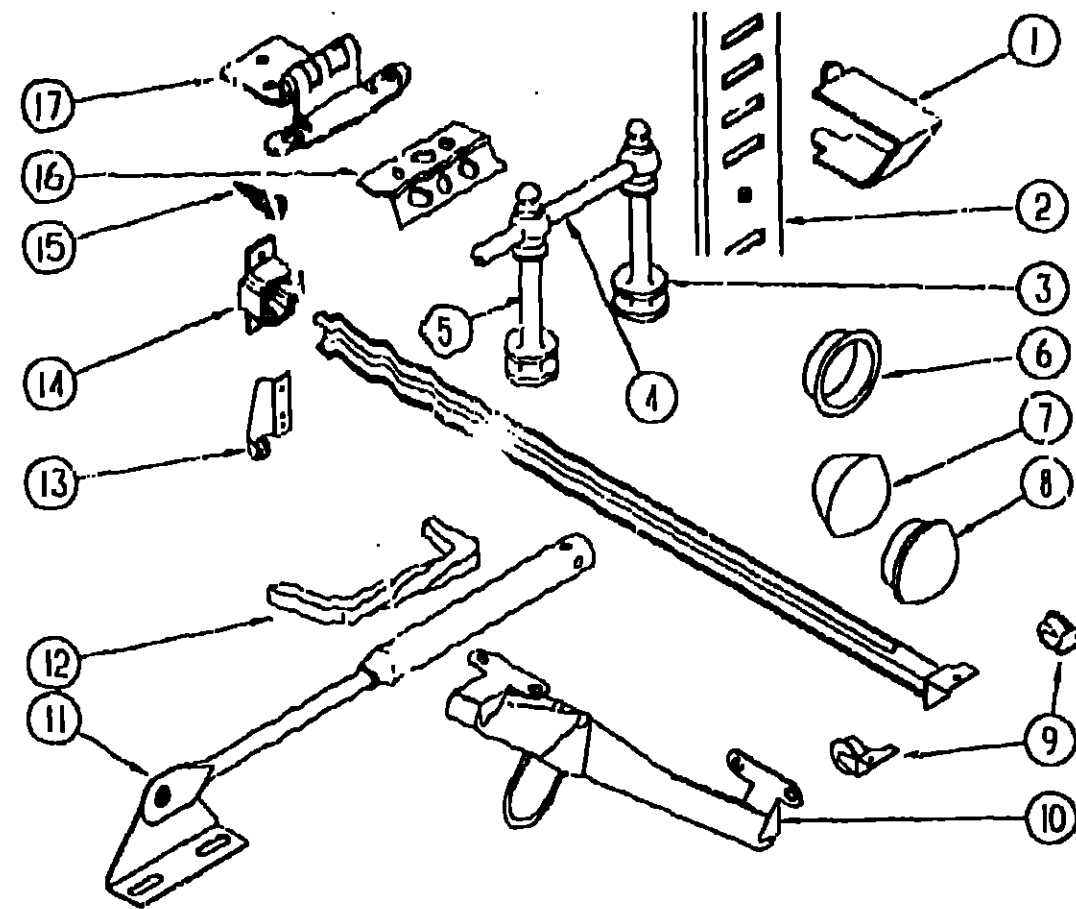
**TABLE OF CONTENTS**

INTRODUCTION	A-01	-	A-02
ABBREVIATIONS			A-03
ALPHABETICAL INDEX	A-04	-	A-06
IC522RG	A-07	-	D-16
IF524RC	D-17	-	1104

**1992 IC522RG INDEX**

FLOOR PLAN	A-07	-	A-08
ACCESSORIES			A-09
AUDIO VIDEO			A-10
BATH	A-11	-	A-12
CHASSIS	A-13	-	A-16
CURTAIN & CUSHION	A-17	-	A-24
DINETTE	B-01	-	B-02
DRIVERS	B-03	-	B-05
ELECTRICAL	B-06	-	B-09
EXTERIOR BODY	B-10	-	B-18
GALLEY	B-19	-	B-22
GENERATOR			B-23
HEATING & A/C	B-24	-	C-01
INTERIOR FINISH	C-02	-	C-05
LABEL	C-05	-	C-14
LP			C-15
LOUNGE			C-16
SEALANTS & FASTENERS	C-17	-	C-19
WATER & SEWAGE	C-20	-	C-22
WINDOW, VENT AND EXTERIOR DOOR	C-23	-	D-15

**INTERIOR FINISH GROUP (CONTINUED)**



**CABINET & TABLE HARDWARE**

KEY	PART NUMBER	U/M DESCRIPTION
1	098979-01-000	EA CLIP-ADJUSTABLE SHELF
2	098980-01-000	EA PILASTER-ADJUSTABLE SHELF, 18" LONG
3	084070-02-000	EA POST-END, 2.4" - BRASS
4	084071-13-000	EA ROD-BRASS, 72" LONG
5	084070-01-000	EA POST-CENTER, 2.4" - BRASS
6	009140-01-000	EA PULL-FINGER, .75" DIAMETER - BRASS
7	042356-01-000	EA PLUG-BUTTON, MAHOGANY - 3/8" DIAMETER - WOOD
8	074045-07-000	EA PLUG-WOOD, 1/2"
9	102827-03-000	EA ROLLER-DRAWER, NYLON - PAIR
10	009049-01-000	EA SUPPORT-EXTENSION, GALLEY COUNTERTOP
10	104181-01-01A	EA SUPPORT-LEAF, 5.3" - EXTENDS TO 7.5" - SAFETY RING - METAL FROM: 00-00-00 THRU: 10-06-91 FROM: 10-07-91 THRU: 99-99-99
11	074493-02-000	EA SUPPORT-PISTON SPRING, CABINET DOOR
12	103857-01-000	EA PULL-CABINET, BRASS - 3" ON CENTER
	081376-01-000	EA BACKPLATE-DOOR PULL, BRASS - .8" X 4.25"
13	102827-02-000	EA BRACKET-ROLLER, DRAWER - REAR
14	102827-04-000	EA BRACKET-MOUNTING, DRAWER - REAR
15	000G13-06-10G	EA SCREW-8-20 X 5/8 PFH, ANTIQUE BRASS (HINGE 059777-02-000)
15	000G13-06-08G	EA SCREW-8-20 X 5/8 PFH, ANTIQUE BRASS (HINGE 108138-01-000)
16	009059-01-000	EA HINGE-DOOR, 2" X 1.4" - BRASS
16	009059-02-000	EA HINGE-DOOR, 2" X 2.7" - BRASS
17	059777-02-000	EA HINGE-CABINET DOOR, BURNISHED BRASS FROM: 00-00-00 THRU 04-16-92
17	108138-01-000	EA HINGE-DOOR, CABINET - BURNISHED BRASS FROM: 04-17-92 THRU: 99-99-99
	076827-02-000	EA BRACKET-LEG, 2.9" X 1.8" TRIANGLE (USED ON OVERHEAD CABINETS ALSO)

**INTERIOR FINISH GROUP (CONTINUED)**

**CABINET & TABLE HARDWARE (CONTINUED)**

KEY	PART NUMBER	U/M DESCRIPTION
	004354-01-000	EA BUMPER-RUBBER, 5" DIA - BROWN
	015804-01-000	EA BRACE-CABINET, ANGLE - 2.5" - METAL - UNPAINTED
	016804-03-000	EA BRACE-CABINET, ANGLE - 2.5" - METAL - BEIGE
	023320-01-000	EA PAD-FELT, 3/8" DIAMETER - BROWN
	065740-01-000	EA BRACE-CABINET CORNER, PLASTIC
	076790-01-000	EA SCREW, 6-20 X 1 1/4 PPH - BLACK
	076827-04-000	EA BRACKET-BUNKBED, 2.9" X 1.8" TRIANGLE - METAL - OFF WHITE
	083204-02-000	EA BUTTON-RETAINING, MIRROR - 3/16" TIP - WALNUT
	102827-05-000	EA TRACK-DRAWER, 22.6" LONG
	104886-01-000	EA CATCH-WOOD, VINYL FACE CABINET
	104886-02-000	EA CATCH-WOOD, LAMINATED FACE
	105037-02-000	EA FASTENER-WOOD, CORNER - METAL - .5" X .6"
	009112-01-000	EA FLANGE-1" ROD, CLOTHES - PLASTIC - OFF WHITE
	042438-01-000	EA DOWEL-WOOD, CLOTHES ROD - 1" DIAMETER X 4'
	042438-02-000	EA DOWEL-WOOD, 2" X 2"
	076840-01-000	EA CORD-BUNGIE, 24"
	091255-02-000	FT SEAL-ADHESIVE BACKED FOAM, .18" THICK X 1.5" WIDE
	103130-01-000	EA HOOK-CUP, BRASS - 1.25"
	064467-01-000	EA GUIDE-POCKET, SLIDING DOOR - WALL MOUNTED

**FIRE EXTINGUISHER, SMOKE DETECTOR & CLOCK**

KEY	PART NUMBER	U/M DESCRIPTION
	072852-01-000	EA DETECTOR-SMOKE, W/9 VOLT BATTERY
	072852-02-000	EA DETECTOR-SMOKE, W/9 VOLT BATTERY
	094499-01-000	EA EXTINGUISHER-FIRE, DRY W/MOUNTING BRACKET - 10 BC
	094499-02-000	EA EXTINGUISHER-FIRE, DRY - 1A10BC - CANADIAN
	094499-01-700	EA BRACKET-MOUNTING, W/PLASTIC STRAP - FIRE EXTINGUISHER
	100793-01-01A	EA CLOCK-WALL, OVAL - 9.5" X 11.1"
	101333-01-000	EA BACKPLATE-CLOCK, 6" X 6" - PLASTIC - BLACK

**1992 ITASCA  
TABLE OF CONTENTS**

INTRODUCTION	A-01 - A-02
ABBREVIATIONS	A-03
ALPHABETICAL INDEX	A-04 - A-06
IC522RG	A-07 - D-16
IF524RC	D-17 - H-04

**1992 IC522RG INDEX**

FLOOR PLAN	A-07 - A-08
ACCESSORIES	- A-09
AUDIO VIDEO	- A-10
BATH	A-11 - A-12
CHASSIS	A-13 - A-16
CURTAIN & CUSHION	A-17 - A-24
DINETTE	B-01 - B-02
DRIVERS	B-03 - B-05
ELECTRICAL	B-06 - B-09
EXTERIOR BODY	B-10 - B-18
GALLEY	B-19 - B-22
GENERATOR	- B-23
HEATING & A/C	B-24 - C-01
INTERIOR FINISH	C-02 - C-05
LABEL	C-06 - C-14
LP	- C-15
LOUNGE	- C-16
SEALANTS & FASTENERS	C-17 - C-19
WATER & SEWAGE	C-20 - C-22
WINDOW, VENT AND EXTERIOR DOOR	C-23 - D-15

## INTERIOR FINISH GROUP (CONTINUED)

### PANELING, LAMINATES & PLASTIC

KEY	PART NUMBER	U/M	DESCRIPTION
	074497-19-000	SF	PANELING-CEILING, 4' X 8' - INC OF 32 SF
	074497-21-000	SF	PANELING-WOODGRAIN, 4' X 8' - WINNIE OAK - INC OF 32 SF
	074498-39-000	SF	LAMINATE-PLASTIC, 5' X 8' - GREY/BEIGE - INC. OF 40 SF (C43)
	074498-41-000	SF	LAMINATE-PLASTIC ORCHID MIST (C44)
	083618-02-000	SF	PLYWOOD-OAK, 1 SIDE FINISHED - 3/16" X 4' X 8' - INC. OF 32 SF
	088272-72-000	SF	PANELING-SHOWER, OFF WHITE - 4' X 7' - INC. OF 28 SF FROM: 00-00-00 THRU: 03-15-92
	088272-98-000	SF	PANELING-SHOWER, OFF WHITE - 4' X 7' - INC OF 28 SQ FT FROM: 03-18-92 THRU: 99-99-99
	088272-82-000	SF	PANELING-DECORATIVE, 4' X 7' - MARBLE (MAIN)
	088272-83-000	SF	PANELING-DECORATIVE, 4' X 7' - FRONDS (BATH & GALLEY)
	089297-01-000	SF	PLYWOOD-LUAN, OVERLAY GRADE - 4' X 8' - INC OF 32 SF
	089351-03-000	YD	VINYL-CEILING, DIAMOND DESIGN - 54" WIDE
	093743-02-01A	SF	PLASTIC-ABS, 20" WIDE ROLL - OFF WHITE
	093743-03-01A	SF	PLASTIC-ABS, 10 8" WIDE - OFF WHITE
	095608-01-000	SF	VENEER-FLAT LUANA, 4' X 8'

### CARPETING & FLOOR MATS

KEY	PART NUMBER	U/M	DESCRIPTION
	096060-42-000	SY	CARPET-12' ROLL, INCREMENTS OF 4 SY - BROWN SPECIAL (C43)
	096060-23-000	SY	CARPET-12' ROLL, INCREMENTS OF 4 SY (C44)
	047034-02-000	SF	PLASTIC-CARPET, 4" WIDE - C-LEAR POLY - MINIMUM ORDER 1,600 SF
	075237-01-000	SY	PAD-CARPET, 3/8" X 6' ROLL
	081075-02-000	EA	MAT-FLOOR, ENTRANCE LOOP - W/ITASCA LOGO - 10.2' X 26" FROM: 00-00-00 THRU: 01-09-92
	081075-04-000	EA	MAT-FLOOR ENTRANCE, ITASCA - PLASTICOLOR GRAY FROM: 01-10-92 THRU: 99-99-99
	083218-03-000	EA	MAT-FLOOR, PASSENGER W/ITASCA LOGO - CHEVY
	083218-04-000	EA	MAT-FLOOR, DRIVER W/ITASCA LOGO - CHEVY
	083219-03-000	EA	MAT-FLOOR, PASSENGER - "I" - FORD FROM: 00-00-00 THRU: 01-12-92
	083219-04-000	EA	MAT-FLOOR, DRIVER - "I" - FORD FROM: 00-00-00 THRU: 01-12-92
	106884-03-000	EA	MAT-FLOOR, PASSENGER - "I" - FORD FROM: 01-13-92 THRU: 99-99-99
	106884-04-000	EA	MAT-FLOOR, DRIVER - "I" - FORD FROM: 01-13-92 THRU: 99-99-99

## LABELS GROUP

### MISCELLANEOUS LABELS

KEY	PART NUMBER	U/M	DESCRIPTION
	R77005-87-899	EA	LABEL-FUEL, "UNLEADED" - RNO 7700587899
	006084-01-000	EA	LABEL-SEAT W/O SEATBELT NOT INTENDED FOR USE WHILE COACH IN MOTION
	006064-02-000	EA	LABEL-SEAT W/O SEATBELT (CANADIAN) NOT INTENDED FOR USE WHILE COACH IN MOTION
	035709-01-000	EA	LABEL-NO STORAGE
	081417-01-000	EA	LABEL-FUEL ON FUEL FILL DOOR
	081808-01-000	EA	LABEL-OVERLAY, VEHICLE CERTIFICATION - ADHESIVE BACKED
	073998-01-000	EA	LABEL-LPG ODOR WARNING
	091243-01-000	EA	LABEL-A/C COVER, "AIR CONDITIONING CIRCUIT. F.T.C."
	093238-08-000	EA	LABEL-CIRCUIT BREAKER
	098841-01-000	EA	LABEL-FUEL, UNLEADED - DASH
	104236-01-000	EA	LABEL-GENERATOR CIRCUIT

## 1992 ITASCA

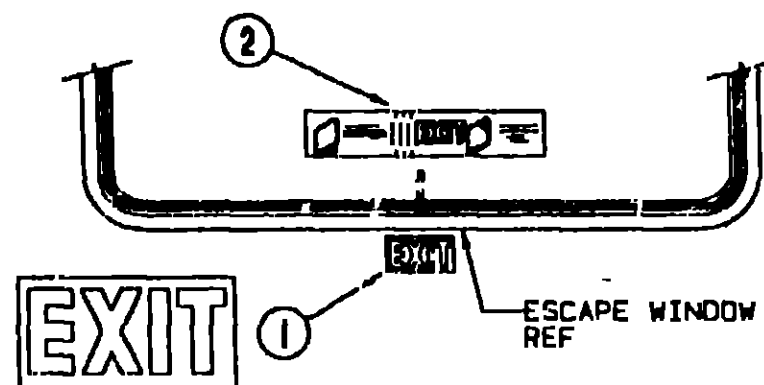
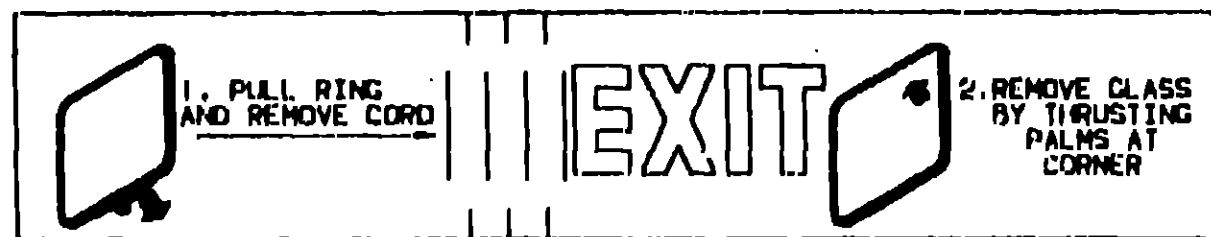
### TABLE OF CONTENTS

INTRODUCTION	A-01	A-02
ABBREVIATIONS		A-03
ALPHABETICAL INDEX	A-04	A-05
IC522RG	A-07	D-16
IF524RC	D-17	H-04

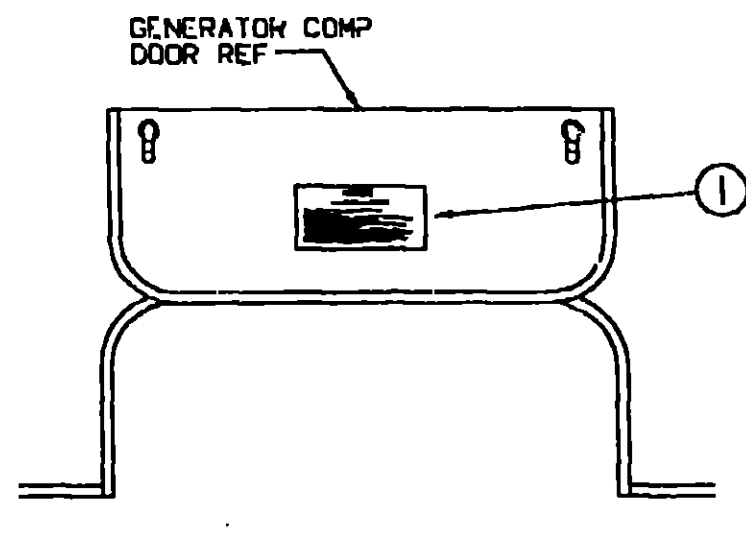
## 1992 IC522RG INDEX

FLOOR PLAN	A-07	A-08
ACCESSORIES		A-09
AUDIO VIDEO		A-10
BATH	A-11	A-12
CHASSIS	A-13	A-15
CURTAIN & CUSHION	A-17	A-24
DINETTE	B-01	B-02
DRIVERS	B-03	B-05
ELECTRICAL	B-06	B-09
EXTERIOR BODY	B-10	B-18
GALLEY	B-19	B-22
GENERATOR		B-23
HEATING & A/C	B-24	C-01
INTERIOR FINISH	C-02	C-05
LABEL	C-06	C-14
LP		C-15
LOUNGE		C-16
SEALANTS & FASTENERS	C-17	C-19
WATER & SEWAGE	C-20	C-22
WINDOW, VENT AND EXTERIOR DOOR	C-23	D-15

**LABELS GROUP (CONTINUED)**



KEY	PART NUMBER	U/M DESCRIPTION
1	039290-01-000	EA LABEL-WARNING-EXIT
2	107571-01-000	EA LABEL-EXIT-ESCAPE WINDOW



**WARNING**

WHEN ADDING A GENERATOR SET.

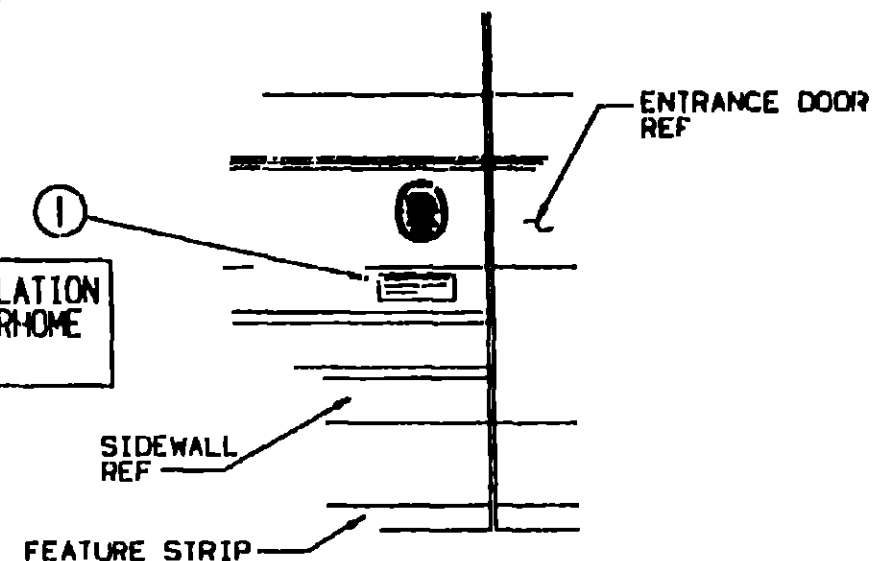
HIGH VOLTAGE-USE EXTREME CAUTION WHEN WORKING ON ELECTRICAL COMPONENTS.  
 HAVE ALL ELECTRICAL INSTALLATION PERFORMED BY A QUALIFIED LICENSED ELECTRICIAN-FOLLOW ALL STATE AND LOCAL CODES.  
 ONLY INSTALL GENERATOR SET APPROVED FOR R.V. APPLICATION. HAVE INSTALLED BY QUALIFIED TECHNICIAN.  
 TO AVOID HEAT BUILD-UP AND TO GUARANTEE AN ADEQUATE AIR SUPPLY TO THE GENERATOR COMPARTMENT, FOLLOW INSTALLATION INSTRUCTIONS.  
 GENERATOR ENGINE EXHAUST GASES ARE TOXIC AND MUST NOT TERMINATE UNDER THE VEHICLE-DISCHARGE EXHAUST AWAY FROM VEHICLE.

KEY	PART NUMBER	U/M DESCRIPTION
1	077510-01-000	EA LABEL-GENERATOR PREP

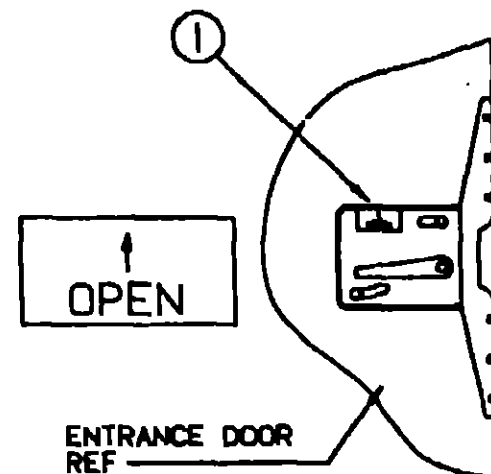
**LABELS GROUP (CONTINUED)**



FOR AWNING INSTALLATION CONTACT YOUR MOTORHOME DEALERSHIP



KEY	PART NUMBER	U/M DESCRIPTION
1	099509-01-000	EA LABEL-AWNING INSTALLATION



KEY	PART NUMBER	U/M DESCRIPTION
1	040944-01-000	EA LABEL-ENTRANCE DOOR, "OPEN"

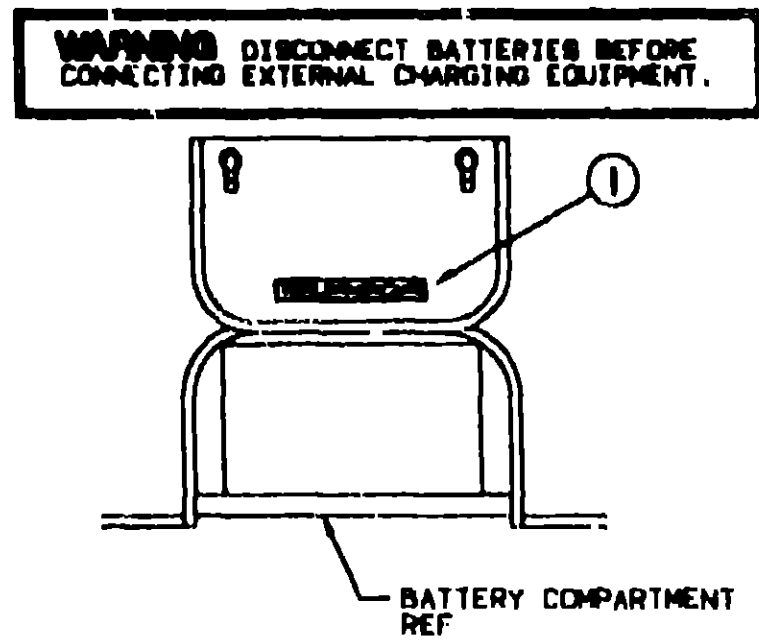
**1992 ITASCA**  
**TABLE OF CONTENTS**

INTRODUCTION	A-01	A-02
ABBREVIATIONS		A-03
ALPHABETICAL INDEX	A-04	A-06
IC522RG	A-07	D-16
IF524RC	D-17	H-04

**1992 IC522RG INDEX**

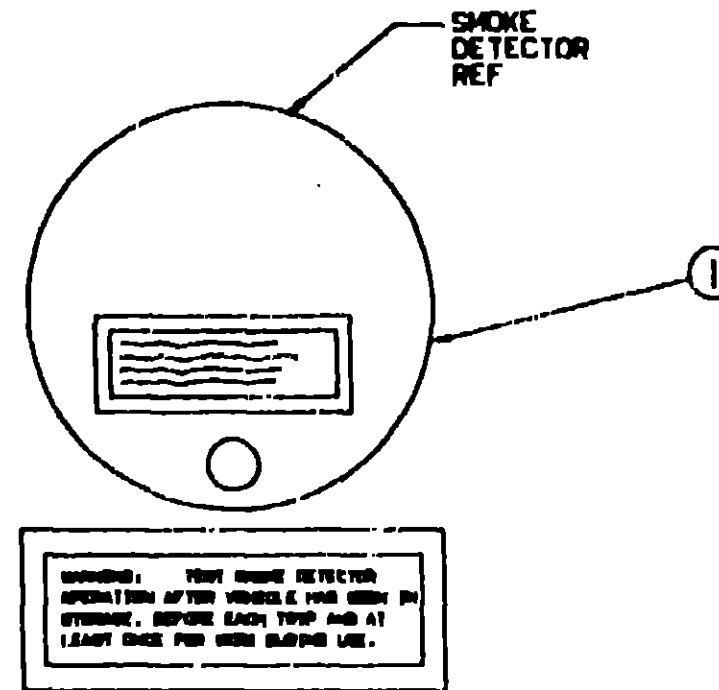
FLOOR PLAN	A-07	A-08
ACCESSORIES		A-09
AUDIO VIDEO		A-10
BATH	A-11	A-12
CHASSIS	A-13	A-16
CURTAIN & CUSHION	A-17	A-24
DINETTE	B-01	B-02
DRIVERS	B-03	B-05
ELECTRICAL	B-06	B-09
EXTERIOR BODY	B-10	B-18
GALLEY	B-19	B-22
GENERATOR		B-23
HEATING & AC	B-24	C-01
INTERIOR FINISH	C-02	C-05
LABEL	C-06	C-14
LP		C-15
LOUNGE		C-16
SEALANTS & FASTENERS	C-17	C-19
WATER & SEWAGE	C-20	C-22
WINDOW, VENT AND EXTERIOR DOOR	C-23	D-15

**LABELS GROUP (CONTINUED)**



KEY PART NUMBER	U/M DESCRIPTION
1 065748-01-000	EA LABEL-CAUTION-BATTERY CHARGING

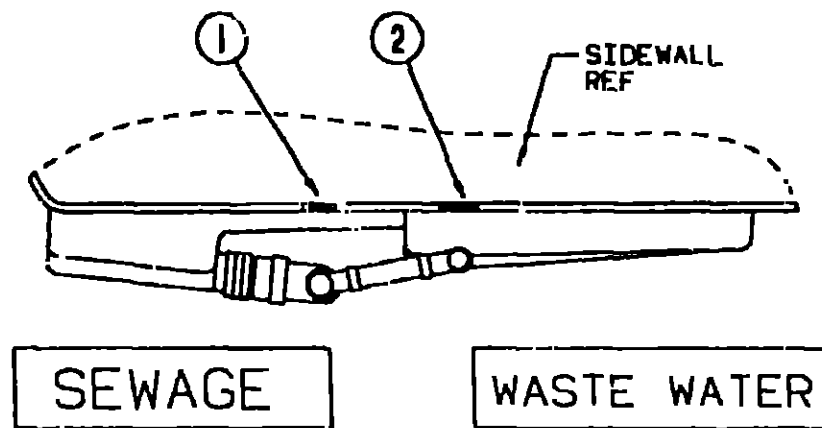
**LABELS GROUP (CONTINUED)**



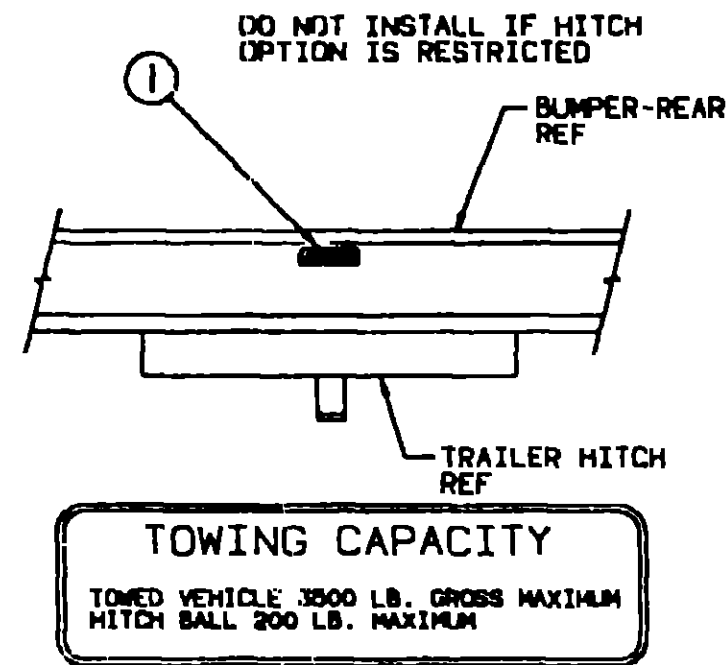
KEY PART NUMBER	U/M DESCRIPTION
1 077956-01-000	EA LABEL-WARNING-SMOKE DETECTOR

**1992 ITASCA  
TABLE OF CONTENTS**

INTRODUCTION	A-01	A-02
ABBREVIATIONS		A-03
ALPHABETICAL INDEX	A-04	A-06
IC522RG	A-07	D-16
IF524RC	D-17	H-04



KEY PART NUMBER	U/M DESCRIPTION
1 006187-01-000	EA LABEL-SEWAGE
2 006188-01-000	EA LABEL-WASTE WATER



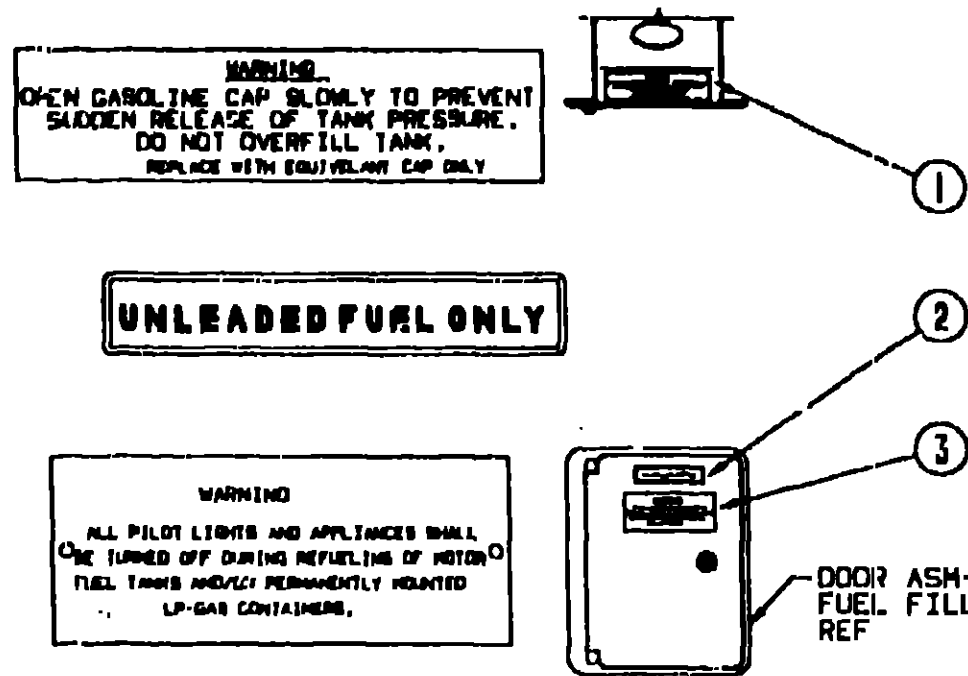
KEY PART NUMBER	U/M DESCRIPTION
1 075221-01-000	EA LABEL-TOWING CAPACITY

**1992 IC522RG INDEX**

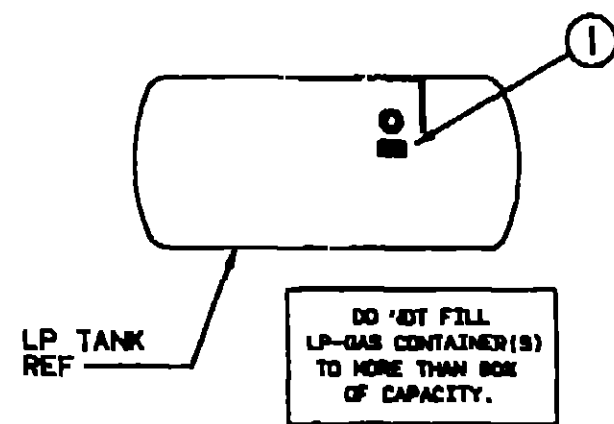
FLOOR PLAN	A-07	A-08
ACCESSORIES		A-09
AUDIO VIDEO		A-10
BATH	A-11	A-12
CHASSIS	A-13	A-16
CURTAIN & CUSHION	A-17	A-24
DINETTE	B-01	B-02
DRIVERS	B-03	B-05
ELECTRICAL	B-06	B-09
EXTERIOR BODY	B-10	B-18
GALLEY	B-19	B-22
GENERATOR		B-23
HEATING & A/C	B-24	C-01
INTERIOR FINISH	C-02	C-05
LABEL	C-06	C-14
LP		C-15
LOUNGE		C-16
SEALANTS & FASTENERS	C-17	C-19
WATER & SEWAGE	C-20	C-22
WINDOW, VENT AND EXTERIOR DOOR	C-23	D-15



**LABELS GROUP (CONTINUED)**

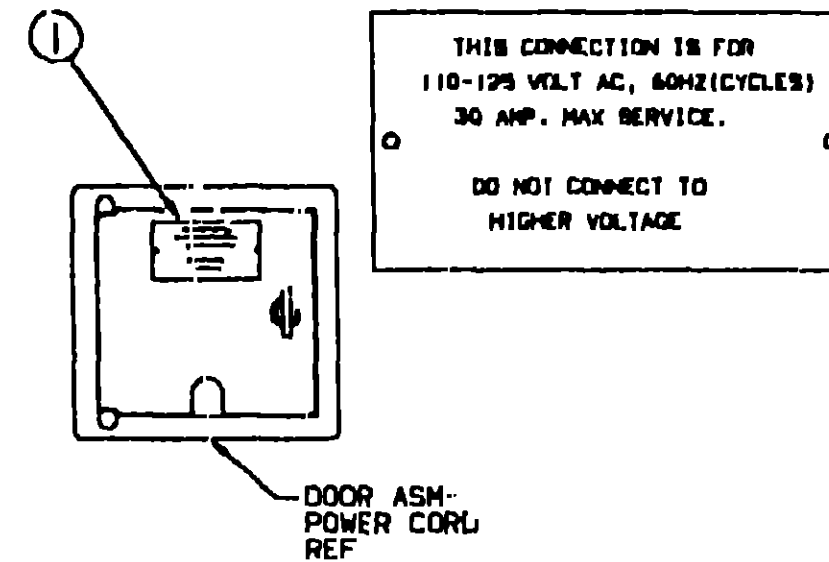


KEY	PART NUMBER	U/M DESCRIPTION
1	087207-06-000	EA LABEL-GAS OVERFILL
2	062043-01-000	EA LABEL-FUEL-UNLEADED
3	006040-01-000	EA TAG-GAS REFUELING WARNING-US
3	006040-02-000	EA TAG-GAS REFUEL WARNING-CANADIAN

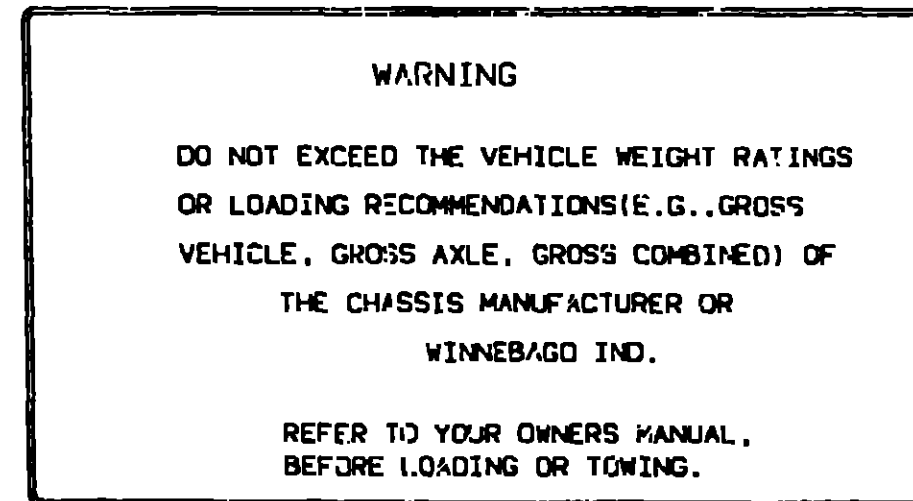
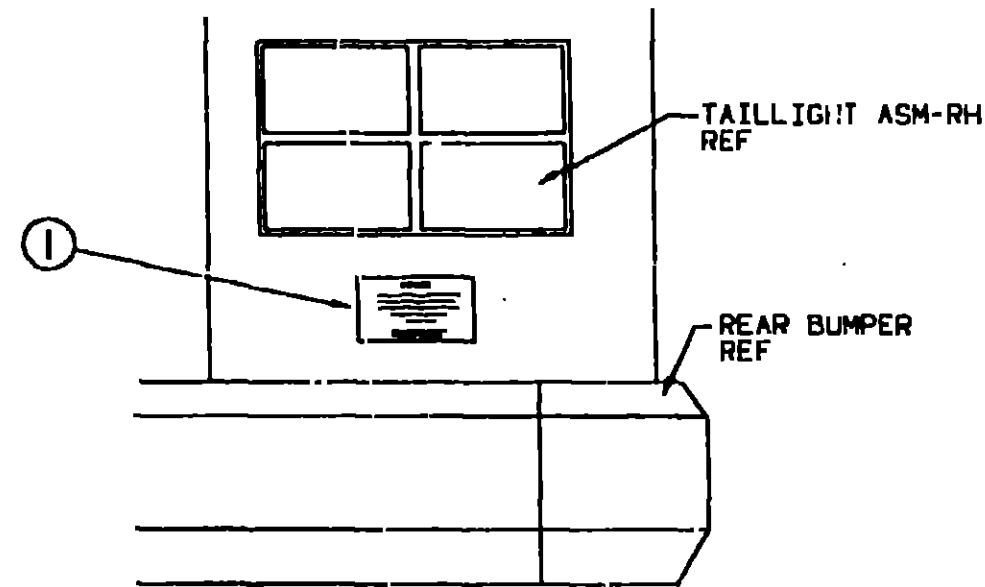


KEY	PART NUMBER	U/M DESCRIPTION
1	054531-01-000	EA LABEL-LP GAS ONLY

**LABELS GROUP (CONTINUED)**



KEY	PART NUMBER	U/M DESCRIPTION
1	006062-01-000	EA TAG-ELECTRIC-110V CONNECTION



KEY	PART NUMBER	U/M DESCRIPTION
1	075220-01-000	EA LABEL-WARNING-EXTERIOR LOAD

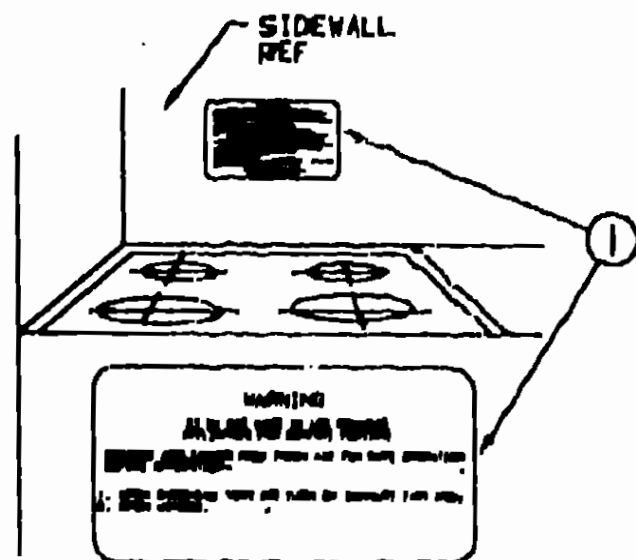
**1992 ITASCA  
TABLE OF CONTENTS**

INTRODUCTION	A-01	A-02
ABBREVIATIONS		A-03
ALPHABETICAL INDEX	A-04	A-06
IC522RG	A-07	D-16
IF524RC	D-17	H-04

**1992 IC522RG INDEX**

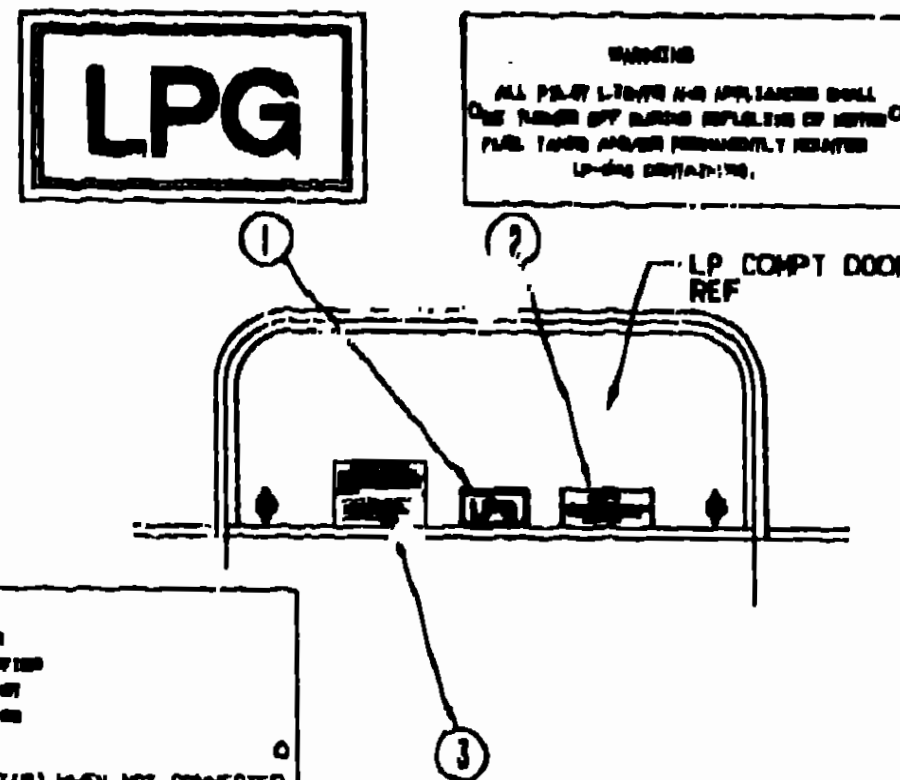
FLOOR PLAN	A-07	A-08
ACCESSORIES		A-09
AUDIO VIDEO		A-10
BATH	A-11	A-12
CHASSIS	A-13	A-16
CURTAIN & CUSHION	A-17	A-24
DINETTE	B-01	B-02
DRIVERS	B-03	B-05
ELECTRICAL	B-06	B-09
EXTERIOR BODY	B-10	B-18
GALLEY	B-19	B-22
GENERATOR		B-23
HEATING & A/C	B-24	C-01
INTERIOR FINISH	C-02	C-05
LABEL	C-06	C-14
LP		C-15
LOUNGE		C-16
SEALANTS & FASTENERS	C-17	C-19
WATER & SEWAGE	C-20	C-22
WINDOW, VENT AND EXTERIOR DOOR	C-23	D-15

**LABELS GROUP (CONTINUED)**



**WARNING**  
**ALWAYS USE GAS STOVE**  
 BEFORE LEAVING THE STOVE ALWAYS TURN OFF THE GAS CONTROL VALVES AT THE END OF EACH COOKING PERIOD. DO NOT LEAVE THE STOVE ON FOR LONGER THAN 15 MINUTES.

**LABELS GROUP (CONTINUED)**



**LPG**

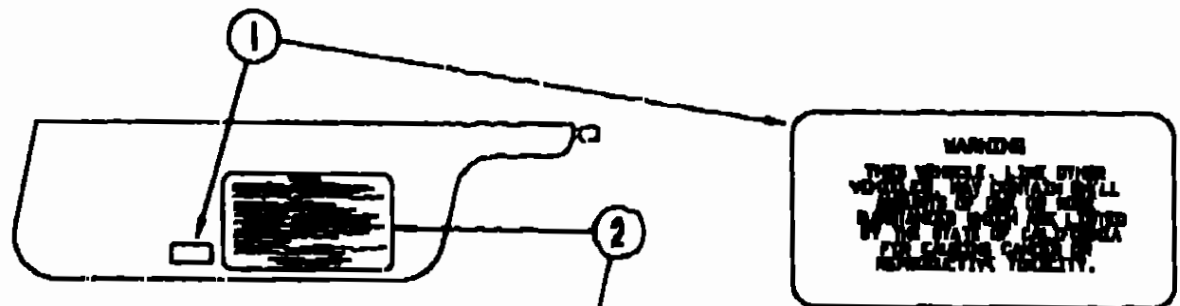
**WARNING**  
 ALL FLAT TOP LP-GAS APPLIANCES SHALL BE TURNED OFF BEFORE DEPARTURE OF MOTOR. PLEASE TAKE APPROPRIATE PRECAUTIONS TO PREVENT LP-GAS ACCIDENTS.

**LP-GAS SYSTEM**  
 THIS GAS PIPING SYSTEM IS DESIGNED FOR USE OF LIQUEFIED PETROLEUM GAS ONLY. DO NOT CONNECT NATURAL GAS TO THIS SYSTEM.  
 SECURELY CAP INLET(S) WHEN NOT CONNECTED FOR USE. AFTER TURNING ON GAS, EXCEPT AFTER NORMAL CONTAINER REPLACEMENT, TEST GAS PIPING AND CONNECTIONS TO APPLIANCE FOR LEAKAGE WITH SOAPY WATER OR BUBBLE SOLUTION. DO NOT USE PRODUCTS THAT CONTAIN AMMONIA OR CHLORINE.  
 P.N. 848-21

**1992 ITASCA  
 TABLE OF CONTENTS**

INTRODUCTION	A-01 - A-02
ABBREVIATIONS	A-03
ALPHABETICAL INDEX	A-04 - A-06
IC522RG	A-07 - D-16
IF524RC	D-17 - H-04

**KEY PART NUMBER U/M DESCRIPTION**  
 1 050225-01-000 EA LABEL-WARNING-STOVE VENT - US



**WARNING**  
 THIS VEHICLE IS NOT TO BE USED AS A TRUCK OR TO TRANSPORT PASSENGERS OR LOADS EXCEEDING THE MANUFACTURER'S RECOMMENDED WEIGHT.

**CAUTION**

THIS MOTOR HOME HAS BEEN DESIGNED, MANUFACTURED AND TESTED WITH CONCERN FOR THE PROTECTION OF IT'S OCCUPANTS. WE RECOMMEND YOU PERFORM THE FOLLOWING INSPECTIONS FOR YOUR SAFETY AND THE SAFETY OF YOUR PASSENGERS BEFORE STARTING YOUR VEHICLE.

1. LP-GAS SYSTEM- TURN OFF AT TANK FOR TRAVELING. TEST FOR LEAKS UPON ARRIVAL AT DESTINATION. BEFORE LIGHTING PIPIES.
2. WHEELS- INSPECT FOR DAMAGE AND CHECK LUG NUTS FOR TIGHTNESS.
3. TIRES- INSPECT FOR WEAR AND DAMAGE AND CHECK FOR RECOMMENDED AIR PRESSURE.
4. LIGHTING- TEST FOR PROPER OPERATION OF ALL INTERIOR AND EXTERIOR LIGHTS INCLUDING DASH LIGHTS, HEADLIGHTS, TAIL LIGHTS, BRAKE LIGHTS, CLEARANCE LIGHTS AND TURN SIGNALS.
5. EXITS- INSPECT RELEASE MECHANISM ON EMERGENCY EXIT WINDOW. TEST BOTH LOCKS ON MAIN ENTRANCE DOOR FOR EASE OF OPERATION AND INSTRUCT PASSENGERS HOW TO USE BOTH MEANS OF EXIT.
6. SEAT BELTS- DIRECT PASSENGERS TO DESIGNATED SEATS AND REQUIRE USE OF SEAT BELTS.
7. APPLIANCES- TURN OFF AND LATCH OR LOCK DOORS WHERE PROVIDED.
8. LOOSE PARCELS- STORE SECURELY.
9. UTILITY SUPPLY LINES- DISCONNECT ALL ELECTRIC, SEWER AND WATER LINES AND SECURE PROPERLY.
10. ENTRANCE DOOR STEP- PLACE IN RETRACTED POSITION FOR TRAVELING.

READ YOUR MOTOR HOME AND CHASSIS OWNER'S MANUAL FOR FURTHER PRECAUTIONS

**KEY PART NUMBER U/M DESCRIPTION**

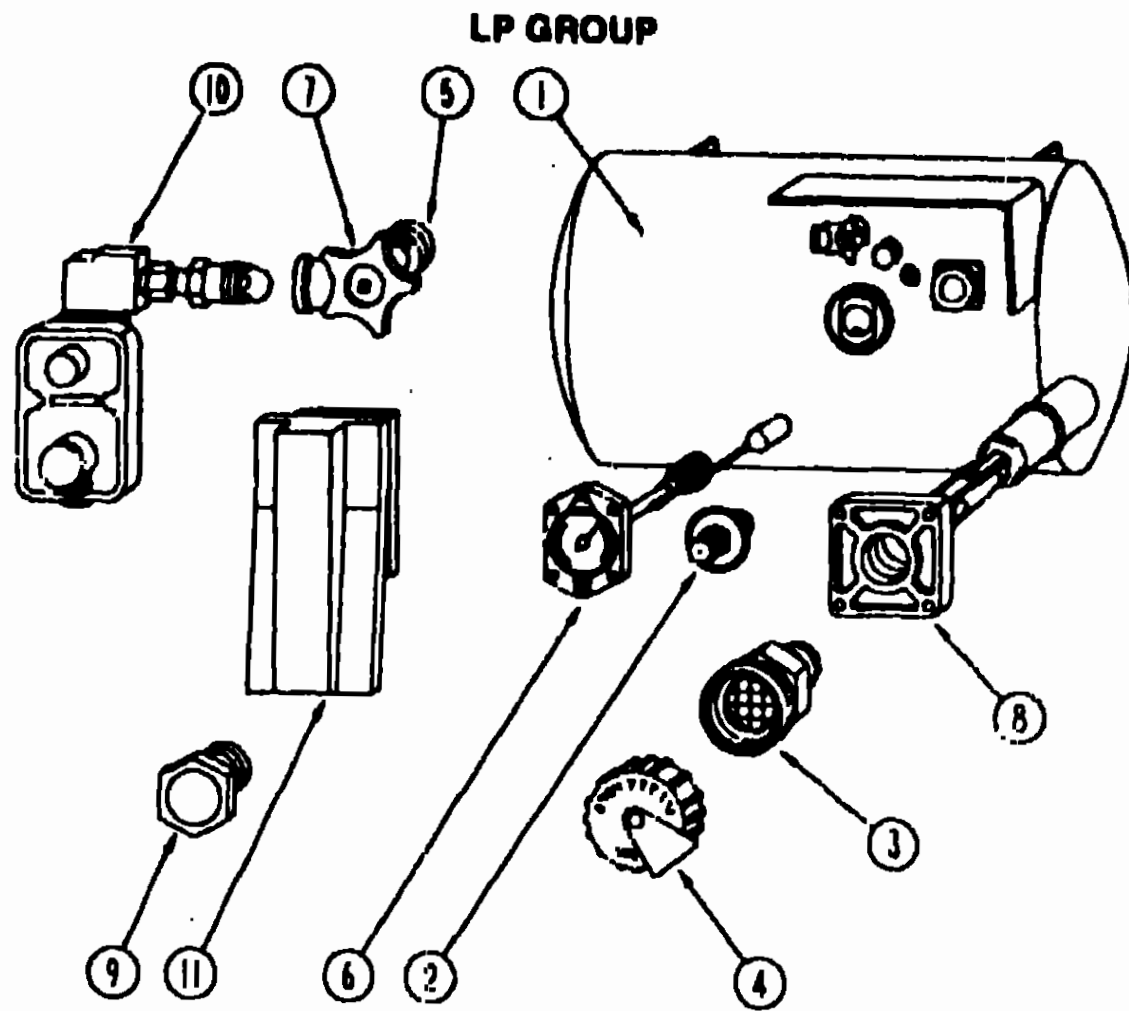
1	074559-01-000	EA DECL-LOGO, LPG - RED (CALIFORNIA CODE)
2	306040-01-000	EA TAG-GAS REFUELING WARNING
2	006040-02-000	EA TAG-GAS REFUEL WARNING, CANADIAN
3	054531-01-000	EA LABEL-LP GAS ONLY
3	023769-01-000	EA LABEL-WARNING, LPG - CANADIAN

**1992 IC522RG INDEX**

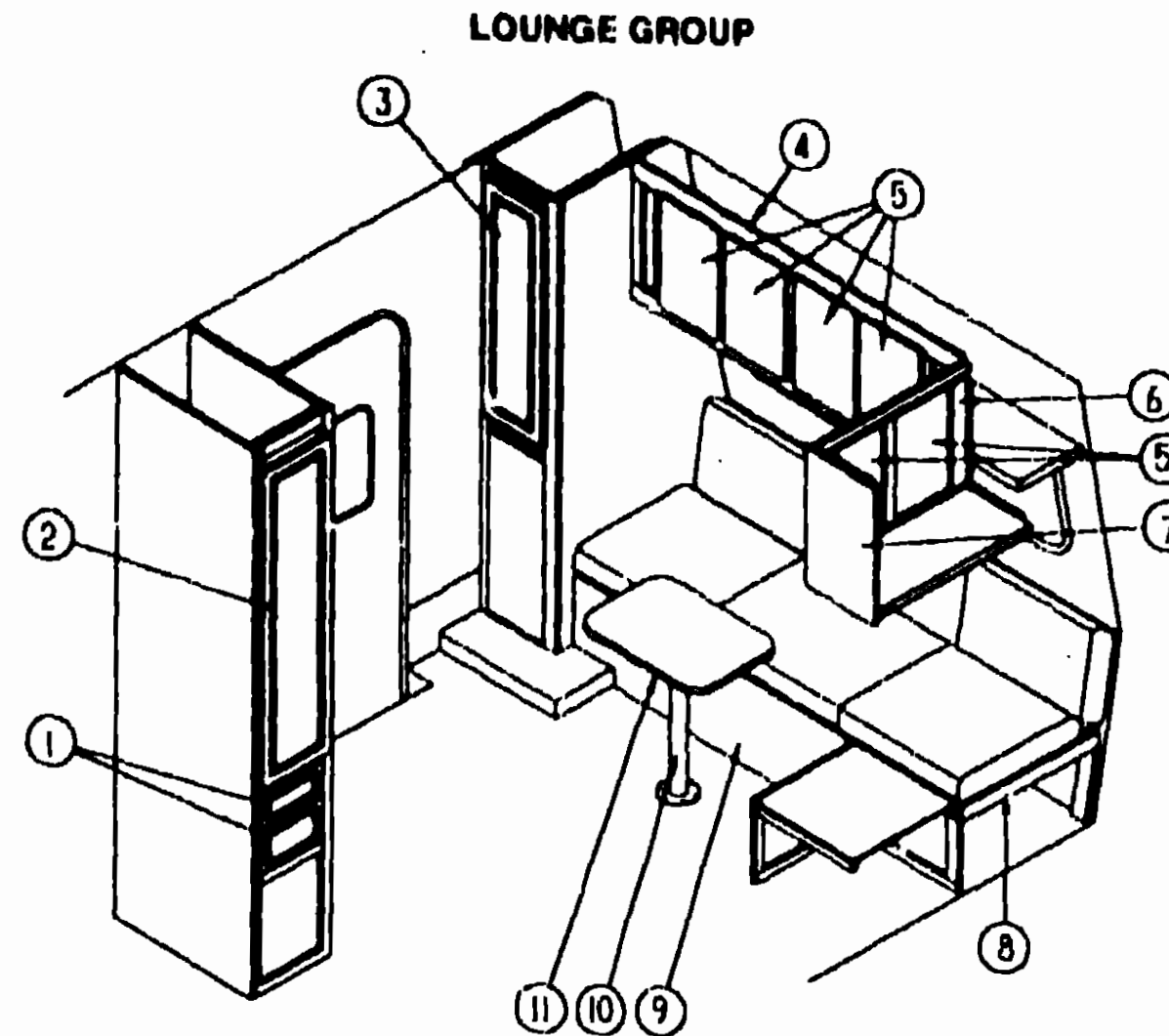
FLOOR PLAN	A-07 - A-08
ACCESSORIES	- A-09
AUDIO VIDEO	- A-10
BATH	A-11 - A-12
CHASSIS	A-13 - A-16
CURTAIN & CUSHION	A-17 - A-24
DINETTE	B-01 - B-02
DRIVERS	B-03 - B-05
ELECTRICAL	B-06 - B-09
EXTERIOR BODY	B-10 - B-18
GALLEY	B-19 - B-22
GENERATOR	- B-23
HEATING & A/C	B-24 - C-01
INTERIOR FINISH	C-02 - C-05
LABEL	C-06 - C-14
LP	- C-15
LOUNGE	- C-16
SEALANTS & FASTENERS	C-17 - C-19
WATER & SEWAGE	C-20 - C-22
WINDOW, VENT AND EXTERIOR DOOR	C-23 - D-15

**KEY PART NUMBER U/M DESCRIPTION**

1	099689-01-000	EA LABEL-WARNING-CANCER/TOXICIT
2	056259-01-000	EA LABEL-SAFETY CHECK LIST



LP TANK & COMPONENTS



OVERHEAD & COUCH CABINET

1992 ITASCA  
TABLE OF CONTENTS

INTRODUCTION	A-01	A-02
ABBREVIATIONS		A-03
ALPHABETICAL INDEX	A-04	A-06
IC527RC	A-07	D-18
IF524RC	D-17	H-04

1992 IC522RG INDEX

FLOOR PLAN	A-07	A-08
ACCESSORIES		A-09
AUDIO VIDEO		A-10
BATH	A-11	A-12
CHASSIS	A-13	A-16
CURTAIN & CUSHION	A-17	A-24
DINETTE	B-01	B-02
DRIVERS	B-03	B-05
ELECTRICAL	B-06	B-09
EXTERIOR BODY	B-10	B-18
GALLEY	B-19	B-22
GENERATOR		B-23
HEATING & A/C	B-24	C-01
INTERIOR FINISH	C-02	C-05
LABEL	C-06	C-14
LP		C-15
LOUNGE		C-16
SEALANTS & FASTENERS	C-17	C-19
WATER & SEWAGE	C-20	C-22
WINDOW, VENT AND EXTERIOR DOOR	C-27	U-15

KEY	PART NUMBER	U/M DESCRIPTION
1	097821-01-000	EA TANK-LP, 60 LB BRUNNER - 14" X 30"
2	040421-01-700	EA VALVE-LIQUID LEVEL, 20% LP - BRUNNER G-1013
3	040421-01-701	EA VALVE-SHORT LP FILLER W/YELLOW CAP - BRUNNER 75478
4	040421-01-702	EA CAP-LP FILLER VALVE, PLASTIC - YELLOW - BRUNNER G-1014-A
5	040421-01-703	EA VALVE-SERVICE, W/VAPOR RELIEF
6	040421-01-707	EA GAUGE-FLOAT W/VISIBLE DIAL - BRUNNER MA-9 6244-4
7	040421-01-708	EA HANDWHEEL-SERVICE VALVE, BRUNNER G-1015-A
8	040421-01-711	EA VALVE-80% W/FLOAT, PLATE, BOLTS & GASKET - BRUNNER
9	040421-01-713	EA VALVE-VAPOR ONLY - 29000587
10	106150-01-000	EA REGULATOR-TWO STAGE - M'BRASS 293-00
	105658-01-000	EA COMPARTMENT-LP REGULATOR
11	081938-01-000	EA COVER-COMPARTMENT, LP REGULATOR - BLACK
	040440-02-000	EA TRANSMITTER-DIAL, 0-90 OHM
	065741-01-000	EA GAUGE-DIAPHRAGM PRESSURE - MARSHALLTOWN MFG
	103613-01-000	EA DETECTOR-LP GAS
FROM: 01-20-92 THRU: 99-99-99		
	045703-01-000	EA HOSE-LP, 3/8" ID X 24" - 3/8 MPT X 1/2 F SWIVEL - U.S.
	045703-02-000	EA HOSE-LP, 3/8" ID X 24" - 3/8 MPT X 1/2 F SWIVEL - CANADA
	010323-01-000	EA ADAPTER-BRASS, 3/8 F X 1/2 MPT
	065742-01-000	EA TEE, 3/8 F X 3/8 F X .25 FPT - BRASS
	010377-02-000	EA NUT-BRASS, 3/8 FEMALE - FORGED
	095624-01-000	EA ELBOW-90 DEGREE, 1/4" FPT X 1/4" FPT - BRASS
	065318-02-000	EA ELBOW-90 DEGREE, 3/8" MPT TO 3/8" FPT
	010265-01-000	EA ELBOW-BRASS, 90 DEGREE - 3/8" F X 1/2" FPT
	033759-01-000	EA ELBOW-3/8 F X 3/8 F X 90 DEG
	071391-02-000	EA NIPPLE-HEX, 1/4 PIPE - 3325X4 WEATHERHEAD
	084884-01-000	EA PLUG-BRASS, 3/8"

KEY	PART NUMBER	U/M DESCRIPTION
1	P03397-H8-C43	EA DRAWER ASM-CABINET, W/O HARDWARE - 268 X 510MM
2	P03702-69-C52	EA DOOR ASM-CABINET, W/O HARDWARE - 305 X 1220MM
3	P04536-04-C43	EA DOOR ASM-CABINET, W/O HARDWARE - 305 X 1220MM
	042438 01-000	EA DOWEL-WOOD, CLOTHES ROD - 1" DIAMETER X 4"
	009112-01-000	EA FLANGE-1" ROD, CLOTHES - PLASTIC - OFF WHITE
4	105543-01-C43	EA CABINET ASM-OVERHEAD, REAR
4	105543-01-C44	EA CABINET ASM-OVERHEAD, REAR
5	P03702-G3-C43	EA DOOR ASM-CABINET, W/O HARDWARE - 305 X 475MM
6	105544-01-C43	EA CABINET ASM-OVERHEAD, REAR - LEFT
7	104335-15-C43	EA END CAP-CABINET, OVERHEAD
8	M04187-28-C43	EA CABINET-COUCH W/FABRIC
8	M04187-28-C44	EA CABINET-COUCH W/FABRIC
9	M04187-24-C43	EA CABINET-COUCH W/FABRIC
9	M04187-24-C44	EA CABINET-COUCH W/FABRIC
	050101-01-002	EA EXTR-CORNER KEY, L-SHAPED - 192" - ALUMINUM
	082525-02-000	EA BRACE-COUCH, FLOOR MOUNT - ANGLE 3" LONG - METAL
10	009040-02-000	EA PEDESTAL TABLE LEG-27 5" X 2 25" DIA - CHROME
	041194-01-000	EA BASE-TABLE, FLUSH - FLOOR MOUNTED
	062046-01-000	EA CLIP-LEG, PEDESTAL - 1 7" X 2 2" - DIA FROM 2" TO 2 5"
	056093-01-C43	EA PLUG ASM-PEDESTAL TABLE (C43)
	056093-01-C53	EA PLUG ASM-PEDESTAL TABLE (C44)
	002929-01-001	EA EXTR-BRACKET TABLE
	042438-02-000	EA DOWEL-WOOD, 2" X 2"
	076840-01-000	EA CORD-BUNGIE, 24"
11	081298-01-B85	EA TABLE-PEDESTAL, W/O HARDWARE - 17" X 24" (C43)
11	081298-01-C53	EA TABLE-PEDESTAL, W/O HARDWARE - 17" X 24" (C44)
	105847-07-C25	EA HOLDER-KEY RING, WOOD - ABOVE ENTRY DOOR
	103130-01-000	EA HOOK-CUP, BRASS - 1 25"

## SEALANTS & FASTENERS GROUP

### ADHESIVE, SEALERS & TAPES

KEY	PART NUMBER	U/M DESCRIPTION
	004020-01-000	QT ADHESIVE-ABS CEMENT, QUART
	034552-02-000	EA SILICONE-TUBE, 300 ML - CLEAR
	034552-08-000	EA SILICONE-TUBE 300ML, OFF WHITE
	053766-02-000	EA BEDDING COMPOUND-TUBE, WHITE
	053766-05-000	EA BEDDING COMPOUND-TUBE, CLEAR
	053766-06-000	EA BEDDING COMPOUND-TUBE, GRAY - SCHEE # 5522
	063642-01-000	FT TAPE-ADHESIVE, 10MM X 1.5- WIDE
	069640-01-000	FT SEALER-RIBBON, 1/4" DIAMETER - INCREMENTS OF 30'
	069640-02-000	FT SEALER-RIBBON, 1/2" X 1/8" - INCREMENTS OF 30' OR 60'
	069640-03-000	FT SEALER-RIBBON, 3/4" X 1/8" - INCREMENTS OF 30'
	069640-07-000	FT SEALER-RIBBON, 2" X 3/32" - INCREMENTS OF 30' OR 45'
	069640-07-000	FT SEALER-RIBBON, 2" X 3/32" - INCREMENTS OF 30' OR 45'
	069640-10-000	FT SEALER-RIBBON, 1/32" X 1 1/2" INCREMENTS OF 90'
	069640-12-000	FT SEALER-TAPE, 1/8" X 1 5" - GRAY - MANUS
	069640-14-000	FT SEALER-TAPE, 1/16" X 1" - GRAY - MANUS
	072889-01-000	EA SEALANT-URETHANE, BLACK - 1/10 - ESSEX 552 2
	076322-05-000	FT TAPE-FOAM, DOUBLE COATED, .025" X 1 5"
	076314-02-000	FT TAPE-CARPET SEAM, HEAT-BOND - 4" WIDE
	076322-01-000	FT TAPE-FOAM, DOUBLE COATED ADHESIVE BACKED - .75" X 216"
	076322-02-000	FT TAPE-FOAM, DOUBLE COATED ADHESIVE BACKED - 1" X 108"
	076322-03-000	FT TAPE-FOAM, DOUBLE COATED ADHESIVE BACKED - 5" X 108"
	087211-01-000	GL PROMOTER-ADHESIVE
	094401-01-000	EA SEALER-BODY SEAM SEALER, 3M FLEXICLEAR
	102352-01-000	EA SEALER-PUMPABLE BLACK - COLORIMETRIC MS101

### BOLTS, NUTS & WASHERS

KEY	PART NUMBER	U/M DESCRIPTION
	00JC12-05-16B	EA BOLT-HEX, 5/16-18 X 1 - ZINC 5
	000C12-03-24B	EA BOLT-HEX, 1/2-13 X 1 1/2 - ZN 5
	000C12-10-24B	EA BOLT-HEX, 5/8-11 X 1 1/2 ZN - 5
	000C13-07-48B	EA BOLT-HEX, 7/16 - 20 X 3 - ZN 5
	000C18-05-40A	EA BOLT-ELEV-5/16-18X21/2 PL
	000C18-06-48B	EA BOLT-ELEV, 3/8-16 X 3 ZN - GDE 5
	000C26-04-10B	EA BOLT-HEX, SER FLG - 1/4-20 X 5/8 ZINC
	000C26-05-12B	EA BOLT-HEX-SER FLG 5/16-18X3/4 - ZINC
	000G45-05-16B	EA BOLT-LAG 5/16 - 9 X 1 - ZINC
	005200-01-000	EA BOLT-BUMPER, RD HD SQ NECK - W/SST CAP - 7/16 - 14 X 1 1/4
	0MC31K-08-020	EA BOLT-HEX, SER FLANGE - M8 X 020
	000D24-10-00B	EA NUT-HEX, SF/LK - 10-32 ZN
	000D39-04-00B	EA NUT-HEX, SER FLG LK 1/4 - 20 ZN
	000D39-05-00B	EA NUT-HEX, SER FLG LK - 5/16 - 18 ZN
	000D39-06-00B	EA NUT-HEX, SER FLG LK - 3/8-16 ZN
	000D39-08-00B	EA NUT-HEX, SER FLG LK - 1/2-13 ZN
	000D44-07-00B	EA NUT-HEX, SER FLG LK - 7/16-20 ZN
	104369-01-000	EA NUT-HEX, HEAVY, 5/8-11 UNC
	000E13-11-00B	EA WASHER-FLARE, 3/16" WIDE - ZN
	000E13-20-00B	EA WASHER-FL-7/16 WIDE ZN
	000E13-21-00B	EA WASHER-FL - W/2 NAR ZN
	000E14-10-00B	EA WASHER-LK - NO 10 EXT TOOTH - ZN
	044533-01-000	EA WASHER-PLASTIC, 1 3/8" OD - FOR BUTTONS

## SEALANTS & FASTENERS GROUP (CONTINUED)

### SCREWS

KEY	PART NUMBER	U/M DESCRIPTION
	075908-01-000	EA SCREW-MACHINE 10-32 X 56 PTH - ZINC EXTERNAL TOOTH
	000G11-08-12R	EA SCREW, 8-18 X 3/4 PPH - BEIGE
	000G11-08-12D	EA SCREW, 8-18 X 3/4 PPH - BLACK
	000G11-08-12T	EA SCREW, 8-18 X 3/4 PPH - OFF WHITE
	000G11-08-16S	EA SCREW, 8-18 X 1.00 PPH - OFF WHITE
	000G11-10-12D	EA SCREW, 10-18 X 3/4 PPH - BLACK
	000G11-10-12R	EA SCREW, 10-18 X 3/4 PPH - BEIGE
	000G11-10-12S	EA SCREW, 10-18 X 3/4 PPH - OFF WHT
	000G11-10-16D	EA SCREW, 10-18 X 1 - PPH ZN
	000G12-08-08T	EA SCREW, 8-20 X .50 PPH - BLACK
	000G12-08-12S	EA SCREW, 8-18 X .75 PPH OFF WHITE
	000G13-08-08B	EA SCREW, 8-20 X 1/2 PPH ZN
	000G13-08-08G	EA SCREW, 8 - 20 X .50 PPH ANTIQUE BRASS
	000G13-08-16J	EA SCREW, 8-20 X 1.00 PPH - BRASS
	000G13-08-16R	EA SCREW, 8-20 X 1 PPH - BEIGE
	000G13-06-24J	EA SCREW-6-20X1.50 PPH BRASS
	000G13-07-12B	EA SCREW, 7-19 X 3/4 PPH ZN
	000G13-08-16B	EA SCREW, 8-18 X 1 PPH - ZN
	000G18-08-22B	EA SCREW-MACH, 8-32 X 1 3/8 PPH ZN
	000G32-10-06B	EA SCREW-10-32 X 3/8" - PPH - ZINC
	000G39-06-08B	EA SCREW-DR-8-18X1/2 ZN
	000G39-06-10T	EA SCREW-SF/DR, 8-20 X 5/8 PPH - BLACK
	000G39-06-16T	EA SCREW-SF/DR, 8-20 X 1 PPH - BLACK
	000G39-08-08B	EA SCREW-SF/DR, 8-18 X 1/2 PPH ZN
	000G39-09-08R	EA SCREW-SF/DR, 8-18 X 1/2 PPH - BEIGE
	000G39-08-08S	EA SCREW-SF/DR, 8-18 X 1/2 PPH - OFF WHITE
	000G39-08-12B	EA SCREW-SF/DR, 8-18 X 3/4 PPH ZN
	000G39-08-16B	EA SCREW-SF/DR, 8-18 X 1 PPH ZN
	000G39-08-16S	EA SCREW-SF/DR - 8-18 X 1.00 PPH, OFF WHITE
	000G39-08-24B	EA SCREW-SF/DR, 8-18 X 1 1/2 PPH ZN
	000G39-08-24R	EA SCREW-SF/DR, 8-18 X 1 1/2 PPH - BEIGE
	000G39-08-24S	EA SCREW-SF/DR-8-18X1.50, OFF WHITE
	000G39-10-10S	EA SCREW-SF/DR, 10-16 X .62" - PPH - OFF WHITE
	000G39-10-12D	EA SCREW-SF/DR, 10-16 X 3/4 PPH - BLACK
	000G39-10-20B	EA SCREW-SF/DR, 10-16 X 1 1/4 PPH ZN
	000G39-12-12E	EA SCREW-SF/DR, 12 - 14 X 3/4 PPH - CHROME
	000G42-04-12B	EA SCREW-SF/DR 1/4-14X3/4HWH ZN
	000G42-04-16B	EA SCREW-SF/DR 1/4-14 X 1 HWH ZN
	000G50-04-12B	EA SCREW-MACH, 1/4-20 X 3/4 PPH ZN
	000G53-04-06B	EA SCREW-MACHINE, 1/4-20 X 3/8 PPH ZN - UNDERCUT HEAD
	000G54-04-20B	EA SCREW, 1/4-20 X 1 1/4 PTH - TYPE 23 - ZINC PLATED
	000G60-10-28T	EA SCREW-SF/DR, 10-16 X 1.75 - BLACK
	000G67-10-08B	EA SCREW, 10-12 X 1/2 PPH ZN
	000G67-10-08R	EA SCREW, 10-12 X 1/2 PPH - BEIGE - TYPE A
	000G67-10-10B	EA SCREW-10-12 X 5/8 PPH ZN - TYPE A
	000G67-10-10D	EA SCREW-10, 12 X 5/8 PPH - BLACK - TYPE A
	000G67-10-10R	EA SCREW, 10-12 X 5/8 PPH - TYPE A - BEIGE
	000G67-10-10S	EA SCREW-10-12 X 5/8" - PPH - OFF WHITE
	000G67-10-12B	EA SCREW, 10-12 X 3/4 PPH - ZN
	000G67-10-12P	EA SCREW, 10-12 X .75" - PPH - DARK BROWN
	000G67-10-16B	EA SCREW, 10-12 X 1 PPH - ZN
	000G67-10-16P	EA SCREW, 10-12 X 1 PPH - DARK BROWN
	000G67-10-20D	EA SCREW, 10-12 X 1 1/4 PPH - BLACK
	000G67-10-24B	EA SCREW, 10-12 X 1 1/2 PPH - ZN
	000G07-10-32B	EA SCREW, NO. 10 - 12 X 2 PPH ZN
	000G68-06-10G	EA SCREW-6-18 X 5/8 PPH, ANTIQUE BRASS
	049465-04-000	EA SCREW, 10-16 X 1 PTH W/WASHER - BEIGE
	074046-01-000	EA SCREW-8-18X1 1/2 PPH, BRONZE
	075908-01-000	EA SCREW-MACHINE, 10-32 X 56 PTH - ZINC EXTERNAL TOOTH
	087721-01-000	EA SCREW-FLAT HEAD, TAPPING - 1/4" X 1 1/4" LG ZN

## 1992 ITASCA TABLE OF CONTENTS

INTRODUCTION	A-01	A-02
ABBREVIATIONS		A-03
ALPHABETICAL INDEX	A-04	A-06
IC522RG	A-07	D-18
IF524RG	D-17	H-04

## 1992 IC522RG INDEX

FLOOR PLAN	A-07	A-08
ACCESSORIES		A-09
AUDIO VIDEO		A-10
BATH	A-11	A-12
CHASSIS	A-13	A-16
CURTAIN & CUSHION	A-17	A-24
DINETTE	B-01	B-02
DRIVERS	B-03	B-05
ELECTRICAL	B-06	B-09
EXTERIOR BODY	B-10	B-18
GALLEY	B-19	B-22
GENERATOR		B-23
HEATING & A/C	B-24	C-01
INTERIOR FINISH	C-02	C-05
LABEL	C-06	C-14
LP		C-15
LOUNGE		C-16
SEALANTS & FASTENERS	C-17	C-19
WATER & SEWAGE	C-20	C-22
WINDOW, VENT AND EXTERIOR DOOR	C-23	D-15



# SEALANTS & FASTENERS GROUP (CONTINUED)

## SCREWS (CONTINUED)

KEY	PART NUMBER	U/M DESCRIPTION
	000G88-10-08T	EA SCREW-10-12 X 2.25 POH BLACK
	0MG228-03-008	EA SCREW-MACH,M3.0X 5X8 PPH ZN
	000G11-08-10J	EA SCREW, 8-20 X 5/8 PPH - BRASS
	000G11-07-08B	EA SCREW, 7-18 X 1/2 PPH - ZN
	000G11-08-08B	EA SCREW, 8-18 X 3/8 PPH ZN
	000G11-08-08B	EA SCREW, 8-18 X 1/2 PPH - ZN
	000G11-08-12B	EA SCREW, 8-18 X 3/4 PPH ZN
	000G11-08-12D	EA SCREW, 8-18 X 3/4 PPH - BLACK
	000G11-08-12E	EA SCREW-8-18X 7/8 PPH CHROME

## CLAMPS, GROMMET, CLIPS & FASTENERS

KEY	PART NUMBER	U/M DESCRIPTION
	000H16-04-06R	EA RIVET-POP, AL 1/8 X .313-.375
	007181-01-000	EA CLAMP-HOSE, SPRING TYPE - 1/2"
	R77050-05-006	EA CLAMP-CLOSED, 22.2 RNO-77050050X8
	010495-01-000	EA CLAMP-CABLE, 9/16"
	010497-01-000	EA CLAMP-CLOSED, 5/8" ID
	010497-03-000	EA CLAMP-CLOSED, 1" ID - CUSHIONED
	010497-06-000	EA CLAMP-CLOSED, 1 1/16" ID
	010499-01-000	EA CLAMP-CLOSED, 3/8" ID
	062401-01-000	EA CLAMP-HOSE, WORMGEAR .25" - 1"
	062401-02-000	EA CLAMP-HOSE, WORMGEAR, 1.56" - 2.5"
	062401-04-000	EA CLAMP-HOSE, WORMGEAR .69" - 1.25"
	062401-06-000	EA CLAMP-HOSE, WORMGEAR .22"-.62"
	075148-02-000	EA CLAMP-GROUNDING, BRONZE SCREWS
	083609-01-000	EA CLAMP-WIRE, DUAL EQUAL - 5/8" DIAMETER
	083610-01-000	EA CLAMP-WIRE, DUAL - UNEQUAL DIAMETERS - .75" & 1.25"
	016188-03-000	EA GROMMET-L/P LINE - 3/8" HOLE X 2 1/8" DIAMETER - RUBBER
	023942-01-000	EA GROMMET-RUBBER, 2" OD
	008384-01-000	EA GROMMET-SNAP, 3/4" DIAMETER - NYLON
	071015-11-000	EA GROMMET-RUBBER, 1" ID X 1.75" OD W/ .12" GROOVE - BLACK
	080211-05-000	EA CLIP-XMAS TREE-36MM FASNAP 09-280297
	080734-02-000	EA CLIP-WIRE, NYLON
	082149-01-000	EA STUD-CLINCH, 3/8" X 24 X 1.12 GDS
	085774-01-000	FT FASTENER-DUAL HOOK, 1" WIDE - ADHESIVE BACK - BLACK
	085774-02-000	FT FASTENER-DUAL LOOP, 1" WIDE - ADHESIVE BACK - BLACK

# WATER & SEWAGE GROUP

## FRESH WATER TANK

KEY	PART NUMBER	U/M DESCRIPTION
	081787-03-000	EA TANK ASM-WATER, 34 GAL
	042089-03-000	EA FITTING-WATER; TANK, SPINWELD - 1 1/4"NPT - PLASTIC - WHITE
	042089-04-000	EA FITTING-WATER TANK, SPINWELD - 3/8" FPT - PLASTIC - WHITE
	042089-05-000	EA FITTING-WATER TANK, SPINWELD - 1/2" FPT - PLASTIC - WHITE
	049032-01-000	EA PATCH-SPINWELD, 3/8" - PLASTIC
	077954-02-000	EA FILTER-WATER TANK, SCREEN IN TANK
	098449-01-000	EA WIRE ASSEMBLY-WATER TANK TO MONITOR PANEL
	039661-01-000	EA SENDING UNIT-W/SCREW, WASHER, WELL NUT & TERMINAL RING

## WATER SYSTEM

KEY	PART NUMBER	U/M DESCRIPTION
	087659-04-000	EA FILL-WATER, CITY - OFF WHITE
	046128-01-000	EA VALVE-DRAIN, PLASTIC - 1/2" FPT
	052960-01-000	EA DRAIN VALVE-IN LINE, HEADER - 1/2" F X 1/2" F - GRAY PLAS
	093103-01-000	EA DRAIN VALVE-IN LINE, HEADER-1/2" F X 1/2" F X 1/2" F X 1/2" MPT
	052959-02-000	EA CONNECTOR, 1/2" F X 1/2" MPT - PLASTIC - GRAY
	098417-01-000	EA CONNECTOR-5/8" F X 1/2" MPT, PLASTIC - KEVCO
	101814-01-000	EA COUPLING-FEMALE, 1/2" X 1/2" FPT
	057457-01-000	EA ELBOW-UNION, 1/2" X 1/2" FLARE
	052957-02-000	EA ELBOW-MALE, 1/2" F X 1/2" MPT - PLASTIC - GRAY
	055290-01-000	EA ELBOW-5/8" F X 1/2" MPT
	065120-01-000	EA ELBOW-SWIVEL, 1/2" FPT X 1/2" FLARE - PLASTIC - GRAY
	106000-01-000	EA CAP-FEMALE W/CONE 50 - KEVCO TC3F
	036522-02-000	EA CAP-BRASS, 1/2" FLARE
	105258-01-000	EA CAP-INSERTABLE 1/2 FLARE - KEVCO 64398 BONNET
	052952-01-000	EA NUT-PLASTIC, 1/2" F X 1/2" TUBE - GRAY
	052952-02-000	EA NUT-PLASTIC, 5/8" FLARE
	052953-01-000	EA NUT-FAUCET, 1/2" TUBE X 1/2" FPT - PLASTIC - GRAY
	010224-01-000	EA ADAPTER-HOSE TO PIPE, 3/8" MPT X 3/8" BARB - PLASTIC BLACK
	044927-01-000	EA ADAPTER-HOSE TO PIPE, 1 1/4" MPT X 1 1/4" BARB-BLACK PLASTIC
	052954-01-000	EA ADAPTER-NOSE CONE, 3/8" OR 1/2" TUBING - PLASTIC - GRAY
	079317-01-000	EA ADAPTER-SWIVEL, 1/2" TUBE X 1/2" FPT - PLASTIC - GRAY
	052955-03-000	EA TEE-5/8" F X 5/8" F X 1/2" MPT - PLASTIC
	055292-01-000	EA TEE-PLASTIC, 5/8" F X 5/8" F X 1/2" F
	052955-01-000	EA TEE-WATER, 1/2" F X 1/2" F X 1/2" MPT - PLASTIC - GRAY
	074462-02-000	FT TUBING-VINYL, 3/8" ID - CLEAR
	079381-01-000	FT TUBING-SMOOTH FLEXIBLE, 1 1/4" ID
	039800-01-000	FT TUBING-POLYBUTYL, 1/2" OD - INCREMENTS OF 20" - BLACK
	039803-02-000	FT TUBING-POLYBUTY, 5/8" OD - INCREMENTS OF 20" - BLACK

## WATER PUMP

KEY	PART NUMBER	U/M DESCRIPTION
	098607-02-000	EA PUMP-WATER 28 GPM - W/1/2" MPT FITTINGS - CANADIAN
	098607-01-000	EA PUMP-WATER W/5" MPT FITTING - FLOW 28 GPM - UL
	098607-01-700	EA PUMP-HEAD-REPLACEMENT SHURFLO# 94-236-08
	098607-01-701	EA DRIVE ASM SHURFLO# 94-234-03
	098607-01-702	EA DIAPHRAGM-KIT SHURFLO# 94-233-10
	098607-01-703	EA VALVE ASM SHURFLO# 94-232-00
	098607-01-706	EA HOUSING-UPPER SHURFLO# 94-231-01
	098607-01-705	EA CHECK VALVE-KIT SHURFLO# 94-237-00
	098607-01-706	EA SWITCH ASM-COMplete SHURFLO# 94-230-00
	098607-01-707	EA MOTOR/BASEPLATE REPLACEMENT SHURFLO# 94-234-03

## 1992 ITASCA

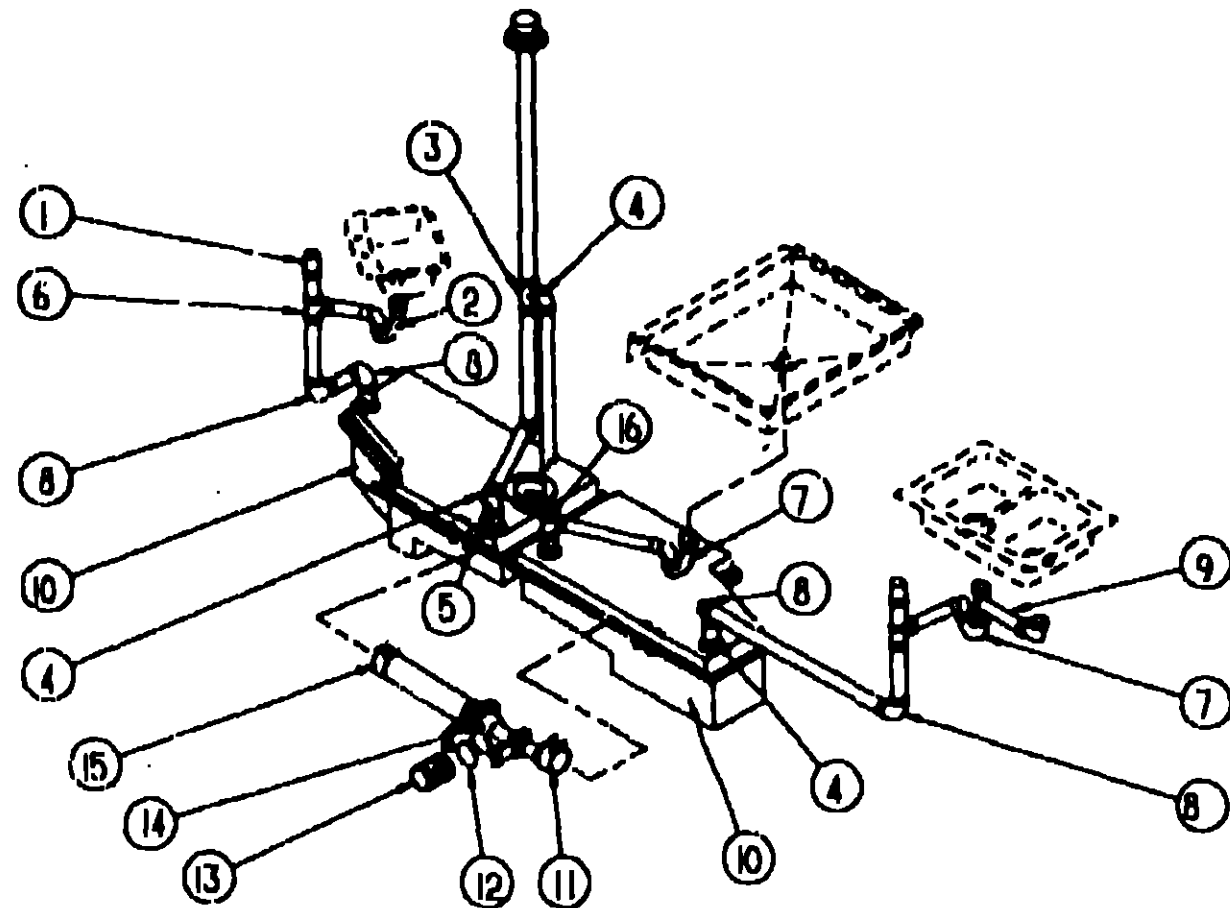
### TABLE OF CONTENTS

INTRODUCTION	A-01	A-02
ABBREVIATIONS		A-03
ALPHABETICAL INDEX	A-04	A-06
IC522RG	A-07	D-18
IF524RC	D-17	H-04

## 1992 IC522RG INDEX

FLOOR PLAN	A-07	A-08
ACCESSORIES		A-09
AUDIO VIDEO		A-10
BATH	A-11	A-12
CHASSIS	A-13	A-16
CURTAIN & CUSHION	A-17	A-24
DINETTE	B-01	B-02
DRIVERS	B-03	B-05
ELECTRICAL	B-06	B-09
EXTERIOR BODY	B-10	B-18
GALLEY	B-19	B-22
GENERATOR		B-23
HEATING & A/C	B-24	C-01
INTERIOR FINISH	C-02	C-05
LABEL	C-06	C-14
LP		C-15
LOUNGE		C-16
SEALANTS & FASTENERS	C-17	C-19
WATER & SEWAGE	C-20	C-22
WINDOW, VENT AND		
EXTERIOR DOOR	C-23	D-15

**WATER & SEWAGE GROUP (CONTINUED)**



**DRAINAGE SYSTEM**

KEY	PART NUMBER	U/M DESCRIPTION
1	079968-01-000	EA VENT-MECH. TRAP ARM, ANTI-SIPHON - 2" DIA X 7.3" - PLASTIC
2	011068-01-000	EA P-TRAP-PLAS 1 1/4"
2	011066-02-000	EA P-TRAP-1 1/4" HUB X SLIP JOINT, W/UNION - ABS - CANADIAN
3	010073-01-000	EA WYE-45 DEGREE, 1 1/2" HUB X HUB X HUB - PLASTIC - BLACK
4	010051-01-000	EA ELBOW-45 DEG BEND, 1 1/2" SPIGOT AND HUB - PLASTIC - BLACK
5	010006-01-000	EA ELBOW-45 DEG, 1/8 BEND - 1 1/2" HUB X HUB - BLACK PLASTIC
6	010079-01-000	EA TEE-SANITARY, 1 1/2" X 1 1/2" X 1 1/4" H - PLASTIC - BLACK
7	011066-02-000	EA P-TRAP-1 1/4" HUB X SLIP JOINT, W/UNION - ABS - CANADIAN
7	011055-03-000	EA P-TRAP, 1 1/2" TRAP X 1 1/4" SOCKET - PLASTIC
		FROM: 00-00-00 THRU: 02-16-92
7	107537-01-000	EA P-TRAP ADAPTER-1 1/4" SLIP
		FROM: 02-17-92 THRU: 99-99-99
	107538-01-000	EA P-TRAP-PLASTIC, 1 1/4" W/EXT ARM
		FROM: 02-17-92 THRU: 99-99-99
8	010008-01-000	EA ELBOW-90 DEG, 1/4 BEND - 1 1/2" HUB X HUB - BLACK PLASTIC
	053335-01-000	EA P-TRAP-1 1/4" HUB X HUB, W/UNION - CANADIAN
		FROM: 00-00-00 THRU: 02-16-92
	011071-01-000	EA P-TRAP-PLAS 1 1/2 (CANADIAN)
		FROM: 02-17-92 THRU: 99-99-99
9	011091-02-000	EA PIPE-DRAIN, DOUBLE SINK - BAFFLE TEE - 1 1/2" (US) ONE PIPE W/TEE TO DRAIN BOTH SIDES OF SINK
9	010071-01-000	EA TEE-SANITARY, 1 1/2" HUB X HUB X HUB - PLASTIC - BLACK (CANADIAN)
		FROM: 00-00-00 THRU: 02-16-92
	010121-01-000	EA BUSHING-REDUCER, 1 1/2" SMOOTH X 1/4" HUB - PLASTIC - BLACK (CANADIAN)
		FROM: 00-00-00 THRU: 02-16-92
	033302-02-000	EA ADAPTER ASM-STRAINER, 1 1/2" - ABS (CANADIAN)
		FROM: 50-00-00 THRU: 02-16-92
	037101-02-000	EA ELBOW-PLASTIC, 1/4 BEND VENT 1 1/2" HUB (CANADIAN)
		FROM: 00-00-00 THRU: 02-16-92
9	011091-03-000	EA PIPE-DRAIN, W/SEALS - DOUBLE SINK - EXTENDS 9" TO 16" (CANADIAN)
		FROM: 02-17-92 THRU: 99-99-99

**WATER & SEWAGE GROUP (CONTINUED)**

**DRAINAGE SYSTEM (CONTINUED)**

KEY	PART NUMBER	U/M DESCRIPTION
10	083289-01-000	EA TANK-HOLDING, 25 GALLON - 19.4" X 35.4" X 12.1"
	081607-01-000	EA GROMMET-HOLDING TANK, 1 1/2" NPS
	081607-02-000	EA GROMMET HOLDING TANK, 3" NPS
11	062422-01-000	EA ADAPTER-OFFSET REDUCER, 3" X 1 1/2" - PLASTIC - BLACK
12	062418-01-000	EA ADAPTER-SEWER HOSE TO 3" PIPE
13	010201-01-000	EA HOSE-BEWER, 3" ID X 8'
14	070910-01-000	EA VALVE-DUAL DUMP, W/CAP - 3" X 1 1/2" - PLASTIC - BLACK
	062415-01-000	EA CAP-SEWER, 3" DIAMETER
15	078406-01-000	EA COUPLER-RUBBER, W/CLAMPS - 3" X 3"
16	010071-01-000	EA TEE-SANITARY, 1 1/2" HUB X HUB X HUB - PLASTIC - BLACK

**WATER HEATERS WITH & WITHOUT MOTOR AID**

KEY	PART NUMBER	U/M DESCRIPTION
	051393-01-000	EA WATER HEATER-W/MOTOR AID, PILOTLESS IGNITION ATWOOD G6A-3E, G6A-4E OR G6A-6E
	051391-01-700	EA HINGE KIT-W/CLIP, ATWOOD # 92558 & 92559
	051391-01-704	EA VALVE-RELIEF, 1/2" FITTING - ATWOOD# 91604
	051391-01-705	EA FASTENER-CAMLOC, ATWOOD# 92609
	051391-01-706	EA GRILLE-EXHAUST, ATWOOD# 92787
	051391-01-708	EA BURNER-MAIN, 3E ONLY - ATWOOD# 92615
	051391-01-710	EA ORIFICE-MAIN BURNER, ATWOOD# 92742
	051391-01-714	EA ELBOW-45 DEGREE, 3/8" X 3/8" MPT - ATWOOD 91044
	051391-01-715	EA DRAIN PLUG, ATWOOD# 91561
	051391-04-701	EA THERMOSTAT 12 VDC-120 PRESET, ATWOOD# 91470
	051391-04-704	EA TANK-INNER, FRONT MOUNT - G6A-4E & 6E - ATWOOD 91642
	051393-01-700	EA TANK-INNER, 3E FRONT MOUNT - ATWOOD# 91023
	051393-01-702	EA SWITCH-ENERGY CUT-OFF, ATWOOD# 91951
	051393-01-703	EA THERMOSTAT-REAR MOUNT, ATWOOD# 91952
	051393-01-704	EA CIRCUIT BOARD-W/BLACK BOX, ATWOOD# 91420
	051393-01-705	EA ORIFICE HOLDER-ATWOOD# 91925
	051393-01-714	EA TANK-INNER (G6A-3E), REAR MOUNT - ATWOOD# 91408
	051393-01-716	EA SPARK & PROBE ASM, ATWOOD# 91606
	051393-01-718	EA VALVE-DUAL SOLENOID, ATWOOD# 91605
	051393-01-721	EA ECO&THERMOSTAT ASM-FRONT MOUNT, 140 DEGREE - ATWOOD# 91447
	051391-03-000	EA HEATER-WATER, W/ELECTRIC IGNITION - ATWOOD G6A-3E
	051391-01-700	EA HINGE KIT-W/CLIP, ATWOOD # 92558 & 92559
	051391-01-704	EA VALVE-RELIEF, 1/2" FITTING - ATWOOD# 91604
	051391-01-705	EA FASTENER-CAMLOC, ATWOOD# 92609
	051391-01-706	EA GRILLE-EXHAUST, ATWOOD# 92787
	051391-01-708	EA BURNER-MAIN, 3E ONLY - ATWOOD# 92615
	051391-01-710	EA ORIFICE-MAIN BURNER, ATWOOD# 92742
	051391-01-715	EA DRAIN PLUG, ATWOOD# 91561
	051391-04-700	EA TANK-INNER (G6A-3E), FRT MT - ATWOOD# 91608
	051391-04-701	EA THERMOSTAT 12 VDC-120 PRESET, ATWOOD# 91470
	051391-04-705	EA TANK-INNER, G6A-4E & 6E - FRONT MOUNT - ATWOOD# 91641
	051393-01-702	EA SWITCH-ENERGY CUT-OFF, ATWOOD# 91951
	051393-01-703	EA THERMOSTAT-REAR MOUNT, ATWOOD# 91952
	051393-01-704	EA CIRCUIT BOARD-W/BLACK BOX, ATWOOD# 91420
	051393-01-705	EA ORIFICE HOLDER-ATWOOD# 91925
	051393-01-716	EA SPARK & PROBE ASM, ATWOOD# 91606
	051393-01-718	EA VALVE-DUAL SOLENOID, ATWOOD# 91605
	051393-01-721	EA ECO&THERMOSTAT ASM-FRONT MOUNT, 140 DEGREE - ATWOOD# 91447
	051393-03-700	EA TANK-INNER (G6A-2E), REAR MT - ATWOOD# 91409

**191/2 ITASCA**

**TABLE OF CONTENTS**

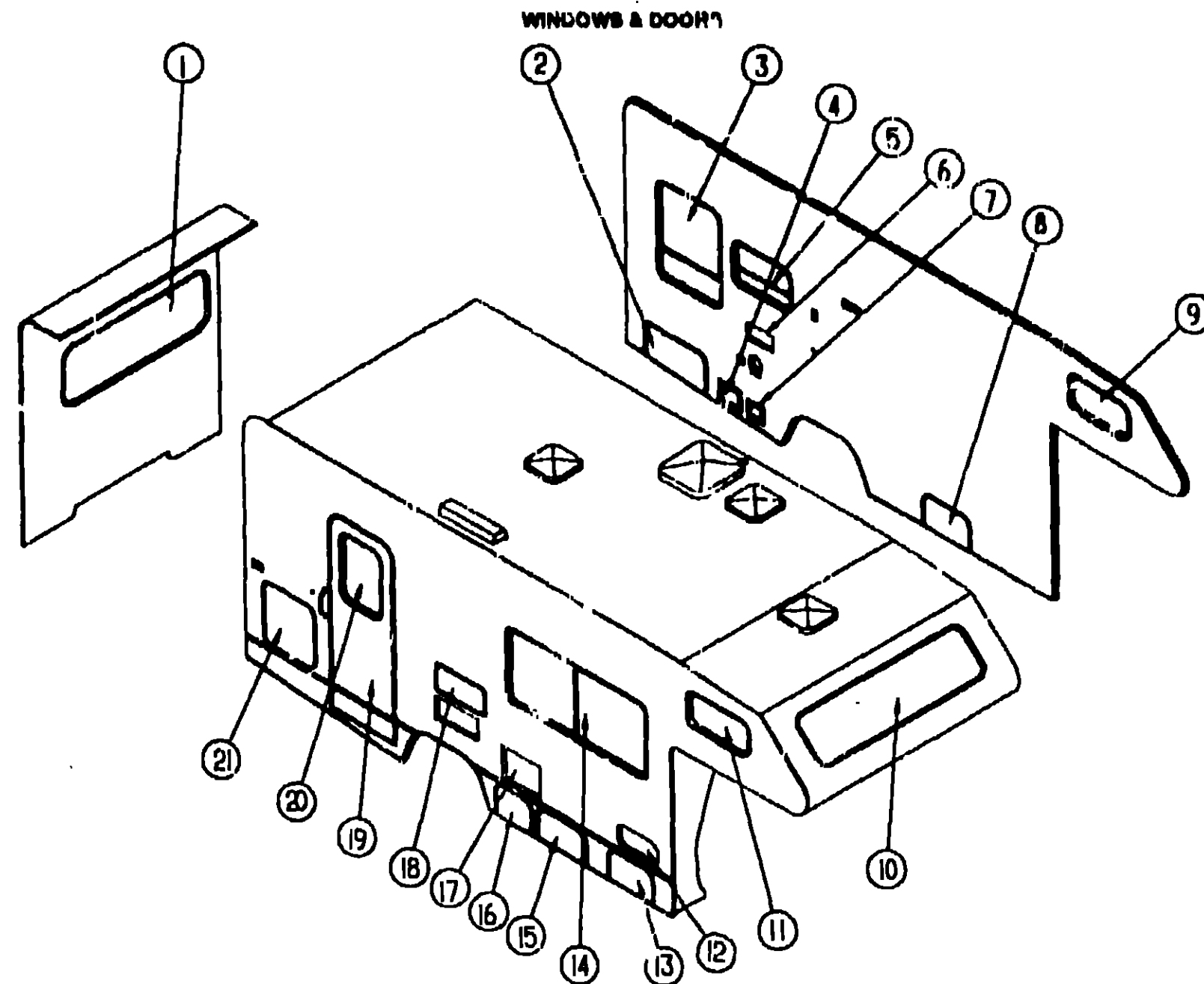
INTRODUCTION	A-01	A-02
ABBREVIATIONS		A-03
ALPHABETICAL INDEX	A-04	A-06
IC522RG	A-07	D-16
IF524HG	D-17	H-04

**1992 IC522RG INDEX**

FLOOR PLAN	A-07	A-08
ACCESSORIES		A-09
AUDIO VIDEO		A-10
BATH	A-11	A-12
CHASSIS	A-13	A-16
CURTAIN & CUSHION	A-17	A-24
DINETTE	B-01	B-02
DRIVERS	B-03	B-05
ELECTRICAL	B-06	B-09
EXTERIOR BODY	B-10	B-18
GALLEY	B-19	B-22
GENERATOR		B-23
HEATING & A/C	B-24	C-01
INTERIOR FINISH	C-02	C-05
LABEL	C-06	C-14
LP		C-15
LOUNGE		C-16
SEALANTS & FASTENERS	C-17	C-19
WATER & SEWAGE	C-20	C-22
WINDOW, VENT AND EXTERIOR DOOR	C-23	D-15



## WINDOW, VENT & EXTERIOR DOOR GROUP



## 1992 ITASCA TABLE OF CONTENTS

INTRODUCTION	A-01	A-02
ABBREVIATIONS		A-03
ALPHABETICAL INDEX	A-04	A-06
IC522RG	A-07	D-16
IF624FC	D-17	H-04

## 1992 IC522RG INDEX

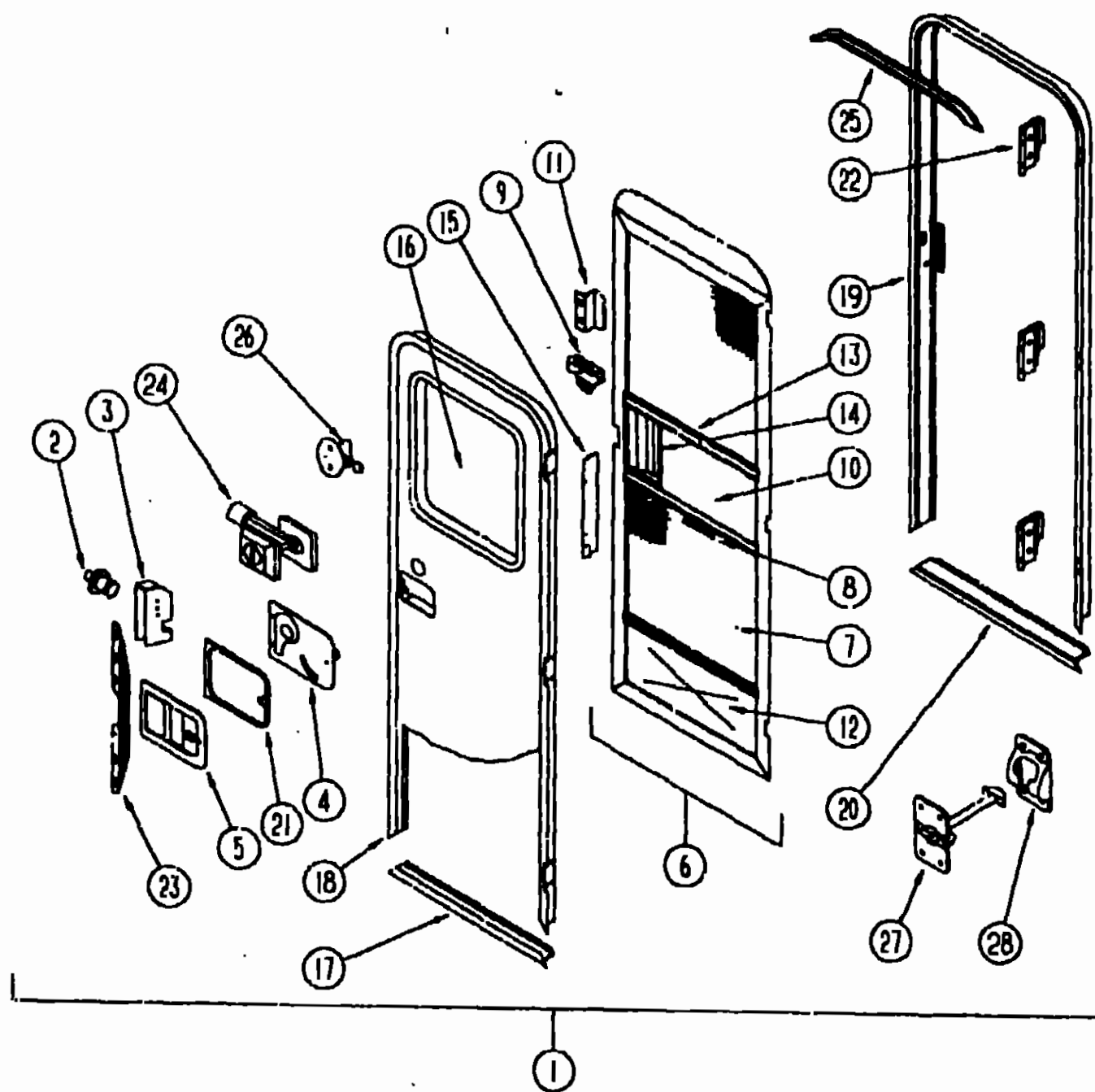
FLOOR PLAN	A-07	A-08
ACCESSORIES		A-09
AUDIO VIDEO		A-10
BATH	A-11	A-12
CHASSIS	A-13	A-16
CURTAIN & CUSHION	A-17	A-24
DINETTE	B-01	B-02
DRIVERS	B-03	B-05
ELECTRICAL	B-06	B-09
EXTERIOR BODY	B-10	B-18
GALLEY	B-19	B-22
GENERATOR		B-23
HEATING & A/C	B-24	C-01
INTERIOR FINISH	C-02	C-05
LABEL	C-06	C-14
I.P.		C-15
LOUNGE		C-16
SEALANTS & FASTENERS	C-17	C-19
WATER & SEWAGE	C-20	C-22
WINDOW, VENT AND EXTERIOR DOOR	C-23	D-15

KEY	PART NUMBER	U/M DESCRIPTION
1	078536-01-T03	EA WINDOW-ESCAPE, BACKWALL - 23" X 68"
2	105175-07-C03	EA DOOR ASM-LOWER, REAR
3	092235-03-Y12	EA WINDOW-TIPOUT, SINGLE - W/O INSIDE FRAME
4	088794-01-000	EA DOOR-POWER CORD, W/HATCH - OFF WHITE
5	092235-11-Y12	EA WINDOW-TIPOUT, SINGLE - W/O INSIDE FRAME
6	105118-02-C05	EA DOOR ASM-EXTERIOR SHOWER
7	052423-01-000	EA DOOR-HOSE COMPARTMENT, 6.6" X 6.3" - PLASTIC - OFF WHITE
7	052424-01-000	EA JAMB-DOOR, 8" X 7.7" - PLASTIC - OFF WHITE
	042442-01-000	EA LOCK-TWIST TYPE, METAL
8	105174-06-C03	EA DOOR ASM-LOWER, FRONT
9	100322-02-700	EA WINDOW-VENTED, 12" X 35.8" LONGEST SIDE - EXCEL CH19-DK L
10	103313-01-B05	EA WINDOW-PICTURE, W/O INSIDE FRAME
11	100322-01-720	FT WINDOW-VENTED, 12" X 35.8" LONGEST SIDE - EXCEL CH19-G2R
12	105118-01-C05	EA DOOR ASM-STORAGE
13	105174-07-C03	EA DOOR ASM-LOWER, FRONT
14	098647-09-02A	EA WINDOW ASM-SLIDER, HORIZONTAL - EXCEL H024-PRR

KEY	PART NUMBER	U/M DESCRIPTION
15	105174-08-C03	EA DOOR ASM-LOWER, FRONT
16	052005-01-000	EA DOOR-WATER HEATER, OFF WHITE - ATWOOD 5576-27
17	105174-09-C03	EA DOOR ASM-LOWER, FRONT
18	084103-03-000	EA DOOR-REFRIGERATOR, VENTED - W/O JAMB - OFF WHITE
	084104-01-700	EA LOCK-MALE, FASTENER - REFRIGERATOR DOOR
	084104-01-701	EA LOCK-FEMALE, FASTENER - REFRIGERATOR DOOR
	084104-03-000	EA JAMB-DOOR, REFRIGERATOR - OFF WHITE
19	M01870-63-C52	EA DOOR-ENTRY W/SCREEN DOOR & JAMB
20	079733-04-T03	EA WINDOW-PICTURE, W/O INSIDE FRAME - 17" X 25"
21	079578-15-C05	EA DOOR ASM-STORAGE
	081240-03-000	EA DOOR-WATER FILL, LOCKABLE, 4" X 4 5/8" - OFF WHITE
	078010-03-000	EA DOOR-FUEL FILL, W/JAMB - OFF WHITE
	077953-01-000	EA GASKET-DOOR, FUEL FILL - 10.1" X 8" - W/PSA

# WINDOW, VENT & EXTERIOR DOOR GROUP (CONTINUED)

## ENTRY DOOR



KEY	PART NUMBER	U/M DESCRIPTION
1	M01870-63-C52	EA DOOR-ENTRY W/SCREEN DOOR & JAMB
2	039539-01-000	EA STRIKE-LOCK, ENTRY DOOR - ROUND W/THREADED WASHER
3	039540-01-000	EA LATCH MECHANISM-HOOK, ENTRY DOOR - INTERIOR
	039715-01-000	EA NUT-SERT, 1/4" DIAMETER - 20 THREADS
4	039979-04-000	EA COVER-INTERIOR LATCH, W/TRIP ARM - RIGHT - BLACK
	039984-01-000	EA CAP-ROUND, VINYL - 28" ID X .62" LONG - BLACK
	041546-03-000	EA BRACKET-DOOR ANGLE, 5" X 1.9" - BEIGE - METAL
5	045017-11-000	EA LATCH-ENTRY DOOR, MECHANISM W/LOCK & KEY - BLACK
	045017-11-701	EA KEY BLANK
	052025-02-000	EA CLIP-ROLLER LATCH CATCH, SCREEN DOOR
	063729-04-000	EA RIVNUT, 10-32 UNF - .010-.080
	072893-01-000	EA NUTSERT-M5 X 0, 8
	075671-04-000	FT SEAL-SPONGE, LAZY T SHAPE - W/ADHESIVE STRIPE - .5" WIDE

KEY	PART NUMBER	U/M DESCRIPTION
6	079012-01-U01	EA DOOR-SCREEN
7	002283-02-000	SF SCREENING-WINDOW/DOOR, 26" - CHARCOAL
8	002294-01-000	FT SPLINE-SCREENING, .135" X .138" - BLACK
	002748-01-000	EA CORNER KEY-DOOR
9	109403-01-000	EA CATCH-ASM-SINGLE ROLLER
10	016454-01-000	EA INSERT-CENTER, LEATHER GRAIN ALUMINUM - UNPAINTED
10	001014-01-013	EA INSERT-CENTER, 10.25" X 16.31" - UNPAINTED
11	050712-04-000	EA HANDLE-SCREEN DOOR, ALUMINUM - OFF WHITE
11	050712-05-000	EA HANDLE-SCREEN DOOR, UNPAINTED
12	078552-03-000	EA KICK PANEL-SCREEN DOOR, LOWER INSERT - UNPAINTED
	078595-01-000	EA TOP PLATE-SCREEN DOOR, CURVED TOP - 4.7" X 25.35"
13	078777-01-000	EA CHANNEL-SLIDE, SCREEN DOOR CENTER SLIDER COVER
14	079086-02-000	EA SLIDER-SCREEN DOOR, OFF WHITE
15	079087-02-000	EA STRIKE-SLIDER, W/LIP FOR ELBOW CATCH - 1.5" X 8.6" - OFF WHITE
	009016-01-000	EA CATCH-ELBOW, SPRING LOADED - SCREEN DOOR CATCH
16	079733-04-T03	EA WINDOW-PICTURE, W/O INSIDE FRAME - 17" X 25"
	081914-01-000	EA BUMPER-RUBBER, ROUND - .43" DIAMETER - BLACK
17	089748-01-000	EA FRAME-BOTTOM ENTRY DOOR - 24.8" LONG - OFF WHITE
	090340-01-000	FT SEAL-FOAM, CLOSED CELL - 1/4" X 1/2" X 50'
18	095276-01-01A	EA FRAME-ENTRY DOOR, W/O BOTTOM - OFF WHITE
19	095277-02-01A	EA JAMB-ENTRY DOOR, W/BOTTOM - 25.9" X 74.5" - OFF WHITE
20	051049-01-000	EA JAMB-BOTTOM, ENTRY DOOR - 25.9" - UNPAINTED
	079207-01-000	EA STRIKER-ROLLER CATCH, WELDED TO DOOR JAMB - 4" X 1.15"
	095278-01-01A	EA JAMB-DOOR, ENTRANCE - 25.9" X 74.6" - UNPAINTED
21	096810-01-01A	EA PLATE-LATCH, ENTRY DOOR - PLASTIC - BLACK
22	097724-01-04A	EA HINGE-ENTRY DOOR, UNPAINTED
23	098173-01-04A	EA STIFFENER-ENTRY DOOR, SUPPORTS LATCH/STRIKE AREA - UNPAINTED
	100128-02-000	FT SEAL-PILE, ADHESIVE BACK - SCREEN DOOR - GRAY
24	101145-01-01A	EA DEADBOLT-ENTRY DOOR, W/2 KEYS W/O BACK SET BOLT OR SCREWS KEY BLANK #095229-01-700
	101147-01-000	EA BOLT-SECURITY, 4.12" BACKSET
	102524-01-000	EA BUMPER-RUBBER, FLAT - BLACK
25	044582-02-000	EA CAP-DRIP, ENTRY DOOR - JAMB MOUNTED - ALUMINUM - OFF WHITE
	064075-07-000	FT SEAL-BULB, W/WIRED U CHANNEL - .3" X .5" CHANNEL - BLACK
	075639-19-000	EA GARNISH-RADIUS, ENT DOOR O/W '92 W/IF427RQ
	077461-03-000	EA COVER-STRIKE, ENTRY DOOR - 8.5" X 2.5" - PLASTIC - WHITE
	090340-01-000	FT SEAL-FOAM, CLOSED CELL - 1/4" X 1/2" X 50'
	091876-01-000	EA RETAINER-DOOR, 1.9" X .8" - METAL
26	100412-01-000	EA CATCH-SCREEN DOOR, THUMB CLIP W/BLACK PLASTIC CAP
	104692-01-000	FT SEAL-ADHESIVE BACK, 3/4" X 34"
27	104099-01-01A	EA CATCH-DOOR HOLDER, STRIKE
28	104099-02-01A	EA CATCH-DOOR HOLDER, RETAINER

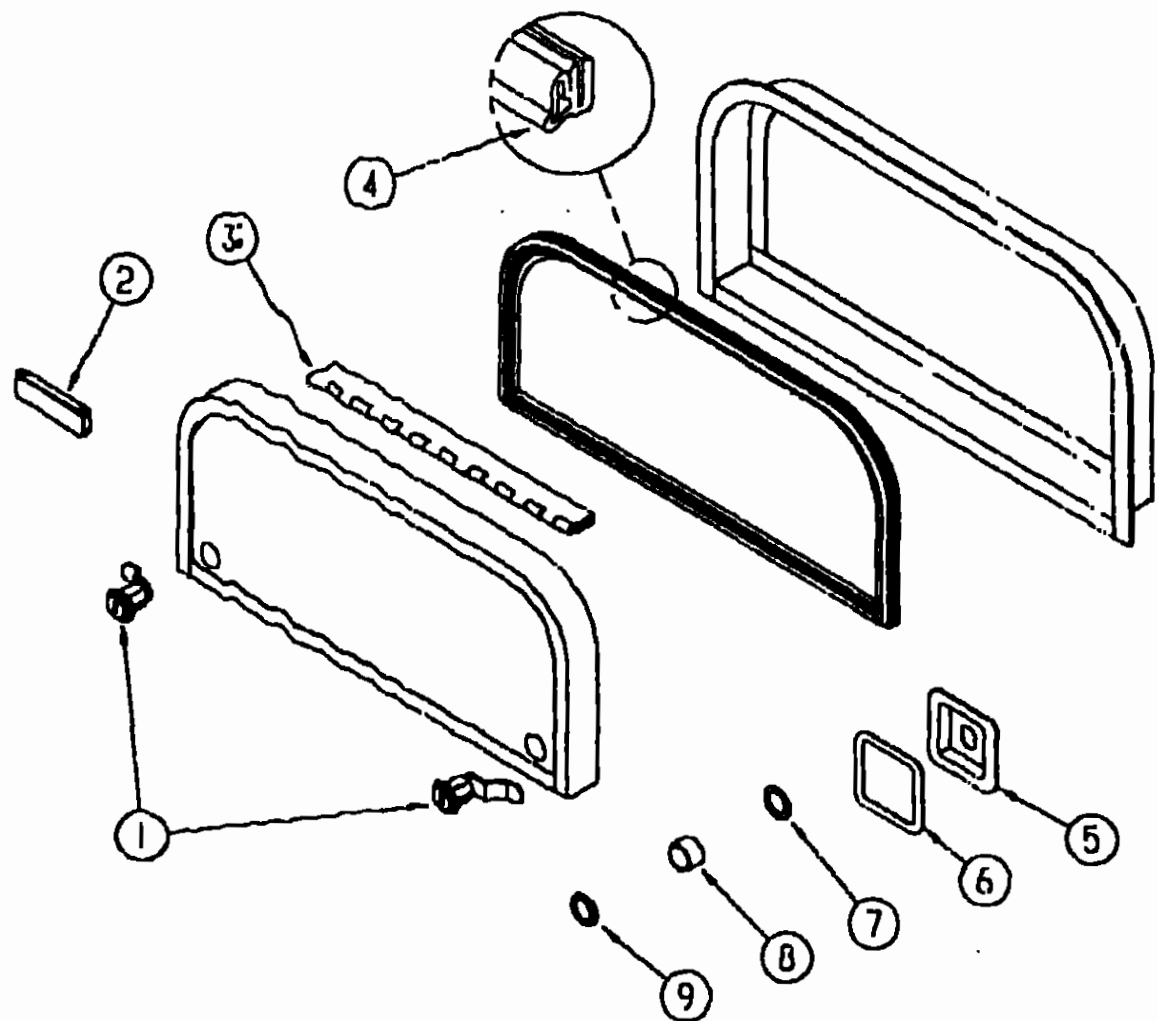
## 1992 ITASCA TABLE OF CONTENTS

INTRODUCTION	A-01	A-02
ABBREVIATIONS		A-03
ALPHABETICAL INDEX	A-04	A-05
IC522RG	A-07	D-16
IF524RC	D-17	H-04

## 1992 IC522RG INDEX

FLOOR PLAN	A-07	A-08
ACCESSORIES		A-09
AUDIO VIDEO		A-10
BATH		A-11
CHASSIS	A-11	A-12
CURTAIN & CUSHION	A-13	A-16
DINETTE	A-17	A-24
DRIVERS	B-01	B-02
ELECTRICAL	B-03	B-05
EXTERIOR BODY	B-06	B-09
GALLEY	B-10	B-18
GENERATOR	B-19	B-22
HEATING & A/C		B-23
INTERIOR FINISH	B-24	C-01
LABEL	C-02	C-05
LP	C-06	C-14
LOUNGE		C-15
SEALANTS & FASTENERS		C-16
WATER & SEWAGE	C-17	C-19
WINDOW, VENT AND EXTERIOR DOOR	C-20	C-22
	C-23	D-15

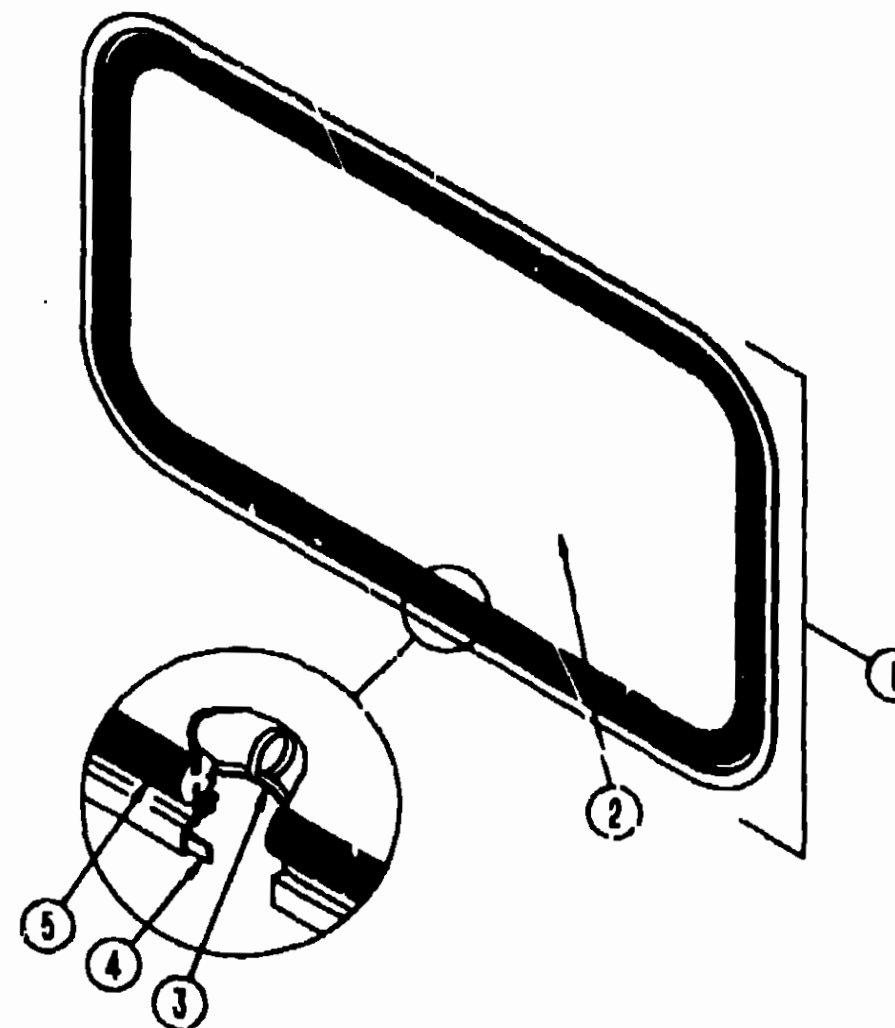
WINDOW, VENT & EXTERIOR DOOR GROUP (CONTINUED)



EXTERIOR DOOR COMPONENTS & HOLDERS

KEY	PART NUMBER	U/M DESCRIPTION
1	079366-04-000	EA LOCK-DOOR, KEY TYPE W/O KEYS - 1.9 OFF SET FROM: 00-00-00 THRU: 02-19-92
1	079366-05-000	EA LOCK ASM-KEY TYPE W/O KEYS - 1.60 OFF SET FROM: 02-20-92 THRU: 99-99-99
	082684-01-700	EA KEY BLANK
1	079927-03-000	EA LOCK-TWIST TYPE, DOUBLE CAM - 2.10 OFF SET FROM: 00-00-00 THRU: 02-19-92
1	079927-04-000	EA LOCK ASM-TWIST TYPE 1.60 O/S ILLINOIS LOCK FROM: 02-20-92 THRU: 99-99-99
2	102768-01-000	EA HOLDER-COMPARTMENT/ENTRY DOOR, METAL - MILL FINISH
3	105376-01-02A	EA HINGE-CONTIN, 2"X140MM - OFF WHITE
	081801-02-000	EA HINGE-2" X 96", OFF WHITE
4	064075-07-000	FT SEAL-BULB, W/WIRED U CHANNEL - .3" X .5" CHANNEL - BLACK
5	097111-01-01A	EA POCKET-LOCK, VALANCE - OFF WHITE
6	098338-01-000	EA GAS KET-LOCK POCKET
7	109834-01-000	EA WASHER .640X.752ID SST - HUDSON LOCK
8	107997-51-001	EA EXTRA-SPACER, 0015.24
9	109833-01-000	EA BEAUTY RING .670X.780ID SST - HUDSON LOCK
	098217-55-001	EA U-CHANNEL, 17.5" - OFF WHITE

WINDOW, VENT & EXTERIOR DOOR GROUP (CONTINUED)



LOUNGE ESCAPE WINDOW

KEY	PART NUMBER	U/M DESCRIPTION
	042027-13-000	EA FRAME-WINDOW, INSIDE - 68" X 24.5" - OFF WHITE
1	078536-01-T03	EA WINDOW-ESCAPE, BACKWALL - 23" X 68"
2	002178-01-000	EA GLASS-19 6" X 64 8"
3	002285-01-000	FT FILLER-WEATHER STRIP, RUBBER - BLACK
	077066-01-702	EA RED POLY .005 X .500"
4	069640-10-000	FT SEALER-RIBBON, 1/32" X 1 1/2" INCREMENTS OF 90°
5	002282-08-000	EA WEATHERSTRIP-WINDOW, .125" - BLACK

1992 ITASCA  
TABLE OF CONTENTS

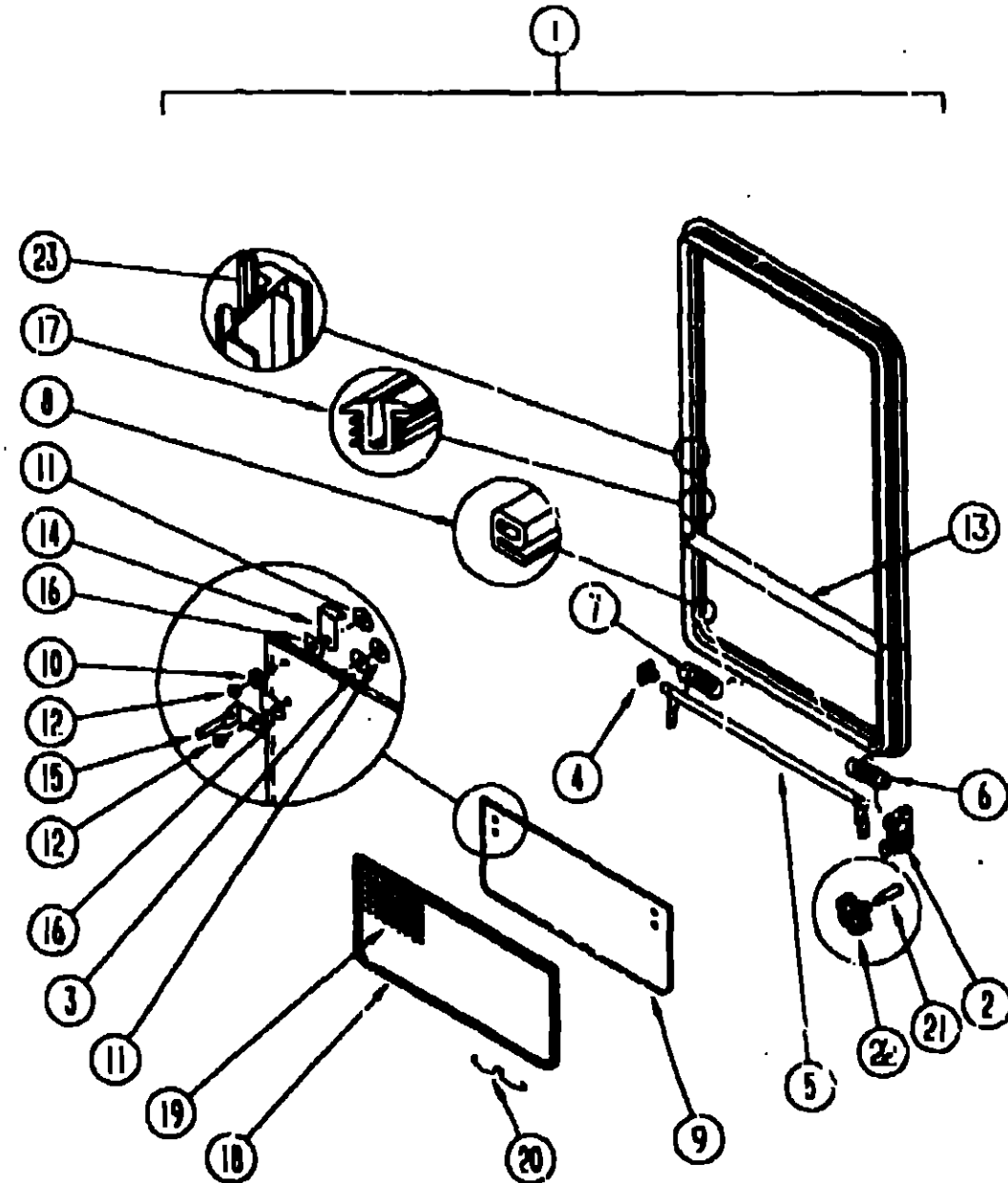
INTRODUCTION	A-01 -	A-02
ABBREVIATIONS		A-03
ALPHABETICAL INDEX	A-04 -	A-06
IC522RG	A-07 -	D-16
IF524RC	D-17 -	H-04

1992 IC522RG INDEX

FLOOR PLAN	A-07 -	A-08
ACCESSORIES		A-09
AUDIO VIDEO		A-10
BATH	A-11 -	A-12
CHASSIS	A-13 -	A-16
CURTAIN & CUSHION	A-17 -	A-24
DINETTE	B-01 -	B-02
DRIVERS	B-03 -	B-05
ELECTRICAL	B-06 -	B-09
EXTERIOR BODY	B-10 -	B-18
GALLEY	B-19 -	B-22
GENERATOR		B-23
HEATING & A/C	B-24 -	C-01
INTERIOR FINISH	C-02 -	C-05
LABEL	C-06 -	C-14
LP		C-15
LOUNGE		C-16
SEALANTS & FASTENERS	C-17 -	C-19
WATER & SEWAGE	C-20 -	C-22
WINDOW, VENT AND EXTERIOR DOOR	C-23 -	D-15

# WINDOW, VENT & EXTERIOR DOOR GROUP (CONTINUED)

## DRIVER SIDE LOUNGE WINDOW



KEY	PART NUMBER	U/M	DESCRIPTION
	090893-03-02A	EA	FRAME-INSIDE, WINDOW RETAINER - OFF WHITE
1	092235-03-Y12	EA	WINDOW-TIPOUT, SINGLE - W/O INSIDE FRAME
	000H14-06-14R	EA	RIVET-MANDREL BLIND, 3/16"
2	035302-02-000	EA	OPERATOR-TORQUE, TIPOUT WINDOW - LEFT
3	088927-03-000	EA	SEAL-WINDOW, RUBBER - ROUND - .80" DIA. - BLACK
4	081354-01-000	EA	SLEEVE-TORQUE TUBE, TIPOUT WINDOW - 1.3" X 1.2" X .7"
	081649-01-000	EA	RING-SNAP, 7/32 SHAFT DIAMETER
5	083150-11-000	EA	TUBE ASM-TORQUE, WINDOW
6	080918-01-000	EA	SPRING-TORQUE TUBE, LEFT
7	080918-02-000	EA	SPRING-TORQUE TUBE, RIGHT
8	084067-02-000	FT	SEAL-E SHAPED, SPONGE - TIPOUT WINDOW - .42" X .38" - BLACK
9	084068-18-000	EA	GLASS-TIPOUT, 9.2" X 26"
10	084453-02-000	EA	WASHER-.06" X .5" X .25" - PLASTIC
11	086762-01-000	EA	T NUT 10-32
12	086763-01-000	EA	SCREW-MACH, 10 - 32 X 1/4 PTH
13	087566-03-01A	EA	MULLION-HORIZONTAL, TIPOUT - BLACK
14	089913-01-000	EA	HINGE-TIPOUT WINDOW, BLACK
15	097578-01-000	EA	LINKAGE-TIPOUT WINDOW
	084453-01-000	EA	WASHER-.06" X .5" X .135" - PLASTIC
16	084473-01-000	EA	SEAL-FLAT, W/CENTER HOLE & ADHESIVE SIDE - .13" X .9" - BLK
	085315-01-000	EA	RIVET-SHOULDER, TIPOUT WINDOW
17	099154-01-000	FT	CHANNEL-GLAZING, STATIONARY GLASS - .62" X .45" - BLACK
18	100235-03-B07	EA	SCREEN-SINGLE TIPOUT WINDOW
19	080218-03-000	SF	SCREENING-FIBERGLASS, 12" WIDE
20	100168-01-000	EA	CLIP-SPRING, SCREEN
	100240-01-000	FT	SPLINE-SCREEN, T-SHAPED
21	009439-06-000	EA	EXTENSION-CRANK HANDLE, WINDOW /ROOF VENT - BLACK
22	009439-05-000	EA	KNOB-OPERATOR, TIPOUT WINDOW - W/SPRING & ASM
	009439-07-000	EA	SCREW, 8-32 X 1 1/4 POH - BLACK
23	069640-11-000	FT	TAPE-SEALER, 3/16" X 3/8" - BLACK

## 1992 ITASCA TABLE OF CONTENTS

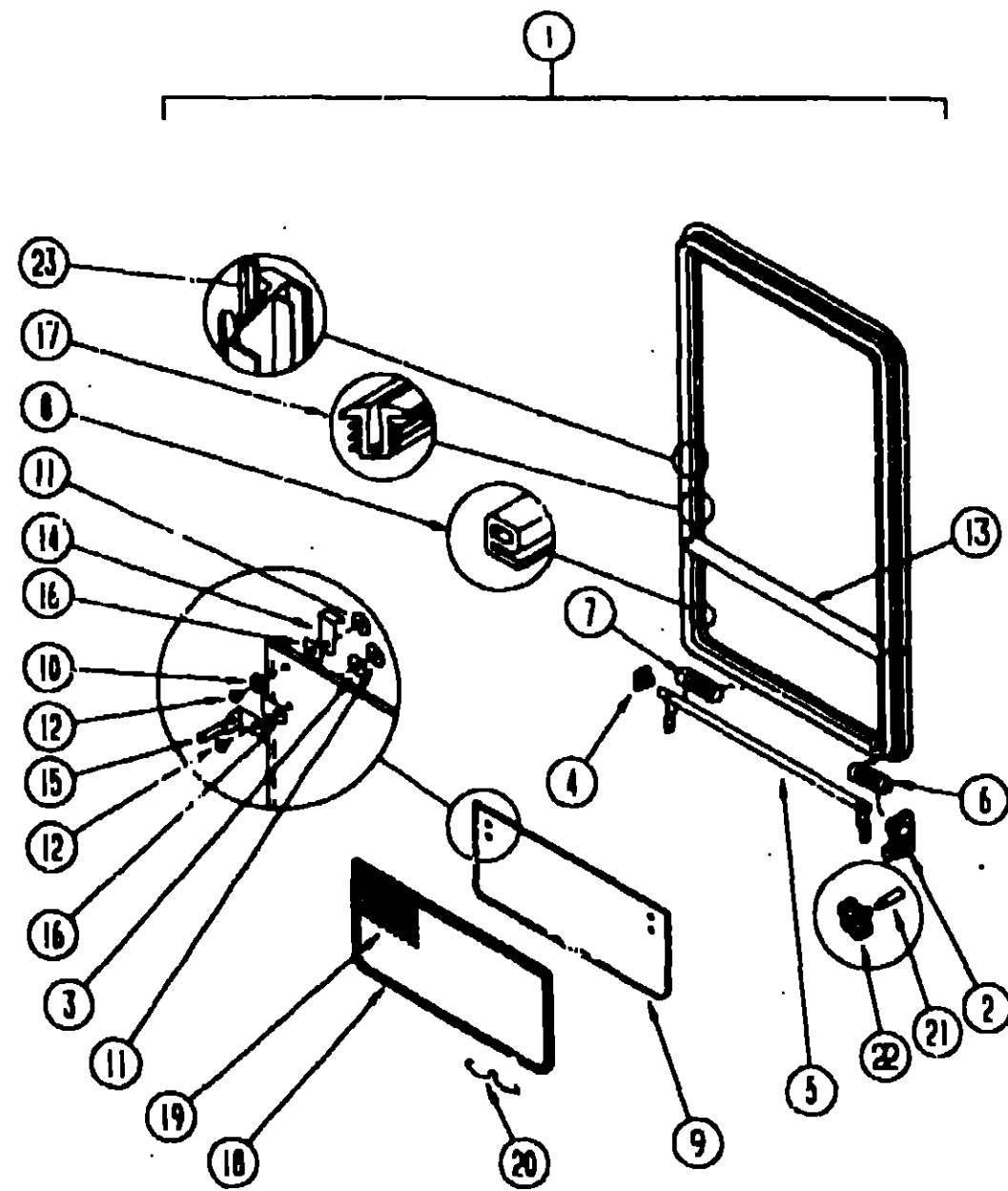
INTRODUCTION	A-01 - A-02
ABBREVIATIONS	A-03
ALPHABETICAL INDEX	A-04 - A-06
IC522RG	A-07 - D-16
IF524RC	D-17 - H-04

## 1992 IC522RG INDEX

FLOOR PLAN	A-07 - A-08
ACCESSORIES	A-09
AUDIO VIDEO	A-10
BATH	A-11 - A-12
CHASSIS	A-13 - A-16
CURTAIN & CUSHION	A-17 - A-24
DINETTE	B-01 - B-02
DRIVERS	B-03 - B-05
ELECTRICAL	B-06 - B-09
EXTERIOR BODY	B-10 - B-18
GALLEY	B-19 - B-22
GENERATOR	B-23
HEATING & AC	B-24 - C-01
INTERIOR FINISH	C-02 - C-05
LABEL	C-06 - C-14
LP	C-15
LOUNGE	C-16
SEALANTS & FASTENERS	C-17 - C-19
WATER & SEWAGE	C-20 - C-22
WINDOW, VENT AND EXTERIOR DOOR	C-23 - D-15

# WINDOW, VENT & EXTERIOR DOOR GROUP (CONTINUED)

## GALLEY WINDOW



KEY	PART NUMBER	U/M	DESCRIPTION
	090893-17-02A	EA	FRAME-INSIDE, WINDOW RETAINER - OFF WHITE
1	092235-11-Y12	EA	WINDOW-TIPOUT, SINGLE - W/O INSIDE FRAME
	000H14-06-14R	EA	RIVET-MANDREL BLIND, 3/16"
2	035302-02-000	EA	OPERATOR-TORQUE, TIPOUT WINDOW -
3	068927-03-000	EA	SEAL-WINDOW, RUBBER - ROUNO - .80" DIA. - BLACK
4	081354-01-000	EA	SLEEVE-TORQUE TUBE, TIPOUT WINDOW - 1 3/4" X 1.2" X .7"
	081649-01-000	EA	RING-SNAP, 7/32 SHAFT DIAMETER
5	083150-10-000	EA	TUBE-TORQUE, TIPOUT WINDOW - W/SPRING & ARM - 22.5" LONG
6	080918-01-000	EA	SPRING-TORQUE TUBE, LEFT
7	080918-02-000	EA	SPRING-TORQUE TUBE, RIGHT
8	084067-02-000	FT	SEAL-E SHAPED, SPONGE - TIPOUT WINDOW - .42" X .38" - BLACK
9	084068-15-000	EA	GLASS-TIPOUT, 9 2" X 24 5"
10	084453-02-000	EA	WASHER-.06" X .5" X .25" - PLASTIC
11	086762-01-000	EA	T NUT 10-32
12	086763-01-000	EA	SCREW-MACH, 10 - 32 X 1/4 PTH
13	087566-02-01A	EA	MULLION-HORIZONTAL, TIPOUT - BLACK
14	089913-01-000	EA	HINGE-TIPOUT WINDOW, BLACK
15	097578-01-000	EA	LINKAGE-TIPOUT WINDOW
	084453-01-000	EA	WASHER-.06" X .5" X .135" - PLASTIC
16	084473-01-000	EA	SEAL-FLAT, W/CENTER HOLE & ADHESIVE SIDE - 8" X 9" - BLK
	085315-01-000	EA	RIVET-SHOULDER, TIPOUT WINDOW
17	099154-01-000	FT	CHANNEL-GLAZING, STATIONARY GLASS - 62" X 45" - BLACK
18	100235-02-807	EA	SCREEN-SINGLE TIPOUT WINDOW
19	080218-03-000	SF	SCREENING-FIBERGLASS, 12" WIDE
20	100168-01-000	EA	CLIP-SPRING, SCREEN
	100240-01-000	FT	SPLINE-SCREEN, T-SHAPED
21	009439-06-000	EA	EXTENSION-CRANK HANDLE, WINDOW /ROOF VENT - BLACK
22	009439-05-000	EA	KNOB-OPERATOR, TIPOUT WINDOW - W/SPRING & ARM
	009439-07-000	EA	SCREW, 8-32 X 1 1/4 POH - BLACK
23	069640-11-000	FT	TAPE-SEALER, 3/16" X 3/8" - BLACK

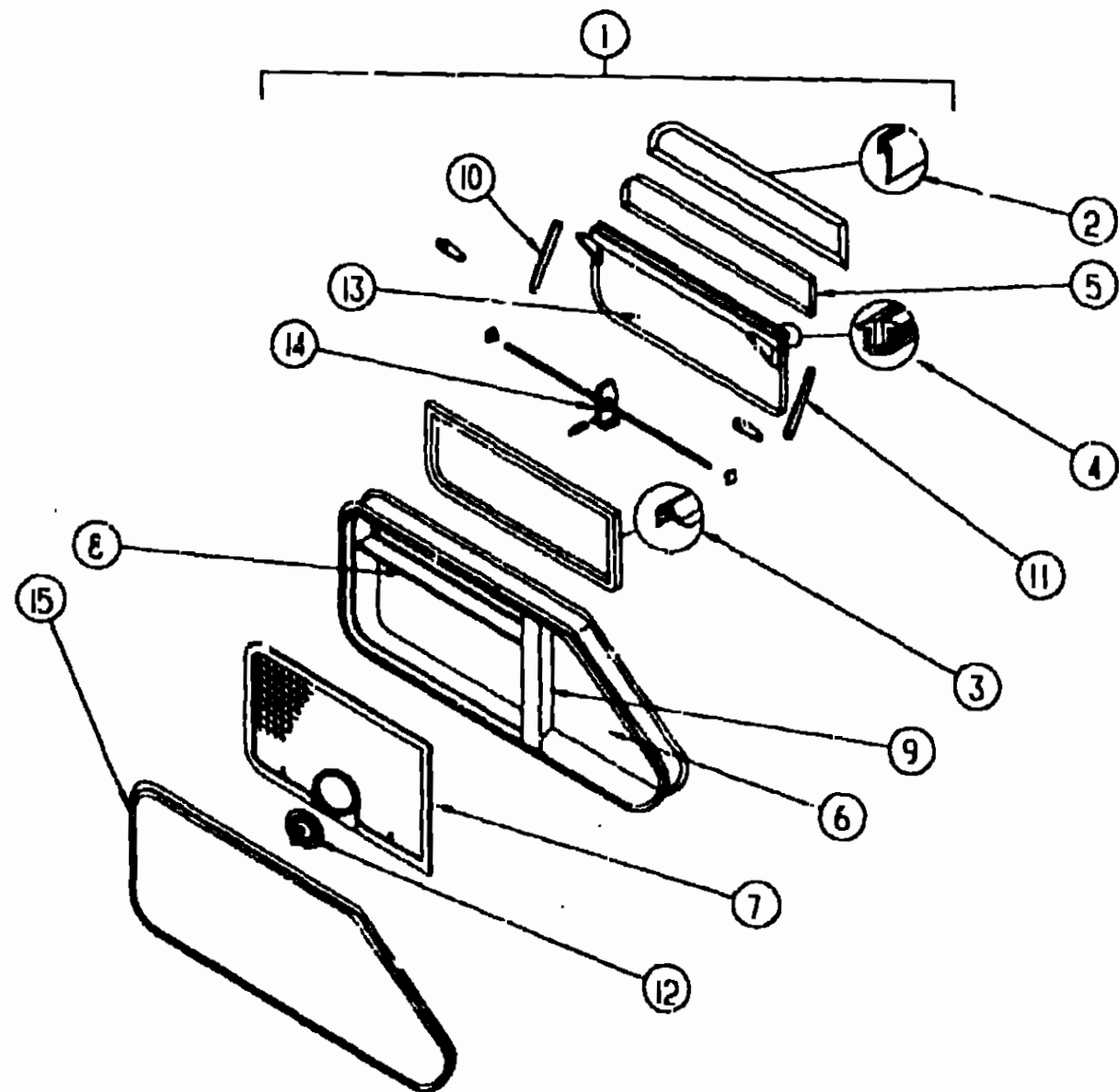
## 1992 ITASCA TABLE OF CONTENTS

INTRODUCTION	A-01 -	A-02
ABBREVIATIONS		A-03
ALPHABETICAL INDEX	A-04 -	A-06
IC522RG	A-07 -	D-16
IF524RC	D-17 -	H-04

## 1992 IC522RG INDEX

FLOOR PLAN	A-07 -	A-08
ACCESSORIES		A-09
AUDIO VIDEO		A-10
BATH	A-11 -	A-12
CHASSIS	A-13 -	A-16
CURTAIN & CUSHION	A-17 -	A-24
DINETTE	B-01 -	B-02
DRIVERS	B-03 -	B-05
ELECTRICAL	B-06 -	B-09
EXTERIOR BODY	B-10 -	B-18
GALLEY	B-19 -	B-22
GENERATOR		B-23
HEATING & A/C	B-24 -	C-01
INTERIOR FINISH	C-02 -	C-05
LABEL	C-06 -	C-14
LP		C-15
LOUNGE		C-16
SEALANTS & FASTENERS	C-17 -	C-19
WATER & SEWAGE	C-20 -	C-22
WINDOW, VENT AND EXTERIOR DOOR	C-23 -	D-15

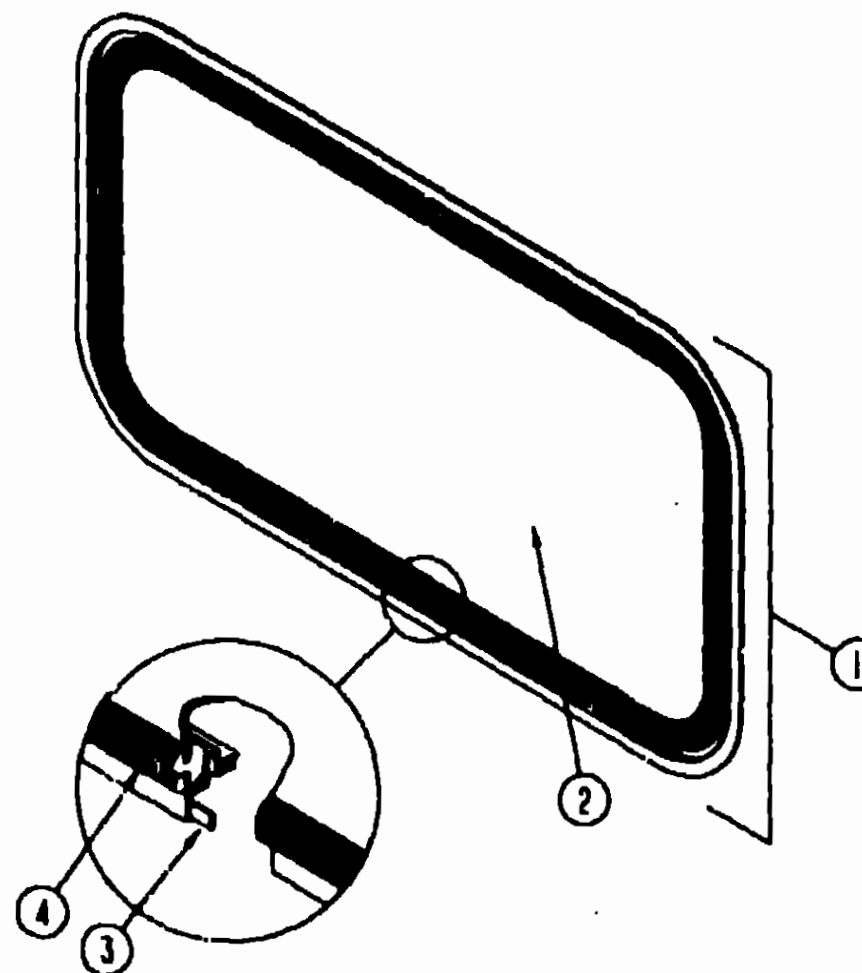
WINDOW, VENT & EXTERIOR DOOR GROUP (CONTINUED)



DRIVER SIDE OVERHEAD BUNK WINDOW

KEY	PART NUMBER	U/M	DESCRIPTION
1	100322-02-700	EA	WINDOW-VENTED, 12' X 35 8 LONGEST SIDE - EXCEL CH19-DK L
2	098644-01-716	FT	PLUG-FILLER, EXCEL 132-014470
3	100322-01-701	FT	SEAL-VENT, EXCEL 122-016071
4	100322-01-702	FT	WEATHERSTRIP-HORIZONTAL RAIL, EXCEL 132-015976
	100322-01-703	EA	STRIP-GLAZING,BUTYL EXCEL 132-010723
	100322-01-704	EA	TAPE-BUTYL, EXCEL 154-016083
5	100322-01-705	EA	GLASS-STATIONARY, SMALL TOP - EXCEL 106-017264
6	100322-01-706	EA	GLASS-STATIONARY, LARGE FRONT - EXCEL 106-017265
7	100322-01-708	EA	SCREEN-DRIVER SIDE, EXCEL 410-017269 L
8	100322-01-712	EA	RAIL-HORIZONTAL, EXCEL CH05-19 R OR L
9	100322-01-713	EA	BAR-DIVISION, VERTICAL - EXCEL CH19-20 R OR L
10	100322-01-714	EA	SUPPORT-TORQUE BAR, EXCEL 130-015978 (L)
11	100322-01-716	EA	SUPPORT-TORQUE BAR, CENTER RAIL - EXCEL 130-015980
	100322-01-717	EA	E-RING, EXCEL 245-015975
12	100322-01-718	EA	HANDLE-DIAL, EXCEL 410-016081
13	100322-01-722	EA	GLASS ASM.-VENT, LEFT - EXCEL CH19-06L
14	100322-01-723	EA	OPERATOR ASM.-VENT GLASS, LEFT - EXCEL CH19-15L
15	100322-02-701	EA	FRAME-INSIDE, LEFT - WHITE - EXCEL V968-60L

WINDOW, VENT & EXTERIOR DOOR GROUP (CONTINUED)



OVERHEAD BUNK FRONT WINDOW

KEY	PART NUMBER	U/M	DESCRIPTION
	067609-33-000	EA	FRAME-INSIDE WINDOW
1	103313-01-R05	EA	WINDOW ASM-PICTURE
2	002181-15-000	EA	GLASS-PICTURE 11 25' X 53 1' - GRAY
3	069640-11-000	FT	SEALER-TAPE,3/16"X3/8" BLACK
4	099154-01-000	FT	CHANNEL-GLAZING STATIONARY GLASS - 62' X 45' - BLACK

1992 ITASCA  
TABLE OF CONTENTS

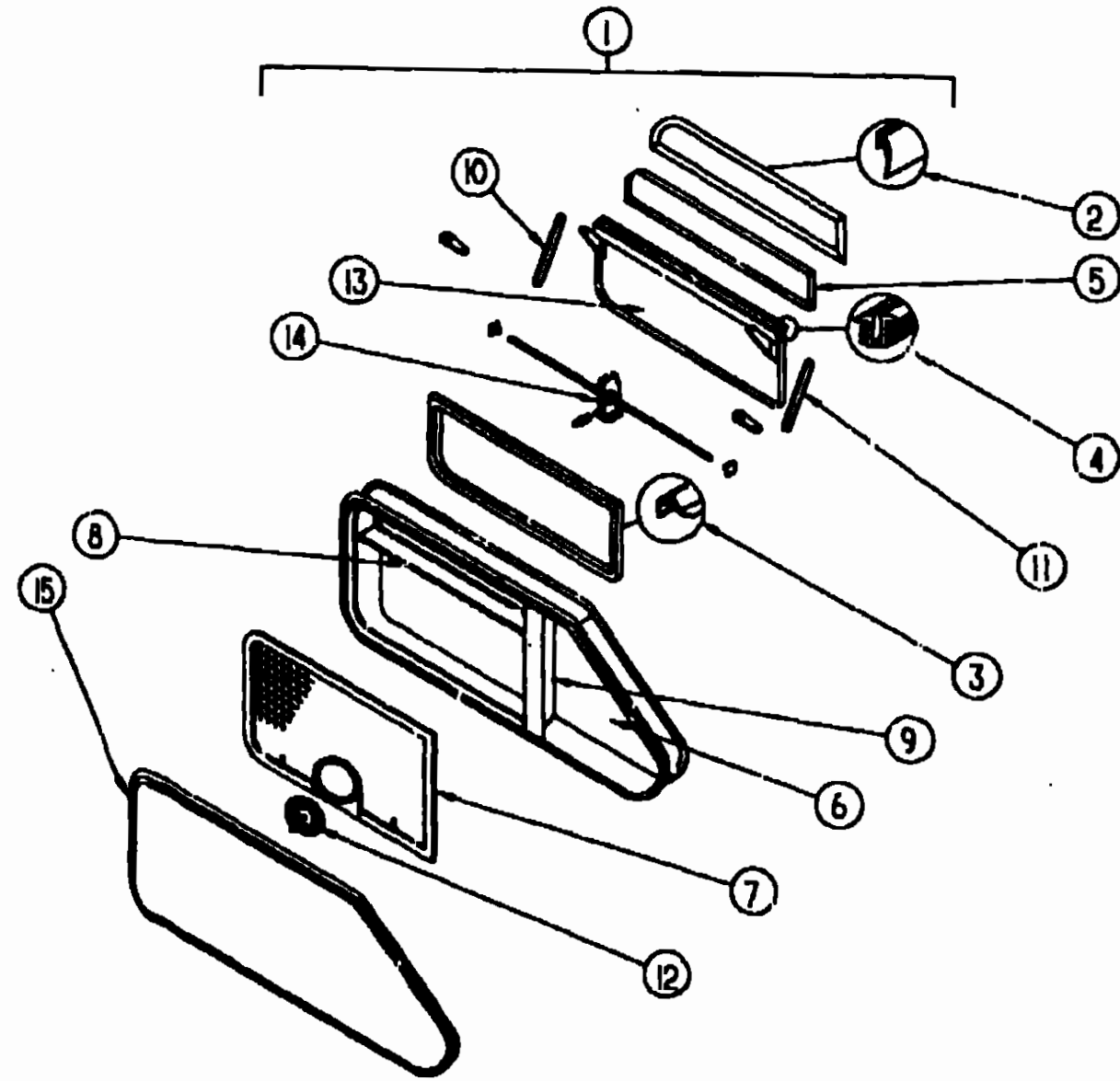
INTRODUCTION	A-01 -	A-02
ABBREVIATIONS		A-03
ALPHABETICAL INDEX	A-04 -	A-06
IC522RG	A-07 -	D-16
IFS24PC	D-17 -	H-04

1992 IC522RG INDEX

FLOOR PLAN	A-07 -	A-08
ACCESSORIES		A-09
AUDIO VIDEO		A-10
BATH	A-11 -	A-12
CHASSIS	A-13 -	A-18
CURTAIN & CUSHION	A-17 -	A-24
DINETTE	B-01 -	B-02
DRIVERS	B-03 -	B-05
ELECTRICAL	B-06 -	B-09
EXTERIOR BODY	B-10 -	B-18
GALLEY	B-19 -	B-22
GENERATOR		B-23
HEATING & A/C	B-24 -	C-01
INTERIOR FINISH	C-02 -	C-05
LABEL	C-06 -	C-14
LP		C-15
LOUNGE		C-16
SEALANTS & FASTENERS	C-17 -	C-19
WATER & SEWAGE	C-20 -	C-22
WINDOW, VENT AND EXTERIOR DOOR	C-23 -	D-15

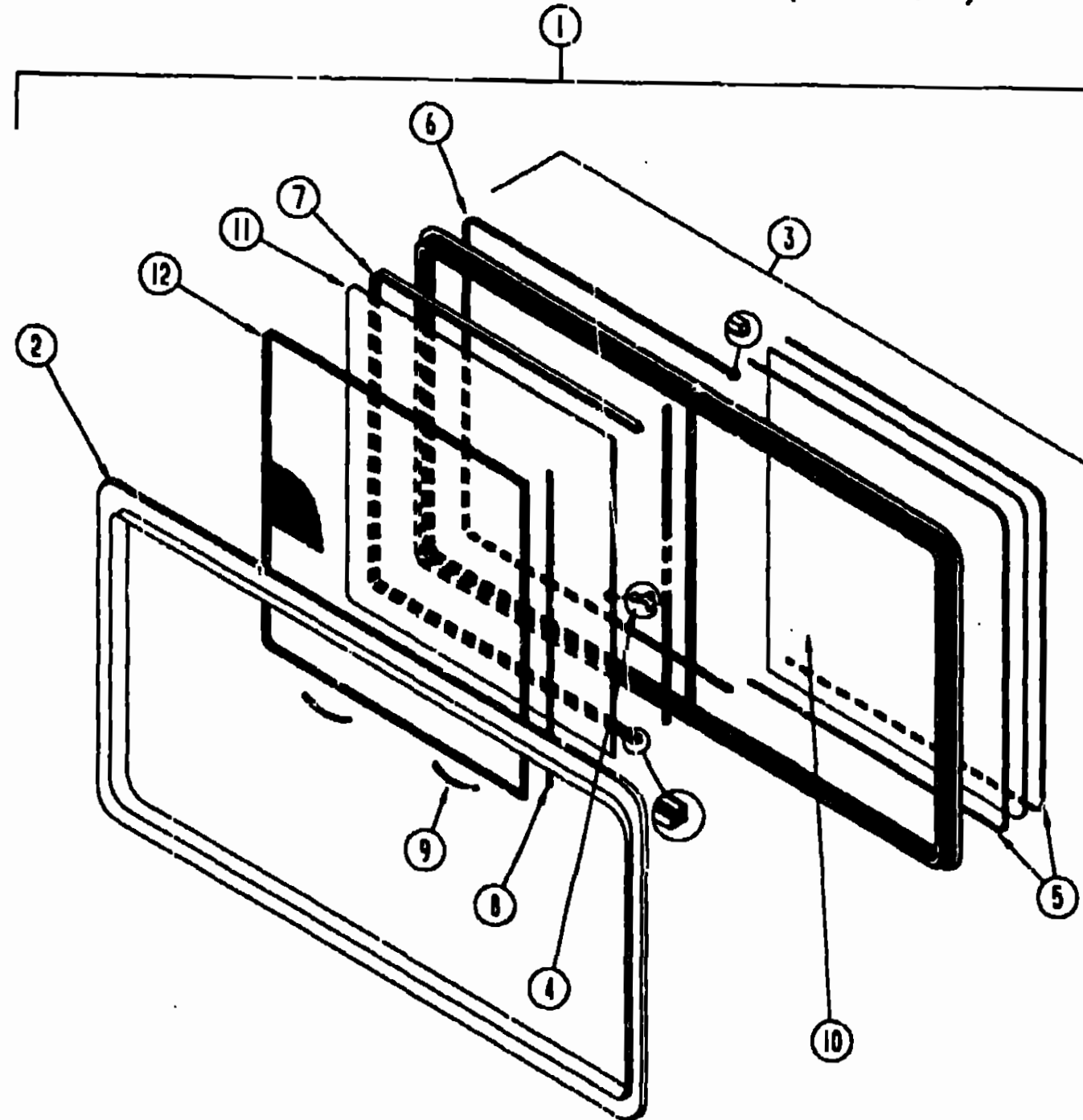


**WINDOW, VENT & EXTERIOR DOOR GROUP (CONTINUED)**



**PASSENGER SIDE OVERHEAD BUNK WINDOW**

**WINDOW, VENT & EXTERIOR DOOR GROUP (CONTINUED)**



**DINETTE SLIDING WINDOW**

**1992 ITASCA  
TABLE OF CONTENTS**

INTRODUCTION	A-01 -	A-02
ABBREVIATIONS		A-03
ALPHABETICAL INDEX	A-04 -	A-06
IC522RG	A-07 -	D-16
IF524RC	D-17 -	H-04

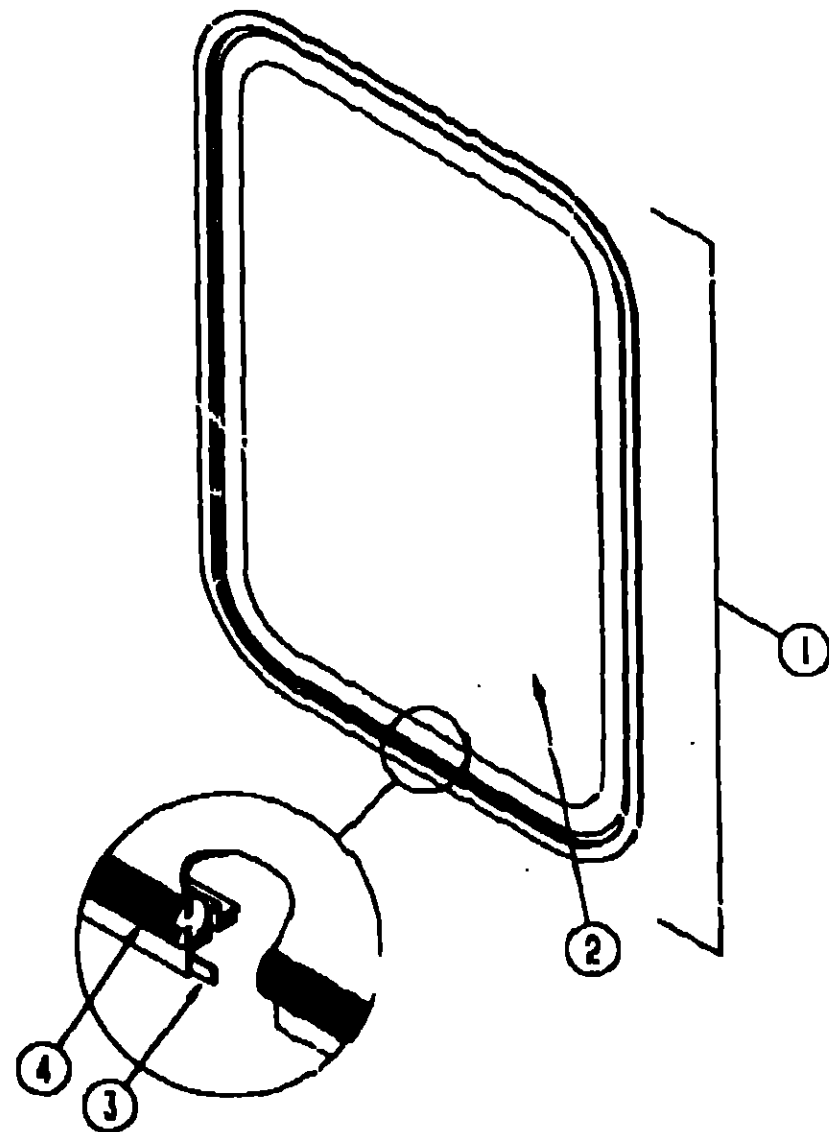
**1992 IC522RG INDEX**

FLOOR PLAN	A-07 -	A-08
ACCESSORIES		A-09
AUDIO VIDEO		A-10
BATH	A-11 -	A-12
CHASSIS	A-13 -	A-16
CURTAIN & CUSHION	A-17 -	A-24
DINETTE	B-01 -	B-02
DRIVERS	B-03 -	B-05
ELECTRICAL	B-06 -	B-09
EXTERIOR BODY	B-10 -	B-18
GALLEY	B-19 -	B-22
GENERATOR		B-23
HEATING & A/C	B-24 -	C-01
INTERIOR FINISH	C-02 -	C-05
LABEL	C-06 -	C-14
LP		C-15
LOUNGE		C-16
SEALANTS & FASTENERS	C-17 -	C-19
WATER & SEWAGE	C-20 -	C-22
WINDOW, VENT AND EXTERIOR DOOR	C-23 -	D-15

KEY	PART NUMBER	U/M DESCRIPTION
1	100322-01-720	EA WINDOW-VENTED, W/O INSIDE FRAME - EXCEL CH19-DK R
2	098644-01-716	FT PLUG-FILLER, EXCEL 132-014470
3	100322-01-701	FT SEAL-VENT, EXCEL 122-016071
4	100322-01-702	FT WEATHERSTRIP-HORIZONTAL RAIL, EXCEL 132-015976
	100322-01-703	EA STRIP-GLAZING,BUTYL EXCEL 132-010723
	100322-01-704	EA TAPE-BUTYL, EXCEL 154-016083
5	100322-01-705	EA GLASS-STATIONARY, SMALL TOP - EXCEL 106-017264
6	100322-01-706	EA GLASS-STATIONARY, LARGE FRONT - EXCEL 106-017265
7	100322-01-709	EA SCREEN-PASSENGER SIDE, EXCEL 410-017270 R
8	100322-01-712	EA RAIL-HORIZONTAL, EXCEL CH05-19 R OR L
9	100322-01-713	EA BAR-DIVISION, VERTICAL - EXCEL CH19-20 R OR L
10	100322-01-715	EA SUPPORT-TORQUE BAR, EXCEL 130-015979 (R)
11	100322-01-716	EA SUPPCRT-TORQUE BAR, CENTER RAIL - EXCEL 130-015980
	100322-01-717	EA E-RING, EXCEL 245-015975
12	100322-01-718	EA HANDLE-DIAL, EXCEL 410-016081
13	100322-01-707	EA GLASS-VENT, RIGHT - EXCEL CH19-D6R
14	100322-01-711	EA OPERATOR-VENT, SUB ASSEMBLY - EXCEL CH05-15 R OR L
15	100322-01-724	EA FRAME-INSIDE, RIGHT - WHITE V988-60R EXCEL

KEY	PART NUMBER	U/M DESCRIPTION
1	098647-09-02A	EA WINDOW ASM-SLIDER, W/INSIDE FRAME TRIM - EXCEL H024-PRR
2	098647-09-704	EA FRAME-INSIDE, WINDOW TRIM - W024-67 EXCEL
3	098647-09-703	EA WINDOW-SINGLE SLIDER, RIGHT - H024-G2R EXCEL
4	098644-01-700	EA LATCH-REPAIR KIT, EXCEL B801-CK
5	098644-01-705	FT GLAZING STRIP, EXCEL M928-12
6	098644-01-706	FT WEATHERSTRIP, EXCEL 171-010688
7	098644-01-708	FT CHANNEL-PIERCED RUN, EXCEL 122-016543
8	098644-01-710	FT TRACK-SCREEN SPACER, 12" LENGTH - EXCEL M401-31
	098644-01-711	FT WEATHERSTRIP-SCREEN, BLACK - EXCEL 171-016985
9	098644-01-713	EA SPRING-SCREEN FRAME (CLIP), PLASTIC - BLACK
	098644-01-716	FT PLUG-FILLER, EXCEL 132-014470
	098644-01-717	FT SPLINE-SCREEN MFG - EXCEL 132-004716
10	098647-09-700	EA GLASS-STATIONARY - EXCEL 108-017193 EXCEL
11	098647-09-701	EA GLASS-SLIDING, W/SASH&LATCH - H024-G9 EXCEL
12	098647-09-705	EA SCREEN W/SPRING & WEATHERSTRIP - 410-016464 EXCEL

WINDOW, VENT & EXTERIOR DOOR GROUP (CONTINUED)



ENTRY DOOR WINDOW

KEY	PART NUMBER	U/M DESCRIPTION
	067609-32-000	EA FRAME-WINDOW, ENTRY DOOR - OFF WHITE
1	079733-04-T03	EA WINDOW-PICTURE, W/O INSIDE FRAME - 17" X 25"
2	002181-06-000	EA GLASS-PICTURE WINDOW, .115" X 16.25" X 24"
3	069640-11-000	FT SEALER-TAPE, 3/16" X 3/8" BLACK
4	087561-01-000	FT SEAL-GLASS, EXTERIOR - 5" WIDE - VINYL - BLACK

WINDOW, VENT & EXTERIOR DOOR GROUP (CONTINUED)

POWERED ROOF VENT

KEY	PART NUMBER	U/M DESCRIPTION
	009439-01-000	EA CRANK HANDLE-ROOF VENT
	009439-04-000	EA SCREW 8-32 X 1 1/4" POH
	009439-02-000	EA KNOB-ROOF VENT MILL
	009439-03-000	EA EXTENSION-CRANK HANDLE ROOF VENT - 9" - MILL
	009439-04-000	EA SCREW 8-32 X 1 1/4" POH
	090394-01-Y12	EA VENT-ROOF POWERED
	055218-01-000	EA COVER-ROOF VENT, PLASTIC
	002825-01-000	EA WEATHER STRIP-ROOF VENT GRAY
	008195-01-000	EA SWITCH-ROOF VENT PUSH BUTTON 12V
	008343-01-000	EA TIE-WIRE 6"
	008386-01-000	EA GROMMET-SNAP 3/8"
	009440-01-000	EA GEAR/ARM-VENT COVER LIFT
	015911-01-000	EA TRACK-LIFT ARM SLIDE - ROOF VENT
	048640-01-000	EA MOTOR-ROOF VENT 1/8 SHAFT - 12V - JENSEN
	048649-01-000	EA FAN-ROOF VENT 6 BLADES - 6" - JENSEN
	052639-01-001	EA HINGE-VENT COVER 16"
	052639-01-200	EA HINGE-EXTRUSION ROOF VENT 7"
	061603-01-000	EA GROMMET-SNAP 3/16" ID - 3/8" HOLE - PLASTIC - BLACK
	078785-01-Y12	EA SCREEN-ROOF VENT POWERED
	002291-02-000	SF SCREENING-ROOF VENT/WINDOW 16" - BLACK
	002298-02-000	FT SPLINE-VENT/WINDOW SCREEN 128 DIAMETER - BLACK

NONPOWERED ROOF VENT

KEY	PART NUMBER	U/M DESCRIPTION
	009439-01-000	EA CRANK HANDLE-ROOF VENT
	009439-04-000	EA SCREW 8-32 X 1 1/4" POH
	009439-02-000	EA KNOB-ROOF VENT MILL
	009439-03-000	EA EXTENSION-CRANK HANDLE ROOF VENT - 9" - MILL
	009439-04-000	EA SCREW 8-32 X 1 1/4" POH
	090395-01-Y12	EA VENT-ROOF NONPOWERED
	055218-01-000	EA COVER-ROOF VENT, PLASTIC
	002825-01-000	EA WEATHER STRIP-ROOF VENT GRAY
	009440-01-000	EA GEAR/ARM-VENT COVER LIFT
	015911-01-000	EA TRACK-LIFT ARM SLIDE - ROOF VENT
	052639-01-001	EA HINGE-VENT COVER 16"
	052639-01-200	EA HINGE-EXTRUSION ROOF VENT 7"
	078786-01-Y12	EA SCREEN-ROOF VENT NON POWERED - WHITE
	002291-02-000	SF SCREENING-ROOF VENT/WINDOW 16" - BLACK
	002298-02-000	FT SPLINE-VENT/WINDOW SCREEN 128 DIAMETER - BLACK

1992 ITASCA  
TABLE OF CONTENTS

INTRODUCTION	A-01 -	A-02
ABBREVIATIONS		A-03
ALPHABETICAL INDEX	A-04 -	A-06
IC522RG	A-07 -	D-16
IF524RC	D-17 -	H-04

1992 IC522RG INDEX

FLOOR PLAN	A-07 -	A-08
ACCESSORIES		A-09
AUDIO VIDEO		A-10
BATH	A-11 -	A-12
CHASSIS	A-13 -	A-16
CURTAIN & CUSHION	A-17 -	A-24
DINETTE	B-01 -	B-02
DRIVERS	B-03 -	B-05
ELECTRICAL	B-06 -	B-09
EXTERIOR BODY	B-10 -	B-18
GALLEY	B-19 -	B-22
GENERATOR		B-23
HEATING & A/C	B-24 -	C-01
INTERIOR FINISH	C-02 -	C-05
LABEL	C-06 -	C-14
LP		C-15
LOUNGE		C-18
SEALANTS & FASTENERS	C-17 -	C-19
WATER & SEWAGE	C-20 -	C-22
WINDOW, VENT AND EXTERIOR DOOR	C-23 -	D-15

**WINDOW, VENT & EXTERIOR DOOR GROUP (CONTINUED)**

**FANTASTIC ROOF VENTILATOR**

KEY	PART NUMBER	U/M DESCRIPTION
	084079-03-000	EA VENT-CEILING, POWERED EXHAUST - OFF WHITE - FANTASTIC VENT
	084079-01-700	EA VENT COVER - FANTASTIC 1020-19
	084079-01-703	EA CRANK-EXTERIOR, FANTASTIC 1060-09
	084079-01-704	EA BLADE-FAN, FANTASTIC 1070-00
	084079-01-705	EA MOTOR, FANTASTIC 1080-00
	084079-01-706	EA PLUG-12 VOLT, FANTASTIC 1090
	084079-01-707	EA SWITCH-SAFETY, FANTASTIC 1120-00
	084079-01-709	EA SWITCH-ON & OFF, MAIN POWER - FANTASTIC 1100-00
	084079-01-711	EA H-MOLDING, MOTOR MOUNT - PLASTIC - FANTASTIC
	084079-01-712	EA GARNISH INT. FIN. 1 7/8" - OFF WHITE

**VENTS, SHROUDS & ROOF COVERS**

KEY	PART NUMBER	U/M DESCRIPTION
	083558-03-000	EA VENT-PLUMBING PIPE ROOF W/COVER - OFF WHITE
	084616-01-000	EA SHROUD-RANGE HOOD VENT, OFF WHITE
	084878-09-000	EA VENT-RANGE HOOD, SHORT - LVS
	084073-03-000	EA COVER-ROOF VENT, REFRIGERATOR - OFF WHITE - NORCOLD
	084073-04-000	EA BASE-ROOF VENT, REFRIGERATOR - BLACK - NORCOLD

**1992 ITASCA  
TABLE OF CONTENTS**

INTRODUCTION	A-01 -	A-02
ABBREVIATIONS		A-03
ALPHABETICAL INDEX	A-04 -	A-06
IC522RG	A-07 -	D-16
IF524RC	D-17 -	H-04

**1992 IC522RG INDEX**

FLOOR PLAN	A-07 -	A-08
ACCESSORIES		A-09
AUDIO VIDEO		A-10
BATH	A-11 -	A-12
CHASSIS	A-13 -	A-16
CURTAIN & CUSHION	A-17 -	A-24
DINETTE	B-01 -	B-02
DRIVERS	B-03 -	B-05
ELECTRICAL	B-06 -	B-09
EXTERIOR BODY	B-10 -	B-18
GALLEY	B-19 -	B-22
GENERATOR		B-23
HEATING & A/C	B-24 -	C-01
INTERIOR FINISH	C-02 -	C-05
LABEL	C-06 -	C-14
LP		C-15
LOUNGE		C-16
SEALANTS & FASTENERS	C-17 -	C-19
WATER & SEWAGE	C-20 -	C-22
WINDOW, VENT AND EXTERIOR DOOR	C-23 -	D-15