

**1992 ITASCA
TABLE OF CONTENTS**

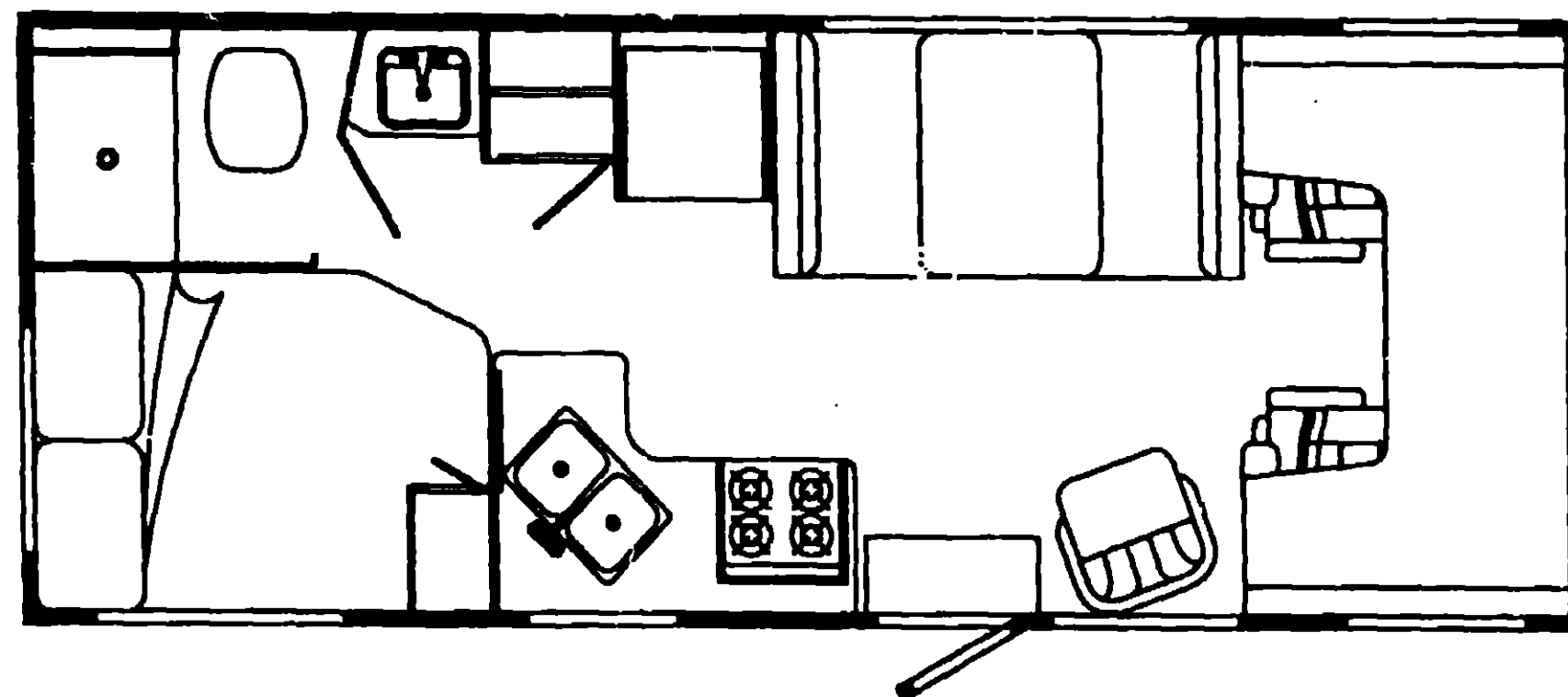
INTRODUCTION	A-01 -	A-02
ABBREVIATIONS		A-03
ALPHABETICAL INDEX	A-04 -	A-06
IC422RG	A-07 -	D-10
IC424RC	D-11 -	G-16



**1992
IC424RC
C23
C24**

1992 IC424RC INDEX

FLOOR PLAN	D-11 -	D-12
ACCESSORIES		D-13
AUDIO VIDEO		D-14
BATH	D-15 -	D-16
BEDROOM		D-17
CHASSIS	D-18 -	D-21
CURTAIN & CUSHION	D-22 -	E-05
DINETTE	E-06 -	E-07
DRIVERS COMPARTMENT	E-08 -	E-10
ELECTRICAL	E-11 -	E-14
EXTERIOR BODY	E-15 -	E-21
GALLEY	E-22 -	E-24
GENERATOR		F-01
HEATING & A/C	F-02 -	F-05
INTERIOR FINISH	F-04 -	F-09
LABEL	F-03 -	F-15
LP		F-16
LOUNGE		F-17
SEALANTS & FASTENERS	F-18 -	F-20
WATER & SEWAGE	F-21 -	F-24
WINDOW, VENT AND EXTERIOR DOOR	G-01 -	G-16



ACCESSORIES GROUP

OPERATORS MANUAL

KEY	PART NUMBER	U/M	DESCRIPTION
	054185-92-000	EA	MANUAL-OPERATOR - 1992 SUNDANCER - 400 SERIES
	092318-C-000	EA	BINDER-3 RING - MOTOR HOME MANUAL
	092319-01-000	EA	POCKET PAGE-3 RING BINDER - PLASTIC
	106351-01-000	DW	TOP LEVEL DRAWING FOR 1992 C-BODIES

AUDIO VIDEO GROUP

RADIO & ANTENNA COMPONENTS

KEY	PART NUMBER	U/M	DESCRIPTION
	007004-01-000	EA	ANTENNA-AUTO (CHEVY)
	090982-01-000	EA	RADIO-AM/FM CASSETTE - ELECTRIC TUNE - AUDIOVOX HCC-1035 (CHEVY)
	091211-01-000	EA	MOUNT KIT-RADIO - AUDIOVOX (CHEVY)
	106450-02-000	EA	RADIO-AM/FM CASSETTE - ELECT - AUDIOVOX FD-CXF (FORD) FROM: 00-00-00 THRU. 02-23-92
	106450-01-000	EA	RADIO-AM/FM CASSETTE - ELECT - AUDIOVOXFD-CXF (FORD) FROM 02-24-92 THRU. 99-99-99
	106451-01-000	EA	MOUNTING KIT-RADIO FORD - AUDIOVOX FD-ECO-92 (FORD)
	108137-01-000	EA	PLUG-ANTENNA HOLE - E350 (FORD)
	089340-02-000	EA	GRILLE-SPEAKER - 6 5" SQUARE (OVERHEAD CABINETS)
	089340-03-000	EA	SPACER-SPEAKER GRILLE - TAN MAGNADYNE G514 (OVERHEAD CABINETS)
	094097-01-000	EA	SPEAKER-RADIO - W/O GRILLE - 5 25" DIA - AUDIOVOX 110C3030

TV, ANTENNA & VCR SYSTEMS

KEY	PART NUMBER	U/M	DESCRIPTION
	076319-01-000	EA	ANTENNA-TV, ROOF MOUNT - 44 5" MAST - RVA W02
	076319-01-700	EA	HEAD-ANTENNA - AMPLIFIED - WINEGARD# RVSA U/V
	076319-01-701	EA	GEAR-ELEVATING - PLASTIC - WINEGARD# 2200046
	076319-01-702	EA	SHAFT ASM-ELEVATING - WINEGARD# RVP-400A
	076319-01-703	EA	BEARING-NYLON - 5"OD - WINEGARD# 3200656
	076319-01-705	EA	GROMMET-NYLON - 7/8"ID - WINEGARD# 3200658
	076319-01-706	EA	CRANK-ELEVATING - W/SET SCREW - WINEGARD# 5755100
	076319-01-707	EA	SPRING-HANDLE - WINEGARD# 5160800
	076319-01-709	EA	PLATE-DIRECTIONAL - FOR HEAD - WINEGARD #3200644
	076319-05-000	EA	ADAPTOR-CABLE ROOF PLATE - WINEGARD RPJ-1
	076319-09-000	EA	WALLPLATE-CABLE RECEPTACLE - TV - SINGLE - BROWN
	082134-01-000	EA	ADAPTER-TV-CABLE TO CABLE - WINEGARD F - 81M
	082136-01-000	EA	NUT-HEX JAM 3/8-32 - WINEGARD
	076319-03-000	FT	CABLE-COAXIAL - 75 OHM
	076319-12-000	EA	CONNECTOR-COAXIAL - ONE PIECE
	086757-03-000	EA	CONTROL CENTER - SWITCH - VCR/TV - MAGNADYNE VCS - 6
	086777-04-000	EA	PLATE-WALL - ANTENNA/POWER - BROWN
	092310-03-000	EA	TV-COLOR - 9" - AC/DC - W/SWIVEL - MAGNAVOX RD0945
	092310-02-700	EA	REMOTE FOR TV
	098446-03-000	EA	VCR-VHS CABLE READY-REMOTE MAGNAVOX VR9010
	098446-03-700	EA	REMOTE FOR VR9010

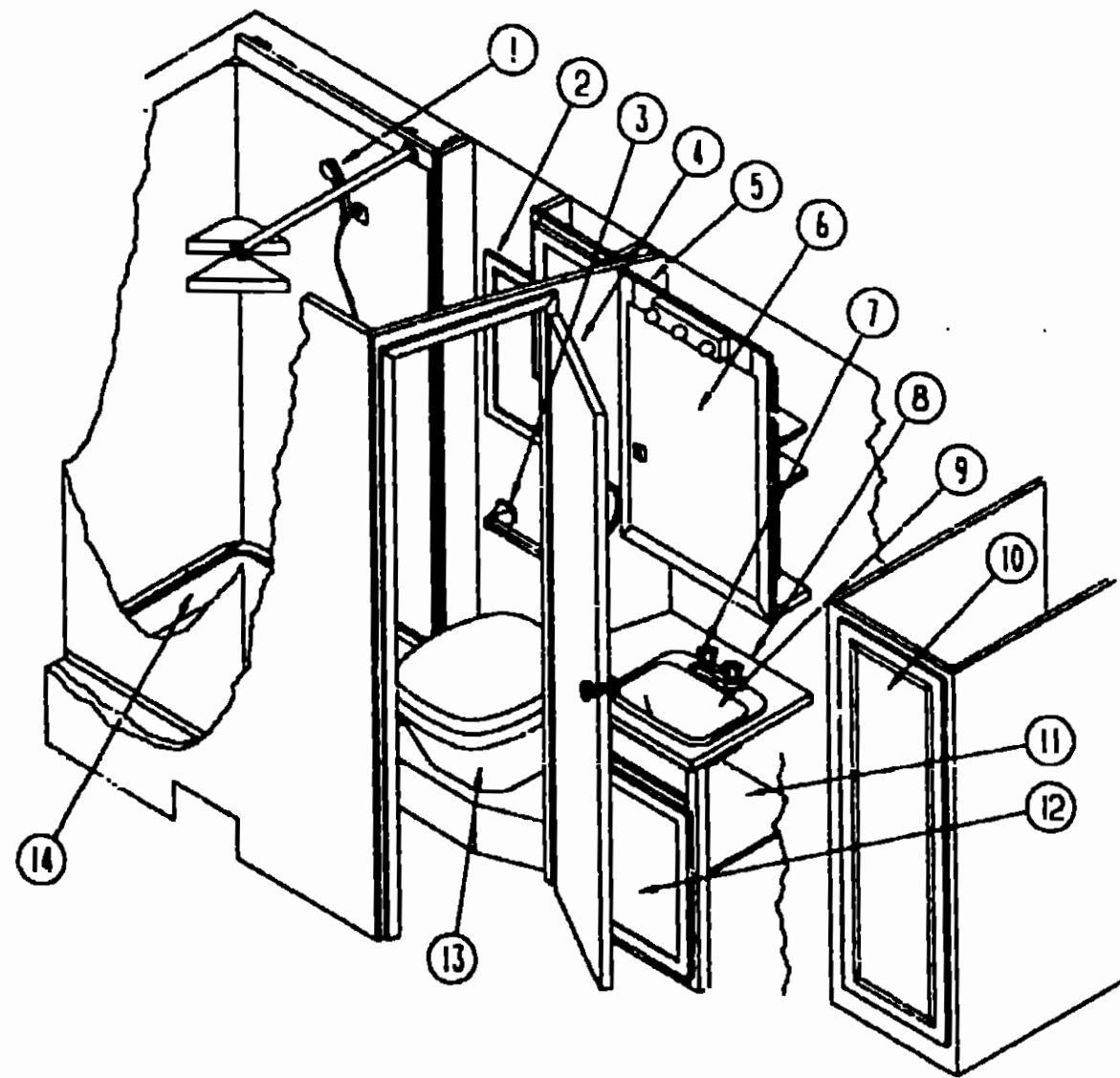
1992 ITASCA TABLE OF CONTENT'S

INTRODUCTION	A-01 -	A-02
ABBREVIATIONS		A-03
ALPHABETICAL INDEX	A-04 -	A-05
IC422RG	A-07 -	D-10
IC424RC	D-11 -	G-16

1992 IC424RC INDEX

FLOOR PLAN	D-11 -	D-12
ACCESSORIES		D-13
AUDIO VIDEO		D-14
BATH	D-15 -	D-16
BEDROOM		D-17
CHASSIS	D-18 -	D-21
CURTAIN & CUSHION	D-22 -	E-05
DINETTE	E-06 -	E-07
DRIVERS COMPARTMENT	E-08 -	E-10
ELECTRICAL	E-11 -	E-14
EXTERIOR BODY	E-15 -	E-21
GALLEY	E-22 -	E-24
GENERATOR		F-01
HEATING & A/C	F-02 -	F-05
INTERIOR FINISH	F-04 -	F-09
LABEL	F-08 -	F-15
LP		F-16
LOUNGE		F-17
SEALANTS & FASTENERS	F-18 -	F-20
WATER & SEWAGE	F-21 -	F-24
WINDOW, VENT AND		
EXTERIOR DOOR	G-01 -	G-16

BATH GROUP



BATH & SHOWER CABINETS & FIXTURES

KEY	PART NUMBER	U/M DESCRIPTION
1	103092-01-000	EA SHOWER HEAD-W/60" HOSE
	075241-05-000	EA FAUCET-SHOWER - BONE
	075505-01-000	EA PANEL-FAUCET BACK - SHOWER - 5" X 9" - PLASTIC
2	058331-21-000	EA MIRROR-GLASS - SAFETY - 365MM X 336MM
3	075453-02-000	EA BAR-TOWEL - 18" BRASS
4	M87668-09-C03	EA DOOR ASM-BATH - W/O LOCK
	094485-01-01A	EA KNOB-DOOR - POLISHED BRASS
5	105978-02-C03	EA CABINET ASM-MEDICINE - W/O DOOR & HARDWARE
6	P03661-01-C03	EA DOOR-CABINET - W/MIRROR - W/O HARDWARE - 15 5" X 29 5"
	093445-10-B05	EA MIRROR-WOOD FRAMED
	M03450-11-000	EA TRIM-MIRROR - WOOD - OAK
	058331-32-000	EA MIRROR-GLASS - SAFETY - 13 5" X 27 6"
7	075240-06-000	EA FAUCET-LAVATORY - BONE
	091253-01-000	EA GASKET-FAUCET - LAVATORY-GALLEY
8	107154-11-C44	EA COUNTERTOP ASM
9	096927-01-01A	EA SINK-LAVATORY RECTANGULAR - PLASTIC - BONE
	096927-01-700	EA SINK-STOPPER
	096927-01-701	EA TAILPIECE-SINK STOPPER
10	P04746-75-C52	EA DOOR-CABINET - W/O HARDWARE - 365 X 1155MM
	044435-01-000	EA DOWEL-WOOD - CLOTHES ROD - 1" DIAMETER X 4'
	009112-01-000	EA FLANGE-1" ROD - CLOTHES - PLASTIC - OFF WHITE
11	M05752-01-C23	EA CABINET ASM-LAVATORY
11	M05752-02-C23	EA CABINET ASM-LAVATORY (CANADIAN)

BATH GROUP (CONTINUED)

BATH & SHOWER CABINETS & FIXTURES (CON'T)

KEY	PART NUMBER	U/M DESCRIPTION
12	P05223-64-C03	EA DOOR-CABINET - W/O HARDWARE - 365MM X 555MM
	075452-02-000	EA HOLDER-TOILET TISSUE - BRASS
	075454-02-000	EA RING-TOWEL - W/MOUNTING HARDWARE - BRASS
13	067487-01-000	EA TOILET-12 37" - IVORY - HAND FLUSH - THETFORD 150110
	063740-01-700	EA LEVER-WATER - THETFORD 12514
	063740-01-701	EA LEVER-FLUSH - THETFORD 12515
	063740-01-705	EA BOLT PACKAGE-CLOSET - THETFORD 12524
	063740-01-710	EA LINK - THETFORD 12513
	063740-01-711	EA SPRING-RETURN LEVER - THETFORD 12523
	063740-01-713	EA SEAL-BALL VALVE TO BOWL - THETFORD 12502
	063740-01-714	EA VALVE ASM-WATER - THETFORD 12492
	063740-01-716	EA SEAT & COVER - THETFORD 15017
	063740-01-717	EA TUBE-FLUSH - TOILET - 12509 THETFORD
14	M02673-05-B13	EA PAN-SHOWER - 29 5" X 22 7" X 5 7" - OFF WHITE PLASTIC
	065436-01-000	EA NUT-SLIP - TAILPIECE - 1 5"
	065440-01-000	EA STRAINER-SHOWER - W RUBBER WASHER
	069735-01-000	EA WASHER-STRAINER TO TAILPIECE PLASTIC - 1 5"
	057671-01-000	EA COVER-SCREW - #8 - PLASTIC - OFF WHITE

EXTERIOR SHOWER COMPONENTS

KEY	PART NUMBER	U/M DESCRIPTION
	075241-05-000	EA FAUCET-SHOWER - BONE (EXTERIOR SHOWER)
	093527-02-000	EA BRACKET-SQUEEGEE/SHOWER HEAD (EXTERIOR SHOWER)
	103092-01-000	EA SHOWER HEAD-W/60" HOSE (EXTERIOR SHOWER)
	105269-02-000	EA BRACKET-SUPPORT - FAUCET (EXTERIOR SHOWER)

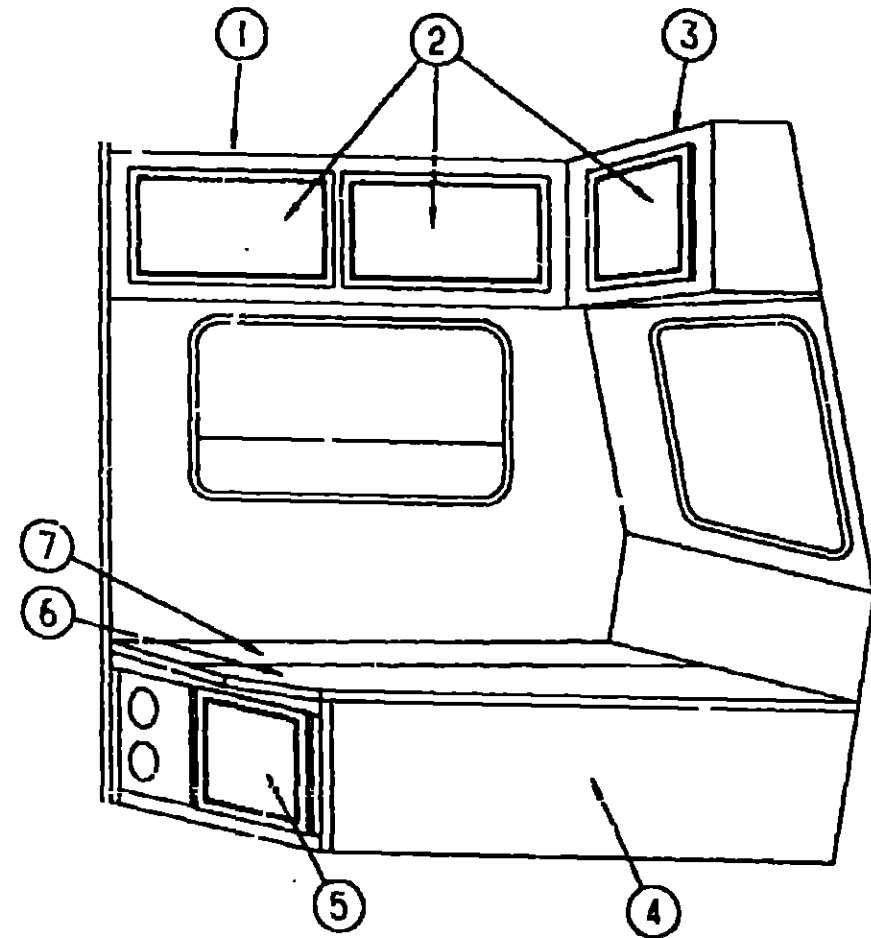
**1992 ITASCA
TABLE OF CONTENTS**

INTRODUCTION	A-01 - A-02
ABBREVIATIONS	A-03
ALPHABETICAL INDEX	A-04 - A-06
IC422RG	A-07 - D-10
IC424RC	D-11 - G-15

1992 IC424RC INDEX

FLOOR PLAN	D-11 - D-12
ACCESSORIES	D-13
AUDIO VIDEO	D-14
BATH	D-15 - D-16
BEDROOM	D-17
CHASSIS	D-18 - D-21
CURTAIN & CUSHION	D-22 - E-05
DINETTE	E-06 - E-07
DRIVERS COMPARTMENT	E-08 - E-10
ELECTRICAL	E-11 - E-14
EXTERIOR BODY	E-15 - E-21
GALLEY	E-22 - E-24
GENERATOR	F-01
HEATING & A/C	F-02 - F-05
INTERIOR FINISH	F-06 - F-09
LABEL	F-08 - F-15
LP	F-16
LOUNGE	F-17
SEALANTS & FASTENERS	F-18 - F-20
WATER & SEWAGE	F-21 - F-24
WINDOW VENT AND EXTERIOR DOOR	G-01 - G-15

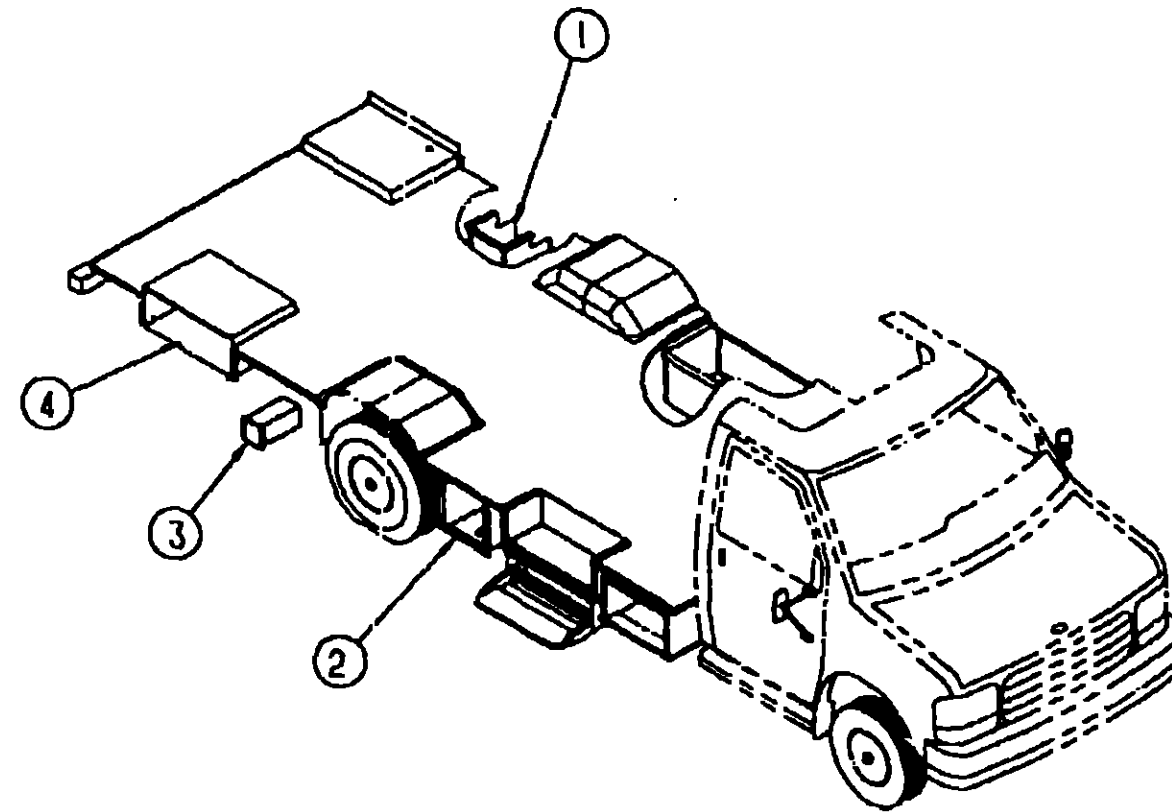
BEDROOM GROUP



BEDROOM CABINETS

KEY	PART NUMBER	U/M	DESCRIPTION
1	M05523-38-C23	EA	CABINET ASM-OVERHEAD - REAR - RIGHT
1	M05623-39-C24	EA	CABINET ASM-OVERHEAD - REAR - RIGHT
2	P05223-05-C03	EA	DOOR-CABINET - W/O HARDWARE - 305 X 475MM
3	M05523-39-C23	EA	CABINET ASM-OVERHEAD - REAR
3	M05623-39-C24	EA	CABINET ASM-OVERHEAD - REAR
4	P07083-01-C52	EA	CABINET ASM-DOUBLE BED
5	P05223-36-C03	EA	DOOR-CABINET - W/O HARDWARE - 305 X 555MM
5	M05747-02-C52	EA	DOUBLE BED TOP (W/CUT CORNER)
7	M05747-01-000	EA	DOUBLE BED TOP

CHASSIS GROUP



COMPARTMENTS

KEY	PART NUMBER	U/M	DESCRIPTION
1	101868-06-000	EA	COMPARTMENT ASM-POWER CORD (CHEVY)
1	101868-07-000	EA	COMPARTMENT ASM-POWER CORD (FORD)
2	105203-02-000	EA	COMPARTMENT-BATTERY
	084993-01-000	EA	STRAP-BATTERY
3	085967-01-000	EA	COMPARTMENT-SEWER HOSE - 6" X 6 6" X 17 8" - PLASTIC
4	105471-04-000	EA	COMPARTMENT ASM-GENERATOR
	065450-02-000	EA	TIEDOWN-BATTERY - 14 3 TUBE
	106208-01-01A	EA	COMPARTMENT-SHOWER - EXTERIOR - OFF WHITE
	058027-01-000	FT	SEAL - D SHAPED - HOLLOW - SPONGE RUBBER - BLACK
	061420-01-000	EA	PLUG-PLASTIC - 1 75" - BROWN
	077931-01-000	EA	CAP-PLASTIC - 56" ID - BLACK
	065322-01-000	EA	WHEELWELL-REAR - DRIVER OR PASSENGER - PLASTIC
	077848-02-000	EA	STEP-PULLOUT
	091176-01-000	EA	SUPPORT-BASE-ENTRANCE STEP

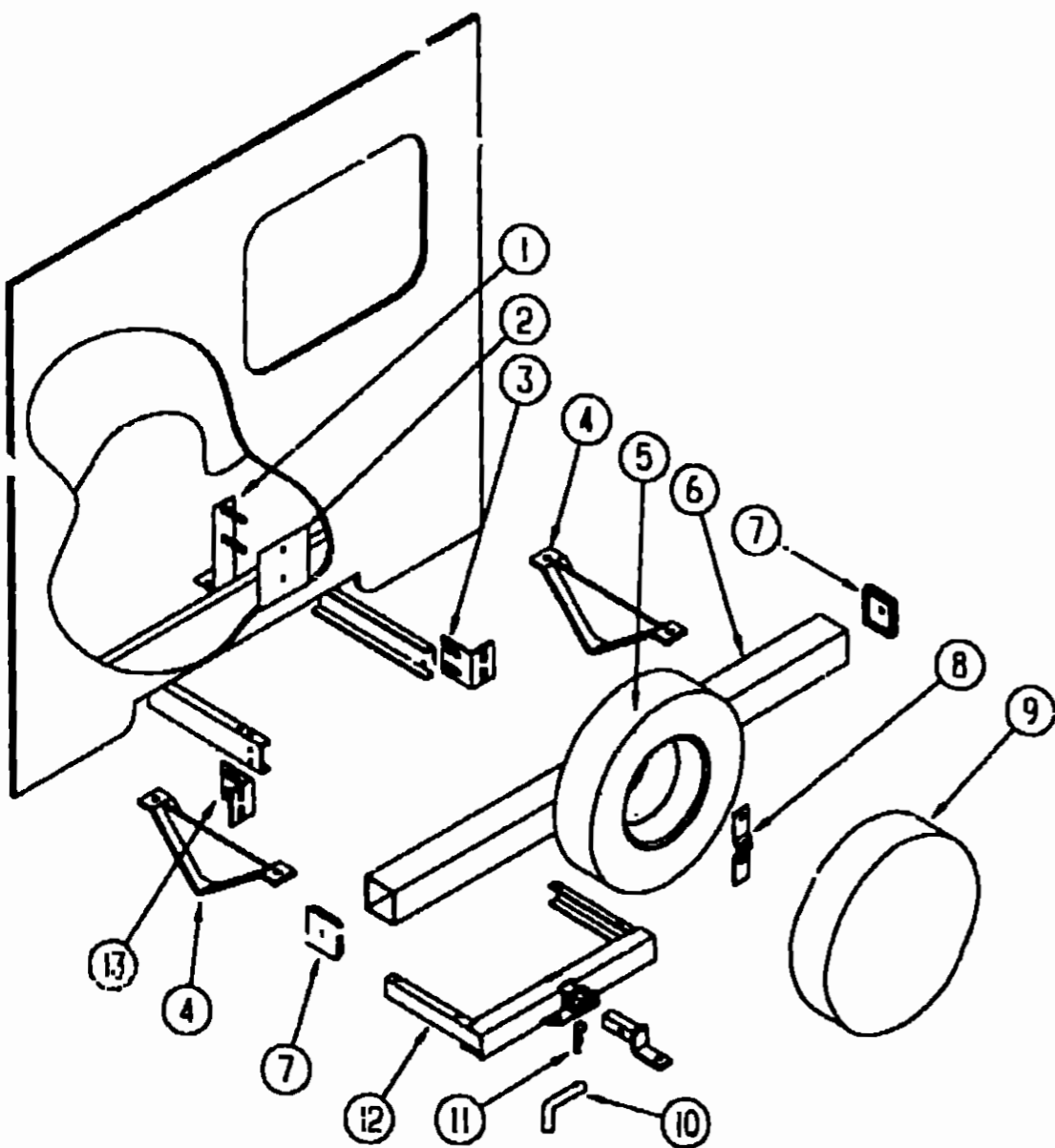
1992 ITASCA TABLE OF CONTENTS

INTRODUCTION	A-01 -	A-02
ABBREVIATIONS		A-03
ALPHABETICAL INDEX	A-04 -	A-05
IC422RG	A-07 -	D-10
IC424RC	D-11 -	G-16

1992 IC424RC INDEX

FLOOR PLAN	D-11 -	D-12
ACCESSORIES		D-13
AUDIO VIDEO		D-14
BATH	D-15 -	D-16
BEDROOM		D-17
CHASSIS	D-18 -	D-21
CURTAIN & CUSHION	D-22 -	E-05
DINETTE	E-06 -	E-07
DRIVERS COMPARTMENT	E-08 -	E-10
ELECTRICAL	E-11 -	E-14
EXTERIOR BODY	E-15 -	E-21
GALLEY	E-22 -	E-24
GENERATOR		F-01
HEATING & A/C	F-02 -	F-05
INTERIOR FINISH	F-04 -	F-09
LABEL	F-08 -	F-15
LP		F-15
LOUNGE		F-17
SEALANTS & FASTENERS	F-18 -	F-20
WATER & SEWAGE	F-21 -	F-24
WINDOW, VENT AND EXTERIOR DOOR	G-01 -	G-16

CHASSIS GROUP (CONTINUED)



REAR BUMPER, HITCH & SPARE TIRE CARRIER

KEY	PART NUMBER	U/M DESCRIPTION
1	105209-04-C52	EA BRACKET ASM-SPARE TIRE (CHEVY)
1	105209-06-C52	EA BRACKET ASM-SPARE TIRE(FORD)
	105209-02-01A	EA BRACKET-SPARE TIRE MILL
2	105208-01-000	EA PLATE-SPARE TIRE
3	104420-01-000	EA SUPPORT-ANGLE-BUMPER REAR-RIGHT
4	083376-01-000	EA PLATE-SKID-13 2" X 6" X 2" - STEEL
5	070917-04-000	EA TIRE-FIRESTONE- LT 215 - 85R16 LRD - 4RS (273295)
5	083425-08-000	EA TIRE-LT225/75R16 LRD - MICHELIN XCH4
5	083425-05-000	EA TIRE-LT225/75R16 LRD - MICHELIN XCH4 CRBLT
5	106715-01-000	EA TIRE-LT225/75R16 LRD - 550
	083517-03-000	EA WHEEL-STEEL - 16 0 X 6 - E350 - ACCURIDE 28518
	099359-03-000	EA WHEEL-STEEL - 16" X 6"K - 8 HOLE - PRIMED
	051377-03-000	EA STEM-VALVE - TRO 600HP
	051377-01-000	EA STEM-VALVE - TR 500
	095012-03-000	EA EXTENSION-VALVE STEM - DUAL WHEEL
	077030-02-000	EA EXTENSION-VALVE STEM - 1 25"
6	103422-02-01A	EA BUMPER-SQUARE-ALUMINUM - OFF WHITE
7	039779-01-000	EA CAF-BUMPER-RUBBER - 4" X 4" - BLACK
8	105531-02-000	EA RETAINER ASM - SPARE TIRE
	015365-01-000	EA PIN-TIRE CARRIER - CADMIUM PLATED

CHASSIS GROUP (CONTINUED)

REAR BUMPER, HITCH & SPARE TIRE CARRIER (CONTINUED)

KEY	PART NUMBER	U/M DESCRIPTION
9	104408-06-C23	EA COVER-TIRE-32" SUNDANCER -SILK SCREENED-OFF WHITE
10	034512-01-000	EA PIN-LOCKING-DRAWBAR
11	034513-01-000	EA PIN-HITCH-3/16" WIRE
12	C77617-02-000	EA HITCH-TRAILER-W/O DRAWBAR - 41 1" WIDE - STEEL - BLACK
	077613-01-000	EA DRAWBAR-HITCH-TRAILER TOWING
13	104420-02-000	EA SUPPORT-ANGLE-BUMPER REAR-LEFT
	097744-01-000	EA HOUSING-TRAILER PIN-12"
	097744-02-000	EA HOUSING-TRAILER PIN-48"
	097745-01-000	EA HOUSING-TRAILER RECEPTACLE-12"
	097745-01-000	EA HOUSING CAP-TRAILER PIN
	097745-02-000	EA HOUSING-RECEPTACLE-TRAILER - 48" WIRE LENGTH

MUD FLAPS, ROCK GUARDS & EXHAUST

KEY	PART NUMBER	U/M DESCRIPTION
	017516-01-000	EA FLAP-MUD - 14" X 18" - BLACK
	105141-01-000	EA FLAP-MUD - W/HOLES & WINNEBAGO LOGO - BLACK
	064089-01-700	EA FLAP-MUD - FRONT - BLACK (SET OF 2)
	045731-04-000	EA GUARD-ROCK - REAR
	091182-01-000	EA HEAT SHIELD

FUEL SYSTEM

KEY	PART NUMBER	U/M DESCRIPTION
	106412-02-000	EA NECK-FILLER - FUEL FILL
	078040-05-000	EA SHROUD-FUEL FILL - UPPER
	083578-01-000	EA BOOT-FUEL FILL, RUBBER
	102951-01-02A	EA SHROUD-FUEL FILL - OFF WHITE
	095854-01-02A	EA SHROUD-FUEL FILL - OFF WHITE

FROM: 00-00-00 THRU: 04-19-92

FROM: 04-20-92 THRU: 99-99-99

**1992 ITASCA
TABLE OF CONTENTS**

INTRODUCTION	A-01 - A-02
ABBREVIATIONS	A-03
ALPHABETICAL INDEX	A-04 - A-06
IC422RG	A-07 - D-10
IC424RC	D-11 - G-16

1992 IC424RC INDEX

FLOOR PLAN	D-11 - D-12
ACCESSORIES	D-13
AUDIO VIDEO	D-14
BATH	D-15 - D-16
BEDROOM	D-17
CHASSIS	D-18 - D-21
CURTAIN & CUSHION	D-22 - E-05
DINETTE	E-06 - E-07
DRIVERS COMPARTMENT	E-08 - E-10
ELECTRICAL	E-11 - E-14
EXTERIOR BODY	E-15 - E-21
GALLEY	E-22 - E-24
GENERATOR	F-01
HEATING & A/C	F-02 - F-05
INTERIOR FINISH	F-04 - F-09
LABEL	F-08 - F-15
LP	F-16
LOUNGE	F-17
SEALANTS & FASTENERS	F-18 - F-20
WATER & SEWAGE	F-21 - F-24
WINDOW, VENT AND EXTERIOR DOOR	G-01 - G-16

CHASSIS GROUP (CONTINUED)

LUG WRENCH & LEVERAGE BAR

KEY	PART NUMBER	U/M	DESCRIPTION
	080208-01-000	EA	LUG WRENCH - 1 06 X 1 00
	080208-02-000	EA	BAR-LEVERAGE - LUG WRENCH

WHEEL LINERS & WHEEL COVERS

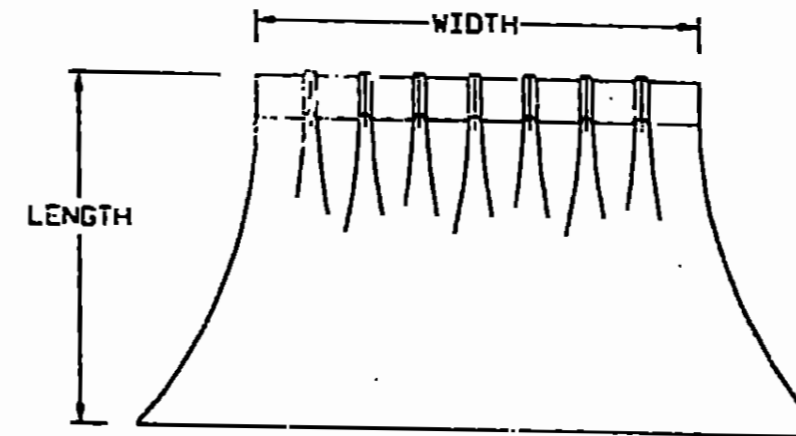
KEY	PART NUMBER	U/M	DESCRIPTION
	083181-01-000	EA	COVER-WHEEL - 16" - SET OF FOUR
	083181-01-700	EA	COVER-WHEEL - 16" - 8 LUG - 1 ONLY
	091209-11-000	EA	LINER-WHEEL - SET 4 E350 - KAPER II #1604-F0L8 (FORD)
	091209-10-700	EA	COVER-AXLE - FRONT - 8 LUG - FORD
	091209-10-701	EA	COVER-AXLE - REAR - 8 LUG - FORD
	091209-11-704	EA	COVER-LUG NUT
	091209-11-700	EA	LINER-WHEEL - FRONT - 8 LUG - FORD
	091209-11-701	EA	LINER-WHEEL - REAR - 8 LUG - FORD

CURTAIN & CUSHION GROUP

NOTICE

IN ORDER TO ASSIST OUR PARTS SALES DEPT. IN PROVIDING INTERIOR SOFTWARE ITEMS, PLEASE INCLUDE THE SERIAL NUMBER AND THE COLOR CODE NUMBER FROM THE VEHICLE CERTIFICATION LABEL WHEN ORDERING. THIS LABEL IS LOCATED ON THE LEFT SIDEWALL AT THE END OF THE DASH (A-BODY), OR ON THE DRIVER'S DOOR LATCH PLATE (C-BODY).

AN EXAMPLE OF A COLOR CODE NUMBER IS B07, WHICH DESIGNATES AN OVERALL COLOR SCHEME OF A PARTICULAR UNIT. THE COLOR LISTED AFTER THE ITEM DESCRIPTION ON THE MICROFICHE, INDICATES THE OVERALL UNIT COLOR. ORDER THE ITEM YOU DESIRE ACCORDING TO UNIT COLOR CODE.



NOTE: USE THIS ILLUSTRATION WHEN DETERMINING LENGTH AND WIDTH MEASUREMENTS FOR CURTAINS. YOU WILL NOTE THE WIDTH MEASUREMENT IS TAKEN ON THE TOP OF THE CURTAIN WITH THE CURTAIN FULLY EXTENDED. THE LENGTH MEASUREMENT IS TAKEN FROM TOP TO BOTTOM.

FABRIC

KEY	PART NUMBER	U/M	DESCRIPTION
	072333-82-000	YD	FABRIC-CURTAIN - 54" WIDE - BEIGE
	029219-01-000	YD	FABRIC-VINYL - 54" WIDE - WHITE
	103907-01-01A	YD	FABRIC-VINYL - 54" WIDE - OFF WHITE
	072333-96-000	YD	FABRIC-DRAPERY - GALAXY - ANTIQUE WHITE (SHADE)
	096008-90-000	YD	FABRIC-UPHOLSTERY - MAIN(C23)
	096008-83-000	YD	FABRIC-UPHOLSTERY - MAIN(C24)
	096008-91-000	YD	FABRIC-UPHOLSTERY - PATTERNED ACCENT(C23)
	096008-84-000	YD	FABRIC-UPHOLSTERY - PATTERNED ACCENT(C24)
	088273-73-000	YD	FABRIC-CURTAIN/BEDSPREAD-PATTERNED - 54" WIDE(C23)
	088273-70-000	YD	FABRIC-CURTAIN/BEDSPREAD-PATTERNED - 54" WIDE(C24)
	088273-72-000	YD	FABRIC-CURTAIN/BEDSPREAD-PLAIN - 54" WIDE(C23)
	088273-67-000	YD	FABRIC-CURTAIN/BEDSPREAD-PLAIN - 54" WIDE(C24)
	104233-28-000	YD	FABRIC-UPHOLSTERY/CURTAIN-PLAIN VELOUR - 54" WIDE(C23)
	104233-27-000	YD	FABRIC-UPHOLSTERY/CURTAIN-PLAIN VELOUR - 54" WIDE(C24)

**1992 ITASCA
TABLE OF CONTENTS**

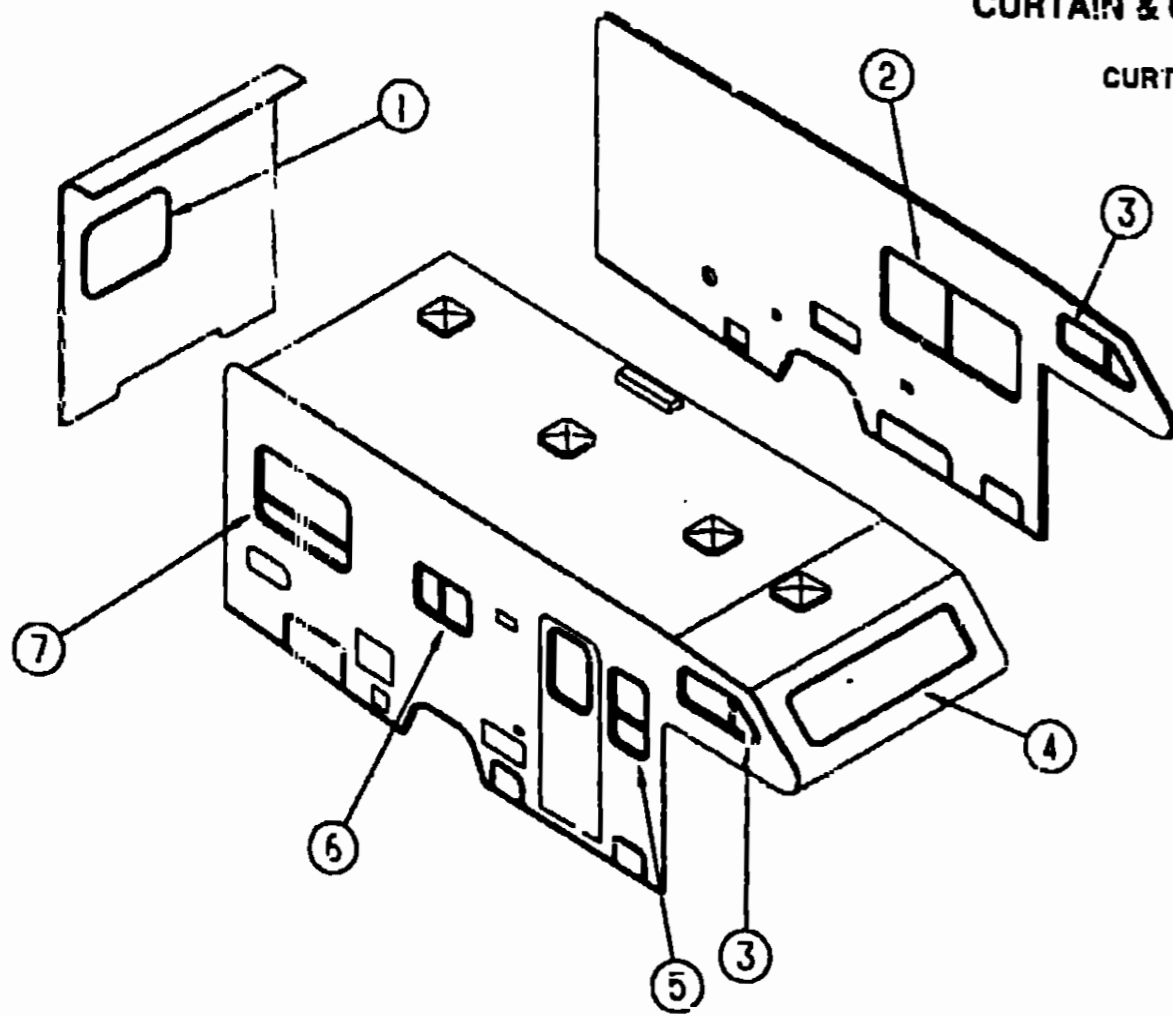
INTRODUCTION	A-01 -	A-02
ABBREVIATIONS		A-03
ALPHABETICAL INDEX	A-04 -	A-06
IC422RG	A-07 -	D-10
IC424RC	D-11 -	G-16

1992 IC424RC INDEX

FLOOR PLAN	D-11 -	D-12
ACCESSORIES		D-13
AUDIO VIDEO		D-14
BATH	D-15 -	D-16
BEDROOM		D-17
CHASSIS	D-18 -	D-21
CURTAIN & CUSHION	D-22 -	E-05
DINETTE	E-06 -	E-07
DRIVERS COMPARTMENT	E-08 -	E-10
ELECTRICAL	E-11 -	E-14
EXTERIOR BODY	E-15 -	E-21
GALLEY	E-22 -	E-24
GENERATOR		F-01
HEATING & A/C	F-02 -	F-05
INTERIOR FINISH	F-04 -	F-09
LABEL	F-08 -	F-15
LP		F-15
LOUNGE		F-17
SEALANTS & FASTENERS	F-18 -	F-20
WATER & SEWAGE	F-21 -	F-24
WINDOW, VENT AND EXTERIOR DOOR	G-01 -	G-16

CURTAIN & CUSHION GROUP (CONTINUED)

CURTAINS & WINDOW TREATMENT



KEY	PART NUMBER	U/M DESCRIPTION
7	094552-19-C23	EA VALANCE ASM-RUFFLE - W/WOOD - 47"
7	094552-19-C24	EA VALANCE ASM-RUFFLE - W/WOOD - 47"
7	093465-30-C23	EA VALANCE ASM-RUFFLED W/1/2" WELT - 8" X 53"
7	093465-30-C24	EA VALANCE ASM-RUFFLED W/1/2" WELT - 8" X 53"
7	084755-78-C23	EA SHADE ASM-PULL - 44 25" - NO TRIM
7	084755-78-C24	EA SHADE ASM-FULL - 44 25" - NO TRIM
7	076892-09-C03	EA CURTAIN ASM - 31" X 20" - PLAIN HEM TOP & BOTTOM
7	076892-09-C24	EA CURTAIN ASM - 31" X 20" - PLAIN HEM TOP & BOTTOM
	101668-05-B85	EA CURTAIN ASM-30" X 50" - RIGHT - TAPE TOP
	101568-06-B85	EA CURTAIN ASM-30" X 50" - LEFT - TAPE TOP
	076892-06-B85	EA CURTAIN-SNAP TOP - WINGWALL PRIVACY - 40" X 72" - BEIGE
	101668-01-C03	EA CURTAIN ASM- 54" X 50" - TAPE TOP - ROOM DIVIDER
		FROM: 00-00-00 THRU: 03-01-92
	101668-20-C06	EA CURTAIN ASM - 70" X 50" - TAPE TOP - ROOM DIVIDER
		FROM: 03-02-92 THRU: 99-99-99
	084481-08-B85	EA CURTAIN ASM - SHOWER - 70" X 30" - GROMMET TOP(C23)
		FROM: 00-00-00 THRU: 03-02-92
	084481-08-B88	EA CURTAIN ASM - SHOWER - 70" X 30" - GROMMET TOP (C24)
		FROM: 00-00-00 THRU: 03-02-92
	084481-24-C03	EA CURTAIN ASM - SHOWER - 72" X 42" - GROMMET TOP(C23)
		FROM: 00-00-00 THRU: 03-02-92
	084481-24-C24	EA CURTAIN ASM - SHOWER - 72" X 42" - GROMMET TOP(C24)
		FROM: 03-03-92 THRU: 99-99-99
		FROM: 03-03-92 THRU: 99-99-99
	073260-55-C05	EA TIEBACK ASM - 4" X 15" (C23)
	073260-55-C26	EA TIEBACK ASM - 4" X 15" (C24)
	073260-23-B87	EA TIEBACK-CURTAIN - 3" X 12"
	073260-54-C09	EA TIEBACK ASM - 3" X 16" (C23)
	073260-54-C30	EA TIEBACK ASM - 3" X 16" (C24)
	057534-01-000	EA TIEBACK - CLEAR PLASTIC

**1992 ITASCA
TABLE OF CONTENTS**

INTRODUCTION	A-01 - A-02
ABBREVIATIONS	A-03
ALPHABETICAL INDEX	A-04 - A-06
IC422RG	A-07 - D-10
IC424RC	D-11 - G-15

KEY	PART NUMBER	U/M DESCRIPTION
1	094552-20-C23	EA VALANCE ASM-RUFFLE - W/WOOD - 40"
1	094552-20-C24	EA VALANCE ASM-RUFFLE - W/WOOD - 40"
1	093465-31-C23	EA VALANCE ASM-RUFFLED W/1/2" WELT - 8" X 46"
1	093465-31-C24	EA VALANCE ASM-RUFFLED W/1/2" WELT - 8" X 46"
1	076892-09-C03	EA CURTAIN ASM-31" X 20" - PLAIN HEM TOP & BOTTOM(C23)
1	076892-09-C24	EA CURTAIN ASM-31" X 20" - PLAIN HEM TOP & BOTTOM(C24)
1	084755-79-C03	EA SHADE ASM-PULL - 37 25" - NO TRIM
2	105363-01-C23	EA VALANCE ASM-65" - TIBET
2	105363-01-C24	EA VALANCE ASM-65" - TIBET
2	076892-09-C03	EA CURTAIN ASM-31" X 20" - PLAIN HEM T&B(C23)
2	076892-09-C24	EA CURTAIN ASM-31" X 20" - PLAIN HEM T&B(C24)
2	084755-81-C03	EA SHADE ASM-PULL - 62 25" - LINEN - W/BRAID TRIM (C23)
2	084755-81-C24	EA SHADE ASM-PULL - 62 25" - LINEN - W/BRAID TRIM (C24)
3	101034-06-C09	EA CURTAIN-16" X 28" - TAPE TOP & BOTTOM (C23)
3	101034-06-C30	EA CURTAIN-16" X 28" - TAPE TOP & BOTTOM (C24)
4	101034-11-C03	EA CURTAIN-21" X 45" - DARTED TAPE TOP & BOTTOM - W/BRAID (C23)
4	101034-11-C24	EA CURTAIN-21" X 45" - DARTED TAPE TOP & BOTTOM - W/BRAID (C24)
5	105363-03-C23	EA VALANCE ASM-19" - TIBET
5	105363-04-C24	EA VALANCE ASM-19" - TIBET
5	076892-09-C03	EA CURTAIN ASM - 31" X 20" - PLAIN HEM TOP & BOTTOM (C23)
5	076892-09-C24	EA CURTAIN ASM - 31" X 20" - PLAIN HEM TOP & BOTTOM (C24)
5	084755-83-C03	EA SHADE ASM-PULL - 17 25" - W/BRAID
5	084755-83-C24	EA SHADE ASM-PULL - 17 25" - W/BRAID
6	105363-13-C23	EA VALANCE ASM-28" - TIBET
6	105363-14-C24	EA VALANCE ASM-28" - TIBET
6	084755-84-C03	EA SHADE ASM-PULL - 26 25" - W/BRAID
		FROM: 00-00-00 THRU: 03-01-92
6	084755-84-C24	EA SHADE ASM-PULL - 26 25" - W/BRAID
		FROM: 00-00-00 THRU: 03-01-92
6	084755-25-C03	EA SHADE ASM-PULL - 27 25" - W/BRAID (C23)
		FROM: 03-02-92 THRU: 99-99-99
6	084755-25-C24	EA SHADE ASM-PULL - 27 25" - W/BRAID (C24)
		FROM: 03-02-92 THRU: 99-99-99

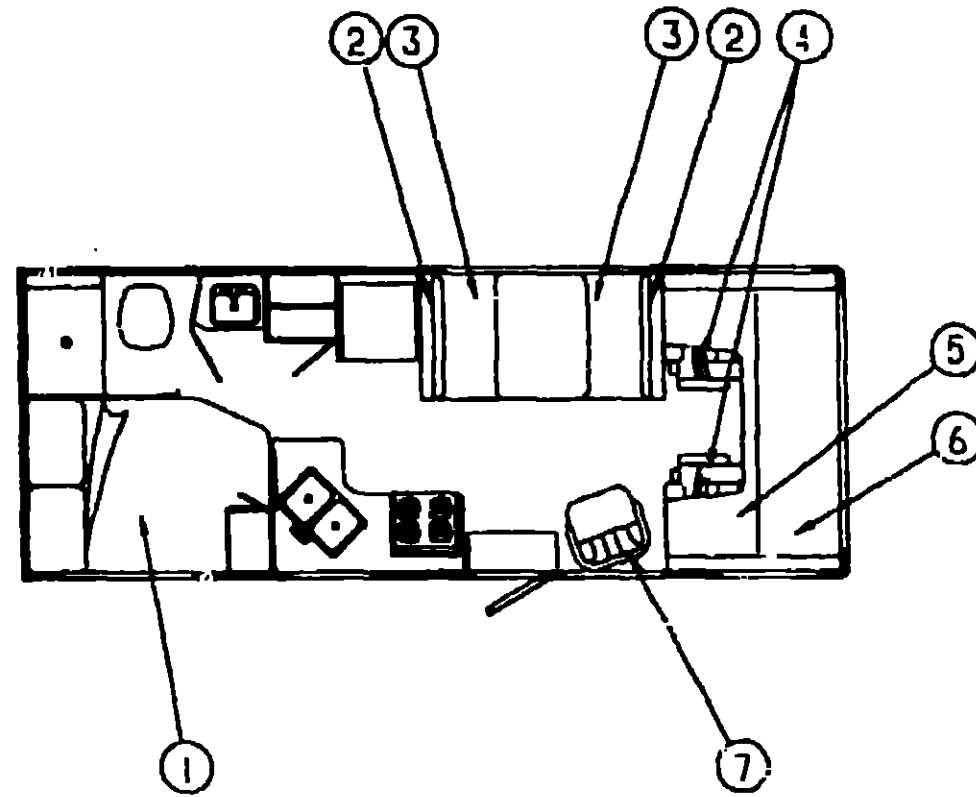
ASSIST HANDLE & SEATBELTS

KEY	PART NUMBER	U/M DESCRIPTION
	079349-01-C23	YD WELT-FABRIC(C23)
	079349-01-C24	YD WELT-FABRIC(C24)
	070578-11-Y70	EA BUTTON-SNAP TOP - #30 - VINYL - OFF WHITE
	070578-10-B87	EA BUTTON-SCREW STUD - #30 (C23)
	070578-10-B88	EA BUTTON-SCREW STUD - #30 (C24)
	084415-31-C00	YD TRIM-BRAID-CURTAIN - PLUM (C23)
	084415-30-C00	YD TRIM-BRAID-CURTAIN - BLUE (C24)
	053552-02-AA9	EA HANDLE-ASSIST - INTERIOR - ENTRY DOOR - VINYL - OFF WHITE
	069178-02-000	EA BRACKET-MOUNTING - ASSIST HANDLE - L ANGLE - W/HOLES - ST
	000C15-07-16B	EA BOLT-CARRIAGE - ASSIST HANDLE - 7/16" - 14 X 1" ZN
	000D20-07-00B	EA NUT-ACORN - ASSIST HANDLE - 7/16" X 14 ZN
	057759-01-000	EA WASHER BRACKET - SEAT BELT- 4" DIAMETER
	007021-01-000	EA BELT-SEAT- 2" X 90" - BLACK

1992 IC424RC INDEX

FLOOR PLAN	D-11 - D-12
ACCESSORIES	D-13
AUDIO /VIDEO	D-14
BATH	D-15 - D-16
BEDROOM	D-17
CHASSIS	D-18 - D-21
CURTAIN & CUSHION	D-22 - E-05
DINETTE	E-06 - E-07
DRIVERS COMPARTMENT	E-08 - E-10
ELECTRICAL	E-11 - E-14
EXTERIOR BODY	E-15 - E-21
GALLERY	E-22 - E-24
GENERATOR	F-01
HEATING & A/C	F-02 - F-05
INTERIOR FINISH	F-04 - F-09
LABEL	F-08 - F-15
LP	F-16
LOUNGE	F-17
SEALANTS & FASTENERS	F-18 - F-20
WATER & SEWAGE	F-21 - F-24
WINDOW VENT AND EXTERIOR DOOR	G-01 - G-16

CURTAIN & CUSHION GROUP (CONTINUED)



DOUBLE BED MATTRESS & BEDSPREAD

KEY	PART NUMBER	U/M DESCRIPTION
1	085365-08-B27	EA BEDSPREAD-DOUBLE - 54" (C23)
1	085365-08-B24	EA BEDSPREAD-DOUBLE - 54" (C24)
	081997-09-C23	EA SHAM ASM-PILLOW - W/C PILLOW
	081997-09-C24	EA SHAM ASM-PILLOW - W/C PILLOW
	101123-03-000	EA MATTRESS-DOUBLE - W/ CUT CORNERS 53" X 74"
	F01123-03-000	EA COVER-MATTRESS - 53" X 74"

DINETTE CUSHIONS

KEY	PART NUMBER	U/M DESCRIPTION
2	104164-04-C25	EA CUSHION - BACKREST - 13.5" X 38" X 5" (C23)
2	104164-04-C26	EA CUSHION - BACKREST - 13.5" X 38" X 5" (C24)
	P04164-04-C25	EA COVER - CUSHION - BACKREST - 13.5" X 38" X 5" (C23)
	P04164-04-C26	EA COVER - CUSHION - BACKREST - 13.5" X 38" X 5" (C24)
3	104164-08-C25	EA CUSHION - SEATBASE - W/STRAP - 23" X 36" X 5" (C23)
3	104164-08-C26	EA CUSHION - SEATBASE - W/STRAP - 23" X 36" X 5" (C24)
	P04164-08-C25	EA COVER - CUSHION - SEATBASE - W/STRAP (C23)
	P04164-08-C26	EA COVER - CUSHION - SEATBASE - W/STRAP (C24)
	078155-01-000	EA STRAP - SNAP - BACKREST CUSHION

BUCKET SEATS

KEY	PART NUMBER	U/M DESCRIPTION
4	093450-23-C23	EA SEAT-BUCKET-W/RIGHT ARMREST
4	093450-23-C24	EA SEAT-BUCKET-W/RIGHT ARMREST
4	093450-24-C23	EA SEAT-BUCKET-W/LEFT ARMREST
4	093450-24-C24	EA SEAT-BUCKET-W/LEFT ARMREST
4	093450-25-C23	EA SEAT-BUCKET-W/RIGHT ARMREST-RECLINING
4	093450-25-C24	EA SEAT-BUCKET-W/RIGHT ARMREST-RECLINING
4	093450-25-C23	EA SEAT-BUCKET-W/LEFT ARMREST-RECLINING
4	093450-25-C24	EA SEAT-BUCKET-W/LEFT ARMREST-RECLINING

BUNK CUSHIONS

KEY	PART NUMBER	U/M DESCRIPTION
5	105573-10-C23	EA CUSHION - OVERHEAD - REAR - 27" X 23" X 80" X 5"
5	105573-08-C24	EA CUSHION - OVERHEAD - REAR - 27" X 23" X 80" X 5"
	P05573-10-C23	EA COVER - CUSHION - REAR - 27" X 23" X 80" X 5"
	P05573-08-C24	EA COVER - CUSHION - REAR - 27" X 23" X 80" X 5"
6	105573-09-C23	EA CUSHION - OVERHEAD - FRONT BUNK - 32.5" X 80" X 5"
6	105573-07-C24	EA CUSHION - OVERHEAD - FRONT BUNK - 32.5" X 80" X 5"
	P05573-09-C23	EA COVER - CUSHION - FRONT BUNK - 32.5" X 80" X 5"
	P05573-07-C24	EA COVER - CUSHION - FRONT BUNK - 32.5" X 80" X 5"

SWIVEL CHAIR

KEY	PART NUMBER	U/M DESCRIPTION
7	095429-07-B07	EA CHAIR-SWIVEL - W/O BASE, PIPE, PLATE OR SKIRT (C23)
7	095429-07-B88	EA CHAIR-SWIVEL - W/O BASE, PIPE, PLATE OR SKIRT (C24)
	M55429-J7-B37	EA COVER-SWIVEL CHAIR (C23)
	M56429-07-B58	EA COVER-SWIVEL CHAIR (C24)
	099202-04-B87	EA SKIRT-SWIVEL CHAIR (C23)
	099202-04-B88	EA SKIRT-SWIVEL CHAIR (C24)
	059535-03-000	EA PEDESTAL-LOWER-W/EXTENSION - 9" X 5" - STEEL
	093431-02-000	EA BASE-PEDESTAL-W/10" EXTENSION
	007221-01-000	EA SPACER-SEAT-ADJUSTER
	059246-05-000	EA ADJUSTER-SWIVEL CHAIR- MANUAL - FORWARD & BACK
	069246-07-000	EA ADJUSTER-SWIVEL CHAIR-W/LOCKING ARM - FORWARD & BACK
	093432-01-000	EA SHROUD-PEDESTAL-13" - PLASTIC - BLACK

**1992 ITASCA
TABLE OF CONTENTS**

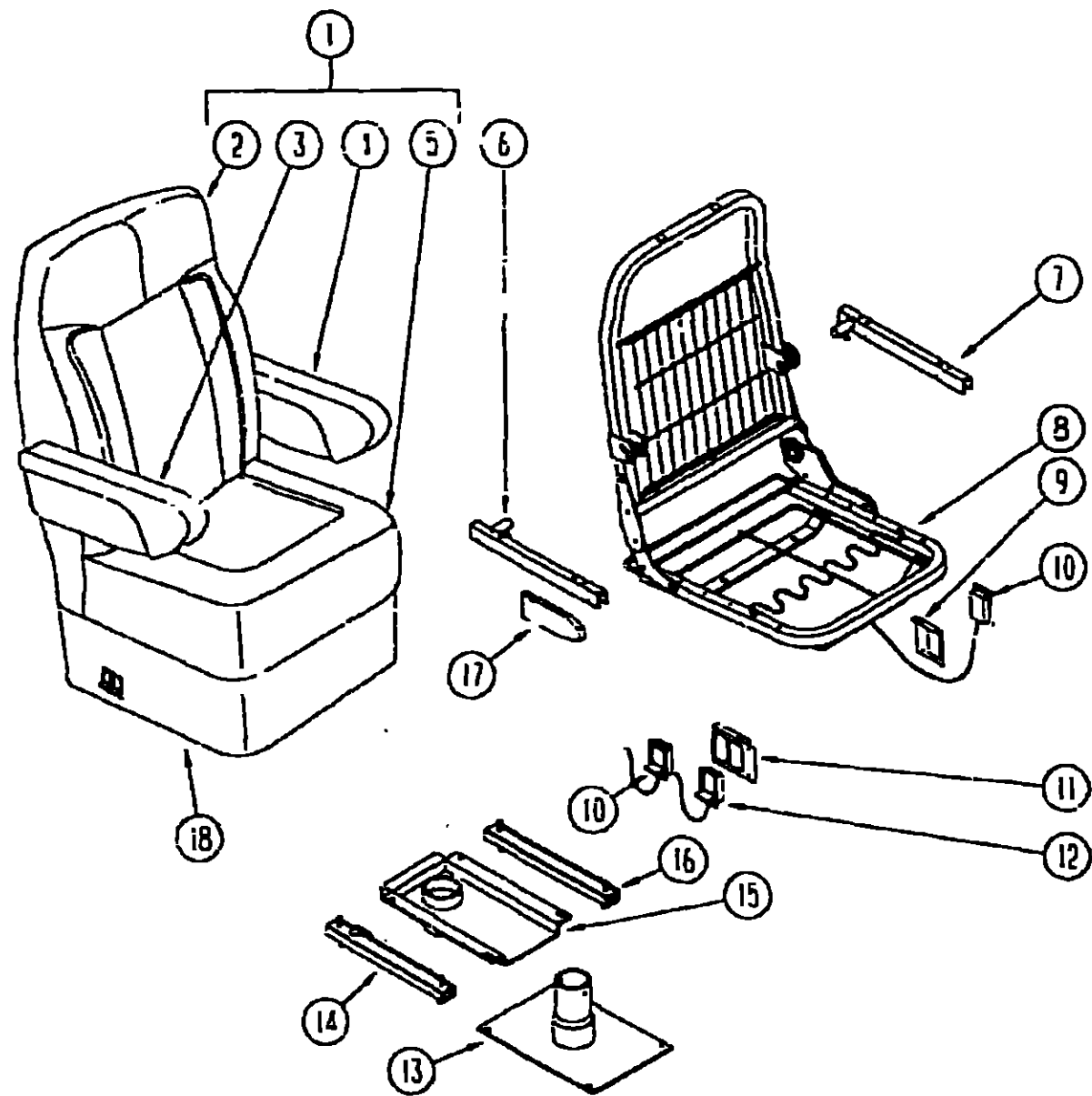
INTRODUCTION	A-01 - A-02
ABBREVIATIONS	A-03
ALPHABETICAL INDEX	A-04 - A-05
IC424RC	A-07 - D-10
IC424RC	D-11 - G-16

1992 IC424RC INDEX

FLOOR PLAN	D-11 - D-12
ACCESSORIES	D-13
AUDIO VIDEO	D-14
BATH	D-15 - D-16
BEDROOM	D-17
CHASSIS	D-18 - D-21
CURTAIN & CUSHION	D-22 - E-05
DINETTE	E-05 - E-07
DRIVERS COMPARTMENT	E-08 - E-10
ELECTRICAL	E-11 - E-14
EXTERIOR BODY	E-15 - E-21
GALLEY	E-22 - E-24
GENERATOR	F-01
HEATING & A/C	F-02 - F-05
INTERIOR FINISH	F-04 - F-09
LABEL	F-08 - F-15
LP	F-16
LOUNGE	F-17
SEALANTS & FASTENERS	F-18 - F-20
WATER & SEWAGE	F-21 - F-24
WINDOW, VENT AND EXTERIOR DOOR	G-01 - G-16

CURTAIN & CUSHION GROUP (CONTINUED)

BUCKET SEATS



KEY	PART NUMBER	U/M	DESCRIPTION
1	093450-23-C23	EA	SEAT-BUCKET-W/RIGHT ARMREST
1	093450-23-C24	EA	SEAT-BUCKET-W/RIGHT ARMREST
1	093450-24-C23	EA	SEAT-BUCKET-W/LEFT ARMREST
1	093450-24-C24	EA	SEAT-BUCKET-W/LEFT ARMREST
1	093450-25-C23	EA	SEAT-BUCKET-W/RIGHT ARMREST-RECLINING
1	093450-25-C24	EA	SEAT-BUCKET-W/RIGHT ARMREST-RECLINING
1	093450-26-C23	EA	SEAT-BUCKET-W/LEFT ARMREST-RECLINING
1	093450-26-C24	EA	SEAT-BUCKET-W/LEFT ARMREST-RECLINING
2	M03445-22-C25	EA	COVER-BACK-BUCKET(C23)
2	M03445-22-C24	EA	COVER-BACK-BUCKET(C24)
3	080243-49-C23	EA	ARMREST-RIGHT(C23)
3	080243-49-C26	EA	ARMREST-RIGHT(C24)
	M80243-49-C23	EA	COVER-ARMREST-RIGHT(C23)
	M80243-49-C26	EA	COVER-ARMREST-RIGHT(C24)
4	080243-50-C23	EA	ARMREST-LEFT(C23)
4	080243-50-C26	EA	ARMREST-LEFT(C24)
	M80243-50-C23	EA	COVER-ARMREST-LEFT(C23)
	M80243-50-C26	EA	COVER-ARMREST-LEFT(C24)
5	M03445-23-C25	EA	COVER-SEAT-BUCKET(C23)
5	M03445-23-C24	EA	COVER-SEAT-BUCKET(C24)
6	081258-01-000	EA	ROD & CHANNEL-ARMREST- RIGHT - METAL
7	081258-02-000	EA	ROD & CHANNEL-ARMREST- LEFT - METAL
	081351-01-000	EA	ROD-ARMREST- METAL - RIGHT OR LEFT HAND
8	M80906-05-000	EA	FRAME-SEAT & BACK & SPRING
8	M80906-05-000	EA	FRAME-SEAT & BACK & SPRING - RECLINING
	101125-01-000	EA	RECLINER-SEAT BACK- LEFT HAND REMOTE
9	097683-03-000	EA	BRACKET-REMOTE- SIDE MOUNT - SINGLE
10	089368-04-000	EA	CABLE-SWIVEL- W/SWITCH - BUCKET SEAT
11	097683-02-000	EA	BRACKET-MOUNT- REMOTE
12	089368-05-000	EA	CABLE-RECLINER- W/SWITCH - BUCKET SEAT
13	069585-41-000	EA	PLATE - SUB - BASE - BUCKET SEAT - 12" X 13" - STEEL
14	069246-05-000	EA	ADJUSTER-SEAT/CHAIR - W/REMOTE - FORWARD & BACK
	069246-05-700	EA	SPRING-ADJUSTER - FOR REMOTE
	069246-05-701	EA	CLIP-CABLE - FOR REMOTE
15	093481-04-000	EA	TOP PLATE-PEDESTAL - BUCKET SEAT - W/O SEATBELT BAR
16	069246-02-000	EA	ADJUSTER-SEAT/CHAIR - W/O LOCK - FORWARD & BACK
	069585-03-000	EA	PEDESTAL-LOWER - W/EXTENSION - 9" X 5" - STEEL
17	089369-08-000	EA	SHIELD-CABLE - REMOTE RECLINER - BUCKET SEAT
18	071126-24-C23	EA	SKIRT-BUCKET SEAT (C23)
18	071126-24-C28	EA	SKIRT-BUCKET SEAT (C24)

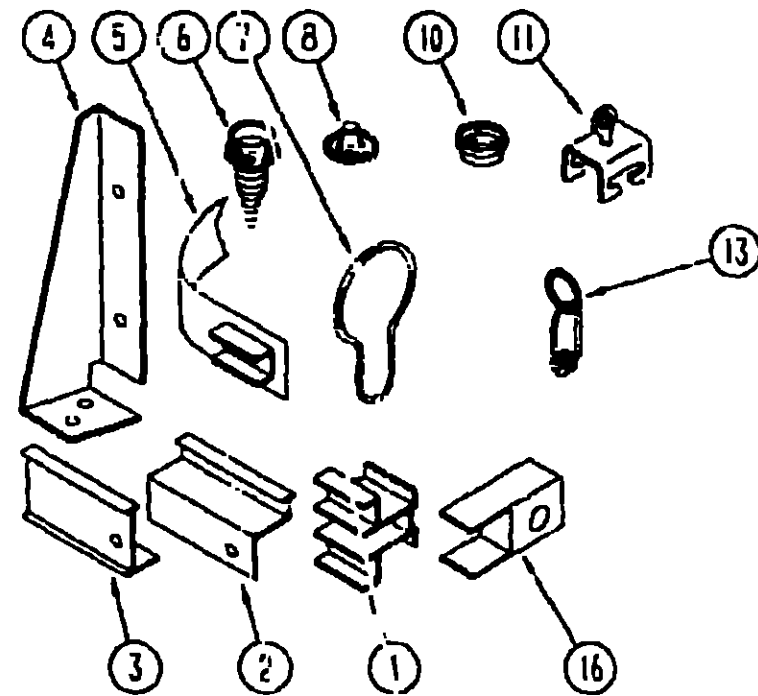
**1992 ITASCA
TABLE OF CONTENTS**

INTRODUCTION	A-01 - A-02
ABBREVIATIONS	A-03
ALPHABETICAL INDEX	A-04 - A-06
IC422RG	A-07 - D-10
IC424RC	D-11 - G-16

1992 IC424RC INDEX

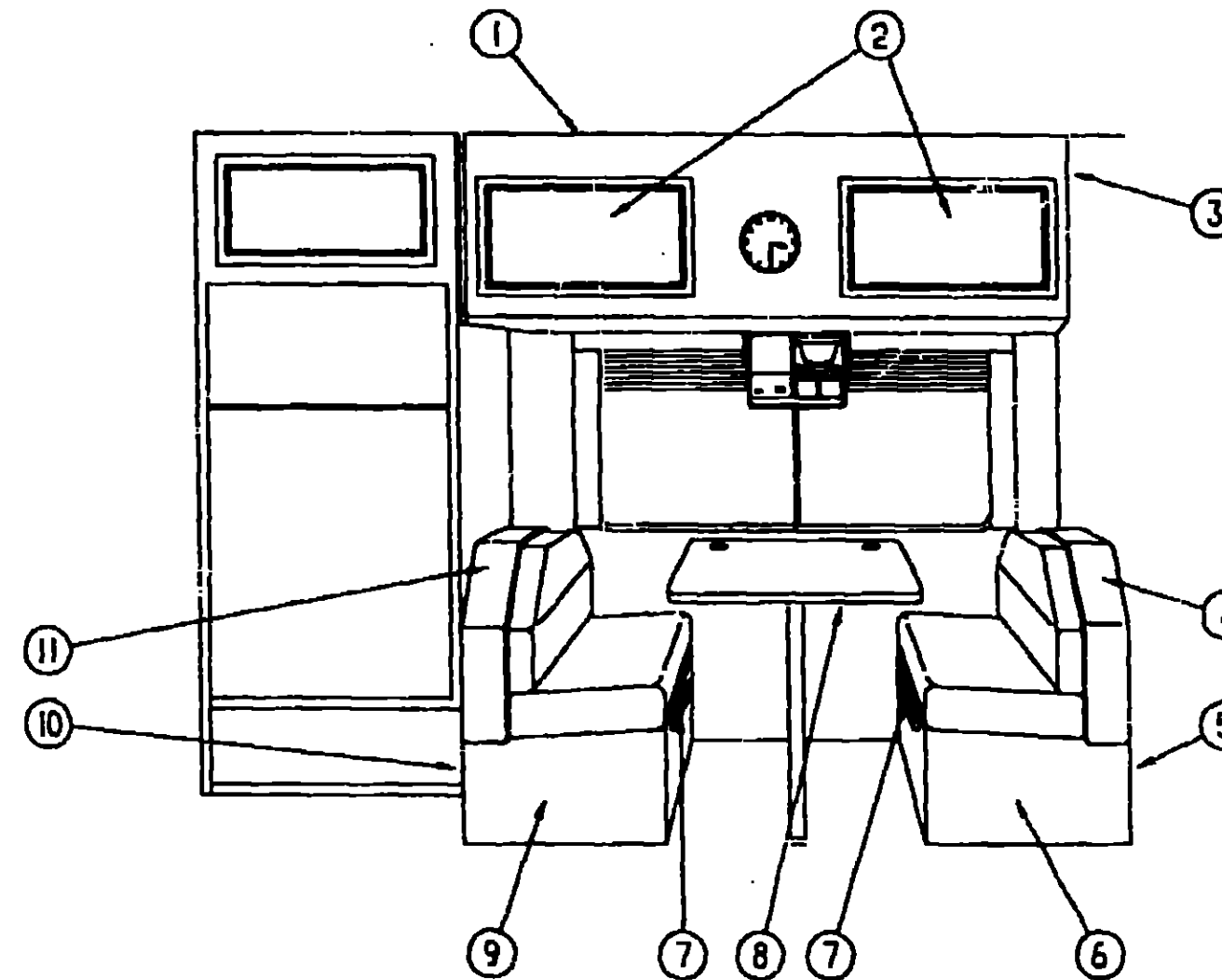
FLOOR PLAN	D-11 - D-12
ACCESSORIES	D-13
AUDIO VIDEO	D-14
BATH	D-15 - D-16
BEDROOM	D-17
CHASSIS	D-18 - D-21
CURTAIN & CUSHION	D-22 - E-05
DINETTE	E-06 - E-07
DRIVERS COMPARTMENT	E-08 - E-10
ELECTRICAL	E-11 - E-14
EXTERIOR BODY	E-15 - E-21
GALLEY	E-22 - E-24
GENERATOR	F-01
HEATING & A/C	F-02 - F-05
INTERIOR FINISH	F-04 - F-09
LABEL	F-08 - F-15
LP	F-16
LOUNGE	F-17
SEALANTS & FASTENERS	F-18 - F-20
WATER & SEWAGE	F-21 - F-24
WINDOW, VENT AND EXTERIOR DOOR	G-01 - G-16

CURTAIN & CUSHION GROUP (CONTINUED)



CURTAIN & BLIND HARDWARE

DINETTE GROUP



CABINETS, TABLE & PADS

**1992 ITASCA
TABLE OF CONTENTS**

INTRODUCTION	A-01 - A-02
ABBREVIATIONS	A-03
ALPHABETICAL INDEX	A-04 - A-05
IC422RG	A-07 - D-10
IC424RC	D-11 - G-15

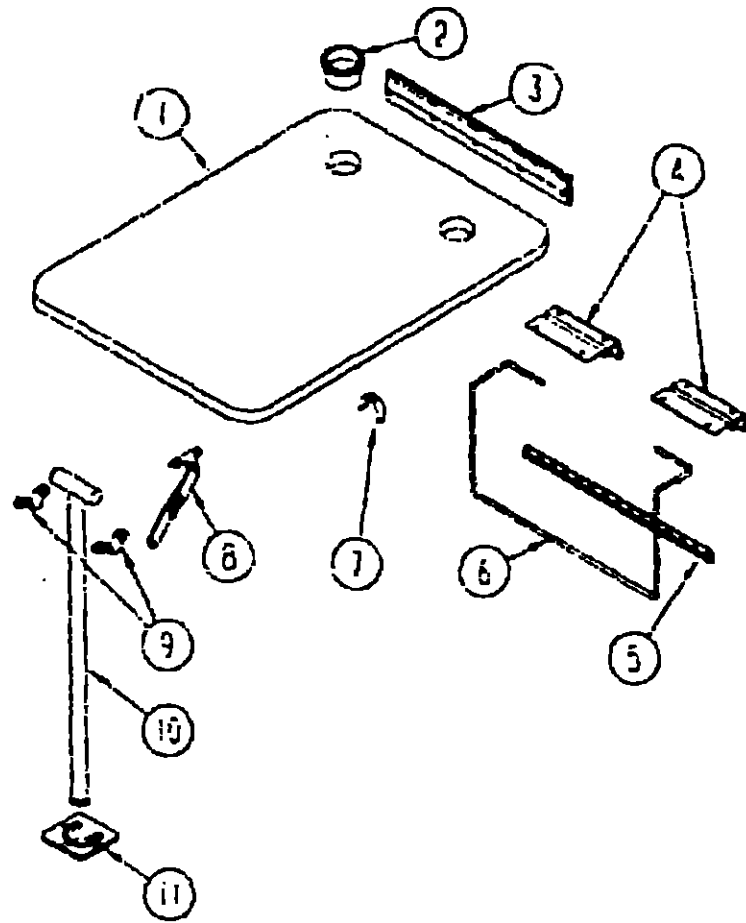
1992 IC424RC INDEX

FLOOR PLAN	D-11 - D-12
ACCESSORIES	D-13
AUDIO VIDEO	D-14
BATH	D-15 - D-16
BEDROOM	D-17
CHASSIS	D-18 - D-21
CURTAIN & CUSHION	D-22 - E-05
DINETTE	E-06 - E-07
DRIVERS COMPARTMENT	E-08 - E-10
ELECTRICAL	E-11 - E-14
EXTERIOR BODY	E-15 - E-21
GALLEY	E-22 - E-24
GENERATOR	F-01
HEATING & A/C	F-02 - F-05
INTERIOR FINISH	F-04 - F-09
LABEL	F-08 - F-15
LP	F-16
LOUNGE	F-17
SEALANTS & FASTENERS	F-18 - F-20
WATER & SEWAGE	F-21 - F-24
WINDOW, VENT AND EXTERIOR DOOR	G-01 - G-16

KEY	PART NUMBER	U/M	DESCRIPTION
1	101033-03-000	FT	TRACK-WALL - WHITE - CT225 SHAPCO
2	105450-06-01A	EA	TRACK-CURTAIN - OFF WHITE - 63' LONG
2	105450-04-01A	EA	TRACK-CURTAIN - OFF WHITE - 53' LONG
3	092464-05-01A	EA	TRACK-SHOWER - OFF WHITE
3	009700-04-001	EA	TRACK-CURTAIN - L-SHAPED - 11/2' LONG - OFF WHITE
4	076827-04-000	EA	BRACKET-CURTAIN-W/WOOD OFF WHITE
5	101031-01-000	YD	TAPE-GLIDE-CURTAIN - 4 25' SPACING
6	029130-01-000	EA	SCREW-SNAP SOCKET - 8 PH X 5/8"
7	009136-02-000	EA	HANGER-RING - PIN TYPE - CURTAIN - BRASS
8	029155-01-000	EA	CAP-SNAP - NICKEL
10	029155-01-000	EA	SOCKET-SNAP FASTENER - NICKEL
11	009702-01-000	EA	END STOP-CURTAIN CARRIER - L ROD
13	009701-01-000	EA	CARRIER-CURTAIN-L ROD
16	101033-02-000	EA	END CAP-TRACK - CLEAR
	046867-01-000	EA	GROMMET-BRASS - 7/16" ID X 1" OD
	048394-02-000	YD	VELCRO TAPE-HOOK - ADHESIVE BACK - 75" WIDE - BEIGE
	056003-01-000	EA	BRACKET-DRAPERY RETAINING - RIGHT - METAL
	056003-02-000	EA	BRACKET-DRAPERY RETAINING - LEFT - METAL
	058716-01-001	EA	BRACE-90 DEGREE L-ANGLE - 1/2" - EXTRUDED ALUMINUM
	084432-06-000	FT	SLAT-ROLLER SHADE - PLASTIC
	084433-05-000	EA	SHADE-ROLLER - 72 25"
	084434-01-000	EA	BRACKET-MOUNTING - ROLLER SHADE - 1 3/8"
	088792-01-000	YD	VELCRO-HOOK - 75" WIDE - BEIGE
	088792-02-000	YD	VELCRO TAPE-LOOP - ADHESIVE BACKED - 75" WIDE - BEIGE
	098243-01-000	EA	SPRING-REWIND - ROLLER SHADE
	105544-01-000	EA	FULL-SHADE-BRASS

KEY	PART NUMBER	U/M	DESCRIPTION
1	M05623-40-C23	EA	CABINET-OVERHEAD - W/O DOORS
1	M05623-40-C24	EA	CABINET-OVERHEAD - W/O DOORS
2	P05223-13-C03	EA	DOOR ASM - W/O HARDWARE - ROUNDED - 400 X 710
3	104335-08-C52	EA	END CAP-CABINET - OVERHEAD
4	104787-01-C23	EA	PAD ASM-DINETTE(C23)
4	104787-01-C26	EA	PAD ASM-DINETTE(C24)
5	M04174-23-C52	EA	CABINET-BACKREST - RIGHT
6	M04175-29-C52	EA	CABINET-SEATBASE - RIGHT
7	081295-01-AAB	EA	SUPPORT-BED - DINETTE
8	M02115-09-B87	EA	TABLE - DINETTE
9	M04175-30-C03	EA	CABINET-SEATBASE - LEFT
10	M04174-29-C52	EA	CABINET-BACKREST - LEFT
11	104787-02-C23	EA	PAD ASM-DINETTE
11	104787-02-C24	EA	PAD ASM-DINETTE
	081518-C1-B03	EA	TOP-CABINET SEATBASE

DINETTE GROUP (CONTINUED)



DINETTE TABLE & HARDWARE

KEY	PART NUMBER	U/M DESCRIPTION
1	M32115-09-897	EA TABLE-DINETTE
2	054781-05-000	EA HOLDER-CUP-TWO STEP - OFF WHITE
3	053200-05-000	EA BRACKET-TABLE SUPPORT-UPPER WALL MOUNTED - 23 5" - BEIGE
4	085410-01-000	EA BRACKET-LIFT-TABLE MOUNTED - BEIGE
5	024281-07-000	EA BRACKET-LIFT ROD-LOWER WALL MOUNTED - 22 12" - BEIGE
6	024275-05-000	EA ROD-TABLE LIFT-8" X 23 5" - BEIGE
7	024283-01-000	EA CLIP-LEG-1" - 1 125" OD - SLACK
8	024282-01-000	EA BRACE-TABLE LEG-HINGED
9	054050-03-000	EA CLAMP-SADDLE-LEG HINGE - BEIGE
10	024275-21-000	EA LEG ASM-TABLE
11	049493-11-700	EA CATCH-LEG-FLOOR MOUNTED - 2 3" X 2 7" - METAL - E-COAT

DRIVERS COMPARTMENT GROUP

INSTRUMENT CLUSTERS

KEY	PART NUMBER	U/M DESCRIPTION
	054797-03-000	EA CLUSTER-INSTRUMENT PANEL - KILOMETER - GM-25035314 (CHEVY)(CSA)
	045885-01-000	EA PLAQUE-SWITCH-MOUNTING - BATTERY & FUEL SWITCHES (CHEVY)(CSA)
	054795-03-000	EA CLUSTER-INSTRUMENT PANEL - KILOMETER - FORD F20F108496F(CSA)
	081082-01-000	EA PLAQUE-MOUNTING - BATTERY/FUEL SWITCH - 2 4" X 1 4" - BLACK (FORD)(CSA)
	100138-01-000	EA MODULE-DAYTIME RUNNING LIGHT
	024451-01-000	EA SWITCH-BATTERY-DUAL/COMPLEMENTARY

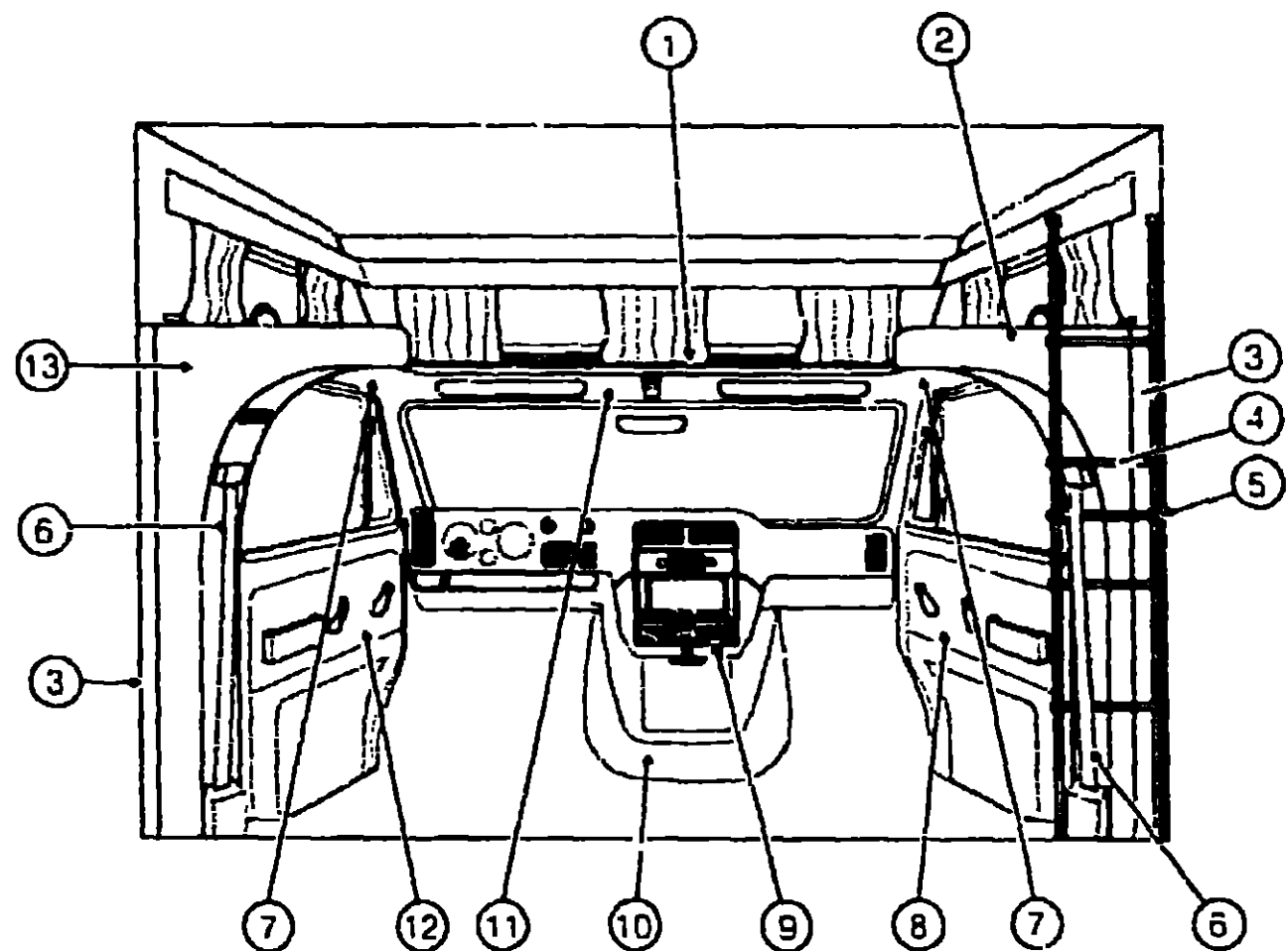
1992 ITASCA TABLE OF CONTENTS

INTRODUCTION	A-01 - A-02
ABBREVIATIONS	A-03
ALPHABETICAL INDEX	A-04 - A-05
IC422RS	A-07 - B-10
IC424RC	D-11 - G-15

1992 IC424RC INDEX

FLOOR PLAN	D-11 - D-12
ACCESSORIES	D-13
AUDIO VIDEO	D-14
BATH	D-15 - D-15
BEDROOM	D-17
CHASSIS	D-18 - D-21
CURTAIN & CUSHION	D-22 - E-05
DINETTE	E-06 - E-07
DRIVERS COMPARTMENT	E-08 - E-10
ELECTRICAL	E-11 - E-14
EXTERIOR BODY	E-15 - E-21
GALLEY	E-22 - E-24
GENERATOR	F-01
HEATING & A/C	F-02 - F-05
INTERIOR FINISH	F-04 - F-09
LABEL	F-03 - F-15
LP	F-16
LOUNGE	F-17
SEALANTS & FASTENERS	F-18 - F-20
WATER & SEWAGE	F-21 - F-24
WINDOW, VENT AND EXTERIOR DOOR	G-01 - G-15

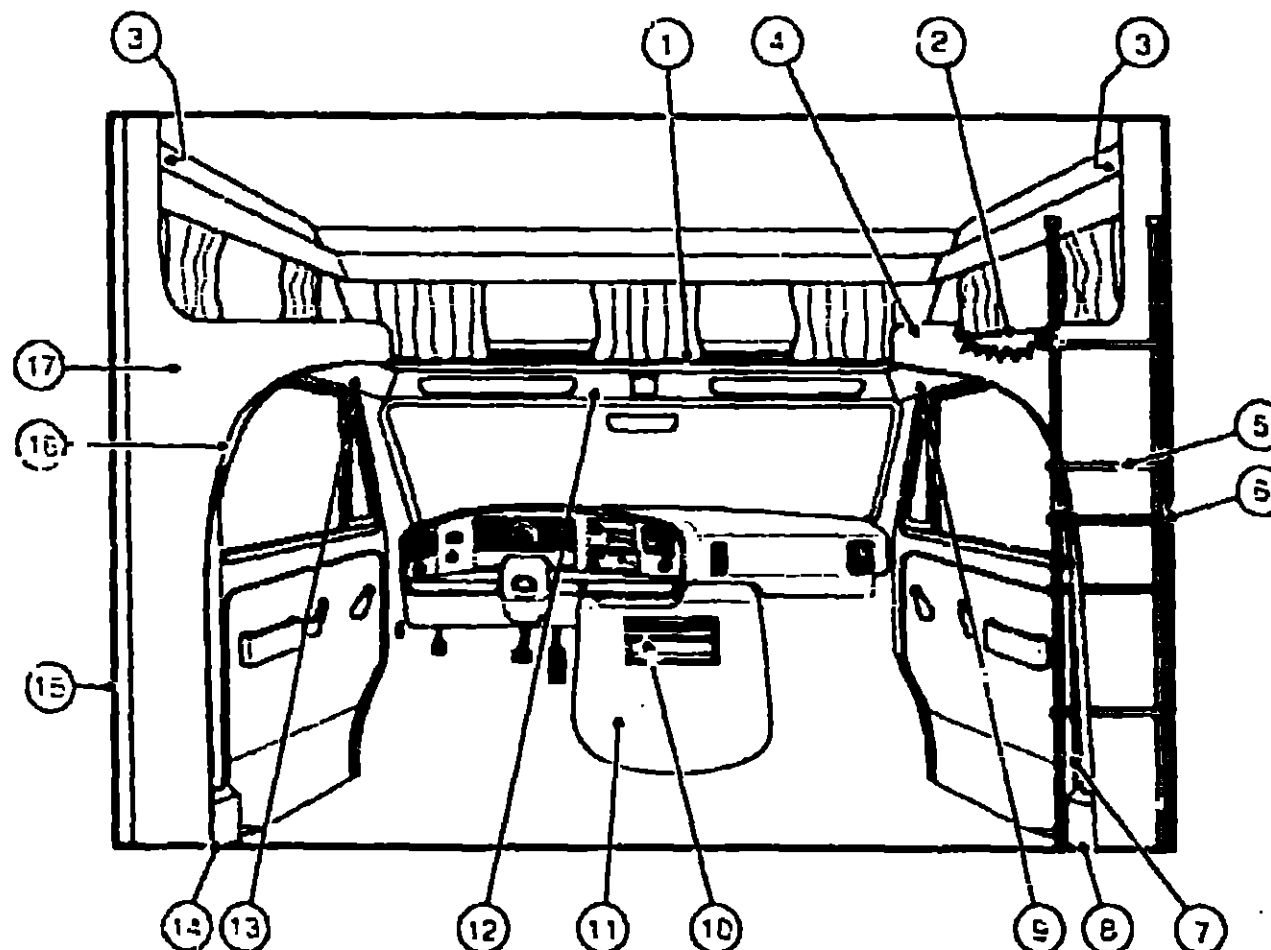
DRIVERS COMPARTMENT GROUP (CONTINUED)



CHEVY DRIVERS COMPARTMENT

KEY	PART NUMBER	U/M DESCRIPTION
1	106444-01-01A	EA TRIM-SLEEPERBOARD - INNER OFF WHITE
1	090742-03-000	FT TRIM-VINYL - SLEEPER BOARD - OFF WHITE
2	105664-01-C23	EA WINGWALL ASM-INNER - RIGHT
3	052081-25-C03	EA COVER-WINGWALL - VINYL TRIM - OFF WHITE
4	106025-01-01A	EA LADDER-BUNK - BLACK - 1434 MM
4	106025-01-700	EA BRACKET SET F.BUNK LADDER
5	099855-03-000	EA STRAP ASM-TIEDOWN - BUNK LADDER
6	070302-03-000	EA SEAT BELT - DRIVER AND PASSENGER
6	087532-03-000	EA BRACKET ASM-SHOULDER HARNESS - ANGLE W/WELD NUT & GUSSET - LEFT
6	087532-04-000	EA BRACKET ASM-SHOULDER HARNESS - ANGLE W/WELD NUT & GUSSET - RIGHT
7	091825-02-AA5	EA HEADLINER-VINYL COVERED - SIDE - 2 USED - OFF WHITE
8	059491-01-587	EA SIDEPANEL-DOOR - RIGHT (C23)
8	059491-01-C24	EA SIDEPANEL-DOOR - RIGHT (C24)
9	100516-01-B05	EA TRAY-BEVERAGE
9	M04154-01-B05	EA TRAY-BEVERAGE - UNSTAINED
9	046566-03-000	EA ASHTRAY-CHROME - W COVER
10	074891-07-B37	EA COVER-MOTOR (C23)
10	074891-07-C44	EA COVER-MOTOR (C24)
11	091825-01-B05	EA HEADLINER-VINYL COVERED - FRONT - OFF WHITE
12	059492-01-587	EA SIDEPANEL-DOOR - CAB LEFT (C23)
12	059492-01-C44	EA SIDEPANEL-DOOR - CAB LEFT (C24)
13	105664-02-C23	EA WINGWALL ASM-INNER - LEFT

DRIVERS COMPARTMENT GROUP (CONTINUED)



FORD DRIVERS COMPARTMENT

KEY	PART NUMBER	U/M DESCRIPTION
1	106444-01-01A	EA TRIM-SLEEPERBOARD - INNER OFF WHITE
1	090742-03-000	FT TRIM-VINYL - SLEEPER BOARD - OFF WHITE
2	105777-01-C23	EA PAD ASM-BUNK - OVERHEAD
2	105777-01-C24	EA PAD ASM-BUNK - OVERHEAD
3	092071-12-C03	EA TRIM-WINGWALL - 31 5" X 5 5" - VINYL COVERED
4	106440-01-C23	EA WINGWALL ASM-INNER - RIGHT
4	106445-01-C03	EA TRIM ASM-WINGWALL WRAP - RIGHT (BETWEEN CAB STEEL & B PILLAR TRIM)
5	106025-01-01A	EA LADDER-BUNK - BLACK - 1434 MM
5	106025-01-700	EA BRACKET SET F.BUNK LADDER
5	099855-03-000	EA STRAP ASM-TIEDOWN - BUNK LADDER
7	106446-01-C03	EA TRIM ASM-CAB - B-PILLAR - RIGHT
8	106431-01-01A	EA COVER-RECOIL - SEATBELT - PASSENGER SIDE - OFF WHITE
9	106447-01-C03	EA TRIM ASM-CAB DOOR - UPPER - RIGHT
10	107134-02-C70	EA TRAY-BEVERAGE - OAK - W CASSETTE HOLDER
10	046856-03-000	EA ASHTRAY-CHROME - W COVER
11	059865-23-C23	EA COVER-MOTOR - W POCKET
11	059865-23-C24	EA COVER-MOTOR - W POCKET
12	106445-01-C03	EA HEADLINER-VINYL COVERED - FRONT - OFF WHITE
13	106447-02-C03	EA TRIM ASM-CAB DOOR - UPPER - LEFT
14	106431-02-01A	EA COVER-RECOIL - SEATBELT - DRIVER SIDE - OFF WHITE
15	052081-29-C03	EA COVER-WINGWALL - 5 9" LONG - VINYL - OFF WHITE (1 USED ON EACH SIDE)
16	106446-02-C03	EA TRIM ASM-CAB - B-PILLAR - RIGHT
17	106440-02-C23	EA WINGWALL ASM-INNER - LEFT
17	106445-02-C03	EA TRIM ASM-WINGWALL WRAP - LEFT (BETWEEN CAB STEEL & B PILLAR TRIM)

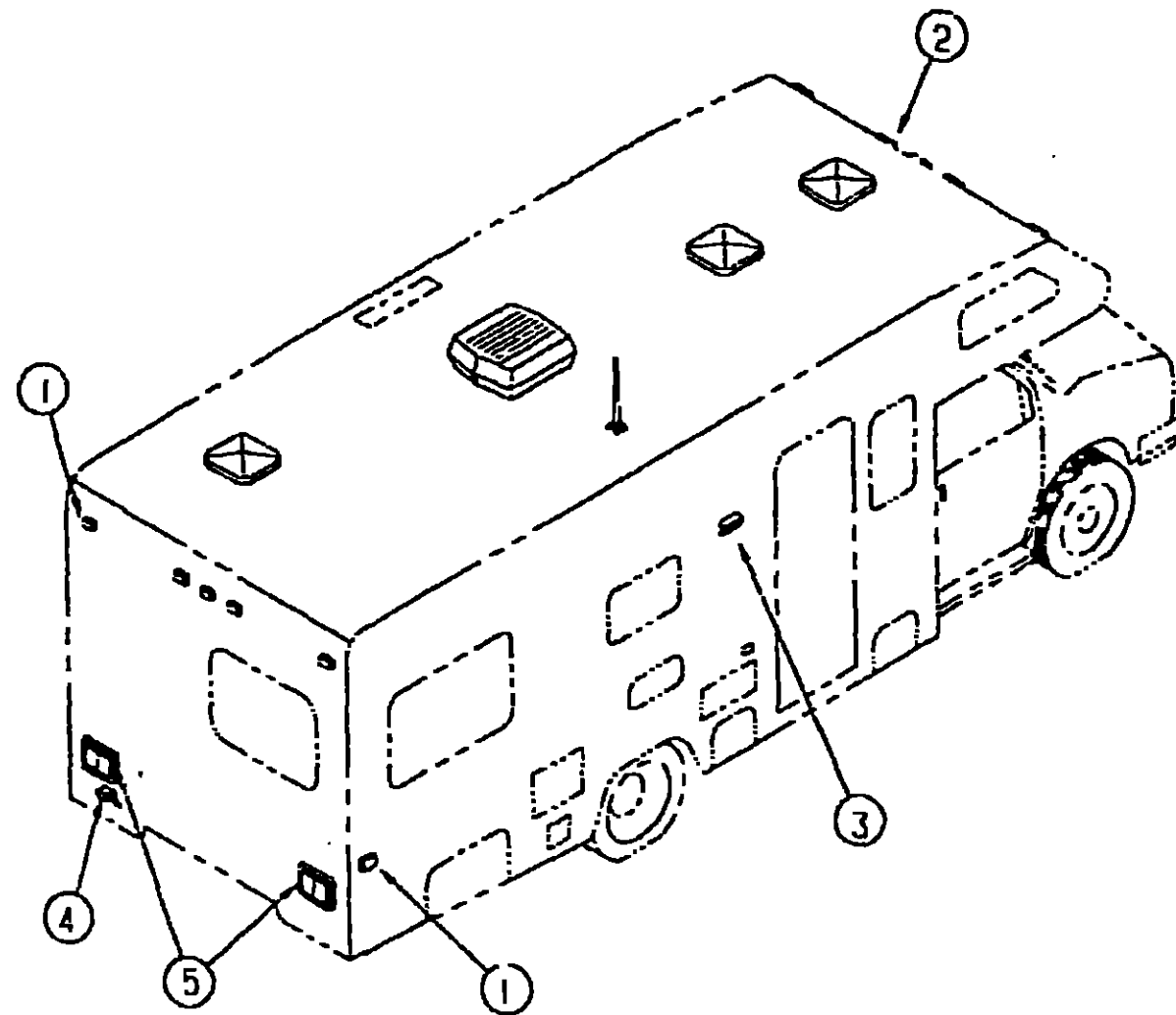
1992 ITASCA
TABLE OF CONTENTS

INTRODUCTION	A-C1 - A-02
ABBREVIATIONS	A-03
ALPHABETICAL INDEX	A-04 - A-05
IC422RG	A-07 - D-10
IC424RC	D-11 - G-16

1992 IC424RC INDEX

FLOOR PLAN	D-11 - D-12
ACCESSORIES	D-13
AUDIO VIDEO	D-14
BATH	D-15 - D-16
BEDROOM	D-17
CHASSIS	D-18 - D-21
CURTAIN & CUSHION	D-22 - E-05
DINETTE	E-06 - E-07
DRIVERS COMPARTMENT	E-08 - E-10
ELECTRICAL	E-11 - E-14
EXTERIOR BODY	E-15 - E-21
GALLEY	E-22 - E-24
GENERATOR	F-01
HEATING & A/C	F-02 - F-05
INTERIOR FINISH	F-04 - F-09
LABEL	F-08 - F-15
LP	F-16
LOUNGE	F-17
SEALANTS & FASTENERS	F-18 - F-20
WATER & SEWAGE	F-21 - F-24
WINDOW, VENT AND EXTERIOR DOOR	G-01 - G-16

ELECTRICAL GROUP



EXTERIOR LIGHTS & BULBS

KEY	PART NUMBER	U/M	DESCRIPTION
1	091993-01-000	EA	GASKET-CLEARANCE/SIDEMARKER LIGHT
1	042405-01-000	EA	LENS-CLEARANCE/SIDEMARKER LIGHT - W/REFLEX - RED
1	042405-03-000	EA	BASE-CLEARANCE/SIDEMARKER LIGHT - W/BULB - PLASTIC - WHITE
1	008213-01-000	EA	BULB
2	042405-02-000	EA	LENS-CLEARANCE/SIDEMARKER LIGHT - W/REFLEX - AMBER
2	042405-03-000	EA	BASE-CLEARANCE/SIDEMARKER LIGHT - W/BULB - PLASTIC - WHITE
2	008213-01-000	EA	BULB
	091993-01-000	EA	GASKET-CLEARANCE/SIDEMARKER LIGHT
3	097917-01-01A	EA	LIGHT-PORCH - ENTRY DOOR - OFF WHITE
	008215-01-000	EA	BULB
	097917-01-700	EA	LENS
4	065432-01-000	EA	LIGHT-LICENSE PLATE - W/BRACKET
5	081638-01-000	EA	TAILLIGHT-DOUBLE - W/BLACK TRIM - DRIVER & PASSENGER SIDE
5	081638-01-700	EA	LENS-TAILLIGHT - RED
5	081638-01-701	EA	LENS-TAILLIGHT - W/BACKUP
	103355-01-01A	EA	POD-TAILLIGHT - OFF WHITE

ELECTRICAL GROUP (CONTINUED)

INTERIOR LIGHTS & BULBS

KEY	PART NUMBER	U/M	DESCRIPTION
	086280-01-000	EA	LIGHT-SURFACE MOUNT - 12V - JENSEN 1236
	086280-01-700	EA	BULB
	098024-01-01A	EA	LIGHT-DOME - 1 BULB - US - IVORY
	098024-03-01A	EA	LIGHT-DOME - 2 BULB - IVORY
	008218-01-000	EA	BULB
	098024-01-700	EA	LENS
	071424-01-000	EA	LIGHT-AISLE - 12V - RECTANGULAR
	008103-01-000	EA	BULB
	087694-01-000	EA	LIGHT-WARDROBE/CLOSET - W/SWITCH
	087694-01-700	EA	BULB - GE561

SWITCHES & RECEPTACLES

KEY	PART NUMBER	U/M	DESCRIPTION
	108356-02-01A	EA	ACTUATOR-SWITCH DIMPLE II - CARLING VVAZC00 BLA
	075736-02-000	EA	COVER-EXTERIOR RECEPTACLE - OFF WHITE
	054250-04-000	EA	COVER-ANGLED - W/O HOLE - 3 6" X 4 5" - PLASTIC - OFF WHITE ELECTRICAL PLATE SUPPORT
	097734-01-02A	EA	EXTENSION-RECEPTACLE - 3 2" X 5" X .7" - PLASTIC - BROWN
	098351-01-01A	EA	PLATE-SWITCH - 1 GANG - POLISHED BRASS
	084077-01-000	EA	PLATE-COVER - RECEPTACLE - GFI - IVORY
	058707-01-000	EA	RECEPTACLE - ELECTRIC - SINGLE - BROWN
	053708-01-000	EA	RECEPTACLE - ELECTRIC - DOUBLE - BROWN
	080015-02-000	EA	RECEPTACLE - FLAG - .185 - 16/14 GA - AMP 3
	080015-03-000	EA	RECEPTACLE - FLAG - 250 - 14/16 GA
	024924-02-000	EA	RECEPTACLE - POWER CORD - W/PARTIAL PLATE
	007940-01-000	EA	RECEPTACLE - SLIDE - 16 TO 12 AWG - FEMALE END
	084076-01-000	EA	RECEPTACLE - GFI - 15A - 125V - IVORY
	100312-01-000	EA	SWITCH - DOOR JAMB - ELECTRIC ENTRY STEP - METAL
	102568-01-B10	EA	SPACER - RECEPTACLE - BETWEEN SIDEWALL & PLATE - WOOD
	075723-01-000	EA	SPACER - SWITCH - W/O HOLE - 2" X 9" X 2" - METAL - OFF WHITE
	095188-01-01A	EA	SPACER - SWITCH - 2 3" X 3 4" - PLASTIC - DARK BROWN
	079364-01-000	EA	SWITCH - ON/OFF ROCKER - 2 PRONGS - BROWN
	108357-08-000	EA	SWITCH - ROCKER - DPDT - ON/NONE/ON
	096241-07-000	EA	SWITCH - ROCKER - DPDT - ON/ON - BLACK
	108355-01-000	EA	HOUSING-SWITCH

CONTROL CENTER & POWER CONVERTER

KEY	PART NUMBER	U/M	DESCRIPTION
	083208-01-000	EA	CONVERTOR-POWER - 32A - 120V/12V - BW 6332
	094809-01-000	EA	CENTER-LOAD - 240V - 125A - TPL412CT

1992 ITASCA TABLE OF CONTENTS

INTRODUCTION	A-01	A-02
ABBREVIATIONS		A-03
ALPHABETICAL INDEX	A-04	A-06
IC422RG	A-07	D-10
IC424RC	D-11	G-16

1992 IC424RC INDEX

FLOOR PLAN	D-11	D-12
ACCESSORIES		D-13
AUDIO VIDEO		D-14
BATH	D-15	D-16
BEDROOM		D-17
CHASSIS	D-18	D-21
CURTAIN & CUSHION	D-22	E-05
DINETTE	E-06	E-07
DRIVERS COMPARTMENT	E-08	E-10
ELECTRICAL	E-11	E-14
EXTERIOR BODY	E-15	E-21
GALLEY	E-22	E-24
GENERATOR		F-01
HEATING & AC	F-02	F-05
INTERIOR FINISH	F-04	F-09
LABEL	F-08	F-15
LP		F-16
LOUNGE		F-17
SEALANTS & FASTENERS	F-18	F-20
WATER & SEWAGE	F-21	F-24
WINDOW, VENT AND EXTERIOR DOOR	G-01	G-16

ELECTRICAL GROUP (CONTINUED)

CIRCUIT BREAKERS & FUSES

KEY	PART NUMBER	U/M	DESCRIPTION
	107165-01-01A	EA	BOX-CIRCUIT BREAKER - MOUNT BLACK
	093654-01-000	EA	CIRCUIT BREAKER - 5 AMP - HOUSE CONTROL PANEL
	063209-01-000	EA	CIRCUIT BREAKER - 15 AMP - 120V - BW G-15 - CANADIAN
	063209-02-000	EA	CIRCUIT BREAKER - 15/15AMP - 120V - BW H-15/15
	063209-03-000	EA	CIRCUIT BREAKER - 15/20AMP - 120V - BW - 0-15/20
	063209-04-000	EA	CIRCUIT BREAKER - 30A - 120V - BW L-30
	063209-05-000	EA	CIRCUIT BREAKER - 30/15 AMP - 120V - BW D-30/15
	093655-02-000	EA	CIRCUIT BREAKER - 30 AMP - HOUSE CONTROL PANEL
	094810-01-000	EA	CIRCUIT BREAKER - DOUBLE 30 AMP - GE THQL2130
	094811-01-000	EA	CIRCUIT BREAKER - DOUBLE 20 AMP - GE THQL2120
	008235-01-000	EA	FUSE - AUTOMOTIVE - 12V - 15AMP
	008277-01-000	EA	FUSE - HOLDER - PANEL MOUNT - BLACK
	062901-02-000	EA	FUSE - 5 AMP - AUTOMOTIVE
	062901-05-000	EA	FUSE - 15 AMPS - AUTOMOTIVE

ELECTRIC CORDS & BOXES

KEY	PART NUMBER	U/M	DESCRIPTION
	091910-01-000	EA	BOX-ELECTRICAL - 3 75" X 3 5" X 1 75" - PLASTIC
	008289-02-000	EA	BOX-ELECTRICAL - 4" X 4" - 1/2" & 3/4" KNOCKOUTS - CANDIAN
	008288-01-000	EA	BOX-ELECTRICAL - PLASTIC - 3" X 3 1/2"
	008289-01-000	EA	BOX-ELECTRICAL - STEEL - 1/2" AND 3/4" KNOCKOUTS - 4" X 4"
	063503-01-000	EA	BOX-ELECTRICAL - STEEL - 4 X2 1/8 X2 1/8 - STEEL CITY 58371 1/2
	058029-01-000	EA	BOX-ELECTRICAL SWITCH - 2" X 3" X 2 25"
	008052-01-000	EA	CORD-POWER - 10/3 - 30 AMP - 25' - CANADIAN
	008054-01-000	EA	CORD-POWER - 10/3 - 30 AMP - 25'
	008294-01-000	EA	COVER-ELECTRICAL BOX - BLANK/STEEL - 4" X 4" - GRAY
	008294-02-000	EA	COVER-ELECTRICAL BOX - BLANK STEEL - 4" X 4" - CANADIAN
	062388-01-000	EA	COVER-ELECTRICAL BOX - W/HOLE - 4" X 4" - GRAY USED WITH 30 AMP RECEPTACLE

WIRE ASSEMBLIES

KEY	PART NUMBER	U/M	DESCRIPTION
	100159-02-000	EA	WIRE ASM-DAYTIME RUNNING LIGHTS - W/FUSE
	103328-05-000	EA	WIRE ASM-PUMP - EXTERIOR SHOWER

ELECTRICAL GROUP (CONTINUED)

ELECTRIC CONNECTORS & CONDUIT

KEY	PART NUMBER	U/M	DESCRIPTION
	037949-01-000	EA	BUSS BAR - 2 POSITION - 5' X 1 5" - ALUMINUM
	058028-01-000	EA	CONNECTOR-ELECTRICAL PIGTAIL - NYLON - CLEAR
	068355-01-000	EA	CONNECTOR-CABLE CLAMPING - 3/4"
	008355-01-000	EA	CONNECTOR-PLASTIC - 3/8" AVG
	008311-01-000	EA	CONNECTOR-WIRE NUT - INSULATED - RED
	008312-01-000	EA	CONNECTOR-WIRE NUT - INSULATED - BLUE
	008314-01-000	EA	CONNECTOR-WIRE NUT - INSULATED - GRAY
	041953-01-000	FT	CONDUIT-CONVOLUTE SLIT - 5" ID
	041953-01-000	FT	CONDUIT-CONVOLUTE SLIT - 5" ID
	041953-03-000	FT	CONDUIT-CONVOLUTE SLIT - 1" ID (CLOTHES ROD COVER)
	041953-05-000	FT	CONDUIT-CONVOLUTE SOLID - 62" ID
	041953-05-000	FT	CONDUIT-CONVOLUTE SLIT - 3/75" ID
	041953-07-000	FT	CONDUIT-CONVOLUTE SLIT - 25" ID
	041953-08-000	FT	CONDUIT-CONVOLUTE SLIT - 1.50" ID
	041953-09-000	FT	CONDUIT-CONVOLUTE SLIT - 50" ID
	100341-01-000	EA	FUSE HOLDER-IN LINE TYPE - WESCO 8931-92020
	052037-01-000	EA	HOUSING-AUTO FUSE - NATURAL
	053910-01-000	EA	HOUSING-RELAY - BOSCH 3 334 485 008
	088474-10-000	EA	HOUSING-SOCKET - 2 POSITION
	088473-05-000	EA	PIN-HOUSING - 5 POSITION (SINGLE ROW)
	088473-05-000	EA	PIN-HOUSING - 5 POSITION (TWO ROWS OF THREE)
	088473-08-000	EA	PIN-HOUSING - 4 POSITION
	088473-09-000	EA	PIN-HOUSING - 3 POSITION (SINGLE ROW)
	088473-00-000	EA	PIN-HOUSING - 2 POSITION
	088475-01-000	EA	PIN-CONNECTOR - 14 TO 20 AWG
	088475-02-000	EA	PIN-CONNECTOR - 10 TO 12 AWG
	088475-01-000	EA	SOCKET-CONNECTOR - BRASS - PRE-TIN
	088475-02-000	EA	SOCKET-CONNECTOR - 12-10 GA - PHOS BRONZE - PRE-TIN
	088474-05-000	EA	SOCKET-HOUSING - 5 POSITION (2 ROWS OF THREE)
	088474-07-000	EA	SOCKET-HOUSING - 5 CAVITY - AMP 1-480764-0
	088474-03-000	EA	SOCKET-HOUSING - 5 CAVITY - AMP 1-480707-0
	088474-07-000	EA	SOCKET-HOUSING - 5 CAVITY - AMP 1-480764-0
	088474-08-000	EA	SOCKET-HOUSING - 4 POSITION (SINGLE ROW)
	088474-09-000	EA	SOCKET-HOUSING - 3 POSITION
	088474-10-000	EA	SOCKET-HOUSING - 2 POSITION
	008188-01-000	EA	SOLENOID-3 POST - BATTERY CHANGE OVER
	007942-01-000	EA	TAB-WIRE - 18 TO 14 AWG
	007949-01-000	EA	TAB-HUSING - 1 POSITION
	008036-02-000	EA	TERMINAL-PACK-CON - 16/14 AWG
	008326-01-000	EA	TERMINAL-RING - 16/14 WIRE - 3/8" STUD
	008328-01-000	EA	TERMINAL-RING - 12/10 WIRE - #10 STUD FIT
	008331-01-000	EA	TERMINAL-RING - TONGUE - #4 WIRE - 3/8" STUD - COPPER
	008348-01-000	EA	TERMINAL-RING - 3/8" STUD - #2 WIRE CONNECTS CABLE TO DISCONNECT RELAY AND BATTERY
	035416-04-000	EA	TERMINAL-RING #10 STUD FIT - INSULATED BARREL #10/1
	047443-01-000	EA	TERMINAL- 250 RECEPTACLE FIT - INSULATED - 15/14 AWG
	047443-02-000	EA	TERMINAL- 250 RECEPTACLE FIT - INSULATED - 12/10 AWG

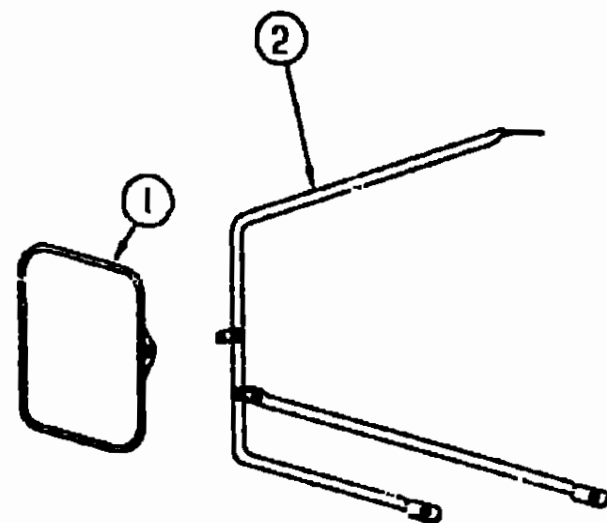
1992 ITASCA TABLE OF CONTENTS

INTRODUCTION	A-01	A-02
ABBREVIATIONS		A-03
ALPHABETICAL INDEX	A-04	A-05
IC422RG	A-07	D-10
IC424RC	D-11	G-16

1992 IC424RC INDEX

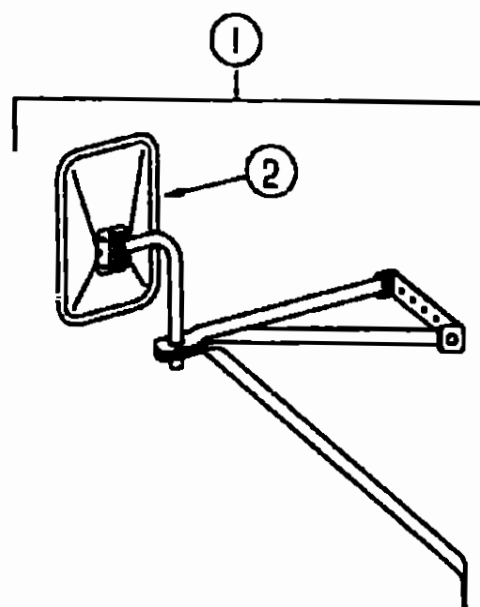
FLOOR PLAN	D-11	D-12
ACCESSORIES		D-13
AUDIO VIDEO		D-14
BATH	D-15	D-16
BEDROOM		D-17
CHASSIS	D-18	D-21
CURTAIN & CUSHION	D-22	E-05
DINETTE	E-05	E-07
DRIVERS COMPARTMENT	E-08	E-10
ELECTRICAL	E-11	E-14
EXTERIOR BODY	E-15	E-21
GALLEY	E-22	E-24
GENERATOR		F-01
HEATING & A/C	F-02	F-05
INTERIOR FINISH	F-04	F-09
LABEL	F-08	F-15
LP		F-16
LOUNGE		F-17
SEALANTS & FASTENERS	F-18	F-20
WATER & SEWAGE	F-21	F-24
WINDOW, VENT AND EXTERIOR DOOR	G-01	G-16

EXTERIOR BODY GROUP



CHEVROLET

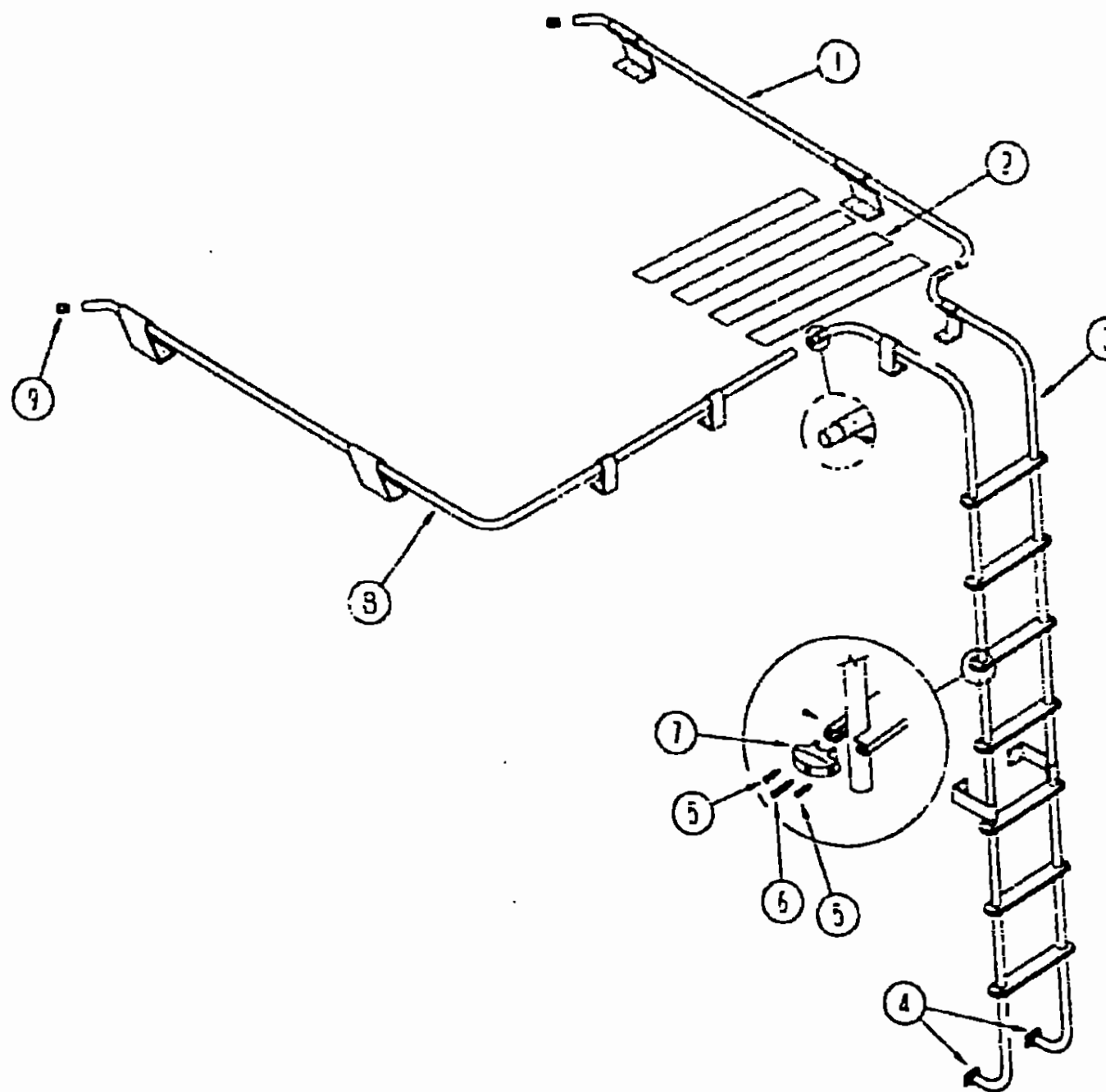
KEY	PART NUMBER	U/M DESCRIPTION
1	049347-01-000	EA MIRROR HEAD-EXTERIOR - 10 1/2" X 7 1/2" - STAINLESS STEEL
	049347-01-700	EA GLASS-MIRROR HEAD
2	052047-01-000	EA ARM-WEST COAST MIRROR



FORD

KEY	PART NUMBER	U/M DESCRIPTION
1	105850-01-01A	EA MIRROR ASM-REG HEAD LOW MOUNT -VELVAC #713142
2	105850-01-700	EA MIRROR HEAD ONLY - VELVAC #709005-B
	105850-01-701	EA ARM - VELVAC #D780521-9
	105850-01-702	EA HARDWARE PKG (FIREG & STAR) 748230
	105850-01-703	EA BRACE - LOWER FORWARD - LEFT SIDE - D7809910 OW

EXTERIOR BODY GROUP (CONTINUED)



LUGGAGE RACK & LADDER

KEY	PART NUMBER	U/M DESCRIPTION
1	081026-15-C05	EA RACK ASM-PASSENGER SIDE
1	107438-05-C07	EA RACK ASM-PASSENGER SIDE
		FROM 00-00-00 THRU 03-01-92
		FROM 03-02-92 THRU 99-99-99
2	038327-01-000	EA TAPE-ANTI SLIP - 2' X 60'
3	102953-02-C03	EA LADDER ASM.
4	067165-01-000	EA MOUNTING BRACKET-LADDER, LOWER
5	000G39-05-10T	EA SCREW-SELF DRIVING-6-20 X 5/8 PFH - BLACK
6	000G68-10-35T	EA SCREW-10-12 X 2 25 PCH - BLACK
7	075980-02-000	EA END CAP-STEP - BLACK
8	081026-19-C03	EA RACK ASM-DRIVER SIDE
8	107438-09-C03	EA RACK ASM-DRIVER SIDE
		FROM 00-00-00 THRU 03-01-92
		FROM 03-02-92 THRU 99-99-99
9	081114-01-000	EA PLUG-ROUND - RACK & LADDER ENDS - PLASTIC - 1" DIA

**1992 ITASCA
TABLE OF CONTENTS**

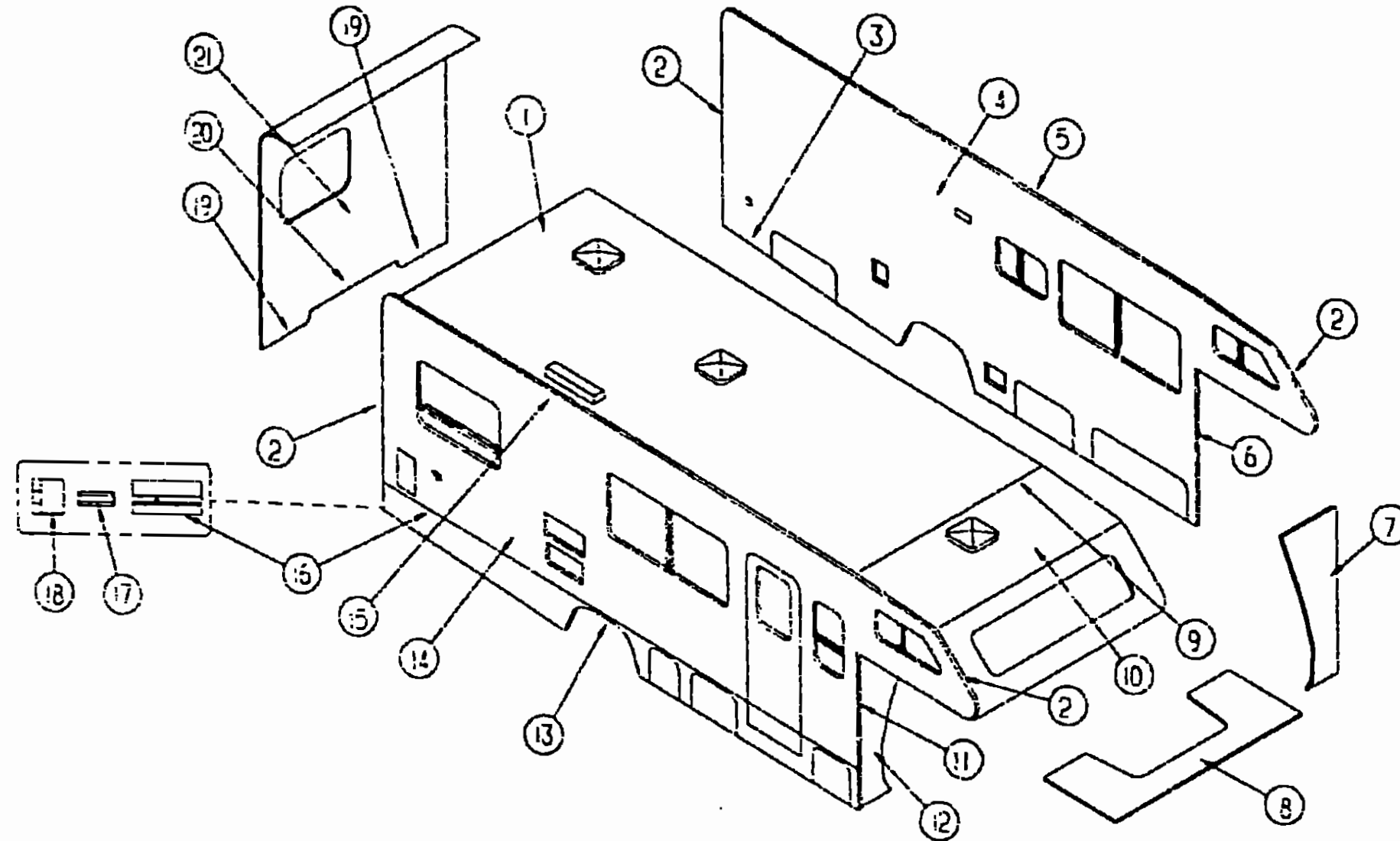
INTRODUCTION	A-01	A-02
ABBREVIATIONS		A-03
ALPHABETICAL INDEX	A-04	A-06
IC422RG	A-07	D-10
IC424RC	D-11	G-16

1992 IC424RC INDEX

FLOOR PLAN	D-11	D-12
ACCESSORIES		D-13
AUDIO VIDEO		D-14
BATH	D-15	D-16
BEDROOM		D-17
CHASSIS	D-18	D-21
CURTAIN & CUSHION	D-22	E-05
DINETTE	E-06	E-07
DRIVERS COMPARTMENT	E-08	E-10
ELECTRICAL	E-11	E-14
EXTERIOR BODY	E-15	E-21
GALLEY	E-22	E-24
GENERATOR		F-01
HEATING & A/C	F-02	F-05
INTERIOR FINISH	F-04	F-09
LABEL	F-03	F-15
LP		F-16
LOUNGE		F-17
SEALANTS & FASTENERS	F-18	F-20
WATER & SEWAGE	F-21	F-24
WINDOW VENT AND EXTERIOR DOOR	G-01	G-16

EXTERIOR BODY GROUP (CONTINUED)

EXTERIOR BODY PANELS & TRIM



1992 ITASCA TABLE OF CONTENTS

INTRODUCTION	A-01 -	A-02
ABBREVIATIONS		A-03
ALPHABETICAL INDEX	A-04 -	A-05
IC422RG	A-07 -	D-10
IC424RC	D-11 -	G-16

1992 IC424RC INDEX

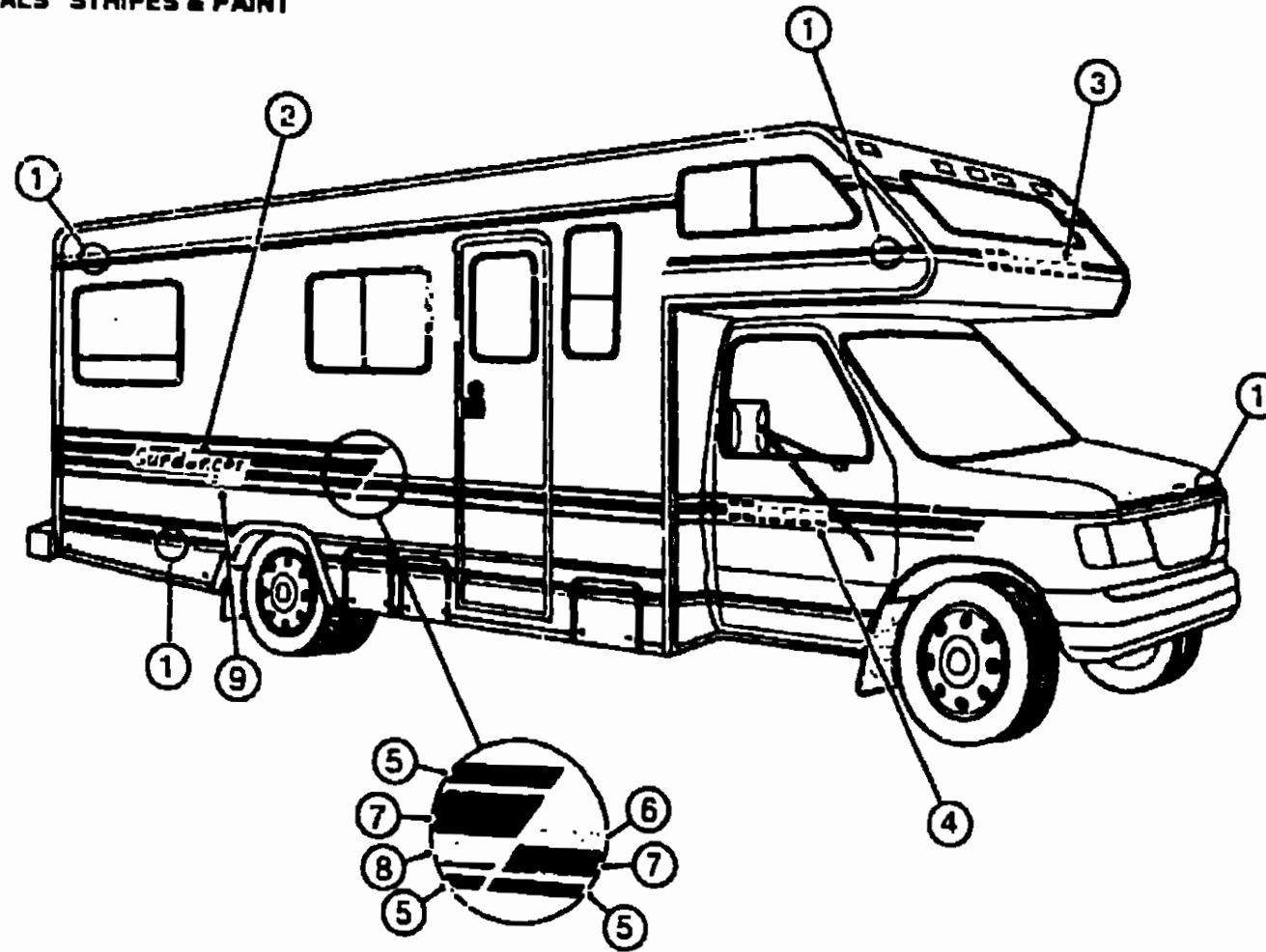
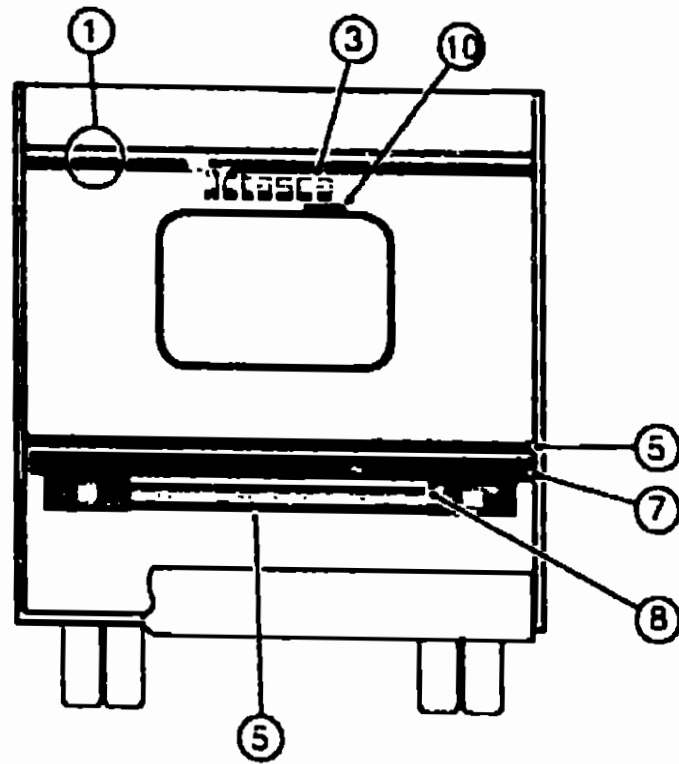
FLOOR PLAN	D-11 -	D-12
ACCESSORIES		D-13
AUDIO VIDEO		D-14
BATH	D-15 -	D-15
BEDROOM		D-17
CHASSIS	D-18 -	D-21
CURTAIN & CUSHION	D-22 -	E-05
DINETTE	E-05 -	E-07
DRIVERS COMPARTMENT	E-08 -	E-10
ELECTRICAL	E-11 -	E-14
EXTERIOR BODY	E-15 -	E-21
GALLEY	E-22 -	E-24
GENERATOR		F-01
HEATING & A/C	F-02 -	F-05
INTERIOR FINISH	F-04 -	F-09
LABEL	F-08 -	F-15
LP		F-16
LOUNGE		F-17
SEALANTS & FASTENERS	F-18 -	F-20
WATER & SEWAGE	F-21 -	F-24
WINDOW VENT AND EXTERIOR DOOR	G-01 -	G-16

KEY	PART NUMBER	U/M	DESCRIPTION
1	P05554-02-C23	EA	ROOF ASM W BASES
2	095554-01-01A	EA	TRIM-CONTOUR - W/O VINYL INSERT - 108" - OFF WHITE
	105312-01-01A	FT	INSERT-TRIM - VINYL - OFF WHITE
3	092072-55-001	EA	EXTR CHANNEL - OFF WHITE - 4877 MM
4	P05657-01-C23	EA	SIDEWALL ASM-LEFT
4	M05739-03-C23	EA	SIDEWALL ASM-LEFT (EUROPEAN)
5	095554-01-01A	EA	TRIM-CONTOUR - ROOF TO SIDEWALL - DRIVER OR PASSENGER - 120"
6	104479-04-01A	EA	TRIM-CONTOUR-FRONT-DRIVER - OFF WHITE
7	P05017-02-C03	EA	WINGWALL ASM - LEFT (CHEVY)
7	105438-02-C03	EA	WINGWALL ASM - LEFT (FORD)
	089334-01-000	FT	VINYL-EXTERIOR - BETWEEN WINGWALL & CAB SEAL - WHITE
8	P05443-01-C03	EA	SLEEPERBOARD ASM
	100085-03-01A	EA	TRIM-SLEEPERBOARD - FLAT - 2 5/8" X 37 5/8" - OFF WHITE
	100085-02-01A	EA	TRIM-SLEEPERBOARD - 2" X 20 7/8" - OFF WHITE
9	078580-01-000	EA	TRIM-ROOF TO FRONT CAP
10	M75177-01-700	EA	ROOF - FRONT CAP TO FIRST SEAM
11	104479-03-01A	EA	TRIM-CONTOUR-FRONT-PASSENGER - OFF WHITE
	089334-01-000	FT	VINYL-EXTERIOR - BETWEEN WINGWALL & CAB SEAL - WHITE

KEY	PART NUMBER	U/M	DESCRIPTION
12	P05017-01-C03	EA	WINGWALL ASM - RIGHT (CHEVY)
12	105438-01-C03	EA	WINGWALL ASM - RIGHT (FORD)
	095945-01-01A	EA	TRIM-L ANGLED - PASSENGERS WINGWALL - OFF WHITE
13	105100-01-01A	EA	TRIM-WHEELWELL - OFF WHITE
13	105100-02-01A	EA	TRIM-WHEELWELL - OFF WHITE
			FROM 00-00-00 THRU 04-15-92
			FROM 04-16-92 THRU 99-99-99
14	P05858-01-C23	EA	SIDEWALL ASM - RIGHT
14	M05739-07-C23	EA	SIDEWALL ASM - RIGHT (EUROPEAN)
15	100483-01-01A	EA	TRIM-CONTOUR - ROOF (AWNING) - OFF WHITE
	099593-55-001	EA	RAIL-AWNING - 10' EA - OFF WHITE
16	002444-01-020	EA	FEATURE STRIP - W/HOLES-OFF WHITE
	002444-04-032	EA	STRIP FEATURE - W/O INSERT - 15' LONG - OFF WHITE
17	001030-02-003	EA	INSERT-FEATURE STRIP - 17' LONG - OFF WHITE
19	009731-01-000	EA	END CAP FEATURE STRIP
19	103334-02-01A	EA	TRIM-BACKWALL - LOWER - OFF WHITE
20	103335-02-01A	EA	TRIM-BACKWALL - LOWER - OFF WHITE
21	M05873-01-C23	EA	BACKWALL ASM

EXTERIOR BODY GROUP (CONTINUED)

DECALS STRIPES & PAINT



1992 ITASCA TABLE OF CONTENTS

INTRODUCTION	A-01 -	A-02
ABBREVIATIONS		A-03
ALPHABETICAL INDEX	A-04 -	A-05
IC422RG	A-07 -	D-10
IC424RC	D-11 -	G-16

1992 IC424RC INDEX

FLOOR PLAN	D-11 -	D-12
ACCESSORIES		D-13
AUDIO VIDEO		D-14
BATH	D-15 -	D-16
BEDROOM		D-17
CHASSIS	D-18 -	D-21
CURTAIN & CUSHION	D-22 -	E-05
DINETTE	E-05 -	E-07
DRIVERS COMPARTMENT	E-08 -	E-10
ELECTRICAL	E-11 -	E-14
EXTERIOR BODY	E-15 -	E-21
GALLEY	E-22 -	E-24
GENERATOR		F-01
HEATING & A/C	F-02 -	F-05
INTERIOR FINISH	F-04 -	F-09
LABEL	F-08 -	F-15
LP		F-16
LOUNGE		F-17
SEALANTS & FASTENERS	F-18 -	F-20
WATER & SEWAGE	F-21 -	F-24
WINDOW, VENT AND EXTERIOR DOOR	G-01 -	G-16

KEY	PART NUMBER	U/M	DESCRIPTION
1	094423-01-01A	FT	MULTISTRIPE-2 LINES - 3" - DARK BLUE & LIGHT BLUE W/1 MAGENTA
2	105519-02-02A	EA	DECAL-LOGO - SUNDANCER - OFF WHITE/DARK BLUE
3	078191-03-000	EA	DECAL-LOGO - 'ITASCA' - DARK BLUE
4	076552-27-000	EA	DECAL-LOGO - 'ITASCA' - 5" - DARK BLUE/OFF WHITE
5	093581-18-01A	FT	STRIPE-1 LINE - 1.25" WIDE - DARK BLUE
6	093581-03-03A	FT	STRIPE-1 LINE - 1.5" WIDE - LIGHT BLUE
7	094433-01-01A	FT	STRIPE-1 LINES - 5" WIDE - DARK BLUE W/2 MAGENTA STRIPES
8	094433-01-02A	FT	STRIPE-1 LINE - 5" - LIGHT BLUE W/2 MAGENTA STRIPES
9	105026-01-01A	EA	DECAL-LOGO - 400 - OFF WHITE/DK BLUE
10	084075-01-000	EA	DECAL-BY WINNEBAGO IND - BLACK
	041551-03-000	EA	PAINT-LOW BAKE- 16 OZ. SPRAY - OFF WHITE
	041551-03-700	EA	PAINT-LOW BAKE- 6 OZ BOTTLE W/BRUSH - OFF WHITE

DUPONT COLOR CODES
 DARK BLUE-DUPONT# K9456
 LIGHT BLUE-DUPONT# K9457
 MAGENTA DUPONT #G6842
 OFF WHITE DUPONT# L8723A
 BEIGE DUPONT# L8729A

EXTERIOR BODY GROUP (CONTINUED)

FIBERGLASS, STYROFOAM & U CHANNEL

KEY	PART NUMBER	U/M	DESCRIPTION
	075054-G7-000	SF	FIBERGLASS COIL 41" X 500" - OFF WHITE
	075054-H1-000	EA	FIBERGLASS SHEET 2438 X 2591 - OFF WHITE
	075054-D5-001	EA	FIBERGLASS SHEET- 5' X 24" - OFF WHITE
	075054-D5-002	EA	FIBERGLASS SHEET- 5' X 32" - OFF WHITE
	075054-D3-001	FA	FIBERGLASS COIL - 4' X 8' - OFF WHITE FLEXIBLE
	075054-D3-002	EA	FIBERGLASS COIL - 2' X 8' - OFF WHITE FLEXIBLE
	075054-D3-003	EA	FIBERGLASS COIL - 2' X 24" - OFF WHITE FLEXIBLE
	075054-D3-004	EA	FIBERGLASS COIL - 2' X 32" - OFF WHITE FLEXIBLE
	075054-D3-005	EA	FIBERGLASS COIL - 4' X 18 5" - OFF WHITE FLEXIBLE
	075054-D3-005	EA	FIBERGLASS COIL - 4' X 24 8" - OFF WHITE FLEXIBLE
	077517-24-000	EA	FIBERGLASS SHEET- FLAT - 48" X 95" - OFF WHITE
	083574-03-000	SF	STYROFOAM- 3/4" X 48" X 95" - INCREMENTS OF 32 SF
	000870-03-000	SF	STYROFOAM- 1 3/4" X 48" X 95" - INCREMENTS OF 32 SF
	000870-05-000	SF	STYROFOAM- 5" X 24" X 95" - INCREMENTS OF 16 SF
	044487-01-001	EA	ALUMINIUM - 19" X 95" X 300"
	044487-01-002	EA	ALUMINIUM - 19" X 95" X 432"
	002365-01-001	EA	U-CHANNEL - 1" X 19" - SERRATED - MILL FINISHED ALUMINIUM
	002754-01-001	CA	ANGLE-EXTRUDED 75" X 75" X 18" - MILL ALUMINIUM
	002725-01-001	EA	GARNISH-U-CHANNEL 1 3/8" X 19" - SERRATED - MILL ALUMINIUM

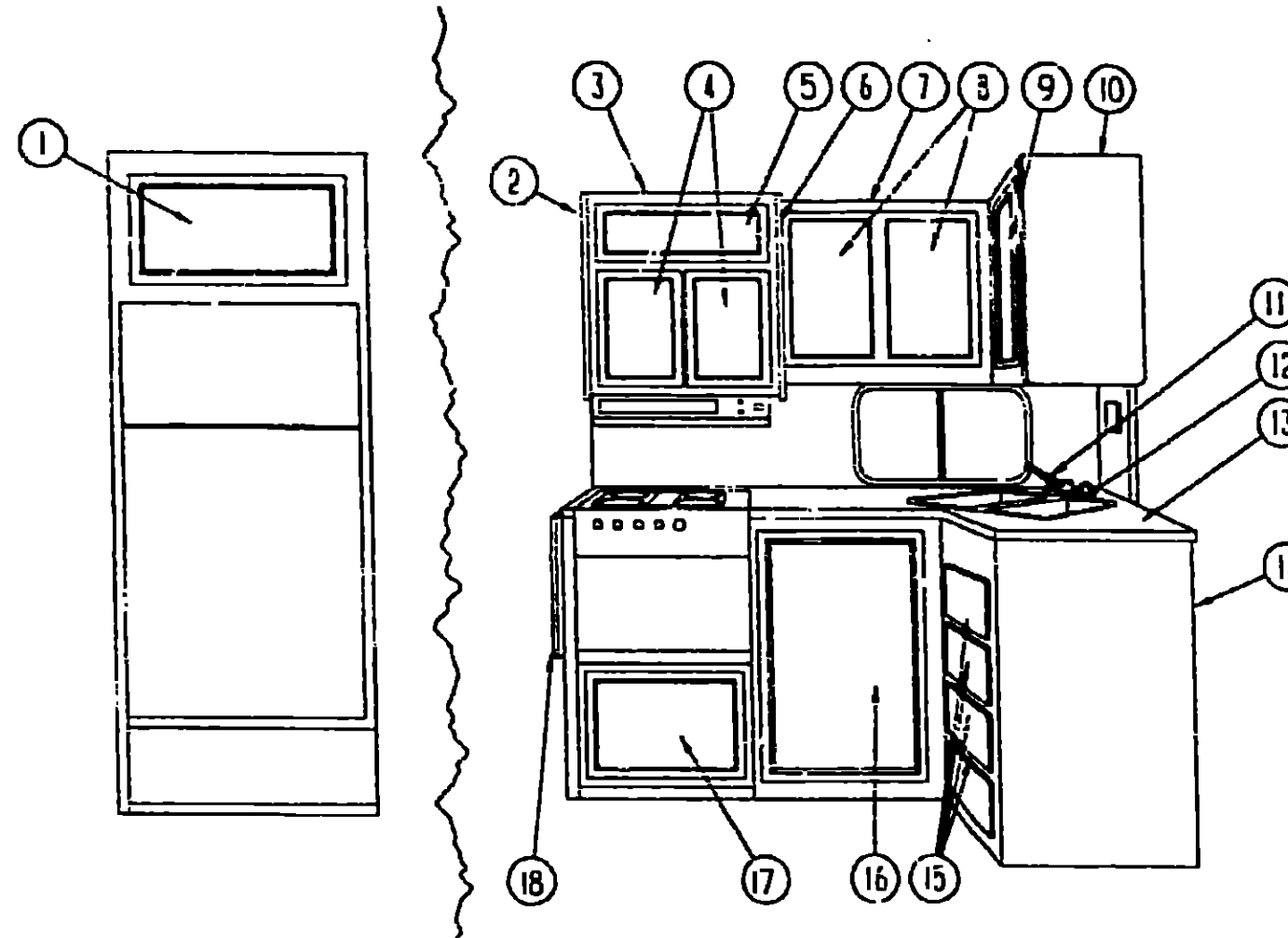
RUNNING BOARDS

KEY	PART NUMBER	U/M	DESCRIPTION
	072584-19-000	EA	RUNNING BOARD SET-CHEVY - 27" - KEMBERLY R520273
	072584-19-700	EA	BOARD 27" W/TAPE K-2 - MISC05
	072584-19-701	EA	MUDFLAP - LEFT HAND FRONT - MF4BOX
	072584-19-702	EA	MUDFLAP - RIGHT HAND FRONT - MF4BOX
	072584-19-703	EA	END CAP - LEFT HAND - RBEC401B
	072584-19-704	EA	END CAP - RIGHT HAND - RBEC401B
	072884-19-705	EA	BAG HARDWARE
	072884-20-000	EA	RUNNING BOARD SET-FORD - 39" - KEMBERLY K-7

ASSIST HANDLE & BUMPER

KEY	PART NUMBER	U/M	DESCRIPTION
	009126-02-000	EA	HANDLE-ASSIST - ENTRY DOOR - BLACK
	059725-02-000	EA	BUMPER- 88" DIA X 40" - BLACK

GALLEY GROUP



GALLEY CABINETRY

KEY	PART NUMBER	U/M	DESCRIPTION
1	P05223-35-C03	EA	DOOR-CABINET - W/O HARDWARE - 255 X 640MM
	090329-01-000	FT	SEAL-T - REFRIGERATOR CABINET - 6" WIDE TOP X 2" TAIL
2	104335-13-C52	EA	END CAP-CABINET - OVERHEAD
3	M05623-36-C03	EA	CABINET-OVERHEAD - W/O DOORS
3	M05623-37-C03	EA	CABINET-OVERHEAD - MICROWAVE
4	P05223-12-C03	EA	DOOR-CABINET - W/O HARDWARE - 275 X 365MM
5	P05223-18-C03	EA	DOOR-CABINET - W/O HARDWARE - 280 X 555MM
6	104335-12-C52	EA	END CAP-CABINET - OVERHEAD
7	105885-01-C03	EA	CABINET-OVERHEAD - W/O DOORS & HARDWARE - SINK
8	P05223-35-C03	EA	DOOR-CABINET - W/O HARDWARE - 255 X 640MM
9	P05223-17-C03	EA	DOOR-CABINET - W/O HARDWARE - 390 X 650MM
10	M05623-34-C03	EA	CABINET-OVERHEAD - W/O DOORS & HARDWARE - CENTER
11	1C3243-01-000	EA	FAUCET-GALLEY - SINGLE CONTROL
12	104113-01-000	EA	SINK-STAINLESS STEEL - DOUBLE
	055437-01-000	EA	STRAINER-SINK - GALLEY W/BASKET
13	107054-13-C44	EA	COUNTERTOP ASM
14	M05761-01-C23	EA	CABINET-GALLEY - W/O DOORS & HARDWARE
15	P03397-K4-C03	EA	DRAWER ASM-CABINET - 250 X 405MM
15	P05223-37-C03	EA	DOOR-CABINET - W/O HARDWARE - 400 X 710MM
17	P05223-03-C03	EA	DOOR-CABINET - W/O HARDWARE - 555 X 380MM
18	080612-04-B87	EA	EXTENSION ASM-GALLEY
	103610-01-C08	EA	COVER ASM-SINK

1992 ITASCA TABLE OF CONTENTS

INTRODUCTION	A-01 -	A-02
ABBREVIATIONS		A-03
ALPHABETICAL INDEX	A-04 -	A-05
IC422RG	A-07 -	D-10
IC424RC	D-11 -	G-16

1992 IC424RC INDEX

FLOOR PLAN	D-11 -	D-12
ACCESSORIES		D-13
AUDIO VIDEO		D-14
BATH	D-15 -	D-16
BEDROOM		D-17
CHASSIS	D-18 -	D-21
CURTAIN & CUSHION	D-22 -	E-05
DINETTE	E-05 -	E-07
DRIVERS COMPARTMENT	E-08 -	E-10
ELECTRICAL	E-11 -	E-14
EXTERIOR BODY	E-15 -	E-21
GALLEY	E-22 -	E-24
GENERATOR		F-01
HEATING & A/C	F-02 -	F-05
INTERIOR FINISH	F-04 -	F-09
LABEL	F-08 -	F-12
LP		F-15
LOUNGE		F-17
SEALANTS & FASTENERS	F-18 -	F-20
WATER & SEWAGE	F-21 -	F-24
WINDOW, VENT AND		
EXTERIOR DOOR	G-01 -	G-16

GALLEY GROUP (CONTINUED)

NORCOLD REFRIGERATOR

KEY	PART NUMBER	U/M	DESCRIPTION
	103522-02-01A	EA	REFRIG-2 WAY - SMALL LEFT DOUBLE DOOR - NORCOLD 462 - BLACK
	054472-01-700	EA	THERMOCOUPLE-NORCOLD 514363
	054473-03-716	EA	SWITCH-3-WAY - FOR EG-2 & EG-3 MODELS - NORCOLD 515113
	054473-03-720	EA	RELIGHTER - NORCOLD 515055
	054473-03-721	EA	COMBINATION CONTROL - NORCOLD 616024
	075217-01-738	EA	SWITCH-HUMIDITY - NORCOLD 51525922
	084875-03-700	EA	COOLING UNIT - HORIZONTAL BURNER, NORCOLD# 61587237
	084880-01-705	EA	ORIFICE - NORCOLD# 614522
	084880-01-715	EA	VALVE-SHUT OFF - MANUAL - NORCOLD# 515697922
	084880-01-722	EA	CRISPER COVER - NORCOLD 615541
	084880-01-732	EA	LATCH - NORCOLD 61575522
	084880-03-705	EA	BRACKET F/INTERIOR REFRIGERATOR LIGHT - NORCOLD 61629722
	084880-03-706	EA	LAMP (BULB) - NORCOLD 61628922
	084880-03-707	EA	COVER F/LAMP OR BULB - NORCOLD 61627922
	088248-01-705	EA	BURNER-HORIZONTAL NORCOLD 61593122
	088248-01-709	EA	HEATER-AC - (HORIZONTAL) - NORCOLD# 615527
	088248-01-710	EA	HEATER-DC - (HORIZONTAL) - 3 WAY - NORCOLD# 615528
	094038-01-700	EA	GASKET-LOWER - GRAY - NORCOLD 61557930
	094038-01-702	EA	LINER-DOOR - LOWER - BLACK/WHITE - NORCOLD 61531938-B
	094039-01-702	EA	GASKET (GRAY) UPPER - NORCOLD 61557830
	094039-01-704	EA	PLATE-HINGE - BLACK - NORCOLD 61631430
	094039-01-710	EA	PLATE-HINGE - BLACK - NORCOLD 61531330
	094039-01-722	EA	HOLE PLUG (BLACK) HINGE HOLES - NORCOLD 61532030
	094039-01-723	EA	HINGE BRACKET - TOP RIGHT-BOTTOM LEFT BLACK - NORCOLD 61580838
	094039-01-724	EA	BRACKET-HINGE - TOP LEFT - BOTTOM RIGHT - BLACK - NORCOLD 61580938
	094039-01-725	EA	HINGE PIN (BLACK)(MALE) - NORCOLD 61578130
	094039-01-726	EA	SHELF-FREEZER EVAPORATOR - NORCOLD 615235
	094039-01-730	EA	HINGE PIN SHAFT(BLACK) CTR HGE - NORCOLD 61555730
	094039-01-732	EA	FRONT COVER(BLACK) BOTTOM TRIM - NORCOLD 61622130
	094039-01-733	EA	WIRE SHELF (MIDDLE) - NORCOLD 61563822
	094039-01-734	EA	WIRE SHELF (TOP) W/ RISER - NORCOLD 61563722
	094039-01-735	EA	INSIDE DRIP TRAY (WHITE) 61572330
	094039-01-736	EA	SWITCH-LIGHT - BLACK - NORCOLD 615810
	103622-01-700	EA	HANDLE ASM-DOOR - UPPER - NORCOLD 61649033
	084880-01-754	EA	JUICE-RACK (SMOKE GRAY) - NORCOLD 61580540
	094039-01-712	EA	DOOR BIN (GRAY) SILVER BORDER - NORCOLD 61564050
	103622-01-705	EA	HANDLE ASM-DOOR - LOWER - NORCOLD 61648933
	094039-01-718	EA	MILK BIN (GRAY)W/SILVER TRIM - NORCOLD 61579460
	103622-01-707	EA	KEEPER-DAIRY - NORCOLD 61590440
	103622-01-709	EA	KNOB-SELECTOR - NORCOLD 61641822
	103622-01-710	EA	KNOB-THERMOSTAT - NORCOLD 61642322
	103622-01-711	EA	PANEL-CONTROL - 2-WAY - NORCOLD 61644022
	103622-01-712	EA	INDICATOR-FLAME - NORCOLD 61609022
	103622-01-713	EA	SWITCH-IGNITION - NORCOLD 61645722

MICROWAVE OVEN

KEY	PART NUMBER	U/M	DESCRIPTION
	091259-05-000	EA	OVEN-MICROWAVE - MAGIC CHEF M15-B
	094745-01-01A	EA	TRIM-MICROWAVE - LOWER - BLACK
	094774-03-01A	EA	TRIM-MICROWAVE - EITHER SIDE - 1 5" X 14 8" - METAL - BLACK
	094750-01-000	EA	BRACKET-MICROWAVE - 90 DEGREE - STEEL
	098516-05-01A	EA	BRACE-MICROWAVE CABINET - LEFT
	098516-07-01A	EA	BRACE-MICROWAVE CABINET - RIGHT

GALLEY GROUP (CONTINUED)

RANGE HOODS

KEY	PART NUMBER	U/M	DESCRIPTION
	100258-16-01A	EA	HOOD-RANGE-W/O MONITOR PANEL-VENTLINE - US TCS5008NAD
	100258-17-01A	EA	HOOD-RANGE-W/O MONITOR PANEL-VENTLINE - CANADIAN
	090973-01-700	EA	MOTOR - LVS CA508-1
	090973-01-702	EA	BLADE-FAN - LVS VA183-1
	092656-01-709	EA	BULB-912 - VENTLINE VA415
	092695-01-710	EA	SOCKET-LIGHT - VENTLINE CS267-2
	095983-01-700	EA	SWITCH-ON/OFF - VENTLINE 102
	095983-01-702	EA	SWITCH-TWO WAY MOMENTARY - VENTLINE 112
	095983-01-707	EA	FILTER-GREASE - 8" X 6" - LVS CC246
	095983-01-708	EA	LENS-LAMP - VENTLINE CC179
	100258-01-700	EA	HOOD-NOSE LABEL - CC428
	100258-10-01A	EA	METER-HOUR - VENTLINE 150

MAGIC CHEF RANGE

KEY	PART NUMBER	U/M	DESCRIPTION
	102022-01-02A	EA	RANGE-16" - 4 BURNER - MAGIC CHEF BT15RA-4Z
	055282-03-705	EA	TRIM-CABINET - LEFT - BLACK - MAGIC CHEF 3503F011-70
	055282-03-707	EA	TRIM-CABINET - RIGHT - BLACK - MAGIC CHEF 3505F012-70
	093507-02-701	EA	INSERT-BURNER (SLOTTED VENT) MAGIC CHEF 7214P015-50
	102020-01-700	EA	SHELF-OVEN - MAGIC CHEF - 7801-P027-50
	102020-01-701	EA	HANDLE-DOOR - MAGIC CHEF - 7701P092-60
	102020-01-702	EA	PANEL-MANIFOLD - MAGIC CHEF 2615FC80-70
	102020-01-704	EA	PANEL-DOOR - BLACK - MAGIC CHEF - 2401F075-70
	102020-01-709	EA	BURNER ASSEMBLY-OVEN - MAGIC CHEF 3403W003-45
	102020-01-711	EA	GRATE-TOP - MAGIC CHEF 7518P012-60
	102020-01-712	EA	KNOB-BURNER VALVE - MAGIC CHEF 7733P044-50
	102020-01-713	EA	KNOB-THERMOSTAT - MAGIC CHEF 7731P042-50
	102020-01-714	EA	PILOT-OVEN - MAGIC CHEF 952-143
	102020-01-715	EA	PIPE-MANIFOLD - MAGIC CHEF 7513P095-60
	102020-01-717	EA	THERMOSTAT - MAGIC CHEF 7515P024-60
	102020-01-718	EA	TOP-MAIN - ALMOND - MAGIC CHEF 2001F035-84
	102020-01-720	EA	VALVE-MERCURY CONTROL - MAGIC CHEF 7501P055-50
	102020-01-722	EA	VALVE-TOP BURNER - MAGIC CHEF 7502P095-60
	102020-01-723	EA	PILOT-BURNER - MAGIC CHEF 7505P147-60
	102020-01-724	EA	BUMPER-MAIN TOP - MAGIC CHEF 8003P069-50
	102022-01-702	EA	PIPE-MANIFOLD - MAGIC CHEF 7513P095-60
	102022-01-703	EA	REGULATOR-PRESSURE - MAGIC CHEF 7510P031-60
	102022-01-706	EA	TRIM-LEFT - FLAT - MAGIC CHEF 3603W022-70
	102022-01-707	EA	TRIM-RIGHT - FLAT - MAGIC CHEF 3603W023-70
	102755-04-01A	EA	PANEL-MONITOR - W/PLUG - FOR 2 TANKS & WATER HEATER - LVS
	102755-02-01A	EA	PANEL-MONITOR - W/PLUG - FOR 2 TANKS - LVS
	097617-01-702	EA	SWITCH-1/WAY - ALMOND - LVS 107
	097617-01-703	EA	CIRCUIT BOARD - LVS 5076-01
	102755-01-700	EA	SWITCH-ON-ON - ALMOND - 110-01

COFFEE MAKER & PLASTIC DRAWER

KEY	PART NUMBER	U/M	DESCRIPTION
	103759-01-02A	EA	COFFEE MAKER - ALMOND
	04610-01-000	EA	STRAP ASM - COFFEE MAKER

**1992 ITASCA
TABLE OF CONTENTS**

INTRODUCTION	A-01	A-02
ABBREVIATIONS		A-03
ALPHABETICAL INDEX	A-04	A-06
IC422RG	A-07	D-10
IC424RC	D-11	G-15

1992 IC424RC INDEX

FLOOR PLAN	D-11	D-12
ACCESSORIES		D-13
AUDIO VIDEO		D-14
BATH	D-15	D-16
BEDROOM		D-17
CHASSIS	D-18	D-21
CURTAIN & CUSHION	D-22	E-05
LINETTE	F-06	E-07
DRIVERS COMPARTMENT	E-08	E-10
ELECTRICAL	E-11	E-14
EXTERIOR BODY	E-15	E-21
GALLEY	E-22	E-24
GENERATOR		F-01
HEATING & A/C	F-02	F-05
INTERIOR FINISH	F-04	F-09
LABEL	F-08	F-15
LP		F-16
LOUNGE		F-17
SEALANTS & FASTENERS	F-18	F-20
WATER & SEWAGE	F-21	F-24
WINDOW, VENT AND EXTERIOR DOOR	G-01	G-16

GENERATOR GROUP

4.0 KW KOHLER GENERATOR

KEY	PART NUMBER	U/M	DESCRIPTION
	105523-01-000	EA	GENERATOR-4KW LOW PROFILE - KOHLER 4CKM21
	105732-01-000	EA	TRAY ASM-GENERATOR
	086494-01-000	EA	BRACKET-EXHAUST - W/DOUBLE BEND
	105526-01-000	EA	APRSTER-SPARK - KOHLER 278321
	105529-01-000	EA	MUFFLER-FRONT EXHAUST - W/O SPARK - KOHLER 278734
	105172-01-000	EA	PIPE-EXHAUST ADAPTER
	003401-01-000	EA	STRAP-CONDUIT 3/4" - 1 HOLE - GALVANIZED STEEL
	007057-01-000	SF	INSULATION-FIBERGLASS - 1" THICK X 4" - INCREMENTS OF 4 SF
	007131-01-000	EA	HANGER-TAILPIPE - 6 SLOTS
	007125-04-000	EA	CLAMP-MUFFLER - 1 1/2" DIA
	007125-01-000	EA	CLAMP-MUFFLER - 1 1/2" DIAMETER

4.0 KW ONAN GENERATOR

KEY	PART NUMBER	U/M	DESCRIPTION
	100974-01-000	EA	GENERATOR-4.0KW EMERALD PLUS - ONAN EGE-FA25100G WITH ONAN GENERATOR TRAY #403-2218
	105732-01-000	EA	TRAY ASM - GENERATOR
	081354-01-000	EA	MUFFLER-GENERATOR - W/ 8 5" LONG TAILPIPE
	088252-01-000	EA	PIPE-EXHAUST - W/2 BOLT HOLE FLANGE
	086494-01-000	EA	BRACKET-EXHAUST - W/DOUBLE BEND
	094059-01-000	EA	SPACER-GENERATOR - ONAN
	003401-01-000	EA	STRAP-CONDUIT - 3/4" - 1 HOLE - GALVANIZED STEEL
	007057-01-000	SF	INSULATION-FIBERGLASS - 1" THICK X 4" - INCREMENTS OF 4 SF
	007131-01-000	EA	HANGER-TAILPIPE - 6 SLOTS
	007125-04-000	EA	CLAMP-MUFFLER - 1 1/2" DIA
	007125-01-000	EA	CLAMP-MUFFLER - 1 1/2" DIAMETER

4.0 KW ONAN GENERATOR - EXPORT OPTION

KEY	PART NUMBER	U/M	DESCRIPTION
	100974-04-000	EA	GENERATOR-4.0KW EMERALD PLUS - ONAN EGE-FN29236G WITH ONAN TRAY #403-2218
	105732-01-000	EA	TRAY ASM-GENERATOR
	079554-01-700	EA	HINGE KIT-ONAN - EMERALD - ONAN 405-0559
	007057-01-000	SF	INSULATION-FIBERGLASS - 1" THICK X 4" - INCREMENTS OF 4 SF
	081354-01-000	EA	MUFFLER-GENERATOR - W/ 8 5" LONG TAILPIPE
	093511-01-000	EA	VAPOR KIT-LP - GENERATOR
	094059-01-000	EA	SPACER-GENERATOR - ONAN
	093591-02-000	EA	PIPE-EXHAUST, GENERATOR - CURVED - 1 5" OD
	079045-01-000	EA	STRAP-SUPPORT, GENERATOR - 4 HOLE
	084355-01-000	EA	STRAP-SUPPORT, GENERATOR - 2 HOLE
	002431-01-000	EA	STRAP-CONDUIT - 3/4" - 1 HOLE - GALVANIZED STEEL
	007131-01-000	EA	HANGER-TAILPIPE - 6 SLOTS
	007125-04-000	EA	CLAMP-MUFFLER - 1 1/2" DIA
	007125-01-000	EA	CLAMP-MUFFLER - 1 1/2" DIAMETER

HEATING & AIR CONDITIONING GROUP

SUBURBAN 25000 BTU FURNACE

KEY	PART NUMBER	U/M	DESCRIPTION
	099558-04-000	EA	FURNACE-25000 BTU - SUBURBAN SF-25
	059624-01-733	EA	RELAY - TIME DELAY 20/30 BTU - SUBURBAN 231202
	075595-01-709	EA	MICRO SWITCH (FOR MODELS 30 & 34S) - SUBURBAN#230509
	090039-01-703	EA	ORFICE-MAIN BURNER - SUBURBAN# 180193
	090039-01-709	EA	GASKET - OBSERVATION HOLE CUR 070357
	092300-01-704	EA	GASKET-ELECTRODE - SUBURBAN 070163
	096558-01-700	EA	CABINET FRONT - SUBURBAN 101242
	096558-01-701	EA	CABINET ASM - SUBURBAN 101299
	096558-01-702	EA	ELECTRODE - SUBURBAN 231740
	096558-01-703	EA	BURNER ASM - COMP (SF-25) 010752
	098558-01-704	EA	VALVE, SUBURBAN 160938
	098558-01-705	EA	SWITCH-LIMIT - SUBURBAN 231630
	096558-01-706	EA	WHEEL-COMBUSTION AIR - SUBURBAN 350122
	096558-01-707	EA	VENT CAP & EXHAUST TUBE ASM - SUBURBAN 260193
	096558-01-708	EA	BLOWER ASM (COMBUSTION AIR) - SUBURBAN 390441
	096558-01-709	EA	MOTOR ASM - FOR SF-25, SF-30 - SUBURBAN 231705
	096558-01-710	EA	BLOWER ASM (ROOM AIR), SUBURBAN 390440
	096558-01-711	EA	WHEEL - ROOM AIR - SUBURBAN 350123
	096558-01-712	EA	BOARD-MODULE - SUBURBAN 231741
	096558-01-713	EA	INTAKE VENT TUBE ASM - 051044
	096558-05-000	EA	DOOR-ACCESS - FURNACE - OFF WHITE - SUBURBAN 520574
	093255-01-000	EA	THERMOSTAT-WALL - FURNACE - SUBURBAN 0160002

REAR HEATER

KEY	PART NUMBER	U/M	DESCRIPTION
	034405-01-000	EA	HEATER ASM-REAR - DUCTED - W MOTOR AID - EVANS
	034405-01-700	EA	HEATER CORE
	034405-01-701	EA	FAN
	034405-01-702	EA	MOTOR - 12 VOLT ASSY
	057202-01-000	EA	SWITCH-4 POSITION - W/KNOB

HEATING SYSTEM COMPONENTS

KEY	PART NUMBER	U/M	DESCRIPTION
	055454-05-000	EA	REGISTER-PLASTIC W/O DAMPER - 4" DIAMETER - GOLDEN
	009193-01-000	FT	DUCT-HEAT - FLEXIBLE - 4" ID X 25 FT
	009200-01-000	EA	TAPE-FURNACE - 1 1/2"
	023145-01-000	EA	CLAMP-SCREW TYPE - 4"
	089535-02-000	EA	CONNECTOR-DUCT - 4" ID - SUBURBAN 050715
	079059-01-000	EA	HOSE-90 DEGREE - 5/8" ID X 4" X 36"
	079059-02-000	EA	HOSE-90 DEGREE - 5/8" ID X 4" X 6"
	079059-03-000	EA	HOSE-90 DEGREE - 5/8" ID X 4" X 18"
	007103-01-000	FT	HOSE-HEATER - 5/8" ID - HI-TEMP - FORD ESE-M2D192-A
	088753-01-000	FT	TUBE-ALUMINIZED STEEL - 5/8" - 13 GAUGE
	009042-01-000	FT	TUBING-VINYL - 65" ID

1992 ITASCA TABLE OF CONTENTS

INTRODUCTION	A-01	A-02
ABBREVIATIONS		A-03
ALPHABETICAL INDEX	A-04	A-06
IC422RG	A-07	D-10
IC424RC	D-11	G-16

1992 IC424RC INDEX

FLOOR PLAN	D-11	D-12
ACCESSORIES		D-13
AUDIO VIDEO		D-14
BATH	D-15	D-16
BEDROOM		D-17
CHASSIS	D-18	D-21
CURTAIN & CUSHION	D-22	E-05
DINETTE	E-05	E-07
DRIVERS COMPARTMENT	E-03	E-10
ELECTRICAL	E-11	E-14
EXTERIOR BODY	E-15	E-21
GALLEY	E-22	E-24
GENERATOR		F-01
HEATING & A/C	F-02	F-05
INTERIOR FINISH	F-04	F-09
LABEL	F-06	F-15
LP		F-16
LOUNGE		F-17
SEALANTS & FASTENERS	F-18	F-20
WATER & SEWAGE	F-21	F-24
WINDOW, VENT AND EXTERIOR DOOR	G-01	G-16

HEATING & AIR CONDITIONING GROUP (CONTINUED)

ROOF A/C

KEY	PART NUMBER	U/M	DESCRIPTION
	093753-01-04A	EA	A/C-ROOF - 135000 BTU - CFF WHITE - COLEMAN 6759D707/6759E7
	037548-01-714	EA	PACKAGE-GASKET - COLEMAN #5759-3281
	073742-02-704	EA	RUN CAPACITOR (COMPRESSOR) - COLEMAN# 1499-651
	076303-01-712	EA	MOTOR - COLEMAN# 6707A3119
	091225-01-709	EA	START RELAY - COLEMAN# 1497-4131
	091225-01-710	EA	START CAPACITOR - COLEMAN# 1497-0881
	093305-01-701	EA	DECAL PKG - LEFT & RIGHT - COLEMAN 6798B3F91
	093753-01-702	EA	OVERLOAD - COLEMAN #5759-3931
	093753-01-703	EA	IMPELLOR-7" DIA X 2 8" WIDE - COLEMAN# 6759-3271
	093753-01-704	EA	CAPACITOR-FAN - COLEMAN# 1499-3461
	093753-01-707	EA	EVAPORATOR COIL-COLEMAN# 1452-1351
	093753-01-709	EA	CONDENSER COIL-COLEMAN# 1452-1251
	093753-01-709	EA	COMPRESSOR-COLEMAN# 6749A3609
	093753-01-712	EA	FAN BLADE-CONDENSER - COLEMAN# 6733-3221
	093753-04-700	EA	SHROUD-ROOF A/C - W/O LOGOS - COLEMAN 6759-4601
	093754-01-000	EA	CEILING ASM-A/C COOL ONLY - TSR - COLEMAN 6759D714
	042704-01-709	EA	THERMOSTAT-IN 64 OUT 58, COLEMAN# 6701-3401
	073742-01-701	EA	SELECTOR SWITCH (5 TERMINAL) - COLEMAN# 6759-3251
	073742-01-702	EA	DECAL COOL ONLY - COLEMAN# 6759C3431
	076303-01-707	EA	FILTER-6" X 14 3/4" X 1/2" - 12 PER PKG - COLEMAN 6703A3151
	081505-01-708	EA	LIMIT SWITCH (OPEN 160,CLOSE 110) - COLEMAN# 6703-3041
	091605-01-712	EA	CEILING SHROUD (IVORY) - COLEMAN# 6769-S051
	091225-01-713	EA	KNOB (2 PER PACKAGE) - COLEMAN# 6701-3351
	091225-01-717	EA	DECAL (THERMOSTAT) COOL ONLY - COLEMAN# 6759A3441
	093753-01-710	EA	SINGLE PARTS PACKAGE - COLEMAN# 6759-5841
	093753-01-700	EA	SHROUD (IVORY/CHARCOAL) - 6759-4591
	102259-01-000	EA	SPRING-SCREW - ROOF A/C GASKET - COLEMAN 6757-150

EUROPEAN ROOF A/C

KEY	PART NUMBER	U/M	DESCRIPTION
	092440-01-000	EA	A/C-ROOF - 13500 BTU - 220V - 50HZ - COLEMAN# 6713C750
	092441-01-000	EA	CEILING ASM-A/C - 220V - 50HZ - COLEMAN# 6712ET16
	102239-01-000	EA	SPRING-SCREW - ROOF A/C GASKET - COLEMAN 6757-150

INTERIOR FINISH GROUP

MOLDINGS & TRIMS

KEY	PART NUMBER	U/M	DESCRIPTION
	085284-03-000	FT	BATT STRIP - WOODGRAIN - ADHESIVE BACKED - REGAL OAK FROM 00-00-00 THRU: 02-23-92
	085284-66-000	FT	BATT STRIP - WOODGRAIN - ADHESIVE BACKED - FOREST OAK FROM 02-24-92 THRU 99-99-99
	088263-63-000	EA	BATT STRIP-DECORATIVE - PLAIN - 8' LONG (MAIN WALL)
	085284-53-000	FT	BATT STRIP-DECORATIVE - PLAIN - ADHESIVE BACKED (MAIN WALL)
	088263-65-000	EA	BATT STRIP-DECORATIVE - W/FLOWERS - 8' LONG (GALLEY/BATH)
	085284-41-000	FT	BATT STRIP-DECORATIVE - W/FLOWERS - ADHESIVE BACKED (GALLEY/BATH)
	086263-71-000	EA	BATT STRIP-DECORATIVE - 6" - FAWN (CEILING)
	085284-59-000	FT	STRIP-TAPE-TRC WELL WORK (CEILING)
	092330-D1-878	EA	LUMBER-VINYL WRAPPED - 018X038X1878 MM
	092330-D2-438	EA	LUMBER-VINYL WRAPPED - 7' X 1 5' X 9' - WOODGRAIN
	092330-03-000	EA	LUMBER-VINYL WRAPPED - 2' X 55' - WOODGRAIN
	092330-05-000	EA	LUMBER-VINYL WRAPPED - REGAL OAK
	103185-01-02A	FT	MOLDING-EDGE-SHELF - 78" WIDE - PLASTIC - REGAL OAK
	009767-12-000	FT	MOLDING-SIDEWALL TO CEILING/CABINET - WELTING - OFF WHITE
	009809-23-000	EA	MOLDING-CORNER- OUTSIDE - 1" - PLASTIC - IVORY
	009809-24-000	EA	MOLDING-CORNER- OUTSIDE - 1" - PLASTIC - THOR PECAN
	009812-24-000	EA	MOLDING-PLASTIC - OUTSIDE CORNER - 50" - MODERN IVORY
	009812-25-000	EA	MOLDING-CORNER- OUTSIDE - 5" - PLASTIC - PECAN
	022992-11-000	FT	MOLDING-REVERSE COVE- T-SHAPED - VINYL - IVORY
	092331-C2-134	EA	MOLDING-VINYL WRAPPED- 7" X 1 57" X 84" - WOODGRAIN
	092331-F2-134	EA	MOLDING-VINYL WRAPPED- 7" X 2 5" X 7" - WOODGRAIN
	092331-F2-438	EA	MOLDING-VINYL WRAPPED- 7" X 2 5" X 55" - WOODGRAIN
	105004-01-01A	EA	MOLDING-VINYL WRAP - REGAL OAK
	075249-01-000	EA	RAILING-OAK- 72" EA - UNFINISHED
	105259-01-AB1	EA	TRIM-FLOOR- 72" X 1" X 1/2" - WOOD
	002815-09-000	FT	T-MOLDING - 75" - IVORY
	083520-07-000	FT	T-MOLDING-3/4 WEDGE LIPS- END CAP- THOR PECAN
	083520-09-000	FT	T-MOLDING-3/4 WEDGE LIPS-MODERN IVORY
	070504-01-000	FT	U-CHANNEL-PLASTIC - 055" WIDE - LIGHT BROWN - INC OF 5'
	070504-20-000	FT	U-CHANNEL-PLASTIC - 815" WIDE - THOR PECAN - INC OF 8'
	083229-01-000	EA	RETAINER-BATTEN CEILING - 75" WIDE - 76" EA

CARPETING & FLOOR MATS

KEY	PART NUMBER	U/M	DESCRIPTION
	095050-21-000	SY	CARPET-12' ROLL - INCREMENTS OF 4 SY - PALE CRCHRID
	047034-02-000	SF	PLASTIC-CARPET- 4' WIDE - CLEAR POLY - MINIMUM ORDER 1600 SF
	040059-01-000	EA	MAT-FLOOR-W/ITASCA LOGO - 10 5" X 26" - RUBBER - BLACK
	081075-03-000	EA	MAT-FLOOR-ENTRANCE-ITASCA - PLASTICOLOR GRAY
	083218-01-000	EA	MAT-FLOOR-PASSENGER - 1' - CHEVY
	083216-02-000	EA	MAT-FLOOR-DRIVER - 1' - CHEVY
	105384-03-000	EA	MAT-FLOOR-FRONT-RIGHT-1'-FORD
	105384-04-000	EA	MAT-FLOOR-FRONT-LEFT-1'-FORD

**1992 ITASCA
TABLE OF CONTENTS**

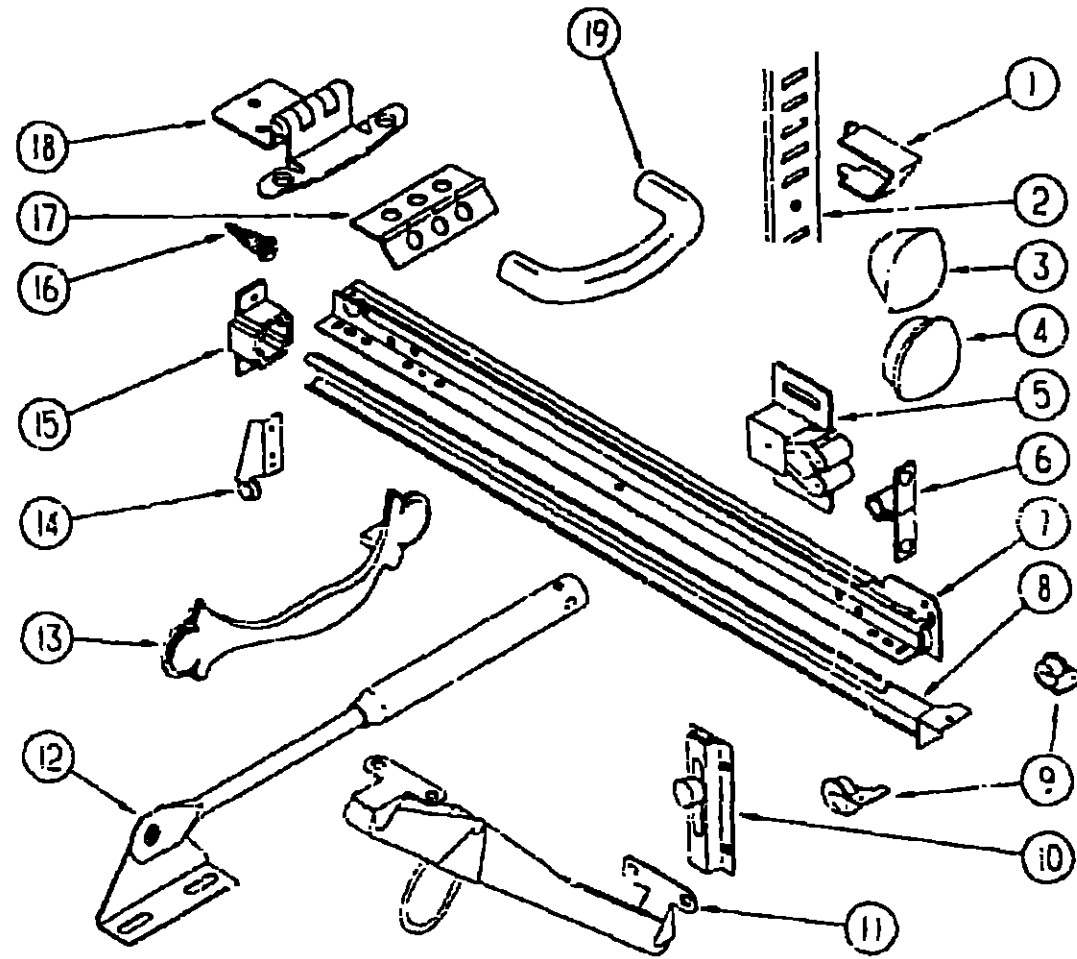
INTRODUCTION	A-01	A-02
ABBREVIATIONS		A-03
ALPHABETICAL INDEX	A-04	A-05
IC422RG	A-07	D-10
IC424RC	D-11	G-15

1992 IC424RC INDEX

FLOOR PLAN	D-11	D-12
ACCESSORIES		D-13
AUDIO VIDEO		D-14
BATH	D-15	D-15
BEDROOM		D-17
CHASSIS	D-18	D-21
CURTAIN & CUSHION	D-22	E-05
DINETTE	E-05	E-07
DRIVERS COMPARTMENT	E-05	E-10
ELECTRICAL	E-11	E-14
EXTERIOR BODY	E-15	E-21
GALLEY	E-22	E-24
GENERATOR		F-01
HEATING & A/C	F-02	F-05
INTERIOR FINISH	F-04	F-09
LABEL	F-05	F-15
LP		F-15
LOUNGE		F-17
SEALANTS & FASTENERS	F-18	F-20
WATER & SEWAGE	F-21	F-24
WINDOW, VENT AND		
EXTERIOR DOOR	G-01	G-15

INTERIOR FINISH GROUP (CONTINUED)

CABINET & TABLE HARDWARE



KEY	PART NUMBER	U/M	DESCRIPTION
1	098979-01-000	EA	CLIP-ADJUSTABLE SHELF
2	098980-01-000	EA	PILASTER-ADJUSTABLE SHELF- 18" LONG
3	042355-01-000	EA	PLUG-BUTTON-MAHOGANY - 3/8" DIAMETER - WOOD
4	074045-07-000	EA	PLUG-WOOD-1/2" - NATURAL
5	093585-03-000	EA	CATCH-SPRING- ROLLER
6	033595-04-000	EA	STRIKE-SPRING STEEL
7	101910-03-000	EA	SLIDE-DRAWER-CABINET MOUNTED - SET OF 2 - 12" LONG
7	101910-04-000	EA	SLIDE-DRAWER-DRAWER MOUNTED - SET OF 2 - 12" LONG
8	102827-05-000	EA	TRACK-DRAWER 22 6" LONG
9	102827-03-000	EA	ROLLER-DRAWER NYLON - PAIR
10	061504-01-000	EA	SLIDE-BOLT- ANTIQUE BRASS
11	104181-01-01A	EA	SUPPORT-LEAF - 5 3" - EXTENDS TO 7 5" - SAFETY RING - METAL
12	074493-02-000	EA	SUPPORT-PISTON SPRING CABINET DOOR
13	056545-01-000	EA	PULL-CABINET BRASS - TWIST - 1 1" X 3 4"
14	102827-07-000	EA	BRACKET-ROLLER - DRAWER - REAR
15	102827-04-000	EA	BRACKET MOUNTING DRAWER - REAR
16	000G13-05-10G	EA	SCREW-6-20 X 5/8 PPH- ANTIQUE BRASS
16	000G13-05-08G	EA	SCREW 5-20 X 5/8 PPH- ANTIQUE BRASS
17	009059-01-000	EA	HINGE-DOOR- 2" X 1 4" - BRASS
17	009059-02-000	EA	HINGE-DOOR- 2" X 2 7" - BRASS
18	059777-02-000	EA	HINGE-CABINET DOOR- BURNISHED BRASS
18	105153-01-000	EA	HINGE-DOOR CABINET - BURNISHED BRASS
19	103857-01-000	EA	PULL-DOOR - CABINET - 3" - BRASS
	009148-01-000	EA	PULL-FINGER - 75" DIAMETER - BRASS
	109549-01-000	EA	HINGE-BRASS-VARIABLE OVERLAY (OVERHEAD RANGE CABINET)
	023320-01-000	EA	PAD FELT 3 8" DIAMETER - BROWN
	103257-01-000	EA	STOP-DOOR
	105037-02-000	EA	FASTENER-WOOD CORNER - METAL - 5" X 5"
	004354-01-000	EA	BUMPER-RUBBER- 5" DIA - BROWN
	009053-01-000	EA	HINGE-CONTINUOUS- 1 1/2" X 72" - UNPAINTED
	016604-01-000	EA	BRACE-CABINET- ANGLE - 2 5" - METAL - UNPAINTED
	016604-03-000	EA	SPACE-CABINET- ANGLE - 2 5" - METAL - BEIGE
	065740-01-000	EA	BRACE-CABINET CORNER- PLASTIC
	076790-01-000	EA	SCREW- 6-20 X 1 1/4 PPH - BLACK
	009112-01-000	EA	FLANGE-1" ROD - CLOTHES - PLASTIC - OFF WHITE
	042438-01-000	EA	DOWEL-WOOD - CLOTHES ROD - 1" DIAMETER X 4"
	042438-02-000	EA	DOWEL-WOOD - 2" X 2"
	064781-06-000	EA	HOLDER-CUP - TWO STEP - OFF WHITE
	103130-01-000	EA	HOCK-CUP-BRASS-1 25"
	075227-04-000	EA	BRACKET-SUNKBED - 2 9" X 1 8" TRIANGLE-METAL-OFF WHITE
	104855-02-000	EA	CATCH-WOOD-LAMINATED FACED CABINET

1992 ITASCA
TABLE OF CONTENTS

INTRODUCTION	A-01 -	A-02
ABBREVIATIONS		A-03
ALPHABETICAL INDEX	A-04 -	A-05
IC422RG	A-07 -	D-10
IC424RC	D-11 -	G-16

1992 IC424RC INDEX

FLOOR PLAN	D-11 -	D-12
ACCESSORIES		D-13
AUDIO VIDEO		D-14
BATH	D-15 -	D-16
BEDROOM		D-17
CHASSIS	D-18 -	D-21
CURTAIN & CUSHION	D-22 -	E-05
DINETTE	E-05 -	E-07
DRIVERS COMPARTMENT	E-08 -	E-10
ELECTRICAL	E-11 -	E-14
EXTERIOR BODY	E-15 -	E-21
GALLEY	E-22 -	E-24
GENERATOR		F-01
HEATING & A/C	F-02 -	F-05
INTERIOR FINISH	F-04 -	F-09
CASEL	F-08 -	F-15
LP		F-16
LOUNGE		F-17
SEALANTS & FASTENERS	F-18 -	F-20
WATER & SEWAGE	F-21 -	F-24
WINDOW VENT AND		
EXTERIOR DOOR	G-01 -	G-16

INTERIOR FINISH GROUP (CONTINUED)

LABELS GROUP

FIRE EXTINGUISHER, SMOKE DETECTOR & CLOCK

KEY	PART NUMBER	U/M	DESCRIPTION
	094499-01-000	EA	EXTINGUISHER-FIRE- DRY W/MOUNTING BRACKET - 10 BC
	094499-02-000	EA	EXTINGUISHER-FIRE- DRY - 1A10BC - CANADIAN
	094499-01-700	EA	BRACKET-MOUNTING- W/PLASTIC STRAP - FIRE EXTINGUISHER
	072852-01-000	EA	DETECTOR-SMOKE - W/9 VOLT BATTERY(US)
	072852-02-000	EA	DETECTOR-SMOKE - W/9 VOLT BATTERY(CSA)
	104754-01-01A	EA	CLOCK-WALL - SPARTUS 5516-42
	101333-01-000	EA	BACKPLATE-CLOCK - 6" X 6" - PLASTIC - BLACK

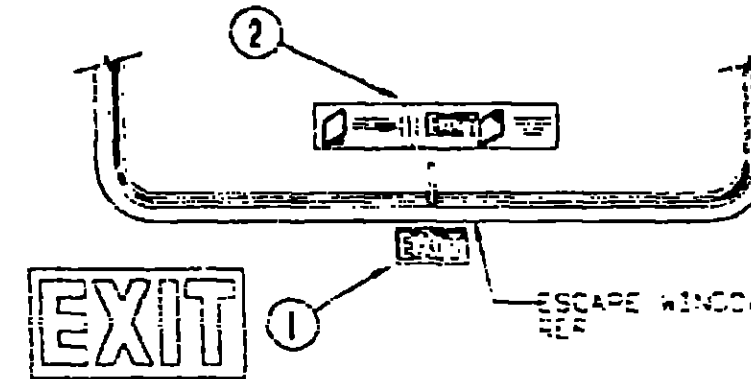


**1992 ITASCA
TABLE OF CONTENTS**

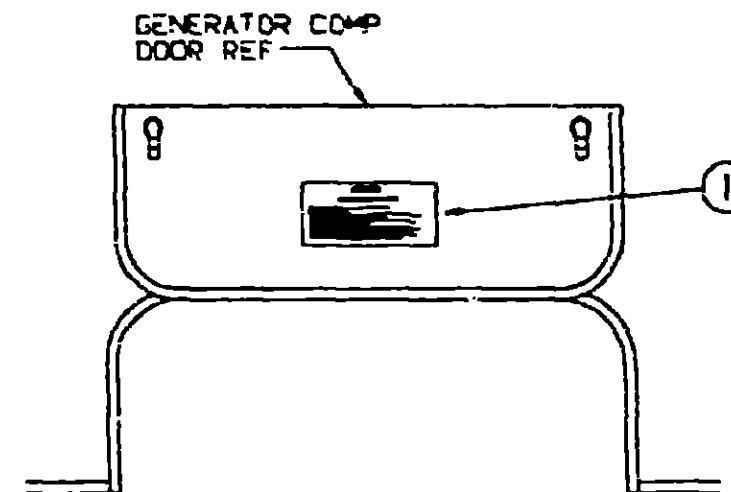
INTRODUCTION	A-01 -	A-02
ABBREVIATIONS		A-03
ALPHABETICAL INDEX	A-04 -	A-05
IC422RG	A-07 -	D-10
IC424RC	D-11 -	G-16

PANELING, LAMINATES & PLASTIC

KEY	PART NUMBER	U/M	DESCRIPTION
	074497-19-000	SF	PANELING-CEILING- 4' X 8'-TROWORKFAWN - INCREMENTS OF 32 SF
	068272-72-000	SF	PANELING-SHOWER- 4' X 7' OFF WHITE - INCREMENTS OF 28 SF FROM 00-00-00 THRU 03-15-92
	088272-98-000	SF	PANELING-SHOWER- 4' X 7' OFF WHITE - INCREMENTS OF 28 SF FROM 03-15-92 THRU 99-99-99
	074497-20-000	SF	PANELING-WOODGRAIN 4' X 8' - FOREST OAK-INCREMENTS OF 32 SF
	058272-65-000	SF	PANELING-DECORATIVE- FLAIN - 4' X 7' - INCREMENTS OF 28 SF
	088272-87-000	SF	PANELING-DECORATIVE- W/FLOWERS - 4' X 7' - INC OF 28 SF
	074493-40-000	SF	LAMINATE-PLASTIC- 5' X 8' - OFF WHITE - INC OF 40 SF
	074493-41-000	SF	LAMINATE-PLASTIC- 5' X 8' - ORCHID - INC OF 40 SF
	075325-15-000	FT	MOLDING-EDGE BAND- 1.5 15" WIDE - WOODGRAIN - REGAL OAK
	075325-25-000	FT	MOLDING-EDGE BAND- 1.5 15" WIDE - WOODGRAIN - ORCHID
	075325-28-000	FT	MOLDING-EDGE BAND- 1.5 15" WIDE
	000885-55-000	SF	PARTICLE BOARD-3 6" X 48" X 95" - 1 SIDE VINYL - WOODGRAIN (33 SF)
	000885-54-000	SF	PARTICLE BOARD-3 6" X 48" X 95" - 2 SIDED VINYL - FOREST OAK (SHELVES)
	000885-59-000	SF	PARTICLE BOARD-3 4" X 50" X 95" - 2 SIDED VINYL - FOREST OAK
	089037-01-000	SF	PLYWOOD-LUAN OVERLAY GRADE - 4' X 8' - INC OF 32 SF
	0013743-02-01A	SF	PLASTIC-ABS 20" WIDE ROLL - OFF WHITE
	093743-03-01A	SF	PLASTIC-ABS- 10 8" WIDE - OFF WHITE
	050516-02-000	SF	PLYWOOD-OAK- 1 SIDE FINISHED - 3 16" X 4' X 8' (02 SF)
	095531-01-000	SY	PLYWOOD-RED OAK - 1 2'
	095588-01-000	SF	VENEER-FLAT LUANA 48X95



KEY	PART NUMBER	U/M	DESCRIPTION
1	039290-01-000	EA	LABEL-WARNING-EXIT
2	107571-01-000	EA	LABEL-EXIT-ESCAPE WINDOW



WARNING
WHEN ADDING A GENERATOR SET:

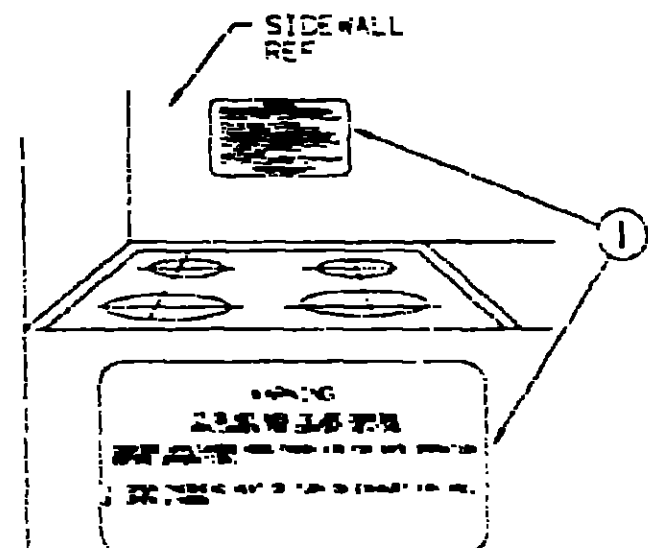
HIGH VOLTAGE-USE EXTREME CAUTION WHEN WORKING ON ELECTRICAL COMPONENTS.
HAVE ALL ELECTRICAL INSTALLATION PERFORMED BY A QUALIFIED LICENSED ELECTRICIAN-FOLLOW ALL STATE AND LOCAL CODES.
ONLY INSTALL GENERATOR SET APPROVED FOR R.V. APPLICATION. HAVE INSTALLED BY QUALIFIED TECHNICIAN.
TO AVOID HEAT BUILD-UP AND TO GUARANTEE AN ADEQUATE AIR SUPPLY TO THE GENERATOR COMPARTMENT, FOLLOW INSTALLATION INSTRUCTIONS. GENERATOR ENGINE EXHAUST PIPES ARE TO BE KEPT CLEAR AND MUST NOT TEMPERATE UNDER THE VEHICLE-CORROSION EXHAUST AWAY FROM VEHICLE.

KEY	PART NUMBER	U/M	DESCRIPTION
1	077510-01-000	EA	LABEL-GENERATOR PREP

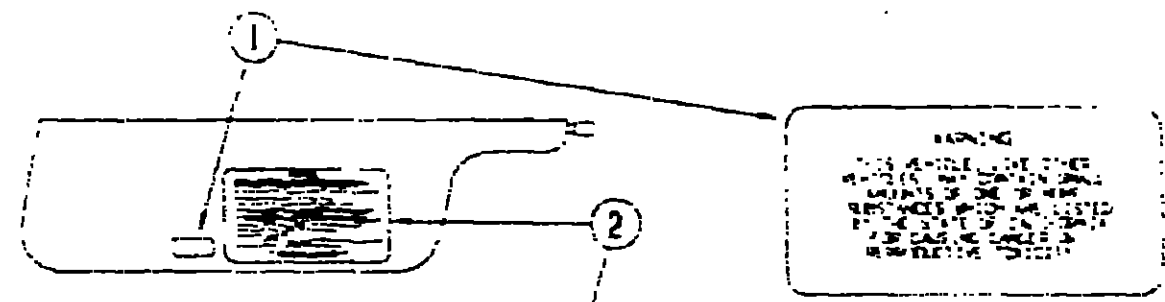
1992 IC424RC INDEX

FLOOR PLAN	D-11 -	D-12
ACCESSORIES		D-13
AUDIO VIDEO		D-14
BATH	D-15 -	D-16
BEDROOM		D-17
CHASSIS	D-18 -	D-21
CURTAINS & CUSHION	D-22 -	E-05
DINETTE	E-06 -	E-07
DRIVERS COMPARTMENT	E-08 -	E-10
ELECTRICAL	E-11 -	E-14
EXTERIOR BODY	E-15 -	E-21
GALLEY	E-22 -	E-24
GENERATOR		F-01
HEATING & A/C	F-02 -	F-05
INTERIOR FINISH	F-04 -	F-09
LABEL	F-06 -	F-15
LP		F-16
LOUNGE		F-17
SEALANTS & FASTENERS	F-18 -	F-20
WATER & SEWAGE	F-21 -	F-24
WINDOW VENT AND EXTERIOR DOOR	G-01 -	G-16

LABELS GROUP (CONTINUED)



KEY	PART NUMBER	U/M DESCRIPTION
1	060225-01-000	EA LABEL WARNING-STOVE VENT - US



CAUTION

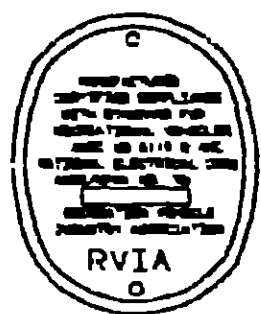
THIS MOTORHOME HAS BEEN DESIGNED, MANUFACTURED AND TESTED WITH CONSIDERATION FOR THE PROTECTION OF ITS PASSENGERS. WE RECOMMEND YOU FOLLOW THE FOLLOWING INSTRUCTIONS FOR YOUR SAFETY AND THE SAFETY OF YOUR PASSENGERS BEFORE STARTING YOUR VEHICLE.

1. **SEAT BELTS** - Fasten up at take off for traveling. Test for lumps upon arrival at destination. Do not drink while driving.
2. **WHEELS** - Inspect for damage and check lug nuts for tightness.
3. **TIRES** - Inspect for wear and damage and check for recommended air pressure.
4. **LOADING** - Test for proper operation of all interior and exterior lights including dash lights, headlights, tail lights, brake lights, clearance lights and turn signals.
5. **EXIT** - Inspect release mechanism in emergency exit window. Test both doors on main entrance door for ease of operation and instruct passengers how to use both means of exit.
6. **SEAT BELTS** - Direct passengers to designated seats and explain use of seat belts.
7. **BALANCE** - Do not use weight of load drops when parked.
8. **LOOSE PANELS** - Store securely.
9. **UTILITY WIRE LINES** - Disconnect all electrical wires and water lines and secure properly.
10. **ENTRANCE DOOR** - Place in retracted position for traveling.

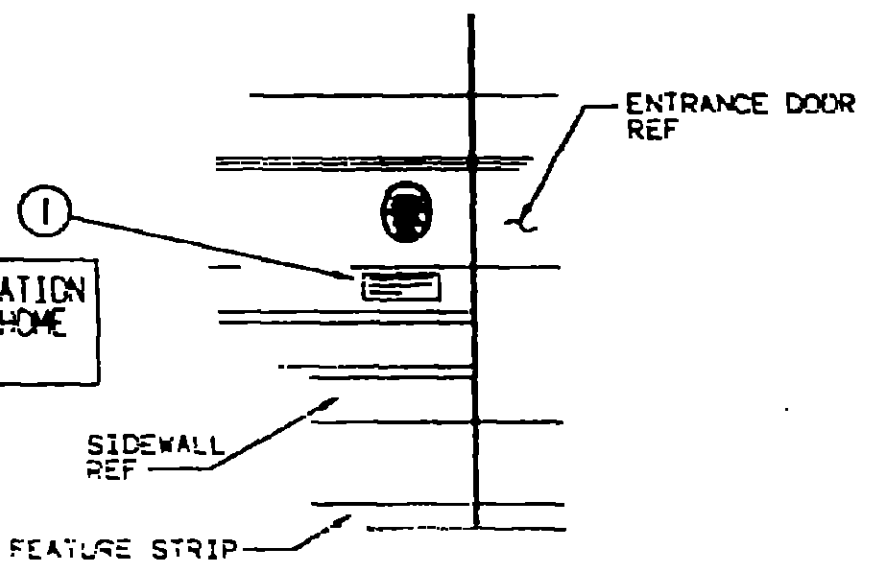
READ THIS MOTORHOME AND CHASSIS OWNER'S MANUAL FOR FURTHER PRECAUTIONS.

KEY	PART NUMBER	U/M DESCRIPTION
1	060225-01-000	EA LABEL WARNING-CANCER TOXICITY
2	060225-01-000	EA LABEL SAFETY-CHECKLIST

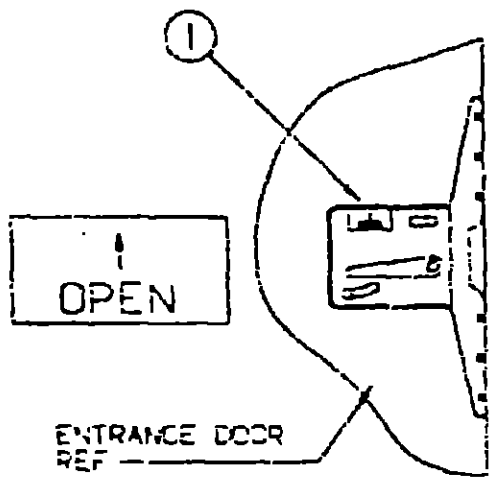
LABELS GROUP (CONTINUED)



FOR AWNING INSTALLATION
CONTACT YOUR MOTORHOME
DEALERSHIP



KEY	PART NUMBER	U/M DESCRIPTION
1	060502-01-000	EA LABEL AWNING-INSTALLATION



KEY	PART NUMBER	U/M DESCRIPTION
1	040344-01-000	EA LABEL ENTRANCE DOOR - OPEN

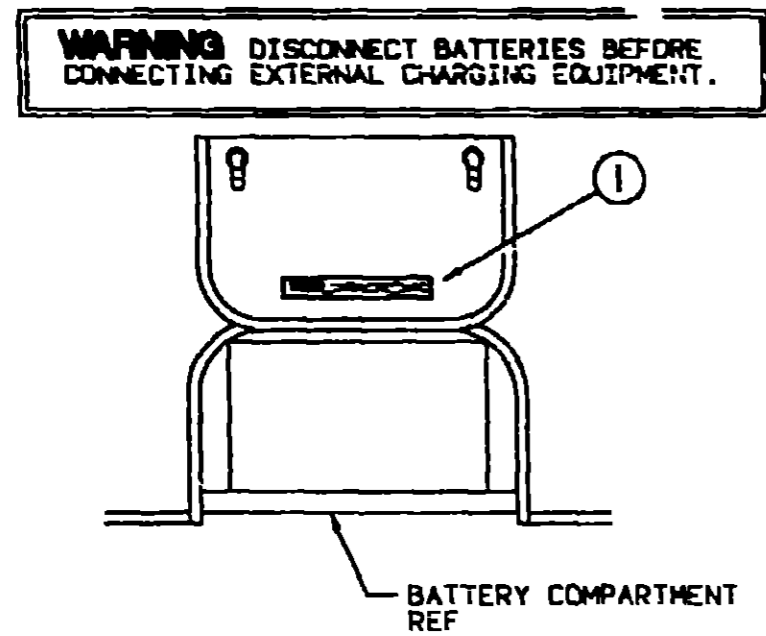
1992 ITASCA
TABLE OF CONTENTS

INTRODUCTION	A-01 - A-02
ABBREVIATIONS	A-03
ALPHABETICAL INDEX	A-04 - A-06
IC422RG	A-07 - D-10
IC424RC	D-11 - G-16

1992 IC424RC INDEX

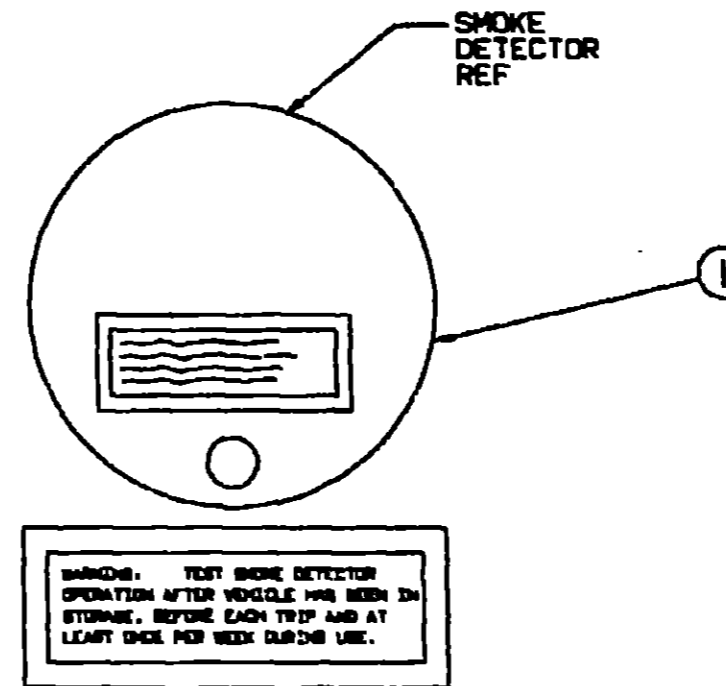
FLOOR PLAN	D-11 - D-12
ACCESSORIES	D-13
AUDIO/VIDEO	D-14
BATH	D-15 - D-16
BEDROOM	D-17
CHASSIS	D-18 - D-21
CURTAIN & CUSHION	D-22 - E-1
DINETTE	E-05 - E-07
DIVERS COMPARTMENT	E-08 - E-10
ELECTRICAL	E-11 - E-14
EXTERIOR BODY	E-15 - E-21
GALLEY	E-22 - E-24
GENERATOR	F-01
HEATING & A/C	F-02 - F-05
INTERIOR FINISH	F-04 - F-09
LABEL	F-03 - F-15
LP	F-16
LOUNGE	F-17
SEALANTS & FASTENERS	F-18 - F-20
WATER & SEWAGE	F-21 - F-24
WINDOW VENT AND EXTERIOR DOOR	G-01 - G-16

LABELS GROUP (CONTINUED)

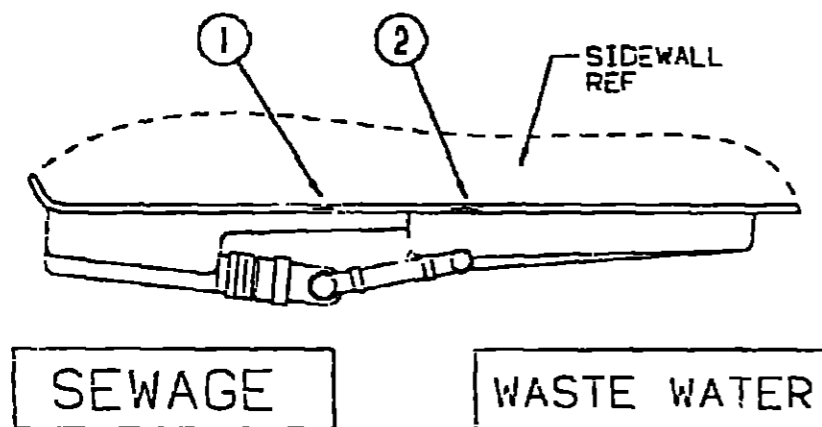


KEY PART NUMBER U/M DESCRIPTION
 1 055748-01-000 EA LABEL-CAUTION-BATTERY CHARGING

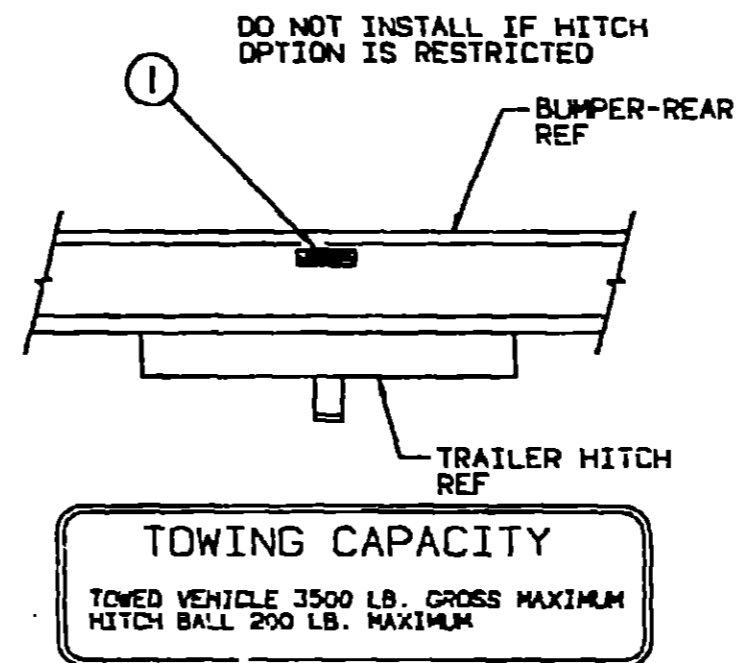
LABELS GROUP (CONTINUED)



KEY PART NUMBER U/M DESCRIPTION
 1 077955-01-000 EA LABEL-WARNING-SMOKE DETECTOR



KEY PART NUMBER U/M DESCRIPTION
 1 005187-01-000 EA LABEL-SEWAGE
 2 005163-01-000 EA LABEL-WASTE WATER



KEY PART NUMBER U/M DESCRIPTION
 1 075221-01-000 EA LABEL-TOWING CAPACITY

1992 ITASCA TABLE OF CONTENTS

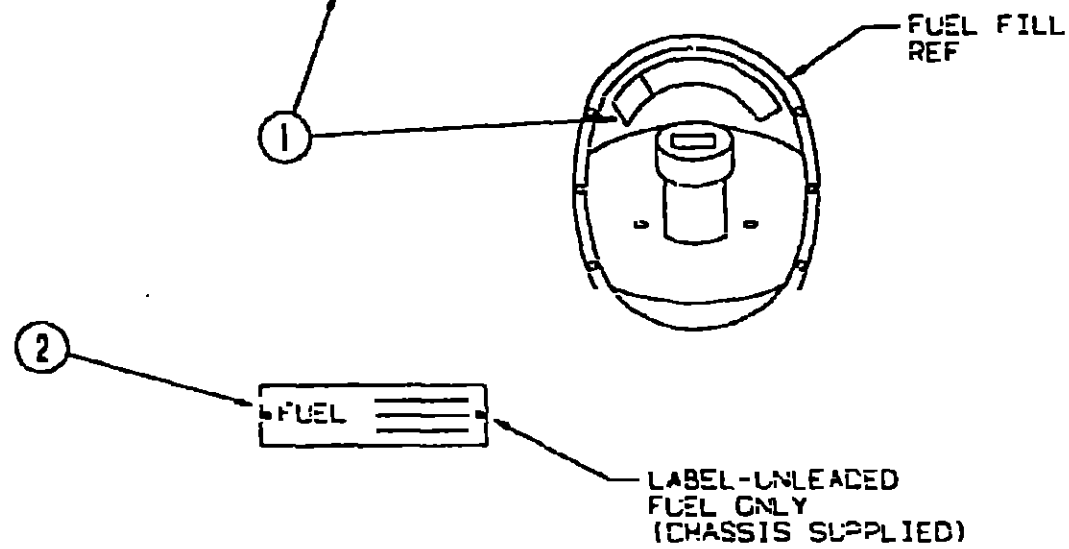
INTRODUCTION	A-01 - A-02
ABBREVIATIONS	A-03
ALPHABETICAL INDEX	A-04 - A-06
IC422RG	A-07 - D-10
IC424RC	D-11 - G-16

1992 IC424RC INDEX

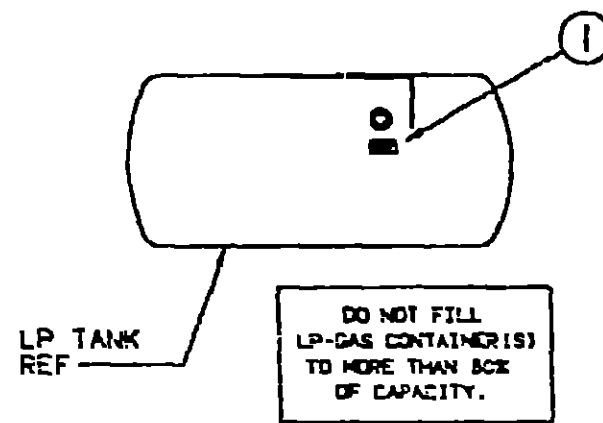
FLOOR PLAN	D-11 - D-12
ACCESSORIES	D-13
AUDIO VIDEO	D-14
BATH	D-15 - D-15
BEDROOM	D-17
CHASSIS	D-18 - D-21
CURTAIN & CUSHION	D-22 - E-05
DINETTE	E-05 - E-07
DRIVERS COMPARTMENT	E-08 - E-10
ELECTRICAL	E-11 - E-14
EXTERIOR BODY	E-15 - E-21
GALLEY	E-22 - E-24
GENERATOR	F-01
HEATING & A.C	F-02 - F-05
INTERIOR FINISH	F-04 - F-09
LABEL	F-03 - F-15
LP	F-15
LOUNGE	F-17
SEALANTS & FASTENERS	F-18 - F-20
WATER & SEWAGE	F-21 - F-24
WINDOW, VENT AND EXTERIOR DOOR	G-01 - G-15

LABELS GROUP (CONTINUED)

CAUTION	TO HELP AVOID PERSONAL INJURY DURING REMOVAL OF FUEL FILLER CAP, SLOWLY LOOSEN CAP 1/2 TURN TO ALLOW ANY FUEL PRESSURE TO BE RELIEVED BEFORE TURNING CAP FURTHER.
FUEL SPRAY MAY CAUSE PERSONAL INJURY	STOP ADDING FUEL AFTER FIRST SHUTOFF BY AUTOMATIC NOZZLE WHEN TANK IS NEARLY FULL. DO NOT OVERFILL FUEL TANK. SEE OWNERS MANUAL FOR ADDITIONAL INFORMATION.
	PRINTED IN U.S.A. M.C. PT. NO. 15611763

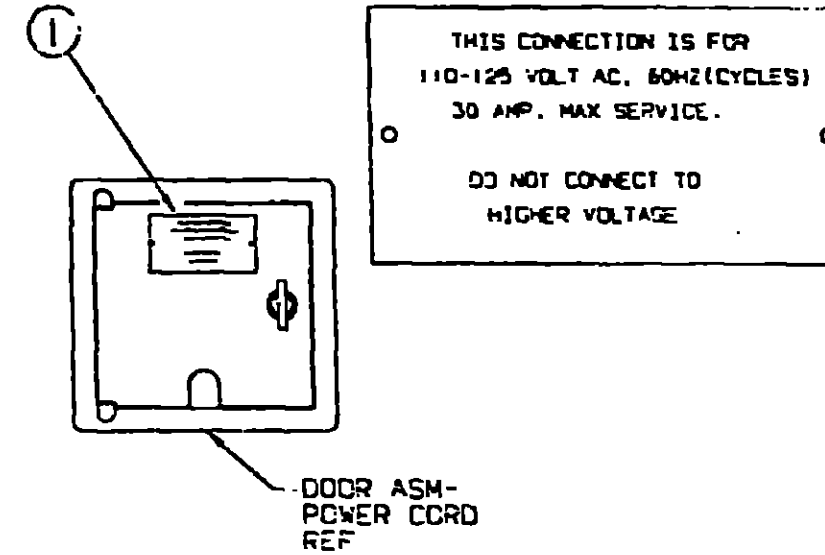


KEY PART NUMBER	U/M DESCRIPTION
1 037207-05-000	EA LABEL-GAS OVERFILL
2 052043-01-000	EA LABEL-FUEL-UNLEADED

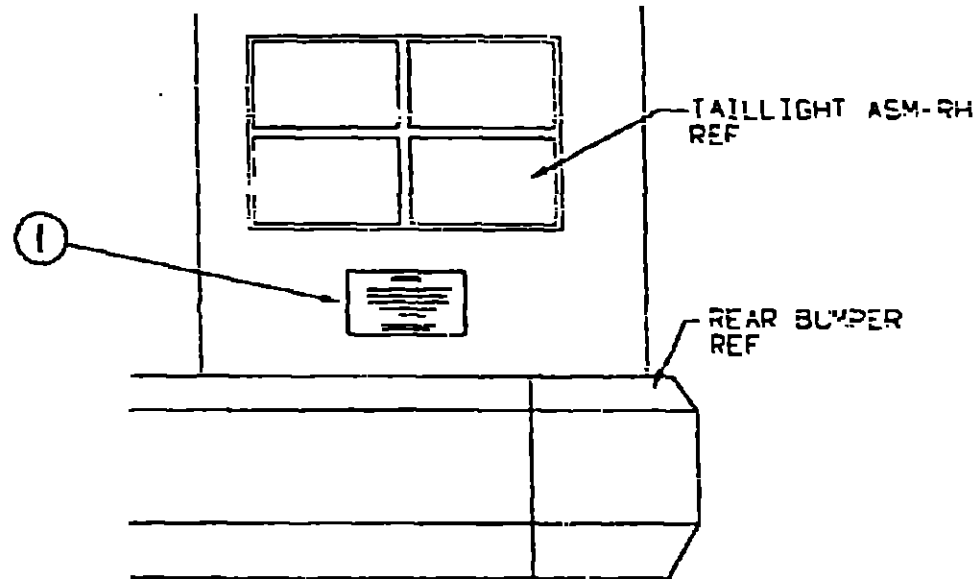


KEY PART NUMBER	U/M DESCRIPTION
1 064531-01-000	EA LABEL-LP GAS ONLY

LABELS GROUP (CONTINUED)



KEY PART NUMBER	U/M DESCRIPTION
1 005052-01-000	EA TAG-ELECTRIC-110V CONNECTION



WARNING

DO NOT EXCEED THE VEHICLE WEIGHT RATINGS OR LOADING RECOMMENDATIONS (E.G., GROSS VEHICLE, GROSS AXLE, GROSS COMBINED) OF THE CHASSIS MANUFACTURER OR WINNEBAGO INC.

REFER TO YOUR OWNERS MANUAL, BEFORE LOADING OR TOWING.

KEY PART NUMBER	U/M DESCRIPTION
1 075220-01-000	EA LABEL-WARNING-EXTERIOR LOAD

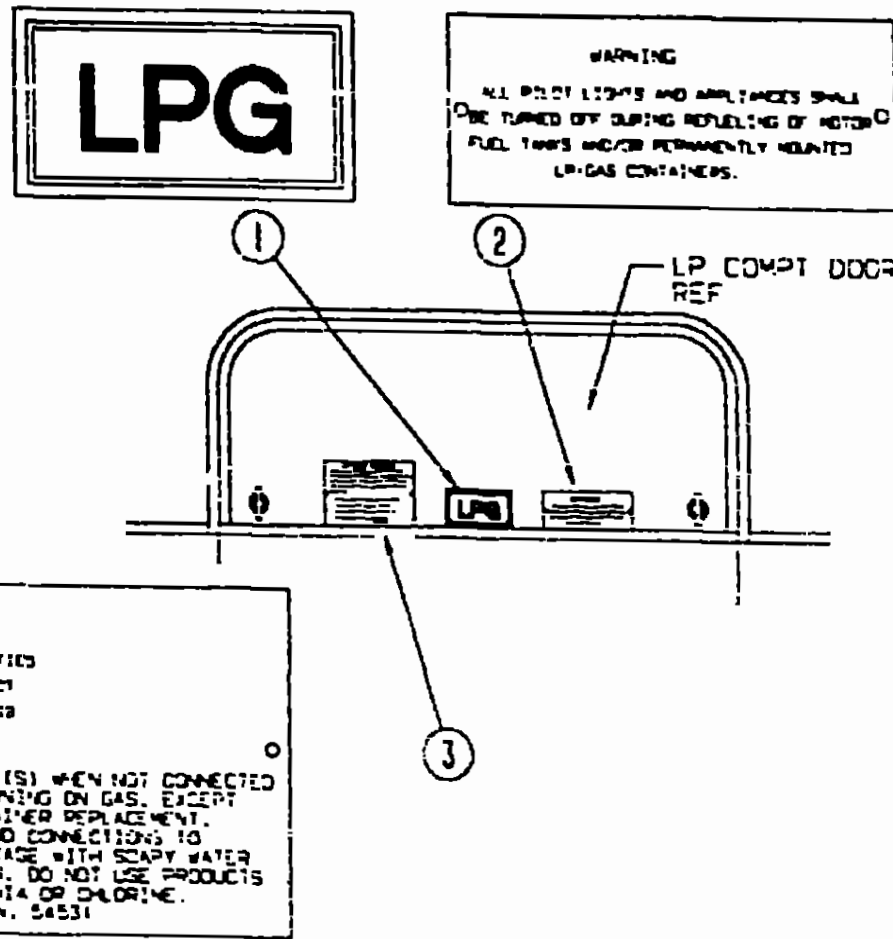
1992 ITASCA TABLE OF CONTENTS

INTRODUCTION:	A-01 - A-02
ABBREVIATIONS	A-03
ALPHABETICAL INDEX	A-04 - A-05
IC422RG	A-07 - D-10
IC424RC	D-11 - G-16

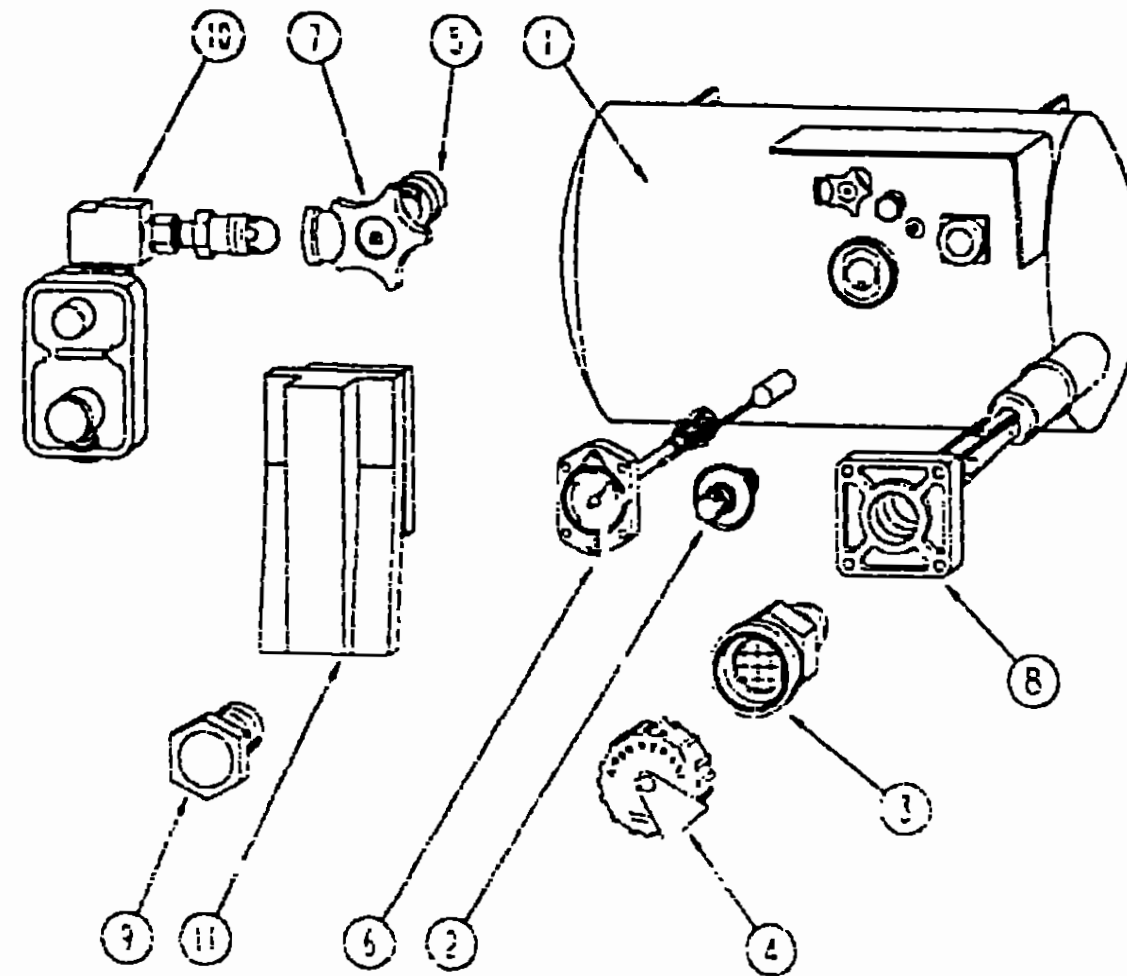
1992 IC424RC INDEX

FLOOR PLAN	D-11 - D-12
ACCESSORIES	D-13
AUDIO VIDEO	D-14
BATH	D-15 - D-16
BEDROOM	D-17
CHASSIS	D-18 - D-21
CURTAIN & CUSHION	D-22 - E-05
DINETTE	E-05 - E-07
DRIVERS COMPARTMENT	E-08 - E-10
ELECTRICAL	E-11 - E-14
EXTERIOR BODY	E-15 - E-21
GALLEY	E-22 - E-24
GENERATOR	F-01
HEATING & A/C	F-02 - F-05
INTERIOR FINISH	F-04 - F-09
LABEL	F-03 - F-15
LP	F-15
LOUNGE	F-17
SEALANTS & FASTENERS	F-18 - F-20
WATER & SEWAGE	F-21 - F-24
WINDOW, VENT AND EXTERIOR DOOR	G-01 - G-15

LABELS GROUP (CONTINUED)



LP GROUP



LP TANK & COMPONENTS

**1992 ITASCA
TABLE OF CONTENTS**

INTRODUCTION	A-01 - A-02
ABBREVIATIONS	A-03
ALPHABETICAL INDEX	A-04 - A-06
IC423RG	A-07 - D-10
IC424RC	D-11 - G-15

1992 IC424RC INDEX

FLOOR PLAN	D-11 - D-12
ACCESSORIES	D-13
AUDIO/VIDEO	D-14
BATH	D-15 - D-16
BEDROOM	D-17
CHASSIS	D-18 - D-21
CURTAIN & CUSHION	D-22 - E-05
DINETTE	E-06 - E-07
DRIVERS COMPARTMENT	E-08 - E-10
ELECTRICAL	E-11 - E-14
EXTERIOR BODY	E-15 - E-21
GALLEY	E-22 - E-24
GENERATOR	F-01
HEATING & A/C	F-02 - F-05
INTERIOR FINISH	F-06 - F-09
LABEL	F-08 - F-15
LP	F-16
LOUNGE	F-17
SEALANTS & FASTENERS	F-18 - F-20
WATER & SEWAGE	F-21 - F-24
WINDOW/VENT AND EXTERIOR DOOR	G-01 - G-15

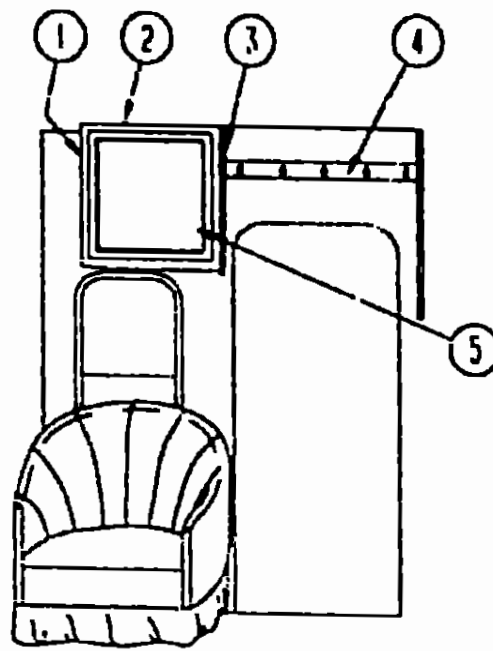
KEY	PART NUMBER	U/M	DESCRIPTION
1	074559-01-000	EA	DECAL-LOGO - LPG - RED (CALIFORNIA CODE)
2	006040-01-000	EA	TAG-GAS REFUELING WARNING
2	006040-02-000	EA	TAG-GAS REFUEL WARNING - CANADIAN
3	054531-01-000	EA	LABEL-LP GAS ONLY
3	023769-01-000	EA	LABEL-WARNING - LPG - CANADIAN

MISCELLANEOUS LABELS

KEY	PART NUMBER	U/M	DESCRIPTION
	R77005-87-699	EA	LABEL-FUEL - UNLEADED - RING 7700587699
	006054-01-000	EA	LABEL-SEAT W/O SEATBELT NOT INTENDED FOR USE WHILE COACH IN MOTION
	026054-02-000	EA	LABEL-SEAT W/O SEATBELT (CANADIAN) NOT INTENDED FOR USE WHILE COACH IN MOTION
	051417-01-000	EA	LABEL-FUEL - ON FUEL FILL DOOR
	051605-01-000	EA	LABEL-OVERLAY - VEHICLE CERTIFICATION - ADHESIVE BACKED
	073698-01-000	EA	LABEL-LPG ODOR WARNING
	091243-01-000	EA	LABEL-A/C COVER - AIR CONDITIONING CIRCUIT, ETC
	093255-08-000	EA	LABEL-CIRCUIT BREAKER
	095541-01-000	EA	LABEL-FUEL - UNLEADED - DASH
	097235-01-000	EA	LABEL-CABLE - INPUT

KEY	PART NUMBER	U/M	DESCRIPTION
1	097821-01-000	EA	TANK LP - 60 LB BRUNNER - 14" X 30"
1	090450-01-000	EA	TANK LP - 42 LB BRUNNER - 13" X 24" FROM 00-01-92 THRU 01-31-92 FROM 02-01-92 THRU 59-59-99
2	040421-01-700	EA	VALVE-LIQUID LEVEL - 20% LP - BRUNNER G-1213
3	040421-01-701	EA	VALVE-SHORT LP FILLER W/YELLOW CAP - BRUNNER 75478
4	040421-01-702	EA	CAP-LP FILLER VALVE - PLASTIC - YELLOW - BRUNNER G-1014-A
5	040421-01-703	EA	VALVE-SERVICE - W/VAPOR RELIEF
6	040421-01-707	EA	GAUGE-FLOAT W/VISIBLE DIAL - BRUNNER MA-9 6244-4
7	040421-01-706	EA	HANDWHEEL-SERVICE VALVE - BRUNNER G-1016-A
8	040421-01-711	EA	VALVE 90° W/FLOAT - PLATE, BOLTS & GASKET - BRUNNER
9	040421-01-713	EA	VALVE-VAPOR ONLY - 29000557
10	106150-01-000	EA	REGULATOR-TWO STAGE - MBRASS 290 00
11	081938-01-000	EA	COVER-COMPARTMENT - LP REGULATOR - BLACK
	040440-02-000	EA	TRANSMITTER-DIAL - 0-90 PSI
	075741-01-000	EA	GAUGE-DIAL-HIGH PRESSURE - MARSHALLTOWN W/VFS
	103513-01-000	EA	DETECTOR LP GAS FROM 01-20-92 THRU 99-99-99
	148703-01-000	EA	HOSE LP - 3/8" O.D. X 24' 3/8" MPT X 1/2" SWWEL - US
	148703-02-000	EA	HOSE LP - 3/8" O.D. X 24' 3/8" MPT X 1/2" SWWEL - CANADA
	010323-01-000	EA	ADAPTER-BRASS - 3/8" X 1/2" MPT
	010323-02-000	EA	ADAPTER-BRASS - 1/2" X 1/2" MPT
	065742-01-000	EA	TEE - 3/8" X 3/8" X 1/2" MPT - BRASS
	010390-02-000	EA	NUT BRASS - 1/2" FEMALE - FORGED
	110317-02-000	EA	NUT BRASS - 3/8" FEMALE - FORGED
	125140-01-000	EA	ELBOW 90 DEGREE - 1/2" MPT X 1/2" MPT - BRASS
	065018-02-000	EA	ELBOW 90 DEGREE - 3/8" MPT TO 3/8" MPT
	110255-01-000	EA	ELBOW BRASS - 90 DEGREE - 3/8" X 1/2" MPT
	071391-02-000	EA	W. FLEETEX - 1/4" RE - 3/32 X 4 WEATHERHEAD
	064994-01-000	EA	PLUG BRASS - 3/8"

LOUNGE GROUP



OVERHEAD CABINETS

KEY	PART NUMBER	U/M DESCRIPTION
1	104335-09-003	EA END CAP CABINET - OVERHEAD
1	104335-22-052	EA END CAP CABINET - OVERHEAD (TV CABINET)
2	M05523-35-023	EA CABINET-OVERHEAD - W/O DOORS & HARDWARE
2	M05523-35-024	EA CABINET-OVERHEAD - W/O DOORS & HARDWARE
2	M05524-41-023	EA CABINET-OVERHEAD - W/O DOORS & HARDWARE (TV CABINET)
2	M05524-41-024	EA CABINET-OVERHEAD - W/O DOORS & HARDWARE (TV CABINET)
3	104335-05-052	EA END CAP CABINET - OVERHEAD
3	104335-21-052	EA END CAP CABINET - OVERHEAD (TV CABINET)
4	105847-05-005	EA KEY RING HOLDER
	105130-01-000	EA HOOK-CLIP - BRASS - 1/2"
5	PC5223-04-003	EA DOOR-CABINET - W/O HARDWARE - 400 X 520MM
5	PC5223-15-003	EA DOOR-CABINET - W/O HARDWARE - 230 X 555MM (TV CABINET)

SEALANTS & FASTENERS GROUP

ADHESIVE

KEY	PART NUMBER	U/M DESCRIPTION
	004020-01-000	QT ADHESIVE-ABS CEMENT - QUART
	034552-02-000	EA SILICONE-TUBE - 300 ML - CLEAR
	034552-05-000	EA SILICONE-TUBE - 300 ML - OFF WHITE
	900350-03-000	EA SILICONE TUBE TIPS
	053755-02-000	EA BEDDING COMPOUND-TUBE - WHITE
	053755-03-000	EA BEDDING COMPOUND-TUBE - CLEAR
	053755-08-000	EA BEDDING COMPOUND-TUBE - GRAY - SCHNEE = 5522
	053542-01-000	FT TAPE-ADHESIVE - 10 MM X 1 5" WIDE
	091255-03-000	FT SEAL-ADHESIVE BACKED FOAM
	059540-01-000	FT SEALER-RIBBON - 1/4" DIAMETER - INCREMENTS OF 30'
	059540-02-000	FT SEALER-RIBBON - 1/2" X 1 8" - INCREMENTS OF 30' OR 60'
	059540-03-000	FT SEALER-RIBBON - 3/4" X 1 8" - INCREMENTS OF 60'
	059540-05-000	FT SEALER-RIBBON - 5/16" DIAMETER - INCREMENTS OF 25'
	059540-10-000	FT SEALER-RIBBON - 1/32" X 1 1/2" INCREMENTS OF 90'
	059540-11-000	FT SEALER-RIBBON - 3/16" X 3 8" - BLACK - MANUS
	072839-01-000	EA SEALANT-URETHANE - BLACK - 1/10 - ESSEX 5522
	075322-01-000	FT TAPE-FOAM - DOUBLE COATED ADHESIVE BACKED - 75' X 2 1/2"
	075322-02-000	FT TAPE-FOAM - DOUBLE COATED ADHESIVE BACKED - 1' X 108"
	075322-05-000	FT TAPE-FOAM - DOUBLE COATED - 200" X 1 5"
	087211-01-000	GL PROMOTER-ADHESIVE

BOLTS, NUTS, & WASHERS

KEY	PART NUMBER	U/M DESCRIPTION
	051387-05-000	EA BOLT-CARRIAGE - W/O HOLE - 5/16-18 X 9 5 ZN
	C/MC31K-C8-020	EA BOLT-HEX-SERRATED FLANGE - 1/8 X 070
	000C12-05-32B	EA BOLT-HEX-3/8-16X2 - ZINC 5
	000C12-07-20B	EA BOLT-HEX-7/16-14X1 25 - ZINC 5
	000C12-10-54B	EA BOLT-HEX-5/8-11X4 0 - ZINC 5
	000C25-04-10B	EA BOLT-HEX-SERRATED FLANGE - 1/4-20 X 5 8 - ZINC
	000C25-05-12B	EA BOLT-HEX-SERRATED FLANGE 5/16-18X3 4 - ZINC
	000C12-05-15B	EA BOLT-HEX- 5/16-18 X 1 - ZINC 5
	000C12-03-24B	EA BOLT-HEX- 1/2-13 X 1 1/2 - ZINC 5
	000C12-10-24B	EA BOLT-HEX- 5/8-11 X 1 1/2 - ZINC - 5
	000C13-07-48B	EA BOLT-HEX- 7/16 - 20 X 3 - ZINC 5
	000C18-05-40A	EA BOLT-ELEVATOR-5/16-18 X 2 1/2 PL
	000C18-05-48B	EA BOLT-ELEVATOR-3/8-15 X 3 - ZINC - GRADE 5
	000D24-10-00B	EA NUT-HEX-SELF LOCKING-10-32 - ZINC
	104309-01-000	EA NUT-HEX-HEAVY-5/8-11 UNC - SPARE TIRE INSTL
	000D29-09-00B	EA NUT-HEX-SELF LOCKING- 9/16-12 - ZINC
	050D39-04-00B	EA NUT-HEX-SERRATED FLANGE-LOCKING 1/4 - 20 - ZINC
	000D39-05-00B	EA NUT-HEX-SERRATED FLANGE-LOCKING - 5/16 - 18 - ZINC
	000D39-05-00B	EA NUT-HEX-SERRATED FLANGE-LOCKING - 3/8-16 - ZINC
	000D39-08-00B	EA NUT-HEX-SERRATED FLANGE-LOCKING - 1/2-13 - ZINC
	000D44-07-00B	EA NUT-HEX-SERRATED FLANGE-LOCKING - 7/16-20 - ZINC
	000E11-07-00B	EA WASHER-LOCKING-7/16 MED SPLIT - ZINC
	000E13-14-00B	EA WASHER-FLARE-1/4" WIDE - ZINC
	000E13-20-00B	EA WASHER-FLARE-7/16 WIDE - ZINC
	000E13-21-00B	EA WASHER-FLARE-W/2 NAR - ZINC
	041322-01-000	EA WASHER-FLARE-15/32" ID X 2 3/8" OD (SEAT BELT MOUNT)
	044533-01-000	EA WASHER-PLASTIC- 1 3/8"OD (FOR BUTTONS)

1992 ITASCA TABLE OF CONTENTS

INTRODUCTION	A-01	A-02
ABBREVIATIONS		A-03
ALPHABETICAL INDEX	A-04	A-05
IC422RG	A-07	D-10
IC424RC	D-11	G-16

1992 IC424RC INDEX

FLOOR PLAN	D-11	D-12
ACCESSORIES		D-13
AUDIO VIDEO		D-14
BATH	D-15	D-15
BEDROOM		D-17
CHASSIS	D-18	D-21
CURTAIN & CUSHION	D-22	E-05
DIAPETTE	E-06	E-07
DRIVERS COMPARTMENT	E-08	E-10
ELECTRICAL	F-11	F-14
EXTERIOR BODY	E-15	E-21
GALLEY	E-22	E-24
GENERATOR		F-01
HEATING E A C	F-02	F-05
INTERIOR FINISH	F-04	F-09
LABEL	F-08	F-15
LP		F-16
LOUNGE		F-17
SEALANTS & FASTENERS	F-18	F-20
WATER & SEWAGE	F-21	F-24
WINDOW VENT AND EXTERIOR DOOR	G-01	G-16

SEALANTS & FASTENERS GROUP (CONTINUED)

SCREWS

KEY	PART NUMBER	U/M	DESCRIPTION
	000G54-04-20B	EA	SCREW-1/4-20 X 1 1/4 PTH - TYPE 23 - ZINC PLATED
	000G58-05-10G	EA	SCREW-6-18 X 5/8 POH - ANTIQUE BRASS
	000G11-05-10B	EA	SCREW-5-20 X 5/8 PPH - ZINC
	000G13-05-08B	EA	SCREW-5-20 X 5/8 PPH - ZINC
	000G13-05-08G	EA	SCREW-5-20 X 5/8 PPH - ANTIQUE BRASS
	000G13-05-15J	EA	SCREW-5-20 X 1" PPH - BRASS
	000G13-05-16R	EA	SCREW-5-20 X 1" PPH - BEIGE
	000G13-07-12B	EA	SCREW-7-19 X 7/8" PPH - ZINC
	000G13-08-16B	EA	SCREW-8-18 X 1" PPH - ZINC
	074045-01-000	EA	SCREW-8-18 X 1 1/2" PPH - BRONZE
	000G11-08-12R	EA	SCREW-8-18 X 7/8" PPH - BEIGE
	000G11-08-12S	EA	SCREW-8-18 X 7/8" PPH - OFF WHITE
	000G11-08-12T	EA	SCREW-8-18 X 7/8" PPH - BLACK
	000G12-08-12S	EA	SCREW-8-18 X 7/8" POH - OFF WHITE
	000G11-08-16S	EA	SCREW-8-18 X 1" PPH - OFF WHITE
	000G57-10-08B	EA	SCREW-10-12 X 5/8" PPH - ZINC
	000G57-10-08R	EA	SCREW-10-12 X 5/8" PPH - TYPE A - BEIGE
	000G57-10-10B	EA	SCREW-10-12 X 5/8" PPH - TYPE A - ZINC
	000G57-10-10D	EA	SCREW-10-12 X 5/8" PPH - TYPE A - BLACK
	000G57-10-10R	EA	SCREW-10-12 X 5/8" PPH - TYPE A - BEIGE
	000G57-10-10D	EA	SCREW-10-12 X 5/8" PPH - BLACK
	000G57-10-12B	EA	SCREW-10-12 X 3/4" PPH - ZINC
	000G57-10-12F	EA	SCREW-10-12 X 7/8" PPH - DARK BROWN
	000G57-10-120	EA	SCREW-10-12 X 7/8" PPH - TAN
	000G57-10-12R	EA	SCREW-10-12 X 7/8" PPH - DARK BROWN
	000G57-10-16B	EA	SCREW-10-12 X 1" PPH - ZINC
	000G57-10-24B	EA	SCREW-10-12 X 1 1/2" PPH - ZINC
	000G57-10-32B	EA	SCREW-10-12 X 2" PPH - ZINC
	000G58-10-36T	EA	SCREW-10-12 X 2 1/2" POH - BLACK
	000G11-10-12D	EA	SCREW-10-16 X 7/8" PPH - BLACK
	000G11-10-24P	EA	SCREW-10-16 X 1 1/2" PPH - DARK BROWN
	000G11-10-12D	EA	SCREW-10-16 X 7/8" PPH - BLACK
	000G11-10-16B	EA	SCREW-10-16 X 1" PPH - ZINC
	045455-03-000	EA	SCREW-10-16 X 1" POH W/WASHER - OFF WHITE
	045455-04-000	EA	SCREW-10-16 X 1" PTH W/WASHER - BEIGE
	000G32-10-06B	EA	SCREW-10-32 X 3/8" PPH - ZINC
	000G18-08-22B	EA	SCREW-MACHINE-8-32 X 1 3/8" PPH - ZINC
	000G50-04-12B	EA	SCREW-MACHINE-1/4-20 X 7/8" PPH - ZINC
	000G53-04-06B	EA	SCREW-MACHINE-1/4-20 X 3/8" PPH - ZINC - UNDERCUT HEAD
	075905-01-000	EA	SCREW-MACHINE-10-32 X 5/8" PTH - ZINC - EXTERNAL TOOTH
	000G39-05-08B	EA	SCREW-DR 5-16X1/2 - ZINC
	000G39-05-10T	EA	SCREW-SELF DRIVING-5-20 X 5/8" PPH - BLACK
	000G39-06-15T	EA	SCREW-SELF DRIVING-5-20 X 1" PPH - BLACK
	000G39-05-06B	EA	SCREW-SELF DRIVING-5-16 X 3/8" PPH - ZINC
	000G39-08-06B	EA	SCREW-SELF DRIVING-5-16 X 5/8" PPH - ZINC
	000G39-08-08R	EA	SCREW-SELF DRIVING-5-16 X 5/8" PPH - BEIGE
	000G39-08-08S	EA	SCREW-SELF DRIVING-5-16 X 5/8" PPH - OFF WHITE
	000G39-08-12B	EA	SCREW-SELF DRIVING-5-16 X 7/8" PPH - ZINC
	000G39-08-12R	EA	SCREW-SELF DRIVING-5-16 X 7/8" PPH - BEIGE
	000G39-08-16B	EA	SCREW-SELF DRIVING-5-16 X 1" PPH - ZINC
	000G39-08-16S	EA	SCREW-SELF DRIVING-5-16 X 1" PPH - OFF WHITE
	000G39-08-24B	EA	SCREW-SELF DRIVING-5-16 X 1 1/2" PPH - ZINC
	000G39-08-24R	EA	SCREW-SELF DRIVING-5-16 X 1 1/2" PPH - BEIGE
	000G39-08-24S	EA	SCREW-SELF DRIVING-5-16 X 1 1/2" PPH - OFF WHITE
	000G39-10-10S	EA	SCREW-SELF DRIVING-10-16 X 5/8" PPH - OFF WHITE
	000G39-10-12D	EA	SCREW-SELF DRIVING-10-16 X 7/8" PPH - BLACK
	000G39-10-12R	EA	SCREW-SELF DRIVING-10-16 X 7/8" PPH - BEIGE

SEALANTS & FASTENERS GROUP (CONTINUED)

SCREWS (CONTINUED)

KEY	PART NUMBER	U/M	DESCRIPTION
	000G50-10-28T	EA	SCREW-SELF DRIVING-10-16 X 1 7/8 - BLACK
	000G39-10-129	EA	SCREW-SELF DRIVING-10-16X 7/8 PPH - FLUOROCARBON SILVER
	000G39-10-20B	EA	SCREW-SELF DRIVING-10-16 X 1 1/4 PPH - ZINC
	000G39-10-32B	EA	SCREW-SELF DRIVING-10-16 X 2 PPH - ZINC
	000G39-12-12E	EA	SCREW-SELF DRIVING-12 - 14 X 3/4 PPH - CHROME
	000G42-04-12S	EA	SCREW-SELF DRIVING 1/4-14X3/4HWH - ZINC
	000G42-04-16B	EA	SCREW-SELF DRIVING 1/4-14 X 1 HWH - ZINC
	097721-01-000	EA	SCREW-FLAT HEAD- TAPPING - 1/4" X 1 1/4" LG ZINC

CLAMPS, GROMMETS, & CLIPS

KEY	PART NUMBER	U/M	DESCRIPTION
	000H15-04-05R	EA	RIVET-POP- AL 1/8 X 313- 375
	007161-01-000	EA	CLAMP-HOSE- SPRING TYPE - 1/2"
	010495-01-000	EA	CLAMP-CABLE- 9/16"
	010495-02-000	EA	CLAMP-CABLE- 3/8"
	010497-01-000	EA	CLAMP-CLOSED- 5/8" ID
	010497-03-000	EA	CLAMP-CLOSED- 1" ID - CUSHIONED
	010499-01-000	EA	CLAMP-CLOSED- 3/8" ID
	023942-01-000	EA	GROMMET-RUBBER- 2" OD
	052401-01-000	EA	CLAMP-HOSE- WORMGEAR - 25" - 1"
	052401-02-000	EA	CLAMP-HOSE- WORMGEAR - 1 5/8" - 2 5/8"
	052401-04-000	EA	CLAMP-HOSE- WORMGEAR - 69" - 1 25"
	052401-05-000	EA	CLAMP-HOSE- WORMGEAR - 22" - 62"
	059592-02-000	EA	RIVET-T - (POP) - 1/4 X 093 - 156
	071015-11-000	EA	GROMMET-RUBBER- 1" ID X 1.75" OD W/ 12" GROOVE - BLACK
	015188-03-000	EA	GROMMET-RUBBER- 3/8" HOLE X 2 1/2" DIAMETER - GASLINE
	075148-02-000	EA	CLAMP-GROUNDING- BRONZE SCREWS
	050734-02-000	EA	CLIP-WIRE- NYLON
	055743-01-000	EA	PLUG-CAP - 1 5" DIAMETER - BLACK
	032149-01-000	EA	STUD-CLINCH- 3/8" X 24 X 1 1/2 GDS
	055134-02-000	EA	HOLDER-RING - 1 3" DIAMETER - METAL
	033509-01-000	EA	CLAMP-WIRE- DUAL EQUAL - 5/8" DIAMETER
	033510-01-000	EA	CLAMP-WIRE- DUAL - UNEQUAL DIAMETERS - 7/8" & 1 1/4"
	055774-01-000	FT	FASTENER-DUAL HOOK- 1" WIDE - ADHESIVE BACK - BLACK
	055774-02-000	FT	FASTENER-DUAL LOOP- 1" WIDE - ADHESIVE BACK - BLACK

**1992 ITASCA
TABLE OF CONTENTS**

INTRODUCTION	A-01 -	A-02
ABBREVIATIONS		A-03
ALPHABETICAL INDEX	A-04 -	A-06
IC422RG	A-07 -	D-10
IC424RC	D-11 -	G-15

1992 IC424RC INDEX

FLOOR PLAN	D-11 -	D-12
ACCESSORIES		D-13
AUDIO VIDEO		D-14
BATH	D-15 -	D-16
BEDROOM		D-17
CHASSIS	D-18 -	D-21
CURTAIN & CUSHION	D-22 -	E-05
DINETTE	E-05 -	E-07
DRIVERS COMPARTMENT	E-08 -	E-10
ELECTRICAL	E-11 -	E-14
EXTERIOR BODY	E-15 -	E-21
GALLEY	E-22 -	E-24
GENERATOR		F-01
HEATING & A/C	F-02 -	F-05
INTERIOR FINISH	F-04 -	F-09
LABEL	F-03 -	F-15
LP		F-16
LOUNGE		F-17
SEALANTS & FASTENERS	F-18 -	F-20
WATER & SEWAGE	F-21 -	F-24
WINDOW, VENT AND EXTERIOR DOOR	G-01 -	G-15

WATER & SEWAGE GROUP

FRONT FRESH WATER TANK

KEY	PART NUMBER	U/M	DESCRIPTION
	074510-03-000	EA	TANK-WATER, W/FITTINGS - 16 GALLON - 33 4" X 11.4" X 10 6"
	074510-01-000	EA	TANK-WATER, W/O FITTINGS - 16 GALLON - 33 4" X 11 4" X 10
	025539-01-000	EA	ELBOW-PLASTIC, 3/8" MPT X 3/8" BARB
	049032-01-000	EA	PATCH-SPINWELD, 3/8" - PLASTIC
	052959-02-000	EA	CONNECTOR, 1/2" F X 1/2" MPT - PLASTIC - GRAY
	042959-02-000	EA	FITTING-WATER TANK, SPINWELD - 1/2" NPT - PLASTIC - WHITE
	042959-04-000	EA	FITTING-WATER TANK, SPINWELD - 3/8" FPT - PLASTIC - WHITE
	042959-05-000	EA	FITTING-WATER TANK, SPINWELD - 1/2" FPT - PLASTIC - WHITE
	077954-02-000	EA	FILTER-WATER TANK, SCREEN IN TANK
	079381-01-000	FT	TUBING-SMOOTH FLEXIBLE, 1 1/4" ID

REAR FRESH WATER TANK

KEY	PART NUMBER	U/M	DESCRIPTION
	053520-10-000	EA	TANK-WATER, W/FITTINGS - 18 GALLON - 27" X 17 2" X 10"
	053520-01-000	EA	TANK WATER, 18 GALLON - W/O FITTINGS - 17 2" X 27" X 10"
	039501-01-000	EA	SENDING UNIT-W/SCREEN, WASHER, WELL NUT & TERMINAL RING
	023441-01-000	EA	TEE-BARB 3/8" - PLASTIC
	035539-01-000	EA	ELBOW PLASTIC 3/8" MPT X 3/8" BARB
	052955-01-000	EA	TEE-1 2" F X 1/2" MPT X 1/2" F - PLASTIC
	052959-02-000	EA	CONNECTOR, 1/2" F X 1/2" MPT - PLASTIC - GRAY
	042959-03-000	EA	FITTING-WATER TANK, SPINWELD - 1 1/4" NPT - PLASTIC - WHITE
	042959-04-000	EA	FITTING-WATER TANK, SPINWELD - 3/8" FPT - PLASTIC - WHITE
	042959-05-000	EA	FITTING-WATER TANK, SPINWELD - 1/2" FPT - PLASTIC - WHITE
	049032-01-000	EA	PATCH-SPINWELD 3/8" - PLASTIC
	077954-02-000	EA	FILTER-WATER TANK, SCREEN IN TANK

WATER SYSTEM

KEY	PART NUMBER	U/M	DESCRIPTION
	037659-04-000	EA	FILL-WATER, CITY - OFF WHITE
	056449-01-000	EA	WIRE ASSM-BLY-WATER TANK TO MONITOR PANEL
	046128-01-000	EA	VALVE-DRAIN PLASTIC - 1/2" FPT
	052959-01-000	EA	DRAIN VALVE-IN LINE, HEADER - 1/2" F X 1/2" F - GRAY FLAS
	052959-03-000	EA	DRAIN VALVE-IN LINE, HEADER - 5/8" F X 5/8" F - PLASTIC
	052959-02-000	EA	CONNECTOR, 1/2" F X 1/2" MPT - PLASTIC - GRAY
	052959-03-000	EA	CONNECTOR, 1/2" F X 3/8" MPT - PLASTIC - GRAY
	010219-01-000	EA	ELBOW-1 1/4" MPT X 1 1/4" BARB, PLASTIC
	057457-01-000	EA	ELBOW-UNION 1/2" X 1/2" FLARE
	065120-01-000	EA	ELBOW-SWIVEL, 1/2" FPT X 1/2" FLARE - PLASTIC - GRAY
	052957-02-000	EA	ELBOW-MALE, 1/2" F X 1/2" MPT - PLASTIC - GRAY
	055290-01-000	EA	ELBOW-5/8" F X 1/2" MPT
	052952-01-000	EA	NUT-PLASTIC 1/2" F X 1/2" TUBE - GRAY
	052952-02-000	EA	NUT-PLASTIC, 5/8" FLARE
	052955-03-000	EA	TEE-5/8" F X 5/8" F X 1/2" MPT - PLASTIC
	052955-02-000	EA	TEE-5/8" F X 1/2" MPT X 5/8" F, PLASTIC
	052955-01-000	EA	TEE, 1/2" F X 1/2" F X 1/2" F - PLASTIC - GRAY
	057974-01-000	EA	TEE-5/8" F X 1/2" F X 1/2" F PLASTIC
	074452-01-000	EA	TEE-4 WAY 1/2" FLARE - PLASTIC - GRAY
	052955-01-000	EA	TEE-WATER 1/2" F X 1/2" F X 1/2" MPT - PLASTIC - GRAY
	074452-02-000	FT	TUBING-VINYL, 3/8" ID - CLEAR
	079381-01-000	FT	TUBING-SMOOTH FLEXIBLE, 1 1/4" ID
	039900-01-000	FT	TUBING-POLYBUTYL 1/2" OD - INCREMENTS OF 20" - BLACK
	039900-02-000	FT	TUBING-POLYBUTYL, 5/8" OD - INCREMENTS OF 20" - BLACK
	052954-01-000	EA	ADAPTER-NOSE CONE 3/8" OR 1/2" TUBING - PLASTIC - GRAY
	079377-01-000	EA	ADAPTER-SWIVEL 1/2" TUBE X 1/2" FPT - PLASTIC - GRAY
	101814-01-000	EA	COUPLING-FEMALE, 1/2" X 1/2" FPT
	106258-01-000	EA	CAP-INSERTABLE 1/2" FLARE - KEVOC 54393 BONNET

WATER & SEWAGE GROUP (CONTINUED)

WATER HEATERS WITH & WITHOUT MOTOR AID

KEY	PART NUMBER	U/M	DESCRIPTION
	051393-01-000	EA	HEATER-WATER, W/MOTOR AID, PILOTLESS IGNITION ATWOOD GH6-3E, GH6-4E OR GH6-6E
	051391-01-700	EA	HINGE KIT-W/CLIP, ATWOOD # 92558 & 92559
	051391-01-704	EA	VALVE-RELIEF, 1/2" FITTING - ATWOOD# 91504
	051391-01-705	EA	FASTENER-CAMLOC, ATWOOD# 92609
	051391-01-706	EA	GRILLE-EXHAUST, ATWOOD# 92787
	051391-01-708	EA	BURNER-MAIN, 3E ONLY - ATWOOD# 92515
	051391-01-710	EA	ORIFICE-MAIN BURNER, ATWOOD# 92742
	051391-01-714	EA	ELBOW-45 DEGREE, 3/8" F X 3/8" MPT - ATWOOD 91044
	051391-01-715	EA	DRAIN PLUG, ATWOOD# 91551
	051391-04-701	EA	THERMOSTAT 12 VDC-120 PRESET, ATWOOD# 91470
	051391-04-704	EA	TANK-INNER, FRONT MOUNT - GH6-4E & 6E - ATWOOD 91542
	051393-01-700	EA	TANK-INNER, 3E FRONT MOUNT - ATWOOD# 91923
	051393-01-702	EA	SWITCH-ENERGY CUT-OFF, ATWOOD# 91951
	051393-01-703	EA	THERMOSTAT-REAR MOUNT, ATWOOD# 91952
	051393-01-704	EA	CIRCUIT BOARD-W/BLACK BOX, ATWOOD# 91420
	051393-01-705	EA	ORIFICE HOLDER-ATWOOD# 91925
	051393-01-714	EA	TANK-INNER (GH6-3E) REAR MOUNT - ATWOOD# 91408
	051393-01-715	EA	SPARK & PROBE ASM, ATWOOD# 91505
	051393-01-718	EA	VALVE-DUAL SOLENOID, ATWOOD# 91605
	051393-01-721	EA	ECO&THERMOSTAT ASM-FRONT MOUNT, 140 DEGREE - ATWOOD# 91447
	051391-03-000	EA	HEATER-WATER, WELECTRIC IGNITION - ATWOOD G6A-3E
	051391-01-700	EA	HINGE KIT-W/CLIP, ATWOOD # 92558 & 92559
	051391-01-704	EA	VALVE-RELIEF, 1/2" FITTING - ATWOOD# 91504
	051391-01-705	EA	FASTENER-CAMLOC, ATWOOD# 92609
	051391-01-706	EA	GRILLE-EXHAUST, ATWOOD# 92787
	051391-01-708	EA	BURNER-MAIN 3E ONLY - ATWOOD# 92515
	051391-01-710	EA	ORIFICE-MAIN BURNER, ATWOOD# 92742
	051391-01-715	EA	DRAIN PLUG, ATWOOD# 91551
	051391-04-700	EA	TANK-INNER (G6A-3E), FR MT - ATWOOD# 91608
	051391-04-701	EA	THERMOSTAT 12 VDC-120 PRESET, ATWOOD# 91470
	051391-04-706	EA	TANK-INNER, G6A-4E & 6E - FRONT MOUNT - ATWOOD# 91641
	051393-01-702	EA	SWITCH-ENERGY CUT-OFF, ATWOOD# 91951
	051393-01-703	EA	THERMOSTAT-REAR MOUNT, ATWOOD# 91952
	051393-01-704	EA	CIRCUIT BOARD-W/BLACK BOX, ATWOOD# 91420
	051393-01-705	EA	ORIFICE HOLDER-ATWOOD# 91925
	051393-01-715	EA	SPARK & PROBE ASM, ATWOOD# 91505
	051393-01-718	EA	VALVE-DUAL SOLENOID, ATWOOD# 91605
	051393-01-721	EA	ECO&THERMOSTAT ASM-FRONT MOUNT, 140 DEGREE - ATWOOD# 91447
	051393-03-700	EA	TANK-INNER (G6A-3E), REAR MT - ATWOOD# 91409

WATER PUMP

KEY	PART NUMBER	U/M	DESCRIPTION
	056507-01-000	EA	PUMP-WATER W/5" MPT FITTING - FLOW 28 GPM - UL
	056507-01-700	EA	PUMPHEAD-REPLACEMENT SHURFLO# 94-235-03
	056507-01-701	EA	DRIVE ASM SHURFLO# 94-234-03
	056507-01-702	EA	DIAPHRAGM-KIT SHURFLO# 94-233-10
	056507-01-703	EA	VALVE ASM SHURFLO# 94-232-00
	056507-01-705	EA	HOUSING-UPPER SHURFLO# 94-231-01
	056507-01-705	EA	CHECK VALVE-KIT SHURFLO# 94-237-00
	056507-01-705	EA	SWITCH ASM-COMplete SHURFLO# 94-230-00
	056507-01-707	EA	MOTOR-BASEPLATE REPLACEMENT SHURFLO# 94-234-03

1992 ITASCA TABLE OF CONTENTS

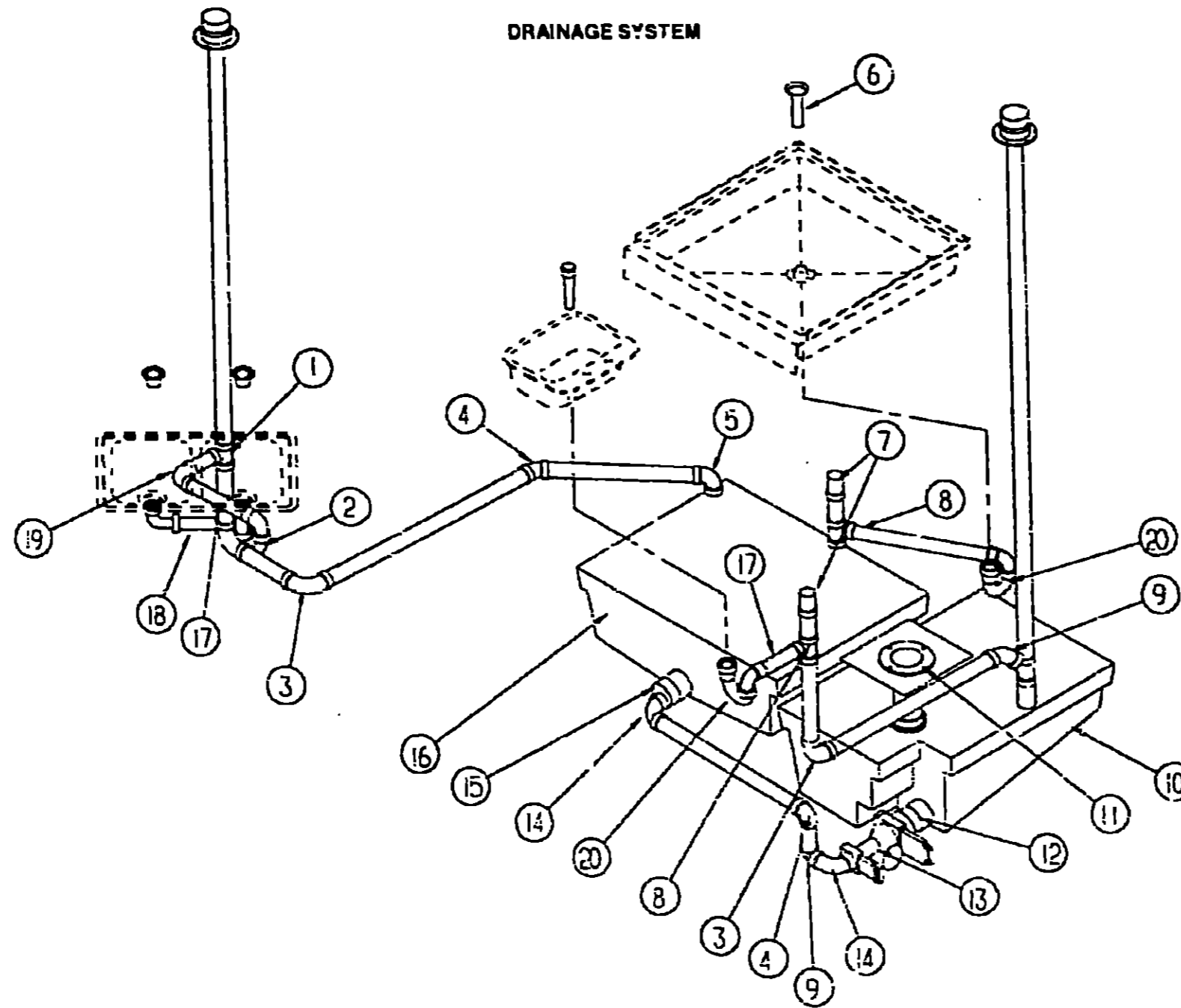
INTRODUCTION	A-01 -	A-02
ABBREVIATIONS		A-03
ALPHABETICAL INDEX	A-04 -	A-06
IC422RG	A-07 -	D-10
IC424RC	D-11 -	G-16

1992 IC424RC INDEX

FLOOR PLAN	D-11 -	D-12
ACCESSORIES		D-13
AUDIO VIDEO		D-14
BATH	D-15 -	D-16
BEDROOM		D-17
CHASSIS	D-18 -	D-21
CURTAIN & CUSHION	D-22 -	E-05
DINETTE	E-05 -	E-07
DRIVERS COMPARTMENT	E-03 -	E-10
ELECTRICAL	E-11 -	E-14
EXTERIOR BODY	E-15 -	E-21
GALLEY	E-22 -	E-24
GENERATOR		F-01
HEATING & A/C	F-02 -	F-05
INTERIOR FINISH	F-04 -	F-09
LABEL	F-03 -	F-15
LP		F-15
LOUNGE		F-17
SEALANTS & FASTENERS	F-19 -	F-20
WATER & SEWAGE	F-21 -	F-24
WINDOW, VENT AND		
EXTERIOR DOOR	G-01 -	G-16

WATER & SEWAGE GROUP (CONTINUED)

DRAINAGE SYSTEM



**1992 ITASCA
TABLE OF CONTENTS**

INTRODUCTION	A-01 -	A-02
ABBREVIATIONS		A-03
ALPHABETICAL INDEX	A-04 -	A-06
IC422RG	A-07 -	D-10
IC424RC	D-11 -	G-16

1992 IC424RC INDEX

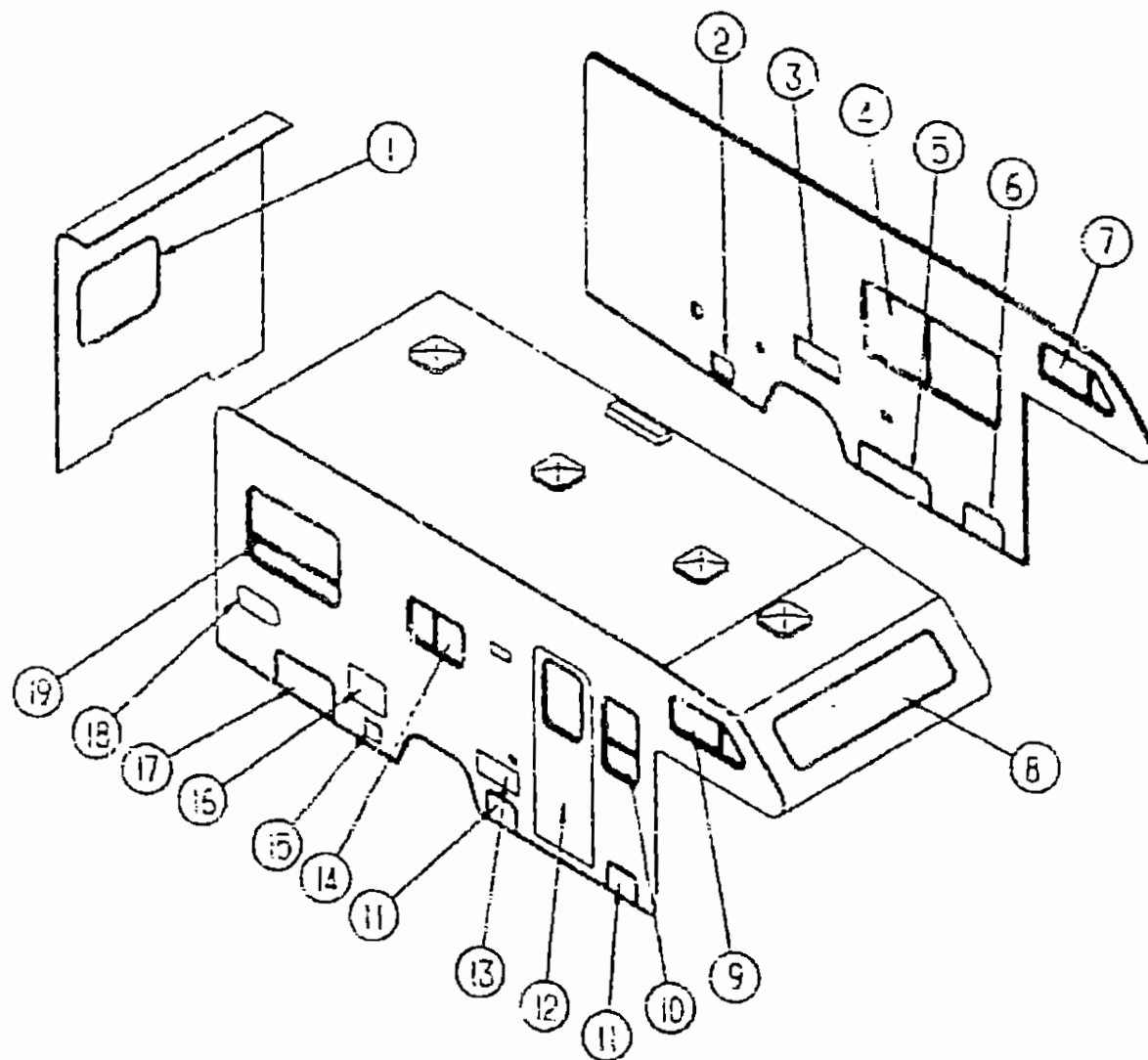
FLOOR PLAN	D-11 -	D-12
ACCESSORIES		D-13
AUDIO VIDEO		D-14
BATH	D-15 -	D-16
BEDROOM		D-17
CHASSIS	D-18 -	D-21
CURTAIN & CUSHION	D-22 -	E-05
DINETTE	E-06 -	E-07
DRIVERS COMPARTMENT	E-08 -	E-10
ELECTRICAL	E-11 -	E-14
EXTERIOR BODY	E-15 -	E-21
GALLEY	E-22 -	E-24
GENERATOR		F-01
HEATING & A/C	F-02 -	F-05
INTERIOR FINISH	F-04 -	F-09
LABEL	F-03 -	F-15
LP		F-16
LOUNGE		F-17
SEALANTS & FASTENERS	F-18 -	F-20
WATER & SEWAGE	F-21 -	F-24
WINDOW, VENT AND EXTERIOR DOOR	G-01 -	G-16

KEY	PART NUMBER	U/M	DESCRIPTION
1	010071-01-000	EA	TEE-SANITARY - 1 1/2" HUB X HUB X HUB - PLASTIC - BLACK
2	107533-01-000	EA	P-TRAP-PLASTIC - 1 1/4" W/EXT ARM
3	010008-01-000	EA	ELBOW-90 DEG - 1/4 BEND - 1 1/2" HUB X HUB - BLACK PLASTIC
4	010006-01-000	EA	ELBOW-45 DEG - 1/4 BEND - 1 1/2" HUB X HUB - BLACK PLASTIC
5	034250-01-000	EA	ELBOW-90 DEGREE - LONG TURN - 1 1/2" HUB X HUB - ABS
6	011059-02-000	EA	TAILPIECE-TUB/SHOWER - 1 1/2" X 1 1/4" X 4" - BRASS
	065435-01-000	EA	NUT-SLIP - TAILPIECE - 1 1/2"
	065440-01-000	EA	STRAINER-SHOWER - W/ RUBBER WASHER
	069735-01-000	EA	WASHER-STRAINER TO TAILPIECE PLASTIC - 1 1/2"
7	079958-01-000	EA	VENT-MECH TRAP ARM - ANTI-SIPHON - 2" DIA X 7 3/4" - PLASTIC
8	010079-01-000	EA	TEE-SANITARY - 1 1/2" X 1 1/2" X 1 1/4" H - PLASTIC - BLACK
9	010051-01-000	EA	ELBOW-45 DEG BEND - 1 1/2" SPIGOT AND HUB - PLASTIC - BLACK
10	074570-01-000	EA	TANK-HOLDING - W/O GROMMETS - 30 GAL - 35 5/8" X 13 3/4" X 23"
	081607-01-000	EA	GROMMET-HOLDING TANK - 1 1/2" NPS
	081607-02-000	EA	GROMMET-HOLDING TANK - 3" NPS
11	065541-01-000	EA	FLANGE-CLOSER - 4" X 3"
12	078405-01-000	EA	COUPLER-RUBBER - W/CLAMPS - 3" X 3"

KEY	PART NUMBER	U/M	DESCRIPTION
13	070916-01-000	EA	VALVE-DUAL DUMP - W/CAP - 3" X 1 1/2" - PLASTIC - BLACK
	070916-01-700	EA	VALVE ONLY - 3"
	070916-01-701	EA	VALVE ONLY - 1 1/2"
	010201-01-000	EA	HOSE-SEWER - 3" ID X 8'
	062416-01-000	EA	ADAPTER - W/ RUBBER HOSE TO 3" PIPE
14	033781-01-000	EA	ELBOW-TURN - 1/4 BEND X 1 1/2" HUB X 1 1/2" SPIGOT - BLK PLASTIC
15	062422-01-000	EA	ADAPTER-OFFSET REDUCER - 3" X 1 1/2" - PLASTIC - BLACK
16	074551-01-000	EA	TANK-HOLDING - W/O GROMMETS - 35 GALLON - 35" X 11" X 23"
	081607-01-000	EA	GROMMET-HOLDING TANK - 1 1/2" NPS
	107537-01-000	EA	P-TRAP ADAPTER-1 1/4" SLIP
17	011091-02-000	EA	PIPE-DRAIN - DOUBLE SINK - BAFFLE TEE - 1 1/2" ONE PIPE W/TEE TO DRAIN BOTH SIDES OF SINK
18	011091-03-000	EA	PIPE-DRAIN - W/SEALS - DOUBLE SINK - EXTENDS 9" TO 16"(CANADIAN)
19	091111-01-000	EA	ELBOW-90 DEGREE - 1/4 BEND - 1 1/4" - PLASTIC
20	107533-01-000	EA	P-TRAP-PLASTIC - 1 1/4" W/EXT ARM
20	011059-02-000	EA	P-TRAP-PLASTIC - 1 1/4" (CANADIAN)
	050787-01-000	EA	ADAPTER-CLEANOUT - W/BOO 8603-2
	091202-01-000	EA	WASHER-RUBBER - 06" X 75" Y 5"
	010155-01-000	EA	PLUG-THREADED - 1 1/4" DIAMETER - PLASTIC - BLACK

WINDOW, VENT & EXTERIOR DOOR GROUP

WINDOWS & DOORS



1992 ITASCA TABLE OF CONTENTS

INTRODUCTION	A-01 -	A-02
ABBREVIATIONS		A-03
ALPHABETICAL INDEX	A-04 -	A-06
IC422RG	A-07 -	D-10
IC424RC	D-11 -	G-16

1992 IC424RC INDEX

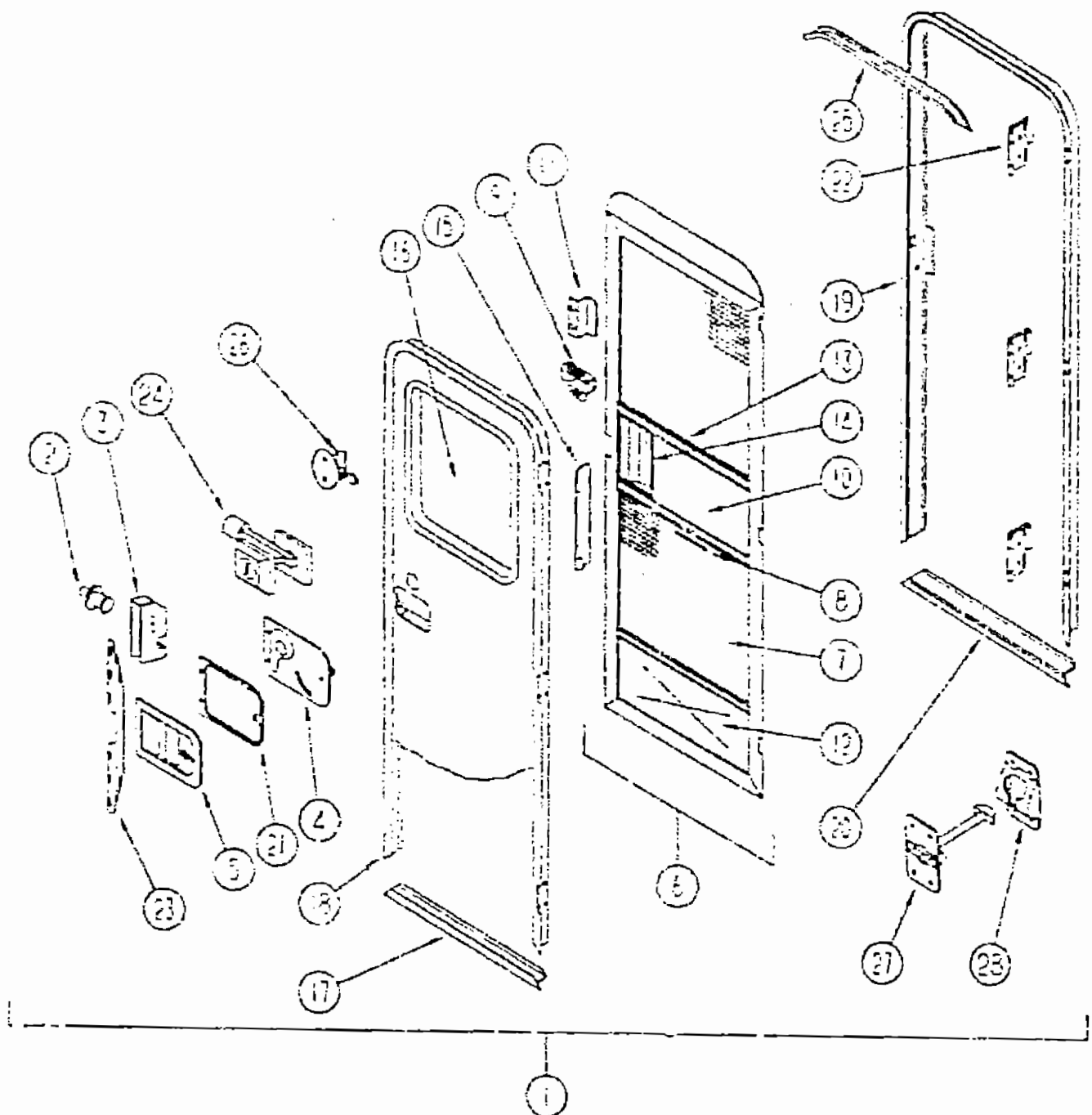
FLOOR PLAN	D-11 -	D-12
ACCESSORIES		D-13
AUDIO/VIDEO		D-14
BATH	D-15 -	D-16
BEDROOM		D-17
CHASSIS	D-18 -	D-21
CURTAIN & CUSHION	D-22 -	E-05
DINETTE	E-06 -	E-07
DRIVERS COMPARTMENT	E-08 -	E-10
ELECTRICAL	E-11 -	E-14
EXTERIOR BODY	E-15 -	E-21
GALLEY	E-22 -	E-24
GENERATOR		F-01
HEATING & A/C	F-02 -	F-05
INTERIOR FINISH	F-04 -	F-09
LABEL	F-08 -	F-15
LP		F-16
LOUNGE		F-17
SEALANTS & FASTENERS	F-18 -	F-20
WATER & SEWAGE	F-21 -	F-24
WINDOW, VENT AND EXTERIOR DOOR	G-01 -	G-16

KEY	PART NUMBER	U/M	DESCRIPTION
1	075528-04-005	EA	WINDOW ASM-ESCAPE
2	068784-01-000	EA	DOOR-POWER CORD - WATCH - OFF WHITE
3	064103-03-000	EA	DOOR-REFRIGERATOR - VENTED - W/O JAMB - OFF WHITE
3	084104-01-700	EA	LOCK-MALE - FASTENER - REFRIGERATOR DOOR
3	084104-01-701	EA	LOCK-FEMALE - FASTENER - REFRIGERATOR DOOR
3	064104-03-000	EA	JAMB-DOOR - REFRIGERATOR - OFF WHITE
4	081107-04-000	EA	WINDOW ASM-SLIDER - HORIZONTAL - EXCEL H024-FRL
5	105174-01-000	EA	DOOR ASM-LOWER - FRONT
5	105174-07-000	EA	DOOR ASM-LOWER - FRONT
7	011106-05-01A	EA	WINDOW ASM-SLANTED SLIDER - EXCEL B665-MPL
8	105174-01-000	EA	WINDOW-PICTURE
9	011106-05-01A	EA	WINDOW ASM-SLANTED SLIDER - EXCEL B665-MRR
10	011106-05-01A	EA	WINDOW ASM-SLIDER - VERTICAL - EXCEL H250-PR

KEY	PART NUMBER	U/M	DESCRIPTION
11	105174-09-003	EA	DOOR ASM-LOWER - FRONT
12	M01670-32-667	EA	DOOR-ENTRY - W/SCREEN DOOR & JAMB
13	105118-01-005	EA	DOOR ASM-EXTERIOR ENTERTAINMENT
14	098547-05-02A	EA	WINDOW-SINGLE SLIDER - EXCEL B665-FRR
	076010-03-000	EA	DOOR-FUEL FILL - W/JAMB - OFF WHITE
	031240-03-000	EA	DOOR-WATER FILL - LOCKABLE - 4" X 4 5/8" - OFF WHITE
15	052423-01-000	EA	DOOR-ACCESS - 5 6" X 5 3" - PLASTIC - OFF WHITE
15	052424-01-000	EA	JAMB-DOOR - 8" X 7 7" - PLASTIC - OFF WHITE
16	052009-01-000	EA	DOOR-WATER HEATER - OFF WHITE - ATWOOD 5578-27
17	105175-12-052	EA	DOOR ASM-LOWER - REAR
	105177-12-01A	EA	JAMB-DOOR - LOWER - REAR - OFF WHITE
	105179-11-01A	EA	FRAME-DOOR - LOWER - REAR - OFF WHITE
18	105118-02-005	EA	DOOR ASM-EXTERIOR SHOWER
19	092235-12-Y12	EA	WINDOW-TIPOUT - SINGLE

WINDOW, VENT & EXTERIOR DOOR GROUP (CONTINUED)

ENTRY DOOR



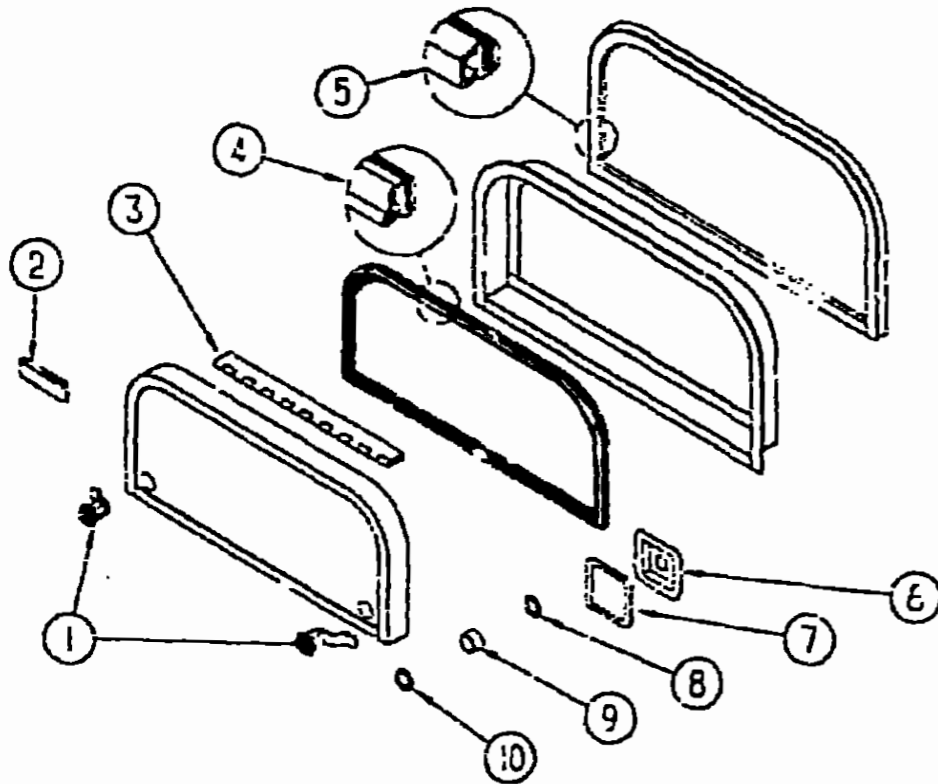
KEY	PART NUMBER	U/M	DESCRIPTION
1	M01870-02-007	EA	DOOR ENTRY W/SCREEN DOOR & JAMB
2	039539-01-000	EA	STRIKE-LOCK - ENTRY DOOR - ROUND W/THREADED WASHER
3	039540-01-000	EA	LATCH MECHANISM-HOOK - ENTRY DOOR - INTERIOR
4	039715-01-000	EA	NUT-SERT - 1/4" DIAMETER - 20 THREADS
	039799-04-000	EA	COVER-INTERIOR LATCH - W/TRIP ARM - RIGHT - BLACK
	039884-01-000	EA	CAP-ROUND - VINYL - 25" ID X 52" LONG - BLACK
	041546-02-000	EA	BRACKET-DOOR ANGLE - 5" X 1 3/4" - BEIGE - METAL
5	045017-11-000	EA	LATCH-ENTRY DOOR - MECHANISM W/LOCK & KEY - BLACK
	045017-11-701	EA	KEY-BLANK
	055025-02-000	EA	CLIP-ROLLER LATCH CATCH - SCREEN DOOR
	059729-04-000	EA	PIVOT - 10-32 UNF - 010-000
	072893-01-000	EA	NUT-SERT-V5 X 0.5
	073571-04-000	FT	SEAL-SPONGE - LAZY T SHAPE - W/ADHESIVE STRIPE - 5" WIDE
6	079012-01-001	EA	DOOR-SCREEN
7	002230-02-000	SF	SCREENING-WINDOW DOOR - 25" - CHARCOAL
8	002274-01-000	FT	SPLINE SCREENING - 135" X 135" - BLACK
	002748-01-000	EA	CORNER KEY-DOOR
9	109403-01-000	EA	CATCH-ASM-SINGLE ROLLER
10	016454-01-000	EA	INSERT-CENTER - LEATHER GRAIN ALUMINUM - UNPAINTED
10	001014-01-013	EA	INSERT-CENTER - 10 25" X 16 31" - UNPAINTED
11	050712-04-000	EA	HANDLE-SCREEN DOOR - ALUMINUM - OFF WHITE
11	050712-05-000	EA	HANDLE-SCREEN DOOR - UNPAINTED
12	078552-03-000	EA	KICK PANEL-SCREEN DOOR - LOWER INSERT - UNPAINTED
	078595-01-000	EA	TOP PLATE-SCREEN DOOR - CURVED TOP - 4 7" X 28 35"
13	078777-01-000	EA	CHANNEL-SLIDE - SCREEN DOOR CENTER SLIDER COVER
14	079056-02-000	EA	SLIDER-SCREEN DOOR - OFF WHITE
15	079087-02-000	EA	STRIKE-SLIDER - W/L F FOR ELBOW CATCH - 1 5" X 8 8" - OFF WHITE
	000016-01-000	EA	CATCH-ELBOW - SPRING LOADED - SCREEN DOOR CATCH
16	079733-07-AA5	EA	WINDOW-PICTURE - 17" X 25" - W/O INSIDE FRAME
	002181-07-000	EA	GLASS-WINDOW - 18 1/2" X 16 25" X 24" - FROSTED
	031914-01-000	EA	BUMPER-RUBBER - ROUND - 43" DIAMETER - BLACK
17	059748-01-010	EA	FRAME-BOTTOM - ENTRY DOOR - 24 5" LONG - OFF WHITE
	090340-01-000	FT	SEAL-FOAM - CLOSED CELL - 1 1/4" X 1 1/2" X 50'
18	095278-01-01A	EA	FRAME-ENTRY DOOR - W/O BOTTOM - OFF WHITE
19	095277-02-01A	EA	JAMB ENTRY DOOR - W/BOTTOM - 25 9" X 74 5" - OFF WHITE
20	051049-01-010	EA	JAMB-BOTTOM - ENTRY DOOR - 25 9" - UNPAINTED
	079207-01-000	EA	STRIKER-ROLLER CATCH - WELDED TO DOOR JAMB - 4" X 1 1/8"
	095278-01-01A	EA	JAMB-DOOR - ENTRANCE - 25 9" X 74 5" - UNPAINTED
21	095510-01-01A	EA	PLATE-LATCH - ENTRY DOOR - PLASTIC - BLACK
22	097724-01-04A	EA	HINGE-ENTRY DOOR - UNPAINTED
23	093173-01-04A	EA	STIFFENER-ENTRY DOOR - SUPPORTS LATCH STRIKE AREA - UNPAINTED
	100129-02-000	FT	SEAL-PILE - ADHESIVE BACK - SCREEN DOOR - GRAY
24	101145-01-01A	EA	DEADBOLT-ENTRY DOOR - W/2 KEYS W/O BACK SET BOLT OR SCREWS
	095229-01-700	EA	KEY-BLANK
	101147-01-000	EA	BOLT-SECURITY - 4 1/2" BACKSET
	102524-01-000	EA	BUMPER-RUBBER - FLAT - BLACK
25	044582-02-000	EA	CAP DRIP - ENTRY DOOR - JAMB MOUNTED - ALUMINUM - OFF WHITE
	054070-07-000	FT	SEAL-BULB - W/WIPED U CHANNEL - 3" X 5" CHANNEL - BLACK
	075839-19-000	EA	GARNISH-RADIUS - ENTRY DOOR OFF WHITE
	077451-03-000	EA	COVER-STRIKE - ENTRY DOOR - 5 5" X 2 5" - PLASTIC - WHITE
	091876-01-000	EA	RETAINER-DOOR - 1 9" X 6" - METAL
26	100412-01-000	EA	CATCH-SCREEN DOOR - THUMB CLIP W/BLACK PLASTIC CAP
	104592-01-000	FT	SEAL-ADHESIVE BACK - 3 1/4" X 3 1/4"
27	104099-01-01A	EA	CATCH-DOOR HOLDER - STRIKE
28	104099-02-01A	EA	CATCH-DOOR HOLDER - RETAINER

1992 ITASCA TABLE OF CONTENTS

INTRODUCTION	A-01 -	A-02
ABBREVIATIONS		A-03
ALPHABETICAL INDEX	A-04 -	A-05
IC422FG	A-07 -	D-10
IC424RC	D-11 -	G-16

1992 IC424RC INDEX

FLOOR PLAN	D-11 -	D-12
ACCESSORIES		D-13
AUDIO VIDEO		D-14
BATH	D-15 -	D-16
BEDROOM		D-17
CHASSIS	D-18 -	D-21
CURTAIN & CUSHION	D-22 -	E-05
DINETTE	E-06 -	E-07
DRIVERS COMPARTMENT	E-08 -	E-10
ELECTRICAL	E-11 -	E-14
EXTERIOR BODY	E-15 -	E-21
GALLEY	E-22 -	E-24
GENERATOR		F-01
HEATING & AC	F-02 -	F-05
INTERIOR FINISH	F-04 -	F-09
LABEL	F-03 -	F-15
LP		F-16
LOUNGE		F-17
SEALANTS & FASTENERS	F-18 -	F-20
WATER & SEWAGE	F-21 -	F-24
WINDOW, VENT AND EXTERIOR DOOR	G-01 -	G-16



EXTERIOR DOOR COMPONENTS & HOLDERS

KEY	PART NUMBER	U/M DESCRIPTION
	095545-05-01A	EA WINDOW-SLANTED SLIDER-PASSENGER SIDE
	095545-05-01A	EA WINDOW-SLANTED SLIDER-DRIVER SIDE
	095544-01-700	EA LATCH REPAIR KIT (BLACK)
	095544-01-705	FT GLAZING STRIP
	095544-01-705	FT WEATHERSTRIP GLASS
	095544-01-703	FT CHANNEL RUN PERCED - GLASS
	095544-01-710	FT TRACK SPACER FOR SCREEN 12
	095544-01-711	FT WEATHERSTRIP SCREEN BLACK
	095544-01-713	EA SCREEN CLIPS (METAL) BLACK
	095544-01-715	FT PLUG-FILLER
	095544-01-717	FT SPRUNG-SCREEN ASM
	095545-05-703	EA STATIONARY GLASS
	095545-05-701	EA SLIDE ASM
	095545-05-704	EA SCREEN ASM

1992 ITASCA
TABLE OF CONTENTS

INTRODUCTION	A-01	A-02
ABBREVIATIONS	A-03	A-04
ALPHABETICAL INDEX	A-04	A-05
IC422RG	A-07	B-10
IC424RC	D-11	D-15

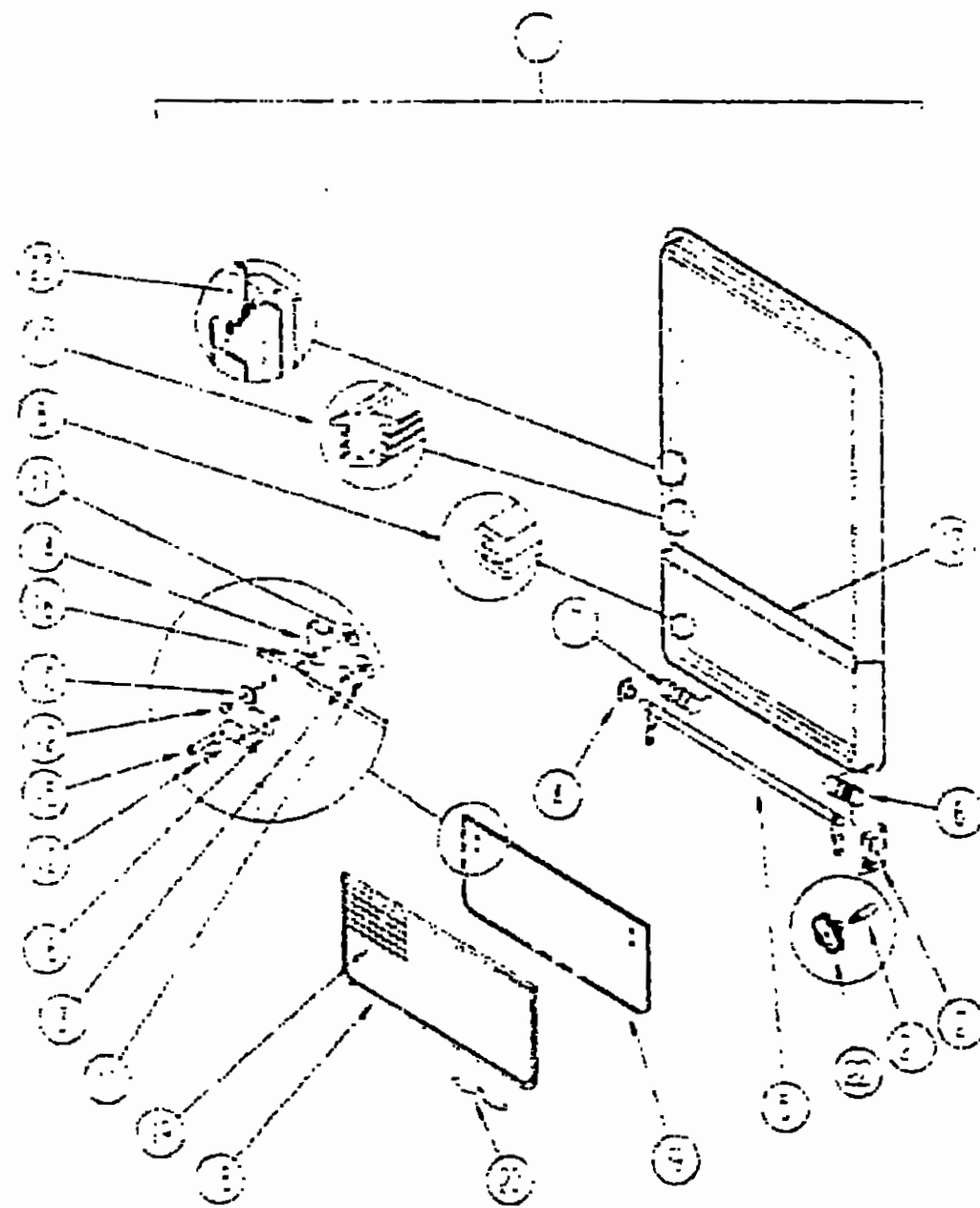
1992 IC424RC INDEX

FLOOR PLAN	D-11	D-12
ACCESSORIES		D-13
AUDIO VIDEO		D-14
BATH	D-15	D-16
BEDROOM		D-17
CHASSIS	D-18	D-21
CURTAIN & CUSHION	D-22	E-05
DINETTE	E-05	E-07
DRIVERS COMPARTMENT	E-05	E-10
ELECTRICAL	E-11	E-14
EXTERIOR BODY	E-15	E-21
GALLEY	E-12	E-24
GENERATOR		F-01
HEATING & A/C	F-02	F-05
INTERIOR FINISH	F-04	F-09
LABEL	F-03	F-15
LP		F-18
LOUNGE		F-17
SEALANTS & FASTENERS	F-19	F-20
WATER & SEWAGE	F-21	F-24
WINDOW VENT AND EXTERIOR DOOR	G-01	G-16

KEY	PART NUMBER	U/M DESCRIPTION
1	079325-04-000	EA LOCK-DOOR KEY TYPE W/O KEYS - 1 1/2 OFF SET FROM 02-03-92 THRU 02-19-92
1	079355-05-000	EA LOCK ASM-KEY TYPE W/O KEYS - 1 5/8 OFF SET FROM 02-20-92 THRU 99-99-99
	082524-01-700	EA KEY BLANK
1	079927-03-000	EA LOCK-TWIST TYPE - DOUBLE CAM - 2 1/2 OFF SET FROM 09-03-92 THRU 02-19-92
1	079927-04-000	EA LOCK ASM-TWIST TYPE - 1 5/8 O/S ILLINOIS LOCK FROM 02-20-92 THRU 99-99-99
2	102758-01-000	EA HOLDER-COMPARTMENT ENTRY DOOR - METAL - MILL FINISH
3	105375-01-02A	EA HINGE-CONTINUOUS - 2"X140MM - OFF WHITE
	051501-02-000	EA HINGE-2" X 25" - OFF WHITE
	084413-01-000	EA HINGE-CONTINUOUS - ALUMINUM - 1" X 72" - WHOLES
4	054075-07-000	FT SEAL-BULB - W/WIRED U CHANNEL - 3" X 5" CHANNEL - BLACK
	020340-01-000	FT SEAL-FOAM - CLOSED CELL - 1/4" X 1/2" X 50'
5	081532-02-000	FT SEAL-BULB - DOOR - W/WIRE CARRIER - 8" WIDE - RUBBER - BLACK
6	097111-01-01A	EA POCKET-LOCK - VALANCE - OFF WHITE
7	093338-01-000	EA GASKET-LOCK POCKET
8	105534-01-000	EA WASHER - 5/16X 7/8:ID SST - HUDSON LOCK
9	107997-51-001	EA SPACER - 5/8" X 5" ALUMINUM
10	104233-01-000	EA BEAUTY RING - 3/8X 7/8:ID SST - HUDSON LOCK
	098217-55-001	EA U-CHANNEL - 17 5' - OFF WHITE

WINDOW, VENT & EXTERIOR DOOR GROUP (CONTINUED)

DRIVER SIDE BEDROOM WINDOW



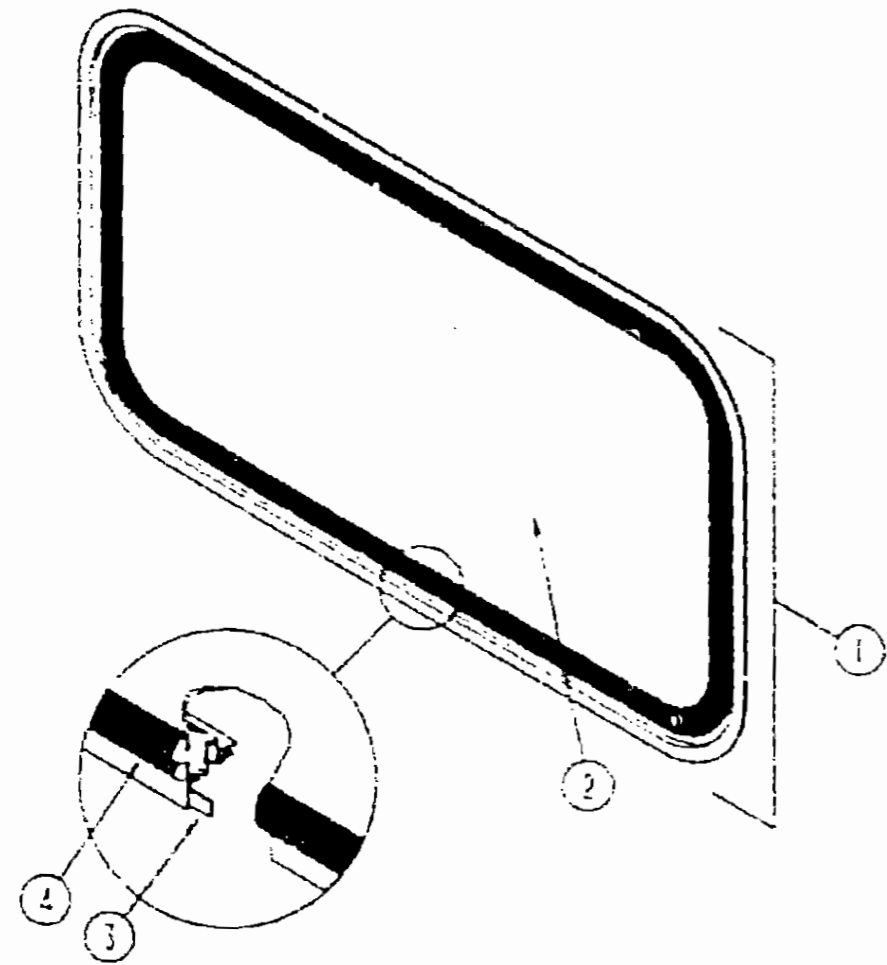
KEY	PART NUMBER	U/M	DESCRIPTION
1	090803-18-02A	EA	FRAME/INSIDE WINDOW RETAINER - OFF WHITE
2	091235-12-112	EA	WINDOW TPOUT SINGLE - W/O INS DE FRAME
3	090714-05-149	EA	RIVET/MANDREL BUND 3/16"
4	085002-02-000	EA	OPERATOR TORQUE TPOUT WINDOW
5	085007-03-000	EA	SEAL WINDOW RUBBER - ROUND - 20" DIA - BLACK
6	081354-01-000	EA	SLEEVE TORQUE TUBE TPOUT WINDOW - 1 3/4" X 1 21/32" X 7"
7	081349-01-000	EA	RING-SNAP 7/32 SHFT DIAMETER
8	083150-12-000	EA	TUBE TORQUE TPOUT WINDOW - W SPRNG & ARM - 22 5/8" LONG
9	080918-01-000	EA	SPRING TORQUE TUBE LEFT
10	080918-02-000	EA	SPRING TORQUE TUBE RIGHT
11	084007-02-000	FT	SEAL E SHAPED SPRNGE - TPOUT WINDOW - 4 1/2" X 3 3/4" - BLACK
12	084005-17-000	EA	GLASS TPOUT 20" X 24 1/2"
13	084450-02-000	EA	WASHER 3/8" X 5/8" X 25" - PLASTIC
14	086700-01-000	EA	NUT 10-32
15	086703-01-000	EA	SCREW/MACH 10-32 X 1 1/4 PTH
16	087005-04-01A	EA	MULLION HORIZONTAL TPOUT - BLACK
17	089910-01-000	EA	HINGE TPOUT WINDOW BLACK
18	087070-01-000	EA	LINKAGE TPOUT WINDOW
19	084453-01-000	EA	WASHER 3/8" X 5/8" X 35" - PLASTIC
20	084470-01-000	EA	SEAL FLAT W/CENTER HOLE & ADHES VES DE - 6 1/2" X 9" - BLK
21	001316-01-000	EA	RIVET SHOULDER TPOUT WINDOW
22	001314-01-000	FT	CHANNEL GLAZING STATIONARY - GLASS - 20" X 48" - BLACK
23	100030-04-007	EA	SCREEN SINGLE TPOUT WINDOW
24	080212-03-000	EA	SCREEN NG FIBERGLASS 12" WIDE
25	100160-01-000	EA	CUR SPRNG SCREEN
26	100240-01-000	FT	SPRNG SCREEN T SHAPED
27	089490-08-000	EA	EXTENSION CRANK HANDLE WINDOW ROD/VENT - BLACK
28	089490-05-000	EA	KNOB OPERATOR TPOUT WINDOW - W SPRNG & ARM
29	009409-07-010	EA	SCREW 8/32 X 1 1/4 PCH - BLACK
30	089040-11-000	FT	TAPE SEALER 3/16" X 3 3/8" - BLACK

1992 ITASCA TABLE OF CONTENTS

INTRODUCTION	A-01 -	A-02
ABBREVIATIONS		A-03
ALPHABETICAL INDEX	A-04 -	A-06
IC424RC	A-07 -	B-10
IC424RC	B-11 -	B-16

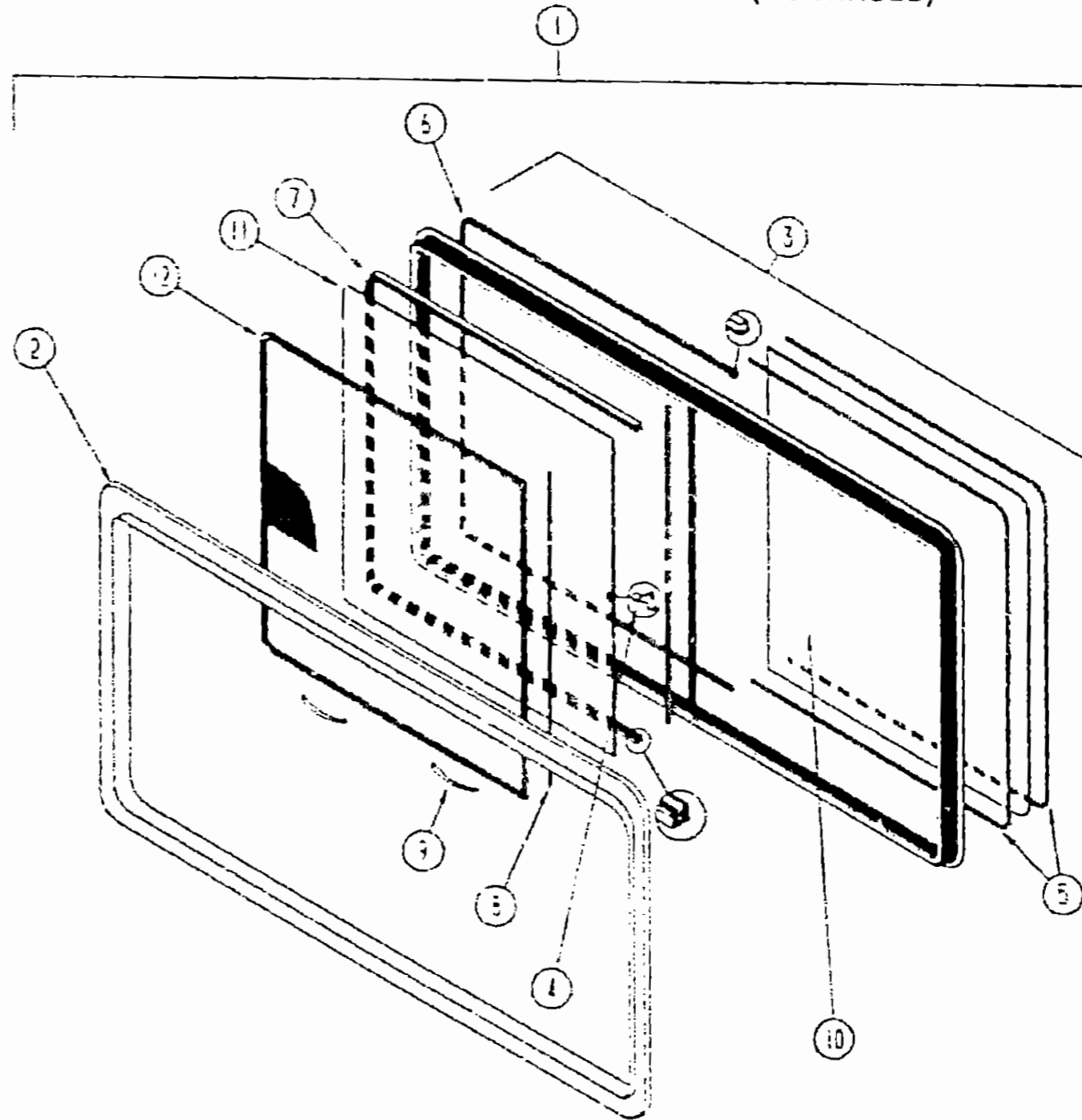
1992 IC424RC INDEX

FLOOR PLAN	D-11 -	D-12
ACCESSORIES		D-13
ADD-ONS		D-14
BATH	D-15 -	D-16
BEDROOM		D-17
CLASSIC	D-18 -	D-21
CURTAIN & COVER	D-22 -	D-25
DIET	D-26 -	D-27
DRIVERS COMPARTMENT	D-28 -	D-30
ELECTRICAL	D-31 -	D-34
EXTER CLOSET	D-35 -	D-37
GALLEY	D-38 -	D-39
GENERATOR		D-40
HEATING & AC	D-41 -	D-42
INTERIOR LIGHT	D-43 -	D-44
LABEL	D-45 -	D-46
LP		D-47
LOUNGE		D-48
SEALANTS & FASTENERS	D-49 -	D-50
WATER & SEWAGE	D-51 -	D-52
WINDOW VENT AND EXTER DOOR	G-01 -	G-16



OVERHEAD BUNK FRONT WINDOW

KEY	PART NUMBER	U/M DESCRIPTION
1	067916 00 000	EA FRAME INS DE WINDOW
2	068193 01 000	EA WINDOW ASM PICTURE
3	068191 01 000	EA GLASS PICTURE 11 7/8" X 15 1/2" GRAY
4	068642 01 000	FT SEALER TAPE 3/8" X 3/8" BY BLACK
5	068154 01 000	FT CHANNEL GLAZING STATIONARY GLASS - 60" X 45" - BLACK



GALLEY SLIDING WINDOW

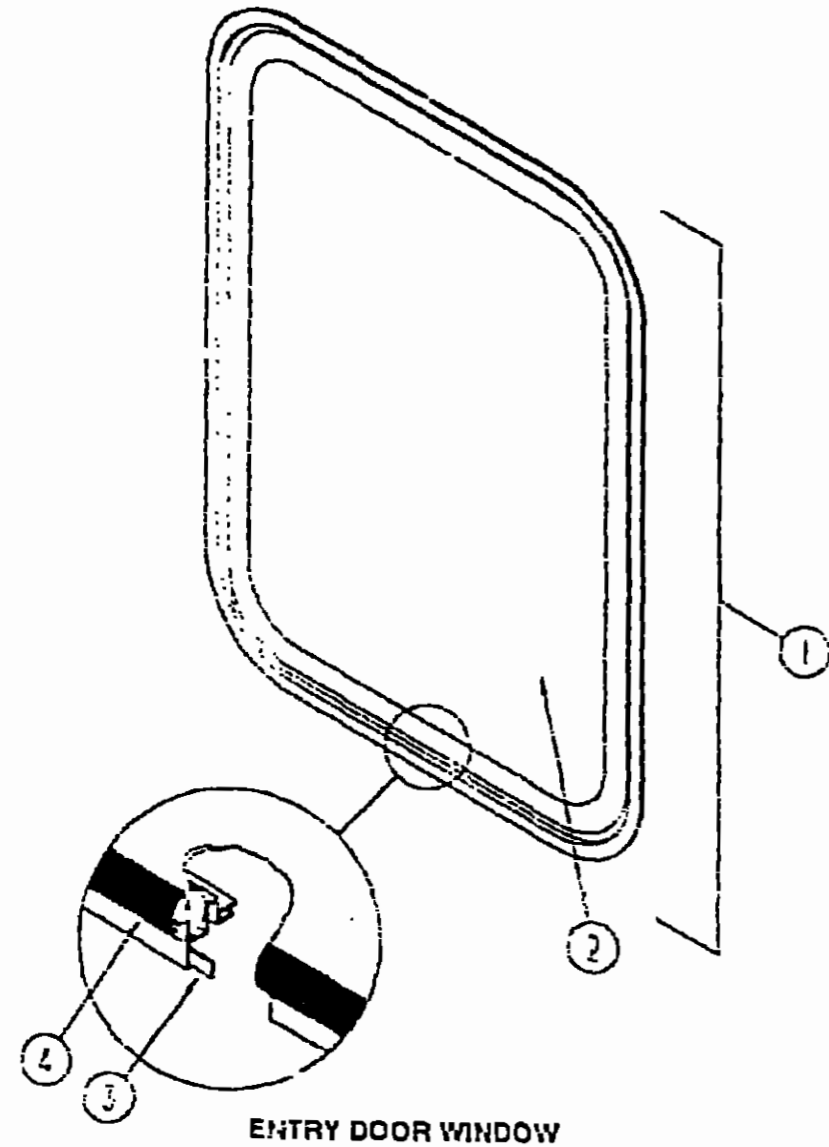
KEY	PART NUMBER	U/M DESCRIPTION
1	068647 10 004	EA WINDOW ASM SLIDER - WINS DE FRAME TR M - EXCEL H024-PR
2	068647 00 004	EA FRAME INS DE WINDOW TR M - WCL4-67 EXCEL
3	068647 10 000	EA WINDOW SINGLE SLIDER - LEFT - H024-32L EXCEL
4	068944 01 700	EA LATCH REPAIR KIT - EXCEL B60104
5	068944 01 705	FT GLAZING STR P - EXCEL M315-12
6	068944 01 706	FT WEATHERSTR P - EXCEL 171-01595
7	068944 01 708	FT CHANNEL PERFOR PLN - EXCEL 1020-16543
8	068944 01 710	FT TRACK SCREEN SPACER - 12 LENGTH - EXCEL M401-01
9	068944 01 711	FT WEATHERSTR P SCREEN - BLACK - EXCEL 171-01595
10	068944 01 716	EA SPRING SCREEN FRAME - C/P - PLASTIC - BLACK
11	068944 01 715	FT PLUS FILLER - EXCEL 100-014470
12	068944 01 717	FT SPRING SCREEN W/F - EXCEL 102-004716
13	068947 00 000	EA GLASS STATIONARY - EXCEL 106-017193 EXCEL
14	068947 01 701	EA GLASS BOUNG W SASH & LATCH - H024 G9 EXCEL
15	068947 00 705	EA SCREEN W SPANS & WEATHERSTR P - 410 015454 EXCEL

1992 ITASCA
TABLE OF CONTENTS

INTRODUCTION	A-01 -	A-02
ABBREVIATIONS		A-03
ALPHABETICAL INDEX	A-04 -	A-05
IC422PG	A-07 -	D-10
IC424RC	D-11 -	G-16

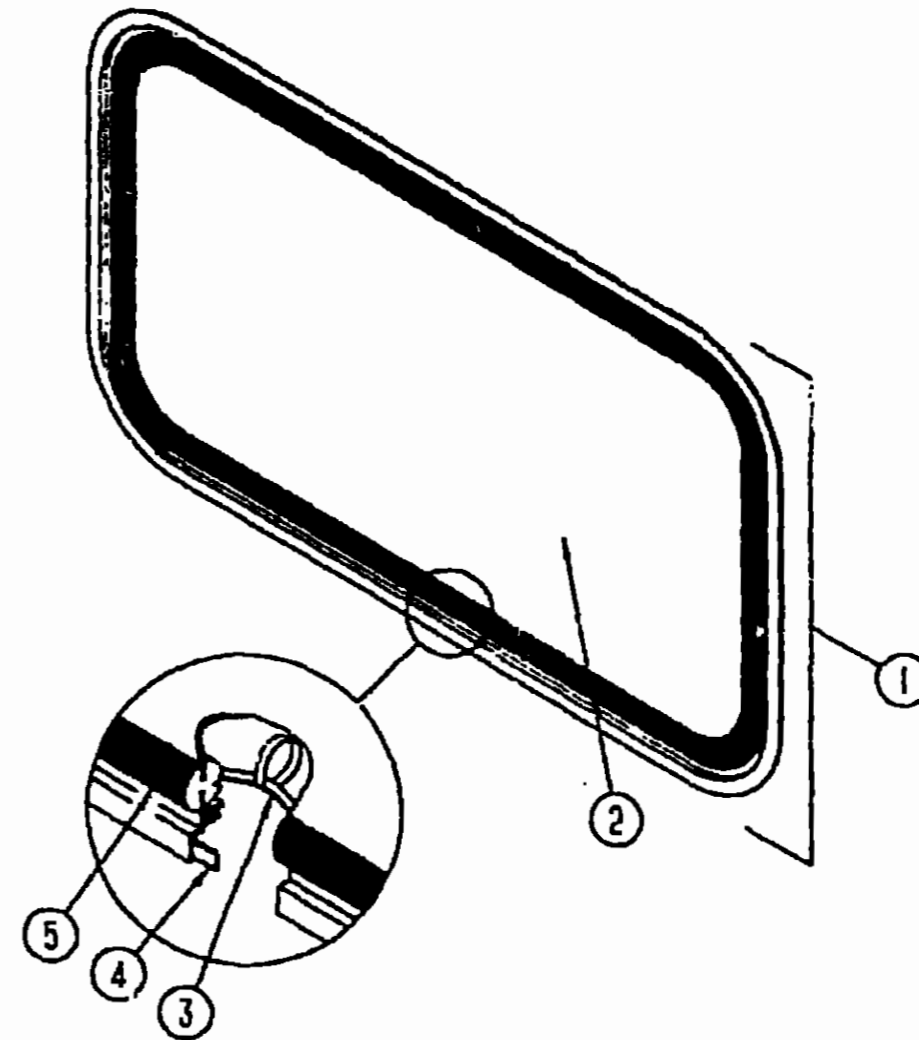
1992 IC424RC INDEX

FLOOR PLAN	D-11 -	D-12
ACCESSORIES		D-13
AUDIO VIDEO		D-14
BATH	D-15 -	D-15
BEDROOM		D-17
CHASSIS	D-18 -	D-21
CURTAIN & CUSHION	D-22 -	E-05
DIAPETTE	E-05 -	E-07
DRIVERS COMPARTMENT	E-08 -	E-10
ELECTRICAL	E-11 -	E-14
EXTERIOR BODY	E-15 -	E-21
GALLEY	E-22 -	E-24
GENERATOR		F-01
HEATING & A/C	F-02 -	F-05
INTERIOR FINISH	F-04 -	F-09
LABEL	F-05 -	F-15
LP		F-16
LOUNGE		F-17
SEALANTS & FASTENERS	F-18 -	F-20
WATER & SEWAGE	F-21 -	F-24
WINDOW VENT. ND		
EXTERIOR DOOR	G-01 -	G-16



ENTRY DOOR WINDOW

KEY	PART NUMBER	U/M DESCRIPTION
	057523-02-000	EA FRAME-WINDOW - ENTRY DOOR - OFF WHITE
1	079733-07-AA5	EA WINDOW-PICTURE - W/O INSIDE FRAME - 17" X 25"
2	002181-07-000	EA GLASS-PICTURE WINDOW - 182" X 16 25" X 24"
3	069540-11-000	FT SEALER-TAPE - 3'16" X 38" - BLACK
4	087551-01-000	FT SEAL-GLASS - EXTERIOR - 5" WIDE - VINYL - BLACK



BEDROOM ESCAPE WINDOW

KEY	PART NUMBER	U/M DESCRIPTION
	074816-09-000	EA FRAME-WINDOW - INSIDE - ESCAPE - OFF WHITE
1	078523-04-C05	EA WINDOW-ESCAPE - BACKWALL
2	078337-09-000	EA GLASS-WINDOW - 632 5 X 597 5MM
3	002285-01-000	FT FILLER-WEATHER STRIP - RUBBER - BLACK
	077056-01-702	EA RED POLY - 005 X 500" X 150"ROLL
4	069540-10-000	FT SEALER-RIBBON - 1/32" X 1 1/2" - INCREMENTS OF 90'
5	002282-04-000	EA WEATHERSTRIP-WINDOW - 125" X 109 25" - VULCANIZED - BLACK

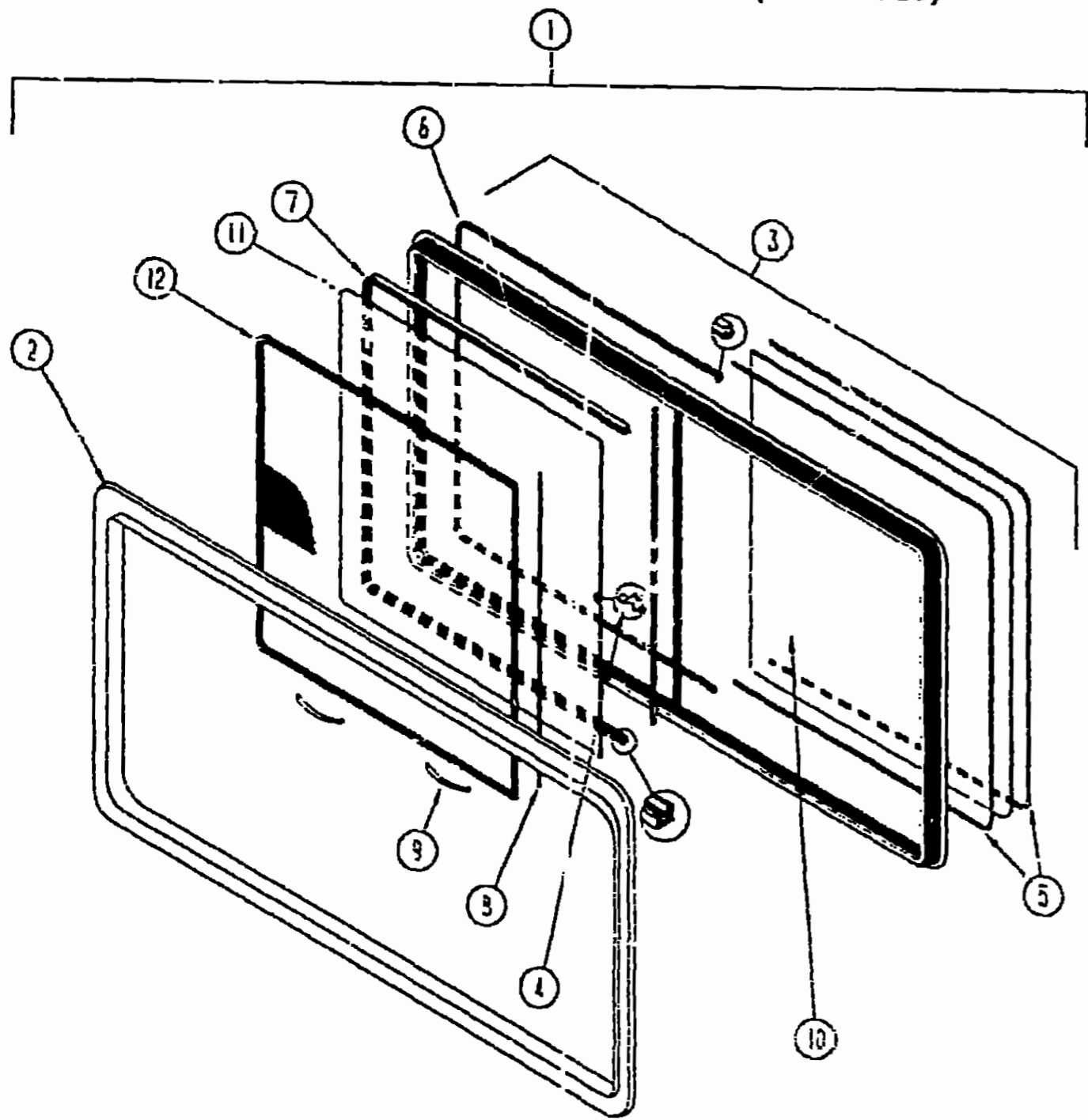
1992 ITASCA
TABLE OF CONTENTS

INTRODUCTION	A-01 -	A-02
ABBREVIATIONS		A-03
ALPHABETICAL INDEX	A-04 -	A-06
IC422RG	A-07 -	D-10
IC424RC	D-11 -	G-15

1992 IC424RC INDEX

FLOOR PLAN	D-11 -	D-12
ACCESSORIES		D-13
AUDIO VIDEO		D-14
BATH	D-15 -	D-16
BEDROOM		D-17
CHASSIS	D-18 -	D-21
CURTAIN & CUSHION	D-22 -	E-05
DINETTE	E-06 -	E-07
DRIVERS COMPARTMENT	E-08 -	E-10
ELECTRICAL	E-11 -	E-14
EXTERIOR BODY	E-15 -	E-21
GALLEY	E-22 -	E-24
GENERATOR		F-01
HEATING & A/C	F-02 -	F-05
INTERIOR FINISH	F-04 -	F-09
LABEL	F-08 -	F-15
LP		F-16
LOUNGE		F-17
SEALANTS & FASTENERS	F-18 -	F-20
WATER & SEWAGE	F-21 -	F-24
WINDOW, VENT AND EXTERIOR DOOR	G-01 -	G-15

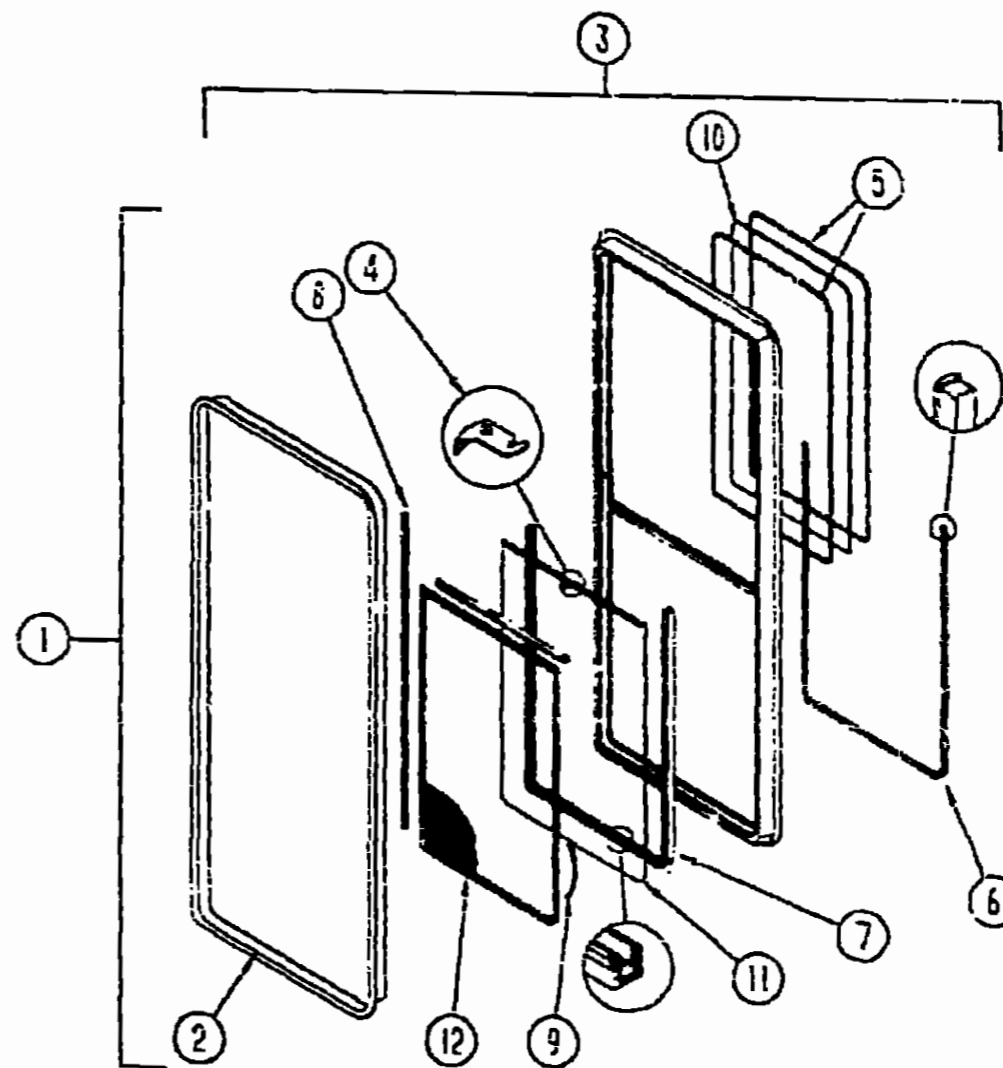
WINDOW, VENT & EXTERIOR DOOR GROUP (CONTINUED)



GALLEY SLIDER WINDOW

KEY	PART NUMBER	U/M DESCRIPTION
1	095547-05-02A	EA WINDOW-SLIDING - W/OFF WHITE INSIDE FRAME - EXCEL 5959-PRL
2	095547-05-705	EA FRAME-INSIDE - WINDOW TRIM - EXCEL V-959-57
3	095547-05-705	EA WINDOW-SLIDING - SINGLE - W/O INSIDE FRAME 15" X 23 75"
4	095544-01-700	EA LATCH REPAIR KIT - EXCEL B501-CK
5	095544-01-705	FT GLAZING STRIP - EXCEL M925-12
6	095544-01-705	FT WEATHERSTRIP - EXCEL 171-010553
7	095544-01-703	FT CHANNEL-PIERCED RUN - EXCEL 122-015543
8	095544-01-710	FT TRACK-SCREEN SPACER - 2 LENGTH - EXCEL M401-31
9	095544-01-711	FT WEATHERSTRIP-SCREEN - BLACK - EXCEL 171-015955
9	095544-01-713	EA SPRING-SCREEN FRAME (CLIP) - PLASTIC - BLACK
	095544-01-716	FT PLUG-FILLER - EXCEL 132-014470
	095544-01-717	FT SPLINE-SCREEN MFG - EXCEL 132-004715
10	095547-05-700	EA GLASS-STATIONARY - 10 9" X 13 77" - EXCEL 105-015921
11	095547-05-702	EA GLASS-SLIDING - W/SASH & LATCH - EXCEL 5959-G9
12	095547-05-703	EA SCREEN W/WEATHERSTRIP & FRAME SPRING (CLIP) - EXCEL 410-015
	095547-05-701	EA RAIL-LOCKING W/WEATHERSTRIP - EXCEL 5959-17

WINDOW, VENT & EXTERIOR DOOR GROUP (CONTINUED)



PASSENGER SIDE LOUNGE WINDOW

KEY	PART NUMBER	U/M DESCRIPTION
1	095544-05-01A	EA WINDOW ASM-SLIDER, VERTICAL W/INSIDE TRIM - EXCEL H250-PR
2	095544-05-700	EA TRIM-INSIDE (OFF-WHITE) - EXCEL W250-57
3	095544-05-704	EA WINDOW ASM - W/O INSIDE TRIM - EXCEL H250-G2R
4	095544-01-700	EA LATCH-REPAIR KIT - EXCEL B501-CK
5	095544-01-705	FT GLAZING STRIP - EXCEL M925-12
6	095544-01-705	FT WEATHERSTRIP - EXCEL 171-010553
7	095544-01-703	FT CHANNEL-PIERCED RUN - EXCEL 122-015543
8	095544-01-710	FT TRACK-SCREEN SPACER, 12" LENGTH - EXCEL M401-31
9	095544-01-711	FT WEATHERSTRIP-SCREEN, BLACK - EXCEL 171-015955
9	095544-01-713	EA SPRING-SCREEN FRAME (CLIP) - PLASTIC - BLACK
	095544-01-716	FT PLUG-FILLER - EXCEL 132-014470
	095544-01-717	FT SPLINE-SCREEN MFG - EXCEL 132-004715
10	095544-05-701	EA STATIONARY GLASS - EXCEL 105-015921
11	095544-05-702	EA SLIDE ASM - EXCEL 5933-G9
12	095544-05-703	EA SCREEN ASM - EXCEL 410-015473

1992 ITASCA
TABLE OF CONTENTS

INTRODUCTION	A-01 -	A-02
ABBREVIATIONS		A-03
ALPHABETICAL INDEX	A-04 -	A-05
IC422RG	A-07 -	D-10
IC424RC	D-11 -	G-15

1992 IC424RC INDEX

FLOOR PLAN	D-11 -	D-12
ACCESSORIES		D-13
AUDIO VIDEO		D-14
BATH	D-15 -	D-16
BEDROOM		D-17
CHASSIS	D-18 -	D-21
CURTAIN & CUSHION	D-22 -	E-05
DINETTE	E-03 -	E-07
DRIVERS COMPARTMENT	E-03 -	E-10
ELECTRICAL	E-11 -	E-14
EXTERIOR BODY	E-15 -	E-21
GALLEY	E-22 -	E-24
GENERATOR		F-01
HEATING & A/C	F-02 -	F-05
INTERIOR FINISH	F-04 -	F-09
LABEL	F-03 -	F-15
LP		F-15
LOUNGE		F-17
SEALANTS & FASTENERS	F-13 -	F-20
WATER & SEWAGE	F-21 -	F-24
WINDOW VENT AND		
EXTERIOR DOOR	G-01 -	G-15

POWERED ROOF VENT

KEY	PART NUMBER	U/M DESCRIPTION
	090394-01-Y12	EA VENT-ROOF POWERED
	009439-01-000	EA CRANK HANDLE-ROOF VENT
	009439-04-000	EA SCREW-#32 X 1 1/4" PCH
	009439-02-000	EA KNOB-ROOF VENT-MILL
	009439-03-000	EA EXTENSION-CRANK HANDLE-ROOF VENT-9" MILL
	009439-04-000	EA SCREW-#32 X 1 1/4" PCH
	055218-01-000	EA COVER-ROOF VENT-PLASTIC
	005195-01-000	EA SWITCH-ROOF VENT-PUSH BUTTON-12V
	005343-01-000	EA TIE WIRE-5"
	005355-01-000	EA GROMMET-SNAP-3/8"
	009440-01-000	EA GEAR ARM-VENT COVER-LEFT
	015910-03-000	EA BRACKET-HANDLE-VENT-ROOF-OFF WHITE
	015911-01-000	EA TRACK-LEFT ARM SLIDE-ROOF VENT
	046548-01-000	EA MOTOR-ROOF VENT-1/8" SHAFT-12V LENSEN
	046549-01-000	EA FAN-ROOF VENT-8 BLADES-8" LENSEN
	052539-01-001	EA HINGE-VENT COVER-16"
	052539-01-200	EA HINGE-EXTRUSION-ROOF VENT-7"
	051613-01-000	EA GROMMET-SNAP-3/8" DIA-3/8" HOLE-PLASTIC-BLACK
	078755-01-Y12	EA SCREEN-ROOF VENT POWERED
	002231-02-000	SF SCREEN-ROOF VENT WINDOW-16" BLACK
	002235-02-000	FT SPLINE-VENT WINDOW SCREEN-1/8" DIA VETER- BLACK

NONPOWERED ROOF VENT

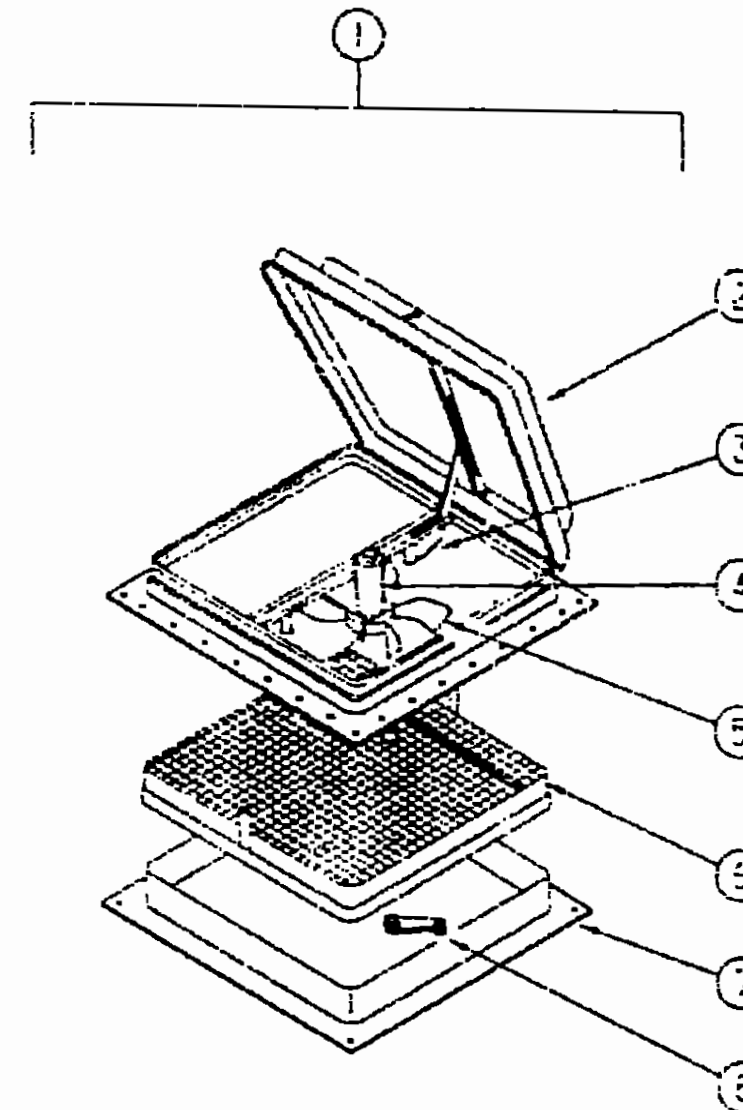
KEY	PART NUMBER	U/M DESCRIPTION
	090394-01-Y12	EA VENT-ROOF NON POWERED
	009439-01-000	EA CRANK HANDLE-ROOF VENT
	009439-04-000	EA SCREW-#32 X 1 1/4" PCH
	009439-02-000	EA KNOB-ROOF VENT-MILL
	009439-03-000	EA EXTENSION-CRANK HANDLE-ROOF VENT-9" MILL
	009439-04-000	EA SCREW-#32 X 1 1/4" PCH
	055218-01-000	EA COVER-ROOF VENT-PLASTIC
	002525-01-000	EA WEATHER STRIP-ROOF VENT GRAY
	009440-01-000	EA GEAR ARM-VENT COVER-LEFT
	015910-03-000	EA BRACKET-HANDLE-VENT-ROOF-OFF WHITE
	015911-01-000	EA TRACK-LEFT ARM SLIDE-ROOF VENT
	052539-01-001	EA HINGE-VENT COVER-16"
	052539-01-200	EA HINGE-EXTRUSION-ROOF VENT-7"
	078755-01-Y12	EA SCREEN-ROOF VENT NON POWERED-WHITE
	002231-02-000	SF SCREEN-ROOF VENT WINDOW-16" BLACK
	002235-02-000	FT SPLINE-VENT WINDOW SCREEN-1/8" DIA VETER- BLACK

VENTS, SHROUDS & ROOF COVERS

KEY	PART NUMBER	U/M DESCRIPTION
	093558-03-000	EA VENT-PLUMBING PIPE ROOF W COVER-OFF WHITE
	053752-01-000	EA SHROUD-RANGE-18 5/8" X 20 5/8" X 18 2 1/2"-METAL-OFF WHITE
	084516-01-000	EA SHROUD-RANGE HOOD VENT-OFF WHITE
	094878-09-000	EA VENT-RANGE HOOD-SHORT-LVS
	084073-03-000	EA COVER-ROOF VENT-REFR GERATOR-OFF WHITE-NO ROOLD
	084073-04-000	EA BASE-ROOF VENT-REFR GERATOR-BLACK-NO ROOLD

1992 ITASCA
TABLE OF CONTENTS

INTRODUCTION	A-01	A-02
ABBREVIATIONS		A-03
ALPHABETICAL INDEX	A-04	A-05
C422RG	A-07	B-10
C424RC	D-11	B-16



JENSEN POWERED ROOF VENT

KEY	PART NUMBER	U/M DESCRIPTION
1	054459-08-000	EA VENT-ROOF POWERED-14" X 14" 12V LENSEN D1727-05A
2	054459-03-700	EA HO VENT-WHITE
3	054459-03-705	EA LEFT MECHANISM
4	046548-01-000	EA MOTOR-ROOF VENT-1/8" SHAFT-12V
5	046549-01-000	EA FAN-ROOF VENT-8 BLADES-8"
6	112051-01-700	EA SCREEN-ROOF VENT
7	004459-03-706	EA GARNISH-INNER-3/8" WIDE
8	009439-01-000	EA CRANK HANDLE-ROOF VENT
	009439-04-000	EA SCREW-#32 X 1 1/4" PCH
	009439-03-000	EA EXTENSION-CRANK HANDLE-ROOF VENT-9" MILL

1992 IC424RC INDEX

FLOOR PLAN	D-11	D-12
ADDRESS DEES		D-13
AIR CONDITION		D-14
BATH	D-15	D-15
BED ROOM		D-17
CHASSIS	D-18	D-21
CURTAIN & CUSHION	D-22	B-05
DRAPERY	B-06	B-07
DRYER COMPARTMENT	B-08	B-10
ELECTRICAL	B-11	B-14
ENTER OR EXIT	B-15	B-21
GALLERY	B-22	B-24
GENERATOR		B-24
HEATING & AC	B-25	B-25
INTERIOR FINISH	B-26	B-29
LABEL	B-28	B-16
LP		B-14
LOUNGE		B-17
SEALANTS & FASTENERS	B-18	B-20
WATER & SEWAGE	B-21	B-24
WINDOW VENT AND EXTERIOR DOOR	B-01	B-16