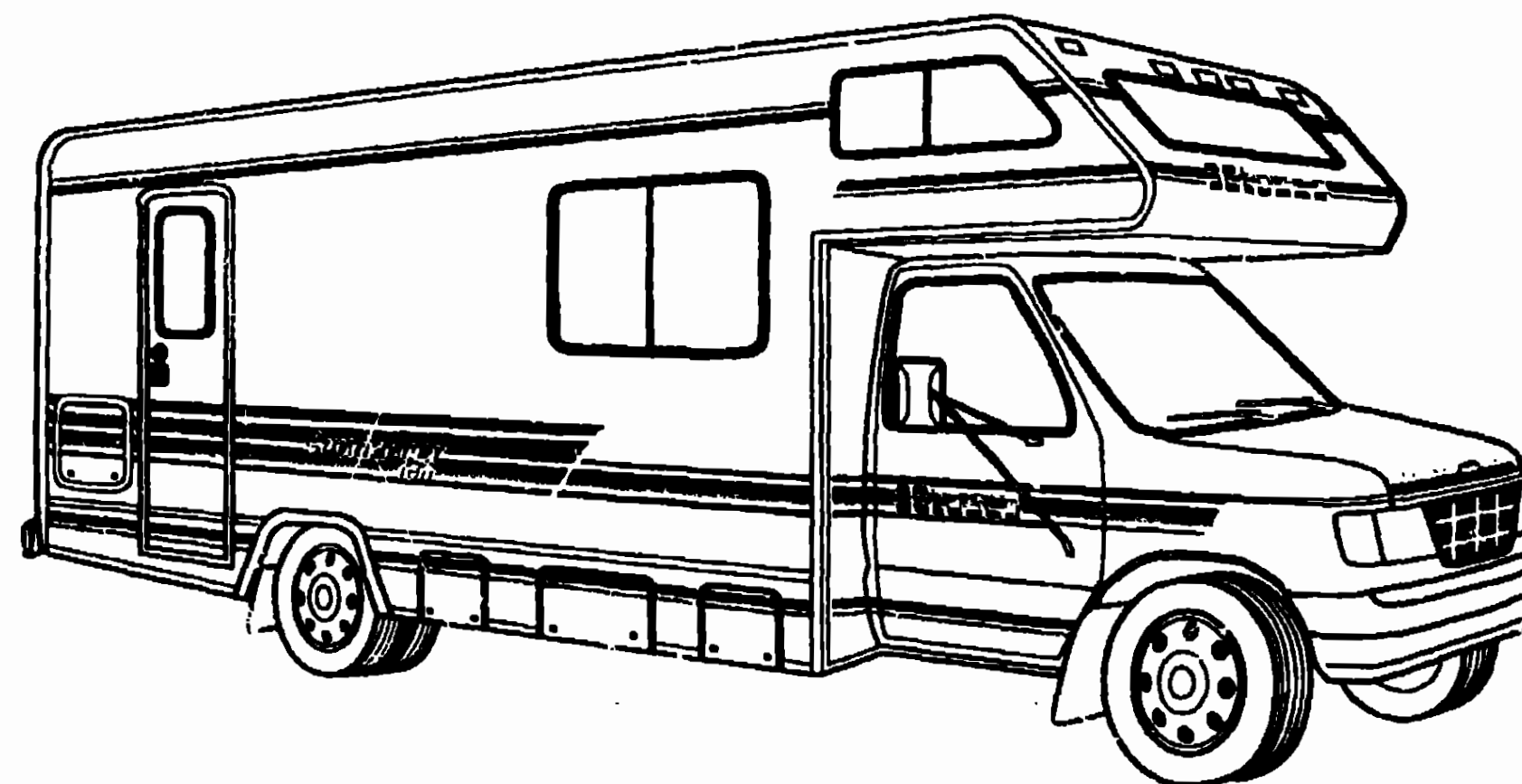


**1992 ITASCA  
TABLE OF CONTENTS**

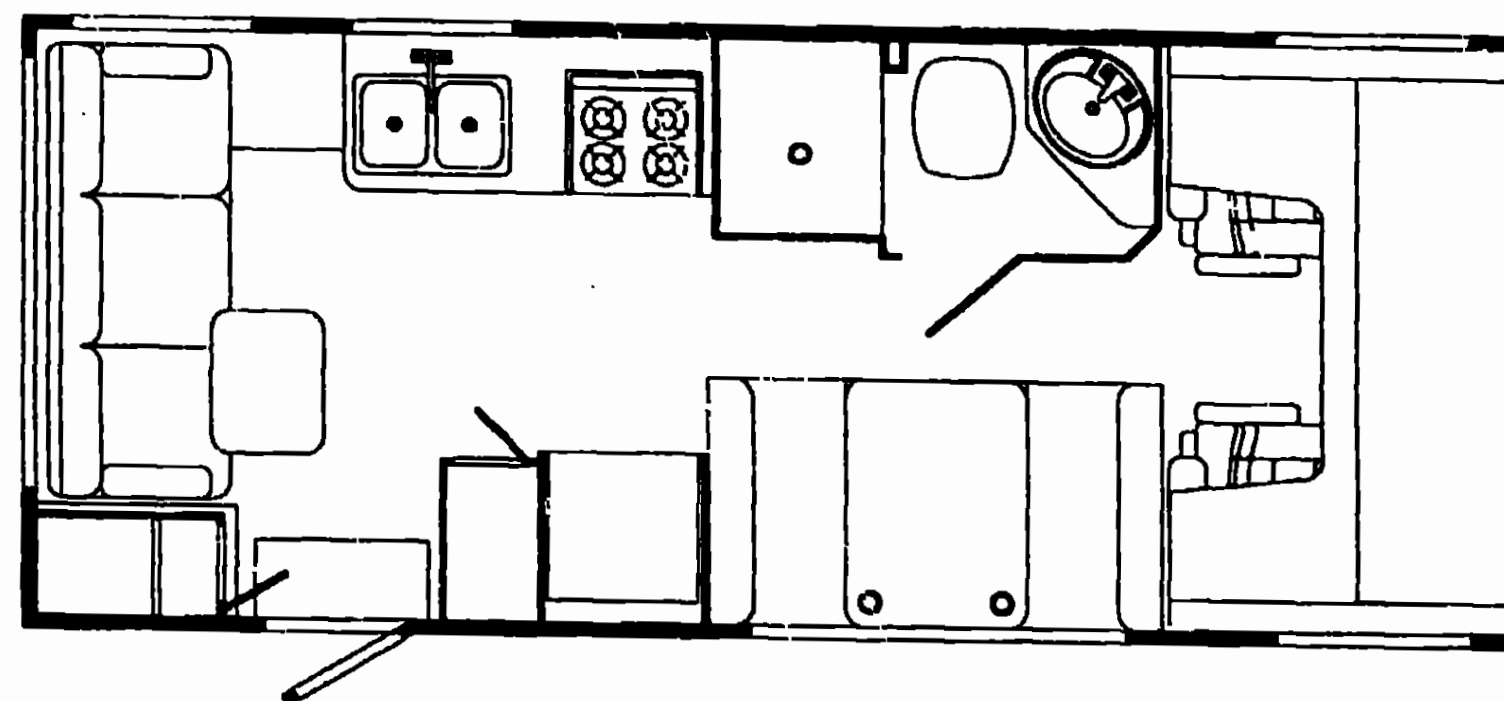
INTRODUCTION	A-01	A-02
ABBREVIATIONS		A-03
ALPHABETICAL INDEX	A-04	A-06
IC422RG	A-07	D-10
IC424RC	D-11	G-16



**1992  
IC422RG  
C03  
C04**

**1992 IC422RG INDEX**

FLOOR PLAN	A-07	A-08
ACCESSORIES		A-09
AUDIO VIDEO		A-10
BATH	A-11	A-12
CHASSIS	A-13	A-16
CURTAIN & CUSHION	A-17	A-24
DINETTE	B-01	B-02
DRIVERS COMPARTMENT	B-03	B-06
ELECTRICAL	B-07	B-10
EXTERIOR BODY	B-11	B-17
GALLEY	B-18	B-21
GENERATOR		B-22
HEATING & A/C	B-23	B-24
INTERIOR FINISH	C-01	C-04
LABEL	C-05	C-12
LP		C-13
LOUNGE		C-14
SEALANTS & FASTENERS	C-15	C-17
WATER & SEWAGE	C-18	C-20
WINDOW, VENT AND EXTERIOR DOOR	C-21	D-10



## ACCESSORIES GROUP

### OPERATORS MANUAL

KEY	PART NUMBER	U/M DESCRIPTION
	054185-92-000	EA MANUAL-OPERATOR - 1992 SUNDANCER - 400 SERIES
	092318-01-000	EA BINDER-3 RING - MOTOR HOME MANUAL
	092319-01-000	EA POCKET PAGE-3 RING BINDER - PLASTIC
	106351-01-000	DW TOP LEVEL DRAWING FOR 1992 C-BODIES

## AUDIO VIDEO GROUP

### RADIO & ANTENNA COMPONENTS

KEY	PART NUMBER	U/M DESCRIPTION
	007004-01-000	EA ANTENNA-AUTO (CHEVY)
	090982-01-000	EA RADIO-AM/FM CASSETTE - ELECTRIC TUNE - AUDIOVOX HCC-1035 (CHEVY)
	091211-01-000	EA MOUNT KIT-RADIO - AUDIOVOX (CHEVY)
	090982-01-000	EA RADIO-AM/FM CASSETTE - ELECT - AUDIOVOX HCC - 1035 FROM 00-00-00 THRU 10-06-91
	079385-02-000	EA MOUNTING KIT-RADIO FORD (FORD) FROM 00-00-00 THRU 10-06-91
	105450-01-000	EA RADIO-AM/FM CASSETTE - ELECT - AUDIOVOX FD-CXF (FORD) FROM 10-07-91 THRU 99-99-99
	106451-01-000	EA MOUNTING KIT-RADIO FORD - AUDIOVOX FD-ECO-92 (FORD) FROM 10-07-91 THRU 99-99-99
	081059-02-000	EA WIRE ASM-9-PIN - RADIO - AUDIOVOX 112B-1761 (FORD)
	108137-01-000	EA PLUG-ANTENNA HOLE - E350 (FORD)
	089340-02-000	EA GRILLE-SPEAKER 6 5" SQUARE (OVERHEAD CABINETS)
	089340-03-000	EA SPACER-SPEAKER GRILLE - TAN MAGNADYNE G514 (OVERHEAD CABINETS)
	094097-01-000	EA SPEAKER-RADIO - W/O GRILLE - 5 25" DIA - AUDIOVOX 110C3030 (OVERHEAD CABINETS)
	105305-01-000	EA WIRE ASM - SPEAKER ADAPTER (FORD) FROM 00-00-00 THRU 02-16-92

### ANTENNA

KEY	PART NUMBER	U/M DESCRIPTION
	076319-01-000	EA ANTENNA-TV, ROOF MOUNT - 44 5" MAST - RVA W02
	076319-01-700	EA HEAD-ANTENNA - AMPLIFIED - WINEGARD# RVSA U/V
	076319-01-701	EA GEAR-ELEVATING - PLASTIC - WINEGARD# 2200046
	076319-01-702	EA SHAFT ASM-ELEVATING - WINEGARD# RVP-400A
	076319-01-703	EA BEARING-NYLON - 5"OD - WINEGARD# 3200656
	076319-01-705	EA GROMMET-NYLON - 7/8"ID - WINEGARD# 3200658
	076319-01-706	EA CRANK-ELEVATING - W/SET SCREW - WINEGARD# 5755100
	076319-01-707	EA SPRING-HANDLE - WINEGARD# 5160800
	076319-01-709	EA PLATE-DIRECTIONAL - FOR HEAD - WINEGARD #3200644
	076319-06-000	EA ADAPTOR-CABLE ROOF PLATE - WINEGARD RPJ-1
	076319-03-000	FT CABLE-COAXIAL - 75 OHM
	076319-12-000	EA CONNECTOR-COAXIAL - ONE PIECE
	093252-01-01A	EA PLATE-WALL - CABLE - BEIGE

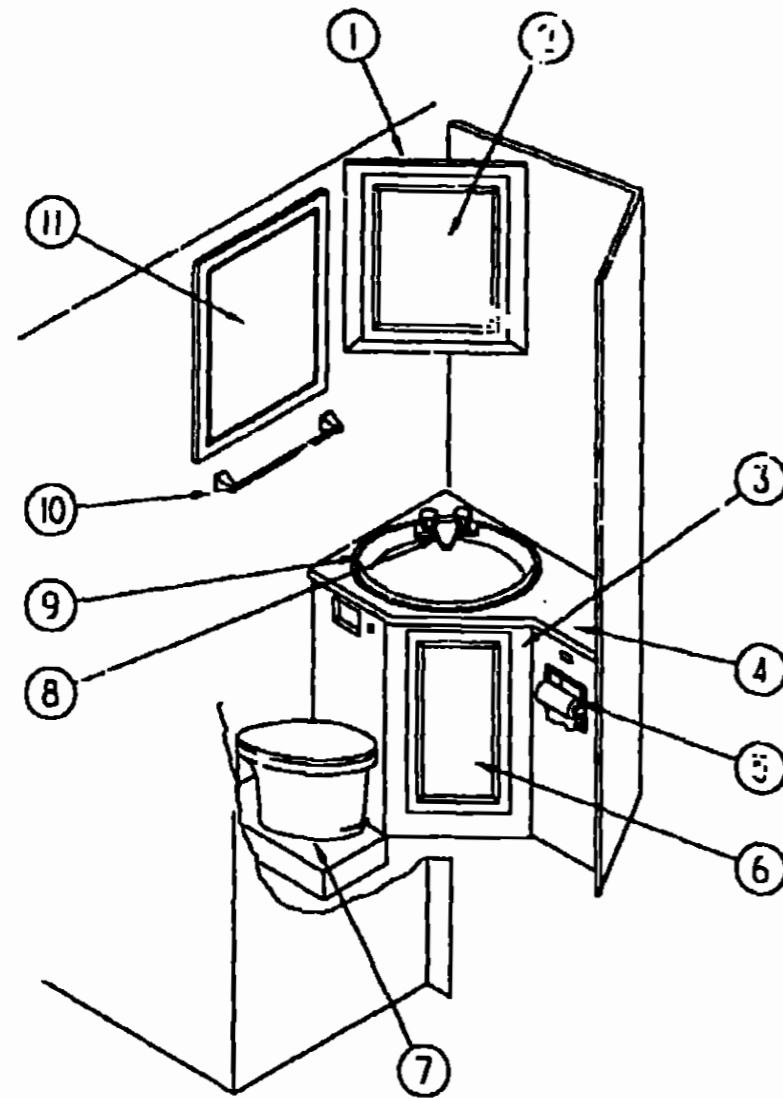
## 1992 ITASCA TABLE OF CONTENTS

INTRODUCTION	A-01 - A-02
ABBREVIATIONS	A-03
ALPHABETICAL INDEX	A-04 - A-06
IC422RG	A-07 - D-10
IC424RC	D-11 - G-16

## 1992 IC422RG INDEX

FLOOR PLAN	A-07 - A-08
ACCESSORIES	A-09
AUDIO VIDEO	A-10
BATH	A-11 - A-12
CHASSIS	A-13 - A-16
CURTAIN & CUSHION	A-17 - A-24
DINETTE	B-01 - B-02
DRIVERS COMPARTMENT	B-03 - B-06
ELECTRICAL	B-07 - B-10
EXTERIOR BODY	B-11 - B-17
GALLEY	B-18 - B-21
GENERATOR	B-22
HEATING & A/C	B-23 - B-24
INTERIOR FINISH	C-01 - C-04
LABEL	C-05 - C-12
LP	C-13
LOUNGE	C-14
SEALANTS & FASTENERS	C-15 - C-17
WATER & SEWAGE	C-18 - C-20
WINDOW, VENT AND EXTERIOR DOOR	C-21 - D-10

**BATH GROUP**



**BATH CABINETS AND HARDWARE**

KEY	PART NUMBER	U/M DESCRIPTION
1	M05640-01-C03	EA CABINET ASM-MEDICINE
2	P05223-26-C03	EA DOOR ASM-W/O HARDWARE - ROUNDED - 395MM X 750MM
3	P05057-01-C23	EA CABINET ASM-LAVATORY - W/O DOORS
4	105057-12-C23	EA COUNTERTOP ASM
5	075452-02-000	EA HOLDER-TOILET TISSUE, BRASS
6	P05223-16-C03	EA DOOR ASM - W/O HARDWARE - ROUNDED - 390MM X 650MM
7	063740-01-000	EA TOILET-HIGH - HAND FLUSH - THETFORD 150120
	083740-01-700	EA LEVER-WATER - THETFORD 12514
	063740-01-701	EA LEVER-FLUSH - THETFORD 12515
	063740-01-706	EA BOLT PACKAGE-CLOSET - THETFORD 12524
	063740-01-710	EA LINK - THETFORD 12513
	063740-01-711	EA SPRING-RETURN LEVER - THETFORD 12523
	063740-01-713	EA SEAL-BALL VALVE TO BOWL - THETFORD 12502
	063740-01-714	EA VALVE ASM-WATER - THETFORD 12492
	063740-01-716	EA SEAT & COVER - THETFORD 15017
	063740-01-717	EA TUBE-FLUSH - TOILET - 12509 THETFORD
	063740-02-700	EA RING & COVER-SEAT - FLUSHMENT - 23829 THETFORD
	024676-01-000	EA FLANGE-CLOSET - TOILET - 4" X 3" - RED
8	075240-06-000	EA FAUCET-LAVATORY - BONE
	091253-01-000	EA GASKET-FAUCET - LAVATORY/GALLEY
9	096927-01-01A	EA SINK-LAVATORY - RECTANGULAR - PLASTIC - BONE
	096927-01-700	EA SINK-STOPPER
	096927-01-701	EA TAILPIECE-SINK
10	075453-02-000	EA BAR-TOWEL - 18" BRASS
	091255-02-000	FT SEAL-ADHESIVE BACKED FOAM - .18" X 1.5" WIDE
11	058331-21-000	EA MIRROR-GLASS - SAFETY - 436MM X 836MM
	075454-02-000	EA RING-TOWEL - W/MOUNTING HARDWARE - BRASS

**BATH GROUP (CONTINUED)**

**PRIVACY DOOR & WALL MIRRORS**

KEY	PART NUMBER	U/M DESCRIPTION
	M87868-01-BU7	EA DOOR-BATH - W/O HARDWARE - 71.7" X 19.1"
	UC4467-01-000	EA GUIDE-POCKET - SLIDING DOOR - WALL MOUNTED

**SHOWER COMPONENTS**

KEY	PART NUMBER	U/M DESCRIPTION
	103092-01-000	EA SHOWER HEAD-W/60" HOSE
	075241-05-000	EA FAUCET-SHOWER - BONE
	075606-01-000	EA PANEL-FAUCET BACK - SHOWER - 5" X 9" - PLASTIC
	M02673-05-B13	EA PAN-SHOWER - 29.8" X 22.7" X 5.7" - OFF WHITE - PLASTIC
	066436-01-000	EA NUT-SLIP - TAILPIECE - 1.5"
	066440-01-000	EA STRAINER-SHOWER - W/RUBBER WASHER
	069735-01-000	EA WASHER-STRAINER TO TAILPIECE PLASTIC - 1.5"
	057671-01-000	EA COVER-SCREW - #8 - PLASTIC - OFF WHITE
	105707-01-G1A	EA CADDY - SHOWER
	093527-02-000	EA BRACKET - SQUEEGEE-SHOWER HEAD (EXTERIOR SHOWER)
	091952-02-000	EA CLIP-GRIPPER - 3/4" (EXTERIOR SHOWER)

FROM: 10-02-92 THRU: 99-99-99  
FROM: 10-02-92 THRU: 99-99-99

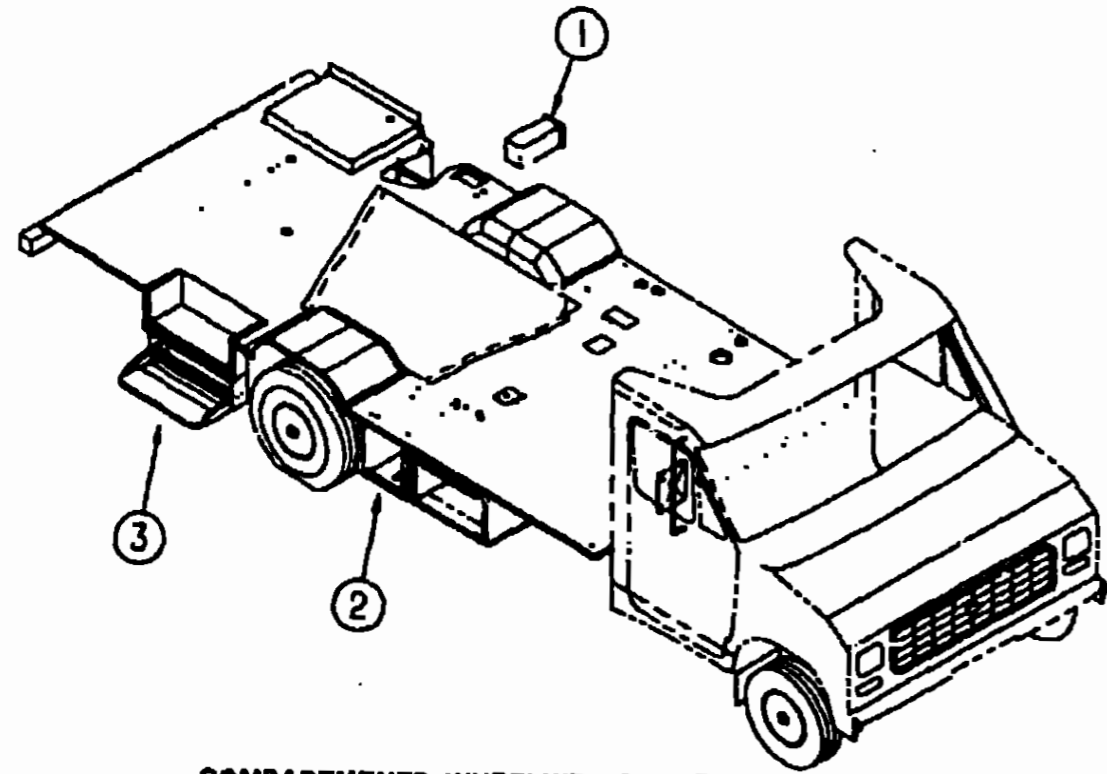
**1992 ITASCA  
TABLE OF CONTENTS**

INTRODUCTION	A-01	A-02
ABBREVIATIONS		A-03
ALPHABETICAL INDEX	A-04	A-06
IC422RG	A-07	D-1G
IC424RC	D-11	G-16

**1992 IC422RG INDEX**

FLOOR PLAN	A-07	A-08
ACCESSORIES		A-09
AUDIO VIDEO		A-10
BATH	A-11	A-12
CHASSIS	A-13	A-16
CURTAIN & CUSHION	A-17	A-24
DINETTE	B-01	B-02
DRIVERS COMPARTMENT	B-03	B-06
ELECTRICAL	B-07	B-10
EXTERIOR BODY	B-11	B-17
GALLEY	B-18	B-21
GENERATOR		B-22
HEATING & A/C	B-23	B-24
INTERIOR FINISH	C-01	C-04
LABEL	C-05	C-12
LP		C-13
LOUNGE		C-14
SEALANTS & FASTENERS	C-15	C-17
WATER & SEWAGE	C-18	C-20
WINDOW, VENT AND EXTERIOR DOOR	C-21	D-10

**CHASSIS GROUP**



**COMPARTMENTS, WHEELWELLS, & STEPS**

KEY	PART NUMBER	U/M DESCRIPTION
1	085967-01-000	EA COMPARTMENT-SEWER HOSE - 6' X 6 6" X 17 8" - PLASTIC
2	105203-02-000	EA COMPARTMENT-BATTERY - PLASTIC
3	077843-01-000	EA STEP-PULLOUT - W/BRACKETS - BLACK
	077843-02-000	EA STEP-PULLOUT
	091175-01-000	EA SUPPORT-BASE-ENTRANCE STEP
	106208-01-01A	EA COMPARTMENT-EXTERIOR SHOWER, OFF WHITE PLASTIC
	001360-01-004	EA STL-ROD CR.375DIA X 028 25 IN - C1018
	084953-01-000	EA STRAP-BATTERY
	106208-01-01A	EA COMPARTMENT-SHOWER - EXTERIOR - OFF WHITE
	058027-01-000	FT SEAL - D SHAPED - HOLLOW - SPONGE RUBBER - BLACK
	061420-01-000	EA PLUG-PLASTIC - 1.75" - BROWN
	077931-01-000	EA CAP-PLASTIC - 56" ID - BLACK
	077953-01-000	EA GROMMET-EDGE LINER - FITS 1"
	096322-01-000	EA WHEELWELL-REAR - DRIVER OR PASSENGER - PLASTIC

**MUD FLAPS & ROCK GUARDS**

KEY	PART NUMBER	U/M DESCRIPTION
	017516-01-000	EA FLAP-MUD - 14" X 18" - BLACK
	106141-01-000	EA FLAP-MUD - W/HOLES & WINNEBAGO LOGO - BLACK
	064089-01-700	EA FLAP-MUD - FRONT - SET OF 2 - RUBBER - BLACK
	045731-04-000	EA GUARD-ROCK - REAR

**CHASSIS GROUP (CONTINUED)**

**EXHAUST SYSTEM**

KEY	PART NUMBER	U/M DESCRIPTION
	007125-11-000	EA CLAMP-MUFFLER - 2 75" DIAMETER
	101884-01-000	EA PIPE-EXHAUST - TAIL - REAR (FORD)
	101884-02-000	EA PIPE-EXHAUST - TAIL - FORD REAR (DIESEL)

**FUEL SYSTEM**

KEY	PART NUMBER	U/M DESCRIPTION	
	007053-01-000	FT HOSE-GAS 1/4" ID X 1/2" OD	
	073200-01-000	EA GASKET-FUEL FILL - 3.5" OD X 2" ID	FROM 02-11-92 THRU: 99-99-99
	090105-02-000	EA NECK-FILLER - FUEL	
	078040-05-000	EA SHROUD-FUEL FILL - UPPER	FROM: 00-00-00 THRU: 10-06-91
	102951-01-02A	EA SHROUD-FUEL FILL - OFF WHITE	FROM: 00-00-00 THRU: 04-19-92
	095854-01-02A	EA SHROUD-FUEL FILL - OFF WHITE	FROM: 04-20-92 THRU: 99-99-99

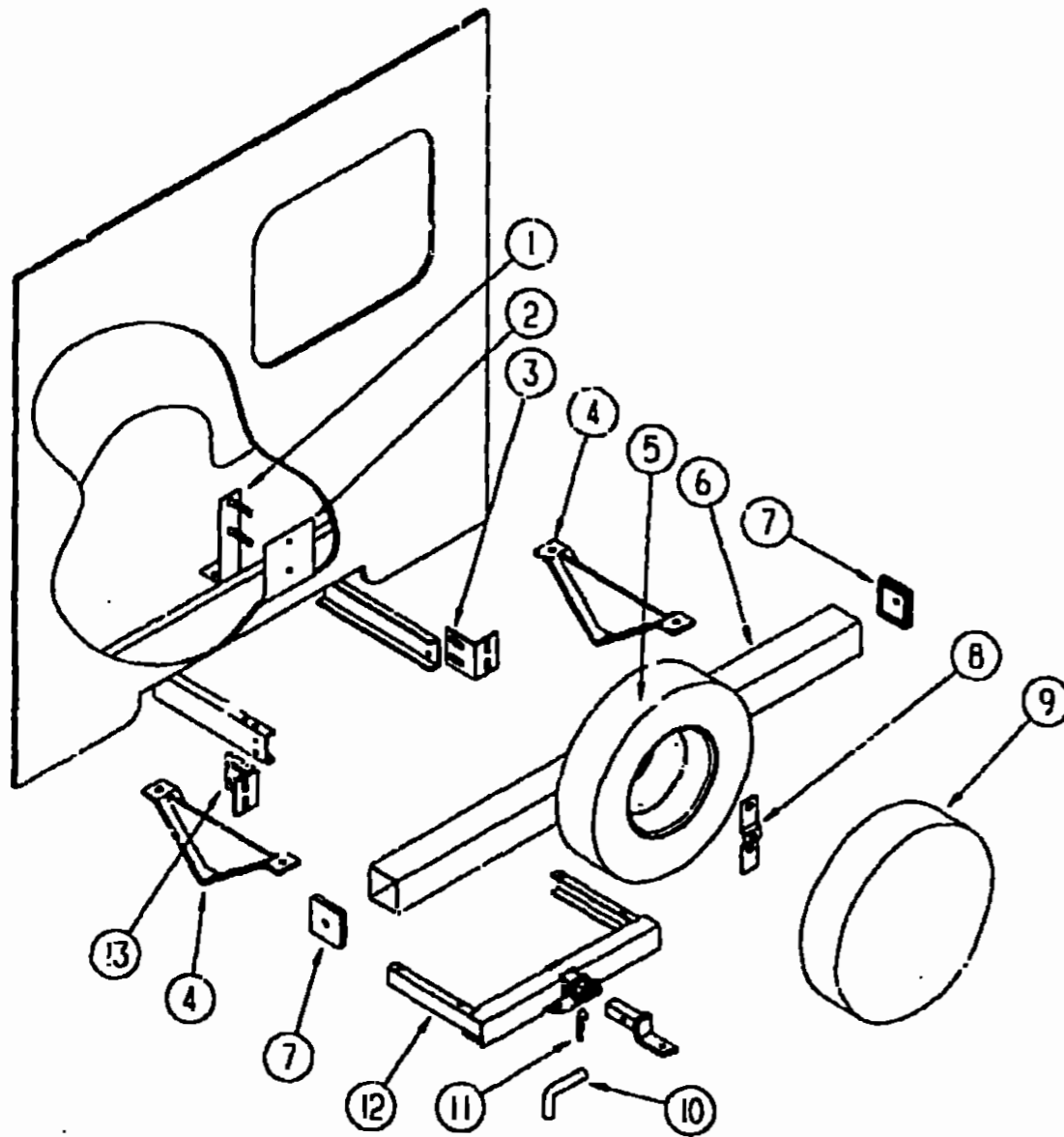
**1992 ITASCA  
TABLE OF CONTENTS**

INTRODUCTION	A-01 - A-02
ABBREVIATIONS	A-03
ALPHABETICAL INDEX	A-04 - A-06
IC422RG	A-07 - D-10
IC424RC	D-11 - G-16

**1992 IC422RG INDEX**

FLOOR PLAN	A-07 - A-08
ACCESSORIES	A-09
AUDIO VIDEO	A-10
BATH	A-11 - A-12
CHASSIS	A-13 - A-16
CURTAIN & CUSHION	A-17 - A-24
DINETTE	B-01 - B-02
DRIVERS COMPARTMENT	B-03 - B-06
ELECTRICAL	B-07 - B-10
EXTERIOR BODY	B-11 - B-17
GALLEY	B-13 - B-21
GENERATOR	B-22
HEATING & A/C	B-23 - B-24
INTERIOR FINISH	C-01 - C-04
LABEL	C-05 - C-12
LP	C-13
LOUNGE	C-14
SEALANTS & FASTENERS	C-15 - C-17
WATER & SEWAGE	C-18 - C-20
WINDOW, VENT AND EXTERIOR DOOR	C-21 - D-10

**CHASSIS GROUP (CONTINUED)**



**REAR BUMPER, HITCH & SPARE TIRE CARRIER**

KEY	PART NUMBER	U/M DESCRIPTION
1	105209-04-C52	EA BRACKET ASM-SPARE TIRE (CHEVY)
1	105209-06-C52	EA BRACKET ASM-SPARE TIRE (FORD)
	105209-02-01A	EA BRACKET-SPARE TIRE MILL
2	105208-01-000	EA PLATE-SPARE TIRE
3	104420-01-000	EA SUPPORT-ANGLE-BUMPER REAR-RIGHT
4	083376-01-000	EA PLATE-SKID-13 2" X 6" X 2" - STEEL
5	070917-04-000	EA TIRE-FIRESTONE- LT 215 - 85R16 LRD - 4RS (273295)
5	083425-08-000	EA TIRE-LT225/75R16 LRD - MICHELIN XCH4
5	083425-09-000	EA TIRE-LT225/75R16 LRD - MICHELIN XCH4 ORBLT
5	108715-01-000	EA TIRE-LT225/75R16 LRD - 550
	083617-03-000	EA WHEEL-STEEL - 16 0 X 6 - E350 - ACCURIDE 28618
	089359-03-000	EA WHEEL-STEEL - 16" X 6"K - 8 HOLE - PRIMED
	051377-03-000	EA STEM-VALVE - TR 500
	051377-01-000	EA STEM-VALVE - TR 500
	095012-03-000	EA EXTENSION-VALVE STEM - DUAL WHEEL
	077030-02-000	EA EXTENSION-VALVE STEM - 1 25"
6	103422-02-01A	EA BUMPER-SQUARE-ALUMINUM - OFF WHITE
7	039779-01-000	EA CAP-BUMPER-RUBBER - 4" X 4" - BLACK
8	105531-02-000	EA RETAINER ASM - SPARE TIRE

**CHASSIS GROUP (CONTINUED)**

**REAR BUMPER, HITCH & SPARE TIRE CARRIER (CONTINUED)**

KEY	PART NUMBER	U/M DESCRIPTION
9	104408-05-C23	EA COVER-TIRE-32" MINNIE WINNIE -SILK SCREENED OFF WHITE
10	034512-01-000	EA PIN-LOCKING-CRAWBAR
11	034513-01-000	EA PIN-HITCH-3/16" WIRE
12	077617-02-000	EA HITCH-TRAILER-W/O DRAWBAR - 41 1" WIDE - STEEL - BLACK
	077613-01-000	EA DRAWBAR-HITCH-TRAILER TOWING
		FROM 00-00-00 THRU 02-02-92
13	104420-02-000	EA SUPPORT-ANGLE-BUMPER REAR-LEFT
	097744-01-000	EA HOUSING-TRAILER PIN-12"
	097744-02-000	EA HOUSING-TRAILER PIN-48"
	097745-01-000	EA HOUSING-TRAILER RECEPTACLE-12"
	097746-01-000	EA HOUSING CAP-TRAILER PIN
	097745-02-000	EA HOUSING-RECEPTACLE-TRAILER - 48" WIRE LENGTH!

**LUG WRENCH & LEVERAGE BAR**

KEY	PART NUMBER	U/M DESCRIPTION
	080208-01-000	EA LUG WRENCH - 1 06 X 1 00
	080208-02-000	EA BAR-LEVERAGE - LUG WRENCH

**WHEEL LINERS & WHEEL COVERS**

KEY	PART NUMBER	U/M DESCRIPTION
	083181-01-000	EA COVER-WHEEL - 16" - SET OF FOUR
	083181-01-700	EA COVER-WHEEL - 16" - 8 LUG - 1 ONLY
	091209-11-000	EA LINER-WHEEL - SET 4 E350 - KAPER II #1604-F0L8 (FORD)
	091209-10-700	EA COVER-AXLE - FRONT - 8 LUG - FORD
	091209-10-701	EA COVER-AXLE - REAR - 8 LUG - FORD
	091209-01-704	EA COVER-LUG NUT
	091209-11-700	EA LINER-WHEEL - FRONT - 8 LUG - FORD
	091209-11-701	EA LINER-WHEEL - REAR - 8 LUG - FORD

**1992 ITASCA  
TABLE OF CONTENTS**

INTRODUCTION	A-01 - A-02
ABBREVIATIONS	A-03
ALPHABETICAL INDEX	A-04 - A-05
IC422RG	A-07 - D-10
IC424RC	D-11 - G-16

**1992 IC422RG INDEX**

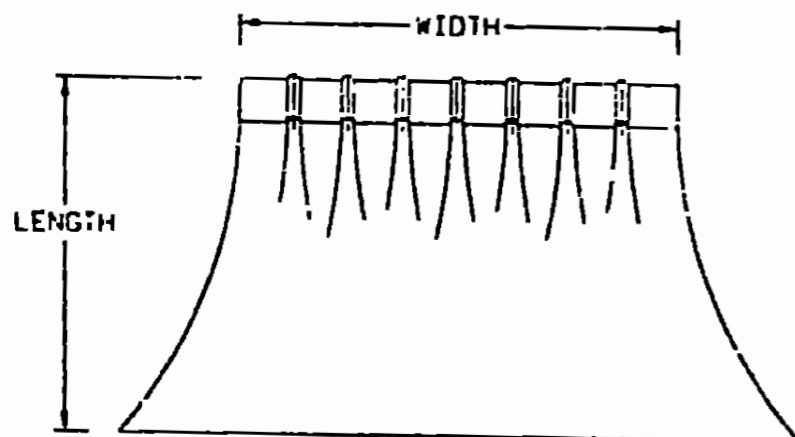
FLOOR PLAN	A-07 - A-08
ACCESSORIES	A-09
AUDIO VIDEO	A-10
BATH	A-11 - A-12
CHASSIS	A-13 - A-15
CURTAIN & CUSHION	A-17 - A-24
DINETTE	B-01 - B-02
DRIVERS COMPARTMENT	B-03 - B-06
ELECTRICAL	B-07 - B-10
EXTERIOR BODY	B-11 - B-17
GALLEY	B-18 - B-21
GENERATOR	B-22
HEATING & A/C	B-23 - B-24
INTERIOR FINISH	C-01 - C-04
LABEL	C-05 - C-12
LP	C-13
LOUNGE	C-14
SEALANTS & FASTENERS	C-15 - C-17
WATER & SEWAGE	C-18 - C-20
WINDOW VENT AND EXTERIOR DOOR	C-21 - D-10

**CURTAIN & CUSHION GROUP**

**NOTICE**

IN ORDER TO ASSIST OUR PARTS SALES DEPT. IN PROVIDING INTERIOR SOFTWARE ITEMS PLEASE INCLUDE THE SERIAL NUMBER AND THE COLOR CODE NUMBER FROM THE VEHICLE CERTIFICATION LABEL WHEN ORDERING. THIS LABEL IS LOCATED ON THE LEFT SIDEWALL AT THE END OF THE DASH (A-BODY), OR ON THE DRIVER'S DOOR LATCH PLATE (C BODY).

AN EXAMPLE OF A COLOR CODE NUMBER IS B07 WHICH DESIGNATES AN OVERALL COLOR SCHEME OF A PARTICULAR UNIT. THE COLOR LISTED AFTER THE ITEM DESCRIPTION ON THE MICROFICHE INDICATES THE OVERALL UNIT COLOR. ORDER THE ITEM YOU DESIRE ACCORDING TO UNIT COLOR CODE.

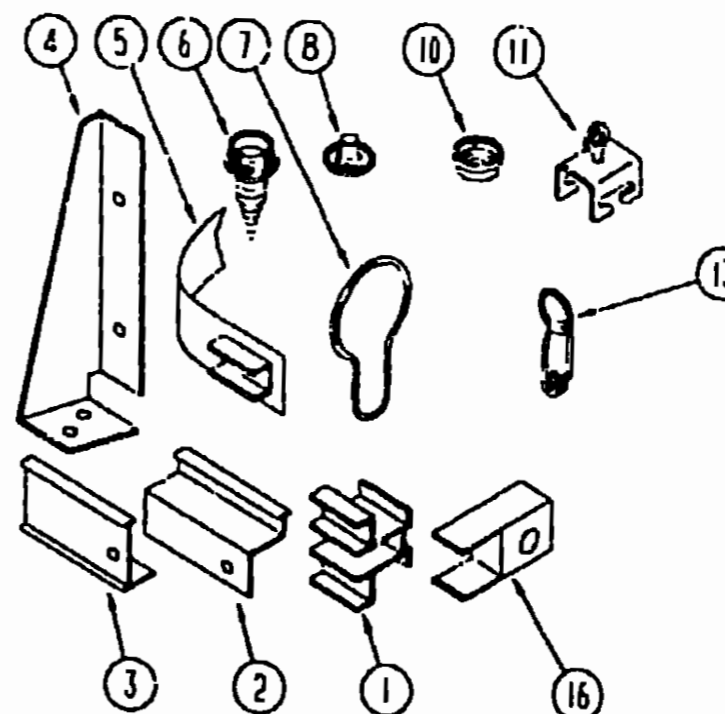


NOTE: USE THIS ILLUSTRATION WHEN DETERMINING LENGTH AND WIDTH MEASUREMENTS FOR CURTAINS. YOU WILL NOTE THE WIDTH MEASUREMENT IS TAKEN ON THE TOP OF THE CURTAIN WITH THE CURTAIN FULLY EXTENDED. THE LENGTH MEASUREMENT IS TAKEN FROM TOP TO BOTTOM.

**FABRIC**

KEY	PART NUMBER	U/M	DESCRIPTION
	072333-82-000	YD	FABRIC-CURTAIN - 54" WIDE - BEIGE
	029219-01-000	YD	FABRIC-VINYL - 54" WIDE - WHITE
	103907-01-01A	YD	FABRIC-VINYL - 54" WIDE - OFF WHITE
	072333-96-000	YD	FABRIC-DRAPERY - GALAXY - ANTIQUE WHITE (SHADE)
	096008-90-000	YD	FABRIC-UPHOLSTERY - MAIN(C23)
	096008-83-000	YD	FABRIC-UPHOLSTERY - MAIN(C24)
	096008-91-000	YD	FABRIC-UPHOLSTERY - PATTERNED ACCENT(C23)
	096008-84-000	YD	FABRIC-UPHOLSTERY - PATTERNED ACCENT(C24)
	088273-73-000	YD	FABRIC-CURTAIN/BEDSPREAD-PATTERNED - 54" WIDE(C23)
	088273-70-000	YD	FABRIC-CURTAIN/BEDSPREAD-PATTERNED - 54" WIDE(C24)
	088273-72-000	YD	FABRIC-CURTAIN/BEDSPREAD-PLAIN - 54" WIDE(C23)
	088273-67-000	YD	FABRIC-CURTAIN/BEDSPREAD-PLAIN - 54" WIDE(C24)
	096008-92-000	YD	FABRIC-UPHOLSTERY/CURTAIN - PLAIN VELOUR - 54" WIDE(C23)
	096008-85-000	YD	FABRIC-UPHOLSTERY/CURTAIN - PLAIN VELOUR - 54" WIDE(C24)
	104233-28-000	YD	FABRIC-UPHOLSTERY/CURTAIN-PLAIN VELOUR - 54" WIDE(C23)
	104233-27-000	YD	FABRIC-UPHOLSTERY/CURTAIN-PLAIN VELOUR - 54" WIDE(C24)

**CURTAIN & CUSHION GROUP (CONTINUED)**



**CURTAIN & BLIND HARDWARE**

KEY	PART NUMBER	U/M	DESCRIPTION
1	101033-03-000	FT	TRACK-WALL - WHITE - CT225 SHAPCO
2	105450-06-01A	EA	TRACK-CURTAIN - OFF WHITE
3	092464-05-01A	EA	TRACK-SHOWER - OFF WHITE
3	092464-05-01A	EA	TRACK-SHOWER - OFF WHITE
3	009700-04-001	EA	TRACK-CURTAIN - L-SHAPED - 192" LONG - OFF WHITE
4	076827-04-000	EA	BRACKET-CURTAIN-W/WOOD OFF WHITE
5	101031-01-000	YD	TAPE-GLIDE-CURTAIN - 4 25" SPACING
6	029130-01-000	EA	SCREW-SNAP SOCKET - 8 PH X 5/8"
7	009136-02-000	EA	HANGUP-RING - PIN TYPE - CURTAIN - BRASS
8	029155-01-000	EA	CAP-SNAP - NICKEL
10	029156-01-000	EA	SOCKET-SNAP FASTENER - NICKEL
11	009702-01-000	EA	END STOP-CURTAIN CARRIER - L ROD
13	009701-01-000	EA	CARRIER-CURTAIN-L ROD
16	101033-02-000	EA	END CAP-TRACK - CLEAR
	046867-01-000	EA	GROMMET-BRASS - 7/16" ID X 1" OD
	048394-02-000	YD	VELCRO TAPE-HOOK - ADHESIVE BACK - 75" WIDE - BEIGE
	056003-01-000	EA	BRACKET-DRAPERY RETAINING - RIGHT - METAL
	056003-02-000	EA	BRACKET-DRAPERY RETAINING - LEFT - METAL
	068716-01-001	EA	BRACE-90 DEGREE L-ANGLE - 192" - EXTRUDED ALUMINUM
	075943-01-000	EA	BRACE-WINDOW VALANCE - 1" X 1 5" X 20" - ALUMINUM - BEIGE
	084432-06-000	FT	SLAT-ROLLER SHADE - PLASTIC
	084433-05-000	EA	SHADE-ROLLER - 72 25"
	084434-01-000	EA	BRACKET-MOUNTING - ROLLER SHADE - 1 3/8"
	088792-01-000	YD	VELCRO-HOOK - 75" WIDE - BEIGE
	088792-02-000	YD	VELCRO TAPE-LOOP - ADHESIVE BACKED - 75" WIDE - BEIGE
	096843-01-000	EA	SPRING-REWIND - ROLLER SHADE
	087253-01-000	EA	PULL-ROLLER SHADE - PLASTIC - CLEAR
	106544-01-000	EA	PULL-SHADE-BRASS
	084434-01-000	EA	BRACKET-HOLD DOWN - W/PIN - BLIND METAL
	109441-01-000	EA	HOLD DOWN-BLIND - HOOK

FROM 00-00-00 THRU 09-29-91

FROM 09-30-91 THRU 99-99-99

**1992 ITASCA  
TABLE OF CONTENTS**

INTRODUCTION	A-01	A-02
ABBREVIATIONS		A-03
ALPHABETICAL INDEX	A-04	A-06
IC422RG	A-07	G-10
IC424RC	D-11	G-16

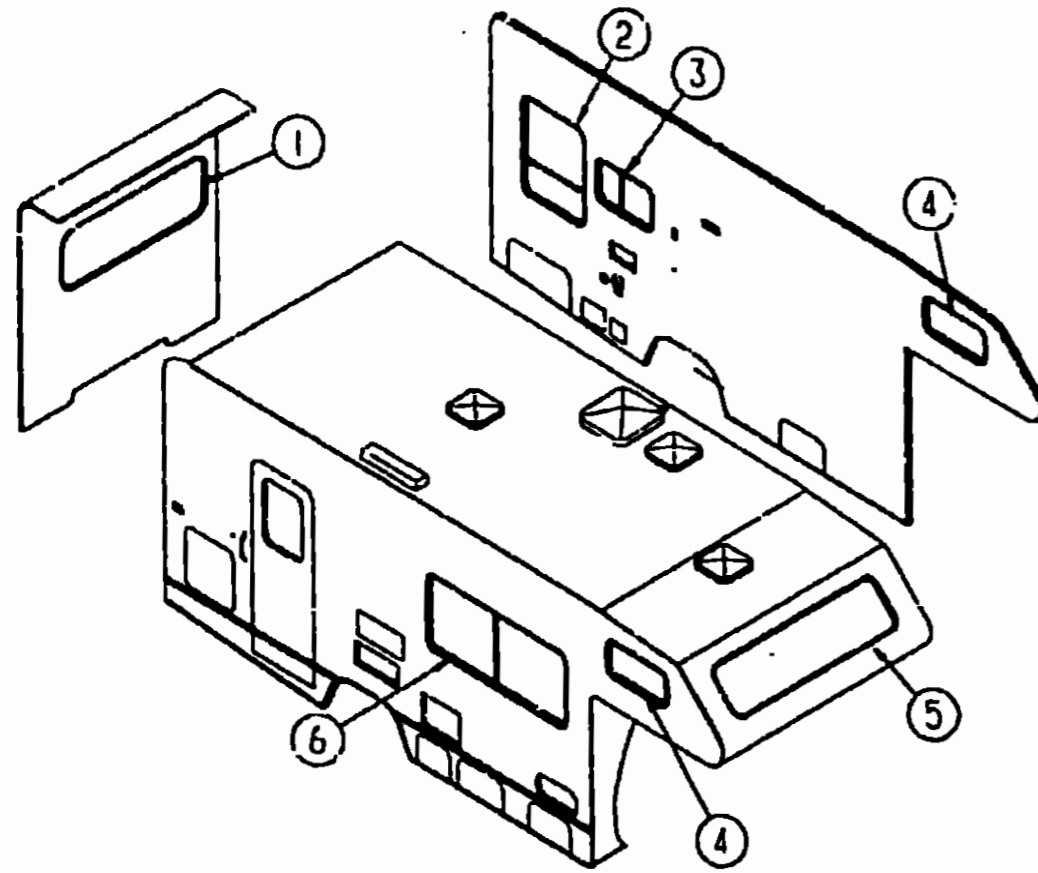
**1992 IC422RG INDEX**

FLOOR PLAN	A-07	A-08
ACCESSORIES		A-09
AUDIO VIDEO		A-10
BATH	A-11	A-12
CHASSIS	A-13	A-16
CURTAIN & CUSHION	A-17	A-24
DINETTE	B-01	B-02
DRIVERS COMPARTMENT	B-03	B-06
ELECTRICAL	B-07	B-10
EXTERIOR BODY	B-11	B-17
GALLEY	B-18	B-21
GENERATOR		B-22
HEATING & A/C	B-23	B-24
INTERIOR FINISH	C-01	C-04
LABEL	C-05	C-12
LP		C-13
LOUNGE		C-14
SEALANTS & FASTENERS	C-15	C-17
WATER & SEWAGE	C-18	C-20
WINDOW, VENT AND EXTERIOR DOOR	C-21	D-10



# CURTAIN & CUSHION GROUP (CONTINUED)

## CURTAINS & WINDOW TREATMENT



## 1992 ITASCA TABLE OF CONTENTS

INTRODUCTION	A-01	A-02
ABBREVIATIONS		A-03
ALPHABETICAL INDEX	A-04	A-06
IC422RG	A-07	D-10
IC424RC	D-11	G-16

KEY	PART NUMBER	U/M	DESCRIPTION
4	101034-05-C09	EA	CURTAIN-16" X 28" - TAPE TOP & BOTTOM (C23)
4	101034-06-C30	EA	CURTAIN-16" X 28" - TAPE TOP & BOTTOM (C24)
5	101034-11-C03	EA	CURTAIN-21 X 45 - DARTED TAPE TOP & BOTTOM - W/BRAID (C23)
5	101034-11-C24	EA	CURTAIN-21 X 45 - DARTED TAPE TOP & BOTTOM - W/BRAID (C24)
6	106353-01-C23	EA	VALANCE ASM-65" RODEWAY
6	106353-02-C24	EA	VALANCE ASM-65" RODEWAY
6	076892-09-C03	EA	CURTAIN ASM-31 X 20 - PLAIN HEM TOP & BOTTOM (C23)
6	076892-09-C24	EA	CURTAIN ASM-31 X 20 - PLAIN HEM TOP & BOTTOM (C24)
6	084755-76-C03	EA	SHADE ASM-PULL-62 25 - NO TRIM
6	084755-81-C03	EA	SHADE ASM-PULL-62 25 - W/BRAID (C23) FROM: 00-00-00 THRU: 10-31-91
6	084755-81-C24	EA	SHADE ASM-PULL-62 25 - W/BRAID (C24) FROM: 11-01-91 THRU: 99-99-99
	101668-14-B85	EA	CURTAIN-TAPE TOP - PASSENGER - 30" X 50" - BEIGE (C23) FROM: 11-01-91 THRU: 99-99-99
	101668-14-B88	EA	CURTAIN-TAPE TOP - PASSENGER - 30" X 50" - BEIGE (C24) FROM: 00-00-00 THRU: 09-22-91
	101668-15-B85	EA	CURTAIN-TAPE TOP - DRIVER - 30" X 50" - BEIGE (C23) FROM: 00-00-00 THRU: 09-22-91
	101668-15-B88	EA	CURTAIN-TAPE TOP - DRIVER - 30" X 50" - BEIGE (C24) FROM: 00-00-00 THRU: 09-22-91
	101668-05-B85	EA	CURTAIN ASM-30X50 - RIGHT - TAPE TOP (C23) FROM: 09-23-91 THRU: 99-99-99
	101668-06-B85	EA	CURTAIN ASM-30X50 - LEFT - TAPE TOP (C24) FROM: 09-23-91 THRU: 99-99-99
	076892-06-B85	EA	CURTAIN-SNAP TOP - WINGWALL PRIVACY - 40" X 72" - BEIGE
	084481-24-C23	EA	CURTAIN ASM - SHOWER - 72 X 42 - GROMMET TOP
	084481-24-C24	EA	CURTAIN ASM - SHOWER - 72 X 42 - GROMMET TOP
	073260-56-C03	EA	TIEBACK ASM- 3 X 9 (C23)
	073260-56-C24	EA	TIEBACK ASM- 3 X 9 (C24)
	073260-49-B85	EA	TIEBACK-CURTAIN- 3" X 18" (C23)
	073260-49-B88	EA	TIEBACK-CURTAIN- 3" X 18" (C24)
	073260-54-C09	EA	TIEBACK ASM - 3" X 16" (C23)
	073260-54-C30	EA	TIEBACK ASM - 3" X 16" (C24)
	057534-01-000	EA	TIEBACK - CLEAR PLASTIC

## ASSIST HANDLE & SEATBELTS

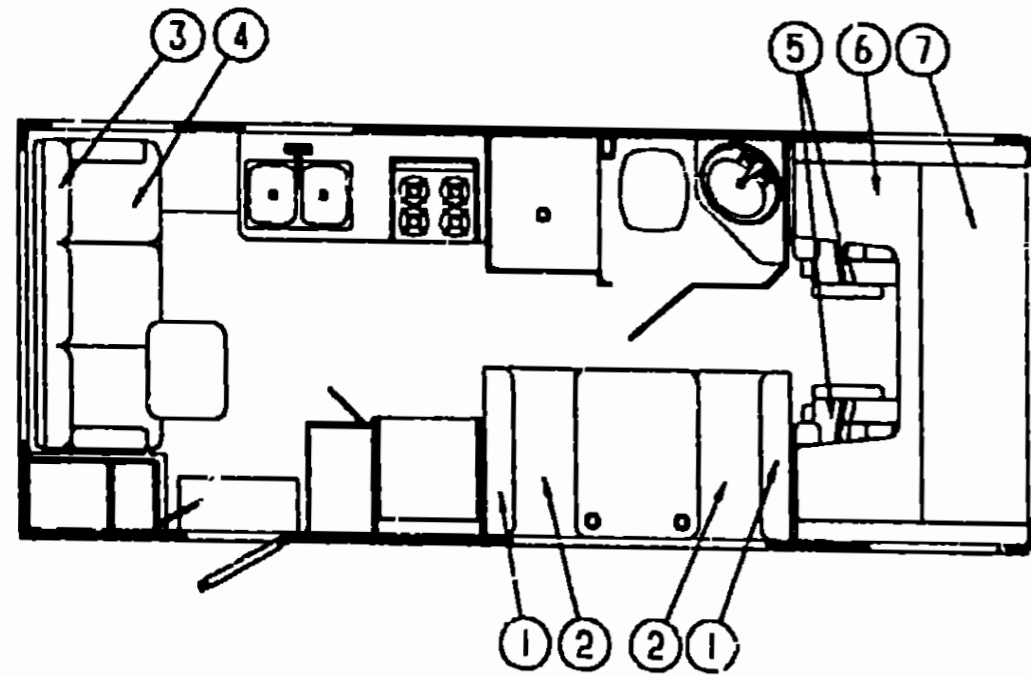
KEY	PART NUMBER	U/M	DESCRIPTION
	079349-01-B87	YD	WELT-FABRIC(C23)
	079349-01-B88	YD	WELT-FABRIC(C24)
	070578-11-Y70	EA	BUTTON-SNAP TOP - #30 - VINYL - OFF WHITE
	070578-10-B87	EA	BUTTON-SCREW STUD - #30 (C23)
	070578-10-B88	EA	BUTTON-SCREW STUD - #30 (C24)
	084415-31-000	YD	TRIM-BRAID-CURTAIN - PLUM(C23)
	084415-30-000	YD	TRIM-BRAID-CURTAIN - BLUE(C24)
	053552-02-AAB	EA	HANDLE-ASSIST - INTERIOR - ENTRY DOOR - VINYL - OFF WHITE
	069178-02-000	EA	BRACKET-MOUNTING - ASSIST HANDLE - L ANGLE - WHOLES - ST
	000C16-07-15B	EA	BOLT-CARRIAGE - ASSIST HANDLE - 7/16" - 14 X 1" ZN
	000D20-07-00B	EA	NUT-ACORN - ASSIST HANDLE - 7/16" X 14 ZN
	057759-01-000	EA	WASHER BRACKET - SEAT BELT- 4" DIAMETER
	007021-01-000	EA	BELT-SEAT- 2" X 90" - BLACK

## 1992 IC422RG INDEX

FLOOR PLAN	A-07	A-08
ACCESSORIES		A-09
AUDIO VIDEO		A-10
BATH	A-11	A-12
CHASSIS	A-13	A-16
CURTAIN & CUSHION	A-17	A-24
DINETTE	B-01	B-02
DRIVERS COMPARTMENT	B-03	B-06
ELECTRICAL	B-07	B-10
EXTERIOR BODY	B-11	B-17
GALLEY	B-18	B-21
GENERATOR		B-22
HEATING & A/C	B-23	B-24
INTERIOR FINISH	C-01	C-04
LABEL	C-05	C-12
LP		C-13
LOUNGE		C-14
SEALANTS & FASTENERS	C-15	C-17
WATER & SEWAGE	C-18	C-20
WINDOW VENT AND EXTERIOR DOOR	C-21	D-10

KEY	PART NUMBER	U/M	DESCRIPTION
1	106353-05-C23	EA	VALANCE ASM-72.5" RODEWAY
1	106353-05-C24	EA	VALANCE ASM-72.5" RODEWAY
1	076892-11-C03	EA	CURTAIN ASM-26 X 20 - PLAIN HEM T&B (C23)
1	076892-11-C24	EA	CURTAIN ASM-26 X 20 - PLAIN HEM T&B (C24)
1	084755-44-C03	EA	SHADE ASM-PULL-71 25 - NO TRIM
1	084755-82-C03	EA	SHADE ASM-PULL-71 25 - W/BRAID (C23) FROM: 00-00-00 THRU: 10-31-91
1	084755-82-C24	EA	SHADE ASM-PULL-71 25 - W/BRAID (C24) FROM: 11-01-91 THRU: 99-99-99
2	106353-07-C23	EA	VALANCE ASM - 30 7" - RODEWAY
2	106353-09-C24	EA	VALANCE ASM - 30 7" - RODEWAY
2	076892-13-C03	EA	CURTAIN ASM-41 X 20 - PLAIN HEM T&B (C23)
2	076892-13-C24	EA	CURTAIN ASM-41 X 20 - PLAIN HEM T&B (C24)
2	084755-54-C03	EA	SHADE ASM-PULL - 29 25 - 2-TONED - NO BRAID
2	084755-08-C03	EA	SHADE ASM-PULL - 29 25 - LINEN - W/BRAID TRIM (C23) FROM: 00-00-00 THRU: 10-31-91
2	084755-08-C24	EA	SHADE ASM-PULL - 29 25 - LINEN - W/BRAID TRIM (C24) FROM: 11-01-91 THRU: 99-99-99
3	106353-08-C23	EA	VALANCE ASM - 29" RODEWAY
3	106353-10-C24	EA	VALANCE ASM - 29" RODEWAY
3	084755-57-C03	EA	SHADE-WINDOW - ROLLER PULL TYPE - 27.25"
3	084755-25-C03	EA	SHADE ASM-PULL - 27 25 - LINEN - W/BRAID TRIM (C23) FROM: 00-00-00 THRU: 10-31-91
3	084755-25-C24	EA	SHADE ASM-PULL - 27.25 - LINEN - W/BRAID TRIM (C24) FROM: 11-01-91 THRU: 99-99-99

**CURTAIN & CUSHION GROUP (CONTINUED)**



**DINETTE CUSHIONS**

KEY	PART NUMBER	U/M DESCRIPTION
1	104164-05-C23	EA CUSHION - BACKREST - 13 5" X 36" X 5"
		FROM 00-00-00 THRU 12-01-91
1	104164-05-C24	EA CUSHION - BACKREST - 13 5" X 36" X 5"
		FROM 00-00-00 THRU 12-01-91
	P04164-05-C23	EA COVER - CUSHION - BACKREST - 13 5" X 36" X 5"
		FROM 00-00-00 THRU 12-01-91
	P04164-05-C24	EA COVER - CUSHION - BACKREST - 13 5" X 36" X 5"
		FROM 00-00-00 THRU 12-01-91
1	104164-09-C23	EA CUSHION - BACKREST - 13 5" X 36" X 5"
		FROM 00-00-00 THRU 12-01-91
1	104164-09-C24	EA CUSHION - BACKREST - 13 5" X 36" X 5"
		FROM 12-02-91 THRU 99-99-99
	P04164-09-C23	EA COVER - CUSHION - BACKREST - 13 5" X 36" X 5"
		FROM 12-02-91 THRU 99-99-99
	P04164-09-C24	EA COVER - CUSHION - BACKREST - 13 5" X 36" X 5"
		FROM 12-02-91 THRU 99-99-99
2	104164-07-C23	EA CUSHION - SEATBASE - W/STRAP - 23" X 36" X 5"
2	104164-07-C24	EA CUSHION - SEATBASE - W/STRAP - 23" X 36" X 5"
	P04164-07-C23	EA COVER - CUSHION - SEATBASE - W/STRAP
	P04164-07-C24	EA COVER - CUSHION - SEATBASE - W/STRAP
	078155-01-000	EA STRAP - SNAP - BACKREST CUSHION

**COUCH**

KEY	PART NUMBER	U/M DESCRIPTION
3	100032-17-C23	EA BED - PRESTO - BACK - FAN - 74" - W/O ARMS
3	100032-17-C24	EA BED - PRESTO - BACK - FAN - 74" - W/O ARMS
	P00032-17-C23	EA COVER - BED - PRESTO - BACK - FAN - 74" - W/O ARMS
	P00032-17-C24	EA COVER - BED - PRESTO - BACK - FAN - 74" - W/O ARMS
	101085-10-000	EA FRAME - 74.5 X 16 - BACK - FRAME JACKKNIFE
4	100032-18-C23	EA BED - PRESTO - SEAT - FAN - 74" - W/O ARMS
4	100032-18-C24	EA BED - PRESTO - SEAT - FAN - 74" - W/O ARMS
	P00032-18-C23	EA COVER - BED - PRESTO - SEAT - FAN - 74" - W/O ARMS
	P00032-18-C24	EA COVER - BED - PRESTO - SEAT - FAN - 74" - W/O ARMS
	101085-04-000	EA FRAME - SEAT - 74.75"
	101085-06-000	EA FRAME - BASE - 74.75"

**BUCKET SEATS**

KEY	PART NUMBER	U/M DESCRIPTION
5	093450-23-C23	EA SEAT-BUCKET-W/RIGHT ARMREST
5	093450-23-C24	EA SEAT-BUCKET-W/RIGHT ARMREST
5	093450-24-C23	EA SEAT-BUCKET-W/LEFT ARMREST
5	093450-24-C24	EA SEAT-BUCKET-W/LEFT ARMREST
5	093450-25-C23	EA SEAT-BUCKET-W/RIGHT ARMREST-RECLINING
5	093450-25-C24	EA SEAT-BUCKET-W/RIGHT ARMREST-RECLINING
5	093450-26-C23	EA SEAT-BUCKET-W/LEFT ARMREST-RECLINING
5	093450-26-C24	EA SEAT-BUCKET-W/LEFT ARMREST-RECLINING

**BUNK CUSHIONS**

KEY	PART NUMBER	U/M DESCRIPTION
6	105573-05-C23	EA CUSHION - OVERHEAD - REAR - 28" X 79" X 5"
		FROM 00-00-00 THRU 01-12-92
6	105573-02-C04	EA CUSHION - OVERHEAD - REAR - 28" X 79" X 5"
		FROM 00-00-00 THRU 01-12-92
	P05573-05-C23	EA COVER - CUSHION - REAR - 28" X 79" X 5"
		FROM 00-00-00 THRU 01-12-92
	P05573-02-C04	EA COVER - CUSHION - REAR - 28" X 79" X 5"
		FROM 00-00-00 THRU 01-12-92
6	105573-10-C23	EA CUSHION - OVERHEAD - REAR - 27" X 23" X 80" X 5"
		FROM 01-13-92 THRU 99-99-99
6	105573-08-C24	EA CUSHION - OVERHEAD - REAR - 27" X 23" X 80" X 5"
		FROM 01-13-92 THRU 99-99-99
	P05573-10-C23	EA COVER - CUSHION - REAR - 27" X 23" X 80" X 5"
		FROM 01-13-92 THRU 99-99-99
	P05573-08-C24	EA COVER - CUSHION - REAR - 27" X 23" X 80" X 5"
		FROM 01-13-92 THRU 99-99-99
7	105573-04-C23	EA CUSHION - OVERHEAD - FRONT BUNK - 32" X 79" X 5"
		FROM 00-00-00 THRU 01-12-92
7	105573-01-C04	EA CUSHION - OVERHEAD - FRONT BUNK - 32" X 79" X 5"
		FROM 00-00-00 THRU 01-12-92
	P05573-04-C23	EA COVER - CUSHION - FRONT BUNK - 32" X 79" X 5"
		FROM 00-00-00 THRU 01-12-92
	P05573-01-C04	EA COVER - CUSHION - FRONT BUNK - 32" X 79" X 5"
		FROM 00-00-00 THRU 01-12-92
7	105573-09-C23	EA CUSHION - OVERHEAD - FRONT BUNK - 32.5" X 80" X 5"
		FROM 01-13-92 THRU 99-99-99
7	105573-07-C24	EA CUSHION - OVERHEAD - FRONT BUNK - 32.5" X 80" X 5"
		FROM 01-13-92 THRU 99-99-99
	P05573-09-C23	EA COVER - CUSHION - FRONT BUNK - 32.5" X 80" X 5"
		FROM 01-13-92 THRU 99-99-99
	P05573-07-C24	EA COVER - CUSHION - FRONT BUNK - 32.5" X 80" X 5"
		FROM 01-13-92 THRU 99-99-99

**1992 ITASCA  
TABLE OF CONTENTS**

INTRODUCTION	A-01 -	A-02
ABBREVIATIONS		A-03
ALPHABETICAL INDEX	A-04 -	A-05
IC422RG	A-07 -	D-10
IC424RC	D-11 -	G-16

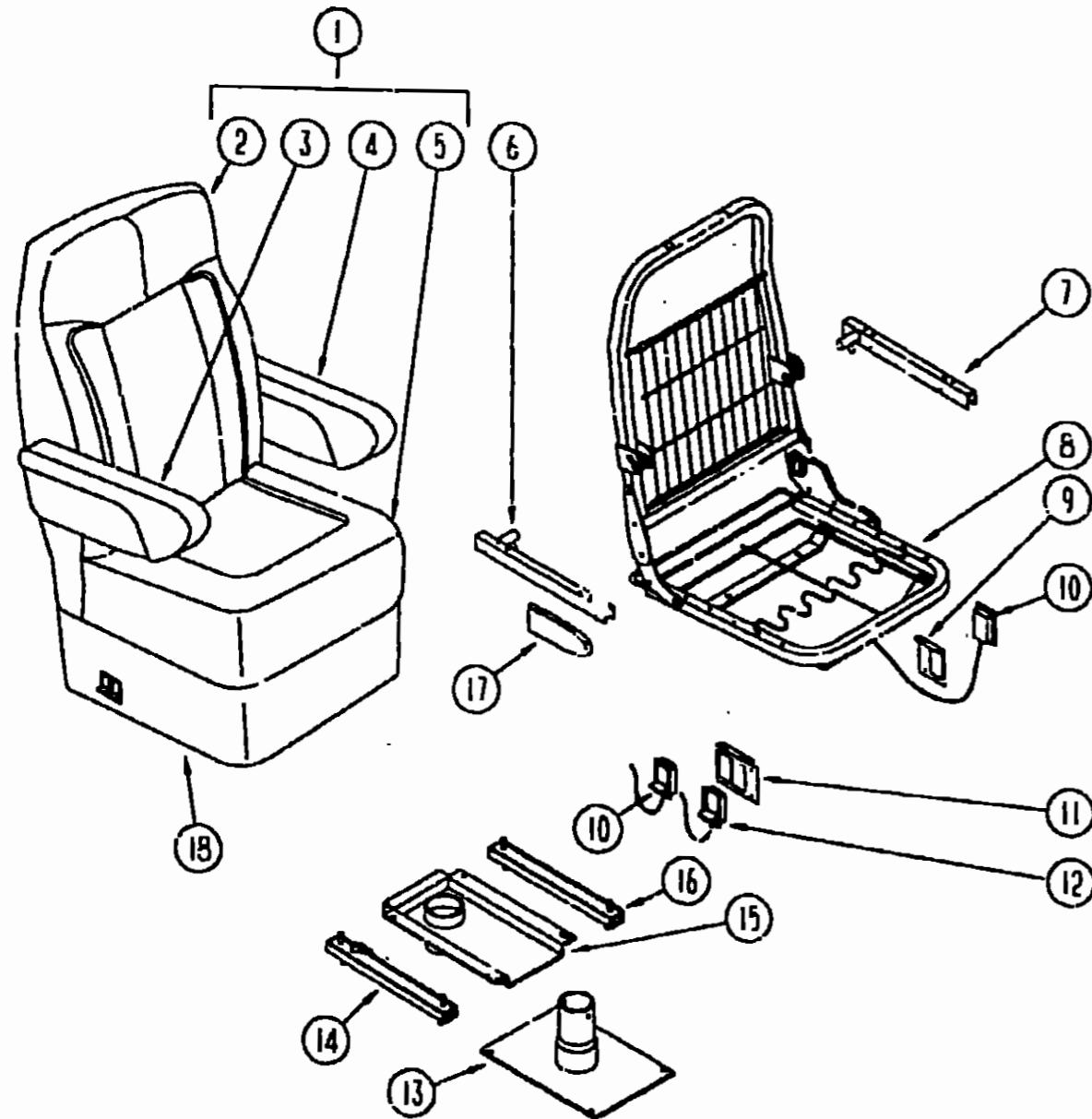
**1992 IC422RG INDEX**

FLOOR PLAN	A-07 -	A-08
ACCESSORIES		A-09
AUDIO VIDEO		A-10
BATH	A-11 -	A-12
CHASSIS	A-13 -	A-16
CURTAIN & CUSHION	A-17 -	A-24
DINETTE	B-01 -	B-02
DRIVERS COMPARTMENT	B-03 -	B-05
ELECTRICAL	B-07 -	B-10
EXTERIOR BODY	B-11 -	B-17
GALLEY	B-18 -	B-21
GENERATOR		B-22
HEATING & A/C	B-23 -	B-24
INTERIOR FINISH	C-01 -	C-04
LABEL	C-05 -	C-12
LP		C-13
LOUNGE		C-14
SEALANTS & FASTENERS	C-15 -	C-17
WATER & SEWAGE	C-18 -	C-20
WINDOW, VENT AND EXTERIOR DOOR	C-21 -	D-10



# CURTAIN & CUSHION GROUP (CONTINUED)

## BUCKET SEATS



KEY	PART NUMBER	U/M	DESCRIPTION
1	093450-23-C23	EA	SEAT-BUCKET-W/RIGHT ARMREST
1	093450-23-C24	EA	SEAT-BUCKET-W/RIGHT ARMREST
1	093450-24-C23	EA	SEAT-BUCKET-W/LEFT ARMREST
1	093450-24-C24	EA	SEAT-BUCKET-W/LEFT ARMREST
1	093450-25-C23	EA	SEAT-BUCKET-W/RIGHT ARMREST-RECLINING
1	093450-25-C24	EA	SEAT-BUCKET-W/RIGHT ARMREST-RECLINING
1	093450-26-C23	EA	SEAT-BUCKET-W/LEFT ARMREST-RECLINING
1	093450-26-C24	EA	SEAT-BUCKET-W/LEFT ARMREST-RECLINING
2	M03445-22-C25	EA	COVER-BACK-BUCKET (C23)
2	M03445-22-C24	EA	COVER-BACK-BUCKET(C24)
3	080243-49-C23	EA	ARMREST-RIGHT(C23)
3	080243-49-C26	EA	ARMREST-RIGHT (C24)
	M80243-49-C23	EA	COVER-ARMREST-RIGHT(C23)
	M80243-49-C26	EA	COVER-ARMREST-RIGHT(C24)
4	080243-50-C23	EA	ARMREST-LEFT(C23)
4	080243-50-C26	EA	ARMREST-LEFT(C24)
	M80243-50-C23	EA	COVER-ARMREST- LEFT (C23)
	M80243-50-C26	EA	COVER-ARMREST- LEFT(C24)
5	M03445-23-C25	EA	COVER-SEAT- BUCKET(C23)
5	M03445-23-C24	EA	COVER-SEAT- BUCKET(C24)
6	081268-01-000	EA	ROD & CHANNEL-ARMREST- RIGHT - METAL
7	081268-02-000	EA	ROD & CHANNEL-ARMREST- LEFT - METAL
	081361-01-000	EA	ROD-ARMREST- METAL - RIGHT OR LEFT HAND
8	M80906-06-000	EA	FRAME-SEAT & BACK & SPRING
8	M80906-05-000	EA	FRAME-SEAT& BACK & SPRING - RECLINING
	101125-01-000	EA	RECLINER-SEAT BACK- LEFT HAND REMOTE
9	097683-03-000	EA	BRACKET-REMOTE- SIDE MOUNT - SINGLE
10	089368-04-000	EA	CABLE-SWIVEL- W/SWITCH - BUCKET SEAT
11	097683-02-000	EA	BRACKET-MOUNT- REMOTE
12	089368-05-000	EA	CABLE-RECLINER- W/SWITCH - BUCKET SEAT
13	069585-C2-000	EA	PLATE - SUB - BASE - BUCKET SEAT - 12" X 13" - STEEL
	069585-41-000	EA	PLATE - SUB - BASE - BUCKET SEAT - 12" X 13" - STEEL
			FROM 00-00-00 THRU: 10-06-91
			FROM 10-07-91 THRU: 99-99-99
14	069246-05-000	EA	ADJUSTER-SEAT/CHAIR - W/REMOTE - FORWARD & BACK
	069246-05-700	EA	SPRING-ADJUSTER - FOR REMOTE
	069246-05-701	EA	CLIP-CABLE - FOR REMOTE
15	093481-04-000	EA	TOP PLATE-PEDESTAL - BUCKET SEAT - W/O SEATBELT BAR
16	069246-02-000	EA	ADJUSTER-SEAT/CHAIR - W/O LOCK - FORWARD & BACK
	069585-03-000	EA	PEDESTAL-LOWER - W/EXTENSION - 9" X 5" - STEEL
17	089363-08-000	EA	SHIELD-CABLE - REMOTE RECLINER - BUCKET SEAT
18	071126-24-B87	EA	SKIRT-BUCKET SEAT (C23)
18	071126-24-B88	EA	SKIRT-BUCKET SEAT (C24)

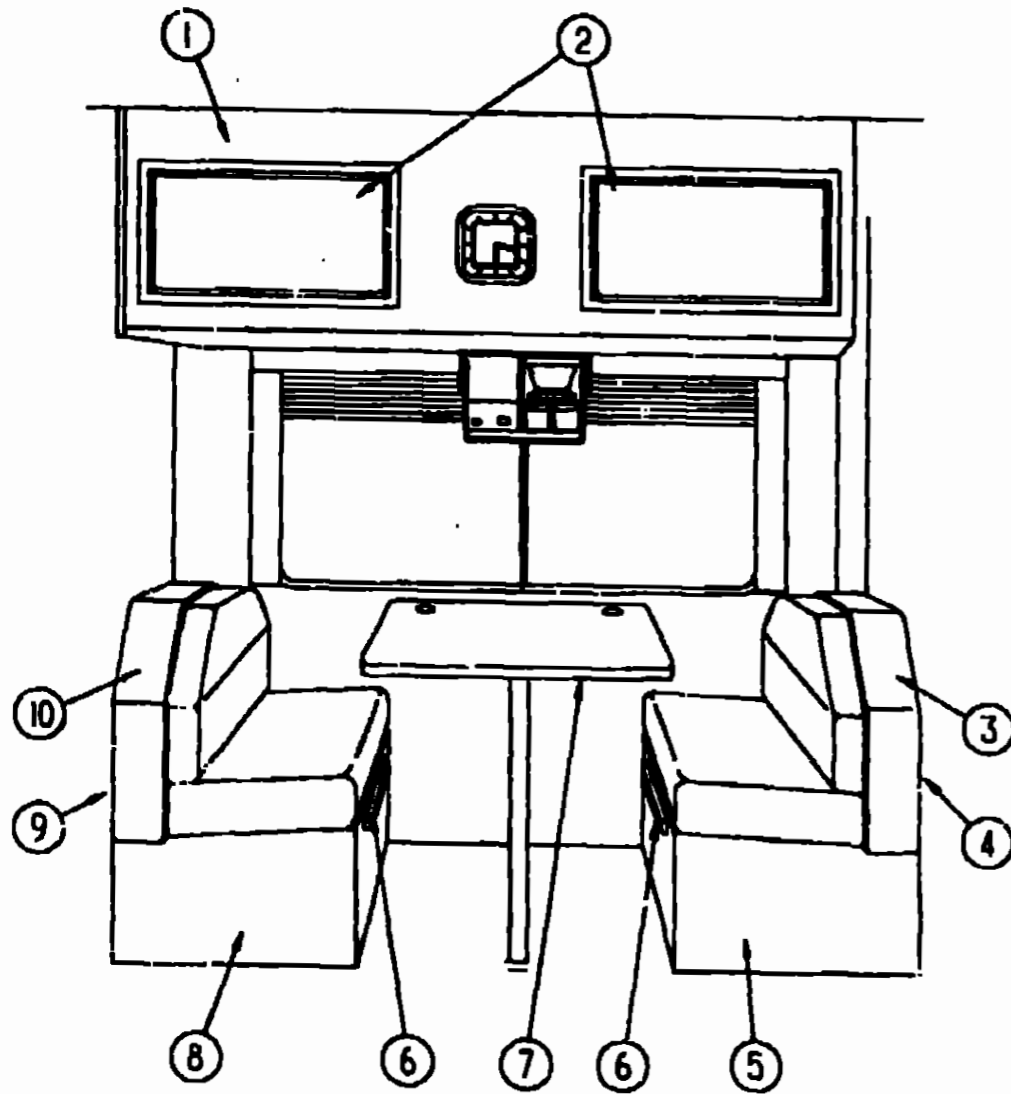
## 1992 TASCA TABLE OF CONTENTS

INTRODUCTION	A-01	A-02
ABBREVIATIONS		A-03
ALPHABETICAL INDEX	A-04	A-06
IC422RG	A-07	C-10
IC424RC	D-11	G-16

## 1992 IC422RG INDEX

FLOOR PLAN	A-07	A-08
ACCESSORIES		A-09
AUDIO VIDEO		A-10
BATH	A-11	A-12
CHASSIS	A-13	A-16
CURTAIN & CUSHION	A-17	A-24
DINETTE	B-01	B-02
DRIVERS COMPARTMENT	B-03	B-06
ELECTRICAL	B-07	B-10
EXTERIOR BODY	B-11	B-17
GALLEY	B-18	B-21
GENERATOR		B-22
HEATING & A/C	B-23	B-24
INTERIOR FINISH	C-01	C-04
LABEL	C-05	C-12
LP		C-13
LOUNGE		C-14
SEALANTS & FASTENERS	C-15	C-17
WATER & SEWAGE	C-18	C-20
WINDOW, VENT AND EXTERIOR DOOR	C-21	D-10

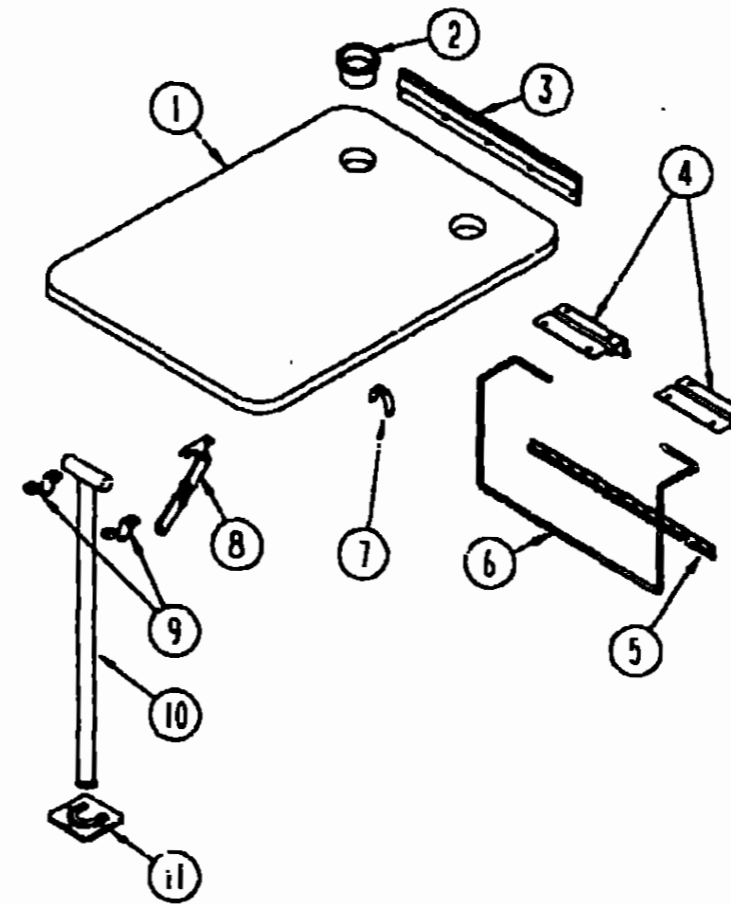
### DINETTE GROUP



CABINETS, TABLE & PADS

KEY	PART NUMBER	U/M DESCRIPTION
1	MG5623-10-C23	EA CABINET-OVERHEAD - W/O DOORS
1	M05623-10-C24	EA CABINET-OVERHEAD - W/O DOORS
	104335-09-C03	EA END CAP-CABINET - OVERHEAD
2	P05223-05-C03	EA DOOR ASM - W/O HARDWARE - ROUNDED - 400 X 710
3	104787-01-C05	EA PAD ASM-DINETTE(C03)
3	104787-01-C04	EA PAD ASM-DINETTE(C04)
4	M04174-17-C03	EA CABINET-BACKREST - RIGHT
5	M04175-17-C03	EA CABINET-SEATBASE - RIGHT
6	091295-01-AA8	EA SUPPORT-BED - DINETTE
7	M81299-10-C23	EA TABLE - DINETTE
8	M04175-18-C03	EA CABINET-SEATBASE - LEFT
9	M04174-18-C03	EA CABINET-BACKREST - LEFT
10	104787-02-C03	EA PAD ASM-DINETTE
10C	104787-02-C04	EA PAD ASM-DINETTE

### DINETTE GROUP (CONTINUED)



DINETTE TABLE & HARDWARE

KEY	PART NUMBER	U/M DESCRIPTION
1	M81299-08-C03	EA TABLE-DINETTE
2	064781-06-000	EA HOLDER-CUP-TWO STEP - OFF WHITE
3	053200-05-000	EA BRACKET-TABLE SUPPORT-UPPER WALL MOUNTED - 23 5" - BEIGE
4	088410-01-000	EA BRACKET-LIFT-TABLE LOWER WALL MOUNTED - BEIGE
5	024281-07-000	EA BRACKET-LIFT ROD-LOWER WALL MOUNTED - 22 12" - BEIGE
6	024275-05-000	EA ROD-TABLE LIFT-8" X 23.5" - BEIGE
7	024283-01-000	EA CLIP-LEG-1" - 1.125" OD - BLACK
8	024282-01-000	EA BRACE-TABLE LEG-HINGED
9	064050-03-000	EA CLAMP-SADDLE-LEG HINGE - BEIGE
10	024276-14-000	EA LEG ASM-TABLE
11	049493-11-700	EA CATCH-LEG-FLOOR MOUNTED - 2 5" X 2 7" - METAL - E-COAT

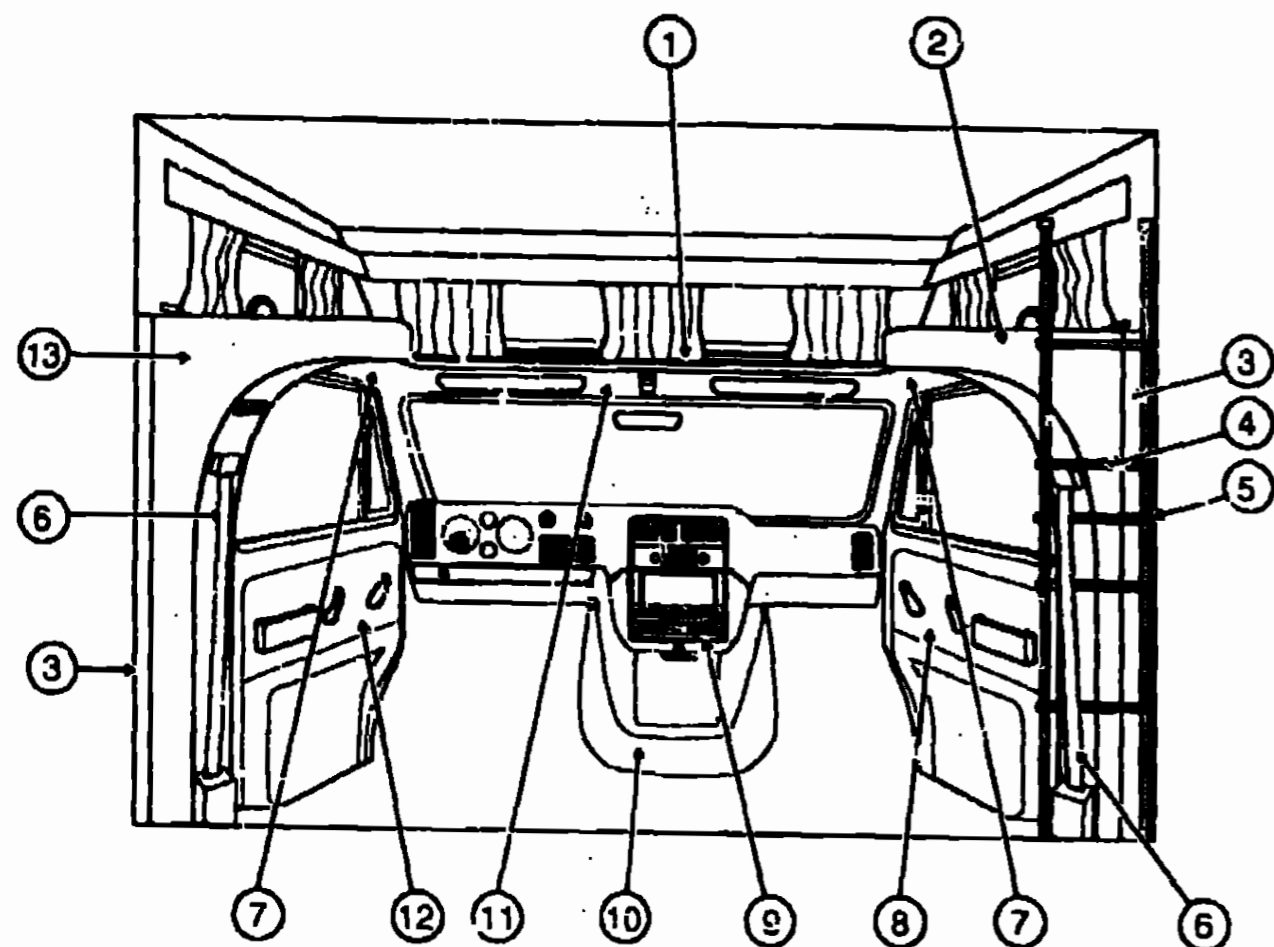
### 1992 IT/SCA TABLE OF CONTENT:

INTRODUCTION	A-01 - A-02
ABBREVIATIONS	A-03
ALPHABETICAL INDEX	A-04 - A-06
IC422RG	A-07 - D-10
IC424RC	D-11 - G-16

### 1992 IC422RG INDEX

FLOOR PLAN	A-C7 - A-08
ACCESSORIES	A-09
AUDIO VIDEO	A-10
BATH	A-11 - A-12
CHASSIS	A-13 - A-16
CURTAIN & CUSHION	A-17 - A-24
DINETTE	B-01 - B-02
DRIVERS COMPARTMENT	B-03 - B-06
ELECTRICAL	B-07 - B-10
EXTERIOR BODY	B-11 - B-17
GALLEY	B-18 - B-21
GENERATOR	B-22
HEATING & A/C	B-23 - B-24
INTERIOR FINISH	C-01 - C-04
LABEL	C-05 - C-12
LP	C-13
LOUNGE	C-14
SEALANTS & FASTENERS	C-15 - C-17
WATER & SEWAGE	C-18 - C-20
WINDOW, VENT AND EXTERIOR DOOR	C-21 - D-10

## DRIVERS COMPARTMENT GROUP



CHEVY DRIVERS COMPARTMENT

KEY	PART NUMBER	U/M DESCRIPTION
1	079800-04-000	EA TRIM-SLEEPERBOARD - INNER - METAL - OFF WHITE
1	106444-01-01A	EA TRIM-SLEEPERBOARD - INNER OFF WHITE FROM: 03-00-00 THRU 10-31-91
1	080742-03-000	FT TRIM-VINYL - SLEEPER BOARD - OFF WHITE FROM: 11-01-91 THRU 99-99-99
2	105664-01-C03	EA WINGWALL ASM-INNER - RIGHT
3	082081-25-C03	EA COVER-WINGWALL - VINYL TRIM - OFF WHITE
4	106025-01-01A	EA LADDER-BUNK - BLACK - 1434 MM
	106025-01-700	EA BRACKET SET F/BUNK LADDER
5	093656-03-000	EA STRAP ASM-TIEDOWN - BUNK LADDER
6	076302-03-000	EA SEAT BELT - DRIVER AND PASSENGER
	087932-03-000	EA BRACKET ASM-SHOULDER HARNESS - ANGLE W/WELD NUT & GUSSET - LEFT
	087932-04-000	EA BRACKET ASM-SHOULDER HARNESS - ANGLE W/WELD NUT & GUSSET - RIGHT
7	091825-02-AA5	EA HEADLINER-VINYL COVERED - SIDE - 2 USED - OFF WHITE
8	059491-01-B85	EA SIDEPANEL-DOOR - RIGHT (C23)
8	059491-01-B86	EA SIDEPANEL-DOOR - RIGHT (C24)
9	100516-01-B05	EA TRAY - VERAGE
9	M04194-01-B05	EA TRAY - VERAGE - UNSTAINED
	046886-03-000	EA ASHTRAY-CHROME - W/COVER
10	074891-07-B67	EA COVER-MOTOR (C23)
10	074891-07-C44	EA COVER-MOTOR (C24)
11	091829-01-605	EA HEADLINER-VINYL COVERED - FRONT - OFF WHITE
12	059492-01-B85	EA SIDEPANEL-DOOR - CAB LEFT (C23)
12	059492-01-B86	EA SIDEPANEL-DOOR - CAB LEFT (C24)
13	105664-01-C52	EA WINGWALL ASM-INNER - LEFT

## DRIVERS COMPARTMENT GROUP (CONTINUED)

### INSTRUMENT CLUSTERS

KEY	PART NUMBER	U/M DESCRIPTION
	094797-03-000	EA CLUSTER-INSTRUMENT PANEL - KILOMETER - GM-25088314 (CHEVY)(CSA)
	046885-01-000	EA PLAQUE-SWITCH-MOUNTING - BATTERY & FUEL SWITCHES (CHEVY)(CSA)
	094795-02-000	EA CLUSTER-INSTRUMENT PANEL - KILOMETER - FORD - FOUZ-17255-8(CSA)
	094795-03-000	EA CLUSTER-INSTRUMENT PANEL - KILOMETER - FORD F2UF1C849BF(CSA) FROM: 00-00-00 THRU: 10-06-91
	094795-01-000	EA SPEEDOMETER-KILOMETER (FORD) FROM: 10-07-91 THRU: 99-99-99
	081082-01-000	EA PLAQUE-MOUNTING - BATTERY/FUEL SWITCH - 2.4" X 1.4" - BLACK (FORD)(CSA)
	100138-01-000	EA MODULE-DAYTIME RUNNING LIGHT
	024461-01-000	EA SWITCH-BATTERY/DUAL/MOMMENTARY

## 1992 ITASCA TABLE OF CONTENTS

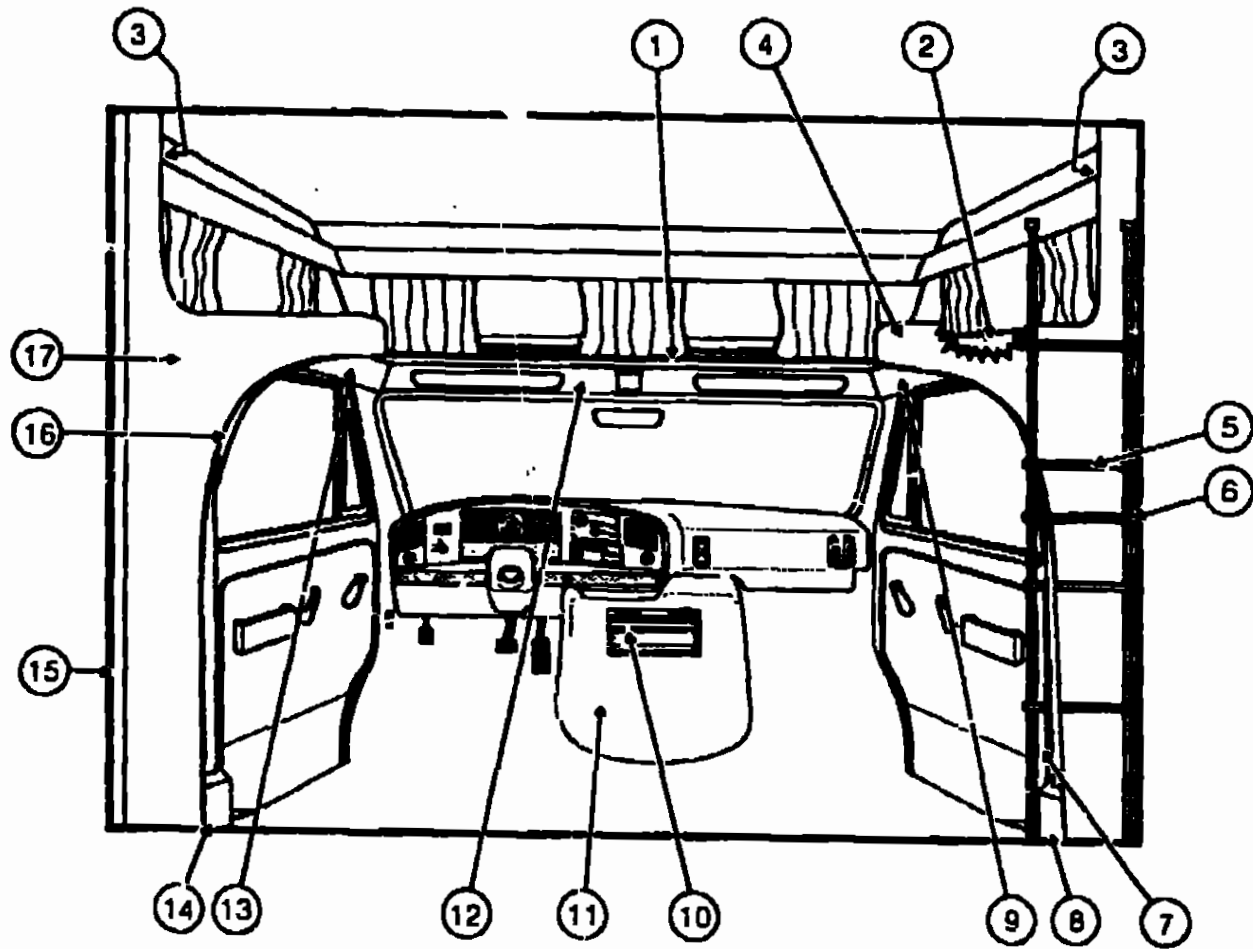
INTRODUCTION	A-01 - A-02
ABBREVIATIONS	A-03
ALPHABETICAL INDEX	A-04 - A-06
IC422RG	A-07 - D-10
IC424RC	D-11 - G-16

## 1992 IC422RG INDEX

FLOOR PLAN	A-07 - A-08
ACCESSORIES	A-09
AUDIO VIDEO	A-10
BATH	A-11 - A-12
CHASSIS	A-13 - A-16
CURTAIN & CUSHION	A-17 - A-24
DINETTE	B-01 - B-02
DRIVERS COMPARTMENT	B-03 - B-06
ELECTRICAL	B-07 - B-10
EXTERIOR BODY	B-11 - B-17
GALLEY	B-18 - B-21
GENERATOR	B-22
HEATING & A/C	B-23 - B-24
INTERIOR FINISH	C-01 - C-04
LABEL	C-05 - C-12
LP	C-13
LOUNGE	C-14
SEALANTS & FASTENERS	C-15 - C-17
WATER & SEWAGE	C-18 - C-20
WINDOW, VENT AND EXTERIOR DOOR	C-21 - D-10

# DRIVERS COMPARTMENT GROUP (CONTINUED)

## FORD DRIVERS COMPARTMENT



KEY	PART NUMBER	U/M DESCRIPTION
1	079800-04-000	EA TRIM-SLEEPERBOARD - INNER - METAL - OFF WHITE FROM: 00-00-00 THRU: 10-31-91
1	105444-01-01A	EA TRIM-SLEEPERBOARD - INNER - OFF WHITE FROM: 11-01-91 THRU: 99-99-99
1	080742-03-000	FT TRIM-VINYL - SLEEPER BOARD - OFF WHITE
2	105777-01-C23	EA PAD ASM-BUNK - OVERHEAD
2	105777-01-C24	EA PAD ASM-BUNK - OVERHEAD
3	062071-10-C03	EA TRIM-WINGWALL - 31.5' X 5.5' - VINYL COVERED FROM: 00-00-00 THRU: 10-27-91
3	082071-12-B05	EA TRIM-WINGWALL - 31.5' X 5.5' - VINYL COVERED FROM: 10-28-91 THRU: 99-99-99
4	105742-01-C23	EA WINGWALL ASM-INNER - RIGHT FROM: 00-00-00 THRU: 10-06-91
4	106440-01-C23	EA WINGWALL ASM-INNER - RIGHT FROM: 10-07-91 THRU: 99-99-99
5	106445-01-C52	EA TRIM ASM-WINGWALL WRAP - RIGHT (BETWEEN CAB STEEL & B PILLAR TRIM)
5	106025-01-01A	EA LADDER-BUNK - BLACK - 1434 MM
5	106025-01-700	EA SRACKET SET F/BUNK LADDER
6	099856-03-000	EA STRAP ASM-TIEDOWN - BUNK LADDER
7	106446-01-C52	EA TRIM ASM-CAB - B-PILLAR - RIGHT
8	106431-01-01A	EA COVER-RECOIL - SEATBELT - PASSENGER SIDE - OFF WHITE FROM: 10-07-91 THRU: 99-99-99
9	106447-01-C52	EA TRIM ASM-CAB DOOR - UPPER - RIGHT
10	106634-01-C03	EA TRAY ASM-BEVERAGE FROM: 00-00-00 THRU: 01-26-92
10	107134-02-C70	EA TRAY-BEVERAGE - OAK - W/CASSETTE HOLDER FROM: 01-27-92 THRU: 99-99-99
11	046886-03-000	EA ASHTRAY-CHROME - W/COVER
11	069885-23-C23	EA COVER-MOTOR - W/POCKET
11	069885-23-C24	EA COVER-MOTOR - W/POCKET
12	051831-01-B05	EA HEADLINER-VINYL COVERED - FRONT - OFF WHITE FROM: 00-00-00 THRU: 10-06-91
12	106448-01-C52	EA HEADLINER-VINYL COVERED - FRONT - OFF WHITE FROM: 10-07-91 THRU: 99-99-99
13	106447-02-C52	EA TRIM ASM-CAB DOOR - UPPER - LEFT
14	091871-05-000	EA COVER-SEAT BELT - OFF WHITE FROM: 00-00-00 THRU: 10-05-91
14	106431-02-01A	EA COVER-RECOIL - SEATBELT - DRIVER SIDE - OFF WHITE FROM: 10-07-91 THRU: 99-99-99
15	082081-29-C03	EA COVER-WINGWALL - 6 9' LONG - VINYL - OFF WHITE (1 USED ON EACH SIDE)
16	106446-02-C52	EA TRIM ASM-CAB - B-PILLAR - RIGHT
17	105742-02-C23	EA WINGWALL ASM-INNER - LEFT FROM: 00-00-00 THRU: 10-06-91
17	106440-02-C23	EA WINGWALL ASM-INNER - LEFT FROM: 10-07-91 THRU: 04-13-92
17	106440-07-C23	EA WINGWALL ASM-INNER - LEFT FROM: 04-14-92 THRU: 99-99-99
	106445-02-C52	EA TRIM ASM-WINGWALL WRAP - LEFT (BETWEEN CAB STEEL & B PILLAR TRIM)

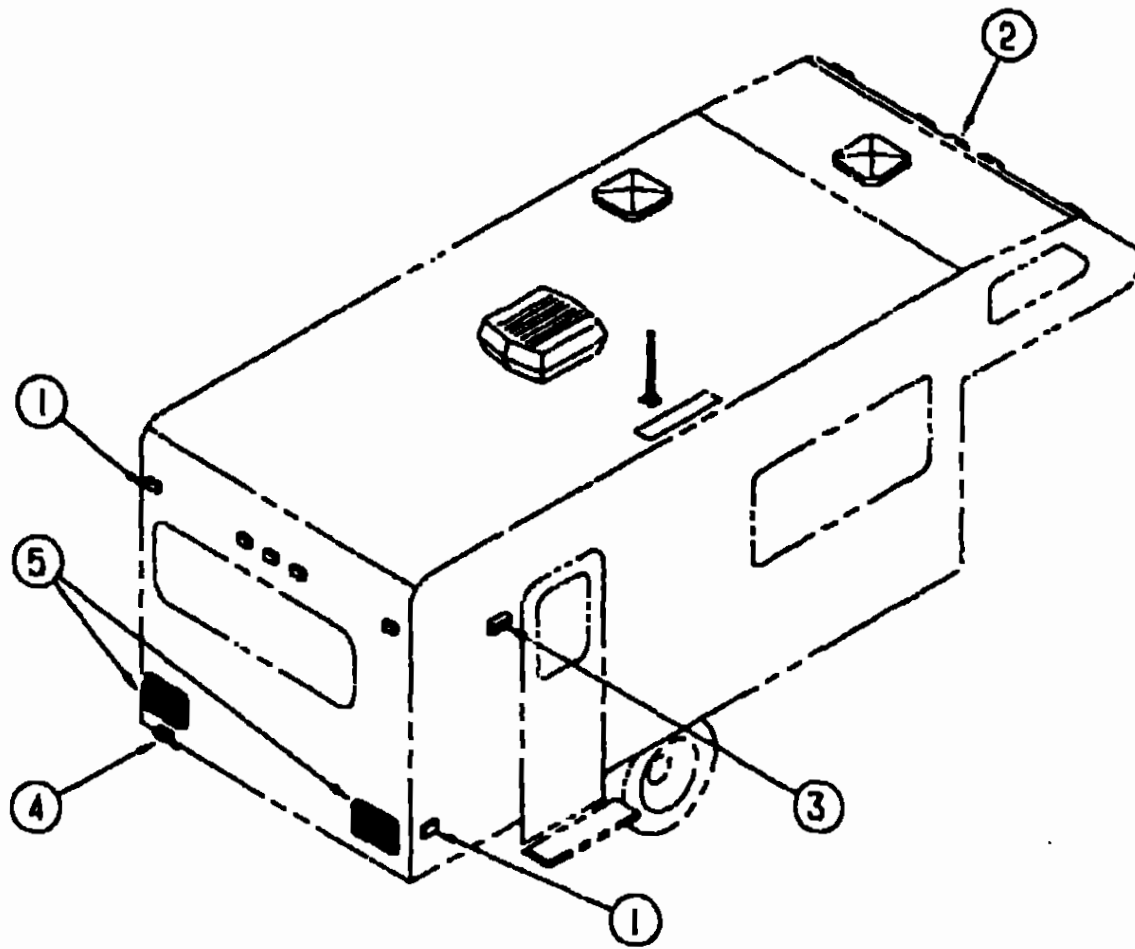
## 1992 ITASCA TABLE OF CONTENTS

INTRODUCTION	A-01 - A-02
ABBREVIATIONS	A-03
ALPHABETICAL INDEX	A-04 - A-06
IC422RG	A-07 - D-10
IC424RC	D-11 - G-16

## 1992 IC422RG INDEX

FLOOR PLAN	A-07 - A-08
ACCESSORIES	A-09
AUDIO VIDEO	A-10
BATH	A-11 - A-12
CHASSIS	A-13 - A-16
CURTAIN & CUSHION	A-17 - A-24
CINETTE	B-01 - B-02
DRIVERS COMPARTMENT	B-03 - B-06
ELECTRICAL	B-07 - B-10
EXTERIOR BODY	B-11 - B-17
GALLEY	B-18 - B-21
GENERATOR	B-22
HEATING & A/C	B-23 - B-24
INTERIOR FINISH	C-01 - C-04
LABEL	C-05 - C-12
LP	C-13
LOUNGE	C-14
SEALANTS & FASTENERS	C-15 - C-17
WATER & SEWAGE	C-18 - C-20
WINDOW, VENT AND EXTERIOR DOOR	C-21 - D-10

## ELECTRICAL GROUP



### EXTERIOR LIGHTS & BULBS

KEY	PART NUMBER	U/M	DESCRIPTION
1	091983-01-000	EA	GASKET-CLEARANCE/SIDEMARKER LIGHT
1	042405-01-000	EA	LENS-CLEARANCE/SIDEMARKER LIGHT - W/REFLEX - RED
1	042405-03-000	EA	BASE-CLEARANCE/SIDEMARKER LIGHT - W/BULB - PLASTIC - WHITE
1	008213-01-000	EA	BULB
2	042405-02-000	EA	LENS-CLEARANCE/SIDEMARKER LIGHT - W/REFLEX - AMBER
2	042405-03-000	EA	BASE-CLEARANCE/SIDEMARKER LIGHT - W/BULB - PLASTIC - WHITE
2	008213-01-000	EA	BULB
	091983-01-000	EA	GASKET-CLEARANCE/SIDEMARKER LIGHT
3	097917-01-01A	EA	LIGHT-PORCH - ENTRY DOOR - OFF WHITE
	008215-01-000	EA	BULB
	097917-01-700	EA	LENS
4	066432-01-000	EA	LIGHT-LICENSE PLATE - W/BACKET
5	031638-01-000	EA	TAILLIGHT-DOUBLE - W/BLACK TRIM - DRIVER & PASSENGER SIDE
5	031638-01-700	EA	LENS-TAILLIGHT - RED
5	031638-01-701	EA	LENS-TAILLIGHT - W/BACKUP
	103355-01-01A	EA	POD-TAILLIGHT - OFF WHITE

## ELECTRICAL GROUP (CONTINUED)

### INTERIOR LIGHTS & BULBS

KEY	PART NUMBER	U/M	DESCRIPTION
	086280-01-000	EA	LIGHT-SURFACE MOUNT - 12V - JENSEN 1236
	086280-01-700	EA	BULB
	098024-01-01A	EA	LIGHT-DOME - 1 BULB - US - IVORY
	098024-03-01A	EA	LIGHT-DOME - 2 BULB - IVORY
	008218-01-000	EA	BULB
	098024-01-700	EA	LENS

### SWITCHES & RECEPTACLES

KEY	PART NUMBER	U/M	DESCRIPTION
	108356-02-01A	EA	ACTUATOR-SWITCH DIMPLE II - CARLING VVAZC00 BLA
	075736-02-000	EA	COVER-EXTERIOR RECEPTACLE - OFF WHITE
	054250-01-000	EA	COVER-ANGLED - W/O HOLE - 3.6" X 4.5" - PLASTIC - BEIGE ELECTRICAL PLATE SUPPORT
	054250-04-000	EA	COVER-ANGLED - W/O HOLE - 3.6" X 4.5" - PLASTIC - OFF WHITE ELECTRICAL PLATE SUPPORT
	097734-01-02A	EA	EXTENSION-RECEPTACLE - 3.2" X 5" X .7" - PLASTIC - BROWN
	098351-01-01A	EA	PLATE-SWITCH - 1 GANG - POLISHED BRASS
	098351-06-01A	EA	PLATE-SWITCH - 2 GANG W/LABEL - JENSEN - POLISHED BRASS
	084077-01-000	EA	PLATE-COVER - RECEPTACLE - GFI - IVORY
	058707-01-000	EA	RECEPTACLE - ELECTRIC - SINGLE - BROWN
	058708-01-000	EA	RECEPTACLE - ELECTRIC - DOUBLE - BROWN
	058708-02-000	EA	RECEPTACLE - ELECTRIC - DOUBLE - IVORY
	080015-02-000	EA	RECEPTACLE - FLAG - .185 - 16/14 GA - AMP 3
	080015-03-000	EA	RECEPTACLE - FLAG - .250 - 14/16 GA
	024924-02-000	EA	RECEPTACLE - POWER CORD - W/PARTIAL PLATE
	007940-01-000	EA	RECEPTACLE - SIDE - 16 TO 12 AWG - FEMALE END
	084076-01-000	EA	RECEPTACLE - GFI - 15A - 125V - IVORY
	100312-01-000	EA	SWITCH - DOOR JAMB - ELECTRIC ENTRY STEP - METAL
	102568-01-B10	EA	SPACER - RECEPTACLE - BETWEEN SIDEWALL & PLATE - WOOD
	075723-01-000	EA	SPACER - SWITCH - W/O HOLE - 2" X .9" X 2" - METAL - OFF WHITE
	095188-01-01A	EA	SPACER - SWITCH - 2.3" X 3.4" - PLASTIC - DARK BROWN
	079364-01-000	EA	SWITCH - ON/OFF ROCKER - 2 PRONGS - BROWN
	108357-08-000	EA	SWITCH - ROCKER - DPDT - ON/NC/NE/ON

### CONTROL CENTER & POWER CONVERTER

KEY	PART NUMBER	U/M	DESCRIPTION
	083208-01-000	EA	CONVERTOR-POWER - 32A - 120V/12V - BW 6332
	094809-01-000	EA	CENTER-LOAD - 240V - 125A - TPL412CT

## 1992 ITASCA TABLE OF CONTENTS

INTRODUCTION	A-01	A-02
ABBREVIATIONS		A-03
ALPHABETICAL INDEX	A-04	A-06
IC422RG	A-07	D-10
IC424RC	D-11	G-16

## 1992 IC422RG INDEX

FLOOR PLAN	A-07	A-08
ACCESSORIES		A-09
AUDIO VIDEO		A-10
BATH	A-11	A-12
CHASSIS	A-13	A-16
CURTAIN & CUSHION	A-17	A-24
DINETTE	B-01	B-02
DRIVERS COMPARTMENT	B-03	B-05
ELECTRICAL	B-07	B-10
EXTERIOR BODY	B-11	B-17
GALLEY	B-19	B-21
GENERATOR		B-22
HEATING & A/C	B-23	B-24
INTERIOR FINISH	C-01	C-04
LABEL	C-05	C-12
LP		C-13
LOUNGE		C-14
SEALANTS & FASTENERS	C-15	C-17
WATER & SEWAGE	C-18	C-20
WINDOW, VENT AND EXTERIOR DOOR	C-21	D-10



## ELECTRICAL GROUP (CONTINUED)

### CIRCUIT BREAKERS & FUSES

KEY	PART NUMBER	U/M	DESCRIPTION
	107165-01-01A	EA	BOX-CIRCUIT BREAKER - MOUNT BLACK
	083209-08-000	EA	CIRCUIT BREAKER - BLANK - BW
	093654-01-000	EA	CIRCUIT BREAKER - 6 AMP - HOUSE CONTROL PANEL
	008211-01-000	EA	CIRCUIT BREAKER - 12V - 6 AMP
	083209-01-000	EA	CIRCUIT BREAKER - 15 AMP - 120V - BW G-15 - CANADIAN
	083209-02-000	EA	CIRCUIT BREAKER - 15/15AMP - 120V - BW H-15/15
	083209-03-000	EA	CIRCUIT BREAKER - 15/20AMP - 120V - BW - 0-15/20
	008268-01-000	EA	CIRCUIT BREAKER - 30A - 12V - W/MOUNT
	083209-04-000	EA	CIRCUIT BREAKER - 30A - 120V - BW L-30
	083209-06-000	EA	CIRCUIT BREAKER - 30/15 AMP - 120V - BW D-30/15
	093655-02-000	EA	CIRCUIT BREAKER - 30 AMP - HOUSE CONTROL PANEL
	094810-01-000	EA	CIRCUIT BREAKER - DOUBLE 30 AMP - GE THQL2130
	094811-01-000	EA	CIRCUIT BREAKER - DOUBLE 20 AMP - GE THQL2120
	006235-01-000	EA	FUSE - AUTOMOTIVE - 12V - 15AMP
	008277-01-000	EA	FUSE - HOLDER - PANEL MOUNT - BLACK
	052901-02-000	EA	FUSE - 5 AMP - AUTOMOTIVE
	052901-05-000	EA	FUSE - 15 AMPS - AUTOMOTIVE

### ELECTRIC CORDS & BOXES

KEY	PART NUMBER	U/M	DESCRIPTION
	091910-01-000	EA	BOX ELECTRICAL - 3.75" X 3.5" X 1.75" - PLASTIC
	008289-02-000	EA	BOX-ELECTRICAL - 4" X 4" - 1/2" & 3/4" KNOCKOUTS - CANDIAN
	008288-01-000	EA	BOX-ELECTRICAL - PLASTIC - 3" X 3 1/2"
	008289-01-000	EA	BOX-ELECTRICAL - STEEL - 1/2" AND 3/4" KNOCKOUTS - 4" X 4
	093603-01-000	EA	BOX-ELECTRICAL - STEEL 4 X2 1/8 X 2 1/8 - STEEL CITY 58371 1/2
	058049-01-000	EA	BOX ELECTRICAL SWITCH - 2" X 3" X 2 25"
	008052-01-000	EA	CORD-POWER - 10/3 - 30 AMP - 25' - CANADIAN
	008054-01-000	EA	CORD-POWER - 10/3 - 30 AMP - 25'
	008294-01-000	EA	COVER-ELECTRICAL BOX - BLANK/STEEL - 4" X 4" - GRAY
	008294-02-000	EA	COVER-ELECTRICAL BOX - BLANK STEEL - 4" X 4" - CANADIAN
	069238-01-000	EA	COVER-ELECTRICAL BOX - W/PLATE - 4" X 4" - GRAY USED WITH 30 AMP RECEPTACLE

### WIRE ASSEMBLIES

KEY	PART NUMBER	U/M	DESCRIPTION
	100159-02-000	EA	WIRE ASM-DAYTIME RUNNING LIGHTS - W/FUSE

## ELECTRICAL GROUP (CONTINUED)

### ELECTRIC CONNECTORS & CONDUIT

KEY	PART NUMBER	U/M	DESCRIPTION
	050283-02-000	EA	BAR-BUSS - CIRCUIT BREAKER
	087949-01-000	EA	BUSS BAR - 2 POSITION - 6" X 1.5" - ALUMINUM
	077479-01-000	EA	BOOT-BATTERY TERMINAL - DOUBLE CABLE
	058028-01-000	EA	CONNECTOR-ELECTRICAL PIGTAIL - NYLON - CLEAR
	008355-01-000	EA	CONNECTOR-CABLE CLAMPING - 3/4"
	008356-01-000	EA	CONNECTOR-PLASTIC - 3/8" AVG
	008311-01-000	EA	CONNECTOR-WIRE NUT - INSULATED - RED
	008314-01-000	EA	CONNECTOR-WIRE NUT - INSULATED - GRAY
	041953-01-000	FT	CONDUIT-CONVOLUTE SLIT - 5" ID
	041953-01-000	FT	CONDUIT-CONVOLUTE SLIT - 5" ID
	041953-03-000	FT	CONDUIT-CONVOLUTE SLIT - 1" ID (CLOTHES ROD COVR)
	041953-06-000	FT	CONDUIT-CONVOLUTE SLIT - .375" ID
	041953-07-000	FT	CONDUIT-CONVOLUTE SLIT - 25" ID
	041953-09-000	FT	CONDUIT-CONVOLUTE SLIT - 50" ID
	041953-10-000	FT	CONDUIT-CONVOLUTE SLIT - 75" ID
	041953-11-000	FT	CONDUIT-CONVOLUTE SLIT - 1 06" ID
	041953-12-000	FT	CONDUIT-CONVOLUTE NON SLIT 1 1" ID
	100341-01-000	EA	FUSE HOLDER-IN LINE TYPE - WESCO 8931-92020
	062037-01-000	EA	HOUSING-AUTO FUSE - NATURAL
	063910-01-000	EA	HOUSING-RELAY - BOSCH 3 334 485 008
	088474-10-000	EA	HOUSING-SOCKET - 2 POSITION
	088473-01-000	EA	PIN-HOUSING - 4 ROWS OF 3
	088473-05-000	EA	PIN-HOUSING - 6 POSITION (SINGLE ROW)
	088473-06-000	EA	PIN-HOUSING - 6 POSITION (TWO ROWS OF THREE)
	058473-08-000	EA	PIN-HOUSING - 4 POSITION
	088473-09-000	EA	PIN-HOUSING - 3 POSITION (SINGLE ROW)
	088473-10-000	EA	PIN-HOUSING - 2 POSITION
	088475-01-000	EA	PIN-CONNECTOR - 14 TO 20 AWG
	088475-02-000	EA	PIN-CONNECTOR - 10 TO 12 AWG
	088476-01-000	EA	SOCKET-CONNECTOR - BRASS - PRE-TIN
	088476-02-000	EA	SOCKET-CONNECTOR - 12-10 GA - PHOS BRONZE - PRE-TIN
	088474-06-000	EA	SOCKET-HOUSING - 6 POSITION (2 ROWS OF THREE)
	088474-07-000	EA	SOCKET-HOUSING - 5 CAVITY - AMP 1-480764-0
	088474-08-000	EA	SOCKET-HOUSING - 4 POSITION (SINGLE ROW)
	088474-09-000	EA	SOCKET-HOUSING - 3 POSITION
	088474-10-000	EA	SOCKET-HOUSING - 2 POSITION
	008188-01-000	EA	SOLENOID-3 POST - BATTERY CHANGE OVER
	090971-01-000	EA	SPLICE-CABLE - 110V
	062031-02-000	EA	TERMINAL-PACK-CON - 16/14 AWG
	008328-01-000	EA	TERMINAL-RING - 16/14 WIRE - 3/8" STUD
	008328-01-000	EA	TERMINAL-RING - 12/10 WIRE - 4/10 STUD FIT
	008331-01-000	EA	TERMINAL-RING - TONGUE - #4 WIRE - 3/8" STUD - COPER
	008348-01-000	EA	TERMINAL-RING - 3/8" STUD - #2 WIRE CONNECTS CABLE TO DISCONNECT RELAY AND BATTERY
	035416-04-000	EA	TERMINAL-RING #10 STUD FIT - INSULATED BARREL #16/1
	047443-01-000	EA	TERMINAL-250 RECEPTACLE FIT - INSULATED - 16/14 AWG

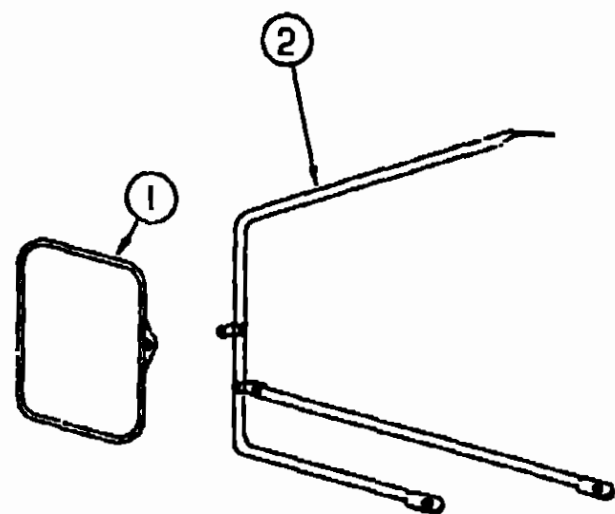
## 1992 ITASCA TABLE OF CONTENTS

INTRODUCTION	A-01	A-02
ABBREVIATIONS		A-03
ALPHABETICAL INDEX	A-04	A-06
IC422RG	A-07	D-10
IC424RC	D-11	G-16

## 1992 IC422RG INDEX

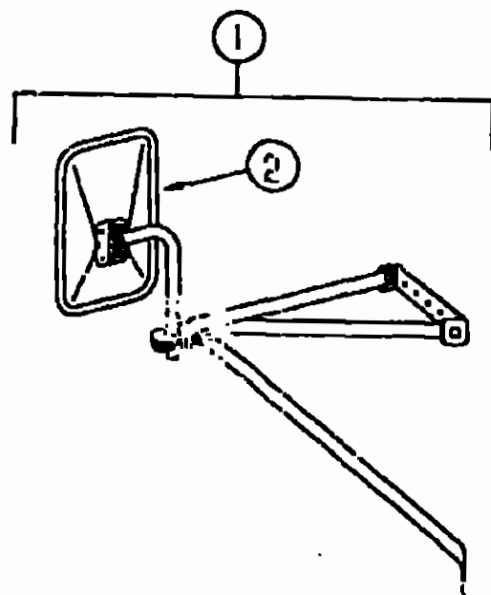
FLOOR PLAN	A-07	A-08
ACCESSORIES		A-09
AUDIO VIDEO		A-10
BATH	A-11	A-12
CHASSIS	A-13	A-16
CURTAIN & CUSHION	A-17	A-24
DINETTE	B-01	B-02
DRIVERS COMPARTMENT	B-03	B-06
ELECTRICAL	B-07	B-10
EXTERIOR BODY	B-11	B-17
GALLEY	B-18	B-21
GENERATOR		B-22
HEATING & A/C	B-23	B-24
INTERIOR FINISH	C-01	C-04
LABEL	C-05	C-12
LP		C-13
LOUNGE		C-14
SEALANTS & FASTENERS	C-15	C-17
WATER & SEWAGE	C-18	C-20
WINDOW, VENT AND EXTERIOR DOOR	C-21	D-10

**EXTERIOR BODY GROUP**



**CHEVROLET & EARLY FORD  
EXTERIOR MIRRORS**

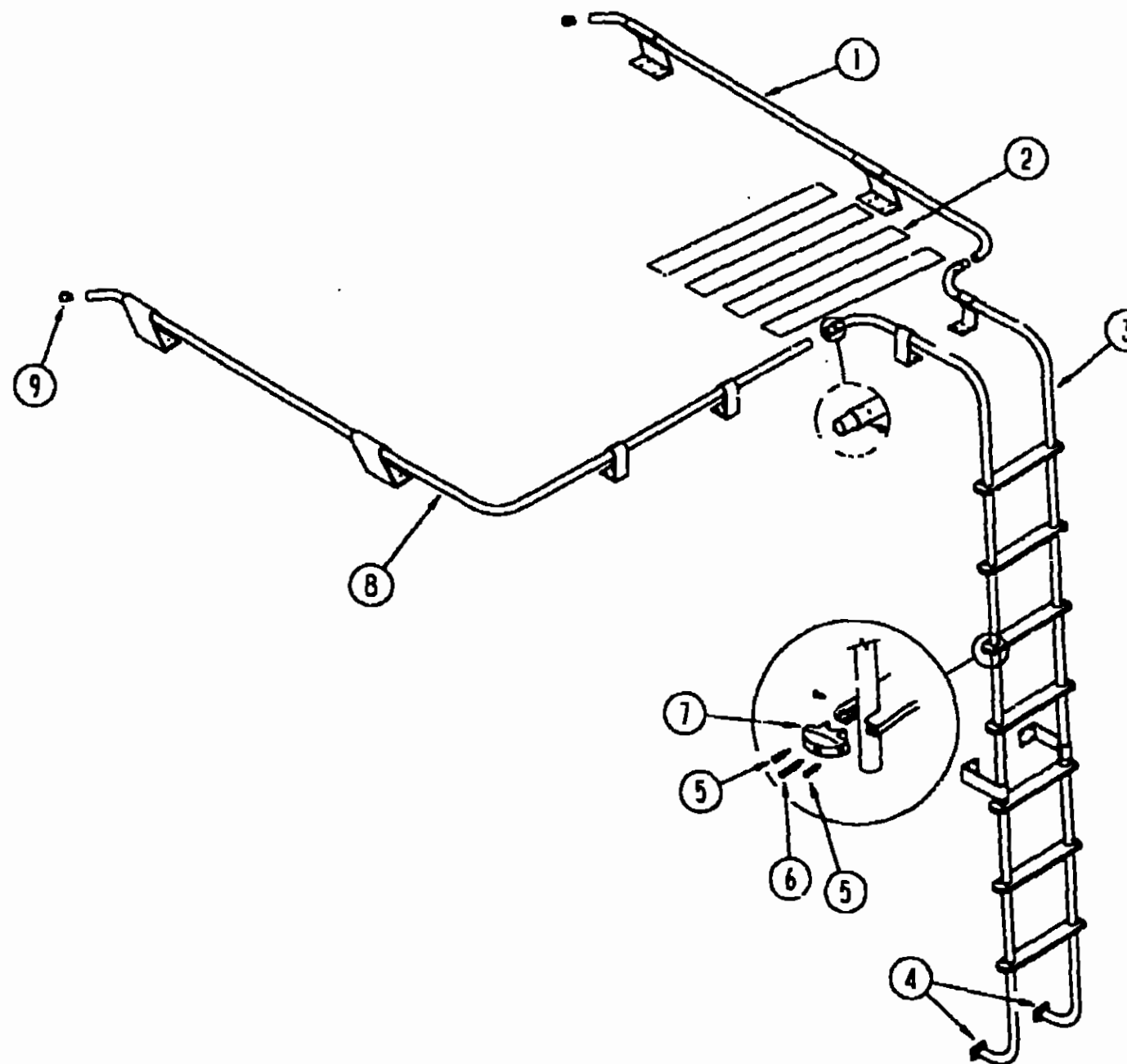
KEY	PART NUMBER	U/M DESCRIPTION
1	049347-01-000	EA MIRROR HEAD-EXTERIOR - 10 1/2" X 7 1/2" - STAINLESS STEEL
	049347-01-700	EA GLASS-MIRROR HEAD
2	062047-01-000	EA ARM-WEST COAST MIRROR



**LATER FORD  
EXTERIOR MIRRORS  
FROM 01/02/92 THRU 99/99/99**

KEY	PART NUMBER	U/M DESCRIPTION
1	105860-01-01A	EA MIRROR ASM-REG HEAD LOW MOUNT -VELVAC #713142
2	105860-01-700	EA MIRROR HEAD ONLY - VELVAC #709005-B
	106860-01-701	EA ARM - VELVAC #D780521-9
	106860-01-702	EA HARDWARE PKG (F/REG & STAR) 748230
	106860-01-703	EA BRACE - LOWER FORWARD - LEFT SIDE - D7809910 OW
	105960-01-704	EA BRACE - LOWER FORWARD - RIGHT SIDE - D7809920 OW

**EXTERIOR BODY GROUP (CONTINUED)**



**LUGGAGE RACK & LADDER**

KEY	PART NUMBER	U/M DESCRIPTION	DATE RANGE
1	081026-15-C05	EA RACK ASM-PASSENGER SIDE	
1	107438-05-C07	EA RACK ASM-PASSENGER SIDE	FROM: 00-00-00 THRU: 03-01-92
2	038327-01-000	EA TAPE-ANTI SLIP - 2" X 60"	FROM: 03-02-92 THRU: 99-99-99
3	102953-02-C03	EA LADDER ASM.	
4	067165-01-000	EA MOUNTING BRACKET-LADDER, LOWER	
5	000G39-06-10T	EA SCREW-SELF DRIVING-6-20 X 5/8 PPH - BLACK	
6	000G58-10-3GT	EA SCREW-10-12 X 2.25 POH - BLACK	
7	076980-02-000	EA END CAP-STEP - BLACK	
8	081026-19-C03	EA RACK ASM-DRIVER SIDE	
8	107438-09-C03	EA RACK ASM-DRIVER SIDE	FROM: 00-00-00 THRU: 03-01-92
9	081114-01-000	EA PLUG-ROUND - RACK & LADDER ENDS - PLASTIC - 1" DIA	FROM: 03-02-92 THRU: 99-99-99

**1992 ITASCA  
TABLE OF CONTENTS**

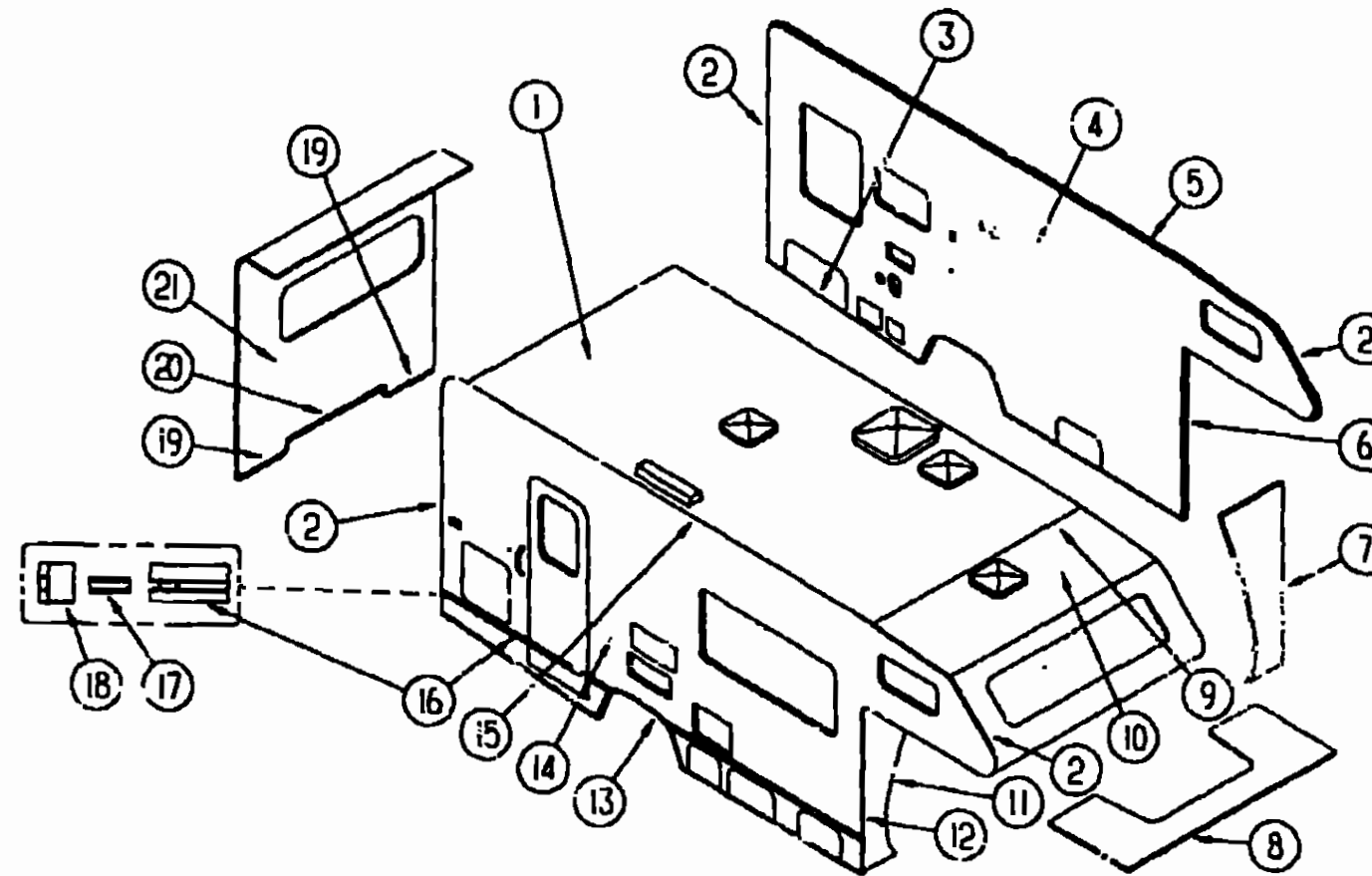
INTRODUCTION	A-01 -	A-02
ABBREVIATIONS		A-03
ALPHABETICAL INDEX	A-04 -	A-06
IC422RG	A-07 -	D-10
IC424RC	D-11 -	G-16

**1992 IC422RG INDEX**

FLOOR PLAN	A-07 -	A-08
ACCESSORIES		A-09
AUDIO VIDEO		A-10
BATH	A-11 -	A-12
CHASSIS	A-13 -	A-16
CURTAIN & CUSHION	A-17 -	A-24
DINETTE	B-01 -	B-02
DRIVERS COMPARTMENT	B-03 -	B-06
ELECTRICAL	B-07 -	B-10
EXTERIOR BODY	B-11 -	B-17
GALLEY	B-19 -	B-21
GENERATOR		B-22
HEATING & A/C	B-23 -	B-24
INTERIOR FINISH	C-01 -	C-04
LABEL	C-05 -	C-12
LP		C-13
LOUNGE		C-14
SEALANTS & FASTENERS	C-15 -	C-17
WATER & SEWAGE	C-18 -	C-20
WINDOW, VENT AND EXTERIOR DOOR	C-21 -	D-10

## EXTERIOR BODY GROUP (CONTINUED)

### EXTERIOR BODY PANELS & TRIM



### 1992 ITASCA TABLE OF CONTENTS

INTRODUCTION	A-01 -	A-02
ABBREVIATIONS		A-03
ALPHABETICAL INDEX	A-04 -	A-06
IC422RG	A-07 -	D-10
IC424RC	D-11 -	G-16

### 1992 IC422RG INDEX

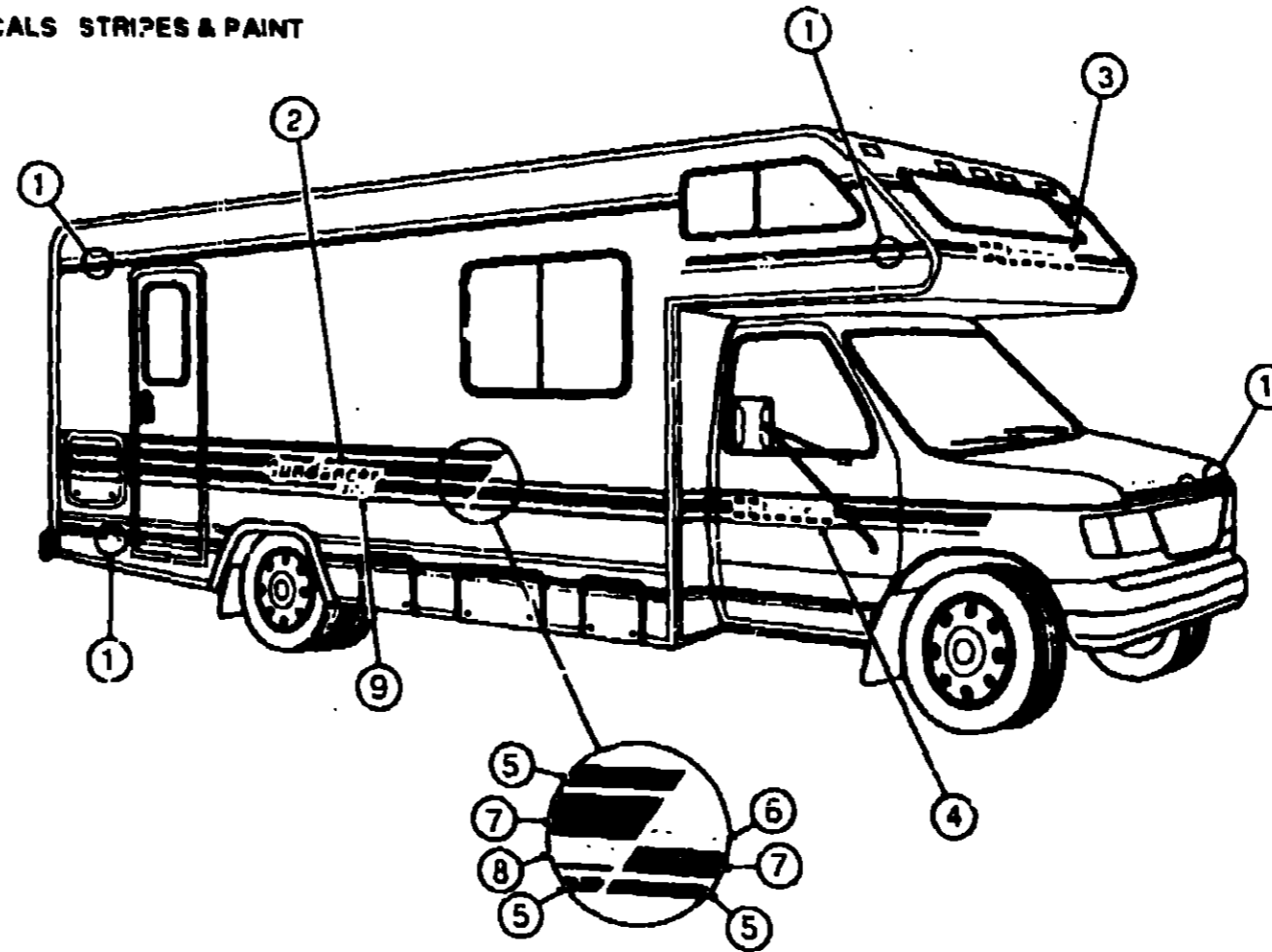
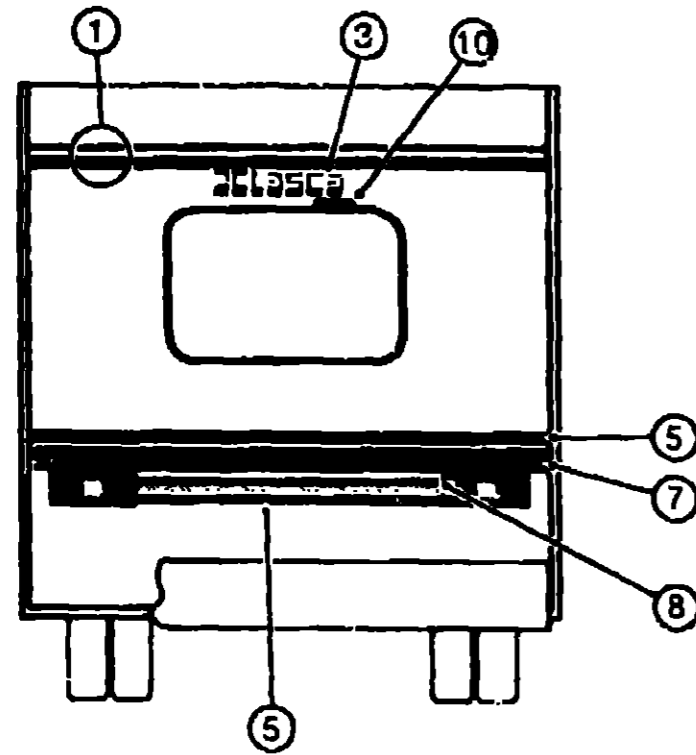
FLOOR PLAN	A-07 -	A-08
ACCESSORIES		A-09
AUDIO VIDEO		A-10
BATH	A-11 -	A-12
CHASSIS	A-13 -	A-16
CURTAIN & CUSHION	A-17 -	A-24
DINETTE	B-01 -	B-02
DRIVERS COMPARTMENT	B-03 -	B-06
ELECTRICAL	B-07 -	B-10
EXTERIOR BODY	B-11 -	B-17
GALLEY	B-18 -	B-21
GENERATOR		B-22
HEATING & A/C	B-23 -	B-24
INTERIOR FINISH	C-01 -	C-04
LABEL	C-05 -	C-12
LP		C-13
LOUNGE		C-14
SEALANTS & FASTENERS	C-15 -	C-17
WATER & SEWAGE	C-18 -	C-20
WINDOW, VENT AND EXTERIOR DOOR	C-21 -	D-10

KEY	PART NUMBER	U/M	DESCRIPTION
1	P04779-02-C23	EA	ROOF ASM W/BASES
2	096854-01-01A	EA	TRIM-CONTOUR - W/C VINYL INSERT - 108" - OFF WHITE
	105312-01-01A	FT	INSERT-TRIM - VINYL - OFF WHITE
3	098072-55-001	EA	EXTR-CHANNEL - OFF WHITE - 4877 MM
4	P04778-01-C23	EA	SIDEWALL ASM-LEFT
4	M05739-06-C23	EA	SIDEWALL ASM-LEFT (EUROPEAN)
5	095864-01-01A	EA	TRIM-CONTOUR - ROOF TO SIDEWALL - DRIVER OR PASSENGER - 120"
6	104479-04-01A	EA	TRIM-CONTOUR-FRONT- DRIVER - OFF WHITE
7	P05017-02-C03	EA	WINGWALL ASM - LEFT (CHEVY)
7	P05018-02-C03	EA	WINGWALL ASM - LEFT (FORD)
			FROM: 00-00-00 THRU: 10-06-92
7	106438-02-C03	EA	WINGWALL ASM - LEFT (FORD)
			FROM: 10-07-92 THRU: 99-99-99
	079203-03-000	EA	TRIM-WINGWALL - 14.2" - OFF WHITE
	089334-01-000	FT	VINYL-EXTERIOR - BETWEEN WINGWALL & CAB SEAL - WHITE
8	P03290-01-805	EA	SLEEPERBOARD ASM
			FROM: 00-00-00 THRU: 10-06-92
8	P08443-01-C03	EA	SLEEPERBOARD ASM
			FROM: 10-07-92 THRU: 99-99-99
	100085-03-01A	EA	TRIM-SLEEPERBOARD - FLAT - 2.5' X 87.5" - OFF WHITE
	100085-02-01A	EA	TRIM-SLEEPERBOARD - 2' X 90.7" - OFF WHITE
9	076560-01-000	EA	TRIM-ROOF TO FRONT CAP
10	M76177-01-700	EA	ROOF - FRONT CAP TO FIRST SEAM

KEY	PART NUMBER	U/M	DESCRIPTION
11	P05017-01-C03	EA	WINGWALL ASM - RIGHT (CHEVY)
11	P05018-01-C03	EA	WINGWALL ASM - RIGHT (FORD)
			FROM: 00-00-00 THRU: 10-06-92
11	106438-01-C03	EA	WINGWALL ASM - RIGHT (FORD)
			FROM: 10-07-92 THRU: 99-99-99
	096945-01-01A	EA	TRIM-L ANGLED - PASSENGERS WINGWALL - OFF WHITE
12	104479-03-01A	EA	TRIM-CONTOUR-FRONT- PASSENGER - OFF WHITE
	079203-03-000	EA	TRIM-WINGWALL - 14.2" - OFF WHITE
	089334-01-000	FT	VINYL-EXTERIOR - BETWEEN WINGWALL & CAB SEAL - WHITE
13	105100-01-C1A	EA	TRIM-WHEELWELL - OFF WHITE
			FROM: 00-00-00 THRU: 04-15-92
13	105100-02-01A	EA	TRIM-WHEELWELL - OFF WHITE
			FROM: 04-16-92 THRU: 99-99-99
14	P04777-01-C23	EA	SIDEWALL ASM - RIGHT
14	M05739-05-C23	EA	SIDEWALL ASM - RIGHT (EUROPEAN)
15	100483-01-01A	EA	TRIM-CONTOUR - ROOF (AWNING) - OFF WHITE
	099583-55-001	EA	RAIL-AWNING - 10' EA - OFF WHITE
16	002444-01-020	EA	FEATURE STRIP - WHOLES-OFF WHITE
	002444-04-002	EA	STRIP-FEATURE - W/O INSERT - 15' LONG - OFF WHITE
17	001030-02-003	EA	INSERT-FEATURE STRIP - 17' LONG - OFF WHITE
18	009731-01-000	EA	END CAP - FEATURE STRIP
19	1C3334-02-01A	EA	TRIM-BACKWALL - LOWER - OFF WHITE
20	103335-02-01A	EA	TRIM-BACKWALL - LOWER - OFF WHITE
21	M04780-01-C23	EA	BACKWALL ASM

EXTERIOR BODY GROUP (CONTINUED)

DECALS STRIPES & PAINT



1992 ITASCA  
TABLE OF CONTENTS

INTRODUCTION	A-01 - A-02
ABBREVIATIONS	A-03
ALPHABETICAL INDEX	A-04 - A-06
IC422RG	A-07 - D-10
IC424RC	D-11 - G-16

1992 IC422RG INDEX

FLOOR PLAN	A-07 - A-08
ACCESSORIES	A-09
AUDIO VIDEO	A-10
BATH	A-11 - A-12
CHASSIS	A-13 - A-16
CURTAIN & CUSHION	A-17 - A-24
DINETTE	B-01 - B-02
DRIVER'S COMPARTMENT	B-03 - B-06
ELECTRICAL	B-07 - B-10
EXTERIOR BODY	B-11 - B-17
GALLEY	B-18 - B-21
GENERATOR	B-22
HEATING & A/C	B-23 - B-24
INTERIOR FINISH	C-01 - C-04
LABEL	C-05 - C-12
LP	C-13
LUNGE	C-14
SEALANTS & FASTENERS	C-15 - C-17
WATER & SEWAGE	C-18 - C-20
WINDOW, VENT AND EXTERIOR DOOR	C-21 - C-30

KEY	PART NUMBER	U/M	DESCRIPTION
1	094423-01-01A	FT	MULTISTRIPE-2 LINES - 3" - DARK BLUE & LIGHT BLUE W/1 MAGENTA
2	105519-02-02A	EA	DECAL-LOGO - SUNDANCER - OFF WHITE/DARK BLUE
3	078191-03-000	EA	DECAL-LOGO - "ITASCA" - DARK BLUE
4	078852-27-000	EA	DECAL-LOGO - "ITASCA" - 5" - DARK BLUE/OFF WHITE
5	093681-18-01A	FT	STRIPE-1 LINE - 1 25" WIDE - DARK BLUE
6	093681-03-03A	FT	STRIPE-1 LINE - 1 5" WIDE - LIGHT BLUE
7	094433-01-01A	FT	STRIPE-1 LINES - 5" WIDE - DARK BLUE W/2 MAGENTA STRIPES
8	094433-01-02A	FT	STRIPE-1 LINE - 5" - LIGHT BLUE W/2 MAGENTA STRIPES
9	106028-01-01A	EA	DECAL-LOGO - 400 - OFF WHITE/DK BLUE
10	084075-01-000	EA	DECAL-BY WINNEBAGO IND - BLACK
	041561-03-000	EA	PAINT-LOW BAKE- 16 OZ SPRAY - OFF WHITE
	041561-03-700	EA	PAINT-LOW BAKE- 6 OZ. BOTTLE W/BRUSH - OFF WHITE

DUPONT COLOR CODES  
 DARK BLUE-DUPONT# K945C  
 LIGHT BLUE-DUPONT# K9457  
 MAGENTA DUPONT #G9842  
 OFF WHITE DUPONT# L8723A

## EXTERIOR BODY GROUP (CONTINUED)

### FIBERGLASS, STYROFOAM & U CHANNEL

KEY	PART NUMBER	U/M	DESCRIPTION
	076054-G7-000	SF	FIBERGLASS COIL 41' X 500' - OFF WHITE
	076054-H1-000	EA	FIBERGLASS SHEET 2438 X 2591 - OFF WHITE
	076054-D6-001	EA	FIBERGLASS SHEET - 5' X 24' - OFF WHITE
	076054-F3-000	EA	FIBERGLASS SHEET - 2438 X 2438 - OFF WHITE FROM 00-00-00 THRU 05-18-92 FROM 05-19-92 THRU 99-99-99
	076054-D3-001	EA	FIBERGLASS COIL - 4' X 8' - OFF WHITE FLEXIBLE
	076054-D3-002	EA	FIBERGLASS COIL - 2' X 8' - OFF WHITE FLEXIBLE
	076054-D3-003	EA	FIBERGLASS COIL - 2' X 24' - OFF WHITE FLEXIBLE
	076054-D3-004	EA	FIBERGLASS COIL - 2' X 32' - OFF WHITE FLEXIBLE
	076054-D3-005	EA	FIBERGLASS COIL - 4' X 18 5' - OFF WHITE FLEXIBLE
	076054-D3-006	EA	FIBERGLASS COIL - 4' X 24 8' - OFF WHITE FLEXIBLE
	077517-24-000	EA	FIBERGLASS SHEET - FLAT - 48' X 96' - OFF WHITE
	053574-J3-000	SF	STYROFOAM - 3/4' X 48' X 96' - INCREMENTS OF 32 SF
	000870-03-000	SF	STYROFOAM - 1 3/4' X 48' X 96' - INCREMENTS OF 32 SF
	000870-05-000	SF	STYROFOAM - 5' X 24' X 96' - INCREMENTS OF 16 SF
	044487-01-001	EA	ALUMINIUM - 19' X 96' X 300"
	044487-01-002	EA	ALUMINIUM - 19' X 96' X 432"
	002365-01-001	EA	U-CHANNEL - 1" X 18" - SERRATED - MILL FINISHED ALUMINIUM
	002754-01-001	EA	ANGLE-EXTRUDED - 75' X 75' X 18" - MILL ALUMINIUM
	002726-01-001	EA	GARNISH-U-CHANNEL - 1 3/8" X 19' - SERRATED - MILL ALUMINIUM

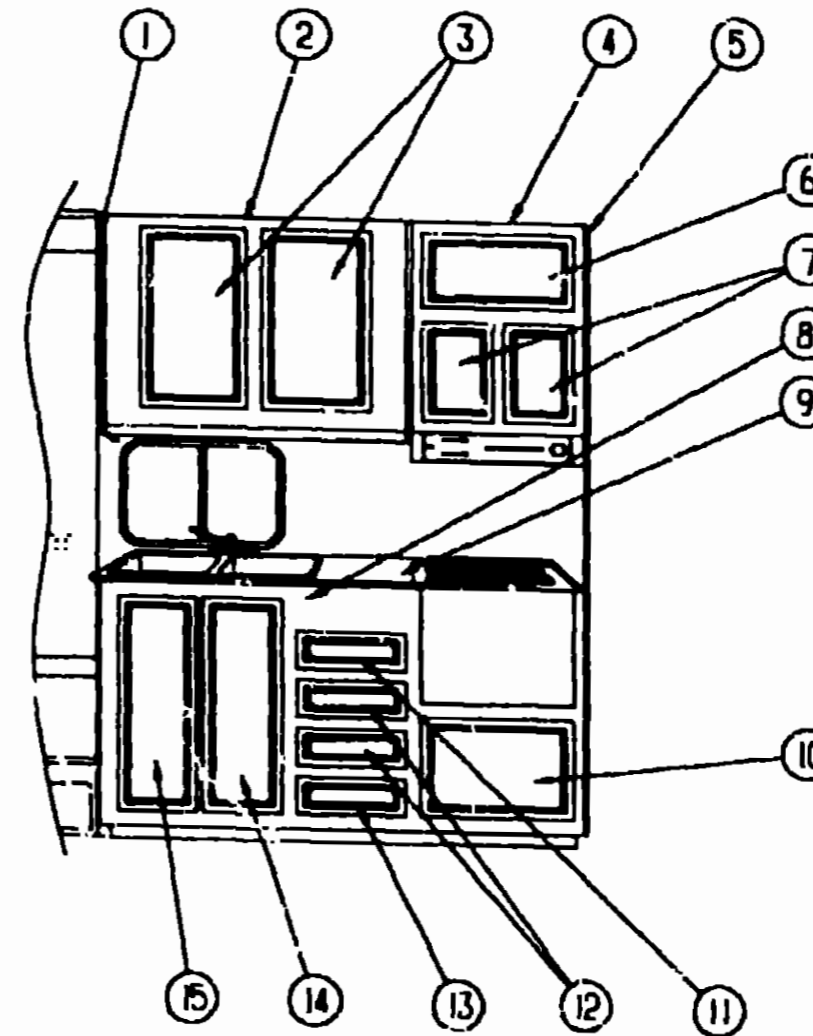
### RUNNING BOARDS

KEY	PART NUMBER	U/M	DESCRIPTION
	072884-19-000	EA	RUNNING BOARD SET-CHEVY - 27" - KEMBERLY RB2027B
	072884-19-700	EA	BOARD 27" W/TAPE K-2 - MISC06
	072884-19-701	EA	MUDFLAP - LEFT HAND FRONT - MF4BOX
	072884-19-702	EA	MUDFLAP - RIGHT HAND FRONT - MF4BOX
	072884-19-703	EA	END CAP - LEFT HAND - RBEC401B
	072884-19-704	EA	END CAP - RIGHT HAND - RBEC401B
	072884-19-705	EA	BAG HARDWARE
	072884-20-000	EA	RUNNING BOARD SET-FORD - 39" - KEMBERLY K-7

### ASSIST HANDLE & BUMPER

KEY	PART NUMBER	U/M	DESCRIPTION
	009126-02-000	EA	HANDLE-ASSIST - LINTNY DOOR - BLACK
	069726-02-000	EA	BUMPER - 88" DIA X 40" - BLACK

## GALLEY GROUP



### GALLEY CABINETS & FIXTURES

KEY	PART NUMBER	U/M	DESCRIPTION
1	104335-16-C03	EA	END CAP-CABINET
2	105054-01-C03	EA	CABINET-OVERHEAD - GALLEY
2	105054-01-C04	EA	CABINET-OVERHEAD - GALLEY
3	P05223-17-C03	EA	DOOR-CABINET - W/O HARDWARE - 390 X 650 MM
4	M05623-13-C03	EA	CABINET-OVERHEAD - W/O DOORS
4	M05623-14-C03	EA	CABINET-OVERHEAD - MICROWAVE
5	104335-13-C03	EA	END CAP-CABINET
6	P05223-18-C03	EA	DOOR-CABINET - W/O HARDWARE - 280 X 555 MM
7	P05223-12-C03	EA	DOOR-CABINET - W/O HARDWARE - 275 X 365 MM
8	M05644-01-C23	EA	CABINET-GALLEY - W/O DOORS
	080549-15-C03	EA	PANEL-DOOR - W/HOLE (INSIDE CABINET)
9	105053-11-C03	EA	COUNTERTOP ASM
	U80812-04-C03	EA	EXTENSION-COUNTERTOP - GALLEY (C52)
10	P05223-03-C03	EA	DOOR-CABINET - W/O HARDWARE - 555 X 380 MM
11	P03397-D9-C23	EA	DRAWER-CABINET - W/O HARDWARE - 328 X 474 MM
12	P03397-E3-C03	EA	DRAWER-CABINET - W/O HARDWARE - 328 X 474 MM
13	P03397-E5-C03	EA	DRAWER-CABINET - W/O HARDWARE - 328 X 374 MM
14	P05223-14-C03	EA	DOOR-CABINET - W/O HARDWARE - 305 X 650 MM
15	P05223-15-C03	EA	DOOR-CABINET - W/O HARDWARE - 305 X 660 MM
	103610-01-C03	EA	COVER-SINK
	102243-01-000	EA	FAUCET-GALLEY - DUAL CONTROL - 8" CENTERSET
	104113-01-000	EA	SINK DOUBLE - STAINLESS STEEL
	092303-01-000	EA	STRAINER-SINK
	090329-01-000	FT	SEAL-T - REFRIGERATOR CABINET - 6" WIDE TOP X 2" TAIL

## 1992 ITASCA TABLE OF CONTENTS

INTRODUCTION	A-01	A-02
ABBREVIATIONS		A-03
ALPHABETICAL INDEX	A-04	A-06
IC422RG	A-07	D-10
IC424RC	D-11	G-16

## 1992 IC422RG INDEX

FLOOR PLAN	A-07	A-08
ACCESSORIES		A-09
AUDIO VIDEO		A-10
BATH	A-11	A-12
CHASSIS	A-13	A-16
CURTAIN & CUSHION	A-17	A-24
DINETTE	B-01	B-02
DRIVERS COMPARTMENT	B-03	B-06
ELECTRICAL	B-07	B-10
EXTERIOR BODY	B-11	B-17
GALLEY	B-18	B-21
GENERATOR		B-22
HEATING & AC	B-23	B-24
INTERIOR FINISH	C-01	C-04
LABEL	C-05	C-12
LP		C-13
LOUNGE		C-14
SEALANTS & FASTENERS	C-15	C-17
WATER & SEWAGE	C-18	C-20
WINDOW VENT AND		
EXTERIOR DOOR	C-21	C-10



**GALLEY GROUP (CONTINUED)**

**NORCOLD REFRIGERATOR**

KEY	PART NUMBER	U/M	DESCRIPTION
	103622-01-01A	EA	REFRIGERATOR-2 WAY - RIGHT HINGED DOOR - NORCOLD 462 BLACK
	064472-01-700	EA	THERMOCOUPLE-NORCOLD 614363
	064473-03-716	EA	SWITCH-3-WAY - FOR EG-2 & EG-3 MODELS - NORCOLD 616113
	064473-03-720	EA	RELIGHTER - NORCOLD 616088
	064473-03-721	EA	COMBINATION CONTROL - NORCOLD 616084
	075217-01-738	EA	SWITCH-HUMIDITY - NORCOLD 61525922
	084879-03-700	EA	COGLING UNIT - HORIZONTAL BURNER, NORCOLD# 61687237
	084880-01-705	EA	ORIFICE - NORCOLD# 614522
	084880-01-715	EA	VALVE-SHUT OFF - MANUAL - NORCOLD# 61697922
	084880-01-722	EA	CRISPER COVER - NORCOLD 615641
	084880-01-732	EA	LATCH - NORCOLD 61578522
	084880-03-705	EA	BRACKET FRONTIOR REFRIGERATOR LIGHT - NORCOLD 61629722
	084880-03-706	EA	LAMP (BULB) - NORCOLD 61628922
	084880-03-707	EA	COVER FLAMP OR BULB - NORCOLD 61627922
	088248-01-706	EA	BURNER-HORIZONTAL - NORCOLD 61588122
	088248-01-709	EA	HEATER-AC - (HORIZONTAL) - NORCOLD# 615627
	068248-01-710	EA	HEATER-DC - (HORIZONTAL) - 3 WAY - NORCOLD# 615628
	094038-01-700	EA	GASKET-LOWER - GRAY - NORCOLD 61567930
	094038-01-702	EA	LINER-DOOR - LOWER - BLACK/WHITE - NORCOLD 61581038-B
	094039-01-702	EA	GASKET (GRAY) UPPER - NORCOLD 61567830
	094039-01-704	EA	PLATE-HINGE - BLACK - NORCOLD 61631430
	094039-01-710	EA	PLATE-HINGE - BLACK - NORCOLD 61631330
	094039-01-722	EA	HOLE PLUG (BLACK) HINGE HOLES - NORCOLD 61582030
	094039-01-723	EA	HINGE BRACKET - TOP RIGHT - BOTTOM LEFT - BLACK - NORCOLD 61580838
	094039-01-724	EA	BRACKET-HINGE - TOP LEFT - BOTTOM RIGHT - BLACK - NORCOLD 61580938
	094039-01-725	EA	HINGE PIN (BLACK)(MALE) - NORCOLD 61578130
	094039-01-726	EA	SHELF-FREEZER EVAPORATOR - NORCOLD 615236
	094039-01-730	EA	HINGE PIN SHAFT(BLACK) CENTER HINGE - NORCOLD 61566730
	094039-01-732	EA	FRONT COVER(BLACK) BOTTOM TRIM - NORCOLD 61622130
	094039-01-733	EA	WIRE SHELF (MIDDLE) - NORCOLD 61563822
	094039-01-734	EA	WIRE SHELF (TOP) WRISER - NORCOLD 61563722
	094039-01-735	EA	INSIDE DRIP TRAY (WHITE) 61572830
	094039-01-736	EA	SWITCH-LIGHT - BLACK - NORCOLD 615810
	103622-01-700	EA	HANDLE ASM-DOOR - UPPER - NORCOLD 61649038
	084880-01-754	EA	JUICE-RACK (SMOKE GRAY) - NORCOLD 61580540
	094039-01-712	EA	DOOR BIN(GRAY)SILVER BORDER - NORCOLD 61564060
	103622-01-705	EA	HANDLE ASM-DOOR - LOWER - NORCOLD 61648938
	094039-01-718	EA	MILK BIN (GRAY)W/SILVER TRIM - NORCOLD 61579460
	103622-01-707	EA	KEEPER-DAIRY - NORCOLD 61580440
	103622-01-700	EA	KNOB-REFLECTOR - NORCOLD 61641822
	103622-01-710	EA	KNOB-THERMOSTAT - NORCOLD 61542322
	103622-01-711	EA	PANEL-CONTROL - 2-WAY - NORCOLD 61644022
	103622-01-712	EA	INDICATOR-FLAME - NORCOLD 61609022
	103622-01-713	EA	SWITCH-IGNITION - NORCOLD 61649722
	054450-01-000	EA	LEVEL-REFRIGERATOR
	055516-03-000	EA	BRACKET-REAR TIEDOWN - RANGE W/OVEN
	055516-04-000	EA	BRACKET-FRONT TIEDOWN - RANGE W/OVEN
	093646-01-000	EA	BRACKET ASM-TIEDOWN - REFRIGERATOR
	093646-02-000	EA	BRACKET ASM-TIEDOWN - REFRIGERATOR

**GALLEY GROUP (CONTINUED)**

**RANGE HOODS**

KEY	PART NUMBER	U/M	DESCRIPTION
	100258-18-01A	EA	HOOD-RANGE-W/O MONITOR PANEL-VENT-US TCS4002NAD(GENERATOR OPTION) FROM: 00-00-00 THRU: 09-01-91
	100258-01-01A	EA	HOOD-RANGE-W/O MONITOR PANEL-VENTLINE-US TCS4001NAD FROM: 00-00-00 THRU: 09-01-91
	100258-16-01A	EA	HOOD-RANGE-W/O MONITOR PANEL-VENTLINE-US TCS5008NAD FROM: 09-02-91 THRU: 99-99-99
	100258-02-01A	EA	HOOD-RANGE-W/O MONITOR PANEL-VENTLINE-CANADIAN FROM: 00-00-00 THRU: 09-01-91
	100258-17-01A	EA	HOOD-RANGE-W/O MONITOR PANEL-VENTLINE-CANADIAN FROM: 09-02-91 THRU: 99-99-99
	090973-01-700	EA	MOTOR - LVS CA508-1
	090973-01-702	EA	BLADE-FAN - LVS VA183-1
	092696-01-709	EA	BULB-912 - VENTLINE VA415
	092696-01-710	EA	SOCKET-LIGHT - VENTLINE CB267-2
	096983-01-700	EA	SWITCH-ON/OFF - VENTLINE 108
	096983-01-702	EA	SWITCH-TWO WAY MOMENTARY - VENTLINE 112
	096983-01-707	EA	FILTER-GREASE - 8" X 8" - LVS CC246
	096983-01-708	EA	LENS-LAMP - VENTLINE CC179
	100258-01-700	EA	HOOD-NOSE LABEL - CC428
	100258-10-01A	EA	METER-HOUR - VENTLINE 150

**1992 ITASCA  
TABLE OF CONTENTS**

INTRODUCTION	A-01	A-02
ABBREVIATIONS		A-03
ALPHABETICAL INDEX	A-04	A-06
IC422RG	A-07	D-10
IC424RC	D-11	G-16

**1992 IC422RG INDEX**

FLOOR PLAN	A-07	A-08
ACCESSORIES		A-09
AUDIO VIDEO		A-10
BATH	A-11	A-12
CHASSIS	A-13	A-16
CURTAIN & CUSHION	A-17	A-21
DINETTE	B-01	B-02
DRIVERS COMPARTMENT	B-03	B-06
ELECTRICAL	B-07	B-10
EXTERIOR BODY	B-11	B-17
GALLEY	B-18	B-21
GENERATOR		B-22
HEATING & A/C	B-23	B-24
INTERIOR FINISH	C-01	C-04
LABEL	C-05	C-12
LP		C-13
LOUNGE		C-14
SEALANTS & FASTENERS	C-15	C-17
WATER & SEWAGE	C-18	C-20
WINDOW, VENT AND EXTERIOR DOOR	C-21	D-10

**GALLEY GROUP (CONTINUED)**

**MAGIC CHEF RANGE**

KEY	PART NUMBER	U/M	DESCRIPTION
	102022-01-02A	EA	RANGE-16" - 4 BURNER - MAGIC CHEF BT16RA-4Z
	055282-03-705	EA	TRIM-CABINET - LEFT - BLACK - MAGIC CHEF 3608F011-70
	055282-03-707	EA	TRIM-CABINET - RIGHT - BLACK - MAGIC CHEF 3608F012-70
	098507-02-701	EA	INSERT-BURNER (SLOTTED VENT), MAGIC CHEF 7214PD15-60
	102020-01-700	EA	SHELF-OVEN - MAGIC CHEF - 7801-P027-60
	102020-01-701	EA	HANDLE-DOOR - MAGIC CHEF - 7701P092-60
	102020-01-702	EA	PANEL-MANIFOLD - MAGIC CHEF 2616FC80-70
	102020-01-704	EA	PANEL-DOOR - BLACK - MAGIC CHEF - 2401F075-70
	102020-01-708	EA	BURNER ASSEMBLY-OVEN - MAGIC CHEF 3403W003-45
	102020-01-711	EA	GRATE-TOP - MAGIC CHEF 7518P012-60
	102020-01-712	EA	KNOB-BURNER VALVE - MAGIC CHEF 7733P044-60
	102020-01-713	EA	KNOB-THERMOSTAT - MAGIC CHEF 7731P042-60
	102020-01-714	EA	PILOT-OVEN - MAGIC CHEF 968-143
	102020-01-715	EA	PIPE-MANIFOLD - MAGIC CHEF 7513P095-60
	102020-01-717	EA	THERMOSTAT - MAGIC CHEF 7515P024-60
	102020-01-718	EA	TOP-MAIN - ALMOND - MAGIC CHEF 2001F085-84
	102020-01-720	EA	VALVE-MERCURY CONTROL - MAGIC CHEF 7501P056-60
	102020-01-722	EA	VALVE-TOP BURNER - MAGIC CHEF 7502P095-60
	102020-01-723	EA	PILOT-BURNER - MAGIC CHEF 7505P147-60
	102020-01-724	EA	BUMPER-MAIN TOP - MAGIC CHEF 8003P008-60
	102022-01-702	EA	PIPE-MANIFOLD - MAGIC CHEF 7513P095-60
	102022-01-703	EA	REGULATOR-PRESSURE - MAGIC CHEF 7510P031-60
	102022-01-706	EA	TRIM-LEFT - FLAT - MAGIC CHEF 3606W022-70
	102022-01-707	EA	TRIM-RIGHT - FLAT - MAGIC CHEF 3608W023-70
	102765-04-01A	EA	PANEL-MONITOR - W/PLUG - FOR 2 TANKS & WATER HEATER - LVS

**MICROWAVE OVEN**

KEY	PART NUMBER	U/M	DESCRIPTION
	091269-06-000	EA	OVEN-MICROWAVE - MAGIC CHEF M15-B
	094745-01-01A	EA	TRIM-MICROWAVE - LOWER - BLACK
	094774-03-01A	EA	TRIM-MICROWAVE - EITHER SIDE - 15" X 14 8" - METAL - BLACK
	094750-01-000	EA	BRACKET-MICROWAVE - 90 DEGREE - STEEL
	098916-06-01A	EA	BRACE-MICROWAVE CABINET - LEFT
	098916-07-01A	EA	BRACE-MICROWAVE CABINET - RIGHT

**COFFEE MAKER & PLASTIC DRAWER**

KEY	PART NUMBER	U/M	DESCRIPTION
	103799-01-02A	EA	COFFEE MAKER - ALMOND
	104610-01-000	EA	STRAP ASM - COFFEE MAKER

**GENERATOR GROUP**

**4.0 KW KOHLER GENERATOR**

KEY	PART NUMBER	U/M	DESCRIPTION
	105523-01-000	EA	GENERATOR-4KW LOW PROFILE - KOHLER 4CKM21
	105732-01-000	EA	TRAY ASM-GENERATOR
	105527-01-000	EA	PIPE-EXHAUST ADAPTER - KOHLER 278524
	086494-01-000	EA	BRACKET-EXHAUST - W/DOUBLE BEND
	105526-01-000	EA	ARRESTER-SPARK - KOHLER 278621
	105529-01-000	EA	MUFFLER-FRONT EXHAUST - W/O SPARK - KOHLER 278734
	106172-01-000	EA	PIPE-EXHAUST ADAPTER
	008401-01-000	EA	STRAP-CONDUIT - 3/4" - 1 HOLE - GALVANIZED STEEL
	007067-01-000	SF	INSULATION-FIBERGLASS - 1" THICK X 4' - INCREMENTS OF 4 SF
	007131-01-000	EA	HANGER-TAILPIPE - 6 SLOTS
	007125-04-000	EA	CLAMP-MUFFLER - 1.1" DIA
	007125-01-000	EA	CLAMP-MUFFLER - 1.62 DIAMETER

**4.0 KW ONAN GENERATOR**

KEY	PART NUMBER	U/M	DESCRIPTION
	100974-01-000	EA	GENERATOR-4.0KW EMERALD PLUS - ONAN BGE-FA/26100G
	105732-01-000	EA	TRAY ASM - GENERATOR
	079654-05-000	EA	PIPE-EXHAUST - ANGLED - W/FLANGE - 2" ID - ONAN# 154-2539
	081364-01-000	EA	MUFFLER-GENERATOR - W/ 8.5" LONG TAILPIPE
	086252-01-000	EA	PIPE-EXHAUST - W/2 BOLT HOLE FLANGE
	086494-01-000	EA	BRACKET-EXHAUST - W/DOUBLE BEND
	094059-01-000	EA	SPACER-GENERATOR - ONAN
	008401-01-000	EA	STRAP-CONDUIT - 3/4" - 1 HOLE - GALVANIZED STEEL
	007067-01-000	SF	INSULATION-FIBERGLASS - 1" THICK X 4' - INCREMENTS OF 4 SF
	007131-01-000	EA	HANGER-TAILPIPE - 6 SLOTS
	007125-04-000	EA	CLAMP-MUFFLER - 1.1" DIA
	007125-01-000	EA	CLAMP-MUFFLER - 1.62 DIAMETER

**1992 ITASCA  
TABLE OF CONTENTS**

INTRODUCTION	A-01	A-02
ABBREVIATIONS		A-03
ALPHABETICAL INDEX	A-04	A-06
IC422RG	A-07	D-10
IC424RC	D-11	G-16

**1992 IC422RG INDEX**

FLOOR PLAN	A-07	A-08
ACCESSORIES		A-09
AUDIO VIDEO		A-10
BATH	A-11	A-12
CHASSIS	A-13	A-16
CURTAIN & CUSHION	A-17	A-24
DINETTE	B-01	B-02
DRIVERS COMPARTMENT	B-03	B-06
ELECTRICAL	B-07	B-10
EXTERIOR BODY	B-11	B-17
GALLEY	B-18	B-21
GENERATOR		B-22
HEATING & AC	B-23	B-24
INTERIOR FINISH	C-01	C-04
LABEL	C-05	C-12
LP		C-13
LOUNGE		C-14
SEALANTS & FASTENERS	C-15	C-17
WATER & SEWAGE	C-18	C-20
WINDOW, VENT AND EXTERIOR DOOR	C-21	D-10

# HEATING & AIR CONDITIONING GROUP

## SUBURBAN 25000 BTU FURNACE

KEY	PART NUMBER	U/M	DESCRIPTION
	098668-04-000	EA	FURNACE-25000 BTU - SUBURBAN SF-25
	069634-01-733	EA	RELAY - TIME DELAY 20&30 BTU - SUBURBAN 231202
	075895-01-709	EA	MICRO SWITCH (FOR MODELS 30 & 34S) - SUBURBAN#230509
	090039-01-703	EA	ORFICE-MAIN BURNER - SUBURBAN# 180193
	090039-01-709	EA	GASKET - OBSERVATION HOLE CUR. 070357
	092300-01-704	EA	GASKET-ELECTRODE - SUBURBAN 070163
	098668-01-703	EA	CABINET FRONT - SUBURBAN 101242
	098668-01-701	EA	CABINET ASM - SUBURBAN 101299
	098668-01-702	EA	ELECTRODE - SUBURBAN 231740
	099668-01-703	EA	BURNER ASM - COMP.(SF-25) 010762
	098668-01-704	EA	VALVE, SUBURBAN 160938
	098668-01-705	EA	SWITCH-LIMIT - SUBURBAN 231530
	098668-01-706	EA	WHEEL-COMBUSTION AIR - SUBURBAN 350122
	098668-01-707	EA	VENT CAP & EXHAUST TUBE ASM - SUBURBAN 250193
	098668-01-708	EA	BLOWER ASM (COMBUSTION AIR) - SUBURBAN 350441
	098668-01-709	EA	MOTOR ASM - FOR SF-25, SF-30 - SUBURBAN 231706
	098668-01-710	EA	BLOWER ASM (ROOM AIR), SUBURBAN 390440
	098668-01-711	EA	WHEEL - ROOM AIR - SUBURBAN 350123
	098668-01-712	EA	BOARD-MODULE - SUBURBAN 231741
	098668-01-713	EA	INTAKE VENT TUBE ASM - 051044
	098668-06-000	EA	DOOR-ACCESS - FURNACE - OFF WHITE - SUBURBAN 520574
	093365-C1-000	EA	THERMOSTAT-WALL - FURNACE - SUBURBAN 0160902

## REAR HEATER

KEY	PART NUMBER	U/M	DESCRIPTION
	084405-01-000	EA	HEATER ASM-REAR - DUCTED - W/MOTOR AID - EVANS
	084405-01-700	EA	HEATER CORE
	084405-01-701	EA	FAN
	084405-01-702	EA	MOTOR - 12 VOLT ASSY

## HEATING SYSTEM COMPONENTS

KEY	PART NUMBER	U/M	DESCRIPTION
	093614-01-01A	EA	GRILLE-RETURN AIR - FURNACE - 15.6" X 7.6" - BROWN
	093454-05-000	EA	REGISTER-PLASTIC W/O DAMPER - 4" DIAMETER - GOLDEN
	093198-01-000	FT	DUCT-HEAT - FLEXIBLE - 4" ID X 25 FT
	09200-01-000	EA	TAPE-FURNACE - 1 1/2"
	023146-01-000	EA	CLAMP-SCREW TYPE - 4"
	069636-02-000	EA	CONNECTOR-DUCT - 4" ID - SUBURBAN 050715
	079059-01-000	EA	HOSE-90 DEGREE - 5/8" ID X 4" X 36"
	007103-01-000	FT	HOSE-HEATER - 5/8" ID - HI-TEMP - FORD ESE-M2D192-A
	088753-01-000	FT	TUBE-ALUMINIZED STEEL - 5/8" - 18 GAUGE
	008042-01-000	FT	TUBING-VINYL - .65" ID

# HEATING & AIR CONDITIONING GROUP (CONTINUED)

## ROOF A/C

KEY	PART NUMBER	U/M	DESCRIPTION
	093763-01-04A	EA	A/C-ROOF - 135000 BTU - OFF WHITE - COLEMAN 6759D707/6759E7
	093763-04-700	EA	SHROUD-ROOF A/C - W/O LOGOS - COLEMAN 6759-4601
	093306-01-701	EA	DECAL PKG.- LEFT&RIGHT - COLEMAN# 6798B3591
	076303-01-712	EA	MOTOR - COLEMAN# 6707A3119
	091225-01-709	EA	START RELAY - COLEMAN# 1497-4131
	091225-01-710	EA	START CAPACITOR - COLEMAN# 1497-0881
	073742-02-704	EA	RUN CAPACITOR (COMPRESSOR) - COLEMAN# 1499-4661
	093763-01-702	EA	OVERLOAD - COLEMAN# 6759-3931
	093763-01-703	EA	IMPELLOR-7" DIA X 2 8" WIDE - COLEMAN# 6759-32/1
	093763-01-704	EA	CAPACITOR-FAN - COLEMAN# 1499-3451
	093763-01-707	EA	EVAPORATOR COIL - COLEMAN# 1452-1351
	093763-01-708	EA	CONDENSER COIL - COLEMAN# 1452-1251
	037648-01-714	EA	GAS SET PACKAGE - COLEMAN# 6759-32B1
	093763-01-712	EA	FAN BLADE-CONDENSER - COLEMAN# 6733-3221
	093763-01-709	EA	COMPRESSOR-E SERIES - COLEMAN# 6749A3609
	093764-01-000	EA	CEILING ASM-A/C COOL ONLY - TSR - COLEMAN 6759D714
	042204-01-709	EA	THERMOSTAT IN-54 - OUT-58 - COLEMAN# 6701-3401
	073742-01-701	EA	SELECTOR SWITCH (5 TERMINAL), COLEMAN# 6759-3251
	073742-01-702	EA	DECAL COOL ONLY - COLEMAN# 6759C3431
	093763-01-703	EA	DECAL HEAT & COOL - COLEMAN# 6759-3491
	081606-01-708	EA	LIMIT SWITCH (OPEN 160,CLOSE 110) - COLEMAN# 6703-304
	091225-01-713	EA	KNOB (2 PER PACKAGE) - COLEMAN# 6701-3351
	076303-01-707	EA	FILTER-6" X 14 3/4" X 1/2" - 12 PER PKG COLEMAN# 6703A3151
	091225-01-717	EA	DECAL (THERMOSTAT) COOL ONLY - COLEMAN# 6799A3441
	081606-01-712	EA	CEILING SHROUD (IVORY) - COLEMAN# 6769-5061
	093763-01-710	EA	SINGLE PARTS PACKAGE - COLEMAN# 6759-5841
	102289-01-000	EA	SPRING-SCREW - ROOF A/C GASKET - COLEMAN 6757-150

## EUROPEAN ROOF A/C

KEY	PART NUMBER	U/M	DESCRIPTION
	092440-01-000	EA	A/C-ROOF - 13500 BTU - 220V - 50HZ - COLEMAN# 6713C750
	092441-01-000	EA	CEILING ASM-A/C - 220V - 50HZ - COLEMAN# 6712ET16
	102289-01-000	EA	SPRING-SCREW - ROOF A/C GASKET - COLEMAN 6757-150

## 1992 ITASCA TABLE OF CONTENTS

INTRODUCTION	A-01 -	A-02
ABBREVIATIONS		A-03
ALPHABETICAL INDEX	A-04 -	A-06
IC422RG	A-07 -	D-10
IC424RC	D-11 -	G-16

## 1992 IC422RG INDEX

FLOOR PLAN	A-07 -	A-08
ACCESSORIES		A-09
AUDIO VIDEO		A-10
BATH	A-11 -	A-12
CHASSIS	A-13 -	A-16
CURTAIN & CUSHION	A-17 -	A-24
DINETTE	B-01 -	B-02
DRIVERS COMPARTMENT	B-03 -	B-06
ELECTRICAL	B-07 -	B-10
EXTERIOR BODY	B-11 -	B-17
GALLEY	B-18 -	B-21
GENERATOR		B-22
HEATING & A/C	B-23 -	B-24
INTERIOR FINISH	C-01 -	C-04
LABEL	C-05 -	C-12
LP		C-13
LOUNGE		C-14
SEALANTS & FASTENERS	C-15 -	C-17
WATER & SEWAGE	C-18 -	C-20
WINDOW, VENT AND EXTERIOR DOOR	C-21 -	D-10

**INTERIOR FINISH GROUP**

**MOLDINGS & TRIMS**

KEY	PART NUMBER	U/M	DESCRIPTION
	079653-04-000	EA	BATT STRIP-KERFED - WOODGRAIN
	065733-70-000	EA	BATT STRIP - WOODGRAIN - 8' - REGAL OAK
	065284-03-000	FT	BATT STRIP - WOODGRAIN - ADHESIVE BACKED - REGAL OAK FROM 00-00-00 THRU 02-23-92
	059731-80-000	EA	BATT-STRIP - WOODGRAIN - 8' - WINNI OAK FROM 00-00-00 THRU 02-23-92
	059731-79-000	EA	BATT STRIP - WOODGRAIN - 8' - FOREST OAK FROM 02-24-92 THRU 99-99-99
	085284-65-000	FT	BATT STRIP - WOODGRAIN - ADHESIVE BACKED - FOREST OAK FROM 02-24-92 THRU 99-99-99
	088253-63-000	EA	BATT STRIP-DECORATIVE - PLAIN - 8' LONG (MAIN WALL)
	085284-51-000	FT	BATT STRIP-DECORATIVE - PLAIN - ADHESIVE BACKED (MAIN WALL)
	088263-54-000	EA	BATT STRIP-DECORATIVE - W/FLOWERS - 8' LONG (GALLEY/BATH)
	085284-41-000	FT	BATT STRIP-DECORATIVE - W/FLOWERS - ADHESIVE BACKED (GALLEY/BATH)
	088263-71-000	EA	BATT STRIP-DECORATIVE - 8' - TROWELL WORK (CEILING)
	075284-59-000	FT	BATT STRIP-DECORATIVE-TROWELL WORK (CEILING)
	092330-D1-878	EA	LUMBER-VINYL WRAPPED - 018XC38X1878 U/M
	092330-D2-138	EA	LUMBER-VINYL WRAPPED - 7' X 1 5' X 9' - WOODGRAIN
	092330-03-000	EA	LUMBER-VINYL WRAPPED - 2' X 95' - WOODGRAIN
	092330-05-000	EA	LUMBER-VINYL WRAPPED - REGAL OAK
	103185-01-02A	FT	MOLDING-EDGE - SHELF - 78" WIDE - PLASTIC - REGAL OAK
	081294-02-000	FT	MOLDING-SHELF - NATURAL FINISH
	009767-12-000	FT	MOLDING SIDEWALL TO CEILING CAS.NET - WELTING - OFF WHITE
	009809-24-000	EA	MOLDING-CORNER- OUTSIDE - 1" - PLASTIC THOR PECAN
	009812-24-000	EA	MOLDING-PLASTIC - OUTSIDE CORNER - 50" - MODERN IVORY
	009812-25-000	EA	MOLDING-CORNER- OUTSIDE - 5" - PLASTIC - PECAN
	022992-11-000	FT	MOLDING-REVERSE COVE- T-SHAPED - VINYL - IVORY
	092331-D2-134	EA	MOLDING-VINYL WRAPPED - 7' X 1 57' X 84' - WOODGRAIN
	092331-F2-134	EA	MOLDING-VINYL WRAPPED - 7' X 2 5' X 7' - WOODGRAIN
	105004-01-01A	EA	MOLDING-VINYL WRAP - REGAL OAK
	075249-01-000	EA	RAILING-OAK- 72" EA - UNFINISHED
	095748-01-000	FT	TRIM- CARPET - 1 2" X 5" ANGLE - 10' LONG - PVC - BEIGE
	093873-01-02A	EA	TRIM-CARPET - L-ANGLE - 1 1" X 1 3" X 12" - VINYL - TAN
	100659-01-AB1	EA	TRIM-FLOOR- 72" X 1" X 1/2" - WOOD
	009815-09-000	FT	T-MOLDING - 75" - IVORY
	083620-07-000	FT	T-MOLDING-3/4 W/EDGE LIPS- END CAP- THOR PECAN
	063620-09-000	FT	T-MOLDING-3/4 W/EDGE LIPS-MODERN IVORY
	070504-20-000	FT	U-CHANNEL-PLASTIC - 815" WIDE - THOR PECAN - INC OF 8'
	085229-01-000	EA	RETAINER-BATTEN CEILING - 75" WIDE - 76" EA

**CARPETING & FLOOR MATS**

KEY	PART NUMBER	U/M	DESCRIPTION
	095050-21-000	SY	CARPET-12' ROLL - INCREMENTS OF 4 SY - PALE ORCHRID
	047034-02-000	SF	PLASTIC-CARPET- 4' WIDE CLEAR POLY - MINIMUM ORDER 1600 SF
	040069-01-000	EA	MAT-FLOOR-W/ITASCA LOGO - 1' 5" X 25" - RUBBER - BLACK
	081075-02-000	EA	MAT-FLOOR-ENTRANCE DOOR - W/ITASCA LOGO FROM 00-00-00 THRU 01-10-92
	061075-03-000	EA	MAT-FLOOR-ENTRANCE-ITASCA - PLASTICOLOR GRAY FROM 01-13-92 THRU 99-99-99
	083218-01-000	EA	MAT-FLOOR-PASSENGER - '1' - CHEVY
	083218-02-000	EA	MAT-FLOOR-DRIVER - '1' - CHEVY
	083218-03-000	EA	MAT-FLOOR-PASSENGER - '1' - FORD FROM 00-00-00 THRU 01-12-92
	063219-04-000	EA	MAT-FLOOR-DRIVER - '1' - FORD FROM 00-00-00 THRU 01-12-92
	105984-01-000	EA	MAT-FLOOR-FRONT-RIGHT-'1'-FORD FROM 01-13-92 THRU 99-99-99
	105984-04-000	EA	MAT-FLOOR-FRONT-LEFT-'1'-FORD FROM 01-13-92 THRU 99-99-99

**INTERIOR FINISH GROUP (CONTINUED)**

**FIRE EXTINGUISHER, SMOKE DETECTOR & CLOCK**

KEY	PART NUMBER	U/M	DESCRIPTION
	094499-01-000	EA	EXTINGUISHER-FIRE- DRY W/MOUNTING BRACKET - 10 BC
	094499-02-000	EA	EXTINGUISHER-FIRE- DRY - 1A10BC - CANADIAN
	094499-01-700	EA	SPACKET-MOUNTING- W/PLASTIC STRAP - FIRE EXTINGUISHER
	072852-01-000	EA	DETECTOR-SMOKE - W/3 VOLT BATTERY(US)
	072852-02-000	EA	DETECTOR-SMOKE - W/3 VOLT BATTERY(CSA)
	104734-01-01A	EA	CLOCK-WALL - SPARTUS 5616-42
	101333-01-000	EA	BACKPLATE-CLOCK - 6" X 6" - PLASTIC - BLACK

**PANELING, LAMINATES & PLASTIC**

KEY	PART NUMBER	U/M	DESCRIPTION
	074497-19-000	SF	PANELING-CEILING- 4' X 8' -TROWORKFAWN - INCREMENTS OF 32 SF
	088272-72-000	SF	PANELING-SHOWER- 4' X 7' -OFF WHITE - INCREMENTS OF 28 SF FROM 00-00-00 THRU 03-15-32
	088272-58-000	SF	PANELING-SHOWER- 4' X 7' -OFF WHITE - INCREMENTS OF 28 SF FROM 03-16-92 THRU 99-99-99
	074497-20-000	SF	PANELING-WOODGRAIN 4' X 8' - FOREST OAK- INCREMENTS OF 32 SF
	088272-88-000	SF	PANELING-DECORATIVE- PLAIN - 4' X 7' - INCREMENTS OF 28 SF
	088272-87-000	SF	PANELING-DECORATIVE- W/FLOWERS - 4' X 7' - INC OF 28 SF
	074498-40-000	SF	LAMINATE-PLASTIC- 5' X 8' - OFF WHITE - INC OF 40 SF
	076325-18-000	FT	MOLDING-EDGE BAND- 1 5/16" WIDE - WOODGRAIN - REGAL OAK
	076325-28-000	FT	MOLDING-EDGE BAND- 1 5/16" WIDE
	000885-34-000	SF	PARTICLE BOARD-3/8 X 49" X 97" - 1 SIDE VINYL - WOODGRAIN (33 SF) FROM 00-00-00 THRU 11-03-91
	000885-55-000	SF	PARTICLE BOARD-3/8" X 48" X 96" - 1 SIDE VINYL - WOODGRAIN (33 SF) FROM 11-04-91 THRU 99-99-99
	000885-52-000	SF	PARTICLE BOARD- - 3/8" X 4' X 8" - 2 SIDED VINYL - WOODGRAIN (SHELVES) FROM 00-00-00 THRU 11-03-91
	000885-54-000	SF	PARTICLE BOARD-3/8" X 48" X 96" - 2 SIDED VINYL - FOREST OAK (SHELVES) FROM 11-04-91 THRU 99-99-99
	000885-59-000	SF	PARTICLE BOARD-3/4" X 60" X 96" - 2 SIDED VINYL - FOREST OAK
	089297-01-000	SF	PLYWOOD-LUAN OVERLAY GRADE - 4' X 8' - INC OF 32 SF
	093743-02-01A	SF	PLASTIC-ABS 20" WIDE ROLL - OFF WHITE
	093743-03-01A	SF	PLASTIC-ABS- 10 8" WIDE - OFF WHITE
	083618-02-000	SF	PLYWOOD-OAK- 1 SIDE FINISHED - 3/16" X 4' X 8" (32 SF)
	098531-01-000	SY	PLYWOOD-RED OAK - 1/2"
	095688-01-000	SF	VENEER-FLAT LUANA 48X96

**1992 ITASCA  
TABLE OF CONTENTS**

INTRODUCTION	A-01	A-02
ABBREVIATIONS		A-03
ALPHABETICAL INDEX	A-04	A-06
IC422RG	A-07	D-10
IC424RC	D-11	G-16

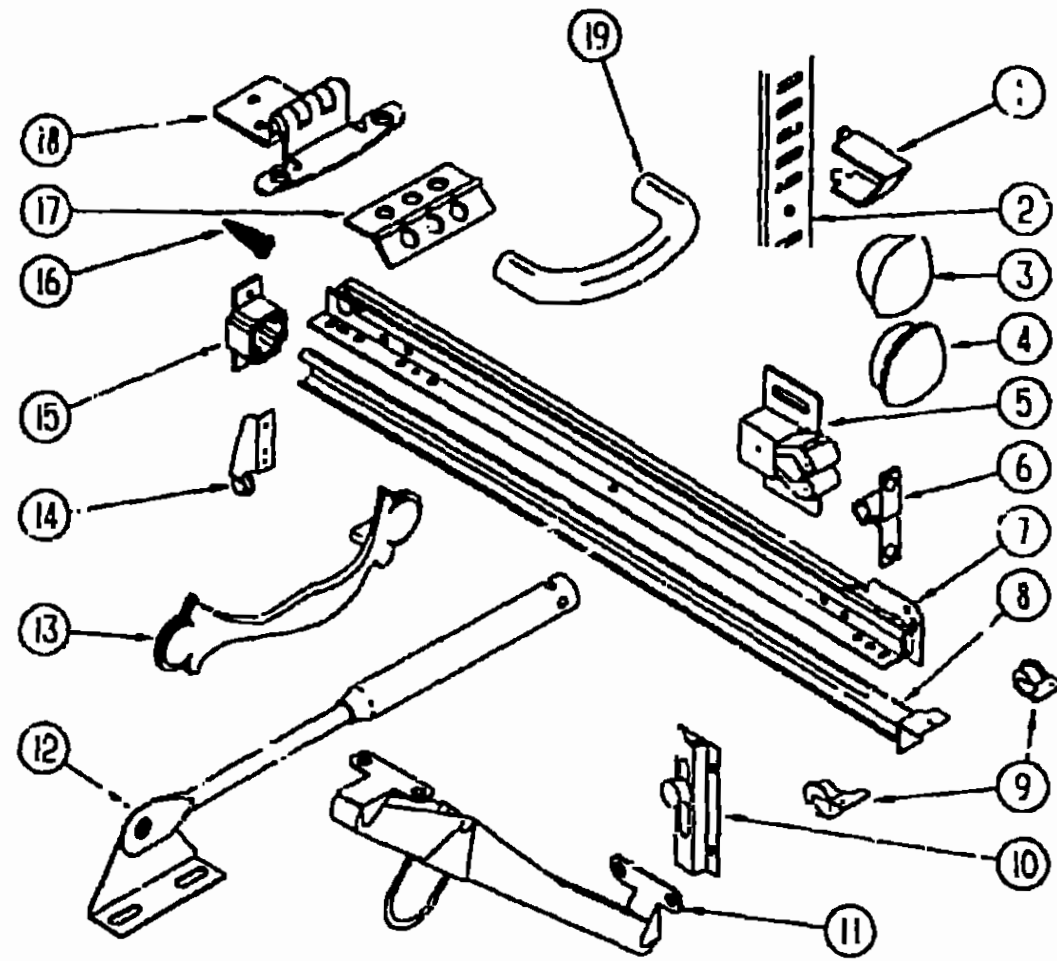
**1992 IC422RG INDEX**

FLOOR PLAN	A-07	A-08
ACCESSORIES		A-09
AUDIO VIDEO		A-10
BATH	A-11	A-12
CHASSIS	A-13	A-16
CURTAIN & CUSHION	A-17	A-24
DINETTE	B-01	B-02
DRIVERS COMPARTMENT	B-03	B-05
ELECTRICAL	B-07	B-10
EXTERIOR BODY	B-11	B-17
GALLEY	B-18	B-21
GENERATOR		B-22
HEATING & A/C	B-23	B-24
INTERIOR FINISH	C-01	C-04
LABEL	C-05	C-12
LP		C-13
LOUNGE		C-14
SEALANTS & FASTENERS	C-15	C-17
WATER & SEWAGE	C-18	C-20
WINDOW, VENT AND EXTERIOR DOOR	C-21	D-10



# INTERIOR FINISH GROUP (CONTINUED)

## CABINET & TABLE HARDWARE



KEY	PART NUMBER	U/M	DESCRIPTION
1	058979-01-000	EA	CLIP-ADJUSTABLE SHELF
2	058580-01-000	EA	PILASTER-ADJUSTABLE SHELF- 18" LONG
3	042356-01-000	EA	PLUG-BUTTON-MAHOGANY - 3/8" DIAMETER - WOOD
4	074035-07-000	EA	PLUG-WOOD-1/2" - NATURAL
5	09358E 03-000	EA	CATCH-SPRING- ROLLER
5	093586-04-000	EA	STRIKE-SPRING STEEL
7	101910-03-000	EA	SLIDE-DRAWER-CABINET MOUNTED - SET OF 2 - 12" LONG
7	101910-04-000	EA	SLIDE-DRAWER-DRAWER MOUNTED - SET OF 2 - 12" LONG
8	102827-05-000	EA	TRACK-DRAWER 22 6" LONG
9	102827-03-000	EA	ROLLER-DRAWER NYLON - PAIR
10	061E04-01-000	EA	SLIDE-BOLT-ANTIQUE BRASS
11	009049-01-000	EA	SUPPORT-EXTENSION - GALLEY COUNTERTOP
11	104181-01-01A	EA	SUPPORT-LEAF - 5 3' - EXTENDS TO 7 5' - SAFETY RING - METAL
12	074493-02-000	EA	SUPPORT-PISTON SPRING CABINET DOOR
13	096545-01-000	EA	PULL-CABINET BRASS - TWIST - 1 1" X 3 4"
14	102827-02-000	EA	BRACKET-ROLLER- DRAWER - REAR
15	102827-04-000	EA	BRACKET-MOUNTING DRAWER - REAR
16	000G13-05-10G	EA	SCREW-6-20 X 5/8 PFH- ANTIQUE BRASS
16	000G13-05-05G	EA	SCREW-6-20 X 5/8 PFH- ANTIQUE BRASS
17	00935E 01-000	EA	HINGE-DOOR- 2" X 1 4" - BRASS
17	009359-02-000	EA	HINGE-DOOR- 2" X 2 7" - BRASS
18	059777-02-000	EA	HINGE-CABINET DOOR- BURNISHED BRASS
18	109138-01-000	EA	HINGE-DOOR CABINET - BURNISHED BRASS
19	103857-01-000	EA	PULL-DOOR - CABINET - 3" - BRASS
	009148-01-000	EA	PULL-FINGER - 75" DIAMETER - BRASS
	109549-01-000	EA	HINGE-BRASS-VARIABLE OVERLAY (OVERHEAD RANGE CABINET)
	023320-01-000	EA	PAD-FELT 3/8" DIAMETER - BROWN
	103257-01-000	EA	STOP-DOOR
	105037-02-000	EA	FASTENER-WOOD CORNER - METAL - 5" X 6"
	004354-01-000	EA	BUMPER-RUBBER- 5" DIA - BROWN
	009063-01-000	EA	HINGE-CONTINUOUS- 1 1/2" X 72" - UNPAINTED
	016604-01-000	EA	BRACE-CABINET- ANGLE - 2 5" - METAL - UNPAINTED
	016604-03-000	EA	BRACE-CABINET- ANGLE - 2 5" - METAL - BEIGE
	065740-01-000	EA	BRACE-CABINET CORNER- PLASTIC
	075750-01-000	EA	SCREW- 6-20 X 1 1/4 PPH - BLACK
	009112-01-000	EA	FLANGE-1" ROD - CLOTHES - PLASTIC - OFF WHITE
	042438-01-000	EA	DOWEL-WOOD - CLOTHES ROD - 1" DIAMETER X 4"
	042438-02-000	EA	DOWEL-WOOD - 2" X 2"
	064781-05-000	EA	HOLDER-CUP - TWO STEP - OFF WHITE
	103130-01-000	EA	HOOK-CUP-BRASS-1 25"
	075827-04-000	EA	BRACKET-BUNK/BED - 2 9" X 1 8" TRIANGLE-METAL-OFF WHITE
	104686-02-000	EA	CATCH-WOOD-LAMINATED FACED CABINET

## 1992 ITASCA TABLE OF CONTENTS

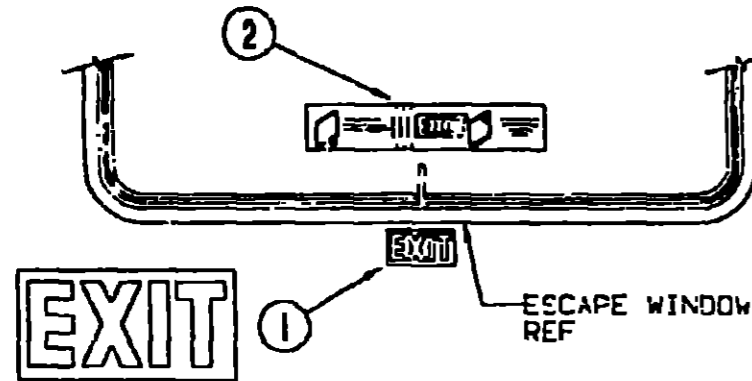
INTRODUCTION	A-01 -	A-02
ABBREVIATIONS		A-03
ALPHABETICAL INDEX	A-04 -	A-06
IC422RG	A-07 -	D-10
IC424RC	D-11 -	G-16

## 1992 IC422RG INDEX

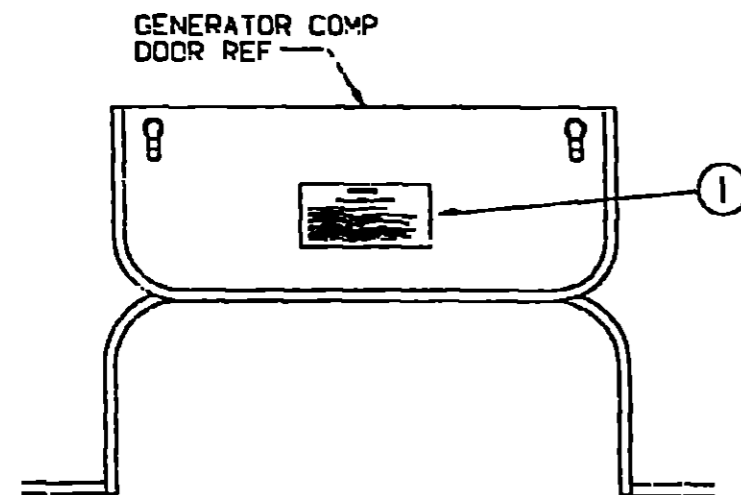
FLOOR PLAN	A-07 -	A-09
ACCESSORIES		A-09
AUDIO VIDEO		A-10
BATH	A-11 -	A-12
CHASSIS	A-13 -	A-16
CURTAIN & CUSHION	A-17 -	A-24
DINETTE	B-01 -	B-02
DRIVERS COMPARTMENT	B-03 -	B-06
ELECTRICAL	B-07 -	B-10
EXTERIOR BODY	B-11 -	B-17
GALLEY	B-18 -	B-21
GENERATOR		B-22
HEATING & A/C	B-23 -	B-24
INTERIOR FINISH	C-01 -	C-04
LABEL	C-05 -	C-12
LP		C-13
LOUNGE		C-14
SEALANTS & FASTENERS	C-15 -	C-17
WATER & SEWAGE	C-18 -	C-20
WINDOW, VENT AND EXTERIOR DOOR	C-21 -	D-10



**LABELS GROUP**



KEY	PART NUMBER	U/M DESCRIPTION
1	039290-01-000	EA LABEL-WARNING-EXIT
2	107571-01-000	EA LABEL-EXIT-ESCAPE WINDOW



**WARNING**

WHEN ADDING A GENERATOR SET:

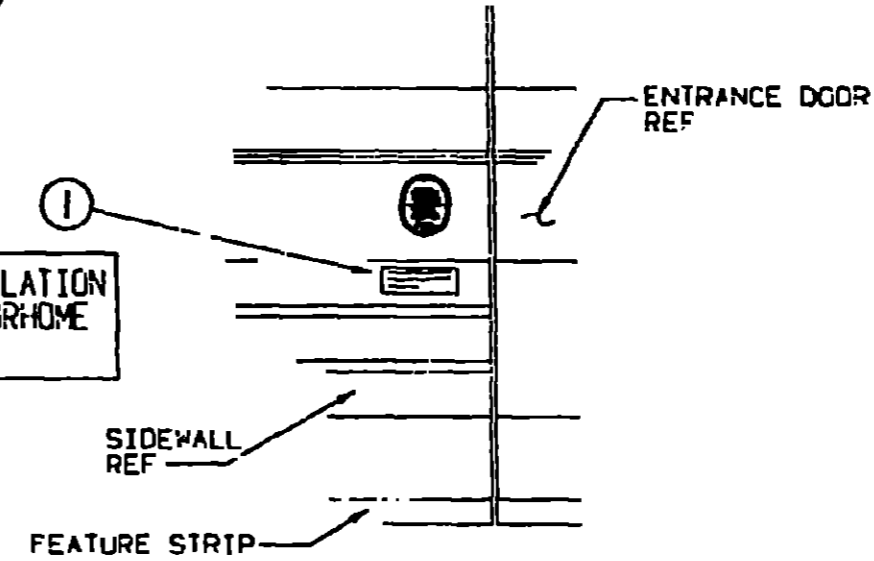
HIGH VOLTAGE-USE EXTREME CAUTION WHEN WORKING ON ELECTRICAL COMPONENTS.  
 HAVE ALL ELECTRICAL INSTALLATION PERFORMED BY A QUALIFIED LICENSED ELECTRICIAN-FOLLOW ALL STATE AND LOCAL CODES.  
 ONLY INSTALL GENERATOR SET APPROVED FOR R.V. APPLICATION. HAVE INSTALLED BY QUALIFIED TECHNICIAN.  
 TO AVOID HEAT BUILD-UP AND TO GUARANTEE AN ADEQUATE AIR SUPPLY TO THE GENERATOR CARBURETOR, FOLLOW INSTALLATION INSTRUCTIONS.  
 GENERATOR ENGINE EXHAUST GASES ARE TOXIC AND MUST NOT TERMINATE UNDER THE VEHICLE-DISCHARGE EXHAUST AWAY FROM VEHICLE.

KEY	PART NUMBER	U/M DESCRIPTION
1	077510-01-000	EA LABEL-GENERATOR PREP

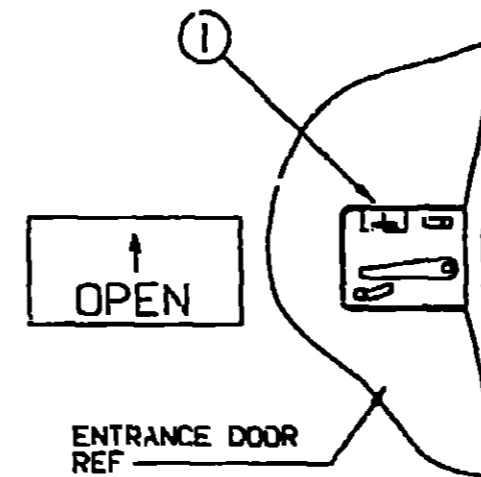
**LABELS GROUP (CONTINUED)**



FOR AWNING INSTALLATION CONTACT YOUR MOTORHOME DEALERSHIP



KEY	PART NUMBER	U/M DESCRIPTION
1	099509-01-000	EA LABEL-AWNING INSTALLATION



KEY	PART NUMBER	U/M DESCRIPTION
1	040944-01-000	EA LABEL-ENTRANCE DOOR - 'OPEN'

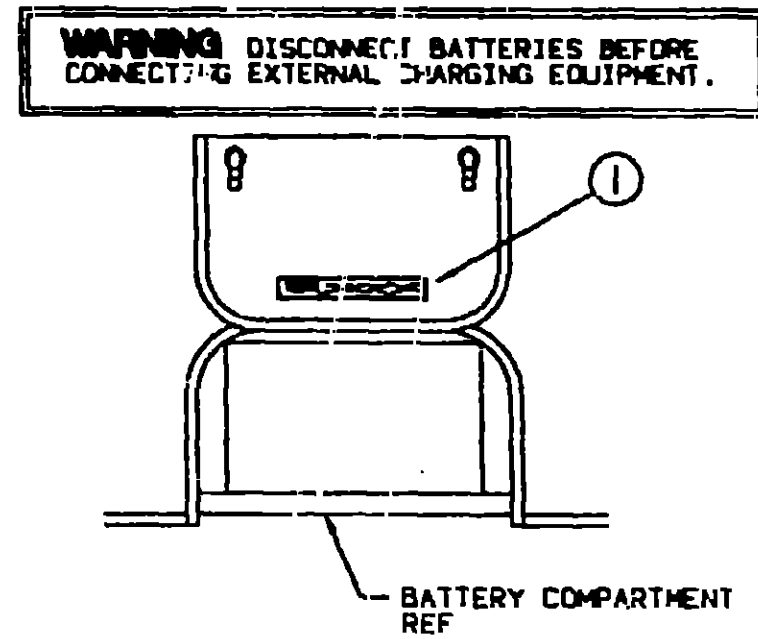
**1992 ITASCA  
TABLE OF CONTENTS**

INTRODUCTION	A-01	A-02
ABBREVIATIONS		A-03
ALPHABETICAL INDEX	A-04	A-05
IC422RG	A-07	D-10
IC424RC	D-11	G-16

**1992 IC422RG INDEX**

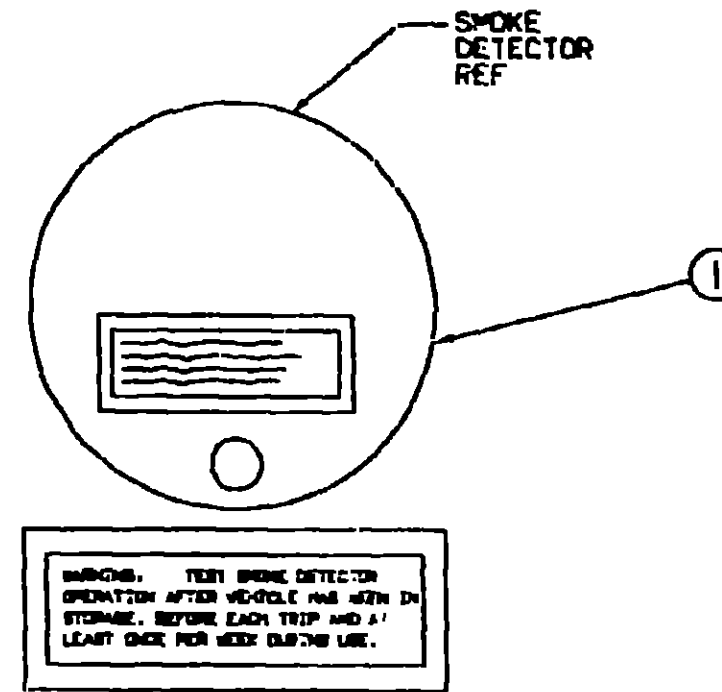
FLOOR PLAN	A-07	A-09
ACCESSORIES		A-09
AUDIO VIDEO		A-10
BATH	A-11	A-12
CHASSIS	A-13	A-16
CURTAIN & CUSHION	A-17	A-24
DINETTE	B-01	B-02
DRIVERS COMPARTMENT	B-03	B-05
ELECTRICAL	B-07	B-10
EXTERIOR BODY	B-11	B-17
GALLEY	B-18	B-21
GENERATOR		B-22
HEATING & A/C	B-23	B-24
INTERIOR FINISH	C-01	C-04
LABEL	C-05	C-12
LP		C-13
LOUNGE		C-14
SEALANTS & FASTENERS	C-15	C-17
WATER & SEWAGE	C-18	C-20
WINDOW, VENT AND EXTERIOR DOOR	C-21	D-10

**LABELS GROUP (CONTINUED)**

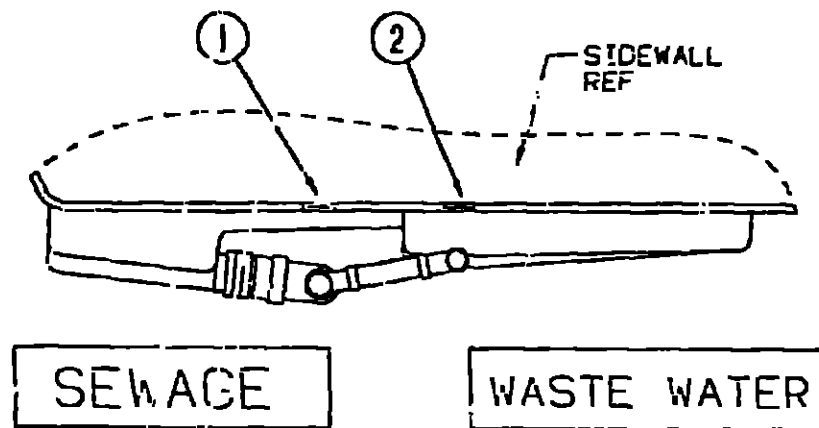


**KEY PART NUMBER U/M DESCRIPTION**  
 1 06574B-01-000 EA LABEL-CAUTION-BATTERY CHARGING

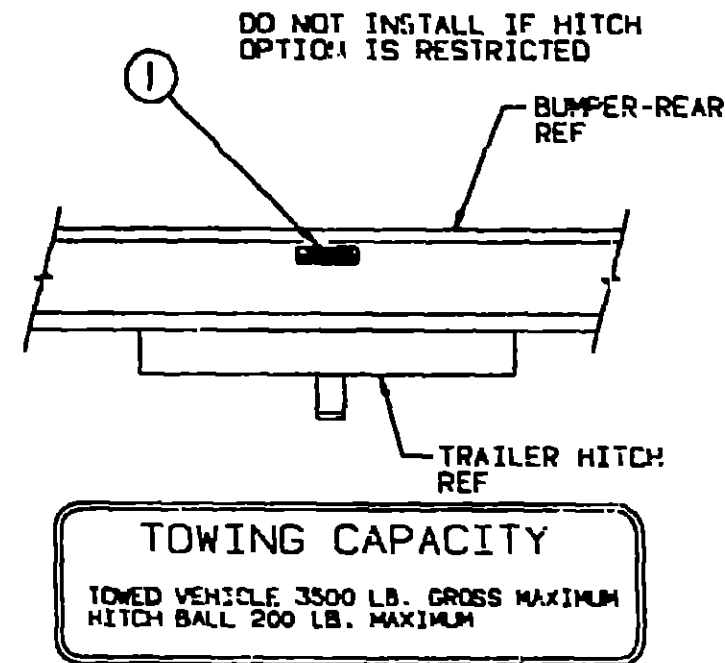
**LABELS GROUP (CONTINUED)**



**KEY PART NUMBER U/M DESCRIPTION**  
 1 077955-01-000 EA LABEL-WARNING-SMOKE DETECTOR



**KEY PART NUMBER U/M DESCRIPTION**  
 1 006187-01-000 EA LABEL-SEWAGE  
 2 006188-01-000 EA LABEL-WASTE WATER



**KEY PART NUMBER U/M DESCRIPTION**  
 1 075221-01-000 EA LABEL-TOWING CAPACITY

**1992 ITASCA TABLE OF CONTENTS**

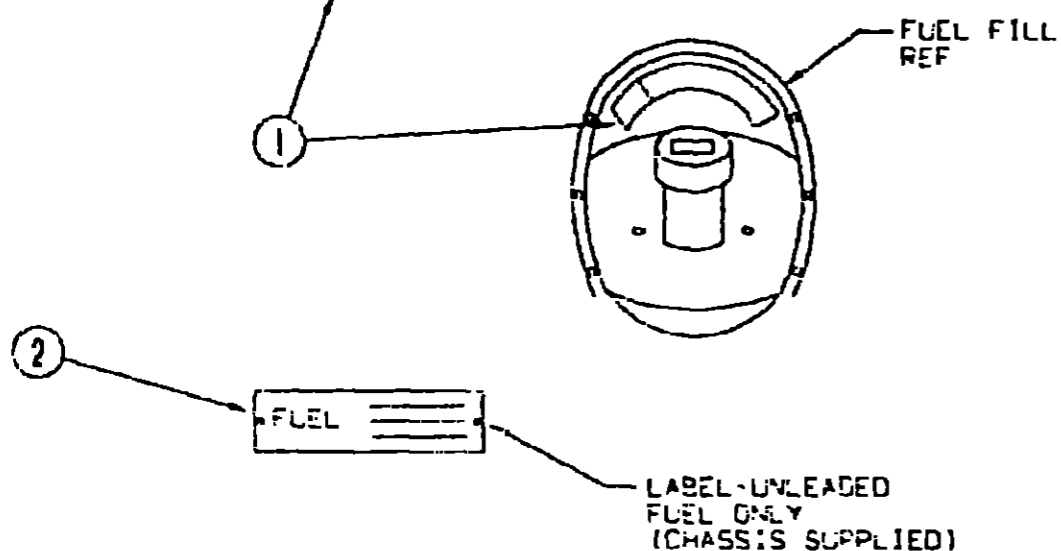
INTRODUCTION	A-01 - A-02
ABBREVIATIONS	A-03
ALPHABETICAL INDEX	A-04 - A-05
IC422RG	A-07 - D-10
IC424RC	D-11 - G-16

**1992 IC422RG INDEX**

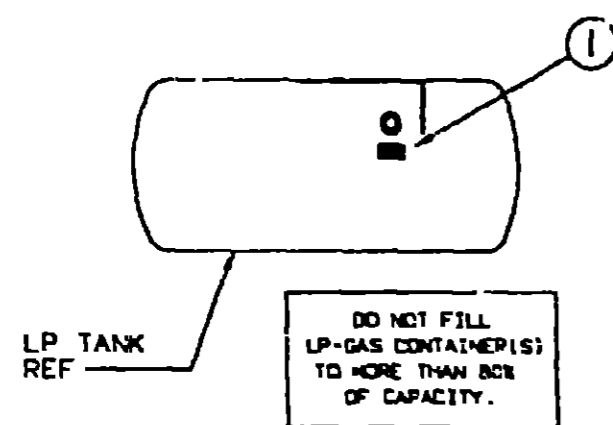
FLOOR PLAN	A-07 - A-09
ACCESSORIES	A-09
AUDIO VIDEO	A-10
BATH	A-11 - A-12
CHASSIS	A-13 - A-16
CURTAIN & CUSHION	A-17 - A-24
DINETTE	B-01 - B-02
DRIVERS COMPARTMENT	B-03 - B-05
ELECTRICAL	B-07 - B-10
EXTERIOR BODY	B-11 - B-17
GALLEY	B-18 - B-21
GENERATOR	B-22
HEATING & A/C	B-23 - B-24
INTERIOR FINISH	C-01 - C-04
LABEL	C-05 - C-12
LP	C-13
LOUNGE	C-14
SEALANTS & FASTENERS	C-15 - C-17
WATER & SEWAGE	C-18 - C-20
WINDOW VENT AND EXTERIOR DOOR	C-21 - D-10

**LABELS GROUP (CONTINUED)**

<b>CAUTION</b>	TO HELP AVOID PERSONAL INJURY DURING REMOVAL OF FUEL FILLER CAP, SLOWLY LOOSEN CAP 1/2 TURN TO ALLOW ANY FUEL PRESSURE TO BE RELIEVED BEFORE TURNING CAP FURTHER.
<b>FUEL SPRAY MAY CAUSE PERSONAL INJURY</b>	STOP ADDING FUEL AFTER FIRST SHUTOFF BY AUTOMATIC NOZZLE WHEN TANK IS NEARLY FULL. DO NOT OVERFILL FUEL TANK. SEE OWNER'S MANUAL FOR ADDITIONAL INFORMATION.
	PRINTED IN U.S.A. <span style="float: right;">MFG. PT. NO. 15A117A3</span>

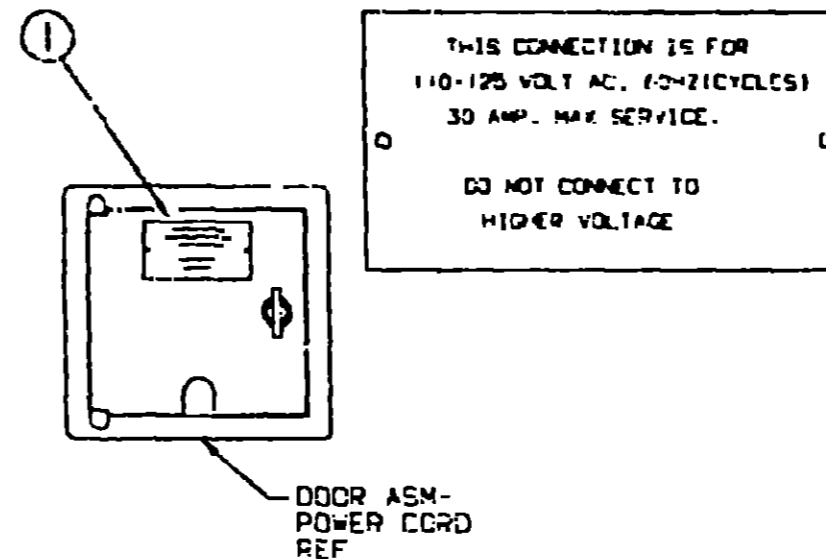


KEY PART NUMBER	U/M DESCRIPTION
1 037207-05-000	EA LABEL-GAS OVERFILL
2 052043-01-000	EA LABEL-FUEL-UNLEADED

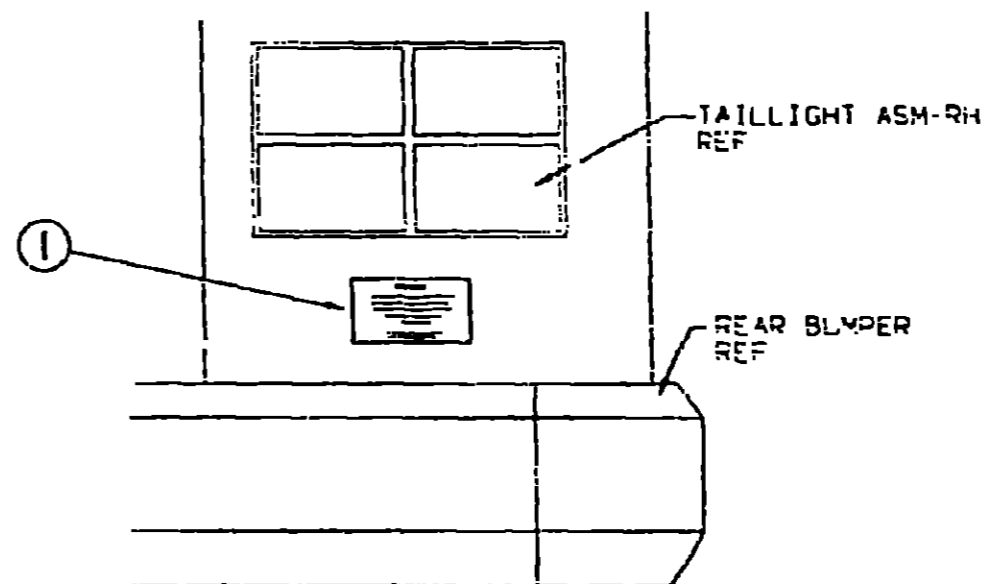


KEY PART NUMBER	U/M DESCRIPTION
1 054531-01-000	EA LABEL-LP GAS ONLY

**LABELS GROUP (CONTINUED)**



KEY PART NUMBER	U/M DESCRIPTION
1 005062-01-000	EA TAG-ELECTRIC-110V CONNECTION



**WARNING**

DO NOT EXCEED THE VEHICLE WEIGHT RATINGS OR LOADING RECOMMENDATIONS (E.G., GROSS VEHICLE, GROSS AXLE, GROSS COMBINED) OF THE CHASSIS MANUFACTURER OR WINNEBAGO INC.

REFER TO YOUR OWNERS MANUAL, BEFORE LOADING OR TOWING.

KEY PART NUMBER	U/M DESCRIPTION
1 075220-01-000	EA LABEL-WARNING-EXTERIOR LOAD

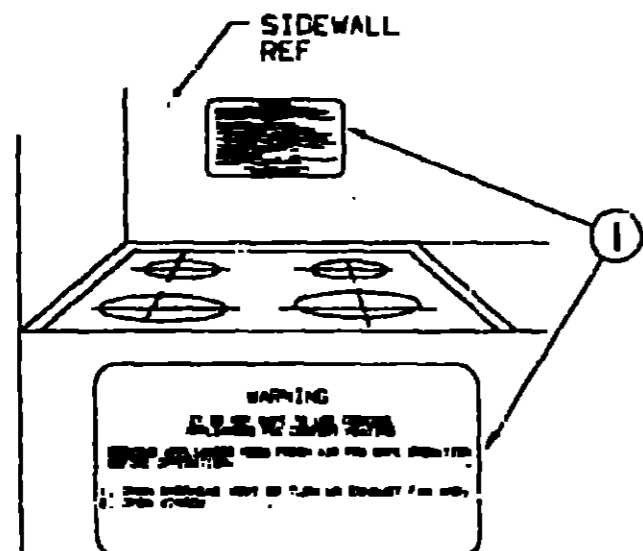
**1992 ITASCA TABLE OF CONTENTS**

INTRODUCTION	A-01 - A-02
ABBREVIATIONS	A-03
ALPHABETICAL INDEX	A-04 - A-06
IC422RG	A-07 - D-10
IC424FC	D-11 - G-16

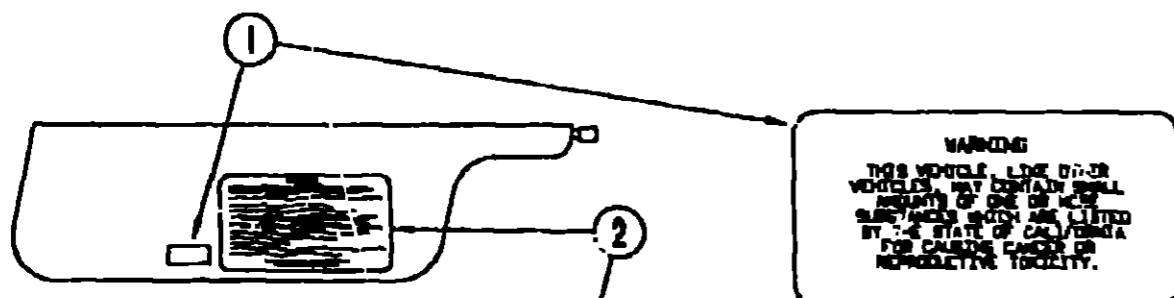
**1992 IC422RG INDEX**

FLOOR PLAN	A-07 - A-08
ACCESSORIES	A-09
AUDIO VIDEO	A-10
BATH	A-11 - A-12
CHASSIS	A-13 - A-16
CURTAIN & CUSHION	A-17 - A-24
DINETTE	B-01 - B-02
DRIVERS COMPARTMENT	B-03 - B-05
ELECTRICAL	B-07 - B-10
EXTERIOR BODY	B-11 - B-17
GALLEY	B-18 - B-21
GENERATOR	B-22
HEATING & A/C	B-23 - B-24
INTERIOR FINISH	C-01 - C-04
LABEL	C-05 - C-12
LP	C-13
LOUNGE	C-14
SEALANTS & FASTENERS	C-15 - C-17
WATER & SEWAGE	C-18 - C-20
WINDOW VENT AND EXTERIOR DOOR	C-21 - D-10

**LABELS GROUP (CONTINUED)**



KEY	PART NUMBER	U/M DESCRIPTION
1	050225-01-000	EA LABEL-WARNING-STOVE VENT - US



**CAUTION**

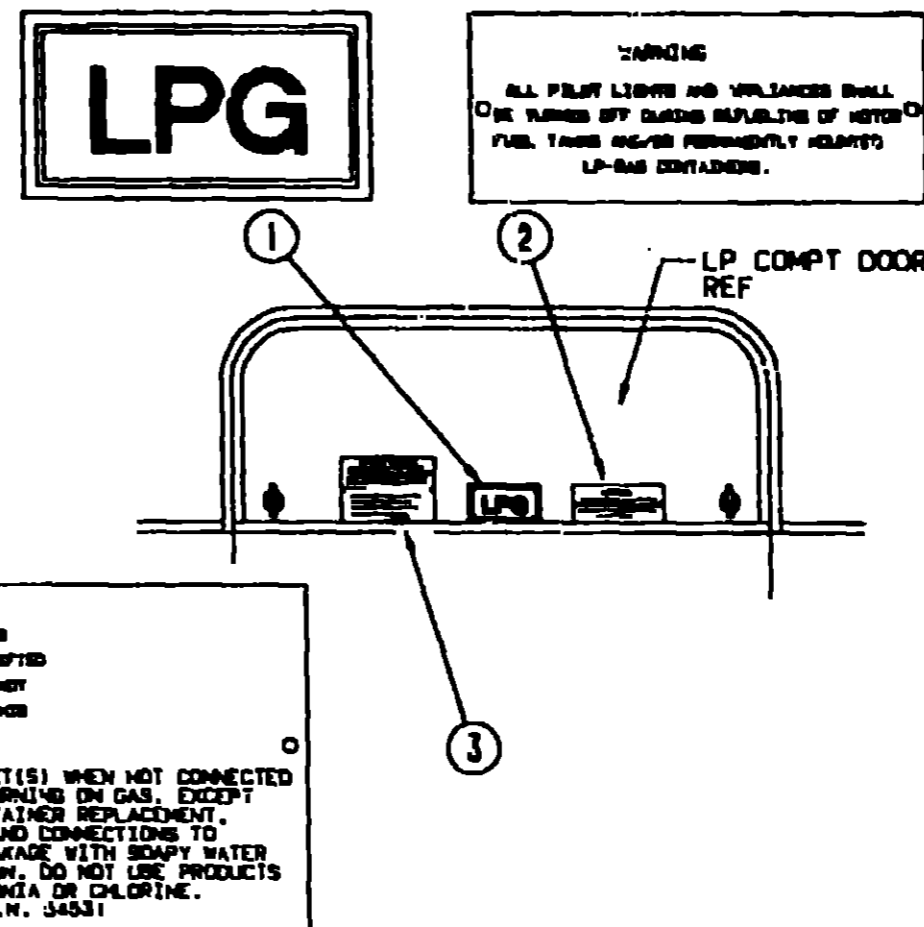
THIS MOTOR HOME HAS BEEN DESIGNED, MANUFACTURED AND TESTED WITH CONCERN FOR THE PROTECTION OF IT'S OCCUPANTS. WE RECOMMEND YOU PERFORM THE FOLLOWING INSPECTIONS FOR YOUR SAFETY AND THE SAFETY OF YOUR PASSENGERS BEFORE STARTING YOUR VEHICLE.

1. LP GAS SYSTEM- TURN OFF AT TANK FOR TRAVELING. TEST FOR LEAKS UPON ARRIVAL AT DESTINATION. BEFORE LIGHTING PILOTS.
2. WHEELS- INSPECT FOR DAMAGE AND CHECK LUG NUTS FOR TIGHTNESS.
3. TIRES- INSPECT FOR WEAR AND DAMAGE AND CHECK FOR RECOMMENDED AIR PRESSURE.
4. LIGHTING- TEST FOR PROPER OPERATION OF ALL INTERIOR AND EXTERIOR LIGHTS INCLUDING DASH LIGHTS, HEADLIGHTS, TAIL LIGHTS, BRAKE LIGHTS, CLEARANCE LIGHTS AND TURN SIGNALS.
5. EXITS- INSPECT RELEASE MECHANISM ON EMERGENCY EXIT WINDOW. TEST BOTH LOCKS ON MAIN ENTRANCE DOOR FOR EASE OF OPERATION AND INSTRUCT PASSENGERS HOW TO USE BOTH MEANS OF EXIT.
6. SEAT BELTS- DIRECT PASSENGERS TO DESIGNATED SEATS AND REQUIRE USE OF SEAT BELTS.
7. APPLIANCES- TURN OFF AND LATCH OR LOCK DOORS WHERE PROVIDED.
8. LOOSE PARCELS- STORE SECURELY.
9. UTILITY SUPPLY LINES- DISCONNECT ALL ELECTRIC, SEWER AND WATER LINES AND SECURE PROPERLY.
10. ENTRANCE DOOR STEP- PLACE IN RESTRICTED POSITION FOR TRAVELING.

READ YOUR MOTOR HOME AND CHASSIS OWNER'S MANUAL FOR FURTHER PRECAUTIONS

KEY	PART NUMBER	U/M DESCRIPTION
1	099669-01-000	EA LABEL-WARNING-CANCER/TOXICITY
2	056259-01-000	EA LABEL-SAFETY CHECK LIST

**LABELS GROUP (CONTINUED)**



KEY	PART NUMBER	U/M DESCRIPTION
1	074559-01-000	EA DECAL-LOGO - LPG - RED (CALIFORNIA CODE)
2	006040-01-000	EA TAG-GAS REFUELING WARNING
3	006040-02-000	EA TAG-GAS REFUEL WARNING - CANADIAN
3	054531-01-000	EA LABEL-LP GAS ONLY
3	023769-01-000	EA LABEL-WARNING - LPG - CANADIAN

**MISCELLANEOUS LABELS**

KEY	PART NUMBER	U/M DESCRIPTION
	R77005-87-699	EA LABEL-FUEL - "UNLEADED" - RNO 7700587699
	005064-01-000	EA LABEL-SEAT W/O SEATBELT NOT INTENDED FOR USE WHILE COACH IN MOTION
	005054-02-000	EA LABEL-SEAT W/O SEATBELT (CANADIAN) NOT INTENDED FOR USE WHILE COACH IN MOTION
	035709-01-000	EA LABEL-NO STORAGE
	061417-01-000	EA LABEL-FUEL - CN FUEL FILL DOOR
	061606-01-000	EA LABEL-OVERLAY - VEHICLE CERTIFICATION - ADHESIVE BACKED
	073998-01-000	EA LABEL-LPG ODOR WARNING
	091243-01-000	EA LABEL-A/C COVER - "AIR CONDITIONING CIRCUIT ETC"
	093236-08-000	EA LABEL-CIRCUIT BREAKER
	098541-01-000	EA LABEL-FUEL - UNLEADED - DASH
	104236-01-000	EA LABEL-GENERATOR CIRCUIT

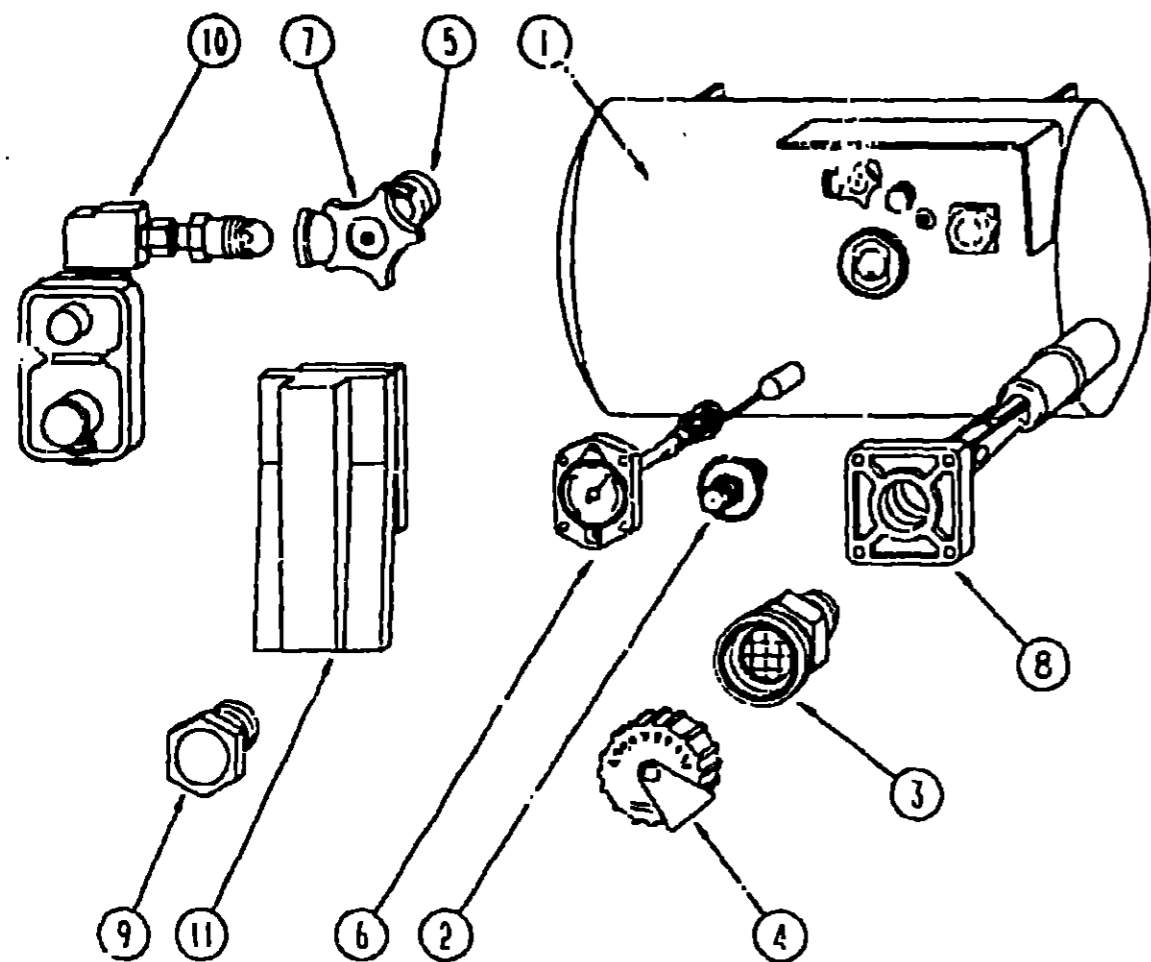
**1992 ITASCA TABLE OF CONTENTS**

INTRODUCTION	A-01 - A-02
ABBREVIATIONS	A-03
ALPHABETICAL INDEX	A-04 - A-06
IC422RG	A-07 - L-10
IC424RC	D-11 - G-16

**1992 IC422RG INDEX**

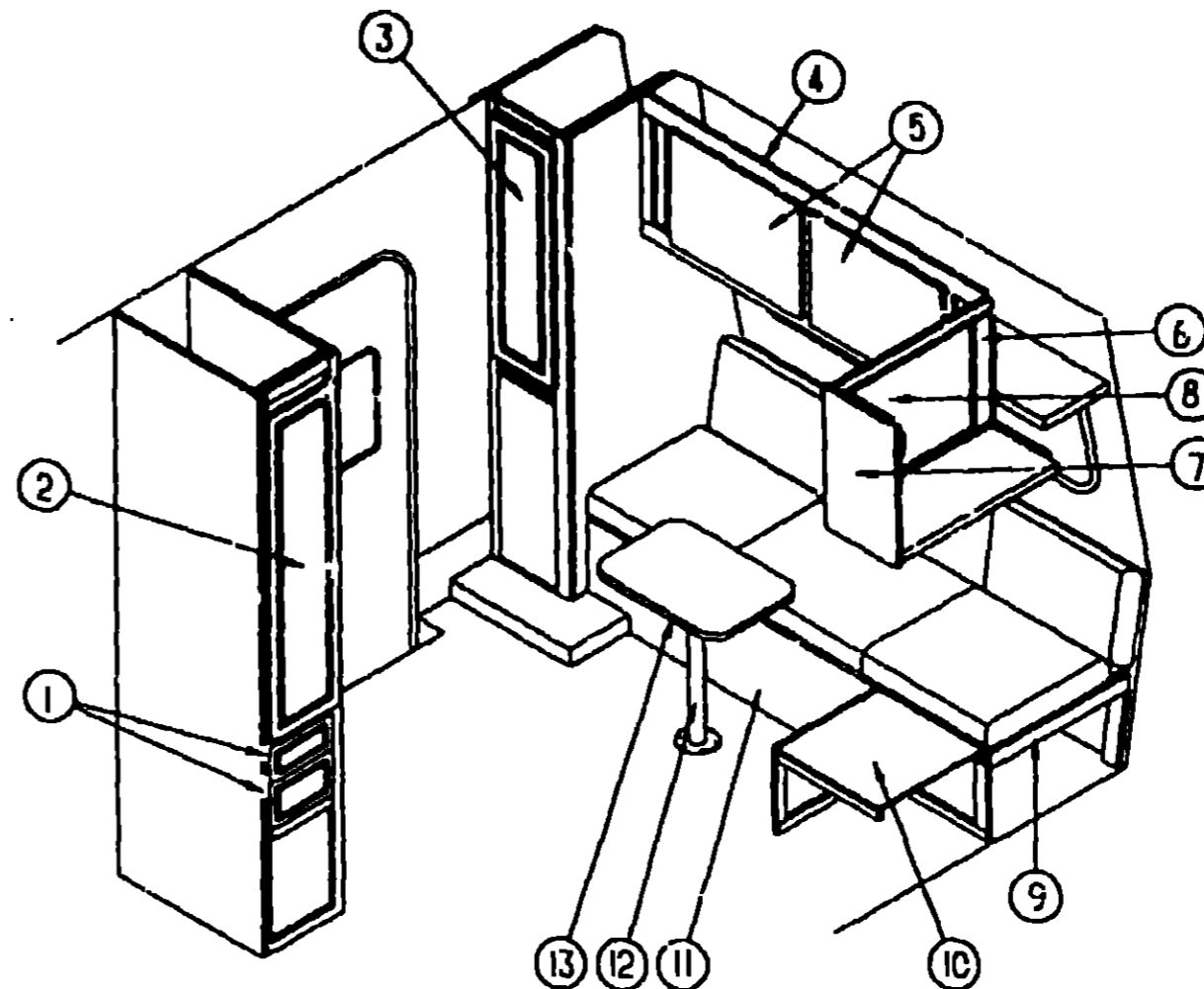
FLOOR PLAN	A-07 - A-08
ACCESSORIES	A-09
AUDIO VIDEO	A-10
BATH	A-11 - A-12
CHASSIS	A-13 - A-16
CURTAIN & CUSHION	A-17 - A-24
DINETTE	B-01 - B-02
DRIVERS COMPARTMENT	B-03 - B-06
ELECTRICAL	B-07 - B-10
EXTERIOR BODY	B-11 - B-17
GALLEY	B-18 - B-21
GENERATOR	B-22
HEATING & A/C	B-23 - B-24
INTERIOR FINISH	C-01 - C-04
LABEL	C-05 - C-12
LP	C-13
LOUNGE	C-14
SEALANTS & FASTENERS	C-15 - C-17
WATER & SEWAGE	C-18 - C-20
WINDOW, VENT AND EXTERIOR DOOR	C-21 - D-10

**LP GROUP**



**LP TANK & COMPONENTS**

**LOUNGE GROUP**



**OVERHEAD & COUCH CABINET**

**1992 ITASCA  
TABLE OF CONTENTS**

INTRODUCTION	A-01 -	A-02
ABBREVIATIONS		A-03
ALPHABETICAL INDEX	A-04 -	A-06
IC422RG	A-07 -	D-10
IC424RC	D-11 -	G-16

**1992 IC422RG INDEX**

FLOOR PLAN	A-07 -	A-08
ACCESSORIES		A-09
AUDIO VIDEO		A-10
BATH	A-11 -	A-12
CHASSIS	A-13 -	A-16
CURTAIN & CUSHION	A-17 -	A-24
DINETTE	B-01 -	B-02
DRIVERS COMPARTMENT	B-03 -	B-06
ELECTRICAL	B-07 -	B-10
EXTERIOR BODY	B-11 -	B-17
GALLEY	B-18 -	B-21
GENERATOR		B-22
HEATING & A/C	B-23 -	B-24
INTERIOR FINISH	C-01 -	C-04
LABEL	C-05 -	C-12
LP		C-13
LOUNGE		C-14
SEALANTS & FASTENERS	C-15 -	C-17
WATER & SEWAGE	C-18 -	C-20
WINDOW VENT AND EXTERIOR DOOR	C-21 -	D-10

KEY	PART NUMBER	U/M	DESCRIPTION
1	080450-01-000	EA	TANK-LP - 42 LB BRUNNER - 13" X 24"
2	040421-01-700	EA	VALVE-LIQUID LEVEL - 20% LP - BRUNNER G-1013
3	040421-01-701	EA	VALVE-SHORT LP FILLER W/YELLOW CAP - BRUNNER 75478
4	040421-01-702	EA	CAP-LP FILLER VALVE - PLASTIC - YELLOW - BRUNNER G-1014-A
5	040421-01-703	EA	VALVE-SERVICE - W/VAPOR RELIEF
6	040421-01-707	EA	GAUGE-FLOAT W/VISIBLE DIAL - BRUNNER MA-9 6244-4
7	040421-01-708	EA	HANDWHEEL-SERVICE VALVE - BRUNNER G-1015-A
8	040421-01-711	EA	VALVE-80% W/FLOAT - PLATE, BOLTS & GASKET - BRUNNER
9	040421-01-713	EA	VALVE-VAPOR ONLY - 29000587
10	106150-01-000	EA	REGULATOR-TWO STAGE - M'BRASS 293-00
	105658-01-000	EA	COMPARTMENT-LP REGULATOR
11	081938-01-000	EA	COVER-COMPARTMENT - LP REGULATOR - BLACK
	040440-02-000	EA	TRANSMITTER-DIAL - 0-90 OHM
	055741-01-000	EA	GAUGE-DIAPHRAGM PRESSURE - MARSHALLTOWN MFG
	103513-01-000	EA	DETECTOR-LP GAS
FROM: 01-20-92 THRU 99-99-99			
	045703-01-000	EA	HOSE-LP - 3/8" ID X 24' - 3/8 MPT X 1/2 F SWIVEL - U S
	045703-02-000	EA	HOSE-LP - 3/8" ID X 24' - 3/8" MPT X 1/2" F SWIVEL - CANADA
	010323-01-000	EA	ADAPTER-BRASS - 3/8" F X 1/2" MPT
	065742-01-000	EA	TEE, 3/8" F X 3/8" F X 25FPT - BRASS
	010377-02-000	EA	NUT-BRASS - 3/8 FEMALE - FORGED
	095624-01-000	EA	ELBOW-90 DEGREE - 1/4" FPT X 1/4" FPT - BRASS
	065318-02-000	EA	ELBOW-90 DEGREE - 3/8" MPT TO 3/8" FPT
	010265-01-000	EA	ELBOW-BRASS - 90 DEGREE - 3/8" F X 1/2" FPT
	033759-01-000	EA	ELBOW-3/8" F X 3/8" F X 90 DEG
	071391-02-000	EA	NIPPLE-HEX - 1/4 PIPE - 3325X4 WEATHERHEAD
	084884-01-000	EA	PLUG-BRASS - 3/8"

KEY	PART NUMBER	U/M	DESCRIPTION
1	P03J97-D7-C03	EA	DRAWER ASM - CABINET - RADIUS - 268 X 510
2	P05223-19-C03	EA	DOOR ASM - W/O HARDWARE - ROUNDED - 305 X 1220
3	P05223-08-C03	EA	DOOR ASM - W/O HARDWARE - ROUNDED - 305 X 1220
	042438-01-000	EA	DOWEL-WOOD - CLOTHES ROD - 1" DIAMETER X 4'
	009112-01-000	EA	FLANGE-1" ROD - CLOTHES - PLASTIC - OFF WHITE
4	M05623-15-C23	EA	CABINET ASM-OVERHEAD - REAR
4	M05623-15-C24	EA	CABINET ASM-OVERHEAD - REAR
5	P05223-13-C03	EA	DOOR ASM - W/O HARDWARE - ROUNDED - 400 X 710
6	M05623-12-C23	EA	CABINET ASM-OVERHEAD - REAR - LEFT
6	M05623-12-C24	EA	CABINET ASM-OVERHEAD - REAR - LEFT
7	104335-15-C52	EA	END CAP-CABINET - OVERHEAD
8	P05223-05-C03	EA	DOOR ASM - W/O HARDWARE - ROUNDED - 400 X 710
9	M04187-28-C23	EA	SUPPORT - COUCH CABINET - W/FABRIC (2 USED)
9	M04187-28-C24	EA	SUPPORT - COUCH CABINET - W/FABRIC (2 USED)
10	P01989-01-BB7	EA	COVER-PANEL SOFA END CAP (C23)
10	P01989-01-B88	EA	COVER-PANEL SOFA END CAP (C24)
11	M04187-24-C23	EA	CABINET-COUCH FACE - W/FABRIC
11	M04187-24-C24	EA	CABINET-COUCH FACE - W/FABRIC
	050101-01-002	EA	EXTR-CORNER KEY, L-SHAPED - 192" - ALUMINUM
	105947-01-000	EA	BRACKET-HOLD DOWN - COUCH
	082525-02-000	EA	BRACE-COUCH - FLOOR MOUNT - ANGLE 3" LONG - METAL
12	009040-02-000	EA	TABLE LEG-PEDESTAL - 27 5" X 2 25" DIA - CHROME
	009040-03-000	EA	BASE-TABLE - RAISED - TABLE MOUNTED
	041194-01-000	EA	BASE-TABLE - FLUSH - FLOOR MOUNTED
	062046-01-000	EA	CLIP-LEG - PEDESTAL - 1 7" X 2 2" - DIA FROM 2' TO 2 5'
	056093-01-C03	EA	PLUG ASM-PEDESTAL TABLE
	056093-01-C04	EA	PLUG ASM-PEDESTAL TABLE
	002929-01-001	EA	EXTR-BRACKET TABLE
	042438-02-000	EA	DOWEL-WOOD - 2" X 2"
	076840-01-000	EA	CORD-BUNGIE - 24"
13	081298-01-C03	EA	TABLE-PEDESTAL - W/O HARDWARE - 17" X 24" (C52)
	105847-07-C05	EA	KEY RING HOLDER
	103130-01-000	EA	HOOK-CUP - BRASS - 1 25"



**SEALANTS & FASTENERS GROUP**

**ADHESIVE**

KEY	PART NUMBER	U/M	DESCRIPTION
	004020-01-000	QT	ADHESIVE-ABS CEMENT - QUART
	034552-02-000	EA	SILICONE-TUBE - 300 ML - CLEAR
	034552-06-000	EA	SILICONE-TUBE - 300 ML - OFF WHITE
	900390-03-000	EA	SILICONE TUBE TIPS
	053706-06-000	EA	BEDDING COMPOUND-TUBE - CLEAR
	053706-08-000	EA	BEDDING COMPOUND-TUBE - GRAY - SCHNEE # 5522
	063612-01-000	FT	TAPE-ADHESIVE - 10 MM X 1 5" WIDE
	091212-000	FT	SEAL-ADHESIVE BACKED FOAM
	065540-01-000	FT	SEALER-RIBBON - 1/4" DIAMETER - INCREMENTS OF 30'
	065540-02-000	FT	SEALER-RIBBON - 1/2" X 1 1/2" - INCREMENTS OF 30' OR 60'
	065540-03-000	FT	SEALER-RIBBON - 3/4" X 1 1/2" - INCREMENTS OF 60'
	065540-07-000	FT	SEALER-RIBBON - 2" X 3/32" - INCREMENTS OF 30' OR 45'
	065540-10-000	FT	SEALER-RIBBON - 1/32" X 1 1/2" INCREMENTS OF 30'
	072889-01-000	EA	SEALANT-URETHANE - BLACK - 1/10 - ESSEX 552 2
	076314-02-000	FT	TAPE-CARPET SEAM - HEAT-BOND - 4" WIDE
	076322-01-000	FT	TAPE-FOAM - DOUBLE COATED ADHESIVE BACKED - 75" X 216"
	076322-02-000	FT	TAPE-FOAM - DOUBLE COATED ADHESIVE BACKED - 1" X 103"
	076322-03-000	FT	TAPE-FOAM - DOUBLE COATED ADHESIVE BACKED - 5" X 103"
	076322-05-000	FT	TAPE-FOAM - DOUBLE COATED - 025" X 15"
	087211-01-000	GL	PROMOTER-ADHESIVE
	02352-01-000	EA	SEALER-PUMPABLE BLACK - COLORIMETRIC MS101
	108716-01-000	EA	SILICONE-TUBE - OFF WHITE LEVEL - CSL 510

**BOLTS, NUTS, & WASHERS**

KEY	PART NUMBER	U/M	DESCRIPTION
	01MC31K-08-020	EA	BOLT-HEX-SERRATED FLANGE - 1/8" X 020
	000C12-07-24B	EA	BOLT-HEX-7/16-14X1 50 - ZINC 5
	000C12-10-64B	EA	BOLT-HEX-5/8-11X1 0 - ZINC 5
	000C26-04-10B	EA	BOLT-HEX-SERRATED FLANGE - 1/4-20 X 5 9 - ZINC
	000C26-05-12B	EA	BOLT-HEX-SERRATED FLANGE 5/16-18X3 4 - ZINC
	000C12-05-16B	EA	BOLT-HEX- 5/16-18 X 1 - ZINC 5
	000C12-08-24B	EA	BOLT-HEX- 1/2-13 X 1 1/2 - ZINC 5
	000C12-10-24B	EA	BOLT-HEX- 5/8-11 X 1 1/2 - ZINC - 5
	000C13-07-48B	EA	BOLT-HEX- 7/16 - 20 X 3 - ZINC 5
	000C18-05-40A	EA	BOLT-ELEVATOR-5/16-18 X 2 1/2 PL
	000C18-06-48B	EA	BOLT-ELEVATOR-3/8-16 X 3 - ZINC - GRADE 5
	000G45-05-16B	EA	BOLT-LAG 5/16 - 9 X 1 - ZINC
	000D24-10-00B	EA	NUT-HEX-SELF LOCKING-10-32 - ZINC
	104369-01-000	EA	NUT-HEX-HEAVY-5/8-11 UNC - SPARE TIRE INSTL
	000D29-09-00B	EA	NUT-HEX-SELF LOCKING- 9/16-12 - ZINC
	000D39-04-00B	EA	NUT-HEX-SERRATED FLANGE-LOCKING 1/4 - 20 - ZINC
	000D39-05-00B	EA	NUT-HEX-SERRATED FLANGE-LOCKING - 5/16 - 18 - ZINC
	000D39-06-00B	EA	NUT-HEX-SERRATED FLANGE-LOCKING - 3/8-16 - ZINC
	000D39-08-00B	EA	NUT-HEX-SERRATED FLANGE-LOCKING - 1/2-13 - ZINC
	000D44-07-00B	EA	NUT-HEX-SERRATED FLANGE-LOCKING - 7/16-20 - ZINC
	000E11-07-00B	EA	WASHER-LOCKING-7/16 MED SPLIT - ZINC
	000E13-11-00B	EA	WASHER-FLARE-3/16" WIDE - ZINC
	000E13-14-00B	EA	WASHER-FLARE-1/4" WIDE - ZINC
	000E13-20-00B	EA	WASHER-FLARE-7/16 WIDE - ZINC
	000E13-21-00B	EA	WASHER-FLARE-W/2 NAR - ZINC
	000E14-10-00B	EA	WASHER-LOCKING - NO 10 EXT TOOTH - ZINC
	044533-01-000	EA	WASHER-PLASTIC- 1 3/8"OD (FOR BUTTONS)

**SEALANTS & FASTENERS GROUP (CONTINUED)**

**SCREWS**

KEY	PART NUMBER	U/M	DESCRIPTION
	000G54-04-20B	EA	SCREW- 1/4-20 X 1 1/4 PTH - TYPE 23 - ZINC PLATED
	000G58-06-10G	EA	SCREW-6-18 X 5/8 PCH - ANTIQUE BRASS
	000G13-06-08B	EA	SCREW-6-20 X 5/8 PPH - ZINC
	000G13-06-06G	EA	SCREW-6-20 X 5/8 PPH - ANTIQUE BRASS
	000G12-06-08T	EA	SCREW-6-20 X 5/8 PPH - BLACK
	000G13-05-16J	EA	SCREW-6-20 X 1 00 PPH - BRASS
	000G13-06-16R	EA	SCREW-6-20 X 1 PPH - BEIGE
	000G13-07-24J	EA	SCREW-6-20 X 1 50 PPH - BRASS
	000G13-07-12B	EA	SCREW-7-19 X 7/5 PPH - ZINC
	000G13-08-16B	EA	SCREW-8-18 X 1 PPH - ZINC
	074045-01-000	EA	SCREW-8-18 X 1 50 PPH - BRONZE
	000G11-08-12R	EA	SCREW-8-18 X 7/5 PPH - BEIGE
	000G11-08-12S	EA	SCREW-8-18 X 7/5 PPH - OFF WHITE
	000G11-08-12T	EA	SCREW-8-18 X 3/4 PPH - BLACK
	000G12-08-12S	EA	SCREW-8-18 X 7/5 PCH - OFF WHITE
	000G12-05-16S	EA	SCREW-8-18 X 1 00 PCH - OFF WHITE
	000G11-08-16S	EA	SCREW-8-18 X 1 00 PPH - OFF WHITE
	000G57-10-08B	EA	SCREW-10-12 X 1/2 PPH - ZINC
	000G57-10-06R	EA	SCREW-10-12 X 1/2 PPH - TYPE A - BEIGE
	000G57-10-10B	EA	SCREW-10-12 X 5/8 PPH - TYPE A - ZINC
	000G57-10-10D	EA	SCREW-10-12 X 5/8 PPH - TYPE A - BLACK
	000G57-10-10R	EA	SCREW-10-12 X 5/8 PPH - TYPE A - BEIGE
	000G57-10-10S	EA	SCREW-10-12 X 5/8" PPH - OFF WHITE
	000G57-10-12B	EA	SCREW-10-12 X 3/4 PPH - ZINC
	000G57-10-12P	EA	SCREW-10-12 X 7/5" PPH - DARK BROWN
	000G57-10-12Q	EA	SCREW-10-12 X 7/5 PPH TAN
	000G57-10-16B	EA	SCREW-10-12 X 1 PPH - ZINC
	000G57-10-16P	EA	SCREW-10-12 X 1 PPH - DARK BROWN
	000G57-10-20D	EA	SCREW-10-12 X 1 1/4 PPH - BLACK
	000G57-10-24D	EA	SCREW-10-12 X 1 1/2 PPH - ZINC
	000G57-10-32B	EA	SCREW-10-12 X 2 PPH - ZINC
	000G58-10-36T	EA	SCREW-10-12 X 2 25 PCH - BLACK
	000G11-10-12R	EA	SCREW-10-15 X 7/5 PPH - BEIGE
	000G11-10-12S	EA	SCREW-10-15 X 7/5 PPH - OFF WHITE
	000G11-10-12D	EA	SCREW-10-15 X 3/4 PPH - BLACK
	000G11-10-16B	EA	SCREW-10-15 X 1 - PPH - ZINC
	049455-04-000	EA	SCREW-10-16 X 1 PTH W/WASHER - BEIGE
	000G32-10-06B	EA	SCREW-10-32 X 3/8" PPH - ZINC
	000G18-08-22B	EA	SCREW-MACHINE- 8-32 X 1 3/8 PPH - ZINC
	000G50-04-12B	EA	SCREW-MACHINE-1/4-20 X 3/4 PPH - ZINC
	000G53-04-06B	EA	SCREW-MACHINE-1/4-20 X 3/8 PPH - ZINC - UNDERCUT HEAD
	075908-01-000	EA	SCREW-MACHINE- 10-32 X 5/8 PTH - ZINC - EXTERNAL TOOTH
	000G39-06-08B	EA	SCREW-DR-5-18X1/2 - ZINC
	000G39-06-10T	EA	SCREW-SELF DRIVING- 6-20 X 5/8 PPH - BLACK
	000G39-05-16T	EA	SCREW-SELF DRIVING- 6-20 X 1 PPH - BLACK
	000G39-08-06B	EA	SCREW-SELF DRIVING- 8-18 X 3/8 PPH - ZINC
	000G39-08-08B	EA	SCREW-SELF DRIVING- 8-18 X 1/2 PPH - ZINC
	000G39-08-06S	EA	SCREW-SELF DRIVING- 8-18 X 1/2 PPH - BEIGE
	000G39-08-12B	EA	SCREW-SELF DRIVING- 8-18 X 1/2 PPH - OFF WHITE
	000G39-08-12R	EA	SCREW-SELF DRIVING- 8-18 X 3/4 PPH - ZINC
	000G39-08-16B	EA	SCREW-SELF DRIVING- 8-18 X 1 PPH - ZINC
	000G39-08-16S	EA	SCREW-SELF DRIVING - 8-18 X 1 00 PPH - OFF WHITE
	000G39-08-24B	EA	SCREW-SELF DRIVING- 8-18 X 1 1/2 PPH - ZINC
	000G39-08-24R	EA	SCREW SELF DRIVING- 8-18 X 1 1/2 PPH - BEIGE
	000G39-08-24S	EA	SCREW-SELF DRIVING- 8-18 X 1 50 - OFF WHITE
	000G39-10-10S	EA	SCREW-SELF DRIVING- 10-16 X 62" PPH - OFF WHITE
	000G39-10-12D	EA	SCREW SELF DRIVING- 10-16 X 3/4 PPH - BLACK
	000G39-10-12R	EA	SCREW-SELF DRIVING- 10-16 X 3/4 PPH - BEIGE

**1992 ITASCA  
TABLE OF CONTENTS**

INTRODUCTION	A-01	A-02
ABBREVIATIONS		A-03
ALPHABETICAL INDEX	A-04	A-05
IC422RG	A-07	D-10
IC424RC	D-11	G-16

**1992 IC422RG INDEX**

FLOOR PLAN	A-07	A-08
ACCESSORIES		A-09
AUDIO VIDEO		A-10
BATH	A-11	A-12
CHASSIS	A-13	A-15
CURTAIN & CUSHION	A-17	A-24
DINETTE	B-01	B-02
DRIVERS COMPARTMENT	B-03	B-05
ELECTRICAL	B-07	B-10
EXTERIOR BODY	B-11	B-17
GALLEY	B-18	B-21
GENERATOR		B-22
HEATING & A/C	B-23	B-24
INTERIOR FINISH	C-01	C-04
LABEL	C-05	C-12
LP		C-13
LOUNGE		C-14
SEALANTS & FASTENERS	C-15	C-17
WATER & SEWAGE	C-15	C-20
WINDOW VENT AND EXTERIOR DOOR	C-21	D-10

# SEALANTS & FASTENERS GROUP (CONTINUED)

## SCREWS (CONTINUED)

KEY	PART NUMBER	U/M	DESCRIPTION
	000G60-10-28T	EA	SCREW-SELF DRIVING-10-16 X 1 7/8 - BLACK
	000G39-10-129	EA	SCREW-SELF DRIVING-10-16X 7/8 PPH - FLUOROCARBON SILVER
	000G39-10-2L9	EA	SCREW-SELF DRIVING-10-16 X 1 1/4 PPH - ZINC
	000G39-10-32B	EA	SCREW-SELF DRIVING-10-16 X 2 PPH - ZINC
	000G33-12-12E	EA	SCREW-SELF DRIVING-12-14 X 3/4 PPH - CHROME
	000G42-14-12B	EA	SCREW-SELF DRIVING 1/4-14X3/4HWH - ZINC
	000G42-14-15B	EA	SCREW-SELF DRIVING 1/4-14 X 1 HWH - ZINC
	087721-01-000	EA	SCREW-FLAT HEAD-TAPPING - 1/4" X 1 1/4" LG ZINC
	000G55-12-48B	EA	SCREW-WOOD-12-11 X 3 FOM - SPECIAL HARDENED

## CLAMPS GROMMETS, & CLIPS

KEY	PART NUMBER	U/M	DESCRIPTION
	000H16-04-05R	EA	RIVET-POP-AL 1/8 X 3/16-375
	007161-01-000	EA	CLAMP-HOSE-SPRING TYPE - 1/2"
	010455-01-000	EA	CLAMP-CABLE-9/16"
	010497-01-000	EA	CLAMP-CLOSED-5/8" ID
	010497-03-000	EA	CLAMP-CLOSED-1" ID - CUSHIONED
	010497-15-000	EA	CLAMP-CLOSED, 1 1/16" ID
	010499-01-000	EA	CLAMP-CLOSED-3/8" ID
	023942-01-000	EA	GROMMET-RUBBER-2" OD
	052401-01-000	EA	CLAMP-HOSE-WORMGEAR-25"-1"
	052401-02-000	EA	CLAMP-HOSE-WORMGEAR-1 5/8"-2 5/8"
	052401-04-000	EA	CLAMP-HOSE-WORMGEAR-59"-1 25"
	052401-05-000	EA	CLAMP-HOSE-WORMGEAR-22"-62"
	059592-02-000	EA	RIVET-T (POP) - 1/4 X 093 - 156
	059354-01-000	EA	GROMMET-SNAP - 3/4" DIAMETER - NYLON
	071015-11-000	EA	GROMMET-RUBBER-1" ID X 1 7/8" OD W/ 1/2" GROOVE - BLACK
	016188-03-000	EA	GROMMET-RUBBER-3/8" HOLE X 2 1/8" DIAMETER - GASLINE
	075149-02-000	EA	CLAMP-GROUNDING- BRONZE SCREWS
	080734-02-000	EA	CLIP-WIRE- NYLON
	082149-01-000	EA	STUD-CLINCH- 3/8" X 2 1/2" X 1 1/2 GDS
	083509-01-000	EA	CLAMP-WIRE- DUAL EQUAL - 5/8" DIAMETER
	083510-01-000	EA	CLAMP-WIRE- DUAL - UNEQUAL DIAMETERS - 7/8" & 1 25"
	095774-01-000	FT	FASTENER-DUAL HOOK- 1" WIDE - ADHESIVE BACK - BLACK
	095774-02-000	FT	FASTENER-DUAL LOOP- 1" WIDE - ADHESIVE BACK - BLACK

# WATER & SEWAGE GROUP

## FRESH WATER TANK

KEY	PART NUMBER	U/M	DESCRIPTION
	081767-03-000	EA	TANK ASM-WATER, 34 GAL
	042589-03-000	EA	FITTING-WATER TANK, SPINWELD - 1 1/4" NPT - PLASTIC - WHITE
	042589-04-000	EA	FITTING-WATER TANK, SPINWELD - 3/8" FPT - PLASTIC - WHITE
	042589-05-000	EA	FITTING-WATER TANK, SPINWELD - 1/2" FPT - PLASTIC - WHITE
	044032-01-000	EA	PATCH-SPINWELD, 3/8" - PLASTIC
	077554-02-000	EA	FILTER-WATER TANK, SCREEN IN TANK
	095449-01-000	EA	WIRE ASSEMBLY-WATER TANK TO MONITOR PANEL
	035551-01-000	EA	SENDING UNIT-W/SCREW, WASHER, WELL NUT & TERMINAL RING

## WATER SYSTEM

KEY	PART NUMBER	U/M	DESCRIPTION
	087659-04-000	EA	FILL-WATER, CITY - OFF WHITE
	045128-01-000	EA	VALVE-DRAIN PLASTIC - 1/2" FPT
	052950-01-000	EA	DRAIN VALVE-IN LINE, HEADER - 1/2" F X 1/2" F - GRAY PLAS
	093193-01-000	EA	DRAIN VALVE-IN LINE, HEADER-1/2" F X 1/2" F X 1/2" F X 1/2" MPT
	052959-02-000	EA	CONNECTOR 1/2" F X 1/2" MPT - PLASTIC - GRAY
	098417-01-000	EA	CONNECTOR-5/8" F X 1/2" MPT, PLASTIC - KEVCO
	101814-01-000	EA	COUPLING-FEMALE, 1/2" X 1/2" FPT
	057457-01-000	EA	ELBOW-UNION, 1/2" X 1/2" FLARE
	052457-02-000	EA	ELBOW-MALE, 1/2" F X 1/2" MPT - PLASTIC - GRAY
	055250-01-000	EA	ELBOW-5/8" F X 1/2" MPT
	065120-01-000	EA	ELBOW-SWIVEL 1/2" FPT X 1/2" FLARE - PLASTIC - GRAY
	105600-01-000	EA	CAP-FEMALE W/ CONE 50 - KEVCO TC3F
	035522-02-000	EA	CAP-BRASS, 1/2" FLARE
	105258-01-000	EA	CAP-INSERTABLE 1/2" FLARE - KEVCO 64398 BONNET
	052952-01-000	EA	NUT-PLASTIC, 1/2" F X 1/2" TUBE - GRAY
	052952-02-000	EA	NUT-PLASTIC 5/8" FLARE
	052953-01-000	EA	NUT-FALCE T, 1/2" TUBE X 1/2" FPT - PLASTIC - GRAY
	010224-01-000	EA	ADAPTER-HOSE TO PIPE, 3/8" MPT X 3/8" BARB - PLASTIC BLACK
	044927-01-000	EA	ADAPTER-HOSE TO PIPE, 1 1/4" MPT X 1 1/4" BARB-BLACK PLASTIC
	052954-01-000	EA	ADAPTER-NOSE CONE, 3/8" OR 1/2" TUBING - PLASTIC - GRAY
	079317-01-000	EA	ADAPTER-SWIVEL, 1/2" TUBE X 1/2" FPT - PLASTIC - GRAY
	052955-03-000	EA	TEE-5/8" F X 5/8" F X 1/2" MPT - PLASTIC
	055132-01-000	EA	TEE-PLASTIC, 5/8" F X 5/8" F X 1/2" F
	052955-01-000	EA	TEE-WATER, 1/2" F X 1/2" F X 1/2" MPT - PLASTIC - GRAY
	074462-02-000	FT	TUBING-VINYL, 3/8" ID - CLEAR
	079391-01-000	FT	TUBING-SMOOTH FLEXIBLE, 1 1/4" ID
	039900-01-000	FT	TUBING-POLYBUTYL, 1/2" OD - INCREMENTS OF 20" - BLACK
	039900-02-000	FT	TUBING-POLYBUTYL, 5/8" OD - INCREMENTS OF 20" - BLACK

## WATER PUMP

KEY	PART NUMBER	U/M	DESCRIPTION
	098507-01-000	EA	PUMP-WATER - W/ 5" MPT FITTING - FLOW 28 GPM - UL
	098507-02-000	EA	PUMP-WATER 28 GPM - W/ 1/2" MPT FITTINGS - CANADIAN
	098507-01-700	EA	PUMP HEAD REPLACEMENT - SHURFLO# 94-235-03
	098507-01-701	EA	DRIVE ASM - SHURFLO# 94-234-03
	098507-01-702	EA	DIAPHRAGM-KIT - SHURFLO# 94-233-10
	098507-01-703	EA	VALVE ASM - SHURFLO# 94-232-00
	098507-01-705	EA	HOUSING-UPPER - SHURFLO# 94-231-01
	098507-01-705	EA	CHECK VALVE-KIT - SHURFLO# 94-237-00
	098507-01-707	EA	MOTOR/BASEPLATE REPLACEMENT - SHURFLO# 94-234-03

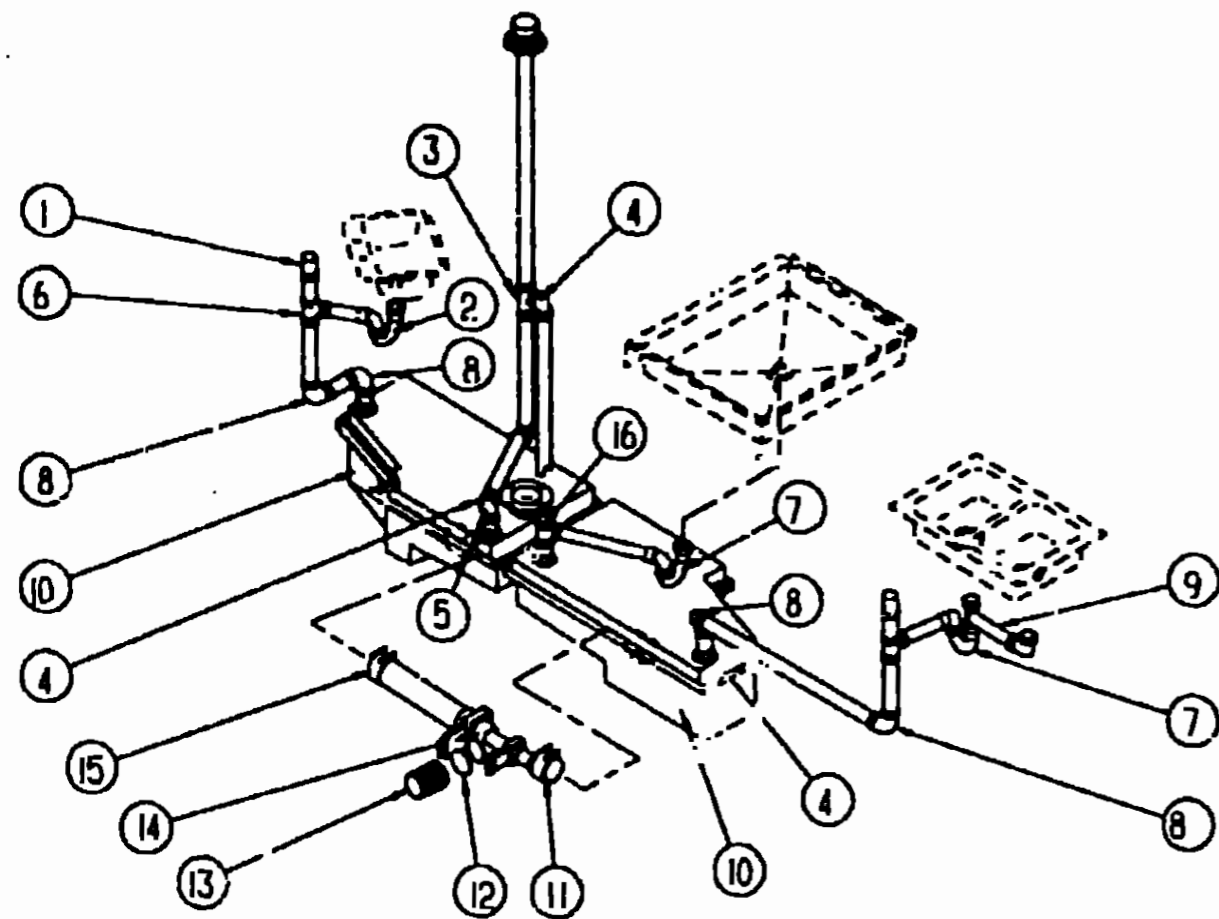
## 1992 ITASCA TABLE OF CONTENTS

INTRODUCTION	A-01	A-02
ABBREVIATIONS		A-03
ALPHABETICAL INDEX	A-04	A-05
IC422RG	A-07	D-10
IC424RC	D-11	G-16

## 1992 IC422RG INDEX

FLOOR PLAN	A-07	A-08
ACCESSORIES		A-09
AUDIO VIDEO		A-10
BATH	A-11	A-12
CHASSIS	A-13	A-16
CURTAIN & CUSHION	A-17	A-24
DINETTE	B-01	B-02
DRIVERS COMPARTMENT	B-03	B-05
ELECTRICAL	B-07	B-10
EXTERIOR BODY	B-11	B-17
GALLEY	B-18	B-21
GENERATOR		B-22
HEATING & A/C	B-23	B-24
INTERIOR FINISH	C-01	C-04
LABEL	C-05	C-12
LP		C-13
LOUNGE		C-14
SEALANTS & FASTENERS	C-15	C-17
WATER & SEWAGE	C-18	C-20
WINDOW, VENT AND EXTERIOR DOOR	C-21	D-10

**WATER & SEWAGE GROUP (CONTINUED)**



**DRAINAGE SYSTEM**

KEY	PART NUMBER	U/M DESCRIPTION
1	075958-01-000	EA VENT-MECH TRAP ARM, ANTI-SIPHON - 2" DIA X 7'3" - PLASTIC
2	011065-01-000	EA P-TRAP-PLAS 1 1/4"
2	011065-02-000	EA P-TRAP-1 1/4" HUB X SLIP JOINT, W/UNION - ABS - CANADIAN
3	010073-01-000	EA WYE-45 DEGREE, 1 1/2" HUB X HUB X HUB - PLASTIC - BLACK
4	010051-01-000	EA ELBOW-45 DEG BEND, 1 1/2" SPIGOT AND HUB - PLASTIC - BLACK
5	010005-01-000	EA ELBOW-45 DEG, 1/8 BEND - 1 1/2" HUB X HUB - BLACK PLASTIC
6	010079-01-000	EA TEE-SANITARY, 1 1/2" X 1 1/2" X 1 1/4" H - PLASTIC - BLACK
7	011065-03-000	EA P-TRAP, 1 1/2" TRAP X 1 1/4" SOCKET - PLASTIC
7	011065-02-000	EA P-TRAP-1 1/4" HUB X SLIP JOINT, W/UNION - ABS - CANADIAN
8	010003-01-000	EA ELBOW-90 DEG, 1/4 BEND - 1 1/2" HUB X HUB - BLACK PLASTIC
	053335-01-000	EA P-TRAP-1 1/4" HUB X HUB, W/UNION - CANADIAN
	107537-01-000	EA P-TRAP ADAPTER-1 1/4" SLIP
	107539-01-000	EA P-TRAP-PLASTIC, 1 1/4" W/EXT ARM
9	011091-01-000	EA PIPE-DRAIN, W/SEALS - DOUBLE SINK - EXTENDS 9" TO 16"
9	011051-02-000	EA PIPE-DRAIN, DOUBLE SINK - BAFFLE TEE - 1 1/2" ONE PIPE W/TEE TO DRAIN BOTH SIDES OF SINK
10	083269-01-000	EA TANK-HOLDING, 25 GALLON - 19 1/4" X 35 1/4" X 12 1/2"
	051607-01-000	EA GROMMET-HOLDING TANK, 1 1/2" NPS
	051607-02-000	EA GROMMET-HOLDING TANK, 3" NPS
11	062422-01-000	EA ADAPTER-OFFSET REDUCER, 3" X 1 1/2" - PLASTIC - BLACK
12	052416-01-000	EA ADAPTER-SEWER HOSE TO 3" PIPE
13	010201-01-000	EA HOSE-SEWER, 3" ID X 8'
14	070916-01-000	EA VALVE-DUAL DUMP, W/CAP - 3" X 1 1/2" - PLASTIC - BLACK
	052415-01-000	EA CAP-SEWER, 3" DIAMETER
15	078405-01-000	EA COUPLER-RUBBER, W/CLAMPS - 3" X 3"
16	010071-01-000	EA TEE-SANITARY, 1 1/2" HUB X HUB X HUB - PLASTIC - BLACK
	010121-01-000	EA BUSHING-REDUCER, 1 1/2" SMOOTH X 1/4" HUB - PLASTIC - BLACK
	033302-02-000	EA ADAPTER ASM-STRAINER, 1 1/2" - ABS - CANADIAN
	037101-02-000	EA ELBOW-PLASTIC, 1/4 BEND VENT 1 1/2" HUB - CSA

**WATER & SEWAGE GROUP (CONTINUED)**

**WATER HEATER**

KEY	PART NUMBER	U/M DESCRIPTION
	051391-03-003	EA HEATER-WATER - W/ELECTRIC IGNITION - ATWOOD G6A-3E
	051391-01-700	EA HINGE KIT-W/CLIP - ATWOOD # 92568 & 92559
	051391-01-704	EA VALVE-RELIEF - 1/2" FITTING - ATWOOD# 91604
	051391-01-705	EA FASTENER-CAMLOC - ATWOOD# 92609
	051391-01-706	EA GRILLE-EXHAUST - ATWOOD# 92787
	051391-01-708	EA BURNER-MAIN - 3E ONLY - ATWOOD# 92615
	051391-01-710	EA ORIFICE-MAIN BURNER - ATWOOD# 92742
	051391-01-715	EA DRAIN PLUG - ATWOOD# 91551
	051391-04-700	EA TANK-INNER (G6A-3E) - FRONT MOUNT - ATWOOD# 9160B
	051391-04-701	EA THERMOSTAT 12 VDC-120 PRESET - ATWOOD# 91470
	051391-04-706	EA TANK-INNER - G6A-4E & 6E - FRONT MOUNT - ATWOOD# 91641
	097957-01-000	EA SWITCH-WATER HEATER - ATWOOD 91959
	051393-01-703	EA THERMOSTAT-REAR MOUNT - ATWOOD# 91952
	051393-01-704	EA CIRCUIT BOARD-W/BLACK BOX - ATWOOD# 91420
	051393-01-705	EA ORIFICE HOLDER - ATWOOD# 91925
	051393-01-716	EA SPARK & PROBE ASM - ATWOOD# 91606
	051393-01-718	EA VALVE-DUAL SOLENOID - ATWOOD# 91605
	051393-01-721	EA ECO&THERMOSTAT ASM-FRONT MOUNT - 140 DEGREE - ATWOOD# 91447
	051393-03-700	EA TANK-INNER (G6A-3E) - REAR MOUNT - ATWOOD# 91409

**WATER HEATER**

KEY	PART NUMBER	U/M DESCRIPTION
	051391-01-000	EA HEATER-WATER - ATWOOD G6A-3
	051391-01-700	EA HINGE KIT-W/CLIP - ATWOOD # 92568 & 92559
	051391-01-702	EA TANK-INNER - G6A-2E, 3E, 6E - WATER HEATER - ATWOOD 91412
	051391-01-704	EA VALVE-RELIEF - 1/2" FITTING - ATWOOD# 91604
	051391-01-705	EA FASTENER-CAMLOC - ATWOOD# 92609
	051391-01-706	EA GRILLE-EXHAUST - ATWOOD# 92787
	051391-01-708	EA BURNER-MAIN - 3E ONLY - ATWOOD# 92615
	051391-01-709	EA PILOT ASM-W/THERMOCOUPLER & TUBE - 91603 ATWOOD# 51214
	051391-01-710	EA ORIFICE-MAIN BURNER - ATWOOD# 92742
	051391-01-711	EA ELBOW-ORIFICE - MAIN BURNER - 92741 ATWOOD#
	051391-01-712	EA THERMOSTAT-3/8" NPT INLET - 91601 ATWOOD# 91043
	051391-01-714	EA ELBOW-45 DEGREE - 3/8" F X 3/8" MPT - ATWOOD# 91044
	051391-01-715	EA DRAIN PLUG - ATWOOD# 91551

**WATER HEATER W/MOTOR AID**

KEY	PART NUMBER	U/M DESCRIPTION
	051393-01-000	EA HEATER-WATER-W/MOTOR AID-ATWOOD GH5-3E, GH6-4E, OR GH5-6E
	051391-01-700	EA HINGE KIT-W/CLIP - ATWOOD # 92568 & 92559
	051391-01-704	EA VALVE-RELIEF - 1/2" FITTING - ATWOOD# 91604
	051391-01-705	EA FASTENER-CAMLOC - ATWOOD# 92609
	051391-01-706	EA GRILLE-EXHAUST - ATWOOD# 92787
	051391-01-708	EA BURNER-MAIN - 3E ONLY - ATWOOD# 92615
	051391-01-710	EA ORIFICE-MAIN BURNER - ATWOOD# 92742
	051391-01-714	EA ELBOW-45 DEGREE - 3/8" F X 3/8" MPT - ATWOOD 91044
	051391-01-715	EA DRAIN PLUG - ATWOOD# 91551
	051391-04-701	EA THERMOSTAT 12 VDC-120 PRESET - ATWOOD# 91470
	051391-04-704	EA TANK-INNER - FRONT MOUNT - GH5-4E & 6E - ATWOOD 91642
	051393-01-700	EA TANK-INNER - 3E FRONT MOUNT - ATWOOD# 91023
	097957-01-000	EA SWITCH-WATER HEATER - ATWOOD 91959
	051393-01-703	EA THERMOSTAT-REAR MOUNT - ATWOOD# 91952
	051393-01-704	EA CIRCUIT BOARD-W/BLACK BOX - ATWOOD# 91420
	051393-01-705	EA ORIFICE HOLDER - ATWOOD# 91925
	051393-01-714	EA TANK-INNER (GH5-3E) - REAR MOUNT - ATWOOD# 91408
	051393-01-716	EA SPARK & PROBE ASM - ATWOOD# 91606
	051393-01-718	EA VALVE-DUAL SOLENOID - ATWOOD# 91605
	051393-01-721	EA ECO & THERMOSTAT ASM-FRONT MOUNT - 140 DEGREE - ATWOOD# 91447

**1992 ITASCA TABLE OF CONTENTS**

INTRODUCTION	A-01 - A-02
ABBREVIATIONS	A-03
ALPHABETICAL INDEX	A-04 - A-06
IC422RG	A-07 - D-10
IC424RC	D-11 - G-16

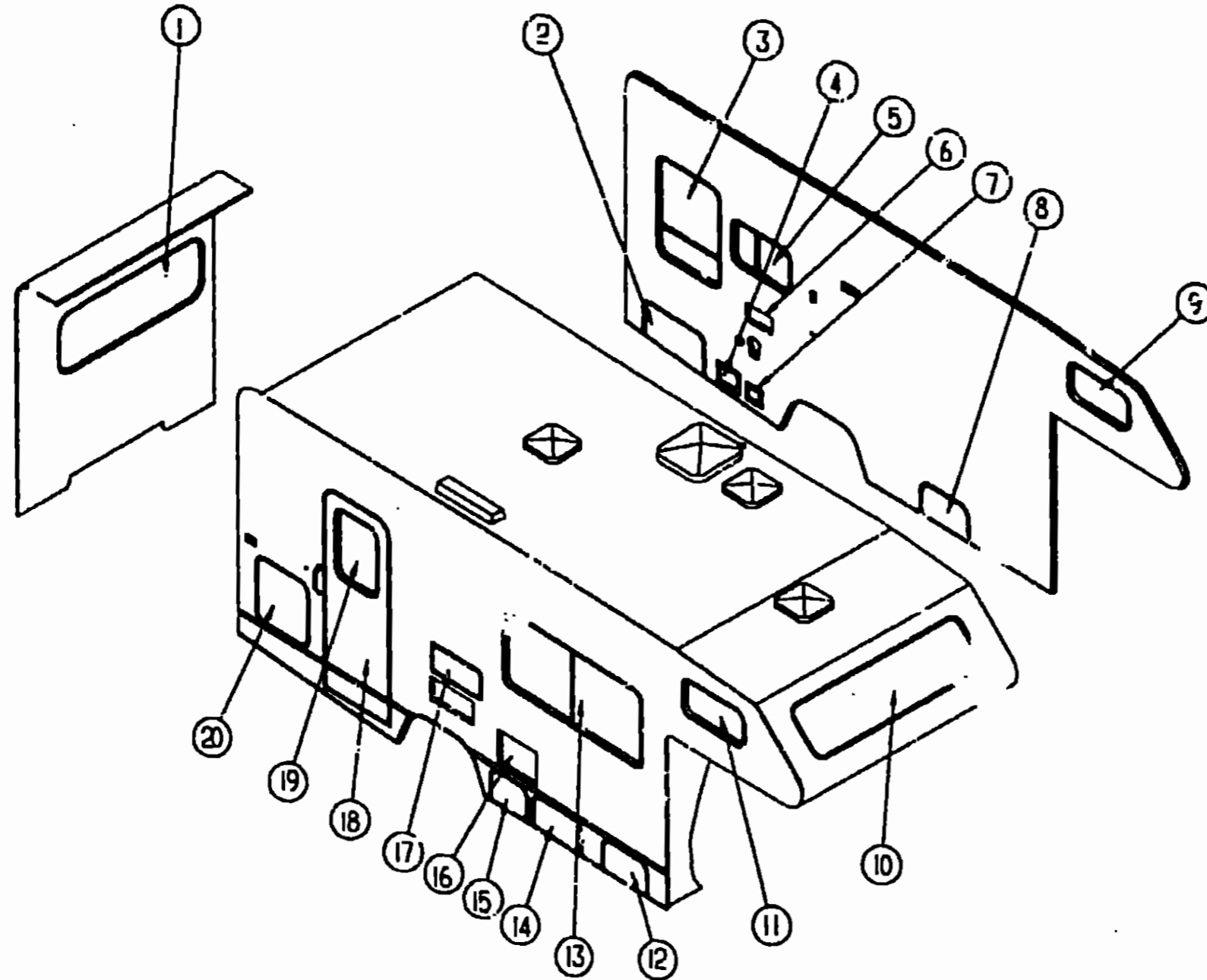
**1992 IC422RG INDEX**

FLOOR PLAN	A-07 - A-08
ACCESSORIES	A-09
AUDIO VIDEO	A-10
CHASSIS	A-11 - A-12
CURTAIN & CUSHION	A-13 - A-16
DINETTE	A-17 - A-24
DRIVERS COMPARTMENT	B-01 - B-02
ELECTRICAL	B-03 - B-06
EXTERIOR BODY	B-07 - B-10
GALLEY	B-11 - B-17
GENERATOR	B-18 - B-21
HEATING & A/C	B-22 - B-24
INTERIOR FINISH	C-01 - C-04
LABEL	C-05 - C-12
LP	C-13
LOUNGE	C-14
SEALANTS & FASTENERS	C-15 - C-17
WATER & SEWAGE	C-18 - C-20
WINDOW, VENT AND EXTERIOR DOOR	C-21 - D-10



# WINDOW, VENT & EXTERIOR DOOR GROUP

## WINDOWS & DOORS



### 1992 ITASCA TABLE OF CONTENTS

INTRODUCTION	A-01 -	A-02
ABBREVIATIONS		A-03
ALPHABETICAL INDEX	A-04 -	A-06
IC422RG	A-07 -	D-10
IC424RC	D-11 -	G-16

### 1992 IC422RG INDEX

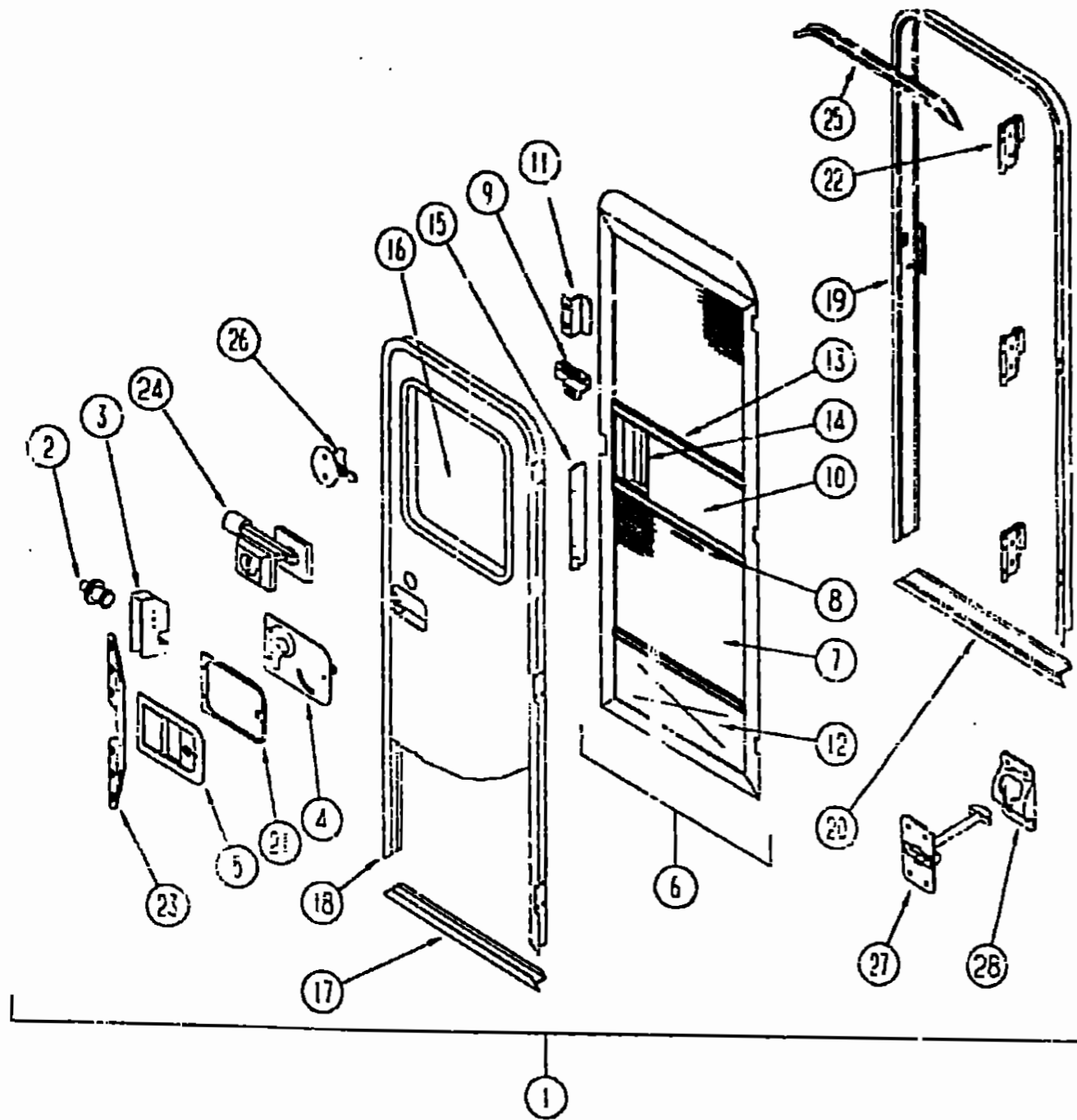
FLOOR PLAN	A-07 -	A-08
ACCESSORIES		A-09
AUDIO VIDEO		A-10
BATH	A-11 -	A-12
CHASSIS	A-13 -	A-16
CURTAIN & CUSHION	A-17 -	A-24
DINETTE	B-01 -	B-02
DRIVERS COMPARTMENT	B-03 -	B-06
ELECTRICAL	B-07 -	B-10
EXTERIOR BODY	B-11 -	B-17
GALLEY	B-18 -	B-21
GENERATOR		B-22
HEATING & A/C	B-23 -	B-24
INTERIOR FINISH	C-01 -	C-04
LABEL	C-05 -	C-12
LP		C-13
LOUNGE		C-14
SEALANTS & FASTENERS	C-15 -	C-17
WATER & SEWAGE	C-18 -	C-20
WINDOW, VENT AND EXTERIOR DOOR	C-21 -	D-10

KFY	PART NUMBER	U/M	DESCRIPTION
1	070536-01-T03	EA	WINDOW-ESCAPE - BACKWALL - 23" X 58"
2	105175-07-C03	EA	DOOR ASM-LOWER - REAR
3	092235-03-Y12	EA	WINDOW-TIPOUT - SINGLE - W/O INSIDE FRAME
4	099794-01-000	EA	DOOR-POWER CORD - W/HATCH - OFF WHITE
5	098647-07-02A	EA	WINDOW ASM-SLIDER - HORIZONTAL
6	105118-02-C05	EA	DOOR ASM-EXTERIOR SHOWER
7	052423-01-000	EA	DOOR-HOSE COMPARTMENT - 6 6" X 6 3" - PLASTIC - OFF WHITE
7	052424-01-000	EA	JAMB-DOOR - 8" X 7 7" - PLASTIC - OFF WHITE
	042442-01-000	EA	LOCK-TWIST TYPE - METAL
8	105174-06-C03	EA	DOOR ASM-LOWER - FRONT
9	098646-05-01A	EA	WINDOW ASM-SLANTED SLIDER LH - EXCEL B958-MRL
10	103313-01-B05	EA	WINDOW-PICTURE - W/O INSIDE FRAME
11	098646-05-01A	FT	WINDOW ASM-SLANTED SLIDER RH - EXCEL S958-MRR
12	105174-07-C03	EA	DOOR ASM-LOWER - FRONT
13	098647-09-C2A	EA	WINDOW ASM-SLIDER - HORIZONTAL - EXCEL H024-PRR

KEY	PART NUMBER	U/M	DESCRIPTION
14	105174-08-C03	EA	DOOR ASM-LOWER - FRONT
15	105174-09-C03	EA	DOOR ASM-LOWER - FRONT
16	052009-01-000	EA	DOOR-WATER HEATER - OFF WHITE - ATWOOD 5576-27
17	084103-03-000	EA	DOOR-REFRIGERATOR - VENTED - W/O JAMB - OFF WHITE
	084104-01-700	EA	LOCK-MALE - FASTENER - REFRIGERATOR DOOR
	084104-01-701	EA	LOCK-FEMALE - FASTENER - REFRIGERATOR DOOR
17	084104-03-000	EA	JAMB-DOOR - REFRIGERATOR - OFF WHITE
18	M01870-63-C52	EA	DOOR-ENTRY W/SCREEN DOOR & JAMB
19	079733-04-T03	EA	WINDOW-PICTURE - W/O INSIDE FRAME - 17" X 25"
20	079578-15-C05	EA	DOOR ASM-STORAGE
	081240-03-000	EA	DOOR-WATER FILL - LOCKABLE, 4" X 4 5/8" - OFF WHITE
	078010-C3-000	EA	DOOR-FUEL FILL - W/JAMB - OFF WHITE
	077963-01-000	EA	GASKET-DOOR - FUEL FILL - 10 1" X 8" - W/PSA

# WINDOW, VENT & EXTERIOR DOOR GROUP (CONTINUED)

## ENTRY DOOR



KEY	PART NUMBER	UM	DESCRIPTION
1	M01870-32-B87	EA	DOOR-ENTRY W/SCREEN DOOR & JAMB
2	039559-01-000	EA	STRIKE-LOCK - ENTRY DOOR - ROUND W/THREADED WASHER
3	039540-01-000	EA	LATCH MECHANISM-HOOK ENTRY DOOR - INTERIOR
	039715-01-000	EA	NUT-SERT - 1/4" DIAMETER 20 THREADS
4	039977-04-000	EA	COVER-INTERIOR LATCH - W/TRIP ARM - RIGHT - BLACK
	039994-01-000	EA	CAP-ROUND - VINYL - 28" ID X 62" LONG - BLACK
	041946-03-000	EA	EPACKET-DOOR ANGLE - 5" X 1 9" - BEIGE - METAL
5	045017-11-000	EA	LATCH-ENTRY DOOR - MECHANISM W/LOCK & KEY - BLACK
	045017-11-701	EA	KEY BLANK
	056025-02-000	EA	CLIP-ROLLER LATCH CATCH - SCREEN DOOR
	063729-04-000	EA	RIVNUT - 10-32 UNF - 010-050
	072693-01-000	EA	NUTSERT-M5 X 0.3
	075571-04-000	FT	SEAL-SPONGE - LAZY T SHAPE - W/ADHESIVE STRIPE - 5" WIDE
6	079017-01-001	EA	DOOR-SCREEN
7	082203-02-000	SF	SCREENING-WINDOW/DOOR, 25" - CHARCOAL
8	082294-01-000	FT	SPLINE-SCREENING - 135" X 138" - BLACK
	082748-01-000	EA	CORNER KEY DOOR
9	109403-01-000	EA	CATCH-ASM-SINGLE ROLLER
10	016454-01-000	EA	INSERT-CENTER - LEATHER GRAIN ALUMINUM - UNPAINTED
10	071014-01-013	EA	INSERT-CENTER - 10 25" X 16 31" - UNPAINTED
11	050712-04-000	EA	HANDLE-SCREEN DOOR - ALUMINUM - OFF WHITE
11	050712-05-000	EA	HANDLE-SCREEN DOOR - UNPAINTED
12	078552-03-000	EA	KICK PANEL-SCREEN DOOR - LOWER INSERT - UNPAINTED
	078595-01-000	EA	TOP PLATE-SCREEN DOOR - CURVED TOP - 4 7" X 25 35"
13	078777-01-000	EA	CHANNEL-SLIDE - SCREEN DOOR CENTER SLIDER COVER
14	079086-02-000	EA	SLIDER-SCREEN DOOR - OFF WHITE
15	079087-02-000	EA	STRIKE-SLIDER - W/LIP FOR ELBOW CATCH - 1 5" X 8 6" - OFF WHITE
	089016-01-000	EA	CATCH-ELBOW - SPRING LOADED - SCREEN DOOR CATCH
16	079733-07-AA8	EA	WINDOW-PICTURE - 17" X 25" - W/O INSIDE FRAME
	092161-07-000	EA	GLASS-WINDOW - 18 2" X 16 25" X 2 4" - FROSTED
	091914-01-000	EA	BUMPER-RUBBER - ROUND - 43" DIAMETER - BLACK
17	089748-01-000	EA	FRAME-BOTTOM - ENTRY DOOR - 24 8" LONG - OFF WHITE
	090340-01-000	FT	SEAL-FOAM - CLOSED CELL - 1/4" X 1/2" X 50'
18	095276-01-01A	EA	FRAME-ENTRY DOOR - W/O BOTTOM - OFF WHITE
19	095277-02-01A	EA	JAMB-ENTRY DOOR - W/BOTTOM - 25 9" X 74.5" - OFF WHITE
20	051049-01-000	EA	JAMB-BOTTOM - ENTRY DOOR - 25 9" - UNPAINTED
	079207-01-000	EA	STRIKER-ROLLER CATCH - WELDED TO DOOR JAMB - 4" X 1 15"
	095278-01-01A	EA	JAMB-DOOR - ENTRANCE - 25 9" X 74.5" - UNPAINTED
21	095910-01-01A	EA	PLATE-LATCH - ENTRY DOOR - PLASTIC - BLACK
22	097724-01-01A	EA	HINGE-ENTRY DOOR - UNPAINTED
23	098173-01-01A	EA	STIFFENER-ENTRY DOOR - SUPPORTS LATCH STRIKE AREA - UNPAINTED
	100123-02-000	FT	SEAL-PILE - ADHESIVE BACK - SCREEN DOOR - GRAY
24	101145-01-01A	EA	DEADBOLT-ENTRY DOOR - W/2 KEYS W/O BACK SET BOLT OR SCREWS
	095229-01-700	EA	KEY BLANK
	101147-01-000	EA	BOLT-SECURITY - 4 12" BACKSET
	102524-01-000	EA	BUMPER-RUBBER - FLAT - BLACK
25	044582-02-000	EA	CAP-DRIP - ENTRY DOOR - JAMB MOUNTED - ALUMINUM - OFF WHITE
	064075-07-000	FT	SEAL-BULB - W/WRED U CHANNEL - 3" X 5" CHANNEL - BLACK
	075639-19-000	EA	GARNISH-RADIUS - ENTRY DOOR OFF WHITE
	077421-03-000	EA	COVER-STRIKE - ENTRY DOOR - 6 5" X 2 5" - PLASTIC - WHITE
	091876-01-000	EA	RETAINER-DOOR - 1 9" X 8" - METAL
26	100412-01-000	EA	CATCH-SCREEN DOOR, THUMB CLIP W/BLACK PLASTIC CAP
	104692-01-000	FT	SEAL-ADHESIVE BACK - 3 4" X 3 4"
27	104093-01-01A	EA	CATCH-DOOR HOLDER - STRIKE
28	104093-02-01A	EA	CATCH-DOOR HOLDER - RETAINER

## 1992 ITASCA TABLE OF CONTENTS

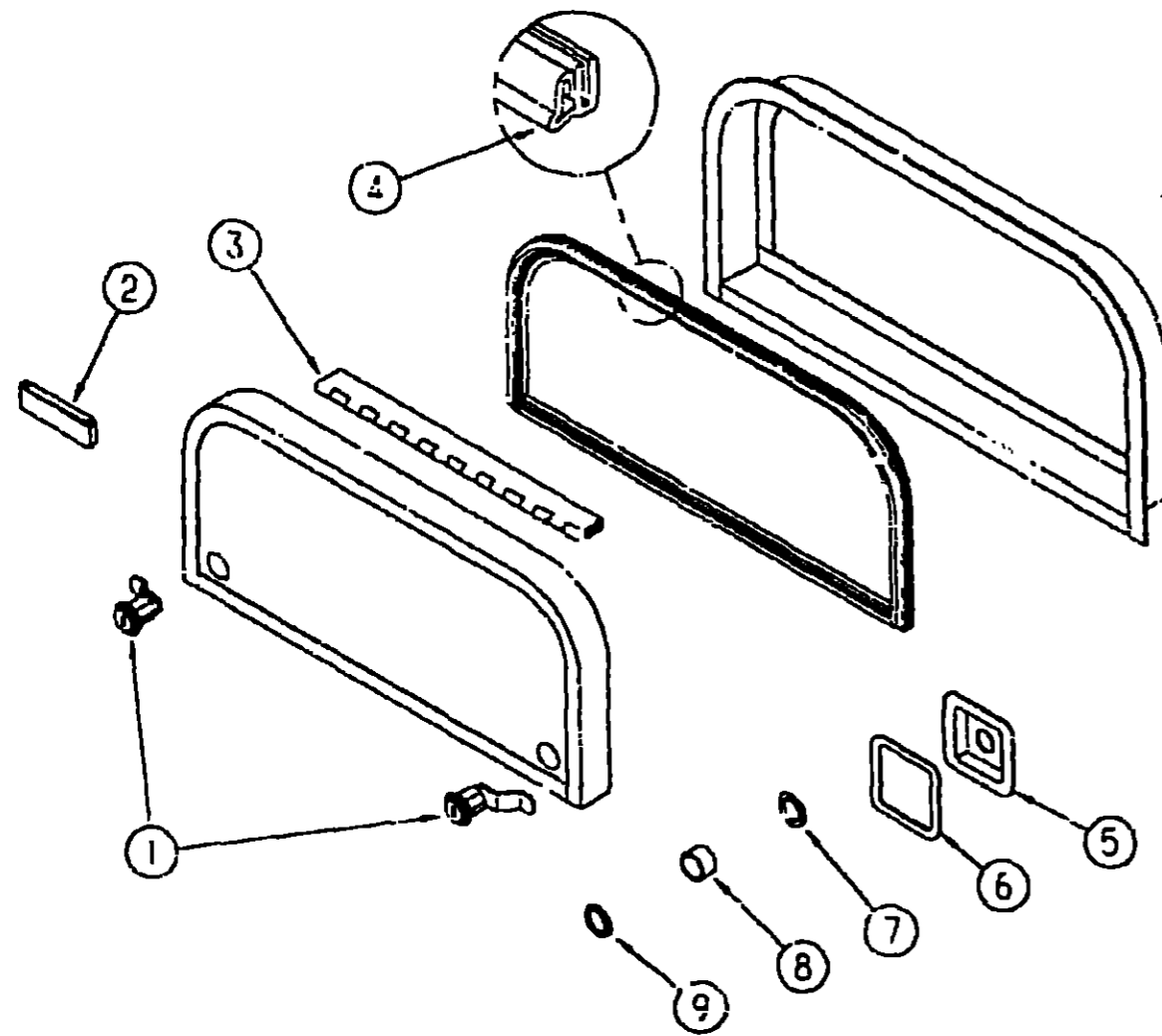
INTRODUCTION	A-01 - A-02
ABBREVIATIONS	A-03
ALPHABETICAL INDEX	A-04 - A-05
IC422RG	A-07 - D-10
IC424RC	D-11 - G-16

## 1992 IC422RG INDEX

FLOOR PLAN	A-07 - A-08
ACCESSORIES	A-09
AUDIO VIDEO	A-10
BATH	A-11 - A-12
CHASSIS	A-13 - A-16
CURTAIN & CUSHION	A-17 - A-24
DINETTE	B-01 - B-02
DRIVERS COMPARTMENT	B-03 - B-06
ELECTRICAL	B-07 - B-10
EXTERIOR BODY	B-11 - B-17
GALLEY	B-18 - B-21
GENERATOR	B-22
HEATING & A/C	B-23 - B-24
INTERIOR FINISH	C-01 - C-04
LABEL	C-05 - C-12
LP	C-13
LOUNGE	C-14
SEALANTS & FASTENERS	C-15 - C-17
WATER & SEWAGE	C-18 - C-20
WINDOW, VENT AND EXTERIOR DOOR	C-21 - D-10



**WINDOW, VENT & EXTERIOR DOOR GROUP (CONTINUED)**



**EXTERIOR DOOR COMPONENTS & HOLDERS**

KEY	PART NUMBER	U/M DESCRIPTION
1	079355-04-000	EA LOCK-DOOR - KEY TYPE W/O KEYS - 1 5/8 OFF SET FROM 00-00-00 THRU 02-19-92
1	079366-05-000	EA LOCK ASM-KEY TYPE W/O KEYS - 1 60 OFF SET FROM 02-20-92 THRU 99-99-99
	032664-01-700	EA KEY BLANK
1	079927-03-000	EA LOCK TWIST TYPE - DOUBLE CAM - 2 10 OFF SET FROM 00-00-00 THRU 02-19-92
1	079927-04-000	EA LOCK ASM-TWIST TYPE - 1 50 OUTSIDE - ILLINOIS LOCK FROM 02-20-92 THRU 99-99-99
2	102768-01-000	EA HOLDER-COMPARTMENT/ENTRY DOOR - METAL - MILL FINISH
3	081801-02-000	EA HINGE-2" X 96" - OFF WHITE
4	064075-07-000	FT SEAL-BULB - W/HEATED U-CHANNEL - .3" X .5" CHANNEL - BLACK
5	097111-01-01A	EA POCKET-LOCK - VALANCE - OFF WHITE
6	099338-01-000	EA GASKET-LOCK POCKET
7	109834-01-000	EA WASHER - 640 X 752 ID STAINLESS STEEL - HUDSON LOCK
8	107997-51-001	EA EXTR-SPACER - 0015 - 24
9	109933-01-000	EA BEAUTY RING 670 X 780 ID STAINLESS STEEL - HUDSON LOCK
	096217-55-001	EA U-CHANNEL - 17 5" - OFF WHITE

**WINDOW, VENT & EXTERIOR DOOR GROUP (CONTINUED)**

**POWERED ROOF VENT**

KEY	PART NUMBER	U/M DESCRIPTION
	020394-01-Y12	EA VENT-ROOF POWERED
	009439-01-000	EA CRANK HANDLE-ROOF VENT
	009439-04-000	EA SCREW - 8-32 X 1 1/4" POH
	009439-02-000	EA KNOB-ROOF VENT MILL
	009439-03-000	EA EXTENSION-CRANK HANDLE ROOF VENT - 9" - MILL
	009439-04-000	EA SCREW 8-32 X 1 1/4" POH
	055218-01-000	EA COVER-ROOF VENT - PLASTIC
	008195-01-000	EA SWITCH-ROOF VENT - PUSH BUTTON 12V
	008343-01-000	EA TIE-WIRE 6"
	008386-01-000	EA GROMMET-SNAP 3/8"
	009440-01-000	EA GEAR/ARM-VENT COVER LIFT
	015910-03-000	EA BRACKET-HANDLE-VENT ROOF - OFF WHITE
	015911-01-000	EA TRACK-LIFT ARM SLIDE - ROOF VENT
	048648-01-000	EA MOTOR-ROOF VENT - 1/8 SHAFT - 12V - JENSEN
	048649-01-000	EA FAN-ROOF VENT - 6 BLADES - 6" - JENSEN
	052639-01-001	EA HINGE-VENT COVER 16"
	052639-01-200	EA HINGE-EXTRUSION - ROOF VENT 7"
	051603-01-000	EA GROMMET-SNAP 3/16" ID - 3/8" HOLE - PLASTIC - BLACK
	078785-01-Y12	EA SCREEN-ROOF VENT POWERED
	002291-02-000	SF SCREENING-ROOF VENT/WINDOW 16" - BLACK
	002295-02-000	FT SPLINE-VENT/WINDOW SCREEN - 128 DIAMETER - BLACK

**NONPOWERED ROOF VENT**

KEY	PART NUMBER	U/M DESCRIPTION
	090395-01-Y12	EA VENT-ROOF - NONPOWERED
	009439-01-000	EA CRANK HANDLE-ROOF VENT
	009439-04-000	EA SCREW 8-32 X 1 1/4" - POH
	009439-02-000	EA KNOB-ROOF VENT - MILL
	009439-03-000	EA EXTENSION-CRANK HANDLE - ROOF VENT - 9" - MILL
	009439-04-000	EA SCREW 8-32 X 1 1/4" POH
	055218-01-000	EA COVER-ROOF VENT - PLASTIC
	002825-01-000	EA WEATHER STRIP-ROOF VENT GRAY
	009440-01-000	EA GEAR/ARM-VENT COVER LIFT
	015910-03-000	EA BRACKET-HANDLE-VENT ROOF - OFF WHITE
	015911-01-000	EA TRACK LIFT ARM SLIDE - ROOF VENT
	052639-01-001	EA HINGE-VENT COVER 16"
	052639-01-200	EA HINGE-EXTRUSION ROOF VENT 7"
	078786-01-Y12	EA SCREEN-ROOF VENT NON POWERED - WHITE
	002291-02-000	SF SCREENING-ROOF VENT/WINDOW 16" - BLACK
	002298-02-000	FT SPLINE-VENT/WINDOW SCREEN - 128 DIAMETER - BLACK

**VENTS, SHROUDS & ROOF COVERS**

KEY	PART NUMBER	U/M DESCRIPTION
	093558-03-000	EA VENT-PLUMBING PIPE ROOF W/COVER - OFF WHITE
	084616-01-000	EA SHROUD-RANGE HOOD VENT - OFF WHITE
	084378-09-000	EA VENT-RANGE HOOD - SHORT - LVS
	084773-03-000	EA COVER-ROOF VENT - REFRIGERATOR - OFF WHITE - NORCOLD
	084773-04-000	EA BASE-ROOF VENT - REFRIGERATOR - BLACK - NORCOLD

**1992 ITASCA  
TABLE OF CONTENTS**

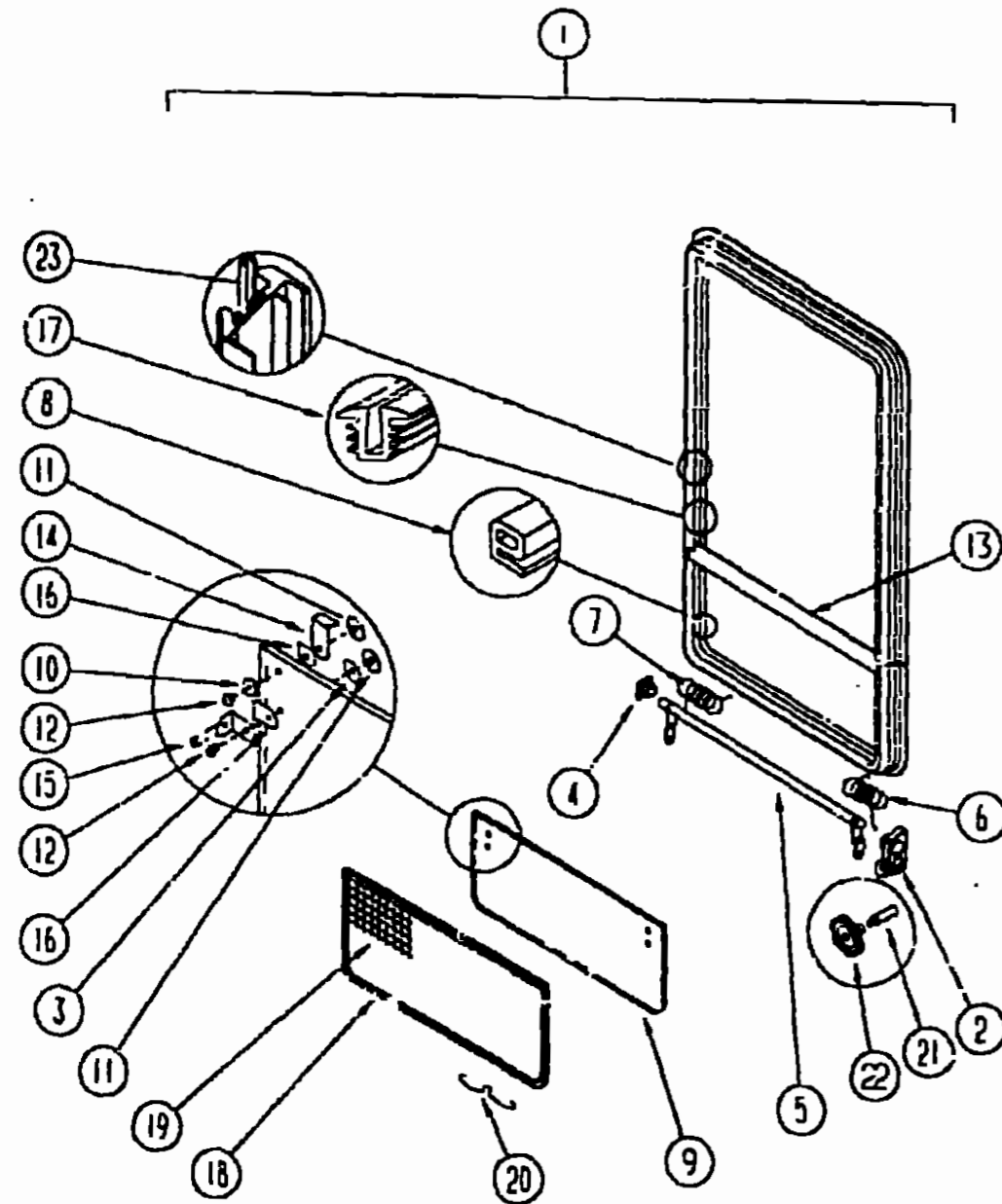
INTRODUCTION	A-01 - A-02
ABBREVIATIONS	A-03
ALPHABETICAL INDEX	A-04 - A-06
IC422RG	A-07 - D-10
IC424RC	D-11 - G-16

**1992 IC422RG INDEX**

FLOOR PLAN	A-07 - A-08
ACCESSORIES	A-09
AUDIO VIDEO	A-10
BATH	A-11 - A-12
CHASSIS	A-13 - A-16
CURTAIN & CUSHION	A-17 - A-24
DINETTE	B-01 - B-02
DRIVERS COMPARTMENT	B-03 - B-06
ELECTRICAL	B-07 - B-10
EXTERIOR BODY	B-11 - B-17
GALLEY	B-18 - B-21
GENERATOR	B-22
HEATING & A/C	B-23 - B-24
INTERIOR FINISH	C-01 - C-04
LABEL	C-05 - C-12
LP	C-13
LOUNGE	C-14
SEALANTS & FASTENERS	C-15 - C-17
WATER & SEWAGE	C-18 - C-20
WINDOW, VENT AND EXTERIOR DOOR	C-21 - D-10

# WINDOW, VENT & EXTERIOR DOOR GROUP (CONTINUED)

## DRIVER SIDE LOUNGE WINDOW



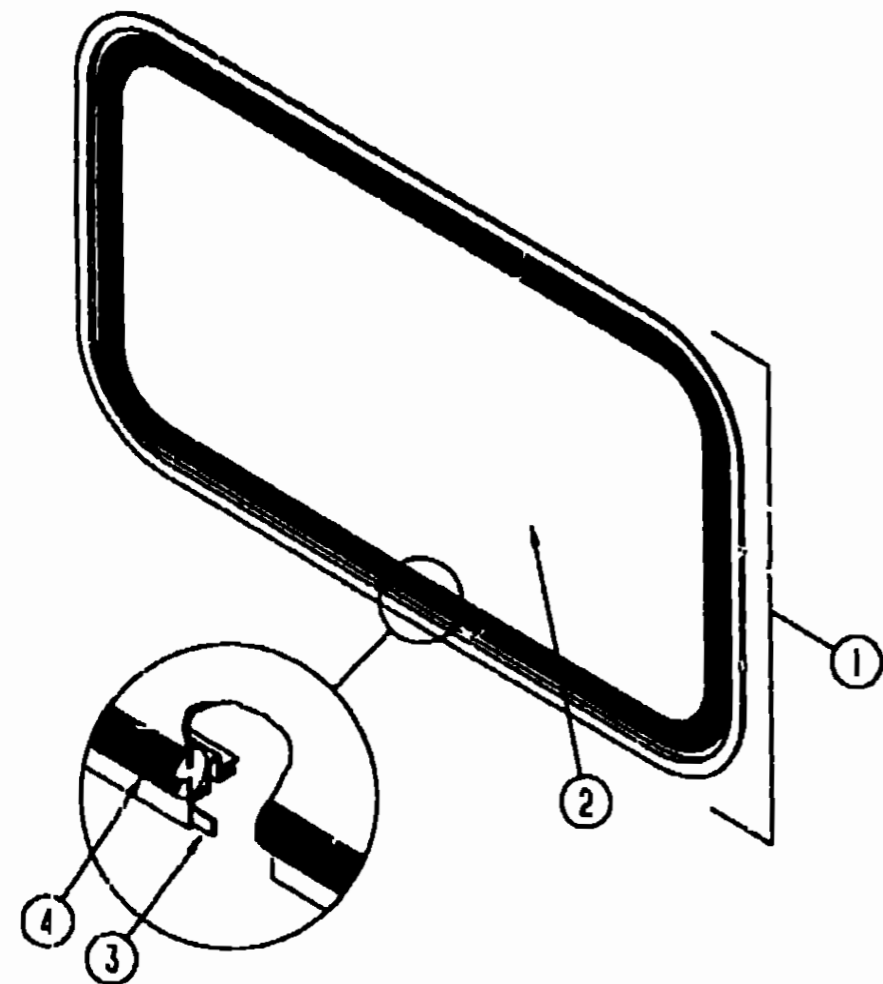
KEY	PART NUMBER	U/M	DESCRIPTION
	090893-03-02A	EA	FRAME-INSIDE - WINDOW RETAINER - OFF WHITE
1	092235-03-Y12	EA	WINDOW-TIPOUT - SINGLE - W/O INSIDE FRAME
	000H14-06-14R	EA	RIVET-MANDREL BLIND - 3/16"
2	035302-02-0C0	EA	OPERATOR-TORQUE - TIPOUT WINDOW - LEFT
3	066927-03-000	EA	SEAL-WINDOW - RUBBER - ROUND - .80" DIA. - BLACK
4	081354-01-000	EA	SLEEVE-TORQUE TUBE - TIPOUT WINDOW - 1 3/4" X 1 1/2" X 7"
	081549-01-000	EA	RING-SNAP - 7/32 SHAFT DIAMETER
5	083150-11-000	EA	TUBE ASM-TORQUE - WINDOW
6	080918-01-000	EA	SPRING-TORQUE TUBE - LEFT
7	080918-02-000	EA	SPRING-TORQUE TUBE - RIGHT
8	084067-02-000	FT	SEAL-E SHAPED - SPONGE - TIPOUT WINDOW - 42" X 38" - BLACK
9	084068-16-000	EA	GLASS-TIPOUT - 9 1/2" X 26"
10	084453-02-000	EA	WASHER-.06" X 5" X .25" - PLASTIC
11	086762-01-000	EA	T NUT - 10-32
12	085763-01-000	EA	SCREW-MACH - 10 - 32 X 1/4 PTH
13	087566-03-01A	EA	MULLION-HORIZONTAL - TIPOUT - BLACK
14	089973-01-000	EA	HINGE-TIPOUT WINDOW - BLACK
15	097578-01-000	EA	LINKAGE-TIPOUT WINDOW
	094453-01-000	EA	WASHER-.06" X 5" X .135" - PLASTIC
16	084473-01-000	EA	SEAL-FLAT - W/CENTER HOLE & ADHESIVE SIDE - 8" X 9" - BLK
	085315-01-000	EA	RIVET-SHOULDER - TIPOUT WINDOW
17	099154-01-000	FT	CHANNEL-GLAZING - STATIONARY GLASS - 62" X 45" - BLACK
18	100235-03-B07	EA	SCREEN-SINGLE TIPOUT WINDOW
19	080218-03-000	SF	SCREENING-FIBERGLASS - 12" WIDE
20	100168-01-000	EA	CLIP-SPRING - SCREEN
	100240-01-000	FT	SPLINE-SCREEN - T-SHAPED
21	009439-06-000	EA	EXTENSION-CRANK HANDLE - WINDOW/ROOF VENT - BLACK
22	009439-05-000	EA	KNOB-OPERATOR - TIPOUT WINDOW - W/SPRING & ARM
	009439-07-000	EA	SCREW - 8-32 X 1 1/4 POH - BLACK
23	059640-11-000	FT	TAPE-SEALER - 3/16" X 3/8" - BLACK

## 1992 ITASCA TABLE OF CONTENTS

INTRODUCTION	A-01 -	A-02
ABBREVIATIONS		A-03
ALPHABETICAL INDEX	A-04 -	A-06
IC422RG	A-07 -	D-10
IC424RC	D-11 -	G-16

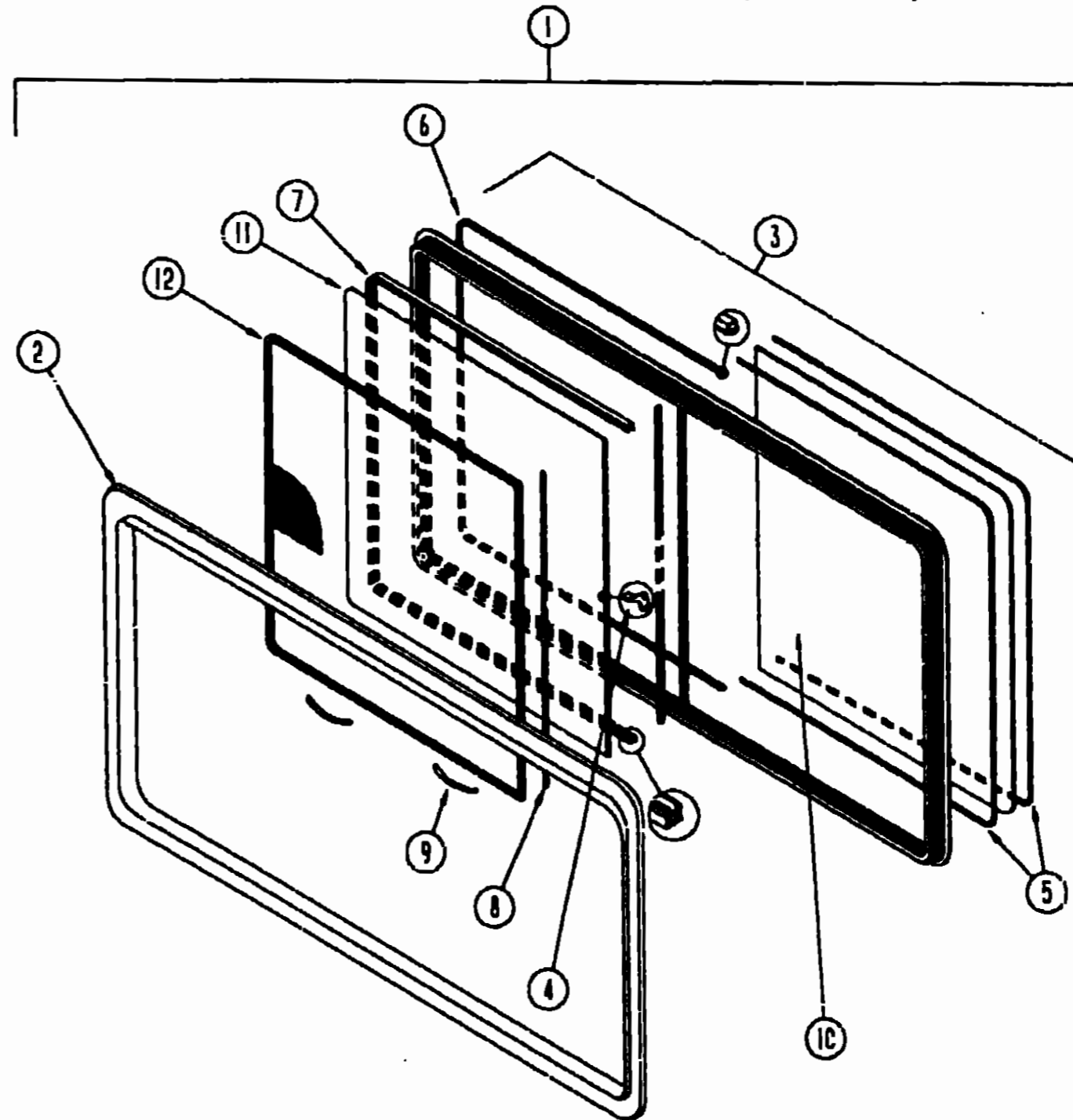
## 1992 IC422RG INDEX

FLOOR PLAN	A-07 -	A-08
ACCESSORIES		A-09
AUDIO VIDEO		A-10
BATH	A-11 -	A-12
CHASSIS	A-13 -	A-16
CURTAIN & CUSHION	A-17 -	A-24
DINETTE	B-01 -	B-02
DRIVERS COMPARTMENT	B-03 -	B-06
ELECTRICAL	B-07 -	B-10
EXTERIOR BODY	B-11 -	B-17
GALLEY	B-18 -	B-21
GENERATOR		B-22
HEATING & A/C	B-23 -	B-24
INTERIOR FINISH	C-01 -	C-04
LABEL	C-05 -	C-12
LP		C-13
LOUNGE		C-14
SEALANTS & FASTENERS	C-15 -	C-17
WATER & SEWAGE	C-18 -	C-20
WINDOW, VENT AND EXTERIOR DOOR	C-21 -	D-10



OVERHEAD BUNK FRONT WINDOW

KEY	PART NUMBER	U/M	DESCRIPTION
	067609-33-00C	EA	FRAME-INSIDE WINDOW
1	103313-01-B05	EA	WINDOW ASM-PICTURE
2	002181-15-000	EA	GLASS-PICTURE 11 25" X 58 1" - GRAY
3	069540-11-000	FT	SEALER-TAPE, 3/15" X 3/8" BLACK
4	099154-01-000	FT	CHANNEL-GLAZING STATIONARY GLASS - 52" X 45" - BLACK



DINETTE SLIDING WINDOW

KEY	PART NUMBER	U/M	DESCRIPTION
1	098647-09-02A	EA	WINDOW ASM-SLIDER - W/INSIDE FRAME TRIM - EXCEL H024-FRR
2	098647-09-704	EA	FRAME-INSIDE - WINDOW TRIM - W024-67 EXCEL
3	098647-09-703	EA	WINDOW-SINGLE SLIDER - RIGHT - H024-G2R EXCEL
4	098644-01-700	EA	LATCH-REPAIR KIT - EXCEL B801-CK
5	098644-01-705	FT	GLAZING STRIP - EXCEL M926-12
6	098644-01-706	FT	WEATHERSTRIP - EXCEL 171-010668
7	098644-01-708	FT	CHANNEL-PIERCED RUN - EXCEL 122-015543
8	098644-01-710	FT	TRACK-SCREEN SPACER - 12" LENGTH - EXCEL M401-31
	098544-01-711	FT	WEATHERSTRIP-SCREEN - BLACK - EXCEL 171-016955
9	098644-01-713	EA	SPRING-SCREEN FRAME (CLIP) - PLASTIC - BLACK
	098644-01-716	FT	PLUG-FILLER - EXCEL 132-014470
	098644-01-717	FT	SPLINE-SCREEN MFG - EXCEL 132-004716
10	098647-09-700	EA	GLASS-STATIONARY - EXCEL 106-017193 EXCEL
11	098647-09-701	EA	GLASS-SLIDING - W/SASH & LATCH - H024-G9 EXCEL
12	098647-09-705	EA	SCREEN W/SPRING & WEATHERSTRIP - 410-D16464 EXCEL

1992 ITASCA  
TABLE OF CONTENTS

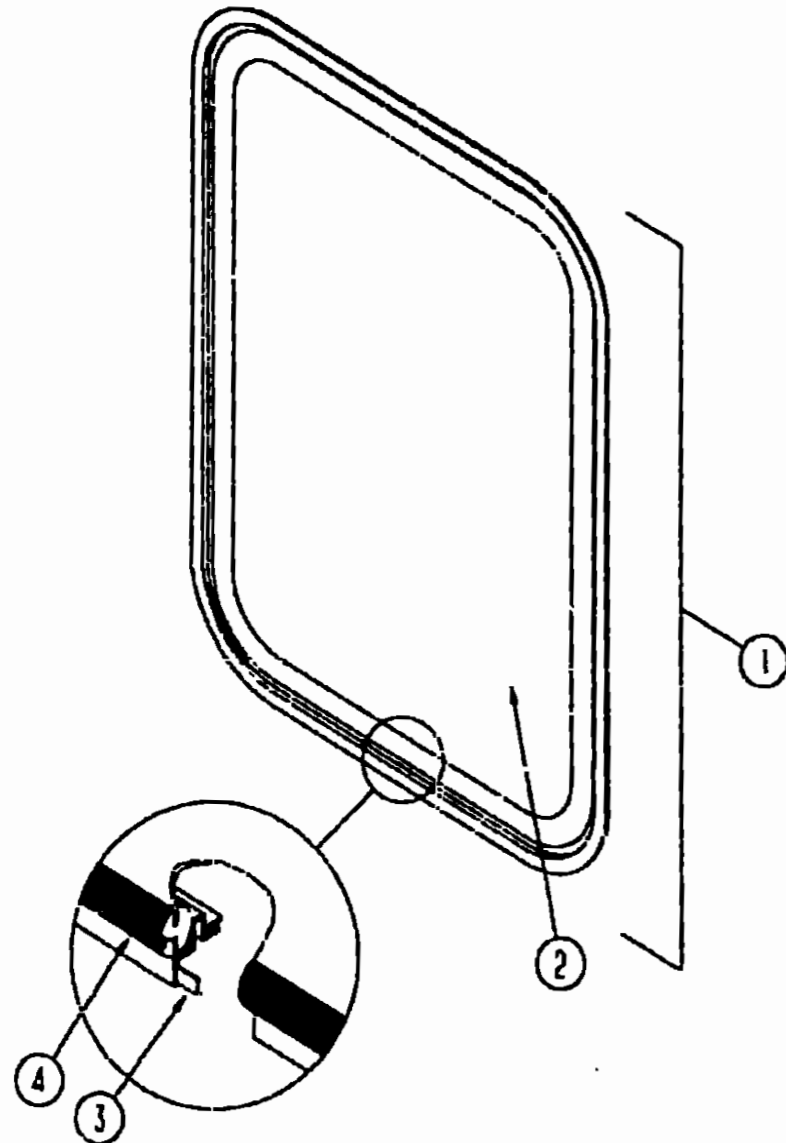
INTRODUCTION	A-01 - A-02
ABBREVIATIONS	A-03
ALPHABETICAL INDEX	A-04 - A-06
IC422RG	A-07 - D-10
IC424RC	D-11 - G-16

1992 IC422RG INDEX

FLOOR PLAN	A-07 - A-08
ACCESSORIES	A-09
AUDIO VIDEO	A-10
BATH	A-11 - A-12
CHASSIS	A-13 - A-16
CURTAIN & CUSHION	A-17 - A-24
DINETTE	B-01 - B-02
DRIVERS COMPARTMENT	B-03 - B-06
ELECTRICAL	B-07 - B-10
EXTERIOR BODY	B-11 - B-17
GALLEY	B-18 - B-21
GENERATOR	B-22
HEATING & A/C	B-23 - B-24
INTERIOR FINISH	C-01 - C-04
LABEL	C-05 - C-12
LP	C-13
LOUNGE	C-14
SEALANTS & FASTENERS	C-15 - C-17
WATER & SEWAGE	C-18 - C-20
WINDOW VENT AND EXTERIOR DOOR	C-21 - D-10

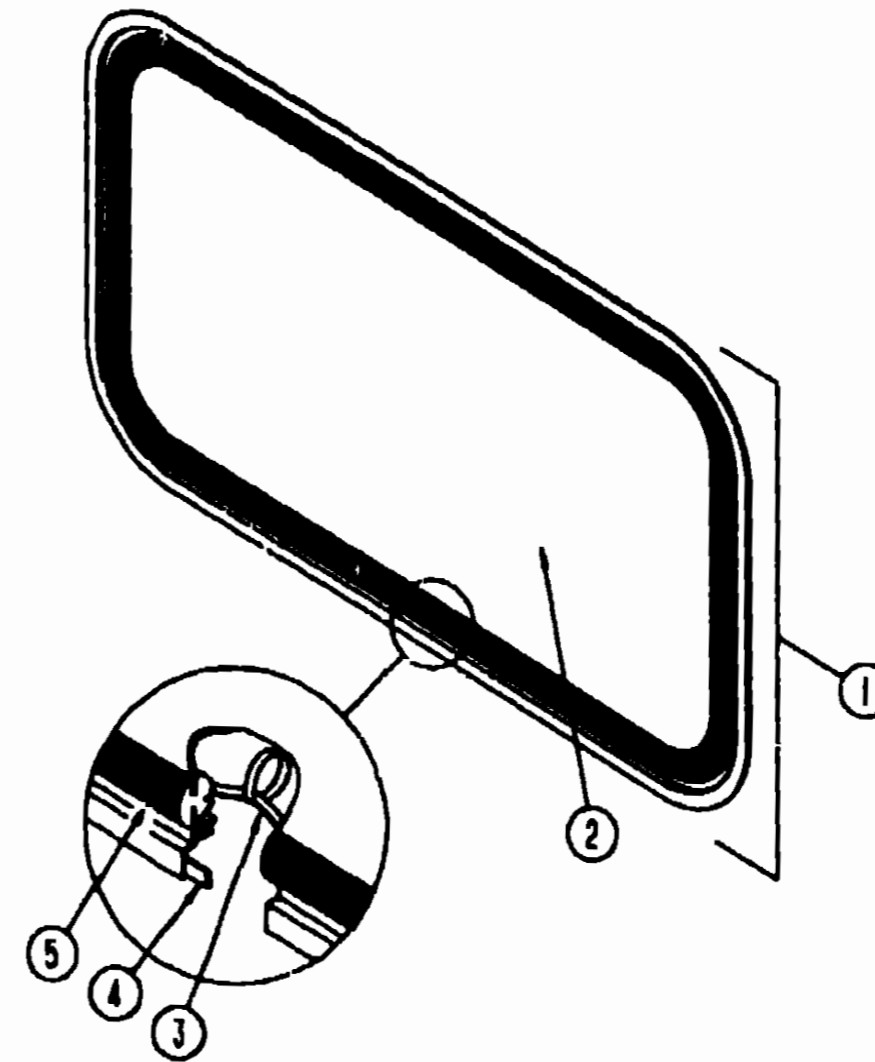
1992 ITASCA  
TABLE OF CONTENTS

INTRODUCTION	A-01	A-02
ABBREVIATIONS		A-03
ALPHABETICAL INDEX	A-04	A-05
IC422RG	A-07	D-10
IC424RC	D-11	G-15



ENTRY DOOR WINDOW

KEY	PART NUMBER	U/M DESCRIPTION
	067609-32-000	EA FRAME-WINDOW - ENTRY DOOR - OFF WHITE
1	079733-07-AAB	EA WINDOW-PICTURE - W/O INSIDE FRAME - 17" X 25"
2	002181-07-000	EA GLASS-PICTURE WINDOW - 18 1/2" X 16 25" X 24"
3	069640-11-000	FT SEALER-TAPE - 3/16" X 3/8" - BLACK
4	087561-01-000	FT SEAL-GLASS - EXTERIOR - 5" WIDE - VINYL - BLACK



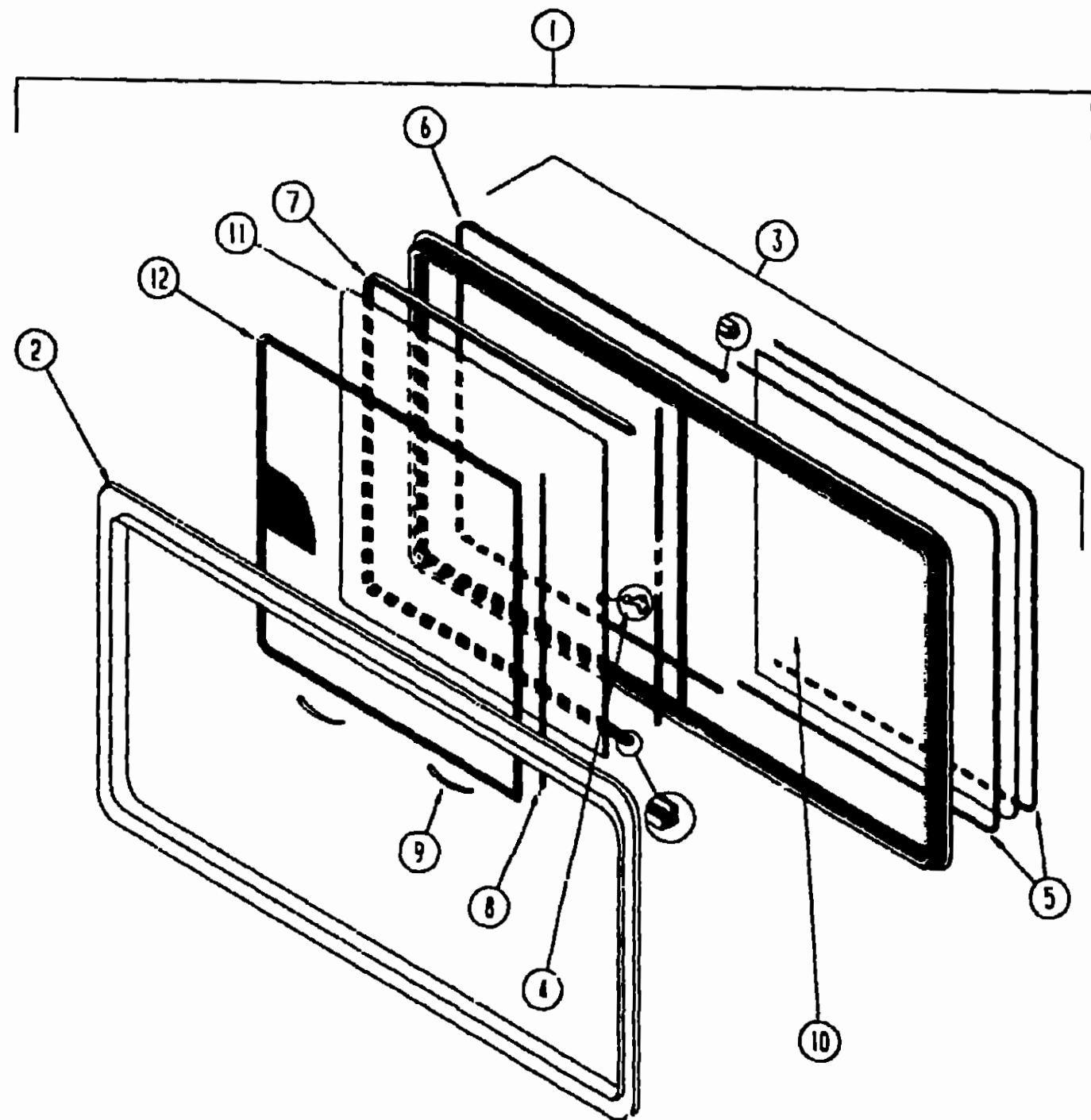
LOUNGE ESCAPE WINDOW

KEY	PART NUMBER	U/M DESCRIPTION
	042027-13-000	EA FRAME WINDOW - INSIDE - 68" X 24 5" - OFF WHITE
1	078536-01-T03	EA WINDOW-ESCAPE - BACKWALL - 23" X 68"
2	002178-01-000	EA GLASS-19 6" X 64 8"
3	002285-01-000	FT FILLER-WEATHER STRIP - RUBBER - BLACK
	077066-01-702	EA RED POLY - 005" X 500"
4	069640-10-000	FT SEALER-RIBBON - 1/32" X 1 1/2" INCREMENTS OF 90°
5	002282-08-000	EA WEATHERSTRIP-WINDOW - 125" - BLACK

1992 IC422RG INDEX

FLOOR PLAN	A-07	A-08
ACCESSORIES		A-09
AUDIO VIDEO		A-10
BATH	A-11	A-12
CHASSIS	A-13	A-15
CURTAIN & CUSHION	A-17	A-24
DINETTE	B-01	B-02
DRIVERS COMPARTMENT	B-03	B-05
ELECTRICAL	B-07	B-10
EXTERIOR BODY	B-11	B-17
GALLEY	B-18	B-21
GENERATOR		B-22
HEATING & A/C	B-23	B-24
INTERIOR FINISH	C-01	C-04
LABEL	C-05	C-12
LP		C-13
LOUNGE		C-14
SEALANTS & FASTENERS	C-15	C-17
WATER & SEWAGE	C-18	C-20
WINDOW VENT AND EXTERIOR DOOR	C-21	D-10

WINDOW, VENT & EXTERIOR DOOR GROUP (CONTINUED)



GALLEY SLIDER WINDOW

WINDOW, VENT & EXTERIOR DOOR GROUP (CONTINUED)

BUNK SLANTED SLIDER WINDOWS

KEY	PART NUMBER	U/M	DESCRIPTION
	098646-05-01A	EA	WINDOW-SLANTED SLIDER-PASSENGER SIDE
	098646-05-01A	EA	WINDOW-SLANTED SLIDER-DRIVER SIDE
	098644-01-700	EA	LATCH REPAIR KIT (BLACK)
	098644-01-705	FT	GLAZING STRIP
	098644-01-706	FT	WEATHERSTRIP-GLASS
	098644-01-708	FT	CHANNEL-RUN, PIERCED - GLASS
	098644-01-710	FT	TRACK-SPACER, FOR SCREEN 12'
	098644-01-711	FT	WEATHERSTRIP-SCREEN, BLACK
	098544-01-713	EA	SCREEN CLIPS (METAL)(BLACK)
	098644-01-716	FT	PLUG-FILLER
	098644-01-717	FT	SPLINE-SCREEN ASM
	098646-05-700	EA	STATIONARY GLASS
	098646-05-701	EA	SLIDE ASM
	098646-05-704	EA	SCREEN ASM

1992 ITASCA  
TABLE OF CONTENTS

INTRODUCTION	A-01 -	A-02
ABBREVIATIONS		A-03
ALPHABETICAL INDEX	A-04 -	A-06
IC422RG	A-07 -	D-10
IC424RC	D-11 -	G-16

1992 IC422RG INDEX

FLOOR FLAN	A-07 -	A-08
ACCESSORIES		A-09
AUDIO VIDEO		A-10
BATH	A-11 -	A-12
CHASSIS	A-13 -	A-16
CURTAIN & CUSHION	A-17 -	A-24
DINETTE	B-01 -	B-02
DRIVERS COMPARTMENT	B-03 -	B-06
ELECTRICAL	B-07 -	B-10
EXTERIOR BODY	B-11 -	B-17
GALLEY	B-18 -	B-21
GENERATOR		B-22
HEATING & A/C	B-23 -	B-24
INTERIOR FINISH	C-01 -	C-04
LABEL	C-05 -	C-12
LP		C-13
LOUNGE		C-14
SEALANTS & FASTENERS	C-15 -	C-17
WATER & SEWAGE	C-18 -	C-20
WINDOW VENT AND EXTERIOR DOOR	C-21 -	D-10

KEY	PART NUMBER	U/M	DESCRIPTION
1	098647-07-02A	EA	WINDOW-SLIDING - W/OFF WHITE INSIDE FRAME - EXCEL B959-FRL
2	098647-05-705	EA	FRAME-INSIDE - WINDOW TRIM - EXCEL V-959-57
3	098647-07-700	EA	WINDOW-SLIDING - SINGLE - W/O INSIDE FRAME - 15" X 23 75"
4	098644-01-700	EA	LATCH-REPAIR KIT - EXCEL B901-CK
5	098644-01-705	FT	GLAZING STRIP - EXCEL M925-12
6	098644-01-705	FT	WEATHERSTRIP - EXCEL 171-010568
7	098644-01-708	FT	CHANNEL-PIERCED RUN - EXCEL 122-016543
8	098644-01-710	FT	TRACK-SCREEN SPACER - 12' LENGTH - EXCEL M401-31
9	098644-01-711	FT	WEATHERSTRIP-SCREEN - BLACK - EXCEL 171-010565
	098644-01-713	EA	SPRING-SCREEN FRAME (CLIP) - PLASTIC - BLACK
	098644-01-716	FT	PLUG-FILLER - EXCEL 132-014470
	098644-01-717	FT	SPLINE-SCREEN MFG - EXCEL 132-004715
10	098647-05-700	EA	GLASS-STATIONARY - 10 5/8" X 13 7/8" - EXCEL 105-016921
11	098647-05-702	EA	GLASS-SLIDING - W/SASH & LATCH - EXCEL B959-G9
12	098647-05-703	EA	SCREEN W/WEATHERSTRIP & FRAME SPRING (CLIP) EXCEL 410-015
	098647-05-701	EA	RAIL-LOCKING W/WEATHERSTRIP - EXCEL B936-17