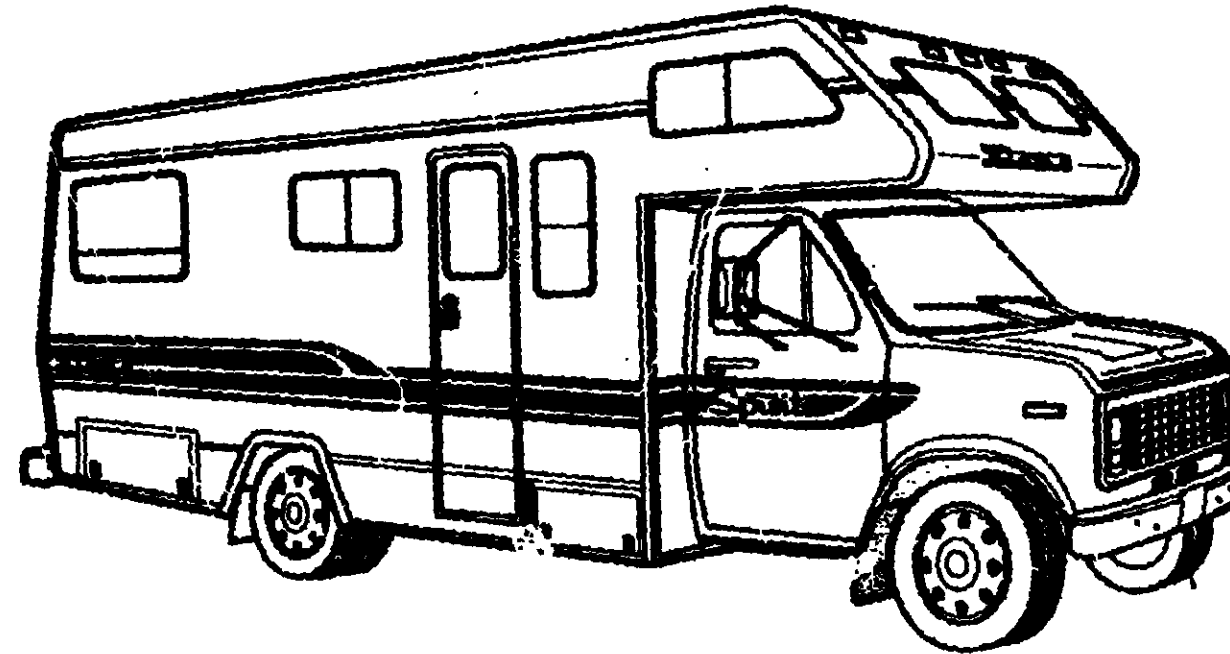


**1992 ITASCA  
TABLE OF CONTENTS**

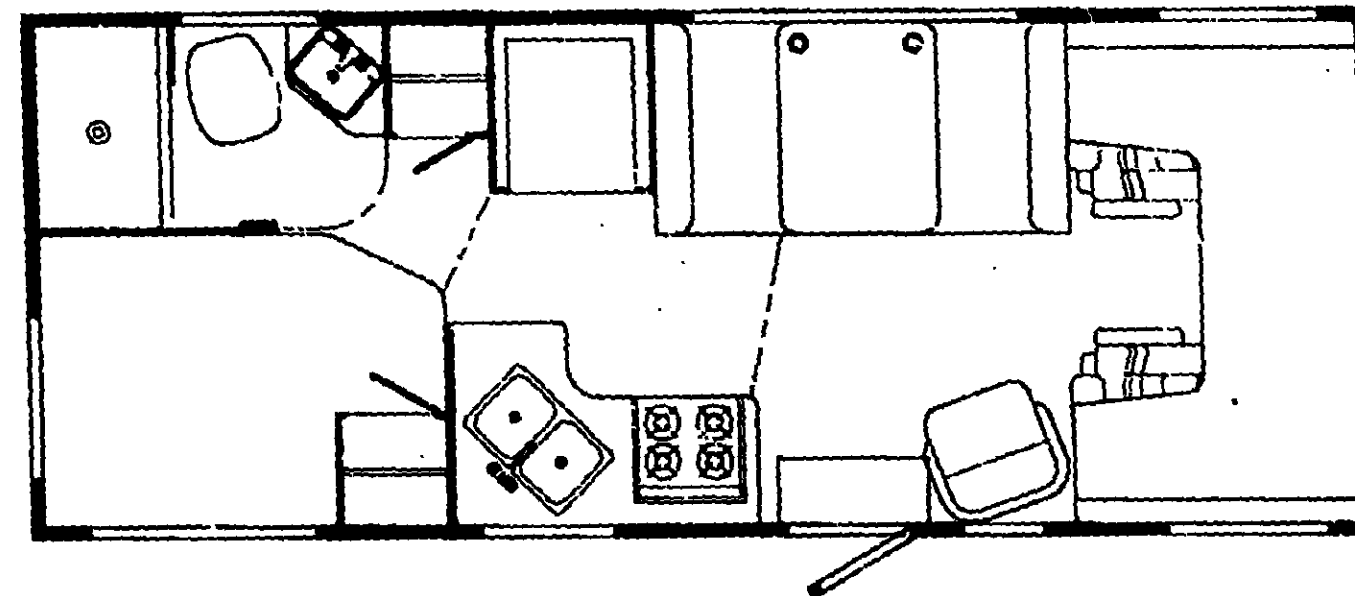
INTRODUCTION	A-01 - A-02
ABBREVIATIONS	A-03
ALPHABETICAL INDEX	A-04 - A-06
IC324RC	A-07 - D-12



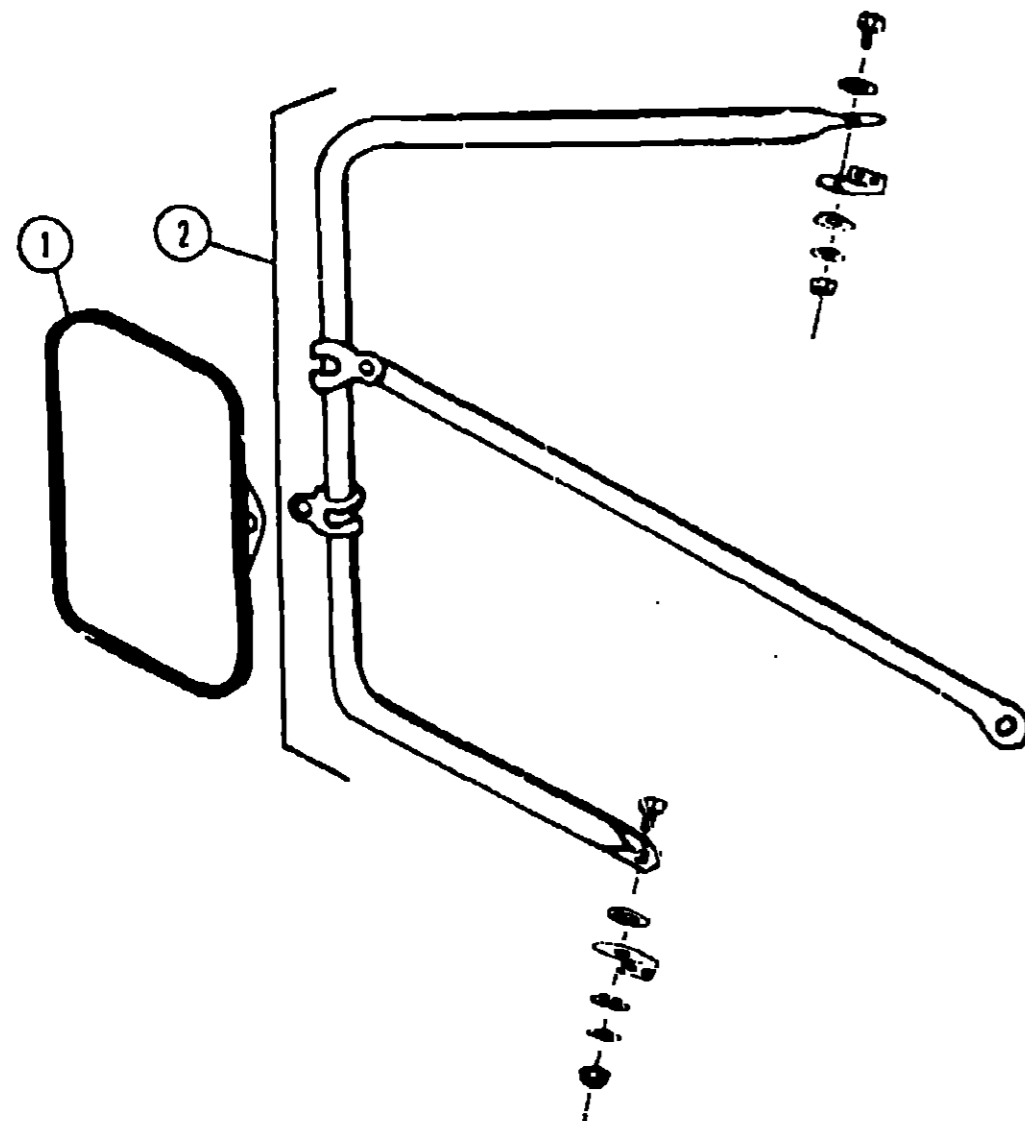
**1992  
IC324RC**

**1992 IC324RC INDEX**

Floor Plan	A-07 - A-08
Accessories Group	A-09 - A-12
Bath Group	A-13 - A-14
Bedroom Group	A-15
Chassis Group	A-16 - A-21
Curtain, Cushion & Pad Group	A-22 - B-05
Dinette Group	B-06 - B-07
Driver's Compartment Group	B-08 - B-11
Electrical Group	B-12 - B-14
Exterior Body Group	B-15 - B-19
Galley Group	B-20 - B-23
Heating & Air Conditioning Group	B-24 - C-01
Interior Finish Group	C-02 - C-05
Labels Group	C-06 - C-13
LP Group	C-14
Lounge Group	C-15
Sealants & Fasteners Group	C-16 - C-17
Water & Sewage Group	C-18 - C-21
Window, Vent & Exterior Door Group	C-22 - D-12



**ACCESSORIES GROUP**



**EXTERIOR MIRRORS**

Key	Part Number	U/M	Description
1	049347-01-000	EA	Mirror Head - 7.5" x 10.5" - Stainless Steel
	049347-01-700	EA	Glass - Mirror - 7.5" x 10.5"
2	082047-01-000	EA	Arm - West Coast Mirror - Stainless Steel
	006043-01-000	EA	Mirror - Convex - Adhesive Back

**WHEEL COVERS, LINERS & MOUNTING HARDWARE**

Key	Part Number	U/M	Description
	083181-01-000	EA	Wheel Cover - 16" (Set/4)
	083181-01-700	EA	Wheel Cover - 16" (1)
	083181-04-702	EA	Nut - Wheel Cover
	091209-05-000	EA	Wheel Liner - 16" (Set/4) - Chevy - Stainless Steel
	095012-03-000	EA	Extension - Valve Stem - Dual Wheel
	091209-05-000	EA	Wheel Liner - 16" (Set/4) Ford - Stainless Steel
	091209-10-000	EA	Wheel Liner - 16" (Set/4) Ford - Stainless Steel
	077030-02-000	EA	Extension - Valve Stem - 1.25"

These parts were used from 5/16/91 on.

**ACCESSORIES GROUP (CONTINUED)**

**RADIO & RELATED COMPONENTS**

Key	Part Number	U/M	Description
	090982-01-000	EA	Radio - AM/FM Steren - w/Cassette
	007004-01-000	EA	Antenna - Radio - Cab Mount
	074979-01-000	EA	Speaker Cover Protector - Plastic - Beige
	089340-02-000	EA	Speaker - Grill - 6.5" - Square
	081082-01-000	EA	Plaque - Mounting Switch - 2.4" x 1.4" - Black
	079185-02-000	EA	Radio Mounting Kit (Ford)
	091211-01-000	EA	Radio Mounting Kit (Chevrolet)
	094097-01-000	EA	Speaker - 5.25" - w/o Grille
	081059-02-000	EA	Wire Asm. - 9 Pin - Audiovox Radio

**TV ANTENNA (OPTION L193)**

Key	Part Number	U/M	Description
	076319-13-000	EA	Antenna - TV Roof Mount - 44.5"
	076319-13-700	EA	Head - Antenna - Non-Amplified
	076319-01-701	EA	Gear - Elevating - Plastic
	076319-01-702	EA	Shaft Asm. - Elevating
	076319-01-703	EA	Bearing - Nylon - .5" OD
	076319-01-704	EA	Bearing - Nylon - 1.25" OD
	076319-01-705	EA	Grommet - Nylon - 7/8" ID
	076319-01-706	EA	Crank - Elevating w/Set Screw
	076319-01-707	EA	Spring - Handle
	076319-06-000	EA	Adaptor - Cable Roof Plate
	093252-01-01A	EA	Wallplate/Cable - Beige
	076319-11-000	EA	Adaptor - Coax w/Splitter
	076319-03-000	FT	Cable - Coaxial - 1000' Roll
	076319-12-000	EA	Connector - Coaxial
	076319-04-000	EA	Connector w/Ferrule
	080734-02-000	EA	Clip - Wire Nylon

**TV/VCR & RELATED COMPONENTS (OPTIONS L43V & L44F)**

Key	Part Number	U/M	Description
	098447-01-000	EA	TV - 13" Color w/Remote - Magnavox (US) RX4029WA
	098447-02-000	EA	TV - 13" Color w/Remote - Magnavox (CSA) XK4029CH
	098447-01-700	EA	Remote Control - TV
	098447-03-000	EA	TV - 13" Color w/Remote - Magnavox (US) RR1337W
	098447-04-000	EA	TV - 13" Color w/Remote - Magnavox (CSA) RR1330W
	098447-03-700	EA	Remote Control - TV
	098446-02-000	EA	VCR - VHS - Cable Ready w/Remote - Magnavox VR9912
	098446-02-700	EA	Remote Control - VCR
	098446-03-000	EA	VCR - VHS - Cable Ready w/Remote - Magnavox VR9010
	098446-03-700	EA	Remote Control - VCR
	099856-01-000	EA	TV Tiedown
	096519-01-000	EA	Speaker - 2 Watt - 8 OHM - 4"
	074979-11-000	EA	Cover - Speaker - Off White - Plastic
	076319-06-000	EA	Adaptor - Cable Roof Plate - Winogard RPJ-1
	085774-01-000	FT	Fastener Dual Hook - 1" Wide - Adhesive Back - Black
	085774-02-000	FT	Fastener Dual Loop - 1" Wide - Adhesive Back - Black

These parts were used from 6/2/91 on.

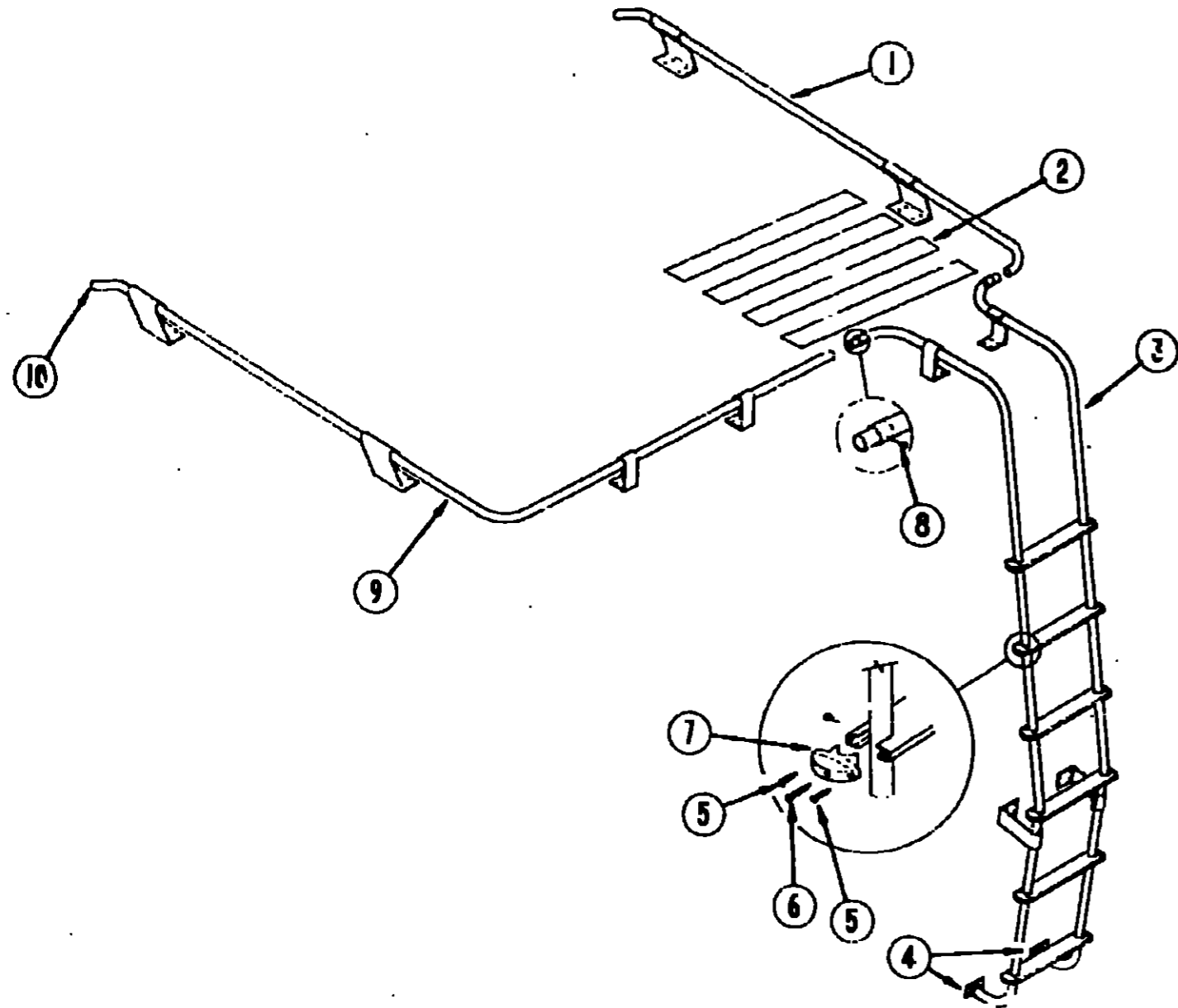
**1992 ITASCA  
TABLE OF CONTENTS**

INTRODUCTION	A-01 - A-02
ABBREVIATIONS	A-03
ALPHABETICAL INDEX	A-04 - A-06
IC324RC	A-07 - D-12

**1992 IC324RC INDEX**

Floor Plan	A-07 - A-08
Accessories Group	A-09 - A-12
Bath Group	A-13 - A-14
Bedroom Group	A-15
Chassis Group	A-16 - A-21
Curtain, Cushion & Pad Group	A-22 - B-05
Dinette Group	B-06 - B-07
Driver's Compartment Group	B-08 - B-11
Electrical Group	B-12 - B-14
Exterior Body Group	B-15 - B-19
Galley Group	B-20 - B-23
Heating & Air Conditioning Group	B-24 - C-01
Interior Finish Group	C-02 - C-05
Labels Group	C-06 - C-13
LP Group	C-14
Lounge Group	C-15
Sealants & Fasteners Group	C-16 - C-17
Water & Sewage Group	C-18 - C-21
Window, Vent & Exterior Door Group	C-22 - D-12

**ACCESSORIES GROUP (CONTINUED)**



**RACK & LADDER COMPONENTS (OPTION L502)**

Key	Part Number	U/M	Description
1	091026-01-T03	EA	Rack Asm. - Passenger Side w/2 Angled Standoff
2	038327-01-000	EA	Tape - Anti-Slip - 2" x 60'
3	081016-04-AA3	EA	Ladder
4	067165-01-000	EA	Mounting Bracket - Ladder - Lower
5	000G39-06-10T	EA	Screw - SF/DR - 6 - 20 x 5/8" PPH - Black
6	000G68-10-36T	EA	Screw - 10 - 12 x 2.25" POH - Black
7	076980-02-000	EA	End Cap - Step - Black
8	000G39-08-08E	EA	Screw - SF/DR - 8 - 18 x 50 PPH
9	081026-02-T03	EA	Rack Asm. - Driver Side w/2 Angled & 2 Straight Standoff
10	091114-01-000	EA	Cap - Insert - Round - 1" Dia.

**ACCESSORIES GROUP (CONTINUED)**

**KOHLER GENERATOR (OPTION L33K)**

Key	Part Number	U/M	Description
	105523-01-000	EA	Generator - 4KW Low Profile - Kohler
	105526-01-000	EA	Arrester - Spark
	105527-01-000	EA	Pipe - Exhaust Adapter - Kohler 278524
	105529-01-000	EA	Muffler - Front Exhaust w/o Spark
	105602-01-000	EA	Gasket - Exhaust - Kohler 278326
	105732-01-000	EA	Tray - Generator
	007125-03-000	EA	Clamp - Muffler - 1.5" Diameter
	007125-04-000	EA	Clamp - Muffler - 1.12" Diameter
	023942-01-000	EA	Grommet - Rubber - 2" OD
	007067-01-000	EA	Clamp - Hose - Spring Type - 1/2"

**GENERATORS & COMPONENTS (OPTION L39E)**

Key	Part Number	U/M	Description
	100974-03-000	EA	Generator - Emerald - 4.0 kw
	086252-01-000	EA	Exhaust Pipe - Generator - w/2 Bolt Hole Flange
	083152-07-000	EA	Exhaust Pipe - Generator
	086494-01-000	EA	Bracket - Exhaust
	081364-03-000	EA	Muffler - Generator - Emerald
	007067-01-000	SF	Insulation - Fiberglass - 1"
	078045-01-000	EA	Strap - Support - Generator - 4 Hole
	084365-01-000	EA	Strap - Support - Generator - 2 Hole
	079654-01-700	EA	Hinge Kit - Emerald Generator
	007063-01-000	EA	Hose - Gas - 1/4" ID x 1/2" OD
	007125-03-000	EA	Clamp - Muffler - 1.1" Dia.
	007125-04-000	EA	Clamp - Muffler - 1.5" Dia.
	007161-01-000	EA	Clamp - Hose - Spring Type - 1/2"
	023942-01-000	EA	Grommet - Rubber - 2" OD

**MISCELLANEOUS ACCESSORIES**

Key	Part Number	U/M	Description
	054185-63-000	EA	Owner's Manual - 1991 - Warrior
	092318-01-000	EA	Binder - 3 Ring - Vendor Manual
	092319-01-000	EA	Page - Plastic Pocket
	098084-05-000	EA	Cassette - Winnebago Warrior
	094499-01-000	EA	Fire Extinguisher - IA 10BC (US)
	094499-02-000	EA	Fire Extinguisher - IA 10BC (CSA)
	094499-01-700	EA	Bracket - Mounting w/Plastic Strap - Fire Extinguisher
	072852-01-000	EA	Smoke Detector w/9 Volt Battery (US)
	072852-02-000	EA	Smoke Detector w/9 Volt Battery (CSA)
	100603-01-01A	EA	Wall Clock - Round Bezel
	101333-01-000	EA	Backplate - Clock Mounting - 6" x 6" - Black Plastic
	104764-01-01A	EA	Wall Clock - Spartus

• These parts were used from 5/6/91 on.

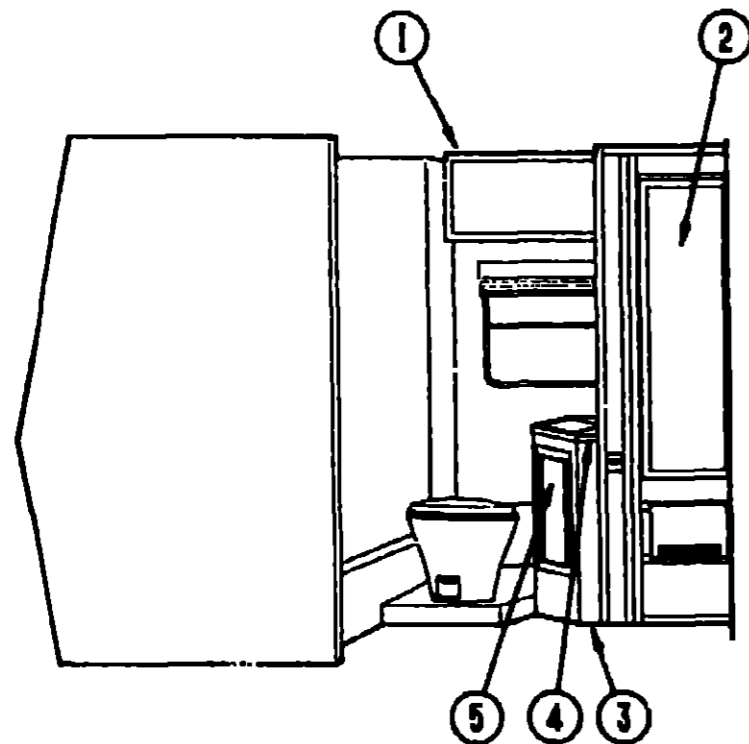
**1992 ITASCA  
TABLE OF CONTENTS**

INTRODUCTION	A-01 - A-02
ABBREVIATIONS	A-03
ALPHABETICAL INDEX	A-04 - A-06
IC324RC	A-07 - D-12

**1992 IC324RC INDEX**

Floor Plan	A-07 - A-08
Accessories Group	A-09 - A-12
Bath Group	A-13 - A-14
Bedroom Group	A-15
Chassis Group	A-16 - A-21
Curtain, Cushion & Pad Group	A-22 - B-05
Dinette Group	B-06 - B-07
Driver's Compartment Group	B-08 - B-11
Electrical Group	B-12 - B-14
Exterior Body Group	B-15 - B-19
Galley Group	B-20 - B-23
Heating & Air Conditioning Group	B-24 - C-01
Interior Finish Group	C-02 - C-05
Labels Group	C-06 - C-13
LP Group	C-14
Lounge Group	C-15
Sealants & Fasteners Group	C-16 - C-17
Water & Sewage Group	C-18 - C-21
Window, Vent & Exterior Door Group	C-22 - D-12

**BATH GROUP**



**BATH & WARDROBE CABINETRY**

Key	Part Number	U/M	Description
*1	093446-06-B27	EA	Door Asm. - Medicine Cabinet w/Mirror - w/o Hardware
.	058331-32-000	EA	Mirror - Medicine Cabinet Door - 13.5" x 27.6"
.	076073-01-000	EA	Cabinet Asm. - Medicine - Almond - w/o Mirror
.	076073-01-700	EA	Travel Lock
.	076387-01-000	EA	Bracket - Medicine Cabinet
#1	U99663-01-01A	EA	Cabinet Asm. - Medicine w/Mirror Door
2	P03702-16-B87	EA	Door Asm. - Wardrobe Cabinet - 15.5" x 45.5" - w/o Hardware
3	M96832-01-B87	EA	Cabinet Asm. - Lavatory - w/Countertop - w/o Doors or Hardware (US)
3	M04028-01-B87	EA	Cabinet Asm. - Lavatory - w/Countertop - w/o Doors or Hardware (CSA)
4	096822-11-B87	EA	Countertop Asm. - Lavatory Cabinet
5	P03702-15-B87	EA	Door Asm. - Lavatory Cabinet - 12" x 26" - w/o Hardware
†5	P03702-14-B87	EA	Door Asm. - Lavatory Cabinet - 12" x 21.8" - w/o Hardware
.	093446-02-B35	EA	Mirror Asm. - Wood Framed - Wall Mounted - 27.7" x 13.7"
.	058331-05-000	EA	Mirror - Glass - 12" x 26"
.	042488-08-000	EA	Door Asm. - Folding - Woven Wood - 75" x 50"
.	086924-02-000	EA	Track - Folding Door - 28" - Off White
.	042488-04-700	EA	Latch & Catch Asm. - Folding Door
.	057534-01-000	EA	Tieback Asm. - Clear Plastic - 6"

† These parts were used from 4/22/91 on.  
 . These parts were used until 7/1/91 on.  
 # These parts were used from 7/2/91 on.

**BATH GROUP (CONTINUED)**

**BATH & WARDROBE HARDWARE**

Key	Part Number	U/M	Description
.	M02429-04-000	EA	Shower Pan Asm.
.	075606-01-000	EA	Panel - Shower Faucet - Plastic - Back
.	084481-08-B87	EA	Shower Curtain - 70" x 32" - Vinyl
.	084481-08-B88	EA	Shower Curtain - 70" x 32" - Vinyl
.	094856-03-01A	FT	Track - Shower Curtain - 29"
.	075241-05-000	EA	Faucet - Shower - Bone
**	011048-02-000	EA	Shower Head - w/60" Hose (US)
.	011048-05-000	EA	Shower Head - w/60" Hose (CSA)
.	066440-01-000	EA	Strainer - Shower Pan Asm.
.	066436-01-000	EA	Slip Nut - 1.5" Tailpiece - Shower Pan Asm.
.	011039-03-000	EA	Tailpiece - 1.75" - Plastic - Shower Pan Asm.
.	075240-06-000	EA	Faucet - Lavatory - Bone
.	091253-01-000	EA	Gasket - Lavatory Faucet
.	096927-01-01A	EA	Sink - Lavatory - Rectangular - Plastic - Bone
.	096927-01-700	EA	Sink - Stopper
.	096927-01-701	EA	Tailpiece - Sink
.	067487-01-000	EA	Toilet - Thetford - Aqua Magic
.	067487-01-700	EA	C.L.F.L. Seal & Bolt Package
.	067487-01-701	EA	Water Saver Package
.	067487-01-702	EA	Clamp
.	063740-01-710	EA	Link
.	063740-01-711	EA	Spring - Return Lever
.	063740-01-716	EA	Seat & Cover
.	063740-01-700	EA	Lever - Water
.	063740-01-701	EA	Lever - Flush
.	063740-01-713	EA	Seal - Ball Valve to Bowl
.	063740-01-714	EA	Valve Asm. - Water
.	063740-01-707	EA	Seal - Closet Flange
.	063740-01-706	EA	Bolt Package - Closet
.	024676-01-000	EA	Flange - Closet - Toilet - US
.	024676-02-000	EA	Flange - Closet - Toilet - CSA
.	057671-01-000	EA	Cover - Screw - #8 - Plastic - Off White
.	075452-02-000	EA	Tissue Holder - Brass
.	075454-02-000	EA	Towel Ring - Bright Brass w/Mounting Hardware
.	009089-01-000	EA	Clip - Mirror
.	009112-01-000	EA	Flange - Clothes Rod - 1"
.	041953-03-000	FT	Conduit - Convolute Slit - 1" ID (Clothes Rod Cover)
.	042438-01-000	EA	Dowel - Wood - 1" Dia. x 4' (Shirt Closet)
.	075603-01-000	EA	Threshold - Bath Door

\*\* The illustrated parts breakdown for this item is provided on the Common Items Fiche.

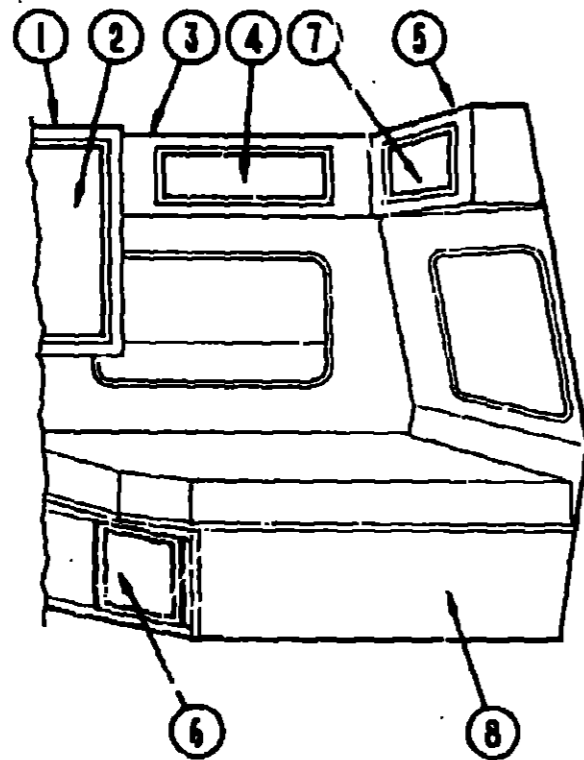
**1992 ITASCA  
TABLE OF CONTENTS**

INTRODUCTION	A-01 - A-02
ABBREVIATIONS	A-03
ALPHABETICAL INDEX	A-04 - A-06
IC324RC	A-07 - D-12

**1992 IC324RC INDEX**

Floor Plan	A-07 - A-08
Accessories Group	A-09 - A-12
Bath Group	A-13 - A-14
Bedroom Group	A-15
Chassis Group	A-16 - A-21
Curtain, Cushion & Pad Group	A-22 - B-05
Cinette Group	B-06 - B-07
Driver's Compartment Group	B-08 - B-11
Electrical Group	B-12 - B-14
Exterior Body Group	B-15 - B-19
Galley Group	B-20 - B-23
Heating & Air Conditioning Group	B-24 - C-01
Interior Finish Group	C-02 - C-05
Labs Group	C-06 - C-13
LP Group	C-14
Lounge Group	C-15
Sealants & Fasteners Group	C-16 - C-17
Water & Sewage Group	C-18 - C-21
Window, Vent & Exterior Door Group	C-22 - D-12

**BEDROOM GROUP**



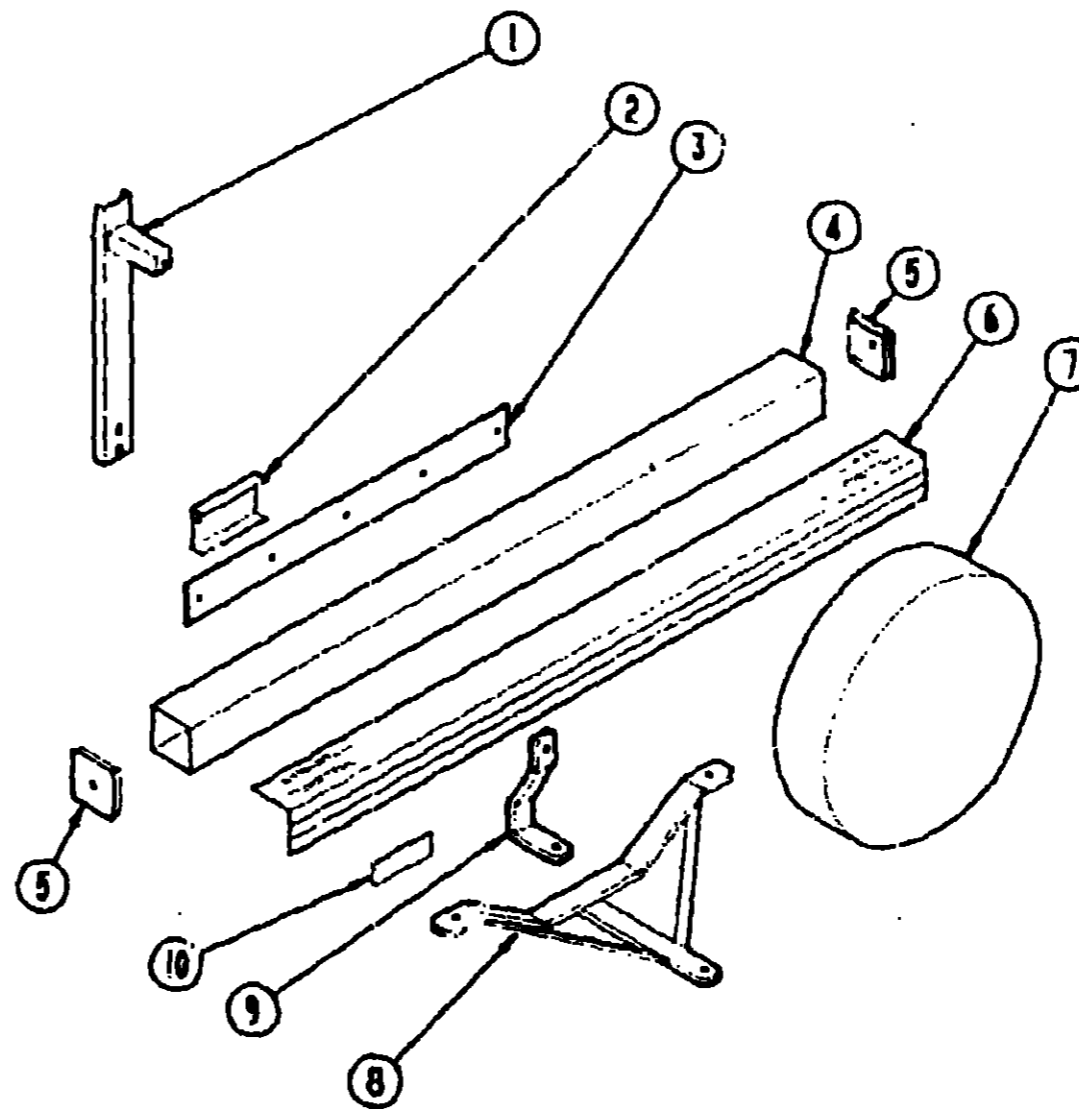
**BEDROOM CABINETRY**

Key	Part Number	U/M	Description
1	096767-01-B27	EA	Cabinet Asm. - Shirt Closet - w/o Doors or Hardware
2	P03702-31-B87	EA	Door Asm. - Shirt Closet - 14.4" x 33.5" - w/o Hardware
3	M05150-13-B87	EA	Cabinet Asm. - Passenger Overhead - w/o Door or Hardware
4	P03702-26-B87	EA	Door Asm. - Overhead Cabinet - 14.4" x 33.5" - w/o Hardware
	081280-18-B27	EA	End Cap - Overhead Cabinet
5	M05150-16-B87	EA	Cabinet Asm. - Rear Overhead - w/o Door or Hardware
6	P03702-45-B87	EA	Door Asm. - Double Bed Cabinet - 12" x 18.7" - w/o Hardware
7	P03702-27-B87	EA	Door Asm. - Overhead Cabinet - 14.4" x 33.5" - w/o Hardware
	103847-06-000	EA	Glass - Decorative Mirror - 11.6" x 30.7"
8	P01623-01-B27	EA	Cabinet Asm. - Double Bed w/o Top or Door

**BEDROOM HARDWARE**

Key	Part Number	U/M	Description
	041953-03-000	FT	Conduit - Convolute Slit - 1" ID (Clothes Rod Cover)
	042438-01-000	EA	Dowel - Wood - Clothes Rod - 1" Dia. x 4'
	009112-01-000	EA	Flange - 1" Clothes Rod - Plastic - Off White
	089076-03-000	EA	H-Channel - End Support - Beige
	083204-03-000	EA	Button - Mirror Retaining - 5/16" Tip - Walnut

**CHASSIS GROUP**



**SPARE TIRE, HITCH & REAR BUMPER**

Key	Part Number	U/M	Description
1	079027-01-000	EA	Bracket Asm. - Tire Carrier
2	M64600-02-000	EA	Mount Support - Tire Carrier
3	M22150-01-000	EA	Bracket - Rear Bumper
4	064602-01-000	EA	Bumper - Square - Off White - Steel
	103422-01-01A	EA	Bumper - Square - Off White - Aluminum
5	039779-01-000	EA	Bumper Cap - Black Rubber - 4" x 4"
6	041332-03-000	EA	Cover - Bumper - w/o Reflector - 4" Square x 92"
7	098855-01-AA3	EA	Cover - Spare Tire - Vinyl - Off White
8	064833-02-000	EA	Trailer Hitch Asm. (Chevrolet)
	064833-03-000	EA	Trailer Hitch Asm. (Ford)
9	084824-02-000	EA	Support - Trailer Hitch
10	041332-02-000	EA	Reflector - Bumper Cover - Self-Adhesive - 6 1/2" x 3/4"
	070917-02-000	EA	Tire - Michelin - Radial (Ford)
	070917-04-000	EA	Tire - Firestone - Radial (Ford)
	098657-01-000	EA	Tire - Firestone - Radial (Chevrolet)
	089359-04-000	EA	Wheel - Steel - 6" x 16" (Chevrolet)
	083617-01-000	EA	Wheel - Steel - 6" x 16" - 8 Hole (Ford)
	051377-01-000	EA	Valve Stem - TR500
	051377-03-000	EA	Valve Stem - TR0 600 HP

These parts were used from 5/27/91 on.

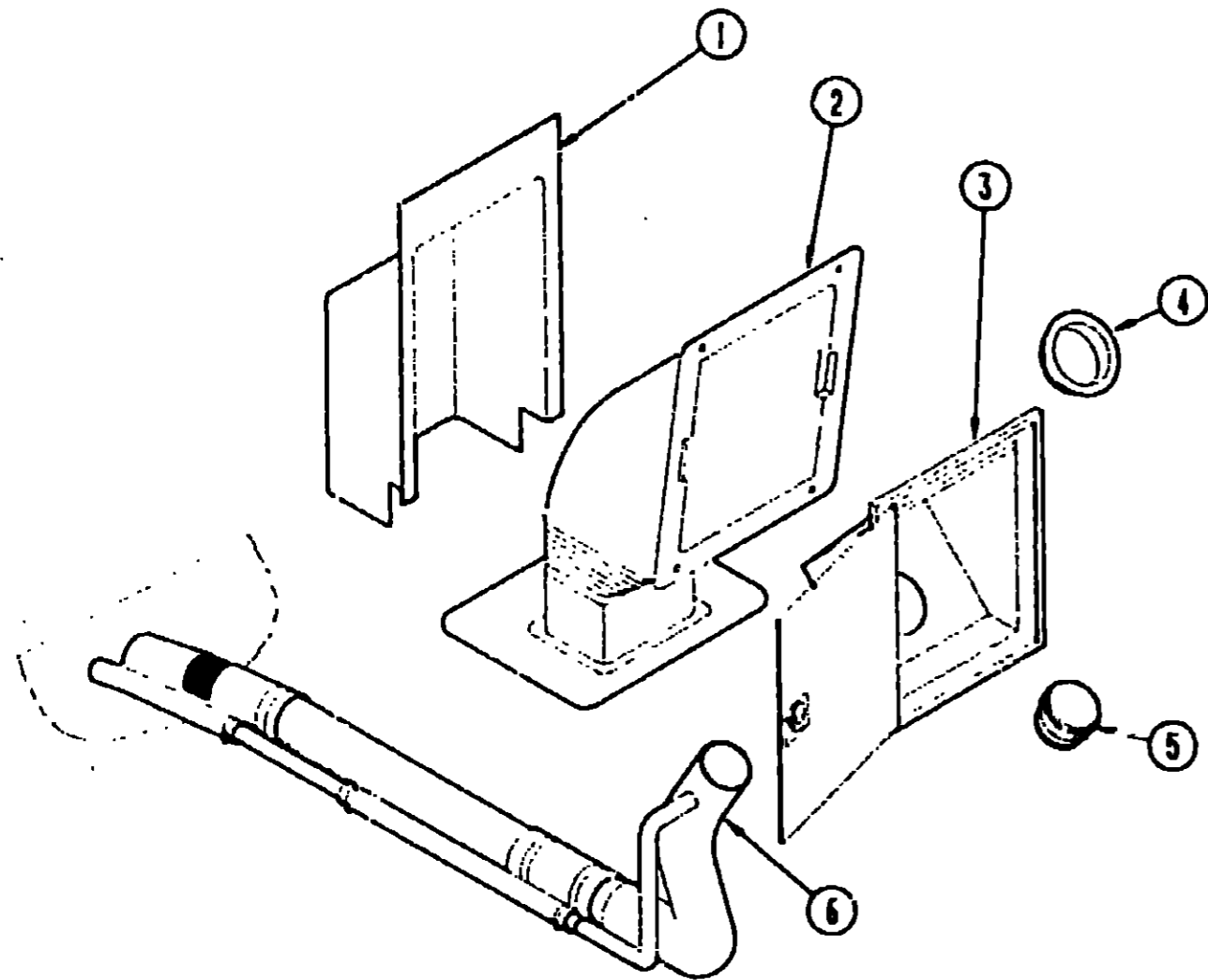
**1992 ITASCA  
TABLE OF CONTENTS**

INTRODUCTION	A-01 - A-02
ABBREVIATIONS	A-03
ALPHABETICAL INDEX	A-04 - A-06
IC324RC	A-07 - D-12

**1992 IC324RC INDEX**

Floor Plan	A-07 - A-08
Accessories Group	A-09 - A-12
Bath Group	A-13 - A-14
Bedroom Group	A-15
Chassis Group	A-16 - A-21
Curtain, Cushion & Pad Group	A-22 - B-05
Dinette Group	B-06 - B-07
Driver's Compartment Group	B-08 - B-11
Electrical Group	B-12 - B-14
Exterior Body Group	B-15 - B-19
Galley Group	B-20 - B-23
Heating & Air Conditioning Group	B-24 - C-01
Interior Finish Group	C-02 - C-05
Labels Group	C-06 - C-13
LP Group	C-14
Lounge Group	C-15
Sealants & Fasteners Group	C-16 - C-17
Water & Sewage Group	C-18 - C-21
Window, Vent & Exterior Door Group	C-22 - D-12

**CHASSIS GROUP (CONTINUED)**



**FUEL FILL COMPONENTS**

Key	Part Number	U/M	Description
1	078040-02-000	EA	Shroud - Fuel Fill - Upper
2	083578-01-000	EA	Boot - Fuel Fill
	084235-01-000	EA	Support Flange - Fuel Fill Boot
3	078010-03-000	EA	Door Asm. - Fuel Fill - Off White
4	078200-01-000	EA	Gasket - Fuel Fill
5	NOTE	EA	Fuel Cap (Chevrolet)
6	074888-03-000	EA	Filler Neck - Fuel Fill (Chevrolet)
6	081187-03-000	EA	Filler Neck - Fuel Fill (Ford)
	066732-01-000	EA	Hose - Fuel Fill - .62" ID

\* NOTE: This item is chassis supplied.

**CHASSIS GROUP (CONTINUED)**

**GENERATORS & COMPONENTS (OPTION L39E)**

Key	Part Number	U/M	Description
	100974-03-000	EA	Generator - Emerald - 4.0 kw
	086252-01-000	EA	Exhaust Pipe - Generator - w/2 Bolt Hole Flange
	083152-07-000	EA	Exhaust Pipe - Generator
	086494-01-000	EA	Bracket - Exhaust
	081364-03-000	EA	Muffler - Generator - Emerald
	007067-01-000	SF	Insulation - Fiberglass - 1"
	078045-01-000	EA	Strap - Support - Generator - 4 Hole
	084365-01-000	EA	Strap - Support - Generator - 2 Hole
	079654-01-700	EA	Hinge Kit - Emerald Generator
	007063-01-000	EA	Hose - Gas - 1/4" ID x 1/2" OD
	007125-03-000	EA	Clamp - Muffler - 1.1" Dia.
	007125-04-000	EA	Clamp - Muffler - 1.5" Dia.
	007161-01-000	EA	Clamp - Hose - Spring Type - 1/2"
	023942-01-000	EA	Grommet - Rubber - 2" OD

**KOHLER GENERATOR (OPTION L38K)**

Key	Part Number	U/M	Description
	105523-01-000	EA	Generator - 4KW Low Profile - Kohler
	105526-01-000	EA	Arrestor - Spark
	105527-01-000	EA	Pipe - Exhaust Adapter - Kohler 278524
	105529-01-000	EA	Muffler - Front Exhaust w/o Spark
	105602-01-000	EA	Gasket - Exhaust - Kohler 278326
	105732-01-000	EA	Tray - Generator
	007125-03-000	EA	Clamp - Muffler - 1.5" Diameter
	007125-04-000	EA	Clamp - Muffler - 1.12" Diameter
	023942-01-000	EA	Grommet - Rubber - 2" OD
	007067-01-000	EA	Clamp - Hose - Spring Type - 1/2"

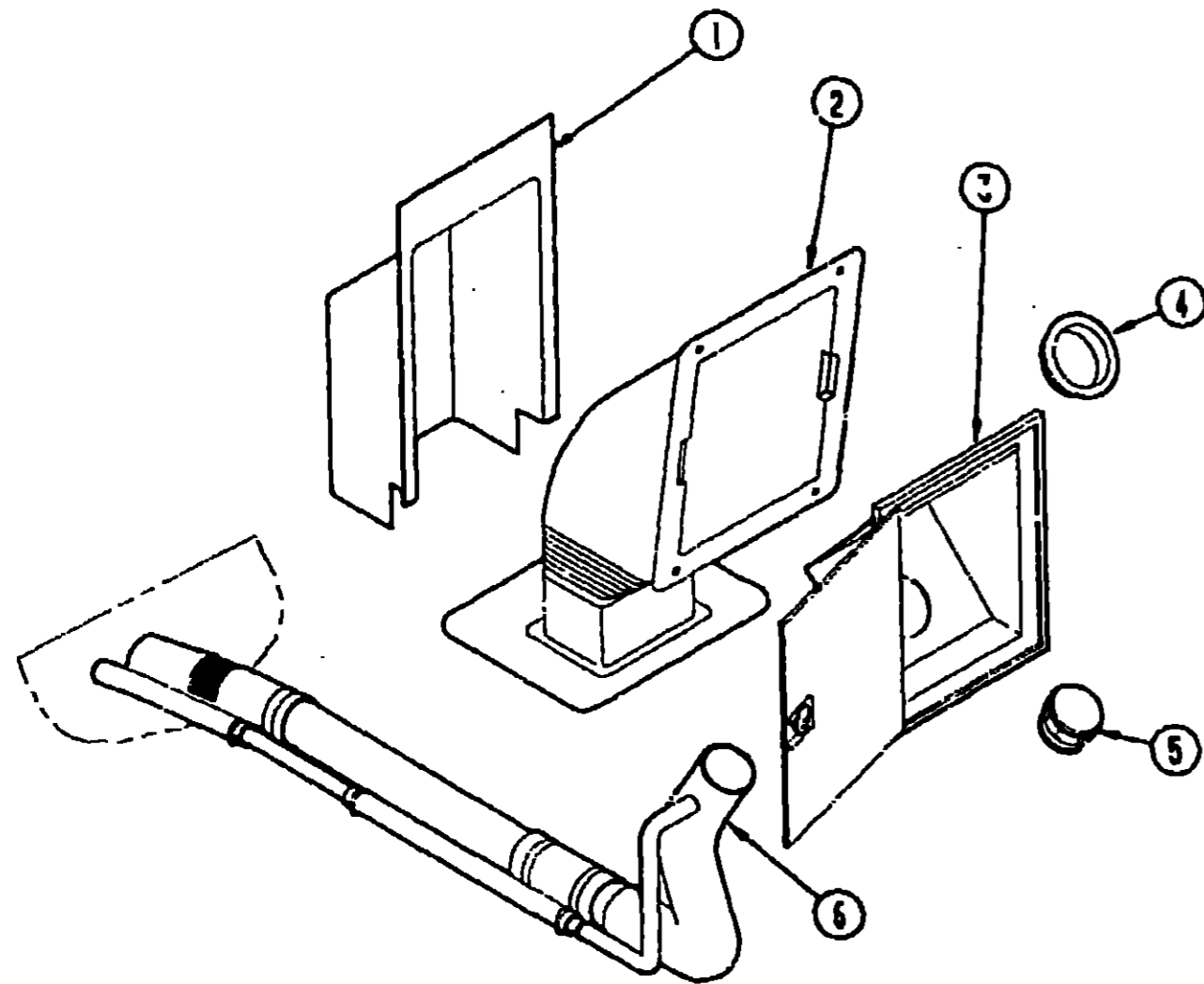
**1992 ITASCA  
TABLE OF CONTENTS**

INTRODUCTION	A-01 - A-02
ABBREVIATIONS	A-03
ALPHABETICAL INDEX	A-04 - A-06
IC324RC	A-07 - D-12

**1992 IC324RC INDEX**

Floor Plan	A-07 - A-08
Accessories Group	A-09 - A-12
Bath Group	A-13 - A-14
Bedroom Group	A-15
Chassis Group	A-16 - A-21
Curtain, Cushion & Pad Group	A-22 - B-05
Dinette Group	B-06 - B-07
Driver's Compartment Group	B-08 - B-11
Electrical Group	B-12 - B-14
Exterior Body Group	B-15 - B-19
Galley Group	B-20 - B-23
Heating & Air Conditioning Group	B-24 - C-01
Interior Finish Group	C-02 - C-05
Labels Group	C-06 - C-13
LP Group	C-14
Lounge Group	C-15
Sealants & Fasteners Group	C-16 - C-17
Water & Sewage Group	C-18 - C-21
Window, Vent & Exterior Door Group	C-22 - D-12

**CHASSIS GROUP (CONTINUED)**



**FUEL FILL COMPONENTS**

Key	Part Number	U/M	Description
1	078049-02-000	EA	Shroud - Fuel Fill - Upper
2	083578-01-000	EA	Boot - Fuel Fill
	084235-01-000	EA	Support Flange - Fuel Fill Boot
3	078010-03-000	EA	Door Asm. - Fuel Fill - Off White
4	078200-01-000	EA	Gasket - Fuel Fill
5	NOTE	EA	Fuel Cap (Chevrolet)
6	074888-03-000	EA	Filler Neck - Fuel Fill (Chevrolet)
6	081187-03-000	EA	Filler Neck - Fuel Fill (Ford)
	066732-01-000	EA	Hose - Fuel Fill - .62" ID

NOTE: This item is chassis supplied.

**CHASSIS GROUP (CONTINUED)**

**GENERATORS & COMPONENTS (OPTION L39E)**

Key	Part Number	U/M	Description
	100974-03-000	EA	Generator - Emerald - 4.0 kw
	086252-01-000	EA	Exhaust Pipe - Generator - w/2 Bolt Hole Flange
	083152-07-000	EA	Exhaust Pipe - Generator
	086494-01-000	EA	Bracket - Exhaust
	081364-03-000	EA	Muffler - Generator - Emerald
	007067-01-000	SF	Insulation - Fiberglass - 1"
	078045-01-000	EA	Strap - Support - Generator - 4 Hole
	084365-01-000	EA	Strap - Support - Generator - 2 Hole
	079654-01-700	EA	Hinge Kit - Emerald Generator
	007063-01-000	EA	Hose - Gas - 1/4" ID x 1/2" OD
	007125-03-000	EA	Clamp - Muffler - 1.1" Dia.
	007125-04-000	EA	Clamp - Muffler - 1.5" Dia.
	007161-01-000	EA	Clamp - Hose - Spring Type - 1/2"
	023942-01-000	EA	Grommet - Rubber - 2" OD

**EXPORT GENERATOR (OPTION L383)**

Key	Part Number	U/M	Description
	100974-05-000	EA	Generator - Onan - 4.0 kw
	008054-01-000	EA	Power Cord - 10-3 - 30 Amp. - 25'
	083208-01-000	EA	Converter - 40 Amp. w/Charger
	079654-05-000	EA	Exhaust Pipe - Generator - Angled w/Flange
	093591-02-000	EA	Exhaust Pipe - Generator - 1.5" OD
	081364-01-000	EA	Muffler - Generator
	078045-01-000	EA	Strap - Support - Generator - 4 Hole
	084365-01-000	EA	Strap - Support - Generator - 2 Hole
	007067-01-000	SF	Insulation - Fiberglass - 1"
	079654-01-700	EA	Hinge Kit - Emerald Generator
	007063-01-000	EA	Hose - Gas - 1/4" ID x 1/2" OD
	023942-01-000	EA	Grommet - Rubber - 2" OD
	094059-01-000	EA	Spacer - Generator - Onan
	007125-01-000	EA	Clamp - Muffler - 1.62" Dia.
	007125-04-000	EA	Clamp - Muffler - 1.1" Dia.
	007161-01-000	EA	Clamp - Hose - Spring Type - 1/2"

**1992 ITASCA  
TABLE OF CONTENTS**

INTRODUCTION	A-01 - A-02
ABBREVIATIONS	A-03
ALPHABETICAL INDEX	A-04 - A-06
IC324RC	A-07 - D-12

**1992 IC324RC INDEX**

Floor Plan	A-07 - A-08
Accessories Group	A-09 - A-12
Bath Group	A-13 - A-14
Bedroom Group	A-15
Chassis Group	A-16 - A-21
Curtain, Cushion & Pad Group	A-22 - B-05
Dinette Group	B-06 - B-07
Driver's Compartment Group	B-08 - B-11
Electrical Group	B-12 - B-14
Exterior Body Group	B-15 - B-19
Galley Group	B-20 - B-23
Heating & Air Conditioning Group	B-24 - C-01
Interior Finish Group	C-02 - C-05
Labels Group	C-06 - C-13
I.P. Group	C-14
Lounges Group	C-15
Sealants & Fasteners Group	C-16 - C-17
Water & Sewage Group	C-18 - C-21
Window, Vent & Exterior Door Group	C-22 - D-12

## CHASSIS GROUP (CONTINUED)

### MISCELLANEOUS CHASSIS PARTS

Part Number	U/M	Description
065450-02-000	EA	Tiedown - Battery
010437-01-000	EA	Clamp - Closed - 5/8" ID
007161-01-000	EA	Clamp - Hose - Spring Type 1/2"
062401-01-000	EA	Clamp - Hose - Wormgear - .22" ID - 1" ID
062401-02-000	EA	Clamp - Hose - Wormgear - 1.56" ID - 2.5" ID
062401-03-000	EA	Clamp - Hose - Wormgear - .25" ID - 1" ID
062401-04-000	EA	Clamp - Hose - Wormgear - .69" ID - 1.25" ID
062401-06-000	EA	Clamp - Hose - Wormgear - .22" ID - .62" ID
023145-01-000	EA	Clamp - Screw Type - 4"
096020-10-000	EA	Compartment Asm. - Storage - Driver Side - Front
096020-04-000	EA	Compartment Asm. - Storage - Passenger Side - Center
098577-01-000	EA	Compartment - Battery
080188-01-000	EA	Tray - Battery
071994-01-000	EA	Guide - Track - Battery Tray
007063-01-000	FT	Hose - Gas - 1/4" ID x 1/2" OD
017108-01-000	FT	Hose - Heater - 5/8" ID
030208-02-000	EA	Leverage Bar - Lug Wrench (Chevrolet)
080208-01-000	EA	Lug Wrench (Chevrolet)
017516-01-000	EA	Mud Flap w/Holes - 14" x 18" - Black
064080-01-700	EA	Splash Guard - Black Rubber - Set of 2
072884-19-000	EA	Running Boards - Aluminum - Chevrolet - 27" (Option 66R)
072884-20-000	EA	Running Boards - Aluminum - Ford - 40" (Option 66R)
077849-02-000	EA	Step Asm. - Pullout
076241-01-000	EA	Support Asm. - Step
096522-01-000	EA	Wheelwell - Plastic
008343-01-000	EA	Wire Tie - 6"

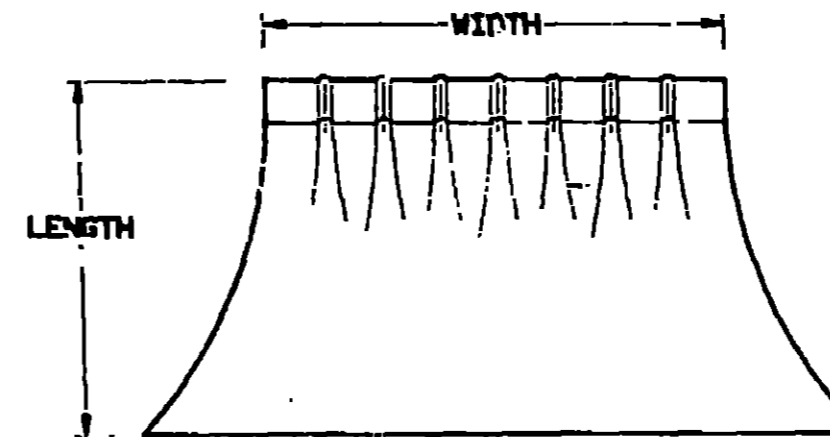
NOTE: Remainder of exhaust components available from Chassis Service Center.

## CURTAIN, CUSHION & PAD GROUP

### NOTICE

In order to assist our Part Sales Dept. in providing interior software items, please include the serial number and the color code number from the vehicle certification label when ordering. This label is located on the left sidewall at the end of the dash (A-Body), or on the driver's door latch plate (C-Body).

An example of a color code number is P31, which designates an overall color scheme of a particular unit. The color listed after the item description on the microfiche, indicates the overall unit color. Order the item you desire according to unit color code.



NOTE: Use this illustration when determining length and width measurements for curtains. You will note the width measurement is taken on the top of the curtain with the curtain fully extended. The length measurement is taken from top to bottom.

## 1992 ITASCA TABLE OF CONTENTS

INTRODUCTION	A-01 - A-02
ABBREVIATIONS	A-03
ALPHABETICAL INDEX	A-04 - A-06
IC324RC	A-07 - D-12

### FABRICS & CARPETS

Key	Part Number	U/M	Description
	072333-82-000	YD	Fabric - Drapery - Mushroom (Privacy)
	096008-80-000	YD	Fabric - Upholstery - Main - Patterned (B87)
	096008-83-000	YD	Fabric - Upholstery - Main - Patterned (B88)
	096008-92-000	YD	Fabric - Upholstery - Accent - Plain (B87)
	096008-85-000	YD	Fabric - Upholstery - Accent - Plain (B88)
	096008-91-000	YD	Fabric - Upholstery - Accent - Patterned (B87)
	096008-84-000	YD	Fabric - Upholstery - Accent - Patterned (B88)
	088273-73-000	YD	Fabric - Main Bedspread - Patterned (B87)
	088273-70-000	YD	Fabric - Main Bedspread - Patterned (B88)
	088273-72-000	YD	Fabric - Accent Bedspread - Plain (B87)
	088273-67-000	YD	Fabric - Accent Bedspread - Plain (B88)
	072333-67-000	YD	Fabric - Speaker Cover
	075244-04-000	YD	Vinyl - Shower Curtain - Salmon (B87)
	075244-05-000	YD	Vinyl - Shower Curtain - Blue (B88)
	079680-09-000	YD	Vinyl - Off White (Headliner)
#	103907-01-01A	YD	Vinyl - Off White (Headliner)
	096060-21-000	YD	Carpet - Pale Orchid (B87)
	096060-23-000	YD	Carpet - Sand (B88)
	076314-02-000	FT	Tape - Heat Bonded - Carpet Seam
	047034-02-000	SF	Plastic Runner - Carpet - 4' Wide - Clear
	085746-01-000	FT	Trim - "J" - Carpet - PVC - Beige
	084415-31-000	FT	Trim - Braid - Curtain - Plum (B87)
	084415-30-000	FT	Trim - Braid - Curtain - Blue (B88)

# These parts were used from 4/17/91 on.

NOTE: Replace vinyl flooring locally.

A-21

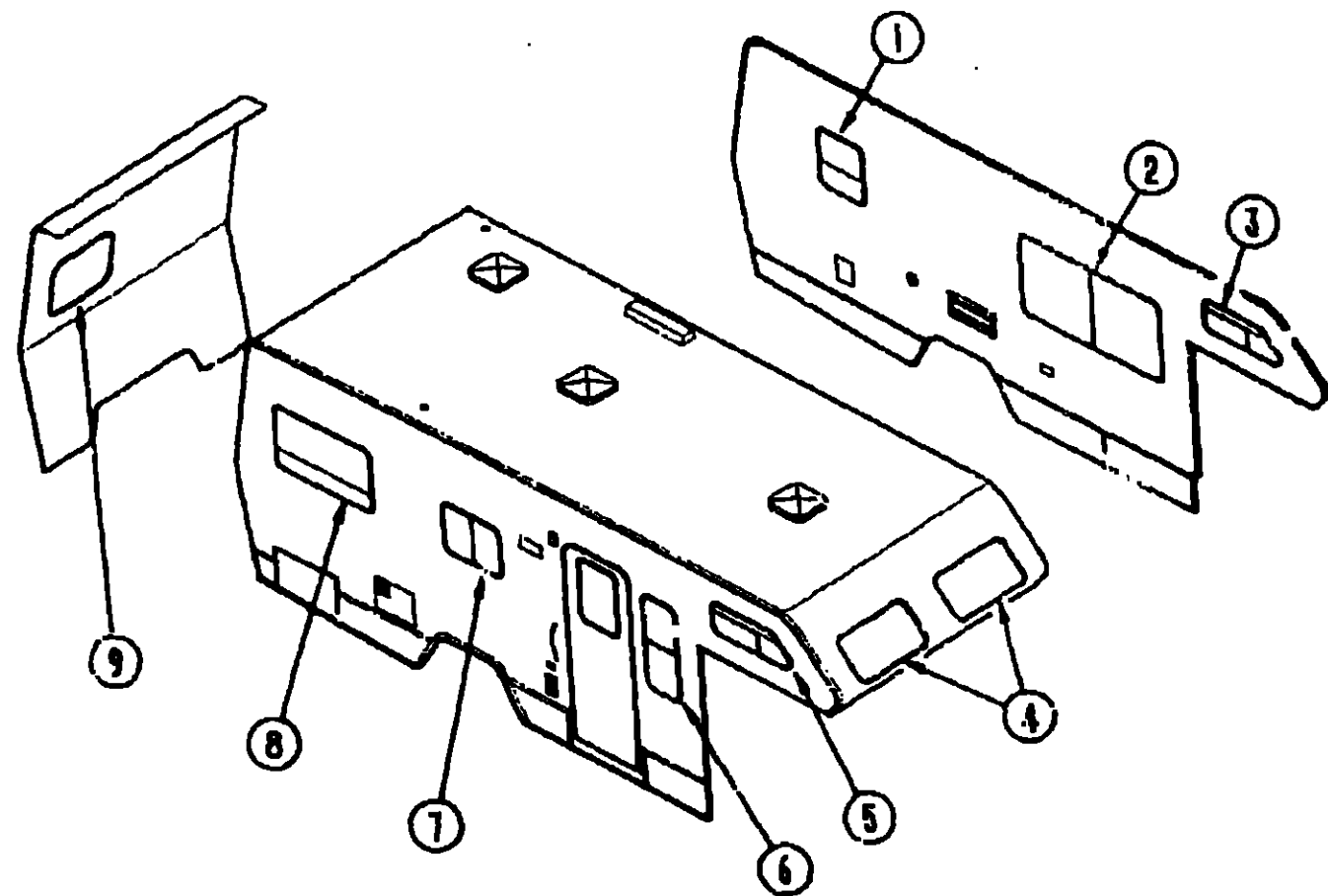
### 1992 IC324RC INDEX

Floor Plan	A-07 - A-08
Accessories Group	A-09 - A-12
Bath Group	A-13 - A-14
Bedroom Group	A-15
Chassis Group	A-16 - A-21
Curtain, Cushion & Pad Group	A-22 - B-05
Dinette Group	B-06 - B-07
Driver's Compartment Group	B-08 - B-11
Electrical Group	B-12 - B-14
Exterior Body Group	B-15 - B-19
Galley Group	B-20 - B-23
Heating & Air Conditioning Group	B-24 - C-01
Interior Finish Group	C-02 - C-05
Labels Group	C-06 - C-13
LP Group	C-14
Lounge Group	C-15
Sealants & Fasteners Group	C-16 - C-17
Water & Sewage Group	C-18 - C-21
Window, Vent & Exterior Door Group	C-22 - D-12

A-22



**CURTAIN, CUSHION & PAD GROUP (CONTINUED)**



**CURTAIN, CUSHION & PAD GROUP (CONTINUED)**

**CURTAINS, BLINDS, VALANCES & TIEBACKS (CONTINUED)**

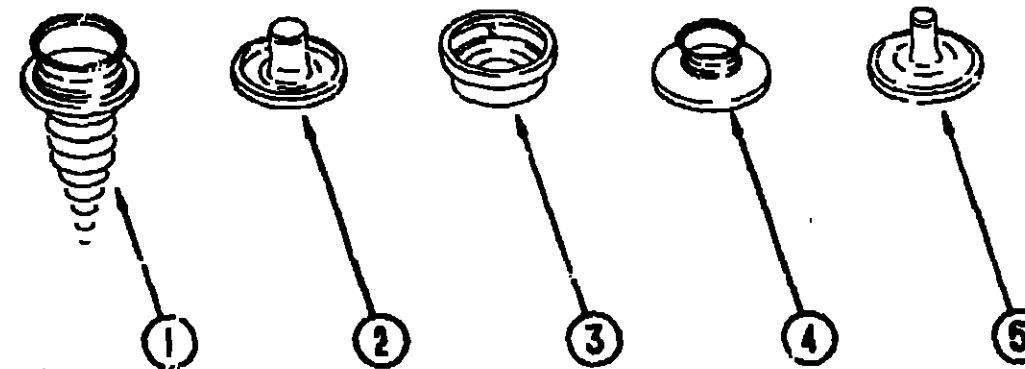
Key	Part Number	U/M	Description
7	104021-06-B87	EA	Valance Asm. w/Brass Trim - 28.5"
7	104021-06-B88	EA	Valance Asm. w/Brass Trim - 28.5"
7	093475-61-04A	EA	Mini Blind - 26" x 17" Drop (B87)
7	093475-61-06A	EA	Mini Blind - 26" x 17" Drop (B88)
8	102514-07-B87	EA	Valance Asm. w/Insert - 45"
6	102514-07-B88	EA	Valance Asm. w/Insert - 45"
8	100281-30-B85	EA	Leg Asm. - Window - Front - 27" (B87)
8	100281-30-B86	EA	Leg Asm. - Window - Front - 27"
8	100281-31-B85	EA	Leg Asm. - Window - Rear - 27" (B87)
8	100281-31-B88	EA	Leg Asm. - Window - Rear - 27"
8	096335-46-B87	EA	Blind - Pleated - 39.5" x 28" Drop
8	096335-46-B88	EA	Blind - Pleated - 39.5" x 28" Drop
9	102514-08-B87	EA	Valance Asm. w/Insert - 31.7"
9	102514-08-B88	EA	Valance Asm. w/Insert - 31.7"
9	100281-30-B85	EA	Leg Asm. - Window - Passenger - 27" (B87)
9	100281-30-B88	EA	Leg Asm. - Window - Passenger - 27"
9	100281-29-B85	EA	Leg Asm. - Window - Driver - 27" (B87)
9	100281-29-B88	EA	Leg Asm. - Window - Driver - 27"
9	096335-49-B87	EA	Blind - Pleated - 27" x 26.5" Drop
9	096335-49-B88	EA	Blind - Pleated - 27" x 26.5" Drop
	101668-14-B87	EA	Curtain Asm. w/Tape Top - 30" x 50" - Passenger (Privacy)
	101668-14-B88	EA	Curtain Asm. w/Tape Top - 30" x 50" - Passenger (Privacy)
	101668-15-B87	EA	Curtain Asm. w/Tape Top - 30" x 50" - Driver (Privacy)
	101668-15-B88	EA	Curtain Asm. w/Tape Top - 30" x 50" - Driver (Privacy)
	101668-16-B87	EA	Curtain Asm. w/Tape Top - 54" x 50" - Room Divider
	101668-16-B88	EA	Curtain Asm. w/Tape Top - 54" x 50" - Room Divider
	076892-06-B85	EA	Curtain Asm. w/Snap Top - 40" x 72" - Bunk Privacy
	073260-49-B87	EA	Tieback Asm. - 3" x 16"
	073260-49-B88	EA	Tieback Asm. - 3" x 18"

**1992 ITASCA  
TABLE OF CONTENTS**

INTRODUCTION	A-01 - A-02
ABBREVIATIONS	A-03
ALPHABETICAL INDEX	A-04 - A-06
IC324RC	A-07 - D-12

**CURTAINS, BLINDS, VALANCES & TIEBACKS**

Key	Part Number	U/M	Description
1	102514-12-B87	EA	Valance Asm. w/Insert - 20"
1	102514-12-B88	EA	Valance Asm. w/Insert - 20"
1	093475-33-08A	EA	Mini Blind - 18.5" x 24.5" Drop (B87)
1	093475-33-10A	EA	Mini Blind - 18.5" x 24.5" Drop (B88)
2	104021-03-B87	EA	Valance Asm. w/Brass Trim - 62"
2	104021-03-B88	EA	Valance Asm. w/Brass Trim - 62"
2	100281-02-B87	EA	Leg Asm. - Window - 31.5" - Rear
2	100281-02-B88	EA	Leg Asm. - Window - 31.5" - Rear
2	100281-01-B87	EA	Leg Asm. - Window - 31.5" - Front
2	100281-01-B88	EA	Leg Asm. - Window - 31.5" - Front
2	093475-49-02A	EA	Mini Blind - 58" x 32" Drop
3	097878-27-B87	EA	Valance Asm. w/Brass Trim - 5.5" x 43"
3	097878-27-B88	EA	Valance Asm. w/Brass Trim - 5.5" x 43"
3	101034-01-B85	EA	Curtain Asm. w/Tape Top - 16" x 25"
4	097878-25-B87	EA	Valance Asm. w/Brass Trim - 7" x 85.5"
4	097878-25-B88	EA	Valance Asm. w/Brass Trim - 7" x 85.5"
4	101034-02-B85	EA	Curtain Asm. w/Tape Top - 16" x 25"
5	097878-26-B87	EA	Valance Asm. w/Brass Trim - 5.5" x 43"
5	097878-26-B88	EA	Valance Asm. w/Brass Trim - 5.5" x 43"
5	101034-01-B85	EA	Curtain Asm. w/Tape Top - 16" x 25"
6	104021-04-B87	EA	Valance Asm. w/Brass Trim - 52.2"
6	104021-04-B88	EA	Valance Asm. w/Brass Trim - 52.2"
6	093475-66-04A	EA	Mini Blind - 17.5" x 40.5" Drop



Key	Part Number	U/M	Description
1	029130-01-000	EA	Screw - Snap Socket - 8 Phi x 5/8"
2	029155-01-000	EA	Cap - Snap - .156" Dia. x 17" Barrel
3	029156-01-000	EA	Socket - Snap Fastener
4	029092-01-000	EA	Stud - Nickel Finish
5	029093-01-000	EA	Eyelet - Nickel Finish

**1992 IC324RC INDEX**

Floor Plan	A-07 - A-08
Accessories Group	A-09 - A-12
Bath Group	A-13 - A-14
Bedroom Group	A-15
Chassis Group	A-16 - A-21
Curtain, Cushion & Pad Group	A-22 - B-05
Dinette Group	B-06 - B-07
Driver's Compartment Group	B-08 - B-11
Electrical Group	B-12 - B-14
Exterior Body Group	B-15 - B-19
Galley Group	B-20 - B-23
Heating & Air Conditioning Group	B-24 - C-01
Interior Finish Group	C-02 - C-05
Labels Group	C-06 - C-13
LP Group	C-14
Lounge Group	C-15
Sealants & Fasteners Group	C-16 - C-17
Water & Sewage Group	C-18 - C-21
Window, Vent & Exterior Door Group	C-22 - D-12

CURTAIN & CUSHION HARDWARE

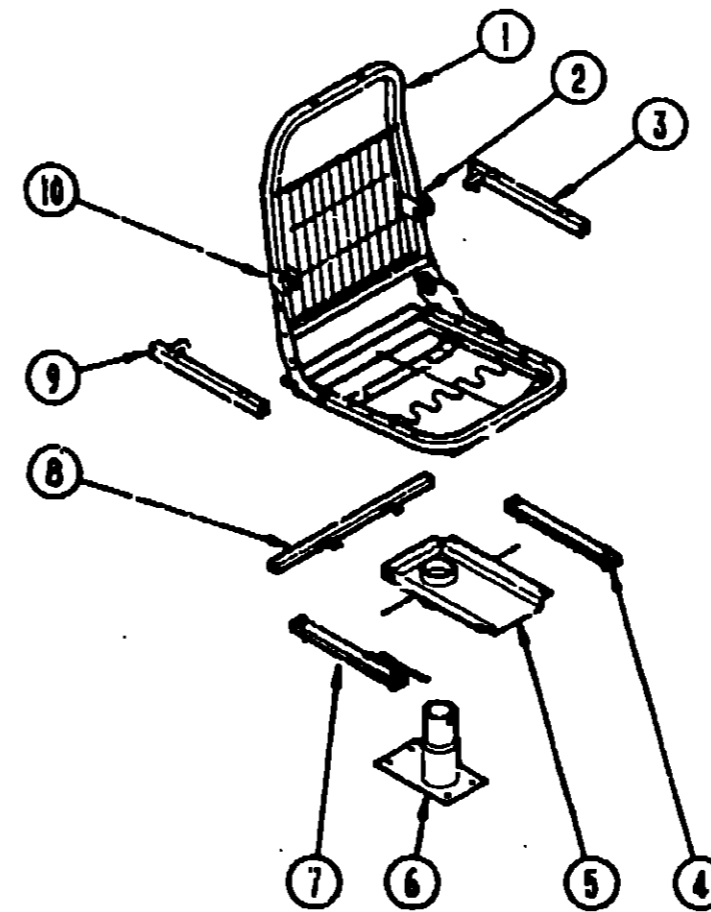
Key	Part Number	U/M	Description
	094856-03-01A	EA	Track - Shower Curtain - Off White
	009701-01-300	EA	Carrier - Shower Curtain
	019702-01-000	EA	End - Stop - Curtain Carrier - Shower
	046887-01-300	EA	Grommet - Brass - 7/16" ID x 1" OD (Shower Curtain)
	009138-01-100	EA	Pin - Shower Curtain
	029092-01-000	EA	Stud - Nickel Finish
	029093-01-030	EA	Eyelet - Nickel Finish
	029155-01-000	EA	Cap - Snap
	029156-01-000	EA	Socket - Snap Fastener
	029130-01-070	EA	Screw - Snap Socket - 8 PH x 5/8"
	089916-01-007	EA	Mount - Window Leg - Black
	101032-01-000	FT	Track - Curtain - Ceiling Mount - White (Bunk Privacy)
	101033-01-000	FT	Track - Curtain - Low Profile - White (Bunk Window Valance)
	101033-02-000	EA	End Cap - Track - Clear
	101031-01-000	EA	Tape - Glide - 4.25" Spacing
	095591-02-000	EA	Bracket - Blind - Hold Down w/Pin
	082239-02-000	EA	Brace - Window Valance - Beige - 18.7" Long
	075943-01-000	EA	Brace - Window Valance - Beige - 20" Long
	083170-01-000	EA	Bracket - Blind - Right
	083170-02-000	EA	Bracket - Blind - Left
	089522-03-000	EA	Panel - Leg - Window - 27" Long
	089522-04-000	EA	Panel - Leg - Window - 31.5" Long
	094896-02-000	EA	Grommet - Cord - Pleated Blind - Nylon - Gray
	094907-02-000	EA	End Cap - Top - Pleated Blind - Plastic - Gray
	094907-03-000	EA	End Cap - Bottom - Pleated Blind - Plastic - Gray
	097591-01-000	EA	Spring - Extension - Pleated Blind
	097592-01-000	EA	Spool - Cord - Elevated Blind Holdup - Clear Plastic
	097593-02-000	FT	Cord - Pleated Blind (B87)
	097593-06-000	FT	Cord - Pleated Blind (B88)
	093475-01-700	EA	Wand - Blind w/Metal Clip - 8" Long
	093475-01-701	EA	End Cap - Blind w/Stud
	097565-01-000	EA	Bracket - Mounting - Pleated Blind
	102555-01-000	EA	Cleat - Cord - Blind - Off White
	103986-01-000	FT	Trim - Valance - .75" Wide - Brass
	105450-06-01A	EA	Track - Curtain - 88" - Aluminum - Off White
	105450-02-01A	EA	Track - Curtain - 48" - Aluminum - Off White
	105450-05-01A	EA	Track - Curtain - 79" - Aluminum - Off White

BUCKET SEAT CUSHIONS

Key	Part Number	U/M	Description
	093450-17-B87	EA	Seat Asm. - Bucket - Driver
	093450-17-B88	EA	Seat Asm. - Bucket - Driver
	093450-18-B87	EA	Seat Asm. - Bucket - Passenger
	093450-18-B88	EA	Seat Asm. - Bucket - Passenger
	M03445-23-B87	EA	Cover - Seat - Bucket Seat
	M03445-23-B88	EA	Cover - Seat - Bucket Seat
	M03445-22-B87	EA	Cover - Back - Bucket Seat
	M03445-22-B88	EA	Cover - Back - Bucket Seat
	080243-41-B87	EA	Armrest - Bucket Seat - Right Hand
	080243-41-B88	EA	Armrest - Bucket Seat - Right Hand
	M80243-41-B87	EA	Cover - Right Armrest - Bucket Seat
	M80243-41-B88	EA	Cover - Right Armrest - Bucket Seat
	080243-42-B87	EA	Armrest - Bucket Seat - Left Hand
	080243-42-B88	EA	Armrest - Bucket Seat - Left Hand
	M80243-42-B87	EA	Cover - Left Armrest - Bucket Seat
	M80243-42-B88	EA	Cover - Left Armrest - Bucket Seat
	071126-24-B87	EA	Skirt Asm. - Single Bucket
	071126-24-B88	EA	Skirt Asm. - Single Bucket

1992 ITASCA  
TABLE OF CONTENTS

INTRODUCTION	A-01 - A-02
ABBREVIATIONS	A-03
ALPHABETICAL INDEX	A-04 - A-06
IC324RC	A-07 - D-12



BUCKET SEAT HARDWARE

Key	Part Number	U/M	Description
1	M80906-04-000	EA	Frame Asm. - Seat, Back & Spring
*1	M80906-05-000	EA	Frame Asm. - Seat, Back & Spring
2	081362-02-000	EA	Bracket - Armrest - Left Hand
3	101124-02-000	EA	Rod & Channel - Armrest - Left - Metal
4	069246-02-000	EA	Adjuster - Bucket Seat w/Lock - Forward & Back
5	093481-04-000	EA	Top Plate - Pedestal - Bucket Seats
6	069585-03-000	EA	Base - Bucket Seats - Bolts to Floor - Vertical - 2
7	069246-05-000	EA	Adjuster - Bucket Seat w/Remote
8	069585-28-000	EA	Bar - Seat Belt - Bucket Seats - 18"
9	101124-01-000	EA	Rod & Channel - Armrest - Right - Metal
10	081362-01-000	EA	Bracket - Armrest - Right Hand
	069246-05-700	EA	Spring for Slide Adjuster
	069246-05-701	EA	Clip Only For Cable Asm.
	101125-01-000	EA	Recline - Seat Back - Left Hand
	089368-04-000	EA	Frame - Cable - Remote Swivel
	089368-05-000	EA	Frame - Cable - Remote Recliner
	081361-01-000	EA	Rod - Armrest - Metal

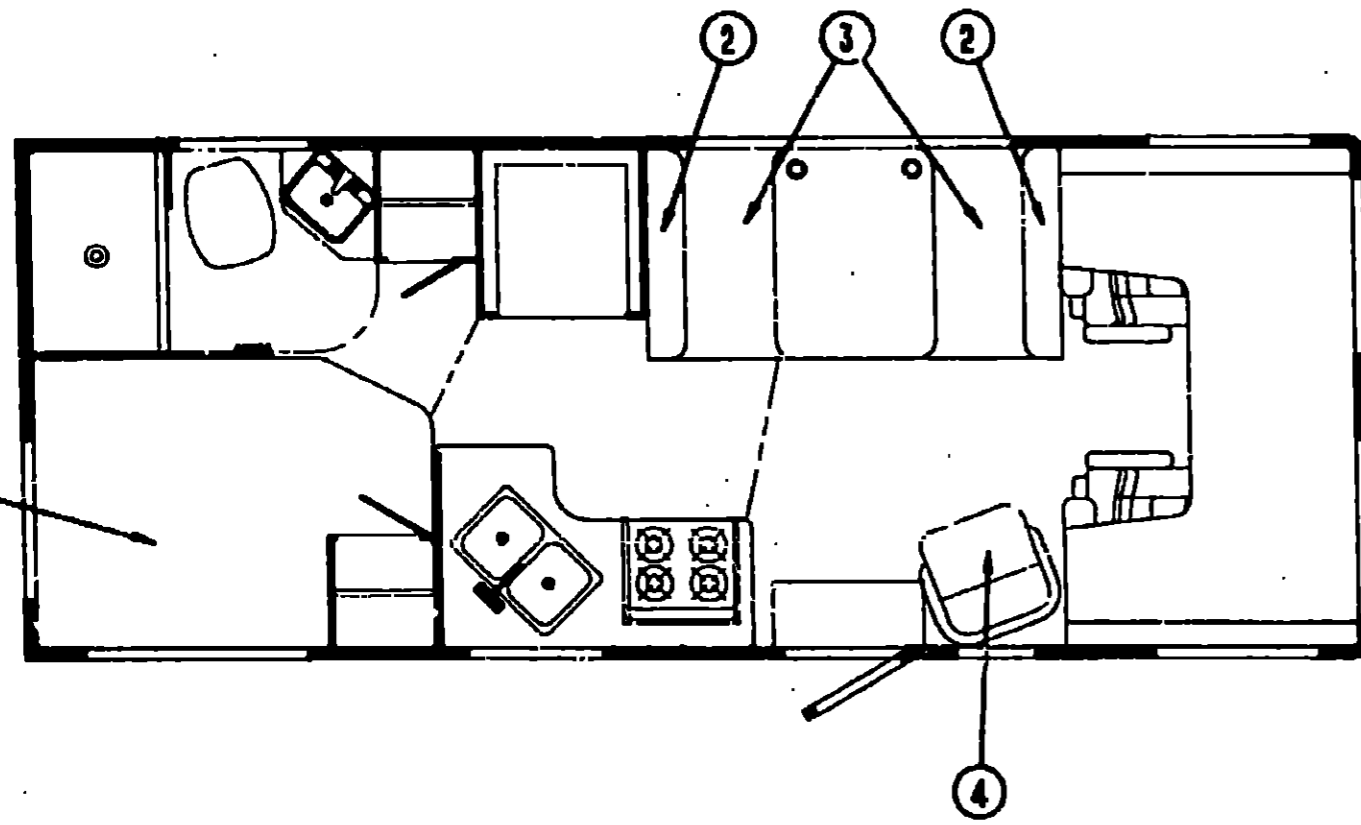
\* These parts are used from 6/3/91 on.

1992 IC324RC INDEX

Floor Plan	A-07 - A-08
Accessories Group	A-09 - A-12
Bath Group	A-13 - A-14
Bedroom Group	A-15
Chassis Group	A-16 - A-21
Curtain, Cushion & Pad Group	A-22 - B-05
Dinette Group	B-06 - B-07
Driver's Compartment Group	B-08 - B-11
Electrical Group	B-12 - B-14
Exterior Body Group	B-15 - B-19
Galley Group	B-20 - B-23
Heating & Air Conditioning Group	B-24 - C-01
Interior Finish Group	C-02 - C-05
Labels Group	C-06 - C-13
LP Group	C-14
Lounge Group	C-15
Sealants & Fasteners Group	C-16 - C-17
Water & Sewage Group	C-18 - C-21
Window, Vent & Exterior Door Group	C-22 - D-12

**CURTAIN, CUSHION & PAD GROUP (CONTINUED)**

**CURTAIN, CUSHION & PAD GROUP (CONTINUED)**



**DOUBLE BED**

Key	Part Number	U/M	Description
1	091123-04-000	EA	Mattress - Double Quilted w/Cut Corners - 54"
1	085365-08-B87	EA	Bedsprad - Double w/Rounded Corners
1	085365-08-B88	EA	Bedsprad - Double w/Rounded Corners
	102161-01-B87	EA	Sham - Pillow
	102161-01-B88	EA	Sham - Pillow
	102161-07-B87	EA	Sham - Pillow
	102161-07-B88	EA	Sham - Pillow
	081997-07-B87	EA	Cover - Pillow Sham
	081997-07-B88	EA	Cover - Pillow Sham
	104565-01-B87	EA	Cover - Pillow Sham
	104565-01-B88	EA	Cover - Pillow Sham
	088273-73-000	YD	Fabric - Main Bedsprad - Patterned (B87)
	088273-76-000	YD	Fabric - Main Bedsprad - Patterned (B88)
	088273-72-000	YD	Fabric - Accent Bedsprad - Plain (B87)
	088273-67-000	YD	Fabric - Accent Bedsprad - Plain (B88)

These parts were used from 4/8/91 on.

**DINETTE CUSHION**

Key	Part Number	U/M	Description
2	088927-79-B87	EA	Cushion Asm. - 14.5" x 38" x 5" - Back
2	088927-79-B88	EA	Cushion Asm. - 14.5" x 38" x 5" - Back
	M88927-79-B87	EA	Cover Asm. - Back - Dinette Cushion
	M88927-79-B88	EA	Cover Asm. - Back - Dinette Cushion
3	088927-87-B87	EA	Cushion Asm. - 23" x 38" x 5" - Seat
3	088927-87-B88	EA	Cushion Asm. - 23" x 38" x 5" - Seat
	M88927-87-B87	EA	Cover Asm. - Seat - Dinette Cushion
	M88927-87-B88	EA	Cover Asm. - Seat - Dinette Cushion
	078155-01-000	EA	Strap Asm. - Cushion Snap
	096008-90-000	YD	Fabric - Dinette Cushion (B87)
	096008-83-000	YD	Fabric - Dinette Cushion (B88)

**ARIA SWIVEL CHAIR**

Key	Part Number	U/M	Description
4	096429-07-B87	EA	Chair Swivel w/o Base, Pipe or Plate
4	096429-07-B88	EA	Chair Swivel w/o Base, Pipe or Plate
	M96429-07-B87	EA	Cover - Swivel Chair
	M96429-07-B88	EA	Cover - Swivel Chair
	069246-06-000	EA	Adjuster - Manual - TT Chair
	069246-07-000	EA	Adjuster - Manual - TT Chair w/Arm
	099202-04-B87	EA	Skirt - Swivel Chair
	099202-04-B88	EA	Skirt - Swivel Chair
	096008-91-000	YD	Fabric - Aria - Swivel Chair (B87)
	096008-84-000	YD	Fabric - Aria - Swivel Chair (B88)
	088245-01-000	EA	Base w/Legs - Chair
	088245-03-000	EA	Plate - Non-Tilt - Swivel w/Lock
	088245-06-000	EA	Extension - Chair Base - 7"
	069705-02-000	EA	Bar - 2.5" x 12.75"
	007221-01-000	EA	Spacer - Seat - Adjuster - 4 Used Per Chair

**FRONT BUNK**

Key	Part Number	U/M	Description
	064753-22-B87	EA	Cushion - "U" Shaped - 57" x 90" x 5"
	064753-22-B88	EA	Cushion - "U" Shaped - 57" x 90" x 5"
	084753-31-B87	EA	Cushion - "U" Shaped - 58" x 92" x 5"
	084753-31-B88	EA	Cushion - "U" Shaped - 58" x 92" x 5"
	M84753-16-B87	EA	Cover - "U" Shaped Cushion
	M84753-16-B88	EA	Cover - "U" Shaped Cushion
	M84753-31-B87	EA	Cover - "U" Shaped Cushion
	M84753-31-B88	EA	Cover - "U" Shaped Cushion
	064753-19-B87	EA	Cushion - Filler - 54" x 25" x 5"
	064753-19-B88	EA	Cushion - Filler - 54" x 25" x 5"
	084753-32-B87	EA	Cushion - Filler - 59.5" x 26.5"
	084753-32-B88	EA	Cushion - Filler - 59.5" x 26.5"
	M84753-19-B87	EA	Cover - Filler Cushion
	M84753-19-B88	EA	Cover - Filler Cushion
	M84753-32-B87	EA	Cover - Filler Cushion
	M84753-32-B88	EA	Cover - Filler Cushion
	096008-91-000	YD	Fabric - Front Bunk Cushion (B87)
	096008-84-000	YD	Fabric - Front Bunk Cushion (B88)
	079145-08-000	EA	Cushion Asm. - Front Bunk - 27.5" x 74" x 3.5" (L43V & L49F)
	M79145-08-000	EA	Cover - Front Bunk Cushion (L43V & L49F)

These parts are used from 4/24/91 on.

**1992 ITASCA  
TABLE OF CONTENTS**

INTRODUCTION	A-01 - A-02
ABBREVIATIONS	A-03
ALPHABETICAL INDEX	A-04 - A-06
IC324RC	A-07 - D-12

**1992 IC324RC INDEX**

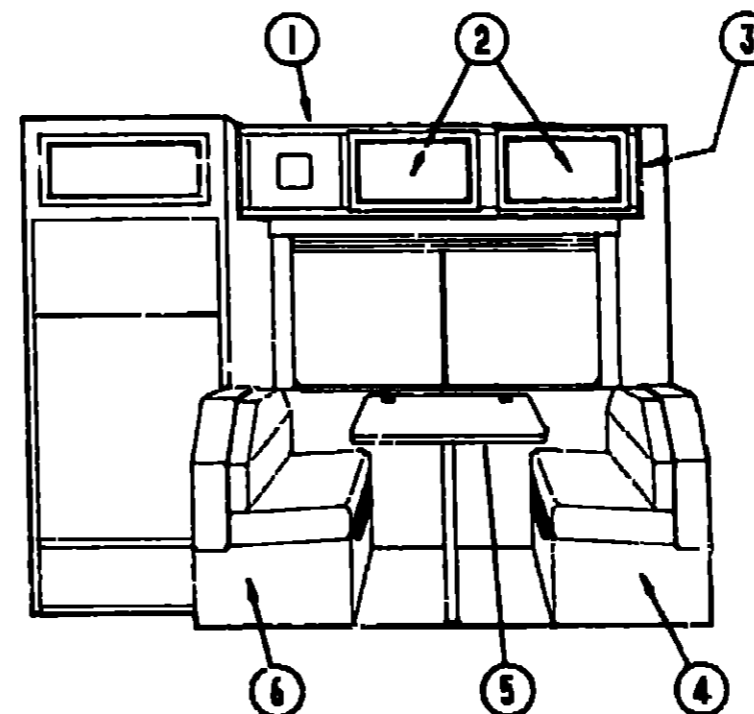
Floor Plan	A-07 - A-08
Accessories Group	A-09 - A-12
Bath Group	A-13 - A-14
Bedroom Group	A-15
Chassis Group	A-16 - A-21
Curtain, Cushion & Pad Group	A-22 - B-05
Dinette Group	B-06 - B-07
Driver's Compartment Group	B-08 - B-11
Electrical Group	B-12 - B-14
Exterior Body Group	B-15 - B-19
Galley Group	B-20 - B-23
Heating & Air Conditioning Group	B-24 - C-01
Interior Finish Group	C-02 - C-05
Labels Group	C-06 - C-13
LP Group	C-14
Lounge Group	C-15
Sealants & Fasteners Group	C-16 - C-17
Water & Sewage Group	C-18 - C-21
Window, Vent & Exterior Door Group	C-22 - D-12

**CURTAIN, CUSHION & PAD GROUP (CONTINUED)**

**TRIMS & PADS**

Key	Part Number	U/M	Description
	070578-06-B05	EA	Button Asm. - Snap Top - #30 - Vinyl
	070578-10-B87	EA	Button Asm. - Snap Top - #30 - Accent - Plain
	070578-10-B88	EA	Button Asm. - Snap Top - #30 - Accent - Plain
	059797-02-000	EA	Shell - Upholstery Button - #30
	069734-01-000	EA	Back - Upholstery Button - #30
	078155-01-000	EA	Strap Asm. - Cushion (Dinette Cushion)
	081519-16-B87	EA	Pad Asm. - Dinette - Front
	081519-16-B88	EA	Pad Asm. - Dinette - Front
	081519-17-B87	EA	Pad Asm. - Dinette - Rear
	081519-17-B88	EA	Pad Asm. - Dinette - Rear
	058491-01-B87	EA	Pad Asm. - Door - Passenger - Upper (Chevrolet)
	058491-01-B88	EA	Pad Asm. - Door - Passenger - Upper (Chevrolet)
	059492-01-B87	EA	Pad Asm. - Door - Driver - Upper (Chevrolet)
	059492-01-B88	EA	Pad Asm. - Door - Driver - Upper (Chevrolet)
	069885-16-B87	EA	Motor Cover w/Map Pocket (Ford)
	069885-16-B88	EA	Motor Cover w/Map Pocket (Ford)
	074891-07-B87	EA	Motor Cover w/Map Pocket (Chevrolet)
	074891-07-B88	EA	Motor Cover w/Map Pocket (Chevrolet)
	079349-01-B87	YD	Welling - Skirt
	079349-01-B88	YD	Welling - Skirt
	084415-31-000	FT	Trim - Braid - Curtain - Plum (B87)
	084415-30-000	FT	Trim - Braid - Curtain - Blue (B88)

**DINETTE GROUP**



**1992 ITASCA  
TABLE OF CONTENTS**

INTRODUCTION	A-01 - A-02
ABBREVIATIONS	A-03
ALPHABETICAL INDEX	A-04 - A-06
IC324RC	A-07 - D-12

**DINETTE CABINETRY**

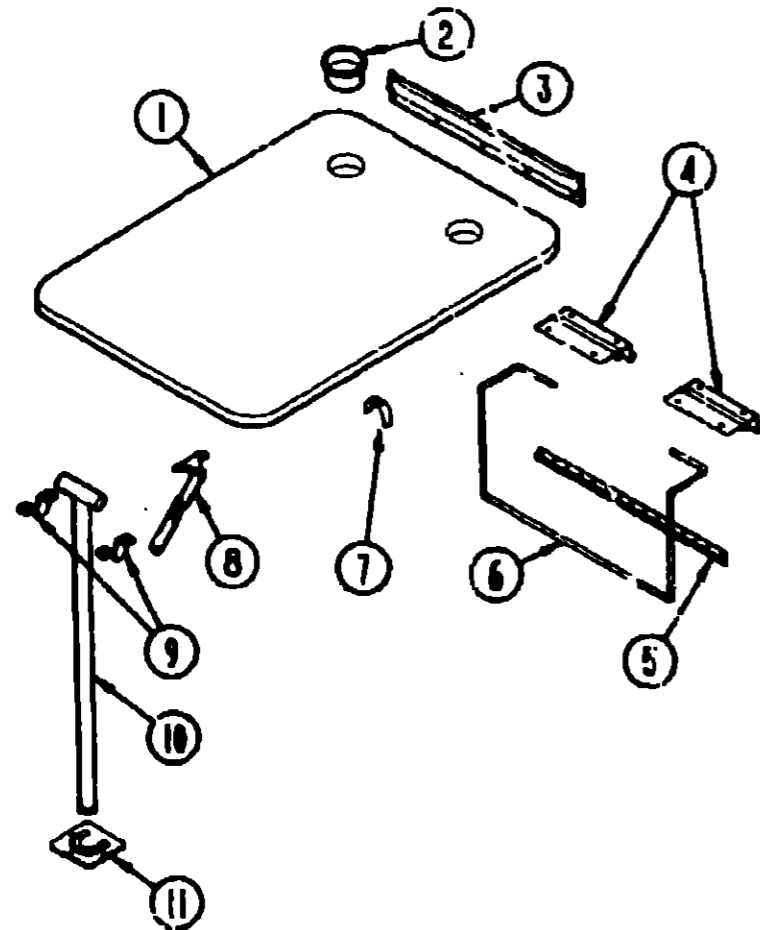
Key	Part Number	U/M	Description
1	M05150-12-B87	EA	Cabinet Asm. - Dinette Overhead - w/o Door or Hardware
2	P03702-23-B87	EA	Door Asm. - Dinette Cabinet - 14.4" x 27" - w/o Hardware
3	081280-21-B27	EA	End Cap Asm.
4	M02487-02-B27	EA	Cabinet Asm. - Dinette Seat
4	M02488-02-B27	EA	Cabinet Asm. - Dinette Back
4	081519-16-B87	EA	Pad Asm. - Dinette Back
4	081519-16-B88	EA	Pad Asm. - Dinette Back
*5	M02115-05-B87	EA	Dinette Table w/o Hardware or Edge Band
#	076325-28-000	FT	Molding - Edge Band - 1 5/16" Wide - Rose
#	076325-34-000	FT	Molding - Edge Band - 1 5/16" Wide - Lavender
6	M02489-02-B27	EA	Cabinet Asm. - Dinette Seat
6	M02488-02-B27	EA	Cabinet Asm. - Dinette Back
6	081519-17-B87	EA	Pad Asm. - Dinette Back
6	081519-17-B88	EA	Pad Asm. - Dinette Back
	057759-01-000	EA	Washer - Bracket - Seat Belt - 4" Dia.
	007021-01-000	EA	Seat Belt
	103799-01-01A	EA	Coffeemaker - Almond (Option L26U)
	104610-01-000	EA	Strap Asm. - Coffeemaker (Option L26U)

\* See the next page for the breakdown of this item.  
# These parts were used from 5/13/91 on.

**1992 IC324RC INDEX**

Floor Plan	A-07 - A-08
Accessories Group	A-09 - A-12
Bath Group	A-13 - A-14
Bedroom Group	A-15
Chassis Group	A-16 - A-21
Curtain, Cushion & Pad Group	A-22 - B-05
Dinette Group	B-06 - B-07
Driver's Compartment Group	B-08 - B-11
Electrical Group	B-12 - B-14
Exterior Body Group	B-15 - B-19
Galley Group	B-20 - B-23
Heating & Air Conditioning Group	B-24 - C-01
Interior Finish Group	C-02 - C-05
Labels Group	C-06 - C-13
LP Group	C-14
Lounge Group	C-15
Sealants & Fasteners Group	C-16 - C-17
Water & Sewage Group	C-18 - C-21
Window, Vent & Exterior Door Group	C-22 - D-12

**DINETTE GROUP (CONTINUED)**

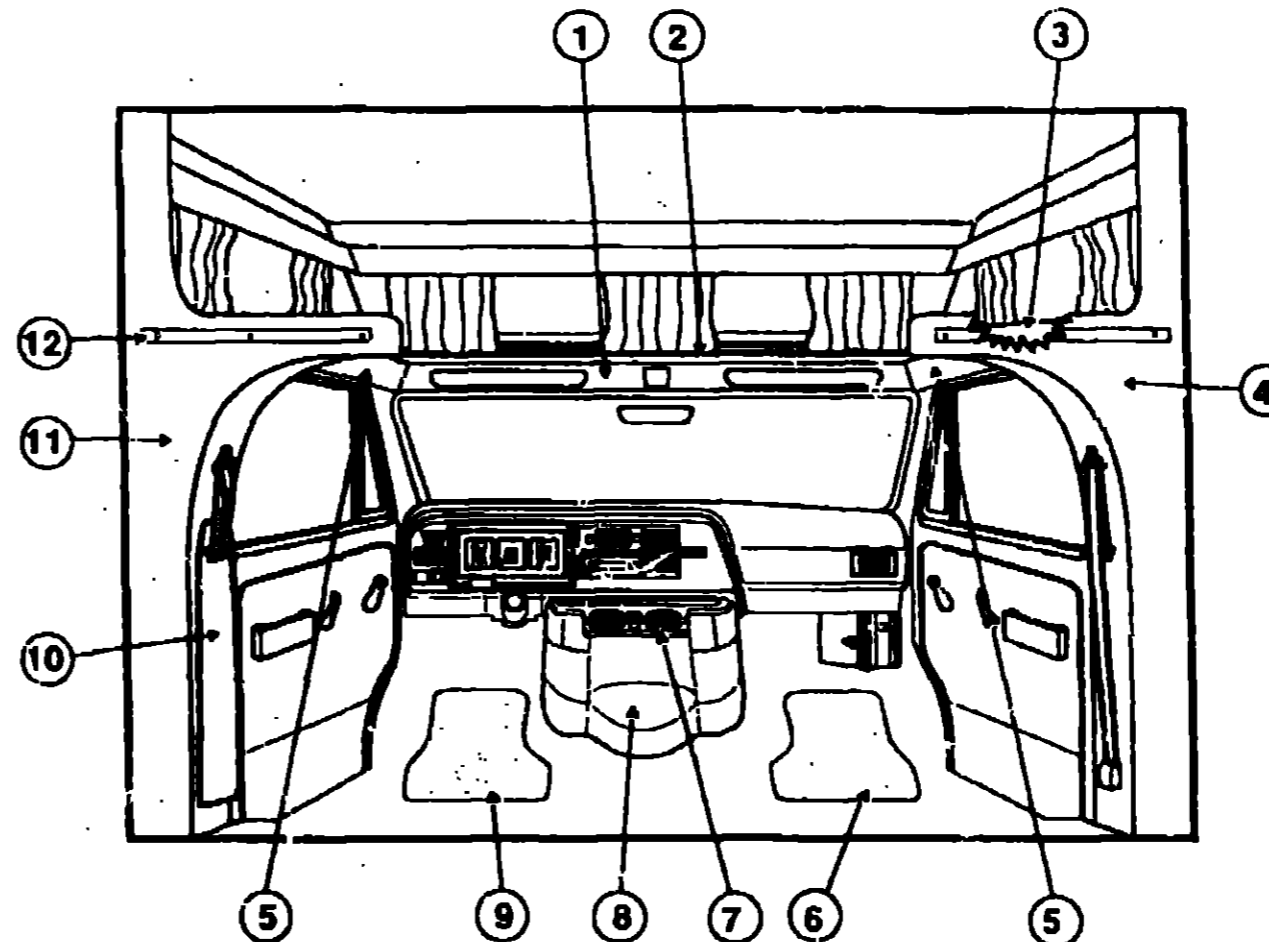


**DINETTE TABLE & HARDWARE**

Key	Part Number	U/M	Description
1	M02115-09-B87	EA	Table - Dinette - w/o Hardware or Edge Band
	076325-28-000	FT	Molding - Edge Band - 1 5/16" Wide - Rose
#	076325-34-000	FT	Molding - Edge Band - 1 5/16" Wide - Lavender
2	064781-06-000	EA	Cup Holder - Two Step - Off White
3	053200-05-000	E/	Support - Table - 23.5" - Beige
4	068410-01-000	EA	Hanger - Table - Beige
5	024281-07-000	EA	Bracket - Table Lift
6	024275-05-000	EA	Rod - Table Lift - Beige
7	024283-01-000	EA	Clip - 1" - 1.125" - OD Tube - Black
8	024282-01-000	EA	Brace Table Leg
9	064050-03-000	EA	Clamp - Saddle - Leg Hinge - Beige
10	024276-21-000	EA	Leg Asm. - Table - Beige
11	049493-01-000	EA	Catch - Table Leg
	081295-01-AA8	EA	Support - Base - Dinette

# These parts were used from 5/13/91 on.

**DRIVER'S COMPARTMENT GROUP**



**MISCELLANEOUS DRIVER'S COMPARTMENT COMPONENTS (FORD)**

Key	Part Number	U/M	Description
1	091831-01-B05	EA	Headliner - Front - Off White Vinyl
	098703-01-B05	EA	Sleeper Board Asm.
2	079800-04-000	EA	Trim - Front Sleeper Board - Metal - Off White
	080742-03-000	FT	Accent Trim - Off White Vinyl
3	096208-01-B27	EA	Cabinet Asm. - Headboard
4	096244-01-B27	EA	Wingwall Asm. - Inner - Passenger - Off White
5	091825-02-AA5	EA	Headliner - Sides - Off White Vinyl
6	083219-03-000	EA	Floor Mat - Passenger
7	099857-01-B27	EA	Beverage Tray
8	069885-16-B87	EA	Motor Cover w/Pocket
9	069885-16-B88	EA	Motor Cover w/Pocket
	083219-04-000	EA	Floor Mat - Driver
10	091871-05-000	EA	Seat Belt Cover - Off White
11	096244-02-B27	EA	Wingwall Asm. - Inner - Driver - Off White
12	082069-03-B27	EA	Wood Trim - Wingwall - 15.8"
	074045-07-000	EA	Oak Plug - 1/2"
	094794-02-000	EA	Instrument Cluster - Kilometer - Gas
	094797-04-000	EA	Instrument Cluster - Kilometer - Diesel
	082071-10-B05	EA	Pad - Vinyl Covered - 6.6" x 28" - Off White
	082081-27-B05	EA	Pad - Vinyl Covered - 1.5" x 52" - Off White
	024461-01-000	EA	Switch - Battery

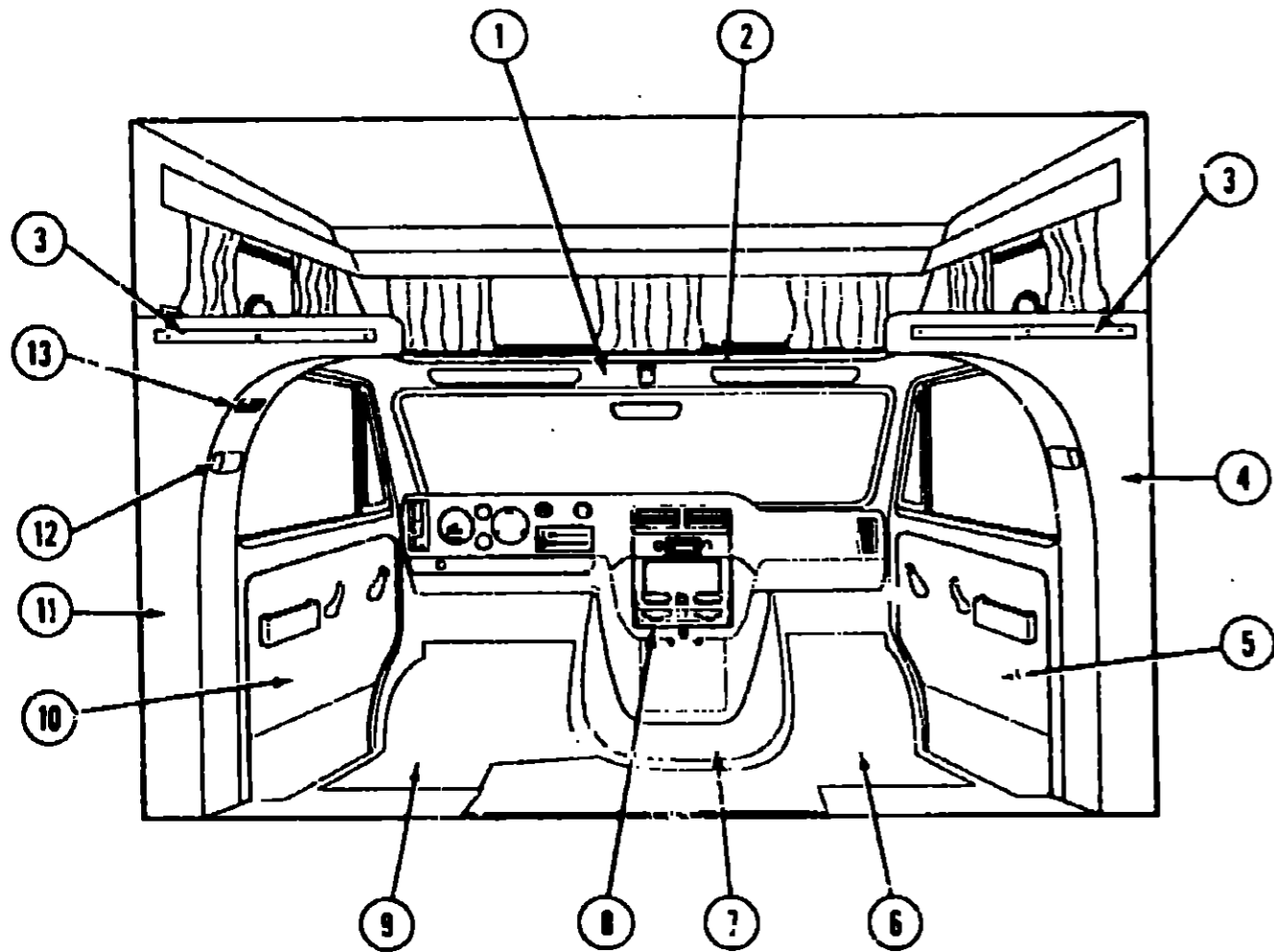
**1992 ITASCA  
TABLE OF CONTENTS**

INTRODUCTION	A-01 - A-02
ABBREVIATIONS	A-03
ALPHABETICAL INDEX	A-04 - A-06
IC324RC	A-07 - D-12

**1992 IC324RC INDEX**

Floor Plan	A-07 - A-08
Accessories Group	A-09 - A-12
Bath Group	A-13 - A-14
Bedroom Group	A-15
Chassis Group	A-16 - A-21
Curtain, Cushion & Pad Group	A-22 - B-05
Dinette Group	B-06 - B-07
Driver's Compartment Group	B-08 - B-11
Electrical Group	B-12 - B-14
Exterior Body Group	B-15 - B-19
Galley Group	B-20 - B-23
Heating & Air Conditioning Group	B-24 - C-01
Interior Finish Group	C-02 - C-05
Labels Group	C-06 - C-13
LP Group	C-14
Lounge Group	C-15
Sealants & Fasteners Group	C-16 - C-17
Water & Sewage Group	C-18 - C-21
Window, Vent & Exterior Door Group	C-22 - D-12

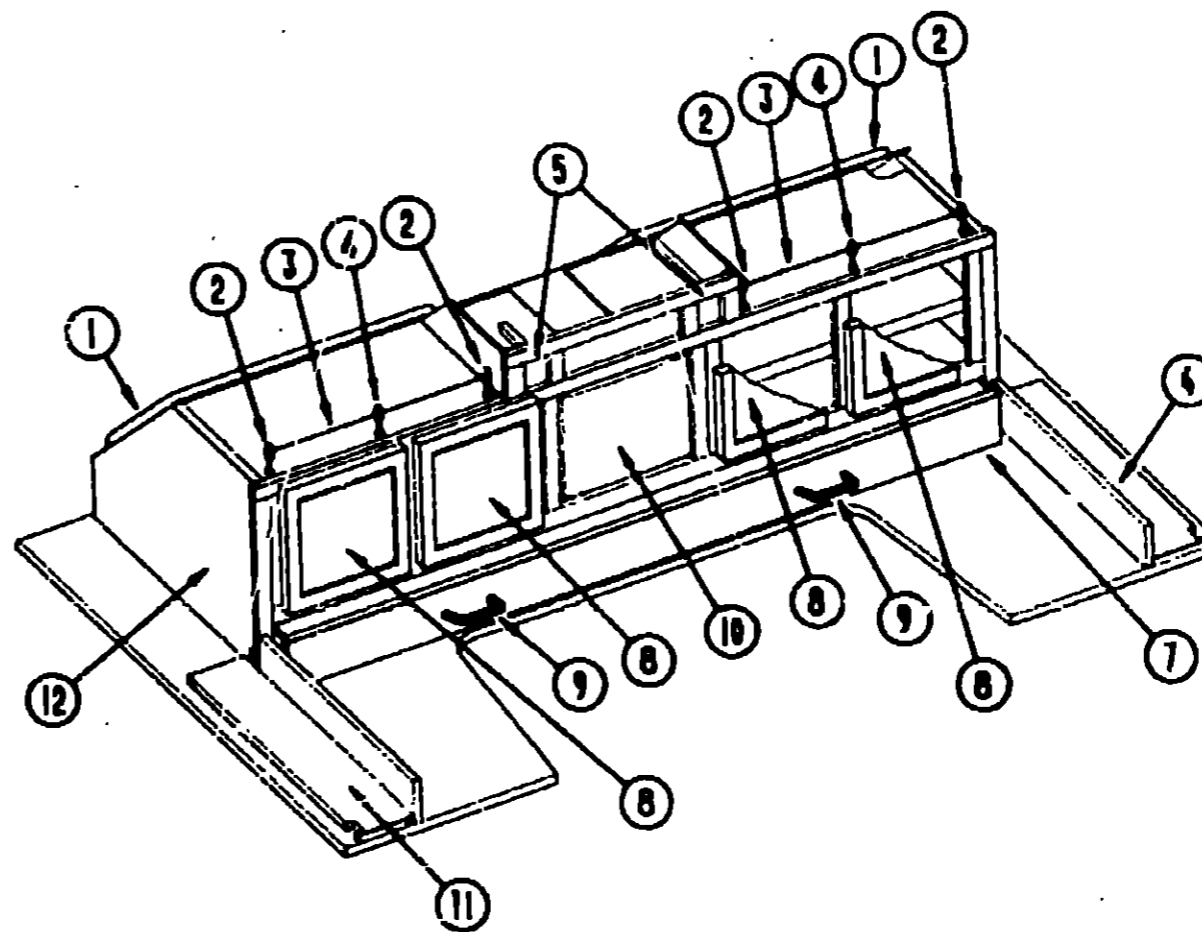
**DRIVER'S COMPARTMENT GROUP (CONTINUED)**



**MISCELLANEOUS DRIVER'S COMPARTMENT COMPONENTS (CHEVROLET)**

Key	Part Number	U/M	Description
1	091877-01-B05	EA	Headliner - Front - Off White Vinyl
	091825-02-AA5	EA	Headliner - Sides - Off White Vinyl
	096208-01-B27	EA	Cabinet Asm. - Headboard
	098705-01-B05	EA	Sleeper Board Asm.
2	079800-04-000	EA	Trim - Front Sleeper Board - Metal - Off White
2	080742-03-000	FT	Accent Trim - Off White Vinyl
3	082069-03-B27	EA	Wood Trim - Wingwall - 15.8"
	074045-07-000	EA	Oak Plug - 1/2"
4	097176-01-B27	EA	Wingwall Asm. - Inner - Passenger - Off White
5	059491-01-B87	EA	Side Panel - Cab Door - Passenger
5	059491-01-B88	EA	Side Panel - Cab Door - Passenger
6	083216-03-000	EA	Floor Mat - Front Passenger
7	074891-07-B87	EA	Motor Cover w/Pocket
7	074891-07-B88	EA	Motor Cover w/Pocket
8	100516-01-B27	EA	Beverage Tray
9	083218-04-000	EA	Floor Mat - Front Driver
10	059492-01-B87	EA	Side Panel - Cab Door - Driver
10	059492-01-B88	EA	Side Panel - Cab Door - Driver
11	097176-02-B27	EA	Wingwall Asm. - Inner - Driver - Off White
12	076302-03-000	EA	Seat Belt - Driver or Passenger
13	046885-01-000	EA	Plaque - Switch
	024461-01-000	EA	Switch - Battery
	094797-03-000	EA	Instrument Cluster - Kilometer - Gas
	094797-04-000	EA	Instrument Cluster - Kilometer - Diesel
	082081-06-B85	EA	Pad - Vinyl Covered - 1.5" x 29" - Off White

**DRIVER'S COMPARTMENT GROUP (CONTINUED)**



**TV & ENTERTAINMENT CABINETRY (OPTIONS L43V & L49F)**

Key	Part Number	U/M	Description
1	099679-01-01A	EA	Panel - Window - Black Plastic
2	084070-02-000	EA	Post - End - Brass
3	084071-06-000	EA	Rod - Brass - 25"
4	084070-01-000	EA	Post - Center - Brass
5	072333-67-000	YD	Fabric - Speaker Cover
	098819-01-000	EA	Speaker - 2 Watt - 8 OHM - 4"
	074979-11-000	EA	Cover - Speaker - Plastic - Off White
6	099687-01-B27	EA	Cabinet - Headboard - Passenger
7	099639-01-B87	EA	Drawer - Entertainment - Front
	079145-08-000	EA	Cushion - Front Bunk - 25" x 74" x 3.5"
8	P03702-70-B57	EA	Door - Cabinet - 13.9" x 13.9" - w/o Hardware
9	103857-01-000	EA	Pull - Drawer - Brass
10	098447-01-000	EA	TV - 13" Color w/Remote (USA) RX4029WA
10	098447-02-000	EA	TV - 13" Color w/Remote (CSA) XK4029CH
	098447-01-700	EA	Remote Control - TV
#10	098447-03-000	EA	TV - 13" Color w/Remote - Magnavox (US) RR1337W
#10	098447-04-000	EA	TV - 13" Color w/Remote - Magnavox (CSA) RH1330W
	098447-03-700	EA	Remote Control - TV
	098446-02-000	EA	VCR - VHS - Cable Ready w/Remote - Magnavox VR9912
	098446-02-700	EA	Remote Control - VCR
†	098446-03-000	EA	VCR - VHS - Cable Ready w/Remote - Magnavox VR9913
†	098446-03-700	EA	Remote Control - VCR
	099858-01-000	EA	Tiedown - TV - 53.1" x 1" - Black
11	099687-02-B27	EA	Cabinet - Headboard - Driver
12	099445-01-B27	EA	Cabinet - Entertainment - Front

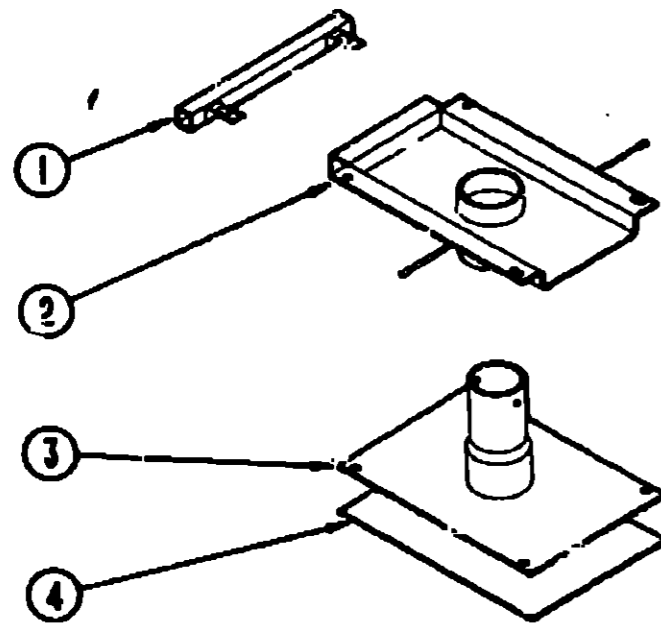
\* See Curtain, Cushion & Pad Group for further breakdown of this item.  
 # These parts were used from 6/24/91 on.  
 † These parts were used from 7-22-91 on.

**1992 ITASCA  
TABLE OF CONTENTS**

INTRODUCTION	A-01 - A-02
ABBREVIATIONS	A-03
ALPHABETICAL INDEX	A-04 - A-05
IC324RC	A-07 - D-12

**1992 IC324RC INDEX**

Floor Plan	A-07 - A-08
Accessories Group	A-09 - A-12
Bath Group	A-13 - A-14
Bedroom Group	A-15
Chassis Group	A-16 - A-21
Curtain, Cushion & Pad Group	A-22 - B-05
Dinette Group	B-06 - B-07
Driver's Compartment Group	B-08 - B-11
Electrical Group	B-12 - B-14
Exterior Body Group	B-15 - B-19
Halley Group	B-20 - B-23
Heating & Air Conditioning Group	B-24 - C-01
Interior Finish Group	C-02 - C-05
Labels Group	C-06 - C-13
LP Group	C-14
Lounge Group	C-15
Sealants & Fasteners Group	C-16 - C-17
Water & Sewage Group	C-18 - C-21
Window, Vent & Exterior Door Group	C-22 - D-12



BUCKET SEAT PEDESTAL & SEAT BELTS

Key	Part Number	U/M	Description
1	069585-28-000	EA	Bar - Seat Belt - 18"
2	092481-04-000	EA	Plate - Top - Pedestal Asm.
3	069585-03-000	EA	Plate - Sub - Pedestal Asm.
4	069585-02-000	EA	Plate - Base - Pedestal Asm. - Bucket Seat
	069246-02-000	EA	Adjuster Asm. - Seat - w/o Lock
	069246-05-000	EA	Adjuster Asm. w/Remote
	069246-05-700	EA	Spring For Slide Adjuster
	059246-05-701	EA	Clip - For Cable Asm. Only

WIRES, SWITCHES, & RECEPTACLES

Key	Part Number	U/M	Description
	008288-01-000	EA	Box - Electrical - 3" x 3.5" - Plastic
	093603-01-000	EA	Box - Electrical - 4" x 2 1/8" x 2 1/8"
	008289-01-000	EA	Box - Electrical - 4" x 4" - 1/2 & 3/4 Steel (US)
	008289-02-000	EA	Box - Electrical - 4" x 4" (CSA)
	058049-01-000	EA	Box - Electrical - 2" x 3" x 2.25" - Steel
	008037-01-000	EA	Cable - Battery - 1 AWG - Stranded - Black
	041953-01-000	FT	Conduit - Convolute Slit - .5" ID
	041953-03-000	FT	Conduit - Convolute Slit - 1" ID
	041953-05-000	FT	Conduit - Convolute Slit - .62" ID
	041953-07-000	FT	Conduit - Convolute Slit - .25" ID
	041953-09-000	FT	Conduit - Convolute Slit - .50" ID
	041953-10-000	FT	Conduit - Convolute Slit - .75" ID
	041953-11-000	FT	Conduit - Convolute Slit - 1.06" ID
	008355-01-000	EA	Connector - Cable Clamping - 3/4"
	008356-01-000	EA	Connector - Plastic - 3/8" Avg.
	058028-01-000	EA	Connector - Pigtail - Clear Nylon
	008311-01-000	EA	Connector - Wire Nut - Red
	008314-01-000	EA	Connector - Wire Nut - Gray
	031967-01-000	EA	Contact - Receptacle
	008054-01-000	EA	Cord - Power - 10-3 30 Amp. - 25' (US)
	008052-01-000	EA	Cord - Power - 10-3 30 Amp. - 25' (CSA)
	008294-01-000	EA	Cover Plate - Electrical Box - Blank Steel - 4" x 4" (US)
	008294-02-000	EA	Cover Plate - Electrical Box - Blank Steel - 4" x 4" (CSA)
	053337-01-000	EA	Cover Plate - Blank - Ivory
	008384-01-000	EA	Grommet - Snap - 3" Dia.
	023942-01-000	EA	Grommet - Rubber - 2" OD
	062037-01-000	EA	Housing - Auto Fuse - Natural
	063910-01-000	EA	Housing - Relay
	088474-09-000	EA	Housing - Socket
	097744-01-000	EA	Housing - Trailer Pin - 12"
	097744-02-000	EA	Housing - Trailer Pin - 48"
	097746-01-000	EA	Housing Asm. - Trailer Cap
	097745-01-000	EA	Housing Asm. - Trailer Receptacle - 12"
	088473-05-000	EA	Housing Pin - 6 Position In Line
	088473-08-000	EA	Housing Pin - 4 Position
	088473-10-000	EA	Housing Pin - 2 Position
	088474-08-000	EA	Housing Socket - 4 Position
	088474-09-000	EA	Housing Socket - 6 Position
	088475-01-000	EA	Pin - Connector
	046885-01-000	EA	Plaque - Mounting Switch
	075736-02-000	EA	Receptacle/Cover Asm. - Off White (Exterior)
	084077-01-000	EA	Receptacle Cover - Ivory (Ground Fault Interrupter)
	084077-02-000	EA	Receptacle Cover - Brown (Ground Fault Interrupter)
	084076-02-000	EA	Receptacle - 15 Amp. - 125 Volt - Brown (Ground Fault Interrupter)
	084076-01-000	EA	Receptacle - 15 Amp. - 125 Volt - Ivory (Ground Fault Interrupter)
	024924-02-000	EA	Receptacle - Power Cord
	058707-01-000	EA	Receptacle - Single - Brown
	007940-01-000	EA	Receptacle - Slide - 16 to 12 Awg.
	058708-02-000	EA	Receptacle - Double Electrical - Ivory
	058708-01-000	EA	Receptacle - Double Electrical - Brown
	097734-01-01A	EA	Extension - Receptacle - Ivory (CSA)
	097734-01-02A	EA	Extension - Receptacle - Brown (CSA)

1992 ITASCA  
TABLE OF CONTENTS

INTRODUCTION	A-01 - A-02
ABBREVIATIONS	A-03
ALPHABETICAL INDEX	A-04 - A-06
IC324RC	A-07 - D-12

1992 IC324RC INDEX

Floor Plan	A-07 - A-08
Accessories Group	A-09 - A-12
Bath Group	A-13 - A-14
Bedroom Group	A-15
Chassis Group	A-16 - A-21
Curtain, Cushion & Pad Group	A-22 - B-05
Dinette Group	B-06 - B-07
Driver's Compartment Group	B-08 - B-11
Electrical Group	B-12 - B-14
Exterior Body Group	B-15 - B-19
Galley Group	B-20 - B-23
Heating & Air Conditioning Group	B-24 - C-01
Interior Finish Group	C-02 - C-05
Labels Group	C-06 - C-13
LP Group	C-14
Lounge Group	C-15
Sealants & Fasteners Group	C-16 - C-17
Water & Sewage Group	C-18 - C-21
Window, Vent & Exterior Door Group	C-22 - D-12

**ELECTRICAL GROUP (CONTINUED)**

**WIRES, SWITCHES & RECEPTACLES (CONTINUED)**

Key	Part Number	U/M	Description
	088476-01-000	EA	Socket - Connector
	008118-01-000	EA	Solenoid - 3 Post - Battery Charge Over
	024461-01-000	EA	Switch - Battery
	008195-01-000	EA	Switch - Push Button - 12 Volt
	098351-02-01A	EA	Switch Plate - 2 Gang - Polished Brass
	078364-01-000	EA	Switch - On/Off Rocker - Brown
	047443-01-000	EA	Terminal - .250 Receptacle Fit - Insulated - 18/14 AWG
	008326-01-000	EA	Terminal Ring - 16/14 Wire - 3/8" Stud
	035416-01-000	EA	Terminal Ring - #10 Stud Fit
	008326-01-000	EA	Terminal Ring - 12/10 Wire
	008348-01-000	EA	Terminal Ring - 2 - 3/8 Stud
	008331-01-000	EA	Terminal Ring - 4 - 3/8 Stud
	062036-02-000	EA	Terminal - Pack - Con - 16/14 AWG
	008026-01-000	FT	Wire - 12/2 Romex w/Ground
	008343-01-000	EA	Wire Tie - 6"

**EXTERIOR LIGHTS**

Key	Part Number	U/M	Description
	042405-01-000	EA	Lens - Side Marker/Clearance Light - w/Reflex - Red
	042405-02-000	EA	Lens - Side Marker Light - w/Reflex - Amber
	042405-03-000	EA	Base - Clearance Light - Rectangular
	091983-01-000	EA	Gasket - Light - Side Marker
	008213-01-000	EA	Bulb - 12 Volt - #57
	062740-04-000	EA	Wedge - Tail Light - Plastic - Passenger Side - Off White
	062742-04-000	EA	Wedge - Tail Light - Plastic - Driver Side - Off White
	007309-01-000	EA	Light - License Plate
	058540-01-000	EA	Bracket - License Plate
	058032-02-000	EA	Tail Lamp - 2 Bulb - Black Bezel
	058032-02-700	EA	Lens - Tail Lamp - w/Backup - Red
	058032-02-701	EA	Lens - Tail Lamp - w/o Backup - Red
	037935-01-000	EA	Bulb - Tail Lamp - #1157 - 12 Volt
	097917-01-01A	EA	Light - Porch/Entry Door - Off White (US)
	097917-01-700	EA	Lens - Porch Light
	008215-01-000	EA	Bulb - Porch Light
	008088-02-000	EA	Porch Light - Rectangular (CSA)
	008089-01-700	EA	Lens - Porch Light
	008215-01-000	EA	Bulb - Porch Light
	100138-01-000	EA	Module - Daytime Running Lights
	100159-02-000	EA	Wire Asm. - Daytime Running Lights (Ford)
	100159-03-000	EA	Wire Asm. - Daytime Running Lights (Chevrolet)

**INTERIOR LIGHTS**

Key	Part Number	U/M	Description
	098024-01-01A	EA	Dome Light - 1 Bulb - Ivory
	038024-03-01A	EA	Dome Light - 2 Bulb - Ivory
	098024-01-700	EA	Lens - Dome Light
	008218-01-000	EA	Bulb - Dome Light - 12 Volt - #1141
	006280-01-000	EA	Light - Surface Mount - 12 Volt
	006280-01-700	EA	Bulb - 12 Volt - 6 Watt

**ELECTRICAL GROUP (CONTINUED)**

**BULBS**

Key	Part Number	U/M	Description
	092E96-01-709	EA	Bulb - 912 (Stove Hood)
	008215-01-000	EA	Bulb - 1003 (Porch Light)
	008218-01-000	EA	Bulb - 1141 (Dome Light)
	037934-01-000	EA	Bulb - 1156 (Back-Up Light)
	037935-01-000	EA	Bulb - 1157 (Tail Lamp)
	084880-03-706	EA	Bulb - DC Light (Refrigerator) (Export)
	088737-01-710	EA	Bulb - 30W (Microwave Oven)
	006280-01-700	EA	Bulb - 12 Volt - 6 Watt (Surface Light)
	008213-01-000	EA	Bulb - 57 (Clearance Light)

**FUSES & CIRCUIT BREAKERS**

Key	Part Number	U/M	Description
	008235-01-000	EA	Fuse - 12 Volt - 15 Amp.
	062901-05-000	EA	Fuse - 15 Amp. - Automotive
	008211-01-000	EA	Circuit Breaker - 6 Amp. - 12 Volt
	083209-01-000	EA	Circuit Breaker - 15 Amp. 120 Volt
	083210-02-000	EA	Circuit Breaker - 15 Amp. - 120 Volt (Ground Fault Interrupter)
	083209-02-000	EA	Circuit Breaker - 15/15 Amp. - 120 Volt
	083209-03-000	EA	Circuit Breaker - 15/20 Amp. - 120 Volt
	033573-01-000	EA	Circuit Breaker - 20 Amp. - 12 Volt
	094811-01-000	EA	Circuit Breaker - 20/20 Amp. - 120 Volt
	008268-01-000	EA	Circuit Breaker - 30 Amp. - 12 Volt
	083209-04-000	EA	Circuit Breaker - 20 Amp. - 120 Volt
	083209-06-000	EA	Circuit Breaker - 30/15 Amp. - 120 Volt
	094810-01-000	EA	Circuit Breaker - 30/30 Amp. - 120 Volt (Export)
	083209-08-000	EA	Circuit Breaker Blank
	050283-02-000	EA	Circuit Breaker - Buss Bar
	100341-01-000	EA	Fuse Holder - In Line Type
	008277-01-000	EA	Fuse Holder - Black - Panel Mount

**MISCELLANEOUS ELECTRICAL COMPONENTS**

Key	Part Number	U/M	Description
	072852-01-000	EA	Smoke Detector w/9 Volt Battery - US
	072852-02-000	EA	Smoke Detector w/9 Volt Battery - CSA
	083208-01-000	EA	Converter - 32 Amp. w/Charger
	094809-01-000	EA	Load Center - 240 Volt - 125 Amp. (Export)

**1992 ITASCA  
TABLE OF CONTENTS**

INTRODUCTION	A-01 - A-02
ABBREVIATIONS	A-03
ALPHABETICAL INDEX	A-04 - A-06
IC324RC	A-07 - D-12

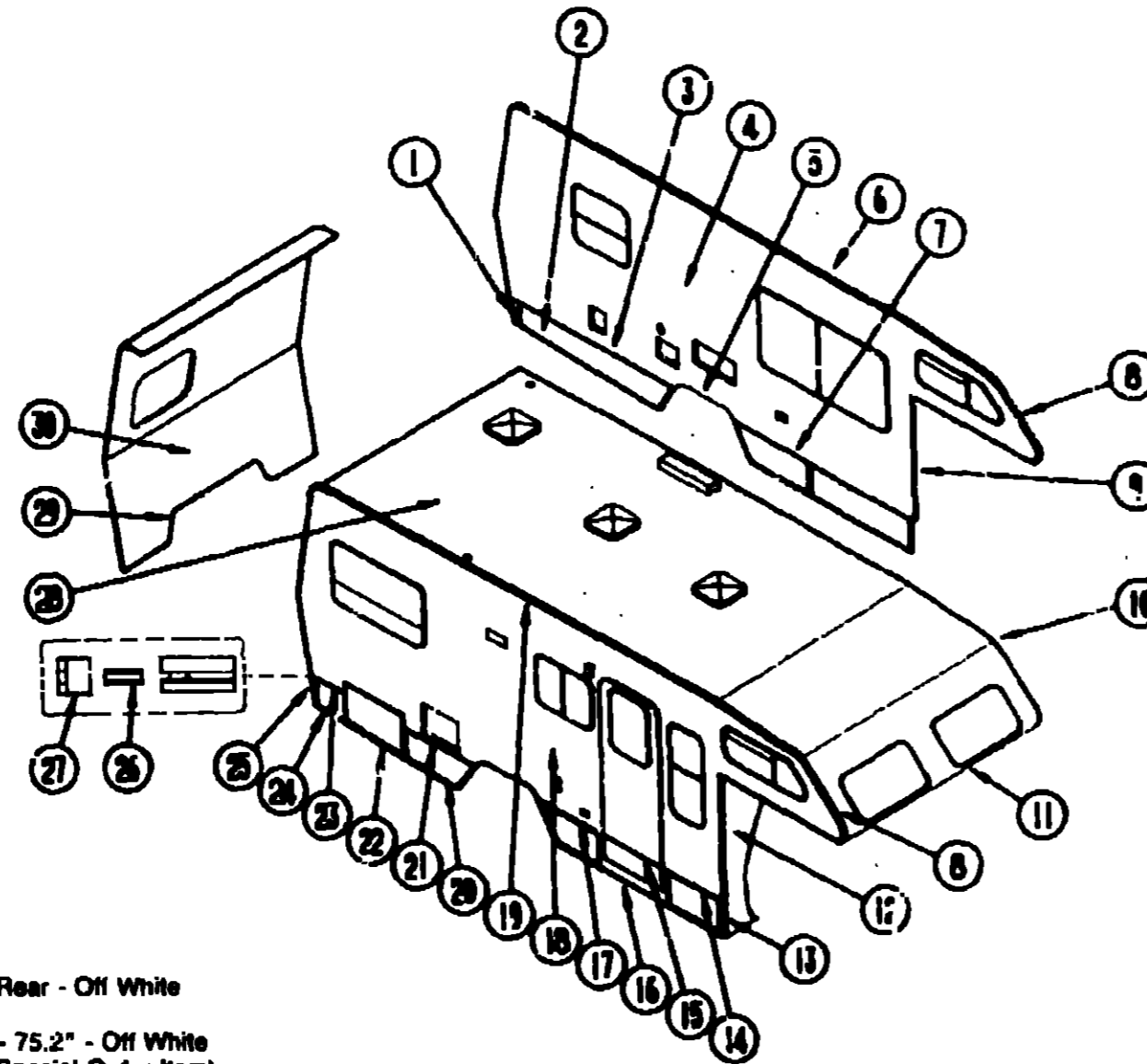
**1992 IC324RC INDEX**

Floor Plan	A-07 - A-08
Accessories Group	A-09 - A-12
Bath Group	A-13 - A-14
Bedroom Group	A-15
Chassis Group	A-16 - A-21
Curtain, Cushion & Pad Group	A-22 - B-05
Dinette Group	B-06 - B-07
Driver's Compartment Group	B-08 - B-11
Electrical Group	B-12 - C-14
Exterior Body Group	B-15 - B-19
Galley Group	B-20 - B-23
Heating & Air Conditioning Group	B-24 - C-01
Interior Finish Group	C-02 - C-05
Labels Group	C-06 - C-13
LP Group	C-14
Lounge Group	C-15
Sealants & Fasteners Group	C-16 - C-17
Water & Sewage Group	C-18 - C-21
Window, Vent & Exterior Door Group	C-22 - D-12



# EXTERIOR BODY GROUP

## EXTERIOR BODY PANELS



Key	Part Number	U/M	Description
1	097907-05-02A	EA	Filler - Valance Panel - Rear - Off White
2	096393-17-B05	EA	Valance Asm. - Rear
3	C96816-04-01A	EA	Trim - Sidewall - Lower - 75.2" - Off White
4	M96679-01-B87	EA	Sidewall Asm. - Driver (Special Order Item)
5	096215-01-01A	EA	Trim - Wheelwell - Rear - Metal - Off White - Either Side
6	096864-01-01A	EA	Trim - Contour - Roof - Off White
7	096817-03-01A	EA	Trim - Sidewall - Lower - 85.16" - Off White
8	096254-01-01A	EA	Trim - Contour - Off White
	079280-01-01A	FT	Vinyl Insert - Contour Trim - 72" - Off White
9	096970-02-01A	EA	Trim - Wingwall - Off White
	M06772-02-B05	EA	Wingwall - Driver Side w/Gusset (Chevrolet)
	M96154-C2-B05	EA	Wingwall - Driver Side w/Gusset (Ford)
	096945-02-01A	EA	Trim - "L" Angled - Driver Wingwall - Off White
	089334-01-000	FT	Vinyl - Exterior Trim - Between Wingwall & Cab Seal - White
10	078580-01-000	EA	Trim - Roof to Front Cab
11	039644-09-000	EA	Trim - Sleeper Board - Off White
12	M96772-01-B05	EA	Wingwall - Passenger Side w/Gusset (Chevrolet)
12	M96154-01-B05	EA	Wingwall - Passenger Side w/Gusset (Ford)
	096945-01-01A	EA	Trim - "L" Angled - Passenger Wingwall - Off White
	089334-01-000	FT	Vinyl - Exterior Trim - Between Wingwall & Cab Seal - White
13	063970-01-01A	EA	Trim - Wingwall - Off White
14	096818-04-01A	EA	Trim - Sidewall - Lower - 27" - Off White
	044582-02-000	EA	Drip Cap - Entrance Door
15	002444-04-002	EA	Feature Strip w/o Insert - 15' Long - Off White
	001030-02-003	EA	Insert - Feature Strip - Stucco
	009731-01-000	EA	End Cap - Feature Strip

Key	Part Number	U/M	Description
16	096835-01-AA3	EA	Valance - Entry Door
	096882-03-01A	EA	Trim Angle - Valance - Right
	096882-04-01A	EA	Trim Angle - Valance - Left
17	096818-05-01A	EA	Trim - Sidewall - Lower - 29.2" - Off White
18	P00497-01-B87	EA	Sidewall Asm. - Passenger (Special Order Item)
19	100483-01-01A	EA	Trim - Contour - Roof (Awning) - Off White
20	096393-16-B05	EA	Valance Asm. - Rear Center
21	096817-05-01A	EA	Trim - Sidewall - Lower - 32.1" - Off White
22	096217-35-001	EA	U-Channel - Extrusion - 17.5" - Off White
23	096816-06-01A	EA	Trim - Sidewall - Lower - 14" - Off White
24	096397-08-B05	EA	Valance Asm. - Rear - w/Square Corners
25	097907-04-02A	EA	Filler - Valance Panel - Rear - Off White
26	001030-02-003	EA	Insert - Lower Sidewall Trim
27	096424-02-01A	EA	End Cap - Sidewall Trim - Rear (Passenger Side) & Front (Driver Side)
	096424-01-01A	EA	End Cap - Sidewall Trim - Rear (Driver Side) & Front (Passenger Side)
28	P00642-02-B87	EA	Roof Asm. (Special Order Item)
29	096197-02-01A	EA	Trim - Backwall - Lower - U-Channel - 1" Wide - Off White - Either Side
30	PC0373-01-B87	EA	Backwall Asm. (Special Order Item)

See the inset illustration for additional parts

## 1992 ITASCA TABLE OF CONTENTS

INTRODUCTION	A-01 - A-02
ABBREVIATIONS	A-03
ALPHABETICAL INDEX	A-04 - A-06
IC324RC	A-07 - D-12

## 1992 IC324RC INDEX

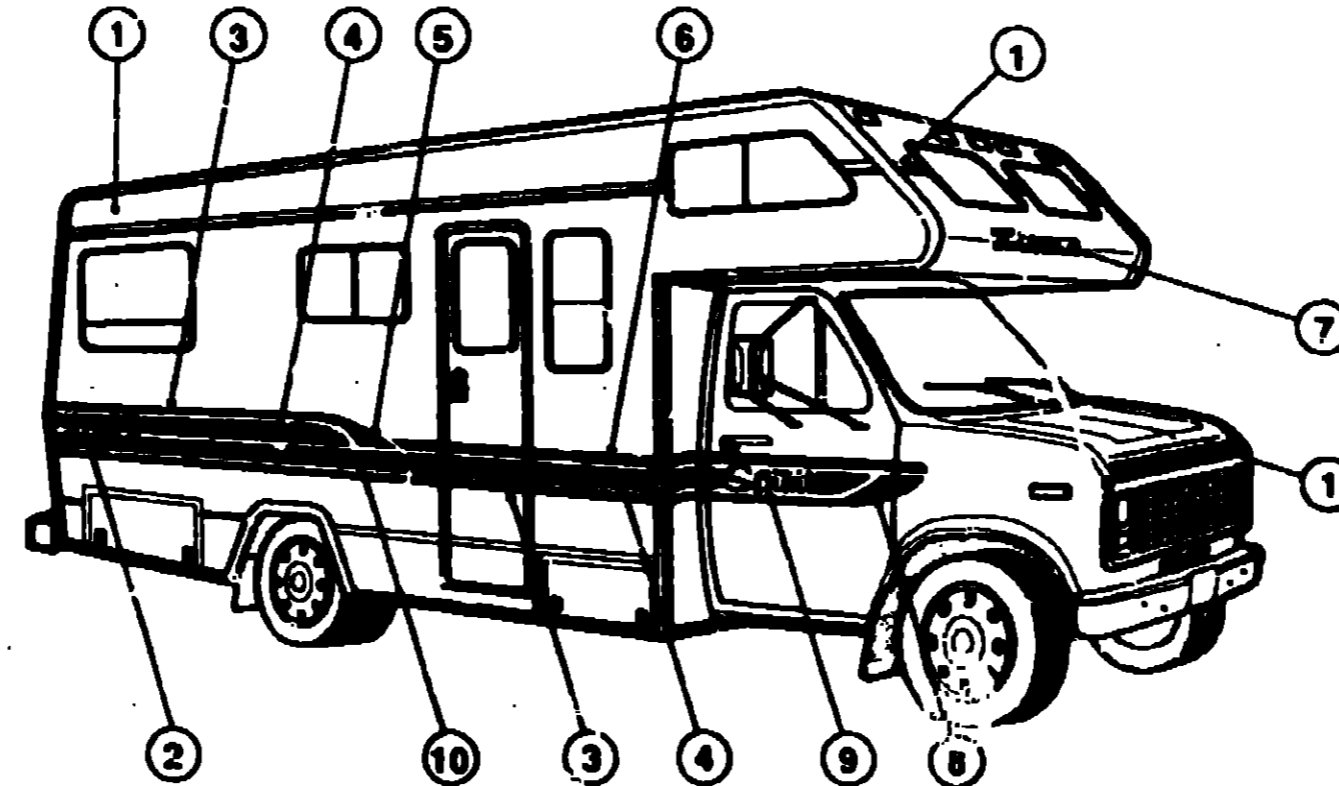
Floor Plan	A-07 - A-08
Accessories Group	A-09 - A-12
Bath Group	A-13 - A-14
Bedroom Group	A-15
Chassis Group	A-16 - A-21
Curtain, Cushion & Pad Group	A-22 - B-01
Dinette Group	B-06 - B-07
Driver's Compartment Group	B-08 - B-11
Electrical Group	B-12 - B-14
Exterior Body Group	B-15 - B-19
Galley Group	B-20 - B-23
Heating & Air Conditioning Group	B-24 - C-01
Interior Finish Group	C-02 - C-05
Labels Group	C-06 - C-13
LP Group	C-14
Lounge Group	C-15
Sealants & Fasteners Group	C-16 - C-17
Water & Sewage Group	C-18 - C-21
Window, Vent & Exterior Door Group	C-22 - D-12

**EXTERIOR BODY GROUP (CONTINUED)**

FILM & MULTISTRIPE

**1992 ITASCA  
TABLE OF CONTENTS**

INTRODUCTION	A-01 - A-02
ABBREVIATIONS	A-03
ALPHABETICAL INDEX	A-04 - A-06
IC324RC	A-07 - D-12



Key	Part Number	U/M	Description
1	094423-01-01A	FT	Film - Multistripe - 2.9" x 150' - Dark Blue/Light Blue/Magenta
2	078852-17-000	EA	Decal - Logo - "Itasca" - 6.50 - Dark Blue/Off White
3	093681-18-01A	FT	Film - 1.26" x 150' - Dark Blue
4	094433-01-01A	FT	Film - 5" x 150' - Dark Blue/Magenta
5	100039-03-01A	EA	Decal - Sweep - Dark Blue/Light Blue/Magenta (Passenger)
5	100039-04-01A	EA	Decal - Sweep - Dark Blue/Light Blue/Magenta (Driver)
5	093681-03-03A	FT	Film - 1.5" x 150' - Light Blue
7	078191-03-000	EA	Decal - Logo - "Itasca" - Dark Blue Metallic
8	100039-04-01A	EA	Decal - Sweep - Dark Blue/Light Blue/Magenta (Passenger)
8	100039-03-01A	EA	Decal - Sweep - Dark Blue/Light Blue/Magenta (Driver)
9	093565-01-04A	EA	Decal - Logo - "Spirit" - Dark Blue/Off White
10	094433-01-02A	FT	Film - 5" x 150' - Light Blue/Magenta
	084075-01-000	EA	Decal - "by Winnebago Ind." - Black (Backwall)

For your convenience here are the Dupont color codes that you can purchase locally:

- Dark Blue Metallic K9456
- Light Blue Metallic K9457
- Magenta C9842
- Off White Enamel L8723A
- Off White Lacquer L9723L
- Black Enamel 99A
- Black Imron 99U
- Black Lacquer 99S

**1992 IC324RC INDEX**

Floor Plan	A-07 - A-08
Accessories Group	A-09 - A-12
Bath Group	A-13 - A-14
Bedroom Group	A-15
Chassis Group	A-16 - A-21
Curtain, Cushion & Pad Group	A-22 - B-05
Dinette Group	B-06 - B-07
Driver's Compartment Group	B-08 - B-11
Electrical Group	B-12 - B-14
Exterior Body Group	B-15 - B-19
Galley Group	B-20 - B-23
Heating & Air Conditioning Group	B-24 - C-01
Interior Finish Group	C-02 - C-05
Label's Group	C-06 - C-13
LP Group	C-14
Lounge Group	C-15
Sealants & Fasteners Group	C-16 - C-17
Water & Sewage Group	C-18 - C-21
Window, Vent & Exterior Door Group	C-22 - D-12

## EXTERIOR BODY GROUP (CONTINUED)

### MISCELLANEOUS EXTERNALLY MOUNTED PARTS

Key	Part Number	U/M	Description
	083550-03-000	EA	Plumbing Seal - Roof Vent - Off White
	009126-02-000	EA	Assist Handle - Black
	087659-04-000	EA	Fill - City Water - Off White
	069362-06-000	EA	Tube - Support - Floor to Valance - 17"
	075736-02-000	EA	Cover - Exterior Receptacle - Off White
	083615-06-000	EA	Holder - Compartment Door - Plastic - Off White
	049347-01-000	EA	Head - Mirror - 7.5" x 10.5" - Stainless Steel
	049347-01-700	EA	Glass - Mirror - 7.5" x 10.5"
	062047-01-000	EA	Arm - West Coast Mirror
	006043-01-000	EA	Mirror - Exterior - Convex - Adhesive Backed

### SHEET FIBERGLASS, ALUMINUM & STYROFOAM

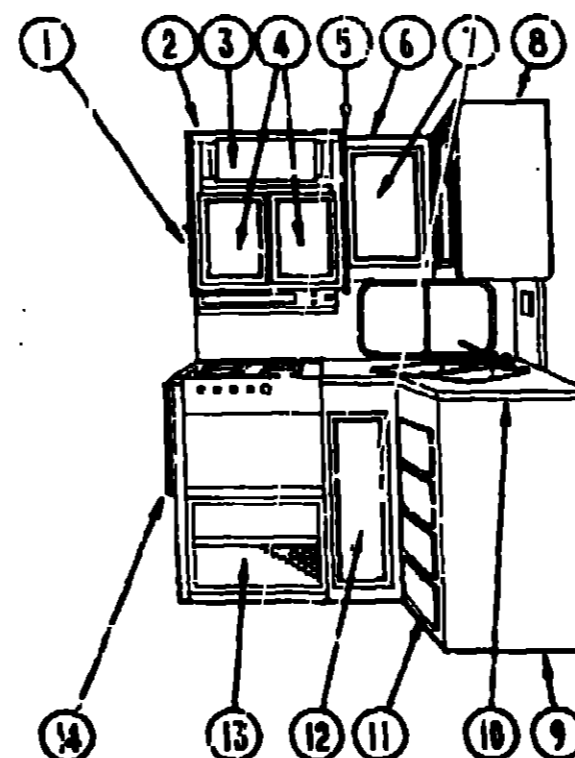
Key	Part Number	U/M	Description
	044497-01-001	EA	Aluminum - Mill Finish - No Design - 96" x 360" (Roof)
	001054-01-011	EA	Aluminum Sheet - 48" x 96" - Flat - Off White
	002668-01-000	SF	Styrofoam - 3/4" x 24" x 96"
	000870-03-000	SF	Styrofoam - 1.34" x 48" x 96"
	076054-C9-001	EA	Fiberglass Sheet - 36" x 240" - Off White
	076054-D3-001	EA	Fiberglass Sheet - 48" x 96" - Off White
	076054-D3-006	EA	Fiberglass Sheet - 48" x 298" - Off White
	076054-D6-001	EA	Fiberglass Sheet - 60" x 24" - Off White
	093743-01-02A	SF	Plastic - ABS - 11.5" Wide Roll - Off White
	093743-02-01A	SF	Plastic - ABS - 20" Wide Roll - Off White

### EXTERIOR SHOWER (OPTION L64R)

Key	Part Number	U/M	Description
	103173-01-31A	EA	Shower Kit - Exterior - Off White (Piece Parts are N/A)
	103173-02-01A	EA	Shower Kit - Exterior - Off White
	103173-03-700	EA	Compartment Only
	103173-03-701	EA	Door Only
	103173-03-702	EA	Hinge Pin
	103173-03-703	EA	Hinge Pin Spring
	103173-03-704	EA	Lock Asm. w/Key & Clip
	103173-03-705	EA	Decal - "Auxiliary Shower"
	103173-03-706	EA	Shower Head w/Hose & Bracket
	103173-03-707	EA	Faucet w/Adapter - Chrome
	046128-01-000	EA	Valve - Drain - Plastic - 1/2" FPT
	052952-01-000	EA	Nut - Plastic - 1/2" F x 1/2" Tube - Gray
	002726-01-001	EA	Garnish - U-Channel - 1.38" x 1" - Serrated - Mill Aluminum
	052957-02-000	EA	Elbow - Male - 1/2" F x 1/2" MPT - Plastic - Gray

These parts were used from 3/25/91 on

## GALLEY GROUP



### GALLEY CABINETRY

Key	Part Number	U/M	Description
	081280-33-827	EA	End Cap - Overhead Cabinet - Front
	M05150-14-887	EA	Overhead Cabinet - Storage - w/o Doors or Hardware
	M05150-15-887	EA	Overhead Cabinet - Microwave w/o Doors or Hardware
	P00520-82-887	EA	Door Face - 7.1" x 21.8" - w/o Hardware
	P03702-63-887	EA	Door - Overhead Cabinet - 14.4" x 10.8" - w/o Hardware
	081280-34-827	EA	End Cap - Overhead Cabinet - Rear
	M05150-18-887	EA	Overhead Cabinet - Storage - w/o Door or Hardware
	P03702-24-887	EA	Door - Overhead Cabinet - 14.4" x 21.9" - w/o Hardware
	M05150-19-887	EA	Overhead Cabinet - Storage - w/o Door or Hardware
	P00566-01-887	EA	Cabinet - Galley w/Countertop - w/o Doors or Hardware
	100556-11-887	EA	Countertop - Galley Cabinet
	P03397-70-887	EA	Drawer - Galley Cabinet - 6.1" x 11.3" Face Size - w/o Hardware
	P03702-37-887	EA	Door - Galley Cabinet - 10.8" x 28" - w/o Hardware
	P03702-49-887	EA	Door - Furnace - 21.3" x 16" - w/o Hardware
	060912-04-887	EA	Extension - Galley Countertop
	P03702-64-887	EA	Door - Refrigerator Cabinet - 11" x 21.9" - w/o Hardware

These parts are used for Microwave Option.

## 1992 ITASCA TABLE OF CONTENTS

INTRODUCTION	A-01 - A-02
ABBREVIATIONS	A-03
ALPHABETICAL INDEX	A-04 - A-06
IC324RC	A-07 - D-12

## 1992 IC324RC INDEX

Floor Plan	A-07 - A-08
Accessories Group	A-09 - A-12
Bath Group	A-13 - A-14
Bedroom Group	A-15
Chassis Group	A-16 - A-21
Curtain, Cushion & Pad Group	A-22 - B-05
Dinette Group	B-06 - B-07
Driver's Compartment Group	B-08 - B-11
Electrical Group	B-12 - B-14
Exterior Body Group	B-15 - B-19
Galley Group	B-20 - B-23
Heating & Air Conditioning Group	B-24 - C-01
Interior Finish Group	C-02 - C-05
Labels Group	C-06 - C-13
LP Group	C-14
Lounge Group	C-15
Sealants & Fasteners Group	C-16 - C-17
Water & Sewage Group	C-18 - C-21
Window, Vent & Exterior Door Group	C-22 - D-12

**GALLEY GROUP (CONTINUED)**

**GALLEY HARDWARE**

Key	Part Number	U/M	Description
	094745-01-01A	EA	Trim - Microwave - Lower
	094774-03-01A	EA	Trim - Microwave - Either Side - 1.5"
	098916-03-01A	EA	Brace - Microwave Cabinet - Left - 9.4" x 7.5" - Steel
	098916-04-01A	EA	Brace - Microwave Cabinet - Right - 9.4" x 7.5" - Steel
	094750-01-000	EA	Bracket - Microwave - 90°
	084073-03-000	EA	Vent - Refrigerator - Roof - Off White
	084073-04-000	EA	Base - Roof Vent - Norcold Refrigerator - Black
	054450-01-000	EA	Level - Refrigerator
	084878-03-000	EA	Vent - Range Hood - Short
	084616-01-000	EA	Shroud - Range Hood Vent - Off White
	063752-01-000	EA	Shroud - Range - 18.5" x 20.6" x 16.2" - Off White Metal
	066437-01-000	EA	Strainer - w/Basket - Sink
	066437-01-700	EA	Basket - Strainer
	011053-04-000	EA	Faucet - w/Swing Spout - 8"
	011053-01-700	EA	Aerator - Swing Spout Faucet
	091253-01-000	EA	Gasket - Faucet
	009049-01-000	EA	Support - Extension - Galley Cabinet
	009059-01-000	EA	Hinge - Galley Extension - Brass
	059777-02-000	EA	Hinge - Burnished Brass
	103857-01-000	EA	Pull - Cabinet - Brass
	072369-49-000	EA	Mesh - Expanded Aluminum - Bronze - 19.1" x 6.4"
	081376-01-000	EA	Backplate - Pull - 4.3" - Brass
	093586-03-000	EA	Catch - Spring Roller
	093586-04-000	EA	Strike - Spring Steel
	090329-01-000	FT	Seal - Refrigerator Cabinet
	102551-01-000	EA	Sink - Galley - Double w/Mounting Hardware - Stainless Steel
	081530-01-E87	EA	Sink Cover
	098979-01-000	EA	Clip - Adjustable Shelf
	078980-01-000	EA	Pilaster - Adjustable Shelf - 18" Long
	037688-03-000	EA	Center Guide - Drawer
	037688-04-000	EA	Bracket - Rail Mounting - Front
	037588-05-000	EA	Bracket - Rail Mounting - Rear
	037688-01-000	FT	Rail - Drawer Guide - "V"
	102827-02-000	EA	Bracket - Roller - Drawer - Rear
	102827-03-000	EA	Roller - Drawer - Nylon - Pair
	102827-04-000	EA	Bracket - Mounting - Drawer - Rear
	102827-05-000	EA	Track - Drawer - 22.6" Long

These parts were used from 4/1/91 on.

**GALLEY GROUP (CONTINUED)**

**GALLEY APPLIANCES**

Key	Part Number	U/M	Description
	103622-02-01A	EA	Refrigerator - 2 Way - Norcold 462
	084880-01-754	EA	Rack - Juice
	094039-01-704	EA	Plate - hinge - Blm Left/Top Right - Black
	094039-01-710	EA	Plate - Hinge - Top Left/Blm Right - Black
	094039-01-702	EA	Gasket - Freezer Door - Gray
	094039-01-706	EA	Liner - Freezer Door - White
	103622-01-700	EA	Handle - Freezer Door - Moveable
	103622-01-702	EA	Bin - Shelf - Door
	084880-01-761	EA	Cap - End - Spring Catch - Moveable Handle
	094038-01-700	EA	Gasket - Lower Door - Gray
	094038-01-702	EA	Liner - Lower Door - White
	103622-01-705	EA	Handle - Lower Door - Moveable
	103622-01-706	EA	Dir. - Milk
	103622-01-707	EA	Keeper - Dairy
	084679-03-700	EA	Cooling Unit - Horizontal Burner
	088248-01-709	EA	Heater - AC - Horizontal
	094039-01-722	EA	Plug - Hole - Black
	094039-01-723	EA	Bracket - Hinge - Top Right/Blm Left - Black
	094039-01-725	EA	Pin - Hinge - Male
	094039-01-726	EA	Shell w/Legs - Wire
	084880-01-749	EA	Bushing - Hinge
	094039-01-728	EA	Bracket - Hinge - Center - Back
	094039-01-730	EA	Pin - Hinge - Center
	084880-03-705	EA	Bracket - Lamp
	084880-03-706	EA	Lamp Bulb
	084860-03-707	EA	Cover - Lamp
	084880-01-722	EA	Cover - Crisper
	103622-01-708	EA	Crisper
	094039-01-724	EA	Bracket - Hinge - Top Left/Blm Right - Black
	094039-01-739	EA	Shell w/Crisper - Wire
	103622-01-709	EA	Knob - Spring
	103622-01-710	EA	Knob - Thermostat
	094039-01-732	EA	Trim - Bottom - Black
	103622-01-711	EA	Panel - Control - 2 Way
	094039-01-733	EA	Shell - Midline - Wire
	094039-01-734	EA	Shell - Top w/Riser - Wire
	094039-01-735	EA	Tray - Drip
	094036-01-736	EA	Switch - Light - Black
	075217-01-738	EA	Switch - Humidity
	084880-01-732	EA	Latch - Door
	088248-01-706	EA	Burner - Horizontal
	084880-01-705	EA	Orifice
	064472-01-700	EA	Thermocouple
	054473-03-720	EA	Relighter
	084680-01-713	EA	Connector - Male - Inlet Fitting
	094039-01-738	EA	Valve - Shut Off - Manual
	064473-03-721	EA	Control - Combination
	103622-01-713	EA	Switch - Ignition
	103622-01-712	EA	Indicator - Flame

**1992 ITASCA  
TABLE OF CONTENTS**

INTRODUCTION	A-01 - A-02
ABBREVIATIONS	A-03
ALPHABETICAL INDEX	A-04 - A-06
IC324RC	A-07 - D-12

**1992 IC324RC INDEX**

Floor Plan	A-07 - A-08
Accessories Group	A-09 - A-12
Bath Group	A-13 - A-14
Bedroom Group	A-15
Chassis Group	A-16 - A-21
Curtain, Cushion & Pad Group	A-22 - B-05
Dinette Group	B-06 - B-07
Driver's Compartment Group	B-08 - B-11
Electrical Group	B-12 - B-14
Exterior Body Group	B-15 - B-19
Galley Group	B-20 - B-23
Heating & Air Conditioning Group	B-24 - C-01
Interior Finish Group	C-02 - C-05
Labels Group	C-06 - C-13
LP Group	C-14
Lounge Group	C-15
Sealants & Fasteners Group	C-16 - C-17
Water & Sewage Group	C-18 - C-21
Window, Vent & Exterior Door Group	C-22 - D-12

**GALLEY GROUP (CONTINUED)**

**GALLEY APPLIANCES (CONTINUED)**

Key	Part Number	U/M	Description
	091269-04-000	EA	Oven - Microwave - Magic Chef
	100258-01-01A	EA	Hood Range w/o Monitor Panel
	100258-03-01A	EA	Hood Range - w/o Monitor Panel - Almond (US) (Option L39E & L383)
	100258-02-01A	EA	Hood Range - w/o Monitor Panel - Almond (CSA) (Option L285)
	096983-01-702	EA	Switch - Two Way - Momentary - Generator (If used)
	096983-01-701	EA	Switch - ON/OFF - Fan/Lamp
	092696-01-709	EA	Bulb - #912
	092696-01-710	EA	Socket - Light
	096983-01-708	EA	Lens - Lamp
	090973-01-700	EA	Motor
	090973-01-702	EA	Blade - Fan
	096983-01-707	EA	Filter - Grease
	092696-01-707	EA	Vent - Gasket
	100258-10-01A	EA	Hourmeter - Ventline (Option L39E) CSA
	102022-01-01A	EA	Range - 16" - 4 Burner - Almond
	102022-01-02A	EA	Range - 16" - 4 Burner - Almond
	102022-01-700	EA	Door Panel - Black (For 102022-01-01A only)
	102022-01-704	EA	Glass - Outer (For 102022-01-02A only)
	102022-01-702	EA	Manifold Pipe
	102022-01-703	EA	Pressure Regulator
	102022-01-705	EA	Shield - Deflector Flue
	102022-01-706	EA	Trim - Left - Flat
	055282-03-705	EA	Trim - Left
	102022-01-707	EA	Trim - Right - Flat
	102020-01-701	EA	Handle - Door
	102020-01-702	EA	Panel - Manifold
	102020-01-700	EA	Shelf - Oven
	102020-01-706	EA	Burner - Oven
	102020-01-709	EA	Bumper - Grate
	102020-01-711	EA	Grate - Top
	102020-01-712	EA	Knob - Burner Valve
	102020-01-713	EA	Knob - Thermostat
	102020-01-714	EA	Pilot - Oven
	102020-01-717	EA	Thermostat
	102020-01-720	EA	Valve - Mercury Control
	102020-01-721	EA	Valve - Shut Off
	102020-01-722	EA	Valve - Top Burner
	102020-01-723	EA	Pilot - Burner
	102020-01-724	EA	Bumper - Main Top
	055516-03-000	EA	Bracket - Front Tiedown - Range w/o Oven
	055516-04-000	EA	Bracket - Rear Tiedown - Range w/o Oven
	063752-01-000	EA	Shroud Asm. - Range
	097617-01-01A	EA	Panel - Monitor - Almond
	097617-01-700	EA	Plate - Cover
	097617-01-701	EA	Switch - On/Off - Almond
	097617-01-702	EA	Switch - 1 Way - Almond
	097617-01-703	EA	Circuit Board
	097618-01-000	EA	Wire Asm. - Monitor Panel

These parts were used from 3/11/91 on.

**HEATING & AIR CONDITIONING GROUP**

**ROOF AIR CONDITIONER & PARTS**

Key	Part Number	U/M	Description
	093764-01-000	EA	Ceiling Asm. - Air Conditioner - Cool Only (Option 29)
	042204-01-709	EA	Thermostat In - 64, Out - 58
	042205-01-702	EA	Thermostat In - 89, Out - 58
	073742-01-701	EA	Selector Switch (5 - Terminal)
	073742-01-702	EA	Decal - Cool Only
	073742-01-703	EA	Decal - Heat & Cool
	081606-01-708	EA	Limit Switch (Open 160, Close 110)
	091225-01-713	EA	Knob (2 Per Package)
	076303-01-707	EA	Filter - 6" x 14 3/4" x 1/2" (12 Per Package)
	031225-01-717	EA	Decal (Thermostat) Cool Only
	081606-01-712	EA	Ceiling Shroud (Ivory)
	093763-01-705	EA	Decal - Heat/Cool - Thermostat
	093763-01-706	EA	Heat Element
	093763-01-710	EA	Single Parts Package
	092441-01-000	EA	Ceiling Asm. - Air Conditioner - 220 Volt (European) (Option 29)
	093763-01-04A	EA	Air Conditioner - 110 Volt - Roof Mount - 13,500 BTU - Off White (Option 29)
	093763-04-700	EA	Shroud - Roof A/C - w/o Logos
	093763-01-711	EA	Gasket - Package
	093763-01-712	EA	Fan Blade - Condenser
	093306-01-701	EA	Decal Package - Left & Right
	073742-02-704	EA	Run Capacitor (Compressor)
	091225-01-710	EA	Start Capacitor
	091225-01-709	EA	Start Relay
	076503-01-712	EA	Motor
	093763-01-702	EA	Overload
	093763-01-703	EA	Impeller - 7" Dia. x 2.8" Wide
	093763-01-704	EA	Capacitor - Fan
	093763-01-705	EA	Evaporator Coil
	093763-01-709	EA	Condenser Coil
	093763-01-713	EA	Compressor - E Series
	092440-01-000	EA	Air Conditioner - 220 Volt - Roof Mount - 13,500 BTU (European) (Option 29)
	084077-03-000	EA	Cover - Blank - Roof Air Conditioner - Ivory
	022756-01-000	EA	Cover - A/C - Black Plastic

**1992 ITASCA  
TABLE OF CONTENTS**

INTRODUCTION	A-01 - A-02
ABBREVIATIONS	A-03
ALPHABETICAL INDEX	A-04 - A-06
IC324RC	A-07 - D-12

**1992 IC324RC INDEX**

Floor Plan	A-07 - A-08
Accessories Group	A-09 - A-12
Bath Group	A-13 - A-14
Bedroom Group	A-15
Chassis Group	A-16 - A-21
Curtain, Cushion & Pad Group	A-22 - B-05
Dinette Group	B-06 - B-07
Driver's Compartment Group	B-08 - B-11
Electrical Group	B-12 - B-14
Exterior Body Group	B-15 - B-19
Galley Group	B-20 - B-23
Heating & Air Conditioning Group	B-24 - C-01
Interior Finish Group	C-02 - C-05
Labels Group	C-06 - C-13
LP Group	C-14
Lounge Group	C-15
Sealants & Fasteners Group	C-16 - C-17
Water & Sewage Group	C-18 - C-21
Window, Vent & Exterior Door Group	C-22 - D-12

# HEATING & AIR CONDITIONING GROUP (CONTINUED)

## FURNACES & REPAIR PARTS

Key	Part Number	U/M	Description
	096658-04-000	EA	Furnace - 25,000 BTU - Suburban
	098668-01-702	EA	Electrode
	069634-01-733	EA	Relay - Time Delay - 20 & 30 BTU
	098668-01-709	EA	Motor Asm. - F/SF - 25 - SF - 30
	098668-01-711	EA	Wheel - Room Air
	092300-02-702	EA	Microswitch Asm.
	098668-01-706	EA	Wheel - Combustion Air
	075696-02-703	EA	Collar - Dust
	090039-01-709	EA	Gasket - Observation Hole Cover
	098668-01-713	EA	Intake Vent Tube Asm.
	098668-01-713	EA	Combustion Air Blower Asm.
	101990-01-714	EA	Gasket - Microswitch
	098668-01-710	EA	Room Air Blower Asm.
	098668-01-704	EA	Valve
	098668-01-701	EA	Cabinet Asm.
	098668-01-700	EA	Cabinet - Front
	098668-01-705	EA	Switch - Limit
	090039-01-703	EA	Orifice - Main Burner
	092300-01-704	EA	Gasket - Electrode
	098668-01-712	EA	Board - Module
	098668-01-703	EA	Burner Asm. Comp (SF-25)
	098668-06-000	EA	Access Door - Furnace - Off White
	093365-01-000	EA	Thermostat - Suburban Furnace
	009198-01-000	FT	Duct - Flexible - 4" ID x 25'
	058464-05-000	EA	Register - 4" Dia. - Plastic - w/o Damper - Golden
	009200-01-000	EA	Tape - Furnace - 1 1/2"
	010326-01-000	EA	Adapter - Flare - w/Cone Gasket
	023142-01-000	EA	Clamp - Screw Type - 4"
	094334-01-000	EA	Plug - Electrical - 3 Position
	098668-08-000	EA	Furnace - 35,000 BTU Suburban (Option L39H)
	098668-01-702	EA	Electrode
	069634-01-733	EA	Relay - Time Delay - 20 & 30 BTU
	098668-03-703	EA	Motor Asm. - SF-25
	098668-01-711	EA	Wheel - Room Air
	092300-02-702	EA	Microswitch Asm.
	098668-01-706	EA	Wheel - Combustion Air
	090039-01-709	EA	Gasket - Observation Hole Cover
	098668-01-713	EA	Intake Vent Tube Asm.
	101990-01-714	EA	Gasket - Microswitch
	098668-01-704	EA	Valve
	098668-01-701	EA	Cabinet Asm.
	098668-01-700	EA	Cabinet - Front
	098668-01-705	EA	Switch - Limit
	069634-01-720	EA	Orifice - Main Burner
	092300-01-704	EA	Gasket - Electrode
	098668-01-712	EA	Board - Module
	098668-02-700	EA	Burner Asm. - Complete
	098668-01-710	EA	Blower Asm. (Room Air)
	098668-01-708	EA	Blower Asm. (Combustion Air)
	075696-02-703	EA	Collar - Duct

# INTERIOR FINISH GROUP

## INTERIOR MOLDINGS & TRIMS

Key	Part Number	U/M	Description
	081294-02-000	EA	Molding - Shell - Knotted Wood - 8' Long
	093620-03-000	FT	T-Molding - End Cap - Edge - 3/4" - Reber Birch
	083620-08-000	FT	T-Molding - End Cap - Edge - 3/4" - Western Oak
	009815-09-000	FT	T-Molding - .75" - Ivory
	088252-02-000	FT	Trim - Chrome - 1" Wide with Pressure Sensitive Backing
	009812-22-000	EA	Molding - Plastic Corner - Outside - 1/2" - Brown
	022992-11-000	FT	Molding - Reverse Cove - T-Shaped - Vinyl - Ivory
	070504-19-000	FT	U-Channel - 815" - Oak
	009778-12-000	FT	U-Channel - 1" - Country Forest
	009767-12-000	FT	Welling - Antique White (Ceiling to Wall)
	100040-03-000	EA	Lumber - Vinyl Wrapped - 2" x 8" - Rambling Oak
	100040-01-000	EA	Lumber - Vinyl Wrapped - 1.5" x 8" - Rambling Oak
	100041-01-000	EA	Molding - Vinyl Wrapped - 1.5" x 84" - Rambling Oak
	100041-02-000	EA	Molding - Vinyl Wrapped - 2.5" x 84" - Rambling Oak
	074045-07-000	EA	Plug - Wood - 1/2"
	078539-01-000	EA	Trim - Carpet - Cab - Passenger - 29" Long - Ford
	078539-02-000	EA	Trim - Carpet - Cab - Driver - 29" Long - Ford
	077309-02-000	EA	Trim - Stepwell - Entry Door
	093743-02-01A	SF	Plastic - ABS - 20" Wide Roll - Off White
	093743-01-02A	SF	Plastic - ABS - 11.5" Wide Roll - Off White

\* These parts were used from 1/7/91 on.

## BATT STRIPS

Key	Part Number	U/M	Description
	069733-78-000	EA	Batt Strip - Rambling Oak - 8'
	085284-32-000	FT	Batt Strip - Rambling Oak - Tape Adhesive
	088263-65-000	EA	Batt Strip - Decorative - Plain - 8' (Wall)
	085284-53-000	FT	Batt Strip - Decorative - Plain - Tape Adhesive (Wall)
	088263-66-000	EA	Batt Strip - Decorative w/Blossoms - 8'
	085284-51-000	FT	Batt Strip - Decorative w/Blossoms - Tape Adhesive
	079653-09-000	EA	Batt Strip - Kerfed - Woodgrain
	088263-51-000	EA	Batt Strip - Crossik Spatter - Beige (Ceiling) - 8'
	088263-71-000	EA	Batt Strip - Trowell Work - Fawn (Ceiling) - 8'
	088263-50-000	EA	Batt Strip - Shower - 8'
	085284-38-000	FT	Batt Strip - Off White - Shower - Tape Adhesive

\* These parts were used from 5/29/91 on.

## PANELING & COUNTERTOP MATERIAL

Key	Part Number	U/M	Description
	074497-17-000	SF	Paneling - Oak - 48" x 84" (28 SF) (Cabinets)
	074497-18-000	SF	Paneling - Crossik - 48" x 96" (32 SF) (Ceiling)
	074497-19-000	SF	Paneling - Trowell Work - 48" x 96" (32 SF) (Ceiling)
	074497-14-700	EA	Sealer - Stain - Ceiling
	089351-03-000	YD	Vinyl - Ceiling Diamond Design - 54" Wide
	000885-46-000	SF	Particle Board - 3/8" x 48" x 96" (32 SF) - Woodgrain Vinyl 1 Side
	060885-43-000	SF	Particle Board - 3/4" x 60" x 96" (40 SF) - Woodgrain Vinyl 2 Sides
	088272-88-000	SF	Paneling - Decorative - Plain - 48" x 84" (28 SF) (Wall)
	088272-72-000	SF	Paneling - Travertine White - 48" x 84" (28 SF) (Shower)
	074498-40-000	SF	Plastic Laminate - Off White - 5' x 8' (40 SF)
	074498-41-000	SF	Plastic Laminate - Lavender - 5' x 8' (40 SF)
	076325-34-000	FT	Molding - Edge Band - Lavender - 1 5/16" Wide
	076325-28-000	FT	Molding - Edge Band - Rose - 1 5/16" Wide
	088272-87-000	SF	Paneling - Decorative - w/Blossoms - 48" x 84" (28 SF)

\* These parts were used from 5/29/91 on.

# 1992 ITASCA TABLE OF CONTENTS

INTRODUCTION	A-01 - A-02
ABBREVIATIONS	A-03
ALPHABETICAL INDEX	A-04 - A-06
IC324RC	A-07 - D-12

## 1992 IC324RC INDEX

Floor Plan	A-07 - A-08
Accessories Group	A-09 - A-12
Bath Group	A-13 - A-14
Bedroom Group	A-15
Chassis Group	A-16 - A-21
Curtain, Cushion & Pad Group	A-22 - B-05
Dinette Group	B-06 - B-07
Driver's Compartment Group	B-08 - B-11
Electrical Group	B-12 - B-14
Exterior Body Group	B-15 - B-19
Galley Group	B-20 - B-23
Heating & Air Conditioning Group	B-24 - C-01
Interior Finish Group	C-02 - C-05
Labels Group	C-06 - C-13
LP Group	C-14
Lounge Group	C-15
Sealants & Fasteners Group	C-16 - C-17
Water & Sewage Group	C-18 - C-21
Window, Vent & Exterior Door Group	C-22 - D-12

**INTERIOR FINISH GROUP (CONTINUED)**

**CURTAIN & CUSHION HARDWARE**

Key	Part Number	U/M	Description
	094856-03-01A	EA	Track - Shower Curtain - Off White
	009701-01-000	EA	Carrier - Shower Curtain
	009702-01-000	EA	End - Stop - Curtain Corner - Shower
	046867-01-000	EA	Grommet - Brass - 7/16" ID x 1" OD (Shower Curtain)
	009136-01-000	EA	Pin - Shower Curtain
	029092-01-000	EA	Stud - Nickel Finish
	029093-01-000	EA	Eyelet - Nickel Finish
	029155-01-000	EA	Cap - Snap
	029156-01-000	EA	Socket - Snap Fastener
	029130-01-000	EA	Screw - Snap Socket - 3 PH x 5/8"
	089916-01-000	EA	Mount - Window Leg - Black
	101032-01-000	FT	Track - Curtain - Ceiling Mount - White (Valance)
	101033-01-000	FT	Track - Curtain - Low Profile - White
	101033-02-000	EA	End Cap - Track - Clear
	101031-01-000	EA	Tape - Glide - 4 25" Spacing
	095591-02-000	EA	Bracket - Blind - Hold Down w/Pin
	082239-02-000	EA	Brace - Window Valance - Beige - 18.7" Long
	075943-01-000	EA	Brace - Window Valance - Beige - 20" Long
	083170-01-000	EA	Bracket - Blind - Right
	083170-02-000	EA	Bracket - Blind - Left
	093475-01-700	EA	Wand - Blind w/Metal Clip - 8" Long
	093475-01-701	EA	End Cap - Blind w/Stud
	069522-03-000	EA	Panel - Leg - Window - 27" Long
	069522-04-000	EA	Panel - Leg - Window - 31.5" Long
	097565-01-000	EA	Bracket - Mounting - Pleated Blind
	054896-02-000	EA	Grommet - Cord - Pleated Blind - Nylon - Gray
	094207-02-000	EA	End Cap - Top - Pleated Blind - Plastic - Gray
	094907-03-000	EA	End Cap - Bottom - Pleated Blind - Plastic - Gray
	097591-01-000	EA	Spring - Extension - Pleated Blind
	097592-01-000	EA	Spool - Cord - Elevated Blind Holdup - Clear Plastic
	097593-02-000	FT	Cord - Pleated Blind (B87)
	097593-05-000	FT	Cord - Pleated Blind (B88)
	102555-01-000	EA	Cleat - Cord - Blind - Off White
	103986-01-000	FT	Trim - Valance - .75" Wide - Brass
	105450-06-01A	EA	Track - Curtain - 88" - Aluminum - Off White
	105450-02-01A	EA	Track - Curtain - 48" - Aluminum - Off White
	105450-05-01A	EA	Track - Curtain - 79" - Aluminum - Off White

**INTERIOR FINISH GROUP (CONTINUED)**

**CABINETRY & TABLE HARDWARE**

Key	Part Number	U/M	Description
	053200-05-000	EA	Bracket - Table Support - Upper Wall Mount - 23 5" - Beige
	024275-05-000	EA	Rod - Table Lift - 8" x 23.5" - Beige
	064781-06-000	EA	Cup Holder - Two Stage - Off White
	088410-01-000	EA	Bracket - Lift - Table Mounted - Beige
	024281-07-000	EA	Bracket - Lift - Rod - Lower Wall Mount - Beige
	049493-01-000	EA	Catch - Table Leg - Floor Mounted - Beige
	024276-21-000	EA	Leg Asm. - Table - Beige
	034050-03-000	EA	Clamp - Saddle - Leg Hinge - Tan
	024282-01-000	EA	Brace - Table Leg - Hinged
	024283-01-000	EA	Clip - Leg - 1" x 1.12" OD - Black
	059777-02-000	EA	Hinge - Antique Light Brass
	103857-01-000	EA	Pull - Cabinet Door - Brass
	098979-01-000	EA	Clip - Adjustable Shelf
	098980-01-000	EA	Pilaster - Adjustable Shelf
	074493-02-000	EA	Support - Sprung - Door
	004354-01-000	EA	Bumper - Cabinet Door - Rubber - Brown
	023320-01-000	EA	Pad - Felt - 3/8" Diameter - Brown
	057671-01-000	EA	Cover - Screw - #8 - Plastic - Off White
	081376-01-000	EA	Backplate - Brass - .125" x .9"
	093586-03-000	EA	Catch - Spring - Roller
	093586-04-000	EA	Strike - Spring Steel
	099049-01-000	EA	Support - Galley Countertop Extension
	009050-01-000	EA	Hinge - Galley Countertop Extension - Brass
	072369-49-000	EA	Mesh - Expanded Aluminum - Bronze - 19.1" x 3 4"
	084070-01-000	EA	Center Post - Brass
	084070-02-000	EA	End Post - Brass
	084071-06-000	EA	Rod - Brass - 25"
	037688-01-000	FT	Rail - Drawer Guide - "V"
	037688-04-000	EA	Bracket - Rail Mounting - Front
	037688-05-000	EA	Bracket - Rail Mounting - Rear
	037638-03-000	EA	Guide - Center - Drawer
	102827-03-000	EA	Rollers - Drawer - Nylon (Pair)
	102827-04-000	EA	Bracket - Drawer - Rear
	102827-05-000	EA	Track - Drawer - 22.6"
	102827-02-000	EA	Bracket - Roller Rear - Cabinet Drawer
	089076-03-000	EA	H-Channel - Support Rod - Beige
	009112-01-000	EA	Flange - 1" - Clothes Rod - Plastic - Off White
	042438-01-000	EA	Wood Dowel - Clothes Rod - 1" Dia. x 4'
	041953-03-000	FT	Conduit - Convolute Slit - 1" ID (Clothes Rod Cover)

\* These parts are used from 4/1/91 on.

**1992 ITASCA  
TABLE OF CONTENTS**

INTRODUCTION	A-01 - A-02
ABBREVIATIONS	A-03
ALPHABETICAL INDEX	A-04 - A-06
IC324RC	A-07 - D-12

**1992 IC324RC INDEX**

Floor Plan	A-07 - A-08
Accessories Group	A-09 - A-12
Bath Group	A-13 - A-14
Bedroom Group	A-15
Chassis Group	A-16 - A-21
Curtain, Cushion & Pad Group	A-22 - B-05
Director Group	B-06 - B-07
Driver's Compartment Group	B-08 - B-11
Electrical Group	B-12 - B-14
Exterior Body Group	B-15 - B-19
Galley Group	B-20 - B-23
Heating & Air Conditioning Group	B-24 - C-01
Interior Finish Group	C-02 - C-05
Labels Group	C-06 - C-13
LP Group	C-14
Lounge Group	C-15
Sealants & Fasteners Group	C-16 - C-17
Water & Sewage Group	C-18 - C-21
Window, Vent & Exterior Door Group	C-22 - D-12

FABRICS & CARPETS

Key	Part Number	U/M	Description
	072333-82-000	YD	Fabric - Drapery - Mushroom (Privacy)
	096008-90-000	YD	Fabric - Upholstery - Main - Patterned (B87)
	096008-83-000	YD	Fabric - Upholstery - Main - Patterned (B88)
	096008-92-000	YD	Fabric - Upholstery - Accent - Plain (B87)
	096008-85-000	YD	Fabric - Upholstery - Accent - Plain (B88)
	096008-91-000	YD	Fabric - Upholstery - Accent - Patterned (B87)
	096008-84-000	YD	Fabric - Upholstery - Accent - Patterned (B88)
	088273-73-000	YD	Fabric - Main Bedspread - Patterned (B87)
	088273-70-000	YD	Fabric - Main Bedspread - Patterned (B88)
	088273-72-000	YD	Fabric - Accent Bedspread - Plain (B87)
	088273-67-000	YD	Fabric - Accent Bedspread - Plain (B88)
	072333-67-000	YD	Fabric - Speaker Cover
	075244-04-000	YD	Vinyl - Shower Curtain - Salmon (B87)
	075244-05-000	YD	Vinyl - Shower Curtain - Blue (B88)
	079690-09-000	YD	Vinyl - Off White (Headliner)
#	103907-01-01A	YD	Vinyl - Off White (Headliner)
	096060-21-000	YD	Carpet - Pale Orchid (B87)
	096060-23-000	YD	Carpet - Blue Mist (B88)
	076314-02-000	FT	Tape - Heat Bonded - Carpet Seam
	047034-02-000	SF	Plastic Runner - Carpet - 4' Wide - Clear
	085746-01-000	FT	Trim - "J" - Carpet - PVC - Beige - 10' Long
#	084415-31-000	FT	Trim - Braid - Curtain - Plum (B87)
#	084415-30-000	FT	Trim - Braid - Curtain - Blue (B88)

These parts were used from 4/17/91 on.  
NOTE: Replace vinyl flooring locally.

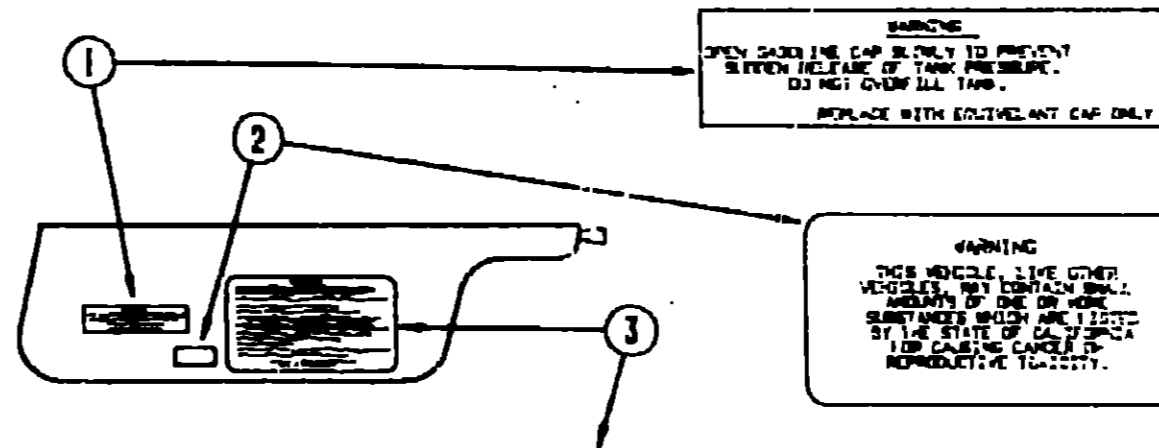
MISCELLANEOUS PARTS

Key	Part Number	U/M	Description
	053552-02-AA6	EA	Handle Asm. - Interior Assist
	000D20-07-09B	EA	Nut - Acorn - Assist Handle - 7/16" x 14 ZN
	000C16-07-16B	EA	Bolt - Carriage - Assist Handle - 7/16" - 14 x 1" ZN
	069178-02-000	EA	Bracket - Mounting - Assist Handle
	094499-02-000	EA	Fire Extinguisher w/Mounting Bracket - Dry IA 10BC (CSA)
	094499-01-000	EA	Fire Extinguisher w/Mounting Bracket - Dry IA 10BC (US)
	094499-01-700	EA	Bracket - Mounting - w/Plastic Strap
	094651-01-01A	EA	Recessed Holder - Fire Extinguisher - Light Oak
	072852-01-000	EA	Smoke Detector w/9 Volt Battery (US)
	072852-02-000	EA	Smoke Detector w/9 Volt Battery (CSA)
	054185-70-000	EA	Owners Manual - 1991 "Spirit"
	092318-01-000	EA	Binder - 3-Ring - Motor Home Manual
	092319-01-000	EA	Pocket Page - 3-Ring Binder - Plastic
	098084-11-000	EA	Cassette - Winnebago "Spirit"
	100603-01-C-A	EA	Wall Clock - Round Bezel
	101333-01-000	EA	Backplate - Clock - Plastic - Black
	104764-01-01A	EA	Wall Clock - Spartus
	083219-03-000	EA	Floor Mat - w/"Itasca" Logo - Passenger (Ford)
	083219-04-000	EA	Floor Mat - w/"Itasca" Logo - Driver (Ford)
	083218-02-000	EA	Floor Mat - w/"Itasca" Logo - Passenger (Chevrolet)
	083218-04-000	EA	Floor Mat - w/"Itasca" Logo - Driver (Chevrolet)
	040069-01-000	EA	Floor Mat - w/"Itasca" Logo - 10.5" x 26" - Black Rubber

These parts were used from 5/8/91 on.

1992 ITASCA  
TABLE OF CONTENTS

INTRODUCTION	A-01 - A-02
ABBREVIATIONS	A-03
ALPHABETICAL INDEX	A-04 - A-06
IC324RC	A-07 - D-12



**WARNING**  
OPEN GAS LINE CAP ONLY TO PREVENT  
SUDDEN RELEASE OF TANK PRESSURE.  
DO NOT OVERTIGHTEN TANK CAP.  
REPLACE WITH EQUIVALENT CAP ONLY.

**WARNING**  
THIS VEHICLE, LIKE OTHER  
VEHICLES, MAY CONTAIN SMALL  
AMOUNTS OF ONE OR MORE  
SUBSTANCES WHICH ARE LISTED  
BY THE STATE OF CALIFORNIA  
AS CAUSING CANCER OR  
REPRODUCTIVE TOXICITY.

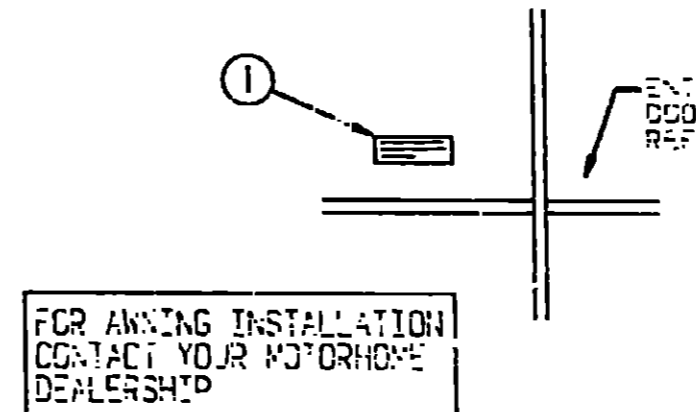
**CAUTION**

THIS MOTOR HOME HAS BEEN DESIGNED, MANUFACTURED AND TESTED WITH CONCERN FOR THE PROTECTION OF ITS OCCUPANTS. WE RECOMMEND YOU PERFORM THE FOLLOWING CHECKS BEFORE YOUR SAFETY AND THE SAFETY OF YOUR PASSENGERS BEFORE STARTING YOUR VEHICLE.

1. LP GAS SYSTEM- TURN OFF AT TANK FOR TRAVELING. TEST FOR LEAKS UPON ARRIVAL AT DESTINATION. RETUNE LIGHTING PILOTS.
2. WHEELS- INSPECT FOR DAMAGE AND CHECK Lug NUTS FOR TIGHTNESS.
3. TIRES- INSPECT FOR WEAR AND DAMAGE AND CHECK FOR RECOMMENDED AIR PRESSURE.
4. LIGHTING- TEST FOR PROPER OPERATION OF ALL INTERIOR AND EXTERIOR LIGHTS INCLUDING DASH LIGHTS, HEADLIGHTS, TAIL LIGHTS, BRAKE LIGHTS, CLEARANCE LIGHTS AND TURN SIGNALS.
5. EXITS- INSPECT RELEASE MECHANISM ON EMERGENCY EXIT WINDOW. TEST BOTH LOOKS ON MAIN ENTRANCE DOOR FOR EASE OF OPERATION AND INSTRUCT PASSENGERS HOW TO USE BOTH MEANS OF EXIT.
6. SEAT BELTS- DIRECT PASSENGERS TO DESIGNATED SEATS AND REQUIRE USE OF SEAT BELTS.
7. APPLIANCES- TURN OFF AND LATCH OR LOCK (IF GAS) WHERE PROVIDED.
8. LOOSE PARCELS- STORE SECURELY.
9. UTILITY SUPPLY LINES- DISCONNECT ALL ELECTRIC, SEWER AND WATER LINES AND SECURE PROPERLY.
10. ENTRANCE DOOR STEP- PLACE IN RETRACTED POSITION FOR TRAVELING.

READ YOUR MOTOR HOME AND CHASSIS OWNER'S MANUAL FOR FURTHER PRECAUTIONS

Key	Part Number	U/M	Description
1	087207-05-000	EA	Label - Fuel Cap Removal
2	099689-01-000	EA	Label - Warning - Cancer/Toxicity
3	056259-01-000	EA	Label - Safety Check List



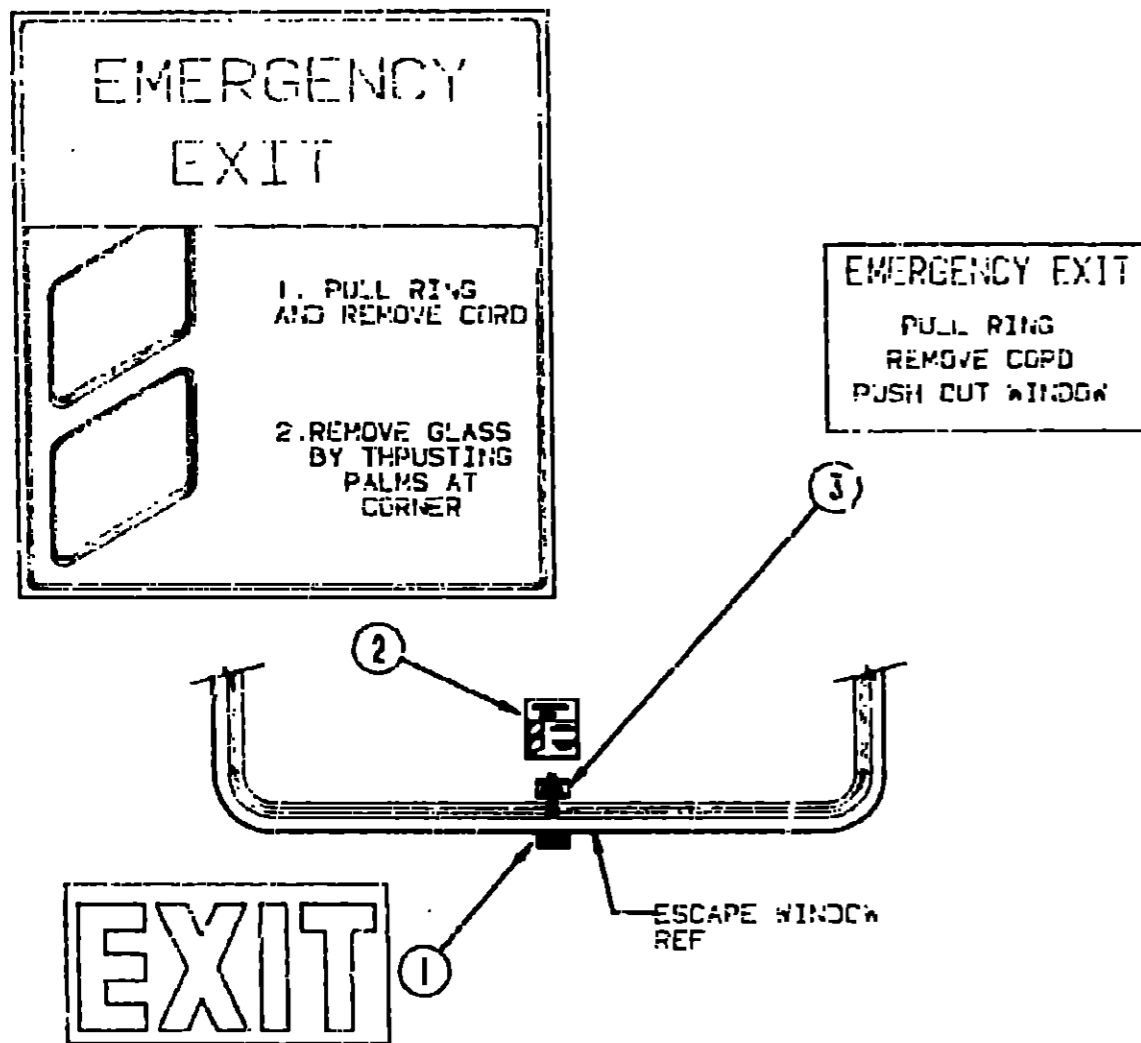
FOR AWNING INSTALLATION  
CONTACT YOUR MOTORHOME  
DEALERSHIP

1992 IC324RC INDEX

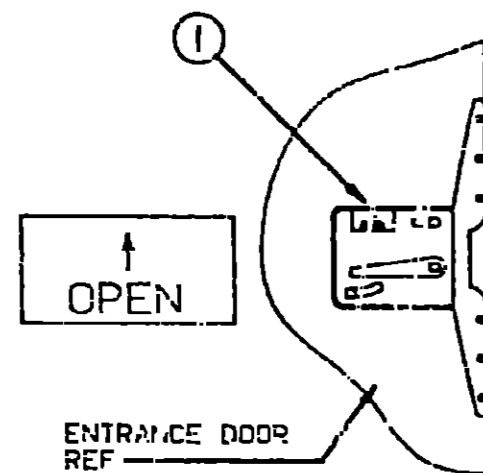
Floor Plan	A-07 - A-08
Accessories Group	A-09 - A-12
Bath Group	A-13 - A-14
Bedroom Group	A-15
Chassis Group	A-16 - A-21
Curtain, Cushion & Pad Group	A-22 - B-05
Dinette Group	B-06 - B-07
Driver's Compartment Group	B-08 - B-11
Electrical Group	B-12 - B-14
Exterior Body Group	B-15 - B-19
Galley Group	B-20 - B-23
Heating & Air Conditioning Group	B-24 - C-01
Interior Finish Group	C-02 - C-05
Labels Group	C-06 - C-13
LP Group	C-14
Lounge Group	C-15
Sealants & Fasteners Group	C-16 - C-17
Water & Sewage Group	C-18 - C-21
Window, Vent & Exterior Door Group	C-22 - D-12

Key	Part Number	U/M	Description
	099508-01-000	EA	Label - Awning Installation

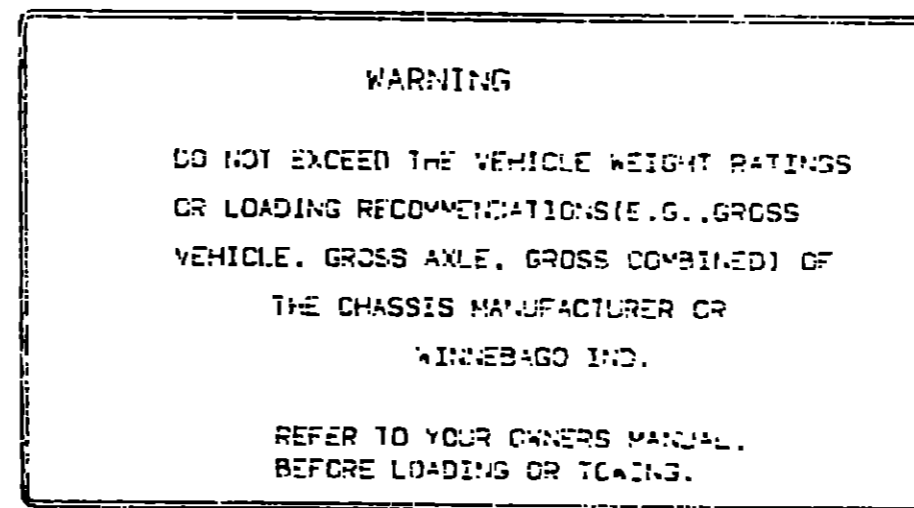
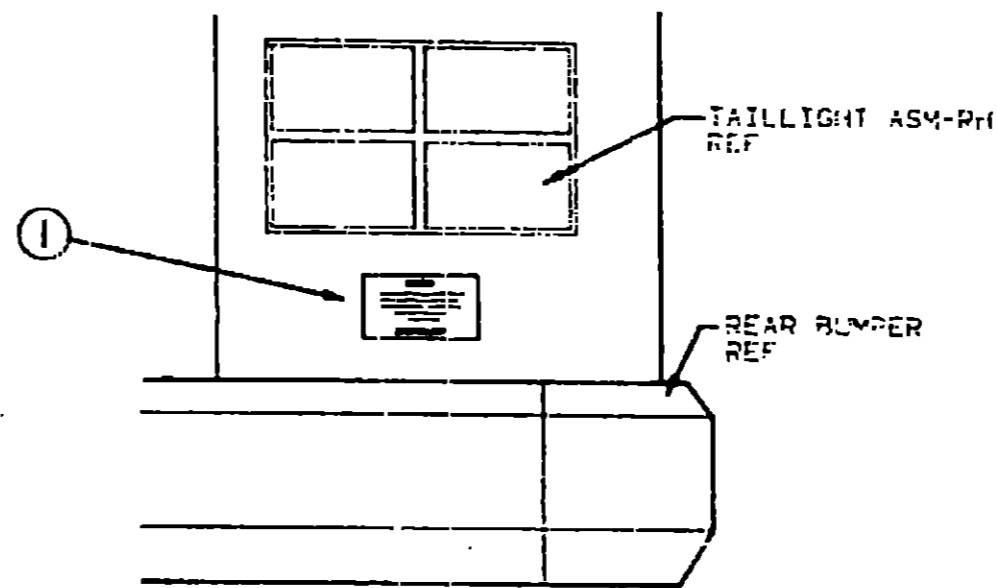




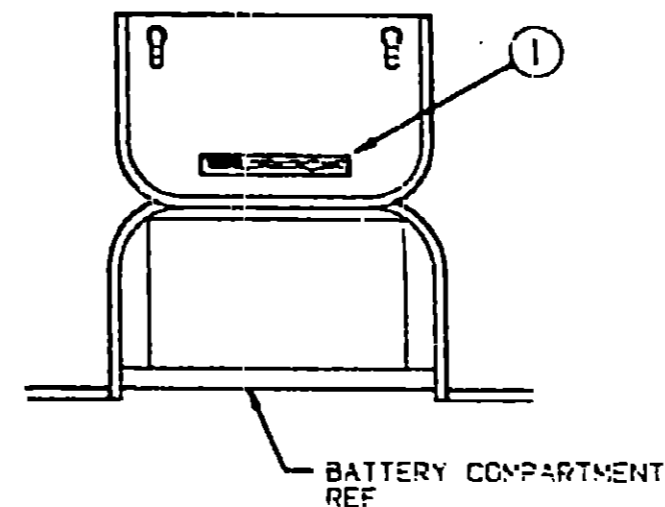
Key	Part Number	U/M	Description
1	039290-01-000	EA	Label - Warning - Exit
2	047731-01-000	EA	Label - Emergency Exit
3	006199-01-000	EA	Label - Exit - Escape Window



Key	Part Number	U/M	Description
1	040944-01-000	EA	Label - Open - Entrance Door



Key	Part Number	U/M	Description
1	075220-01-000	EA	Label - Warning - Exterior Load



Key	Part Number	U/M	Description
1	065748-01-000	EA	Label - Caution - Battery Charging

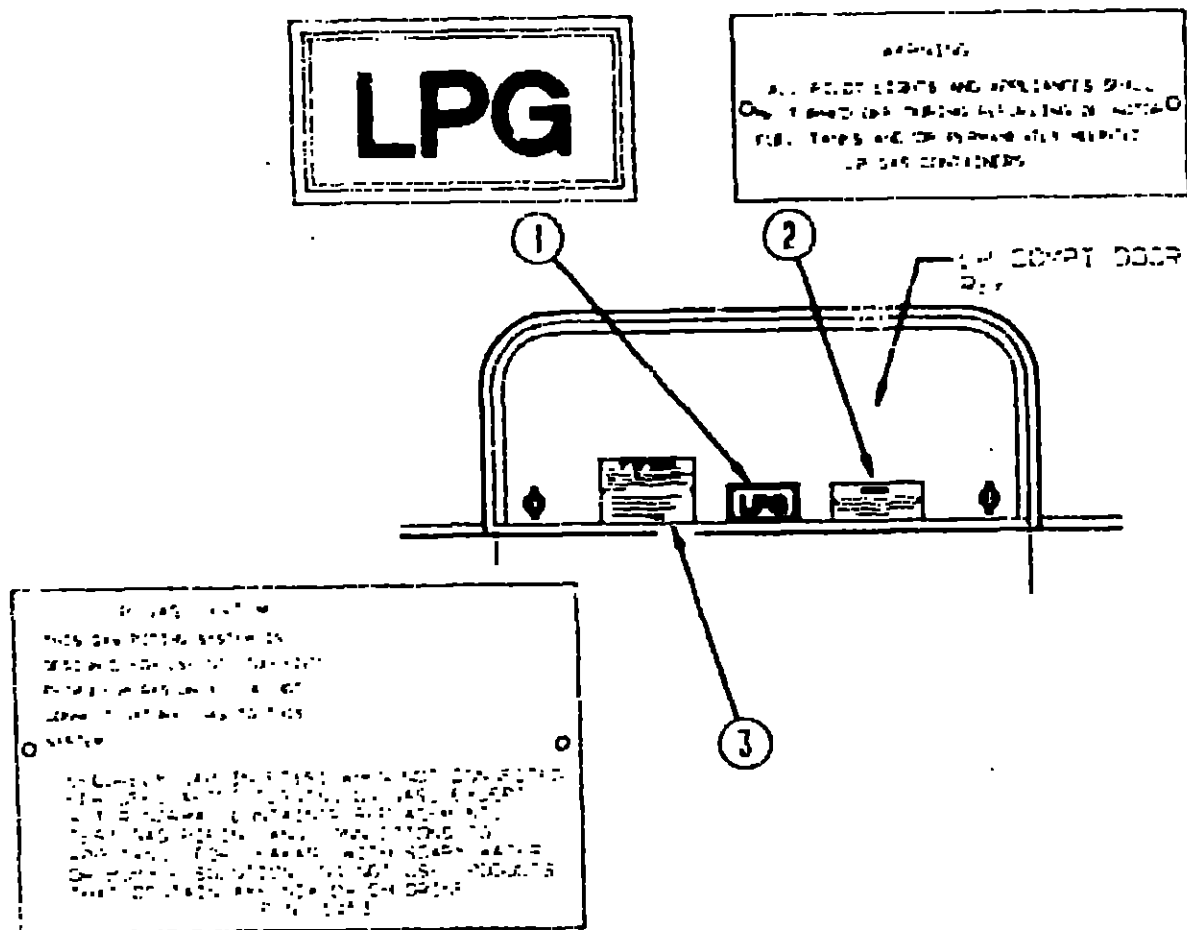
1992 ITASCA  
TABLE OF CONTENTS

INTRODUCTION	A-01 - A-02
ABBREVIATIONS	A-03
ALPHABETICAL INDEX	A-04 - A-06
IC324RC	A-07 - D-12

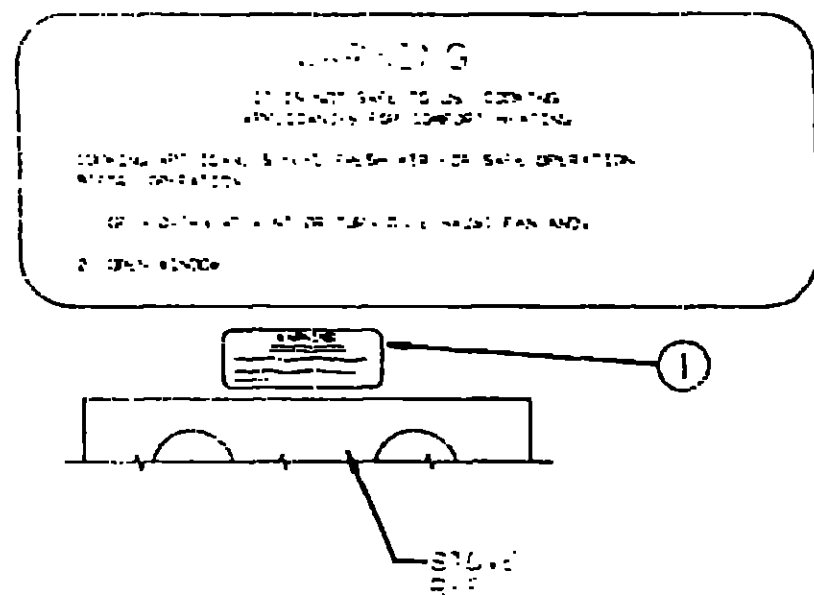
1992 IC324RC INDEX

Floor Plan	A-07 - A-08
Accessories Group	A-09 - A-12
Bath Group	A-13 - A-14
Bedroom Group	A-15
Chassis Group	A-16 - A-21
Curtain, Cushion & Pad Group	A-22 - B-05
Dinette Group	B-06 - B-07
Driver's Compartment Group	B-08 - B-11
Electrical Group	B-12 - B-14
Exterior Body Group	B-15 - B-19
Galley Group	B-20 - B-23
Heating & Air Conditioning Group	B-24 - C-01
Interior Finish Group	C-02 - C-05
Labels Group	C-06 - C-13
LP Group	C-14
Lounge Group	C-15
Sealants & Fasteners Group	C-16 - C-17
Water & Sewage Group	C-18 - C-21
Window, Vent & Exterior Door Group	C-22 - D-12

**LABELS GROUP (CONTINUED)**

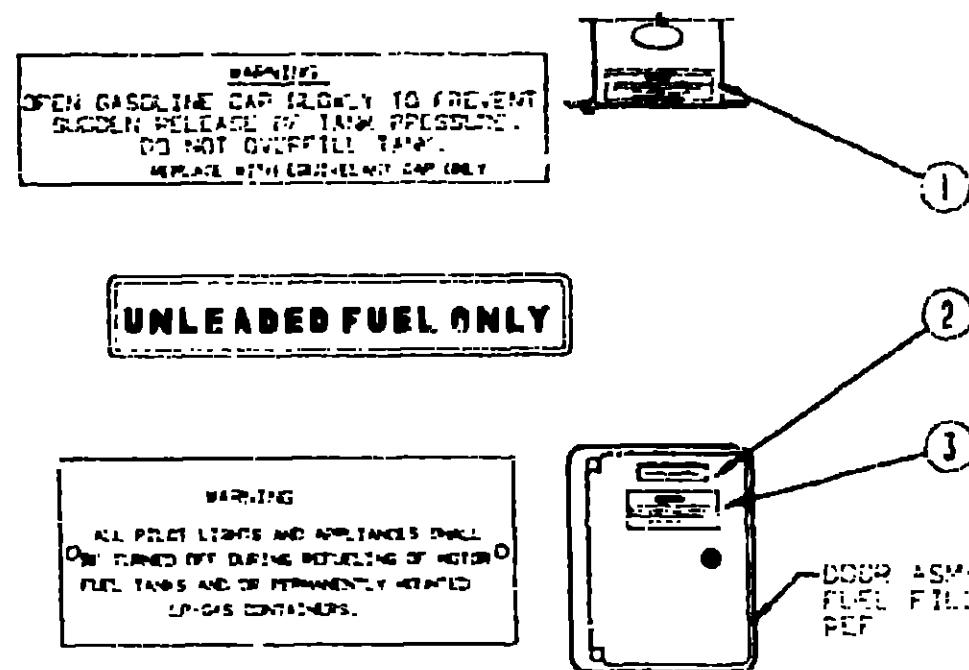


Key	Part Number	U/M	Description
1	074559-01-000	EA	Label - "LPG" - 3 3" x 1.75" (California Code)
2	006040-01-000	EA	Tag - Gas Refueling - Warning (US)
2	006040-02-000	EA	Tag - Gas Refueling - Warning (CSA)
3	054531-01-000	EA	Label - LP Gas Only
	023769-01-000	EA	Label - Warning - LPG (CSA)

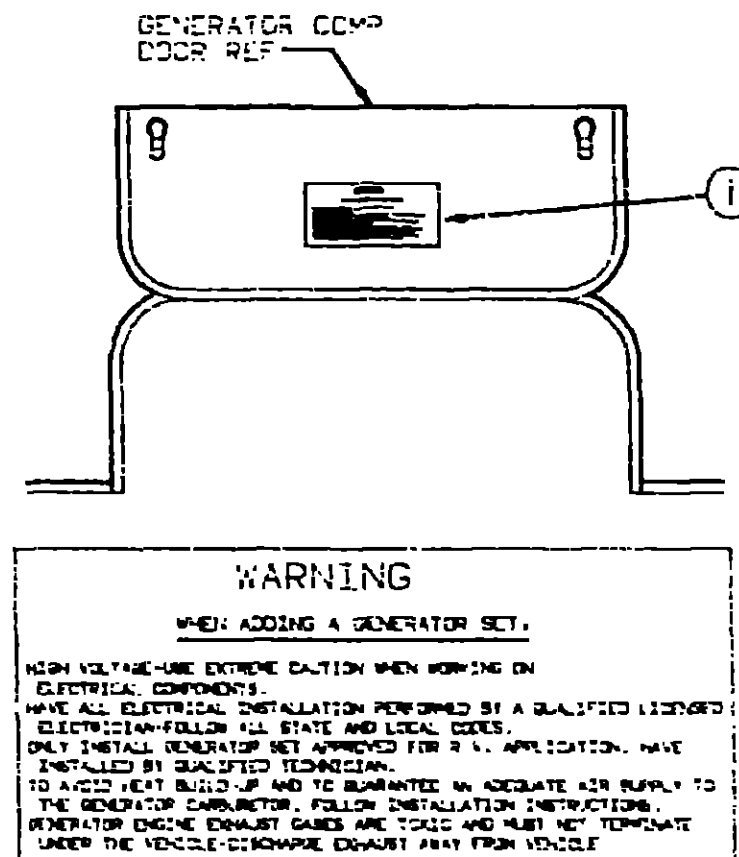


Key	Part Number	U/M	Description
1	050225-01-000	EA	Label - Warning - Stove Vent

**LABELS GROUP (CONTINUED)**



Key	Part Number	U/M	Description
1	067207-05-000	EA	Label - Fuel Cap Removal
2	052043-01-000	EA	Label - Unleaded Fuel Only
	061417-01-000	EA	Label - Fuel
3	006040-01-000	EA	Tag - Gas Refueling Warning (US)
3	006040-02-000	EA	Tag - Gas Refueling Warning (CSA)



Key	Part Number	U/M	Description
C-9	1	077510-01-000	EA Label - Generator Prep

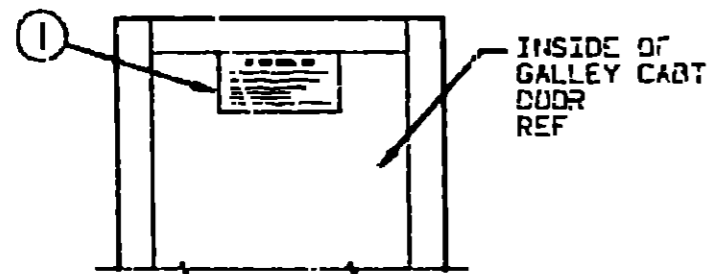
**1992 ITASCA TABLE OF CONTENTS**

INTRODUCTION	A-01 - A-02
ABBREVIATIONS	A-03
ALPHABETICAL INDEX	A-04 - A-06
IC324RC	A-07 - D-12

**1992 IC324RC INDEX**

Floor Plan	A-07 - A-08
Accessories Group	A-09 - A-12
Bath Group	A-13 - A-14
Bedroom Group	A-15
Chassis Group	A-16 - A-21
Curtain, Cushion & Pad Group	A-22 - B-05
Dinette Group	B-06 - B-07
Driver's Compartment Group	B-08 - B-11
Electrical Group	B-12 - B-14
Exterior Body Group	B-15 - B-19
Galley Group	B-20 - B-23
Heating & Air Conditioning Group	B-24 - C-01
Interior Finish Group	C-02 - C-05
Labels Group	C-06 - C-13
LP Group	C-14
Lounge Group	C-15
Sealants & Fasteners Group	C-16 - C-17
Water & Sewage Group	C-18 - C-21
Window, Vent & Exterior Door Group	C-22 - D-12

**LABELS GROUP (CONTINUED)**

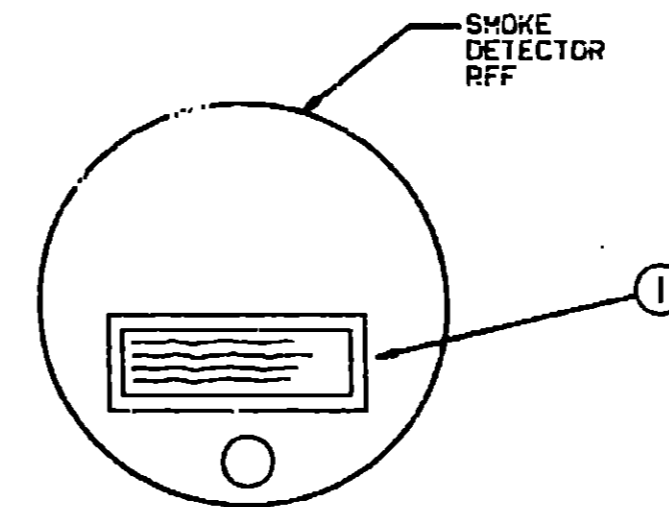


**IF YOU SMELL GAS**

1. EXTINGUISH ANY OPEN FLAME, PILOT LIGHTS AND ALL SMOKING MATERIALS.
2. SHUT OFF THE GAS SUPPLY AT THE TANK VALVE OR GAS SUPPLY CONNECTION.
3. OPEN DOORS AND OTHER VENTILATING OPENINGS.
4. DO NOT TOUCH ELECTRICAL SWITCHES.
5. LEAVE THE AREA UNTIL ODOR CLEARS.
6. HAVE THE GAS SYSTEM CHECKED AND LEAKAGE SOURCE CORRECTED BEFORE USING AGAIN.

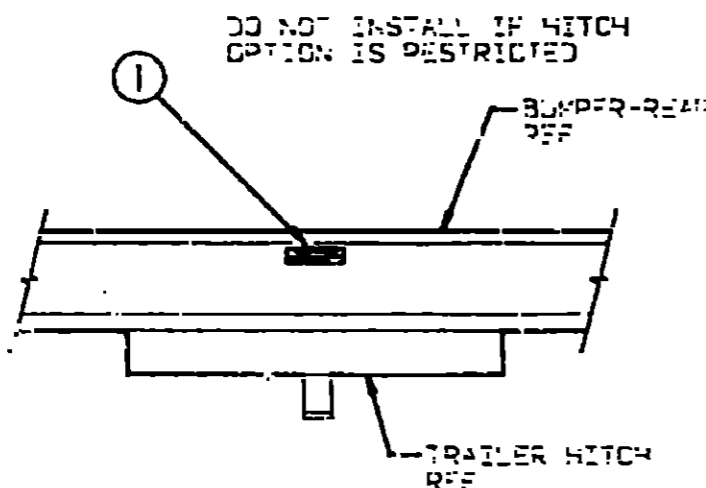
Key	Part Number	U/M	Description
1	073998-01-000	EA	Label - LPG - Odor Warning

**LABELS GROUP (CONTINUED)**



**WARNING - TEST SMOKE DETECTOR OPERATION AFTER VEHICLE HAS BEEN IN STORAGE, BEFORE EACH TRIP AND AT LEAST ONCE PER WEEK DURING USE.**

Key	Part Number	U/M	Description
1	077956-01-000	EA	Label - Warning - Smoke Detector



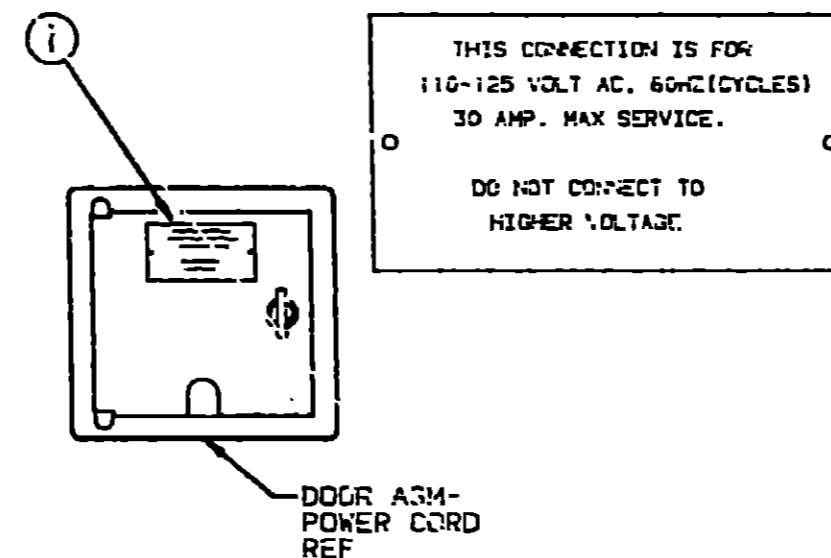
**TOWING CAPACITY**

TOWED VEHICLE 3500 LB. GROSS MAXIMUM  
 HITCH BALL 200 LB. MAXIMUM

Key	Part Number	U/M	Description
1	075221-01-000	EA	Label - Warning - Towing Capacity

**1992 ITASCA  
TABLE OF CONTENTS**

INTRODUCTION	A-01 - A-02
ABBREVIATIONS	A-03
ALPHABETICAL INDEX	A-04 - A-06
IC324RC	A-07 - D-12

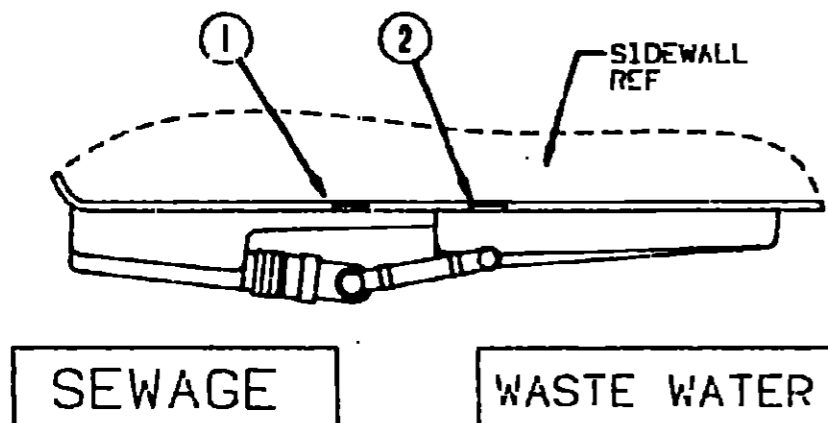


Key	Part Number	U/M	Description
1	005062-01-000	EA	Tag - Electrical - 110 Volt Connection

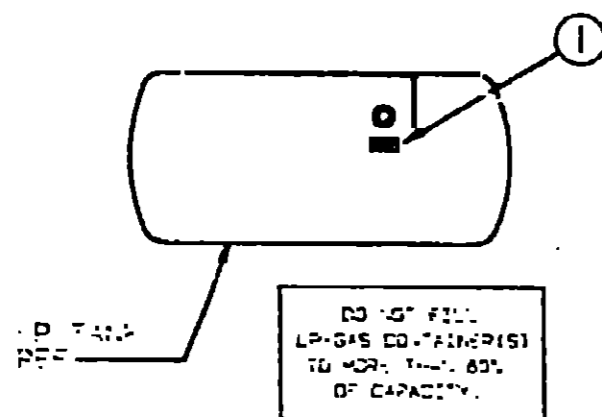
**1992 IC324RC INDEX**

Floor Plan	A-07 - A-08
Accessories Group	A-09 - A-12
Bath Group	A-13 - A-14
Bedroom Group	A-15
Chassis Group	A-16 - A-21
Curtain, Cushion & Pad Group	A-22 - B-05
Dinette Group	B-06 - B-07
Driver's Compartment Group	B-08 - B-11
Electrical Group	B-12 - B-14
Exterior Body Group	B-15 - B-19
Galley Group	B-20 - B-23
Heating & Air Conditioning Group	B-24 - C-01
Interior Finish Group	C-02 - C-05
Labels Group	C-06 - C-13
LP Group	C-14
Lounge Group	C-15
Sealants & Fasteners Group	C-16 - C-17
Water & Sewage Group	C-18 - C-21
Window, Vent & Exterior Door Group	C-22 - D-12

**LABELS GROUP (CONTINUED)**



Key	Part Number	U/M	Description
1	006187-01-000	EA	Label - Sewage
2	005188-01-000	EA	Label - Waste Water

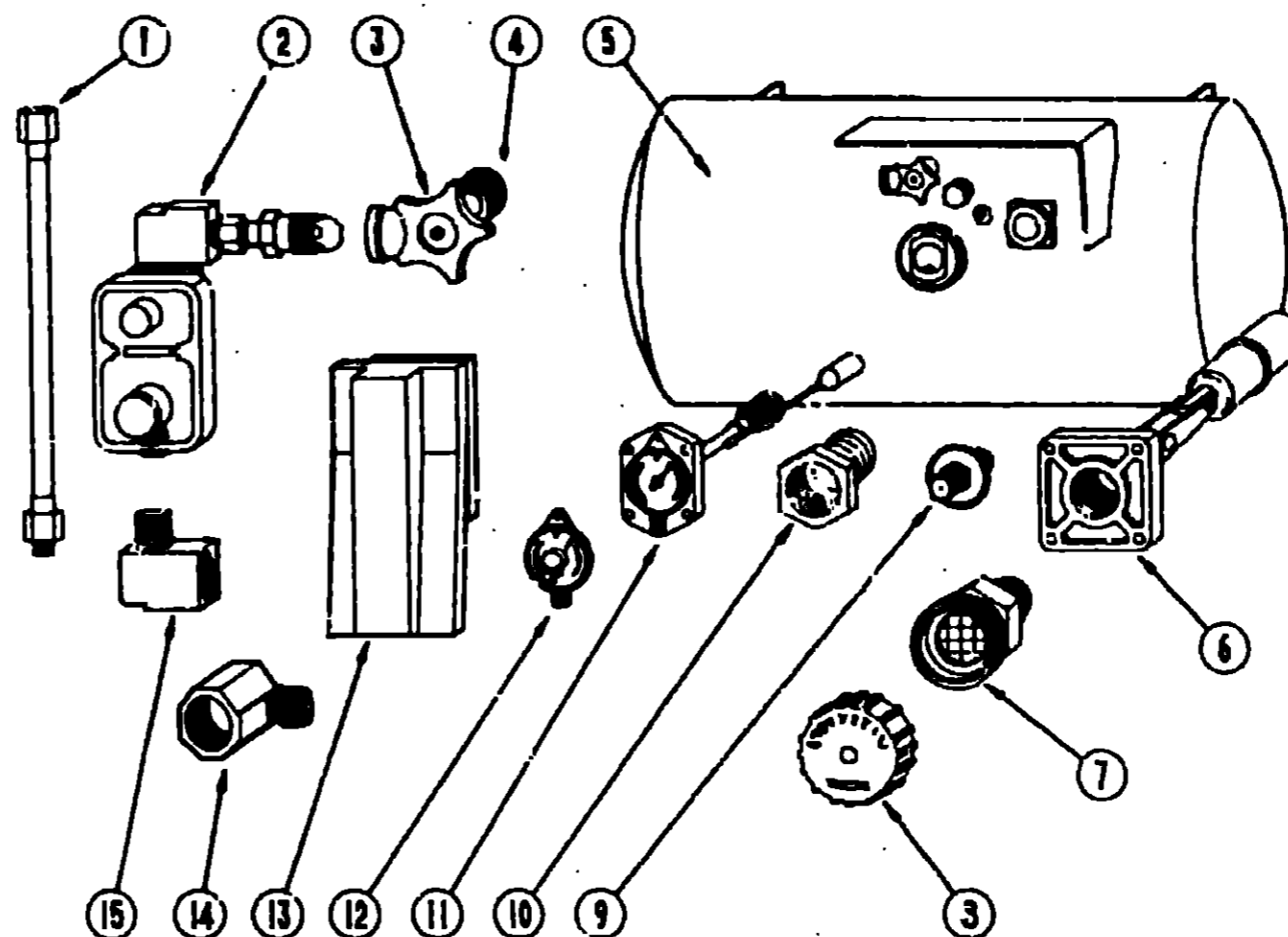


Key	Part Number	U/M	Description
1	079965-01-000	EA	Label - LPG - 80% Capacity

**MISCELLANEOUS LABELS**

Key	Part Number	U/M	Description
	006064-01-000	EA	Label - Seal - w/o Seat Belt
	031243-01-000	EA	Label - A/C Cover
	006019-01-000	EA	Tag - RVI Approved - Plastic

**LP GROUP**



**LP TANK & COMPONENTS**

Key	Part Number	U/M	Description
1	045703-01-000	EA	Hose Asm. - LP - 3/8" ID x 24" (US)
1	045703-02-000	EA	Hose Asm. - LP - 3/8" ID x 24" (CSA)
2	076301-01-000	EA	Regulator - Two Stage
3	040421-01-708	EA	Handwheel - Service Valve
4	040421-01-712	EA	Service Valve w/Handwheel
5	097821-01-000	EA	Tank Asm. - LP - 60 Pound - 14" Diameter x 30" Long
6	040421-01-711	EA	Valve - 80% w/Float Plate, Bolts & Gauges
7	040421-01-701	EA	Valve - Filler - LP w/Cap
8	040421-01-702	EA	Cap - Plastic - Fill Valve
9	040421-01-700	EA	Valve - Liquid Level - 20% LP
10	040421-01-713	EA	Pressure Relief Valve
11	040421-01-707	EA	Gauge - Float - 60 Pound Tank
12	040440-01-000	EA	Dial - Visible Face - Float Gauge
13	081938-01-000	EA	Cover - LP Regulator
14	065313-02-000	EA	Elbow - 90° - 3/8" MPT x 3/8" FPT
15	065742-01-000	EA	Tee - .38 F x .37 F x .25 FPT
	065741-01-000	EA	Gauge - Diaphragm Pressure - Test Leak
	008042-01-000	FT	Tubing - Vinyl - .65" ID
	010377-01-000	EA	Nut - 3/8" F - Brass
	010380-02-000	EA	Nut - 1/2" F - Brass - Forged
	010377-02-000	EA	Nut - 3/8" F - Brass - Forged
	010326-01-000	EA	Adapter - Flare w/Cone Gasket - 3/8" Female FL x 1/2" Male FL
	010323-01-000	EA	Adapter - Brass - 3/8" F x 1/2" MPT (Ford)
	071015-14-000	EA	Grommet - 3/8" ID Fits .09" Material - Rubber
	071015-17-000	EA	Grommet - 3/8" ID Fits .06" Material - Rubber
	016188-03-000	EA	Grommet - LP Line - 3/8" Hole x 2 1/2" Dia. - Rubber
	084884-01-000	EA	Brass - Plug - 3/8"

**1992 ITASCA  
TABLE OF CONTENTS**

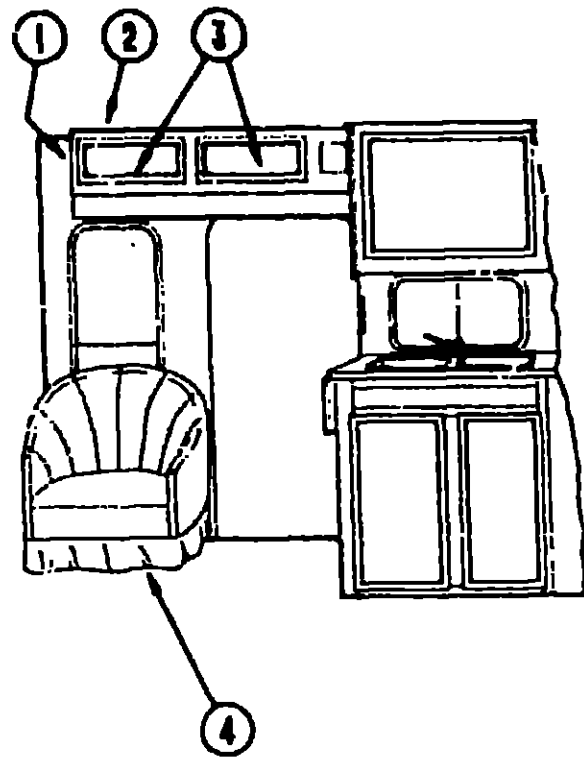
INTRODUCTION  
ABBREVIATIONS  
ALPHABETICAL INDEX  
IC324RC

A-01 - A-02  
A-03  
A-04 - A-06  
A-07 - D-12

**1992 IC324RC INDEX**

Floor Plan	A-07 - A-08
Accessories Group	A-09 - A-12
Bath Group	A-13 - A-14
Bedroom Group	A-15
Chassis Group	A-16 - A-21
Curtain, Cushion & Pad Group	A-22 - B-05
Dinette Group	B-06 - B-07
Driver's Compartment Group	B-08 - B-11
Electrical Group	B-12 - B-14
Exterior Body Group	B-15 - B-19
Galley Group	B-20 - B-23
Heating & Air Conditioning Group	B-24 - C-01
Interior Finish Group	C-02 - C-05
Labels Group	C-06 - C-13
LP Group	C-14
Lounge Group	C-15
Sealants & Fasteners Group	C-16 - C-17
Water & Sewage Group	C-18 - C-21
Window, Vent & Exterior Door Group	C-22 - D-12

**LOUNGE GROUP**



**LOUNGE CABINETS**

Key	Part Number	U/M	Description
1	081280-20-B27	EA	End Cap - Front Overhead Cabinet
2	M05150-17-B87	EA	Cabinet - Overhead - Entry Door - w/o Doors or Hardware
3	P03702-33-B87	EA	Door - Overhead Cabinet - 10" x 19" - w/o Hardware
†4	096429-07-B87	EA	Chair - Swivel
†4	096429-07-B88	EA	Chair - Swivel
	082245-03-000	EA	Plate - Swivel - Top w/o Tilt - w/ Lock
	082245-07-000	EA	Extension - Chair Base - 6"
	082245-01-000	EA	Base - Swivel Chair w/Legs
	057759-01-000	EA	Washer - Bracket - Seat Belt - 4" Dia.
	069705-02-000	EA	Bar - Seat Belt - 2.5" x 12.75"
	007021-01-000	EA	Belt - Seat - 2" x 90" - Black
†	See Curtain, Cushion & Pad Group for the breakdown of these items.		

**SEALANTS & FASTENERS GROUP**

**SCREWS & FASTENERS**

Key	Part Number	U/M	Description
	000G13-07-48B	EA	Bolt - Hex - 7/16 - 20 x 3 - Zn 5
	000C26-05-20B	EA	Bolt - Hex - Ser Fig 5/16 - 18 x 1 1/4" - Zinc
	000D24-10-00B	EA	Nut - Hex - Locking - 10 32 - Zn
	000D39-05-03B	EA	Nut - Hex - Ser Fig Lk - 5/16 - 18 - Zn
	000D39-06-00B	EA	Nut - Hex - Ser Fig Lk - 3/8 - 16 - Zn
	000D39-08-00B	EA	Nut - Hex - Ser Fig Lk - 1/2 - 13 - Zn
	000D44-07-00B	EA	Nut - Hex - Ser Fig Lk - 7/16 - 20 - Zn
	000E11-11-00B	EA	Washer - Flat - 3/16" Wide - Zn
	000G11-06-10J	EA	Screw - 6 - 20 x 5/8" PPH - Brass
	000G11-07-01B	EA	Screw - 7 - 19 x 1/2" PPH - Zn
	000G11-08-06B	EA	Screw - 8 - 18 x 3/8" PPH - Zn
	000G11-08-12B	EA	Screw - 8 - 18 x 3/4" PPH - Zn
	000G11-08-12D	EA	Screw - 8 - 18 x 3/4" PPH - Black
	000G11-08-12P	EA	Screw - 8 - 18 x .75" PPH - Dark Brown
	000G11-08-12R	EA	Screw - 8 - 18 x .75" PPH - Beige
	000G11-08-12S	EA	Screw - 8 - 18 x .75" PPH - Off White
	000G11-08-16S	EA	Screw - 8 - 18 x 1.00" PPH - Off White
	000G11-10-12D	EA	Screw - 10 - 16 x 3/4" PPH - Black
	000G11-10-24P	EA	Screw - 10 - 16 x 1 1/2" PPH - Dark Brown
	000G12-08-12S	EA	Screw - 8 - 18 x .75" PPH - Off White
	000G12-08-16S	EA	Screw - 8 - 18 x 1" PPH - Off White
	000G13-06-08B	EA	Screw - 6 - 20 x 1/2" PFH - Zn
	000G13-06-08G	EA	Screw - 6 - 20 x 1/2" PFH - Antique Brass
	000G13-06-10G	EA	Screw - 6 - 20 x 5/8" PFH - Antique Brass
	000G13-07-12B	EA	Screw - 7 - 19 x 3/4" PFH - Zn
	000G13-08-16B	EA	Screw - 8 - 18 x 1" PFH - Zn
	000G18-08-12B	EA	Screw - Machine - 8 - 32 x 3/4" PPH - Zn
	000G18-08-16B	EA	Screw - Machine - 8 - 32 x 1 PPH - Zn
	000G18-08-22B	EA	Screw - Machine - 8 - 32 x 1 3/8 PPH - Zn
	000G39-03-08B	EA	Screw - SF/DR 8 - 18 x 1/2 PPH - Zn
	000G39-08-05R	EA	Screw - SF/DR 8 - 18 x 1/2 PPH - Beige
	000G39-08-12B	EA	Screw - SF/DR 8 - 18 x 3/4 PPH - Zn
	000G39-08-12R	EA	Screw - SF/DR 8 - 18 x 3/4 PPH - Beige
	000G39-08-16S	EA	Screw - SF/DR 8 - 18 x 1.00 PPH - Off White
	000G39-08-24B	EA	Screw - SF/DR 8 - 18 x 1 1/2 PPH - Zn
	000G39-08-24S	EA	Screw - SF/DR 8 - 18 x 1.50 PPH - Off White
	000G39-10-10S	EA	Screw - SF/DR 10 - 16 x .62" PPH - Off White
	000G39-10-12D	EA	Screw - SF/DR 10 - 16 x 3/4 PPH - Black
	000G39-10-20B	EA	Screw - SF/DR 10 - 16 x 1 1/4 PPH - Zn
	000G39-12-12E	EA	Screw - SF/DR 12 - 14 x 3/4" PPH - Chrome
	000G42-04-16B	EA	Screw - SF/DR 1/4 - 14 x 1 HWH - Zn
	000G53-04-06B	EA	Screw - Machine - 1/4 - 20 x 3/8 PPH - Zn
	000G54-04-20B	EA	Screw - 1/4 - 20 x 1 1/4 PTH Typ 23 - Zn
	000G67-10-09B	EA	Screw - 10 - 12 x 1/2 PPH - Zn
	000G67-10-08R	EA	Screw - 10 - 12 x 1/2 PPH - Beige - Type A
	000G67-10-10B	EA	Screw - 10 - 12 x 5/8 PPH - Zn - Type A
	000G67-10-10R	EA	Screw - 10 - 12 x 5/8 PPH - Beige - Type A
	000G67-10-12B	EA	Screw - 10 - 12 x 3/4 PPH - Zn
	000G67-10-12P	EA	Screw - 10 - 12 x .75 PPH - Dark Brown
	000G67-10-120	EA	Screw - 10 - 12 x .75 PPH - Tan
	000G67-10-24B	EA	Screw - 10 - 12 x 1 1/2 PPH - Zn
	000G67-10-32B	EA	Screw - 10 - 12 x 2 PPH - Zn
	000G68-06-10G	EA	Screw - 6 - 18 x 5/8 PPH - Antique Brass
	000H16-04-06R	EA	Rivet - Pop AL 1/8 x .313 - .375
	005081-01-000	EA	Nut - Speed - C Type - No. 8 Screw
	062401-02-000	EA	Clamp - Hose - Wormgear - 1 5/8" - 2 5/8"
	062401-05-000	EA	Clamp - Hose - Wormgear - 2 1/2" x 6 1/2"
	007161-01-000	EA	Clamp - Hose - Spring Type - 1/2"
	008343-01-000	EA	Tie - Wire - 6"

**1992 ITASCA  
TABLE OF CONTENTS**

INTRODUCTION	A-01 - A-02
ABBREVIATIONS	A-03
ALPHABETICAL INDEX	A-04 - A-06
IC324RC	A-07 - D-12

**1992 IC324RC INDEX**

Floor Plan	A-07 - A-08
Accessories Group	A-09 - A-12
Bath Group	A-13 - A-14
Bedroom Group	A-15
Chassis Group	A-16 - A-21
Curtain, Cushion & Pad Group	A-22 - B-05
Dinette Group	B-06 - B-07
Driver's Compartment Group	B-08 - B-11
Electrical Group	B-12 - B-14
Exterior Body Group	B-15 - B-19
Galley Group	B-20 - B-23
Heating & Air Conditioning Group	B-24 - C-01
Interior Finish Group	C-02 - C-05
Labels Group	C-06 - C-13
LP Group	C-14
Lounge Group	C-15
Sealants & Fasteners Group	C-16 - C-17
Water & Sewage Group	C-18 - C-21
Window, Vent & Exterior Door Group	C-22 - D-12

**SEALANTS & FASTENERS GROUP (CONTINUED)**

**SCREWS & FASTENERS (CONTINUED)**

Key	Part Number	U/M	Description
	008386-01-000	EA	Grommet - Strap - 3/8"
	008401-01-000	EA	Strap - Conduit - 3/4" - 1 Hole - Galvanized St
	010495-01-000	EA	Clamp - Cable - 9/16"
	010497-01-000	EA	Clamp - Closed - 5/16" ID
	010497-03-000	EA	Clamp - Closed - 1" ID - Cushioned
	010499-01-000	EA	Clamp - Closed - 3/8" ID
	016604-01-000	EA	Brace - Cabinet - Angled Metal - 2 5"
	083609-01-000	EA	Clamp - Wire Dual - Equal 5/8" Dia.
	084884-01-000	EA	Plug - Brass - 3/8"
	087721-01-000	EA	Screw - Flat Head - Tapping - 1/4 - 1 1/4 LG Zn
	089371-01-000	EA	Screw - Machine - 8 - 32 x 3 5/16 - Zn
	075148-02-000	EA	Clamp - Grounding - Bronze Screws
	075908-01-000	EA	Screw - Machine - 10 - 32 x .56 PTH - Zr
	049465-04-000	EA	Screw - 10 - 16 x 1 PTH w/Washer - Beige
	076790-01-000	EA	Screw - 6 - 20 x 1 1/4 PPH - Black
	053729-04-000	EA	Rivnut - 10 - 32 UNF - .010 - .080

**SEALANTS & ADHESIVES**

Key	Part Number	U/M	Description
	004020-01-000	QT	Adhesive - ABS Cement (Plastic Fittings)
	004005-02-000	GL	Adhesive - Swifts - Glue (Sidewalls)
	053766-07-000	EA	Bedding Compound - Tube - Beige (Exterior)
	053766-06-000	EA	Bedding Compound - Tube - Clear (Window)
	053766-08-000	EA	Bedding Compound - Tube - Gray (Exterior)
	102352-01-000	EA	Bedding Compound - Tube - Black (Luggage Compartment)
	053766-02-000	EA	Bedding Compound - Tube - Off White (Exterior)
	002328-02-000	EA	Block - Rubber Spacer (Windshield)
	077967-01-000	EA	Sealant - Acrylic Latex - Tube - Off White (Interior Sealant)
	034552-04-000	EA	Sealant - Silicone - Beige
	034552-02-000	EA	Sealant - Silicone - Clear
	034552-07-000	EA	Sealant - Silicone - Dark Gray
	034552-06-000	EA	Sealant - Silicone - Off White
	039518-01-000	EA	Sealant - Silicone - Black
	069640-01-000	FT	Sealer Ribbon - .25" Bead x 20'
	069640-02-000	FT	Sealer Ribbon - .5" x .125" x 30'
	069640-03-000	FT	Sealer Ribbon - .75" x .125" x 30'
	069640-09-000	FT	Sealer Ribbon - 1/32" x 2.5" x 30'
	069640-06-000	FT	Sealer Ribbon - 5/16" Bead x 15'
	069640-07-000	FT	Sealer Ribbon - 2" x 3/32" x 30'
	069640-10-000	FT	Sealer Ribbon - 1/32" x 1.5" x 100'
	002707-02-000	FT	Sealer Tape - 5/16" x 1/2"
	074497-14-700	EA	Sealer - Stain (Ceiling)
	094401-01-000	EA	Seam Sealer - Tube - Clear (Cap to Sidewall)
	102353-01-700	EA	Seam Sealer - Tube - Aluminum (Roof)
	063642-01-000	FT	Tape - Adhesive - .10mm x 1.5" Wide
	038886-01-000	EA	Tape - Butyl - .31" x .31" x 148" (Windshield)
	076322-01-000	FT	Tape - Foam - Double Coated - .025" x .75" x 72' (Fiberglass Sidewall Seams)
	076322-02-000	FT	Tape - Foam - Double Coated - .045" x 1" (Fiberglass Sidewall Seams)
	076322-03-000	FT	Tape - Foam - Double Coated - .5" x 108"
	100028-01-000	FT	Tape - Foam - Double Coated - .031" x .75" x 72' (Non-Structural Fastening)
	009200-01-000	EA	Tape - Furnace - 1.5"
	002825-01-000	FT	Weather Stripping (Roof Vent)
	081377-01-700	EA	Adhesive - Cyanoacrylate - 10GM
	104579-01-000	FT	Seal - Foam - Closed Cell - .05" x .43"

**WATER & SEWAGE GROUP**

**DRAINAGE SYSTEM**

Key	Part Number	U/M	Description
	062422-01-000	EA	Adapter - Offset Reducer - 3" x 1 1/2"
	062416-01-000	EA	Adapter - Sewer Hose to 3" Pipe
	033302-02-000	EA	Adapter Asm. - Strainer - 1 1/2" (CSA)
	010123-01-000	EA	Bushing - 2" x 1 1/2" - Hub - Plastic
	010121-01-000	EA	Bushing - Plastic - Red - 1 1/2 S x 1 1/4 H
	011091-02-000	EA	Continuous Waste - Double Sink - 11 7/8"
	010115-01-000	EA	Coupler - Plastic - 1 1/2 H x 1 1/2"
	078406-01-000	EA	Coupler - Rubber - 3" x 3"
	010003-01-000	EA	Elbow - Plastic - 1/16 BD - 1 1/2" x 22 1/2" .1 x H
	010000-01-000	EA	Elbow - Plastic - 1/8 BD x 1 1/4 x 45° x H
	010001-01-000	EA	Elbow - Plastic - 1/8 BD x 1 1/2 x 45°
	010006-01-000	EA	Elbow - Plastic - 1/8 BD x 1 1/2 x 45° H x H
	010008-01-000	EA	Elbow - Plastic - 1/4 BD x 1 1/2 x 90° - Left
	034250-01-000	EA	Elbow - Plastic - 1/4 BD x 1 1/2 x 90° H x H
	033761-01-000	EA	Elbow - Plastic - 1/4 BD x 1 1/2 x 90°
	010009-01-000	EA	Elbow - Plastic - 1/4 BD x 1 1/2 x 90° - St.
	037101-02-000	EA	Elbow - Plastic - 1/4 Bend Vent - 1 1/2" Hub (CSA)
	075240-06-000	EA	Faucet - Lavatory - Bone
	075241-05-000	EA	Faucet - Shower - Bone
	011053-04-000	EA	Faucet - Swing Spout - 8" - Galley
	024676-01-000	EA	Flange - Closet - Toilet - 4" x 3" (US)
	024676-02-000	EA	Flange - Closet - 4" x 3" (CSA)
	091253-01-000	EA	Gasket - Faucet
	061607-01-000	EA	Grommet - Holding Tank Coupler - 1 1/2"
	061607-02-000	EA	Grommet - Holding Tank Coupler - 3"
	011066-03-000	EA	P-Trap - 1 1/4" - Plastic (US)
	011066-02-000	EA	P-Trap - 1 1/4" - Plastic (CSA) (Lavatory/Shower)
	053335-01-000	EA	P-Trap - 1 1/1" - Plastic w/Union (CSA) (Galley)
	083558-03-000	EA	Roof Vent - Covered - Vent Pipe - Off White
	039861-01-000	EA	Sending Unit w/Screw, Washer, Well Nut & Terminal
	062415-01-000	EA	Sewer Cap - 3"
	062415-01-700	EA	String - Sewer Cap
	010201-01-000	EA	Sewer Hose - 3" ID x 20'
	011048-02-000	EA	Shower Head w/60" Hose (US)
	011048-05-000	EA	Shower Head w/60" Hose (CSA)
	M02429-04-000	EA	Shower Pan Asm.
	102551-01-000	EA	Sink - Double w/Mounting Hardware - Stainless Steel
	096927-01-01A	EA	Sink - Rectangular - Lavatory
	096927-01-700	EA	Sink Stopper
	096927-01-701	EA	Tailpiece - Sink
	063436-01-000	EA	Slip Nut - 1 5 - Tailpiece
	066440-01-000	EA	Strainer - Shower Drain
	066437-01-000	EA	Strainer - Sink - Galley
	066437-01-700	EA	Basket - Strainer - Galley Sink
	011069-02-000	EA	Tailpiece - 1 1/2 x 1 1/4 x 4" - Brass
	074870-01-000	EA	Tank - Holding - 30 Gal. - Sewage
	074867-01-000	EA	Tank - Holding - 35 Gal. - Waste Water
	010079-01-000	EA	Tee - Plastic - 1 1/2" H x 1 1/2" H x 1 1/4" H
	076776-01-000	EA	Tee - Barb - 5/8" x 5/8" x 5/8"
	010071-01-000	EA	Tee - Plastic - 1 1/2" H x H x H

**1992 ITASCA  
TABLE OF CONTENTS**

INTRODUCTION	A-01 - A-02
ABBREVIATIONS	A-03
ALPHABETICAL INDEX	A-04 - A-06
IC324RC	A-07 - D-12

**1992 IC324RC INDEX**

Floor Plan	A-07 - A-08
Accessories Group	A-09 - A-12
Bath Group	A-13 - A-14
Bedroom Group	A-15
Chassis Group	A-16 - A-21
Curtain, Cushion & Pad Group	A-22 - B-05
Dinette Group	B-06 - B-07
Driver's Compartment Group	B-08 - B-11
Electrical Group	B-12 - B-14
Exterior Body Group	B-15 - B-19
Galley Group	B-20 - B-23
Heating & Air Conditioning Group	B-24 - C-01
Interior Finish Group	C-02 - C-05
Labels Group	C-06 - C-13
LP Group	C-14
Lounge Group	C-15
Sealants & Fasteners Group	C-16 - C-17
Water & Sewage Group	C-18 - C-21
Window, Vent & Exterior Door Group	C-22 - D-12

**WATER & SEWAGE GROUP (CONTINUED)**

**DRAINAGE SYSTEMS (CONTINUED)**

Key	Part Number	U/M	Description
	067487-01-000	EA	Toilet - Ivory - Aqua Magic
	067487-01-700	EA	C.L.F.L. Seal & Bolt Package
	063740-01-710	EA	Link
	063740-01-711	EA	Spring - Return Lever
	063740-01-705	EA	Seat Ivory - w/in Cover
	063740-01-700	EA	Lever - Water
	063740-01-701	EA	Lever - Flush
	063740-01-713	EA	Seal - Ball - Valve to Bowl
	063740-01-714	EA	Valve Asm. - Water
	063740-01-707	EA	Seal - Closet Flange
	063740-01-706	EA	Bolt Package - Closet
	070916-01-000	EA	Valve - Dual - 3" x 1.5"
	070916-01-700	EA	Valve - Only - 3"
	070916-01-701	EA	Valve - Only - 1 1/2"
	062421-01-000	EA	Valve - 1 1/2" w/Handle
	062419-02-700	EA	Handle Only - For Extension Rod
	079968-01-000	EA	Vent - Mechanical Trap Arm
	069735-01-000	EA	Washer - Tailpiece - 1.5 - Plastic

**EXTERIOR SHOWER (OPTION L64R)**

Key	Part Number	U/M	Description
	103173-01-01A	EA	Shower Kit - Exterior - Off White (Piece Parts are N/A)
	103173-02-01A	EA	Shower Kit - Exterior - Off White
	103173-03-700	EA	Compartment Only
	103173-03-701	EA	Door Only
	103173-03-702	EA	Hinge Pin
	103173-03-703	EA	Hinge Pin Spring
	103173-03-704	EA	Lock Asm. w/Key & Clip
	103173-03-705	EA	Decal - "Auxiliary Shower"
	103173-03-706	EA	Shower Head w/Hose & Bracket
	103173-03-707	EA	Faucet w/Adapter - Chrome
	C46128-01-000	EA	Valve - Drain - Plastic - 1/2" FPT
	052952-01-000	EA	Nut - Plastic - 1/2" F x 1/2" Tube - Gray
	002726-01-000	EA	Garnish - U-Channel - 1.38" x 19' - Serrated - Mill Aluminum
	052957-02-000	EA	Elbow - Male - 1/2" F x 1/2" MPT - Plastic - Gray

These parts were used from 3/25/91 on.

**WATER & SEWAGE GROUP (CONTINUED)**

**WATER LINES & HARDWARE**

Key	Part Number	U/M	Description
	044927-01-000	EA	Adapter - Plastic - 1 1/4" MPT x 1 1/4" Bar (Wate Tank)
	079317-01-000	EA	Adapter - Swivel - .5" Tube x .5" FPT
	052954-01-000	EA	Adapter - Nose Cone - 3/8" or 1/2" - Plastic
	036522-02-000	EA	Cap - Brass - 1/2" Flare
	052959-02-000	EA	Connector - Plastic - 1/2" F x 1/2" MPT
	052959-03-000	EA	Connector - 1/2" x 3/8" MPT - Plastic
	010219-01-000	EA	Elbow - Plastic - 1 1/3" MPT x 1 1/4" Barb
	065120-01-000	EA	Elbow - Plastic - Swivel - 1/2" FPT x 1/2" Flare - Gray
	035539-01-000	EA	Elbow - Plastic - 3/8" MPT x 3/8" BARB
	070924-01-000	EA	Elbow - Swivel - 1/2" MPT x 1/2" FPT - Gray
	075240-06-000	EA	Faucet - Lavatory - Bone
	011053-04-000	EA	Faucet - Swing Spout - Galley - B"
	091253-01-000	EA	Gasket - Faucet
	075241-05-000	EA	Faucet - Shower - Bone
	077954-02-000	EA	Filter/Screen (In Water Tank)
	052952-01-000	EA	Nut - Plastic - 1/2" F
	052953-01-000	EA	Nut - Faucet - 1/2" Tube x 1/2" FPT
	049032-01-000	EA	Patch - Spinweld - Plastic - 3/8"
	098607-01-000	EA	Pump - Water - 2.8 GPM - Direct Flow (US)
	098607-02-000	EA	Pump - Water - 2.8 GPM - Direct Flow (CSA)
	098607-01-707	EA	Motor/Backplate - Replacement
	098607-01-701	EA	Drive Asm.
	098607-01-702	EA	Diaphragm Kit
	098607-01-703	EA	Valve Asm.
	098607-01-704	EA	Upper Housing
	098607-01-706	EA	Switch Asm. - Complete
	098607-01-700	EA	Pumphead - Replacement
	098607-01-705	EA	Check Valve Kit
	091208-01-000	EA	Rubber Washer - .06" x .75" x .50"
	011048-02-000	EA	Shower Head - w/60" Hose - (US)
	011048-05-000	EA	Shower Head - w/60" Hose (CSA)
	097967-01-000	EA	Switch - Water Heater
	042989-03-000	EA	Spinweld Fitting - Plastic - 1/4" NPT
	042989-05-000	EA	Spinweld Fitting - Plastic - 1/2" FPT
	042989-04-000	EA	Spinweld Fitting - Plastic - 3/8" FPT
	052955-01-000	EA	Tee - Plastic - 1/2" F x 1/2" F x 1/2" MPT
	052956-01-000	EA	Tee - Plastic - 1/2" F x 1/2" MPT x 1/2" F
	052958-01-000	EA	Tee - Plastic - 1/2" F x 1/2" F x 1/2" F
	074463-01-000	EA	Tee - 4 Way - Plastic - 1/2" Flare - Gray
	039800-01-000	FT	Tubing - Polybutyl - 1/2" OD x 20' (Water Line)
	079381-01-000	FT	Tubing - Flex/Smooth - 1.25" ID (Water Tank)
	074462-02-000	FT	Tubing - Vinyl - 3/8" ID
	052960-01-000	EA	Valve - Line Drain - 1/2" F x 1/2" F
	052960-01-700	EA	Connector - Union - 1/2" F x 1/2" F
	074510-03-000	EA	Water Tank - 16 Gal. w/Fittings - 33.4" x 11.4" x 10.6"
	053520-10-000	EA	Water Tank - 18 Gal. w/Fittings - 27" x 17.2" x 10"

**WATER HEATER BYPASS (OPTION L53J)**

Key	Part Number	U/M	Description
	039800-01-000	FT	Tubing - Polybutyl - 1/2 OD x 20'
	052952-01-000	EA	Nut - Plastic - 1/2" F x 1/2" Tube - Gray
	052955-01-000	EA	Tee - Water - 1/2" F x 1/2" F x 1/2" MPT - Plastic - Gray
	052957-01-000	EA	Elbow - Plastic - 1/2" F x 3/8" MPT
	099729-01-000	EA	Bypass Kit - Water Heater

**1992 ITASCA  
TABLE OF CONTENTS**

INTRODUCTION	A-01 - A-02
ABBREVIATIONS	A-03
ALPHABETICAL INDEX	A-04 - A-06
IC324RC	A-07 - D-12

**1992 IC324RC INDEX**

Floor Plan	A-07 - A-13
Accessories Group	A-09 - A-12
Bath Group	A-13 - A-14
Bedroom Group	A-15
Chassis Group	A-16 - A-21
Curtain, Cushion & Pad Group	A-22 - B-05
Dinette Group	B-06 - B-07
Driver's Compartment Group	B-08 - B-11
Electrical Group	B-12 - B-14
Exterior Body Group	B-15 - B-19
Galley Group	B-20 - B-23
Heating & Air Conditioning Group	B-24 - C-01
Interior Finish Group	C-02 - C-05
Labels Group	C-06 - C-13
LP Group	C-14
Lounge Group	C-15
Sealants & Fasteners Group	C-16 - C-17
Water & Sewage Group	C-18 - C-21
Window, Vent & Exterior Door Group	C-22 - D-12

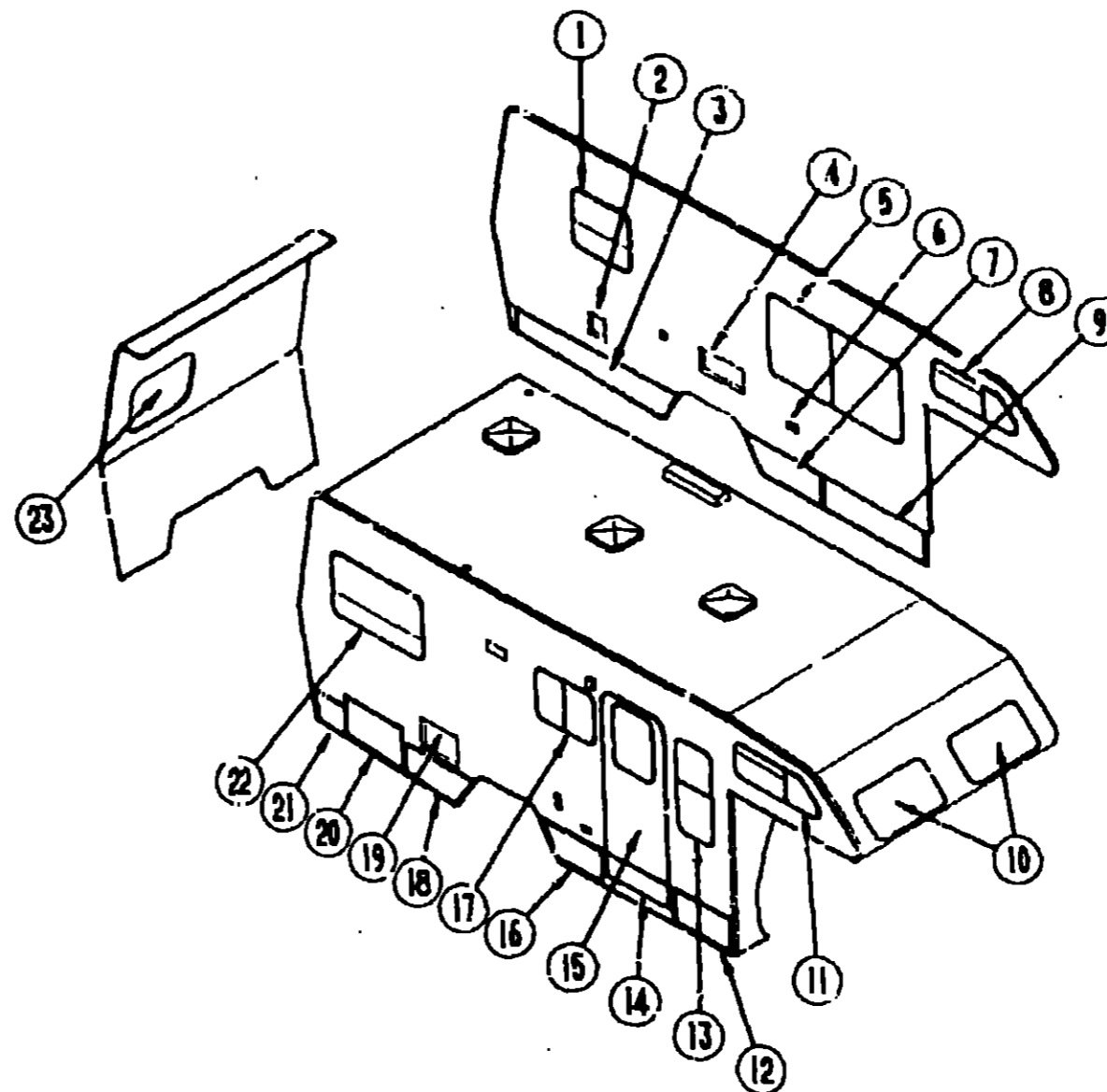
# WATER & SEWAGE GROUP (CONTINUED)

## WATER HEATER & REPAIR PARTS

Key	Part Number	U/M	Description
	051391-01-000	EA	Heater - Water - Atwood G6A-3
	051391-01-700	EA	Hinge Kit - w/Clip - Atwood #92568 & 92559
	051391-01-715	EA	Drain Plug - Atwood #91561
	051391-01-702	EA	Tank - Inner - G6A-2, 3, 6 - Water Heater - Atwood 91412
	051391-01-704	EA	Valve - Relief - 1/2" Fitting - Atwood #91604
	051391-01-705	EA	Fastener - Camloc - Atwood #92609
	051391-01-706	EA	Grille - Exhaust - Atwood #92787
	051391-01-712	EA	Thermostat - 3/8" NPT Inlet
	051391-01-706	EA	Burner - Main - Atwood #92615
	051391-01-709	EA	Pilot Asm. - w/Thermocouple & Tube
	051391-01-710	EA	Orifice - Main Burner - Atwood #92742
	051391-01-711	EA	Elbow - Orifice - Main Burner
	051391-01-714	EA	Elbow - 45 Degree - 3/8" F x 3/8" MPT - Atwood #91044
	051391-03-000	EA	Heater - Water - w/Electric Ignition - Atwood # G6A-3E, 4E & 6E
	051393-03-700	EA	Tank - Inner (G6A-3E) Rear Mount - Atwood #91409
	051391-04-700	EA	Tank - Inner (G6A-3E) Front Mount - Atwood #91608
	051391-04-706	EA	Tank - Inner - G6A-4E & 6E - Front Mount - Atwood #9164
	051391-01-704	EA	Valve - Relief - 1/2" Fitting - Atwood #91604
	051391-01-705	EA	Fastener - Camloc - Atwood #92609
	051393-01-701	EA	Switch Package - Atwood #91959
	051393-01-702	EA	Switch - Energy Cut-Off - Atwood #91951
	051391-04-701	EA	Thermostat 12 VDC - 120 Preset - Atwood #91470 - Front Mount Only
	051393-01-703	EA	Thermostat - Rear Mount - Atwood #91952
	051393-01-721	EA	ECO & Thermostat Asm. - Front Mount - 140 Degree - Atwood #
	051393-01-704	EA	Circuit Board - w/Black Box - Atwood #91420
	051391-01-706	EA	Grille - Exhaust - Atwood #92787
	051393-01-705	EA	Orifice Holder - Atwood #91925
	051391-01-710	EA	Orifice - Main Burner - Atwood #92742
	051393-01-716	EA	Spark & Probe Asm. - Atwood #91606
	051391-01-708	EA	Burner - Main - Atwood #92615
	051393-01-718	EA	Valve - Dual Solenoid - Atwood #91605
	051391-01-715	EA	Drain Plug - Atwood #91561
	051391-01-700	EA	Hinge Kit - w/Clip - Atwood #92568 & 92559
	051393-01-000	EA	Water Heater - w/Motor Aid - Pilotless Ignition - Atwood GH6-3E, GH6-4E or GH6-6E
	051391-04-705	EA	Tank - Inner - GH6-3E - Front Mount - Atwood #91609
	051393-01-714	EA	Tank - Inner - GH6-3E - Rear Mount - Atwood #91408
	051391-04-704	EA	Tank - Inner - Front Mount - GH6-4E & 6E - Atwood #91642
	051391-01-704	EA	Valve - Relief - 1/2" Fitting - Atwood #91604
	051391-01-705	EA	Fastener - Camloc - Atwood #92609
	051393-01-701	EA	Switch Package - Atwood #91959
	051393-01-702	EA	Switch - Energy Cut-off - Atwood #91951
	051391-04-701	EA	Thermostat - 12 VDC - 120 Preset - Atwood #91470 - Front Mount Only
	051393-01-703	EA	Thermostat - Rear Mount - Atwood #91952
	051393-01-721	EA	ECO & Thermostat Asm. - Front Mount - 140 Degree - Atwood #
	051393-01-704	EA	Circuit Board - w/Black Box - Atwood #91420
	051391-01-706	EA	Grille - Exhaust - Atwood #92787
	051393-01-705	EA	Orifice Holder - Atwood #91925
	051391-01-710	EA	Orifice - Main Burner - Atwood #92742
	051393-01-716	EA	Spark & Probe Asm. - Atwood #91606
	051391-01-708	EA	Burner - Main - Atwood #92615
	051393-01-718	EA	Valve - Dual Solenoid - Atwood #91605
	051391-01-715	EA	Drain Plug - Atwood #91561
	051391-01-700	EA	Hinge Kit - w/Clip - Atwood #92568 & 92559

NOTE: Items indented below assemblies are serviceable parts for that assembly.

# WINDOWS, VENTS & EXTERIOR DOORS



## WINDOWS & ACCESS DOORS

Key	Part Number	U/M	Description
1	098644-01-715	EA	Window Asm. - Vertical Slider - 22" x 15" (Excel)
2	078010-03-000	EA	Door Asm. - Fuel Fill
3	096393-17-B05	EA	Door Asm. - Rear
4	084103-03-000	EA	Door Asm. - Refrigerator - Vent
5	098647-02-700	EA	Window Asm. - Horizontal Slider - 30.5" x 57.5" (Excel)
6	081240-03-000	EA	Door Asm. - Water Fill
7	096395-09-B05	EA	Door Asm. - Storage Compartment
8	100322-02-700	EA	Window Asm. - Slanted - 12" x 36" (Excel)
9	096386-07-B05	EA	Door Asm. - LP Compartment - Front - 13.7" x 37"
10	078533-08-B13	EA	Window Asm. - Picture - 15" x 32"
11	100322-01-720	EA	Window Asm. - Slanted - 12" x 36" (Excel)
12	098252-04-B05	EA	Door Asm. - Battery
13	098614-02-705	EA	Window Asm. - Vertical Slider - 34.25" x 15" (Excel)
14	096835-01-AA3	EA	Valance - Entry Door
15	M01870-32-B87	EA	Door - Entry w/Screen & Jamb
16	096395-02-AA3	EA	Door Asm. - Storage - 19.4" x 27"
17	098647-06-705	EA	Window Asm. - Single Slider - 19.3" x 24.6" (Excel)
18	096393-16-B05	EA	Valance Asm. - Center
19	052009-01-000	EA	Door Asm. - Water Heater
20	098252-04-B05	EA	Door Asm. - Storage/Generator - 26.9"
21	096397-08-B05	EA	Valance Asm. - Rear w/Square Corners
22	092235-07-Y12	EA	Window Asm. - Tipout - 24.3" x 40.3"
23	079415-01-T03	EA	Window Asm. - Escape - 29" x 23"
	098668-06-000	EA	Door - Access - Furnish - Off White

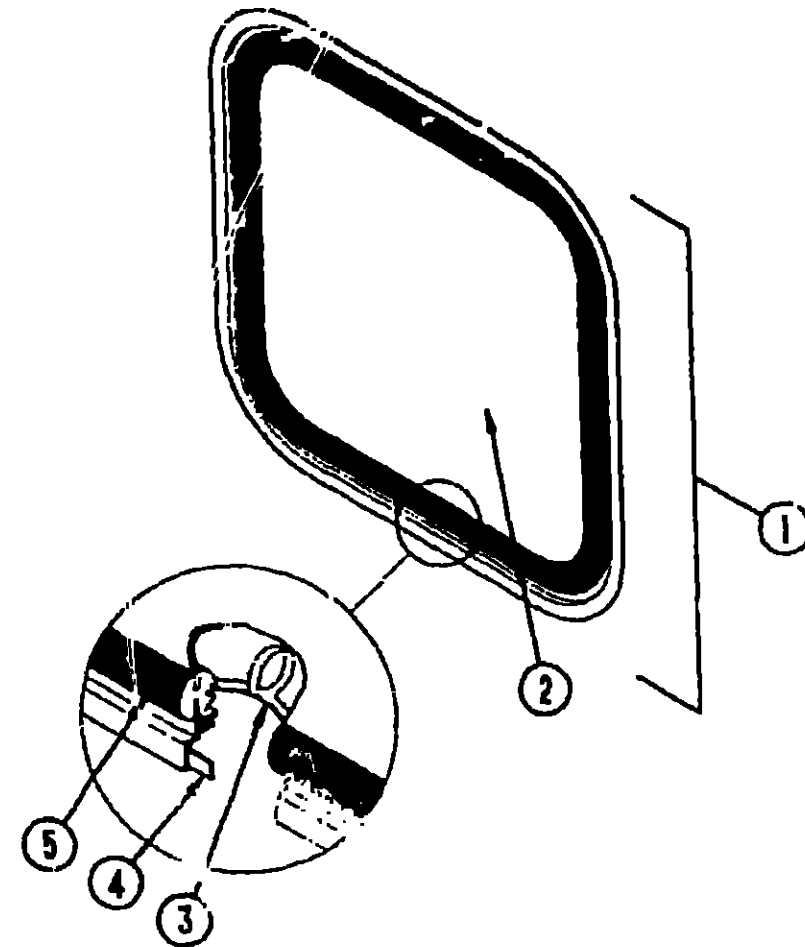
## 1992 ITASCA TABLE OF CONTENTS

INTRODUCTION	A-01 - A-02
ABBREVIATIONS	A-03
ALPHABETICAL INDEX	A-04 - A-06
IC324RC	A-07 - D-12

## 1992 IC324RC INDEX

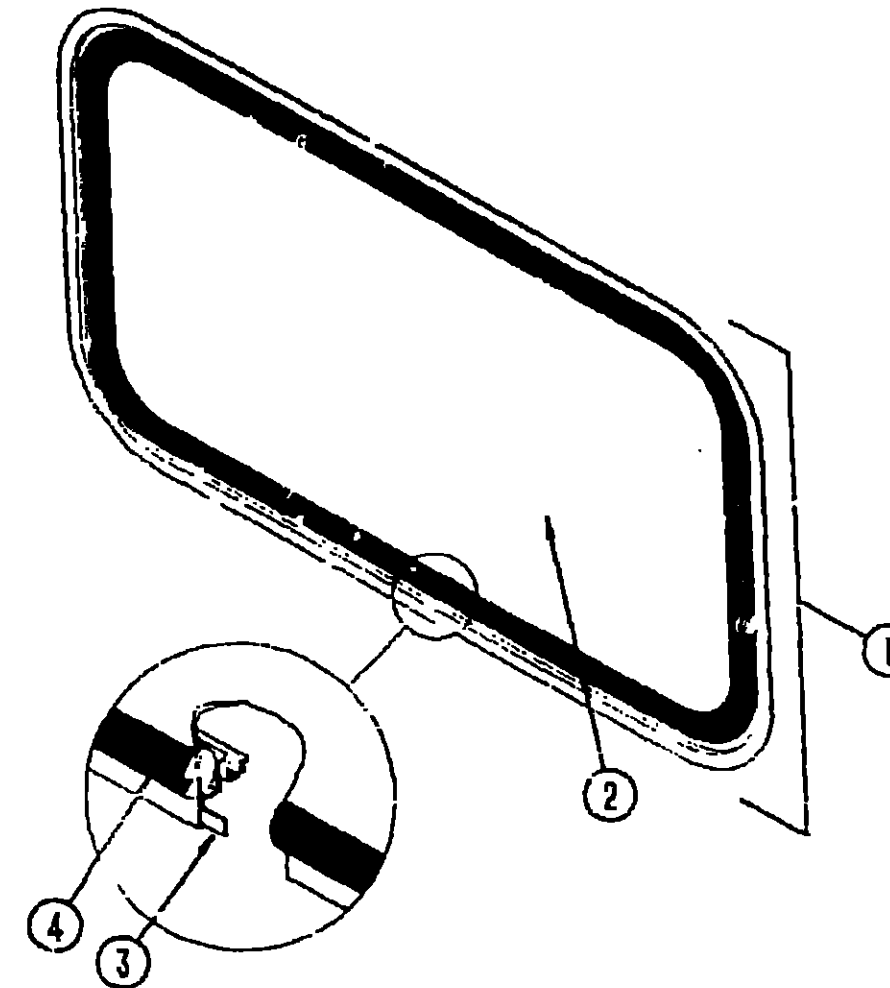
Floor Plan	A-07 - A-08
Accessories Group	A-09 - A-12
Bath Group	A-13 - A-14
Bedroom Group	A-15
Chassis Group	A-16 - A-21
Curtain, Cushion & Pad Group	A-22 - B-05
Dinette Group	B-06 - B-07
Driver's Compartment Group	B-08 - B-11
Electrical Group	B-12 - B-14
Exterior Body Group	B-15 - B-19
Galley Group	B-20 - B-23
Heating & Air Conditioning Group	B-24 - C-01
Interior Finish Group	C-02 - C-05
Labels Group	C-06 - C-13
LP Group	C-14
Lounge Group	C-15
Sealants & Fasteners Group	C-16 - C-17
Water & Sewage Group	C-18 - C-21
Window, Vent & Exterior Door Group	C-22 - D-12





ESCAPE WINDOW

Key	Part Number	U/M	Description
1	079415-01-T03	EA	Window Asm. - Rear Escape - 23" x 29" - Black (w/o inside frame)
	020749-06-000	EA	Inside Frame - Black (not included in assembly)
	020749-11-000	EA	Inside Frame - Off White (not included in assembly)
2	002174-01-000	EA	Glass - 1/8" x 19.6" x 25.9"
3	002285-01-000	FT	Filler - Weatherstrip - Black
4	069640-05-000	FT	Ribbon Sealer - 5/16" Bead x 15'
5	002282-03-000	FT	Weatherstrip - 1.25" Window - Rubber
	006199-01-000	EA	Label - Exit - Escape Window
	077066-01-702	EA	Tape Asm. - Escape Window - Red
	047731-01-000	EA	Label - Emergency Exit



FRONT PICTURE WINDOW

Key	Part Number	U/M	Description
1	078533-08-B13	EA	Window Asm. - Front Picture - 14" x 24" - Black (w/o inside frame)
	041938-12-000	EA	Inside Frame - Black (not included in assembly)
	041938-15-000	EA	Inside Frame - Off White (not included in assembly)
2	002161-13-000	EA	Glass - Tempered - Picture Window
3	069640-05-000	FT	Ribbon Sealer - 5/16" Bead x 15'
4	002281-02-000	EA	Weatherstrip - Self Seal - .06" Panel x .125" - Black

1992 ITASCA  
TABLE OF CONTENTS

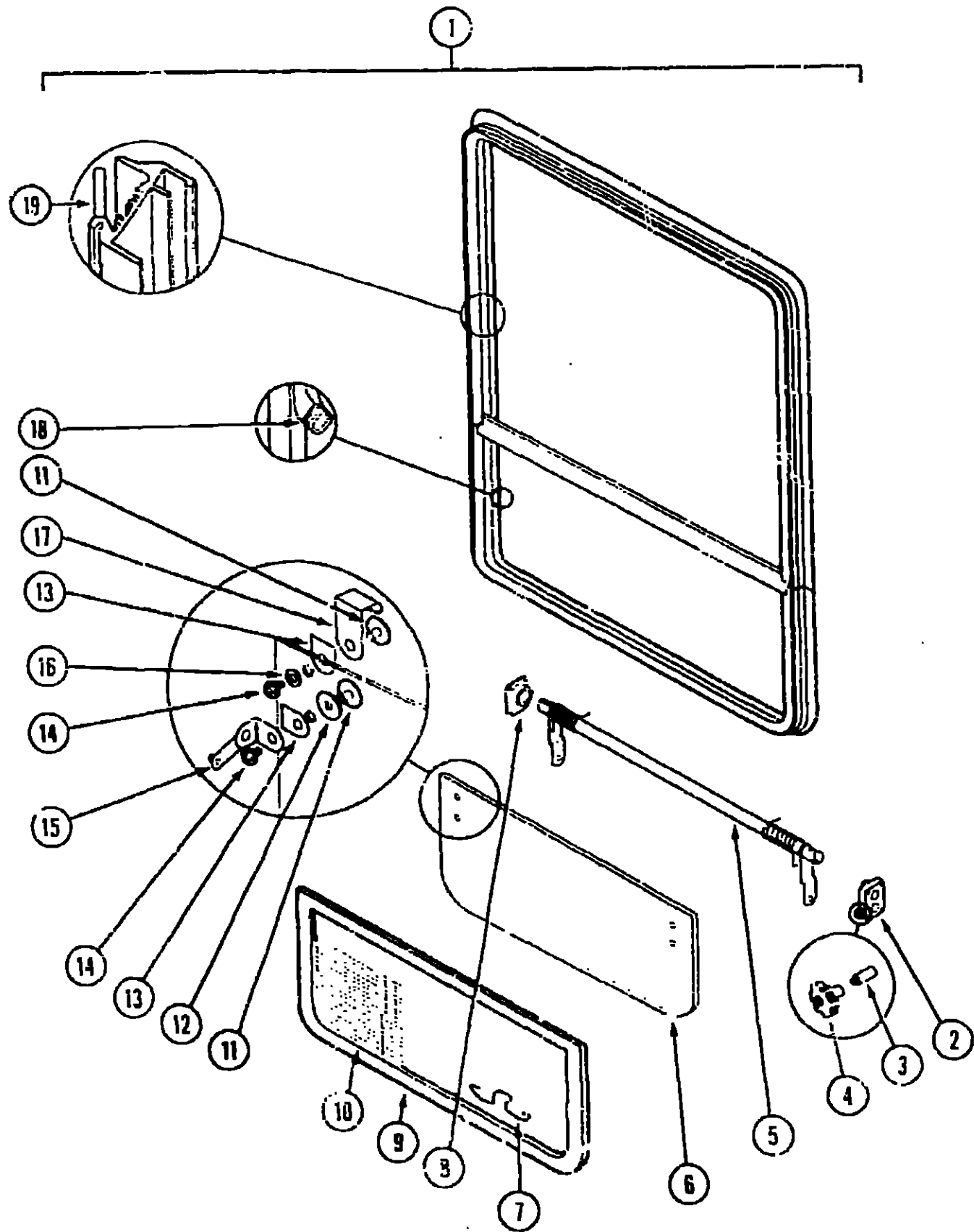
INTRODUCTION	A-01 - A-02
ABBREVIATIONS	A-03
ALPHABETICAL INDEX	A-04 - A-06
IC324RC	A-07 - D-12

1992 IC324RC INDEX

Floor Plan	A-07 - A-08
Accessories Group	A-09 - A-12
Bath Group	A-13 - A-14
Bedroom Group	A-15
Chassis Group	A-16 - A-21
Curtain, Cushion & Pad Group	A-22 - B-05
Dinette Group	B-06 - B-07
Driver's Compartment Group	B-08 - B-11
Electrical Group	B-12 - B-14
Exterior Body Group	B-15 - B-19
Galley Group	B-20 - B-23
Heating & Air Conditioning Group	B-24 - C-01
Interior Finish Group	C-02 - C-05
Labels Group	C-06 - C-13
LP Group	C-14
Lounge Group	C-15
Sealants & Fasteners Group	C-16 - C-17
Water & Sewage Group	C-18 - C-21
Window, Vent & Exterior Door Group	C-22 - D-12

BEDROOM SINGLE TIPOUT WINDOW

1992 ITASCA  
TABLE OF CONTENTS

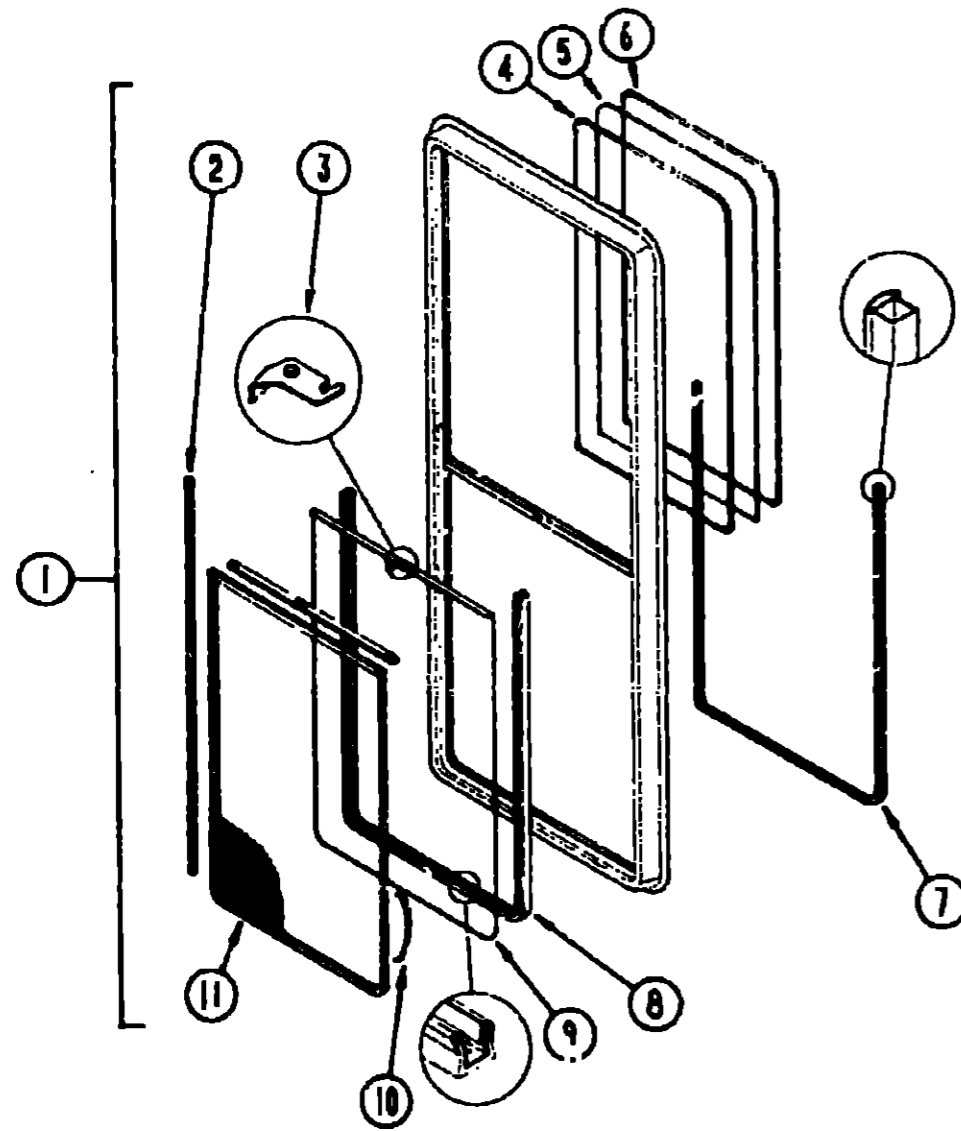


Key	Part Number	U/M	Description
	092235-07-Y12	EA	Window Asm. - Single Tipout (w/o inside frame)
	050893-11-01A	EA	Inside Frame - Black (not included w/Window Assembly)
	090893-11-02A	EA	Inside Frame - Off White (not included w/Window Assembly)
2	035302-02-000	EA	Operator Drive
3	090025-01-00C	EA	Extension - Window Knob (not included w/Window Assembly)
4	067052-02-000	EA	Window Knob - Beige (not included w/Window Assembly)
	089371-01-000	EA	Screw - Window Knob (not included w/Window Assembly)
5	083150-12-000	EA	Torque Tube Asm. w/Spring
5	080918-01-000	EA	Spring - Torque Tube - Left
5	080918-02-000	EA	Spring - Torque Tube - Right
6	084068-17-000	EA	Glass - 1/8" x 1/8" x 9.2" x 40"
7	100168-01-000	EA	Screen Clip
8	081354-01-000	EA	Torque Tube Sleeve
9	100235-04-B07	EA	Screen Asm.
10	080218-03-000	SF	Window Screen - 12"
	100240-01-000	FT	Window Screen Spline
11	086762-01-000	EA	Window T-Nut
12	068927-03-000	EA	Seal - Rubber
13	084473-01-000	EA	Seal - Rubber
14	086783-01-000	EA	Screw - #10 - 32 x 1/4" PTH
15	097578-01-000	EA	Connecting Rod Asm.
	081649-01-000	EA	Snap Ring Clip
	085315-01-000	EA	Rivet - Shoulder - Tipout Window
	084453-01-000	EA	Plastic - Washer - .06" x .5" x .135"
16	084453-02-000	EA	Plastic - Washer - .06" x .5" x .25"
17	089913-01-000	EA	Hinge
18	084067-01-000	FT	Seal - Sponge Rubber
19	069540-06-000	FT	Ribbon Sealer (not included w/Window Assembly)

INTRODUCTION	A-01 - A-02
ABBREVIATIONS	A-03
ALPHABETICAL INDEX	A-04 - A-05
IC324RC	A-07 - D-12

1992 IC324RC INDEX

Floor Plan	A-07 - A-08
Accessories Group	A-09 - A-12
Bath Group	A-13 - A-14
Bedroom Group	A-15
Chassis Group	A-16 - A-21
Curtain, Cushion & Pad Group	A-22 - B-05
Dinette Group	B-06 - B-07
Driver's Compartment Group	B-08 - B-11
Electrical Group	B-12 - B-14
Exterior Body Group	B-15 - B-19
Galley Group	B-20 - B-23
Heating & Air Conditioning Group	B-24 - C-01
Interior Finish Group	C-02 - C-05
Labels Group	C-06 - C-13
LP Group	C-14
Lounge Group	C-15
Sealants & Fasteners Group	C-16 - C-17
Water & Sewage Group	C-18 - C-21
Window, Vent & Exterior Door Group	C-22 - D-12



Key	Part Number	U/M	Description
1	098644-01-715	EA	Window Asm. - 22" x 15" (w/o inside frame)
	098644-01-714	EA	Inside Frame - Black (not included in assembly)
	098644-01-718	EA	Inside Frame - Off White (not included in assembly)
2	098644-01-711	EA	Weatherstrip - Screen - Black
	098644-01-701	EA	Splice Plate - Window
	098644-01-702	EA	Screw - Splice - #6 - 32 x 1/4" Pan Head
3	098644-01-703	EA	Screw - Locking Rail - #6 x 15 Pro Head Recess - Black
	098644-01-700	EA	Latch - Repair Kit
4	098644-01-707	EA	Rail - Locking w/Weatherstrip
5	098644-01-704	EA	Glass - Stationary - 10.03" x 13.77"
6	098644-01-705	FT	Glazing Strip
7	098644-01-706	FT	Weatherstrip
8	098644-01-708	FT	Channel - Pierced Run
9	098644-01-709	FT	Glass Sliding - w/Sash & Latch
	098644-01-710	FT	Track - Screen Spacer - 12' Length
10	098644-01-713	EA	Spring - Screen Frame (Clip) - Plastic - Black
11	098644-01-712	EA	Screen w/Weatherstrip & Frame Spring (Clip)
	098644-01-716	EA	Plug - Filler

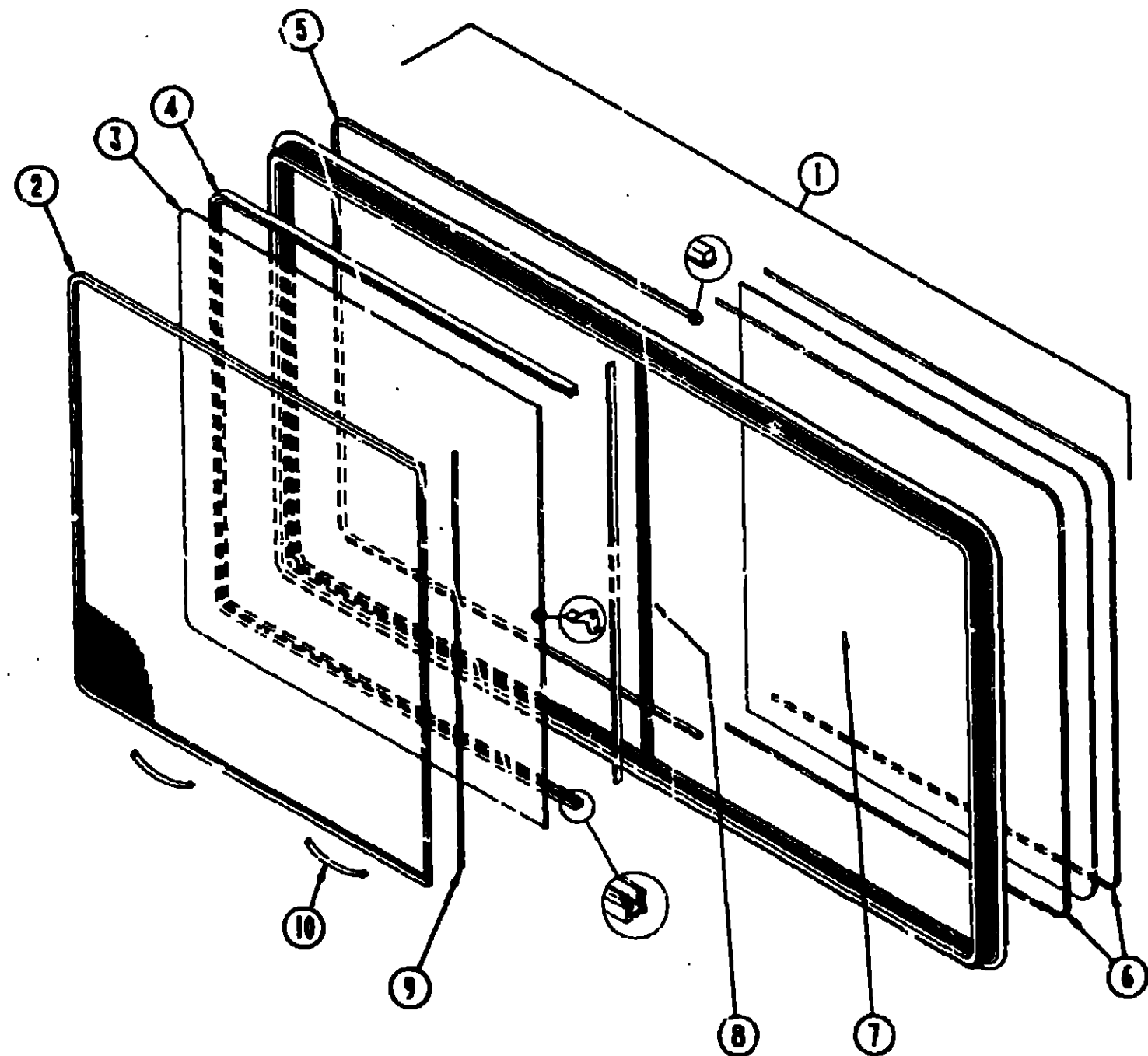
Key	Part Number	U/M	Description
1	098644-02-705	EA	Window Asm. - 34.25" x 15" (w/o inside frame)
	098644-02-704	EA	Inside Frame - Black (not included in assembly)
	098644-02-706	EA	Inside Frame - Off White (not included in assembly)
2	098644-01-711	FT	Weatherstrip - Screen - Black
3	098644-01-700	EA	Latch - Repair Kit
4	098644-01-707	EA	Rail - Locking w/Weatherstrip
5	098644-02-700	EA	Glass - Stationary - 16.15" x 13.77"
6	098644-01-705	FT	Glazing Strip
7	098644-01-706	FT	Weatherstrip
8	098644-01-708	FT	Channel - Pierced Run
9	098644-02-701	EA	Sash - w/Latch & Sliding Glass
	098644-01-713	EA	Spring - Screen Frame (Clip) - Plastic - Black
11	098644-02-703	EA	Screen w/Weatherstrip & Frame Spring (Clip)
	098644-01-701	EA	Splice Plate - Window
	098644-01-702	EA	Screw - Splice - #6 - 32 x 1/4" Pan Head
	098644-01-703	EA	Screw - Locking Rail - #6 x 15 Pro-Head Recess - Black
	098644-02-702	FT	Track - Screen Spacer - 12' Length
	098644-01-716	EA	Plug - Filler

1992 ITASCA  
TABLE OF CONTENTS

INTRODUCTION	A-01 - A-02
ABBREVIATIONS	A-03
ALPHABETICAL INDEX	A-04 - A-06
IC324RC	A-07 - D-12

1992 IC324RC INDEX

Floor Plan	A-07 - A-08
Accessories Group	A-09 - A-12
Bath Group	A-13 - A-14
Bedroom Group	A-15
Chassis Group	A-16 - A-21
Curtain, Cushion & Pad Group	A-22 - B-05
Dinette Group	B-06 - B-07
Driver's Compartment Group	B-08 - B-11
Electrical Group	B-12 - B-14
Exterior Body Group	B-15 - B-19
Galley Group	B-20 - B-23
Heating & Air Conditioning Group	B-24 - C-01
Interior Finish Group	C-02 - C-05
Labels Group	C-06 - C-13
LP Group	C-14
Lounge Group	C-15
Sealants & Fasteners Group	C-16 - C-17
Water & Sewage Group	C-18 - C-21
Window, Vent & Exterior Door Group	C-22 - D-12



Key	Part Number	U/M	Description
1	098647-02-700	EA	Window Asm. - Single Slider - 30.5" x 57.5" (w/o inside frame)
	098647-01-704	EA	Inside Frame - Black (not included in assembly)
	098647-01-707	EA	Inside Frame - Off White (not included in assembly)
2	098647-01-706	EA	Screen - Window w/Spring & Seal
3	098647-01-702	EA	Glass Sliding w/Sash & Latch
4	098644-01-708	FT	Channel - Pierced Run
5	098644-01-706	FT	Weatherstrip
6	098644-01-705	EA	Glazing Strip
7	098647-01-700	EA	Glass - Stationary - 29.27" x 27.72"
8	098647-01-701	EA	Locking Rail w/Weatherstrip
9	098644-01-711	FT	Weatherstrip - Screen - Black
10	098644-01-713	EA	Spring - Screen Frame (Clip) Plastic - Black
	098644-01-701	EA	Splice Plate - Window
	098644-01-702	EA	Screw - Splice - #6 - 32 x 1/4" Pan Head
	098644-01-703	EA	Screw - Locking Rail - #6 x 15 Pro-Head Recess - Black
	098644-01-700	EA	Latch - Repair Kit
	098647-01-703	EA	Spacer - Track
	098644-01-716	FT	Plug - Filter

Key	Part Number	U/M	Description
1	098647-06-705	EA	Window - Single Slider (w/o inside frame)
	098647-06-704	EA	Inside Frame - Black (not included in assembly)
	098647-06-706	EA	Inside Frame - Off White (not include in assembly)
2	098647-06-703	EA	Screen w/Weatherstrip & Frame Spring (Clip)
3	098647-06-702	EA	Glass - Sliding w/Sash & Latch
4	098644-01-708	FT	Channel - Pierced Run
5	098644-01-706	FT	Weatherstripping
6	098644-01-705	FT	Glazing Strip
7	098647-06-700	EA	Glass - Stationary - 10.91" x 13.77"
8	098647-06-701	EA	Rail - Locking w/Weatherstrip
9	098644-01-711	FT	Weatherstrip - Screen - Black
10	098644-01-713	EA	Spring - Screen Frame (Clip) - Plastic - Black
	098644-01-701	EA	Splice Plate - Window
	098644-01-702	EA	Screw - Splice
	098644-01-703	EA	Screw - Locking Rail
	098644-01-700	EA	Latch - Repair Kit
	098644-01-710	FT	Track - Screen Spacer (12' Length)
	098644-01-716	EA	Filler Plug

1992 ITASCA  
TABLE OF CONTENTS

INTRODUCTION	A-01 - A-02
ABBREVIATIONS	A-03
ALPHABETICAL INDEX	A-04 - A-06
IC324RC	A-07 - D-12

1992 IC324RC INDEX

Floor Plan	A-07 - A-08
Accessories Group	A-09 - A-12
Bath Group	A-13 - A-14
Bedroom Group	A-15
Chassis Group	A-16 - A-21
Curtain, Cushion & Pad Group	A-22 - B-05
Dinette Group	B-06 - B-07
Driver's Compartment Group	B-08 - B-11
Electrical Group	B-12 - B-14
Exterior Body Group	B-15 - B-19
Galley Group	B-20 - B-23
Heating & Air Conditioning Group	B-24 - C-01
Interior Finish Group	C-02 - C-05
Labels Group	C-06 - C-13
LP Group	C-14
Lounge Group	C-15
Sealants & Fasteners Group	C-16 - C-17
Water & Sewage Group	C-18 - C-21
Window, Vent & Exterior Door Group	C-22 - D-12

**WINDOW, VENT & EXTERIOR DOOR GROUP (CONTINUED)**

**PASSENGER & DRIVERS SIDE BUNK WINDOW (EXCEL)**

Key	Part Number	U/M	Description
	100322-01-720	EA	Window - Vented - 12" x 38.5" (Passenger) (w/o inside frame)
	100322-02-700	EA	Window - Vented - 12" x 38.5" (Driver) (w/o inside frame)
	100322-01-719	EA	Inside Frame - Black - Passenger
	100322-01-724	EA	Inside Frame - Off White - Passenger
	100322-01-721	EA	Inside Frame - Black - Driver
	100322-02-701	EA	Inside Frame - Off White - Driver
	098644-01-716	EA	Filler Plug
	100322-01-701	EA	Vent Seal
	100322-01-732	EA	Weatherstrip - Horizontal Rail
	100322-01-703	EA	Glazing - Butyl Strip
	100322-01-704	EA	Butyl Tape
	100322-01-705	EA	Glass - Stationary - Small Top
	100322-01-706	EA	Glass - Stationary - Large Front
	100322-01-707	EA	Glass - Tipout - Sub Asm. - Passenger Side
	100322-01-710	EA	Splice Plate
	100322-01-708	EA	Screen - Driver Side
	100322-01-709	EA	Screen - Passenger Side
	100322-01-711	EA	Vent Operator - Sub Asm. - Passenger Side
	100322-01-712	EA	Rail - Horizontal
	100322-01-713	EA	Bar - Division - Vertical
	100322-01-714	EA	Support - Torque Bar (Driver)
	100322-01-715	EA	Support - Torque Bar (Passenger)
	100322-01-716	EA	Support - Torque Bar - Center Rail
	100322-01-717	EA	E-Ring
	100322-01-718	EA	Handle - Dial
	100322-01-722	EA	Glass - Tipout - Sub Asm. - Driver Side
	100322-01-723	EA	Vent Operator - Sub Asm. - Driver Side

**WINDOW, VENT & EXTERIOR DOOR GROUP (CONTINUED)**

**POWERED ROOF VENT**

Key	Part Number	U/M	Description
	090394-01-Y12	EA	Vent Asm. - Roof - Powered - w/o Screen (US)
	009440-01-000	EA	Lift Mechanism
	009439-03-000	EA	Extension - .9" - Mill
	009439-04-000	EA	Screw
	009439-01-000	EA	Crank - Roof Vent - Mill
	048649-01-000	EA	Fan - Plastic - 6"
	008195-01-L70	EA	Switch - Push Button - 12 Volt
	015911-01-000	EA	Track - Slide - Roof Vent
	002825-01-000	EA	Weatherstrip Seal
	048648-01-000	EA	Motor - 12 Volt
	008386-01-000	EA	Grommet - Snap - 3/8"
	051384-01-000	EA	Cover Asm. - Roof Vent
	052639-01-200	EA	Hinge - 7" - Roof Vent
	078785-01-Y12	EA	Screen Asm. - Roof Vent - Powered
	002291-02-000	SF	Screen - Window - 16" - Charcoal
	002298-02-000	FT	Spline - Charcoal
**	064469-02-000	EA	Vent Asm. - Roof Powered - w/o Screen (CSA)
**	The illustrated parts breakdown of this item is provided on the Common Items F.c.l.e.		

**NON-POWERED VENT**

Key	Part Number	U/M	Description
	090395-01-Y12	EA	Vent Asm. - Roof - Non-Powered - w/o Screen
	009440-01-000	EA	Lift Mechanism Asm.
	009439-03-000	EA	Extension - .9" - Mill
	009439-04-000	EA	Screw
	009439-01-000	EA	Crank - Roof Vent - Mill
	015911-01-000	EA	Track - Slide - Roof Vent
	002825-01-000	EA	Weatherstrip Seal
	055218-01-000	EA	Cover Asm. - Roof Vent
	052639-01-200	EA	Hinge - 7" - Roof Vent
	078786-01-Y12	EA	Screen Asm. - Charcoal
	002291-02-000	SF	Screen - Window - 16" - Charcoal
	002298-02-000	FT	Spline - Charcoal

**VENTS & SHROUDS**

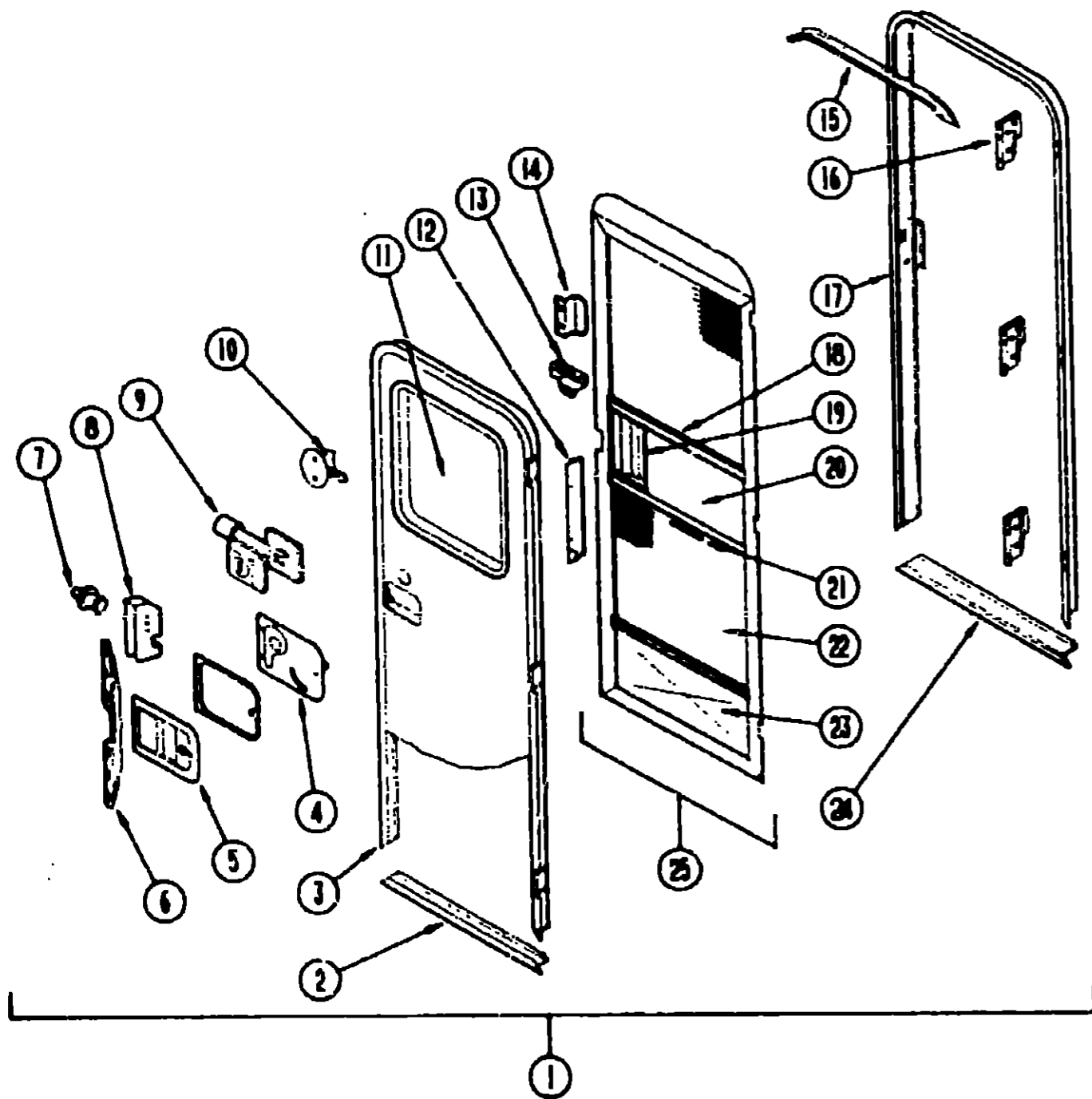
Key	Part Number	U/M	Description
	083558-03-000	EA	Vent - Plumbing Pipe - Roof w/Cover - Off White
	084073-03-000	EA	Vent - Refrigerator Roof - Off White
	084073-04-000	EA	Base - Roof Vent - Norcold Refrigerator - Black
	084878-09-000	EA	Vent - Range Hood - Short - LVS
	063752-01-000	EA	Shroud Asm. - Range

**1992 ITASCA  
TABLE OF CONTENTS**

INTRODUCTION	A-01 - A-02
ABBREVIATIONS	A-03
ALPHABETICAL INDEX	A-04 - A-06
IC324RC	A-07 - D-12

**1992 IC324RC INDEX**

Floor Plan	A-07 - A-08
Accessories Group	A-09 - A-12
Bath Group	A-13 - A-14
Bedroom Group	A-15
Chassis Group	A-16 - A-21
Curtain, Cushion & Pad Group	A-22 - B-05
Dinette Group	B-06 - B-07
Driver's Compartment Group	B-08 - B-11
Electrical Group	B-12 - B-14
Exterior Body Group	B-15 - B-19
Galley Group	B-20 - B-23
Heating & Air Conditioning Group	B-24 - C-01
Interior Finish Group	C-02 - C-05
Labels Group	C-06 - C-13
LP Group	C-14
Lounge Group	C-15
Sealants & Fasteners Group	C-16 - C-17
Water & Sewage Group	C-18 - C-21
Window, Vent & Exterior Door Group	C-22 - D-12



ENTRANCE DOOR

Key	Part Number	U/M	Description
1	M01870-32-B87	EA	Door Asm. - Entrance w/Screen
	075639-11-000	EA	Garnish - Radius - Entrance Door
2	089748-01-000	EA	Frame - Entrance Door - Bottom Portion - Off White
3	095276-01-01A	EA	Frame Asm. - Entrance Door - Off White - w/o Bottom Portion
4	039979-04-000	EA	Cover Asm. - Latch Plate - Black
	039984-01-000	EA	Cap - Black Vinyl - Lock Grip
5	045017-11-000	EA	Latch Asm. - Plate - Black
	045017-11-700	EA	Master Key
	045017-11-701	EA	Blank Key
	045017-08-700	EA	Lock Cylinder & Key - Set of 3
6	098173-01-04A	EA	Stiffener - Entrance Door
7	039539-01-000	EA	Strike
8	039540-01-000	EA	Latch Asm. - Entrance Door
9	101145-01-01A	EA	Deadbolt Asm. - Black/Black
	095225-01-700	EA	Key - Blank - Deadbolt
	101147-01-000	EA	Bolt - Security - 4.12" Backset
10	100412-01-000	EA	Catch - Screen Door
11	079733-07-AA9	EA	Window Asm. - Picture - 17" x 25" - Frosted Glass (w/o inside frame)
	067609-27-000	EA	Inside Frame - Black (not included in assembly)
	067609-32-000	EA	Inside Frame - Off White (not included in assembly)
	002181-07-000	EA	Glass - Picture - Frosted
	087561-01-000	FT	Spline - Glass - Exterior Vinyl - Black
12	079087-02-000	EA	Strike - Slider - Screen Door
13	009018-01-000	EA	Roller Catch - Screen Door
14	050712-04-000	EA	Door Handle - Screen Door
15	044562-02-000	EA	Drip Cap - Top Entrance
16	097724-01-02A	EA	Hinge - Entrance Door - Off White
17	095277-02-01A	EA	Door Jamb - Entrance Door w/Bottom Jamb
	079207-01-000	EA	Striker - Roller Catch - Welded to Door Jamb
18	078777-01-000	EA	Channel Slide - Screen Door Center Slider Cover
19	079085-02-000	EA	Slider - Screen Door
20	016454-01-000	EA	Insert - Screen Door - Center - Leather Grain Aluminum
21	002294-01-000	FT	Spline - Black
22	002293-02-000	SF	Screen - Window - 26" - Channel
23	078552-03-000	EA	Insert - Screen Door - Lower - Kick Panel
24	051049-01-000	EA	Jamb - Bottom - Entry Door
25	079012-01-U01	EA	Screen Door Asm.
	078595-01-000	EA	Plate - Screen Door
	100128-02-000	FT	Seal - Screen Door
	075671-01-000	FT	Seal - Sponge - Lazy T-Shaped
	002748-01-000	EA	Key - Corner
	063729-04-000	EA	Rivnut - 10 - 32 UNF - .010 - 030
	072893-01-000	EA	Nutsert - M5 x 0.8
	102524-01-000	EA	Bumper - Rubber - Flat - Black
	081914-01-000	EA	Bumper - Rubber - Round - Black

1992 ITASCA  
TABLE OF CONTENTS

INTRODUCTION	A-01 - A-02
ABBREVIATIONS	A-03
ALPHABETICAL INDEX	A-04 - A-06
IC324RC	A-07 - D-12

1992 IC324RC INDEX

Floor Plan	A-07 - A-08
Accessories Group	A-09 - A-12
Bath Group	A-13 - A-14
Bedroom Group	A-15
Chassis Group	A-16 - A-21
Curtain, Cushion & Pad Group	A-22 - B-05
Directs Group	B-06 - B-07
Driver's Compartment Group	B-08 - B-11
Electrical Group	D-12 - B-14
Exterior Body Group	B-15 - B-19
Galley Group	B-20 - B-23
Heating & Air Conditioning Group	B-24 - C-01
Interior Finish Group	C-02 - C-05
Labels Group	C-06 - C-13
LP Group	C-14
Lounge Group	C-15
Sealants & Fasteners Group	C-16 - C-17
Water & Sewage Group	C-18 - C-21
Window, Vent & Exterior Door Group	C-22 - D-12

ACCESS DOORS

Key	Part Number	U/M	Description
	096393-17-B05	EA	Door Asm. - Holding Tank & Dump Valve - 9.8" x 72"
	079927-03-000	EA	Lock - Twist Type - Double Cam
	078010-03-000	EA	Door Asm. - Fuel Fill - Off White
	078200-01-000	EA	Gasket - Fuel Fill Door
	078040-02-000	EA	Shroud - Fuel Fill - Upper
	083578-01-000	EA	Boot - Fuel Fill
	084235-01-000	EA	Support - Flange
	074888-03-000	EA	Filler Neck - Fuel Fill
	090343-01-000	FT	Seal - Foam Closed Cell - 1/4" x 1/2" x 50'
	084103-03-000	EA	Door Asm. - Refrigerator - Vented - Off White
	084104-01-700	EA	Lock - Male - Dyrus Fasteners
	084104-01-701	EA	Lock - Female - Dyrus Fasteners
	084104-03-000	EA	Jamb - Door - Vented - Refrigerator - Off White
	081240-03-000	EA	Door Asm. - Water Fill - Lockable - 4" x 4 5/8" - Off White
	096395-09-B05	EA	Door Asm. - Storage Compartment - 46"
	079366-04-000	EA	Lock - Door - Key Type w/o Keys
	082684-01-700	EA	Key - Storage Compartment - Single
	096306-07-B05	EA	Door Asm. - LP Compartment - 13.7" x 37.4"
	079927-03-000	EA	Lock - Twist Type - Double Cam
	098252-04-B05	EA	Door Asm. - Battery Compartment - 13.7" x 26"
	079927-03-000	EA	Lock - Twist Type - Double Cam
	081801-02-000	EA	Hinge - 2" x 96" - Off White
	096395-02-AA3	EA	Door Asm. - Storage Compartment - 19.4" x 27"
	079366-04-000	EA	Lock - Key Type w/o Keys
	082684-01-700	EA	Key - Compartment Door Lock
	101667-01-000	EA	Rod - Prop
	089329-01-000	EA	Clip - Spring - 3/8" - Metal
	052009-01-000	EA	Door Asm. - Water Heater - Off White
	098252-04-B05	EA	Door Asm. - Storage/Generator - w/Locks - 26.9"
	079927-03-000	EA	Lock - Twist Type - Double Cam
	081801-02-000	EA	Hinge - 2" x 96" - Off White
	058027-01-000	FT	Seal - "D" Shaped - Hollow - Sponge Rubber - Black
	091876-01-000	EA	Retainer - Door - 19.7" x 7.9"
	096209-55-001	EA	U-Channel - Hinged - 16' - Off White
	097111-01-01A	EA	Pocket - Lock Valance - Off White
	098338-01-000	EA	Gasket - Lock Pocket
	096217-55-001	EA	U-Channel - 17.5' - Off White

1992 ITASCA  
TABLE OF CONTENTS

INTRODUCTION	A-01 - A-02
ABBREVIATIONS	A-03
ALPHABETICAL INDEX	A-04 - A-06
IC324RC	A-07 - D-12

1992 IC324RC INDEX

Floor Plan	A-07 - A-08
Accessories Group	A-09 - A-12
Bath Group	A-13 - A-14
Bedroom Group	A-15
Chassis Group	A-16 - A-21
Curtain, Cushion & Pad Group	A-22 - B-05
Dinette Group	B-06 - B-07
Driver's Compartment Group	B-08 - B-11
Electrical Group	B-12 - B-14
Exterior Body Group	B-15 - B-19
Galley Group	B-20 - B-23
Heating & Air Conditioning Group	B-24 - C-01
Interior Finish Group	C-02 - C-05
Labels Group	C-06 - C-13
LP Group	C-14
Lounge Group	C-15
Sealants & Fasteners Group	C-16 - C-17
Water & Sewage Group	C-18 - C-21
Window, Vent & Exterior Door Group	C-22 - D-12