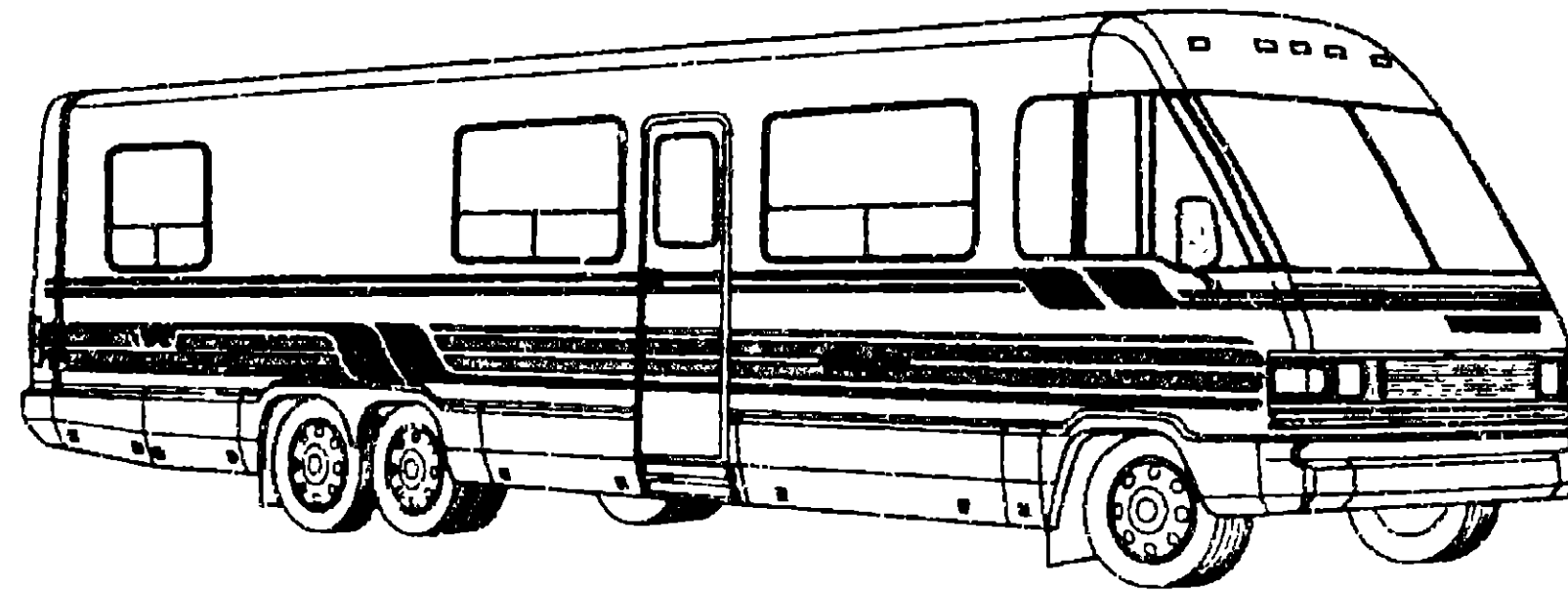
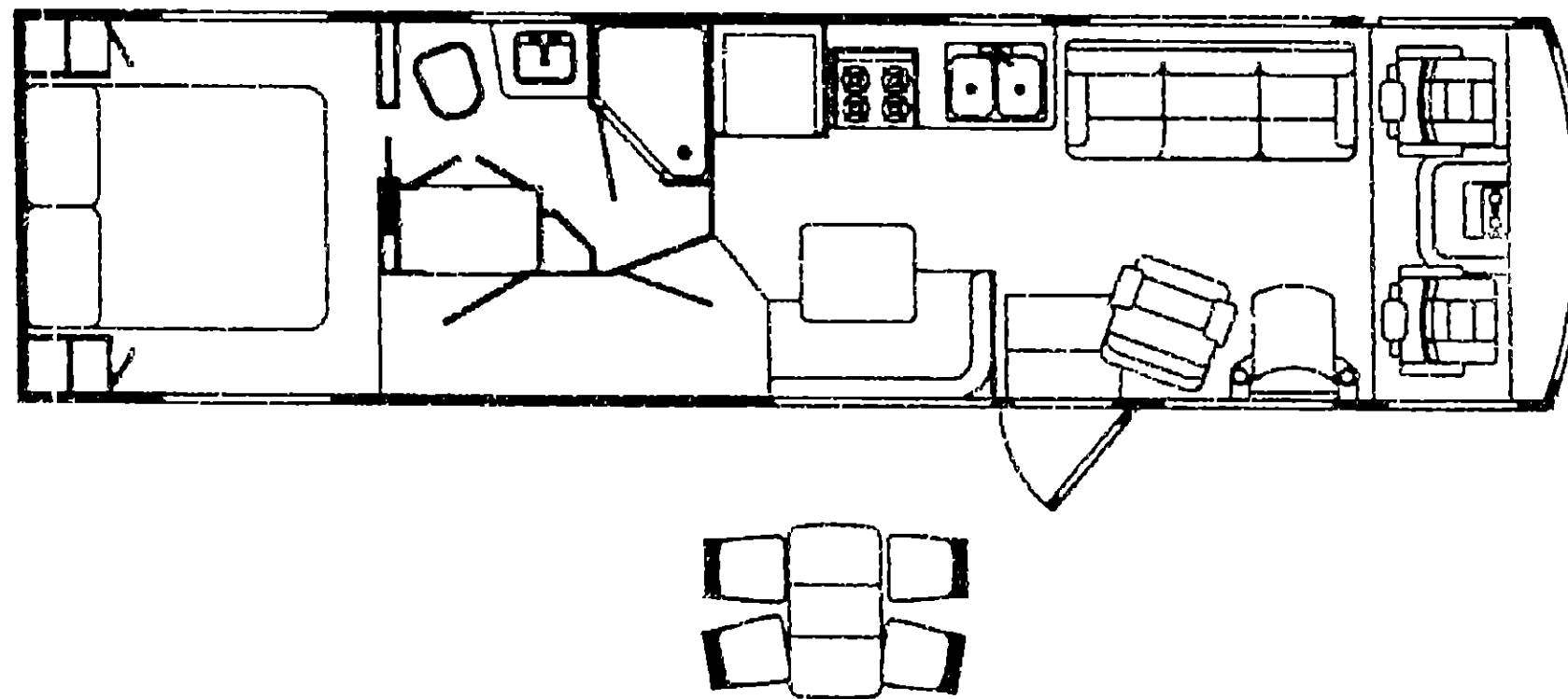


# 1991 WFN36RA



## 1991 WINNEBAGO TABLE OF CONTENTS

INTRODUCTION	A-01 -	A-02
ABBREVIATIONS		A-03
ALPHABETICAL INDEX	A-04 -	A-06
WCN36RQ	A-07 -	F-16
WFN36RA	F-17 -	K-22



## 1991 WFN36RA INDEX

FLOOR PLAN	F-17 -	F-18
ACCESSORIES	F-19 -	G-08
BATH	G-09 -	G-14
BEDROOM	G-15 -	G-16
CHASSIS	G-17 -	H-01
CURTAIN, CUSHION & PAD	H-02 -	H-11
DINETTE	H-12 -	H-14
DRIVERS	H-15 -	H-20
ELECTRICAL	H-21 -	I-03
EXTERIOR BODY	I-04 -	I-10
GALLEY	I-11 -	I-18
HEATING & AC	I-19 -	I-22
INTERIOR FINISH	I-23 -	J-02
LABEL	J-03 -	J-10
LP		J-11
LOUNGE	J-12 -	J-13
SEALANTS & FASTENERS	J-14 -	J-16
WATER & SEWAGE	J-17 -	J-22
WINDOW, VENT AND EXTERIOR DOOR	J-23 -	K-22

**ACCESSORIES GROUP**  
**REAR VIEW TELEVISION OPTION L67Z**

KEY	PART NUMBER	U/M	DESCRIPTION
	063040-01-000	EA	TELEVISION SYSTEM-REAR VIEW, SONY FROM 00-00-00 THRU 01-06-91
	063040-04-000	EA	TELEVISION SYSTEM-REAR VIEW, SONY FROM 01-07-91 THRU 99-99-99
	063041-01-000	EA	CABLE-MONITOR/CAMERA, INTERNAL USE
	063041-02-000	EA	CABLE-MONITOR/CAMERA, EXTERNAL USE
	063071-01-000	FT	TAPE-BONDING, DOUBLE SIDED - 1/64" X 2"
	092881-01-000	EA	WIRE-INSTRUMENT PANEL, REAR MONITOR - CHEVY
	062037-01-000	EA	HOUSING-AUTO FUSE, NATURAL - CHEVY
	094001-01-000	EA	CLAMP-CAMERA
	099325-01-000	EA	BRACKET-CAMERA, ADJUSTABLE
	009053-01-000	EA	HINGE-CONTINUOUS, 1 1/2" X 72"
	088474-09-000	EA	HOUSING-SOCKET - FORD
	088475-01-000	EA	SOCKET-CONNECTOR - FORD
	090340-01-000	FT	SEAL-FOAM,CLOSED CELL - 1/4 X 1/2 X 50 FT
	090340-02-000	FT	SEAL-FOAM,CLOSED CELL - 3/8 X 1/2
	099288-01-000	EA	LENS-REAR,MONITOR SHROUD
	043957-02-02A	EA	SHROUD-TV, BACK
	096717-01-000	EA	WIRE ASM-REAR MONITOR,UPPER
	099305-01-000	EA	SPRING-COMPRESSION
	096719-01-000	EA	WIRE ASM-BACKUP LAMP,GM
	100319-01-000	EA	RETAINER-LENS,CAMERA
	102903-01-04A	EA	SHROUD - CAMERA - OUTER BLACK

**AM/FM/CASSETTE RADIO - ELECTRONIC TUNE OPTION L57E**

KEY	PART NUMBER	U/M	DESCRIPTION
	074979-01-000	EA	COVER SPEAKER, 8" X 9" - BEIGE FROM 00-00-00 THRU 09-09-90
	074979-09-000	EA	COVER-SPEAKER 8" X 9" - LIGHT OAK FROM 09-10-90 THRU 99-99-99
	089340-01-000	EA	GRILLE-SPEAKER 6 1/2 SQ TAN MAGNADYNE G514WN FROM 00-00-00 THRU 11-04-90
	089340-02-000	EA	GRILLE-SPEAKER 6 1/2 SQ TAN MAGNADYNE G514WN FROM 11-05-90 THRU 99-99-99
	097460-02-000	EA	RADIO-AM/FM STEREO/CASSETTE SONY XR-4147
	097620-03-000	EA	MOUNTING KIT-RADIO SONY
	100014-01-000	EA	BRACKET-RADIO SONY

**STANDARD RADIO COMPONENTS**

KEY	PART NUMBER	U/M	DESCRIPTION
	073741-03-000	EA	SPEAKER-RADIO OVAL - AUDIOVOX 110-2074 - 4" X 6"
	073741-04-000	EA	GRILLE-SPEAKER OVAL - 4" X 6" BLACK
	097459-01-000	EA	RADIO-AM/FM STEREO, CASSETTE - AUDIOVOX IM-DXA
	099998-01-000	EA	BRACKET-RADIO AUD.OVOX
	097621-01-000	EA	MOUNTING KIT-RADIO AUDIOVOX W/1K-AB31 - CHEVY

**ACCESSORIES GROUP (CONTINUED)**  
**REAR STEREO OPTION L26L**

KEY	PART NUMBER	U/M	DESCRIPTION
	090962-01-000	EA	BRACKET-HAT,ANTENNA
	090944-01-000	EA	ANTENNA-RADIO, 18" RUBBER
	089340-01-000	EA	GRILLE-SPEAKER,6 1/2 SQ TAN MAGNADYNE G514WN FROM 00-00-00 THRU 11-04-90
	089340-02-000	EA	GRILLE-SPEAKER,6 1/2 SQ TAN MAGNADYNE G514WN FROM 11-05-90 THRU 99-99-99
	097153-01-000	EA	RADIO-AM/FM STEREO,CASSETTE
	074979-01-000	EA	COVER-SPEAKER LT OAK
	094097-01-000	EA	SPEAKER-5 25 DIA W/O GRILLE

**VACUUM CLEANER OPTION L22T**

KEY	PART NUMBER	U/M	DESCRIPTION
	092304-01-000	EA	VACUUM CLEANER - #HP-19-1 DELUXE
	092304-01-700	EA	BAGS-VACUUM CLEANER, 6 IN BAG - #HP-4908
	092304-02-000	EA	TOOLS-CLEANING SET, VACUUM CLEANER - #HP-6346
	092304-02-700	EA	BRUSH-HAND POWER, VACUUM CLEANER - #HP-6970
	092304-02-701	EA	DUSTING TOOL-VACUUM CLEANER #HP-1142
	092304-02-702	EA	RUG TOOL-VACUUM CLEANER, #HP-4982
	092304-02-703	EA	CREVICE TOOL-VACUUM CLEANER #HP-1141
	092304-02-704	EA	MOTOR-VACUUM CLEANER, #HP-5098
	092304-02-705	EA	HOSE - VACUUM 20'
	092304-03-000	EA	DOOR ASM - VACUUM W/WIRE

**TV AND VCR SWITCHING SYSTEM**

KEY	PART NUMBER	U/M	DESCRIPTION
	086757-03-000	EA	CONTROL CENTER-SWITCHING - MAGNADYNE
	086777-03-000	EA	PLATE-WALL, ANTENNAPOWER, IVORY
	076319-03-000	FT	CABLE-COAXIAL, 75 OHM
	076319-12-000	EA	CONNECTOR-COAXIAL ONE PIECE
	076319-04-000	EA	CONNECTOR W/FERRULE
	093214-01-02A	EA	GRILLE-SPEAKER 4" BROWN
	098445-01-000	EA	VCR-VHS-CABLE READY - REMOTE - MAGNAVOX VR9815 FROM 00-00-00 THRU 09-24-90
**	098446-01-700	EA	REMOTE-MAGNAVOX 9815
*	098446-02-000	EA	VCR-VHS CABLE READY - REMOTE - MAGNAVOX VR9812 FROM 09-25-90 THRU 99-99-99
**	098446-02-700	EA	REMOTE-MAGNAVOX 9912
*	098447-01-000	EA	TV-13" COLOR REMOTE U S A MAGNAVOX RX4029WA FROM 00-00-00 THRU 06-23-91
*	098447-02-000	EA	TV-13" COLOR W/REMOTE - CANADIAN - MAGNAVOX XX4029CH FROM 00-00-00 THRU 06-23-91
**	098447-01-700	EA	REMOTE-TV MAGNAVOX RX4029WA & XX4029CH
*	098447-03-000	EA	TV-13" COLOR REMOTE U S A MAGNAVOX RR1337W FROM 06-24-91 THRU 99-99-99
*	098447-04-000	EA	TV-13" COLOR W/REMOTE - CANADIAN - MAGNAVOX RR1330W FROM 06-24-91 THRU 99-99-99
**	098447-03-700	EA	REMOTE-TV, MAGNAVOX RR1337W & RR1330W
	098819-01-000	EA	SPEAKER-2 WATT, 8 OHM - 4"
	099030-01-000	EA	WIRE-SPEAKER TV
	099637-01-000	EA	GROMMET
	099717-02-000	EA	TIEDOWN TV - 28 7" LONG
	076319-09-000	EA	WALLPLATE-TV,RECEPTACLE - BROWN
	099717-02-000	EA	TIEDOWN TV - 22 8" LONG
	100954-01-000	EA	SHELF-TV STEEL
	101150-01-000	EA	SUPPORT-TV SHELF, RIGHT SIDE - STEEL
	101150-02-000	EA	SUPPORT-TV SHELF, LEFT SIDE - STEEL
	096755-01-000	EA	SPLITTER-TV 2 WAY
*	TV & VCR PURCHASES ARE SUBJECT TO AVAILABILITY		
**	CHECK MAKE & MODEL OF TV OR VCR BEFORE ORDERING REMOTES		

**1991 WINNEBAGO**  
**TABLE OF CONTENTS**

INTRODUCTION	A-01 -	A-02
ABBREVIATIONS		A-03
ALPHABETICAL INDEX	A-04 -	A-06
WCN36RQ	A-07 -	F-16
WFN36RA	F-17 -	K-22

**1991 WFN36RA INDEX**

FLOOR PLAN	F-17 -	F-18
ACCESSORIES	F-19 -	G-08
BATH	G-09 -	G-14
BEDROOM	G-15 -	G-16
CHASSIS	G-17 -	H-01
CURTAIN CUSHION & PAD	H-02 -	H-11
DINETTE	H-12 -	H-14
DRIVERS	H-15 -	H-20
ELECTRICAL	H-21 -	I-03
EXTERIOR BODY	I-04 -	I-10
GALLEY	I-11 -	I-18
HEATING & A/C	I-19 -	I-22
INTERIOR FINISH	I-23 -	J-02
LABEL	J-03 -	J-10
LP		J-11
LOUNGE	J-12 -	J-13
SEALANTS & FASTENERS	J-14 -	J-16
WATER & SEWAGE	J-17 -	J-22
WINDOW VENT AND		
EXTERIOR DOOR	J-23 -	K-22

**ACCESSORIES GROUP (CONTINUED)**  
**STAINLESS STEEL WHEEL LINERS OPTION L63L**

KEY	PART NUMBER	U/M	DESCRIPTION
	091209-06-000	EA	LINER-WHEEL, 15" - FORD - SET OF 4 - KAPER II FROM 00-00-00 THRU 05-20-91
	091209-07-000	EA	LINER-WHEEL, 16" - FORD - SET OF 2 - KAPER II FROM 00-00-00 THRU 05-20-91
	091209-06-700	EA	LINER-WHEEL, FRONT - 16" - FORD - KAPER II
	091209-06-701	EA	LINER WHEEL, REAR - 16" - FORD - KAPER II
	091209-06-702	EA	COVER-AXLE, FRONT - 16" - FORD - KAPER II
	091209-06-703	EA	COVER-AXLE, REAR - 16" - FORD - KAPER II
	091209-06-704	EA	COVER-LUG NUT, 16" - FORD - KAPER II
	091209-08-000	EA	LINER-WHEEL OVER LUG - 16" - FORD - SET OF 2 - KAPER II FROM 05-21-91 THRU 99-99-99
	091209-08-000	EA	LINER WHEEL, OVER LUG - 16" - FORD - SET OF 4 - KAPER II FROM 05-21-91 THRU 99-99-99
	091209-06-700	EA	LINER-WHEEL, FRONT - FORD - 16" - 10 LUG - KAPER II
	091209-08-701	EA	LINER-WHEEL, REAR - FORD - 16" - 10 LUG - KAPER II
	091209-08-702	EA	COVER-AXLE, REAR - 16" - FORD - KAPER II
	091209-08-703	EA	COVER-LUG NUT, 16" - FORD - KAPER II
	095012-02-000	EA	EXTENSION-VALVE STEM, DUAL WHEEL FROM 00-00-00 THRU 04-28-91
	095012-03-000	EA	EXTENSION-VALVE STEM, DUAL WHEEL FROM 04-29-91 THRU 99-99-99
	077030-02-000	EA	EXTENSION-VALVE STEM, 1.25"

**WHEEL COVERS**

KEY	PART NUMBER	U/M	DESCRIPTION
	096532-02-700	EA	COVER - WHEEL, 16" - SET OF 2
	096532-01-000	EA	COVER - WHEEL, 16" - SET OF 4
	096532-01-701	EA	COVER - LUG NUT, CHROME
	096532-01-702	EA	COVER - WHEEL, 16" - 1 ONLY

**ACCESSORIES GROUP (CONTINUED)**  
**AUXILIARY DEFROSTER FANS W/SWITCH OPTION L36N**

KEY	PART NUMBER	U/M	DESCRIPTION
	097372-03-01A	EA	SWITCH-ON-OFF-ON
	000G39-08-24B	EA	SCREW-SF/DR, 8-18 X 1 1/2 PPH ZN
	038420-02-000	EA	FAN-DEFROSTER 2 SPEED - 6" DIAMETER

**TV ANTENNA**

KEY	PART NUMBER	U/M	DESCRIPTION
	069726-02-000	EA	BUMPER, 88" DIA X 4" - BLACK
	076319-01-000	EA	ANTENNA-TV, ROOF MOUNT - 44 5" MAST - RVA W02
	076319-01-700	EA	HEAD-ANTEENA, AMPLIFIED - WINEGARD#RVS AU V
	076319-01-701	EA	GEAR-ELEVATING, PLASTIC - WINEGARD#2200C46
	076319-01-702	EA	SHAFT ASM-ELEVATING, WINEGARD#RVP-400A
	076319-01-703	EA	BEARING-NYLON, 5" OD - WINEGARD#3200656
	076319-01-704	EA	BEARING-NYLON, 1.25" OD - WINEGARD#3200657
	076319-01-705	EA	GROMMET-NYLON, 7/8" ID - WINEGARD#3200658
	076319-01-706	EA	CRANK-ELEVATING, W/SET SCREW - WINEGARD#5755100
	076319-01-707	EA	SPRING-HANDLE, WINEGARD#5160600
	076319-01-709	EA	PLATE-DIRECTIONAL, FOR HEAD - WINEGARD 3200644
	076319-06-000	EA	ADAPTOR-CABLE ROOF PLATE, WINEGARD#RPJ-1
	076319-11-000	EA	ADAPTOR-COAX WITH SPLITTER WINEGARD#MSJ-6
	080734-02-000	EA	CLIP-WIRE, NYLON
	082134-01-000	EA	ADAPTER-TV, CABLE TO CABLE - WINEGARD#F-81M
	086756-01-000	EA	SPLITTER-TV, 2 WAY
	087236-01-000	EA	LABEL-CABLE, INPUT
	087236-02-000	EA	LABEL-TV OUTLET
	093252-01-01A	EA	PLATE-WALL, CABLE - BEIGE
	076319-12-000	EA	CONNECTOR-COAXIAL, ONE PIECE
	076319-03-000	FT	CABLE-COAXIAL, 75 OHM
	076319-08-000	EA	PLATE-WALL, TV RECEPTACLE - IVORY

**MISCELLANEOUS COMPONENTS**

KEY	PART NUMBER	U/M	DESCRIPTION
	054185-66-000	EA	MANUAL-OPERATORS 1991 CHIEFTAIN
	092318-01-000	EA	BINDER-3 RING, MOTOR HOME MANUAL
	092319-01-000	EA	POCKET PAGE-3 RING BINDER, PLASTIC
	102441-01-000	EA	PICTURES-DECORATIVE, SET OF 3
	102441-02-000	EA	BRACKET-PICTURE MOUNT
	102441-03-000	EA	SCREW-T, PICTURE MOUNT
	072852-01-000	EA	DETECTOR-SMOKE, W/9 VOLT BATTERY (US)
	072852-02-000	EA	DETECTOR-SMOKE, W/9 VOLT BATTERY (CANADIAN)
	094499-01-000	EA	EXTINGUISHER-FIRE, DRY W/MOUNTING BRACKET - 10 BC (US)
	094499-02-000	EA	EXTINGUISHER-FIRE, DRY W/MOUNTING BRACKET - 10 BC (CSA)
	094499-01-700	EA	BRACKET-MOUNTING, W/PLASTIC STRAP - FIRE EXTINGUISHER
	094651-01-01A	EA	HOLDER-RECESSED FIRE EXTINGUISHER - PLASTIC - LIGHT OAK
	100793-01-01A	EA	CLOCK-WALL, OVAL - 3 5" X 11 2"
	101333-01-000	EA	BACKPLATE-CLOCK MOUNTING

**SQUEEGEE OPTION L28E**

KEY	PART NUMBER	U/M	DESCRIPTION
	091952-02-000	EA	CLIP GRIPPER, 3/4"
	091955-02-000	EA	SQUEEGEE-EXTENDED HANDLE
	091955-02-700	EA	HEAD-SQUEEGEE REPLACEMENT ONLY
	091955-02-701	EA	HANDLE-SQUEEGEE
	093527-01-000	EA	BRACKET-SQUEEGEE

**1991 WINNEBAGO**  
**TABLE OF CONTENTS**

INTRODUCTION	A-01 -	A-02
ABBREVIATIONS		A-03
ALPHABETICAL INDEX	A-04 -	A-06
WCN3SRQ	A-07 -	F-16
WFN36RA	F-17 -	K-22

**1991 WFN36RA INDEX**

FLOOR PLAN	F-17 -	F-18
ACCESSORIES	F-19 -	G-08
BATH	G-09 -	G-14
BEDROOM	G-15 -	G-16
CHASSIS	G-17 -	H-01
CURTAIN, CUSHION & PAD	H-02 -	H-11
DINETTE	H-12 -	H-14
DRIVERS	H-15 -	H-20
ELECTRICAL	H-21 -	I-03
EXTERIOR BODY	I-04 -	I-10
GALLEY	I-11 -	I-18
HEATING & A/C	I-19 -	I-22
INTERIOR FINISH	I-23 -	J-02
LABEL	J-03 -	J-10
LP		J-11
LOUNGE	J-12 -	J-13
SEALANTS & FASTENERS	J-14 -	J-15
WATER & SEWAGE	J-17 -	J-22
WINDOW VENT AND		
EXTERIOR DOOR	J-23 -	K-22

**ACCESSORIES GROUP (CONTINUED)**  
**CHROME ROOF AIR HORN OPTION L38R**

KEY	PART NUMBER	U/M	DESCRIPTION
	077497-08-000	EA	HORN KIT-AIR,CHROME, TWIN HADLEY 677AW
	077497-01-700	EA	SOLENOID-AIR TANK, HADLEY 748NS
	077497-01-701	EA	SWITCH-COMPRESSOR, HADLEY 13940S
	077497-01-702	EA	SWITCH-TOGGLE, W/WIRE - HADLEY 12949S
	077497-01-703	EA	TANK-AIR, HADLEY 751N
	077497-01-704	EA	COMPRESSOR W/SWITCH, HADLEY 852EC
	077497-01-705	EA	REPAIR KIT F/HADLEY 120 COMPRESSOR, HADLEY 852SS
	077497-01-706	EA	VALVE & HEAD REPAIR F/COMPRESSOR, HADLEY H00852HV
	077497-01-707	EA	BELT & SCREW COVER F/COMPRESSOR, HADLEY H00852BR
	077497-01-708	EA	FILTER & MFG HDWE F/COMPRESSOR, HADLEY H00652FM
	077497-01-709	EA	PLUNGER & SPRING F/SOLENOID, HADLEY H13621S
	077497-02-000	EA	HOSE KIT-AUX AIR MIDLAND 891D
	077497-03-000	EA	PARTS KIT-HOSE, AUX AIR
	071390-04-000	FT	TUBING-AIR BRAKE 1/4 OD BLACK, WEATHERHEAD NT 10004-BK
	077497-05-000	EA	COMPRESSOR/TANK/SOLENOID KIT HADLEY 852EB
	081404-01-000	EA	BRACKET-MOUNTING COMPRESSOR
	093258-01-000	EA	WIRE ASM-IP,HORN-FOG LMP
	093392-01-000	EA	BRACKET-TANK,AIRHORN
	093654-02-000	EA	CIRCUIT BREAKER-15 AMP
	097372-01-01A	EA	SWITCH-SPST,ON-OFF
	078233-01-000	EA	PLATE-LABEL,HORN
	081407-01-000	EA	PLATE-MOUNTING AIR HORNS

**STEP-DOUBLE ELECTRIC, KWIKEE**

KEY	PART NUMBER	U/M	DESCRIPTION
	094707-01-01A	EA	STEP-DOUBLE, ELECTRIC - KWIKEE 3218
	088746-01-701	EA	MOTOR - KWIKEE 9035
	094707-01-700	EA	CONTROL UNIT, (BLUE) KWIKEE 8310
	088746-01-702	EA	GEAR-ALL MODELS, KWIKEE 9038
	088746-01-703	EA	BRACKET,MOTOR BEARING, KWIKEE 7040
	091201-01-700	EA	LINKAGE ASM - KWIKEE 8289
	094707-01-702	EA	FRAME-DOUBLE STEP - KWIKEE 8285W
	088746-01-705	EA	LIGHT-UNDER STEP, KWIKEE 9004
	088746-01-706	EA	SWITCH KILL, KWIKEE 9016
	094707-01-701	EA	SWITCH-DOOR JAMB, PLASTIC - KWIKEE - 9316
	094707-02-705	EA	CONTROL UNIT, (ORANGE) - KWIKEE 9513
	088746-01-706	EA	LIGHT-UNDER STEP, KWIKEE 9004
	088746-01-706	EA	SWITCH KILL, KWIKEE 9016
	094707-01-701	EA	SWITCH-DOOR JAMB, PLASTIC - KWIKEE 9316
	094707-01-702	EA	FRAME-DOUBLE STEP KWIKEE 8285W
	094707-01-703	EA	GEAR BOX ASM FOR SINGLE & DOUBLE STEP - KWIKEE 8210
	094707-02-700	EA	MOTOR REPLACEMENT KIT - MODELS 32 & 28 - KWIKEE 9520
	094707-02-701	EA	LINKAGE ASM - MODEL 32 - KWIKEE 9523
	094707-02-702	EA	GEAR KIT - KWIKEE 9525
	094707-02-703	EA	PARTS KIT (BEARINGS & PINS) - KWIKEE 9530
	094707-02-704	EA	CONNECTOR KIT-MOTOR KWIKEE 9537
	100312-01-000	EA	SWITCH-DOOR JAMB ELECTRIC ENTRY STEP
	075723-02-000	EA	SPACER-SWITCH, W/HOLE - 9" X 2" - METAL - OFF WHITE

THESE PARTS WERE USED FOR COACHES BUILT FROM 03-15-81 ON

**ACCESSORIES GROUP (CONTINUED)**  
**5.0 KW ONAN GENERATOR EXPORT OPTION L66J**

KEY	PART NUMBER	U/M	DESCRIPTION
	100875-04-000	EA	GENERATOR-5 KW, EMERALD ONAN NHE/FN28237G
	093500-04-000	EA	MUFFLER-GENERATOR
	083152-06-000	EA	PIPE-EXHAUST, 1 3/4"OD X 4 9' TO BEND X 55 1" TO END
	007125-03-000	EA	CLAMP-MUFFLER - 1.5" DIA
	007125-04-000	EA	CLAMP-MUFFLER, 1 1" DIA
	006289-01-000	EA	BOX-ELECTRIC, STEEL - 1/2" AND 3/4" KNOCKOUTS - 4" X 4"
	008294-01-000	EA	COVER-ELECTRICAL BOX STEEL/BLANK - 4" X 4" - GRAY
	008054-01-000	EA	CORD-POWER, 12/3 WIRE - 30 AMP - 25'
	008026-01-000	FT	WIRE-12/2, RUMEX - W/GROUND
	008311-01-000	EA	CONNECTOR-WIRE NUT, INSULATED - RED
	008312-01-000	EA	CONNECTOR-WIRE NUT, INSULATED - BLUE
	008314-01-000	EA	CONNECTOR-WIRE NUT, INSULATED - GRAY
	008328-01-000	EA	TERMINAL-RING, 12/10 WIRE - #10 STUD FIT
	008331-01-000	EA	TERMINAL-RING,TONGUE - #4 WIRE - 3/8" STUD - COPPER
	008353-01-000	EA	CONNECTOR-CABLE CLAMPING, 3/8"
	008355-01-000	EA	CONNECTOR-CABLE CLAMPING, 3/4"
	008356-01-000	EA	CONNECTOR-PLASTIC, 3/8" AVG
	024924-02-000	EA	RECEPTACLE-POWER CORD, W/PARTIAL PLATE
	041953-01-000	FT	CONDUIT-CONVOLUTE SLIT, 5/8"
	069238-01-000	EA	COVER-ELECTRICAL BOX, W/HOLE - 4" X 4" - GRAY
	073937-03-000	EA	SWITCH-ROTARY SELECTOR - 3 DECK - A/C - TK20-090604-001
	073937-01-700	EA	KNOB-ROTARY SWITCH, A/C SELECTOR - 145749
	088238-01-000	EA	COVER-SWITCH, A/C SELECTOR
	074890-01-000	EA	BOX-EXTENSION, STEEL - OPEN SIDES - 4" X 4" X 1 1/2"
	074897-01-000	EA	COVER ELECTRIC BOX, 1 LARGE & 2 SMALL HOLES - 4" X 4"
	091213-01-000	EA	BOX-CIRCUIT BREAKFR- W/KNOCKOUTS - 5 3" X 11 6" X 2 5"
	092615-01-000	EA	CONVERTER-40 AMP, W/C-LARGER - 6-W 32400P
	007131-01-000	EA	HANGER-TAILPIPE
	010497-01-000	EA	CLAMP-CLOSED, 5/8" ID
	024975-01-000	EA	SWITCH-GENERATOR

**1991 WINNEBAGO**  
**TABLE OF CONTENTS**

INTRODUCTION	A-01 -	A-02
ABBREVIATIONS		A-03
ALPHABETICAL INDEX	A-04 -	A-06
WCN 36RO	A-07 -	F-1E
WFN 36RA	F-17 -	K-22

**1991 WFN36RA INDEX**

FLOOR PLAN	F-17 -	F-18
ACCESSORIES	F-19 -	G-08
BATH	G-09 -	G-14
BEDROOM	G-15 -	G-16
CHASSIS	G-17 -	H-01
CURTAIN, CUSHION & PAD	H-02 -	H-11
DINETTE	H-12 -	H-14
DRIVERS	H-15 -	H-20
ELECTRICAL	H-21 -	I-03
EXTERIOR BODY	I-04 -	I-10
GALLEY	I-11 -	I-18
HEATING & A/C	I-19 -	I-22
INTERIOR FINISH	I-23 -	J-02
LABEL	J-03 -	J-10
LP		J-11
LOUNGE	J-12 -	J-13
SEALANTS & FASTENERS	J-14 -	J-16
WATER & SEWAGE	J-17 -	J-22
WINDOW, VENT AND		
EXTERIOR DOOR	J-23 -	K-22

**ACCESSORIES GROUP (CONTINUED)**  
GENERATOR-KOHLER, 4.5 KW - US OPTION L33C

KEY PART NUMBER	U/M	DESCRIPTION
007125-03-000	EA	CLAMP-MUFFLER - 1 5" DIA
007125-04-000	EA	CLAMP-MUFFLER 1 1" DIA
008289-01-000	EA	BOX-ELECTRIC, STEEL - 1/2" AND 3/4" KNOCKOUTS - 4" X 4"
008294-01-000	EA	COVER-ELECTRICAL BOX, STEEL/BLANK - 4" X 4" - GRAY
083152-10-000	EA	PIPE-EXHAUST, GENERATOR - 1 4" DIA X 7 9" X 22"
093590-02-000	EA	MUFFLER-GENERATOR
093740-01-000	EA	GENERATOR-KOHLER 4500KW - 4 5CKM21
008054-02-000	EA	CORD-POWER, 10-3 - 30AMP - 33'
000G11-08-08B	EA	SCREW, 8-18 X 1/2 PPH ZN
000G67-10-12B	EA	SCREW 10-12 X 3/4 - PPH ZN
008076-01-000	FT	WIRE-12/2, ROMEX - W/GROUND
008311-01-000	EA	CONNECTOR-WIRE NUT, INSULATED - RED
008312-01-000	EA	CONNECTOR-WIRE NUT, INSULATED - BLUE
008314-01-000	EA	CONNECTOR-WIRE NUT, INSULATED - GRAY
008328-01-000	EA	TERMINAL-RING, 12/10 WIRE - #10 STUD FIT
008331-01-000	EA	TERMINAL-RING, TONGUE - #4 WIRE - 3/8" STUD - COPPER
008355-01-000	EA	CONNECTOR-CABLE CLAMPING 3/4"
008356-01-000	EA	CONNECTOR-PLASTIC, 3/8" AVG
024924-02-000	EA	RECEPTACLE-POWER CORD W/PARTIAL PLATE
041953-01-000	FT	CONDUIT-CONVOLUTE SLIT 50" ID
067762-01-000	EA	CONVERTER-40 AMP, W/CHARGER - TRIAD TU 740-2
069238-01-000	EA	COVER-ELECTRICAL BOX W/HOLE - 4" X 4" - GRAY
073937-03-000	EA	SWITCH-ROTARY SELECTOR, 3 DECK - A/C - CA20-USA892
073937-01-700	EA	KNOB-ROTARY SWITCH A/C SELECTOR
074890-01-000	EA	BOX-EXTENSION, STEEL - OPEN SIDES - 4" X 4" X 1 1/2"
074897-01-000	EA	COVER-ELECTRIC BOX, 1 LARGE & 2 SMALL HOLES - 4" X 4"
083209-03-000	EA	CIRCUIT BREAKER-15/20AMP, 120V - BW - 0-15/20
083209-04-000	EA	CIRCUIT BREAKER-30A 120V - BW L-30
083209-07-000	EA	CIRCUIT BREAKER-20/20 AMP, 120V - BW K-20/20
091213-01-000	EA	BOX-CIRCUIT BREAKER- W/KNOCKOUTS - 5 3" X 11 8" X 2 5"
000C26-04-10B	EA	BOLT-HEX, SER FLG - 1/4-20 X 5/8 ZINC
000D14-05-00B	EA	NUT-HEX 5/16-18 - ZN 5
000D39-04-00B	EA	NUT-HEX, SER FLG LK 1/4 - 20 ZN
000D39-05-00B	EA	NUT-HEX, SER FLG LK - 5/16 - 18 ZN
007131-01-000	EA	HANGER-TAILPIPE
024975-01-000	EA	SWITCH-GENERATOR, W/O CIRCUIT BOARD
010497-01-000	EA	CLAMP-CLOSED, 5/8" ID

GENERATOR-KOHLER, 4.5 KW - CANADIAN OPTION L350  
SAME AS U.S. OPTION EXCEPT FOR THE FOLLOWING

KEY PART NUMBER	U/M	DESCRIPTION
008289-02-000	EA	BOX-ELECTRICAL 4" X 4" - 1/2" & 3/4" KNOCKOUTS - CANADIAN
008294-02-000	EA	COVER-ELECTRICAL BOX, BLANK STEEL - 4" X 4" - CANADIAN
008052-01-000	EA	CORD-POWER 10/3 - 30 AMP - 25' - CANADIAN
067762-02-000	EA	CONVERTER-40AMP, W/CHARGER - TRIAD TU-840-2
093257-01-000	EA	BOX-ELECTRICAL CIRCUIT BREAKER
083209-01-000	EA	CIRCUIT BREAKER-15 AMP, 120V - BW G-15
083209-06-000	EA	CIRCUIT BREAKER-30/15 AMP 120V - BW D-30/15
008353-01-000	EA	CONNECTOR-CABLE CLAMPING, 3/8"

**ACCESSORIES GROUP (CONTINUED)**  
GENERATOR-KOHLER, 7 KW - US OPTION L37M

KEY PART NUMBER	U/M	DESCRIPTION
007125-03-000	EA	CLAMP-MUFFLER - 1 5" DIA
007125-04-000	EA	CLAMP-MUFFLER, 1 1" DIA
008289-01-000	EA	BOX-ELECTRIC, STEEL - 1/2" AND 3/4" KNOCKOUTS - 4" X 4"
008294-01-000	EA	COVER-ELECTRICAL BOX, STEEL/BLANK - 4" X 4" - GRAY
083152-01-000	EA	PIPE-EXHAUST, GENERATOR - ONAN - 1 3" OD X 4 9" X 55 1"
093547-01-000	EA	GENERATOR KOHLER, 7KW - OCKM21
093590-04-000	EA	MUFFLER-GENERATOR, 7KW - KOHLER
008054-02-000	EA	CORD-POWER, 10-3 - 30AMP - 33'
000G11-08-08B	EA	SCREW, 8-18 X 1/2 PPH ZN
000G67-10-12B	EA	SCREW, 10-12 X 3/4 - PPH ZN
008076-01-000	FT	WIRE-12/2, ROMEX - W/GROUND
008311-01-000	EA	CONNECTOR WIRE NUT, INSULATED - RED
008312-01-000	EA	CONNECTOR-WIRE NUT, INSULATED - BLUE
008314-01-000	EA	CONNECTOR-WIRE NUT, INSULATED - GRAY
008328-01-000	EA	TERMINAL-RING, 12/10 WIRE - #10 STUD FIT
008331-01-000	EA	TERMINAL-RING TONGUE - #4 WIRE - 3/8" STUD - COPPER
008355-01-000	EA	CONNECTOR-CABLE CLAMPING 3/4"
008356-01-000	EA	CONNECTOR-PLASTIC, 3/8" AVG
024924-02-000	EA	RECEPTACLE-POWER CORD W/PARTIAL PLATE
041953-01-000	FT	CONDUIT-CONVOLUTE SLIT, 1/2" ID
067762-01-000	EA	CONVERTER-40 AMP, W/CHARGER - TRIAD TU-740-2
069238-01-000	EA	COVER-ELECTRICAL BOX, W/HOLE - 4" X 4" - GRAY
073937-03-000	EA	SWITCH-ROTARY SELECTOR 3 DECK - A/C - CA20-USA892
073937-01-700	EA	KNOB-ROTARY SWITCH A/C SELECTOR
074890-01-000	EA	BOX-EXTENSION, STEEL - OPEN SIDES - 4" X 4" X 1 1/2"
074897-01-000	EA	COVER-ELECTRIC BOX, 1 LARGE & 2 SMALL HOLES - 4" X 4"
083209-03-000	EA	CIRCUIT BREAKER-15/20AMP, 120V - BW - 0-15/20
083209-04-000	EA	CIRCUIT BREAKER-30A 120V - BW L-30
083209-07-000	EA	CIRCUIT BREAKER-20/20 AMP, 120V - BW K-20/20
091213-01-000	EA	BOX-CIRCUIT BREAKER- W/KNOCKOUTS - 5 3" X 11 8" X 2 5"
000C26-04-10B	EA	BOLT-HEX, SER FLG - 1/4-20 X 5/8 ZINC
000D14-05-00B	EA	NUT-HEX, 5/16-18 - ZN 5
000D39-04-00B	EA	NUT-HEX, SER FLG LK 1/4 - 20 ZN
000D39-05-00B	EA	NUT-HEX, SER FLG LK - 5/16 - 18 ZN
007131-01-000	EA	HANGER-TAILPIPE
024975-01-000	EA	SWITCH-GENERATOR, W/O CIRCUIT BOARD
088238-01-000	EA	COVER A/C SELECTOR SWITCH FOR FRONT OR REAR
010497-01-000	EA	CLAMP-CLOSED, 5/8" ID

GENERATOR-KOHLER, 7 KW - CANADIAN OPTION L37M  
SAME AS U.S. OPTION EXCEPT FOR THE FOLLOWING

KEY PART NUMBER	U/M	DESCRIPTION
008289-02-000	EA	BOX-ELECTRICAL 4" X 4" - 1/2" & 3/4" KNOCKOUTS - CANADIAN
008294-02-000	EA	COVER-ELECTRICAL BOX, BLANK STEEL - 4" X 4" - CANADIAN
067762-02-000	EA	CONVERTER-40AMP W/CHARGER - TRIAD TU-840-2
008052-01-000	EA	CORD-POWER, 10/3 - 30 AMP - 25' - CANADIAN
093257-01-000	EA	BOX-ELECTRICAL CIRCUIT BREAKER
083209-01-000	EA	CIRCUIT BREAKER-15 AMP, 120V - BW G-15
083209-06-000	EA	CIRCUIT BREAKER-30/15 AMP, 120V - BW D-30/15
008353-01-000	EA	CONNECTOR-CABLE CLAMPING, 3/8"

**1981 WINNEBAGO  
TABLE OF CONTENTS**

INTRODUCTION	A-01	A-02
ABBREVIATIONS		A-03
ALPHABETICAL INDEX	A-04	A-06
WCN36RQ	A-07	F-16
W/FN36RA	F-17	K-22

**1991 WFN36RA INDEX**

FLOOR PLAN	F-17	F-18
ACCESSORIES	F-19	G-08
BATH	G-09	G-14
BEDROOM	G-15	G-16
CHASSIS	G-17	H-01
CURTAIN CUSHION & PAD	H-02	H-11
DINETTE	H-12	H-14
DRIVERS	H-15	H-20
ELECTRICAL	H-21	I-03
EXTERIOR BODY	I-04	I-10
GALLEY	I-11	I-18
HEATING & A/C	I-19	I-22
INTERIOR FINISH	I-23	J-02
LABEL	J-03	J-10
LP		J-11
LOUNGE	J-12	J-13
SEALANTS & FASTENERS	J-14	J-16
WATER & SEWAGE	J-17	J-22
WINDOW VENT AND EXTERIOR DOOR	J-23	K-22

**ACCESSORIES GROUP (CONTINUED)**  
**GENERATOR-ONAN, 3.5 KW - EXPORT OPTION L303**

KEY	PART NUMBER	U/M	DESCRIPTION
	007125-03-000	EA	CLAMP-MUFFLER - 1 5" DIA
	007125-04-000	EA	CLAMP MUFFLER, 1 1" DIA
	008289-01-000	EA	BOX-ELECTRIC STEEL - 1/2" AND 3/4" KNOCKOUTS - 4' X 4'
	008291-01-000	EA	COVER-ELECTRICAL BOX STEEL/BLANK - 4' X 4' - GRAY
	100974-05-000	EA	GENERATOR 4.0 KW EMERALD PLUS, ONAN BGE-F1J22237
	083152-04-000	EA	PIPE-EXHAUST GENERATOR
	093590-02-000	EA	MUFFLER-GENERATOR
	008054-01-000	EA	CORD-POWER, 10/3 WIPE - 30 AMP - 25'
	000G11-06-082	EA	SCREW, 8-18 X 1/2 PPH ZN
	000G67-10-12B	EA	SCREW, 10-12 X 3/4 - PPH ZN
	008026-01-000	FT	WIRE 12/2, ROMEX - W/GROUND
	008311-01-000	EA	CONNECTOR WIRE NUT, INSULATED - RED
	008312-01-000	EA	CONNECTOR-WIRE NUT, INSULATED - BLUE
	008314-01-000	EA	CONNECTOR-WIRE NUT, INSULATED - GRAY
	008328-01-000	EA	TERMINAL-RING, 12/10 WIRE - #10 STUD FIT
	008331-01-000	EA	TERMINAL-RING TONGUE - #4 WIRE - 3/8" STUD - COPPER
	008353-01-000	EA	CONNECTOR-CABLE CLAMPING 3/8"
	008355-01-000	EA	CONNECTOR-CABLE CLAMPING 3/4"
	008356-01-000	EA	CONNECTOR-PLASTIC, 3/8" AVG
	024924-02-000	EA	RECEPTACLE-POWER CORD W/PARTIAL PLATE
	041953-01-000	FT	CONDUIT-CONVOLUTE SUT, 1/2" ID
	069238-01-000	EA	COVER-ELECTRICAL BOX, W/HOLE - 4' X 4' - GRAY
	073937-03-000	EA	SWITCH ROTARY SELECTOR, 3 DECK - A/C - CA20-USA892
	073937-01-700	EA	KNOB-ROTARY SWITCH A/C SELECTOR
	074890-01-000	EA	BOX-EXTENSION STEEL - OPEN SIDES - 4' X 4' X 1 1/2"
	074897-01-000	EA	COVER-ELECTRIC BOX, 1 LARGE & 2 SMALL HOLES - 4' X 4'
	091213-01-000	EA	BOX-CIRCUIT BREAKER- W/KNOCKOUTS - 5 3/4" X 11 8" X 2 5/8"
	092615-01-000	EA	CONVERTER-40 AMP, W/CHARGER - B-W 32400P
	000C26-04-10B	EA	BOLT-HEX, SER FLG - 1/4-20 X 5/8 ZINC
	000D14-05-00B	EA	NUT-HEX, 5/16-18 - ZN 5
	000D39-04-00B	EA	NUT-HEX, SER FLG LK 1/4 - 20 ZN
	000D39-05-00B	EA	NUT-HEX, SER FLG LK - 5/16 - 18 ZN
	007131-01-000	EA	HANGER-TAILPIPE
	024976-01-000	EA	SWITCH-GENERATOR, W/O CIRCUIT BOARD
	041490-01-000	EA	CONNECTOR-STRAIGHT 1/2" FLEX CONDUIT
	010497-01-000	EA	CLAMP-CLOSED 5/8" ID

**ACCESSORIES GROUP (CONTINUED)**  
**GENERATOR-ONAN, 4 KW - US OPTION L30E**

KEY	PART NUMBER	U/M	DESCRIPTION
	007125-03-000	EA	CLAMP MUFFLER - 1 5" DIA
	007125-04-000	EA	CLAMP-MUFFLER 1 1" DIA
	008289-01-000	EA	BOX-ELECTRIC STEEL - 1/2" AND 3/4" KNOCKOUTS - 4' X 4'
	008291-01-000	EA	COVER-ELECTRICAL BOX, STEEL/BLANK - 4' X 4' - GRAY
	079654-05-000	EA	PIPE-EXHAUST ANGLED - W/FLANGE - EMERALD - ONAN# 154-2529
	081354-03-000	EA	MUFFLER-GENERATOR, ONAN/
	083152-06-000	EA	PIPE EXHAUST GENERATOR - ONAN - 1 3" OD X 4 9" X 55 1"
	024959-01-000	EA	SPACER-GENERATOR ONAN
	055272-01-001	FT	TUBING-STEEL, 75" X 1 5" X 286"
	024657-02-000	EA	TRAY-GENERATOR, 22 5" X 30 4" X 5 5/8" W/WELD NUTS
	100974-01-000	EA	GENERATOR 4.0 KW EMERALD PLUS, ONAN BGE-FA/26100G
	008054-02-000	EA	CORD POWER 10-3 - 30AMP - 23'
	000G11-03-04B	EA	SCREW, 8-18 X 1/2 PPH ZN
	000G67-10-12B	EA	SCREW, 10-12 X 3/4 - PPH ZN
	008026-01-000	FT	WIRE-12/2, ROMEX - W/ GROUND
	008311-01-000	EA	CONNECTOR-WIRE NUT, INSULATED - RED
	008312-01-000	EA	CONNECTOR-WIRE NUT, INSULATED - BLUE
	008314-01-000	EA	CONNECTOR-WIRE NUT, INSULATED - GRAY
	008328-01-000	EA	TERMINAL-RING, 12/10 WIRE - #10 STUD FIT
	008331-01-000	EA	TERMINAL-RING TONGUE - #4 WIRE - 3/8" STUD - COPPER
	008355-01-000	EA	CONNECTOR-CABLE CLAMPING 3/4"
	008356-01-000	EA	CONNECTOR-PLASTIC 3/8" AVG
	024924-02-000	EA	RECEPTACLE-POWER CORD W/PARTIAL PLATE
	041953-01-000	FT	CONDUIT-CONVOLUTE SUT, 1/2" ID
	057762-01-000	EA	CONVERTER-40 AMP, W/CHARGER - TRIAD TU-740 2
	069238-01-000	EA	COVER ELECTRICAL BOX W/HOLE - 4' X 4' - GRAY
	073937-03-000	EA	SWITCH-ROTARY SELECTOR, 3 DECK - A/C - CA20 USA892
	073937-01-700	EA	KNOB-ROTARY SWITCH A/C SELECTOR
	074890-01-000	EA	BOX EXTENSION STEEL - OPEN SIDES - 4' X 4' X 1 1/2"
	074897-01-000	EA	COVER-ELECTRIC BOX, 1 LARGE & 2 SMALL HOLES - 4' X 4'
	083209-03-000	EA	CIRCUIT BREAKER-15/20 AMP, 120V - BW L-30
	083209-04-000	EA	CIRCUIT BREAKER-30A, 120V - BW L-30
	083209-07-000	EA	CIRCUIT BREAKER-20/20 AMP, 120V - BW L-30
	091213-01-000	EA	BOX-CIRCUIT BREAKER- W/KNOCKOUTS - 5 3/4" X 11 8" X 2 5/8"
	000C26-04-10B	EA	BOLT-HEX, SER FLG - 1/4-20 X 5/8 ZINC
	000D14-05-00B	EA	NUT-HEX, 5/16-18 - ZN 5
	000D39-04-00B	EA	NUT-HEX, SER FLG LK 1/4 - 20 ZN
	000D39-05-00B	EA	NUT-HEX, SER FLG LK - 5/16 - 18 ZN
	010497-01-000	EA	CLAMP-CLOSED, 5/8" ID
	007131-01-000	EA	HANGER-TAILPIPE
	024976-01-000	EA	SWITCH-GENERATOR, W/O CIRCUIT BOARD

GENERATOR-ONAN, 4 KW - CANADIAN OPTION L30E  
 SAME AS US OPTION EXCEPT FOR THE FOLLOWING

KEY	PART NUMBER	U/M	DESCRIPTION
	008289-02-000	EA	BOX-ELECTRICAL 4' X 4' - 1/2" & 3/4" KNOCKOUTS - CANADIAN
	008294-02-000	EA	COVER-ELECTRICAL BOX, BLANK STEEL - 4' X 4' - CANADIAN
	008052-01-000	EA	CORD-POWER, 10/3 - 30 AMP - 25' - CANADIAN
	057762-02-000	EA	CONVERTER-40AMP, W/CHARGER - TRIAD TU-840-2
	093257-01-000	EA	BOX-ELECTRICAL, CIRCUIT BREAKER
	083209-01-000	EA	CIRCUIT BREAKER-15 AMP, 120V - BW G-15
	083209-06-000	EA	CIRCUIT BREAKER-30/15 AMP, 120V - BW D-30/15
	008353-01-000	EA	CONNECTOR-CABLE CLAMPING 3/8"

**1991 WINNEBAGO**  
**TABLE OF CONTENTS**

INTRODUCTION	A-01 -	A-02
ABBREVIATIONS		A-03
ALPHABETICAL INDEX	A-04 -	A-06
WCN36RQ	A-07 -	F-16
WFN36RA	F-17 -	K-22

**1991 WFN36RA INDEX**

FLOOR PLAN	F-17 -	F-18
ACCESSORIES	F-19 -	G-08
BATH	G-09 -	G-14
BEDROOM	G-15 -	G-16
CHASSIS	G-17 -	H-01
CURTAIN, CUSHION & PAD	H-02 -	H-11
DINETTE	H-12 -	H-14
DRIVERS	H-15 -	H-20
ELECTRICAL	H-21 -	I-03
EXTERIOR BODY	I-04 -	I-10
GALLEY	I-11 -	I-18
HEATING & A/C	I-19 -	I-22
INTERIOR FINISH	I-23 -	J-02
LABEL	J-03 -	J-10
LP		J-11
LOUNGE	J-12 -	J-13
SEALANTS & FASTENERS	J-14 -	J-15
WATER & SEWAGE	J-17 -	J-22
WINDOW, VENT AND EXTERIOR DOOR	J-23 -	K-22

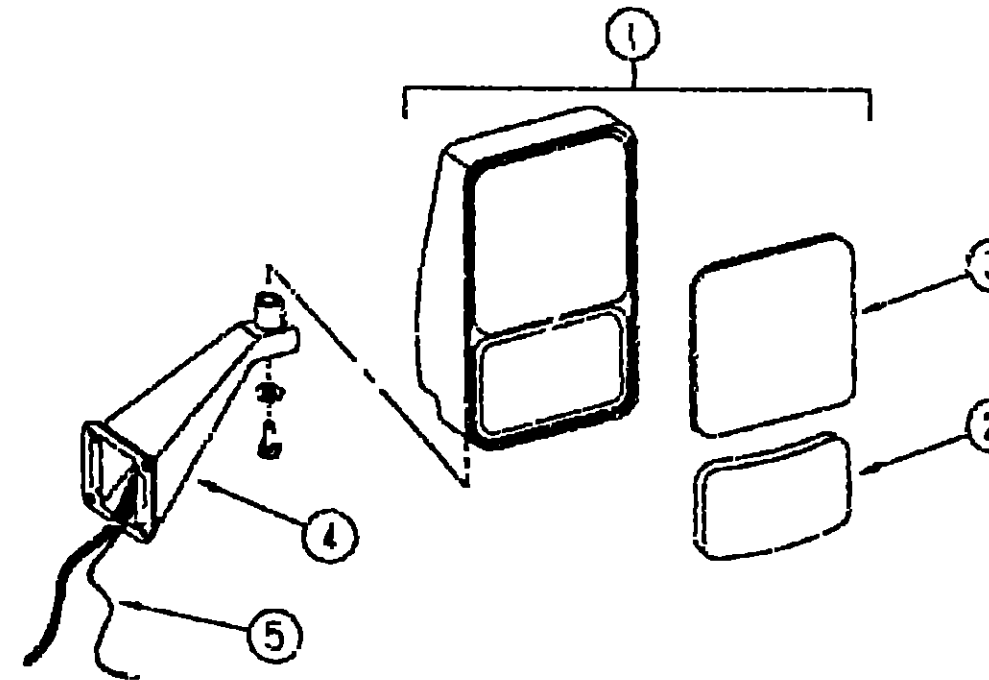
**ACCESSORIES GROUP (CONTINUED)**  
GENERATOR-ONAN, 6.5 KW - US OPTION L39C

KEY	PART NUMBER	U/M	DESCRIPTION
	007125-03-000	EA	CLAMP-MUFFLER - 1.5" DIA
	007125-04-000	EA	CLAMP-MUFFLER, 1.1" DIA
	008289-01-000	EA	BOX-ELECTRICAL, STEEL - 1/2" AND 3/4" KNOCKOUTS - 4' X 4'
	008294-01-000	EA	COVER-ELECTRICAL BOX, STEEL BLANK - 4' X 4' - GRAY
	079654-05-000	EA	PIPE-EXHAUST, ANGLED - W/FLANGE - EMERALD - ONAN# 154-2539
	081364-03-000	EA	MUFFLER-GENERATOR ONAN
	083152-06-000	EA	PIPE-EXHAUST, GENERATOR - ONAN - 1.3" OD X 4.9" X 55.1"
	034059-31-000	EA	SPACER-GENERATOR, ONAN
	055278-01-001	FT	TUBING-STEEL, 75" X 1.5" X 288"
	094657-02-000	EA	TRAY-GENERATOR, 22.5" X 30.4" X 6.9"
	100975-01-000	EA	GENERATOR-6.5 KW EMERALD PLUS ONAN N/E-FA26100G
	008054-02-000	EA	CORD-POWER 10-3 - 30AMP - 3P
	000G11-08-08B	EA	SCREW, 8-18 X 1/2 PPH ZN
	000G67-10-12B	EA	SCREW, 10-12 X 3/4 - PPH ZN
	005026-01-000	FT	WIRE-12/2, ROMEX - W/GROUND
	008311-01-000	EA	CONNECTOR-WIRE NUT, INSULATED - RED
	008312-01-000	EA	CONNECTOR-WIRE NUT, INSULATED - BLUE
	008314-01-000	EA	CONNECTOR-WIRE NUT, INSULATED - GRAY
	008328-01-000	EA	TERMINAL-RING, 12/10 WIRE - #10 STUD FIT
	008331-01-000	EA	TERMINAL-RING, TONGUE - #4 WIRE - 3/8" STUD - COPPER
	008355-01-000	EA	CONNECTOR-CABLE CLAMPING 3/4"
	008355-01-000	EA	CONNECTOR-PLASTIC, 3/8" AVG
	024924-02-000	EA	RECEPTACLE-POWER CORD, W/PARTIAL PLATE
	041953-01-000	FT	CONDUIT-CONVOLUTE SLIT, 1/2" ID
	067762-01-000	EA	CONVERTER-40 AMP, W/CHARGER - TRIAD TU-740-2
	069238-01-000	EA	COVER-ELECTRICAL BOX, W/HOLE - 4' X 4' - GRAY
	069238-01-000	EA	COVER-A/C SELECTOR SWITCH FOR FRONT OR REAR
	073937-03-000	EA	SWITCH-ROTARY SELECTOR, 3 DECK - A/C - CA20-USA89?
	073937-01-700	EA	KNOB-ROTARY SWITCH-A/C SELECTOR
	074890-01-000	EA	BOX-EXTENSION STEEL - OPEN SIDES - 4' X 4' X 1 1/2"
	074897-01-000	EA	COVER-ELECTRIC BOX, 1 LARGE & 2 SMALL HOLES - 4' X 4'
	083209-03-000	EA	CIRCUIT BREAKER-15/20AMP, 120V - BW - 0-15/20
	083209-04-000	EA	CIRCUIT BREAKER-30A 120V - BW L-30
	083209-07-000	EA	CIRCUIT BREAKER-20/20 AMP, 120V - BWK-20/20
	091213-01-000	EA	BOX-CIRCUIT BREAKER-W/KNOCKOUTS - 5.3" X 11.8" X 2.5"
	000C25-04-10B	EA	BOLT-HEX, SER FLG - 1/4 20 X 5/8 ZINC
	000D14-05-00B	EA	NUT-HEX, 5/16-18 - ZN 5
	000D39-04-00B	EA	NUT-HEX, SER FLG LK 1/4 - 20 ZN
	000D39-05-00B	EA	NUT-HEX, SER FLG LK - 5/16 - 18 ZN
	007131-01-000	EA	HANGER-TAILPIPE
	024976-01-000	EA	SWITCH-GENERATOR W/O CIRCUIT BOARD
	088238-01-000	EA	COVER A/C SELECTOR SWITCH FOR FRONT OR REAR
	010497-01-000	EA	CLAMP-CLOSED 5/8" ID

GENERATOR-ONAN, 6.5 KW - CANADIAN OPTION L39G  
SAME AS U.S. OPTION EXCEPT FOR THE FOLLOWING

KEY	PART NUMBER	U/M	DESCRIPTION
	008289-02-000	EA	BOX-ELECTRICAL, 4' X 4' - 1/2" & 3/4" KNOCKOUTS - CANADIAN
	008294-02-000	EA	COVER-ELECTRICAL BOX, BLANK STEEL - 4' X 4' - CANADIAN
	083257-01-000	EA	BOX-ELECTRICAL, CIRCUIT BREAKER
	008052-01-000	EA	CORD-POWER, 10-3 - 30 AMP - 25' - CANADIAN
	083209-01-000	EA	CIRCUIT BREAKER-15 AMP, 120V - BW G-15
	083209-06-000	EA	CIRCUIT BREAKER-30/15 AMP 120V - BW D 30/15
	008353-01-000	EA	CONNECTOR-CABLE CLAMPING 3/8"

**ACCESSORIES GROUP (CONTINUED)**



EXTERIOR MIRRORS

KEY	PART NUMBER	U/M	DESCRIPTION
1	086260-01-000	EA	MIRROR-W/CONVEX, PASSENGER
2	086260-01-700	EA	GLASS-CONVEX-PASSENGER
3	086260-01-701	EA	GLASS-FLAT-PASSENGER
1	036260-02-000	EA	MIRROR-W/CONVEX, DRIVER
2	086260-02-700	EA	GLASS-CONVEX-DRIVER
3	086260-02-701	EA	GLASS-FLAT-DRIVER
4	086260-03-000	EA	MIRROR MOUNTING ARM - EXTERIOR - DRIVER AND PASSENGER
	086260-03-700	EA	BALL-CUP MOUNT (SET/2)
	086260-03-701	EA	BRACKET-MOUNTING-BLACK

EXTERIOR MIRRORS WITH HEAT & REMOTE

KEY	PART NUMBER	U/M	DESCRIPTION
1	086259-04-000	EA	MIRROR-REMOTE HEAT, PRE-WIRED - PASSENGER
2	086259-04-700	EA	GLASS CONVEX-PASSENGER
3	086259-04-701	EA	GLASS-FLAT-PASSENGER
1	086259-05-000	EA	MIRROR-REMOTE HEAT, PRE-WIRED - DRIVER
2	086259-05-700	EA	GLASS-CONVEX-DRIVER
3	086259-05-701	EA	GLASS-FLAT-DRIVER
4	086260-03-000	EA	MIRROR MOUNTING ARM - EXTERIOR - DRIVER AND PASSENGER
	086260-03-700	EA	BALL-CUP MOUNT (SET/2)
	086260-03-701	EA	BRACKET-MOUNTING-BLACK
5	092880-01-000	EA	WIRE-IP REMOTE MIRROR
	088246-01-000	EA	SWITCH REMOTE-EXTERIOR MIRROR-SQUARE PUSH
	087695-01-000	EA	SWITCH-HEATER-EXTERIOR MIRROR

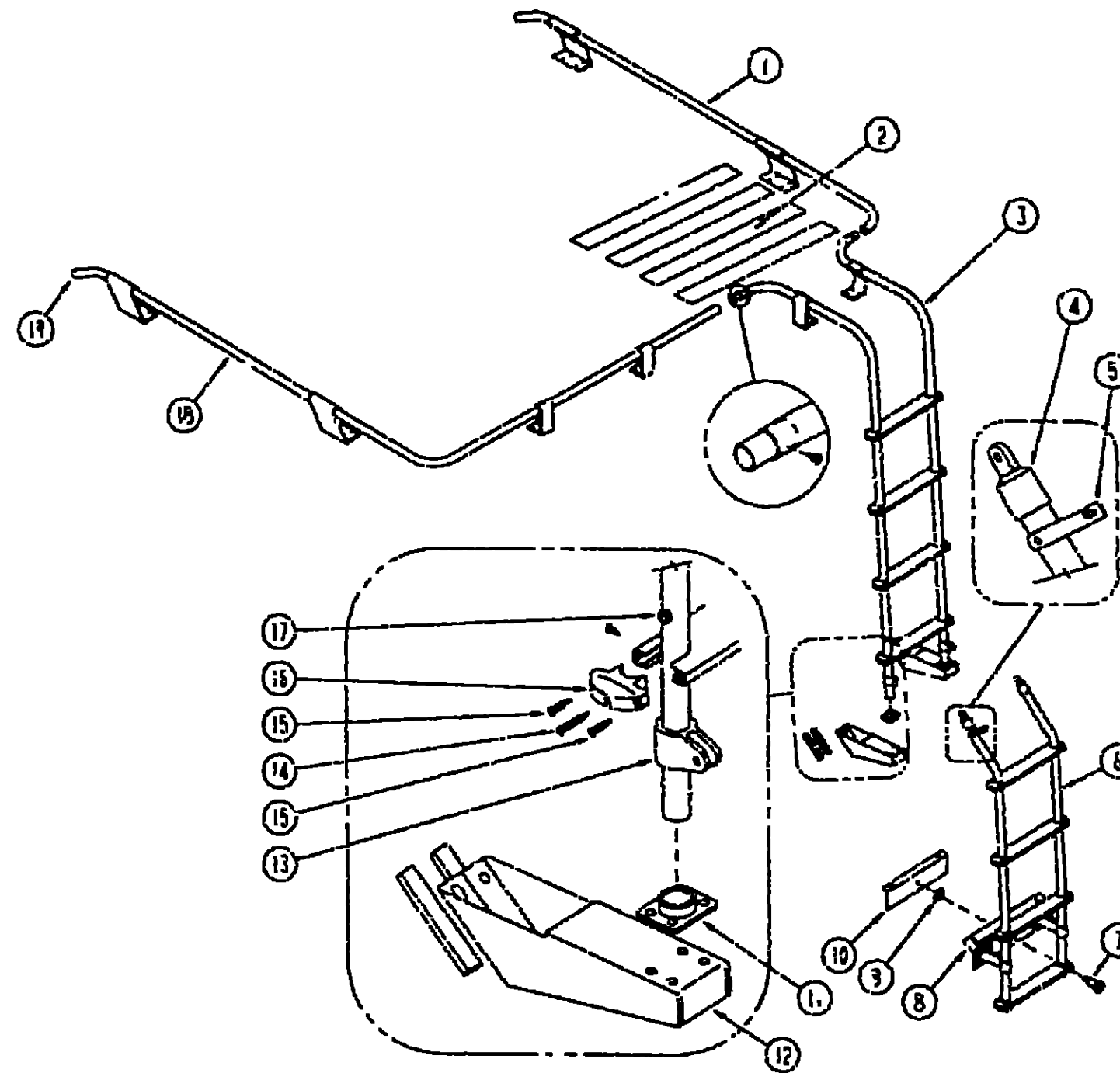
**1991 WINNEBAGO  
TABLE OF CONTENTS**

INTRODUCTION	A-01 -	A-02
ABBREVIATIONS		A-03
ALPHABETICAL INDEX	A-04 -	A-06
WCN36RQ	A-07 -	F-16
WFN36RA	F-17 -	K-22

**1991 WFN36RA INDEX**

FLOOR PLAN	F-17 -	F-18
ACCESSORIES	F-19 -	G-08
BATH	G-09 -	G-14
BEDROOM	G-15 -	G-16
CHASSIS	G-17 -	H-01
CURTAIN CUSHION & PAD	H-02 -	H-11
DINETTE	H-12 -	H-14
DRIVERS	H-15 -	H-20
ELECTRICAL	H-21 -	I-03
EXTERIOR BODY	I-04 -	I-10
GALLEY	I-11 -	I-18
HEATING & A/C	I-19 -	I-22
INTERIOR FINISH	I-23 -	J-02
LABEL	J-03 -	J-10
LP		J-11
LOUNGE	J-12 -	J-13
SEALANTS & FASTENERS	J-14 -	J-16
WATER & SEWAGE	J-17 -	J-22
WINDOW, VENT AND EXTERIOR DOOR	J-23 -	K-22

**ACCESSORIES GROUP (CONTINUED)**  
LUGGAGE RACK & LADDER OPTION L35U



**1991 WINNEBAGO  
TABLE OF CONTENTS**

INTRODUCTION	A-01 -	A-02
ABBREVIATIONS		A-03
ALPHABETICAL INDEX	A-04 -	A-06
WCN36RD	A-07 -	F-15
WFN36RA	F-17 -	K-??

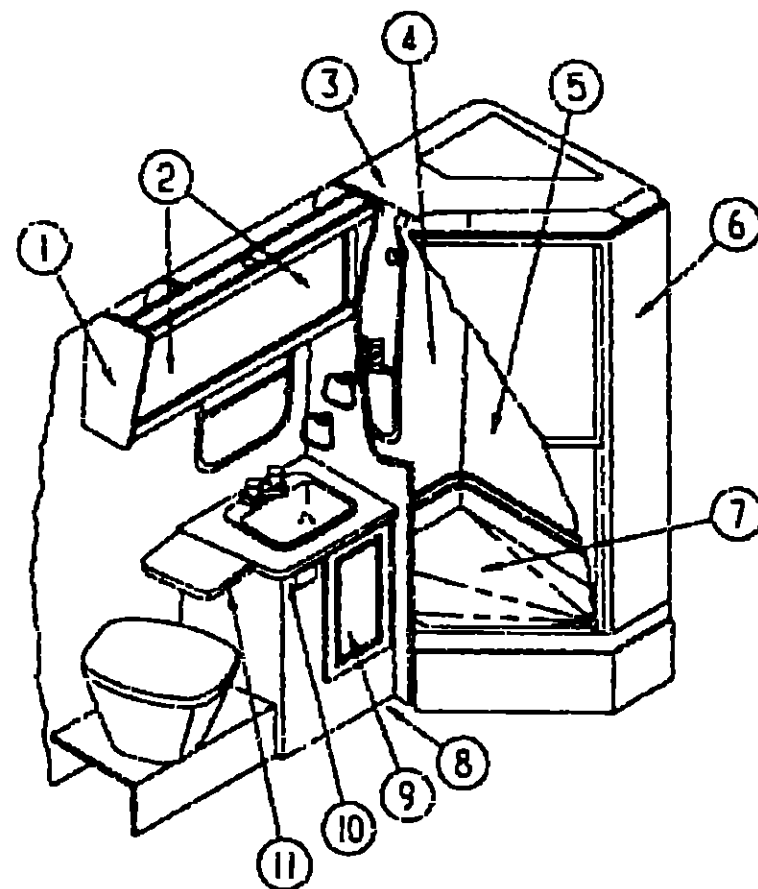
**1991 WFN36RA INDEX**

FLOOR PLAN	F-17 -	F-18
ACCESSORIES	F-19 -	G-08
BATH	G-09 -	G-14
BEDROOM	G-15 -	G-16
CHASSIS	G-17 -	H-01
CURTAIN CUSHION & PAD	H-02 -	H-11
DINETTE	H-12 -	H-14
DRIVERS	H-15 -	H-20
ELECTRICAL	H-21 -	I-03
EXTERIOR BODY	I-04 -	I-10
GALLEY	I-11 -	I-18
HEATING & A/C	I-19 -	I-22
INTERIOR FINISH	I-23 -	J-02
LABEL	J-03 -	J-10
LP		J-11
LOUNGE	J-12 -	J-13
SEALANTS & FASTENERS	J-14 -	J-16
WATER & SEWAGE	J-17 -	J-22
WINDOW, VENT AND EXTERIOR DOOR	J-23 -	K-22

KEY	PART NUMBER	U/M	DESCRIPTION
1	081025-09-Y12	EA	RACK-LUGGAGE, PASSENGER
2	039327-01-000	EA	TAPE-ANTI SLIP, 2" X 80'
3	092964-01-Y12	EA	LADDER-UPPER
4	081115-01-000	EA	CAP-TOP, 1 INCH
5	080873-01-000	EA	LATCH-LADDER, LOWER - GRAY
6	092963-01-Y12	EA	LADDER-LOWER
7	081056-01-000	EA	PIN-QUICK RELEASE, SINGLE ACTION - LADDER
8	081152-01-000	EA	PLATE-BUMPER, LADDER - LOWER
9	081055-01-000	EA	SPRING GRIP-INTERNAL TOOTH - LADDER
10	081107-01-000	EA	BRACKET-BUMPER PIN
11	067165-01-000	EA	MOUNTING BRACKET-LADDER LOWER
12	092967-01-U1A	EA	FOOTING-LADDER, UPPER
13	081116-01-000	EA	SLIDE-TOP, RACK & LADDER - 1"
14	000G68-10-36T	EA	SCREW-10-12 X 2.25 POH BLACK
15	000G39-06-10T	EA	SCREW-SF/DR, 6-20 X 5/8 PPH - BLACK
16	076980-02-000	EA	END CAP-STEP, BLACK
17	081113-01-000	EA	BUSHING-FLANGE, PLASTIC - WHITE
18	081026-10-Y12	EA	RACK-LUGGAGE, DRIVER
19	081114-01-000	EA	PLUG ROUND, RACK & LADDER ENDS - PLASTIC - 1" DIA.



**BATH GROUP  
BATH CABINET**



KEY	PART NUMBER	U/M	DESCRIPTION
1	100960-01-B07	EA	CABINET MEDICINE, W/O MIRRORS
2	101040-01-000	EA	MIRROR-GLASS-14 3/4" X 22 1/4"
	074031-01-000	FT	CHAMFEL-MIRROR RUN - PILE
3	100735-01-01A	EA	CAP-SHOWER, OFF WHITE PLASTIC
4	100255-01-01A	EA	SURROUND-SHOWER, W/SHELF-OFF WHITE PLASTIC
	075606-01-000	EA	PANEL- FAUCET BACK, SHOWER - 5" X 9" - PLASTIC
	075241-04-000	EA	FAUCET-SHOWER BRASS
	011048-02-000	EA	HEAD-SHOWER, W/60" HOSE - U S
5	100654-01-01A	EA	SURROUND-SHOWER-OFF WHITE PLASTIC
	101447-01-000	EA	CUP-U TYPE-SHOWER SURROUND
6	100714-01-01A	EA	DOOR-SHOWER, BRASS - W/SIDE PANEL - COASTAL
	092574-01-700	EA	KNOB-SAFETY LATCH, COASTAL 9728
	092574-01-701	EA	BRACKETS-TOWEL BAR, W/STUDS - COASTAL 8141G
	092574-01-702	EA	BAR-TOWEL, 30" - COASTAL 44G
	092574-01-703	EA	PULL-DOOR, GOLD - COASTAL 8149G
	092574-01-704	EA	SCREW-GOLD, #6 3/8 - COASTAL 638G
	092574-01-705	EA	MAGNETIC STRIP-56 3/4" - COASTAL 98-41
7	M02630-14-B07	EA	PAN-SHOWER W/STRAINER
	066436-01-000	EA	NUT-SLIP, TAILPIECE - 1 5"
	068729-01-000	EA	STRAINER-TUB/SHOWER DRAIN
	069640-01-000	FT	SEALER-RIBBON, 1/4" DIAMETER - INCREMENTS OF 20"
	069735-01-000	EA	WASHER STRAINER TO TAILPIECE PLASTIC 1 5"
	057671-01-000	EA	COVER-SCREW, #8 - PLASTIC - OFF WHITE
	102950-01-01A	EA	TRIM-THRESHOLD, SHOWER - OFF WHITE
8	P00096-01-B07	EA	CABINET-LAVATORY, W/COUNTERTOP & EXTENSION
9	P00520-39-B07	EA	DOOR-LAVATORY CABINET, W/O HARDWARE - 12" X 21 5/8"
10	100096-12-B07	EA	COUNTERTOP-LAVATORY
	091255-01-000	FT	SEAL-FOAM, 3 2MM X 4 6MM
11	082812-05-B07	EA	EXTENSION-COUNTERTOP, 9 4" X 11 8" - W/O HARDWARE
	009049-01-000	EA	SUPPORT-COUNTERTOP EXTENSION
	009059-01-000	EA	HINGE-COUNTERTOP EXTENSION, 2" X 1 4" - BRASS
	075240-05-000	EA	FAUCET- LAVATORY- BRASS - U.S.
	091253-01-000	EA	GASKET-FAUCET-LAVATORY
	096927-01-01A	EA	SINK - LAVATORY - BONE PLASTIC
	096927-01-700	EA	STOPPER - LAVATORY SINK
	096927-01-701	EA	TAILPIECE - LAVATORY SINK
	075454-02-000	EA	RING-TOWEL-BRASS
	081614-02-000	EA	DISH-SOAP-BRASS
	075453-02-000	EA	BAR-TOWEL 18" BRASS
	085278-01-000	EA	HOLDER-PAPER, RECESSED - BRASS
	093610-01-01A	EA	LIGHT MAKE UP - 5 BULB - BRASS
	063641-01-000	EA	FLANGE-CLOSET-4" X 3" - U S
	054076-01-000	EA	TOILET-THETFORD MODEL 50 - 15 6" X 18 9" X 11 1" - IVORY

**CANADIAN OPTION L266**

KEY	PART NUMBER	U/M	DESCRIPTION
	011048-05-000	EA	SHOWER HEAD-W/50" HOSE, W/O VACUUM BREAKER - CSA
	075240-06-000	EA	FAUCET-LAVATORY - BONE - CSA
	075241-05-000	EA	FAUCET-SHOWER - CSA
	024676-02-000	EA	FLANGE-CLOSET 4" X 3" - CSA

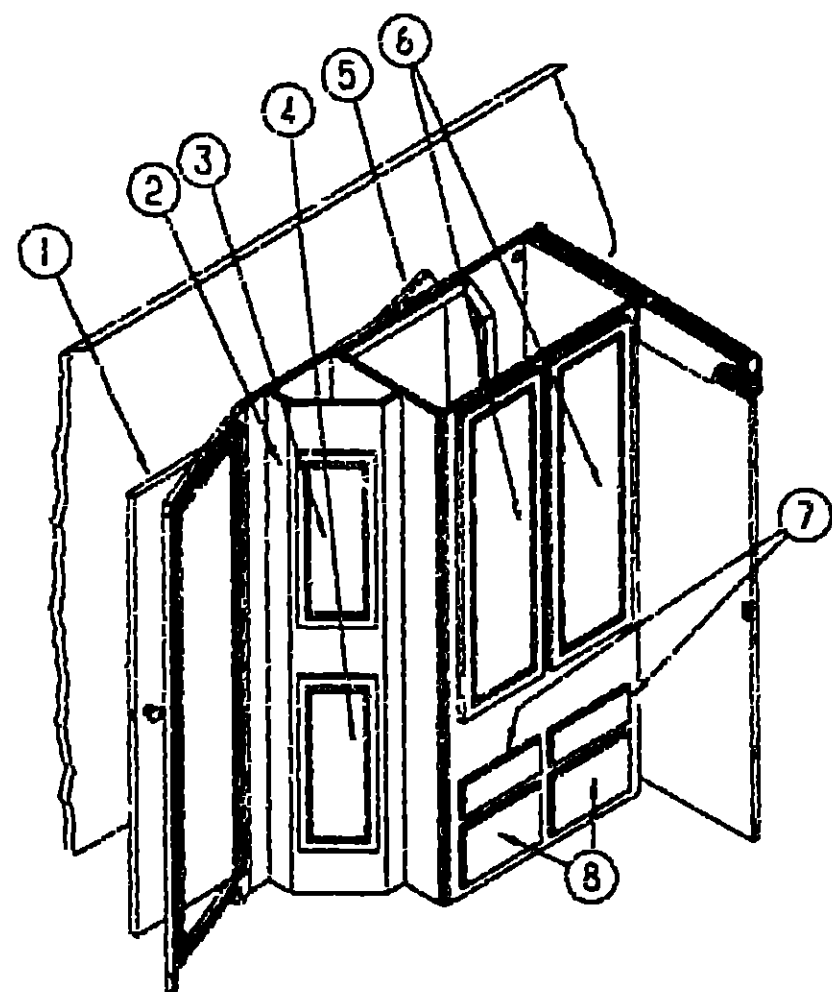
**1991 WINNEBAGO  
TABLE OF CONTENTS**

INTRODUCTION	A-01 -	A-02
ABBREVIATIONS		A-03
ALPHABETICAL INDEX	A-04 -	A-06
WCN36RQ	A-07 -	F-16
WFN36RA	F-17 -	K-22

**1991 WFN36RA INDEX**

FLOOR PLAN	F-17 -	F-18
ACCESSORIES	F-19 -	G-06
BATH	G-09 -	G-14
BEDROOM	G-15 -	G-16
CHASSIS	G-17 -	H-01
CURTAIN CUSHION & PAD	H-02 -	H-11
DINETTE	H-12 -	H-14
DRIVERS	H-15 -	H-20
ELECTRICAL	I-21 -	I-03
EXTERIOR BODY	I-04 -	I-10
GALLEY	I-11 -	I-18
HEATING & A/C	I-19 -	I-22
INTERIOR FINISH	I-23 -	J-02
LABEL	J-03 -	J-10
LP		J-11
LOUNGE	J-12 -	J-13
SEALANTS & FASTENERS	J-14 -	J-16
WATER & SEWAGE	J-17 -	J-22
WINDOW VENT AND EXTERIOR DOOR	J-23 -	K-22

**BATH GROUP (CONTINUED)**  
**LINEN & WARDROBE CABINETS**



KEY	PART NUMBER	U/M	DESCRIPTION
1	M04145-02-B07	EA	DOOR BATH W/JAMB - W/O LATCH - 70 3" X 18 9" FROM: 00-00-00 THRU: 09-16-90
1	M04145-04-907	EA	DOOR-BATH W/JAMB - W/O LATCH - 70 3" X 18 9" FROM: 09-17-90 THRU: 99-99-99
	M87862-02-507	EA	DOOR BATH, W/O HARDWARE - 70 3" X 18 9" FROM: 00-00-00 THRU: 09-16-90
	M87858-04-907	EA	DOOR-BATH, W/O HARDWARE - 70 3" X 18 9" FROM: 09-17-90 THRU: 99-99-99
	100818-01-01A	EA	MOLDING-VINYL WRAPPED, 1 65" X 4" X 7" - OAK
	100819-01-01A	EA	MOLDING-VINYL WRAPPED, L SHAPED - 1 5" X 1 5" X 7" - OAK
	094485-01-01A	EA	KNOB-DOOR, BRASS
2	100001-01-B07	EA	CABINET-LINEN W/O DOORS OR HARDWARE
3	P00520-83-B07	EA	DOOR-LINEN CABINET, W/O HARDWARE - 10 8" X 28"
4	P00520-44-B13	EA	DOOR LINEN CABINET, W/O HARDWARE - 10 8" X 28"
5	M04145-01-907	EA	DOOR WARDROBE, W/JAMB - 28.1" X 69.9"
	100149-01-B07	EA	DOOR-WARDROBE, W/O HARDWARE - 28 1" X 59 9"
	080728-01-000	EA	HANDLE PULL, BROWN PLASTIC
	101430-01-01A	EA	HINGE-DOOR 2" - BRASS
	081508-20-B07	EA	DRAWER-5" X 19 7" FACE X 18.7" - W/O HARDWARE - AISLE SIDE
6	P00520-64-B07	EA	DOOR-WARDROBE W/MIRROR - W/O HARDWARE - 15 4" X 49 2"
	058331-27-000	EA	MIRROR-GLASS, 11 8" X 45 7"
7	P00521-21-B07	EA	DRAWER-6 1" X 15 4" FACE X 18 7" - W/O HARDWARE
8	P00521-15-B07	EA	DRAWER-9.9" X 15 4" FACE X 18 7" - W/O HARDWARE
	054250-01-000	EA	COVER-ANGLED, 3 6" X 4 5" - BEIGE PLASTIC

**1991 WINNEBAGO**  
**TABLE OF CONTENTS**

INTRODUCTION	A-01 -	A-02
ABBREVIATIONS		A-03
ALPHABETICAL INDEX	A-04 -	A-06
WCN36RQ	A-07 -	F-16
WFN36RA	F-17	K-22

**1991 WFN36RA INDEX**

FLOOR PLAN	F-17 -	F-18
ACCESSORIES	F-19 -	G-08
BATH	G-09 -	G-14
BEDROOM	G-15 -	G-16
CHASSIS	G-17 -	H-01
CURTAIN, CUSHION & PAD	H-02 -	H-11
DINETTE	H-12 -	H-14
DRIVERS	H-15 -	H-20
ELECTRICAL	H-21 -	I-03
EXTERIOR BODY	I-04 -	I-10
GALLEY	I-11 -	I-18
HEATING & A/C	I-19 -	I-22
INTERIOR FINISH	I-23 -	J-02
LABEL	J-03 -	J-10
LP		J-11
LOUNGE	J-12 -	J-13
SEALANTS & FASTENERS	J-14 -	J-16
WATER & SEWAGE	J-17 -	J-22
WINDOW, VENT AND		
EXTERIOR DOOR	J-23 -	K-22

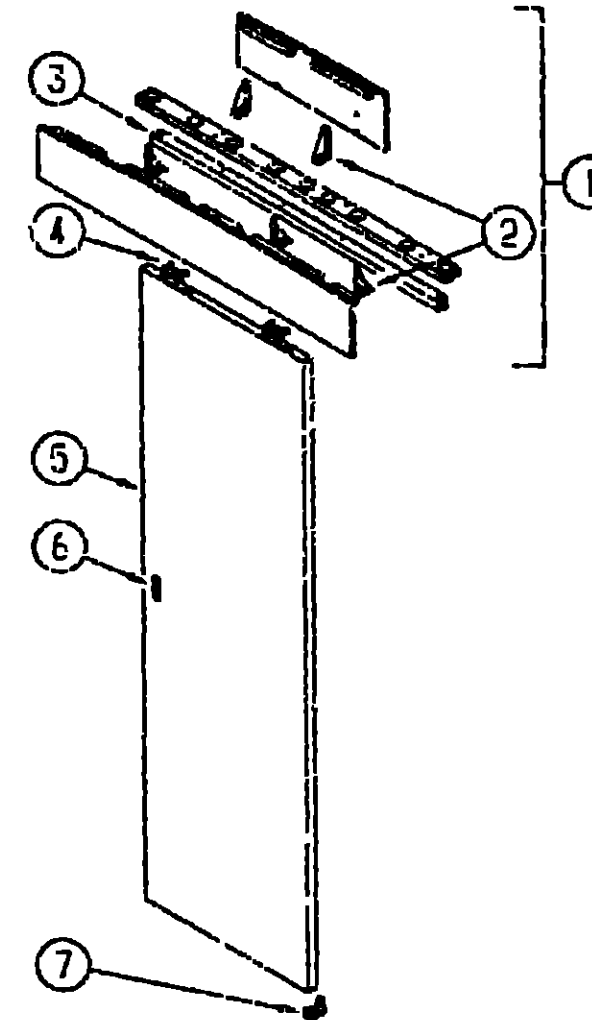
**BATH GROUP (CONTINUED)**  
PORCELAIN MARINE TOILET OPTION LASE

KEY	PART NUMBER	U/M	DESCRIPTION
	061641-01-000	EA	FLANGE-CLOSET, 4" X 3" - U S
	061641-02-000	EA	FLANGE-CLOSET, 4" X 3" - CANADIAN
	085330-04-000	EA	TOILET-CHINA, SHORTY W/SPRAY
	085330-01-701	EA	KIT-VACUUM BREAKER - SEALAND# 385318065
	085330-01-702	EA	TUBE-FLUSH SEALAND# 385315902
	085330-01-703	EA	RING & HALF CLAMPS ASM-BONE, SEALAND# 3853103-03
	085330-01-704	EA	TEFLON & RUBBER SEALS-SEALAND# 385316140
	085330-01-706	EA	BALL, SHAFT, & CARTRIDGE, SEALAND# 385318162
	085330-01-707	EA	CARTRIDGE-SPRING, SEALAND# 381236096
	085330-01-710	EA	PLUG-DRAIN, & CAP - W/SEAL - SEALAND# 385316142
	085330-01-713	EA	SHROUD-BONE, SEALAND# 390340124
	085330-01-714	EA	SEAL-FLANGE, FLOOR - SEALAND# 390343892
	085330-01-716	EA	FLANGE-FLOOR, 3" HPT - SEALAND# 390346056
	085330-01-717	EA	BOLT MOUNTING PACKAGE-SEALAND# 385310064
	085330-01-718	EA	SEAL-BASE & MOUNTING HARDWARE SEALAND# 385310063
	085330-04-700	FA	BREAKER-VACUUM, FOR HANDSPRAY - SEALAND# 230325
	085330-04-702	EA	LEVER FLUSH, SEALAND# 340825
	085330-04-703	EA	COVER ASM-PEDAL, SEALAND# 310118
	085330-04-704	EA	BASE ASM-BONE, SEALAND# 310124
	085330-04-705	FA	COVER ASM PEDESTAL, SEALAND# 310109
	085330-04-706	EA	BREAKER-VACUUM, W/HAND SPRAY - SEALAND# 385319055
	085330-04-707	EA	SEAT ASM -BONE, SEALAND# 340816

**TOILET & COMPONENTS**

KEY	PART NUMBER	U/M	DESCRIPTION
	063641-01-000	EA	FLANGE-CLOSET, 4" X 3"
	064076-01-000	EA	TOILET-THETFORD, MODEL 50 - 15 6" X 18 9" X 11 1" - IVORY
	039341-02-704	EA	SEAT & COVER SET-NEWSTYLE, THETFORD 08855
	039341-02-703	EA	PLUG-HOLE, IVORY - THETFORD 03855-10
	039341-01-700	EA	MECH-ASM SH SL & SH GL & GH, THETFORD 15283
	039341-02-705	EA	MOUNTING PACKAGE-THETFORD 08975
	064076-01-701	EA	MECHANISM STARLIGHT IVORY, THETFORD 14622
	067487-01-701	EA	WATER SAVER PACKAGE-THETFORD 08993
	067487-01-702	EA	CLAMP-THETFORD 03752

**BATH GROUP (CONTINUED)**



**SLIDING BATH DOOR**

KEY	PART NUMBER	U/M	DESCRIPTION
	100251-01-807	EA	HEADER ASM. W/O TRACK - OAK
	075527-01-000	EA	BRACKET-TRIANGLE, 2.9" X 1.8"
	071817-08-000	EA	TRACK-SLIDING DOOR, 51 2"
	009156-01-000	EA	HANGER-SLIDING DOOR
	100224-01-807	EA	DOOR-SLIDING, W/PULL - 71 1" X 20 9"
	098410-01-01A	EA	PULL-FINGER CVAL - BRASS
	064467-01-000	EA	GUIDE-SLIDING DOOR
	057534-01-000	EA	TIEBACK-SLIDING DOOR, 6"

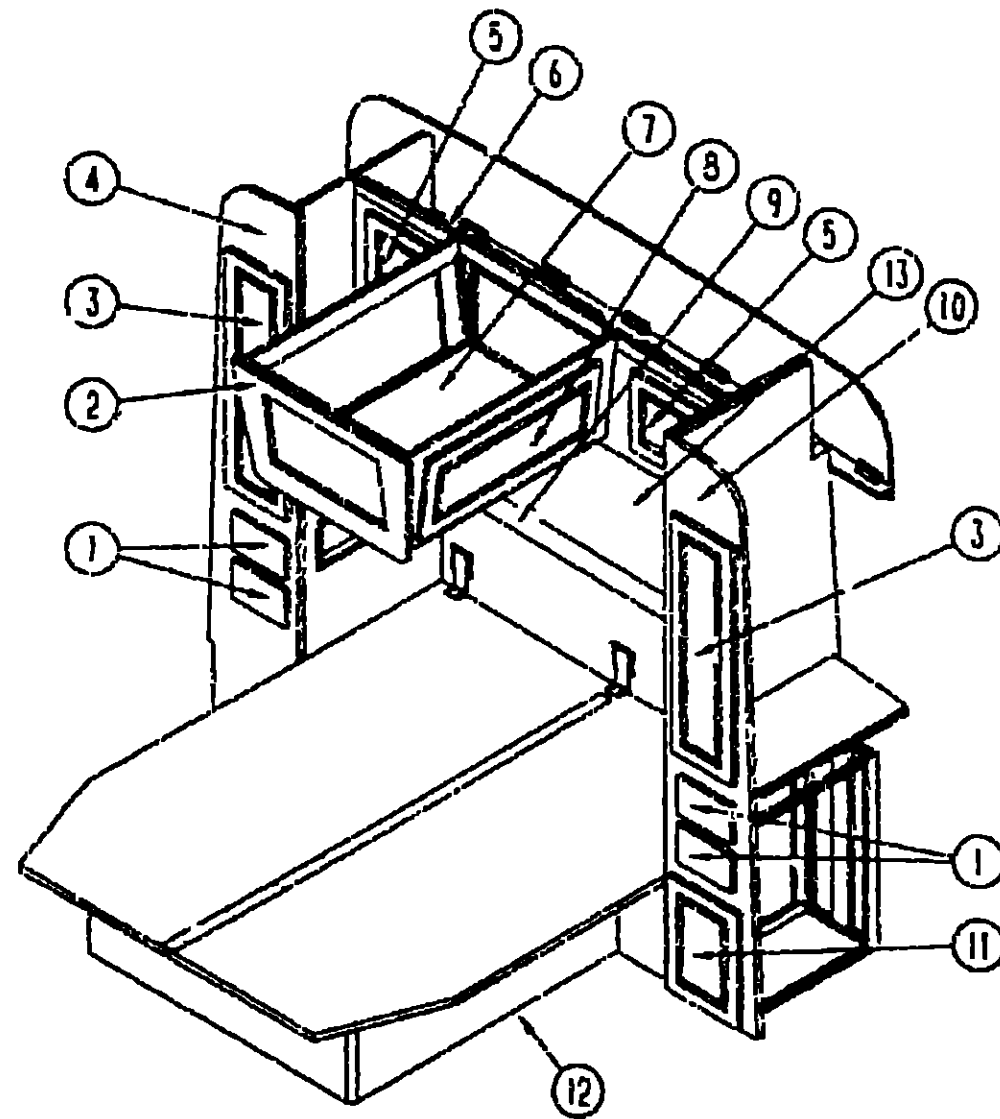
**1991 WINNEBAGO  
TABLE OF CONTENTS**

INTRODUCTION	A-01 -	A-02
ABBREVIATIONS		A-C3
ALPHABETICAL INDEX	A-04 -	A-06
WGN36RQ	A-07 -	F-16
WFN36RA	F-17 -	K-22

**1991 WFN36RA INDEX**

FLOOR PLAN	F-17 -	F-18
ACCESSORIES	F-19 -	G-08
BATH	G-09 -	G-14
BEDROOM	G-15 -	G-16
CHASSIS	G-17 -	H-01
CURTAIN, CUSHION & PAD	H-02 -	H-11
DINETTE	H-12 -	H-14
DRIVERS	H-15 -	H-20
ELECTRICAL	H-21 -	I-03
EXTERIOR BODY	I-04 -	I-10
GALLEY	I-11 -	I-18
HEATING & A/C	I-19 -	I-22
INTERIOR FINISH	I-23 -	J-02
LABEL	J-03 -	J-10
LF		J-11
LOUNGE	J-12 -	J-13
SEALANTS & FASTENERS	J-14 -	J-16
WATER & SEWAGE	J-17 -	J-22
WINDOW, VENT AND EXTERIOR DOOR	J-23 -	K-22

**BEDROOM GROUP**  
**QUEEN BED CABINETS AND COMPONENTS**



KEY	PART NUMBER	U/M	DESCRIPTION
1	P00521-05-B07	EA	DRAWER-CABINET, W/O HARDWARE - 8 5" X 19 5"
2	089599-01-B07	EA	END CAP-CABINET, OVERHEAD - CENTER ISLAND, W/O MIRROR
	058331-18-000	EA	MIRROR-GLASS, 11 25" X 22 4"
3	P00520-14-B07	EA	DOOR-CABINET, W/O HARDWARE - 9 8" X 33 5"
4	M04163-01-B07	EA	CABINET-SHIRT CLOSET, PASS SIDE - W/O DOORS OR HDW
4	M04163-02-B07	EA	CABINET-SHIRT CLOSET, PASS SIDE - W/O DOORS OR HDW - OPTION L26L
	041953-03-000	FT	CONDUIT-CONVOLUTED SLIT, 1" ID (CLOTHES ROD COVER)
	009112-01-000	EA	FLANGE-1" CLOTHES ROD - PLASTIC - OFF WHITE
	042438-01-000	EA	DOWEL-WOOD, CLOTHES ROD - 1" DIAMETER X 4"
5	P00520-07-B07	EA	DOOR-CABINET, BACKWALL - W/O HARDWARE - 11" X 11"
6	M04155-01-B07	EA	CABINET-OVERHEAD, BACKWALL - W/O DOORS OR HARDWARE
	032032-02-01A	EA	SHELF-CABINET, BACKWALL OVERHEAD
7	P00881-01-B07	EA	CABINET-OVERHEAD, BED ISLAND - W/O DOORS OR HARDWARE
8	P00520-48-B07	EA	DOOR-CABINET, W/O HARDWARE - 12" X 18 7"
9	092525-01-B07	EA	COUNTERTOP-BACKWALL
	094791-01-Y12	EA	TRIM-CABINET TO BACKWALL COUNTERTOP - 1 5" X 4 25" - WOOD - PASS SIDE
	054791-02-Y12	EA	TRIM-CABINET TO BACKWALL COUNTERTOP - 1 5" X 4 25" - WOOD - DR SIDE
10	100950-01-B07	EA	CABINET-SHIRT CLOSET, DRIVER SIDE - W/O DOORS OR HARDWARE - U.S.
10	100950-02-B07	EA	CABINET-SHIRT CLOSET, DRIVER SIDE - W/O DOORS OR HARDWARE - CSA
11	P00520-16-B07	EA	DOOR-CABINET, W/O HARDWARE - 11.4" X 16 1" (U.S. ONLY)
12	P02295-01-B07	EA	CABINET ASM - QUEEN BED W/O TOP OR HARDWARE - STANDARD OR OPTIONAL FROM 00-00-00 THRU: 09-02-90
12	M92734-01 B07	EA	CABINET ASM - QUEEN BED W/O TOP OR HARDWARE - STANDARD FROM 09-03-90 THRU 99-99-99
12	P02295-01-B07	EA	CABINET ASM - QUEEN BED W/O TOP OR HARDWARE - OPTION L21W FROM 09-03-90 THRU 99-99-99
13	101243-01-B07	EA	MIRROR ASM - TRIPLE, 57" X 30"
	093606-02-000	EA	MIRROR-BEVELED 25" X 28 3"
	093606-03-000	EA	MIRROR-BEVELED 15 1" X 28 3"
	100961-01-B07	EA	CABINET-AISLE STORAGE (NOT SHOWN)
	084371-03-000	EA	ROD-BRASS 72" LONG
	100961-11-B07	EA	COUNTERTOP-AISLE STORAGE CABINET

**QUEEN BED HARDWARE**

KEY	PART NUMBER	U/M	DESCRIPTION
	057460-02-000	EA	STUD-BALL, GAS SPRING - 10 MM - 5/16" - 18
	057460-03-000	EA	CLIP-SAFETY, WIREFORM TYPE - GAS SPRING
	057460-04-000	EA	SPRING-GAS
	039024-01-000	EA	SUPPORT-SPRING, TO FLOOR
	069025-01-000	EA	SUPPORT-SPRING, TO BED
	088199-02-Y12	EA	HINGE-BED, TOP LIFT - METAL - BEIGE
	077252-01-000	EA	PIN-HINGE
	086235-02-000	EA	BEARING SNAP IN, 3/15" ID X 3/16"

**TV STAND**

KEY	PART NUMBER	U/M	DESCRIPTION
	084357-02-B07	EA	STAND-TV, W/MIRROR
	084358-04-000	EA	INSERT-TV STAND TAN
	023320-01-000	EA	PAD-FELT, 3/8" DIAMETER BROWN
	084412-01-000	EA	SUPPORT-HINGED
	084451-01-000	EA	CATCH-TV SHELF, BRASS
	084625-02-000	EA	HINGE-ALUMINUM, W/HOLES - 17 2" - TAN
	084413-01-000	EA	HINGE-CONTINUOUS ALUMINUM - 1" X 72" - W/HOLES
	058331-14-000	EA	MIRROR - GLASS - SAFETY - 14" X 12 7"

**1991 WINNEBAGO**  
**TABLE OF CONTENTS**

INTRODUCTION	A-01 -	A-02
ABBREVIATIONS		A-03
ALPHABETIC INDEX	A-04 -	A-06
WCN36RQ	A-07 -	F-16
WFN36RA	F-17 -	K-22

**1991 WFN36RA INDEX**

FLOOR PLAN	F-17 -	F-18
ACCESSORIES	F-19 -	G-08
BATH	G-09 -	G-14
BEDROOM	G-15 -	G-16
CHASSIS	G-17 -	H-01
CURTAIN CUSHION & PAD	H-02 -	H-11
DINETTE	H-12 -	H-14
DRIVERS	H-15 -	H-20
ELECTRICAL	H-21 -	I-03
EXTERIOR BODY	I-04 -	I-10
GALLEY	I-11 -	I-18
HEATING & A/C	I-19 -	I-22
INTERIOR FINISH	I-23 -	J-02
LABEL	J-03 -	J-10
LP		J-11
LOUNGE	J-12 -	J-13
SEALANTS & FASTENERS	J-14 -	J-16
WATER & SEWAGE	J-17 -	J-22
WINDOW, VENT AND EXTERIOR DOOR	J-23 -	K-22

**CHASSIS GROUP  
TIRE & WHEEL**

KEY	PART NUMBER	U/M	DESCRIPTION
	051377-01-000	EA	STEM-VALVE
	083425-02-000	EA	TIRE-MICHELIN LT235 / 85R16 LRE
	095653-01-000	EA	WHEEL-STEEL, 16" X 5K - EPTZ - 1015 - A - ACCURIDE 28375-12
	086243-01-000	EA	NUT-WHEEL

**CANADIAN OPTION**

KEY	PART NUMBER	U/M	DESCRIPTION
	100138-01-000	EA	MODULE-DAYTIME RUNNING LIGHT
	100138-01-000	EA	WIRE ASM-DAYTIME RUNNING LIGHTS
	100159-01-000	EA	WIRE ASM DAYTIME RUNNING LIGHTS, W/FUSE
	094794-02-000	EA	CLUSTER-INSTRUMENT, KILOMETER

**HYDRAULIC LEVELING JACKS OPTION L64H**

KEY	PART NUMBER	U/M	DESCRIPTION
	100532-01-000	EA	LEVELING SYSTEM-HYDRAULIC
	100532-01-700	EA	VALVE F/MAN LEVEL W/DELUXE
	036808-01-000	EA	SPACER FEDESTAL, DRIVER
	100533-02-000	EA	BRACKETS FRONT LEVELING JACK
	100533-03-000	EA	BRACKETS-FRONT LEVELING JACK FROM 00-00-00 THRU 10-05-90
	100534-03-000	EA	BRACKETS-REAR LEVELING JACKS - 5 25" X 6 5" FROM 10-06-90 THRU 99-99-99
	100534-06-000	EA	BRACKETS-REAR LEVELING JACKS - 10 25"
	100535-02-000	EA	BRACKET-PUMP, LEVELING JACK
	100536-05-000	EA	HOSE KIT-LEVELING JACKS

**MANUAL LEVELING JACKS OPTION L64L**

KEY	PART NUMBER	U/M	DESCRIPTION
	099025-01-000	EA	STABILIZER-JACK, PASSENGER
	099025-02-000	EA	STABILIZER-JACK, DRIVER
	099116-01-000	EA	BRACKET-STABILIZER JACK, W/2 SQUARE TUBES
	099641-02-000	EA	BRACKET-JACK, REAR
	099642-01-000	EA	BRACKET-JACK, W/ANGLE BRACE
	099642-02-000	EA	BRACKET-JACK, FRONT

**SPEED CONTROL**

NOTE SUPPLIED BY FORD IN STEERING WHEEL

**ENGINE COMPARTMENT COMPONENTS**

KEY	PART NUMBER	U/M	DESCRIPTION
	096630-01-000	EA	BOTTLE-OVERFLOW, RADIATOR - GM 14042454
	076310-01-000	EA	BAFFLE-RADIATOR .12" X 15" X .62" - RUBBER
	079059-02-000	EA	HOSE-90 DEGREE, 61" ID X 4" X 6"
	085000-01-000	EA	SHIELD-A/C, 6 8" X 3 1" - STEEL

**CHASSIS GROUP (CONTINUED)  
TAG AXLE SYSTEM**

KEY	PART NUMBER	U/M	DESCRIPTION
	085761-02-000	EA	COMPRESSOR AIR, 12 VOLT 1/8HP - GAST 1HAB-74-M114
	085783-01-000	EA	TEE-2 FEMALE & 1 MALE ENDS, 3/8 X 1/4 - WEATHERHEAD 1471X6X4X4
	085768-01-000	EA	COUPLING-BRASS 1/4 FNPT - WEATHERHEAD 3300X4
	085757-01-000	EA	TEE-ADAPTER 3/8" BRK T X 1/4" NPT - WEATHERHEAD 1482X6X4
	085769-01-000	EA	VALVE-RELIEF 1/4 MPT - 115 LB
	083756-01-000	EA	VALVE-CHECK, 1/4 NPT-MALE - HENSCHEN 601232
	085757-01-000	EA	SWITCH-PRESSURE CONTROL, HENSCHEN 510259
	085765-01-000	EA	TEE-2 F & 1 MALE ENDS, 1/4 NPT X 1/4 - BRASS - WEATHERHEAD 3750X4
	071387-04-000	EA	ELBOW-MALE 3/8" X 1/4"
	071387-05-000	EA	ELBOW-MALE, 1/4" X 1/4"
	071390-03-000	FT	TUBING-AIR BRAKE, 3/8" OD - RED
	071390-04-000	FT	TUBING-AIR BRAKE, 1/4" OD - BLACK
	071391-02-000	EA	NIPPLE-HEX, 25 PIPE
	071392-03-000	EA	PLUG-HEX HEAD, 1/4NPT BRASS
	085755-01-000	EA	SOLENOID-AIR VALVE, 1/4 NPT-F - HENSCHEN 500941
	085759-01-000	EA	LIGHT-WARNING "LOW AIR" HENSCHEN 510633
	071375-02-000	EA	TANK-AIR
	071375-03-000	EA	ISOLATOR-AIR TANK MOUNT
	035758-02-000	EA	SWITCH-"LOW AIR", NASON SF-17B-20F
	085773-01-000	EA	VALVE-DRAIN, AIR TANK - 1/4 MPT - WEATHERHEAD
	085766-01-000	EA	ADAPTER-1/4 FPT X 1/4 MPT BRASS - WEATHERHEAD
	071374-03-000	EA	FITTING-BULKHEAD, 1/4" X 1/4" MNPT
	085755-01-000	EA	SOLENOID-AIR VALVE, 1/4 NPT-F - HENSCHEN 500941
	086241-01-000	EA	VALVE-AIR 1/4 MPT - TIRE STEM - SCHRADER 1498E-6
	094558-06-000	EA	VALVE-HEIGHT CONTROL, PASSENGER SIDE - HENSCHEN 3820031 FROM 00-00-00 THRU 10-07-90
	085754-01-000	EA	VALVE HEIGHT CONTROL, PASSENGER SIDE - HENSCHEN 0820046 FROM 10-08-90 THRU 99-99-99
	094558-07-000	EA	VALVE HEIGHT CONTROL, DRIVER SIDE - HENSCHEN 3820032 FROM 00-00-00 THRU 10-07-90
	085754-02-000	EA	VALVE-HEIGHT CONTROL, DRIVER SIDE - HENSCHEN 0820047 FROM 10-08-90 THRU 99-99-99
	085754-04-000	EA	PIVOT-LINK MTG, FORD/OSH KOSH - HENSCHEN 5820084
	085754-05-000	EA	LINK-VALVE CONTROL, 7" W/BOLT - HENSCHEN 0820021-7
	098439-04-000	EA	SUSPENSION-TAG, FORD - HENSCHEN 5820064
	098439-04-700	EA	BELLOWS-AIR SPRING, TAG SUSPENSION - HENSCHEN 082005
	085750-01-712	EA	SPRING BUSHING - HENSCHEN 5503-023
	085750-01-714	EA	TRANSVERSE ROD - HENSCHEN 5001-004
	085750-01-715	EA	TRANSVERSE ROD BUSHING - HENSCHEN 7572-102
	085750-01-716	EA	STRADDLE PIN - HENSCHEN 6600-079
	085750-01-720	EA	STIRRUP-SPRING, HENSCHEN 8600-079
	085750-01-718	EA	BOLT-SFRING STIRRUP, HENSCHEN 9110-150
	085750-01-719	EA	NUT-SPRING STIRRUP, HENSCHEN 92110-130
	098439-02-000	EA	AXLE-TAG, FORD - HENSCHEN 5820066
	098439-02-700	EA	HUB & DRUM WCUPS-DRIVER OR PASSENGER SIDE, FORD
	094558-02-700	EA	WHEEL BRG-INNER J D & FORD TAG
	094558-02-701	EA	WHEEL BRG-OUTER J D & FORD TAG
	085750-01-705	EA	GREASE SEAL - HENSCHEN 0270015
	094558-02-704	EA	DUST COVER W/ZERK J D & FORD TAG
	085750-01-708	EA	BRAKE R H 12X2 - HENSCHEN 3160014
	085750-01-709	EA	BRAKE L H 12X2 - HENSCHEN 3160015
	085750-01-700	EA	MAGNET KIT (OVAL) - HENSCHEN M-130
	085750-01-701	EA	SHOE & LININGS(F/I BRAKE) - HENSCHEN SL-111
	085750-01-723	EA	MAGNET KIT, ROUND - HENSCHEN M-115
	085750-01-724	EA	ARM-LEVELOR, MAGNETIC - RIGHT RND - HENSCHEN 0558
	085750-01-725	EA	ARM-LEVELOR, MAGNETIC - LEFT RND - HENSCHEN 05583
	085753-01-000	EA	CONTROLLER-BRAKE, WEATHERTRON

**1991 WINNEBAGO  
TABLE OF CONTENTS**

INTRODUCTION	A-01	A-02
ABBREVIATIONS		A-03
ALPHABETICAL INDEX	A-04	A-05
WCN36RQ	A-07	F-16
WFN36RA	F-17	K-22

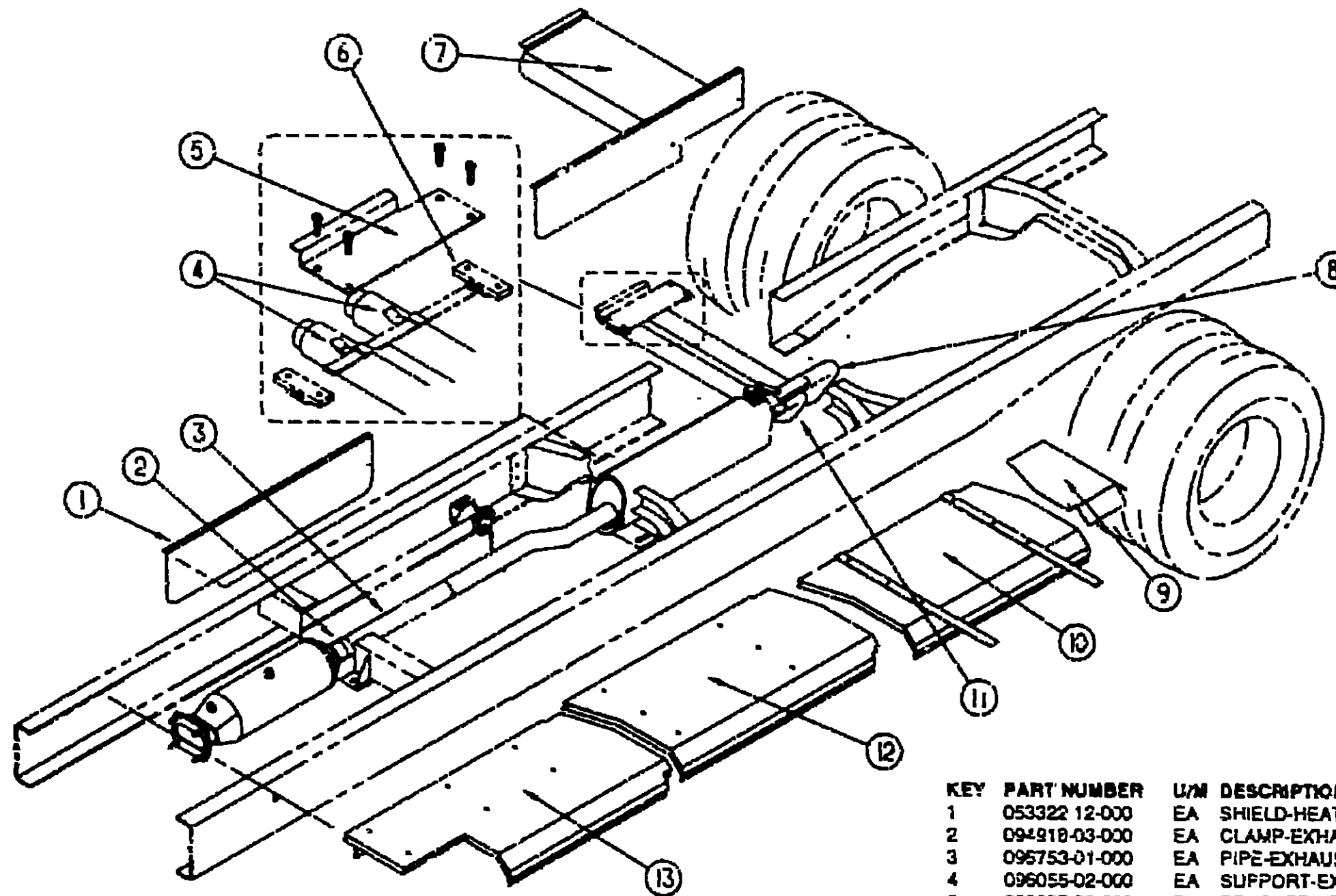
**1991 WFN36RA INDEX**

FLOOR PLAN	F-17	F-18
ACCESSORIES	F-19	G-08
BATH	G-09	G-14
BEDROOM	G-15	G-16
CHASSIS	G-17	H-01
CURTAIN, CUSHION & PADH	H-02	H-11
D'NETTE	H-12	H-14
DRIVERS	H-15	H-20
ELECTRICAL	H-21	I-03
EXTERIOR BODY	I-04	I-10
GALLEY	I-11	I-18
HEATING & A/C	I-19	I-22
INTERIOR FINISH	I-23	J-02
LABEL	J-03	J-10
LP		J-11
LOUNGE	J-12	J-13
SEALANTS & FASTENERS	J-14	J-16
WATER & SEWAGE	J-17	J-22
WINDOW, VENT AND EXTERIOR DOOR	J-23	K-22

**CHASSIS GROUP (CONTINUED)**  
**EXHAUST COMPONENTS**

**1991 WINNEBAGO**  
**TABLE OF CONTENTS**

INTRODUCTION	A-01 -	A-02
ABBREVIATIONS		A-03
ALPHABETICAL INDEX	A-04 -	A-06
WCN36RQ	A-07 -	F-16
WFN36RA	F-17 -	K-22



KEY	PART NUMBER	U/M	DESCRIPTION
1	053322-12-000	EA	SHIELD-HEAT EXHAUST, - 32" X 9" - STEEL
2	094918-03-000	EA	CLAMP-EXHAUST PIPE, 2 5"
3	095753-01-000	EA	PIPE-EXHAUST, DOUBLE WALL - 24 8"
4	096055-02-000	EA	SUPPORT-EXHAUST PIPE, 1" X 15 8"
5	096087-02-000	EA	BRACKET-STRAP, EXHAUST PIPE - 5 6" X 13" - W/NUTS
6	095190-01-000	EA	HANGER-EXHAUST, 4" X 1 4"
7	099312-01-000	EA	SHIELD-EXHAUST, 9" X 30 8" - STEEL
8	099345-01-000	EA	PIPE-EXHAUST, REAR - 42" LONG - FORD
9	099430-01-000	EA	SHIELD-EXHAUST, REAR - 14" X 19 1" - FROM EDGE TO BEND
10	098795-02-000	EA	SHIELD-EXHAUST, 15 67" X 35 39"
11	099344-01-000	EA	PIPE-EXHAUST, FRONT - 40 7" LONG
12	098795-03-000	EA	SHIELD-EXHAUST, GALVANIZED STEEL
13	098796-04-000	EA	SHIELD-EXHAUST, CONVERTER - 26 3" X 19 9"
	007125-06-000	EA	CLAMP-MUFFLER, 2 25" DIAMETER
	098443-03-000	EA	SUPPORT-SHIELD, EXHAUST - 1 5" X 29 2" - STEEL

**1991 WFN36RA INDEX**

FLOOR PLAN	F-17 -	F-18
ACCESSORIES	F-19 -	G-08
BATH	G-09 -	G-14
BEDROOM	G-15 -	G-16
CHASSIS	G-17 -	H-01
CURTAIN, CUSHION & PAD	H-02 -	H-11
DINETTE	H-12 -	H-14
DRIVERS	H-15 -	H-20
ELECTRICAL	H-21 -	I-03
EXTERIOR BODY	I-04 -	I-10
GALLEY	I-11 -	I-18
HEATING & A/C	I-19 -	I-22
INTERIOR FINISH	I-23 -	J-02
LABEL	J-03 -	J-10
LP		J-11
LOUNGE	J-12 -	J-13
SEALANTS & FASTENERS	J-14 -	J-16
WATER & SEWAGE	J-17 -	J-22
WINDOW, VENT AND EXTERIOR DOOR	J-23 -	K-22

**CHASSIS GROUP (CONTINUED)**  
**FUEL FILL COMPONENTS**

KEY	PART NUMBER	U/M	DESCRIPTION
	080091-01-000	EA	STRAP-MOUNTING, FUEL LINE - 2" X 3/2"
	093810-03-000	EA	SHROUD-FUEL FILL LOWER
	072447-04-000	EA	SHROUD-FUEL FILL UPPER
	005732-01-000	FT	HOSE-FUEL, 62" ID
	083578-01-000	EA	BOOT-FUEL FILL
	094235-01-000	EA	SUPPORT-FLANGE FUEL FILL BOOT
	000254-01-000	EA	RETAINER-SENDER FUEL
	086255-01-000	EA	GASKET-SENDER FUEL
	096496-02-000	EA	STRAP-FUEL TANK, STEEL
	095605-01-000	EA	NECK-FUEL FILL W/CHECK VALVE - L-SHAPED - 18 2" LONG
	079660-01-000	EA	GROMMET-SEAL VALVE - FUEL - FORD# E1FZ-93075-B
	007111-02-000	EA	HOSE-FUEL 2" ID X 3'
	007063-01-000	FT	HOSE-FUEL 1/4" ID X 1/2" OD

**DRIVESHAFT**

KEY	PART NUMBER	U/M	DESCRIPTION
	075502-02-000	EA	DRIVESHAFT-YOKE/YOKE

**STEERING COLUMN SUPPORT & COWL PANELS**

KEY	PART NUMBER	U/M	DESCRIPTION
	095770-02-000	EA	SUPPORT-STEERING COLUMN
	093008-01-000	EA	PANEL-COWL DRIVER - STEEL
	093093-02-000	EA	PANEL-COWL PASSENGER - STEEL

**CHASSIS GROUP (CONTINUED)**  
**MISCELLANEOUS COMPONENTS**

KEY	PART NUMBER	U/M	DESCRIPTION
	015355-01-000	EA	RIN-TIRE CARRIER CADMIUM PLATED
	075486-01-000	EA	UNION-INVERTED FL TUBE, 1/4"
	075457-01-000	EA	NUT-INVERTED FLARE, 1/4"
	088497-02-000	EA	NUT-INVERTED FLARE, 1/4"
	064634-01-000	EA	PLUG-BRASS, 3/8"
	000012-05-165	EA	BOLT-HEX 5/16-18 X 1 - ZINC 5
	000039-05-003	EA	NUT-HEX SER FLG LK 5/16 - 18 ZN
	062401-07-000	EA	CLAMP HOSE, WORMGEAR 5" - 7"
	062244-01-000	FT	TAPE-FOAM VINYL COATED - 2" WIDE - INCREMENTS OF 108 FT
	000032-05-005	EA	NUT-HEX SER FLG LK - 5/16 - 18 ZN
	051357-06-000	EA	BOLT-CARRIAGE W/O HOLE - 5/16-18 X 9 5 ZN
	102333-01-01A	EA	BOLT-CARRIAGE 7/16 - 14 - STAINLESS STEEL CAP- BEIGE
	000513-17-008	EA	WASHER FL-3/8 AS ZN
	071015-08-000	EA	GROMMET-1 7/8" ID FITS 05" MATER AL, RUBBER
	000012-10-24B	EA	BOLT-HEX, 5/8-11 X 1 1/2 ZN - 5
	062401-03-000	EA	CLAMP-HOSE WORMGEAR, 22" - 1"
	052701-05-000	EA	CLAMP-HOSE, WORMGEAR 2" - 3"
	057797-01-000	FT	SPACER STRAP, W/FOAM ADHESIVE 31" X 15" - NEOPRENE
	020167-03-000	EA	DIRT GUARD - STEEL
	075785-02-000	EA	ELBOW-BRASS 90 DEGREE - 3/4" FPT X 3/4" MPT
	068753-01-000	EA	TUBE-ALUMINIZED STEEL 5/5" - 18 GAUGE

**BATTERY**

KEY	PART NUMBER	U/M	DESCRIPTION
	087475-02-000	EA	BRACKET-BATTERY, TIE DOWN - 13 5" X 1 3"
	051357-06-000	EA	BOLT-CARRIAGE W/O HOLE - 5/16 18 X 9 5 ZN
	090604-04-000	EA	TRAY-BATTERY-AUTOMOTIVE
	074994-01-000	EA	GUIDE-TRACK, BATTERY TRAY
	093895-01-000	EA	TRAY-BATTERY W/GUIDE & LATCH STRIKE-COACH
	093718-01-000	EA	PLATE-STRIKE, BATTERY/STORAGE COMPARTMENT
	086230-01-000	EA	STUD-ISOLATED, 3/8" X 7/8" LONG
	051697-01-000	EA	BRACKET-BATTERY TIEDOWN 9 1/2" X 1"

**EXTERIOR ACCESSORY PACKAGE OPTION L28E**

KEY	PART NUMBER	U/M	DESCRIPTION
	096765-01-000	EA	RAIL-DRAWER

**ENTRY STEP BOX**

KEY	PART NUMBER	U/M	DESCRIPTION
	088412-04-000	EA	TRIM-STEPBOX, ENTRY DOOR - BEIGE
	092633-02-01A	EA	LINER STEP BOX, ENTRANCE DOOR - 5" - BLACK
	M92055-01-000	EA	ACCESS PNL-STEP BOX W/HINGE
	098254-01-000	EA	CATCH-MAGNETIC, 1 8" X 7"
	009053-01-000	EA	HINGE-CONTINUOUS 1 1/2" X 72"
	096645 01 000	EA	PULL-CABINET, BRASS RIBBON

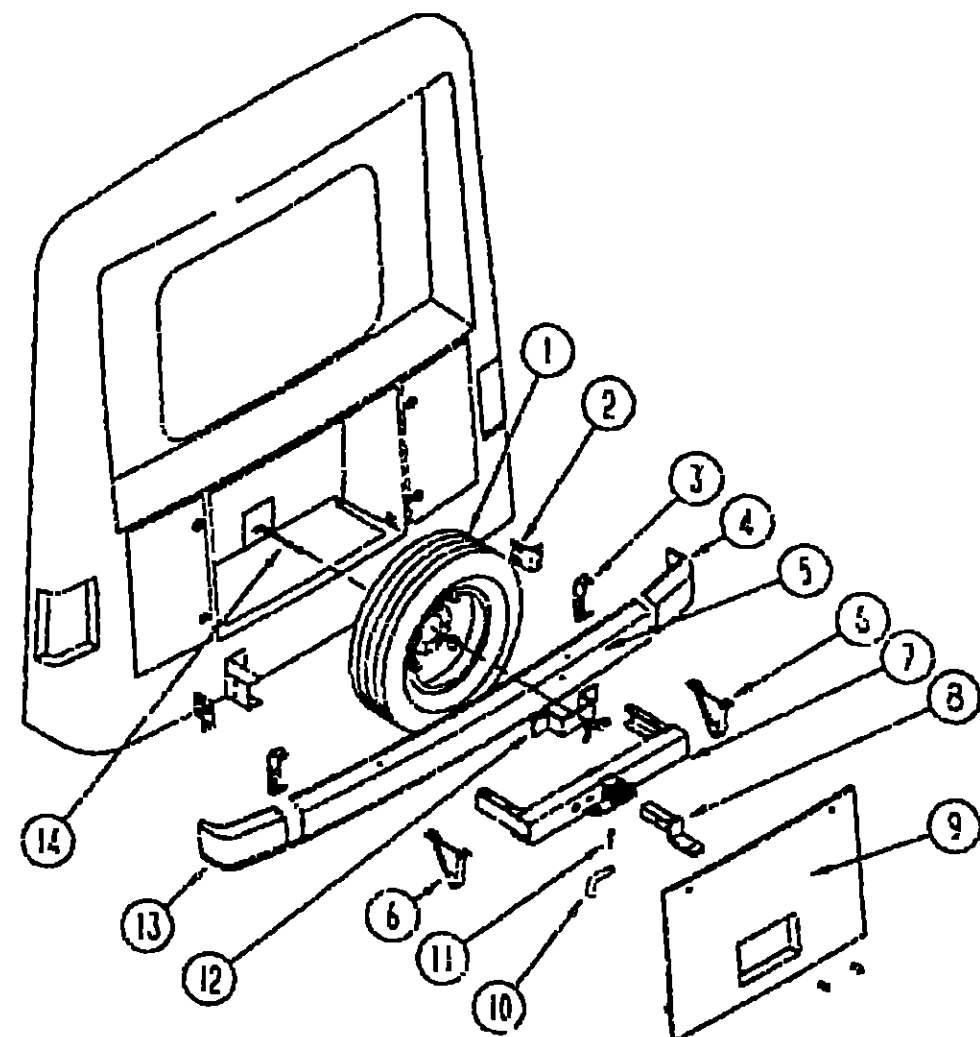
**1991 WINNEBAGO**  
**TABLE OF CONTENTS**

INTRODUCTION	A-01 -	A-02
ABBREVIATIONS		A-03
ALPHABETICAL INDEX	A-04 -	A-06
WC136RO	A-07 -	F-16
WFN36RA	F-17 -	K-22

**1991 WFN36RA INDEX**

FLOOR PLAN	F-17 -	F-18
ACCESSORIES	F-19 -	G-06
BATH	G-09 -	G-14
BEDROOM	G-15 -	G-16
CHASSIS	G-17 -	H-01
CURTAIN CUSHION & PAD	H-02 -	H-11
DINETTE	H-12 -	H-14
DRIVERS	H-15 -	H-20
ELECTRICAL	H-21 -	I-03
EXTERIOR BODY	I-04 -	I-10
GALLEY	I-11 -	I-18
HEATING & A/C	I-19 -	I-22
INTERIOR FINISH	I-23 -	J-02
LABEL	J-03 -	J-10
LP		J-11
LOUNGE	J-12 -	J-13
SEALANTS & FASTENERS	J-14 -	J-18
WATER & SEWAGE	J-17 -	J-22
WINDOW, VENT AND		
EXTERIOR DOOR	J-23 -	K-22

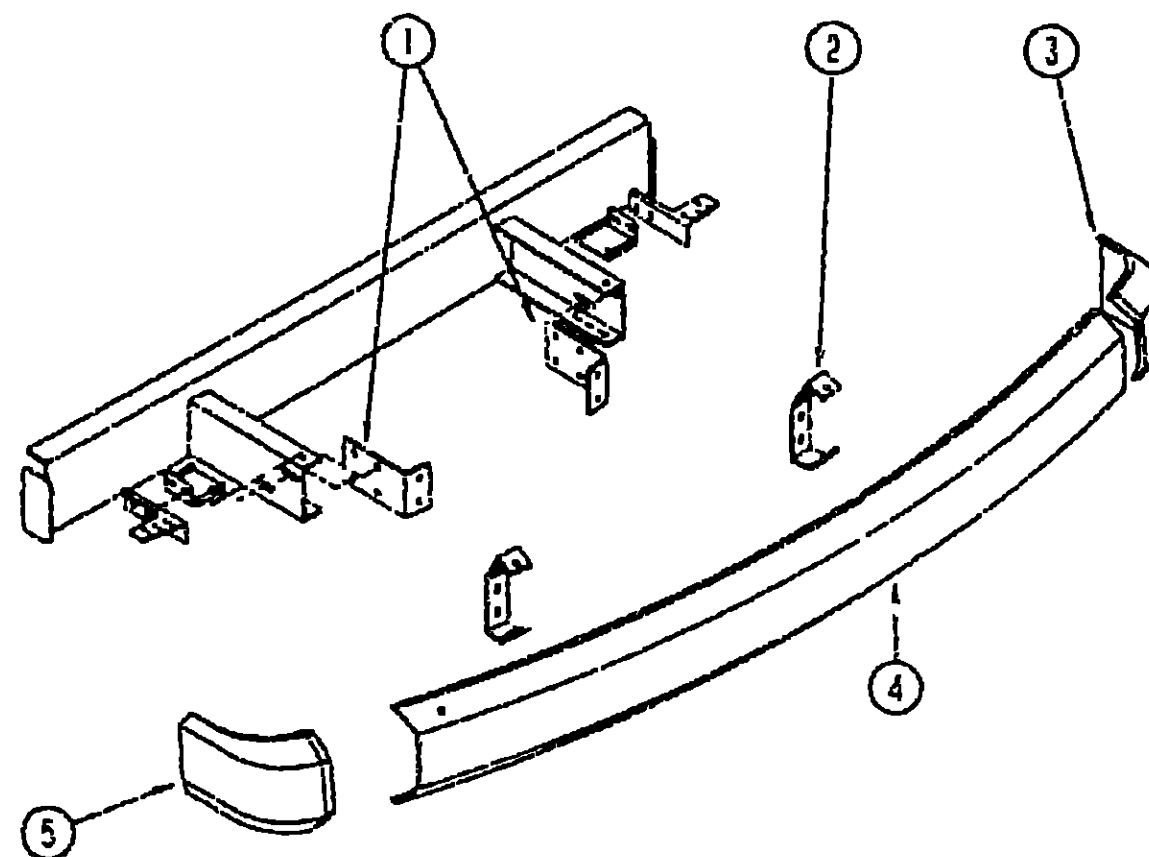
**CHASSIS GROUP (CONTINUED)**



**REAR BUMPER, END CAP & TRAILER TOWING HOUSINGS**

KEY	PART NUMBER	U/M	DESCRIPTION
	097144-02-000	EA	HOUSING-TRAILER PIN 48"
	097745-01-000	EA	HOUSING CAP-TRAILER PIN
	097745-02-000	EA	HOUSING RECEPTACLE TRAILER - 48" WIRE LENGTH
1	083425-02-000	EA	TIRE- MICHELIN, LT 235/85R16 LRE
1	051377-01-000	EA	STEM-VALVE
1	093853-01-000	EA	WHEEL-STEEL 16" X 6K - ESTZ - 1015 - A - ACCURIDE 25375-12
2	076556-01-000	EA	SUPPORT-L ANGLE BUMPER - PASSENGER SIDE - 5" X 4 5"
2	076558-02-000	EA	SUPPORT-L ANGLE BUMPER - DRIVER SIDE - 5" X 4 9"
3	077855-01-000	EA	BRACKET-BUMPER, REAR - BENT ENDS - 2" WIDE X 8" LONG
	005200-01-000	EA	BOLT-BUMPER, ROUND HEAD-SQUARE NECK- W/ SST CAP 7/16-14 X 1 1/4
4	092250-01 01A	EA	CAP-BUMPER END, REAR PASSENGER - PLASTIC - BEIGE
5	077851-06-000	EA	BUMPER-REAR, UNFINISHED
6	093048-01-000	EA	PLATE-SKID, REAR BUMPER - V SHAPED
7	077617-04-000	EA	HITCH-W/O DRAWBAR
8	077613-01-000	EA	DRAWBAR ONLY
9	092982-01-Y10	EA	DOOR SPARE TIRE, W/ LOCKS - 25 8" X 41 3" - BEIGE
10	034512-01-000	EA	PIN-LOCKING, DRAWBAR
11	034513-01-000	EA	PIN-HITCH, 3/16" WIRE
12	077399-01-000	EA	RETAINER-SPARE TIRE
	064081-01-000	EA	NIJT-WING - SPARE TIRE
13	092250-02-01A	EA	CAP-BUMPER END, REAR DRIVER - PLASTIC - BEIGE
14	095939-02-000	EA	PLATE ASM SPARE TIRE WITH RETAINING ROD
	081107-01-000	EA	BRACKET-BUMPER PIN

**CHASSIS GROUP (CONTINUED)**



**FRONT BUMPER & END CAP**

KEY	PART NUMBER	U/M	DESCRIPTION
1	093514-01-000	EA	SUPPORT-BUMPER FRONT - L ANGLE - 4" X 7"
2	077852-01-000	EA	BRACKET-BUMPER FRONT - 2" PER COACH - BENT 2" X 8"
3	091840-02-01A	EA	CAP-BUMPER END, FRONT DRIVER - PLASTIC - BEIGE
4	091994-01-01A	EA	BUMPER-FRONT, UNFINISHED
5	091840-01-01A	EA	CAP-BUMPER END FRONT PASSENGER - PLASTIC - BEIGE
	005200-01-000	EA	BOLT-BUMPER, ROUND HEAD-SQUARE NECK- W/ SST CAP 7/16-14 X 1 1/4

**PLASTIC WHEELWELL & WHEELWELL BRIDGE**

KEY	PART NUMBER	U/M	DESCRIPTION
	095071-02-000	EA	WHEELWELL-PLASTIC - DUAL AXLE
	096385-02-000	EA	WHEELWELL-PLASTIC - TAG AXLE
	M34519 01-000	EA	WHEELWELL-BRIDGE, E-COATED

**1991 WINNEBAGO  
TABLE OF CONTENTS**

INTRODUCTION	A-01 -	A-02
ABBREVIATIONS		A-03
ALPHABETICAL INDEX	A-04 -	A-06
WCN36RQ	A-07 -	F-16
WFN36RA	F-17 -	K-22

**1991 WFN36RA INDEX**

FLOOR PLAN	F-17 -	F-18
ACCESSORIES	F-19 -	G-08
BATH	G-09 -	G-14
BEDROOM	G-15 -	G-15
CHASSIS	G-17 -	H-01
CURTAIN, CUSHION & PAD	H-02 -	H-11
DINETTE	H-12 -	H-14
DRIVERS	H-15 -	H-20
ELECTRICAL	H-21 -	I-03
EXTERIOR BODY	I-04 -	I-10
GALLEY	I-11 -	I-18
HEATING & AC	I-19 -	I-22
INTERIOR FINISH	I-23 -	J-02
LABEL	J-03 -	J-10
LP		J-11
LOUNGE	J-12 -	J-13
SEALANTS & FASTENERS	J-14 -	J-16
WATER & SEWAGE	J-17 -	J-22
WINDOW, VENT AND EXTERIOR DOOR	J-23	K-22



**CHASSIS GROUP (CONTINUED)**  
COMPARTMENT COMPONENTS

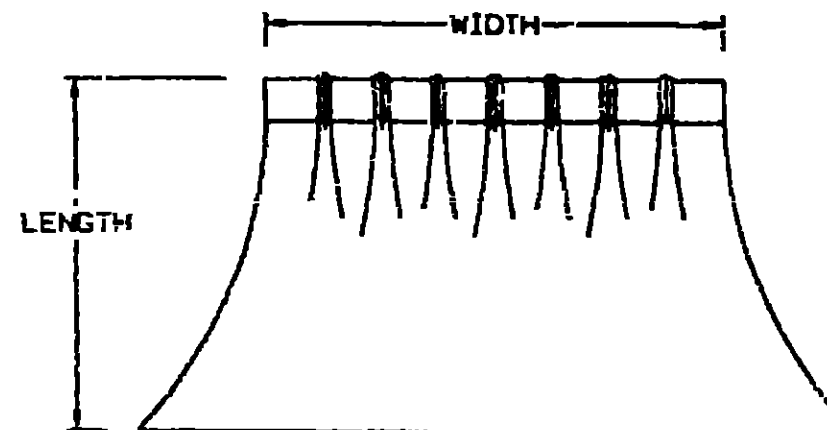
**CURTAIN, CUSHION & PAD GROUP**  
NOTICE

**1991 WINNEBAGO**  
**TABLE OF CONTENTS**

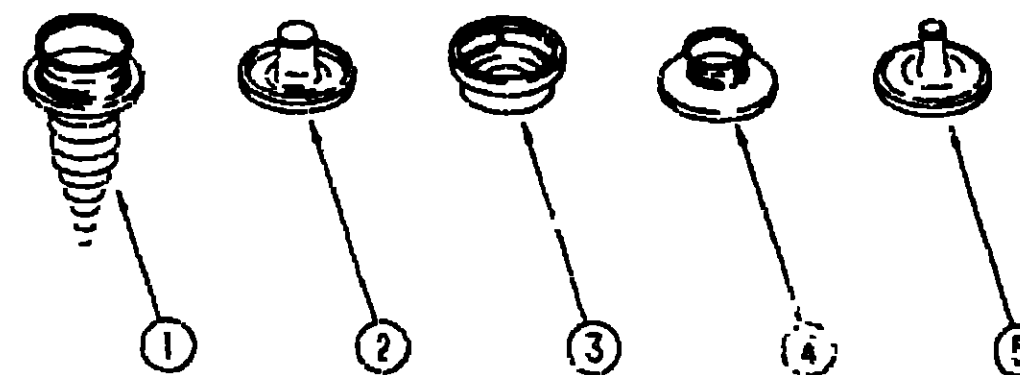
INTRODUCTION	A-01 -	A-02
ABBREVIATIONS		A-03
ALPHABETICAL INDEX	A-04 -	A-08
WCN36RQ	A-07 -	F-16
WFN36RA	F-17 -	K-22

IN ORDER TO ASSIST OUR PARTS SALES DEPT. IN PROVIDING INTERIOR SOFTWARE ITEMS, PLEASE INCLUDE THE SERIAL NUMBER AND THE COLOR CODE NUMBER FROM THE VEHICLE CERTIFICATION LABEL WHEN ORDERING. THIS LABEL IS LOCATED ON THE LEFT SIDEWALL AT THE END OF THE DASH (A-BODY) OR ON THE DRIVER'S DOOR LATCH PLATE (C-BODY).

AN EXAMPLE OF A COLOR CODE NUMBER IS B07, WHICH DESIGNATES AN OVERALL COLOR SCHEME OF A PARTICULAR UNIT. THE COLOR LISTED AFTER THE ITEM DESCRIPTION ON THE MICROFICHE, INDICATES THE OVERALL UNIT COLOR. ORDER THE ITEM YOU DESIRE ACCORDING TO UNIT COLOR CODE.



NOTE: USE THIS ILLUSTRATION WHEN DETERMINING LENGTH AND WIDTH MEASUREMENTS FOR CURTAINS. YOU WILL NOTE THE WIDTH MEASUREMENT IS TAKEN ON THE TOP OF THE CURTAIN WITH THE CURTAIN FULLY EXTENDED. THE LENGTH MEASUREMENT IS TAKEN FROM TOP TO BOTTOM.



SNAP FASTENERS

KEY	PART NUMBER	U/M	DESCRIPTION
1	029130-01-000	EA	SCREW-SNAP SOCKET 3 PH X 5/8"
2	029155-01-000	EA	CAP-SNAP, 156° DIA X 17° BARREL
3	029156-01-000	EA	SOCKET-SNAP 1/2" STEM

**1991 WFN36RA INDEX**

FLOOR PLAN	F-17 -	F-18
ACCESSORIES	F-19 -	G-08
BATH	G-09 -	G-14
BEDROOM	G-15 -	G-16
CHASSIS	G-17 -	H-01
CURTAIN, CUSHION & PAD	H-02 -	H-11
DINETTE	H-12 -	H-14
DRIVERS	H-15 -	H-20
ELECTRICAL	H-21 -	I-03
EXTERIOR BODY	I-04 -	I-10
GALLEY	I-11 -	I-18
HEATING & A/C	I-19 -	I-22
INTERIOR FINISH	I-23 -	J-02
LABEL	J-03 -	J-10
LP		J-11
LOUNGE	J-12 -	J-13
SEALANTS & FASTENERS	J-14 -	J-16
WATER & SEWAGE	J-17 -	J-22
WINDOW, VENT AND EXTERIOR DOOR	J-23 -	K-22

**CURTAIN, CUSHION & PAD GROUP (CONTINUED)**

**FABRICS AND TRIMS**

KEY	PART NUMBER	U/M	DESCRIPTION
	098008-56-000	YD	FABRIC-UPHOLSTERY, MAIN - (B07)
	098008-67-000	YD	FABRIC-UPHOLSTERY, MAIN - (B08)
	098008-66-000	YD	FABRIC-UPHOLSTERY, MAIN - (B09)
	098008-73-000	YD	FABRIC-UPHOLSTERY, MAIN - (B22)
	098008-28-000	YD	FABRIC-UPHOLSTERY, PLAIN ACCENT - (B07/B22)
	098008-40-000	YD	FABRIC-UPHOLSTERY, PLAIN ACCENT - (B08)
	098008-63-000	YD	FABRIC-UPHOLSTERY, PLAIN ACCENT - (B09)
	098008-43-000	YD	FABRIC-UPHOLSTERY, DOTTED ACCENT - (B07/B22)
	098008-64-000	YD	FABRIC-UPHOLSTERY, DOTTED ACCENT - (B08)
	098008-65-000	YD	FABRIC-UPHOLSTERY, SQUARED ACCENT - (B09)
	072333-77-000	YD	FABRIC-DRAPERY, (B07)
	072333-79-000	YD	FABRIC-DRAPERY, (B07)
	072333-77-000	YD	FABRIC-DRAPERY, (B08)
	072333-76-000	YD	FABRIC-DRAPERY, (B06)
	072333-79-000	YD	FABRIC-DRAPERY, (B22)
	088273-58-000	YD	FABRIC-BEDSPREAD/CURTAIN - PATTERNED - (B07)
	088273-57-000	YD	FABRIC-BEDSPREAD/CURTAIN - PATTERNED - (B08)
	088273-56-000	YD	FABRIC-BEDSPREAD/CURTAIN - PATTERNED - (B09)
	088273-47-000	YD	FABRIC-BEDSPREAD/CURTAIN - PATTERNED - (B22)
	087272-01-000	YD	FABRIC-LINING CURTAIN - 48" WIDE - IVORY
	081926-01-000	YD	BACKING-QUILTING MATTRESS COVER - 59" WIDE - WHITE
	079680-09-000	YD	FABRIC-VINYL, 54" WIDE - OFF WHITE
	076796-03-000	SF	VINYL-FOAMBACK, BEIGE
	079680-01-000	YD	FABRIC-VINYL, 54" WIDE - BEIGE
	069351-03-000	YD	VINYL-HEADLINER, DIAMOND DESIGN - 54" WIDE
	079349-01-AA1	YD	WELTING-FABRIC (B07/B22)
	079349-01-B03	YD	WELTING-FABRIC (B08)
	079349-01-B06	YD	WELTING-FABRIC (B09)
	088792-01-000	YD	VELCRO-5/8" HOOK, NON-ADHESIVE
	088792-02-000	YD	VELCRO-3/4" LOOP ADHESIVE

FROM 00-00-00 THRU 10-04-90

FROM 10-05-90 THRU 99-99-99

**FLOOR COVERINGS & COMPONENTS**

KEY	PART NUMBER	U/M	DESCRIPTION
	098060-14-000	SY	CARPET - (B07/B22)
	098060-15-000	SY	CARPET - (B08)
	098060-16-000	SY	CARPET - (B09)
	093486-01-000	SY	CARPET-COMPARTMENT, 54" WIDE - DARK GRAY
	075233-01-000	SY	PAD-CARPET, 3/8" X 6"
	075314-02-000	TT	TAPE-CARPET SEAM, HEAT-BOND
	100659-10-B07	EA	TRIM-CARPET, 7/8" - WOOD
	093873-01-02A	EA	TRIM-J, CARPET - 12' LONG VINYL

**SEATBELT**

KEY	PART NUMBER	U/M	DESCRIPTION
	007021-01-000	EA	BELT-SEAT, 2" X 90" - BLACK
	057759-01-000	EA	WASHER BRACKET-SEAT BELT, 4" DIAMETER
	000039-06-005	EA	NUT-HEX, 3ER FLG LK - 3/8-15 ZN

**BUTTONS**

KEY	PART NUMBER	U/M	DESCRIPTION
	070578-01-327	EA	BUTTON-SNAP TOP, #30 - (B07/B22)
	070578-01-B05	EA	BUTTON-SNAP TOP, #30 - (B08)
	070578-01-B09	EA	BUTTON-SNAP TOP, #30
	070578-02-X19	EA	BUTTON-SNAP TOP, #30 - BEIGE VINYL
	070578-11-Y15	EA	BUTTON-SNAP TOP, #30 - HEADLINER VINYL

**CURTAIN, CUSHION & PAD GROUP (CONTINUED)**

**CURTAIN TRACKS & HARDWARE**

KEY	PART NUMBER	U/M	DESCRIPTION
	097919-04-01A	EA	TRACK-CURTAIN, WRAPAROUND - DRIVER - OFF WHITE
	097919-03-01A	EA	TRACK-CURTAIN, WRAPAROUND - PASSENGER - OFF WHITE
	097625-01-000	EA	HOOK-DRAPERY
	048394-02-000	YD	VELCRO TAPE-HOOK, ADHESIVE BACK - 75" WIDE - BEIGE
	029092-01-000	EA	STUD-NICKEL FINISH - 8031
	029093-01-000	EA	EYELET-NICKEL FINISH - 8041
	029130-01-000	EA	SCREW SNAP SOCKET 8 PH X 5/8"
	029155-01-000	EA	CAP-SNAP, NICKEL
	029158-01-000	EA	SOCKET-SNAP FASTENER, NICKEL
	086278-01-000	EA	TAPE-DOUBLE SIDED, 1/2"
	087753-01-000	EA	PULL-ROLLER SHADE, CLEAR PLASTIC
	084432-06-000	FT	SLAT-ROLLER SHADE, PLASTIC
	096843-01-000	EA	SPRING-REWIND, ROLLER SHADE
	084434-01-000	EA	BRACKET-MOUNTING, ROLLER SHADE - 1 3/8"
	089915-01-000	EA	JOINT WINDOW LEG, BLACK
	094896-02-000	EA	GROMMET-CORD, PLEATED BLIND - GRAY NYLON
	094907-02-000	EA	END CAP-TOP, PLEATED BLIND - GRAY PLASTIC
	097591-01-000	EA	SPRING-EXTENSION, PLEATED BLIND
	097592-01-000	EA	BOBBIN-CORD, ELEVATED BLIND HOLDUP - CLEAR PLASTIC
	097593-06-000	FT	CORD-PLEATED BLIND - (B07/B22)
	097593-02-000	FT	CORD-PLEATED BLIND - (B08)
	097593-07-000	FT	CORD-PLEATED BLIND - (B09)
	083170-01-000	EA	BRACKET-BLIND, RIGHT
	083170-02-000	EA	BRACKET-BLIND, LEFT
	097565-01-000	EA	BRACKET-MOUNTING BLIND
	093475-01-700	EA	WAND-BLIND, W/METAL CLIP - 8" LONG
	093475-01-701	EA	END CAP-BLIND, W/STUD
	095591-02-000	EA	BRACKET-BLIND HOLD DOWN - W/PIN
	046867-01-000	EA	GROMMET-BRASS, 7/16" ID X 1" OD
	059797-02-000	EA	SHELL-BUTTON, PLASTIC - #30
	069734-01-000	EA	BACK-BUTTON, DURASNAP - #30
	076155-01-000	EA	STRAP-BACK CUSHION, SNAP
	102555-01-000	EA	CLEAT-BLIND CORD
	101077-02-B13	EA	TRIM-LEG, 1 5" FACE X 3 1 5" - OAK
	075943-01-000	EA	BRACE-VALANCE, BEIGE

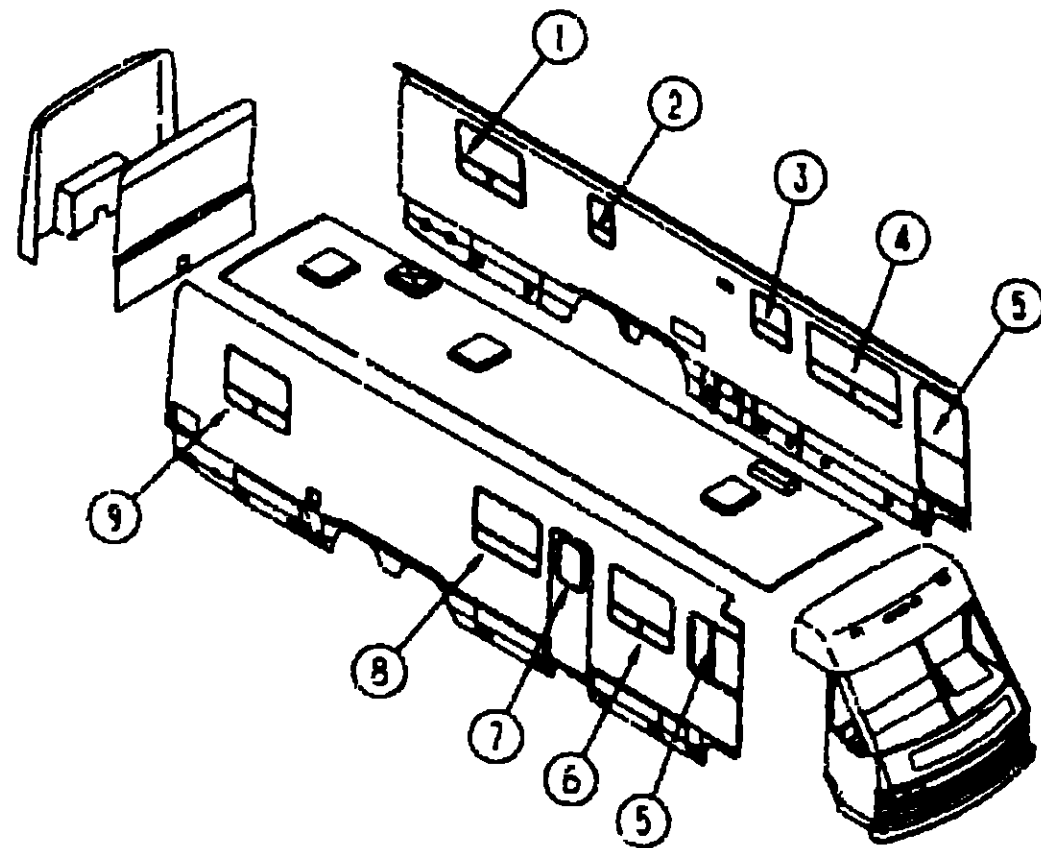
**1991 WINNEBAGO  
TABLE OF CONTENTS**

INTRODUCTION	A-01 -	A-02
ABBREVIATIONS		A-03
ALPHABETICAL INDEX	A-04 -	A-06
WCN36RQ	A-07 -	F-16
WFN36RA	F-17 -	K-22

**1991 WFN36RA INDEX**

FLOOR PLAN	F-17 -	F-18
ACCESSORIES	F-19 -	G-08
BATH	G-09 -	G-14
BEDROOM	G-15 -	G-13
CHASSIS	G-17 -	H-01
CURTAIN, CUSHION & PAD	H-02 -	H-11
DINETTE	H-12 -	H-14
DRIVERS	H-15 -	H-20
ELECTRICAL	H-21 -	I-03
EXTERIOR BODY	I-04 -	I-10
GALLEY	I-11 -	I-18
HEATING & A/C	I-19 -	I-22
INTERIOR FINISH	I-23 -	J-02
LABEL	J-03 -	J-10
LP		J-11
LOUNGE	J-12 -	J-13
SEALANTS & FASTENERS	J-14 -	J-16
WATER & SEWAGE	J-17 -	J-22
WINDOW, VENT AND EXTERIOR DOOR	J-23 -	K-22

**CURTAIN, CUSHION & PAD GROUP (CONTINUED)**  
WINDOW TREATMENT



KEY	PART NUMBER	U/M	DESCRIPTION
5	097994-03-B07	EA	CURTAIN-HOOK TOP, 34" X 75" - (B07) FROM 00-00-00 THRU 10-04-91
5	097994-03-B10	EA	CURTAIN-HOOK TOP, 34" X 75" - (B07) FROM 10-05-91 THRU 99-99-99
5	097994-03-B07	EA	CURTAIN-HOOK TOP, 34" X 75" - (B08)
5	097994-03-B09	EA	CURTAIN-HOOK TOP, 34" X 75" - (B09)
5	097994-03-B07	EA	CURTAIN-HOOK TOP, 34" X 75" - (B22)
6	101079-02-B07	EA	LEG-WINDOW, RIGHT - (B07/B22)
6	101079-02-B08	EA	LEG-WINDOW, RIGHT - (B08)
6	101079-02-B09	EA	LEG-WINDOW, RIGHT - (B09)
6	101079-04-B07	EA	LEG-WINDOW, LEFT - (B07/B22)
6	101079-04-B08	EA	LEG-WINDOW, LEFT - (B08)
6	101079-04-B09	EA	LEG-WINDOW, LEFT - (B09)
6	093475-60-01A	EA	BLIND-MINI, 38 5" X 31 5" DROP (B07 B08 B09 B22)
7	084755-57-B07	EA	SHUTTER-PULL, 27 25" - BEIGE
8	101079-02-B07	EA	LEG-WINDOW, RIGHT - (B07)
8	101079-02-B08	EA	LEG-WINDOW, RIGHT - (B08)
8	101079-02-B09	EA	LEG-WINDOW, RIGHT - (B09)
8	101079-02-B13	EA	LEG-WINDOW, RIGHT - (B22)
8	101079-04-B07	EA	LEG-WINDOW, LEFT - (B07)
8	101079-04-B08	EA	LEG-WINDOW, LEFT - (B08)
8	101079-04-B09	EA	LEG-WINDOW, LEFT - (B09)
8	101079-04-B13	EA	LEG-WINDOW, LEFT - (B22)
8	093475-60-01A	EA	BLIND-MINI, 38 5" X 31 5" DROP (B07, B08, B09, B22) FROM 00-00-00 THRU 07-10-90
8	093475-74-01A	EA	BLIND-MINI, 51" X 31 5" DROP (B07, B08, B09, B22) FROM 07-11-90 THRU 99-99-99
9	101189-01-B07	EA	VALANCE-WINDOW, 46" - (B07)
9	101189-01-B08	EA	VALANCE-WINDOW, 46" - (B08)
9	101189-01-B09	EA	VALANCE-WINDOW, 46" - (B09)
9	101189-01-B22	EA	VALANCE-WINDOW, 46" - (B22)
9	100281-19-B07	EA	LEG-WINDOW, RIGHT - (B07)
9	100281-19-B08	EA	LEG-WINDOW, RIGHT - (B08)
9	100281-19-B09	EA	LEG-WINDOW, RIGHT - (B09)
9	100281-19-B22	EA	LEG-WINDOW, RIGHT - (B22)
9	100281-20-B07	EA	LEG-WINDOW, LEFT - (B07)
9	100281-20-B08	EA	LEG-WINDOW, LEFT - (B08)
9	100281-20-B09	EA	LEG-WINDOW, LEFT - (B09)
9	100281-20-B22	EA	LEG-WINDOW, LEFT - (B22)
9	096335-44-B10	EA	BLIND-PLEATED, 39 5" X 33" DROP - (B07/B22)
9	096335-44-B11	EA	BLIND-PLEATED, 39 5" X 33" DROP - (B08)
9	096335-44-B12	EA	BLIND-PLEATED, 39 5" X 33" DROP - (B09)
9	073260-42-B07	EA	TIEBACK-CURTAIN, 6" X 18" - (B07) FROM 00-00-00 THRU 10-04-90
9	073260-42-B10	EA	TIEBACK-CURTAIN, 6" X 18" - (B07) FROM 10-05-90 THRU 99-99-99
9	073260-42-B07	EA	TIEBACK-CURTAIN, 6" X 18" - (B08)
9	073260-42-B09	EA	TIEBACK-CURTAIN, 6" X 18" - (B09)
9	073260-42-B10	EA	TIEBACK-CURTAIN, 6" X 18" - (B22)

**1991 WINNEBAGO  
TABLE OF CONTENTS**

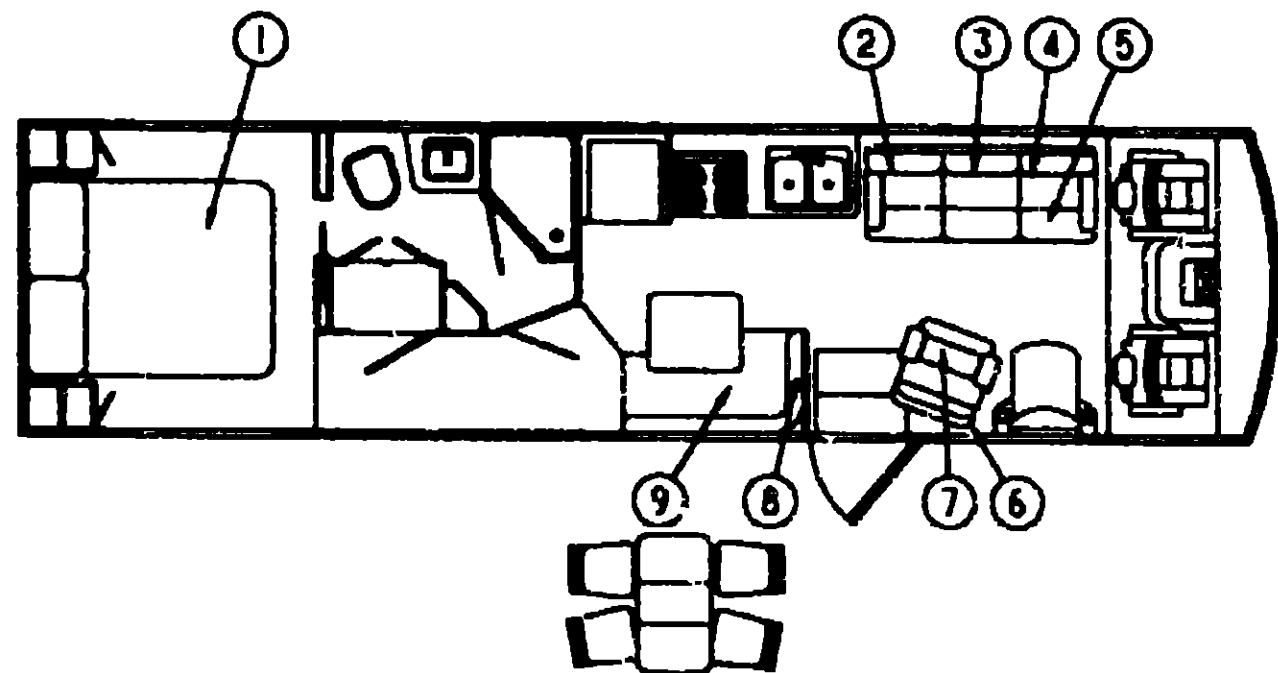
INTRODUCTION	A-01 - A-02
ABBREVIATIONS	A-03
ALPHABETICAL INDEX	A-04 - A-08
WCN36RQ	A-07 - F-16
WFN36RA	F-17 - K-22

**1991 WFN36RA INDEX**

FLOOR PLAN	F-17 - F-18
ACCESSORIES	F-19 - G-08
BATH	G-09 - G-14
BEDROOM	G-15 - G-16
CHASSIS	G-17 - H-01
CURTAIN, CUSHION & PAD	H-02 - H-11
DINETTE	H-12 - H-14
DRIVERS	H-15 - H-20
ELECTRICAL	H-21 - I-03
EXTERIOR BODY	I-04 - I-10
GALLEY	I-11 - I-18
HEATING & A/C	I-19 - I-22
INTERIOR FINISH	I-23 - J-02
LABEL	J-03 - J-10
LP	J-11
LOUNGE	J-12 - J-13
SEALANTS & FASTENERS	J-14 - J-16
WATER & SEWAGE	J-17 - J-22
WINDOW, VENT AND EXTERIOR DOOR	J-23 - K-22

KEY	PART NUMBER	U/M	DESCRIPTION
1	101189-01-B07	EA	VALANCE-WINDOW, 46" - (B07)
1	101189-01-B08	EA	VALANCE-WINDOW, 46" - (B08)
1	101189-01-B09	EA	VALANCE-WINDOW, 46" - (B09)
1	101189-01-B22	EA	VALANCE-WINDOW, 46" - (B22)
1	100281-17-B07	EA	LEG-WINDOW, RIGHT - (B07)
1	100281-17-B08	EA	LEG-WINDOW, RIGHT - (B08)
1	100281-17-B09	EA	LEG-WINDOW, RIGHT - (B09)
1	100281-17-B22	EA	LEG-WINDOW, RIGHT - (B22)
1	100281-18-B07	EA	LEG-WINDOW, LEFT - (B07)
1	100281-18-B08	EA	LEG-WINDOW, LEFT - (B08)
1	100281-18-B09	EA	LEG-WINDOW, LEFT - (B09)
1	100281-18-B22	EA	LEG-WINDOW, LEFT - (B22)
1	096335-44-B10	EA	BLIND-PLEATED, 39 5" X 33" DROP - (B07/B22)
1	096335-44-B11	EA	BLIND-PLEATED, 39 5" X 33" DROP - (B08)
1	096335-44-B12	EA	BLIND-PLEATED, 39 5" X 33" DROP - (B09)
2	101079-06-B07	EA	LEG-WINDOW, RIGHT - (B07/B22)
2	101079-06-B08	EA	LEG-WINDOW, RIGHT - (B08)
2	101079-06-B09	EA	LEG-WINDOW, RIGHT - (B09)
2	101079-07-B07	EA	LEG-WINDOW, LEFT - (B07/B22)
2	101079-07-B08	EA	LEG-WINDOW, LEFT - (B08)
2	101079-07-B09	EA	LEG-WINDOW, LEFT - (B09)
2	093475-59-01A	EA	BLIND-MINI, 22" X 29" DROP - (B07/B08/B09/B22)
3	093475-02-06A	EA	BLIND-MINI, 27" X 22 5" DROP - (B07/B08/B09)
3	093475-02-01A	EA	BLIND-MINI, 27" X 22 5" DROP - (B22)
4	101079-02-B07	EA	LEG-WINDOW, RIGHT - (B07/B22)
4	101079-02-B08	EA	LEG-WINDOW, RIGHT - (B08)
4	101079-02-B09	EA	LEG-WINDOW, RIGHT - (B09)
4	101079-04-B07	EA	LEG-WINDOW, LEFT - (B07/B22)
4	101079-04-B08	EA	LEG-WINDOW, LEFT - (B08)
4	101079-04-B09	EA	LEG-WINDOW, LEFT - (B09)
4	093475-63-01A	EA	BLIND-MINI, 57 5" X 31 5" - (B07/B08/B09/B22)

**CURTAIN, CUSHION & PAD GROUP (CONTINUED)**



**DRIVER SIDE COUC-1 CONT**

KEY	PART NUMBER	U/M	DESCRIPTION
4	101175-01-B07	EA	CUSHION-BACK, WARMREST
4	101175-01-B08	EA	CUSHION-BACK, WARMREST
4	101175-01-B09	EA	CUSHION-BACK, WARMREST
4	101175-01-B22	EA	CUSHION-BACK, WARMREST
4	P01175-01-B07	EA	COVER-BACK CUSHION
4	P01175-01-B08	EA	COVER-BACK CUSHION
4	P01175-01-B09	EA	COVER-BACK CUSHION
4	P01175-01-B22	EA	COVER-BACK CUSHION
5	089007-05-B07	EA	CUSHION-COUCH SEAT, W/SKIRT - W/O BACK CUSHIONS
5	089007-05-B08	EA	CUSHION-COUCH SEAT, W/SKIRT - W/O BACK CUSHIONS
5	089007-05-B09	EA	CUSHION-COUCH SEAT, W/SKIRT - W/O BACK CUSHIONS
5	089007-05-B22	EA	CUSHION-COUCH SEAT, W/SKIRT - W/O BACK CUSHIONS
5	M89007-05-B07	EA	COVER-CUSHION, COUCH SEAT
5	M89007-05-B08	EA	COVER-CUSHION, COUCH SEAT
5	M89007-05-B09	EA	COVER-CUSHION, COUCH SEAT
5	M89007-05-B22	EA	COVER-CUSHION, COUCH SEAT
	079386-01-000	EA	FRAME ASM - COUCH
	079386-02-000	EA	HARDWARE KIT

**1991 WINNEBAGO  
TABLE OF CONTENTS**

INTRODUCTION	A-01 -	A-02
ABBREVIATIONS		A-03
ALPHABETICAL INDEX	A-04 -	A-08
WCN36RQ	A-07 -	F-16
WFN36RA	F-17 -	K-22

**MATTRESS, BEDSPREAD & PILLOW**

KEY	PART NUMBER	U/M	DESCRIPTION
1	088176-04-000	EA	MATTRESS-INNERSPRING, 59" X 74"
1	083986-04-B07	EA	BEDSPREAD-FITTED, QUEEN - 60"
1	083986-04-B08	EA	BEDSPREAD-FITTED, QUEEN - 60"
1	083986-04-B09	EA	BEDSPREAD-FITTED, QUEEN - 60"
1	083986-04-B22	EA	BEDSPREAD-FITTED, QUEEN - 60"
	102161-01-B07	EA	PILLOW ASM. - W/SHAM
	102161-01-B08	EA	PILLOW ASM. - W/SHAM
	102161-01-B09	EA	PILLOW ASM. - W/SHAM
	102161-01-B22	EA	PILLOW ASM. - W/SHAM
	081997-07-B10	EA	SHAM ONLY - (B07)
	081997-07-B11	EA	SHAM ONLY - (B08)
	081997-07-B12	EA	SHAM ONLY - (B09)
	081997-07-B22	EA	SHAM ONLY

**PASSENGER SIDE SWIVEL CHAIR**

KEY	PART NUMBER	U/M	DESCRIPTION
6	101178-01-B07	EA	CHAIR-SWIVEL, W/O SEAT CUSHION OR ARMREST PROTECTORS - (B07/B22)
6	101178-01-B08	EA	CHAIR-SWIVEL, W/O SEAT CUSHION OR ARMREST PROTECTORS
6	101178-01-B09	EA	CHAIR-SWIVEL, W/O SEAT CUSHION OR ARMREST PROTECTORS
6	P01178-01-B07	EA	COVER-SWIVEL CHAIR - (B07/B22)
6	P01178-01-B08	EA	COVER-SWIVEL CHAIR
6	P01178-01-B09	EA	COVER-SWIVEL CHAIR
7	102754-01-B07	EA	CUSHION-SEAT, SWIVEL CHAIR - (B07/B22)
7	102754-01-B08	EA	CUSHION-SEAT, SWIVEL CHAIR
7	102754-01-B09	EA	CUSHION-SEAT, SWIVEL CHAIR
7	P02754-01-B07	EA	COVER-SEAT CUSHION - (B07/B22)
7	P02754-01-B08	EA	COVER-SEAT CUSHION
7	P02754-01-B09	EA	COVER-SEAT CUSHION

**1991 WFN36RA INDEX**

FLOOR PLAN	F-17 -	F-18
ACCESSORIES	F-19 -	G-08
BATH	G-09 -	G-14
BEDROOM	G-15 -	G-16
CHASSIS	G-17 -	H-01
CURTAIN, CUSHION & PAD	H-02 -	H-11
DINETTE	H-12 -	H-14
DRIVERS	H-15 -	H-20
ELECTRICAL	H-21 -	I-03
EXTERIOR BODY	I-04 -	I-10
GALLEY	I-11 -	I-18
HEATING & A/C	I-19 -	I-22
INTERIOR FINISH	I-23 -	J-02
LABEL	J-03 -	J-10
LP		J-11
LOUNGE	J-12 -	J-13
SEALANTS & FASTENERS	J-14 -	J-16
WATER & SEWAGE	J-17 -	J-22
WINDOW, VENT. AND EXTERIOR DOOR	J-23 -	K-22

**DRIVER SIDE COUCH**

KEY	PART NUMBER	U/M	DESCRIPTION
2	101175-02-B07	EA	CUSHION-BACK, W/ARMREST
2	101175-02-B08	EA	CUSHION-BACK, W/ARMREST
2	101175-02-B09	EA	CUSHION-BACK, W/ARMREST
2	101175-02-B22	EA	CUSHION-BACK, W/ARMREST
2	P01175-02-B07	EA	COVER-BACK CUSHION
2	P01175-02-B08	EA	COVER-BACK CUSHION
2	P01175-02-B09	EA	COVER-BACK CUSHION
2	P01175-02-B22	EA	COVER-BACK CUSHION
3	101175-02-B07	EA	CUSHION-BACK, CENTER
3	101175-02-B08	EA	CUSHION-BACK, CENTER
3	101175-02-B09	EA	CUSHION-BACK, CENTER
3	101175-02-B22	EA	CUSHION-BACK, CENTER
3	P01175-02-B07	EA	COVER-CENTER BACK CUSHION
3	P01175-02-B08	EA	COVER-CENTER BACK CUSHION
3	P01175-02-B09	EA	COVER-CENTER BACK CUSHION
3	P01175-02-B22	EA	COVER-CENTER BACK CUSHION

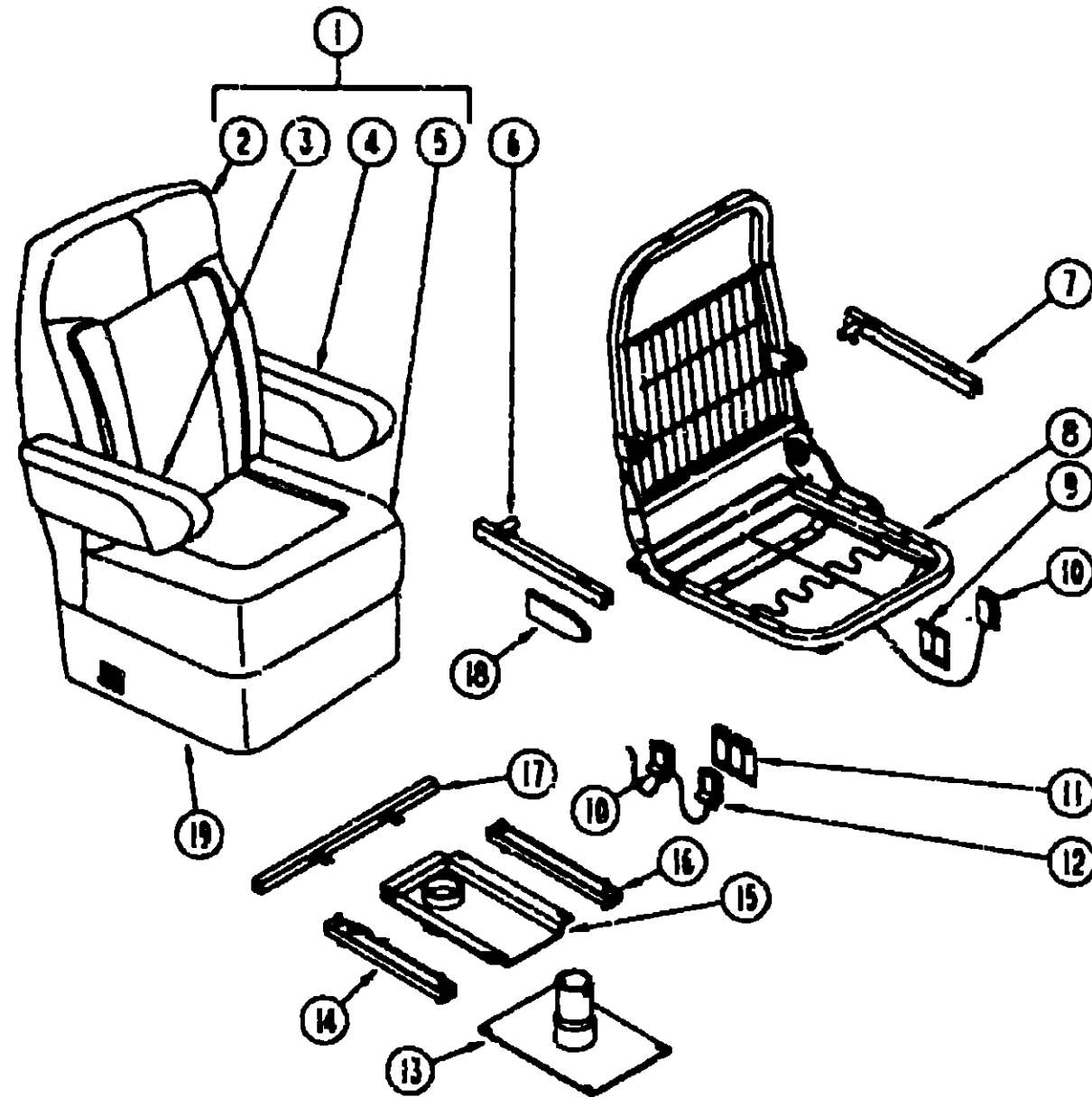
**DINETTE CUSHIONS**

KEY	PART NUMBER	U/M	DESCRIPTION
8	098642-07-B07	EA	CUSHION-BACKREST
8	098642-07-B08	EA	CUSHION-BACKREST
8	098642-07-B09	EA	CUSHION-BACKREST
8	098642-07-B22	EA	CUSHION-BACKREST
8	M98642-07-B07	EA	COVER-BACKREST CUSHION
8	M98642-07-B08	EA	COVER-BACKREST CUSHION
8	M98642-07-B09	EA	COVER-BACKREST CUSHION
8	M98642-07-B22	EA	COVER-BACKREST CUSHION
9	098642-08-B07	EA	CUSHION-SEAT
9	098642-08-B08	EA	CUSHION-SEAT
9	098642-08-B09	EA	CUSHION-SEAT
9	098642-08-B22	EA	CUSHION-SEAT
9	M98642-08-B07	EA	COVER-SEAT CUSHION
9	M98642-08-B08	EA	COVER-SEAT CUSHION
9	M98642-08-B09	EA	COVER-SEAT CUSHION
9	M98642-08-B22	EA	COVER-SEAT CUSHION

**BUNK CUSHION OPTION L53C**

KEY	PART NUMBER	U/M	DESCRIPTION
	079145-05-000	EA	CUSHION-BUNK
	M79145-05-000	EA	COVER-BUNK CUSHION

**CURTAIN, CUSHION & PAD GROUP (CONTINUED)**



**DRIVER & PASSENGER BUCKET SEATS**

KEY	PART NUMBER	U/M	DESCRIPTION
1	101171-01-B07	EA	SEAT-BUCKET, W/O BASE OR SKIRT
1	101171-01-B08	EA	SEAT-BUCKET, W/O BASE OR SKIRT
1	101171-01-B09	EA	SEAT-BUCKET, W/C BASE OR SKIRT
1	101171-01-B10	EA	SEAT-BUCKET, W/O BASE OR SKIRT - (B22)
2	M03445-24-B07	EA	COVER-BACK - (B07/B22)
2	M03445-24-B08	EA	COVER-BACK - (B08)
2	M03445-24-B09	EA	COVER-BACK - (B09)
3	080243-43-B07	EA	ARMREST - RIGHT SIDE - (B07/B22)
3	080243-43-B08	EA	ARMREST - RIGHT SIDE - (B08)
3	080243-43-B09	EA	ARMREST - RIGHT SIDE - (B09)
3	M80243-43-B07	EA	COVER ARMREST - RIGHT SIDE - (B07/B22)
3	M80243-43-B08	EA	COVER-ARMREST - RIGHT SIDE - (B08)
3	M80243-43-B09	EA	COVER-ARMREST - RIGHT SIDE - (B09)
4	080243-44-B07	EA	ARMREST - LEFT SIDE - (B07/B22)
4	080243-44-B08	EA	ARMREST - LEFT SIDE - (B08)
4	080243-44-B09	EA	ARMREST - LEFT SIDE - (B09)
4	M80243-44-B07	EA	COVER-ARMREST - LEFT SIDE - (B07/B22)
4	M80243-44-B08	EA	COVER-ARMREST - LEFT SIDE - (B08)
4	M80243-44-B09	EA	COVER-ARMREST - LEFT SIDE - (B09)
5	M03445-25-B07	EA	COVER-SEAT - (B07/B22)
5	M03445-25-B08	EA	COVER SEAT - (B08)
5	M03445-25-B09	EA	COVER-SEAT - (B09)

**CURTAIN, CUSHION & PAD GROUP (CONTINUED)**  
**DRIVER & PASSENGER BUCKET SEATS CONT**

KEY	PART NUMBER	U/M	DESCRIPTION
6	101124-01-000	EA	CHANNEL-ARMREST, RIGHT HAND
7	101124-02-000	EA	CHANNEL-ARMREST, LEFT HAND
8	081361-01-000	CA	ROD-ARMREST, METAL
8	M80906-05-000	EA	FRAME-SEAT, BACK & SPRING
	080731-02-000	EA	HINGE-SLAVE, RECLINER - LEFT HAND
	081362-01-000	EA	BRACKET-ARMREST, RIGHT HAND
	081362-02-000	EA	BRACKET-ARMREST, LEFT HAND
	101125-01-000	EA	RECLINER-SEATBACK LEFT HAND REMOTE
9	097683-03-000	EA	BRACKET-CABLE
10	089368-04-000	EA	CABLE-SWIVEL, W/SWITCH - BUCKET SEAT
11	097683-02-000	EA	BRACKET-CABLE
12	080368-05-000	EA	CABLE-RECLINER, W/SWITCH - BUCKET SEAT
13	069585-08-000	EA	BASE-BUCKET SEAT, BOLTS TO FLOOR - VERTICAL 8"
14	069246-05-000	EA	ADJUSTER-SLIDE, W/ LOCK - FORWARD & BACK
	069246-05-700	EA	SPRING-ADJUSTER, FOR REMOTE
	069246-01-701	EA	CLIP-CABLE, FOR REMOTE
15	093481-04-000	EA	TOP PLATE-PEDESTAL, BUCKET SEAT - W/O SEATBELT BAR
16	069246-02-000	EA	ADJUSTER-BUCKET SEAT W/O LOCK, FORWARD AND BACK
17	069585-25-000	EA	BAR-SEAT BELT, BUCKET SEATS - 20"
18	089369-08-000	EA	SHIELD-CABLE, REMOTE RECLINER - BUCKET SEAT
19	071126-24-AA1	EA	SKIRT-BUCKET SEAT - (B07/B22)
19	071126-24-B03	EA	SKIRT-BUCKET SEAT - (B08)
19	071126-24-B09	EA	SKIRT BUCKET SEAT
	093921-01-000	EA	PLATE-PEDESTAL MOUNTING
	082750-00	EA	PEDESTAL-TELESCOPING, PASSENGER
	082759-00	EA	POWER HEAD F/TELESCOPING PEDESTAL

**DRIVER POWERED SEAT OPTION L83M**

KEY	PART NUMBER	U/M	DESCRIPTION
	069585-39-000	EA	PLATE-TOP, BUCKET SEAT - POWERED
	071126-26-AE6	EA	SKIRT-BUCKET SEAT - (B07/B22)
	071126-26-B08	EA	SKIRT-BUCKET SEAT
	071126-26-B09	EA	SKIRT BUCKET SEAT
	081373-01-000	EA	UNIT-POWER, BUCKET SEAT - 8 WAY
	081373-01-700	EA	SWITCH-CONTROL, W/L BRACKET
	069585-37-000	EA	PLATE-SUB, VERTICAL - 5"
	056808-01-000	EA	SPACER-PEDESTAL, DRIVER

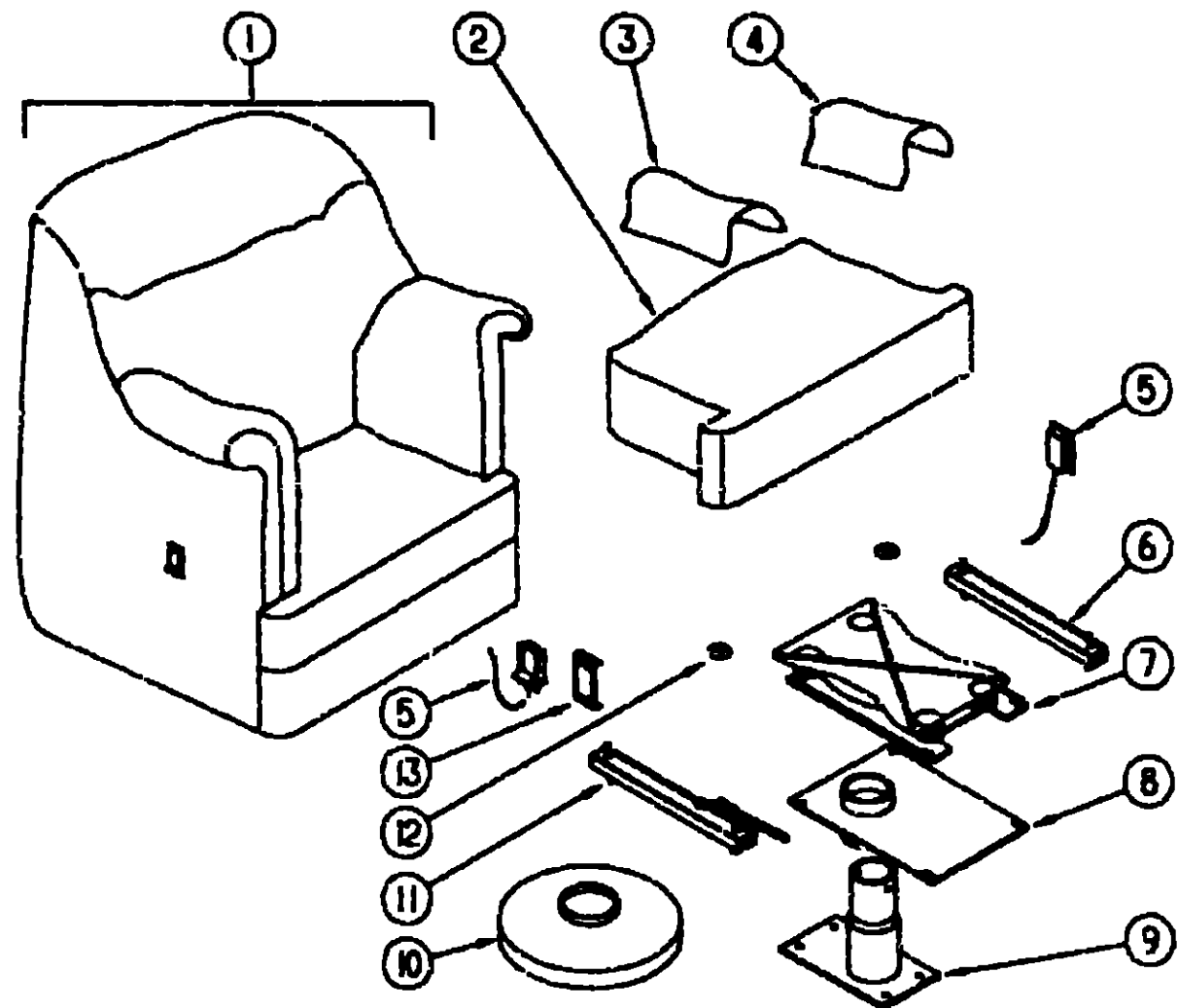
**1991 WINNEBAGO**  
**TABLE OF CONTENTS**

INTRODUCTION	A-01 -	A-02
ABBREVIATIONS		A-03
ALPHABETICAL INDEX	A-04 -	A-08
WCN36RQ	A-07 -	F-16
WFN36RA	F-17 -	K-22

**1991 WFN36RA INDEX**

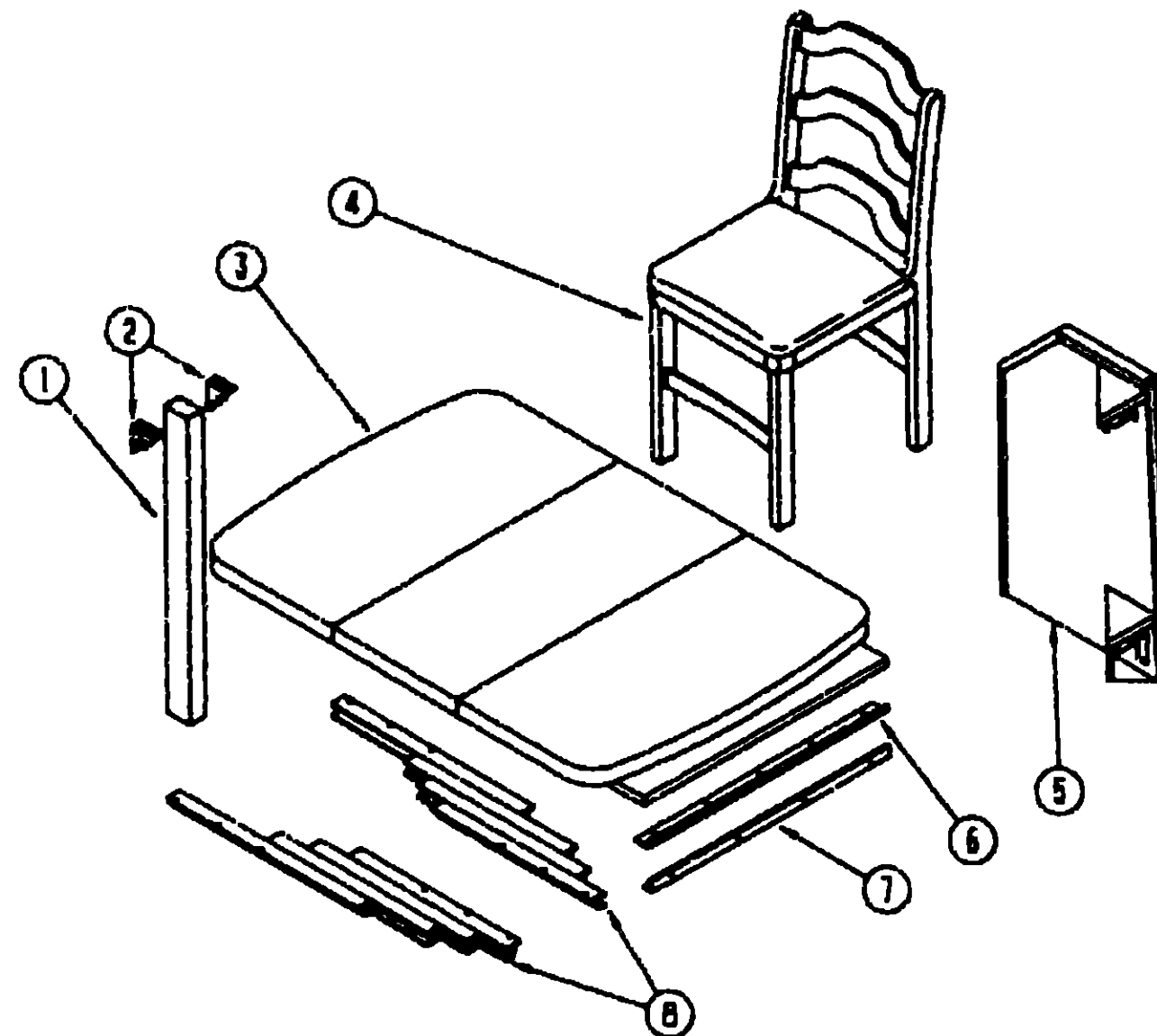
FLOOR PLAN	F-17 -	F-18
ACCESSORIES	F-19 -	G-08
BATH	G-09 -	G-14
BEDROOM	G-15 -	G-16
CHASSIS	G-17 -	H-01
CURTAIN, CUSHION & PAD	H-02 -	H-11
DINETTE	H-12 -	H-14
DRIVERS	H-15 -	H-20
ELECTRICAL	H-21 -	I-03
EXTERIOR BODY	I-04 -	I-10
GALLEY	I-11 -	I-18
HEATING & A/C	I-19 -	I-22
INTERIOR FINISH	I-23 -	J-02
LABEL	J-03 -	J-10
LP		J-11
LOUNGE	J-12 -	J-13
SEALANTS & FASTENERS	J-14 -	J-16
WATER & SEWAGE	J-17 -	J-22
WINDOW, VENT AND		
EXTERIOR DOOR	J-23 -	K-22

**CURTAIN, CUSHION & PAD GROUP (CONTINUED)**



**PASSENGER SIDE SWIVEL CHAIR**

**DINETTE GROUP**



**DINETTE OPTION L21W**

**1991 WINNEBAGO  
TABLE OF CONTENTS**

INTRODUCTION	A-01 -	A-02
ABBREVIATIONS		A-03
ALPHABETICAL INDEX	A-04 -	A-06
WCN36RQ	A-07 -	F-16
WFN36RA	F-17 -	K-22

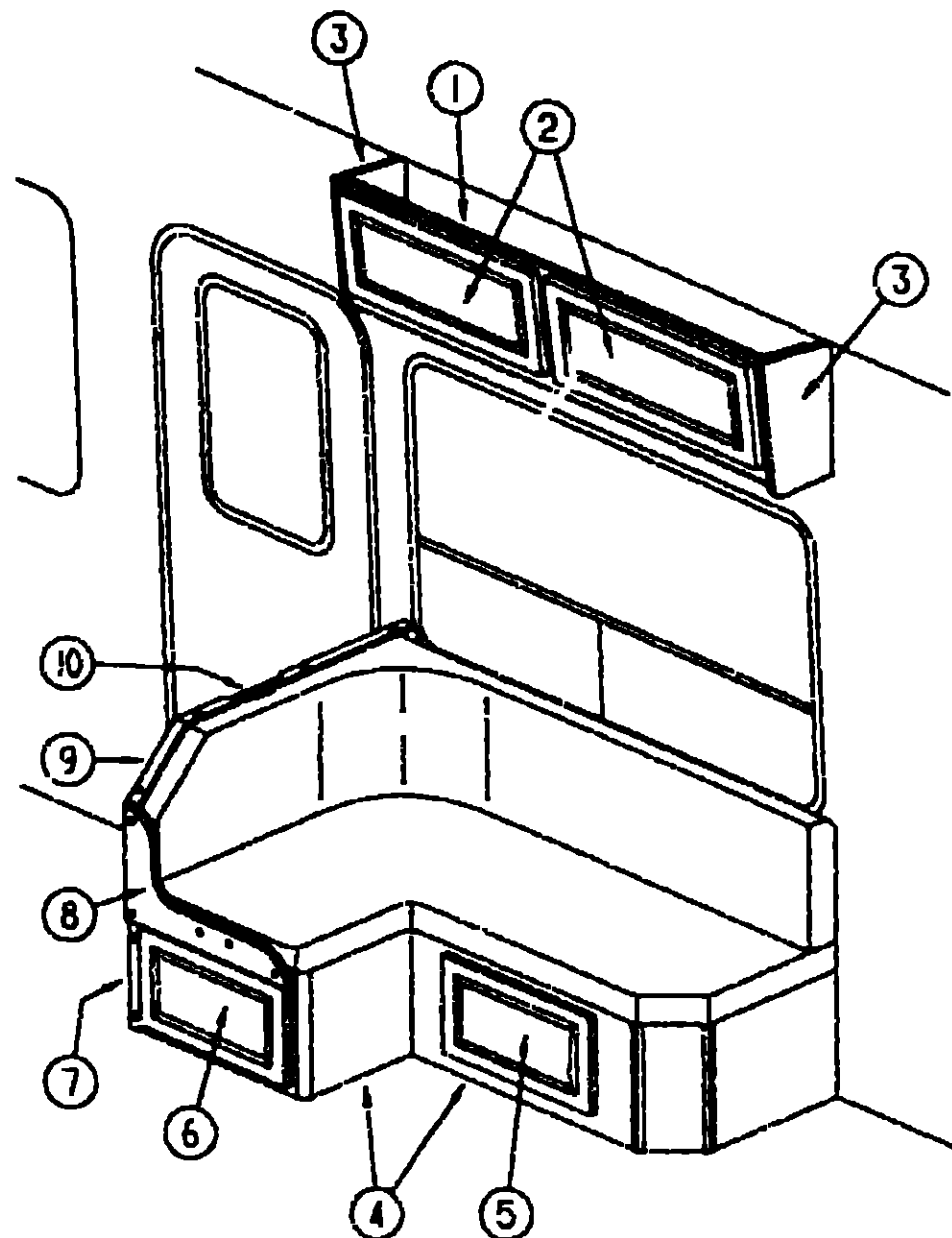
**1991 WFN36RA INDEX**

FLOOR PLAN	F-17 -	F-18
ACCESSORIES	F-19 -	G-08
BATH	G-09 -	G-14
BEDROOM	G-15 -	G-16
CHASSIS	G-17 -	H-01
CURTAIN, CUSHION & PAD	H-02 -	H-11
DINETTE	H-12 -	H-14
DRIVERS	H-15 -	H-20
ELECTRICAL	H-21 -	I-03
EXTERIOR BODY	I-04 -	I-10
GALLEY	I-11 -	I-18
HEATING & A/C	I-19 -	I-22
INTERIOR FINISH	I-23 -	J-02
LABEL	J-03 -	J-10
LP		J-11
LOUNGE	J-12 -	J-13
SEALANTS & FASTENERS	J-14 -	J-16
WATER & SEWAGE	J-17 -	J-22
WINDOW, VENT AND EXTERIOR DOOR	J-23 -	K-22

KEY	PART NUMBER	U/M	DESCRIPTION
1	101178-01-B07	EA	CHAIR-SWIVEL, W/O SEAT CUSHION OR ARMREST PROTECTORS - (B07/B22)
1	101178-01-B08	EA	CHAIR-SWIVEL, W/O SEAT CUSHION OR ARMREST PROTECTORS
1	101178-01-B09	EA	CHAIR-SWIVEL, W/O SEAT CUSHION OR ARMREST PROTECTORS
1	P01178-01-B07	EA	COVER-SWIVEL CHAIR - (B07/B22)
1	P01178-01-B08	EA	COVER-SWIVEL CHAIR
1	P01178-01-B09	EA	COVER-SWIVEL CHAIR
2	102754-01-B07	EA	CUSHION-SEAT, SWIVEL CHAIR - (B07/B22)
2	102754-01-B08	EA	CUSHION-SEAT, SWIVEL CHAIR
2	102754-01-B09	EA	CUSHION-SEAT, SWIVEL CHAIR
2	P02754-01-B07	EA	COVER-SEAT CUSHION - (B07/B22)
2	P02754-01-B08	EA	COVER-SEAT CUSHION
2	P02754-01-B09	EA	COVER-SEAT CUSHION
3	P01178-25-B07	EA	PROTECTOR-RIGHT ARMREST, SWIVEL CHAIR - (B07/B22)
3	P01178-25-B08	EA	PROTECTOR-RIGHT ARMREST, SWIVEL CHAIR
3	P01178-25-B09	EA	PROTECTOR-RIGHT ARMREST, SWIVEL CHAIR
4	P01178-26-B07	EA	PROTECTOR-LEFT ARMREST, SWIVEL CHAIR - (B07/B22)
4	P01178-26-B08	EA	PROTECTOR-LEFT ARMREST, SWIVEL CHAIR
4	P01178-26-B09	EA	PROTECTOR-LEFT ARMREST, SWIVEL CHAIR
5	069358-04-000	EA	CABLE-SWIVEL, W/SWITCH - BUCKET SEAT
6	069246-02-000	EA	ADJUSTER-SEAT/CHAIR, W/O LOCK - FORWARD & BACK
7	101187-01-000	EA	ROCKER BOX-CHAIR, SWIVEL
8	093481-05-000	EA	TOP PLATE-PEDESTAL, W/LOCK
	093481-03-700	EA	SPRING(COIL)FL/EVER W/REMOTE
	093481-03-701	EA	END CAP FL/EVER
9	093481-01-000	EA	BASE-PEDESTAL, W/6' EXTENSION
10	093482-01-000	EA	SHROUD-PEDESTAL, 13" - PLASTIC - BLACK
11	069246-05-000	EA	ADJUSTER-SEAT/CHAIR, W/REMOTE - FORWARD & BACK
	069246-05-700	EA	SPRING-ADJUSTER, FOR REMOTE
	069246-05-701	EA	CLIP CABLE, FOR REMOTE
12	007221-01-000	EA	WASHER-CONED, SEAT ADJUSTER SPACER
13	097683-03-000	EA	BRACKET-REMOTE, SIDE MOUNT
	087330-01-000	EA	BRACKET-STOP, SLIDING TRACK

KEY	PART NUMBER	U/M	DESCRIPTION
1	092707-02-01A	EA	LEG-TABLE, WOOD
2	102810-01-01A	EA	BRACE-LEG, BEIGE
3	P02056-02-B07	EA	TABLE-PULLOUT, W/O LEG - W/COUNTERTOP & HARDWARE
	102056-14-B07	EA	COUNTERTOP-DINETTE TABLE
	009050-02-000	EA	LEVELER-TABLE TOP, FEMALE & MALE ENDS - W/4 SCREWS - PLASTIC
	102194-01-000	EA	GUIDE-PLASTIC
4	101604-01-01A	EA	CHAIR-FOLDING, DINETTE - WOOD
5	102296-01-B07	EA	CABINET-HANDRAIL
	102297-01-000	EA	TUBE-SUPPORT, 75' X .75' X 39 4' - STEEL
	M99692-02-B07	EA	RAIL-HAND, W/O MOUNTING BRACKETS
	042438-06-000	EA	DOWEL-WOOD, 1 5' X 26'
	093682-01-01A	EA	BRACKET-MOUNTING, HANDRAIL - BRASS
6	102201-02-01A	EA	SUPPORT-HINGE CATCH, TABLE MOUNTED - BEIGE
7	102200-02-01A	EA	SUPPORT-HINGE LOCK, WALL MOUNTED - BEIGE
8	009210-01-000	EA	SLIDE-TABLE, 18" TO 50" - PAIR - METAL
	100192-10-B07	EA	TRIM-CHAIRRAIL, 2.5' X 8' - WOOD
	100659-10-B07	EA	TRIM-CARPET, 78 7" - WOOD

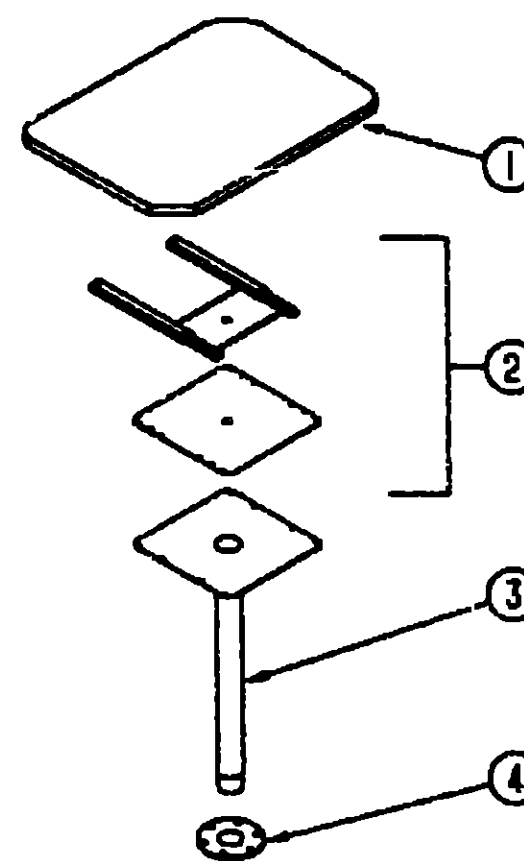
**DINETTE GROUP (CONTINUED)**



**DINETTE CABINERY & PADS**

KEY	PART NUMBER	U/M	DESCRIPTION
1	P00883-02-B07	EA	CABINET-OVERHEAD, DINETTE - W/O DOORS OR HARDWARE FROM 00-00-00 THRU 07-12-90
1	P00800-03-B07	EA	CABINET-OVERHEAD, DINETTE - W/O DOORS OR HARDWARE FROM 07-13-90 THRU 99-99-99
2	P00520-22-B07	EA	DOOR-CABINET, W/O HARDWARE - 14 4" X 26 8"
3	062747-01-B07	EA	END CAP-CABINET-OVERHEAD
	092082-02-01A	EA	MOUNT-OVERHEAD CABINET, 6.2" X 68 9" - BEIGE METAL
4	M05017-01-B07	EA	CABINET-SEATBASE, W/O DOORS OR HARDWARE
5	P00520-40-B07	EA	DOOR-CABINET, W/O HARDWARE - 11" X 21 9" FROM 07-13-90 THRU 99-09-99
6	P00520-19-B07	EA	DOOR-CABINET, W/O HARDWARE - 10" X 19"
7	098433-01-AE8	EA	PAD-SEATBASE EDGE, DINETTE - (B07/B22)
7	098433-01-B08	EA	PAD-SEATBASE EDGE, DINETTE
7	098433-01-B09	EA	PAD-SEATBASE EDGE, DINETTE
8	098441-03-B07	EA	PAD-SEAT EDGE, DINETTE - (B37/B22)
8	098441-03-B08	EA	PAD-SEAT EDGE, DINETTE
8	098441-03-B09	EA	PAD SEAT EDGE, DINETTE
9	098453-02-B07	EA	PAD-BACKREST, DINETTE - (B07/B22)
9	098453-02-B08	EA	PAD-BACKREST, DINETTE
9	098453-02-B09	EA	PAD-BACKREST, DINETTE
10	M05016-01-B07	EA	CABINET BACKREST
	M99682-01-B07	EA	RAIL-HAND, W/O MOUNTING BRACKETS
	042438-06-000	EA	DOWEL-WOOD 1 5" X 25"
	099682-01-01A	EA	BRACKET-MOUNTING HANDRAIL BRASS

**DINETTE GROUP (CONTINUED)**



**DINETTE TABLE**

KEY	PART NUMBER	U/M	DESCRIPTION
1	097050-02-B07	EA	TABLE-DINETTE, W/O HARDWARE
2	096922-01-000	EA	BASE-TV/TABLE, SWIVEL SLIDE
3	097049-01-000	EA	LEG ASM.-TABLE, 27 5" - OFF WHITE
	009040-08-000	EA	LEG-TABLE, 27.5" - UNFINISHED STEEL
4	041194-01-000	EA	BASE-TABLE, FLUSH MOUNTED

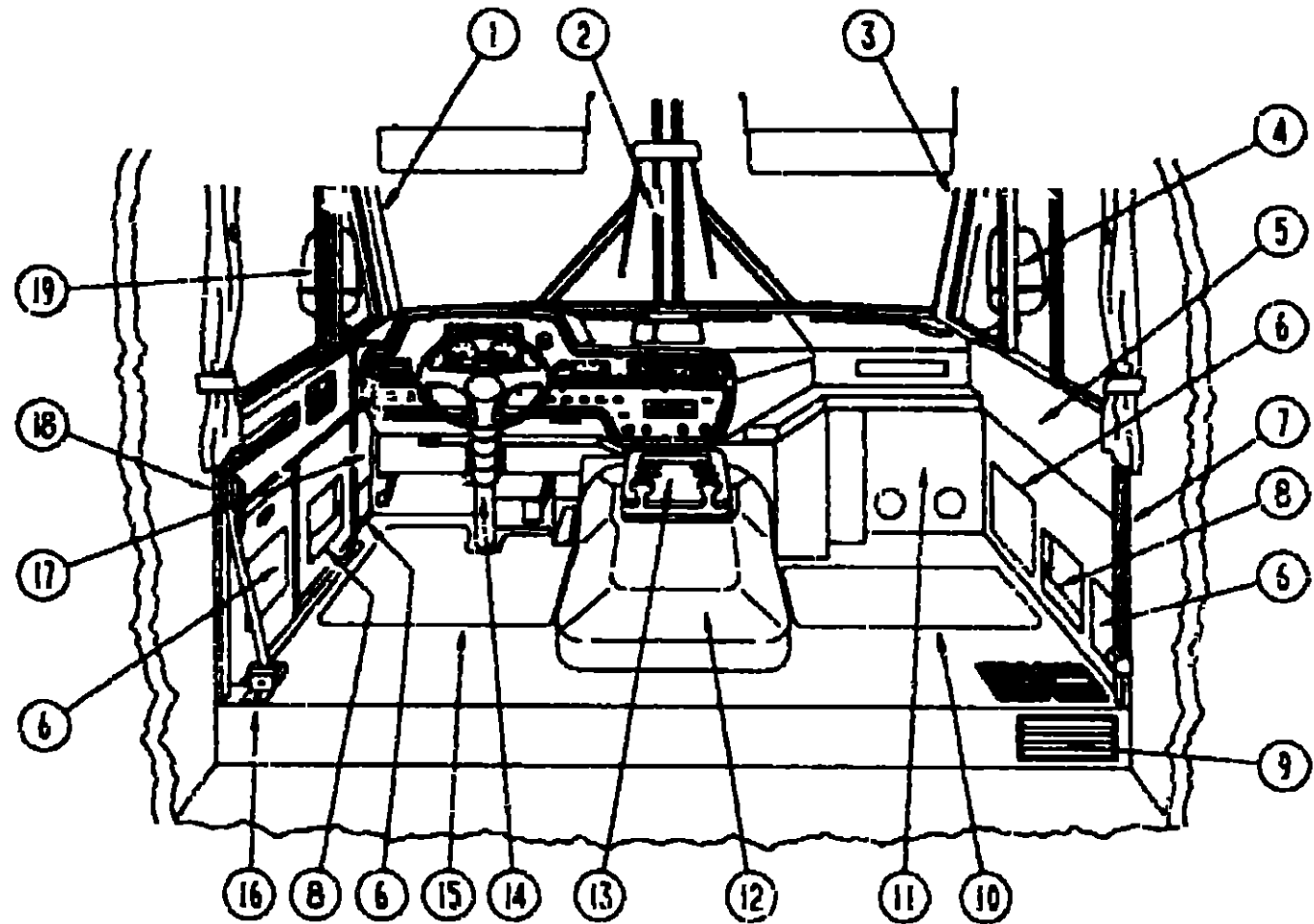
**1991 WINNEBAGO  
TABLE OF CONTENTS**

INTRODUCTION	A-01 - A-02
ABBREVIATIONS	A-03
ALPHABETICAL INDEX	A-04 - A-06
WCN36RQ	A-07 - F-16
WFN36FA	F-17 - K-22

**1991 WFN36RA INDEX**

FLOOR PLAN	F-17 - F-18
ACCESSORIES	F-19 - G-08
BATH	G-09 - G-14
BEDROOM	G-15 - G-16
CHASSIS	G-17 - H-01
CURTAIN, CUSHION & PAD	H-02 - H-11
DINETTE	H-12 - H-14
DRIVERS	H-15 - H-20
ELECTRICAL	H-21 - I-03
EXTERIOR BODY	I-04 - I-10
GALLEY	I-11 - I-18
HEATING & A/C	I-19 - I-22
INTERIOR FINISH	I-23 - J-02
LABEL	J-03 - J-10
LP	J-11
LOUNGE	J-12 - J-13
SEALANTS & FASTENERS	J-14 - J-16
WATER & SEWAGE	J-17 - J-22
WINDOW, VENT AND EXTERIOR DOOR	J-23 - K-22

**DRIVERS COMPARTMENT GROUP**



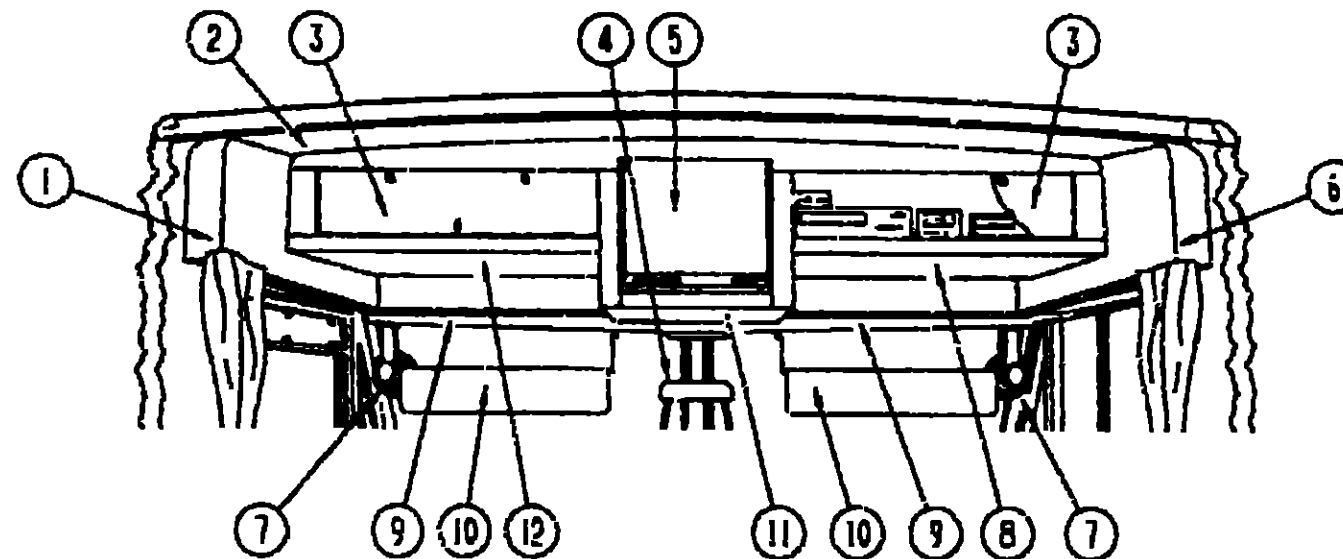
**DRIVERS CAB AREA**

KEY	PART NUMBER	U/M	DESCRIPTION
1	092584-02-01A	EA	COVER-A PILLAR, DRIVER - LIGHT FAWN
2	077144-07-000	EA	COVER-CENTER PILLAR, WINDSHIELD - LIGHT FAWN
2	077144-03-000	EA	COVER-CENTER PILLAR, WINDSHIELD - LIGHT FAWN - UNCLUT
3	092584-01-01A	EA	COVER-A PILLAR, PASSENGER - LIGHT FAWN
4	092585-01-01A	EA	COVER-PILLAR, PASSENGER - LIGHT FAWN
5	092582-01-01A	EA	PANEL- PASSENGER SIDE - LIGHT FAWN
6	093195-01-AE6	EA	PAD-DOOR - (B07/B22)
6	093195-01-B08	EA	PAD-DOOR
6	093195-01-B09	EA	PAD-DOOR
7	097240-01-01A	EA	COVER-B PILLAR, PASS - 58" X 2 1" - PLASTIC - OFF WHITE
8	097308-01-01A	EA	COVER-MAP POCKET, PLASTIC
9	093614-01-01A	EA	GRILLE-RETURN AIR, FURNACE - 15 6" X 7 6" - BROWN
9	089326-01-000	EA	GRILLE-FLOOR, HEATING - 9 3" X 5 4" - BROWN
10	081202-01-000	EA	MAT-FLOOR, FRONT - PASSENGER
11	095757-01-B07	EA	COVER-HEATER W/2 LOUVERED OUTLETS - 10 2" X 17 5" - (B07/B22)
11	095757-01-B08	EA	COVER-HEATER, W/2 LOUVERED OUTLETS - 10 2" X 17 5"
11	095757-01-B09	EA	COVER-HEATER W/2 LOUVERED OUTLETS - 10 2" X 17 5"
12	024990-01-000	EA	OUTLET DEFROSTER, W/SWIVEL - 2" DIA - TAN
12	091739-01-000	EA	PANEL-TOE KICK, PASSENGER SIDE - 26 4" X 24 6" - STEEL
12	091739-02-000	EA	PANEL-TOE KICK DRIVER SIDE - 26 4" X 24 6" - STEEL
12	097552-01-000	EA	COVER-MOTOR W/O CARPET
12	075564-01-000	EA	BRACKET-MOUNTING, MOTOR COVER
12	092406-01-000	EA	TRIM-MOTOR COVER, ALUMINUM
12	039623-01-000	FT	SEAL-MOTOR COVER, RUBBER BULB TYPE - BLACK
13	098132-01-AB6	EA	TRAY-BEVERAGE, WOOD
13	096911-01-01A	EA	INSERT-BEVERAGE TRAY, 2 2" X 1 1/2"
13	098279-01-01A	EA	INSERT-BEVERAGE TRAY, 3 4" X 2 6"
13	M04032-01-AB1	EA	DOWEL-WOOD STAINED
13	077920-02-000	EA	WIRE ASM BEVERAGE TRAY

**DRIVERS COMPARTMENT GROUP (CONTINUED)**

**DRIVERS CAB AREA CONT'D**

KEY	PART NUMBER	U/M	DESCRIPTION
14	098770-02-000	EA	SUPPORT-STEERING COLUMN
15	081201-01-000	EA	MAT-FLOOR, FRONT - DRIVER
15	097875-01-01A	EA	THRESHOLD-CAB DOOR, 26 5" - BLACK
16	091990-02-01A	EA	BRACKET-SEAT BELT, DRIVERS - FLOOR MOUNT
16	091990-01-01A	EA	SEAT BELT-SHOULDER HARNESS, DRIVER/PASSENGER - BLACK
16	091980-01-700	EA	COVER-BOLT
17	082583-02-01A	EA	PANEL-KICK, LOWER DRIVER SIDE - LIGHT FAWN
18	097239-01-01A	EA	COVER-B PILLAR, DR - 58" X 2 2" - PLASTIC - OFF WHITE
19	092585-02-01A	EA	COVER-HINGE PILLAR, DRIVER - LIGHT FAWN
19	093132-01-000	EA	SWITCH-TELESCOPING PEDESTAL



**DRIVERS CAB OVERHEAD**

KEY	PART NUMBER	U/M	DESCRIPTION
1	092471-04-01A	EA	TRIM-SIDE, UPPER DRIVER - OFF WHITE - 33 1/4"
2	100898-01-B07	EA	CABINET FACE, FRONT OVERHEAD
3	100708-03-000	EA	DOOR-GLASS, W/O HARDWARE
3	100707-01-000	EA	SPACER-DOOR, GLASS - 8" DIA - 3" HOLE - PLASTIC
3	100710-01-01A	EA	LOCK-TWIST TYPE, BRASS
3	100711-01-01A	EA	HINGE-GLASS DOOR, BRASS
3	101272-01-000	EA	CATCH-GLASS DOOR, BRASS
3	101766-01-000	EA	PIN-SUPPORT, GLASS DOOR
4	040714-01-700	EA	MIRROR KIT-INSIDE REAR VIEW, W/ARM, PLATE & SCREWS
4	040714-01-000	EA	MIRROR INSIDE REAR VIEW, W/ARM & SCREW
5	P00520-84-B07	EA	DOOR-CABINET, CENTER OVERHEAD - W/O HARDWARE - 14 4" X 16 1"
6	092471-03-01A	EA	TRIM-SIDE, UPPER PASSENGER - OFF WHITE - 33 1/4"
7	036420-02-000	EA	FAN-DEFROSTER, 2 SPEED - 6" DIAMETER
7	097372-03-01A	EA	SWITCH-ON-OFF-ON
7	000G39-08-24B	EA	SCREW SF/DR 8-18 X 1 1/2" PPH - ZN
8	P00957-01-B07	EA	SHELF-CABINET BASE PASSENGER SIDE
9	093884-01-700	EA	HEADLINER-FRONT, PLASTIC - OFF WHITE
10	082286-05-B07	EA	SUNVISOR DRIVER OR PASSENGER - OFF WHITE
10	000G39-10-12D	EA	SCREW-SF/DR, 10-16 X 3/4 PPH - BLACK
10	102377-01-000	EA	BRACKET-SUNVISOR STEEL - ONE PIECE
10	007211-01-000	EA	HINGE-SUNVISOR
10	074012-01-000	EA	CLIP SUNVISOR SQUARE - PINCH ON
11	P00958-01-B07	EA	SHELF-CABINET BASE, CENTER
11	100954-01-000	EA	SHELF-TV, STEEL
11	101150-01-000	EA	SUPPORT-SHELF, TV - PASSENGER SIDE - STEEL
11	101150-02-000	EA	SUPPORT-SHELF, TV - DRIVER SIDE - STEEL
12	P00957-02-B07	EA	SHELF-CABINET BASE, DRIVER SIDE

**1991 WINNEBAGO  
TABLE OF CONTENTS**

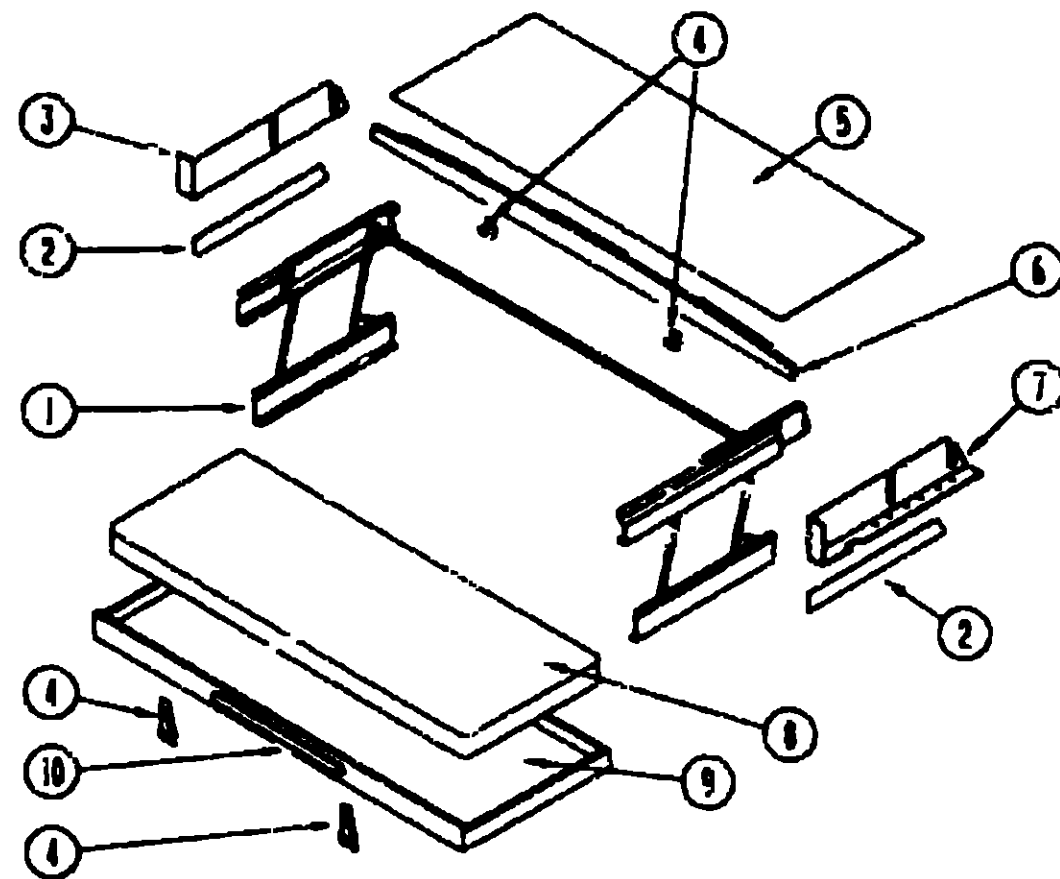
INTRODUCTION	A-01 - A-02
ABBREVIATIONS	A-03
ALPHABETICAL INDEX	A-04 - A-06
WCN36RQ	A-07 - F-16
WFN36RA	F-17 - K-22

**1991 WFN36RA INDEX**

FLOOR PLAN	F-17 - F-18
ACCESSORIES	F-19 - G-08
BATH	G-09 - G-14
BEDROOM	G-15 - G-16
CHASSIS	G-17 - H-01
CURTAIN, CUSHION & PAD	H-02 - H-11
DINETTE	H-12 - H-14
DRIVERS	H-15 - H-20
ELECTRICAL	H-21 - I-03
EXTERIOR BODY	I-04 - I-10
GALLEY	I-11 - I-18
HEATING & AC	I-19 - I-22
INTERIOR FINISH	I-23 - J-02
LABEL	J-03 - J-10
LIP	J-11
LOUNGE	J-12 - J-13
SEALANTS & FASTENERS	J-14 - J-16
WATER & SEWAGE	J-17 - J-22
WINDOW, VENT AND EXTERIOR DOOR	J-23 - K-22



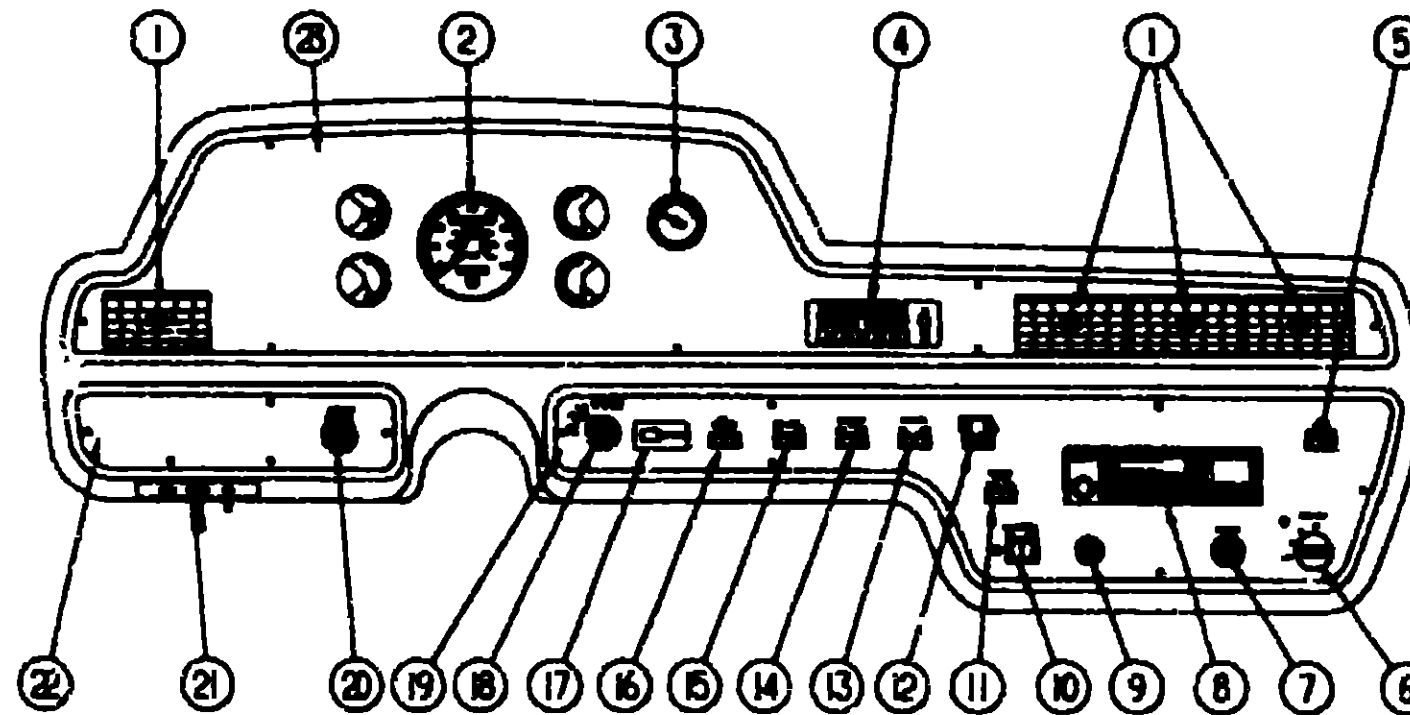
**DRIVERS COMPARTMENT GROUP (CONTINUED)**



**SINGLE FRONT BUNK**

KEY	PART NUMBER	U/M	DESCRIPTION
1	075760-02-000	EA	BUNK HARDWARE
	075760-02-700	EA	SPRING-GAS BUNK HARDWARE
2	092472-02-01A	EA	TRIM-SIDE, SIDE - LOWER DR & PASS - 15 5" LONG - OFF WHITE
3	062471-02-01A	EA	TRIM-SIDE, UPPER DRIVER - OFF WHITE - 33 1/4"
4	042541-04-000	EA	LATCH-BRASS, W/O STRIKE
4	042541-05-000	EA	STRIKE-BRASS
	048465-04-000	EA	SCREW, 10-16 X 1" PTH W/WASHER - BEIGE
	075943-02-000	EA	BRACE-ANGLE WHOLES - 1" X 1 5" X 14" - ALUMINUM - BEIGE
5	088351-03-000	YD	VINYL-FABRIC, 54" WIDE - CEILING
	083884-01-700	FA	HEADLINER-FRONT, PLASTIC - OFF WHITE
	100423-01-01A	EA	PLATE-MOUNTING TRIANGLE SHAPED PLASTIC
6	M63055-01-Y12	EA	BOARD-BUNK, TRIM - CEILING MOUNTED
	016604-03-000	EA	BRACE-L/ANGLED, 2 5" - BEIGE
7	092471-01-01A	EA	TRIM-SIDE, UPPER PASSENGER - OFF WHITE - 33 1/4"
8	079145-05-000	EA	CUSHION BUNK, OVERHEAD - 30" X 73" X 4"
	M79145-05-000	EA	COVER-BUNK CUSHION OVERHEAD - 30" X 73" X 4"
9	081717-04-Y12	EA	BED-BUNK FRONT
10	094658-01-Y12	EA	HANDLE-BUNK, OAK

**DRIVERS COMPARTMENT GROUP (CONTINUED)**



**INSTRUMENT PANEL**

KEY	PART NUMBER	U/M	DESCRIPTION
1	075763-02-000	EA	LOUVER ASM-ADJUSTABLE VENT - AIR CONDITIONING
2	054794-02-000	EA	INSTRUMENT CLUSTER (CANADIAN)
3	024480-04-000	EA	GAUGE-VACUUM
4	072341-01-710	EA	CONTROL HEAD ASM-W/O DECAL - AIR CONDITIONING
	072341-01-722	EA	DECAL ASM-CONTROL HEAD
	072341-06-700	EA	SWITCH-FAN, 4 SPEED
5	097372-01-01A	EA	MAP LIGHT SWITCH
5	087202-02-000	EA	SWITCH-W/O KNOB 4 POSITION - OPTION L611
	090977-01-000	EA	KNOB-SWITCH, ROTARY - OPTION L611
7	089294-01-000	EA	CIGARETTE LIGHTER
8	097459-01-000	EA	RADIO-AM/FM STEREO, CASSETTE (STANDARD)
	097480-01-000	EA	RADIO-AM/FM STEREO, CASSETTE - SONY XR-300 - OPTION L57E FROM 00-00-00 THRU 07-22-90
	097480-02-000	EA	RADIO-AM/FM STEREO, CASSETTE - SONY XR-4147 - OPTION L57E FROM 07-23 90 THRU 99 99 99
	097621-01-000	EA	KIT-RADIO MOUNTING
	099998-01-000	EA	BRACKET-RADIO, 6 4" X 9 3" - STEEL
9	085759-01-000	EA	LIGHT-WARNING, "LOW AIR"
10	086272-02-000	EA	AUXILIARY BATTERY DISCONNECT SWITCH
11	097372-05-01A	EA	BATTERY MODE SWITCH
12	097372-08-01A	EA	RADIO POWER SWITCH
13	097372-01-01A	EA	AIR HORN SWITCH
14	097372-03-01A	EA	AUXILIARY DEFROST FAN SWITCH
15	097372-01-01A	EA	FOG LIGHT SWITCH
15	097372-07-01A	EA	ICC COURTESY BLINK SWITCH
17	NONE	EA	OVERDRIVE CANCEL SWITCH (CHASSIS SUPPLIED)
18	091206-02-000	EA	WINDSHIELD WIPER/WASHER SWITCH
19	101024-03-01A	EA	BEZEL-INSTRUMENT PANEL, LOWER - RIGHT
20	096675-01-000	EA	KNOB-HEADLIGHT SWITCH, W/SHAFT
	096674-01-000	EA	NUT-HEADLIGHT SWITCH BLACK
21	051057-03-000	EA	SWITCH-SEARCHLIGHT, W/HOUSING OPT. CN L63E
22	101025-02-01A	EA	BEZEL-INSTRUMENT PANEL, LOWER - LEFT
23	100602-03-01A	EA	BEZEL-INSTRUMENT PANEL UPPER

**1991 WINNEBAGO TABLE OF CONTENTS**

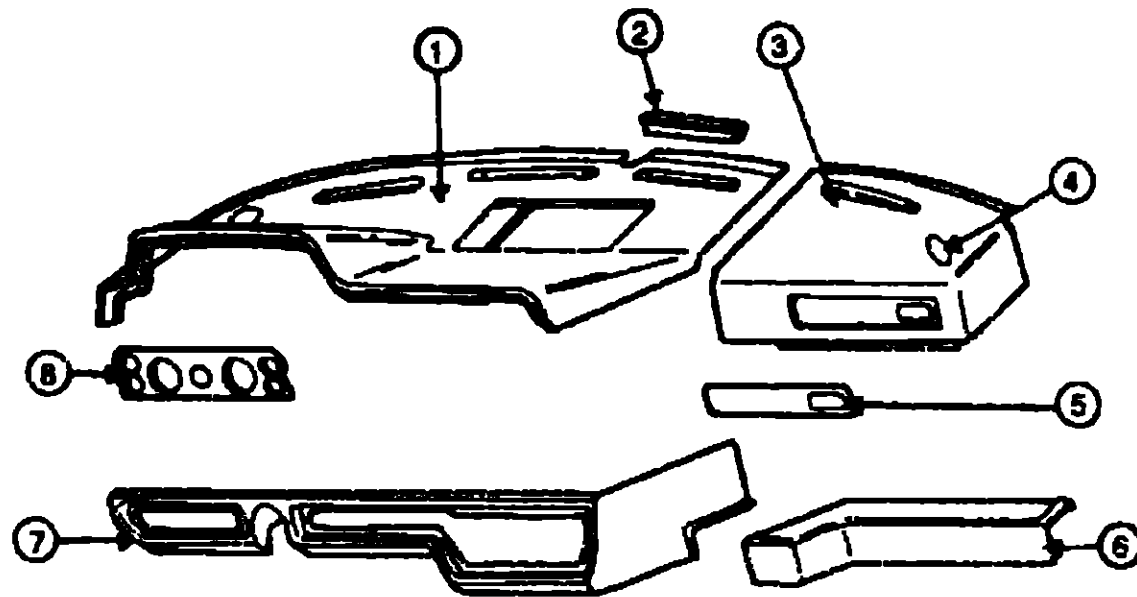
INTRODUCTION	A-01 - A-02
ABBREVIATIONS	A-03
ALPHABETICAL INDEX	A-04 - A-06
WINNEBAGO	A-07 - F-16
WFN36RA	F-17 - K-22

**1991 WFN36RA INDEX**

FLOOR PLAN	F-17 - F-18
ACCESSORIES	F-19 - G-08
BATH	G-09 - G-14
BEDROOM	G-15 - G-16
CHASSIS	G-17 - H-01
CURTAIN CUSHION & PAD	H-02 - H-11
DKNETTE	H-12 - H-14
DRIVERS	H-15 - H-20
ELECTRICAL	H-21 - I-03
EXTERIOR BODY	I-04 - I-10
GALLEY	I-11 - I-18
HEATING & A/C	I-19 - I-22
INTERIOR FINISH	I-23 - J-02
LABEL	J-03 - J-10
LP	J-11
LOUNGE	J-12 - J-13
SEALANTS & FASTENERS	J-14 - J-16
WATER & SEWAGE	J-17 - J-22
WINDOW, VENT AND EXTERIOR DOOR	J-23 - K-22

**DRIVERS COMPARTMENT GROUP (CONTINUED)**

**DRIVERS COMPARTMENT GROUP (CONTINUED)**  
**DASH COMPONENTS**



**DASH & INSTRUMENT PANELS**

KEY	PART NUMBER	UOM	DESCRIPTION
	087372-06-01A	EA	SWITCH-BLANK, 1.25" X 6"
	086241-03-000	EA	SWITCH-BLANK, 1.7" X 95"
	079364-01-000	EA	SWITCH-ON/OFF, ROCKER - BROWN
	083912-02-000	EA	RELAY-CANISTER, SPDT - W/RESISTOR
	086273-01-000	EA	RELAY-BATTERY DISCONNECT
	086288-01-000	EA	WIRE ASM -BATTERY DISCONNECT, RED
	086298-02-000	EA	WIRE ASM -BATTERY DISCONNECT, GREEN
	086272-02-000	EA	SWITCH-ROCKER, DPDT - 3 POSITION
	081087-01-000	EA	LIGHT ASM -INDICATOR, JENSEN
	076788-01-000	EA	SOCKET-MINI BAYONET LAMP
	076788-02-000	EA	CYLINDER-CARDBOARD, LAMP
	076788-03-000	EA	LAMP PLATE ASM
	076788-04-000	EA	LAMP PLATE ASM. - TURN SIGNAL
	087201-01-000	EA	LIGHT-HALF ROUND, 1" X 1 7/8" - BLACK PLASTIC
	088476-01-000	EA	SOCKET-CONNECTOR
	077031-01-000	EA	FILM-BLACK, 1" X 1 7/8"
	077031-02-000	EA	FILM-AMBER, 1" X 1 7/8"
	024990-01-000	EA	OUTLET-DEFROSTER, W/SWIVEL - 2" - TAN PLASTIC
	090979-01-000	EA	PLUG-INSTRUMENT PANEL
	081914-01-000	EA	BUMPER-RUBBER, ROUND - 43" DIA. - BLACK
	086285-01-000	EA	SPACER-NYLON, 5" OD X 257" ID
	079372-01-000	EA	SCREW-SOCKET, 8-18 X 1" - BLACK
	079373-03-000	EA	SCREW-SF/DR, 8-20 X 1/4" PL WASHER - BEIGE

**1991 WINNEBAGO  
TABLE OF CONTENTS**

INTRODUCTION	A-01 -	A-02
ABBREVIATIONS		A-03
ALPHABETICAL INDEX	A-04 -	A-08
WCN36RO	A-07 -	F-16
WFN36RA	F-17 -	K-22

KEY	PART NUMBER	UOM	DESCRIPTION
1	102122-02-807	EA	DASH-INSTRUMENT PANEL, UPPER - LEFT
2	091930-02-000	EA	DUCT-DEFROSTER, W/O SIDE OUTLET - ARA 0571020 FROM 00-00-00 THRU 07-22-90
2	091930-03-000	EA	DUCT-DEFROSTER, W/O SIDE OUTLET - ARA 0571109 FROM 07-23-90 THRU 05-12-91
2	103017-01-000	EA	PLENUM-DEFROSTER FROM 05-13-91 THRU 99-99-99
2	077075-01-000	EA	GASKET-INSTRUMENT PANEL TO DEFROSTER PLENUM, 6" X 11 3/4"
	077075-02-000	EA	GASKET-INSTRUMENT PANEL TO DEFROSTER PLENUM 6" X 10 2"
3	085252-02-Y10	EA	DASH-INSTRUMENT PANEL, UPPER - RIGHT
4	073741-03-000	EA	SPEAKER-OVAL, 4" X 6"
4	073741-04-000	EA	GRILLE-OVAL SPEAKER, 4" X 6"
5	076797-03-000	EA	BEZEL-INSTRUMENT PANEL, PASSENGER
6	076734-05-000	EA	TRAY-INSTRUMENT PANEL
7	101055-01-01A	EA	DASH ASM. - INSTRUMENT PANEL, LOWER - LEFT
	076867-01-000	EA	BRACKET-"V" LIPPED 3 5/8" X 1" - STEEL - W/O SCREW HOLE
	076867-02-000	EA	BRACKET-"V" LIPPED 3 4" X 1" - STEEL - W/SCREW HOLE
	076872-01-000	EA	BRACKET-"V" LIPPED, 2 7/8" X 1" - STEEL - W/O SCREW HOLE
	077001-01-000	EA	ANGLE-MOUNTING, ROOF PANEL - "V" ANGLE - 3" X 2 4" X 1 5"
	100158-01-000	EA	WIRE ASM-DAYTIME RUNNING LIGHTS (CANADIAN)
	100159-01-000	EA	WIRE ASM-DAYTIME RUNNING LIGHTS W/FUSE (CANADIAN)
	100133-01-000	EA	MODULE-DAYTIME RUNNING LIGHTS (CANADIAN)
8	077353-01-000	EA	SHROUD-INSTRUMENT CLUSTER, 20" X 5 1/2" - PLASTIC - BLACK FROM 00-00-00 THRU 07-01-90
9	077353-09-000	EA	SHROUD-INSTRUMENT CLUSTER, 20" X 5 1/2" - PLASTIC - BLACK (W/GENERATOR) FROM 00-00-00 THRU 07-01-90

**1991 WFN36RA INDEX**

FLOOR PLAN	F-17 -	F-19
ACCESSORIES	F-19 -	G-08
BATH	G-09 -	G-14
BEDROOM	G-15 -	G-16
CHASSIS	G-17 -	H-01
CURTAIN, CUSHION & PAD	H-02 -	H-11
DINETTE	H-12 -	H-14
DRIVERS	H-15 -	H-20
ELECTRICAL	H-21 -	I-03
EXTERIOR BODY	I-04 -	I-10
GALLEY	I-11 -	I-18
HEATING & A/C	I-19 -	I-22
INTERIOR FINISH	I-23 -	J-02
LABEL	J-03 -	J-10
LP		J-11
LOUNGE	J-12 -	J-13
SEALANTS & FASTENERS	J-14 -	J-16
WATER & SEWAGE	J-17 -	J-22
WINDOW VENT AND EXTERIOR DOOR	J-23 -	K-22

**ELECTRICAL GROUP**  
ELECTRICAL CONVERSION OPTION L048

KEY	PART NUMBER	U/M	DESCRIPTION
	008054-01-000	EA	CORD-POWER, 10/3 WIRE - 30 AMP - 25'
	024024-02-000	EA	RECEPTACLE-POWER CORD, W/PARTIAL PLATE
	000G11-08-088	EA	SCREW, 8-18 X 1/2 PPH ZN
	000G11-10-168	EA	SCREW, 10-16 X 1 - PPH ZN
	000G67-10-12B	EA	SCREW, 10-12 X 3/4 - PPH ZN
	006026-01-000	FT	WIRE-12/2, ROMEK - W/GROUND
	008289-01-000	EA	BOX-ELECTRIC, STEEL - 1/2" AND 3/4" KNOCKOUTS - 4' X 4'
	068289-02-000	EA	BOX-ELECTRICAL, 4' X 4' - 1/2" & 3/4" KNOCKOUTS - (CANADIAN)
	008311-01-000	EA	CONNECTOR-WIRE NUT, INSULATED - RED
	008314-01-000	EA	CONNECTOR-WIRE NUT, INSULATED - GRAY
	008328-01-000	EA	TERMINAL-RING, 12/10 WIRE - #10 STUD FIT
	008331-01-000	EA	TERMINAL-RING, TONGUE - #4 WIRE - 3/8" STUD - COPPER
	008355-01-000	EA	CONNECTOR-CABLE CLAMPING, 3/4"
	008356-01-000	EA	CONNECTOR-PLASTIC, 3/8" AVG
	041953-01-000	FT	CONDUIT-CONVOLUTE SLIT, .50" ID
	073937-03-000	EA	SWITCH-ROTARY SELECTOR, 3 DECK - A/C - CA20-USA892
	073937-01-700	EA	KNOB-ROTARY SWITCH-A/C SELECTOR
	074890-01-000	EA	BOX-EXTENSION, STEEL - OPEN SIDES - 4' X 4' X 1 1/2"
	008294-01-000	EA	COVER-ELECTRICAL BOX, STEEL/BLANK - 4' X 4' - GRAY
	068238-01-000	EA	COVER-ELECTRICAL BOX, W/HOLE - 4' X 4' - GRAY
	074897-01-000	EA	COVER-PLATE MODIFIED
	091213-01-000	EA	BOX-CIRCUIT BREAKER- W/KNOCKOUTS - 5 3/4" X 11 8/8" X 2 5/8"
	082615-01-000	EA	CONVERTER-40 AMP, W/CHARGER - B-W 32400P
	094809-01-000	EA	LOAD CENTER-240 VOLT, 125 AMP
	094810-01-000	EA	CIRCUIT BREAKER-DOUBLE 30 AMP, GE THQL2130
	094811-01-000	EA	CIRCUIT BREAKER-DOUBLE 20 AMP, GE THQL2120

**INVERTER OPTION L40F**

KEY	PART NUMBER	U/M	DESCRIPTION
	099048-01-000	EA	INVERTER 100 WATT

**FOG LAMPS OPTION L57M**

KEY	PART NUMBER	U/M	DESCRIPTION
	000G39-08-12B	EA	SCREW-SF/DR, 8 18 X 3/4 PPH ZN
	077031-02-000	EA	FILM-AMBER, 1" X 1.75"
	088747-02-000	EA	LAMP-FOG, CLEAR LENS - PER-LUX
			FROM 00-00-00 THRU 09-23-90
	088747-03-000	EA	LAMP-FOG CLEAR LENS - PER-LUX - 550 SERIES
			FROM 09-24-90 THRU 99-99-99
	088747-01-700	EA	COVER-FOG LIGHT
	093162-01-000	EA	BRACKET-LAMP, FOG
			FROM 00-00-00 THRU 09-23-90
	097372-01-01A	EA	SWITCH ON/OFF, SPST
	063912-02-000	EA	RELAY-CANISTER, SPDT - BOSCH 0332204101

**SPOTLIGHT OPTION L83E**

KEY	PART NUMBER	U/M	DESCRIPTION
	051057-02-000	EA	SEARCHLIGHT-POWER DRIVEN SPARTON
	050157-01-703	EA	SWITCH-TOGGLE, ON/OFF - A510003-01
	051057-01-704	EA	SWITCH-MICRO - B510001-01
	051057-01-705	EA	BULB-SEARCHLIGHT - C-6491
	051057-01-706	EA	BASE-SEARCHLIGHT, W/GEAR ASM - B-13052
	051057-03-000	EA	SWITCH-SEARCHLIGHT W/HOUSING

**ELECTRICAL GROUP (CONTINUED)**  
INTERIOR LIGHTS

KEY	PART NUMBER	U/M	DESCRIPTION
	091837-04-000	EA	LIGHT-FLUORESCENT, 12 V - RECESSED - THIN-LITE
	091837-05-700	EA	BULB-FLUORESCENT LIGHT, 12V
	078424-02-000	EA	LIGHT-FLUORESCENT, 12V DC - 18" - ALMOND
	078424-02-701	EA	LENS LIGHT, FLUORESCENT - 18"
	078424-02-700	EA	BULB-LIGHT, FLUORESCENT - 18"
	078424-02-701	EA	LENS LIGHT, FLUORESCENT - 18"
	092189-01-000	EA	LIGHT-MAKE-UP, 5 BULB - BRASS - JENSEN
	081633-01-700	EA	BULB-MAKE UP LIGHT, JENSEN
	098024-01-01A	EA	LIGHT-DOME, 1 BULB - IVORY
	098024-03-01A	EA	LIGHT-DOME, 2 BULB - IVORY
	098024-01-700	EA	LENS-DOME LIGHT
	008218-01-000	EA	BULB DOME LIGHT, 12V - NUMBER 1141
	087694-01-000	EA	LIGHT-WARDROBE/CLOSET, W/SWITCH
	087694-01-700	EA	BULB-WARDROBE/CLOSET LIGHT
	061424-01-000	EA	LIGHT-AISLE, 12V - RECTANGULAR
	008103-01-000	EA	BULB-AISLE LIGHT, NUMBER 53 - 12 V - .12 AMP
	094488-04-000	EA	LIGHT-FLEX, 18" - CLEAR
	065201-08-000	EA	SHADE-LAMP, W/GOLD TRIM - PARCHMENT
	065202-14-000	EA	LAMP-WALL, W/O SHADE - BRASS
	067479-01-000	EA	BULB-12V, NUMBER 1076 - WALL LAMP
	065202-14-700	EA	FINAL-WALL LAMP, BRASS
	090353-05-000	EA	LIGHT-READING DOUBLE - BLACK
	036196-01-000	EA	BULB-READING LIGHT, 12V - #194 - 27 AMP - BAYONETTE

**SWITCHES, PLATES & RECEPTACLES**

KEY	PART NUMBER	U/M	DESCRIPTION
	098351-02-01A	EA	PLATE-SWITCH, 2 GANG - POLISHED BRASS
	079364-01-000	EA	SWITCH-ON/OFF ROCKER, 2 PRONG - BROWN
	079364-02-000	EA	SWITCH-ON/OFF ROCKER, BROWN
	079364-03-000	EA	SWITCH-ON/OFF ROCKER, BLACK
	079364-06-000	EA	SWITCH-MOMENTARY, ON/MOM/OFF
	084076-01-000	EA	RECEPTACLE-GFI, 15A - 125V - IVORY
	084076-02-000	EA	RECEPTACLE-GFI, 15A - 125V - BROWN
	084077-01-000	EA	PLATE-COVER, RECEPTACLE - GFI - IVORY
	084077-02-000	EA	PLATE-COVER, RECEPTACLE - GFI - BROWN
	058708-01-000	EA	RECEPTACLE-DOUBLE ELECTRIC, BROWN
	058708-02-000	EA	RECEPTACLE-DOUBLE ELECTRIC IVORY
	102568-01-B10	EA	SPACER-RECEPTACLE WOOD
			FROM 08-02-90 THRU 99-99-99
	093132-01-000	EA	SWITCH TELESCOPING PEDESTAL
	094086-01-01A	EA	PLATE-TELESCOPING PEDESTAL SWITCH - SINGLE GANG - BLACK
	100312-01-000	EA	SWITCH DOOR JAMB, ELECTRIC ENTRY STEP
	098351-03-01A	EA	PLATE-SWITCH, 3 GANG - POLISHED BRASS
	058707-01-000	EA	RECEPTACLE-ELECTRIC, SINGLE - BROWN
	098351-01-01A	EA	PLATE-SWITCH, 1 GANG - POLISHED BRASS
	095188-02-01A	EA	SPACER-SWITCH DARK BROWN
	074979-01-000	EA	SHIELD-SWITCH, BACK - MOLDED PLASTIC - 8" X 9" - BEIGE
	075736-03-000	EA	COVER-EXTERIOR RECEPTACLE, BEIGE
	098351-04-01A	EA	PLATE-SWITCH, GENERATOR - POLISHED BRASS
	073937-03-000	EA	SWITCH-ROTARY SELECTOR, 3 DECK - A/C - CA20-USA892
	073937-01-700	EA	KNOB-ROTARY SWITCH A/C SELECTOR - 145749

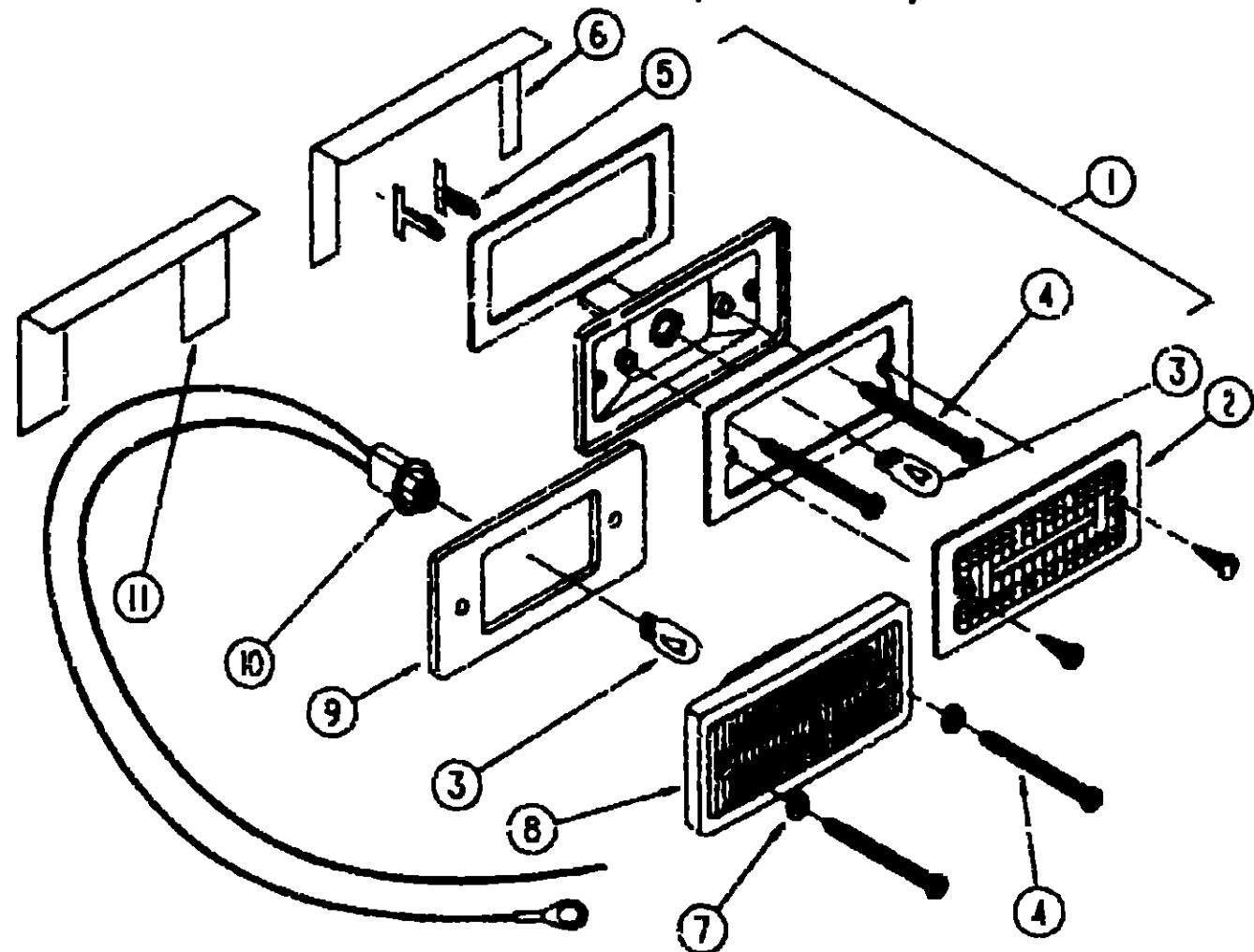
**1991 WINNEBAGO**  
**TABLE OF CONTENTS**

INTRODUCTION	A-01 -	A-02
ABBREVIATIONS		A-03
ALPHABETICAL INDEX	A-04 -	A-06
WCN36RQ	A-07 -	F-16
WFN36RA	F-17 -	K-22

**1991 WFN36RA INDEX**

FLOOR PLAN	F-17 -	F-18
ACCESSORIES	F-19 -	G-08
BATH	G-09 -	G-14
BEDROOM	G-15 -	G-16
CHASSIS	G-17 -	H-01
CURTAIN, CUSHION & PAD	H-02 -	H-11
DINETTE	H-12 -	H-14
DRIVERS	H-15 -	H-20
ELECTRICAL	H-21 -	I-03
EXTERIOR BODY	I-04 -	I-10
GALLEY	I-11 -	I-18
HEATING & A/C	I-19 -	I-22
INTERIOR FINISH	I-23 -	J-02
LABEL	J-03 -	J-10
LP		J-11
LOUNGE	J-12 -	J-13
SEALANTS & FASTENERS	J-14 -	J-16
WATER & SEWAGE	J-17 -	J-22
WINDOW, VENT AND		
EXTERIOR DOOR	J-23 -	K-22

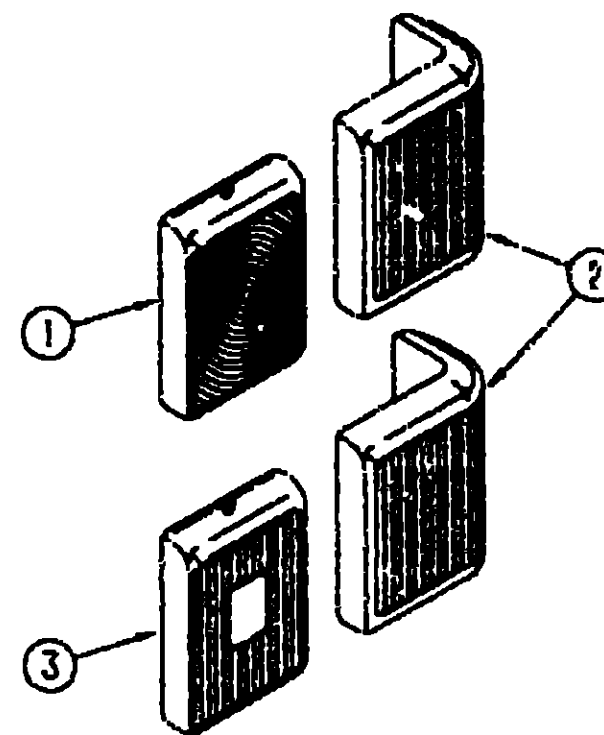
**ELECTRICAL GROUP (CONTINUED)**



**EXTERIOR LIGHTS**

KEY	PART NUMBER	U/M	DESCRIPTION
1	081250-01-000	EA	LIGHT-REAR CLEARANCE AMBER - LENS AND BASE ONLY FROM 00-00-00 THRU 09-09-90
1	081250-02-000	EA	LIGHT-REAR CLEARANCE RED - LENS AND BASE ONLY FROM 00-00-00 THRU 04-07-91
2	081250-01-700	EA	LENS ONLY AMBER
2	081250-02-700	EA	LENS ONLY, RED
3	036196-01-000	EA	BULB-12V - #194 - .27AMP
4	000G39-08 24B	EA	SCREW SELF DRIVING
	077955-01-000	EA	J CLIP-VINYL COATED 3/8" USED IN WIRING TO CLEARANCE LIGHTS
5	079378-01-000	EA	TERMINAL-WEDGE BASE, 18 AWG NEEDED TO ATTACH SIDEMARKER AND CLEARANCE LIGHTS
6	081437-01-000	EA	BRACKET-CLEARANCE LIGHT, L SHAPED METAL
7	102540-01-000	EA	SEAL-SCREW, CLEARANCE LIGHT
8	102520-01-000	EA	LIGHT-CLEARANCE, W/O SOCKET CONNECTION - AMBER FROM 09-10-90 THRU 99-99-99
8	102520-02-000	EA	LIGHT-CLEARANCE, W/O SOCKET CONNECTION - RED FROM 04-08-91 THRU 99-99-99
9	102541-01-000	EA	GASKET-CLEARANCE LIGHT
10	067789-02-000	EA	SOCKET ASM -CAB MARKER
11	102582-01-000	EA	BRACKET-CLEARANCE LIGHT
	097917-01-02A	EA	LIGHT-PORCH BEIGE
	037917-01-700	EA	LENS LIGHT, PORCH
	042405-03-000	EA	BASE-SIDEMARKER LIGHT, RECTANGULAR
	042405-02-000	EA	LENS-SIDEMARKER LIGHT - W/REFLEX - AMBER
	008213-01-000	EA	BULB-12V - #57
	091983-01-000	EA	GASKET-SIDEMARKER LIGHT
	089283-02-000	EA	LIGHT-WRAP AROUND AMBER - DRIVER OR PASSENGER
	089289-02-700	EA	LENS-WRAP AROUND LIGHT AMBER - DRIVER OR PASSENGER
	036196-01-000	EA	BULB-12V - #194 - .27AMP
	089292-01-000	EA	LIGHT-TURN W/AMBER LENS - LENS N/A SEPARATELY
	076795-01-000	EA	LIGHT-LICENSE PLATE, GM# 912368
	067789-03-000	EA	SOCKET-LICENSE PLATE LIGHT
	087201-01-000	EA	LIGHT-DUMP VALVE

**ELECTRICAL GROUP (CONTINUED)**



**TAILLIGHTS**

KEY	PART NUMBER	U/M	DESCRIPTION
1	089291-01-000	EA	LIGHT-TURN, W/RED LENS - LENS N/A SEPARATELY
	037935-01-000	EA	BULB-#1157 - 12V - 2.1 AMP
2	089299-01-000	EA	LIGHT-WRAP AROUND - W/RED LENS
	083283-01-700	EA	LENS-CLEARANCE LIGHT, RED
	037934-01-000	EA	BULB-12V - #1157 - 2.1 AMP
3	069290-01-000	EA	LIGHT-BACKUP W/RED & CLEAR LENS - LENS N/A SEPARATELY
	037934-01-000	EA	BULB-12V #1156 2.1 AMP
	067789-02-000	EA	SOCKET-LAMP

**HEADLIGHTS & HARDWARE**

KEY	PART NUMBER	U/M	DESCRIPTION
	070907-01-000	EA	HEADLAMP CAPSULE ASM-RECTANGULAR, GM# 5958097
	074048-01-000	EA	INSERT-KNURLED, BRASS - #3-32- FOR HEADLIGHT SCREWS
	049359-01-000	EA	SPRING HEADLAMP RETAINER GM # 495096
	073308-01-000	EA	SCREW-ADJUSTING HEADLAMP
	063749-02-000	EA	HOUSING HEADLAMP, 2 BULB

**1991 WINNEBAGO  
TABLE OF CONTENTS**

INTRODUCTION	A-01 - A-02
ABBREVIATIONS	A-03
ALPHABETICAL INDEX	A-04 - A-05
WCA36RQ	A-07 - F-16
WFN36RA	F-17 - K-22

**1991 WFN36RA INDEX**

FLOOR PLAN	F-17 - F-18
ACCESSORIES	F-19 - G-08
BATH	G-09 - G-14
BEDROOM	G-15 - G-16
CHASSIS	G-17 - H-01
CURTAIN CUSHION & PAD	H-02 - H-11
D'NETTE	H-12 - H-14
DRIVERS	H-15 - H-20
ELECTRICAL	H-21 - I-03
EXTERIOR BODY	I-04 - I-10
GALLEY	I-11 - I-18
HEATING & A/C	I-19 - I-22
INTERIOR FINISH	I-23 - J-02
LABEL	J-03 - J-10
LP	J-11
LOUNGE	J-12 - J-13
SEALANTS & FASTENERS	J-14 - J-16
WATER & SEWAGE	J-17 - J-22
WINDOW VENT AND EXTERIOR DOOR	J-23 - K-22

**ELECTRICAL GROUP (CONTINUED)**  
STANDARD COMPONENTS

**ELECTRICAL GROUP (CONTINUED)**  
STANDARD COMPONENTS CONT

**1991 WINNEBAGO**  
**TABLE OF CONTENTS**

INTRODUCTION	A-01 -	A-02
ABBREVIATIONS		A-03
ALPHABETICAL INDEX	A-04 -	A-06
WGN36RQ	A-07 -	F-16
WFN36RA	F-17 -	K-22

**1991 WFN36RA INDEX**

FLOOR PLAN	F-17 -	F-18
ACCESSORIES	F-19 -	G-08
BATH	G-09 -	G-14
BEDROOM	G-15 -	G-16
CHASSIS	G-17 -	H-01
CURTAIN CUSHION & PAD	H-02 -	H-11
DINETTE	H-12 -	H-14
DRIVERS	H-15 -	H-20
ELECTRICAL	H-21 -	I-03
EXTERIOR BODY	I-04 -	I-10
GALLEY	I-11 -	I-13
HEATING & A/C	I-19 -	I-22
INTERIOR FINISH	J-23 -	J-02
LABEL	J-03 -	J-10
LP		J-11
LOUNGE	J-12 -	J-13
PLANTS & FASTENERS	J-14 -	J-16
WATER & SEWAGE	J-17 -	J-22
WINDOW, VENT AND EXTERIOR DOOR	J-23 -	K-22

KEY	PART NUMBER	U/M	DESCRIPTION
	C41953-08-000	FT	CONDUIT-CONVOLUTE,SUIT 375
	024459-04-000	EA	GAUGE-VOLTMETER
	007940-01-000	EA	RECEPTACLE-SUDE, 16 TO 12 AWG
	047443-02-000	EA	TERMINAL-250 RECEPT FIT, INSULATED - 12/10 AWG
	088474-01-000	EA	HOUSING-SOCKET
	088475-02-000	EA	SOCKET-CONNECTOR 12-10 GA
	000039-04-008	EA	NUT-HEX, SER FLG LK 1/4" - 20 ZN
	000039-05-008	EA	NUT-HEX, SER FLG LK 5/16" - 18 ZN
	090504-04-000	EA	TRAY-BATTERY
	098527-01-000	EA	DOOR-CIRCUIT BREAKERS - 14 5" X 10 7" - BLACK METAL
	098527-02-000	EA	DOOR-FUSES - 14 5" X 9 25" - BLACK METAL
	088196-01-000	EA	LATCH-1/4 TURN T-BAR
	093674-01-000	EA	PLATE-CIRCUIT BREAKER, HOUSE
	092549-01-000	EA	PLATE-FUSE BOX, L - SHAPED - 7 5" X 11 2" - BLACK METAL
	092547-01-000	EA	LABEL-CIRCUIT BREAKER
	067762-01-000	EA	CONVERTER-40 AMP, W/CHARGER - TRIAD TU-740 2
	007942-01-000	EA	TAB-WIRE, 18 TO 14 AWG
	007349-01-000	EA	TAB-HOUSING, 1 POSITION
	041953-09-000	FT	CONDUIT-CONVOLUTED SLIT .50"ID
	008326-01-000	EA	TERMINAL-RING, 16/14 WIRE - 3/8" STUD
	088474-09-000	EA	HOUSING-SOCKET
	088476-01-000	EA	SOCKET-CONNECTOR
	008343-02-000	EA	TIE WIRE, 14"
	008348-01-000	EA	TERMINAL-RINGS, 3/8" STUD - #2 WIRE
	083610-01-000	EA	CLAMP-WIRE, DUAL - UNEQUAL 5/8" AND 1 1/4" DIAMETERS
	008001-01-000	FT	WIRE-10AWG STRAND - WHITE
	047443-01-000	EA	TERMINAL-250 RECEPTACLE FIT, INSULATED - 16/14 AWG
	088473-05-000	EA	PIN-HOUSING, 6 POSITION (SINGLE ROW)
	088473-06-000	EA	PIN-HOUSING, 6 POSITION (TWO ROWS OF THREE)
	088473-07-000	EA	PIN-HOUSING, 4 POSITION
	088473-09-000	EA	PIN-HOUSING 3 POSITION (SINGLE ROW)
	088474-02-000	EA	SOCKET-HOUSING, 15 POSITION (3 ROWS OF 5)
	035415-04-000	EA	TERMINAL-RING #10 STUD FIT INSULATED BARREL #16/14
	063912-02-000	EA	RELAY-CANISTER,SFDT W/RESIST
	070328-F2-000	EA	CABLE-FCB, BLACK
	008037-01-000	FT	CABLE-BATTERY, 1AWG - STRANDED - BLACK
	082742-01-000	EA	CONNECTOR BODY-3 CNCT FEMALE
	085318-01-000	EA	SCREW-8-085X1/2,CR WPTITE HD
	086273-01-000	EA	RELAY-BATTERY D,SCONNECT
	086273-01-700	EA	TERMINAL WIRE ASM
	086298-01-000	EA	WIRE-BATTERY D,SCONNECT, RED
	086298-02-000	EA	WIRE-BATTERY D,SCONNECT, GREEN
	008326-01-000	EA	TERMINAL RING 16/14 WIRE - 3/8" STUD
	092736-01-000	EA	BUSS BAR-2 7" LONG
	092776-02-000	EA	BUSS BAR-3 3" LONG
	092786-03-000	EA	BUSS BAR-6 9" LONG
	008331-01-000	EA	TERMINAL-RING,TONGUE - #4 WIRE - 3/8" STUD - COPPER
	053910-01-000	EA	HOUSING-RELAY
	088473-01-000	EA	PIN-HOUSING 4 ROWS OF 3
	101571-01-000	EA	HOUSING-2 POSITION MALE
	088473-03-000	EA	PIN-HOUSING 9 POSITION
	088473-02-000	EA	PIN-HOUSING, 15 POSITION
	077955-01-000	EA	J CLIP VINYL COATED, 3/8"
	079378-01-000	EA	TERMINAL WEDGE BASE 18 AWG
	067789-02-000	EA	SOCKET-LAMP
	058026-01-000	EA	CONNECTOR-ELECTRICAL PIGTAIL, NYLON - CLEAR
	064398-01-000	EA	HOUSING-TRAILER, RECEPTACLE
	079050-01-000	EA	CONNECTOR-MOLDED, 12-2 LEAD
	079378-01-000	EA	TERMINAL-WEDGE BASE 18 AWG
	087744-02-000	EA	HOUSING-TRAILER PIN, 40"
	067745-01-000	EA	HOUSING CAP-TRAILER PIN
	009025-01-000	FT	WIRE-12/2, ROMEX - W/GROUND
	041953-05-000	FT	CONDUIT-CONVOLUTE SOLID, 62" ID
	074017-02-000	EA	HOUSING-5 POSITION RIGHT ANGLED

KEY	PART NUMBER	U/M	DESCRIPTION
	041953-01-000	FT	CONDUIT-CONVOLUTED SLIT, 1/2"ID
	041953-03-000	FT	CONDUIT-CONVOLUTED SLIT, 1" ID (CLOTHES ROD COVER)
	041953-07-000	FT	CONDUIT-CONVOLUTED,SLIT,.25"ID
	058781-01-000	EA	DIODE-60A/100 VOLT - MOTOROLA,NO MR751
	062036-02-000	EA	TERMINAL-PACK-CON, 16/14 AWG
	062037-01-000	EA	HOUSING-AUTO FUSE, NATURAL
	062037-02-000	EA	HOUSING-AUTO FUSE, GREEN
	062037-03-000	EA	HOUSING-AUTO FUSE, BLACK
	062037-04-000	EA	HOUSING-AUTO FUSE, BLUE
	062037-05-000	EA	HOUSING-AUTO FUSE, GRAY
	062037-06-000	EA	HOUSING-AUTO FUSE, BROWN
	082740-01-000	EA	CONNECTOR-PLASTIC BODY, FOR 2 MALE SPADES
	088474-08-000	EA	SOCKET-HOUSING, 4 POSITION (SINGLE ROW)
	007093-01-000	EA	FLASHER-SIGNAL STAT
	008188-01-000	EA	SOLENOID-3 POST, BATTERY CHANGE OVER
	008343-01-000	EA	TIE-WIRE, 6"
	008343-02-000	EA	TIE-WIRE, 14"
	088473-02-000	EA	HOUSING-PIN, 15 POSITION
	088473-10-000	EA	PIN-HOUSING, 2 POSITION
	088474-03-000	EA	HOUSING-SOCKET, 9-POSITION
	088475-02-000	EA	SOCKET-CONNECTOR 12-10 GA
	000026-04-105	EA	BOLT-HEX, SER FLG - 1/4-20 X 5/8 ZINC
	086233-01-000	EA	STUD-ISOLATED, 3/8" X 7/8" LONG
	008328-01-000	EA	TERMINAL-RING, 12/10 WIRE - #10 STUD FIT
	008355-01-000	EA	CONNECTOR-CABLE CLAMPING, 3/4"
	008356-01-000	EA	CONNECTOR-PLASTIC, 3/8" AVG
	074890-01-000	EA	BOX-EXTENSION, STEEL - OPEN SIDES - 4" X 4" X 1 1/2"
	074897-01-000	EA	COVER-ELECTRIC BOX, 1 LARGE & 2 SMALL HOLES - 4" X 4"
	088474-06-000	EA	SOCKET-HOUSING, 6 POSITION (2 ROWS OF THREE)
	091213-01-000	EA	BOX-CIRCUIT BREAKER- W/KNOCKOUTS - 5 3" X 11 8" X 2 5"
	088474-07-000	EA	HOUSING-SOCKET
	088475-01-000	EA	PIN-CONNECTOR
	088475-02-000	EA	PIN-CONNECTOR
	008294-01-000	EA	COVER ELECTRICAL BOX, STEEL/BLANK - 4" X 4" - GRAY
	008311-01-000	EA	CONNECTOR-WIRE NUT, INSULATED - RED
	060015-02-000	EA	RECEPTACLE-FLAG, .185 - 16/14 GA - AMP 3
	041953-11-000	FT	CONDUIT-CONVOLUTE, SLIT- 1 06" ID
	077000-01-000	EA	SOCKET ASIA-W/8" PIGTAIL LEADS
	080734-02-000	EA	CLIP-WIPE, NYLON
	093144-01-000	EA	CONDUIT-WIRE, GM# 15592046
	000611-03-023	EA	SCREW, 8-18 X 1/2 FFH ZN
	008258-01-000	EA	BOX-PLASTIC ELECTRIC, 3" X 3 1/2"
	008288-02-000	EA	BOX-ELECTRIC PLASTIC - 3 9/4" X 3 13" X 1 81"
	008314-01-000	EA	CONNECTOR-WIRE NUT, INSULATED - GRAY
	058049-01-000	EA	BOX-ELECTRIC SWITCH, 2" X 3" X 2 25"
	090971-01-000	EA	SPLICE-CABLE 110V
	090971-02-000	EA	SPLICE-CABLE, 110V - TAP
	031955-01-000	EA	TAB-HOUSING, 2 POSITION
	031958-01-000	EA	PLUG-CONTACT, BRASS
	077920-02-000	EA	WIRE ASM BEVERAGE TRAY
	077479-01-000	EA	BOOT-BATTERY TERM DBL CABLE
	077479-02-000	EA	BOOT-BATTERY TERMINAL, SINGLE CABLE
	077510-01-000	EA	LABEL-GENERATOR PREP
	008054-02-000	EA	CORD-POWER, 10-3 - 30AMP - 03"
	008026-01-000	FT	WIRE 12/2, ROMEX - W GROUND
	008289-01-000	EA	BOX ELECTRIC, STEEL - 1/2" AND 3/4" KNOCKOUTS - 4" X 4"

**ELECTRICAL GROUP (CONTINUED)**  
CIRCUIT BREAKERS & FUSES

KEY	PART NUMBER	U/M	DESCRIPTION
	087811-01-000	EA	CIRCUIT BREAKER-5AMP,ATC - BLACK
	083208-01-000	EA	CIRCUIT BREAKER-15AMP, 120V
	083209-02-000	EA	CIRCUIT BREAKER-15/15AMP, 120V
	083209-03-000	EA	CIRCUIT BREAKER-15/20AMP, 120V - BW - 0-15/20
	083209-04-000	EA	CIRCUIT BREAKER-30AMP, 120V
	083209-05-000	EA	CIRCUIT BREAKER-20A, 120V - BW J-20
	083209-06-000	EA	CIRCUIT BREAKER-30/15 AMP, 120V - BW D-30/15
	083209-07-000	EA	CIRCUIT BREAKER-20/20AMP, 120V
	093654-01-000	EA	CIRCUIT BREAKER-6 AMP HOUSE CONTROL PANEL
	093654-02-000	EA	CIRCUIT BREAKER-15 AMP
	093654-03-000	EA	CIRCUIT BREAKER 20 AMP, HOUSE CONTROL PANEL
	093655-01-000	EA	CIRCUIT BREAKER-25 AMP
	093655-02-000	EA	CIRCUIT BREAKER-30 AMP, HOUSE CONTROL PANEL
	093655-03-000	EA	CIRCUIT BREAKER-40 AMP
	008211-01-000	EA	BREAKER-CIRCUIT, 12V - 8 AMP
	008268-01-000	EA	BREAKER-CIRCUIT, W/MOUNT - 12V - 30 AMP
	052901-02-000	EA	FUSE-5 AMPS AUTOMOTIVE
	062301-05-000	EA	FUSE-15 AMPS, AUTOMOTIVE

**EXTERIOR BODY GROUP**  
SKINS AND PANELS AND STYROFOAM

KEY	PART NUMBER	U/M	DESCRIPTION
	078054-05-001	EA	SHEET-FIBERGLASS, 4' X 8' - BEIGE - FILON
	078054-05-003	EA	SHEET FIBERGLASS, 2' X 38' - BEIGE - FILON
	078054-05-005	EA	SHEET-FIBERGLASS, 4' X 38' - BEIGE - FILON
	078054-08-002	EA	SHEET-FIBERGLASS, 5' X 38' - BEIGE - FILON
	001054-01-011	EA	ALUMINUM-SHEET, 4' X 8' - FLAT - OFF WHITE
	044487-01-001	EA	ALUMINUM SHEET - 019" X 96" X 360" - MILL FINISH
	089297-01-000	SF	PLYWOOD-LUAN, OVERLAY GRADE - 4' X 8' - INC OF 32 SF
	093743-01-02A	SF	PLASTIC-ABS, 11 5' WIDE - OFF WHITE
	063574-01-000	SF	STYROFOAM, DOW TYPE SM - 1.5" X 24" X 85.25" - INC OF 14 SF
	000868-01-000	SF	STYROFOAM- 75" X 24" X 96" - INCREMENTS OF 16 SF
	000870-03-000	SF	STYROFOAM-1.34" X 48" X 96" - INCREMENTS OF 32 SF
	000870-05-000	SF	STYROFOAM- 5' X 24" X 96", INCREMENTS OF 16 SF

**ASSIST HANDLE**

KEY	PART NUMBER	U/M	DESCRIPTION
	009126-02-000	EA	HANDLE-ASSIST, ENTRY DOOR - BLACK
	063809-11-000	EA	HANDLE-ASSIST, DRIVER DOOR - METAL - BEIGE

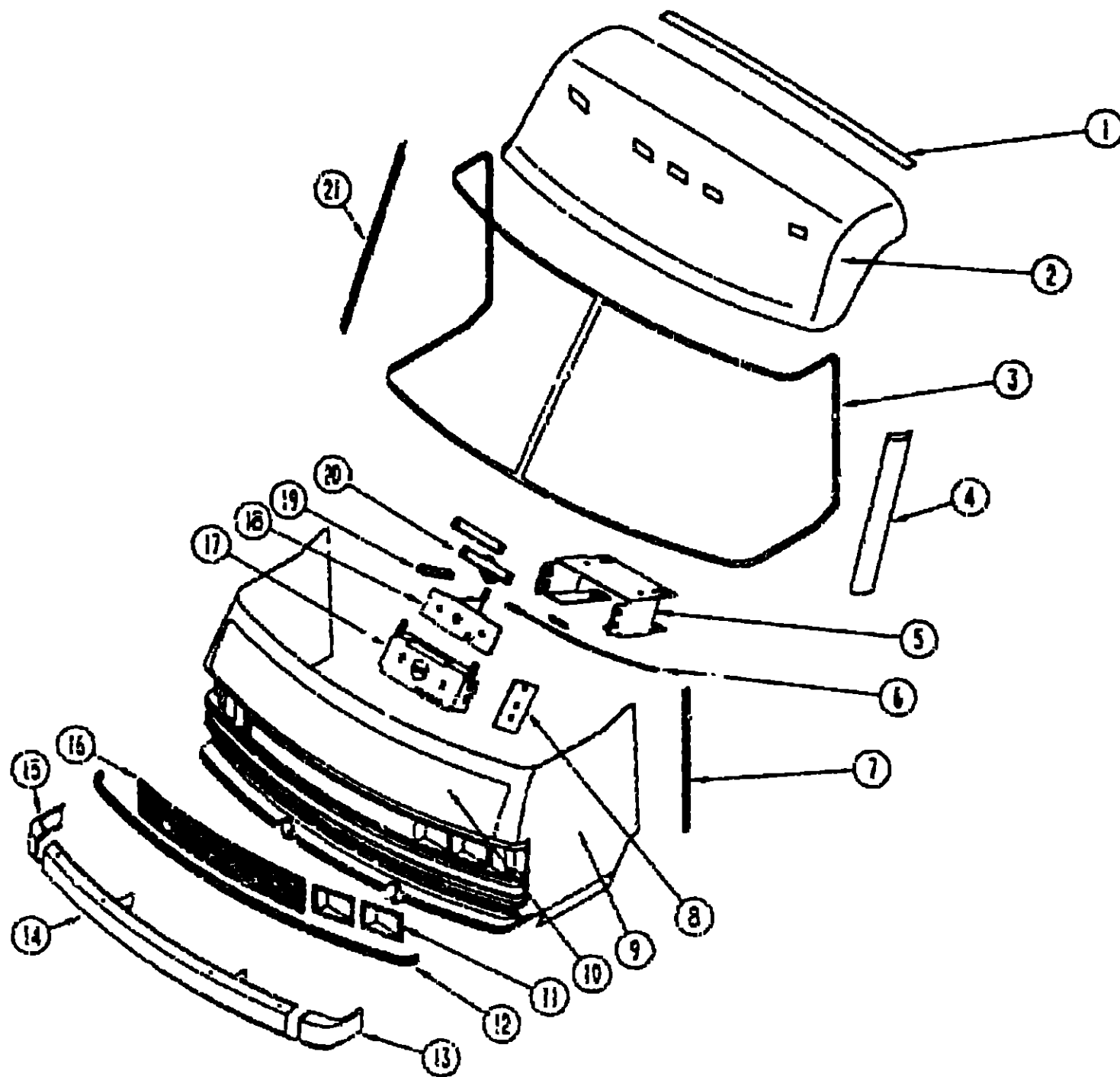
**1991 WINNEBAGO**  
**TABLE OF CONTENTS**

INTRODUCTION	A-01 -	A-02
ABBREVIATIONS		A-03
ALPHABETICAL INDEX	A-04 -	A-08
WCN36RQ	A-07 -	F-16
WFN36RA	F-17 -	K-22

**1991 WFN36RA INDEX**

FLOOR PLAN	F-17 -	F-18
ACCESSORIES	F-19 -	G-08
BATH	G-09 -	G-14
BEDROOM	G-15 -	G-16
CHASSIS	G-17 -	H-01
CURTAIN, CUSHION & PAD	H-02 -	H-11
DINETTE	H-12 -	H-14
DRIVERS	H-15 -	H-20
ELECTRICAL	I-21 -	I-03
EXTERIOR BODY	I-04 -	I-10
GALLEY	I-11 -	I-18
HEATING & A/C	I-19 -	I-22
INTERIOR FINISH	I-23 -	J-02
LABEL	J-03 -	J-10
LP		J-11
LOUNGE	J-12 -	J-13
SEALANTS & FASTENERS	J-14 -	J-16
WATER & SEWAGE	J-17 -	J-22
WINDOW VENT AND		
EXTERIOR DOOR	J-23 -	K-22

**EXTERIOR BODY GROUP (CONTINUED)**  
**FRONT END COMPONENTS**



KEY	PART NUMBER	UM	DESCRIPTION
1	083805-14-000	EA	TRIM ROOF TO FRONT CAP
2	M02958-07-AB6	EA	CAP-ROOF, FRONT - WAUGHTS - BEIGE
3	091586-01-000	EA	MOLDING-REVEAL WINDSHIELD - SURROUNDS BOTH WINDSHIELDS
4	091901-02-000	EA	TRIM-A PILLAR, DR - BETWEEN WINDSHIELD & VENT GLASS - BLK
5	073342-01-000	EA	BRACKET ASM-STRIKER,HOOD (MOUNTS TO CROSSMEMBER)
	092693-01-000	EA	CROSSMEMBER-CENTER, U-CHANNEL STEEL - 2' X 43'
6	102087-01-000	EA	CABLE ASM-HOOD RELEASE
	D10497-08-000	EA	CLAMP-CLOSED, .125"
7	098204-01-01A	EA	TRIM-SEAM, FRONT END TO SIDEWALLS
8	102515-01-000	EA	BRACKET-HOOD RELEASE CABLE
9	M01115-20-Y10	EA	FRONT END-FIBERGLASS, BEIGE - W/O HOOD OR HINGES
10	M92677-01-Y10	EA	PANEL-HOOD, W/BRACKETS ONLY - BEIGE
	058833-01-000	EA	BRACKET-PROP ROD
	062628-01-000	EA	CLIP-PROP ROD
	054060-01-000	EA	ROD ASM-PROP,HOOD
	068927-01-000	EA	GROMMET RUBBER
	076716-02-000	EA	BRACKET ASM- LATCH - INCLUDED WITH HOOD
	076696-01-000	EA	BRACKET-MOUNTING, HOOD HINGE - 3 4" X 3 9" - METAL
	076696-01-000	EA	BRACKET-HINGE MOUNTING,HOOD
	090851-01-Y12	EA	HINGE-HOOD, PASSENGER
	090851-02-Y12	EA	HINGE-HOOD, DRIVER
	093227-01-01A	EA	HINGE-HOOD LOWER SECTION ONLY - PASSENGER
	093227-02-01A	EA	HINGE-HOOD, LOWER SECTION ONLY - DRIVER
	077752-01-000	EA	PIN-HINGE
	058786-01-000	EA	BOLT-HOOD ADJUSTING
	R77007-51-429	EA	BRACKET-HOOD RELEASE
	076772-01-000	EA	CLIP-SPEED, TUBE TYPE
	077049-01-000	EA	NUT-ACORN, 10-32 ALUMINUM
	093295-02-000	EA	BRACKET-LATCH HOOD
	077048-01-000	EA	SHAFT-ADAPTOR, WINDSHIELD PANTOGRAPH ARM
	086235-02-000	EA	BEARING-SNAPIN, 3/16" ID X 3/16"
	095094-01-000	EA	NUT-ACORN, 1/4 - 20 ALUMINUM
11	091858-02-01A	EA	BEZEL-HEADLAMP, DRIVER - BLACK
	091838-01-01A	EA	BEZEL-HEADLAMP, PASSENGER - BLACK
	063749-02-000	EA	HOUSING-HEADLAMP, 2 BULB
12	092824-01-01A	EA	BAR-GRILLE,END
	092414-01-000	FT	TRIM-CHROME, 1 2" WIDE
13	091540-02-01A	EA	CAP-BUMPER END, FRONT DRIVER - PLASTIC - BEIGE
14	091994-01-01A	EA	BUMPER-FRONT, UNFINISHED
	005200-01-000	EA	BOLT-BUMPER ROUND HEAD-SQUARE NECK- W/ST CAP 7/16-14 X 1 1/4
	077852-01-000	EA	BRACKET-BUMPER FRONT - 2 PER COACH - BENT 2" X 8"
	033514-01-000	EA	SUPPORT-BUMPER, FRONT - L ANGLE - 4" X 7"
	081107-01-000	EA	BRACKET-BUMPER PIN, ANGLE 2 6" X 7 6" - METAL - BLACK
15	091840-01-01A	EA	CAP-BUMPER END FRONT PASSENGER - PLASTIC - BEIGE
16	092301-01-Y10	EA	GRILLE-10 BAR, BRIGHT FINISHED
	092807-01-000	EA	BRACKET-GRILLE, LOWER - 2" X 1"
	092823-02-000	EA	BRACKET-BAR, GRILLE - W/STUD WELD - 1 5" X 1"
	092829-01-000	EA	BRACKET-BAR, GRILLE - W/O STUD WELD - 1 5" X 1"
	093171-01-000	EA	BRACKET-GRILLE,UPPER
	095119-01-000	EA	BRACKET-SUPPORT,GRILLE
17	073336-02-000	EA	BRACKET-MOUNTING, LATCH
18	R77007-51-429	EA	LATCH ASM -HOOD RELEASE
19	R77006-38-499	EA	SPRING-CABLE HOOD LATCH
20	R77007-01-950	EA	STRIKER-LATCH, HOOD
	073510-01-000	EA	SPRING-STRIKER, LATCH - HOOD
21	091901-01-000	EA	TRIM-A PILLAR, PASS - BETWEEN WINDSHIELD & VENT GLASS - BLACK
	093264-01-000	EA	BRACE-LATCH HOOD

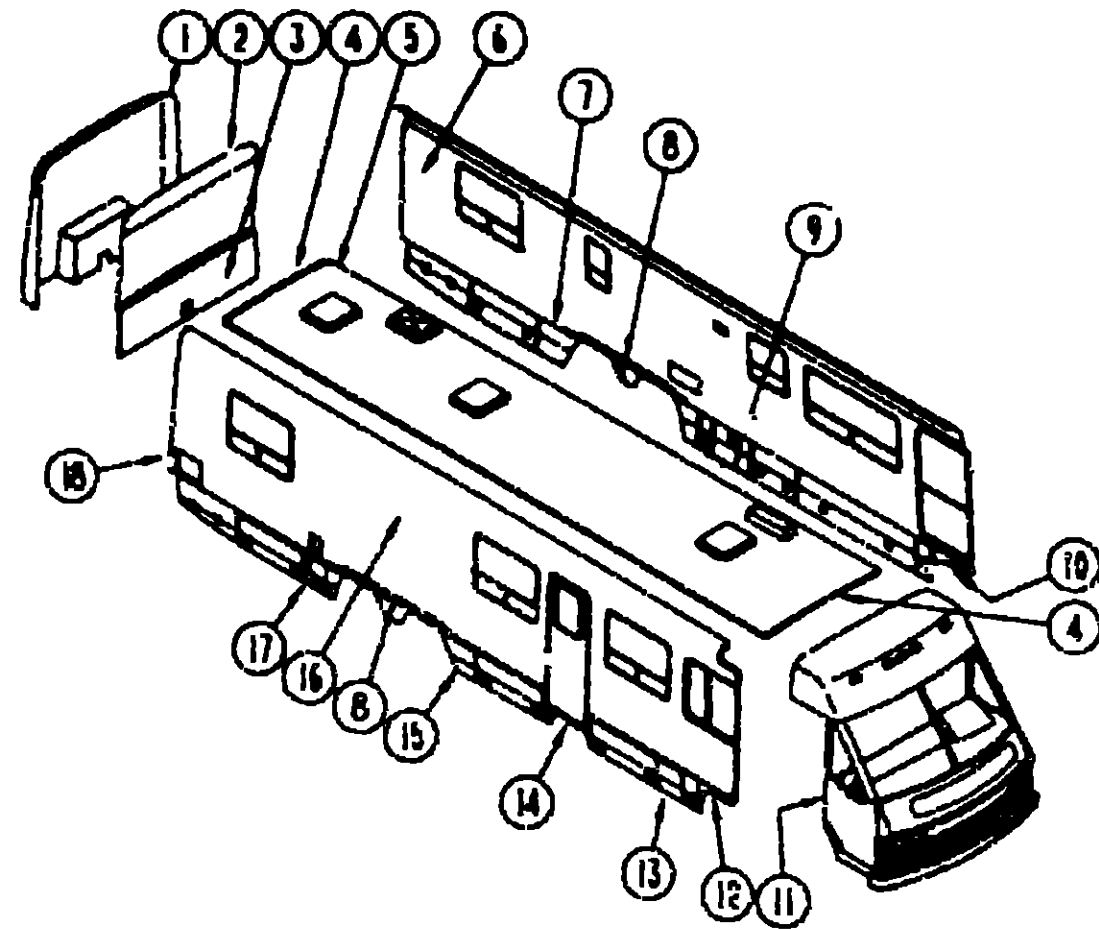
**1991 WINNEBAGO**  
**TABLE OF CONTENTS**

INTRODUCTION	A-01	A-02
ABBREVIATIONS		A-03
ALPHABETICAL INDEX	A-04	A-06
WCN36PQ	A-07	F-16
WFN36RA	F-17	K-22

**1991 WFN36RA INDEX**

FLOOR PLAN	F-17	F-18
ACCESSORIES	F-19	G-08
BATH	G-09	G-14
BEDROOM	G-15	G-16
CHASSIS	G-17	H-01
CURTAIN, CUSHION & PAD	H-02	H-11
DINETTE	H-12	H-14
DRIVERS	H-15	H-20
ELECTRICAL	H-21	I-03
EXTERIOR BODY	I-04	I-10
GALLEY	I-11	I-18
HEATING & A/C	I-19	I-22
INTERIOR FINISH	I-23	J-02
LABEL	J-03	J-10
LP		J-11
LOUNGE	J-12	J-13
SEALANTS & FASTENERS	J-14	J-16
WATER & SEWAGE	J-17	J-22
WINDOW VENT AND EXTERIOR DOOR	J-23	K-22

**EXTERIOR BODY GROUP (CONTINUED)**



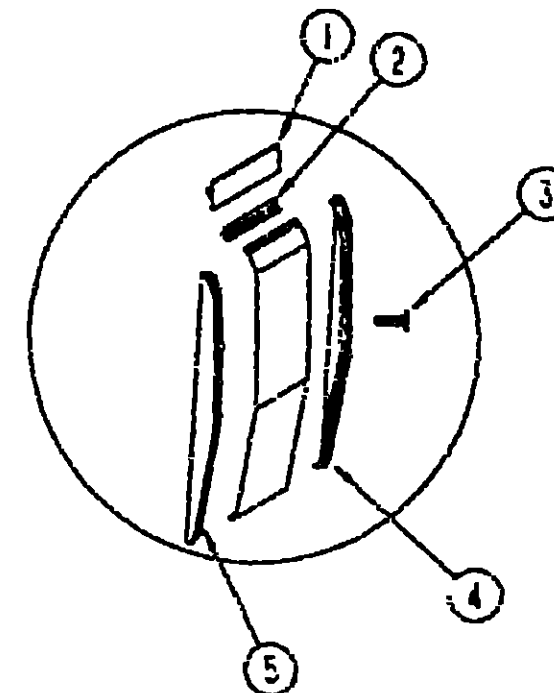
**EXTERIOR BODY PANELS AND TRIM**

KEY	PART NUMBER	U/M	DESCRIPTION
1	092197-01-01A	EA	CAP-REAR, FIBERGLASS - W/O LIGHTS & 2 DOORS
2	M05007-02-B07	EA	BACKWALL ASM-UPPER
3	092526-04-B07	EA	BACKWALL ASM-LOWER
4	083805-14-000	EA	TRIM-ROOF, FRONT & REAR CAP TO ROOF - 6 4" MILL FINISHED
5	P00514-01-B07	EA	ROOF-W/O VENTS OR CUTOUTS
6	P00512-01-B07	EA	SIDEWALL-DRIVERS W/O WINDOWS LIGHTS OR DOORS
7	094620-03-B07	EA	PANEL-WHEEL LIP, REAR - DRIVER SIDE - 107 4" LONG - BEIGE
8	094345-02-01A	EA	TRIM-WHEELWELL, MILL FINISH - 21 3" LONG
9	M04019-01-000	EA	BRIDGE-WHEELWELL E-COATED
10	093021-11-B07	EA	PANEL-VALANCE, 19 4" X 7 1" - BEIGE
11	M04129-02-B07	EA	PANEL WHEEL LIP, DRIVER SIDE - FRONT - PLASTIC - BEIGE
12	096204-01-01A	EA	TRIM-J .5" WIDTH EXPOSED - 1' X 29" LONG - ALUMINUM - BEIGE
13	M04129-01-B07	EA	PANEL-WHEEL LIP PASSENGER SIDE - FRONT - PLASTIC - BEIGE
14	093021-13-B07	EA	PANEL-VALANCE 16 8" X 19 4" - BEIGE
15	092709-01-02A	EA	VALANCE-STEP, BEIGE
16	094620-04-B07	EA	PANEL WHEEL LIP, REAR - PASSENGER SIDE - 96 4" LONG - BEIGE
17	M04019-01-000	EA	BRIDGE-WHEELWELL E-COATED
18	P00511-01-B07	EA	SIDEWALL PASSENGER W/O WINDOW, LIGHT OR DOOR
19	093021-02-B07	EA	PANEL-VALANCE, 4 1' 19 4" - BEIGE
20	091985-01-02A	FT	INSERT-TRIM 65" WIDE - VINYL - BEIGE
21	092041-01-01A	EA	TRIM-REAR CAP TO SIDEWALL, 1 8" X 83" - ALUMINUM - BEIGE

**EXTERIOR BODY GROUP (CONTINUED)**

**EXTERIOR BODY PANELS AND TRIM CONT'D**

KEY	PART NUMBER	U/M	DESCRIPTION
	001018-01-024	EA	SKIN-ALUMINUM, 4' X 8' - FLAT - BEIGE
	100128-01-000	FT	SEAL-PILE, ADHESIVE BACK - GRAY
	090340-01-000	FT	SEAL-FOAM, CLOSED CELL - 1/4" X 1/2" X 50'
	076767-02-000	EA	CABLE-1/16" X 16 5" - STAINLESS STEEL
	076322-01-000	FT	TAPE-FOAM, DOUBLE COATED ADHESIVE BACKED - .75" X 216"
	076322-03-000	FT	TAPE-FOAM, DOUBLE COATED ADHESIVE BACKED - .5" X 108"
	092765-01-Y12	EA	PANEL-FILLER, BACKWALL - LEFT - RADIUS CORNER - 11 6" X 28"
	092763-01-Y12	EA	PANEL-FILLER, BACKWALL - RIGHT - RADIUS CORNER - 11 6" X 28"
	082701-01-000	SF	PANEL-SHEATHING WAFERBOARD - 4' X 8' - INCREMENTS OF 32 SF
	093673-01-02A	EA	MOLDING-ENTRANCE DOOR, 1 3" WIDE - BEIGE PLASTIC
	092049-05-000	EA	COVE-UPPER, 29 5" - ALUMINUM (TIES SIDEWALL TO ROOF)
	077315-01-02A	FT	TRIM-INSERT, DRIVER DOOR - .43" WIDE - BEIGE VINYL



**VALANCE PANELS & COMPONENTS**

KEY	PART NUMBER	U/M	DESCRIPTION
1	092001-01-03A	FT	MOLDING-VALANCE TO SIDEWALL, 1 3" WIDE - VINYL - BEIGE
2	009066-01-000	EA	HINGE-ALUMINUM, NO HOLES - 1 1/16" X 6" - UNPAINTED
3	094362-02-000	EA	CLIP-CHRISTMAS TREE FLAT HEAD - 354-220000-00-0078
4	092689-01-01A	EA	END CAP-VALANCE, REAR ON DRIVERS, FRONT ON PASSENGERS
5	092689-02-01A	EA	END CAP-VALANCE, FRONT ON DRIVERS, REAR ON PASSENGERS
	094355-01-02A	EA	RETAINER-VALANCE 75 0" BEIGE

**1991 WINNEBAGO  
TABLE OF CONTENTS**

INTRODUCTION	A-01	A-02
ABBREVIATIONS		A-03
ALPHABETICAL INDEX	A-04	A-08
WGN36RD	A-07	F-16
WFN36RA	F-17	K-22

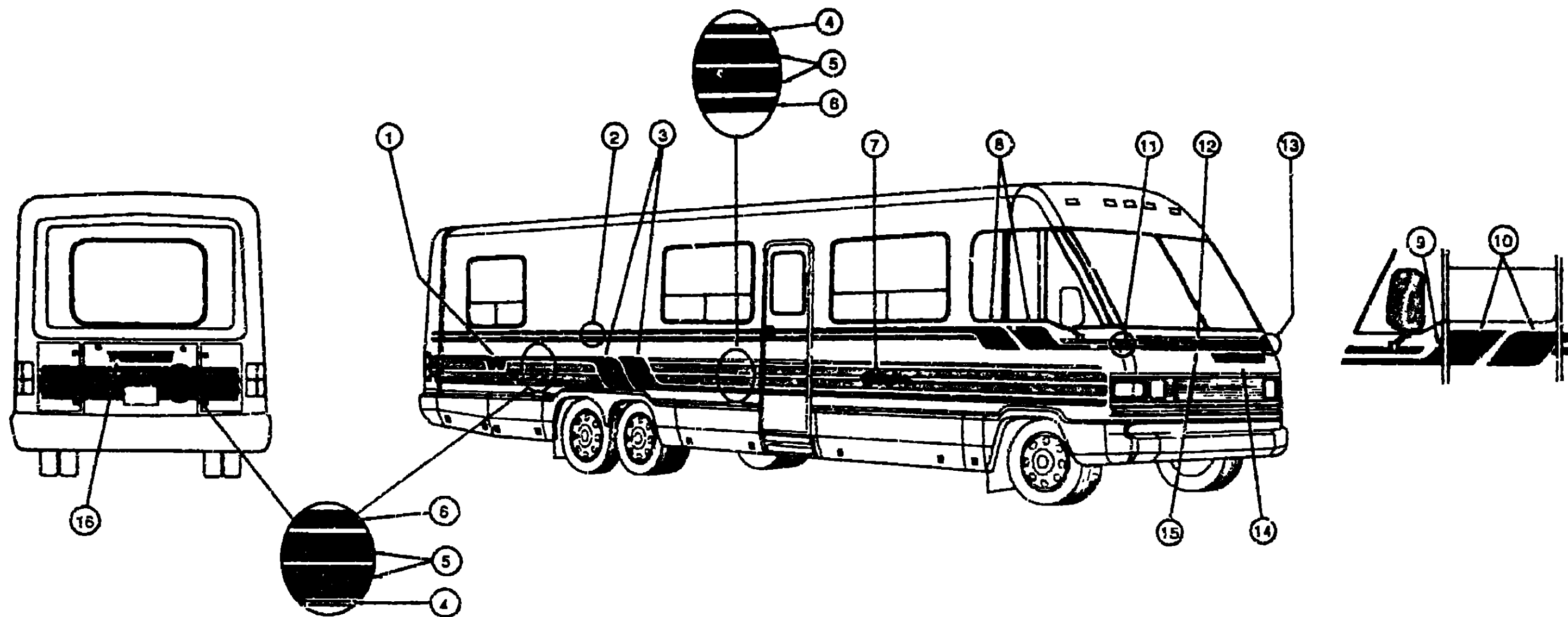
**1991 WFN36RA INDEX**

FLOOR PLAN	F-17	F-18
ACCESSORIES	F-19	G-08
BATH	G-09	G-14
BEDROOM	G-15	G-16
CHASSIS	G-17	H-01
CURTAIN CUSHION & PAD	H-02	H-11
D'NETTE	H-12	H-14
DRIVERS	H-15	H-20
ELECTRICAL	H-21	I-03
EXTERIOR BODY	I-04	I-10
GALLEY	I-11	I-18
HEATING & A/C	I-19	I-22
INTERIOR FINISH	I-23	J-02
LABEL	J-03	J-10
LP		J-11
LOUNGE	J-12	J-13
SEALANTS & FASTENERS	J-14	J-16
WATER & SEWAGE	J-17	J-22
WINDOW, VENT AND EXTERIOR DOOR	J-20	K-22



**EXTERIOR BODY GROUP (CONTINUED)**

**DECALS & PAINT**



**1991 WINNEBAGO  
TABLE OF CONTENTS**

INTRODUCTION	A-01 -	A-02
ABBREVIATIONS		A-03
ALPHABETICAL INDEX	A-04 -	A-06
WCN36RQ	A-07 -	F-16
WFN36RA	F-17 -	K-22

**1991 WFN36RA INDEX**

FLOOR PLAN	F-17 -	F-18
ACCESSORIES	F-19 -	G-08
BATH	G-09 -	G-14
BEDROOM	G-15 -	G-16
CHASSIS	G-17 -	H-01
CURTAIN, CUSHION & PAD	H-02 -	H-11
DINETTE	H-12 -	H-14
DRIVERS	H-15 -	H-20
ELECTRICAL	H-21 -	I-03
EXTERIOR BODY	I-04 -	I-10
GALLEY	I-11 -	I-18
HEATING & AC	I-19 -	I-22
INTERIOR FINISH	I-23 -	J-02
LABEL	J-03 -	J-10
LP		J-11
LOUNGE	J-12 -	J-13
SEALANTS & FASTENERS	J-14 -	J-16
WATER & SEWAGE	J-17 -	J-22
WINDOW, VENT AND EXTERIOR DOOR	J-23 -	K-22

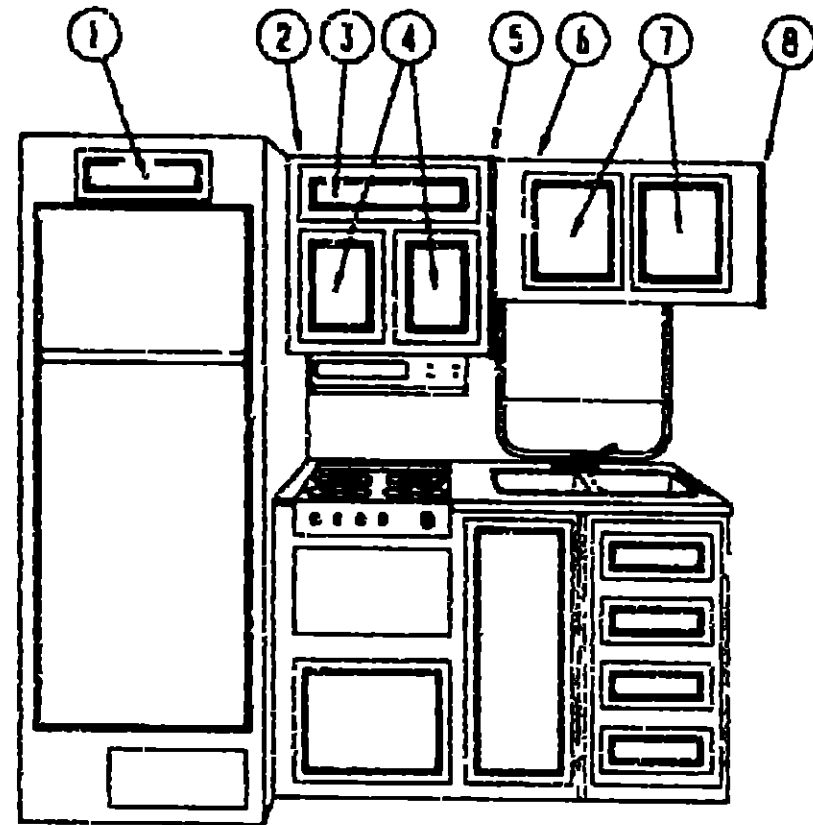
FOR YOUR CONVENIENCE HERE ARE THE DUPONT COLOR CODES YOU CAN PURCHASE LOCALLY

DARK TEAL	K9470
LIGHT TEAL	K9471
ROYAL BLUE	G5843
LIGHT BLUE	K9476
BEIGE	L8729

KEY	PART NUMBER	U/M	DESCRIPTION
1	093691-02-01A	EA	DECAL-FLYING "W", 6.25" - DARK TEAL (B07, B08, B09)
1	093691-02-02A	EA	DECAL-FLYING "W", 6.25" - ROYAL BLUE (B22)
2	09368C-20-01A	FT	FILM-MULTISTRIPE, 3.3" - DARK TEAL/LIGHT TEAL (B07, B08, B09)
2	093690-20-03A	FT	FILM-MULTISTRIPE, 3.3" - ROYAL BLUE/LIGHT BLUE (B22)
3	093629-01-01A	EA	DECAL-ANGLE, LARGE - PASSENGER SIDE - DARK TEAL (B07, B08, B09)
3	093629-01-02A	EA	DECAL-ANGLE, LARGE - PASSENGER SIDE - ROYAL BLUE (B22)
	093629-02-01A	EA	DECAL-ANGLE, LARGE - DRIVER SIDE - DARK TEAL (B07, B08, B09)
	093629-02-02A	EA	DECAL-ANGLE, LARGE - DRIVER SIDE - ROYAL BLUE (B22)
4	093681-27-01A	FT	FILM-SINGLE STRIPE, 7" WIDE - PLUM BAY (B22 ONLY)
5	093680-19-01A	FT	FILM-MULTISTRIPE, 7.5" - LIGHT TEAL (B07, B08, B09)
5	093680-19-02A	FT	FILM-MULTISTRIPE, 7.5" - LIGHT BLUE (B22)
6	093681-12-01A	FT	FILM-SINGLE STRIPE, 2.24" - DARK TEAL (B07, B08, B09)
6	093681-12-02A	FT	FILM-SINGLE STRIPE, 2.24" - ROYAL BLUE (B22)
7	058719-04-000	EA	DECAL-LOGO, "CHIEFTAIN" DARK TEAL (B07, B08, B19)
7	058719-05-000	EA	DECAL-LOGO, "CHIEFTAIN" ROYAL BLUE (B22)
8	099626-01-01A	EA	DECAL-ANGLE, SMALL - DARK TEAL (B07, B08, B09)
8	099626-01-02A	EA	DECAL-ANGLE, SMALL - ROYAL BLUE (B22)
9	099627-01-01A	EA	DECAL-ANGLE, SMALL - FRONT TO DRIVERS DOOR - DARK TEAL (B07, B08, B09)
9	099627-01-02A	EA	DECAL-ANGLE, SMALL - FRONT TO DRIVERS DOOR - ROYAL BLUE (B22)
10	099624-01-01A	EA	DECAL-ANGLE, SMALL - DRIVERS DOOR SECTION - DARK TEAL (B07, B08, B09)
10	099624-01-02A	EA	DECAL-ANGLE, SMALL - DRIVERS DOOR SECTION - ROYAL BLUE (B22)
11	099628-01-01A	EA	DECAL-CORNER, HOOD - PASSENGER SIDE - LIGHT TEAL/DARK TEAL (B07, B08, B09)
11	099628-01-02A	EA	DECAL-CORNER, HOOD - PASSENGER SIDE - LIGHT BLUE/ROYAL BLUE (B22)

KEY	PART NUMBER	U/M	DESCRIPTION
12	093681-11-03A	EA	FILM-SINGLE STRIPE, 1.73" - LIGHT TEAL (B07, B08, B09)
12	093681-11-04A	EA	FILM-SINGLE STRIPE, 1.73" - LIGHT BLUE (B22)
13	099628-02-01A	EA	DECAL-CORNER, HOOD - DRIVER SIDE - LIGHT TEAL/DARK TEAL (B07, B08, B09)
13	099628-02-02A	EA	DECAL-CORNER, HOOD - DRIVER SIDE - LIGHT BLUE/ROYAL BLUE (B22)
14	099625-01-01A	EA	DECAL-LOGO, "WINNEBAGO" - HOOD - DARK TEAL (B07, B08, B09)
14	099625-01-02A	EA	DECAL-LOGO, "WINNEBAGO" - HOOD - ROYAL BLUE (B22)
15	093681-11-01A	FT	FILM-SINGLE STRIPE, 1.73" - DARK TEAL (B07, B08, B09)
15	093681-11-05A	FT	FILM-SINGLE STRIPE, 1.73" - ROYAL BLUE (B22)
16	050313-40-000	EA	DECAL-LOGO, "WINNEBAGO" - DARK TEAL (B07, B08, B09)
16	050313-45-000	EA	DECAL-LOGO, "WINNEBAGO" - ROYAL BLUE (B22)

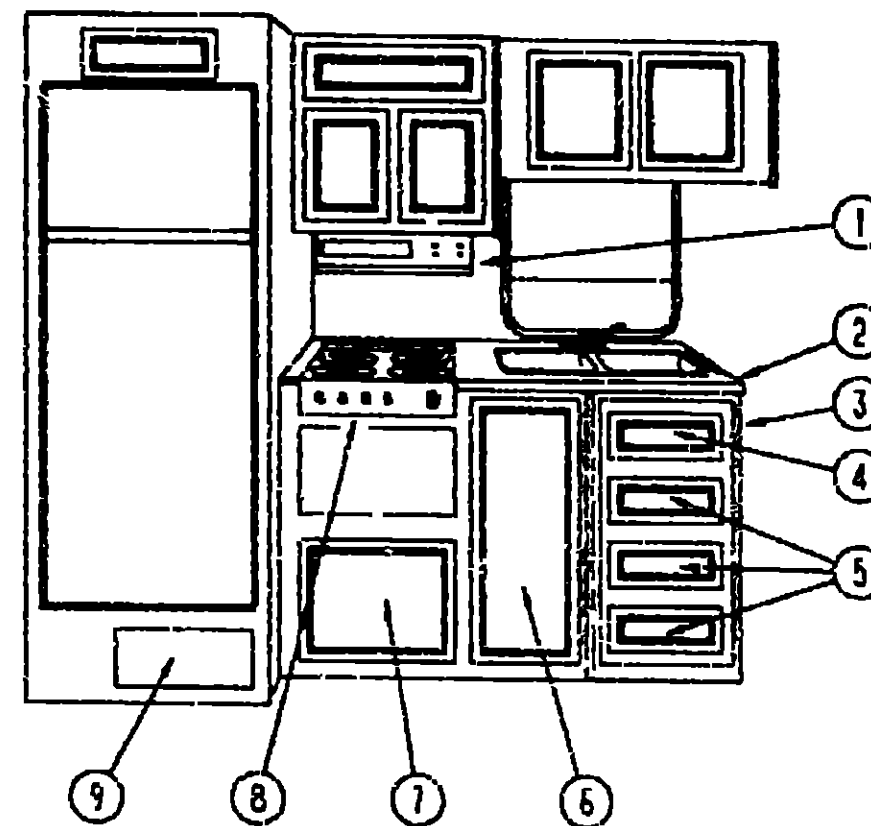
### GALLEY GROUP



GALLEY OVERHEAD CABINETS & COMPONENTS

KEY	PART NUMBER	U/M	DESCRIPTION
1	P00520-03-B07	EA	DOOR-CABINET, OVER REFRIGERATOR - W/O HARDWARE - 6.4" X 16"
2	M04092-09-B07	EA	CABINET-OVERHEAD, RANGE - W/O DOORS OR HARDWARE (THREE DOOR)
2	M04092-10-B07	EA	CABINET-MICROWAVE, W/O DOOR OR HARDWARE (ONE DOOR)
3	P00520-03-P17	EA	DOOR-CABINET, W/O HARDWARE - 5.4" X 16"
4	P00520-02-B07	EA	DOOR-CABINET, W/O HARDWARE - 10.8" X 11.4"
5	092090-04-B07	EA	END CAP-OVERHEAD CABINET
6	096925-01-B07	EA	CABINET-OVERHEAD, SINK - W/O DOORS OR HARDWARE
7	P00520-05-B07	EA	DOOR-CABINET, W/O HARDWARE - 14.4" X 16"
8	099092-02-B07	EA	END CAP-OVERHEAD CABINET

### GALLEY GROUP (CONTINUED)



GALLEY CABINETS & COMPONENTS

KEY	PART NUMBER	U/M	DESCRIPTION
1	100258-04-01A	EA	HOOD-RANGE, W/MONITOR PANEL - VENTLINE TCS 4003SAJ
1	100258-05-01A	EA	HOOD-RANGE, W/MONITOR PANEL - VENTLINE TCS 4003SAC (CANADIAN)
2	100949-11-B07	EA	COUNTERTOP-GALLEY
3	M05011-01-B07	EA	CABINET-GALLEY, W/O DOORS OR HARDWARE
3	M05011-02-B07	EA	CABINET-GALLEY, W/O DOORS OR HARDWARE - OPTION L136
4	P00521-02-B07	EA	DRAWER-CABINET, W/O HARDWARE - 13" X 6 7" (TOP DRAWER)
5	P00521-01-B07	EA	DRAWER-CABINET, W/O HARDWARE - 13" X 15 2" (LOWER 3 DRAWERS)
6	P00520-12-B07	EA	DOOR-CABINET, W/O HARDWARE - 14.4" X 25.8"
7	P00520-13-B07	EA	DOOR-CABINET, W/O HARDWARE - 9.6" X 21.8"
8	098507-02-000	EA	RANGE-4 BURNER, W/OVEN - MAGIC CHEF BT22RA - 4T - 490
8	102020-01-01A	EA	RANGE-4 BURNER, ALMOND 22" - MAGIC CHEF BT22RA - 4T - 490 FROM 00-00-00 THRU 09-02-90
	M82184-28-B07	EA	DRAWER-CABINET, W/O HARDWARE - 17.7" X 21.9" - OPTION L136
	P00520-20-B07	EA	FACE-DRAWER, W/O HARDWARE - 17.7" X 21.9" - OPTION L136
9	M02516-50-Y12	EA	DOOR-FURNACE, W/MESH INSERT - 15.9" X 7" FROM 00-00-00 THRU 07-12-90
	072359-19-000	EA	MESH-EXPANDED, 15.9" X 6.5" - BRONZE
9	P00520-A2-B07	EA	DOOR-FURNACE, W/MESH INSERT - 8.4" X 24.7" FROM 07-13-90 THRU 99-99-99
	072369-45-000	EA	MESH-EXPANDED 21.2" X 3.2" - BRONZE

### 1991 WINNEBAGO TABLE OF CONTENTS

INTRODUCTION	A-01 -	A-02
ABBREVIATIONS		A-03
ALPHABETICAL INDEX	A-04 -	A-06
WCN36RD	A-07 -	F-16
WFN36PA	F-17 -	K-22

### 1991 WFN36RA INDEX

FLOOR PLAN	F-17 -	F-18
ACCESSORIES	F-19 -	G-08
BATH	G-09 -	G-14
BEDROOM	G-15 -	G-16
CHASSIS	G-17 -	H-01
CURTAIN, CUSHION & PAD	H-02 -	H-11
DINETTE	H-12 -	H-14
DRIVERS	H-15 -	H-20
ELECTRICAL	H-21 -	I-03
EXTERIOR BODY	I-04 -	I-10
GALLEY	I-11 -	I-18
HEATING & A/C	I-19 -	I-22
INTERIOR FINISH	I-23 -	J-02
LABEL	J-03 -	J-10
LP		J-11
LOUNGE	J-12 -	J-13
SEALANTS & FASTENERS	J-14 -	J-16
WATER & SEWAGE	J-17 -	J-22
WINDOW, VENT AND EXTERIOR DOOR	J-23 -	K-22

**GALLEY GROUP (CONTINUED)**  
**GALLEY COMPONENTS MISCELLANEOUS**

KEY	PART NUMBER	U/M	DESCRIPTION
	093653-01-B07	EA	COVER-SINK
	083153-01-000	EA	BOARD-CUTTING, MAPLE - 10 5" X 14 5"
	083528-01-000	EA	SINK-DOUBLE, STAINLESS STEEL - 19" X 25"
	064952-01-000	EA	FAUCET-GALLEY
	082303-01-000	EA	STRAINER-SINK
	061208-01-000	EA	WASHER-RUBBER, 06" X .75" X 5"
	091255-02-000	FT	SEAL-ADHESIVE BACKED FOAM, 1 2" X .18"
	100081-01-01A	EA	TRAY-SILVERWARE ALMOND - RUBBERMAID
	058334-01-700	EA	WASTEBASKET-9 3/4" X 7" X 10", WHITE - RUBBERMAID
	083805-01-01A	EA	RACK-TOWEL, WIRE - ALMOND
	055518-03-000	EA	BRACKET-REAR TIEDOWN, RANGE WOVEN
	093238-01-Y12	EA	HOLDER-KNIFE, COUNTERTOP - OAK
	083282-01-000	EA	BONNET-KNIFE HOLDER, UNDER COUNTER - METAL
	098335-02-B03	EA	RAIL-GALLEY, .75" X 22 3/4"
	091890-03-000	EA	BRACKET - TIEDOWN, RANGE WOVEN - RIGHT HAND
	091890-04-000	EA	BRACKET - TIEDOWN, RANGE WOVEN - LEFT HAND
	093744-03-000	EA	BRACKET - TIEDOWN, RANGE TOP - RIGHT HAND - OPTION L135
	093744-04-000	EA	BRACKET - TIEDOWN, RANGE TOP - LEFT HAND - OPTION L135

**RANGE TOP OPTION L138**

KEY	PART NUMBER	U/M	DESCRIPTION
	081374-01-000	EA	RANGE TOP-4 BURNER, W/BLACK TRIM - ALMOND - MAGIC CHEF BT85NA-4
	081374-03-000	EA	RANGE TOP-4 BURNER W/ALMOND TRIM - ALMOND - MAGIC CHEF BT85NA-4
			FROM 00-00-00 THRU 09-02 00
	102019-01-703	EA	TRIM-CABINET TOP, RIGHT - BLACK - MAGIC CHEF 3608F015-70
	081374-03-701	EA	TRIM-CABINET TOP, RIGHT - ALMOND - MAGIC CHEF 3608F15-74
	102019-01-704	EA	TRIM-CABINET TOP, LEFT - BLACK - MAGIC CHEF 3608F016-70
	081374-03-700	EA	TRIM-CABINET TOP LEFT - ALMOND - MAGIC CHEF 3608F016-74
	102019-01-705	EA	TRIM-CABINET TOP, REAR - BLACK - MAGIC CHEF 3608F009-70
	102019-01-702	EA	TRIM-CABINET TOP, REAR - ALMOND - MAGIC CHEF 3608F009-74
	061374-01-704	EA	GUARD-FABRIC, MAGIC CHEF 50-11-888-2
	098507-01-701	EA	TOP-MAIN, ALMOND - MAGIC CHEF 2001F057-74
	064782-02-714	EA	FITTING-PIPE, NIPPLE - 1/8" - MAGIC CHEF 863-1
	098507-02-701	EA	INSERT-BURNER, SLOTTED VENT - MAGIC CHEF 7214P015-50
	049045-01-703	EA	VALVE-TOP BURNER, MAGIC CHEF 997-584
	055282-03-708	EA	BUMPER-MAIN TOP, PLASTIC PLUG - MAGIC CHEF 744-176
	081374-02-701	EA	REGULATOR-PRESSURE, MAGIC CHEF 976-27
	081374-03-704	EA	REGULATOR-PRESSURE, MAGIC CHEF 7510P032-60
	102022-01-703	EA	REGULATOR-PRESSURE, MAGIC CHEF 7510P031-60
	102019-01-01A	EA	RANGE TOP 4 BURNER, ALMOND - MAGIC CHEF BT85RA-4
			FROM 09-03 90 THRU 99-93-99
	102019-01-700	EA	TRIM-RIGHT, ALMOND - MAGIC CHEF 3608F015-74
	102019-01-701	EA	TRIM-LEFT ALMOND - MAGIC CHEF 3608F016-74
	102019-01-702	EA	TRIM-REAR, ALMOND - MAGIC CHEF 3608F009-74
	102020-01-709	EA	BUMPER GRATE - MAGIC CHEF 8007P018-60
	102020-01-711	EA	GRATE-TOP - MAGIC CHEF 7518P012-60
	052583-04-701	EA	KNOB BURNER VALVE - MAGIC CHEF 7733P039-60
	098507-02-701	EA	INSERT BURNER, SLOTTED VENT - MAGIC CHEF 7214P015-50
	102022-01-702	EA	PIPE-MANIFOLD - MAGIC CHEF 7513P096-60
	102022-01-703	EA	REGULATOR-PRESSURE - MAGIC CHEF 7510P031-60
	102020-01-718	EA	TOP-MAIN (BLACK) - MAGIC CHEF 2001F085-84
	102027-01-721	EA	VALVE-SHUT-OFF - MAGIC CHEF 7506F096-60
	102020-01-722	EA	VALVE TOP BURNER - MAGIC CHEF 7502P095-60
	102020-01-724	EA	BUMPER MAIN TOP - MAGIC CHEF 8003P008-60

**GALLEY GROUP (CONTINUED)**  
**RANGE WOVEN**

KEY	PART NUMBER	U/M	DESCRIPTION
	098507-02-000	EA	RANGE-4BURNER, W/GLASS DOOR - BLACK - MAGIC CHEF
			FROM 00-00-00 THRU 09-02 90
	055282-03-708	EA	BUMPER-MAIN TOP, PLASTIC PLUG - MAGIC CHEF 744-176
	049045-01-742	EA	BURNER ASM-OVEN, MAGIC CHEF 50-20215
	064782-02-715	EA	CLIP-GRATE, MAGIC CHEF 413-00015
	055282-03-702	EA	KNOB-THERMOSTAT, MAGIC CHEF 50-20281
	081374-02-701	EA	REGULATOR-PRESSURE, MAGIC CHEF 976-27
	055282-03-700	EA	THERMOSTAT, MAGIC CHEF 993-476
	049045-01-703	EA	VALVE-TOP BURNER, MAGIC CHEF 997-584
	064782-02-705	EA	HANDLE-OVEN DOOR, BLACK - MAGIC CHEF 50-25104
	049045-01-728	EA	BROILER PAN W/O INSERT, MAGIC CHEF 50-22114-2
	098507-02-700	EA	FILTER-PILOT, MAGIC CHEF 735-125
	098507-02-703	EA	GLASS OUTER - MAGIC CHEF 50-27086-1
	098507-02-702	EA	DEFLECTOR-VENT - MAGIC CHEF 50-27033-1
	098507-02-704	EA	PANEL-OVEN DOOR-EBONY - MAGIC CHEF 2401F082-70
	098507-02-701	EA	INSERT-BURNER (SLOTTED VENT), MAGIC CHEF 7214P015-60
	098507-02-707	EA	TOP-MAIN, EBONY - MAGIC CHEF 2001F057-70
	098507-02-705	EA	TRIM-LEFT - MAGIC CHEF 3608F018-70
	098507-02-706	EA	TRIM-RIGHT - MAGIC CHEF 3608F017-70
	049045-01-741	EA	INSERT-BROILER PAN, MAGIC CHEF 5022119-1 OR 2
	064782-02-710	EA	BRACKET-FRONT GLASS, MAGIC CHEF 56-52097
	064782-02-712	EA	GRATE-TOP BURNER, SQUARE HOLES - MAGIC CHEF 50-25439
	064782-02-714	EA	FITTING PIPE NIPPLE, 1/8" - MAGIC CHEF 863-1
	098507-01-700	EA	PANEL-OVEN DOOR-ALMOND, MAGIC CHEF 2401F075-74
	098507-01-701	EA	TCP-MAIN, ALMOND - MAGIC CHEF 2001F057-74
	064782-02-708	EA	VALVE-MERCURY CONTROL, MAGIC CHEF 999-626
	102020-01-01A	EA	RANGE-4 BURNER ALMOND - 22" - MAGIC CHEF BT22RA-4T-490
			FROM 09-03-90 THRU 99-93-99

	102020-01-700	EA	SHELF-OVEN, MAGIC CHEF 7801-P026-60
	102020-01-701	EA	HANDLE-DOOR, MAGIC CHEF - 7701P092-60
	102020-01-702	EA	PANEL-MANIFOLD, MAGIC CHEF 7515F080-70
	102020-01-703	EA	PANEL-DOOR, ALMOND, MAGIC CHEF 2401F075-71
	102020-01-704	EA	PANEL-DOOR, BLACK - MAGIC CHEF - 2401F075-70
	102020-01-705	EA	TRIM-LEFT, MAGIC CHEF 3608F018-70
	102020-01-706	EA	TRIM-RIGHT, MAGIC CHEF 3608F017-70
	102020-01-708	EA	BURNER ASSEMBLY-OVEN, MAGIC CHEF 3403W003-45
	102020-01-709	EA	BUMPER-GRATE, MAGIC CHEF 8007P018-60
	102020-01-710	EA	FILTER-PILOT, MAGIC CHEF 7507P046-60
	102020-01-711	EA	GRATE-TOP, MAGIC CHEF 7518P012-60
	102020-01-712	EA	KNOB-BURNER VALVE, MAGIC CHEF 7733P044-60
	102020-01-713	EA	KNOB-THERMOSTAT, MAGIC CHEF 7731P042-60
	102020-01-714	EA	PILOT-OVEN, MAGIC CHEF 958-143
	102020-01-715	EA	PIPE-MANIFOLD, MAGIC CHEF 7513P095-60
	102020-01-716	EA	REGULATOR-PRESSURE, MAGIC CHEF 7510P033-60
	102020-01-717	EA	THERMOSTAT, MAGIC CHEF 7515P024-60
	102020-01-718	EA	TOP-MAIN, ALMOND - MAGIC CHEF 2001F085-84
	102020-01-720	EA	VALVE-MERCURY CONTROL, MAGIC CHEF 7510P056-60
	102020-01-721	EA	VALVE-SHUT OFF, MAGIC CHEF 7506F096-60
	102020-01-722	EA	VALVE-TOP BURNER, MAGIC CHEF 7502P095-60
	102020-01-723	EA	PILOT-BURNER, MAGIC CHEF 7503P147-60
	102020-01-724	EA	BUMPER MAIN TOP, MAGIC CHEF 8003P008-60

**MICROWAVE OVEN**

KEY	PART NUMBER	U/M	DESCRIPTION
	094745-01-01A	EA	TRIM-MICROWAVE, LOWER - BLACK
	094774-01-01A	EA	TRIM-MICROWAVE, EITHER SIDE - BLACK
	094750-01-000	EA	BRACKET-MICROWAVE, 90 DEGREE
	098915-01-01A	EA	BRACE-MICROWAVE CABINET 3 9" X 7 9" X 8 6" - RIGHT - METAL
	098116-02-01A	EA	BRACE-MICROWAVE CABINET, 3 9" X 7 9" X 8 6" - LEFT - METAL
	091269-01-000	EA	OVEN MICROWAVE, W/ BROWNING OVEN - MAGIC CHEF M16-10PB
	091269-03-701	EA	PLATE-CERAMIC, 9 5" - ROUND - MAGIC CHEF 246-0005
	091269-03-702	EA	CLIP-OVEN SHELF, WHITE - MAGIC CHEF 2011-0744
	091269-03-701	EA	WINDOW-POLY, 7" X 11" - CLEAR PLASTIC - MAGIC CHEF 0222-0097

**1991 WINNEBAGO**  
**TABLE OF CONTENTS**

INTRODUCTION	A-01	A-02
ABBREVIATIONS		A-03
ALPHABETICAL INDEX	A-04	A-06
WCN36PQ	A-07	F-16
WFN36RA	F-17	K-22

**1991 WFN36RA INDEX**

FLOOR PLAN	F-17	F-18
ACCESSORIES	F-19	G-06
BATH	G-09	G-14
BEDROOM	G-15	G-16
CHASSIS	G-17	H-01
CURTAIN CUSHION & PAD	H-02	H-11
DINETTE	H-12	H-14
DRIVERS	H-15	H-20
ELECTRICAL	H-21	I-03
EXTERIOR BODY	I-04	I-10
GALLEY	I-11	I-18
HEATING & A/C	I-19	I-22
INTERIOR FINISH	I-23	J-02
LABEL	J-03	J-10
LP		J-11
LOUNGE	J-12	J-13
SEALANTS & FASTENERS	J-14	J-15
WATER & SEWAGE	J-17	J-22
WINDOW, VENT AND EXTERIOR DOOR	J-23	K-22

**GALLEY GROUP (CONTINUED)**  
STANDARD RANGE HOOD

**GALLEY GROUP (CONTINUED)**  
STANDARD REFRIGERATOR & COMPONENTS

**1991 WINNEBAGO  
TABLE OF CONTENTS**

INTRODUCTION	A-01 -	A-02
ABBREVIATIONS		A-03
ALPHABETICAL INDEX	A-04 -	A-06
WCH36RQ	A-07 -	F-16
WFN36RA	F-17 -	K-22

**1991 WFN36RA INDEX**

FLOOR PLAN	F-17 -	F-18
ACCESSORIES	F-19 -	G-08
BATH	G-09 -	G-14
BEDROOM	G-15 -	G-16
CHASSIS	G-17 -	H-01
CURTAIN, CUSHION & PAD	H-02 -	H-11
D'NETTE	H-12 -	H-14
DRIVERS	H-15 -	H-20
ELECTRICAL	H-21 -	I-03
EXTERIOR BODY	I-04 -	I-10
GALLEY	I-11 -	I-12
HEATING & A/C	I-19 -	I-22
INTERIOR FINISH	I-23 -	J-02
LABEL	J-03 -	J-10
LP		J-11
LOUNGE	J-12 -	J-13
SEALANTS & FASTENERS	J-14 -	J-16
WATER & SEWAGE	J-17 -	J-22
WINDOW, VENT AND EXTERIOR DOOR	J-23 -	K-22

KEY	PART NUMBER	U/M	DESCRIPTION
	100258-04-01A	EA	HOOD-RANGE, W/MONITOR PANEL - VENTLINE TCS 4003SAD
	100258-04-700	EA	CIRCUIT BOARD - VENTLINE 5037
	100258-04-701	EA	BEZEL-SWITCH LEVER, CABLE TO VENT - VENTLINE CC115
	100258-04-702	EA	SWITCH-LEVER, W/CABLE - VENTLINE CB547-4
	092696-01-701	EA	KNOB-LEVER, CABLE - PLASTIC - BLACK - VENTLINE CC225
	092696-01-702	EA	RESISTER-WIRE, VENTLINE L7314
	092696-01-709	EA	BULB-912, LVS VA415
	092696-01-710	EA	SOCKET-LIGHT, LVS CB257-2
	096983-01-708	EA	LENS-LAMP, VENTLINE CC179
	090973-01-702	EA	BLADE-FAN, LVS VA183-1
	096983-01-707	EA	FILTER-GREASE, 8" X 8" - LVS CC246
	096983-01-703	EA	SWITCH-ON/OFF - JENSEN 115
	096983-01-702	EA	SWITCH-TWO WAY MOMENTARY, VENTLINE 112
	100258-10-01A	EA	METER-HOUR, VENTLINE 150
	090973-01-700	EA	MOTOR - LVS CA506-1
	100258-04-703	EA	CONTROL PANEL ASM - 9505
	075470-01-702	EA	SWITCH - ON - OFF - LVS CB484
	096983-01-701	EA	SWITCH - MOMENTARY, ONE WAY - 111
	100258-04-704	EA	METAL FACE PLATE SCREENED - 9506
	092696-01-700	EA	FASTENER - PLASTIC - F/CABLE - VENTLINE VB337

**CANADIAN RANGE HOOD**

KEY	PART NUMBER	U/M	DESCRIPTION
	100258-05-01A	EA	HOOD-RANGE, W/MONITOR - PANEL - VENTLINE TCS 4003SAC (CANADIAN)
	100258-04-701	EA	BEZEL-SWITCH LEVER, CABLE TO VENT - VENTLINE CC115
	092696-01-701	EA	KNOB-LEVER, CABLE - PLASTIC - BLACK - VENTLINE CC225
	092696-01-702	EA	RESISTER-WIRE, VENTLINE L7314
	092696-01-709	EA	BULB-912, VENTLINE VA415
	092696-01-710	EA	SOCKET-LIGHT, VENTLINE CB257-2
	096983-01-708	EA	LENS-LAMP, VENTLINE CC179
	100258-04-702	EA	SWITCH-LEVER, W/CABLE - VENTLINE CB547-1
	090973-01-702	EA	BLADE-FAN LVS VA183-1
	096983-01-707	EA	FILTER-GREASE 8" X 8" - LVS CC246
	100258-04-700	EA	CIRCUIT BOARD, VENTLINE 5037
	075470-01-702	EA	SWITCH-ON/OFF LVS CB484
	100258-08-701	EA	SWITCH-FAN, 2 SPEED - VENTLINE 122
	096983-01-703	EA	SWITCH-ON/OFF - JENSEN 115
	096983-01-702	EA	SWITCH-TWO WAY MOMENTARY VENTLINE 112
	100258-10-01A	EA	METER-HOUR VENTLINE 150
	090973-01-700	EA	MOTOR - LVS CA506-1

**BIFOLD RANGE COVER**

KEY	PART NUMBER	U/M	DESCRIPTION
	085280-03-000	EA	COVER-BIFOLD, RANGE - ALMOND - MAGIC CHEF# KL22A-1
			FROM 03-00-00 THRU 09-02-30
	102021-02-01A	EA	COVER-BIFOLD, RANGE - ALMOND - MAGIC CHEF# KR22A-1
			FROM 09-03-30 THRU 99-99-99

KEY	PART NUMBER	U/M	DESCRIPTION
	094039-01-000	EA	REFRIGERATOR-2-WAY, LARGE DOUBLE DOOR - NORCOLD #682
	084880-03-701	EA	COOLING UNIT (HORIZ BURNER) - NORCOLD 61687337
	084880-03-700	EA	FLUE(HORIZONTAL) BURNER - NORCOLD 616161
	084880-01-735	EA	HINGE BRKT, TOP LH-BTM RH BRN - NORCOLD 615809
	084880-01-722	EA	CRISPER COVER - NORCOLD 615641
	088248-01-706	EA	HEATER-AC, (HORIZONTAL) - NORCOLD# 615627
	075217-01-737	EA	CONTROL MODULE, NORCOLD# 61525022
	094039-04-701	EA	EYEBROW (SHELL) 2 WAY-NORCOLD 61669822
	094039-04-700	EA	PC BOARD (2 WAY) - NORCOLD 61647322
	094039-04-702	EA	POWER SUPPLY (2 WAY) - NORCOLD 61647422
	094039-01-731	EA	CRISPER (GRAY) SILVER TRIM - NORCOLD 61571360
	094039-01-720	EA	CAB ASSEMBLY (BRN FRAME/WHT LINER) - NORCOLD# 616632
	084880-01-715	EA	VALVE-SHUT OFF, MANUAL - NORCOLD# 61697922
	084880-01-713	EA	CONNECTOR-MALE, INLET FITTING - NORCOLD# 615256
	064473-01-702	EA	ORIFICE SEG-2, NORCOLD 614521
	088248-01-706	EA	BURNER-(HORIZONTAL), NORCOLD# 15881
	088248-01-708	EA	ELECTRODE IGNITION, (HORIZONTAL) - NORCOLD# 615732
	084880-01-733	EA	DAIRY KEEPER - NORCOLD 615804
	084880-01-734	EA	BRACKET-HINGE, TOP RH - BOTTOM LH - BROWN NORCOLD 61
	094039-01-707	EA	UPPER DOOR HANDLE ASSY(BRN) - NORCOLD 61650037
	094039-01-705	EA	UPPER DOOR LINER (WHITE) BRN - NORCOLD 61581837-B
	084880-01-731	EA	HINGE PIN, NORCOLD 615781
	084880-01-744	EA	HINGE PIN SHAFT (CTR HINGE), NORCOLD 615667
	084880-01-726	EA	HINGE BRACKET (CTR HINGE), NORCOLD 615665
	064880-01-749	EA	HINGE BUSHING - NORCOLD 615807
	084880-01-746	EA	CABLE, NORCOLD 615715
	094039-01-702	EA	GASKET (GRAY) UPPER - NORCOLD 61567830
	094039-01-713	EA	DOOR GASKET(LOWER) GRAY - NORCOLD 61568030
	094039-01-705	EA	UPPER DOOR LINER (WHITE) BRN - NORCOLD 61581837-B
	094039-01-714	EA	LOWER DOOR LINER (BRN/WHT) - NORCOLD# 61581737-B
	088248-01-707	EA	ELECTRODE-SENSOR, (HORIZONTAL), NORCOLD# 615733
	094039-01-715	EA	LOWER DOOR HANDLE ASSY (BRN) - NORCOLD# 61649937
	084880-03-705	EA	BRACKET FRONT PERIG LIGHT - NORCOLD 616237
	084880-03-706	EA	LAMP (BULB) - NORCOLD 616289
	084880-01-718	EA	VALVE-GAS, NORCOLD 615518
	084880-01-736	EA	SWITCH-LIGHT, BLACK - NORCOLD# 615810
	075217-01-732	EA	SWITCH-HUMIDITY, NORCOLD 615259
	084880-01-732	EA	LATCH, NORCOLD 615785
	084880-02-700	EA	LOWER FLANGE 866348683 NORCOLD 616221
	094039-01-712	EA	DOOR BIN(GRAY)SILVER BORDER - NORCOLD 61564050
	094039-01-718	EA	MILK BIN (GRAY)W/SILVER TRIM - NORCOLD 61579450
	084880-01-748	EA	PLUG INSTALLATION, BROWN - NORCOLD 615797
	084880-01-747	EA	PLUG HOLE, NORCOLD 61582022
	094039-01-711	EA	JUICE RACK(GRAY)W/SILVER TRM - NORCOLD 61580540
	054472-01-749	EA	PLUG-1/8", NORCOLD# 614453
	075217-01-734	EA	FUSE-3 AMP, NORCOLD# 615388
	094039-01-726	EA	SHELF FREEZER EVAPORATOR, NORCOLD 615236
	084880-03-707	EA	COVER FLAMP OR BULB - NORCOLD 616279
	094039-01-733	EA	WIRE SHELF (MIDDLE) - NORCOLD 61563822
	094039-01-734	EA	SHELF (TOP) W/RISE - NORCOLD 61583722
	094039-01-703	EA	PLATE-HINGE, LH - BROWN - NORCOLD 61631422
	094039-01-709	EA	PLATE-HINGE, TOP RH - LH BOTTOM - BROWN - NORCOLD 61
	094039-01-741	EA	TPAY-SHELF, PLASTIC - GRAY - NORCOLD 61680922
	054450-01-000	EA	LEVEL-REFRIGERATOR
	084073-01-000	EA	COVER-ROOF VENT, NORCOLD REFRIGERATOR - BEIGE
	084073-04-000	EA	BASE-ROOF VENT NORCOLD REFRIGERATOR - BLACK

**GALLEY GROUP (CONTINUED)**

REFRIGERATOR-NORCOLD, 2 WAY - W/ICE MAKER OPTION L21C

KEY	PART NUMBER	U/M	DESCRIPTION
	052954-01-000	EA	ADAPTER-NOSE CONE, 3/8" DR 1/2" TUBING - PLASTIC - GRAY
	077054-01-000	EA	VALVE-PLASTIC, 1/2M X 1/2M, 1/4COMP
	091208-01-000	EA	WASHER-FUBBER, .06" X .75" X .5"
	058708-01-000	EA	RECEPTACLE ELECTRIC, DOUBLE - BROWN
	094039-06-000	EA	REFRIGERATOR-NORCOLD 2 WAY - W/ICE MAKER & DOUBLE DOOR
	084880-03-701	EA	COOLING UNIT (HORIZ BURNER) NORCOLD 61687337
	084880-03-700	EA	FLUE(HORIZONTAL) BURNER - NORCOLD 616161
	088248-01-709	EA	HEATER-AC, (HORIZONTAL) - NORCOLD# 615627
	075217-01-737	EA	CONTROL MODULE, NORCOLD# 61525022
	094039-04-702	EA	POWER SUPPLY (2 WAY) - NORCOLD# 61547422
	094039-04-701	EA	EYEBROW (SHELL) 2 WAY - NORCOLD 61663822
	094039-04-700	EA	PC BOARD-2 WAY, NORCOLD# 61647322
	084880-01-715	EA	VALVE-SHJT OFF, MANUAL - NORCOLD# 61697922
	084880-01-713	EA	CONNECTOR-MALE, INLET FITTING - NORCOLD# 615256
	064473-01-702	EA	ORIFICE-NORCOLD 614521
	088245-01-706	EA	BURNER-HORIZONTAL, NORCOLD 615881
	088248-01-708	EA	ELECTRODE-IGNITION, (HORIZONTAL) - NORCOLD# 615732
	088248-01-712	EA	FRAME-DOOR, LOWER - BROWN - NORCOLD 615576
	084880-01-733	EA	DAIRY KEEPER - NORCOLD 615804
	064472-02-716	EA	TRIM-CABINET TOP - BROWN - NORCOLD# 613614
	046955-01-713	EA	FIN-HINGE, NORCOLD# 611146
	064472-03-700	EA	PIN-HINGE, BOTTOM - NORCOLD 615507
	064472-01-727	EA	HINGE-UPPER RIGHT, NORCOLD 613528
	094039-01-707	EA	UPPER DOOR HANDLE ASSY(BRN) - NORCOLD 61650037
	094039-01-705	EA	UPPER DOOR LINER (WHITE) BRN - NORCOLD 61581637-B
	084880-01-735	EA	HINGE BRKT, TOP LH-BTM RH BRN - NORCOLD 61580937
	084880-01-722	EA	CRISPER COVER - NORCOLD 615841
	094039-01-731	EA	CRISPER (GRAY) SILVER TRIM - NORCOLD 61571360
	064472-01-726	EA	FRAME STRIP-CABINET, LEFT - NORCOLD 613820-32
	094039-01-720	EA	CAB ASSEMBLY (BRN FRAME/WHIT LINER) - NORCOLD# 616632
	084880-01-746	EA	CABLE NORCOLD 61571522
	064880-01-731	EA	HINGE PIN, NORCOLD 61578123
	064880-01-744	EA	HINGE PIN SHAFT (CTR HINGE) NORCOLD 61565723
	084880-01-725	EA	HINGE BRACKET (CTR HINGE) NORCOLD 61536523
	084880-01-743	EA	HINGE BUSHING - NORCOLD 615807
	062248-01-707	EA	ELECTRODE-SENSOR (HORIZONTAL) NORCOLD# 61573322
	094039-01-702	EA	GASKET (GRAY) UPPER - NORCOLD 61567830
	094039-01-713	EA	DOOR GASKET(LOWER) GRAY - NORCOLD 61562000
	094039-01-705	EA	UPPER DOOR LINER (WHITE) BRN - NORCOLD 61581637-B
	094039-01-714	EA	LOWER DOOR LINER (BRN/WHIT) - NORCOLD# 61581737-B
	094039-01-715	EA	LOWER DOOR LINER (BLK/WHIT) - NORCOLD 61581738-B
	094039-01-716	EA	LOWER DOOR HANDLE ASSY (BRN) - NORCOLD# 61642937
	094039-01-717	EA	LOWER DOOR HANDLE ASSY (BLK) - NORCOLD 61642938
	084880-01-719	EA	VALVE-GAS NORCOLD 61551922
	084880-03-705	EA	BACKET EXTERIOR REFRIGERATOR LIGHT - NORCOLD 61629722
	084880-03-706	EA	LAMP (BULB) - NORCOLD# 61628922
	084880-01-736	EA	SWTCH-LIGHT, BLACK - NORCOLD# 61581022
	075217-01-738	EA	SWTCH-HUMIDITY, NORCOLD 61525922
	084880-01-732	EA	LATCH, NORCOLD 61578522
	084880-02-700	EA	LOWER FLANGE 616388633 NORCOLD 61622123
	094039-01-722	EA	FRONT COVER(BLK) BTM TRIM - NORCOLD 61622130
	094039-01-712	EA	DOOR BIN(GRAY)SILVER BORDER - NORCOLD 61564060
	094039-01-718	EA	MILK BIN (GRAY)W/SILVER TRIM - NORCOLD# 61579460
	084880-01-748	EA	PLUG-INSTALLATION, BROWN - NORCOLD 615797
	094039-01-740	EA	PLUG-INSTALLATION BLACK - NORCOLD 61579730
	084880-01-747	EA	PLUG-HOLE, NORCOLD 61582022
	094039-01-722	EA	HOLE PLUG (BLK) HINGE HOLES - NORCOLD 61582030
	094039-01-711	EA	JUICE RACK(GRAY)W/SILVER TRM - NORCOLD 61580540
	064472-01-749	EA	PLUG 1/8", NORCOLD# 614453
	094039-01-711	EA	JUICE RACK(GRAY)W/SILVER TRM - NORCOLD 61580540
	064472-01-749	EA	PLUG-1/8", NORCOLD# 614453
	064472-02-733	EA	FRAME CAP-LOWER DOOR TOP - NORCOLD 615580
	088248-01-711	EA	FRAME DOOR UPPER - BROWN - NORCOLD 615576

**GALLEY GROUP (CONTINUED)**

REFRIGERATOR-NORCOLD, 2 WAY - W/ICE MAKER OPTION L21C CONT'D

KEY	PART NUMBER	U/M	DESCRIPTION
	075217-01-734	EA	FUSE 3 AMP, NORCOLD# 61538822
	084880-03-707	EA	COVER FLAMP OR BULB - NORCOLD 61627922
	094039-01-733	EA	WIRE SHELF (MIDDLE) - NORCOLD 61563822
	094039-01-734	EA	WIRE SHELF (TOP) WRISER - NORCOLD 61563722
	094039-01-703	EA	PLATE-HINGE, LH - BROWN - NORCOLD 61631422
	094039-01-704	EA	HINGE PLATE (BLK) LH - NORCOLD 61631430
	094039-01-709	EA	PLATE-HINGE, TOP RH - LH BOTTOM - BROWN - NORCOLD 61
	094039-01-710	EA	HINGE PLATE(BLK) RHTOP LHBTM - NORCOLD 61631330
	094039-07-700	EA	ICE MAKER, NORCOLD 61684837
	094039-07-701	EA	BIN-ICE CUBE, NORCOLD 61688322
	094039-07-702	EA	SHELF-WIRE, FREEZER - TALL - NORCOLD 61667722
	094039-07-703	EA	SHELF-WIRE, FREEZER SHORT - NORCOLD 61674122
	094039-01-741	EA	TRAY-SHELF, PLASTIC - GRAY - NORCOLD 61680922
	094039-07-704	EA	VALVE-WATER FILL, NORCOLD 61657022 GALLEY GROUP (CONTINUED)

**1991 WINNEBAGO  
TABLE OF CONTENTS**

INTRODUCTION	A-01 -	A-02
ABBREVIATIONS		A-03
ALPHABETICAL INDEX	A-04 -	A-06
WCN36RQ	A-07 -	F-16
WFN36RA	F-17 -	K-22

**1991 WFN36RA INDEX**

FLOOR PLAN	F-17 -	F-18
ACCESSORIES	F-19 -	G-09
BATH	G-09 -	G-14
BEDROOM	G-15 -	G-16
CHASSIS	G-17 -	H-01
CURTAIN, CUSHION & PAD	H-02 -	H-11
DINETTE	H-12 -	H-14
DRIVERS	H-15 -	H-20
ELECTRICAL	H-21 -	I-03
EXTERIOR BODY	I-04 -	I-10
GALLEY	I-11 -	I-18
HEATING & A/C	I-19 -	I-22
INTERIOR FINISH	I-23 -	J-02
LABEL	J-03 -	J-10
LP		J-11
LOUNGE	J-12 -	J-13
SEALANTS & FASTENERS	J-14 -	J-16
WATER & SEWAGE	J-17 -	J-22
WINDOW, VENT AND EXTERIOR DOOR	J-23 -	K-22

**HEATING & AIR CONDITIONING GROUP**  
**REAR HEATER OPTION L811**

**HEATING & AIR CONDITIONING GROUP (CONTINUED)**  
**CONTROL & PLENUM**

**1991 WINNEBAGO**  
**TABLE OF CONTENTS**

INTRODUCTION	A-01 -	A-02
ABBREVIATIONS		A-03
ALPHABETICAL INDEX	A-04 -	A-08
WCN36/HO	A-07 -	F-15
WFN36/PA	F-17 -	K-22

KEY	PART NUMBER	U/M	DESCRIPTION
	009198-01-000	FT	DUCT-HEAT, FLEXIBLE - 4' ID
	008200-01-000	EA	TAPE-FURNACE, 1 1/2"
	023146-01-000	EA	CLAMP-SCREW TYPE - 4'
	088636-02-000	EA	CONNECTOR-DUCT, 4" ID
	000687-10-12B	EA	SCREW, 10-12 X 3/4 PPH - ZN
	007108-02-000	FT	HOSE-HEATER, 3/4" ID
	007108-01-000	FT	HOSE-HEATER, 5/8" ID
	008042-01-000	FT	TUBING-VINYL, 65' "
	055484-05-000	EA	REGISTER-PLASTIC W/DO DAMPER - 4" DIAMETER - GOLDEN
	062401-01-000	EA	CLAMP-HOSE, WORMGEAR 25° - 1"
	079059-01-000	EA	HOSE-90 DEGREE, 61" ID X 4" X 3/8"
	079059-02-000	EA	HOSE-90 DEGREE, 61" ID X 4" X 5/8"
	083081-01-000	EA	HOSE-FORMED, 90 DEGREE'S
	084405-01-000	EA	HEATER ASM-REAR DUCTED - W/MOTOR A/D - EVANS
	084405-01-700	EA	HEATER CORE-EVANS# FT200229
	084405-01-701	EA	FAN BLADES-EVANS# HWY29931
	084405-01-702	EA	MOTOR ASM-12 V, EVANS# 200146
	088753-01-000	FT	TUBE-ALUMINIZED STEEL, 5/8" - 18 GAUGE
	040731-01-000	EA	NIPPLE-INLET MANIFOLD, GM-3836094
	061673-01-700	EA	BRACKET-MOTOR A/D TUBES, 4" X 1 5/8" - STEEL
	062401-01-000	EA	CLAMP-HOSE, WORMGEAR 25° - 1"
	062401-04-000	EA	CLAMP-HOSE, WORMGEAR 69° - 1 25"
	071015-13-000	EA	GROMMET-5/8" ID, FITS 09" MATERIAL RUBBER
	073194-02-000	EA	CLAMP-HOSE, WORMGEAR 1 26° - 1 97"
	080179-01-000	EA	BRACKET-SUPPORT, HEATER HOSE - IN ENGINE COMPARTMENT

**A/C EVAPORATOR**

KEY	PART NUMBER	U/M	DESCRIPTION
	088227-02-000	EA	EVAPORATOR-A/C ARA 0508213
	088227-02-701	EA	BRACKET-BOWDEN CABLE MOUNTING ARA 0409417
	088227-02-702	EA	DOOR ASM. F.A. RECYCLING - ARA 0321330
	088227-02-703	EA	SUCTION HOSE #10 ARA 0905712
	088227-01-700	EA	DOOR ASSEMBLY ARA 0320516
	088227-01-701	EA	CRANK MIX ROUND DOOR - ARA 0318225
	088227-01-703	EA	EVAPORATOR CORE, ARA 0560571
	088227-01-704	EA	VALVE EXPANSION BLOCK, ARA 1297022
	088227-01-707	EA	RESISTOR FUSED A/C, ARA 0865515
	088227-01-706	EA	MOTOR BLOWER ARA 1120060
	088227-01-709	EA	WHEEL REQUIRED BALANCING ARA 0252084
	088227-01-711	EA	CRANK MIXING DOOR, ARA 0320480
	077052-01-700	EA	COLEVAPOATOR, ARA 0560458
	077342-03-709	EA	O RING #10 - ARA 0059607
	072342-03-707	EA	O RING #5 - ARA 0059605
	072341-01-708	EA	SERVO VACUUM CONTRCL ARA 1120040
	075789-01-718	EA	O RING-AERDQUIP FITTING, ARA 0543513
	086782-02-705	EA	PIN RETAINER, ARA 1701767
	072341-01-707	EA	THERMOSTAT ARA 1247312
	088227-02-705	EA	HOSE LIQUID ARA 0906713

KEY	PART NUMBER	U/M	DESCRIPTION
	091902-03-000	EA	CONTROL/PLENUM ASM-ARA# 0508350
	072341-08-700	EA	SWITCH-4 SPEED, FAN - ARA 0883502
	091902-02-700	EA	ROD A/C-HEAT DOOR, ARA 0321485
	091902-02-701	EA	TRANSITION ASSEM H/TEMP, ARA 0786488
	091902-02-702	EA	BRACKET, PLENUM MOUNT, ARA 0321501
	091902-02-703	EA	GRILLE, ARA 0483164
	091902-01-700	EA	DOOR/DEFROST/HEAT, ARA 0320579
	088227-01-711	EA	CRANK MIXING DOOR, ARA 0320480
	091902-01-701	EA	MOTOR VACUUM, ARA 1120042
	072341-01-708	EA	SERVO-VACUUM CONTRHOL, ARA 1120040
	072341-01-710	EA	CONTROL HEAD ASM W/O DECAL, ARA 0884570
	072341-01-722	EA	DECAL ONLY F/CONTROL HEAD ARA 1900101
	072341-01-712	EA	SWITCH-VACUUM ARA 1298539
	091902-01-705	EA	HARNES & SOCKET JUMPER ARA 0884635
	091902-01-706	EA	CABLE BOWDEN, ARA 0483152
	091902-01-707	EA	HARNES WIRE, ARA 0885623
	091902-01-708	EA	HARNES VACUUM, ARA 1000555
	077052-01-701	EA	RELAY, ARA 1331142
	072341-08-700	EA	RESERVOIR-VACUUM, ARA 1701039
	091902-01-709	EA	GRILLE RETURN AIR, ARA 1701058
	094831-08-000	EA	WIRE ASSEMBLY-A/C COMPRESSOR ADAPTER - SCS 036-0054
	103347-01-000	EA	WIRE ASSEMBLY-COOLING FAN ADAPTER
	000611-08-088	EA	SCREW, 8-18 X 1/2 PPH - ZN
	007076-01-700	FT	HOSE-FLEXIBLE PVC - 2" ID
	007108-01-000	FT	HOSE-HEATER, 5/8" ID
	007281-01-000	EA	HOSE-FLEXIBLE PVC, 2 5/8" ID X 50
	007281-01-700	FT	HOSE-FLEXIBLE PVC, 2 5" ID
	024950-01-000	EA	OUTLET-DEFROSTER, WITH SWIVEL - 2" - TAN
	056432-01-000	EA	BRACKET-MOUNTING ROUND HEAT VENT METAL - TAN
	056402-02-000	EA	BRACKET-MOUNTING ROUND HEAT VENT - WBEND - METAL - TAN
	062401-04-000	EA	CLAMP-HOSE, WORMGEAR 59° - 1 25"
	091930-02-000	EA	DUCT-DEFROSTER, W/O SIDE OUTLET - ARA# 0571020
			FROM 00-00-00 THRU 07-22-90
	091930-03-000	EA	DUCT-DEFROSTER, W/O SIDE OUTLET - ARA 0571109
			FROM 07-23-90 THRU 99-99-99

**A/C COMPRESSOR & SYSTEM COMPONENTS**

KEY	PART NUMBER	U/M	DESCRIPTION
	072343-08-000	EA	COMPRESSOR/CLUTCH-430 EFI TOP D SCHARGE - ARA# 0529039
	095814-02-000	EA	MOUNT & DRIVE PACKAGE A/C COMPRESSOR - 460 EFI
	063610-01-000	EA	CLAMP-WIRE, DUAL - UNEQUAL DIAMETERS - 75" & 1 25"
	086753-01-000	FT	TUBE-ALUMINIZED STEEL, 5/8" - 18 GAUGE
	091930-02-000	EA	DUCT-DEFROSTER W/O SIDE OUTLET - ARA# 0571020
	062401-01-000	EA	CLAMP-HOSE WORM GEAR 25° - 1"

**A/C CONDENSER**

KEY	PART NUMBER	U/M	DESCRIPTION
	096815-01-000	EA	CONDENSER ASM-A/C, FORD - ARA# 0519537
	096815-01-700	EA	COIL CONDENSER ARA 0519545
	072342-03-701	EA	RECEIVER-DRIER, ARA 1273235
	072342-03-707	EA	O RING, #8 - ARA 0059605
	075789-01-718	EA	O RING-AERDQUIP FITTING, ARA 0543513
	074013-02-716	EA	VALVE-SERVICE, ARA 0059337
	096815-01-701	EA	HOSE ASM #8 ARA 0987061
	072342-03-709	EA	O RING, #10 - ARA 0059607
	096815-01-702	EA	O RING #8 - ARA 0059606
	072341 01-716	EA	VALVE-DISCHARGE 1/2" O RING - ARA 0548325

**1991 WFN36RA INDEX**

FLOOR PLAN	F-17 -	F-18
ACCESSORIES	F-19 -	G-08
BATH	G-09 -	G-14
BEDROOM	G-15 -	G-16
CHASSIS	G-17 -	H-01
CURTAIN CUSHION & PAD	H-02 -	H-11
DINETTE	H-12 -	H-14
DRIVERS	H-15 -	H-20
ELECTRICAL	H-21 -	I-03
EXTERIOR BODY	I-04 -	I-10
GALLEY	I-11 -	I-18
HEATING & A/C	I-19 -	I-22
INTERIOR FINISH	I-23 -	J-02
LABEL	J-03 -	J-10
LP		J-11
LOUNGE	J-12 -	J-13
SEALANTS & FASTENERS	J-14 -	J-16
WATER & SEWAGE	J-17 -	J-22
WINDOW, VENT AND		
EXTERIOR DOOR	J-23 -	K-22

**HEATING & AIR CONDITIONING GROUP (CONTINUED)**  
**SUBURBAN FURNACE & WALL THERMOSTAT**

**HEATING & AIR CONDITIONING GROUP (CONTINUED)**  
**ROOF A/C-13,500 BTU U.S. & CANADIAN**

**1991 WINNEBAGO  
 TABLE OF CONTENTS**

INTRODUCTION	A-01 -	A-02
ABBREVIATIONS		A-33
ALPHABETICAL INDEX	A-04 -	A-06
WGN36RC	A-07 -	F-16
WGN36RA	F-17 -	K-22

KEY	PART NUMBER	U/M	DESCRIPTION
	063365-01-000	EA	THERMOSTAT-WALL, FURNACE - SUBURBAN C:50902
	062300-03-000	EA	FURNACE-SUBURBAN 34,000 BTU - NT-342
	062300-01-705	EA	ELECTRODE SUBURBAN 230956
	069634-01-733	EA	RELAY, TIME DELAY 20&30 BTU SUBURBAN 231202
	075696-01-700	EA	MOTOR ASM-SUBURBAN# 231208
	062300-01-720	EA	WHEEL-ROOM AIR SUBURBAN# 350113
	062300-02-702	EA	MICROSWTCH ASM, SUBURBAN# X230509
	062300-01-725	EA	WHEEL-COMB AIR, SUBURBAN 350110
	075696-02-726	EA	GASKET-CROSSOVER TUBE, SUBURBAN 070385
	062300-01-724	EA	GASKET-MOTOR MOUNT, SUBURBAN 070384
	062300-01-727	EA	GASKET-COMBUSTION AIR HOUSING, SUBURBAN 070386
	062300-01-711	EA	VENT CAP ASSEMBLY, SUBURBAN X250179
	069634-01-729	EA	VALVE-GAS JOHNSON - SUBURBAN 150832
	062300-01-701	EA	CABINET FRONT, SUBURBAN 101172
	062300-01-708	EA	SWITCH LIMIT SUBURBAN 231440
	069634-01-720	EA	OR.FICE-MAIN BURNER SUBURBAN# 0:80222
	062300-01-704	EA	GASKET-ELECTRODE, SUBURBAN 070163
	069634-01-706	EA	MODULE BOARD, SUBURBAN# 231427
	062300-01-716	EA	ELBOW 90°, SUBURBAN 170374
	069634-01-716	EA	VALVE-MANUAL SHUTOFF, SUBURBAN 160740
	062300-01-717	EA	WIRE ASSEMBLY (POWER SUPPLY) - SUBURBAN X231428
	062300-01-706	EA	DOOR-BURNER ACCESS SUBURBAN 030523
	069634-01-732	EA	GASKET-BURNER ACCESS DOOR SUBURBAN 070398
	075696-02-709	EA	DISC-GLASS SUBURBAN 310025
	062300-01-715	EA	MANIFOLD ASSEMBLY SUBURBAN 171034
	069634-01-712	EA	GASKET-MANIFOLD, SUBURBAN 070408
	062300-01-712	EA	BURNER ASM, SUBURBAN X010701
	062300-01-721	EA	BLOWER HOUSING ASSEMBLY, SUBURBAN 390283
	075696-02-727	EA	BRACKET-MOTOR MOUNT SUBURBAN# 062135
	062300-03-702	EA	HOUSING COMB AIR ASM NT-348W - SUBURBAN X390417
	062300-01-728	EA	HOUSING COMB AIR (OUTSIDE) - SUBURBAN 390424
	062300-02-700	EA	COMBUSTION CHAMBER ASM 30&34 B/W - SUBURBAN X021015
	069634-01-720	EA	OR.FICE-MAIN BURNER SUBURBAN 180222
	062300-03-701	EA	MOTOR ASSEMBLY (NT-341/W)
	062300-01-700	EA	CABINET, SUBURBAN X101176

**HEATING SYSTEM COMPONENTS**

KEY	PART NUMBER	U/M	DESCRIPTION
	007076-01-000	FT	HOSE-FLEXIBLE PVC - 2" ID
	098342-01-000	EA	WYE-CONNECTOR 2 5/8" FLEXHOSE
	062776-01-000	EA	ADAPTER DUCT 2"
	069226-01-000	EA	GRILLE-FLOOR HEATING 9 3/4" X 5 1/4" - BROWN
	052321-01-000	FT	INSULATION-FIBERGLASS W/ALUMINUM FOIL
	093614-01-01A	EA	GRILLE-RETURN AIR FURNACE - 15 5/8" X 7 5/8" - BROWN
	094600-01-02A	EA	REGISTER-HEAT FLOOR-W/D DAMPER-3 5/8" X 10 5/8" X 1 1/4" - BROWN
	094600-02-02A	EA	REGISTER HEAT FLOOR - W/DAMPER - 3 5/8" X 10 5/8" X 1 1/4" BROWN
	024990-01-000	EA	OUTLET-DEFROSTER, WITH SWIVEL - 2" - TAN
	024990-03-000	EA	OUTLET-LOUVERED W/SWIVEL - 2" - GRAY
	084077-03-000	EA	COVER BLANK ROOF A/C - IVORY

KEY	PART NUMBER	U/M	DESCRIPTION
	008356-01-000	EA	CONNECTOR-PLASTIC, 3/8" AVG
	074983-01-000	EA	LABEL-A/C SELECTOR
	073937-03-000	EA	SWITCH-ROTARY SELECTOR, 3 DECK - A/C - CA20-USA892
	073937-01-700	EA	KNOB-ROTARY SWITCH, A/C SELECTOR - 145748
	063763-01-03A	EA	A/C-ROOF, 13500 BTU - BEIGE - COLEMAN 6759D708/6759-608
	063763-03-700	EA	SHROUD(BEIGE/CHARCOAL), COLEMAN# 6759-4581
	063306-01-701	EA	DECAL PKG LEFT&RIGHT, COLEMAN 6798B3561
	063763-01-702	EA	OVERLOAD, COLEMAN# 6759-3931
	063763-01-712	EA	FAN BLADE-CONDENSER COLEMAN# 5733-3221
	076303-01-712	EA	MOTOR, COLEMAN# 5707A3119
	063763-01-703	EA	IMPELLOR-7" DIA X 2.8" WIDE, COLEMAN# 6759-3271
	091225-01-709	EA	START RELAY, COLEMAN# 1497-4131
	091225-01-710	EA	START CAPACITOR, COLEMAN# 1497-0881
	073742-02-704	EA	PUN CAPACITOR (COMPRESSOR) COLEMAN 14994661
	063763-01-704	EA	CAPACITOR-FAN, COLEMAN# 1499-2461
	063763-01-708	EA	CONDENSER COIL-COLEMAN# 1452-1251
	063763-01-709	EA	COMPRESSOR-COLEMAN 6749A3609
	063763-01-707	EA	EVAPORATOR COIL-COLEMAN# 1452-1351
	081606-01-706	EA	LIMIT SWITCH (OPEN 160 CLOSE 110) COLEMAN# 6703-3041

**CEILING ASSEMBLY U.S. & CANADIAN**

KEY	PART NUMBER	U/M	DESCRIPTION
	093764-01-000	EA	CEILING ASM-A/C COOL ONLY, TSR - COLEMAN 6759D714
	042204-01-709	EA	THERMOSTAT IN-64,OUT-58 COLEMAN# 6701 3401
	042205-01-702	EA	THERMOSTAT IN-39,OUT-58, COLEMAN# 6703 3401
	093763-01-706	EA	HEAT ELEMENT-COLEMAN# 6798-3321
	073742-01-701	EA	SELECTOR SWITCH (5 TERMINAL) COLEMAN# 6759-3251
	073742-01-702	EA	DECAL COOL ONLY, COLEMAN# 6759C3431
	073742-01-703	EA	DECAL HEAT&COOL COLEMAN# 6759-3491
	091225-01-713	EA	KNOB (2 PER PACKAGE) COLEMAN# 5701 1351
	076303-01-707	EA	FILTER-8" X 14 3/4" X 1 1/2", 12 PER PKG - COLEMAN 5703A0151
	063763-01-710	EA	SINGLE PARTS PACKAGE, COLEMAN# 6759 5941
	091225-01-717	EA	DECAL (THERMOSTAT) COOL ONLY, COLEMAN# 6799A3441
	063763-01-705	EA	DECAL-HEAT/COOL THERMOSTAT, COLEMAN# 6799A3471
	061506-01-712	EA	CEILING SHROUD (IVORY), COLEMAN# 6759-5051
	063763-01-711	EA	GASKET PACKAGE COLEMAN 67593281
	102289-01-000	EA	SPRING SCREW ROOF A/C GASKET COLEMAN 6757-150

**ROOF A/C-13,500 BTU - EUROPEAN**

KEY	PART NUMBER	U/M	DESCRIPTION
	008356-01-000	EA	CONNECTOR PLASTIC 3/8" AVG
	074983-01-000	EA	LABEL-A/C SELECTOR
	092440-01-000	EA	A/C-ROOF, 13500 BTU - 220V - 50HZ - COLEMAN# 6713C750
			PIECE PARTS NOT AVAILABLE WHEN PROCESSED
	092441-01-000	EA	CEILING ASM A/C 220V - 50HZ - COLEMAN# 6712ET16
			PIECE PARTS NOT AVAILABLE WHEN PROCESSED
	073937-03-000	EA	SWITCH-ROTARY SELECTOR 3 DECK - A/C - CA20-USA892
	073937-01-700	EA	KNOB ROTARY SWITCH A/C SELECTOR
	102289-01-000	EA	SPRING-SCREW, ROOF A/C GASKET - COLEMAN 6757-150

**1991 WFN36RA INDEX**

FLOOR PLAN	F-17 -	F-18
ACCESSORIES	F-19 -	G-06
BATH	G-09 -	G-14
BEDROOM	G-15 -	G-16
CHASSIS	G-17 -	H-01
CURTAIN, CUSHION & PAD	H-02 -	H-11
DINETTE	H-12 -	H-14
DRIVERS	H-15 -	H-20
ELECTRICAL	H-21 -	I-03
EXTERIOR BODY	I-04 -	I-10
GALLEY	I-11 -	I-18
HEATING & A/C	I-19 -	I-22
INTERIOR FINISH	I-23 -	J-02
LABEL	J-03 -	J-10
LP		J-11
LOUNGE	J-12 -	J-13
SEALANTS & FASTENERS	J-14 -	J-16
WATER & SEWAGE	J-17 -	J-22
WINDOW, VENT AND EXTERIOR DOOR	J-23 -	K-22

**INTERIOR FINISH GROUP**  
**ASSIST HANDLE & ENTRY DOOR STRIKE COVER**

KEY	PART NUMBER	U/M	DESCRIPTION
	077461-01-000	EA	COVER STRIKE ENTRY DOOR - 5 5" X 2.56" - PLASTIC - BEIGE FROM 00-00-00 THRU. 07-09-90
	077461-03-000	EA	COVER-STRIKE ENTRY DOOR - 5 5" X 2 5" - PLASTIC - OFF WHITE FROM. 07-10-90 THRU. 99-99-99
	069178-02-000	EA	BRACKET-MOUNTING, ASSIST HANDLE
	000C16-07-15B	EA	BOLT-CARRIAGE, ASSIST HANDLE - 7 16" - 14 X 1" ZN
	000C20-07-00B	EA	NUT-ACORN - ASS.ST HANDLE - 7/16" X 14 ZN
	053552-02-AA8	EA	HANDLE-ASSIST, INTERIOR - ENTRY DOOR - VINYL

**WALL CLOCK**

KEY	PART NUMBER	U/M	DESCRIPTION
	100793-01-01A	EA	CLOCK-WALL, OVAL GOLDENAIRE,54S12; A
	101333-01-000	EA	BACKPLATE-CLOCK, IN WALL SHIELD FOR CLOCK

**FLOOR COVERINGS & COMPONENTS**

KEY	PART NUMBER	U/M	DESCRIPTION
	096060-14-C 0	SY	CARPET, 12' WIDE ROLLS - (B07/S22) - INC OF 4 SY
	096060-15-000	SY	CARPET, 12' WIDE ROLLS - (B08) - INC OF 4 SY
	096060-16-000	SY	CARPET, 12' WIDE ROLLS - (B09) - INC OF 4 SY
	075233-01-000	SY	PAD-CARPET, 3/8" X 6"
	076314-02-000	FT	TAPE-CARPET SEAM HEAT-BOND
	093486-01-000	SY	CARPET-COMPARTMENT, 54" WIDE - DARK GRAY
	047034-02-000	SF	PLASTIC CARPET 4 WIDE - CLEAR POLY (MINIMUM ORDER 1,600 SF)

**FLOOR MATS**

KEY	PART NUMBER	U/M	DESCRIPTION
	081075-01-000	EA	MAT-FLOOR, ENTRANCE
	061201-01-000	EA	MAT-FLOOR FRONT - DRIVER
	081202-01-000	EA	MAT-FLOOR FRONT - PASSENGER

**LOCKBOX & LOCK**

KEY	PART NUMBER	U/M	DESCRIPTION
	093560-01-000	EA	LOCKBOX-W/O LOCK
	093601-01-000	EA	LOCK-SECURITY W/2 KEYS - FOR LOCKBOX (BLANK KEY IS N/A)

**DECORATIVE PICTURES IN AISLE**

KEY	PART NUMBER	U/M	DESCRIPTION
	102441-01-000	EA	PICTURES-DECORATIVE, SET OF 3
	102441-02-000	EA	BRACKET-PICTURE MOUNT
	102441-03-000	EA	SCREW-T PICTURE MOUNT

**INTERIOR FINISH GROUP (CONTINUED)**  
**CABINET AND WALL MOLDINGS AND TRIMS**

KEY	PART NUMBER	U/M	DESCRIPTION
	099571-01-01A	EA	TRIM-ROOF COVE INTERIOR - OFF WHITE - 12" X 2 3/4" - PLASTIC
	102239-01-01A	EA	COVER-SPLICE, COVE TRIM - 1 5" X 3" - PLASTIC - OFF WHITE
	009767-12-000	FT	MOLDING-SIDEWALL TO CEILING/CABINET - WELTING - OFF WHITE
	009809-24-000	EA	MOLDING-PLASTIC CORNER, OUTSIDE - 1" - PECAN
	009812-25-000	EA	MOLDING-PLASTIC CORNER, OUTSIDE - 1/2" - PECAN
	022992-11-000	FT	MOLDING-REVERSE COVE, T-SHAPED - VINYL - IVORY
	077840-01-W30	EA	MOLDING-WALL CAP, 8' LONG - L-SHAPED WOOD
	042357-17-000	EA	MOLDING-CORNER, RADIUS - 1 5" X 7" EA - PLASTIC - PECAN
	061294-02-000	EA	MOLDING-SHELF, KNOTCHED WOOD - 8" INC
	076325-28-000	FT	MOLDING-EDGE BAND, 1 5/16"
	092331-H1-830	EA	MOLDING-7" X 3 5" X 72", VINYL WRAPPED
	076325-16-000	FT	MOLDING-EDGE BAND 1 5/16" WIDE - WOODGRAIN - REGAL OAK
	063620-07-000	FT	T-MOLDING, END CAP EDGE - 3/4" - PECAN
	060176-03-000	EA	CAP-TOP, RADIUS CORNER MOLDING - PLASTIC - PECAN
	081521-G2-077	EA	MOUNT-METAL MOLDING FOR RADIUS CORNER MOLDING - 12 5"
	M03450-09-000	EA	TRIM-OAK MIRROR
	093261-01-Y12	EA	TRIM-OAK, DOOR - 2" X 74 3"
	100659-10-B07	EA	TRIM-FLOOR, 72" X 1" X 1/2" - WOOD
	052859-01-AA8	FT	TRIM-EDGE, VINYL - 1 5" WIDE - BEIGE
	100182-10-B07	EA	TRIM-CHAIR RAIL, WALL - 2 5" X 8" - WOOD
	070504-20-000	FT	U CHANNEL 815" - PLASTIC - PECAN
	042356-01-000	EA	PLUG-BUTTON MAHOGANY - 3/8" DIAMETER
	074045-01-000	EA	PLUG-OAK, 3/8" DIAMETER
	092330-D2-438	EA	1" ABSL-R-V, VINYL WRAPPED, 1 5" X 9" - WOODGRAIN
	092331-F2-134	EA	MOLDING-VINYL WRAPPED, 2 5" X 7" - WOODGRAIN
	092330-C3-000	EA	LUMBER-VINYL WRAPPED, 2" X 96" - WOODGRAIN
	076699-01-016	EA	LUMBER 7" X 1 4" X 70 8" W/7 DEGREE BEVEL ON 1 FACE

**BATT STRIPS**

KEY	PART NUMBER	U/M	DESCRIPTION
	085284-03-000	FT	BATT STRIP-WOODGRAIN PANELING, ADHESIVE BACK - REGAL OAK
	085284-03-700	FT	BATT STRIP-ADHESIVE BACKED, 3" WIDE - WOODGRAIN
	069733-70-000	EA	BATT STRIP-WOODGRAIN 8' EA - REGAL OAK
	079653-04-000	EA	BATT STRIP-KERFED WOODGRAIN
	088253-56-000	EA	BATT STRIP-BATH, W/8 BLOSSOMS 8' EA
	085284-43-000	FT	BATT STRIP-W/8 BLOSSOMS ADHESIVE BACKED
	086253-57-000	EA	BATT STRIP-DECORATIVE, PLAIN - 8' EA
	060753-54-000	EA	BATT STRIP-DECORATIVE, PLAIN - 6' EA
	065284-44-000	FT	BATT STRIP-DECORATIVE, PLAIN - ADHESIVE BACK
	085229-04-000	EA	BATTEN-CEILING, 1" IVORY - 8' LONG
	066229-01-000	EA	RETAINER BATTEN CEILING - 7 3/4" WIDE - 7 6' EA

**1991 WINNEBAGO**  
**TABLE OF CONTENTS**

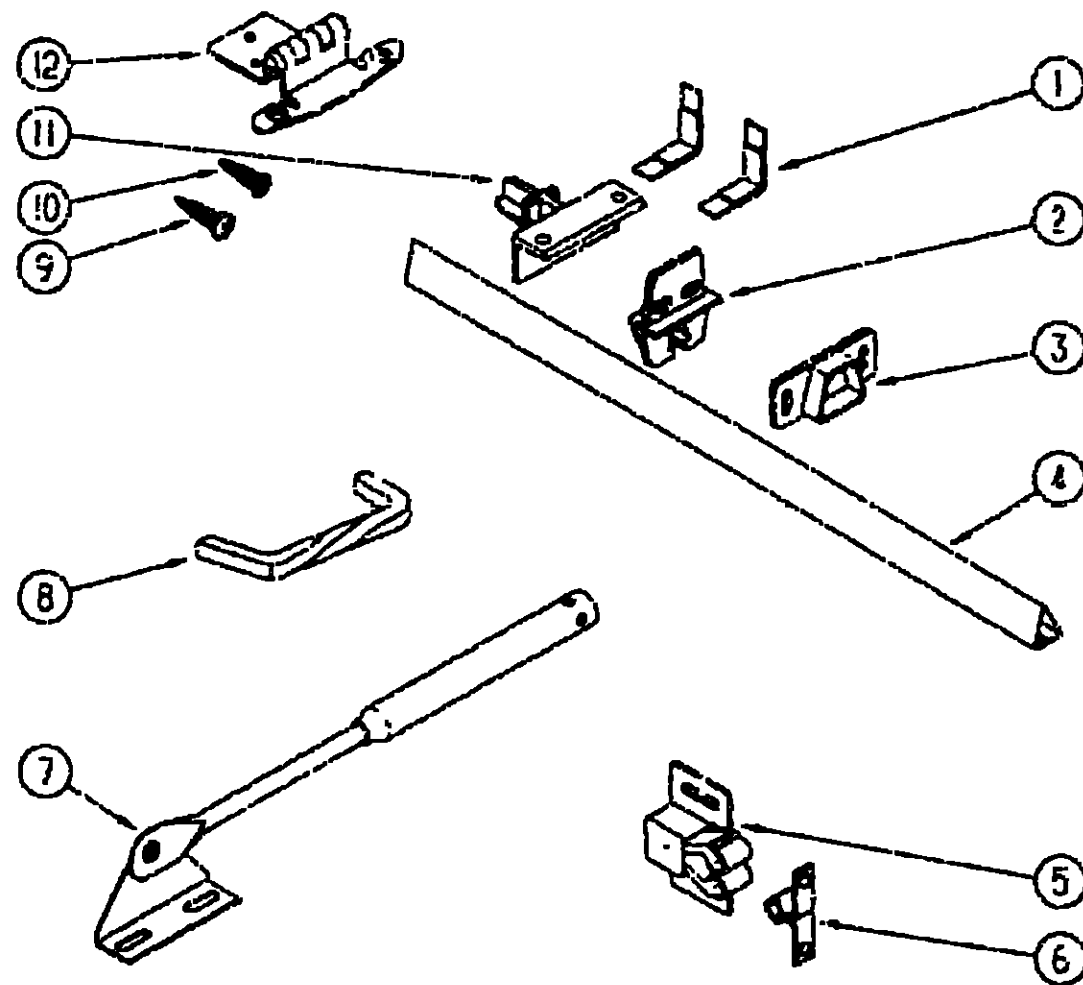
INTRODUCTION	A-01	A-02
ABBREVIATIONS		A-03
ALPHABETICAL INDEX	A-04	A-06
WCN36RQ	A-07	F-16
WFN36RA	F-17	K-22

**1991 WFN36RA INDEX**

FLOOR PLAN	F-17	F-18
ACCESSORIES	F-19	G-08
BATH	G-09	G-14
BEDROOM	G-15	G-15
CHASSIS	G-17	H-01
CURTAIN, CUSHION & PAD	H-07	H-11
JINETTE	H-12	H-14
DRIVEPS	H-15	H-20
ELECTRICAL	H-21	I-03
EXTERIOR BODY	I-04	I-10
GALLEY	I-11	I-18
HEATING & A/C	I-19	I-22
INTERIOR FINISH	I-23	J-02
LABEL	J-03	J-10
LP		J-11
LOUNGE	J-12	J-13
SEALANTS & FASTENERS	J-14	J-16
WATER & SEWAGE	J-17	J-22
WINDOW VENT AND		
EXTERIOR DOOR	J-23	K-22



**INTERIOR FINISH GROUP (CONTINUED)**  
CABINET HARDWARE



KEY	PART NUMBER	U/M	DESCRIPTION
1	037688-02-000	EA	L-CORNER GUIDE (DRAWERS)
2	037688-03-000	EA	GLIDE-CENTER, DRAWER
3	037688-05-000	EA	BRACKET-RAIL MOUNTING, REAR
4	037688-01-000	FT	RAIL-V GUIDE, DRAWER - 10' EACH
5	053586-03-000	EA	CATCH-SPRING, ROLLER
6	093586-04-000	EA	STRIKE-SPRING STEEL
7	074493-02-000	EA	SUPPORT-OVERHEAD DOOR, SPRUNG
8	096645-01-000	EA	PULL-CABINET, BRASS
9	000G13-06-10G	EA	SCREW-6-20 X 5/8 PFH. ANTIQUE BRASS
10	000G11-08-12B	EA	SCREW-8 - 18 X 3/4 PPH - ZINC
11	037688-04-000	EA	BRACKET-RAIL MOUNTING, FRONT
12	059777-02-000	EA	HINGE-CABINET DOOR, BURNISHED BRASS
	098979-01-000	EA	CLIP-ADJUSTABLE SHELF
	098980-02-000	EA	PILASTER-ADJUSTABLE SHELF, 12" LONG
	023320-01-000	EA	PAD-FELT, 3/8" DIAMETER - BROWN
	016604-05-000	EA	BRACE-CABINET ANGLE, 2.5" - OFF WHITE
	083204-02-000	EA	BUTTON MIRROR RETAINING
	016604-03-000	EA	BRACE-CABINET ANGLE, 2.5" - BEIGE
	065740-01-000	EA	BRACE-CABINET CORNER, PLASTIC
	083125-06-000	EA	BRACE-COUCH, 2.5" - BEIGE
	100822-01-01A	EA	BRACKET-CABINET, TV - 9" X 1.5" - METAL - OFF WHITE
	055774-01-000	FT	FASTENER-DUAL HOOK, 1" WIDE - ADHESIVE BACK - BLACK
	065774-02-000	FT	FASTENER-DUAL LOOP, 1" WIDE - ADHESIVE BACK - BLACK
	075943-02-000	EA	BRACE-ANGLE, WHOLE - 1" X 1.5" X 14" - ALUMINUM - BEIGE
	088710-01-001	EA	BRACE-90 DEGREE ANGLE, 192" - EXTRUDED ALUMINUM
	029094-04-000	YD	VELCRO TAPE-LOOP, 1" WIDE - BLACK
	029096-03-000	YD	VELCRO TAPE-HOOK, 1" WIDE - BLACK
	009018-01-000	EA	CATCH-SCREEN DOOR ROLLER
	091261-01-000	FT	BACKING-NON SKID, 1" WIDE (100' ROLL)
	009059-01-000	EA	HINGE-DOOR, 2" X 1.4" - BRASS
	009059-02-000	EA	HINGE-DOOR, 2" X 2.7" - BRASS
	041853-03-000	FT	CONDUIT-CONVOLUTE SLIT, 1" ID (CLOTHES ROD COVER)
	006112-01-000	EA	FLANGE-1" ROD, CLOTHES - OFF WHITE PLASTIC
	042438-01-000	EA	DOWEL-WOOD, CLOTHES ROD - 1" DIAMETER X 4"

**INTERIOR FINISH GROUP (CONTINUED)**  
PANELING AND LAMINATES

KEY	PART NUMBER	U/M	DESCRIPTION
	074497-10-000	SF	PANELING-WOODGRAIN, 4' X 8' - INCREMENTS OF 32 SF
	076773-03-000	SF	PANELING-TWO SIDED, 4' X 8' - LIGHT OAK - INCREMENTS OF 32 SF
	068272-48-000	SF	PANELING-DECORATIVE, MAIN - 4' X 7' - INC OF 28 SF
	068272-77-000	SF	PANELING-DECORATIVE, W/BLOSSOMS - 4' X 7' - INC OF 28 SF
	068272-78-000	SF	PANELING-DECORATIVE, PLAIN - 4' X 7' - INC OF 28 SF
	074498-35-000	SF	LAMINATE-PLASTIC, 5' X 8' - ROSE - INCREMENTS OF 40 SF
	074498-24-000	SF	LAMINATE-PLASTIC, 5' X 8' - WOODGRAIN - INCREMENTS OF 40 SF
	093743-01-02A	SF	PLASTIC-ABS, 11.5' WIDE - OFF WHITE
	000885-36-000	SF	PARTICLE BOARD-2 SIDES VINYL COVERED, 3/4" X 5' X 8' - WOODGRAIN
	000885-34-000	SF	PARTICLE BOARD-1 SIDE VINYL COVERED - WOODGRAIN - 3/8" X 48" X 96"
	089297-01-000	SF	PLYWOOD-LUAN, OVERLAY GRADE - 4' X 8' - INC OF 32 SF

**DRAWER SLIDES**

KEY	PART NUMBER	U/M	DESCRIPTION
	084466-06-000	EA	SLIDE-COMplete, 12"
	084466-02-000	EA	SLIDE-DRAWER, FRONT
	084466-03-000	EA	SLIDE-DRAWER, REAR
	084466-04-000	EA	SLIDE-CABINET FRONT
	084466-05-000	EA	SLIDE-CABINET, REAR

**1991 WINNEBAGO**  
**TABLE OF CONTENTS**

INTRODUCTION	A-01 -	A-02
ABBREVIATIONS		A-03
ALPHABETICAL INDEX	A-04 -	A-06
WCN36RQ	A-07 -	F-15
WFN36RA	F-17 -	K-22

**1991 WFN36RA INDEX**

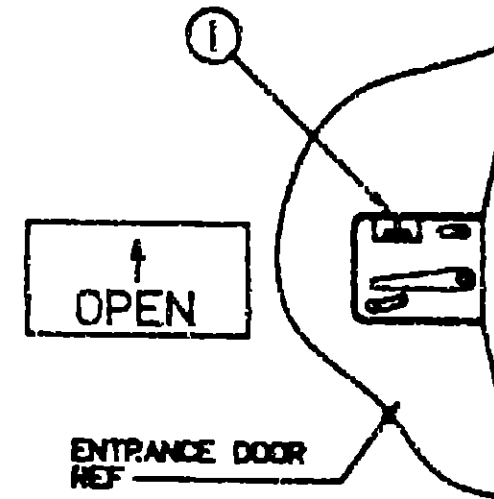
FLOOR PLAN	F-17 -	F-18
ACCESSORIES	F-19 -	G-06
BATH	G-09 -	G-14
BEDROOM	G-15 -	G-16
CHASSIS	G-17 -	H-01
CURTAIN CUSHION & PAD	H-02 -	H-11
DINETTE	H-12 -	H-14
DRIVERS	H-15 -	H-20
ELECTRICAL	H-21 -	I-03
EXTERIOR BODY	I-04 -	I-10
GALLEY	I-11 -	I-18
HEATING & A/C	I-19 -	I-22
INTERIOR FINISH	I-23 -	J-02
LABEL	J-03 -	J-10
LP		J-11
LOUNGE	J-12 -	J-13
SEALANTS & FASTENERS	J-14 -	J-16
WATER & SEWAGE	J-17 -	J-22
WINDOW, VENT AND EXTERIOR DOOR	J-23 -	K-22

**LABEL GROUP**  
MISCELLANEOUS LABELS & TAGS

**LABEL GROUP (CONTINUED)**

**1991 WINNEBAGO**  
**TABLE OF CONTENTS**

INTRODUCTION	A-01 -	A-02
ABBREVIATIONS		A-03
ALPHABETICAL INDEX	A-04 -	A-06
WGN36RD	A-07 -	F-16
WFN36RA	F-17 -	K-22



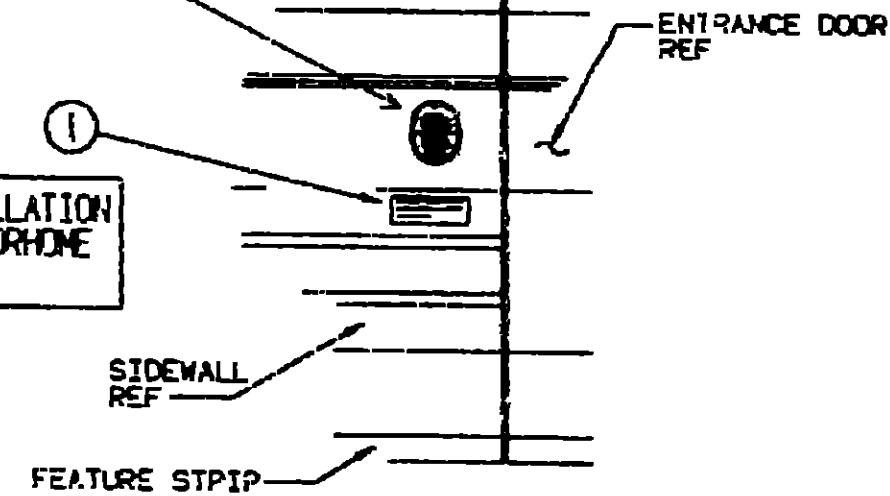
KEY	PART NUMBER	U/M	DESCRIPTION
1	040944-01-000	EA	LABEL-ENTRANCE DOOR, 'OPEN'

**1991 WFN36RA INDEX**

FLOOR PLAN	F-17 -	F-18
ACCESSORIES	F-19 -	G-08
BATH	G-09 -	G-14
BEDROOM	G-15 -	G-16
CHASSIS	G-17 -	H-01
CURTAIN, CUSHION & PAD	H-02 -	H-11
DINETTE	H-12 -	H-14
DRIVERS	H-15 -	H-20
ELECTRICAL	H-21 -	I-03
EXTERIOR BODY	I-04 -	I-10
GALLEY	I-11 -	I-18
HEATING & A/C	I-19 -	I-22
INTERIOR FINISH	I-23 -	J-02
LABEL	J-03 -	J-10
LP		J-11
LOUNGE	J-12 -	J-13
SEALANTS & FASTENERS	J-14 -	J-16
WATER & SEWAGE	J-17 -	J-22
WINDOW, VENT AND EXTERIOR DOOR	J-23 -	K-22

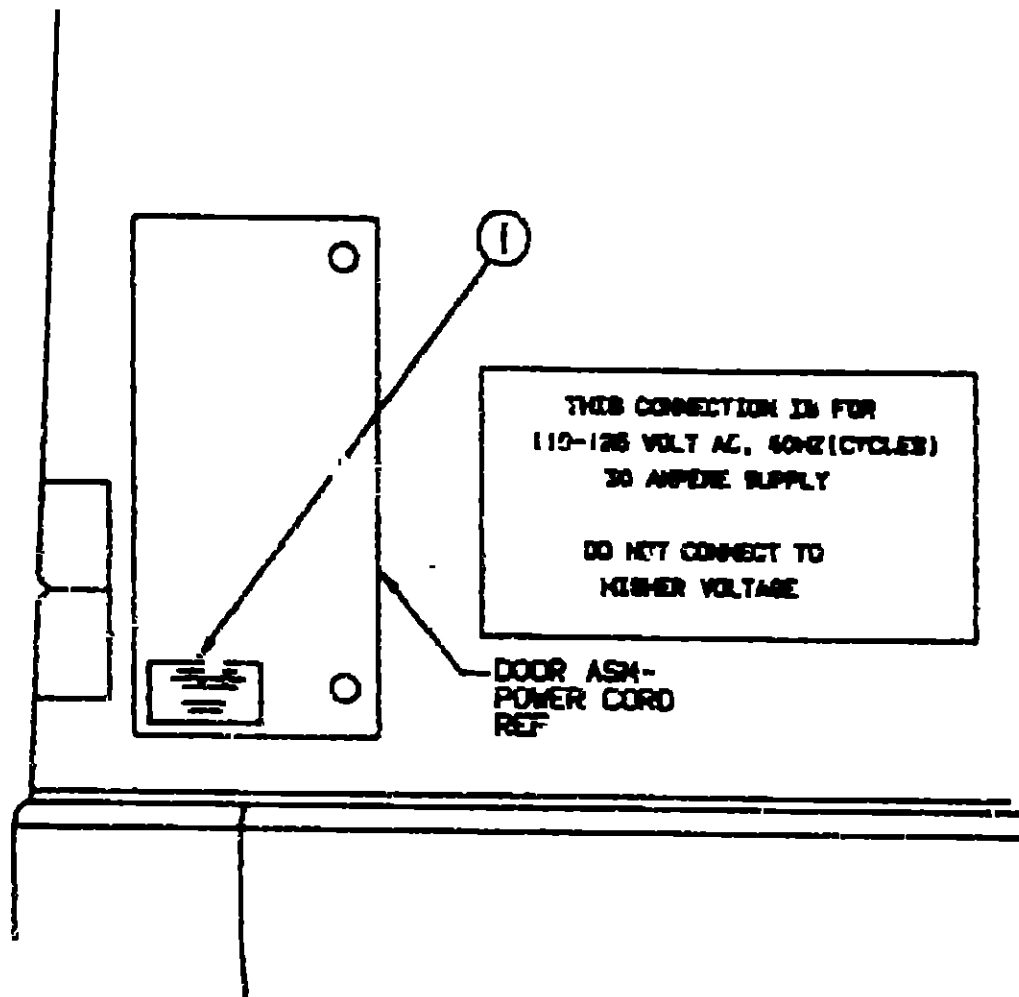


FOR AWNING INSTALLATION  
CONTACT YOUR MOTORHOME  
DEALERSHIP



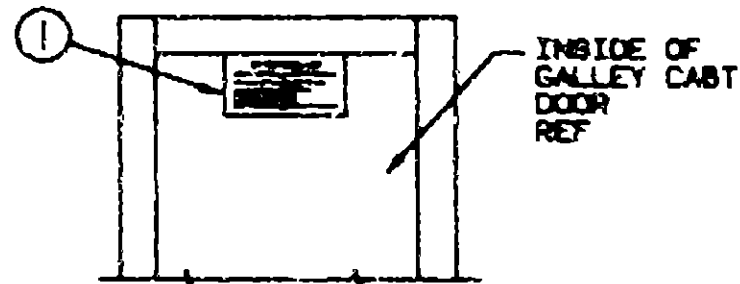
KEY	PART NUMBER	U/M	DESCRIPTION
1	093509-01-000	EA	LABEL-AWNING INSTALLATION

KEY	PART NUMBER	U/M	DESCRIPTION
	093236-01-000	EA	LABEL-CIRCUIT BREAKER, MAIN
	093237-01-000	EA	LABEL-CIRCUIT BREAKER FRONT - BATTERY CONDITION/RADIO
	093237-03-000	EA	LABEL-CIRCUIT BREAKER FRONT - POWER SEAT (LIFT)
	093237-06-000	EA	LABEL-CIRCUIT BREAKER, FRONT - REAR PANEL
	093237-07-000	EA	LABEL-CIRCUIT BREAKER, FRONT - REAR PNL/CONV
	093237-09-000	EA	LABEL-CIRCUIT BREAKER, FRONT - INVERTER
	096506-01-000	EA	LABEL-COMPARTMENT NOT SEALED
	050225-01-000	EA	LABEL-WARNING, STOVE VENT - US
	087236-01-000	EA	LABEL-CABLE INPUT
	087236-02-000	EA	LABEL-TV OUTLET
	006031-01-000	EA	LABEL-POTABLE WATER ONLY
	061606-01-000	EA	LABEL-OVERLAY, VEHICLE CERTIFICATION - ADHESIVE BACKED
	079956-01-000	CA	LABEL-WARNING STOWED MOTION
	039509-01-000	EA	LABEL-AWNING INSTALLATION
	061417-01-000	EA	LABEL-FUEL ON FUEL FILL DOOR
	091243-01-000	EA	LABEL-A/C COVER
	090341-01-000	EA	LABEL-FUEL UNLEADED DASH - CANADIAN
	091224-02-000	EA	LABEL-TRAILER LIGHTING
	050222-01-000	EA	LABEL - STOVE VENT, CANADIAN
	094675-01-000	EA	LABEL-EXTERIOR LIGHT, SERVICE
	006196-01-000	EA	LABEL ELECTRICAL TEST
	006196-01-000	EA	LABEL-GAS TEST
	006197-01-000	EA	LABEL-WATER TEST
	006054-01-000	EA	LABEL-SEAT W/O SEATBELT
	006054-02-000	EA	LABEL-SEAT W/O SEATBELT, CANADIAN



KEY	PART NUMBER	U/M	DESCRIPTION
1	006062-01-000	EA	TAG-ELECTRIC, 110V CONNECTION

**LABEL GROUP (CONTINUED)**

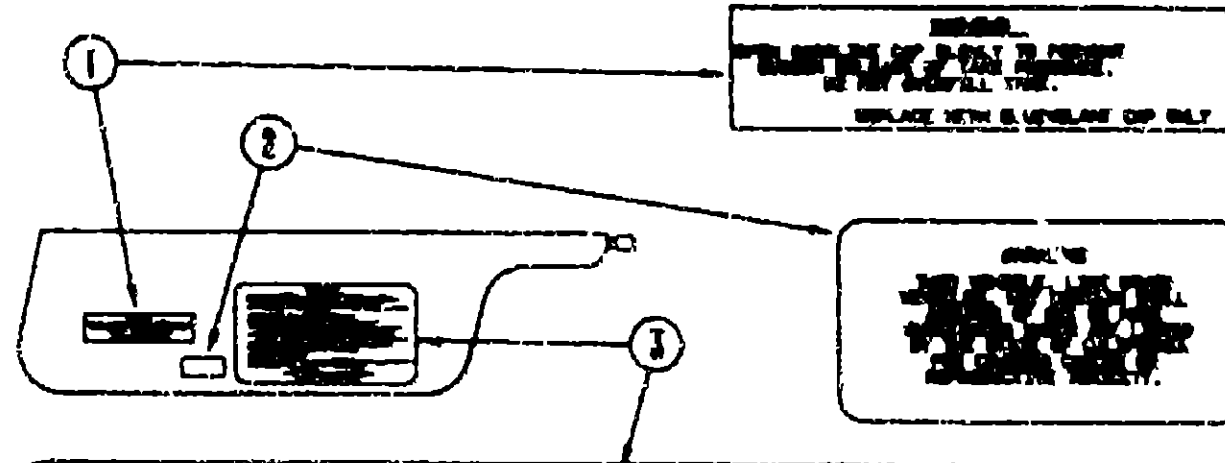


INSIDE OF GALLEY CABT DOOR REF

**IF YOU SMELL GAS**

1. STOPPING AND OPEN FLAME, PILOT LIGHTS AND ALL OTHER APPLIANCES.
2. SHUT OFF THE GAS SUPPLY AT THE TANK VALVE OR THE SUPPLY CONNECTION.
3. OPEN DOORS AND OTHER VENTILATING DEVICES.
4. DO NOT TOUCH ELECTRICAL SWITCHES.
5. LEAVE THE AREA UNTIL GOOD CLEAR.
6. HAVE THE GAS SYSTEM CHECKED AND LEAKAGE SOURCE CORRECTED BEFORE LEAVING AGAIN.

**LABEL GROUP (CONTINUED)**



**WARNING - FUEL TANK**  
DO NOT REMOVE THIS LABEL.  
REPLACE WITH EQUIVALENT OF ONLY

**WARNING - FUEL TANK**  
DO NOT REMOVE THIS LABEL.  
REPLACE WITH EQUIVALENT OF ONLY

**CAUTION**

THIS MANUAL HAS BEEN DESIGNED, MANUFACTURED AND TESTED WITH CARE FOR THE PROTECTION OF IT'S OCCUPANTS. BE REMEMBERED YOU MUST FOLLOW THE FOLLOWING INSTRUCTIONS FOR YOUR SAFETY AND THE SAFETY OF YOUR PASSENGERS BEFORE STARTING YOUR VEHICLE.

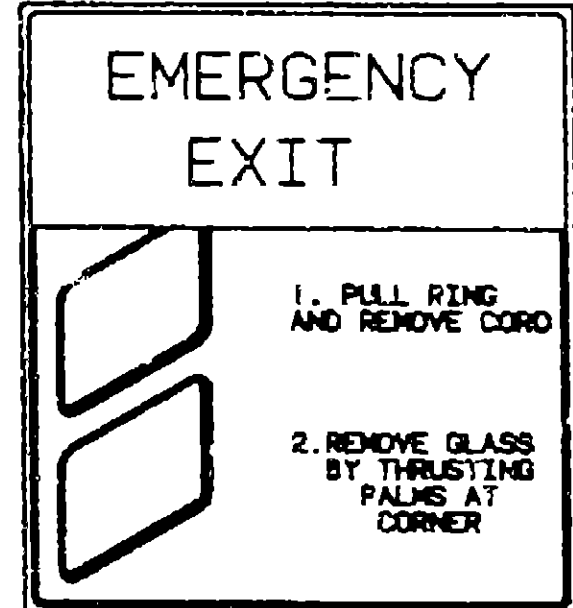
1. LP GAS SYSTEM- TAKE OFF AT TANK FOR TRAVELING. TEST FOR LEAKS UPON ARRIVAL AT DESTINATION. BEFORE LIGHTING PILOTS.
2. WHEELS- INSPECT FOR DAMAGE AND CHECK TIRE WAYS FOR TIGHTNESS.
3. TIRES- INSPECT FOR WEAR AND DAMAGE AND CHECK FOR RECOMMENDED AIR PRESSURE.
4. LIGHTS- TEST FOR PROPER OPERATION OF ALL FORWARD AND REVERSE LIGHTS INCLUDING BURN LIGHTS, HEADLIGHTS, TAIL LIGHTS, BRAKE LIGHTS, CLEARANCE LIGHTS AND TURN SIGNALS.
5. EXITS- INSPECT RELEASE MECHANISM IN EMERGENCY EXIT LOCATIONS. TEST EVERY LEVER OR HANDLE OPERABLE FROM EACH SIDE OF OPERATION AND INSPECT PASSENGERS HOW TO USE EACH KIND OF EXIT.
6. SEAT BELTS- INSTRUCT PASSENGERS TO WEAR AND USE AND REMIND USE OF SEAT BELTS.
7. APPLIANCES- TAKE OFF AND LATCH OR LOCK WHEN BEING PROVIDED.
8. LINEN PROBLEMS- STORE CAREFULLY.
9. UTILITY SUPPLY LINES- RECONNECT ALL ELECTRIC, WATER AND WATER LINES AND SECURE PROPERLY.
10. SERVICE BIRD SUPPLY- PLACE IN RETRACTED POSITION FOR TRAVELING.

READ YOUR MANUAL HERE AND THROUGH OWNER'S MANUAL FOR FURTHER PRECAUTIONS

**1991 WINNEBAGO TABLE OF CONTENTS**

INTRODUCTION	A-01 -	A-02
ABBREVIATIONS		A-03
ALPHABETICAL INDEX	A-04 -	A-06
WCN36RD	A-07 -	F-16
WFN36RA	F-17 -	K-22

KEY	PART NUMBER	U/M	DESCRIPTION
1	073998-01-000	EA	LABEL-LPG ODOR WARNING



**EMERGENCY EXIT**

1. PULL RING AND REMOVE CORD
2. REMOVE GLASS BY THRUSTING PALMS AT CORNER

**EMERGENCY EXIT**  
PULL RING  
REMOVE CORD  
PUSH OUT WINDOW

**EXIT**

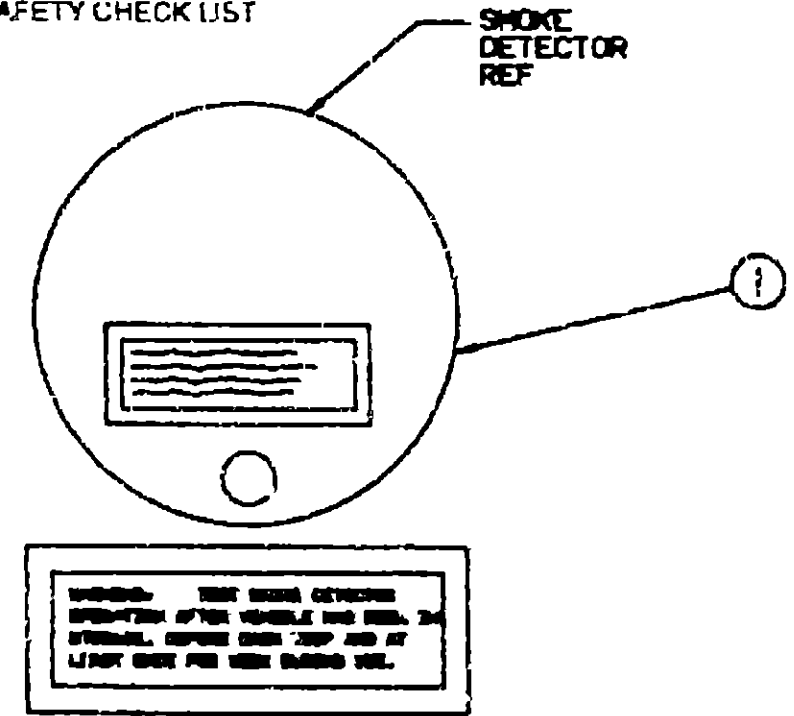
ESCAPE WINDOW REF

KEY	PART NUMBER	U/M	DESCRIPTION
1	039290-01-000	EA	LABEL-WARNING-EXIT
2	047731-01-000	EA	LABEL-EMERGENCY EXIT - ESCAPE WINDOW
3	006199-01-000	EA	LABEL-EXIT-ESCAPE WINDOW

**1991 WFN36RA INDEX**

FLOOR PLAN	F-17 -	F-18
ACCESSORIES	F-19 -	G-08
BATH	G-09 -	G-14
BEDROOM	G-15 -	G-16
CHASSIS	G-17 -	H-01
CURTAIN, CUSHION & PAD	H-02 -	H-11
DINETTE	H-12 -	H-14
DRIVERS	H-15 -	H-20
ELECTRICAL	H-21 -	I-03
EXTERIOR BODY	I-04 -	I-10
GALLEY	I-11 -	I-16
HEATING & A/C	I-19 -	I-22
INTERIOR FINISH	I-23 -	J-02
LABEL	J-03 -	J-10
LP		J-11
LOUNGE	J-12 -	J-13
SEALANTS & FASTENERS	J-14 -	J-15
WATER & SEWAGE	J-17 -	J-22
WINDOW, VENT AND EXTERIOR DOOR	J-23 -	K-22

KEY	PART NUMBER	U/M	DESCRIPTION
1	067207-05-000	EA	LABEL-FUEL CAP REMOVAL
2	099689-01-000	EA	LABEL WARNING CANCER/TOXICITY
3	056259-01-000	EA	LABEL SAFETY CHECK LIST

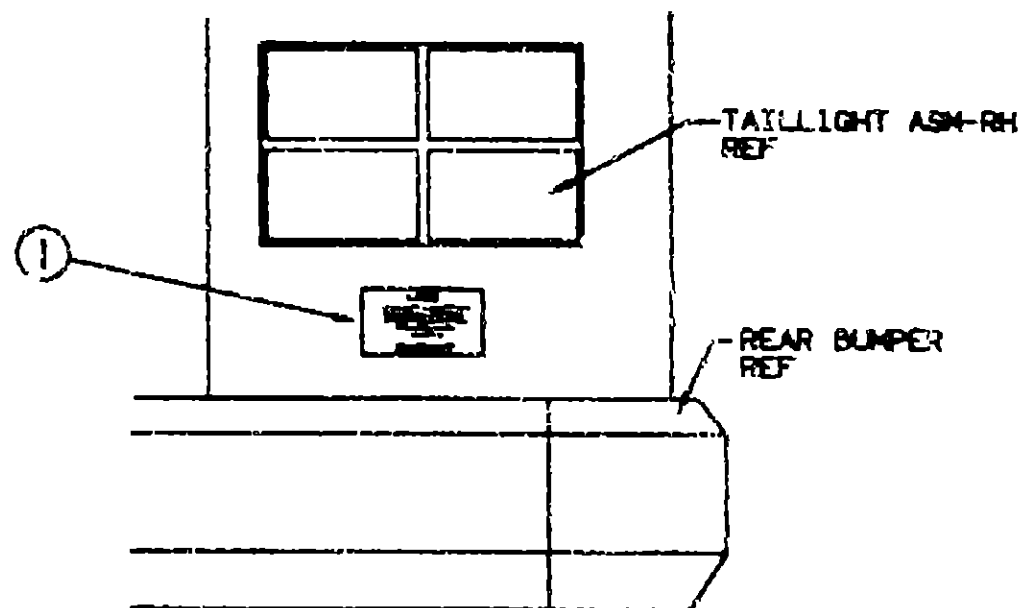


SMOKE DETECTOR REF

**WARNING - SMOKE DETECTOR**  
TEST SMOKE DETECTOR OPERATION AFTER VEHICLE HAS BEEN IN OPERATION. BEFORE EACH TRIP AND AT LEAST ONCE PER YEAR DURING USE.

KEY	PART NUMBER	U/M	DESCRIPTION
1	077956-01-000	FA	LABEL-WARNING, SMOKE DETECTOR

LABEL GROUP (CONTINUED)

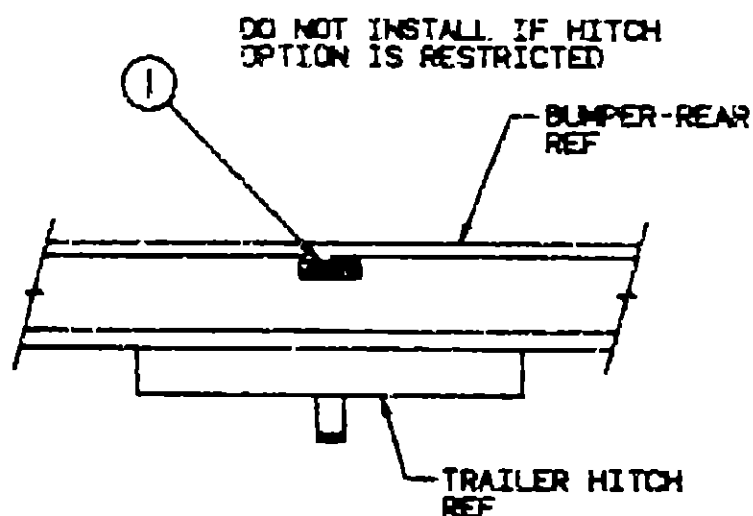


**WARNING**

DO NOT EXCEED THE VEHICLE WEIGHT RATINGS OR LOADING RECOMMENDATIONS (E.G., GROSS VEHICLE, GROSS AXLE, GROSS COMBINED) OF THE CHASSIS MANUFACTURER OR WINNEBAGO INC.

REFER TO YOUR OWNERS MANUAL, BEFORE LOADING OR TOWING.

KEY PART NUMBER U/M DESCRIPTION  
1 075220-01-000 EA LABEL-WARNING, EXTERIOR LOAD



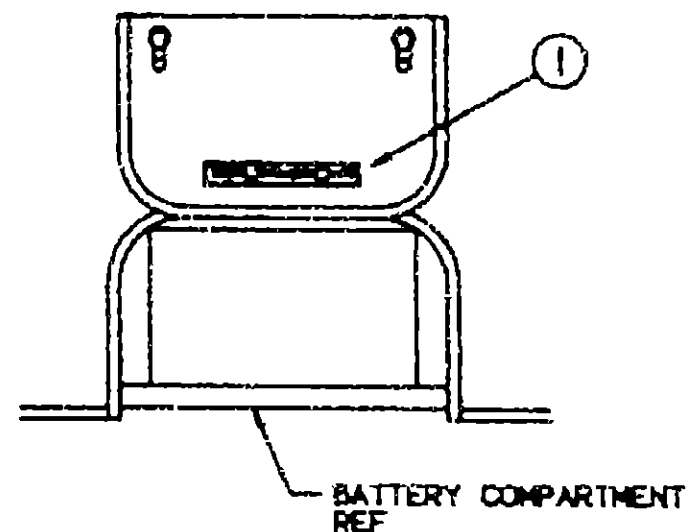
**TOWING CAPACITY**

TOWED VEHICLE 3600 LB. GROSS MAXIMUM  
HITCH BALL 200 LB. MAXIMUM

KEY PART NUMBER U/M DESCRIPTION  
1 075221-03-000 EA LABEL-TRAILER HITCH

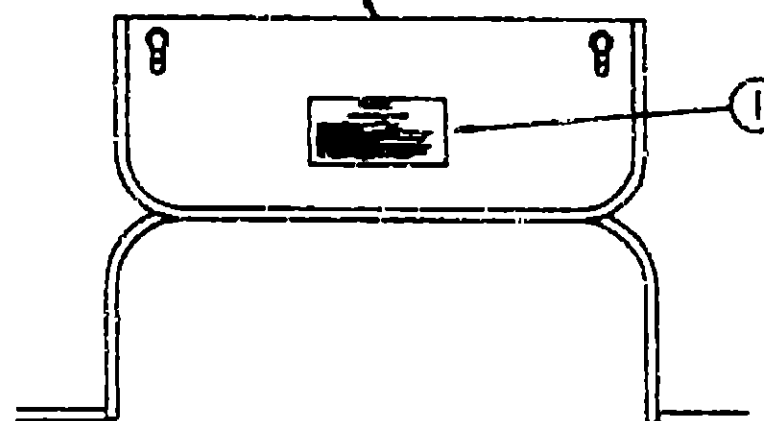
LABEL GROUP (CONTINUED)

**WARNING** DISCONNECT BATTERIES BEFORE CONNECTING EXTERNAL CHARGING EQUIPMENT.



KEY PART NUMBER U/M DESCRIPTION  
1 065748-01-000 EA LABEL-CAUTION, BATTERY CHARGING

GENERATOR COMP DOOR REF



**WARNING**

WHEN ADDING A GENERATOR SET:

VERIFY VOLTAGE-USE EXTENSIVE CAUTION WHEN WORKING ON ELECTRICAL COMPONENTS.  
HIRE A QUALIFIED ELECTRICIAN FOR ALL ELECTRICAL INSTALLATION PERFORMED BY A QUALIFIED LICENSED ELECTRICIAN-FOLLOW ALL STATE AND LOCAL CODES.  
ONLY INSTALL GENERATOR SET APPROVED FOR R.V. APPLICATION. MAKE SURE IT IS INSTALLED BY QUALIFIED TECHNICIAN.  
TO AVOID HEAT BUILD-UP AND TO GUARANTEE AN ADEQUATE AIR SUPPLY TO THE GENERATOR COMPARTMENT, FOLLOW INSTALLATION INSTRUCTIONS.  
GENERATOR EXHAUST SHOULD BE PROTECTED AND MUST NOT VIBRATE UP OR BE THE VEHICLE-GENERATOR EXHAUST MUST BE PROTECTED FROM VIBRATION.

KEY PART NUMBER U/M DESCRIPTION  
1 077510-01-000 EA LABEL-GENERATOR PREP

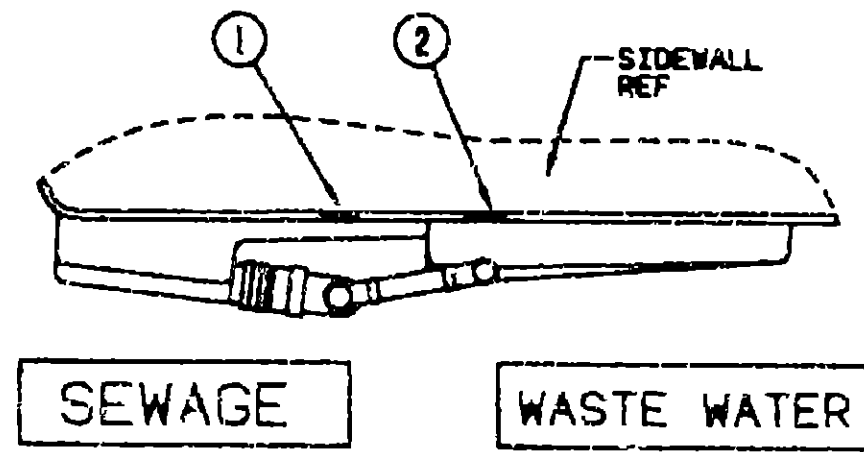
**1991 WINNEBAGO  
TABLE OF CONTENTS**

INTRODUCTION	A-01 - A-02
ABBREVIATIONS	A-03
ALPHABETICAL INDEX	A-04 - A-06
WCN36RQ	A-07 - F-16
WFN36RA	F-17 - K-22

**1991 WFN36RA INDEX**

FLOOR PLAN	F-17 - F-18
ACCESSORIES	F-19 - G-08
BATH	G-09 - G-14
BEDROOM	G-15 - G-16
CHASSIS	G-17 - H-01
CURTAIN, CUSHION & PAD	H-02 - H-11
DINETTE	H-12 - H-14
DRIVERS	H-15 - H-20
ELECTRICAL	H-21 - I-03
EXTERIOR BODY	I-04 - I-10
GALLEY	I-11 - I-18
HEATING & A/C	I-19 - I-22
INTERIOR FINISH	J-02 - J-02
LABEL	J-03 - J-10
LP	J-11
LOUNGE	J-12 - J-13
SEALANTS & FASTENERS	J-14 - J-16
WATER & SEWAGE	J-17 - J-22
WINDOW, VENT AND EXTERIOR DOOR	J-23 - K-22

LABEL GROUP (CONTINUED)

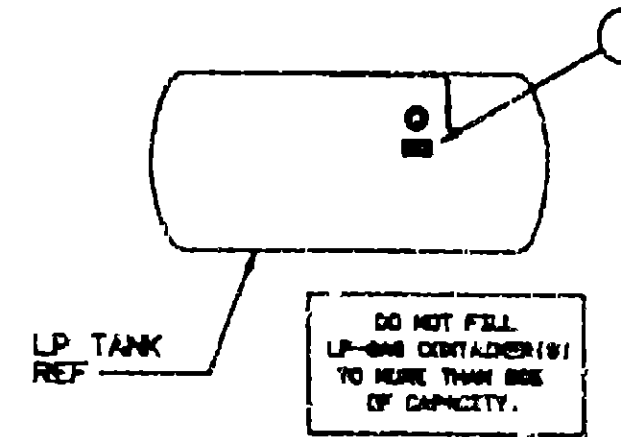


SEWAGE

WASTE WATER

KEY	PART NUMBER	U/M	DESCRIPTION
1	006187-01-000	EA	LABEL-SEWAGE
2	006188-01-000	EA	LABEL-WASTE WATER

LABEL GROUP (CONTINUED)

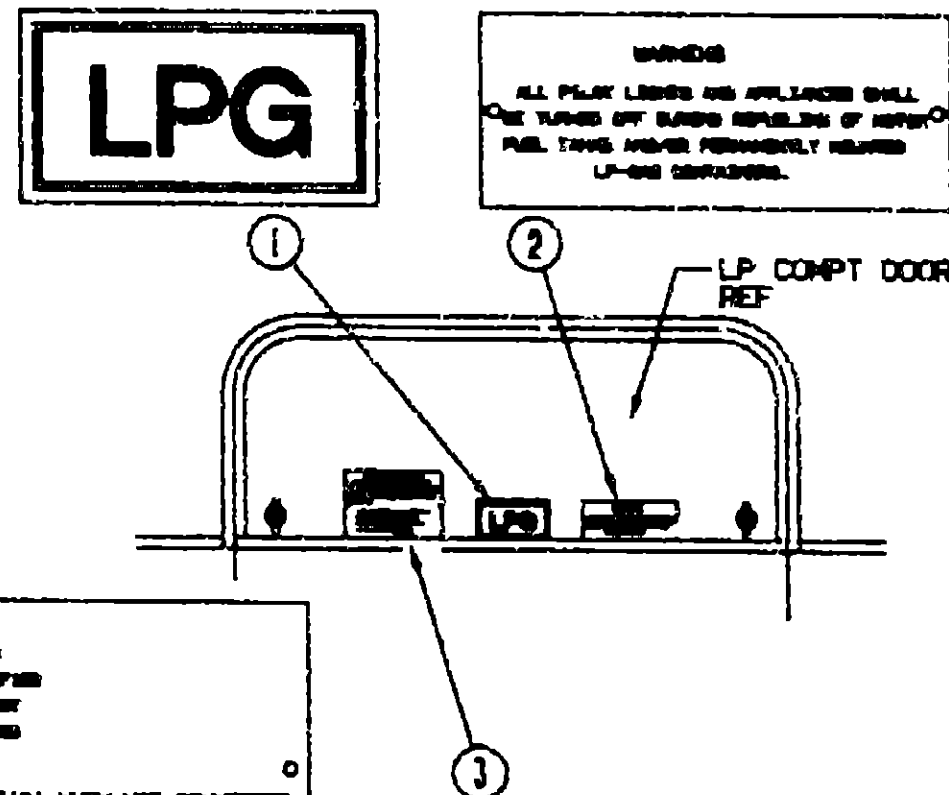


LP TANK REF

KEY	PART NUMBER	U/M	DESCRIPTION
1	079955-01-000	EA	LABEL-LPG 80 CAPACITY

1991 WINNEBAGO  
TABLE OF CONTENTS

INTRODUCTION	A-01 -	A-02
ABBREVIATIONS		A-03
ALPHABETICAL INDEX	A-04 -	A-06
WCN36RQ	A-07 -	F-16
WFN36RA	F-17 -	K-22



LPG

**WARNINGS**  
ALL FLUX LINES AND APPLIANCES SHALL BE TURNED OFF BEFORE REPLENISHING OF REFUEL. FUEL TANKS AND/OR PERMANENTLY INSTALLED LP-GAS CONTAINERS.

LP COMP RT DOOR REF

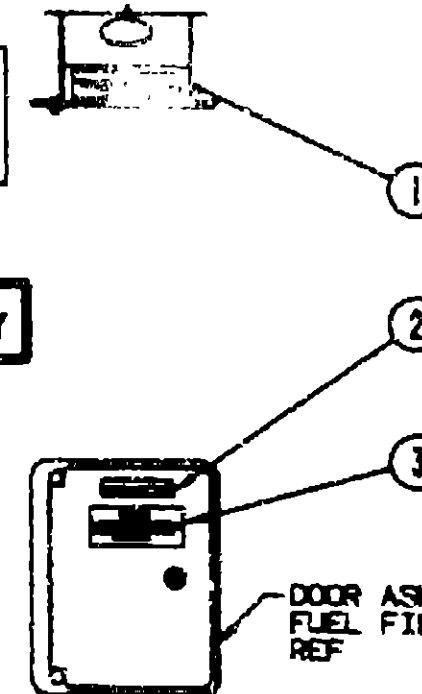
**LP-GAS SYSTEM**  
THIS GAS SYSTEM SHOULD BE INSTALLED FOR USE OF LIQUEFIED PETROLEUM GAS ONLY. DO NOT CONNECT TO OTHER GAS TO THIS MODEL.

SECURELY CAP INLET(S) WHEN NOT CONNECTED FOR USE. AFTER TURNING ON GAS, CHECK AFTER NORMAL CONTAINER REPLACEMENT, TEST FOR LEAKS AND CONNECTIONS TO APPLY TIGHT FOR LEAKAGE WITH SOAPY WATER OR BLENDLE SOLUTION. DO NOT USE PRODUCTS THAT CONTAIN AMMONIA OR CHLORINE.  
P.N. 54831

**WARNING**  
OPEN GASOLINE CAP SLOWLY TO PREVENT SUDDEN RELEASE OF TANK PRESSURE. DO NOT OVERFILL TANK. REPLACE WITH ORIGINAL CAP ONLY

UNLEADED FUEL ONLY

**WARNINGS**  
ALL FLUX LINES AND APPLIANCES SHALL BE TURNED OFF BEFORE REPLENISHING OF REFUEL. FUEL TANKS AND/OR PERMANENTLY INSTALLED LP-GAS CONTAINERS.



DOOR ASH-FUEL FILL REF

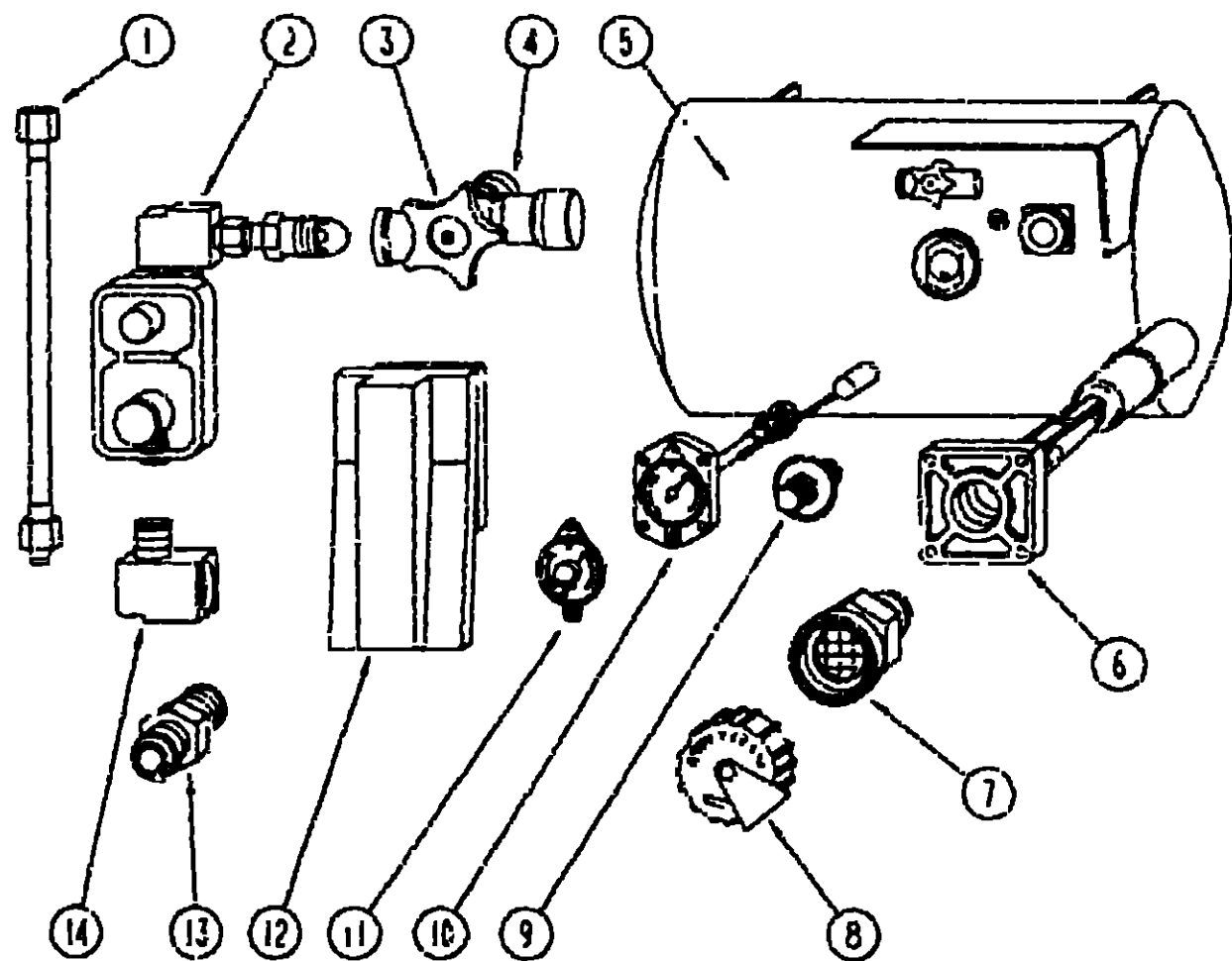
KEY	PART NUMBER	U/M	DESCRIPTION
1	087207-05-000	EA	LABEL-FUEL CAP REMOVAL
2	062043-01-000	EA	LABEL-FUEL UNLEADED
3	006040-01-000	EA	TAG-GAS REFUELING WARNING
3	006040-02-000	EA	TAG-GAS REFUEL WARNING CANADIAN

1991 WFN36RA INDEX

FLOOR PLAN	F-17 -	F-18
ACCESSORIES	F-19 -	G-08
BATH	G-09 -	G-14
BEDROOM	G-15 -	G-16
CHASSIS	G-17 -	H-01
CURTAIN, CUSHION & PAD	H-02 -	H-11
DINETTE	H-12 -	H-14
DRIVERS	H-15 -	H-20
ELECTRICAL	H-21 -	I-03
EXTERIOR BODY	I-04 -	I-10
GALLEY	I-11 -	I-16
HEATING & A/C	I-19 -	I-22
INTERIOR FINISH	I-23 -	J-02
LABEL	J-03 -	J-10
LP		J-11
LOUNGE	J-12 -	J-13
SEALANTS & FASTENERS	J-14 -	J-16
WATER & SEWAGE	J-17 -	J-22
WINDOW, VENT AND		
EXTERIOR DOOR	J-23 -	K-22

KEY	PART NUMBER	U/M	DESCRIPTION
1	074559-01-000	EA	DECAL-LOGO, LPG - RED - (CALIF CODE)
2	006040-01-000	EA	TAG-GAS REFUELING WARNING
2	006040-02-000	EA	TAG-GAS REFUEL WARNING, CANADIAN
3	054531-01-000	EA	LABEL-LP GAS ONLY
3	023769-01-000	EA	LABEL-WARNING LPG - CANADIAN

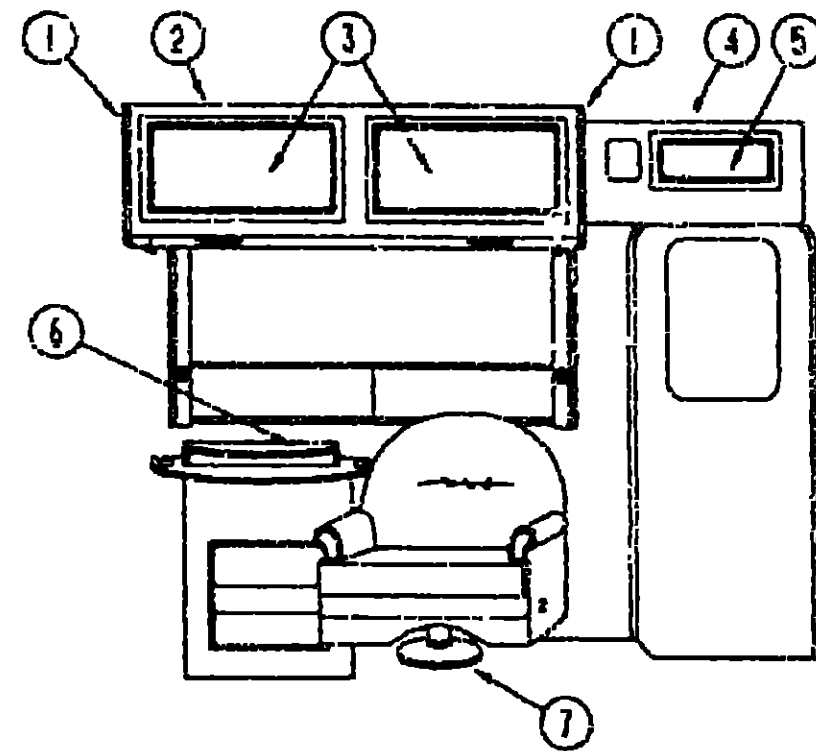
**LP GROUP**



**LP TANK & COMPONENTS**

KEY	PART NUMBER	U/M	DESCRIPTION
1	045703-01-000	EA	HOSE-LP, 3/8" ID X 24' US - 3/8" MPT X 1/2" F SWIVEL
1	045703-02-000	EA	HOSE-LP, 3/8" ID X 24' - 3/8" MPT X 1/2" F SWIVEL - CANADA
2	076301-01-000	EA	REGULATOR-LPG, TWO STAGE
3	040421-01-708	EA	HANDWHEEL-VAPOR RELIEF VALVE, BRUNNER G-1015-A
4	040421-01-703	EA	VALVE-SERVICE W/HANDWHEEL W/VAPOR RELIEF (REG09106CO) BRUNNER G-1015
5	088253-04-000	EA	TANK-LP, 16" X 36" - 100 LB
6	040421-01-711	EA	VALVE-SHORT LP FILLER PLATE BOLTS & GASKET - BRUNNER LLL (BROWN)
7	040421-01-701	EA	VALVE-SHORT LP FILLER W/YELLOW CAP - BRUNNER 75478
8	040421-01-702	EA	CAP-LP FILLER VALVE, PLASTIC - YELLOW - BRUNNER G-1014-A
9	040421-01-700	EA	GAUGE-LIQUID LEVEL, 20% LP - BRUNNER G-1013
10	040421-01-707	EA	GAUGE-FLOAT W/VISIBLE DIAL - BRUNNER MA-9 5244-4
11	040440-01-000	EA	TRANSMITTER-DIAL, 90 CHM
12	081938-01-000	EA	COVER-COMPARTMENT - LP REGULATOR - BLACK
13	010323-01-000	EA	ADAPTER-BRASS-3/8" F X 1/2" MPT
14	065318-02-000	EA	ELBOW-90 DEGREE 3/8" MPT TO 3/8" FPT
	010285-01-000	EA	CROSS, 3/8" F X 3/8" F X 3/8" F X 1/2" FPT - BRASS
	010380-02-000	EA	NUT-BRASS, 1/2" FEMALE - FORGED
	016188-03-000	EA	GROMMET-GAS LINE, FLOOR - 3/8" HOLE X 2 1/8" DIAMETER RUBBER
	010487-05-000	EA	CLAMP-CLOSED, 50" ID
	075148-02-000	EA	CLAMP-GROUNDING, BRONZE SCREWS
	008390-01-000	EA	GROMMET-RUBBER, 5/8" HOLE X 1 1/2" DIAMETER - BLACK
	010725-01-000	EA	ADAPTER-FLARE W/CONE GASKET 3/8" FEMALE FL X 1/2" MALE FL
	065741-01-000	EA	GAUGE-DIAPHRAGM PRESSEUPE - MARSHALLTOWN MFG
	065742-01-000	EA	TEE, 3/8" F X 3/8" F X 25FPT - BRASS
	071391-02-000	EA	NIPPLE-HEX, 25 PIPE
	008042-01-000	FT	TUBING-VINYL, .55" ID
	093380-01-000	EA	COUPLER-1/2" TO 3/8" BLACK PIPE
	075467-01-000	EA	NUT-INVERTED FLARE, 1/4"
	088497-02-000	EA	NUT-INVERTED FLARE 1/4"
	084884-01-000	EA	PLUG-BRASS, 3/8"
	054531-01-000	EA	LABEL-LP GAS ONLY

**LOUNGE GROUP**



**PASSENGER SIDE CABINETS & COMPONENTS**

KEY	PART NUMBER	U/M	DESCRIPTION
1	092747-01-B07	EA	END CAP-CABINET, OVERHEAD
2	P00680-01-B07	EA	CABINET-OVERHEAD LOUNGE - W/O DOORS OR HARDWARE
3	P00520-22-B07	EA	DOOR-CABINET, W/O HARDWARE - 14 4" X 26 8"
4	M04151-01-B07	EA	CABINET-CORNER, OVERHEAD, ENTRANCE DOOR - W/O DOORS OR HARDWARE
5	P00520-08-B07	EA	DOOR-CABINET, W/O HARDWARE - 8 25" X 13 5"
6	096928-02-B07	EA	TABLE ASM-PULLOUT, W/O MAGAZINE RACK OR CUP HOLDERS
	096928-11-B05	EA	TOP-TABLE, PULLOUT - 27 3" X 20 4"
	075921-01-000	EA	POLLER-NYLON W/SHAFT
	080725-01-000	EA	PULL-RECESSED, DAK 1 1/4 X 4
	096928-12-B07	EA	TOP-PULLOUT SUPPORT, W/CUPHOLDER HOLES
	096928-25-B07	EA	TOP-PULLOUT SUPPORT, W/CUPHOLDER HOLES
	0979789-01-000	EA	SUPPORT-PULLOUT TABLE, BEIGE METAL
	097208-02-AB6	EA	RACK ASM-MAGAZINE
	064781-06-000	EA	HOLDER-CUP, TWO STEP
7	093482-01-000	EA	SHROUD-PEDESTAL, 13" - BLACK PLASTIC
	093481-01-000	EA	BASE-PEDESTAL, SV 13" CHAIR - 6" EXTENSION

**SEAT BELTS**

KEY	PART NUMBER	U/M	DESCRIPTION
	007021-01-000	EA	BELT-SEAT, 2" X 30" - BLACK
	057759-01-000	EA	WASHER - BRACKET - SEAT BELT - 4" DIA

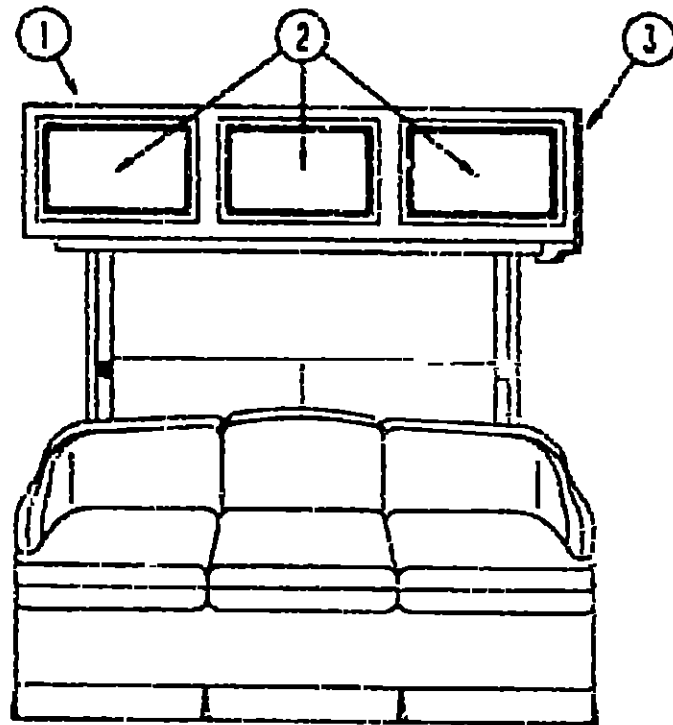
**1991 WINNEBAGO  
TABLE OF CONTENTS**

INTRODUCTION	A-01 -	A-02
ABBREVIATIONS		A-03
ALPHABETICAL INDEX	A-04 -	K-06
WCN36RQ	A-07 -	F-16
WFN36RA	F-17 -	K-22

**1991 WFN36RA INDEX**

FLOOR PLAN	F-17 -	F-18
ACCESSORIES	F-19 -	G-08
BATH	G-09 -	G-14
BEDROOM	G-15 -	G-16
CHASSIS	G-17 -	H-01
CURTAIN CUSHION & PAD	H-02	H-11
DINETTE	H-12 -	H-14
DRIVERS	H-15 -	H-20
ELECTRICAL	H-21 -	I-03
EXTERIOR BODY	I-04 -	I-10
GALLEY	I-11 -	I-16
HEATING & A/C	I-19 -	I-22
INTERIOR FINISH	I-23 -	J-02
LABEL	J-03 -	J-10
LP		J-11
LOUNGE	J-12 -	J-13
SEALANTS & FASTENERS	J-14 -	J-16
WATER & SEWAGE	J-17 -	J-22
WINDOW, VENT AND		
EXTERIOR DOOR	J-23 -	K-22

**LOUNGE GROUP (CONTINUED)**



**DRIVER SIDE CABINETS**

KEY	PART NUMBER	U/M	DESCRIPTION
1	M04154-08-B07	EA	CABINET-OVERHEAD, COUCH - W/O DOORS OR HARDWARE
2	P00520-01-B07	EA	DOOR-CABINET, W/O HARDWARE - 14 4" X 21 9"
3	092747-01-B07	EA	END CAP-CABINET, OVERHEAD

**SEAT BELTS**

KEY	PART NUMBER	U/M	DESCRIPTION
	007021-01-000	EA	BELT-SEAT, 2" X 90" - BLACK
	057759-01-000	EA	WASHER - BRACKET - SEAT BELT - 4" DIA

**SEALANTS & FASTENERS GROUP**

ADHESIVES, SEALERS, & TAPES

KEY	PART NUMBER	U/M	DESCRIPTION
	004020-01-000	QT	ADHESIVE-ABS CEMENT, QUART
	081377-01-700	EA	ADHESIVE-CYANOACRYLATE, 10 GRAM TUBE
	004006-04-700	EA	ADHESIVE-PIERCE, 1 GAL - J0270-X-1
	087211-01-000	GL	ADHESIVE-PROMOTER
	004005-02-000	EA	ADHESIVE SWIFTS, 1 GAL - W1333
	098039-01-000	EA	ADHESIVE-WEATHERSTRIP, 8 OZ
	053766-02-000	EA	BEDDING COMPOUND-TUBE, WHITE
	069540-02-000	FT	SEALER-RIBBON, 1/2" X 1/8" - INCREMENTS OF 30'
	069540-09-000	FT	SEALER-RIBBON, 1/32" X 2 1/2" - INCREMENTS OF 90'
	069540-10-000	FT	SEALER-RIBBON, 1/32" X 1 1/2" - INCREMENTS OF 90'
	069540-01-000	FT	SEALER-RIBBON, 1/4" DIAMETER - INCREMENTS OF 20'
	059540-03-000	FT	SEALER-RIBBON, 3/4" X 1/8" - INCREMENTS OF 60'
	069540-06-000	FT	SEALER-RIBBON, 5/16" DIAMETER - INCREMENTS OF 25'
	091255-03-000	FT	SEAL-FOAM, 1/4 X 3/16 ROLL
	081255-01-000	FT	SEAL-FOAM, 3 2MM X 4 8MM
	090340-01-000	FT	SEAL-FOAM, CLOSED CELL - 1/4" X 1/2" X 50'
	034552-04-000	EA	SILICONE-TUBE, 300 ML - BEIGE
	034552-02-000	EA	SILICONE-TUBE, 300 ML - CLEAR
	100029-01-000	FT	TAPE-ADHESIVE, 031" X 75" WIDE
	004363-01-000	FT	TAPE-ADHESIVE FOAM, 1 SIDE - 3/16" X 1/2" - GRAY
	093071-01-000	FT	TAPE-BONDING, DOUBLE SIDED - 1/64" X 2"
	076322-03-000	FT	TAPE-FOAM, DOUBLE COATED - 045" X 5'
	088244-01-000	FT	TAPE-FOAM, VINYL COATED - 2" WIDE - INCREMENTS OF 108 FT
	009200-01-000	EA	TAPE-FURNACE, 1 1/2"
	087691-01-000	EA	TAPE-MASKING, WEATHER RESISTANT

**NUTS, BOLTS, & WASHERS**

KEY	PART NUMBER	U/M	DESCRIPTION
	072893-01-000	EA	NUTSERT-M5 X 0, 8
	077049-01-000	EA	NUT-ACORN, 10-32 ALUMINUM
	095094-01-000	EA	NUT-ACORN, 1/4 - 20 ALUMINUM
	000D14-05-008	EA	NUT-HEX, 5/16-18 - ZN 5
	000D34-04-008	EA	NUT-HEX, LK 1/4 - 20 ZN
	000D39-04-008	EA	NUT-HEX, SER FLG LK 1/4 - 20 ZN
	000D39-08-008	EA	NUT-HEX, SER FLG LK - 1/2-13 ZN
	000D39-06-008	EA	NUT-HEX, SER FLG LK - 3/8-16 ZN
	000D39-05-008	EA	NUT-HEX, SER FLG LK - 5/16 - 18 ZN
	000D44-07-008	EA	NUT-HEX, SER FLG LK - 7/16-20 ZN
	000D24-10-008	EA	NUT-HEX, SF/LK - 10-32 ZN
	000D34-06-008	EA	NUT-HEX LK-3/8-16 GRADE C ZN
	063253-07-000	EA	NUT-J, #8A, 120- 130 PNL THK
	044364-02-000	EA	NUT-SPEED, FLAT - ROUND
	040921-04-000	EA	NUT-SPEED, U TYPE - NO 8
	040921-05-000	EA	NUT-SPEED, U TYPE - NO 8
	044364-01-000	EA	NUT-SPEED, FLAT
	064081-01-000	EA	NUT-WING, 3/8" X 18 THREAD
	005200-01-000	EA	BOLT-BUMPER ROUND HEAD-SQUARE NECK- W/SST CAP 7/16- 14 X 1 1/4
	051387-06-000	EA	BOLT-CARRIAGE, W/O HOLE - 5/16-18 X 9 5 ZN
	000C12-08-248	EA	BOLT-HEX, 1/2-13 X 1 1/2 - ZN 5
	000C12-05-129	EA	BOLT-HEX, 5/16-18 X 3/4" - ZN 5
	000C12-05-168	EA	BOLT-HEX, 5/16-18 X 1 - ZINC 5
	000C12-10-248	EA	BOLT-HEX, 5/8-11 X 1 1/2 ZN - 5
	000C12-07-208	EA	BOLT-HEX, 7/16 - 14 X 1 1/4" - ZN5
	000C13-07-'88	EA	BOLT-HEX, 7/16 - 20 X 3 - ZN 5
	000C26-04-108	EA	BOLT-HEX, SER FLG - 1/4 20 X 5/8 ZINC
	000C26-05-208	EA	BOLT-HEX, SER FLG 5/16-18 X 1 1/4" - ZINC
	000C12-05-248	EA	BOLT-HEX-5/16-18X1 1/2 ZN 5

**1991 WINNEBAGO  
TABLE OF CONTENTS**

INTRODUCTION	A-01 -	A-02
ABBREVIATIONS		A-03
ALPHABETICAL INDEX	A-04 -	A-06
WCN36RQ	A-07 -	F-16
WFN36RA	F-17 -	K-22

**1991 WFN36RA INDEX**

FLOOR PLAN	F-17 -	F-18
ACCESSORIES	F-19 -	G-08
BATH	G-09 -	G-14
BEDROOM	G-15 -	G-16
CHASSIS	G-17 -	H-01
CURTAIN, CUSHION & PAD	H-02 -	H-11
D'NETTE	H-12 -	H-14
DRIVERS	H-15 -	H-20
ELECTRICAL	H-21 -	I-03
EXTERIOR BODY	I-04 -	I-10
GALLEY	I-11 -	I-18
HEATING & AC	I-19 -	I-22
INTERIOR FINISH	I-23 -	J-02
LABEL	J-03 -	J-10
LP		J-11
LOUNGE	J-12 -	J-13
SEALANTS & FASTENERS	J-14 -	J-16
WATER & SEWAGE	J-17 -	J-22
WINDOW, VENT AND EXTERIOR DOOR	J-23 -	K-22

**SEALANTS & FASTENERS GROUP (CONTINUED)**

**SCREWS**

KEY	PART NUMBER	U/M	DESCRIPTION
	000G39-10-12R	EA	SCREW-SF/DR, 10-16 X 3/4 PPH - BEIGE
	000G39-10-12D	EA	SCREW-SF/DR, 10-16 X 3/4 PPH - BLACK
	000G39-08-16T	EA	SCREW SF/DR, 6-20 X 1 PPH - BLACK
	000G39-08-10T	EA	SCREW-SF/DR, 6-20 X 5/8 PPH - BLACK
	000G39-08-24B	EA	SCREW-SF/DR, 8-18 X 1 1/2 PPH ZN
	000G39-08-16E	EA	SCREW-SF/DR, 8-18 X 1 PPH CHROME
	000G39-03-16B	EA	SCREW-SF/DR, 8-18 X 1 PPH ZN
	000G39-00-12T	EA	SCREW-SF/DR, 8-18 X 1 PPH - BLACK
	000G55-08-16E	EA	SCREW-SF/DR, 8-18 X 1 00 - BEIGE
	000G39-08-04B	EA	SCREW-SF/DR, 8-18 X 1/2 PPH ZN
	000G39-08-32B	EA	SCREW-SF/DR, 8-18 X 2 PPH - ZINC
	000G39-08-12N	EA	SCREW SF/DR, 8-18 X 3/4 PPH ZN
	000G39-08-12T	EA	SCREW SF/DR 8-18 X 3/4 PPH - BLACK
	000G39-08-06B	EA	SCREW-SF/DR 8-18 X 3/8 PPH ZN
	000G50-10-28T	EA	SCREW-SF/DR, 10-15X1 75
	000G39-08-16R	EA	SCREW-SF/DR 8-18X1 00 PPH BEIGE
	000G39-08-08R	EA	SCREW-SF/DR 8-18X1/2 PPH
	079382-01-000	EA	SCREW-SOCKET, 8-18 X 1" - BLACK
	000G67-10-24B	EA	SCREW 10-12 X 1 1/2 PPH - ZN
	000G67-10-16P	EA	SCREW, 10-12 X 1 PPH - DARK BROWN
	000G67-10-16B	EA	SCREW, 10-12 X 1 PPH - ZN
	000G67-10-08B	EA	SCREW 10-12 X 1/2 PPH ZN
	000G67-10-08R	EA	SCREW, 10-12 X 1/2 PPH - BEIGE - TYPE A
	000G67-10-12B	EA	SCREW, 10-12 X 3/4 - PPH ZN
	000G67-10-10B	EA	SCREW, 10-12 X 5/8 PPH ZN TYPE A
	000G67-10-10R	EA	SCREW 10-12 X 5/8 PPH - TYPE A - BEIGE
	000G67-10-12P	EA	SCREW, 10-12 X 75 PPH - DARK BROWN
	049465-01-000	EA	SCREW, 10-16 W/WASHER PTH - DARK BROWN
	049465-04-000	EA	SCREW, 10-16 X 1 PTH W/WASHER - BEIGE
	000G11-10-16B	EA	SCREW, 10-16 X 1 - PPH ZN
	000G11-10-12R	EA	SCREW, 10-16 X 3/4 PPH - BEIGE
	000G11-10-12D	EA	SCREW, 10-16 X 3/4 PPH - BLACK
	000G68-06-10G	EA	SCREW, 6-18 X 5/8 PPH - ANTIQUE BRASS
	078790-01-000	EA	SCREW, 6-20 X 1 1/4 PPH - BLACK
	000G13-06-16R	EA	SCREW, 6-20 X 1 PPH - BEIGE
	000G13-06-08B	EA	SCREW, 6-20 X 1/2 PPH ZN
	000G13-06-10G	EA	SCREW, 6-20 X 5/8 PPH - ANTIQUE BRASS
	000G11-06-10B	EA	SCREW, 6-20 X 5/8 PPH ZN
	000G11-06-10J	EA	SCREW, 6-20 X 5/8 PPH - BRASS
	000G11-07-08B	EA	SCREW, 7-19 X 1/2 PPH - ZN
	000G13-07-12B	EA	SCREW, 7-19 X 3/4 PPH ZN
	000G13-08-16B	EA	SCREW, 8-18 X 1 PPH - ZN
	000G11-08-08T	EA	SCREW, 8-18 X 1/2 PPH
	000G11-08-08B	EA	SCREW, 8-18 X 1/2 PPH ZN
	000G11-08-12B	EA	SCREW, 8-18 X 3/4 PPH ZN
	000G11-08-12R	EA	SCREW, 8-18 X 3/4 PPH - BEIGE
	000G11-08-12D	EA	SCREW, 8-18 X 3/4 PPH - BLACK
	000G11-08-15R	EA	SCREW, 8-18X1 00 PPH - BEIGE
	000G67-10-32B	EA	SCREW, NO 10 - 12 X 2 PPH ZN
	000G55-08-12W	EA	SCREW, SF/DR 8-18X 75 PPH
	000G67-10-12R	EA	SCREW-10-12X 75 PPH BEIGE
	000G67-10-120	EA	SCREW-10-12X 75 PPH TAN
	049465-03-000	EA	SCREW-10-16X1 PPH W/WASHER
	000G11-10-12S	EA	SCREW-10-16X 75 PPH OFF WHITE
	000G54-04-20B	EA	SCREW-1/4-20X1 1/4 PTH TYP 23
	000G57-05-16J	EA	SCREW-5-20X1 PPH BRASS
	000G12-06-08T	EA	SCREW-6-20 X 50 PPH - BLACK
	000G13-06-16J	EA	SCREW-6-20X1 00 PPH BRASS
	000G13-06-24J	EA	SCREW-6-20 X 1 50' PPH - BRASS
	085318-01-000	EA	SCREW-8-068X1/2, CRIMP TITE HD
	000G67-08-32B	EA	SCREW-8-15X2 PPH ZN
	000G12-08-16S	EA	SCREW-8-18 X 1" PPH - OFF WHITE
	000G11-08-16S	EA	SCREW-8-18X1 00 PPH OFF WHITE

**SEALANTS & FASTENERS GROUP (CONTINUED)**

**SCREWS CONTD**

KEY	PART NUMBER	U/M	DESCRIPTION
	009436-07-000	EA	SCREW-6-32X1 1/4 PPH, BLACK
	087721-01-000	CA	SCREW-FLAT HEAD, TAPPING - 1/4 X 1 1/4 LG ZN
	086763-01-000	EA	SCREW-MACH, 10 - 32 X 1/4 PTH
	000G19-10-06B	EA	SCREW-MACH, 10-32 X 1/2 PPH ZN
	000G19-10-10B	EA	SCREW-MACH 10-32 X 5/8 - PPH - ZINC
	000G50-04-12B	EA	SCREW-MACH, 1/4-20 X 3/4 PPH ZN
	081908-01-000	EA	SCREW-MACH 6-32X 62 W/WYL. LOCK
	089371-01-000	EA	SCREW-MACH 8-32X 5/16 ZN
	000G19-10-20B	EA	SCREW MACHINE, 10-32 X 1 1/14 PPH ZINK
	000G18-08-16B	EA	SCREW-MACHINE, 8 X 32 X 1, PPH ZN
	000G18-10-12B	CA	SCREW-MACHINE, 10-24 X 3/4 PPH - ZN
	075908-01-000	EA	SCREW-MACH-10-32X.56PTH SEMS
	000G53-04-06B	EA	SCREW-MACH-1/4-20X3/8 PPH ZN
	000G18-08-22B	EA	SCREW-MACH-8-32X1 3/8 PPH ZN
	000G39-10-27B	EA	SCREW-SF/DR 10-16 X 1 1/4 PPH ZN

**CLAMPS, GROMMETS, & MISCELLANEOUS FASTENERS**

KEY	PART NUMBER	U/M	DESCRIPTION
	016604-01-000	EA	BRACE CABINET, ANGLED METAL - 2.5"
	010495-01-000	EA	CLAMP-CABLE, 9/16"
	010497-06-000	EA	CLAMP-CLOSED, 11/16" ID
	010497-03-000	EA	CLAMP-CLOSED, 1" ID - CUSHIONED
	010499-01-000	EA	CLAMP-CLOSED, 3/8" ID
	010497-01-000	EA	CLAMP-CLOSED, 5/8" ID
	010497-08-000	EA	CLAMP-CLOSED, 1.25"
	075148-02-000	EA	CLAMP-GROUNDING, BRONZE SCREWS
	062401-02-000	EA	CLAMP-HOSE, WORMGEAR, 1 5/8" - 2.5"
	062401-10-000	EA	CLAMP-HOSE, WORMGEAR 1 06" - 2"
	073194-02-000	EA	CLAMP-HOSE, WORMGEAR 32 1/2 MM
	062401-07-000	EA	CLAMP-HOSE, WORMGEAR 5" - 7"
	062401-06-000	EA	CLAMP-HOSE, WORMGEAR 22" - 52"
	062401-01-000	EA	CLAMP-HOSE, WORMGEAR 25" - 1"
	062401-04-000	EA	CLAMP-HOSE, WORMGEAR 69" - 1.25"
	062401-03-000	EA	CLAMP-HOSE WORMGEAR, 22" - 1"
	083609-01-000	EA	CLAMP-WIRE, DUAL - EQUAL 5/8" DIAMETER
	091362-02-000	EA	CLIP-CHRISTMAS TREE, FLAT HEAD
	077353-01-000	EA	GROMMET-EDGE LINE/FITS 1"
	023942-01-000	EA	GROMMET-RUBBER, 2" OD
	071015-21-000	EA	GROMMET-50"ID, FITS 1 1/2" MATERIAL, RUBBER-SPLIT
	008343-01-000	EA	TIE-WIRE, 6"
	008343-02-000	EA	TIE-WIRE, 14"
	056134-02-000	EA	HOLDER-RING, 1 5" ID PIPE SIZE - STEEL
	077855-01-000	EA	J CLIP-VINYL COATED, 3/8" USED IN WIRING TO CLEARANCE LIGHTS
	000H18-04-05R	EA	RIVET-POP, AL 1/8 X 313-375
	063728-04-000	EA	RIVNUT, 10-32 UNF - 010-080
	063729-01-000	EA	RIVNUT, 1/4 X 20 UNC - 030-125
	008401-01-000	EA	STRAP-CONDUIT, 3/4" - 1 HOLE - GALVANIZED STEEL

**1991 WINNEBAGO  
TABLE OF CONTENTS**

INTRODUCTION	A-01 -	A-02
ABBREVIATIONS		A-03
ALPHABETICAL INDEX	A-04 -	A-06
WCN3&RQ	A-07 -	F-18
WFN3&RA	F-17 -	K-22

**1991 WFN3&RA INDEX**

FLOOR PLAN	F-17 -	F-18
ACCESSORIES	F-19 -	G-06
BATH	G-06 -	G-14
BEDROOM	G-15 -	G-18
CHASSIS	G-17 -	H-01
CURTAIN, CUSHION & PAD	H-02 -	H-11
DINETTE	H-12 -	H-14
DRIVERS	H-15 -	H-20
ELECTRICAL	H-21 -	I-03
EXTERIOR BODY	I-04 -	I-10
GALLEY	I-11 -	I-19
HEATING & COOLING	I-19 -	I-22
INTERIOR FINISH	I-23 -	J-02
LABEL	J-03 -	J-10
LP		J-11
LOUNGE	J-12 -	J-13
SEALANTS & FASTENERS	J-14 -	J-15
WATER & SEWERAGE	J-17 -	J-22
WINDOW, VENT AND EXTERIOR DOOR	J-23 -	K-22



**WATER & SEWAGE GROUP  
WATER SYSTEM**

**WATER LINES, FITTINGS & FAUCETS**

KEY	PART NUMBER	U/M	DESCRIPTION
	036522-02-000	EA	CAP-BRASS 1/2" FLARE
	052959-02-000	EA	CONNECTOR 1/2" F X 1/2" MPT - PLASTIC - GRAY
	093193-02-000	EA	DRAIN VALVE-IN LINE, HEADER - 1/2" MPT X 1/2" F X 1/2" M
	052957-02-000	EA	ELBOW-MALE, 1/2" F X 1/2" MPT - PLASTIC - GRAY
	065120-01-000	EA	ELBOW-SWIVEL, 1/2" FPT X 1/2" FLARE - PLASTIC - GRAY
	091246-02-000	EA	FAUCET-EXTERNAL WATER 90 DEG
	103106-01-000	EA	FAUCET-EXTERNAL WATER, 90 DEG
	087659-04-000	EA	FILL-WATER CITY - OFF WHITE
	071015-08-000	EA	GROMMET-1 75"ID, FITS 26" MATERIAL RUBBER
	052952-01-000	EA	NUT-PLASTIC, 1/2" F X 1/2" TUBE - PLASTIC - GRAY
	052956-01-000	EA	TEE-1/2" F X 1/2" MPT X 1/2" F - PLASTIC
	039800-01-000	FT	TUBING-POLYBUTYL, 1/2" OD - INCREMENTS OF 20' - BLACK
	096941-01-000	EA	VACUUM BREAKER-3/4 FPT X 3/4 MPT
	046128-01-000	EA	VALVE-DRAIN, PLASTIC - 1/2" FPT
	079317-01-000	EA	ADAPTER SWIVEL 1/2" TUBE X 1/2" FPT - PLASTIC GRAY
	062401-03-000	EA	CLAMP-HOSE WORMGEAR 25" - 1"
	052950-03-000	EA	CONNECTOR 1/2" F X 3/8" MPT - PLASTIC - GRAY
	052960-01-000	EA	DRAIN VALVE-IN LINE, HEADER - 1/2" F X 1/2" F - GRAY PLASTIC
	052957-01-000	EA	ELBOW-PLASTIC, 1/2" F X 3/8" MPT
	057457-01-000	EA	ELBOW-UNION 1/2" X 1/2" FLARE
	065420-01-000	EA	CONNECTOR-SWIVEL, 1/2" FPT X 5/8" TUBE - PLASTIC
	064952-01-000	EA	FAUCET-GALLEY
	075240-05-000	EA	FAUCET-LAVATORY, BRASS - U S
	075240-06-000	EA	FAUCET-LAVATORY, BRASS - CANADIAN
	075241-04-000	EA	FAUCET-SHOWER BRASS - U S
	075241-05-000	EA	FAUCET-SHOWER BONE - CANADIAN
	091253-01-000	EA	GASKET-FAUCET, LAVATORY/GALLEY
	011048-02-000	EA	HEAD-SHOWER, W/50" HOSE - U S
	011048-05-000	EA	HEAD-SHOWER W/60" HOSE - CANADIAN
	052953-01-000	EA	NUT-FAUCET, 1/2" TUBE X 1/2" FPT - PLASTIC - GRAY
	052952-02-000	EA	NUT-PLASTIC 5/8" FLARE
	052958-01-000	EA	TEE, 1/2" F X 1/2" F X 1/2" F - PLASTIC - GRAY
	090217-01-000	EA	TEE-SWIVEL 1/2" - PLASTIC
	052955-01-000	EA	TEE WATER 1/2" F X 1/2" F X 1/2" MPT - PLASTIC - GRAY
	039800-02-000	FT	TUBING-POLYBUTY, 5/8" OD - INCREMENTS OF 20' - BLACK
	091208-01-000	EA	WASHER RUBBER 06" X 15" X 5"

**FRESH WATER TANK**

KEY	PART NUMBER	U/M	DESCRIPTION
	078252-08-000	EA	TANK-WATER, 40 GALLON - W/FITTINGS - 10" X 24" X 46 5"
	078252-09-000	EA	TANK-WATER, 40 GALLON - W/FITTINGS - 10" X 24" X 46 5"
	078252-01-000	EA	TANK-WATER, 40 GALLONS - W/O FITTINGS - 10" X 24" X 46 5"
	042989-05-000	EA	FITTING-SPINWELD, 1/2" FPT - PLASTIC
	042585-06-000	EA	FITTING-SPINWELD, 3/4" FPT - PLASTIC
	049032-01-000	EA	PATCH-SPINWELD, 3/8" - PLASTIC
	039661-01-000	EA	SENDING UNIT W/SCREW, WASHER WELL NUT AND TERMINAL RING
	077954-02-000	EA	FILTER-WATER TANK, SCREEN IN TANK
	052957-02-000	EA	ELBOW-MALE 1/2" F X 1/2" MPT - PLASTIC - GRAY
	052957-04-000	EA	ELBOW 5/8" F X 3/4" MPT
	010219-01-000	EA	ELBOW-1 1/4" MPT X 1 1/4" BARB, PLASTIC
	010224-01-000	EA	ADAPTER-HOSE TO PIPE, 3/8" MPT X 3/8" BARB - PLASTIC
	079381-01-000	FT	TUBING SMOOTH FLEXIBLE 1 1/4" ID

**WATER & SEWAGE GROUP (CONTINUED)  
WATER HEATER BYPASS VALVE OPTION L83J**

KEY	PART NUMBER	U/M	DESCRIPTION
	039800-01-000	FT	TUBING-POLYBUTYL 1/2" OD - INCREMENTS OF 20' - BLACK
	052959-02-000	EA	CONNECTOR, 1/2" F X 1/2" MPT - PLASTIC - GRAY
	052956-01-000	EA	TEE-1/2" F X 1/2" MPT X 1/2" F - PLASTIC
	052957-02-000	EA	ELBOW-MALE, 1/2" F X 1/2" MPT - PLASTIC - GRAY
	065120-01-000	EA	ELBOW SWIVEL, 1/2" FPT X 1/2" FLARE - PLASTIC - GRAY
	057457-01-000	EA	ELBOW-UNION, 1/2" X 1/2" FLARE
	099729-01-000	EA	BYPASS KIT-WATER HEATER

**WATER HEATER W/MOTOR AID & REAR HEATER OPTION L811**

KEY	PART NUMBER	U/M	DESCRIPTION
	051393-01-000	EA	WATER HEATER-W/MOTOR AID, PILOTLESS IGNITION
	051393-01-700	EA	TANK-INNER, 3E FRONT MOUNT - ATWOOD# 91023
	051393-01-701	EA	SWITCH PACKAGE-ATWOOD# 91959
	051393-01-702	EA	SWITCH ENERGY CUT-OFF - ATWOOD# 91951
	051393-01-703	EA	THERMOSTAT-REAR MOUNT, ATWOOD# 91952
	051393-01-704	EA	CIRCUIT BOARD-W/BLACK BOX, ATWOOD# 91420
	051393-01-705	EA	ORIFICE HOLDER-ATWOOD# 91925
	051393-01-715	EA	SPARK & PROBE ASM, ATWOOD# 91806
	051391-01-708	EA	BURNER-MAIN, 3E ONLY - ATWOOD# 92515
	051393-01-718	EA	VALVE-DUAL SOLENOID, ATWOOD# 91605
	051393-01-713	EA	BRACKET-CORNER, PACKAGE OF 4 - ATWOOD# 91836
	051393-01-714	EA	TANK-INNER (GH6-3E), REAR MOUNT - ATWOOD# 91408
	051393-01-720	EA	KNOB-TEMPERATURE, ATWOOD# 92310
	051393-01-721	EA	ECO&THERMOSTAT ASM-FRONT MOUNT, 140 DEGREE - ATWOOD# 91447
	051393-01-722	EA	GAS IGNITION FIELD TESTER-MODEL 05-080224-001
	079059-01-000	EA	HOSE-90 DEGREE, 51"ID X 4" X 36"
	079059-02-000	EA	HOSE-90 DEGREE, 61"ID X 4" X 6"
	083081-01-000	EA	HOSE-FORMED, 90 DEGREE - 5/8" ID
	086753-01-000	FT	TUBE-ALUMINIZED STEEL 5/8" - 18 GAUGE
	010227-01-000	EA	TEE-PLASTIC BARB 5/8" C/O 3/4" HOSE
	062401-01-000	EA	CLAMP-HOSE WORMGEAR 25" - 1"
	062401-04-000	EA	CLAMP-HOSE, WORMGEAR 65" - 1 25"

**STANDARD WATER HEATER**

KEY	PART NUMBER	U/M	DESCRIPTION
	051391-03-000	EA	HEATER-WATER, W/ELECTRIC IGNITION - ATWOOD G6A-3E
	051391-01-700	EA	HINGE KIT-W/CLIP, ATWOOD # 92568 & 92559
	051393-03-700	EA	TANK-INNER (G6A-3E), REAR MT - ATWOOD# 91429
	051391-01-704	EA	VALVE-RELIEF 1/2" FITTING - ATWOOD# 91604
	051391-01-705	EA	FASTENER-CAMLOC, ATWOOD# 92509
	051391-01-706	EA	GRILLE-EXHAUST, 3E ONLY - ATWOOD #92787
	051391-01-709	EA	BURNER-MAIN 3E ONLY - ATWOOD# 92615
	051391-01-710	EA	ORIFICE-MAIN BURNER, ATWOOD# 92742
	051391-04-701	EA	THERMOSTAT 12 VDC-120 PRESET, FRONT MOUNT ONLY - ATWOOD# 91470
	051391-01-715	EA	DRAIN PLUG, ATWOOD# 91561
	051391-04-706	EA	TANK-INNER, FRONT MOUNT - G6A-4E & 6E
	051391-04-700	EA	TANK-INNER (G6A-3E), FRT MT - ATWOOD# 91608
	051393-01-704	EA	CIRCUIT BOARD-W/BLACK BOX, ATWOOD# 91420
	051393-01-702	EA	SWITCH-ENERGY CUT-OFF, ATWOOD# 91951
	051393-01-701	EA	SWITCH PACKAGE-ATWOOD# 91959
	051393-01-703	EA	THERMOSTAT-REAR MOUNT, ATWOOD# 91952
	051393-01-721	EA	ECO&THERMOSTAT ASM-FRONT MOUNT 140 DEGREE - ATWOOD# 91447
	051393-01-716	EA	SPARK & PROBE ASM, ATWOOD# 91806
	051393-01-718	EA	VALVE-DUAL SOLENOID, ATWOOD# 91605
	051393-01-705	EA	ORIFICE HOLDER-ATWOOD# 91925
	052009-02-000	EA	DOOR-WATER HEATER, ATWOOD 5576-27 - BEIGE

**1991 WINNEBAGO  
TABLE OF CONTENTS**

INTRODUCTION	A-01 -	A-02
ABBREVIATIONS		A-03
ALPHABETICAL INDEX	A-04 -	A-08
WATER	A-07 -	F-16
WATER HEATER	F-17 -	K-22

**1991 WFN36RA INDEX**

FLOOR PLAN	F-17 -	F-18
ACCESSORIES	F-19 -	G-08
BATH	G-09 -	G-14
BEDROOM	G-15 -	G-16
CHASSIS	G-17 -	H-01
CURTAIN CUSHION & PAD	H-02 -	H-11
DINETTE	H-12 -	H-14
CHIVERS	H-15 -	H-20
ELECTRICAL	H-21 -	I-03
EXTERIOR BODY	I-04 -	I-10
GALLEY	I-11 -	I-18
HEATING & A/C	I-19 -	I-22
INTERIOR FINISH	I-23 -	J-02
LABEL	J-03 -	J-10
LP		J-11
LOUNGE	J-12 -	J-13
SEALANTS & FASTENERS	J-14 -	J-16
WATER & SEWAGE	J-17 -	J-22
WINDOW VENT AND EXTERIOR DOOR	J-23 -	K-22

**WATER & SEWAGE GROUP (CONTINUED)**

**WATER PURIFICATION OPTION L208**

KEY	PART NUMBER	U/M	DESCRIPTION
	079317-01-000	EA	ADAPTER-SWIVEL, 1/2" TUBE X 1/2" FPT - PLASTIC - GRAY
	087200-02-000	EA	CARTRIDGE-WATER FILTER, EVERPURE 9801-11
	052959-02-000	EA	CONNECTOR, 1/2" F X 1/2" MPT - PLASTIC - GRAY
	052957-01-000	EA	ELBOW PLASTIC, 1/2" F X 3/8" MPT
	065120-01-000	EA	ELBOW SWIVEL, 1/2" FPT X 1/2" FLARE - PLASTIC - GRAY
	087200-01-000	EA	FILTER WATER PURIFICATION, EVERPURE Q02 AC
	052952-01-000	EA	NUT-PLASTIC, 1/2" F X 1/2" TUBE - PLASTIC - GRAY
	039800-01-000	FT	TUBING-POLYBUTYL, 1/2" OD - INCREMENTS OF 20' - BLACK
	091208-01-000	EA	WASHER-RUBBER 06" X 75" X 5"

**WATER PUMPS**

KEY	PART NUMBER	U/M	DESCRIPTION
	098607-01-000	EA	PUMP-WATER, W/ 5" MPT FITTING - FLOW 2.8 GPM - U.S.
	098607-02-000	EA	PUMP WATER, W/ 5" MPT FITTING - FLOW 2.8 GPM - CANADIAN
	098607-01-700	EA	PUMP HEAD REPLACEMENT, SHURFLOW# 94-236-08
	098607-01-701	EA	DRIVE ASM SHURFLOW# 94-234-03
	098607-01-702	EA	DIAPHRAGM-KIT, SHURFLOW# 94-233-10
	098607-01-703	EA	VALVE ASM, SHURFLOW# 94-232-00
	098607-01-704	EA	HOUSING-UPPER, SHURFLOW# 94-231-01
	098607-01-705	EA	CHECK VALVE-KIT SHURFLOW# 94-237-00
	098607-01-707	EA	MOTOR/BASEPLATE REPLACEMENT, SHURFLOW# 94-234-03

**EXTERIOR SHOWER OPTION L64R**

KEY	PART NUMBER	U/M	DESCRIPTION
	046128-01-000	EA	VALVE-DRAIN PLASTIC - 1/2" FPT
	052957-02-000	EA	ELBOW-MALE, 1/2" F X 1/2" MPT - PLASTIC - GRAY
	076322-03-000	FT	TAPE-FOAM, DOUBLE COATED ADHESIVE BACKED - 5" X 103' FROM 00-00-00 THRU 04-07-91
	103173-01-01A	EA	KIT-SHOWER, EXTERIOR - OFF WHITE WITH EXTERIOR DOOR, FAUCET, HEAD & HOSE (COMPONENT PARTS ARE NOT AVAILABLE SEPARATELY) FROM 00-00-00 THRU 03-24-91
	103173-02-01A	EA	KIT-SHOWER EXTERIOR - OFF WHITE WITH EXTERIOR DOOR, FAUCET, HEAD & HOSE FROM 03-25-91 THRU 99-99-99
	103173-03-700	EA	DISH-COMPARTMENT PLASTIC - OFF WHITE - Y0001 FROM 03-25-91 THRU 99-99-99
	103173-03-701	EA	DOOR-COMPARTMENT, PLASTIC - OFF WHITE CE001 FROM 03-25-91 THRU 99-99-99
	103173-03-702	EA	PIN-HINGE DOOR - EXTERIOR SHOWER KIT - 345 FROM 03-25-91 THRU 99-99-99
	103173-03-703	EA	SPRING-HINGE PIN EXTERIOR SHOWER DOOR - 108 FROM 03-25-91 THRU 99-99-99
	103173-03-704	EA	LOCK ASSEMBLY, W/CLIP & KEY - EXTERIOR SHOWER DOOR - 00000 FROM 03-25-91 THRU 99-99-99
	103173-03-705	EA	LABEL-AUXILIARY SHOWER, 00090 FROM 03-25-91 THRU 99-99-99
	103173-03-706	EA	HEAD-SHOWER, W/HOSE & BRACKET - EXTERIOR FROM 03-25-91 THRU 99-99-99
	103173-03-707	EA	FAUCET-SHOWER W/ADAPTER - CHROME - EXTERIOR - 20154P01 FROM 03-25-91 THRU 99-99-99
	103173-03-708	EA	STEM & BONNET (SETS) - 39025 FROM 03-25-91 THRU 99-99-99
	104579-01-000	FT	SEAL-FOAM, CLOSED CELL FROM 00-00-00 THRU 04-07-91
	079364-06-000	EA	SWITCH MOMENTARY, OFF/MOMENT FROM 00-00-00 THRU 03-08-91
	098351-01-01A	EA	PLATE-SWITCH 1 GANG - POLISHED BRASS

**WATER & SEWAGE GROUP (CONTINUED)**

**DRAINAGE SYSTEM**

**SINKS**

KEY	PART NUMBER	U/M	DESCRIPTION
	093528-01-000	EA	SINK-DOUBLE, STAINLESS STEEL - 19" X 25"
	096927-01-01A	EA	SINK-LAVATORY, RECTANGULAR - PLASTIC - BONE
	096927-01-700	EA	SINK-STOPPER
	092303-01-000	EA	STRAINER-SINK
	096927-01-701	EA	TAILPIECE-SINK

**SHOWER PAN**

KEY	PART NUMBER	U/M	DESCRIPTION
	M02630-18-807	EA	PAN SHOWER, W/STRAINER
	066729-01-000	EA	STRAINER-TUB/SHOWER DRAIN
	069640-01-000	FT	SEALER-RIBBON 1/4" DIAMETER - INCREMENTS OF 20'
	069735-01-000	EA	WASHER-STRAINER TO TAILPIECE PLASTIC, 1 5"
	011069-04-000	EA	TAILPIECE, 1 1/2 X 1 1/4 X 5 - BRASS
	066436-01-000	EA	NUT-SLIP TAILPIECE - 1 5"
	057671-01-000	EA	COVER-SCREW, #8 - PLASTIC - OFF WHITE

**TOILET**

KEY	PART NUMBER	U/M	DESCRIPTION
	064076-01-000	EA	TOILET-IVORY LOW - THEFTFORD 14622 15" TALL
	039341-02-700	EA	COVER-SEAT TOILET - IVORY - THEFTFORD 0637151
	039341-02-703	EA	PLUG HOLE, IVORY - THEFTFORD 0637151
	039341-02-704	EA	SEAT & COVER SET-NEWSTYLE, THEFTFORD 06855
	039341-02-705	EA	MOUNTING PACKAGE-THEFTFORD 06875
	039341-02-707	EA	PIN-HINGE, TOILET - THEFTFORD 12986
	064076-01-701	EA	MECHANISM STARLIGHT IVORY, THEFTFORD 14622

**PORCELAIN TOILET OPTION L43E**

KEY	PART NUMBER	U/M	DESCRIPTION
	063641-01-000	EA	FLANGE-CLOSET, 4" X 3" - U.S.
	063641-02-000	EA	FLANGE-CLOSET, 4" X 3" - CANADIAN
	085330-04-000	EA	TOILET-CHINA, SHORTY W/SPRAY - TRAVELER 510
	085330-01-701	EA	KIT-VACUUM BREAKER - SEALAND# 385319065
	085330-01-702	EA	TUBE-FLUSH, SEALAND# 385315902
	085330-01-703	EA	RING & HALF CLAMPS ASM-BONE, SEALAND# 385310048
	085330-01-704	EA	TEFLON & RUBBER SEALS-SEALAND# 385318140
	085330-01-706	EA	BALL, SHAFT, & CARTRIDGE, SEALAND# 385318152
	085330-01-707	EA	CARTRIDGE-SPRING, SEALAND# 381236096
	085330-01-710	EA	PLUG DRAIN, & CAP - W/SEAL - SEALAND# 385315142
	085330-01-713	EA	SHROUD BONE, SEALAND# 390340124
	085330-01-714	EA	SEAL-FLANGE, FLOOR - SEALAND# 390343892
	085330-01-716	EA	FLANGE-FLOOR, 3" MPT - SEALAND# 390346056
	085330-01-717	EA	BOLT MOUNTING PACKAGE-SEALAND# 385310064
	085330-01-718	EA	SEAL-BASE & MOUNTING HARDWARE, SEALAND# 385310063
	085330-04-700	EA	BREAKER-VACUUM FOR HANDSPRAY - SEALAND# 2-2325
	085330-04-702	EA	LEVER-FLUSH SEALAND# 340825
	085330-04-703	EA	COVER ASM-PEDAL, SEALAND# 310118
	085330-04-704	EA	BASE ASM-BONE, SEALAND# 310124
	085330-04-705	EA	COVER ASM-PEDESTAL, SEALAND# 310109
	085330-04-706	EA	BREAKER-VACUUM, W/HAND SPRAY - SEALAND# 385319055
	085330-04-707	EA	SEAT ASM -BONE, SEALAND# 340816

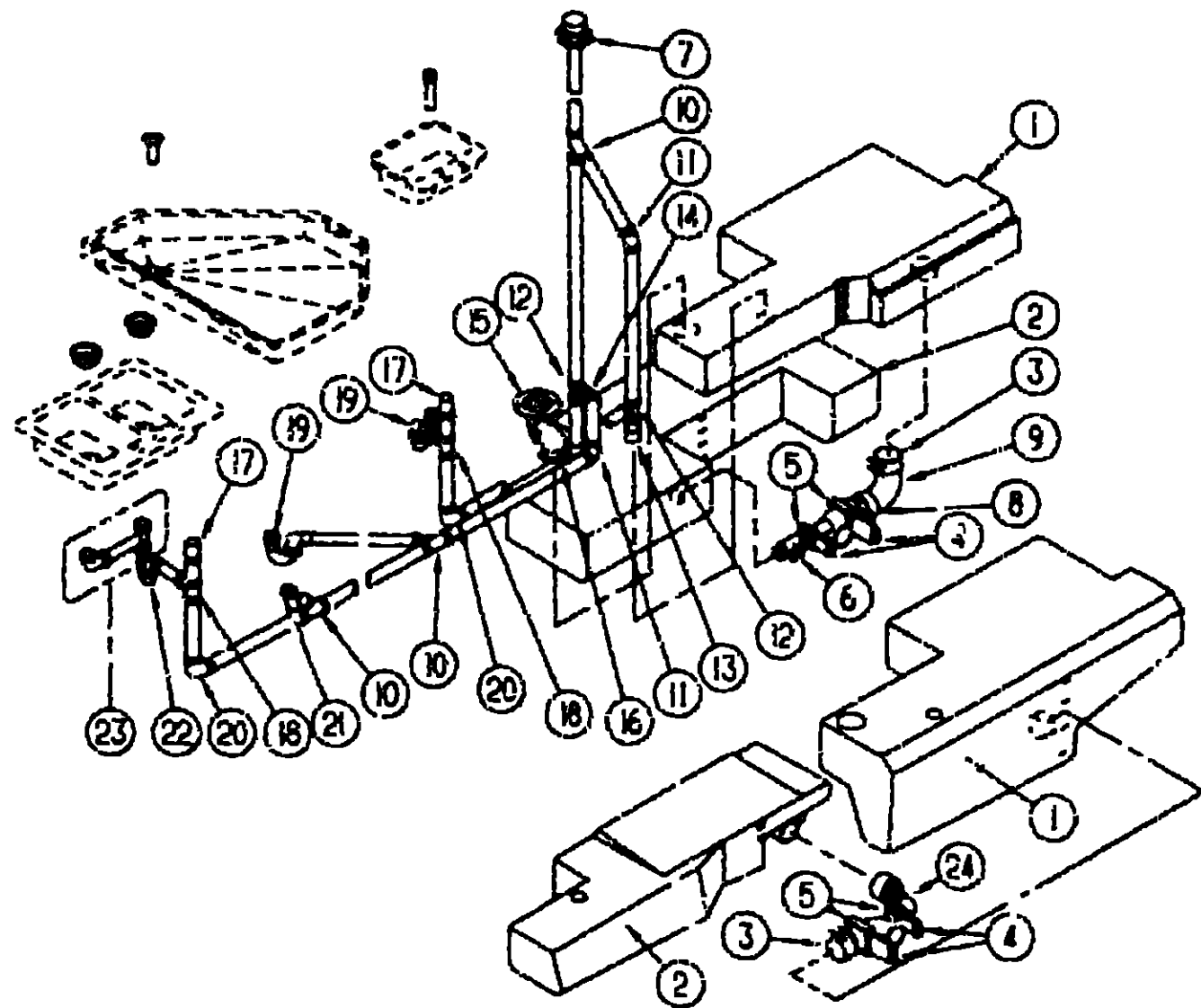
**1991 WINNEBAGO  
TABLE OF CONTENTS**

INTRODUCTION	A-01 -	A-02
ABBREVIATIONS		A-03
ALPHABETICAL INDEX	A-04 -	A-06
WCN36RQ	A-07 -	F-16
WFN36RA	F-17 -	K-22

**1991 WFN36RA INDEX**

FLOOR PLAN	F-17 -	F-18
ACCESSORIES	F-19 -	G-08
BATH	G-09 -	G-14
BEDROOM	G-15 -	G-16
CHASSIS	G-17 -	H-01
CURTAIN CUSHION & PAD	H-02 -	H-11
DINETTE	H-12 -	H-14
DRIVERS	H-15 -	H-20
ELECTRICAL	H-21 -	I-03
EXTERIOR BODY	I-04 -	I-10
GALLEY	I-11 -	I-19
HEATING & A/C	I-19 -	I-22
INTERIOR FINISH	I-23 -	J-02
LABEL	J-03 -	J-10
LP		J-11
LOUNGE	J-12 -	J-13
SEALANTS & FASTENERS	J-14 -	J-16
WATER & SEWAGE	J-17 -	J-22
WINDOW, VENT AND EXTERIOR DOOR	J-23 -	K-22

**WATER & SEWAGE GROUP (CONTINUED)**



**SEWAGE HOLDING TANK**

KEY	PART NUMBER	U/M	DESCRIPTION
1	092272-01-000	EA	TANK-HOLDING W/O GROMMETS - 50 GL - 25 8" X 59 9" X 18 6" FROM 00-00-00 THRU 10-21-90
1	101786-01-000	EA	TANK-HOLDING W/O GROMMETS - 38 GL - 21 5" X 59 9" X 8 7" FROM 10-22-90 THRU 99 99-99
	061607-01-000	EA	GROMMET-HOLDING TANK 1 1/2" NPS
	061607-02-000	EA	GROMMET-HOLDING TANK, 3" NPS
	039861-01-000	EA	SENDING UNIT W/SCREW, WASHER, WELL NUT AND TERMINAL RING

**WASTE WATER HOLDING TANK**

KEY	PART NUMBER	U/M	DESCRIPTION
2	092271-01-000	EA	TANK-HOLDING W/O GROMMETS - 30 GL - 15 6" X 59 9" X 9 7" FROM 00-00-00 THRU 10-21-90
2	101787-01-000	EA	TANK-HOLDING W/O GROMMETS - 42 GL - 24 6" X 59 9" X 8 9" FROM 10-22-90 THRU 99 99-99
	061607-01-000	EA	GROMMET-HOLDING TANK, 1 1/2" NPS
	039861-01-000	EA	SENDING UNIT W/SCREW, WASHER, WELL NUT AND TERMINAL RING

**DRAINAGE VALVES & FITTINGS**

KEY	PART NUMBER	U/M	DESCRIPTION
	062422-01-000	EA	ADAPTER-OFFSET REDUCER, 3" X 1 1/2" - PLASTIC - BLACK FROM 00-00-00 THRU 10-21-90
	062416-01-000	EA	ADAPTER-SEWER HOSE TO 3" PIPE
	089330-01-000	EA	ADAPTER-SEWER HOSE END
	062415-01-000	EA	CAP-SEWER, 3" DIAMETER
3	078406-01-000	EA	COUPLER-RUBBER, W/CLAMPS - 3" X 3"
4	062419-02-700	EA	HANDLE ONLY - FOR EXTENSION ROD
	010201-02-000	FA	HOSE-SEWER 3" ID X 20 FEET
5	070915-01-000	EA	VALVE-DUAL (JMP. W/CAP - 3" & 1 1/2" - PLASTIC - BLACK
	070916-01-701	EA	VALVE ONLY, 1 1/2"
	070316-01-700	EA	VALVE ONLY, 3"
6	089355-01-000	EA	COUPLER-RUBBER W/CLAMPS - 1 1/2" X 1 1/2" FROM 10-01-90 THRU 10-17-90
7	082558-01-000	EA	VENT-PLUMBING PIPE ROOF W/COVER - BEIGE
8	101117-01-000	EA	COUPLER-3" H X H - PLASTIC
9	041956-01-000	EA	ELBOW-STREET, 1/4 BEND - 3" X 90 XLT PLASTIC FROM 09-16-90 THRU 10-24-90
9	051126-01-000	EA	ELBOW-1/4 BEND, 3" X 90 XLT - PLASTIC FROM 10-01-90 THRU 10-24-90
9	051126-01-000	EA	ELBOW-1/4 BEND, 3" X 90 XLT - PLASTIC FROM 10-25-90 THRU 99 99-99
10	010073-01-000	EA	WYE-45 DEGREE, 1 1/2" HUB X HUB X HUB - PLASTIC - BLACK
	010121-01-000	EA	BUSHING REDUCER, 1 1/2" SMOOTH 1 1/4" HUB - PLASTIC - BLACK
11	010006-01-000	EA	ELBOW-45 DEG, 1/8" BEND - 1 1/2" HUB X HUB - BLACK PLASTIC
12	010071-01-000	EA	TEE-SANITARY, 1 1/2" HUB X HUB X HUB - PLASTIC - BLACK
13	010115-01-000	EA	COUPLING-1 1/2" HUB X HUB PLASTIC
14	010051-01-000	EA	ELBOW-45 DEG BEND, 1 1/2" SPIGOT AND HUB - PLASTIC - BLACK
15	024676-01-000	EA	FLANGE-CLOSET, 4" X 3" - U.S.
15	024676-02-000	EA	FLANGE-CLOSET, 4" X 3" - CANADIAN
15	063641-01-000	EA	FLANGE-CLOSET, 4" X 3" - U.S. - OPTION L43E
15	063641-02-000	EA	FLANGE-CLOSET, 4" X 3" - CANADIAN - OPTION L43E
15	010051-01-000	EA	ELBOW-45 DEGREE STREET - 1/8" BEND - 3" S X 1" - PLASTIC
17	079968-01-000	EA	VENT-MECH TRAP ARM, ANTI-SIPHON - 2" DIA. X 7.3" - PLASTIC
18	010071-01-000	EA	TEE-SANITARY, 1 1/2" H X 1 1/2" H X 1 1/4" H - PLASTIC - BLACK
19	011066-03-000	EA	P-TRAP, 1 1/2" TRAP X 1 1/4" SOCKET - PLASTIC - U.S.
19	011066-03-700	EA	KIT-P-TRAP, 1 1/2" X 1 1/4" P-TRAP, W/1 1/2" TO 1 1/4" REDUCER - CANADIAN
20	010008-01-000	EA	ELBOW-90 DEGREE, 1 1/2" HUB X HUB - BLACK PLASTIC
21	010166-01-000	EA	PLUG-THREADED 1 1/4" DIAMETER - PLASTIC - BLACK
21	010122-01-000	EA	BUSHING-REDUCER, 1 1/2" SMOOTH X 1 1/4" THREAD - BLACK PLASTIC
22	011066-03-000	EA	P-TRAP, 1 1/2" TRAP X 1 1/4" SOCKET - PLASTIC - U.S.
22	053335-01-000	EA	P-TRAP, 1 1/4" HUB X HUB W/UNION - PLASTIC - CANADIAN
23	011091-02-000	EA	PIPE-DRAIN, DOUBLE SINK - BAFFLE TEE - 1 1/2" - U.S. ONE PIPE W/TEE TO DRAIN BOTH SIDES OF SINK
23	053502-02-000	EA	ADAPTER-STRAINER, 1 1/2" - PLASTIC - CANADIAN
23	037101-02-000	EA	ELBOW-1/4 BEND VENT 1 1/2" HUB - PLASTIC - CANADIAN
23	010121-01-000	EA	BUSHING-REDUCER 1 1/2" SMOOTH 1 1/4" HUB - PLASTIC - BLACK - CANADIAN
23	010071-01-000	EA	TEE-SANITARY 1 1/2" HUB X HUB X HUB - PLASTIC - BLACK - CANADIAN
24	033761-01-000	EA	ELBOW-90 DEGREE, 1 1/2" HUB X 1 1/2" SPIGOT - BLACK PLASTIC FROM 00-00-00 THRU 10-21-90
	001020-01-000	QT	ADHESIVE-ABS CEMENT

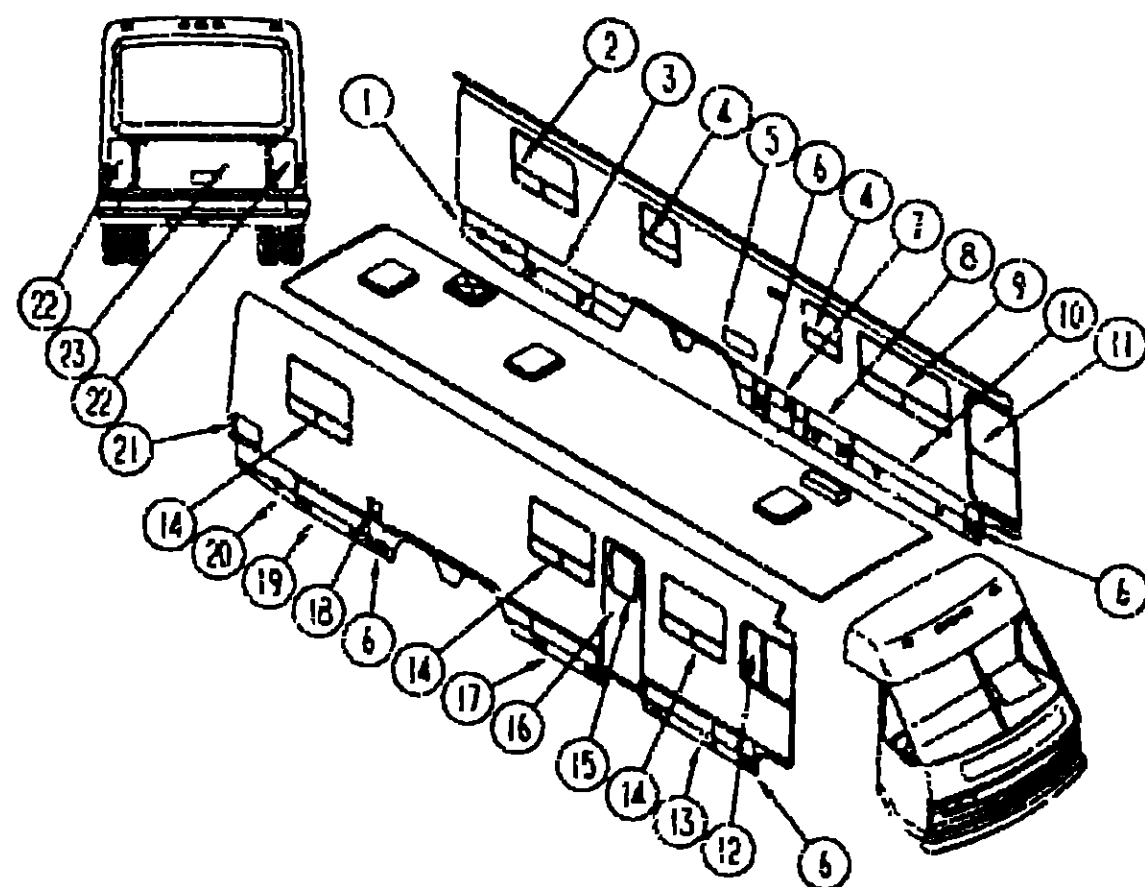
**1991 WINNEBAGO  
TABLE OF CONTENTS**

INTRODUCTION	A-01	A-02
ABBREVIATIONS		A-03
ALPHABETICAL INDEX	A-04	A-06
WCN36RQ	A-07	F-16
WFN36RA	F-17	K-22

**1991 WFN36RA INDEX**

FLOOR PLAN	F-17	F-18
ACCESSORIES	F-19	G-08
BATH	G-09	G-14
BEDROOM	G-15	G-16
CHASSIS	G-17	H-01
CURTAIN CUSHION & PAD	H-02	H-11
DINETTE	H-12	H-14
DRIVERS	H-15	H-20
ELECTRICAL	H-21	I-03
EXTERIOR BODY	I-04	I-10
GALLEY	I-11	I-18
HEATING & A/C	I-19	I-22
INTERIOR FIXTURES	I-23	J-02
LABEL	J-03	J-10
LP		J-11
LOUNGE	J-12	J-13
SEALANTS & FASTENERS	J-14	J-16
WATER & SEWAGE	J-17	J-22
WINDOW VENT AND EXTERIOR DOOR	J-23	K-22

**WINDOW, VENT & EXTERIOR DOOR GROUP**



**WINDOWS & DOORS**

**WINDOW, VENT & EXTERIOR DOOR GROUP (CONTINUED)**

**WINDOWS & DOORS CONT'D**

KEY	PART NUMBER	U/M	DESCRIPTION
18	078010-04-000	EA	DOOR FUEL FILL W/JAMS - BEIGE
19	092481-C2-B07	EA	DOOR-STORAGE, W/LATCHES - 19 4" X 43 7" - BEIGE FROM 00-00-00 THRU 09-09-90
10	092481-08-B07	EA	DOOR STORAGE, W/LATCHES - 19 4" X 43 7" - BEIGE FROM 09-10-90 THRU 99-99-99
20	092630-01-B07	EA	DOOR-STORAGE W/LATCHES - 40" TAPERED - BEIGE
21	052009-02-000	EA	DOOR-WATER HEATER, ATWOOD 5576 27 - BEIGE
22	092981-01-Y10	EA	DOOR-COMPARTMENT W/LOCK & KEY - 15 3" X 25 5" - BEIGE
23	092982-01-Y10	EA	DOOR-SPARE TIRE, W/LOCKS - 26 8" X 41 3" - BEIGE
	077408-C2-000	EA	LOCK ASM KEY TYPE 70 OFFSET
	092584-01-700	EA	KEY-SINGLE

**ACCESS PANELS UNDER HOOD**

KEY	PART NUMBER	U/M	DESCRIPTION
	098527-01-000	EA	DOOR-CIRCUIT BREAKERS, UNDER HOOD - METAL - BLACK - 14 5" X 10 7"
	098196-01-000	EA	LATCH-1/4 TURN T-BAR
	098527-02-000	EA	DOOR FUSES UNDER HOOD - METAL - BLACK - 14 5" X 9 25"
	093674-01-000	EA	PLATE-CIRCUIT BREAKER, HOUSE
	092549-01-000	EA	PLATE-FUSE BOX L SHAPED - 7 9" X 11 2" - METAL - BLACK
	090604-04-000	EA	TRAY BATTERY - AUTO - W/ TWO HEX NUTS - FORD
	067201-01-000	EA	LIGHT

**SHOWER SKYLIGHT**

KEY	PART NUMBER	U/M	DESCRIPTION
	101026-01-000	EA	PANEL-SKYLIGHT, INNER - PLEXIGLASS
	101027-01-000	EA	PANEL-SKYLIGHT, OUTER - PLEXIGLASS
	101028-01-01A	EA	TRIM-SKYLIGHT, ALUMINUM (COVERS 2 SIDES OF SKYLIGHT) FROM 00-00-00 THRU 10-01-90
	093160-02-01A	EA	TRIM-SKYLIGHT, OUTER - 8" X 23 9" - AL (COVERS THIRD SIDE OF SKYLIGHT) FROM 00-00-00 THRU 10-01-90

**1991 WINNEBAGO  
TABLE OF CONTENTS**

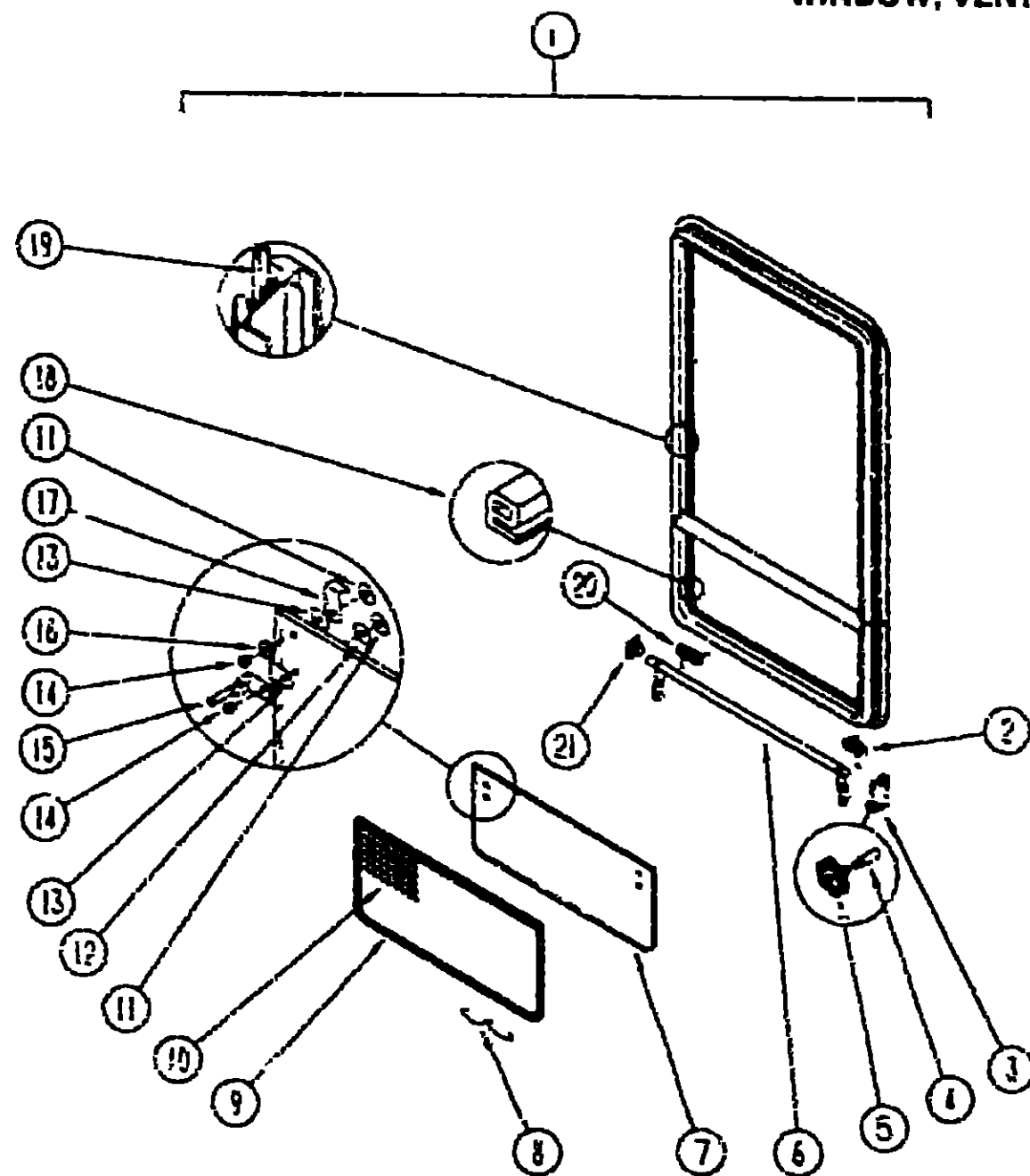
INTRODUCTION	A-01 -	A-02
ABBREVIATIONS		A-03
ALPHABETICAL INDEX	A-04 -	A-06
WCH36RQ	A-07 -	F-16
WFN36RA	F-17 -	K-22

**1991 WFN36RA INDEX**

FLOOR PLAN	F-17 -	F-18
ACCESSORIES	F-19 -	G-08
BATH	G-09 -	G-14
BEDROOM	G-15 -	G-16
CHASSIS	G-17 -	H-01
CURTAIN, CUSHION & PAD	H-02 -	H-11
DINETTE	H-12 -	H-14
DRIVERS	H-15 -	H-20
ELECTRICAL	H-21 -	I-03
EXTERIOR BODY	I-04 -	I-10
GALLEY	I-11 -	I-18
HEATING & A/C	I-19 -	I-22
INTERIOR FINISH	I-23 -	J-02
LABEL	J-03 -	J-10
LP		J-11
LOUNGE	J-12 -	J-13
SEALANTS & FASTENERS	J-14 -	J-16
WATER & SEWAGE	J-17 -	J-22
WINDOW VENT AND EXTERIOR DOOR	J-23 -	K-22

KEY	PART NUMBER	U/M	DESCRIPTION
1	092630-02-B07	EA	DOOR-STORAGE/GENERATOR, W/LATCHES - 40" TAPERED - BEIGE
2	101782-01-01A	EA	WINDOW-TIPOUT, ESCAPE - W/O INSIDE FRAME - 21" X 41 5"
3	092481-08-B07	EA	DOOR-STORAGE/SEWAGE TANK, W/LATCHES - 19 4" X 43 7" - BEIGE
4	092235-09-Y12	EA	WINDOW-TIPOUT, W/O INSIDE FRAME - 25 4" X 25 5"
5	084103-01-000	EA	DOOR-REFRIGERATOR, VENTED W/O JAMB - BEIGE
	084104-01-700	EA	LOCK-MALE, FASTENER - REFRIGERATOR DOOR
	084104-01-701	EA	LOCK-FEMALE, FASTENER - REFRIGERATOR DOOR
	084104-01-000	EA	JAMB-DOOR, VENTED REFRIGERATOR - BEIGE
6	092481-03-B07	EA	DOOR-STORAGE/WATER CENTER/BATTERY, W/LATCHES - 19 4" X 35 5"
7	093028-05-A96	EA	DOOR-FURNACE VENT, 19 4" X 15 8"
			FROM 00-00-00 THRU 09-02-90
7	093028-06-A96	EA	DOOR-FURNACE VENT 19 4" X 15 8"
			FROM 09-03-90 THRU 99-99-99
8	092481-04-B07	EA	DOOR-STORAGE, W/LATCHES - 19 4" X 29 5"
9	092234-03-Y12	EA	WINDOW-TIPOUT, DOUBLE - W/O INSIDE FRAME - 31 5" X 60 5"
10	092481-01-B07	EA	DOOR-STORAGE, W/LATCHES - 19 4" X 76 3" - BEIGE
11	M97816-02-A26	EA	DOOR-DRIVER, MANUAL - STANDARD
11	M97816-01-A86	EA	DOOR-DRIVER, MANUAL - TIPOUT - OPTION L53C
11	M97816-03-A86	EA	DOOR-DRIVER POWER - TIPOUT WINDOW
11	M97816-04-A86	EA	DOOR-DRIVER POWER - STATIONARY WINDOW
12	093703-01-Y10	EA	WINDOW-SLIDING, W/O INSIDE FRAME
13	092481-02-B07	EA	DOOR-STORAGE/SEWAGE TANK, W/LATCHES - 19 4" X 43 7" - BEIGE
14	092234-01-Y12	EA	WINDOW-TIPOUT, DOUBLE - W/O INSIDE FRAME - 31 5" X 41 9"
15	079733-04-T13	EA	WINDOW-PICTURE, W/O INSIDE FRAME - 17" X 25"
16	M01870-51-B07	EA	DOOR-ENTPY, W/JAMB AND SCREEN DOOR
17	092481-08-B07	EA	DOOR-STORAGE, W/LATCHES - 19 4" X 43 7" - BEIGE FROM 00-00-00 THRU 09-09-90
17	092481-12-B07	EA	DOOR-STORAGE, W/LATCHES - 19 4" X 43 7" - BEIGE FROM 09-10-90 THRU 99-99-99

**WINDOW, VENT & EXTERIOR DOOR GROUP (CONTINUED)**  
**BATH & GALLEY WINDOW**



KEY	PART NUMBER	U/M	DESCRIPTION
1	090893-02-01A	EA	FRAME-WINDOW, INSIDE - 25.3" X 25.5" - BLACK
	092235-09-Y12	EA	WINDOW-TIPOUT, W/O INSIDE FRAME - 25.5" X 25.4" STATIONARY GLASS IS NOT AVAILABLE, ORDER ENTIRE ASSEMBLY.
	007639-06-15T	EA	SCREW-SF.DR, 6-20 X 1 FPH - BLACK
2	080918-01-000	EA	SPRING-TORQUE TUBE, RIGHT
3	035302-02-000	EA	OPERATOR-TORQUE, TIPOUT WINDOW - LEFT
4	009439-06-000	EA	EXTENSION-CRANK HANDLE, WINDOW ROOF VENT - 9" - BLACK
5	009439-05-000	EA	KNOB-OPERATOR, TIPOUT WINDOW - BLACK
	007439-07-000	EA	SCREW, 8-32 X 1 1/4 PPH - BLACK
6	083150-10-000	EA	TUBE ASM - TORQUE, WINDOW - W/SPRING & ARM - 22.5" LONG
7	084068-15-000	EA	GLASS-TIPOUT, 9.2" X 24.5"
8	700168-01-000	EA	CLIP-SPRING, SCREEN
9	100225-02-B07	EA	SCREEN-SINGLE TIPOUT WINDOW
10	080218-03-000	SF	SCREEN-FIBERGLASS, 12" WIDE
	100240-01-000	FT	SPINE-SCREEN, T-SHAPED
11	066762-01-000	EA	T NUT 10-32
12	068927-03-000	EA	SEAL-WINDOW, RUBBER - ROUND - .80" D/A - BLACK
13	084473-01-000	EA	SEAL-RUBBER, TIPOUT WINDOW
14	086763-01-000	EA	SCREW-MACH, 10 - 32 X 1/4 PTH
15	097578-01-000	EA	LINKAGE-TIPOUT WINDOW
	081548-01-000	EA	RING - SNAP, 7/32 SHAFT D/A
	084453-01-000	EA	WASHER-.060 X 50 X .135 - PLASTIC
	065315-01-000	EA	RIVET-SHOULDER, TIPOUT WINDOW
16	084453-02-000	EA	WASHER-.060 X 50 X .250 - PLASTIC
17	089813-01-000	EA	HINGE-TIPOUT WINDOW, BLACK
18	084067-02-000	FT	SEAL-E SHAPED, SPONGE - TIPOUT WINDOW - .4" X .4" - BLACK
19	069843-11-000	FT	SEALER-TAPE, 3/16" X 3/8" - BLACK
20	080918-02-000	EA	SPRING-TORQUE TUBE, LEFT
21	087354-01-000	EA	SLEEVE-TORQUE TUBE, TIPOUT WINDOW - 1.3" X 1.2" X .7"

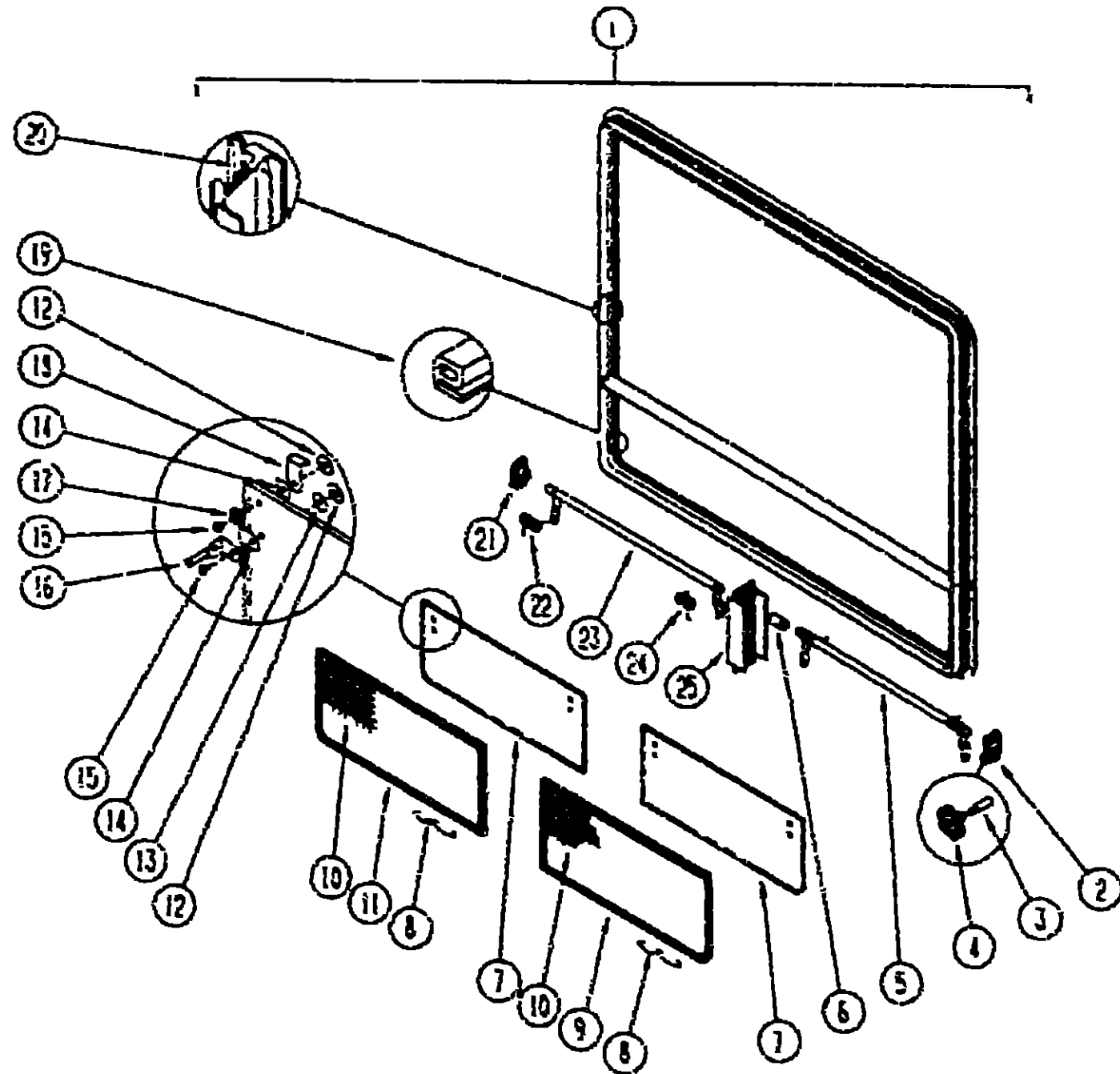
**1991 WINNEBAGO**  
**TABLE OF CONTENTS**

INTRODUCTION	A-01 - A-2
ABBREVIATIONS	A-03
ALPHABETICAL INDEX	A-04 - A-06
WCN36RQ	A-07 - F-15
WFN36RA	F-17 - K-22

**1991 WFN36RA INDEX**

FLOOR PLAN	F-17 - F-18
ACCESSORIES	F-19 - G-08
BATH	G-09 - G-14
BEDROOM	G-15 - G-16
CHASSIS	G-17 - H-01
CURTAIN, CUSHION & PAD	H-02 - H-11
DINETTE	H-12 - H-14
DRIVERS	H-15 - H-20
ELECTRICAL	H-21 - I-03
EXTERIOR BODY	I-04 - I-10
GALLEY	I-11 - I-18
HEATING & A/C	I-19 - I-22
INTERIOR FINISH	I-23 - J-02
LABEL	J-03 - J-10
LP	J-11
LOUNGE	J-12 - J-13
SEALANTS & FASTENERS	J-14 - J-16
WATER & SEWAGE	J-17 - J-22
WINDOW VENT AND EXTERIOR DOOR	J-23 - K-22

**WINDOW, VENT & EXTERIOR DOOR GROUP (CONTINUED)**  
**DRIVER SIDE LOUNGE WINDOW**



KEY	PART NUMBER	QTY	DESCRIPTION
1	090893-09-01A	EA	FRAME-WINDOW, INSIDE - 31 1/2" X 50 9/16" - BLACK
1	092234-03 Y12	EA	WINDOW-TIPOUT, DOUBLE - W/O INSIDE FRAME - 31 5/8" X 50 9/16" STATIONARY GLASS IS NOT AVAILABLE, ORDER ENTIRE ASSEMBLY.
2	000639-06-15T	EA	SCREW-SECTOR, 8-20 X 1 PPH - BLACK
3	035322-02-000	EA	OPERATOR-TORQUE, TIPOUT WINDOW - LEFT
4	090025-01-000	EA	EXTENSION-WINDOW CONTROL
4	067052-02-000	EA	KNOB OPERATOR, TIPOUT WINDOW - BEIGE
4	101290-01-01A	EA	KNOB-OPERATOR, TIPOUT WINDOW - BRASS FROM 00-00-00 THRU 08-12-90 FROM 08-13-90 THRU 99-99-99
5	083227-08-000	EA	TUBE-TORQUE, WINDOW - RIGHT
6	088816-51-001	EA	TUBE-EXTRUDED, .0210 X .03500 X 1 2" LONG - ALUMINUM
7	084068-22-000	EA	GLASS-TIPOUT, 9 2" X 29 9/16"
8	100158-01-000	EA	CLIP-SPRING, SCREEN
9	100234-02-507	EA	SCREEN-DOUBLE TIPOUT WINDOW, FRONT DR. SIDE/REAR PASS SIDE
10	080216-03-000	SF	SCREEN-FIBERGLASS, 12" WIDE
	100240-01-000	FT	SPLINE-SCREEN, T-SHAPED
	081377-01-700	EA	ADHESIVE-CYANOACRYLATE, 10 GRAM TUBE
11	100234-01-507	EA	SCREEN-DOUBLE TIPOUT WINDOW, REAR DR. SIDE/FRONT PASS SIDE
12	086782-01-000	EA	T NUT 10-32
13	068927-03-000	EA	SEAL-WINDOW, RUBBER - ROUND - .80" DIA. - BLACK
14	064473-01-000	EA	SEAL-RUBBER, TIPOUT WINDOW
15	086783-01-000	EA	SCREW-MACH, 10 - 32 X 1/4 PTH
16	097578-01-000	EA	LINKAGE-TIPOUT WINDOW
	064453-01-000	EA	WASHER-.060 X .50 X .135 - PLASTIC
	086315-01-000	EA	RIVET-SHOULDER, TIPOUT WINDOW
	091649-01-000	EA	RING-SNAP, 7/32 SHAFT DIAMETER
	089371-01-000	EA	SCREW-MACHINE, 8-32 X 3 5/16" - FOR EXTENDED KNOB FROM 00-00-00 THRU 08-12-90, FROM 08-13-90 THRU 99-99-99
17	084453-02-000	EA	WASHER-.060 X .50 X .135 - PLASTIC
18	089913-01-000	EA	HINGE-TIPOUT WINDOW, BLACK
19	084067-02-000	FT	SEAL-E SHAPED, SPONGE - TIPOUT WINDOW - 4" X 4" - BLACK
20	063640-11-000	FT	SEALER-TAPE, 3/16" X 3/8" BLACK
21	035302-01-000	EA	OPERATOR-TORQUE, TIPOUT WINDOW - RIGHT
	038886-01-000	EA	TAPE-BUTYL, 31" X .31" X 148" LONG
22	080918-02-000	EA	SPRING-TORQUE TUBE, LEFT
23	083228-08-000	EA	TUBE-TORQUE, WINDOW - LEFT
24	080918-01-000	EA	SPRING-TORQUE TUBE, RIGHT
25	088803-01-01A	EA	MULLION-VERTICAL, 9 5" LONG - ALUMINUM - BLACK

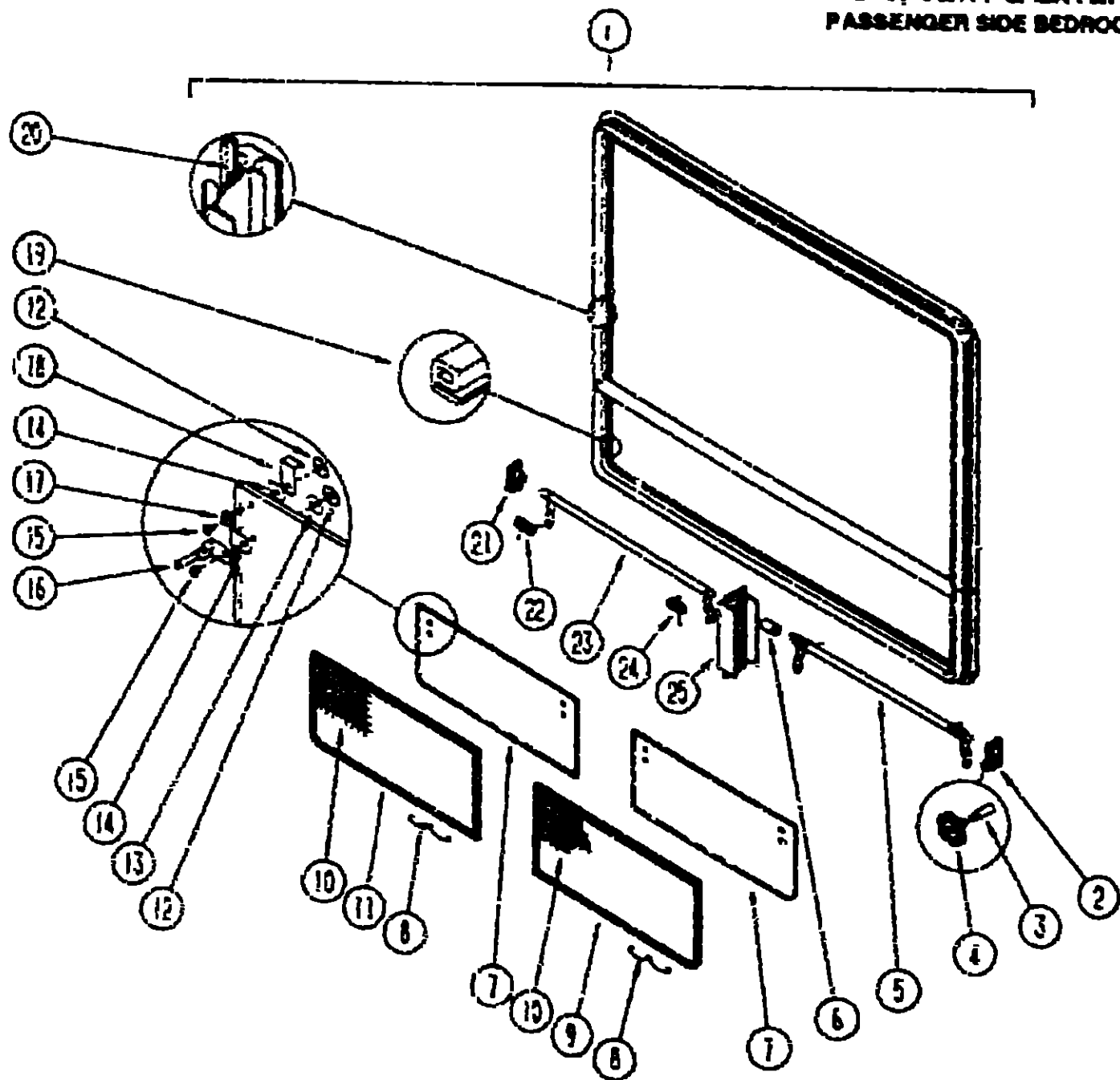
**1991 WINNEBAGO**  
**TABLE OF CONTENTS**

INTRODUCTION	01 -	A-02
ABBREVIATIONS		A-03
ALPHABETICAL INDEX	A-04 -	A-06
WCN36FD	A-07 -	F-15
WFN36RA	F-17 -	K-22

**1991 WFN36RA INDEX**

FLOOR PLAN	F-17 -	F-18
ACCESSORIES	F-19 -	G-08
BATH	G-09 -	G-14
BEDROOM	G-15 -	G-16
CHASSIS	G-17 -	H-01
CURTAIN, CUSHION & PAD	H-02 -	H-11
DINETTE	H-12 -	H-14
DRIVERS	H-15 -	H-20
ELECTRICAL	H-21 -	I-03
EXTERIOR BODY	I-04 -	I-10
GALLEY	I-11 -	I-18
HEATING & A/C	I-19 -	I-22
INTERIOR FINISH	I-23 -	J-02
LABEL	J-03 -	J-10
LP		J-11
LOUNGE	J-12 -	J-13
SEALANTS & FASTENERS	J-14 -	J-16
WATER & SEWAGE	J-17 -	J-22
WINDOW, VENT AND EXTERIOR DOOR	J-23 -	K-22

**WINDOW, VENT & EXTERIOR DOOR GROUP (CONTINUED)**  
**PASSENGER SIDE BEDROOM, DINETTE, AND LOUNGE WINDOWS**



KEY	PART NUMBER	UOM	DESCRIPTION
1	090893-07-01A	EA	FRAME-WINDOW, INSIDE - 31.4" X 50 9" - BLACK
	092234-01-Y12	EA	WINDOW-TIPOUT, DOUBLE - W/O INSIDE FRAME - 31 5" X 50 9" STATIONARY GLASS IS NOT AVAILABLE, ORDER ENTIRE ASSEMBLY
2	000G39-06-16T	EA	SCREW-SF/DR, 8-20 X 1 PPH - BLACK
3	035302-02-000	EA	OPERATOR-TORQUE, TIPOUT WINDOW - LEFT
4	090025-01-000	EA	EXTENSION-WINDOW CONTROL
	067052-02-000	EA	KNOB-OPERATOR, TIPOUT WINDOW - BEIGE
			FROM 00-00-00 THRU 08-12-90
4	101290-01-01A	EA	KNOB-OPERATOR, TIPOUT WINDOW - BRASS
			FROM 08-13-90 THRU 99-99-99
5	083227-06-000	EA	TUBE-TORQUE, WINDOW - RIGHT
6	088816-51-001	EA	TUBE-EXTRUDED, .021D X .035"OD X 1.2" LONG - ALUMINUM
7	084068-20-000	EA	GLASS-TIPOUT 9.2" X 20.4"
8	100168-01-000	EA	CLIP-SPRING, SCREEN
9	100234-02-BJ7	EA	SCREEN-DOUBLE TIPOUT WINDOW, FRONT DR SIDE/REAR PASS SIDE
10	080218-03-000	3F	SCREEN-FIBERGLASS, 12" WIDE
	100240-01-000	FT	SPUNE-SCREEN, T-SHAPED
	081377-01-700	EA	ADHESIVE-CYANOACRYLATE, 10 GRAY TUBE
11	100234-01-807	EA	SCREEN-DOUBLE TIPOUT WINDOW, REAR DR SIDE FRONT PASS SIDE
12	086762-01-000	EA	T NUT 10-32
13	068827-02-000	EA	SEAL-WINDOW, RUBBER - ROUND - .80" DIA - BLACK
14	084473-01-000	EA	SEAL-RUBBER, TIPOUT WINDOW
15	086763-01-000	EA	SCREW-MACH, 10 - 32 X 1/4 PTH
16	097578-01-000	EA	LINKAGE-TIPOUT WINDOW
	084453-01-000	EA	WASHER-.080 X .50 X .135 - PLASTIC
	085315-01-000	EA	RIVET-SHOULDER, TIPOUT WINDOW
	081549-01-000	EA	RING-SNAP, 7/32 SHAFT DIAMETER
	089371-01-000	EA	SCREW-MACHINE, 8-32 X 3 5/16" - FOR EXTENDED KNOB
			FROM 00-00-00 THRU 08-12-90,
	101299-01-01A	EA	SCREW-MACHINE, 8-32 X 4 - POH - BRASS - FOR EXTENDED KNOB
			FROM 08-13-90 THRU 99-99-99
17	084453-02-000	EA	WASHER-.080 X .50 X .135 - PLASTIC
18	088913-01-000	EA	HINGE-TIPOUT WINDOW, BLACK
19	034067-02-000	FT	SEAL-E SHAPED, SPONGE - TIPOUT WINDOW - .4" X .4" - BLACK
20	089840-11-000	FT	SEALER-TAPE, 3/16"X3/8" BLACK
21	035302-01-000	EA	OPERATOR-TORQUE, TIPOUT WINDOW - RIGHT
	038886-01-000	EA	TAPE-BUTYL, 31" X 31" X 148" LONG
22	080918-02-000	EA	SPRING-TORQUE TUBE, LEFT
23	083228-06-000	EA	TUBE-TORQUE, WINDOW - REAR
24	080918-01-000	EA	SPRING-TORQUE TUBE, RIGHT
25	088803-01-01A	EA	MULLION-VERTICAL, 9 5" LONG - ALUMINUM - BLACK

**199' WINNEBAGO  
TABLE OF CONTENTS**

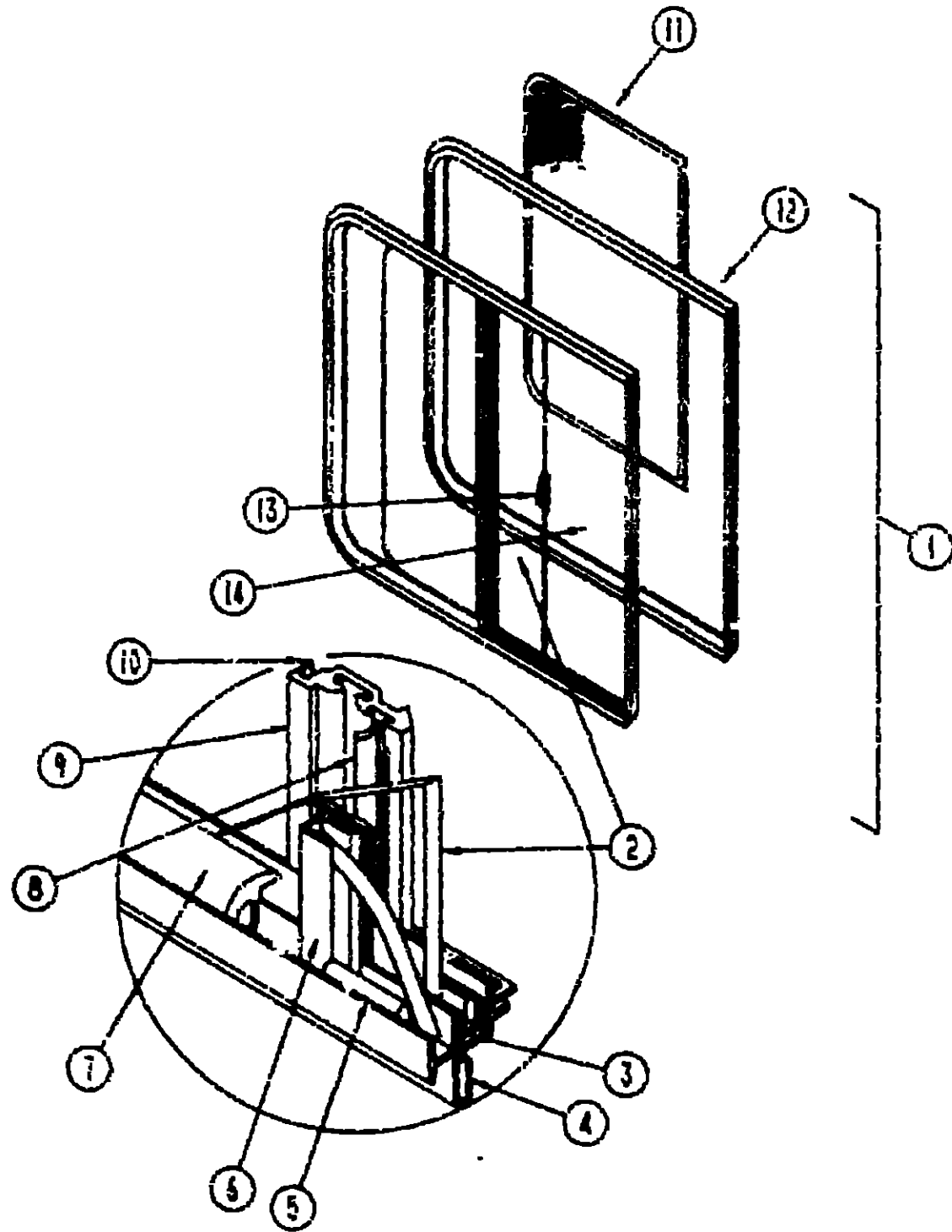
INTRODUCTION	A-01 - A-02
ABBREVIATIONS	A-03
ALPHABETICAL INDEX	A-04 - A-06
WCN36RO	A-07 - F-16
WFN36RA	F-17 - K-22

**1991 WFN36RA INDEX**

FLOOR PLAN	F-17 - F-18
ACCESSORIES	F-19 - G-08
BATH	G-09 - G-14
BEDROOM	G-15 - G-15
CHASSIS	G-17 - H-01
CURTAIN, CUSHION & PAD	H-02 - H-11
DINETTE	H-12 - H-14
DRIVERS	H-15 - H-20
ELECTRICAL	H-21 - I-03
EXTERIOR BODY	I-04 - I-10
GALLEY	I-11 - I-18
HEATING & AC	I-19 - I-22
INTERIOR FINISH	I-23 - J-02
LABEL	J-03 - J-10
LP	J-11
LOUNGE	J-12 - J-13
SEALANTS & FASTENERS	J-14 - J-16
WATER & SEWAGE	J-17 - J-22
WINDOW, VENT AND EXTERIOR DOOR	J-23 - K-22

# WINDOW, VENT & EXTERIOR DOOR GROUP (CONTINUED)

## PASSENGER SIDE CAB WINDOW



KEY	PART NUMBER	U/M	DESCRIPTION
1	053703-01-Y10	EA	WINDOW ASM SINGLE SLIDER - W/O INSIDE FRAME
2	081980-11-000	EA	GLASS-SLIDER, .13" X 30.4" X 15.6"
3	042077-01-000	FT	CHANNEL-WDG-GLASS RUN 3/16
4	069640-11-000	FT	SEALER-TAPE, 3/16" X 3/8" BLACK
5	050216-02-000	FT	SPUNE-VINYL GLASS 19 BLK
	050778-01-000	EA	SCREW 1/4-14 X 3/8 HWY BLK
6	002389-03-209	EA	EXTR-PCR BLK GLASS HOLDER - 29 57
	023320-01-000	EA	PAD-FELT-3/8 DIA
7	041929-02-000	FT	SEAL-WDG-CHANNEL USE 3/16 - EXTERIOR - BLACK
8	073740-01-000	FT	SEAL-FIN, .460 PILE HEIGHT
	073624-01-000	FT	SEAL-WEATHER, C-FOLD 500
9	084170-09-000	EA	MULLION-SLIDER WINDOW - 29 8" - ALUMINUM - BLACK
10	092665-01-Y10	EA	FRAME ASM-WDG, 1/4 S. DE. SCREEN - BLACK
	000669-06-16T	EA	SCREW-SF/DR-6-20 X 1.00 FPH
	002328-01-000	EA	BLOCK-WINDOW-1 1/2 X 3/16 X 1
11	092664-01-Y10	EA	SCREEN ASSEMBLY
	002291-02-000	FT	SCREENING-ROOF VENT/WINDOW, 16" - BLACK
	002298-02-000	FT	SPUNE-VENT/WINDOW SCREEN, .128 DIAMETER - BLACK
	078364-01-000	EA	HOLDER-UPPER SCREEN, EXTRUDED PLASTIC - 9 5" - BLACK
	078365-01-000	EA	HOLDER-LOWER SCREEN, EXTRUDED PLASTIC - 9 5" - BLACK
12	062538-01-Y10	EA	FRAME-WINDOW, INSIDE
13	047369-01-700	EA	LATCH KIT-WINDOW, PLASTIC
14	057856 12-000	EA	GLASS - 19" X 30.43" X 15.70", STATIONARY

## 1991 WINNEBAGO TABLE OF CONTENTS

INTRODUCTION	A-01 -	A-02
ABBREVIATIONS		A-03
ALPHABETICAL INDEX	A-04 -	A-06
WGN36RQ	A-07 -	F-15
WGN36RA	F-17 -	K-22

## 1991 WGN36RA INDEX

FLOOR PLAN	F-17 -	F-18
ACCESSORIES	F-19 -	G-08
BATH	G-09 -	G-14
BEDROOM	G-15 -	G-16
CHASSIS	G-17 -	H-01
CURTAIN, CUSHION & PAD	H-02 -	H-11
DINETTE	H-12 -	H-14
DRIVERS	H-15 -	H-20
ELECTRICAL	H-21 -	I-03
EXTERIOR BODY	I-04 -	I-10
GALLEY	I-11 -	I-18
HEATING & AC	I-19 -	I-22
INTERIOR FINISH	I-23 -	J-02
LABEL	J-03 -	J-10
L.P.		J-11
LOUNGE	J-12 -	J-13
MATERIALS & FASTENERS	J-14 -	J-15
WATER & SEWAGE	J-17 -	J-22
WINDOW, VENT AND EXTERIOR DOOR	J-23 -	K-22



**WINDOW, VENT & EXTERIOR DOOR GROUP (CONTINUED)**  
DRIVER SIDE BEDROOM WINDOW

KEY	PART NUMBER	U/M	DESCRIPTION
	101782-01-01A	EA	WINDOW-TIPOUT ESCAPE - W/O INSIDE FRAME - 31" X 41 5/8" - HEHR
	101782-02-01A	EA	FRAME-WINDOW, INSIDE - HEHR

**POWERED ROOF VENT**

KEY	PART NUMBER	U/M	DESCRIPTION
	090393-01-Y12	EA	VENT-ROOF, POWERED W/O SCREEN
	002825-01-000	EA	WEATHER STRIP-ROOF VENT, GRAY
	008195-01-000	EA	SWITCH-ROOF VENT, PUSH BUTTON, 12V
	008385-01-000	EA	GROMMET-SNAP 3/8"
	009440-01-000	EA	GEAR/ARM-VENT COVER, LIFT
	015911-01-000	EA	TRACK-LIFT ARM, SLIDE - ROOF VENT
	048648-01-000	EA	MOTOR-ROOF VENT, 1/8 SHAFT - 12V
	048649-01-000	EA	FAN-ROOF VENT, 5 BLADES - 5"
	055218-01-000	EA	COVER-ROOF VENT
	061603-01-000	EA	GROMMET-SNAP, 3/16 ID - 3/8 HOLE - PLASTIC - BLACK
	052639-01-000	EA	HINGE-EXTRUSION, ROOF VENT 7"
	052639-01-001	EA	HINGE-VENT COVER, 192"
	079785-01-Y12	EA	SCREEN-ROOF VENT, POWERED
	002291-02-000	SF	SCREENING-ROOF VENT/WINDOW 16" - BLACK
	002298-02-000	FT	SPLINE-VENT/WINDOW SCREEN, 128 DIAMETER - BLACK
	009439-01-000	EA	CRANK HANDLE-ROOF VENT
	009439-03-000	EA	EXTENSION-CRANK HANDLE, ROOF VENT - 9"
	009439-04-000	EA	SCREW-8-32X1 1/4 PH

**NON POWERED ROOF VENT**

KEY	PART NUMBER	U/M	DESCRIPTION
	090392-01-Y12	EA	VENT-ROOF, NON POWERED
	002825-01-000	EA	WEATHER STRIP-ROOF VENT, GRAY
	009440-01-000	EA	GEAR/ARM-VENT COVER, LIFT
	015911-01-000	EA	TRACK-LIFT ARM, SLIDE - ROOF VENT
	055218-01-000	EA	COVER-ROOF VENT
	052639-01-001	EA	HINGE-VENT COVER, 192"
	009439-01-000	EA	CRANK HANDLE-ROOF VENT
	009439-03-000	EA	EXTENSION-CRANK HANDLE, ROOF VENT - 9"
	009439-04-000	EA	SCREW-8-32X1 1/4 PH
	079786-01-Y12	EA	SCREEN-ROOF VENT, NON POWERED
	002291-02-000	SF	SCREENING-ROOF VENT/WINDOW 16" - BLACK
	002298-02-000	FT	SPLINE-VENT/WINDOW SCREEN 128 DIAMETER - BLACK

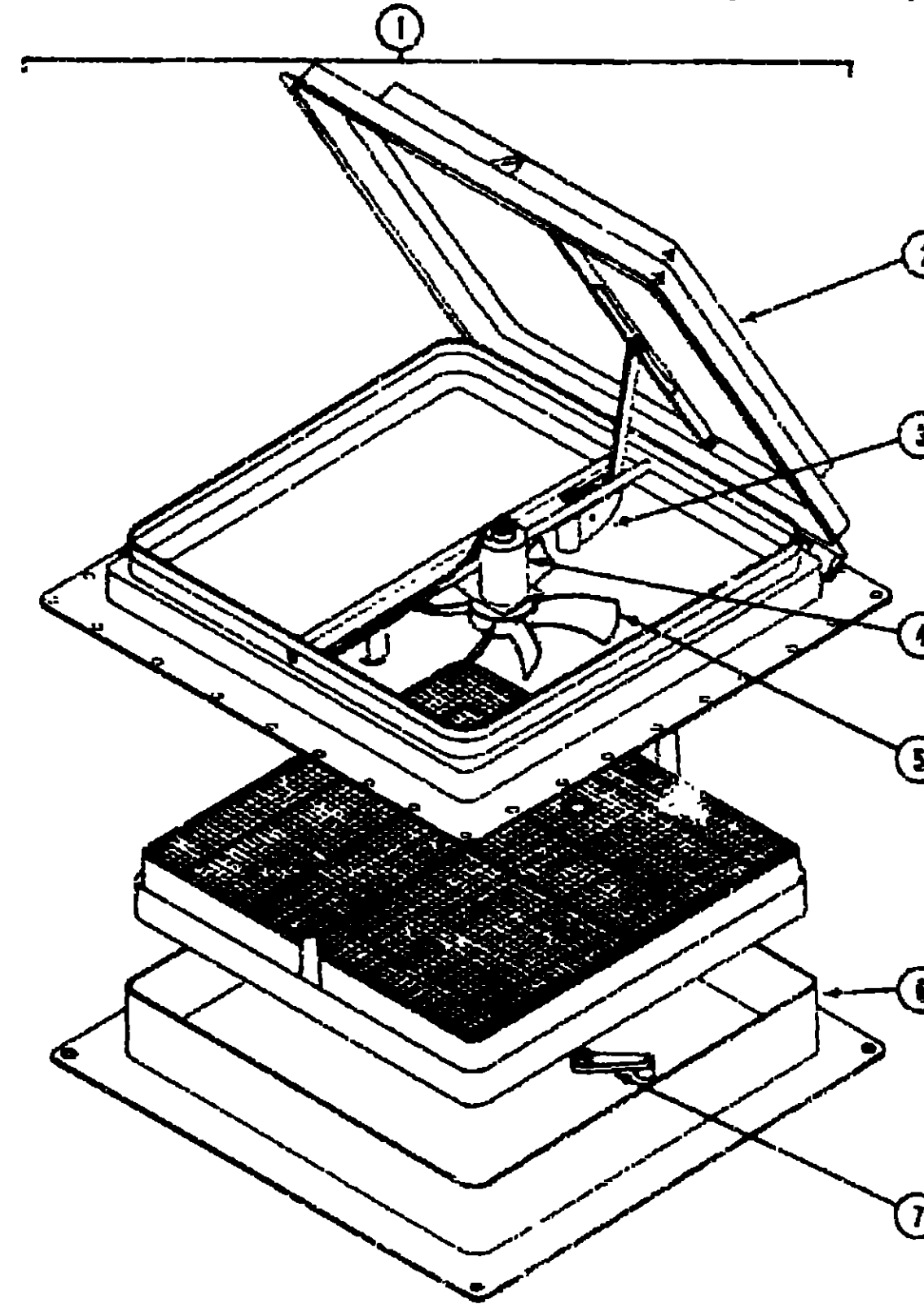
**SIDEWALL & ROOF VENTS**

KEY	PART NUMBER	U/M	DESCRIPTION
	082818-02-02A	EA	VENT-RANGE HOOD, W/DOOR - BEIGE
	083518-01-000	EA	VENT-PLUMBING PIPE ROOF, W/COVER - BEIGE
	084073-01-000	EA	COVER-ROOF VENT, NORCOLD REFRIGERATOR - BEIGE
	084073-04-000	EA	BASE-ROOF VENT, NORCOLD REFRIGERATOR - BLACK

**VENTILATOR FAN OPTION L414**

KEY	PART NUMBER	U/M	DESCRIPTION
	084179-06-000	EA	VENT-EXHAUST, POWERED - OFF WASTE - FANTASTIC VENT
	084179-01-700	EA	VENT COVER - FANTASTIC 1020-19
	084179-01-701	EA	SCREEN ASM WHITE - FANTASTIC 1030-80
	084079-01-703	EA	CRANK-EXTERIOR, FANTASTIC 1060-08
	084079-01-704	EA	BLADE-FAN FANTASTIC 1070-00
	084079-01-705	EA	MOTOR, FANTASTIC 1080-00
	084079-01-706	EA	PLUG-12 VOLT, FANTASTIC 1090
	084079-01-707	EA	SWITCH-SAFETY, FANTASTIC 1120-00
	084079-01-708	EA	SWITCH ON & OFF (MAIN POWER) - FANTASTIC - 1100-00
	084079-01-711	EA	H MOLDING-MOTOR MOUNT
	084079-01-712	EA	GARNISH INTERIOR, OFF WHITE

**WINDOW, VENT & EXTERIOR DOOR GROUP (CONTINUED)**



**CANADIAN EXPORT OPTION L025**

KEY	PART NUMBER	U/M	DESCRIPTION
1	064469-08-000	EA	VENT-ROOF, POWERED - 14" X 14" - 12V - CANADIAN
2	064466-03-702	EA	LID-VENT WHITE
3	064469-03-706	EA	LIFT MECHANISM
4	048648-01-000	EA	MOTOR-ROOF VENT 1/8 SHAFT - 12V
5	048649-01-000	EA	FAN-ROOF VENT, 5 BLADES - 5"
6	064469-03-705	EA	GARNISH VENT 2 5/8" WIDE
7	009439-01-000	EA	CRANK HANDLE-ROOF VENT

**1991 WINNEBAGO  
TABLE OF CONTENTS**

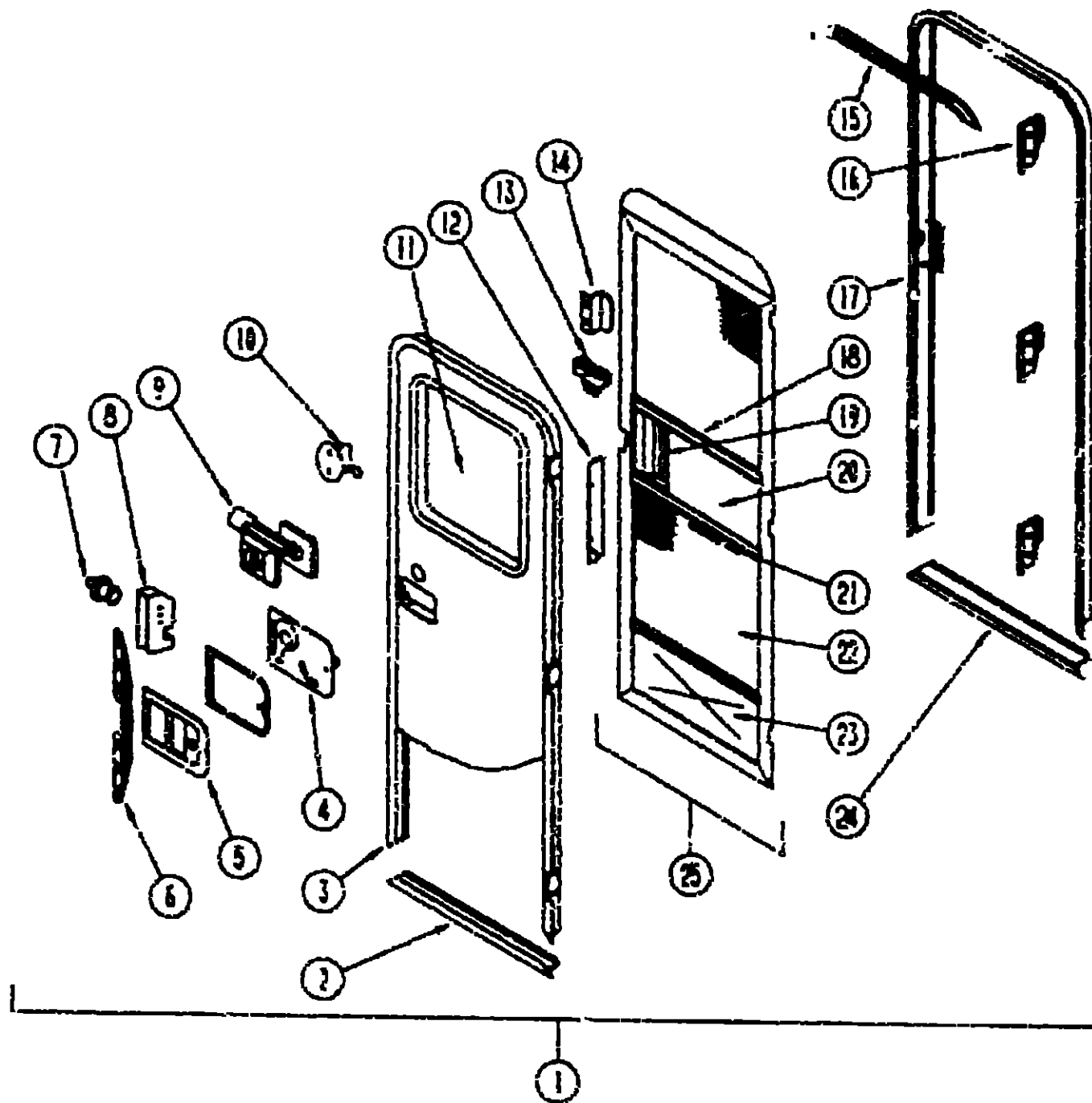
INTRODUCTION	A-01 -	A-02
ABBREVIATIONS		A-03
ALPHABETICAL INDEX	A-04 -	A-06
WINNEBAGO	A-07 -	F-16
WFN36FA	F-17 -	K-22

**1991 WFN36RA INDEX**

FLOOR PLAN	F-17 -	F-18
ACCESSORIES	F-19 -	G-08
BATH	G-09 -	G-14
BEDROOM	G-15 -	G-18
CHASSIS	G-17 -	H-01
CURTAIN, CUSHION & PAD/COT		H-11
DINETTE	H-12 -	H-14
DRIVERS	H-15 -	H-20
ELECTRICAL	H-21 -	I-03
EXTERIOR BODY	I-04 -	I-10
GALLEY	I-11 -	I-18
HEATING & A/C	I-19 -	I-22
INTERIOR FINISH	I-23 -	J-02
LABEL	J-03 -	J-10
LP		J-11
LOUNGE	J-12 -	J-13
SEALANTS & FASTENERS	J-14 -	J-16
WATER & SEWAGE	J-17 -	J-22
WINDOW, VENT AND EXTERIOR DOOR	J-23 -	K-22

# WINDOW, VENT & EXTERIOR DOOR GROUP (CONTINUED)

## ENTRANCE DOOR



KEY	PART NUMBER	U/M	DESCRIPTION
5	045017-11-000	EA	LATCH-PADDLE, MECHANISM W/LOCK CYLINDER - KEY - BLACK
	045017-11-701	EA	KEY BLANK, F1 SERIES
6	098173-01-04A	EA	STIFFENER-ENTRY DOOR, SUPPORTS LATCH/STRIKE AREA - MLL
7	023537-01-000	EA	STRIKE-ENTRANCE DOOR LOCK
	077461-01-000	EA	COVER-STRIKE, ENTRY DOOR - 6.5" X 2.5" - PLASTIC - BEIGE
8	039540-01-000	EA	LATCH MECHANISM-HOOK, ENTRY DOOR - INTERIOR
	039715-01-000	EA	NUT-SERT, 1/4" DIAMETER - 20 THREADS
	039984-01-000	EA	CAP-ROUND DEADBOLT, VINYL - 2 3/8" ID X 62" LONG - BLACK
	040944-01-000	EA	LABEL-ENTRANCE DOOR, "OPEN"
	058808-01-000	EA	PLUG-TAPERED, FOR DEADBOLT - PLASTIC - 66" DIAMETER - RED
	039736-01-000	EA	DEADBOLT-ROUND, J-SHAPED - INTERIOR USE ONLY
9	101145-01-01A	EA	DEADBOLT-ENTRY DOOR, BLACK
	101145-01-700	EA	KEY ONLY-BLANK
	081067-01-000	EA	SEAL-LOCK, FLAT W/SLIT
	101147-01-000	EA	BOLT-SECURITY, 4 1/2" BACKSET
	039900-03-000	FT	TUBING-POLYSUTYLENE, 3/8" OD
	081914-01-000	EA	BUMPER-RUBBER, ROUND - BLACK
10	100412-01-000	EA	CATCH-SCREEN DOOR
11	079733-04-T03	EA	WINDOW-PICTURE, W/O INSIDE FRAME - 17" X 25"
	067609-27-000	EA	FRAME-INSIDE, PICTURE WINDOW - 15.8" X 24.5" - BLACK
	002181-06-000	EA	GLASS-PICTURE WINDOW, .115" X 16.25" X 24"
	087561-01-000	FT	SPUNE-GLASS, EXTERIOR - VINYL - BLACK
12	079087-01-000	EA	STRIKE-SLIDER, W/ZIP FOR ELBOW CATCH - 1.5" X 9.5" - BEIGE
13	009018-01-000	EA	CATCH-SCREEN DOOR ROLLER
	009016-01-000	EA	CATCH-ELBOW, SPRING LOADED - SCREEN DOOR CATCH
	058025-02-000	EA	CLIP-ROLLER LATCH CATCH
	066729-04-000	EA	RIVNUT, 10-32 UNF - .010-080
	072893-01-000	EA	NUTSERT-M5 X 0, 8
	075671-01-000	FT	SEAL-SPONGE, LAZY T SHAPE - WEATHERSTRIP ON ENTRY DOOR
	075673-01-000	FT	SEAL-PILE, ADHESIVE BACK - GRAY
	075908-01-000	EA	SCREW-MACH-10-32X.56PTH/SEMS
14	050712-03-000	EA	HANDLE-SCREEN DOOR, UNPAINTED
15	044582-01-000	EA	CAP-DROP, ENTRY DOOR - ALUMINUM - BEIGE
16	097724-01-04A	EA	HINGE-ENTRY DOOR, UNPAINTED
	076725-01-000	EA	COVER-ACCESS HINGE - 6" X 3.2" - PLASTIC - BEIGE
	095277-02-02A	EA	JAMB-ENTRY DOOR, W/BOTTOM & ROLLER CATCH STRIKER - BEIGE
17	095278-01-01A	EA	JAMB DOOR, ENTRANCE - 25 3/8" X 74 5/8" UNPAINTED (COMES W/095277-02-02A)
	076207-01-000	EA	STRIKER-ROLLER CATCH, WELDED TO DOOR JAMBS - 4" X 1.15"
18	076777-01-000	EA	CHANNEL-SLIDE, SCREEN DOOR CENTER SLIDER COVER
19	079086-01-000	EA	SLIDER-SCREEN DOOR, BEIGE
	078595-01-000	EA	TOP PLATE-SCREEN DOOR, CURVED TOP - 47" X 25 3/8"
20	076454-01-000	EA	INSERT-SCREEN DOOR, CENTER - LEATHER GRAY ALUMINUM - BEIGE
21	002294-01-000	FT	SPUNE-SCREENING, 150" X 150" - BLACK
22	002293-02-000	SF	SCREENING-WINDOW DOOR 25" - CHARCOAL
23	078552-03-000	EA	KICK PANEL-SCREEN DOOR, CENTER INSERT - UNPAINTED
24	061049-01-000	EA	JAMB BOTTOM ENTRY DOOR, 27 3/8" BEIGE (COMES W/095277-02-02A)
25	079012-01-T03	EA	DOOR-SCREEN
	100128-01-000	FT	SEAL-SCREEN DOOR
	085774-01-000	FT	FASTENER - DUAL LOCK, 1" WIDE
	085774-02-000	FT	FASTENER - DUAL LOCK, 1" WIDE
	090340-01-000	FT	SEAL-FOAM, CLOSED CELL - 1.4" X 1/2" X 50'
	051968-03-000	FT	TAPE-ADHESIVE, 0.4" X 1" WIDE
	000145-01-000	EA	SLEEVE-WIRE, 10" LONG - PLASTIC - BLACK - GM 115590724
	050146-01-000	EA	GRAPMET-WIRE 17" X 31" - OVAL SHAPED - PLASTIC - BLK
	100312-01-000	EA	SWITCH DOOR JAMB ELECTRIC ENTRY STEP

### 1991 WFN36BAGO TABLE OF CONTENTS

INTRODUCTION	A-01 -	A-02
ABBREVIATIONS		A-03
ALPHABETICAL INDEX	A-04 -	A-06
WFN36RD	A-07 -	F-15
WFN36RA	F-17 -	K-22

### 1991 WFN36RA INDEX

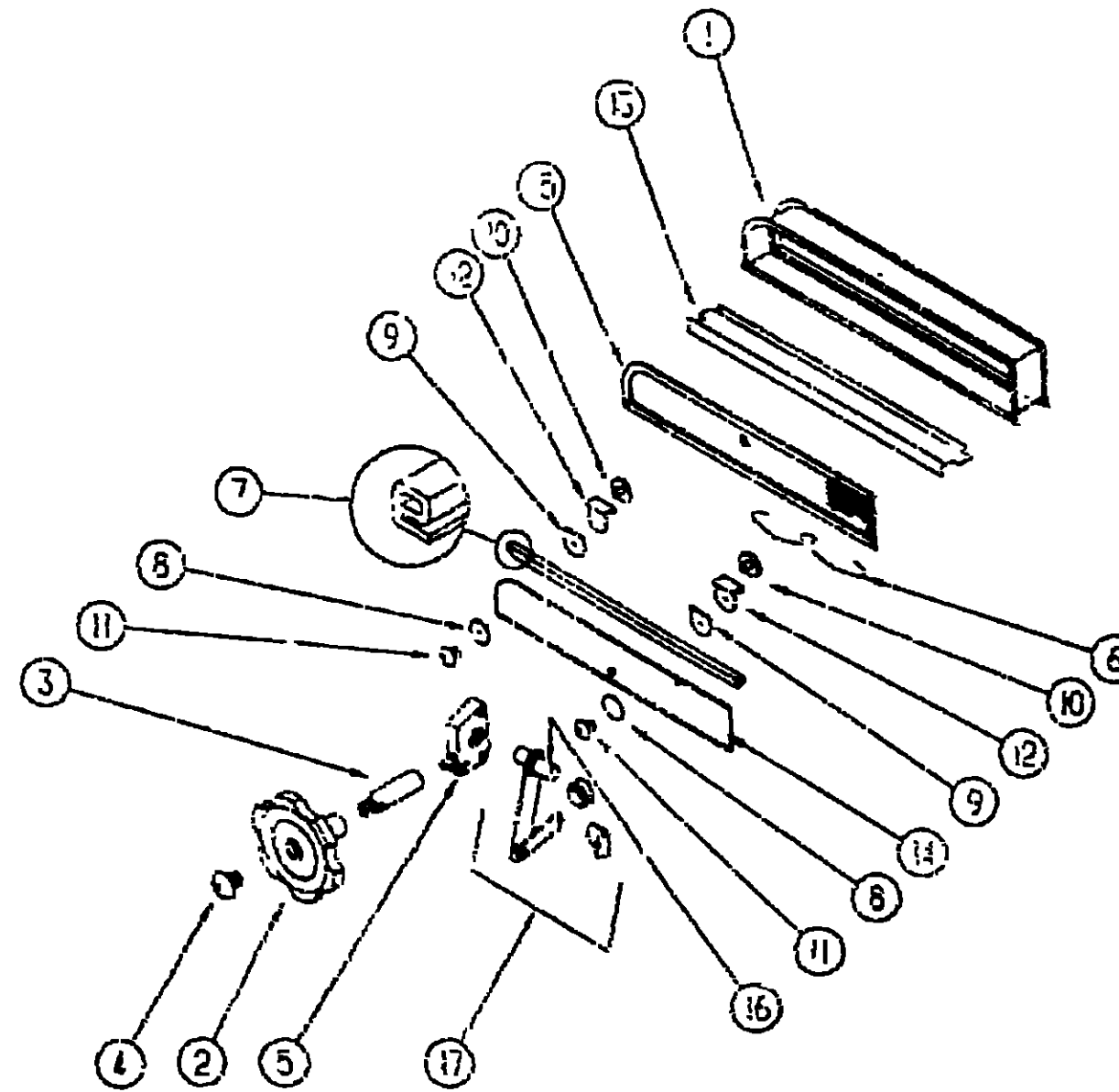
FLOOR PLAN	F-17 -	F-18
ACCESSORIES	F-19 -	G-08
BATH	G-09 -	G-14
BEDROOM	G-15 -	G-16
CHASSIS	G-17 -	H-01
CURTAIN CUSHION & PAD	H-02 -	H-11
DINETTE	H-12 -	H-14
DRIVERS	H-15 -	H-20
ELECTRICAL	H-21 -	I-03
EXTERIOR BODY	I-04 -	I-10
GALLEY	I-11 -	I-15
HEATING & A/C	I-19 -	I-22
INTERIOR FINISH	I-23 -	J-02
LABEL	J-03 -	J-10
LP		J-11
LOUNGE	J-12 -	J-13
SEALANTS & FASTENERS	J-14 -	J-15
WATER & SEWAGE	J-17 -	J-22
WINDOW VENT AND EXTERIOR DOOR	J-23 -	K-22

KEY	PART NUMBER	U/M	DESCRIPTION
1	M01870-50-507	EA	DOOR-ENTRY, W JAMBS AND SCREEN DOOR
	041546-03-000	EA	BRACKET-DOOR ANGLE, 5" X 1 9/16" - BEIGE - METAL
	063965-01-02A	EA	GARNISH-RADIUS, ENTRY DOOR - 1 3/8" WIDE CHANNEL - OFF WHITE
			FROM 00-00-00 THRU 09-23-90
	093966-02-02A	EA	GARNISH RADIUS ENTRY DOOR - 1 3/8" WIDE CHANNEL - OFF WHITE
			FROM 02-24-90 THRU 99-99-99
	039773-01-00A	EA	TRIM-ENTRANCE DOOR, 1 3/8" WIDE - BEIGE
	002148-01-000	EA	CORNER KEY SCREEN DOOR
2	086748-02-000	EA	FRAME-BOTTOM ENTRY DOOR BEIGE
3	095276-01-02A	EA	FRAME-ENTRY DOOR W/O BOTTOM - BEIGE
4	039679-03-000	EA	COVER-INTERIOR LATCH W/ZIP ARM - BLACK
			FROM 00-00-00 THRU 08-07-90
4	039979-04-000	EA	COVER-INTERIOR LATCH W/ZIP ARM - BLACK
			FROM 08-07-90 THRU 92-99-99

**WINDOW, VENT & EXTERIOR DOOR GROUP (CONTINUED)**  
**DRIVER DOOR UPPER STATIONARY WINDOW**

KEY	PART NUMBER	U/M	DESCRIPTION
	093043-01-Y12	EA	WINDOW ASM - UPPER STATIONARY - 4 5' X 25' GLASS
	062577-01-000	EA	GLASS-STATIONARY, FLIKER WINDOW - 4 5' X 25'
	062628-01-01A	EA	MULLION WINDOW, DOOR - BLACK
	079370-04-000	FT	COVER-SCREW, WINDOW - VINYL - BLACK
	091910-02-000	EA	CHANNEL - WINDOW
	064067-01-000	FT	SEAL-E SHAPED, SPONGE - TIPOUT WINDOW - 4' X 4'
			FROM 03-00-00 THRU 03-03-91
	084067-02-000	FT	SEAL-E SHAPED, SPONGE - TIPOUT WINDOW - 42' X 53' - BLACK
			FROM 03-04-91 THRU 99-99-99
	068327-03-000	EA	SEAL-WINDOW, RUBBER - FOLD - 80' DIA - BLACK
	084453-02-000	EA	WASHER - 06' X 5' X .135' - PLASTIC
	084473-01-000	EA	SEAL-FLAT W/CENTER HOLE & ADHESIVE SIDE - 8' X 9' - BLACK
	086762-01-000	EA	T-NUT 10-32
	066938-03-000	EA	REAR, 1/8-38' DIA, SNAP IN

**WINDOW, VENT & EXTERIOR DOOR GROUP (CONTINUED)**



**DRIVER DOOR UPPER TIPOUT WINDOW**

KEY	PART NUMBER	U/M	DESCRIPTION
1	082974-01-Y12	EA	WINDOW ASM - UPPER TIPOUT - 4 5' X 27 9' GLASS - OVHD BUNK ONLY
2	009439-05-000	EA	KNOS-CRANK TIPOUT WINDOW - METAL - BLACK
3	009437-06-000	EA	EXTENSION-CRANK KNOB, .9' - METAL - BLACK
4	009439-07-000	EA	SCREW-J 32 X 1 1/4 PCH - BLACK
5	035302-C1-000	EA	OPERATOR-TORQUE TIPOUT WINDOW
6	081243-02-000	EA	CLIP-SCREEN, PLASTIC - BLACK
	081543-01-000	EA	RING-SNAP 7/32 SHAFT DIAMETER 7
	064067-01-000	FT	SEAL-E SHAPED, SPONGE - TIPOUT WINDOW - 42' X 44' - BLACK
			FROM 03-00-00 THRU 03-03-91
7	064067-02-000	FT	SEAL-E SHAPED SPONGE - TIPOUT WINDOW - 42' X 53' - BLACK
			FROM 03-04-91 THRU 99-99-99
	084453-01-000	EA	WASHER 06' X 5' X .135' - PLASTIC
8	084453-02-000	EA	WASHER - 06' X 5' X 25' - PLASTIC
9	084473-01-000	EA	SEAL-FLAT, W/CENTER HOLE & ADHESIVE SIDE - 8' X 9' - BLACK
	085315-01-000	EA	RIVET-SHOULDER TIPOUT WINDOW
10	086762-01-000	EA	T NUT 10-32
11	086763-01-000	EA	SCREW-MACH 10 - 32 X 1/4 PTH
12	089913-01-000	EA	HINGE-TIPOUT WINDOW - BLACK
13	082628-01-01A	EA	MULLION WINDOW, DOOR - BLACK
14	082970-01-000	EA	GLASS-TIPOUT 4 5' X 27 9'
15	095964-01-Y12	EA	SCREEN-SINGLE TIPOUT, 1 RADIUS CORNER - 6' X 29 2'
	002291-02-000	FT	SCREENING-ROOF VENT/WINDOW, 16' - BLACK
	100240-01-000	FT	SPUNE-SCREEN T-SHAPED
16	030011-01-000	EA	TUBE ASM-TORQUE
K-13 17	097578-07-000	EA	LINKAGE ASM-TIPOUT

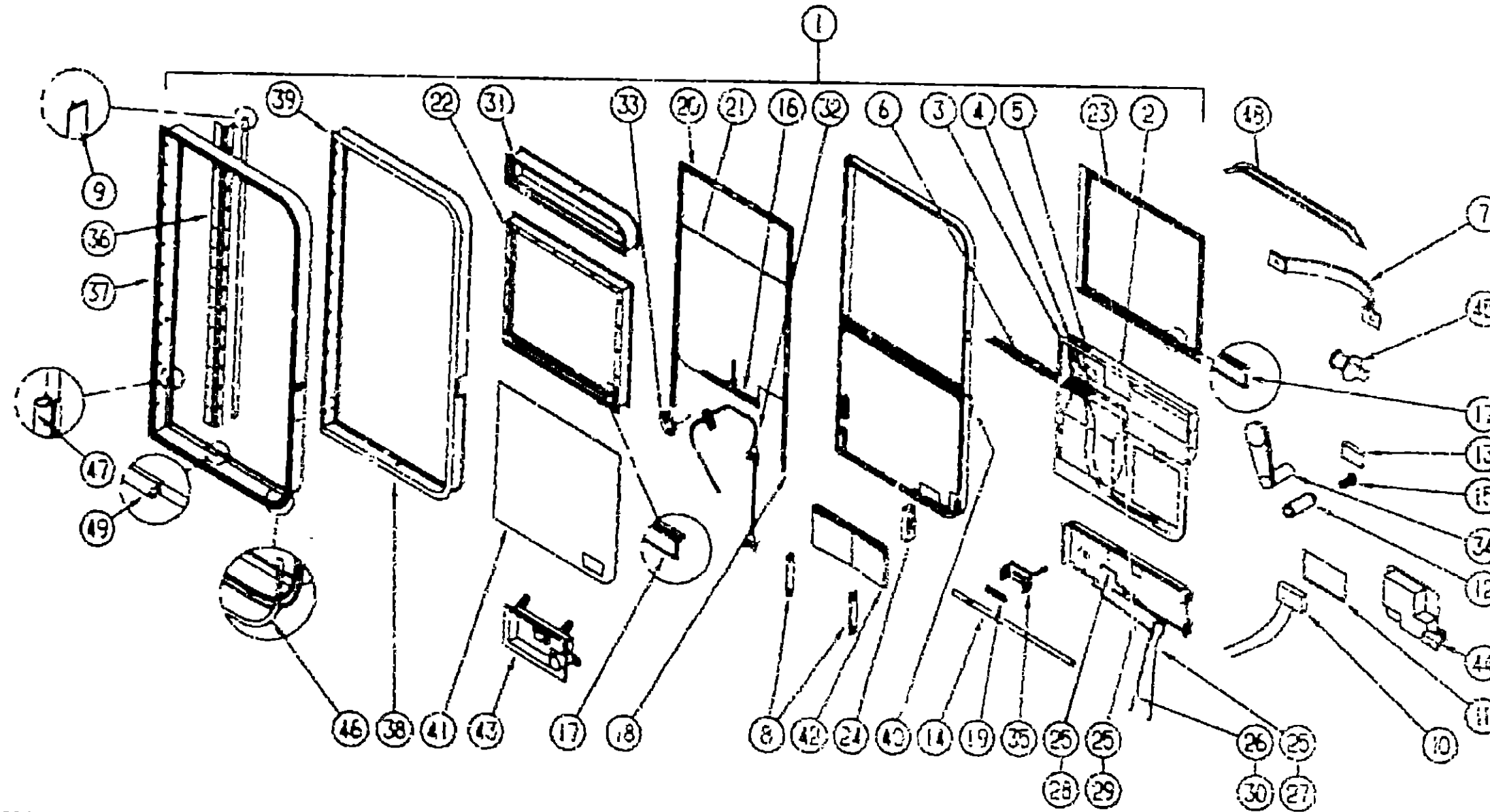
**1991 WINNEBAGO**  
**TABLE OF CONTENTS**

INTRODUCTION	A-01 -	A-02
ABBREVIATIONS		A-03
ALPHABETICAL INDEX	A-04 -	A-06
W0N36RQ	A-07 -	F-18
W0N36RA	F-17 -	K-22

**1991 W0N36RA INDEX**

FLOOR PLAN	F-17 -	F-18
ACCESSORIES	F-19 -	G-09
BATH	G-09 -	G-14
BEDROOM	G-15 -	G-15
CHASSIS	G-17 -	H-01
CURTAIN, CUSHION & PAD	H-02 -	H-11
DINETTE	H-12 -	H-14
DRIVERS	H-15 -	H-20
ELECTRICAL	H-21 -	I-03
EXTERIOR BODY	I-04 -	I-10
GALLEY	I-11 -	I-18
HEATING & A/C	I-19 -	I-22
INTERIOR FINISH	I-23 -	J-02
LABEL	J-03 -	J-10
LP		J-11
LOUNGE	J-12 -	J-13
SEALANTS & FASTENERS	J-14 -	J-16
WATER & SEWAGE	J-17 -	J-22
WINDOW, VENT AND EXTERIOR DOOR	J-23 -	K-22

**WINDOW, VENT & EXTERIOR DOOR GROUP (CONTINUED)**  
DRIVERS DOOR & COMPONENTS



**1991 WINNER 60  
TABLE OF CONTENTS**

INTRODUCTION	A-01 -	A-02
ABBREVIATIONS		A-03
ALPHABETICAL INDEX	A-04 -	A-06
WGN36RD	A-07 -	F-15
WGN36RA	F-17 -	K-22

**1991 WFN36RA INDEX**

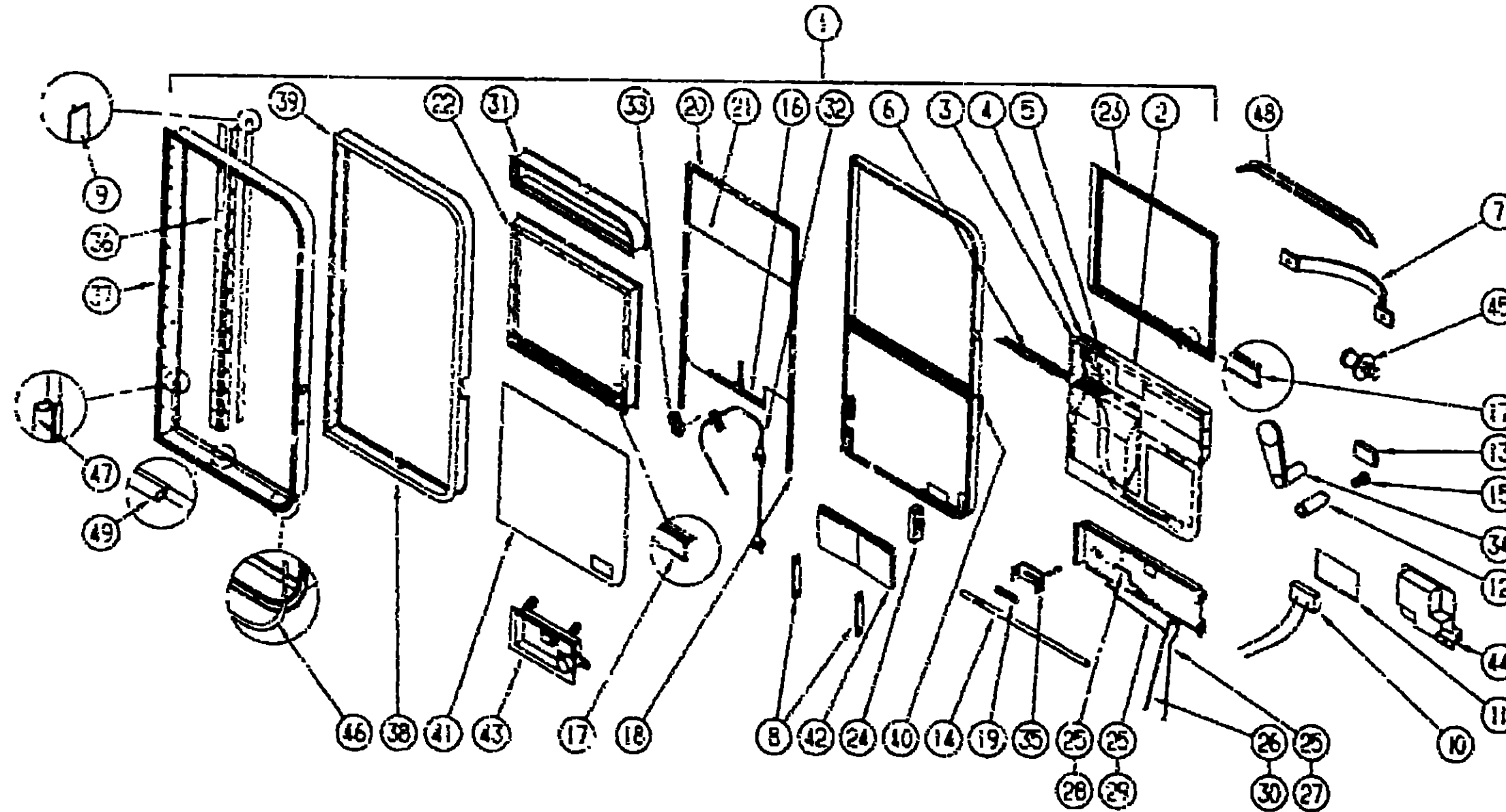
FLOOR PLAN	F-17 -	F-19
ACCESSORIES	F-19 -	G-08
BATH	G-09 -	G-14
BEDROOM	G-15 -	G-16
CHASSIS	G-17 -	H-01
CURTAIN, CUSHION & PAD	H-02 -	H-11
DINETTE	H-12 -	H-14
DRIVERS	H-15 -	H-20
ELECTRICAL	H-21 -	I-03
EXTERIOR BODY	I-04 -	I-10
GALLEY	I-11 -	I-16
HEATING & A/C	I-19 -	I-22
INTERIOR FINISH	J-23 -	J-02
LABEL	J-03 -	J-10
LP		J-11
LOUNGE	J-12 -	J-13
SEALANTS & FASTENERS	J-14 -	J-16
WATER & SEWAGE	J-17 -	J-22
WINDOW, VENT AND EXTERIOR DOOR	J-23 -	K-22

KEY	PART NUMBER	U/M	DESCRIPTION
1	M97815-01-AB6	EA	DOOR-DRIVER, WTIPOUT - NON POWERED - USE WITH OVID BUNK ONLY
1	M97816-02-AB6	EA	DOOR-DRIVER W/O TIPOUT - NON POWERED
1	M97816-03-AB6	EA	DOOR-DRIVER, WTIPOUT - POWERED USE WITH OVID BUNK ONLY
1	M97816-04-AB6	EA	DOOR-DRIVER, W/O TIPOUT - POWERED
2	M97748-01-01A	EA	PANEL-DOOR, INTERIOR - PLASTIC - BEIGE
	067308-01-01A	EA	COVER-MAP POCKET, BEIGE
3	087095-01-000	EA	SWITCH-HEATER, EXTERIOR MIRROR
4	086246-01-000	EA	SWITCH-REMOTE, EXT MIRROR - SQUARE PUSH - VELVAC 7471290
5	090132-01-000	EA	SWITCH-ROCKER, 5 TERMINAL W/ARROW GRAPHICS - TORRIX 1737
	062843-01-000	EA	WIRE ASSEMBLY-DRIVER DOOR CONTROL PANEL
6	083144-01-000	EA	CONDUIT-WIRE, GM# 15592046
7	061400-04-000	EA	STRAP-ASSIST, 12" - BLACK W/WOODGRAIN SCREW COVERS
	063729-01-000	EA	RIVNUT 1/4 X 20 UNG - 030-125
8	064219-01-000	EA	RETAINER-CHECK STRAP, DRIVER DOOR
9	075671-01-000	FT	SEAL-SPONGE LAZY T SHAPE - WEATHERSTRIP - ENTRY DOOR
10	077000-01-000	EA	SOCKET ASM W/8" PIGTAIL LEADS
11	077036-01-000	EA	LENS-COURTESY LIGHT, CLEAR
	080774-02-000	EA	CLIP-WIRE, NYLON
12	081903-02-000	ZA	SHAFT-MOUNTING KNOB
13	081905-02-000	EA	KNOB-SLIDE BOLT, BLACK
14	081906-02-000	EA	BOLT-SLIDE
15	081908-01-000	EA	SCREW-MACHINE, 6-32 X .62 W/NYLOCK
16	081911-01-000	FT	TAPE-GLASS SETTING 1/16" X 1.5"
17	081912-02-000	EA	WEATHERSTRIP-RIGID
18	082240-03-000	EA	CHANNEL-GLASS RUN, BLACK
19	085284-01-000	EA	SPRING-COMPRESSION 44" LONG X 36X00

KEY	PART NUMBER	U/M	DESCRIPTION
20	089454-02-000	EA	CHANNEL-GLASS RUN TOP - BLACK
	090340-01-000	FT	SEAL-FOAM, CLOSED CELL 1/4" X 1/2" X 50'
21	092446-02-000	EA	GLASS-DOOR POLY LP - 27 5/8" X 25 3/4"
22	092750-01-Y10	EA	FRAME-WINDOW, INNER - 23 6/8" X 28"
23	092753-01-Y10	EA	FRAME-WINDOW OUTER
24	092927-04-000	EA	LATCH-DRIVER DOOR MECHANISM
25	092927-05-000	EA	CLIP-ROD END - RIGHT
26	092927-06-000	EA	CLIP-ROD END - LEFT
27	092928-01-000	EA	ROD-LOCK OUTSIDE
28	092928-03-000	EA	ROD RELEASE, INSIDE
29	092928-04-000	EA	ROD LOCK, INSIDE
30	092928-05-000	EA	ROD-RELEASE, OUTSIDE - 19 9/16" LONG
31	093043-01-Y12	EA	WINDOW ASM-UPPER STATIONARY - 4 5/8" X 28" GLASS
31	092974-01-Y12	EA	WINDOW ASM-UPPER T. POUT - 4 5/8" X 27 9/16" GLASS - OVID BUNK ONLY
32	093634-01-000	EA	REGULATOR WINDOW DRIVER - NON POWERED
32	092996-01-000	EA	REGULATOR-POWER WINDOW
32	103392-02-000	EA	REGULATOR POWER WINDOW FROM 00-00-00 THRU 03-03-91
33	082996-01-710	EA	MOTOR-POWER WINDOW, DRIVER DOOR FROM 03-04-91 THRU 99-99-99
	092996-01-711	EA	TAPE DRIVE-POWER WINDOW MOTOR
34	094575-01-000	EA	CRANK-HAND GLASS LIFT
35	096809-01-000	EA	BRACKET-DEADEND T
36	097207-01-02A	EA	HINGE-CONTINUOUS BEIGE
37	097278-01-AB6	EA	JAMB-DOOR

CONTINUED ON FOLLOWING PAGE

**WINDOW, VENT & EXTERIOR DOOR GROUP (CONTINUED)**  
DRIVERS DOOR & COMPONENTS



**1991 WINNEBAGO  
TABLE OF CONTENTS**

INTRODUCTION	A-01 - A-02
ABBREVIATIONS	A-03
ALPHABETICAL INDEX	A-04 - A-06
WGN36R2	A-07 - F-16
WGN36RA	F-17 - K-22

**1991 WFN36RA INDEX**

FLOOR PLAN	F-17 - F-18
ACCESSORIES	F-19 - G-08
BATH	G-09 - G-14
BEDROOM	G-15 - G-16
CHASSIS	G-17 - H-01
CURTAIN CUSHION & PAD	H-02 - H-11
DINETTE	H-12 - H-14
DRIVERS	H-15 - H-20
ELECTRICAL	H-21 - I-06
EXTERIOR BODY	I-07 - I-10
GALLEY	I-11 - I-18
HEATING & AC	I-19 - I-22
INTERIOR FINISH	J-23 - J-02
LABEL	J-03 - J-10
LP	J-11
LOUNGE	J-12 - J-13
SEALANTS & FASTENERS	J-14 - J-16
WATER & SEWAGE	J-17 - J-22
WINDOW, VENT AND EXTERIOR DOOR	J-23 - K-22

KEY	PART NUMBER	U/M	DESCRIPTION
38	087279-01-01A	EA	FRAME-DOOR REAR OUTER - BEIGE
39	097280-01-01A	EA	FRAME-DOOR, FRONT OUTER - BEIGE
	055278-01-001	FT	TUBING-STEEL .75" X 1.5" X 288"
40	097367-01-010	EA	BRACKET-SUPPORT DOOR LOCK
41	077517-51-000	EA	PIPERGLASS-SHEET, 29 1/2" X 27 9/16" - BEIGE - FLAT
42	098030-01-000	EA	STRAP-CHECK, DRIVER DOOR - BLACK
43	102235-01-01A	EA	LATCH-OUTSIDE, DRIVER DOOR - BLACK
			BLANK KEY# 045017-11-701
44	102237-01-01A	EA	LATCH-INSIDE, DRIVER DOOR - BLACK
45	082927-03-000	EA	STRIKER, ROLAND JAMB MOUNTED - TRIMARK 12035-16
	063899-02-000	EA	PLATE-STRIKER BOLT
46	087315-01-02A	FT	TRIM-INSERT, DRIVER DOOR - 43" WIDE - VINYL - BEIGE
47	081632-01-000	FT	SEAL-BULB, W/WIRE CARRIER - DOOR - 8" WIDE - RUBBER
48	084184-04-000	EA	CAP-DRIP, DRIVER DOOR - BEIGE
49	064075-07-000	FT	SEAL-BULB W/WIPED U CHANNEL - 3" X 5" CHANNEL - BLACK
	103413-01-01A	EA	GARNISH DRIVERS DOOR OFF WHITE
	091755-02-000	FT	SEAL-ADHESIVE BACKED FOAM 1/8" THICK X 1 1/2" WIDE
	100029-01-000	FT	TAPE-ADHESIVE .031" X .75" WIDE
	091968-03-000	FT	TAPE-ADHESIVE, .041" X 1" WIDE

**WINDOW, VENT & EXTERIOR DOOR GROUP (CONTINUED)**  
**MISCELLANEOUS COMPARTMENT COMPONENTS**

**WINDOW, VENT & EXTERIOR DOOR GROUP (CONTINUED)**

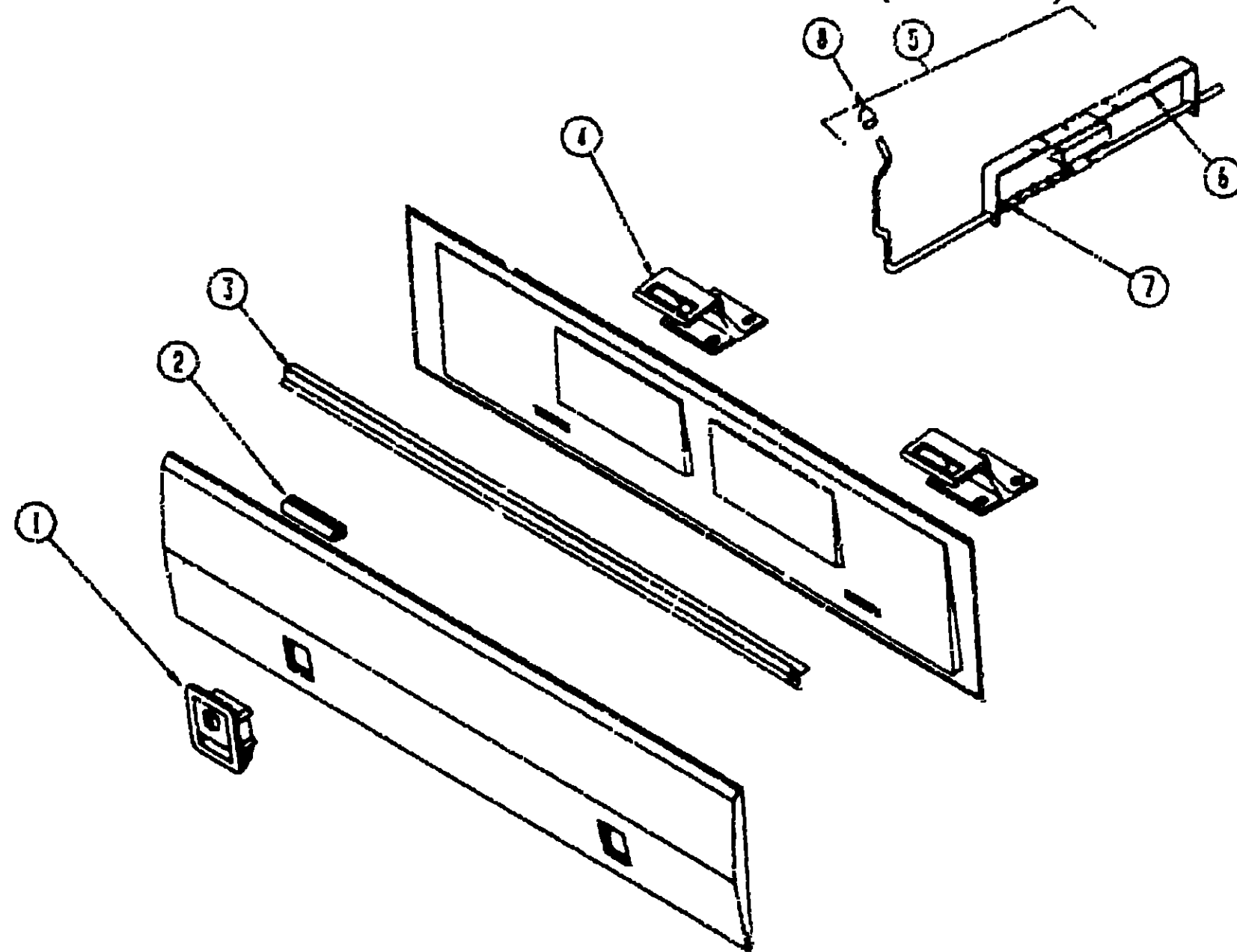
KEY	PART NUMBER	U/M	DESCRIPTION
	062263-01-000	EA	PANEL-EXHAUST, FURNACE - 14" X 14 1/2" - GALVANIZED
	062252-01-000	EA	COMPARTMENT-SPARE TIRE, GRAY PLASTIC
	077384-01-000	EA	PLATE-PIV, LADDER - 1 1/2" X 1 1/2" - 4 SW HOLES-1 LFS HOLE
	077385-01-000	EA	PIN PIVOT - FOR 077384-01-000
	077399-01-000	EA	RETAINER-SPARE TIRE, 2" X 7 1/2" - HOLE IN MIDDLE
	064081-01-000	EA	NUT-WING, 3/8" X 1 1/2" TH-HEAD
	078200-01-000	EA	GASKET-DOOR, FUEL FILL - 3 5/8" X 2 1/2"
	072447-04-000	EA	SHROUD-FUEL FILL
	083578-01-000	EA	BOOT-FUEL FILL
	081235-01-000	EA	SUPPORT-FLANGE, FUEL FILL BOOT
	077381-01-000	EA	PLATE-PIVOT
	077955-01-000	EA	J CLIP-VINYL COATED, 3/8"
	067789-02-000	EA	SOCKET-LAMP
	079090-01-000	EA	CONNECTOR-MOLDED, 12/2 LEAD
	075767-02-000	EA	CABLE-1.15" X 16.5" - STAINLESS STEEL
	062965-01-000	EA	BRACKET-POWER CORD
	096506-01-000	EA	LABEL "COMPARTMENT NOT SEALED"
	077941-01-000	EA	SEAL-RUBBER, FLAT - W/SLIT
	009426-01-000	EA	HATCH-ROUND, OFF WHITE
	015365-01-000	EA	PIN-L SHAPED, CADMIUM PLATED
	093767-01-01A	EA	BOX-EXTERIOR RECEPTACLE, PLASTIC - OFF WHITE
	058049-01-000	EA	BOX-ELECTRIC SWITCH, 2" X 3" X 2.25"
	075736-03-000	EA	COVER-EXTERIOR RECEPTACLE, BEIGE
	063252-01-01A	EA	PLATE-WALL CABLE - BEIGE

**EXTERIOR ACCESSORIES PACKAGE OPTION L28E**

KEY	PART NUMBER	U/M	DESCRIPTION
	077404-02-000	EA	DRAWER-PLASTIC 20" X 12 1/2" - BEIGE
	094067-01-01A	EA	DIVIDER-DRAWER, PLAS PC - LIGHT OAK
	096765-01-000	EA	RAIL-DRAWER 3 1/2" HIGH X 2 1/2" WIDE X 20 5/8" LONG - PLASTIC
	091270-01-000	EA	HOSE-REEL 50 FOOT
	093300-01-000	EA	BOX-TOOL W/TRAY - 15" X 7" X 7 1/2"

**ENTRY STEP BOX**

KEY	PART NUMBER	U/M	DESCRIPTION
	088412-04-000	EA	TRIM-STEPBOX, ENTRY DOOR - BEIGE
	060963-02-01A	EA	LINER STEP BOX, ENTRANCE DOOR - 5" X 33 9/16" - BLACK PLASTIC
	M92055-01-000	EA	ACCESS PANEL-STEP BOX, W/MINGE
	088254-01-000	EA	CATCH-MAGNETIC, 1 1/2" X 7"
	009063-01-000	EA	HINGE-CONTINUOUS, 1 1/2" X 72"
	096645-01-000	EA	PULL-CABINET, BRASS



**COMPARTMENT DOOR HARDWARE & SEALS**

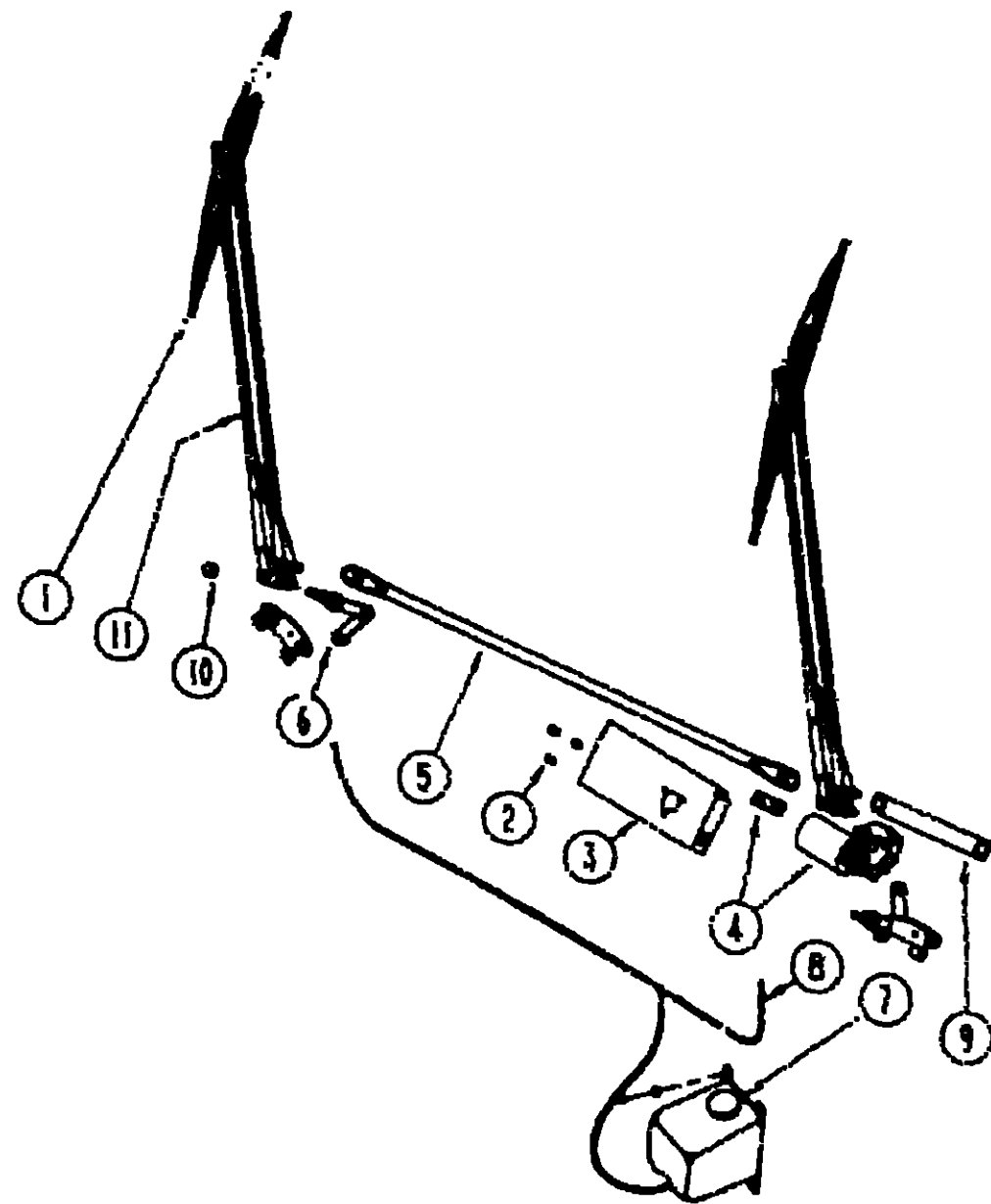
KEY	PART NUMBER	U/M	DESCRIPTION
	085730-01-000	EA	LATCH-PADDLE, W/KEY LOCK - PLASTIC - BEIGE
	082584-01-700	EA	KEY COMPARTMENT DOOR LOCK, BK24
1	085730-04-000	EA	LATCH-PADDLE, W/O KEY LOCK - PLASTIC - BEIGE
	077408-02-000	EA	LOCK-KEY TYPE (REAR COMPARTMENT/SPARE TIRE)
	079927-03-000	EA	LOCK-TWIST TYPE, DOUBLE CAM - 2 1/2" OFF SET
	042441-01-000	EA	LOCK-TWIST, KEY TYPE - W/O KEYS (FUEL FILL DOOR)
2	079368-01-000	FT	SEAL-BULB W/WIRED U CHANNEL - 37" X 57" CHANNEL - BLACK
3	092357-01-01A	EA	HINGE-COMPARTMENT DOOR, 76" - BEIGE
	009066-01-000	EA	HINGE-COMPARTMENT DOOR 1 1/2" X 5" W/O HOLES - UNPAINTED
4	093051-01-02A	EA	STRIKER-DOOR LUGGAGE - 3 7/8" X 2 1/2" ANGLED - BLACK
	094387-02-000	EA	STRIKER-DOOR GENERATOR - W/BEND - 2 1/2" WIDE - BLACK
	093718-01-000	EA	PLATE-STRIKE, COMPARTMENT - 5 1/4" X 2 1/2" FLAT - STEEL - BLK
5	092644-07-112	EA	PROP ROD COMPARTMENT DOOR, W/SPRING & BRACKET
6	092639-01-000	EA	BRACKET-DOOR PROP
7	092468-01-000	EA	SPRING #020-050 COMP
8	039984-01-000	EA	CAP-ROUND VINYL - 28" ID X 62" LONG - BLACK
	094376-02-000	EA	ROD-PROP (GENERATOR)
	094376-01-000	EA	ROD-PROP (HOLDING TANK/LP)
	090340-01-000	FT	SEAL-FOAM CLOSED CELL - 1/4" X 1/2" X 50"
	100128-01-000	FT	SEAL-PILE, ADHESIVE BACK - GRAY
	081113-01-000	EA	BUSHING-FLANGE, PLASTIC - WHITE
	093305-01-01A	FT	TRIM-EDGE C TYPE - W/PE CARRIER - 35" X 24" - VINYL
	088270-01-000	FT	SEAL-BULB EPDM RUBBER
	008386-01-000	EA	GROMMET-SNAPE 3/8"
	089329-01-000	EA	CLIP SPRING 3/8"

**1991 WINNEBAGO**  
**TABLE OF CONTENTS**

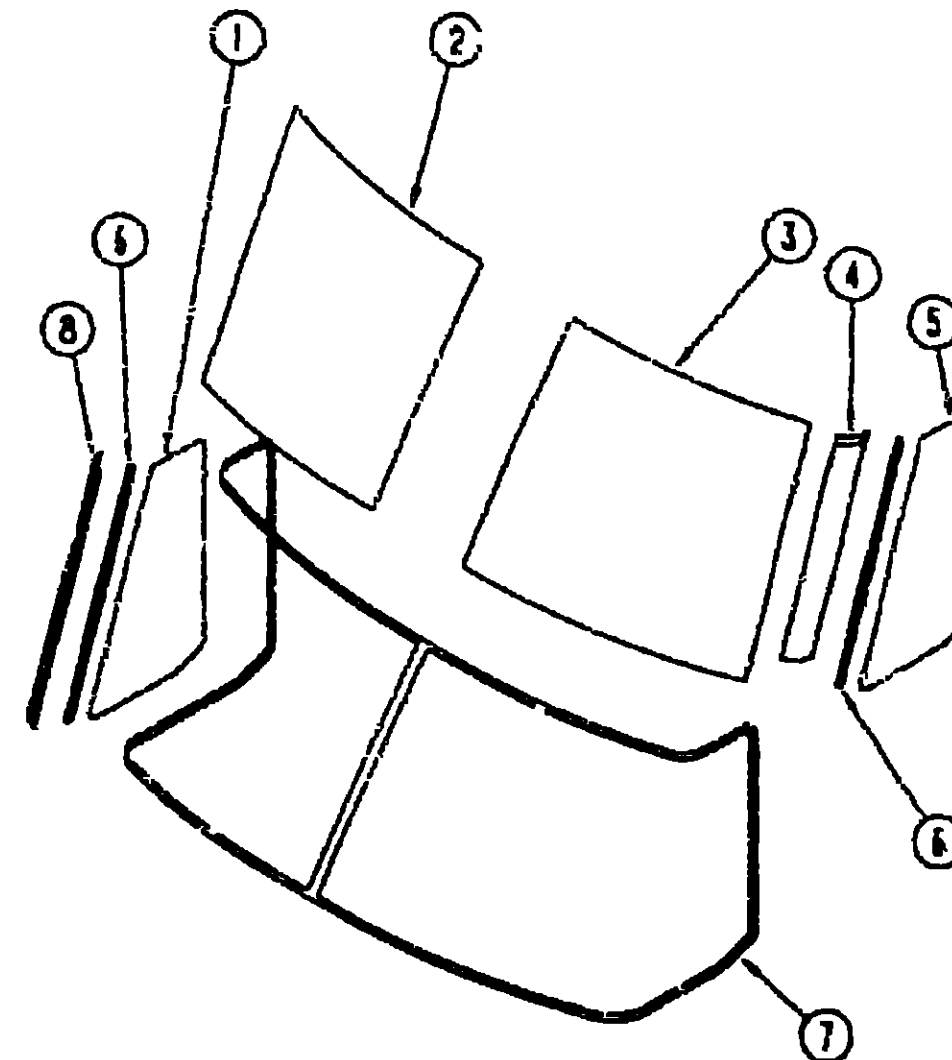
INTRODUCTION	A-01 -	A-02
ABBREVIATIONS		A-03
ALPHABETICAL INDEX	A-04 -	A-06
WINNEBAGO	A-07 -	F-16
WFN36FA	F-17 -	K-22

**1991 WFN36RA INDEX**

FLOOR PLAN	F-17 -	F-18
ACCESSORIES	F-19 -	G-08
BATH	G-09 -	G-14
BEDROOM	G-15 -	G-16
CHASSIS	G-17 -	H-01
CURTAIN, CUSHION & PAD	H-02 -	H-11
DINETTE	H-12 -	H-14
DRIVERS	H-15 -	H-20
ELECTRICAL	H-21 -	I-03
EXTERIOR BODY	I-04 -	I-10
GALLEY	I-11 -	I-18
HEATING & A/C	I-19 -	I-22
INTERIOR FINISH	I-23 -	J-02
LABEL	J-03 -	J-10
LP		J-11
LOUNGE	J-12 -	J-13
SEALANTS & FASTENERS	J-14 -	J-16
WATER & SEWAGE	J-17 -	J-22
WINDOW, VENT AND EXTERIOR DOOR	J-23 -	K-22



WIPER COMPONENTS



WINDSHIELDS, TRIM & MOLDINGS

1991 WINNEBAGO  
TABLE OF CONTENTS

INTRODUCTION	A-31 -	A-02
ABBREVIATIONS		A-03
ALPHABETICAL INDEX	A-04 -	A-06
WCN36RD	A-07 -	F-16
WFN36RA	F-17 -	K-22

1991 WFN36RA INDEX

FLOOR PLAN	F-17 -	F-18
ACCESSORIES	F-19 -	G-08
BATH	G-09 -	G-14
BEDROOM	G-15 -	G-16
CHASSIS	G-17 -	H-01
CURTAIN CUSHION & PAD	H-02 -	H-11
INETTE	H-12 -	H-14
DRIVERS	H-15 -	H-20
ELECTRICAL	H-21 -	I-03
EXTERIOR BODY	I-04 -	I-10
GALLEY	I-11 -	I-18
HEATING & AC	I-19 -	I-22
INTERIOR FINISH	I-23 -	J-02
LABEL	J-03 -	J-10
LP		J-11
LOUNGE	J-12 -	J-13
SEALANTS & FASTENERS	J-14 -	J-16
WATER & SEWAGE	J-17 -	J-22
WINDOW VENT AND EXTERIOR DOOR	J-23 -	K-22

KEY	PART NUMBER	UOM	DESCRIPTION
1	095964-01-000	EA	BLADE ASM-WIPER 24"
	095964-01-700	EA	BLADE-REFILL WIPER-PAIR-24"
2	096526-01-000	EA	SCREW-HEX 1/4" - 28 UNF
3	092334-01-000	EA	BRACKET-WIPER MOTOR
4	104355-02-000	EA	MOTOR ASM, W/DRIVE ARM
	067186-01-000	EA	STUD-CRANK WIPER
5	067192-01-000	EA	LINK-CONNECTING W/BLACK BUSHING - 3" BS
6	096508-01-000	EA	PIVOT SHAFT
7	056000-02-000	EA	WASHER-WINDSHIELD, BOTTLE & PUMP
	056000-01-700	FT	VACUUM HOSE 7/64" - 5/32"
8	045794-01-000	FT	HOSE-WASHER WINDSHIELD - 5/32" ID - BLACK
9	067193-02-000	EA	LINK-CONNECTING W/BLACK BUSHING - 2 1/2"
10	077049-01-000	EA	NUT-ACORN 10-32 ALUM NUM
11	096963-01-000	EA	ARM WIPER, PANTOGRAPH - 28"
	096931-01-700	FT	HOSE F/WIPER BLADES
	096931-01-701	EA	NOZZLE HOSE KIT
	077048-01-000	EA	SHAFT-ADAPTER, WINDSHIELD PANTOGRAPH ARM

KEY	PART NUMBER	UOM	DESCRIPTION
1	091953-03-000	EA	GLASS-CORNER VENT, PASSENGER
2	081215-01-000	EA	GLASS-WINDSHIELD PASSENGER
3	091215-02-000	EA	GLASS-WINDSHIELD, DRIVER
4	091901-02-000	EA	TRIM A/PILLAR, DR - BETWEEN WINDSHIELD & VENT GLASS - BLK
5	091953-04-000	EA	GLASS-CORNER VENT DRIVER
6	058788-01-000	EA	CHANNEL-RIGID, WINDSHIELD - 38" - PVC
7	091986-01-000	EA	MOLDING-REVEAL WINDSHIELD - SURROUNDS BOTH WINDSHIELDS
8	091901-01-000	EA	TRIM A/PILLAR, PASS - BETWEEN WINDSHIELD & VENT GLASS - BLK
	002328-02-000	EA	BLOCK-WINDSHIELD, 062" X 5" X 98"
	041369-01-000	EA	FRAME-WINDSHIELD LOWER - INNER - PASSENGER
	051959-02-000	EA	FRAME-WINDSHIELD, LOWER - INNER - DRIVER
	040921-04-000	EA	NUT-SPEED, U TYPE - NO 8 - 57" LENGTH X 44" WIDTH
	040921-05-000	EA	NUT-SPEED U TYPE - NO 8 - 67" LENGTH X 44" WIDTH
	040921-06-000	EA	NUT-SPEED U TYPE - NO 8 - 57" LENGTH X 53" WIDTH