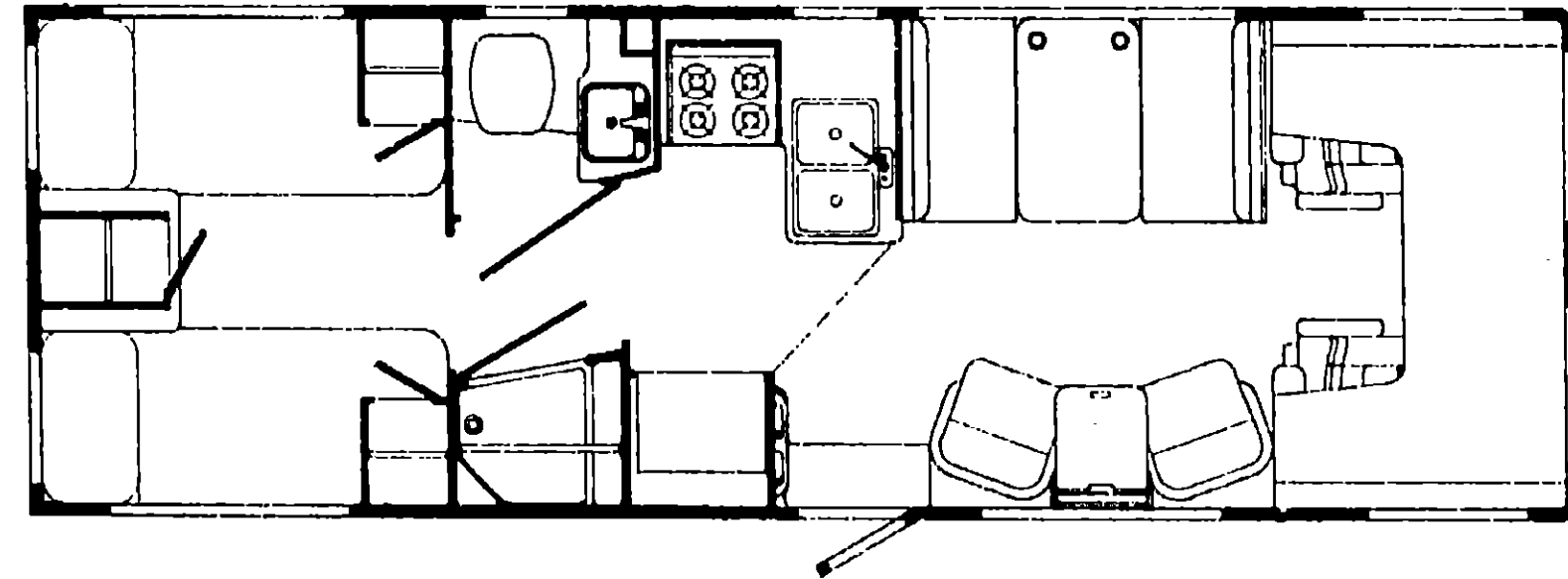
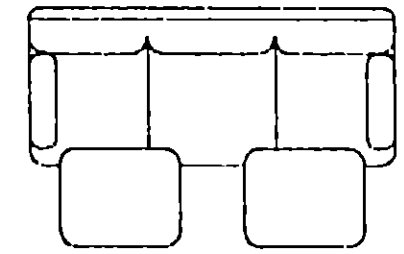
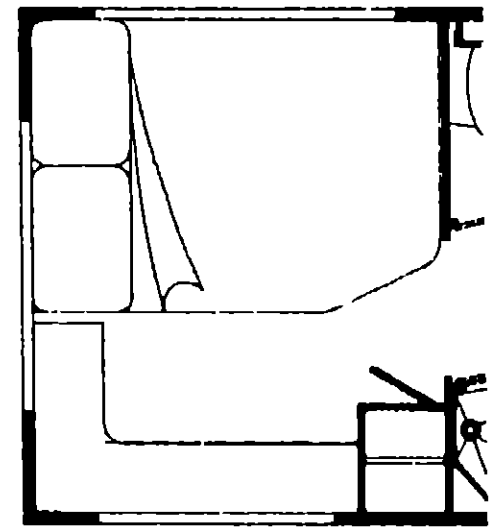


**1991 WINNEBAGO
TABLE OF CONTENTS**

INTRODUCTION	A-01 - A-01
ABBREVIATIONS	A-02 - A-02
ALPHABETICAL/GROUP REFERENCE	A-04 - A-04
WF424RC	A-07 - D-13
WF427RT	D-13 - H-C



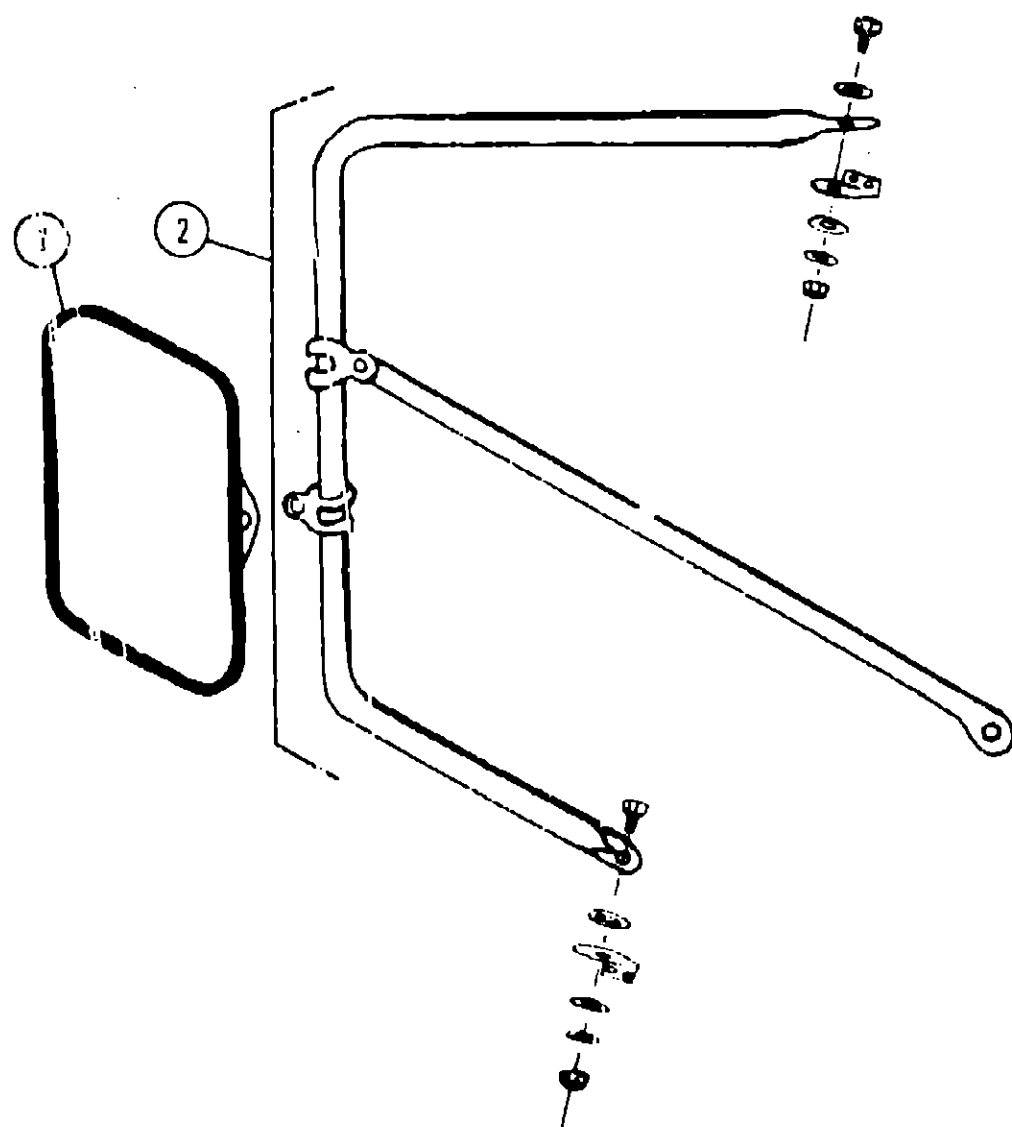
**1991
WF427RT**



1991 WF427RT INDEX

Floor Plan	D-13 - D-13
Accessories Group	D-15 - D-15
Bath Group	D-21 - D-21
Bedroom Group	D-23 - D-23
Chassis Group	E-01 - E-01
Curtain, Cushion & Pad Group	E-05 - E-05
Dinette Group	E-19 - E-19
Driver's Compartment Group	E-21 - E-21
Electrical Group	E-23 - F-03
Exterior Body Group	F-03 - F-03
Galley Group	F-07 - F-07
Heating & Air Conditioning Group	F-11 - F-11
Interior Finish Group	F-13 - F-13
Labels Group	F-17 - F-17
LP Group	G-01 - G-01
Lounge Group	G-02 - G-02
Sealants & Fasteners Group	G-05 - G-05
Water & Sewage Group	G-08 - G-08
Window, Vent & Exterior Door Group	G-12 - H-C

ACCESSORIES GROUP



EXTERIOR MIRRORS

Key	Part Number	U/M	Description
1	049347-01-000	EA	Mirror Head - 7 1/2" x 10 1/2" - Stainless Steel
	049347-01-700	EA	Glass - Exterior Mirror - 7 1/2" x 10 1/2"
2	082047-01-000	EA	Arm - West Coast Mirror - Stainless Steel
	006043-01-000	EA	Mirror - Convex - Adhesive Back

Note: Items indented below assemblies are serviceable parts for that assembly.

ACCESSORIES GROUP (CONTINUED)

RADIO & RELATED COMPONENTS

Key	Part Number	U/M	Description
	089340-01-000	EA	Grille - Speaker - 6.5" Square
	097459-01-000	EA	Radio - AM/FM - w/Cassette
	074979-01-000	EA	Speaker Cover Protector - Plastic
	094097-01-000	EA	Speaker - 5.25" - w/o Grille
	079385-03-000	EA	Radio - Mounting Kit - Ford
	081059-02-000	EA	Wiring Asm. - 9-Pin - Radio
	074979-11-000	EA	Speaker Cover - Plastic - Off White
	074979-12-000	EA	Speaker Cover - Plastic - Off White
	007161-01-000	EA	Clamp - Hose - Spring Type - 1/2"

TV ANTENNA & RELATED COMPONENTS

Key	Part Number	U/M	Description
	076319-01-000	EA	Antenna - TV Roof Mount - 44.5" Mast
	076319-01-700	EA	Head - Antenna - Amplified - Winegard #RVSA U/V
	076319-01-701	EA	Gear - Elevating - Plastic - Winegard #2200046
	075319-01-702	EA	Shaft Asm. - Elevating - Winegard #RVP-400A
	076319-01-703	EA	Bearing - Nylon - 5" OD - Winegard #3200656
	076319-01-704	EA	Bearing - Nylon - 1.25" OD - Winegard #3200657
	076319-01-705	EA	Grommet - Nylon - 7/8" ID - Winegard #3200658
	076319-01-706	EA	Crank - Elevating - w/Set Screw - Winegard #5755100
	076319-01-707	EA	Spring Handle - Winegard #516800
	076319-01-709	EA	Plate - Directional - For Head - Winegard #3200644
	076319-06-000	EA	Adaptor - Cable - Roof Plate - Winegard RPJ-1
	076319-03-000	FT	Cable - Coaxial - 75 OHM
	076319-06-000	EA	Adaptor - Cable - Roof Plate
	076319-09-000	EA	Wallplate - Cable Receptacle - TV - Single - Brown
	076319-11-000	EA	Adaptor - Coaxial w/Splitter
	076319-12-000	EA	Connector - Coaxial - One Piece
	086777-02-000	EA	Wallplate - TV Cable - w/Antenna Switch - Brown
	086778-01-000	EA	Receptacle - TV Cable - Exterior w/Cover - Off White
	086778-04-000	EA	Gasket - TV Cable Receptacle
	086756-01-000	EA	Splitter - TV - 2 Way
	082134-01-000	EA	Adapter - TV - Cable To Cable
	087236-01-000	EA	Label - Cable TV Input
	087236-02-000	EA	Label - Cable TV Output

NOTE: Items indented below assemblies are serviceable parts for that assembly.

MISCELLANEOUS ACCESSORIES

Key	Part Number	U/M	Description
	054185-65-000	EA	Owner's Manual - 1991 - Itasca & Winnebago
	094499-01-000	EA	Fire Extinguisher - Dry 1A 10BC
	094499-02-000	EA	Fire Extinguisher - 1A 10BC (CSA)
	094499-01-700	EA	Mounting Bracket w/Plastic Strap - Fire Extinguisher
	083219-01-000	EA	Floor Mat - Black - Right
	083219-02-000	EA	Floor Mat - Black - Left
	081075-01-000	EA	Mat - Entrance - "Winnebago"
	072852-02-000	EA	Smoke Detector w/9 Volt Battery
	092318-01-000	EA	Blinder - 3 Ring - Vendor Manual
	092319-01-000	EA	Page - Plastic Pocket
	098084-13-000	EA	Cassette - Minnie Winnie
	100793-01-01A	EA	Clock - Wall - Oval
	101333-01-000	EA	Backplate - Clock - 6" x 6" - Plastic

1991 WINNEBAGO TABLE OF CONTENTS

INTRODUCTION	A-01 - A-02
ABBREVIATIONS	A-03
ALPHABETICAL/GROUP REFERENCE	A-04 - A-06
WF424RC	A-07 - D-12
WF427RT	D-13 - H-04

1991 WF427RT INDEX

Floor Plan	D-13 - D-14
Accessories Group	D-15 - D-20
Bath Group	D-21 - D-22
Bedroom Group	D-23 - D-24
Chassis Group	E-01 - E-02
Curtain, Cushion & Pad Group	E-05 - E-10
Dinette Group	E-19 - E-20
Driver's Compartment Group	E-21 - E-22
Electrical Group	E-23 - F-00
Exterior Body Group	F-03 - F-04
Galley Group	F-07 - F-10
Heating & Air Conditioning Group	F-11 - F-12
Interior Finish Group	F-13 - F-14
Labels Group	F-17 - F-20
LP Group	G-00
Lounge Group	G-02 - G-03
Sealants & Fasteners Group	G-05 - G-06
Water & Sewage Group	G-08 - G-10
Window, Vent & Exterior Door Group	G-12 - H-00

ACCESSORIES GROUP (CONTINUED)

1991 WINNEBAGO
TABLE OF CONTENTS

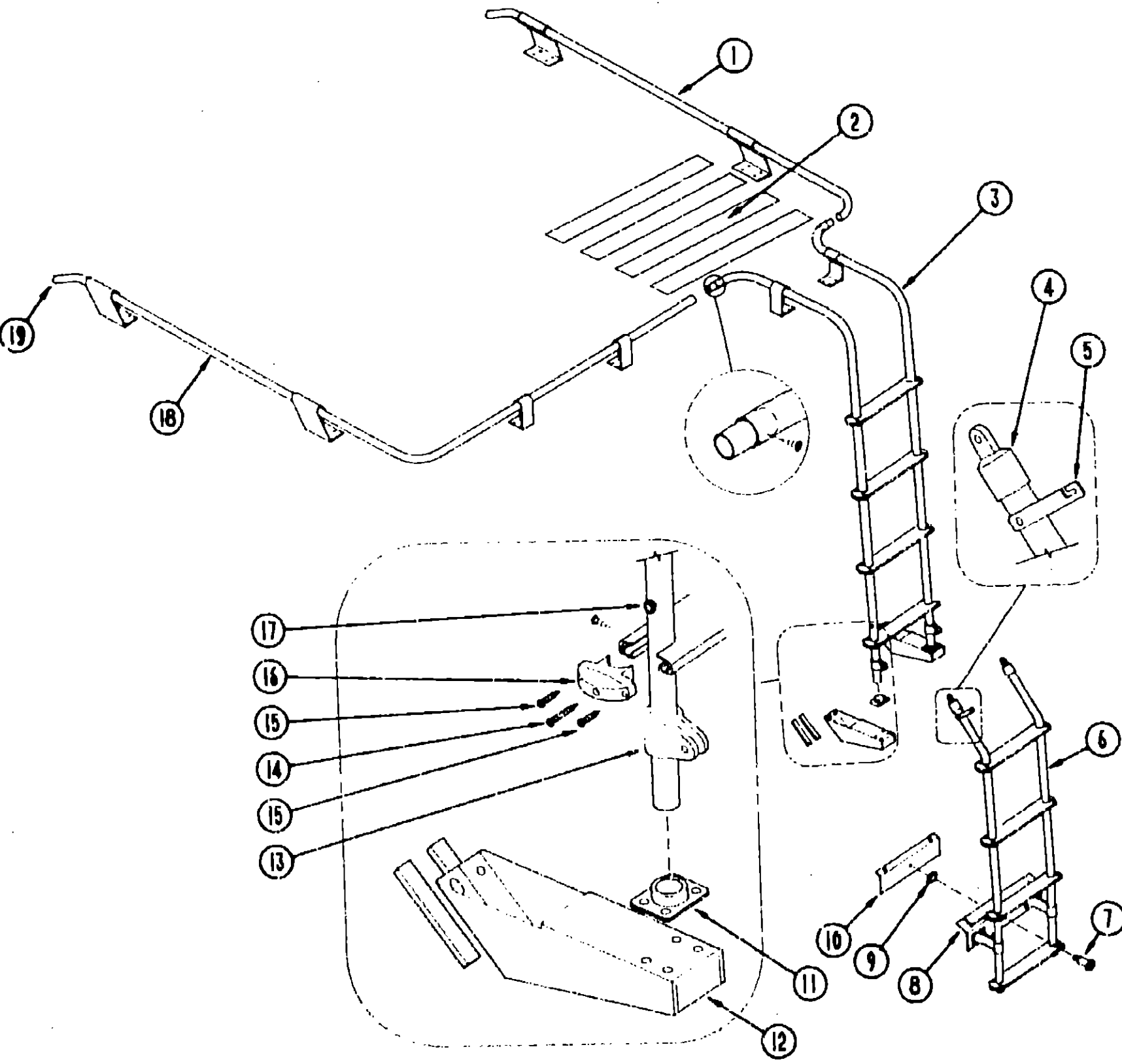
INTRODUCTION	A-01 - A-0
ABBREVIATIONS	A-0
ALPHABETICAL/GROUP REFERENCE	A-04 - A-0
WF424RC	A-07 - D-1
WF427RT	D-13 - H-0

RACK & LADDER COMPONENTS

Key	Part Number	U/M	Description
1	081026-01-T03	EA	Rack - Luggage - Passenger Side
2	038327-01-000	EA	Tape - Anti Slip - 2" x 60"
3	080999-01-T03	EA	Ladder - Upper
4	081115-01-000	EA	Cap - Top - 1"
5	080873-01-000	EA	Latch - Ladder - Lower - Gray
6	080997-01-T03	EA	Ladder - Lower
7	081056-01-000	EA	Pin - Quick Release - Single Action - Ladder
8	081152-01-000	EA	Plate - Bumper - Ladder - Lower
9	081055-01-000	EA	Spring Grip - Internal Tooth - Ladder
10	081107-01-000	EA	Bracket - Bumper Pin
11	067165-01-000	EA	Mounting Bracket - Ladder - Lower
12	080868-01-000	EA	Footing - Ladder - Upper
	080870-01-000	EA	Shim - Ladder Footing
13	081116-01-000	EA	Slide Top - Rack & Ladder - 1"
14	000G68-10-36T	EA	Screw - 10-12 x 2.25 POH - Black
15	000G39-06-10T	EA	Screw - SF/DR - 6-20 x 5/8 PPH - Black
16	076980-02-000	EA	End Cap - Step - Black
17	081113-01-000	EA	Bushing - Flange Plastic - White
18	081026-02-T03	EA	Rack - Luggage - Driver Side
19	081114-01-000	EA	Plug - Round - Rack & Ladder Ends - Plastic

1991 WF427RT INDEX

Floor Plan	D-13 - D-1
Accessories Group	D-15 - D-2
Bath Group	D-21 - D-2
Bedroom Group	D-23 - D-2
Chassis Group	E-01 - E-4
Curtain, Cushion & Pad Group	E-05 - E-2
Dinette Group	E-19 - E-2
Driver's Compartment Group	E-21 - E-2
Electrical Group	E-23 - F-4
Exterior Body Group	F-03 - F-4
Galley Group	F-07 - F-2
Heating & Air Conditioning Group	F-11 - F-2
Interior Finish Group	F-13 - F-2
Labels Group	F-17 - F-2
LP Group	G-4
Lounge Group	G-02 - G-4
Sealants & Fasteners Group	G-05 - G-4
Water & Sewage Group	G-08 - G-4
Window, Vent & Exterior Door Group	G-12 - H-4



ACCESSORIES GROUP (CONTINUED)

WHEEL COVER & MOUNTING HARDWARE

Key	Part Number	U/M	Description
	083181-01-000	EA	Wheel Cover - 16" (Set/4)
	083181-01-700	EA	Wheel Cover - 16" (1)
	083181-04-702	EA	Nut - Cover - 16"
	083181-04-703	EA	Cap - Center - Chrome
	091209-05-000	EA	Wheel Liner - 16" Dia. - (Set/4) (Option L63)
	091209-05-701	EA	Liner - Rear Only (1)
	091209-05-700	EA	Liner - Front Only (1)
	091209-03-702	EA	Cover - Front Axle
	091209-03-703	EA	Cover - Rear Axle
	091209-03-704	EA	Snap Ring
	091209-10-000	EA	Wheel Liner - 16" Dia. (Set/4) (Option L63)
	091209-10-700	EA	Cover - Front Axle
	190209-10-701	EA	Cover - Rear Axle
	190209-10-702	EA	Liner - Front Only (1)
	190209-10-703	EA	Liner - Rear Only (1)
	091209-10-704	EA	Collar - Nut w/Washer
	091209-01-705	EA	Cover - Lug Nut

Note: Items indented below assemblies are serviceable parts for that assembly.
 These parts are used from 5/16/91 on.

ACCESSORIES GROUP (CONTINUED)

GENERATORS & COMPONENTS (OPTION L3831A)

Key	Part Number	U/M	Description
	100974-05-000	EA	Generator - 4.0 kw - Emerald Plus - FN/29237
	079654-05-000	EA	Exhaust Pipe - Angled - w/Flange - 2" ID
	079654-01-700	EA	Hinge Kit - Emerald Generator
	081364-01-000	EA	Muffler - Generator - 35 KW
	078045-01-000	EA	Strap - Support - Generator - 4 Hole
	084365-01-000	EA	Strap - Support - Generator - 2 Hole
	094059-01-000	EA	Spacer - Generator
	093591-02-000	EA	Exhaust Pipe - Generator - Curved - 1.5" OD
	007125-01-000	EA	Clamp - Muffler - 1.62" Dia.
	007125-04-000	EA	Clamp - Muffler - 1.12" Dia.
	007161-01-000	EA	Clamp - Hose - Spring Type - 112
	007067-01-000	EA	Insulation - Fiberglass - 1"
	078137-02-000	EA	Tray Asm. - Compartment
	007063-01-000	EA	Hose - Gas - 1/4" I.D. x 1/2" O.D.
	007131-01-000	EA	Hanger - Tailpiece

**1991 WINNEBAGO
TABLE OF CONTENTS**

INTRODUCTION	A-01 - A-02
ABBREVIATIONS	A-03
ALPHABETICAL/GROUP REFERENCE	A-04 - A-06
WF424RC	A-07 - D-12
WF427RT	D-13 - H-04

GENERATORS & COMPONENTS (OPTION 39E)

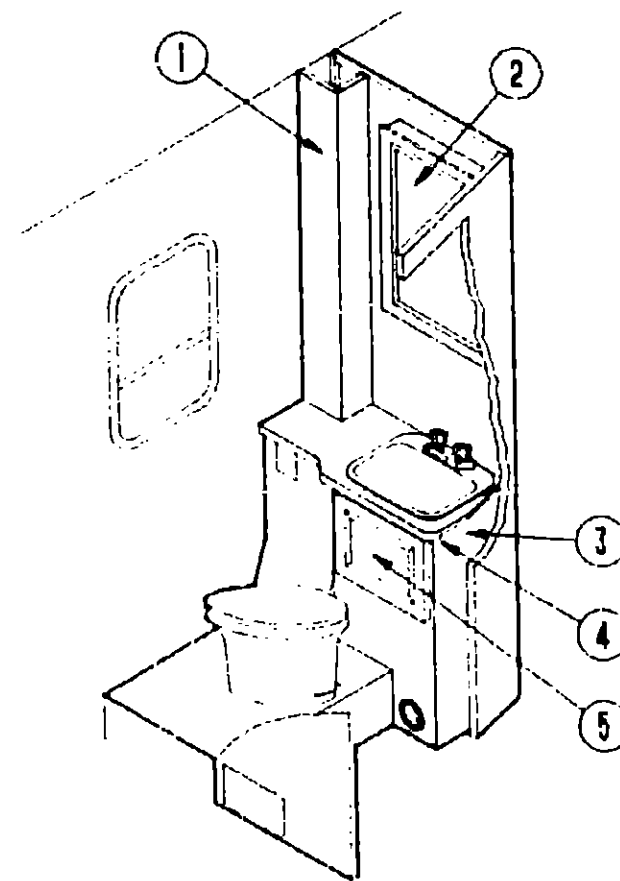
Key	Part Number	U/M	Description
	100974-03-000	EA	Generator - Emerald - 4.0 kw
	079654-05-000	EA	Exhaust Pipe - Generator
	081364-02-000	EA	Muffler - Generator - w/1.5" Long Tailpipe
	007067-01-000	EA	Insulation - Fiberglass - 1"
	078045-01-000	EA	Plate - Generator Support
	007161-01-000	EA	Clamp - Hose - Spring Type - 1/2"
	007062-01-000	EA	Hose - Gas - 1/4" ID x 1/2" OD
	007125-01-000	EA	Clamp - Muffler - 1.62" Diameter
	007125-04-000	EA	Clamp - Muffler - 1.1" Diameter
	079654-01-700	EA	Hinge Kit - Emerald Generator
	082272-01-000	EA	Muffler Generator - CSA
	081364-01-000	EA	Muffler - Generator - w/8.5" Long Tailpipe
	081364-02-000	EA	Muffler - Generator - w/1.5" Long Tailpipe
	084365-01-000	EA	Strap - Support - Generator - 2 Hole
	082273-01-000	EA	Pipe - Exhaust w/90 Degree Bend - 1 3/8" OD - CSA
	093591-02-000	EA	Pipe - Exhaust - Generator - Curved - 1.5" OD
	078137-02-000	EA	Tray Asm. - 27.18" Wide x 21" Deep
	007131-01-000	EA	Tailpipe Hanger

These parts were used from 6-20-90 on.

1991 WF427RT INDEX

Floor Plan	D-13 - D-14
Accessories Group	D-15 - D-20
Bath Group	D-21 - D-22
Bedroom Group	D-23 - D-24
Chassis Group	E-01 - E-02
Curtain, Cushion & Pad Group	E-05 - E-06
Dinette Group	E-19 - E-20
Driver's Compartment Group	E-21 - E-22
Electrical Group	E-23 - F-01
Exterior Body Group	F-03 - F-04
Galley Group	F-07 - F-08
Heating & Air Conditioning Group	F-11 - F-12
Interior Finish Group	F-13 - F-14
Labels Group	F-17 - F-18
LP Group	G-01
Lounge Group	G-02 - G-03
Sealants & Fasteners Group	G-05 - G-06
Water & Sewage Group	G-08 - G-09
Window, Vent & Exterior Door Group	G-12 - H-01

BATH GROUP



BATH CABINERY & HARDWARE

Key	Part Number	U/M	Description
1	092356-01-B13	EA	Cabinet Asm. - Pipe Cover - 46.4" Tall
2	M04182-11-B13	EA	Cabinet Asm. - Medicine - w/o Door Or Hardware
	P00520-85-B13	EA	Door Asm. - Medicine Cabinet - 12" x 25.9" - w/o Hardware
	058331-35-000	EA	Mirror - Safety Glass - 11.4" x 25.4"
	093586-03-000	EA	Catch - Roller Spring
	093586-04-000	EA	Strike - Spring Steel
	009059-01-000	EA	Hinge - Door - 2" x 1.4" - Brass
	082239-02-000	EA	Brace - Trim - 18.7" Long - Metal - Beige
3	M92359-02-B13	EA	Cabinet Asm. - Lavatory - w/o Doors or Hardware
4	092359-13-B13	EA	Countertop Asm. - Lavatory
5	P00520-32-B13	EA	Door Asm. - Lavatory Cabinet - 14.4 x 17.9" - w/o Hardware
	M82429-05-X81	EA	Door Asm. - Bath 73.8" x 30" - w/o Hardware
	M82429-04-X81	EA	Door Asm. - Shower - 73.8" x 27.5" - w/o Hardware
	093446-01-X81	EA	Mirror Asm. - Wood Framed - 15" x 46.25"
	058331-20-000	EA	Mirror - Safety Glass - 44.5" x 13.2"

BATH GROUP (CONTINUED)

MISCELLANEOUS HARDWARE & PLUMBING PARTS

Key	Part Number	U/M	Description
	084481-10-000	EA	Curtain - Shower - Vinyl - 32" x 70"
	077902-01-000	EA	Panel Skylight - Inner
	080910-01-000	EA	Panel Skylight - Outer
	077902-03-000	EA	Collar - Skylight - 15.6" x 22.5" - Plastic
	081171-01-000	EA	Trim - Skylight - Outer - Mill Finish
	M02673-04-B13	EA	Shower Pan Asm. - Off White
	075606-01-000	EA	Panel - Shower Faucet
	101258-01-01A	EA	Surround - Shower - Front - L-Shaped - 27" - Plastic
	101259-01-01A	EA	Surround - Shower - Rear - 3 Sided - Plastic
	011048-02-000	EA	Shower Head w/60" Hose (US)
	011048-05-000	EA	Shower Head w/60" Hose (CSA)
	075241-05-000	EA	Faucet - Shower - Bone
	075240-06-000	EA	Faucet - Lavatory - Bone
	091253-01-000	EA	Gasket - Lavatory Faucet
	096927-01-01A	EA	Sink - Rectangular - Lavatory
	105218-01-01A	EA	Soacer - Faucet - Lavatory Sink
	064076-02-000	EA	Toilet - Starlite - Low - Ivory
	039341-02-700	EA	Cover - Seat - Toilet - Ivory
	039341-02-703	EA	Plug - Hole - Toilet - Ivory
	039341-02-704	EA	Ring & Cover - Seat - Ivory
	039341-02-705	EA	Mountain Pkg. - w/Seal - Bolt - Nut
	064076-01-701	EA	Mechanism - Flush
	075453-02-000	EA	Rack - Towel Bar - 18" - Brass
	075454-02-000	EA	Towel Ring - Brass
	075452-02-000	EA	Toilet Tissue Holder - Brass
	075680-02-000	EA	Clothes Rod - Adjustable - 27" - 38"
	009112-01-000	EA	Flange - 1" Clothes Rod - Off White Plastic
	057671-01-000	EA	Screw Cover - #8 - Off White
	066436-01-000	EA	Slip Nut - Tailpiece
	069735-01-000	EA	Washer - Strainer To Tailpiece - Plastic
	066440-01-000	EA	Strainer - w/Rubber Washer
	009089-01-000	EA	Clip - Mirror
	011069-02-000	EA	Tailpiece - 1 1/2" x 1 1/4" x 4" - Brass
	009151-01-000	EA	Warpguard - 48" (Bath/Shower Door)
	009013-01-000	EA	Catch - Male Bulldog - Door Mounted (Bath/Shower Door)
	009013-02-000	EA	Catch - Female Bulldog - Door Mounted (Bath/Shower Door)
	058335-02-000	EA	Latch - w/o Lock - Brown (Bath/Shower Door)
	M03450-01-000	EA	Trim Asm. - Bathroom/Shower Door Mirror
	093586-03-000	EA	Catch - Spring - Roller
	093586-04-000	EA	Strike - Spring Steel
	059777-02-000	EA	Hinge - Cabinet Door - Brass
	096645-01-000	EA	Pull - Cabinet - Brass - Twist - 1.1" x 3.4"
	074493-02-000	EA	Support - Piston Spring - Cabinet Door

The illustration for these items can be found in Interior Finish Group.

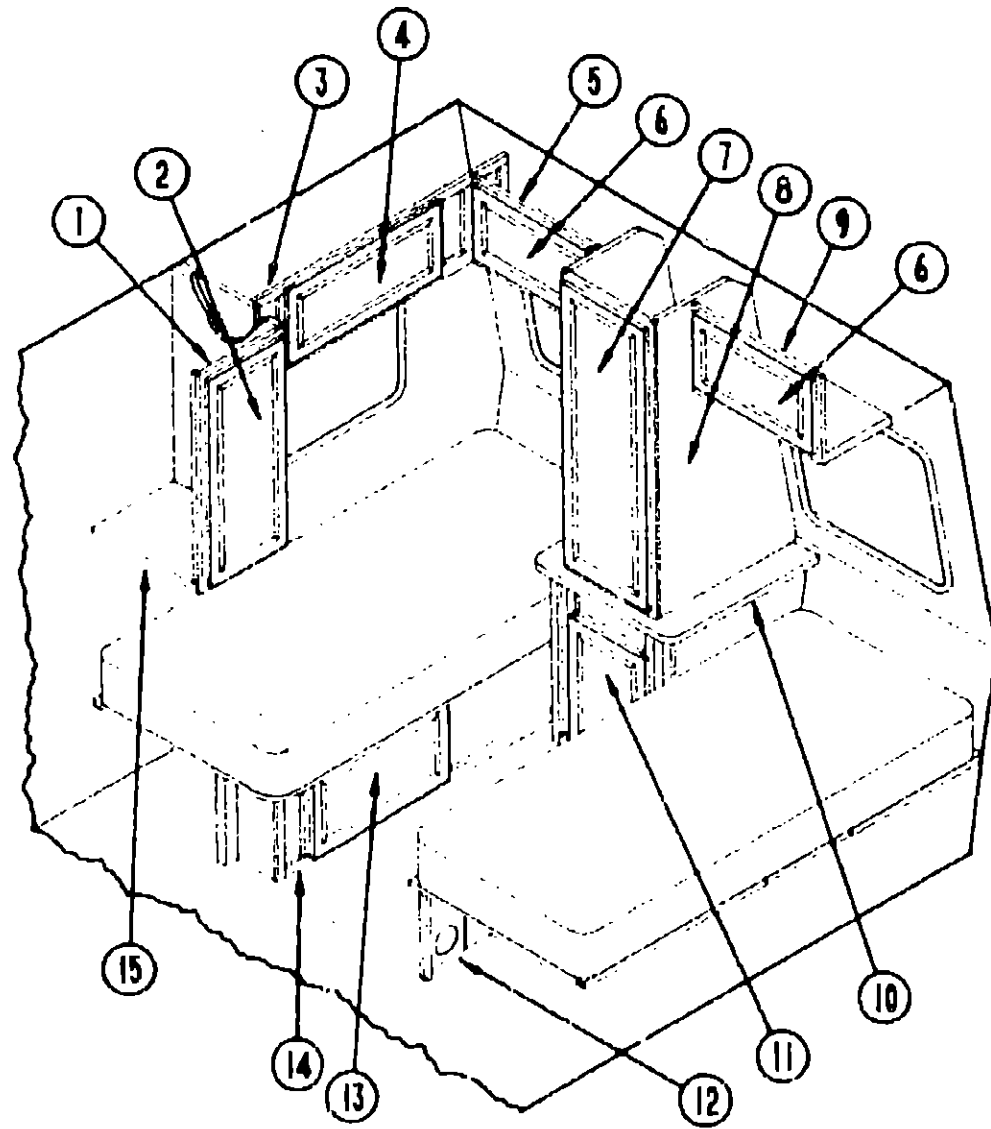
1991 WINNEBAGO TABLE OF CONTENTS

INTRODUCTION	A-01 - A-02
ABBREVIATIONS	A-03
ALPHABETICAL/GROUP REFERENCE	A-04 - A-05
WF424RC	A-07 - D-13
WF427RT	D-13 - H-01

1991 WF427RT INDEX

Floor Plan	D-13 - D-14
Accessories Group	D-15 - D-20
Bath Group	D-21 - D-22
Bedroom Group	D-23 - D-24
Chassis Group	E-01 - E-02
Curtain, Cushion & Pad Group	E-05 - E-06
Dinette Group	E-19 - E-20
Driver's Compartment Group	E-21 - E-22
Electrical Group	E-23 - F-01
Exterior Body Group	F-03 - F-04
Galley Group	F-07 - F-08
Heating & Air Conditioning Group	F-11 - F-12
Interior Finish Group	F-13 - F-14
Labels Group	F-17 - F-18
LP Group	G-01
Lounge Group	G-02 - G-03
Sealants & Fasteners Group	G-05 - G-06
Water & Sewage Group	G-08 - G-09
Window, Vent & Exterior Door Group	G-12 - H-01

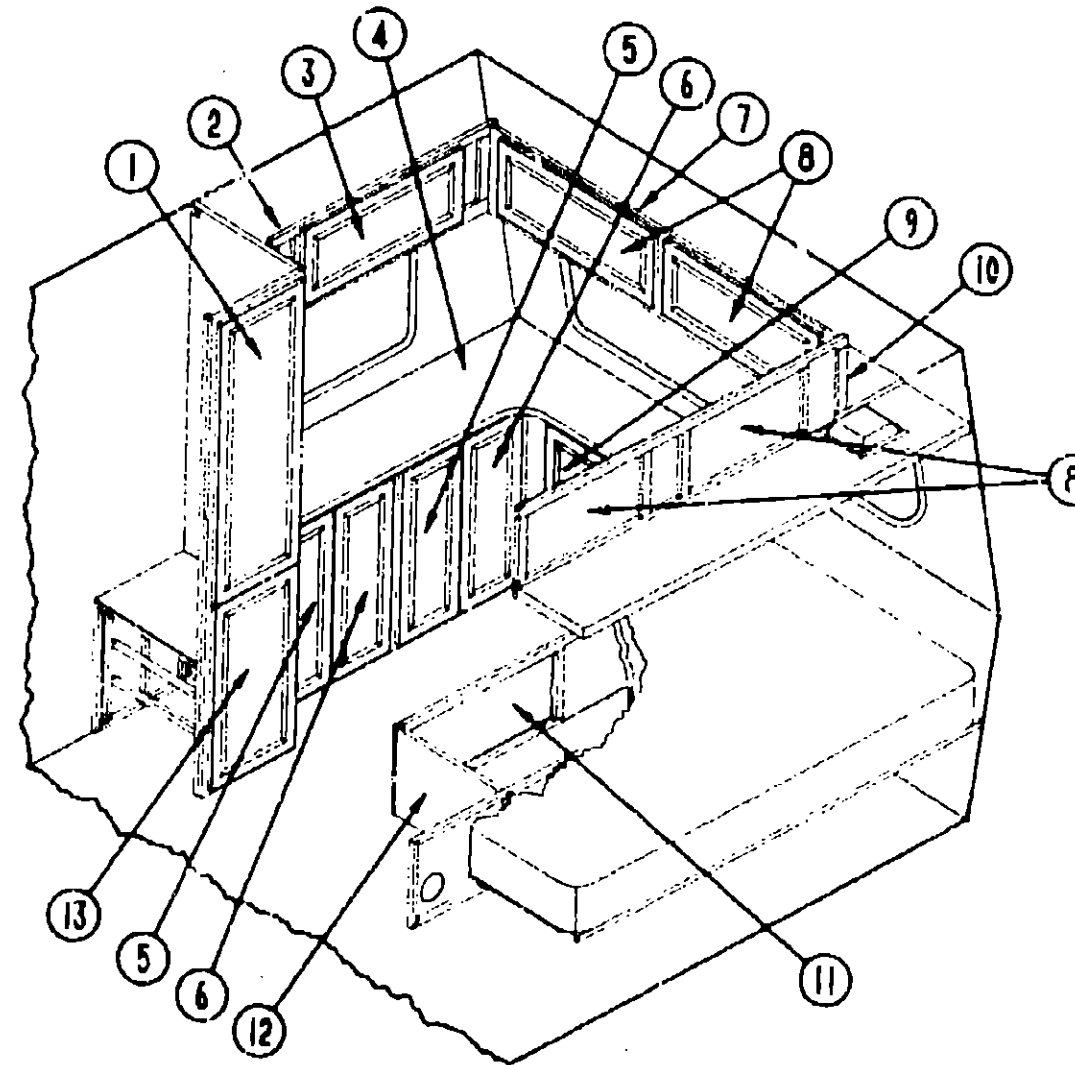
BEDROOM GROUP



TWIN BED CABINERY

Key	Part Number	U/M	Description
1	083948-01-B13	EA	Cabinet Asm. - Passenger Side - Shirt Closet - w/o Door Or Hardware
	083949-01-B13	EA	Cabinet Asm. - Drivers Side - Shirt Closet - w/o Door Or Hardware
2	P00520-24-B13	EA	Door Asm. - Shirt Closets - 14.3" x 35.5" - w/o Hardware
3	M04182-07-B13	EA	Cabinet Asm. - Passenger Side - Overhead Cabinet - w/o Door Or Hardware
	082825-01-B13	EA	End Cap Asm. - Overhead - Right Hand
	M04182-04-B13	EA	Cabinet Asm. - Driver Side - Overhead Cabinet - w/o Door Or Hardware
	082825-02-B13	EA	End Cap Asm. - Overhead - Left Hand
4	P00520-35-B13	EA	Door Asm. - Rear Overhead - 11.4" x 28.1" - w/o Hardware
5	M04182-01-B13	EA	Cabinet Asm. - Rear Overhead - w/o Door Or Hardware
6	P00520-48-B07	EA	Door Asm. - Rear Overhead - 12" x 18.7" - w/o Hardware
7	P00520-54-B13	EA	Door Asm. - Wardrobe Cabinet - 15.5" x 45.5" w/o Hardware
8	(not serviceable)	EA	Cabinet Asm. - Wardrobe Cabinet - w/o Door Or Hardware
9	M04182-02-B13	EA	Cabinet Asm. - Rear Overhead - w/o Doors Or Hardware
10	099873-14-B13	EA	Countertop Asm. - Wardrobe Cabinet
11	P00520-43-B13	EA	Door Asm. - Wardrobe Cabinet - 14.4" x 21.8" - w/o Hardware
12	M99871-01-B13	EA	Cabinet Asm. - Twin Bed - w/o Top Or Hardware
13	P00520-55-B13	EA	Door Asm. - Twin Bed Cabinet - 12" x 26" - w/o Hardware
14	M99870-01-B13	EA	Cabinet Asm. - Twin Bed - w/o Top Or Hardware
15	081260-13-B10	EA	End Cap Asm. - Shirt Closets Bottom
	093445-11-B13	EA	Countertop - TV Stand - 15" x 15"

BEDROOM GROUP (CONTINUED)



DOUBLE BED CABINERY (Option L46L)

Key	Part Number	U/M	Description
	P00520-54-B13	EA	Door Asm. - Wardrobe Cabinet - 15.5" x 45.5" - w/o Hardware
	094067-01-01A	EA	Divider - Drawer - Plastic
	077404-02-000	EA	Drawer Asm. - Plastic - 20" x 12.7" - Beige
2	M04182-09-B13	EA	Cabinet Asm. - Passenger Overhead - w/o Door Or Hardware
3	P00520-35-B13	EA	Door Asm. - Passenger Overhead - 11.4" x 28" - w/o Hardware
4	M99951-01-B13	EA	Cabinet Asm. - Vanity - w/Countertop - w/o Doors Or Hardware
4	099951-13-B13	EA	Countertop Asm. - Vanity Cabinet
5	P00520-44-B13	EA	Door Asm. - Vanity Cabinet - 10.8" x 27.9" - w/o Hardware
6	P00520-45-B13	EA	Door Asm. - Vanity Cabinet - 10.8" x 27.9" - w/o Hardware
7	M04182-08-B13	EA	Cabinet Asm. - Rear Overhead - w/o Doors Or Hardware
8	P00520-52-B13	EA	Door Asm. - Vanity Cabinet - 15.7" x 27.9" - w/o Hardware
9	M04182-10-B13	EA	Cabinet Asm. - Drivers Overhead - w/o Doors Or Hardware
10	P00520-49-B13	EA	Door Asm. - Drivers Overhead - 11" x 21.8" - w/o Hardware
11	P00520-47-B13	EA	Door Asm. - Double Bed Cabinet - 12" x 29" - w/o Hardware
12	M93436-01-AA5	EA	Cabinet Asm. - Double Bed - w/o Doors Or Hardware
13	P00520-53-B13	EA	Door Asm. - Wardrobe Cabinet - 15.5" x 29.5" w/o Hardware
	098176-06-000	EA	Mattress - Double - 53" x 74"
	082686-09-000	EA	Lamp - Table - Brass w/Wood
	082682-10-000	EA	Lamp - Table - CSA
	082686-07-000	EA	Shade - Table Lamp

**1991 WINNEBAGO
TABLE OF CONTENTS**

INTRODUCTION	A-01 - A-0
ABBREVIATIONS	A-0
ALPHABETICAL/GROUP REFERENCE	A-04 - A-0
WF424RC	A-07 - D-1
WF427RT	D-13 - H-0

1991 WF427RT INDEX

Floor Plan	D-13 - D-1
Accessories Group	D-15 - D-2
Bath Group	D-21 - D-2
Bedroom Group	D-23 - D-2
Chassis Group	E-01 - E-0
Curtain, Cushion & Pad Group	E-05 - E-1
Dinette Group	E-19 - E-2
Driver's Compartment Group	E-21 - E-2
Electrical Group	E-23 - F-0
Exterior Body Group	F-03 - F-0
Galley Group	F-07 - F-0
Heating & Air Conditioning Group	F-11 - F-0
Interior Finish Group	F-13 - F-0
Labels Group	F-17 - F-0
LP Group	G-0
Lounge Group	G-02 - G-0
Sealants & Fasteners Group	G-05 - G-0
Water & Sewage Group	G-08 - G-0
Window, Vent & Exterior Door Group	G-12 - H-0

CHASSIS GROUP

MISCELLANEOUS

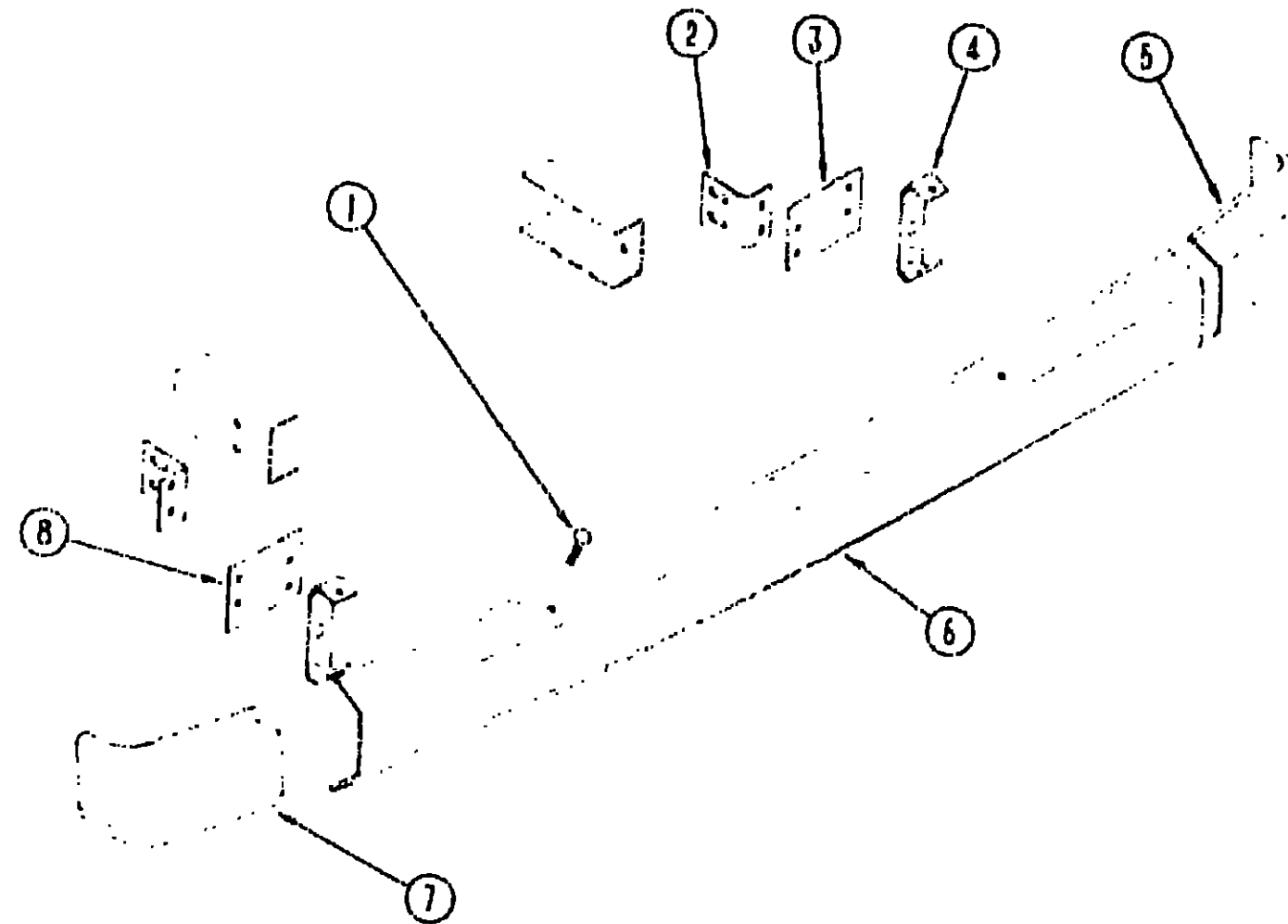
Key	Part Number	U/M	Description
	007125-01-000	EA	Clamp Asm - Mullion - 1 1/2"
	007125-02-000	EA	Clamp - Mullion - 2 5/8" Dia
	010577-01-000	EA	Clamp - Hose - 5/8" ID
	007125-01-000	EA	Clamp - Hose - Spring Type 1 1/2"
	062401-01-000	EA	Clamp - Hose - Wormgear - 22" ID - 1 1/2" ID
	062401-02-000	EA	Clamp - Hose - Wormgear - 1 5/8" ID - 2 5/8" ID
	062401-03-000	EA	Clamp - Hose - Wormgear - 2 5/8" ID - 3 1/2" ID
	062401-04-000	EA	Clamp - Hose - Wormgear - 3 1/2" ID - 4 1/2" ID
	062401-05-000	EA	Clamp - Hose - Wormgear - 4 1/2" ID - 5 1/2" ID
	062401-06-000	EA	Clamp - Hose - Wormgear - 5 1/2" ID - 6 1/2" ID
	062401-07-000	EA	Clamp - Hose - Wormgear - 6 1/2" ID - 7 1/2" ID
	062401-08-000	EA	Clamp - Hose - Wormgear - 7 1/2" ID - 8 1/2" ID
	062401-09-000	EA	Clamp - Hose - Wormgear - 8 1/2" ID - 9 1/2" ID
	062401-10-000	EA	Clamp - Hose - Wormgear - 9 1/2" ID - 10 1/2" ID
	062401-11-000	EA	Clamp - Hose - Wormgear - 10 1/2" ID - 11 1/2" ID
	062401-12-000	EA	Clamp - Hose - Wormgear - 11 1/2" ID - 12 1/2" ID
	062401-13-000	EA	Clamp - Hose - Wormgear - 12 1/2" ID - 13 1/2" ID
	062401-14-000	EA	Clamp - Hose - Wormgear - 13 1/2" ID - 14 1/2" ID
	062401-15-000	EA	Clamp - Hose - Wormgear - 14 1/2" ID - 15 1/2" ID
	062401-16-000	EA	Clamp - Hose - Wormgear - 15 1/2" ID - 16 1/2" ID
	062401-17-000	EA	Clamp - Hose - Wormgear - 16 1/2" ID - 17 1/2" ID
	062401-18-000	EA	Clamp - Hose - Wormgear - 17 1/2" ID - 18 1/2" ID
	062401-19-000	EA	Clamp - Hose - Wormgear - 18 1/2" ID - 19 1/2" ID
	062401-20-000	EA	Clamp - Hose - Wormgear - 19 1/2" ID - 20 1/2" ID
	062401-21-000	EA	Clamp - Hose - Wormgear - 20 1/2" ID - 21 1/2" ID
	062401-22-000	EA	Clamp - Hose - Wormgear - 21 1/2" ID - 22 1/2" ID
	062401-23-000	EA	Clamp - Hose - Wormgear - 22 1/2" ID - 23 1/2" ID
	062401-24-000	EA	Clamp - Hose - Wormgear - 23 1/2" ID - 24 1/2" ID
	062401-25-000	EA	Clamp - Hose - Wormgear - 24 1/2" ID - 25 1/2" ID
	062401-26-000	EA	Clamp - Hose - Wormgear - 25 1/2" ID - 26 1/2" ID
	062401-27-000	EA	Clamp - Hose - Wormgear - 26 1/2" ID - 27 1/2" ID
	062401-28-000	EA	Clamp - Hose - Wormgear - 27 1/2" ID - 28 1/2" ID
	062401-29-000	EA	Clamp - Hose - Wormgear - 28 1/2" ID - 29 1/2" ID
	062401-30-000	EA	Clamp - Hose - Wormgear - 29 1/2" ID - 30 1/2" ID
	062401-31-000	EA	Clamp - Hose - Wormgear - 30 1/2" ID - 31 1/2" ID
	062401-32-000	EA	Clamp - Hose - Wormgear - 31 1/2" ID - 32 1/2" ID
	062401-33-000	EA	Clamp - Hose - Wormgear - 32 1/2" ID - 33 1/2" ID
	062401-34-000	EA	Clamp - Hose - Wormgear - 33 1/2" ID - 34 1/2" ID
	062401-35-000	EA	Clamp - Hose - Wormgear - 34 1/2" ID - 35 1/2" ID
	062401-36-000	EA	Clamp - Hose - Wormgear - 35 1/2" ID - 36 1/2" ID
	062401-37-000	EA	Clamp - Hose - Wormgear - 36 1/2" ID - 37 1/2" ID
	062401-38-000	EA	Clamp - Hose - Wormgear - 37 1/2" ID - 38 1/2" ID
	062401-39-000	EA	Clamp - Hose - Wormgear - 38 1/2" ID - 39 1/2" ID
	062401-40-000	EA	Clamp - Hose - Wormgear - 39 1/2" ID - 40 1/2" ID
	062401-41-000	EA	Clamp - Hose - Wormgear - 40 1/2" ID - 41 1/2" ID
	062401-42-000	EA	Clamp - Hose - Wormgear - 41 1/2" ID - 42 1/2" ID
	062401-43-000	EA	Clamp - Hose - Wormgear - 42 1/2" ID - 43 1/2" ID
	062401-44-000	EA	Clamp - Hose - Wormgear - 43 1/2" ID - 44 1/2" ID
	062401-45-000	EA	Clamp - Hose - Wormgear - 44 1/2" ID - 45 1/2" ID
	062401-46-000	EA	Clamp - Hose - Wormgear - 45 1/2" ID - 46 1/2" ID
	062401-47-000	EA	Clamp - Hose - Wormgear - 46 1/2" ID - 47 1/2" ID
	062401-48-000	EA	Clamp - Hose - Wormgear - 47 1/2" ID - 48 1/2" ID
	062401-49-000	EA	Clamp - Hose - Wormgear - 48 1/2" ID - 49 1/2" ID
	062401-50-000	EA	Clamp - Hose - Wormgear - 49 1/2" ID - 50 1/2" ID
	062401-51-000	EA	Clamp - Hose - Wormgear - 50 1/2" ID - 51 1/2" ID
	062401-52-000	EA	Clamp - Hose - Wormgear - 51 1/2" ID - 52 1/2" ID
	062401-53-000	EA	Clamp - Hose - Wormgear - 52 1/2" ID - 53 1/2" ID
	062401-54-000	EA	Clamp - Hose - Wormgear - 53 1/2" ID - 54 1/2" ID
	062401-55-000	EA	Clamp - Hose - Wormgear - 54 1/2" ID - 55 1/2" ID
	062401-56-000	EA	Clamp - Hose - Wormgear - 55 1/2" ID - 56 1/2" ID
	062401-57-000	EA	Clamp - Hose - Wormgear - 56 1/2" ID - 57 1/2" ID
	062401-58-000	EA	Clamp - Hose - Wormgear - 57 1/2" ID - 58 1/2" ID
	062401-59-000	EA	Clamp - Hose - Wormgear - 58 1/2" ID - 59 1/2" ID
	062401-60-000	EA	Clamp - Hose - Wormgear - 59 1/2" ID - 60 1/2" ID
	062401-61-000	EA	Clamp - Hose - Wormgear - 60 1/2" ID - 61 1/2" ID
	062401-62-000	EA	Clamp - Hose - Wormgear - 61 1/2" ID - 62 1/2" ID
	062401-63-000	EA	Clamp - Hose - Wormgear - 62 1/2" ID - 63 1/2" ID
	062401-64-000	EA	Clamp - Hose - Wormgear - 63 1/2" ID - 64 1/2" ID
	062401-65-000	EA	Clamp - Hose - Wormgear - 64 1/2" ID - 65 1/2" ID
	062401-66-000	EA	Clamp - Hose - Wormgear - 65 1/2" ID - 66 1/2" ID
	062401-67-000	EA	Clamp - Hose - Wormgear - 66 1/2" ID - 67 1/2" ID
	062401-68-000	EA	Clamp - Hose - Wormgear - 67 1/2" ID - 68 1/2" ID
	062401-69-000	EA	Clamp - Hose - Wormgear - 68 1/2" ID - 69 1/2" ID
	062401-70-000	EA	Clamp - Hose - Wormgear - 69 1/2" ID - 70 1/2" ID
	062401-71-000	EA	Clamp - Hose - Wormgear - 70 1/2" ID - 71 1/2" ID
	062401-72-000	EA	Clamp - Hose - Wormgear - 71 1/2" ID - 72 1/2" ID
	062401-73-000	EA	Clamp - Hose - Wormgear - 72 1/2" ID - 73 1/2" ID
	062401-74-000	EA	Clamp - Hose - Wormgear - 73 1/2" ID - 74 1/2" ID
	062401-75-000	EA	Clamp - Hose - Wormgear - 74 1/2" ID - 75 1/2" ID
	062401-76-000	EA	Clamp - Hose - Wormgear - 75 1/2" ID - 76 1/2" ID
	062401-77-000	EA	Clamp - Hose - Wormgear - 76 1/2" ID - 77 1/2" ID
	062401-78-000	EA	Clamp - Hose - Wormgear - 77 1/2" ID - 78 1/2" ID
	062401-79-000	EA	Clamp - Hose - Wormgear - 78 1/2" ID - 79 1/2" ID
	062401-80-000	EA	Clamp - Hose - Wormgear - 79 1/2" ID - 80 1/2" ID
	062401-81-000	EA	Clamp - Hose - Wormgear - 80 1/2" ID - 81 1/2" ID
	062401-82-000	EA	Clamp - Hose - Wormgear - 81 1/2" ID - 82 1/2" ID
	062401-83-000	EA	Clamp - Hose - Wormgear - 82 1/2" ID - 83 1/2" ID
	062401-84-000	EA	Clamp - Hose - Wormgear - 83 1/2" ID - 84 1/2" ID
	062401-85-000	EA	Clamp - Hose - Wormgear - 84 1/2" ID - 85 1/2" ID
	062401-86-000	EA	Clamp - Hose - Wormgear - 85 1/2" ID - 86 1/2" ID
	062401-87-000	EA	Clamp - Hose - Wormgear - 86 1/2" ID - 87 1/2" ID
	062401-88-000	EA	Clamp - Hose - Wormgear - 87 1/2" ID - 88 1/2" ID
	062401-89-000	EA	Clamp - Hose - Wormgear - 88 1/2" ID - 89 1/2" ID
	062401-90-000	EA	Clamp - Hose - Wormgear - 89 1/2" ID - 90 1/2" ID
	062401-91-000	EA	Clamp - Hose - Wormgear - 90 1/2" ID - 91 1/2" ID
	062401-92-000	EA	Clamp - Hose - Wormgear - 91 1/2" ID - 92 1/2" ID
	062401-93-000	EA	Clamp - Hose - Wormgear - 92 1/2" ID - 93 1/2" ID
	062401-94-000	EA	Clamp - Hose - Wormgear - 93 1/2" ID - 94 1/2" ID
	062401-95-000	EA	Clamp - Hose - Wormgear - 94 1/2" ID - 95 1/2" ID
	062401-96-000	EA	Clamp - Hose - Wormgear - 95 1/2" ID - 96 1/2" ID
	062401-97-000	EA	Clamp - Hose - Wormgear - 96 1/2" ID - 97 1/2" ID
	062401-98-000	EA	Clamp - Hose - Wormgear - 97 1/2" ID - 98 1/2" ID
	062401-99-000	EA	Clamp - Hose - Wormgear - 98 1/2" ID - 99 1/2" ID
	062401-100-000	EA	Clamp - Hose - Wormgear - 99 1/2" ID - 100 1/2" ID

These parts were used from 03/01/91 on

TRAILER HITCH

Key	Part Number	U/M	Description
	034518-01-000	EA	Pin - Locking - Drawbar
	034513-01-000	EA	Pin - Hitch - 3/16"
	077613-01-000	EA	Drawbar - Hitch - Trailer Towing
	077617-02-000	EA	Hitch - Trailer - w/o Drawbar - 41 1/2" Wide

CHASSIS GROUP (CONTINUED)



REAR BUMPER & BRACKETS

Key	Part Number	U/M	Description
1	005200-01-000	EA	Bolt - Bumper - RD HD SQ Neck - w/SST Cap
	000039-07-008	EA	Nut - Hex - Ser Fig Lk - 7/16 - 1 1/2"
2	078668-01-000	EA	Support Angle - Bumper - Rear - L-Angle - 4" x 3"
	00C12-10-24B	EA	Bolt - Hex - 5/8 - 1 1/2 x 1 1/2 ZN - 5
3	078760-02-000	EA	Plate - Mounting - Rear Bumper - Passenger Side - 5" x 5"
	00C12-07-20B	EA	Bolt - Hex - 7/16 - 1 1/4 x 1 1/4 - ZN5
4	078670-02-000	EA	Bracket - Rear Bumper - 2" x 8" - Bent Ends
5	078578-05-000	EA	Cap - Bumper End - Passenger Side - Off White
6	078584-09-000	EA	Bumper - Rear - Chrome
7	078578-06-000	EA	Cap - Bumper End - Driver Side - Off White
8	078760-03-000	EA	Plate - Mounting - Rear Bumper - Driver Side - 5" x 5"
	081107-01-000	EA	Bracket - Bumper Pin - Angle - 2.6" x 7 8"

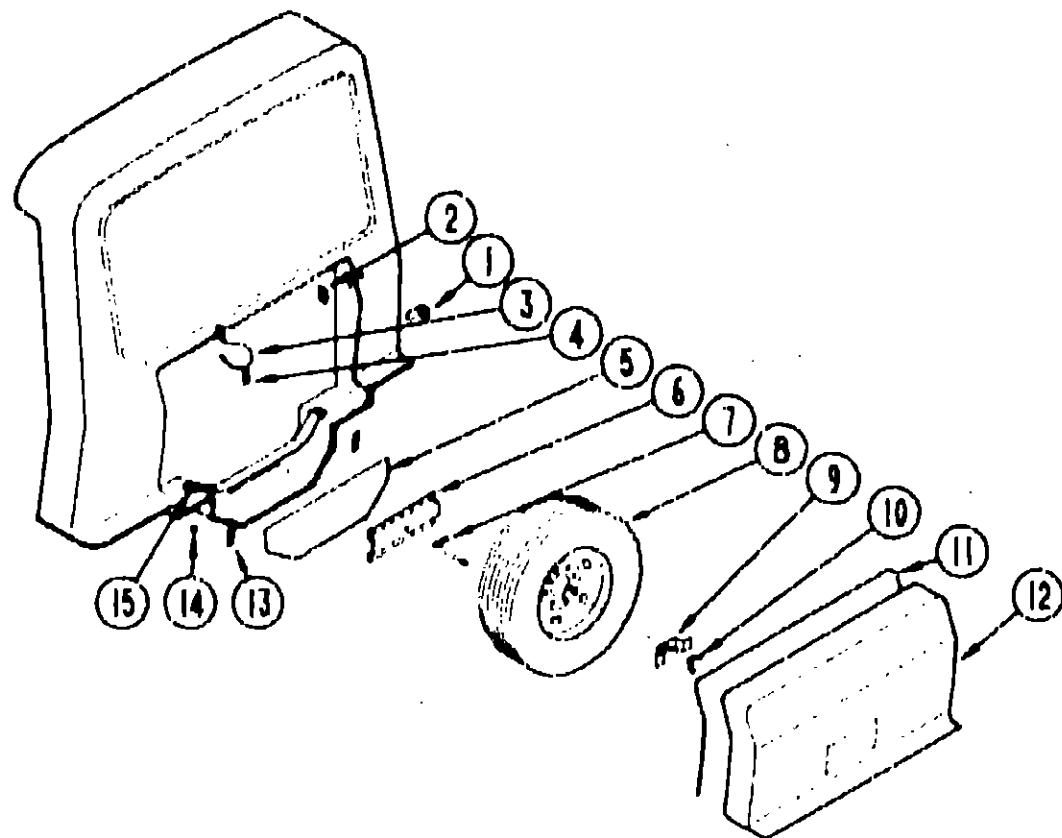
1991 WINNEBAGO TABLE OF CONTENTS

INTRODUCTION	A-01 - A-02
ABBREVIATIONS	A-03
ALPHABETICAL/GROUP REFERENCE	A-04 - A-06
WF427RC	A-07 - D-12
WF427RT	D-13 - H-04

1991 WF427RT INDEX

Floor Plan	D-13 - D-14
Accessories Group	D-15 - D-21
Bath Group	D-21 - D-22
Bedroom Group	D-23 - D-24
Chassis Group	E-01 - E-02
Curtain, Cushion & Pad Group	E-05 - E-06
Dinette Group	E-19 - E-20
Driver's Compartment Group	E-21 - E-22
Electrical Group	E-23 - F-01
Exterior Body Group	F-03 - F-04
Galley Group	F-07 - F-08
Heating & Air Conditioning Group	F-11 - F-12
Interior Finish Group	F-13 - F-14
Labels Group	F-17 - F-18
LP Group	G-01
Lounge Group	G-02 - G-03
Sealants & Fasteners Group	G-05 - G-06
Water & Sewage Group	G-08 - G-09
Window, Vent & Exterior Door Group	G-12 - H-01

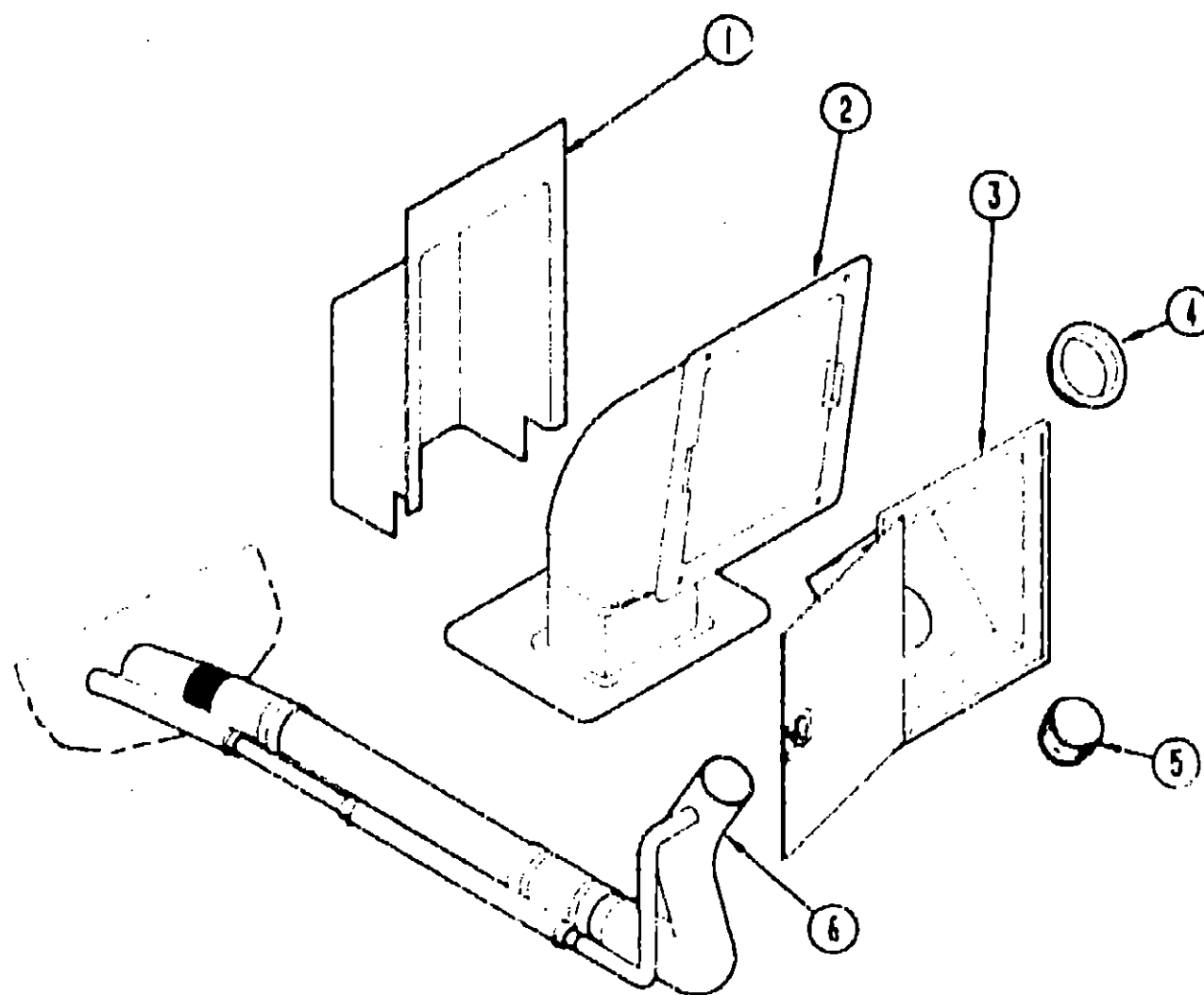
CHASSIS GROUP (CONTINUED)



SPARE TIRE & COMPARTMENT

Key	Part Number	U/M	Description
1	077408-01-000	EA	Lock Asm. - Key Type - Tire Cover
2	077941-01-000	EA	Rubber Seal - Flat w/Slot
3	076767-02-000	EA	Cable Asm.
4	072463-02-000	EA	Spring Hook - 5/8" Eye
5	077395-01-000	EA	Shield - Spare Tire
6	077403-01-000	EA	Support - Rod - Spare Tire
7	077411-01-000	EA	Retaining Rod - Spare Tire
8	070917-02-000	EA	Tire - Radial - Michelin
8	070917-04-000	EA	Tire - Radial - Firestone
	083617-01-000	EA	Wheel - 6" x 16" - 8 Hole
	051377-01-000	EA	Valve Stem
	095012-01-000	EA	Extension - Valve Stem - Dual Wheel
	095012-03-000	EA	Extension - Valve Stem - Dual Wheel
	077030-02-000	EA	Extension - Valve Stem - 1.25"
9	077399-01-000	EA	Retainer - Spare Tire
10	064081-01-000	EA	Wing Nut - 3/8" - Spare Tire
11	058027-01-000	FT	Tire Cover Seal - "D" Section - Sponge Rubber
12	079165-01-U10	EA	Cover Asm. - Tire
	077392-01-000	EA	Strike - Latch
	077394-02-000	EA	Support Asm. - Strike
13	080374-01-000	EA	Plate - Tire Cover Holder
14	077759-01-000	EA	Spacer - Support - Tire Carrier
15	079018-01-000	EA	Strap - Tire Carrier

CHASSIS GROUP (CONTINUED)



FUEL FILL COMPARTMENT

Key	Part Number	U/M	Description
1	078040-01-000	EA	Shroud - Fuel Fill - Upper
2	083578-01-000	EA	Boot - Fuel Fill
	084235-01-000	EA	Support Flange - Fuel Fill Boot
3	078010-03-000	EA	Door Asm. - Fuel Fill - Off White
	077963-01-000	EA	Gasket - Fuel Door
	042441-01-000	EA	Lock Asm. - Fuel Fill
4	078200-01-000	EA	Gasket - Fuel Fill
5	NOTE	EA	Fuel Cap
6	083675-02-000	EA	Filler Neck - Fuel Fill
*			This part is chassis supplied

1991 WINNEBAGO TABLE OF CONTENTS

INTRODUCTION	A-01 - A-0
ABBREVIATIONS	A-0
ALPHABETICAL/GROUP REFERENCE	A-04 - A-0
WF424RC	A-07 - D-1
WF427RT	D-13 - H-0

1991 WF427RT INDEX

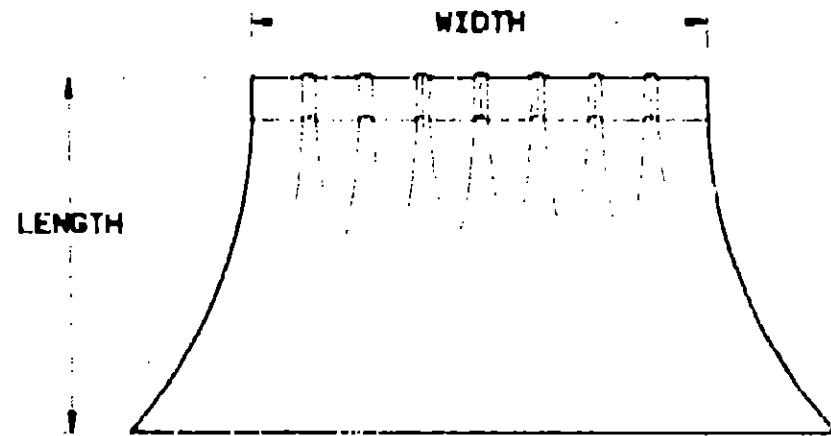
Floor Plan	D-13 - D-
Accessories Group	D-15 - D-
Bath Group	D-21 - D-
Bedroom Group	D-23 - D-
Chassis Group	E-01 - E-4
Curtain, Cushion & Pad Group	E-05 - E-
Dinette Group	E-19 - E-
Driver's Compartment Group	E-21 - E-
Electrical Group	F-23 - F-
Exterior Body Group	F-03 - F-
Galley Group	F-07 - F-
Heating & Air Conditioning Group	F-11 - F-
Interior Finish Group	F-13 - F-
Labels Group	F-17 - F-
LP Group	G-
Lounge Group	G-02 - G-
Sealants & Fasteners Group	G-05 - G-
Water & Sewage Group	G-08 - G-
Window, Vent & Exterior Door Group	G-12 - H-

CURTAIN, CUSHION & PAD GROUP

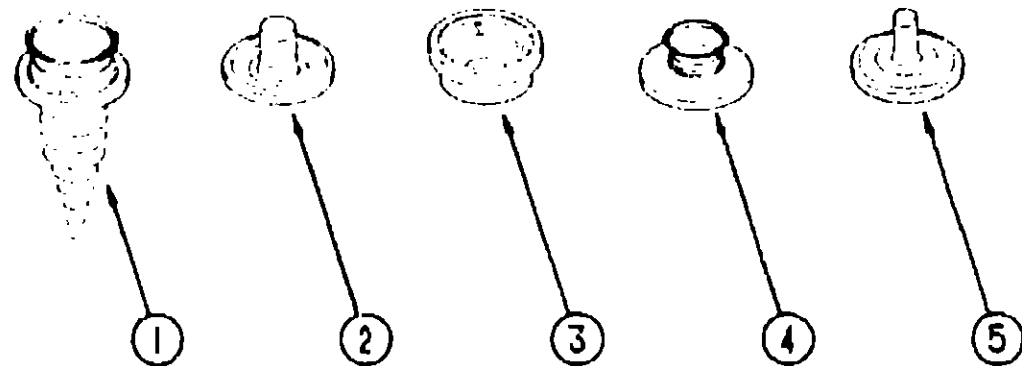
NOTICE

In order to assist our Parts Sales Dept. in providing interior software items, please include the serial number and the color code number from the vehicle certification label when ordering. This label is located on the left sidewall at the end of the dash (A-Body), or on the driver's door latch plate (C-Body).

An example of a color code number is P31, which designates an overall color scheme of a particular unit. The color listed after the item description on the microfiche, indicates the overall unit color. Order the item you desire according to unit color code.



NOTE: Use this illustration when determining length and width measurements for curtains. You will note the width measurements is taken on the top of the curtain with the curtain fully extended. The length measurement is taken from top to bottom.



Key	Part Number	U/M	Description
1	029130-01-000	EA	Socket - Snap Fastener
2	029155-01-000	EA	Cap - Snap - .156" Dia. x 17" Barrel
3	029156-01-000	EA	Socket - Snap Fastener
4	029092-01-000	EA	Stud - Nickel Finish
5	029093-01-000	EA	Eyelet - Nickel Finish

CURTAIN, CUSHION & PAD GROUP (CONTINUED)

CURTAIN & BLIND HARDWARE

Key	Part Number	U/M	Description
	040294-02-000	EA	Tape - Hook - .75" Wide - Beige
	048395-02-000	EA	Tape - Loop - .75" Wide - Beige
	088792-01-000	EA	Tape - Hook - 5/8" - Non-Adhesive
	088792-02-000	EA	Tape - Loop - .75" - Adhesive - Beige
	101031-10-000	YD	Tape - Glider - Curtain - 4 25" Spacing
	101032-01-000	FT	Track - Curtain - Ceiling Mount - White
	095591-02-000	EA	Bracket - Hold Down w/Pin - Clear Plastic
	106544-01-000	EA	Pull - Shade - Brass
	084434-01-000	EA	Bracket - Roller Shade - 1 3/8"
	083170-01-000	EA	Bracket - Installation - Blind - Right
	083170-02-000	EA	Bracket - Installation - Blind - Left
	097565-01-000	EA	Bracket - Mounting - Pleated Blind
	102559-01-000	EA	Cleat - Cord - Blind - Off White
	097593-06-000	FT	Cord - Pleated Blind - Pewter (B13, B15, B20)
	097593-02-000	FT	Cord - Pleated Blind - Tourmaline (B14)
	091313-01-000	EA	Grommet - Headrest
	046867-01-000	EA	Grommet - Brass - Shower Curtain - 7/16" ID x 1" OD
	094896-02-000	EA	Grommet - Cord - Pleated Blind
	094907-02-000	EA	Hardware - End Cap - EZ Lift - Top
	094907-03-000	EA	Hardware - End Cap - EZ Lift - Bottom
	097591-01-000	EA	Spring - Extension - EZ Lift
	097592-01-000	EA	Spool - Cord - Elevated Blind Holdup - Clear Plastic
	082239-02-000	EA	Brace - Trim - 18 7" Long - Metal - Beige
	059797-02-000	EA	Shell - Button - Plastic - #30
	069734-01-000	EA	Back - Button - Durasnap - #30
	089522-02-000	EA	Panel Leg - 31.5" Long - Black Plastic
	069916-01-000	EA	Mount - Window Leg 6 3" - Black Aluminum
	069136-02-000	EA	Hanger - Ring - Pin Type - Brass
	075943-01-000	EA	Brace - Valance - 1" x 1 5" x 20" - Metal - Beige

FABRIC & FLOOR COVERING

Key	Part Number	U/M	Description
	096008-68-000	YD	Fabric - Upholstery - Patterned Weave - 54" (B13)
	096008-67-000	YD	Fabric - Upholstery - Patterned Velour - 54" (B14)
	096008-66-000	YD	Fabric - Upholstery - Patterned Velour - 54" (B15)
	096008-73-000	YD	Fabric - Upholstery - Patterned Velour - 54" (B13)
	096008-43-000	YD	Fabric - Upholstery - Dotted Velour - 54" (B13, B20)
	096008-64-000	YD	Fabric - Upholstery - Dotted Velour - 54" (B14)
	096008-65-000	YD	Fabric - Upholstery - Squares Velour - 54" (B15)
	096008-28-000	YD	Fabric - Upholstery - Plain Velour - 54" (B13, B20)
	096008-40-000	YD	Fabric - Upholstery - Plain Velour - 54" (B14)
	096008-63-000	YD	Fabric - Upholstery - Plain Velour - 54" (B15)
	096008-18-000	YD	Fabric - Upholstery - Patterned Velour - 54" (B20)
	088273-58-000	YD	Fabric - Bedspread/Curtain - Patterned - 54" (B13)
	088273-57-000	YD	Fabric - Bedspread/Curtain - Patterned - 54" (B14)
	088273-56-000	YD	Fabric - Bedspread/Curtain - Patterned - 54" (B15)
	088273-47-000	YD	Fabric - Bedspread/Curtain - Patterned - 54" (B20)
	072333-77-000	YD	Fabric - Curtain Plain - 54" - Beige
	072333-76-000	YD	Fabric - Curtain Plain - 54" - Silver
	096050-14-000	SY	Carpet - 12' Wide Roll - Inc. of 4 SY (B13, B20)
	096050-15-000	SY	Carpet - 12' Wide Roll - Inc. of 4 SY (B14)
	096050-16-000	SY	Carpet - 12' Wide Roll - Inc. of 4 SY (B15)

**1991 WINNEBAGO
TABLE OF CONTENTS**

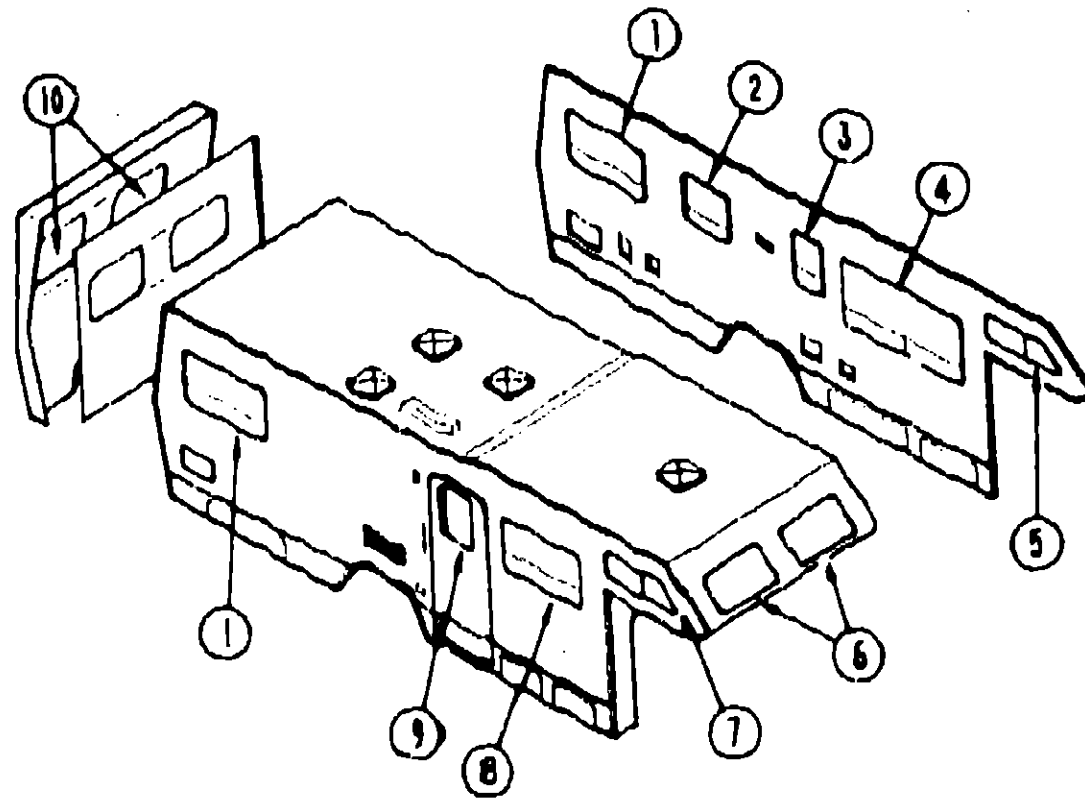
INTRODUCTION	A-01 - A-0
ABBREVIATIONS	A-0
ALPHABETICAL/GROUP REFERENCE	A-04 - A-0
WF424RC	A-07 - D-1
WF427RT	D-13 - H-0

1991 WF427RT INDEX

Floor Plan	D-13 - D-1
Accessories Group	D-15 - D-2
Bath Group	D-21 - D-2
Bedroom Group	D-23 - D-2
Chassis Group	E-01 - E-4
Curtain, Cushion & Pad Group	E-05 - E-1
Dinette Group	E-19 - E-4
Driver's Compartment Group	E-21 - E-4
Electrical Group	E-23 - F-4
Exterior Body Group	F-03 - F-4
Galley Group	F-07 - F-4
Heating & Air Conditioning Group	F-11 - F-4
Interior Finish Group	F-13 - F-4
Labels Group	F-17 - F-4
LP Group	G-4
Lounge Group	G-02 - G-4
Sealants & Fasteners Group	G-05 - G-4
Water & Sewage Group	G-08 - G-4
Window, Vent & Exterior Door Group	G-12 - H-4

CURTAIN, CUSHION & PAD GROUP (CONTINUED)

CURTAIN, CUSHION & PAD GROUP (CONTINUED)



CURTAINS, BLINDS, VALANCES & TIEBACKS

Key	Part Number	U/M	Description
1	101428-04-B13	EA	Valance Asm. - Padded Corner - 45.5"
1	101428-04-B14	EA	Valance Asm. - Padded Corner - 45.5"
1	101428-04-B15	EA	Valance Asm. - Padded Corner - 45.5"
1	101428-04-B20	EA	Valance Asm. - Padded Corner - 45.5"
1	100281-15-B13	EA	Leg Asm. - w/Hole - Right Side - 27"
1	100281-15-B14	EA	Leg Asm. - w/Hole - Right Side - 27"
1	100281-15-B15	EA	Leg Asm. - w/Hole - Right Side - 27"
1	100281-15-B20	EA	Leg Asm. - w/Hole - Right Side - 27"
1	100281-14-B10	EA	Leg Asm. - Left Side - 27" (B13)
1	100281-14-B11	EA	Leg Asm. - Left Side - 27" (B14)
1	100281-14-B12	EA	Leg Asm. - Left Side - 27" (B15)
1	100281-14-B20	EA	Leg Asm. - Left Side - 27"
1	096335-46-B13	EA	Blind - Pleated - 39.5" x 28" Drop (B13, B20)
1	096335-46-B14	EA	Blind - Pleated - 39.5" x 28" Drop
1	096335-46-B15	EA	Blind - Pleated - 39.5" x 28" Drop
2	101428-09-B13	EA	Valance Asm. - Padded Corners - 20"
2	101428-09-B14	EA	Valance Asm. - Padded Corners - 20"
2	101428-09-B15	EA	Valance Asm. - Padded Corners - 20"
2	101428-09-B20	EA	Valance Asm. - Padded Corners - 20"
2	100281-15-B13	EA	Leg Asm. - w/Hole - Padded Corner - Right Side - 27"
2	100281-15-B14	EA	Leg Asm. - w/Hole - Padded Corner - Right Side - 27"
2	100281-15-B15	EA	Leg Asm. - w/Hole - Padded Corner - Right Side - 27"
2	100281-15-B20	EA	Leg Asm. - w/Hole - Padded Corner - Right Side - 27"
2	100281-14-B10	EA	Leg Asm. - w/Hole - Padded Corner - Left Side - 27" (B13)
2	100281-14-B11	EA	Leg Asm. - w/Hole - Padded Corner - Left Side - 27" (B14)
2	100281-14-B12	EA	Leg Asm. - w/Hole - Padded Corner - Left Side - 27" (B15)
2	100281-14-B20	EA	Leg Asm. - w/Hole - Padded Corner - Left Side - 27" (B20)
2	093475-72-01A	EA	Blind - Mini 13.5" x 28.5"
*2	093475-72-03A	EA	Blind - Mini 13.5" x 28.5" (B15, B20)
*2	093475-72-02A	EA	Blind - Mini 13.5" x 28.5" (B14)

CURTAINS, BLINDS, VALANCES & TIEBACKS (CONT.)

Key	Part Number	U/M	Description
3	M96870-22-B13	EA	Valance Asm. - Wood w/Insert - 20" (B13, B20)
3	M96879-22-B14	EA	Valance Asm. - Wood w/Insert - 20"
3	M96879-22-B15	EA	Valance Asm. - Wood w/Insert - 20"
3	093475-46-01A	EA	Blind - Mini - 17.5" x 23.5" Drop (B13, B14, B15, B20)
*3	093475-46-02A	EA	Blind - Mini - 17.5" x 23.5" Drop (B14)
*3	093475-46-07A	EA	Blind - Mini - 17.5" x 23.5" Drop (B15, B20)
4	M96879-21-B13	EA	Valance Asm. - Wood w/Insert - 57.5"
4	M96879-21-B14	EA	Valance Asm. - Wood w/Insert - 57.5"
4	M96870-21-B15	EA	Valance Asm. - Wood w/Insert - 57.5"
*4	M96879-27-B10	EA	Valance Asm. - Wood w/Insert - 58.5" (B13, B20)
*4	M96879-27-B11	EA	Valance Asm. - Wood w/Insert - 58.5" (B14)
*4	M96879-27-B12	EA	Valance Asm. - Wood w/Insert - 58.5" (B15)
4	101079-02-B13	EA	Leg Asm. - Wood w/Fabric - 31.5" - Right Side (B13, B20)
4	101079-02-B14	EA	Leg Asm. - Wood w/Fabric - 31.5" - Right Side
4	101070-02-B15	EA	Leg Asm. - Wood w/Fabric - 31.5" - Right Side
4	101079-04-B13	EA	Leg Asm. - Wood w/Fabric - 31.5" - Left Side (B13, B20)
4	101079-04-B14	EA	Leg Asm. - Wood w/Fabric - 31.5" - Left Side
4	101079-04-B15	EA	Leg Asm. - Wood w/Fabric - 31.5" - Left Side
4	093475-40-05A	EA	Blind - Mini 51" x 33" Drop (B13, B14, B15, B20)
*4	093475-40-01A	EA	Blind - Mini - 51" x 33" Drop (B14)
*4	093475-40-07A	EA	Blind - Mini - 51" x 33" Drop (B15, B20)
5	097878-24-B13	EA	Valance Asm. - Flat Angled - 5.5" x 34" - Left
5	097878-24-B14	EA	Valance Asm. - Flat Angled - 5.5" x 34" - Left
5	097878-24-B15	EA	Valance Asm. - Flat Angled - 5.5" x 34" - Left
5	097878-24-B20	EA	Valance Asm. - Flat Angled - 5.5" x 34" - Left
5	101034-01-B13	EA	Curtain Asm. - Tape Top - 16" x 25" (B13, B14, B20)
5	101034-01-B15	EA	Curtain Asm. - Tape Top - 16" x 25"
6	097878-22-B13	EA	Valance Asm. - Flat - 7" x 85.5"
6	097878-22-B14	EA	Valance Asm. - Flat - 7" x 85.5"
6	097878-22-B15	EA	Valance Asm. - Flat - 7" x 85.5"
6	097878-22-B20	EA	Valance Asm. - Flat - 7" x 85.5"
6	101034-04-B13	EA	Curtain Asm. - Tape Top - 21" x 45" (B13, B14, B20)
6	101034-04-B15	EA	Curtain Asm. - Tape Top - 21" x 45"
7	097878-23-B13	EA	Valance Asm. - Flat Angled - 5.5" x 34" - Right
7	097878-23-B14	EA	Valance Asm. - Flat Angled - 5.5" x 34" - Right
7	097878-23-B15	EA	Valance Asm. - Flat Angled - 5.5" x 34" - Right
7	097878-23-B20	EA	Valance Asm. - Flat Angled - 5.5" x 34" - Right
8	M96879-26-B13	EA	Valance Asm. - w/Insert - 44.5" (B13, B20)
8	M96879-26-B14	EA	Valance Asm. - w/Insert - 44.5"
8	M96879-26-B15	EA	Valance Asm. - w/Insert - 44.5"
†8	M96879-20-B13	EA	Valance Asm. - Wood w/Insert - 46.4" (B13, B20)
†8	M96879-20-B14	EA	Valance Asm. - Wood w/Insert - 46.4"
†8	M96879-20-B15	EA	Valance Asm. - Wood w/Insert - 46.6"
8	101079-06-B07	EA	Leg Asm. - w/Hole - 27.5" - Right Side (B13, B20)
8	101079-06-B08	EA	Leg Asm. - w/Hole - 27.5" - Right Side (B14)
8	100179-06-B09	EA	Leg Asm. - w/Hole - 27.5" - Right Side (B15)
8	101079-07-B07	EA	Leg Asm. - w/Hole - 27.5" - Left Side (B13, B20)
8	101079-07-B08	EA	Leg Asm. - w/Hole - 27.5" - Left Side (B14)
8	101079-07-B09	EA	Leg Asm. - w/Hole - 27.5" - Left Side (B15)
8	093475-41-05A	EA	Blind - Mini - 39" x 26" Drop (B13, B14, B15, B20)
*8	093475-41-01A	EA	Blind - Mini - 39" x 26" Drop (B14)
*8	093475-41-07A	EA	Blind - Mini - 39" x 26" Drop (B15, B20)
9	101668-07-B13	EA	Curtain Asm. - Tape Top - 34" x 37" (B13, B20)
9	101668-07-B14	EA	Curtain Asm. - Tape Top - 34" x 37"
9	101668-07-B15	EA	Curtain Asm. - Tape Top - 34" x 37"

* These parts were used from 1-14-91 on.
† These parts were used from 8-15-90 on.

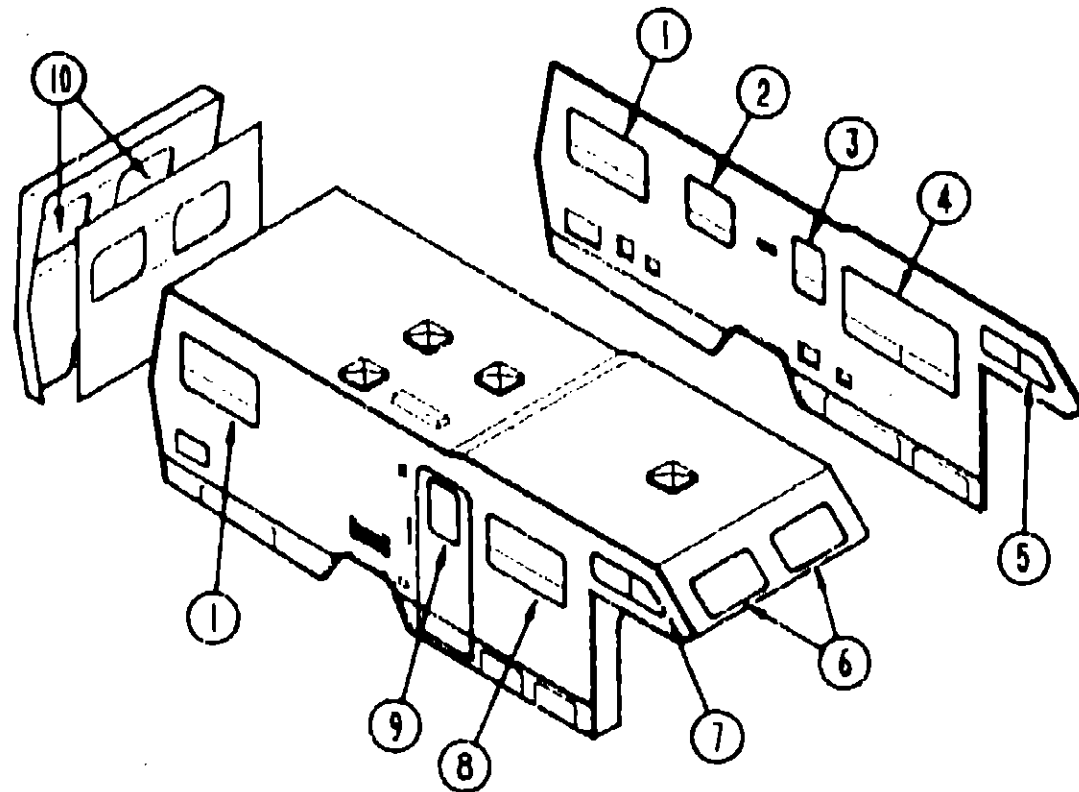
**1991 WINNEBAGO
TABLE OF CONTENTS**

INTRODUCTION	A-01 - A-02
ABBREVIATIONS	A-03
ALPHABETICAL/GROUP REFERENCE	A-04 - A-06
WF424RC	A-07 - D-12
WF427RT	D-13 - H-04

1991 WF427RT INDEX

Floor Plan	D-13 - D-14
Accessories Group	D-15 - D-20
Bath Group	D-21 - D-22
Bedroom Group	D-23 - D-24
Chassis Group	E-01 - E-04
Curtain, Cushion & Pad Group	E-05 - E-18
Dinette Group	E-19 - E-20
Driver's Compartment Group	E-21 - E-22
Electrical Group	E-23 - F-02
Exterior Body Group	F-03 - F-06
Galley Group	F-07 - F-10
Heating & Air Conditioning Group	F-11 - F-12
Interior Finish Group	F-13 - F-16
Labels Group	F-17 - F-24
LP Group	G-01
Lounge Group	G-02 - G-04
Sealants & Fasteners Group	G-05 - G-07
Water & Sewage Group	G-08 - G-11
Window, Vent & Exterior Door Group	G-12 - H-04

CURTAIN, CUSHION & PAD GROUP (CONTINUED)



Key	Part Number	U/M	Description
10	101428-03-B13	EA	Valance Asm. - Padded Corners - 29.5"
10	101428-03-B14	EA	Valance Asm. - Padded Corners - 29.5"
10	101428-03-B15	EA	Valance Asm. - Padded Corners - 29.5"
10	101428-03-B20	EA	Valance Asm. - Padded Corners - 29.5"
10	100281-13-B10	EA	Leg Asm. - Right Side (B13)
10	100281-13-B11	EA	Leg Asm. - Right Side (B14)
10	100281-13-B12	EA	Leg Asm. - Right Side (B15)
10	100281-13-B20	EA	Leg Asm. - Right Side
10	100281-14-B10	EA	Leg Asm. - Left Side (B13)
10	100281-14-B11	EA	Leg Asm. - Left Side (B14)
10	100281-14-B12	EA	Leg Asm. - Left Side (B15)
10	100281-14-B20	EA	Leg Asm. - Left Side
10	096335-39-AA5	EA	Blind - Pleated - 23" x 28" (B13, B20)
10	096335-39-B14	EA	Blind - Pleated - 23" x 28"
10	096335-39-B15	EA	Blind - Pleated - 23" x 28"
**10	101428-05-B13	EA	Valance Asm. - Padded Corners - 72"
**10	101428-05-B14	EA	Valance Asm. - Padded Corners - 72"
**10	101428-05-B15	EA	Valance Asm. - Padded Corners - 72"
**10	101428-05-B20	EA	Valance Asm. - Padded Corners - 72"
**10	096335-41-AA5	EA	Blind - Pleated - 67.5" x 28" (B13, B20)
**10	096335-41-B14	EA	Blind - Pleated - 67.5" x 28"
**10	096335-41-B15	EA	Blind - Pleated - 67.5" x 28"
	101668-05-B35	EA	Curtain Asm. - Passenger Side - Tape Top - 30" x 50" (B13, B14, B20)
	101668-05-B36	EA	Curtain Asm. - Passenger Side - Tape Top - 30" x 50" (B15)
	101668-06-B35	EA	Curtain Asm. - Driver Side - Tape Top - 30" x 50" (B13, B14, B20)
	101668-06-B36	EA	Curtain Asm. - Driver Side - Tape Top - 30" x 50" (B15)
	076892106-B07	EA	Curtain Asm. - Snap Top - 40" x 72"
	073260-23-B13	EA	Tieback Asm. - 3" x 18" (B13, B20)
	073260-23-B14	EA	Tieback Asm. - 3" x 18"
	073260-23-B15	EA	Tieback Asm. - 3" x 18"
	073260-44-B13	EA	Tieback Asm. - 6" x 15" (B13, B14, B20)
	073260-44-B15	EA	Tieback Asm. - 6" x 15"
	084481-10-000	EA	Curtain Asm. - Shower - Vinyl - 32" x 70"
**	Double Bed Option		

CURTAIN, CUSHION & PAD GROUP (CONTINUED)

CURTAIN, BLINDS, VALANCES & TIEBACKS (CONT.)

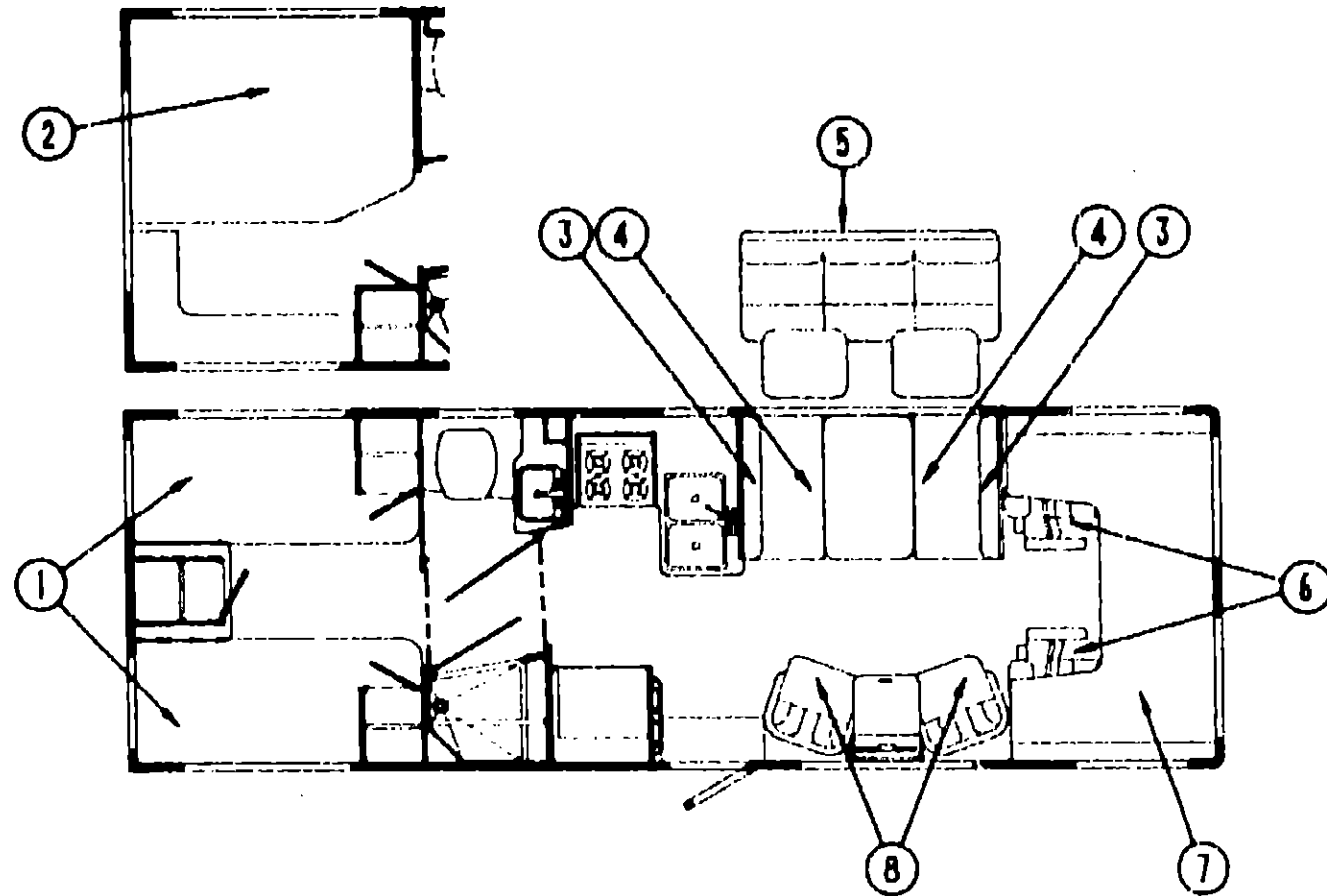
**1991 WINNEBAGO
TABLE OF CONTENTS**

INTRODUCTION	A-01 - A-02
ABBREVIATIONS	A-03
ALPHABETICAL/GROUP REFERENCE	A-04 - A-06
WF424HC	A-07 - D-12
WF427RT	D-13 - H-04

1991 WF427RT INDEX

Floor Plan	D-13 - D-14
Accessories Group	D-15 - D-20
Bath Group	D-21 - D-22
Bedroom Group	D-23 - D-24
Chassis Group	E-01 - E-04
Curtain, Cushion & Pad Group	E-05 - E-18
Dinette Group	E-19 - E-20
Driver's Compartment Group	E-21 - E-22
Electrical Group	E-23 - F-02
Exterior Body Group	F-03 - F-06
Galley Group	F-07 - F-10
Heating & Air Conditioning Group	F-11 - F-12
Interior Finish Group	F-13 - F-16
Labels Group	F-17 - F-24
LP Group	G-01
Lounge Group	G-02 - G-04
Sealants & Fasteners Group	G-05 - G-07
Water & Sewage Group	G-08 - G-11
Window, Vent & Exterior Door Group	G-12 - H-04

CURTAIN, CUSHION & PAD GROUP (CONTINUED)



TWIN BED & MATTRESS

Key	Part Number	U/M	Description
1	098176-01-000	EA	Mattress - Innerspring - 32" x 74"
	085365-07-B07	EA	Bedsread - Twin Bed (B13)
	085365-07-B08	EA	Bedsread - Twin Bed (B14)
	085365-07-B09	EA	Bedsread - Twin Bed (B15)
	085365-07-B20	EA	Bedsread - Twin Bed (B20)
	102161-01-B07	EA	Pillow w/Sham (B13)
	102161-01-B08	EA	Pillow w/Sham (B14)
	102161-01-B09	EA	Pillow w/Sham (B15)
	102161-01-B20	EA	Pillow w/Sham (B20)
	081997-07-B10	EA	Pillow Sham (B13)
	081997-07-B11	EA	Pillow Sham (B14)
	081997-07-B12	EA	Pillow Sham (B15)
	081997-07-B20	EA	Pillow Sham (B20)
	088273-58-000	YD	Fabric - Bedsread (B13)
	088273-57-000	YD	Fabric - Bedsread (B14)
	088273-56-000	YD	Fabric - Bedsread (B15)
	088273-47-000	YD	Fabric - Bedsread (B20)

CURTAIN, CUSHION & PAD GROUP (CONTINUED)

DOUBLE BED & MATTRESS (OPTION L46)

Key	Part Number	U/M	Description
2	098176-06-000	EA	Mattress - Innerspring - 53" x 74"
	085365-08-B13	EA	Bedsread - Double Bed
	085365-08-B14	EA	Bedsread - Double Bed
	085365-08-B15	EA	Bedsread - Double Bed
	085365-08-B20	EA	Bedsread - Double Bed
	081997-07-B10	EA	Pillow Sham (B13)
	081997-07-B11	EA	Pillow Sham (B14)
	081997-07-B12	EA	Pillow Sham (B15)
	081997-07-B20	EA	Pillow Sham
	088273-58-000	YD	Fabric - Bedsread (B13)
	088273-57-000	YD	Fabric - Bedsread (B14)
	088273-56-000	YD	Fabric - Bedsread (B15)
	088273-47-000	YD	Fabric - Bedsread (B20)

DINETTE CUSHION

Key	Part Number	U/M	Description
3	088927-77-B13	EA	Cushion Asm. - Dinette Back - 13.5" x 38" x 5"
3	088927-77-B14	EA	Cushion Asm. - Dinette Back - 13.5" x 38" x 5"
3	088927-77-B15	EA	Cushion Asm. - Dinette Back - 13.5" x 38" x 5"
3	088927-77-B20	EA	Cushion Asm. - Dinette Back - 13.5" x 38" x 5"
	M88927-77-B13	EA	Cover Asm. - Dinette Back Cushion
	M88927-77-B14	EA	Cover Asm. - Dinette Back Cushion
	M88927-77-B15	EA	Cover Asm. - Dinette Back Cushion
	M88927-77-B20	EA	Cover Asm. - Dinette Back Cushion
4	088927-86-B07	EA	Cushion Asm. - Dinette Seat - 21" x 38" x 5" (B13)
4	088927-86-B08	EA	Cushion Asm. - Dinette Seat - 21" x 38" x 5" (B14)
4	088927-86-B15	EA	Cushion Asm. - Dinette Seat - 21" x 38" x 5"
4	088927-86-B38	EA	Cushion Asm. - Dinette Seat - 21" x 38" x 5" (B20)
	M88927-86-B07	EA	Cover Asm. - Dinette Seat Cushion (B13)
	M88927-86-B08	EA	Cover Asm. - Dinette Seat Cushion (B14)
	M88927-86-B15	EA	Cover Asm. - Dinette Seat Cushion
	M88927-86-B38	EA	Cover Asm. - Dinette Seat Cushion (B20)
	096008-60-000	YD	Fabric - Dinette Cushions (B13)
	096008-67-000	YD	Fabric - Dinette Cushions (B14)
	096008-66-000	YD	Fabric - Dinette Cushions (B15)
	096008-73-000	YD	Fabric - Dinette Cushions (B20)
	079680-73-000	YD	Vinyl - Off White

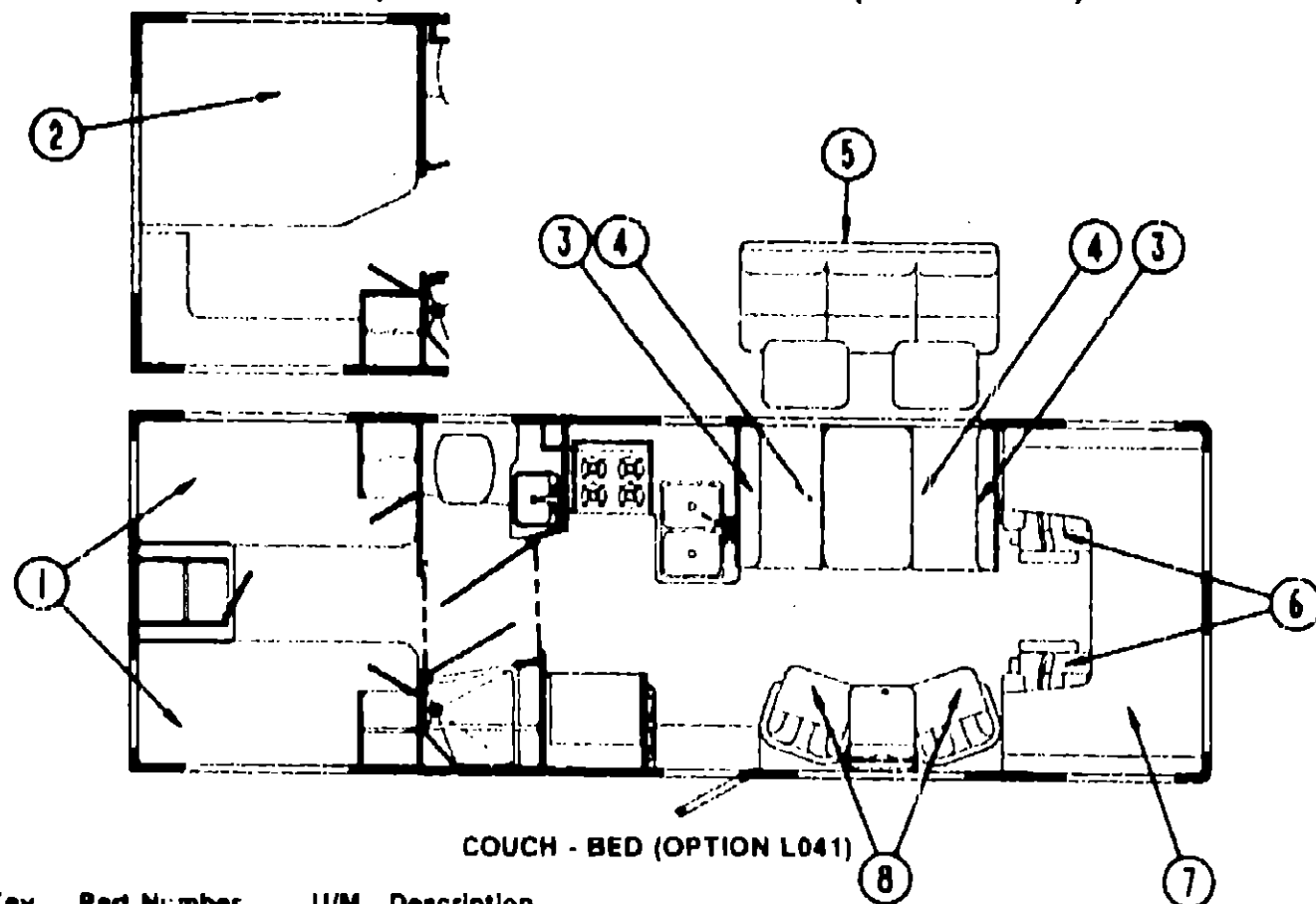
**1991 WINNEBAGO
TABLE OF CONTENTS**

INTRODUCTION	A-01 - A-02
ABBREVIATIONS	A-03
ALPHABETICAL/GROUP REFERENCE	A-04 - A-06
WF424RC	A-07 - D-12
WF427RT	D-13 - H-04

1991 WF427RT INDEX

Floor Plan	D-13 - D-14
Accessories Group	D-15 - D-20
Bath Group	D-21 - D-22
Bedroom Group	D-23 - D-24
Chassis Group	E-01 - E-04
Curtain, Cushion & Pad Group	E-05 - E-10
Dinette Group	E-19 - E-20
Driver's Compartment Group	E-21 - E-22
Electrical Group	E-23 - F-01
Exterior Body Group	F-03 - F-04
Galley Group	F-07 - F-10
Heating & Air Conditioning Group	F-11 - F-12
Interior Finish Group	F-13 - F-18
Labels Group	F-17 - F-20
LP Group	G-01
Lounge Group	G-02 - G-03
Sealants & Fasteners Group	G-05 - G-06
Water & Sewage Group	G-08 - G-10
Window, Vent & Exterior Door Group	G-12 - H-01

CURTAIN, CUSHION & PAD GROUP (CONTINUED)



Key	Part Number	U/M	Description
5	100032-03-B13	EA	Seat Asm. - Couch w/o Back
5	100032-03-B14	EA	Seat Asm. - Couch w/o Back
5	100032-03-B15	EA	Seat Asm. - Couch w/o Back
5	100032-03-B20	EA	Seat Asm. - Couch w/o Back
	P00032-03-B13	EA	Cover Asm. - Seat - Couch Asm. - Seat - Couch
	P00032-03-B14	EA	Cover Asm. - Seat - Couch
	P00032-03-B15	EA	Cover Asm. - Seat - Couch
	P00032-03-B20	EA	Cover Asm. - Seat - Couch
	101085-01-000	EA	Frame - Seat - 66.5" - Couch
	100032-04-B13	EA	Back Asm. - Couch w/o Seat
	100032-04-B14	EA	Back Asm. - Couch w/o Seat
	100032-04-B15	EA	Back Asm. - Couch w/o Seat
	100032-04-B20	EA	Back Asm. - Couch w/o Seat
	P00032-04-B13	EA	Cover Asm. - Back - Couch
	P00032-04-B14	EA	Cover Asm. - Back - Couch
	P00032-04-B15	EA	Cover Asm. - Back - Couch
	P00032-04-B20	EA	Cover Asm. - Back - Couch
	101085-02-000	EA	Frame - Back - 66.5" - Couch
	101236-03-B13	EA	Arm Asm. - Couch - Right Hand
	101236-03-B14	EA	Arm Asm. - Couch - Right Hand
	101236-03-B15	EA	Arm Asm. - Couch - Right Hand
	101236-03-B20	EA	Arm Asm. - Couch - Right Hand
	101085-07-000	EA	Frame Arm - Right Hand - Couch
	101568-03-000	EA	Bracket - Arm - Right Hand - w/Stud Weld
	101568-01-000	EA	Bracket - Arm - Right Hand - w/o Stud Weld
	101236-04-B13	EA	Arm Asm. - Couch - Left Hand
	101236-04-B14	EA	Arm Asm. - Couch - Left Hand
	101236-04-B15	EA	Arm Asm. - Couch - Left Hand
	101236-04-B20	EA	Arm Asm. - Couch - Left Hand
	101085-08-000	EA	Frame - Arm - Left Hand - Couch
	101568-04-000	EA	Bracket - Arm - Left Hand - w/Stud Weld
	101568-02-000	EA	Bracket - Arm - Left Hand - w/o Stud Weld
	010185-03-000	EA	Frame - Base - 66.5" - Couch
	096008-68-000	YD	Fabric - Couch (B13)
	096008-67-000	YD	Fabric - Couch (B14)
	096008-66-000	YD	Fabric - Couch (B15)
	096008-73-000	YD	Fabric - Couch (B20)

CURTAIN, CUSHION & PAD GROUP (CONTINUED)

BUCKET SEAT

Key	Part Number	U/M	Description
6	101171-02-B13	EA	Seat Asm. - Bucket - Driver (B13, B20)
6	101171-02-B14	EA	Seat Asm. - Bucket - Driver
6	101171-02-B15	EA	Seat Asm. - Bucket - Driver
6	101171-05-B13	EA	Seat Asm. - Bucket - Driver (B13, B20)
6	101171-05-B14	EA	Seat Asm. - Bucket - Driver
6	101171-05-B15	EA	Seat Asm. - Bucket - Driver
6	101171-03-B13	EA	Seat Asm. - Bucket - Passenger (B13, B20)
6	101171-03-B14	EA	Seat Asm. - Bucket - Passenger
6	101171-03-B15	EA	Seat Asm. - Bucket - Passenger
6	101171-06-B13	EA	Seat Asm. - Bucket - Passenger (B13, B20)
6	101171-06-B14	EA	Seat Asm. - Bucket - Passenger
6	101171-06-B15	EA	Seat Asm. - Bucket - Passenger
	M03445-24-B07	EA	Cover Asm. - Bucket Seat - Back (B13, B20)
	M03445-24-B08	EA	Cover Asm. - Bucket Seat - Back (B14)
	M03445-24-B09	EA	Cover Asm. - Bucket Seat - Back (B15)
	M03445-25-B07	EA	Cover Asm. - Bucket Seat - Bottom (B13, B20)
	M03445-25-B08	EA	Cover Asm. - Bucket Seat - Bottom (B14)
	M03445-25-B09	EA	Cover Asm. - Bucket Seat - Bottom (B15)
	M03445-36-B07	EA	Cover Asm. - Bucket Seat - Bottom (B13, B20)
	M03445-36-B08	EA	Cover Asm. - Bucket Seat - Bottom (B14)
	M03445-36-B09	EA	Cover Asm. - Bucket Seat - Bottom (B15)
	080243-43-B07	EA	Armrest Asm. - Right (B13, B20)
	080243-43-B08	EA	Armrest Asm. - Right (B14)
	080243-43-B09	EA	Armrest Asm. - Right (B15)
	M80243-43-B07	EA	Cover Asm. - Right Armrest (B13, B20)
	M80243-43-B08	EA	Cover Asm. - Right Armrest (B14)
	M80243-43-B09	EA	Cover Asm. - Right Armrest (B15)
	080243-44-B07	EA	Armrest Asm. - Left (B13, B20)
	080243-44-B08	EA	Armrest Asm. - Left (B14)
	080243-44-B09	EA	Armrest Asm. - Left (B15)
	M80243-44-B07	EA	Cover Asm. - Left Armrest (B13, B20)
	M80243-44-B08	EA	Cover Asm. - Left Armrest (B14)
	M80243-44-B09	EA	Cover Asm. - Left Armrest (B15)
	096008-28-000	YD	Fabric - Plain Velour - 54" - Steele Blue (B13, B20)
	096008-43-000	YD	Fabric - Dotted Velour - 54" - Blue (B13, B20)
	096008-40-000	YD	Fabric - Plain Velour - 54" - Grady Brown (B14)
	096008-64-000	YD	Fabric - Dotted Velour - 54" - Grady Brown (B14)
	096008-63-000	YD	Fabric - Plain Velour - 54" - Sea Green (B15)
	096008-65-000	YD	Fabric - Squares Velour - 54" - Sea Green (B15)

These parts were used from 02-11-91 on.

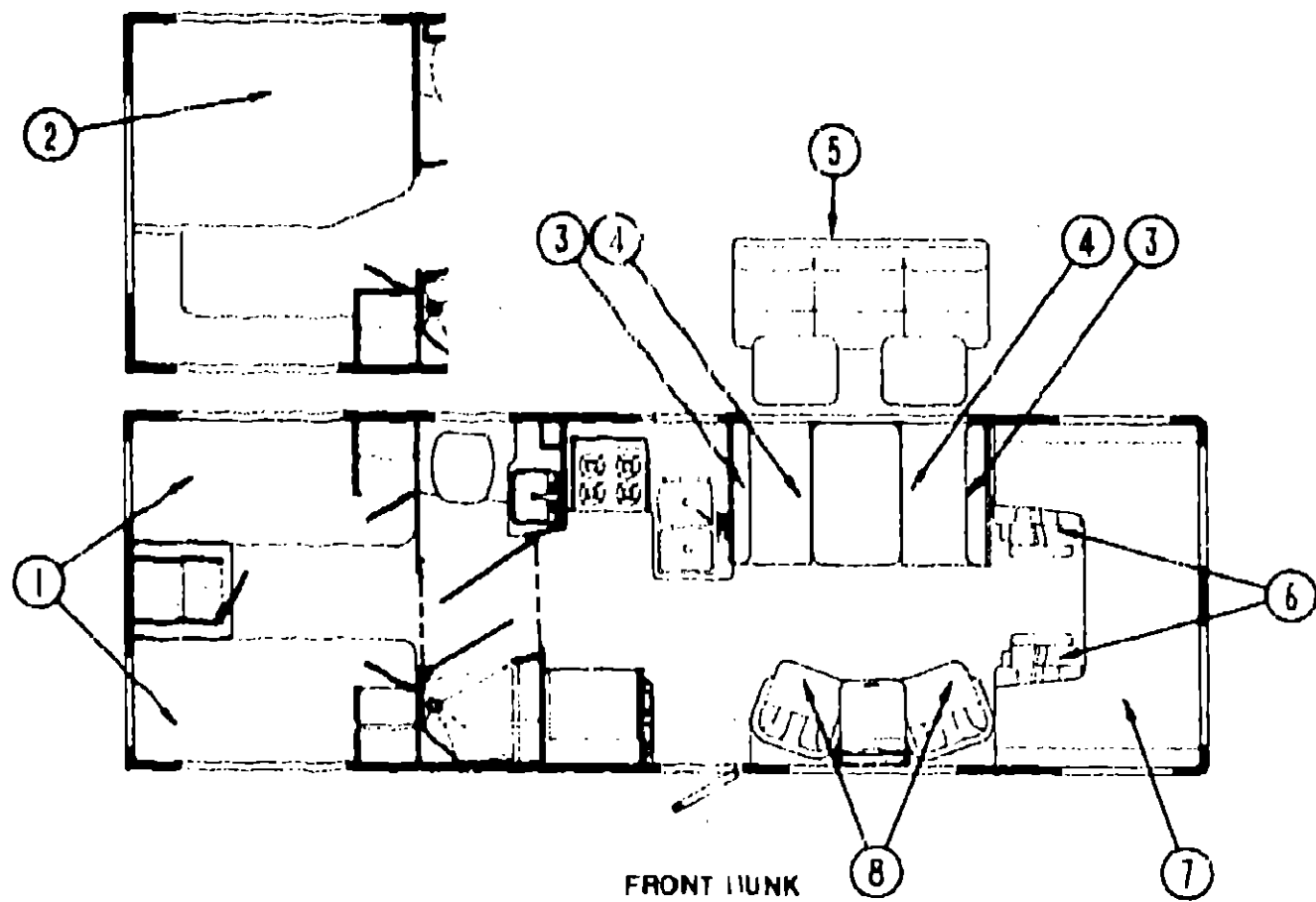
**1991 WINNEBAGO
TABLE OF CONTENTS**

INTRODUCTION	A-01 - A-01
ABBREVIATIONS	A-02 - A-02
ALPHABETICAL/GROUP REFERENCE	A-04 - A-04
WF424RC	A-07 - D-13
WF427RT	D-13 - H-01

1991 WF427RT INDEX

Floor Plan	D-13 - D-13
Accessories Group	D-15 - D-22
Bath Group	D-21 - D-22
Bedroom Group	D-23 - D-23
Chassis Group	E-01 - E-01
Curtain, Cushion & Pad Group	E-05 - E-13
Dinette Group	E-19 - E-22
Driver's Compartment Group	E-21 - E-22
Electrical Group	F-23 - F-23
Exterior Body Group	F-03 - F-03
Galley Group	F-07 - F-07
Heating & Air Conditioning Group	F-11 - F-11
Interior Finish Group	F-13 - F-13
Labels Group	F-17 - F-17
LP Group	G-01 - G-01
Lounge Group	G-02 - G-02
Sealants & Fasteners Group	G-05 - G-05
Water & Sewage Group	G-08 - G-08
Window, Vent & Exterior Door Group	G-12 - H-01

CURTAIN, CUSHION & PAD GROUP (CONTINUED)



Key	Part Number	U/M	Description
7	084753-18-B13	EA	Cushion - Bunk - U-Shaped - 53" x 90" x 5" (B13, B20)
7	084753-18-B14	EA	Cushion - Bunk - U-Shaped - 53" x 90" x 5"
7	084753-18-B15	EA	Cushion - Bunk - U-Shaped - 53" x 90" x 5"
	M84753-18-B13	EA	Cover - Cushion - U-Shaped (B13, B20)
	M84753-18-B14	EA	Cover - Cushion - U-Shaped
	M84753-18-B15	EA	Cover - Cushion - U-Shaped
	084753-19-B13	EA	Cushion - Bunk - Filler - 54" x 25" x 5" (B13, B20)
	084753-19-B14	EA	Cushion - Bunk - Filler - 54" x 25" x 5"
	084753-19-B15	EA	Cushion - Bunk - Filler - 54" x 25" x 5" (B13, B20)
	M84753-19-B13	EA	Cover - Cushion - Filler (B13, B20)
	M84753-19-B14	EA	Cover - Cushion - Filler
	M84753-19-B15	EA	Cover - Cushion - Filler
7	084753-37-B13	EA	Cushion - Bunk - U-Shaped - 53.5" x 92" x 5" (B13, B20)
7	084753-37-B14	EA	Cushion - Bunk - U-Shaped - 53.5" x 92" x 5"
7	084753-37-B15	EA	Cushion - Bunk - U-Shaped - 53.5" x 92" x 5"
	M84753-37-B13	EA	Cover - Cushion - U-Shaped (B13, B20)
	M84753-37-B14	EA	Cover - Cushion - U-Shaped
	M84753-37-B15	EA	Cover - Cushion - U-Shaped
	084753-32-B13	EA	Cushion - Bunk - Filler - 26.5" x 59.5" (B13, B20)
	084753-32-B14	EA	Cushion - Bunk - Filler - 26.5" x 59.5" x 5"
	084753-32-B15	EA	Cushion - Bunk - Filler - 26.5" x 59.5" x 5"
	M84753-32-B13	EA	Cover - Cushion - Filler (B13, B20)
	M84753-32-B14	EA	Cover - Cushion - Filler
	M84753-32-B15	EA	Cover - Cushion - Filler
	079145-08-000	EA	Cushion Arm - Front Bunk - 25" x 7.4" x 3.5" (Option L44 & L49)
	M79145-08-000	EA	Cover Arm - Front Bunk Cushion (Option L44 & L49)
	096008-43-000	YD	Fabric - Front Bunk Cushion (B13, B20)
	096008-64-000	YD	Fabric - Front Bunk Cushion (B14)
	096008-65-000	YD	Fabric - Front Bunk Cushion (B15)

* These parts were used from 4-24-91 on.

CURTAIN, CUSHION & PAD GROUP (CONTINUED)

SWIVEL CHAIR

Key	Part Number	U/M	Description
8	098429-06-B13	EA	Chair Asm. - Swivel - w/o Skirt & Pedestal (B13, B20)
8	098429-06-B05	EA	Chair Asm. - Swivel - w/o Skirt & Pedestal (B14)
8	098429-06-B15	EA	Chair Asm. - Swivel - w/o Skirt & Pedestal
	M96429-06-B13	EA	Cover - Swivel Chair (B13, B20)
	M96429-06-B05	EA	Cover - Swivel Chair (B14)
	M90429-06-B15	EA	Cover - Swivel Chair
	099202-01-B13	EA	Skirt - Swivel Chair (B13, B20)
	099202-01-B05	EA	Skirt - Swivel Chair (B14)
	099202-01-B15	EA	Skirt - Swivel Chair
	088245-07-000	EA	Extension - Bases to Top Plate - 6" Long
	088245-03-000	EA	Plate - Top - Non-Tilt - Swivel w/Lock
	088245-01-000	EA	Base w/Legs - Chair
	096008-28-000	YD	Fabric - Upholstery - Steel Blue (B13, B20)
	096008-40-000	YD	Fabric - Upholstery - Grady Brown (B14)
	096008-63-000	YD	Fabric - Upholstery - Sea Green (B15)

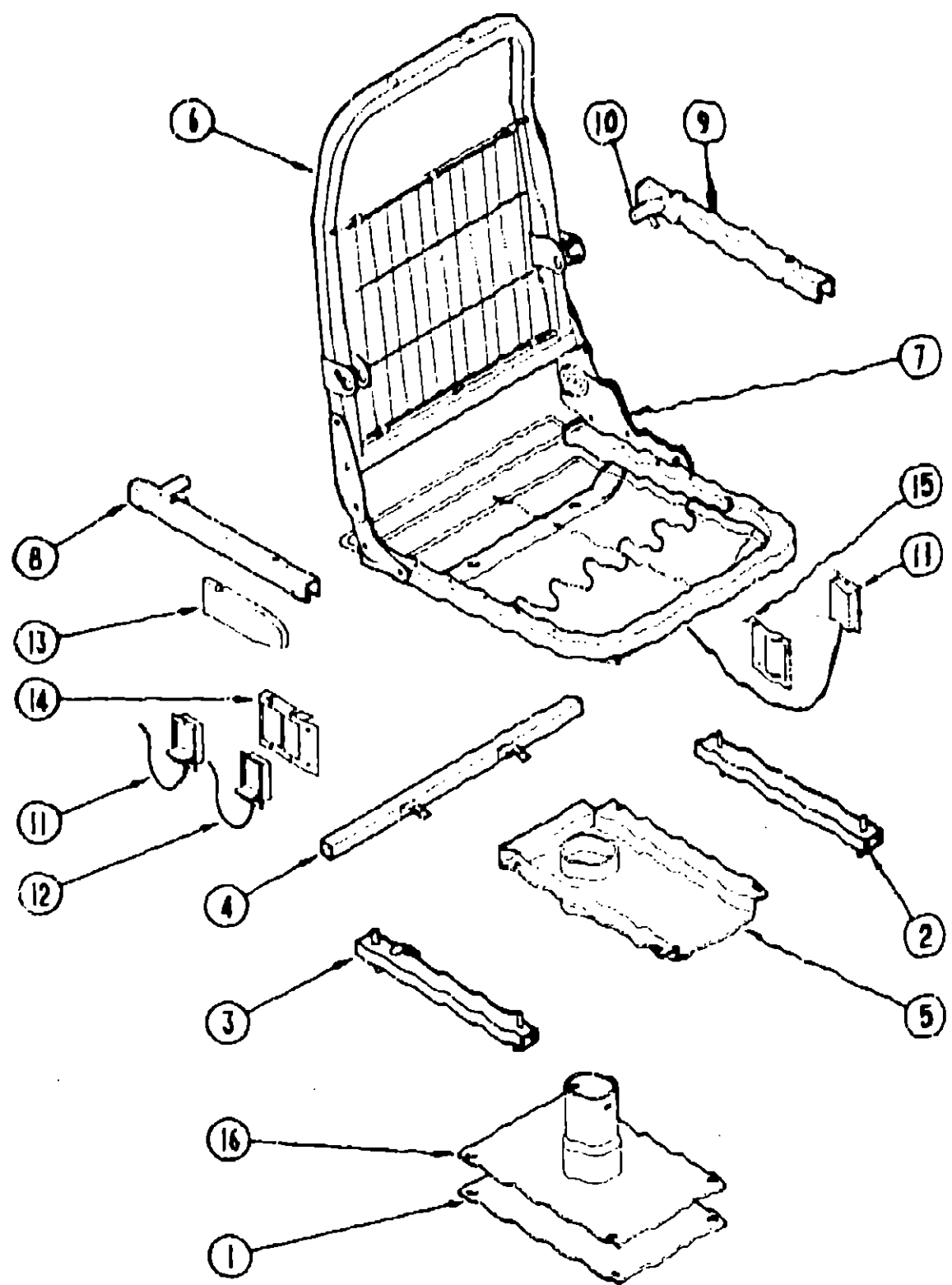
**1991 WINNEBAGO
TABLE OF CONTENTS**

INTRODUCTION	A-01 - A-02
ABBREVIATIONS	A-03
ALPHABETICAL/GROUP REFERENCE	A-04 - A-08
WF427RC	A-07 - D-12
WF427RT	D-13 - H-04

1991 WF427RT INDEX

Floor Plan	D-13 - D-14
Accessories Group	D-15 - D-20
Bath Group	D-21 - D-22
Bedroom Group	D-23 - D-24
Chassis Group	E-01 - E-04
Curtain, Cushion & Pad Group	E-05 - E-18
Dinette Group	E-19 - E-20
Driver's Compartment Group	E-21 - E-22
Electrical Group	E-23 - F-02
Exterior Body Group	F-03 - F-06
Galley Group	F-07 - F-10
Heating & Air Conditioning Group	F-11 - F-12
Interior Finish Group	F-13 - F-16
Labels Group	F-17 - F-24
LP Group	G-01
Lounge Group	G-02 - G-04
Sealants & Fasteners Group	G-05 - G-07
Water & Sewage Group	G-08 - G-11
Window, Vent & Exterior Door Group	G-12 - H-04

CURTAIN, CUSHION & PAD GROUP (CONTINUED)



BUCKET SEAT HARDWARE

Key	Part Number	U/M	Description
1	069585-02-000	EA	Plate - Sub - Base - 12" x 13" - Steel
2	069246-02-000	EA	Adjuster - Forward & Back - w/o Lock
3	069246-05-000	EA	Adjuster - Forward & Back - w/Remote
	069246-05-700	EA	Spring - Adjuster - For Remote
	069246-05-701	EA	Clip - Cable - For Remote
4	069585-28-000	EA	Bar - Seat Belt 20"
5	093481-04-000	EA	Top Plate - Pedestal - w/o Seat Belt Bar
6	M80906-05-000	EA	Frame - Seal - w/Back & Spring
7	101125-01-000	EA	Recliner - Seat Back - Left Hand Remote
8	101124-01-000	EA	Channel - Armrest - Right Hand
9	101124-02-000	EA	Channel - Armrest - Left Hand
10	081361-01-000	EA	Rod - Armrest - Metal - Right or Left Hand
11	089368-04-000	EA	Cable - Swivel - w/Switch
12	089368-05-000	EA	Cable - Recliner w/Switch
13	089369-08-000	EA	Shield - Cable - Remote Recliner
14	097683-02-000	EA	Bracket - Mount Remote
15	097683-03-000	EA	Bracket - Remote - Side Mount - Single
18	069585-03-000	EA	Pedestal - Lower - w/Extension - 9" x 5" - Steel

TRIMS & PADS

Key	Part Number	U/M	Description
	070578-06-T03	EA	Button Asm. - #30 - Vinyl - Beige
	070578-06-B05	EA	Button Asm. - #30 - Vinyl - Off White
	070578-01-B27	EA	Button Asm. - Screw Type - #30 (B13, B20)
	070578-01-B05	EA	Button Asm. - Screw Type - #30 (B14)
	070578-01-B09	EA	Button Asm. - Screw Type - #30 (B15)
	069885-16-B27	EA	Motor Cover w/Pocket (B13, B20)
	069885-16-B05	EA	Motor Cover w/Pocket (B14)
	069885-16-B15	EA	Motor Cover w/Pocket (B15)
	098432-03-AD5	EA	Pad Asm. - Seat Edge - Dinette (B13, B20)
	098432-03-B14	EA	Pad Asm. - Seat Edge - Dinette
	098432-03-B15	EA	Pad Asm. - Seat Edge - Dinette
	098432-02-AE8	EA	Pad Asm. - Seat Edge - Dinette - Rear (B13, B20)
	098432-02-B08	EA	Pad Asm. - Seat Edge - Dinette - Rear (B14)
	098432-02-B09	EA	Pad Asm. - Seat Edge - Dinette - Rear (B15)
	098433-01-AE8	EA	Pad Asm. - Seat Base Edge - Dinette (B13, B20) (2 required)
	093433-01-B08	EA	Pad Asm. - Seat Base Edge - Dinette (B14) (2 required)
	098433-01-B09	EA	Pad Asm. - Seat Base Edge - Dinette (B15) (2 required)
	098454-01-AE8	EA	Pad Asm. - Back Rest - Dinette (B13, B20) (2 required)
	098454-01-B08	EA	Pad Asm. - Back Rest - Dinette (B14) (2 required)
	098454-01-B09	EA	Pad Asm. - Back Rest - Dinette (B15) (2 required)

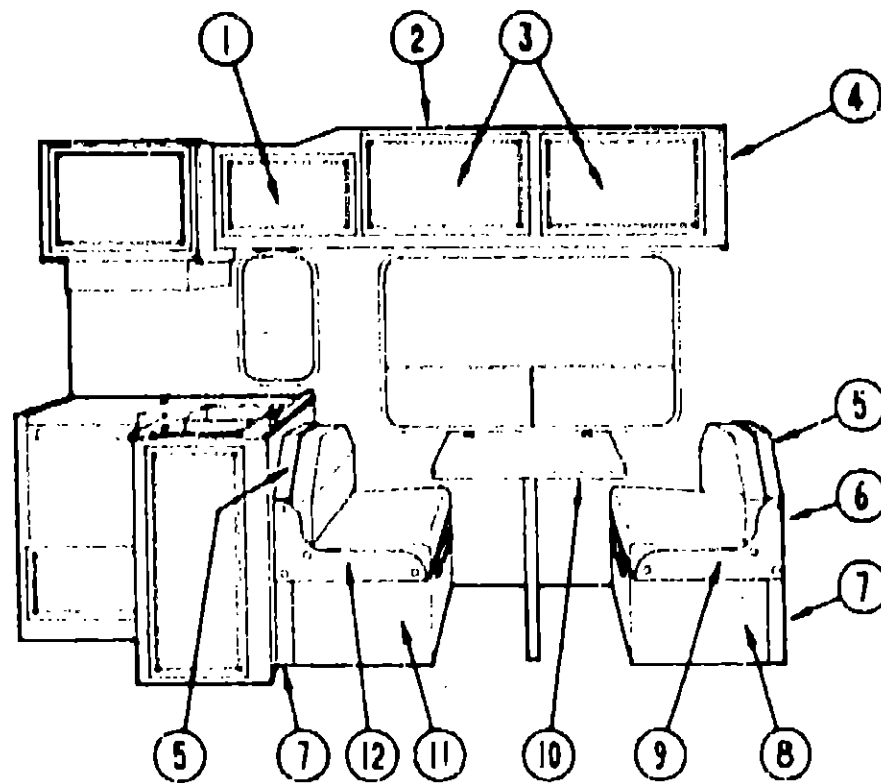
**1991 WINNERAGO
TABLE OF CONTENTS**

INTRODUCTION	A-01 - A-02
ABBREVIATIONS	A-03
ALPHABETICAL/GROUP REFERENCE	A-04 - A-08
WF424RC	A-07 - D-12
WF427RT	D-13 - H-04

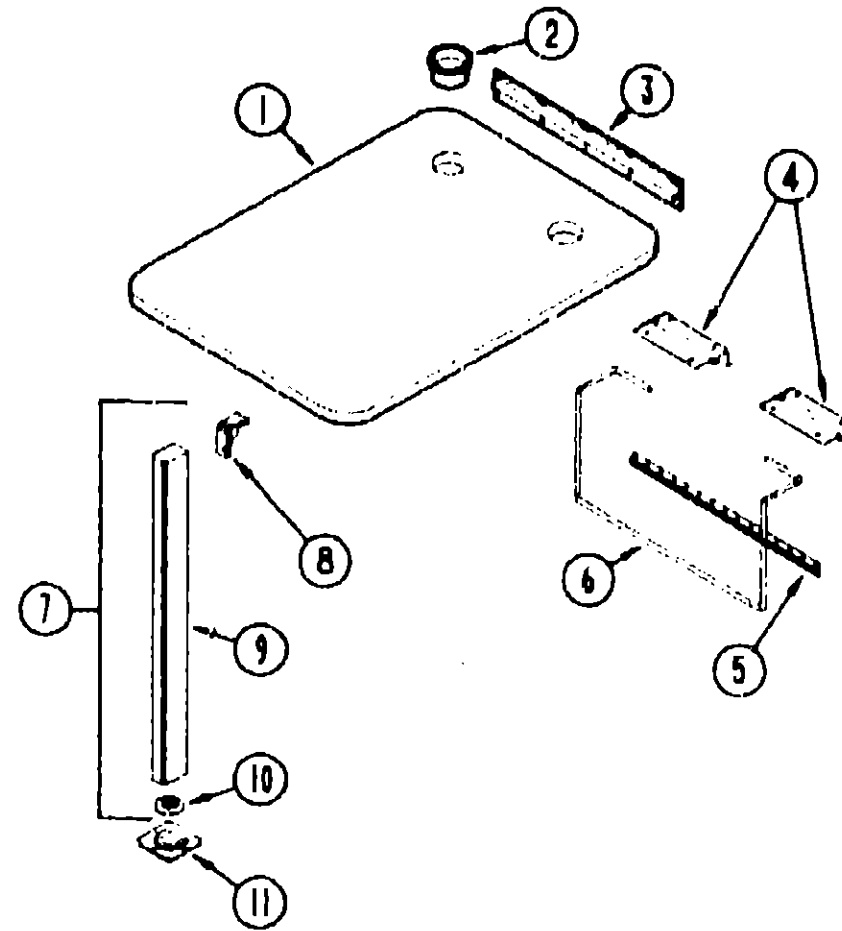
1991 WF427RT INDEX

Floor Plan	D-13 - D-14
Accessories Group	D-15 - D-20
Bath Group	D-21 - D-22
Bedroom Group	D-23 - D-24
Chassis Group	E-01 - E-04
Curtain, Cushion & Pad Group	E-05 - E-18
Dinette Group	E-19 - E-20
Driver's Compartment Group	E-21 - E-22
Electrical Group	E-23 - F-02
Exterior Body Group	F-03 - F-06
Galley Group	F-07 - F-10
Heating & Air Conditioning Group	F-11 - F-12
Interior Finish Group	F-13 - F-16
Labels Group	F-17 - F-24
LP Group	G-01
Lounge Group	G-02 - G-04
Sealants & Fasteners Group	G-05 - G-07
Water & Sewage Group	G-08 - G-11
Window, Vent & Exterior Door Group	G-12 - H-04

DINETTE GROUP



DINETTE GROUP (CONTINUED)



1991 WINNEBAGO TABLE OF CONTENTS

INTRODUCTION	A-01 - A-02
ABBREVIATIONS	A-03
ALPHABETICAL/GROUP REFERENCE	A-04 - A-06
WF424RC	A-07 - D-12
WF427RT	D-13 - H-04

DINETTE CABINETRY & HARDWARE

Key	Part Number	U/M	Description
1	P00520-49-B13	EA	Door Asm. - Dinette Overhead - 11" x 21.8" - w/o Hardware
2	M04182-05-B13	EA	Cabinet Asm. - Dinette Overhead - w/o Doors or Hardware
3	P00520-22-B07	EA	Door Asm. - Dinette Overhead - 14.3" x 26.7" - w/o Hardware
4	081280-21-B05	EA	End Cap Asm.
5	098454-01-AE8	EA	Pad Asm. - Backrest Top - 2 Each (B13, B20)
5	098454-01-B08	EA	Pad Asm. - Backrest Top - 2 Each (B14)
5	098454-01-B09	EA	Pad Asm. - Backrest Top - 2 Each (B15)
6	M04130-01-AA5	EA	Cabinet Asm. - Seat Back - w/o Hardware
7	098433-01-AE8	EA	Pad Asm. - Seatbase Edge - 2 Each (B13, B20)
7	098433-01-B08	EA	Pad Asm. - Seatbase Edge - 2 Each (B14)
7	098433-01-B09	EA	Pad Asm. - Seatbase Edge - 2 Each (B15)
8	M04131-03-B13	EA	Cabinet Asm. - Seat Base - w/o Hardware
9	098432-02-AE8	EA	Pad Asm. - Seat Edge (B13, B20)
9	098432-02-B08	EA	Pad Asm. - Seat Edge (B14)
9	098432-02-B09	EA	Pad Asm. - Seat Edge (B15)
10	M03475-03-B13	EA	Table - Dinette - w/o Hardware
11	M04131-02-B13	EA	Cabinet Asm. - Seat Base - w/o Hardware
12	098432-03-AD5	EA	Pad Asm. - Seat Edge (B13, B20)
12	098432-03-B14	EA	Pad Asm. - Seat Edge
12	098432-03-B15	EA	Pad Asm. - Seat Edge
	007021-01-000	EA	Seat Belt - 2" x 90" - Black

*See the next page for the breakdown of this item.

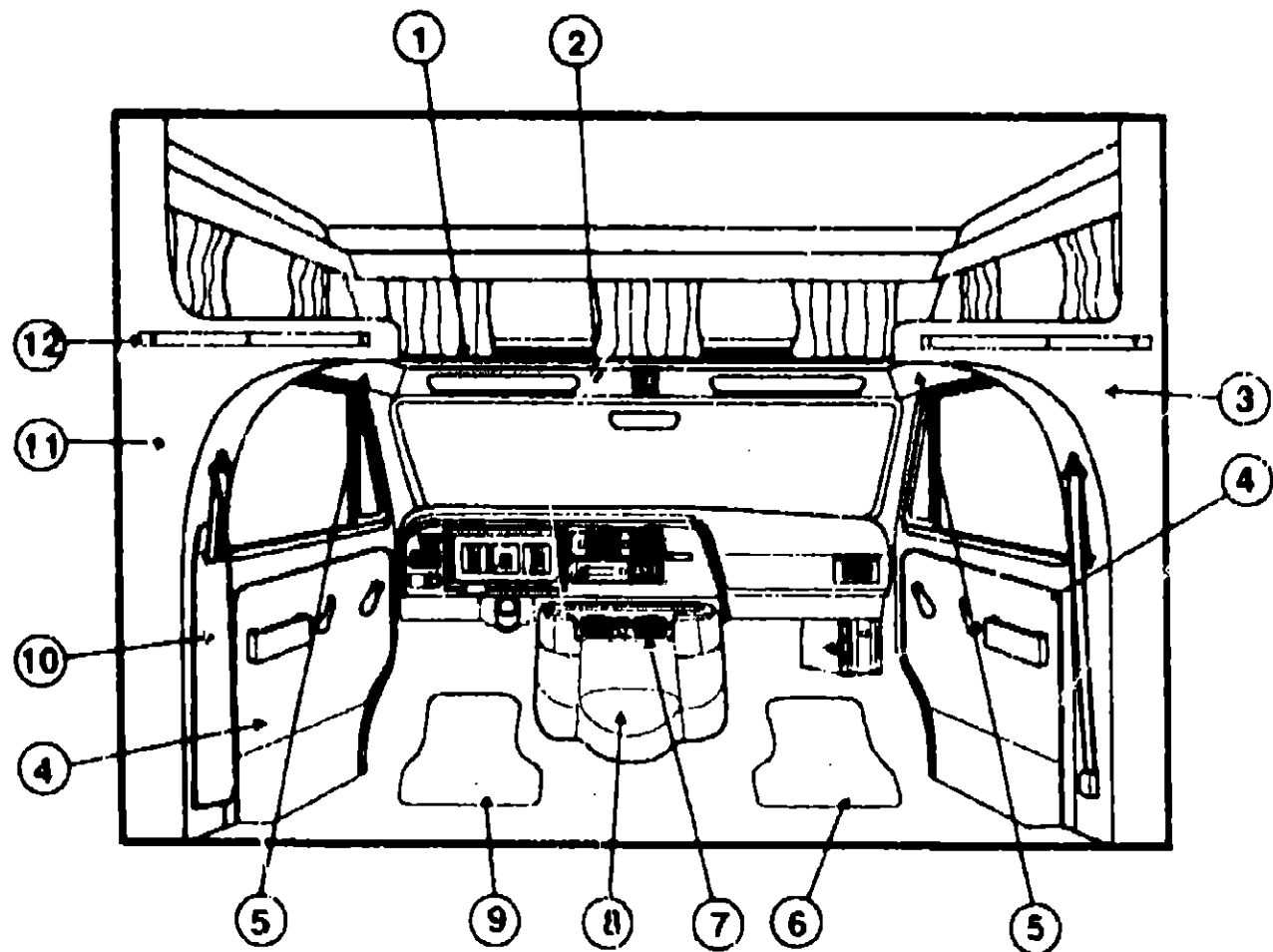
DINETTE TABLE & HARDWARE

Key	Part Number	U/M	Description
1	M03475-03-B13	EA	Table Asm. - Dinette - w/o Hardware
2	064781-06-000	EA	Cup Holder - 3.47" OD x 2.75" ID x 1.5" - Off White
3	053200-09-000	EA	Bracket - Upper Wall Mount - 23.5" - Beige
4	088410-01-000	EA	Bracket - Table Mount - Beige
5	024281-11-000	EA	Bracket - Lower Wall Mount - Table Lift - 22.12" - Tan
6	024275-11-000	EA	Rod - Table Lift - 8" x 23.5" - Beige
7	092708-01-Y15	EA	Leg - Table w/Catch & Bracket - 27" - Wood - Regal Oak
8	093550-01-000	EA	Bracket Hinge - Mounts To Leg & Table Top - 1.7" x 2.6"
9	092707-01-01A	EA	Molding - Wooden Table Leg - 27" - Regal Oak
10	092593-01-04A	EA	Catch - Leg Mounted - Round - 1.4" Dia. - Beige
11	049493-10-000	EA	Catch - Table Leg - Mounts on Floor - Tan

1991 WF427RT INDEX

Floor Plan	D-13 - D-14
Accessories Group	D-15 - D-20
Bath Group	D-21 - D-22
Bedroom Group	D-23 - D-24
Chassis Group	E-01 - E-04
Curtain, Cushion & Pad Group	E-05 - E-16
Dinette Group	E-19 - E-20
Driver's Compartment Group	E-21 - E-22
Electrical Group	F-03 - F-04
Exterior Body Group	F-03 - F-04
Galley Group	F-07 - F-10
Heating & Air Conditioning Group	F-11 - F-12
Interior Finish Group	F-13 - F-16
Labels Group	F-17 - F-20
LP Group	G-0
Lounge Group	G-02 - G-04
Sealants & Fasteners Group	G-05 - G-07
Water & Sewage Group	G-08 - G-11
Window, Vent & Exterior Door Group	G-12 - H-04

DRIVERS COMPARTMENT GROUP

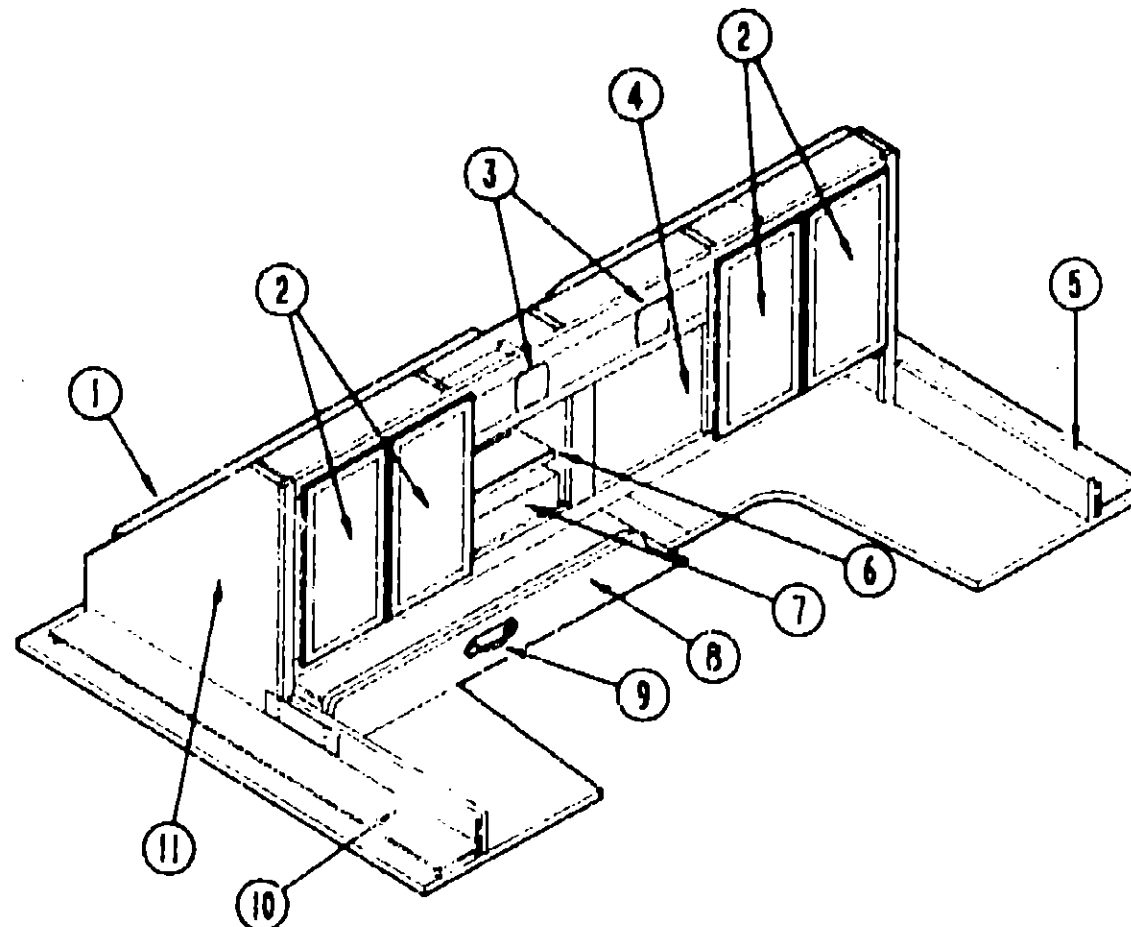


MISCELLANEOUS DRIVERS COMPARTMENT COMPONENTS

Key	Part Number	U/M	Description
1	101479-01-B13	EA	Sleeperboard Asm.
	079800-04-000	EA	Trim - Front Sleepboard - Metal - Off White
	080742-02-000	FT	Trim - Vinyl - Metal Trim Insert - Beige
	080742-03-000	FT	Trim - Vinyl - Metal Trim Insert - Off White
2	091831-01-B05	EA	Headliner Asm. w/Vinyl - Front - Off White
3	092037-01-AA5	EA	Wingwall Asm. - Inner - Off White
4	Note	EA	Panel Asm. - Cab Door
5	091825-02-AA5	EA	Headliner Asm. w/Vinyl - Side - Off White
6	083219-01-000	EA	Floor Mat - Passenger
7	099857-01-AA5	EA	Tray Asm. - Beverage - Motor Cover
	046886-03-000	EA	Ashtray - Chrome
8	069885-16-B27	EA	Motor Cover w/Pocket (B13, B20)
8	069885-16-B05	EA	Motor Cover w/Pocket (B14)
8	069858-16-B15	EA	Motor Cover w/Pocket
9	083219-02-000	EA	Floor Mat - Driver
10	091871-05-000	EA	Seat Belt Cover - Off White
11	092037-02-AA5	EA	Wingwall Asm. - Inner - Off White
12	082069-03-Y05	EA	Trim - Wooden - Wingwall
	082071-07-B13	EA	Cover - Wingwall - Vinyl - Off White - 28.5" x 5.6"
	082081-04-B13	EA	Cover - Wingwall - Vinyl - Beige - 80" x 1.5"
	082081-16-B13	EA	Cover - Wingwall - 1.5" x 53.7" - Padded Vinyl - Beige
	094795-01-000	EA	Speedometer - Kilometer (Export)
	094795-02-000	EA	Cluster - Instrument Panel - Kilometer (Export)

*Note: These parts are supplied by your Ford Dealer.

DRIVER'S COMPARTMENT GROUP (CONTINUED)



TV & ENTERTAINMENT CABINETRY (OPTION L49G)

Key	Part Number	U/M	Description
1	099879-01-01A	EA	Panel - Window - Black Plastic
2	P00520-19-B07	EA	Door Asm. - Cabinet - 10" x 19" - w/o Hardware
3	098819-01-000	EA	Speaker - 2 Watt - 8 OHM - 4"
	074979-11-000	EA	Cover - Speaker - Plastic - Off White
4	098447-01-000	EA	TV - 13" Color w/Remote - Magnavox RX4029WA
	098447-01-700	EA	Remote - TV - Magnavox RX4029WA & XK4029CH
4	098447-03-000	EA	TV - 13" Color w/Remote - Magnavox RR1337W
	098447-03-700	EA	Remote - TV - Magnavox RR1337W & RR1330W
	099856-01-000	EA	TV - Tiedown
5	100848-01-AA5	EA	Cabinet - Headboard - Passenger
6	093622-01-000	EA	Track - Tambour Door - Plastic
	093623-01-000	EA	Track - Corner - Tambour Door
	100849-23-AA5	EA	Door - Tambour (Roll-up)
7	098446-01-000	EA	VCR - VHS Cable Ready w/Remote - Magnavox VR9815AT
	098446-01-700	EA	Remote - VCR - Magnavox VR9815AT
**	098446-02-000	EA	VCR - VHS Cable Ready w/Remote - Magnavox VR9912
	098446-02-700	EA	Remote - VCR - Magnavox VR9912
	086757-02-000	EA	Control Center - Switching - XanTech 101020
	086757-03-000	EA	Control Center - Switching - Magnadyne VCS-6
8	100847-01-B13	EA	Drawer - Entertainment - Front
	079145-08-000	EA	Cushion - Front Bunk - 27.5" x 75" x 3.5"
	M79145-08-000	EA	Cover - Cushion - Bunk
9	096645-01-000	EA	Pull - Drawer - Twist - Polished Brass
10	100848-02-AA5	EA	Cabinet - Headboard - Driver
11	100849-02-B13	EA	Cabinet - Entertainment - Front
	048394-02-000	YD	Velcro Tape - Hook - Adhesive Back - .75" Wide - Beige
	088792-02-000	YD	Velcro Tape - Loop - Adhesive Back - .75" Wide - Beige
	085774-01-000	FT	Velcro - Dual Fastener - Hook - 1" Wide - Adhesive Back - Black
	085774-02-000	FT	Velcro - Dual Fastener - Loop - 1" Wide - Adhesive Back - Black
	100085-02-01A	EA	Strap - Headboard - 9.6" x 2.5" - w/Screw Holes - Off White

* Parts used from 6-24-91 on.
 ** Parts used from 9-25-90 on.

**1991 WINNEBAGO
TABLE OF CONTENTS**

INTRODUCTION	A-01 - A-02
ABBREVIATIONS	A-03
ALPHABETICAL/GROUP REFERENCE	A-04 - A-06
WF424RC	A-07 - D-12
WF427RT	D-13 - H-04

1991 WF427RT INDEX

Floor Plan	D-13 - D-14
Accessories Group	D-15 - D-20
Bath Group	D-21 - D-24
Bedroom Group	D-23 - D-24
Chassis Group	E-01 - E-04
Curtain, Cushion & Pad Group	E-05 - E-16
Dinette Group	E-19 - E-20
Driver's Compartment Group	E-21 - E-22
Electrical Group	E-23 - F-02
Exterior Body Group	F-03 - F-04
Galley Group	F-07 - F-10
Heating & Air Conditioning Group	F-11 - F-12
Interior Finish Group	F-13 - F-16
Labels Group	F-17 - F-20
LP Group	G-01
Lounge Group	G-02 - G-04
Sealants & Fasteners Group	G-05 - G-07
Water & Sewage Group	G-08 - G-11
Window, Vent & Exterior Door Group	G-12 - H-04

ELECTRICAL GROUP

WIRE, SWITCHES & RECEPTACLES

Key	Part Number	U/M	Description
	075723-01-000	EA	Block - Switch - Spacer w/Holo
	008288-01-000	EA	Box - Electrical - 3" x 3.5" - Plastic
	008289-01-000	EA	Box - Electrical - 4" x 4" - 1/2 & 3/4 Steel - (US)
	008289-02-000	EA	Box - Electrical - 4" x 4" - 1/2 & 3/4 (CSA)
	093603-01-000	EA	Box - Electrical - 4" x 2 1/8" x 2 1/8"
	058049-01-000	EA	Box - Electrical - 2" x 3" x 2.25" - Steel
	091910-01-000	EA	Box - Electric - 3.75" x 3.5" x 1.75" - Plastic
	041953-01-000	FT	Conduit - Convolute Slit - .5" ID
	041953-05-000	FT	Conduit - Convolute Slit - .62" ID
	041953-09-000	FT	Conduit - Convolute Slit - .50" ID
	041953-10-000	EA	Conduit - Convolute Slit - .75" I.D.
	041953-11-000	EA	Conduit - Convolute Slit - 1.06" I.D.
	058028-01-000	EA	Connector - Pigtail - Clear Nylon
	008314-01-000	EA	Connector - Wire Nut - Gray
	008311-01-000	EA	Connector - Wire Nut - Red
	008356-01-000	EA	Connector - Plastic - 3/8 AVG
	008355-01-000	EA	Connector - 3/4 Cable Clamping
	079090-01-000	EA	Connector - Molded - 12/2 Head
	031968-01-000	EA	Contact Plug - Brass - Tin Plated
	031967-01-000	EA	Contact - Receptacle
	008054-01-000	EA	Cord - Power - 10-3 30 Amp. - 25' (US)
	008052-10-000	EA	Cord - Power - 10-3 30 Amp. - 25' (CSA)
	069238-01-000	EA	Cover - Electrical Box - 4" x 4"
	024571-03-000	EA	Cover Plate - Receptacle - Junbo - Brown Plastic
	084077-02-000	EA	Cover Plate - Receptacle - GFI - Brown
	064399-01-000	EA	Housing Asm. - Male and Female
	088473-05-000	EA	Housing Pin - 6 Position (Single Row)
	088473-06-000	EA	Housing Pin - 6 Position (Two Rows of 3)
	088473-08-000	EA	Housing Pin - 4 Position
	088473-09-000	EA	Housing Pin - 3 Position (Single Row)
	088473-10-000	EA	Housing Pin - 2 Position
	097744-01-000	EA	Housing - Trailer Pin - 12"
	097744-02-000	EA	Housing Trailer Pin - 48"
	097745-01-000	EA	Housing - Receptacle - 12"
	097745-02-000	EA	Housing - Receptacle 48"
	097746-01-000	EA	Housing Asm. - Trailer Cap
	063910-01-000	EA	Housing - Relay
	088474-01-000	EA	Housing - Socket - 12 - Position
	088474-02-000	EA	Housing - Socket - 15 Position
	088474-06-000	EA	Housing - Socket - 6 Position
	088474-08-000	EA	Housing - Socket - 4 Position (single row)
	088474-09-000	EA	Housing - Socket - 3 Position
	100138-01-000	EA	Module - Daytime Running Light
	100159-02-000	EA	Daytime Running Lights
	088475-01-000	EA	Pin - Connector - 14 to 20 AWG
	088475-02-000	EA	Pin - Connector - 10 to 12 AWG
	084077-02-000	EA	Plate - Cover - Receptacle - GFI - Brown
	084076-02-000	EA	Receptacle - GFI - 15A - 125V - Brown
	075736-02-000	EA	Receptacle/Cover Asm. - Off White (Exterior)
	058708-01-000	EA	Receptacle - Duplex - Brown
	058708-02-000	EA	Receptacle - Electric - Double - Ivory
	024924-02-000	EA	Receptacle - Power Cord
	056707-01-000	EA	Receptacle - Single - Brown
	097734-01-02A	EA	Extension - Receptacle - 3.2" x 5" x .7" - Plastic - Brown
	077000-01-000	EA	Socket Asm. - w/8" Pigtail Leads
	090971-01-000	EA	Splice - Cable - 110 Volt
	090971-02-000	EA	Splice - Cable - 110 Volt - Top
	088476-01-000	EA	Socket - Connector - Brass
	088476-02-000	EA	Socket - Connector - Bronze

ELECTRICAL GROUP (CONTINUED)

WIRES SWITCHES & RECEPTACLES (CONT.)

Key	Part Number	U/M	Description
	024976-01-000	EA	Switch - Generator - w/o Circuit Board
	098351-01-01A	EA	Switch Plate - 1 Gang - Polished Brass
	098351-02-01A	EA	Switch Plate - 2 Gang
	008195-01-000	EA	Switch - Push Button - 12 Volt
	095188-02-01A	EA	Spacer - Switch - 2.3" x 4.1" - Plastic - Dark Brown
	102588-01-B10	EA	Spacer - Receptacle - Between Sidewall & Plate - Wood
	007942-01-000	EA	Tab - Wire - 18 to 14 AWG
	007949-01-000	EA	Tab Housing - 1 Position
	007955-01-000	EA	Tab Housing - 6 Position
	047443-01-000	EA	Terminal - .250 Receptacle - 16/14 AWG
	047443-02-000	EA	Terminal - .250 Receptacle - 12/10 AWG
	035416-04-000	EA	Terminal Ring - #10 Stud
	062036-02-000	EA	Terminal - Pack - Con - 18/14 AWG
	008348-01-000	EA	Terminal Ring - 2 - w/3/8 Stud
	008331-01-000	EA	Terminal Ring - 4 - w/3/8 Stud
	008326-01-000	EA	Terminal Ring - 3/8" Wire
	008328-01-000	EA	Terminal - Ring - 12/10 Wire
	008028-01-000	FT	Wire - 18.5 Bonded - Blue/Red/Yellow/Orange/White
	008024-01-000	FT	Wire - 18.5 Bonded - Orange/White/Yellow/Blue/Brown
	008025-01-000	FT	Wire - 18.5 Bonded - Orange/White/Yellow/Blue/Green
	008026-01-000	FT	Wire w/Ground - Romex - 12/2
	008030-01-000	FT	Wire - Bonded - 18-4
	008343-01-000	EA	Wire Tie - 6"

MISCELLANEOUS ELECTRICAL COMPONENTS

Key	Part Number	U/M	Description
	083208-01-000	EA	Control Center - 32 Amp.
	094809-01-000	EA	Load Center - 240 Volt - 125 Amp.
	099048-01-000	EA	Inverter - 100 Watt

FUSES & CIRCUIT BREAKERS

Key	Part Number	U/M	Description
	008235-01-000	EA	Fuse - 15 Amp. - 12 Volt
	062901-05-000	EA	Fuse - 15 Amp. - Automotive
	008211-01-000	EA	Circuit Breaker - 6 Amp. - 12 Volt
	033573-02-000	EA	Circuit Breaker - 15 Amp. - 12 Volt - w/Mount
	003209-01-000	EA	Circuit Breaker - 15 Amp - 120 Volt
	009268-01-000	EA	Circuit Breaker - 30 Amp. - 12 Volt - w/Mount
	083209-06-000	EA	Circuit Breaker - 20 Amp. - 120 Volt
	083209-04-000	EA	Circuit Breaker - 30 Amp. - 120 Volt
	083209-02-000	EA	Circuit Breaker - 15/15 Amp. - 120 Volt
	083209-03-000	EA	Circuit Breaker - 15/20 Amp. - 120 Volt
	083209-07-000	EA	Circuit Breaker - 20/20 Amp. - 120 Volt
	094810-01-000	EA	Circuit Breaker - Double - 30 Amp.
	094811-01-000	EA	Circuit Breaker - Double - 20 Amp.
	083209-08-000	EA	Circuit Breaker Blank
	050283-02-000	EA	Buss Bar - Circuit Breaker
	100341-01-000	EA	Fuse Holder - In Line Type

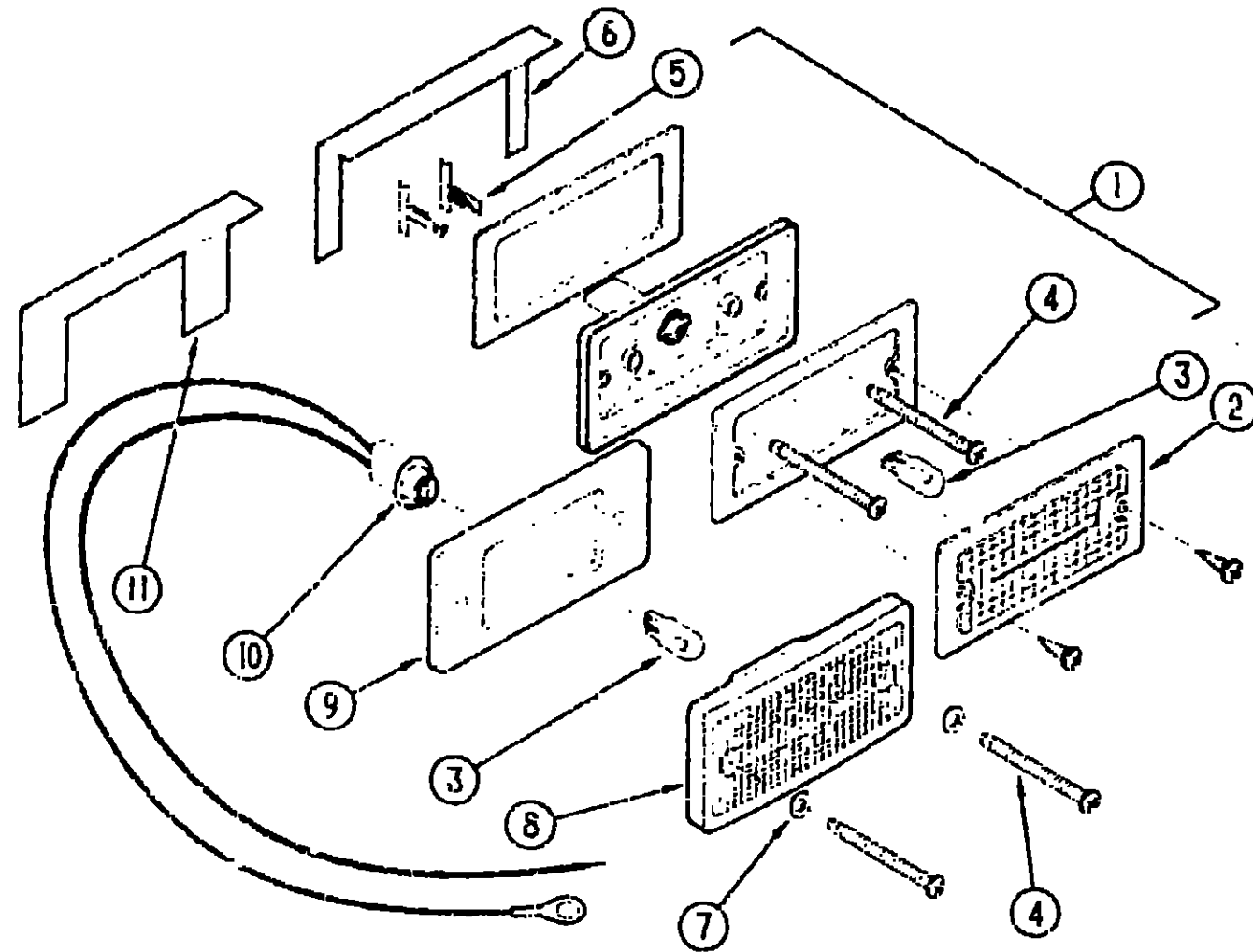
1991 WINNEBAGO TABLE OF CONTENTS

INTRODUCTION	A-01 - A-02
ABBREVIATIONS	A-03
ALPHABETICAL/GROUP REFERENCE	A-04 - A-06
WF424RC	A-07 - D-12
WF427RT	D-13 - H-04

1991 WF427RT INDEX

Floor Plan	D-13 - D-14
Accessories Group	D-15 - D-20
Bath Group	D-21 - D-22
Bedroom Group	D-23 - D-24
Chassis Group	E-01 - E-04
Curtain, Cushion & Pad Group	E-05 - E-18
Dinette Group	E-19 - E-20
Driver's Compartment Group	E-21 - E-22
Electrical Group	E-23 - F-02
Exterior Body Group	F-03 - F-06
Galley Group	F-07 - F-10
Heating & Air Conditioning Group	F-11 - F-12
Interior Finish Group	F-13 - F-16
Labels Group	F-17 - F-24
LP Group	G-01
Lounge Group	G-02 - G-04
Sealants & Fasteners Group	G-05 - G-07
Water & Sewage Group	G-08 - G-11
Window, Vent & Exterior Door Group	G-12 - H-04

ELECTRICAL GROUP (CONTINUED)



EXTERIOR LIGHT & BULB

Key	Part Number	U/M	Description
1	051250-02-000	EA	Light - Rear Clearance - Red (Lens & Base Only)
2	081250-02-700	EA	Lens - Clearance Light - Red
3	036195-01-000	EA	Bulb - 12V - #194 - 27 Amp - Bayonette
4	006639-06-24B	EA	Screw - Self Driving
5	079378-01-000	EA	Terminal - Wedge Base - 18 AWG
6	081437-01-000	EA	Bracket - Clearance Light
7	102540-01-000	EA	Seal - Screw - Clearance Light
8	102520-02-000	EA	Light - Clearance - w/o Socket Connection - Red
9	102541-01-000	EA	Gasket - Clearance Light
10	075458-03-000	EA	Socket Asm - Cab Marker
11	102582-01-000	EA	Bracket - Light - Clearance
	075459-01-000	EA	Tailight - Red - Black Base (Tail/Brake)
	075454-05-000	EA	Tailight - Amber - Black Base (Turn)
	075452-05-000	EA	Tailight - Red w/Backup - Black Base (Backup)
	037935-01-000	EA	Bulb - 12 Volt - #1157 (Tail Lamp Asm)
	076795-01-000	EA	Lamp Asm - License
	042405-03-000	EA	Base - Clearance/Sidemarket Light w/Bulb - Plastic - White
	042405-02-000	EA	Lens - Clearance/Sidemarket Light w/Reflex - Amber
	042405-01-000	EA	Lens - Clearance/Sidemarket Light w/Reflex - Red
	008215-01-000	EA	Bulb - 12 Volt - #57 - 24 Amp
	091983-01-000	EA	Gasket - Clearance/Sidemarket Light
	079378-01-000	EA	Terminal - Wedge Base - 18 AWG
	037917-01-000	EA	Light - Porch - Recessed - Off White
	037917-01-700	EA	Lens - Porch Light - Recessed
	008215-01-000	EA	Bulb - 12 Volt - #1003 (Porch Lights)

NOTE: Items indented below assemblies are serviceable parts for that assembly.

ELECTRICAL GROUP (CONTINUED)

INTERIOR LIGHT

Key	Part Number	U/M	Description
	065202-14-000	EA	Lamp - Wall - Bright Brass
	065202-15-000	EA	Lamp - Wall - Bright Brass (CSA)
	065201-08-000	EA	Shade Asm. - Fabric - Parchment w/Gold Trim
	065201-09-000	EA	Shade Asm. - Fabric - Parchment
	078424-02-000	EA	Light - Fluorescent - 12V
	078424-02-700	EA	Bulb - Fluorescent Light
	078424-02-701	EA	Lens - Fluorescent Light
	086280-01-000	EA	Light - Surface Mount - 12 Volt
	086280-01-700	EA	Bulb - 12 Volt - 6 Watt
	082686-09-000	EA	Lamp - Table - Brass w/Wood (US)
	082686-10-000	EA	Lamp - Table - Brass w/Wood (CSA)
	082686-07-000	EA	Shade - Table Lamp - Parchment
	093978-01-000	EA	Washer - Mounting - Lamp
	098024-01-01A	EA	Dome Light - 1-Bulb - Ivory (US)
	098024-03-01A	EA	Dome Light - 2-Bulb - Ivory
	008218-01-000	EA	Bulb - Dome Light - 12V - #1141
	098024-01-700	EA	Lens - Dome Light
	087694-01-000	EA	Light - Wardrobe
	087694-01-700	EA	Bulb - GE - 561
	068937-04-000	EA	Light - Dome Surface w/Lens & Bulb - w/o Switch
	068937-01-700	EA	Lens - Dome Light

Note: Items indented below assemblies are serviceable parts for that assembly. Parts used from 07-08-91 on.

BULBS

Key	Part Number	U/M	Description
	036195-01-000	EA	Bulb - 194 (Cab Marker Light)
	008215-01-000	EA	Bulb - 1003 (Porch Light)
	008218-01-000	EA	Bulb - 1141 (Dome Light)
	037935-01-000	EA	Bulb - 1157 (Tail Lamp)
	091937-03-000	EA	Bulb - Fluorescent Light - 12 Volt
	086280-01-700	EA	Bulb - 12 Volt - 6 Watt (Surface Light)
	087694-01-700	EA	Bulb - 561 (Wardrobe)

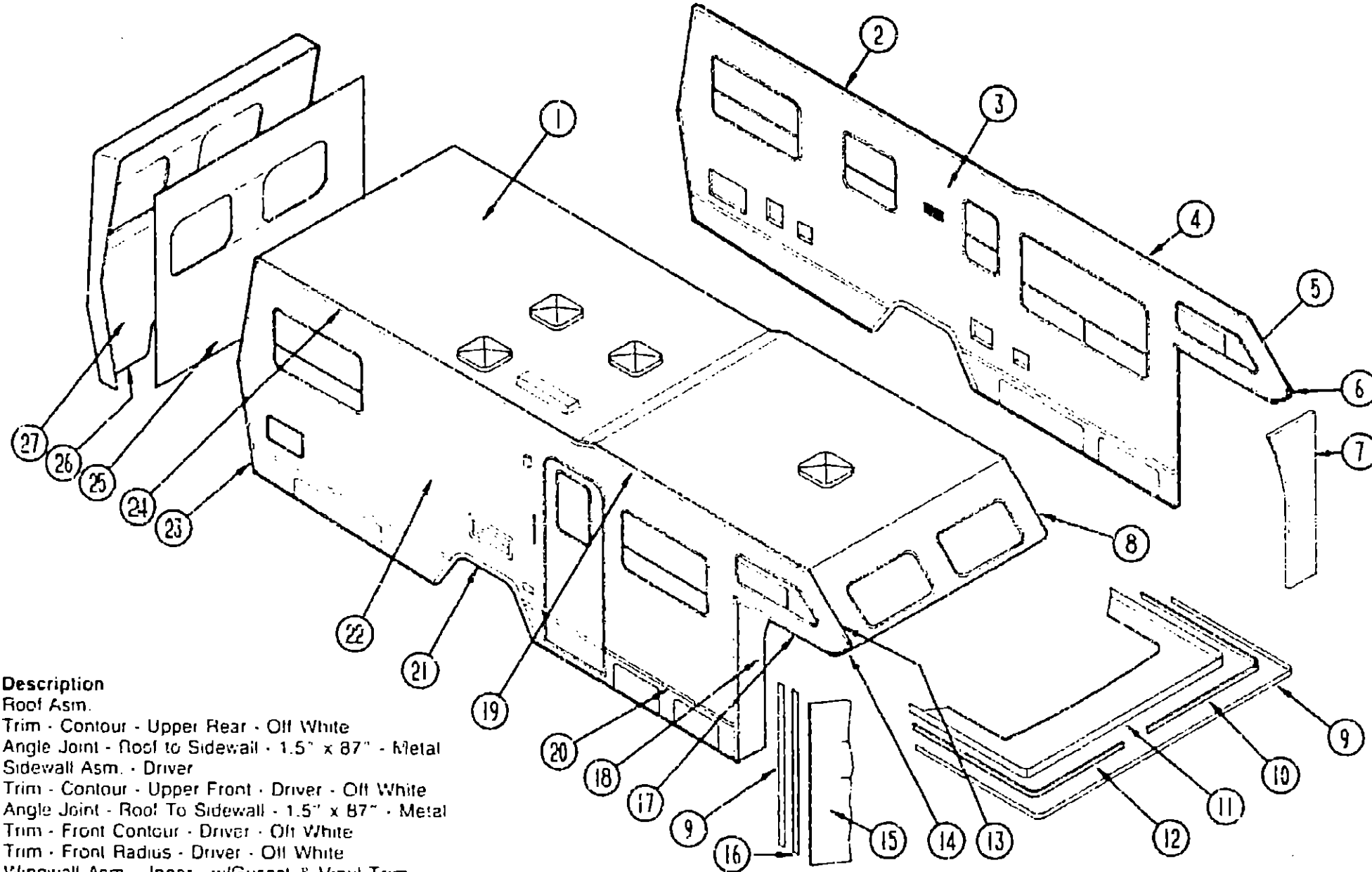
**1991 WINNEBAGO
TABLE OF CONTENTS**

INTRODUCTION	A-01 - A-02
ABBREVIATIONS	A-03
ALPHABETICAL/GROUP REFERENCE	A-04 - A-06
WF424RC	A-07 - D-12
WF427RT	D-13 - H-04

1991 WF427RT INDEX

Floor Plan	D-13 - D-14
Accessories Group	D-15 - D-20
Bath Group	D-21 - D-22
Bedroom Group	D-23 - D-24
Chassis Group	E-01 - E-04
Curtain, Cushion & Pad Group	E-05 - E-16
Dinette Group	E-19 - E-20
Driver's Compartment Group	E-21 - E-22
Electrical Group	E-23 - F-02
Exterior Body Group	F-03 - F-06
Galley Group	F-07 - F-10
Heating & Air Conditioning Group	F-11 - F-13
Interior Finish Group	F-13 - F-16
Labels Group	F-17 - F-18
LP Group	G-01
Lounge Group	G-02 - G-04
Sealants & Fasteners Group	G-05 - G-07
Water & Sewage Group	G-08 - G-11
Window, Vent & Exterior Door Group	G-12 - H-04

EXTERIOR BODY GROUP
EXTERIOR BODY PANELS



Key	Part Number	U/M	Description
1	M99866-01-B13	EA	Roof Asm.
2	077339-04-000	EA	Trim - Contour - Upper Rear - Off White
2	076613-15-000	EA	Angle Joint - Roof to Sidewall - 1.5" x 87" - Metal
3	P00997-01-B13	EA	Sidewall Asm. - Driver
4	076802-08-000	EA	Trim - Contour - Upper Front - Driver - Off White
4	076613-15-000	EA	Angle Joint - Roof To Sidewall - 1.5" x 87" - Metal
5	085490-02-000	EA	Trim - Front Contour - Driver - Off White
6	086889-04-000	EA	Trim - Front Radius - Driver - Off White
7	M81653-04-X08	EA	Wingwall Asm. - Inner - w/Gusset & Vinyl Trim
	089334-01-000	FT	Vinyl - Exterior - Between Cab Seal - White
8	M76177-01-700	EA	Roof Section - Cab Over To First Seam
9	086279-02-000	FT	Insert Trim - 9" - Plastic - Off White
10	085491-02-000	EA	Trim - Transition Panel - Off White
	087275-02-000	EA	Cap - Feature Strip Trim - Off White
11	080258-01-000	EA	Panel - Transition - Sleeperboard - 94.8" x 57.7" - Off White
	101479-01-B13	EA	Sleeperboard - Overhead Cab
12	085491-01-000	EA	Trim - Transition Panel - Off White
	087275-01-000	EA	Cap - Feature Strip Trim - Off White
13	085490-01-000	EA	Trim - Contour - Front - Passenger - Off White
14	065889-03-000	EA	Trim - Front Radius - Passenger - Off White
15	030683-02-W04	EA	Wingwall Asm. - Outer - Passenger
	030683-01-W04	EA	Wingwall Asm. - Outer - Driver
	079203-03-000	EA	Trim - Wingwall - 14.2" - Off White
	021241-01-000	FT	Vinyl - Exterior - Used Between Wingwall & Cab Seal - White
16	085492-01-000	EA	Trim - Wingwall Transition - Off White
17	076975-05-000	EA	Trim - Sleeperboard - Passenger - 52" - Off White
	076975-06-000	EA	Trim - Sleeperboard - Driver - 52" - Off White
18	M81653-03-X08	EA	Wingwall Asm. - Inner - w/Gusset & Vinyl Trim

Key	Part Number	U/M	Description
19	076802-07-000	EA	Trim - Contour - upper Front - Passenger - Off White
19	076613-15-000	EA	Angle Joint - Roof To Sidewall - 1.5" x 87" - Metal
20	002444-04-000	EA	Feature Strip - w/o Insert - Extr. - 16" - Off White
	609731-01-000	EA	End Cap - Feature Strip
	001030-02-003	EA	Insert - Feature Strip - 17' Long - Off White
	086180-55-001	EA	U-Channel - Extrusion - 192" - Off White
21	075189-01-000	EA	Trim - Wheelwell - Rear Passenger - Off White
	075189-02-000	EA	Trim - Wheelwell - Rear Driver - Off White
	087953-01-000	EA	Trim - Wheelwell - Rear - Extrusion - Off White
22	P00998-01-B13	EA	Sidewall Asm. - Passenger
23	073502-15-000	EA	Trim - Sidewall To Rear Cap - Metal Passenger - Off White
	073502-16-000	EA	Trim - Sidewall To Rear Cap - Metal Driver - Off White
24	077339-03-000	EA	Trim - Contour - Upper Rear - Off White
	076613-15-000	EA	Angle Joint - Roof To Sidewall - 1.5" x 87" - Metal
25	099867-01-B13	EA	Backwall Asm. - Inner
26	074966-02-000	EA	Trim - Backwall - Lower - Passenger or Driver
27	080252-02-000	EA	Rear Cap w/o Lights - Primed
	077941-01-000	EA	Seal - Rubber - Flat w/Slit
	083905-08-000	EA	Trim - Backwall To Roof
	002365-01-001	EA	U-Channel - Extrusion - 1" x 18"

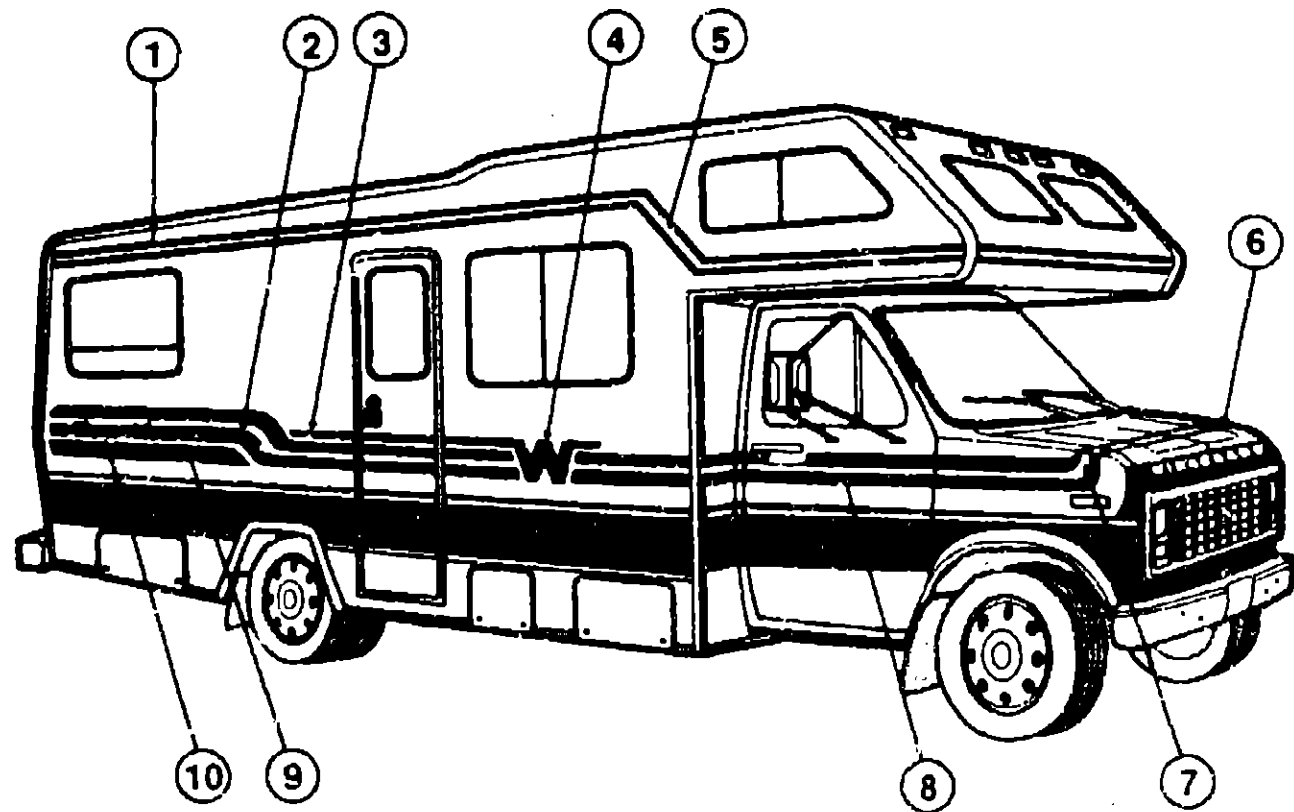
1991 WINNEBAGO
TABLE OF CONTENTS

INTRODUCTION	A-01 - A-02
ABBREVIATIONS	A-03
ALPHABETICAL/GROUP REFERENCE	A-04 - A-06
WF424RC	A-07 - D-12
WF427RT	D-13 - H-04

1991 WF427RT INDEX

Floor Plan	D-13 - D-14
Accessories Group	D-15 - D-20
Bath Group	D-21 - D-22
Bedroom Group	D-23 - D-24
Chassis Group	E-01 - E-04
Curtain, Cushion & Pad Group	E-05 - E-10
Dinette Group	E-19 - E-20
Driver's Compartment Group	E-21 - E-22
Electrical Group	E-23 - F-02
Exterior Body Group	F-03 - F-04
Galley Group	F-07 - F-10
Heating & Air Conditioning Group	F-11 - F-12
Interior Finish Group	F-13 - F-18
Labels Group	F-17 - F-20
LP Group	G-01
Lounge Group	G-02 - G-03
Sealants & Fasteners Group	G-05 - G-06
Water & Sewage Group	G-08 - G-11
Window, Vent & Exterior Door Group	G-12 - H-04

EXTERIOR BODY GROUP (CONTINUED)



DECALS & MULTISTRIPES

Key	Part Number	U/M	Description
1	093680-08-06A	FT	Film - Multistripe - 3.6" x 150" - Dark Blue/Light Green
2	093705-01-07A	EA	Decal - Side Step - Passenger - Light Green/Dark Blue
	093705-02-07A	EA	Decal - Side Step - Driver - Light Green/Dark Blue
3	093681-03-01A	FT	Film - 1.4" x 150" - Gray
4	079351-31-000	EA	Decal - Flying "W"
5	093706-01-06A	EA	Decal - Side Step - Passenger - Dark Blue/Light Green
	093706-02-06A	EA	Decal - Side Step - Driver - Dark Blue/Light Green
6	093707-02-06A	EA	Decal - Fender - Driver - Light Green/Dark Blue
	069745-03-000	EA	Decal - "Winne"
	069745-04-000	EA	Decal - "Bago"
7	093707-01-06A	EA	Decal - Fender - Passenger - Light Green/Dark Blue
	093707-02-06A	EA	Decal - Fender - Driver - Light Green/Dark Blue
8	093680-10-07A	FT	Film - Multistripe - 6.8" x 150" - Light Green/Dark Blue
9	093691-02-01A	FT	Film - 3.2" x 150" - Gray
10	075478-02-000	EA	Decal - Logo - "Minnie Winnie" - Chrome
	050313-22-000	EA	Decal - Logo - "Winnebago" - 2.8" - Chrome (Backwall)

For your convenience here are the Dupont Color Codes you can purchased locally.

Dark Blue K9460
 Light Green K9459
 Gray K9458
 OFF White L8723A or L

EXTERIOR BODY GROUP (CONTINUED)

MISCELLANEOUS EXTERNALLY MOUNTED PARTS

Key	Part Number	U/M	Description
	083558-03-000	EA	Plumbing Seal - Roof Vent - 1.5 - Off White
	003126-02-000	EA	Assist Handle - Black
	069178-02-000	EA	Bracket - Mounting - Assist Handle - "L" Angle w/Holes
	087659-04-000	EA	Fill - City Water - Off White
	081240-03-000	EA	Fill - City Water - Lockable - Off White
	102768-01-000	EA	Holder - Compartment/Entry Door - Metal

FIBERGLASS & STYROFOAM

Key	Part Number	U/M	Description
	077514-24-000	EA	Fiberglass Sheet - 48" x 96" - Flat
	076054-90-000	EA	Fiberglass Sheet - 4' x 24.66" - Off White
	001054-01-011	EA	Alum. - No Design - 48" x 96" - Off White
	000858-01-000	SF	Styrofoam - .75" x 24" x 96"
	000870-05-000	SF	Styrofoam - .5" x 24" x 96"
	000870-03-000	SF	Styrofoam - 1.34" x 48" x 96"
	083574-01-000	SF	Styrofoam - Dow Type - SM - 1.5" x 24" x 85.25"
	003574-02-000	SF	Styrofoam - Dow Type - SM - 1.5" x 24" x 90.5"

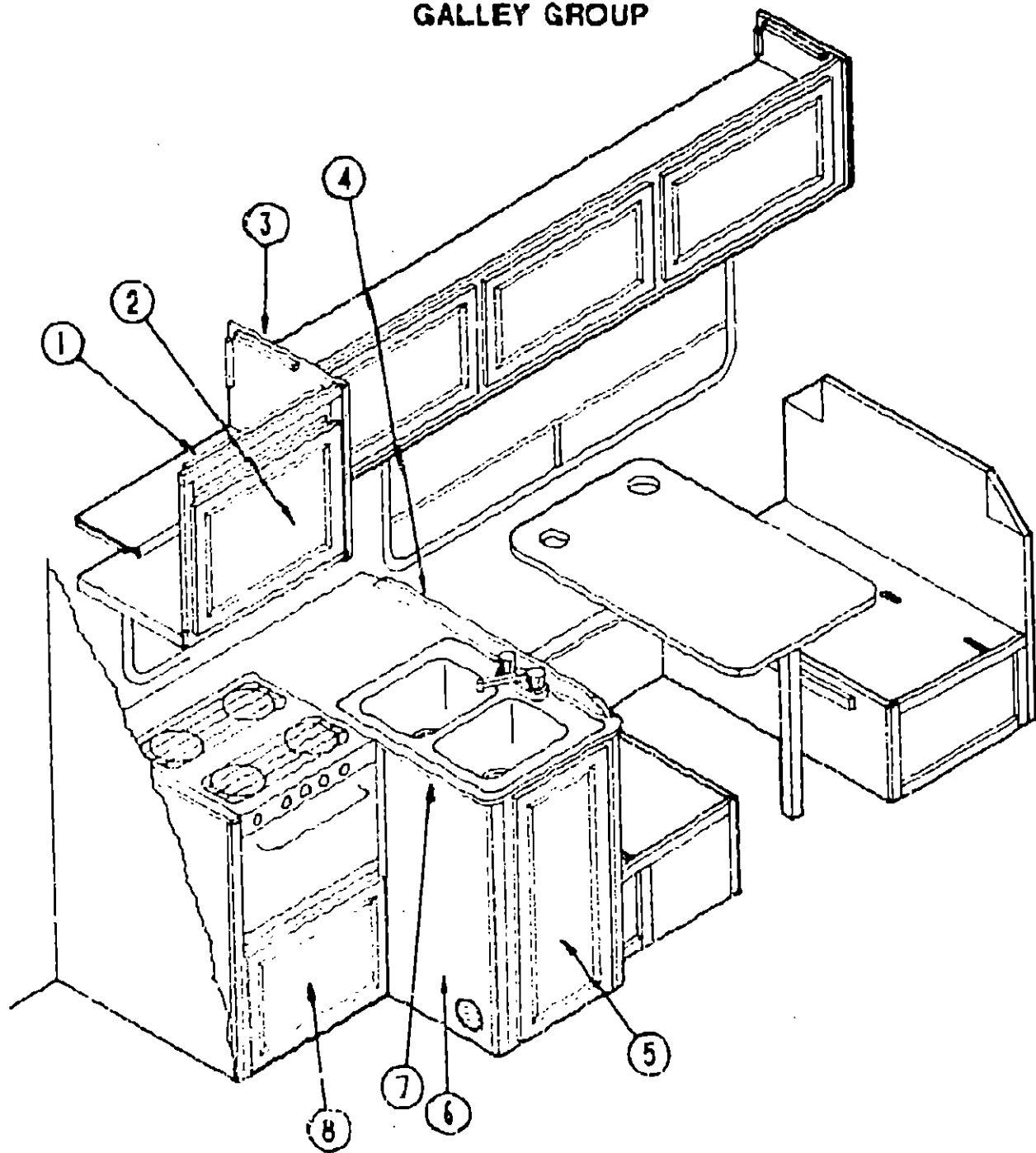
1991 WINNEBAGO TABLE OF CONTENTS

INTRODUCTION	A-01 - A-02
ABBREVIATIONS	A-03
ALPHABETICAL/GROUP REFERENCE	A-04 - A-06
WF424RC	A-07 - D-12
WF427RT	D-13 - H-04

1991 WF427RT INDEX

Floor Plan	D-13 - D-14
Accessories Group	D-15 - D-20
Bath Group	D-21 - D-22
Bedroom Group	D-23 - D-24
Chassis Group	E-01 - E-04
Curtain, Cushion & Pad Group	E-05 - E-10
Dinette Group	E-19 - E-20
Driver's Compartment Group	E-21 - E-22
Electrical Group	E-23 - F-02
Exterior Body Group	F-03 - F-04
Galley Group	F-07 - F-10
Heating & Air Conditioning Group	F-11 - F-12
Interior Finish Group	F-13 - F-14
Labels Group	F-17 - F-20
LP Group	G-01
Lounge Group	G-02 - G-03
Sealants & Fasteners Group	G-05 - G-06
Water & Sewage Group	G-08 - G-09
Window, Vent & Exterior Door Group	G-12 - H-04

GALLEY GROUP



GALLEY CABINETS

Key	Part Number	U/M	Description
1	M04182-00-B13	EA	Cabinet Asm. - Galley Overhead - w/o Door or Hardware
2	P00520-01-B07	EA	Door Asm. - Galley Overhead - 14.3" x 21.8" - w/o Hardware
3	081280-28-B13	EA	End Cap - Galley Overhead
4	098335-03-B05	EA	Rail - Galley Backsplash
5	P00520-37-B13	EA	Door Asm. - Galley Cabinet - 14.4" x 33.5" - w/o Hardware
6	M04128-01-B13	EA	Cabinet Asm. - Galley w/Countertop - w/o Doors or Hardware
6	M04128-02-B13	EA	Cabinet Asm. - Galley w/Countertop - w/o Doors or Hardware
7	M82184-31-B13	EA	Drawer Asm. - Galley Cabinet - 19.8" Wide x 19" Deep - w/o Hardware
7	099872-11-B13	EA	Countertop Asm. - Galley Cabinet
8	P00520-50-B13	EA	Door Asm. - Furnace
	072369-34-000	EA	Mesh - Expanded - 18.3" x 5.8" - Bronze
	091257-06-000	EA	Handrail - Refrigerator Cabinet - Regal Oak

* These parts were used with Option L135

GALLEY GROUP (CONTINUED)

GALLEY APPLIANCES

Key	Part Number	U/M	Description
	094038-01-000	EA	Refrigerator - 3-Way Small Double Door - Norcold 663 (Option L04E)
	094038-03-000	EA	Refrigerator - 2-Way Small Double Door - Norcold 662
	084879-03-700	EA	Cooling Unit
	064473-03-719	EA	Flue
	088248-01-709	EA	Heater A/C
	075217-01-737	EA	Control Module
	094039-04-702	EA	Power Supply (2-Way)
	094039-01-737	EA	Power Supply (3-Way)
	094039-04-701	EA	Eyebrow (2-Way)
	094039-01-701	EA	Eyebrow (3-Way)
	094039-04-700	EA	P.C. Board (2-Way)
	094039-01-700	EA	P.C. Board (3-Way)
	084880-01-715	EA	Shut-Off Valve - Manual
	084880-01-713	EA	Male Connector
	064473-01-702	EA	Orifice
	084248-01-705	EA	Burner
	088248-01-708	EA	Ignition Electrode
	084880-01-733	EA	Dairy Keeper
	084880-01-734	EA	Hinge Bracket - Top Right/Bottom Left (Brown)
	094039-01-723	EA	Hinge Bracket - Top Right/Bottom - Left (Black)
	094039-01-707	EA	Upper Door Handle Asm. (Brown)
	094039-01-708	EA	Upper Door Handle Asm. (Black)
	094039-01-705	EA	Upper Door Liner - White (Brown)
	094039-01-706	EA	Upper Door Liner - White (Black)
	084880-01-735	EA	Hinge Bracket - Top Left/Bottom - Right (Brown)
	094039-01-724	EA	Hinge Bracket - Top Left/Bottom - Right (Black)
	075217-01-738	EA	Switch Rocker - 3 Position - Black
	084880-01-732	EA	Latch
	084880-02-700	EA	Lower - Flange
	094039-01-732	EA	Front Cover - Bottom Trim - Black
	094039-01-712	EA	Door Bin - w/Silver Border - Gray
	094039-01-718	EA	Milk Bin - w/Silver Trim - Gray
	084880-01-747	EA	Hole Plug
	094039-01-722	EA	Plug Hole - Hinge Poles - Black
	094039-01-711	EA	Juice Rack - w/Silver Trim
	064472-01-749	EA	Plug
	094039-01-726	EA	Evaporator Shell
	084880-03-707	EA	Cover - Lamp or Bulb
	094039-01-733	EA	Wire Shelf - Middle
	094039-01-734	EA	Wire Shelf w/Riser - Top
	084880-01-722	EA	Crisper Cover
	094039-01-731	EA	Crisper w/Silver Trim - Gray
	094038-01-705	EA	Cabinet Asm. - Frame (Brown)
	094038-01-706	EA	Cabinet Asm. - Frame (Black)
	084880-01-746	EA	Cable
	084880-01-731	EA	Hinge - Pin
	094039-01-725	EA	Hinge Pin - Male - Black
	094039-01-729	EA	Hinge Pin Shaft - Center Hinge (Brown)
	094039-01-730	EA	Hinge Pin Shaft - Center Hinge (Black)
	094039-01-727	EA	Hinge Bracket - Center Hinge (Brown)
	094039-01-728	EA	Hinge Bracket - Center Hinge (Black)
	084880-01-749	EA	Hinge Bushing
	088248-01-707	EA	Sensor Electrode
	088248-01-710	EA	Heater DC (3-Way)

1991 WINNEBAGO TABLE OF CONTENTS

INTRODUCTION	A-01 - A-02
ABBREVIATIONS	A-03
ALPHABETICAL/GROUP REFERENCE	A-04 - A-06
WF424RC	A-07 - D-12
WF427RT	D-13 - H-04

1991 WF427RT INDEX

Floor Plan	D-13 - D-14
Accessories Group	D-15 - D-20
Bath Group	D-21 - D-22
Bedroom Group	D-23 - D-24
Chassis Group	E-01 - E-04
Curtain, Cushion & Pad Group	E-05 - E-18
Dinette Group	E-19 - E-20
Driver's Compartment Group	E-21 - E-23
Electrical Group	E-23 - F-02
Exterior Body Group	F-03 - F-04
Galley Group	F-07 - F-10
Heating & Air Conditioning Group	F-11 - F-12
Interior Finish Group	F-13 - F-16
Labels Group	F-17 - F-24
LP Group	G-01
Lounge Group	G-02 - G-04
Sealants & Fasteners Group	G-05 - G-07
Water & Sewage Group	G-08 - G-11
Window, Vent & Exterior Door Group	G-12 - H-04

GALLEY GROUP (CONTINUED)

GALLEY APPLIANCES (CONTINUED)

Key	Part Number	U/M	Description
	094039-01-702	EA	Gasket - Upper - Gray
	094038-01-700	EA	Gasket - Lower - Gray
	094039-01-705	EA	Upper Door Liner - White (Brown)
	094039-01-706	EA	Upper Door Liner - White (Black)
	094038-01-701	EA	Lower Door Liner - White (Brown)
	094038-01-702	EA	Lower Door Liner - White (Black)
	094038-01-703	EA	Lower Door Handle Asm. (Brown)
	094039-01-716	EA	Lower Door Handle Asm. (Brown)
	094038-01-704	EA	Lower Door Handle Asm. (Black)
	094039-01-717	EA	Lower Door Handle Asm. (Black)
	084880-01-718	EA	Gas - Valve
	084880-03-705	EA	Bracket - Interior Refrigerator Light
	084880-03-706	EA	Lamp - Bulb
	084880-01-736	EA	Light Switch - Brown
	094039-01-703	EA	Hinge Plate - Left (Brown)
	094039-01-704	EA	Hinge Plate - Left (Black)
	094039-01-709	EA	Hinge Plate - Top - Right/Bottom - Left (Brown)
	094039-01-710	EA	Hinge Plate - Top - Right/Bottom - Left (Black)
	094039-01-741	EA	Tray - Shelf - Plastic - Gray
	084880-01-753	EA	Thermister - 78" w/o Clip
	100258-04-01A	EA	Hood - Range - w/Monitor Panel - Almond (US)
	100258-05-01A	EA	Hood - Range - w/Monitor Panel - Almond (CSA)
	100258-04-704	EA	Metal Face Plate (Screened) LVS 9506
	090973-01-700	EA	Motor - LVS CA508-1
	090973-01-702	EA	Blade - Fan - LVS VA183-1
	092696-01-709	EA	Bulb - 912 - Ventline VA415
	052696-01-710	EA	Socket - Light - Ventline CB267-2
	096983-01-708	EA	Lens - Lamp - Ventline CC179
	096983-01-707	EA	Filter - Grease - 8" x 8" - LVS CC246
	100258-04-700	EA	Circuit Board - Tanks - LVS 5062
	096983-01-702	EA	Switch - Two Way Momentary - LV5112
	096983-01-703	EA	Switch - On-On - LV5 115
	075470-01-702	EA	Switch - ON/OFF
	096983-01-701	EA	Switch - Momentary One Way - LVS111
	092696-01-701	EA	Knob - Cable Lever - Plastic - Black - Ventline CC225
	100258-04-702	EA	Switch & Lever - Module - 17 1/2" - Ventline CB547-1
	092696-01-703	EA	Fuse Holder - Ventline CC195
	092698-02-01A	EA	Vent - Range Hood - w/Door - Off White

NOTE: Items indented below assembly are serviceable parts for that assembly.

GALLEY HARDWARE

Key	Part Number	U/M	Description
	096654-01-000	EA	Sink - Stainless Steel - Double
	065437-01-000	EA	Strainer - w/Basket - Sink
	064952-01-000	EA	Faucet - Swing Spout - 8"
	091253-01-000	EA	Gasket - Faucet
	081530-01-005	EA	Cover Asm. - Sink
	011091-02-000	EA	Continuous Waste - Double Sink
	093153-01-000	EA	Cutting Board - Maple - 10.6" x 14.5"
	077409-02-000	EA	Drawer Slide - Plastic - 20.75"
	077404-02-000	EA	Drawer - Plastic - 20" x 12.7"
	081587-01-000	EA	Bracket - Tiedown - Range - Right Side
	081587-02-000	EA	Bracket - Tiedown - Range - Left Side
	063752-01-000	EA	Shroud - Range - 18.5" x 20.6" x 16.2" - Metal - Off White
	094750-01-000	EA	Bracket - Microwave - 90° - Steel
	094756-01-01A	EA	Bracket - "L" - Microwave - 4 6" Long x 3.9" Wide - Steel - Tan
	094745-01-01A	EA	Trim - Microwave - Lower - Black
	094774-01-01A	EA	Trim - Microwave - Either Side - .5" x 14.8" - Metal - Black
	094774-03-01A	EA	Trim - Microwave - Either Side - 1.5" x 14.8" - Metal - Black
	054450-01-000	EA	Level - Refrigerator

F-9

GALLEY GROUP (CONTINUED)

GALLEY APPLIANCES (CONTINUED)

Key	Part Number	U/M	Description
	055282-02-000	EA	Range - 4 Burner w/Oven - Magic Chef
	055282-03-708	EA	Bumper - Main Top - Plastic Plug
	049045-01-742	EA	Burner Asm. - Oven
	064782-02-715	EA	Clip - Grate
	049045-01-739	EA	Fitting - Half Union
	055282-03-702	EA	Knob - Thermostat
	049045-01-742	EA	Burner Asm. - Oven
	081374-02-701	EA	Regulator - Pressure
	055282-03-700	EA	Thermostat
	049045-01-703	EA	Valve - Top - Burner
	064782-02-705	EA	Handle - Oven Door - Black
	049045-01-728	EA	Broiler Pan - w/o Insert
	064782-02-709	EA	Glass - Oven Door
	098507-02-703	EA	Glass - Oven Door - Outer
	098507-02-704	EA	Panel - Oven Door - Ebony
	098507-01-700	EA	Panel - Oven Door - Almond
	098507-02-701	EA	insert - Burner - Slotted Vent
	098507-02-700	EA	Filter - Pilot
	098507-02-701	EA	Insert - Burner (Slotted Vent)
	064782-02-701	EA	Shield - Deflector Flue - Black
	081374-03-700	EA	Trim (Left)
	049045-01-741	EA	Insert - Broiler Pan
	064782-02-710	EA	Bracket - Front Glass
	064782-02-712	EA	Grate - Top - Burner - Square Holes
	064782-02-714	EA	Fitting - Pipe Nipple - 1/8"
	064782-02-701	EA	Shield - Deflector Flue
	064782-02-711	EA	Top - Main - Almond
	064782-02-708	EA	Valve - Mercury Control
	055282-04-700	EA	Panel - Oven Door - Almond
	098507-02-707	EA	Top - Main - Ebony
	102022-01-01A	EA	Range - 16" - 4 Burner - Almond
	102022-01-02A	EA	Range - 16" - 4 Burner - Almond
	102020-01-724	EA	Top Burner
	102020-01-708	EA	Bumper Asm. (Oven)
	102020-01-709	EA	Grate - Burner
	102020-01-713	EA	Thermostat Knob
	102022-01-703	EA	Pressure Regulator
	102020-01-717	EA	Thermostat
	102020-01-722	EA	Top Burner Valve
	020120-01-701	EA	Door Handle
	102022-01-704	EA	Glass - Outer
	102020-01-710	EA	Pilot - Filter
	102020-01-726	EA	Deflector Vent
	102020-01-703	EA	Panel Door - Almond
	102020-01-718	EA	Main Top - Almond
	055282-03-705	EA	Trim - Left
	102022-01-706	EA	Trim - Left - Flat
	055282-03-707	EA	Trim - Right
	102022-01-707	EA	Trim - Right - Flat
	102020-01-711	EA	Top Grate
	102020-01-720	EA	Mercury Control - Valve
	102020-01-712	EA	Burner Valve Knob
	102020-01-714	EA	Oven Pilot
	102022-01-702	EA	Mainfold Pipe
	102020-01-721	EA	Shutoff Valve
	102020-01-702	EA	Panel - Manifold
	098507-02-701	EA	Burner Insert (Slotted Vent)
	091269-03-000	EA	Oven - Microwave - Magic Chef M116-10PB
	091269-03-701	EA	Plate - Ceramic - 9.5" Dia - Magic Chef 246-005
	091269-03-702	EA	Clip - Oven Shelf - White - Magic Chef 201-0044
	091269-05-000	EA	Oven - Microwave - Magic Chef M15E-9PB

* This part was used from 09-03-90 thru 03-11-91

** This part was used 03-11-91 on.

NOTE: Items indented below assemblies are serviceable parts for that assembly.

**1991 WINNEBAGO
TABLE OF CONTENTS**

INTRODUCTION	A-01 - A-02
ABBREVIATIONS	A-03
ALPHABETICAL/GROUP REFERENCE	A-04 - A-06
WF424RC	A-07 - D-12
WF427RT	D-13 - H-04

1991 WF427RT INDEX

Floor Plan	D-13 - D-14
Accessories Group	D-15 - D-20
Bath Group	D-21 - D-22
Bedroom Group	D-23 - D-24
Chassis Group	E-01 - E-04
Curtain, Cushion & Pad Group	E-05 - E-18
Dinette Group	E-19 - E-20
Driver's Compartment Group	E-21 - E-22
Electrical Group	E-23 - F-02
Exterior Body Group	F-03 - F-04
Galley Group	F-07 - F-10
Heating & Air Conditioning Group	F-11 - F-12
Interior Finish Group	F-13 - F-16
Labels Group	F-17 - F-20
LP Group	G-01
Lounge Group	G-02 - G-04
Sealants & Fasteners Group	G-05 - G-07
Water & Sewage Group	G-08 - G-11
Window, Vent & Exterior Door Group	G-12 - H-04

F-10

HEATING & AIR CONDITIONING GROUP

HEATING & AIR CONDITIONING GROUP (CONTINUED)

ROOF AIR CONDITIONER (OPTION L29D3A)

Key	Part Number	U/M	Description
	092440-C1-000	EA	Air Conditioner - Roof - 13,500 BTU
	092441-01-000	EA	Ceiling Asm. - A/C - 220 Volt

ROOF AIR CONDITIONING - 13,500 BTU (OPTION L29D1A)

Key	Part Number	U/M	Description
	093763-01-04A	EA	Air Conditioner - 110 Volt & Roof Mount - 13,500 BTU - TSR
	093763-04-700	EA	Shroud - Roof A/C - w/o Logos
	093306-01-701	EA	Decal Pkg. - Left & Right
	091225-01-709	EA	Start Relay
	091225-01-710	EA	Start Capacitor
	073742-02-704	EA	Run Capacitor (Compressor)
	081606-01-708	EA	Limit Switch
	093763-01-712	EA	Fan Blade - Condenser
	076303-01-712	EA	Motor
	093763-01-702	EA	Overload
	093763-01-703	EA	Impellor - 7" Dia x 2.8" Wide
	093763-01-704	EA	Capacitor - Fan
	093763-01-707	EA	Evaporator Coil
	093763-01-708	EA	Condenser Coil
	093763-01-709	EA	Compressor
	102289-01-000	EA	Spring - Screw - Roof A/C Gasket
	093764-01-000	EA	Ceiling Asm. - A/C Cool Only - TSR
	042204-01-709	EA	Thermostat In - 64 - Out - 58
	042205-01-702	EA	Thermostat In - 89 - Out - 58
	073742-01-701	EA	Selector Switch (5 Terminal)
	073742-01-703	EA	Decal - "Heat & Cool"
	093763-01-705	EA	Decal - "Heat/Cool" - Thermostat
	091225-01-713	EA	Knob (2 per package)
	081606-01-712	EA	Ceiling Shroud (Ivory)
	073742-01-702	EA	Decal "Cool Only"
	076303-01-707	EA	Filter - 6" x 14 3/4" x 1/2" 12 per Pkg.
	093763-01-710	EA	Single Parts Package
	093763-01-711	EA	Gasket Package
	091225-01-717	EA	Decal - Thermostat - "Cool Only"

NOTE: Items indented below assemblies are serviceable parts

FURNACES

Key	Part Number	U/M	Description
	009198-01-000	FT	Duct - Flexible - 4" ID x 25'
	069636-02-000	EA	Connector Duct
	056462-05-000	EA	Register - 4" Dia. - Plastic - w/o Damper
	009200-01-000	EA	Tape - Furnace - 1 1/2"
	023146-01-000	EA	Clamp - Screw Type - 4"
	093365-01-000	EA	Thermostat - Furnace - Suburban (Wall)
	090039-05-000	EA	Furnace - 30,000 BTU - Suburban
	090039-05-700	EA	Thermostat
	090039-05-701	EA	Combustion Chamber Asm.
	090039-05-702	EA	Gasket - Manifold
	090039-05-703	EA	Manifold Pipe Asm.
	090039-05-704	EA	Combustion Chamber Asm.
	090039-05-705	EA	Wheel - Combustion Air
	090039-05-706	EA	Combustion Air Housing Asm.
	090039-05-707	EA	Gasket - Motor
	090039-05-708	EA	Gasket - Crossover Tube Housing
	090039-05-709	EA	Crossover Tube Asm.
	090039-05-710	EA	Gasket - Crossover Tube Chamber
	090039-05-711	EA	Blower Housing Asm. - Room Air

NOTE: Items indented below assemblies are serviceable parts for that assemblies.

REAR AUXILIARY HEATER - W/MOTOR AID (OPTION L6111A)

Key	Part Number	U/M	Description
	084405-01-000	EA	Heater Asm. - Rear - Ducted - w/Motor Aid - Evans
	084405-01-700	EA	Heater Core
	084405-01-701	EA	Fan Blades
	084405-01-702	EA	Motor Asm. - 12 Volt
	084374-01-000	EA	Bracket - Switch - Heater - Right Hand
	084374-02-000	EA	Bracket - Switch - Heater - Left Hand
	084404-01-000	EA	Switch - Off/Low/Med/High - Black
	084410-01-000	EA	Decal - Rear Auto Heater
	079059-01-000	EA	Hose - 90° - 5/8" I.D. x 4" x 36"
	058906-04-000	EA	Control Panel - Rear Heater - 5.5" Wide - Beige Plastic
	083610-01-000	EA	Clamp - Wire - Dual - Unequal Dia. - .75" & 1.25"
	062401-04-000	EA	Clamp - Hose Wormgear - .69" - 1.25"
	010497-06-000	EA	Tee - Barb - 5/8" x 5/8"

NOTE: Items indented below assemblies are serviceable parts for that assembly.

**1991 WINNEBAGO
TABLE OF CONTENTS**

INTRODUCTION	A-01 - A-02
ABBREVIATIONS	A-03
ALPHABETICAL/GROUP REFERENCE	A-04 - A-06
WF424RC	A-07 - D-12
WF427RT	D-13 - H-04

1991 WF427RT INDEX

Floor Plan	D-13 - D-14
Accessories Group	D-15 - D-20
Bath Group	D-21 - D-22
Bedroom Group	D-23 - D-24
Chassis Group	E-01 - E-04
Curtain, Cushion & Pad Group	E-05 - E-18
Dinette Group	E-19 - E-20
Driver's Compartment Group	E-21 - E-22
Electrical Group	E-23 - F-02
Exterior Body Group	F-03 - F-06
Galley Group	F-07 - F-10
Heating & Air Conditioning Group	F-11 - F-12
Interior Finish Group	F-13 - F-16
Labels Group	F-17 - F-24
LP Group	G-01
Lounge Group	G-02 - G-04
Sealants & Fasteners Group	G-05 - G-07
Water & Sewage Group	G-08 - G-11
Window, Vent & Exterior Door Group	G-12 - H-04

INTERIOR FINISH GROUP

PANELING & COUNTERTOP

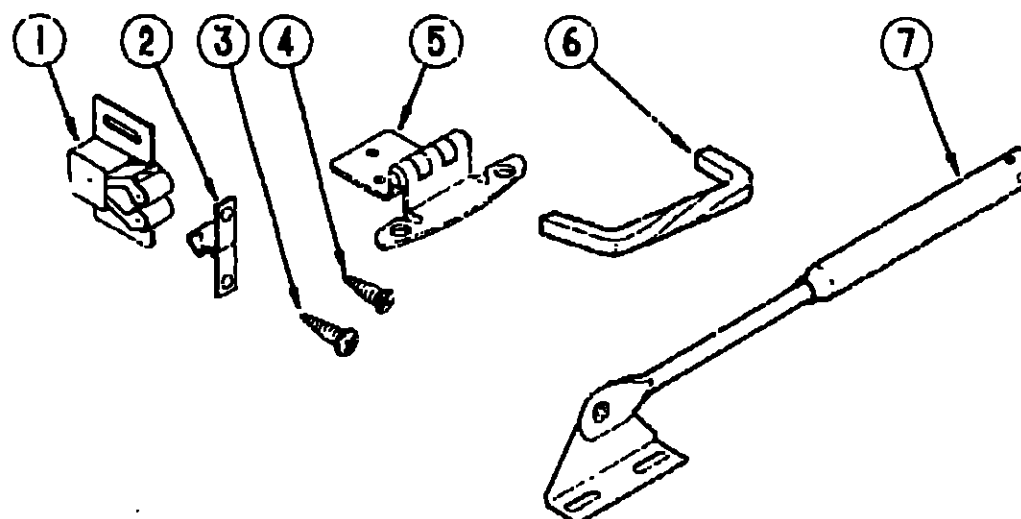
Key	Part Number	U/M	Description
	074497-10-000	SF	Paneling - Regal Oak - 48" x 84" (Cabinets)
	074497-18-000	SF	Paneling - 48" x 84" (Ceiling)
	074497-19-000	SF	Paneling - Ceiling - 48" x 84"
	088272-77-000	SF	Paneling - Decor - Decorative w/Blossoms - 48" x 84" (Bath Wall)
	088272-78-000	SF	Paneling - Decor - Decorative Plain - 48" x 84" (Main Wall)
	088272-72-000	SF	Paneling - Shower - Travertine White - 4' x 7' (28 SF)
	083618-01-000	SF	Plywood - Oak - 2 Side Finished - 3/16" x 4' x 8'
	083618-02-000	SF	Plywood - Oak - 1 Side Finished - 3/16" x 4' x 8'
	057882-04-000	EA	Tambour Door - 4' x 8' Sheet
	074498-36-000	SF	Plastic - Laminate - Rcse - 60" x 96" (Countertop)
	074498-24-000	SF	Plastic - Laminate - Regal Oak - 60" x 96" (Countertop)
	076325-16-000	FT	Edge Molding - Regal Oak - 1 5/16" Wide
	076325-27-000	EA	Edge Molding - Regal Oak - .95" Wide
	076325-19-000	FT	Edge Molding - Almond

These parts were used from 5/29/91 on.

CABINETS & TABLE HARDWARE

Key	Part Number	U/M	Description
	077404-02-000	EA	Drawer - Plastic - 20" x 12.7" - Beige
	077409-02-000	EA	Slide - Plastic Drawers
	009059-01-000	EA	Hinge - 2" - Brass
	090736-01-000	EA	Pull - Recessed - 1.25" x 4"
	064781-06-000	EA	Cup Holder - Two Step - Off White
	024281-11-000	EA	Bracket - Lower Wall Mount
	053200-09-000	EA	Bracket - Upper Wall Mount - 18.5" - Beige
	024275-11-000	EA	Rod - Table Lift
	049493-10-000	EA	Catch - Table Leg - Mounts on Floor
	092493-10-04A	EA	Catch - Leg Mounted - Round - 1.4" Dia. - Beige
	088493-01-000	EA	Hanger - Table
	062493-01-000	EA	Clip - Leg - Pedestal Table - 1.7" x 2.2"
	041193-01-000	EA	Base - Pedestal Table - Flush Mount (Option L63B)
	032707-01-01A	EA	Molding - Wood Table Leg - 27" - Regal Oak
	093550-01-000	EA	Bracket - Hinge - Mounts To Leg & Table Top - 1.7" x 2.6"
	009040-01-000	EA	Leg - Pedestal Table - 27.5" (Option L63B)
	016604-01-000	EA	Brace - Cabinet - "L" Angle - 2.5" - Beige
	084466-01-000	EA	Slide - Drawer - Right Side - Drawer Mounted
	084466-02-000	EA	Slide - Drawer - Left Side - Drawer Mounted
	084466-03-000	EA	Slide - Cabinet - Right Side - 17.9" to 31.1"
	084466-04-000	EA	Slide - Cabinet - Left Side - 17.9" to 31.1"
	082425-01-000	EA	Brace - Couch - Floor
	083125-05-000	EA	Brace - Couch - Floor
	009040-04-000	EA	Drawer - Wooden - 2" x 4" (Option L0411)
	042436-02-000	EA	Leg - Pedestal Table - 27.5" (Option L0411)
	057205-05-000	EA	Apron - Bed Support - 1" x 1.5" x 24" - Beige
	097191-01-Y15	EA	Handle - Door - Tambour - 3.6"
	057882-04-000	EA	Tambour Door

INTERIOR FINISH GROUP (CONTINUED)



CABINET DOOR HARDWARE

Key	Part Number	U/M	Description
1	093586-03-000	EA	Catch - Spring Roller
2	093586-04-000	EA	Strike - Steel Spring
3	000G68-06-10G	EA	Screw - 6-18 x 5/8 POH - Antique Brass
4	000G13-06-10G	EA	Screw - 6-20 x 5/8 PFH - Antique Brass
5	059777-02-000	EA	Hinge - Cabinet Door - Burnished Brass
6	096645-01-000	EA	Pull - Cabinet - Twist - Polished Brass
7	074493-02-000	EA	Support - Piston Spring - Overhead Door

MISCELLANEOUS

Key	Part Number	U/M	Description
	053552-02-AA8	EA	Handle Asm. - Assist - Vinyl - Beige
	069178-02-000	EA	Mounting Bracket - Assist Handle
	091257-06-000	EA	Assist Handle - Entry Door - Wood
	094499-01-000	EA	Fire Extinguisher - 10 BC - w/Bracket (US)
	094499-01-700	EA	Bracket - Mounting - Fire Extinguisher
	094499-02-000	EA	Fire Extinguisher - 10 BC - w/Bracket (CSA)
	072852-02-000	EA	Smoke Detector w/9 Volt Battery
	054185-65-000	EA	Owners Manual - 1991

1991 WINNEBAGO TABLE OF CONTENTS

INTRODUCTION	A-01 - A-02
ABBREVIATIONS	A-03
ALPHABETICAL/GROUP REFERENCE	A-04 - A-06
WF424RC	A-07 - D-12
WF427RT	D-13 - H-04

1991 WF427RT INDEX

Floor Plan	D-13 - D-14
Accessories Group	D-15 - D-20
Bath Group	D-21 - D-22
Bedroom Group	D-23 - D-24
Chassis Group	E-01 - E-04
Curtain, Cushion & Pad Group	E-05 - E-10
Dinette Group	E-19 - E-20
Driver's Compartment Group	E-21 - E-22
Electrical Group	E-23 - F-01
Exterior Body Group	F-03 - F-04
Galley Group	F-07 - F-10
Heating & Air Conditioning Group	F-11 - F-12
Interior Finish Group	F-13 - F-14
Labels Group	F-17 - F-20
LP Group	G-0
Lounge Group	G-02 - G-03
Sealants & Fasteners Group	G-05 - G-06
Water & Sewage Group	G-08 - G-10
Window, Vent & Exterior Door Group	G-12 - H-0

INTERIOR FINISH GROUP (CONTINUED)

INTERIOR MOLDINGS & TRIMS

Key	Part Number	U/M	Description
	069733-70-000	EA	Batt Strip - Regal Oak - 8' (Woodgrain)
	088263-51-000	EA	Batt Strip - Off White - (Ceiling)
	088263-56-000	EA	Batt Strip - Decorative w/Blossoms - 8' (Bath Wall)
	088263-57-000	EA	Batt Strip - Decorative Plain - 8' (Main Wall)
	088263-71-000	EA	Batt Strip - 8' (Main Wall)
	085284-03-000	FT	Batt Strip - Woodgrain - Adhesive Backed - Regal Oak
	085284-44-000	FT	Batt Strip - Decorative w/Blossoms - Adhesive Tape
	085284-33-000	FT	Batt Strip - Decorative Plain - Adhesive Tape
	085284-15-000	FT	Batt Strip - Fawn - Adhesive Tape
	086229-01-000	EA	Retainer - Batten - Ceiling - .75" Wide - 7.6'
	086229-04-000	EA	Batten - 1" - Ceiling Molding - Ivory
	065740-01-000	EA	Brace - Cabinet Corner - Plastic
	082111-02-000	EA	Cover - Roof Break - 2.28" Wide - Ivory
	009809-24-000	EA	F-Molding - 1" - Pecan
	009812-25-000	EA	F-Molding - .5" - Pecan
	009812-24-000	EA	Molding - Plastic - Outside Corner - 5" - Modern Ivory
	085716-01-000	FT	J-Molding - .75" w/Lips - Grady Brown
	009815-09-000	FT	T-Molding - .75" - Modern Ivory
	083620-07-000	FT	T-Molding - w/Edge Lips - .75" - Pecan
	076325-16-000	FT	Molding - Edge Band - 1 5/16" Wide - Regal Oak
	076325-28-000	FT	Molding - Edge Band - 1 5/8" Wide - Woodgrain
	076325-30-000	FT	Molding - Edge Band - 1 5/16" Wide - Rose
	086279-02-000	FT	Trim - Insert - .9" - Plastic - Off White
	022982-11-000	FT	Molding - Reverse Cove - T-Shaped - Vinyl - Ivory
	042357-17-000	EA	Molding - Corner - Radius - 1.5" x 7" - Plastic - Pecan
	077840-01-W30	EA	Molding - Wall Cap - 1.4" x 8' - L-Shaped Wood
	081521-02-007	EA	Mount - Metal - For Radius Corner Molding - 12.5'
	080176-03-000	EA	Corner Cap - Radius Corner Molding - Pecan
	070504-20-000	FT	U-Channel - .815 - Pecan
	009778-13-000	FT	U-Channel - 1" - Pecan
	009767-10-000	FT	Welting - Mahogany
	009767-12-000	FT	Welting - Off White
	093873-01-02A	EA	Trim - Carpet - L-Angle - 1.1" x 1.3" x 12' - Vinyl - Tan
	100659-01-AB1	EA	Trim - Floor - 72" x 1" x 1/2" - Wood
	078539-01-000	EA	Trim - Cab Carpet - Passenger Side - 29" Long
	078539-02-000	EA	Trim - Cab Carpet - Driver Side - 29" Long
	047034-02-000	SF	Plastic - Carpet - 4' Wide - Clear
	086279-02-000	FT	Trim - Insert - .9" Plastic - Off White
	093743-02-01A	SF	Plastic - ABS - 11 5" Wide - Off White (Roof)

INTERIOR FINISH GROUP (CONTINUED)

FABRIC & FLOOR COVERING

Key	Part Number	U/M	Description
	096008-68-000	YD	Fabric - Upholstery - Patterned Weave - 54" (B13)
	096008-67-000	YD	Fabric - Upholstery - Patterned Velour - 54" (B14)
	096008-66-000	YD	Fabric - Upholstery - Patterned Velour - 54" (B15)
	096008-73-000	YD	Fabric - Upholstery - Patterned Velour - 54" (B13)
	096008-43-000	YD	Fabric - Upholstery - Dotted Velour - 54" (B13, B20)
	096008-64-000	YD	Fabric - Upholstery - Dotted Velour - 54" (B14)
	096008-65-000	YD	Fabric - Upholstery - Squares Velour - 54" (B15)
	096008-28-000	YD	Fabric - Upholstery - Plain Velour - 54" (B13, B20)
	096008-40-000	YD	Fabric - Upholstery - Plain Velour - 54" (B14)
	096008-63-000	YD	Fabric - Upholstery - Plain Velour - 54" (B15)
	096008-18-000	YD	Fabric - Upholstery - Patterned Velour - 54" (B20)
	088273-50-000	YD	Fabric - Bedspread/Curtain - Patterned - 54" (B13)
	088273-57-000	YD	Fabric - Bedspread/Curtain - Patterned - 54" (B14)
	088273-56-000	YC	Fabric - Bedspread/Curtain - Patterned - 54" (B15)
	088273-47-000	YD	Fabric - Bedspread/Curtain - Patterned - 54" (S20)
	072333-77-000	YD	Fabric - Curtain Plain - 54" - Beige
	072333-76-000	YD	Fabric - Curtain Plain - 54" - Silver
	096060-14-000	SY	Carpet - 12' Wide Roll - Inc. of 4 SY (B13 B20)
	096060-15-000	SY	Carpet - 12' Wide Roll - Inc. of 4 SY (B14)
	096060-16-000	SY	Carpet - 12' Wide Roll - Inc. of 4 SY (B15)

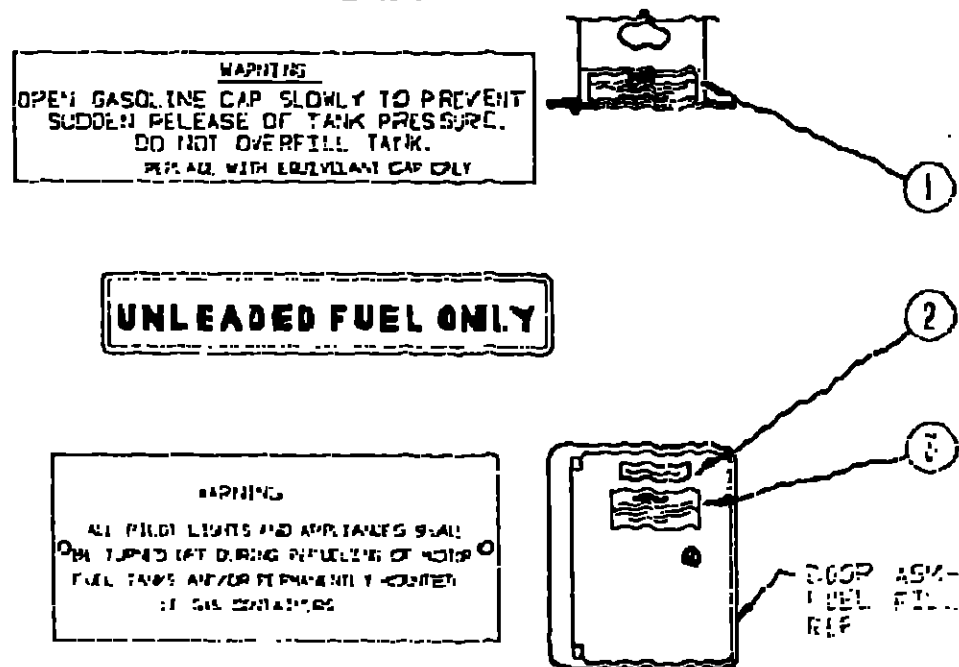
**1991 WINNEBAGO
TABLE OF CONTENTS**

INTRODUCTION	A-01 - A-02
ABBREVIATIONS	A-03
ALPHABETICAL/GROUP REFERENCE	A-04 - A-06
WF424RC	A-07 - D-12
WF427RT	D-13 - H-04

1991 WF427RT INDEX

Floor Plan	D-13 - D-14
Accessories Group	D-15 - D-20
Bath Group	D-21 - D-22
Bedroom Group	D-23 - D-24
Chassis Group	E-01 - E-04
Curtain, Cushion & Pad Group	E-05 - E-18
Dinette Group	E-19 - E-20
Driver's Compartment Group	E-21 - E-22
Electrical Group	E-23 - F-02
Exterior Body Group	F-03 - F-06
Galley Group	F-07 - F-10
Heating & Air Conditioning Group	F-11 - F-12
Interior Finish Group	F-13 - F-16
Labels Group	F-17 - F-24
LP Group	G-01
Lounge Group	G-02 - G-04
Sealants & Fasteners Group	G-05 - G-07
Water & Sewage Group	G-08 - G-11
Window, Vent & Exterior Door Group	G-12 - H-04

LABELS GROUP



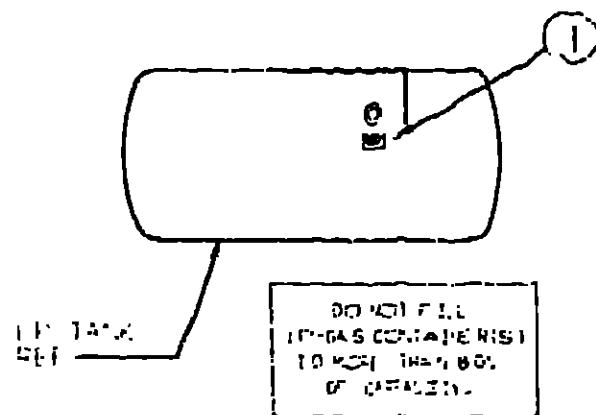
WARNING
 OPEN GASOLINE CAP SLOWLY TO PREVENT
 SUDDEN RELEASE OF TANK PRESSURE.
 DO NOT OVERFILL TANK.
 REFILL WITH EQUIVARIANT CAP ONLY

UNLEADED FUEL ONLY

WARNING
 ALL FIELD LIGHTS AND APPLIANCES SHALL
 BE TURNED OFF DURING REFUELING OF MOTOR
 FUEL TANKS AND/OR PERMANENTLY MOUNTED
 AT GAS CONTAINERS

DOOR ASM-
 FUEL FILL
 REF

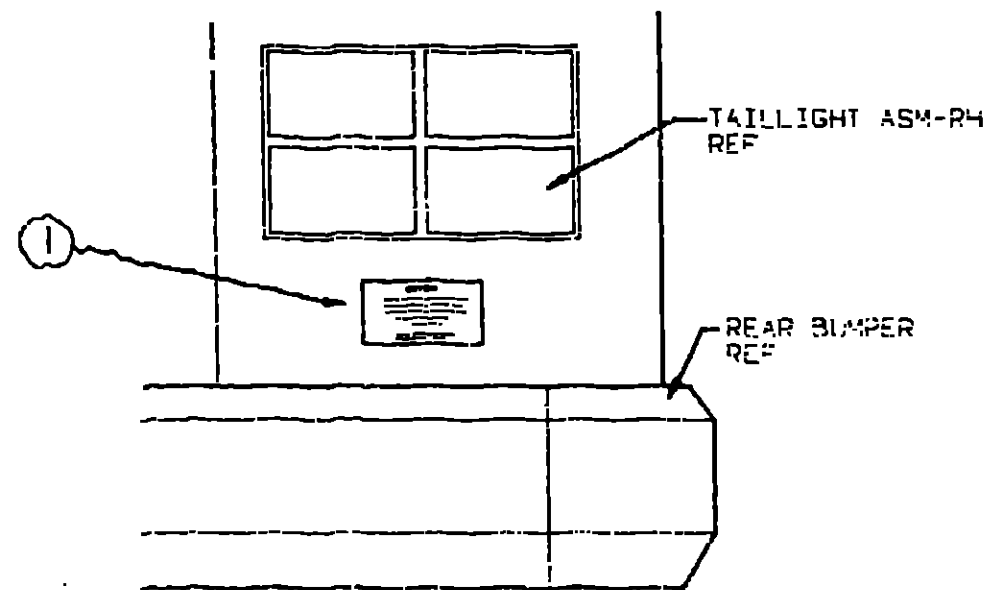
Key	Part Number	U/M	Description
1	087207-05-000	EA	Label - Fuel Cap Removal
2	062043-01-000	EA	Label - Unleaded Fuel
3	006040-01-000	EA	Tag - Gas Refueling Warning (US)
3	006040-02-000	EA	Tag - Gas Refueling Warning (CSA)



DO NOT FILL
 IF GAS CONTAINER RISES
 TO MORE THAN 80%
 OF CAPACITY

Key	Part Number	U/M	Description
1	079965-01-000	EA	Label - LPG - 80% - Capacity

LABELS GROUP (CONTINUED)



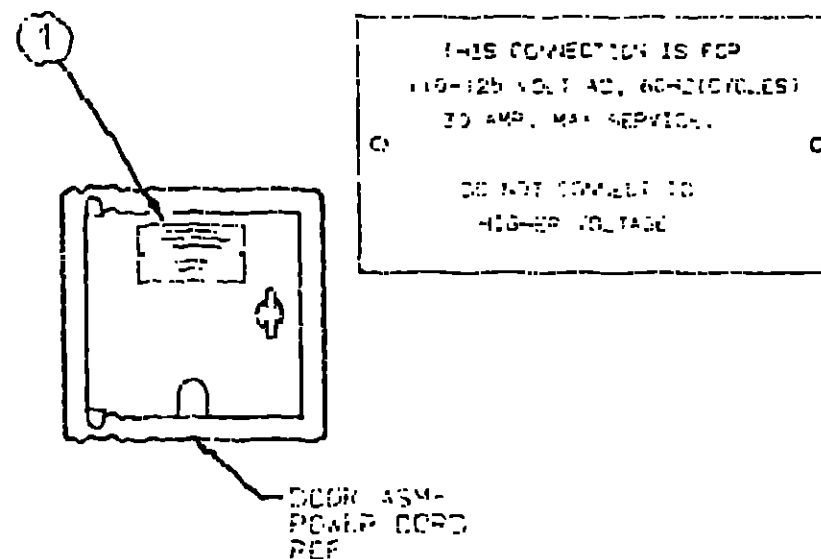
TAILLIGHT ASM-R4
 REF

REAR BUMPER
 REF

WARNING
 DO NOT EXCEED THE VEHICLE WEIGHT RATINGS
 OR LOADING RECOMMENDATIONS (GROSS
 VEHICLE, GROSS AXLE, GROSS COMBINED) OF
 THE CHASSIS MANUFACTURER OR
 WINNEBAGO INC.

REFER TO YOUR OWNERS MANUAL
 BEFORE LOADING OR TOWING.

Key	Part Number	U/M	Description
1	075220-01-000	EA	Label - Warning - Exterior Load



THIS CONNECTION IS FOR
 110-125 VOLT AC, 60HZ(CYCLES)
 30 AMP. MAX SERVICE.

DO NOT CONNECT TO
 HIGHER VOLTAGE

DOOR ASM-
 POWER COORD
 REF

Key	Part Number	U/M	Description
1	006062-01-000	EA	Tag - Electrical - 110 Volt Connection

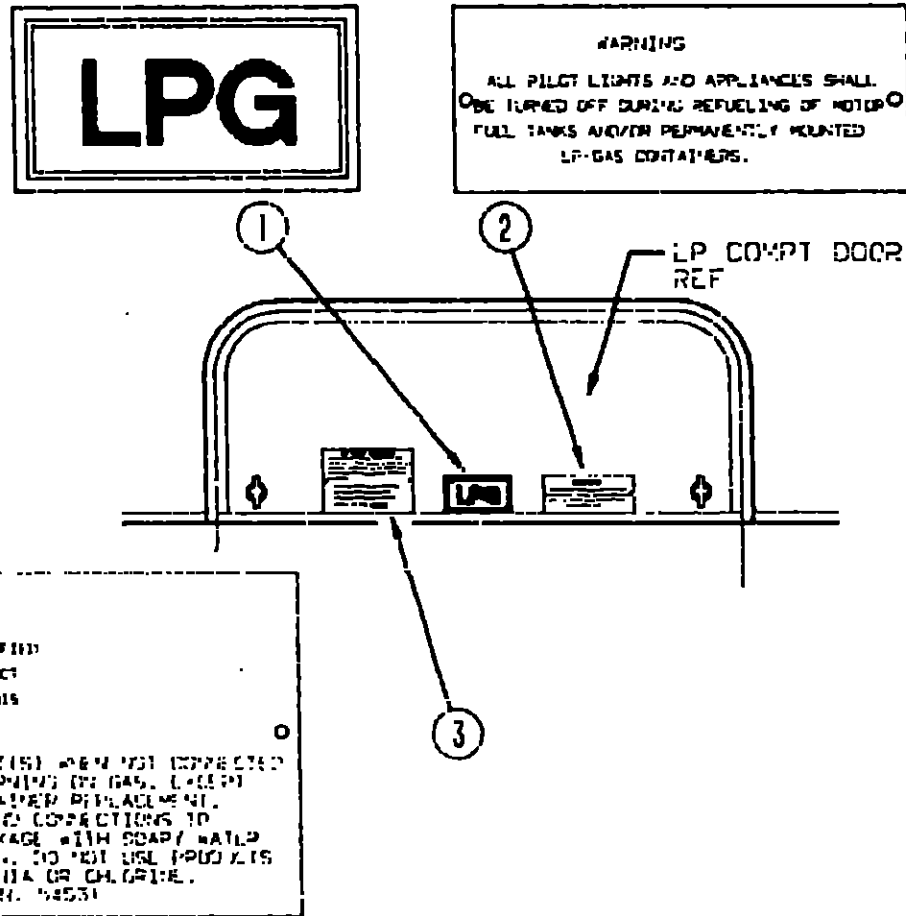
**1991 WINNEBAGO
 TABLE OF CONTENTS**

INTRODUCTION	A-01 - A-02
ABBREVIATIONS	A-03
ALPHABETICAL/GROUP REFERENCE	A-04 - A-06
WF424RC	A-07 - D-12
WF427RT	D-13 - H-04

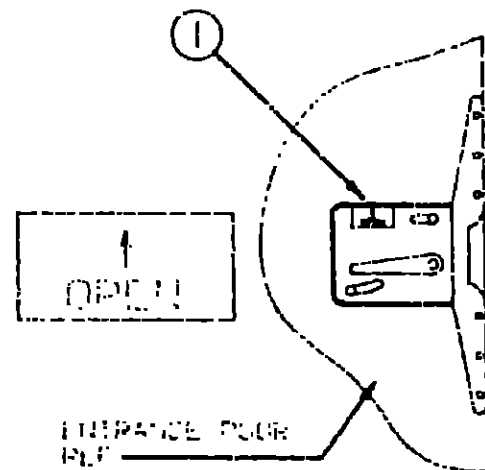
1991 WF427RT INDEX

Floor Plan	D-13 - D-14
Accessories Group	D-15 - D-20
Bath Group	D-21 - D-22
Bedroom Group	D-23 - D-24
Chassis Group	E-01 - E-04
Curtain, Cushion & Pad Group	E-05 - E-10
Dinette Group	E-19 - E-20
Driver's Compartment Group	E-21 - E-22
Electrical Group	E-23 - F-01
Exterior Body Group	F-03 - F-04
Galley Group	F-07 - F-10
Heating & Air Conditioning Group	F-11 - F-12
Interior Finish Group	F-13 - F-16
Labels Group	F-17 - F-20
LP Group	G-0
Lounge Group	G-02 - G-03
Sealants & Fasteners Group	G-05 - G-06
Water & Sewage Group	G-08 - G-11
Window, Vent & Exterior Door Group	G-12 - H-0

LABELS GROUP (CONTINUED)

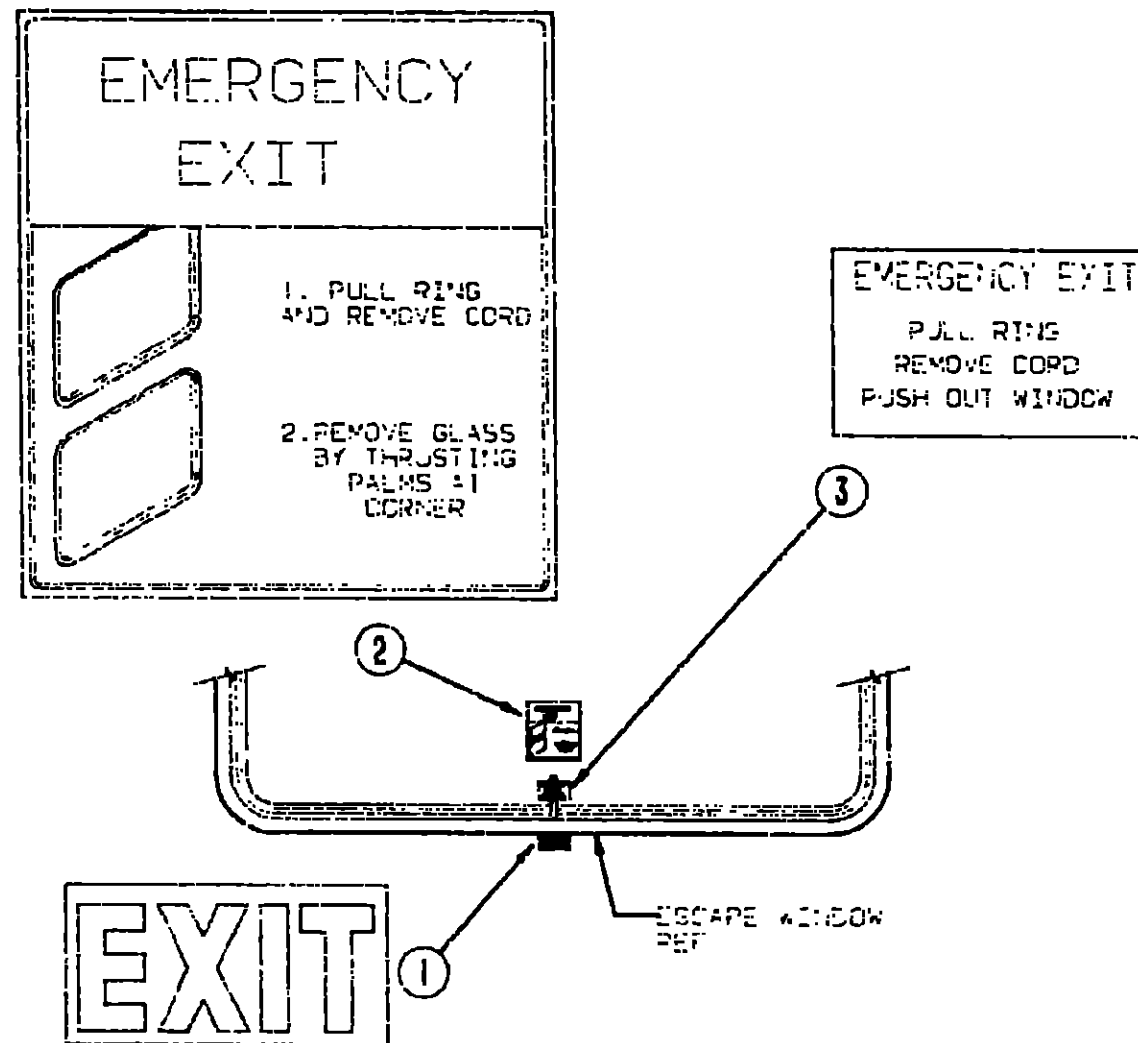


Key	Part Number	U/M	Description
1	074559-01-000	EA	Label - "LPG" - 3.3" x 1.75" (California Code)
2	006040-01-000	EA	Tag - Gas Refueling Warning (US)
2	006040-02-000	EA	Tag - Gas Refueling Warning (CSA)
3	054531-01-000	EA	Label - LP Gas Only (US)
3	023769-01-000	EA	Label - LP Gas Only (CSA)

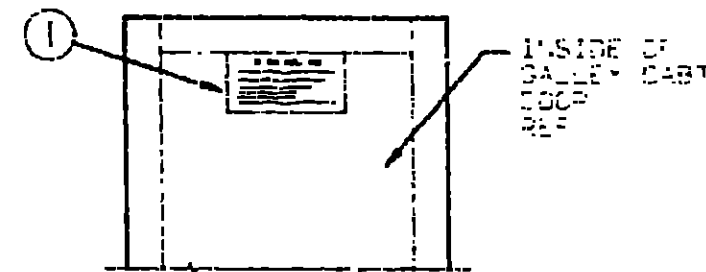


Key	Part Number	U/M	Description
1	040944-01-000	EA	Label - Open - Entrance Door

LABELS GROUP (CONTINUED)



Key	Part Number	U/M	Description
1	039290-01-000	EA	Label - Warning - Exit
2	047731-01-000	EA	Label - Emergency Exit
3	006199-01-000	EA	Label - Exit - Escape Window



IF YOU SMELL GAS

1. EXTINGUISH ANY OPEN FLAME, PILOT LIGHTS AND ALL BURNING MATERIALS
2. SHUT OFF THE GAS SUPPLY AT THE TANK VALVE OR GAS SUPPLY CONNECTION
3. OPEN DOORS AND OTHER VENTILATING DEVICES
4. DO NOT TOUCH ELECTRICAL SWITCHES
5. LEAVE THE AREA UNTIL DYER CLEARS
6. HAVE THE GAS SYSTEM CHECKED AND LEAKAGE SOURCE CORRECTED BEFORE USING AGAIN.

Key	Part Number	U/M	Description
1	073998-01-000	EA	Label - LPG - Odor Warning

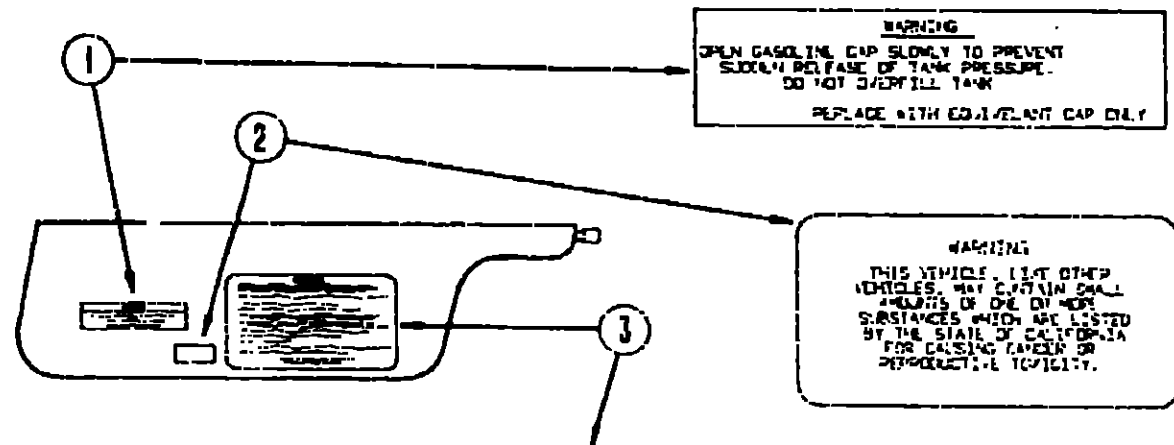
1991 WINNEBAGO TABLE OF CONTENTS

INTRODUCTION	A-01 - A-02
ABBREVIATIONS	A-03
ALPHABETICAL/GROUP REFERENCE	A-04 - A-06
WF424RC	A-07 - D-12
WF427RT	D-13 - H-04

1991 WF427RT INDEX

Floor Plan	D-13 - D-14
Accessories Group	D-15 - D-20
Bath Group	D-21 - D-22
Bedroom Group	D-23 - D-24
Chassis Group	E-01 - E-03
Curtain, Cushion & Pad Group	E-05 - E-10
Dinette Group	E-19 - E-20
Driver's Compartment Group	E-21 - E-22
Electrical Group	E-23 - F-00
Exterior Body Group	F-03 - F-04
Galley Group	F-07 - F-10
Heating & Air Conditioning Group	F-11 - F-12
Interior Finish Group	F-13 - F-14
Labels Group	F-17 - F-20
LP Group	G-00
Lounge Group	C-02 - G-00
Sealants & Fasteners Group	G-05 - G-06
Water & Sewage Group	G-08 - G-10
Window, Vent & Exterior Door Group	G-12 - H-00

LABELS GROUP (CONTINUED)



WARNING
 OPEN GASOLINE CAP SLOWLY TO PREVENT
 SUDDEN RELEASE OF TANK PRESSURE.
 DO NOT OVERFILL TANK.
 REPLACE WITH EQUIVALENT CAP ONLY.

WARNING
 THIS VEHICLE, LIKE OTHER
 VEHICLES, MAY CONTAIN SMALL
 AMOUNTS OF ONE OR MORE
 SUBSTANCES WHICH ARE LISTED
 BY THE STATE OF CALIFORNIA
 FOR CAUSING CANCER OR
 REPRODUCTIVE TOXICITY.

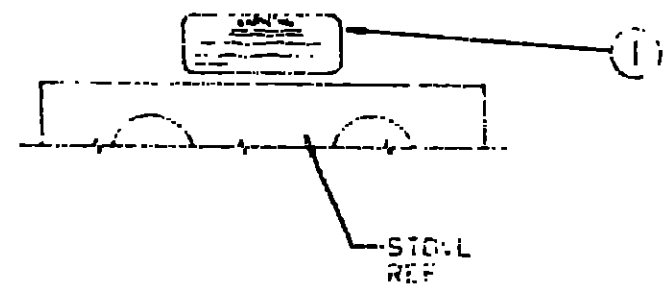
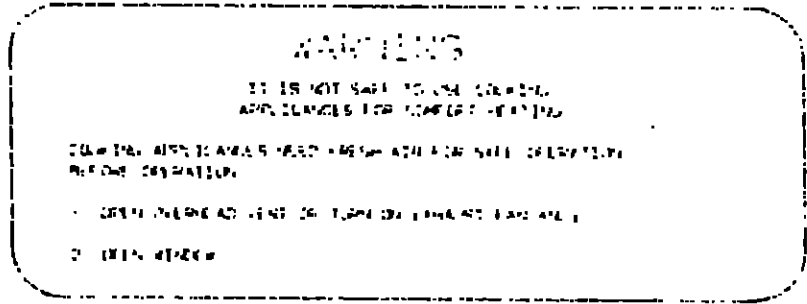
CAUTION

THIS MOTOR HOME HAS BEEN DESIGNED, MANUFACTURED AND TESTED WITH CONSIDERATION FOR THE PROTECTION OF OZONE DEPLETING GAS REFRIGERANT. WE RECOMMEND YOU REVIEW THE FOLLOWING INSTRUCTIONS FOR YOUR SAFETY AND THE SAFETY OF YOUR PASSENGERS BEFORE STARTING YOUR TRIP.

1. FUEL GAS SYSTEM: TURN OFF AT TANK FOR TRAVEL. TEST FOR LEAKS UPON ARRIVAL AT DESTINATION. BEFORE LEAVING TRIP.
2. WHEELS: INSPECT FOR DAMAGE AND CHECK TIRE PITS FOR TIGHTNESS.
3. TIRES: INSPECT FOR WEAR AND DAMAGE AND CHECK FOR RECOMMENDED AIR PRESSURE.
4. LIGHTING: TEST FOR PROPER OPERATION OF ALL INTERIOR AND EXTERIOR LIGHTS INCLUDING BRAKE LIGHTS, HEAD LIGHTS, TAIL LIGHTS, SIGNAL LIGHTS, CLEARANCE LIGHTS AND TURN SIGNALS.
5. EXITS: INSPECT RELEASE MECHANISM ON EMERGENCY EXIT WINDOW. TEST BOTH EXITS ON MAIN ENTRANCE DOOR FOR EASE OF OPERATION. AND INSTRUCT PASSENGERS HOW TO USE BOTH MEANS OF EXIT.
6. SEAT BELTS: INSTRUCT PASSENGERS TO RESIGNATELY SEAT AND PROPER USE OF SEAT BELTS.
7. APPLIANCES: TURN OFF AND LATCH OR LOCK DOORS WHERE PROVIDED.
8. LARGE PARTS: STRAP SECURELY.
9. UTILITY SUPPLY LINES: DISCONNECT ALL ELECTRIC, WATER AND WATER LINES AND SECURE PROPERLY.
10. ENTRANCE DOOR: PLACE IN RETRACTED POSITION FOR TRAVELING.

IN A FOUR MOTOR HOME CHASSIS CHECK & MANUAL FOR OTHER PRECAUTIONS.

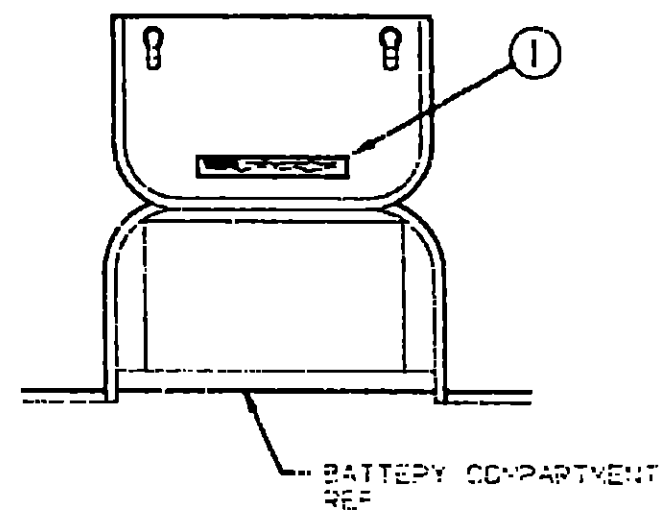
Key	Part Number	U/M	Description
1	087207-05-000	EA	Label - Fuel Cap Removal
2	099689-01-000	EA	Label - Warning - Cancer/Toxicity
3	056259-01-000	EA	Label - Safety Check List



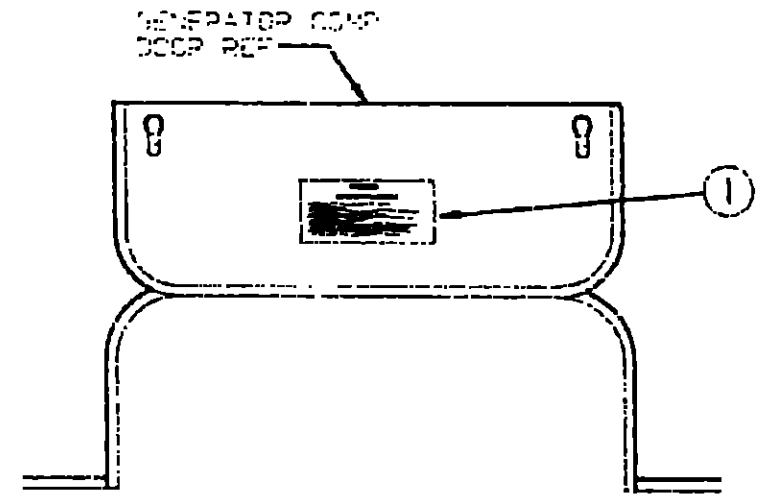
Key	Part Number	U/M	Description
1	050225-01-000	EA	Label - Warning - Stove Vent (US)
1	050222-01-000	EA	Label - Warning - Stove Vent (CSA)

LABELS GROUP (CONTINUED)

WARNING DISCONNECT BATTERIES BEFORE
 CONNECTING EXTERNAL CHARGING EQUIPMENT.



Key	Part Number	U/M	Description
1	065748-01-000	EA	Label - Caution - Battery Charging



WARNING

WHEN ADDING A GENERATOR SET:

HIGH VOLTAGE USE EXTREME CAUTION WHEN WORKING ON ELECTRICAL COMPONENTS.
 HAVE ALL ELECTRICAL INSTALLATION PERFORMED BY A QUALIFIED LICENSED ELECTRICIAN-FOLLOW ALL STATE AND LOCAL CODES.
 ONLY INSTALL GENERATOR SET APPROVED FOR R.V. HOME LOCATIONS AND INSTALLED BY QUALIFIED TECHNICIAN.
 TO AVOID HEAT BUILDUP AND TO GUARANTEE AN ADEQUATE AIR SUPPLY TO THE GENERATOR COMPARTMENT, FOLLOW INSTALLATION INSTRUCTIONS.
 GENERATOR ENGINE EXHAUST GASES ARE TOXIC AND MUST NOT TERMINATE NEAR THE VEHICLE. DISCHARGE EXHAUST AWAY FROM VEHICLE.

Key	Part Number	U/M	Description
1	077510-01-000	EA	Label - Generator Prep

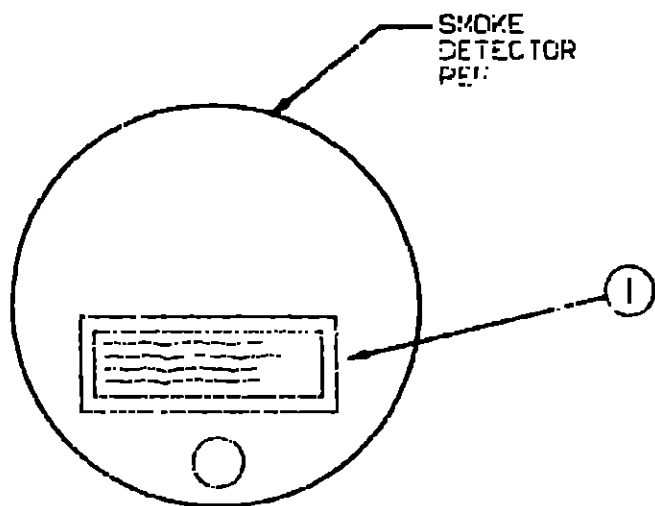
**1991 WINNEBAGO
 TABLE OF CONTENTS**

INTRODUCTION	A-01 - A-01
ABBREVIATIONS	A-02 - A-02
ALPHABETICAL/GROUP REFERENCE	A-04 - A-04
WF424RC	A-07 - D-13
WF427RT	D-13 - H-00

1991 WF427RT INDEX

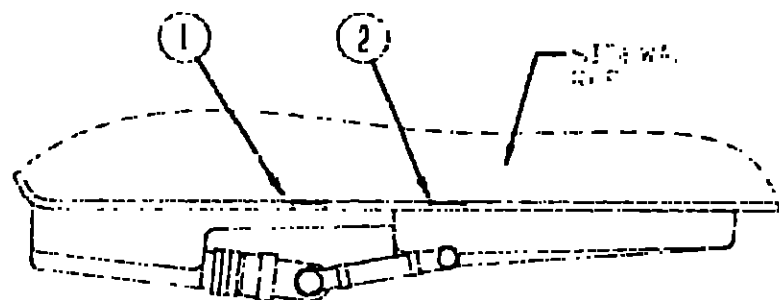
Floor Plan	D-13 - D-13
Accessories Group	D-15 - D-22
Bath Group	D-21 - D-22
Bedroom Group	D-23 - D-23
Chassis Group	E-01 - E-01
Curtain, Cushion & Pad Group	E-05 - E-11
Dinette Group	E-19 - E-22
Driver's Compartment Group	E-21 - E-22
Electrical Group	E-23 - F-01
Exterior Body Group	F-03 - F-03
Galley Group	F-07 - F-11
Heating & Air Conditioning Group	F-11 - F-11
Interior Finish Group	F-13 - F-13
Labels Group	F-17 - F-22
LP Group	G-01 - G-01
Lounge Group	G-02 - G-02
Sealants & Fasteners Group	G-05 - G-05
Water & Sewage Group	G-08 - G-11
Window, Vent & Exterior Door Group	G-12 - H-00

LABELS GROUP (CONTINUED)



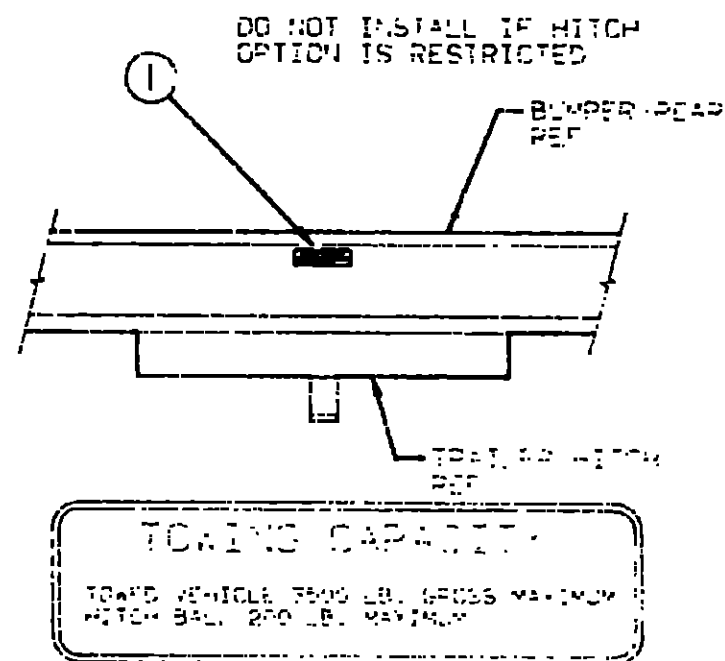
WARNING: TEST SMOKE DETECTOR OPERATION AFTER VEHICLE HAS BEEN IN STORAGE. RESET EACH TRIP AND AT LEAST ONCE PER YEAR CAMPING USE.

Key	Part Number	U/M	Description
1	077956-01-000	EA	Label - Warning - Smoke Detector



Key	Part Number	U/M	Description
1	006187-01-000	EA	Label - Sewage
2	006188-01-000	EA	Label - Waste Water

LABELS GROUP (CONTINUED)



Key	Part Number	U/M	Description
1	075221-01-000	EA	Label - Trailer Hitch Capacity
	091224-02-000	EA	Label - Trailer Lighting

MISCELLANEOUS LABELS

Key	Part Number	U/M	Description
	091243-01-000	EA	Label - A/C Cover
	006064-01-000	EA	Label - Seat w/o Seat Belt
	079966-01-000	EA	Label - Warning - Stowed Motion
	087236-01-000	EA	Label - Cable - Input
	087235-02-000	EA	Label - TV Outlet

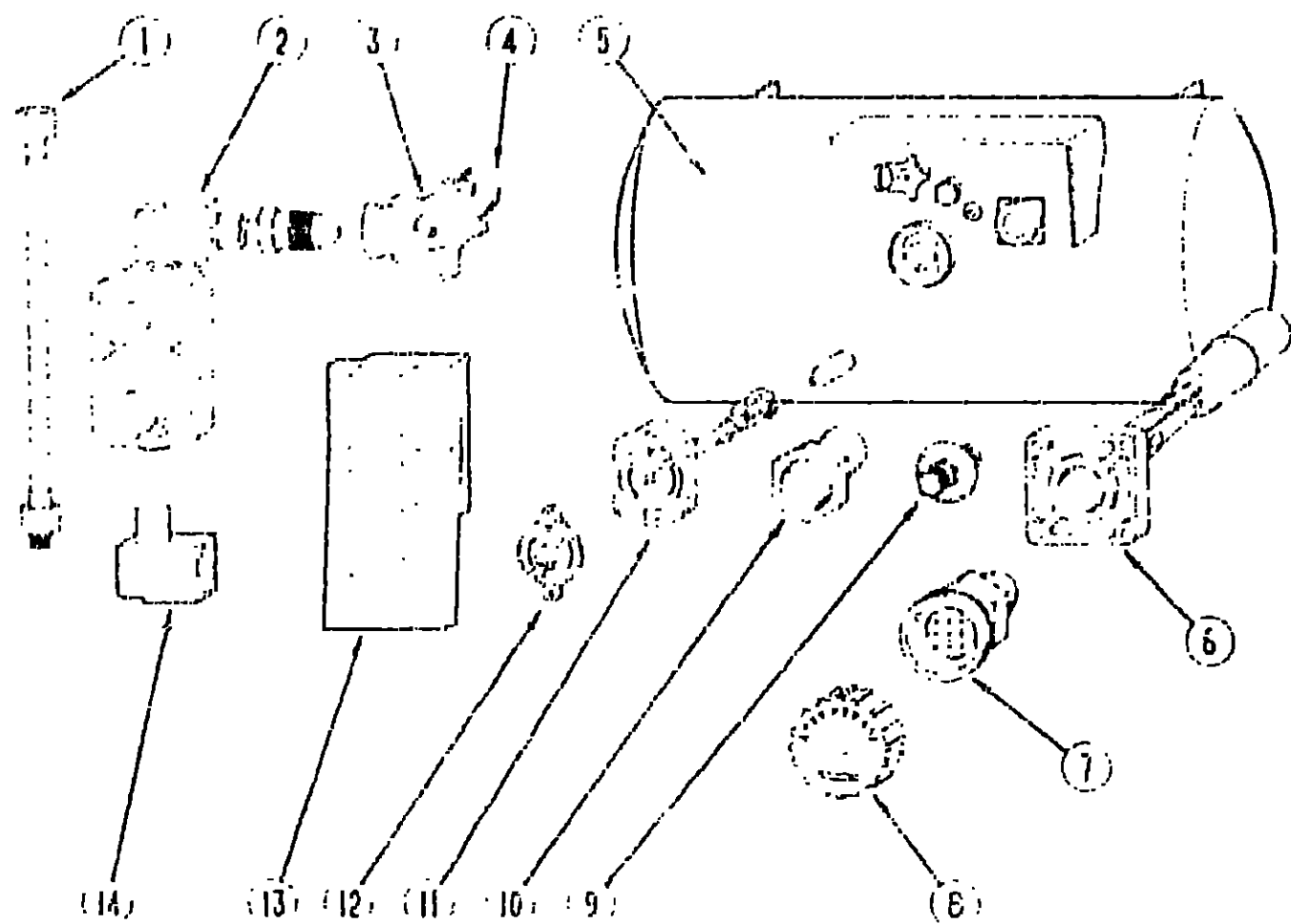
**1991 WINNEBAGO
TABLE OF CONTENTS**

INTRODUCTION	A-01 - A-0
ABBREVIATIONS	A-0
ALPHABETICAL/GROUP REFERENCE	A-04 - A-0
WF424RC	A-07 - D-1
WF427RT	D-13 - H-0

1991 WF427RT INDEX

Floor Plan	D-13 - D-1
Accessories Group	D-15 - D-2
Bath Group	D-21 - D-2
Bedroom Group	D-23 - D-2
Chassis Group	E-01 - E-0
Curtain, Cushion & Pad Group	E-05 - E-1
Dinette Group	E-19 - E-2
Driver's Compartment Group	E-21 - E-2
Electrical Group	E-23 - F-0
Exterior Body Group	F-03 - F-0
Galley Group	F-07 - F-0
Heating & Air Conditioning Group	F-11 - F-0
Interior Finish Group	F-13 - F-0
Labels Group	F-17 - F-2
LP Group	G-0
Lounge Group	G-02 - G-0
Sealants & Fasteners Group	G-05 - G-0
Water & Sewage Group	G-08 - G-0
Window, Vent & Exterior Door Group	G-12 - H-0

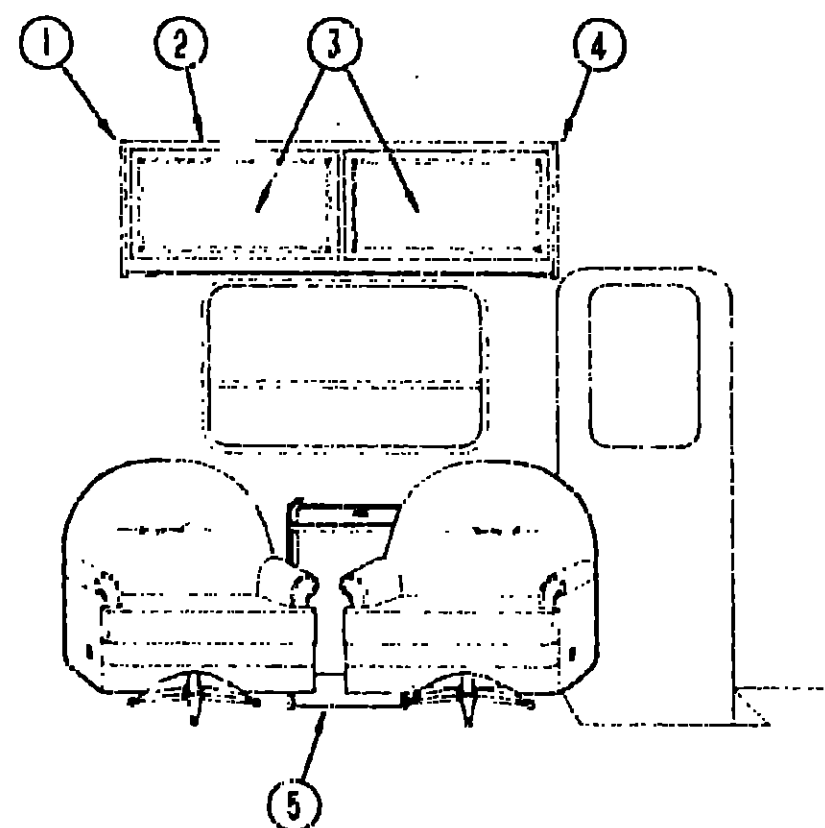
LP GROUP



LP TANK & PARTS

Key	Part Number	U/M	Description
1	045703-01-000	EA	Hose - LP - 1.6" ID x 24" - 3/8 MPT x 1/2 F Swivel (US)
1	045703-02-000	EA	Hose - LP - 1.6" ID x 24" - 3/8 MPT x 1/2 F Swivel (CSA)
2	076301-01-000	EA	Regulator - LPG - Two Stage
3	040421-01-708	EA	Handwheel - w/Service Valve
4	040421-01-712	EA	Service Valve w/o Vapor Relief
5	097821-01-000	EA	LP Tank - 60" - 14" x 30" - Brunner
6	040421-01-711	EA	Valve - 60° w/Float Plate, Bolts & Gasket
7	040421-01-701	EA	Valve - Short LP Filler w/Yellow Cap
8	040421-01-702	EA	Cap - LP Filler Valve - Plastic - Yellow
9	040421-01-700	EA	Valve - Liquid Level - 20° LP
10	040421-01-713	EA	Valve - Vapor Only
11	040421-01-707	EA	Gauge - Float w/Visible Dial
12	040420-02-000	EA	Transmitter - Dial - 0-90 OHM
13	081938-01-000	EA	Cover - LP Regulator
14	065318-02-000	EA	Elbow - 90° - 3/8" MPT to 3/8" FPT
	095624-01-000	EA	Elbow - 90° - 1/4" FPT x 1/4" FPT - Brass
	065742-01-000	EA	Tee - 3/8 F x 3/8 F x 25 FPT - Brass
	084884-01-000	EA	Plug - Brass - 3/8"
	065741-01-000	EA	Gauge - Diaphragm Pressure
	016188-03-000	EA	Grommet - Gas Line - 3/8 x 2 1/8" Dia - Rubber
	003042-01-000	EA	Tubing - Vinyl - .65" ID
	016323-01-000	EA	Adapter - Brass - 3/8 F x 1/2 MPT
	010377-02-000	EA	Nut - Brass - 3/8 Female - Forged
	010380-02-000	EA	Nut - Brass - 1/2" Female - Forged
	010265-01-000	EA	Elbow - Brass - 90° - 3/8" F x 1/2" FPT

LOUNGE GROUP



FRONT LOUNGE CABINERY

Key	Part Number	U/M	Description
1	081260-18-B05	EA	Pad Asm - End Cap - Vinyl
2	M04182-03-B13	EA	Cabinet Asm - Front Overhead - w/o Doors or Hardware
3	P00520-22-B07	EA	Door Asm - Overhead - 14 3/4" x 26 7/8" - w/o Hardware
4	092815-01-B13	EA	Pad Asm - End Cap - Vinyl
**5	M36873-01-B05	EA	Table Asm - Cabinet Only
**	096873-11-B05	EA	Table Asm - Pullout Top
** See the following page for installation of these items.			

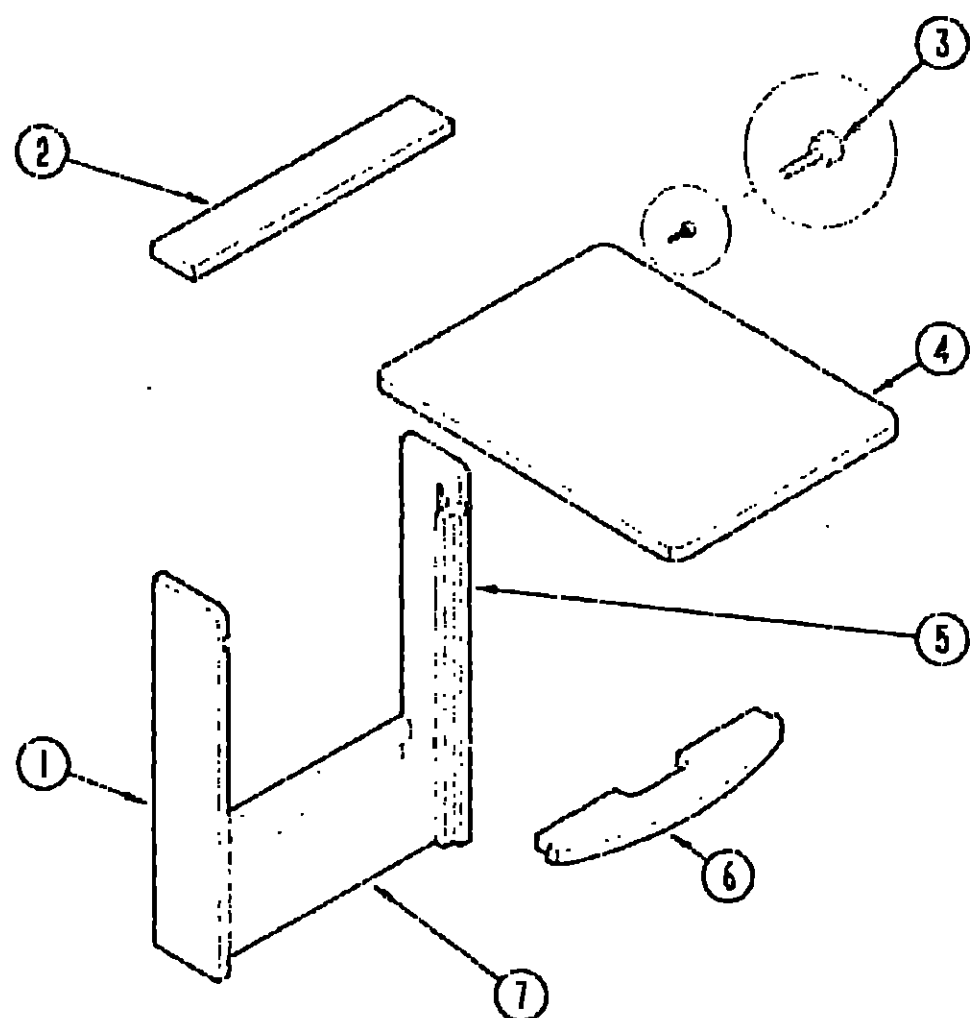
**1991 WINNEBAGO
TABLE OF CONTENTS**

INTRODUCTION	A-01 - A-01
ABBREVIATIONS	A-02 - A-02
ALPHABETICAL GROUP REFERENCE	A-04 - A-04
WF424RC	A-07 - D-1
WF427RT	D-13 - H-0

1991 WF427RT INDEX

Floor Plan	D-13 - D-13
Accessories Group	D-15 - D-15
Bath Group	D-21 - D-21
Bedroom Group	D-23 - D-23
Chassis Group	E-01 - E-01
Curtain, Cushion & Pad Group	E-05 - E-05
Driver's Compartment Group	E-19 - E-19
Driver's Compartment Group	E-21 - E-21
Electrical Group	E-23 - F-01
Exterior Body Group	F-03 - F-03
Galley Group	F-07 - F-07
Heating & Air Conditioning Group	F-11 - F-11
Interior Finish Group	F-13 - F-13
Labels Group	F-17 - F-17
LP Group	C-01 - C-01
Lounge Group	G-02 - G-02
Sealants & Fasteners Group	G-05 - G-05
Water & Sewage Group	G-08 - G-08
Window, Vent & Exterior Door Group	G-12 - H-01

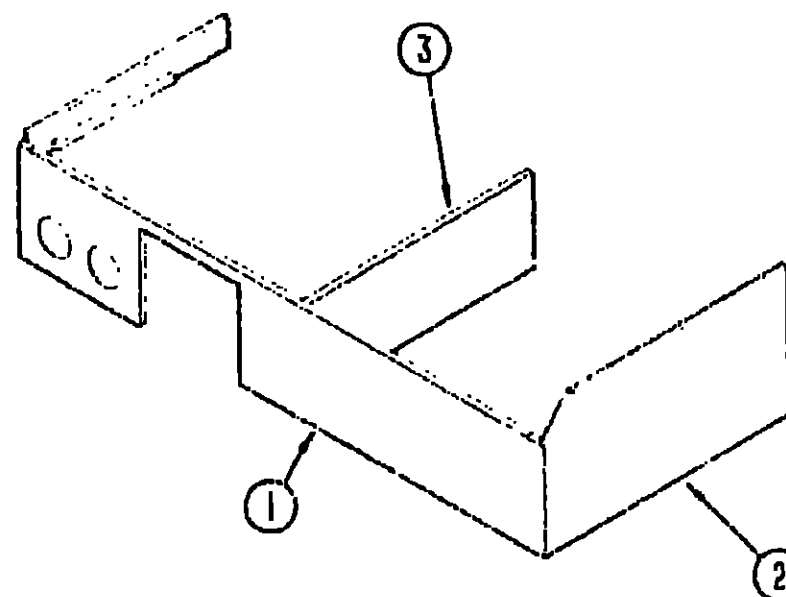
LOUNGE GROUP (CONTINUED)



PULLOUT TABLE

Key	Part Number	U/M	Description
	M96873-01-B05	EA	Pullout Table Asm
1	096873-14-B05	EA	Table Cabinet End - Left
2	096873-15-B05	EA	Table Cabinet Top
3	079921-01-000	EA	Nylon Roller w/Shaft
4	096873-11-B05	EA	Pullout Table
	080736-01-000	EA	Table Pull
5	096873-13-B05	EA	Table Cabinet End - Right
6	096873-12-B05	EA	Shelf
7	096873-16-B05	EA	Table Cabinet Front - Bottom
	009018-01-000	EA	Catch Asm. - Single Roller
	076325-28-000	FT	Molding - Edge Band - Regal Oak

LOUNGE GROUP (CONTINUED)



COUCH CABINET

Key	Part Number	U/M	Description
1	M04187-12-B13	EA	Cabinet - Couch - Aisle Face - 68 2" Long (B13, B20)
1	M04187-12-B14	EA	Cabinet - Couch - Aisle Face - 68 2" Long
1	M04187-12-B15	EA	Cabinet - Couch - Aisle Face - 68 2" Long
2	M04187-13-B13	EA	Cabinet - Couch - Front Side - 32 4" x 16 6" (B13, B20)
2	M04187-13-B14	EA	Cabinet - Couch - Front Side - 32 4" x 16 6"
2	M04187-13-B15	EA	Cabinet - Couch - Front Side - 32 4" x 16 6"
3	M05029-01-B05	EA	Panel - Support - Center - Couch
	082525-01-000	EA	Brace - Couch - Floor Mount - Angle 3" Long
	083125-05-000	EA	Brace - Angle - Couch - 2.5" - Beige

PEDESTAL TABLE

Key	Part Number	U/M	Description
	081298-02-B13	EA	Table - Pedestal w/o Hardware
	009040-03-000	EA	Base - Table - Raised - Table Mounted
	009040-02-000	EA	Leg - Table - 27.5" Long
	041194-01-000	EA	Base - Leg - Flush Mount - Floor
	042438-02-000	EA	Dowel - Wood - 2" Dia. x 2"
	062046-01-000	EA	Clip - Leg - Pedestal

**1991 WINNEBAGO
TABLE OF CONTENTS**

INTRODUCTION	A-01 - A-02
ABBREVIATIONS	A-03 - A-04
ALPHABETICAL GROUP REFERENCE	A-04 - A-05
WF424RC	A-07 - D-13
WF427RT	D-13 - H-01

1991 WF427RT INDEX

Floor Plan	D-13 - D-14
Accessories Group	D-15 - D-16
Bath Group	D-21 - D-22
Bedroom Group	D-23 - D-24
Chassis Group	E-01 - E-02
Curtain, Cushion & Pad Group	E-05 - E-06
Dinette Group	E-19 - E-20
Driver's Compartment Group	E-21 - E-22
Electrical Group	E-23 - F-02
Exterior Body Group	F-03 - F-04
Galley Group	F-07 - F-08
Heating & Air Conditioning Group	F-11 - F-12
Interior Finish Group	F-13 - F-14
Labels Group	F-17 - F-18
I.P. Group	G-01 - G-02
Lounge Group	G-02 - G-03
Sealants & Fasteners Group	G-05 - G-06
Water & Sewage Group	G-08 - G-09
Window, Vent & Exterior Door Group	G-12 - H-01

SEALANTS & FASTENERS GROUP

SCREWS & FASTENERS

Key	Part Number	U/M	Description
	000C12-05-16B	EA	Bolt - Hex - 5/16" - 18 x 1 - Zn 5
	000C12-10-24B	EA	Bolt - Hex - 5/8" - 11 x 1 1/2 - Zn 5
	000C13-07-48B	EA	Bolt - Hex - 7/16" - 20 x 3 - Zn 5
	000C13-06-48B	EA	Bolt - Elevator - 3/8" - 16 x 3 - Zn - Grade 5
	000C26-04-10B	EA	Bolt - Hex - Ser Flange - 1/4" - 20 x 5/8
	000C26-05-20B	EA	Bolt - Hex - Ser Flg 5/16" - 18 x 1 1/4" - Zinc
	000D24-10-00D	EA	Nut - Hex - Locking - 10-32 - Zn
	000D39-04-00B	EA	Nut - Hex - Ser Flange - Locking - 1/4" - 20 Zn
	000D39-05-00B	EA	Nut - Hex - Ser Flg Lk - 5/16" - 18 - Zn
	000D39-06-00B	EA	Nut - Hex - Ser Flg Lk - 3/8" - 16 - Zn
	000D39-09-00B	EA	Nut - Hex - Ser Flg Lk - 1/2" - 13 - Zn
	000D44-07-00B	EA	Nut - Hex - Ser Flg Lk - 7/16" - 20 - Zn
	000E13-11-00B	EA	Washer - Flat - 2 1/8" Wide - Zn
	000E13-14-00B	EA	Washer - Flat - 1/4" Wide - Zn
	000E13-20-00B	EA	Washer - Flat - 7/16" Wide - Zn
	000E14-10-00B	EA	Washer - Locking - No 10 Ext Tooth - Zn
	000G11-06-10B	EA	Screw - 6 - 20 x 5/8 PPH - Zn
	000G11-06-10J	EA	Screw - 6 - 20 x 5/8 PPH - Brass
	000G11-07-08B	EA	Screw - 7 - 19 x 1/2 PPH - Zn
	000G11-08-06B	EA	Screw - 8 - 18 x 3/8 PPH - Zn
	000G11-08-00B	EA	Screw - 8 - 18 x 1/2 PPH - Zn
	000G11-08-12B	EA	Screw - 8 - 19 x 3/4 PPH - Zn
	000G11-08-12D	EA	Screw - 8 - 18 x 3/4 PPH - Black
	000G11-08-12E	EA	Screw - 8 - 18 x 3/4" PPH - Chrome
	000G11-08-12P	EA	Screw - 8 - 18 x 75 - Dark Brown
	000G11-08-12N	EA	Screw - 8 - 18 x 75 PPH - Beige
	000G11-08-12S	EA	Screw - 8 - 18 x 75 PPH - Off White
	000G11-08-16S	EA	Screw - 8 - 18 x 1.00 PPH - Off White
	000G11-10-12D	EA	Screw - 10 - 16 x 3/4 PPH - Black
	000G11-10-12S	EA	Screw - 10 - 16 x 3/4 PPH - Off White
	000G11-10-24P	EA	Screw - 10 - 16 x 1 1/2 PPH - Dark Brown
	000G12-06-08T	EA	Screw - 6 - 20 x 1/2 POH - Beige
	000G12-08-12R	EA	Screw - 8 - 18 x 3/4 POH - Beige
	000G12-08-12S	EA	Screw - 8 - 18 x 3/4 POH - Off White
	000G12-08-16S	EA	Screw - 8 - 18 x 1" POH - Off White
	000G13-06-08B	EA	Screw - 6 - 20 x 1/2 PPH - Zn
	000G13-06-10G	EA	Screw - 6 - 20 x 5/8 PPH - Antique Brass
	000G13-07-12B	EA	Screw - 7 - 19 x 3/4 PPH - Zn
	000G13-08-16B	EA	Screw - 8 - 18 x 1 PPH - Zn
	000G18-08-12B	EA	Screw - Machine - 8 - 32 x 1/4" PPH - Zn
	000G18-08-16B	EA	Screw - Machine - 8 - 32 x 1 PPH - Zn
	000G18-08-22B	EA	Screw - Machine - 8 - 32 x 1 3/8 PPH - Zn
	000G32-10-06B	EA	Screw - 10 - 32 x 3/8 PPH - Zn
	000G39-06-10T	EA	Screw - SF/DR - 6 - 20 x 5/8 PPH - Black
	000G39-06-15T	EA	Screw - SF/DR - 6 - 20 x 1 PPH - Black
	000G39-08-06B	EA	Screw - SF/DR - 8 - 18 x 3/8 PPH - Zn
	000G39-08-08B	EA	Screw - SF/DR 8 - 18 x 1/2 PPH - Zn
	000G39-08-08S	EA	Screw - SF/DR 8 - 18 x 1/2 PPH - Off White
	000G39-08-08R	EA	Screw - SF/DR 8 - 18 x 1/2 PPH - Beige
	000G39-08-12B	EA	Screw - SF/DR 8 - 18 x 3/4 PPH - Zn
	000G39-08-12R	EA	Screw - SF/DR 8 - 18 x 3/4 PPH - Beige
	000G39-08-16S	EA	Screw - SF/DR 8 - 18 x 1.00 PPH - Off White
	000G39-08-24B	EA	Screw - SF/DR 8 - 18 x 1 1/2 PPH - Zn
	000G39-08-24S	EA	Screw - SF/DR 8 - 18 x 1.50 PPH - Off White
	000G39-08-32B	EA	Screw - SF/DR 8 - 18 x 2 - PPH - Zn
	000G39-10-10S	EA	Screw - SF/DR 10 - 16 x .62" PPH - Off White
	000G39-10-12D	EA	Screw - SF/DR 10 - 16 x 3/4 PPH - Black
	000G39-10-12R	EA	Screw - SF/DR 10 - 16 x 3/4 - Beige
	000G39-10-20B	EA	Screw - SF/DR 10 - 16 x 1 1/4 PPH - Zn
	000G39-12-12E	EA	Screw - SF/DR 12 - 14 x 3/4 PPH - Chrome
	000G42-04-16B	EA	Screw - SF/DR 1/4 - 14 x 1 HWH - Zn

SEALANTS & FASTENERS GROUP (CONTINUED)

SCREWS & FASTENERS (CONTINUED)

Key	Part Number	U/M	Description
	000G53-04-06B	EA	Screw - Machine - 1/4" - 20 x 3/8 PPH - Zn
	000G54-04-20B	EA	Screw - 1/4" - 20 x 1 1/4 PTH Typ 23 - Zn
	000G56-12-40B	EA	Screw - Wood - 12 - 11 x 3 - POH
	000G60-10-28T	EA	Screw - SF/DR 10 - 16 x 1 7/8 - Black
	000G67-10-08B	EA	Screw - 10 - 12 x 1/2 PPH - Zn
	000G67-10-08R	EA	Screw - 10 - 12 x 1/2 PPH - Beige - Type A
	000G67-10-10D	EA	Screw - 10 - 12 x 5/8 PPH - Black
	000G67-10-10B	EA	Screw - 10 - 12 x 5/8 PPH - Zn - Type A
	000G67-10-10R	EA	Screw - 10 - 12 x 5/8 PPH - Beige - Type A
	000G67-10-10S	EA	Screw - 10 - 12 x 5/8 PPH - Off White
	000G67-10-12B	EA	Screw - 10 - 12 x 3/4 PPH - Zn
	000G67-10-12P	EA	Screw - 10 - 12 x 75 PPH - Dark Brown
	000G67-10-12R	EA	Screw - 10 - 12 x 3/4 PPH - Beige
	000G67-10-12D	EA	Screw - 10 - 12 x 75 PPH - Tan
	000G68-10-36T	EA	Screw - 10 - 12 x 2 25" POH - Black
	000G67-10-16B	EA	Screw - 10 - 12 x 1 PPH - Zn
	000G67-10-16P	EA	Screw - 10 - 12 x 1 PPH - Dark Brown
	000G67-10-20D	EA	Screw - 10 - 12 x 1 25" PPH - Black
	000G67-10-24B	EA	Screw - 10 - 12 x 1 1/2 PPH - Zn
	000G67-10-32B	EA	Screw - 10 - 12 x 2 PPH - Zn
	000G67-10-36T	EA	Screw - 10 - 12 x 2 25 PPH - Black
	000G68-06-10G	EA	Screw - 6 - 18 x 5/8 POH - Antique Brass
	000H16-04-06R	EA	Rivet - Pop - AL 1/8 x 313 - 375
	005081-01-00U	EA	Nut - Speed - C Type - No 8 Screw
	062401-01-000	EA	Clamp - Hose - Wormgear - 81" x 1 75"
	062401-02-000	EA	Clamp - Hose - Wormgear - 1.56" - 2 5"
	062401-04-000	EA	Clamp - Hose - Wormgear - 69" x 1 25"
	062401-06-000	EA	Clamp - Hose - Wormgear - .22" x 62"
	007161-01-000	EA	Clamp - Hose - Spring Type - 1/2"
	008343-01-000	EA	Tie - Wire - 6"
	008386-01-000	EA	Grommet Snap - 3/8"
	008401-01-000	EA	Strap - Conduit - 3/4" - 1 Hole - Galvanized Steel
	010495-01-000	EA	Clamp - Cable - 3/16"
	010497-01-000	EA	Clamp - Closed - 5/8" ID
	010497-03-000	EA	Clamp - Closed - 1 ID - Cushioned
	010499-01-000	EA	Clamp - Closed - 3/8" ID
	016604-01-000	EA	Brace - Cabinet - Angled Metal - 2 5"
	083609-01-000	EA	Clamp - Wire Dual - Equal 5/8" Dia
	084884-01-000	EA	Plug - Brass - 3/8"
	087721-01-000	EA	Screw - Flat Head - Tapping - 1/4 x 1 1/4 LG - Zn
	089371-01-000	EA	Screw - Machine - 8 - 32 x 3 5/16 - Zn
	075148-02-000	EA	Clamp - Grounding - Bronze Screws
	075908-01-000	EA	Screw - Machine - 10 - 32 x .56 PTH - Zn
	049465-04-000	EA	Screw - 10 - 16 x 1 PTH w/Washer - Beige
	076790-01-000	EA	Screw - 6 - 20 x 1 1/4 PPH - Black
	063729-04-000	EA	Rivet - 10 - 32 UNF - .010 - .080
	087277-02-000	EA	Washer - Plastic - Off White
	088497-01-000	EA	Nut - Inverted Flare - 3/16"
	088498-01-000	EA	Nut - Inverted Flare - 3/16"

**1991 WINNEBAGO
TABLE OF CONTENTS**

INTRODUCTION	A-01 - A-01
ABBREVIATIONS	A-02 - A-02
ALPHABETICAL/GROUP REFERENCE	A-04 - A-04
WF424RC	A-07 - D-1
WF427RT	D-13 - H-0

1991 WF427RT INDEX

Floor Plan	D-13 - D-1
Accessories Group	D-15 - D-2
Bath Group	D-21 - D-2
Bedroom Group	D-23 - D-2
Chassis Group	E-01 - E-0
Curtain, Cushion & Pad Group	E-05 - E-1
Dinette Group	E-19 - E-2
Driver's Compartment Group	E-21 - E-2
Electrical Group	E-23 - F-0
Exterior Body Group	F-03 - F-0
Galley Group	F-07 - F-1
Heating & Air Conditioning Group	F-11 - F-1
Interior Finish Group	F-13 - F-1
Labels Group	F-17 - F-2
LP Group	G-0
Lounge Group	G-02 - G-0
Sealants & Fasteners Group	G-05 - G-0
Water & Sewage Group	G-08 - G-1
Window, Vent & Exterior Door Group	G-12 - H-0

SEALANTS & FASTENERS GROUP (CONTINUED)

SEALANTS & ADHESIVES

Key	Part Number	U/M	Description
	004620-01-000	QT	Adhesive - ABS Cement (Plastic Fittings)
	004695-02-000	GL	Adhesive - Swift - Glue (Sidewalls)
	007211-01-000	GL	Adhesive - Promator
	053766-07-000	EA	Bedding Compound - Tube - Beige (Exterior)
	053766-06-000	EA	Bedding Compound - Tube - Clear (Window)
	053766-08-000	EA	Bedding Compound - Tube - Gray (Exterior)
	102352-01-000	EA	Bedding Compound - Tube - Black (Luggage Compartment)
	053766-02-000	EA	Bedding Compound - Tube - Off White (Exterior)
	007328-02-000	EA	Block - Rubber Spacer (Windshield)
	001255-03-000	FT	Seal - Foam - 1.5 MM x 4.8 MM (Cabinets)
	101579-01-000	FT	Seal - Foam - Closed Cell (Exterior Shower)
	090340-01-000	FT	Seal - Foam - Closed Cell (Entrance Door)
	090329-01-000	FT	Seal - Refrigerator Cabinet
	077967-01-000	EA	Sealant - Acrylic Latex - Tube - Off White (Interior Sealant)
	034552-04-000	EA	Sealant - Silicone - Beige
	034552-02-000	EA	Sealant - Silicone - Clear
	034552-07-000	EA	Sealant - Silicone - Dark Gray
	034552-06-000	EA	Sealant - Silicone - Off White
	039518-01-000	EA	Sealant - Silicone - Black
	069640-01-000	FT	Sealer Ribbon - 25" Bead x 20'
	069640-02-000	FT	Sealer Ribbon - 5" x 125' x 30'
	069640-03-000	FT	Sealer Ribbon - 75" x 125' x 30'
	069640-09-000	FT	Sealer Ribbon - 1/32" x 2.5' x 30'
	069640-06-000	FT	Sealer Ribbon - 5/16" Bead x 15'
	069640-07-000	FT	Sealer Ribbon - 2" x 3/32" x 30'
	069640-10-000	FT	Sealer Ribbon - 1/32" x 1.5" x 100'
	007707-02-000	FT	Sealer Tape - 5/16" x 1/2"
	074497-14-700	EA	Sealer - Stain (Ceiling)
	102353-01-700	EA	Seam Sealer - Tube - Gray (Roof Seams)
	094401-01-000	EA	Seam Sealer - Tube - Clear (Cap to Sidewall)
	063642-01-000	FT	Tape - Adhesive - .10mm x 1.5" Wide
	091968-03-000	FT	Tape - Adhesive - .040" x 1" Wide
	038806-01-000	EA	Tape - Butyl - 31" x .31" x 148" (Windshield)
	076322-01-000	FT	Tape - Foam - Double Coated - .025 x 75 x 72' (Fiberglass Sidewall Seams)
	076322-02-000	FT	Tape - Foam - Double Coated - .045 x 1' (Fiberglass Sidewall Seams)
	076322-03-000	FT	Tape - Foam - Double Coated - .045" x .50"
	100028-01-000	FT	Tape - Foam - Double Coated - .031 x 75 x 72' (Non-Structural Fastening)
	009200-01-000	EA	Tape - Furnace - 1.5"
	002825-01-000	FT	Weather Stripping (Roof Vent)
	093777-01-700	EA	Adhesive - Cyanoacrylate - 10GM
	101028-01-000	FT	Tape - Foam - Double Coated - .031" x 75" x 72" (Non-Structural Fastening)
	003200-01-000	EA	Tape - Furnace - 1.5"
	002825-01-000	FT	Weather Stripping (Roof Vent)
	081377-01-700	EA	Adhesive - Cyanoacrylate - 10 GM

WATER & SEWAGE GROUP

WATER LINES & HARDWARE

Key	Part Number	U/M	Description
	079317-01-000	EA	Adapter - Swivel - 5 Tube x .5 FPT
	052954-01-000	EA	Adapter - Nose Cone - 3/8" or 1/2" - Plastic
	036522-02-000	EA	Cap - Brass - 1/2" Flare
	052959-02-000	EA	Connector - Plastic - 1/2" F x 1/2" MPT
	010219-01-000	EA	Elbow - Plastic - 1 1/3" MPT x 1 1/4" Barb
	052957-01-000	EA	Elbow - Plastic - 1/2" F x 3/8" MPT
	065120-01-000	EA	Elbow - Plastic - Swivel - 1/2" FPT x 1/2" Flare - Gray
	035539-01-000	EA	Elbow - Plastic - 3/8" MPT x 3/8" BARB
	070924-01-000	EA	Elbow - Swivel - 1/2" MPT x 1/2" FPT - Gray
	075240-05-000	EA	Faucet - Lavatory - Brass
	011053-04-000	EA	Faucet - Swing Spout - Galley - 8"
	091253-01-000	EA	Gasket - Faucet
	075241-04-000	EA	Faucet - Shower - Brass
	011059-04-000	EA	Faucet - Shower (CSA)
	077954-02-000	EA	Filter/Screen (In Water Tank)
	052961-02-000	EA	Header - 1/2" MPT x 1/2" F x 1/2" F x 1/2" F
	052952-01-000	EA	Nut - Plastic - 1/2" F
	052952-02-000	EA	Nut - Plastic - 5/8" Flare
	052953-01-000	EA	Nut - Faucet - 1/2" Tube x 1/2" FPT
	049032-01-000	EA	Patch - Spinweld - Plastic - 3/8"
	098607-01-000	EA	Pump - Water - 2.8 GPM - Direct Flow (US)
	098607-02-000	EA	Pump - Water - 2.8 GPM - Direct Flow (CSA)
	098607-01-707	EA	Motor/Backplate - Replacement
	098607-01-701	EA	Drive Asm
	098607-01-702	EA	Diaphragm Kit
	098607-01-703	EA	Valve Asm
	098607-01-704	EA	Upper Housing
	098607-01-705	EA	Switch Asm. - Complete
	098607-01-700	EA	Pumphead - Replacement
	098607-01-705	EA	Check - Valve Kit
	091208-01-000	EA	Rubber Washer - .06 x .75 x .50
	039681-01-000	EA	Sending Unit
	011048-02-000	EA	Shower Head - w/60" Hose (US)
	011048-05-000	EA	Shower Head - w/60" Hose (CSA)
	042989-03-000	EA	Spinweld Fitting - Plastic - 1/4" NPT
	042989-05-000	EA	Spinweld Fitting - Plastic - 1/2" FPT
	042969-04-000	EA	Spinweld Fitting - Plastic - 3/8" FPT
	097967-01-000	EA	Switch - Water Heater
	052955-01-000	EA	Tee - Plastic - 1/2" F x 1/2" F x 1/2" MPT
	052956-01-000	EA	Tee - Plastic - 1/2 F x 1/2 MPT x 1/2 F
	052958-01-000	EA	Tee - Plastic - 1/2" F x 1/2" F x 1/2" F
	055295-01-000	EA	Tee Plastic - 5/8" F x 1/2" MPT x 1/2" F
	074463-01-000	EA	Tee - 4 Way - Plastic - 1/2" Flare - Gray
	039800-1-1-000	FT	Tubing - Polybutyl - 1/2" OD x 20' (Water Line)
	079381-01-000	FT	Tubing - Flex/Smooth - 1.25 ID (Water Tank)
	074462-02-000	FT	Tubing - Vinyl - 3/8" ID
	052960-01-000	EA	Valve - Line Drain - 1/2" F x 1/2" F
	052961-01-000	EA	Valve - In Line Drain 1/2" F x 1/2" F x 1/2"
	064214-01-000	EA	Water Tank - 31 Gal. w/o Fittings
	064214-05-000	EA	Water Tank - 31 Gal. w/Fittings - 24" x 12.75" x 30"
	099729-01-000	EA	Bypass - Kit - Water Heater Complete w/Valve & Tubing

NOTE: Items indented below assemblies are serviceable parts for that assembly

**1991 WINNEBAGO
TABLE OF CONTENTS**

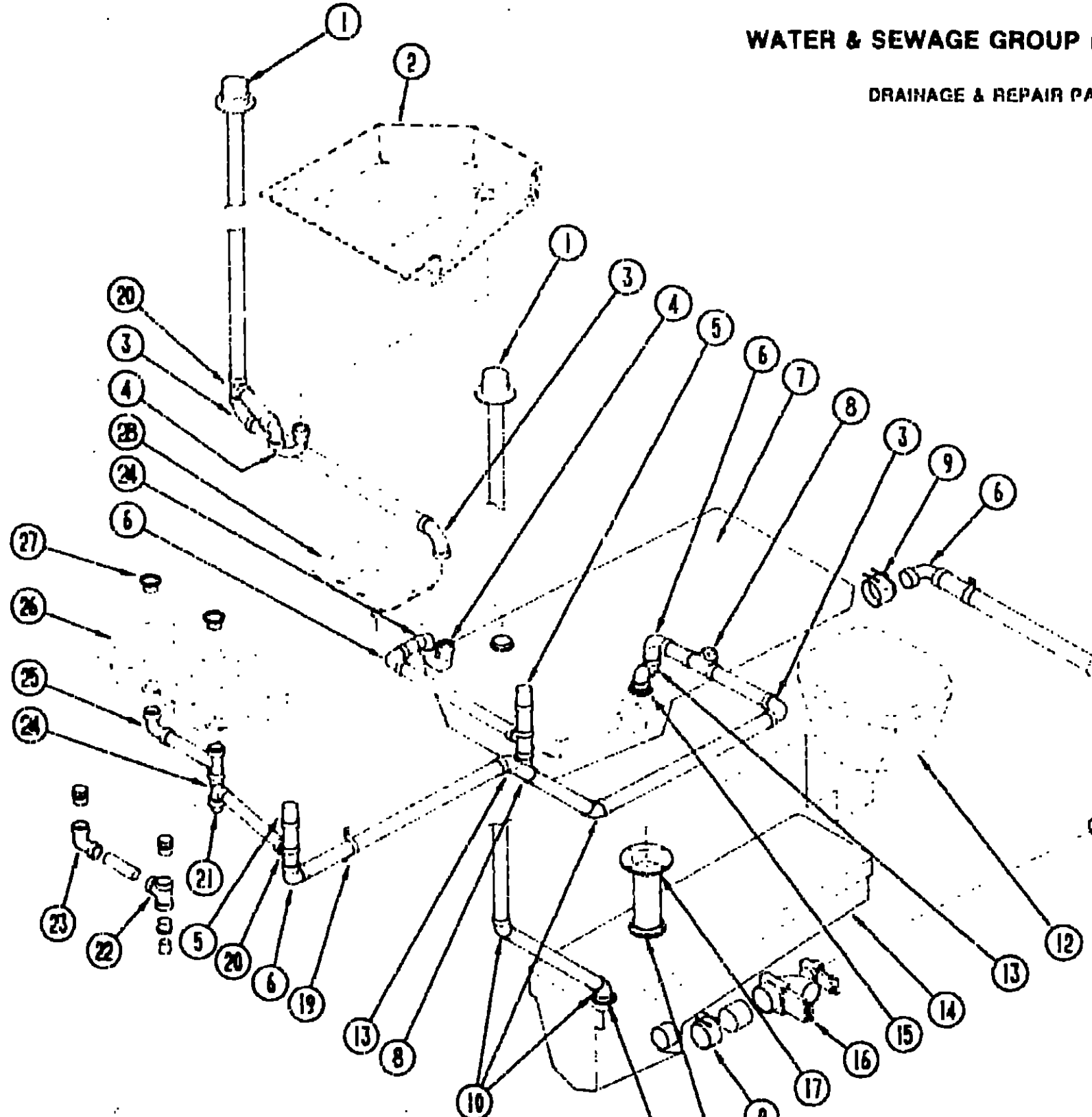
INTRODUCTION	A-01 - A-0
ABBREVIATIONS	A-0
ALPHABETICAL/GROUP REFERENCE	A-04 - A-0
WF424RC	A-07 - D-1
WF427RT	D-13 - H-0

1991 WF427RT INDEX

Floor Plan	D-13 - D-1
Accessories Group	D-15 - D-1
Bath Group	D-21 - D-1
Bedroom Group	D-23 - D-1
Chassis Group	E-01 - E-0
Curtain, Cushion & Pad Group	E-05 - E-1
Dinette Group	E-19 - E-1
Driver's Compartment Group	E-21 - E-1
Electrical Group	E-23 - F-4
Exterior Body Group	F-03 - F-4
Galley Group	F-07 - F-4
Heating & Air Conditioning Group	F-11 - F-4
Interior Finish Group	F-13 - F-4
Labels Group	F-17 - F-4
LP Group	G-4
Lounge Group	G-02 - G-4
Sealants & Fasteners Group	G-05 - G-4
Water & Sewage Group	G-08 - G-4
Window, Vent & Exterior Door Group	G-12 - H-0

WATER & SEWAGE GROUP (CONTINUED)

DRAINAGE & REPAIR PARTS



Key	Part Number	U/M	Description
1	083558-01-000	EA	Roof Vent - Covered - Vent Pipe
2	M02643-03-XB1	EA	Shower Pan Asm.
	066443-01-000	EA	Strainer - Shower Drain
	066435-01-000	EA	Nut Strainer
	069735-01-000	EA	Washer - Tailpiece - 1.5" - Plastic
	011069-02-000	EA	Tailpiece - 1 1/2" x 1 1/4" x 4" - Plastic
	066436-01-000	EA	Slip Nut - 1.5" - Tailpiece
	011048-02-000	EA	Shower Header w/60" Hose (US)
	011048-05-000	EA	Shower Header w/60" Hose (CSA)
	075241-04-000	EA	Faucet - Shower - Brass (US)
	011059-04-000	EA	Faucet - Shower - (CSA)
3	010008-01-000	EA	Elbow - Plastic - 1/4 BD x 1 1/2" x 90° - Left
4	011066-03-000	EA	P-Trap - Plastic - 1 1/4" x 1 1/2" (US)
4	011066-02-000	EA	P-Trap - Plastic - 1 1/4" (CSA)

Key	Part Number	U/M	Description
5	079968-01-000	EA	Vent - Mechanical - Trap Asm.
	038342-01-000	EA	Tee - Plastic - 1 1/2" Street x 1/2" Hub x 1/2" Hub
	010121-01-000	EA	Bushing - Reducer - 1 1/2" Smooth x 1/4" Hub
6	033761-01-000	EA	Elbow - Plastic - 1/4 BD x 1 1/2" x 90°
7	061604-01-000	EA	Tank Asm. - Holding - 35 Gallon
8	010073-01-000	EA	Wye - Plastic - 1 1/2" x 45° H x H
	010166-01-000	EA	Plug - Plastic - 1 1/4" (US)
	010166-02-000	EA	Plug - Plastic - 1 1/4" (CSA)
	010122-01-000	EA	Bushing - Plastic - Red - 1 1/2" S x 1 1/4" T
9	078408-01-000	EA	Coupler - Rubber - 3" x 3"
	062422-01-000	EA	Adapter - Offset Reducer - 3" x 1/2"
10	010006-01-000	EA	Elbow - Plastic - 1/8" BD x 1 1/2" x 45° H x H
11	056134-02-000	EA	Holder - Ring
12	064076-01-000	EA	Toilet - Aqua Magic IV - Low
	039341-02-704	EA	Seal & Cover
	U39341-02-703	EA	Hole Plug - Ivory
	039341-02-705	EA	Mounting Package
	064076-01-701	EA	Mechanism - Starlight - Ivory
	039341-02-707	EA	Pin - Hinge - Toilet
	067487-01-701	EA	Water Saver Package
13	010051-01-000	EA	Elbow - ST - Plastic - 1/8 BD x 1 1/2" x 45°
14	083041-01-000	EA	Tank - Holding - 30 Gallons w/o Fittings
15	061607-01-000	EA	Grommet - Holding Tank - 1 1/2" NPS
16	070916-01-000	EA	Valve - Dual - 3" x 1.5"
	070916-01-700	EA	Valve - 3"
	070916-01-701	EA	Valve - 1.5"
	062416-01-000	EA	Adapter - Hose - 3"
	062415-01-000	EA	Sewer Cap - 3"
	062415-01-700	EA	String - Sewer Cap
	010201-01-000	EA	Sewer Hose - 3" ID
17	024676-01-000	EA	Flange - Closet Rod - 4" x 3" (US)
17	024676-02-000	EA	Flange - Closet Rod - 4" x 3" (CSA)
18	061607-02-000	EA	Grommet - Holding Tank - 3" NPS
19	008406-01-000	EA	Strap - Conduit - 2 in 2 Hole
20	010079-01-000	EA	Tee - Plastic - Red - 1 1/2" H x 1 1/2" H x 1 1/4" H
21	011066-03-000	EA	P-Trap - 1 1/4" x 1 1/2" (US)
21	053335-01-000	EA	P-Trap - Plastic - 1 1/4" H x H w/Union (CSA)
22	010071-01-000	EA	Tee - Plastic - 1 1/2" H x H x H (CSA)
23	037101-02-000	EA	Elbow - Plastic - 1/4 BD Vent 1 1/2" H (CSA)
24	010000-01-000	EA	Elbow - Plastic - 1/8 BD x 1 1/4" x 45° H x H
25	011091-02-000	EA	Continuous Waste - Double Sink (US)
26	098654-01-000	EA	Sink - Stainless Steel - Double w/Mounting Hardware
	011053-04-000	EA	Faucet - Swing Spout - 3" - Galley
27	066437-01-000	EA	Strainer w/Basket - Sink
	066437-01-700	EA	Basket Only
28	096927-01-01A	EA	Sink - Lavatory - Rectangular
	096927-01-700	EA	Sink - Strainer
	096927-01-701	EA	Tailpiece
	075240-05-000	EA	Faucet - Lavatory - Brass
	091253-01-000	EA	Gasket - Lavatory Faucet
	039661-01-000	EA	Sending Unit
	052961-01-000	EA	Drain Valve - In Line - Header - 1/2" F x 1/2" F x 1/2" F

NOTE: Items indented below assemblies are serviceable parts for that assembly.

1991 WINNEBAGO TABLE OF CONTENTS

INTRODUCTION	A-01 - A-0
ABBREVIATIONS	A-0
ALPHABETICAL/GROUP REFERENCE	A-04 - A-0
WF424RC	A-07 - D-1
WF427RT	D-13 - H-0

1991 WF427RT INDEX

Floor Plan	D-13 - D-1
Accessories Group	D-15 - D-2
Bath Group	D-21 - D-2
Bedroom Group	D-23 - D-4
Chassis Group	E-01 - E-4
Curtain, Cushion & Pad Group	E-05 - E-1
Dinette Group	E-19 - E-4
Driver's Compartment Group	E-21 - E-3
Electrical Group	E-23 - F-4
Exterior Body Group	F-03 - F-1
Galley Group	F-07 - F-1
Heating & Air Conditioning Group	F-11 - F-1
Interior Finish Group	F-13 - F-1
Labels Group	F-17 - F-1
LP Group	G-1
Lounge Group	G-02 - G-1
Sealants & Fasteners Group	G-05 - G-4
Water & Sewage Group	G-08 - G-1
Window, Vent & Exterior Door Group	G-12 - H-1

WATER & SEWAGE GROUP (CONTINUED)

WINDOW, VENT & EXTERIOR DOOR GROUP

WATER HEATER & REPAIR PARTS

Key	Part Number	U/M	Description
	051391-03-000	EA	Heater - Water - w/Electric Ignition - Atwood # G6A-3E, 4E & 6E
	051393-03-700	EA	Tank - Inner (G6A-3E) Rear Mount - Atwood #91409
	051391-04-700	EA	Tank - Inner (G6A-3E) Front Mount - Atwood #91608
	051391-04-706	EA	Tank - Inner - G6A-4E & 6E - Front Mount - Atwood #9164
	051391-01-704	EA	Valve - Relief - 1/2" Fitting - Atwood #91604
	051391-01-705	EA	Fastener - Camloc - Atwood #92609
	051393-01-701	EA	Switch Package - Atwood #91959
	051393-01-702	EA	Switch - Energy Cut-Off - Atwood #91951
	051391-04-701	EA	Thermostat 12 VDC - 120 Preset - Atwood #91470 - Front Mount Only
	051393-01-703	EA	Thermostat - Rear Mount - Atwood #91952
	051393-01-721	EA	ECO & Thermostat Asm. - Front Mount - 140 Degree - Atwood #
	051393-01-704	EA	Circuit Board - w/Black Box - Atwood #91420
	051391-01-706	EA	Grille - Exhaust - Atwood #92787
	051393-01-705	EA	Orifice Holder - Atwood #91925
	051391-01-710	EA	Orifice - Main Burner - Atwood #92742
	051393-01-716	EA	Spark & Probe Asm. - Atwood #91606
	051391-01-708	EA	Burner - Main - Atwood #92615
	051393-01-718	EA	Valve - Dual Solenoid - Atwood #91605
	051391-01-715	EA	Drain Plug - Atwood #91561
	051391-01-700	EA	Hinge Kit - w/Clip - Atwood #92568 & 92559
	051393-01-000	EA	Water Heater - w/Motor Aid - Pilotless Ignition - Atwood GH6-3E, GH6-4E or GH6-6E
	051391-01-705	EA	Tank - Inner - GH6-3E - Front Mount - Atwood #91609
	051393-01-714	EA	Tank - Inner - GH6-3E - Rear Mount - Atwood #91408
	051391-04-704	EA	Tank - Inner - Front Mount - GH6-4E & 6E - Atwood #91642
	051391-01-704	EA	Valve - Relief - 1/2" Fitting - Atwood #91604
	051391-01-705	EA	Fastener - Camloc - Atwood #92609
	051393-01-701	EA	Switch Package - Atwood #91959
	051393-01-702	EA	Switch - Energy Cut-off - Atwood #91951
	051391-04-701	EA	Thermostat - 12 VDC - 120 Preset - Atwood #91470 - Front Mount Only
	051393-01-703	EA	Thermostat - Rear Mount - Atwood #91952
	051393-01-721	EA	ECO & Thermostat Asm. - Front Mount - 140 Degree - Atwood #
	051393-01-704	EA	Circuit Board - w/Black Box - Atwood #91420
	051391-01-705	EA	Grille - Exhaust - Atwood #92787
	051393-01-705	EA	Orifice Holder - Atwood #91925
	051391-01-710	EA	Orifice - Main Burner - Atwood #92742
	051393-01-716	EA	Spark & Probe Asm. - Atwood #91606
	051391-01-708	EA	Burner - Main - Atwood #92615
	051393-01-718	EA	Valve - Dual Solenoid - Atwood #91605
	051391-01-715	EA	Drain Plug - Atwood #91561
	051391-01-700	EA	Hinge Kit - w/Clip - Atwood #92568 & 92559

NOTE: Items indented below assemblies are serviceable parts for that assembly.

ACCESS DOORS

Key	Part Number	U/M	Description
	079578-07-X08	EA	Door Asm. - Access - 27" x 12" - Off White
	081801-02-000	EA	Hinge - 2" x 96"
	064075-07-000	FT	Seal - Bulb - Bulk
	079366-04-000	EA	Lock Asm. - Key Type - w/o Keys
	082684-01-700	EA	Key - Compartment Door Lock
	084103-03-000	EA	Door Asm. - Refrigerator - Vented - Off White
	084101-03-000	EA	Jamb - Refrigerator Door - Off White
	084104-01-700	EA	Lock - Male - Dryus Fasteners
	084104-01-701	EA	Lock - Female - Dryus Fasteners
	052423-01-000	EA	Door Asm. - Sewer Hose - 6.6" x 6.3" - Off White
	054242-01-000	EA	Jamb Sewer Hose Door
	088794-01-000	EA	Door Asm. - Power Cord w/Hatch
	090340-01-000	EA	Seal - Foam Closed Cell - 1/4" x 1/2" x 50'
	088580-08-000	EA	Box - Power Cord
	078010-03-000	EA	Door Asm. - Fuel Fill w/Jamb - Off White
	079455-07-U01	EA	Door Asm. - Storage
	081801-02-000	EA	Hinge - 2" x 96"
	064075-07-000	FT	Seal - Bulb - Bulk
	079366-03-000	EA	Lock Asm. - Key Type - w/o Keys
	082684-01-700	EA	Key - Compartment Door Lock
	079927-03-000	EA	Lock Asm. - Twist Type
	M79321-01-T03	EA	Door Asm. - Generator
	079246-01-000	EA	Jamb Asm. - Generator Door - Off White
	079455-01-T95	EA	Door Asm. - Access w/Seal
	064075-07-000	FT	Seal - Bulb - Bulk
	079366-03-000	EA	Lock Asm. - Key Type - w/o Keys
	082684-01-700	EA	Key - Compartment Door Lock
	079927-03-000	EA	Lock Asm. - Twist Type
	079455-03-T95	EA	Door Asm. - LP
	064075-07-000	FT	Seal - Bulb - Bulk
	079927-03-000	EA	Lock Asm. - Twist Type
	081801-02-000	EA	Hinge - 2" x 96"
	083261-05-X08	EA	Door Asm. - Storage Compartment
	079366-04-000	EA	Lock Asm. - Key Type - w/o Keys
	082684-01-700	EA	Key - Compartment Door Lock
	064075-07-000	FT	Seal - Bulb - Bulk
	081801-02-000	EA	Hinge - 2" x 96"
	058027-03-000	FT	Seal - D Section w/Pressure Sensitive Adhesive - Rubber - Black

NOTE: Items indented below assemblies are serviceable parts for that assembly.

**1991 WINNEBAGO
TABLE OF CONTENTS**

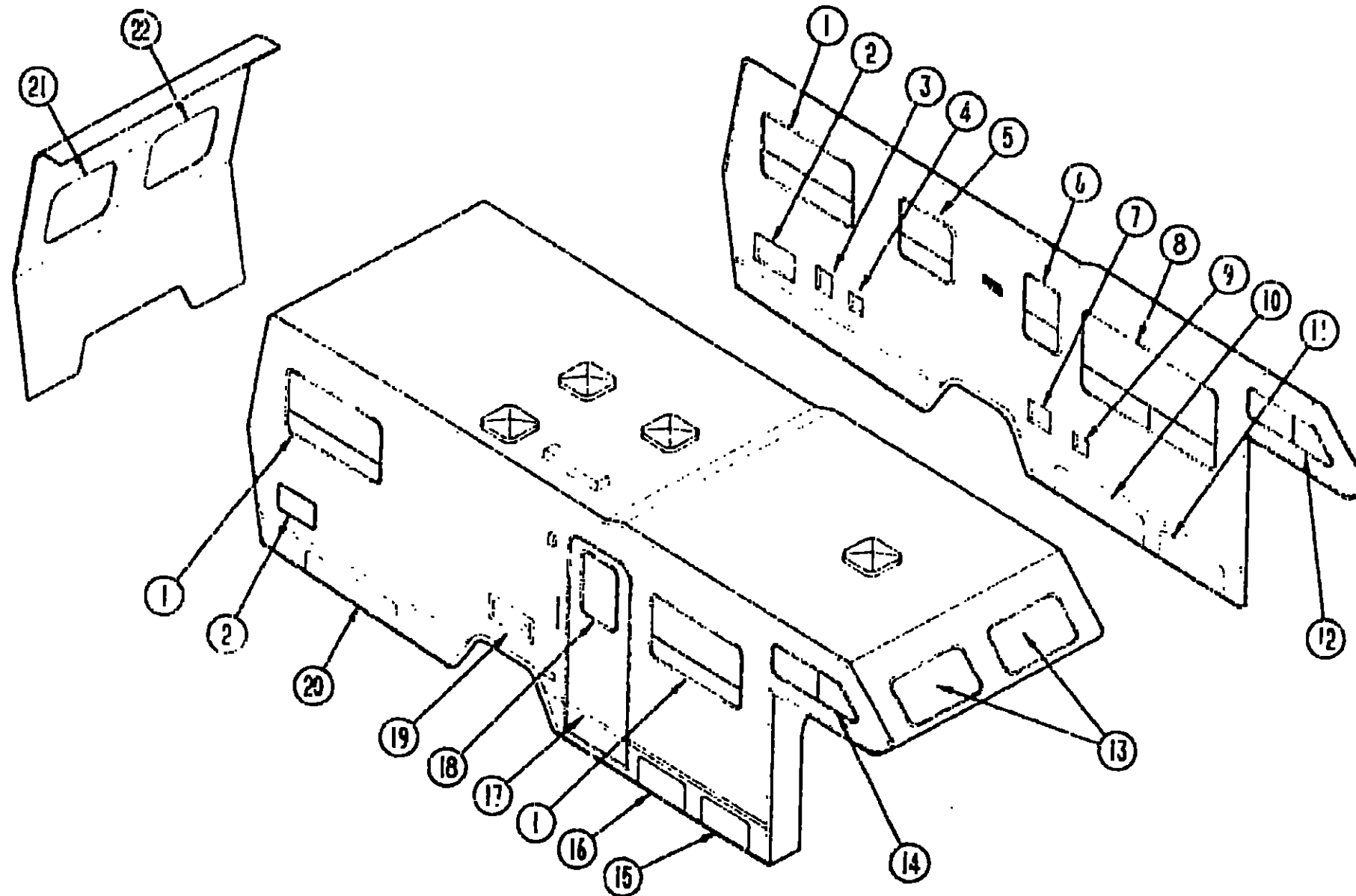
INTRODUCTION	A-01 - A-0
ABBREVIATIONS	A-0
ALPHABETICAL/GROUP REFERENCE	A-04 - A-0
WF424RC	A-07 - D-1
WF427RT	D-13 - H-0

1991 WF427RT INDEX

Floor Plan	D-13 - D-1
Accessories Group	D-15 - D-2
Bath Group	D-21 - D-2
Bedroom Group	D-23 - D-2
Chassis Group	E-01 - E-0
Curtain, Cushion & Pad Group	E-05 - E-1
Dinette Group	E-19 - E-2
Driver's Compartment Group	E-21 - E-2
Electrical Group	E-23 - F-4
Exterior Body Group	F-03 - F-4
Galley Group	F-07 - F-1
Heating & Air Conditioning Group	F-11 - F-1
Interior Finish Group	F-13 - F-1
Labels Group	F-17 - F-2
LP Group	G-4
Lozinge Group	G-02 - G-0
Sealants & Fasteners Group	G-05 - G-4
Water & Sewage Group	G-08 - G-1
Window, Vent & Exterior Door Group	G-12 - H-4

WINDOW, VENT & EXTERIOR DOOR GROUP (CONTINUED)

WINDOWS & ACCESS DOORS



1991 WINNEBAGO TABLE OF CONTENTS

INTRODUCTION	A-01 - A-0
ABBREVIATIONS	A-0
ALPHABETICAL/GROUP REFERENCE	A-04 - A-0
WF424RC	A-07 - D-1
WF427RT	D-13 - H-0

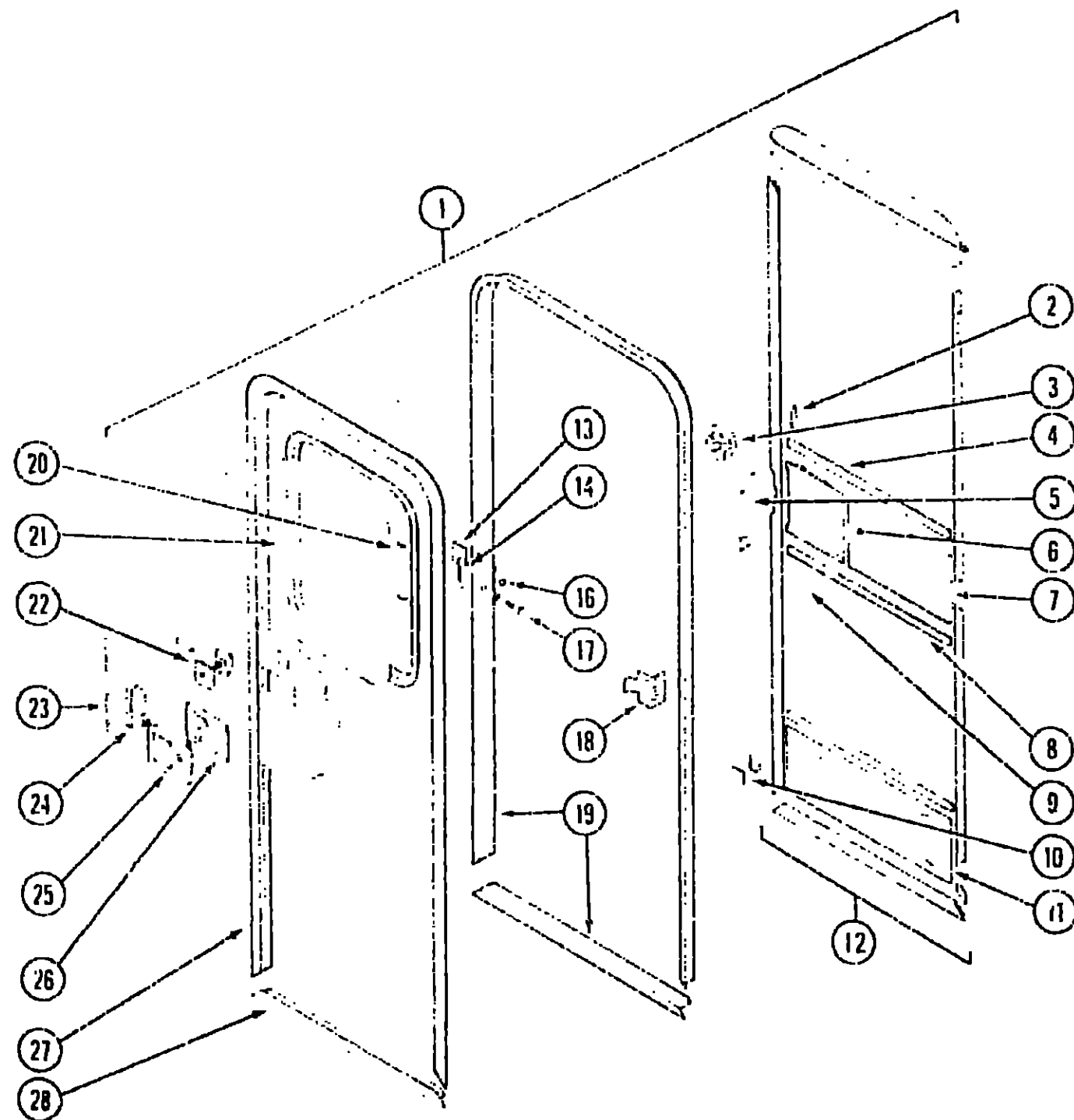
1991 WF427RT INDEX

Floor Plan	D-13 - D-1
Accessories Group	D-15 - D-2
Bath Group	D-21 - D-2
Bedroom Group	D-23 - D-2
Chassis Group	E-01 - E-0
Curtain, Cushion & Pad Group	E-05 - E-1
Dinette Group	E-19 - E-2
Driver's Compartment Group	E-21 - E-2
Electrical Group	E-23 - F-0
Exterior Body Group	F-03 - F-0
Galley Group	F-07 - F-1
Heating & Air Conditioning Group	F-11 - F-1
Interior Finish Group	F-13 - F-1
Labels Group	F-17 - F-2
LP Group	G-0
Lounge Group	G-02 - G-0
Sealants & Fasteners Group	G-05 - G-0
Water & Sewage Group	G-08 - G-1
Window, Vent & Exterior Door Group	G-12 - H-0

Key	Part Number	U/M	Description
1	092235-07-Y12	EA	Window Asm. - Single Tipout - 24.3" x 40.3" - w/o Inside Frame
2	079578-04-U28	EA	Door Asm. - Storage - 12.9" x 22.1"
3	078010-03-000	EA	Door Asm. - Fuel Fill - w/Jamb - Off White
4	052423-01-000	EA	Door Asm. - Sewer Hose Compartment - 6.6" x 6.3" - Off White
	052424-01-000	EA	Jamb - Door - 8" x 7.7" - Off White
5	092235-10-Y12	EA	Window Asm. - Single Tipout - 15.8" x 25.5" - w/o Inside Frame
6	098644-01-715	EA	Window Asm. - Vertical Slider - 22" x 15" - w/o Inside Frame
7	052009-01-000	EA	Door Asm. - Water Heater - Off White
8	092234-02-Y12	EA	Window Asm. - Double Tipout - 30.8" x 53.4" - w/o Inside Frame
9	088794-01-000	EA	Door Asm. - Power Cord - w/Latch - Off White
10	079455-07-U01	EA	Door Asm. - Access - w/Seal - 39.5" x 9.5" - Off White
11	M79321-01-T03	EA	Door Asm. - Generator - 10.6" x 26" - Off White
12	100322-02-700	EA	Window Asm. - Slant Slider - 12" x 35.8" - w/o Inside Frame

Key	Part Number	U/M	Description
13	078533-08-B13	EA	Window Asm. - Picture - 15" x 32" - Tempered Glass - w/o Inside Frame
14	100322-01-720	EA	Window Asm. - Slant Slider - 12" x 35.8" - w/o Inside Frame
15	079455-03-T95	EA	Door Asm. - Compartment - 9.5" x 21.7" - Off White
16	079455-01-T95	EA	Door Asm. - Access - w/Seal - 9.5" x 17" - Off White
17	M01870-52-B13	EA	Door Asm. - Entrance - w/Screen Door & Jamb
18	079733-04-T03	EA	Window Asm. - Picture - 17" x 25" - w/o Inside Frame
19	084103-03-000	EA	Door Asm. - Refrigerator - Vented - w/o Jamb - Off White
	084104-03-000	EA	Jamb - Door - Refrigerator - Off White
20	083264-05-X08	EA	Door Asm. - Access - w/Seal - 40" x 8.5" - Off White
21	079729-03-W17	EA	Window Asm. - Rear Escape - 24" x 22"
22	079729-02-T03	EA	Window Asm. - Rear Escape - 22" x 24"
	076536-01-T03	EA	Window Asm. - Rear Escape - 23" x 68" (Option L46L)

WINDOW, VENT & EXTERIOR DOOR GROUP (CONTINUED)



ENTRANCE DOOR

Key	Part Number	U/M	Description
1	M01870-52-B13	EA	Door Asm. - Entrance - w/Screen Door
	044592-02-000	EA	Drip Cap - Top Entrance Door Jamb - Off White
	075639-04-000	EA	Garnish - Radius - Entrance Door
2	050712-05-000	EA	Door Handle - Screen Door
3	009010-01-000	EA	Roller Catch - Screen Door
	058025-02-000	EA	Clip - Roller Latch Catch
	009016-01-000	EA	Catch - Elbow - Spring Loaded - Screen Door
4	078777-01-000	EA	Slider Channel (Mullion Insert)
5	079087-02-000	EA	Strike - Slider - Screen Door
6	079086-02-000	EA	Slider - Screen Door
7	015454-01-000	EA	Insert - Screen Door
8	002294-01-000	FT	Spline - Black
9	002293-02-000	SF	Screen - Window - 26" - Charcoal
10	085774-01-000	FT	Fastener - Dual Lock - 1" Wide
10	085774-02-000	FT	Fastener - Dual Lock - 1" Wide
11	078552-03-000	EA	Insert - Screen Door - Lower
12	079012-01-U01	EA	Screen Door Asm
	077595-01-000	EA	Plate - Screen Door
13	077461-03-000	EA	Strike Cover - Off White
14	041346-03-000	EA	Angle Bracket
15	081047-01-000	EA	Deadbolt - Gasket - w/Str
16	058865-01-000	EA	Plug - Tapered Plastic
17	039531-01-000	EA	Strike
18	097724-01-04A	EA	Hinge - Entrance Door - Unpainted
19	095277-02-01A	EA	Door Jamb - Entrance Door
	051049-01-000	EA	Jamb - Bottom - Entrance Door - 25.9" - Unpainted
	079207-01-000	EA	Striker - Roller Catch - Welded to Door Jamb
	095278-01-01A	EA	Jamb - Door - Entrance - 25.9" x 74.6" - Unpainted
20	087561-01-000	FT	Window Seal
21	002181-06-000	EA	Glass - Picture Window
	079733-04-T03	EA	Window Asm. - Picture - 17" x 25" (w/o inside frame)
	067609-27-000	EA	Inside Frame (not included in assembly)
22	039733-01-000	EA	Deadbolt Asm. - Round
22	095229-01-01A	EA	Deadbolt Asm. - Square - Black
22	101145-01-01A	EA	Deadbolt Asm. - Entrance Door - w/2 Keys - Black
	101147-01-000	EA	Bolt - Security - 4.12" - Basket
	095229-01-700	EA	Key Blank
23	098173-01-03A	EA	Stiffener - Entrance Door
24	039540-01-000	EA	Latch Asm. - Entrance Door
25	045017-10-000	EA	Latch Asm. - Plate
	045017-11-000	EA	Latch Asm. - Plate
26	039979-03-000	EA	Cover Asm. - Latch Plate - Black
	039979-04-000	EA	Cover - Interior Latch w/Trip Arm - Right - Black
27	095276-01-01A	EA	Frame Asm. - Entrance Door - Off White
28	089748-01-000	EA	Frame - Entrance Door - Bottom Portion
	039984-01-000	EA	Cap - Black Vinyl - Lock Grip
	075673-01-000	FT	Seal - Pile - Adhesive Back - Gray
	100128-01-000	FT	Seal - Pile - Adhesive Back - Gray
	100128-02-000	FT	Seal - Pile - Adhesive Back - Gray
	075671-05-000	FT	Seal - Sponge - Lazy T Shaped
	002748-01-000	EA	Corner - Key
	076725-01-000	EA	Cover - Access/Hinge - 6" x 3.2" - Beige
	039715-01-000	EA	Nut - Sert - 1/4" Diameter
	072893-01-000	EA	Nut - Sert - M5 x 0.8
	081914-01-000	EA	Bumper - Rubber - Round - .43" Diameter - Black
	090340-01-000	FT	Seal - Foam - Closed Cell - 1/4" x 1/2" x 50'
	100412-01-000	EA	Catch - Screen Door - Thumb Clip w/Black Plastic Cap
	102524-01-000	EA	Bumper - Rubber - Flat - Black

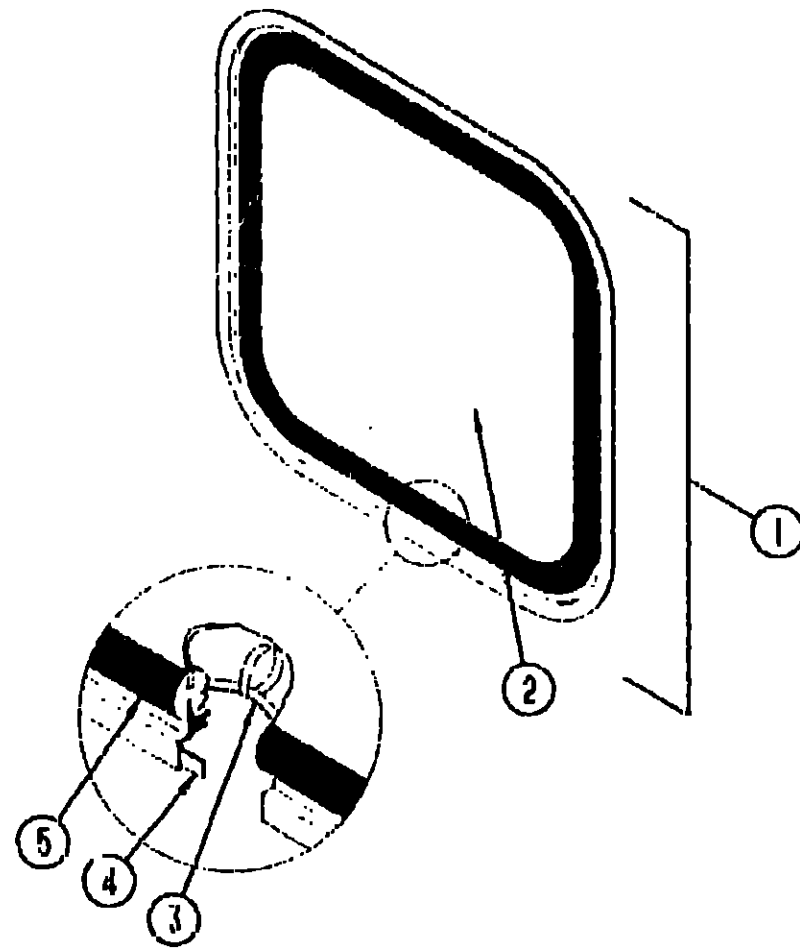
* These parts were used from 8-8-90 on.

1991 WINNEBAGO
TABLE OF CONTENTS

INTRODUCTION	A-01 - A-01
ABBREVIATIONS	A-02 - A-02
ALPHABETICAL/GROUP REFERENCE	A-04 - A-04
WF424RC	A-07 - D-13
WF427RT	D-13 - H-00

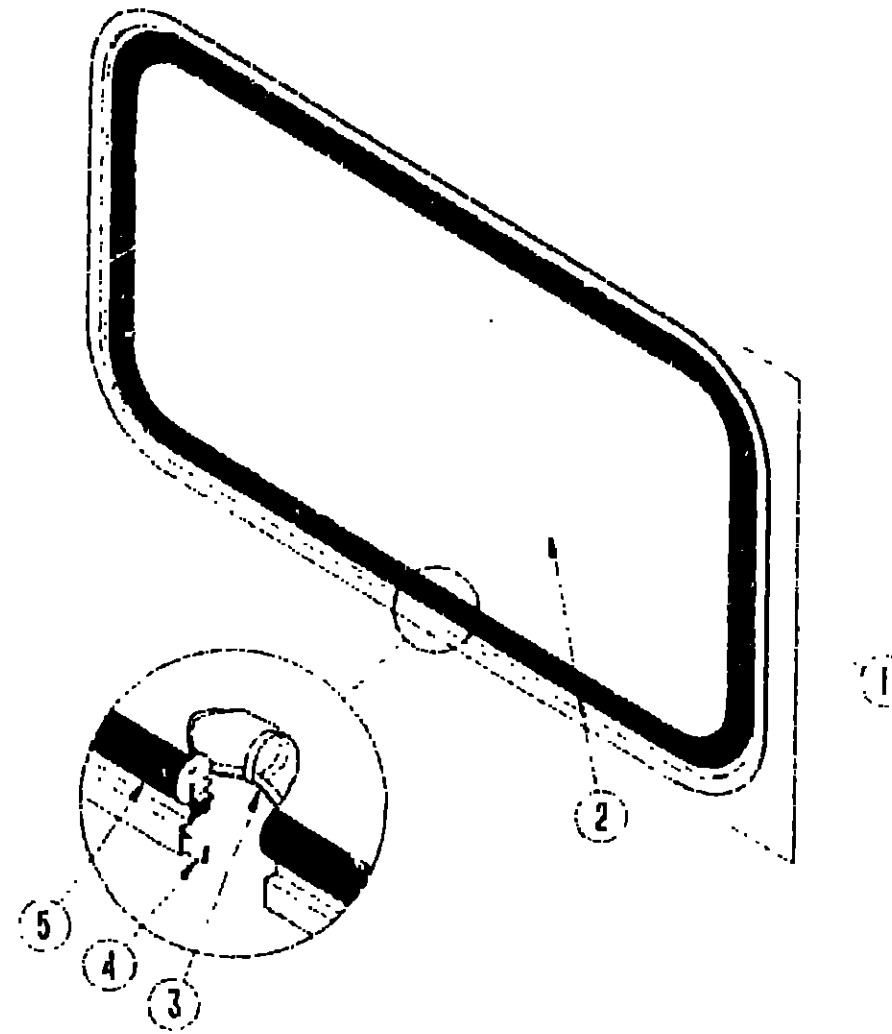
1991 WF427RT INDEX

Floor Plan	D-13 - D-13
Accessories Group	D-15 - D-22
Bath Group	D-21 - D-22
Bedroom Group	D-23 - D-23
Chassis Group	E-01 - E-01
Curtain, Cushion & Pad Group	E-05 - E-11
Dinette Group	E-19 - E-22
Driver's Compartment Group	E-21 - E-22
Electrical Group	E-23 - F-00
Exterior Body Group	F-03 - F-03
Galley Group	F-07 - F-11
Heating & Air Conditioning Group	F-11 - F-11
Interior Finish Group	F-13 - F-13
Labels Group	F-17 - F-22
LP Group	G-00 - G-00
Lounge Group	G-02 - G-02
Sealants & Fasteners Group	G-05 - G-05
Water & Sewage Group	G-08 - G-11
Window, Vent & Exterior Door Group	G-12 - H-00



ESCAPE WINDOW

Key	Part Number	U/M	Description
1	079729-02-T03	EA	Window Asm - Sidewall - Escape - 22" x 24" - Black (w/o Inside Frame)
1	079729-03-W17 020749-09-000	EA	Window Asm - Sidewall - Escape - 22" x 24" - Black (w/o Inside Frame)
2	041392-03-000	EA	Inside Frame - Black (not included in assemblies)
3	00285-01-000	EA	Glass - 1/8" x 21.6" x 19.6"
4	069640-06-000	FT	Filler - Weatherstrip - Black
5	002282-01-000 006199-01-000	FT	Ribbon Sealer - 5/16" Bead x 25"
		EA	Weatherstrip - .125" Window
		EA	Label - "Exit" - Escape Window



ESCAPE WINDOW

Key	Part Number	U/M	Description
1	078536-01-T03	EA	Window Asm. - Escape - 23" x 68" (w/o inside frame)
	042027-12-000	EA	Inside Frame - Black (not included in assembly)
2	002178-01-000	EA	Glass - 19.6" x 64.8"
3	002285-01-000	FT	Filler - Weatherstrip - Black
4	059640-06-000	FT	Ribbon Sealer - 5/16" Bead x 25"
5	002282-08-000	FT	Weatherstrip - 1.25" Window

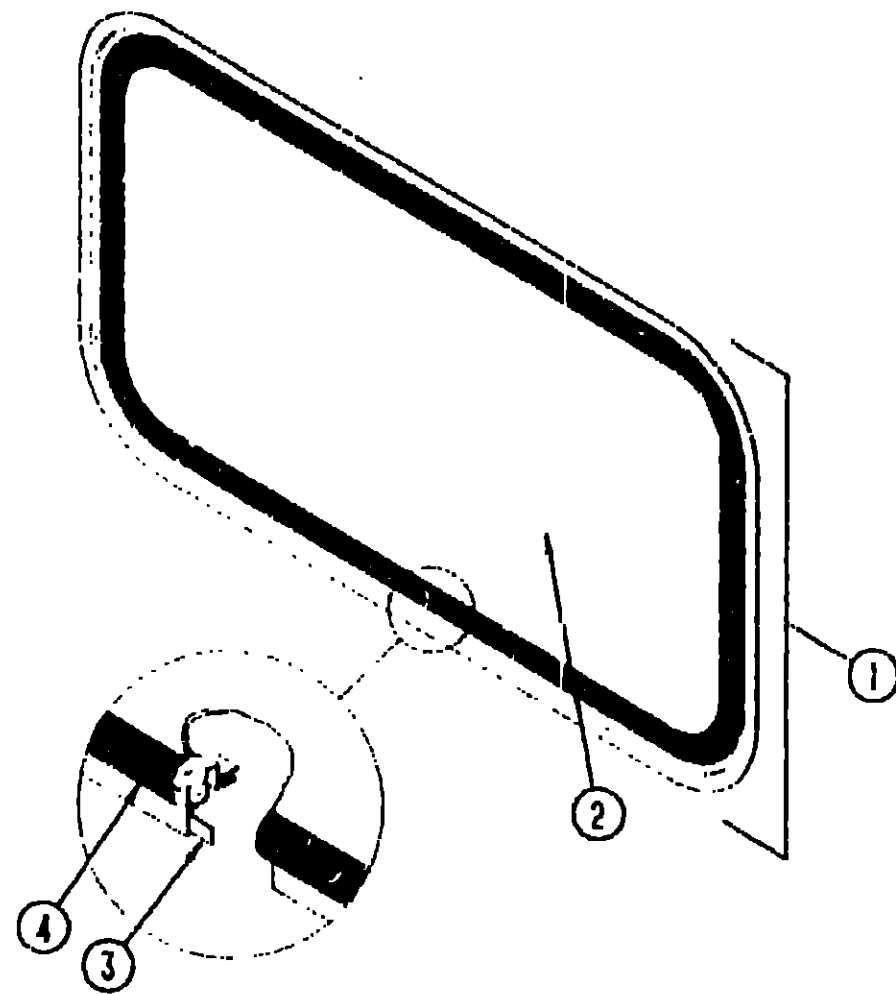
1991 WINNEBAGO
TABLE OF CONTENTS

INTRODUCTION	A-01 - A-02
ABBREVIATIONS	A-03
ALPHABETICAL/GROUP REFERENCE	A-04 - A-06
WF424RC	A-07 - D-13
WF427RT	D-13 - H-01

1991 WF427RT INDEX

Floor Plan	D-13 - D-14
Accessories Group	D-15 - D-20
Bath Group	D-21 - D-22
Bedroom Group	D-23 - D-24
Chassis Group	E-01 - E-02
Curtain, Cushion & Pad Group	E-05 - E-10
Dinette Group	E-19 - E-20
Driver's Compartment Group	E-21 - E-22
Electrical Group	E-23 - F-01
Exterior Body Group	F-03 - F-04
Galley Group	F-07 - F-10
Heating & Air Conditioning Group	F-11 - F-12
Interior Finish Group	F-13 - F-14
Labels Group	F-17 - F-20
L.P. Group	G-01
Lounge Group	G-02 - G-03
Sealants & Fasteners Group	G-05 - G-06
Water & Sewage Group	G-08 - G-11
Window, Vent & Exterior Door Group	G-12 - H-01

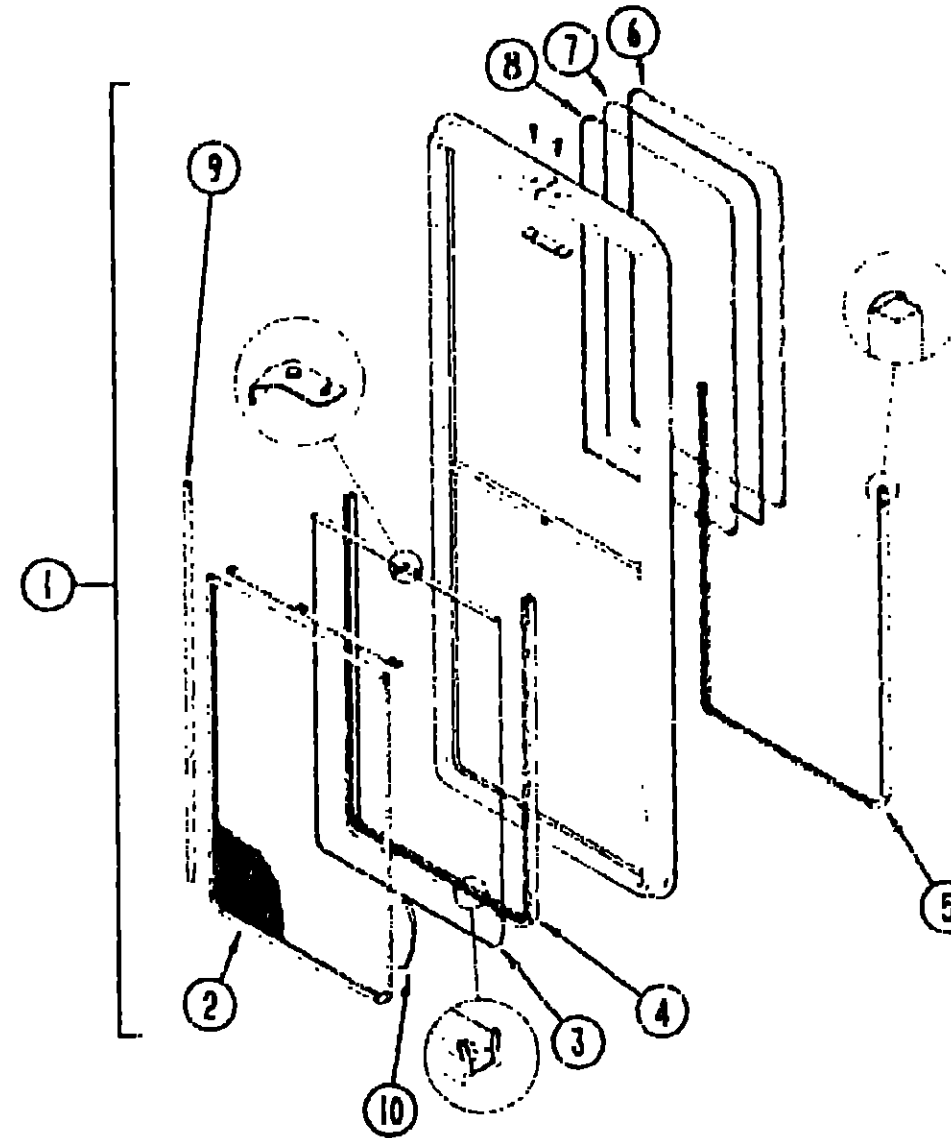
WINDOW, VENT & EXTERIOR DOOR GROUP (CONTINUED)



FRONT PICTURE WINDOW

Key	Part Number	U/M	Description
1	078533-08-B13 041938-12-000	EA	Window Asm. - Picture Inside Frame - Black (not included in assembly)
2	002181-13-000	EA	Glass - Picture Window - Gray
3	069640-06-000	FT	Ribbon Sealer - 5/16" Bead x 25'
4	002281-02-000	EA	Weatherstrip - Self Seal - 06 Panel x 125'

WINDOW, VENT & EXTERIOR DOOR GROUP (CONTINUED)



GALLEY VERTICAL SLIDER (EXCEL)

Key	Part Number	U/M	Description
1	098644-01-715 098644-02-704	EA	Window Asm. - 22" x 13" (w/o inside frame) Inside Frame (not included in assembly)
2	098644-02-703	EA	Screen w/Weatherstrip & Frame Spring (Clip)
3	098644-02-701 098644-01-700	EA	Sash w/Latch & Sliding Glass Latch - Repair Kit
4	098644-01-708 098644-01-701 098644-01-702 098644-01-703	FT	Channel - Pierced Run Splice Plate - Window Screw - Splice - #6 - 32 x 1/4" Pan Head Screw - Locking Rail - #6 x 15 Pro Head Recess - Black
5	098644-01-706	FT	Weatherstrip
6	098644-01-705	FT	Glazing Strip
7	098644-02-700	EA	Glass - Stationary - 13.77" x 16.15"
8	098644-01-707 098644-01-710	EA	Rail - Locking w/Weatherstrip Track - Screen Spacer - 12' Length
9	098644-01-711	FT	Weatherstrip - Screen - Black
10	098644-01-713 098644-01-716	EA	Spring - Screen Frame (Clip) - Plastic - Black Plug - Filler

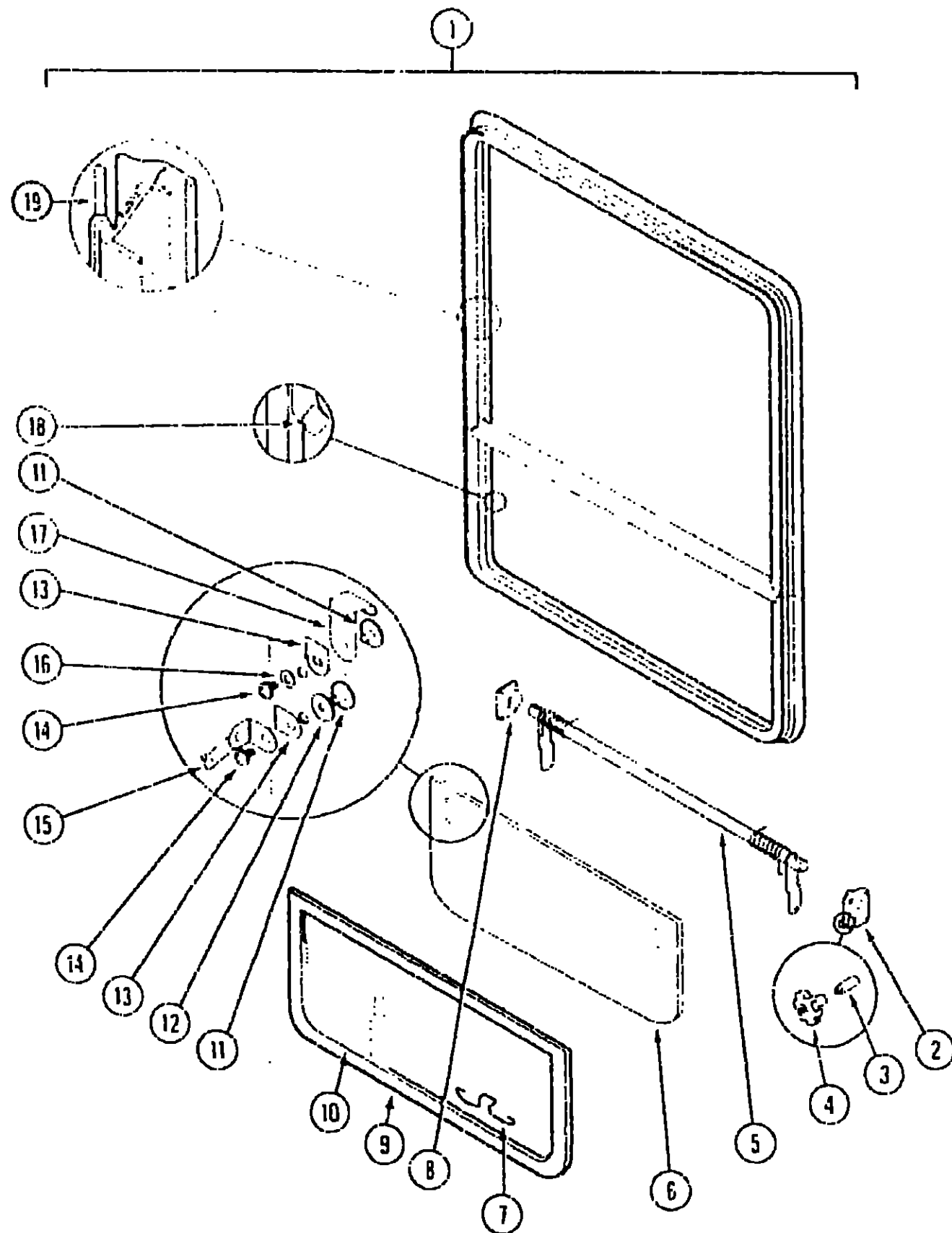
1991 WINNEBAGO
TABLE OF CONTENTS

INTRODUCTION	A-01 - A-02
ABBREVIATIONS	A-03
ALPHABETICAL GROUP REFERENCE	A-04 - A-06
WF427RC	A-07 - D-12
WF427RT	D-13 - H-04

1991 WF427RT INDEX

Floor Plan	D-13 - D-14
Accessories Group	D-15 - D-20
Bath Group	D-21 - D-22
Bedroom Group	D-23 - D-24
Chassis Group	E-01 - E-04
Curtain, Cushion & Pad Group	E-05 - E-10
Dinette Group	E-19 - E-20
Driver's Compartment Group	E-21 - E-22
Electrical Group	E-23 - F-01
Exterior Body Group	F-03 - F-04
Galley Group	F-07 - F-10
Heating & Air Conditioning Group	F-11 - F-12
Interior Finish Group	F-13 - F-16
Labels Group	F-17 - F-20
LP Group	G-0
Lounge Group	G-02 - G-03
Sealants & Fasteners Group	G-05 - G-06
Water & Sewage Group	G-08 - G-11
Window, Vent & Exterior Door Group	G-12 - H-04

WINDOW, VENT & EXTERIOR DOOR GROUP (CONTINUED)



BEDROOM & LOUNGE SINGLE TIPOUT WINDOW

Key	Part Number	U/M	Description
1	092235-07-Y12	EA	Window Asm - Single Tipout - 24 3/4" x 40 3/4" (w/o inside frame)
	090897-11-01A	EA	Inside Frame (not included w/Window Assembly)
2	005302-02-000	EA	Operator Drive
3	090005-01-000	EA	Extension - Window Knob (not included w/Window Assembly)
4	067002-02-000	EA	Window Knob - Beige (not included w/Window Assembly)
	080071-01-000	EA	Screw - Window Knob (not included w/Window Assembly)
	080918-01-000	EA	Spring - Torque Tube - Left
	080918-02-000	EA	Spring - Torque Tube - Right
5	083150-12-000	EA	Torque Tube Asm w/Spring
6	054068-19-000	EA	Glass - 1/8" x 1/8" x 9 3/4" x 40"
7	100168-01-000	EA	Screen Clip
8	081354-01-000	EA	Torque Tube Sleeve
9	100235-04-B07	EA	Screen Asm
10	080218-03-000	SF	Window Screen - 12"
	100240-01-000	FT	Window Screen Spine
11	086762-01-000	EA	Window T-Nut
12	068527-05-000	EA	Seal - Rubber
13	084473-01-000	EA	Seal - Rubber
14	086763-01-000	EA	Screw - #10 - 32 x 1/4" PTH
15	097578-01-000	EA	Connecting Rod Asm
	081649-01-000	EA	Snap Ring Clip
16	084453-02-000	EA	Plastic Washer - 06 x 50 x 25
17	089913-01-000	EA	Hinge
18	084067-01-000	FT	Seal - Sponge Rubber
19	069640-06-000	FT	Rubber Sealer (not included w/Window Assembly)

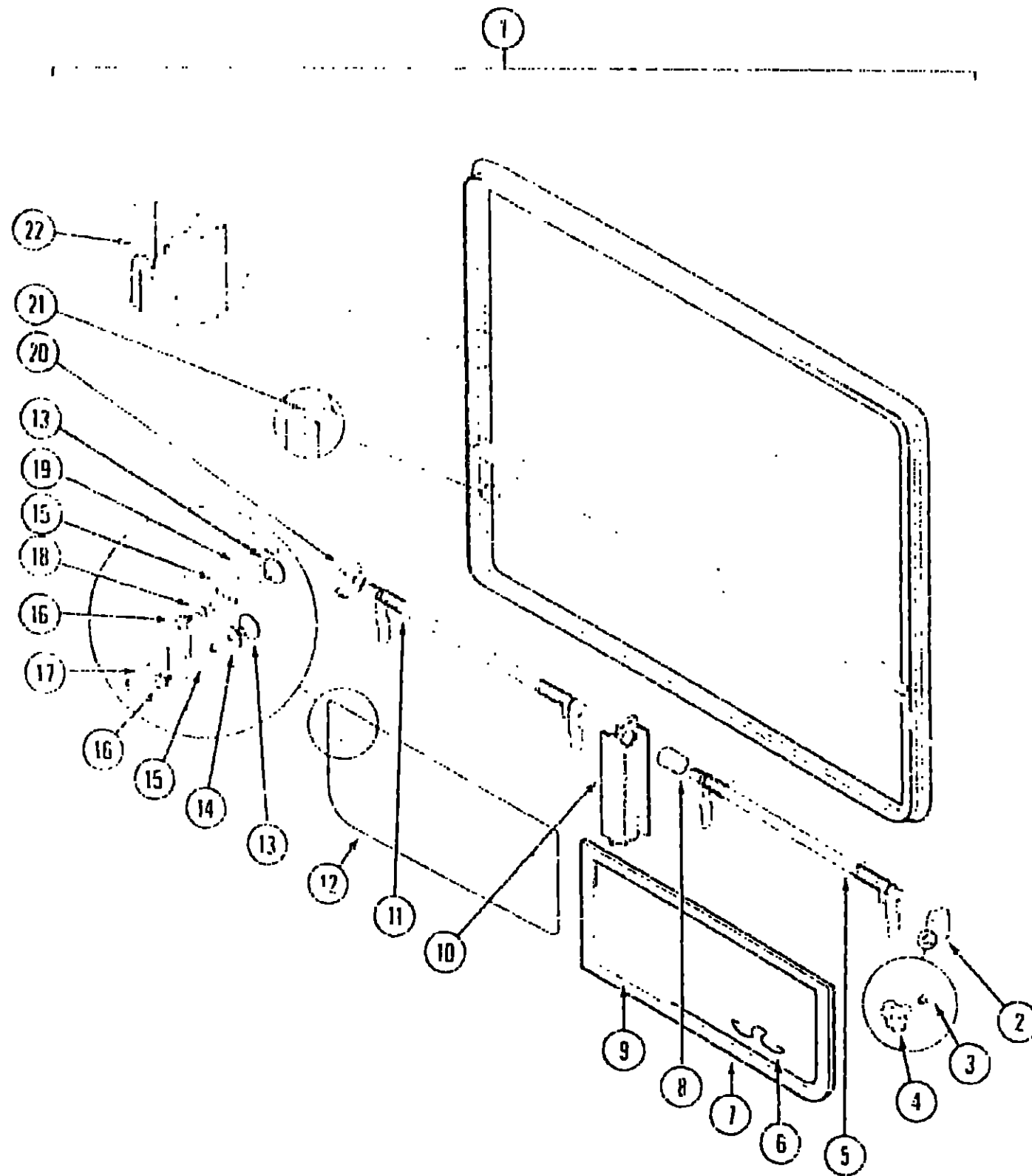
1991 WINNEBAGO TABLE OF CONTENTS

INTRODUCTION	A-01 - A-01
ABBREVIATIONS	A-02 - A-02
ALPHABETICAL GROUP REFERENCE	A-03 - A-03
WF427PC	A-07 - D-11
WF427RT	D-13 - H-01

1991 WF427RT INDEX

Floor Plan	D-13 - D-13
Accessories Group	D-15 - D-20
Bath Group	D-21 - D-22
Bedroom Group	D-23 - D-24
Chassis Group	E-01 - E-01
Curtain, Cushion & Pad Group	E-05 - E-11
Dinette Group	E-19 - E-22
Driver's Compartment Group	E-21 - E-22
Electrical Group	E-23 - F-01
Exterior Body Group	F-03 - F-03
Galley Group	F-07 - F-11
Heating & Air Conditioning Group	F-11 - F-11
Interior Finish Group	F-13 - F-13
Labels Group	F-17 - F-22
LP Group	G-01 - G-01
Lounge Group	G-02 - G-02
Sealants & Fasteners Group	G-05 - G-05
Water & Sewage Group	G-08 - G-11
Window, Vent & Exterior Door Group	G-12 - H-01

WINDOW, VENT & EXTERIOR DOOR GROUP (CONTINUED)



DINETTE & LOUNGE DOUBLE TIPOUT WINDOW

Key	Part Number	U/M	Description
1	092234-02-Y12	EA	Window Asm - Double Tipout - 30 1/2" x 53 1/2" (w/o inside frame)
	090893-09-01A	EA	Inside Frame (not included w/Window Assembly)
2	035302-02-000	EA	Operator Drive
3	09C025-01-000	EA	Extension - Window Knob (not included w/Window Assembly)
4	067052-02-000	EA	Window Knob - Bridge (not included w/Window Assembly)
	089371-01-000	EA	Screw - Window Knob (not included w/Window Assembly)
5	083227-08-000	EA	Torque Tube Asm
6	100168-01-000	EA	Screen Clip
7	100234-04-B07	EA	Screen Asm. - Right Side (Illustrated)
	100234-03-B07	EA	Screen Asm. - Left Side (Not illustrated)
	080914-01-000	EA	Corner Key - Screen Asm
8	080816-51-001	EA	Torque Tube Sleeve
9	080218-03-000	SF	Window Screen - 12"
	00240-01-000	FT	Window Screen Spine
10	090636-55-001	EA	Mullion - Vertical - Black
11	083226-08-000	EA	Torque Tube Asm
12	094068-22-000	EA	Glass - 9 2" x 29 9"
13	086762-01-000	EA	Window T-Nut
14	068927-03-000	EA	Seal - Rubber
15	084473-01-000	EA	Seal - Rubber
16	086763-01-000	EA	Seal - #10 - 32 x 1/4" PTH
17	097570-01-000	EA	Connecting Rod Asm
	084453-01-000	EA	Plastic Washer - 06 x 50 x 135
	085315-01-000	EA	Shoulder Rivet
	081649-01-000	EA	Snap Ring Clip
18	084453-02-000	EA	Plastic Washer - 05 x 50 x 25
19	089913-01-000	EA	Hinge
20	035302-01-000	EA	Operator Drive
21	084067-02-000	FT	Seal - Sponge Rubber
22	069640-06-000	FT	Ribbon Seal (not included w/Window Assembly)

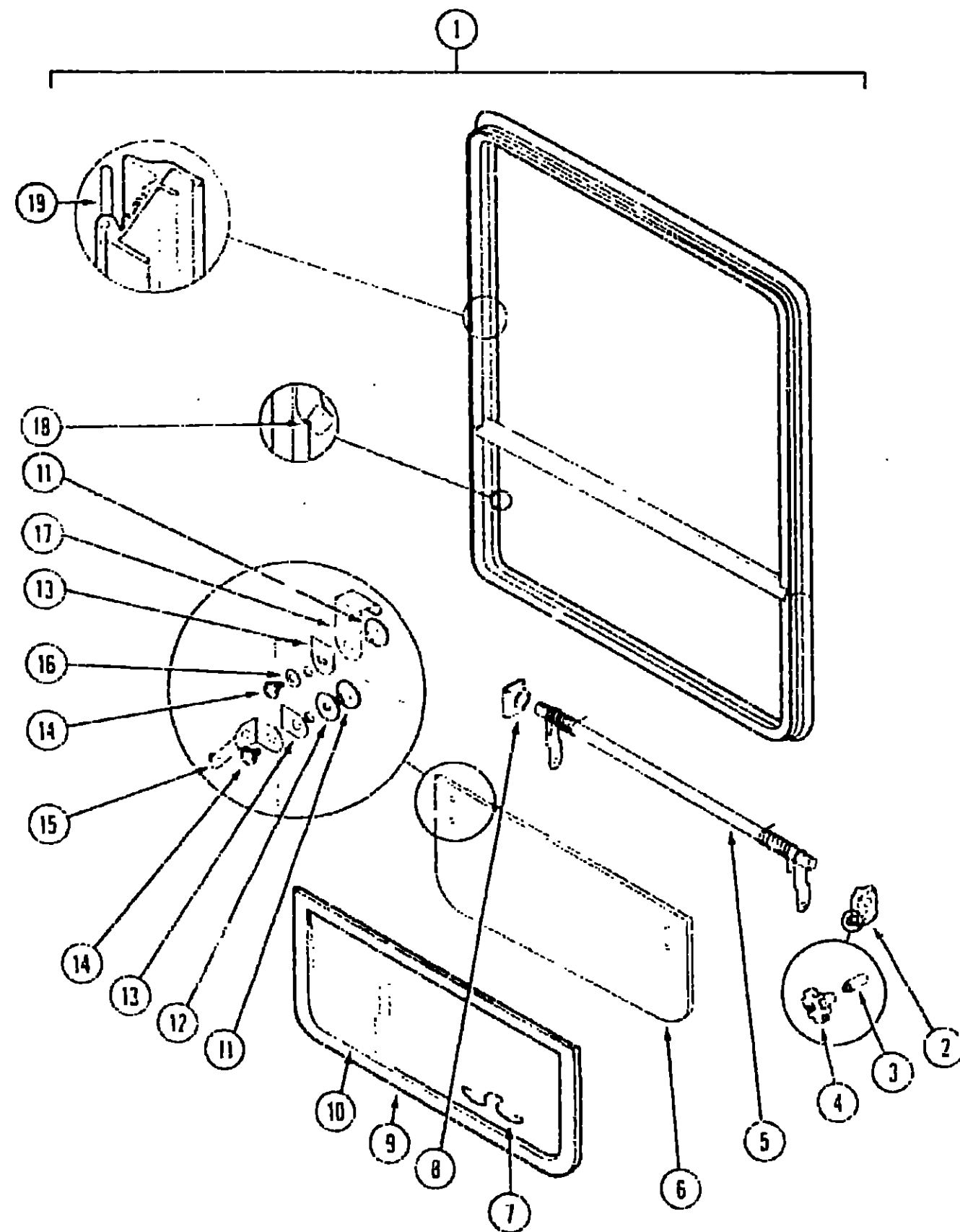
1991 WINNEBAGO
TABLE OF CONTENTS

INTRODUCTION	A-01 - A-01
ABBREVIATIONS	A-02 - A-02
ALPHABETICAL/GROUP REFERENCE	A-03 - A-03
WF424RC	A-07 - D-1
WF427RT	D-13 - H-0

1991 WF427RT INDEX

Floor Plan	D-13 - D-13
Accessories Group	D-15 - D-15
Bath Group	D-21 - D-21
Bedroom Group	D-23 - D-23
Chassis Group	E-01 - E-01
Curtain, Cushion & Pad Group	E-05 - E-05
Dinette Group	E-19 - E-19
Driver's Compartment Group	E-21 - E-21
Electrical Group	E-23 - F-01
Exterior Body Group	F-03 - F-03
Galley Group	F-07 - F-07
Heating & Air Conditioning Group	F-11 - F-11
Interior Finish Group	F-13 - F-13
Labels Group	F-17 - F-17
LP Group	G-01 - G-01
Lounge Group	G-02 - G-02
Sealants & Fasteners Group	G-05 - G-05
Water & Sewage Group	G-08 - G-08
Window, Vent & Exterior Door Group	G-12 - H-0

WINDOW, VENT & EXTERIOR DOOR GROUP (CONTINUED)



BATH SINGLE TIPOUT WINDOW

Qty	Part Number	U/M	Description
1	092235-10-Y12	EA	Window Asm. - Single Tipout - 15.8" x 25.5" (w/o inside frame)
	090393-15-01A	EA	Inside Frame (not included w/Window Assembly)
2	035302-02-000	EA	Operator Drive
3	090025-01-000	EA	Extension - Window Knob (not included w/Window Assembly)
4	067052-02-000	EA	Window Knob - Beige (not included w/Window Assembly)
	089371-01-060	EA	Screw - Window Knob (not included w/Window Assembly)
5	080918-01-000	EA	Spring - Torque Tube - Left
	080918-02-000	EA	Spring - Torque Tube - Right
5	083150-09-000	EA	Torque Tube Asm. w/Spring
6	084068-14-000	EA	Glass - 1/8" x 1/8" x 9.2" x 15"
7	100168-01-000	EA	Screen Clip
8	081354-01-000	EA	Torque Tube Sleeve
9	100235-04-B07	EA	Screen Asm.
10	080218-03-000	SF	Window Screen - 12"
	100240-01-000	FT	Window Screen Spline
11	086762-01-000	EA	Window T-Nut
12	069927-03-000	EA	Seal - Rubber
13	084473-01-000	EA	Seal - Rubber
14	086763-01-000	EA	Screw - #10 - 32 x 1/4" PTH
15	087578-01-000	EA	Connecting Rod Asm.
	081649-01-000	EA	Snap Ring Clip
16	084453-02-000	EA	Plastic Washer - 06 x .50 x .25
17	089913-01-000	EA	Hinge
18	084067-02-000	FT	Seal - Sponge Rubber
19	069640-06-000	FT	Ribbon Sealer (not included w/Window Assembly)

1991 WINNEBAGO TABLE OF CONTENTS

INTRODUCTION	A-01 - A-02
ABBREVIATIONS	A-03 - A-04
ALPHABETICAL/GROUP REFERENCE	A-05 - A-06
WF424RC	A-07 - D-13
WF427RT	D-13 - H-01

1991 WF427RT INDEX

Floor Plan	D-13 - D-14
Accessories Group	D-15 - D-21
Bath Group	D-21 - D-22
Bedroom Group	D-23 - D-24
Chassis Group	E-01 - E-02
Curtain, Cushion & Pad Group	E-05 - E-06
DINETTE Group	E-19 - E-20
Driver's Compartment Group	E-21 - E-22
Electrical Group	E-23 - F-02
Exterior Body Group	F-03 - F-04
Galley Group	F-07 - F-08
Heating & Air Conditioning Group	F-11 - F-12
Interior Finish Group	F-13 - F-14
Labels Group	F-17 - F-18
LP Group	G-01
Lounge Group	G-02 - G-03
Sealants & Fasteners Group	G-05 - G-06
Water & Sewage Group	G-08 - G-09
Window, Vent & Exterior Door Group	G-12 - H-01

WINDOW, VENT & EXTERIOR DOOR GROUP (CONTINUED)

BUNK SLANT SLIDER

Key	Part Number	U/M	Description
	100322-02-700	EA	Window - Slant Slider - Driver Side (w/o inside frame)
	100322-01-720	EA	Window - Slant Slider - Passenger Side - (w/o inside frame)
	100322-01-721	EA	Frame - Inside - Left Side - Black
	100322-02-701	EA	Frame - Inside - Left Side - Off White
	100322-01-719	EA	Frame - Inside - Right Side - Black
	100322-01-724	EA	Frame - Inside - Right Side - Off White
	100322-01-700	EA	Plug - Filler - Window
	100322-01-701	EA	Seal - Vent - Window
	100322-01-702	EA	Weatherstrip - Horizontal Rail
	100322-01-703	EA	Glazing Strip - Butyl - Glass
	100322-01-704	EA	Tape - Butyl - Window
	100322-01-705	EA	Glass - Stationary - Small Top
	100322-01-706	EA	Glass - Stationary - Angled
	100322-01-707	EA	Glass - Vent - Right
	100322-01-708	EA	Screen Asm. - Left
	100322-01-709	EA	Screen Asm. - Right
	100322-01-710	EA	Plate - Splice - Window
	100322-01-711	EA	Operator Asm. - Vent - Glass - Right
	100322-01-712	EA	Rail - Horizontal - Right or Left
	100322-01-713	EA	Bar - Vertical Division - Right or Left
	100322-01-714	EA	Support - Torque Bar - Left
	100322-01-715	EA	Support - Torque Bar - Right
	100322-01-716	EA	Support - Torque Bar - Center Rail
	100322-01-717	EA	E-Ring - Window
	100322-01-718	EA	Handle - Dial - Window
	100322-01-722	EA	Glass - Vent - Left

These parts were used from 6-3-91 on

WINDOW, VENT & EXTERIOR DOOR GROUP (CONTINUED)

POWERED ROOF VENT

Key	Part Number	U/M	Description
	090394-01-Y12	EA	Vent Asm. - Roof - Powered
	009440-01-000	EA	Lift Mechanism
	009439-03-000	EA	Extension
	009439-04-000	EA	Screw
	009439-02-000	EA	Knob - Roof Vent - Black
	048649-01-000	EA	Fan - Plastic - 6"
	008195-01-000	EA	Switch - Push Button - 12 Volt
	015911-01-000	EA	Track - Slide - Roof Vent
	002825-01-000	EA	Weatherstrip Seal
	048648-01-000	EA	Motor - 12 Volt
	051384-01-000	EA	Cover Asm. - Roof Vent
	052639-01-200	EA	Hinge - 7" - Roof Vent
	078785-01-Y12	EA	Screen Asm. - Roof Vent - Powered
	002291-02-000	SF	Screen - Window - 16" - Charcoal
	002298-02-000	FT	Spline - Charcoal
	084079-03-000	EA	Vent Asm. - Roof - Powered - Off White - Fantastic (Option L41M)
	064469-08-000	EA	Vent Asm. - Roof - 14" x 14" - 12V - w/o Screen Asm (CSA)

NON-POWERED VENT

Key	Part Number	U/M	Description
	090395-01-Y12	EA	Vent Asm. - Roof - Non-Powered - w/o Screen
	009440-01-000	EA	Lift Mechanism Asm.
	009439-03-000	EA	Extension
	009439-04-000	EA	Screw
	009439-02-000	EA	Knob - Roof Vent - Black
	015911-01-000	EA	Track - Slide - Roof Vent
	002825-01-000	EA	Weatherstrip Seal
	055218-01-000	EA	Cover Asm. - Roof Vent
	052639-01-200	EA	Hinge - 7" - Roof Vent
	078785-01-Y12	EA	Screen Asm. - Charcoal
	002291-02-000	SF	Screen - Window - 16" - Charcoal
	002298-02-000	FT	Spline - Charcoal

VENTS & SHROUDS

Key	Part Number	U/M	Description
	093558-03-000	EA	Vent - Plumbing Pipe - Roof w/Cover - Off White
	084073-03-000	EA	Vent - Refrigerator Roof - Off White
	084073-04-000	EA	Base - Roof Vent - Norcold Refrigerator - Black
	063752-01-000	EA	Shroud Asm. - Range
	092699-02-000	EA	Vent w/Door - Range Hood - Off White

**1991 WINNEBAGO
TABLE OF CONTENTS**

INTRODUCTION	A-01 - A-0
ABBREVIATIONS	A-0
ALPHABETICAL/GROUP REFERENCE	A-04 - A-0
WF424RC	A-07 - D-1
WF427RT	D-13 - H-0

1991 WF427RT INDEX

Floor Plan	D-13 - D-1
Accessories Group	D-15 - D-2
Bath Group	D-21 - D-2
Bedroom Group	D-23 - D-2
Charcoal Group	E-01 - E-4
Curtain, Cushion & Pad Group	E-05 - E-1
Dinette Group	E-19 - E-2
Driver's Compartment Group	E-21 - E-2
Electrical Group	E-23 - F-4
Exterior Body Group	F-03 - F-4
Galley Group	F-07 - F-4
Heating & A/c Conditioning Group	F-11 - F-4
Interior Finish Group	F-13 - F-4
Labels Group	F-17 - F-4
LP Group	G-4
Lounge Group	G-02 - G-4
Sealants & Fasteners Group	G-05 - G-4
Water & Sewage Group	G-08 - G-4
Window, Vent & Exterior Door Group	G-12 - H-4