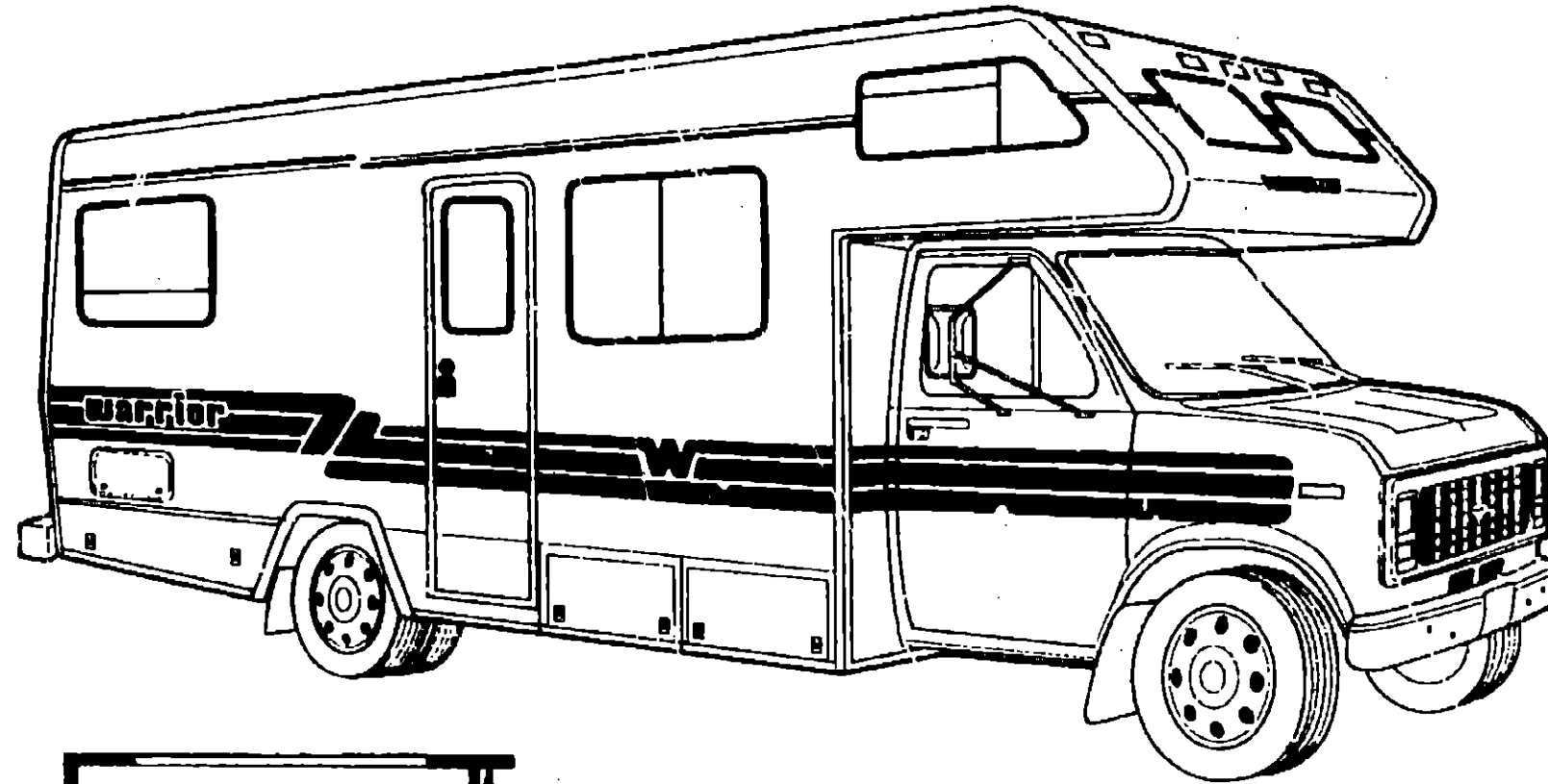
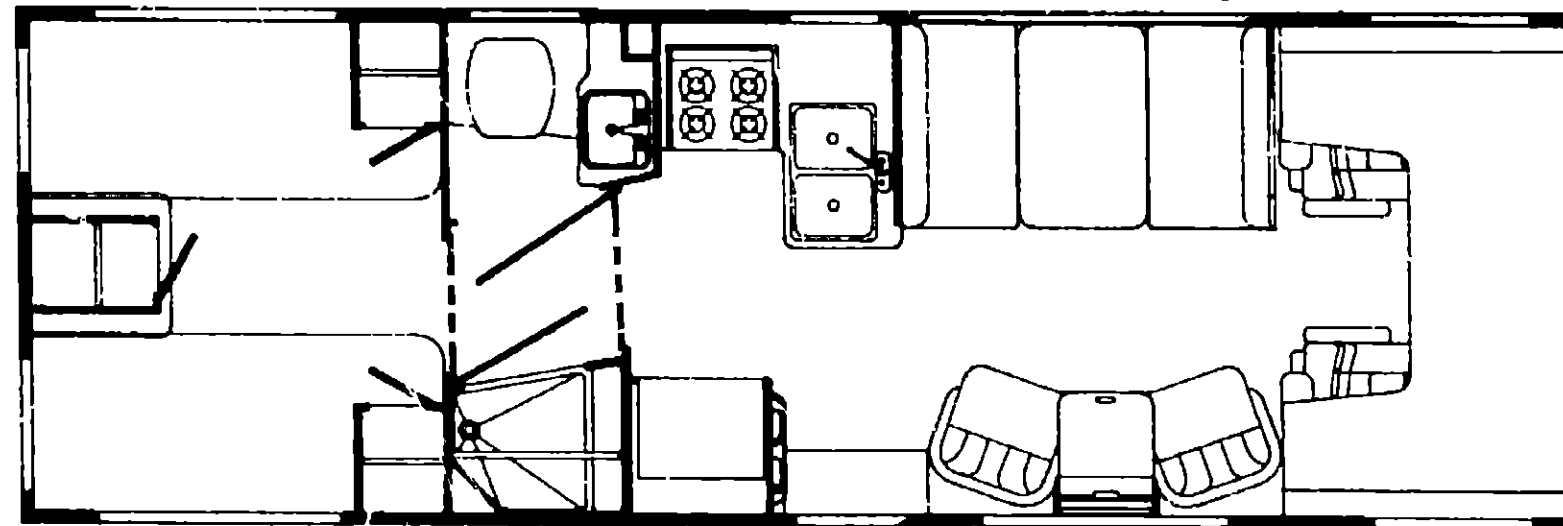
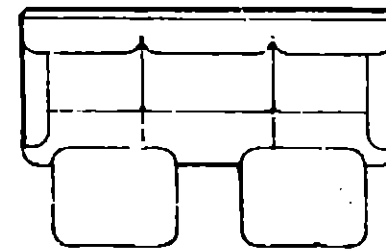
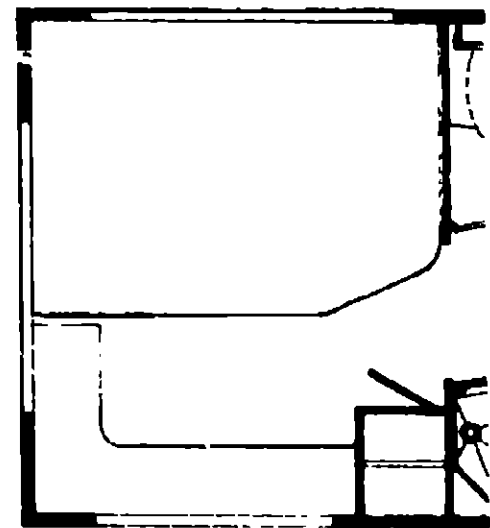


## 1991 WINNEBAGO TABLE OF CONTENTS

INTRODUCTION	A-C1 - A-02
ABBREVIATIONS	A-03
ALPHABETICAL/GROUP REFERENCE	A-04 - A-06
WF327RT	A-07 - D-12
WF327RB	D-13 - G-08
WF327RC	G-09 - J-12



## 1991 WF327RT



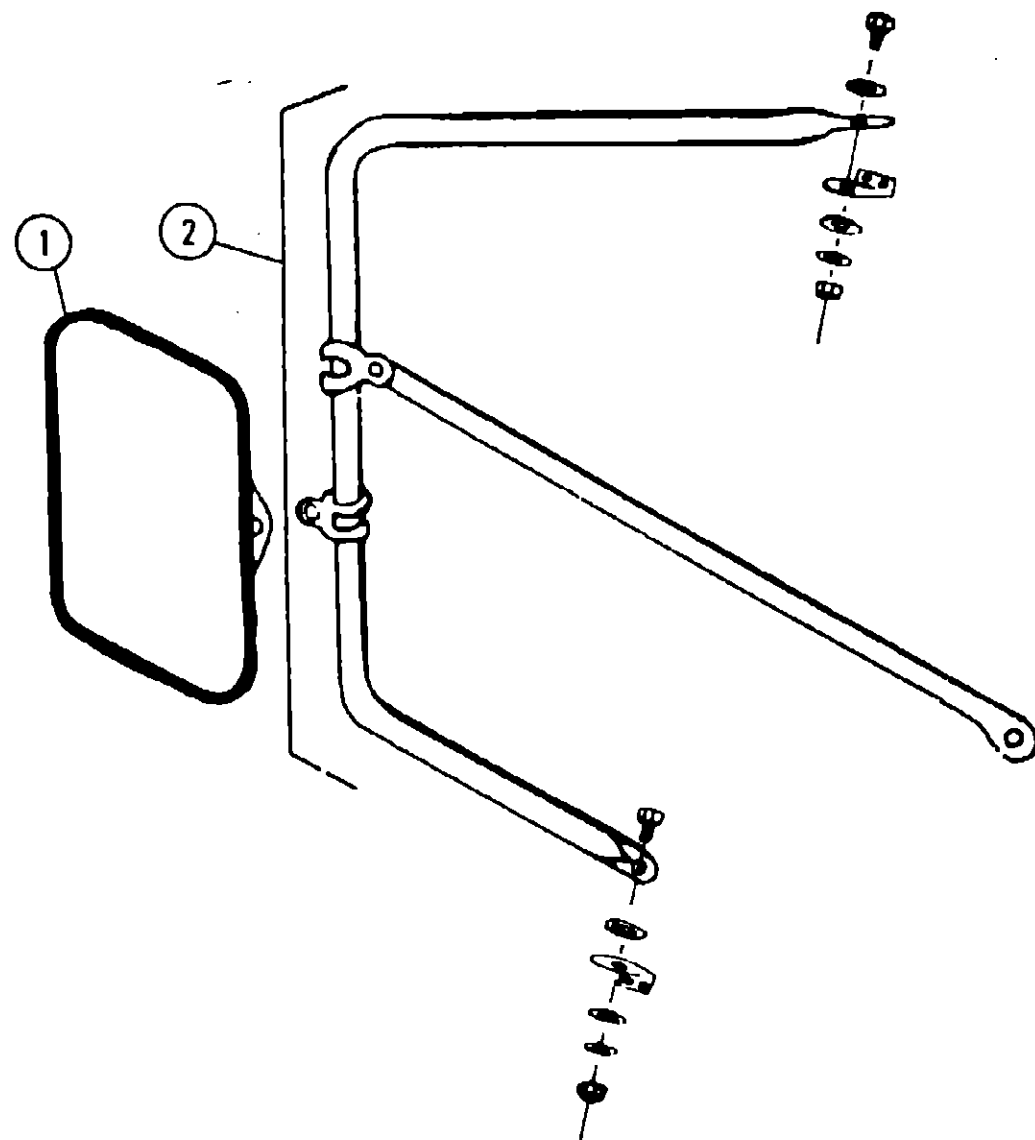
A-7

## 1991 WF327RT INDEX

Floor Plan	A-07 - A-08
Accessories Group	A-09 - A-12
Bath Group	A-13 - A-14
Bedroom Group	A-15 - A-17
Chassis Group	A-18 - A-21
Curtain, Cushion & Pad Group	A-22 - B-08
Dinette Group	B-09 - B-11
Driver's Compartment Group	B-12 - B-14
Electrical Group	B-15 - B-17
Exterior Body Group	B-18 - B-22
Galley Group	B-23 - C-02
Heating & Air Conditioning Group	C-03 - C-04
Interior Finish Group	C-05 - C-07
Labels Group	C-08 - C-14
LP Group	C-15
Lounge Group	C-16
Sealants & Fasteners Group	C-17 - C-18
Water & Sewage Group	C-19 - C-22
Window, Vent & Exterior Door Group	C-23 - D-12

A-8

## ACCESSORIES GROUP



EXTERIOR MIRRORS

Key	Part Number	U/M	Description
1	049347-01-000	EA	Mirror Head - 7 1/2" x 10 1/2" - Stainless Steel (Option L63W)
2	062047-01-000	EA	Arm - West Coast Mirror - Stainless Steel
	006043-01-000	EA	Mirror - Convex - Adhesive Back

### WHEEL COVER & MOUNTING HARDWARE

Key	Part Number	U/M	Description
	083181-01-000	EA	Wheel Cover - 16" (Set/4)
	083181-01-700	EA	Wheel Cover - 16" (1)
	083181-04-702	EA	Nut - Wheel Cover

### RADIO & RELATED COMPONENTS

Key	Part Number	U/M	Description
	090982-01-000	EA	Radio - AM/FM Stereo - w/ Cassette
	074979-01-000	EA	Speaker Cover Protector - Plastic
	089340-01-000	EA	Speaker Grill - 6.5" - Square
	089340-02-000	EA	Speaker Grill - 6.5" - Square
	081082-01-000	EA	Plaque - Mounting Switch
	079385-02-000	EA	Radio Mounting Kit
	094097-01-000	EA	Speaker - 5.25" - w/o Grille
	081059-02-000	EA	Wire Asm. - 9 Pin - Audiovox Radio

\* These parts are used from 11/5/90 on.

## ACCESSORIES GROUP (CONTINUED)

### MISCELLANEOUS ACCESSORIES

Key	Part Number	U/M	Description
	054185-63-000	EA	Owner's Manual - 1991 - Warrior
	092318-01-000	EA	Binder - 3 Ring - Vendor Manual
	092319-01-000	EA	Page - Plastic Packet
	098084-05-000	EA	Cassette - Winnebago Warrior
	094499-01-000	EA	Fire Extinguisher - IA 10BC (UL)
	094499-02-000	EA	Fire Extinguisher - IA 10BC (CSA)
	094499-01-700	EA	Bracket - Mounting w/Plastic Strap - Fire Extinguisher
	072852-01-000	EA	Smoke Detector w/9 Volt Battery
	100603-01-01A	EA	Wall Clock - Round - Bezel
	104764-01-01A	EA	Wall Clock - Spartus

### TV ANTENNA (OPTION 193)

Key	Part Number	U/M	Description
	076319-13-000	EA	Antenna - TV Roof Mount - 44.5"
	076319-13-700	EA	Head - Antenna - Non-Amplified
	076319-01-701	EA	Gear - Elevating - Plastic
	076319-01-702	EA	Shaft Asm. - Elevating
	076319-01-703	EA	Bearing - Nylon - .5" OD
	076319-01-704	EA	Bearing - Nylon - 1.25" OD
	076319-01-705	EA	Grommet - Nylon - 7/8" ID
	076319-01-706	EA	Crank - Elevating w/Set Screw
	076319-01-707	EA	Spring - Handle
	076319-01-708	EA	Decal - Crank
	076319-06-000	EA	Adaptor - Cable Roof Plate
	093252-01-01A	EA	Wallplate/Cable - Beige
	076319-11-000	EA	Adapter - Coax w/Splitter
	076319-03-000	FT	Cable - Coaxial - 1000' Roll
	076319-12-000	EA	Connector - Coaxial
	076319-04-000	EA	Connector w/Farrule
	030734-02-000	EA	Clip - Wire Nylon

NOTE: Items indented below assemblies are servicable parts for that assembly.

### TV/VCR & RELATED COMPONENTS

Key	Part Number	U/M	Description
	098447-01-000	EA	TV - 13" Color w/Remote - Magnavox (US)
	098447-02-000	EA	TV - 13" Color w/Remote - Magnavox (CSA)
	098447-01-700	EA	Remote Control - TV
	098446-01-000	EA	VCR - VHS - Cable Ready w/Remote - Magnavox 9815
	098446-01-700	EA	Remote Control - VCR
	098446-02-000	EA	VCR - VHS - Cable Ready w/Remote - Magnavox 9912
	098446-02-700	EA	Remote Control - VCR
	099856-01-000	EA	TV Tie-down
	096819-01-000	EA	Speaker - 2 Watt - 8 OHM - 4"
	074979-12-000	EA	Cover - Speaker - Off White - Plastic

\* Include make & model number of TV & VCR when ordering this part.

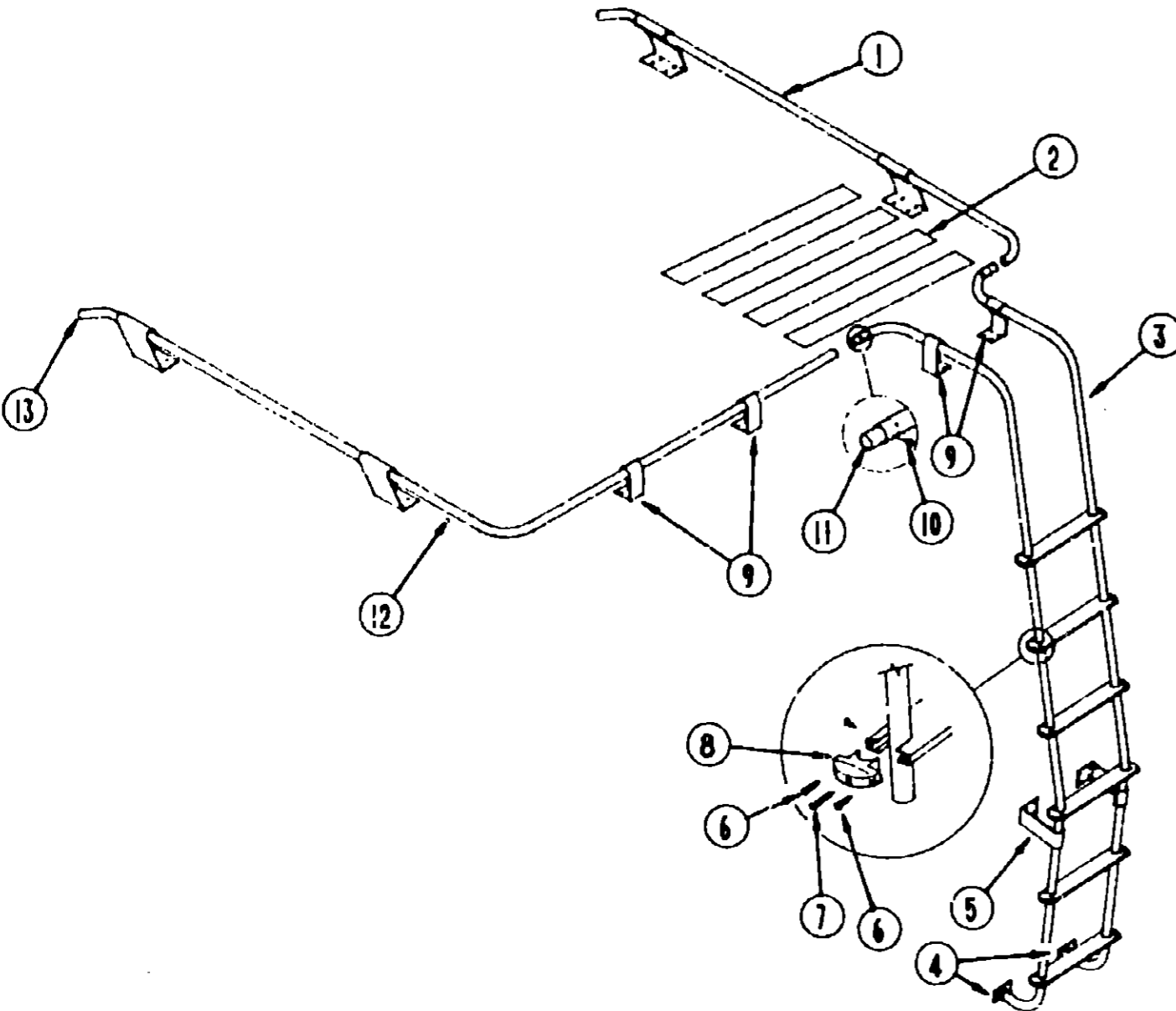
## 1991 WINNEBAGO TABLE OF CONTENTS

INTRODUCTION	A-01 - A-02
ABBREVIATIONS	A-03
ALPHABETICAL/GROUP REFERENCE	A-04 - A-06
WF327RT	A-07 - D-12
WF327RB	D-13 - G-08
WF327RQ	G-09 - J-12

## 1991 WF327RT INDEX

Floor Plan	A-07 - A-08
Accessories Group	A-09 - A-12
Bath Group	A-13 - A-14
Bedroom Group	A-15 - A-17
Chassis Group	A-18 - A-21
Curtain, Cushion & Pad Group	A-22 - B-08
Dinette Group	B-09 - B-11
Driver's Compartment Group	B-12 - B-14
Electrical Group	B-15 - B-17
Exterior Body Group	B-18 - B-22
Galley Group	B-23 - C-02
Heating & Air Conditioning Group	C-03 - C-04
Interior Finish Group	C-05 - C-07
Labels Group	C-08 - C-14
LP Group	C-15
Lounge Group	C-16
Sealants & Fasteners Group	C-17 - C-18
Water & Sewage Group	C-19 - C-22
Window, Vent & Exterior Door Group	C-23 - D-12

## ACCESSORIES GROUP (CONTINUED)



### RACK & LADDER COMPONENTS (OPTION L502)

Key	Part Number	U/M	Description
1	081026-01-T03	EA	Rack Asm. - Passenger Side w/2 Angled Standoff
2	038327-01-000	EA	Tape - Anti-Slip - 2" x 60'
3	081016-04-AA3	EA	Ladder
4	067165-01-000	EA	Mounting Bracket - Ladder - Lower
5	067125-01-000	EA	Standoff - Ladder - Bright Dipped - Lower
6	000G39-06-10T	EA	Screw - SF/DR - 6 - 20 x 5/8" PPH - Black
7	000G68-10-36T	EA	Screw - 10 - 12 x 2.25" POH - Black
8	076980-02-000	EA	End Cap - Step - Black
9	091085-02-000	EA	Standoff - Rack & Ladder - Bright Dipped
10	000G39-08-06E	EA	Screw - SF/DR - 8 - 18 x 50 PPH
11	083891-51-002	EA	Splice
12	081026-02-T03	EA	Rack Asm. - Driver Side w/2 Angled & 2 Straight Standoff
13	081114-01-000	EA	Cap - Insert - Round - 1" Dia.

## ACCESSORIES GROUP (CONTINUED)

### GENERATORS & COMPONENTS (OPTION L30E)

Key	Part Number	U/M	Description
	100974-03-000	EA	Generator - Emerald - 4.0 kw
	082273-01-000	EA	Exhaust Pipe - Generator (CSA)
	079654-05-000	EA	Exhaust Pipe - Generator - w/2 Bolt Hole Flange
	081364-01-000	EA	Muffler - Generator - Emerald
	081304-02-000	EA	Muffler - Generator
	093591-02-000	EA	Pipe - Exhaust - Generator - 1.5" O.D.
	082272-01-000	EA	Muffler - Generator (CSA)
	007067-01-000	SF	Insulation - Fiberglass - 1"
	078045-01-000	EA	Strap - Support - Generator - 4 Hole
	084365-01-000	EA	Strap - Support - Generator - 2 Hole
	079654-01-700	EA	Hinge Kit - Emerald Generator
	007063-01-000	EA	Hose - Gas - 1/4" ID x 1/2" OD
	007125-04-000	EA	Clamp - Muffler - 1.5" Dia.
	007161-01-000	EA	Clamp - Hose - Spring Type - 1/2"
	092615-01-000	EA	Converter - 40 Amp. w/Charger
	00125-01-000	EA	Clamp - Muffler - 1.62" Dia.

These parts are used from 6/20/90 on.

### EXPORT GENERATORS (3.5KW)

Key	Part Number	U/M	Description
	100974-05-000	EA	Generator - Onan - 4.0kw
	079654-05-000	EA	Exhaust Pipe - Generator
	081364-01-000	EA	Muffler - Generator - 3.5KW
	007125-01-000	EA	Clamp - Muffler - 1.62" Dia.
	093591-02-000	EA	Pipe - Exhaust - Generator - 1.5" O.D.
	081634-02-700	EA	LP System - For Onan Conversion
	078045-01-000	EA	Strap - Support - Generator - 4 Hole
	084365-01-000	EA	Strap - Support - Generator - 2 Hole
	007067-01-000	SF	Insulation - Fiberglass - 1"
	079654-01-700	EA	Hinge Kit - Emerald Generator
	007063-01-000	FT	Hose - Gas - 1/4" ID x 1/2" OD
	007125-04-000	EA	Clamp - Muffler - 1.1" Dia.
	007161-01-000	EA	Clamp - Hose - Spring Type - 1/2"
	094059-01-000	EA	Spacer - Generator

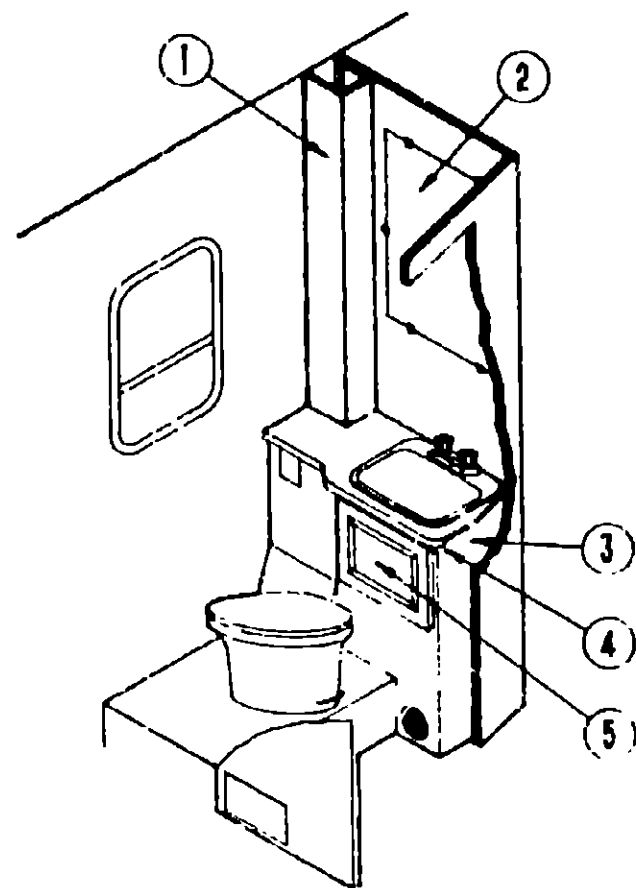
## 1991 WINNEBAGO TABLE OF CONTENTS

INTRODUCTION	A-01 - A-02
ABBREVIATIONS	A-03
ALPHABETICAL/GROUP REFERENCE	A-04 - A-06
WF327RT	A-07 - D-12
WF327RB	D-13 - G-08
WF327RO	G-09 - J-12

## 1991 WF327RT INDEX

Floor Plan	A-07 - A-08
Accessories Group	A-09 - A-12
Bath Group	A-13 - A-14
Bedroom Group	A-15 - A-17
Chassis Group	A-18 - A-21
Curtain, Cushion & Pad Group	A-22 - B-08
Dinette Group	B-09 - B-11
Driver's Compartment Group	B-12 - B-14
Electrical Group	B-15 - B-17
Exterior Body Group	B-18 - B-22
Galley Group	B-23 - C-02
Heating & Air Conditioning Group	C-03 - C-04
Interior Finish Group	C-05 - C-07
Labels Group	C-08 - C-14
LP Group	C-15
Lounge Group	C-16
Sealants & Fasteners Group	C-17 - C-18
Water & Sewage Group	C-19 - C-22
Window, Vent & Exterior Door Group	C-23 - D-12

**BATH GROUP**



**BATH CABINETRY**

Key	Part Number	U/M	Description
1	095927-01-B05	EA	Cabinet Asm. - Pipe Cover
2	P00099-31-B05	EA	Door Asm. - Medicine Cabinet - 15" x 29" - w/o Hardware
	M04144-01-B05	EA	Medicine Cabinet Asm. w/o Door
	058331-35-000	EA	Mirror - Safety Glass - 25.4" x 11.4"
3	M92359-02-B05	EA	Cabinet Asm. - Lavatory - w/Countertop - w/o Door or Hardware (US)
3	M04043-01-B05	EA	Cabinet Asm. - Lavatory - w/Countertop - w/o Door or Hardware (CSA)
4	092359-13-B05	EA	Countertop Asm. - Lavatory
5	P00099-68-B05	EA	Door Asm. - Lavatory Cabinet - 14" x 18" (w/o Hardware)
	M62429-05-X61	EA	Door Asm. - Bath - w/o Mirror or Hardware
	093446-01-X81	EA	Mirror Asm. - Bath Door
	058331-20-000	EA	Mirror - Safety Glass - 13.2" x 44.5"
	M62429-04-X81	EA	Door Asm. - Shower - w/o Mirror or Hardware

**BATH GROUP (CONTINUED)**

**BATH & WARDROBE HARDWARE**

Key	Part Number	U/M	Description
	M02673-03-X81	EA	Shower Pan Asm.
	075606-01-000	EA	Panel - Shower Faucet - Plastic - Back
	084481-10-000	EA	Shower Curtain - 70" x 32" - Vinyl
	092464-01-01A	FT	Track - Shower Curtain - 8' - Off White
	075241-05-000	EA	Faucet - Shower - Bone
**	011048-02-000	EA	Shower Head - w/60' Hose (US)
	011048-05-000	EA	Shower Head - w/60" Hose (CSA)
	066440-01-000	EA	Strainer - Shower Pan Asm.
	069735-01-000	EA	Washer - Tailpiece - 1.5" Plastic - Shower Pan Asm.
	056436-01-000	EA	Slip Nut - 1.5" Tailpiece - Shower Pan Asm.
	011069-02-000	EA	Tailpiece - 1 1/2" x 1 1/4" x 4" - Brass
	073240-06-000	EA	Faucet - Lavatory - Bone
	091253-01-000	EA	Grasket - Lavatory Faucet
	081614-02-000	EA	Soap Dish w/Plastic Cover - Brass
	093927-01-01A	EA	Sink - Lavatory - Rectangular - Plastic - Bone (US)
	096927-01-700	EA	Sink - Stopper
	096927-01-701	EA	Tailpiece - Sink
	067487-01-000	EA	Toilet - Thorford - Aqua Magic
	067487-01-701	EA	C.L.F.L. Seal & Bolt Package
	067487-01-701	EA	Water Saver Package
	063740-01-710	EA	Link
	063740-01-711	EA	Spring - Return Lever
	063740-01-716	EA	Seat & Cover - Ivory
	063740-01-700	EA	Lever - Water
	063740-01-701	EA	Lever - Flush
	063740-01-713	EA	Seal - Ball Valve to Bowl
	063740-01-714	EA	Valve Asm. - Water
	063740-01-707	EA	Seal - Closet Flange
	063740-01-706	EA	Bolt Package - Closet
	063740-01-717	EA	Flush Tube
	021676-01-000	EA	Closet Flange - 4" x 3" (US)
	024676-02-000	EA	Closet Flange - 4" x 3" (CSA)
	075152-02-000	EA	Tissue Holder - Brass
	073454-02-000	EA	Towel Ring - Bright Brass w/Mounting Hardware
	075453-02-000	EA	Towel Bar - 13" - Brass
	058331-20-000	EA	Mirror - 13.2" x 44.4" (Bath Door)
	058331-35-000	EA	Mirror - 25.4" x 11.4" (Medicine Cabinet)
	100030-01-000	EA	Pull - Medicine Cabinet (Mounts To Door)
	093586-03-000	EA	Catch - Medicine Cabinet (Mounts to Cabinet)
	093586-04-000	EA	Strike - Medicine Cabinet (Mounts to Cabinet)
	058335-02-000	EA	Latch - Shower/Bath Door
	009013-01-000	EA	Catch - Male Bulldog - Door Mounted (Shower/Bath Door)
	009013-02-000	EA	Catch - Female Bulldog - Wall Mounted
	009151-01-000	EA	Warp Guard - Shower/Bath Door - 48"
	059777-02-000	EA	Hinge - Cabinet Door - Burnished Brass
	080258-01-000	EA	Trim - Skylight
	080507-01-000	EA	Panel - Skylight - Outer - 23.25" x 20.3"
	080508-01-000	EA	Panel - Skylight - Inner - 23.25" x 20.3"

\*\* The illustrated parts breakdown for this item is provided on the Common Items Fiche.  
NOTE: Items indented below assemblies are serviceable parts for that assembly.

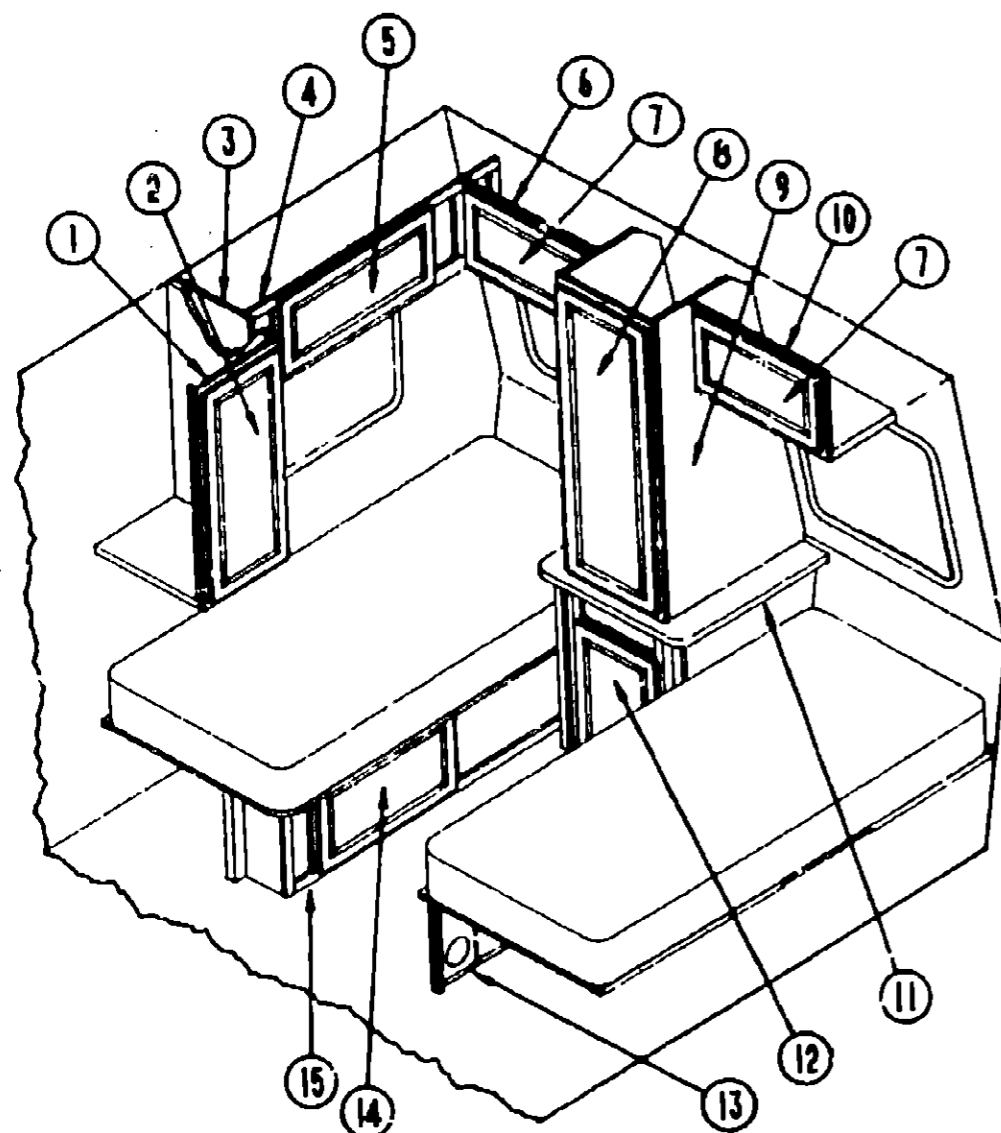
**1991 WINNEBAGO  
TABLE OF CONTENTS**

INTRODUCTION	A-01 - A-02
ABBREVIATIONS	A-03
ALPHABETICAL/GROUP REFERENCE	A-04 - A-06
WF327RT	A-07 - D-12
WF327RB	D-13 - G-08
WF327RO	G-09 - J-12

**1991 WF327RT INDEX**

Floor Plan	A-07 - A-08
Accessories Group	A-09 - A-12
Bath Group	A-13 - A-14
Bedroom Group	A-15 - A-17
Chassis Group	A-18 - A-21
Curtain, Cushion & Pad Group	A-22 - B-08
Dinette Group	B-09 - B-11
Driver's Compartment Group	B-12 - B-14
Electrical Group	B-15 - B-17
Exterior Body Group	B-18 - B-22
Galley Group	B-23 - C-02
Heating & Air Conditioning Group	C-03 - C-04
Interior Finish Group	C-05 - C-07
Labels Group	C-08 - C-14
LP Group	C-15
Lounge Group	C-16
Sealants & Fasteners Group	C-17 - C-18
Water & Sewage Group	C-19 - C-22
Window, Vent & Exterior Door Group	C-23 - D-12

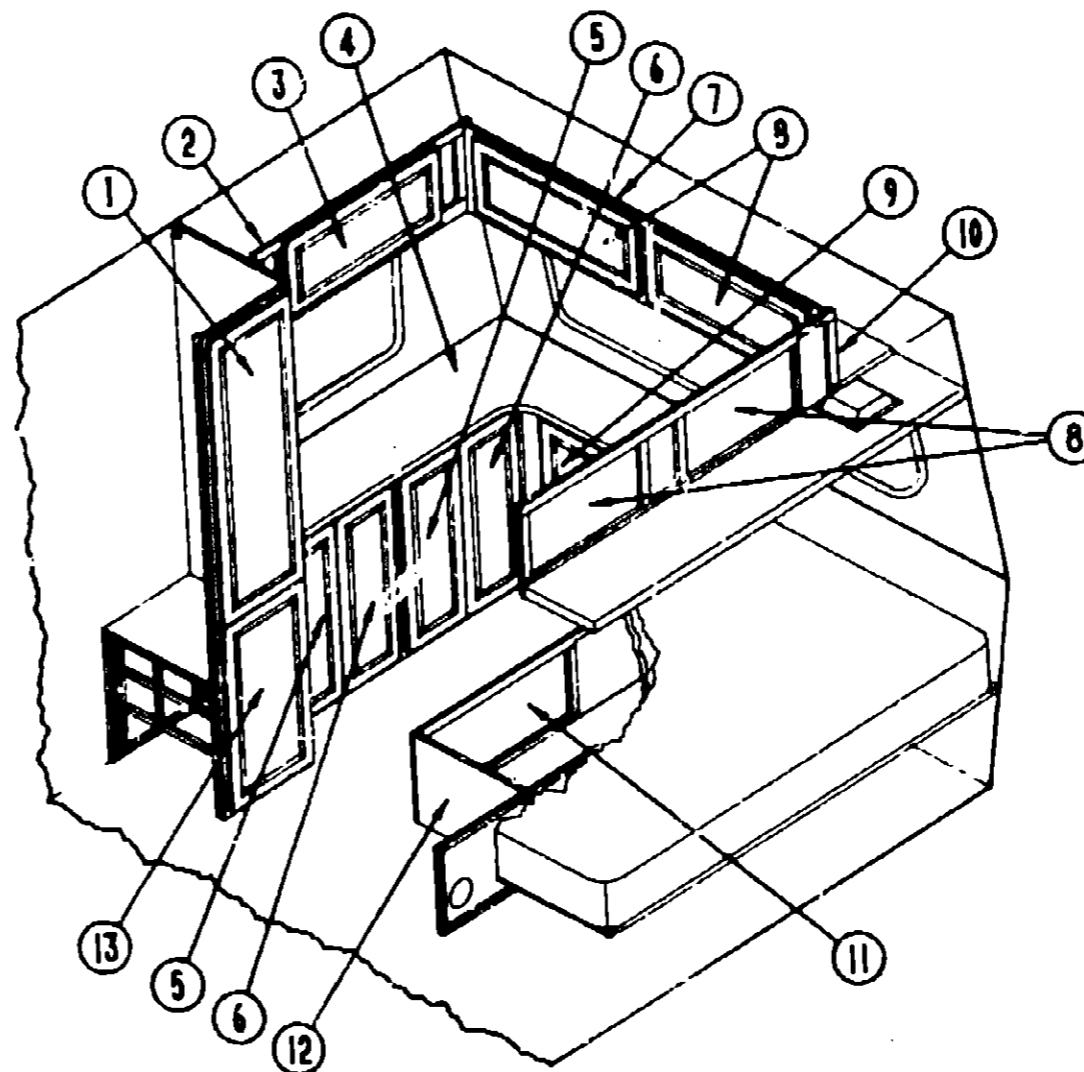
## BEDROOM GROUP



**TWIN BED CABINERY & HARDWARE**

Key	Part Number	U/M	Description
1	095937-01-B05	EA	Cabinet Asm. - Passenger Side Shirt Closet - w/o Door or Hardware
	095938-01-B05	EA	Cabinet Asm. - Driver Side Shirt Closet - w/o Door or Hardware
2	P00093-36-B05	EA	Door Asm. - Shirt Closets - 14" x 33" w/o Hardware
3	081280-18-B05	EA	End Cap - Cabinet - Passenger Side Overhead
4	P00190-01-B05	EA	Cabinet Asm. - Passenger Side Overhead - w/o Door or Hardware
	P00191-01-B05	EA	Cabinet Asm. - Driver Side Overhead - w/o Door or Hardware
	081280-21-B05	EA	End Cap - Cabinet - Driver Side Overhead
5	P00099-34-B05	EA	Door Asm. - Rear Overheads - 14" x 33" - w/o Hardware
6	P00192-02-B05	EA	Cabinet Asm. - Rear Overhead - Passenger Side - w/o Door or Hardware
7	P00099-41-B05	EA	Door Asm. - Overhead - 14" x 18" - w/o Hardware
8	P00099-09-B42	EA	Door Asm. - Wardrobe - w/Mirror - 45" x 16" - w/o Hardware
9	M55528-01-B05	EA	Cabinet Asm. - Center Wardrobe - w/o Door or Hardware
10	P00192-01-B05	EA	Cabinet Asm. - Rear Overhead - Driver Side - w/o Door or Hardware
11	095928-14-B05	EA	Countertop - Wardrobe
12	P00099-81-B05	EA	Door Asm. - Cabinet - 22" x 14" - w/o Hardware
13	M92336-01-B05	EA	Cabinet Asm. - Twin Bed - Driver Side - w/o Hardware
14	P00099-66-B05	EA	Door Asm. - Twin Bed Cabinet - 12" x 26"
15	M92335-01-B05	EA	Cabinet Asm. - Twin Bed Cabinet - Passenger Side w/o Door or Hardware

## BEDROOM GROUP (CONTINUED)



**DOUBLE BED CABINERY (OPTION 46L)**

Key	Part Number	U/M	Description
1	P00099-09-B42	EA	Door Asm. - Wardrobe - 16" x 45" - w/o Hardware
2	P00194-01-B05	EA	Cabinet Asm. - Passenger Overhead - w/o Door or Hardware
	081280-18-B05	EA	End Cap - Cabinet - Front
3	P00099-34-B05	EA	Door Asm. - Passenger Side Overhead - 14" x 33" - w/o Hardware
4	M97945-01-B05	EA	Cabinet Asm. - Vanity w/Countertop - w/o Doors or Hardware
	097945-13-B05	EA	Countertop - Vanity Cabinet
5	P00099-46-B05	EA	Door Asm. - Vanity Cabinet - 11" x 28" - w/o Hardware
6	P00099-47-B05	EA	Door Asm. - Vanity Cabinet - 11" x 28" - w/o Hardware
7	P00193-01-B05	EA	Cabinet Asm. - Backwall Overhead - w/o Doors or Hardware
8	P00099-32-B05	EA	Door Asm. - Backwall Cabinet - 14" x 27" - w/o Hardware
9	P00099-82-B05	EA	Door Asm. - Vanity Cabinet - 16" x 28" - w/o Hardware
10	P00195-01-B05	EA	Cabinet Asm. - Driver Side Overhead - w/o Doors or Hardware
	081280-21-B05	EA	End Cap - Cabinet - Front
11	P00099-67-305	EA	Door Asm. - Double Bed Cabinet - 12" x 29" - w/o Hardware
12	M93436-01-B05	EA	Cabinet Asm. - Double Bed - w/o Door or Hardware
13	P00099-35-B05	EA	Door Asm. - Wardrobe Cabinet - 16" x 33" - w/o Hardware

## 1991 WINNEBAGO TABLE OF CONTENTS

INTRODUCTION	A-01 - A-02
ABBREVIATIONS	A-03
ALPHABETICAL/GROUP REFERENCE	A-04 - A-06
WF327RT	A-07 - D-12
WF327RB	D-13 - G-08
WF327RQ	G-09 - J-12

## 1991 WF327RT INDEX

Floor Plan	A-07 - A-08
Accessories Group	A-09 - A-12
Bath Group	A-13 - A-14
Bedroom Group	A-15 - A-17
Chassis Group	A-18 - A-21
Curtain, Cushion & Pad Group	A-22 - B-08
Dinette Group	B-09 - B-11
Driver's Compartment Group	B-12 - B-14
Electrical Group	B-15 - B-17
Exterior Body Group	B-18 - B-22
Galley Group	B-23 - C-02
Heating & Air Conditioning Group	C-03 - C-04
Interior Finish Group	C-05 - C-07
Labels Group	C-08 - C-14
LP Group	C-15
Lounge Group	C-16
Sealants & Fasteners Group	C-17 - C-19
Water & Sewage Group	C-19 - C-22
Window, Vent & Exterior Door Group	C-23 - D-12

## BEDROOM GROUP (CONTINUED)

### BEDROOM HARDWARE

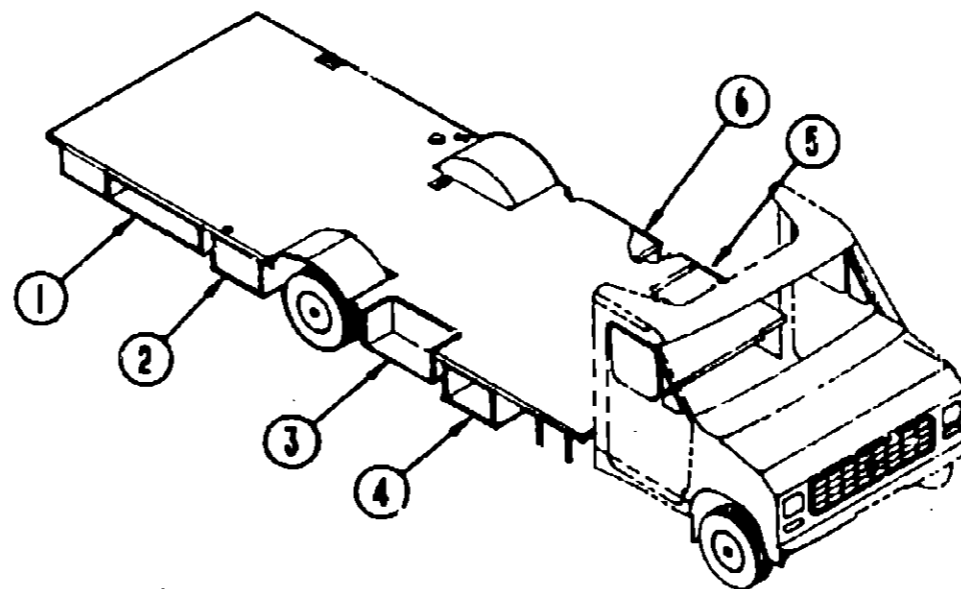
Key	Part Number	U/M	Description
	041953-03-000	FT	Conduit - Convolute Slit - 1" ID (Clothes Rod Cover)
	042438-01-000	EA	Dowel - Wood - Clothes Rod - 1" Dia. x 4'
	009112-01-000	EA	Flange - 1" Clothes Rod - Plastic - Off White
	089076-03-000	EA	H-Channel - Bed Support - Beige
	059777-02-000	EA	Hinge - Cabinet Door - Burnished Brass
	100030-01-000	EA	Pull - Cabinet
	074493-02-000	EA	Support - Overhead Door - Sorung
	093586-03-000	EA	Catch - Roller Spring
	093586-04-000	EA	Strike - Spring Steel
	057205-01-000	EA	Angle - Support Bed - 1" x 1.5" x 24" - Metal - Off White
	057205-02-000	EA	Angle - Support Bed - 1" x 1.5" x 34" - Metal - Off White

## CHASSIS GROUP

### MISCELLANEOUS CHASSIS PARTS

Key	Part Number	U/M	Description
	065450-05-000	EA	Tiedown - Battery
	010497-01-000	EA	Clamp - Closed - 5/8 ID
	007161-01-000	EA	Clamp - Hose - Spring Type 112
	062401-01-000	EA	Clamp - Hose - Wormgear - .22" ID - 1" ID
	062401-02-000	EA	Clamp - Hose - Wormgear - 1.56" - 2.5" ID
	062401-03-000	EA	Clamp - Hose - Wormgear - .25" ID - 1" ID
	062401-04-000	EA	Clamp - Hose - Wormgear - .69" ID - 1.25" ID
	062401-06-000	EA	Clamp - Hose - Wormgear - .22" ID - .62" ID
	023146-01-000	EA	Clamp - Screw Type - 4"
	091952-02-000	EA	Clip - Gripper - 3/4" (Tire Iron)
	056748-01-000	EA	Plug - Cap - 1.5" Dia. - Black
	007063-01-000	FT	Hose - Gas - 1/4 ID x 1/2 OD
	007108-01-000	FT	Hose - Heater - 5/8 ID
	024138-01-000	FT	Hose Fuel - 5/16" ID
	017516-01-000	EA	Mud Flap w/Holes - 14" x 16" - Black
	064089-01-700	EA	Splash Guard - Black Rubber (Set of 2)
	045731-04-000	EA	Rock Guard
	072884-20-000	EA	Run-in Boards - Ford - 40" (Option 66R)
	094735-01-000	EA	Speedometer - Kilometer
	096322-01-000	EA	Wheelwell - Plastic
	008343-01-000	EA	Wire Tie - 6"

NOTE: Remainder of exhaust components available from Chassis Service Center.



### CHASSIS COMPARTMENTS & HARDWARE

Key	Part Number	U/M	Description
1	096020-08-000	EA	Rear Compartment - 52.3" Wide x 20.6" Deep
2	096820-01-000	EA	Storage Compartment - Plastic
	079368-01-000	EA	Bulb Seal w/Wire Rigid U-Channel - 1" - Black Rubber
3	077848-02-000	EA	Step Asm. - Pullout
	076241-01-000	EA	Support Box - Entry Door Step - 23.3" x 12.3" x 11.4"
4	096020-01-000	EA	Storage Compartment - 22.6" x 20.6"
5	078137-02-000	EA	Tray Asm. - Luggage Compartment - 27.18" Wide x 21" Deep
6	096020-02-000	EA	Storage Compartment - 46.4" Wide x 20.6" Deep
	064075-07-000	EA	Bulb Seal w/Wire Rigid U-Channel - 1" - Black Rubber
	061420-01-000	EA	Plug - Plastic - 1.75"
	096646-01-000	EA	Angle - Strike - Storage Compartment
	000C26-04-10B	EA	Bolt - Hex - Ser Flange - 1/4 - 20 x 5/8 Zinc
	000D39-04-00B	EA	Nut - Hex - Ser Flange Lk - 1/4 - 20 Zinc

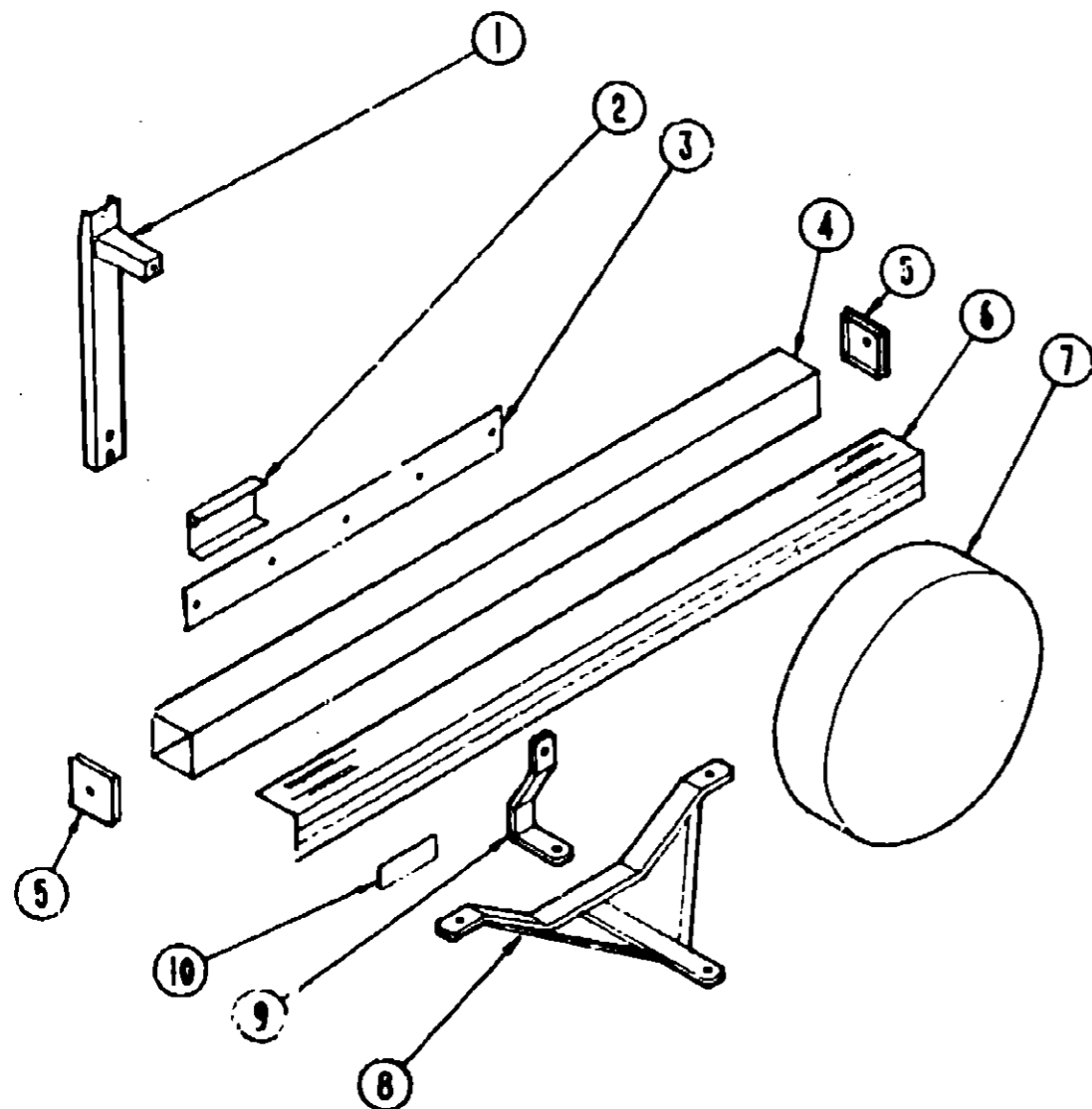
## 1991 WINNEBAGO TABLE OF CONTENTS

INTRODUCTION	A-01 - A-02
ABBREVIATIONS	A-03
ALPHABETICAL/GROUP REFERENCE	A-04 - A-06
WF327RT	A-07 - D-12
WF327RB	D-13 - G-08
WF327RQ	G-09 - J-12

## 1991 WF327RT INDEX

Floor Plan	A-07 - A-08
Accessories Group	A-09 - A-12
Bath Group	A-13 - A-14
Bedroom Group	A-15 - A-17
Chassis Group	A-18 - A-21
Curtain, Cushion & Pad Group	A-22 - B-08
Dinette Group	B-09 - B-11
Driver's Compartment Group	B-12 - B-14
Electrical Group	B-15 - B-17
Exterior Body Group	B-18 - B-22
Galley Group	B-23 - C-02
Heating & Air Conditioning Group	C-03 - C-04
Interior Finish Group	C-05 - C-07
Labels Group	C-08 - C-14
LP Group	C-15
Lounge Group	C-16
Sealants & Fasteners Group	C-17 - C-18
Water & Sewage Group	C-19 - C-22
Window, Vent & Exterior Door Group	C-23 - D-12

## CHASSIS GROUP (CONTINUED)



### SPARE TIRE, HITCH & REAR BUMPER

Key	Part Number	U/M	Description
1	079027-01-000	EA	Bracket Asm. - Tire Carrier
2	M64600-02-000	EA	Mount Support - Tire Carrier
3	M22150-01-000	EA	Bracket - Rear Bumper
4	064602-01-000	EA	Bumper Asm. - Square - Off White
5	039779-01-000	EA	Bumper Cap - Black Rubber - 4" x 4"
6	041332-03-000	EA	Cover - Bumper - w/o Reflector - 4" Square x 92"
7	098855-01-AA3	EA	Cover - Spare Tire - Vinyl - Off White
8	064833-03-000	EA	Trailer Hitch Asm.
9	064824-02-000	EA	Support - Trailer Hitch
10	041332-02-000	EA	Reflector - Bumper Cover - Self-Adhesive - 6 1/2" x 3/4"
	070917-02-000	EA	Tire - Michelin - Radial
	070917-04-000	EA	Tire - Firestone - Radial
	083617-01-000	EA	Wheel - Steel - 6" x 16" - 8 Hole
	051377-01-000	EA	Valve Stem Asm.

## CHASSIS GROUP (CONTINUED)

### GENERATORS & COMPONENTS (OPTION L39E)

Key	Part Number	U/M	Description
	100974-03-000	EA	Generator - Emerald - 4.0 kw
	082273-01-000	EA	Exhaust Pipe - Generator (CSA)
	079654-05-000	EA	Exhaust Pipe - Generator - w/2 Bolt Hole Flange
	081364-01-000	EA	Muffler - Generator - Emerald
	081364-02-000	EA	Muffler - Generator
	093591-02-000	EA	Pipe - Exhaust - Generator - 1.5" O.D.
	082272-01-000	EA	Muffler - Generator (CSA)
	007067-01-000	SF	Insulation - Fiberglass - 1"
	078045-01-000	EA	Strap - Support - Generator - 4 Hole
	084365-01-000	EA	Strap - Support - Generator - 2 Hole
	079654-01-700	EA	Hinge Kit - Emerald Generator
	007063-01-000	EA	Hose - Gas - 1/4" ID x 1/2" OD
	007125-04-000	EA	Clamp - Muffler - 1.5" Dia.
	007161-01-000	EA	Clamp - Hose - Spring Type - 1/2"
	092615-01-000	EA	Converter - 40 Amp. w/Charger
	007125-01-000	EA	Clamp - Muffler - 1.62" Dia.

These parts are used from 6/20/90 on.

### EXPORT GENERATORS (3.5KW)

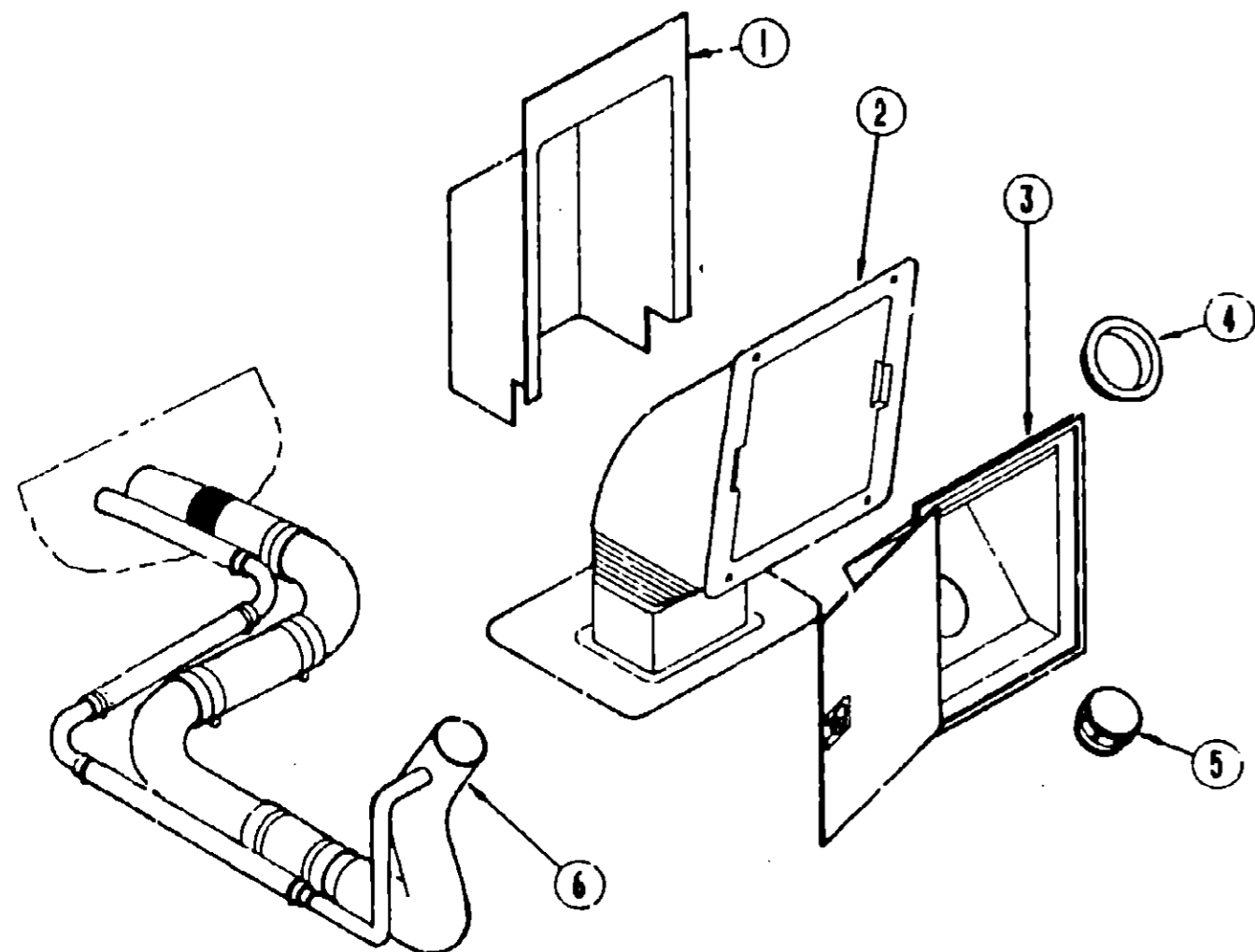
Key	Part Number	U/M	Description
	100974-05-000	EA	Generator - Onan - 4.0kw
	079654-05-000	EA	Exhaust Pipe - Generator
	081364-01-000	EA	Muffler - Generator - 3.5KW
	007125-04-000	EA	Clamp - Muffler - 1.62" Dia.
	093591-02-000	EA	Pipe - Exhaust - Generator - 1.5" O.D.
	081634-02-700	EA	LP System - For Onan Conversion
	078045-01-000	EA	Strap - Support - Generator - 4 Hole
	084365-01-000	EA	Strap - Support - Generator - 2 Hole
	007067-01-000	SF	Insulation - Fiberglass - 1"
	079654-01-700	EA	Hinge Kit - Emerald Generator
	007063-01-000	EA	Hose - Gas - 1/4" ID x 1/2" OD
	007125-04-000	EA	Clamp - Muffler - 1.1" Dia.
	007161-01-000	EA	Clamp - Hose - Spring Type - 1/2"
	094059-01-000	EA	Spacer - Generator

## 1991 WINNEBAGO TABLE OF CONTENTS

INTRODUCTION	A-01 - A-02
ABBREVIATIONS	A-03
ALPHABETICAL/GROUP REFERENCE	A-04 - A-06
WF327RT	A-07 - D-12
WF327RB	D-13 - G-08
WF327RO	G-09 - J-12

## 1991 WF327RT INDEX

Floor Plan	A-07 - A-08
Accessories Group	A-09 - A-12
Bath Group	A-13 - A-14
Bedroom Group	A-15 - A-17
Chassis Group	A-18 - A-21
Curtain, Cushion & Pad Group	A-22 - B-08
Dinette Group	B-09 - B-11
Driver's Compartment Group	B-12 - B-14
Electrical Group	B-15 - B-17
Exterior Body Group	B-18 - B-22
Galley Group	B-23 - C-02
Heating & Air Conditioning Group	C-03 - C-04
Interior Finish Group	C-05 - C-07
Labels Group	C-08 - C-14
LP Group	C-15
Lounge Group	C-16
Sealants & Fasteners Group	C-17 - C-18
Water & Sewage Group	C-19 - C-22
Window, Vent & Exterior Door Group	C-23 - D-12



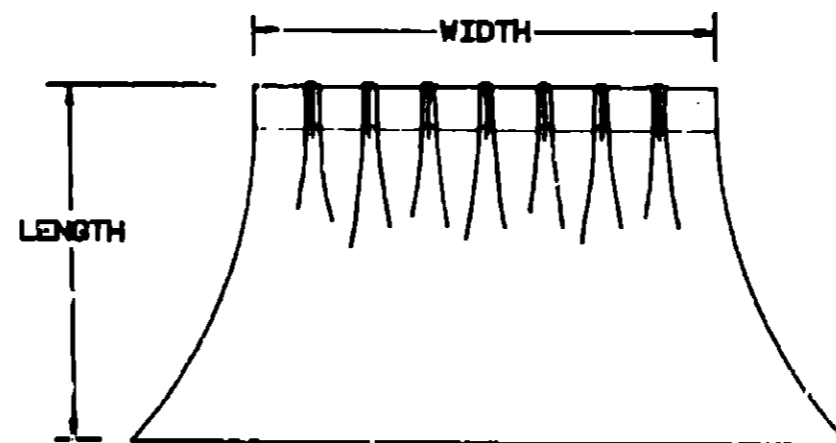
FUEL FILL COMPONENTS

Key	Part Number	U/M	Description
1	078040-02-000	EA	Shroud - Fuel Fill - Upper
2	083578-01-000	EA	Boot - Fuel Fill
	084255-01-000	EA	Support Flange - Fuel Fill Boot
3	078010-03-000	EA	Door Asm. - Fuel Fill - Off White
4	078200-01-000	EA	Gasket - Fuel Fill
5	NOTE	EA	Fuel Cap
6	083675-02-000	EA	Filler Neck - Fuel Fill
	066732-01-000	EA	Hose - Fuel Fill - .62 ID
	087207-05-000	EA	Label - Fuel Cap Removal
	NOTE: This item is chassis supplied.		

NOTICE

In order to assist our Part Sales Dept. in providing interior software items, please include the serial number and the color code number from the vehicle certification label when ordering. This label is located on the left sidewall at the end of the dash (A-Body), or on the driver's door latch plate (C-Body).

An example of a color code number is P31, which designates an overall color scheme of a particular unit. The color listed after the item description on the microfiche, indicates the overall unit color. Order the item you desire according to unit color code.



NOTE: Use this illustration when determining length and width measurements for curtains. You will note the width measurement is taken on the top of the curtain with the curtain fully extended. The length measurement is taken from top to bottom.

FABRICS & CARPETS

Key	Part Number	U/M	Description
	072333-75-000	YD	Fabric - Drapery - Beige (Privacy)
	096008-41-000	YD	Fabric - Upholstery - Main - Patterned (B05)
	096008-49-000	YD	Fabric - Upholstery - Main - Patterned (B06)
	096008-40-000	YD	Fabric - Upholstery - Accent - Plain (B05)
	096008-47-000	YD	Fabric - Upholstery - Accent - Plain (B06)
	096008-39-000	YD	Fabric - Upholstery - Accent - Patterned (B05)
	096008-48-000	YD	Fabric - Upholstery - Accent - Patterned (B06)
	088273-49-000	YD	Fabric - Bedspread (B05)
	088273-52-000	YD	Fabric - Bedspread (B06)
	088273-65-000	YD	Fabric - Bedspread - Plain Accent (B05)
	088273-66-000	YD	Fabric - Bedspread - Plain Accent (B06)
	072333-67-000	YD	Fabric - Speaker Cover
	075244-02-000	YD	Vinyl - Shower Curtain - Beige
	075244-03-000	YD	Vinyl - Shower Curtain - Almond
	079680-09-000	YD	Vinyl - Off White
	096060-15-000	YD	Carpet - Sand (B05)
	096060-16-000	YD	Carpet - Teal (B06)
	047034-02-000	SF	Plastic Runner - Carpet - 4' Wide - Clear
	085746-01-000	FT	Trim - "J" - Carpet - PVC - Beige

These parts are used from 6/1/90 on.  
NOTE: Replace vinyl flooring locally.

1991 WINNEBAGO  
TABLE OF CONTENTS

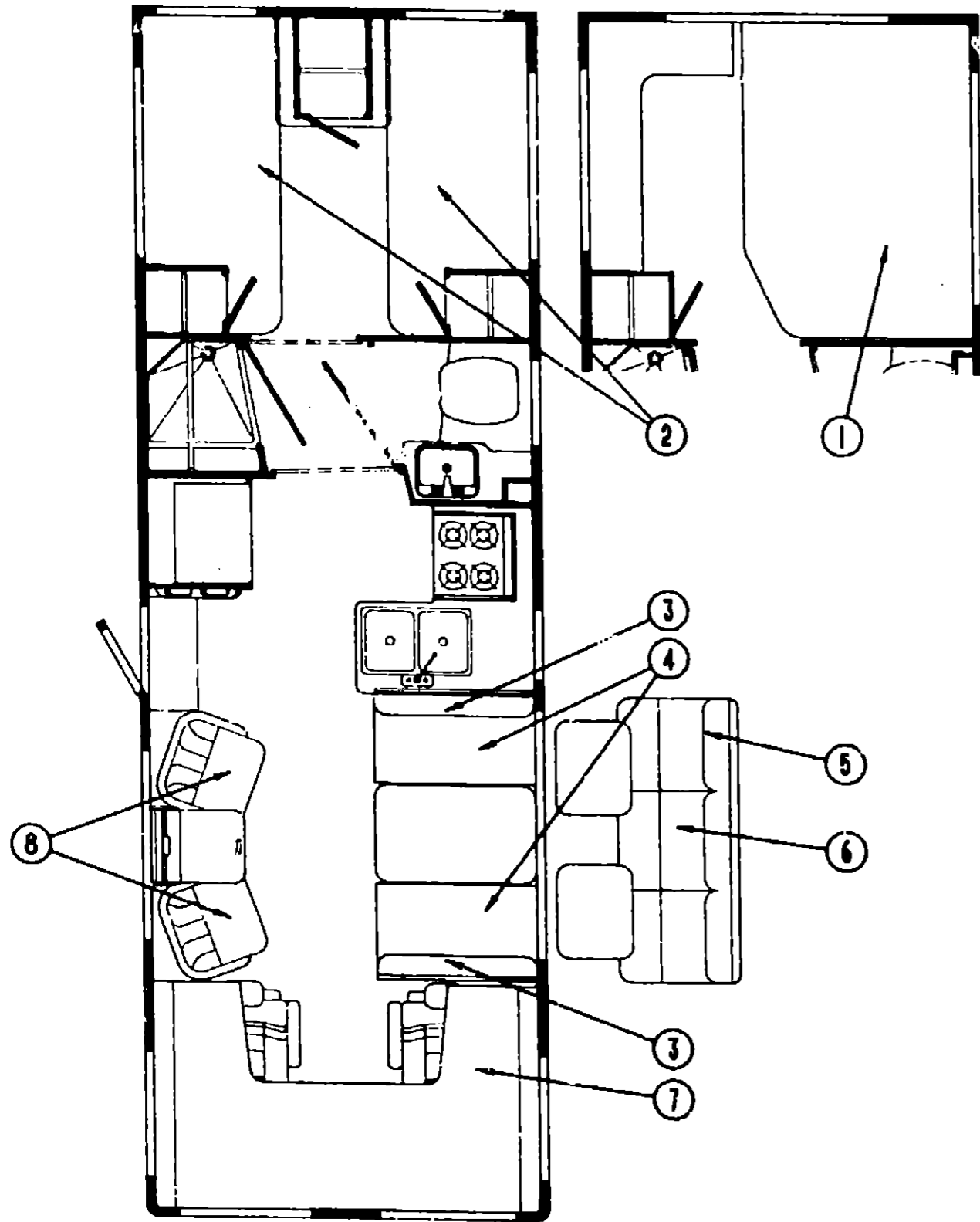
INTRODUCTION	A-01 - A-02
ABBREVIATIONS	A-03
ALPHABETICAL/GROUP REFERENCE	A-04 - A-06
WF327RT	A-07 - D-12
WF327RB	D-13 - G-08
WF327RQ	G-09 - J-12

1991 WF327RT INDEX

Floor Plan	A-07 - A-08
Accessories Group	A-09 - A-12
Bath Group	A-13 - A-14
Bedroom Group	A-15 - A-17
Chassis Group	A-18 - A-21
Curtain, Cushion & Pad Group	A-22 - B-08
Dinette Group	B-09 - B-11
Driver's Compartment Group	B-12 - B-14
Electrical Group	B-15 - B-17
Exterior Body Group	B-18 - B-22
Galley Group	B-23 - C-02
Heating & Air Conditioning Group	C-03 - C-04
Interior Finish Group	C-05 - C-07
Labels Group	C-08 - C-14
LF Group	C-15
Lounge Group	C-16
Sealants & Fasteners Group	C-17 - C-18
Water & Sewage Group	C-19 - C-22
Window, Vent & Exterior Door Group	C-23 - D-12



**CURTAIN, CUSHION & PAD GROUP (CONTINUED)**



**CURTAIN, CUSHION & PAD GROUP (CONTINUED)**

**DOUBLE BED**

Key	Part Number	U/M	Description
1	085365-02-B05	EA	Bedsread - Double w/Rounded Corners - 54"
1	085365-08-B06	EA	Bedsread - Double w/Rounded Corners - 54"
1	101123-03-000	EA	Mattress - Double - 53" x 74"
	P01123-03-000	EA	Cover - Mattress - 53" x 74"
	081997-06-B05	EA	Pillow Sham w/2" Flange (B05)
	081997-06-B06	EA	Pillow Sham w/2" Flange (B06)
	081997-07-B05	EA	Pillow Sham w/2" Flange - Non-Quilted (B05)
	081997-07-B06	EA	Pillow Sham w/2" Flange Non-Quilted (B06)
	102161-01-B05	EA	Pillow Sham w/Foam Pillow (B05)
	102161-01-B06	EA	Pillow Sham w/Foam Pillow (B06)
	088273-49-000	YD	Fabric - Bedsread - Natural (B05)
	088273-52-000	YD	Fabric - Bedsread - Sealoam (B06)

These parts were used from 5/7/90 on.

**TWIN BED**

Key	Part Number	U/M	Description
2	085365-07-B05	EA	Bedsread - Twin w/Rounded Corners - 33"
2	085365-07-B06	EA	Bedsread - Twin w/Rounded Corners - 33"
2	101123-02-000	EA	Mattress - Foam - 32" x 74"
	P01123-02-000	EA	Cover - Foam Mattress - 32" x 74"
	081997-06-B05	EA	Pillow Sham - w/2" Flange (B05)
	081997-06-B06	EA	Pillow Sham - w/2" Flange (B06)
	081997-07-B05	EA	Pillow Sham - w/2" Flange - Non-Quilted (B05)
	081997-07-B06	EA	Pillow Sham - w/2" Flange - Non-Quilted (B06)
	102161-01-B05	EA	Pillow Sham w/Foam Pillow (B05)
	102161-01-B06	EA	Pillow Sham w/Foam Pillow (B06)
	088273-49-000	YD	Fabric - Bedsread - Natural (B05)
	088273-52-000	YD	Fabric - Bedsread - Sealoam (B06)

These parts were used from 5/7/90 on.

**DINETTE CUSHION**

Key	Part Number	U/M	Description
3	088927-78-B05	EA	Cushion Asm. - 13" x 38" x 5" - Back
3	088927-78-B06	EA	Cushion Asm. - 13" x 38" x 5" - Back
	M88927-78-B05	EA	Cover Asm. - Back - Dinette Cushion
	M88927-78-B06	EA	Cover Asm. - Back - Dinette Cushion
4	088927-82-B05	EA	Cushion Asm. - 22" x 38" x 5" - Seat
4	088927-82-B06	EA	Cushion Asm. - 22" x 38" x 5" - Seat
	M88927-82-B05	EA	Cover Asm. - Seat - Dinette Cushion
	M88927-82-B06	EA	Cover Asm. - Seat - Dinette Cushion
4	088927-86-B05	EA	Cushion Asm. - 21" x 38" x 5" - Seat
4	088927-86-B06	EA	Cushion Asm. - 21" x 38" x 5" - Seat
	M88927-86-B05	EA	Cover Asm. - Seat - Dinette Cushion
	M88927-86-B06	EA	Cover Asm. - Seat - Dinette Cushion
	078155-01-000	EA	Strap Asm. - Cushion Snap
	096008-41-000	YD	Fabric - Dinette Cushion (B05)
	096008-49-000	YD	Fabric - Dinette Cushion (B06)

These parts were used from 6/27/90 on.

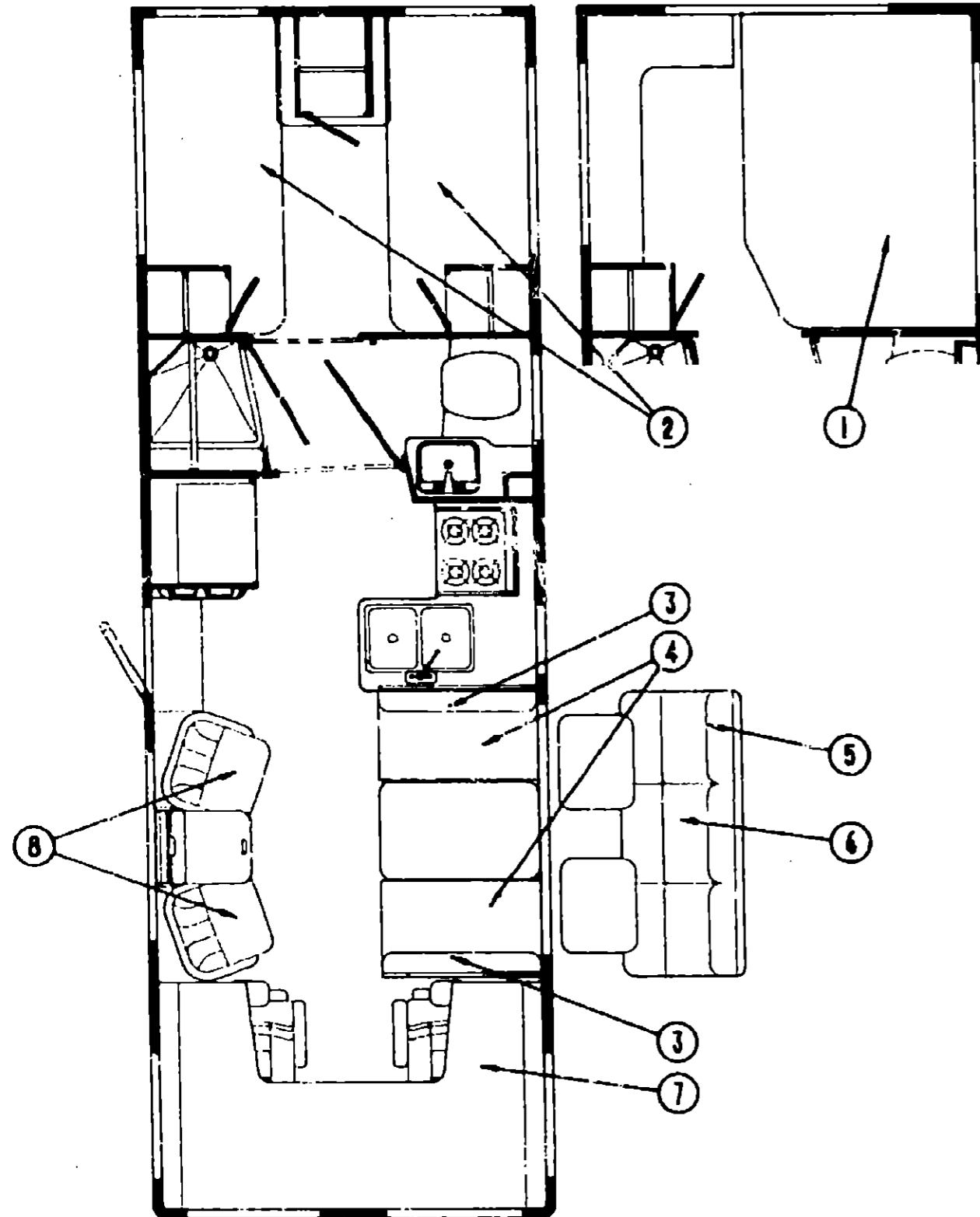
**1991 WINNEBAGO  
TABLE OF CONTENTS**

INTRODUCTION	A-01 - A-02
ABBREVIATIONS	A-03
ALPHABETICAL/GROUP REFERENCE	A-04 - A-06
WF327RT	A-07 - D-12
WF327RB	D-13 - G-08
WF327RQ	G-09 - J-12

**1991 WF327RT INDEX**

Floor Plan	A-07 - A-08
Accessories Group	A-09 - A-12
Bath Group	A-13 - A-14
Bedroom Group	A-15 - A-17
Chassis Group	A-18 - A-21
Curtain, Cushion & Pad Group	A-22 - B-08
Dinette Group	B-09 - B-11
Driver's Compartment Group	B-12 - B-14
Electrical Group	B-15 - B-17
Exterior Body Group	B-18 - B-22
Galley Group	B-23 - C-02
Heating & Air Conditioning Group	C-03 - C-04
Interior Finish Group	C-05 - C-07
Labels Group	C-08 - C-14
LP Group	C-15
Lounge Group	C-16
Sealants & Fasteners Group	C-17 - C-18
Water & Sewage Group	C-19 - C-22
Window, Vent & Exterior Door Group	C-23 - D-12

**CURTAIN, CUSHION & PAD GROUP (CONTINUED)**



**CURTAIN, CUSHION & PAD GROUP (CONTINUED)**

**PRESTO BED COUCH**

Key	Part Number	U/M	Description
5	100032-11-B05	EA	Cushion Asm. - Couch Back
5	100032-11-B06	EA	Cushion Asm. - Couch Back
	P00032-11-B05	EA	Cover Asm. - Couch Back Cushion
	P00032-11-B06	EA	Cover Asm. - Couch Back Cushion
6	100032-12-B05	EA	Cushion Asm. - Couch Seat
6	100032-12-B06	EA	Cushion Asm. - Couch Seat
	P00032-12-B05	EA	Cover Asm. - Couch Seat Cushion
	P00032-12-B06	EA	Cover Asm. - Couch Seat Cushion
	101085-03-000	EA	Frame - Base - 66.5"
	101085-01-000	EA	Frame - Seat - 66.5"
	101085-02-000	EA	Frame - Back - 66.5"
	096008-41-000	YD	Fabric - Presto Bed Couch (B05)
	096008-49-000	YD	Fabric - Presto Bed Couch (B06)

**FRONT BUNK**

Key	Part Number	U/M	Description
7	084753-16-B05	EA	Cushion - "U" Shaped - 57" x 90" x 5"
7	084753-16-B06	EA	Cushion - "U" Shaped - 57" x 90" x 5"
7	084753-22-B05	EA	Cushion - "U" Shaped - 57" x 90" x 5"
7	084753-22-B06	EA	Cushion - "U" Shaped - 57" x 90" x 5"
	M84753-16-B05	EA	Cover - "U" Shaped Cushion
	M84753-16-B06	EA	Cover - "U" Shaped Cushion
	M84753-22-B05	EA	Cover - "U" Shaped Cushion
	M84753-22-B06	EA	Cover - "U" Shaped Cushion
	084753-17-B05	EA	Cushion - Filler - 55" x 27.5" x 5"
	084753-17-B06	EA	Cushion - Filler - 55" x 27.5" x 5"
	084753-19-B05	EA	Cushion - Filler - 55" x 27.5" x 5"
	084753-19-B06	EA	Cushion - Filler - 55" x 27.5" x 5"
	M84753-17-B05	EA	Cover - Filler Cushion
	M84753-17-B06	EA	Cover - Filler Cushion
	M84753-19-B05	EA	Cover - Filler Cushion
	M84753-19-B06	EA	Cover - Filler Cushion
	096008-03-000	YD	Fabric - Front Bunk Cushion (B05)
	096008-04-000	YD	Fabric - Front Bunk Cushion (B06)
	079145-07-000	EA	Cushion Asm. - Front Bunk - 27.5" x 74" x 3.5" (L43V)
	M79145-07-000	EA	Cover Asm. - Front Bunk (L43V)

• These parts are used from 8/12/90 on.

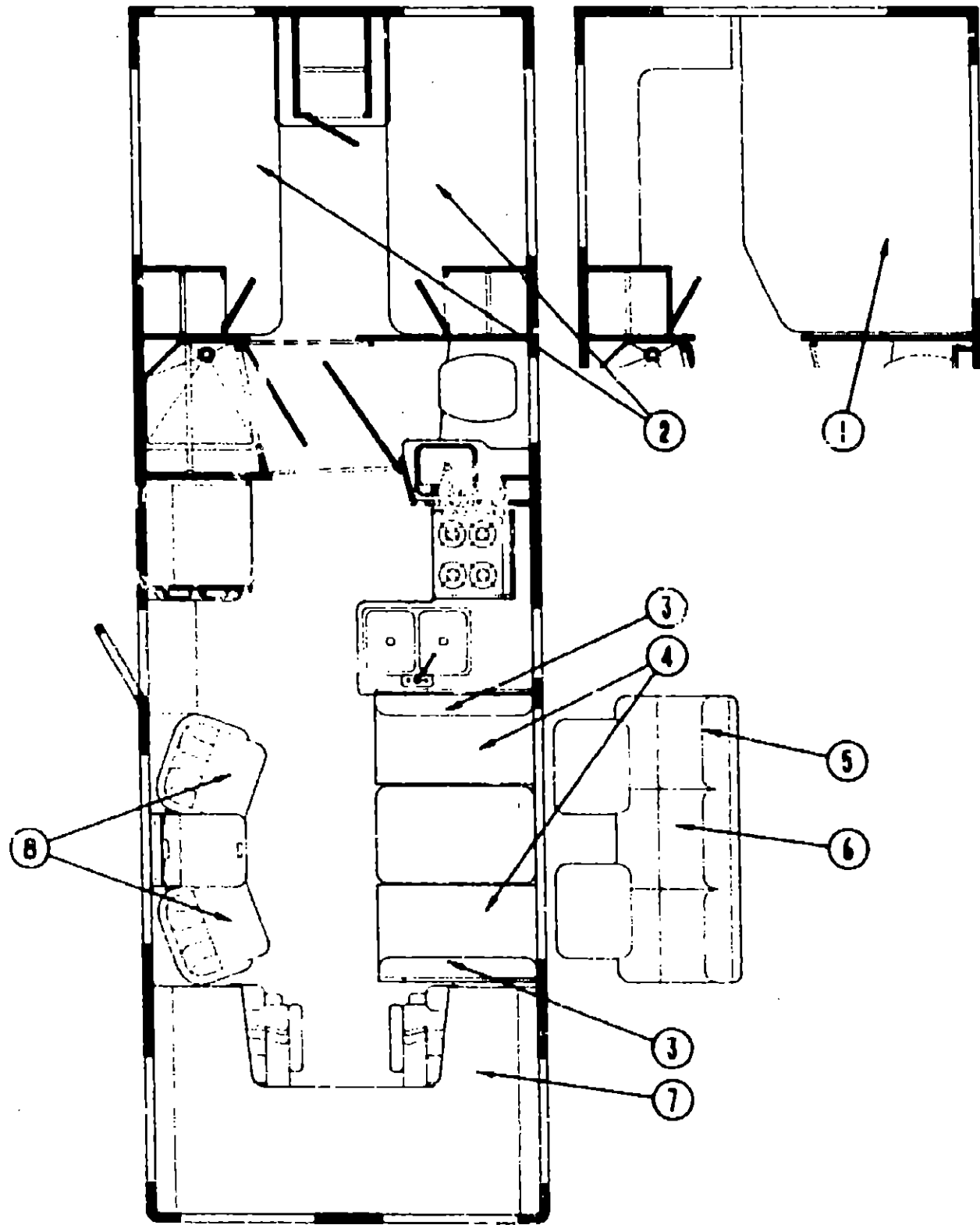
**1991 WINNEBAGO  
TABLE OF CONTENTS**

INTRODUCTION	A-01 - A-02
ABBREVIATIONS	A-03
ALPHABETICAL/GROUP REFERENCE	A-04 - A-06
WF327RT	A-07 - D-12
WF327RB	D-13 - G-08
WF327RO	G-09 - J-12

**1991 WF327RT INDEX**

Floor Plan	A-07 - A-08
Accessories Group	A-09 - A-12
Bath Group	A-13 - A-14
Bedroom Group	A-15 - A-17
Chassis Group	A-18 - A-21
Curtain, Cushion & Pad Group	A-22 - B-08
Dinette Group	B-09 - B-11
Driver's Compartment Group	B-12 - B-14
Electrical Group	B-15 - B-17
Exterior Body Group	B-18 - B-22
Galley Group	3-23 - C-02
Heating & Air Conditioning Group	C-03 - C-04
Interior Finish Group	C-05 - C-07
Labels Group	C-08 - C-14
LP Group	C-15
Lounge Group	C-16
Sealants & Fasteners Group	C-17 - C-18
Water & Sewage Group	C-19 - C-22
Window, Vent & Exterior Door Group	C-23 - D-12

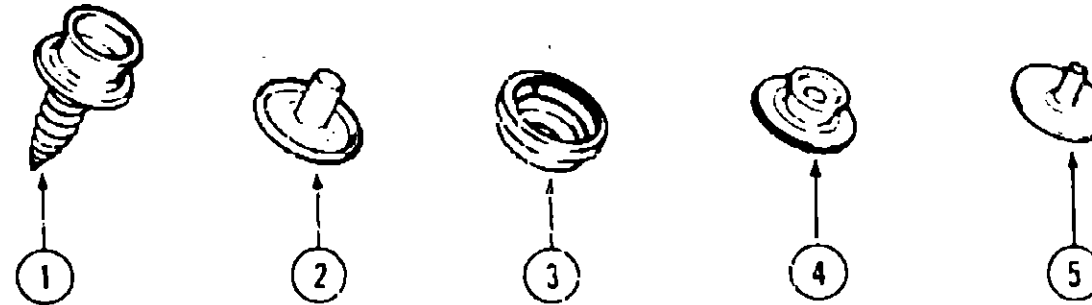
**CURTAIN, CUSHION & PAD GROUP (CONTINUED)**



**CURTAIN, CUSHION & PAD GROUP (CONTINUED)**

**SWIVEL CHAIR**

Key	Part Number	U/M	Description
8	095429-04-B05	EA	Swivel Chair
8	096429-04-B06	EA	Swivel Chair
	M96429-04-B05	EA	Cover - Swivel Chair
	M96429-04-B06	EA	Cover - Swivel Chair
	099202-01-B05	EA	Skirt - Swivel Chair
	099202-01-B06	EA	Skirt - Swivel Chair
	096008-40-000	EA	Fabric - Swivel Chair (B05)
	096008-47-000	EA	Fabric - Swivel Chair (B06)
	088245-01-000	EA	Base - Swivel Chair w/Legs
	088245-03-000	EA	Plate - Swivel Top w/o Tilt - w/Lock
	088245-06-000	EA	Extension - 7" - Base To Top Plate
	088245-07-000	EA	Extension - 6" - Base To Top Plate
	069705-02-000	EA	Bar - Seat Belt - 2.5" x 12.75"



Key	Part Number	U/M	Description
1	029130-01-000	EA	Socket - Snap Fastener
2	029155-01-000	EA	Cap - Snap - .156" Dia. x 17" Barrel
3	029156-01-000	EA	Socket - Snap Fastener
4	029092-01-000	EA	Stud - Nickel Finish
5	029093-01-000	EA	Eyelet - Nickel Finish

**TRIMS & PADS**

Key	Part Number	U/M	Description
	070578-06-B05	EA	Button Asm. - Snap Top - #30 - Vinyl
	070578-01-B05	EA	Button Asm. - Snap Top - #30 - Accent - Plain
	070578-01-B06	EA	Button Asm. - Snap Top - #30 - Accent - Plain
	059797-02-000	EA	Shell - Upholstery Button - #30
	069734-01-000	EA	Back - Upholstery Button - #30
	078155-01-000	EA	Strap Asm. - Cushion (Dinette Cushion)
	056632-01-AA3	EA	Strap Asm. - Bunk (Front Overhead)
	081519-10-B05	EA	Pad Asm. - Dinette - Front
	081519-10-B06	EA	Pad Asm. - Dinette - Front
	081519-11-B05	EA	Pad Asm. - Dinette - Rear
	081519-11-B06	EA	Pad Asm. - Dinette - Rear
**	081519-16-B06	EA	Pad Asm. - Dinette - Front
**	081519-16-B06	EA	Pad Asm. - Dinette - Front
**	081519-17-B05	EA	Pad Asm. - Dinette - Rear
**	081519-17-B06	EA	Pad Asm. - Dinette - Rear
	069885-10-B05	EA	Motor Cover w/Map Pocket
	069885-10-B06	EA	Motor Cover w/Map Pocket

\*\* These parts were used from 10/22/90 on.

**1991 WINNEBAGO  
TABLE OF CONTENTS**

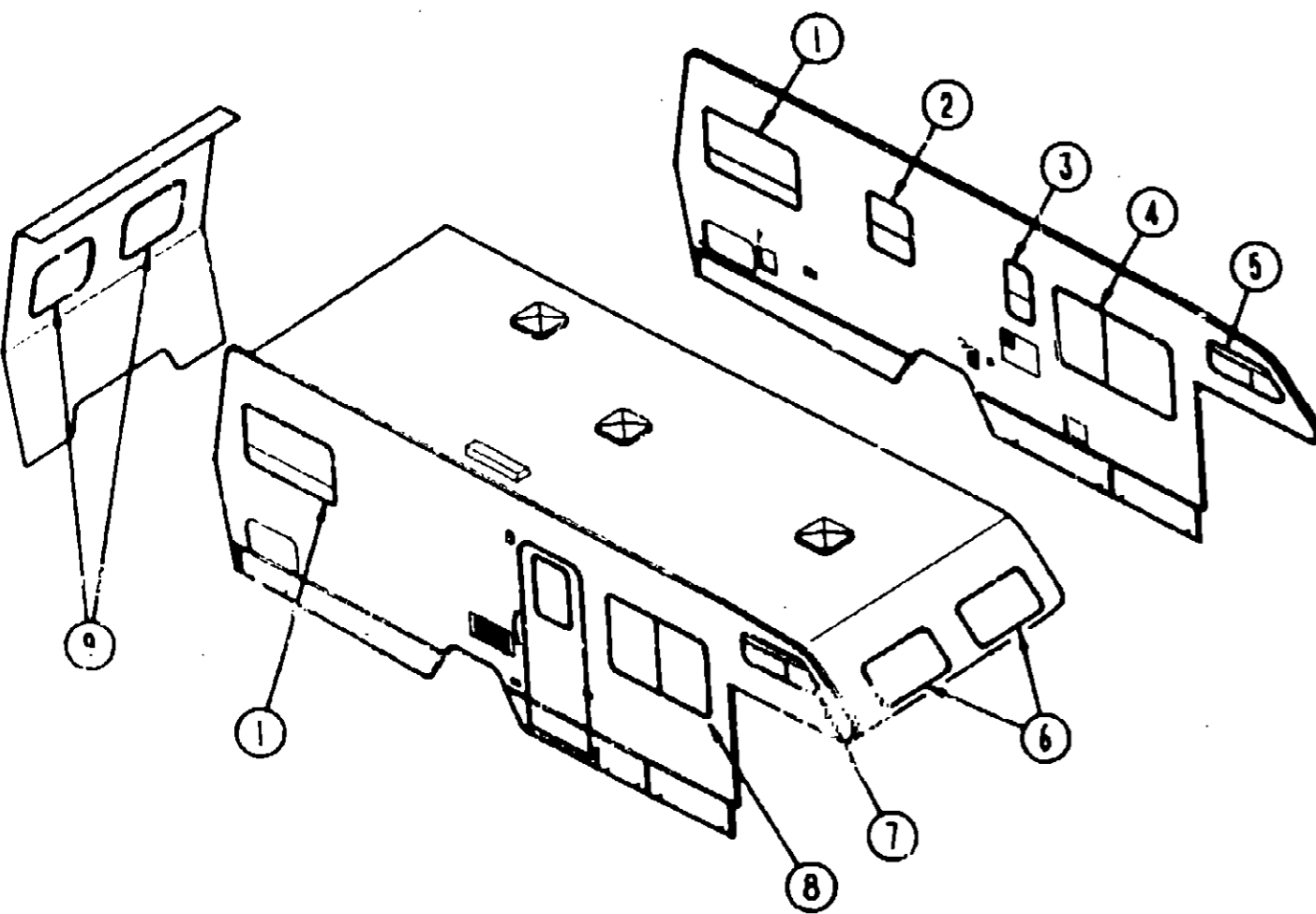
INTRODUCTION	A-01 - A-02
ABBREVIATIONS	A-03
ALPHABETICAL/GROUP REFERENCE	A-04 - A-06
WF327RT	A-07 - D-12
WF327RB	D-13 - G-08
WF327RQ	G-09 - J-12

**1991 WF327RT INDEX**

Floor Plan	A-07 - A-08
Accessories Group	A-09 - A-12
Bath Group	A-13 - A-14
Bedroom Group	A-15 - A-17
Chassis Group	A-18 - A-21
Curtain, Cushion & Pad Group	A-22 - B-08
Dinette Group	B-09 - B-11
Driver's Compartment Group	B-12 - B-14
Electrical Group	B-15 - B-17
Exterior Body Group	B-18 - B-22
Galley Group	B-23 - C-02
Heating & Air Conditioning Group	C-03 - C-04
Interior Finish Group	C-05 - C-07
Labels Group	C-08 - C-14
LP Group	C-15
Lounge Group	C-16
Sealants & Fasteners Group	C-17 - C-18
Water & Sewage Group	C-19 - C-22
Window, Vent & Exterior Door Group	C-23 - D-12

**CURTAIN, CUSHION & PAD GROUP (CONTINUED)**

**CURTAIN, CUSHION & PAD GROUP (CONTINUED)**



**CURTAINS, BLINDS, VALANCES & TIEBACKS**

Key	Part Number	U/M	Description
1	100280-07-B05	EA	Valance Asm. w/Wood Trim - 45"
1	100280-07-B06	EA	Valance Asm. w/Wood Trim - 45"
*1	101753-07-B05	EA	Valance Asm. w/Wood Trim - 45"
*1	101753-07-B06	EA	Valance Asm. w/Wood Trim - 45"
**1	102514-02-B05	EA	Valance Asm. - 45"
**1	102514-02-B06	EA	Valance Asm. - 45"
1	100281-05-B05	EA	Leg Asm. w/Hole - Window - Right
1	100281-05-B06	EA	Leg Asm. w/Hole - Window - Right
**1	100281-31-B05	EA	Leg Asm. w/Hole - Window - 27" - Right
**1	100281-31-B06	EA	Leg Asm. w/Hole - Window - 27" - Right
1	100281-10-B05	EA	Leg Asm. w/Hole - Window - Left
1	100281-10-B06	EA	Leg Asm. w/Hole - Window - Left
**1	100281-30-B05	EA	Leg Asm. w/Hole - Window - 27" - Left
**1	100281-30-B06	EA	Leg Asm. w/Hole - Window - 27" - Left
1	093475-45-01A	EA	Mini Blinds - 39.5" x 27" Drop - Beige
2	100280-05-B05	EA	Valance Asm. w/Wood Trim - 20"
2	100280-05-B06	EA	Valance Asm. w/Wood Trim - 20"
*2	101753-05-B05	EA	Valance Asm. w/Wood Trim - 20"
*2	101753-05-B06	EA	Valance Asm. w/Wood Trim - 20"
2	093475-46-01A	EA	Mini Blind - 17.5" x 23.5" Drop - Beige
3	093475-46-01A	EA	Mini Blind - 17.5" x 23.5" Drop - Beige

**CURTAINS, BLINDS, VALANCES & TIEBACKS (CONT.)**

Key	Part Number	U/M	Description
4	100280-03-B05	EA	Valance Asm. w/Wood Trim - 58.3"
4	100280-03-B06	EA	Valance Asm. w/Wood Trim - 58.3"
*4	101753-03-B05	EA	Valance Asm. w/Wood Trim - 58.3"
*4	101753-03-B06	EA	Valance Asm. w/Wood Trim - 58.3"
4	100281-01-B05	EA	Leg Asm. - 31.5" Tall - Right
4	100281-01-B06	EA	Leg Asm. - 31.5" Tall - Right
4	100281-02-B05	EA	Leg Asm. - 31.5" Tall - Left
4	100281-02-B06	EA	Leg Asm. - 31.5" Tall - Left
4	093475-44-01A	EA	Mini Blind - 54.5" x 32" Drop - Beige
5	097878-17-B05	EA	Valance Asm. w/Wood Trim - 43"
5	097878-17-B06	EA	Valance Asm. w/Wood Trim - 43"
5	101034-01-B05	EA	Curtain Asm. - Tape Top - 16" x 25" - Beige
6	097878-16-B05	EA	Valance Asm. w/Wood Trim - 85.5"
6	097878-16-B06	EA	Valance Asm. w/Wood Trim - 85.5"
6	101034-02-B05	EA	Curtain Asm. - Tape Top - 22" x 45" - Beige
7	097878-18-B05	EA	Valance Asm. w/Wood Trim - 43"
7	097878-18-B06	EA	Valance Asm. w/Wood Trim - 43"
7	101034-01-B05	EA	Curtain Asm. - Tape Top - 16" x 25" - Beige
8	100280-04-B05	EA	Valance Asm. w/Wood Trim - 44.5"
8	100280-04-B06	EA	Valance Asm. w/Wood Trim - 44.5"
*8	101753-04-B05	EA	Valance Asm. w/Wood Trim - 58.5"
*8	101753-04-B06	EA	Valance Asm. w/Wood Trim - 58.5"
8	100281-09-B05	EA	Leg Asm. - Right
8	100281-09-B06	EA	Leg Asm. - Right
8	100281-10-B05	EA	Leg Asm. - Left
8	100281-10-B06	EA	Leg Asm. - Left
8	093475-45-01A	EA	Mini Blind - 39.5" x 27" Drop - Beige
9	100280-06-B05	EA	Valance Asm. w/Wood Trim - 29"
9	100280-06-B06	EA	Valance Asm. w/Wood Trim - 29"
*9	101753-06-B05	EA	Valance Asm. w/Wood Trim - 29"
*9	101753-06-B06	EA	Valance Asm. w/Wood Trim - 29"
**9	102514-04-B05	EA	Valance Asm. - 29"
**9	102514-04-B06	EA	Valance Asm. - 29"
9	100281-10-B05	EA	Leg Asm. - Window - Left
9	100281-10-B06	EA	Leg Asm. - Window - Left
**9	100281-30-B05	EA	Leg Asm. - Window - Left
**9	100281-30-B06	EA	Leg Asm. - Window - Left
9	100281-09-B05	EA	Leg Asm. - Window - Right
9	100281-09-B06	EA	Leg Asm. - Window - Right
**9	100281-29-B05	EA	Leg Asm. - Window - Right
**9	100281-29-B06	EA	Leg Asm. - Window - Right
9	093475-47-01A	EA	Mini Blind - 25" x 28" Drop - Beige
9	100280-08-B05	EA	Valance Asm. w/Wood Trim - 72.5" (Option L46L)
9	100280-08-B06	EA	Valance Asm. w/Wood Trim - 72.5" (Option L46L)
*9	101753-08-B05	EA	Valance Asm. w/Wood Trim - 72.5" (Option L46L)
*9	101753-08-B06	EA	Valance Asm. w/Wood Trim - 72.5" (Option L46L)
**9	102514-05-B05	EA	Valance Asm. 72.5" (Option L46L)
**9	102514-05-B06	EA	Valance Asm. 72.5" (Option L46L)
9	093475-48-01A	EA	Mini Blind - 68.5" x 28" Drop - Beige (Option L46L)
.	073304-70-B05	EA	Curtain Asm. w/Snap Top - 30" x 50" (Driver Side)
.	073304-69-B05	EA	Curtain Asm. w/Snap Top - 30" x 50" (Passenger Side)
.	101668-06-B03	EA	Curtain Asm. w/Tape Top - 30" x 50" (Drivers Side)
.	101668-05-B03	EA	Curtain Asm. w/Tape Top - 30" x 50" (Passenger Side)
.	076892-06-B05	EA	Curtain Asm. w/Snap Top - Cab Privacy - 40" x 72"
.	073260-23-B05	EA	Tieback Asm. - 3" x 18" - Beige
.	073260-26-B05	EA	Tieback Asm. - 3" x 18" - Beige

\* These parts are used from 5/14/90 on.  
 \*\* These parts are used from 9/4/90 on.

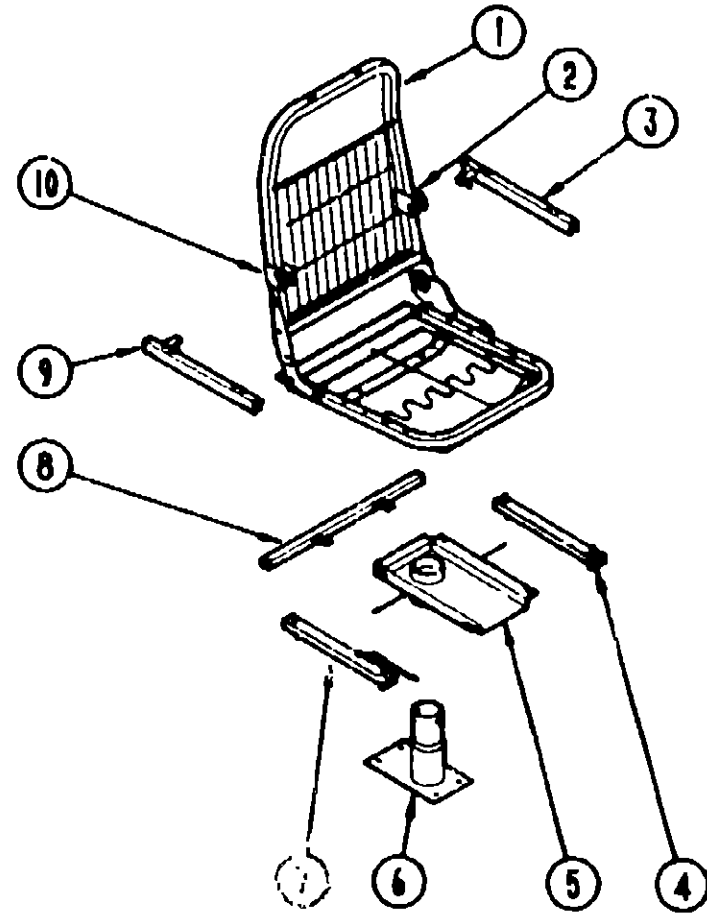
**1991 WINNEBAGO  
TABLE OF CONTENTS**

INTRODUCTION	A-01 - A-02
ABBREVIATIONS	A-03
ALPHABETICAL/GROUP REFERENCE	A-04 - A-06
WF327RT	A-07 - D-12
WF327RB	D-13 - G-08
WF327RQ	G-09 - J-12

**1991 WF327RT INDEX**

Floor Plan	A-07 - A-08
Accessories Group	A-09 - A-12
Bath Group	A-13 - A-14
Bedroom Group	A-15 - A-17
Chassis Group	A-18 - A-21
Curtain, Cushion & Pad Group	A-22 - B-08
Dinette Group	B-09 - B-11
Driver's Compartment Group	B-12 - B-14
Electrical Group	B-15 - B-17
Exterior Body Group	B-18 - B-22
Galley Group	B-23 - C-02
Heating & Air Conditioning Group	C-03 - C-04
Interior Finish Group	C-05 - C-07
Labels Group	C-08 - C-14
LP Group	C-15
Lounge Group	C-16
Sealants & Fasteners Group	C-17 - C-18
Water & Sewage Group	C-19 - C-22
Window, Vent & Exterior Door Group	C-23 - D-12

**CURTAIN, CUSHION & PAD GROUP (CONTINUED)**



**BUCKET SEAT HARDWARE**

Key	Part Number	U/M	Description
1	M8090E-01-000	EA	Frame Asm. - Seat, Back & Spring
1	M80906-04-000	EA	Frame Asm. - Seat, Back & Spring
2	081362-02-000	EA	Bracket - Armrest - Left Hand
3	081268-02-000	EA	Rod & Channel - Armrest - Left - Metal
4	069246-02-000	EA	Adjuster - Bucket Seat w/o Lock - Forward & Back
5	093481-04-000	EA	Top Plate - Pedestal - Bucket Seats
6	069585-03-000	EA	Base - Bucket Seats - Bolts to Floor - Vertical - 8"
7	069246-01-000	EA	Adjuster - Bucket Seat w/Lock - Forward & Back
7	069246-05-000	EA	Adjuster - Bucket Seat w/Remote
8	069585-29-000	EA	Bar - Seat Belt - Bucket Seats - 20"
9	081268-01-000	EA	Rod & Channel - Armrest - Right - Metal
10	081362-01-000	EA	Bracket - Armrest - Right Hand
	069246-05-700	EA	Spring for Slide Adjuster
	069246-05-701	EA	Clip Only For Cable Asm.
	097683-02-000	EA	Bracket - Mount - Remote
	097683-03-000	EA	Bracket - Side Mount - Remote
	080730-03-700	EA	Handle - Recliner
	080730-04-000	EA	Screw - Recliner Handle
	080730-05-000	EA	Shield - Recliner
	089368-05-000	EA	Frame - Cable - Remote Recliner
	081361-01-000	EA	Rod - Armrest - Metal

\* These parts are used from 7/9/90 on.

**CURTAIN, CUSHION & PAD GROUP (CONTINUED)**

**BUCKET SEAT CUSHIONS**

Key	Part Number	U/M	Description
	093450-10-B05	EA	Seat Asm. - Bucket
	093450-10-B06	EA	Seat Asm. - Bucket
	093450-17-B05	EA	Seat Asm. - Bucket - Driver
	093450-17-B06	EA	Seat Asm. - Bucket - Driver
	093450-18-B05	EA	Seat Asm. - Bucket - Passenger
	093450-18-B06	EA	Seat Asm. - Bucket - Passenger
	M03445-23-B05	EA	Cover - Seat - Bucket Seat
	M03445-23-B06	EA	Cover - Seat - Bucket Seat
	M03445-22-B05	EA	Cover - Back - Bucket Seat
	M03445-22-B06	EA	Cover - Back - Bucket Seat
	080243-41-305	EA	Armrest - Bucket Seat - Right Hand
	080243-41-B06	EA	Armrest - Bucket Seat - Right Hand
	M80243-41-B05	EA	Cover - Right Armrest - Bucket Seat
	M80243-41-B06	EA	Cover - Right Armrest - Bucket Seat
	080243-42-B05	EA	Armrest - Bucket Seat - Left Hand
	080243-42-B06	EA	Armrest - Bucket Seat - Left Hand
	M80243-42-B05	EA	Cover - Left Armrest - Bucket Seat
	M80243-42-B06	EA	Cover - Left Armrest - Bucket Seat
	071126-24-B03	EA	Skirt Asm. - Single Bucket (B05)
	071126-24-B04	EA	Skirt Asm. - Single Bucket (B06)
	079349-01-B03	YD	Welting - Skirt (B05)
	079349-01-B04	YD	Welting - Skirt (B06)

\* These parts are used from 7/9/90 on.

**CURTAIN & CUSHION HARDWARE**

Key	Part Number	U/M	Description
	092464-01-01A	EA	Track - Shower Curtain - Off White
	009701-01-000	EA	Carrier - Shower Curtain
	009702-01-000	EA	End - Stop - Curtain Carrier - Shower
	046867-01-000	EA	Grommet - Brass - 7/16" ID x 1" OD (Shower Curtain)
	009136-01-000	EA	Pin - Shower Curtain
	029092-01-000	EA	Stud - Nickel Finish
	029093-01-000	EA	Eyelet - Nickel Finish
	029155-01-000	EA	Cap - Snap
	029156-01-000	EA	Socket - Snap Fastener
	082792-03-000	YD	Velcro Tape - Adhesive Backed - Loop - 3/4" - Beige
	048394-02-000	YD	Velcro Tape - Adhesive Backed - Hook - 3/4" - Beige
	089916-01-000	EA	Mount - Window Leg - Black
	091904-01-000	FT	Track - Curtain - Plastic - Light Beige (Blackout)
	101032-01-000	FT	Track - Curtain - Ceiling Mount - White (Valance)
	101033-01-000	FT	Track - Curtain - Low Profile - White
	101033-02-000	EA	End Cap - Track - Clear
	101031-01-000	EA	Tape - Glide - 4.25" Spacing
	095591-02-000	EA	Bracket - Blind - Hold Down w/Pin
	082239-02-000	EA	Brace - Window Valance - Beige
	075943-01-000	EA	Brace - Window Valance - Beige
	083170-01-000	EA	Bracket - Blind - Right
	083170-02-000	EA	Bracket - Blind - Left
	093475-01-700	EA	Wand - Blind w/Metal Clip - 8" Long
	093475-01-701	EA	End Cap - Blind w/Stud
	089522-03-000	EA	Panel - Leg - Window - 2.5" Face - 27.1" Long
	079970-01-000	Y(L)	Tape Mattress - Buck Cushion - 5/8"

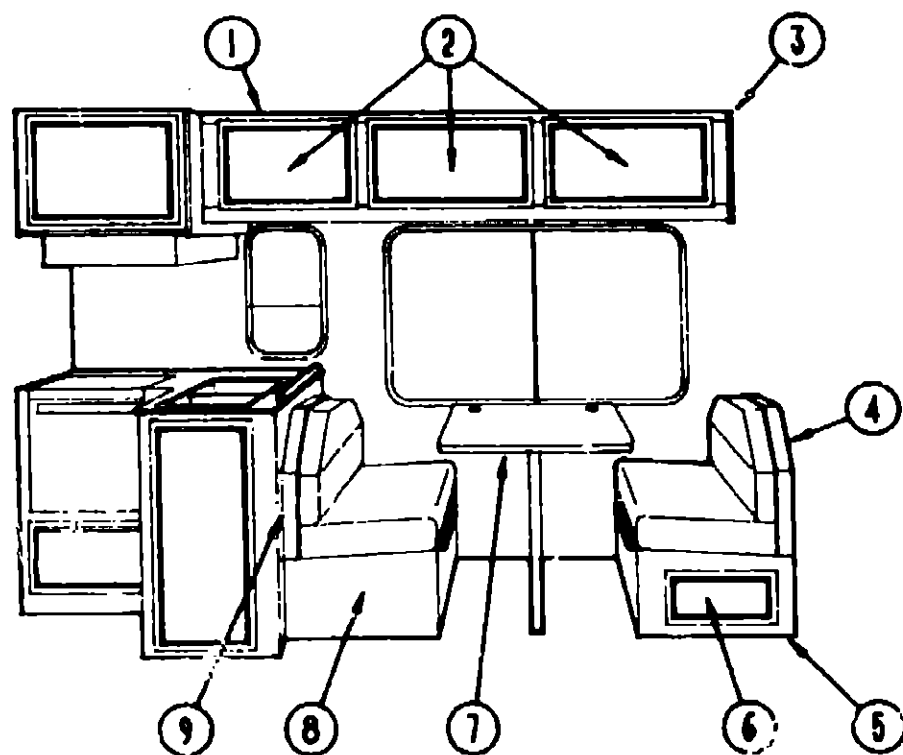
**1991 WINNEBAGO  
TABLE OF CONTENTS**

INTRODUCTION	A-01 - A-02
ABBREVIATIONS	A-03
ALPHABETICAL/GROUP REFERENCE	A-04 - A-06
WF327RT	A-07 - D-12
WF327RB	D-13 - G-08
WF327RC	G-09 - J-12

**1991 WF327RT INDEX**

Floor Plan	A-07 - A-08
Accessories Group	A-09 - A-12
Bath Group	A-13 - A-14
Bedroom Group	A-15 - A-17
Chassis Group	A-18 - A-21
Curtain, Cushion & Pad Group	A-22 - B-08
Dinette Group	B-09 - B-11
Driver's Compartment Group	B-12 - B-14
Electrical Group	B-15 - B-17
Exterior Body Group	B-18 - B-22
Galley Group	B-23 - C-02
Heating & Air Conditioning Group	C-03 - C-04
Interior Finish Group	C-05 - C-07
Labels Group	C-08 - C-14
LP Group	C-15
Lounge Group	C-16
Sealants & Fasteners Group	C-17 - C-18
Water & Sewage Group	C-19 - C-22
Window, Vent & Exterior Door Group	C-23 - D-12

## DINETTE GROUP



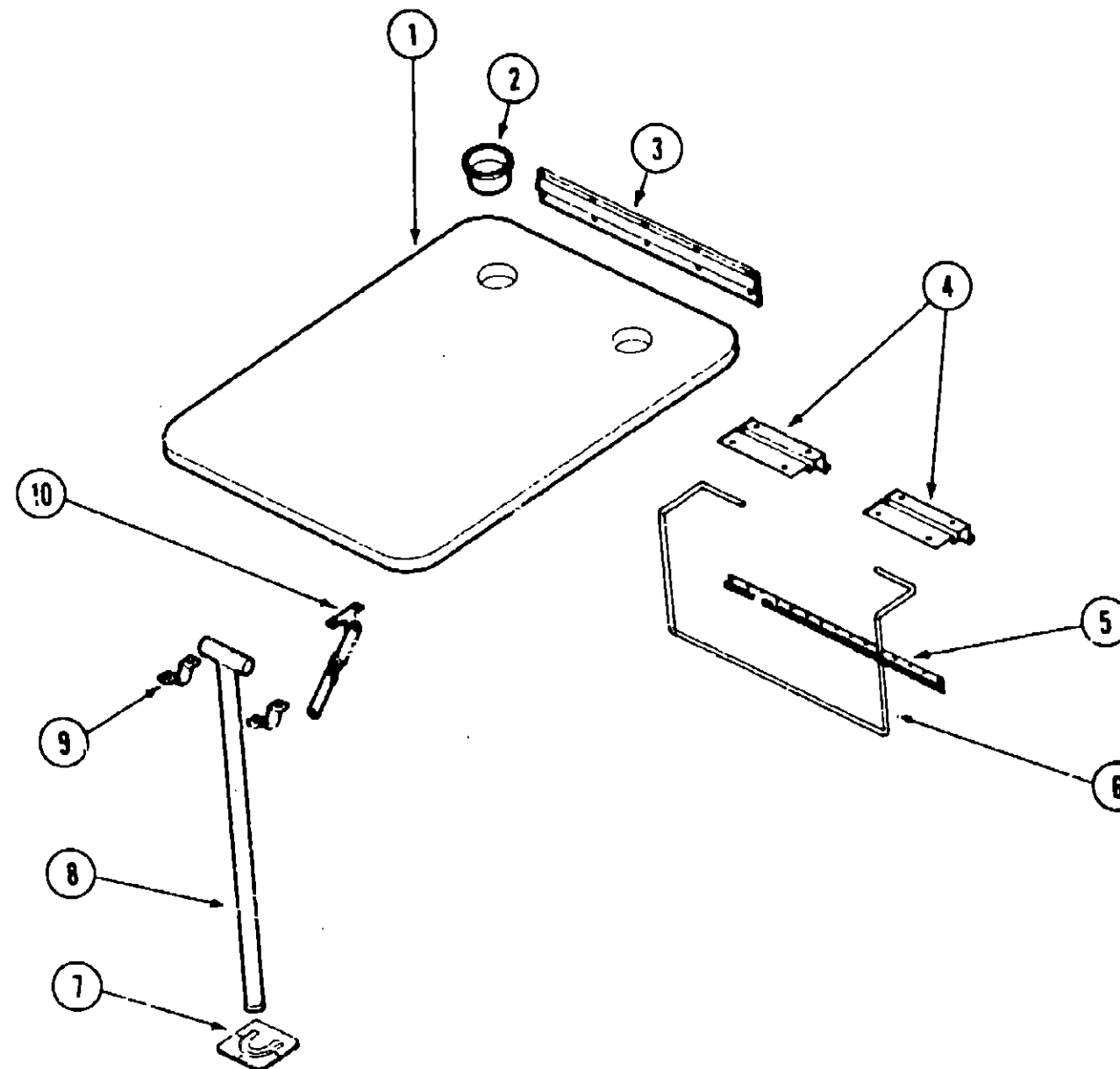
### DINETTE CABINERY

Key	Part Number	U/M	Description
1	P00196-01-B05	EA	Cabinet Asm. - Dinette Overhead - w/o Door or Hardware
2	P00099-32-B05	EA	Door Asm. - Dinette Cabinet - 14" x 27" - w/o Hardware
3	081280-21-B05	EA	End Cap Asm.
4	M02174-08-B05	EA	Cabinet Asm. - Dinette Back
5	M02175-10-B05	EA	Cabinet Asm. - Dinette Seat
	081519-10-B05	EA	Pad Asm. - Dinette Back
	081519-10-B06	EA	Pad Asm. - Dinette Back
**	081519-16-B05	EA	Pad Asm. - Dinette Back
**	081519-16-B06	EA	Pad Asm. - Dinette Back
6	P00099-12-B05	EA	Door Asm. - Dinette Seat Cabinet - 10" x 19" - w/o Hardware
7	M81299-08-B05	EA	Table Asm. - Dinette - w/o Hardware
8	M02175-09-B05	EA	Cabinet Asm. - Dinette Seat
9	081519-11-B05	EA	Pad Asm. - Dinette Back
9	081519-11-B06	EA	Pad Asm. - Dinette Back
**9	081519-17-B05	EA	Pad Asm. - Dinette Back
**9	081519-17-B06	EA	Pad Asm. - Dinette Back
	007021-01-000	EA	Seat Belt - 2" x 90" - Black
	057759-01-000	EA	Washer Bracket - Seat Belt - 4" Dia.
	000D44-07-00B	EA	Hex Nut - Ser Fig. - LK

\* See the next page for the breakdown of this item.

\*\* These parts were used from 10/22/90 on.

## DINETTE GROUP (CONTINUED)



### DINETTE TABLE & HARDWARE

Key	Part Number	U/M	Description
1	M81299-08-B05	EA	Table Asm. - Dinette - w/o Hardware
2	064781-05-000	EA	Cup Holder - Two Step - Beige
2	064781-06-000	EA	Cup Holder - Two Step - Off White
3	053200-09-000	EA	Support - Table - 18.5" - Beige
4	088410-01-000	EA	Hanger - Table - Beige
5	024281-11-000	EA	Bracket - Table Lift - 17.12" - Beige
6	024275-11-000	EA	Rod - Table Lift - Beige
7	049493-11-700	EA	Catch - Table Leg
8	024276-21-000	EA	Leg Asm. - Table - Beige
9	064050-03-000	EA	Clamp - Saddle - Leg Hinge - Beige
10	024262-01-000	EA	Brace - Table Leg
	024283-01-000	EA	Clip - 1" - 1.125" - OD Tube - Black
	081295-01-UC1	EA	Support - Dinette - 1.5" x 28" - Wood

## 1991 WINNEBAGO TABLE OF CONTENTS

INTRODUCTION	A-01 - A-02
ABBREVIATIONS	A-03
ALPHABETICAL/GROUP REFERENCE	A-04 - A-06
WF327RT	A-07 - D-12
WF327RB	D-13 - G-08
WF327RQ	G-09 - J-12

## 1991 WF327RT INDEX

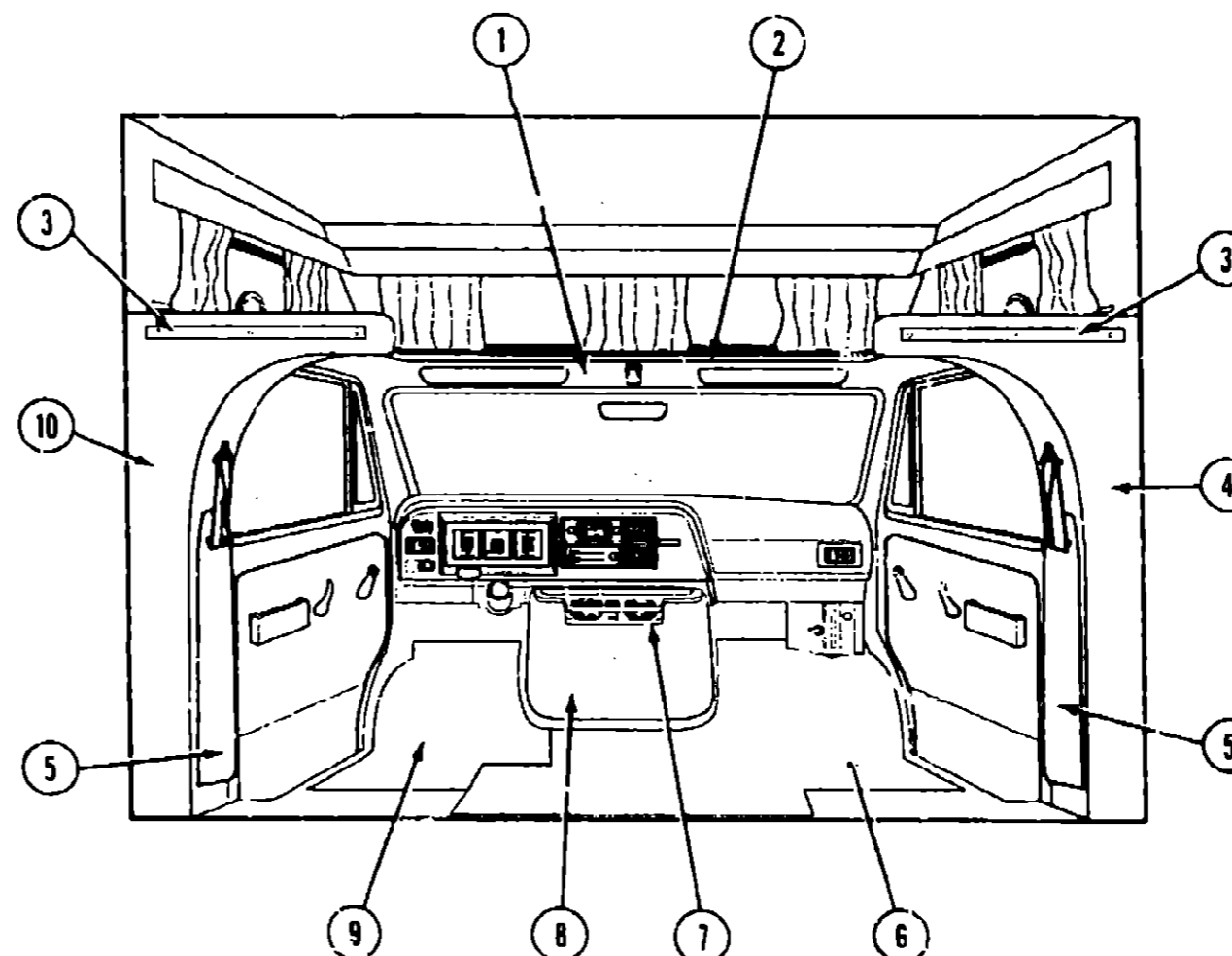
Floor Plan	A-07 - A-08
Accessories Group	A-09 - A-12
Bath Group	A-13 - A-14
Bedroom Group	A-15 - A-17
Chassis Group	A-18 - A-21
Curtain, Cushion & Pad Group	A-22 - B-08
Dinette Group	B-09 - B-11
Driver's Compartment Group	B-12 - B-14
Electrical Group	B-15 - B-17
Exterior Body Group	B-18 - B-22
Galley Group	B-23 - C-02
Heating & Air Conditioning Group	C-03 - C-04
Interior Finish Group	C-05 - C-07
Labels Group	C-08 - C-14
LP Group	C-15
Lounge Group	C-16
Sealants & Fasteners Group	C-17 - C-18
Water & Sewage Group	C-19 - C-22
Window, Vent & Exterior Door Group	C-23 - D-12

## DINETTE GROUP (CONTINUED)

### PRESTO BED CABINERY (OPTION L041)

Key	Part Number	U/M	Description
	M04187-12-B05	EA	Panel Asm. - Couch w/Fabric - Front
	M04187-12-B06	EA	Panel Asm. - Couch w/Fabric - Front
	M04187-13-B05	EA	Panel Asm. - Couch w/Fabric - Left Side
	M04187-13-B06	EA	Panel Asm. - Couch w/Fabric - Left Side
**	100032-11-B05	EA	Couch - Presto Bed - Back
**	100032-11-B06	EA	Couch - Presto Bed - Back
**	100032-12-B05	EA	Couch - Presto Bed - Seat
**	100032-12-B06	EA	Couch - Presto Bed - Seat
	081298-01-B05	EA	Pedestal Table Asm.
	009040-04-000	EA	Leg - Pedestal Table - 27.5" x 2.25" - Brown
	041194-01-000	EA	Table Base - Flush Floor Mount
	042433-02-000	EA	Wood Dowel - 2" x 2"
	009040-03-000	EA	Base - Raised Table Mount
	101926-01-01A	EA	Bracket - ZEE - 2" - Beige (3 Required)
	093586-03-000	EA	Catch - Roller Spring
	093586-04-000	EA	Strike - Spring Steel
	082525-01-000	EA	Brace - Presto Bed - Floor Mount (3 Required)
	083125-05-000	EA	Brace - Angle - Presto Bed - 2.5" Beige
**	See Curtain, Cushion & Pad Group for breakdown of this item.		

## DRIVER'S COMPARTMENT GROUP



## 1991 WINNEBAGO TABLE OF CONTENTS

INTRODUCTION:	A-01 - A-02
ABBREVIATIONS	A-03
ALPHABETICAL/GROUP REFERENCE	A-04 - A-06
WF327RT	A-07 - D-12
WF327RB	D-13 - G-08
WF327RQ	G-09 - J-12

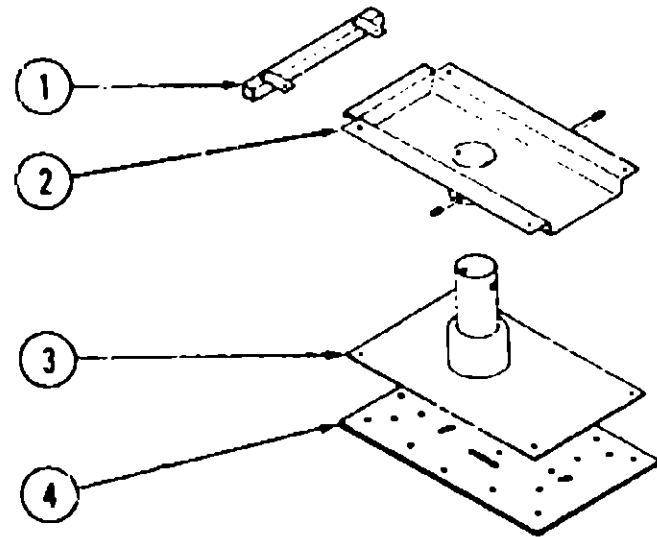
## 1991 WF327RT INDEX

Floor Plan	A-07 - A-08
Accessories Group	A-09 - A-12
Bath Group	A-13 - A-14
Bedroom Group	A-15 - A-17
Chassis Group	A-18 - A-21
Curtain, Cushion & Pad Group	A-22 - B-08
Dinette Group	B-09 - B-11
Driver's Compartment Group	B-12 - B-14
Electrical Group	B-15 - B-17
Exterior Body Group	B-18 - B-22
Galley Group	B-23 - C-02
Heating & Air Conditioning Group	C-03 - C-04
Interior Finish Group	C-05 - C-07
Labels Group	C-08 - C-14
LP Group	C-15
Lounge Group	C-16
Sealants & Fasteners Group	C-17 - C-18
Water & Sewage Group	C-19 - C-22
Window, Vent & Exterior Door Group	C-23 - D-12

### MISCELLANEOUS DRIVER'S COMPARTMENT COMPONENTS

Key	Part Number	U/M	Description
1	091831-01-B05	EA	Headliner - Front - Off White Vinyl
	091825-02-A93	EA	Headliner - Sides - Off White Vinyl
	096208-01-B05	EA	Cabinet Asm. - Headboard
	096703-01-B05	EA	Sleeper Board Asm.
	073800-04-000	EA	Trim - Front Sleeper Board - Metal - Off White
2	080742-03-000	FT	Accent Trim - Off White Vinyl
3	082069-03-Y05	EA	Wood Trim - Wingwall - 15.8"
	074045-07-000	EA	Oak Plug - 1/2"
4	096244-01-B05	EA	Wingwall Asm. - Inner - Passenger - Off White
5	091871-05-000	EA	Seat Belt Cover - Off White
	057759-01-000	EA	Bracket - Seat Belt - Washer
6	083219-01-000	EA	Floor Mat - Passenger
7	099857-01-AA5	EA	Beverage Tray
8	069885-16-B05	EA	Motor Cover w/Pocket
8	069885-16-B06	EA	Motor Cover w/Pocket
9	083219-02-000	EA	Floor Mat - Driver
10	096244-02-B05	EA	Wingwall Asm. - Inner - Driver - Off White
	024461-01-000	EA	Switch - Battery
	094795-02-000	EA	Speedometer - Kilometer

**DRIVER'S COMPARTMENT GROUP (CONTINUED)**

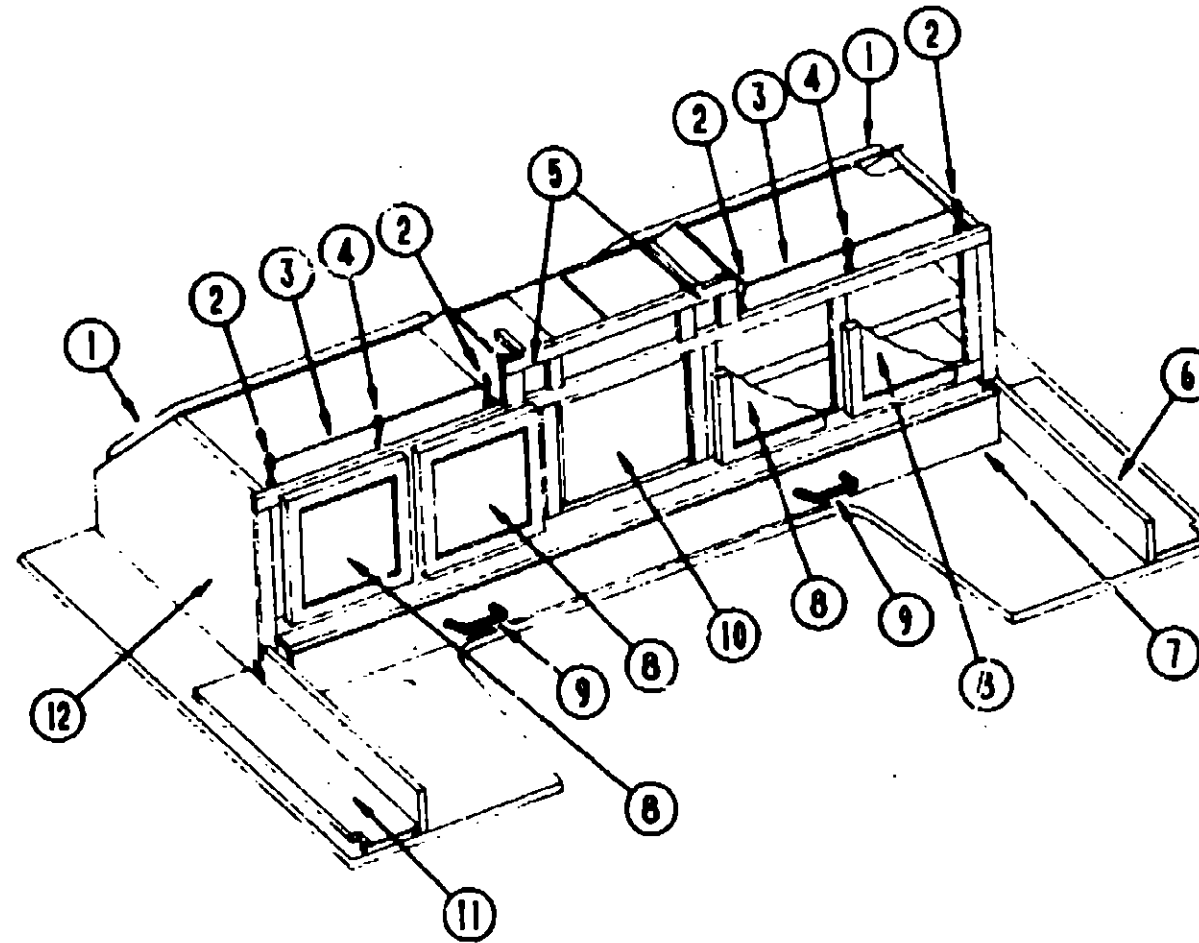


**BUCKET SEAT PEDESTAL**

Key	Part Number	U/M	Description
1	069585-03-000	EA	Bar - Seat Bell - 20"
2	093481-04-000	EA	Plate - Top - Pedestal Asm.
3	069585-03-000	EA	Plate - Sub - Pedestal Asm.
4	069585-02-000	EA	Plate - Base - Pedestal Asm. - Bucket Seat
	069246-01-000	EA	Adjuster Asm. - Seat - w/Locks
	069246-02-000	EA	Adjuster Asm. - Seat - w/o Lock
	069246-05-000	EA	Adjuster Asm. w/Remote
	069246-05-700	EA	Spring For Slide Adjuster
	069246-05-701	EA	Clip - For Cable Asm. Only

\* These parts are used from 7/9/90 on.

**DRIVER'S COMPARTMENT GROUP (CONTINUED)**



**TV & ENTERTAINMENT CABINETRY**

Key	Part Number	U/M	Description
1	099879-01-01A	EA	Panel - Window - Black Plastic
2	084070-02-000	EA	Post - End - Brass
3	084071-06-000	EA	Rod - Brass - 25"
4	084070-01-000	EA	Post - Center - Brass
5	072333-67-000	YD	Fabric - Speaker Cover
	098819-01-000	EA	Speaker - 2 Watt - 8 OHM - 4"
	074979-11-000	EA	Cover - Speaker - Plastic - Off White
6	099687-01-B05	EA	Cabinet - Headboard - Passenger
7	099639-01-B05	EA	Drawer - Entertainment - Front
	079145-07-000	EA	Cushion - Front Bunk - 28" x 75" x 2.5"
8	P00099-70-B05	EA	Door - Cabinet - 13.9" x 13.9" - w/o Hardware
9	100030-01-000	EA	Pull - Drawer - Polished Brass
10	098447-01-000	EA	TV - 13" Color w/Remote (USA)
10	098447-02-000	EA	TV - 13" Color w/Remote (CSA)
**	098447-01-700	EA	Remote Control
	099856-01-000	EA	TV - Tiedown
11	099687-02-B05	EA	Cabinet - Headboard - Driver
12	099445-01-B05	EA	Cabinet - Entertainment - Front
	098446-01-000	EA	VCR - VHS Cable Ready w/Remote
	098446-01-700	EA	Remote Control - VCR (#9815)
†	098446-02-000	EA	VCR - VHS Cable Ready w/Remote
†	098446-02-700	EA	Remote Control - VCR (#9912)

† These parts were used from 9/25/90 on.  
 \* See Curtain, Cushion & Pad Group for further breakdown of this item.  
 \*\* Include make & model number of TV when ordering this part.

**1991 WINNEBAGO  
TABLE OF CONTENTS**

INTRODUCTION	A-01 - A-02
ABBREVIATIONS	A-03
ALPHABETICAL/GROUP REFERENCE	A-04 - A-06
WF327RT	A-07 - D-12
WF327RB	D-13 - G-08
WF327RO	G-09 - J-12

**1991 WF327RT INDEX**

Floor Plan	A-07 - A-08
Accessories Group	A-09 - A-12
Bath Group	A-13 - A-14
Bedroom Group	A-15 - A-17
Chassis Group	A-18 - A-21
Curtain, Cushion & Pad Group	A-22 - B-08
Dinette Group	B-09 - B-11
Driver's Compartment Group	B-12 - B-14
Electrical Group	B-15 - B-17
Exterior Body Group	B-18 - B-22
Galley Group	B-23 - C-02
Heating & Air Conditioning Group	C-03 - C-04
Interior Finish Group	C-05 - C-07
Labels Group	C-08 - C-14
LP Group	C-15
Lounge Group	C-16
Sealants & Fasteners Group	C-17 - C-18
Water & Sewage Group	C-19 - C-22
Window, Vent & Exterior Door Group	C-23 - D-12



## ELECTRICAL GROUP

### MISCELLANEOUS ELECTRICAL COMPONENTS

Key	Part Number	U/M	Description
	072852-01-000	EA	Smoke Detector w/9 Volt Battery
	092615-01-000	EA	Convertor - 40 Amp. w/Charger
	054809-01-000	EA	Load Center - 240 Volt - 125 Amp. (Export)
	083208-01-000	EA	Control Center - 32 Amp. - 120V/12V

### WIRES, SWITCHES, & RECEPTACLES

Key	Part Number	U/M	Description
	008288-01-000	EA	Box - Electrical - 3" x 3.5" - Plastic
	093603-01-000	EA	Box - Electrical - 4" x 2 1/8" x 2 1/8"
	008289-01-000	EA	Box - Electrical - 4" x 4" - 1/2 & 3/4 Steel
	008289-02-000	EA	Box - Electrical - 4" x 4" (CSA)
	058049-01-000	EA	Box - Electrical - 2" x 3" x 2.25" - Steel
	041953-01-000	FT	Conduit - Convolute Slit - .5" ID
	041953-03-000	FT	Conduit - Convolute Slit - 1" ID
	041953-09-000	FT	Conduit - Convolute Slit - .50" ID
	008355-01-000	EA	Connector - Cable Clamping - 3/4"
	008356-01-000	EA	Connector - Plastic - 3/8" Avq.
	058028-01-000	EA	Connector - Pigtail - Clear Nylon
	008311-01-000	EA	Connector - Wire Nut - Red
	008314-01-000	EA	Connector - Wire Nut - Gray
	031968-01-000	EA	Contact - Plug
	008054-01-000	EA	Cord - Power - 10-3 30 Amp. - 25' (US)
	008052-01-000	EA	Cord - Power - 10-3 30 Amp. - 25' (CSA)
	059238-01-000	EA	Cover - Electrical Box - w/Hole - 4" x 4" - Gray
	063910-01-000	EA	Housing - Relay
	088474-08-000	EA	Housing - Socket - 4 Position
	088474-09-000	EA	Housing - Socket - 3 Position
	097744-01-000	EA	Housing - Trailer Pin - 12"
	097744-02-000	EA	Housing - Trailer Pin - 48"
	097745-01-000	EA	Housing Asm. - Trailer Cap
	097745-02-000	EA	Housing Asm. - Trailer Receptacle - 12"
	088473-05-000	EA	Housing Pin - 6 Position In Line
	088473-01-000	EA	Housing Pin - 4 Rows of 3
	088473-09-000	EA	Housing Pin - 3 Position
	088473-10-000	EA	Housing Pin - 2 Position
	088474-01-000	EA	Housing Socket
	088475-01-000	EA	Pin - Connector
	046885-01-000	CA	Plaque - Switch Mounting
	075736-02-000	EA	Receptacle/Cover Asm. - Off White (Exterior)
	084077-01-000	EA	Receptacle Cover - Ivory (Ground Fault Interrupter)
	084076-01-000	EA	Receptacle - 15 Amp. - 125 Volt - Ivory (Ground Fault Interrupter)
	024324-02-000	EA	Receptacle - Power Cord
	055707-01-000	EA	Receptacle - Single - Brown
	007940-01-000	EA	Receptacle - Slide - 16 to 12 Awg.
	058708-01-000	EA	Receptacle - Double Electrical - Brown
	058708-02-000	EA	Receptacle - Double Electrical - Ivory
	097734-01-01A	EA	Receptacle - Extension - 3.2" x 5" x 7" - Plastic - Ivory

## ELECTRICAL GROUP (CONTINUED)

### WIRES, SWITCHES & RECEPTACLES (CONTINUED)

Key	Part Number	U/M	Description
	095188-01-01A	EA	Spacer - Switch - Dark Brown
	102568-01-B10	EA	Spacer - Receptacle - Between Sidewall & Plate - Wood
	090971-01-000	EA	Splice - Cable - 110V
	090971-02-000	EA	Splice - Cable - 110V - Tap
	088476-01-000	EA	Socket - Connector
	088476-02-000	EA	Socket - Connector - 12-10 Ga.
	008188-01-000	EA	Solenoid - 3 Post - Battery Charge Over
	098351-02-01A	EA	Switch Plate - 2 Gang - Polished Brass
	079364-01-000	EA	Switch - On/Off Rocker - Brown
	007942-01-000	EA	Tab - 18 to 14 Awg. Wire
	007949-01-000	EA	Tab - 14 to 10 Awg. Wire
	031965-01-000	EA	Tab - Housing - 2 Position
	047443-01-000	EA	Terminal - .250 Receptacle Fit - Insulated - 16/14 AWG
	047443-02-000	EA	Terminal - .250 Receptacle Fit - Insulated - 12/10 AWG
	050003-02-000	EA	Terminal Pin - 16-14 AWG
	008326-01-000	EA	Terminal Ring - 16/14 Wire - 3/8" Stud
	033416-04-000	EA	Terminal Ring - #10 Stud Fit
	008328-01-000	EA	Terminal Ring - 12/10 Wire
	008348-01-000	EA	Terminal Ring - 2 - 3/8 Stud
	008331-01-000	EA	Terminal Ring - 4 - 3/8 Stud
	093252-01-01A	EA	Wall Plate - Cable - Beige
	008026-01-000	FT	Wire - 12/2 Romex w/Ground
	008030-01-000	FT	Wire - Bonded
	008343-01-000	EA	Wire Tie - 6"

### EXTERIOR LIGHTS

Key	Part Number	U/M	Description
	042405-01-000	EA	Lens - Side Marker/Clearance Light - w/Reflex - Red
	042405-02-000	EA	Lens - Side Marker Light - w/Reflex - Amber
	042405-03-000	EA	Base - Clearance Light - Rectangular
	091983-01-000	EA	Gasket - Light - Side Marker
	008213-01-000	EA	Bulb - 12 Volt - #57
	062740-04-000	EA	Wedge - Tail Light - Plastic - Passenger Side - Off White
	062742-04-000	EA	Wedge - Tail Light - Plastic - Driver Side - Off White
	007309-01-000	EA	Light - License Plate
	059540-01-000	EA	Bracket - License Plate
	058032-02-000	EA	Tail Lamp - 2 Bulb - Black Bezel
	058032-02-700	EA	Lens - Tail Lamp - w/Backup - Red
	058032-02-701	EA	Lens - Tail Lamp - w/o Backup - Red
	037935-01-000	EA	Bulb - Tail Lamp - #1157 - 12 Volt
	097917-01-01A	EA	Light - Porch/Entry Door - Off White
	097917-01-700	EA	Lens - Porch Light
	008215-01-000	EA	Bulb - Porch Light
	100138-01-000	EA	Module - Daytime Running Lights (CSA)
	100159-02-000	EA	Wire Asm. - Daytime Running Lights - w/Fuse (CSA)
	100158-01-000	EA	Wire Asm. - Daytime Running Lights (CSA)

Note: Items indented below assemblies are serviceable parts for that assembly.

### INTERIOR LIGHTS

Key	Part Number	U/M	Description
	007309-01-000	EA	Light - Step Well - Round - 12V
	098024-01-01A	EA	Dome Light - 1 Bulb - Ivory
	098024-03-01A	EA	Dome Light - 2 Bulb - Ivory
	098024-01-700	EA	Lens - Dome Light
	008218-01-000	EA	Bulb - Dome Light - 12 Volt - #1141
	086280-01-000	EA	Light - Surface Mount - 12 Volt
	086280-01-700	EA	Bulb - 12 Volt - 6 Watt

NOTE: Items indented below assemblies are serviceable parts for that assembly.

## 1991 WINNEBAGO TABLE OF CONTENTS

INTRODUCTION	A-01 - A-02
ABBREVIATIONS	A-03
ALPHABETICAL/GROUP REFERENCE	A-04 - A-06
WF327RT	A-07 - D-12
WF327RB	D-13 - G-08
WF327RQ	G-09 - J-12

## 1991 WF327RT INDEX

Floor Plan	A-07 - A-08
Accessories Group	A-09 - A-12
Bath Group	A-13 - A-14
Bedroom Group	A-15 - A-17
Chassis Group	A-18 - A-21
Curtain, Cushion & Pad Group	A-22 - B-08
Dinette Group	B-09 - B-11
Driver's Compartment Group	B-12 - B-14
Electrical Group	B-15 - B-17
Exterior Body Group	B-18 - B-22
Galley Group	B-23 - C-02
Heating & Air Conditioning Group	C-03 - C-04
Interior Finish Group	C-05 - C-07
Labels Group	C-08 - C-14
LP Group	C-15
Lounge Group	C-16
Sealants & Fasteners Group	C-17 - C-18
Water & Sewage Group	C-19 - C-22
Window, Vent & Exterior Door Group	C-23 - D-12

## ELECTRICAL GROUP (CONTINUED)

### BULBS

Key	Part Number	U/M	Description
	092696-01-709	EA	Bulb - 912 (Stove Hood)
	008215-01-000	EA	Bulb - 1003 (Porch Light)
	008218-01-000	EA	Bulb - 1141 (Dome Light)
	037934-01-000	EA	Bulb - 1156 (Back-Up Light)
	037935-01-000	EA	Bulb - 1157 (Tail Lamp)
	084880-01-706	EA	Bulb - DC Light (Refrigerator) (Export)
	088737-01-710	EA	Bulb - 30W (Microwave Oven)
	036196-01-000	EA	Bulb - 194 (Clearance Light)
	086280-01-700	EA	Bulb - 12 Volt - 6 Watt (Surface Light)
	008213-01-000	EA	Bulb - #57 (Clearance Light)

### FUSES & CIRCUIT BREAKERS

Key	Part Number	U/M	Description
	008235-01-000	EA	Fuse - 12 Volt - 15 Amp.
	062901-05-000	EA	Fuse - 15 Amp. - Automotive
	008211-01-000	EA	Circuit Breaker - 6 Amp. - 12 Volt
	083209-01-000	EA	Circuit Breaker - 15 Amp. 120 Volt
	093210-02-000	EA	Circuit Breaker - 15 Amp. - 120 Volt (Ground Fault Interrupter)
	083209-02-000	EA	Circuit Breaker - 15/15 Amp. - 120 Volt
	083209-03-000	EA	Circuit Breaker - 15/20 Amp. - 120 Volt
	033573-01-000	EA	Circuit Breaker - 20 Amp. - 12 Volt
	094811-01-000	EA	Circuit Breaker - 20/20 Amp. - 120 Volt
	008268-01-000	EA	Circuit Breaker - 30 Amp. - 12 Volt
	083209-04-000	EA	Circuit Breaker - 20 Amp. - 120 Volt
	083209-06-000	EA	Circuit Breaker - 30/15 Amp. - 120 Volt
	094810-01-000	EA	Circuit Breaker - 30/30 Amp. - 120 Volt (Export)
	083209-08-000	EA	Circuit Breaker Blank
	050283-02-000	EA	Circuit Breaker - Buss Bar
	100341-01-000	EA	Fuse Holder - In Line Type
	008277-01-000	EA	Fuse Holder - Panel Mount - Black

## EXTERIOR BODY GROUP

### MISCELLANEOUS EXTERNALLY MOUNTED PARTS

Key	Part Number	U/M	Description
	083558-03-000	EA	Plumbing Seal - Roof Vent - 1.5 - Off White
	009126-02-000	EA	Assist Handle - Black
	087659-04-000	EA	Fill - City Water - Off White
	075736-02-000	EA	Cover - Exterior Receptacle - Off White
	033615-06-000	EA	Holder - Compartment Door - Plastic - Off White
	049347-01-000	EA	Head - Mirror - 7.5" x 10.59" - Stainless Steel
	062047-01-000	EA	Arm - West Coast Mirror
	006043-01-000	EA	Mirror - Exterior - Convex - Adhesive Backed

### SHEET FIBERGLASS, ALUMINUM & STYROFOAM

Key	Part Number	U/M	Description
	044487-01-001	EA	Aluminum - Mill Finish - No Design - 96" x 360" (Roof)
	001054-01-011	EA	Aluminum Sheet - 48" x 96" - Flat - Off White
	000868-01-000	SF	Styrofoam - 3/4" x 24" x 96"
	000870-03-000	SF	Styrofoam - 1.34" x 48" x 96"
	000870-05-000	SF	Styrofoam - .50" x 24" x 96"
	076054-90-000	EA	Fiberglass Sheet - 48" x 296" - Off White
	077517-24-000	EA	Fiberglass Sheet - 48" x 96" - Off White
	076054-C3-001	EA	Fiberglass Sheet - 36" x 240" (20') - Off White
	076054-D3-001	EA	Fiberglass Sheet - 48" x 96" - Off White
	076054-D3-006	EA	Fiberglass Sheet - 48" x 298" (24.8') - Off White

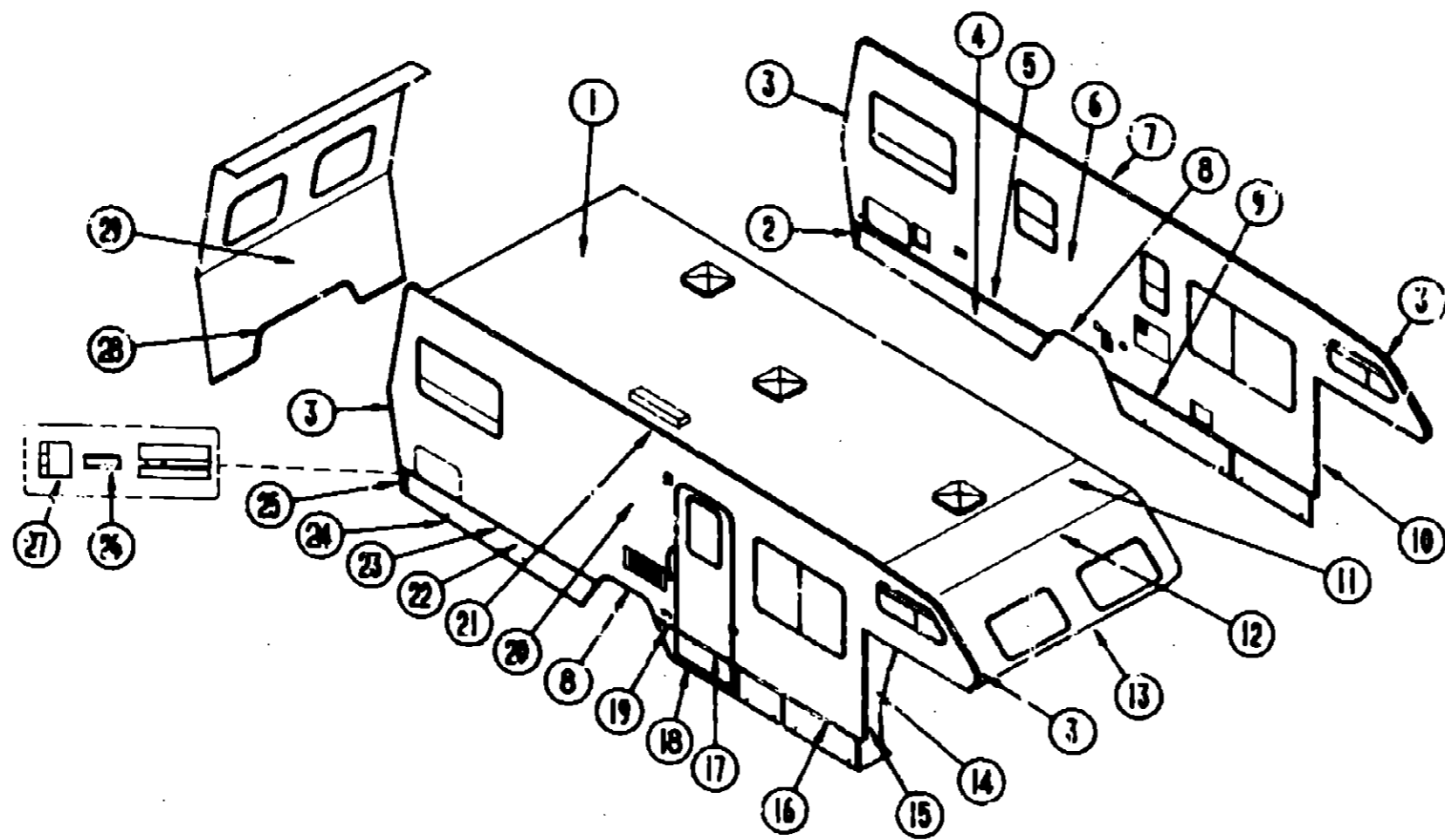
## 1991 WINNEBAGO TABLE OF CONTENTS

INTRODUCTION	A-01 - A-02
ABBREVIATIONS	A-03
ALPHABETICAL/GROUP REFERENCE	A-04 - A-06
WF327RT	A-07 - D-12
WF327RB	D-13 - G-08
WF327RQ	G-09 - J-12

## 1991 WF327RT INDEX

Floor Plan	A-07 - A-08
Accessories Group	A-09 - A-12
Bath Group	A-13 - A-14
Bedroom Group	A-15 - A-17
Chassis Group	A-18 - A-21
Curtain, Cushion & Pad Group	A-22 - B-08
Dinette Group	B-09 - B-11
Driver's Compartment Group	B-12 - B-14
Electrical Group	B-15 - B-17
Exterior Body Group	B-18 - B-22
Galley Group	B-23 - C-02
Heating & Air Conditioning Group	C-03 - C-04
Interior Finish Group	C-05 - C-07
Labels Group	C-08 - C-14
LP Group	C-15
Lounge Group	C-16
Sealants & Fasteners Group	C-17 - C-18
Water & Sewage Group	C-19 - C-22
Window, Vent & Exterior Door Group	C-23 - D-12

**EXTERIOR BODY GROUP (CONTINUED)**  
**EXTERIOR BODY PANELS**



**1991 WINNEBAGO  
TABLE OF CONTENTS**

INTRODUCTION	A-01 - A-02
ABBREVIATIONS	A-03
ALPHABETICAL/GROUP REFERENCE	A-04 - A-06
WF327RT	A-07 - D-12
WF327RB	D-13 - G-08
WF327RQ	G-09 - J-12

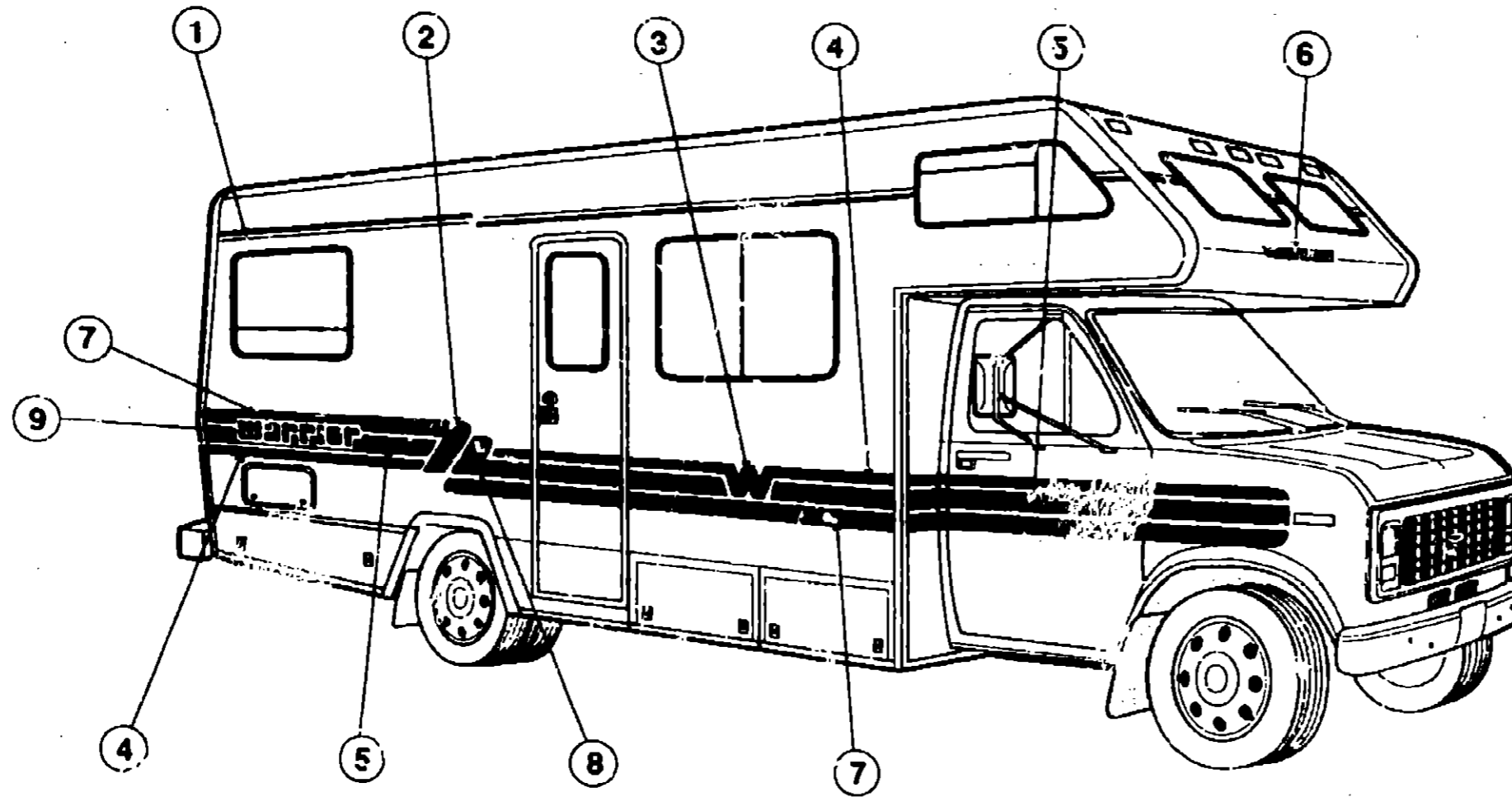
**1991 WF327RT INDEX**

Key	Part Number	U/M	Description
1	P00217-01-B05	EA	Roof Asm. (Special Order Item)
†1	P00217-02-B05	EA	Roof Asm. (Special Order Item)
2	097907-05-02A	EA	Filler - Valance Panel - Rear - Off White
3	096254-01-01A	EA	Trim - Contour - Off White
4	096393-10-B05	EA	Valance Asm. - Rear (Stationary)
••4	096393-19-B05	EA	Valance Asm. - Rear (Hinged)
•5	096816-02-01A	EA	Trim - Sidewall - Lower - 75.2" - Off White
6	P00498-01-B05	EA	Sidewall Asm. - Driver (Special Order Item)
7	096864-01-01A	EA	Trim - Contour - Roof - Off White
8	096215-01-01A	EA	Trim - Wheelwell - Rear - Metal - Off White
•9	096817-01-01A	EA	Trim - Sidewall - To Valance - 102.9" - Off White
10	096970-02-01A	EA	Trim - Wingwall - Off White
	079280-01-01A	FT	Vinyl Insert - Contour Trim - 72" - Off White
	M96154-02-AA3	EA	Wingwall - Driver Side w/Gusset
	079203-03-000	EA	Trim - Wingwall - Off White
	096945-02-01A	EA	Trim - "L" Angled - Driver Wingwall - Off White
	089334-01-000	FT	Vinyl - Exterior Trim - Between Wingwall & Cab Seal - White
11	M76177-01-700	EA	Roof Section - Cab Over to First Seam
12	073580-01-000	EA	Trim - Roof to Front Cab
13	096644-09-000	EA	Trim - Sleeper Board - Off White
14	M96154-01-AA3	EA	Wingwall - Passenger Side w/Gusset (Ford)
	079203-03-000	EA	Trim - Wingwall - Off White
	096945-01-01A	EA	Trim - "L" Angled - Passenger Wingwall - Off White
	089334-01-000	FT	Vinyl - Exterior Trim - Between Wingwall & Cab Seal - White

Key	Part Number	U/M	Description
15	096970-01-01A	EA	Trim - Wingwall - Off White
•16	096818-01-01A	EA	Trim - Sidewall - To Valance - 64" - Off White
17	002444-04-002	EA	Feature Strip w/o Insert - 15' Long - Off White
	001030-02-003	EA	Insert - Feature Strip - Stucco
	009731-01-000	EA	End Cap - Feature Strip
18	096398-01-AA3	EA	Valance - Entry Door
	044582-02-000	EA	Drip Cap - Entry Door - Off White
	096882-02-01A	EA	Trim - Angle - Entrance Valance - Off White
19	096818-02-01A	EA	Trim - Sidewall - To Valance - 10.3" - Off White
20	M98680-01-B05	EA	Sidewall Asm. - Passenger (Special Order Item)
21	100483-01-01A	EA	Trim - Roof Contour - Off White (Awning)
	099583-55-001	EA	Awning Rail - 10' EA - Off White
22	096393-11-B05	EA	Valance Asm. - Rear
•23	096816-01-01A	EA	Trim - Sidewall - To Valance - 95.7" - Off White
24	096217-55-001	EA	U-Channel - Extrusion - 17.5" - Off White
25	097907-04-C2A	EA	Filler - Valance Panel - Rear - Off White
26	001030-02-003	EA	Insert - Lower Sidewall Trim
27	098424-02-01A	EA	End Cap - Sidewall Trim - Rear (Passenger Side) & Front (Driver Side)
	098424-01-01A	EA	End Cap - Sidewall Trim - Rear (Driver Side) & Front (Passenger Side)
28	096197-02-01A	EA	Trim - Backwall - Lower - U-Channel - 1" Wide - Off White
29	P00218-01-B05	EA	Backwall Asm. (Special Order Item)
•			See the inset illustration for additional parts.
••			These parts were used from 9/24/90 on.
†			These parts were used from 10/1/90 on.

Floor Plan	A-07 - A-08
Accessories Group	A-09 - A-12
Bath Group	A-13 - A-14
Bedroom Group	A-15 - A-17
Chassis Group	A-18 - A-21
Curtain, Cushion & Pad Group	A-22 - D-08
Dinette Group	B-09 - D-11
Driver's Compartment Group	B-12 - B-14
Electrical Group	B-15 - B-17
Exterior Body Group	B-18 - B-22
Galley Group	B-23 - C-02
Heating & Air Conditioning Group	C-03 - C-04
Interior Finish Group	C-05 - C-07
Labels Group	C-08 - C-14
LP Group	C-15
Lounge Group	C-16
Sealants & Fasteners Group	C-17 - C-18
Water & Sewage Group	C-19 - C-22
Window Vent & Exterior Door Group	C-23 - D-12

**EXTERIOR BODY GROUP (CONTINUED)**  
DECALS & FILM STRIPE



**1991 WINNEBAGO  
TABLE OF CONTENTS**

INTRODUCTION	A-01 - A-02
ABBREVIATIONS	A-03
ALPHABETICAL/GROUP REFERENCE	A-04 - A-06
WF327RT	A-07 - D-12
WF327RB	D-13 - G-08
WF327RQ	G-09 - J-12

Key	Part Number	U/I/A	Description
1	093680-22-01A	FT	Multistripe - 2 Lines - 2.6" Wide - Dark Plum/Light Wine
1	093680-22-02A	FT	Multistripe - 2 Lines - 2.6" Wide - Green/Aqua
2	099984-01-01A	EA	Decal - Angle - Passenger Side - Rear - 11" High - Dark Plum
2	099984-01-02A	EA	Decal - Angle - Passenger Side - Rear - 11" High - Hunter Green
	099984-02-01A	EA	Decal - Angle - Driver Side - Rear - 11" High - Dark Plum
	099984-02-02A	EA	Decal - Angle - Driver Side - Rear - 11" High - Hunter Green
3	093691-03-01A	EA	Decal - Flying "W" - Dark Plum
3	093691-03-02A	EA	Decal - Flying "W" - Hunter Green
4	093681-14-01A	FT	Film - 1.5" x 150' - Dark Plum
4	093681-14-03A	FT	Film - 1.5" x 150' - Hunter Green
5	093681-15-02A	FT	Film - 4" x 150' - Light Wine
5	093681-15-04A	FT	Film - 4" x 150' - Aqua
6	050313-39-000	EA	Decal - Logo - "Winnebago" - 2.8" - Dark Plum
6	050313-43-000	EA	Decal - Logo - "Winnebago" - 2.8" - Hunter Green
7	093681-15-01A	FT	Film - 4" x 150' - Dark Plum
7	093681-15-03A	FT	Film - 4" x 150' - Hunter Green
8	099983-01-01A	EA	Decal - Angle - Passenger Side - Front - 8.9" High - Light Wine
8	099983-01-02A	EA	Decal - Angle - Passenger Side - Front - 8.9" High - Aqua
	099983-02-01A	EA	Decal - Angle - Driver Side - Front - 8.9" High - Light Wine
	099983-02-02A	EA	Decal - Angle - Driver Side - Front - 8.9" High - Aqua
9	099999-01-02A	EA	Decal - Logo - "Warrior" - Off White/Dark Plum
9	099999-01-05A	EA	Decal - Logo - "Warrior" - Off White/Hunter Green

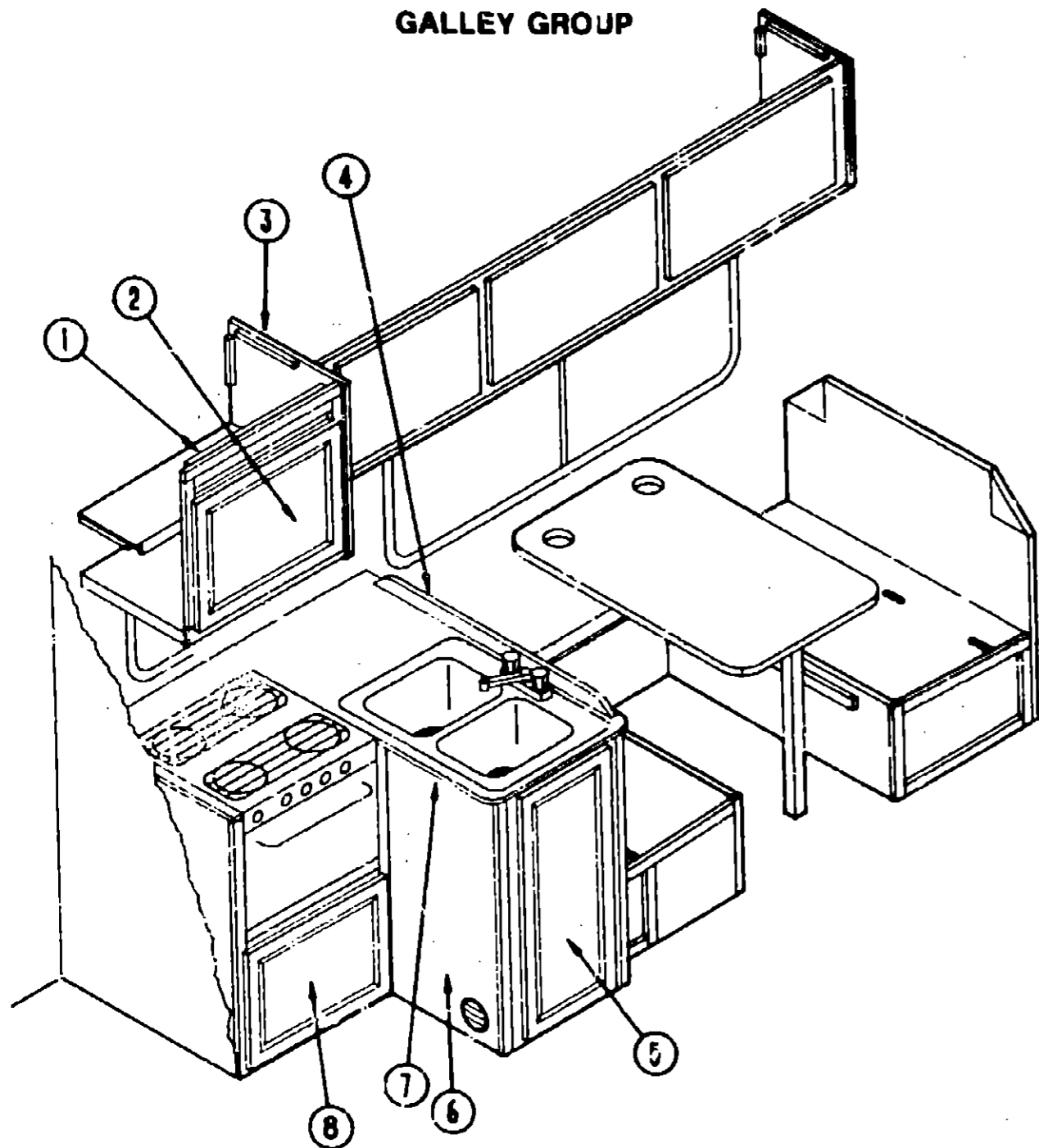
For your convenience here are the Dupont color codes that you can purchase locally:

- Dark plum K9455
- Light Wine K9466
- Hunter Green K9480
- Aqua K9481
- Off White L8723
- Black 99A

**1991 WF327RT INDEX**

Floor Plan	A-07 - A-08
Accessories Group	A-09 - A-12
Bath Group	A-13 - A-14
Bedroom Group	A-15 - A-17
Chassis Group	A-18 - A-21
Curtain, Cushion & Pad Group	A-22 - B-08
Dinette Group	B-09 - B-11
Driver's Compartment Group	B-12 - B-14
Electrical Group	B-15 - B-17
Exterior Body Group	B-18 - B-22
Galley Group	B-23 - C-02
Heating & Air Conditioning Group	C-03 - C-04
Interior Finish Group	C-05 - C-07
Labels Group	C-08 - C-14
LF Group	C-15
Lounge Group	C-16
Sealants & Fasteners Group	C-17 - C-18
Water & Sewage Group	C-19 - C-22
Window, Vent & Exterior Door Group	C-23 - D-12

## GALLEY GROUP



**GALLEY CABINETRY**

Key	Part Number	U/M	Description
1	P00204-01-B05	EA	Cabinet Asm. - Galley Overhead - w/o Door or Hardware
2	P00099-33-B05	EA	Door Asm. - Galley Overhead - 14" x 22" - w/o Hardware
3	081280-24-B05	EA	End Cap - Overhead
4	058335-01-B05	EA	Galley Rail - 31.5"
5	P00099-14-B05	EA	Door Asm. - Galley Cabinet - 14" x 27" - w/o Hardware
6	M03981-01-B05	EA	Cabinet Asm. - Galley w/Countertop - w/o Doors or Hardware
7	092034-11-B05	EA	Countertop Asm. - Galley Cabinet
8	P00099-71-B05	EA	Door Asm. - Furnace - 22" x 16" - w/o Hardware
	P00059-27-B05	EA	Door Asm. - Refrigerator Cabinet - 12" x 22" - w/o Hardware
	091257-06-000	EA	Handrail - Refrigerator Cabinet - Regal Oak

## GALLEY GROUP (CONTINUED)

### GALLEY APPLIANCES

Key	Part Number	U/M	Description
	088248-02-000	EA	Refrigerator-2-way, Norcold 876-EG2
	084879-03-700	EA	Cooling Unit - Horizontal Burner
	064473-03-719	EA	Flue Horizontal Burner
	088248-01-709	EA	Heater - AC Horizontal
	075217-01-737	EA	Control Module
	068248-01-703	EA	Insert - Control Panel
	084880-01-715	EA	Valve - Shut Off, Manual
	084880-01-713	EA	Connector - Male, Inlet Fitting
	084880-01-705	EA	Orifice
	088248-01-706	EA	Burner - Horizontal
	088248-01-708	EA	Electrode - Ignition, Horizontal
	088248-01-712	EA	Frame - Door, Lower - Brown
	075217-01-700	EA	Trim - Shelf, Upper Door - Inside
	064472-01-744	EA	Dairy Keeper
	064472-02-716	EA	Electrode - Ignition - Horizontal
	064472-01-727	EA	Hinge - Upper Right
	046955-01-713	EA	Pin - Hinge
	088248-01-715	EA	Tray - Drip, Almond
	064472-03-700	EA	Pin - Hinge, Bottom
	064472-01-731	EA	Cover - Crisper
	075217-01-713	EA	Drawer - Crisper
	064472-01-726	EA	Frame Strip - Cabinet, Left
	088248-01-714	EA	Cabinet Asm. - Foamed, (Almond)
	064472-01-727	EA	Hinge - Upper Right
	064472-01-728	EA	Hinge - Lower Right
	088248-02-700	EA	P/C Board - 2/Way
	088248-02-701	EA	Insert Control Panel, Lower - 2/Way
	100258-01-01A	EA	Hood Range w/o Monitor Panel (US)
	100258-03-01A	EA	Hood Range - w/o Monitor Panel - Almond (US & Export) (Option L39E & L383)
	100258-02-01A	EA	Hood Range - w/o Monitor Panel - Almond (CSA) (Option L39E)
	096983-01-702	EA	Switch - Two Way - Momentary - Generator (if used)
	096983-01-700	EA	Switch - ON/OFF - Fan/Lamp
	092696-01-709	EA	Bulb - #912
	092696-01-710	EA	Socket - Light
	096983-01-708	EA	Lens - Lamp
	090973-01-700	EA	Motor
	090973-01-702	EA	Blade - Fan
	096903-01-707	EA	Filter - Grease
	092696-01-707	EA	Vent - Gasket
	100258-10-01A	EA	Hourmeter - Ventline (Option 39E)

NOTE: Items indented below assemblies are serviceable parts for that assembly.

## 1991 WINNEBAGO TABLE OF CONTENTS

INTRODUCTION	A-01 - A-02
ABBREVIATIONS	A-03
ALPHABETICAL/GROUP REFERENCE	A-04 - A-06
WF327RT	A-07 - D-12
WF327R3	D-13 - G-08
WF327RQ	G-09 - J-12

## 1991 WF327RT INDEX

Floor Plan	A-07 - A-08
Accessories Group	A-09 - A-12
Bath Group	A-13 - A-14
Bedroom Group	A-15 - A-17
Chassis Group	A-18 - A-21
Curtain, Cushion & Pad Group	A-22 - B-08
Dinette Group	B-09 - B-11
Driver's Compartment Group	B-12 - B-14
Electrical Group	B-15 - B-17
Exterior Body Group	B-18 - B-22
Galley Group	B-23 - C-02
Heating & Air Conditioning Group	C-03 - C-04
Interior Finish Group	C-05 - C-07
Labels Group	C-08 - C-14
LP Group	C-15
Lounge Group	C-16
Sealants & Fasteners Group	C-17 - C-19
Water & Sewage Group	C-19 - C-22
Window, Vent & Exterior Door Group	C-23 - D-12

**GALLEY GROUP (CONTINUED)**

**GALLEY APPLIANCES (CONTINUED)**

Key	Part Number	U/M	Description
	031269-01-000	EA	Oven - Microwave - Magic Chef
	055282-04-000	EA	Range - 4 Burner w/Oven - Magic Chef
	055282-03-708	EA	Bumper - Main Top - Plastic Plug
	049045-01-742	EA	Burner Asm. - Oven
	064782-02-715	EA	Clip - Grate
	049045-01-739	EA	Fitting - Half Union
	055282-03-702	EA	Knob - Thermostat
	049045-01-742	EA	Burner Asm. - Oven
	081374-02-701	EA	Regulator - Pressure
	055282-03-700	EA	Thermostat
	049045-01-703	FA	Valve - Top - Burner
	064782-02-705	EA	Handle - Oven Door - Black
	049045-01-728	EA	Broiler Pan - w/o Insert
	098507-02-700	EA	Filter - Pilot
	098507-02-701	EA	Insert - Burner (Slotted Vent)
	064782-02-701	EA	Shield - Deflector Flue - Black
	102020-01-705	EA	Trim (Left)
	049045-01-741	EA	Insert - Broiler Pan
	064782-02-710	EA	Bracket - Front Glass
	064782-02-712	EA	Grate - Top - Burner - Square Holes
	064782-02-714	EA	Fitting - Pipe Nipple - 1/8"
	098507-01-701	EA	Top - Main - Almond
	064782-02-708	EA	Valve - Mercury Control
	055282-04-700	EA	Panel - Oven Door - Almond
	098507-02-707	EA	Top - Main - Ebony
*	102022-01-01A	EA	Range - 16" - 4 Burner - Almond
**	102022-01-02A	EA	Range - 16" - 4 Burner - Almond
	102020-01-724	EA	Main Top Burner
	102020-01-709	EA	Bumper Asm. (Oven)
	102020-01-709	EA	Grate Bumper
	102020-01-713	EA	Thermostat Knob
	102022-01-703	EA	Pressure Regulator
	102020-01-717	EA	Thermostat
	102020-01-722	EA	Top Burner Valve
	102020-01-701	EA	Door Handle
	102022-01-704	EA	Glass - Outer
	102020-01-710	EA	Pilot - Filter
	102020-01-726	EA	Deflector Vent
	102022-01-700	EA	Panel Door - Black
	102020-01-718	EA	Main Top - Almond
	055282-03-705	EA	Trim - Left
	102022-01-706	EA	Trim - Left - Flat
	055282-03-707	EA	Trim - Right
	102022-01-707	EA	Trim - Right - Flat
	102020-01-711	EA	Top Grate
	102020-01-720	EA	Mercury Control - Valve
	102020-01-712	EA	Burner Valve Knob
	102020-01-714	EA	Oven Pilot
	102022-01-702	EA	Mainfold Pipe
	102020-01-721	EA	Shutoff Valve
	102020-01-702	EA	Panel - Manifold
	098507-02-701	EA	Burner Insert (Slotted Vent)
	097617-01-01A	EA	Panel - Monitor - Almond
	097617-01-700	EA	Plate - Cover
	097617-01-701	EA	Switch - On/Off - Almond
	097617-01-702	EA	Switch - 1 Way - Almond
	097617-01-703	EA	Circuit Board
	097618-01-000	EA	Wire Asm. - Monitor Panel

\* These parts were used from 5/3/90 - 3/10/91.

\*\* These parts were used from 3/11/91 on.

NOTE: Items indented below assemblies are serviceable parts for that assembly.

**GALLEY GROUP (CONTINUED)**

**GALLEY HARDWARE**

Key	Part Number	U/M	Description
	094745-01-01A	EA	Trim - Microwave - Lower
	094774-01-01A	EA	Trim - Microwave - Either Side - .5"
	094774-03-01A	EA	Trim - Microwave - Either Side - 1.5"
	094756-02-01A	EA	Bracket - Microwave - Tan
	094750-01-000	EA	Bracket - Microwave - 90°
	094073-03-000	EA	Vent - Refrigerator - Roof - Off White
	084073-04-000	EA	Base - Roof Vent - Norcold Refrigerator - Black
	054450-01-000	EA	Level - Refrigerator
	084878-09-000	EA	Vent - Range Hood - Short
	066437-01-000	EA	Strainer - w/Basket - Sink
	066437-01-700	EA	Basket - Straine
	011053-04-000	EA	Faucet - w/Swing Spout - 8"
	011053-01-700	EA	Aerator - Swing Spout Faucet
	091253-01-000	EA	Gasket - Faucet
	059777-02-000	EA	Hinge - Burnished Brass
	100030-01-000	EA	Pull - Cabinet
	072369-34-000	EA	Mesh - Expanded Aluminum - Bronze
	093586-03-000	EA	Catch - Spring Roller
	093586-04-000	EA	Strike - Spring Steel
	090329-01-000	FT	Seal - Refrigerator Cabinet
	077404-02-000	EA	Drawer - Plastic - 20" x 12.7" - Beige
	077409-02-000	EA	Drawer Slide - Plastic - 20.75"
	094067-01-01A	EA	Drawer Divider - Plastic
	098654-01-000	EA	Sink - Galley - Double w/Mounting Hardware - Stainless Steel
	081530-01-B05	EA	Sink Cover
	098979-01-000	EA	Clip - Adjustable Shelf
	098980-01-000	EA	Pilaster - Adjustable Shelf - 18" Long

**1991 WINNEBAGO  
TABLE OF CONTENTS**

INTRODUCTION	A-01 - A-02
ABBREVIATIONS	A-03
ALPHABETICAL/GROUP REFERENCE	A-04 - A-06
WF327RT	A-07 - D-12
WF327RB	D-13 - G-08
WF327RO	G-09 - J-12

**1991 WF327RT INDEX**

Floor Plan	A-07 - A-08
Accessories Group	A-09 - A-12
Bath Group	A-13 - A-14
Bedroom Group	A-15 - A-17
Chassis Group	A-18 - A-21
Curtain, Cushion & Pad Group	A-22 - B-08
Dinette Group	B-09 - B-11
Driver's Compartment Group	B-12 - B-14
Electrical Group	B-15 - B-17
Exterior Body Group	B-13 - B-22
Galley Group	B-23 - C-02
Heating & Air Conditioning Group	C-03 - C-04
Interior Finish Group	C-05 - C-07
Labels Group	C-08 - C-14
LP Group	C-15
Lounge Group	C-16
Sealants & Fasteners Group	C-17 - C-18
Water & Sewage Group	C-19 - C-22
Window, Vent & Exterior Door Group	C-23 - D-12

## HEATING & AIR CONDITIONING GROUP

## HEATING & AIR CONDITIONING GROUP (CONTINUED)

### ROOF AIR CONDITIONER & PARTS

Key	Part Number	U/M	Description
	093764-01-00C	EA	Ceiling Asm. - Air Conditioner - Cool Only (Option 29)
	042204-01-709	EA	Thermostat In - 64, Out - 58
	042205-01-702	EA	Thermostat In - 89, Out - 58
	073742-01-701	EA	Selector Switch (5 - Terminal)
	073742-01-702	EA	Decal - Cool Only
	073742-01-703	EA	Decal - Heat & Cool
	081606-01-708	EA	Limit Switch (Open 160, Close 110)
	091225-01-713	EA	Knob (2 Per Package)
	076303-01-707	EA	Filter - 6" x 14 3/4" x 1/2" (12 Per Package)
	091225-01-717	EA	Decal (Thermostat) Cool Only
	081606-01-712	EA	Ceiling Shroud (Ivory)
	093763-01-705	EA	Decal - Heat/Cool - Thermostat
	093763-01-706	EA	Heat Element
	093763-01-710	EA	Single Parts Package
	093763-01-04A	EA	Air Conditioner - 110 Volt - Roof Mount - 13,500 BTU - Off White (Option 29)
	093763-01-700	EA	Shroud - Roof A/C - w/o Logs
	093763-01-711	EA	Gasket - Package
	093763-01-712	EA	Fan Blade - Condenser
	093306-01-701	EA	Decal Package - Left & Right
	073742-02-704	EA	Run Capacitor (Compressor)
	091225-01-710	EA	Start Capacitor
	091225-01-709	EA	Start Relay
	076303-01-712	EA	Motor
	093763-01-702	EA	Overload
	093763-01-703	EA	Impeller - 7" Dia. x 2.8" Wide
	093763-01-704	EA	Capacitor - Fan
	093763-01-707	EA	Evaporator Coil
	093763-01-708	EA	Condenser Coil
	093763-01-713	EA	Compressor - E Series
	084077-03-000	EA	Cover - Blank - Roof A/C - Ivory
	092441-01-000	EA	Ceiling Asm. - Air Conditioner - 220 Volt (European) (Option 25)
	092440-01-000	EA	Air Conditioner - 220 Volt - Roof Mount - 13,500 BTU (European) (Option 29)

NOTE: Items indented below assemblies are serviceable parts for that assembly.

### REAR HEATER (OPTION 53G)

Key	Part Number	U/M	Description
	094405-01-000	EA	Rear Heater Asm. - w/o Switch
	084405-01-700	EA	Heater Core
	084405-01-701	EA	Fan Blades
	084405-01-702	EA	Motor Asm.
	062401-04-000	EA	Clamp - Hose - Wormgear
	067408-01-000	EA	Hose - Heater - 5/8 ID SAE
	083081-01-000	EA	Hose Formed
	076775-01-000	EA	Tee - Barb - 5/8" x 5/8" x 5/8"
	083610-01-000	EA	Clamp - Wire Dual - Unequal Diameters - .75" x 1.25"
	009198-01-000	FT	Duct - Heat Flexible - 4" ID
	023146-01-000	F	Clamp - Screw Type - 4"
	069636-02-000	EA	Connector - Duct - 4" ID
	056464-02-000	EA	Register - Plastic - w/o Damper - 4" Dia. - Brown
	056464-05-000	EA	Register - Plastic - w/o Damper - 4" Dia. - Golden
	088753-01-000	EA	Tube - Aluminized Steel - 5/8" - 18 Gauge
	084404-01-000	EA	Switch - Off/Low/Medium/High - Heater
	084410-01-000	EA	Decal - Rear Auto Heater
	098076-01-000	EA	Decal - Auto Air & Rear Heater
	084374-01-000	EA	Bracket - Heater Switch - Right
	084374-02-000	EA	Bracket - Heater Switch - Left

NOTE: Items indented below assemblies are serviceable parts for that assembly.

### FURNACES & REPAIR PARTS

Key	Part Number	U/M	Description
	093365-01-000	EA	Thermostat - Wall - Furnace
	090039-05-000	EA	Furnace - 30,000 BTU - Suburban
	090039-01-701	EA	Electrode
	074466-01-702	EA	Relay - Time Delay
	090039-01-706	EA	Motor
	090039-01-707	EA	Impeller Wheel - Forced Air
	075695-01-709	EA	Micro Switch
	074466-01-712	EA	Gasket - Combustion Air
	069634-01-729	EA	Valve - Gas
	090039-01-700	EA	Cabinet
	090039-01-708	EA	Door - Front Cabinet
	090039-01-702	EA	Switch - Limit
	090039-01-703	EA	Orifice - Main Burner
	092300-01-704	EA	Gasket - Electrode
	069634-01-706	EA	Module Board
	090039-01-704	EA	Burner Asm.
	090039-05-702	EA	Gasket - Manifold
	090039-05-703	EA	Manifold Pipe
	090039-05-705	EA	Wheel - Combustion Air
	090039-05-707	EA	Gasket - Blower Motor
	090039-05-710	EA	Gasket - Crossover Tube

NOTE: Items indented below assemblies are serviceable parts for that assembly.

## 1991 WINNEBAGO TABLE OF CONTENTS

INTRODUCTION	A-01 - A-02
ABBREVIATIONS	A-03
ALPHABETICAL/GROUP REFERENCE	A-04 - A-06
WF327RT	A-07 - D-12
WF327RB	D-13 - G-08
WF327RO	G-09 - J-12

## 1991 WF327RT INDEX

Floor Plan	A-07 - A-08
Accessories Group	A-09 - A-12
Bath Group	A-13 - A-14
Bedroom Group	A-15 - A-17
Chassis Group	A-18 - A-21
Curtain, Cushion & Pad Group	A-22 - B-08
Dinette Group	B-09 - B-11
Driver's Compartment Group	B-12 - B-14
Electrical Group	B-15 - B-17
Exterior Body Group	B-18 - B-22
Galley Group	B-23 - C-02
Heating & Air Conditioning Group	C-03 - C-04
Interior Finish Group	C-05 - C-07
Labels Group	C-08 - C-14
LP Group	C-15
Lounge Group	C-16
Sealants & Fasteners Group	C-17 - C-18
Water & Sewage Group	C-19 - C-22
Window, Vent & Exterior Door Group	C-23 - D-12

## INTERIOR FINISH GROUP

### INTERIOR MOLDINGS & TRIMS

Key	Part Number	U/M	Description
	081294-02-000	EA	Molding - Shell - Knotted Wood - 8' Long
	083620-01-000	FT	T-Molding - End Cap - Edge - 3/4" - Brown
	083620-07-000	FT	T-Molding - End Cap - Edge - 3/4" - Pecan
	009815-09-000	FT	T-Molding - .75" - Ivory
	009809-24-000	EA	Molding - Outside - Corner - 1" x 7" - Pecan
	009812-17-000	EA	Molding - Plastic Corner - Outside - 1/2" - Oak
	009812-25-000	EA	Molding - Plastic Corner - Outside - 1/2" - Pecan
	027392-11-000	FT	Molding - Reverse Cove - T-Shaped - Vinyl - Ivory
	022992-01-000	EA	Molding - Reverse Cove T-Shaped - Vinyl - White
	009778-13-000	FT	U-Channel - 1" - Pecan
	009778-07-000	FT	U-Channel - 1" - Light Oak
	009767-12-000	FT	Welling - Antique White (Ceiling to Wall)
	092331-F2-134	EA	Molding - Vinyl Wrapped - 2.5" x 7'
	092330-03-000	EA	Lumber - Vinyl Wrapped - 2" x 8'
	092330-02-438	EA	Lumber - Vinyl Wrapped - 1.5" x 8'
	074045-07-000	EA	Plug - Wood - 1/2"
	092331-D2-134	EA	Molding - Vinyl Wrapped - .7" x 1.5" x 84" - Woodgrain

### BATT STRIPS

Key	Part Number	U/M	Description
	069733-70-000	EA	Batt Strip - Oak - 8'
	085284-03-000	FT	Batt Strip - Oak - Tape Adhesive
	085284-07-700	FT	Batt Strip - Oak - Tape Adhesive - 3" x 250'
	088263-49-000	EA	Batt Strip - Decorative - Plain - 8' (Wall)
	085284-37-000	FT	Batt Strip - Decorative - Plain - Tape Adhesive (Wall)
	088263-47-000	EA	Batt Strip - Decorative w/Blossoms
	085284-36-000	FT	Batt Strip - Decorative w/Blossoms - Adhesive Back
	085284-38-000	FT	Batt Strip - Bone - 8' - Tape Adhesive (Wall)
	088263-51-000	EA	Batt Strip - Crosshik Spatter - Beige (Ceiling)

### PANELING & COUNTERTOP MATERIAL

Key	Part Number	U/M	Description
	074497-10-000	SF	Paneling - Oak - 48" x 84" (28 SF) (Cabinets)
	074497-18-000	SF	Paneling - Crosshik - 48" x 96" (32 SF) (Ceiling)
	089351-03-000	YD	Vinyl - Ceiling Diamond Design - 54" Wide
	088272-71-000	SF	Paneling - Decorative - Plain - 48" x 84" (28 SF) (Wall)
	088272-69-000	SF	Paneling - Decorative - Patterned w/Blossoms - 48" x 84" (28 SF) (Wall)
	098272-72-000	SF	Paneling - Travertine White - 48" x 84" (28 SF) (Shower)
	074498-36-000	SF	Plastic Laminate - Rose - 48" x 96" (32 SF)
	076325-28-000	FT	Molding - Edge Band - Beige
	076325-30-000	FT	Molding - Edge Band - Rose

## INTERIOR FINISH GROUP (CONTINUED)

### FABRICS & CARPETS

Key	Part Number	U/M	Description
	072333-75-000	YD	Fabric - Drapery - Beige (Privacy)
	096008-41-000	YD	Fabric - Upholstery - Main - Patterned (B05)
	096008-49-000	YD	Fabric - Upholstery - Main - Patterned (B06)
	096008-40-000	YD	Fabric - Upholstery - Accent - Plain (B05)
	096008-47-000	YD	Fabric - Upholstery - Accent - Plain (B06)
	096008-39-000	YD	Fabric - Upholstery - Accent - Patterned (B05)
	096008-48-000	YD	Fabric - Upholstery - Accent - Patterned (B06)
	088273-49-000	YD	Fabric - Bedspread (B05)
	088273-52-000	YD	Fabric - Bedspread (B06)
	088273-65-000	YD	Fabric - Bedspread - Plain Accent (B05)
	088273-66-000	YD	Fabric - Bedspread - Plain Accent (B06)
	072333-67-000	YD	Fabric - Speaker Cover
	075244-02-000	YD	Vinyl - Shower Curtain - Beige
	075244-03-000	YD	Vinyl - Shower Curtain - Almond
	079680-09-000	YD	Vinyl - Off White
	096060-15-000	YD	Carpet - Sand (B05)
	096060-16-000	YD	Carpet - Teal (B06)
	047034-02-000	SF	Plastic Runner - Carpet - 4' Wide - Clear
	078539-01-000	EA	Trim - Carpet - Cab - Passenger - 29" Long
	078539-02-000	EA	Trim - Carpet - Cab - Driver - 29" Long
	093873-01-02A	EA	Trim - 'J' - 12' Long - Vinyl - T
	085746-01-000	FT	Trim - 'J' - Carpet - PVC - Beige - 10' Long

\* These parts are used from 6/1/90 on.  
NOTE: Replace vinyl flooring locally.

### CABINETS & TABLE HARDWARE

Key	Part Number	U/M	Description
	053200-09-000	EA	Bracket - Table Support - Upper Wall Mount - 23.5" - Beige
	024275-11-000	EA	Rod - Table Lift - 8" x 18.5" - Beige
	064781-05-000	EA	Cup Holder - Two Stage - Beige
	088410-01-000	EA	Bracket - Lift - Table Mounted - Beige
	024281-11-000	EA	Bracket - Lift - Rod - Lower Wall Mount - Beige
	024276-21-000	EA	Leg Asm. - Table - Beige
	064050-03-000	EA	Clamp - Saddle - Leg Hinge - Tan
	024282-01-000	EA	Brace - Table Leg - Hinged
	024283-01-000	EA	Clip - Leg - 1" x 1 1/2" OD - Black
	059777-02-000	EA	Hinge - Antique Light Brass
	100030-01-000	EA	Pull - Cabinet Door
	074493-02-000	EA	Support - Sprung - Door
	004354-01-000	EA	Bumper - Cabinet Door - Rubber - Brown
	093586-03-000	EA	Catch - Spring - Roller
	093586-04-000	EA	Strike - Spring Steel
	072369-05-000	EA	Mesh - Expanded Aluminum - 18.3" x 9.8" - Bronze
	084070-01-000	EA	Center Post - Brass
	084070-02-000	EA	End Post - Brass
	084071-06-000	EA	Rod - Brass - 2.5"
	009112-01-000	EA	Flange - 1" - Clothes Rod - Plastic - Off White
	042438-01-000	EA	Wood Dowel - Clothes Rod - 1" Dia. x 4'
	041953-03-000	FT	Conduit - Convoluted Slit - 1" ID (Clothes Rod Cover)
	076840-01-000	EA	Hold Down Cord - Bungie - 24"
	062046-01-000	EA	Clip - Pedestal Leg
	077409-02-000	EA	Slide - Drawer - Plastic - 20.75"
	077404-02-000	EA	Plastic Drawer - 20" x 12.7" - Beige
	094067-01-01A	EA	Divider - Plastic Drawer
	065740-01-000	EA	Brace - Cabinet Corner - Plastic
	088252-02-000	FT	Trim - Chrome - 1" Wide w/Pressure Sensitive Backing
	080736-01-000	EA	Pull - Recessed - Oak 1 1/4" x 4"
	074045-07-000	EA	Wooden Plug - 1/2"
	079921-01-000	EA	Roller - Nylon w/Steel Shaft - Barbed

## 1991 WINNEBAGO TABLE OF CONTENTS

INTRODUCTION	A-01 - A-02
ABBREVIATIONS	A-03
ALPHABETICAL/GROUP REFERENCE	A-04 - A-06
WF327RT	A-07 - D-12
WF327RB	D-13 - G-08
WF327RQ	G-09 - J-12

## 1991 WF327RT INDEX

Floor Plan	A-07 - A-08
Accessories Group	A-09 - A-12
Bath Group	A-13 - A-14
Bedroom Group	A-15 - A-17
Chassis Group	A-18 - A-21
Curtain, Cushion & Pad Group	A-22 - B-08
Dinette Group	B-09 - B-11
Driver's Compartment Group	B-12 - B-14
Electrical Group	B-15 - B-17
Exterior Body Group	B-18 - B-22
Galley Group	B-23 - C-02
Heating & Air Conditioning Group	C-03 - C-04
Interior Finish Group	C-05 - C-07
Labels Group	C-08 - C-14
LP Group	C-15
Lounge Group	C-16
Sealants & Fasteners Group	C-17 - C-18
Water & Sewage Group	C-19 - C-22
Window, Vent & Exterior Door Group	C-23 - D-12



**INTERIOR FINISH GROUP (CONTINUED)**

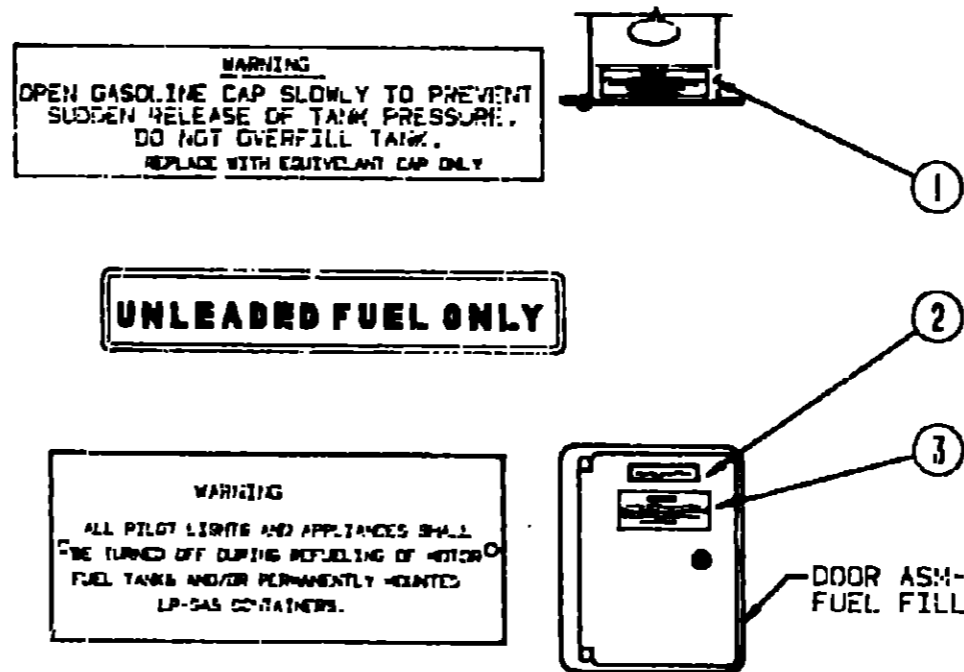
**CURTAIN & CUSHION HARDWARE**

Key	Part Number	U/M	Description
	092464-01-01A	EA	Track - Shower Curtain - Off White
	009701-01-000	EA	Carrier - Shower Curtain
	009702-01-000	EA	End - Stop - Curtin Carrier - Shower
	046867-01-000	EA	Grommet - Brass - 7/16" ID x 1" OD (Shower Curtain)
	009136-01-000	EA	Pin - Shower Curtain
	029092-01-000	EA	Stud - Nickel Finish
	029093-01-000	EA	Eyelet - Nickel Finish
	029155-01-000	EA	Cap - Snap
	029156-01-000	EA	Socket - Snap Fastener
	089916-01-000	EA	Mount - Window Leg - Black
	089522-03-000	EA	Panel - Window Leg - 2.5" Face - 27.1" Long
	101032-01-000	FT	Track - Curtain - Ceiling Mount White (Valance)
	101033-01-000	FT	Track - Curtain - Low Profile - White
	101033-02-000	EA	End Cap - Track - Clear
	101031-01-000	EA	Tape - Glide - 4.25" Spacing
	095591-02-000	EA	Bracket - Blind - Hold Down w/Pin
	075943-01-000	EA	Brace - Window Valance - Beige
	083170-01-000	EA	Bracket - Blind - Right
	083170-02-000	EA	Bracket - Blind - Left
	093475-01-700	EA	Wand - Blind w/Metal Clip - 6" Long
	093475-01-701	EA	End Cap - Blind w/Stud
	078155-01-000	EA	Strap - Back Cushion
	085774-01-000	FT	Fastener - Dual Hook - 1" Wide - Adhesive Back - Black
	085774-02-000	FT	Fastener - Dual Loop - 1" Wide - Adhesive Back - Black
	088792-02-000	YD	Velcro Tape - Adhesive Back - Loop - 3/4" Wide
	048391-02-000	YD	Velcro Tape - Adhesive Back - Hook - 3/4" Wide
	088792-03-000	YD	Velcro - Loop - 3/4"

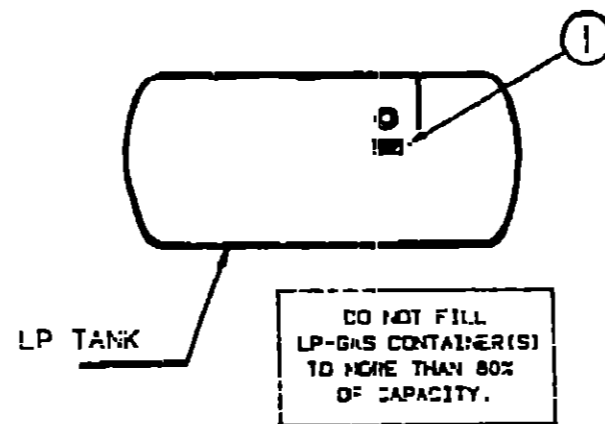
**MISCELLANEOUS PARTS**

Key	Part Number	U/M	Description
	053552-02-AAB	EA	Handle Asm. - Interior Assist
	009D20-07-00B	EA	Nut - Acorn - Assist Handle - 7/16" x 1-1/2 ZN
	000C16-07-16B	EA	Bolt - Carriage - Assist Handle - 7/16" - 14 x 1" ZN
	069178-02-000	EA	Bracket - Mounting - Assist Handle
	094499-02-000	EA	Fire Extinguisher - Dry IA 10BC
	094499-01-000	EA	Fire Extinguisher w/Mounting Bracket - Dry IA 10BC
	094499-01-700	EA	Bracket - Mounting - w/Plastic Strap
	072852-01-000	EA	Smoke Detector w/9 Volt Battery
	054185-63-000	EA	Owners Manual - 1991 Warrior
	092318-01-000	EA	Binder - 3-Ring - Motor Home Manual
	092319-01-000	EA	Pocket Page - 3-Ring Binder - Plastic
	098084-05-000	EA	Cassette - Winnebago "Warrior"
	100603-01-01A	EA	Wall Clock - Round Bezel
	104761-01-01A	EA	Wall Clock - Spartus
	083219-01-000	EA	Floor Mat - w/"Winnebago" Logo - Passenger
	083219-02-000	EA	Floor Mat - w/"Winnebago" Logo - Driver
	007036-01-000	EA	Floor Mat - w/"Winnebago" Logo - 10.5" x 26" - Black Rubber

**LABELS GROUP**



Key	Part Number	U/M	Description
1	087207-05-000	EA	Label - Fuel Cap Removal
2	062043-01-000	EA	Label - Unleaded Fuel
3	006040-01-000	EA	Tag - Gas Refueling Warning (US)
3	006040-02-000	EA	Tag - Gas Refueling Warning (CSA)



Key	Part Number	U/M	Description
1	079965-01-000	EA	Label - LPG - 80% Capacity

**MISCELLANEOUS LABELS**

Key	Part Number	U/M	Description
	006064-01-000	EA	Label - Seat - w/o Seat Belt
	091243-01-000	EA	Label - A/C Cover
	006019-01-000	EA	Tag - RVI Approved - Plastic
	098641-01-000	EA	Label - Unleaded Fuel (Dash)
	099509-01-000	EA	Label - Awning Installation
	075221-01-000	EA	Label - Towing Capacity

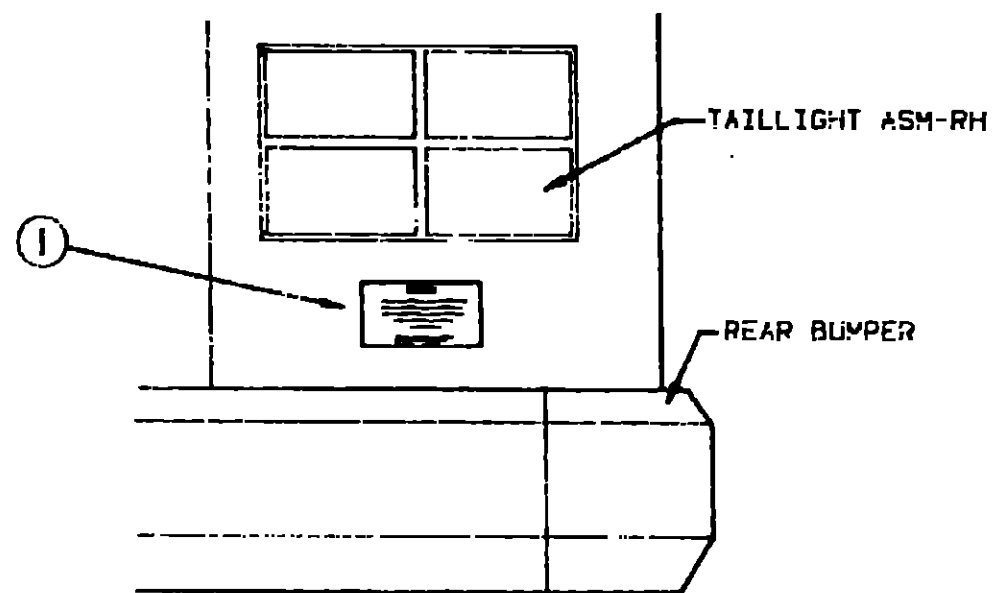
**1991 WINNEBAGO TABLE OF CONTENTS**

INTRODUCTION	A-01 - A-02
ABBREVIATIONS	A-03
ALPHABETICAL/GROUP REFERENCE	A-04 - A-06
WF327RT	A-07 - D-12
WF327RB	D-13 - G-08
WF327RO	G-09 - J-12

**1991 WF327RT INDEX**

Floor Plan	A-07 - A-08
Accessories Group	A-09 - A-12
Bath Group	A-13 - A-14
Bedroom Group	A-15 - A-17
Chassis Group	A-18 - A-21
Curtain, Cushion & Pad Group	A-22 - B-08
Dinette Group	B-09 - B-11
Driver's Compartment Group	B-12 - B-14
Electrical Group	B-15 - B-17
Exterior Body Group	B-18 - B-22
Galley Group	B-23 - C-02
Heating & Air Conditioning Group	C-03 - C-04
Interior Finish Group	C-05 - C-07
Labels Group	C-08 - C-14
LP Group	C-15
Lounge Group	C-16
Sealants & Fasteners Group	C-17 - C-18
Water & Sewage Group	C-19 - C-22
Window, Vent & Exterior Door Group	C-23 - D-12

**LABELS GROUP (CONTINUED)**

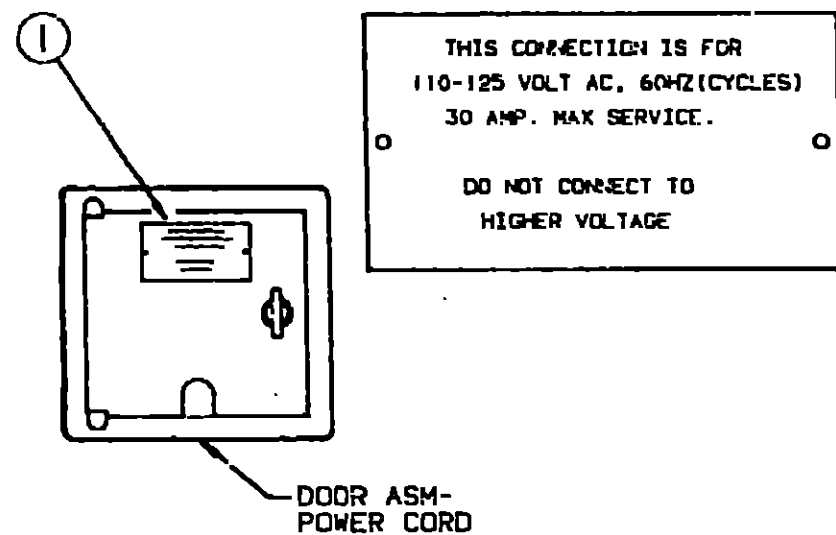


**WARNING**

DO NOT EXCEED THE VEHICLE WEIGHT RATINGS OR LOADING RECOMMENDATIONS (E.G., GROSS VEHICLE, GROSS AXLE, GROSS COMBINED) OF THE CHASSIS MANUFACTURER OR WINNEBAGO INC.

REFER TO YOUR OWNERS MANUAL, BEFORE LOADING OR TOWING.

Key	Part Number	U/M	Description
1	075220-01-000	EA	Label - Warning - Exterior Load

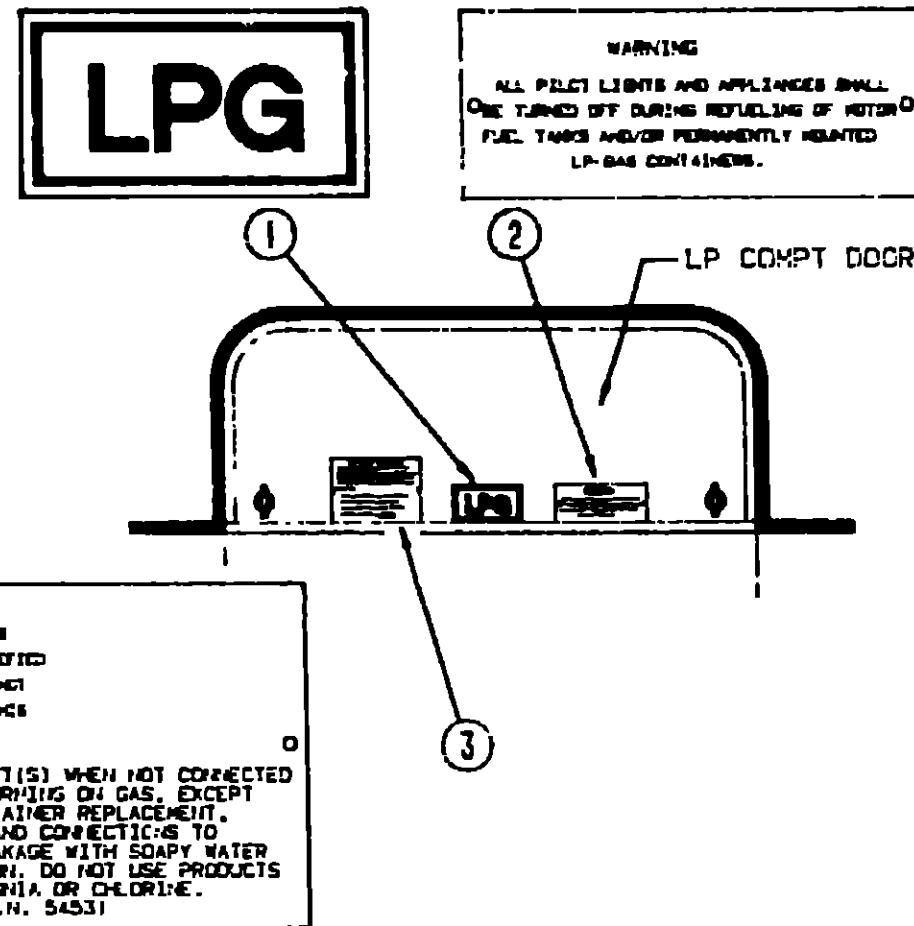


THIS CONNECTION IS FOR  
110-125 VOLT AC, 60HZ (CYCLES)  
30 AMP. MAX SERVICE.

DO NOT CONNECT TO  
HIGHER VOLTAGE

Key	Part Number	U/M	Description
1	006062-01-000	EA	Tag - Electrical - 110 Volt Connection

**LABELS GROUP (CONTINUED)**



**LPG**

**WARNING**

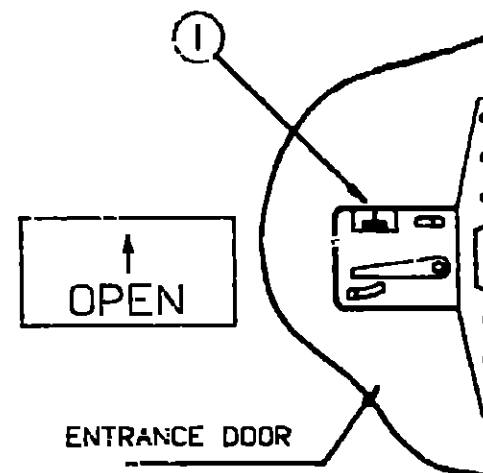
ALL PILOT LIGHTS AND APPLIANCES SHALL  
BE TURNED OFF DURING REFUELING OF MOTOR  
FUEL TANKS AND/OR PERMANENTLY MOUNTED  
LP-GAS CONTAINERS.

**LP-GAS SYSTEM**

THIS GAS PIPING SYSTEM IS  
DESIGNED FOR USE OF LIQUEFIED  
PETROLEUM GAS ONLY. DO NOT  
CONNECT NATURAL GAS TO THIS  
SYSTEM.

SECURELY CAP INLET(S) WHEN NOT CONNECTED  
FOR USE. AFTER TURNING ON GAS, EXCEPT  
AFTER NORMAL CONTAINER REPLACEMENT,  
TEST GAS PIPING AND CONNECTIONS TO  
APPLIANCE FOR LEAKAGE WITH SOAPY WATER  
OR BUBBLE SOLUTION. DO NOT USE PRODUCTS  
THAT CONTAIN AMMONIA OR CHLORINE.  
P.N. 54531

Key	Part Number	U/M	Description
1	074559-01-000	EA	Label - "LPG" - 3.3" x 1.75" (California Code)
2	006040-01-000	EA	Tag - Gas Refueling Warning (US)
2	006040-02-000	EA	Tag - Gas Refueling Warning (CSA)
3	054531-01-000	EA	Label - LP Gas Only



Key	Part Number	U/M	Description
1	040944-01-000	EA	Label - Open - Entrance Door

**1991 WINNEBAGO  
TABLE OF CONTENTS**

INTRODUCTION	A-01 - A-02
ABBREVIATIONS	A-03
ALPHABETICAL/GROUP REFERENCE	A-04 - A-06
WF327RT	A-07 - D-12
WF327RB	D-13 - G-08
WF327RD	G-09 - J-12

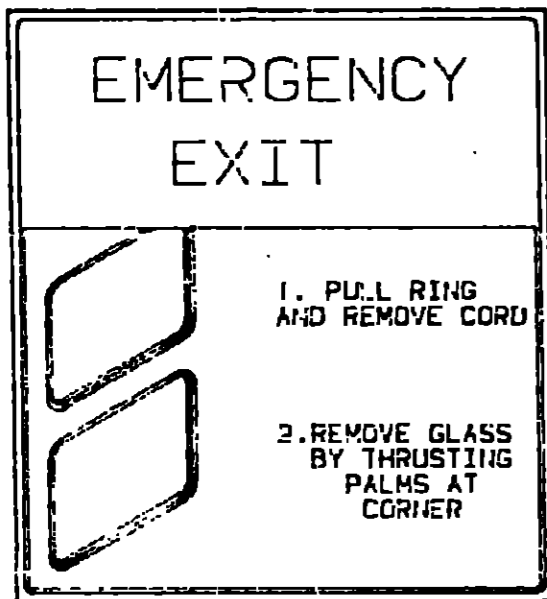
**1991 WF327RT INDEX**

Floor Plan	A-07 - A-08
Accessories Group	A-09 - A-12
Bath Group	A-13 - A-14
Bedroom Group	A-15 - A-17
Chassis Group	A-18 - A-21
Curtain, Cushion & Pad Group	A-22 - B-08
Jetette Group	B-09 - B-11
Driver's Compartment Group	B-12 - B-14
Electrical Group	B-15 - B-17
Exterior Body Group	B-18 - B-22
Galley Group	B-23 - C-02
Heating & Air Conditioning Group	C-03 - C-04
Interior Finish Group	C-05 - C-07
Labels Group	C-08 - C-14
LP Group	C-15
Lounge Group	C-16
Sealants & Fasteners Group	C-17 - C-18
Water & Sewage Group	C-19 - C-22
Window, Vent & Exterior Door Group	C-23 - D-12

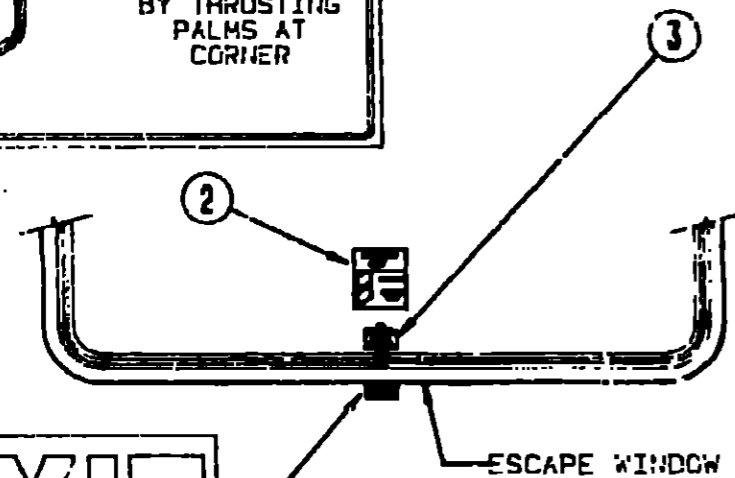
**LABELS GROUP (CONTINUED)**

**LABELS GROUP (CONTINUED)**

**1991 WINNEBAGO  
TABLE OF CONTENTS**



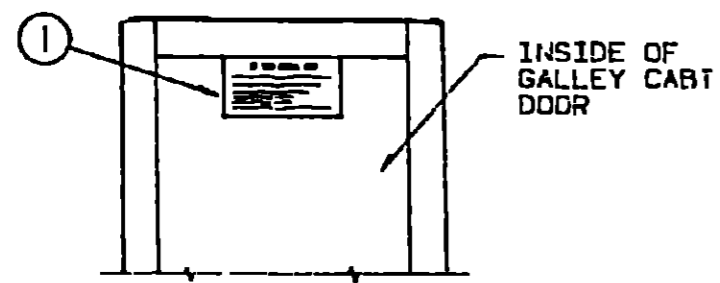
**EMERGENCY EXIT**  
PULL RING  
REMOVE CORD  
PUSH OUT WINDOW



**EXIT**

ESCAPE WINDOW

Key	Part Number	U/M	Description
1	039290-01-000	EA	Label - Warning - Exit
2	047731-01-000	EA	Label - Emergency Exit
3	006199-01-000	EA	Label - Exit - Escape Window

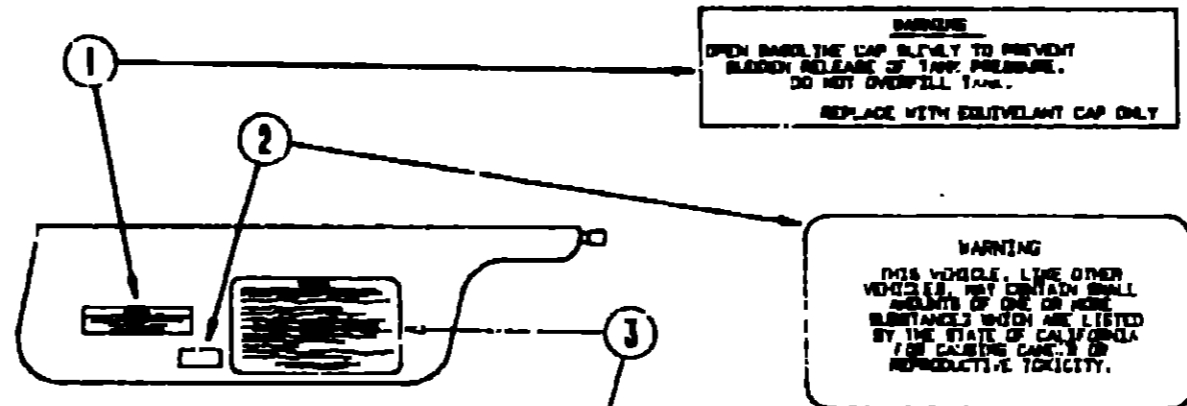


INSIDE OF GALLEY CABT DOOR

**IF YOU SMELL GAS**

1. EXTINGUISH ANY OPEN FLAME, PILOT LIGHTS AND ALL SMOKING MATERIALS.
2. SHUT OFF THE GAS SUPPLY AT THE TANK VALVE (OR GAS SUPPLY CONNECTION).
3. OPEN DOORS AND OTHER VENTILATING OPENINGS.
4. DO NOT TOUCH ELECTRICAL SWITCHES.
5. LEAVE THE AREA UNTIL ODOR CLEARS.
6. HAVE THE GAS SYSTEM CHECKED AND LEAKAGE SOURCE CORRECTED BEFORE USING AGAIN.

Key	Part Number	U/M	Description
1	073998-01-000	EA	Label - LPG - Odor Warning



**WARNING**  
OPEN RING THE CAP SLOWLY TO PREVENT  
SUDDEN RELEASE OF 1500 PSI PRESSURE.  
DO NOT OVERFILL TANK.  
REPLACE WITH EQUIVALENT CAP ONLY

**WARNING**  
THIS VEHICLE, LIKE OTHER  
VEHICLES, MAY CONTAIN SMALL  
QUANTITIES OF ONE OR MORE  
SUBSTANCES WHICH ARE LISTED  
BY THE STATE OF CALIFORNIA  
AS CAUSING CANCER OR  
REPRODUCTIVE TOXICITY.

**CAUTION**

THIS MOTOR HOME HAS BEEN DESIGNED, MANUFACTURED AND TESTED WITH CONCERN FOR THE PROTECTION OF ITS OCCUPANTS. WE RECOMMEND YOU PERFORM THE FOLLOWING INSPECTIONS FOR YOUR SAFETY AND THE SAFETY OF YOUR PASSENGERS BEFORE STARTING YOUR VEHICLE.

1. LP GAS SYSTEM- TURN OFF AT TANK FOR TRAVELING. TEST FOR LEAKS UPON ARRIVAL AT DESTINATION. BEFORE LIGHTING PILOTS.
2. WHEELS- INSPECT FOR DAMAGE AND CHECK LUG NUTS FOR TIGHTNESS.
3. TIRES- INSPECT FOR WEAR AND DAMAGE AND CHECK FOR RECOMMENDED AIR PRESSURE.
4. LIGHTING- TEST FOR PROPER OPERATION OF ALL INTERIOR AND EXTERIOR LIGHTS INCLUDING DASH LIGHTS, HEADLIGHTS, TAIL LIGHTS, BRAKE LIGHTS, CLEARANCE LIGHTS AND TURN SIGNALS.
5. EXITS- INSPECT RELEASE MECHANISM ON EMERGENCY EXIT WINDOW. TEST BOTH LOCKS ON MAIN ENTRANCE DOOR FOR EASE OF OPERATION AND INSTRUCT PASSENGERS HOW TO USE BOTH MEANS OF EXIT.
6. SEAT BELTS- DIRECT PASSENGERS TO DESIGNATED SEATS AND PREDUCE USE OF SEAT BELTS.
7. APPLIANCES- TURN OFF AND LATCH OR LOCK DOORS WHERE PROVIDED.
8. LOOSE PARCELS- STORE SECURELY.
9. UTILITY SUPPLY LINES- DISCONNECT ALL ELECTRIC, SEWER AND WATER LINES AND SECURE PROPERLY.
10. ENTRANCE DOOR STEP- PLACE IN RETRACTED POSITION FOR TRAVELING.

READ YOUR MOTOR HOME AND CHASSIS OWNER'S MANUAL FOR FURTHER PRECAUTIONS

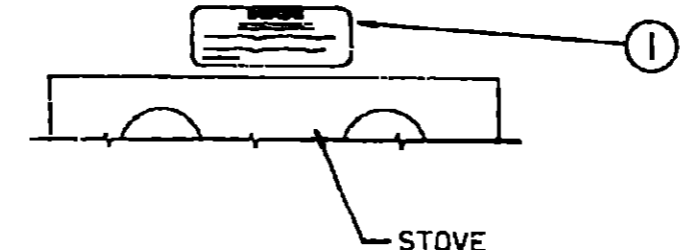
Key	Part Number	U/M	Description
1	087207-05-000	EA	Label - Fuel Cap Removal
2	099689-01-000	EA	Label - Warning - Cancer/Toxicity
3	056259-01-000	EA	Label - Safety Check List

**WARNING**

IT IS NOT SAFE TO USE COOKING APPLIANCES FOR COMFORT HEATING

COOKING APPLIANCES NEED FRESH AIR FOR SAFE OPERATION BEFORE OPERATION.

1. OPEN OVERHEAD VENT OR TURN ON EXHAUST FAN AND
2. OPEN WINDOW.



STOVE

Key	Part Number	U/M	Description
1	050225-01-000	EA	Label - Warning - Stove Vent

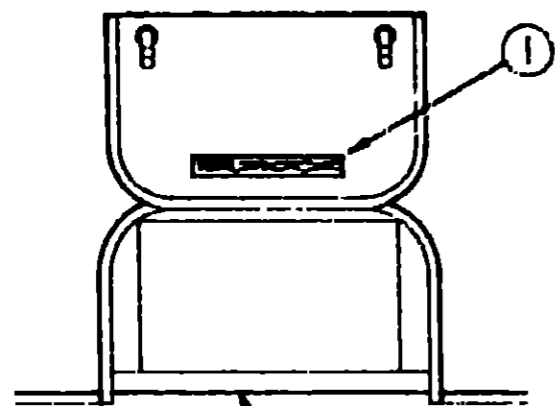
INTRODUCTION	A-01 - A-02
ABBREVIATIONS	A-03
ALPHABETICAL/GROUP REFERENCE	A-04 - A-06
WF327RT	A-07 - D-12
WF327RB	D-13 - G-08
WF327RQ	G-09 - J-12

**1991 WF327RT INDEX**

Floor Plan	A-07 - A-08
Accessories Group	A-09 - A-12
Bath Group	A-13 - A-14
Bedroom Group	A-15 - A-17
Chassis Group	A-18 - A-21
Curtain, Cushion & Pad Group	A-22 - B-08
Dinette Group	B-09 - B-11
Driver's Compartment Group	B-12 - B-14
Electrical Group	B-15 - B-17
Exterior Body Group	B-18 - B-22
Galley Group	B-23 - C-02
Heating & Air Conditioning Group	C-03 - C-04
Interior Finish Group	C-05 - C-07
Labels Group	C-08 - C-14
LP Group	C-15
Lounge Group	C-16
Sealants & Fasteners Group	C-17 - C-18
Water & Sewage Group	C-19 - C-22
Window, Vent & Exterior Door Group	C-23 - D-12

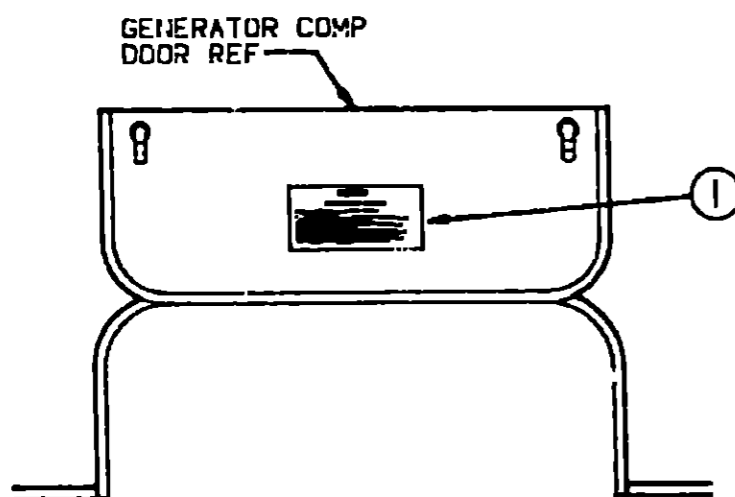
**LABELS GROUP (CONTINUED)**

**WARNING** DISCONNECT BATTERIES BEFORE CONNECTING EXTERNAL CHARGING EQUIPMENT.



BATTERY COMPARTMENT

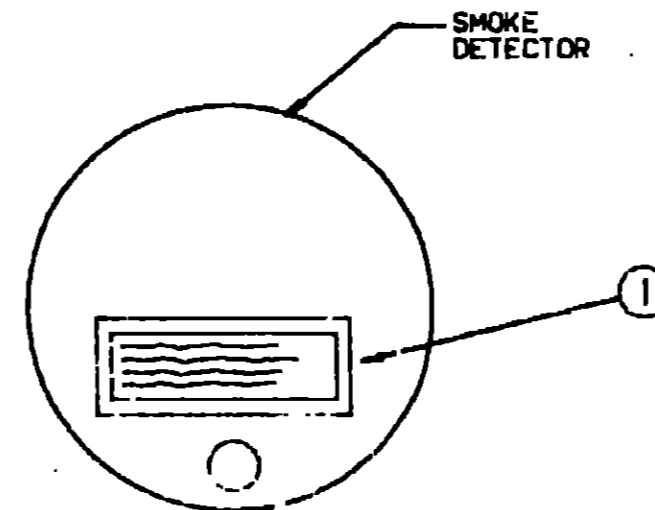
Key	Part Number	U/M	Description
1	065746-01-000	EA	Label - Caution - Battery Charging



**WARNING**  
 WHEN ADDING A GENERATOR SET:  
 HIGH VOLTAGE-USE EXTREME CAUTION WHEN WORKING ON ELECTRICAL COMPONENTS.  
 HAVE ALL ELECTRICAL INSTALLATION PERFORMED BY A QUALIFIED LICENSED ELECTRICIAN-FOLLOW ALL STATE AND LOCAL CODES.  
 ONLY INSTALL GENERATOR SET APPROVED FOR R.V. APPLICATION. HAVE INSTALLED BY QUALIFIED TECHNICIAN.  
 TO AVOID HEAT BUILD-UP AND TO GUARANTEE AN ADEQUATE AIR SUPPLY TO THE GENERATOR COMPARTMENT, FOLLOW INSTALLATION INSTRUCTIONS.  
 GENERATOR ENGINE EXHAUST GASES ARE TOXIC AND MUST NOT TERMINATE UNDER THE VEHICLE-DISCHARGE EXHAUST AWAY FROM VEHICLE.

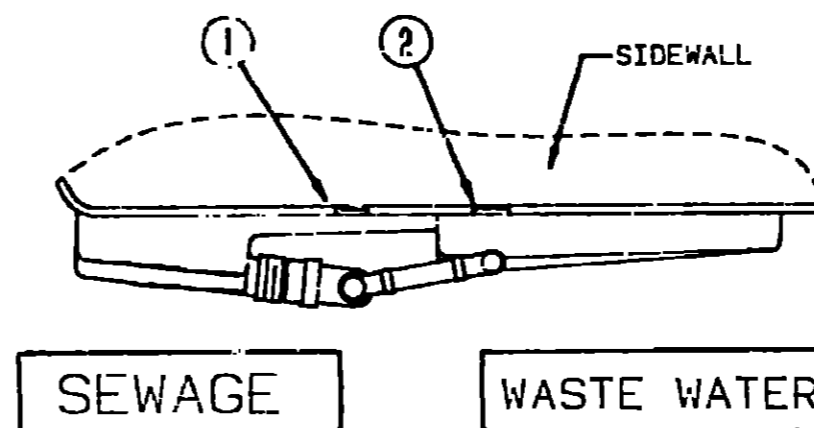
Key	Part Number	U/M	Description
1	077510-01-000	EA	Label - Generator Prep

**LABELS GROUP (CONTINUED)**



**WARNING:** TEST SMOKE DETECTOR OPERATION AFTER VEHICLE HAS BEEN IN STORAGE, BEFORE EACH TRIP AND AT LEAST 15 SEC PER WEEK DURING USE.

Key	Part Number	U/M	Description
1	077956-01-000	EA	Label - Warning - Smoke Detector



SEWAGE

WASTE WATER

Key	Part Number	U/M	Description
1	006187-01-000	EA	Label - Sewage
2	006188-01-000	EA	Label - Waste Water

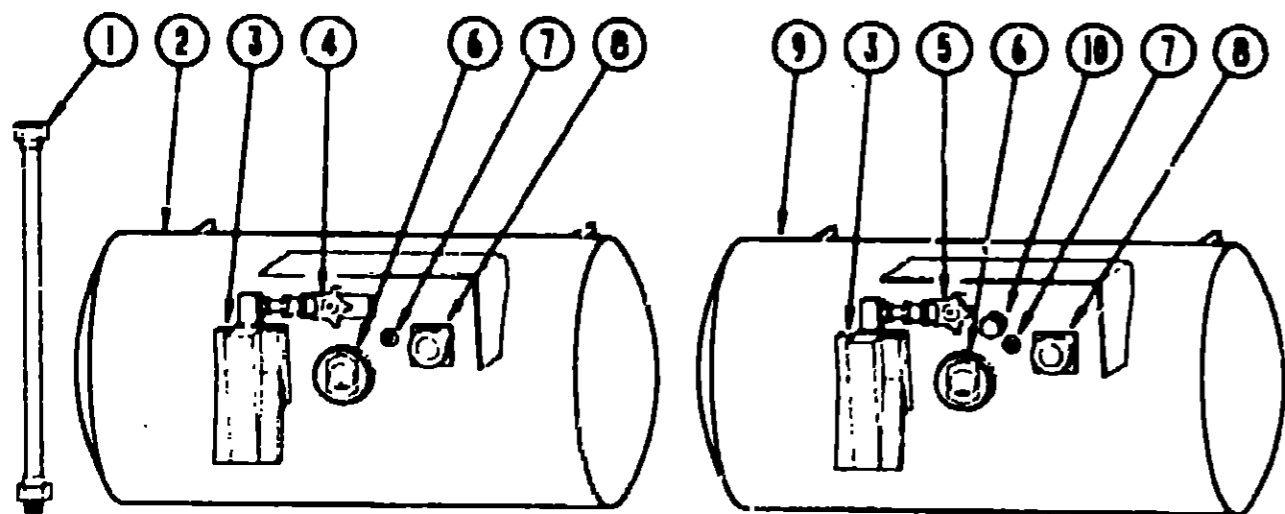
**1991 WINNEBAGO  
 TABLE OF CONTENTS**

INTRODUCTION	A-01 - A-02
ABBREVIATIONS	A-03
ALPHABETICAL/GROUP REFERENCE	A-04 - A-06
WF327RT	A-07 - D-12
WF327RB	D-13 - G-08
WF327RO	G-09 - J-12

**1991 WF327RT INDEX**

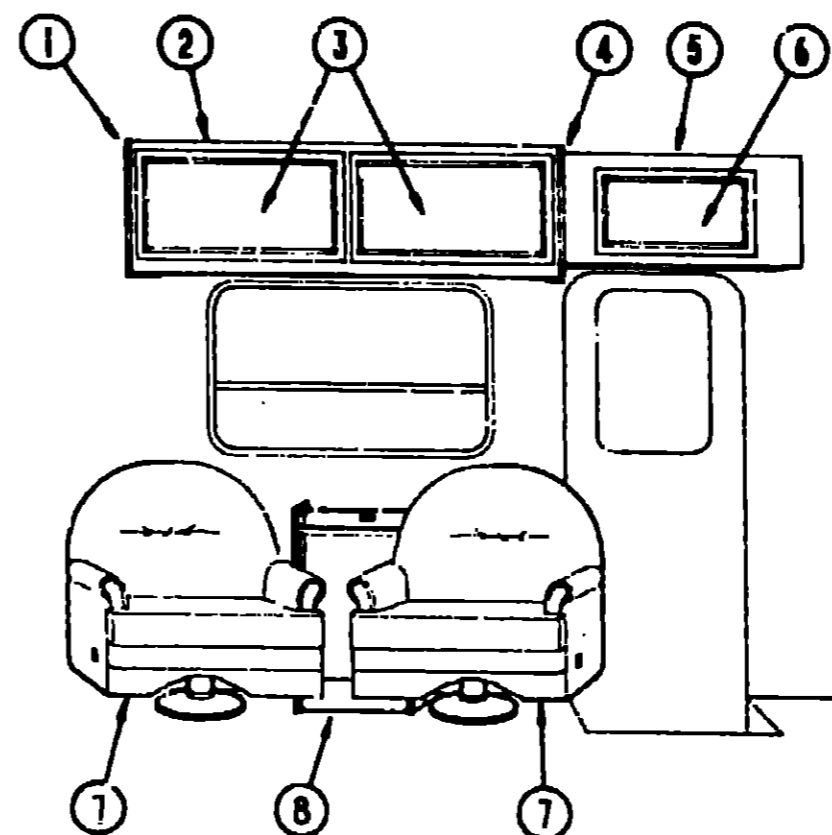
Floor Plan	A-07 - A-08
Accessories Group	A-09 - A-12
Bath Group	A-13 - A-14
Bedroom Group	A-15 - A-17
Chassis Group	A-18 - A-21
Curtain, Cushion & Pad Group	A-22 - B-08
Dinette Group	B-09 - B-11
Driver's Compartment Group	B-12 - B-14
Electrical Group	B-15 - B-17
Exterior Body Group	B-16 - B-22
Galley Group	B-23 - C-02
Heating & Air Conditioning Group	C-03 - C-04
Interior Finish Group	C-05 - C-07
Labels Group	C-08 - C-14
LP Group	C-15
Lounge Group	C-16
Sealants & Fasteners Group	C-17 - C-18
Water & Sewage Group	C-19 - C-22
Window, Vent & Exterior Door Group	C-23 - D-12

### LP GROUP



Key	Part Number	U/M	Description
1	045703-01-000	EA	Hose Asm. - LP - 3/8" ID x 24" (US)
1	045703-02-000	EA	Hose Asm. - LP - 3/8" ID x 24" (CSA)
2	074142-01-000	EA	Tank Asm. - LP - 80 Pound - 13" Dia. x 44"
3	081938-01-000	EA	Cover - LP Regulator
	076301-01-000	EA	Regulator - Two Stage
4	040421-01-703	EA	Service Valve - w/Vapor Relief (Used on Tank 074142-01-000)
5	040421-01-712	EA	Service Valve (Used on Tank 097821-01-000)
	040421-01-708	EA	Handwheel - Service Valve
6	040421-01-707	EA	Float Gauge - Threaded - Screw On (Used on Tank 097821-01-000)
6	074142-01-700	EA	Float Gauge - Enfl On (Used on Tank 074142-01-000)
	040440-01-000	EA	Dial - Visible Face - Float Gauge
7	040421-01-700	EA	Liquid Level Valve - 20% LP
8	040421-01-701	EA	Filler Valve - LP
8	040421-01-702	EA	Cap - Plastic - Filler Valve
8	040421-01-711	EA	Valve - 80% w/Float Plate, Bolts & Gasket
9	097821-01-000	EA	Tank Asm. - LP - 60 Pound - 14" Diameter x 30"
10	040421-01-713	EA	Pressure Relief Valve (Used on Tank 097821-01-000)
	065741-01-000	EA	Gauge - Diaphragm Pressure - Test Leak
	065318-02-000	EA	Elbow - 90° - 3/8" MPT x 3/8" FPT
	065742-01-000	EA	Tee - .38 F x .37 F x .25 FPT
	008042-01-000	FT	Tubing - Vinyl - .65" ID
	010377-01-000	EA	Nut - 3/8" F - Brass
	010380-02-000	EA	Nut - 1/2" F - Brass - Forged
	010377-02-000	EA	Nut - 3/8" F - Brass - Forged
	010326-01-000	EA	Adapter - Flare w/Cone Gasket - 3/8" Female FL x 1/2" Male FL
	010323-01-000	EA	Adapter - Brass - 3/8" F x 1/2" MPT (Ford)
	071015-14-000	EA	Grommet - 3/8" ID Fits .09" Material Rubber
	071015-17-000	EA	Grommet - 3/8" ID Fits .06" Material Rubber
	016198-03-000	EA	Grommet - LP Line - 3/8" Hole x 2 1/2" Dia. - Rubber
	084684-01-000	EA	Brass - Plug - 3/8"

### LOUNGE GROUP



### LOUNGE CABINETRY

Key	Part Number	U/M	Description
1	081280-18-005	EA	End Cap - Front Overhead Cabinet
2	P00197-01-B05	EA	Cabinet - Overhead - Entry Door - w/o Doors or Hardware
3	P00099-32-B05	EA	Door - Overhead Cabinet - 14" x 27" - w/o Hardware
4	081280-21-B05	EA	End Cap - Front Overhead Cabinet
5	P00205-02-B05	EA	Cabinet Asm. - Entrance Overhead - w/o Door or Hardware
6	P00099-42-B05	EA	Door Asm. - Entrance Overhead - 10" x 19" - w/o Hardware
†7	096429-04-B05	EA	Chair - Swivel
†7	096429-04-B06	EA	Chair - Swivel
8	M96873-01-B05	EA	Table Asm. - Cabinet Only
	036873-11-B05	EA	Table Asm. - Pullout Top
	080736-01-000	EA	Pull - Recessed - 1.25" x 4" - Oak
	079921-01-000	EA	Roller Nylon w/Steel Shaft
	009018-01-000	EA	Catch Asm. - Single Roller
	085245-03-000	EA	Plate - Swivel - Top w/o Tilt - w/Lock
	088245-06-000	EA	Extension - Chair Base - 7"
	088245-07-000	EA	Extension - Chair Base - 6"
	088245-01-000	EA	Base - Swivel Chair w/Legs
	057759-01-000	EA	Washer - Bracket - Seat Belt - 4" Dia.
	069705-02-000	EA	Bar - Seat Belt - 2.5" x 12.75"
	007021-01-000	EA	Belt - Seat - 2" x 90" - Black

† See Curtain, Cushion & Pad Group for the breakdown of these items.

### 1991 WINNEBAGO TABLE OF CONTENTS

INTRODUCTION	A-01 - A-02
ABBREVIATIONS	A-03
ALPHABETICAL/GROUP REFERENCE	A-04 - A-06
WF327RT	A-07 - D-12
WF327RB	D-13 - G-08
WF327RQ	G-09 - J-12

### 1991 WF327RT INDEX

Floor Plan	A-07 - A-08
Accessories Group	A-09 - A-12
Bath Group	A-13 - A-14
Bedroom Group	A-15 - A-17
Chassis Group	A-18 - A-21
Curtain, Cushion & Pad Group	A-22 - B-08
Dinette Group	B-09 - B-11
Driver's Compartment Group	B-12 - B-14
Electrical Group	B-15 - B-17
Exterior Body Group	B-18 - B-22
Galley Group	B-23 - C-02
Heating & Air Conditioning Group	C-03 - C-04
Interior Finish Group	C-05 - C-07
Labels Group	C-08 - C-14
LP Group	C-15
Lounge Group	C-16
Sealants & Fasteners Group	C-17 - C-18
Water & Sewage Group	C-19 - C-22
Window, Vent & Exterior Door Group	C-23 - D-12

# SEALANTS & FASTENERS GROUP

## SCREWS & FASTENERS

Key	Part Number	U/M	Description
	000C13-07-488	EA	Bolt - Hex - 7/16 - 20 x 3 - Zn 5
	000C26-05-20B	EA	Bolt - Hex - Ser Fig 5/16 - 18 x 1 1/4" - Zinc
	000D24-10-00B	EA	Nut - Hex - Locking - 10-32 - Zn
	000D39-05-00B	EA	Nut - Hex - Ser Fig Lk - 5/16 - 18 - Zn
	000D39-06-00B	EA	Nut - Hex - Ser Fig Lk - 3/8 - 16 - Zn
	000D39-08-00B	EA	Nut - Hex - Ser Fig Lk - 1/2 - 13 - Zn
	000D44-07-00B	EA	Nut - Hex - Ser Fig Lk - 7/16 - 20 - Zn
	000E13-11-00B	EA	Washer - Flat - 3/16" Wide - Zn
	000G11-06-10J	EA	Screw - 6 - 20 x 5/8 PPH - Brass
	000G11-07-08B	EA	Screw - 7 - 19 x 1/2 PPH - Zn
	000G11-08-06B	EA	Screw - 8 - 18 x 3/8 PPH - Zn
	000G11-08-12B	EA	Screw - 8 - 18 x 3/4 PPH - Zn
	000G11-08-12D	EA	Screw - 8 - 18 x 3/4 PPH - Black
	000G11-08-12P	EA	Screw - 8 - 18 x .75 - Dark Brown
	000G11-08-12R	EA	Screw - 8 - 18 x .75 PPH - Beige
	000G11-08-12S	EA	Screw - 8 - 18 x .75 PPH - Off White
	000G11-08-16S	EA	Screw - 8 - 18 x 1.00 PPH - Off White
	000G11-10-12D	EA	Screw - 10 - 16 x 3/4 PPH - Black
	000G11-10-24P	EA	Screw - 10 - 16 x 1 1/2 PPH - Dark Brown
	000G12-08-12S	EA	Screw - 8 - 18 x .75 POH - Off White
	000G12-08-16S	EA	Screw - 8 - 18 x 1" POH - Off White
	000G13-06-08B	EA	Screw - 6 - 20 x 1/2 PFH - Zn
	000G13-06-10G	EA	Screw - 6 - 20 x 5/8 PFH - Antique Brass
	000G13-07-12B	EA	Screw - 7 - 19 x 3/4 PFH - Zn
	000G13-08-16B	EA	Screw - 8 - 18 x 1 PFH - Zn
	000G18-08-12B	EA	Screw - Machine - 8 - 32 x 3/4" PPH - Zn
	000G18-08-16B	EA	Screw - Machine - 8 - 32 x 1 PPH - Zn
	000G18-08-22B	EA	Screw - Machine - 8 - 32 x 1 3/8 PPH - Zn
	000G39-08-08B	EA	Screw - SF/DR 8 - 18 x 1/2 PPH - Zn
	000G39-08-08R	EA	Screw - SF/DR 8 - 18 x 1/2 PPH - Beige
	000G39-08-12B	EA	Screw - SF/DR 8 - 18 x 3/4 PPH - Zn
	000G39-08-12R	EA	Screw - SF/DR 8 - 18 x 3/4 PPH - Beige
	000G39-08-16S	EA	Screw - SF/DR 8 - 18 x 1.00 PPH - Off White
	000G39-08-24B	EA	Screw - SF/DR 8 - 18 x 1 1/2 PPH - Zn
	000G39-08-24S	EA	Screw - SF/DR 8 - 18 x 1.50 PPH - Off White
	000G39-10-10S	EA	Screw - SF/DR 10 - 16 x .62" PPH - Off White
	000G39-10-12C	EA	Screw - SF/DR 10 - 16 x 3/4 PPH - Black
	000G39-10-20B	EA	Screw - SF/DR 10 - 16 x 1 1/4 PPH - Zn
	000G42-04-16B	EA	Screw - SF/DR 1/4 - 14 x 1 HWH - Zn
	000G53-04-06B	EA	Screw - Machine - 1/4 - 20 x 3/8 PPH - Zn
	000G54-04-20B	EA	Screw - 1/4 - 20 x 1 1/4 PTH Typ 23 - Zn
	000G67-10-08B	EA	Screw - 10 - 12 x 1/2 PPH - Zn
	000G67-10-08R	EA	Screw - 10 - 12 x 1/2 PPH - Beige - Type A
	000G67-10-10B	EA	Screw - 10 - 12 x 5/8 PPH - Zn - Type A
	000G67-10-10R	EA	Screw - 10 - 12 x 5/8 PPH - Beige - Type A
	000G67-10-12B	EA	Screw - 10 - 12 x 3/4 PPH - Zn
	000G67-10-12P	EA	Screw - 10 - 12 x .75 PPH - Dark Brown
	000G67-10-12D	EA	Screw - 10 - 12 x .75 PPH - Zn
	000G67-10-24B	EA	Screw - 10 - 12 x 1 1/2 PPH - Zn
	000G67-10-32B	EA	Screw - 10 - 12 x 2 PPH - Zn
	000G68-06-10G	EA	Screw - 6 - 18 x 5/8 POH - Antique Brass
	000H16-04-06R	EA	Rivet - Pop - AL 1/8 x .313 - .375
	005081-01-000	EA	Nut - Speed - C Type - No. 8 Screw
	062401-02-000	EA	Clamp - Hose - Wormgear - 1.56" - 2.5"
	062401-06-000	EA	Clamp - Hose - Wormgear - .22" x .62"
	007161-01-000	EA	Clamp - Hose - Spring Type - 1/2"
	008343-01-000	EA	Tie - Wire - 6"
	008386-01-000	EA	Grommel - Snap - 3/8

# SEALANTS & FASTENERS GROUP (CONTINUED)

## SCREWS & FASTENERS (CONTINUED)

Key	Part Number	U/M	Description
	008401-01-000	EA	Sirap - Conduit - 3/4" - 1 Hole - Galvanized Steel
	010495-01-000	EA	Clamp - Cable - 9/16"
	010497-01-000	EA	Clamp - Closed - 5/8" ID
	010497-03-000	EA	Clamp - Closed - 1 ID - Cushioned
	010499-01-000	EA	Clamp - Closed - 3/8" ID
	016604-01-000	EA	Brace - Cabinet - Angled Metal - 2.5"
	083609-01-000	EA	Clamp - Wire Dual - Equal 5/8" Dia.
	084884-01-000	EA	Plug - Brass - 3/8"
	087721-01-000	EA	Screw - Flat Head - Tapping - 1/4 x 1 1/4 LG - Zn
	089371-01-000	EA	Screw - Machine - 8 - 32 x 3 5/16 - Zn
	075148-02-000	EA	Clamp - Grounding - Bronze Screws
	075908-01-000	EA	Screw - Machine - 10 - 32 x .56 PTH - Zn
	049465-04-000	EA	Screw - 10 - 16 x 1 PTH w/Washer - Beige
	076790-01-000	EA	Screw - 6 - 20 x 1 1/4 PPH - Black
	063729-04-000	EA	Rivet - 10 - 32 UNF - .010 - .080

## SEALANTS & ADHESIVES

Key	Part Number	U/M	Description
	004020-01-000	QT	Adhesive - ABS Cement (Plastic Fittings)
	004005-02-000	GL	Adhesive - Swifts - Glue (Sidewalls)
	053766-07-000	EA	Bedding Compound - Tube - Beige (Exterior)
	053766-06-000	EA	Bedding Compound - Tube - Clear (Window)
	053766-08-000	EA	Bedding Compound - Tube - Gray (Exterior)
	102352-01-000	EA	Bedding Compound - Tube - Black (Luggage Compartment)
	053766-02-000	EA	Bedding Compound - Tube - Off White (Exterior)
	002328-02-000	EA	Block - Rubber Spacer (Windshield)
	077967-01-000	EA	Sealant - Acrylic Latex - Tube - Off White (Interior Sealant)
	034552-04-000	EA	Sealant - Silicone - Beige
	034552-02-000	EA	Sealant - Silicone - Clear
	034552-07-000	EA	Sealant - Silicone - Dark Gray
	034552-06-000	EA	Sealant - Silicone - Off White
	039518-01-000	EA	Sealant Silicone - Black
	069640-01-000	FT	Sealer Ribbon - .25" Bead x 20'
	069640-02-000	FT	Sealer Ribbon - .5" x .125" x 30'
	069640-03-000	FT	Sealer Ribbon - .75" x .125" x 30'
	069640-09-000	FT	Sealer Ribbon - 1/32" x 2.5" x 30'
	069640-06-000	FT	Sealer Ribbon - 5/16" Bead x 15'
	069640-07-000	FT	Sealer Ribbon - 2" x 3/32" x 30'
	069640-10-000	FT	Sealer Ribbon - 1/32" x 1.5" x 100'
	002707-02-000	FT	Sealer Tape - 5/16" x 1/2"
	074497-14-700	EA	Sealer - Stain (Ceiling)
	102353-01-700	EA	Seam Sealer - Tube - Gray (Roof Seams)
	094401-01-000	EA	Seam Sealer - Tube - Clear (Cap to Sidewall)
	063642-01-000	FT	Tape - Adhesive - .10mm x 1.5" Wide
	038886-01-000	EA	Tape - Butyl - .31" x .31" x 148" (Windshield)
	076322-01-000	FT	Tape - Foam - Double Coated - .025 x .75 x 72' (Fiberglass Sidewall Seams)
	076322-02-000	FT	Tape - Foam - Double Coated - .045 x 1" (Fiberglass Sidewall Seams)
	100028-01-000	FT	Tape - Foam - Double Coated - .031 x .75 x 72' (Non-Structural Fastening)
	009200-01-000	EA	Tape - Furnace - 1.5"
	002825-01-000	FT	Weather Stripping (Roof Vent)
	081377-01-700	EA	Adhesive - Cyanoacrylate - 1.5GM

# 1991 WINNEBAGO TABLE OF CONTENTS

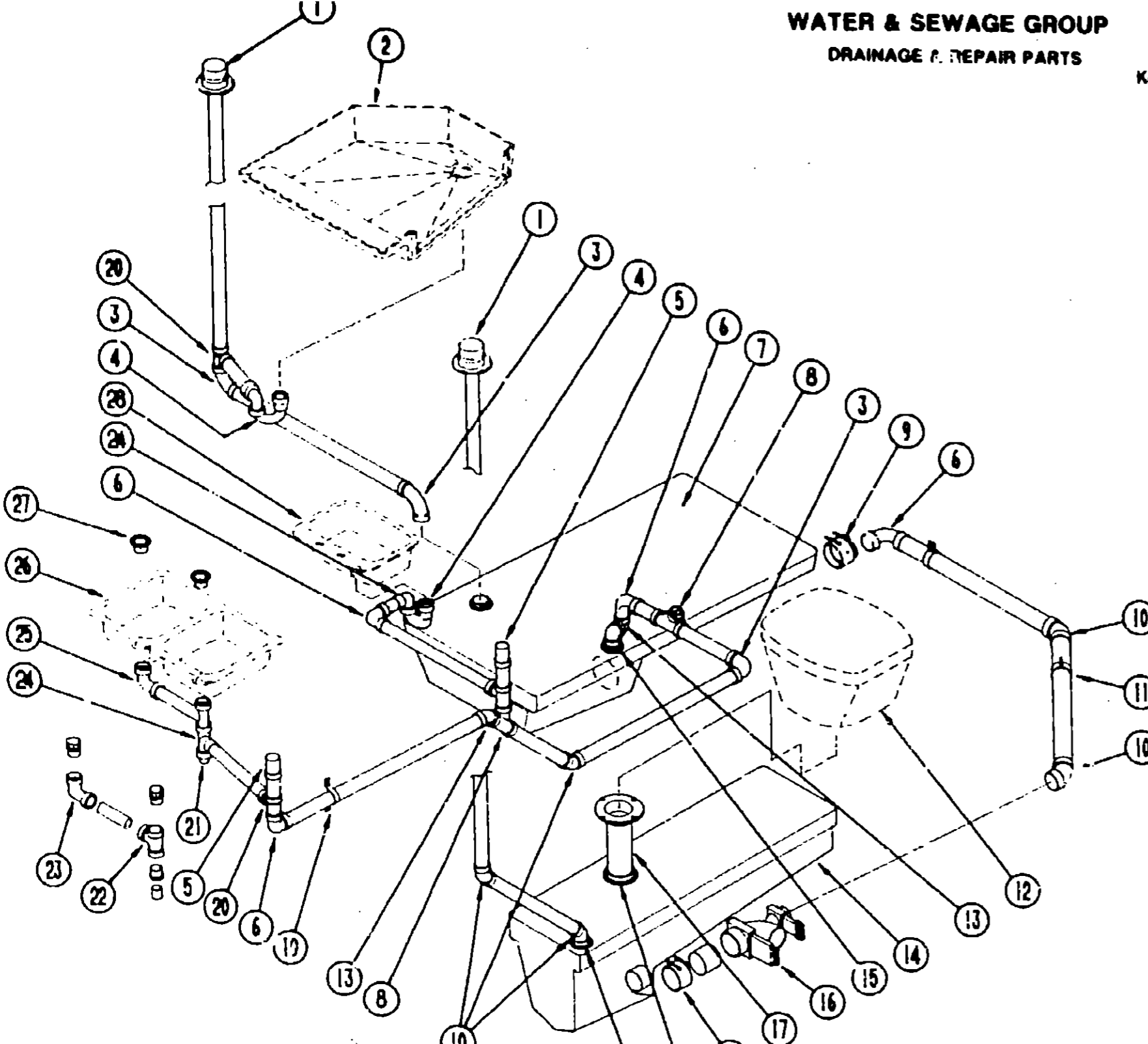
INTRODUCTION	A-01 - A-02
ABBREVIATIONS	A-03
ALPHABETICAL/GROUP REFERENCE	A-04 - A-06
WF327RT	A-07 - D-12
WF327RB	D-13 - G-08
WF327RO	G-09 - J-12

# 1991 WF327RT INDEX

Floor Plan	A-07 - A-08
Accessories Group	A-09 - A-12
Bath Group	A-13 - A-14
Bedroom Group	A-15 - A-17
Chassis Group	A-18 - A-21
Curtain, Cushion & Pad Group	A-22 - B-08
Dinette Group	B-09 - B-11
Driver's Compartment Group	B-12 - B-14
Electrical Group	B-15 - B-17
Exterior Body Group	B-18 - B-22
Galley Group	B-23 - C-02
Heating & Air Conditioning Group	C-03 - C-04
Interior Finish Group	C-05 - C-07
Labels Group	C-08 - C-14
LP Group	C-15
Lounge Group	C-16
Sealants & Fasteners Group	C-17 - C-18
Water & Sewage Group	C-19 - C-22
Window, Vent & Exterior Door Group	C-23 - D-12

# WATER & SEWAGE GROUP

## DRAINAGE & REPAIR PARTS



Key	Part Number	U/M	Description
1	083558-03-000	EA	Roof Vent - Covered - Vent Pipe
2	M02673-03-XB1	EA	Shower Par. Asm
	066440-01-000	EA	Strainer - Shower Drain
	066435-01-000	EA	Nut Strainer
	069735-01-000	EA	Washer - Tailpiece - 1.5" - Plastic
	011069-02-000	EA	Tailpiece - 1 1/2" x 1 1/4" x 4" - Plastic
	066436-01-000	EA	Slip Nut - 1.5" - Tailpiece
	011048-02-000	EA	Shower Head w/60" Hose (US)
	011048-05-000	EA	Shower Head w/60" Hose (CSA)
	075241-05-000	EA	Faucet - Shower - Bone
3	010038-01-000	EA	Elbow - Plastic - 1/4 BD x 1 1/2" x 90° - Left
4	011066-03-000	EA	P-Trap - Plastic - 1 1/4" x 1 1/2" (US)
4	011066-02-000	EA	P-Trap - Plastic - 1 1/4" (CSA)

Key	Part Number	U/M	Description
5	079968-01-000	EA	Vent - Mechanical - Trap Asm.
6	033781-01-000	EA	Elbow - Plastic - 1/4 BD x 1 1/2" x 90°
7	061804-01-000	EA	Tank Asm. - Holding - 36 Gallon
8	010073-01-000	EA	Wye - Plastic - 1 1/2" x 45° H x H
	010166-01-000	EA	Plug - Plastic - 1 1/4"
	010121-01-000	EA	Bushing - Reducer - 1 1/2" S x 1/4" H - Black Plastic
	038342-01-000	EA	Tee - Plastic - 1.5" Sheet x 1/2" Hub x 1/2" Hub
	010122-01-000	EA	Bushing - Plastic - Red - 1 1/2" S x 1 1/4" T
9	078406-01-000	EA	Coupler - Rubber - 3" x 3"
	062422-01-000	EA	Adapter - Offset Reducer - 3" x 1 1/2"
10	010006-01-000	EA	Elbow - Plastic - 1/8" BD x 1 1/2" x 45° H x H
11	056134-02-000	EA	Holder - Ring
12	067487-01-000	EA	Toilet - Aqua Magic IV - Low
	063740-01-716	EA	Seat & Cover
	063740-01-706	EA	Bolt Package - Closet
	063740-01-700	EA	Lever - Water
	063740-01-701	EA	Lever - Flush
	063740-01-707	EA	Seal - Closet Flange
	063740-01-710	EA	Link
	063740-01-711	EA	Spring - Return Lever
	063740-01-713	EA	Seal - Ball Valve to Bowl
	063740-01-714	EA	Valve Asm. - Water
	063740-01-717	EA	Flush Tube
	067487-01-700	EA	C.L.F.L. - Seal & Bolt
	067487-01-701	EA	Water Saver Package
	067487-01-702	EA	Clamp
13	010051-01-000	EA	Elbow - ST - Plastic - 1/8 BD x 1 1/2" x 45°
14	083041-01-000	EA	Tank - Holding - 30 Gallons w/o Fittings
15	061607-01-000	EA	Grommet - Holding Tank - 1 1/2" NPS
16	070916-01-000	EA	Valve - Dual - 3" x 1.5"
	070916-01-700	EA	Valve - 3"
	070916-01-701	EA	Valve - 1.5"
	062415-01-000	EA	Adapter - Hose - 3"
	062415-01-000	EA	Sewer Cap - 3"
	062415-01-700	EA	String - Sewer Cap
	010201-01-000	EA	Sewer Hose - 3" ID
17	024676-01-000	EA	Flange - Closet Rod - 4" x 3" (US)
17	024676-02-000	EA	Flange - Closet Rod - 4" x 3" (CSA)
18	061607-02-000	EA	Grommet - Holding Tank - 3" NPS
19	008406-01-000	EA	Strap - Conduit - 2 in 2 Hole
	010079-01-000	EA	Tee - Plastic - Red - 1 1/2" H x 1 1/2" H x 1 1/4" H
20	011066-03-000	EA	P-Trap - 1 1/4" x 1 1/2" (US)
21	013335-01-000	EA	P-Trap - Plastic - 1 1/4" H x H w/Union (CSA)
22	010071-01-000	EA	Tee - Plastic - 1 1/2" H x H x H (CSA)
23	037101-02-000	EA	Elbow - Plastic - 1/4 BD Vent 1 1/2" H (CSA)
	033101-01-000	EA	Adapter Asm. - Strainer - 1 1/2" (CSA)
24	010006-01-000	EA	Elbow - Plastic - 1/8 BD x 1 1/4" x 45° H x H
25	011091-02-000	EA	Continuous Waste - Double Sink (US)
26	098654-01-000	EA	Sink - Stainless Steel - Double w/Mounting Hardware
	011053-04-000	EA	Faucet - Swing Spout - 8" - Galley
27	066437-01-000	EA	Strainer w/Basket - Sink
	066437-01-700	EA	Basket Only
28	096927-01-010	EA	Sink - Lavatory - Rectangular
	096927-01-700	EA	Sink - Strainer
	096927-01-701	EA	Tailpiece
	075240-06-000	EA	Faucet - Lavatory - Bone
	091253-01-000	EA	Gasket - Faucet
	039681-01-000	EA	Sending Unit

NOTE: Items indented below assemblies are serviceable parts for that assembly.

## 1991 WINNEBAGO TABLE OF CONTENTS

INTRODUCTION	A-01 - A-02
ABBREVIATIONS	A-03
ALPHABETICAL/GROUP REFERENCE	A-04 - A-06
WF327RT	A-07 - D-12
WF327RB	D-13 - G-08
WF327RQ	G-09 - J-12

## 1991 WF327RT INDEX

Floor Plan	A-07 - A-08
Accessories Group	A-09 - A-12
Bath Group	A-13 - A-14
Bedroom Group	A-15 - A-17
Chassis Group	A-18 - A-21
Curtain, Cushion & Pad Group	A-22 - B-03
Dinette Group	B-09 - B-11
Driver's Compartment Group	B-12 - B-14
Electrical Group	B-15 - B-17
Exterior Body Group	B-18 - B-22
Galley Group	B-23 - C-02
Heating & Air Conditioning Group	C-03 - C-04
Interior Finish Group	C-05 - C-07
Labels Group	C-08 - C-14
LP Group	C-15
Lounge Group	C-16
Sealants & Fasteners Group	C-17 - C-19
Water & Sewage Group	C-19 - C-22
Window, Vent & Exterior Door Group	C-23 - D-12

# WATER & SEWAGE GROUP (CONTINUED)

## WATER LINES & HARDWARE

Key	Part Number	U/M	Description
	044927-01-000	EA	Adapter - Plastic - 1 1/4" MPT x 1 1/4" Bar (Water Tank)
	079317-01-000	EA	Adapter - Swivel - .5 Tube x .5 FPT
	052954-01-000	EA	Adapter - Nose Cone - 3/8" or 1/2" - Plastic
	036522-02-000	EA	Cap - Brass - 1/2" Flare
	052959-02-000	EA	Connector - Plastic - 1/2" F x 1/2" MPT
	052959-03-000	EA	Connector - 1/2" x 3/8 MPT - Plastic
	010219-01-000	EA	Elbow - Plastic - 1 1/3" MPT x 1 1/4" Barb
	065120-01-000	EA	Elbow - Plastic - Swivel - 1/2" FPT x 1/2" Flare - Gray
	035539-01-000	EA	Elbow - Plastic - 3/8" MPT x 3/8" BARB
	070924-01-000	EA	Elbow - Swivel - 1/2" MPT x 1/2" FPT - Gray
	075240-06-000	EA	Faucet - Lavatory - Bone
	011053-04-000	EA	Faucet - Swing Spout - Galley - 8"
	091253-01-000	EA	Gasket - Faucet
	075241-05-000	EA	Faucet - Shower - Bone
	077954-02-000	EA	Filter/Screen (In Water Tank)
	052961-02-000	EA	Header - 1/2" MPT x 1/2" F x 1/2" F x 1/2" F
	052952-01-000	EA	Nut - Plastic - 1/2" F
	052953-01-000	EA	Nut - Faucet - 1/2" Tube x 1/2" FPT
	049032-01-000	EA	Patch - Spinweld - Plastic - 3/8"
	098607-01-000	EA	Pump - Water - 2.8 GPM - Direct Flow (US)
	098607-02-000	EA	Pump - Water - 2.8 GPM - Direct Flow (CSA)
	098607-01-707	EA	Motor/Backplate - Replacement
	098607-01-701	EA	Drive Asm.
	098607-01-702	EA	Diaphragm Kit
	098607-01-703	EA	Valve Asm.
	098607-01-704	EA	Upper Housing
	098607-01-706	EA	Switch Asm. - Complete
	098607-01-700	EA	Pumphead - Replacement
	098607-01-705	EA	Check Valve Kit
	091208-01-000	EA	Rubber Washer - .06 x .75 x .50
	039681-01-000	EA	Sending Unit
	011048-02-000	EA	Shower Head - w/60" Hose (US)
	011048-05-000	EA	Shower Head - w/60" Hose (CSA)
	042989-03-000	EA	Spinweld Fitting - Plastic - 1/4" NPT
	042989-05-000	EA	Spinweld Fitting - Plastic - 1/2" FPT
	042989-04-000	EA	Spinweld Fitting - Plastic - 3/8" FPT
	097967-01-000	EA	Switch - Water Heater
	052955-01-000	EA	Tee - Plastic - 1/2" F x 1/2" F x 1/2" MPT
	052956-01-000	EA	Tee - Plastic - 1/2 F x 1/2 MPT x 1/2 F
	052958-01-000	EA	Tee - Plastic - 1/2" F x 1/2" F x 1/2" F
	074463-01-000	EA	Tee - 4 Way - Plastic - 1/2" Flare - Gray
	039800-01-000	FT	Tubing - Polybutyl - 1/2" OD x 20' (Water Line)
	079381-01-000	FT	Tubing - Flex/Smooth - 1.25 ID (Water Tank)
	074462-02-000	FT	Tubing - Vinyl - 3/8" ID
	052960-01-000	EA	Valve - Line Drain - 1/2" F x 1/2" F
	064214-01-000	EA	Water Tank - 31 Gal. w/o Fittings
	064214-05-000	EA	Water Tank - 31 Gal. w/Fittings - 24" x 12.75" x 30"
..	051391-01-000	EA	Water Heater - Atwood - G6A-3
..	051391-03-000	EA	Water Heater - w/o Motoraid - Electronic Tune - Atwood - G6A-3E
..	051393-01-000	EA	Water Heater - w/Motoraid - Direct Ignition - Atwood - GH6-3E

The illustrated parts breakdown for this item is provided on the Common Items Fiche.  
 NOTE: Items indented below assemblies are serviceable parts for that assembly.

# WATER & SEWAGE GROUP (CONTINUED)

## BYPASS FOR WATER HEATER (OPTION L53J)

Key	Part Number	U/M	Description
	099729-01-000	EA	Bypass Kit - Water Heater
	052957-02-000	EA	Elbow - 1/2 F x 1/2 MPT - Plastic
	052956-01-000	EA	Tee - 1/2 F x 1/2 MPT x 1/2 F - Plastic
	039800-01-000	FT	Tubing - Polybutyl - 1/2" OD - Black

## EXTERIOR SHOWER KIT (OPTION L64R)

Key	Part Number	U/M	Description
	103173-01-01A	EA	Shower Washdown Kit
	103173-02-01A	EA	Shower Washdown Kit
	103173-03-700	EA	Compartment Only
	103173-03-701	EA	Door Only
	103173-03-702	EA	Pin - Hinge
	103173-03-703	EA	Spring - Hinge Pin
	103173-03-704	EA	Lock Assy. w/Clip & Key
	103173-03-705	EA	Label - "Auxiliary Shower"
	103092-01-000	EA	Shower Head w/Hose
	103173-03-707	EA	Faucet - Shower w/Adapter
	101814-01-000	EA	Coupler - Female - 1/2" F x 1/2" MPT
	046128-01-000	EA	Drain Valve - 1/2" FPT - Plastic
	052957-02-000	EA	Elbow - 1/2" F x 1/2" MPT - Plastic

These are parts used after 3/25/91 on.

# 1991 WINNEBAGO TABLE OF CONTENTS

INTRODUCTION	A-01 - A-02
ABBREVIATIONS	A-03
ALPHABETICAL/GROUP REFERENCE	A-04 - A-06
WF327RT	A-07 - D-12
WF327RB	D-13 - G-08
WF327RO	G-09 - J-12

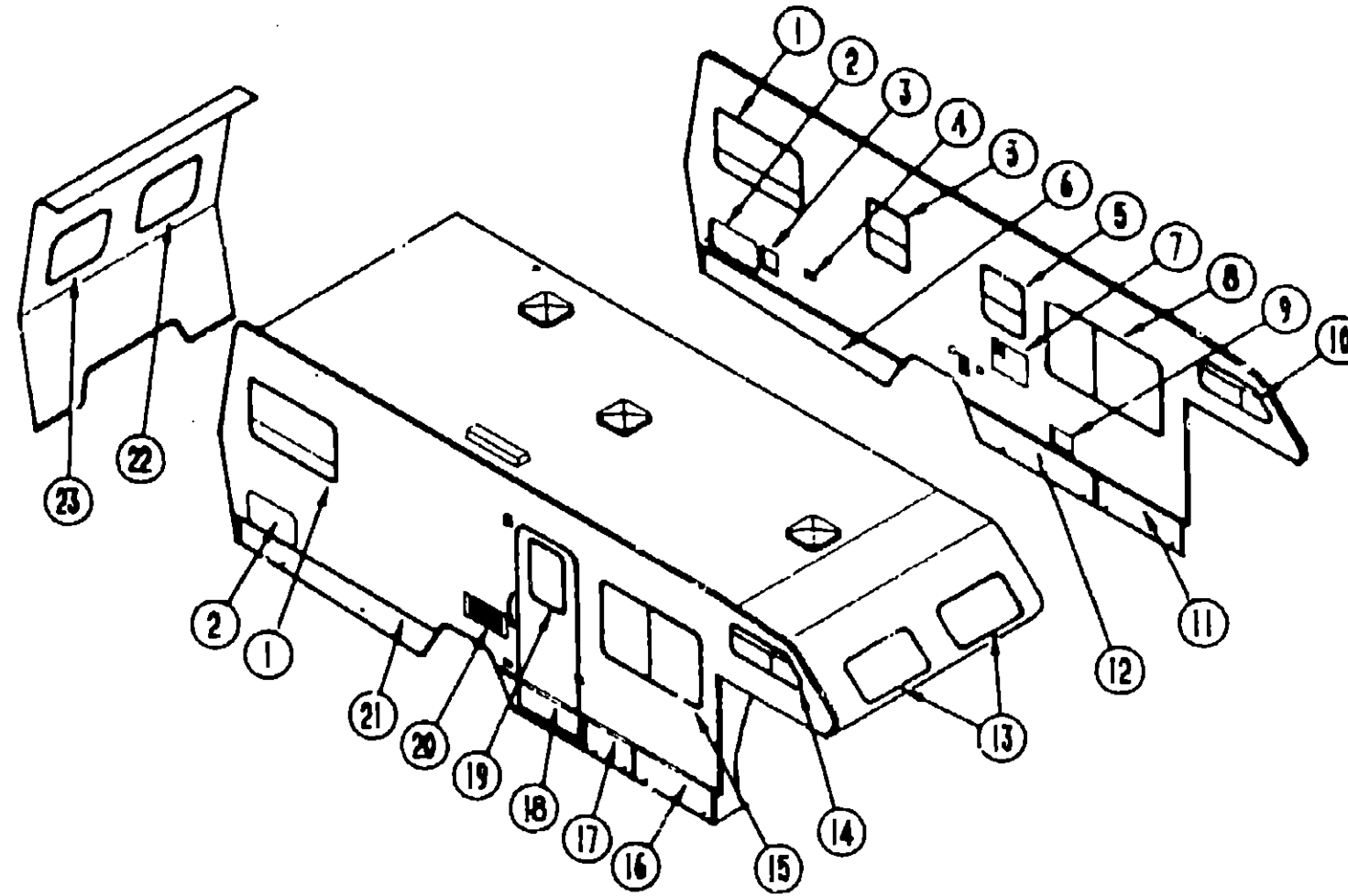
## 1991 WF327RT INDEX

Floor Plan	A-07 - A-08
Accessories Group	A-09 - A-12
Bath Group	A-13 - A-14
Bedroom Group	A-15 - A-17
Chassis Group	A-18 - A-21
Curtain, Cushion & Pad Group	A-22 - B-08
Dinette Group	B-09 - B-11
Driver's Compartment Group	B-12 - B-14
Electrical Group	B-15 - B-17
Exterior Body Group	B-18 - B-22
Galley Group	B-23 - C-02
Heating & Air Conditioning Group	C-03 - C-04
Interior Finish Group	C-05 - C-07
Labels Group	C-08 - C-14
LP Group	C-15
Lounge Group	C-16
Sealants & Fasteners Group	C-17 - C-18
Water & Sewage Group	C-19 - C-22
Window, Vent & Exterior Door Group	C-23 - D-12



# WINDOWS, VENTS & EXTERIOR DOORS

## WINDOWS & ACCESS DOORS



## 1991 WINNEBAGO TABLE OF CONTENTS

INTRODUCTION	A-01 - A-02
ABBREVIATIONS	A-03
ALPHABETICAL/GROUP REFERENCE	A-04 - A-06
WF327RT	A-07 - D-12
WF327RB	D-13 - G-09
WF327HO	G-09 - J-12

Key	Part Number	U/M	Description
1	092235-07-Y12	EA	Window Asm. - Tipout - 24.3" x 40.3"
2	079578-04-U28	EA	Door Asm. - Storage - 12.9" x 22.1" - Off White
3	078010-03-000	EA	Door Asm. - Fuel Fill - Off White
4	081240-03-000	EA	Door Asm. - Water Fill - Lockable - 4" x 4 5/8" - Off White
5	098644-01-715	EA	Window Asm. - Vertical Slider - 22" x 15" (Excel)
6	096393-10-B05	EA	Door Asm. - Rear
*6	096393-19-B05	EA	Door Asm. - Rear
7	052009-01-000	EA	Door Asm. - Water Heater - Off White
8	098647-04-700	EA	Window Asm. - Slider - 31" x 54" (Excel)
9	088794-01-000	EA	Door Asm. - Power Cord w/Hatch - Off White
10	100322-02-700	EA	Window Asm. - Slant Slider - 12" x 36" (Excel)
11	096386-03-AA3	EA	Door Asm. - Storage/Generator - 13.7" x 39.9"
12	096395-01-AA3	EA	Door Asm. - Storage/Luggage - 13.7" x 61.6"
13	078533-06-AA3	EA	Window Asm. - Picture - 15" x 32"
*13	078533-08-B13	EA	Window Asm. - Picture - 15" x 32"

Key	Part Number	U/M	Description
14	100322-01-720	EA	Window Asm. - Slant Slider - 12" x 36" (Excel)
15	098647-05-706	EA	Window Asm. - Single Slider (Excel)
16	096386-01-AA3	EA	Door Asm. - LP Compartment - 13.7" x 36.8"
17	096386-02-AA3	EA	Door Asm. - Storage - 13.7" x 23.3"
18	M01870-32-B05	EA	Door Asm. - Entrance
19	079733-07-AA8	EA	Window Asm. - Frosted Glass - 17" x 25"
20	084103-03-000	EA	Door Asm. - Refrigerator - Vented - Off White
21	096393-11-B05	EA	Door Asm. - Valance - Rear
22	079729-03-W17	EA	Window Asm. - Rear Escape - 24" x 22"
23	079729-02-T03	EA	Window Asm. - Rear Escape - 24" x 22"
†	078536-01-T03	EA	Window Asm. - Escape - 27" x 68"
.			These parts are used from 5/29/90 on.
..			These parts were used from 9/24/90 on.
†			These parts were used in the Double Bed (Option L46)

## 1991 WF327RT INDEX

Floor Plan	A-07 - A-08
Accessories Group	A-09 - A-12
Bath Group	A-13 - A-14
Bedroom Group	A-15 - A-17
Chassis Group	A-19 - A-21
Curtain, Cushion & Pad Group	A-22 - B-08
Dinette Group	B-09 - B-11
Driver's Compartment Group	B-12 - B-14
Electrical Group	B-15 - B-17
Exterior Body Group	B-18 - B-22
Galley Group	B-23 - C-02
Heating & Air Conditioning Group	C-03 - C-04
Interior Finish Group	C-05 - C-07
Labels Group	C-08 - C-14
LP Group	C-15
Lounge Group	C-16
Sealants & Fasteners Group	C-17 - C-18
Water & Sewage Group	C-19 - C-22
Window, Vent & Exterior Door Group	C-23 - D-12

**WINDOW, VENT & EXTERIOR DOOR GROUP (CONTINUED)**

**POWERED ROOF VENT**

Key	Part Number	U/M	Description
	090394-01-Y12	EA	Vent Asm. - Roof - Powered - w/o Screen (USA)
	009440-01-000	EA	Lift Mechanism
	009439-01-000	EA	Crank Handle - Roof Vent
	009439-04-000	EA	Screw
	061603-01-000	EA	Grommet - Snap - 3/16 ID - Black Plastic
	048649-01-000	EA	Fan - Plastic - 6"
	008195-01-000	EA	Switch - Push Button - 12 Volt
	015911-01-000	EA	Track - Slide - Roof Vent
	002825-01-000	EA	Weatherstrip Seal
	048648-01-000	EA	Motor - 12 Volt
	055218-01-000	EA	Cover Asm. - Roof Vent
	052639-01-200	EA	Hinge - 7" - Roof Vent
	078785-01-Y12	EA	Screen Asm. - Roof Vent - Powered
	002291-02-000	SF	Screen - Window - 16" - Charcoal
	002298-02-000	FT	Spline - Charcoal
**	064469-08-000	EA	Vent Asm. - Roof Powered - w/o Screen (CSA)
**	The illustrated parts breakdown of this item is provided on the Common Items Fiche.		

**NON-POWERED VENT**

Key	Part Number	U/M	Description
	090395-01-Y12	EA	Vent Asm. - Roof - Non-Powered - w/o Screen
	009440-01-000	EA	Lift Mechanism Asm.
	009439-04-000	EA	Screw
	009439-01-000	EA	Crank Handle - Roof Vent
	015911-01-000	EA	Track - Slide - Roof Vent
	002825-01-000	EA	Weatherstrip Seal
	055218-01-000	EA	Cover Asm. - Roof Vent
	052639-01-200	EA	Hinge - 7" - Roof Vent
	078786-01-Y12	EA	Screen Asm. - Charcoal
	002291-02-000	SF	Screen - Window - 16" - Charcoal
	002298-02-000	FT	Spline - Charcoal

**VENTS & SHROUDS**

Key	Part Number	U/M	Description
	083558-03-000	EA	Vent - Plumbing Pipe - Roof w/Cover - Off White
	084073-03-000	EA	Vent - Refrigerator Roof - Off White
	084073-04-000	EA	Base - Roof Vent - Norcold Refrigerator - Black
	084878-09-000	EA	Vent - Range Hood - Short - LVS
	063752-01-000	EA	Shroud Asm. - Range
	084616-01-000	EA	Shroud Asm. - Range Vent - Off White
	080507-01-000	EA	Panel - Skylight - Outer - 23.25" x 20.3"
	080508-01-000	EA	Panel - Skylight - Inner - 23.25" x 20.3"
	080258-01-000	EA	Trim - Skylight

**WINDOW, VENT & EXTERIOR DOOR GROUP (CONTINUED)**

**ACCESS DOORS**

Key	Part Number	U/M	Description
	078010-03-000	EA	Door Asm. - Fuel Fill - Off White
	078200-01-000	EA	Gasket - Fuel Fill Door
	078040-02-000	EA	Shroud - Fuel Fill - Upper
	083578-01-000	EA	Boot - Fuel Fill
	084235-01-000	EA	Support - Flange
	079578-04-U28	EA	Door Asm. - Storage - 12.9" x 22.1"
	079366-04-000	EA	Lock - Key Type w/o Keys
	082684-01-700	EA	Key - Compartment Door Lock
	079365-01-000	FT	Seal - Access Door
	081801-02-000	EA	Hinge - 2" x 96"
	088794-01-000	EA	Door Asm. - Power Cord w/Hatch - Off White
	084103-03-000	EA	Door Asm. - Refrigerator - Vented - Off White
	084104-01-700	EA	Lock - Male - Dyrus Fasteners
	084104-01-701	EA	Lock - Female - Dyrus Fasteners
	084104-03-000	EA	Jamb - Door - Vented - Refrigerator - Off White
	081240-03-000	EA	Door Asm. - Water Fill - Lockable - 4" x 4 5/8" - Off White
	096395-01-AA3	EA	Door Asm. - Storage - 13.7" x 61.6"
	064075-07-000	FT	Seal - Door - Bulb - 240"
	079366-04-000	EA	Lock - Door - Key Type w/o Keys
	082684-01-700	EA	Key - Storage Compartment - Single
	096386-01-AA3	EA	Door Asm. - LP Compartment - 13.7" x 36.8"
	079927-03-000	EA	Lock - Twist Type - Double Cam
	096386-02-AA3	EA	Door Asm. - Battery Compartment - 13.7" x 23.3"
	079366-04-000	EA	Lock - Key Type - w/o Keys
	082684-01-700	EA	Key - Compartment Door Lock
	052009-01-000	EA	Door Asm. - Water Heater - Off White
	096386-03-AA3	EA	Door Asm. - Storage/Generator - w/Locks - 13.7" x 39.9"
	079927-03-000	EA	Lock - Twist Type - Double Cam
	096393-10-B05	EA	Door Asm. - Rear Compartment - Driver
	079927-03-000	EA	Lock Asm. - Twist Type - Double Cam
	101667-01-000	EA	Prop Rod - Valance Door
	089329-01-000	EA	Clip - Spring - 3/8" (Prop Rod)
	096393-19-B05	EA	Door Asm. - Rear Compartment - Driver
	079927-03-000	EA	Lock Asm. - Twist Type - Double Cam
	096393-11-B05	EA	Door Asm. - Rear Compartment - Passenger
	079366-04-000	EA	Lock Asm. - Key Type - w/o Keys
	082684-01-700	EA	Key - Compartment Door Lock
	096209-55-001	EA	U-Channel - Hinged - 16" - Off White
	097111-01-01A	EA	Pocket - Lock Valance - Off White
	098338-01-000	EA	Gasket - Lock Pocket

NOTE: Items indented below assemblies are serviceable parts for that assembly.

**1991 WINNEBAGO  
TABLE OF CONTENTS**

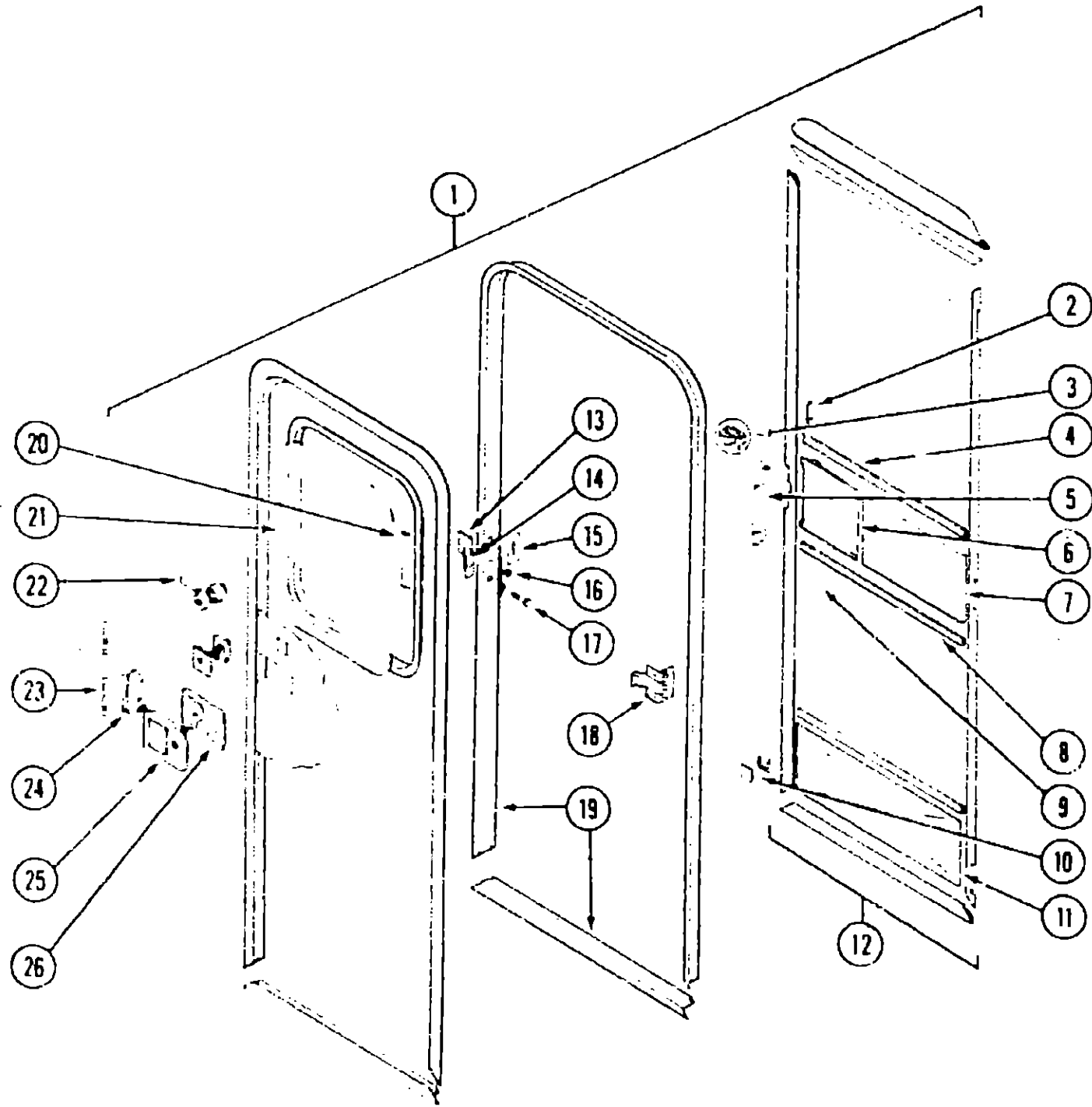
INTRODUCTION	A-01 - A-02
ABBREVIATIONS	A-03
ALPHABETICAL/SHOUP REFERENCE	A-04 - A-06
WF327RT	A-07 - D-12
WF327RB	D-13 - G-08
WF327RO	G-09 - J-12

**1991 WF327RT INDEX**

Floor Plan	A-07 - A-08
Accessories Group	A-09 - A-12
Bath Group	A-13 - A-14
Bedroom Group	A-15 - A-17
Chassis Group	A-18 - A-21
Curtain, Cushion & Pad Group	A-22 - B-08
Dinette Group	B-09 - B-11
Driver's Compartment Group	B-12 - B-14
Electrical Group	B-15 - B-17
Exterior Body Group	B-18 - B-22
Galley Group	B-23 - C-02
Heating & Air Conditioning Group	C-03 - C-04
Interior Finish Group	C-05 - C-07
Labels Group	C-08 - C-14
LP Group	C-15
Lounge Group	C-16
Sealants & Fasteners Group	C-17 - C-18
Water & Sewage Group	C-19 - C-22
Window, Vent & Exterior Door Group	C-23 - D-12

WINDOW, VENT & EXTERIOR DOOR GROUP (CONTINUED)

WINDOW, VENT & EXTERIOR DOOR GROUP (CONTINUED)



ENTRANCE DOOR

Key	Part Number	U/M	Description
1	M01870-32-B05	EA	Door Asm. - Entrance w/Screen Door
	095276-01-01A	EA	Frame Asm. - Entrance Door - Off White
	089748-01-000	EA	Frame - Entrance Door - Bottom Portion
	044582-02-000	EA	Drip Cap - Top Entrance Door Jamb - Off White
	075639-11-000	EA	Garnish - Radius - Entrance Door
2	050712-05-000	EA	Door Handle - Screen Door - Mill Finished
2	050712-04-000	EA	Door Handle - Screen Door - Off White
3	009018-01-000	EA	Roller Catch - Screen Door
	058925-02-000	EA	Clip - Roller Latch Catch
	009016-01-000	EA	Catch - Elbow - Spring Loaded - Screen Door
11	100412-01-000	EA	Catch - Spring Door

ENTRANCE DOOR (CONT.)

Key	Part Number	U/M	Description
4	078777-01-000	EA	Channel - Slide - Screen Door Center Slider Cover
5	079087-02-000	EA	Strike - Slider - Screen Door
6	079086-02-000	EA	Slider - Screen Door
7	016454-01-000	EA	Insert - Screen Door - Center - Leather Grain Aluminum
9	002294-01-000	FT	Spline - Black
9	002293-02-000	SF	Screen - Window - 26" Charcoal
10	085774-01-000	FT	Fastener - Dual Lock - 1" Wide
10	085774-02-000	FT	Fastener - Dual Lock - 1" Wide
11	078552-03-000	EA	Insert - Acreen Door - Lower - Kick Panel
12	079012-01-U01	EA	Screen Door Asm.
	078595-01-000	EA	Plate - Screen Door
13	077461-03-000	EA	Strike Cover - Off White
14	041546-03-000	EA	Angle Bracket
15	079173-01-000	EA	Deadbolt - Gasket
16	058806-03-000	EA	Plug - Tapered Plastic - Red
17	039539-01-000	EA	Strike
18	097724-01-02A	EA	Hinge - Entrance Door - Off White
	076725-01-000	EA	Hinge Cover - Light Oak
19	095277-02-01A	EA	Door Jamb - Entrance Door
	051049-01-000	EA	Jamb Bottom - Entry Door - Beige
	079207-01-000	EA	Striker - Roller Catch - Welded to Door Jamb
	095278-01-01A	EA	Jamb Door - Entrance - Unpainted
20	097561-01-000	FT	Window Seal
21	002181-07-000	EA	Glass - Picture Window - Frosted
	079733-07-AAB	EA	Window Asm. - Picture - 17" x 25" - Frosted Glass (w/o inside frame)
	067609-27-000	EA	Inside Frame - Black (not included in assembly)
22	095229-01-01A	EA	Deadbolt Asm.
	095229-01-700	EA	Key - Blank
**22	101145-01-01A	EA	Dead Bolt - Entry Door - Black
	101147-01-000	EA	Security Bolt - 4 1/2" Backset
23	098173-01-04A	EA	Stiffener - Entrance Door
24	039540-01-000	EA	Latch Asm. - Entrance Door
25	045017-10-000	EA	Paddle Latch - Mechanism - w/Lock Cylinder & Key
	045017-08-700	EA	Cylinder Asm. w/Keys (Set of 3)
	045017-01-700	EA	Blank Key (1 only)
*25	045017-11-000	EA	Latch Asm. - Entrance Door w/Lock & Key - Black
	045017-11-700	EA	Master Key
	045017-11-701	EA	Blank Key
*26	039979-03-000	EA	Cover Asm. - Latch Plate - Black
*26	039979-04-000	EA	Cover Asm. - Latch Plate - Black
	039738-01-000	EA	Deadbolt - "J" Shaped - Latch Asm.
	039984-01-000	EA	Cap - Black Vinyl - Lock Grip
	058806-01-000	EA	Plug - Tapered for Deadbolt - Plastic - .66" Dia.
	081914-01-000	EA	Bumper - Round Rubber - .43" Dia - Black
	090340-01-000	FI	Seal Foam - Closed Cell
	091955-03-000	FT	Tape Adhesive - 1" Wide
	075673-01-000	FT	Seal - Pile - Adhesive Back
†	100128-02-000	FT	Seal - Pile - Adhesive Back - Gray
	075671-01-000	FT	Seal - Sponge - Lazy T Shaped
	002749-01-000	EA	Corner - Key
	063729-04-000	EA	Rivnut - 10 - 32 UNF - 010 - .060
	072893-01-000	EA	Nutsert - M5 x 0.8

\* These are the parts used from 8/8/90 on.  
 † These are the parts used from 8/6/90 on.  
 \*\* These are the parts used from 5/7/90 on.  
 †† These are the parts used from 7/9/90 on.

1991 WINNEBAGO  
TABLE OF CONTENTS

INTRODUCTION	A-01 - A-02
ABBREVIATIONS	A-03
ALPHABETICAL/GROUP REFERENCE	A-04 - A-06
WF327RT	A-07 - D-12
WF327RB	D-13 - G-08
WF327RQ	G-09 - J-12

1991 WF327RT INDEX

Floor Plan	A-07 - A-08
Accessories Group	A-09 - A-12
Bath Group	A-13 - A-14
Bedroom Group	A-15 - A-17
Chassis Group	A-18 - A-21
Curtain, Cushion & Pad Group	A-22 - B-08
Dinette Group	B-09 - B-11
Driver's Compartment Group	B-12 - B-14
Electrical Group	B-15 - B-17
Exterior Body Group	B-18 - B-22
Galley Group	B-23 - C-02
Heating & Air Conditioning Group	C-03 - C-04
Interior Finish Group	C-05 - C-07
Labels Group	C-08 - C-14
LP Group	C-15
Lounge Group	C-16
Sealants & Fasteners Group	C-17 - C-18
Water & Sewage Group	C-19 - C-22
Window, Vent & Exterior Door Group	C-23 - D-12

**WINDOW, VENT & EXTERIOR DOOR GROUP (CONTINUED)**

**DINETTE SINGLE SLIDING WINDOW (EXCEL)**

Key	Part Number	U/M	Description
	098647-04-700	EA	Window Asm. - Single Slider (w/o inside frame)
	098647-03-705	EA	Inside Frame (not included in assembly)
	098644-01-701	EA	Splice Plate - Window
	098644-01-702	EA	Screw - Splice - #6 - 32 x 1/4" Pan Head
	098644-01-703	EA	Screw - Locking Rail - #6 x 15 Pro-Head Recess - Black
	098647-03-700	EA	Glass - Stationary - 26.03" x 28.77"
	098644-01-706	FT	Weatherstrip
	098647-03-701	EA	Locking Rail w/Weatherstrip
	098644-01-708	FT	Channel - Pierced Run
	098644-01-705	FT	Glazing Strip
	098644-01-700	EA	Latch - Repair Kit
	098647-03-702	EA	Sash Asm.
	098647-03-703	EA	Spacer - Track
	098647-03-704	EA	Screen Asm. - w/Spring & Weatherstrip
	098644-01-711	FT	Weatherstrip - Screen - Black
	098644-01-713	EA	Spring - Screen Frame (Clip) Plastic - Black
	098644-01-716	FT	Plug - Filler

**LOUNGE SINGLE SLIDER WINDOW (EXCEL)**

Key	Part Number	U/M	Description
	098647-05-706	EA	Window - Single Slider (w/o inside frame)
	098647-05-705	EA	Inside Frame (not included in assembly)
	098644-01-701	EA	Splice Plate - Window
	098644-01-702	EA	Screw - Splice
	098644-01-703	EA	Screw - Locking Rail
	098647-05-700	EA	Glass - Stationary - 19.3" x 22.7"
	098644-01-705	FT	Glazing Strip
	098644-01-706	FT	Weatherstripping
	098647-05-701	EA	Rail - Locking w/Weatherstrip
	098644-01-708	FT	Channel - Pierced Run
	098644-01-700	EA	Latch - Repair Kit
	098647-05-702	EA	Sash Asm. w/Sliding Glass & Latch
	098644-01-710	FT	Track - Screen Spacer (12" Length)
	098647-05-704	EA	Screen Asm. - w/Spring & Weatherstrip
	098644-01-711	FT	Weatherstrip - Screen - Black
	098647-05-703	EA	Screen w/Weatherstrip & Frame Spring (Clip)
	098644-01-713	EA	Spring - Screen Frame (Clip) - Plastic - Black
	078644-01-716	FT	Plug - Filler

**WINDOW, VENT & EXTERIOR DOOR GROUP (CONTINUED)**

**FRONT BUNK SLANT SLIDER**

Key	Part Number	U/M	Description
	100322-01-720	EA	Window - Vented - 12" x 35.8" - Passenger Side (w/o inside frame)
	100322-02-700	EA	Window - Vented - 12" x 35.8" - Driver Side (w/o inside frame)
	100322-01-719	EA	Inside Frame - Clamping - Passenger (not included in assembly)
	100322-01-721	EA	Inside Frame - Clamping - Driver (not included in assembly)
	098644-01-716	EA	Filler Plug
	100322-01-701	FT	Seal - Vent
	100322-01-702	EA	Weatherstrip - Horizontal Rail
	100322-01-703	EA	Glazing Strip - Butyl
	100322-01-704	EA	Butyl Tape
	100322-01-705	EA	Stationary Glass - Small Top
	100322-01-706	EA	Stationary Glass - Large - Front
	100322-01-707	EA	Tipout Glass - Sub-Assembly
	100322-01-708	EA	Screen - Driver Side
	100322-01-709	EA	Screen - Passenger Side
	100322-01-710	EA	Plate - Splice
	100322-01-711	EA	Operator Vent - Sub Assembly
	100322-01-712	EA	Rail - Horizontal
	100322-01-713	EA	Bar Division - Vertical
	100322-01-714	EA	Support - Torque Bar - Driver Side
	100322-01-715	EA	Support - Torque Bar - Passenger Side
	100322-01-716	EA	Support - Torque Bar - Center Rail
	100322-01-717	EA	E-Ring
	100322-01-718	EA	Handle - Dial

**GALLEY/BATH SINGLE SLIDER (EXCEL)**

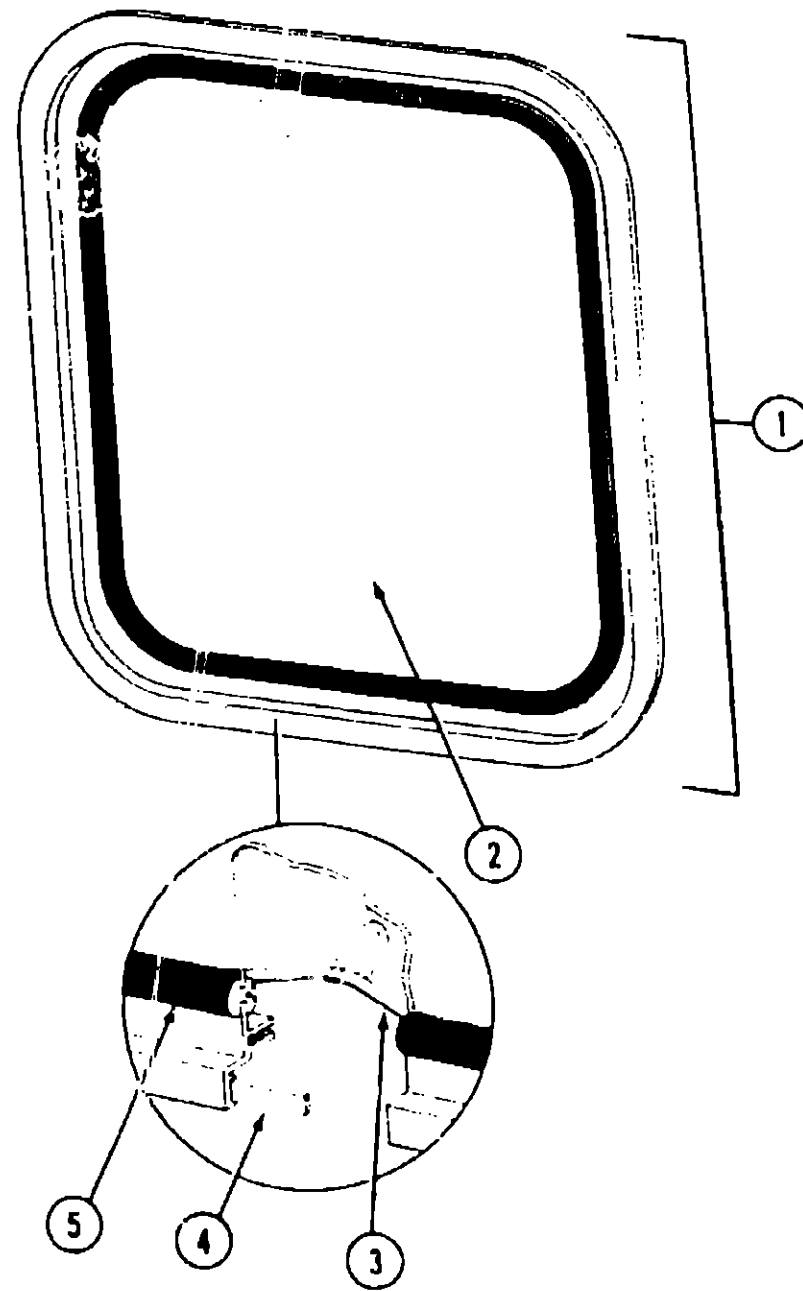
Key	Part Number	U/M	Description
	098644-01-715	EA	Window Asm. - 22" x 15" (w/o inside frame)
	098644-01-714	EA	Inside Frame (not included in assembly)
	098644-01-701	EA	Splice Plate - Window
	098644-01-702	EA	Screw - Splice - #6 - 32 x 1/4" Pan Head
	098644-01-703	EA	Screw - Locking Rail - #6 x 15 Pro Head Recess - Black
	098644-01-704	EA	Glass - Stationary - 10.03" x 13.77"
	098644-01-705	FT	Glazing Strip
	098644-01-706	FT	Weatherstrip
	098644-01-707	EA	Rail - Locking w/Weatherstrip
	098644-01-708	FT	Channel - Pierced Run
	098644-01-700	EA	Latch - Repair Kit
	098644-01-709	EA	Sash w/Latch & Sliding Glass
	098644-01-710	FT	Track - Screen Spacer - 12" Length
	098644-01-711	FT	Weatherstrip - Screen - Black
	098644-01-712	EA	Screen w/Weatherstrip & Frame Spring (Clip)
	098644-01-713	EA	Spring - Screen Frame (Clip) - Plastic - Black
	098644-01-716	EA	Plug - Filler

**1991 WINNEBAGO  
TABLE OF CONTENTS**

INTRODUCTION	A-01 - A-02
ABBREVIATIONS	A-03
ALPHABETICAL/GROUP REFERENCE	A-04 - A-06
WF327RT	A-07 - D-12
WF327RB	D-13 - G-08
WF327RQ	G-09 - J-12

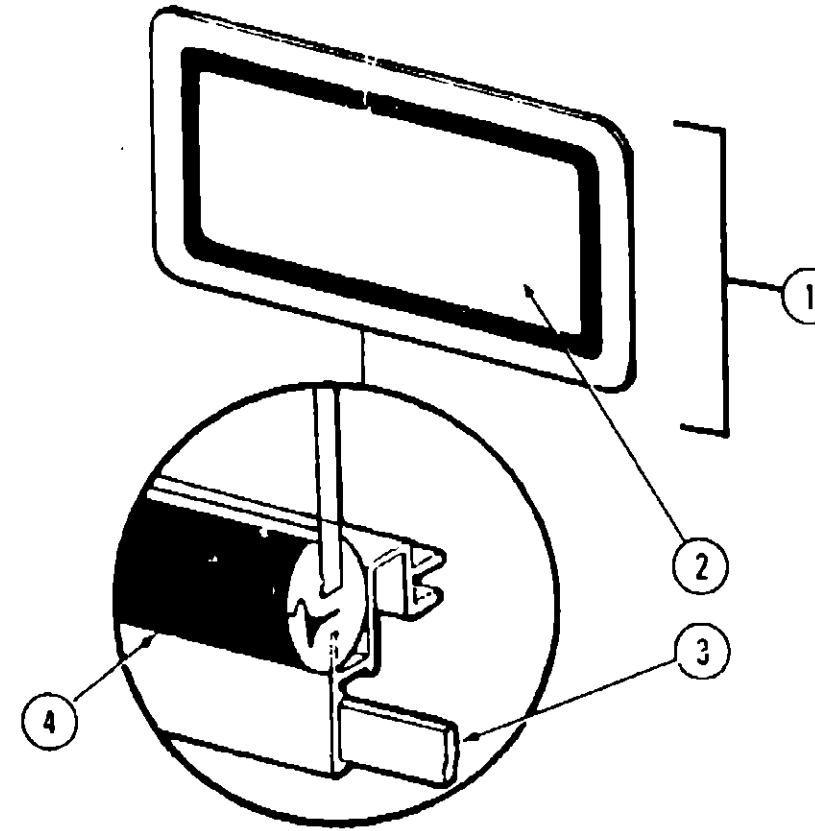
**1991 WF327RT INDEX**

Floor Plan	A-07 - A-08
Accessories Group	A-09 - A-12
Bath Group	A-13 - A-14
Bedroom Group	A-15 - A-17
Chassis Group	A-18 - A-21
Curtain, Cushion & Pad Group	A-22 - B-03
Dinette Group	B-09 - B-11
Driver's Compartment Group	B-12 - B-14
Electrical Group	B-15 - B-17
Exterior Body Group	B-18 - B-22
Galley Group	B-23 - C-02
Heating & Air Conditioning Group	C-03 - C-04
Interior Finish Group	C-05 - C-07
Labels Group	C-08 - C-14
LP Group	C-15
Lounge Group	C-16
Sealants & Fasteners Group	C-17 - C-18
Water & Sewage Group	C-19 - C-22
Window, Vent & Exterior Door Group	C-23 - D-12



ESCAPE WINDOW

Key	Part Number	U/M	Description
1	079729-02-T03	EA	Window Asm. - Rear Escape - 24" x 22" - Black (w/o inside frame)
1	079729-03-W17	EA	Window Asm. - Rear Escape - 24" x 22" - Black (w/o inside frame)
	020749-09-000	EA	Inside Frame - Black (not included in assembly)
	020749-07-000	EA	Inside Frame - Beige (not included in assembly)
2	041392-03-000	EA	Glass - 1/8" x 21.6" x 19.6"
3	002285-01-000	FT	Filler - Weatherstrip - Black
4	069640-07-000	FT	Ribbon Sealer - 5/16" Bead x 15'
5	002282-01-000	FT	Weatherstrip - 1.25" Window
	087551-01-000	FT	Seal - Exterior Window - Black Vinyl
	006199-01-000	EA	Label - Exit - Escape Window
	077066-01-702	EA	Tape Asm. - Escape Window



FRONT PICTURE WINDOW

Key	Part Number	U/M	Description
1	078533-08-B13	EA	Window Asm. - Front Picture (w/o inside frame)
	041938-12-000	EA	Inside Frame - Black (not included in assembly)
2	002181-13-000	EA	Glass - Window - 15.3" x 32.5" - Gray
3	069640-06-000	FT	Ribbon Sealer - 5/16" Bead x 15'
4	002281-02-000	EA	Weatherstrip - Self Seal - .125"

FRONT PICTURE WINDOW

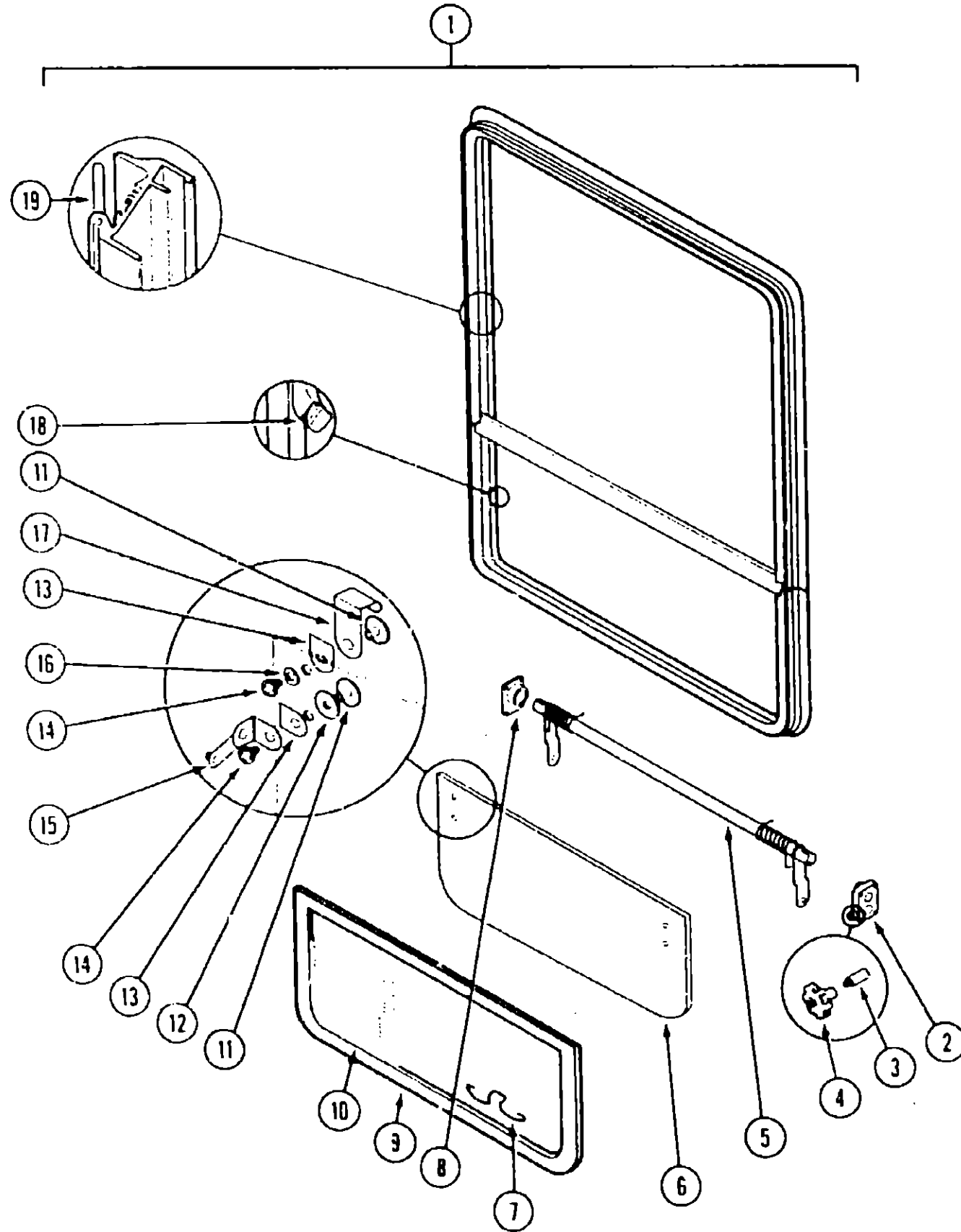
Key	Part Number	U/M	Description
1	078533-06-AA3	EA	Window Asm. - Picture (w/o inside frame)
	041953-12-000	EA	Inside Frame - Black (not included in assembly)
2	002200-07-000	EA	Glass - Window - 15.3" x 32.5" - Gray
3	069640-06-000	FT	Ribbon Sealer - 5/16" Bead x 15'
4	002281-01-000	EA	Weatherstrip - Self Seal - 3/16"

1991 WINNEBAGO  
TABLE OF CONTENTS

INTRODUCTION	A-01 - A-02
ABBREVIATIONS	A-03
ALPHABETICAL/GROUP REFERENCE	A-04 - A-06
WF327RT	A-07 - D-12
WF327RB	D-13 - G-08
WF327RQ	G-09 - J-12

1991 WF327RT INDEX

Floor Plan	A-07 - A-08
Accessories Group	A-09 - A-12
Bath Group	A-13 - A-14
Bedroom Group	A-15 - A-17
Chassis Group	A-18 - A-21
Curtain, Cushion & Pad Group	A-22 - B-08
Dinette Group	B-09 - B-11
Driver's Compartment Group	B-12 - B-14
Electrical Group	B-15 - B-17
Exterior Body Group	B-18 - B-22
Galley Group	B-23 - C-02
Heating & Air Conditioning Group	C-03 - C-04
Interior Finish Group	C-05 - C-07
Labels Group	C-08 - C-14
LP Group	C-15
Lounge Group	C-16
Sealants & Fasteners Group	C-17 - C-18
Water & Sewage Group	C-19 - C-22
Window, Vent & Exterior Door Group	C-23 - D-12



Key	Part Number	U/M	Description
1	092235-07-Y12 090893-11-01A	EA	Window Asm. - Single Tipout (w/o inside frame)
2	035302-02-000	EA	Inside Frame (not included w/Window Assembly)
3	090025-01-000	EA	Operator Drive
4	067052-02-000 089371-01-000	EA	Extension - Window Knob (not included w/Window Assembly)
4	101290-01-01A 101289-01-01A	EA	Window Knob - Beige (not included w/Window Assembly)
5	080918-01-000 080918-02-000	EA	Screw - Window Knob (not included w/Window Assembly)
5	083150-12-000	EA	Window Knob - Brass (not included w/Window Assembly)
6	084068-17-000	EA	Screw - Window Knob - Brass (not included w/Window Assembly)
7	100168-01-000	EA	Spring - Torque Tube - Left
8	081354-01-000	EA	Spring - Torque Tube - Right
9	100235-04-B07	EA	Torque Tube Asm. w/Spring
10	080218-03-000 100240-01-000	EA	Glass - 9.2" x 40"
11	085762-01-000	EA	Screen Clip
12	068927-03-000	EA	Torque Tube Sleeve
13	084473-01-000	EA	Screen Asm.
14	086763-01-000	EA	Window Screen - 12"
15	097578-01-000 081649-01-000	SF	Window Screen Spline
16	084453-02-000	EA	Window T-Nut
17	089913-01-000	EA	Seal - Rubber
18	084067-01-000	EA	Seal - Rubber
19	069640-06-000 084453-01-000	EA	Screw - #10 - 32 x 1/4" PTH
		EA	Connecting Rod Asm.
		EA	Snap Ring Clip
		EA	Plastic Washer - .06 x .50 x .25
		EA	Hinge
		FT	Seal - Sponge Rubber
		FT	Ribbon Sealer (not included w/Window Assembly)
		EA	Washer - Plastic

BEDROOM SINGLE TIPOUT WINDOW

1991 WINNEBAGO  
TABLE OF CONTENTS

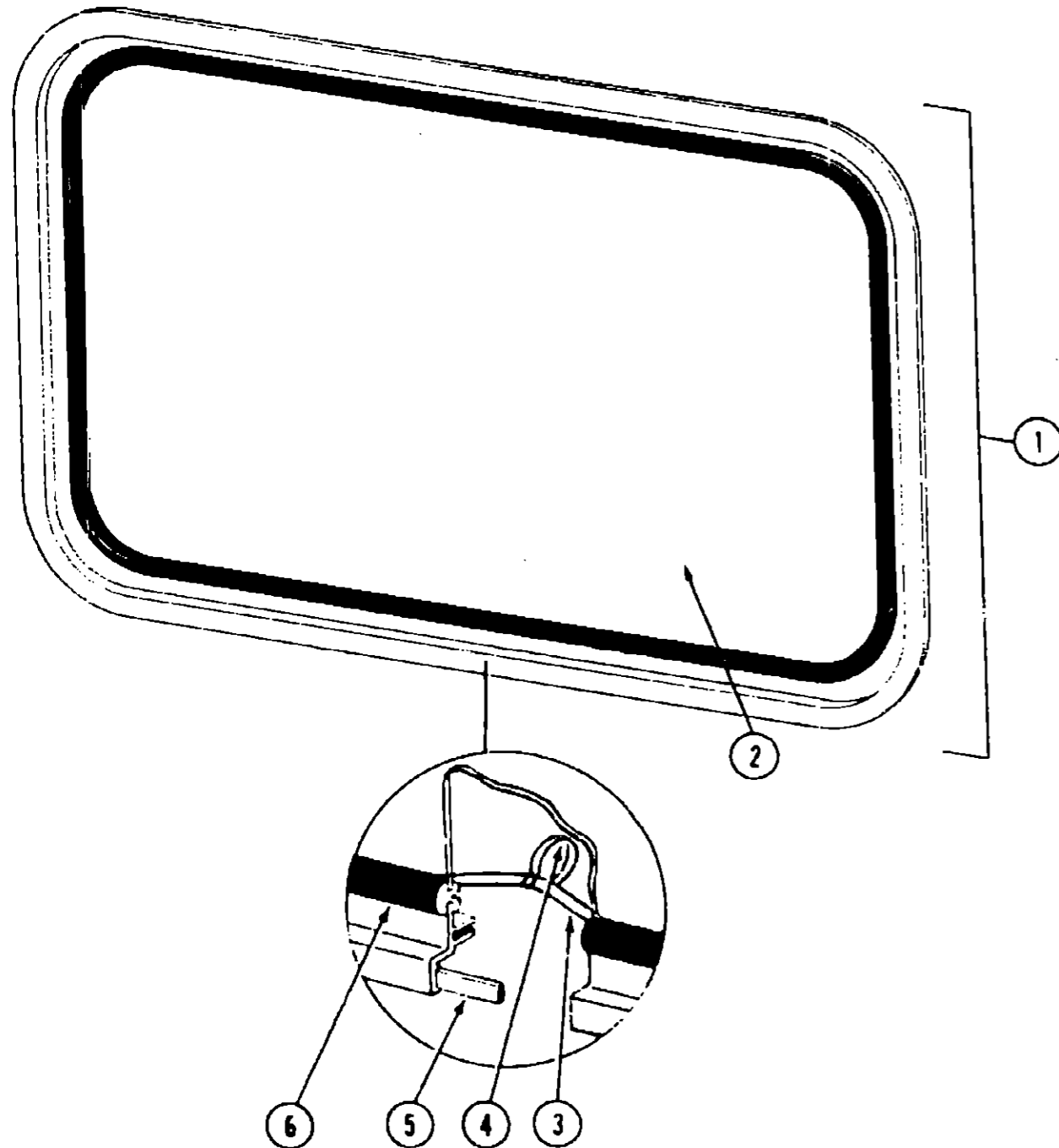
INTRODUCTION	A-01 - A-02
ABBREVIATIONS	A-03
ALPHABETICAL/GROUP REFERENCE	A-04 - A-06
WF327RT	A-07 - D-12
WF327RB	D-13 - G-08
WF327RQ	G-09 - J-12

1991 WF327RT INDEX

Floor Plan	A-07 - A-08
Accessories Group	A-09 - A-12
Bath Group	A-13 - A-14
Bedroom Group	A-15 - A-17
Chassis Group	A-18 - A-21
Curtain, Cushion & Pad Group	A-22 - B-08
Dinette Group	B-09 - B-11
Driver's Compartment Group	B-12 - B-14
Electrical Group	B-15 - B-17
Exterior Body Group	B-18 - B-22
Galley Group	B-23 - C-02
Heating & Air Conditioning Group	C-03 - C-04
Interior Finish Group	C-05 - C-07
Labels Group	C-08 - C-14
LP Group	C-15
Lounge Group	C-16
Sealants & Fasteners Group	C-17 - C-18
Water & Sewage Group	C-19 - C-22
Window, Vent & Exterior Door Group	C-23 - D-12

1991 WINNEBAGO  
TABLE OF CONTENTS

INTRODUCTION	A-01 - A-02
ABBREVIATIONS	A-03
ALPHABETICAL/GROUP REFERENCE	A-04 - A-06
WF327RT	A-07 - D-12
WF327RB	D-13 - G-08
WF327RC	G-09 - J-12



ESCAPE WINDOW (OPTION L46L)

Key	Part Number	U/M	Description
1	078536-01-T03	EA	Window Asm. - Escape - 23" x 68" (w/o inside frame)
	042027-12-000	EA	Inside Frame - Black (not included in assembly)
2	002178-01-000	EA	Glass - 19.6" x 64.8"
3	002285-01-000	FT	Filler - Weatherstrip - Black
4	071066-01-702	EA	Tape Asm. - Escape Window
5	061640-05-000	FT	Ribbon Sealer - 5/16" Bead x 15'
6	002282-01-000	FT	Weatherstrip - 1.25" Window

1991 WF327RT INDEX

Floor Plan	A-07 - A-08
Accessories Group	A-09 - A-12
Bath Group	A-13 - A-14
Bedroom Group	A-15 - A-17
Chassis Group	A-18 - A-21
Curtain, Cushion & Pad Group	A-22 - B-08
Dinette Group	B-09 - B-11
Driver's Compartment Group	B-12 - B-14
Electrical Group	B-15 - B-17
Exterior Body Group	B-18 - B-22
Galley Group	B-23 - C-02
Heating & Air Conditioning Group	C-03 - C-04
Interior Finish Group	C-05 - C-07
Labels Group	C-08 - C-14
LP Group	C-15
Lounge Group	C-16
Sealants & Fasteners Group	C-17 - C-18
Water & Sewage Group	C-19 - C-22
Window, Vent & Exterior Door Group	C-23 - D-12