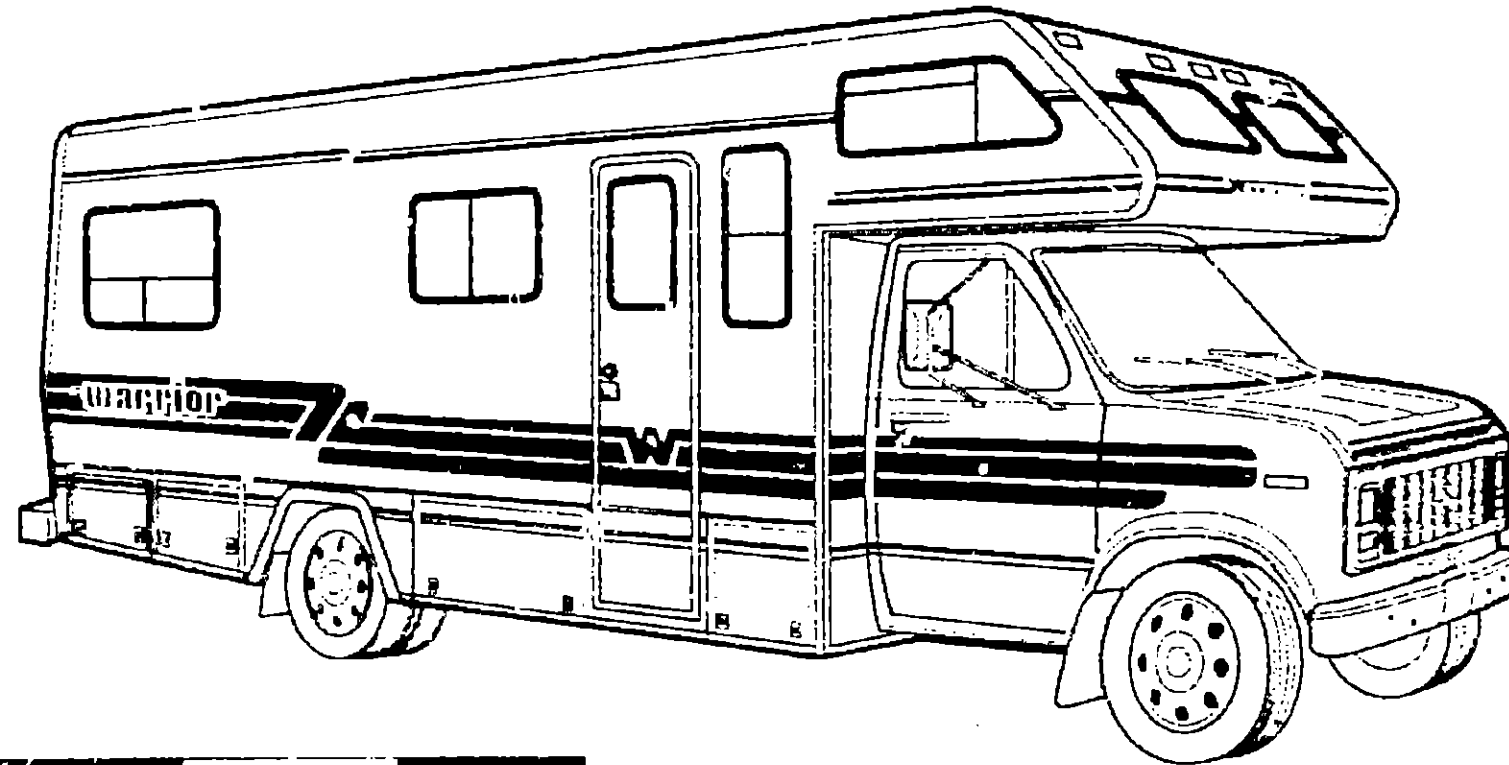
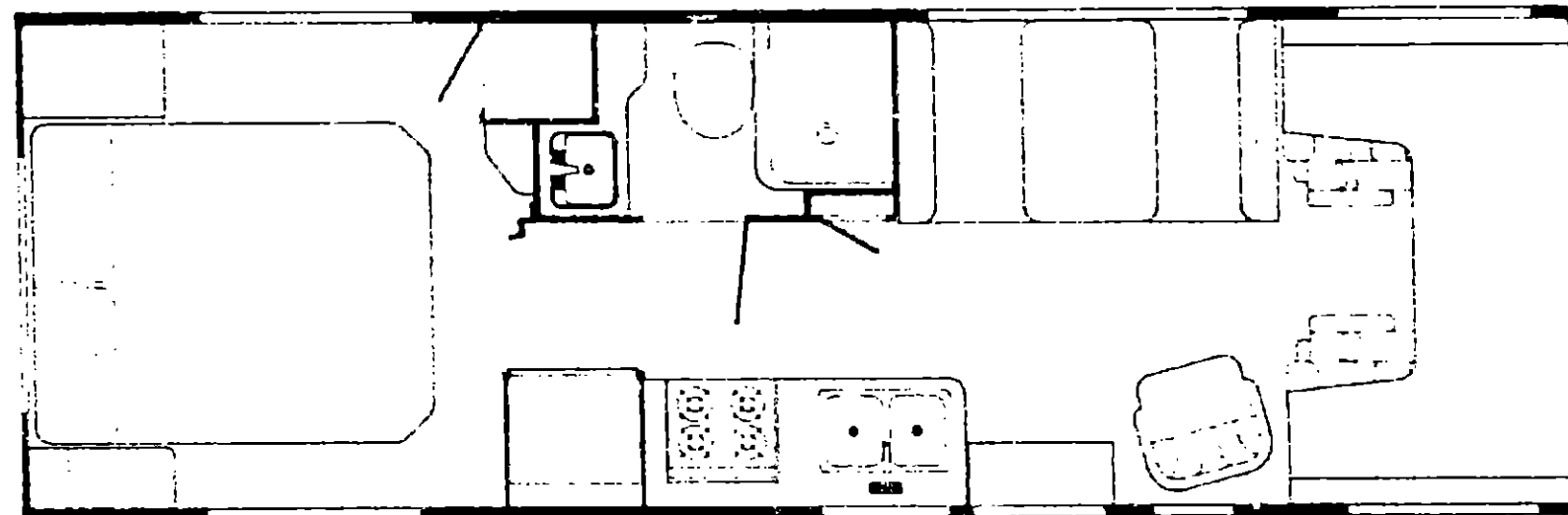
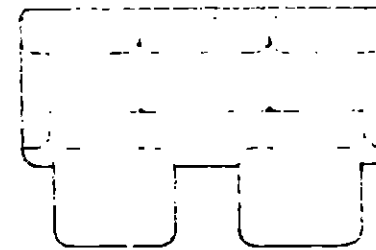
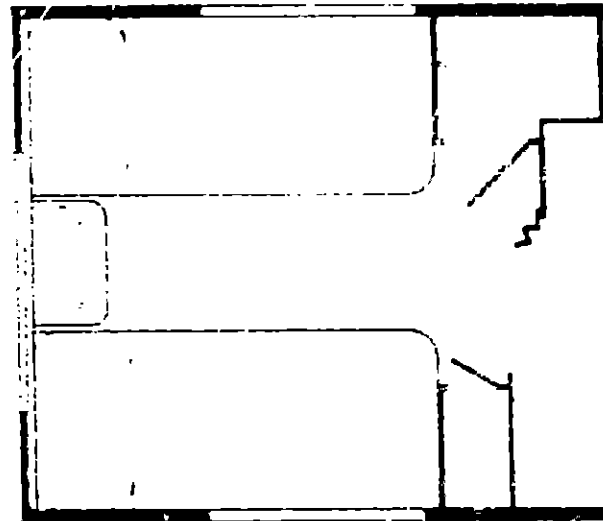


**1991 WINNEBAGO
TABLE OF CONTENTS**

INTRODUCTION	A-01 - A-02
ABBREVIATIONS	A-03
ALPHABETICAL/GROUP REFERENCE	A-04 - A-05
WF327RT	A-07 - D-12
WF327RB	D-13 - G-08
WF327RQ	G-09 - J-12



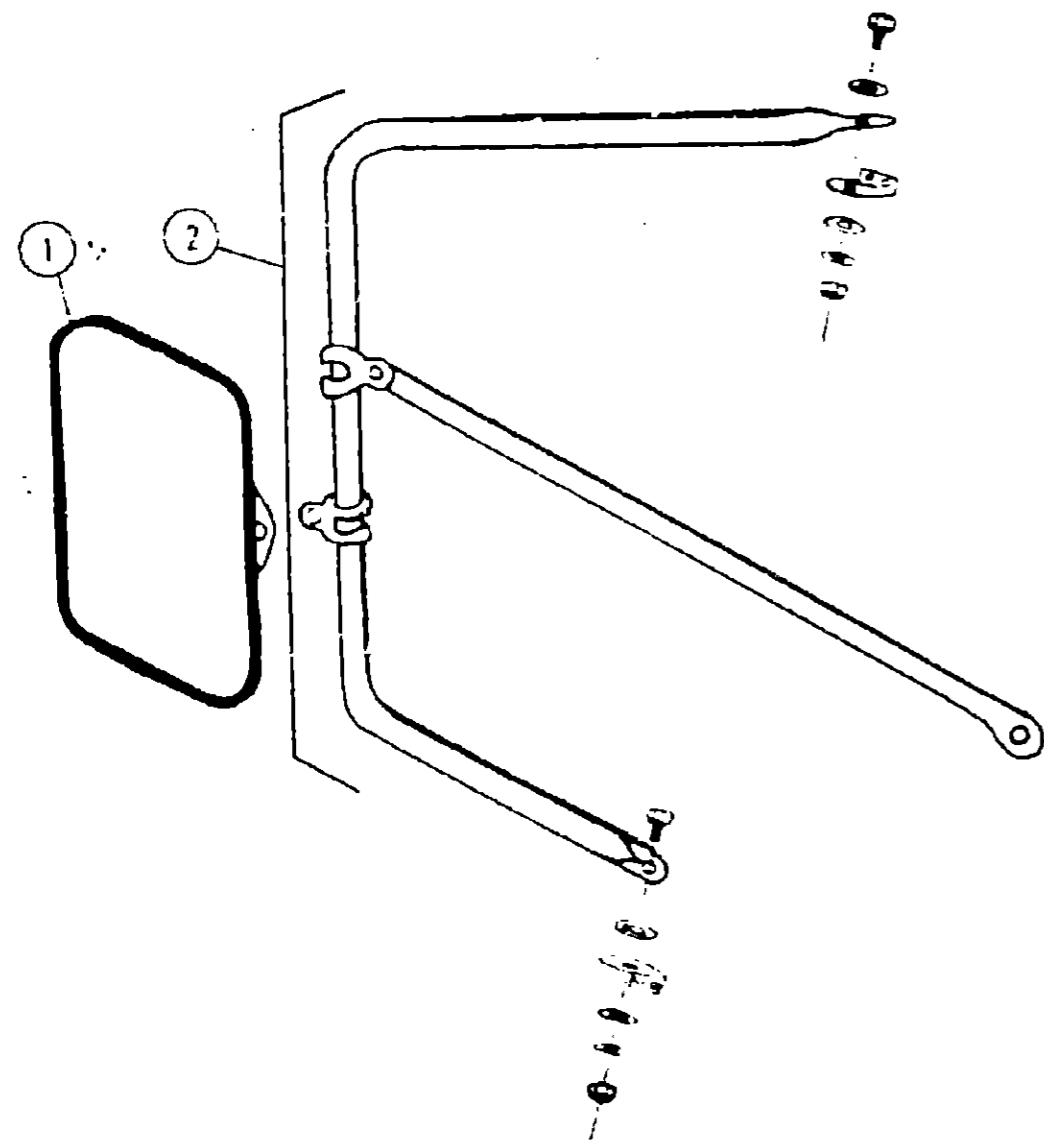
**1991
WF327RQ**



1991 WF327RQ INDEX

Floor Plan	G-09 - G-10
Accessories Group	G-11 - G-14
Bath Group	G-15 - G-16
Bedroom Group	G-17 - G-19
Chassis Group	G-20 - G-22
Curtain, Cushion & Pad Group	G-23 - H-08
Dinette Group	H-09 - H-11
Driver's Compartment Group	H-12 - H-14
Electrical Group	H-15 - H-17
Exterior Body Group	H-18 - H-22
Galley Group	H-23 - I-02
Heating & Air Conditioning Group	I-03 - I-04
Interior Finish Group	I-05 - I-08
Labels Group	I-09 - I-16
LP Group	I-17
Lounge Group	I-18
Sealants & Fasteners Group	I-19 - I-21
Water & Sewage Group	I-22 - I-24
Window, Vent & Exterior Door Group	J-01 - J-12

ACCESSORIES GROUP



EXTERIOR MIRRORS

Key	Part Number	U/M	Description
1	049347-01-000	EA	Mirror Head - 7 1/2" x 10 1/2" - Stainless Steel
2	062047-01-000	EA	Arm - West Coast Mirror - Stainless Steel
	006043-01-000	EA	Mirror - Convex - Adhesive Back

WHEEL COVER & MOUNTING HARDWARE

Key	Part Number	U/M	Description
	033181-01-000	EA	Wheel Cover - 16" (Set/4)
	033181-01-700	EA	Wheel Cover - 16" (1)
	033181-04-702	EA	Nut - Wheel Cover

RADIO & RELATED COMPONENTS

Key	Part Number	U/M	Description
	074979-01-000	EA	Speaker Cover Protector - Plastic
	039340-02-000	EA	Speaker Grill - 6.5" - Square
	090382-01-000	EA	Radio - AM-FM Stereo - w/Cassette
	031082-01-000	EA	Plaque - Mounting Switch
	079355-02-000	EA	Radio Mounting Kit
	024097-01-000	EA	Speaker - 5.25" - w/o Grille
	081059-02-000	EA	Wire Asm. - 9 Pin - Audiovox Radio

ACCESSORIES GROUP (CONTINUED)

MISCELLANEOUS ACCESSORIES

Key	Part Number	U/M	Description
	054185-63-000	EA	Owner's Manual - 1991 - Warrior
	092318-01-000	EA	Binder - 3 Ring - Vendor Manual
	092319-01-000	EA	Page - Plastic Packet
	098084-05-000	EA	Cassette - Winnebago Warrior
	094499-01-000	EA	Fire Extinguisher - 1A 10BC (UL)
	094499-02-000	EA	Fire Extinguisher - 1A 10BC (CSA)
	094499-01-700	EA	Bracket - Mounting w/Plastic Strap - Fire Extinguisher
	072852-01-000	EA	Smoke Detector w/9 Volt Battery (US)
	072852-02-000	EA	Smoke Detector w/9 Volt Battery (CSA)
	100603-01-01A	EA	Wall Clock - Round - Bezel
	104764-01-01A	EA	Wall Clock - Spartan
	101333-01-000	EA	Back Plate - Clock Mounting

* These parts were used from 5/6/91 on.

TV ANTENNA

Key	Part Number	U/M	Description
	076319-13-000	EA	Antenna - TV Roof Mount - 44.5"
	076319-13-700	EA	Head - Antenna - Non-Amplified
	076319-01-701	EA	Gear - Elevating - Plastic
	076319-01-702	EA	Shaft Asm. - Elevating
	076319-01-703	EA	Bearing - Nylon - .5" OD
	076319-01-704	EA	Bearing - Nylon - 1.25" CD
	076319-01-705	EA	Crommet - Nylon - 7/8" ID
	076319-01-706	EA	Crank - Elevating w/Set Screw
	076319-01-707	EA	Spring - Handle
	076319-06-000	EA	Adaptor - Cable Roof Plate
	033252-01-01A	EA	Wallplate/Cable - Beige
	076319-11-000	EA	Adapter - Coax w/Splitter
	076319-03-000	FT	Cable - Coaxial - 1000' Roll
	076319-12-000	EA	Connector - Coaxial
	050734-02-000	EA	Clip - Wire Nylon

NOTE: Items indented below assemblies are serviceable parts for that assembly.

TV/VCR & RELATED COMPONENTS

Key	Part Number	U/M	Description
	098447-01-000	EA	TV - 13" Color w/Remote - Magnavox (US)
	098447-02-000	EA	TV - 13" Color w/Remote - Magnavox (CSA)
	098447-01-700	EA	Remote Control - TV
	098446-02-000	EA	VCR - VHS - Cable Ready w/Remote - Magnavox 9912
	098446-02-700	EA	Remote Control - VCR
	099555-01-000	EA	TV Tiedown
	096319-01-000	EA	Speaker - 2 Watt - 8 OHM - 4"
	074979-12-000	EA	Cover - Speaker - Off White - Plastic

*Include make & model number of TV & VCR when ordering this part.

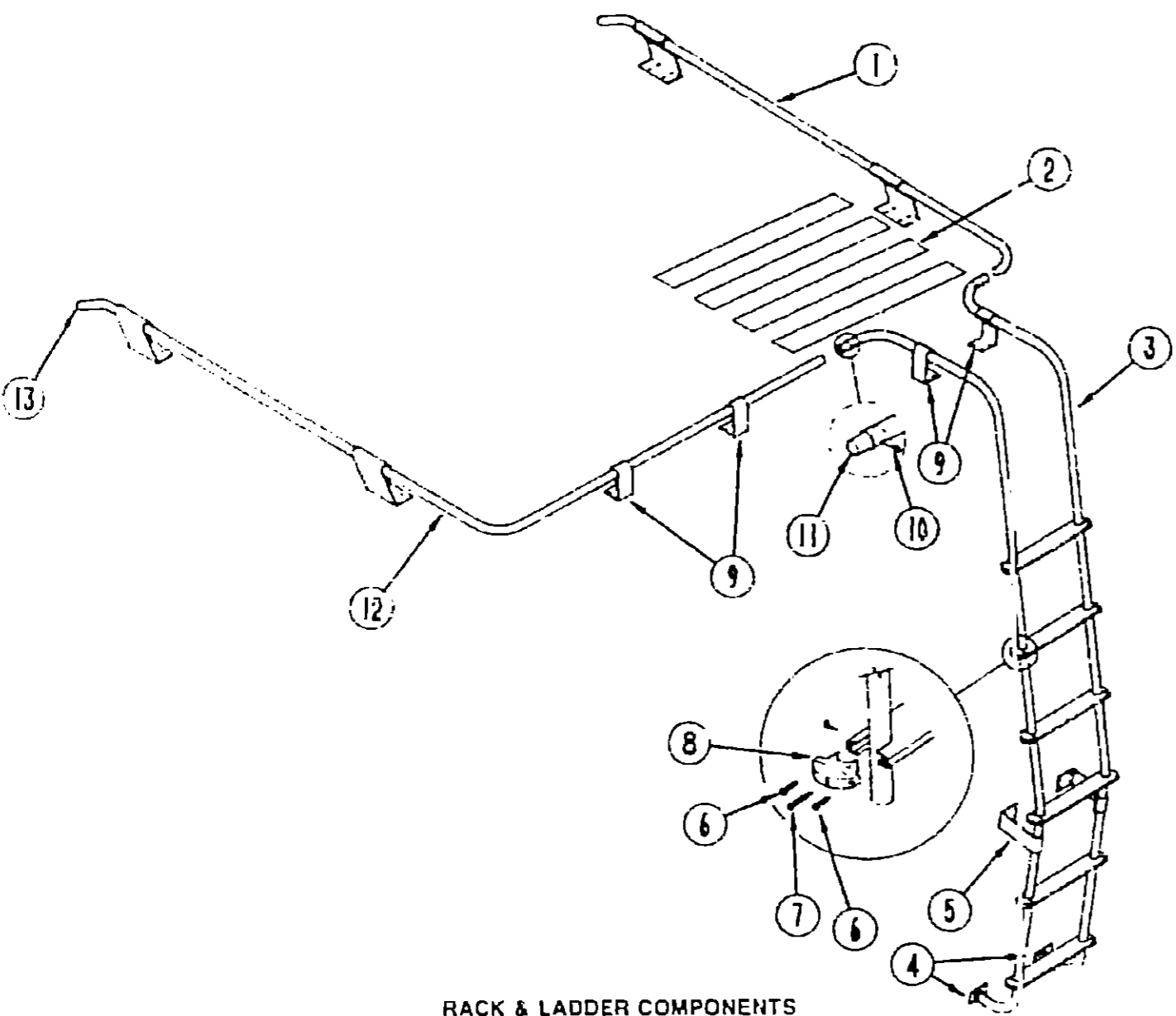
**1991 WINNEBAGO
TABLE OF CONTENTS**

INTRODUCTION	A-01 - A-02
ABBREVIATIONS	A-03
ALPHABETICAL/GROUP REFERENCE	A-04 - A-05
WF327RT	A-07 - D-12
WF327RB	D-13 - G-03
WF327RO	G-09 - J-12

1991 WF327RQ INDEX

Floor Plan	G-09 - G-10
Accessories Group	G-11 - G-14
Bath Group	G-15 - G-16
Bedroom Group	G-17 - G-19
Chassis Group	G-20 - G-22
Curtain, Cushion & Pad Group	G-23 - H-08
Dinette Group	H-09 - H-11
Driver's Compartment Group	H-12 - H-14
Electrical Group	H-15 - H-17
Exterior Body Group	H-18 - H-22
Galley Group	H-23 - I-02
Heating & Air Conditioning Group	I-03 - I-04
Interior Finish Group	I-05 - I-08
Labels Group	I-09 - I-16
LP Group	I-17
Lounger Group	I-18
Sealants & Fasteners Group	I-19 - I-21
Water & Sewage Group	I-22 - I-24
Window, Vent & Exterior Door Group	J-01 - J-12

ACCESSORIES GROUP (CONTINUED)



RACK & LADDER COMPONENTS

Key	Part Number	U/M	Description
1	081026-01-T03	EA	Rack Asm. - Passenger Side w/2 Ang'ed Standoff
2	038327-01-000	EA	Tape - Anti-Slip - 2" x 60"
3	081016-06-B05	EA	Ladder
4	067165-01-000	EA	Mounting Bracket - Ladder - Lower
5	067125-01-000	EA	Standoff - Ladder - Bright Dipped - Lower
6	000G39-06-10T	EA	Screw - SF:DR - 6 - 20 x 5/8" PPH - Black
7	000G68-10-36T	EA	Screw - 10 - 12 x 2 25" POH - Black
8	076980-02-000	EA	End Cap - Step - Black
9	091055-02-000	EA	Standoff - Rack & Ladder - Bright Dipped
10	000G39-08-08E	EA	Screw - SF:DR - 8 - 18 x 50 PPH
11	083891-51-002	EA	Splice
12	081026-02-T03	EA	Rack Asm. - Driver Side w/2 Angled & 2 Straight Standoff
13	081114-01-000	EA	Cap - Insert - Round - 1" Dia

ACCESSORIES GROUP (CONTINUED)

GENERATORS & COMPONENTS

Key	Part Number	U/M	Description
	100974-03-000	EA	Generator - Emerald - 4.0 kw
	079654-05-000	EA	Exhaust Pipe - Generator - Emerald
	093591-02-000	EA	Exhaust Pipe - Generator
	085494-01-000	EA	Bracket - Exhaust
	081364-01-000	EA	Muffler - Generator - Emerald
	007067-01-000	SF	Insulation - Fiberglass - 1"
	078045-01-000	EA	Strap - Support - Generator - 4 Hole
	084365-01-000	EA	Strap - Support - Generator - 2 Hole
	079654-01-700	EA	Hinge Kit - Emerald Generator
	007063-01-000	EA	Hose - Gas - 1/4" ID x 1/2" OD
	007125-01-000	EA	Clamp - Muffler - 1.62" Dia.
	007125-04-000	EA	Clamp - Muffler - 1.5" Dia.
	007161-01-000	EA	Clamp - Hose - Spring Type - 1/2"
	086252-01-000	EA	Exhaust Pipe

GENERATOR & COMPONENTS

Key	Part Number	U/M	Description
	100974-05-000	EA	Generator - Emerald Plus - 4.0 kw
	093591-02-000	EA	Exhaust Pipe - 1.5" OD - Generator
	079654-05-000	EA	Exhaust Pipe - Angled w/Flange - Emerald
	079654-01-700	EA	Hinge Kit - Emerald
	081364-01-000	EA	Muffler - Generator
	085494-01-000	EA	Bracket - Exhaust
	007125-04-000	EA	Clamp - Muffler - 1 1/2" Dia
	007161-01-000	EA	Clamp - Hose - Spring Type - 1/2"
	007063-01-000	FT	Hose - Gas - 1/4" ID X 1/2" OD
	078045-01-000	EA	Strap - Support - 4 Hole
	084365-01-000	EA	Strap - Support - 2 Hole
	023942-01-000	EA	Rubber Grommet - 2" OD
	086252-01-000	EA	Exhaust Pipe
	007067-01-000	SF	Fiberglass Insulation - 1" Thick x 4"

NOTE: Items indented below assemblies are serviceable parts for that assembly

CHROME WHEEL LINERS

Key	Part Number	U/M	Description
	091209-05-000	EA	Liner - Wheel - 16" (Set of 4)
	091209-05-700	EA	Simulator - Front Wheel
	091209-05-701	EA	Simulator - Rear Wheel
	091209-01-702	EA	Cover - Front Axle
	091209-01-703	EA	Cover - Rear Axle
	091209-01-704	EA	Cover - Lug Nut
	091209-10-000	EA	Liner - Wheel (Set of 4)
	091209-10-700	EA	Axle Cover - Front
	091209-10-701	EA	Axle Cover - Rear
	091209-10-702	EA	Simulator - Front
	091209-10-703	EA	Simulator - Rear
	091209-10-704	EA	Lug Nut & Washer
	091209-10-705	EA	Lug Nut Cover

* These parts are from 5/17/91 on.

NOTE: Items indented below assemblies are serviceable parts for that assembly.

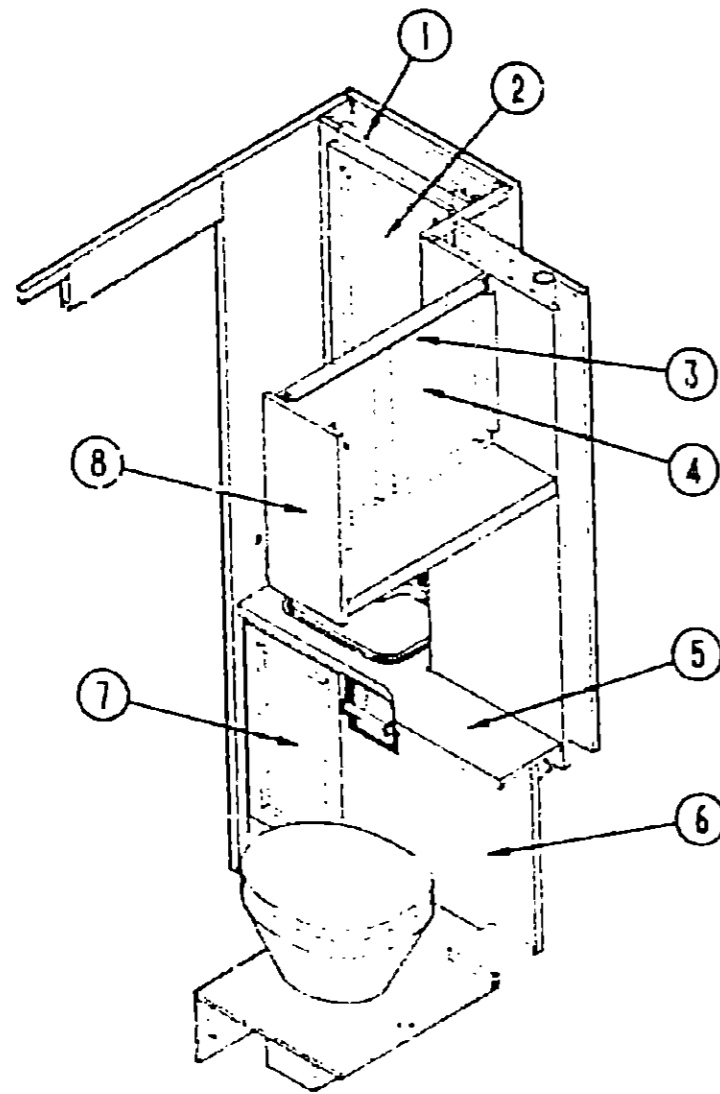
**1991 WINNEBAGO
TABLE OF CONTENTS**

INTRODUCTION	A-01 - A-02
ABBREVIATIONS	A-03
ALPHABETICAL/GROUP REFERENCE	A-04 - A-06
WF327RT	A-07 - D-12
WF327RB	D-13 - G-08
WF327RQ	G-09 - J-12

1991 WF327RQ INDEX

Floor Plan	G-09 - G-10
Accessories Group	G-11 - G-14
Bath Group	G-15 - G-16
Bedroom Group	G-17 - G-19
Chassis Group	G-20 - G-22
Curtain, Cushion & Pad Group	G-23 - H-08
Dinette Group	H-09 - H-11
Driver's Compartment Group	H-12 - H-14
Electrical Group	H-15 - H-17
Exterior Body Group	H-18 - H-22
Galley Group	H-23 - I-02
Heating & Air Conditioning Group	I-03 - I-04
Interior Finish Group	I-05 - I-08
Labels Group	I-09 - I-16
LP Group	I-17
Lounge Group	I-18
Sealants & Fasteners Group	I-19 - I-21
Water & Sewage Group	I-22 - I-24
Window, Vent & Exterior Door Group	J-01 - J-12

BATH GROUP



BATH CABINERY

Key	Part Number	U/M	Description
1	103279-01-B05	EA	Medicine Cabinet - w/o Door or Hardware
2	P03661-01-B65	EA	Door Asm. - Medicine Cabinet - w/o Hardware
	058331-32-000	EA	Mirror - 13.6" x 27.6"
3	103129-01-B85	EA	Cabinet Asm. - Bath Overhead - w/o Doors or Hardware
4	P03701-57-B65	EA	Door Asm. - Bath Cabinet - 12.8" x 17.7" - w/o Hardware
5	103126-11-B65	EA	Countertop - Lavatory Cabinet
6	P03126-01-B65	EA	Lavatory Cabinet w/Countertop - w/o Doors or Hardware
7	P03701-71-C09	EA	Door Asm. - Lavatory Cabinet - w/o Hardware
8	104335-05-C52	EA	End Cap Asm. - Bath Overhead
	M02429-06-B05	EA	Door Asm. - Bath - w/o Hardware

BATH GROUP (CONTINUED)

BATH & WARDROBE HARDWARE

Key	Part Number	U/M	Description
	M02673-06-B05	EA	Shower Pan Asm.
	075606-01-000	EA	Panel - Shower Faucet - Plastic - Back
	102603-01-000	EA	Shower Surround - 3 Sided Section - Off White
	102604-01-000	EA	Shower Surround - Single Side Section - Off White
	084481-19-B85	EA	Shower Curtain - 70" x 32" - Vinyl
	092464-04-01A	FT	Track - Shower Curtain - 6' - Off White
	075241-05-000	EA	Faucet - Shower - Bone
	011048-02-000	EA	Shower Head - w/60" Hose (US)
	011048-05-000	EA	Shower Head - w/60" Hose (CSA)
	066440-01-000	EA	Strainer - Shower Pan Asm.
	069735-01-000	EA	Washer - Tailpiece - 1.5" Plastic - Shower Pan Asm
	066436-01-000	EA	Slip Nut - 1.5" Tailpiece - Shower Pan Asm
	011069-02-000	EA	Tailpiece - 1 1/2" x 1 1/4" x 4" - Brass
	075240-06-000	EA	Faucet - Lavatory - Bone
	091253-01-000	EA	Gasket - Faucet
	096927-01-01A	EA	Sink - Lavatory - Rectangular - Plastic - Bone (US)
	096927-01-700	EA	Sink - Stopper
	096927-01-701	EA	Tailpiece - Sink
	067487-01-000	EA	Toilet - Thetford - Aqua Magic
	067487-01-700	EA	C.L.F.L. Seal & Bolt Package
	067467-01-701	EA	Water Saver Package
	063740-01-710	EA	Link
	063740-01-711	EA	Spring - Return Lever
	063740-01-716	EA	Seat & Cover - Ivory
	063740-01-700	EA	Lever - Water
	063740-01-701	EA	Lever - Flush
	063740-01-713	EA	Seal - Ball Valve to Bowl
	063740-01-714	EA	Valve Asm. - Water
	063740-01-707	EA	Seal - Closet Flange
	063740-01-706	EA	Bolt Package - Closet
	063740-01-717	EA	Flush Tube
	024676-01-000	EA	Closet Flange - 4" x 3"
	055278-01-000	EA	Tissue Holder - Brass
	100357-01-000	EA	Rod - Towel - Brass (Bath Door)
	102099-12-B03	EA	Mounting Rod Left Side - 53.5" Long (Towel Bar)
	102099-11-B03	EA	Mounting Rod Right Side - 53.5" Long (Towel Bar)
	075454-02-000	EA	Towel Ring - Bright Brass w/Mounting Hardware
	058331-32-000	EA	Mirror - 13.6" x 27.6" (Medicine Cabinet)
	057671-01-000	EA	Cover - Screw - Off White
	103856-01-000	EA	Pull
	093586-02-000	EA	Catch - Spring Roller
	093566-04-000	EA	Strike - Spring Steel
	058335-02-000	EA	Latch - Shower/Bath Door
	059777-02-000	EA	Hinge - Cabinet Door - Burnished Brass

NOTE: Items indented below assemblies are serviceable parts for that assembly.

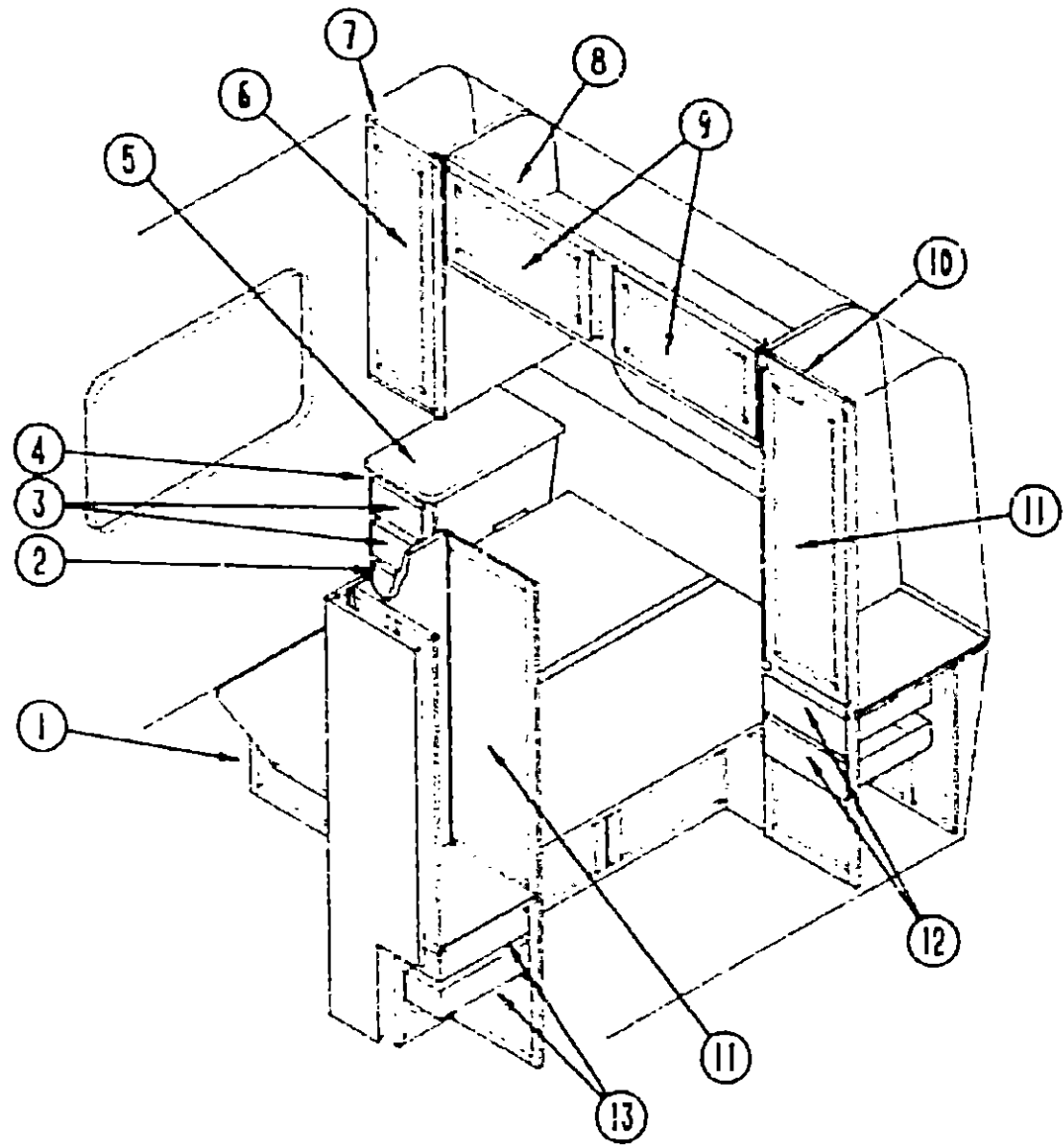
1991 WINNEBAGO TABLE OF CONTENTS

INTRODUCTION	A-01 - A-02
ABBREVIATIONS	A-03
ALPHABETICAL/GROUP REFERENCE	A-04 - A-06
WF327RT	A-07 - D-12
WF327RB	D-13 - G-06
WF327RQ	G-09 - J-12

1991 WF327RQ INDEX

Floor Plan	G-09 - G-10
Accessories Group	G-11 - G-14
Bath Group	G-15 - G-16
Bedroom Group	G-17 - G-19
Chassis Group	G-20 - G-22
Curtain, Cushion & Pad Group	G-23 - H-08
Dinette Group	H-09 - H-11
Driver's Compartment Group	H-12 - H-14
Electrical Group	H-15 - H-17
Exterior Body Group	H-18 - H-22
Galley Group	H-23 - I-02
Heating & Air Conditioning Group	I-03 - I-04
Interior Finish Group	I-05 - I-08
Labels Group	I-09 - I-16
LP Group	I-17
Lounge Group	I-18
Sealants & Fasteners Group	I-19 - I-21
Water & Sewage Group	I-22 - I-24
Window, Vent & Exterior Door Group	J-01 - J-12

BEDROOM GROUP

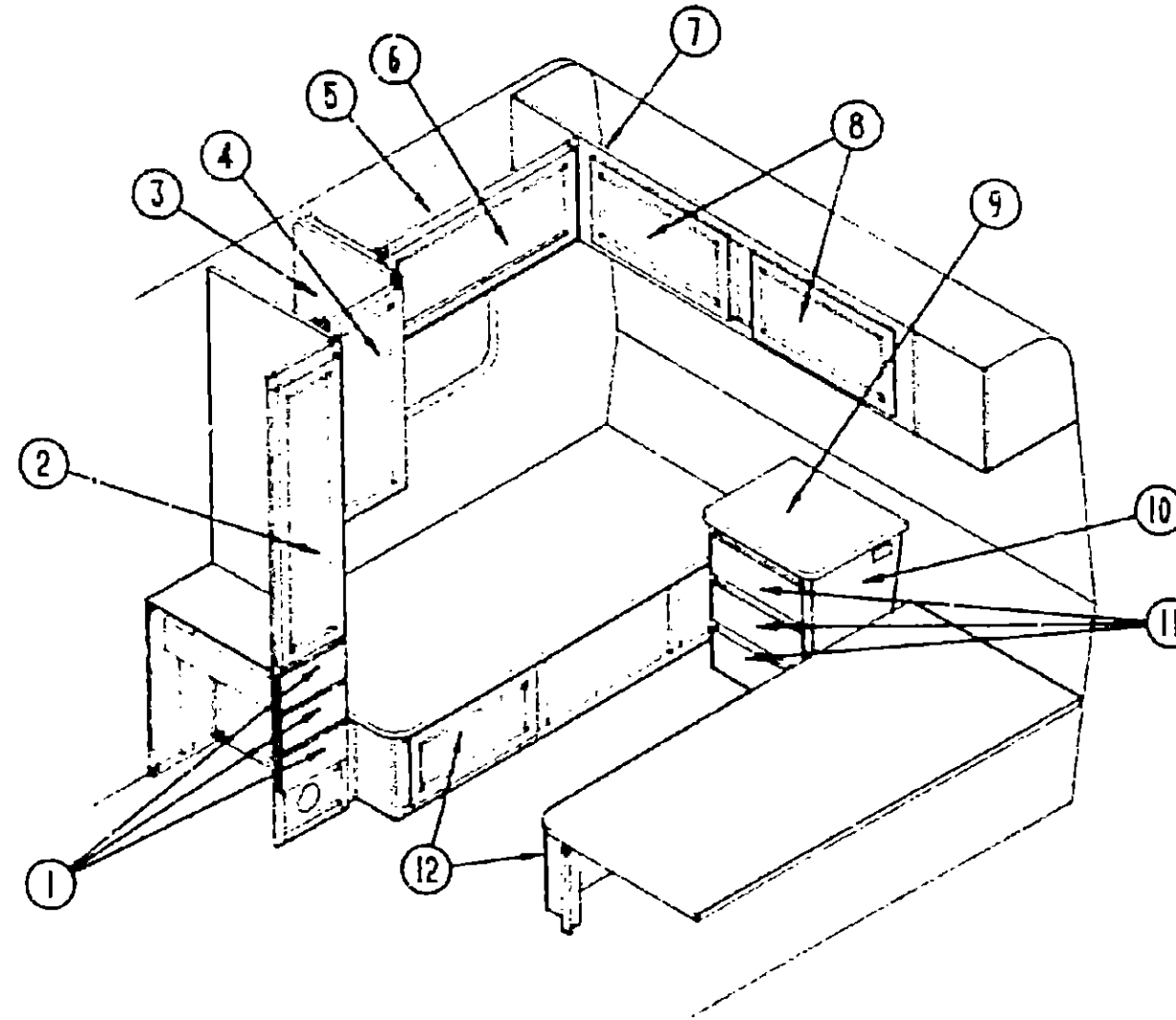


QUEEN BED CABINETY

Key	Part Number	U/M	Description
1	P03076-01-B05	EA	Cabinet Asm. - Queen Bed
2	P03397-59-B85	EA	Drawer Asm. - 8.4" x 18.5" - w/o Hardware
2	P03397-B1-B85	EA	Drawer Asm. - 8.4" x 11.2" - w/o Hardware
3	P03397-59-B85	EA	Drawer Asm. - 8.4" x 18.5" - w/o Hardware
3	P03397-B5-B85	EA	Drawer Asm. - 8.4" x 15.9" - w/o Hardware
4	P03184-01-B85	EA	Cabinet Asm. - Nightstand - w/o Drawers or Hardware
5	103184-12-B85	EA	Countertop Asm. - Nightstand
6	P03701-59-B85	EA	Door Asm. - 12" x 40" - w/o Hardware
7	103201-01-B05	EA	Cabinet Asm. - Shirt Closet - w/o Door or Hardware
8	M05149-01-B85	EA	Cabinet Asm. - Rear Overhead - w/o Doors or Hardware
9	P03701-23-B85	EA	Door Asm. - Rear Overhead - 14.4" x 26.8" - w/o Hardware
10	P02644-01-B05	EA	Cabinet Asm. - Wardrobe - w/o Door, Drawers or Hardware
11	P03701-44-B85	EA	Door Asm. - Wardrobe Cabinet - 15.3" x 49.2" - w/o Hardware
12	P03397-B7-B85	EA	Drawer Asm. - 15.1" x 15.9" - w/o Hardware
13	P03397-61-B85	EA	Drawer Asm. - 13.9" x 18.5" - w/o Hardware
	103195-01-B85	EA	Shell Asm. - Make-up
	093446-07-AB1	EA	Mirror Asm. - Wall
	058331-27-000	EA	Glass - Safety Mirror - 11.8" x 45.7"

These parts were used from 4/22/91 on

BEDROOM GROUP (CONTINUED)



TWIN BED CABINETY

Key	Part Number	U/M	Description
1	P03397-65-B85	EA	Drawer Asm. - Passenger Wardrobe - 10.5" x 19.7" - w/o Hardware
	P00397-63-B85	EA	Drawer Asm. - Driver Wardrobe - 13.9" x 21.1" - w/o Hardware
2	P03701-61-B85	EA	Door Asm. - Passenger Wardrobe - 12" x 48" - w/o Hardware
	P03701-44-B85	EA	Door Asm. - Driver Wardrobe - 15.4" x 49.2" - w/o Hardware
3	095937-01-B85	EA	Cabinet Asm. - Shirt Closet - w/o Door or Hardware
	095938-01-B85	EA	Cabinet Asm. - Shirt Closet - w/o Door or Hardware
4	P03701-31-B85	EA	Door Asm. - Shirt Closet - 14.4" x 33.5" - w/o Hardware
5	M05149-04-B85	EA	Cabinet Asm. - Overhead - Passenger - w/o Door or Hardware
	M05149-05-B85	EA	Cabinet Asm. - Overhead - Driver - w/o Door or Hardware
6	P03701-26-B85	EA	Door Asm. - Overheads - Passenger & Driver - 14.4" x 33.5" - w/o Hardware
7	M05149-02-B85	EA	Cabinet Asm. - Rear Overhead - w/o Doors or Hardware
8	P03701-23-B85	EA	Door Asm. - Rear Overhead - 14.4" x 26.8" - w/o Hardware
9	103516-11-B85	EA	Countertop Asm. - Nightstand
10	103516-01-B85	EA	Nightstand Asm. - w/Countertop - w/o Drawers
11	P03397-65-B85	EA	Drawer Asm. - Nightstand - 10.5" x 19.7" - w/o Hardware
12	P03701-46-B85	EA	Door Asm. - 12" x 25" - w/o Hardware
	M05138-01-B85	EA	Cabinet - Twin Bed Top - Passenger
	M05138-02-B85	EA	Cabinet - Twin Bed Top - Driver

These parts are used on Drivers Side Only.

1991 WINNEBAGO TABLE OF CONTENTS

INTRODUCTION	A-01 - A-02
ABBREVIATIONS	A-03
ALPHABETICAL GROUP REFERENCE	A-04 - A-05
WF327RT	A-07 - D-12
WF327RB	D-13 - G-08
WF327RO	G-09 - J-12

1991 WF327RQ INDEX

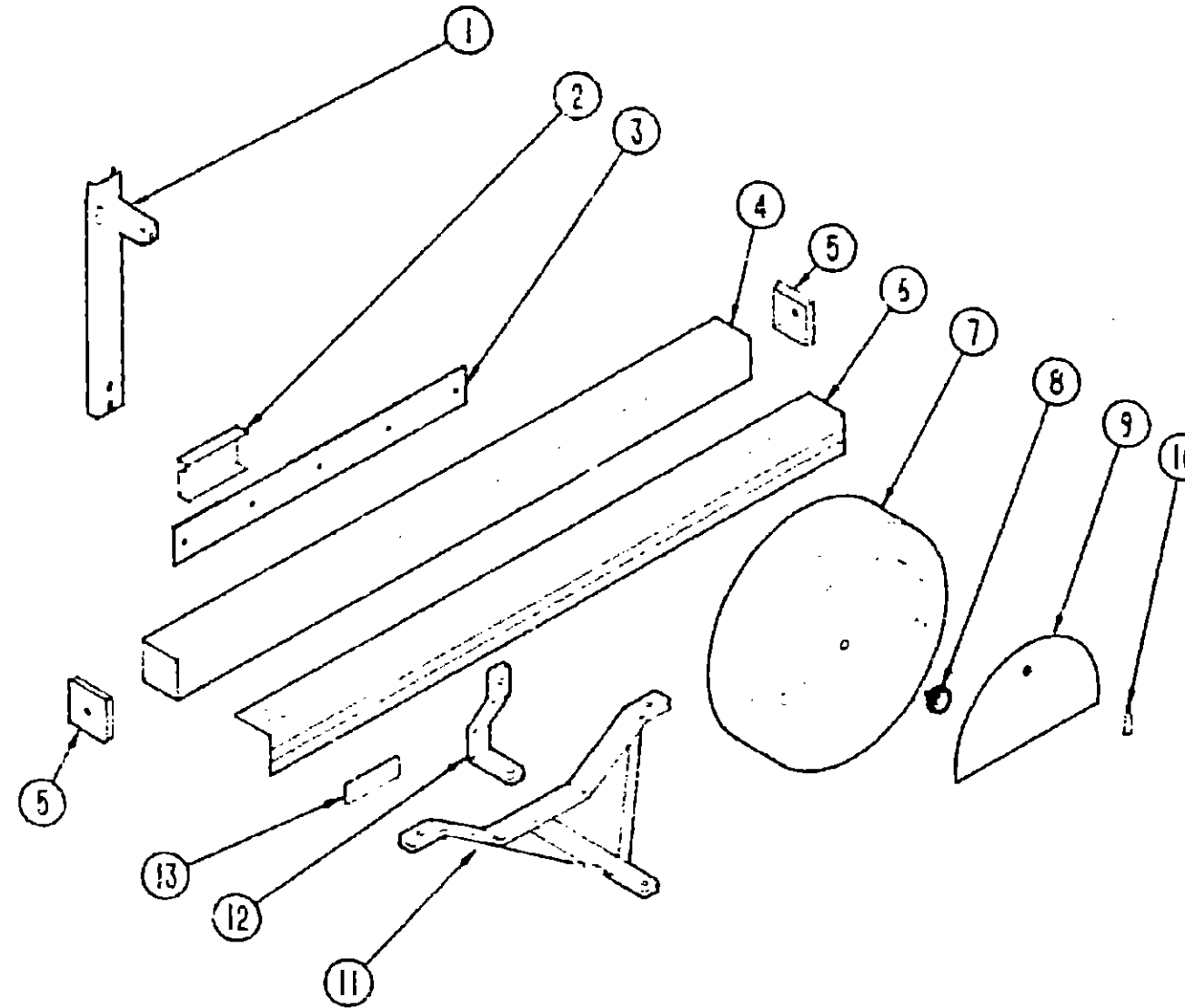
Floor Plan	G-09 - G-10
Accessories Group	G-11 - G-14
Bath Group	G-15 - G-16
Bedroom Group	G-17 - G-19
Chassis Group	G-20 - G-22
Curtain, Cushion & Pad Group	G-23 - H-08
Dinette Group	H-09 - H-11
Driver's Compartment Group	H-12 - H-14
Electrical Group	H-15 - H-17
Exterior Body Group	H-18 - H-22
Galley Group	H-23 - I-02
Heating & Air Conditioning Group	I-03 - I-04
Interior Finish Group	I-05 - I-08
Labels Group	I-09 - I-16
LP Group	I-17
Lounge Group	I-18
Sealants & Fasteners Group	I-19 - I-21
Water & Sewage Group	I-22 - I-24
Window, Vent & Exterior Door Group	J-01 - J-12

BEDROOM GROUP (CONTINUED)

BEDROOM HARDWARE

Key	Part Number	U/M	Description
	041953-03-000	FT	Conduit - Conductor Suit - 1" ID (Clothes Rod Cover)
	042438-01-000	EA	Dowel - Wood - Clothes Rod - 1" Dia. x 4'
	009112-01-000	EA	Flange - 1" Clothes Rod - Plastic - Off White
	059777-02-000	EA	Hinge - Cabinet Door - Burnished Brass
	103856-01-000	EA	Pull - Cabinet - Brass - 3" Center
	100995-01-000	EA	Backplate - Brass - 5 6"
	074493-02-000	EA	Support - Overhead Door - Sprung
	093586-03-000	EA	Catch - Roller Spring
	093586-04-000	EA	Strike - Spring Steel
	057205-02-000	EA	Angle - Support Bed - 1" x 1 5" x 34" - Metal - Off White
	057460-02-000	EA	Bail Stud
	057460-03-000	EA	Safety Clip - Wireform Type
	057460-04-000	EA	Gas Spring
	088199-01-X11	EA	Hinge Asm. - Bed
	088199-02-Y12	EA	Hinge Asm. - Bed
	091856-07-02A	EA	Track - Folding Door - Off White
	093276-01-000	EA	Brace - Prop Rod - Gas
	077252-01-000	EA	Hinge Pin - SST - 3/16 x 79 mm
	057205-03-000	EA	Support - Rear Bunk
	012827-02-000	EA	Bracket - Roller - Drawer - Rear
	102827-03-000	EA	Roller - Drawer - Nylon (Pair)
	102827-04-000	EA	Bracket - Drawer Mounting - Rear
	102827-05-000	EA	Track - Drawer - 22 6" Long

CHASSIS GROUP



SPARE TIRE, HITCH & REAR BUMPER

Key	Part Number	U/M	Description
1	079027-01-000	EA	Bracket Asm. - Tire Carrier
2	M64600-02-000	EA	Mount Support - Tire Carrier
3	M22150-01-000	EA	Bracket - Rear Bumper
4	103422-01-01A	EA	Bumper Asm. - Square - Off White
5	039779-01-000	EA	Bumper Cap - Black Rubber - 4" x 4"
6	041332-03-000	EA	Cover - Bumper - w/o Reflector - 4" Square x 92"
7	079799-01-000	EA	Cover - Spare Tire - Off White
	098855-01-AA3	EA	Cover - Tire - Vinyl - Off White
8	054082-02-000	EA	Nut - Retaining - Wheel Cover
9	M02047-01-T95	EA	Panel - Door - Tire Cover
10	077403-02-000	EA	Lock Asm. - Key Type
11	054833-03-000	EA	Trailer Hitch Asm.
12	054824-03-000	EA	Support - Trailer Hitch
13	041332-02-000	EA	Reflector - Bumper Cover - Self-Adhesive - 6 1/2" x 3 1/4"
	070917-02-000	EA	Tire - Michelin - Radial
	070917-04-000	EA	Tire - Firestone - Radial
	083517-01-000	EA	Wheel - Steel - 6" x 16" - 8 Hole
	051377-01-000	EA	Valve Stem Asm.
	095012-03-000	EA	Extension - Valve Stem - Dual
	077030-02-000	EA	Extension - Valve Stem - 1 25"

* These parts are with the Japanese Option

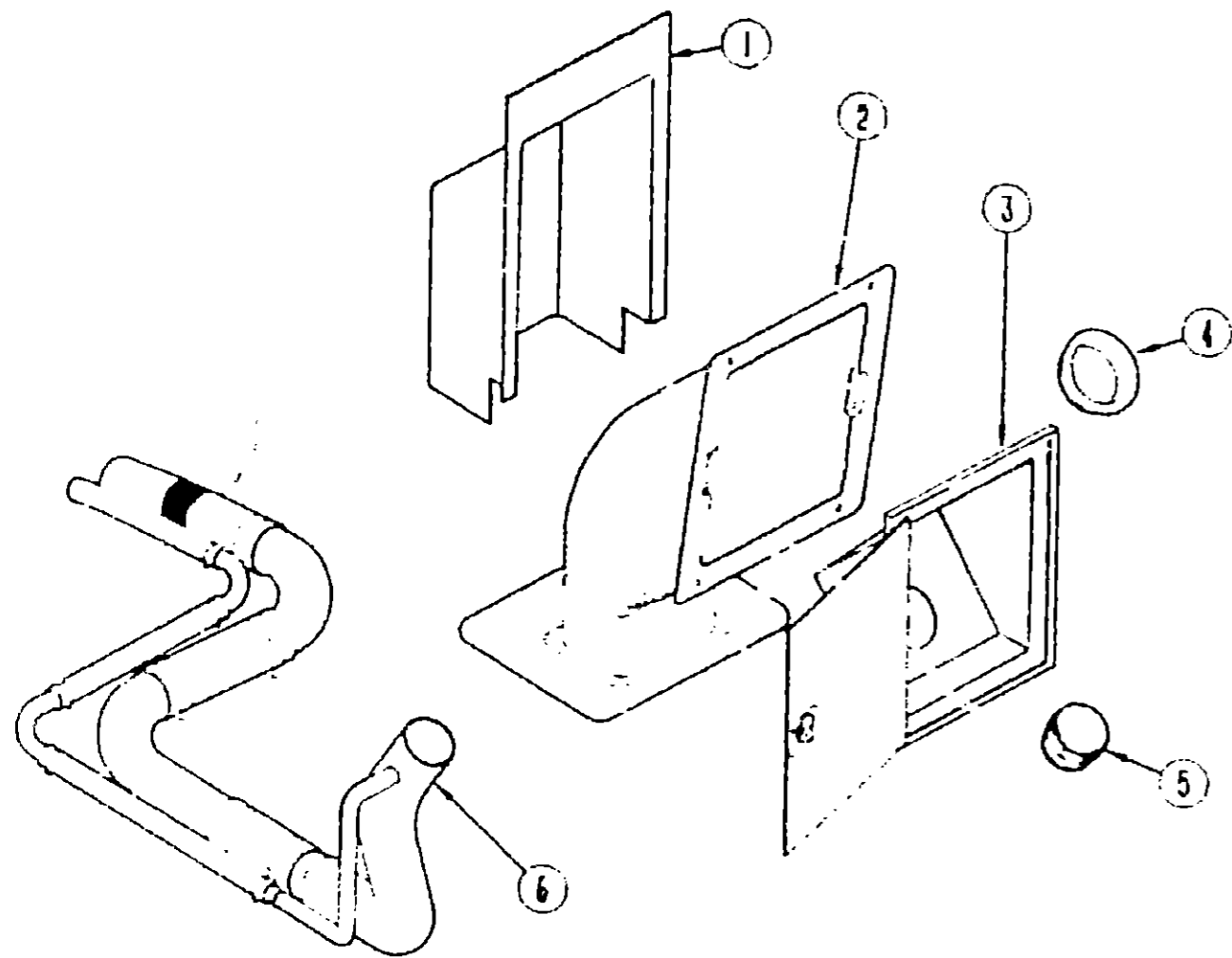
1991 WINNEBAGO TABLE OF CONTENTS

INTRODUCTION	A-01 - A-02
ABBREVIATIONS	A-03
ALPHABETICAL GROUP REFERENCE	A-04 - A-06
WF327RT	A-07 - D-12
WF327RD	D-13 - G-08
WF327RQ	G-09 - J-12

1991 WF327RQ INDEX

Floor Plan	G-09 - G-10
Accessories Group	G-11 - G-14
Bath Group	G-15 - G-16
Bedroom Group	G-17 - G-19
Chassis Group	G-20 - G-22
Curtain, Cushion & Pad Group	G-23 - H-03
Dinette Group	H-09 - H-11
Driver's Compartment Group	H-12 - H-14
Electrical Group	H-15 - H-17
Exterior Body Group	H-18 - H-22
Galley Group	H-23 - I-02
Heating & Air Conditioning Group	I-03 - I-04
Interior Finish Group	I-05 - I-08
Labels Group	I-09 - I-16
LP Group	I-17
Lounge Group	I-18
Sealants & Fasteners Group	I-19 - I-21
Water & Sewage Group	I-22 - I-24
Window, Vent & Exterior Door Group	J-01 - J-12

CHASSIS GROUP (CONTINUED)



FUEL FILL COMPONENTS

Key	Part Number	U/M	Description
1	076040-04-000	EA	Shroud - Fuel Fill - Upper
2	053578-01-000	EA	Boot - Fuel Fill
	054235-01-000	EA	Support Flange - Fuel Fill Boot
3	078010-03-000	EA	Door Asm - Fuel Fill - Off White
4	078200-01-000	EA	Gasket - Fuel Fill
5	NOTE	EA	Fuel Cap
6	090105-02-000	EA	Filter Neck - Fuel Fill
	063303-04-000	EA	Shroud - Fuel Fill - Lower
	044317-01-000	FT	Hose - Fuel - 3/8" I.D.
	067207-05-000	EA	Label - Fuel Cap Removal
	NOTE: This item is chassis supplied.		

CHASSIS GROUP (CONTINUED)

MISCELLANEOUS CHASSIS PARTS

Key	Part Number	U/M	Description
	077479-02-000	EA	Boot - Battery, Term - Single Cable
	065450-05-000	EA	Tie-down - Battery
	010495-01-000	EA	Clamp - Cable - 9/16"
	010497-01-000	EA	Clamp - Closed - 5/8" I.D.
	010497-07-000	EA	Clamp - Closed - 3/8" I.D.
	010497-03-000	EA	Clamp - Closed - 1" I.D. - Cushioned
	094916-03-000	EA	Clamp - Exhaust - 2.5"
	007161-01-000	EA	Clamp - Hose - Spring Type 112
	062401-01-000	EA	Clamp - Hose - Wormgear - 22" ID - 1" ID
	062401-02-000	EA	Clamp - Hose - Wormgear - 1.56" - 2.5" ID
	062401-04-000	EA	Clamp - Hose - Wormgear - 69" ID - 1.25" ID
	062401-06-000	EA	Clamp - Hose - Wormgear - 22" ID - 62" ID
	023146-01-000	EA	Clamp - Screw Type - 4"
	091952-02-000	EA	Clip - Gripper - 3/4" (True Iron)
	103653-04-000	EA	Drive Shaft (Ford)
	095753-04-000	EA	Exhaust Pipe
	024135-01-000	FT	Hose - Fuel - 5/16" I.D.
	044317-01-000	FT	Hose - Fuel - 3/8" I.D.
	007053-01-000	FT	Hose - Gas - 1/4" ID x 1/2" OD
	007103-01-000	FT	Hose - Heater - 5/8" ID
	024133-01-000	FT	Hose Fuel - 5/16" ID
	094795-02-000	EA	Instrument Cluster - KM-91
	017516-01-000	EA	Mud Flap w/Holes - 14" x 18" - Black
	105141-01-000	EA	Mud Flap w/Holes - Winnebago Logo - Black
	056748-01-000	EA	Plug - Cap - 1.5" Dia - Black
	051420-01-000	EA	Plug - Plastic - Brown
	064061-01-000	EA	Splash Guard - Black Rubber (Set of 2)
	045731-04-000	EA	Rock Guard
	072684-20-000	EA	Running Boards - Ford - 33"
	101395-01-000	EA	Running Boards - Ford - Right (Option L04C)
	101396-02-000	EA	Running Boards - Ford - Left (Option L04C)
	101396-03-000	EA	Hardware Set - Running Board (Option L04C)
	077848-02-000	EA	Step Asm - Pullout
	076241-09-000	EA	Support Box - Entry Door Step
	102782-01-000	EA	Wheelwell - Plastic
	008343-01-000	EA	Wire Tie - 6"

These parts were used from 10/21/91 on.

NOTE: Remainder of exhaust components available from Chassis Service Center.

**1991 WINNEBAGO
TABLE OF CONTENTS**

INTRODUCTION	A-01 - A-02
ABBREVIATIONS	A-03
ALPHABETICAL-GROUP REFERENCE	A-04 - A-06
WF327RT	A-07 - D-12
WF327RB	D-13 - G-08
WF327RQ	G-09 - J-12

1991 WF327RQ INDEX

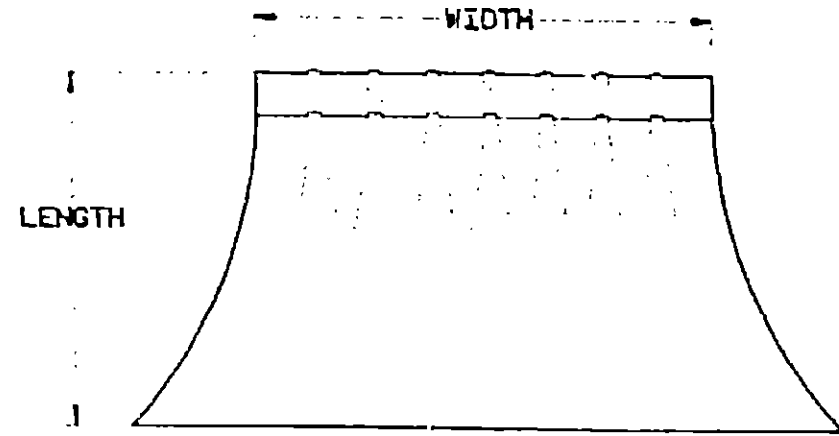
Floor Plan	G-09 - G-10
Accessories Group	G-11 - G-14
Bath Group	G-15 - G-16
Bedroom Group	G-17 - G-19
Chassis Group	G-20 - G-22
Curtain, Cushion & Pad Group	G-23 - H-08
DINETTE Group	H-09 - H-11
Driver's Compartment Group	H-12 - H-14
Electrical Group	H-15 - H-17
Exterior Body Group	H-18 - H-22
Galley Group	H-23 - I-02
Heating & Air Conditioning Group	I-03 - I-04
Interior Finish Group	I-05 - I-08
Labels Group	I-09 - I-16
LP Group	I-17
Lounge Group	I-18
Sealants & Fasteners Group	I-19 - I-21
Water & Sewage Group	I-22 - I-24
Window, Vent & Exterior Door Group	J-01 - J-12

CURTAIN, CUSHION & PAD GROUP

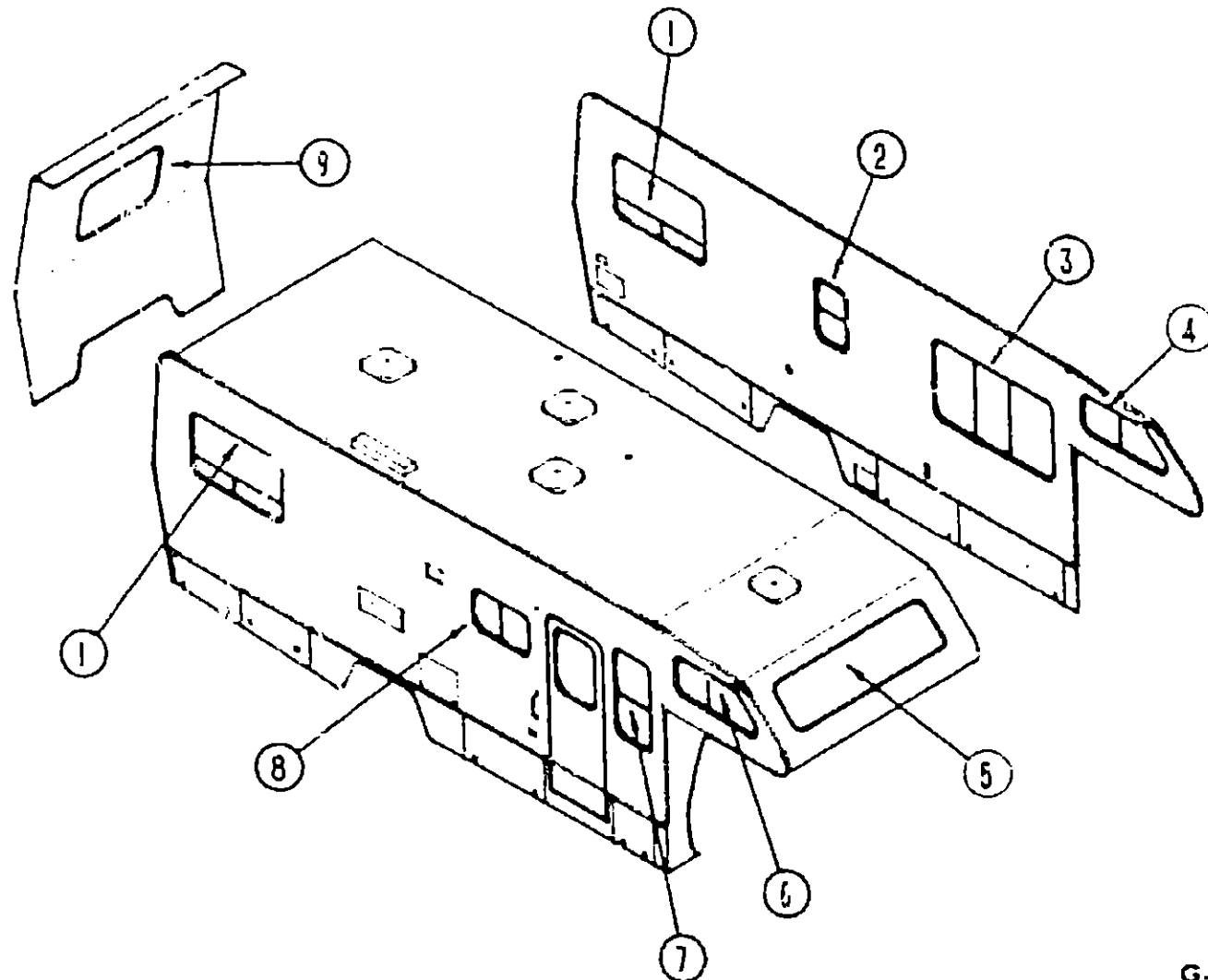
NOTICE

In order to assist our Part Sales Dept. in providing interior software items, please include the serial number and the color code number from the vehicle certification label when ordering. This label is located on the left sidewall at the end of the dash (A-Body), or on the driver's door latch plate (C-Body).

An example of a color code number is P31, which designates an overall color scheme of a particular unit. The color listed after the item description on the microfiche indicates the overall unit color. Order the item you desire according to unit color code.



NOTE: Use this illustration when determining length and width measurements for curtains. You will note the width measurement is taken on the top of the curtain with the curtain fully extended. The length measurement is taken from top to bottom.



CURTAIN, CUSHION & PAD GROUP (CONTINUED)

CURTAINS, BLINDS, VALANCES & TIEBACKS

Key	Part Number	U/M	Description
1	104348-01-B85	EA	Topper - w/Gathers - Valance Asm.
1	104348-01-B86	EA	Topper - w/Gathers - Valance Asm.
1	102514-02-B85	EA	Valance Asm. w/Gathered Insert - 45"
1	102514-02-B86	EA	Valance Asm. w/Gathered Insert - 45"
1	100281-31-B85	EA	Leg Asm. - Window - 27" Tall - w/Hole
1	100281-31-B86	EA	Leg Asm. - Window - 27" Tall - w/Hole
1	100281-30-B85	EA	Leg Asm. - Window - 27" Tall - w/o Hole
1	100281-30-B86	EA	Leg Asm. - Window - 27" Tall - w/o Hole
1	095335-56-B85	EA	Pleated Blind - 39.5" x 28" Drop
1	095335-56-B86	EA	Pleated Blind - 39.5" x 28" Drop
2	102514-11-B85	EA	Valance Asm. w/Gathered Insert - Two-Toned - 20"
2	102514-11-B86	EA	Valance Asm. w/Gathered Insert - Two-Toned - 20"
2	093475-58-03A	EA	Mini-Blind - 17.5" x 27" Drop (B85)
2	093475-58-02A	EA	Mini-Blind - 17.5" x 27" Drop (B86)
3	103966-01-B85	EA	Valance Asm. - Window - 59.5" (B85)
3	103966-01-CA9	EA	Valance Asm. - Window - 59.5" (B85)
3	103966-01-B86	EA	Valance Asm. - Window - 59.5" (B86)
3	100281-01-B85	EA	Leg Asm. - Window - 31.5"
3	100281-01-B86	EA	Leg Asm. - Window - 31.5"
3	100281-02-B85	EA	Leg Asm. - Window - 31.5"
3	100281-02-B86	EA	Leg Asm. - Window - 31.5"
3	093475-44-02A	EA	Mini-Blind - 54" x 31.5" Drop (B85)
3	093475-44-03A	EA	Mini-Blind - 54" x 31.5" Drop (B86)
4	097878-30-B85	EA	Valance Asm. - 5.5" x 43"
4	097878-30-B86	EA	Valance Asm. - 5.5" x 43"
4	101034-01-B85	EA	Curtain Asm. w/Tape Top - 16" x 25" - Beige
5	097878-22-B85	EA	Valance Asm. - 7" x 65.5"
5	097878-22-B86	EA	Valance Asm. - 7" x 65.5"
5	101034-02-B85	EA	Curtain Asm. w/Tape Top - 22" x 45" - Beige
6	097878-29-B85	EA	Valance Asm. - 5.5" x 43"
6	097878-29-B86	EA	Valance Asm. - 5.5" x 43"
6	101034-01-B85	EA	Curtain Asm. w/Tape Top - 16" x 25" - Beige
7	103966-13-B85	EA	Valance Asm. - Arch - w/Brass Trim - 19" (B85)
7	103966-13-CA9	EA	Valance Asm. - Arch - w/Brass Trim - 19" (B85)
7	103966-14-B86	EA	Valance Asm. - Arch - w/Brass Trim - 19" (B86)
7	093475-65-02A	EA	Mini-Blind - 17" x 36" Drop
8	103966-17-B85	EA	Valance Asm. - 27" (B85)
8	103966-17-CA9	EA	Valance Asm. - 27" (B85)
8	103966-18-B86	EA	Valance Asm. - 27" (B86)
8	093475-57-03A	EA	Mini-Blind - 25" x 17.5" Drop (B85)
8	093475-57-04A	EA	Mini-Blind - 25" x 17.5" Drop (B86)
9	102514-01-B85	EA	Valance Asm. w/Gathered Insert - 52"
9	102514-01-B86	EA	Valance Asm. w/Gathered Insert - 52"
9	100281-29-B85	EA	Leg Asm. - 27" - w/o Hole (Right)
9	100281-29-B86	EA	Leg Asm. - 27" - w/o Hole (Right)
9	100281-30-B85	EA	Leg Asm. - 27" - w/o Hole (Left)
9	100281-30-B86	EA	Leg Asm. - 27" - w/o Hole (Left)
9	095335-50-B85	EA	Pleated Blind - 48" x 27" Drop
9	095335-50-B86	EA	Pleated Blind - 48" x 27" Drop
9	076892-06-B85	EA	Curtain Asm. - 40" x 72" - Privacy
9	076892-06-B86	EA	Curtain Asm. - 40" x 72" - Privacy
9	101668-14-B85	EA	Curtain Asm. - w/Tape Top - 30" x 50" - Right (Front Wraparound)
9	101668-14-B86	EA	Curtain Asm. - w/Tape Top - 30" x 50" - Right (Front Wraparound)
9	101668-15-B85	EA	Curtain Asm. - w/Tape Top - 30" x 50" - Left (Front Wraparound)
9	101668-15-B86	EA	Curtain Asm. - w/Tape Top - 30" x 50" - Left (Front Wraparound)
9	073260-49-B85	EA	Tieback Asm. - 3" x 18"
9	073260-49-B86	EA	Tieback Asm. - 3" x 18"

* These parts were used from 4/15/81 on.

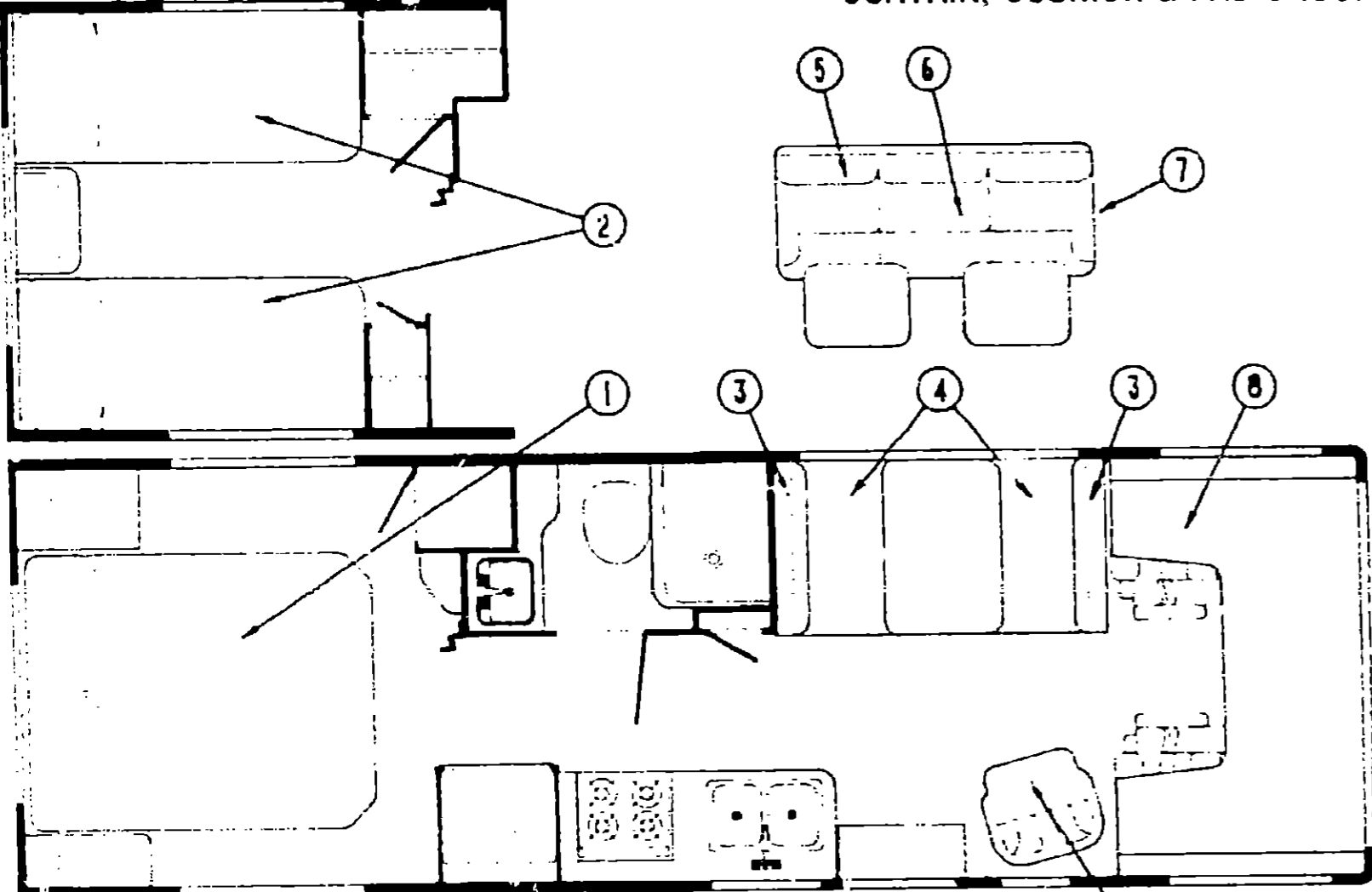
1991 WINNEBAGO TABLE OF CONTENTS

INTRODUCTION	A-01 - A-02
ABBREVIATIONS	A-03
ALPHABETICAL GROUP REFERENCE	A-04 - A-06
WF327RT	A-07 - D-12
WF327RB	D-13 - G-08
WF327RQ	G-09 - J-12

1991 WF327RQ INDEX

Floor Plan	G-09 - G-10
Accessories Group	G-11 - G-14
Bath Group	G-15 - G-16
Bedroom Group	G-17 - G-19
Chassis Group	G-20 - G-22
Curtain, Cushion & Pad Group	G-23 - H-03
Dinette Group	H-04 - H-11
Driver's Compartment Group	H-12 - H-14
Electrical Group	H-15 - H-17
Exterior Body Group	H-18 - H-22
Galley Group	H-23 - I-02
Heating & Air Conditioning Group	I-03 - I-04
Interior Finish Group	I-05 - I-08
Labels Group	I-09 - I-16
LP Group	I-17
Lounge Group	I-18
Sealants & Fasteners Group	I-19 - I-21
Water & Sewage Group	I-22 - I-24
Window, Vent & Exterior Door Group	J-01 - J-12

CURTAIN, CUSHION & PAD GROUP (CONTINUED)



DOUBLE BED

Key	Part Number	U/M	Description
1	065363-09-B85	EA	Bedsprad - Double w/Rounded Corners - 54"
1	083365-09-B85	EA	Bedsprad - Double w/Rounded Corners - 54"
1	101123-05-000	EA	Mattress - Double - 53" x 74"
	P01123-05-000	EA	Cover - Mattress - 53" x 74"
	102161-01-B85	EA	Pillow Sham w/2" Flange (B85)
	102161-01-B86	EA	Pillow Sham w/2" Flange (B86)
	091997-07-B05	EA	Pillow Sham w/2" Flange - Non-Quilted (B85)
	091997-07-B06	EA	Pillow Sham w/2" Flange Non-Quilted (B86)
	102161-07-B85	EA	Pillow Sham w/Foam Pillow
	102161-07-B86	EA	Pillow Sham w/Foam Pillow
	088273-68-000	YD	Fabric - Bedsprad - Frost (B85)
	088273-69-000	YD	Fabric - Bedsprad - Sky (B86)

* These parts are used from 4/8/91 on

TWIN BED

Key	Part Number	U/M	Description
2	085365-07-B85	EA	Bedsprad - Twin w/Rounded Corners - 33"
2	085365-07-B86	EA	Bedsprad - Twin w/Rounded Corners - 33"
2	101123-02-000	EA	Mattress - Foam - 32" x 74"
	P01123-02-000	EA	Cover - Foam Mattress - 32" x 74"
	102161-01-B85	EA	Pillow Sham - w/2" Flange (B85)
	102161-01-B86	EA	Pillow Sham - w/2" Flange (B86)
	102161-07-B85	EA	Pillow Sham w/Foam Pillow
	102161-07-B86	EA	Pillow Sham w/Foam Pillow
	088273-68-000	YD	Fabric - Bedsprad - Frost (B85)
	088273-69-000	YD	Fabric - Bedsprad - Sky (B86)

* These parts are used from 4/8/91 on

DINETTE CUSHION

Key	Part Number	U/M	Description
3	088927-78-B85	EA	Cushion Asm. - 13" x 36" x 5" - Back (B85)
3	088927-78-CA9	EA	Cushion Asm. - 13" x 38" x 5" - Back (B85)
3	088927-78-B86	EA	Cushion Asm. - 13" x 38" x 5" - Back (B86)
	M88927-78-B85	EA	Cover Asm. - Back - Dinette Cushion (B85)
	M88927-78-CA9	EA	Cover Asm. - Back - Dinette Cushion (B85)
	M88927-78-B86	EA	Cover Asm. - Back - Dinette Cushion (B86)
4	088927-86-B85	EA	Cushion Asm. - 21" x 38" x 5" - Seat (B85)
4	088927-86-CA9	EA	Cushion Asm. - 21" x 38" x 5" - Seat (B85)
4	088927-86-B86	EA	Cushion Asm. - 21" x 38" x 5" - Seat (B86)
	M88927-86-B85	EA	Cover Asm. - Seat - Dinette Cushion (B85)
	M88927-86-CA9	EA	Cover Asm. - Seat - Dinette Cushion (B85)
	M88927-86-B86	EA	Cover Asm. - Seat - Dinette Cushion (B86)
	078155-01-000	EA	Strap Asm. - Cushion Snap
	095008-76-000	YD	Fabric - Dinette Cushion (B85)
	104233-12-000	YD	Fabric - Dinette Cushion (B85)
	095008-79-000	YD	Fabric - Dinette Cushion (B86)

* These parts were used from 4/15/91 on.

PRESTO BED COUCH

Key	Part Number	U/M	Description
5	100032-02-B85	EA	Presto Bed - Couch Back (B85)
5	100032-02-CA9	EA	Presto Bed - Couch Back (B85)
5	100032-02-B86	EA	Presto Bed - Couch Back (B86)
	P00032-02-B85	EA	Cover Asm. - Presto Bed Back (B85)
	P00032-02-CA9	EA	Cover Asm. - Presto Bed Back (B85)
	P00032-02-B86	EA	Cover Asm. - Presto Bed Back (B86)
6	100032-01-B85	EA	Presto Bed - Couch Seat (B85)
6	100032-01-CA9	EA	Presto Bed - Couch Seat (B85)
6	100032-01-B86	EA	Presto Bed - Couch Seat (B86)
	P00032-01-B85	EA	Cover Asm. - Presto Bed Seat (B85)
	P00032-01-CA9	EA	Cover Asm. - Presto Bed Seat (B85)
	P00032-01-B86	EA	Cover Asm. - Presto Bed Seat (B86)
7	101236-03-B85	EA	Armrest - Presto Bed - Right (B85)
7	101236-03-CA9	EA	Armrest - Presto Bed - Right (B85)
7	101236-03-B86	EA	Armrest - Presto Bed - Right (B86)
	P01236-03-B85	EA	Cover - Armrest Presto Bed - Right (B85)
	P01236-03-CA9	EA	Cover - Armrest Presto Bed - Right (B85)
	P01236-03-B86	EA	Cover - Armrest Presto Bed - Right (B86)
	101236-04-B85	EA	Armrest - Presto Bed - Left (B85)
	101236-04-CA9	EA	Armrest - Presto Bed - Left (B85)
	101236-04-B86	EA	Armrest - Presto Bed - Left (B86)
	P01236-04-B85	EA	Cover - Armrest - Presto Bed - Left (B85)
	P01236-04-CA9	EA	Cover - Armrest - Presto Bed - Left (B85)
	P01236-04-B86	EA	Cover - Armrest - Presto Bed - Left (B86)
	101085-03-000	FA	Frame - Base - 66 5"
	101085-01-000	CA	Frame - Seat - 66 5"
	101085-02-000	EA	Frame - Back - 66 5"
	101085-07-000	EA	Frame - Armrest - Right
	101085-08-000	EA	Frame - Armrest - Left
	101568-03-000	EA	Bracket Asm. - Armrest - Right
	101568-04-000	EA	Bracket Asm. - Armrest - Left
	095008-76-000	YD	Fabric - Presto Bed (B85)
	104233-12-000	YD	Fabric - Presto Bed (B85)
	095008-79-000	YD	Fabric - Presto Bed (B86)

* These parts were used from 4/15/91 on

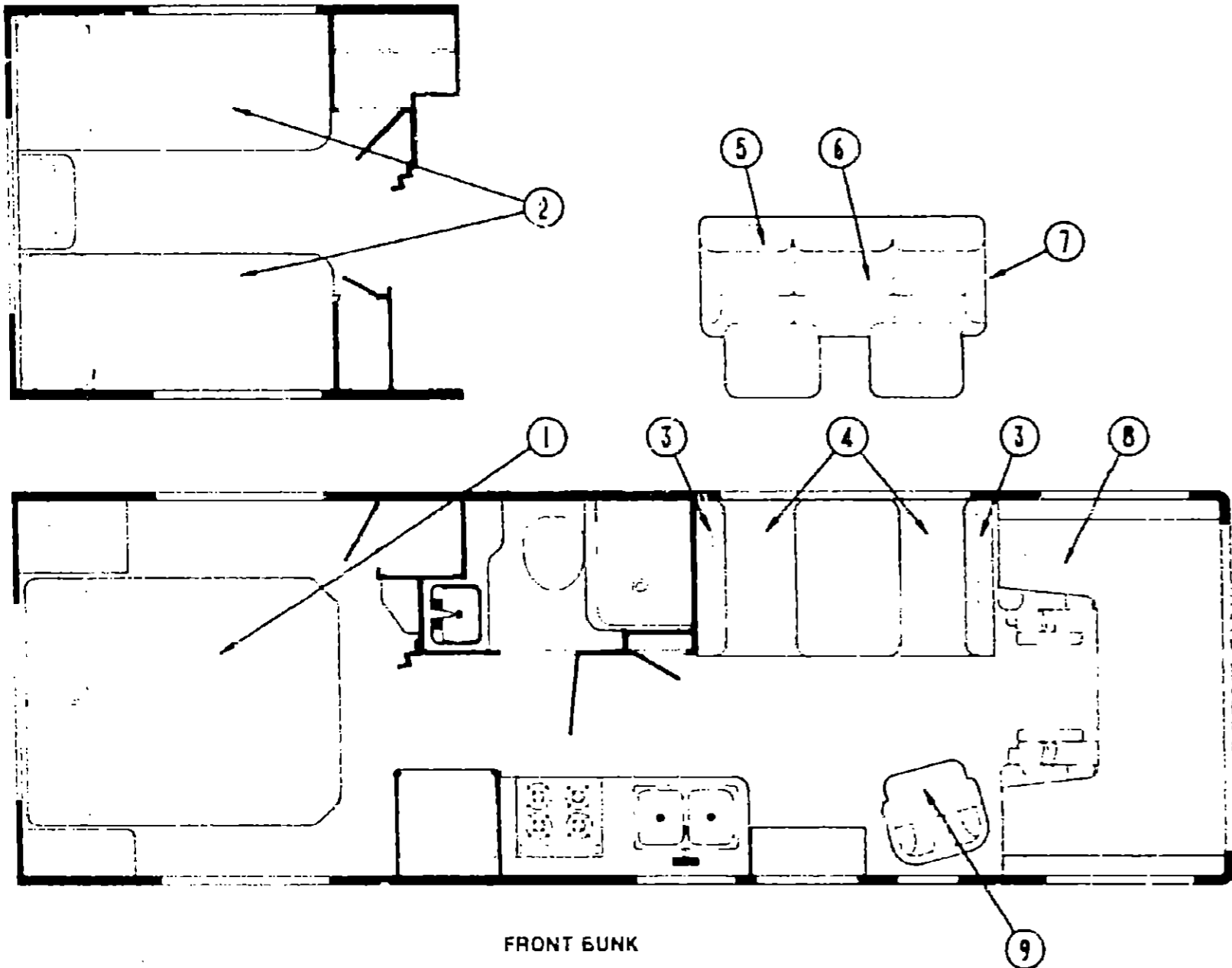
**1991 WINNEBAGO
TABLE OF CONTENTS**

INTRODUCTION	A-01 - A-02
ABBREVIATIONS	A-03
ALPHABETICAL/GROUP REFERENCE	A-04 - A-06
WF327RT	A-07 - D-12
WF327RB	D-13 - G-08
WF327RQ	G-09 - J-12

1991 WF327RQ INDEX

Floor Plan	G-09 - G-10
Accessories Group	G-11 - G-14
Bath Group	G-15 - G-16
Bedroom Group	G-17 - G-19
Chassis Group	G-20 - G-22
Curtain, Cushion & Pad Group	G-23 - H-06
Dinette Group	H-09 - H-11
Driver's Compartment Group	H-12 - H-14
Electrical Group	H-15 - H-17
Exterior Body Group	H-18 - H-20
Galley Group	H-23 - I-02
Heating & Air Conditioning Group	I-03 - I-04
Interior Finish Group	I-05 - I-09
Labels Group	I-09 - I-16
LP Group	I-17
Lounge Group	I-18
Sealants & Fasteners Group	I-19 - I-21
Water & Sewage Group	I-22 - I-24
Window, Vent & Exterior Door Group	J-01 - J-12

CURTAIN, CUSHION & PAD GROUP (CONTINUED)



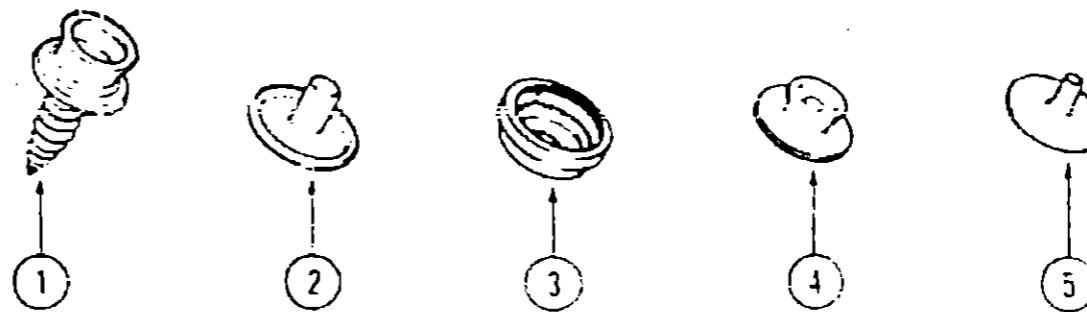
FRONT BUNK

Key	Part Number	U/M	Description
5	084753-25-B85	EA	Cushion - "U" Shaped - 58" x 90" x 5"
6	084753-25-B85	EA	Cushion - "U" Shaped - 58" x 90" x 5"
7	084753-29-B85	EA	Cushion - "U" Shaped - 58" x 92" x 5"
8	084753-29-B86	EA	Cushion - "U" Shaped - 58" x 92" x 5"
	M84753-25-B85	EA	Cover - "U" Shaped Cushion
	M9-753-25-B85	EA	Cover - "U" Shaped Cushion
	M84753-29-B85	EA	Cover - "U" Shaped Cushion
	M84753-29-B86	EA	Cover - "U" Shaped Cushion
	094753-25-B85	EA	Cushion - Filler - 52" x 25" x 5"
	084753-25-B86	EA	Cushion - Filler - 52" x 25" x 5"
	084753-30-B85	EA	Cushion - Filler - 59.5" x 26.5" x 5"
	084753-30-B86	EA	Cushion - Filler - 59.5" x 26.5" x 5"
	M84753-26-B85	EA	Cover - Filler Cushion
	M84753-26-B86	EA	Cover - Filler Cushion
	M84753-30-B85	EA	Cover - Filler Cushion
	M84753-30-B86	EA	Cover - Filler Cushion
	096008-85-000	YD	Fabric - Front Bunk Cushion (B85)
	096008-82-000	YD	Fabric - Front Bunk Cushion (B86)
1	079145-08-000	EA	Cushion Asm - Front Bunk - 25" x 74" x 3.5"
1	M79145-08-000	EA	Cover Asm - Front Bunk

* These parts are used from 4/24/91 on.
 * These parts are used with Front Entertainment Option

SWIVEL CHAIR

Key	Part Number	U/M	Description
9	096429-07-B85	EA	Swivel Chair
9	096429-07-B86	EA	Swivel Chair
	M96429-07-B85	EA	Cover - Swivel Chair
	M96429-07-B86	EA	Cover - Swivel Chair
	092202-04-B85	EA	Skirt - Swivel Chair
	092202-04-B86	EA	Skirt - Swivel Chair
	096008-77-000	EA	Fabric - Swivel Chair (B85)
	096008-81-000	EA	Fabric - Swivel Chair (B86)
	088245-01-000	EA	Base - Swivel Chair w/Legs
	085245-03-000	EA	Plate - Swivel Top w/o Tilt - w/Lock
	088245-07-000	EA	Extension - 6" - Base To Top Plate
	059705-02-000	EA	Bar - Seat Belt - 2.5" x 12.75"



Key	Part Number	U/M	Description
1	029130-01-000	EA	Socket - Snap Fastener
2	029155-01-000	EA	Cap - Snap - 1.56" Dia. x 17" Barrel
3	029156-01-000	EA	Socket - Snap Fastener
4	029092-01-000	EA	Stud - Nickel Finish
5	029093-01-000	EA	Eyelet - Nickel Finish

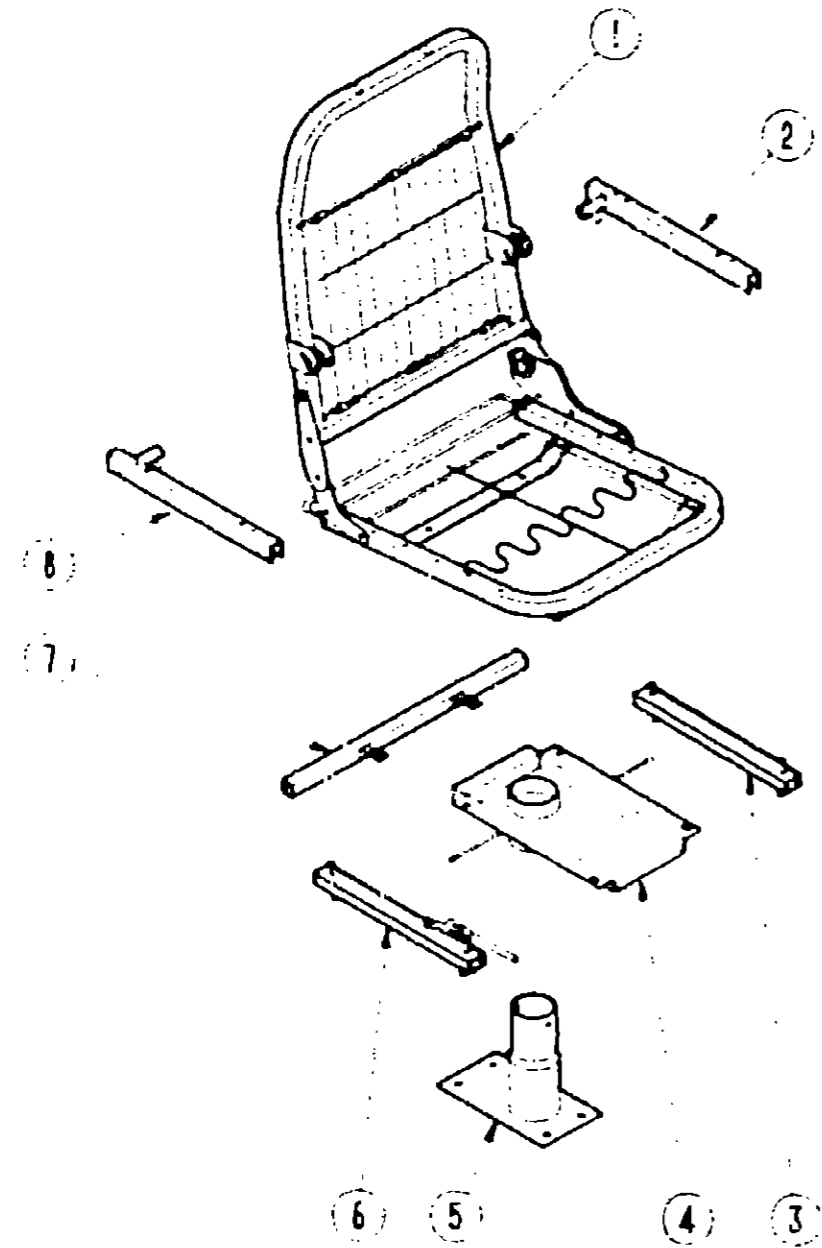
**1991 WINNEBAGO
TABLE OF CONTENTS**

INTRODUCTION	A-01 - A-02
ABBREVIATIONS	A-03
ALPHABETICAL/GROUP REFERENCE	A-04 - A-06
WF327RT	A-07 - D-12
WF327RB	D-13 - G-08
WF327RO	G-09 - J-12

1991 WF327RQ INDEX

Floor Plan	G-09 - G-10
Accessories Group	G-11 - G-14
Bath Group	G-15 - G-16
Bedroom Group	G-17 - G-19
Chassis Group	G-20 - G-22
Curtain, Cushion & Pad Group	G-23 - H-08
Dinette Group	H-09 - H-11
Driver's Compartment Group	H-12 - H-14
Electrical Group	H-15 - H-17
Exterior Body Group	H-18 - H-22
Galley Group	H-23 - I-02
Heating & Air Conditioning Group	I-03 - I-04
Interior Finish Group	I-05 - I-08
Labels Group	I-09 - I-16
LP Group	I-17
Lounge Group	I-18
Sealants & Fasteners Group	I-19 - I-21
Water & Sewage Group	I-22 - I-24
Window, Vent & Exterior Door Group	J-01 - J-12

CURTAIN, CUSHION & PAD GROUP (CONTINUED)



BUCKET SEAT HARDWARE

Key	Part Number	U/M	Description
1	1180906-05-000	EA	Frame Asm - Seat, Back & Spring
2	081268-02-000	EA	Rod & Channel - Armrest - Left - Metal
3	069246-02-000	EA	Adjuster - Bucket Seat w/o Lock - Forward & Back
4	093481-04-000	EA	Top Plate - Pedestal - Bucket Seats
5	069585-03-000	EA	Base - Bucket Seats - Bolts to Floor - Vertical - 8"
6	069246-05-000	EA	Adjuster - Bucket Seat w/Remote
	069246-05-700	EA	Spring for Slide Adjuster
	069246-05-701	EA	Clip Only For Cable Asm
7	069585-29-000	EA	Bar - Seat Belt - Bucket Seats - 20"
8	081268-01-000	EA	Rod & Channel - Armrest - Right - Metal
	091313-01-000	EA	Grommet - Headrest (Export)
	101125-01-000	EA	Recliner - Seat Back - Left Hand (Export)
	080731-02-000	EA	Slave Hinge - Recliner - Left Hand (Export)
	089368-04-000	EA	Frame - Cable - Remote Swivel (Export)
	089368-05-000	EA	Frame - Cable - Remote Recliner
	081361-01-000	EA	Rod - Armrest - Metal
	097683-02-000	EA	Bracket - Remote Mount
	097683-03-000	EA	Bracket - Side Mount Remote

**1991 WINNEBAGO
TABLE OF CONTENTS**

INTRODUCTION	A-01 - A-02
ABBREVIATIONS	A-03
ALPHABETICAL/GROUP REFERENCE	A-04 - A-06
WF327RT	A-07 - D-12
WF327RB	D-13 - G-08
WF327RQ	G-09 - J-12

1991 WF327RQ INDEX

Floor Plan	G-09 - G-10
Accessories Group	G-11 - G-14
Bath Group	G-15 - G-16
Bedroom Group	G-17 - G-19
Chassis Group	G-20 - G-22
Curtain, Cushion & Pad Group	G-23 - H-08
Dinette Group	H-09 - H-11
Driver's Compartment Group	H-12 - H-14
Electrical Group	H-15 - H-17
Exterior Body Group	H-18 - H-22
Galley Group	H-23 - I-02
Heating & Air Conditioning Group	I-03 - I-04
Interior Finish Group	I-05 - I-08
Labels Group	I-09 - I-15
LP Group	I-17
Lounge Group	I-18
Sealants & Fasteners Group	I-19 - I-21
Water & Sewage Group	I-22 - I-24
Window, Vent & Exterior Door Group	J-01 - J-12

CURTAIN, CUSHION & PAD GROUP (CONTINUED)

FABRICS & CARPETS

Key	Part Number	U/M	Description
	072333-82-000	YD	Fabric - Drapery - Beige (Privacy)
	096008-76-000	YD	Fabric - Upholstery - Woven - Patterned (B85)
	095008-79-000	YD	Fabric - Upholstery - Woven - Patterned (B86)
	104233-12-000	YD	Fabric - Upholstery - Patterned (B86)
	096008-78-000	YD	Fabric - Upholstery - Plain Velour (B85)
†	104233-29-000	YD	Fabric - Upholstery - Plain (B85)
	096008-80-000	YD	Fabric - Upholstery - Plain Velour (B86)
†	104233-26-000	YD	Fabric - Upholstery - Plain (B86)
	096008-86-000	YD	Fabric - Upholstery - Woven Velour (B85)
	096008-82-000	YD	Fabric - Upholstery - Woven Velour (B86)
	088273-68-000	YD	Fabric - Bedspread (B85)
	088273-69-000	YD	Fabric - Bedspread (B86)
	088273-72-000	YD	Fabric - Bedspread - Plain Accent (B85)
	088273-66-000	YD	Fabric - Bedspread - Plain Accent (B86)
	079680-01-000	YD	Vinyl - Expanded - 26 oz - Buckskin (Wingwall)
	075244-04-000	YD	Vinyl - Shower Curtain - Quartz (B85)
	075244-06-000	YD	Vinyl - Shower Curtain - Teal (B85)
	069351-03-000	YD	Vinyl - Headliner - Off White
	096060-24-000	SY	Carpet - Light Brown (B85)
†	096060-41-000	SY	Carpet - Egg Plant (B85)
	096060-25-000	SY	Carpet - Brown (B86)
**	096060-23-000	SY	Carpet - Light Brown (B86)
	093486-01-000	SY	Carpet - Compartments - Dark Gray
	047034-02-000	SF	Plastic Runner - Carpet - 4" Wide - Clear
	078539-01-000	EA	Trim - Carpet - Cab - Passenger - 29" Long
	078539-02-000	EA	Trim - Carpet - Cab - Driver - 29" Long
	095873-01-02A	EA	Trim - "J" - 12" Long - Vinyl - T
	065746-01-000	FT	Trim - "J" - Carpet - PVC - Beige - 10' Long
	190659-01-B03	EA	Floor Trim - 72" x 1" x 1/2" (Vinyl Floor Option)

* These parts are used from 4/15/91 on

** These parts are used from 7/29/91 on

† These parts are used from 8/4/91 on

†† These parts are used from 9/9/91 on

††† These parts are used from 11/4/91 on

NOTE: Replace vinyl flooring locally

TRIMS & PADS

Key	Part Number	U/M	Description
	070578-06-B05	EA	Button Asm. - Snap Top - #30 - Vinyl
	070578-01-B05	EA	Button Asm. - Snap Top - #30 - Accent - Plain
	070578-01-B06	EA	Button Asm. - Snap Top - #30 - Accent - Plain
	059797-02-000	EA	Shell - Upholstery Button - #30
	059734-01-000	EA	Back - Upholstery Button - #30
	078155-01-000	EA	Strap Asm. - Cushion (Dinette Cushion)
	055632-01-AA3	EA	Strap Asm. - Bunk (Front Overhead)
	081519-10-B05	EA	Pad Asm. - Dinette - Front
	081519-10-B06	EA	Pad Asm. - Dinette - Front
	081519-11-B05	EA	Pad Asm. - Dinette - Rear
	081519-11-B06	EA	Pad Asm. - Dinette - Rear
	059885-16-B05	EA	Motor Cover w/Map Pocket
	059885-16-B06	EA	Motor Cover w/Map Pocket
	079349-01-B03	YD	Welting - Skirt (B85)
	079349-01-B04	YD	Welting - Skirt (B86)

CURTAIN, CUSHION & PAD GROUP (CONTINUED)

CURTAIN & CUSHION HARDWARE

Key	Part Number	U/M	Description
	092464-04-01A	EA	Track - Shower Curtain - Off White
	009701-01-000	EA	Carrier - Shower Curtain
	009702-01-000	EA	End - Stop - Curtain Carrier - Shower
	046867-01-000	EA	Grommet - Brass - 7/16" ID x 1" OD (Shower Curtain)
	029155-01-000	EA	Cap - Snap
	029155-01-000	EA	Socket - Snap Fastener
	089522-03-000	EA	Panel - Window Leg - 2.5" Face - 27 1/2" Long
	105450-02-01A	EA	Track - Curtain - 48" - Off White
	105450-05-01A	EA	Track - Curtain - 79" - Off White
	105450-06-01A	EA	Track - Curtain - 88" - Off White
	101033-01-000	FT	Track - Curtain - Low Profile - White
	101033-02-000	EA	End Cap - Track - Clear
	101031-01-000	EA	Tape - Glide - 4.25" Spacing
	095591-02-000	EA	Bracket - Blind - Hold Down w/Pin
	083170-01-000	EA	Bracket - Blind - Right
	093170-C-000	EA	Bracket - Blind - Left
	093475-01-700	EA	Wand - Blind w/Metal Cup - 8' Long
	093475-01-701	EA	End Cap - Blind w/Stub
	078155-01-000	EA	Strap - Back Cushion
	025774-01-000	FT	Fastener - Dual Hook - 1" Wide - Adhesive Back - Black
	095774-02-000	FT	Fastener - Dual Loop - 1" Wide - Adhesive Back - Black
	088792-02-000	YD	Velcro Tape - Adhesive Back - Loop - 3/4" Wide
	048394-02-000	YD	Velcro Tape - Adhesive Back - Hook - 3/4" Wide
	097565-01-000	EA	Bracket - Mounting - Pleated Blind
	097591-01-000	EA	Spring Extension - Pleated Blind
	097572-01-000	EA	Cord - Spool - Elevated Blind Hookup - Clear Plastic
	097492-02-000	EA	Cord - Pleated Blind
	034415-31-000	YD	Trim - Braid - Curtain - Plum (B85)
	034415-27-000	YD	Trim - Braid - Curtain - Brown (B86)
	079349-01-B65	YD	Welting - Fabric (Skirt)
	079349-01-B85	YD	Welting - Fabric (Skirt)
	079349-03-B85	YD	Welting - Fabric (Headrest)
	079349-03-B86	EA	Welting - Fabric (Headrest)
	081172-01-000	EA	Trim - Headrest - Black Plastic
	052639-01-W30	FT	Trim - Edge Vinyl - 1.5" x 1.5" Wide - Beige
	009136-02-000	EA	Hanger - Ring - Pin Type - Curtain - Brass
	058534-01-000	EA	Tieback - 6" - Clear Plastic
	089916-01-000	EA	Mount - Window Leg - 6.3" - Black

BUCKET SEAT CUSHIONS

Key	Part Number	U/M	Description
	093450-17-B85	EA	Seat Asm. - Bucket - Driver
	093450-17-B86	EA	Seat Asm. - Bucket - Driver
	093450-18-B85	EA	Seat Asm. - Bucket - Passenger
	093450-18-B86	EA	Seat Asm. - Bucket - Passenger
	M03445-23-B85	EA	Cover - Seat - Bucket Seat
	M03445-23-B86	EA	Cover - Seat - Bucket Seat
	M03445-22-B85	EA	Cover - Back - Bucket Seat
	M03445-22-B86	EA	Cover - Back - Bucket Seat
	080243-41-B85	EA	Armrest - Bucket Seat - Right Hand
	080243-41-B86	EA	Armrest - Bucket Seat - Right Hand
	M80243-41-B85	EA	Cover - Right Armrest - Bucket Seat
	M80243-41-B86	EA	Cover - Right Armrest - Bucket Seat
	080243-42-B85	EA	Armrest - Bucket Seat - Left Hand
	080243-42-B86	EA	Armrest - Bucket Seat - Left Hand
	M80243-42-B85	EA	Cover - Left Armrest - Bucket Seat
	M80243-42-B86	EA	Cover - Left Armrest - Bucket Seat
	071126-24-B85	EA	Skirt Asm. - Single Bucket (B85)
	071126-24-B86	EA	Skirt Asm. - Single Bucket (B86)

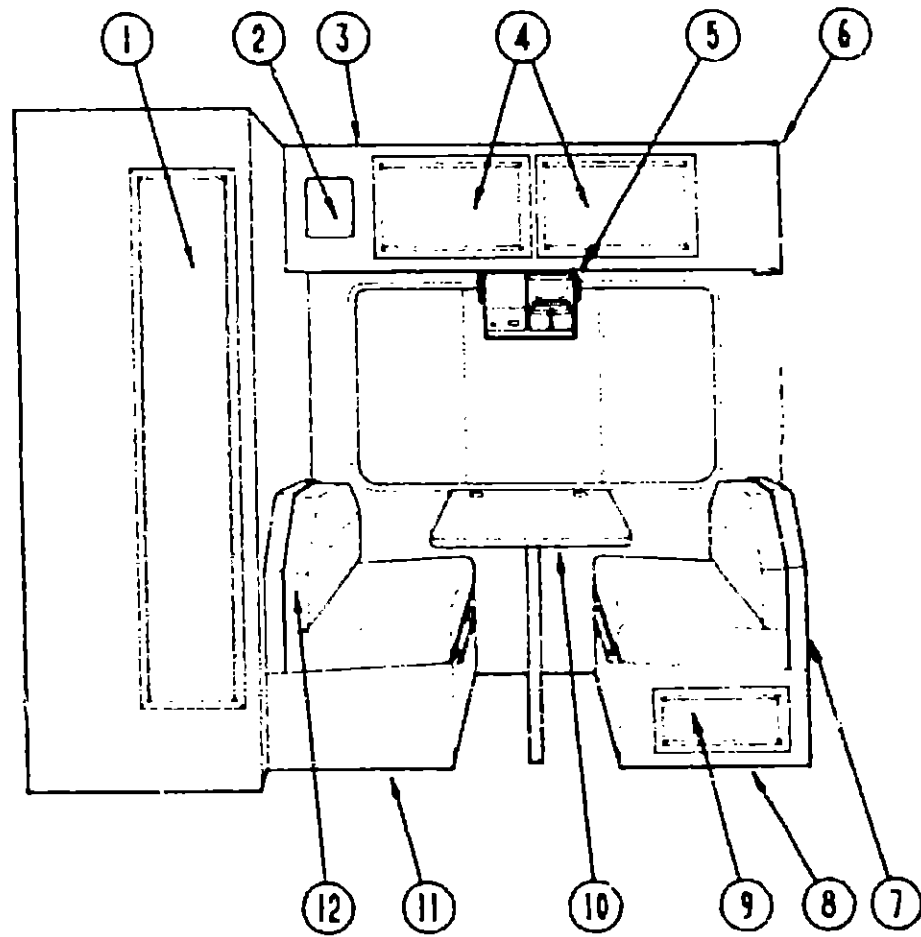
**1991 WINNEBAGO
TABLE OF CONTENTS**

INTRODUCTION	A-01 - A-02
ABBREVIATIONS	A-03
ALPHABETICAL GROUP REFERENCE	A-04 - A-05
WF327RT	A-07 - D-12
WF327RB	D-13 - G-08
WF327RO	G-09 - J-12

1991 WF327RQ INDEX

Floor Plan	G-09 - G-10
Accessories Group	G-11 - G-14
Bath Group	G-15 - G-16
Bedroom Group	G-17 - G-19
Chassis Group	G-20 - G-22
Curtain, Cushion & Pad Group	G-23 - H-08
Dinette Group	H-09 - H-11
Driver's Compartment Group	H-12 - H-14
Electrical Group	H-15 - H-17
Exterior Body Group	H-18 - H-22
Galley Group	H-23 - I-02
Heating & Air Conditioning Group	I-03 - I-04
Interior Finish Group	I-05 - I-08
Labels Group	I-09 - I-16
LP Group	I-17
Lounge Group	I-18
Sealants & Fasteners Group	I-19 - I-21
Water & Sewage Group	I-22 - I-24
Window, Vent & Exterior Door Group	J-01 - J-12

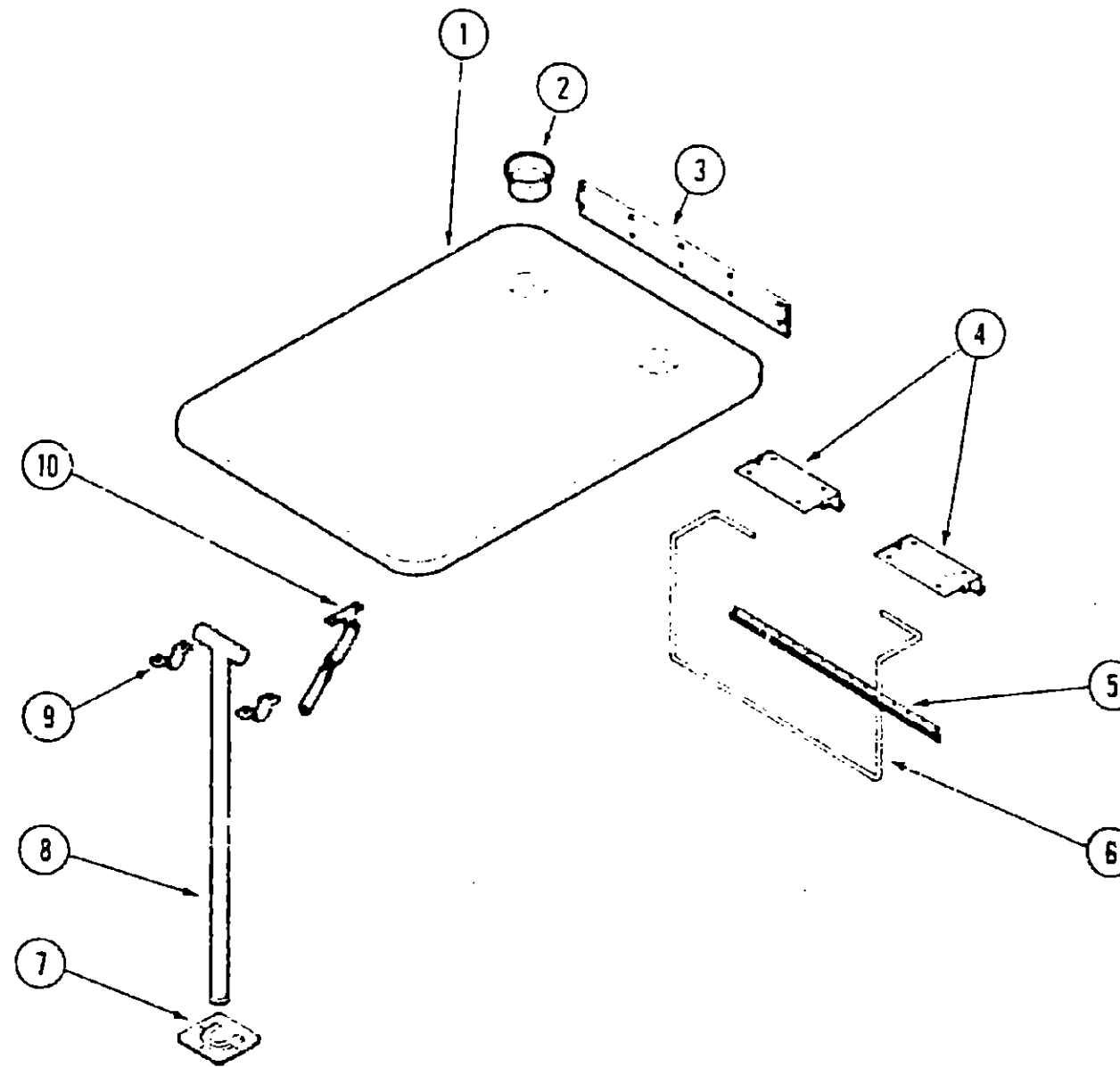
DINETTE GROUP



DINETTE CABINETRY

Key	Part Number	U/M	Description
1	P03360-01-B85	EA	Door Asm - 12 9" x 67 7" - w/o Hardware
2	089340-01-000	EA	Speaker Grill
2	089340-02-000	EA	Speaker Grill
3	M05149-03-B85	EA	Cabinet Asm - Overhead - w/o Doors or Hardware
4	P03701-25-B85	EA	Door Asm - Overhead - 14 4" x 21 8" - w/o Hardware
5	103799-01-01A	EA	Coffee Maker - Almond
	104510-01-000	EA	Strap Asm - Coffee Maker
	068792-02-000	EA	Velcro - 3/4" Loop - Adhesive
6	081260-21-B05	EA	End Cap - Overhead
7	M02174-08-B05	EA	Cabinet Asm - Dinette Back
7	081519-16-B85	EA	Pad Asm - Dinette
8	M02175-12-B85	EA	Cabinet Asm - Dinette Seat
9	P03701-13-B85	EA	Door Asm - 10" x 19" - w/o Hardware
10	M01299-08-B85	EA	Table Asm - Dinette - w/o Hardware
11	M02175-11-B85	EA	Cabinet Asm - Dinette Seat
12	081519-17-B85	EA	Pad Asm - Dinette

DINETTE GROUP (CONTINUED)



DINETTE TABLE & HARDWARE

Key	Part Number	U/M	Description
1	M01299-08-B85	EA	Table Asm - Dinette - w/o Hardware
2	064781-05-000	EA	Cup Holder - Two Step - Off White
3	053200-09-000	EA	Support - Table - 18 5" - Beige
4	088410-01-000	EA	Hanger - Table - Beige
5	024281-11-000	EA	Bracket - Table Lift - 17 12" - Beige
6	024275-11-000	EA	Rod - Table Lift - Beige
7	049493-11-700	EA	Catch - Table Leg
8	024276-21-000	EA	Leg Asm - Table - Beige
9	064050-03-000	EA	Clamp - Saddle - Leg Hinge - Beige
10	024282-01-000	EA	Brace - Table Leg
	024283-01-000	EA	Clip - 1" - 1 125" - OD Tube - Black
	081295-01-AA8	EA	Support - Dinette - 1 5" x 28" - Wood

1991 WINNEBAGO TABLE OF CONTENTS

INTRODUCTION	A-01 - A-02
ABBREVIATIONS	A-03
ALPHABETICAL GROUP REFERENCE	A-04 - A-06
WF327RT	A-07 - D-12
WF327RB	D-13 - G-08
WF327RQ	G-09 - J-12

1991 WF327RQ INDEX

Floor Plan	G-09 - G-10
Accessories Group	G-11 - G-14
Bath Group	G-15 - G-16
Bedroom Group	G-17 - G-19
Chassis Group	G-20 - G-22
Curtain, Cushion & Pad Group	G-23 - H-08
Dinette Group	H-09 - H-11
Driver's Compartment Group	H-12 - H-14
Electrical Group	H-15 - H-17
Exterior Body Group	H-18 - H-22
Galley Group	H-23 - I-02
Heating & Air Conditioning Group	I-03 - I-04
Interior Finish Group	I-05 - I-08
Labels Group	I-09 - I-16
LP Group	I-17
Lounge Group	I-18
Sealants & Fasteners Group	I-19 - I-21
Water & Sewage Group	I-22 - I-24
Window, Vent & Exterior Door Group	J-01 - J-12

DINETTE GROUP (CONTINUED)

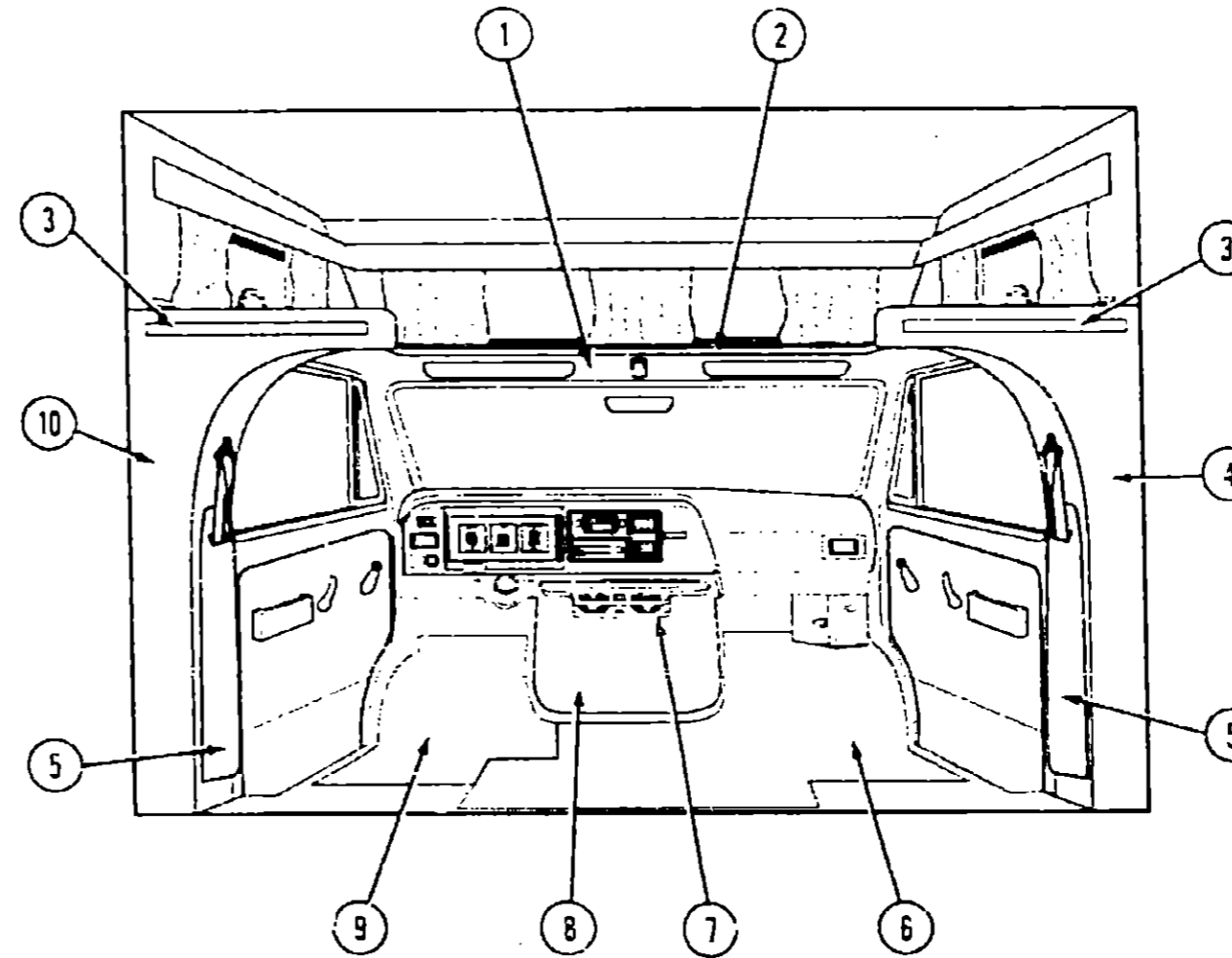
PRESTO BED CABINERY (OPTION L041)

Key	Part Number	U/M	Description
	M04187-17-B85	EA	Panel Asm. - Couch Front w/Fabric (B85)
*	M04187-17-CA9	EA	Panel Asm. - Couch Front w/Fabric (B85)
	M04187-17-B86	EA	Panel Asm. - Couch Front w/Fabric (B86)
	M04187-18-B85	EA	Panel Asm. - Couch Side w/Fabric (B85)
*	M04187-18-CA9	EA	Panel Asm. - Couch Side w/Fabric (B85)
	M04187-18-B86	EA	Panel Asm. - Couch Side w/Fabric (B86)
**	100032-01-B85	EA	Couch - Presto Bed - Seat (B85)
**	100032-01-CA9	EA	Couch - Presto Bed - Seat (B85)
**	100032-01-B86	EA	Couch - Presto Bed - Seat (B86)
**	100032-02-B85	EA	Couch - Presto Bed - Back (B85)
**	100032-02-CA9	EA	Couch - Presto Bed - Back (B85)
**	100032-02-B86	EA	Couch - Presto Bed - Back (B86)
	081298-01-B85	EA	Pedestal Table Asm.
	009040-04-000	EA	Leg - Pedestal Table - 27.5" x 2.25" - Brown
	009040-02-000	EA	Leg - Pedestal Table - 27.5" x 2.25" - Chrome
	041194-01-000	EA	Table Base - Flush Floor Mount
	062046-01-000	EA	Clip - Pedestal Leg
	009040-03-000	EA	Base - Raised Table Mount
	093586-03-000	EA	Catch - Roller Spring
	093586-04-000	EA	Strike - Spring Steel
	082525-01-000	EA	Brace - Presto Bed - Floor Mount (4 Required)
	083125-05-000	EA	Brace - Angle - Couch - 2.5" - Beige
	103313-02-000	EA	Couch Support Asm.
	101926-01-01A	EA	Bracket - ZEE - Beige

* These parts were used from 4/14/91 on

** See Curtain, Cushion & Pad Group for Breakdown of this Item.

DRIVER'S COMPARTMENT GROUP



1991 WINNEBAGO TABLE OF CONTENTS

INTRODUCTION	A-01 - A-02
ABBREVIATIONS	A-03
ALPHABETICAL/GROUP REFERENCE	A-04 - A-05
WF327RT	A-07 - D-12
WF327RE	D-13 - G-08
WF327RQ	G-09 - J-12

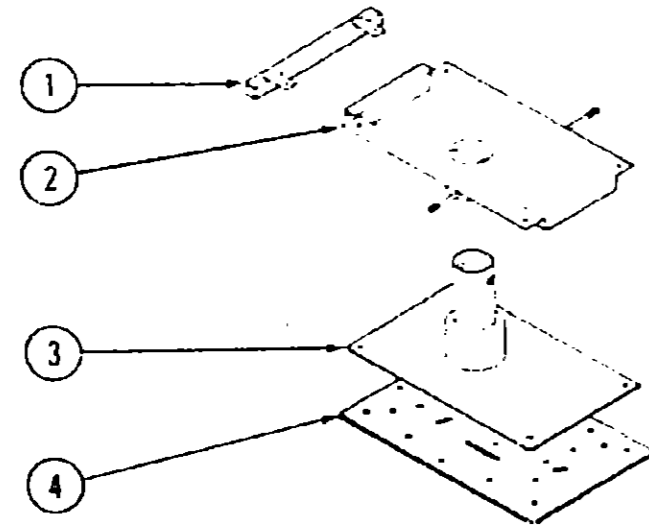
MISCELLANEOUS DRIVER'S COMPARTMENT COMPONENTS

Key	Part Number	U/M	Description
1	091831-01-B05	EA	Headliner - Front - Off White Vinyl
	091825-02-AA5	EA	Headliner - Sides - Off White Vinyl
	P03290-01-B05	EA	Sleeper Board Asm.
	079800-04-000	EA	Trim - Front Sleeper Board - Metal - Off White
2	080742-03-000	FT	Accent Trim - Off White Vinyl
3	032069-03-Y05	EA	Wood Trim - Wingwall - 15.5"
	074045-07-000	EA	Oak Plug - 1/2"
4	103384-01-B05	EA	Wingwall Asm. - Inner - Passenger - Off White
5	091571-05-000	EA	Seat Belt Cover - Off White
	057759-01-000	EA	Bracket - Seat Belt - Washer
6	083219-01-000	EA	Floor Mat - Passenger
7	039857-01-AA5	EA	Beverage Tray
8	069885-23-C03	EA	Motor Cover w/Pocket (B85)
8	069885-23-C04	EA	Motor Cover w/Pocket (B86)
9	083219-02-000	EA	Floor Mat - Driver
10	103344-02-B05	EA	Wingwall Asm. - Inner - Driver - Off White
	093614-01-01A	EA	Grille - Return Air - Brown
	024461-01-000	EA	Switch - Battery
	094795-02-000	EA	Speedometer - Kilometer

1991 WF327RQ INDEX

Floor Plan	G-09 - G-10
Accessories Group	G-11 - G-14
Bath Group	G-15 - G-16
Bedroom Group	G-17 - G-19
Chassis Group	G-20 - G-22
Curtain, Cushion & Pad Group	G-23 - H-08
Dinette Group	H-09 - H-11
Driver's Compartment Group	H-12 - H-14
Electrical Group	H-15 - H-17
Exterior Body Group	H-18 - H-22
Galley Group	H-23 - I-02
Heating & Air Conditioning Group	I-03 - I-04
Interior Finish Group	I-05 - I-08
Labels Group	I-09 - I-16
LP Group	I-17
Lounge Group	I-18
Sealants & Fasteners Group	I-19 - I-21
Water & Sewage Group	I-22 - I-24
Window, Vent & Exterior Door Group	J-01 - J-12

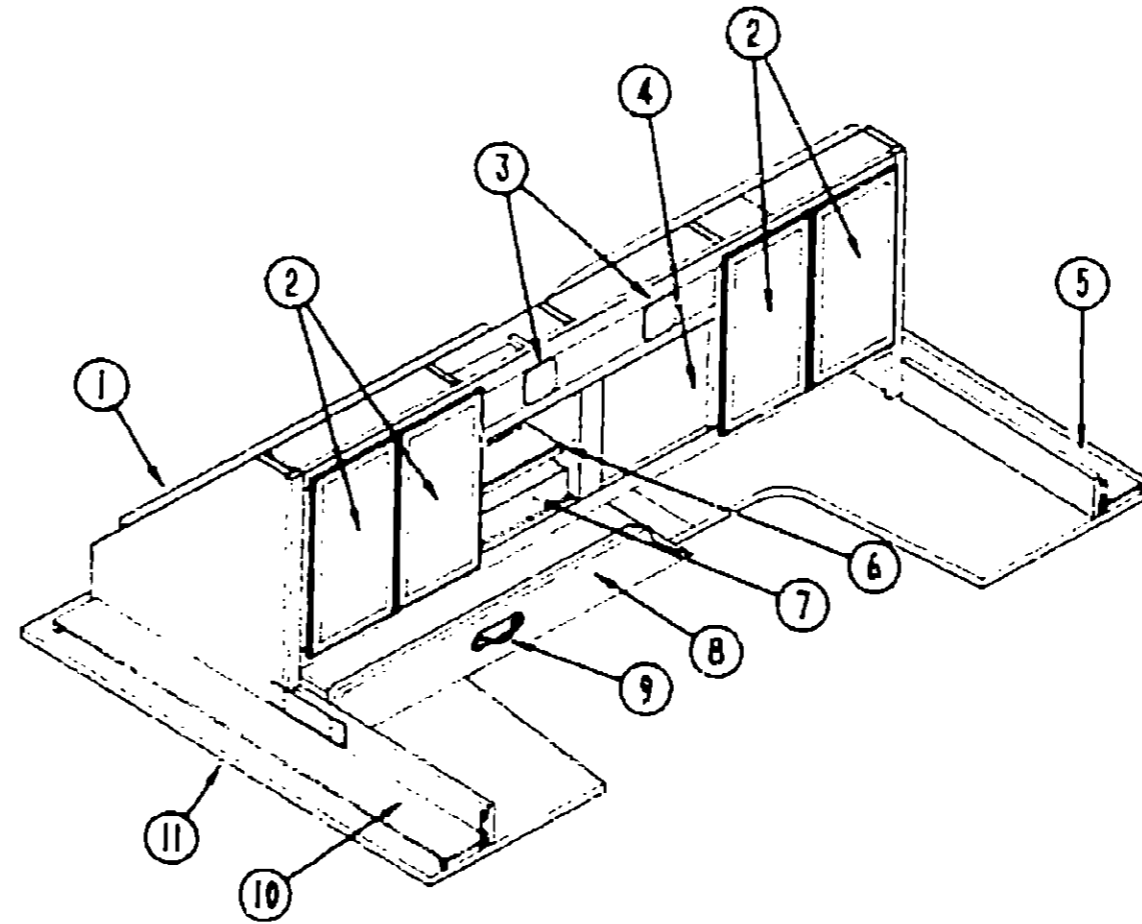
DRIVER'S COMPARTMENT GROUP (CONTINUED)



BUCKET SEAT PEDESTAL

Key	Part Number	U/M	Description
1	069585-28-000	EA	Bar - Seat Belt - 18"
2	033481-04-000	EA	Plate - Top - Pedestal Asm.
3	069585-03-000	EA	Plate - Sub - Pedestal Asm.
4	069585-02-000	EA	Plate - Base - Pedestal Asm. - Bucket Seat
**	069246-01-000	EA	Adjuster Asm. - Seat - w/Lock
	069246-02-000	EA	Adjuster Asm. - Seat - w/o Lock
*	069246-05-000	EA	Adjuster Asm. w/Remote
	069246-05-700	EA	Spring For Slide Adjuster
	069246-05-701	EA	Clip - For Cable Asm. Only
* These parts are used from 7/9/90 on.			
** These parts are used until 7/8/90.			

DRIVER'S COMPARTMENT GROUP (CONTINUED)



TV & ENTERTAINMENT CABINERY (OPTION L43V)

Key	Part Number	U/M	Description
1	093879-02-01A	EA	Panel - Window - Black Plastic
2	203701-55-B85	EA	Door - Cabinet - 10" x 19" - w/o Hardware
3	098819-01-000	EA	Speaker - 2 Watt - 8 OHM - 4"
	074979-11-000	EA	Cover - Speaker - Plastic - Off White
4	098447-01000	EA	TV - 13" Color w/Remote - Magnavox RX4029 (US)
†4	098447-03-000	EA	TV - 13" Color w/Remote - Magnavox RR1337 (US)
4	098447-02-000	EA	TV - 13" Color w/Remote - Magnavox XK4029 (CSA)
†4	098447-04-000	EA	TV - 13" Color w/Remote - Magnavox RR1330W (CSA)
	098447-01-700	EA	Remote Control - Magnavox RX4029 & XK4029
	098447-03-700	EA	Remote Control - Magnavox RR1337 & RR1330W
	099856-01-000	EA	TV - Tiedown
5	100848-01-B13	EA	Cabinet - Headboard - Passenger
6	093622-01-000	EA	Track - Tambour Door - Plastic
	093623-01-000	EA	Track - Corner - Tambour Door
	103391-23-B05	EA	Door Tambour (Roll - up)
7	098446-02-000	EA	VCR - VHS Cable Ready w/Remote - Magnavox VR9912
**7	098446-03-000	EA	VCR - VHS Cable Ready w/Remote - Magnavox VR9010
	098446-02-700	EA	Remote Control - Magnavox VR9912
**	098446-03-700	EA	Remote Control - Magnavox VR9010
8	100847-01-B55	EA	Drawer - Entertainment - Front
*	079145-03-000	EA	Cushion - Front Bunk - 25" x 74" x 3.5"
9	103256-01-000	EA	Pull - Drawer - Polished Brass
10	100848-02-B13	EA	Cabinet - Headboard - Driver
11	103391-01-B05	EA	Cabinet - Entertainment - Front
	085774-01-000	EA	Velcro - Dual Fasteners - Lock - 1" Wide
	085774-02-000	EA	Velcro - Dual Fasteners - Lock - 1" Wide

† These parts are used from 6/24/91 on.
 ** These parts are used from 7/22/91 on.
 * See Curtain, Cushion & Pad Group for further breakdown of this item.

**1991 WINNEBAGO
TABLE OF CONTENTS**

INTRODUCTION	A-01 - A-02
ABBREVIATIONS	A-03
ALPHABETICAL/GROUP REFERENCE	A-04 - A-06
WF327RT	A-07 - D-12
WF327RB	D-13 - G-05
WF327RQ	G-09 - J-12

1991 WF327RQ INDEX

Floor Plan	G-09 - G-10
Accessories Group	G-11 - G-14
Bath Group	G-15 - G-16
Bedroom Group	G-17 - G-19
Chassis Group	G-20 - G-22
Curtain, Cushion & Pad Group	G-23 - H-09
Dinette Group	H-09 - H-11
Driver's Compartment Group	H-12 - H-14
Electrical Group	H-15 - H-17
Exterior Body Group	H-18 - H-22
Galley Group	H-23 - I-02
Heating & Air Conditioning Group	I-03 - I-04
Interior Finish Group	I-05 - I-08
Labels Group	I-09 - I-16
LP Group	I-17
Lounge Group	I-18
Sealants & Fasteners Group	I-19 - I-21
Water & Sewage Group	I-22 - I-24
Window, Vent & Exterior Door Group	J-01 - J-12

ELECTRICAL GROUP

BULBS

Key	Part Number	U/M	Description
	092695-01-709	EA	Bulb - 912 (Stove Hood)
	008215-01-000	EA	Bulb - 1003 (Porch Light)
	009218-01-000	EA	Bulb - 1141 (Dome Light)
	037934-01-000	EA	Bulb - 1156 (Back-Up Light)
	037935-01-000	EA	Bulb - 1157 (Tail Lamp)
	084820-01-705	EA	Bulb - DC Light (Refrigerator) (Export)
	088737-01-710	EA	Bulb - 30W (Microwave Oven)
	036196-01-000	EA	Bulb - 194 (Clearance Light)
	086280-01-700	EA	Bulb - 12 Volt - 6 Watt (Surface Light)

FUSES & CIRCUIT BREAKERS

Key	Part Number	U/M	Description
	008235-01-000	EA	Fuse - 12 Volt - 15 Amp.
	062901-05-000	EA	Fuse - 15 Amp. - Automotive
	008211-01-000	EA	Circuit Breaker - 6 Amp. - 12 Volt
	082209-01-000	EA	Circuit Breaker - 15 Amp. - 120 Volt
	083210-02-000	EA	Circuit Breaker - 15 Amp. - 120 Volt (Ground Fault Interrupter)
	083209-02-000	EA	Circuit Breaker - 15/15 Amp. - 120 Volt
	083209-03-000	EA	Circuit Breaker - 15/20 Amp. - 120 Volt
	033573-01-000	EA	Circuit Breaker - 20 Amp. - 12 Volt
	094811-01-000	EA	Circuit Breaker - 20/20 Amp. - 120 Volt
	008268-01-000	EA	Circuit Breaker - 30 Amp. - 12 Volt
	083209-04-000	EA	Circuit Breaker - 20 Amp. - 120 Volt
	083209-06-000	EA	Circuit Breaker - 30/15 Amp. - 120 Volt
	094810-01-000	EA	Circuit Breaker - 30/30 Amp. - 120 Volt (Export)
	083209-09-000	EA	Circuit Breaker Blank
	050283-02-000	EA	Circuit Breaker - Buss Bar
	100341-01-000	EA	Fuse Holder - In Line Type
	008277-01-000	EA	Fuse Holder - Panel Mount - Black

MISCELLANEOUS ELECTRICAL COMPONENTS

Key	Part Number	U/M	Description
	072852-01-000	EA	Smoke Detector w/9 Volt Battery
	092615-01-000	EA	Converter - 40 Amp. w/Charger
	094809-01-000	EA	Load Center - 240 Volt - 125 Amp. (Export)
	083208-01-000	EA	Control Center - 32 Amp. - 120V/12V

ELECTRICAL GROUP (CONTINUED)

WIRES, SWITCHES, & RECEPTACLES

Key	Part Number	U/M	Description
	008289-01-000	EA	Box - Electrical - 3" x 3.5" - Plastic
	091910-01-000	EA	Box - Electrical - Plastic - 3.75" x 3.50" x 1.75"
	093603-01-000	EA	Box - Electrical - 4" x 2 1/8" x 2 1/8"
	008289-01-000	EA	Box - Electrical - 4" x 4" - 1/2 & 3/4 Steel
	008289-02-000	EA	Box - Electrical - 4" x 4" (CSA)
	058049-01-000	EA	Box - Electrical - 2" x 3" x 2 25" - Steel
	008380-01-000	EA	Bushing - Rub - 5/8" x 1 1/2"
	080734-02-000	EA	Clip - Nylon - Wire
	041953-01-000	FT	Conduit - Convolute Slit - .5" ID
	041953-02-000	EA	Conduit - Convolute - .625" ID
	041953-03-000	FT	Conduit - Convolute Slit - 1" ID
	041953-07-000	FT	Conduit - Convolute Slit - .25" ID
	008355-01-000	EA	Connector - Cable Clamping - 3/4"
	008356-01-000	EA	Connector - Plastic - 3/8" Avg.
	058028-01-000	EA	Connector - Pigtail - Clear Nylon
	008311-01-000	EA	Connector - Wire Nut - Red
	068314-01-000	EA	Connector - Wire Nut - Gray
	031968-01-000	EA	Contact - Plug
	008054-01-000	EA	Cord - Power - 10-3 30 Amp. - 25' (US)
	008052-01-000	EA	Cord - Power - 10-3 30 Amp. - 25' (CSA)
	069238-01-000	EA	Cover - Electrical Box - w/Hole - 4" x 4" - Gray
	008294-02-000	EA	Cover Plate - BLN - Steel 4 x 4 (CSA)
	063910-01-000	EA	Housing - Relay
	088474-03-000	EA	Housing - Socket - 9 Position
	088474-07-000	EA	Housing - Socket - 5 Position
	088474-08-000	EA	Housing - Socket - 4 Position
	088474-09-000	EA	Housing - Socket - 3 Position
	088474-10-000	EA	Housing - Socket - 2 Position
	097744-01-000	EA	Housing - Trailer Pin - 12"
	097744-02-000	EA	Housing - Trailer Pin - 48"
	097746-01-000	EA	Housing Asm. - Trailer Cap
	097745-01-000	EA	Housing Asm. - Trailer Receptacle - 12"
	097745-02-000	EA	Housing Asm. - Trailer Receptacle - 48"
	088473-05-000	EA	Housing Pin - 6 Position In Line
	088473-01-000	EA	Housing Pin - 4 Rows of 3
	088473-03-000	EA	Housing Pin - 9 Position
	088473-08-000	EA	Housing Pin - 4 Position
	088473-09-000	EA	Housing Pin - 3 Position
	088473-10-000	EA	Housing Pin - 2 Position
	088475-01-000	EA	Pin - Connector
	088475-02-000	EA	Pin - Connector
	046885-01-000	EA	Plaque - Switch Mounting
	081082-01-000	EA	Plaque - Switch Mounting
	075736-02-000	EA	Receptacle/Cover Asm. - Off White (Exterior)
	084077-01-000	EA	Receptacle Cover - Ivory (Ground Fault Interrupter)
	084076-01-000	EA	Receptacle - 15 Amp. - 125 Volt - Ivory (Ground Fault Interrupter)
	024924-02-000	EA	Receptacle - Power Cord
	058707-01-000	EA	Receptacle - Single - Brown
	007940-01-000	EA	Receptacle - Slide - 16 to 12 Awg.
	058708-01-000	EA	Receptacle - Double Electrical - Brown
	058709-02-000	EA	Receptacle - Double Electrical - Ivory
	097734-01-01A	EA	Receptacle - Extension - 3.2" x 5" x 7" - Plastic - Ivory

1991 WINNEBAGO TABLE OF CONTENTS

INTRODUCTION	A-01 - A-02
ABBREVIATIONS	A-03
ALPHABETICAL/GROUP REFERENCE	A-04 - A-06
WF327RT	A-07 - D-12
WF327RB	D-13 - G-08
WF327RQ	G-09 - J-12

1991 WF327RQ INDEX

Floor Plan	G-09 - G-10
Accessories Group	G-11 - G-14
Bath Group	G-15 - G-16
Bedroom Group	G-17 - G-19
Chassis Group	G-20 - G-22
Curtain, Cushion & Pad Group	G-23 - H-08
Dinette Group	H-09 - H-11
Driver's Compartment Group	H-12 - H-14
Electrical Group	H-15 - H-17
Exterior Body Group	H-18 - H-22
Galley Group	H-23 - I-02
Heating & Air Conditioning Group	I-03 - I-04
Interior Finish Group	I-05 - I-08
Labels Group	I-09 - I-16
LP Group	I-17
Lounge Group	I-18
Sealants & Fasteners Group	I-19 - I-21
Water & Sewage Group	I-22 - I-24
Window, Vent & Exterior Door Group	J-01 - J-12

ELECTRICAL GROUP (CONTINUED)

WIFES, SWITCHES & RECEPTACLES (CONTINUED)

Key	Part Number	U/M	Description
	102558-01-B10	EA	Spacer - Receptacle - Between Sidewall & Plate - Wood
	088476-01-000	EA	Socket - Connector
	038476-02-000	EA	Socket - Connector - 12-10 Ga.
	008188-01-000	EA	Solenoid - 3 Post - Battery Charge Over
	024461-01-000	EA	Switch - Battery
	098351-01-01A	EA	Switch Plate - Polished Brass
	098351-02-01A	EA	Switch Plate - 2 Gang - Polished Brass
	079364-01-000	EA	Switch - On/Off Rocker - Brown
	047443-01-000	EA	Terminal - .250 Receptacle Fit - Insulated - 16/14 AWG
	047443-02-000	EA	Terminal - .250 Receptacle Fit - Insulated - 12/10 AWG
	050003-02-000	EA	Terminal Pin - 16-14 AWG
	078326-01-000	EA	Terminal Ring - 16/14 Wire - 3/8" Stud
	035416-04-000	EA	Terminal Ring - #10 Stud Fit
	008328-01-000	EA	Terminal Ring - 12/10 Wire
	008348-01-000	EA	Terminal Ring - 2 - 3/8 Stud
	008331-01-000	EA	Terminal Ring - 4 - 3/8 Stud
	093252-01-01A	EA	Wall Plate - Cable - Beige
	008026-01-000	FT	Wire - 12/2 Romex w/Ground
	008343-01-000	EA	Wire Tie - 6"
	081059-02-000	EA	Wire Asm. - 9 Pin - Radio

EXTERIOR LIGHTS

Key	Part Number	U/M	Description
	042405-01-000	EA	Lens - Side Marker/Clearance Light - w/Reflex - Red
	042405-02-000	EA	Lens - Side Marker Light - w/Reflex - Amber
	042405-03-000	EA	Base - Clearance Light - Rectangular
	091983-01-000	EA	Gasket - Light - Side Marker
	036196-01-000	EA	Bulb - 12 Volt - #194
	062740-04-000	EA	Wedge - Tail Light - Plastic - Passenger Side - Off White
	062742-04-000	EA	Wedge - Tail Light - Plastic - Driver Side - Off White
	007309-01-000	EA	Light - License Plate
	059540-01-000	EA	Bracket - License Plate
	058032-02-000	EA	Tail Lamp - 2 Bulb - Black Bezel
	058032-02-700	EA	Lens - Tail Lamp - w/Backup - Red
	058032-02-701	EA	Lens - Tail Lamp - w/o Backup - Red
	037935-01-000	EA	Bulb - Tail Lamp - #1157 - 12 Volt
	097917-01-01A	EA	Light - Porch/Entry Door - Off White
	097917-01-700	EA	Lens - Porch Light
	068215-01-000	EA	Bulb - Porch Light
	100138-01-000	EA	Module - Daytime Running Lights (CSA)
	100159-02-000	EA	Wire Asm. - Daytime Running Lights - w/Fuse (CSA)
	100158-01-000	EA	Wire Asm. - Daytime Running Lights (CSA)

Note: Items indented below assemblies are serviceable parts for that assembly.

INTERIOR LIGHTS

Key	Part Number	U/M	Description
	007309-01-000	EA	Light - Step Well - Round - 12V
	098024-01-01A	EA	Dome Light - 1 Bulb - Ivory
	098024-03-01A	EA	Dome Light - 2 Bulb - Ivory
	098024-01-700	EA	Lens - Dome Light
	008216-01-000	EA	Bulb - Dome Light - 12 Volt - #1141
	066280-01-000	EA	Light - Surface Mount - 12 Volt
	066280-01-700	EA	Bulb - 12 Volt - 6 Watt

NOTE: Items indented below assemblies are serviceable parts for that assembly.

EXTERIOR BODY GROUP

MISCELLANEOUS EXTERNALLY MOUNTED PARTS

Key	Part Number	U/M	Description
	083558-03-000	EA	Plumbing Seal - Roof Vent - 1.5 - Off White
	009126-02-000	EA	Assist Handle - Black
	087659-04-000	EA	Fill - City Water - Off White
	075736-02-000	EA	Cover - Exterior Receptacle - Off White
	082239-02-000	EA	Brace - Valance - Beige
	049347-01-000	EA	Head - Mirror - 7.5" x 10.59" - Stainless Steel
	062047-01-000	EA	Arm - West Coast Mirror
	006043-01-000	EA	Mirror - Exterior - Convex - Adhesive Backed
	099583-55-001	EA	Awning Rail - 120"

SHEET FIBERGLASS, ALUMINUM & STYROFOAM

Key	Part Number	U/M	Description
	044497-01-001	EA	Aluminum - Mill Finish - No Design - 96" x 360" (Roof)
	001054-01-011	EA	Aluminum Sheet - 48" x 96" - Flat - Off White
	000868-01-000	SF	Styrofoam - 3/4" x 24" x 96"
	000870-03-000	SF	Styrofoam - 1.34" x 48" x 96"
	000870-05-000	SF	Styrofoam - .50" x 24" x 96"
	076054-90-000	EA	Fiberglass Sheet - 48" x 296" - Off White
	077517-24-000	EA	Fiberglass Sheet - 48" x 96" - Off White
	076054-09-001	EA	Fiberglass Sheet - 36" x 240" (20') - Off White
	076054-D3-001	EA	Fiberglass Sheet - 48" x 96" - Off White
	076054-D3-006	EA	Fiberglass Sheet - 48" x 296" (24.8') - Off White

1991 WINNEBAGO TABLE OF CONTENTS

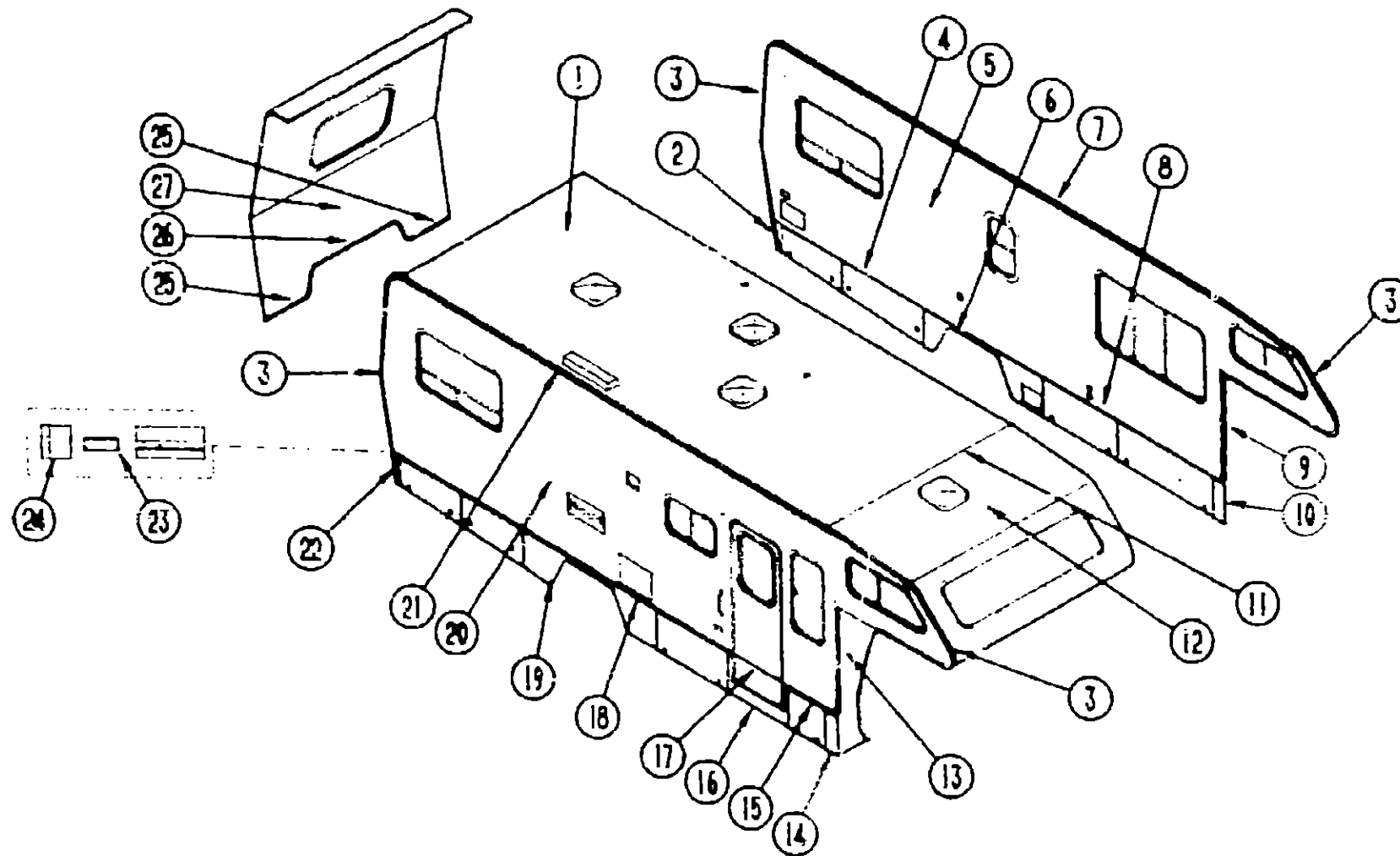
INTRODUCTION	A-01 - A-02
ABBREVIATIONS	A-03
ALPHABETICAL/GROUP REFERENCE	A-01 - A-06
WF327RT	A-07 - D-12
WF327RB	D-13 - G-08
WF327RQ	G-09 - J-12

1991 WF327RQ INDEX

Floor Plan	G-09 - G-10
Accessories Group	G-11 - G-14
Bath Group	G-15 - G-16
Bedroom Group	G-17 - G-19
Chassis Group	G-20 - G-22
Curtain, Cushion & Pad Group	G-23 - H-08
Dinette Group	H-09 - H-11
Driver's Compartment Group	H-12 - H-14
Electrical Group	I-15 - H-17
Exterior Body Group	H-18 - H-22
Galley Group	H-23 - I-02
Heating & Air Conditioning Group	I-03 - I-04
Interior Finish Group	I-05 - I-08
Labels Group	I-09 - I-16
LP Group	I-17
Lounge Group	I-18
Sealants & Fasteners Group	I-19 - I-21
Water & Sewage Group	I-22 - I-24
Window, Vent & Exterior Door Group	J-01 - J-12

EXTERIOR BODY GROUP (CONTINUED)

EXTERIOR BODY PANELS



1991 WINNEBAGO TABLE OF CONTENTS

INTRODUCTION	A-01 - A-02
ABBREVIATIONS	A-03
ALPHABETICAL/GROUP REFERENCE	A-04 - A-06
WF327RT	A-07 - D-12
WF327RB	D-13 - G-08
WF327RQ	G-09 - J-12

1991 WF327RQ INDEX

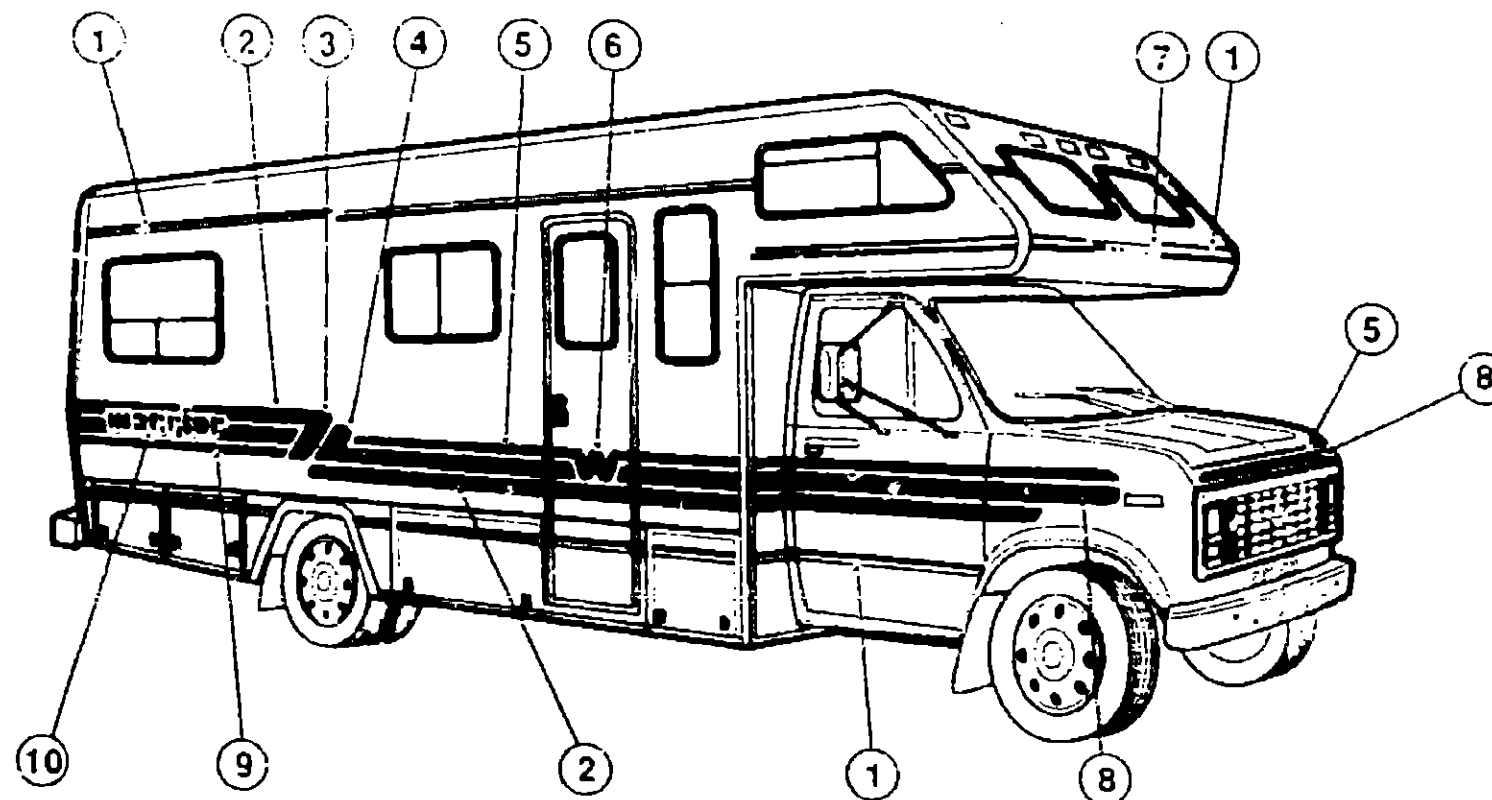
Floor Plan	G-09 - G-10
Accessories Group	G-11 - G-14
Bath Group	G-15 - G-16
Bedroom Group	G-17 - G-19
Chassis Group	G-20 - G-22
Curtain, Cushion & Pad Group	G-23 - H-08
Dinette Group	H-09 - H-11
Driver's Compartment Group	H-12 - H-14
Electrical Group	H-15 - H-17
Exterior Body Group	H-18 - H-22
Galley Group	H-23 - I-02
Heating & Air Conditioning Group	I-03 - I-04
Interior Finish Group	I-05 - I-08
Labels Group	I-09 - I-16
LP Group	I-17
Lounge Group	I-18
Sealants & Fasteners Group	I-19 - I-21
Water & Sewage Group	I-22 - I-24
Window, Vent & Exterior Door Group	J-01 - J-12

Key	Part Number	U/M	Description
1	P02972-01-B05	EA	Roof Asm. (Special Order Item)
2	097907-08-02A	EA	Filler - Valance Panel - Rear - Off White
3	095854-01-01A	EA	Trim Contour - Off White
4	095816-09-01A	EA	Trim - Sidewall - Lower - 163"
5	P02971-01-B85	EA	Sidewall Asm. - Driver (Special Order Item)
6	103320-02-B05	EA	Valance Asm. - Wheelwell
7	090564-01-01A	EA	Trim - Contour - Roof - Off White
8	095816-11-01A	EA	Trim - Sidewall - Lower Front - 67 2" - Off White
9	104479-02-01A	EA	Trim - Contour - Sidewall - Driver - Off White
	104479-01-01A	EA	Trim - Contour - Sidewall - Passenger - Off White
10	095336-12-B05	EA	Valance Asm. - Driver Side - Front
11	076530-01-000	EA	Trim - Roof to Front Cap
12	M76177-01-700	EA	Front Cap w/o Windows
13	P04000-01-B85	EA	Wingwall Asm. - Passenger Side w/Gusset
	096945-03-01A	EA	Trim - Wingwall - Angle - Off White
	P04000-02-B85	EA	Wingwall Asm. - Driver Side - w/Gusset
	095945-04-01A	EA	Trim - Wingwall - Angle - Off White

Key	Part Number	U/M	Description
14	095336-12-B05	EA	Valance Asm. - Passenger Side - Front
15	095816-10-01A	EA	Trim - Sidewall - Lower Front - 26 8" - Off White
16	095835-02-B05	EA	Valance Asm. - Entrance Door
17	002444-04-002	EA	Feature Strip - w/o Insert - 15' Long - Off White
	001030-02-003	EA	Insert - Feature Strip - Stucco
	009731-01-000	EA	End Cap - Feature Strip
18	095816-08-01A	EA	Trim - Sidewall - Lower Front - 174 8" - Off White
19	103320-01-B05	EA	Valance Asm. - Wheelwell
20	P02970-01-B85	EA	Sidewall Asm. - Passenger (Special Order Item)
21	100483-01-01A	EA	Trim - Contour - Roof - Off White
22	097907-07-02A	EA	Filler - Valance Panel - Rear - Off White
23	001030-02-003	EA	Insert - Lower Sidewall Trim
24	098424-02-01A	EA	End Cap - Sidewall Trim - Rear (Passenger Side) & Front (Driver Side)
	098424-01-01A	EA	End Cap - Sidewall Trim - Rear (Driver Side) & Front (Passenger Side)
25	103334-01-01A	EA	Trim - Backwall - Lower - Off White (2 Required)
25	103335-01-01A	EA	Trim - Backwall - Lower - Off White
25	P02973-01-B85	EA	Backwall Asm. (Special Order Item)

See the inset illustration for additional parts

EXTERIOR BODY GROUP (CONTINUED)
DECALS & FILM STRIPE



**1991 WINNEBAGO
TABLE OF CONTENTS**

INTRODUCTION	A-01 - A-02
ABBREVIATIONS	A-03
ALPHABETICAL/GROUP REFERENCE	A-04 - A-06
WF327RT	A-07 - D-12
WF327RB	D-13 - G-08
WF327RQ	G-09 - J-12

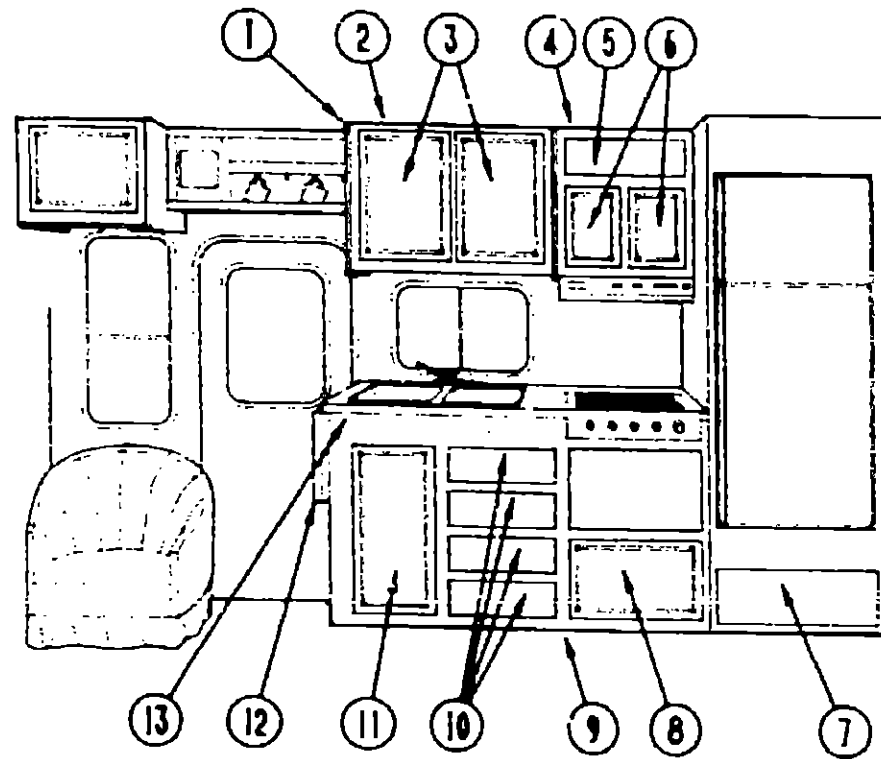
Key	Part Number	U/M	Description
1	094434-01-01A	FT	Multistripe - 2 6" x 150" - Delft Blue/Turquoise/Plum
2	094433-02-01A	FT	Multistripe - 5" x 150" - Dark Plum/Turquoise
3	099984-03-01A	EA	Decal - Angle - Delft Blue/Turquoise
	099984-04-01A	EA	Decal - Angle - Delft Blue/Turquoise
4	099983-01-03A	EA	Decal - Angle - Dark Plum
	099953-02-03A	EA	Decal - Angle - Dark Plum
5	094422-01-01A	FT	Multistripe - 1 5" - Delft Blue/Turquoise
6	093691-03-03A	EA	Decal - Flying "W" - 6.26" - Delft Blue
7	050313-44-030	EA	Decal - Logo "Winnebago" - 2 8" - Delft Blue
8	094433-02-02A	FT	Multistripe - 4" x 150" - Dark Plum/Turquoise
9	093691-14-04A	FT	Film Stripe - 1 5" x 150" - Turquoise
10	099999-01-05A	EA	Decal - Logo - "Warrior" - Off White/Delft Blue

For your convenience here are the Dupont color codes that you may purchase locally
 Blue K9460
 Turquoise K9481
 Plum K9455
 Off White L8723
 Black 99A

1991 WF327RQ INDEX

Floor Plan	G-09 - G-10
Accessories Group	G-11 - G-14
Bath Group	G-15 - G-16
Bedroom Group	G-17 - G-19
Chassis Group	G-20 - G-22
Curtain, Cushion & Pad Group	G-23 - H-08
Dinette Group	H-09 - H-11
Driver's Compartment Group	H-12 - H-14
Electrical Group	H-15 - H-17
Exterior Body Group	H-18 - H-22
Galley Group	H-23 - I-02
Heating & Air Conditioning Group	I-03 - I-04
Interior Finish Group	I-05 - I-08
Labels Group	I-09 - I-16
LP Group	I-17
Lounge Group	I-18
Sealants & Fasteners Group	I-19 - I-21
Water & Sewage Group	I-22 - I-24
Window, Vent. & Exterior Door Group	J-01 - J-12

GALLEY GROUP



GALLEY CABINETRY

Key	Part Number	U/M	Description
1	081280-36-B05	EA	End Cap - Galley Overhead
1	104335-04-C52	EA	End Cap - Galley Overhead
2	P02558-01-B35	EA	Cabinet Asm. - Galley Cabinetry - w/o Doors or Hardware
3	P03701-56-B55	EA	Door Asm. - Galley Overhead - 12" x 21.9" - w/o Hardware
4	M05149-07-B85	EA	Cabinet Asm. - Galley Overhead - w/o Doors or Hardware
4	M05149-08-B85	EA	Cabinet Asm. - Microwave - w/o Doors or Hardware
5	P00520-B2-B85	EA	Door Asm. - Galley Overhead - 7" x 21.9" - w/o Doors or Hardware
6	P03701-03-B85	EA	Door Asm. Galley Overhead - 14.4" x 21.9" - w/o Doors or Hardware
7	P03397-55-B85	EA	Door Asm. - Refrigerator Cabinet - 23.3" x 20.5" - w/o Hardware
8	P03701-60-B85	EA	Door Asm. - Galley Cabinet - 21.9" x 15" - w/o Hardware
9	P02694-01-B85	EA	Cabinet Asm. - Galley - w/o Doors, Drawers or Hardware
10	P03397-57-B85	EA	Drawer Asm. - Galley Cabinet - w/o Hardware
11	P03701-17-B85	EA	Door Asm. - Galley Cabinet - 14.4" x 26.8" - w/o Hardware
12	080812-04-B85	EA	Extension Asm. - Galley Cabinet - w/o Hardware
13	102694-11-B85	EA	Countertop Asm. - Galley Cabinet

These parts were used from 8/30/91 on.

Parts used with Microwave Option

GALLEY GROUP (CONTINUED)

GALLEY HARDWARE

Key	Part Number	U/M	Description
	094745-01-01A	EA	Trim - Microwave - Lower
	094774-03-01A	EA	Trim - Microwave - Either Side - 1.5"
	094750-01-000	EA	Bracket - Microwave - 90°
	055516-03-000	EA	Bracket - Stove Tiedown - Right
	055516-04-000	EA	Bracket - Stove Tiedown - Left
	064073-03-000	EA	Vent - Refrigerator - Roof - Off White
	094073-04-000	EA	Base - Roof Vent - Norcold Refrigerator - Black
	054450-01-000	EA	Level - Refrigerator
	084879-09-000	EA	Vent - Range Hood - Short
	066437-01-000	EA	Strainer - w/Basket - Sink
	056437-01-700	EA	Basket - Strainer
	011053-04-000	EA	Faucet - w/Swing Spout - 8"
	011053-01-700	EA	Aerator - Swing Spout Faucet
	091253-01-000	EA	Gasket - Faucet
	059777-02-000	EA	Hinge - Burnished Brass
	103856-01-000	EA	Pull - Cabinet - Brass
	100935-01-000	EA	Backplate - Brass
	093586-03-000	EA	Catch - Spring Roller
	093596-04-000	EA	Strike - Spring Steel
	090329-01-000	FT	Seal - Refrigerator Cabinet
	009049-01-000	EA	Table - Support - Dropleaf
	104181-01-01A	EA	Support - Leaf - 8" - Saf-T-Ring
	092979-01-000	EA	Clip - Adjustable Shelf
	096990-01-000	EA	Pilaster - Adjustable Shelf - 16" Long
	099990-04-000	EA	Pilaster - Adjustable Shelf - 48" Long
	102551-01-000	EA	Sink - SST - Double Mounting Hardware
	102827-02-000	EA	Bracket - Roller - Rear (Mounts to Drawer)
	102827-03-000	EA	Rollers - Nylon
	102827-04-000	EA	Bracket - Mounting Rear (Mounts to Cabinet)
	102827-05-000	EA	Track - Drawer - 22.5"
	031661-05-000	EA	Drawer Slide
	009059-01-000	EA	Hinge - 2" - Brass
	074470-02-000	EA	Pull - Pin - Release Hinge - Left
	093653-01-C11	EA	Sink Cover

These parts are used from 10/7/91 on

1991 WINNEBAGO TABLE OF CONTENTS

INTRODUCTION	A-01 - A-02
ABBREVIATIONS	A-03
ALPHABETICAL/GROUP REFERENCE	A-04 - A-06
WF327RT	A-07 - D-12
WF327RB	D-13 - G-08
WF327RO	G-09 - J-12

1991 WF327RQ INDEX

Floor Plan	G-09 - G-10
Accessories Group	G-11 - G-14
Bath Group	G-15 - G-16
Bedroom Group	G-17 - G-19
Chassis Group	G-20 - G-22
Curtain, Cushion & Pad Group	G-23 - H-03
Dinette Group	H-09 - H-11
Driver's Compartment Group	H-12 - H-14
Electrical Group	H-15 - H-17
Exterior Body Group	H-18 - H-22
Galley Group	H-23 - I-02
Heating & Air Conditioning Group	I-03 - I-04
Interior Finish Group	I-05 - I-06
Labels Group	I-09 - I-16
LP Group	I-17
Lounge Group	I-18
Sealants & Fasteners Group	I-19 - I-21
Water & Sewage Group	I-22 - I-24
Window, Vent & Exterior Door Group	J-01 - J-12

GALLEY GROUP (CONTINUED)

GALLEY APPLIANCES

Key	Part Number	U/M	Description
	*100258-01-01A	EA	Hood Range w/o Monitor Panel (US)
	100258-03-01A	EA	Hood Range - w/o Monitor Panel - w/Hourmeter (US & Export)
	100258-02-01A	EA	Hood Range - w/o Monitor Panel - Almond (CSA)
	096963-01-702	EA	Switch - Two Way - Momentary - Generator (if used)
	096963-01-703	EA	Switch - ON/OFF - Fan/Lamp
	096966-01-709	EA	Bulb - #912
	096966-01-710	EA	Socket - Light
	096963-01-708	EA	Lens - Lamp
	090973-01-703	EA	Motor
	090973-01-702	EA	Blade - Fan
	096963-01-707	EA	Filter - Grease
	092996-01-707	EA	Vent - Gasket
**	100258-16-01A	EA	Hood Range - w/o Monitor Panel (US)
**	100258-18-01A	EA	Hood Range w/o Monitor Panel - w/Hourmeter (US & Export)
**	100258-17-01A	EA	Hood Range w/o Monitor Panel - (CSA)
	100258-10-01A	EA	Hourmeter - Ventline (Option 39E)
	058248-02-000	EA	Refrigerator - 2-Way - Norcold 876-EG2
	034679-03-700	EA	Cooling Unit - Horizontal Burner
	064473-03-719	EA	Flue - Horizontal Burner
	089248-01-709	EA	Heater - AC - Horizontal
	075217-01-737	EA	Control Module
	089248-01-701	EA	Insert - Control Panel 3-Way
	064660-01-715	EA	Valve - Shut Off - Manual
	084660-01-713	EA	Connector - Male Inlet Fitting
	084660-01-705	EA	Orifice
	089248-01-705	EA	Burner - Horizontal
	089248-01-708	EA	Electrode - Ignition Horizontal
	089248-01-712	EA	Frame - Lower Door - Brown
	075217-01-700	EA	Trim - Upper Door Shelf - Inside
	064472-01-744	EA	Dairy Keeper
	064472-02-716	EA	Electrode - Ignition - Horizontal
	064472-01-727	EA	Hinge - Upper Right
	046955-01-713	EA	Pin-Hinge
	066248-01-715	EA	Tray - Drip - Almond
	064472-03-705	EA	Pin - Hinge - Bottom
	064472-01-731	EA	Cover - Crisper
	075217-01-713	EA	Drawer - Crisper
	064472-01-726	EA	Frame Strip - Cabinet - Left
	089248-01-714	EA	Cabinet Asm. - Framed Almond
	064472-01-727	EA	Hinge - Upper Right
	064472-01-728	EA	Hinge - Lower Right
	089248-02-700	EA	PIC Board - 2-Way
	058248-02-701	EA	Insert - Control Panel - Lower - 2-Way
	103622-01-01A	EA	Refrigerator - 2-Way - Norcold 462 - Black
	103622-01-700	EA	Upper Door Handle Asm.
	103622-01-701	EA	Juice Rack
	103622-01-702	EA	Door Shelf Bin
	103622-01-703	EA	Lower Door Liner
	103622-01-705	EA	Lower Door Handle Asm. (462)
	103622-01-706	EA	Milk Bin
	103622-01-707	EA	Dairy Keeper
	103622-01-708	EA	Crisper - Plain Smoked Gray
	103622-01-709	EA	Selector Knob
	103622-01-710	EA	Thermostat Knob
	103622-01-711	EA	Control Panel - 2-Way)
	103622-01-712	EA	Flame Indicator
	103622-01-713	EA	Ignition Switch
	103799-01-01A	EA	Coffee Maker - Almond
**	100258-16-01A	EA	Hood Range - w/o Monitor Panel (US)
**	100258-18-01A	EA	Hood Range - w/o Monitor Panel - w/Hourmeter (US & Export)
**	100258-17-01A	EA	Hood Range - w/o Monitor Panel - (CSA)
**	100258-10-01A	EA	Hourmeter - Ventline (Option 39E)

** These parts were used from 9/2/91 on.

NOTE: Items indented below assemblies are serviceable parts for that assembly

GALLEY GROUP (CONTINUED)

GALLEY APPLIANCES (CONTINUED)

Key	Part Number	U/M	Description
	091259-04-000	EA	Oven - Microwave - Magic Chef
	102022-01-01A	EA	Range - 16" - 4 Burner - Almond
**	102022-01-02A	EA	Range - 16" - 4 Burner - Almond
	102020-01-724	EA	Main Top Burner
	102020-01-708	EA	Bumper Asm. - Oven
	102020-01-709	EA	Grate Bumper
	102020-01-713	EA	Thermostat Knob)
	102022-01-703	EA	Pressure Regulator
	102020-01-717	EA	Thermostat
	102020-01-722	EA	Top Burner Valve
	110120-01-701	EA	Door Handle
	102022-01-704	EA	Glass - Outer
	102020-01-710	EA	Pilot - Filter
	102020-01-726	EA	Deflector Vent
	102020-01-703	EA	Panel Door - Almond
	102020-01-713	EA	Main Top - Almond
	055282-03-705	EA	Trim - Left
	102022-01-705	EA	Trim - Left - Flat
	055282-03-707	EA	Trim - Right
	102022-01-707	EA	Trim - Right - Flat
	102020-01-711	EA	Top Grate
	102020-01-720	EA	Mercury Control - Valve
	102020-01-712	EA	Burner Valve Knob
	102020-01-714	EA	Oven Pilot
	102022-01-702	EA	Mainfold Pipe
	102020-01-721	EA	Shutoff Valve
	102020-01-702	EA	Panel - Manifold
	095507-02-701	EA	Burner Insert (Slotted Vent)
	097617-01-01A	EA	Panel - Monitor - Almond
	097617-01-703	EA	Plate - Cover
	097617-01-701	EA	Switch - On/Off - Almond
	097617-01-702	EA	Switch - 3 Way - Almond
	097617-01-703	EA	Circuit Board
	097615-01-000	EA	Wire Asm. - Monitor Panel

** These parts were used from 3/11/91 on

NOTE: Items indented below assemblies are serviceable parts for that assembly

**1991 WINNEBAGO
TABLE OF CONTENTS**

INTRODUCTION	A-31 - A-32
ABBREVIATIONS	A-33
ALPHABETICAL/GROUP REFERENCE	A-04 - A-05
WF327RT	A-07 - D-12
WF327RB	D-13 - G-09
WF327RD	G-09 - J-12

199 VF327RQ INDEX

Floor Plan	G-09 - G-10
Accessories Group	G-11 - G-14
Bath Group	G-15 - G-16
Bedroom Group	G-17 - G-19
Chassis Group	G-20 - G-22
Curtain, Cushion & Pad Group	G-23 - H-08
Dinette Group	H-09 - H-11
Driver's Compartment Group	H-12 - H-14
Electrical Group	H-15 - H-17
Exterior Body Group	H-18 - H-22
Galley Group	H-23 - I-02
Heating & Air Conditioning Group	I-03 - I-04
Interior Finish Group	I-05 - I-08
Labels Group	I-09 - I-16
LP Group	I-17
Lounge Group	I-18
Sealants & Fasteners Group	I-19 - I-21
Water & Sewage Group	I-22 - I-24
Window, Vent & Exterior Door Group	J-01 - J-12

HEATING & AIR CONDITIONING GROUP

HEATING & AIR CONDITIONING GROUP (CONTINUED)

ROOF AIR CONDITIONER & PARTS

Key	Part Number	U/M	Description
	093764-01-000	EA	Ceiling Asm - Air Conditioner - Cool Only (Option 29)
	042204-01-709	EA	Thermostat In - 64, Out - 55
	042205-01-702	EA	Thermostat In - 59, Out - 58
	073742-01-701	EA	Selector Switch (5 - Terminal)
	073742-01-702	EA	Decal - Cool Only
	073742-01-703	EA	Decal - Heat & Cool
	091605-01-709	EA	Limit Switch (Open 160, Close 170)
	091225-01-713	EA	Knob (2 Per Package)
	076303-01-707	EA	Filter - 6" x 14 3/4" x 1 1/2" (12 Per Package)
	091225-01-717	EA	Decal (Thermostat) Cool Only
	091605-01-712	EA	Ceiling Shroud (Ivory)
	093763-01-705	EA	Decal - Heat/Cool - Thermostat
	093763-01-706	EA	Heat Element
	093763-01-710	EA	Single Parts Package
	093763-01-04A	EA	Air Conditioner - 110 Volt - Roof Mount - 13,500 BTU - Off White (Option 29)
	093763-04-700	EA	Shroud - Roof A/C - w/o Logos
	093763-01-711	EA	Gasket - Package
	093763-01-712	EA	Fan Blade - Condenser
	093306-01-701	EA	Decal Package - Left & Right
	073742-02-704	EA	Run Capacitor (Compressor)
	091225-01-710	EA	Start Capacitor
	091225-01-709	EA	Start Relay
	076303-01-712	EA	Motor
	093763-01-702	EA	Overload
	093763-01-703	EA	Impeller - 7" Dia x 2 8" Wide
	093763-01-704	EA	Capacitor - Fan
	093763-01-707	EA	Evaporator Coil
	093763-01-705	EA	Condenser Coil
	093763-01-713	EA	Compressor - E Series
	094077-03-000	EA	Cover - Blank - Roof A/C - Ivory
	092441-01-000	EA	Ceiling Asm - Air Conditioner - 220 Volt (European) (Option 29)
	092440-01-000	EA	Air Conditioner - 220 Volt - Roof Mount - 13,500 BTU (European) (Option 29)
	102289-01-000	EA	Spring - Screw - Roof Air Conditioner Gasket (European) (Option 29)

NOTE: Items indented below assemblies are serviceable parts for that assembly.

FURNACES & REPAIR PARTS

Key	Part Number	U/M	Description
	093365-01-000	EA	Thermostat - Wall - Furnace
	099668-02-000	EA	Furnace - 33,000 BTU - Suburban
	099668-02-700	EA	Burner Asm - Complete
	099668-01-702	EA	Electrode
	069634-01-733	EA	Relay - Time Delay
	099668-01-709	EA	Motor Asm.
	099668-01-711	EA	Wheel - Room Air
	092300-02-702	EA	Microswitch Asm.
	099668-01-706	EA	Wheel - Combustion Air
	099668-01-707	EA	Vent Cap & Exhaust Tube Asm
	099668-01-704	EA	Valve
	099668-01-701	EA	Cabinet Asm
	099668-01-703	EA	Cabinet Front
	099668-01-705	EA	Switch - Limit
	092300-02-701	EA	Orifice - Main Burner
	092300-01-704	EA	Gasket - Electrode
	099668-01-712	EA	Board - Module
	075695-02-709	EA	Disc - Glass
	099668-01-710	EA	Blower Asm (Room Air)
	099668-01-708	EA	Blower Asm (Combustion Air)
	075695-02-703	EA	Collar - Duct

NOTE: Items indented below assemblies are serviceable parts for that assembly.

REAR HEATER (OPTION 53G)

Key	Part Number	U/M	Description
	084405-01-000	EA	Rear Heater Asm - w/o Switch
	084405-01-701	EA	Heater Core
	084405-01-707	EA	Fan Blades
	084405-01-702	EA	Motor Asm.
	062401-04-000	EA	Clamp - Hose - Wormgear
	007103-01-000	EA	Hose - Heater - 5/8 ID SAE
	083081-01-000	EA	Hose Formed
	075776-01-000	EA	Tee - Barb - 5/8" x 5/8" x 5/8"
	083610-01-000	EA	Clamp - Wire Dual - Unequal Diameters - 75" x 1.25"
	009195-01-000	FT	Duct - Heat Flexible - 4" ID
	023146-01-000	EA	Clamp - Screw Type - 4"
	059635-02-000	EA	Connector - Duct - 4" ID
	056464-02-000	EA	Register - Plastic - w/o Damper - 4" Dia - Brown
	056464-05-000	EA	Register - Plastic - w/o Damper - 4" Dia - Golden
	088753-01-000	EA	Tube - Aluminized Steel - 5/5" - 18 Gauge
	084404-01-000	EA	Switch - Off/Low/Medium/High - Heater
	084410-01-000	EA	Decal - Rear Auto Heater
	099076-01-000	EA	Decal - Auto Air & Rear Heater
	084374-01-000	EA	Bracket - Heater Switch - Right
	084374-02-000	EA	Bracket - Heater Switch - Left

NOTE: Items indented below assemblies are serviceable parts for that assembly.

**1991 WINNEBAGO
TABLE OF CONTENTS**

INTRODUCTION	A-01 - A-02
ABBREVIATIONS	A-03
ALPHABETICAL GROUP REFERENCE	A-04 - A-06
WF327R7	A-07 - D-12
WF327R8	D-13 - G-08
WF327RQ	G-09 - J-12

1991 WF327RQ INDEX

Floor Plan	G-09 - G-10
Accessories Group	G-11 - G-14
Bath Group	G-15 - G-16
Bedroom Group	G-17 - G-19
Chassis Group	G-20 - G-22
Curtain, Cushion & Pad Group	G-23 - H-08
Dinette Group	H-09 - H-11
Driver's Compartment Group	H-12 - H-14
Electrical Group	H-15 - H-17
Exterior Body Group	H-18 - H-22
Galley Group	H-23 - I-02
Heating & Air Conditioning Group	I-03 - I-04
Interior Finish Group	I-05 - I-06
Labels Group	I-09 - I-16
LP Group	I-17
Lounge Group	I-18
Sealants & Fasteners Group	I-19 - I-21
Water & Sewage Group	I-22 - I-24
Window, Vent & Exterior Door Group	J-01 - J-12

INTERIOR FINISH GROUP

INTERIOR MOLDINGS & TRIMS

Key	Part Number	U/M	Description
	081294-02-000	EA	Molding - Shelf - Notched Wood - 8" Long
	083626-01-000	FT	T-Molding - End Cap - Edge - 3/4" - Brown
	083620-07-000	FT	T-Molding - End Cap - Edge - 3/4" - Pecan
	083620-04-000	FT	T-Molding - End Cap - Edge - 3/4" - Light Oak
	093615-03-000	FT	T-Molding - 75" - Ivory
	093609-23-000	EA	Molding - Outside Corner - 1" x 7" - Modern Ivory
	093609-24-000	EA	Molding - Outside Corner - 1" x 7" - Pecan
	093612-17-000	EA	Molding - Plastic Corner - Outside - 1/2" - Oak
	093612-22-000	EA	Molding - Plastic Corner - Outside - 1/2" - Modern Ivory
	022932-11-000	FT	Molding - Reverse Cove - T-Shaped - Vinyl - Ivory
	022932-01-000	EA	Molding - Reverse Cove T-Shaped - Vinyl - White
	009776-13-000	FT	U-Channel - 1" - Pecan
	092767-12-000	FT	Walling - Antique White (Ceiling to Wall)
	092331-F2-134	EA	Molding - Vinyl Wrapped - 2.5" x 7"
	092331-H2-438	EA	Molding - Vinyl Wrapped - 3.5" x 8"
	092330-03-000	EA	Lumber - Vinyl Wrapped - 2" x 8"
	092330-D2-438	EA	Lumber - Vinyl Wrapped - 1.5" x 8"
	074045-07-000	EA	Plug - Wood - 1/2"
	070504-19-000	FT	U-Channel - Plastic - 3/5" Wide - Brown
	070504-01-000	FT	U-Channel - Plastic - 3/5" Wide - Light Brown

BATT STRIPS

Key	Part Number	U/M	Description
	069733-70-000	EA	Batt Strip - Oak - 8
	065264-03-000	FT	Batt Strip - Oak - Tape Adhesive
	065264-03-700	FT	Batt Strip - Oak - Tape Adhesive - 31" x 250"
	065263-63-000	EA	Batt Strip - Decorative - Plain - 8" (Wall)
	065264-51-000	FT	Batt Strip - Decorative - Plain - Tape Adhesive (Wall)
	065263-64-000	EA	Batt Strip - Decorative w/Flowers
	065264-52-000	FT	Batt Strip - Decorative w/Flowers - Adhesive Back
	069263-51-000	EA	Batt Strip - Crosshatched Spatter - Beige (Ceiling)
	069263-71-000	EA	Batt Strip - Trowel Work Fawn (Ceiling)

* These parts were used from 5/29/91 on

PANELING & COUNTERTOP MATERIAL

Key	Part Number	U/M	Description
	074497-10-000	SF	Paneling - Oak - 48" x 96" (32 SF) (Cabinets)
	074497-18-000	SF	Paneling - Crosshatched - 48" x 96" (32 SF) (Ceiling)
**	074497-19-000	SF	Paneling - Trowel Work Fawn - 48" x 96" (32 SF) (Ceiling)
	089351-03-000	YD	Vinyl - Headliner - 54" Wide
	067622-04-000	EA	Tambour Door - 41" x 81" Sheet
	069277-64-000	SF	Paneling - Decorative - Plain - 48" x 84" (28 SF) (Wall)
	069277-65-000	SF	Paneling - Decorative - Patterned w/Flowers - 48" x 84" (28 SF) (Wall)
	068272-72-000	SF	Paneling - Travertine White - 45" x 84" (28 SF) (Shower)
	074498-39-000	SF	Plastic Laminate - Taupe - 48" x 96" (32 SF)
	076325-26-000	FT	Molding - Edge Band - Beige
	076325-32-000	FT	Molding - Edge Band - Taupe

* These parts were used from 4/29/91 on

** These parts were used from 5/29/91 on

INTERIOR FINISH GROUP (CONTINUED)

CURTAIN & CUSHION HARDWARE

Key	Part Number	U/M	Description
	022464-04-01A	EA	Track - Shower Curtain - Off White
	009701-01-000	EA	Carrier - Shower Curtain
	009702-01-000	EA	End - Stop - Curtain Carrier - Shower
	046557-01-000	EA	Grommet - Brass - 7/16" ID x 1" OD (Shower Curtain)
	029155-01-000	EA	Cap - Snap
	029155-01-000	EA	Socket - Snap Fastener
	069522-03-000	EA	Panel - Window Leg - 2.5" Face - 27 1/2" Long
	105450-02-01A	EA	Track - Curtain - 48" - Off White
	105450-05-01A	EA	Track - Curtain - 79" - Off White
	105450-08-01A	EA	Track - Curtain - 85" - Off White
	101033-01-000	FT	Track - Curtain - Low Profile - White
	101033-02-000	EA	End Cap - Track - Clear
	101031-01-000	EA	Tape - Grid - 4.25" Spacing
	095591-02-000	EA	Bracket - Blind - Hold Down w/ Pin
	093170-01-000	EA	Bracket - Blind - Right
	093170-02-000	EA	Bracket - Blind - Left
	093175-01-700	EA	Wend - Blind w/Metal Clip - 8" Long
	093177-01-701	EA	End Cap - Blind w/Stud
	079155-01-000	EA	Strap - Back Cushion
	065774-01-000	FT	Fastener - Dual Hook - 1" Wide - Adhesive Back - Black
	065774-02-000	FT	Fastener - Dual Loop - 1" Wide - Adhesive Back - Black
	055712-02-000	YD	Velcro Tape - Adhesive Back - Loop - 3/4" Wide
	049391-02-000	YD	Velcro Tape - Adhesive Back - Hook - 3/4" Wide
	097565-01-000	EA	Bracket - Mounting - Pleated Blind
	097591-01-000	EA	Spring Extension - Pleated Blind
	097592-01-000	EA	Cord - Spool - Elevated Blind Hookup - Clear Plastic
	097492-02-000	EA	Cord - Pleated Blind
	054415-31-000	YD	Trim - Brail - Curtain - Plum (B55)
	084415-27-000	YD	Trim - Brail - Curtain - Brown (B56)
	079349-01-B55	YD	Walling - Fabric (Skirt)
	079349-01-B55	YD	Walling - Fabric (Skirt)
	079349-03-B55	YD	Walling - Fabric (Headrest)
	079349-03-B55	EA	Walling - Fabric (Headrest)
	051172-01-000	EA	Trim - Headrest - Back - Plastic
	052653-01-W30	FT	Trim - Edge Vinyl - 1.5" x 1.5" Wide - Beige

MISCELLANEOUS PARTS

Key	Part Number	U/M	Description
	053552-02-AA8	EA	Handle Asm - Interior Assist
	003D20-07-00B	EA	Nut - Acorn - Assist Handle - 7/16" x 14 ZN
	000C16-07-165	EA	Bolt - Carriage - Assist Handle - 7/16" - 14 x 1" ZN
	059178-02-000	EA	Bracket - Mounting - Assist Handle
	105947-03-C05	EA	Holder - Key Ring
	094499-02-000	EA	Fire Extinguisher - Dry IA 10BC
	094499-01-000	EA	Fire Extinguisher w/Mounting Bracket - Dry IA 10BC
	094499-01-700	EA	Bracket - Mounting - w/Plastic Strap
	072852-01-000	EA	Smoke Detector w 9 Volt Battery
	072852-02-000	EA	Smoke Detector w 9 Volt Battery
	054165-63-000	EA	Owners Manual - 1991 Warrior
	092316-01-000	EA	Binder - 3-Ring - Motor Home Manual
	092319-01-000	EA	Pocket Page - 3-Ring Binder - Plastic
	093094-05-000	EA	Cassette - Winnebago Warrior
	100503-01-01A	EA	Wall Clock - Round - Bezel
	103764-01-01A	EA	Wall Clock - Spartus
	022219-01-000	EA	Floor Mat - w/Winnebago Logo - Passenger
	022219-02-000	EA	Floor Mat - w/Winnebago Logo - Driver
	007038-01-000	EA	Floor Mat - w/Winnebago Logo - 10.5" x 26" - Black Rubber

* These parts were used from 5/1/91 on.

1991 WINNEBAGO TABLE OF CONTENTS

INTRODUCTION	A-01 - A-02
ABBREVIATIONS	A-03
ALPHABETICAL GROUP REFERENCE	A-04 - A-05
WF327RT	A-07 - D-12
WF327RE	D-13 - G-08
WF327RC	G-09 - J-10

1991 WF327RQ INDEX

Floor Plan	G-09 - G-10
Accessories Group	G-11 - G-14
Bath Group	G-15 - G-16
Bedroom Group	G-17 - G-19
Chassis Group	G-20 - G-22
Curtain, Cushion & Pad Group	G-23 - H-03
Dinette Group	H-09 - H-11
Driver's Compartment Group	H-12 - H-14
Electrical Group	H-15 - H-17
Exterior Body Group	H-18 - H-22
Galley Group	H-23 - I-02
Heating & Air Conditioning Group	I-03 - I-04
Interior Finish Group	I-05 - I-06
Labels Group	I-09 - I-16
LP Group	I-17
Lounge Group	I-18
Sealants & Fasteners Group	I-19 - I-21
Water & Sewage Group	I-22 - I-24
Window, Vent & Exterior Door Group	J-01 - J-10

INTERIOR FINISH GROUP (CONTINUED)

CABINERY & TABLE HARDWARE

Key	Part Number	U/M	Description
	053200-09-000	EA	Bracket - Table Support - Upper Wall Mount - 23 5" - Beige
	024275-11-000	EA	Rod - Table Lift - 8" x 18 5" - Beige
	054751-05-000	EA	Cup Holder - Two Stage - Off White
	058410-01-000	EA	Bracket - Lift - Table Mounted - Beige
	024281-11-000	EA	Bracket - Lift - Rod - Lower Wall Mount - Beige
	024276-21-000	EA	Leg Asm - Table - Beige
	054050-03-000	EA	Clamp - Saddle - Leg Hinge - Tan
	024282-01-000	EA	Brace - Table Leg - Hinged
	024283-01-000	EA	Clip - Leg - 1" x 1 12" OD - Black
	052777-02-000	EA	Hinge - Antique Light Brass
	103855-01-000	EA	Pull - Cabinet - Brass - 3" on Center
	074493-02-000	EA	Support - Spring - Door
	004354-01-000	EA	Bumper - Cabinet Door - Rubber - Brown
	093888-03-000	EA	Catch - Spring - Roller
	093888-04-000	EA	Strike - Spring Steel
	009112-01-000	EA	Flange - 1" - Clothes Rod - Plastic - Off White
	042455-01-000	EA	Wood Dowel - Clothes Rod - 1" Dia x 4"
	041953-03-000	FT	Conduit - Convolute S11 - 1" ID (Clothes Rod Cover)
	062046-01-000	EA	Clip - Pedestal Leg
	074245-07-000	EA	Wooden Plug - 1/2"
	103855-01-000	EA	Backplate - Brass - 5 6"
	009059-01-000	EA	Hinge - 2" x 1 4" - Brass
	009349-01-000	EA	Support - Galley Extension
	074470-02-000	EA	Pin - Pull - Hinge Release
	009040-01-000	EA	Leg - Pedestal Table - 27 5"
	062046-01-000	EA	Clip - Pedestal Table Leg - 1 7" x 2 2"
	094855-07-02A	EA	Track - Folding Door - 34 25"
	093522-01-000	EA	Track - Tambour Door - Plastic
	093523-01-000	EA	Track - Corner - Tambour Door
	097191-01-000	EA	Handle - Tambour Door
	077252-01-000	EA	Pin - Hinge - 3/16 x 3 1" - Stainless Steel
	102827-02-000	EA	Bracket - Roller - Drawer - Rear
	102827-03-000	EA	Roller - Drawer - Nylon (Pair)
	102827-04-000	EA	Bracket - Drawer Mounting - Rear
	102827-05-000	EA	Track - Drawer - 22 6" - Long
	098979-01-000	EA	Clip - Adjustable Shell
	098980-01-000	EA	Plaster - Adjustable Shell - 18" Long
	098980-04-000	EA	Plaster - Adjustable Shell - 48" Long
	058199-01-X11	EA	Hinge - Double Bed
	058199-02-Y12	EA	Hinge - Bed Top - Lift - Beige
	057460-02-000	EA	Stud - Ball - Gas Spring - 5/16"
	057460-03-000	EA	Clip - Safety - Wireform Type - Gas Spring
	057460-04-000	EA	Spring - Gas
	089076-01-000	EA	Bed Support - H-Channel - 1.9" x 74.6" - Beige
	089025-01-000	EA	Spring Support - Angle - To Bed - 1 5" x 11 8" Long
	089024-01-000	EA	Spring Support - To Floor - 5 9" Wide x 7" High
	016504-03-000	EA	Brace - Cabinet - Angle - 2 5" - Metal - Beige

INTERIOR FINISH GROUP (CONTINUED)

FABRICS & CARPETS

Key	Part Number	U/M	Description
	072333-82-000	YD	Fabric - Drapery - Beige (Privacy)
	095003-75-000	YD	Fabric - Upholstery - Woven - Patterned (B55)
	095003-79-000	YD	Fabric - Upholstery - Woven - Patterned (B55)
	104233-12-000	YD	Fabric - Upholstery - Patterned (B55)
	095003-78-000	YD	Fabric - Upholstery - Plain Velour (B55)
††	104233-29-000	YD	Fabric - Upholstery - Plain (B55)
	095003-80-000	YD	Fabric - Upholstery - Plain Velour (B55)
††	104233-26-000	YD	Fabric - Upholstery - Plain (B55)
	095003-86-000	YD	Fabric - Upholstery - Woven Velour (B55)
	095003-82-000	YD	Fabric - Upholstery - Woven Velour (B55)
	088273-68-000	YD	Fabric - Bedspread (B55)
	088273-69-000	YD	Fabric - Bedspread (B55)
	088273-72-000	YD	Fabric - Bedspread - Plain Accent (B55)
	088273-65-000	YD	Fabric - Bedspread - Plain Accent (B55)
	079580-01-000	YD	Vinyl - Expanded - 26 oz - Buckskin (Wingwall)
	075244-04-000	YD	Vinyl - Shower Curtain - Quartz (B55)
	075244-06-000	YD	Vinyl - Shower Curtain - Teal (B55)
	089351-03-000	YD	Vinyl - Headliner - Off White
	095050-24-000	SY	Carpet - Light Brown (B55)
†	095050-41-000	SY	Carpet - Egg Plant (B55)
	095050-25-000	SY	Carpet - Brown (B55)
**	095062-03-000	SY	Carpet - Light Brown (B55)
	093488-01-000	SY	Carpet - Compartments - Dark Gray
	047034-02-000	SF	Plastic Runner - Carpet - 4" Wide - Clear
	078539-01-000	EA	Trim - Carpet - Cab - Passenger - 29" Long
	078539-02-000	EA	Trim - Carpet - Cab - Driver - 29" Long
	093873-01-02A	EA	Trim - "J" - 12" Long - Vinyl - 1
	055746-01-000	FT	Trim - "J" - Carpet - PVC - Beige - 10" Long
	100559-01-803	EA	Floor Trim - 72" x 1" x 1/2" (Vinyl Floor Option)

* These parts are used from 4/15/91 on
 ** These parts are used from 7/29/91 on
 † These parts are used from 8/4/91 on
 †† These parts are used from 9/9/91 on
 ††† These parts are used from 11/4/91 on.
 NOTE: Replace vinyl flooring locally.

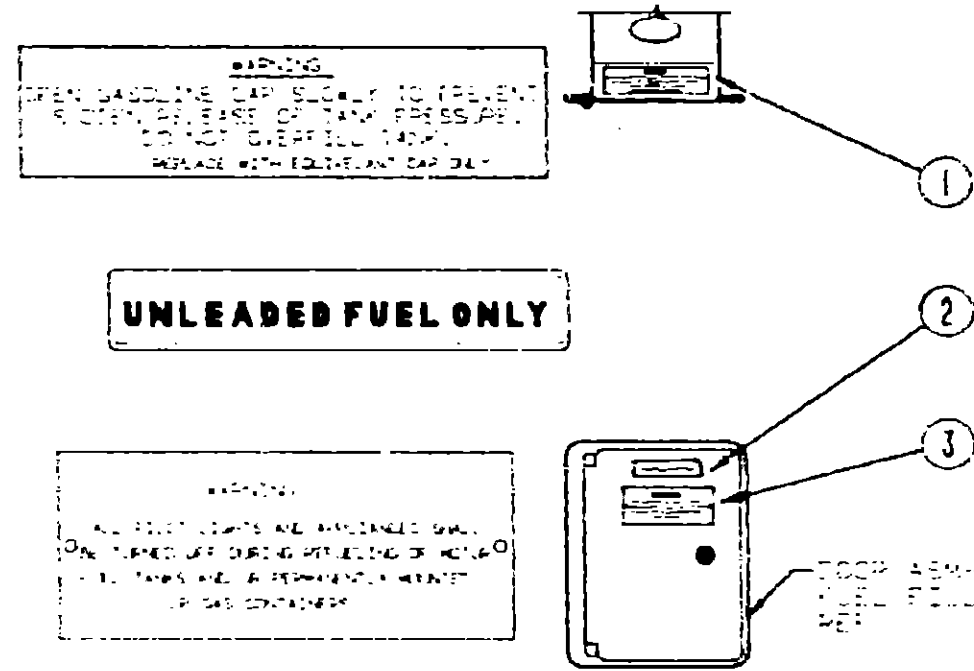
**1991 WINNEBAGO
TABLE OF CONTENTS**

INTRODUCTION	A-01 - A-02
ABBREVIATIONS	A-03
ALPHABETICAL/GROUP REFERENCE	A-04 - A-06
WF327RT	A-07 - D-12
WF327RB	D-13 - G-05
WF327RQ	G-09 - J-12

1991 WF327RQ INDEX

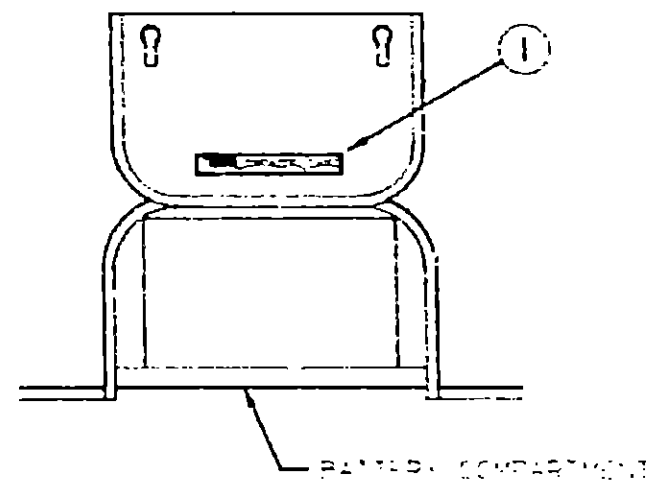
Floor Plan	G-09 - G-10
Accessories Group	G-11 - G-14
Bath Group	G-15 - G-16
Bedroom Group	G-17 - G-19
Chassis Group	G-20 - G-22
Curtain, Cushion & Pad Group	G-23 - H-08
Dinette Group	H-09 - H-11
Driver's Compartment Group	H-12 - H-14
Electrical Group	H-15 - H-17
Exterior Body Group	H-18 - H-22
Galley Group	H-23 - I-02
Heating & Air Conditioning Group	I-03 - I-04
Interior Finish Group	I-05 - I-08
Labels Group	I-09 - I-16
LP Group	I-17
Lounge Group	I-18
Sealants & Fasteners Group	I-19 - I-21
Water & Sewage Group	I-22 - I-24
Window, Vent & Exterior Door Group	J-01 - J-12

LABELS GROUP



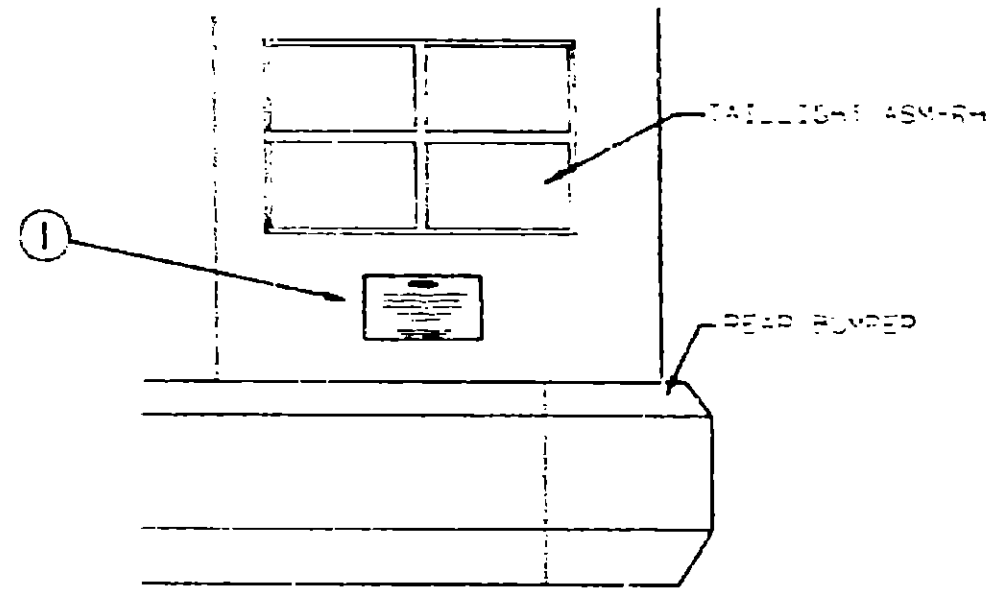
Key	Part Number	U/M	Description
1	067207-05-000	EA	Label - Fuel Cap Removal
2	062043-01-000	EA	Label - Unleaded Fuel
3	066040-01-000	EA	Tag - Gas Refueling Warning (US)
3	066040-02-000	EA	Tag - Gas Refueling Warning (CSA)

WARNING DISCONNECT BATTERIES BEFORE CONNECTING EXTERNAL CHARGING EQUIPMENT.



Key	Part Number	U/M	Description
1	055748-01-000	EA	Label - Caution - Battery Charging

LABELS GROUP (CONTINUED)

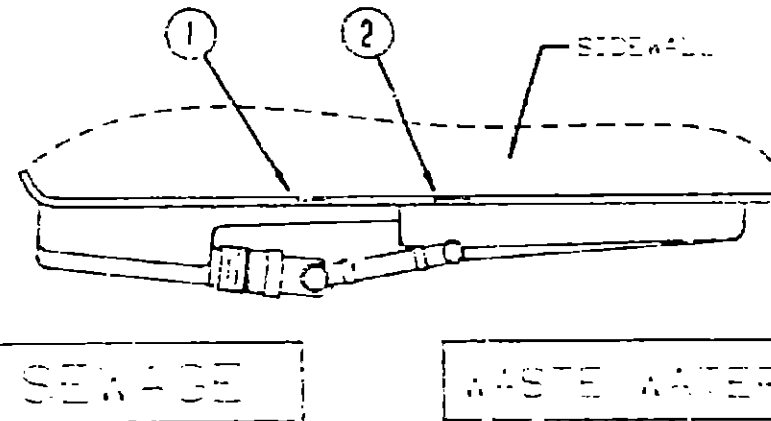


WARNING

DO NOT EXCEED THE VEHICLE WEIGHT RATINGS OR LOADING RECOMMENDATIONS (E.G., GROSS VEHICLE, GROSS AXLE, GROSS COMBINED) OF THE CHASSIS MANUFACTURER OR WINNEBAGO INC.

REFER TO YOUR OWNERS MANUAL BEFORE LOADING OR TOWING.

Key	Part Number	U/M	Description
1	075220-01-000	EA	Label - Warning - Exterior Load



Key	Part Number	U/M	Description
1	005167-01-000	EA	Label - Sewage
2	005188-01-000	EA	Label - Waste Water

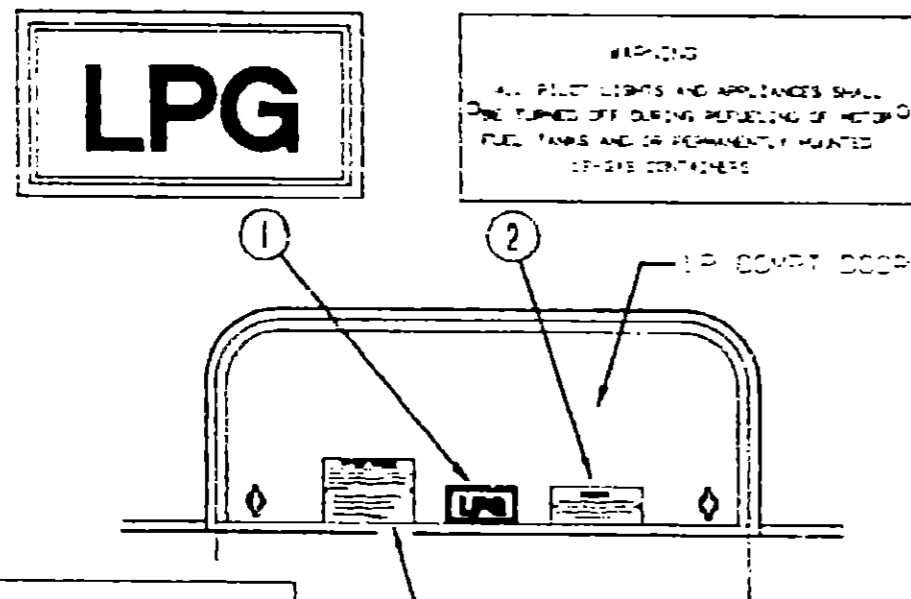
1991 WINNEBAGO TABLE OF CONTENTS

INTRODUCTION	A-01 - A-02
ABBREVIATIONS	A-03
ALPHABETICAL/GROUP REFERENCE	A-04 - A-05
WF327RT	A-07 - D-12
WF327RB	D-13 - G-09
WF327RQ	G-09 - J-12

1991 WF327RQ INDEX

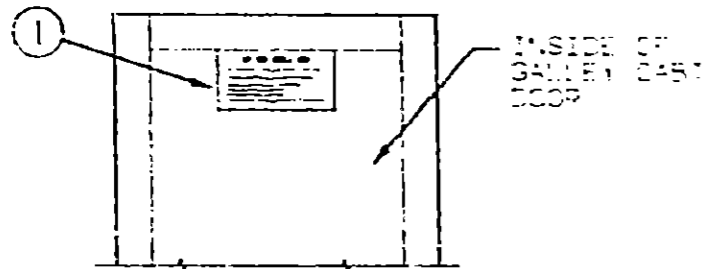
Floor Plan	G-09 - G-10
Accessories Group	G-11 - G-14
Bath Group	G-15 - G-16
Bedroom Group	G-17 - G-19
Chassis Group	G-20 - G-22
Curtain, Cushion & Pad Group	G-23 - H-03
DINETTE Group	H-03 - H-11
Driver's Compartment Group	H-12 - H-14
Electrical Group	H-15 - H-17
Exterior Body Group	H-18 - H-22
Galley Group	H-23 - I-02
Heating & Air Conditioning Group	I-03 - I-04
Interior Finish Group	I-05 - I-08
Labels Group	I-09 - I-16
LP Group	I-17
Lounge Group	I-18
Sealants & Fasteners Group	I-19 - I-21
Water & Sewage Group	I-22 - I-24
Window, Vent & Exterior Door Group	J-01 - J-12

LABELS GROUP (CONTINUED)



LP GAS SYSTEM
 THIS WARNING SYSTEM IS
 DESIGNED FOR USE OF LICENSED
 RETAILERS ONLY. DO NOT
 REMOVE OR ALTER THIS
 SYSTEM.
 ALWAYS LEAK CHECK WHEN NOT CONNECTED
 TO A GAS SUPPLY. AFTER TURNING ON GAS, EXPECT
 A FLEET OF SMALL BUBBLES TO APPEAR AT THE
 TEST GAS POINTS AND CONNECTIONS TO
 APPLIANCES FOR LEAKAGE. WITH NEARLY WARMED
 UP BUBBLES YOU SHOULD NOT USE PRODUCTS
 THAT CONTAIN FLAMMABLE OR TOXIC
 GASES.

Key	Part Number	U/M	Description
1	074559-01-000	EA	Label - "LPG" - 3.3" x 1.75" (California Code)
2	005040-01-000	EA	Tag - Gas Refueling Warning (US)
2	005040-02-000	EA	Tag - Gas Refueling Warning (CSA)
3	054531-01-000	EA	Label - LP Gas Only

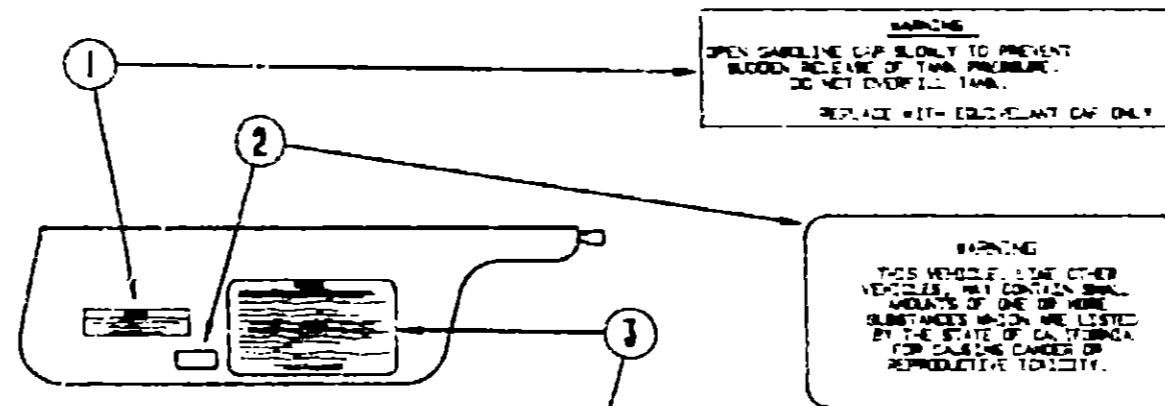


IF YOU SMELL GAS

1. EXTINGUISH ANY OPEN FLAME, PILOT LIGHTS AND ALL SMOKING MATERIALS.
2. SHUT OFF THE GAS SUPPLY AT THE TANK VALVE OR GAS SUPPLY CONNECTION.
3. OPEN DOORS AND OTHER VENTILATING DEVICES.
4. DO NOT TOUCH ELECTRICAL SWITCHES.
5. LEAVE THE AREA UNTIL ODOR CLEARS.
6. HAVE THE GAS SYSTEM CHECKED FOR LEAKAGE SOURCE CORRECTED BEFORE USING AGAIN.

Key	Part Number	U/M	Description
1	073998-01-000	EA	Label - LPG - Odor Warning

LABELS GROUP (CONTINUED)



WARNING
 OPEN CARTRIDGE CAP SLOWLY TO PREVENT
 SUDDEN RELEASE OF TANK PRESSURE.
 DO NOT OVERFILL TANK.
 REPLACE WITH EQUIVALENT CAP ONLY.

WARNING
 THIS VEHICLE, LIKE OTHER
 VEHICLES, MAY CONTAIN SMALL
 AMOUNTS OF ONE OR MORE
 SUBSTANCES WHICH ARE LISTED
 BY THE STATE OF CALIFORNIA
 FOR CAUSING CANCER OR
 REPRODUCTIVE TOXICITY.

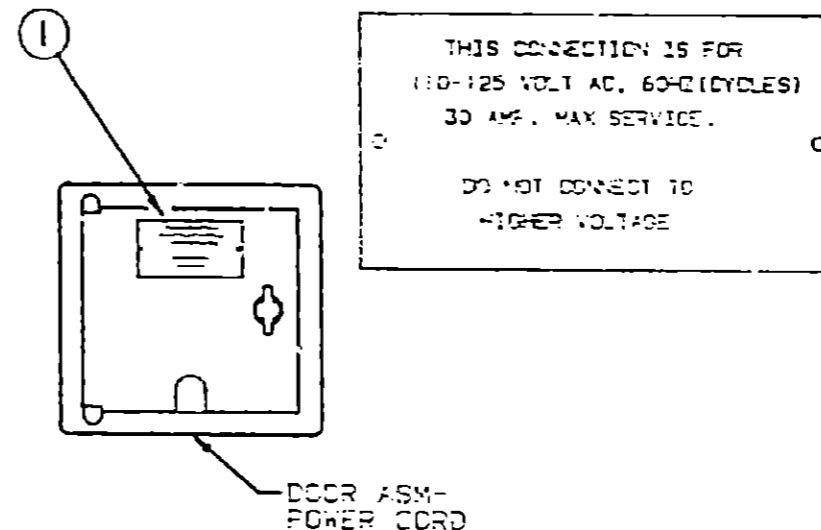
CAUTION

THIS MOTOR HOME HAS BEEN DESIGNED, MANUFACTURED AND TESTED WITH CONCERN FOR THE PROTECTION OF ITS OCCUPANTS. WE RECOMMEND YOU PERFORM THE FOLLOWING INSPECTIONS FOR YOUR SAFETY AND THE SAFETY OF YOUR PASSENGERS BEFORE STARTING YOUR VEHICLE.

1. LP GAS SYSTEM- TURN OFF AT TANK FOR TRAVELING. TEST FOR LEAKS UPON ARRIVAL AT DESTINATION. RECHECK LIGHTING PILOTS.
2. WHEELS- INSPECT FOR DAMAGE AND CHECK LUG NUTS FOR TIGHTNESS.
3. TIRES- INSPECT FOR WEAR AND DAMAGE AND CHECK FOR RECOMMENDED AIR PRESSURE.
4. LIGHTING- TEST FOR PROPER OPERATION OF ALL INTERIOR AND EXTERIOR LIGHTS INCLUDING DASH LIGHTS, HEADLIGHTS, TAIL LIGHTS, BRAKE LIGHTS, CLEARANCE LIGHTS AND TURN SIGNALS.
5. EXITS- INSPECT RELEASE MECHANISM ON EMERGENCY EXIT WINDOW. TEST BOTH DOORS ON MAIN ENTRANCE DOOR FOR EASE OF OPERATION AND INSTRUCT PASSENGERS HOW TO USE BOTH MEANS OF EXIT.
6. SEAT BELTS- DIRECT PASSENGERS TO DESIGNATED SEATS AND RECLINE USE OF SEAT BELTS.
7. APPLIANCES- TURN OFF AND LATCH OR LOCK DOORS WHERE PROVIDED.
8. LOOSE PAPERS- STORE SECURELY.
9. UTILITY SUPPLY LINES- DISCONNECT ALL ELECTRICAL, OTHER AND WATER LINES AND SECURE PROPERLY.
10. ENTRANCE DOOR STEP- PLACE IN RETRACTED POSITION FOR TRAVELING.

READ YOUR MOTOR HOME AND CHASSIS DRIVER'S MANUAL FOR FURTHER PRECAUTIONS.

Key	Part Number	U/M	Description
1	087207-05-000	EA	Label - Fuel Cap Removal
2	099659-01-000	EA	Label - Warning - Cancer/Toxicity
3	056259-01-000	EA	Label - Safety Check List



THIS CONNECTION IS FOR
 110-125 VOLT AC, 60-HZ (CYCLES)
 30 AMP. MAX. SERVICE.
 DO NOT CONNECT TO
 HIGHER VOLTAGE.

Key	Part Number	U/M	Description
1	005052-01-000	EA	Tag - Electrical - 110 Volt Connection

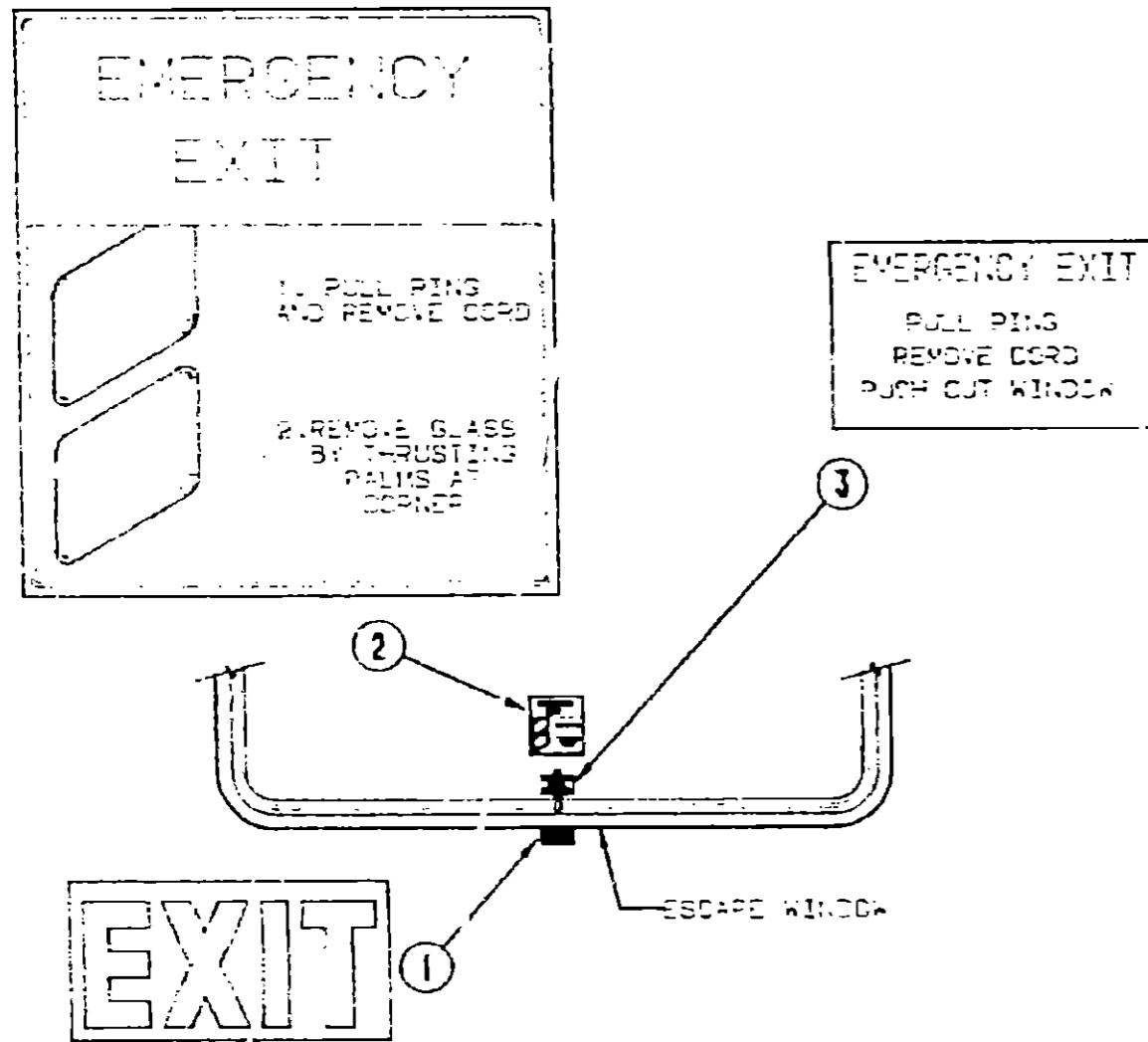
**1991 WINNEBAGO
 TABLE OF CONTENTS**

INTRODUCTION	A-01 - A-02
ABBREVIATIONS	A-03
ALPHABETICAL/GROUP REFERENCE	A-04 - A-06
WF327RT	A-07 - D-12
WF327RB	D-13 - G-06
WF327RQ	G-09 - J-12

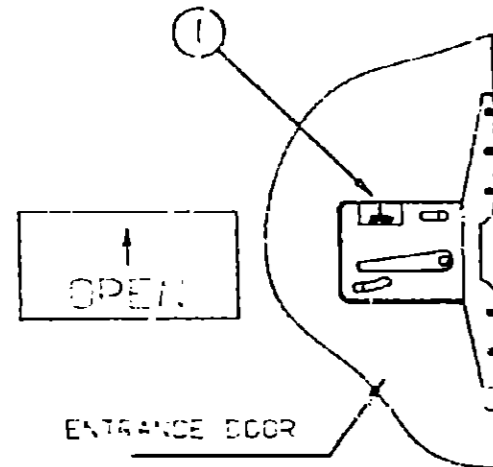
1991 WF327RQ INDEX

Floor Plan	G-09 - G-10
Accessories Group	G-11 - G-14
Bath Group	G-15 - G-16
Bedroom Group	G-17 - G-19
Chassis Group	G-20 - G-22
Curtain, Cushion & Pad Group	G-23 - H-03
Dinette Group	H-09 - H-11
Driver's Compartment Group	H-12 - H-14
Electrical Group	H-15 - H-17
Exterior Body Group	H-10 - H-22
Galley Group	H-23 - I-02
Heating & Air Conditioning Group	I-03 - I-04
Interior Finish Group	I-05 - I-08
Labels Group	I-09 - I-16
LP Group	I-17
Lounge Group	I-18
Sealants & Fasteners Group	I-19 - I-21
Water & Sewage Group	I-22 - I-24
Window, Vent & Exterior Door Group	J-01 - J-12

LABELS GROUP (CONTINUED)

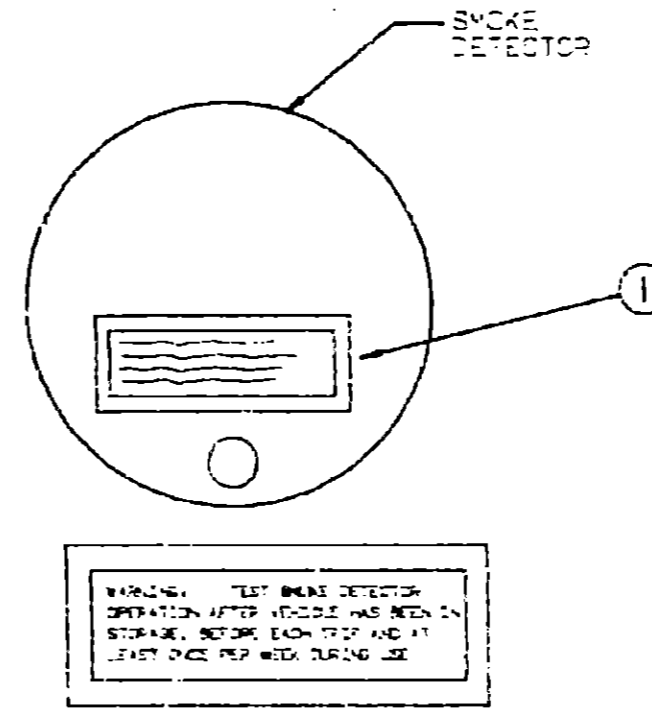


Key	Part Number	U/M	Description
1	039290-01-000	EA	Label - Warning - Exit
2	047731-01-000	EA	Label - Emergency Exit
3	006199-01-000	EA	Label - Exit - Escape Window

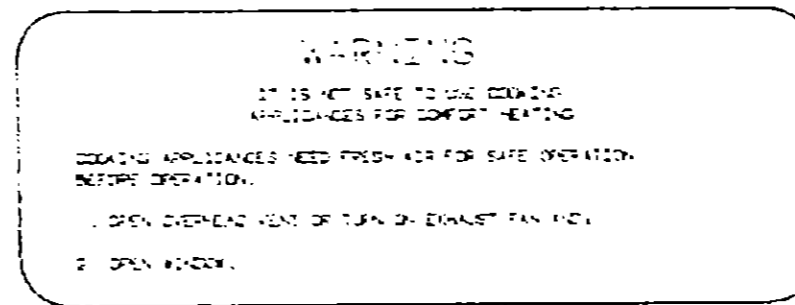


Key	Part Number	U/M	Description
1	040944-01-000	EA	Label - Open - Entrance Door

LABELS GROUP (CONTINUED)



Key	Part Number	U/M	Description
1	077956-01-000	EA	Label - Warning - Smoke Detector



Key	Part Number	U/M	Description
1	050225-01-000	EA	Label - Warning - Stove Vent

MISCELLANEOUS LABELS

Key	Part Number	U/M	Description
	006064-01-000	EA	Label - Seat - w/o Seat Belt
	031243-01-000	EA	Label - A/C Cover
	006019-01-000	EA	Tag - RVI Approved - Plastic

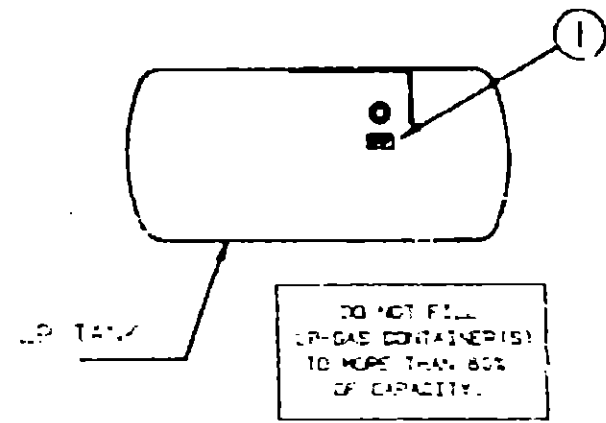
**1991 WINNEBAGO
TABLE OF CONTENTS**

INTRODUCTION	A-01 - A-02
ABBREVIATIONS	A-03
ALPHABETICAL GROUP REFERENCE	A-04 - A-06
WF327RT	A-07 - D-12
WF327RB	D-13 - G-08
WF327RO	G-09 - J-12

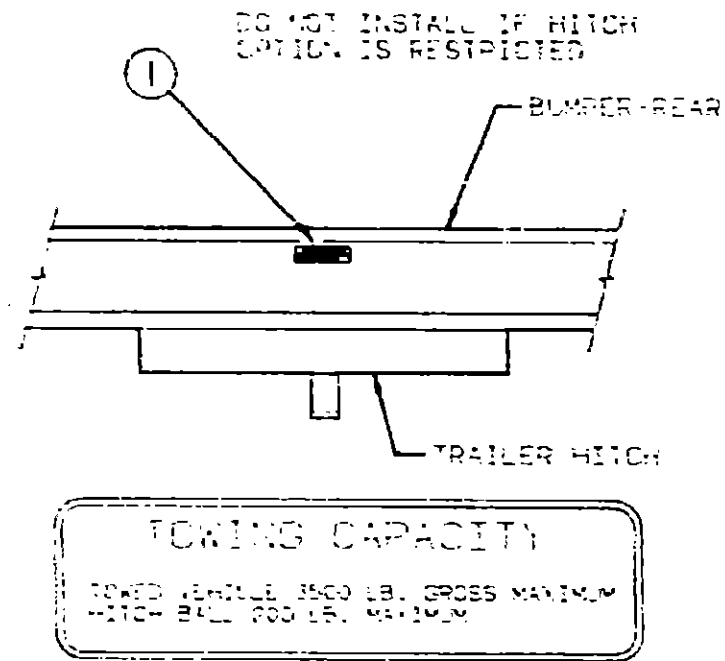
1991 WF327RQ INDEX

Floor Plan	G-09 - G-10
Accessories Group	G-11 - G-14
Bath Group	G-15 - G-16
Bedroom Group	G-17 - G-19
Chassis Group	G-20 - G-22
Curtain, Cushion & Pad Group	G-23 - H-03
Dinette Group	H-09 - H-11
Driver's Compartment Group	H-12 - H-14
Electrical Group	H-15 - H-17
Exterior Body Group	H-18 - H-22
Galley Group	H-23 - I-02
Heating & Air Conditioning Group	I-03 - I-04
Interior Finish Group	I-05 - I-08
Labels Group	I-09 - I-16
LP Group	I-17
Lounge Group	I-18
Sealants & Fasteners Group	I-19 - I-21
Water & Sewage Group	I-22 - I-24
Window, Vent & Exterior Door Group	J-01 - J-12

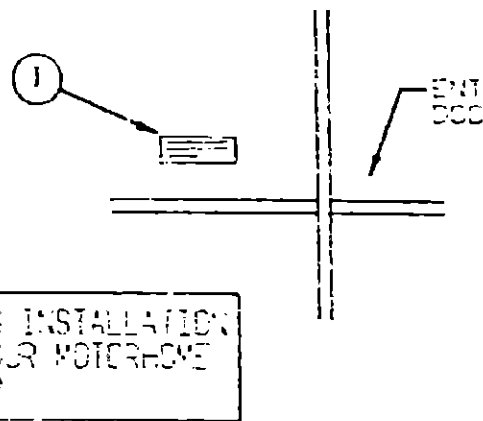
LABELS GROUP (CONTINUED)



Key	Part Number	U/M	Description
1	079555-01-000	EA	Label - LPG - 80% Capacity



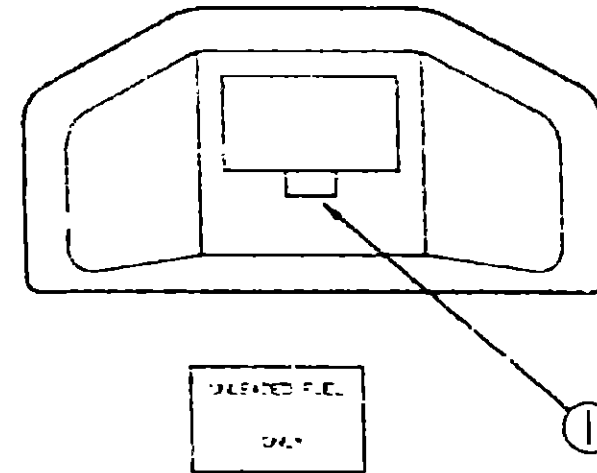
Key	Part Number	U/M	Description
1	075221-01-000	EA	Label - Trailer Hitch Capacity



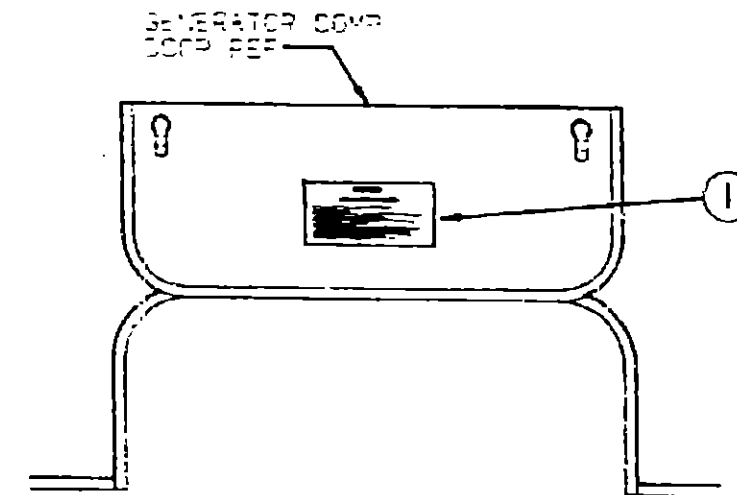
Key	Part Number	U/M	Description
1	093509-01-000	EA	Label - Awning Installation

LABELS GROUP (CONTINUED)

DASH



Key	Part Number	U/M	Description
1	096641-01-000	EA	Label - Unleaded Fuel (Dash)



WARNING
 WHEN ADDING A GENERATOR SET:
 HIGH VOLTAGE USE EXTREME CAUTION WHEN WORKING ON ELECTRICAL COMPONENTS.
 HAVE ALL ELECTRICAL INSTALLATION PERFORMED BY A QUALIFIED LICENSED ELECTRICIAN-FOLLOW ALL STATE AND LOCAL CODES.
 ONLY INSTALL GENERATOR SET APPROVED FOR R.V. APPLICATION. HAVE INSTALLED BY QUALIFIED TECHNICIAN.
 TO AVOID HEAT BUILD-UP AND TO GUARANTEE AN ADEQUATE AIR SUPPLY TO THE GENERATOR COMPARTMENT, FOLLOW INSTALLATION INSTRUCTIONS.
 GENERATOR ENGINE EXHAUST GASES ARE TOXIC AND MUST NOT TERMINATE UNDER THE VEHICLE-DISCHARGE EXHAUST AWAY FROM VEHICLE.

Key	Part Number	U/M	Description
1	077510-01-000	EA	Label - Generator Prep

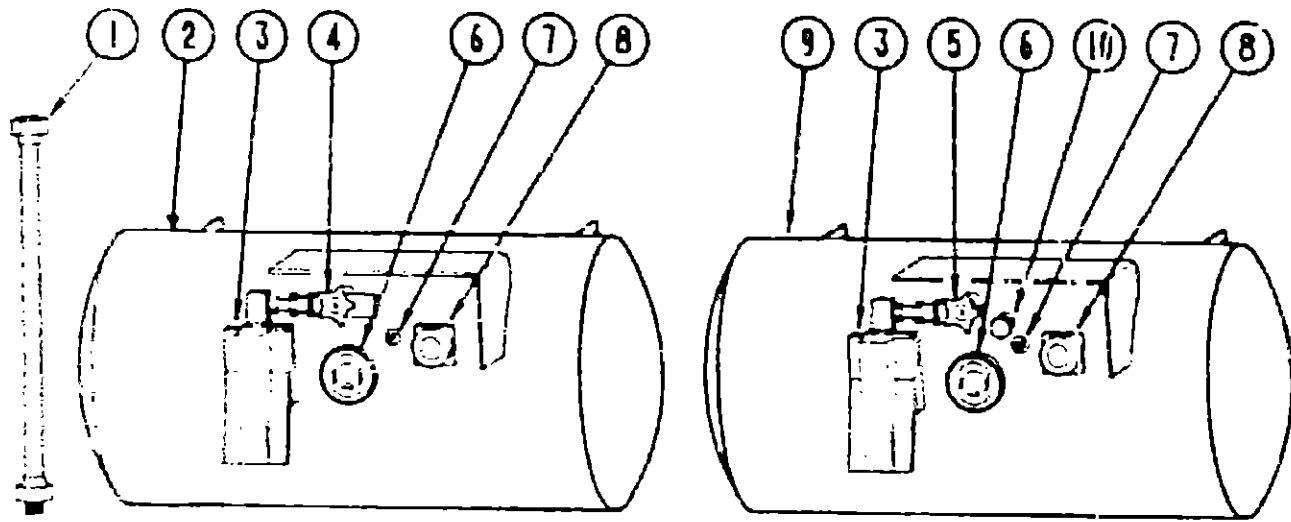
1991 WINNEBAGO TABLE OF CONTENTS

INTRODUCTION	A-01 - A-02
ABBREVIATIONS	A-03
ALPHABETICAL/GROUP REFERENCE	A-04 - A-06
WF327RT	A-07 - D-12
WF327RB	D-13 - G-08
WF327RO	G-09 - J-12

1991 WF327RQ INDEX

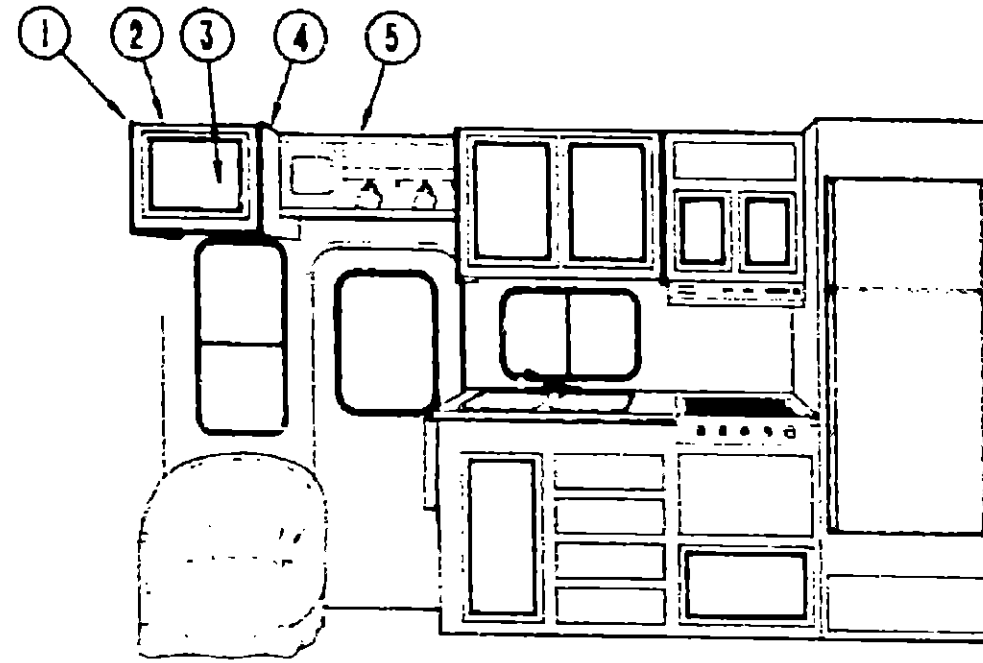
Floor Plan	G-09 - G-10
Accessories Group	G-11 - G-14
Bath Group	G-15 - G-16
Bedroom Group	G-17 - G-19
Chassis Group	G-20 - G-22
Curtain, Cushion & Pad Group	G-23 - H-08
Dinette Group	H-09 - H-11
Driver's Compartment Group	H-12 - H-14
Electrical Group	H-15 - H-17
Exterior Body Group	H-18 - H-22
Galley Group	H-23 - I-02
Heating & Air Conditioning Group	I-03 - I-05
Interior Finish Group	I-05 - I-08
Labels Group	I-09 - I-16
LP Group	I-17
Lounge Group	I-18
Sealants & Fasteners Group	I-19 - I-21
Water & Sewage Group	I-22 - I-24
Window, Vent & Exterior Door Group	J-01 - J-12

LP GROUP



Key	Part Number	U/M	Description
1	045703-01-000	EA	Hose Asm - LP - 3/8" ID x 24" (US)
1	045703-02-000	EA	Hose Asm - LP - 3/8" ID x 24" (CSA)
2	074142-01-000	EA	Tank Asm - LP - 60 Pound - 13" Dia x 44"
3	081938-01-000	EA	Cover - LP Regulator
3	076301-01-000	EA	Regulator - Two Stage
4	040421-01-703	EA	Service Valve - w/Vapor Relief (Used on Tank 074142-01-000)
5	040421-01-712	EA	Service Valve (Used on Tank 097621-01-000)
5	040421-01-705	EA	Handheat - Service Valve
6	040421-01-707	EA	Float Gauge - Threaded - Screw On (Used on Tank 097621-01-000)
6	074142-01-700	EA	Float Gauge - Bolt On (Used on Tank 074142-01-000)
6	040440-02-000	EA	Dial - Visible Face - Float Gauge
7	040421-01-700	EA	Liquid Level Valve - 20" - LP
8	040421-01-701	EA	Filter Valve - LP
8	040421-01-702	EA	Cap - Plastic - Filter Valve
8	040421-01-711	EA	Valve - 60# - w/ Float Plate, Bolts & Gasket
9	097621-01-000	EA	Tank Asm - LP - 60 Pound - 14" Diameter x 30"
10	040421-01-713	EA	Pressure Relief Valve (Used on Tank 097621-01-000)
	065741-01-000	EA	Gauge - Diaphragm Pressure - Test Leak
	065318-02-000	EA	Elbow - 90° - 3/8" MPT x 3/8 FPT
	065742-01-000	EA	Tee - 3/8 F x 3/8 F x 25 FPT
	008042-01-000	FT	Tubing - Vinyl - 65" ID
	010377-01-000	EA	Nut - 3/8" F - Brass
	010368-03-000	EA	Nut - 1/2" F - Brass - Forged
	010377-02-000	EA	Nut - 3/8" F - Brass - Forged
	010323-01-000	EA	Adapter - Brass - 3/8" F x 1/2" MPT (Ford)
	016166-03-000	EA	Grommet - LP Line - 3/8" Hole x 2 1/2" Dia - Rubber
	094564-01-000	EA	Brass - Plug - 3/8"
	010251-01-000	EA	Brass Elbow - 90° - 3/8 F x 3/8 MPT
	095524-01-000	EA	Brass Elbow - 90° - 1/4 FPT x 1/4 FPT
	106150-01-000	EA	Regulator - Two Stage

LOUNGE GROUP



FRONT LOUNGE CABNETRY & HARDWARE

Key	Part Number	U/M	Description
1	081280-19-B05	EA	End Cap - Front Overhead
2	M05149-05-B85	EA	Cabinet Asm - Front Lounge - w/o Doors or Hardware
3	P03701-23-B65	EA	Door Asm - Front Lounge Cabinet - w/o Hardware
4	091280-21-B05	EA	End Cap - Front Overhead
5	P02599-01-B05	EA	Cabinet Asm - Entrance Overhead - w/o Hardware
	059777-02-000	EA	Hinge - Burnished Brass
	100995-01-000	EA	Backplate - Brass - 5 6"
	103956-01-000	EA	Pull - Cabinet - Brass - 3" Center
	103130-01-000	EA	Hook - Cup - 1 1/4" - Brass
	105547-03-C05	EA	Holder - Key Ring

**1991 WINNEBAGO
TABLE OF CONTENTS**

INTRODUCTION	A-01 - A-02
ABBREVIATIONS	A-03
ALPHABETICAL/GROUP REFERENCE	A-04 - A-05
WF327RT	A-07 - D-12
WF327RB	D-13 - G-03
WF327RQ	G-09 - J-12

1991 WF327RQ INDEX

Floor Plan	G-09 - G-10
Accessories Group	G-11 - G-14
Bath Group	G-15 - G-16
Bedroom Group	G-17 - G-19
Chassis Group	G-20 - G-22
Curtain, Cushion & Pad Group	G-23 - H-08
Dinette Group	H-09 - H-11
Driver's Compartment Group	H-12 - H-14
Electrical Group	H-15 - H-17
Exterior Body Group	H-18 - H-22
Galley Group	H-23 - I-02
Heating & Air Conditioning Group	I-03 - I-04
Interior Finish Group	I-05 - I-08
Labels Group	I-09 - I-16
LP Group	I-17
Lounge Group	I-18
Sealants & Fasteners Group	I-19 - I-21
Water & Sewage Group	I-22 - I-24
Window, Vent & Exterior Door Group	J-01 - J-12

SEALANTS & FASTENERS GROUP

SCREWS & FASTENERS

Key	Part Number	U/M	Description
	000C12-03-16B	EA	Bolt - Hex - 5/16 - 18 x 3 - Zn 5
	000C12-10-24B	EA	Bolt - Hex - 5/8 - 11 x 1 1/2 - Zn 5
	000C13-07-48B	EA	Bolt - Hex - 7/16 - 20 x 3 - Zn 5
	000C16-06-48B	EA	Bolt - Elevator - 3/8 - 16 x 3 - Zn - Grade 5
	000C26-04-10B	EA	Bolt - Hex - Ser Flange - 1/4 - 20 x 5/8
	000C26-05-20B	EA	Bolt - Hex - Ser Fig 5/16 - 18 x 1 1/4" - Zinc
	000D24-10-00B	EA	Nut - Hex - Locking - 10-32 - Zn
	000D39-04-00B	EA	Nut - Hex - Ser Flange - Locking - 1/4 - 20 Zn
	000D39-05-00B	EA	Nut - Hex - Ser Fig Lk - 5/16 - 18 - Zn
	000D39-06-00B	EA	Nut - Hex - Ser Fig Lk - 3/8 - 16 - Zn
	000D39-08-00B	EA	Nut - Hex - Ser Fig Lk - 1/2 - 13 - Zn
	000D44-07-00B	EA	Nut - Hex - Ser Fig Lk - 7/16 - 20 - Zn
	000E13-11-00B	EA	Washer - Flat - 3/16" Wide - Zn
	000E13-14-00B	EA	Washer - Flat - 1/4" Wide - Zn
	000E13-20-00B	EA	Washer - Flat - 7/16" Wide - Zn
	000E14-10-00B	EA	Washer - Locking - No 10 Ext. Tooth - Zn
	000G11-06-10B	EA	Screw - 6 - 20 x 5/8 PPH - Zn
	000G11-06-10J	EA	Screw - 6 - 20 x 5/8 PPH - Brass
	000G11-07-05B	EA	Screw - 7 - 19 x 1/2 PPH - Zn
	000G11-08-05B	EA	Screw - 8 - 18 x 3/8 PPH - Zn
	000G11-08-05B	EA	Screw - 8 - 18 x 1/2 PPH - Zn
	000G11-08-12B	EA	Screw - 8 - 18 x 3/4 PPH - Zn
	000G11-08-12D	EA	Screw - 8 - 18 x 3/4 PPH - Black
	000G11-08-12E	EA	Screw - 8 - 18 x 3/4 PPH - Chrome
	000G11-08-12P	EA	Screw - 8 - 18 x 7/5 - Dark Brown
	000G11-08-12R	EA	Screw - 8 - 18 x 7/5 PPH - Beige
	000G11-08-12S	EA	Screw - 8 - 18 x 7/5 PPH - Off White
	000G11-08-16S	EA	Screw - 8 - 18 x 1 00 PPH - Off White
	000G11-10-12D	EA	Screw - 10 - 16 x 3/4 PPH - Black
	000G11-10-12S	EA	Screw - 10 - 16 x 3/4 PPH - Off White
	000G11-10-24P	EA	Screw - 10 - 16 x 1 1/2 PPH - Dark Brown
	000G12-06-08T	EA	Screw - 6 - 20 x 1/2 POH - Beige
	000G12-08-12R	EA	Screw - 8 - 18 x 3/4 POH - Beige
	000G12-08-12S	EA	Screw - 8 - 18 x 3/4 POH - Off White
	000G12-08-16S	EA	Screw - 8 - 18 x 1" POH - Off White
	000G13-06-06B	EA	Screw - 6 - 20 x 1/2 PFH - Zn
	000G13-06-10G	EA	Screw - 6 - 20 x 5/8 PFH - Antique Brass
	000G13-07-12B	EA	Screw - 7 - 19 x 3/4 PFH - Zn
	000G13-08-16B	EA	Screw - 8 - 18 x 1 PFH - Zn
	000G18-08-12B	EA	Screw - Machine - 8 - 32 x 3/4" PPH - Zn
	000G18-08-16B	EA	Screw - Machine - 8 - 32 x 1 PPH - Zn
	000G18-08-22B	EA	Screw - Machine - 8 - 32 x 1 3/8 PPH - Zn
	000G32-10-06B	EA	Screw - 10 - 32 x 3/8 PPH - Zn
	000G39-06-10T	EA	Screw - SF/DR - 6 - 20 x 5/8 PPH - Black
	000G39-06-16T	EA	Screw - SF/DR - 6 - 20 x 1 PPH - Black
	000G39-08-06B	EA	Screw - SF/DR - 8 - 18 x 3/8 PPH - Zn
	000G39-08-06B	EA	Screw - SF/DR 8 - 18 x 1/2 PPH - Zn
	000G39-08-06S	EA	Screw - SF/DR 8 - 18 x 1/2 PPH - Off White
	000G39-08-06R	EA	Screw - SF/DR 8 - 18 x 1/2 PPH - Beige
	000G39-08-12B	EA	Screw - SF/DR 8 - 18 x 3/4 PPH - Zn
	000G39-08-12R	EA	Screw - SF/DR 8 - 18 x 3/4 PPH - Beige
	000G39-08-16S	EA	Screw - SF/DR 8 - 18 x 1 00 PPH - Off White
	000G39-08-24B	EA	Screw - SF/DR 8 - 18 x 1 1/2 PPH - Zn
	000G39-08-24S	EA	Screw - SF/DR 8 - 18 x 1.50 PPH - Off White
	000G39-08-32B	EA	Screw - SF/DR 8 - 18 x 2 - PPH - Zn
	000G39-10-10S	EA	Screw - SF/DR 10 - 16 x 62" PPH - Off White
	000G39-10-12D	EA	Screw - SF/DR 10 - 16 x 3/4 PPH - Black
	000G39-10-12R	EA	Screw - SF/DR 10 - 16 x 3/4 - Beige
	000G39-10-20B	EA	Screw - SF/DR 10 - 16 x 1 1/4 PPH - Zn
	000G39-12-12E	EA	Screw - SF/DR 12 - 14 x 3/4 PPH - Chrome
	000G42-04-16B	EA	Screw - SF/DR 1/4 - 14 x 1 HWH - Zn

SEALANTS & FASTENERS GROUP (CONTINUED)

SCREWS & FASTENERS (CONTINUED)

Key	Part Number	U/M	Description
	000G53-04-06B	EA	Screw - Machine - 1/4 - 20 x 3/8 PPH - Zn
	000G54-04-20B	EA	Screw - 1/4 - 20 x 1 1/4 PTH Typ 23 - Zn
	000G55-12-48B	EA	Screw - Wood - 12 - 11 x 3 - POH
	000G50-10-28T	EA	Screw - SF/DR 10 - 16 x 1.75 - Black
	000G57-10-06B	EA	Screw - 10 - 12 x 1/2 PPH - Zn
	000G57-10-06R	EA	Screw - 10 - 12 x 1/2 PPH - Beige - Type A
	000G57-10-10D	EA	Screw - 10 - 12 x 5/8 PPH - Black
	000G57-10-10B	EA	Screw - 10 - 12 x 5/8 PPH - Zn - Type A
	000G57-10-10R	EA	Screw - 10 - 12 x 5/8 PPH - Beige - Type A
	000G57-10-10S	EA	Screw - 10 - 12 x 5/8 PPH - Off White
	000G57-10-12B	EA	Screw - 10 - 12 x 3/4 PPH - Zn
	000G57-10-12P	EA	Screw - 10 - 12 x 7/5 PPH - Dark Brown
	000G57-10-12R	EA	Screw - 10 - 12 x 3/4 PPH - Beige
	000G57-10-12D	EA	Screw - 10 - 12 x 7/5 PPH - Tan
	000G59-10-35T	EA	Screw - 10 - 12 x 2 25" POH - Black
	000G67-10-16B	EA	Screw - 10 - 12 x 1 PPH - Zn
	000G67-10-16P	EA	Screw - 10 - 12 x 1 PPH - Dark Brown
	000G67-10-20D	EA	Screw - 10 - 12 x 1 25" PPH - Black
	000G67-10-24B	EA	Screw - 10 - 12 x 1 1/2 PPH - Zn
	000G67-10-32B	EA	Screw - 10 - 12 x 2 PPH - Zn
	000G67-10-36T	EA	Screw - 10 - 12 x 2 25 PPH - Black
	000G68-06-10G	EA	Screw - 6 - 18 x 5/8 POH - Antique Brass
	000H16-04-06R	EA	Rivet - Pop - AL 1/8 x 3/16 - 375
	005051-01-000	EA	Nut - Speed - C Type - No. 6 Screw
	052401-01-000	EA	Clamp - Hose - Wormgear - 8 1/2" x 1 7/8"
	052401-02-000	EA	Clamp - Hose - Wormgear - 1 5/8" - 2 5/8"
	052401-04-000	EA	Clamp - Hose - Wormgear - 5/8" x 1 25"
	052401-06-000	EA	Clamp - Hose - Wormgear - 22" x 62"
	007161-01-000	EA	Clamp - Hose - Spring Type - 1/2"
	008343-01-000	EA	Tie - Wire - 6"
	008366-01-000	EA	Grommet - Snap - 3/8
	008401-01-000	EA	Strap - Conduit - 3/4" - 1 Hole - Galvanized Steel
	010495-01-000	EA	Clamp - Cable - 9/16"
	010497-01-000	EA	Clamp - Closed - 5/8" ID
	010497-03-000	EA	Clamp - Closed - 1" ID - Cushioned
	010499-01-000	EA	Clamp - Closed - 3/8" ID
	016604-01-000	EA	Brace - Cabinet - Angled Metal - 2 5/8"
	003509-01-000	EA	Clamp - Wire Dual - Equal 5/8" Dia
	034684-01-000	EA	Plug - Brass - 3/8"
	087721-01-000	EA	Screw - Flat Head - Tapping - 1/4 x 1 1/4 LG - Zn
	059371-01-000	EA	Screw - Machine - 8 - 32 x 3 5/16 - Zn
	075149-02-000	EA	Clamp - Grounding - Bronze Screws
	075903-01-000	EA	Screw - Machine - 10 - 32 x .55 PPH - Zn
	049465-04-000	EA	Screw - 10 - 16 x 1 PTH w/Washer - Beige
	076790-01-000	EA	Screw - 6 - 20 x 1 1/4 PPH - Black
	063729-04-000	EA	Rivet - 10 - 32 UNF - 010 - 030
	057277-02-000	EA	Washer - Plastic - Off White
	058497-01-000	EA	Nut - Inverted Flare - 3/16"
	083493-01-000	EA	Nut - Inverted Flare - 3/16"

**1991 WINNEBAGO
TABLE OF CONTENTS**

INTRODUCTION	A-01 - A-02
ABBREVIATIONS	A-03
ALPHABETICAL/GROUP REFERENCE	A-04 - A-06
WF327RT	A-07 - D-12
WF327RB	D-13 - G-08
WF327RQ	G-09 - J-12

1991 WF327RQ INDEX

Floor Plan	G-09 - G-10
Accessories Group	G-11 - G-14
Bath Group	G-15 - G-16
Bedroom Group	G-17 - G-19
Chassis Group	G-20 - G-22
Curtain, Cushion & Pad Group	G-23 - H-05
Dinette Group	H-06 - H-11
Driver's Compartment Group	H-12 - H-14
Electrical Group	H-15 - H-17
Exterior Body Group	H-18 - H-22
Galley Group	H-23 - I-02
Heating & Air Conditioning Group	I-03 - I-04
Interior Finish Group	I-05 - I-08
Labels Group	I-09 - I-15
LP Group	I-17
Lounge Group	I-18
Sealants & Fasteners Group	I-19 - I-21
Water & Sewage Group	I-22 - I-24
Window, Vent & Exterior Door Group	J-01 - J-12

SEALANTS & FASTENERS GROUP (CONTINUED)

SEALANTS & ADHESIVES

Key	Part Number	U/M	Description
	004020-01-000	QT	Adhesive - ABS Cement (Plastic Fittings)
	004025-02-000	GL	Adhesive - S/Ws - Glue (Sidewalls)
	037211-01-000	GL	Adhesive - Promotor
	053765-07-000	EA	Bedding Compound - Tube - Beige (Exterior)
	053765-05-000	EA	Bedding Compound - Tube - Clear (Window)
	053765-05-000	EA	Bedding Compound - Tube - Gray (Exterior)
	102352-01-000	EA	Bedding Compound - Tube - Black (Luggage Compartment)
	053765-02-000	EA	Bedding Compound - Tube - Off White (Exterior)
	082325-02-000	EA	Block - Rubber Spacer (Windshield)
	091255-02-000	FT	Seal - Foam - 1.5 MM x 4.8 MM (Cabinets)
	104579-01-000	FT	Seal - Foam - Closed Cell (Exterior Shower)
	087340-01-000	FT	Seal - Foam - Closed Cell (Entrance Door)
	010329-01-000	FT	Seal - Refrigerator Cabinet
	077667-01-000	EA	Sealant - Acrylic Latex - Tube - Off White (Interior Sealant)
	034552-04-000	EA	Sealant - Silicone - Beige
	034552-02-000	EA	Sealant - Silicone - Clear
	104552-07-000	EA	Sealant - Silicone - Dark Gray
	044552-06-000	EA	Sealant - Silicone - Off White
	039916-01-000	EA	Sealant Silicone - Black
	069540-01-000	FT	Sealer Ribbon - 25" Bead x 20"
	069540-02-000	FT	Sealer Ribbon - 51" x 125" x 30"
	070640-03-000	FT	Sealer Ribbon - 75" x 125" x 30"
	069540-09-000	FT	Sealer Ribbon - 1/32" x 2.5" x 30"
	069540-05-000	FT	Sealer Ribbon - 5/16" Bead x 15"
	069540-07-000	FT	Sealer Ribbon - 21" x 3/32" x 30"
	069540-12-000	FT	Sealer Ribbon - 1/32" x 1.5" x 100"
	002707-02-000	FT	Sealer Tape - 5/16" x 12"
	074497-14-700	EA	Sealer - Stain Ceiling
	102353-01-700	EA	Seam Sealer - Tube - Gray (Roof Seam)
	034401-01-000	EA	Seam Sealer - Tube - Clear (Cap to Sidewall)
	055642-01-000	FT	Tape - Adhesive - 10mm x 1.5" Wide
	091969-03-000	FT	Tape - Adhesive - 040" x 1" Wide
	056855-01-000	EA	Tape - Butyl - 31" x 31" x 148" (Windshield)
	001022-01-000	FT	Tape - Foam - Double Coated - .025 x .75 x 72 (Fiberglass Sidewall Seams)
	070022-02-000	FT	Tape - Foam - Double Coated - .045 x 1" (Fiberglass Sidewall Seams)
	070022-03-000	FT	Tape - Foam - Double Coated - .045" x 50"

WATER & SEWAGE GROUP

DRAINAGE SYSTEM

Key	Part Number	U/M	Description
	062422-01-000	EA	Adapter - Offset Reducer - 3" x 1 1/2"
	062416-01-000	EA	Adapter - Sewer Hose to 3" Pipe
	033302-02-000	EA	Adapter Asm - Strainer - 1 1/2" (CSA)
	010121-01-000	EA	Bushing - Plastic - Red - 1 1/2 S x 1 1/4 H
	011091-02-000	EA	Continuous Waste - Double Sink - 11 7/8"
	078405-01-000	EA	Coupler - Rubber - 3" x 3"
	010051-01-000	EA	Elbow - ST - Plastic - 1/8 BD x 1 1/2" x 45°
	033761-01-000	EA	Elbow - Plastic - 1/4 BD x 1 1/2" x 90°
	010000-01-000	EA	Elbow - Plastic - 1/8 BD x 1 1/4" x 45° H x H
	010006-01-000	EA	Elbow - Plastic - 1/8 BD x 1 1/2" x 45° H x H
	010008-01-000	EA	Elbow - Plastic - 1/4 BD x 1 1/2" x 90° - Left
	010051-01-000	EA	Elbow - Plastic - 1/8 BD x 3" x 45 S x H
	037101-02-000	EA	Elbow - Plastic - 1/4" Bend Vent - 1 1/2" Hub (CSA)
	075240-05-000	EA	Faucet - Lavatory - Bone
	075241-05-000	EA	Faucet - Shower - Bone
	011053-04-000	EA	Faucet - Swing Spout - 8" - Galley
	091253-01-000	EA	Gasket - Faucet
	091607-01-000	EA	Grommet - Holding Tank Coupler - 1 1/2"
	091607-02-000	EA	Grommet - Holding Tank - 3" NPS
	011055-03-000	EA	P-Trap - 1 1/4" - Plastic (US)
	011055-02-000	EA	P-Trap - 1 1/4" - Plastic (CSA) (Lavatory/ Shower)
	053335-01-000	EA	P-Trap - 1 1/4" - Plastic w Union (CSA) (Galley)
	033559-03-000	EA	Roof Vent - Covered - Vent Pipe - Off White
	052415-01-000	EA	Sewer Cap - 3"
	052415-01-700	EA	String - Sewer Cap
	010201-01-000	EA	Sewer Hose - 3" ID x 20'
	011048-02-000	EA	Shower Head w 60" Hose (US)
	011048-05-000	EA	Shower Head w 60" Hose (CSA)
	M02673-05-805	EA	Shower Pan Asm
	096927-01-01A	EA	Sink - Lavatory - Rectangular Plastic - Bone
	096927-01-700	EA	Sink - Stopper
	096927-01-701	EA	Tapplate - Sink
	102551-01-000	EA	Sink - Double - w Mounting Hardware - Stainless Steel
	065440-01-000	EA	Sip Nut - 1.5" Tailpiece
	056729-01-000	EA	Strainer - Shower Drain
	056437-01-000	EA	Strainer - Sink - Galley
	056437-01-700	EA	Basket - Strainer - Galley Sink
	011059-02-000	EA	Tailpiece - 1 1/2 x 1 1/4 x 4" - Brass
	102761-01-000	EA	Tank - Holding - 28 Gal - 66 9" x 17 7" x 15 7"
	102762-01-000	EA	Tank - Holding - 42 Gal - 57 4" x 8 4" x 29"
	010079-01-000	EA	Tee - Plastic - 1 1/2" H x 1 1/2" H x 1 1/4" H
	010071-01-000	EA	Tee - Plastic - 1 1/2" H x H x H
	024676-01-000	EA	Toilet Closet Flange - 4" x 3" - Red (US)
	024676-02-000	EA	Toilet Closet Flange - 4" x 3" - Red (CSA)
	057467-01-000	EA	Toilet - Ivory - Aqua Magic
	057467-01-700	EA	C L F L Seal & Bolt Package
	057467-01-701	EA	Water Saver Pkg
	057467-01-702	EA	Clamp
	053740-01-710	EA	Link
	053740-01-711	EA	Spring - Return Lever
	053740-01-716	EA	Seat and Cover Asm
	053740-01-700	EA	Lever - Water
	053740-01-701	EA	Lever - Flush
	053740-01-717	EA	Flush Tube
	053740-01-713	EA	Seat - Ball - Valve to Bowl
	053740-01-714	EA	Valve Asm - Water
	053740-01-707	EA	Seal - Closet Flange
	053740-01-705	EA	Bolt Package - Closet
	070916-01-000	EA	Valve - Dual - 3" x 1.5"
	070916-01-700	EA	Valve - Only - 3"
	070916-01-701	EA	Valve - Only - 1 1/2"
	079968-01-000	EA	Vent - Mechanical Trap Arm
	039735-01-000	EA	Washer - Tailpiece - 1.5 - Plastic

1991 WINNEBAGO TABLE OF CONTENTS

INTRODUCTION	A-01 - A-02
ABBREVIATIONS	A-03
ALPHABETICAL/GROUP REFERENCE	A-04 - A-06
WF327RT	A-07 - D-12
WF327RB	D-13 - G-05
WF327RQ	G-09 - J-12

1991 WF327RQ INDEX

Floor Plan	G-09 - G-10
Accessories Group	G-11 - G-14
Bath Group	G-15 - G-16
Bedroom Group	G-17 - G-19
Chassis Group	G-20 - G-22
Curtain, Cushion & Pad Group	G-23 - H-03
Dinette Group	H-09 - H-11
Driver's Compartment Group	H-12 - H-14
Electrical Group	H-15 - H-17
Exterior Body Group	H-16 - H-22
Galley Group	H-23 - I-02
Heating & Air Conditioning Group	I-03 - I-04
Interior Finish Group	I-05 - I-06
Labels Group	I-09 - I-16
LP Group	I-17
Lounge Group	I-18
Sealants & Fasteners Group	I-19 - I-21
Water & Sewage Group	I-22 - I-24
Window, Vent & Exterior Door Group	J-01 - J-12

WATER & SEWAGE GROUP (CONTINUED)

WATER LINES & HARDWARE

Key	Part Number	U/M	Description
	044927-01-000	EA	Adapter - Plastic - 1 1/4" MPT x 1 1/4" Bar (Water Tank)
	079217-01-000	EA	Adapter - Swivel - 5 Tube x 5 FPT
	052954-01-000	EA	Adapter - Nose Cone - 3/8" or 1/2" - Plastic
	036522-02-000	EA	Cap - Brass - 1/2" Flare
	093417-01-000	EA	Connector Plastic - 5/8 F x 1/2 MPT
	052957-02-000	EA	Elbow - Plastic - 1/2 F x 1/2 MPT
	055218-02-000	EA	Elbow - 90° - 3/8 MPT to 3/8 FPT
	055250-01-000	EA	Elbow - 5/8 F x 1/2 MPT
	065120-01-000	EA	Elbow - Plastic - Swivel - 1/2" FPT x 1/2" Flare - Gray
	035539-01-000	EA	Elbow - Plastic - 3/8" MPT x 3/8" Barb
	077954-02-000	EA	Filter/Screen (In Water Tank)
	052951-01-000	EA	Header - 1/2 F x 1/2 F x 1/2 F x 1/2 F
	052952-01-000	EA	Nut - Plastic - 1/2" F
	052952-02-000	EA	Nut - Plastic - 5/8 Flare
	052953-01-000	EA	Nut - Faucet - 1/2" Tube x 1/2" FPT
	049032-01-000	EA	Patch - Spinweld - Plastic - 3/8"
	036475-01-000	EA	Pin - Connector
	098607-01-000	EA	Pump - Water - 2.8 GPM - Direct Flow (US)
	098607-02-000	EA	Pump - Water - 2.9 GPM - Direct Flow (CSA)
	098607-01-707	EA	Motor Backplate - Replacement
	098607-01-701	EA	Drive Asm
	098607-01-702	EA	Diaphragm Kit
	098607-01-703	EA	Valve Asm
	098607-01-704	EA	Upper Housing
	098607-01-706	EA	Switch Asm - Complete
	098607-01-700	EA	Pumphead - Replacement
	098607-01-705	EA	Check Valve Kit
	091206-01-000	EA	Rubber Washer - .06 x .75 x .50
	042989-05-000	EA	Spinweld Fitting - Plastic - 1/4" NPT
	042989-06-000	EA	Spinweld Fitting - Plastic - 1/2" FPT
	042989-04-000	EA	Spinweld Fitting - Plastic - 3/8" FPT
	097987-01-000	EA	Switch - Water Heater
	052955-01-000	EA	Tee - Plastic - 1/2" F x 1/2" F x 1/2" MPT
	052956-01-000	EA	Tee - Plastic - 1/2" F x 1/2" MPT x 1/2" F
	052957-02-000	EA	Elbow - Plastic - 1/2" F x 1/2" MPT
	052958-01-000	EA	Tee - Plastic - 1/2" F x 1/2" F x 1/2" F
	055292-01-000	EA	Tee - Plastic - 5/8 F x 5/8 F x 5/8 F
	057973-01-000	EA	Tee - Plastic - 1/2 F x 1/2 F x 5/8 F
	076776-01-000	EA	Tee - Barb - 5/8" x 5/8" x 5/8"
	039500-01-000	FT	Tubing - Polybutyl - 1/2" OD x 20 (Water Line)
	079361-01-000	FT	Tubing - Flex/Smooth - 1.25 ID (Water Tank)
	074462-02-000	FT	Tubing - Vinyl - 3/8" ID
	046126-01-000	EA	Valve - Drain - Plastic - 1/2 MPT
	052960-01-000	EA	Valve - Line Drain - 1/2" F x 1/2" F
	052960-01-700	EA	Connector - Union - 1/2" F x 1/2" F
	052961-01-000	EA	Header - 1/2 F x 1/2 F x 1/2 F x 1/2 F
	064214-06-000	EA	Water Tank - 31 Gal. w/ Fittings - 33" x 24" x 12 7/8" (Queen Bed)
	064214-07-000	EA	Water Tank - 31 Gal. w/ Fittings - 33" x 24" x 12 7/8" (Twin Bed)
**	051391-01-000	EA	Water Heater - G6A-3
**	051391-03-000	EA	Water Heater - w/ Motor and Electronic Tune - Atwood - G6A-3E
**	051393-01-000	EA	Water Heater - w/ Motor and Pilotless Ignition - GH6-4E or GH6-6E

NOTE: The illustrated parts breakdown for this item is provided on the Common Items Fiche items indicated below assemblies are serviceable parts for that assembly.

WATER & SEWAGE GROUP (CONTINUED)

WATER HEATER BYPASS (OPTION L53J)

Key	Part Number	U/M	Description
	039600-01-000	FT	Tubing - Polybutyl - 1/2 OD x 20
	052957-02-000	EA	Elbow - Plastic - 1/2 F x 1/2 MPT
	099729-01-000	EA	Bypass Kit - Water Heater
	052952-01-000	EA	Nut - Plastic - 1/2" F
	103259-01-000	EA	Bracket - Bypass - Water Heater
	052959-02-000	EA	Connector - Plastic - 1/2 F x 1/2 MPT

EXTERIOR SHOWER KIT (Option L64F)

Key	Part Number	U/M	Description
	103173-01-01A	EA	Shower Washdown Kit
	103173-02-01A	EA	Shower Washdown Kit
	101614-01-000	EA	Coupler - Female - 1/2 F x 1/2" MPT
	046128-01-000	EA	Drain Valve - 1/2" FPT - Plastic
	052956-02-000	EA	Elbow - 1/2" F x 1/2" MPT - Plastic
	039600-01-000	FT	Tubing - Polybutyl - 1/2" OD x 20 FT
	080015-02-000	EA	Receptacle - Plug - 165° - 16-14 GA
	066473-03-000	EA	Housing Pin
	066475-02-000	EA	Pin - Connector

* These are parts used after 3/25/91 on

**1991 WINNEBAGO
TABLE OF CONTENTS**

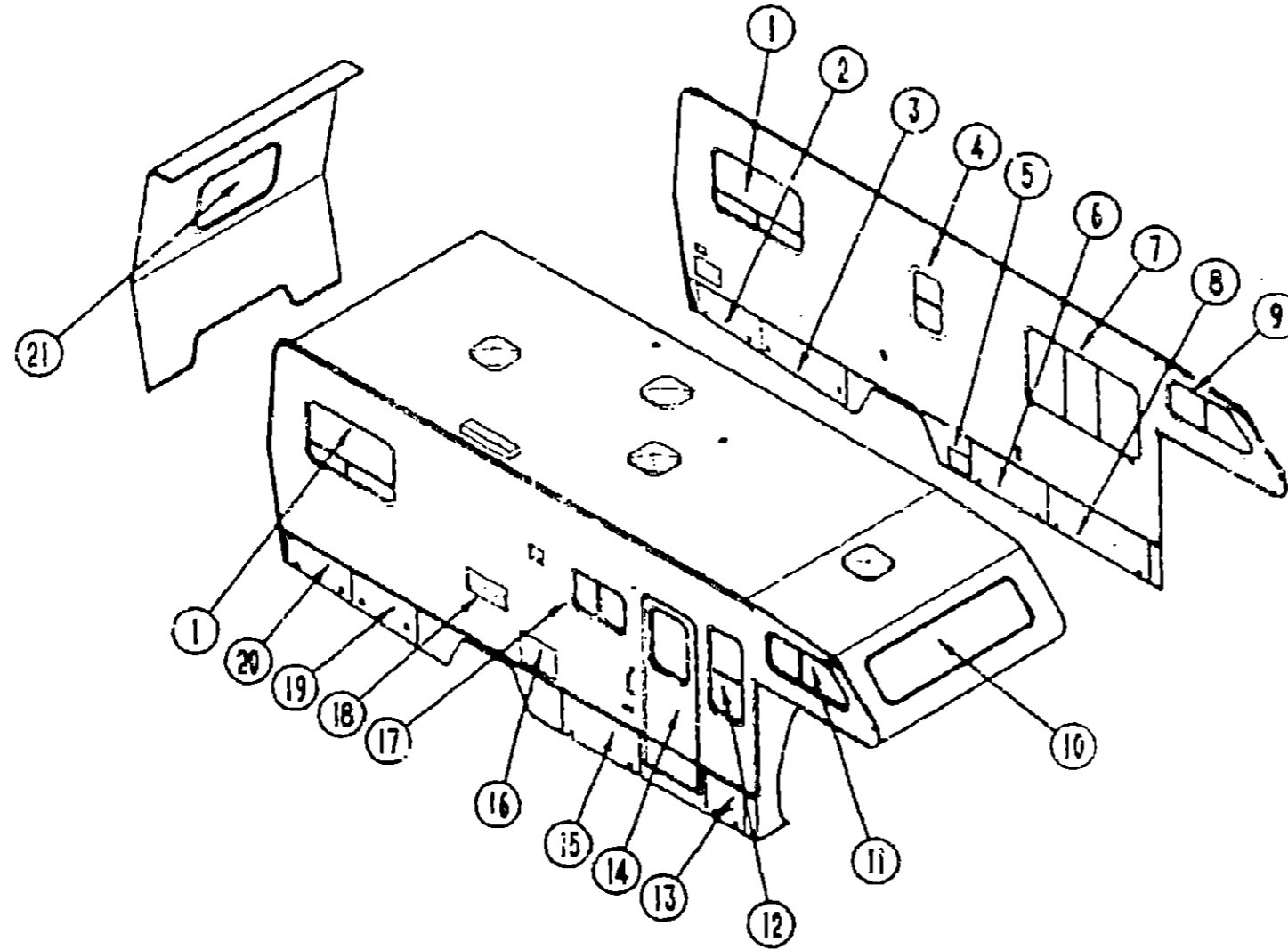
INTRODUCTION	A-01 - A-02
ABBREVIATIONS	A-03
ALPHABETICAL GROUP REFERENCE	A-04 - A-06
WF327RT	A-07 - D-12
WF327RB	D-13 - G-00
WF327RQ	G-09 - J-12

1991 WF327RQ INDEX

Floor Plan	G-09 - G-10
Accessories Group	G-11 - G-14
Bath Group	G-15 - G-16
Bedroom Group	G-17 - G-19
Chassis Group	G-20 - G-22
Curtain, Cushion & Pad Group	G-23 - H-03
Dinette Group	H-03 - H-11
Driver's Compartment Group	H-12 - H-14
Electrical Group	H-15 - H-17
Exterior Body Group	H-18 - H-22
Galley Group	H-23 - I-02
Heating & Air Conditioning Group	I-03 - I-04
Interior Finish Group	I-05 - I-08
Labels Group	I-09 - I-16
LP Group	I-17
Lounge Group	I-18
Sealants & Fasteners Group	I-19 - I-21
Water & Sewage Group	I-22 - I-24
Window, Vent & Exterior Door Group	J-01 - J-12

WINDOWS, VENTS & EXTERIOR DOORS

WINDOWS & ACCESS DOORS



1991 WINNEBAGO TABLE OF CONTENTS

INTRODUCTION	A-01 - A-02
ABBREVIATIONS	A-03
ALPHABETICAL/GROUP REFERENCE	A-04 - A-05
WF327RT	A-07 - D-12
WF327RB	D-13 - G-08
WF327RQ	G-09 - J-12

Key	Part Number	U/M	Description
1	092235-07-Y12	EA	Window Asm. - Tipout - 24.3" x 40.3"
	076010-03-000	EA	Door Asm. - Fuel Fill
	081240-02-000	EA	Door Asm. - Water Fill - Lockable - Off White
2	095397-10-B05	EA	Door Asm. - Storage - Rear
3	096397-09-B05	EA	Door Asm. - Generator/Storage
4	098544-01-715	EA	Window Asm. - Vertical Slider - 22" x 15"
5	098794-01-000	EA	Door Asm. - Power Cord
6	096386-09-B05	EA	Door Asm. - Storage
	103539-01-000	EA	Door Asm. - Drainage Compartment
7	098647-04-700	EA	Window Asm. - Horizontal Slider
8	096386-08-B05	EA	Door Asm. - Storage - Front
9	100322-02-700	EA	Window Asm. - Vented - 12" x 35.8"
10	103313-01-B05	EA	Window Asm. - Picture

Key	Part Number	U/M	Description
11	100322-01-720	EA	Window Asm. - Vented - 12" x 35.8"
12	098644-02-705	EA	Window Asm. - Vertical Slider - 34.25" x 15"
13	096386-10-B05	EA	Door Asm. - Valance - Front
14	M01870-32-B85	EA	Door Asm. - Entrance
	044582-02-000	EA	Drip Cap - Jamb Mounted - Off White
15	096386-11-B05	EA	Door Asm. - Valance
16	052009-01-000	EA	Door Asm. - Water Heater
17	098647-06-705	EA	Window Asm. - Slider
18	084103-03-000	EA	Door Asm. - Refrigerator
19	095397-11-B05	EA	Door Asm. - Valance
20	095397-12-B05	EA	Door Asm. - Valance - Rear
21	078528-03-Y12	EA	Window Asm. - Escape - 27" x 48"

1991 WF327RQ INDEX

Floor Plan	G-09 - G-10
Accessories Group	G-11 - G-14
Bath Group	G-15 - G-16
Bedroom Group	G-17 - G-19
Chassis Group	G-20 - G-22
Curtain, Cushion & Pad Group	G-23 - H-03
Dinette Group	H-09 - H-11
Driver's Compartment Group	H-12 - H-14
Electrical Group	H-15 - H-17
Exterior Body Group	H-18 - H-22
Galley Group	H-23 - I-02
Heating & Air Conditioning Group	I-03 - I-04
Interior Finish Group	I-05 - I-08
Labels Group	I-09 - I-16
LP Group	I-17
Lounge Group	I-18
Sealants & Fasteners Group	I-19 - I-21
Water & Sewage Group	I-22 - I-24
Window, Vent & Exterior Door Group	J-01 - J-12

WINDOW, VENT & EXTERIOR DOOR GROUP (CONTINUED)

POWERED ROOF VENT

Key	Part Number	U/M	Description
	090394-01-Y12	EA	Vent Asm. - Roof - Powered - w/o Screen (USA)
	009440-01-000	EA	Lift Mechanism
	009439-01-000	EA	Crank Handle - Roof Vent
	009439-04-000	EA	Screw
	061603-01-000	EA	Grommet - Snap - 3/16 ID - Black Plastic
	008366-01-000	EA	Grommet - Snap - 3/8"
	048649-01-000	EA	Fan - Plastic - 6"
	009195-01-000	EA	Switch - Push Button - 12 Volt
	015911-01-000	EA	Track - Slide - Roof Vent
	002825-01-000	EA	Weatherstrip Seal
	048648-01-000	EA	Motor - 12 Volt
	055218-01-000	EA	Cover Asm. - Roof Vent
	052639-01-200	EA	Hinge - 7" - Roof Vent
	078765-01-Y12	EA	Screen Asm. - Roof Vent - Powered
	002291-02-000	SF	Screen - Window - 16" - Charcoal
	002298-02-000	FT	Spline - Charcoal
**	064469-08-000	EA	Vent Asm. - Roof Powered - w/o Screen (CSA)

** The illustrated parts breakdown of this item is provided on the Common Items Fiche.

NON-POWERED VENT

Key	Part Number	U/M	Description
	090395-01-Y12	EA	Vent Asm. - Roof - Non-Powered - w/o Screen
	009440-01-000	EA	Lift Mechanism Asm.
	009439-04-000	EA	Screw
	009439-01-000	EA	Crank Handle - Roof Vent
	015911-01-000	EA	Track - Slide - Roof Vent
	002825-01-000	EA	Weatherstrip Seal
	055218-01-000	EA	Cover Asm. - Roof Vent
	052639-01-200	EA	Hinge - 7" - Roof Vent
	073765-01-Y12	EA	Screen Asm. - Charcoal
	002291-02-000	SF	Screen - Window - 16" - Charcoal
	002298-02-000	FT	Spline - Charcoal

VENTS & SHROUDS

Key	Part Number	U/M	Description
	083558-03-000	EA	Vent - Plumbing Pipe - Roof w/Cover - Off White
	084073-03-000	EA	Vent - Refrigerator Roof - Off White
	084073-04-000	EA	Base - Roof Vent - Norcold Refrigerator - Black
	084878-09-000	EA	Vent - Range Hood - Short - LVS
	063752-01-000	EA	Shroud Asm. - Range
	064616-01-000	EA	Shroud Asm. - Range Vent - Off White

WINDOW, VENT & EXTERIOR DOOR GROUP (CONTINUED)

ACCESS DOORS

Key	Part Number	U/M	Description
	076010-03-000	EA	Door Asm. - Fuel Fill - Off White
	078200-01-000	EA	Gasket - Fuel Fill
	052009-01-000	EA	Door Asm. - Water Heater - Off White
	088794-01-000	EA	Door Asm. - Power Cord w/Hatch - Off White
	084103-03-000	EA	Door Asm. - Refrigerator - Vented - Off White
	084104-01-700	EA	Lock - Male - Dyrus Fasteners
	084104-01-701	EA	Lock - Female - Dyrus Fasteners
	084104-03-000	EA	Jamb - Door - Vented - Refrigerator - Off White
	081240-03-000	EA	Door Asm. - Water Fill - Lockable - 4" x 4 5/8" - Off White
	096386-11-805	EA	Door Asm. - LP Compartment - 36.5" x 17.8" - Off White
	079927-03-000	EA	Lock - Twist Type - Double Cam - 2.10" Off Set
	096397-11-805	EA	Door Asm. - Storage - Tapered - 30.3" Wide
	079366-04-000	EA	Lock - Door - Key Type w/o Keys
	082684-01-700	EA	Key - Storage Compartment
	096386-09-805	EA	Door Asm. - Storage Compartment - 17.8" x 35.9"
	079927-03-000	EA	Lock - Twist Type - Double Cam
	701667-01-000	EA	Prop - Rod
	096386-08-805	EA	Door Asm. - Storage - 48.8" x 17.8"
	079366-04-000	EA	Lock - Key Type w/o Keys
	082684-01-700	EA	Key - Storage Compartment
	096397-09-805	EA	Door Asm. - Storage/Generator - w/Locks - 30.9"
	079927-03-000	EA	Lock Asm. - Twist Type - Double Cam
	078137-02-000	EA	Tray - Storage Compartment - 27.18" x 21"
	096397-10-905	EA	Door Asm. - Rear Compartment
	079366-04-000	EA	Lock Asm. - Key Type w/o Keys
	082684-01-700	EA	Key - Storage Compartment
	096397-12-805	EA	Door Asm. - Rear Compartment
	079366-04-000	EA	Lock Asm. - Key Type w/o Keys
	082684-01-700	EA	Key - Compartment Door
	103639-01-000	EA	Door Asm. - Drainage Compartment - 7.9" x 7.6"
	074470-01-000	EA	Pull - Hinge - Release Pin
	009066-01-000	EA	Hinge - Aluminum - No Holes - 1 1/16" x 51" - Unpainted
	088270-01-000	FT	Seal - Bulb - Rubber
	096376-10-805	EA	Door Asm. - Compartment - 18.9" x 17.8" - Off White
	079366-04-000	EA	Lock Asm. - Key Type w/o Keys
	082684-01-000	EA	Key - Compartment Lock
	096209-55-001	EA	U-Channel - Hinged - 16" - Off White
	093486-01-000	SY	Carpet - Storage Compartment
	061420-01-000	EA	Plug - Plastic - 1.75" - Brown
	064075-07-000	FT	Seal - Bulb - Door Jamb - Black
	097111-01-01A	EA	Pocket - Lock Valance - Off White
	098333-01-000	EA	Gasket - Lock Pocket

NOTE: Items indented below assemblies are serviceable parts for that assembly

**1991 WINNEBAGO
TABLE OF CONTENTS**

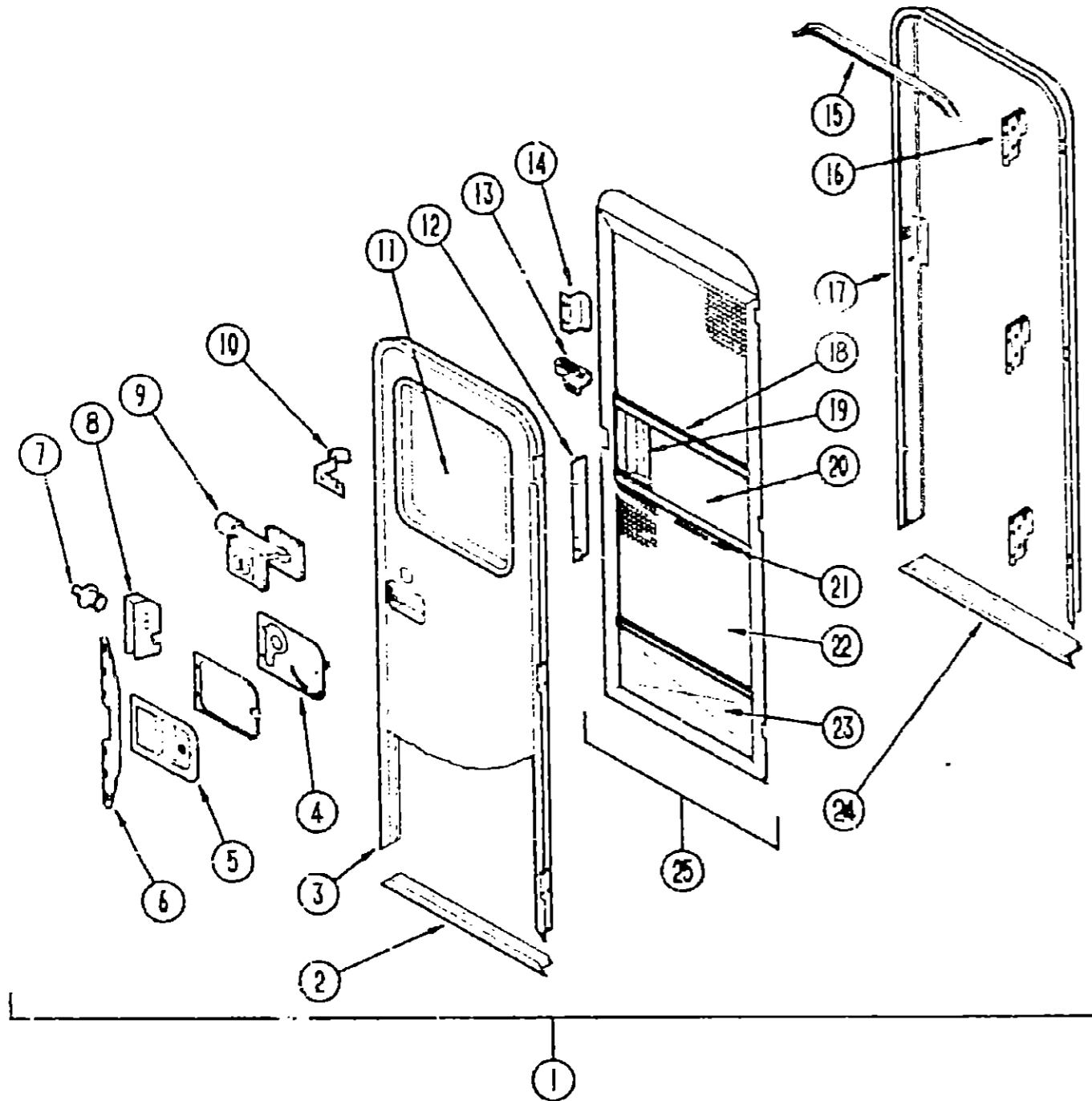
INTRODUCTION	A-01 - A-02
ABBREVIATIONS	A-03
ALPHABETICAL/GROUP REFERENCE	A-04 - A-06
WF327RT	A-07 - D-12
WF327RB	D-13 - G-08
WF327RQ	G-09 - J-12

1991 WF327RQ INDEX

Floor Plan	G-09 - G-10
Accessories Group	G-11 - G-14
Bath Group	G-15 - G-16
Bedroom Group	G-17 - G-19
Chassis Group	G-20 - G-22
Curtain, Cushion & Pad Group	G-23 - H-08
Dinette Group	H-09 - H-11
Driver's Compartment Group	H-12 - H-14
Electrical Group	H-15 - H-17
Exterior Body Group	H-18 - H-22
Galley Group	I-23 - I-02
Heating & Air Conditioning Group	I-03 - I-04
Interior Finish Group	I-05 - I-08
Labels Group	I-09 - I-16
LP Group	I-17
Lounge Group	I-18
Sealants & Fasteners Group	I-19 - I-21
Water & Sewage Group	I-22 - I-24
Window, Vent & Exterior Door Group	J-01 - J-12

WINDOW, VENT & EXTERIOR DOOR GROUP (CONTINUED)

ENTRANCE DOOR



Key	Part Number	U/M	Description
1	1:01870-32-B65	EA	Door Asm. - Entrance w/Screen
	075639-11-000	EA	Garnish - Radius - Entrance Door
2	069748-01-000	EA	Frame - Entrance Door - Bottom Portion
3	095276-01-01A	EA	Frame Asm. - Entrance Door - Off White
4	039979-04-000	EA	Cover Asm. - Latch Plate - Black
	039738-01-000	EA	Deadbolt - "J" Shaped - Latch Asm
	039984-01-000	EA	Cap - Black Vinyl - Lock Grip
5	045017-11-000	EA	Latch Asm. - Plate - Black
	045017-11-700	EA	Master Key
	045017-11-701	EA	Blank Key
6	098173-01-04A	EA	Stiffener - Entrance Door
7	039539-01-000	EA	Strike
8	039540-01-000	EA	Latch Asm. - Entrance Door
9	101145-01-01A	EA	Deadbolt Asm. - Black/Black
	095229-01-700	EA	Key - Blank
	101147-01-000	EA	Bolt - Security - 4.12" Backset
10	100412-01-000	EA	Catch - Screen Door
	085774-01-000	FT	Fastener - Dual Hook - 1" Wide - Black
	655774-02-000	FT	Fastener - Dual Loop - 1" Wide - Black
11	079733-07-AA6	EA	Window Asm. - Picture - 17" x 25" - Frosted Glass (w/o inside frame)
	059509-32-000	EA	Inside Frame - Black (not included in assembly)
	002181-07-000	EA	Glass - Picture - Frosted
	087561-01-000	FT	Spline - Glass - Exterior Vinyl - Black
12	079287-02-000	EA	Strike - Slider - Screen Door
	077461-03-000	EA	Strike Cover - Off White
13	009018-01-000	EA	Roller Catch - Screen Door
	058025-02-000	EA	Clip - Roller Catch - Screen Door
	009016-01-000	EA	Catch - Elbow - Spring Loaded - Screen Door
14	050712-03-000	EA	Door Handle - Screen Door - Mill Finished
14	050712-05-000	EA	Door Handle - Screen Door - Off White
15	044532-02-000	EA	Drip Cap - Top Entrance
16	097724-01-024	EA	Hinge - Entrance Door - Off White
	075725-01-000	EA	Hinge Cover - Light Oak
17	095276-01-01A	EA	Door Jamb - Entrance Door - Mill Finished
17	095277-02-01A	EA	Door Jamb - Entrance Door - Off White
	079207-01-000	EA	Striker - Roller Catch - Welded to Door Jamb
18	078777-01-000	EA	Channel Slide - Screen Door Center Slider Cover
19	079086-02-000	EA	Slider - Screen Door
20	016454-01-000	EA	Insert - Screen Door - Center - Leather Grain Aluminum
21	002294-01-000	FT	Spline - Black
22	002293-02-000	SF	Screen - Window - 26" - Channel
23	078552-03-000	EA	Insert - Screen Door - Lower - Kick Panel
24	051049-01-000	EA	Jamb - Bottom - Entry Door
25	079012-01-U01	EA	Screen Door Asm
	078595-01-000	EA	Plate - Screen Door
	100128-02-000	FT	Seal - Screen Door
	075571-04-000	FT	Seal - Sponge - Lazy T-Shaped
	002748-01-000	EA	Key - Corner
	081067-01-000	EA	Seal - Lock w/Flat Slot
	053729-04-000	EA	Rivnut - 10 - 32 UNF - 010 - 030
	072893-01-000	EA	Nutsert - 1/2" x 0.8
	041546-03-000	EA	Angle Bracket
	056506-03-000	EA	Plug - Tapered Plastic - Red
	081914-01-000	EA	Bumper - Round Rubber - 43" Dia - Black
	100168-01-000	EA	Clip - Spring - Screw
	039175-01-000	EA	Nutsert - 1/4" - 20
	091968-03-000	FT	Tape Adhesive - 1" Wire
	090340-01-000	FT	Seal Foam - Closed Cell

1991 WINNEBAGO TABLE OF CONTENTS

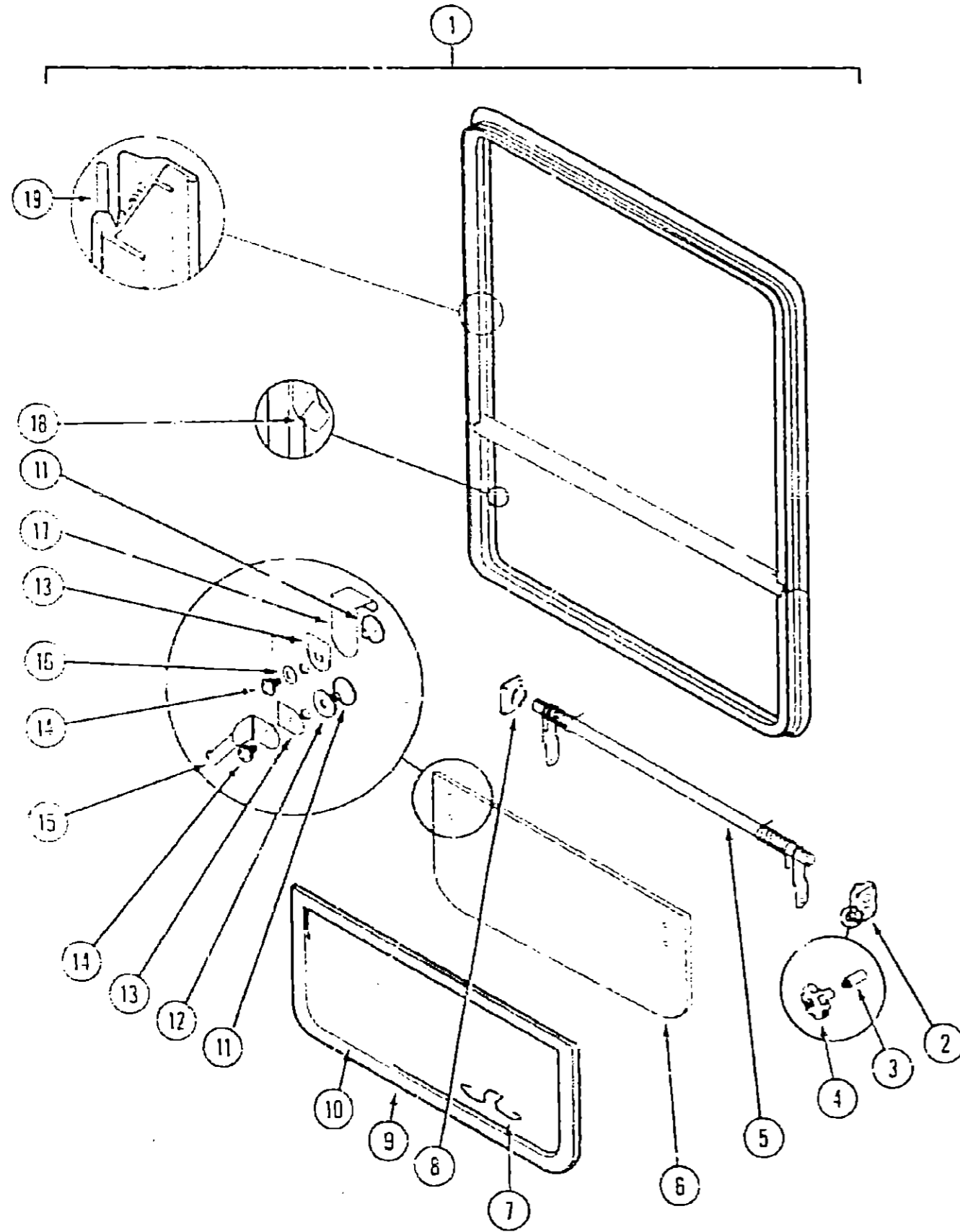
INTRODUCTION	A-01 - A-02
ABBREVIATIONS	A-03
ALPHABETICAL/GROUP REFERENCE	A-04 - A-06
WF327RT	A-07 - D-12
WF327RB	D-13 - G-05
WF327RO	G-09 - J-12

1991 WF327RQ INDEX

Floor Plan	G-09 - G-10
Accessories Group	G-11 - G-14
Bath Group	G-15 - G-16
Bedroom Group	G-17 - G-19
Chassis Group	G-20 - G-27
Curtain, Cushion & Pad Group	G-23 - H-03
Dinette Group	H-09 - H-11
Driver's Compartment Group	H-12 - H-14
Electrical Group	H-15 - H-17
Exterior Body Group	H-18 - H-22
Galley Group	H-23 - I-02
Heating & Air Conditioning Group	I-03 - I-04
Interior Finish Group	I-05 - I-08
Labels Group	I-09 - I-16
LP Group	I-17
Lounge Group	I-18
Sealants & Fasteners Group	I-19 - I-21
Water & Sewage Group	I-22 - I-24
Window, Vent & Exterior Door Group	J-01 - J-12

WINDOW, VENT & EXTERIOR DOOR GROUP (CONTINUED)

WINDOW, VENT & EXTERIOR DOOR GROUP (CONTINUED)



BEDROOM SINGLE TIPOUT WINDOW

Key	Part Number	U/M	Description
1	092235-07-Y12	EA	Window Asm. - Single Tipout (w/o inside frame)
	090893-11-01A	EA	Inside Frame (not included w/Window Assembly)
2	035302-02-000	EA	Operator Drive
3	090025-01-000	EA	Extension - Window Knob (not included w/Window Assembly)
4	067052-02-000	EA	Window Knob - Beige (not included w/Window Assembly)
	089371-01-000	EA	Screw - Window Knob (not included w/Window Assembly)
4	101290-01-01A	EA	Window Knob - Brass (not included w/Window Assembly)
	101289-01-01A	EA	Screw - Window Knob - Brass (not included w/Window Assembly)
5	080918-01-000	EA	Spring - Torque Tube - Left
	080918-02-000	EA	Spring - Torque Tube - Right
5	083150-12-000	EA	Torque Tube Asm. w/Spring
6	084068-19-000	EA	Glass - 1/8" x 1/8" x 9 2" x 40"
7	100168-01-000	EA	Screen Clip
8	081354-01-000	EA	Torque Tube Sleeve
9	109235-04-Y12	EA	Screen Asm.
10	080218-03-000	SF	Window Screen - 12"
	100240-01-000	FT	Window Screen Spline
11	086762-01-000	EA	Window T-Nut
12	068927-03-000	EA	Seal - Rubber
13	084473-01-000	EA	Seal - Rubber
14	086763-01-000	EA	Screw - #10 - 32 x 1/4" PTH
15	097578-01-000	EA	Connecting Rod Asm.
	081649-01-000	EA	Snap Ring Clip
16	084453-02-000	EA	Plastic Washer - .06 x .50 x .25
17	089913-01-000	EA	Hinge
18	084057-01-000	FT	Seal - Sponge Rubber
19	069540-03-000	FT	Ribbon Sealer (not included w/Window Assembly)

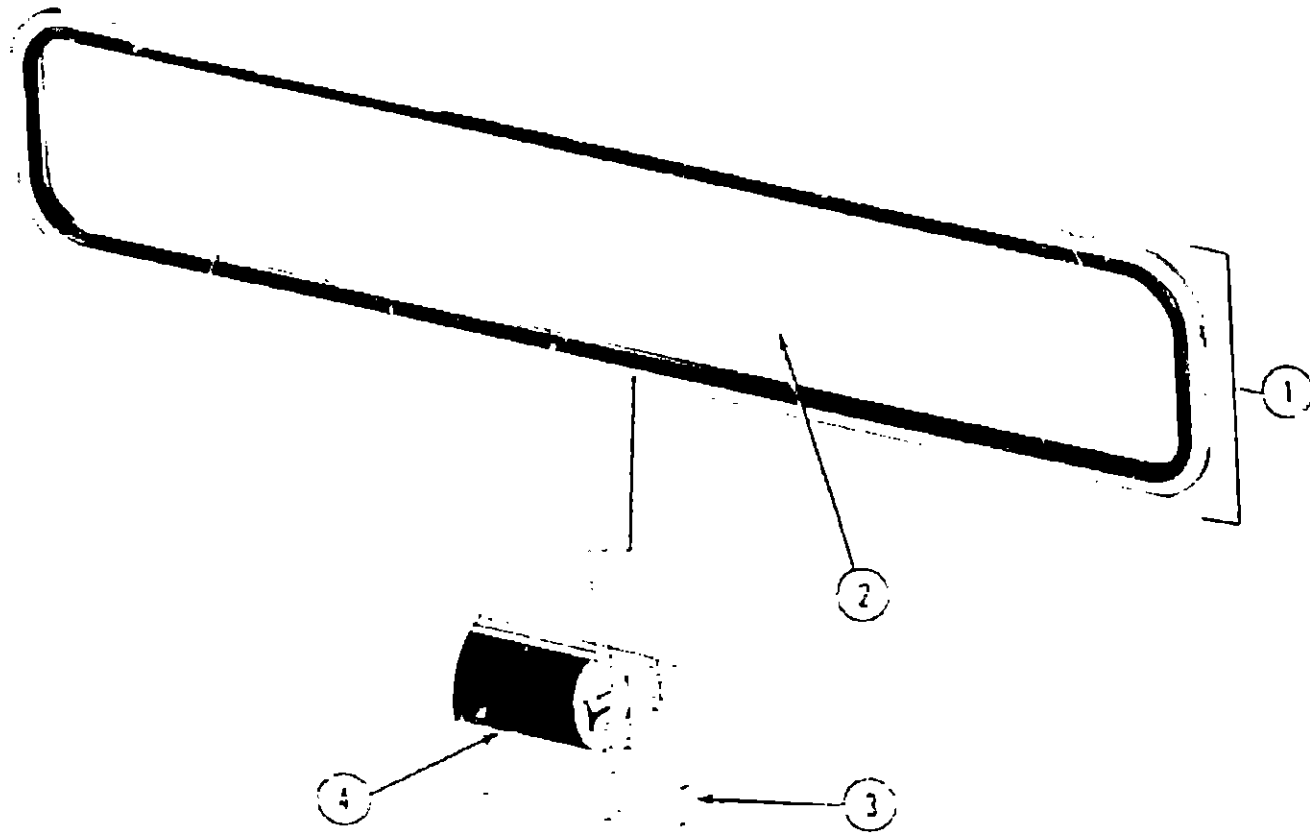
1991 WINNEBAGO
TABLE OF CONTENTS

INTRODUCTION	A-01 - A-02
ABBREVIATIONS	A-03
ALPHABETICAL/GROUP REFERENCE	A-04 - A-06
WF327RT	A-07 - D-12
WF327RB	D-13 - G-08
WF327RQ	G-09 - J-12

1991 WF327RQ INDEX

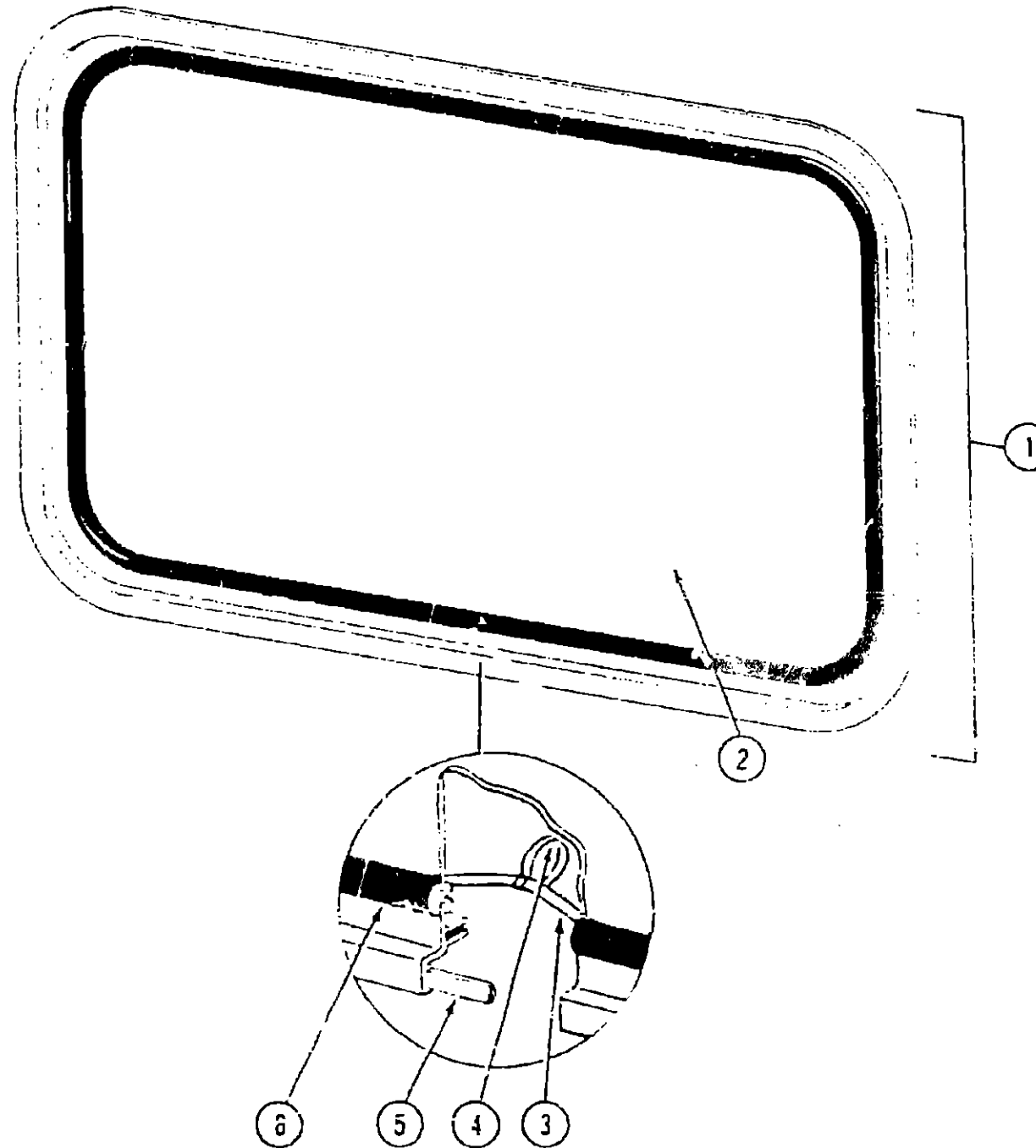
Floor Plan	G-09 - G-10
Accessories Group	G-11 - G-14
Bath Group	G-15 - G-16
Bedroom Group	G-17 - G-19
Chassis Group	G-20 - G-22
Curtain, Cushion & Pad Group	G-23 - H-09
Dinette Group	H-09 - H-11
Driver's Compartment Group	H-12 - H-14
Electrical Group	H-15 - H-17
Exterior Body Group	H-18 - H-22
Galley Group	H-23 - I-02
Heating & Air Conditioning Group	I-03 - I-04
Interior Finish Group	I-05 - I-08
Labels Group	I-09 - I-16
LP Group	I-17
Lounge Group	I-18
Sealants & Fasteners Group	I-19 - I-21
Water & Sewage Group	I-22 - I-24
Window, Vent & Exterior Door Group	J-01 - J-12

WINDOW, VENT & EXTERIOR DOOR GROUP (CONTINUED)



Key	Part Number	U/M	Description
1	103313-01-B05	EA	Window Asm. - Front Picture - (w/o inside frame)
	067609-31-000	EA	Inside Frame - Black (not included in assembly)
2	002181-15-000	EA	Glass - Window - 16.4" x 71.2" Gray
3	069640-06-000	FT	Ribbon Sealer - 5/16" Bead x 15'
4	033154-01-000	FI	Channel Glazing

WINDOW, VENT & EXTERIOR DOOR GROUP (CONTINUED)



ESCAPE WINDOW

Key	Part Number	U/M	Description
1	076528-03-Y12	EA	Window Asm. - Escape - 27" x 48" (w/o inside frame)
	074816-06-000	EA	Inside Frame - Black (not included in assembly)
2	076337-08-000	EA	Glass - 44.8" x 23.5"
3	092285-01-000	FT	Filler - Weatherstrip - Black
4	077066-01-702	EA	Tape Asm. - Escape Window
5	069640-06-000	FT	Ribbon Sealer - 5/16" Bead x 15'
6	002282-06-000	FT	Weatherstrip - 125" x 1.33" - Black

1991 WINNEBAGO
TABLE OF CONTENTS

INTRODUCTION	A-01 - A-02
ABBREVIATIONS	A-03
ALPHABETICAL/GROUP REFERENCE	A-04 - A-06
WF327RT	A-07 - D-12
WF327RB	D-13 - G-08
WF327RO	G-09 - J-12

1991 WF327RQ INDEX

Floor Plan	G-09 - G-10
Accessories Group	G-11 - G-14
Bath Group	G-15 - G-16
Bedroom Group	G-17 - G-19
Chassis Group	G-20 - G-22
Curtain, Cushion & Pad Group	G-23 - H-08
Dinette Group	H-09 - H-11
Driver's Compartment Group	H-12 - H-14
Electrical Group	H-15 - H-17
Exterior Body Group	H-18 - H-22
Galley Group	H-23 - I-02
Heating & Air Conditioning Group	I-03 - I-04
Interior Finish Group	I-05 - I-08
Labels Group	I-09 - I-16
LP Group	I-17
Lounge Group	I-18
Sealants & Fasteners Group	I-19 - I-21
Water & Sewage Group	I-22 - I-24
Window, Vent & Exterior Door Group	J-01 - J-12

WINDOW, VENT & EXTERIOR DOOR GROUP (CONTINUED)

FRONT BUNK SLANT SLIDER

Key	Part Number	U/M	Description
	100322-01-720	EA	Window - Ventcd - 12" x 35.8" - Passenger Side (w/o inside frame)
	100322-02-700	EA	Window - Ventcd - 12" x 35.8" - Driver Side (w/o inside frame)
	100322-01-719	EA	Inside Frame - Black - Passenger (not included in assembly)
	100322-01-721	EA	Inside Frame - Black - Driver (not included in assembly)
	098646-01-707	EA	Inside Frame - Off White - Passenger (not included in assembly)
	098646-02-702	EA	Inside Frame - Off White - Driver (not included in assembly)
	098644-01-716	EA	Filler Plug
	100322-01-701	FT	Seal - Vent
	100322-01-702	EA	Weatherstrip - Horizontal Rail
	100322-01-703	EA	Glazing Strip - Butyl
	100322-01-704	EA	Butyl Tape
	100322-01-705	EA	Stationary Glass - Small Top
	100322-01-706	EA	Stationary Glass - Large - Front
	100322-01-707	EA	Tipout Glass - Sub-Assembly
	100322-01-708	EA	Screen - Driver Side
	100322-01-709	EA	Screen - Passenger Side
	100322-01-710	EA	Plate - Splice
	100322-01-711	EA	Operator Vent - Sub Assembly
	100322-01-712	EA	Rail - Horizontal
	100322-01-713	EA	Bar Division - Vertical
	100322-01-714	EA	Support - Torque Bar - Driver Side
	100322-01-715	EA	Support - Torque Bar - Passenger Side
	100322-01-716	EA	Support - Torque Bar - Center Rail
	100322-01-717	EA	E-Ring
	100322-01-718	EA	Handle - Dial

LOUNGE SINGLE SLIDER WINDOW

Key	Part Number	U/M	Description
	098647-06-705	EA	Window - Single Slider (w/o inside frame)
	098647-06-704	EA	Inside Frame - Black (not included in assembly)
	098647-06-706	EA	Inside Frame - Off White (not included in assembly)
	098644-01-701	EA	Splice Plate - Window
	098644-01-702	EA	Screw - Splice
	098644-01-703	EA	Screw - Locking Rail
	098647-06-700	EA	Glass - Stationary - 10.9" x 13.7"
	098644-01-705	FT	Glazing Strip
	098644-01-706	FT	Weatherstripping
	098647-06-701	EA	Rail - Locking w/Weatherstrip
	098644-01-708	FT	Channel - Pierced Run
	098644-01-700	EA	Latch - Repair Kit
	098647-06-702	EA	Sash Asm. w/Sliding Glass & Latch
	098644-01-710	FT	Track - Screen Spacer (12' Length)
	098644-01-711	FT	Weatherstrip - Screen - Black
	098647-06-703	EA	Screen w/Weatherstrip & Frame Spring (Clip)
	098644-01-713	EA	Spring - Screen Frame (Clip) - Plastic - Black
	098644-01-716	FT	Plug - Filler

WINDOW, VENT & EXTERIOR DOOR GROUP (CONTINUED)

LOUNGE SINGLE SLIDER

Key	Part Number	U/M	Description
	098644-02-705	EA	Window Asm. - Vertical Slider (w/o inside frame)
	098644-02-704	EA	Inside Frame - Black (not included in assembly)
	098644-02-706	EA	Inside Frame - Off White (not included in assembly)
	098644-01-701	EA	Splice Plate - Window
	098644-01-702	EA	Screw - Splice - #6-32 x 1/4 Pan Head
	098644-01-703	EA	Screw - Locking Rail - #6 x 1.5 Pro Head Recess Black
	098644-02-700	EA	Glass - Stationary - 16.15" x 13.77"
	098644-01-705	FT	Glazing Strip
	098644-01-706	FT	Weatherstrip
	098644-01-707	EA	Rail - Locking w/Weatherstrip
	098644-01-708	FT	Channel - Pierced Run
	098644-01-700	EA	Latch - Repair Kit
	098644-02-701	EA	Sash w/Latch & Sliding Glass
	098644-01-711	FT	Weatherstrip - Screen - Black
	098644-02-703	EA	Screen w/Weatherstrip & Frame Spring (Clip)
	098644-01-713	EA	Spring - Screen Frame (Clip) Plastic - Black
	098644-01-716	FT	Plug - Filler

DINETTE SINGLE SLIDING WINDOW

Key	Part Number	U/M	Description
	098647-04-700	EA	Window Asm. - Single Slider (w/o inside frame)
	098647-03-705	EA	Inside Frame - Black (not included in assembly)
	098647-04-707	EA	Inside Frame - Off White (not included in assembly)
	098644-01-701	EA	Splice Plate - Window
	098644-01-702	EA	Screw - Splice - #6 - 32 x 1/4" Pan Head
	098644-01-703	EA	Screw - Locking Rail - #6 x 15 Pro-Head Recess - Black
	098647-03-700	EA	Glass - Stationary - 26.03" x 28.77"
	098644-01-706	FT	Weatherstrip
	098647-03-701	EA	Locking Rail w/Weatherstrip
	098644-01-708	FT	Channel - Pierced Run
	098644-01-705	FT	Glazing Strip
	098644-01-700	EA	Latch - Repair Kit
	098647-03-703	EA	Sash Asm.
	098647-03-703	EA	Spacer - Track
	098647-03-704	EA	Screen Asm. - w/Spring & Weatherstrip
	098644-01-711	FT	Weatherstrip - Screen - Black
	098647-01-706	EA	Screen - Window w/Spring & Seal
	098644-01-713	EA	Spring - Screen Frame (Clip) Plastic - Black
	098644-01-716	FT	Plug - Filler

BATH SINGLE SLIDER

Key	Part Number	U/M	Description
	098644-01-715	EA	Window Asm. - 22" x 15" (w/o inside frame)
	098644-01-714	EA	Inside Frame - Black (not included in assembly)
	098644-01-718	EA	Inside Frame - Off White (not included in assembly)
	098644-01-701	EA	Splice Plate - Window
	098644-01-702	EA	Screw - Splice - #6 - 32 x 1/4" Pan Head
	098644-01-703	EA	Screw - Locking Rail - #6 x 15 Pro Head Recess - Black
	098644-01-704	EA	Glass - Stationary - 10.03" x 13.77"
	098644-01-705	FT	Glazing Strip
	098644-01-706	FT	Weatherstrip
	098644-01-707	EA	Rail - Locking w/Weatherstrip
	098644-01-708	FT	Channel - Pierced Run
	098644-01-700	EA	Latch - Repair Kit
	098644-01-709	EA	Sash w/Latch & Sliding Glass
	098644-01-710	FT	Track - Screen Spacer - 12' Length
	098644-01-711	FT	Weatherstrip - Screen - Black
	098644-01-712	EA	Screen w/Weatherstrip & Frame Spring (Clip)
	098644-01-713	EA	Spring - Screen Frame (Clip) - Plastic - Black
	098644-01-717	EA	Spline
	098644-01-716	EA	Plug - Filler

**1991 WINNEBAGO
TABLE OF CONTENTS**

INTRODUCTION	A-01 - A-02
ABBREVIATIONS	A-03
ALPHABETICAL/GROUP REFERENCE	A-04 - A-06
WF327RT	A-07 - D-12
WF327RB	D-13 - G-08
WF327RQ	G-09 - J-12

1991 WF327RQ INDEX

Floor Plan	G-09 - G-10
Accessories Group	G-11 - G-14
Bath Group	G-15 - G-16
Bedroom Group	G-17 - G-19
Chassis Group	G-20 - G-22
Curtain, Cushion & Pad Group	G-23 - H-08
Dinette Group	H-09 - H-11
Driver's Compartment Group	H-12 - H-14
Electrical Group	H-15 - H-17
Exterior Body Group	H-18 - H-22
Galley Group	H-23 - I-02
Heating & Air Conditioning Group	I-03 - I-04
Interior Finish Group	I-05 - I-08
Labels Group	I-09 - I-15
LP Group	I-17
Lounge Group	I-18
Sealants & Fasteners Group	I-19 - I-21
Water & Sewage Group	I-22 - I-24
Window, Vent & Exterior Door Group	J-01 - J-12